



Illustrated Parts Manual

**Model
740AJ**

**With ADE or UGM
CONTROL MODULE
PRIOR TO
SN 0300185827**

P/N
3121161

July 31, 2018 - Rev Z

ANSI

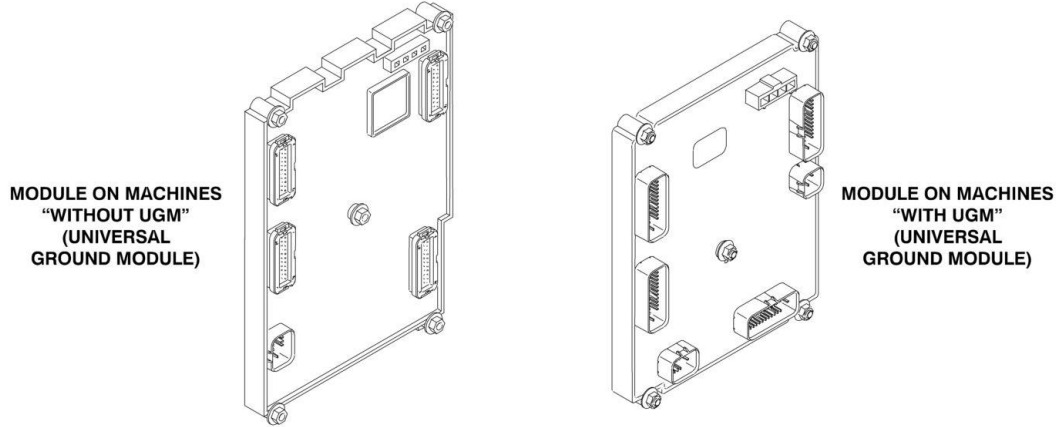
CE



An Oshkosh Corporation Company

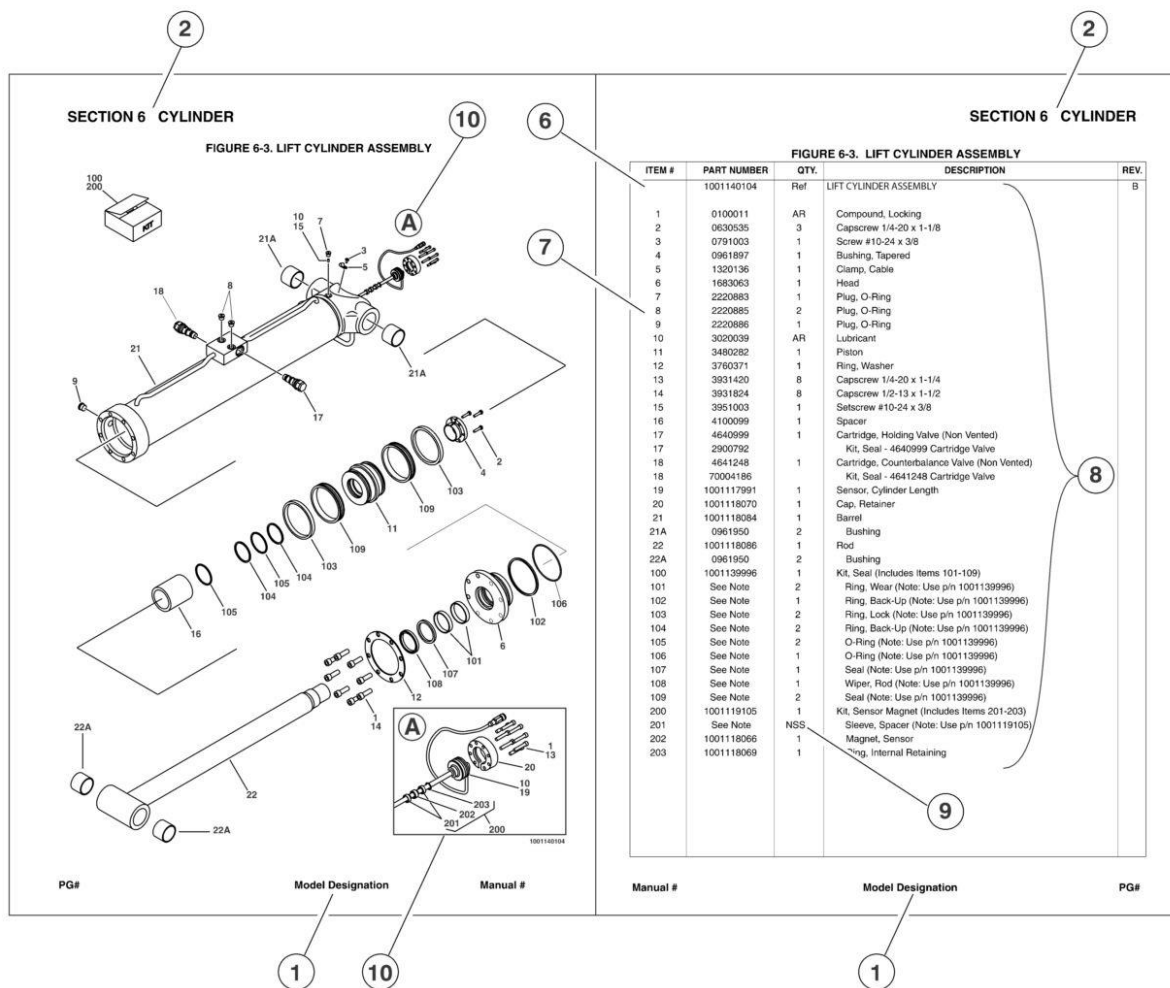
REVISION LOG

GROUND MODULE MODULE IDENTIFICATION



- February 10, 2006 - A - Original Issue Of Manual (Manual edited to 0010594 Revision 19)
- May 31, 2006 - B - Revised Manual (Manual edited to 0010594 Revision 21)
- September 25, 2006 - C - Revised Manual (Manual edited to 0010594 Revision 22)
- April 17, 2007 - D - Revised Manual (Manual edited to 0010594 Revision 24)
- July 30, 2007 - E - Revised Manual (Manual edited to 0010594 Revision 24)
- December 7, 2007 - F - Revised Manual (Manual edited to 0010594 Revision 25)
- March 15, 2008 - G - Revised Manual (Manual edited to 0010594 Revision 25)
- November 28, 2008 - H - Revised Manual (Manual edited to 0010594 Revision 29)
- May 15, 2009 - I - Revised Manual (Manual edited to 0010594 Revision 37)
- October 15, 2009 - J - Revised Manual (Manual edited to 0010594 Revision 38)
- April 15, 2010 - K - Revised Manual (Manual edited to 0010594 Revision 42)
- December 30, 2010 - L - Revised Manual (Manual edited to 0010594 Revision 45)
- April 27, 2011 - M - Revised Manual (Manual edited to 0010594 Revision 45)
- July 29, 2011 - N - Revised Manual (Manual edited to 0010594 Revision 48)
- October 21, 2011 - O - Revised Manual (Manual edited to 0010594 Revision 49)
- January 10, 2012 - P - Revised Manual (Manual edited to 0010594 Revision B)
- May 31, 2012 - Q - Revised Manual (Manual edited to 0010594 Revision C)
- July 31, 2012 - R - Revised Manual (Manual edited to 0010594 Revision C)
- December 14, 2012 - S - Revised Manual (Manual edited to 0010594 Revision C)
- March 26, 2013 - T - Revised Manual (Manual edited to 0010594 Revision D)
- June 20, 2013 - U - Revised Manual (Manual edited to 0010594 Revision I)
- September 16, 2013 - V - Revised Manual (Manual edited to 0010594 Revision J)
- December 30, 2013 - W - Revised Manual (Manual edited to 0010594 Revision J)
- April 30, 2014 - X - Revised Manual (Manual edited to 0010594 Revision O)
- July 31, 2015 - Y - Revised Manual (Manual edited to 0010594 Revision O)
- July 31, 2018 - Z - Revised Manual (Manual Edited to 0010594 Revision O)

GENERAL INFORMATION



1) MACHINE IDENTIFICATION

Machines are identified by model and in some cases a combination of models, serial number (SN) or regional standard (i.e. ANSI, CE, CSA). Components may also be identified by SN or manufacturer. Common components that may be identified by these characteristics are engines and hydraulic components.

2) PARTS MANUAL ORGANIZATION

Product information in this manual is organized under section titles. Frame, Cylinder, Hydraulic and Electrical are a few examples. Each section is organized by figure and page number. The information within the Figure is then organized by item number, part number, description and corresponding illustration(s).

3) TABLE OF CONTENTS

A table of contents is found toward the beginning of the manual. Figure number, description and page number are provided for quick reference to the page containing the related information.

4) RECOMMENDED SPARE PARTS

The Recommended Spare Parts, located near the end of the manual, reference most frequently used maintenance parts.

5) PART NUMBER INDEX

A numerical index listing all part numbers and the corresponding page number(s) appears at the back of the manual.

GENERAL INFORMATION

6) NON-SERVICED PARTS

In some instances, it is necessary to display non-serviced parts, assemblies or installations. In the case of assemblies and installations there will be a Ref in the Qty column. In case of parts that are not available for service within assemblies or components, there will be a NSS (Not Sold Separately) or NLA (No Longer Available) listed in the Qty. column of the manual.

7) PARTS LIST ITEM NUMBERS

Numbers shown in the item# column correspond to numbers used in the associated illustration (s). Item numbers which are missing from the sequence in the parts list are not used on that page

8) INDENTED PARTS DESCRIPTION

An indented part description is included in the item under which it is indented.

9) ABBREVIATION AND SYMBOLS

| | | | |
|--------------|---|---------------|------------------------------------|
| AC..... | .. Alternating Current | LCD | .. Liquid Crystal Display |
| ADE..... | .. Advanced Design Electronics | LED | .. Light Emitting Diodes |
| ANSI | .. American National Standards Institute | LH..... | .. Left Hand |
| AR..... | .. As Required | LSS | .. Load Sensing System |
| ASSY | .. Assembly | M(m)..... | .. Metric/Meter |
| AUX..... | .. Auxiliary | MM (mm) | .. Milimeter |
| AWG..... | .. American Wire Gauge | mA..... | .. Milliamps |
| B/M..... | .. Bill of Material | NLA..... | .. No Longer Available |
| CE..... | .. European Conformity | NPT | .. National Pipe Threads |
| CCW | .. Counter Clockwise | NSS | .. Not Sold Separately |
| cm..... | .. Centimeter | OD..... | .. Outside Diameter |
| CW | .. Clockwise | ORB..... | .. O-Ring Boss |
| CSA..... | .. Canadian Standards Association | ORFS | .. O-Ring Face Seal |
| CYL..... | .. Cylinder | OZ (oz) | .. Ounces |
| DIA | .. Diameter | PG | .. Page |
| DC..... | .. Direct Current | P/N..... | .. Part Number |
| EMS | .. Emergency Stop | qt..... | .. Quarts |
| ENG | .. Engine | QTY..... | .. Quantity |
| FT (ft)..... | .. Feet | REF | .. Reference |
| GA (Ga)..... | .. Gauge | REV | .. Revision Level |
| HYD | .. Hydraulic | RH..... | .. Right Hand |
| Hz..... | .. Hertz | SAE..... | .. Society of Automotive Engineers |
| ID..... | .. Inside Diameter | SN..... | .. Serial Number |
| in..... | .. inches | SPEC(S)..... | .. Specifications |
| ISO..... | .. International Organization for Standards | T/T..... | .. Turntable |
| JIC..... | .. Joint Industry Council | UGM | .. Universal Ground Module |
| KG | .. Kilogram | V..... | .. Volts |
| L..... | .. Liter | W..... | .. Watts |
| LB | .. Pounds | #..... | .. Number |

10) ILLUSTRATION REFERENCE LETTERS

When necessary, illustrations may contain reference letters that are intended to track information (i. e. hoses, harnesses) from one point to another or to track visual enlargement of components to show details that may be located in another area on the illustration.

Note: Due to continuous product improvements, JLG Industries, Inc. reserves the right to make specification changes without prior notification. Contact JLG Industries, Inc. for updated information.

TABLE OF CONTENTS

| | |
|---|-----|
| SECTION 1 - FRAME..... | 9 |
| FIGURE 1-1. AXLE AND STEERING INSTALLATION..... | 10 |
| FIGURE 1-2. TIRE AND WHEEL INSTALLATIONS..... | 14 |
| FIGURE 1-3. DRIVE HUB ASSEMBLY (Prior to SN 0300138447)..... | 16 |
| FIGURE 1-4. DRIVE HUB ASSEMBLY (SN 0300138447 through 0300185827)..... | 20 |
| FIGURE 1-5. DRIVE MOTOR ASSEMBLY (Prior to SN 0300138447)..... | 24 |
| FIGURE 1-6. DRIVE MOTOR ASSEMBLY (SN 0300138447 through 0300185827)..... | 26 |
| FIGURE 1-7. DRIVE VALVES AND SHIELDS INSTALLATIONS..... | 28 |
| FIGURE 1-8. TOW PACKAGE INSTALLATION..... | 30 |
| SECTION 2 - TURNTABLE..... | 33 |
| FIGURE 2-1. CONTROL VALVES AND HORN INSTALLATIONS..... | 34 |
| FIGURE 2-2. MAIN CONTROL VALVE ASSEMBLY..... | 38 |
| FIGURE 2-3. ACCESSORY VALVE ASSEMBLY..... | 42 |
| FIGURE 2-4. AUXILIARY PUMP ASSEMBLY (SN 0300109067 through 0300185827)..... | 44 |
| FIGURE 2-5. TURNTABLE BEARING AND SWING DRIVE INSTALLATION..... | 48 |
| FIGURE 2-6. SWING MOTOR/HUB ASSEMBLY (Prior to SN 0300134353)..... | 50 |
| FIGURE 2-7. SWING MOTOR/HUB ASSEMBLY (SN 0300134353 through 0300185827)..... | 56 |
| FIGURE 2-8. DEUTZ ENGINE INSTALLATION (Prior to SN 0300077500)..... | 60 |
| FIGURE 2-9. DEUTZ ENGINE INSTALLATION (SN 0300077500 through 0300185827)..... | 66 |
| FIGURE 2-10. FORD ENGINE INSTALLATION (Prior to SN 0300077500)..... | 78 |
| FIGURE 2-11. FORD ENGINE INSTALLATION (SN 0300077500 through 0300185827)..... | 84 |
| FIGURE 2-12. DUAL FUEL INSTALLATION (GAS MACHINES OPTIONS)..... | 90 |
| FIGURE 2-13. GM ENGINE INSTALLATION (Prior to SN 0300140592)..... | 94 |
| FIGURE 2-14. GM ENGINE INSTALLATION (SN 0300140592 through 0300185827)..... | 100 |
| FIGURE 2-15. PISTON PUMP ASSEMBLY (SAUER DANFOSS)..... | 106 |
| FIGURE 2-16. PISTON PUMP ASSEMBLY (EATON)..... | 110 |
| FIGURE 2-17. TANK INSTALLATIONS..... | 114 |
| FIGURE 2-18. ROTARY COUPLING INSTALLATION (Prior to SN 0300138447)..... | 118 |
| FIGURE 2-19. ROTARY COUPLING INSTALLATION (SN 0300138447 through 0300185827)..... | 120 |
| FIGURE 2-20. GROUND CONTROL BOX ASSEMBLY (Prior to SN 0300139070)..... | 122 |
| FIGURE 2-21. GROUND CONTROL BOX ASSEMBLY (SN 0300139070 through 0300185827)..... | 126 |
| FIGURE 2-22. ELECTRICAL OPTIONS INSTALLATION (TURNTABLE MOUNTED)..... | 130 |
| FIGURE 2-23. HOODS INSTALLATION (Prior to SN 0300089982)..... | 134 |
| FIGURE 2-24. HOODS INSTALLATION (ABS) (SN 0300089982 through 0300185827)..... | 138 |
| FIGURE 2-25. HOODS INSTALLATION (STEEL)..... | 144 |
| FIGURE 2-26. ENGINE TRAY JACK INSTALLATION (OPTIONAL)..... | 150 |
| FIGURE 2-27. 2500W GENERATOR INSTALLATION - DEUTZ MACHINES (ANSI AND CSA SPEC ONLY) (OPTIONAL)..... | 152 |
| FIGURE 2-28. 2500W GENERATOR INSTALLATION - FORD MACHINES (ANSI AND CSA SPEC ONLY) (OPTIONAL) (Prior to SN 0300077500)..... | 156 |
| FIGURE 2-29. 2500W GENERATOR INSTALLATION - FORD MACHINES (ANSI AND CSA SPEC ONLY) (OPTIONAL) (SN 0300077500 through 0300185827)..... | 160 |
| FIGURE 2-30. 2500W GENERATOR INSTALLATION - GM MACHINES (OPTIONAL)..... | 164 |
| SECTION 3 - BOOM..... | 167 |
| FIGURE 3-1. BOOM AND CYLINDERS INSTALLATION..... | 168 |
| FIGURE 3-2. MAIN BOOM ASSEMBLIES..... | 172 |
| FIGURE 3-3. ROTATOR ASSEMBLY (Prior to SN 0300130881)..... | 176 |
| FIGURE 3-4. ROTATOR ASSEMBLY (SN 0300130881 through 0300185827)..... | 180 |
| FIGURE 3-5. VALVE AND LIMIT SWITCH INSTALLATIONS (BOOM MOUNTED)..... | 182 |
| SECTION 4 - PLATFORM..... | 185 |
| FIGURE 4-1. PLATFORM COMPONENTS INSTALLATION (Prior to SN 0300130881)..... | 186 |
| FIGURE 4-2. PLATFORM COMPONENTS INSTALLATION (SN 0300130881 through 0300185827)..... | 190 |
| FIGURE 4-3. PLATFORM CONSOLE ASSEMBLY (Prior to SN 0300138447)..... | 194 |
| FIGURE 4-4. PLATFORM CONSOLE ASSEMBLY (SN 0300138447 through 0300185827)..... | 198 |
| FIGURE 4-5. CONTROLLER ASSEMBLY (SWING AND LIFT)..... | 202 |
| FIGURE 4-6. CONTROLLER ASSEMBLY (DRIVE AND STEER)..... | 206 |
| FIGURE 4-7. SOFT TOUCH SYSTEM INSTALLATION (OPTIONAL) (Prior to SN 0300137666)..... | 210 |
| FIGURE 4-8. SOFT TOUCH SYSTEM INSTALLATION (OPTIONAL) (SN 0300137666 through 0300185827)..... | 212 |
| SECTION 5 - CYLINDER..... | 215 |

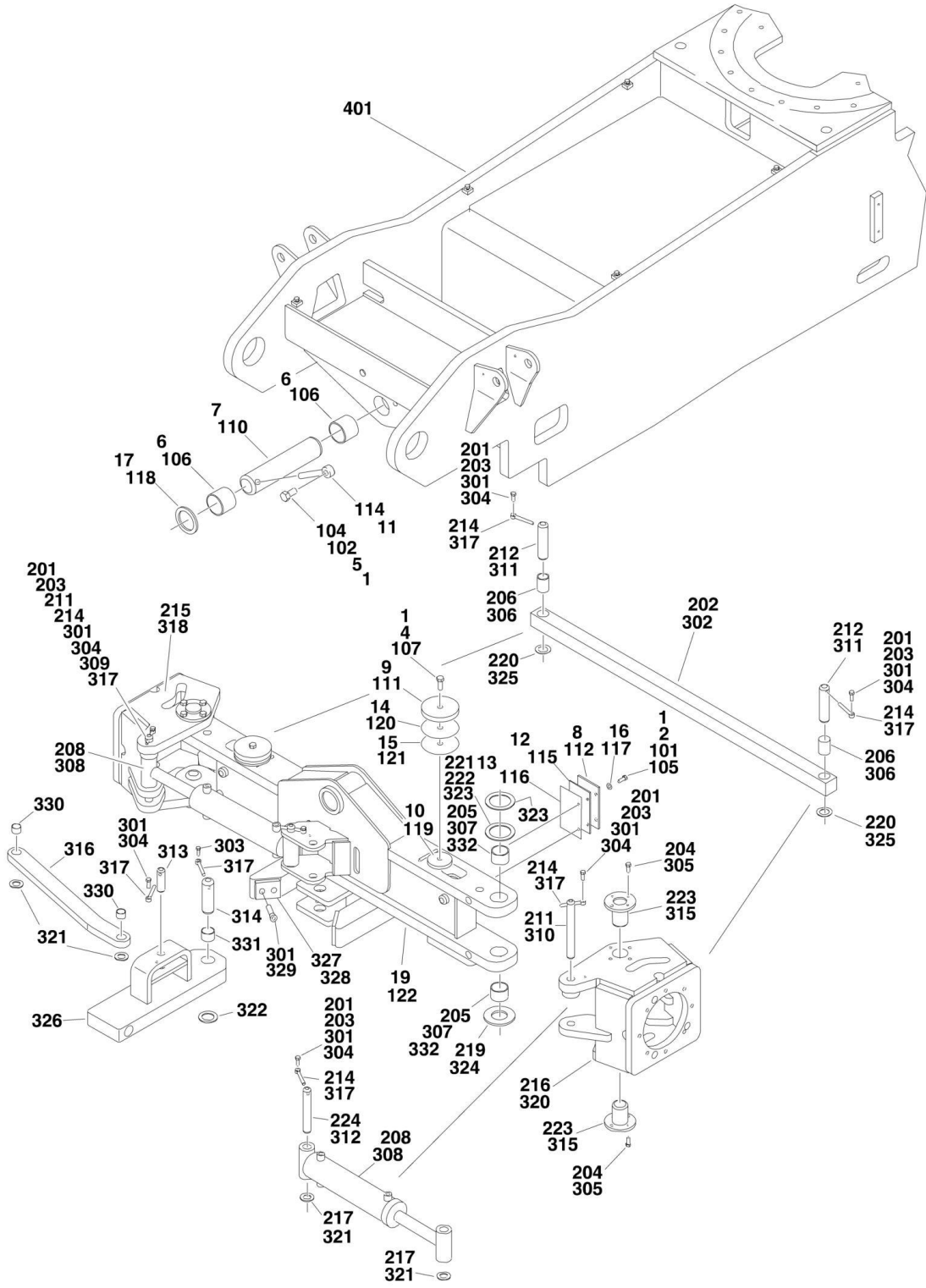
TABLE OF CONTENTS

| | |
|---|-----|
| FIGURE 5-1. UPRIGHT LEVEL CYLINDER ASSEMBLY | 216 |
| FIGURE 5-2. UPRIGHT LEVEL CYLINDER ASSEMBLY (SERVICE REPLACEMENT) | 218 |
| FIGURE 5-3. LIFT CYLINDER ASSEMBLY - JIB (ORIGINAL EQUIPMENT) | 220 |
| FIGURE 5-4. LIFT CYLINDER ASSEMBLY - JIB (SERVICE REPLACEMENT) | 222 |
| FIGURE 5-5. LIFT CYLINDER ASSEMBLY - MAIN BOOM (ORIGINAL EQUIPEMNT) | 224 |
| FIGURE 5-6. LIFT CYLINDER ASSEMBLY - MAIN BOOM (SERVICE REPLACEMENT) | 226 |
| FIGURE 5-7. LIFT CYLINDER ASSEMBLY - TOWER BOOM (ORIGINAL EQUIPMENT) | 228 |
| FIGURE 5-8. LIFT CYLINDER ASSEMBLY - TOWER BOOM (SERVICE REPLACEMENT) | 230 |
| FIGURE 5-9. MASTER CYLINDER ASSEMBLY (ORIGINAL EQUIPMENT) | 232 |
| FIGURE 5-10. MASTER CYLINDER ASSEMBLY (SERVICE REPLACEMENT) | 234 |
| FIGURE 5-11. SLAVE CYLINDER ASSEMBLY (ORIGINAL EQUIPMENT) | 236 |
| FIGURE 5-12. SLAVE CYLINDER ASSEMBLY (SERVICE REPLACEMENT) | 238 |
| FIGURE 5-13. STEER CYLINDER ASSEMBLY (Prior to SN 0300142664) | 240 |
| FIGURE 5-14. STEER CYLINDER ASSEMBLY (SN 0300142664 through 0300185827) | 242 |
| FIGURE 5-15. TELESCOPE CYLINDER ASSEMBLY - MAIN | 244 |
| FIGURE 5-16. TELESCOPE CYLINDER ASSEMBLY - MAIN (SERVICE REPLACEMENT) | 246 |
| | |
| SECTION 6 - HYDRAULIC | 249 |
| | |
| FIGURE 6-1. DRIVE HYDRAULIC DIAGRAM (Prior to SN 0300137975) | 250 |
| FIGURE 6-2. DRIVE HYDRAULIC DIAGRAM (SN 0300137975 through 0300185827) | 254 |
| FIGURE 6-3. STANDARD HYDRAULIC DIAGRAM (WITH FENNER AND HALDEX BRAND AUXILIARY PUMP) | 258 |
| FIGURE 6-4. STANDARD HYDRAULIC DIAGRAM (WITH BUCHER BRAND AUXILIARY PUMP) | 262 |
| FIGURE 6-5. HYDRAULIC DIAGRAM LIST | 266 |
| | |
| SECTION 7 - ELECTRICAL | 267 |
| | |
| FIGURE 7-1. ELECTRICAL DIAGRAM LIST | 268 |
| FIGURE 7-2. HARNESS COMPONENTS INSTALLATION WITHOUT UGM | 270 |
| FIGURE 7-3. HARNESS COMPONENTS INSTALLATION WITH UGM | 284 |
| | |
| SECTION 8 - DECALS | 295 |
| | |
| FIGURE 8-1. DECAL INSTALLATION (ANSI AND CSA SPEC) (Prior to SN 0300089982) | 296 |
| FIGURE 8-2. DECAL INSTALLATION (ANSI AND CSA SPEC) (SN 0300089982 through 0300185827) | 300 |
| FIGURE 8-3. DECAL INSTALLATION (COUNTRY SPEC) (Prior to SN 0300089982) | 304 |
| FIGURE 8-4. DECAL INSTALLATION (COUNTRY SPEC) (SN 0300089982 through 0300185827) | 308 |
| | |
| SECTION 9 - RECOMMENDED SERVICE PARTS STOCK | 311 |
| | |
| FIGURE 9-1. MODEL 740AJ STANDARD PARTS | 312 |
| FIGURE 9-2. MODEL 740AJ VARIABLE PARTS | 314 |
| | |
| SECTION 10 - SPECIAL OPTIONS | 315 |
| | |
| FIGURE 10-1. SPECIAL OPTIONS | 316 |
| | |
| PART NUMBER INDEX | 321 |

SECTION 1 - FRAME

SECTION 1 - FRAME

FIGURE 1-1. AXLE AND STEERING INSTALLATION



SECTION 1 - FRAME

FIGURE 1-1. AXLE AND STEERING INSTALLATION

| ITEM | PART NUMBER | QTY | DESCRIPTION | REV |
|------|-------------|-----|--|-----|
| | 0258286 | Ref | FIXED AXLE INSTALLATION WITHOUT TOW PACKAGE | C |
| 1 | 0100011 | AR | Compound, Locking | |
| 2 | 0681608 | 4 | Bolt 3/8in-16NC x 1in (Grade 8) | |
| 4 | 0641820 | 2 | Bolt 1/2in-13NC x 2-1/2in | |
| 5 | 0642212 | 1 | Bolt 3/4in-10NC x 1-1/2in | |
| 6 | 0962102 | 2 | Bushing | |
| 7 | 3422703 | 1 | Pin, Axle Pivot | |
| 8 | 3538047 | 2 | Shim, Wear | |
| 9 | 3539877 | 2 | Plate, Stop | |
| 10 | 3539878 | 2 | Plate, Stop | |
| 11 | 3841287 | 1 | Keeper, Pin | |
| 12 | 4070878 | AR | Shim 1/16in | |
| 13 | 4070879 | AR | Shim 1/8in | |
| 14 | 4070944 | AR | Shim 1/16in | |
| 15 | 4070945 | AR | Shim 1/4in | |
| 16 | 4711600 | 4 | Flatwasher 3/8in Narrow | |
| 17 | 4740472 | 1 | Washer, Special | |
| 19 | 4845658 | 1 | Axle Weldment | |
| | 0271654 | Ref | FIXED AXLE INSTALLATION WITH TOW PACKAGE | B |
| 101 | 0100011 | AR | Compound, Locking | |
| 102 | 0100019 | AR | Compound, Locking | |
| 104 | 0642212 | 1 | Bolt 3/4in-10NC x 1-1/2in | |
| 105 | 0681608 | 4 | Bolt 3/8in-16NC x1in (Grade 8) | |
| 106 | 0962102 | 2 | Bushing | |
| 107 | 0641820 | 2 | Bolt 1/2in-13NC x 2-1/2in | |
| 110 | 3422703 | 1 | Pin, Main Pivot | |
| 111 | 3539877 | 2 | Plate, Stop | |
| 112 | 3538047 | 2 | Shim, Axle Wear | |
| 114 | 3841287 | 1 | Shaft, Keeper 3/8in Dia x 6in | |
| 115 | 4070878 | 2 | Shim, Axle Wear | |
| 116 | 4070879 | 2 | Shim, Axle Wear | |
| 117 | 4711600 | 4 | Flatwasher 3/8in Narrow | |
| 118 | 4740472 | 1 | Washer, Special | |
| 119 | 3539878 | 2 | Plate, Stop | |
| 120 | 4070944 | AR | Shim 1/16in | |
| 121 | 4070945 | AR | Shim 1/4in | |
| 122 | 4846413 | 1 | Axle Weldment | |
| | | Ref | STEERING INSTALLATION WITHOUT TOW | |
| | 0258909 | Ref | Steering Installation without Tow (Prior to SN 0300138447) | C |
| | 1001100156 | Ref | Steering Installation without Tow (SN 0300138447 through 0300185827) | D |
| | 1001137261 | Ref | King Pin Kit | A |
| | | Ref | Note: Before ordering king pin kit, verify that machines is equipped with the original components (king pin with 4 bolt holes) or service kit components (king pin with 8 bolt holes).If the king pin hole in the axle measurement exceeds 2.252in OD or is elongated, use King Pin Kit p/n 1001137261. | |
| | | Ref | Note: Front Axle Shown. Rear Steer Typical. Double Qty Listed for Complete Machine. | |
| 201 | 0100011 | AR | Compound, Locking | |
| 202 | 0362726 | 1 | Tie-Rod | |

SECTION 1 - FRAME

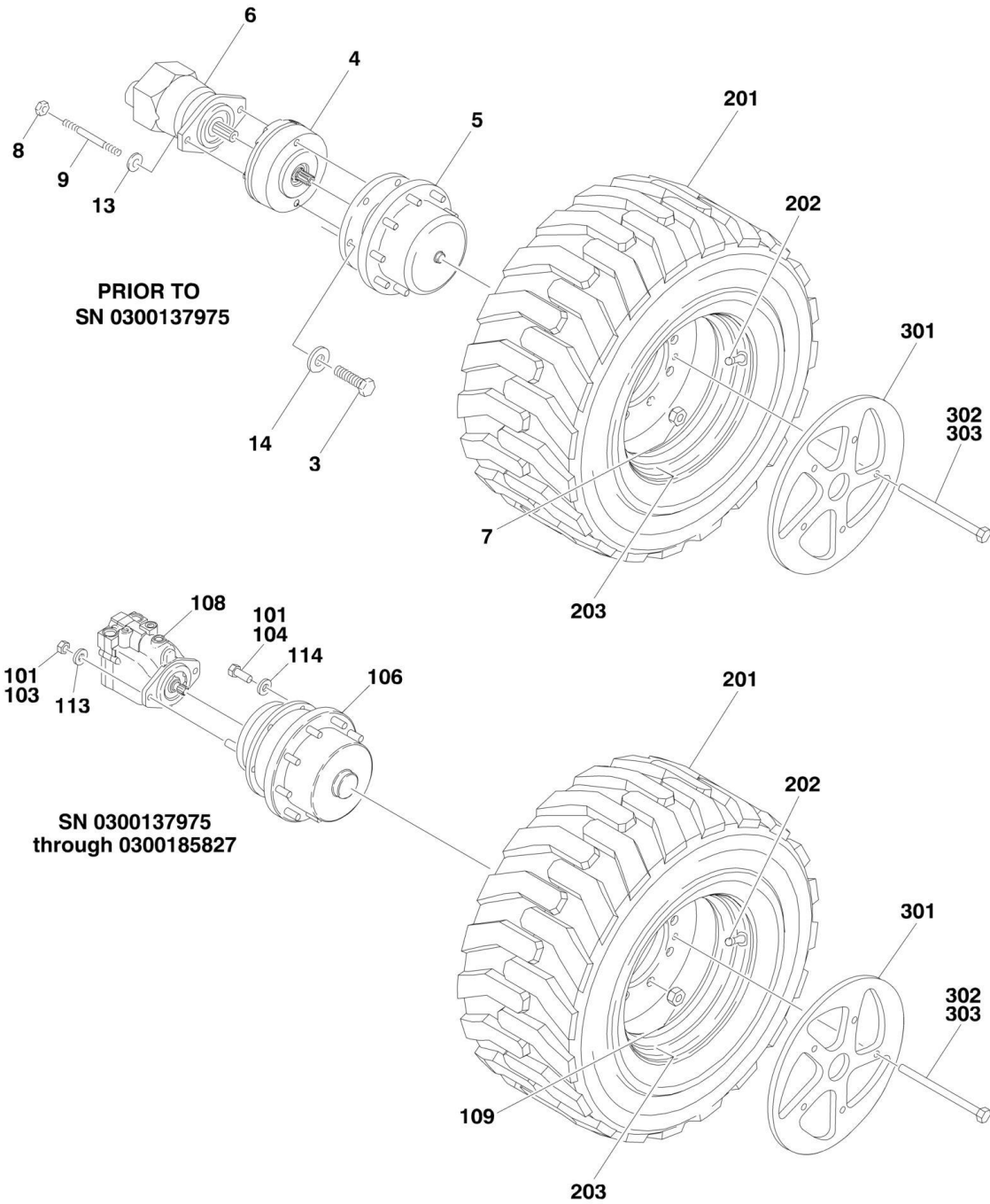
| ITEM | PART NUMBER | QTY | DESCRIPTION | REV |
|------|-------------|-----|--|-----|
| 203 | 0641608 | 6 | Bolt 3/8in-16NC x 1in | |
| 204 | | Ref | Bolt Options: | |
| 204 | 0641608 | 8 | Bolt (3/8in-16NC x 1in) (Prior to SN 0300138447) | |
| 204 | 0641810 | 16 | Bolt (1/2in-13NC x 1-1/4in) (SN 0300138447 through 0300185827) | |
| 205 | | Ref | Bearing Options: | |
| 205 | 0962224 | 4 | Bearing (Prior to SN 0300138447) | |
| 205 | 0962448 | 4 | Bearing (SN 0300138447 through 0300149293) | |
| 205 | 1001112651 | 4 | Bearing, Aluminum Bronze (SN 0300149294 through 0300185827) | |
| 206 | 0962152 | 2 | Bearing | |
| 208 | | Ref | Steer Cylinder Assembly Options (See CYLINDER SECTION for Breakdown): | |
| 208 | 1683740 | 2 | Steer Cylinder Assembly (Prior to SN 0300142664) | |
| 208 | 1001097243 | 2 | Steer Cylinder Assembly (SN 0300142664 through 0300185827) | |
| 211 | 3422701 | 2 | Pin, Steer, Spindle Attach | |
| 212 | 3422702 | 2 | Pin, Tie-Rod | |
| 214 | 3841143 | 6 | Shaft, Keeper 3/8inx 3in | |
| 215 | | Ref | Spindle Weldment (Right Side) Options: | |
| 215 | 4130357 | 1 | Spindle Weldment (Right Side) (Prior to SN 0300138447) | |
| 215 | 4130389 | 1 | Spindle Weldment (Right Side) (SN 0300138447 through 0300185827) | |
| 216 | | Ref | Spindle Weldment (Left Side) Options: | |
| 216 | 4130358 | 1 | Spindle Weldment (Left Side) (Prior to SN 0300138447) | |
| 216 | 4130390 | 1 | Spindle Weldment (Left Side) (SN 0300138447 through 0300185827) | |
| 217 | 4740111 | 4 | Washer, Special | |
| 219 | 4740463 | 2 | Washer, Thrust | |
| 220 | 4740473 | 2 | Washer, Special | |
| 221 | 1001103810 | AR | Washer, Thrust (.187in) | |
| 222 | 4740256 | AR | Washer, Thrust | |
| 223 | | Ref | Kingpin Options: | |
| 223 | 3422753 | 4 | Kingpin (Prior to SN 0300138447) | |
| 223 | 3422972 | 4 | Kingpin (SN 0300138447 through 0300185827) | |
| 224 | 3422754 | 2 | Pin, Attach | |
| | 0272319 | Ref | STEERING INSTALLATION WITH TOW | E |
| | 1001137261 | Ref | KING PIN KIT | A |
| | | Ref | Note: Before ordering king pin kit, verify that machines is equipped with the original components (king pin with 4 bolt holes) or service kit components (king pin with 8 bolt holes).If the king pin hole in the axle measurement exceeds 2.252in OD or is elongated, use King Pin Kit p/n 1001137261. | |
| | | Ref | Note: Front Axle Shown. Rear Steer Typical. Double Qty Listed for Complete Machine. | |
| 301 | 0100011 | AR | Compound, Locking | |
| 302 | 0362726 | 1 | Tie-Rod | |
| 303 | 0641508 | 1 | Bolt 5/16in-18NC x 1in | |
| 304 | 0641608 | 7 | Bolt 3/8in-16NC x 1in | |
| 305 | 0641810 | 16 | Bolt 1/2in-13NC x 1-1/4in | |
| 306 | 0962152 | 2 | Bushing | |
| 307 | | Ref | Bushing Options: | |
| 307 | 0962448 | 4 | Bushing (Prior to SN 0300149294) | |
| 307 | 1001112651 | 4 | Bushing (SN 0300149294 through 0300185827) | |

SECTION 1 - FRAME

| ITEM | PART NUMBER | QTY | DESCRIPTION | REV |
|------|-------------|-----|---|-----|
| 308 | | Ref | Steer Cylinder Assembly Options (See CYLINDER SECTION for Breakdown): | |
| 308 | 1683740 | 2 | Steer Cylinder Assembly (Prior to SN 0300142664) | |
| 308 | 1001097243 | 2 | Steer Cylinder Assembly (SN 0300142664 through 0300185827) | |
| 309 | 3422587 | 1 | Pin | |
| 310 | 3422701 | 1 | Pin | |
| 311 | 3422702 | 2 | Pin | |
| 312 | 3422754 | 2 | Pin | |
| 313 | 3422813 | 1 | Pin | |
| 314 | 3422848 | 1 | Pin | |
| 315 | 3422972 | 4 | Kingpin | |
| 316 | 3573001 | 1 | Link | |
| 317 | 3841143 | 8 | Keeper, Pin | |
| 318 | 4130388 | 1 | Spindle (Front Right) | |
| 319 | 4130389 | 1 | Spindle (Left Rear) (Not Shown) | |
| 320 | 4130390 | 1 | Spindle (Left Front and Right Rear) | |
| 321 | 4740111 | 6 | Thrustwasher | |
| 322 | 4740155 | AR | Thrustwasher | |
| 323 | 4740256 | 4 | Thrustwasher | |
| 324 | 4740463 | 2 | Thrustwasher | |
| 325 | 4740473 | 2 | Flatwasher | |
| 326 | | Ref | Bar, Pivot Options: | |
| 326 | 4846414 | 1 | Bar, Pivot (Prior to SN 0300136124) | |
| 326 | 4846935 | 1 | Bar, Pivot (SN 0300136124 through 0300185827) | |
| 327 | 3340966 | 2 | Pad, Stop | |
| 328 | 4071059 | AR | Shim | |
| 329 | 0741609 | 4 | Screw, Countersunk 3/8in-16NC x 1-1/8in | |
| 330 | 0962292 | 2 | Bushing | |
| 331 | 0962348 | 1 | Bushing | |
| 332 | 3020029 | AR | Lube, Bearing | |
| 401 | | Ref | FRAME WELDMENT | |
| 401 | 2360570 | Ref | Frame Weldment (Prior to SN 0300138447) | |
| 401 | 2360686 | Ref | Frame Weldment (SN 0300138447 through 0300185827) | |

SECTION 1 - FRAME

FIGURE 1-2. TIRE AND WHEEL INSTALLATIONS



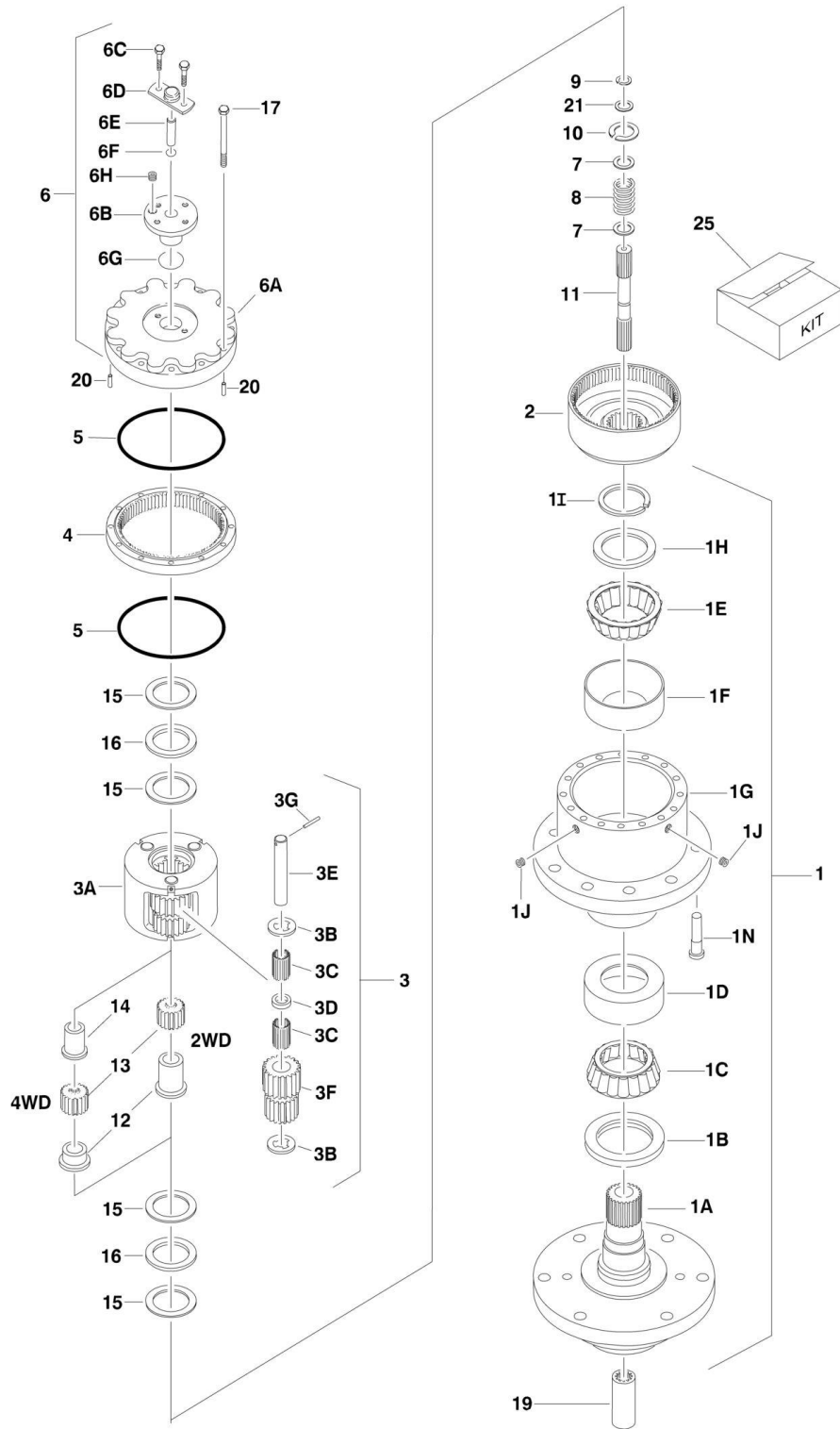
SECTION 1 - FRAME

FIGURE 1-2. TIRE AND WHEEL INSTALLATIONS

| ITEM | PART NUMBER | QTY | DESCRIPTION | REV |
|------|--------------|-----|---|-----|
| | 0270211 | Ref | WHEEL DRIVE INSTALLATION (Prior to SN 0300138447) | D |
| 3 | 0682016 | 32 | Bolt 5/8in-11NC x 2in (Grade 8) | |
| 4 | | Ref | Drive Brake Assembly Options: | |
| 4 | 0920117 | NLA | Drive Brake Assembly (Use p/n 0920119) (Prior to SN 0300133482) | |
| 4 | 0920119 | 4 | Drive Brake Assembly (SN 0300133482 through 0300185827) | |
| 4 | 7018612 | 1 | Repair Kit (Includes Case Seal, Piston Inner and Outer O-Rings and Back-up Rings, Stator Disc, Rotor Disc, Return Plate, Springs, Oil Seal, Bearing, 2 Retaining Rings and 2 Mounting Face Gaskets) (1 Per Assembly) | |
| 4 | 7000731 | 2 | Gasket, Mounting Face (2 Per Assembly) | |
| 4 | 7007990 | 1 | O-Ring, Mounting (1 Per Assembly) (0920119 Brake) | |
| | | Ref | Note: No Other Parts Available. | |
| 5 | 2780228 | 4 | Drive Hub Assembly (See DRIVE HUB ASSEMBLY for Breakdown) | |
| 6 | 3160204 | 4 | Drive Motor Assembly (See DRIVE MOTOR ASSEMBLY for Breakdown) | |
| 7 | 3300007 | 40 | Nut, Wheel | |
| 8 | 3311801 | 8 | Nut 1/2in-13 NC | |
| 9 | 4300097 | 8 | Stud | |
| 13 | 4891800 | 8 | Flatwasher, 1/2in | |
| 14 | 4892000 | 32 | Flatwasher, 5/8in | |
| | 0274232 | Ref | WHEEL DRIVE INSTALLATION (SN 0300138447 through 0300185827) | D |
| 101 | 0100011 | AR | Compound, Locking | |
| 103 | 3311801 | 8 | Nut 1/2in-13 NC | |
| 104 | 0682016 | 32 | Bolt 5/8in-11NC x 2in (Grade 8) | |
| 106 | 2780272 | 2 | Drive Hub Assembly (See DRIVE HUB ASSEMBLY for Breakdown) | |
| 108 | 3160348 | 4 | Drive Motor Assembly (See DRIVE MOTOR ASSEMBLY for Breakdown) | |
| 109 | 3300007 | 40 | Nut, Wheel | |
| 113 | 4891800 | 8 | Flatwasher, 1/2in Hardened | |
| 114 | 4892000 | 32 | Flatwasher, 5/8in Hardened | |
| | 0270888 | Ref | TIRE AND WHEEL INSTALLATION | C |
| | 0271090 | 2 | 18-625 Foam-Filled Left Side | |
| | 0271091 | 2 | 18-625 Foam-Filled Right Side | |
| | | Ref | Note: Assemblies may require ballast/foam filling to manufacturer's specifications prior to installing on a machine. Refer to Operation and Safety or Service and Maintenance Manuals. Purchase individual tire and/or rim only if able to foam fill tire and wheel assembly, otherwise, purchase complete assembly. | |
| 201 | 4520253 | 1 | Tire, Replacement | |
| 202 | Not Required | 0 | Valve, Air | |
| 203 | 4860225 | 1 | Rim, Wheel | |
| | 0256196 | Ref | WHEEL COVER INSTALLATION (OPTIONAL) | 2-A |
| 301 | 1670776 | 4 | Cover, Wheel | |
| 302 | 0641550 | 20 | Bolt 5/16in - 18NC x 6-1/4in | |
| 303 | 0100011 | AR | Compound, Locking | |

SECTION 1 - FRAME

FIGURE 1-3. DRIVE HUB ASSEMBLY (Prior to SN 0300138447)



SECTION 1 - FRAME

FIGURE 1-3. DRIVE HUB ASSEMBLY (Prior to SN 0300138447)

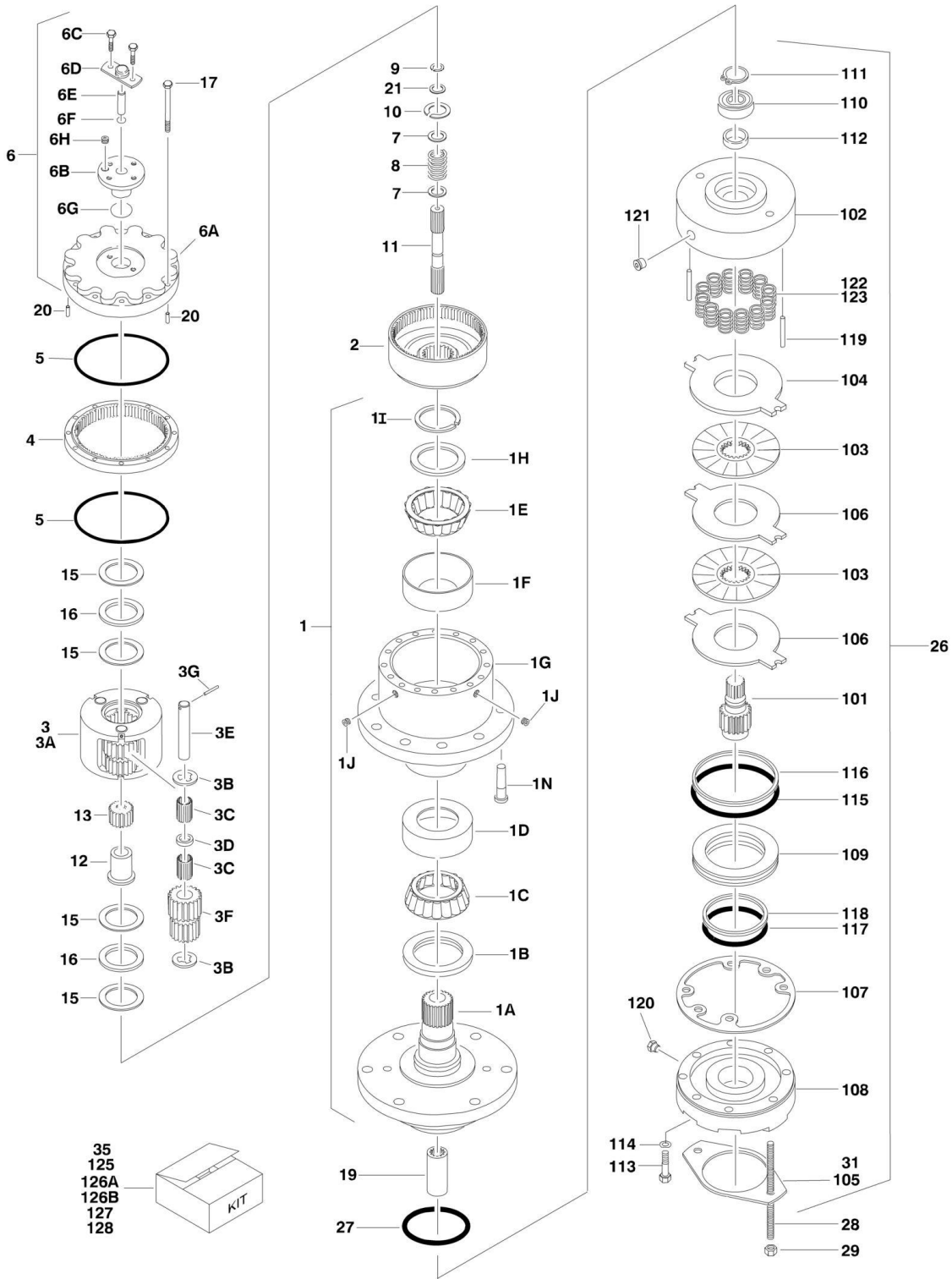
| ITEM | PART NUMBER | QTY | DESCRIPTION | REV |
|------|--------------|-----|---|-----|
| | 2780228 | Ref | DRIVE HUB ASSEMBLY (4WD) | E |
| 1 | See Note | 1 | Spindle/Housing Assembly (Note: Not Available - Purchase Individual Components) | |
| 1A | 7010464 | 1 | Spindle | |
| 1B | 7000236 | 1 | Seal | |
| 1C | 7000273 | 1 | Cone, Bearing | |
| 1D | 7000272 | 1 | Cup, Bearing | |
| 1E | 7000275 | 1 | Cone, Bearing | |
| 1F | 7000274 | 1 | Cup, Bearing | |
| 1G | 7017033 | 1 | Housing | |
| 1H | 7000239 | 1 | Washer, Thrust | |
| 1I | 7000240 | 1 | Ring, Retaining | |
| 1J | 7001928 | 1 | Plug, Pipe | |
| 1N | 7000265 | 10 | Stud, Wheel | |
| 2 | 7017034 | 1 | Gear, Ring | |
| 3 | See Note | 1 | Carrier Assembly (Note: Not Available - Purchase Individual Components) | |
| 3A | 7017036 | 1 | Carrier | |
| 3B | 7001901 | 6 | Thrustwasher, Tanged | |
| 3C | 7001902 | 96 | Bearing, Needle | |
| 3D | 7001903 | 3 | Spacer, Thrust | |
| 3E | 7017040 | 3 | Shaft, Planet | |
| 3F | 7017037 | 3 | Gear, Cluster | |
| 3G | 7001906 | 3 | Roll Pin | |
| 4 | 7017035 | 1 | Gear, Internal | |
| 5 | 7000224 | 1 | O-Ring | |
| 6 | See Note | 1 | Cover Assembly (Note: Not Available - Purchase Individual Components) | |
| 6A | 7024155 | 1 | Cover | |
| 6B | 7017042 | 1 | Cap | |
| 6C | 7000220 | 4 | Bolt 1/4in-20NC x 3/4in | |
| 6D | 7000231 | 1 | Cap, Disengage | |
| 6E | 7000235 | 1 | Rod, Disengage | |
| 6F | 7000213 | 1 | O-Ring | |
| 6G | 7000238 | 1 | O-Ring | |
| 6H | 7017048 | 1 | Plug, Pipe | |
| 7 | 7000282 | 2 | Thrustwasher | |
| 8 | 7000283 | 1 | O-Ring | |
| 9 | 7000284 | 1 | Ring, Retaining | |
| 10 | 7017027 | 1 | Ring, Retaining | |
| 11 | 7017044 | 1 | Shaft, Input | |
| 12 | 7017045 | 1 | Spacer, Input | |
| 13 | 7017043 | 1 | Gear, Sun | |
| 14 | 7017046 | 1 | Spacer, Input | |
| 15 | 7000287 | 4 | Thrustwasher | |
| 16 | 7000288 | 2 | Thrustwasher | |
| 17 | 7000289 | 12 | Bolt 3/8in-16NC x 2-1/2in (Grade 8) | |
| 19 | 7000290 | 1 | Coupling | |
| 20 | 7017047 | 2 | Pin, Dowel | |
| 21 | Not Required | 0 | Thrustwasher | |

SECTION 1 - FRAME

| ITEM | PART NUMBER | QTY | DESCRIPTION | REV |
|------|-------------|-----|--|-----|
| 25 | 7017068 | 1 | Seal Kit (Includes Items 1B, 1I, 5, 6F, 6G, 15 & 16) | |

SECTION 1 - FRAME

FIGURE 1-4. DRIVE HUB ASSEMBLY (SN 0300138447 through 0300185827)



SECTION 1 - FRAME

FIGURE 1-4. DRIVE HUB ASSEMBLY (SN 0300138447 through 0300185827)

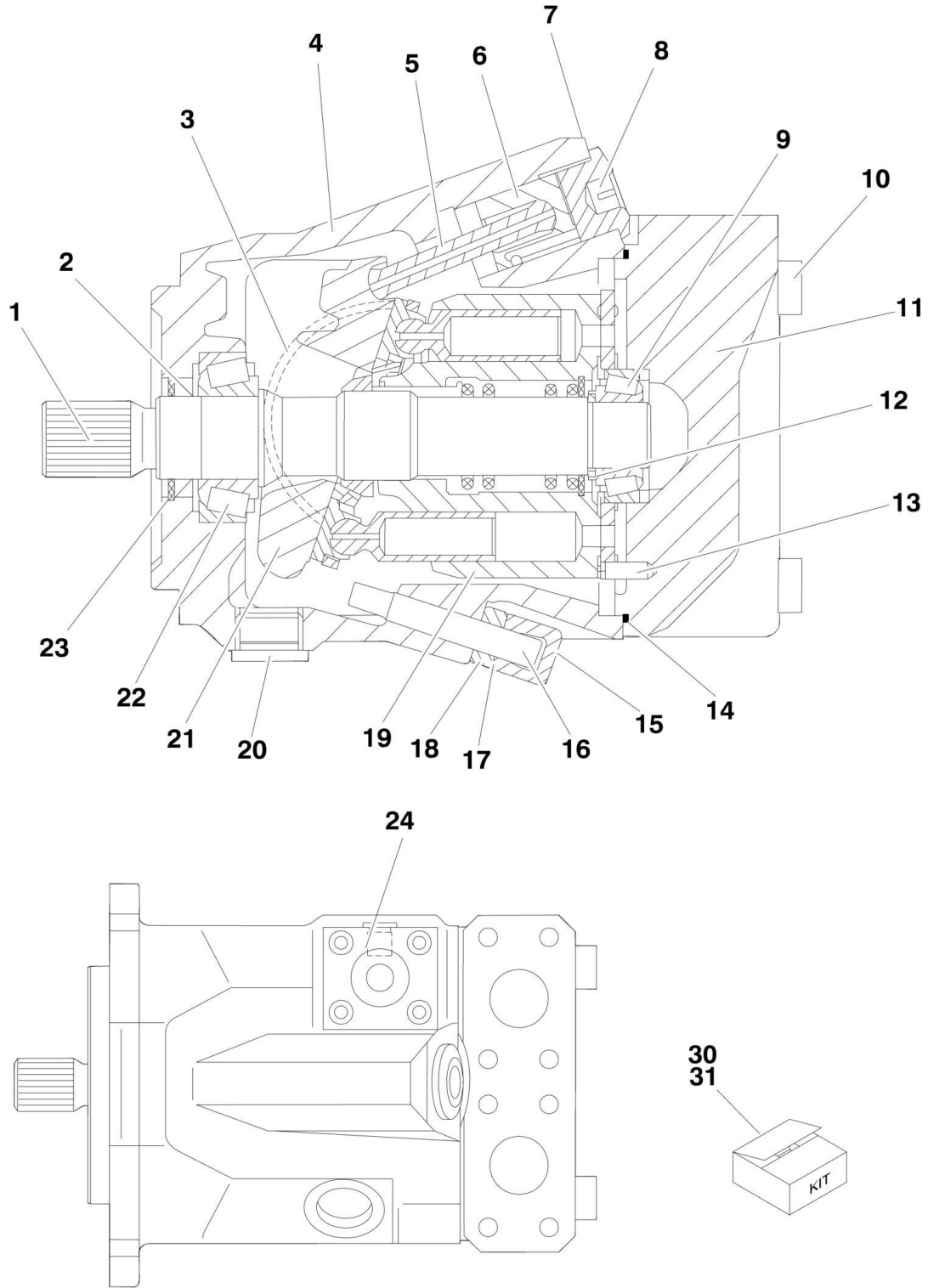
| ITEM | PART NUMBER | QTY | DESCRIPTION | REV |
|------|-------------|-----|---|-----|
| | 2780272 | Ref | DRIVE HUB/BRAKE ASSEMBLY | B |
| | 2780227 | Ref | Hub Assembly | A |
| 1 | See Note | 1 | Spindle/Housing Assembly (Note: Not Available - Purchase Individual Components) | |
| 1A | 7010464 | 1 | Spindle | |
| 1B | 7000236 | 1 | Seal | |
| 1C | 7000273 | 1 | Cone, Bearing | |
| 1D | 7000272 | 1 | Cup, Bearing | |
| 1E | 7000275 | 1 | Cone, Bearing | |
| 1F | 7000274 | 1 | Cup, Bearing | |
| 1G | 7017033 | 1 | Housing | |
| 1H | 7000239 | 1 | Washer, Thrust | |
| 1I | 7000240 | 1 | Ring, Retaining | |
| 1J | 7001928 | 1 | Plug, Pipe | |
| 1N | 7000265 | 10 | Stud, Wheel | |
| 2 | 7024782 | 1 | Gear, Ring | |
| 3 | See Note | 1 | Carrier Assembly (Note: Not Available - Purchase Individual Components) | |
| 3A | 7024147 | 1 | Carrier | |
| 3B | 7001901 | 6 | Thrustwasher, Tanged | |
| 3C | 7001902 | 96 | Bearing, Needle | |
| 3D | 7001903 | 3 | Spacer, Thrust | |
| 3E | 7024146 | 3 | Shaft, Planet | |
| 3F | 7024148 | 3 | Gear, Cluster | |
| 3G | 7001906 | 3 | Roll Pin | |
| 4 | 7024151 | 1 | Gear, Internal | |
| 5 | 7000224 | 1 | O-Ring | |
| 6 | See Note | 1 | Cover Assembly (Note: Not Available - Purchase Individual Components) | |
| 6A | 7024155 | 1 | Cover | |
| 6B | 7024783 | 1 | Cap | |
| 6C | 7000220 | 4 | Bolt 1/4in-20NC x 3/4in | |
| 6D | 7000231 | 1 | Cap, Disengage | |
| 6E | 7000235 | 1 | Rod, Disengage | |
| 6F | 7000213 | 1 | O-Ring | |
| 6G | 7000238 | 1 | O-Ring | |
| 6H | 7017048 | 1 | Plug, Pipe | |
| 7 | 7000282 | 2 | Thrustwasher | |
| 8 | 7000283 | 1 | O-Ring | |
| 9 | 7000284 | 1 | Ring, Retaining | |
| 10 | 7000285 | 1 | Ring, Retaining | |
| 11 | 7024781 | 1 | Shaft, Input | |
| 12 | 7024154 | 1 | Spacer, Input | |
| 13 | 7024149 | 1 | Gear, Sun | |
| 15 | 7000287 | 4 | Thrustwasher | |
| 16 | 7000288 | 2 | Thrustwasher | |
| 17 | 7000289 | 12 | Bolt 3/8in-16NC x 2-1/2in (Grade 8) | |
| 19 | 7000290 | 1 | Coupling | |
| 20 | 7017047 | 2 | Pin, Dowel | |
| 21 | 7017050 | 1 | Thrustwasher | |

SECTION 1 - FRAME

| ITEM | PART NUMBER | QTY | DESCRIPTION | REV |
|------|-------------|-----|--|-----|
| 26 | 7024182 | 1 | Brake Assembly (Includes Items 101-123) | |
| 27 | 7024763 | 2 | O-Ring | |
| 28 | 7024717 | 2 | Stud 1/2in-13NC x 4-5/8in | |
| 29 | 7024718 | 2 | Nut 1/2in-13NC | |
| 31 | 7000731 | 1 | Gasket | |
| 35 | 7017068 | 1 | Seal Kit - Hub (Includes Items 1B, 1I, 5, 6F, 6G, 15 & 16) | |
| | 7024182 | Ref | BRAKE ASSEMBLY | |
| 101 | 7024189 | 1 | Shaft | |
| 102 | 7024182 | 1 | Housing (Note: Not Available - Purchase Complete Assembly) | |
| 103 | See Note | NSS | Plate, Friction (Note: Use Item 127) | |
| 104 | See Note | NSS | Plate, Pressure (Note: Use Item 127) | |
| 105 | 7000731 | 1 | Gasket | |
| 106 | See Note | NSS | Plate, Outer (Note: Use Item 127) | |
| 107 | See Note | 1 | Gasket (Note: Use Item 125, 127 or 128) | |
| 108 | 7024191 | 1 | Cylinder | |
| 109 | 7024192 | 1 | Piston | |
| 110 | See Note | NSS | Bearing, Ball (Note: Use Item 128) | |
| 111 | See Note | NSS | Ring, Retaining (Note: Use Item 128) | |
| 112 | See Note | NSS | Seal, Shaft (Note: Use Item 128) | |
| 113 | See Note | 6 | Capscrew (Note: Not Available for Purchase) | |
| 114 | See Note | 6 | Lockwasher (Note: Not Available for Purchase) | |
| 115 | See Note | NSS | O-Ring (Note: Use Item 125) | |
| 116 | See Note | NSS | Ring, Back-up (Note: Use Item 125) | |
| 117 | See Note | NSS | O-Ring (Note: Use Item 125) | |
| 118 | See Note | NSS | Ring, Back-up (Note: Use Item 125) | |
| 119 | 7024190 | 2 | Pin, Dowel | |
| 120 | See Note | 1 | Plug (Note: Not Available - Purchase Locally) | |
| 121 | See Note | 2 | Plug (Note: Not Available - Purchase Locally) | |
| 122 | See Note | NSS | Spring Kit (Natural) (Note: Use Item 126B) | |
| 123 | See Note | NSS | Spring Kit (Blue) (Note: Use Item 126B) | |
| 125 | 7024194 | 1 | Seal Kit - Brake (Includes Items 105, 107 & 115-118) | |
| 126 | | Ref | Spring Kit - Brake Options: | |
| 126A | 7024195 | NLA | Includes 12 Natural Colored Springs Item 122 (Use p/n 7024196) | |
| 126B | 7024196 | 1 | Includes 12 Natural and 2 Blue Colored Springs Items 122 & 123 | |
| 127 | 7024193 | 1 | Friction Disc Kit - Brake (Includes Items 103, 104, 106 & 107) | |
| 128 | 7024197 | 1 | Bearing Kit - Brake (Includes Items 107 & 110-112) | |

SECTION 1 - FRAME

FIGURE 1-5. DRIVE MOTOR ASSEMBLY (Prior to SN 0300138447)



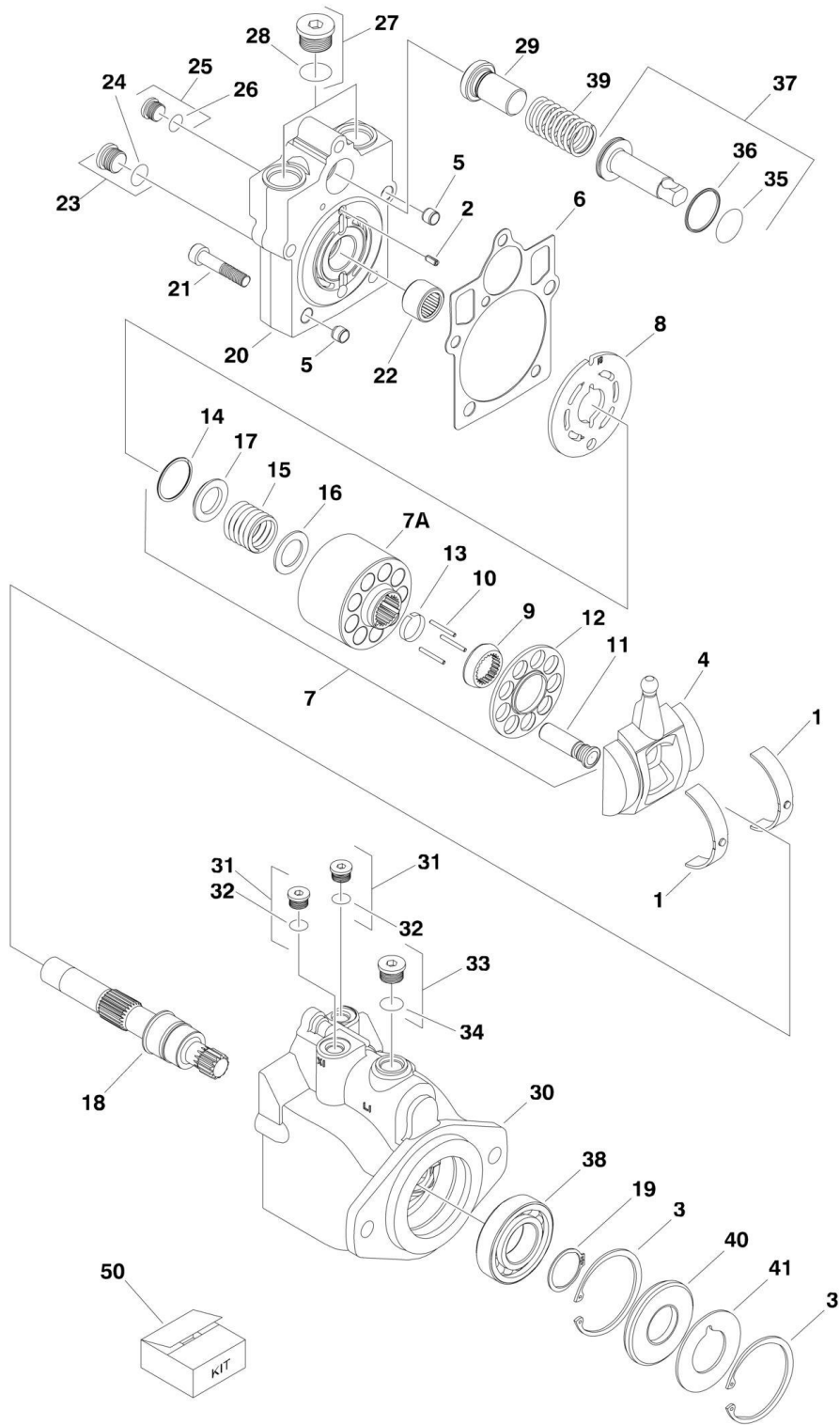
SECTION 1 - FRAME

FIGURE 1-5. DRIVE MOTOR ASSEMBLY (Prior to SN 0300138447)

| ITEM | PART NUMBER | QTY | DESCRIPTION | REV |
|------|-------------|-----|--|-----|
| | 3160204 | Ref | DRIVE MOTOR ASSEMBLY | A |
| 1 | 7012701 | 1 | Shaft - 13 Teeth | |
| 2 | See Note | NSS | Seal, Shaft (Note: Use Item 30) | |
| 3 | 7012702 | 2 | Bearing, Cradle | |
| 4 | See Note | 1 | Housing (Note: Not Available - Purchase Complete Assembly) | |
| 5 | 7012703 | 1 | Rod, Piston | |
| 6 | 7012704 | 1 | Piston, Stroking | |
| 7 | See Note | NSS | O-Ring (Note: Use Item 30) | |
| 8 | 7012705 | 1 | Nut, Adapter | |
| 9 | 7012706 | 1 | Bearing, Roller | |
| 10 | 7012707 | 4 | Bolt, Socket Head M12 x 65 | |
| 11 | 7012708 | 1 | Block, Port | |
| 12 | 7012709 | 1 | Shim | |
| 13 | 7012710 | 1 | Pin, Dowel M6 x 18 | |
| 14 | See Note | NSS | O-Ring (Note: Use Item 30) | |
| 15 | 7012711 | 1 | Nut, Cap M10 x 1 | |
| 16 | 7012712 | 1 | Screw, Adjusting | |
| 17 | See Note | NSS | O-Ring (Note: Use Item 30) | |
| 18 | 7012713 | 1 | Nut, Jam M10 x 1 | |
| 19 | See Note | NSS | Rotary Group Assembly (Note: Use Item 31) | |
| 20 | See Note | 1 | Plug (Note: Not Available - Purchase Locally) | |
| 21 | See Note | NSS | Plate, Swash (Note: Use Item 31) | |
| 22 | 7012714 | 1 | Bearing, Roller | |
| 23 | 7012715 | 1 | V-Ring | |
| 24 | 7012700 | 1 | Control Plate Assembly | |
| 30 | 2900788 | 1 | Seal Kit (Includes Items 2, 7, 14, 17 and O-Rings under Item 24) | |
| 31 | 7012716 | 1 | Rotary Group Kit (Includes Items 19 & 21) | |

SECTION 1 - FRAME

FIGURE 1-6. DRIVE MOTOR ASSEMBLY (SN 0300138447 through 0300185827)



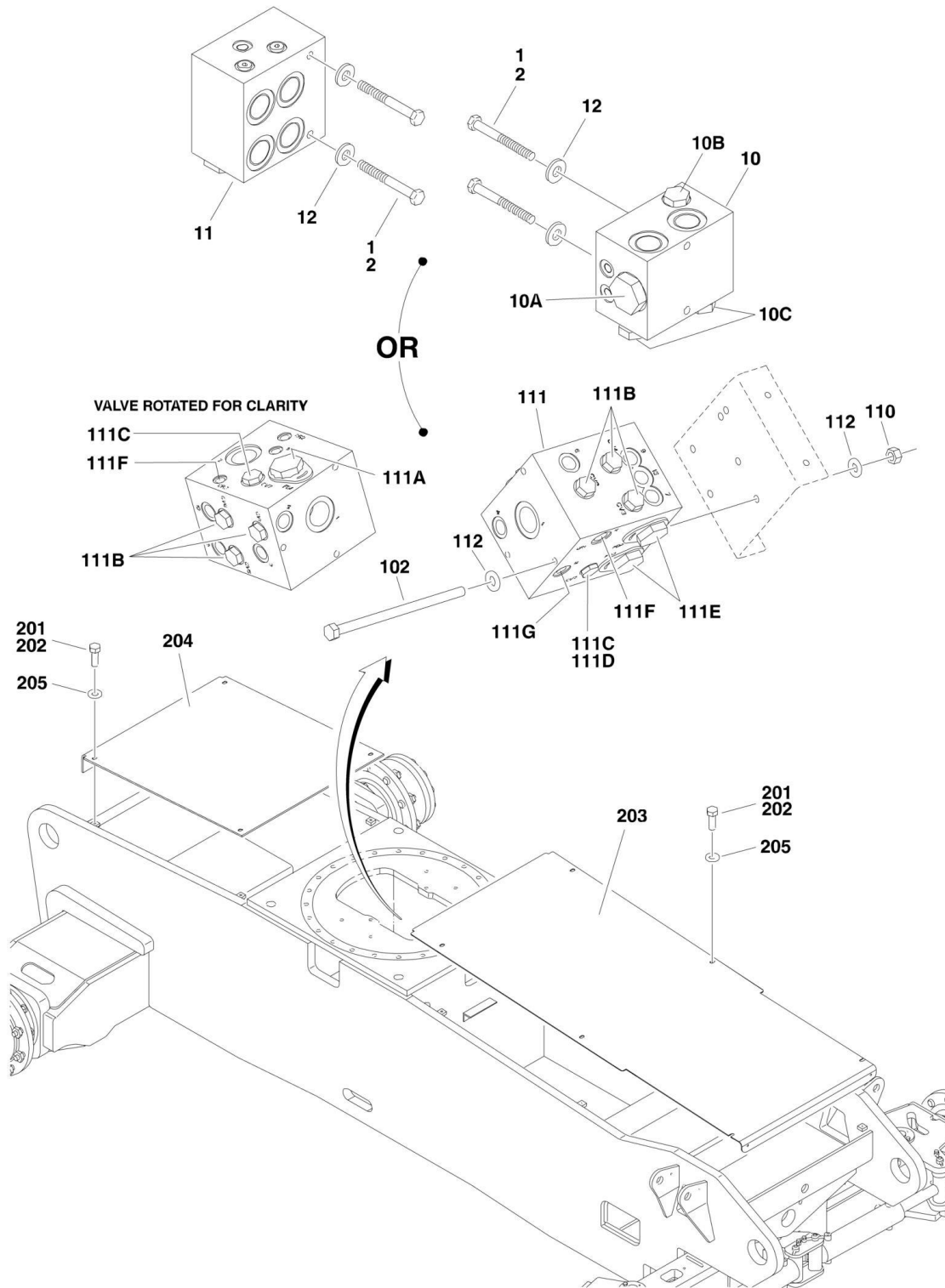
SECTION 1 - FRAME

FIGURE 1-6. DRIVE MOTOR ASSEMBLY (SN 0300138447 through 0300185827)

| ITEM | PART NUMBER | QTY | DESCRIPTION | REV |
|------|-------------|-----|--|-----|
| | 3160348 | Ref | DRIVE MOTOR ASSEMBLY | B |
| 1 | 7022302 | 2 | Bearing, Journal | |
| 2 | 7007446 | 1 | Pin | |
| 3 | 7007438 | 2 | Ring, Retaining | |
| 4 | 7022305 | 1 | Swash Plate | |
| 5 | See Note | 2 | Pin (Note: Not Available for Purchase) | |
| 6 | See Note | NSS | Gasket (Note: Use Item 50) | |
| 7 | 7023907 | 1 | Cylinder Block Kit (Includes Items 7A & 9-17) | |
| 7A | 7023907 | 1 | Block, Cylinder (Note: Not Available - Purchase Complete Cylinder Block Kit) | |
| 8 | 7023908 | 1 | Plate, Valve | |
| 9 | 7021277 | 1 | Guide, Slipper Retainer | |
| 10 | 7021275 | 3 | Pin, Slipper Hold Down | |
| 11 | See Note | 9 | Piston Assembly (Note: Not Available - Purchase Complete Assembly) | |
| 12 | 7022310 | 1 | Retainer, Slipper | |
| 13 | 7021276 | 1 | Retainer, Hold Down Pin | |
| 14 | 7022311 | 1 | Ring, Retaining | |
| 15 | 7022312 | 1 | Spring | |
| 16 | 7024868 | 1 | Washer | |
| 17 | 7022314 | 1 | Retainer, Spring | |
| 18 | 7023910 | 1 | Shaft | |
| 19 | 7007439 | 1 | Ring, Retaining | |
| 20 | 70000797 | 1 | Cap, End - Axial | |
| 21 | 7022368 | 5 | Screw | |
| 22 | 7021249 | 1 | Bearing, Needle | |
| 23 | 2220886 | 1 | Plug (Includes Item 24) | |
| 24 | See Note | NSS | O-Ring (Note: Use Item 23 or 50) | |
| 25 | 2220883 | 1 | Plug (Includes Item 26) | |
| 26 | See Note | NSS | O-Ring (Note: Use Item 25 or 50) | |
| 27 | 2220888 | 2 | Plug (Includes Item 28) | |
| 28 | See Note | NSS | O-Ring (Note: Use Item 27 or 50) | |
| 29 | 7022372 | 1 | Seat, Spring | |
| 30 | See Note | 1 | Housing (Note: Not Available - Purchase Complete Assembly) | |
| 31 | 2220883 | 2 | Plug (Includes Item 32) | |
| 32 | See Note | NSS | O-Ring (Note: Use Item 31 or 50) | |
| 33 | 2220886 | 1 | Plug (Includes Item 34) | |
| 34 | See Note | NSS | O-Ring (Note: Use Item 33 or 50) | |
| 35 | See Note | NSS | O-Ring (Note: Use Item 50) | |
| 36 | See Note | NSS | Ring, Seal (Note: Use Item 50) | |
| 37 | 7024854 | 1 | Piston, Servo (Includes Items 35 & 36) | |
| 38 | 7007437 | 1 | Bearing | |
| 39 | 7022326 | 1 | Spring | |
| 40 | See Note | NSS | Seal, Lip (Note: Use Item 50) | |
| 41 | 7022371 | 1 | Washer, Support | |
| 50 | 7022328 | 1 | Seal Kit (Includes Items 6, 24, 26, 28, 32, 34, 35, 36 & 40) | |

SECTION 1 - FRAME

FIGURE 1-7. DRIVE VALVES AND SHIELDS INSTALLATIONS



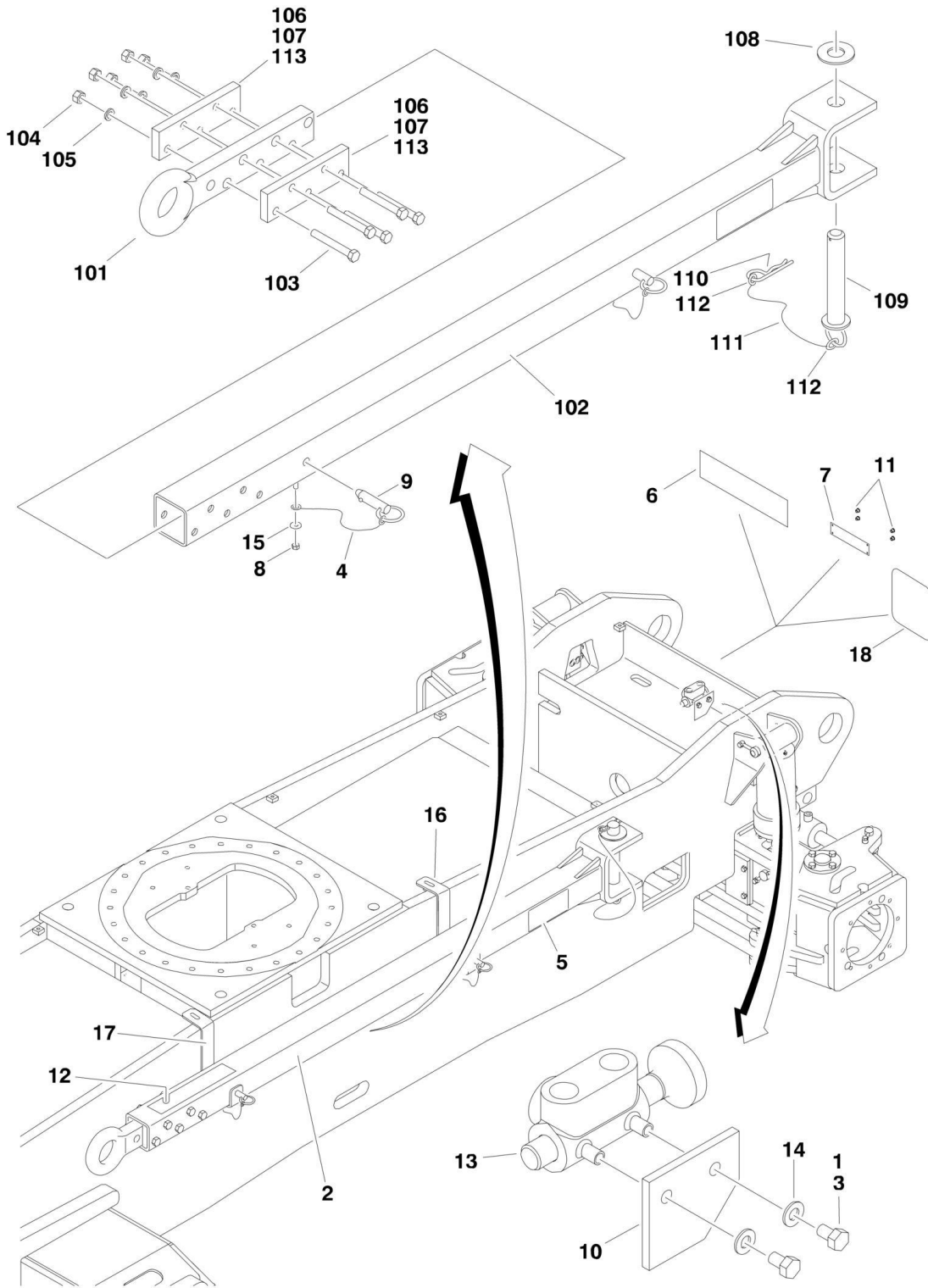
SECTION 1 - FRAME

FIGURE 1-7. DRIVE VALVES AND SHIELDS INSTALLATIONS

| ITEM | PART NUMBER | QTY | DESCRIPTION | REV |
|------|-------------|-----|---|-----|
| | 0270211 | Ref | DRIVE VALVES INSTALLATION (Prior to SN 0300138447) | D |
| 1 | 0100011 | AR | Compound, Locking | |
| 2 | 0641628 | 4 | Bolt 5/8in-11NC x 3-1/2in | |
| 10 | 4641041 | 1 | Flow Divider Valve Assembly | |
| 10A | 7022396 | 1 | Cartridge, Flow Divider | |
| 10A | 7021625 | 1 | Seal Kit - 7022396 Cartridge | |
| 10B | 7022398 | 1 | Cartridge, Load Shuttle | |
| 10B | 7023900 | 1 | Seal Kit - 7022398 Cartridge | |
| 10C | 7022397 | 2 | Cartridge, Check Valve | |
| 10C | 7022399 | 2 | Seal Kit - 7022397 Cartridge | |
| 11 | 4641042 | 1 | Flow Divider Valve Assembly | |
| 11 | 7021656 | 2 | Cartridge, Flow Divider | |
| 11 | 7021625 | 2 | Seal Kit - 7021656 Cartridge | |
| 12 | 4751600 | 4 | Flatwasher 3/8in | |
| | 0274232 | Ref | DRIVE VALVES INSTALLATION (SN 0300138447 through 0300185827) | D |
| 102 | 0641560 | 3 | Bolt 5/16in-18NC x 7-1/2in | |
| 110 | 3311505 | 3 | Locknut 5/16in-18NC | |
| 111 | 4641303 | 1 | Flow Divider Valve Assembly | B |
| 111A | 7023933 | 1 | Cartridge, Flow Divider | |
| 111A | 7021625 | 1 | Seal Kit - 7023933 Cartridge | |
| 111B | 7022397 | 6 | Cartridge, Check | |
| 111B | 7022399 | 6 | Seal Kit - 7022397 Cartridge | |
| 111C | 7021639 | 2 | Cartridge, Check Valves | |
| 111C | 2900756 | 2 | Seal Kit - 7022398 Cartridge | |
| 111D | 7024881 | 1 | Piston, Pilot | |
| 111E | 7023917 | 2 | Cartridge, Flow Divider | |
| 111E | 7021625 | 2 | Seal Kit - 7023917 Cartridge | |
| 111F | 70003935 | 2 | Orifice | |
| 111G | 70003936 | 1 | Orifice | |
| 112 | 4711500 | 6 | Flatwasher 5/16in Narrow | |
| | | Ref | FRAME COVERS INSTALLATION | |
| | 0258343 | Ref | Frame Covers Installation (Prior to SN 0300138447) | D |
| | 0274266 | Ref | Frame Covers Installation (SN 0300138447 through 0300185827) | A |
| 201 | 0100011 | AR | Compound, Locking | |
| 202 | 0641608 | 10 | Bolt, 3/8in - 16NC x 1in | |
| 203 | | Ref | Plate, Cover Front Options: | |
| 203 | 3570686 | 1 | Plate, Cover Front (Prior to SN 0300138447) | |
| 203 | 3575718 | 1 | Plate, Cover Front (SN 0300138447 through 0300185827) | |
| 204 | 3570690 | 1 | Plate, Cover Rear | |
| 205 | 4751600 | 10 | Flatwasher, 3/8in | |

SECTION 1 - FRAME

FIGURE 1-8. TOW PACKAGE INSTALLATION



SECTION 1 - FRAME

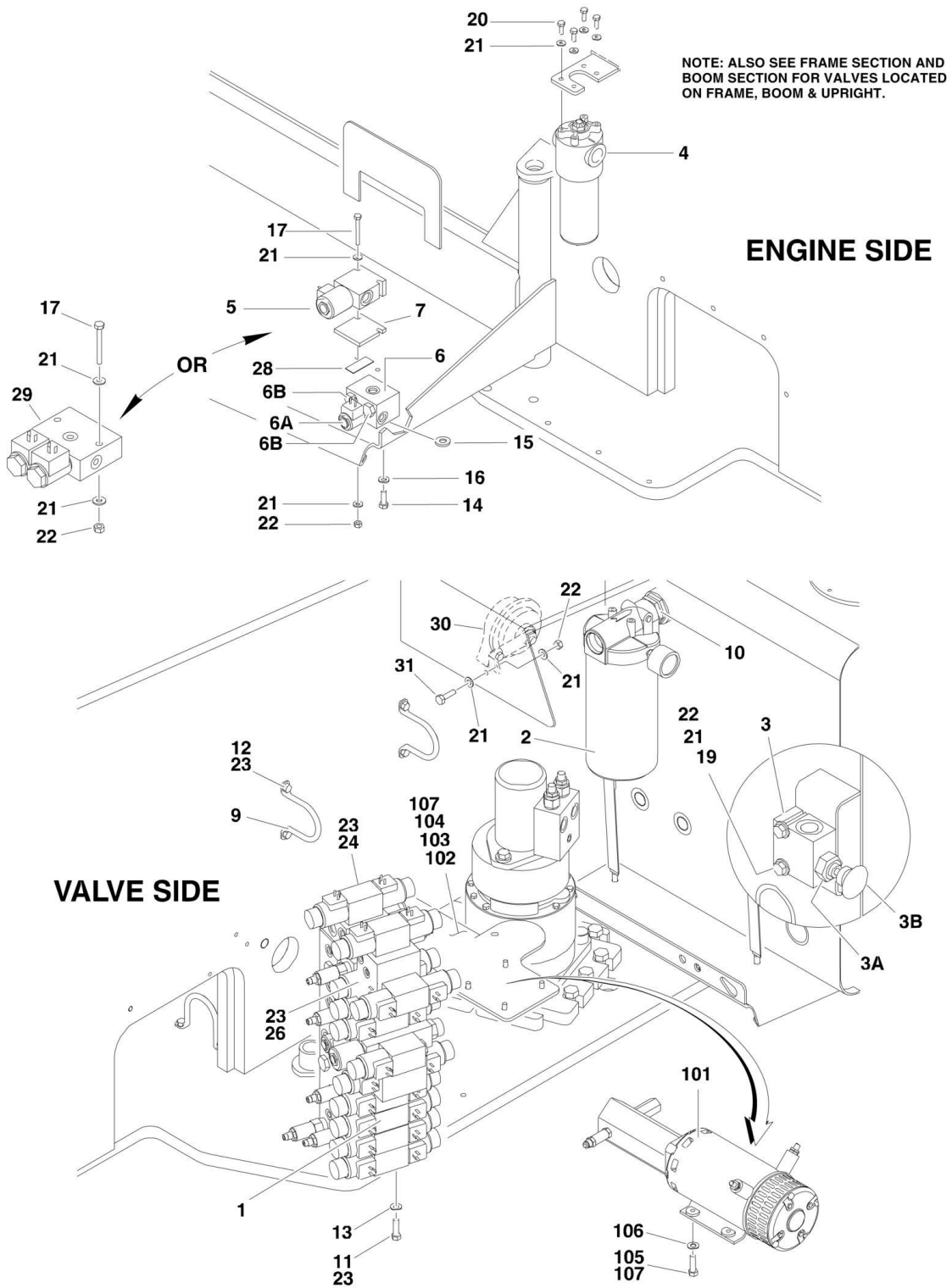
FIGURE 1-8. TOW PACKAGE INSTALLATION

| ITEM | PART NUMBER | QTY | DESCRIPTION | REV |
|------|-------------|-----|--|-----|
| | | Ref | TOW BAR INSTALLATIONS | |
| | 0272373 | Ref | ANSI, CSA and Australian | B |
| | 1001166807 | Ref | CE | A |
| 1 | 0100011 | AR | Compound, Locking | |
| 2 | 0232121 | 1 | Tow Bar Assembly (See Items 101-113 for Breakdown) | |
| 3 | 0641504 | 2 | Bolt 5/16in-18NC x 1/2in | |
| 4 | 1260017 | 2 | Chain | |
| 5 | | Ref | Decal - Crushing Options: | |
| 5 | 1704578 | 2 | ANSI, CSA and Australian Specs | |
| 5 | 1706960 | 2 | CE Spec | |
| 6 | 1705090 | 1 | Decal - Towing Instructions (ANSI, CSA and Australian Specs Only) | |
| 7 | 3250872 | 1 | Nameplate - Steer/Tow Select Valve (ANSI, CSA and Australian Specs Only) | |
| 8 | 3311401 | 2 | Nut 1/4in-20NC | |
| 9 | 3420292 | 2 | Pin | |
| 10 | 3539662 | 1 | Plate, Valve Mounting | |
| 11 | 3820001 | 4 | Rivet (ANSI, CSA and Australian Specs Only) | |
| 12 | 4420051 | AR | Tape, Safety | |
| 13 | 4640261 | 1 | Valve, Select | |
| 14 | 4711500 | 2 | Flatwasher 5/16in Narrow | |
| 15 | 4751400 | 2 | Flatwasher 1/4in Wide | |
| 16 | 4846507 | 1 | Bracket (Right Front) | |
| 17 | 4846508 | 1 | Bracket (Right Rear) | |
| 18 | 1706957 | | Decal - Tow Bar and Steer Select (CE Spec Only) | |
| | 0232121 | Ref | TOW BAR ASSEMBLY | 7-G |
| 101 | 0362910 | 1 | Pintle, Draw Eye | |
| 102 | 4843777 | NLA | Tow Bar (Use p/n 0232121) | |
| 103 | 0642038 | 5 | Bolt 5/8in-11NC x 4-3/4in | |
| 104 | 3312001 | 5 | Nut 5/8in-11NC | |
| 105 | 4762000 | 5 | Lockwasher 5/8in | |
| 106 | 4070450 | AR | Shim | |
| 107 | 4070561 | AR | Shim | |
| 108 | 4740036 | 1 | Flatwasher, Special | |
| 109 | 3420447 | 1 | Pin, Towing | |
| 110 | 3420372 | 1 | Pin, Cotter | |
| 111 | 1260135 | 1 | Chain | |
| 112 | 3760170 | 2 | Ring, Split | |
| 113 | 4070560 | 2 | Shim | |

SECTION 2 - TURNTABLE

SECTION 2 - TURNTABLE

FIGURE 2-1. CONTROL VALVES AND HORN INSTALLATIONS



SECTION 2 - TURNTABLE

FIGURE 2-1. CONTROL VALVES AND HORN INSTALLATIONS

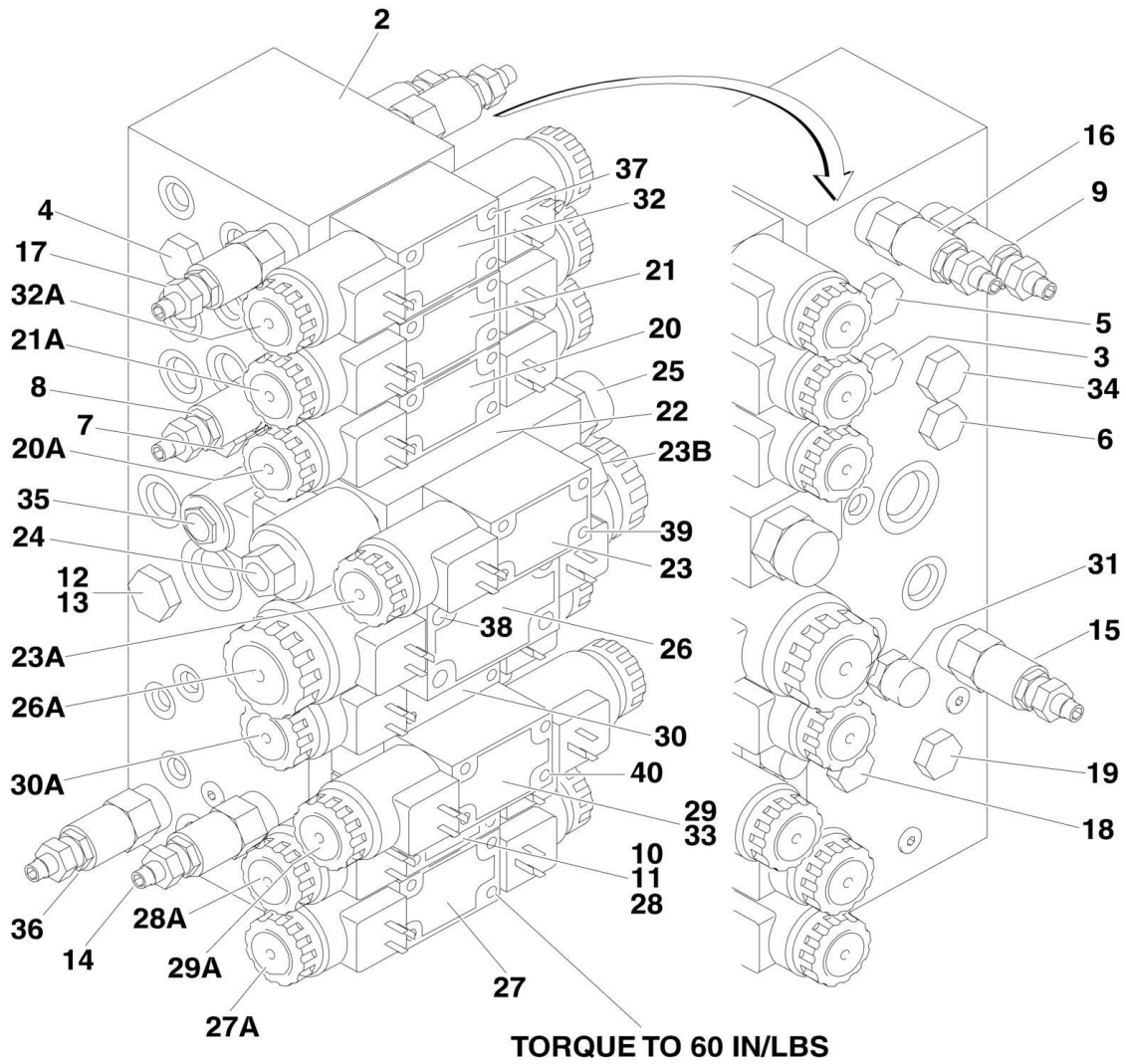
| ITEM | PART NUMBER | QTY | DESCRIPTION | REV |
|------|-------------|-----|---|-----|
| | | Ref | VALVES INSTALLATION | |
| | 0258457 | Ref | Valves Installation (Prior to SN 0300089982) | C |
| | 0274643 | Ref | Valves Installation (SN 0300089982 through 0300095109) | C |
| | 0258457 | Ref | Valves Installation (SN 0300095110 through 0300138446) | D |
| | 0274643 | Ref | Valves Installation (SN 0300138447 through 0300185827) | E |
| 1 | | Ref | Main Control Valve Assembly Options (See MAIN CONTROL VALVE ASSEMBLY for Breakdown): | |
| 1 | 4641099 | NLA | Main Control Valve Assembly (Use p/n 4641453) (Prior to SN 0300092873) | |
| 1 | 4641453 | 1 | Main Control Valve Assembly (SN 0300092873 through 0300185827) | |
| 2 | 2120167 | 1 | Return Filter Assembly | |
| 2 | 2120168 | 1 | Element, Filter | |
| 2 | 7020021 | 1 | Indicator, Clogged | |
| 3 | 4640866 | 1 | Valve Assembly (Level) | |
| 3A | 7017466 | 1 | Cartridge | |
| 3A | 2900708 | 1 | Seal Kit - Cartridge | |
| 3B | 7012959 | 1 | Knob | |
| 4 | | Ref | Pressure Filter Assembly Options: | |
| 4 | 2120163 | 1 | Pressure Filter Assembly (Prior to SN 0300087266) | |
| 4 | 2120150 | 1 | Element, Filter | |
| 4 | 7023206 | 1 | O-Ring, Filter Bowl | |
| 4 | 7023207 | 1 | Ring, Filter Bowl Backup | |
| 4 | 7020020 | 1 | Indicator, Clog | |
| 4 | 2120209 | 1 | Pressure Filter Assembly (SN 0300087266 through 0300185827) | |
| 4 | 2120210 | 1 | Element, Filter | |
| 4 | 70000934 | 1 | O-Ring, Filter Bowl | |
| 4 | 7020020 | 1 | Indicator, Clog | |
| 5 | 4641061 | 1 | Solenoid Valve Assembly (Brake) (Prior to SN 0300089982, SN 0300095110 through 0300138447) | |
| 5 | 7012943 | 1 | Coil | |
| 5 | 7017479 | 1 | Cartridge without Coil | |
| 5 | 7012518 | 1 | Seal Kit - 7017479 Cartridge | |
| 6 | 4640906 | 1 | Solenoid Valve Assembly (2 Speed) (Prior to SN 0300089982, SN 0300095110 through 0300138447) | |
| 6A | 7012944 | 1 | Coil | |
| 6A | 7023981 | 1 | Cartridge without Coil | |
| 6A | 7012905 | 1 | Seal Kit - 7023981 Cartridge | |
| 6B | 7017481 | 2 | Cartridge, Check | |
| 6B | 7012972 | 2 | Seal Kit - 7017481 Cartridge | |
| 7 | 3570979 | 1 | Plate, Spacer (Prior to SN 0300083332) | |
| 9 | 3841340 | 4 | Loop, Hose | |
| 10 | 2220893 | 1 | Fitting, Adapter | |
| 11 | 0641614 | 3 | Bolt 3/8in-16NC x 1-3/4in | |
| 12 | 0641606 | 8 | Bolt 3/8in-16NC x 3/4in | |
| 13 | 4711600 | AR | Flatwasher 3/8in Narrow | |
| 14 | | Ref | Bolt Options: | |
| 14 | 0641508 | 2 | Bolt 5/16in-18NC x 1in | |
| 14 | 0641418 | 2 | Bolt 1/4in-20NC x 2-1/4in | |
| 15 | 4891500 | 2 | Flatwasher 5/16in Hardened (Prior to SN 0300083332) | |

SECTION 2 - TURNTABLE

| ITEM | PART NUMBER | QTY | DESCRIPTION | REV |
|------|-------------|----------|--|-----|
| 16 | 4711500 | 2 | Flatwasher 5/16in Narrow (Prior to SN 0300083332) | |
| 17 | 0641418 | 2 | Bolt 1/4in-20NC x 2-1/4in | |
| 19 | | Ref | Bolt Options: | |
| 19 | 0641414 | 2 | Bolt 1/4in-20NC x 1-3/4in | |
| 19 | 0641416 | 2 | Bolt 1/4in-20NC x 2in | |
| 20 | 0651406 | AR | Bolt 1/4in-28NF x 3/4in | |
| 21 | 4711400 | AR | Flatwasher 1/4in Narrow | |
| 22 | 3311405 | AR | Locknut 1/4in-20NC | |
| 23 | 0100011 | AR | Compound, Locking | |
| 24 | 4640921 | 1 | Valve Assembly (Jib Control) (See ACCESSORY VALVE ASSEMBLY for Breakdown) | |
| 25 | 4921927 | 1 | Harness Assembly (Jib Control) (Not Shown - See ELECTRICAL SECTION for Breakdown) | |
| 26 | 4640922 | AR | Valve Assembly (4WS Control) | |
| 27 | 4921928 | | Harness Assembly (4WS Control) (Not Shown - See ELECTRICAL SECTION for Breakdown) | |
| 28 | 4420060 | 2 in/5cm | Tape, Double Sided (Prior to SN 0300083332) | |
| 29 | 4641317 | 1 | Combination Valve Assembly (Brake and 2 Speed) (SN 0300089982 through 0300095110, SN 0300137447 through 0300185827) | |
| 29 | 7012944 | 2 | Coil | |
| 29 | 7012941 | 2 | Cartridge without Coil | |
| 29 | 7010543 | 2 | Seal Kit - 7012941 Cartridge (1 Per Cartridge) | |
| 30 | 0140001 | 1 | Horn (SN 0300137684 through 0300185827) | |
| 31 | 0641408 | 1 | Bolt 1/4in-20 x 1in | |
| | | Ref | AUXILIARY PUMP INSTALLATION | |
| | 0258670 | Ref | Original Equipment | D |
| | 1001143190 | Ref | Service Replacement | A |
| | | Ref | Note: Original Equipment pump may have been replaced with Service Replacement pump. Identify component before ordering parts. | |
| 101 | | Ref | Auxiliary Pump Assembly Options (See AUXILIARY PUMP ASSEMBLY for Breakdown): | |
| 101 | 3600287 | NLA | Fenner Brand (Original Equipment) (Use p/n 1001143191) (SN 0300069000 through 0300109066) | |
| 101 | 1001091424 | NLA | Fenner Brand (Original Equipment) (Use p/n 1001143191) (SN 0300069000 through 0300109066) | |
| 101 | 3600458 | NLA | Haldex Brand (Service Replacement) (Use p/n 1001137460) (SN 0300109067 through 0300140000) | |
| 101 | 1001137460 | 1 | Bucher Brand (Service Replacement) | |
| 102 | 0902415 | 1 | Bracket, Pump Mounting | |
| 103 | 0641610 | 3 | Bolt 3/8in-16NC x 1-1/4in | |
| 104 | 4751600 | 3 | Flatwasher 3/8in | |
| 105 | 0641506 | 4 | Bolt 5/16in-18NC x 3/4in | |
| 106 | 4711500 | 4 | Flatwasher 5/16in Narrow | |
| 107 | 0100011 | AR | Compound, Locking | |
| | 2901207 | 1 | Band Kit, Auxiliary Power Motor (UL Machines Only) | |

SECTION 2 - TURNTABLE

FIGURE 2-2. MAIN CONTROL VALVE ASSEMBLY



SECTION 2 - TURNTABLE

FIGURE 2-2. MAIN CONTROL VALVE ASSEMBLY

| ITEM | PART NUMBER | QTY | DESCRIPTION | REV |
|------|-------------|-----|---|-----|
| | | Ref | MAIN CONTROL VALVE ASSEMBLY | |
| | 4641099 | Ref | Original Equipment | B |
| | 4641453 | Ref | Service Replacement | B |
| | | Ref | Note: Original Equipment Valve may have been replaced with Service Replacement Valve. Identify p/n stamped on valve before ordering parts. | |
| 2 | See Note | 1 | Block (Note: Not Available - Purchase Complete Assembly) | |
| 3 | 7010542 | 1 | Cartridge, Load Sensing (Main Lift) | |
| 3 | 7010543 | 1 | Seal Kit - 7010542 Cartridge | |
| 4 | 7010542 | 1 | Cartridge, Load Sensing | |
| 4 | 7010543 | 1 | Seal Kit - 7010542 Cartridge | |
| 5 | 7010542 | 1 | Cartridge, Load Sensing (Swing) | |
| 5 | 7010543 | 1 | Seal Kit - 7010542 Cartridge | |
| 6 | 7010542 | 1 | Cartridge, Load Sensing | |
| 6 | 7010543 | 1 | Seal Kit - 7010542 Cartridge | |
| 7 | 7010542 | 1 | Cartridge, Load Sensing (Main) | |
| 7 | 7010543 | 1 | Seal Kit - 7010542 Cartridge | |
| 8 | 7017420 | 1 | Cartridge, Relief Valve (Main Lift) | |
| 8 | 7012998 | 1 | Seal Kit - 7017420 Cartridge | |
| 9 | 7017423 | 1 | Cartridge, Relief Valve (Swing) | |
| 9 | 7012998 | 1 | Seal Kit - 7017420 Cartridge | |
| 10 | 7018941 | 1 | Orifice | |
| 11 | 7018941 | 1 | Orifice | |
| 12 | 7017474 | 1 | Cartridge, Check Valve (Tower Lift) | |
| 12 | 2900708 | 1 | Seal Kit - 7017448 Cartridge | |
| 13 | 7021602 | 1 | Piston, Pilot | |
| 14 | 7017428 | 1 | Cartridge, Relief Valve (Platform Level Down) | |
| 14 | 7012998 | 1 | Seal Kit - 7017428 Cartridge | |
| 15 | 7017427 | 1 | Cartridge, Relief Valve (Platform Level Up) | |
| 15 | 7012998 | 1 | Seal Kit - 7017427 Cartridge | |
| 16 | 7017428 | 1 | Cartridge, Relief Valve (Front Steer) | |
| 16 | 7012998 | 1 | Seal Kit - 7017428 Cartridge | |
| 17 | 7017428 | 1 | Cartridge, Relief Valve (Front Steer) | |
| 17 | 7012998 | 1 | Seal Kit - 7017428 Cartridge | |
| 18 | 7012914 | 1 | Cartridge, Pilot Check (Platform Level) | |
| 18 | 7012918 | 1 | Seal Kit - 7012914 Cartridge | |
| 19 | 7012914 | 1 | Cartridge, Pilot Check (Platform Level) | |
| 19 | 7012918 | 1 | Seal Kit - 7012914 Cartridge | |
| 20 | 7018992 | 1 | Control Valve Assembly (Main Lift) | |
| 20 | 7012773 | 1 | Seal Kit - 7018992 Valve | |
| 20A | 7018991 | 2 | Coil | |
| 20A | 7018912 | 2 | Nut | |
| 21 | 7012775 | 1 | Control Valve Assembly (Swing) | |
| 21 | 7012773 | 1 | Seal Kit - 7012775 Valve | |
| 21A | 7012772 | 2 | Coil | |
| 21A | 7018912 | 2 | Nut | |
| 22 | 70002946 | 1 | Flow Control Manifold Assembly (Main) (Includes Items 24 & 25) | |
| 23 | 7018994 | 1 | Control Valve Assembly (Main) | |
| 23 | 7012773 | 1 | Seal Kit - 7018994 Valve | |

SECTION 2 - TURNTABLE

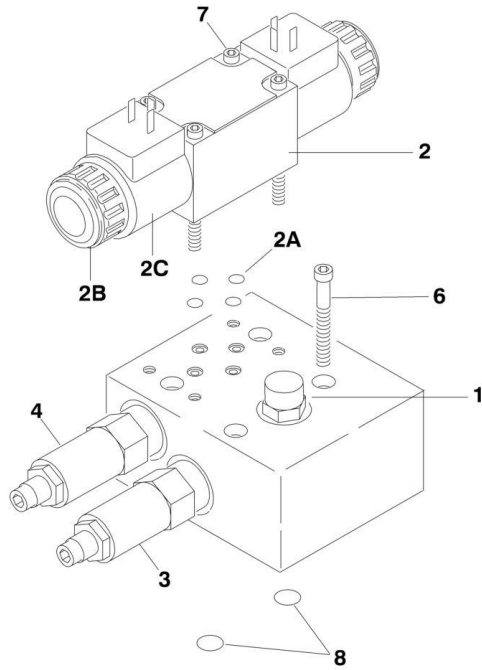
| ITEM | PART NUMBER | QTY | DESCRIPTION | REV |
|------|-------------|-----|---|-----|
| 23A | 7012772 | 1 | Coil | |
| 23A | 7018912 | 1 | Nut | |
| 23B | 7018993 | 1 | Plug | |
| 24 | 7017414 | 1 | Cartridge without Coil | |
| 24 | 2900708 | 1 | Seal Kit - 7017414 Cartridge | |
| 24 | 7000645 | 1 | Coil | |
| 25 | 7021601 | 1 | Cartridge, Flow Regulator (Main) | |
| 25 | 7017477 | 1 | Seal Kit - 7021601 Cartridge | |
| 26 | | Ref | Control Valve Assembly Options (Main Tele): | |
| 26 | 70000579 | 1 | Original Equipment (was p/n 7012766) | |
| 26 | 70000579 | 1 | Service Replacement | |
| 26 | | Ref | Note: Refer to Vendor P/N on Valve Nameplate before ordering Parts. P/N 7012766 is RR00567495 or R900567495. P/N 70000579 is R900930080. | |
| 26 | | Ref | Seal Kit Options: | |
| 26 | 7012769 | 1 | 7012766 Valve | |
| 26 | 70000583 | 1 | 70000579 Valve | |
| 26A | | Ref | Coil Options: | |
| 26A | 7012772 | 1 | 7012766 Valve (was p/n 7012768) | |
| 26A | 70000582 | 1 | 70000579 Valve | |
| 26A | | Ref | Nut, Coil Options: | |
| 26A | 7018912 | 1 | 7012766 Valve | |
| 26A | 70000580 | 1 | 70000579 Valve | |
| 27 | 70001976 | 1 | Control Valve Assembly (Tower Tele) (was p/n 7012770) | |
| 27 | 7012773 | 1 | Seal Kit - 7012770 Valve | |
| 27A | 7012772 | 2 | Coil | |
| 27A | 7018912 | 2 | Nut | |
| 28 | 70001976 | 1 | Control Valve Assembly (Platform Level) (was p/n 7012770) | |
| 28 | 7012773 | 1 | Seal Kit - 7012770 Valve | |
| 28A | 7012772 | 2 | Coil | |
| 28A | 7018912 | 2 | Nut | |
| 29 | 70001976 | 1 | Control Valve Assembly (Platform Rotate) (was p/n 7012770) | |
| 29 | 7012773 | 1 | Seal Kit - 7012770 Valve | |
| 29A | 7012772 | 2 | Coil | |
| 29A | 7018912 | 2 | Nut | |
| 30 | 70001976 | 1 | Control Valve Assembly (Tower Lift) (was p/n 7012770) | |
| 30 | 7012773 | 1 | Seal Kit - 7012770 Valve | |
| 30A | 7012772 | 2 | Coil | |
| 30A | 7018912 | 2 | Nut | |
| 31 | 7012989 | 1 | Cartridge, Flow Regulator (Platform Rotate) | |
| 31 | 7012953 | 1 | Seal Kit - 7012989 Cartridge | |
| 32 | 7012774 | 1 | Control Valve Assembly (Front Steer) | |
| 32 | 7012773 | 1 | Seal Kit - 7012774 Valve | |
| 32A | 7012772 | 2 | Coil | |
| 32A | 7018912 | 2 | Nut | |
| 33 | 7021310 | AR | Valve, Sandwich (Platform Rotate) | |
| 33 | 7018945 | 2 | O-Rings, Replacement - 7021310 Valve | |
| 34 | 7017478 | 1 | Cartridge, Check Valve (Main Pressure) | |
| 34 | 7017477 | 1 | Seal Kit - 7017478 Cartridge | |
| 35 | 7012941 | 1 | Cartridge without Coil (Main Dump) | |
| 35 | 7010543 | 1 | Seal Kit - 7017452 Cartridge | |
| 35 | 7012944 | 1 | Coil | |

SECTION 2 - TURNTABLE

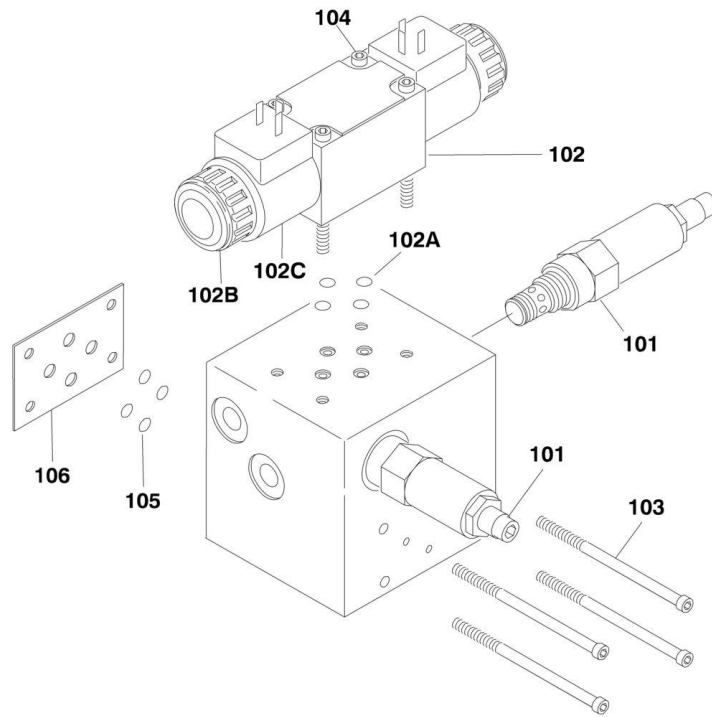
| ITEM | PART NUMBER | QTY | DESCRIPTION | REV |
|-------------|--------------------|------------|--------------------------------------|------------|
| 36 | 7017428 | 1 | Cartridge, Relief Valve (Tower Tele) | |
| 36 | 7012998 | 1 | Seal Kit - 7017428 Cartridge | |
| 37 | 7018942 | 28 | Capscrew #10-24NC x 2in | |
| 38 | 7018951 | 4 | Capscrew 1/4in-20NC x 1-1/2in | |
| 39 | 7021311 | 4 | Capscrew #10-24NC x 4-1/2in | |
| 40 | 3931048 | 4 | Capscrew #10-24NC x 3in | |

SECTION 2 - TURNTABLE

FIGURE 2-3. ACCESSORY VALVE ASSEMBLY



**NOTE: TORQUE ITEMS 6, 7, 103 & 104
TO 60 IN/LBS.**



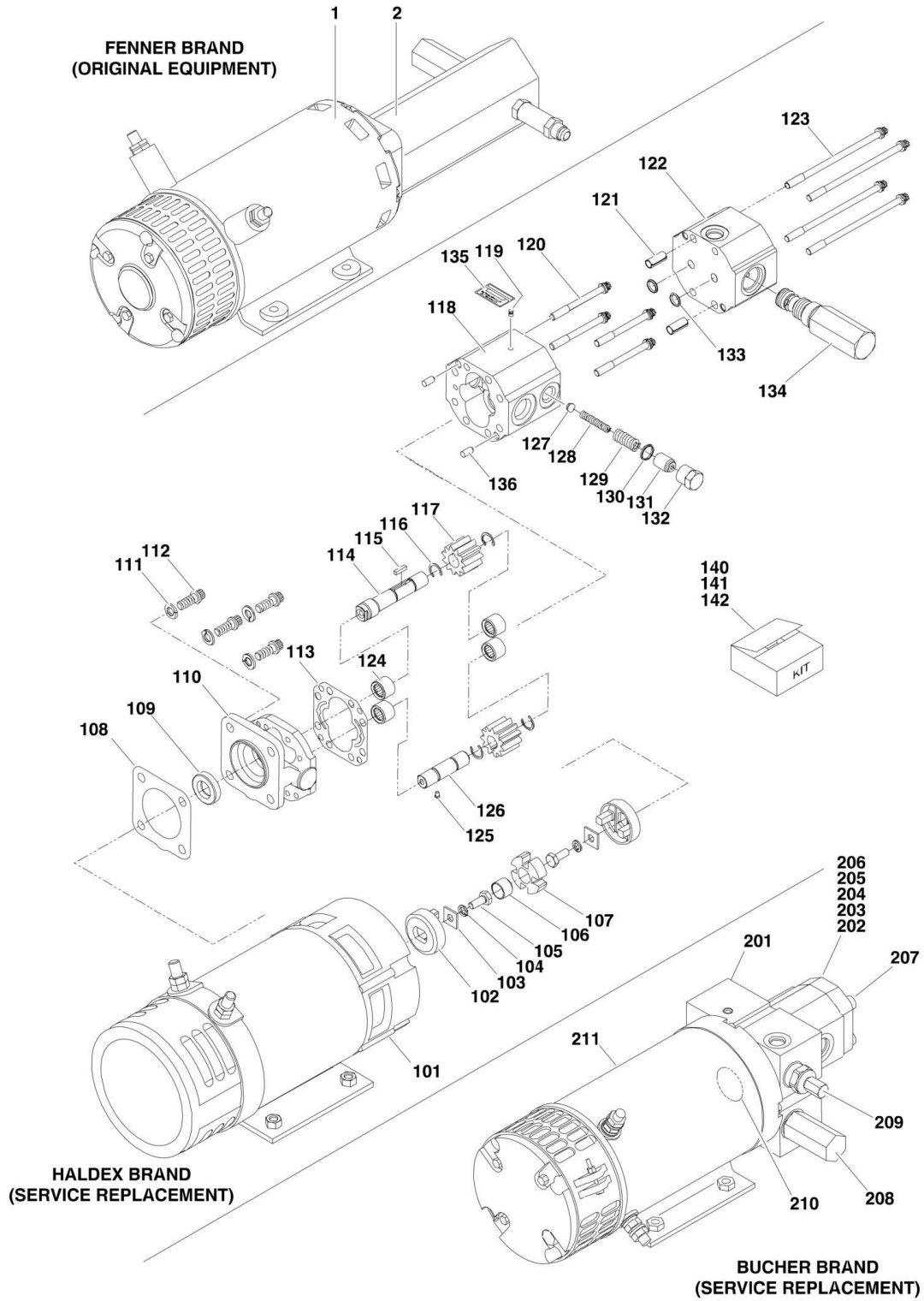
SECTION 2 - TURNTABLE

FIGURE 2-3. ACCESSORY VALVE ASSEMBLY

| ITEM | PART NUMBER | QTY | DESCRIPTION | REV |
|------|-------------|-----|--|-----|
| | | Ref | ACCESSORY VALVE ASSEMBLIES | |
| | 4640921 | Ref | ARTICULATING JIB VALVE ASSEMBLY | D |
| 1 | 7012965 | 1 | Cartridge, Flow Control | |
| 1 | 7012953 | 1 | Seal Kit - 7012965 Cartridge | |
| 2 | 70001976 | 1 | Directional Control Valve Assembly (was p/n 7012770) | |
| 2 | 7012773 | 1 | Seal Kit | |
| 2A | 7018945 | 4 | O-Ring | |
| 2B | 7018912 | 2 | Nut | |
| 2C | 7012772 | 2 | Coil | |
| 3 | 7017421 | 1 | Cartridge, Relief | |
| 3 | 7012998 | 1 | Seal Kit - 7017421 Cartridge | |
| 4 | 7017422 | 1 | Cartridge, Relief | |
| 4 | 7012998 | 1 | Seal Kit - 7017422 Cartridge | |
| 5 | 4460499 | 2 | Connector, DIN with Diode (Not Shown - Part of Valve Harness) | |
| 6 | 7012777 | 4 | Capscrew, Socket Head 5/16in-18NC x 2-1/4in (Used to Mount Valve Assembly) | |
| 7 | 7018942 | 4 | Capscrew, Socket Head #10-24NC x 2in | |
| 8 | 7012776 | 2 | O-Ring (Used to Mount Main Valve) | |
| | 4640922 | Ref | 4WS VALVE ASSEMBLY | B |
| 101 | 7017420 | 1 | Cartridge, Relief | |
| 101 | 7012998 | 1 | Seal Kit - 7017420 Cartridge | |
| 102 | 7012774 | 1 | Directional Control Valve Assembly | |
| 102 | 7012773 | 1 | Seal Kit | |
| 102A | 7018945 | 4 | R-Ring | |
| 102B | 7018912 | 2 | Nut | |
| 102C | 7012772 | 2 | Coil | |
| 103 | 7018946 | 4 | Capscrew, Socket Head #10-24NC x 5in (Used to Mount Main Valve) | |
| 104 | 7018942 | 4 | Capscrew, Socket Head #10-24NC x 2in | |
| 105 | 7018948 | 4 | O-Ring (Used to Mount Main Valve) | |
| 106 | 7018947 | 1 | Plate, O-Ring | |

SECTION 2 - TURNTABLE

FIGURE 2-4. AUXILIARY PUMP ASSEMBLY (SN 0300109067 through 0300185827)



SECTION 2 - TURNTABLE

FIGURE 2-4. AUXILIARY PUMP ASSEMBLY (SN 0300109067 through 0300185827)

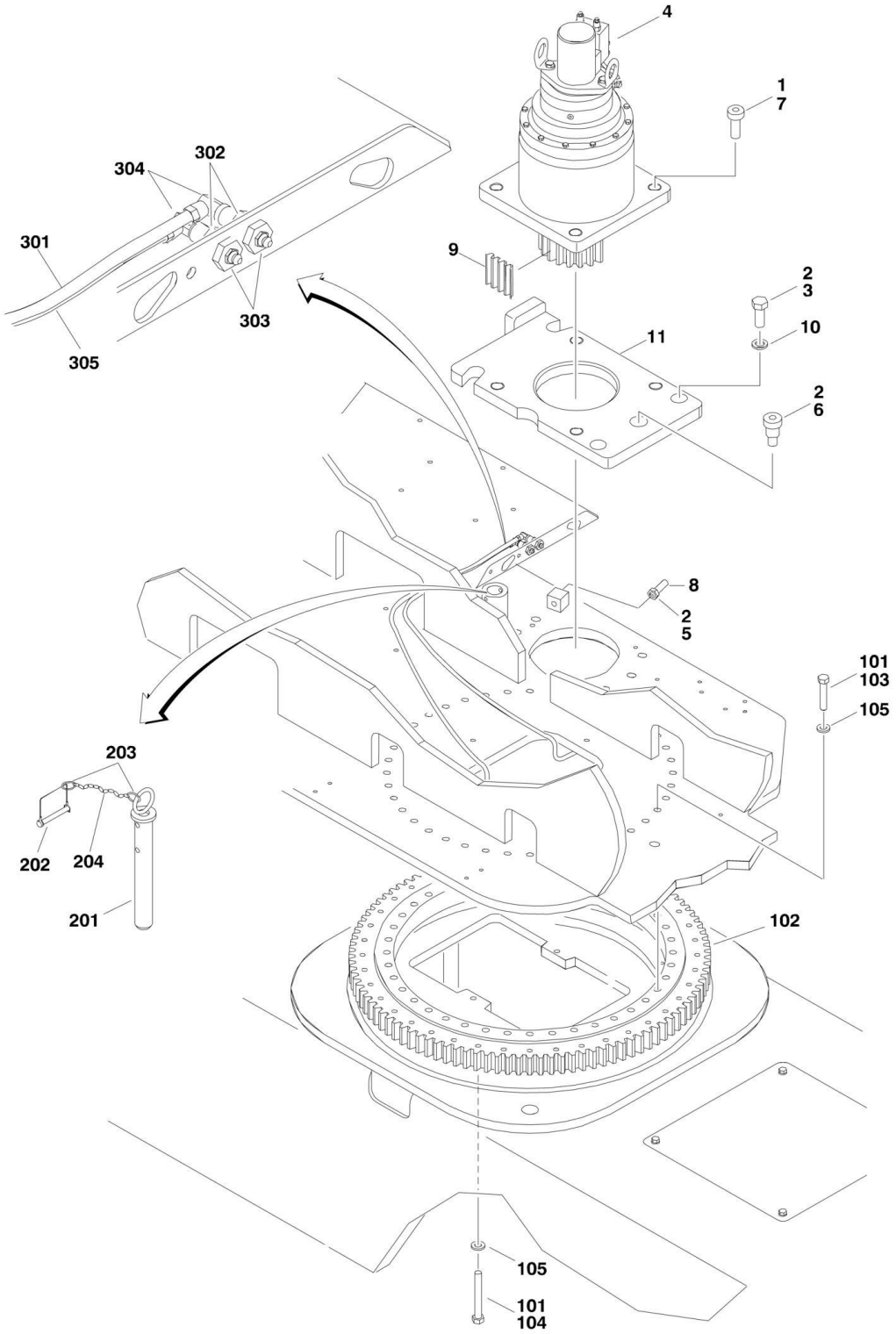
| ITEM | PART NUMBER | QTY | DESCRIPTION | REV |
|------|-------------|-----|---|-----|
| | 3600287 | Ref | AUXILIARY PUMP ASSEMBLY (FENNER BRAND) (ORIGINAL EQUIPMENT) | E |
| 1 | 7016779 | 1 | Motor Assembly | |
| 1 | 7016781 | 1 | Brush Kit - 7016779 Motor | |
| 2 | 7016780 | 1 | Pump Assembly | |
| 2 | 7016785 | 1 | Seal Kit - 7016780 Pump | |
| 2 | 7016782 | 1 | Coupling, Pump/Motor | |
| 2 | 7016783 | 1 | Pump Mounting Kit | |
| 2 | 7016784 | 1 | Relief Valve Assembly | |
| | 3600458 | Ref | AUXILIARY PUMP ASSEMBLY (HALDEX BRAND) (SERVICE REPLACEMENT) | C |
| 101 | 70001059 | 1 | Motor, DC | |
| 102 | See Note | NSS | Coupling, Half (Note: Use Items 141 & 142) | |
| 103 | See Note | NSS | Washer (Note: Use Items 141 & 142) | |
| 104 | See Note | NSS | Lockwasher (Note: Use Items 141 & 142) | |
| 105 | See Note | NSS | Screw (Note: Use Items 141 & 142) | |
| 106 | See Note | NSS | Bushing (Note: Use Items 141 & 142) | |
| 107 | See Note | NSS | Spider (Note: Use Items 141 & 142) | |
| 108 | 7011044 | 1 | Gasket, Mounting | |
| 109 | 7010903 | 1 | Seal, Shaft | |
| 110 | See Note | 1 | Stator (Note: Not Available - Purchase Complete Assembly) | |
| 111 | 7011048 | 4 | Washer | |
| 112 | 70001060 | 4 | Screw | |
| 113 | 70001061 | 1 | Kit Gasket | |
| 114 | 70001062 | 1 | Shaft, Drive | |
| 115 | 70001063 | 1 | Key | |
| 116 | 70000970 | 4 | Ring, Retaining | |
| 117 | 70001064 | 2 | Gear | |
| 118 | See Note | 1 | Housing, Gear (Note: Not Available - Purchase Complete Assembly) | |
| 119 | See Note | 1 | Plug (Note: Not Available - Purchase Locally) | |
| 120 | See Note | 4 | Screw (Note: Not Available for Purchase) | |
| 121 | See Note | 2 | Bushing, Dowel (Note: Not Available for Purchase) | |
| 122 | See Note | 1 | Block, Valve (Note: Not Available - Purchase Complete Assembly) | |
| 123 | 7011043 | 4 | Screw | |
| 124 | 70000976 | 4 | Bearing, Needle | |
| 125 | 70001065 | 1 | Pin | |
| 126 | 70001066 | 1 | Shaft, Idler | |
| 127 | See Note | 1 | Ball (Note: Not Available for Purchase) | |
| 128 | See Note | 1 | Spring (Note: Not Available for Purchase) | |
| 129 | 7011008 | 1 | Spring | |
| 130 | See Note | NSS | Gasket (Note: Use Item 140) | |
| 131 | See Note | 1 | Screw Adjustment (Note: Not Available for Purchase) | |
| 132 | See Note | 1 | Bolt (Note: Not Available for Purchase) | |
| 133 | 7011022 | 2 | O-Ring | |
| 134 | 70001067 | 1 | Valve, Logic | |
| 135 | See Note | 1 | Label (Note: Not Available for Purchase) | |
| 136 | See Note | 2 | Pin, Shear (Note: Not Available for Purchase) | |
| 140 | 70001069 | 1 | Seal Kit, Pump (Includes Items 108, 109, 130 & 133) | |
| 141 | 70001068 | 1 | Motor and Coupling Kit, Replacement (Includes Items 101-108, | |

SECTION 2 - TURNTABLE

| ITEM | PART NUMBER | QTY | DESCRIPTION | REV |
|------|-------------|-----|---|-----|
| 142 | 7010944 | 1 | 111 & 112) Coupling Kit (Includes Items 102-107) | A |
| | 1001137460 | Ref | AUXILIARY PUMP ASSEMBLY (BUCHER BRAND) (SERVICE REPLACEMENT) | |
| 201 | 70004125 | 1 | Base Assembly | |
| 201 | 70003993 | 1 | Seal, Shaft | |
| 202 | 70004125 | 4 | Pin, Dowel | |
| 203 | 70004125 | 1 | O-Ring | |
| 204 | 70004125 | 1 | Pump | |
| 205 | 70004125 | 1 | O-Ring | |
| 206 | 70004125 | 1 | Cover, Rear | |
| 207 | 70004125 | 4 | Screw | |
| 208 | 70003989 | 1 | Valve, Logic | |
| 209 | 70004125 | 1 | Valve, Relief | |
| 210 | 70004125 | 1 | Shaft, Intermediate | |
| 211 | 70003992 | 1 | Motor | |

SECTION 2 - TURNTABLE

FIGURE 2-5. TURNTABLE BEARING AND SWING DRIVE INSTALLATION



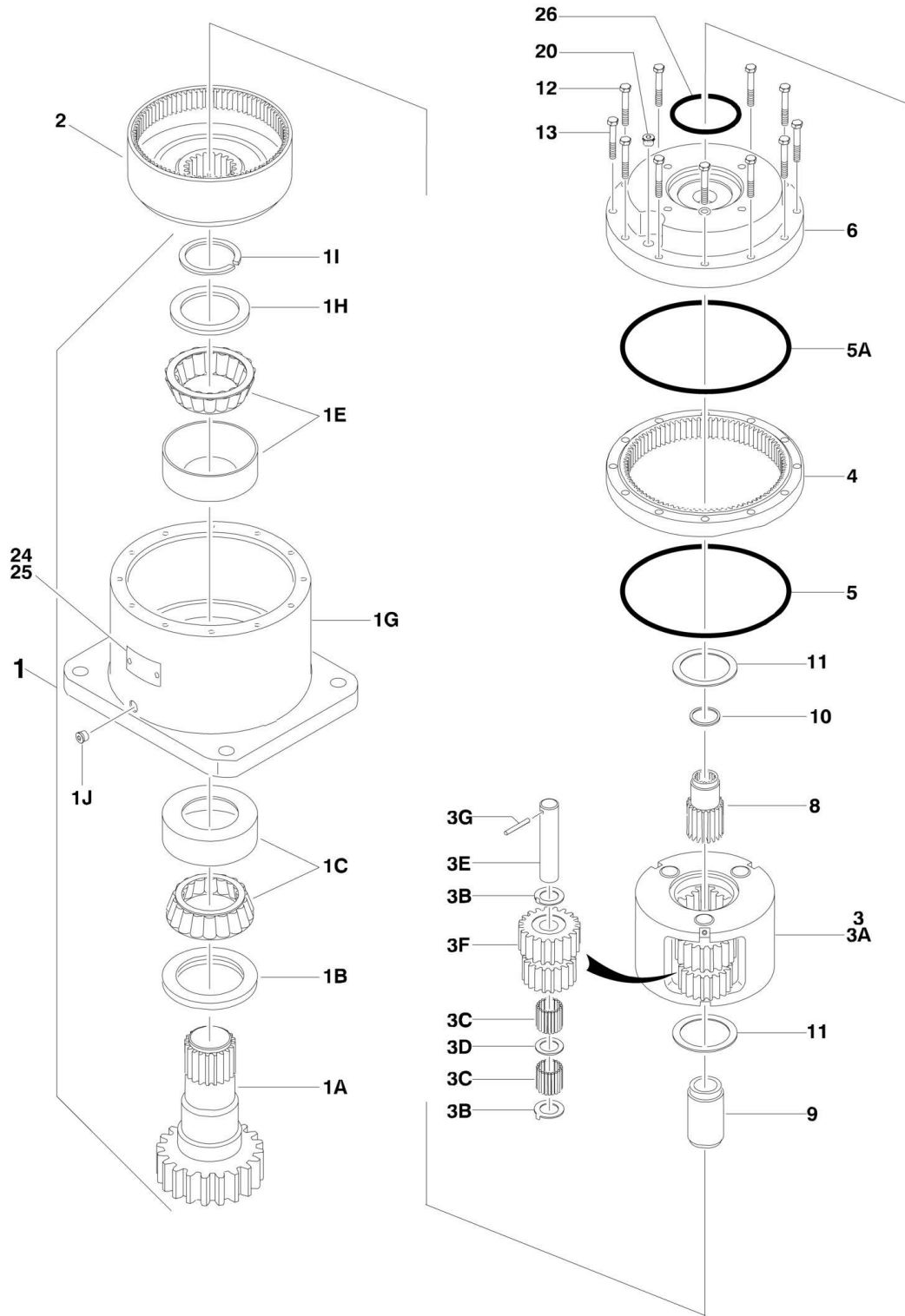
SECTION 2 - TURNTABLE

FIGURE 2-5. TURNTABLE BEARING AND SWING DRIVE INSTALLATION

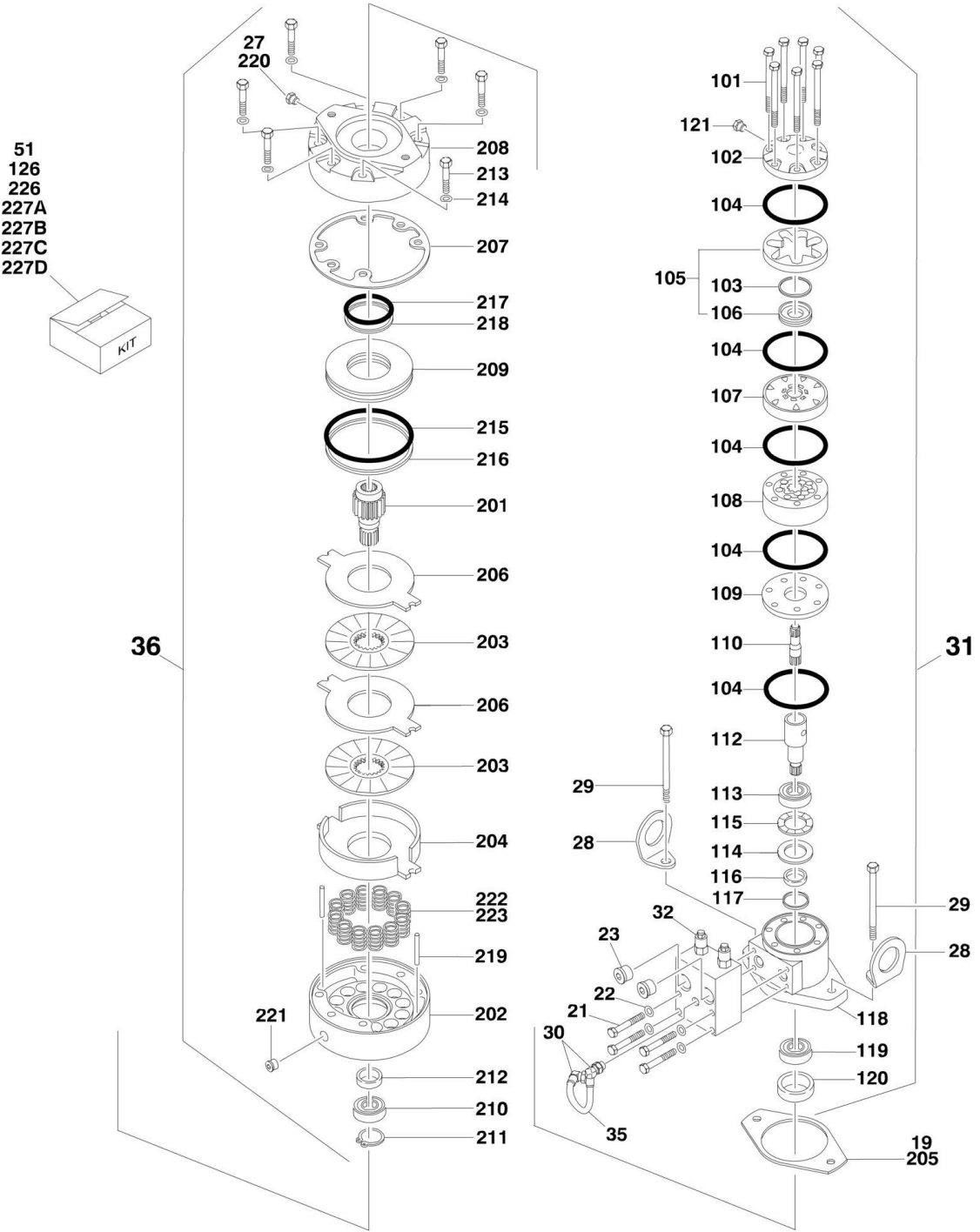
| ITEM | PART NUMBER | QTY | DESCRIPTION | REV |
|------|-------------|-----------|---|-----|
| | | Ref | TURNTABLE WELDMENT | |
| | 4620119 | Ref | Standard Machines (Prior to SN 0300071019) | |
| | 4620135 | Ref | Standard Machines (SN 0300071019 through 0300185827) | |
| | | Ref | SWING DRIVE INSTALLATION | |
| | 0272189 | Ref | Swing Drive Installation (Prior to SN 0300134353) | D |
| | 1001094889 | Ref | Swing Drive Installation (SN 0300134353 through 0300185827) | B |
| 1 | 0100011 | AR | Compound, Locking (Prior to SN 0300074383) | |
| 2 | 0100019 | AR | Compound, Locking | |
| 3 | 0682216 | 4 | Bolt 3/4in - 10NC x 2in (Grade 8) | |
| 4 | | Ref | Motor, Swing Assembly Options: | |
| 4 | 3160286 | 1 | Motor, Swing Assembly (See SWING MOTOR/HUB ASSEMBLY for Breakdown) (Prior to SN 0300074383) | |
| 4 | 3160294 | NLA | Motor, Swing Assembly (Use p/n 1001101060) (See SWING MOTOR/HUB ASSEMBLY for Breakdown) (SN 0300074383 through 0300134352) | |
| 4 | 1001101060 | 1 | Motor, Swing Assembly (See SWING MOTOR/HUB ASSEMBLY for Breakdown) (SN 0300134353 through 0300185827) | |
| 5 | 3312002 | 1 | Nut Jam 5/8in -11NC | |
| 6 | 3900293 | 1 | Screw, Shoulder | |
| 7 | 3932224 | 4 | Screw 3/4in-10NC x 1-1/2in (Prior to SN 0300074383) | |
| 8 | 3952020 | 1 | Setscrew 5/8in x 2in | |
| 9 | 4071009 | 1 | Shim | |
| 10 | 4740057 | 4 | Hardened, Washer | |
| 11 | 4846430 | 1 | Plate, Swing Drive (Prior to SN 0300074383) | |
| | 0271002 | Ref | SWING BEARING INSTALLATION | E |
| 101 | 0100019 | AR | Compound, Locking | |
| 102 | 0440244 | 1 | Bearing, Turntable | |
| 103 | 0682023 | 24 | Bolt 5/8in-11NC X 2-7/8in (Grade 8) | |
| 104 | 0682032 | 24 | Bolt 5/8in-11NC x 4in (Grade 8) | |
| 105 | 4892000 | 48 | Flatwasher, Hardened | |
| 106 | 2915094 | 1 | Swing Bearing Kit (Not Shown - Includes Items 102-105) | |
| | 0259147 | Ref | TURNTABLE LOCK INSTALLATION | B |
| 201 | 4844958 | 1 | Weldment, Pin | |
| 202 | 3421565 | 1 | Pin, Snap | |
| 203 | 3760170 | 2 | Ring, Quick Release | |
| 204 | 1260017 | 9 in/23cm | Chain | |
| | 0255316 | Ref | REMOTE BEARING LUBE INSTALLATION | 3 |
| 301 | 2751095 | 1 | Hose, Grease (Prior to SN 0300070975) | |
| 302 | 2180344 | 2 | Fitting, Bulkhead | |
| 303 | 2160003 | 2 | Fitting, Grease Elbow | |
| 304 | 2220063 | 2 | Fitting, Elbow | |
| 305 | 2751032 | 1 | Hose, Grease | |

SECTION 2 - TURNTABLE

FIGURE 2-6. SWING MOTOR/HUB ASSEMBLY (Prior to SN 0300134353)



SECTION 2 - TURNTABLE



SECTION 2 - TURNTABLE

FIGURE 2-6. SWING MOTOR/HUB ASSEMBLY (Prior to SN 0300134353)

| ITEM | PART NUMBER | QTY | DESCRIPTION | REV |
|------|-------------|-----|--|-----|
| | | Ref | SWING MOTOR/HUB ASSEMBLIES | |
| | 3160286 | Ref | Swing Motor/Hub Assemblies (SN 0300069000 through 0300074382) | B |
| | 3160294 | Ref | Swing Motor/Hub Assemblies (SN 0300074383 through 0300134353) | C |
| | | Ref | Note: Original Equipment Motor p/n 3600294 may have been replaced with p/n 1001101060 as a Service Replacement. Identify component before ordering parts. If equipped with p/n 1001101060 refer to next illustration. | |
| 1 | See Note | 1 | Housing/Shaft Assembly (Note: Not Available - Purchase Individual Components) | |
| 1A | 7010492 | 1 | Shaft, Output | |
| 1B | 7000228 | 1 | Seal, Lip | |
| 1C | 7000255 | 1 | Bearing Kit (Includes Cup and Cone) | |
| 1E | 7000257 | 1 | Bearing Kit (Includes Cup and Cone) | |
| 1G | | Ref | Housing Options: | |
| 1G | 7017089 | 1 | Housing (SN 0300069000 through 0300074382) | |
| 1G | 7024762 | 1 | Housing (SN 0300074383 through 0300134353) | |
| 1H | 7007633 | 1 | Washer, Thrust | |
| 1I | 7000229 | 1 | Ring, Retaining | |
| 1J | 7001928 | 1 | Plug, Pipe | |
| 2 | 7000246 | 1 | Gear, Internal | |
| 3 | See Note | 1 | Carrier Assembly (Note: Not Available - Purchase Individual Components) | |
| 3A | 7001931 | 1 | Carrier | |
| 3B | 7001985 | 6 | Washer, Tanged | |
| 3C | 7001909 | 96 | Bearing, Needle | |
| 3D | 7000263 | 3 | Washer, Thrust | |
| 3E | 7001911 | 3 | Shaft, Planet | |
| 3F | 7001912 | 3 | Gear, Cluster | |
| 3G | 7010474 | 3 | Roll Pin | |
| 4 | 7000248 | 1 | Gear, Ring | |
| 5 | 7000230 | 1 | O-Ring | |
| 5A | 7017070 | 1 | O-Ring | |
| 6 | 7000209 | 1 | Cover, Input | |
| 8 | 7010461 | 1 | Gear, Sun | |
| 9 | 7000269 | 1 | Spacer, Input | |
| 10 | 7000270 | 1 | Washer, Thrust | |
| 11 | 7000253 | 2 | Washer, Thrust | |
| 12 | 7000217 | 8 | Bolt 5/16in-18NC x 2-1/4in (Grade 8) | |
| 13 | 7000214 | 4 | Bolt, Shoulder 5/16in-18NC x 1-7/8in (Grade 8) | |
| 19 | 7024703 | 1 | Gasket | |
| 20 | 2200222 | 1 | Plug, Pipe | |
| 21 | 7024704 | 4 | Bolt 5/16in-18NC x 2in (Grade 8) | |
| 22 | See Note | 4 | Lockwasher (Note: Not Available for Purchase) | |
| 23 | 7017023 | 2 | Plug, Pipe | |
| 24 | See Note | 1 | Plate, ID (Note: Not Available for Purchase) | |
| 25 | 7000281 | 2 | Screw, Drive | |
| 26 | 7024705 | 1 | O-Ring | |
| 27 | 7017082 | 1 | Plug, Pipe | |
| 28 | See Note | 2 | Lug, Lifting (Note: Not Available for Purchase) | |

SECTION 2 - TURNTABLE

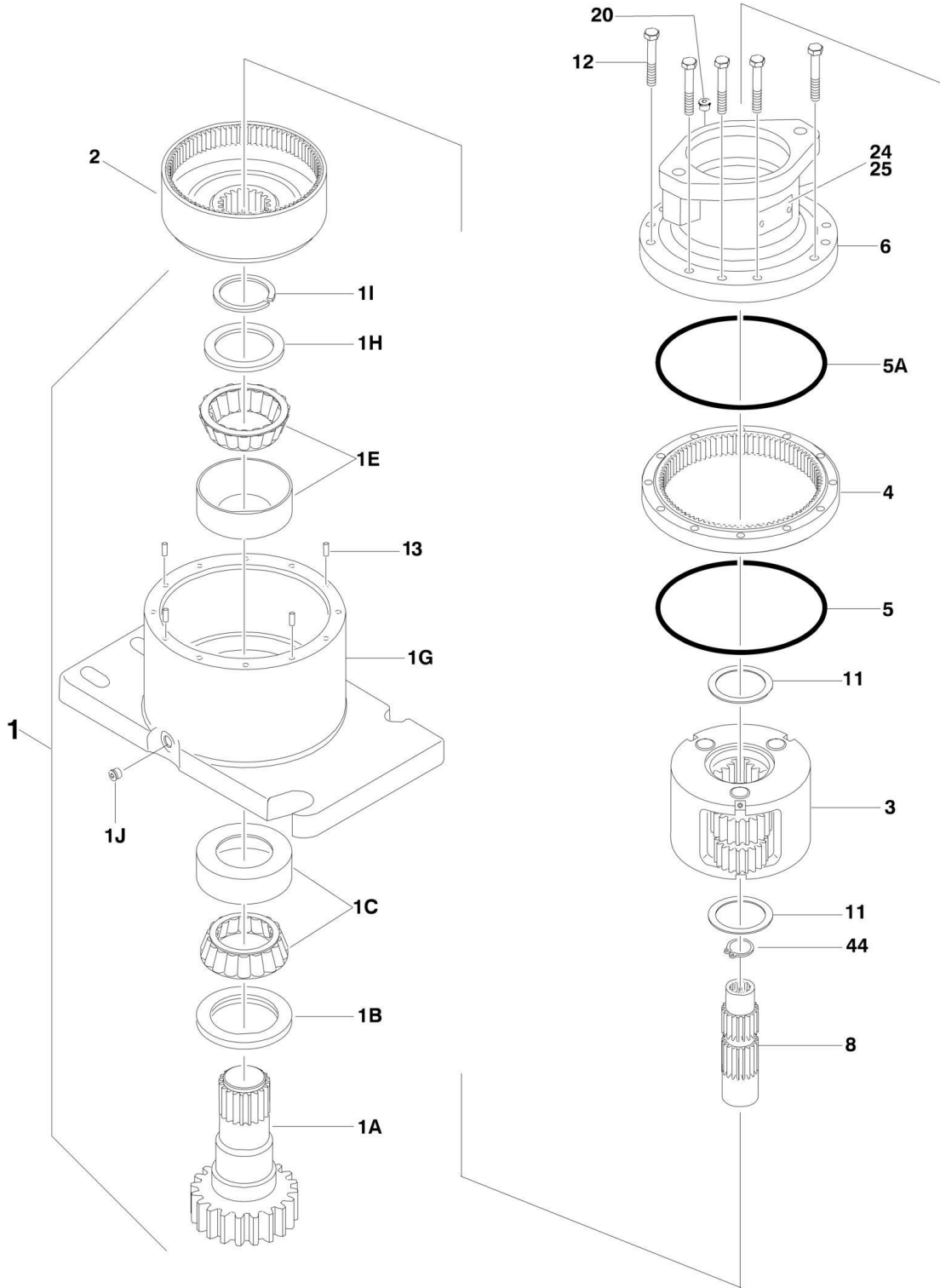
| ITEM | PART NUMBER | QTY | DESCRIPTION | REV |
|------|-------------|-----|---|-----|
| 29 | 7024185 | 2 | Bolt 1/2in-13NC x 5in (Grade 8) | |
| 30 | 7017085 | 2 | Elbow | |
| 31 | 7024707 | 1 | Motor Assembly (See Items 101-121 for Breakdown) | |
| 32 | 7024784 | 1 | Valve (No Serviceable Parts) | |
| 35 | 7024706 | 1 | Tube | |
| 36 | 7024702 | 1 | Brake Assembly (See Items 201-223 for Breakdown) | |
| 51 | 7024100 | 1 | Seal Kit - Swing Hub (Includes Items 1B, 1I, 5, 5A & 11) | |
| | 7024707 | Ref | MOTOR ASSEMBLY | |
| 101 | 7024454 | 6 | Bolt | |
| 102 | 7024459 | 1 | Cover, End | |
| 103 | See Note | NSS | Seal, Commutator (Note: Use Item 126) | |
| 104 | See Note | NSS | Seal, Ring (Note: Use Item 126) | |
| 105 | 7024453 | 1 | Commutator and Ring Assembly | |
| 106 | 7024453 | 1 | Ring | |
| 107 | 7024379 | 1 | Manifold | |
| 108 | 7024455 | 1 | Rotor Set | |
| 109 | 7024380 | 1 | Plate, Wear | |
| 110 | 7024456 | 1 | Link, Drive | |
| 112 | 7024458 | 1 | Shaft, Coupling | |
| 113 | 7004042 | 1 | Bushing, Bronze | |
| 114 | 7004043 | 1 | Washer, Thrust | |
| 115 | 7004044 | 1 | Bearing, Thrust | |
| 116 | See Note | NSS | Seal, Inner (Note: Use Item 126) | |
| 117 | See Note | NSS | Washer, Back-up (Note: Use Item 126) | |
| 118 | 7024457 | 1 | Housing | |
| 119 | 7004046 | 1 | Bearing | |
| 120 | See Note | NSS | Seal (Note: Use Item 126) | |
| 121 | 7010795 | 1 | Plug, O-Ring | |
| 126 | 7024396 | 1 | Seal Kit, Motor (Includes Items 103, 104, 116, 117 & 120) | |
| | 7024702 | Ref | BRAKE ASSEMBLY | |
| 201 | 7024189 | 1 | Shaft | |
| 202 | 7024702 | 1 | Housing (Note: Not Available for Purchase) | |
| 203 | See Note | NSS | Plate, Friction (Note: Use Item 227C) | |
| 204 | See Note | NSS | Plate, Pressure (Note: Use Item 227C) | |
| 205 | 7000731 | 1 | Gasket | |
| 206 | See Note | NSS | Plate, Outer (Note: Use Item 227C) | |
| 207 | See Note | NSS | Gasket (Note: Use Item 226, 227C or 227D) | |
| 208 | 7024191 | 1 | Cylinder | |
| 209 | 7024192 | 1 | Piston | |
| 210 | See Note | NSS | Bearing, Ball (Note: Use Item 227D) | |
| 211 | See Note | NSS | Ring, Retaining (Note: Use Item 227D) | |
| 212 | See Note | NSS | Seal, Shaft (Note: Use Item 227D) | |
| 213 | See Note | 6 | Capscrew (Note: Not Available for Purchase) | |
| 214 | See Note | 6 | Lockwasher (Note: Not Available for Purchase) | |
| 215 | See Note | NSS | O-Ring (Note: Use Item 226) | |
| 216 | See Note | NSS | Ring, Back-up (Note: Use Item 226) | |
| 217 | See Note | NSS | O-Ring (Note: Use Item 226) | |
| 218 | See Note | NSS | Ring, Back-up (Note: Use Item 226) | |
| 219 | 7024190 | 2 | Pin, Dowel | |
| 220 | See Note | 1 | Plug (Note: Not Available - Purchase Locally) | |
| 221 | See Note | 1 | Plug (Note: Not Available - Purchase Locally) | |

SECTION 2 - TURNTABLE

| ITEM | PART NUMBER | QTY | DESCRIPTION | REV |
|------|-------------|-----|--|-----|
| 222 | See Note | NSS | Spring (Natural) (Note: Use Item 227B) | |
| 223 | See Note | NSS | Spring (Blue) (Note: Use Item 227B) | |
| 226 | 7024194 | 1 | Seal Kit, Brake (Includes Items 205, 207 & 215-218) | |
| 227 | | Ref | Repair Kit, Brake Options: | |
| 227A | 7024195 | NLA | Spring Kit (Includes 12 Natural Colored Springs) (Use Item 227B) | |
| 227B | 7024196 | 1 | Spring Kit (Includes 12 Blue and 12 Natural Colored Springs) | |
| 227C | 7024193 | 1 | Friction Disc Kit (Includes Items 203, 204, 206 & 207) | |
| 227D | 7024197 | 1 | Bearing Kit (Includes Items 207 & 210-212) | |

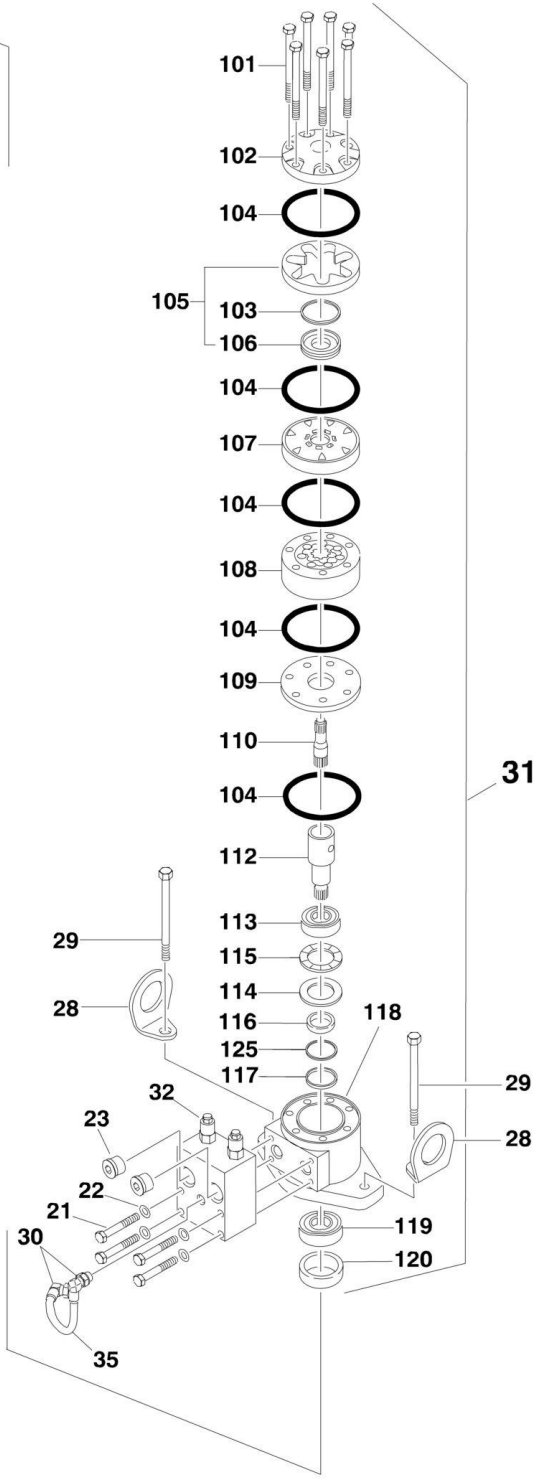
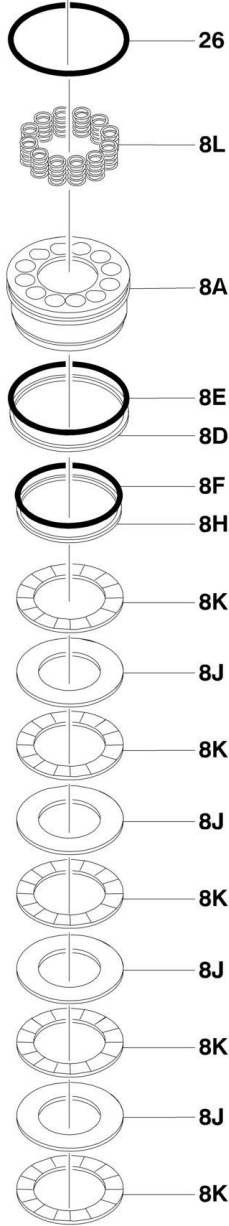
SECTION 2 - TURNTABLE

FIGURE 2-7. SWING MOTOR/HUB ASSEMBLY (SN 0300134353 through 0300185827)



SECTION 2 - TURNTABLE

200A
200B
200C
201



SECTION 2 - TURNTABLE

FIGURE 2-7. SWING MOTOR/HUB ASSEMBLY (SN 0300134353 through 0300185827)

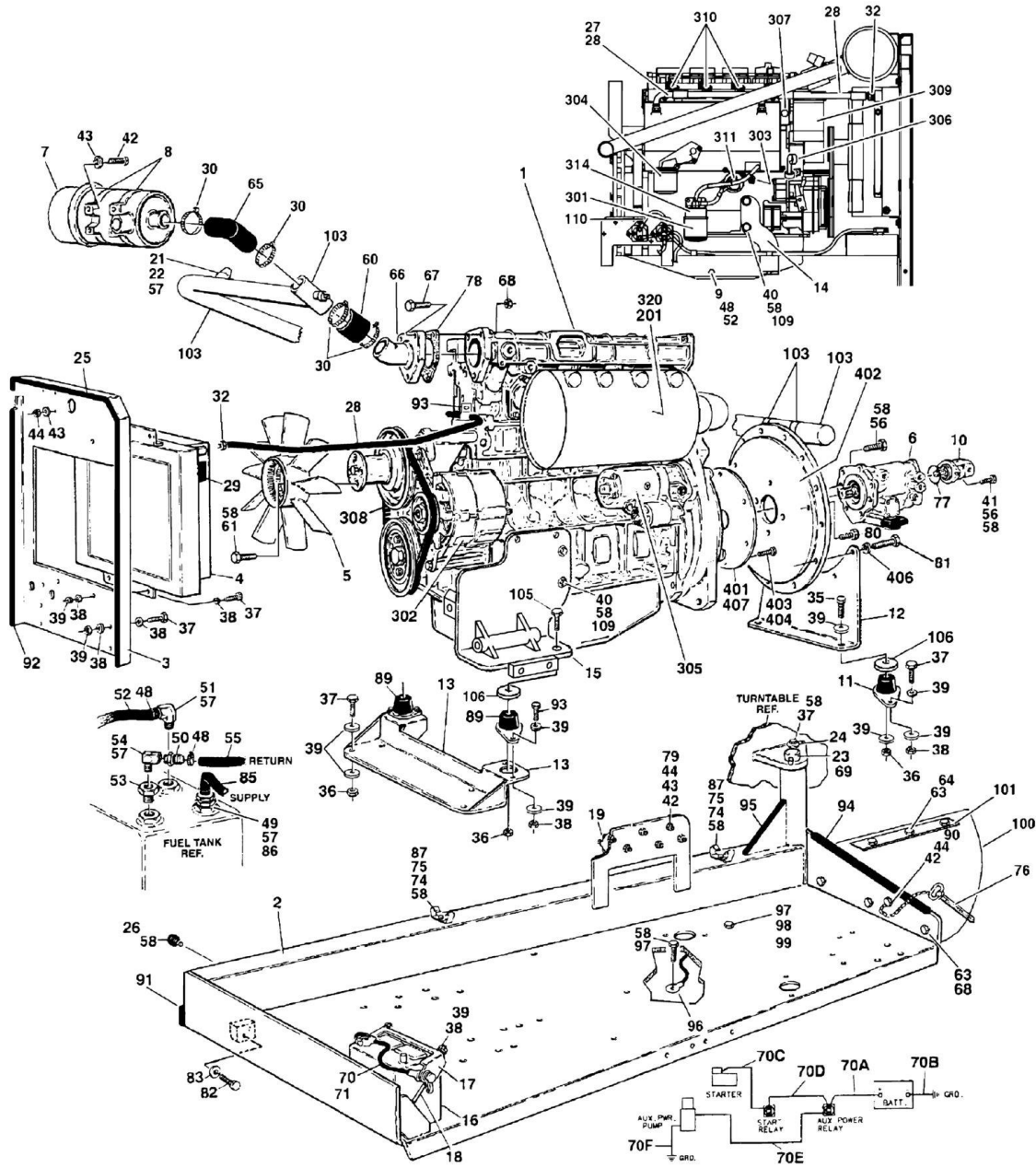
| ITEM | PART NUMBER | QTY | DESCRIPTION | REV |
|------|-------------|-----|---|-----|
| | 1001101060 | Ref | SWING MOTOR/HUB ASSEMBLY (SERVICE REPLACEMENT FOR SWING MOTOR P/N 3160294) | A |
| 1 | See Note | 1 | Housing/Shaft Assembly (Note: Not Available - Purchase Individual Components) | |
| 1A | 7010492 | 1 | Shaft, Output | |
| 1B | 7000228 | 1 | Seal, Lip | |
| 1C | 7000255 | 1 | Bearing Kit (Includes Cup and Cone) | |
| 1E | 7000257 | 1 | Bearing Kit (Includes Cup and Cone) | |
| 1G | 7024762 | 1 | Housing | |
| 1H | 7007633 | 1 | Washer, Thrust | |
| 1I | 7000229 | 1 | Ring, Retaining | |
| 1J | 7017072 | 1 | Plug, Pipe | |
| 2 | 7000246 | 1 | Gear, Internal | |
| 3 | 80424002 | 1 | Carrier Assembly | |
| 4 | 7000248 | 1 | Gear, Ring | |
| 5 | 7000230 | 1 | O-Ring | |
| 5A | 7017070 | 1 | O-Ring | |
| 6 | 1001101060 | 1 | Housing, Brake (Note: Not Available - Purchase Complete Assembly) | |
| 8 | 70002065 | 1 | Gear, Sun | |
| 8A | 70000782 | 1 | Piston | |
| 8D | 70002070 | 1 | O-Ring | |
| 8E | 70002071 | 1 | Ring, Back-up | |
| 8F | 70002073 | 1 | O-Ring | |
| 8H | 70002072 | 1 | Ring, Back-up | |
| 8J | 70002067 | 4 | Disc, Rotor | |
| 8K | 70002068 | 5 | Disc, Stator | |
| 8L | 70002066 | 14 | Spring | |
| 11 | 7000253 | 2 | Washer, Thrust | |
| 12 | 7000217 | 12 | Bolt 3/8in-16NC x 2-1/4in (Grade 8) | |
| 13 | 7017080 | 4 | Pin, Dowel | |
| 20 | 7017072 | 1 | Plug, Pipe | |
| 21 | 7024704 | 4 | Bolt 5/16in-18NC x 2in (Grade 8) | |
| 22 | See Note | 4 | Lockwasher (Note: Not Available for Purchase) | |
| 23 | 7017023 | 2 | Plug, Pipe | |
| 24 | See Note | 1 | Plate, ID (Note: Not Available for Purchase) | |
| 25 | 7000281 | 2 | Screw, Drive | |
| 26 | 7024763 | 1 | O-Ring | |
| 28 | See Note | 2 | Lug, Lifting (Note: Not Available for Purchase) | |
| 29 | 70002069 | 2 | Bolt 1/2in-13NC x 2in (Grade 8) | |
| 30 | 7017085 | 2 | Elbow | |
| 31 | 70002075 | 1 | Motor Assembly (See Items 101-125 for Breakdown) | |
| 32 | 7024784 | 1 | Valve Assembly - Complete (No Serviceable Parts) | |
| 35 | 70002074 | 1 | Tube | |
| 44 | 7017028 | 1 | Ring, Internal Retaining | |
| | 70002075 | Ref | MOTOR ASSEMBLY | |
| 101 | 7024454 | 5 | Bolt | |
| 102 | 7004035 | 1 | Cover, End | |
| 103 | 7023318 | 1 | Seal, Commutator | |
| 104 | 7004036 | 5 | Seal, Ring | |

SECTION 2 - TURNTABLE

| ITEM | PART NUMBER | QTY | DESCRIPTION | REV |
|------|-------------|-----|--|-----|
| 105 | 7024453 | 1 | Commutator and Ring Assembly | |
| 106 | 7024453 | 1 | Ring | |
| 107 | 7024379 | 1 | Manifold | |
| 108 | 7024455 | 1 | Rotor Set | |
| 109 | 7024380 | 1 | Plate, Wear | |
| 110 | 7024456 | 1 | Link, Drive | |
| 112 | 7024458 | 1 | Shaft, Coupling | |
| 113 | 7024381 | 1 | Bearing, Inner | |
| 114 | 7004043 | 1 | Washer, Thrust | |
| 115 | 7004044 | 1 | Bearing, Thrust | |
| 116 | 7004049 | 1 | Seal, Inner | |
| 117 | 7004045 | 1 | Washer, Back-up | |
| 118 | 7024457 | 1 | Housing | |
| 119 | 7024390 | 1 | Bearing, Outer | |
| 120 | 7004047 | 1 | Seal | |
| 125 | 80424043 | 1 | Washer, Back-up | |
| | | Ref | KIT OPTIONS: | |
| 200 | | Ref | Seal Kit Options: | |
| 200A | 7024100 | 1 | Swing Hub (Includes Items 1B, 1I, 5, 5A & 11) | |
| 200B | 70002086 | 1 | Swing Brake (Includes Items 8D, 8E, 8F, 8H & 26) | |
| 200C | 7024396 | 1 | Swing Motor (Includes Items 103, 104, 116, 117, 120 & 125) | |
| 201 | 70002085 | 1 | Disc Kit - Swing Brake (Includes Items 8J & 8K) | |

SECTION 2 - TURNTABLE

FIGURE 2-8. DEUTZ ENGINE INSTALLATION (Prior to SN 0300077500)



SECTION 2 - TURNTABLE

FIGURE 2-8. DEUTZ ENGINE INSTALLATION (Prior to SN 0300077500)

| ITEM | PART NUMBER | QTY | DESCRIPTION | REV |
|------|-------------|-----------|---|-----|
| | 0271371 | Ref | DEUTZ ENGINE INSTALLATION | 9-F |
| 1 | 2000189 | 1 | Engine - Deutz F4M1011F Diesel | |
| 2 | 4845404 | 1 | Tray Engine | |
| 3 | 3539872 | 1 | Plate, Radiator Mounting | |
| 4 | 3620033 | 1 | Cooler, Oil | |
| 5 | 2060025 | 1 | Fan | |
| 6 | 3600295 | 1 | Piston Pump Assembly (See PISTON PUMP ASSEMBLY for Breakdown) | |
| 7 | 1340060 | 1 | Air Cleaner Assembly | |
| 7A | 7012664 | 1 | Element, Air Cleaner (Not Shown) | |
| 8 | 0340041 | 2 | Band, Mounting | |
| 9 | 4640751 | 1 | Valve, Oil Drain | |
| 10 | 3600278 | 1 | Piston Pump Assembly | |
| 10 | 7018995 | 1 | Seal Kit - 3600278 Pump | |
| 10 | 7024918 | 1 | Seal, Shaft | |
| 10 | 7024930 | 1 | Valve Assembly - 3600278 Motor | |
| 11 | 3200406 | 2 | Mount, Rubber Engine (Rear) | |
| 12 | 3537420 | 1 | Bracket, Engine Mounting - Rear | |
| 13 | 3539971 | 1 | Bracket, Engine Mounting - Front | |
| 14 | 3537416 | 1 | Support, Engine - Right | |
| 15 | 4846566 | 1 | Support, Engine - Left | |
| 16 | 0400075 | 1 | Battery | |
| 17 | 0181727 | 1 | Hold-Down, Battery | |
| 18 | 0630498 | 2 | Rod, Hold-Down | |
| 19 | 3740067 | 2 | Relay | |
| 21 | 4360392 | 1 | Switch, Restriction Indicator | |
| 22 | 2180798 | 1 | Fitting | |
| 23 | 3422446 | 1 | Pin, Pivot | |
| 24 | 3841143 | 1 | Keeper, Pin | |
| 25 | 3960389 | 5 ft/1.5m | Seal | |
| 26 | 0940070 | 1 | Bumper, Rubber | |
| 27 | 3841340 | AR | Loop, Hose | |
| 28 | 2720398 | 2 | Hose, Oil Cooler | |
| 29 | 1703162 | 2 | Nameplate - Fan Caution | |
| 30 | 1320016 | 4 | Clamp, Hose | |
| 32 | 2220451 | 2 | Fitting, Straight | |
| 35 | 0641818 | AR | Bolt 1/2in-13NC x 2-1/4in | |
| 36 | 3311805 | 4 | Locknut 1/2in-13NC | |
| 37 | 0641610 | AR | Bolt 3/8in-16NC x 1-1/4in | |
| 38 | 3311605 | 22 | Locknut 3/8in-16NC x 1-1/4in | |
| 39 | 4751600 | 44 | Flatwasher 3/8in | |
| 40 | 0701414 | 6 | Bolt 1/4in-20NC x 3/4in | |
| 41 | 4891800 | 2 | Washer, Hardened 1/2in | |
| 42 | 0641407 | AR | Bolt 1/4in-20NC x 7/8in | |
| 43 | 4751400 | AR | Flatwasher 1/4in | |
| 44 | 3311405 | AR | Locknut 1/4in-20NC | |
| 48 | 1320022 | 6 | Clamp, Hose | |
| 49 | 2220273 | 2 | Fitting, Reducer | |
| 50 | 2180536 | 1 | Fitting, Straight | |
| 51 | 2220313 | 1 | Fitting, Elbow | |

SECTION 2 - TURNTABLE

| ITEM | PART NUMBER | QTY | DESCRIPTION | REV |
|------|-------------|----------------|--|-----|
| 52 | 2750532 | 6 ft/1.83m | Hose 3/8in | |
| 53 | 2220250 | 1 | Fitting, Reducer | |
| 54 | 2220459 | 1 | Fitting, Elbow | |
| 55 | 2720271 | 15 ft/4.6m | Hose 3/16in | |
| 56 | 0641812 | 4 | Bolt 1/2in-13NC x 1-1/2in | |
| 57 | 0100020 | AR | Sealant, Thread | |
| 58 | 0100011 | AR | Compound, Locking | |
| 60 | 2720449 | 1 | Coupling, Rubber Intake | |
| 61 | 0700808 | 4 | Bolt M8 x 16mm | |
| 63 | 0641508 | 3 | Bolt 5/16in-18NC x 1-1/4in | |
| 64 | 3900272 | 3 | Capscrew, Button Head 5/16in-18NC x 1-3/4in | |
| 65 | 2720434 | 1 | Elbow, Rubber | |
| 66 | 4845395 | 1 | Air Intake Adapter Weldment | |
| 67 | 0641510 | 3 | Bolt 5/16in-18NC x 1-1/4in | |
| 68 | 3311505 | AR | Locknut 5/16in-18NC | |
| 69 | 0961986 | 2 | Bushing, Flanged | |
| 70 | 2901609 | 1 | Battery Cable Kit | |
| 70A | 7016800 | 1 | Cable, Battery (Red) | |
| 70B | 7016809 | 1 | Cable, Battery (Black) | |
| 70C | 7016802 | 1 | Cable (Red) | |
| 70D | 7016803 | 1 | Cable (Red) | |
| 70E | 7016824 | 1 | Cable (Red) | |
| 70F | 7016825 | 1 | Cable (Black) | |
| 71 | 4460611 | 1 | Terminal, Battery Jumper Post | |
| 73 | 1320222 | 1 | J-Clip 3/8in (Not Shown) | |
| 74 | 1320223 | 3 | J-Clip 1/2in | |
| 75 | 0641606 | 3 | Bolt 3/8in-16NC x 3/4in | |
| 76 | 3422532 | 1 | Pin, Hitch | |
| 77 | 3790044 | 1 | O-Ring | |
| 78 | 3960407 | 1 | Gasket | |
| 79 | 4791400 | 4 | Starwasher 1/4in | |
| 80 | 0701012 | 4 | Bolt M10 x 25mm | |
| 81 | 0701015 | 4 | Bolt M10 x 35mm | |
| 82 | 0642010 | 1 | Bolt 5/8in-11NC x 1-1/4in | |
| 83 | 4752000 | 1 | Flatwasher 5/8in | |
| 84 | 1701505 | 1 | Decal - Diesel (Not Shown - Located on Hood) | |
| 85 | 2720058 | 16 ft/4.9m | Hose | |
| 86 | 2220794 | 1 | Fitting, Barbed | |
| 87 | 4711600 | 3 | Flatwasher 3/8in Narrow | |
| 89 | 3200362 | 2 | Mount, Rubber Engine (Front) | |
| 90 | 4711400 | 1 | Flatwasher 1/4in Narrow | |
| 91 | 3960468 | 1 | Seal, Foam Gasket | |
| 92 | 3960469 | 1 | Seal, Foam Gasket | |
| 93 | 0641608 | 14 | Bolt 3/8in-16NC x 1in | |
| 94 | 4060805 | 7 in/18cm | Flex-Trim 1/4in | |
| 95 | 4060804 | 16 in /40cm | Flex-Trim 3/16in | |
| 96 | 1060637 | 1 | Lanyard | |
| 97 | 0641808 | 2 | Bolt 1/2in-13NC x 1in | |
| 98 | 3311801 | 1 | Nut 1/2in-13NC | |
| 99 | 4751800 | 1 | Flatwasher 1/2in | |
| 100 | 3380429 | 1 | Panel, Rubber | |

SECTION 2 - TURNTABLE

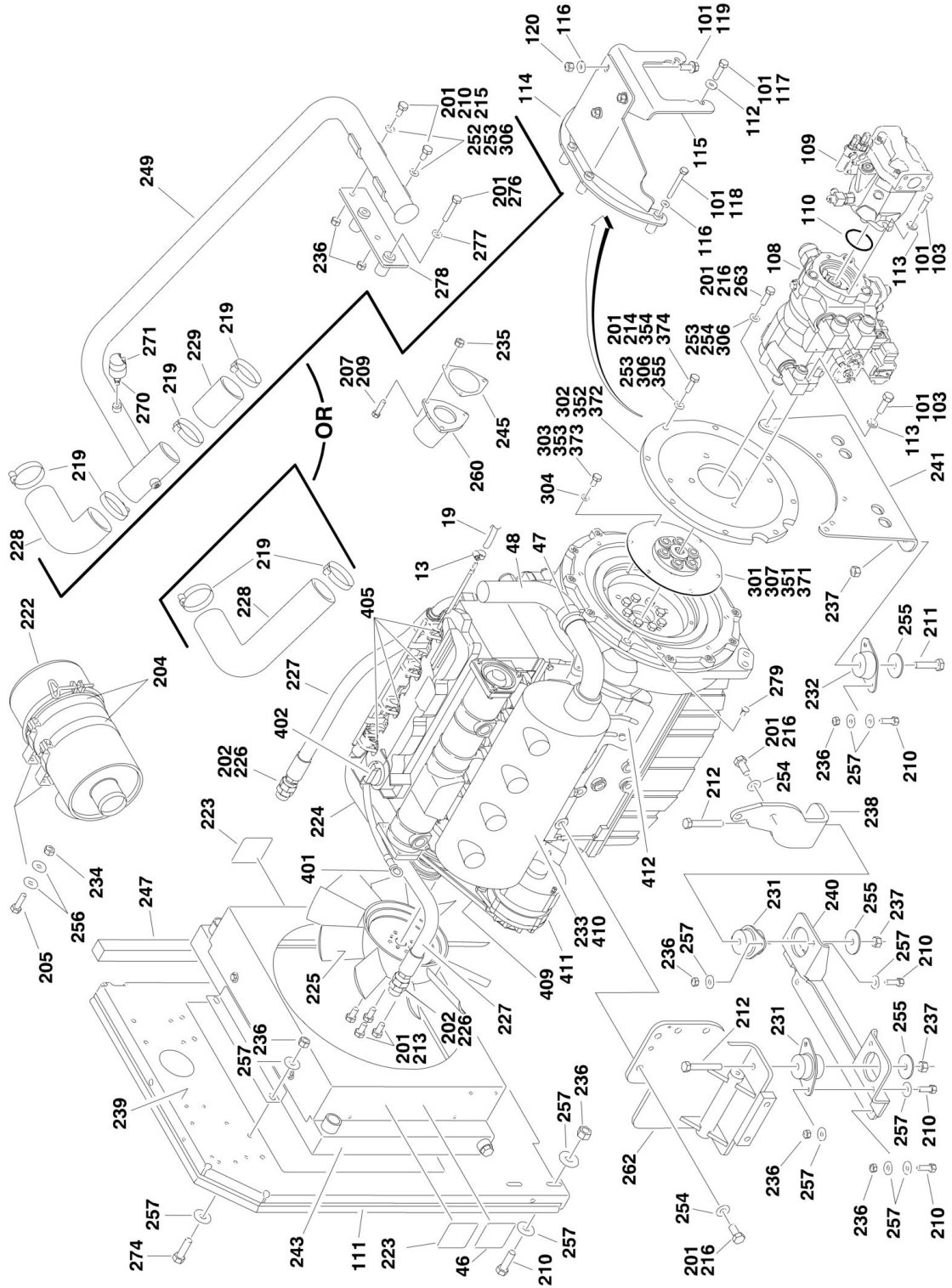
| ITEM | PART NUMBER | QTY | DESCRIPTION | REV |
|------|-------------|-----|--|-----|
| 101 | 3539957 | 2 | Plate, Hold Down | |
| 103 | 4567815 | 1 | Tuning Tube Weldment | |
| 105 | 0641826 | 2 | Bolt 1/2in-13NC x 3-1/4in | |
| 106 | 4740274 | 4 | Washer, Snubbing | |
| 109 | 4711900 | 6 | Flatwasher 9/16in | |
| 110 | 4922737 | 1 | Harness, Engine Grounding | |
| | | Ref | MUFFLER INSTALLATIONS | |
| | 0256689 | Ref | Standard Equipment (Spark Arresting) | - |
| | 0256690 | Ref | Optional Equipment (Catalytic) | - |
| 201 | | Ref | Muffler Options: | |
| 201 | 3220103 | 1 | Spark Arresting | |
| 201 | 3220104 | 1 | Catalytic | |
| 201 | | Ref | Muffler Components: | |
| 201 | | Ref | Clamp Options: | |
| 201 | 1320176 | 1 | Saddle Clamp Used on Spark Arresting | |
| 201 | 70001017 | 1 | Band Clamp Used on Catalytic | |
| 201 | 7024398 | 1 | Tube, Exhaust | |
| 201 | 7024560 | 1 | Plug, Brass | |
| | 2000189 | Ref | ENGINE COMPONENTS | B |
| 301 | 7016328 | 1 | Filter, Fuel | |
| 302 | 7000663 | 1 | Alternator (was p/n 7020410) | |
| 302 | 7020464 | 1 | Regulator | |
| 302 | 70002234 | 1 | Bracket, Adjustable | |
| 302 | 70003556 | 1 | Pulley | |
| 303 | 7020461 | 1 | Switch, Oil Pressure (Not Shown) | |
| 304 | 7016331 | 1 | Filter, Oil | |
| 305 | 7020479 | 1 | Starter | |
| 305 | See Note | 1 | Relay (Note: Not Available for Purchase) | |
| 305 | 7026608 | 2 | Bolt, Starter Mounting | |
| 305 | 70001498 | 1 | Shield, Starter Heat (Not Shown) | |
| 306 | 7026631 | 1 | Dipstick, Oil Level | |
| 306 | 70001002 | 1 | Tube, Dipstick | |
| 307 | 7020168 | 1 | Switch, Engine Temperature | |
| 307 | 7020480 | 1 | Seal, Temperature Switch | |
| 308 | 7020408 | 1 | V-Belt | |
| 309 | 7020458 | 1 | Actuator | |
| 309 | 7026607 | 1 | Spring, Actuator (was p/n 7027276) | |
| 310 | 7020462 | 4 | Pump, Fuel Injection (was p/n 7024318) | |
| 310 | 7026522 | 4 | Injector, Fuel (Includes Nozzle Element) (Not Shown) | |
| 311 | 7024413 | 1 | Pump, Fuel Supply | |
| 311 | 7020411 | 1 | Seal, Pump (Not Shown) | |
| 312 | See Note | 1 | Flywheel (Not Shown) (Note: Not Available for Purchase) | |
| 312 | 7024579 | 1 | Ring Gear | |
| 313 | 7024565 | 1 | Sensor, Tach (Not Shown - Located on Flywheel Housing) (was p/n 7020481) | |
| 314 | 70001423 | 1 | Fuel Filter Head | |
| 315 | 7020431 | 1 | Gasket, Valve Cover (Not Shown) | |
| 315 | | Ref | Gasket, Cylinder Head Options: (Not Shown) | |
| 315 | 70001681 | 1 | 1 Notch | |
| 315 | 70002411 | 1 | 2 Notches | |
| 315 | 70002530 | 1 | 3 Notches | |
| 316 | 7020459 | 1 | Thermostat (Includes Spring) (Not Shown) | |

SECTION 2 - TURNTABLE

| ITEM | PART NUMBER | QTY | DESCRIPTION | REV |
|------|-------------|-----|--|-----|
| 316 | 7020460 | 1 | Spring, Thermostat (Not Shown) | |
| 317 | 7020465 | 1 | Cap, Oil Fill (Not Shown) | |
| 318 | 7020474 | 1 | Pump Oil Lubrication (Not Shown) | |
| 318 | 7020468 | 1 | Ring, Pump Sealing (Not Shown) | |
| 319 | 7020449 | 4 | Gasket , Intake Manifold to Head (Not Shown) | |
| 320 | 7020471 | 4 | Gasket , Exhaust Manifold to Head | |
| 320 | 70002200 | 8 | Stud, Muffler Attaching | |
| 320 | 70003476 | 8 | Nut, Muffler Attaching | |
| | 0256847 | Ref | PUMP COUPLING INSTALLATION | - |
| 401 | 1660234 | 1 | Coupling, Hayes | |
| 402 | 0080163 | 1 | Plate, Pump Adapter | |
| 403 | 0700810 | 63 | Bolt M8 x 20mm | |
| 404 | 4831900 | 6 | Lockwasher M8 | |
| 406 | 4832000 | 8 | Lockwasher M10 | |
| 407 | 3020021 | AR | Grease, Coupling | |

SECTION 2 - TURNTABLE

FIGURE 2-9. DEUTZ ENGINE INSTALLATION (SN 0300077500 through 0300185827)



SECTION 2 - TURNTABLE

FIGURE 2-9. DEUTZ ENGINE INSTALLATION (SN 0300077500 through 0300185827)

| ITEM | PART NUMBER | QTY | DESCRIPTION | REV |
|------|-------------|------------|--|-----|
| | | Ref | DEUTZ ENGINE INSTALLATIONS | |
| | | Ref | ANSI, CSA and Australian Specs | |
| | 0273709 | Ref | Deutz Engine Installations (SN 0300077500 through 0300085330) | 4-B |
| | 0274301 | Ref | Deutz Engine Installations (SN 0300085331 through 0300121642) | F |
| | 1001095348 | Ref | Deutz Engine Installations (SN 0300121643 through 0300129455) | C |
| | 1001098506 | Ref | Deutz Engine Installations (SN 0300129456 through 0300170337) | C |
| | 1001098506 | Ref | Deutz Engine Installations (SN 0300170338 through 0300185827) | E |
| | 1001137745 | Ref | Deutz Engine Installations (SN 0300170338 through 0300185827) | D |
| 1 | 0100011 | AR | Compound, Locking | |
| 2 | 0100020 | AR | Sealant, Pipe | |
| 4 | | Ref | Hold-Down, Battery Options: | |
| 4 | 0181727 | 1 | Hold-down, Battery (SN 0300077500 through 0300110581) | |
| 4 | 91401281 | 1 | Hold-down, Battery (SN 0300110582 through 0300185827) | |
| 5 | 0400075 | 1 | Battery | |
| 6 | | Ref | Bolt, Battery Hold-down Options: | |
| 6 | 0630498 | 2 | Bolt, Battery Hold-down (SN 0300077500 through 0300110581) | |
| 6 | 1001093382 | 2 | Bolt, Battery Hold-down (SN 0300110582 through 0300185827) | |
| 7 | 0641508 | 3 | Bolt 5/16in-18NC x 1in | |
| 8 | 0641608 | 6 | Bolt 3/8in-16NC x 1in | |
| 9 | 0641610 | 1 | Bolt 3/8in-16NC x 1-1/4in | |
| 10 | 0641808 | 2 | Bolt 1/2in-13NC x 1in | |
| 11 | 0642010 | 1 | Bolt 5/8in-11NC x 1-1/4in | |
| 12 | 1060637 | 1 | Cable, Lanyard | |
| 13 | 1320022 | 5 | Clamp, Hose | |
| 14 | 1701505 | 1 | Decal - Diesel (Not Shown - Located on Hood) | |
| 16 | 2180348 | 1 | Fitting, Straight Barbed | |
| 17 | 2220313 | 1 | Fitting, Elbow | |
| 18 | 2221176 | 1 | Fitting, Elbow Barbed | |
| 19 | 2720058 | 30 ft/9.2m | Hose | |
| 20 | 2750532 | 6 ft/1.8m | Hose | |
| 21 | | Ref | Battery Cable Kit Options: | |
| 21 | 2902401 | 1 | Battery Cable Kit (Note: 2902401 Rev A version is no longer available. Verify whether machine is equipped with 2 or 3 relays on the engine tray. If there are 3 relays, purchase latest revision of 2902401 kit. If there are 2 relays, purchase individual items as replacement) (SN 0300077500 through 0300138237) | A |
| 21 | 2902401 | 1 | Battery Cable Kit (SN 0300138238 through 0300185827) | C |
| 21A | 7016813 | 1 | Cable, Battery (Red) (SN 0300077500 through 0300138237) | |
| 21A | 1001116288 | 1 | Cable, Battery (Red) (Machines with 2 Relays on Engine Tray) (was p/n 7027027) (SN 0300138238 through 0300185827) | |
| 21A | 1001116287 | 1 | Cable, Battery (Red) (Machines with 3 Relays on Engine Tray) (was p/n 7027027) (SN 0300138238 through 0300185827) | |
| 21B | 7027012 | 1 | Cable, Battery (SN 0300077500 through 0300138237) | |
| 21B | 7027004 | 1 | Cable, Battery (Black) (SN 0300138238 through 0300185827) | |

SECTION 2 - TURNTABLE

| ITEM | PART NUMBER | QTY | DESCRIPTION | REV |
|------|--------------|-----|---|-----|
| 21C | 7016803 | 1 | Cable, Battery (Red) (SN 0300077500 through 0300138237) | |
| 21C | Not Required | 0 | Cable, Battery (Red - Part of 21A) (SN 0300138238 through 0300185827) | |
| 21D | 7016824 | 1 | Cable (Red) | |
| 21E | 7016825 | 1 | Cable (Black) | |
| 22 | 3311505 | 6 | Locknut 5/16in-18NC | |
| 23 | | Ref | Locknut Options: | |
| 23 | 3311605 | 2 | Locknut 3/8in-16NC (SN 0300077500 through 0300110581) | |
| 23 | 3311505 | 2 | Locknut 5/16in-18NC (SN 0300110582 through 0300121642) | |
| 23 | 88521205 | 2 | Locknut 5/16in-18NC (SN 0300121643 through 0300185827) | |
| 24 | 3311801 | 1 | Nut 1/2in-13NC | |
| 25 | 3380429 | 1 | Panel, Rubber | |
| 26 | 3422446 | 1 | Pin, Pivot | |
| 27 | 3539957 | 2 | Plate, Hold-Down | |
| 28 | 3841143 | 1 | Pin, Keeper | |
| 29 | 3841340 | 3 | Loop, Hose | |
| 30 | 3900272 | 3 | Bolt 5/16in-18NC x 1-3/4in | |
| 31 | | Ref | Flatwasher Options: | |
| 31 | 4751600 | 4 | Flatwasher 3/8in Wide (SN 0300077500 through 0300110581) | |
| 31 | 4751500 | 2 | Flatwasher 5/16in Wide (SN 0300110582 through 0300185827) | |
| 32 | 4751800 | 1 | Flatwasher 1/2in Wide | |
| 33 | 4752000 | 1 | Flatwasher 5/8in Wide | |
| 34 | 4922737 | 1 | Harness, Engine Grounding (Not Shown) | |
| 35 | 0641410 | 4 | Bolt 1/4in-20NC x 1-1/8in | |
| 36 | 4711400 | 3 | Flatwasher 1/4in Narrow | |
| 45 | 4922978 | 1 | Harness, Start Assist Solenoid (SN 0300077500 through 0300085331) | |
| 46 | 1706098 | 1 | Decal - Warning Explosion/Fire (SN 0300077500 through 0300129456) | |
| 47 | 1320176 | 1 | Clamp, Exhaust | |
| 48 | | Ref | Tube, Exhaust Options: | |
| 48 | See Note | 1 | Tube, Exhaust (Note: Not Available Separately. Purchase Muffler Assembly) (SN 0300077500 through 0300129455) | |
| 48 | 1001101600 | 1 | Tube, Exhaust (SN 0300129456 through 0300185827) | |
| | | Ref | ENGINE AND PUMP ASSEMBLIES | |
| | | Ref | ANSI, CSA and Australian Specs | |
| | 2000225 | Ref | Engine and Pump Assemblies (SN 0300077500 through 0300085330) | B |
| | 2000284 | Ref | Engine and Pump Assemblies (SN 0300085331 through 0300121642) | C |
| | 1001095347 | Ref | Engine and Pump Assemblies (SN 0300121643 through 0300129455) | B |
| | 1001098507 | Ref | Engine and Pump Assemblies (SN 0300129456 through 0300170337) | D |
| | 1001098507 | Ref | Engine and Pump Assemblies (SN 0300170338 through 0300185827) | F |
| | 1001137744 | Ref | Engine and Pump Assemblies (SN 0300170338 through 0300185827) | D |
| | 1001162546 | Ref | PUMP COUPLING REPLACEMENT KIT | C |
| | | Ref | Note: See SPECIAL OPTIONS SECTION for machines not equipped with Pump Mounting Bracket Kit, Deutz Engine with Sauer Danfoss drive and load sensing pump combination. | |
| 101 | 0100011 | AR | Compound, Locking | |

SECTION 2 - TURNTABLE

| ITEM | PART NUMBER | QTY | DESCRIPTION | REV |
|------|-------------|-----------|--|-----|
| 102 | 0641407 | 1 | Bolt 1/4in-20NC x 7/8in | |
| 103 | 0641812 | 4 | Bolt 1/2in-13NC x 1-1/2in | |
| 103 | 0711025 | 2 | Bolt M10 x 85 Grade 10.9 | |
| 106 | 3311405 | 1 | Locknut 1/4in-20NC | |
| 107 | 3422532 | 1 | Pin, Hitch | |
| 108 | | Ref | Piston Pump Assembly with Fittings Options: | |
| 108 | 3600400 | 1 | Piston Pump Assembly with Fittings (See PISTON PUMP ASSEMBLY (SAUER DANFOSS) for Breakdown) (SN 0300140000 through 0300180776) | |
| 108 | 1001153622 | 1 | Piston Pump Assembly with Fittings (See PISTON PUMP ASSEMBLY (EATON) for Breakdown) (SN 0300180777 through 0300185827) | |
| 109 | | Ref | Pump Assembly with Fittings Options: | |
| 109 | 3600401 | 1 | Gear Pump (Rexroth) (Prior to SN 0300121643) | C |
| 109 | 2220415 | 1 | Fitting | |
| 109 | 2220374 | 1 | Fitting | |
| 109 | 3600278 | 1 | Pump, Displacement | |
| 109 | 7018995 | 1 | Seal Kit - 3600278 Pump | |
| 109 | 7024918 | 1 | Seal, Shaft | |
| 109 | 7024930 | 1 | Valve Assembly Kit - 3600278 Pump | |
| 109 | 1001095354 | 1 | Pump (Sauer Danfoss) (SN 0300121643 through 0300185827) | A |
| 109 | 2220415 | 1 | Fitting | |
| 109 | 1001094595 | 1 | Pump, Displacement | |
| 109 | 7023967 | 1 | Seal Kit - 1001094595 Pump | |
| 109 | 7023956 | 1 | Valve Assembly Kit - 1001094595 Pump | |
| 110 | 3790044 | 1 | O-Ring | |
| 111 | 3960389 | 5 ft/1.5m | Seal | |
| 112 | 4751400 | 1 | Flatwasher 1/4in Wide | |
| 113 | 4891800 | AR | Flatwasher, 1/2 Hardened | |
| 113 | 4891600 | AR | Flatwasher, 3/8 Hardened | |
| 114 | 1001137898 | 1 | Bracket, Support (SN 0300161435 through 0300174937) | |
| 115 | 1001137899 | 1 | Plate, Mounting (SN 0300161435 through 0300174937) | |
| 116 | 4891600 | 7 | Flatwasher 3/8in Hardened (SN 0300161435 through 0300174937) | |
| 117 | 0641814 | 2 | Bolt 1/2in-13NC x 1-3/4in (SN 0300161435 through 0300174937) | |
| 118 | 0711025 | 4 | Bolt M10 x 85mm (SN 0300161435 through 0300174937) | |
| 119 | 0791608 | 3 | Bolt 3/8in-16NC x 1in (SN 0300161435 through 0300174937) | |
| 120 | 3311605 | 3 | Locknut 3/8in-16NC (SN 0300161435 through 0300174937) | |
| | | Ref | ENGINE ASSEMBLIES | |
| | | Ref | ANSI, CSA and Australian Specs | |
| | 2000219 | Ref | Engine Assemblies (SN 0300077500 through 0300085330) | D |
| | 2000279 | Ref | Engine Assemblies (SN 0300085331 through 0300092717) | E |
| | 2000342 | Ref | Engine Assemblies (SN 0300092718 through 0300129455) | B |
| | 1001098508 | Ref | Engine Assemblies (SN 0300129456 through 0300170337) | H |
| | 1001098508 | Ref | Engine Assemblies (SN 0300170338 through 0300185827) | I |
| | 1001137738 | Ref | Engine Assemblies (SN 0300170338 through 0300185827) | C |
| | 0256689 | Ref | MUFFLER INSTALLATION - SPARK ARRESTING (STANDARD) | - |
| | 0256690 | Ref | MUFFLER INSTALLATION - CATALYTIC - OPTIONAL (SN 0300077500 through 0300129456) | - |
| 201 | 0100011 | AR | Compound, Locking | |
| 202 | 0100020 | AR | Sealant, Pipe | |

SECTION 2 - TURNTABLE

| ITEM | PART NUMBER | QTY | DESCRIPTION | REV |
|------|-------------|-----|--|-----|
| 204 | 0340041 | 2 | Band, Air Cleaner | |
| 205 | 0641407 | AR | Bolt 1/4in-20NC x 7/8in | |
| 207 | 0641510 | AR | Bolt 5/16in-18NC x 1-1/4in | |
| 208 | 0641606 | 3 | Bolt 3/8in-16NC x 3/4in | |
| 209 | 0641512 | 1 | Bolt 5/16in-18 x 1-1/2in | |
| 210 | 0641610 | AR | Bolt 3/8in-16NC x 1-1/4in | |
| 211 | 0641818 | 2 | Bolt 1/2in-13NC x 2-1/4in | |
| 212 | 0641826 | 2 | Bolt 1/2in-13NC x 3-1/4in | |
| 213 | 0700808 | 4 | Bolt M8 x 16mm | |
| 214 | 0701012 | 2 | Bolt M10 x 25mm | |
| 215 | 0701015 | AR | Bolt M10 x 35mm | |
| 216 | 0771414 | AR | Bolt M14 x 30mm | |
| 217 | 0940070 | 1 | Bumper | |
| 218 | 0961986 | 2 | Bushing, Flanged | |
| 219 | 1320016 | AR | Clamp | |
| 221 | 1320223 | 4 | J-Clip | |
| 222 | 1340060 | 1 | Air Cleaner Assembly Filter Element | |
| 222 | 7012664 | 1 | Element, Filter (Not Shown) | |
| 223 | 1703162 | 2 | Decal - Caution Fan Blade | |
| 224 | | Ref | Engine, Deutz Options: | |
| 224 | | Ref | ANSI, CSA and Australian Specs | |
| 224 | 2000216 | Ref | Engine, Deutz (SN 0300077500 through 0300085330) | |
| 224 | 2000274 | Ref | Engine, Deutz (SN 0300085331 through 0300092717) | |
| 224 | 2000339 | Ref | Engine, Deutz (SN 0300092718 through 0300129455) | |
| 224 | 1001094101 | Ref | Engine, Deutz (SN 0300129456 through 0300170337) | |
| 224 | 1001094101 | Ref | Engine, Deutz (SN 0300170338 through 0300185827) | |
| 224 | 1001137737 | Ref | Engine, Deutz (SN 0300170338 through 0300185827) | |
| 225 | 2060025 | 1 | Fan | |
| 226 | 2220451 | 2 | Fitting, Straight | |
| 227 | 2720398 | 2 | Hose, Oil Cooler | |
| 228 | | Ref | Elbow, Rubber Options: | |
| 228 | 2720434 | 1 | Elbow, Rubber (SN 0300077500 through 0300136496) | |
| 228 | 1001091179 | 1 | Elbow, Rubber (SN 0300136497 through 0300185827) | |
| 229 | 2720449 | 1 | Hose, Air Cleaner (SN 0300077500 through 0300136497) | |
| 230 | 1001091892 | NLA | Hose, Oil Drain (Use p/n 2750532) | |
| 231 | 3200362 | 2 | Mount, Motor | |
| 232 | 3200406 | 2 | Mount, Motor | |
| 233 | | Ref | Muffler Options: | |
| 233 | | Ref | Spark Arresting (Standard) | |
| 233 | 3220103 | 1 | Spark Arresting (SN 0300077500 through 0300129455) | |
| 233 | 1001099051 | 1 | Spark Arresting (SN 0300129456 through 0300185827) | |
| 233 | | Ref | Catalytic (Optional) | |
| 233 | 3220104 | 1 | Catalytic (SN 0300077500 through 0300129455) | |
| 233 | 1001101241 | 1 | Catalytic (SN 0300129456 through 0300185827) | |
| 233 | | Ref | Muffler Components: | |
| 233 | | Ref | Clamp Options (SN 0300077500 through 0300129456) | |
| 233 | 1320176 | 1 | Saddle Clamp Used on Spark Arresting | |
| 233 | 70001017 | 1 | Band Clamp Used on Catalytic | |
| 233 | 7024398 | 1 | Tube, Exhaust (SN 0300077500 through 0300129456) | |
| 233 | 7024560 | 1 | Plug, Brass | |
| 234 | 3311405 | AR | Locknut 1/4in-20NC | |

SECTION 2 - TURNTABLE

| ITEM | PART NUMBER | QTY | DESCRIPTION | REV |
|------|--------------|----------|--|-----|
| 235 | 3311505 | 3 | Locknut 5/16in-18NC | |
| 236 | 3311605 | AR | Locknut 3/8in-16NC | |
| 237 | 3311805 | 4 | Locknut 1/2in-13NC | |
| 238 | 3537416 | 1 | Plate, Engine Mounting (Front Right Side) | |
| 239 | 3539872 | 1 | Plate, Radiator Mounting | |
| 240 | 3539971 | 1 | Plate, Engine Mounting (Front Bottom) | |
| 241 | | Ref | Plate, Engine Mounting (Rear) Options: | |
| 241 | 3574978 | 1 | Plate, Engine Mounting (SN 0300077500 through 0300129455) | |
| 241 | 1001093943 | 1 | Plate, Engine Mounting (SN 0300129456 through 0300185827) | |
| 243 | 3620033 | NLA | Cooler, Oil (Use p/n 1001150998) | |
| 244 | 3740067 | AR | Relay | |
| 245 | 3960407 | 1 | Gasket, Air Intake | |
| 246 | 3960468 | 1 | Seal | |
| 247 | 3960469 | 1 | Seal | |
| 248 | 4060805 | 37 in/1m | Flex-Trim | |
| 249 | | Ref | Tube, Tuning Options: | |
| 249 | 4567815 | 1 | Tube, Tuning (SN 0300077500 through 0300085330) | |
| 249 | 4569171 | 1 | Tube, Tuning (SN 0300085331 through 0300129455) | |
| 249 | 1001099686 | 1 | Tube, Tuning (SN 0300129456 through 0300136496) | |
| 249 | Not Required | 0 | Tube, Tuning (SN 0300136497 through 0300185827) | |
| 250 | 1001104308 | NLA | Valve, Oil Drain (Use p/n 4640751) | |
| 252 | 4711600 | AR | Flatwasher 3/8in Narrow | |
| 253 | 4711700 | 6 | Flatwasher 7/16in Narrow | |
| 254 | | Ref | Flatwasher Options: | |
| 254 | 4711900 | 6 | Flatwasher 9/16in Narrow (SN 0300077500 through 0300092717) | |
| 254 | 4812200 | AR | Flatwasher M14 (SN 0300092718 through 0300185827) | |
| 255 | 4740274 | 4 | Washer, Snubbing | |
| 256 | 4751400 | AR | Flatwasher 1/4in Wide | |
| 257 | 4751600 | AR | Flatwasher 3/8in Wide | |
| 258 | 4751700 | 2 | Flatwasher 7/16in Wide | |
| 259 | 4791400 | AR | Starwasher 1/4in | |
| 260 | 4845395 | 1 | Adapter, Air Intake | |
| 261 | | Ref | Tray, Engine Options: | |
| 261 | 4845404 | 1 | Tray, Engine (SN 0300077500 through 0300129455) | |
| 261 | 1001094321 | 1 | Tray, Engine (SN 0300129456 through 0300185827) | |
| 262 | 4846566 | 1 | Plate, Engine Mounting (Front Left Side) | |
| 263 | 0701014 | 4 | Bolt M10 x 30mm | |
| 267 | 1320022 | 1 | Clamp, Hose | |
| 270 | 2180798 | 1 | Fitting (SN 0300077500 through 0300085331) | |
| 271 | 4360392 | 1 | Indicator, Restriction (SN 0300077500 through 0300085331) | |
| 272 | | Ref | Flatwasher Options: | |
| 272 | 4751400 | 6 | Flatwasher 1/4in Wide (SN 0300077500 through 0300092717) | |
| 272 | 4711400 | 6 | Flatwasher 1/4in Thin (SN 0300092718 through 0300185827) | |
| 273 | 1060904 | 1 | Cable, Jumper (SN 0300092718 through 0300140564) | |
| 274 | | Ref | Bolt Options: | |
| 274 | 0641610 | 6 | Bolt 3/8in-16NC x 1-1/4in (SN 0300077500 through 0300092717) | |
| 274 | 0641609 | 6 | Bolt 3/8in-16NC x 1-1/8 (SN 0300092718 through 0300185827) | |

SECTION 2 - TURNTABLE

| ITEM | PART NUMBER | QTY | DESCRIPTION | REV |
|------|-------------|-----|--|-----|
| 275 | 4923379 | 1 | Harness, Glow Plugs (SN 0300092718 through 0300185827) | |
| 276 | 0711025 | 2 | Bolt M10 x 85mm (SN 0300129456 through 0300136497) | |
| 277 | 4891600 | 2 | Flatwasher, Hardened 3/8in (SN 0300129456 through 0300136497) | |
| 278 | 1001098916 | 1 | Support, Tuning Tube (SN 0300129456 through 0300136497) | |
| 279 | 3520054 | 1 | Plug, Hole (SN 0300129456 through 0300185827) | |
| 280 | 3740080 | 1 | Relay, EGR (SN 0300129456 through 0300185827) | |
| | 0256847 | Ref | PUMP COUPLING INSTALLATION (SN 0300077500 through 0300129456) | B |
| 301 | 1660234 | 1 | Coupling, Hayes | |
| 302 | 0080163 | 1 | Plate, Pump Adapter | |
| 303 | 0700810 | 6 | Bolt M8 x 20mm | |
| 304 | 4831900 | 6 | Lockwasher M8 | |
| 306 | 4832000 | 8 | Lockwasher M10 (SN 0300077500 through 0300085331) | |
| 307 | 3020021 | AR | Grease, Coupling | |
| | 2902065 | Ref | KIT PUMP COUPLING AND MOUNTING PLATE (NOTE: PURCHASE P/N 1001162546 KIT) (SN 0300129456 through 0300174936) | H |
| 351 | 70000793 | 1 | Coupling, Hayes | |
| 352 | See Note | NSS | Plate, Pump Adapter (Note: Purchase p/n 1001162546) | |
| 353 | See Note | 18 | Capscrew M10 (Note: Not Available - Purchase Locally) | |
| 354 | See Note | 12 | Bolt M10 x 25mm Grade 10.9 (Note: Not Available - Purchase Locally) | |
| 355 | See Note | 12 | Flatwasher M10 (Note: Not Available - Purchase Locally) | |
| | 1001153282 | NLA | KIT PUMP COUPLING AND MOUNTING PLATE (NOTE: PURCHASE P/N 1001162546 KIT) (NOT SHOWN) (SN 0300174937 through 0300185827) | D |
| 371 | 70004183 | 1 | Coupling, Guardian | |
| 372 | See Note | NSS | Plate, Pump Adapter (Note: Purchase p/n 1001162546) | |
| 373 | See Note | 8 | Bolt M10 x 20mm Grade 10.9 (Note: Not Available - Purchase Locally) | |
| 374 | See Note | 12 | Bolt M10 x 25mm Grade 10.9 (Note: Not Available - Purchase Locally) | |
| | | Ref | ENGINE COMPONENTS | |
| | | Ref | ANSI, CSA and Australian Specs | |
| | 2000216 | Ref | Engine Components (SN 0300077500 through 0300085330) | C |
| | 2000274 | Ref | Engine Components (SN 0300085331 through 0300092717) | B |
| | 2000339 | Ref | Engine Components (SN 0300092718 through 0300129455) | B |
| | 1001094101 | Ref | Engine Components (SN 0300129456 through 0300170337) | B |
| | 1001094101 | Ref | Engine Components (SN 0300170338 through 0300185827) | C |
| | 1001137737 | Ref | Engine Components (SN 0300170338 through 0300185827) | B |
| 401 | 7026631 | 1 | Dipstick | |
| 401 | 7020487 | 1 | O-Ring, Dipstick | |
| 401 | 70001002 | 1 | Dipstick | |
| 402 | 7020465 | 1 | Cap, Filler | |
| 403 | 70001850 | 1 | Pump, Oil Lube (was p/ns 7020484 & 70000045) | |
| 403 | 7020468 | 1 | Seal Between Oil Pump and Engine Block (Not Shown) | |
| 404 | 7016331 | 1 | Filter, Oil (was p/n 7016641) | |
| 404 | 70001848 | 1 | Sensor at Oil Filter (1001094101 & 1001137737 Engines Only) | |
| 404 | 70001132 | 1 | Seal, Sensor at Oil Filter (1001094101 & 1001137737 Engines Only) | |
| 405 | | Ref | Pump, Injector Options: | |
| 405 | | Ref | Pump, Injector (SN 0300077500 through 0300129455) | |
| 405 | 7027246 | 4 | Series A Injector (was p/n 7027242) | |

SECTION 2 - TURNTABLE

| ITEM | PART NUMBER | QTY | DESCRIPTION | REV |
|------|-------------|-----|--|-----|
| 405 | 7027608 | 4 | Series B Injector (was p/n 7027611) | |
| 405 | 7027609 | 4 | Series C Injector (was p/n 7027612) | |
| 405 | 7027610 | 4 | Series D Injector (was p/n 7027613) | |
| 405 | | Ref | Pump, Injector (SN 0300129456 through 0300185827) | |
| 405 | 70000912 | 4 | Series A Injector | |
| 405 | 70000913 | 4 | Series B Injector | |
| 405 | 70000914 | 4 | Series C Injector | |
| 405 | 70000915 | 4 | Series D Injector | |
| 405 | | Ref | Gasket Options (1 Per Injector): | |
| 405 | 7020447 | 4 | Gasket Options (SN 0300077500 through 0300129455) | |
| 405 | See Note | 1 | Gasket Options (Note: Not Available for Purchase) (SN 0300129456 through 0300185827) | |
| 406 | 8320270 | 1 | Filter, Fuel (was p/n 7016328) | |
| 406 | 70001423 | 1 | Bracket, Fuel Filter | |
| 407 | 70000916 | 1 | Pump, Fuel Supply (was p/n 7027238) | |
| 407 | 70001435 | 1 | Repair Kit for 70000916 Pump | |
| 407 | 70000919 | 1 | Hand Pump for 70000916 Pump | |
| 407 | 70000918 | 1 | Seal, Hand Pump for 70000916 Pump | |
| 407 | | Ref | O-Seal Between Fuel Pump and Engine Block Options (Not Shown): | |
| 407 | 7020411 | 1 | 7027238 Pump (SN 0300077500 through 0300129455) | |
| 407 | 70000917 | 1 | 70000916 Pump (SN 0300129456 through 0300185827) | |
| 408 | 7020449 | 4 | Gasket, Intake Manifold (Not Shown) | |
| 409 | 7020408 | 1 | V-Belt | |
| 410 | 7020471 | 4 | Gasket, Exhaust (Manifold to Engine Block) (Not Shown) (SN 0300077500 through 0300129455) | |
| 410 | 70002200 | 8 | Stud, Muffler Attaching (Not Shown) (SN 0300077500 through 0300129455) | |
| 410 | 70003476 | 8 | Nut, Muffler Attaching (Not Shown) (SN 0300077500 through 0300129455) | |
| 410 | 70001836 | 1 | Gasket, Exhaust (Engine Head to Header) (Not Shown) (SN 0300129456 through 0300185827) | |
| 410 | 70001835 | 1 | Gasket, Exhaust (Header to EGR Valve Block) (Not Shown) (SN 0300129456 through 0300185827) | |
| 410 | 70001841 | 1 | Valve, EGR (Not Shown) (SN 0300129456 through 0300185827) | |
| 410 | 70001838 | 2 | Gasket, Exhaust (EGR Valve Block to Exhaust Tube) (Not Shown) (SN 0300129456 through 0300185827) | |
| 410 | 70001874 | 1 | Plate Choke (Between 70001838 Gaskets) (Not Shown) (SN 0300129456 through 0300185827) | |
| 410 | 70001837 | 1 | Gasket, Exhaust (Exhaust Tube to Muffler) (Not Shown) (SN 0300129456 through 0300185827) | |
| 410 | 70001839 | 1 | Flange, Sealing (Near Front of Header) (includes Seal and Pin) (Not Shown) (SN 0300129456 through 0300185827) | |
| 411 | 7000663 | 1 | Alternator (was p/n 7020410 & 7016329) | |
| 411 | | Ref | Regulator, Voltage Options (Not Shown): | |
| 411 | 7020464 | 1 | Regulator, Voltage (SN 0300077500 through 0300129455) | |
| 411 | 70001868 | 1 | Regulator, Voltage (SN 0300129456 through 0300185827) | |
| 411 | 70001866 | 1 | Gasket, Regulator (Not Shown) (SN 0300129456 through 0300185827) | |
| 411 | 70002234 | 1 | Bracket, Adjusting (Not Shown) | |
| 412 | 7020479 | 1 | Starter | |
| 412 | 7026608 | 1 | Solenoid | |
| 412 | 70001498 | 1 | Shield, Starter Heat | |

SECTION 2 - TURNTABLE

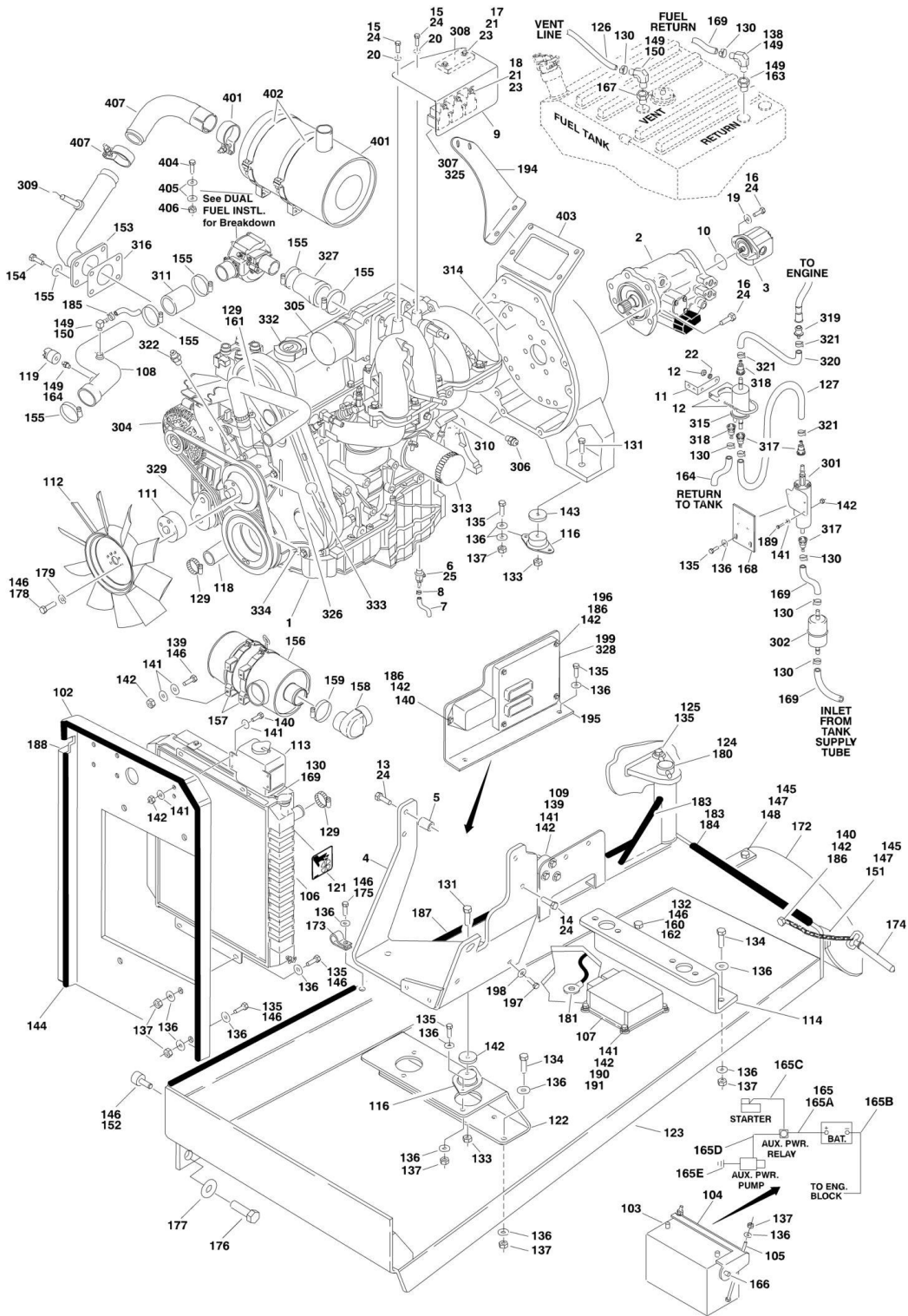
| ITEM | PART NUMBER | QTY | DESCRIPTION | REV |
|------|-------------|-----|---|-----|
| 413 | 70000345 | 4 | Plug, Glow (SN 0300092718 through 0300185827) | |
| 414 | | Ref | Sender, Temperature Options: | |
| 414 | 7027241 | 1 | Sender, Temperature (SN 0300077500 through 0300085330) | |
| 414 | 7027791 | 1 | Sender, Temperature (SN 0300085331 through 0300185827) | |
| 414 | See Note | 1 | Ring, Sealing (Note: Not Available for Purchase) | |
| 415 | | Ref | Sensor, Oil Pressure Options: | |
| 415 | 7020461 | 1 | Sensor, Oil Pressure (SN 0300077500 through 0300085330) | |
| 415 | 7027790 | 1 | Sensor, Oil Pressure (SN 0300085331 through 0300185827) | |
| 416 | 7024565 | 1 | Sensor, Speed | |
| 417 | | Ref | Actuator, Throttle | |
| 417 | 7020458 | 1 | Actuator, Throttle (SN 0300077500 through 0300085330) | |
| 417 | 7027792 | 1 | Actuator, Throttle (SN 0300085331 through 0300185827) | |
| 417 | 7026607 | 1 | Spring, Actuator (was p/n 7027276) | |
| 418 | 7020459 | 2 | Thermostat (Located at rear of engine block - Not Shown) | |
| 418 | 7020460 | 1 | Spring, Compression | |
| 419 | | Ref | Flywheel Options (Not Shown): | |
| 419 | 70000264 | 1 | Flywheel (SN 0300077500 through 0300129455) | |
| 419 | 70001870 | 1 | Flywheel (SN 0300129456 through 0300185827) | |
| 419 | 7024579 | 1 | Ring Gear (Located on Flywheel - Not Shown) | |
| 420 | | Ref | Sender, Temperature Options: | |
| 420 | 7027236 | 1 | Sender, Temperature (SN 0300077500 through 0300129455) | |
| 420 | See Note | 1 | Sender, Temperature (Note: Not Available for Purchase) (SN 0300129456 through 0300185827) | |
| 421 | 7027795 | 1 | Module, EMR2 Controller (SN 0300085331 through 0300185827) | |
| 421 | 7027796 | 1 | Harness, EMR2 Module (SN 0300085331 through 0300185827) | |
| 422 | 7027245 | 1 | Filter, Fuel In-line (2000216 Engine Only) | |
| 423 | | Ref | Solenoid, Throttle Options: | |
| 423 | 7027239 | 1 | Solenoid, Throttle (SN 0300077500 through 0300129455) | |
| 423 | See Note | 1 | Solenoid, Throttle (Note: Not Available for Purchase) (SN 0300129456 through 0300185827) | |
| 424 | See Note | 1 | Gasket, Valve Cover (Not Shown) (Note: Not Available for Purchase) | |
| 425 | | Ref | Gasket, Cylinder Head Options (Not Shown) | |
| 425 | See Note | 1 | Gasket (Note: Not Available for Purchase) (SN 0300077500 through 0300085330) | |
| 425 | | Ref | Gasket (SN 0300085331 through 0300129455) | |
| 425 | 70003001 | 1 | 1 Notch | |
| 425 | 70003002 | 1 | 2 Notches | |
| 425 | 70003003 | 1 | 3 Notches | |
| 425 | | Ref | Gasket (SN 0300129456 through 0300185827) | |
| 425 | 70002415 | 1 | 1 Notch | |
| 425 | 70002416 | 1 | 2 Notches | |
| 426 | 70002417 | 1 | 3 Notches | |
| 426 | | Ref | Timing Belt/Idler Kit Options (Not Shown): | |
| 426 | 70000800 | 1 | Timing Belt/Idler Kit (SN 0300077500 through 0300085330) | |
| 426 | See Note | 1 | Timing Belt/Idler Kit (Note: Not Available for Purchase) (SN 0300085331 through 0300185827) | |
| 427 | | Ref | Harness, Engine Options (Not Shown): | |
| 427 | See Note | 1 | Harness, Engine (Note: Not Available for Purchase) (SN 0300077500 through 0300085330) | |
| 427 | 7027794 | 1 | Harness, Engine (SN 0300085331 through 0300129455) | |
| 427 | 7001872 | 1 | Harness, Engine (SN 0300129456 through 0300185827) | |

SECTION 2 - TURNTABLE

| ITEM | PART NUMBER | QTY | DESCRIPTION | REV |
|------|-------------|-----|--|-----|
| 427 | 7027793 | 1 | Plug, Connector | |
| 428 | 70001847 | 1 | Breather, Valve (Not Shown - Located On Front Cover) (SN 0300129456 through 0300185827) | |
| 428 | 700001126 | 1 | Seal, Breather (SN 0300129456 through 0300185827) | |

SECTION 2 - TURNTABLE

FIGURE 2-10. FORD ENGINE INSTALLATION (Prior to SN 0300077500)



SECTION 2 - TURNTABLE

FIGURE 2-10. FORD ENGINE INSTALLATION (Prior to SN 0300077500)

| ITEM | PART NUMBER | QTY | DESCRIPTION | REV |
|------|-------------|-----------|--|-----|
| | | Ref | ENGINE ASSEMBLIES | |
| | 0271364 | Ref | Dual Fuel (Prior to SN 0300073348) | 2-A |
| | 0272745 | Ref | Dual Fuel (SN 0300073348 through 0300077500) | 2-B |
| 1 | | Ref | Engine - Ford LRG-425 EFI Options: | |
| 1 | 2000174 | 1 | Dual Fuel (Prior to SN 0300073348) | |
| 1 | 2000193 | 1 | Dual Fuel (SN 0300073348 through 0300077500) | |
| 2 | 3600295 | 1 | Piston Pump Assembly (See PISTON PUMP ASSEMBLY for Breakdown) | |
| 3 | 3600278 | 1 | Gear Pump Assembly | |
| 3 | 7018995 | 1 | Seal Kit - 3600278 Motor | |
| 3 | 7024918 | 1 | Seal, Shaft | |
| 3 | 7024930 | 1 | Valve Assembly - 3600278 Motor | |
| 4 | | Ref | Plate, Engine Mounting - Front Options: | |
| 4 | 3539972 | 1 | Plate, Engine Mounting (Prior to SN 0300073348) | |
| 4 | 4846806 | 1 | Plate, Engine Mounting (SN 0300073348 through 0300077500) | |
| 5 | 4566605 | 1 | Tube, Spacer | |
| 6 | 4640989 | 1 | Valve, Oil Drain | |
| 7 | 2750532 | 6 in/21cm | Hose | |
| 8 | 1320022 | 1 | Clamp | |
| 9 | 3571498 | 1 | Plate, Module Mounting | |
| 10 | 3790044 | 1 | O-Ring | |
| 11 | 0902539 | 1 | Bracket | |
| 12 | 1320019 | 1 | Clamp | |
| 13 | 0701022 | 2 | Bolt M10 x 70mm | |
| 14 | 0701014 | 2 | Bolt M10 x 30mm | |
| 15 | 0700810 | 3 | Bolt M8 x 20mm | |
| 16 | 0641812 | 4 | Bolt 1/2in-13NC x 1-1/2in | |
| 17 | 0721014 | 2 | Screw #10-24NC x 1-3/4in | |
| 18 | 0721006 | 3 | Screw #10-24NC x 3/4in (Prior to SN 0300073348) | |
| 19 | 4891800 | 2 | Washer, Hardened 1/2in | |
| 20 | 4751500 | 2 | Flatwasher 5/16in | |
| 21 | 4751000 | AR | Flatwasher #10 | |
| 22 | 4761500 | 2 | Lockwasher 5/16in | |
| 23 | 3311005 | AR | Locknut #10-24NC | |
| 24 | 0100011 | AR | Compound, Locking | |
| 25 | 0100020 | AR | Sealant, Pipe | |
| | | Ref | ENGINE INSTALLATIONS | |
| | 0271366 | Ref | Dual Fuel (Prior to SN 0300073348) | 2-B |
| | 0272831 | Ref | Dual Fuel (SN 0300073348 through 0300077500) | 4-C |
| 102 | 3539872 | 1 | Mount, Radiator | |
| 103 | 0400075 | 1 | Battery | |
| 104 | 0181727 | 1 | Tie-Down | |
| 105 | 0630498 | 2 | Bolt, Tie-Down | |
| 106 | 3620040 | 1 | Radiator | |
| 106 | 8180311 | 1 | Cap, Radiator (was p/n 7019656) | |
| 107 | 1600314 | 1 | Module, Controller (ECM) (Prior to SN 0300073348) | |
| 108 | | Ref | Weldment, Air Intake Tube Options: | |
| 108 | 4846011 | 1 | Weldment, Air Intake Tube (Prior to SN 0300073348) | |
| 108 | 4846046 | 1 | Weldment, Air Intake Tube (SN 0300073348 through | |

SECTION 2 - TURNTABLE

| ITEM | PART NUMBER | QTY | DESCRIPTION | REV |
|------|-------------|-----------|---|-----|
| | | | 0300077500) | |
| 109 | 3740067 | 1 | Relay, Auxiliary Power Relay | |
| 111 | 0080214 | 1 | Adapter, Fan Spacer | |
| 112 | 2060025 | 1 | Fan, Suction | |
| 113 | 1580011 | 1 | Container, Coolant Overflow Container | |
| 114 | 3570133 | 1 | Plate, Engine Mount-Ford (Rear) | |
| 116 | 3200362 | 4 | Mount, Rubber | |
| 118 | 2720435 | 1 | Hose, Lower Radiator (Lower) | |
| 119 | 4360392 | 1 | Switch, Restriction Indicator Switch | |
| 120 | 3841340 | 2 | Hose Loop (Not Shown Located inside turntable) | |
| 121 | 1703162 | 2 | Decal - Fan Blade | |
| 122 | | Ref | Plate, Engine Mount (Front) Options: | |
| 122 | 3570103 | 1 | Plate, Engine Mount (Prior to SN 0300073348) | |
| 122 | 3574122 | 1 | Plate, Engine Mount (SN 0300073348 through 0300077500) | |
| 123 | 4845404 | 1 | Tray, Engine | |
| 124 | 3422446 | 1 | Pin, Pivot | |
| 125 | 3841143 | 1 | Pin, Keeper | |
| 126 | 2750532 | 5 ft/1.5m | Hose | |
| 127 | 2720472 | 1 | Hose | |
| 128 | 1320060 | 1 | Clamp, Hose - 0.625 (Prior to SN 0300073348) | |
| 129 | 1320012 | 4 | Clamp, Hose | |
| 130 | 1320022 | 9 | Clamp, Hose | |
| 131 | 0641828 | 4 | Bolt 1/2in-13NC x 3-1/2in | |
| 132 | 4751800 | 1 | Flatwasher 1/2in | |
| 133 | 3311805 | 4 | Hex Nut 1/2in - 13UNC | |
| 134 | 0641610 | 8 | Bolt 3/8in-16NC x 1-1/4in | |
| 135 | 0641608 | 22 | Bolt 3/8in-16NC x 1in | |
| 136 | 4751600 | 55 | Flatwasher 3/8in | |
| 137 | 3311605 | 31 | Locknut 3/8in-16UNC | |
| 138 | 2220805 | 1 | Fitting | |
| 139 | 0641408 | 3 | Bolt 1/4in-20NC x 1in | |
| 140 | 0641406 | AR | Bolt 1/4in-20NC x 3/4in | |
| 141 | 4751400 | AR | Flatwasher 1/4in | |
| 142 | 3311405 | AR | Locknut 1/4in x 20UNC | |
| 143 | 4740274 | 4 | Washer, Snubbing | |
| 144 | 3960389 | 7 ft/2.1m | Seal | |
| 145 | 3539957 | 2 | Plate, Hold Down | |
| 146 | 0100011 | AR | Compound, Locking | |
| 147 | 3311505 | 6 | Hex Nut 5/16in-18NC | |
| 148 | 3900272 | 3 | Bolt 5/16in-18NC x 1-3/4in | |
| 149 | 0100020 | AR | Sealant, Pipe | |
| 150 | 2180467 | 1 | Fitting, Elbow Barbed | |
| 151 | 0641508 | 3 | Bolt 5/16in-18NC x 1in | |
| 152 | 0940070 | 1 | Bumper, Rubber | |
| 153 | 4567879 | 1 | Tube, Exhaust | |
| 154 | 0701012 | 4 | Bolt M10 x 25 mm | |
| 155 | 4832000 | 4 | Lockwasher | |
| 156 | 1340060 | 1 | Air Cleaner Assembly | |
| 156 | 7012664 | 1 | Filter, Air Cleaner | |
| 157 | 0340041 | 2 | Band, Muffler/Air Cleaner | |
| 158 | 0080201 | 1 | Fitting, Elbow Reducing | |

SECTION 2 - TURNTABLE

| ITEM | PART NUMBER | QTY | DESCRIPTION | REV |
|------|-------------|------------------|--|-----|
| 159 | 1320016 | 2 | Clamp, Worm Gear | |
| 160 | 3311801 | 1 | Hex Nut 1/2in-13 UNC | |
| 161 | 2720436 | 1 | Hose, Radiator (Upper) | |
| 162 | 1641808 | 2 | Bolt 1/2in-13NC x 1in | |
| 163 | 2220430 | 1 | Fitting, Reducer | |
| 164 | 2180798 | 1 | Fitting, Restriction Indicator | |
| 165 | 2901608 | 1 | Battery Cable Kit | |
| 165A | 7016800 | 1 | Cable, Battery (Red) | |
| 165B | 7016807 | 1 | Cable, Battery (Black) | |
| 165C | 7016808 | 1 | Cable (Red) | |
| 165D | 7016824 | 1 | Cable (Red) | |
| 165E | 7016825 | 1 | Cable (Black) | |
| 166 | 4460611 | 1 | Terminal, Battery Jumper Post | |
| 167 | 2220250 | 1 | Fitting, Reducer | |
| 168 | | Ref | Plate, Pump Mounting Options: | |
| 168 | 3572414 | 1 | Plate, Pump Mounting (Prior to SN 0300073348) | |
| 168 | 3574222 | 1 | Plate, Pump Mounting (SN 0300073348 through 0300075194) | |
| 168 | 3572414 | 1 | Plate, Pump Mounting (SN 0300075195 through 0300077500) | |
| 169 | 2720058 | 12 ft/3.7m | Hose 5/16in | |
| 172 | 3380429 | 1 | Panel, Rubber | |
| 173 | 1320223 | AR | Clamp, "J" Clip 1/2in | |
| 174 | 3422532 | 1 | Pin, Hitch | |
| 175 | 0641606 | 3 | Bolt 3/8in-16NC x 3/4in | |
| 176 | 0642010 | 1 | Bolt 5/8in-11NC x 1-1/4in | |
| 177 | 4752000 | 1 | Flatwasher 5/8in | |
| 178 | 0700819 | 4 | Bolt M8 x 55mm | |
| 179 | 4831900 | 4 | Lockwasher M8 | |
| 180 | 0961986 | 2 | Bearing, Flange | |
| 181 | 1060637 | 1 | Cable, Lanyard | |
| 182 | 1701542 | 1 | Decal - Gasoline (Not Shown - Located Near Tank) | |
| 183 | 4060804 | 2.9 ft /0.88m | Flex-Trim | |
| 185 | 1320032 | 2 | Clamp, Hose | |
| 186 | 4711400 | AR | Flatwasher, 1/4in | |
| 187 | 3960468 | 1 | Seal, Foam | |
| 188 | 3960469 | 1 | Seal, Foam | |
| 189 | 0641410 | 3 | Bolt 1/4in-20NC x 1-1/4in | |
| 190 | 4568158 | 4 | Standoff 1/4in x 2in | |
| 191 | 0641424 | 4 | Bolt 1/4in-20NC x 3in | |
| 195 | 3574162 | 1 | Plate, ECM/Relay Mounting (SN 0300073348 through 0300077500) | |
| 196 | 0641414 | 4 | Bolt 1/4in-20NC x 1-3/4in (SN 0300073348 through 0300077500) | |
| 197 | 0641808 | 1 | Bolt 1/2in-13NC x 1in (SN 0300073348 through 0300077500) | |
| 198 | 4771800 | 2 | Washer, Star 1/2in (SN 0300073348 through 0300077500) | |
| 199 | 0100048 | AR | Grease, Dielectric | |
| | | Ref | ENGINE COMPONENTS | |
| | 2000174 | Ref | Dual Fuel (Prior to SN 0300073348) | |
| | 2000193 | Ref | Dual Fuel (SN 0300073348 through 0300077500) | |
| 301 | 3600377 | 1 | Fuel Pump and Isolator Assembly (was p/n 7022133) | |
| 301 | 7022134 | 1 | Harness, Fuel Pump Wiring | |
| 302 | 91083218 | 1 | Filter, Fuel (was p/n 7022135) | |

SECTION 2 - TURNTABLE

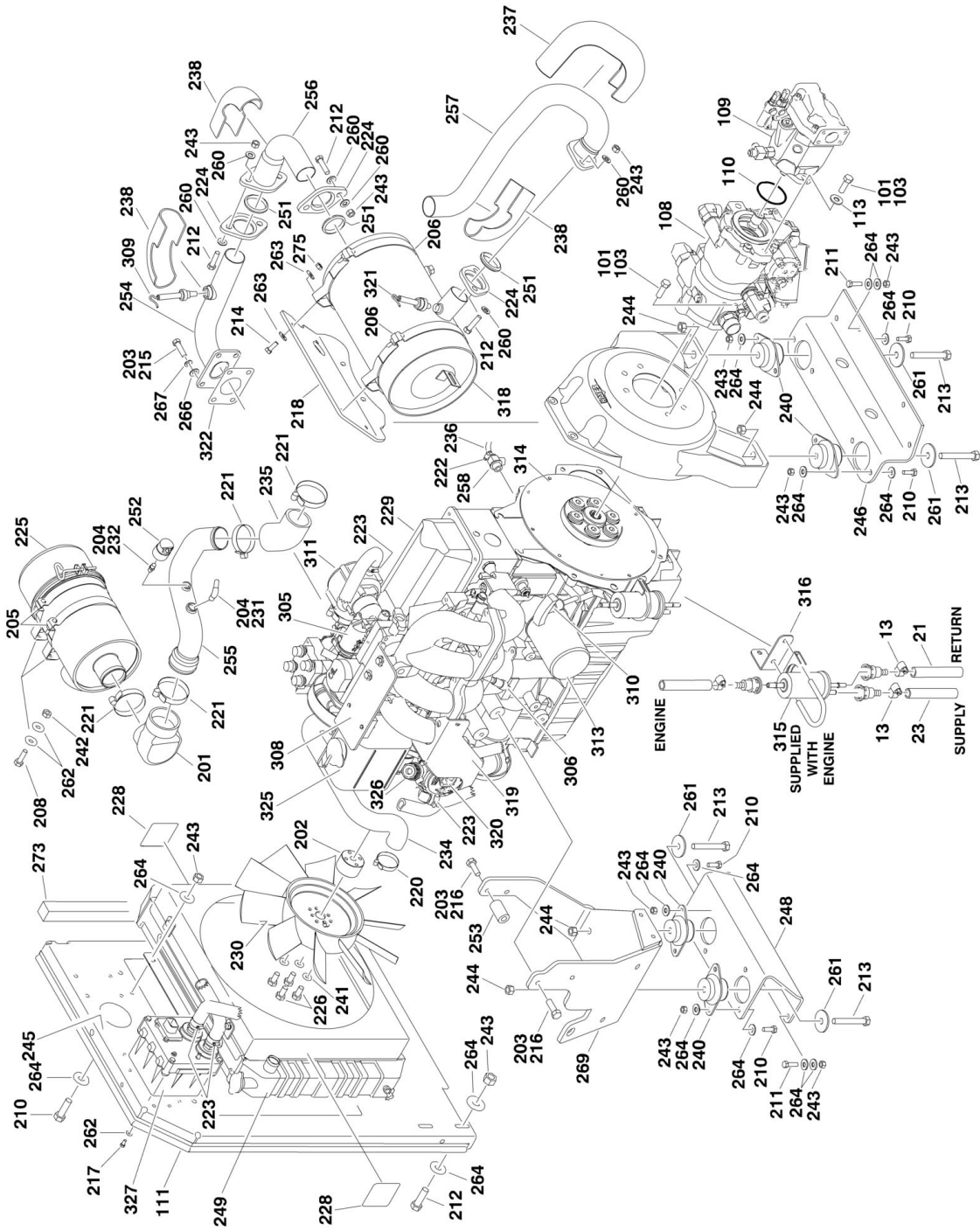
| ITEM | PART NUMBER | QTY | DESCRIPTION | REV |
|------|-------------|-----|---|-----|
| 303 | 7019986 | 1 | Starter (Not Shown) | |
| 304 | 7019977 | 1 | Alternator with Pulley and Regulator | |
| 304 | 7000897 | 1 | Alternator without Pulley and Regulator | |
| 305 | | Ref | Actuator, Throttle Options: | |
| 305 | 7023655 | 1 | Actuator, Throttle (Prior to SN 0300073348) | |
| 305 | 7023683 | 1 | Actuator, Throttle (SN 0300073348 through 0300077500) | |
| 305 | 7023652 | 1 | Plate, Actuator Adapter | |
| 305 | 7023654 | 1 | Gasket, Actuator to Adapter Plate | |
| 305 | 7023653 | 2 | Bolt (Adapter Plate to Intake Manifold) | |
| 305 | 7023656 | 4 | Bolt (Actuator to Adapter Plate) | |
| 306 | 7019996 | 1 | Sensor, Air Temperature (was p/n 7023661) | |
| 306 | 7023662 | 1 | Bracket, Air Temperature Sensor | |
| 307 | 7023663 | 1 | Harness, ECM (Prior to SN 0300073348) | |
| 307 | 7023681 | 1 | Harness, Engine (SN 0300073348 through 0300077500) | |
| 308 | 7022139 | 1 | Sensor, MAP | |
| 309 | | Ref | Sensor, EGR Options: | |
| 309 | 7019994 | 1 | Sensor, EGR (Prior to SN 0300073348) | |
| 309 | 7023682 | 1 | Sensor, EGR (SN 0300073348 through 0300077500) | |
| 310 | 2420187 | 1 | Dipstick | |
| 310 | 4564281 | 1 | Tube, Dipstick | |
| 311 | 7023658 | 1 | Horn, Rubber Air | |
| 312 | 7023637 | 1 | Switch, Oil Pressure | |
| 313 | 7021868 | 1 | Filter, Oil (was p/ns 7022147, 7021869 & 7014501) | |
| 314 | 1660250 | 1 | Coupling, Pump (was p/n 7016662) | |
| 314 | 7019976 | 1 | Flywheel | |
| 314 | 7022180 | 1 | Ring Gear | |
| 315 | 7019993 | 1 | Pressure Regulator and Filter Assembly | |
| 316 | 70002307 | 1 | Gasket, Exhaust (Manifold to Pipe) | |
| 316 | 7022143 | 1 | Gasket, Exhaust (Manifold to Cylinder Head) (Not Shown) | |
| 317 | 7022158 | 3 | Connector | |
| 318 | 7022159 | 2 | Connector | |
| 319 | 7022160 | 1 | Connector | |
| 320 | 7022161 | 2 | Tube, Supply | |
| 321 | 7022162 | 2 | Clamp | |
| 322 | 7022178 | 1 | Sensor, Crank | |
| 323 | 7022149 | 1 | Gasket Kit, Lower Manifold (Not Shown) | |
| 323 | 7025124 | 1 | Gasket Kit, Upper Manifold (was p/n 7022148) (Not Shown) | |
| 323 | 7022144 | 1 | Gasket, Upper Manifold Throttle (Not Shown) | |
| 324 | 7023657 | 1 | Harness, TPS Harness (Not Shown) | |
| 325 | | Ref | Relay Options: | |
| 325 | 7023613 | 3 | Relay (2000174 Engines) (Prior to SN 0300073348) | |
| 325 | 7023695 | 3 | Relay (2000193 Engines) (SN 0300073348 through 0300077500) | |
| 326 | 7022153 | 1 | Pump, Water | |
| 326 | 7022154 | 1 | Gasket, Water Pump | |
| 326 | 7022155 | 1 | Sensor, Water Temperature (Not Shown) | |
| 326 | 7027411 | 1 | Sender, Water (Not Shown) | |
| 326 | 7022156 | 1 | Thermostat (Not Shown) | |
| 326 | 7023644 | 1 | Hose, Water Pump (By-Pass) (Not Shown) | |
| 327 | 2720341 | 1 | Horn, Rubber Air | |
| 328 | 1600363 | 1 | Module, EPM (was p/n 7023684) (SN 0300073348 through 0300077500) | |

SECTION 2 - TURNTABLE

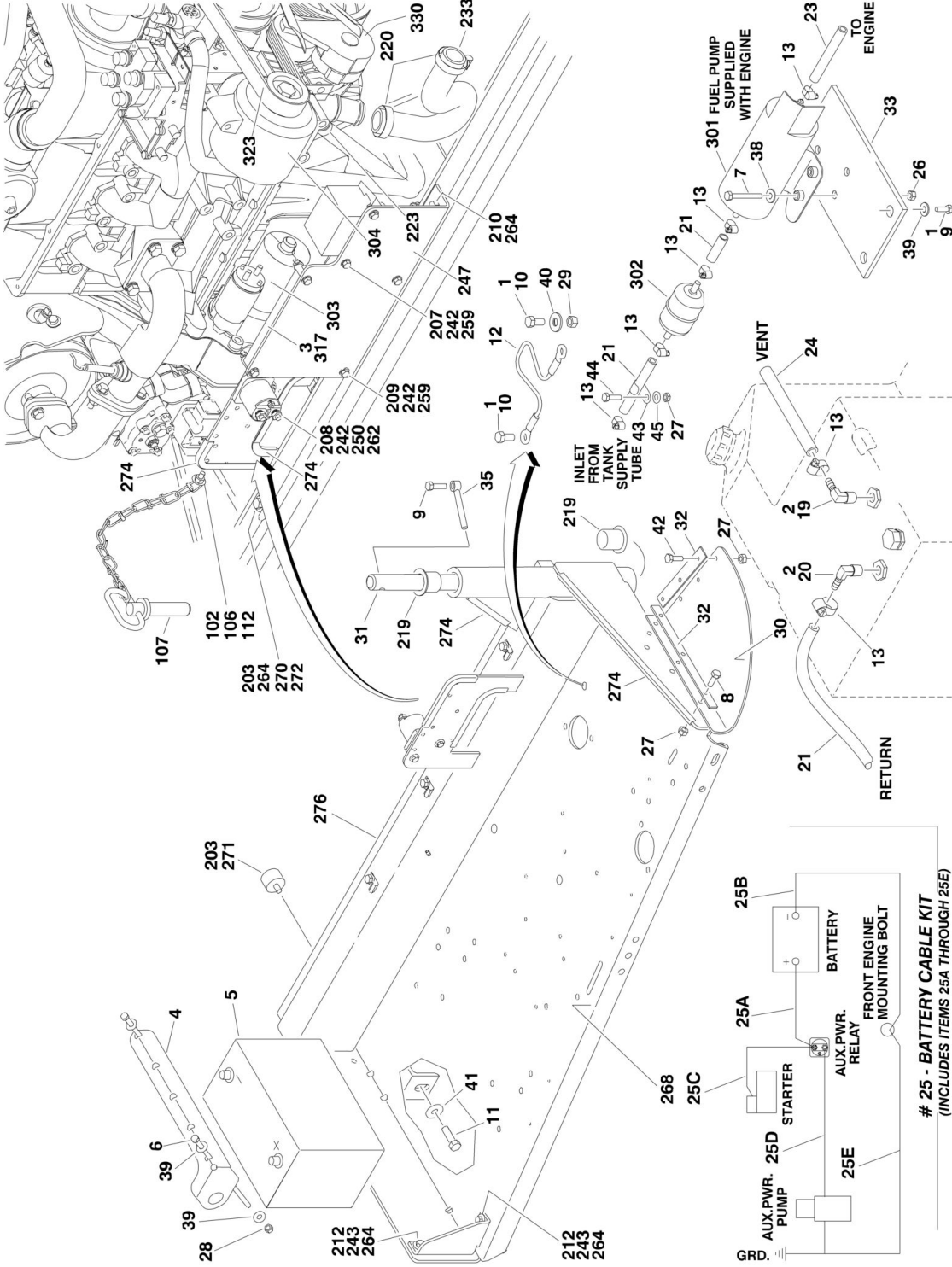
| ITEM | PART NUMBER | QTY | DESCRIPTION | REV |
|------|-------------|-----|---|-----|
| 328 | | Ref | EPM Update Kit Options: | |
| | | Ref | Note: Contact JLG Service Dept to determine which kit is required. | |
| 328 | 2915195 | 1 | EPM Update Kit (was p/n 7023685) | |
| 328 | 2915196 | 1 | EPM Update Kit (was p/n 7023686) | |
| 329 | 70002567 | 1 | Tensioner, Belt | |
| 330 | 7019925 | 1 | PCV Valve (Not Shown) | |
| 331 | 7019930 | 1 | Coil, Ignition (Not Shown) | |
| 331 | 7022157 | 1 | Wire Set, Spark Plug (Not Shown) | |
| 331 | 7019932 | 4 | Spark Plug (Not Shown) | |
| 332 | 7022151 | 1 | Cap, Oil Fill | |
| 333 | 7022150 | 1 | Belt, Timing | |
| 334 | 7027402 | 1 | Belt, Drive (was p/n 7019979) | |
| | 3124114 | 1 | Service Manual, Ford EFI System Diagnostic | |
| | | Ref | MUFFLER INSTALLATIONS | |
| | 0258390 | Ref | Standard Spark Arresting | 1 |
| | 0258391 | Ref | Optional Catalytic | 1 |
| 401 | | Ref | Muffler Options: | |
| 401 | 3220113 | 1 | Standard Spark Arresting | |
| 401 | 3220114 | 1 | Optional Catalytic | |
| 401 | 70001017 | 1 | Clamp | |
| 402 | 0340046 | 2 | Band | |
| 403 | 0902309 | 1 | Bracket, Muffler | |
| 404 | 0641507 | 4 | Bolt 5/16in-18NC x 7/8in | |
| 405 | 4711500 | 8 | Flatwasher 5/16in Narrow | |
| 406 | 3311505 | 4 | Locknut 5/16in-18NC | |
| 407 | 4567073 | 1 | Tube, Exhaust | |
| 407 | 70001017 | 1 | Clamp | |

SECTION 2 - TURNTABLE

FIGURE 2-11. FORD ENGINE INSTALLATION (SN 0300077500 through 0300185827)



SECTION 2 - TURNTABLE



SECTION 2 - TURNTABLE

FIGURE 2-11. FORD ENGINE INSTALLATION (SN 0300077500 through 0300185827)

| ITEM | PART NUMBER | QTY | DESCRIPTION | REV |
|------|-------------|------------|---|-----|
| | | Ref | ENGINE INSTALLATION | |
| | 0274024 | Ref | Engine Installation (SN 0300077500 through 0300087265) | D |
| | 0274624 | Ref | Engine Installation (SN 0300087266 through 0300185827) | D |
| 1 | 0100011 | AR | Compound, Locking | |
| 2 | 0100020 | AR | Sealant | |
| 3 | 0100048 | AR | Grease, Dielectric | |
| 4 | 0181727 | 1 | Angle, Battery Hold-Down | |
| 5 | 0400075 | 1 | Battery | |
| 6 | 0630498 | 2 | Bolt, Battery Hold-Down | |
| 7 | 0641408 | 2 | Bolt 1/4in-20NC x 1in | |
| 8 | 0641508 | 3 | Bolt 5/16in-18NC x 1in | |
| 9 | 0641608 | 9 | Bolt 3/8in-16NC x 1in | |
| 10 | 0641808 | 2 | Bolt 1/2in-13NC x 1in | |
| 11 | 0642010 | 1 | Bolt 5/8in-11NC x 1-1/4in | |
| 12 | 1060637 | 1 | Cable, Lanyard | |
| 13 | 1320022 | 7 | Clamp | |
| 14 | 1701542 | 1 | Decal - Gas (Not Shown - Located on Hood) | |
| 19 | 2220313 | 1 | Fitting, Elbow | |
| 20 | 2221176 | 1 | Fitting, Elbow | |
| 21 | 2720058 | 12 ft/3.7m | Hose, Fuel Line | |
| 23 | 2720472 | 1 | Hose, Fuel Line | |
| 24 | 2720532 | 5 ft/1.5m | Hose, Fuel Line | |
| 25 | | Ref | Battery Cable Kit Options: | |
| 25 | 2901608 | 1 | Battery Cable Kit (SN 0300077500 through 0300087265) | C |
| 25 | 2902445 | 1 | Battery Cable Kit (SN 0300087266 through 0300185827) | A |
| 25A | | Ref | Cable, Battery (Red) Options: | |
| 25A | 7016800 | 1 | Cable, Battery (Red) (SN 0300077500 through 0300087265) | |
| 25A | 7016821 | 1 | Cable, Battery (Red) (SN 0300087266 through 0300185827) | |
| 25B | | Ref | Cable, Battery (Black) Options: | |
| 25B | 7016807 | 1 | Cable, Battery (Black) (SN 0300077500 through 0300087265) | |
| 25B | 7016822 | 1 | Cable, Battery (Black) (SN 0300087266 through 0300185827) | |
| 25C | 7016808 | 1 | Cable (Red) | |
| 25D | 7016824 | 1 | Cable (Red) | |
| 25E | 7016825 | 1 | Cable (Black) | |
| 26 | 3311405 | 2 | Locknut 1/4in-20NC | |
| 27 | 3311505 | 7 | Locknut 5/16in-18NC | |
| 28 | 3311605 | 2 | Locknut 3/8in-16NC | |
| 29 | 3311801 | 1 | Nut 1/2in-13NC | |
| 30 | 3380429 | 1 | Panel, Rubber | |
| 31 | 3422446 | 1 | Pin | |
| 32 | 3539957 | 2 | Plate | |
| 33 | 3572414 | 1 | Plate, Fuel Pump Mount | |
| 35 | 3841143 | 1 | Pin, Keeper | |
| 36 | 3841340 | 3 | Rod, Hose Loop (Not Shown - Located on Turntable) | |
| 38 | 4751400 | 2 | Flatwasher 1/4in Wide | |
| 39 | 4751600 | 6 | Flatwasher 3/8in Wide | |

SECTION 2 - TURNTABLE

| ITEM | PART NUMBER | QTY | DESCRIPTION | REV |
|------|-------------|--------------------|---|-----|
| 40 | 4751800 | 1 | Flatwasher 1/2in Wide | |
| 41 | 4752000 | 1 | Flatwasher 5/8in Wide | |
| 42 | 3900272 | 3 | Screw 5/16in-18NC x 1-3/4in | |
| 43 | 1320222 | 1 | J-Clip (SN 0300087266 through 0300185827) | |
| 44 | 0641506 | 1 | Bolt 5/16in-18NC x 3/4in (SN 0300087266 through 0300185827) | |
| 45 | 4711500 | 1 | Flatwasher 5/16in Narrow (SN 0300087266 through 0300185827) | |
| | | Ref | ENGINE AND PUMP ASSEMBLY | |
| | 2000261 | Ref | Engine and Pump Assembly (SN 0300077500 through 0300087265) | B |
| | 2000322 | Ref | Engine and Pump Assembly (SN 0300087266 through 0300185827) | B |
| 101 | 0100011 | AR | Compound, Locking | |
| 102 | 0641407 | 1 | Bolt 1/4in-20NC x 7/8in | |
| 103 | 0641812 | 4 | Bolt 1/2in-13NC x 1-1/2in | |
| 105 | 2300004 | 2.63 gl /11.96L | Fluid, Anti-Freeze (Not Shown) | |
| 106 | 3311405 | 1 | Locknut 1/4in-20NC | |
| 107 | 3422532 | 1 | Pin, Hitch | |
| 108 | 3600400 | 1 | Piston Pump Assembly with Fittings (See PISTON PUMP ASSEMBLY for Breakdown) | |
| 109 | 3600401 | 1 | Load Sensing Pump Assembly with Fittings | B |
| 109 | 2220415 | 1 | Fitting | |
| 109 | 2220374 | 1 | Fitting | |
| 109 | 3600278 | 1 | Pump Assembly | |
| 109 | 7018995 | 1 | Seal Kit - 3600278 Pump | |
| 109 | 7024918 | 1 | Seal, Shaft | |
| 109 | 7024930 | 1 | Valve Assembly Kit - 3600278 Pump | |
| 110 | 3790044 | 1 | O-Ring | |
| 111 | 3960389 | 5 ft/1.5m | Seal | |
| 112 | 4751400 | 1 | Flatwasher 1/4in (Wide) | |
| 113 | 4891600 | 2 | Flatwasher, Hardened | |
| | | Ref | ENGINE ASSEMBLY | |
| | 2000211 | Ref | Engine Assembly (SN 0300077500 through 0300087265) | D |
| | 2000296 | Ref | Engine Assembly (SN 0300087266 through 0300185827) | B |
| 201 | 0080201 | 1 | Adapter, Elbow | |
| 202 | 0080214 | 1 | Adapter, Fan Spacer | |
| 203 | 0100011 | AR | Compound, Locking | |
| 204 | 0100020 | AR | Sealant, Pipe | |
| 205 | 0340041 | 2 | Band, Air Cleaner | |
| 206 | 0340046 | 2 | Band, Muffler | |
| 207 | 0641406 | 2 | Bolt 1/4in-20NC x 3/4in | |
| 208 | 0641408 | 6 | Bolt 1/4in-20NC x 1in | |
| 209 | 0641414 | 4 | Bolt 1/4in-20NC x 1-3/4in | |
| 210 | 0641608 | 14 | Bolt 3/8in-16NC x 1in | |
| 211 | 0641610 | 10 | Bolt 3/8in-16NC x 1-1/4in | |
| 212 | 0641612 | 8 | Bolt 3/8in-16NC x 1-1/2in | |
| 213 | 0641828 | 4 | Bolt 1/2in-13NC x 3-1/2in | |
| 214 | 0641507 | 4 | Bolt 5/16in-18NC x 7/8in | |
| 215 | 0701012 | 4 | Bolt M10 x 25mm | |
| 216 | 0701014 | 4 | Bolt M10 x 30mm | |
| 217 | 0760606 | 4 | Bolt M6 x 12mm | |

SECTION 2 - TURNTABLE

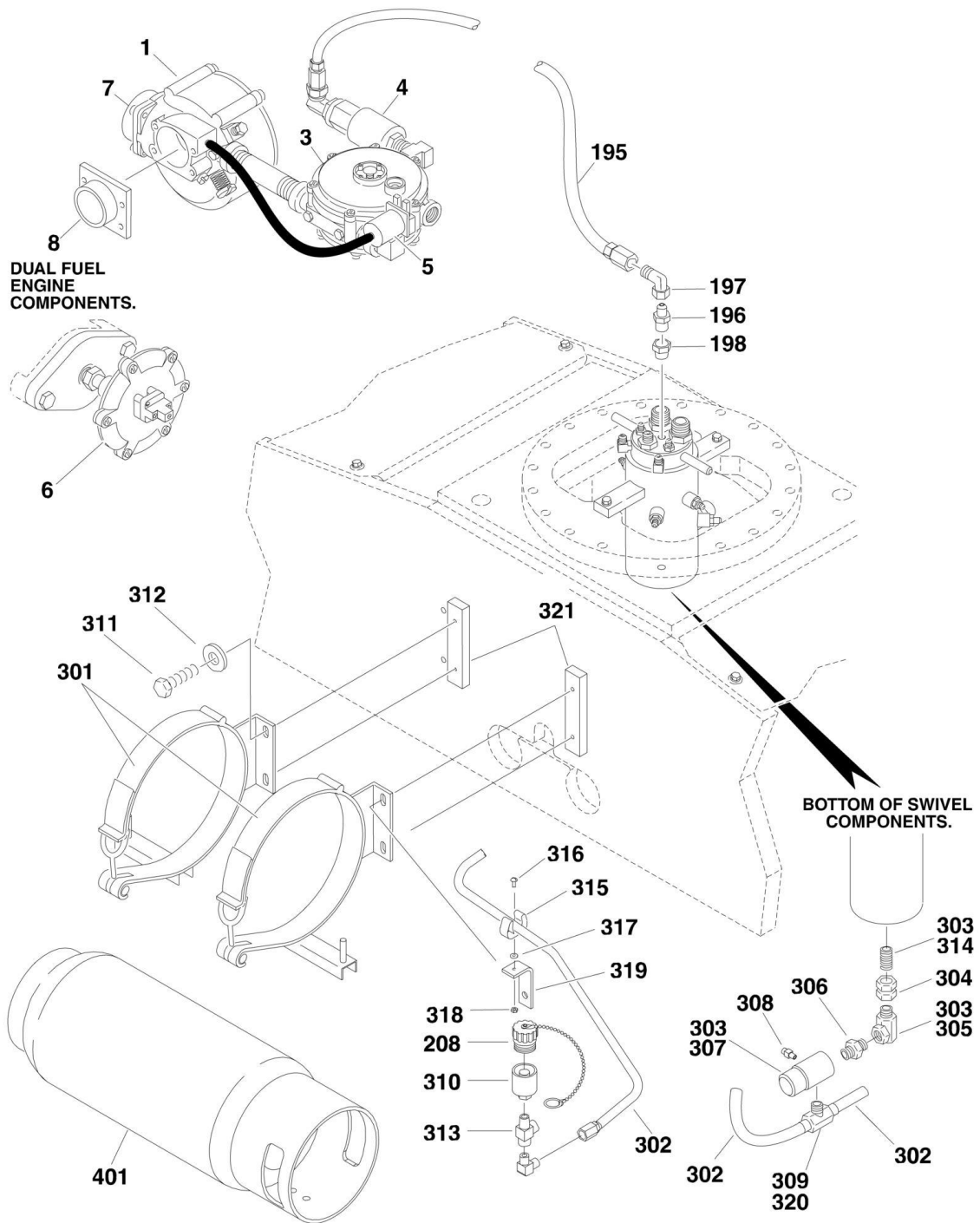
| ITEM | PART NUMBER | QTY | DESCRIPTION | REV |
|------|-------------|-----------|--|-----|
| 218 | 0903079 | 1 | Bracket, Muffler | |
| 219 | 0961986 | 2 | Bushing, Flanged | |
| 220 | 1320012 | 4 | Clamp | |
| 221 | 1320016 | 3 | Clamp | |
| 222 | 1320022 | 1 | Clamp, Hose | |
| 223 | 1320033 | 8 | Clamp, Hose | |
| 224 | 1321138 | 3 | Plate, Exhaust Flange | |
| 225 | 1340060 | 1 | Air Cleaner Assembly Filter Element | |
| 225 | 7012664 | 1 | Element, Filter (Not Shown) | |
| 226 | 0700819 | 4 | Bolt 8mm x 55mm | |
| 227 | 4920385 | 7 ft/2.1m | Wire, Safety (Not Shown) | |
| 228 | 1703162 | 2 | Decal - Caution Fan Blade | |
| 229 | 2000272 | 1 | Engine (See Items 301-326 for Engine Components) | |
| 230 | 2060025 | 1 | Fan | |
| 231 | 2180467 | 1 | Fitting | |
| 232 | 2180798 | 1 | Fitting, Restriction Indicator (Prior to SN 0300087266) | |
| 233 | 2720435 | 1 | Hose, Radiator (Bottom) | |
| 234 | 2720436 | 1 | Hose, Radiator (Upper) | |
| 235 | 2720514 | 1 | Hose, Elbow | |
| 236 | 2750532 | 6 in/15cm | Hose, Oil Drain | |
| 237 | 2820172 | 1 | Insulation, Exhaust (Shield) | |
| 238 | 2820173 | 3 | Insulation, Exhaust (Elbow) | |
| 240 | 3200362 | 4 | Mount, Motor | |
| 241 | 4831900 | 4 | Lockwasher M8 | |
| 242 | 3311405 | 12 | Locknut 1/4in-20NC | |
| 243 | 3311605 | 30 | Locknut 3/8in-16NC | |
| 244 | 3311805 | 4 | Locknut 1/2in-13NC | |
| 245 | 3539872 | 1 | Plate, Radiator Mounting | |
| 246 | 3572280 | 1 | Plate, Engine Mount | |
| 247 | 3574162 | 1 | Plate, ECM/Relay Mount | |
| 248 | 3574504 | 1 | Plate, Engine Mount | |
| 249 | 3620040 | 1 | Radiator | |
| 249 | 8180311 | 1 | Cap, Radiator (was p/n 7019656) | |
| 250 | 3740067 | 1 | Relay | |
| 251 | 3960591 | 3 | Gasket, Exhaust | |
| 252 | 4360392 | 1 | Indicator, Restriction (Prior to SN 0300087266) | |
| 253 | 4566605 | 1 | Tube, Spacer | |
| 254 | 4567879 | 1 | Tube, Exhaust | |
| 255 | | Ref | Tube, Intake Options: | |
| 255 | 4568951 | 1 | Tube, Intake (SN 0300077500 through 0300087265) | |
| 255 | 4569173 | 1 | Tube, Intake (SN 0300087266 through 0300185827) | |
| 256 | 4569083 | 1 | Tube, Exhaust | |
| 257 | 3460398 | 1 | Pipe, Exhaust | |
| 258 | 4640989 | 1 | Valve, Oil Drain | |
| 259 | 4711400 | 12 | Flatwasher 1/4in (Narrow) | |
| 260 | 4711600 | 12 | Flatwasher 3/8in (Narrow) | |
| 261 | 4740274 | 4 | Washer, Snubbing | |
| 262 | 4751400 | 14 | Flatwasher 1/4in (Wide) | |
| 263 | 4751500 | 8 | Flatwasher 5/16in (Wide) | |
| 264 | 4751600 | 51 | Flatwasher 3/8in (Wide) | |
| 266 | 4812000 | 4 | Flatwasher M10 | |

SECTION 2 - TURNTABLE

| ITEM | PART NUMBER | QTY | DESCRIPTION | REV |
|------|-------------|----------|--|-----|
| 267 | 4832000 | 4 | Lockwasher M10 | |
| 268 | 4845404 | 1 | Tray, Engine | |
| 269 | 4846806 | 1 | Plate, Engine Mounting | |
| 270 | 0641606 | 1 | Bolt 3/8in-16NC x 3/4in | |
| 271 | 0940070 | 1 | Bumper | |
| 272 | 1320223 | 3 | J-Clip | |
| 273 | 3960469 | 1 | Seal | |
| 274 | 4060805 | 37 in/1m | Flex-Trim | |
| 275 | 3311505 | 4 | Locknut 5/16in-18NC | |
| 276 | 3960468 | 1 | Seal | |
| | 2000272 | Ref | ENGINE COMPONENTS | B |
| 301 | 3600377 | 1 | Fuel Pump and Isolator Assembly (was p/ns 7022133 & 7027407) | |
| 301 | 7022134 | 1 | Harness, Fuel Pump (Not Shown) | |
| 302 | 91083218 | 1 | Filter, Fuel (was p/n 7022135) | |
| 303 | 7012679 | 1 | Starter (was p/n 7027408) | |
| 304 | 7019977 | 1 | Alternator with Regulator and Pulley | |
| 304 | 7000897 | 1 | Alternator without Regulator and Pulley | |
| 305 | 7023683 | 1 | Actuator, Throttle | |
| 305 | 7027404 | 1 | Gasket, Actuator (Not Shown) | |
| 306 | 7019996 | 1 | Sensor, Air Temperature (was p/n 7023661) | |
| 307 | 7023681 | 1 | Harness, Engine Control (was p/n 7027403) (Not Shown) | |
| 308 | 7022139 | 1 | Sensor, MAP | |
| 309 | 7023682 | 1 | Sensor, EGR | |
| 310 | 2420187 | 1 | Dipstick (was p/n 7022140) | |
| 310 | 4564281 | 1 | Tube, Dipstick | |
| 311 | 7027400 | 1 | Mixer Assembly | |
| 313 | 7021868 | 1 | Filter, Oil (was p/n 7022147, 7021869 & 7014501) | |
| 314 | 1660250 | 1 | Coupling, Pump | |
| 314 | 7019976 | 1 | Flywheel (Not Shown) | |
| 314 | 7022180 | 1 | Ring Gear (Not Shown) | |
| 315 | 7019993 | 1 | Pressure Regulator and Filter Assembly | |
| 316 | 0902539 | 1 | Bracket | |
| 317 | 1600374 | 1 | Module, EPM | |
| 317 | 7027413 | 1 | Harness, EPM Jumper | |
| 318 | 3220134 | 1 | Muffler | |
| 319 | 0903010 | 1 | Bracket, LP Regulator | |
| 320 | 7023698 | 1 | Regulator, LP | |
| 321 | 7019994 | 1 | Sensor, EGR (was p/n 7027406) | |
| 322 | 70002307 | 1 | Gasket, Exhaust (Manifold to Pipe) | |
| 322 | 7022143 | 1 | Gasket, Exhaust (Manifold to Cylinder Head) (was p/n 7027401) Not Shown) | |
| 323 | 7027402 | 1 | Belt, Drive (was p/n 7019979) | |
| 324 | 7027405 | 4 | Spark Plug (Not Shown) | |
| 325 | 1580011 | 1 | Bottle, Overflow | |
| 326 | 7027409 | 1 | LP Filter Shutoff with Leads | |
| 327 | 7023699 | 1 | Megajector | |
| 327 | 7027410 | 1 | Harness, Megajector | |
| 327 | 70001690 | 1 | Hose Kit - Megajector | |
| 328 | 7019925 | 1 | PCV Valve (Not Shown) | |
| 329 | 7022155 | 1 | Sensor, Water Temperature (Not Shown) | |
| 330 | 70002567 | 1 | Tensioner, Belt | |
| 331 | 7022150 | 1 | Belt, Timing (Not Shown) | |

SECTION 2 - TURNTABLE

FIGURE 2-12. DUAL FUEL INSTALLATION (GAS MACHINES OPTIONS)



SECTION 2 - TURNTABLE

FIGURE 2-12. DUAL FUEL INSTALLATION (GAS MACHINES OPTIONS)

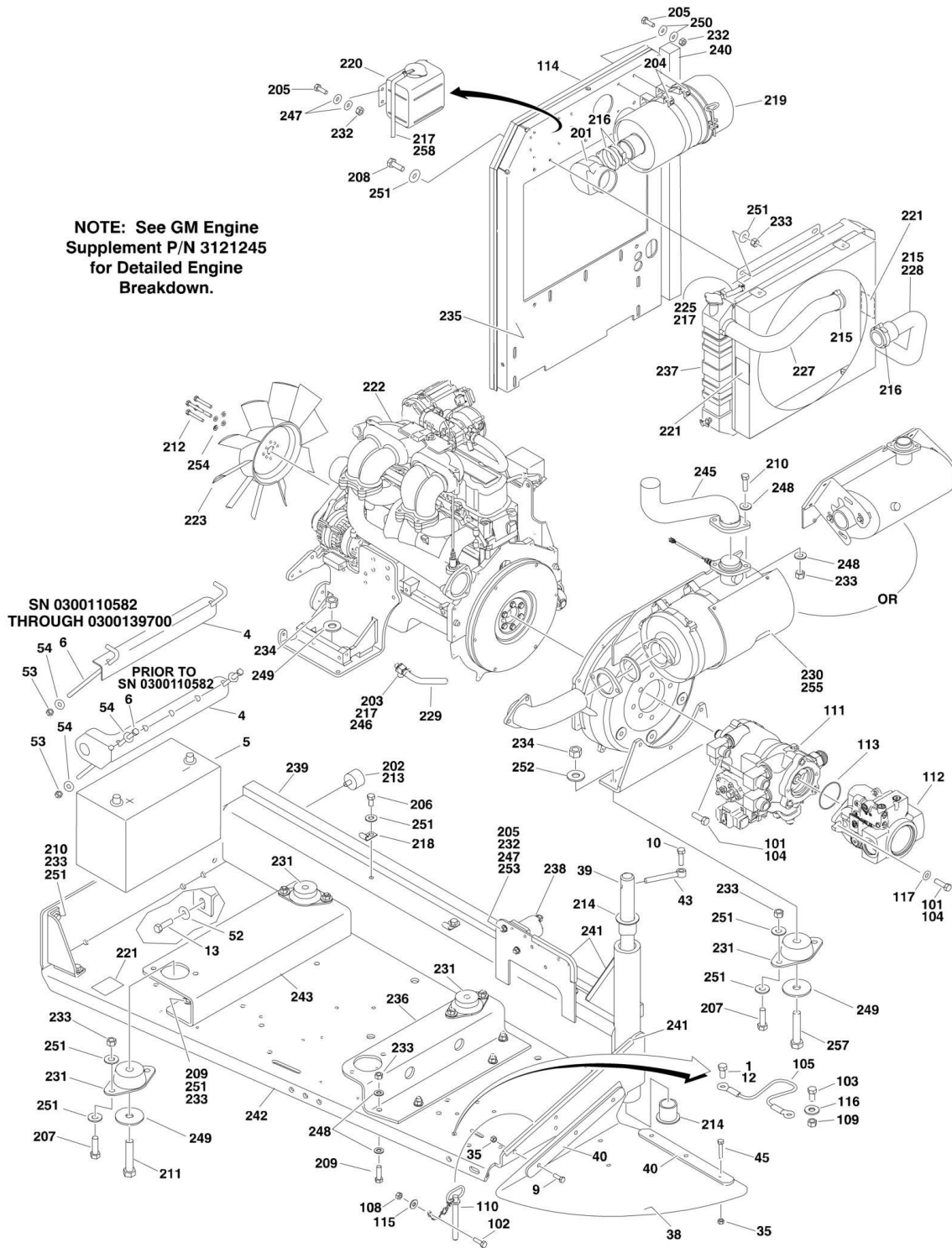
| ITEM | PART NUMBER | QTY | DESCRIPTION | REV |
|------|-------------|-----|---|-----|
| | | Ref | DUAL FUEL ENGINE COMPONENTS (FORD ENGINE MACHINES) | |
| | | Ref | Note: For GM Engine Machines Refer to GM Engine Installation. | |
| | 2000174 | Ref | Dual Fuel Engine Components (Prior to SN 0300073348) | B |
| | 2000193 | Ref | Dual Fuel Engine Components (SN 0300073348 through 0300077499) | B |
| | See Note | Ref | Dual Fuel Engine Components (Note: See Ford Engine Installation (SN 0300077500 through 030185827) for Components) | |
| | 7023665 | 1 | Dual Fuel Conversion Kit (Note: Includes hose, fittings, clamps and items indented below. For replacement hose, fittings and clamps supply locally) | |
| 1 | 7022165 | 1 | Mixer | |
| 1 | 7022171 | 1 | Repair Kit - 7022165 Mixer | |
| 1 | 7023645 | 1 | Gasket, Mixer | |
| 3 | 7022167 | 1 | Convertor | |
| 3 | 7022170 | 1 | Repair Kit - 7022167 Convertor | |
| 4 | 7023680 | 1 | Filter, LP Shut-Off with Harness (was p/n 7022169) | |
| 4 | 7023680 | NLA | Electrical Connector Kit (No Longer Available - was p/n 7023679) | |
| 5 | 7022168 | 1 | Valve, Solenoid | |
| 6 | 4360188 | 1 | Switch, Vacuum | |
| 7 | 7023603 | 1 | Adapter | |
| 7 | 7023659 | 1 | Gasket | |
| 7 | 7023660 | 4 | Screw M6 x 14mm | |
| 8 | 7022166 | 1 | Adapter | |
| | | Ref | DUAL FUEL COMPONENTS (FORD ENGINE MACHINES) | |
| | | Ref | Note: For GM Engine Machines Refer to GM Engine Installation. | |
| | 0271366 | Ref | Dual Fuel (Prior to SN 0300073348) | 2-B |
| | 0272831 | Ref | Dual Fuel (SN 0300073348 through 0300077499) | 4-C |
| | 0274024 | Ref | Dual Fuel (SN 0300077500 through 0300087265) | D |
| | 0274624 | Ref | Dual Fuel (SN 0300087266 through 0300185827) | C |
| 190 | 4360336 | 1 | Toggle, SPDT (Not Shown - Located on Console Box) | |
| 191 | 3790012 | 1 | O-Ring (Not Shown - Located on Console Box) | |
| 192 | 1701543 | 2 | Decal-LPG (Not Shown - See Decal Installation) | |
| 193 | 1700818 | 2 | Decal- Liquid Withdrawal System (Not Shown - See Decal Installation) | |
| 194 | 1701543 | 1 | Decal - LP (Not Shown - Located on Frame) | |
| 195 | 2720392 | 1 | Hose | |
| 196 | 2180418 | 1 | Fitting, Straight | |
| 197 | 2220064 | 1 | Fitting, Elbow (Prior to SN 0300069325) | |
| 198 | 2220005 | 1 | Fitting, Reducer | |
| | 0255524 | Ref | LP TANK AND BRACKETS INSTALLATION | 9-F |
| 301 | 1320220 | 2 | Clamp Kit - LP | |
| 301 | 1320127 | 2 | Clamp, Toggle (1 Per Clamp) | |
| 302 | 2720144 | 2 | Hose | |
| 303 | 0100020 | AR | Sealant, Pipe | |
| 304 | 2221197 | 1 | Fitting, Reducer | |
| 305 | 2180125 | 1 | Fitting - Elbow | |
| 306 | 2220261 | 2 | Fitting, Nipple | |

SECTION 2 - TURNTABLE

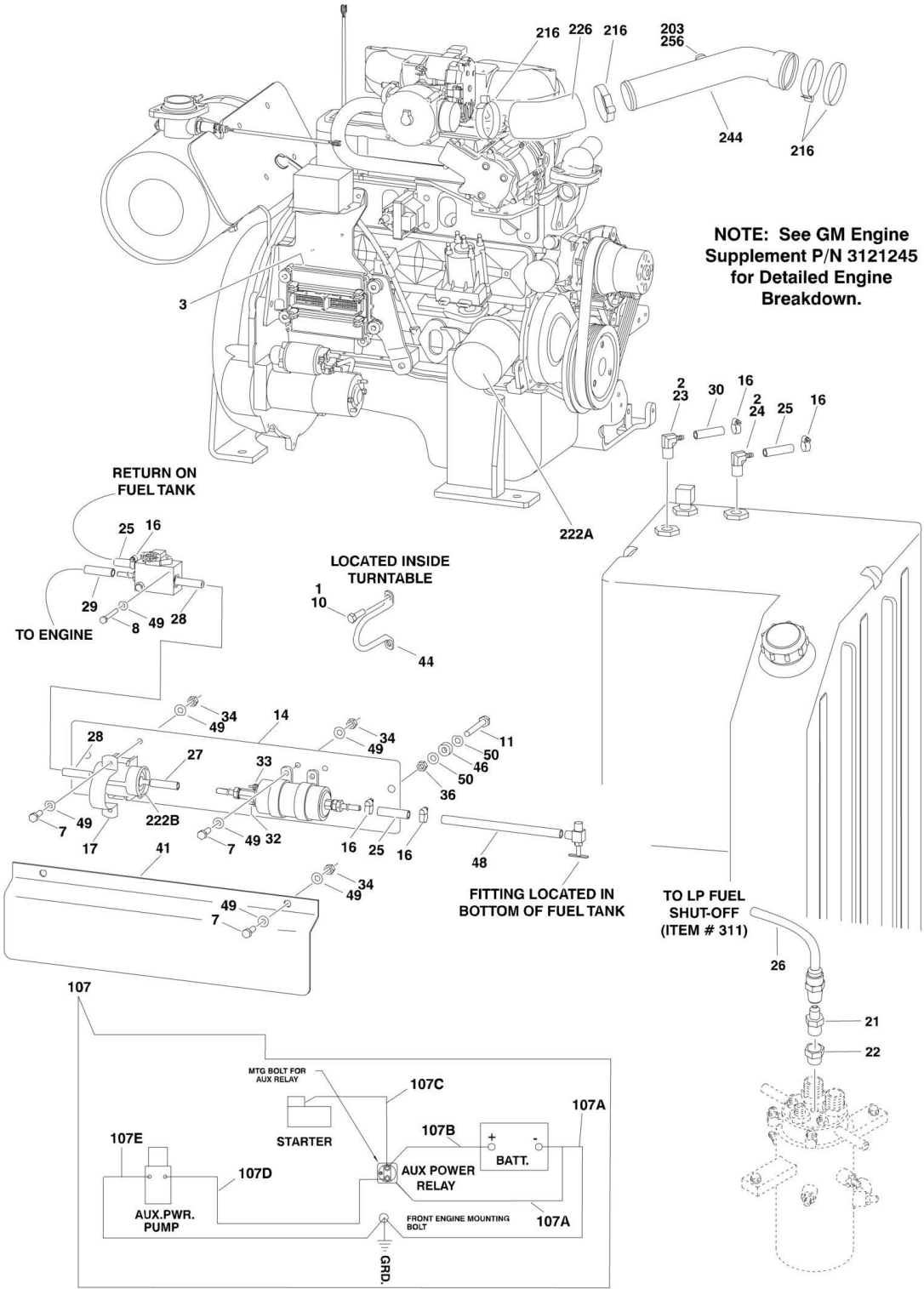
| ITEM | PART NUMBER | QTY | DESCRIPTION | REV |
|------|-------------|-----|--------------------------------|-----|
| 307 | 2180388 | 1 | Filter, Bulkhead | |
| 308 | 2180389 | 1 | Valve, Relief | |
| 309 | 2180418 | 1 | Fitting, Tee | |
| 310 | 2180387 | 2 | Fitting, LP Tank | |
| 311 | 0641606 | 8 | Bolt 3/8in-16NC x 3/4in | |
| 312 | 4751600 | 8 | Flatwasher 3/8in | |
| 313 | 2180418 | 2 | Fitting, Straight | |
| 315 | 1320218 | 2 | Clamp, Spring | |
| 316 | 3910808 | 2 | Screw, Machine #8-32NC x 1/2in | |
| 317 | 4750800 | 4 | Flatwasher #8 | |
| 318 | 3310805 | 2 | Locknut #8-32NC | |
| 319 | 0181949 | 2 | Support, Angle | |
| 320 | 2221024 | 2 | Fitting, Ball Check | |
| 321 | 0362519 | 4 | Bar, Clamp | |
| 401 | | Ref | TANK, LP OPTIONS: | |
| 401 | 4400275 | 1 | Aluminum | |
| 401 | 4400420 | 1 | Steel | |

SECTION 2 - TURNTABLE

FIGURE 2-13. GM ENGINE INSTALLATION (Prior to SN 0300140592)



SECTION 2 - TURNTABLE



SECTION 2 - TURNTABLE

FIGURE 2-13. GM ENGINE INSTALLATION (Prior to SN 0300140592)

| ITEM | PART NUMBER | QTY | DESCRIPTION | REV |
|------|-------------|------------------|--|-----|
| | | Ref | GM ENGINE INSTALLATIONS: | |
| | 0275386 | Ref | Engine, GM 3.0L (Prior to SN 0300109494) | D |
| | 1001091638 | Ref | Engine, GM 3.0L Tier2 (SN 0300109494 through 0300121642) | D |
| | 1001095363 | Ref | Engine, GM 3.0L Tier2 (SN 0300121643 through 0300140592) | E |
| 1 | 0100011 | AR | Compound, Locking | |
| 2 | 0100020 | AR | Sealant, Pipe | |
| 3 | 0100048 | AR | Grease, Dielectric | |
| 4 | | Ref | Hold-Down, Battery Options: | |
| 4 | 0181727 | 1 | Hold-down, Battery (Prior to SN 0300110582) | |
| 4 | 91401281 | 1 | Hold-down, Battery (SN 0300110582 through 0300140592) | |
| 5 | 0400075 | 1 | Battery (Wet) | |
| 6 | | Ref | Bolt, Battery Hold-down Options: | |
| 6 | 0630498 | 2 | Bolt, Battery Hold-down (Prior to SN 0300110582) | |
| 6 | 1001093382 | 2 | Bolt, Battery Hold-down (SN 0300110582 through 0300140592) | |
| 7 | 0641406 | AR | Bolt 1/4in-20NC x 3/4in | |
| 8 | 0641416 | 2 | Bolt 1/4in-20NC x 2in | |
| 9 | 0641508 | 3 | Bolt 5/16in-18NC x 1in (Prior to SN 0300098458) | |
| 10 | 0641608 | 7 | Bolt 3/8in-16NC x 1in | |
| 11 | 0641612 | 2 | Bolt 3/8in-16NC x 1-1/2in | |
| 12 | 0641808 | 1 | Bolt 1/2in-13NC x 1in | |
| 13 | 0642010 | 1 | Bolt 5/8in-11NC x 1-1/4in | |
| 14 | 0903510 | 1 | Bracket, Fuel Pump Filter | |
| 16 | 1320022 | AR | Clamp, Fuel Line | |
| 17 | 1320323 | 1 | Clamp | |
| 18 | 1701542 | 1 | Decal, Gas (Not Shown) | |
| 19 | 1701543 | 2 | Decal, LPG (Not Shown) | |
| 21 | 2180418 | 1 | Fitting, Straight | |
| 22 | 2220005 | 1 | Fitting, Straight | |
| 23 | 2220313 | 1 | Fitting, Elbow Barbed (Prior to SN 0300109494) | |
| 24 | 2221176 | 1 | Fitting, Elbow | |
| 25 | | Ref | Hose, Fuel Line Options: | |
| 25 | 2720058 | 5.25 ft /1.6m | Hose, Fuel Line (Prior to SN 0300109494) | |
| 25 | 1001091587 | NLA | Hose, Fuel Line (Use p/n 1001156819) (SN 0300109494 through 0300140592) | |
| 26 | 2720392 | 1 | Hose, LP | |
| 27 | 2720566 | 1 | Hose, High Pressure Fuel Line (6in/15cm Length) | |
| 28 | 2720567 | 1 | Hose, High Pressure Fuel Line (4ft/1.2m Length) | |
| 29 | 2720580 | 2 | Hose | |
| 30 | 2750532 | 5 ft/1.5m | Hose (Prior to SN 0300109494) | |
| 32 | 3290405 | 1 | Locknut M4 x 0.7 | |
| 33 | 3290505 | 1 | Locknut M5 x 0.8 | |
| 34 | 3311405 | AR | Locknut 1/4in x 20NC | |
| 35 | 3311505 | 6 | Locknut 5/16in-18NC (Prior to SN 0300098458) | |
| 36 | 3311605 | AR | Locknut 3/8in-16NC | |
| 38 | 3380429 | 1 | Panel, Rubber (Prior to SN 0300098458) | |
| 39 | 3422446 | 1 | Pin | |
| 40 | 3539957 | 2 | Plate, Hold Down (Prior to SN 0300098458) | |
| 41 | 3576755 | 1 | Cover, Fuel Pump (Prior to SN 0300097306) | |

SECTION 2 - TURNTABLE

| ITEM | PART NUMBER | QTY | DESCRIPTION | REV |
|------|-------------|---------|---|-----|
| 42 | 3790012 | 1 | O-Ring (Not Shown - Located in Console Box) | |
| 43 | 3841143 | 1 | Keeper | |
| 44 | 3841340 | 3 | Rod, Hose Loop | |
| 45 | 3900272 | 3 | Screw 5/16in-18NC x 1-3/4in (Prior to SN 0300098458) | |
| 46 | 4071122 | 2 | Shim | |
| 47 | 4360336 | 1 | Switch, Toggle (Not Shown - Located in Console Box) | |
| 48 | 4569385 | 1 | Tube, Fuel Line | |
| 49 | 4711400 | AR | Flatwasher 1/4in Narrow | |
| 50 | 4751600 | AR | Flatwasher 3/8in Wide | |
| 51 | 4751800 | 1 | Flatwasher 1/2in Wide | |
| 52 | 4752000 | 1 | Flatwasher 5/8in Wide | |
| 53 | | Ref | Locknut Options: | |
| 53 | 3311605 | 2 | Locknut 3/8in-16NC (Prior to SN 0300110582) | |
| 53 | 3311505 | 2 | Locknut 5/16in-18NC (SN 0300110582 through 0300121642) | |
| 53 | 88521205 | 2 | Locknut 5/16in-18NC (SN 0300121643 through 0300140592) | |
| 54 | | Ref | Flatwasher Options: | |
| 54 | 4751600 | 4 | Flatwasher 3/8in Wide (Prior to SN 0300110582) | |
| 54 | 4751500 | 2 | Flatwasher 5/16in Wide (SN 0300110582 through 0300140592) | |
| 56 | 2300004 | 2.63 gl | Anti-Freeze (Not Shown) | |
| | | Ref | GM ENGINE AND PUMP SUB-ASSEMBLIES: | |
| | 2000378 | Ref | Engine, GM 3.0L (Prior to SN 0300109494) | B |
| | 1001091637 | Ref | Engine, GM 3.0L Tier2 (SN 0300109494 through 0300121642) | B |
| | 1001095364 | Ref | Engine, GM 3.0L Tier2 (SN 0300121643 through 0300140592) | E |
| 101 | 0100011 | AR | Compound, Locking | |
| 102 | 0641407 | 1 | Bolt 1/4in-20NC x 7/8in | |
| 103 | 0641808 | 1 | Bolt 1/2in-13NC x 1in | |
| 104 | 0641812 | 4 | Bolt 1/2in-13NC x 1-1/2in | |
| 105 | 1060637 | 1 | Cable, Lanyard | |
| 107 | 2902533 | 1 | Battery Cable Kit | B |
| 107A | 7027018 | 1 | Cable (Battery - to Ground) | |
| 107B | 7027015 | 1 | Cable (Battery + to Auxiliary Relay) | |
| 107C | 7016825 | 1 | Cable (Auxiliary Relay to Starter) | |
| 107D | 7016824 | 1 | Cable (Auxiliary Relay to Auxiliary Pump) | |
| 107E | 7027017 | 1 | Cable (Ground to Auxiliary Pump) | |
| 108 | 3311405 | 1 | Locknut 1/4in-20NC | |
| 109 | 3311805 | 1 | Locknut 1/2in-13NC | |
| 110 | 3422532 | 1 | Pin, Hitch | |
| 111 | 3600400 | 1 | Piston Pump Assembly with Fittings (See PISTON PUMP ASSEMBLY for Breakdown) | |
| 112 | | Ref | Gear Pump Assembly with Fittings Options: | |
| 112 | 3600401 | 1 | Gear Pump (Rexroth) (Prior to SN 0300121643) | C |
| 112 | 2220415 | 1 | Fitting | |
| 112 | 2220374 | 1 | Fitting | |
| 112 | 3600278 | 1 | Pump, Displacement | |
| 112 | 7018995 | 1 | Seal Kit - 3600278 Pump | |
| 112 | 7024918 | 1 | Seal, Shaft | |
| 112 | 7024930 | 1 | Valve Assembly Kit - 3600278 Pump | |
| 112 | 1001095354 | 1 | Gear Pump (Sauer Danfoss) (SN 0300121643 through 0300140592) | A |
| 112 | 2220415 | 1 | Fitting | |
| 112 | 1001094595 | 1 | Pump, Displacement | |

SECTION 2 - TURNTABLE

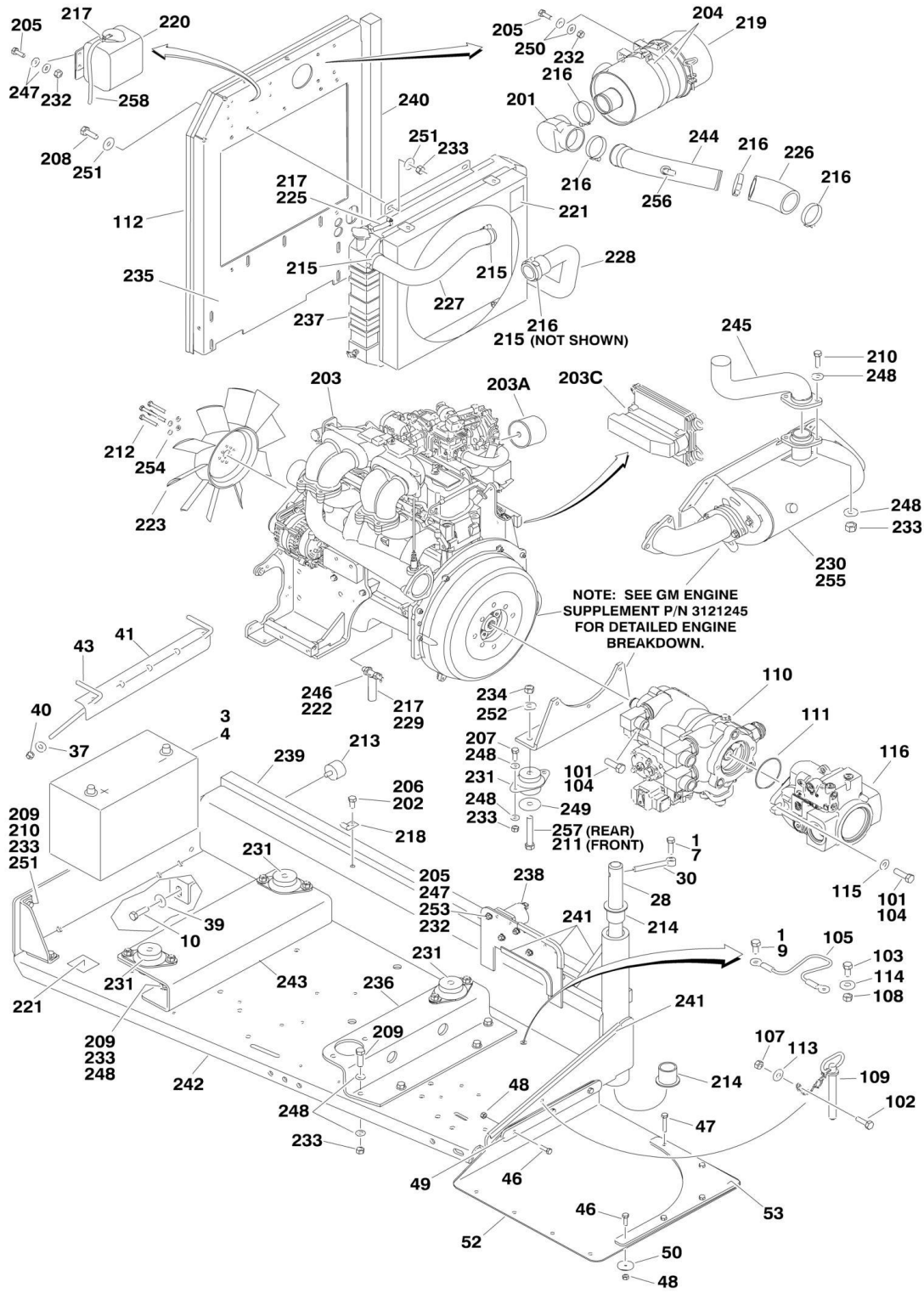
| ITEM | PART NUMBER | QTY | DESCRIPTION | REV |
|------|-------------|-----------------|---|-----|
| 112 | 7023967 | 1 | Seal Kit - 1001094595 Pump | |
| 112 | 7023956 | 1 | Valve Assembly Kit - 1001094595 Pump | |
| 113 | 3790044 | 1 | O-Ring | |
| 114 | 3960389 | 1 | Seal | |
| 115 | 4751400 | 1 | Flatwasher 1/4in (Wide) | |
| 116 | 4751800 | 1 | Flatwasher 1/2in Wide | |
| 117 | 4891800 | 2 | Flatwasher, Hardened | |
| | | Ref | GM ENGINE ASSEMBLIES: | |
| | 2000375 | Ref | Engine, GM 3.0L (Prior to SN 0300109494) | E |
| | 1001091632 | Ref | Engine, GM 3.0L Tier2 (SN 0300109494 through 0300140592) | E |
| 201 | 0080201 | 1 | Fitting, Elbow | |
| 202 | 0100011 | AR | Compound, Locking | |
| 203 | 0100020 | AR | Sealant | |
| 204 | 0340041 | 2 | Band, Mounting | |
| 205 | 0641406 | 10 | Bolt 1/4in-20NC x 3/4in | |
| 206 | 0641606 | 3 | Bolt 3/8in-16NC x 3/4in | |
| 207 | 0641608 | 8 | Bolt 3/8in-16NC x 1in | |
| 208 | 0641609 | 4 | Bolt 3/8in-16NC x 1-1/8in | |
| 209 | 0641610 | 10 | Bolt 3/8in-16NC x 1-1/4in | |
| 210 | 0641612 | 4 | Bolt 3/8in-16NC x 1-1/2in | |
| 211 | 0641828 | 2 | Bolt 1/2in-13NC x 3-1/2in | |
| 212 | 0700810 | 4 | Bolt M8 x 20mm | |
| 213 | 0940070 | 1 | Bumper | |
| 214 | 0961986 | 2 | Bearing, Flanged | |
| 215 | 1320012 | 3 | Clamp | |
| 216 | 1320016 | 5 | Clamp | |
| 217 | 1320022 | AR | Clamp | |
| 218 | 1320223 | 3 | Clamp | |
| 219 | 1340060 | 1 | Air Cleaner Assembly | |
| 219 | 7012664 | 1 | Element, Air Cleaner | |
| 220 | 1580011 | 1 | Container, Coolant Overflow | |
| 221 | 1703162 | 2 | Decal - Caution Fan | |
| 222 | | Ref | Engine, GM 3.0L Options (See GM Engine Supplement P/N 3121245 for Detailed Engine Breakdown): | |
| 222 | 2000354 | 1 | Engine, GM 3.0L (SN 0300069000 through 0300109493) | |
| 222 | 1001091583 | 1 | Engine, GM 3.0L (SN 0300109494 through 0300140592) | |
| 222 | 70000164 | 4 | Plug, Spark (Not Shown) | |
| 222A | 7027965 | 1 | Filter, Oil | |
| 222B | 7027972 | 1 | Filter, Fuel | |
| 223 | 2060025 | 1 | Fan | |
| 225 | 2720058 | 4 in/10cm | Hose | |
| 226 | 2720514 | 1 | Hose | |
| 227 | 2720563 | 1 | Hose, Radiator (Top) | |
| 228 | 2720564 | 1 | Hose, Radiator (Bottom) | |
| 229 | | Ref | Hose Options: | |
| 229 | 2750532 | 6 in /15.2cm | Hose (Prior to SN 0300136497) | |
| 229 | 1001091892 | NLA | Hose (Use p/n 2750532) (SN 0300136497 through 0300140592) | |
| 230 | | Ref | Muffler, Insulation Options: | |
| 230 | 2820180 | 1 | Engine, GM 3.0L (Prior to SN 0300109494) | |
| 230 | 1001091794 | 1 | Engine, GM 3.0L Tier2 (SN 0300109494 through 0300140592) | |

SECTION 2 - TURNTABLE

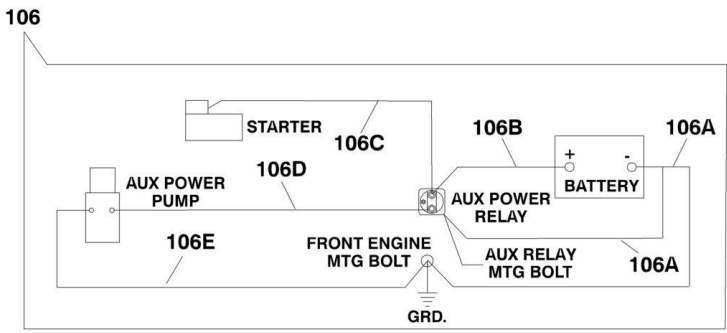
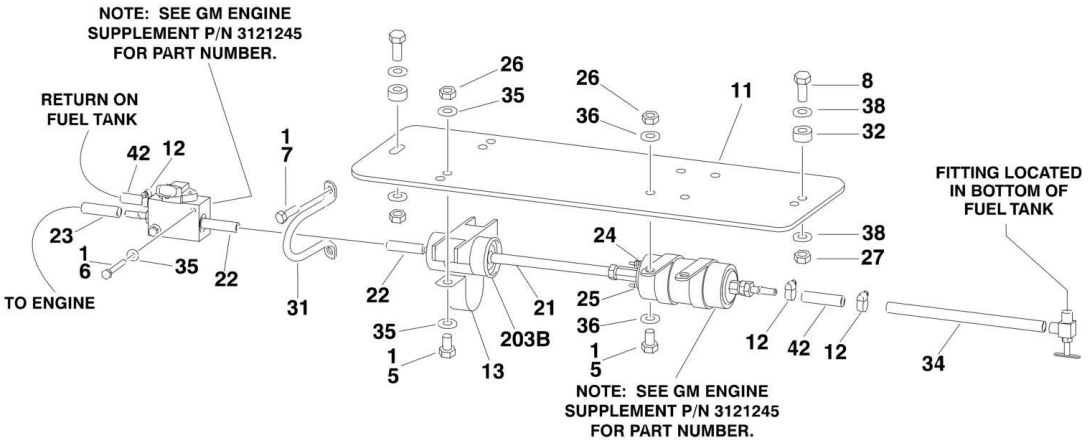
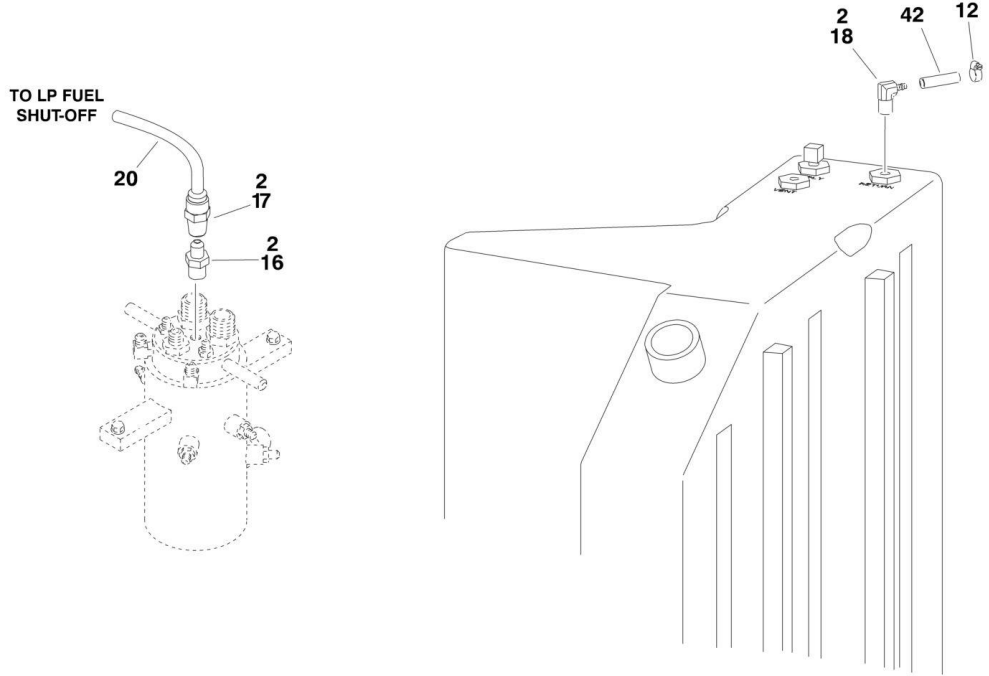
| ITEM | PART NUMBER | QTY | DESCRIPTION | REV |
|------|-------------|--------------|--|-----|
| 231 | 3200362 | 4 | Mount, Engine | |
| 232 | 3311405 | 10 | Locknut 1/4in-20NC | |
| 233 | 3311605 | 26 | Locknut 3/8in-16NC | |
| 234 | 3311805 | 4 | Locknut 1/2in-13NC | |
| 235 | 3539872 | 1 | Plate, Radiator Mounting | |
| 236 | 3572280 | 1 | Plate, Engine Mount | |
| 237 | 3620040 | 1 | Radiator | |
| 237 | 8180311 | 1 | Cap, Radiator (was p/n 7019656) | |
| 238 | 3740067 | 2 | Relay | |
| 239 | 3960468 | 1 | Seal | |
| 240 | 3960469 | 1 | Seal | |
| 241 | 4060805 | 3 ft/0.9m | Seal | |
| 242 | 4341239 | 1 | Tray, Engine | |
| 243 | 4341241 | 1 | Mount, Engine (Front) | |
| 244 | 4569342 | 1 | Tube, Intake | |
| 245 | 4569384 | 1 | Tube, Intake | |
| 246 | | Ref | Valve, Oil Drain Options: | |
| 246 | 4640952 | 1 | Valve, Oil Drain (Prior to SN 0300136497) | |
| 246 | 1001105872 | NLA | Valve, Oil Drain (Use p/n 4640952) (SN 0300136497 through 0300140592) | |
| 247 | 4711400 | 12 | Flatwasher 1/4in Narrow | |
| 248 | 4711600 | 12 | Flatwasher 3/8in Narrow | |
| 249 | 4740274 | 4 | Flatwasher, Snubbing | |
| 250 | 4751400 | 8 | Flatwasher 1/4in Wide | |
| 251 | 4751600 | 43 | Flatwasher 3/8in Wide | |
| 252 | 4751800 | 2 | Flatwasher 1/2in Wide | |
| 253 | 4791400 | 2 | Starwasher 1/4in | |
| 254 | 4831900 | 4 | Lockwasher M8 | |
| 255 | 4920385 | 10 ft/3m | Wire, Safety | |
| 256 | 2180877 | 1 | Fitting | |
| 257 | 0641826 | 2 | Bolt 1/2in-13NC x 3-1/4in | |
| 258 | 2720271 | 1.5 ft /0.5m | Hose | |

SECTION 2 - TURNTABLE

FIGURE 2-14. GM ENGINE INSTALLATION (SN 0300140592 through 0300185827)



SECTION 2 - TURNTABLE



SECTION 2 - TURNTABLE

FIGURE 2-14. GM ENGINE INSTALLATION (SN 0300140592 through 0300185827)

| ITEM | PART NUMBER | QTY | DESCRIPTION | REV |
|------|-------------|-----|--|-----|
| | | Ref | GM ENGINE INSTALLATION | |
| | 1001114636 | Ref | Engine 3.0L Tier III/IV | E |
| 1 | 0100011 | AR | Compound, Locking | |
| 2 | 0100020 | AR | Sealant, Pipe | |
| 3 | 0100048 | AR | Grease, Dielectric | |
| 4 | 0400075 | 1 | Battery (Wet) | |
| 5 | 0641406 | 4 | Bolt 1/4in-20NC x 3/4in | |
| 6 | 0641416 | 2 | Bolt 1/4in-20NC x 2in | |
| 7 | 0641608 | 7 | Bolt 3/8in-16NC x 1in | |
| 8 | 0641612 | 7 | Bolt 3/8in-16NC x 1-1/2in | |
| 9 | 0641808 | 1 | Bolt 1/2in-13NC x 1in | |
| 10 | 0642010 | 1 | Bolt 5/8in-11NC x 1-1/4in | |
| 11 | 0903510 | 1 | Bracket, Fuel Filter | |
| 12 | 1320022 | 4 | Clamp, Fuel Line | |
| 13 | 1320323 | 1 | Clamp | |
| 14 | 1701542 | 1 | Decal, Gas (Not Shown) | |
| 15 | 1701543 | 1 | Decal, LPG (Not Shown) | |
| 16 | 2180418 | 1 | Fitting, Straight | |
| 17 | 2220005 | 1 | Fitting, Straight | |
| 18 | 2221176 | 1 | Fitting, Elbow | |
| 20 | 2720392 | 1 | Hose, LP | |
| 21 | | Ref | Hose (6in/15cm Length) Options: | |
| 21 | 2720566 | NLA | Hose (6in/15cm Length) (Use p/n 1001156823) (SN 0300140000 through 0300181849) | |
| 21 | 1001156823 | 1 | Hose (6in/15cm Length) (SN 0300181850 through 0300185827) | |
| 22 | | Ref | Hose Options: | |
| 22 | 2720567 | NLA | Hose (48in/122cm Length) (Use p/n 1001156824) (SN 0300140000 through 0300181849) | |
| 22 | 1001156824 | 1 | Hose (50in/127cm Length) (SN 0300181850 through 0300185827) | |
| 23 | | Ref | Hose, High Pressure Fuel Line Options: | |
| 23 | 2720580 | NLA | Hose, High Pressure Fuel Line (Use p/n 1001156825) (SN 0300140000 through 0300181849) | |
| 23 | 1001156825 | 1 | Hose, High Pressure Fuel Line (SN 0300181850 through 0300185827) | |
| 24 | 3290405 | 1 | Locknut M4 x 0.7 | |
| 25 | 3290505 | 1 | Locknut M5 x 0.8 | |
| 26 | 3311405 | 4 | Locknut 1/4in-20NC | |
| 27 | 3311605 | 2 | Locknut 3/8in-16NC | |
| 28 | 3422446 | 1 | Pin | |
| 29 | 3790012 | 1 | O-Ring (Not Shown - Located in Console Box) | |
| 30 | 3841143 | 1 | Keeper | |
| 31 | 3841340 | 3 | Clamp, Loop | |
| 32 | 4071122 | 2 | Shim, Spacer | |
| 33 | 4360336 | 1 | Switch, Toggle (Not Shown - Located in Console Box) | |
| 34 | 4569385 | 1 | Tube, Fuel Line | |
| 35 | 4711400 | 6 | Flatwasher 1/4in Narrow | |
| 36 | 4711500 | 4 | Flatwasher 5/16in Narrow | |
| 37 | 4751500 | 2 | Flatwasher 5/16in Wide | |
| 38 | 4751600 | 4 | Flatwasher 3/8in Wide | |

SECTION 2 - TURNTABLE

| ITEM | PART NUMBER | QTY | DESCRIPTION | REV |
|------|-------------|-----------------|---|-----|
| 39 | 4752000 | 1 | Flatwasher 5/8in Wide | |
| 40 | 88521205 | 2 | Locknut 5/16in-18NC | |
| 41 | 91401281 | 1 | Angle, Battery Hold Down | |
| 42 | | Ref | Hose, Fuel Line Options: | |
| 42 | 1001091587 | NLA | Hose, Fuel Line (Use p/n 1001156819) (SN 0300140000 through 0300181849) | |
| 42 | 10011156819 | 68 in /1.73m | Hose, Fuel Line (SN 0300181850 through 0300185827) | |
| 43 | 1001093382 | 2 | Bolt, Battery Hold Down | |
| 46 | 0641508 | 6 | Bolt 5/16in-18NC x 1in (SN 0300143289 through 0300185827) | |
| 47 | 0641514 | NLA | Bolt 5/16in-18NC x 1-3/4in (Use p/n 3900272) (SN 0300143289 through 0300185827) | |
| 48 | 3311505 | 8 | Locknut 5/16in-18NC (SN 0300143289 through 0300185827) | |
| 49 | 3539957 | 1 | Plate, Hold Down (SN 0300143289 through 0300185827) | |
| 50 | 4740508 | 3 | Washer (SN 0300143289 through 0300185827) | |
| 52 | 1001121891 | 1 | Panel, Rubber (SN 0300143289 through 0300185827) | |
| 53 | 1001123000 | 1 | Bracket, Support (SN 0300143289 through 0300185827) | |
| | 1001114635 | Ref | GM ENGINE AND PUMP SUB-ASSEMBLY | D |
| 101 | 0100011 | AR | Compound, Locking | |
| 102 | 0641407 | 1 | Bolt 1/4in-20NC x 7/8in | |
| 103 | 0641808 | 1 | Bolt 1/2in-13NC x 1in | |
| 104 | 0641812 | 4 | Bolt 1/2in-13NC x 1-1/2in | |
| 105 | 1060637 | 1 | Cable, Lanyard | |
| 106 | 2902533 | 1 | Battery Cable Kit | B |
| 106A | 7027018 | 1 | Cable (Battery - to Ground) | |
| 106B | 7027015 | 1 | Cable (Battery + to Relay) | |
| 106C | 7016825 | 1 | Cable (Relay to Starter) | |
| 106D | 7016824 | 1 | Cable (Relay to Auxiliary Pump) | |
| 106E | 7027017 | 1 | Cable (Ground to Auxiliary Pump) | |
| 107 | 3311405 | 1 | Locknut 1/4in-20NC | |
| 108 | 3311805 | 1 | Locknut 1/2in-13NC | |
| 109 | 3422532 | 1 | Pin, Hitch | |
| 110 | | Ref | Piston Pump Assembly with Fittings Options: | |
| 110 | 3600400 | 1 | Piston Pump Assembly with Fittings (See PISTON PUMP ASSEMBLY (SAUER DANFOSS) for Breakdown) (SN 0300140000 through 0300180776) | |
| 110 | 1001153622 | 1 | Piston Pump Assembly with Fittings (See PISTON PUMP ASSEMBLY (EATON) for Breakdown) (SN 0300180777 through 0300185827) | |
| 111 | 3790044 | 1 | O-Ring | |
| 112 | 3960389 | 5 ft/1.5m | Seal | |
| 113 | 4751400 | 1 | Flatwasher 1/4in (Wide) | |
| 114 | 4751800 | 1 | Flatwasher 1/2in Wide | |
| 115 | 4891800 | AR | Flatwasher, Hardened | |
| 116 | 1001095354 | 1 | Gear Pump Assembly with Fittings | |
| 116 | 2220415 | 1 | Fitting | |
| 116 | 1001094595 | 1 | Gear Pump Less Fittings | |
| 116 | 7023967 | 1 | Seal Kit - 1001094595 Pump | |
| 116 | 7023956 | 1 | Valve Assembly Kit - 1001094595 Pump | |
| | 1001114632 | Ref | GM ENGINE ASSEMBLY | C |
| 201 | 0080201 | 1 | Fitting, Elbow | |
| 202 | 0100011 | AR | Compound, Locking | |
| 203 | 1001114595 | 1 | Engine, GM 3.0L Options (See GM Engine Supplement p/n | |

SECTION 2 - TURNTABLE

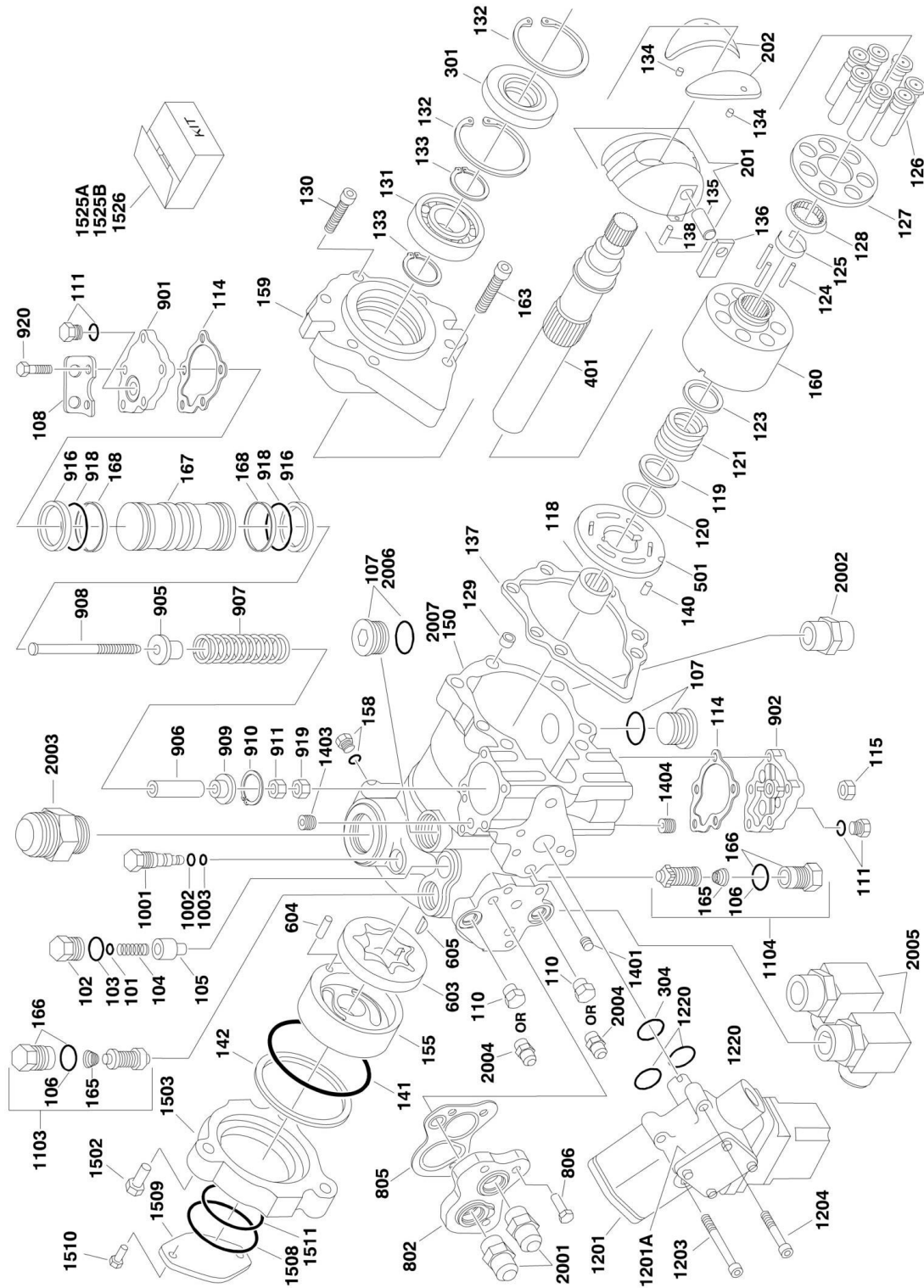
| ITEM | PART NUMBER | QTY | DESCRIPTION | REV |
|------|-------------|-----------------|--|-----|
| | | | 3121245 for Breakdown of Additional Components): | |
| 203A | 7027965 | 1 | Filter, Oil | |
| 203B | 7027972 | 1 | Filter, Fuel | |
| 203C | 70002895 | 1 | Module, Control (ECU) | |
| 203D | 70000164 | 4 | Sparkplug (Not Shown) | |
| 204 | 0340041 | 2 | Band, Mounting | |
| 205 | 0641406 | 10 | Bolt 1/4in-20NC x 3/4in | |
| 206 | 0641606 | 3 | Bolt 3/8in-16NC x 3/4in | |
| 207 | 0641608 | 8 | Bolt 3/8in-16NC x 1in | |
| 208 | 0641609 | 4 | Bolt 3/8in-16NC x 1-1/8in | |
| 209 | 0641610 | 10 | Bolt 3/8in-16NC x 1-1/4in | |
| 210 | 0641612 | 4 | Bolt 3/8in-16NC x 1-1/2in | |
| 205 | 0641406 | 10 | Bolt 1/4in-20NC x 3/4in | |
| 206 | 0641606 | 3 | Bolt 3/8in-16NC x 3/4in | |
| 207 | 0641608 | 8 | Bolt 3/8in-16NC x 1in | |
| 208 | 0641609 | 4 | Bolt 3/8in-16NC x 1-1/8in | |
| 209 | 0641610 | 10 | Bolt 3/8in-16NC x 1-1/4in | |
| 210 | 0641612 | 4 | Bolt 3/8in-16NC x 1-1/2in | |
| 211 | 0641828 | 2 | Bolt 1/2in-13NC x 3-1/2in | |
| 212 | 0700810 | 4 | Bolt M8 x 20mm | |
| 213 | 0940070 | 1 | Bumper | |
| 214 | 0961986 | 2 | Bearing, Flanged | |
| 215 | 1320012 | 3 | Clamp | |
| 216 | 1320016 | 5 | Clamp | |
| 217 | 1320022 | 4 | Clamp | |
| 218 | 1320223 | 3 | Clamp | |
| 219 | 1340060 | 1 | Air Cleaner Assembly | |
| 219 | 7012664 | 1 | Element, Air Cleaner | |
| 220 | 1580011 | 1 | Container, Coolant Overflow | |
| 221 | 1703162 | 2 | Decal - Caution Fan | |
| 222 | 0100020 | AR | Sealant, Pipe | |
| 223 | 2060025 | 1 | Fan | |
| 225 | 2720058 | 5.5 in /14cm | Hose | |
| 226 | 1001116544 | 1 | Duct | |
| 227 | 2720563 | 1 | Hose, Radiator (Top) | |
| 228 | 2720564 | 1 | Hose, Radiator (Bottom) | |
| 229 | 1001091892 | NLA | Hose (Use p/n 2750532) | |
| 230 | 1001091794 | 1 | Insulation, Muffler | |
| 231 | 3200362 | 4 | Mount, Engine | |
| 232 | 3311405 | 12 | Locknut 1/4in-20NC | |
| 233 | 3311605 | 26 | Locknut 3/8in-16NC | |
| 234 | 3311805 | 4 | Locknut 1/2in-13NC | |
| 235 | 3539872 | 1 | Plate, Radiator Mounting | |
| 236 | 3572280 | 1 | Plate, Engine Mount | |
| 237 | 3620040 | 1 | Radiator | |
| 237 | 8180311 | 1 | Cap, Radiator (was p/n 7019656) | |
| 238 | 3740067 | 1 | Relay | |
| 239 | 3960468 | 1 | Seal | |
| 240 | 3960469 | 1 | Seal | |
| 241 | 4060805 | 3 ft/0.9m | Seal | |
| 242 | 4341239 | 1 | Tray, Engine | |

SECTION 2 - TURNTABLE

| ITEM | PART NUMBER | QTY | DESCRIPTION | REV |
|------|-------------|----------------|------------------------------------|-----|
| 243 | 4341241 | 1 | Mount, Engine (Front) | |
| 244 | 1001116545 | 1 | Tube, Intake | |
| 245 | 1001093248 | 1 | Pipe, Exhaust | |
| 246 | 1001105872 | NLA | Valve, Oil Drain (Use p/n 4640952) | |
| 247 | 4711400 | 12 | Flatwasher 1/4in Narrow | |
| 248 | 4711600 | 36 | Flatwasher 3/8in Narrow | |
| 249 | 4740274 | 4 | Flatwasher, Snubbing | |
| 250 | 4751400 | 8 | Flatwasher 1/4in Wide | |
| 251 | 4751600 | 16 | Flatwasher 3/8in Wide | |
| 252 | 4751800 | 4 | Flatwasher 1/2in Wide | |
| 253 | 4791400 | 2 | Starwasher 1/4in | |
| 254 | 4831900 | 4 | Lockwasher 8mm | |
| 255 | 4920385 | 10 ft/3m | Wire, Safety | |
| 256 | 2180877 | 1 | Fitting Elbow | |
| 257 | 0641826 | 2 | Bolt 1/2in-13NC x 3-1/4in | |
| 258 | 2720271 | 18 in /46cm | Hose | |

SECTION 2 - TURNTABLE

FIGURE 2-15. PISTON PUMP ASSEMBLY (SAUER DANFOSS)



SECTION 2 - TURNTABLE

FIGURE 2-15. PISTON PUMP ASSEMBLY (SAUER DANFOSS)

| ITEM | PART NUMBER | QTY | DESCRIPTION | REV |
|------|-------------|-----|---|-----|
| | 3600295 | Ref | PISTON PUMP ASSEMBLIES | B |
| 101 | 7007413 | 1 | Shim Kit | |
| 102 | 7007414 | 1 | Plug | |
| 103 | See Note | 1 | O-Ring (Note: Use Item 1525A) | |
| 104 | 7021200 | 1 | Spring, Relief Valve | |
| 105 | 7007417 | 1 | Valve, Relief | |
| 106 | See Note | 2 | O-Ring (Note: Use Item 1525A) | |
| 107 | 7007419 | 2 | Plug | |
| 108 | 7021201 | 1 | Bracket, Lifting | |
| 110 | 7007470 | 2 | Plug | |
| 111 | 7007470 | 2 | Plug | |
| 114 | See Note | 2 | Gasket, Servo Cover (Note: Use Item 1525A) | |
| 115 | 7007423 | 1 | Nut, Special | |
| 118 | 7007425 | 1 | Bearing, Needle | |
| 119 | See Note | NSS | Ring, Retaining (Note: Use Item 1526) | |
| 120 | See Note | NSS | Washer (Note: Use Item 1526) | |
| 121 | See Note | NSS | Spring (Note: Use Item 1526) | |
| 123 | See Note | NSS | Washer (Note: Use Item 1526) | |
| 124 | See Note | NSS | Retainer (Note: Use Item 1526) | |
| 125 | See Note | NSS | Pin, Slipper Holddown (Note: Use Item 1526) | |
| 126 | See Note | NSS | Piston Assembly (Note: Use Item 1526) | |
| 127 | See Note | NSS | Retainer, Slipper (Note: Use Item 1526) | |
| 128 | See Note | NSS | Guide, Retainer (Note: Use Item 1526) | |
| 129 | 7007435 | 1 | Pin, Spring | |
| 130 | 7021202 | 1 | Screw, 12 Point Head | |
| 131 | 7007437 | 1 | Bearing, Ball | |
| 132 | 7007438 | 2 | Ring, Retainer | |
| 133 | 7007439 | 2 | Ring | |
| 134 | 7021203 | 2 | Pin, Spring | |
| 135 | 7007441 | 1 | Handle, Pin | |
| 136 | 7007442 | 1 | Sleeve, Bearing | |
| 137 | See Note | 1 | Gasket, Front Cover (Note: Use Item 1525A) | |
| 138 | 7021205 | 1 | Pin | |
| 140 | 7007446 | 1 | Pin | |
| 141 | See Note | 1 | O-Ring (Note: Use Item 1525A) | |
| 142 | See Note | 1 | Ring, Load Temper (Note: Use Item 1525A) | |
| 150 | 7023977 | 1 | Housing, Pump | |
| 155 | 7007452 | 1 | Cover, Gerotor | |
| 158 | 7007208 | 1 | Plug | |
| 159 | 7007454 | 1 | Cover, Front | |
| 163 | 7021207 | 6 | Screw | |
| 165 | 7021208 | 2 | Spring | |
| 166 | 7021209 | 2 | Plug, SCR | |
| 167 | 7007494 | 1 | Piston, Servo | |
| 168 | See Note | 2 | Bearing (Note: Use Item 1525A) | |
| 201 | 7007457 | 1 | Swash Plate Assembly (Includes Items 135 & 138) | |
| 202 | 7021212 | 2 | Journal, Bearing | |
| 301 | See Note | 1 | Seal, Lip (Note: Use Item 1525A) | |
| 304 | See Note | 1 | O-Ring (Note: Use Item 1525A) | |
| 401 | 7021213 | 1 | Shaft, Main Pump | |

SECTION 2 - TURNTABLE

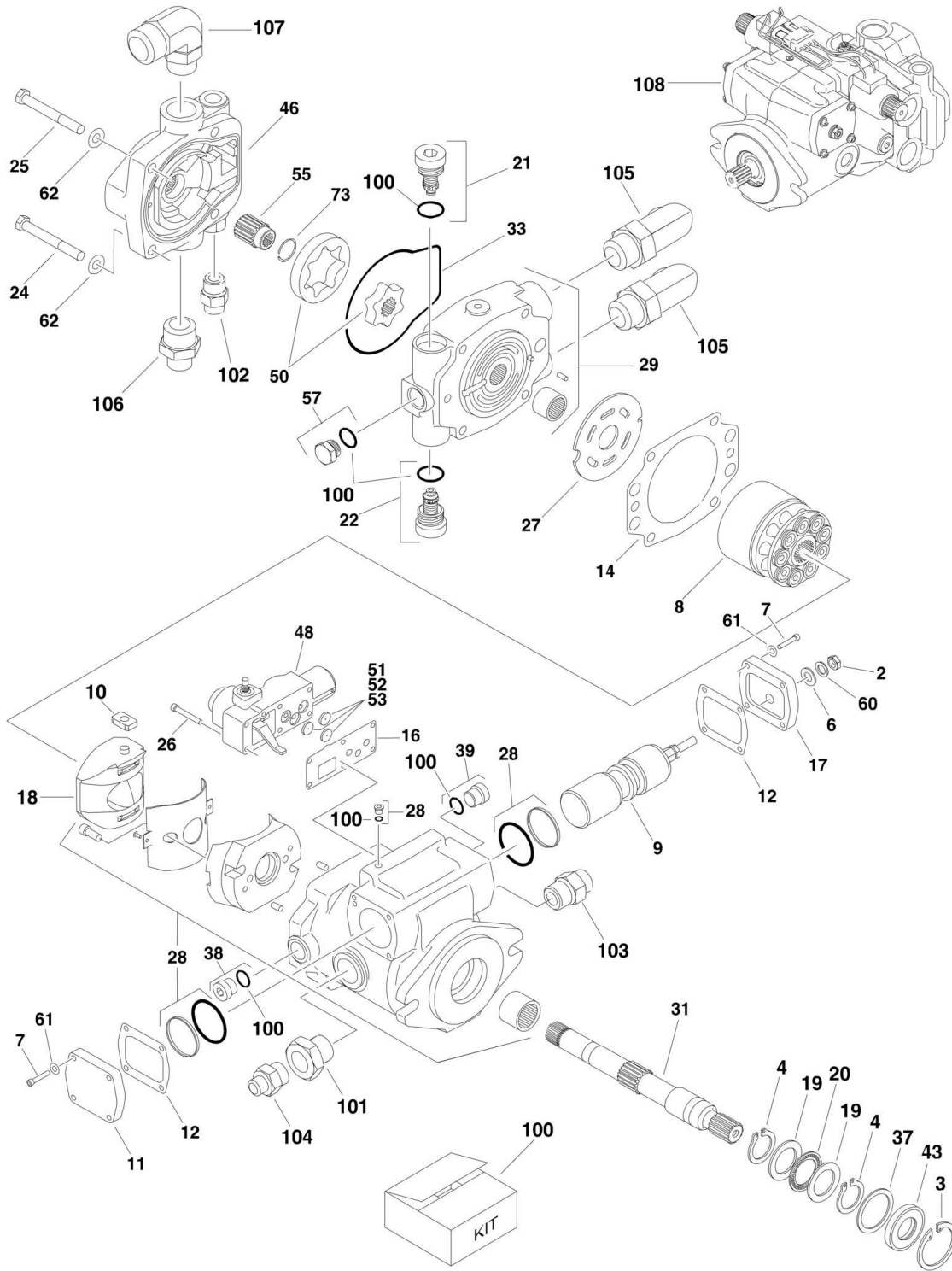
| ITEM | PART NUMBER | QTY | DESCRIPTION | REV |
|-------|-------------|-----|---|-----|
| 501 | 7021214 | 1 | Plate, Valve | |
| 603 | 7007463 | 1 | Gerotor Assembly | |
| 604 | 7007464 | 1 | Pin | |
| 605 | 7007465 | 1 | Key, Woodruff | |
| 802 | 7007466 | 1 | Adaptor, Remote Filtration | |
| 805 | See Note | 1 | Seal, Filter Adapter (Note: Use Item 1525A) | |
| 806 | 7021218 | 3 | Screw | |
| 901 | 7021219 | 1 | Cover, Servo | |
| 902 | 7021220 | 1 | Cover, Servo | |
| 905 | 7007483 | 1 | Guide, Spring | |
| 906 | 7007484 | 1 | Stop, Servo | |
| 907 | 7007485 | 1 | Spring | |
| 908 | 7021221 | 1 | Screw | |
| 909 | 7007487 | 1 | Guide, Spring | |
| 910 | 7007488 | 1 | Ring, Retaining | |
| 911 | 7021222 | 1 | Nut | |
| 916 | See Note | 2 | Ring, Piston (Note: Use Item 1525A or 1525B) | |
| 918 | See Note | 2 | O-Ring (Note: Use Item 1525A or 1525B) | |
| 919 | 7021206 | 1 | Nut | |
| 920 | 7021223 | 10 | Screw | |
| 1001 | 7007472 | 1 | Valve, Bypass | |
| 1002 | See Note | 1 | Ring, Back-up (Note: Use Item 1525A) | |
| 1003 | See Note | 1 | O-Ring (Note: Use Item 1525A) | |
| 1103 | 7010122 | 1 | SCR Kit (Includes Items 166, 106 & 165) | |
| 1104 | 7010122 | 1 | SCR Kit (Includes Items 166, 106 & 165) | |
| 1201 | 7007474 | 1 | Control, Dual Oil-Filled | |
| 1201 | 7007496 | 1 | Coil Assembly (Pilot) | |
| 1201 | 7007497 | 1 | Plug (Pump) | |
| 1201 | 7007498 | 1 | Plug (Valve Harness) | |
| 1201A | 7024828 | 1 | Gasket, Cover | |
| 1203 | 7007478 | 2 | Screw | |
| 1204 | 7001498 | 2 | Screw | |
| 1220 | See Note | 2 | O-Ring (Note: Use Item 1525A) | |
| 1401 | 7007475 | 1 | Plug, Orifice/Screen (.156) | |
| 1403 | 7021226 | 1 | Plug, Orifice | |
| 1404 | 7021226 | 1 | Plug, Orifice | |
| 1502 | 7007453 | 3 | Screw | |
| 1503 | 7021227 | 1 | Adapter, Flange | |
| 1508 | 7021228 | 1 | O-Ring | |
| 1509 | 7021229 | 1 | Plate, Cover | |
| 1510 | 7021230 | 2 | Screw | |
| 1511 | 7021231 | 1 | O-Ring | |
| 1525 | | Ref | Seal Kit Options: | |
| 1525A | 7021232 | 1 | Seal Kit, Complete (Includes Items 103, 106, 114, 137, 141, 142, 168, 301, 304, 805, 916, 918, 1002, 1003 & 1220) | |
| 1525B | 7007412 | 1 | Seal Kit, Servo Piston (Includes Items 916 & 918) | |
| 1526 | 7010116 | 1 | Cylinder Block Kit (Includes Items 119-128) | |
| | 3600400 | Ref | PISTON PUMP AND FITTING ASSEMBLY | C |
| 2001 | 2220374 | 2 | Fitting, Straight | |
| 2002 | 2220451 | 1 | Fitting, Straight | |
| 2003 | 2220479 | 1 | Fitting, Straight | |
| 2004 | 2220582 | 1 | Fitting, Straight (SN 0300069000 through 0300084618) | |

SECTION 2 - TURNTABLE

| ITEM | PART NUMBER | QTY | DESCRIPTION | REV |
|------|-------------|-----|---|-----|
| 2005 | 2220646 | 1 | Fitting, Elbow | |
| 2006 | | Ref | Fitting, Reducer Options: | |
| 2006 | 2220811 | 1 | Fitting, Reducer (Uses 1 Fitting) (SN 0300069000 through 0300138513) | |
| 2006 | 2220221 | 1 | Fitting, Reducer (Requires Both Fittings) (SN 0300138514 through 0300185827) | |
| 2006 | 2220582 | 1 | Fitting, Reducer (Requires Both Fittings) (SN 0300138514 through 0300185827) | |
| 2007 | 3600295 | 1 | Pump Assembly (Includes Items 1-1511) | |

SECTION 2 - TURNTABLE

FIGURE 2-16. PISTON PUMP ASSEMBLY (EATON)



SECTION 2 - TURNTABLE

FIGURE 2-16. PISTON PUMP ASSEMBLY (EATON)

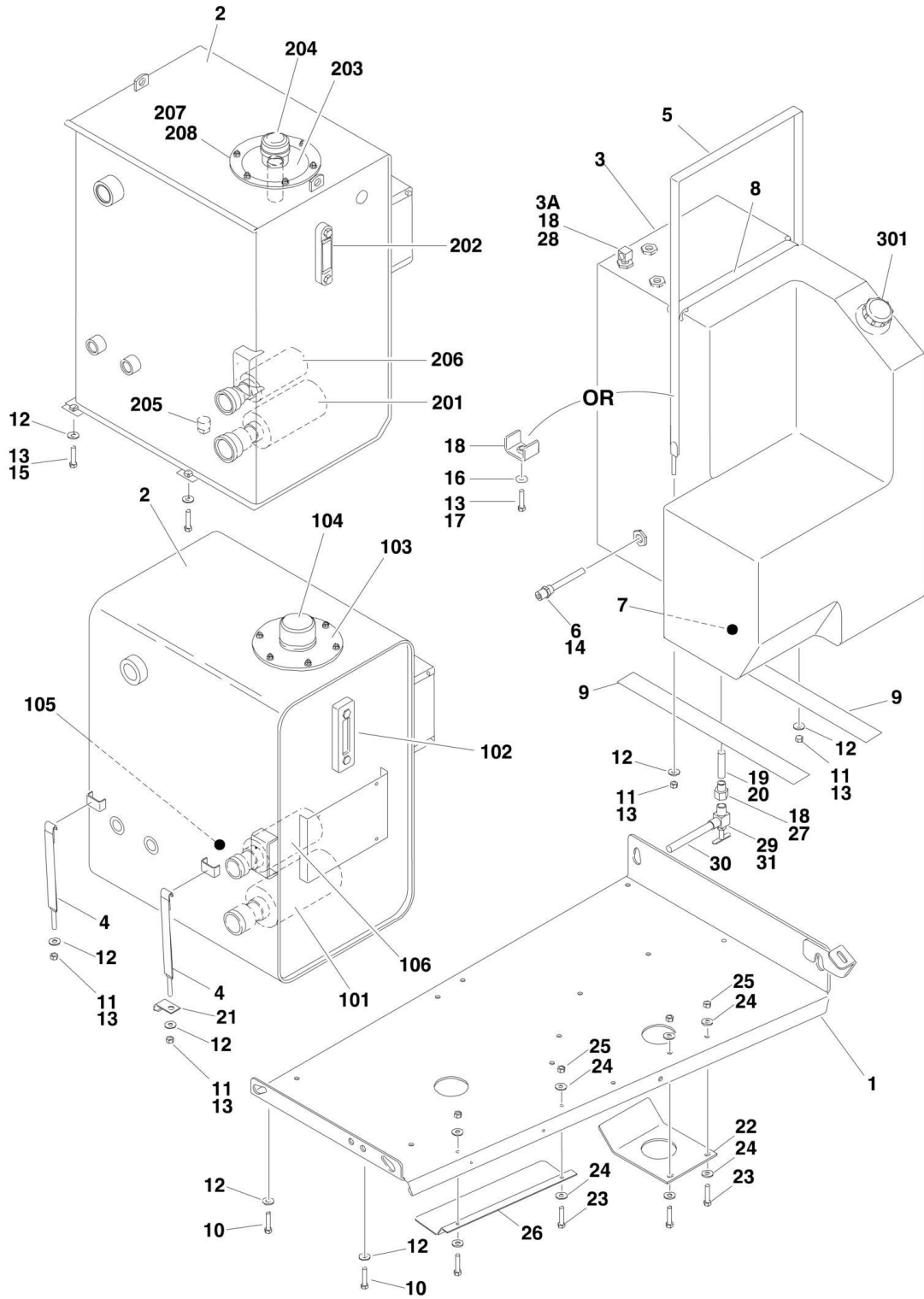
| ITEM | PART NUMBER | QTY | DESCRIPTION | REV |
|------|-------------|-----|---|-----|
| | 1001142522 | Ref | PUMP ASSEMBLY | B |
| 2 | See Note | NSS | Nut (Note: Use Item 100) | |
| 3 | See Note | NSS | Ring, Retaining (Note: Use Item 100) | |
| 4 | See Note | NSS | Ring, Retaining (Note: Use Item 100) | |
| 6 | See Note | NSS | Washer, Seal (Note: Use Item 100) | |
| 7 | 70004330 | 8 | Capscrew | |
| 8 | 70004331 | 1 | Cylinder Block Assembly | |
| 9 | 70004332 | 1 | Servo Piston Assembly | |
| 10 | 70004333 | 1 | Follower, Servo Piston | |
| 11 | 70004334 | 1 | Cover | |
| 12 | See Note | NSS | Gasket, Cover (Note: Use Item 100) | |
| 14 | See Note | NSS | Gasket, Housing (Note: Use Item 100) | |
| 16 | See Note | NSS | Gasket, Control Housing (Note: Use Item 100) | |
| 17 | 70004335 | 1 | Cover | |
| 18 | 70004336 | 1 | Camplate Assembly | |
| 19 | 7004907 | 2 | Race, Thrust | |
| 20 | 7004908 | 1 | Bearing, Thrust | |
| 21 | 70004337 | 1 | Relief Valve Assembly | |
| 22 | 70004337 | 1 | Relief Valve Assembly | |
| 24 | 70004338 | 2 | Capscrew | |
| 25 | 70004338 | 2 | Capscrew | |
| 26 | 70004339 | 6 | Capscrew | |
| 27 | 70004340 | 1 | Plate, Valve | |
| 28 | See Note | 1 | Housing (Note: Not Available for Purchase) | |
| 29 | 70004341 | 1 | End Cover Assembly | |
| 31 | 70004342 | 1 | Shaft, Drive | |
| 33 | See Note | NSS | O-Ring (Note: Use Item 100) | |
| 37 | 7004906 | 1 | Washer | |
| 38 | See Note | 1 | Plug (Note: Not Available for Purchase) | |
| 39 | See Note | 1 | Plug (Note: Not Available for Purchase) | |
| 43 | See Note | NSS | Seal, Shaft (Note: Use Item 100) | |
| 46 | 70004343 | 1 | Adapter, Charge Pump | |
| 48 | 70004344 | 1 | Servo Control Assembly | |
| 50 | 70004345 | 1 | Gerotor | |
| 51 | 70004346 | 1 | Orifice | |
| 52 | 70004346 | 1 | Orifice | |
| 53 | 70004346 | 1 | Orifice | |
| 55 | 70004347 | 1 | Coupler | |
| 57 | See Note | 2 | Plug (Note: Not Available for Purchase) | |
| 60 | 70004348 | 1 | Washer | |
| 61 | 70004349 | 8 | Washer | |
| 62 | 70004350 | 4 | Washer | |
| 73 | 70004351 | 1 | Ring, Retaining | |
| 100 | 70004352 | 1 | Seal Kit - Pump (Includes Items 2, 3, 4, 6, 12, 14, 16, 33 & 43 and Valve and Plug O-Rings and Seals) | |
| | 1001153622 | Ref | PUMP AND FITTING ASSEMBLY | B |
| 101 | 2220221 | 1 | Fitting, Straight | |
| 102 | 2220374 | 1 | Fitting, Straight | |
| 103 | 2220451 | 1 | Fitting, Straight | |
| 104 | 2220582 | 1 | Fitting, Straight | |

SECTION 2 - TURNTABLE

| ITEM | PART NUMBER | QTY | DESCRIPTION | REV |
|------|-------------|-----|-------------------------------------|-----|
| 105 | 2220646 | 2 | Fitting, Elbow | |
| 106 | 2220800 | 1 | Fitting, Straight | |
| 107 | 8770050 | 1 | Fitting, Elbow | |
| 108 | 1001142522 | 1 | Pump Assembly (Includes Items 1-73) | |

SECTION 2 - TURNTABLE

FIGURE 2-17. TANK INSTALLATIONS



SECTION 2 - TURNTABLE

FIGURE 2-17. TANK INSTALLATIONS

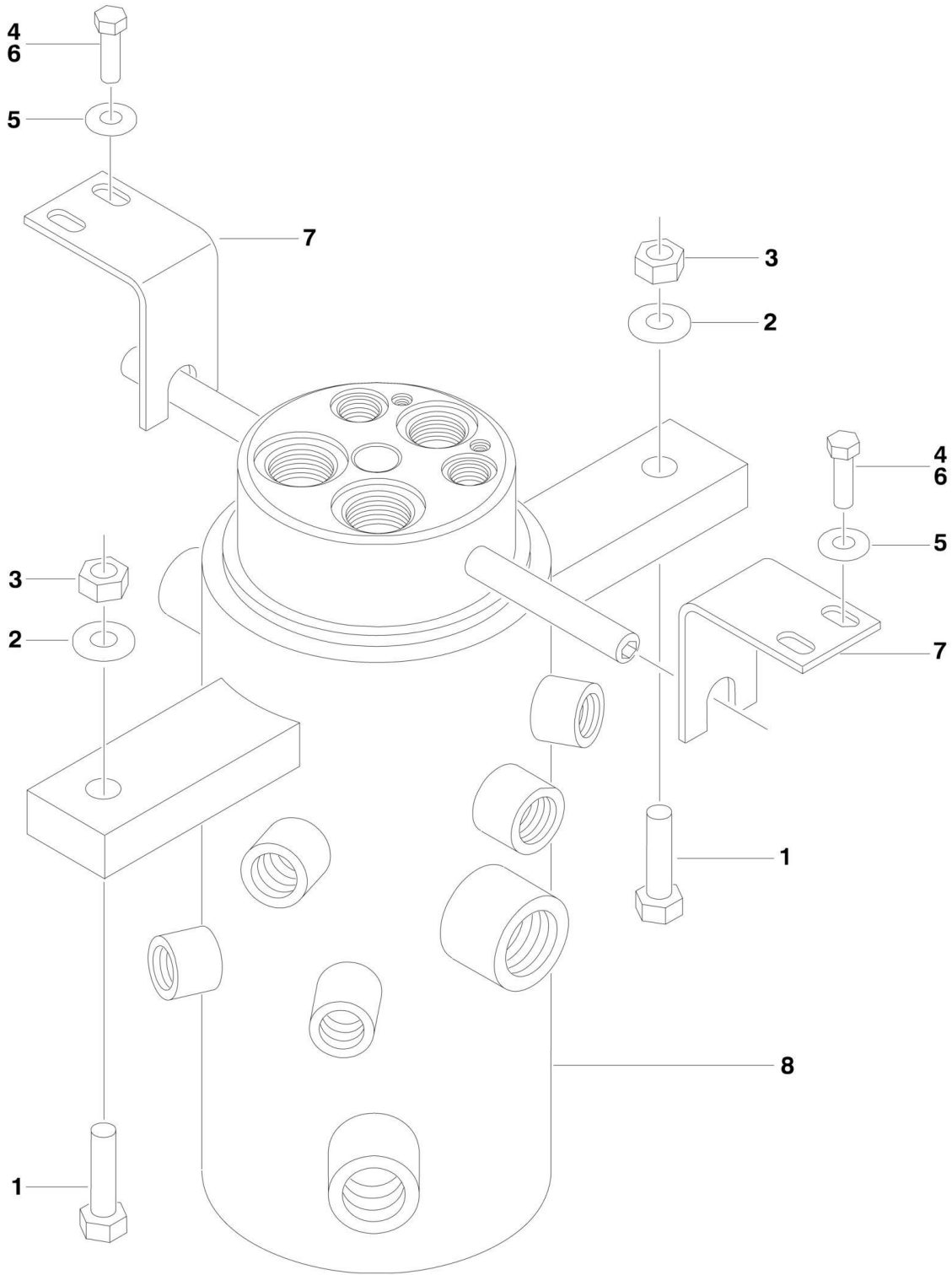
| ITEM | PART NUMBER | QTY | DESCRIPTION | REV |
|------|-------------|-----------------|--|-----|
| | | Ref | TANKS INSTALLATION OPTIONS: | |
| | 0258382 | Ref | Diesel Machines | H |
| | 0270396 | Ref | Gas Machines (Prior to SN 0300141585) | I |
| | 1001116342 | Ref | Gas Machines (SN 0300141585 through 0300185827) | B |
| 1 | | Ref | Tray Weldment Options: | |
| 1 | 4845928 | 1 | Tray Weldment (Prior to SN 0300118453) | |
| 1 | 1001091928 | 1 | Tray Weldment (SN 0300118453 through 0300185827) | |
| 2 | | Ref | Hydraulic Tank Assembly Options: | |
| 2 | 4400410 | 1 | Hydraulic Tank Assembly (See Items 101-106 for Breakdown) (Prior to SN 0300071311) | |
| 2 | 4400452 | NLA | Hydraulic Tank Assembly (See Items 201-208 for Breakdown) (Use p/n 1001161901) (SN 0300071311 through 0300180193) | |
| 2 | 1001161901 | 1 | Hydraulic Tank Assembly (See Items 201-208 for Breakdown) (SN 0300180194 through 0300185827) | |
| 3 | Use | 1 | Tank, Fuel (Includes Non-Locking Cap) | |
| 3 | 4400400 | 1 | Diesel | |
| 3 | 4400400 | 1 | Gas (Prior to SN 0300109494) | |
| 3 | 1001091562 | NLA | Gas (Use p/n 1001117052) (SN 0300109494 through 0300185827) | |
| 3A | | Ref | Fitting and Pick-up Tube Options: | |
| 3A | 7019658 | 1 | 4400400 Tank | |
| 3A | 70004184 | 1 | 1001091562 Tank | |
| 3A | 70004149 | 1 | 1001111514 Tank | |
| 4 | 4240112 | 4 | Strap, Tank (Prior to SN 0300071311) | |
| 5 | 4240113 | AR | Strap, Tank | |
| 6 | 4360436 | 1 | Switch, Fuel Level | |
| 7 | 2200222 | 1 | Fitting | |
| 8 | 4280295 | 25 in /44cm | Strip, Protective | |
| 9 | 4420038 | 70 in /1.78m | Tape, Rubber | |
| 10 | 0641614 | 6 | Bolt 3/8in-16NC x 1-3/4in | |
| 11 | 3311601 | AR | Nut 3/8in-16NC | |
| 12 | 4751600 | AR | Flatwasher 3/8in | |
| 13 | 0100011 | AR | Compound, Locking | |
| 14 | 0100079 | AR | Sealant | |
| 15 | 0641607 | 4 | Bolt 3/8in-16NC x 7/8in (SN 0300071311 through 0300185827) | |
| 16 | 4751800 | AR | Flatwasher 1/2in | |
| 17 | 0641818 | AR | Bolt 1/2in-13NC x 2-1/4in | |
| 18 | 1001118133 | AR | Bracket, Tank Clamping (SN 0300141585 through 0300185827) | |
| | | Ref | Note: Items 19-31 Used on Gas Machines Only | |
| 19 | 0100062 | AR | Retaining Compound #680 (Prior to SN 0300073747) | |
| 20 | 4568119 | 1 | Tube, Fuel | |
| 21 | 1320223 | 1 | Clamp | |
| 22 | 3572423 | 1 | Plate, Valve, Needle | |
| 23 | 0641508 | AR | Bolt 5/16in-18NC x 1in | |
| 24 | 4711500 | AR | Flatwasher 5/16in | |
| 25 | 3311505 | AR | Locknut 5/16in-18NC | |
| 26 | 3576755 | 1 | Cover, Fuel Pump | |
| 27 | 2221270 | 1 | Fitting, Brass | |
| 28 | 2200233 | 1 | Plug | |

SECTION 2 - TURNTABLE

| ITEM | PART NUMBER | QTY | DESCRIPTION | REV |
|------|---------------|-----|--|-----|
| 29 | 4641022 | 1 | Valve, Needle | |
| 30 | 4568119 | 1 | Tube, Fuel | |
| 31 | 0100020 | AR | Sealant, Pipe | |
| | 4400410 | Ref | HYDRAULIC TANK ASSEMBLY | G |
| 101 | 7014818 | 1 | Strainer 1-1/2inNPT | |
| 102 | 7014802 | 1 | Gauge, Sight | |
| 103 | 7014810 | 1 | Neck, Fill | |
| 103 | 7014816 | 1 | Screen | |
| 104 | 7014817 | 1 | Breather/Fill Cap | |
| 105 | 7014813 | 1 | Plug, Magnetic | |
| 106 | 7014801 | 1 | Strainer 1-1/4inNPT | |
| | | Ref | HYDRAULIC TANK ASSEMBLIES | |
| | 4400452 | Ref | Hydraulic Tank Assemblies (See Items 201-208 for Breakdown) (SN 030071311 through 0300180193) | E |
| | 1001161901 | Ref | Hydraulic Tank Assemblies (See Items 201-208 for Breakdown) (SN 0300180194 through 0300185827) | B |
| 201 | 7024481 | 1 | Strainer, 1-1/2NPT for 4400452 Tank | |
| 201 | Not Required | 0 | Strainer for 1001161901 Tank | |
| 202 | 7024441 | 1 | Gauge, Sight | |
| 203 | 7024443 | 1 | Neck, Fill | |
| 203 | 7024445 | 1 | Screen | |
| 204 | 7024444 | 1 | Breather/Fill Cap | |
| 205 | 7024446 | 1 | Plug, Magnetic | |
| 206 | 7024442 | 1 | Strainer 1-1/4NPT for 4400452 Tank | |
| 206 | Not Required | 0 | Strainer for 1001161901 Tank | |
| 207 | 7024439 | 1 | Cover for 4400452 Tank | |
| 207 | Not Available | 1 | Cover for 1001161901 Tank | |
| 208 | 7024440 | 1 | Gasket for 4400452 Tank | |
| 208 | Not Available | 1 | Gasket for 1001161901 Tank | |
| | | Ref | FUEL TANK CAP INSTALLATION | |
| 301 | | Ref | Cap Options: | |
| 301 | | Ref | Standard Non-Locking Options (Part of Item 3): | |
| 301 | 7016314 | 1 | Diesel Machines | |
| 301 | 7016314 | 1 | Gas Machines (SN 0300069000 through 0300109493) | |
| 301 | 70001103 | 1 | Gas Machines with OEM Tank (Mounts with Item 5 Strap) (SN 0300109494 through 0300141585) | |
| 301 | 70002716 | 1 | Gas Machines with Service Replacement Tank (Mounts with Item 18 Bracket) (SN 0300109494 through 0300141584) | |
| 301 | 70002716 | 1 | Gas Machines (SN 0300141585 through 0300185827) | |
| 301 | 1120484 | 1 | Optional Lockable (Gas Machines) | |
| 301 | 1120487 | 1 | Optional Lockable (Diesel Machines) | |

SECTION 2 - TURNTABLE

FIGURE 2-18. ROTARY COUPLING INSTALLATION (Prior to SN 0300138447)



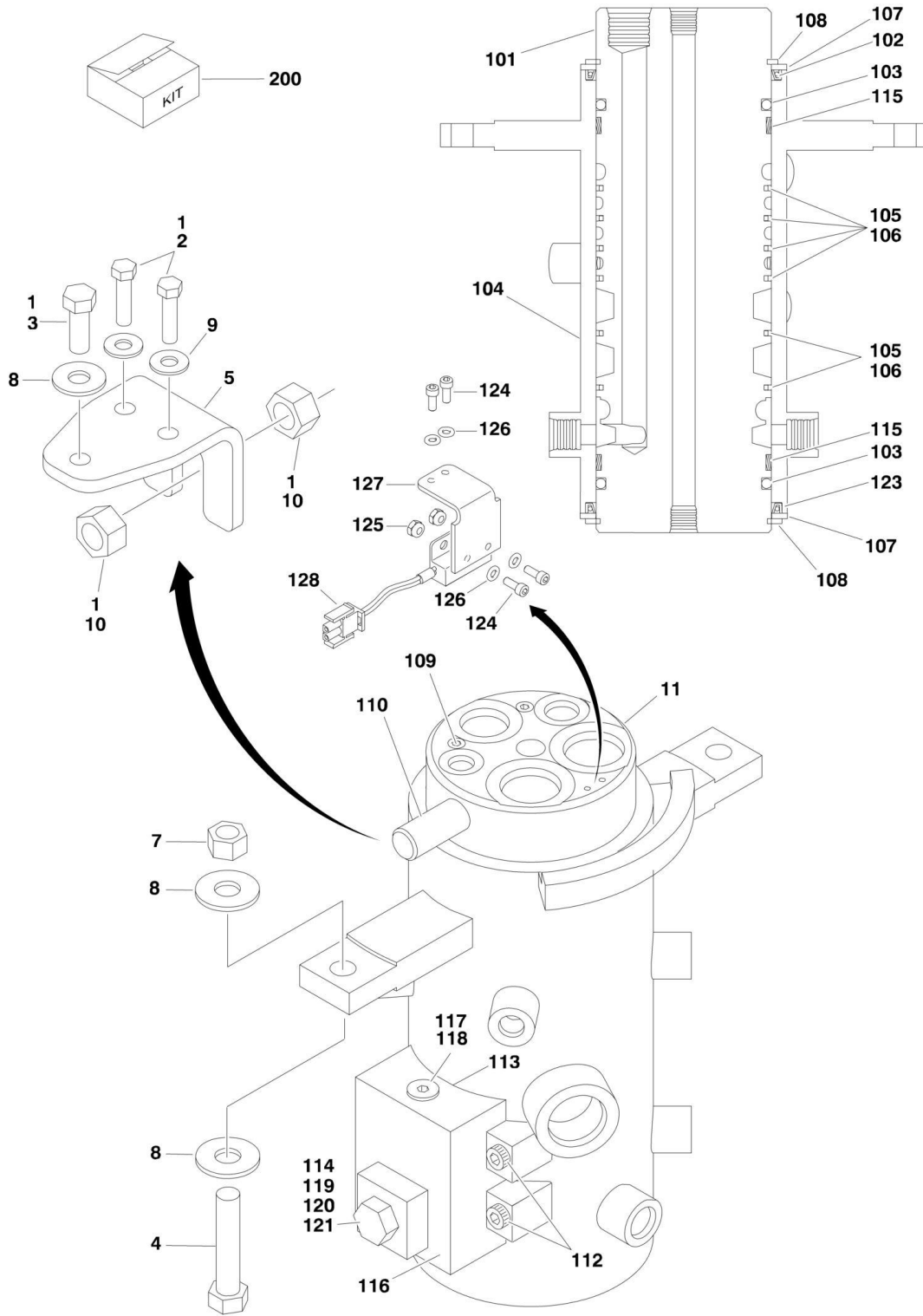
SECTION 2 - TURNTABLE

FIGURE 2-18. ROTARY COUPLING INSTALLATION (Prior to SN 0300138447)

| ITEM | PART NUMBER | QTY | DESCRIPTION | REV |
|------|-------------|-----|--|-----|
| | 0272355 | Ref | ROTARY COUPLING INSTALLATION | B |
| 1 | 0641820 | 2 | Bolt 1/2in-13NC x 2-1/2in | |
| 2 | 4751800 | 4 | Flatwasher 1/2in | |
| 3 | 3311805 | 2 | Locknut 1/2in-13NC | |
| 4 | 0641611 | 4 | Bolt 3/8in-16NC x 1-3/8in | |
| 5 | 4751600 | 4 | Flatwasher 3/8in | |
| 6 | 0100011 | AR | Compound, Locking | |
| 7 | 0902846 | 2 | Bracket | |
| 8 | | Ref | Coupling, Rotary Options: | |
| 8 | 1660223 | 1 | New OEM Replacement | |
| 8 | 7016342 | 1 | Seal Kit - 1660223 Coupling | |
| 8 | 1660223RR | 1 | Rebuilt Replacement (Note: Contact JLG Parts Dept for information) | |

SECTION 2 - TURNTABLE

FIGURE 2-19. ROTARY COUPLING INSTALLATION (SN 0300138447 through 0300185827)



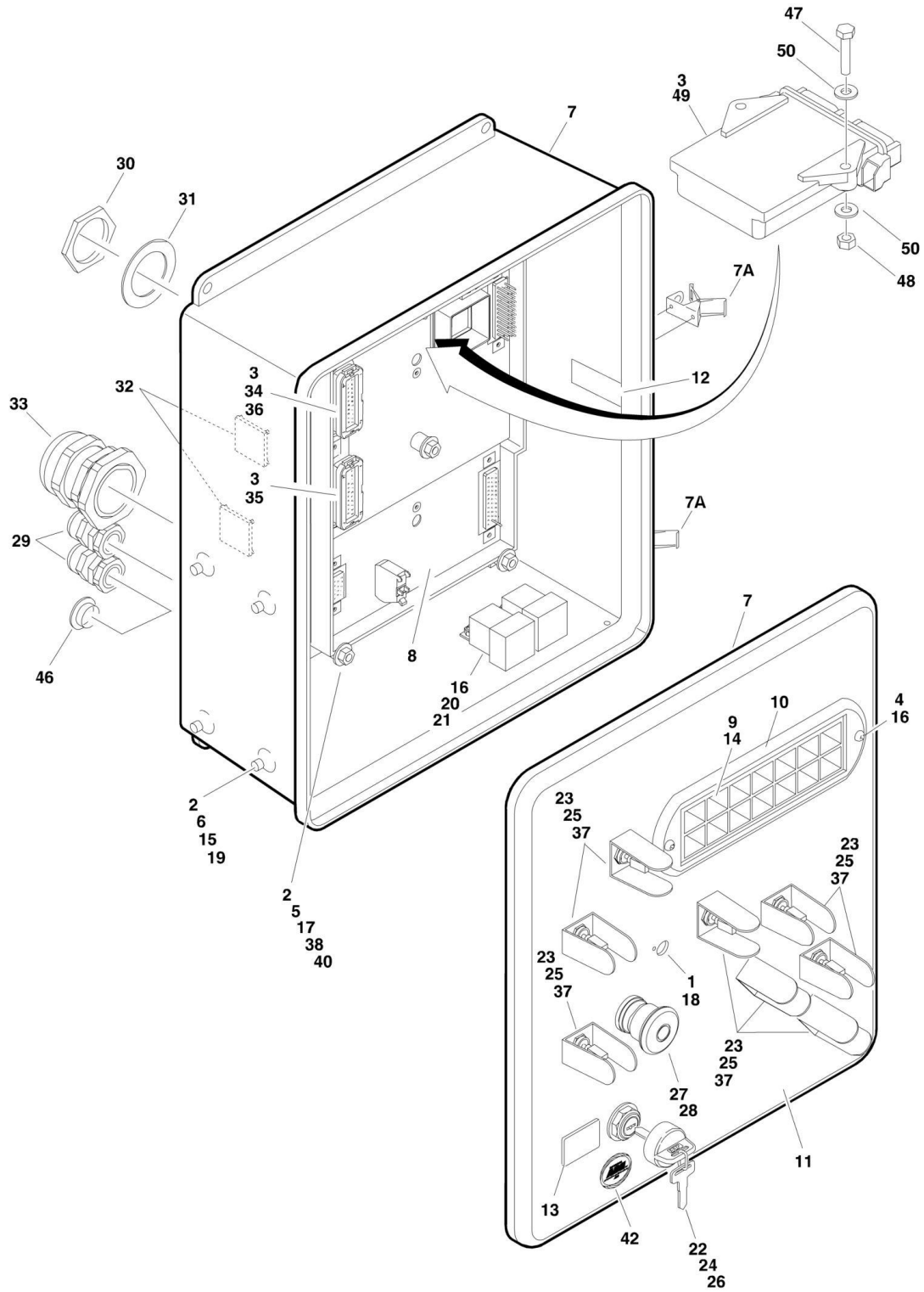
SECTION 2 - TURNTABLE

FIGURE 2-19. ROTARY COUPLING INSTALLATION (SN 0300138447 through 0300185827)

| ITEM | PART NUMBER | QTY | DESCRIPTION | REV |
|------|-------------|-----|--|-----|
| | 1001107530 | Ref | ROTARY COUPLING INSTALLATION | A |
| 1 | 0100011 | AR | Compound, Locking | |
| 2 | 0641611 | 2 | Bolt 3/8in-16NC x 1-3/8in | |
| 3 | 0641812 | 1 | Bolt 1/2in-13NC x 1-1/2in | |
| 4 | 0641820 | 2 | Bolt 1/2in-13NC x 2-1/2in | |
| 5 | 0903056 | 1 | Bracket | |
| 7 | 3271805 | 2 | Locknut 1/2in-13NC | |
| 8 | 4751800 | 5 | Flatwasher 1/2in | |
| 9 | 4891600 | 2 | Flatwasher 3/8in, Hardened | |
| 10 | 3322201 | 2 | Nut 3/4in-16NC | |
| 11 | 1001106975 | 1 | Coupling, Rotary (See Items 101-200 for Breakdown) | |
| | 1001106975 | Ref | ROTARY COUPLING ASSEMBLY | A |
| 101 | See Note | 1 | Body (Note: Not Available - Purchase Complete Assembly) | |
| 102 | See Note | NSS | Seal (Note: Use Item 200) | |
| 103 | See Note | NSS | O-Ring (Note: Use Item 200) | |
| 104 | See Note | 1 | Housing (Note: Not Available - Purchase Complete Assembly) | |
| 105 | See Note | NSS | Seal, Cap (Note: Use Item 200) | |
| 106 | See Note | NSS | O-Ring (Note: Use Item 200) | |
| 107 | 7026511 | 2 | Ring | |
| 108 | 7013189 | 1 | Ring, Retaining | |
| 109 | 80934561 | 4 | Plug | |
| 110 | See Note | 1 | Lug, Torque (Note: Not Available for Purchase) | |
| 112 | 7026197 | 4 | Bolt 5/16in-18NC x 1-1/4in | |
| 113 | See Note | NSS | O-Ring (Note: Use Item 200) | |
| 114 | See Note | NSS | O-Ring (Note: Use Item 200) | |
| 115 | See Note | NSS | Bearing (Note: Use Item 200) | |
| 116 | 7024404 | 1 | Block Valve Assembly | |
| 117 | 7026505 | 1 | Plug | |
| 118 | 7026506 | 1 | Valve, Check | |
| 119 | 7026507 | 1 | Plug | |
| 120 | See Note | NSS | Plunger, Valve (Note: Use Item 116) | |
| 121 | 7026509 | 1 | Spring, Compression | |
| 122 | See Note | AR | Protective Netting (Not Shown) (Note: Not Available for Purchase) | |
| 123 | See Note | NSS | Seal (Note: Use Item 200) | |
| 124 | See Note | 4 | Screw, Socket Head #10-24NC x 1/2in (Note: Not Available for Purchase) | |
| 125 | See Note | 2 | Locknut #10-24NC (Note: Not Available for Purchase) | |
| 126 | See Note | 4 | Flatwasher #10 (Note: Not Available for Purchase) | |
| 127 | See Note | 1 | Bracket, Switch Mounting (Note: Not Available for Purchase) | |
| 128 | 4360517 | 1 | Switch, Proximity | |
| 200 | 70002212 | 1 | Seal Kit (Includes Items 102, 103, 105, 106, 113, 114, 115 & 123) | |

SECTION 2 - TURNTABLE

FIGURE 2-20. GROUND CONTROL BOX ASSEMBLY (Prior to SN 0300139070)



SECTION 2 - TURNTABLE

FIGURE 2-20. GROUND CONTROL BOX ASSEMBLY (Prior to SN 0300139070)

| ITEM | PART NUMBER | QTY | DESCRIPTION | REV |
|------|-------------|-----|---|-----|
| | | Ref | GROUND CONTROL BOX ASSEMBLIES | |
| | | Ref | Ground Control Box Assemblies: (Prior to SN 0300099884) | |
| | 0861590 | Ref | Deutz Engines - ANSI and CSA Spec (Prior to SN 0300085331) | C |
| | 0861717 | Ref | Deutz Engines - ANSI and CSA Spec (SN 0300085331 through 0300099883) | B |
| | 0861587 | Ref | Deutz Engines - Australian Spec (Prior to SN 0300085331) | C |
| | 0861716 | Ref | Deutz Engines - Australian Spec (SN 0300085331 through 0300099883) | B |
| | 0861550 | Ref | Ford Engine - ANSI and CSA Spec (Prior to SN 0300087266) | C |
| | 0861763 | Ref | Ford Engine - ANSI and CSA Spec (SN 0300087266 through 0300099883) | B |
| | 0861799 | Ref | GM Engine - ANSI and CSA Spec (Prior to SN 0300099884) | B |
| | | Ref | Ground Control Box Assemblies: (SN 0300099884 through 0300129455) | |
| | 1810087 | Ref | Deutz Engines - ANSI and CSA Spec | C |
| | 1810086 | Ref | Deutz Engines - Australian Spec | C |
| | 1810126 | Ref | GM Engine - ANSI and CSA Spec | B |
| | | Ref | Ground Control Box Assemblies: (SN 0300129456 through 0300139070) | |
| | 1001102241 | Ref | Deutz Engines - ANSI and CSA Spec | C |
| | 1001102240 | Ref | Deutz Engines - Australian Spec | C |
| | 1810126 | Ref | GM Engine - ANSI and CSA Spec | C |
| 1 | 0100009 | AR | Sealant | |
| 2 | 0100011 | AR | Compound, Locking | |
| 3 | 0100048 | AR | Grease, Dielectric | |
| 4 | 0630518 | 2 | Capscrew, Button Head | |
| 5 | 0630548 | 5 | Bolt 1/4in-20NC x 2-1/2in | |
| 6 | 0641506 | 4 | Bolt 5/16in-18NC x 3/4in | |
| 7 | | Ref | Box, Fiberglass Options: | |
| 7 | 0861407 | 1 | Box, Fiberglass (Prior to SN 0300112885) | |
| 7 | 1001097164 | 1 | Box, Fiberglass (SN 0300112885 through 0300139070) | |
| 7A | 7020246 | 2 | Latch | |
| 8 | | Ref | Module, Ground Control Options: | |
| 8 | | Ref | Note: Re-calibration Required when Replaced. | |
| 8 | 1600327 | NLA | Module, Ground Control (Use p/n 2915014) (Prior to SN 0300077500) | |
| 8 | 1600364 | 1 | Module, Ground Control (SN 0300077500 through 0300085330) | |
| 8 | 1600364 | 1 | Module, Ground Control (Ford Engines) (SN 0300085331 through 0300139070) | |
| 8 | 1600411 | 1 | Module, Ground Control (Deutz and GM Engines) (SN 0300085331 through 0300139070) | |
| 9 | | Ref | Decal - Ground Control Display Options: | |
| 9 | 1704833 | 1 | Ford Engine Machines (Prior to SN 0300087266) | |
| 9 | 1705753 | 1 | Ford Engine Machines (SN 0300087266 through 0300139070) | |
| 9 | 1704833 | 1 | Deutz Engine Machines (Prior to SN 0300085331) | |
| 9 | 1705753 | 1 | Deutz and GM Engine Machines (SN 0300085331 through 0300099883) | |
| 9 | 1706712 | 1 | Deutz and GM Engine Machines (SN 0300099884 through 0300139070) | |

SECTION 2 - TURNTABLE

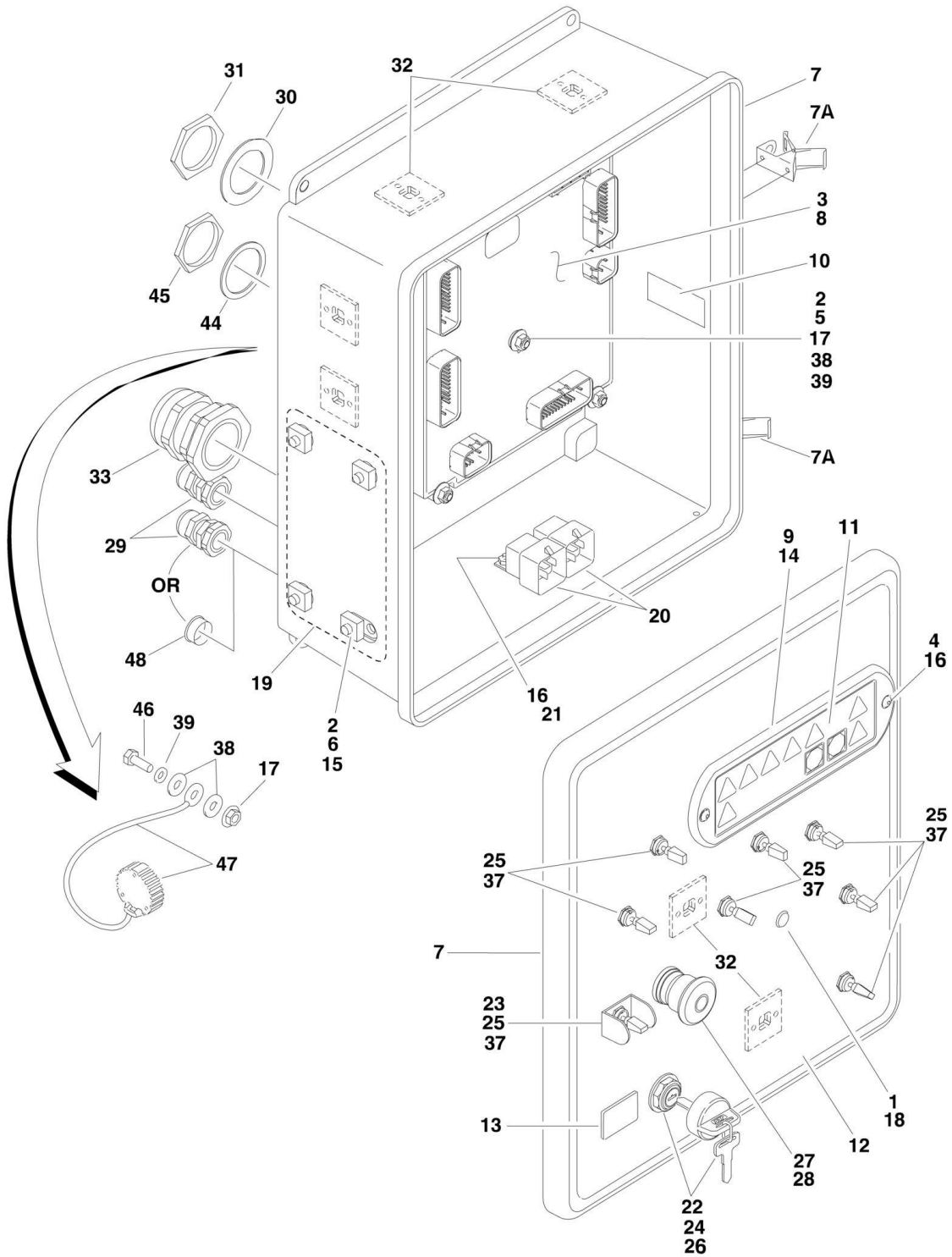
| ITEM | PART NUMBER | QTY | DESCRIPTION | REV |
|------|-------------|-----|---|-----|
| 10 | 1670829 | 1 | Bezel | |
| 11 | | Ref | Decal - Faceplate Options: | |
| 11 | 1703468 | 1 | Decal - Faceplate (Prior to SN 0300099884) | |
| 11 | 1706913 | 1 | Decal - Faceplate (SN 0300099884 through 0300135086) | |
| 11 | 1001102600 | 1 | Decal - Faceplate (SN 0300135087 through 0300139070) | |
| 12 | 1705566 | 1 | Decal - Ground Control (Deutz and GM Engine Machines Only) | |
| 13 | 2420172 | 1 | Gauge, Hourmeter | |
| 14 | 2760105 | 1 | Housing, Display Light | |
| 15 | 3300205 | 4 | Nut, Retainer | |
| 16 | 3300408 | 4 | Locknut, Plastic Insert | |
| 17 | 3311401 | 10 | Nut 1/4in-20NC | |
| 18 | 3520028 | 1 | Plug, Hole | |
| 19 | 3539219 | 1 | Plate, Reinforcement | |
| 20 | 3740049 | 2 | Relay | |
| 21 | 3900268 | 2 | Screw, Flange #10 x 1/2in | |
| 22 | 3910804 | 6 | Screw #8-32NC x 1/4in | |
| 23 | 4060906 | Ref | Shield, Toggle Switch | |
| 23 | 4060906 | 8 | Shield, Toggle Switch (Prior to SN 0300135087) | |
| 23 | 4060906 | 1 | Shield, Toggle Switch (SN 0300135087 through 0300139070) | |
| 24 | 4070987 | 1 | Shim (.015in) | |
| 25 | 4360328 | 8 | Switch, Toggle | |
| 26 | | Ref | Switch, Key Options: | |
| 26 | 4360469 | 1 | Switch, Key (ANSI Spec) | |
| 26 | 4360470 | 1 | Switch, Key (CE Spec) | |
| 26 | 2860030 | 1 | Key Replacement | |
| 27 | 4360475 | 1 | Switch, Emergency Stop | |
| 27 | 7020175 | 1 | Cap, Mushroom | |
| 27 | 7020176 | 1 | Block, Contact | |
| 28 | 4360476 | 1 | Switch, Contact Block | |
| 29 | 4460426 | AR | Connector, Strain Relief | |
| 30 | 4460470 | 1 | Nut, Terminal | |
| 31 | 4460471 | 1 | Lockwasher, Terminal | |
| 32 | 4460488 | AR | Mounting Base, Terminal | |
| 33 | 4460526 | 1 | Connector, Strain Relief | |
| 34 | 4460874 | 1 | Connector, Natural | |
| 35 | 4460875 | 1 | Connector, Gray | |
| 36 | 4460905 | AR | Connector, Amp Seal | |
| 37 | 4740444 | 8 | Washer, Special | |
| 38 | 4751400 | 20 | Flatwasher 1/4in | |
| 39 | | Ref | Harness, Ground Control Box Options (Not Shown - See ELECTRICAL SECTION for Breakdown): | |
| 39 | 4922675 | 1 | Deutz Engine Machines (Prior to SN 0300085331) | |
| 39 | 4923223 | 1 | Deutz and GM Engine Machines (SN 0300085331 through 0300099883) | |
| 39 | 4923575 | 1 | Deutz and GM Engine Machines (SN 0300099884 through 0300112884) | |
| 39 | 1001096458 | 1 | Deutz and GM Engine Machines (SN 0300112885 through 0300139070) | |
| 39 | 4922675 | 1 | Ford Engine Machines (Prior to SN 0300087266) | |
| 39 | 4923282 | 1 | Ford Engine Machines (SN 0300087266 through 0300139070) | |
| 40 | 4761400 | AR | Lockwasher 1/4in | |

SECTION 2 - TURNTABLE

| ITEM | PART NUMBER | QTY | DESCRIPTION | REV |
|------|-------------|-----|--|-----|
| 41 | | Ref | Harness, Engine Options (Not Shown - See ELECTRICAL SECTION for Breakdown): | |
| 41 | 4922549 | 1 | Deutz Engine Machines (Prior to SN 0300085331) | |
| 41 | 4923238 | 1 | Deutz Engine Machines (SN 0300085331 through 0300129455) | |
| 41 | 1001102150 | 1 | Deutz Engine Machines (SN 0300129456 through 0300139070) | |
| 41 | 4922550 | 1 | Ford Engine Machines (Prior to SN 0300087266) | |
| 41 | 4923281 | 1 | Ford Engine Machines (SN 0300087266 through 0300139070) | |
| 41 | 4923499 | 1 | GM Engine Machines | |
| 42 | 1705132 | 1 | Decal - Control ADE (Prior to SN 0300099884) | |
| 43 | 4922557 | 1 | Harness, Valve (Not Shown - See ELECTRICAL SECTION for Breakdown) | |
| 44 | 4922666 | 1 | Harness, Analyzer Cable (Not Shown - See ELECTRICAL SECTION for Breakdown) (Prior to SN 0300085331) | |
| 45 | | Ref | Ground Control Box Wiring Diagram (Not Shown - See ELECTRICAL SECTION for Breakdown) | |
| 45 | 4922852 | 1 | Deutz Engine (Prior to SN 0300085331) | |
| 45 | 4933322 | 1 | Deutz Engine (SN 0300085331 through 0300099883) | |
| 45 | 4933370 | 1 | Deutz Engine (SN 0300099884 through 0300139070) | |
| 45 | 4933233 | 1 | Ford Engine (Prior to SN 0300087266) | |
| 45 | 4933339 | 1 | Ford Engine (SN 0300087266 through 0300139070) | |
| 45 | 4933359 | 1 | GM Engine Machines (Prior to SN 0300099884) | |
| 45 | 4933385 | 1 | GM Engine Machines (SN 0300099884 through 0300139070) | |
| 46 | 3520035 | 1 | Plug, Cap (Ford and GM Engine Machines Only) | |
| 47 | 0641410 | 2 | Bolt 1/4in-20NC x 1-1/4in | |
| 48 | 3311405 | 2 | Locknut 1/4in-20NC | |
| 49 | 1001094484 | 1 | Controller, UMS Module | |
| 50 | 4711400 | 4 | Flatwasher 1/4in | |

SECTION 2 - TURNTABLE

FIGURE 2-21. GROUND CONTROL BOX ASSEMBLY (SN 0300139070 through 0300185827)



SECTION 2 - TURNTABLE

FIGURE 2-21. GROUND CONTROL BOX ASSEMBLY (SN 0300139070 through 0300185827)

| ITEM | PART NUMBER | QTY | DESCRIPTION | REV |
|------|-------------|-----|---|-----|
| | | Ref | GROUND CONTROL BOX ASSEMBLIES | |
| | 1001110220 | Ref | Deutz Engine Machines (ANSI and CSA Specs) | B |
| | | Ref | Deutz Engine Machines Options (Australian Specs): | |
| | 1001110219 | Ref | Deutz Engine Machines (SN 0300139070 through 0300149102) | B |
| | 1001110220 | Ref | Deutz Engine Machines (SN 0300149103 through 0300185827) | B |
| | 1001149918 | Ref | Deutz Engine Machines (CE Spec) | A |
| | 1001110218 | Ref | GM Engine Machines | A |
| 1 | 0100009 | AR | Sealant | |
| 2 | 0100011 | AR | Compound, Locking | |
| 3 | 0100048 | AR | Grease, Dielectric | |
| 4 | 0630518 | 2 | Capscrew, Button Head | |
| 5 | 0630548 | 5 | Bolt 1/4in-20NC x 2-1/2in | |
| 6 | 0641506 | 4 | Bolt 5/16in-18NC x 3/4in | |
| 7 | 1001110199 | 1 | Box, Fiberglass | |
| 7A | 7020246 | 2 | Latch | |
| 8 | 1001103667 | 1 | Module, Ground Control | |
| 9 | 1670829 | 1 | Bezel | |
| 10 | 1705566 | 1 | Decal - Machine Set-up | |
| 11 | 1706712 | 1 | Decal - Ground Control Display | |
| 12 | 1001102600 | 1 | Decal - Faceplate | |
| 13 | 2420172 | 1 | Gauge, Hourmeter | |
| 14 | 2760105 | 1 | Housing, Display Light | |
| 15 | 3300205 | 4 | Nut, Retainer | |
| 16 | 3300408 | 4 | Locknut, Plastic Insert | |
| 17 | 77143013 | 11 | Nut 1/4in-20NC | |
| 18 | 3520028 | 1 | Plug, Hole | |
| 19 | 3539219 | 1 | Plate, Reinforcement | |
| 20 | 3740049 | 2 | Relay | |
| 21 | 3900268 | 2 | Screw, Flange #10 x 1/2in | |
| 22 | 3910804 | 6 | Screw #8-32NC x 1/4in | |
| 23 | 4060906 | 1 | Shield, Toggle Switch | |
| 24 | 4070987 | 1 | Shim (.015in) | |
| 25 | 4360328 | 8 | Switch, Toggle | |
| 26 | | Ref | Switch, Key Options: | |
| 26 | 4360469 | 1 | ANSI and CSA Specs | |
| 26 | 4360470 | 1 | Australian Specs (SN 0300139070 through 0300149102) | |
| 26 | 4360469 | 1 | Australian Specs (SN 0300149103 through 0300185827) | |
| 26 | 4360470 | 1 | CE Spec | |
| 26 | 2860030 | 1 | Key Replacement | |
| 27 | 4360475 | 1 | Switch, Emergency Stop | |
| 27 | 7020175 | 1 | Cap, Mushroom | |
| 27 | 7020176 | 1 | Block, Contact | |
| 28 | 4360476 | 1 | Switch, Contact Block | |
| 29 | 4460426 | 2 | Connector, Strain Relief | |
| 30 | 4460470 | 1 | Nut, Terminal | |
| 31 | 4460471 | 1 | Lockwasher, Terminal | |
| 32 | 4460488 | 6 | Mounting Base, Terminal | |
| 33 | 4460526 | 1 | Connector, Strain Relief | |

SECTION 2 - TURNTABLE

| ITEM | PART NUMBER | QTY | DESCRIPTION | REV |
|------|-------------|-----|--|-----|
| 37 | 4740444 | 8 | Washer, Special | |
| 38 | 4751400 | 12 | Flatwasher 1/4in | |
| 39 | 4761400 | 6 | Lockwasher 1/4in | |
| 40 | 4922557 | 1 | Harness, Valve (Not Shown - See ELECTRICAL SECTION for Breakdown) | |
| 41 | | Ref | Harness, Engine Options (Not Shown - See ELECTRICAL SECTION for Breakdown) | |
| 41 | 1001110222 | 1 | Deutz Engine Machines | |
| 41 | 1001110221 | 1 | GM Engine Machines | |
| 42 | 1001110225 | 1 | Harness, Ground Control Box Options (Not Shown - See ELECTRICAL SECTION for Breakdown) | |
| 43 | | Ref | Ground Control Box Wiring Diagram (Not Shown - See ELECTRICAL SECTION for Breakdown) | |
| 43 | 1001110223 | 1 | Deutz Engine Machines | |
| 43 | 1001110224 | 1 | GM Engine Machines | |
| 44 | 4460496 | 1 | Lockwasher, Terminal | |
| 45 | 4460497 | 1 | Nut, Terminal | |
| 46 | 0641407 | 1 | Bolt 1/4in-20NC x 7/8in | |
| 47 | 1001106736 | 1 | Cap, Dust | |
| 48 | 3520035 | 1 | Plug, Cap | |

SECTION 2 - TURNTABLE

FIGURE 2-22. ELECTRICAL OPTIONS INSTALLATION (TURNTABLE MOUNTED)

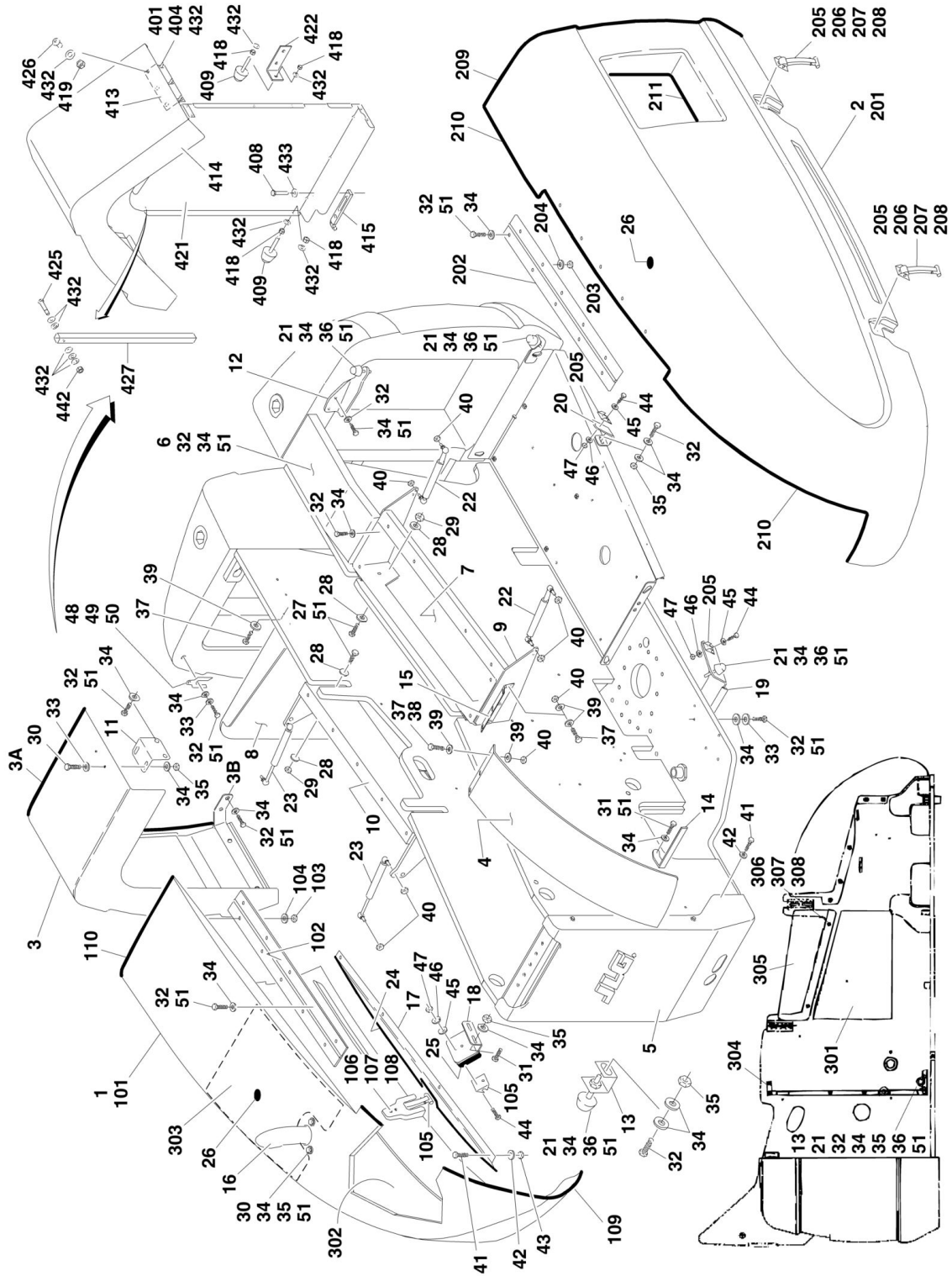
| ITEM | PART NUMBER | QTY | DESCRIPTION | REV |
|------|-------------|-----------|--|-----|
| | | Ref | ELECTRICAL OPTIONS INSTALLATIONS (TURNTABLE MOUNTED) | |
| | 0258674 | Ref | ALARMS INSTALLATIONS | C |
| 1 | 0257887 | 1 | Alarm/Harness Assembly | |
| 1 | 0140032 | 1 | Alarm | |
| 1 | 2820035 | 6 in/15cm | Loom | |
| 1 | 4460424 | 1 | Plug | |
| 1 | 4460268 | 2 | Socket | |
| 2 | 0641508 | 2 | Bolt 5/16in-18NC x 1in | |
| 3 | 4711500 | 2 | Flatwasher 5/16in Narrow | |
| 4 | 0100011 | AR | Compound, Locking | |
| 5 | 0100048 | AR | Sealant, Silicone | |
| | 0271422 | Ref | STROBE LIGHT INSTALLATIONS (AMBER) (OPTIONAL) | C |
| | | Ref | Note: If machine is equipped with BLUE Strobe Light, See SPECIAL OPTION SECTION SkyGuard Kit. | |
| 10 | 4220162 | 1 | Spacer, Stop (Used with ECCO Model 6640 Only) | |
| 11 | | Ref | Adapter Options: | |
| 11 | 0630491 | 1 | Adapter - Used with ECCO Model 6640 | |
| 11 | 0080241 | 1 | Adapter - Used with ECCO Model 6650 | |
| 12 | 3539281 | 1 | Plate, Mounting (Used with ECCO Model 6640 Only) | |
| 13 | 0741606 | 1 | Screw, Flathead Countersunk 3/8in-16NC x 3/4in (Used with ECCO Model 6640 Only) | |
| 14 | 0100011 | AR | Compound, Locking | |
| 15 | 4240032 | 1 | Wire-Tie | |
| 16 | 0255917 | NLA | Strobe Light/Guard/Harness Assembly (Use p/n 0272507) | |
| 16 | | Ref | Bulb, Replacement Options: | |
| 16 | 7016380 | 1 | Bulb for ECCO Model 6640 | |
| 16 | 70001941 | 1 | Bulb for with ECCO Model 6650 | |
| 16A | | Ref | Guard Options: | |
| 16A | 4060907 | 1 | Guard - Used with ECCO Model 6640 | |
| 16A | 2920215 | 1 | Guard - Used with ECCO Model 6650 | |
| 17 | 4460234 | 1 | Clamp | |
| 18 | 0100048 | AR | Sealant, Silicone | |
| | | Ref | LIGHTS INSTALLATIONS (OPTIONAL) | |
| | 0257884 | Ref | Lights Installations (Prior to SN 0300137666) | 2 |
| | 0271768 | Ref | Lights Installations (SN 0300137666 through 0300185827) | D |
| 25 | 2920110 | 2 | Headlight | |
| 26 | 0902206 | 2 | Bracket, Mounting | |
| 27 | 0642612 | 1 | Bolt 1in-8NC x 1-1/2in | |
| 28 | 4220162 | 2 | Spacer (USA Built Machines) (SN 030014000 through 0300184391) | |
| 28 | 4892600 | 2 | Washer 1in Hardened (USA Built Machines) (SN 0300184392 through 0300185027) | |
| 29 | 0100011 | AR | Compound, Locking | |
| 30 | 2920113 | 2 | Taillight | |
| 31 | 3911040 | 4 | Screw, Machine #10-24NC x 2-1/2in | |
| 32 | 3311005 | 4 | Nut #10-24NC | |
| 33 | 4751000 | 4 | Flatwasher #10 | |
| 34 | 4740362 | 4 | Washer, Fender | |
| 35 | 3960461 | 2 | Gasket | |
| 37 | 4240032 | 12 | Tie-Strap (Not Shown) | |

SECTION 2 - TURNTABLE

| ITEM | PART NUMBER | QTY | DESCRIPTION | REV |
|------|-------------|-----|---|-----|
| 38 | 4460234 | 12 | Mount, Tie-Strap (Not Shown) | |
| 39 | | Ref | Switch Options (Not Shown - Located on Console): | |
| 39 | 4360336 | 1 | Switch (Prior to SN 0300136488) | |
| 39 | 4360522 | 1 | Switch (SN 0300136488 through 0300185827) | |
| 40 | 3790012 | 1 | O-Ring (Not Shown - Located on Console) (Prior to SN 0300136488) | |
| 41 | 1705170 | 1 | Decal, Lights (Not Shown) (SN 0300136488 through 0300185827) | |
| 42 | 3311605 | 2 | Locknut 3/8-16 | |

SECTION 2 - TURNTABLE

FIGURE 2-23. HOODS INSTALLATION (Prior to SN 0300089982)



SECTION 2 - TURNTABLE

FIGURE 2-23. HOODS INSTALLATION (Prior to SN 0300089982)

| ITEM | PART NUMBER | QTY | DESCRIPTION | REV |
|------|--------------|-----------------|--|-----|
| | | Ref | HOODS INSTALLATION | |
| | 0258609 | Ref | Standard Hood without Compressor | 6-F |
| | 0272737 | Ref | Optional Hood with Compressor | 3-A |
| 1 | 2680451 | 1 | Hood Assembly - Engine Side (See Items 101-110 for Breakdown) | |
| | | Ref | Note: Replacement Decals Must be Ordered Separately - See DECAL SECTION. | |
| 2 | 2680448 | 1 | Hood Assembly - Tank Side (See Items 201-211 for Breakdown) | |
| | | Ref | Note: Replacement Decals Must be Ordered Separately - See DECAL SECTION. | |
| 3 | | Ref | Hood Assembly - Engine Spacer Options: | |
| 3 | 2680450 | 1 | Standard Hood without Compressor Option | |
| 3 | See Note | 1 | Optional Hood with Compressor Option (See Items 401-442 for Breakdown) | |
| 3A | 3960453 | 68 in /1.73m | Seal | |
| 3B | 7023366 | 1 | Bracket - Use with p/n 2680450 | |
| 4 | 3380444 | 1 | Panel, Adapter | |
| 5 | 1670842 | 1 | Cover, Turntable End | |
| 6 | 3380442 | 1 | Cover, Top (Tank Side) | |
| 7 | 3380443 | 1 | Cover, Bracket (Tank Side) (Note: Item 7 covered hole in Item 9 hood bracket prior to the revision that eliminated the hole) (Prior to SN 0300087266) | |
| 8 | | Ref | Plate, Baffle Options: | |
| 8 | 3539979 | 1 | Standard Hood without Compressor Option (Prior to SN 0300076283) | |
| 8 | Not Required | 0 | Standard Hood without Compressor Option (SN 0300076283 through 0300089982) | |
| 8 | See Note | 1 | Optional Hood with Compressor Option (See Items 401-442 for Breakdown) | |
| 9 | 0902412 | 1 | Bracket, Hood Mounting (Tank Side) (See Note under Item 7) | |
| 10 | 0902351 | 1 | Bracket, Hood Mounting (Engine Side) | |
| 11 | | Ref | Bracket, Hood Spacer Mounting (Engine Side) Options: | |
| 11 | 0902161 | 1 | Standard Hood without Compressor Option | |
| 11 | Not Required | 0 | Optional Hood with Compressor Option | |
| 12 | 0902426 | 1 | Bracket, Bumper - Counterweight Mounted | |
| 13 | 0902219 | 2 | Bracket, Bumper | |
| 14 | 0362770 | 1 | Bar, Panel Mounting | |
| 15 | 2600244 | 1 | Adapter, Panel Hinge | |
| 16 | | Ref | Exhaust Tube Weldment Options: | |
| 16 | 4845411 | 1 | Deutz Engine Machines | |
| 16 | | Ref | Ford Engine Machines | |
| 16 | 4845411 | 1 | Ford Engine Machines (Prior to SN 0300077500) | |
| 16 | 3460399 | 1 | Ford Engine Machines (SN 0300077500 through 0300089982) | |
| 17 | 3539934 | 1 | Plate, Seal | |
| 18 | 0902491 | 1 | Bracket, Latch (Engine Side) | |
| 19 | 0902223 | 1 | Bracket, Latch (Tank Side) | |
| 20 | 0902143 | 1 | Bracket, Latch (Tank Side) | |
| 21 | 0940071 | AR | Bumper | |
| 22 | 4160139 | 2 | Spring, Gas (Tank Side) | |
| 23 | 4160143 | AR | Spring, Gas (Engine Side) | |

SECTION 2 - TURNTABLE

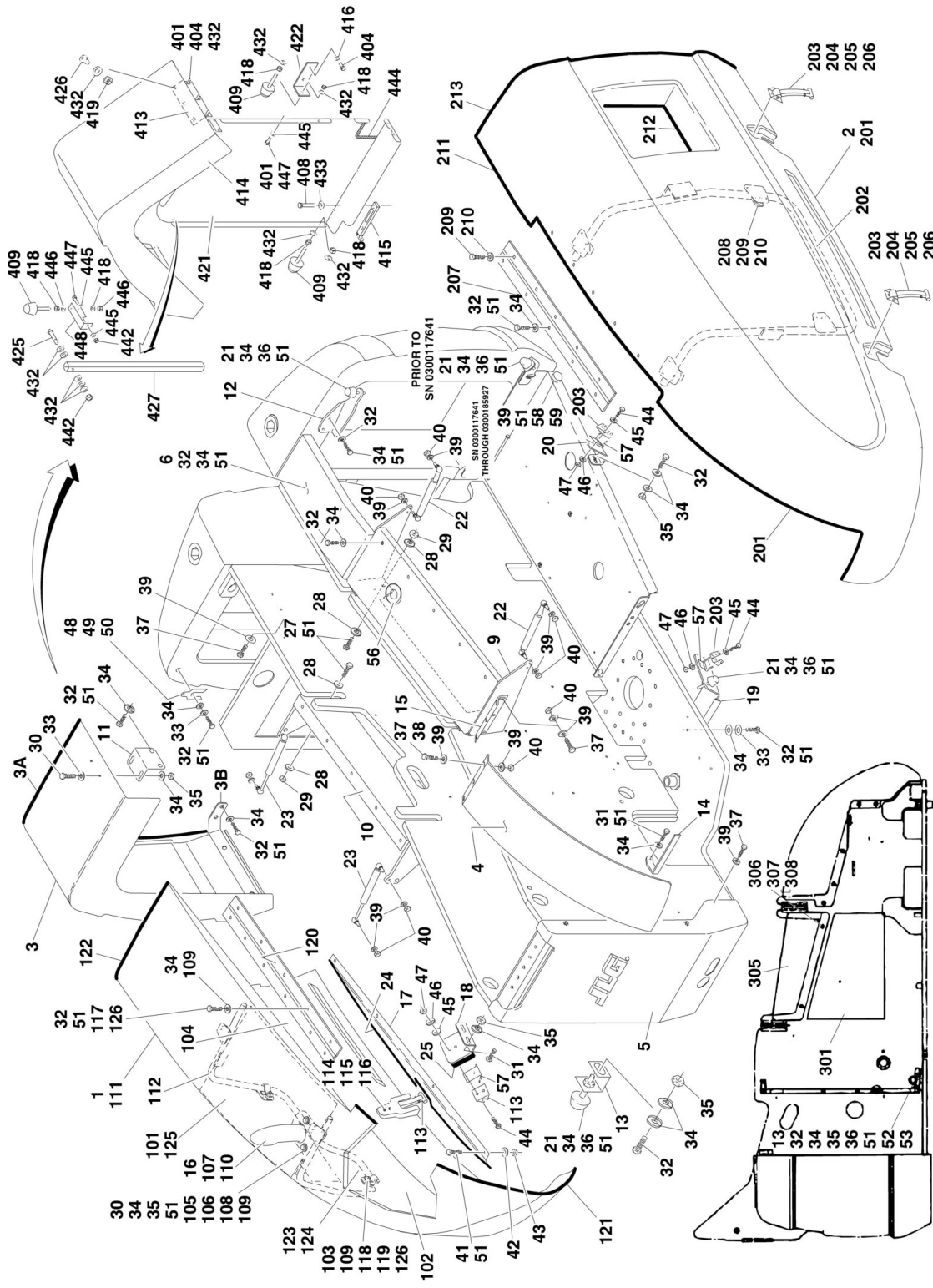
| ITEM | PART NUMBER | QTY | DESCRIPTION | REV |
|------|--------------|-----------------|--|-----|
| 24 | 3960389 | 3.5 ft/1m | Seal | |
| 25 | 3960470 | 1 | Seal, Latch | |
| 26 | 3520033 | 2 | Plug, Hole | |
| 27 | 0630507 | AR | Bolt, Carriage 1/2in-13NC x 1-1/4in | |
| 28 | 4740171 | AR | Washer, Hardened | |
| 29 | 3311805 | AR | Locknut 1/2in-13NC | |
| 30 | | Ref | Screw, Button Head 3/8in-16NC x 1-1/4in Options: | |
| 30 | 3900232 | AR | Standard Hood without Compressor Option | |
| 30 | Not Required | 0 | Optional Hood with Compressor Option | |
| 31 | 0641609 | 5 | Bolt 3/8in-16NC x 1-1/8in | |
| 32 | 0641608 | AR | Bolt 3/8in-16NC x 1in | |
| 33 | | Ref | Washer, Fender Options: | |
| 33 | 4740076 | 5 | Standard Hood without Compressor Option | |
| 33 | Not Required | 0 | Optional Hood with Compressor Option | |
| 34 | 4751600 | AR | Flatwasher 3/8in | |
| 35 | 3311605 | AR | Locknut 3/8in-16NC | |
| 36 | 3311601 | AR | Nut 3/8in-16NC | |
| 37 | 0641508 | AR | Bolt 5/16in-18NC x 1in | |
| 38 | 3900210 | 3 | Screw, Button Head 5/16in-18NC x 3/4in | |
| 39 | 4751500 | AR | Flatwasher 5/16in | |
| 40 | 3311505 | AR | Locknut 5/16in-18NC | |
| 41 | 0641406 | 12 | Bolt 1/4in-20NC x 3/4in | |
| 42 | 4751400 | AR | Flatwasher 1/4in | |
| 43 | 3311405 | AR | Locknut 1/4in-20NC | |
| 44 | 0721006 | 6 | Screw #10-24NC x 3/4in | |
| 45 | 4751000 | 6 | Flatwasher #10 | |
| 46 | 4761000 | 6 | Lockwasher #10 | |
| 47 | 3311001 | 6 | Nut #10-24NC | |
| 48 | 4070410 | AR | Shim 1/16in (Standard Hood without Compressor Option Only) | |
| 49 | 4070411 | AR | Shim 1/8in (Standard Hood without Compressor Option Only) | |
| 50 | 4070412 | AR | Shim 3/16in (Standard Hood without Compressor Option Only) | |
| 51 | 0100011 | AR | Compound, Locking | |
| | 2680451 | Ref | HOOD ASSEMBLY (ENGINE SIDE) | B |
| 101 | 2680436 | 1 | Hood | |
| 102 | 2600209 | 1 | Hinge | |
| 103 | 3311600 | 4 | Nut 3/8in-16NC | |
| 104 | 4711600 | 4 | Flatwasher 3/8in | |
| 105 | 2940088 | 1 | Latch | |
| 106 | 0721008 | 2 | Screw, Machine #10-24NC x 1in | |
| 107 | 4751000 | 2 | Flatwasher #10 | |
| 108 | 3311005 | 2 | Locknut #10-24NC | |
| 109 | 3960464 | 65 in /1.67m | Seal | |
| 110 | 3960462 | 61 in /1.55m | Seal | |
| | 2680448 | Ref | HOOD ASSEMBLY (TANK SIDE) | B |
| 201 | 2680437 | 1 | Hood | |
| 202 | 2600233 | 1 | Hinge | |
| 203 | 3311605 | 5 | Locknut 3/8in-16NC | |
| 204 | 4711600 | 5 | Flatwasher 3/8in Narrow | |
| 205 | 2940088 | 2 | Latch | |
| 206 | 0721008 | 4 | Screw, Machine #10-24NC x 1in | |

SECTION 2 - TURNTABLE

| ITEM | PART NUMBER | QTY | DESCRIPTION | REV |
|------|-------------|-----------------|--|-----|
| 207 | 4751000 | 4 | Flatwasher #10 | |
| 208 | 3311005 | 4 | Locknut #10-24NC | |
| 209 | 3960462 | 53 in /1.35m | Seal | |
| 210 | 3960464 | 83 in /2.11m | Seal | |
| 211 | 3960438 | 55 in/1.4m | Seal | |
| | 0256823 | Ref | NOISE REDUCTION INSTALLATION (DEUTZ ENGINE MACHINES) | 3-C |
| 301 | 2820078 | 1 | Foam, Acoustical (Turntable Side) | |
| 302 | 2820079 | 1 | Foam, Acoustical (Hood Side) | |
| 303 | 2820080 | 1 | Foam, Acoustical (Hood Top) | |
| 304 | 2820081 | 1 | Foam, Acoustical (Located on #8) (Prior to SN 0300076785) | |
| 305 | 3539955 | 1 | Plate, Baffle | |
| 306 | 0641506 | 2 | Bolt 5/16in-18NC x 3/4in | |
| 307 | 4751500 | 2 | Flatwasher 5/16in | |
| 308 | 0100011 | AR | Compound, Locking | |
| | 0272741 | Ref | HOOD WITH COMPRESSOR INSTALLATION (OPTIONAL) | G |
| 401 | 0100011 | AR | Compound, Locking | |
| 404 | 0641608 | 3 | Bolt 3/8in-16NC x 1in | |
| 408 | 0721005 | 3 | Screw, Machine #10-24NC x 5/8in | |
| 409 | 0940071 | 2 | Bumper | |
| 413 | 2600244 | 1 | Hinge | |
| 414 | 2680515 | 1 | Hood | |
| 415 | 2940080 | 1 | Latch | |
| 418 | 3311601 | 4 | Nut 3/8in-16NC | |
| 419 | 3311605 | 5 | Locknut 3/8in-16NC | |
| 421 | 3574156 | 1 | Plate, Baffle | |
| 422 | 3574157 | 1 | Bracket | |
| 425 | 3900032 | 1 | Screw, Shoulder | |
| 426 | 3900316 | 3 | Screw, Button Head 3/8in-16NC x 1in | |
| 427 | 4567627 | 1 | Prop | |
| 432 | 4711600 | 18 | Flatwasher 3/8in Narrow | |
| 433 | 4751000 | 3 | Flatwasher #10 Wide | |
| 442 | 3311505 | 1 | Locknut 5/16in-18NC | |

SECTION 2 - TURNTABLE

FIGURE 2-24. HOODS INSTALLATION (ABS) (SN 0300089982 through 0300185827)



SECTION 2 - TURNTABLE

FIGURE 2-24. HOODS INSTALLATION (ABS) (SN 0300089982 through 0300185827)

| ITEM | PART NUMBER | QTY | DESCRIPTION | REV |
|------|--------------|----------------|---|-----|
| | | Ref | HOODS INSTALLATION | |
| | | Ref | Deutz Engine Machines: | |
| | 0274759 | Ref | Standard Hood without Compressor (SN 0300089982 through 0300129455) | G |
| | 1001099137 | Ref | Standard Hood without Compressor (SN 0300129456 through 0300185827) | C |
| | 0275026 | Ref | Optional Hood with Compressor (SN 0300089982 through 0300129455) | C |
| | 1001101905 | Ref | Optional Hood with Compressor (SN 0300129456 through 0300185827) | A |
| | | Ref | GM Engine Machines: | |
| | 0275546 | Ref | Standard Hood without Compressor | G |
| | 0275600 | Ref | Optional Hood with Compressor | B |
| 1 | | Ref | Hood Assembly - Engine Side Options (See Items 101-126 for Breakdown): | |
| | | Ref | Note: Replacement Decals Must be Ordered Separately - See DECAL SECTION. | |
| 1 | | Ref | Deutz Engine Machines | |
| 1 | 1671249 | 1 | Deutz Engine Machines (SN 0300089982 through 0300129455) | |
| 1 | 1001099138 | 1 | Deutz Engine Machines (SN 0300129456 through 0300185827) | |
| 1 | | Ref | GM Engine Machines | |
| 1 | 1671332 | 1 | GM Engine Machines (SN 0300089982 through 0300140591) | |
| 1 | 1001117045 | 1 | GM Engine Machines (SN 0300140592 through 0300185827) | |
| 2 | 1671228 | 1 | Hood Assembly - Tank Side (See Items 201-213 for Breakdown) | |
| | | Ref | Note: Replacement Decals Must be Ordered Separately - See DECAL SECTION. | |
| 3 | | Ref | Hood Assembly - Engine Spacer Options: | |
| 3 | 1671233 | 1 | Standard Hood without Compressor Option | |
| 3 | See Note | 1 | Optional Hood with Compressor Option (See Items 401-448 for Breakdown) | |
| 3A | 3960453 | 68 in/1.73m | Seal | |
| 3B | 0903308 | 1 | Bracket - Used with p/n 1671233 Hood | |
| 4 | 3380444 | 1 | Panel, Adapter | |
| 5 | 1670842 | 1 | Cover, Turntable End | |
| 6 | 3380442 | 1 | Cover, Top (Tank Side) | |
| 9 | 0902412 | 1 | Bracket, Hood Mounting (Tank Side) | |
| 10 | 0902351 | 1 | Bracket, Hood Mounting (Engine Side) | |
| 11 | | Ref | Bracket, Hood Spacer Mounting (Engine Side) Options: | |
| 11 | 0902161 | 1 | Standard Hood without Compressor Option | |
| 11 | Not Required | 0 | Optional Hood with Compressor Option | |
| 12 | 0902426 | 1 | Bracket, Bumper - Counterweight Mounted | |
| 13 | 0902219 | 2 | Bracket, Bumper | |
| 14 | 0362770 | 1 | Bar, Panel Mounting | |
| 15 | 2600244 | 1 | Adapter, Panel Hinge | |
| 17 | 3571712 | 1 | Plate, Seal | |
| 18 | 0902491 | 1 | Bracket, Latch (Engine Side) | |
| 19 | 0902223 | 1 | Bracket, Latch (Tank Side) | |

SECTION 2 - TURNTABLE

| ITEM | PART NUMBER | QTY | DESCRIPTION | REV |
|------|--------------|-----------|---|-----|
| 20 | 0902143 | 1 | Bracket, Latch (Tank Side) | |
| 21 | 0940071 | AR | Bumper | |
| 22 | 4160139 | 2 | Spring, Gas (Tank Side) | |
| 23 | 4160143 | AR | Spring, Gas (Engine Side) | |
| 24 | 3960389 | 3.5 ft/1m | Seal | |
| 25 | 3960470 | 1 | Seal, Latch | |
| 27 | 0630507 | AR | Bolt, Carriage 1/2in-13NC x 1-1/4in | |
| 28 | 4740171 | AR | Washer, Hardened | |
| 29 | 3311805 | AR | Locknut 1/2in-13NC | |
| 30 | | Ref | Screw, Button Head 3/8in-16NC x 1-1/4in Options: | |
| 30 | 3900232 | AR | Standard Hood without Compressor Option | |
| 30 | Not Required | 0 | Optional Hood with Compressor Option | |
| 31 | 0641609 | 5 | Bolt 3/8in-16NC x 1-1/8in | |
| 32 | 0641608 | AR | Bolt 3/8in-16NC x 1in | |
| 33 | | Ref | Washer, Fender Options: | |
| 33 | 4740076 | 5 | Standard Hood without Compressor Option | |
| 33 | Not Required | 0 | Optional Hood with Compressor Option | |
| 34 | 4751600 | AR | Flatwasher 3/8in | |
| 35 | 3311605 | AR | Locknut 3/8in-16NC | |
| 36 | 3311601 | AR | Nut 3/8in-16NC | |
| 37 | 0641506 | AR | Bolt 5/16in-18NC x 3/4in | |
| 37 | 0641508 | AR | Bolt 5/16in-18NC x 1in | |
| 38 | 3900210 | 3 | Screw, Button Head 5/16in-18NC x 3/4in - Standard Hood without Compressor Option Only (SN 0300089982 through 0300118453) | |
| 39 | 4751500 | AR | Flatwasher 5/16in | |
| 40 | 3311505 | AR | Locknut 5/16in-18NC | |
| 41 | 0641406 | 4 | Bolt 1/4in-20NC x 3/4in | |
| 42 | 4751400 | AR | Flatwasher 1/4in | |
| 43 | 3311405 | AR | Locknut 1/4in-20NC | |
| 44 | 0721006 | 6 | Screw #10-24NC x 3/4in | |
| 45 | 4751000 | 6 | Flatwasher #10 | |
| 46 | 4761000 | 6 | Lockwasher #10 | |
| 47 | 3311001 | 6 | Nut #10-24NC | |
| 48 | 4070410 | AR | Shim 1/16in (Standard Hood without Compressor Option Only) | |
| 49 | 4070411 | AR | Shim 1/8in (Standard Hood without Compressor Option Only) | |
| 50 | 4070412 | AR | Shim 3/16in (Standard Hood without Compressor Option Only) | |
| 51 | 0100011 | AR | Compound, Locking | |
| 52 | | Ref | Bumper Options: | |
| 52 | 0940088 | 1 | Bumper (Deutz Engine Machines Only) (SN 0300089982 through 0300118452) | |
| 52 | 0940071 | 1 | Bumper (SN 0300118453 through 0300185827) | |
| 53 | 3321501 | 2 | Nut 5/16in-24NF | |
| 56 | 1120601 | 1 | Cap, Plug (SN 0300098644 through 0300185827) | |
| 57 | 2940188 | 3 | Latch, Spring Clip (SN 0300098644 through 0300185827) | |
| 58 | | Ref | Hardware Options: | |
| 58 | 0940071 | 1 | Bumper (SN 0300089982 through 0300118452) | |
| 58 | 0940049 | 1 | Stopper, Hood (SN 0300118453 through 0300185827) | |
| 59 | 3311501 | 2 | Nut 5/16in-18NC (SN 0300118453 through 0300185827) | |
| | | Ref | HOOD ASSEMBLIES (ENGINE SIDE) | |
| | 1671249 | Ref | Deutz Engine (SN 0300089982 through 0300129455) | D |
| | 1001099138 | Ref | Deutz Engine (SN 0300129456 through 0300185827) | B |

SECTION 2 - TURNTABLE

| ITEM | PART NUMBER | QTY | DESCRIPTION | REV |
|------|--------------|-----------------|--|-----|
| | 1671332 | Ref | GM Engine (SN 0300089982 through 0300140591) | E |
| | 1001117045 | Ref | GM Engine (SN 0300140592 through 0300185827) | A |
| 101 | | Ref | Insulation/Foam Options: | |
| 101 | 2820080 | 1 | Deutz Engine (SN 0300089982 through 0300124624) | |
| 101 | 1001101391 | 1 | Deutz Engine (SN 0300124625 through 0300129455) | |
| 101 | 1001101673 | 1 | Deutz Engine (SN 0300129456 through 0300185827) | |
| 101 | See Note | 1 | GM Engine (Note: Refer to note at Items 123 & 124) (SN 0300089982 through 0300140591) | |
| 101 | 1001117139 | 1 | GM Engine (SN 0300140592 through 0300185827) | |
| 102 | 2820233 | 1 | Insulation, Rear Sound (Deutz Engine Only) | |
| 103 | 2820234 | 1 | Insulation, Center Sound (Deutz Engine Only) | |
| 104 | 2820235 | 1 | Insulation, Rear Sound (Deutz Engine Only) | |
| 105 | 3311605 | AR | Locknut 3/8inx16NC | |
| 106 | 3900232 | AR | Screw, Button Head 3/8in-16NC x 1-1/4in | |
| 107 | | Ref | Shield, Heat Gasket Options: | |
| 107 | 4061010 | 1 | Deutz Engine Machines (SN 0300089982 through 0300124624) | |
| 107 | 1001101392 | 1 | Deutz Engine Machines (SN 0300124625 through 0300129455) | |
| 107 | 1001101623 | 1 | Deutz Engine Machines (SN 0300129456 through 0300185827) | |
| 107 | 4061010 | 1 | GM Engine Machines (SN 0300089982 through 0300124624) | |
| 107 | Not Required | 0 | GM Engine Machines (SN 0300124625 through 0300185827) | |
| 108 | 4740500 | AR | Washer (Special) | |
| 109 | 4751600 | AR | Flatwasher 3/8in | |
| 110 | | Ref | Exhaust Tube Weldment Options: | |
| 110 | 4845411 | 1 | Deutz Engine (SN 0300089982 through 0300129455) | |
| 110 | 1001099121 | 1 | Deutz Engine (SN 0300129456 through 0300185827) | |
| 110 | 3460552 | 1 | GM Engine (SN 0300089982 through 0300140591) | |
| 110 | 1001117040 | 1 | GM Engine (SN 0300140592 through 0300185827) | |
| 111 | | Ref | Hood Kit (Engine Side) Options: | |
| | | Ref | Note: Replacement Decals Must be Ordered Separately - See DECAL SECTION. | |
| 111 | | Ref | Deutz Engine Machines | |
| 111 | 1001097965 | 1 | Deutz Engine Machines (Includes Items 151, 152, 153, 154, 157 & 158) (SN 0300089982 through 0300129455) | |
| 111 | 1001099139 | 1 | Deutz Engine Machines (Must also purchase Items 101, 102, 103, 104, 107 & 108) (SN 0300129456 through 0300185827) | |
| 111 | 1001097964 | 1 | GM Engine Machines (Includes Items 101, 108, & 125) | |
| 112 | 1671230 | 1 | Frame, Tubular | |
| 113 | 2940088 | 1 | Latch | |
| 114 | 0721008 | 2 | Screw, Machine #10-24NC x 1in | |
| 115 | 4751000 | 2 | Flatwasher #10 | |
| 116 | 3311005 | 2 | Locknut #10-24NC | |
| 117 | 0641608 | AR | Bolt 3/8in-16NC x 1in | |
| 117 | 0641606 | AR | Bolt 3/8in-16NC x 3/4in | |
| 118 | 1321384 | 4 | Hold Down | |
| 119 | 0641606 | 4 | Bolt 3/8in-16NC x 3/4in | |
| 120 | 2600209 | 1 | Hinge | |
| 121 | 3960464 | 65 in /1.67m | Seal | |
| 122 | 3960462 | 61 in /1.55m | Seal | |

SECTION 2 - TURNTABLE

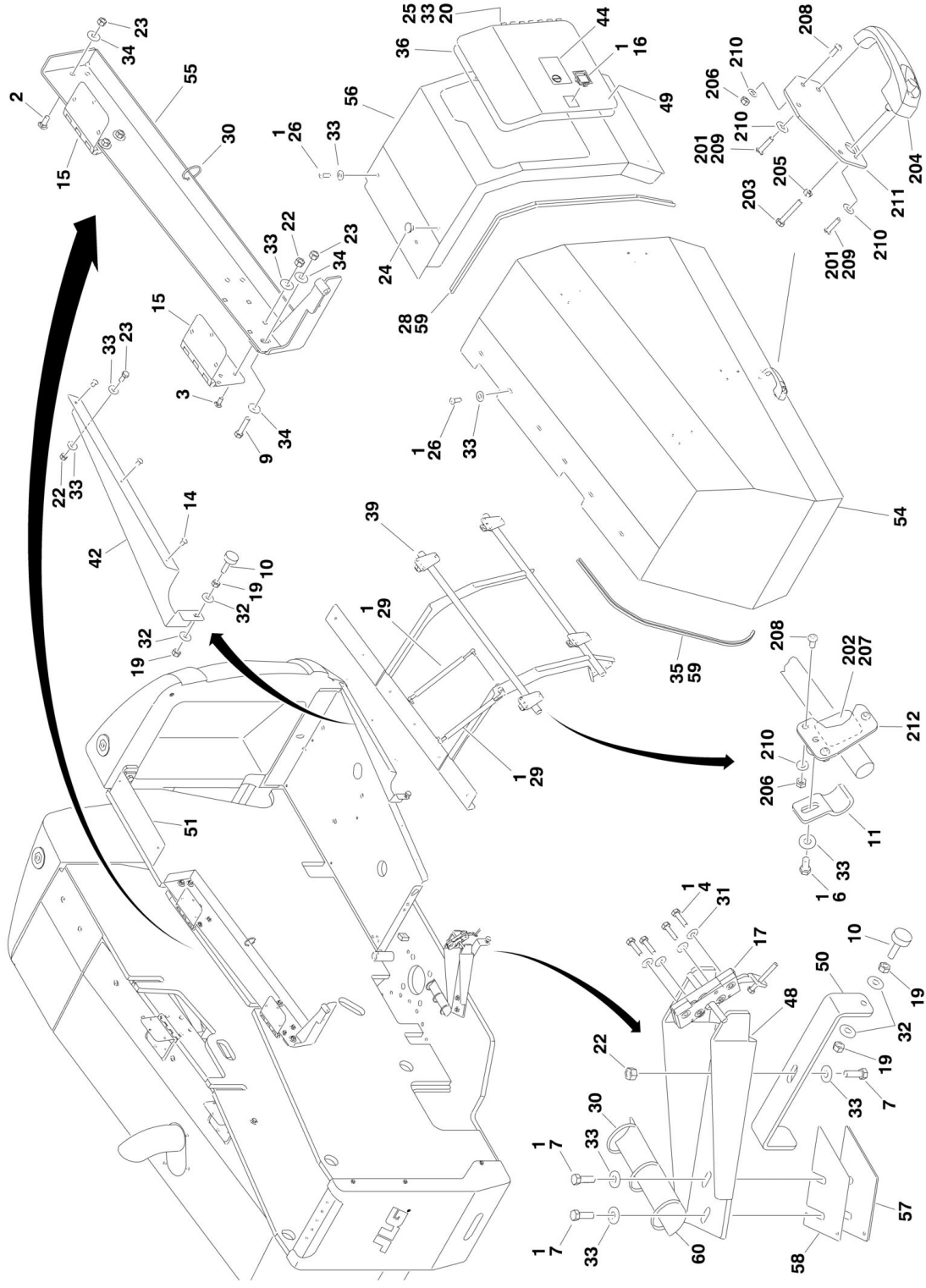
| ITEM | PART NUMBER | QTY | DESCRIPTION | REV |
|------|-------------|-----------------|---|-----|
| 123 | 2820176 | NLA | Insulation, Heat (GM Engine Only) (Note: Use Item 101) (Note: Cover complete inside of hood with insulation. Fasten with Item 125 Tape) | |
| 123 | 1001101323 | NLA | Insulation, Heat (GM Engine Only) (Note: Use Item 101) (Note: Cover complete inside of hood with insulation. Fasten with Item 125 Tape) | |
| 124 | 2820153 | NLA | Insulation, Heat (GM Engine Only) (Note: Use Item 101) (Note: Cover complete inside of hood with insulation. Fasten with Item 125 Tape) | |
| 124 | 1001101324 | NLA | Insulation, Heat (GM Engine Only) (Note: Use Item 101) (Note: Cover complete inside of hood with insulation. Fasten with Item 125 Tape) | |
| 125 | 1001117140 | AR | Tape (GM Engine Only) | |
| 126 | 0100011 | AR | Compound, Locking | |
| | 1671228 | Ref | HOOD ASSEMBLY (TANK SIDE) | A |
| 201 | 1671231 | 1 | Hood | |
| 202 | 1671232 | 1 | Frame, Tubular | |
| 203 | 2940088 | 2 | Latch | |
| 204 | 0721008 | 4 | Screw, Machine #10-24NC x 1in | |
| 205 | 4751000 | 4 | Flatwasher #10 | |
| 206 | 3311005 | 4 | Locknut #10-24NC | |
| 207 | 2600233 | 1 | Hinge | |
| 208 | 1321384 | 4 | Hold Down | |
| 209 | 0641606 | 9 | Bolt 3/8in-16NC x 3/4in | |
| 210 | 4711600 | 9 | Flatwasher 3/8in Narrow | |
| 211 | 3960464 | 83 in /2.11m | Seal | |
| 212 | 3960438 | 55 in/1.4m | Seal | |
| 213 | 3960462 | 53 in /1.35m | Seal | |
| | 0256823 | Ref | NOISE REDUCTION INSTALLATION (DEUTZ ENGINE MACHINES) | 3-C |
| 301 | 2820078 | 1 | Foam, Acoustical (Turntable Side) | |
| 305 | 3539955 | 1 | Plate, Baffle | |
| 306 | 0641506 | 2 | Bolt 5/16in-18NC x 3/4in | |
| 307 | 4751500 | 2 | Flatwasher 5/16in | |
| 308 | 0100011 | AR | Compound, Locking | |
| | 0272741 | Ref | HOOD WITH COMPRESSOR INSTALLATION (OPTIONAL) | I |
| 401 | 0100011 | AR | Compound, Locking | |
| 404 | 0641608 | 5 | Bolt 3/8in-16NC x 1in | |
| 408 | 0721005 | 3 | Screw, Machine #10-24NC x 5/8in | |
| 409 | 0940071 | 3 | Bumper | |
| 413 | 2600244 | 1 | Hinge | |
| 414 | 2680515 | 1 | Hood | |
| 415 | 2940080 | 1 | Latch | |
| 418 | 3311601 | 6 | Nut 3/8in-16NC | |
| 419 | 3311605 | 5 | Locknut 3/8in-16NC | |
| 421 | 3574156 | 1 | Plate, Baffle | |
| 422 | 3574157 | 1 | Bracket | |
| 425 | 3900032 | 1 | Screw, Shoulder | |
| 426 | 3900316 | 3 | Screw, Button Head 3/8in-16NC x 1in | |
| 427 | 4567627 | 1 | Prop | |
| 432 | 4711600 | 18 | Flatwasher 3/8in Narrow | |
| 433 | 4751000 | 3 | Flatwasher #10 Wide | |

SECTION 2 - TURNTABLE

| ITEM | PART NUMBER | QTY | DESCRIPTION | REV |
|------|-------------|-----------|--|-----|
| 442 | 3311505 | 2 | Locknut 5/16in-18NC | |
| 444 | 4060803 | 8 in/21cm | Flex-Trim, 1/8in | |
| 445 | 4751500 | 8 | Flatwasher 5/16in Wide | |
| 446 | 4751600 | 4 | Flatwasher 3/8in Wide | |
| 447 | 0641506 | 7 | Bolt 5/16in-18NC x 3/4in | |
| 448 | 0901921 | 1 | Bracket (SN 0300138190 through 0300185827) | |

SECTION 2 - TURNTABLE

FIGURE 2-25. HOODS INSTALLATION (STEEL)



SECTION 2 - TURNTABLE

FIGURE 2-25. HOODS INSTALLATION (STEEL)

| ITEM | PART NUMBER | QTY | DESCRIPTION | REV |
|------|-------------|-----------------|---|-----|
| | | Ref | HOODS INSTALLATION | |
| | | Ref | Deutz Engine Machines: | |
| | 1001117209 | Ref | Standard Hood without Compressor | D |
| | 1001118055 | Ref | Optional Hood with Compressor | C |
| | | Ref | GM Engine Machines: | |
| | 1001117503 | Ref | Standard Hood without Compressor | C |
| | 1001118056 | Ref | Optional Hood with Compressor | C |
| 1 | 0100011 | AR | Compound, Locking | |
| 2 | 0630507 | 8 | Bolt, Carriage 1/2in-13NC x 1-1/4in | |
| 3 | 0630485 | 16 | Bolt, Carriage 3/8in-16NC x 1in | |
| 4 | 0641408 | AR | Bolt 1/4in-20NC x 1in | |
| 5 | 0641506 | AR | Bolt 5/16in-18NC x 3/4in | |
| 5 | 0641508 | AR | Bolt 5/16in-18NC x 1in | |
| 6 | 0641607 | 10 | Bolt 3/8in-16NC x 7/8in | |
| 7 | 0641609 | 7 | Bolt 3/8in-16NC x 1-1/8in | |
| 9 | 0641818 | 2 | Bolt 1/2in-13NC x 2-1/4in | |
| 10 | 0940049 | 2 | Stopper, Hood | |
| 11 | 1321384 | 8 | Hold Down | |
| 12 | 1670842 | 1 | Cover, Turntable End | |
| 14 | 2080040 | AR | Fastener | |
| 15 | 2600280 | 4 | Hinge | |
| 16 | 2940045 | 1 | Latch, Paddle | |
| 17 | 2940173 | 2 | Latch, Rotary | |
| 18 | 3311405 | AR | Locknut 1/4in-20NC | |
| 19 | 3311501 | 4 | Nut 5/16in-18NC | |
| 20 | 3300364 | 3 | Nut 5/16in-18NC (Tinnerman) | |
| 21 | 3311601 | 1 | Nut 3/8in-16NC | |
| 22 | 3311605 | 40 | Locknut 3/8in-16NC | |
| 23 | 3311805 | 10 | Locknut 1/2in-13NC | |
| 24 | 3520030 | 1 | Plug, Hole | |
| 25 | 3900210 | 3 | Screw 5/16in-18NC x 3/4in | |
| 26 | 3900316 | AR | Screw 3/8in-16NC x 1in | |
| 27 | 3960389 | 4.5 ft /1.4m | Seal | |
| 28 | 3960462 | 9 ft/2.7m | Seal | |
| 29 | 4160194 | 4 | Spring, Compression | |
| 30 | 4240018 | 4 | Strap, Cable Tie | |
| 31 | 4751400 | AR | Flatwasher 1/4in | |
| 32 | 4751500 | 15 | Flatwasher 5/16in | |
| 33 | 4751600 | AR | Flatwasher 3/8in | |
| 34 | 4751800 | 12 | Flatwasher 1/2in | |
| 35 | 1001110166 | 7 ft/2.1m | Seal | |
| 36 | 1001113047 | 6.5 ft/2m | Seal (Adhesive Back) | |
| 37 | | Ref | Pipe, Exhaust Options: | |
| 37 | 1001116457 | 1 | Caterpillar and GM Engines | |
| 37 | 1001116456 | 1 | Deutz Engines | |
| 38 | 1001116562 | 1 | Support, Substructure | |
| 39 | 1001116618 | 1 | Support, Substructure | |
| 40 | | Ref | Hood, Engine Side (Fixed) Options: | |
| 40 | 1001117219 | 1 | Standard Hood without Compressor | |

SECTION 2 - TURNTABLE

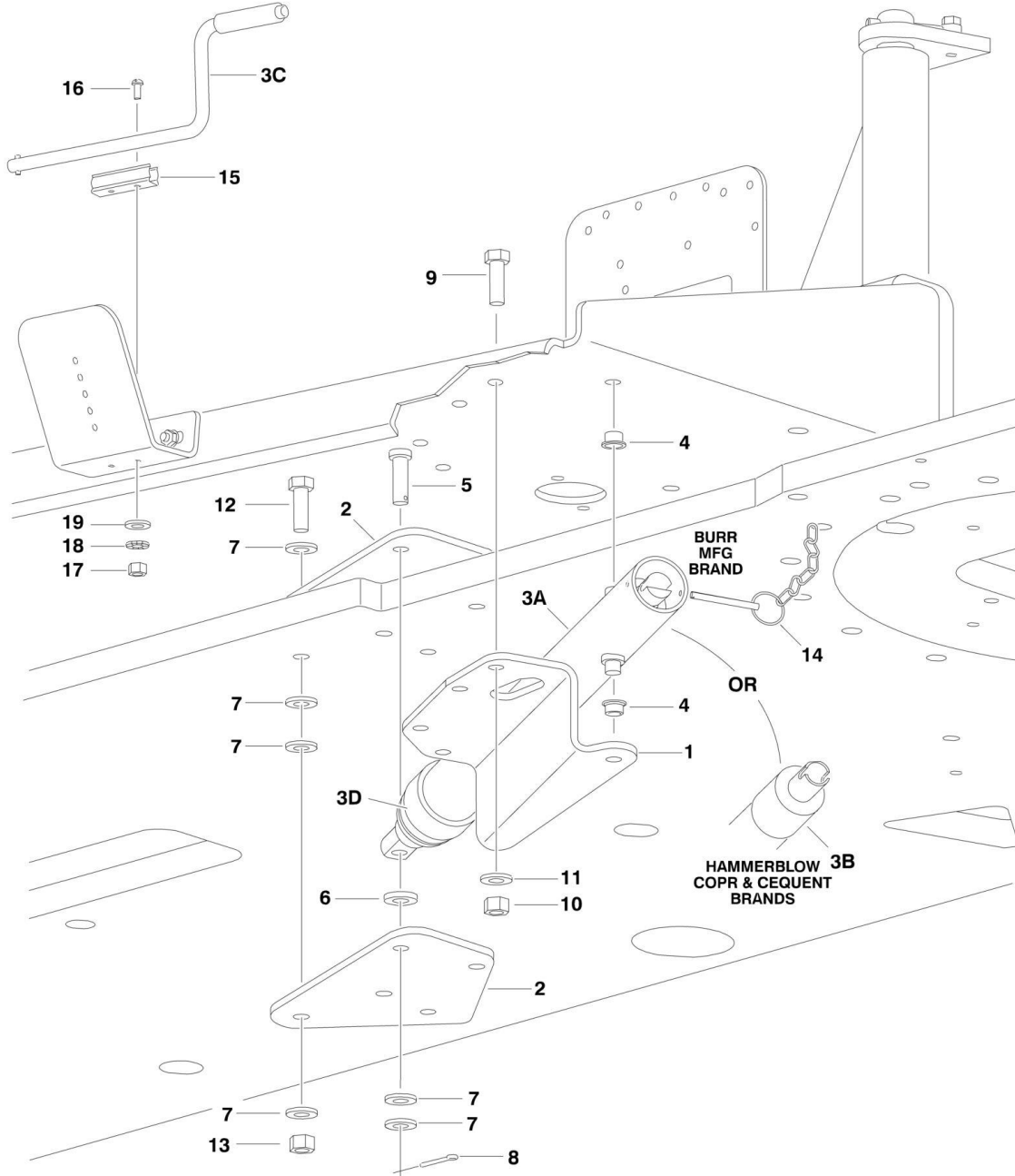
| ITEM | PART NUMBER | QTY | DESCRIPTION | REV |
|------|--------------|-----|---|-----|
| 40 | Not Required | 0 | Optional Hood with Compressor | |
| 41 | | Ref | Bracket, Hood Support Options: | |
| 41 | 1001117234 | 1 | Standard Hood without Compressor | |
| 41 | Not Required | 0 | Optional Hood with Compressor | |
| 42 | 1001117236 | 1 | Bracket, Hood Support | |
| 43 | 1001117249 | 1 | Plate, Seal | |
| 44 | 1001117307 | 1 | Decal - Emergency Stop | |
| 45 | 1001117441 | 1 | Bracket, Hood Support | |
| 46 | 1001117523 | 1 | Bracket, Striker | |
| 47 | 1001117525 | 1 | Bracket, Striker Mounting | |
| 48 | 1001117568 | 1 | Bracket, Striker | |
| 49 | 1001117598 | 1 | Door | |
| 50 | 1001118236 | 1 | Bracket, Stop Mounting | |
| 51 | 1001118263 | 1 | Bracket, Hood Mounting | |
| 52 | | Ref | Bracket, Hood Mounting Options: | |
| 52 | 1001118264 | 1 | Standard Hood without Compressor | |
| 52 | Not Required | 0 | Optional Hood with Compressor | |
| 53 | | Ref | Hood, Engine Side Assembly (See Breakdown 101-112) | |
| 53 | 1001118344 | 1 | Caterpillar and Deutz | |
| 53 | 1001118716 | 1 | GM | |
| | | Ref | Note: Replacement Decals Must be Purchased Separately - See DECAL SECTION. | |
| 54 | 1001118345 | 1 | Hood, Tank Side Assembly (See Breakdown 201-212) | |
| | | Ref | Note: Replacement Decals Must be Purchased Separately - See DECAL SECTION. | |
| 55 | 1001119935 | 1 | Bracket, Hinge Support | |
| 56 | 1001120508 | 1 | Shield, Heat (Deutz Engine Only) | |
| 57 | 1001120962 | 1 | Hood, Tank Side (Fixed) | |
| 58 | 1001121122 | 1 | Shim 3mm | |
| 59 | 1001121123 | 1 | Shim 1.5mm | |
| 60 | 0100081 | AR | Adhesive (SN 0300144797 through 0300185827) | |
| 61 | 4061032 | 1 | Shield, Hose (SN 0300144797 through 0300185827) | |
| | | Ref | HOOD ASSEMBLIES (ENGINE SIDE) | |
| 101 | 0100011 | AR | Compound, Locking | |
| 102 | 0100081 | AR | Adhesive | |
| 103 | 0700616 | 1 | Bolt M6 x 40mm | |
| 104 | 2560187 | 1 | Handle, Push Button | |
| 105 | 3290601 | 1 | Nut M6 | |
| 106 | 3311505 | 15 | Locknut 5/16in-18NC | |
| 107 | 3340877 | 4 | Pad | |
| 108 | 3900210 | 15 | Screw, Button Head 5/16in-18NC x 3/4in | |
| 109 | 3900363 | 2 | Screw, Button Head M6 x 25mm | |
| 110 | 4711500 | 17 | Flatwasher 5/16in Thin | |
| 111 | 1001116290 | 1 | Plate, Latch Mounting | |
| 112 | 1001116292 | 4 | Mount, Clamp | |
| | | Ref | HOOD ASSEMBLIES (TANK SIDE) | |
| 201 | 0100011 | AR | Compound, Locking | |
| 202 | 0100081 | AR | Adhesive | |
| 203 | 0700616 | 1 | Bolt M6 x 40mm | |
| 204 | 2560187 | 1 | Handle, Push Button | |
| 205 | 3290601 | 1 | Nut M6 | |
| 206 | 3311505 | 15 | Locknut 5/16in-18NC | |

SECTION 2 - TURNTABLE

| ITEM | PART NUMBER | QTY | DESCRIPTION | REV |
|------|-------------|-----|---|-----|
| 207 | 3340877 | 4 | Pad | |
| 208 | 3900210 | 15 | Screw, Button Head 5/16in-18NC x 3/4in | |
| 209 | 3900363 | 2 | Screw, Button Head M6 x 25mm | |
| 210 | 4711500 | 17 | Flatwasher 5/16in Thin | |
| 211 | 1001116290 | 1 | Plate, Latch Mounting | |
| 212 | 1001116292 | 4 | Mount, Clamp | |
| | 0256823 | Ref | NOISE REDUCTION INSTALLATION (DEUTZ ENGINE MACHINES) | 3-C |
| 301 | 2820078 | 1 | Foam, Acoustical (Turntable Side) | |
| 305 | 3539955 | 1 | Plate, Baffle | |
| 306 | 0641506 | 2 | Bolt 5/16in-18NC x 3/4in | |
| 307 | 4751500 | 2 | Flatwasher 5/16in | |
| 308 | 0100011 | AR | Compound, Locking | |
| | 1001114636 | Ref | HEAT SHIELD INSTALLATION (GM ENGINE MACHINES) | E |
| 401 | 3311405 | 3 | Locknut 1/4in-20NC | |
| 402 | 4751400 | 3 | Flatwasher 1/4in | |
| 403 | 0641408 | 3 | Bolt 1/4in-20NC x 1in | |
| 404 | 1001120508 | 1 | Shield, Heat | |
| | 1001118053 | Ref | HOOD WITH COMPRESSOR INSTALLATION (OPTIONAL) | A |
| 501 | 0100011 | AR | Compound, Locking | |
| 505 | 0641506 | 7 | Bolt 5/16in-18NC x 3/4in | |
| 506 | 0641608 | 5 | Bolt 3/8in-16NC x 1in | |
| 510 | 0721005 | 3 | Screw, Machine #10-24NC x 5/8in | |
| 511 | 0901921 | 1 | Bracket | |
| 512 | 0940071 | 3 | Bumper | |
| 517 | 2600244 | 1 | Hinge | |
| 519 | 2940080 | 1 | Latch | |
| 522 | 3311505 | 2 | Locknut 5/16in-18NC | |
| 523 | 3311601 | 6 | Nut 3/8in-16NC | |
| 524 | 3311605 | 3 | Locknut 3/8in-16NC | |
| 526 | 3574156 | 1 | Plate, Baffle | |
| 527 | 3574157 | 1 | Bracket | |
| 530 | 3900032 | 1 | Screw, Shoulder | |
| 534 | 4567627 | 1 | Prop | |
| 537 | 4711600 | 12 | Flatwasher 3/8in Narrow | |
| 539 | 4751000 | 3 | Flatwasher #10 Wide | |
| 540 | 4751500 | 8 | Flatwasher 5/16in Wide | |
| 541 | 4751600 | 10 | Flatwasher 3/8in Wide | |
| 544 | 1001121314 | 1 | Hood | |
| 547 | 3900316 | 3 | Screw, Button Head 3/8in-16NC x 1in | |

SECTION 2 - TURNTABLE

FIGURE 2-26. ENGINE TRAY JACK INSTALLATION (OPTIONAL)



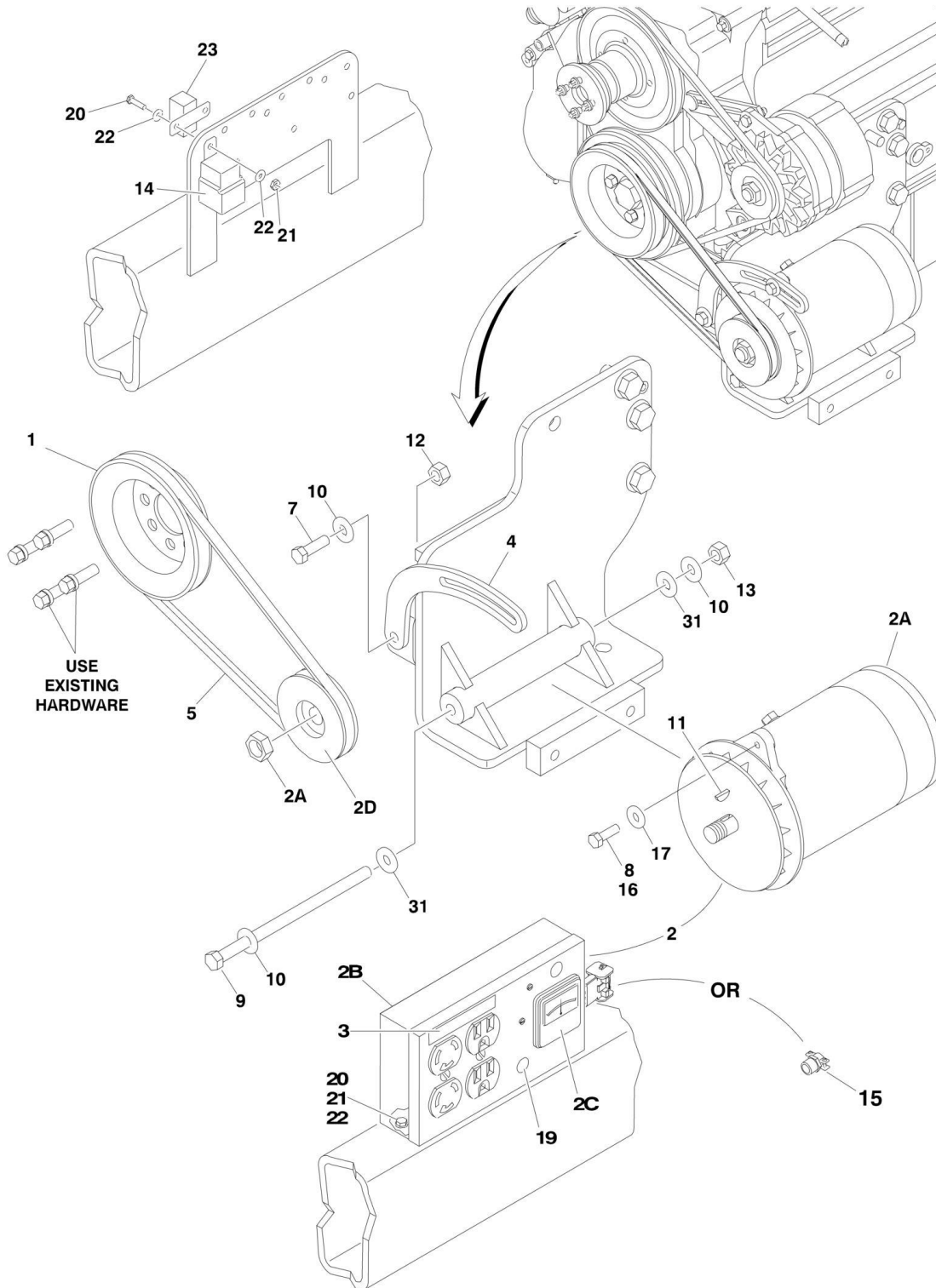
SECTION 2 - TURNTABLE

FIGURE 2-26. ENGINE TRAY JACK INSTALLATION (OPTIONAL)

| ITEM | PART NUMBER | QTY | DESCRIPTION | REV |
|------|-------------|-----|--|-----|
| | 0258728 | Ref | ENGINE TRAY JACK INSTALLATION | 2-C |
| 1 | 3537445 | 1 | Bracket | |
| 2 | 3537446 | 2 | Bracket | |
| 3 | 2840016 | Ref | Jack and Handle Assembly Options: | F |
| 3A | 2840016 | 1 | Burr Manufacturing Brand | |
| 3B | 2840016 | 1 | Hammerblow/Cequent Corp Brand | |
| 3C | | Ref | Handle Options: | |
| 3C | 7016374 | 1 | Burr Manufacturing Brand | |
| 3C | 7024598 | 1 | Hammerblow/Cequent Corp Brand | |
| 3D | 7016322 | 1 | Wiper (Burr Manufacturing Brand Only) | |
| 4 | 0962051 | 2 | Bearing, Flange | |
| 5 | 3430816 | 1 | Pin, Clevis | |
| 6 | 4891800 | 1 | Washer, Hardened | |
| 7 | 4711800 | 6 | Flatwasher 1/2in Narrow | |
| 8 | 3450404 | 1 | Pin, Cotter 1/8in x 1in | |
| 9 | 0641609 | 4 | Bolt 3/8in-16NC x 1-1/8in | |
| 10 | 3311605 | 4 | Locknut 3/8in-16NC | |
| 11 | 4891600 | 4 | Washer, Hardened | |
| 12 | 0641818 | 4 | Bolt 1/2in-13NC x 2-1/4in | |
| 13 | 3311805 | 4 | Locknut 1/2in-13NC | |
| 14 | 3422530 | 1 | Pin, Hitch (Prior to SN 0300070638) | |
| 15 | 1380147 | 1 | Clip, Spring | |
| 16 | 3910608 | 2 | Screw, Round Head #6-32NC x 1in | |
| 17 | 3310601 | 2 | Nut #6-32NC | |
| 18 | 4770600 | 2 | Starwasher #6 | |
| 19 | 4740119 | 2 | Washer, Aluminum | |

SECTION 2 - TURNTABLE

FIGURE 2-27. 2500W GENERATOR INSTALLATION - DEUTZ MACHINES (ANSI AND CSA SPEC ONLY) (OPTIONAL)



SECTION 2 - TURNTABLE

FIGURE 2-27. 2500W GENERATOR INSTALLATION - DEUTZ MACHINES (ANSI AND CSA SPEC ONLY) (OPTIONAL)

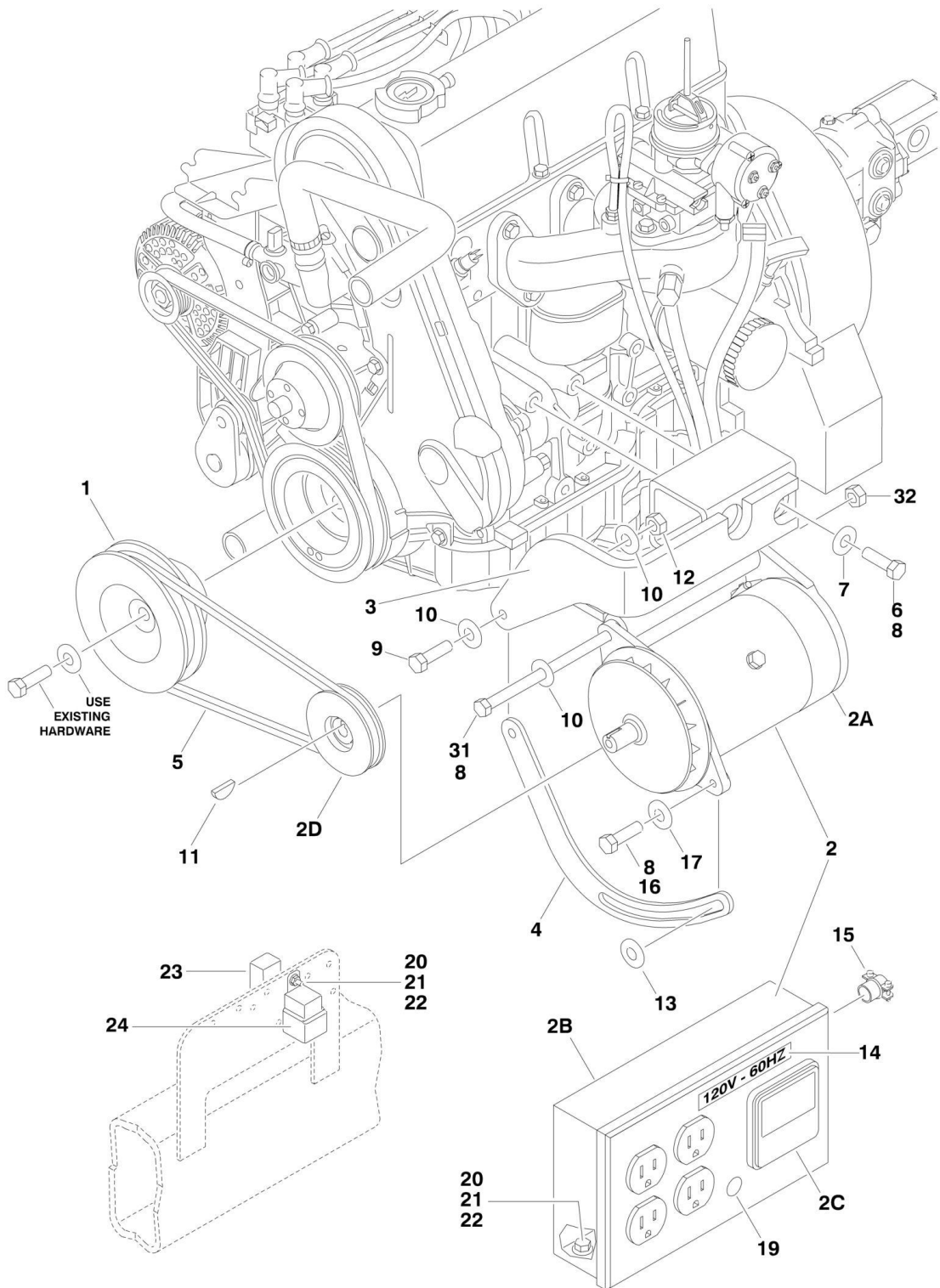
| ITEM | PART NUMBER | QTY | DESCRIPTION | REV |
|------|-------------|-----|--|-----|
| | | Ref | GENERATOR INSTALLATIONS | |
| | 0272480 | Ref | 110V/60Hz Generator (Prior to SN 0300082504) | 3-B |
| | 0274082 | Ref | 110V/60Hz Generator (SN 0300082504 through 0300139399) | 3-C |
| | 1001115405 | Ref | 110V/60Hz Generator (SN 0300139400 through 0300185827) | A |
| | See Note | Ref | 220V Generator (Note: Not Available for Purchase) | |
| 1 | 3580158 | 1 | Pulley | |
| 2 | | Ref | Generator and Control Box Assembly Options: | |
| 2 | 2460032 | 1 | 110V, 60Hz Assembly (Prior to SN 0300082504) | C |
| 2 | 2460055 | 1 | 110V, 60Hz Assembly (SN 0300082504 through 0300185827) | A |
| 2A | 7012558 | 1 | Generator - 110V | |
| | | Ref | Note: Replacement Generator p/n 7012558 comes standard with p/n 3580134 pulley. This pulley may not be correct for all applications. Refer to pulley options below. | |
| 2A | 7026199 | 1 | 110V/60Hz Armature with Slip Rings | |
| 2A | 7012513 | 4 | Cap, Brush Holder | |
| 2A | 7020108 | 4 | Brush | |
| 2A | 7020109 | 4 | Holder, Brush | |
| 2A | 7012514 | 1 | Fan | |
| 2A | 7020190 | 2 | Bearing | |
| 2A | 7020110 | 1 | End Bell, Front | |
| 2A | 7020111 | 1 | End Bell, Rear | |
| 2B | 7003657 | 1 | Box, Control (Prior to SN 0300082504) | |
| 2B | 7019680 | 1 | Box, Control (SN 0300082504 through 0300185827) | |
| 2B | 4360542 | 1 | Breaker, Circuit | |
| 2B | 4460190 | AR | Receptacle, Double | |
| 2B | 4460027 | AR | Receptacle, Double Twist Lock | |
| 2B | 2920162 | 1 | Lamp Assembly (Prior to SN 0300082504) | |
| 2B | 7020191 | 1 | Switch, Toggle (Prior to SN 0300082504) | |
| 2C | 2420203 | 1 | Voltmeter | |
| 2D | 3580276 | 1 | Pulley | |
| 2D | 7027887 | 1 | Key, Woodruff | |
| 3 | 3251243 | 1 | Decal - 120V-60HZ | |
| 4 | 0200742 | 1 | Arm, Adjusting | |
| 5 | 0480121 | 1 | V-Belt | |
| 7 | 0641610 | 1 | Bolt 3/8in-16NC x 1-1/4in | |
| 8 | 0100011 | AR | Compound, Locking | |
| 9 | 0641772 | 1 | Bolt 7/16in-14NC x 9in | |
| 10 | 4751600 | 6 | Flatwasher 3/8in | |
| 11 | 2860012 | 1 | Key, Woodruff | |
| 12 | 3311605 | 1 | Locknut 3/8in-16NC | |
| 13 | 3311705 | 1 | Locknut 7/16in-14NC | |
| 14 | 3740080 | 1 | Relay | |
| 15 | 4460023 | 1 | Connector, Strain Relief (Prior to SN 0300082504) | |
| 16 | 0641508 | 1 | Bolt 5/16in-18NC x 1in | |
| 17 | 4751500 | 2 | Flatwasher 5/16in | |
| 19 | 3520028 | 1 | Plug, Hole | |
| 20 | 0721006 | 1 | Bolt #10-24NC x 3/4in | |
| 21 | 3311005 | 3 | Locknut #10-24NC | |

SECTION 2 - TURNTABLE

| ITEM | PART NUMBER | QTY | DESCRIPTION | REV |
|------|-------------|-----------|---|-----|
| 22 | 4751000 | 6 | Flatwasher #10 | |
| 23 | 4360294 | 1 | Breaker, Circuit - 30 Amp (Prior to SN 0300082504) | |
| 25 | 4360336 | 1 | Switch, Toggle (Not Shown - Located at Platform) | |
| 26 | 4740397 | 1 | Bushing (Not Shown - Located at Platform) | |
| 27 | 4060802 | 1 | Guard, Switch (Not Shown - Located at Platform) | |
| 29 | 2820031 | 4 in/10cm | Heat Shrink (Not Shown - Located at Platform) | |
| 30 | 3251102 | 1 | Decal (Not Shown - Located at Platform) | |
| 31 | 4070585 | AR | Shim | |

SECTION 2 - TURNTABLE

FIGURE 2-28. 2500W GENERATOR INSTALLATION - FORD MACHINES (ANSI AND CSA SPEC ONLY)
(OPTIONAL) (Prior to SN 0300077500)



SECTION 2 - TURNTABLE

**FIGURE 2-28. 2500W GENERATOR INSTALLATION - FORD MACHINES (ANSI AND CSA SPEC ONLY)
(OPTIONAL) (Prior to SN 0300077500)**

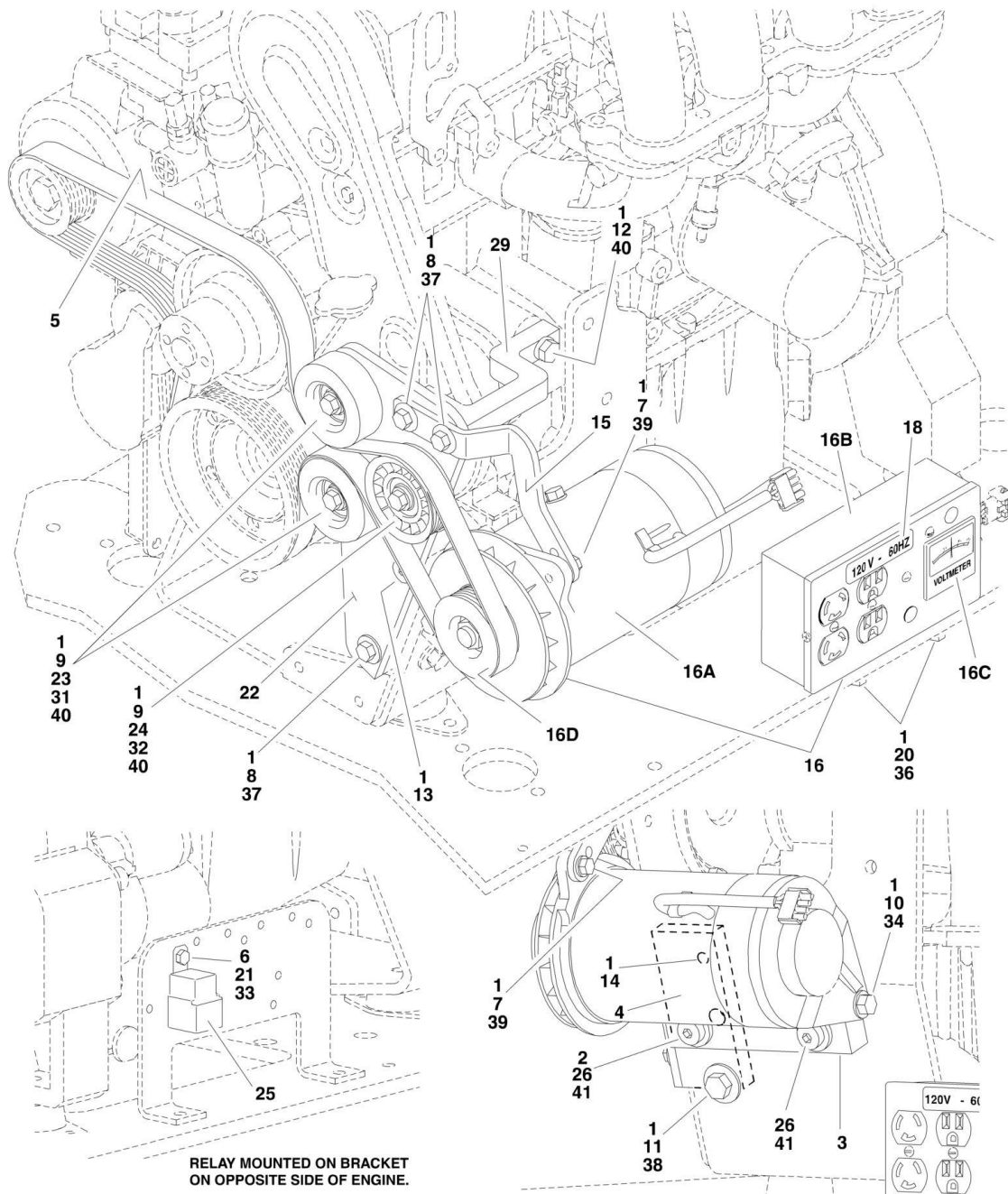
| ITEM | PART NUMBER | QTY | DESCRIPTION | REV |
|------|-------------|-----|--|-----|
| | 0271545 | Ref | 110VOLT GENERATOR INSTALLATION OPTIONS: | 5 |
| 1 | 3580250 | 1 | Pulley | |
| 2 | | Ref | Generator and Control Box Assemblies: | |
| 2 | 2460032 | 1 | Generator and Control Box Assemblies (Prior to SN 0300069570) | C |
| 2 | 2460044 | 1 | Generator and Control Box Assemblies (SN 0300069570 through 0300077500) | A |
| 2A | 7012558 | 1 | Generator - 110V | |
| | | Ref | Note: Replacement Generator p/n 7012558 comes standard with p/n 3580134 pulley. This pulley may not be correct for all applications. Refer to pulley options below. | |
| 2A | 7026199 | 1 | Armature with Slip Rings | |
| 2A | 7012513 | 4 | Cap, Brush Holder | |
| 2A | 7020108 | 4 | Brush | |
| 2A | 7020109 | 4 | Holder, Brush | |
| 2A | 7012514 | 1 | Fan | |
| 2A | 7020190 | 2 | Bearing | |
| 2A | 7020110 | 1 | End Bell, Front | |
| 2A | 7020111 | 1 | End Bell, Rear | |
| 2B | 7003657 | 1 | Box, Control | |
| 2B | 4360542 | 1 | Breaker, Circuit | |
| 2B | 4460190 | 2 | Receptacle, Double | |
| 2B | 2920162 | 1 | Lamp Assembly | |
| 2B | 7020191 | 1 | Switch, Toggle | |
| 2C | 2420203 | 1 | Voltmeter | |
| 2D | | Ref | Pulley Options: | |
| 2D | 3580276 | 1 | Pulley - Generator p/n 2460032 | |
| 2D | 3580307 | 1 | Pulley - Generator p/n 2460044 | |
| 3 | 0902756 | 1 | Bracket, Generator Mounting | |
| 4 | 0200547 | 1 | Arm, Adjusting | |
| 5 | | Ref | V-Belt Options: | |
| 5 | 0480111 | 1 | V-Belt Used with p/n 2460032/2460044 Generator (Prior to SN 0300073381) | |
| 5 | 0480134 | 1 | V-Belt Used with p/n 2460044 Generator (SN 0300073381 through 0300077500) | |
| 6 | 0701015 | 2 | Bolt M10 x 35mm | |
| 7 | 4812000 | 2 | Flatwasher M10 | |
| 8 | 0100011 | AR | Compound, Locking | |
| 9 | 0681612 | 1 | Bolt 3/8in-16NC x 1-1/2in | |
| 10 | 4751600 | 6 | Flatwasher 3/8in | |
| 11 | 2860012 | 1 | Key, Woodruff | |
| 12 | 3311605 | 1 | Locknut 3/8in-16NC | |
| 13 | 4564417 | 1 | Spacer, Tube | |
| 14 | 3251243 | 1 | Nameplate, 120V - 60Hz (SN 0300069570 through 0300077500) | |
| 15 | 4460023 | 1 | Connector, Strain Relief | |
| 16 | 0641508 | 1 | Bolt 5/16in-18NC x 1in | |
| 17 | 4751500 | 2 | Flatwasher 5/16in | |
| 19 | 3520028 | 1 | Plug, Hole | |
| 20 | 0721006 | 4 | Bolt #10-24NC x 3/4in | |
| 21 | 3311005 | 4 | Locknut #10-24NC | |

SECTION 2 - TURNTABLE

| ITEM | PART NUMBER | QTY | DESCRIPTION | REV |
|------|-------------|-----------|--|-----|
| 22 | 4751000 | 9 | Flatwasher #10 | |
| 23 | 4360294 | 1 | Breaker, Circuit - 30 Amp | |
| 24 | 3740080 | 1 | Relay, Bosch | |
| 25 | 4360336 | 1 | Switch, Toggle (Not Shown - Located at Platform) | |
| 26 | 4740397 | 1 | Bushing (Not Shown - Located at Platform) | |
| 27 | 4060802 | 1 | Guard, Switch (Not Shown - Located at Platform) | |
| 29 | 2820031 | 4 in/10cm | Heat Shrink (Not Shown - Located at Platform) | |
| 30 | 3251102 | 1 | Decal (Not Shown - Located at Platform) | |
| 31 | 0641772 | 1 | Bolt 7/16in-14NC x 9in | |
| 32 | 3311705 | 1 | Locknut 7/16in-14NC | |

SECTION 2 - TURNTABLE

**FIGURE 2-29. 2500W GENERATOR INSTALLATION - FORD MACHINES (ANSI AND CSA SPEC ONLY)
(OPTIONAL) (SN 0300077500 through 0300185827)**



SECTION 2 - TURNTABLE

**FIGURE 2-29. 2500W GENERATOR INSTALLATION - FORD MACHINES (ANSI AND CSA SPEC ONLY)
(OPTIONAL) (SN 0300077500 through 0300185827)**

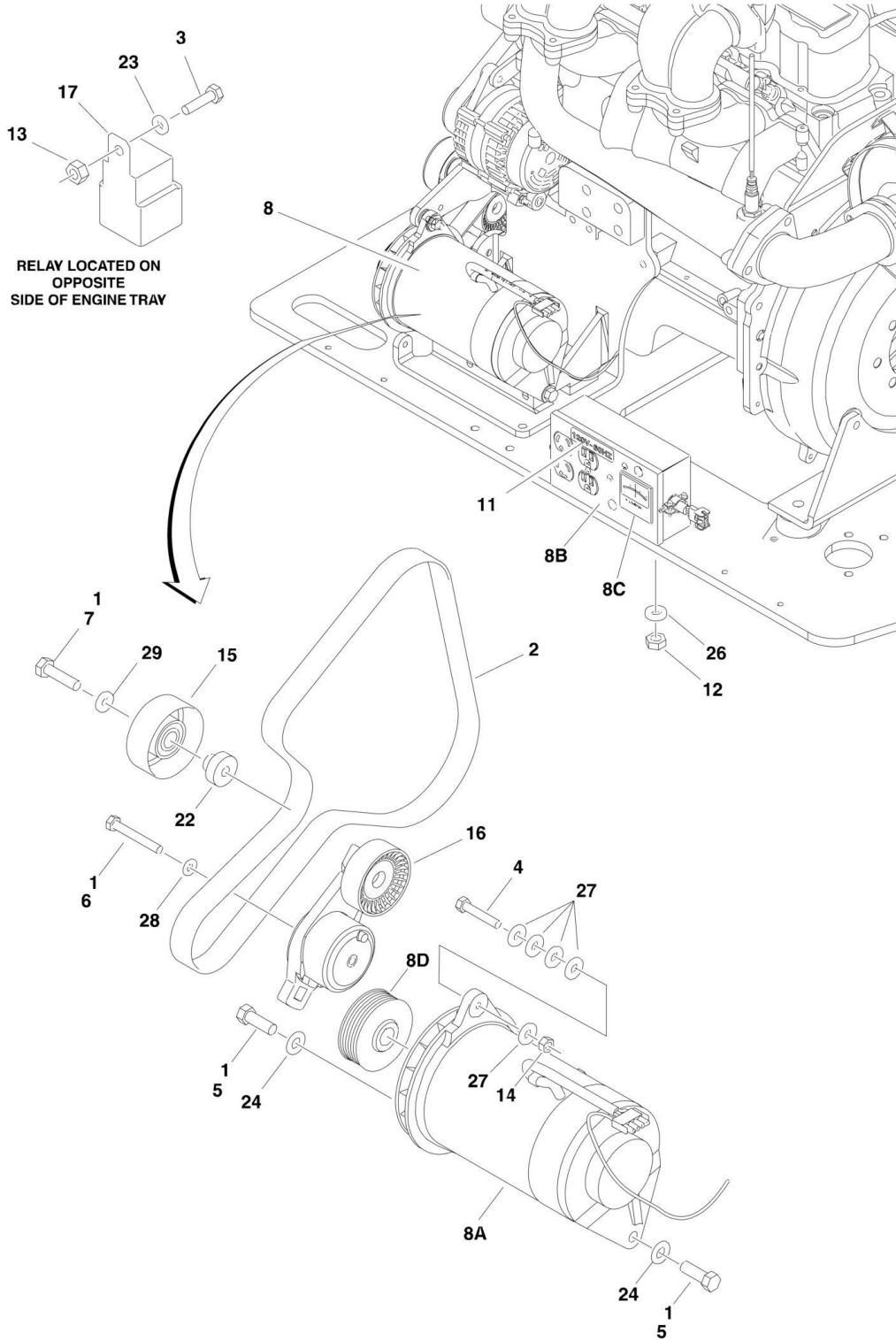
| ITEM | PART NUMBER | QTY | DESCRIPTION | REV |
|------|-------------|-----|---|-----|
| | | Ref | GENERATOR INSTALLATION OPTIONS: | |
| | 0273507 | Ref | 110V Generator with ADE System | C |
| 1 | 0100011 | AR | Compound, Locking | |
| 2 | 0100019 | AR | Compound, Locking | |
| 3 | 0363082 | 1 | Bar, Generator Adjuster | |
| 4 | 0363097 | 1 | Bar, Pulley Mounting | |
| 5 | 0480135 | 1 | V-Belt | |
| 6 | 0641405 | 1 | Bolt 1/4in-20NC x 5/8in | |
| 7 | 0641508 | 1 | Bolt 5/16in-18NC x 1in | |
| 8 | 0641611 | 3 | Bolt 3/8in-16NC x 1-3/8in | |
| 9 | 0641612 | 3 | Bolt 3/8in-16NC x 1-1/2in | |
| 10 | 0641718 | 2 | Bolt 7/16in-14NC x 2-1/4in | |
| 11 | 0641810 | 1 | Bolt 1/2in-13NC x 1-1/4in | |
| 12 | 0701015 | 1 | Bolt 10mm x 35mm | |
| 13 | 0741606 | 1 | Screw, Countersunk 3/8in-16NC x 3/4in | |
| 14 | 0741808 | 1 | Screw, Countersunk 1/2in-13NC x 1in | |
| 15 | 0902952 | 1 | Bracket, Generator Mounting | |
| 16 | 2460051 | 1 | Generator and Control Box Assembly | |
| 16A | 7012558 | 1 | Generator - 110V | |
| | | Ref | Note: Replacement Generator p/n 7012558 come standard with p/n 3580134 pulley. This pulley may not be correct for all applications. Refer to pulley options below. | |
| 16A | 7026199 | 1 | Armature with Slip Rings | |
| 16A | 7012513 | 4 | Cap, Brush Holder | |
| 16A | 7020108 | 4 | Brush | |
| 16A | 7020109 | 4 | Holder, Brush | |
| 16A | 7012514 | 1 | Fan | |
| 16A | 7020190 | 2 | Bearing | |
| 16A | 7020110 | 1 | End Bell, Front | |
| 16A | 7020111 | 1 | End Bell, Rear | |
| 16B | 7019680 | 1 | Box, Control | |
| 16B | 4360542 | 1 | Breaker, Circuit | |
| 16B | 4460190 | 1 | Receptacle, Double | |
| 16B | 4460027 | 1 | Receptacle, Double Twist Lock | |
| 16C | 2420203 | 1 | Voltmeter | |
| 16D | 3580324 | 1 | Pulley | |
| 16D | 7027887 | 1 | Key, Woodruff | |
| 17 | 2820031 | AR | Heat Shrink (Not Shown - Located at Platform) | |
| 18 | 3251243 | 1 | Decal - 120V-60HZ | |
| 19 | 3252764 | NLA | Nameplate (Not Shown - Located at Platform) (Use p/n 3251102) | |
| 20 | 3311005 | 2 | Locknut #10-24NC | |
| 21 | 3311405 | 1 | Locknut 1/4in-20NC | |
| 22 | 3574225 | 1 | Plate, Pulley Mounting | |
| 23 | 3580312 | 2 | Pulley, Idler | |
| 24 | 3580313 | 1 | Pulley, Grooved Idler | |
| 25 | 3740080 | 1 | Relay, Bosch | |
| 26 | 3900322 | 2 | Screw, Shoulder | |
| 27 | 4060802 | 1 | Guard, Switch (Not Shown - Located at Platform) | |
| 28 | 4240018 | AR | Tie-Strap | |

SECTION 2 - TURNTABLE

| ITEM | PART NUMBER | QTY | DESCRIPTION | REV |
|------|-------------|-----|--|-----|
| 29 | 4340738 | 1 | Support, Idler Pulley | |
| 30 | 4360336 | 1 | Switch, Toggle (Not Shown - Located at Platform) | |
| 31 | 4568734 | 2 | Spacer, Tube (Idler Pulley Non-Grooved) | |
| 32 | 4568735 | 1 | Spacer, Tube (Idler Pulley Grooved) | |
| 33 | 4711400 | 1 | Flatwasher 1/4in Narrow | |
| 34 | 4711700 | 2 | Flatwasher 7/16in Narrow | |
| 35 | 4740397 | 1 | Spacer | |
| 36 | 4751000 | 2 | Flatwasher #10 Wide | |
| 37 | 4751600 | 3 | Flatwasher 3/8in Wide | |
| 38 | 4751800 | 1 | Flatwasher 1/2in Wide | |
| 39 | 4891500 | 1 | Flatwasher 5/16in Hardened | |
| 40 | 4891600 | 4 | Flatwasher 3/8in Hardened | |
| 41 | 4892000 | 2 | Flatwasher 5/8in Hardened | |

SECTION 2 - TURNTABLE

FIGURE 2-30. 2500W GENERATOR INSTALLATION - GM MACHINES (OPTIONAL)



SECTION 2 - TURNTABLE

FIGURE 2-30. 2500W GENERATOR INSTALLATION - GM MACHINES (OPTIONAL)

| ITEM | PART NUMBER | QTY | DESCRIPTION | REV |
|------|-------------|-----|---|-----|
| | | Ref | GENERATOR INSTALLATION OPTIONS: | |
| | 0275039 | Ref | 110V Generator | E |
| | See Note | Ref | 220V Generator (Note: Not Available for Purchase) | |
| 1 | 0100011 | AR | Compound, Locking | |
| 2 | 0480142 | 1 | V-Belt | |
| 3 | 0641405 | 1 | Bolt 1/4in-20NC x 5/8in | |
| 4 | | Ref | Bolt Options: | |
| 4 | 0641514 | 1 | Bolt 5/16in-18NC x 1-3/4in (Prior to SN 0300094699) | |
| 4 | 0641510 | 1 | Bolt 5/16in-18NC x 1-1/4in (SN 0300094699 through 0300185827) | |
| 5 | 0641710 | 2 | Bolt 7/16in-14NC x 1-1/4in | |
| 6 | 0700820 | 1 | Bolt M8 x 60mm | |
| 7 | 0701016 | 1 | Bolt M10 x 340mm | |
| 8 | 2460051 | 1 | Generator and Control Box Assembly | |
| 8A | 7012558 | 1 | Generator | |
| | | Ref | Note: Replacement Generator p/n 7012558 come standard with p/n 3580134 pulley. This pulley may not be correct for all applications. Refer to pulley options below. | |
| 8A | 7026199 | 1 | Armature with Slip Rings | |
| 8A | 7012513 | 4 | Cap, Brush Holder | |
| 8A | 7020108 | 4 | Brush | |
| 8A | 7020109 | 4 | Holder, Brush | |
| 8A | 7012514 | 1 | Fan | |
| 8A | 7020190 | 2 | Bearing | |
| 8A | 7020110 | 1 | End Bell, Front | |
| 8A | 7020111 | 1 | End Bell, Rear | |
| 8B | 7019680 | 1 | Box Control | |
| 8B | 4360542 | 1 | Breaker, Circuit | |
| 8B | 4460190 | 1 | Receptacle, Double | |
| 8B | 4460027 | 1 | Receptacle, Double Twist Lock | |
| 8C | 2420203 | 1 | Voltmeter | |
| 8D | 3580324 | 1 | Pulley | |
| 8D | 7027887 | 1 | Key, Woodruff | |
| 9 | 2820031 | AR | Heat Shrink (Not Shown - Located at Platform) | |
| 10 | 3251102 | 1 | Nameplate - Generator (Not Shown - Located at Platform) | |
| 11 | 3251243 | 1 | Decal | |
| 12 | 3311005 | 2 | Locknut # 10-24NC | |
| 13 | 3311405 | 1 | Locknut 1/4in-20NC | |
| 14 | 3311505 | 1 | Locknut 5/16in-18NC (Prior to SN 0300094699) | |
| 15 | 3580312 | 1 | Pulley, Idler | |
| 16 | 3580348 | 1 | Tensioner, Belt | |
| 17 | 3740080 | 1 | Relay, Bosch | |
| 18 | 4060802 | 1 | Guard, Switch (Not Shown - Located at Platform) | |
| 19 | 4240018 | AR | Tie-Strap (Not Shown) | |
| 20 | 4360336 | 1 | Switch, Toggle (Not Shown - Located at Platform) | |
| 21 | 4460906 | 3 | Terminal (Not Shown) | |
| 22 | 4568735 | 1 | Spacer, Tube (Idler Pulley Grooved) | |
| 23 | 4711400 | 1 | Flatwasher 1/4in Narrow | |
| 24 | 4711700 | 2 | Flatwasher 7/16in Narrow | |
| 25 | 4740397 | 1 | Spacer (Not Shown - Located at Platform) | |

SECTION 2 - TURNTABLE

| ITEM | PART NUMBER | QTY | DESCRIPTION | REV |
|------|-------------|-----|---------------------------|-----|
| 26 | 4751000 | 2 | Flatwasher #10 Wide | |
| 27 | 4751500 | AR | Flatwasher 5/16in Wide | |
| 28 | 4811900 | 1 | Flatwasher M8 | |
| 29 | 4891600 | 1 | Flatwasher 3/8in Hardened | |

SECTION 3 - BOOM

SECTION 3 - BOOM

FIGURE 3-1. BOOM AND CYLINDERS INSTALLATION

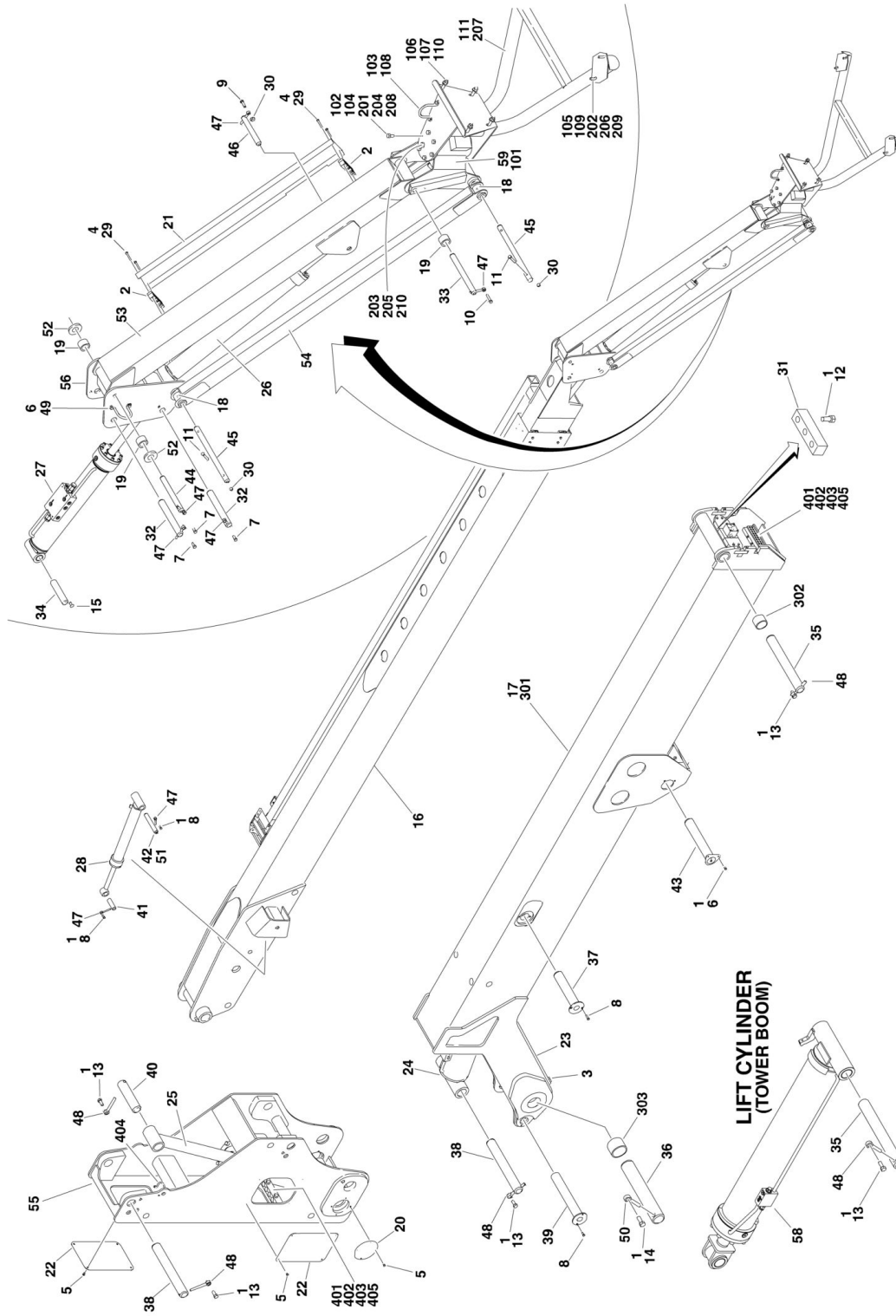


FIGURE 3-1. BOOM AND CYLINDERS INSTALLATION

| ITEM | PART NUMBER | QTY | DESCRIPTION | REV |
|------|-------------|-----|---|-----|
| | | Ref | BOOMS AND CYLINDERS INSTALLATION | |
| | 0271505 | Ref | Without Aircraft De-icing Package | I |
| | 1001107299 | Ref | With Aircraft De-icing Package | D |
| 1 | 0100011 | AR | Compound, Locking | |
| 2 | | Ref | Block, Clamp Options: | |
| 2 | 0561237 | 2 | Without Aircraft De-icing Package | |
| 2 | 1001107300 | 2 | With Aircraft De-icing Package | |
| 3 | 0641404 | 4 | Bolt 1/4in-20NC x 1/2in | |
| 4 | | Ref | Bolt 1/4in-20NC Options: | |
| 4 | 0641416 | 4 | Without Aircraft De-icing Package (2in Length) | |
| 4 | 0641420 | 4 | With Aircraft De-icing Package (2-1/2in Length) | |
| 5 | 0641604 | 24 | Bolt 3/8in-16NC x 1/2in | |
| 6 | 0641606 | 4 | Bolt 3/8in-16NC x 3/4in | |
| 7 | 0641607 | 3 | Bolt 3/8in-16NC x 7/8in | |
| 8 | 0641608 | 6 | Bolt 3/8in-16NC x 1in | |
| 9 | 0641611 | 1 | Bolt 3/8in-16NC x 1-3/8in | |
| 10 | | Ref | Bolt 3/8in-16NC Options: | |
| 10 | 0641614 | 1 | 1-3/4in Length | |
| 10 | 0641608 | 1 | 1in Length | |
| 11 | 0641618 | 4 | Bolt 3/8in-16NC x 2-1/4in | |
| 12 | 0641820 | 3 | Bolt 1/2in-13NC x 2-1/2in | |
| 13 | 0642214 | 5 | Bolt 3/4inx 10NC x 1-3/4in | |
| 14 | 0642620 | 1 | Bolt 1in-8NC x 2-1/2in | |
| 15 | 0741607 | 1 | Screw 3/8in-16NC x 7/8in | |
| 16 | 0801136 | 1 | Boom Assembly (Upper - See MAIN BOOM ASSEMBLY for Breakdown) | |
| 17 | 0801314 | 1 | Boom Assembly (Tower - See Items 301-303 for Breakdown) | |
| 18 | 0961947 | 6 | Bearing | |
| 19 | 0962335 | 4 | Bushing (Prior to SN 0300096488) | |
| 20 | 1120510 | 2 | Cover, Upright | |
| 21 | | Ref | Cover, Cable Options: | |
| 21 | 1670769 | 1 | Without Aircraft De-icing Package | |
| 21 | 1001107419 | 1 | With Aircraft De-icing Package | |
| 22 | 1670844 | 4 | Cover, Upright | |
| 23 | 1670850 | 1 | Cover, Tower Fly | |
| 24 | | Ref | Cylinder, Upright Level Options (See CYLINDER SECTION for Breakdown): | |
| 24 | 1683546 | NLA | Cylinder, Upright Level (Original Equipment) (Use p/n 1001228041) | |
| 24 | 1684497 | NLA | Cylinder, Upright Level (Service Replacement) (Usage May Vary) (Use p/n 1001228041) | |
| 24 | 1001228041 | 1 | Cylinder, Upright Level (Service Replacement) | |
| 25 | 1683547 | NLA | Cylinder, Upper Lift (Use p/n 1001248010) (See CYLINDER SECTION for Breakdown) (Original Equipment) | |
| 25 | 1001228010 | 1 | Cylinder, Upper Lift (See CYLINDER SECTION for Breakdown) (Service Replacement) | |
| 26 | 1683609 | NLA | Cylinder, Extended Reach (Use p/n 1001248012) (See CYLINDER SECTION for Breakdown) (Original Equipment) | |
| 26 | 1001248012 | 1 | Cylinder, Extended Reach (See CYLINDER SECTION for Breakdown) (Service Replacement) | |
| 27 | 1684228 | NLA | Cylinder, Slave (Use p/n 1001228030) (See CYLINDER SECTION for Breakdown) (Original Equipment) | |

SECTION 3 - BOOM

| ITEM | PART NUMBER | QTY | DESCRIPTION | REV |
|------|-------------|-----|--|-----|
| 27 | 1001228030 | 1 | Cylinder, Slave (See CYLINDER SECTION for Breakdown) (Service Replacement) | |
| 28 | 1683682 | NLA | Cylinder, Master (Use p/n 1001228050) (See CYLINDER SECTION for Breakdown) (Original Equipment) | |
| 28 | 1001228050 | 1 | Cylinder, Master (See CYLINDER SECTION for Breakdown) (Service Replacement) | |
| 29 | 2080044 | 4 | Fastener | |
| 30 | 3311605 | 5 | Locknut, 3/8in-16NC | |
| 31 | 3340835 | 1 | Pad, Boom Rest | |
| 32 | 3422561 | 2 | Pin | |
| 33 | | Ref | Pin Options: | |
| 33 | | Ref | Pin (Prior to SN 0300130881) | |
| 33 | 3422563 | 1 | Production (10-3/4in Length) | |
| 33 | 3422860 | 1 | For Service Replacement Rotator (9-7/16in Length) | |
| 33 | 3422860 | 1 | Pin (SN 0300130881 through 0300185827) | |
| 34 | 3422583 | 1 | Pin | |
| 35 | 3422681 | 2 | Pin | |
| 36 | 3422683 | 1 | Pin | |
| 37 | 3422684 | 1 | Pin | |
| 38 | 3422685 | 2 | Pin | |
| 39 | 3422686 | 1 | Pin | |
| 40 | 3422687 | 1 | Pin | |
| 41 | 3422688 | 1 | Pin | |
| 42 | 3422689 | 1 | Pin | |
| 43 | 3422729 | 1 | Pin | |
| 44 | 3422860 | 1 | Pin | |
| 45 | 3422861 | 2 | Pin | |
| 46 | 3422867 | 1 | Pin | |
| 47 | 3841143 | 7 | Keeper, 3/8in | |
| 48 | 3841287 | 5 | Shaft, Keeper | |
| 49 | 3841340 | 1 | Rod, Hose Loop | |
| 50 | 3841356 | 1 | Shaft, Keeper | |
| 51 | 3900239 | 1 | Screw, Nylon | |
| 52 | 4740439 | 2 | Washer, Thrust | |
| 53 | 4844816 | 1 | Weldment, Top Tube | |
| 53 | 0962335 | 4 | Bushing | |
| 54 | 4844817 | 2 | Weldment, Bottom Tube | |
| 55 | 4845593 | 1 | Weldment, Upright | |
| 56 | 4845716 | 1 | Weldment, Pivot | |
| 58 | 1683537 | NLA | Cylinder, Tower Lift (Use p/n 1001228009) (See CYLINDER SECTION for Breakdown) (Original Equipment) | |
| 58 | 1001228009 | 1 | Cylinder, Tower Lift (See CYLINDER SECTION for Breakdown) (Service Replacement) | |
| 59 | 0060066 | 1 | Rotator Actuator Assembly (See ROTATOR ASSEMBLY for Breakdown) (SN 0300130881 through 0300185827) | |
| | 0258766 | Ref | ROTATOR AND SUPPORT INSTALLATION (Prior to SN 0300130881) | E |
| 101 | 0060031 | NLA | Rotator Actuator Assembly (Use p/n 1001103095) (See ROTATOR ASSEMBLY for Breakdown) | |
| 102 | 0100011 | AR | Compound, Locking | |
| 103 | 0641606 | 2 | Bolt 3/8in-16NC x 3/4in | |
| 104 | 0641810 | 6 | Bolt 1/2in-13NC x 1-1/4in | |
| 105 | 0681610 | 4 | Bolt 3/8in-16NC x 1-1/4in (Grade 8) | |

SECTION 3 - BOOM

| ITEM | PART NUMBER | QTY | DESCRIPTION | REV |
|------|-------------|-----|---|-----|
| 106 | 0681820 | 4 | Bolt 1/2in-13NC x 2-1/2in (Grade 8) | |
| 107 | 3311805 | 4 | Locknut 1/2in-13NC | |
| 108 | 3841340 | 1 | Rod, Hose Loop | |
| 109 | 4711600 | 4 | Flatwasher 3/8in Narrow | |
| 110 | 4711800 | 8 | Flatwasher 1/2in Narrow | |
| 111 | 4844790 | 1 | Support Weldment | |
| | 0272070 | Ref | ROTATOR AND SUPPORT INSTALLATION (SN 0300130881 through 0300185827) | E |
| | See Note | Ref | Machines with Load Sensing (Note: For replacement parts, contact JLG Customer Service and request manual p/n 3124287.) | |
| 201 | 0100011 | AR | Compound, Locking | |
| 202 | 0641812 | 8 | Bolt 1/2in-13NC x 1-1/2in | |
| 203 | 0642684 | 1 | Bolt 1in-8NC x 10-1/2in | |
| 204 | 0681608 | 8 | Bolt 3/8in-16NC x 1in (Grade 8) | |
| 205 | 3300243 | 1 | Locknut 1in-8NC | |
| 206 | 3311805 | 8 | Locknut 1/2in-13NC | |
| 207 | 4846573 | 1 | Support Weldment | |
| 208 | 4891600 | 8 | Flatwasher 3/8in Hardened | |
| 209 | 4891800 | 8 | Flatwasher 1/2in Hardened | |
| 210 | 4892600 | 1 | Flatwasher 1in Hardened | |
| | 0801314 | Ref | TOWER BOOM ASSEMBLY AND COMPONENTS | A |
| 301 | 0801311 | 1 | Weldment, Tower Boom | |
| 302 | 0962102 | 2 | Bushing (2-3/4in) | |
| 303 | 0962122 | 2 | Bushing (4in) | |
| | | Ref | TOWER BOOM HOSE, CABLES | |
| | 0271519 | Ref | Without Aircraft De-icing / Communication System Package | C |
| | 1001106329 | Ref | With Aircraft De-icing / Communication System Package | A |
| 401 | 1320250 | 3 | Clamp, Bar | |
| 402 | | Ref | Clamp, Block Options: | |
| 402 | 1320251 | 3 | Without Aircraft De-icing / Communication System Package | |
| 402 | 1001106328 | 3 | With Aircraft De-icing / Communication System Package | |
| 403 | 3311605 | 6 | Locknut 3/8in-16NC | |
| 404 | 3841340 | 2 | Rod, Hose Loop | |
| 405 | 3900262 | 6 | Bolt 3/8in-16NC x 4-3/4in | |

SECTION 3 - BOOM

FIGURE 3-2. MAIN BOOM ASSEMBLIES

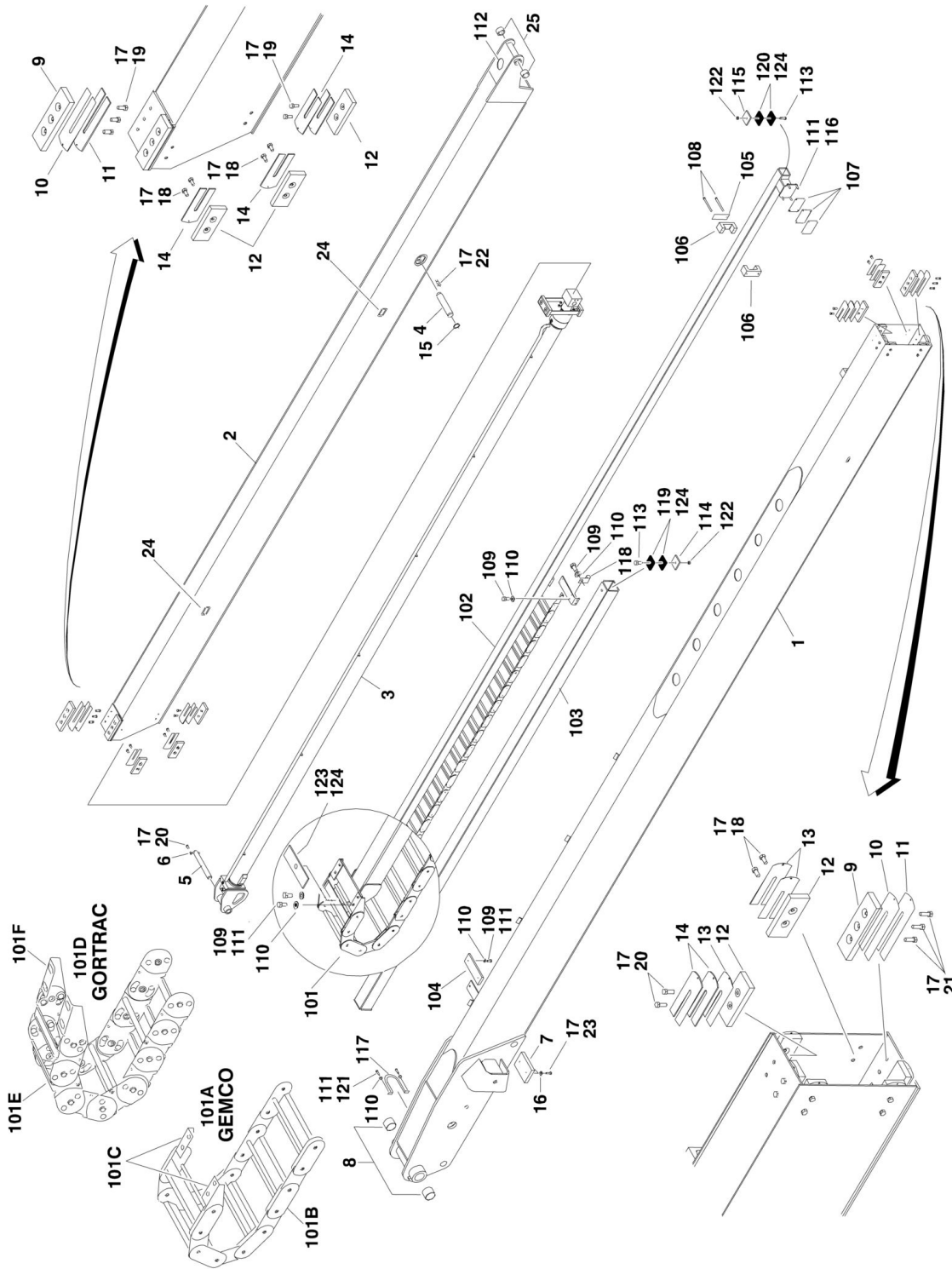


FIGURE 3-2. MAIN BOOM ASSEMBLIES

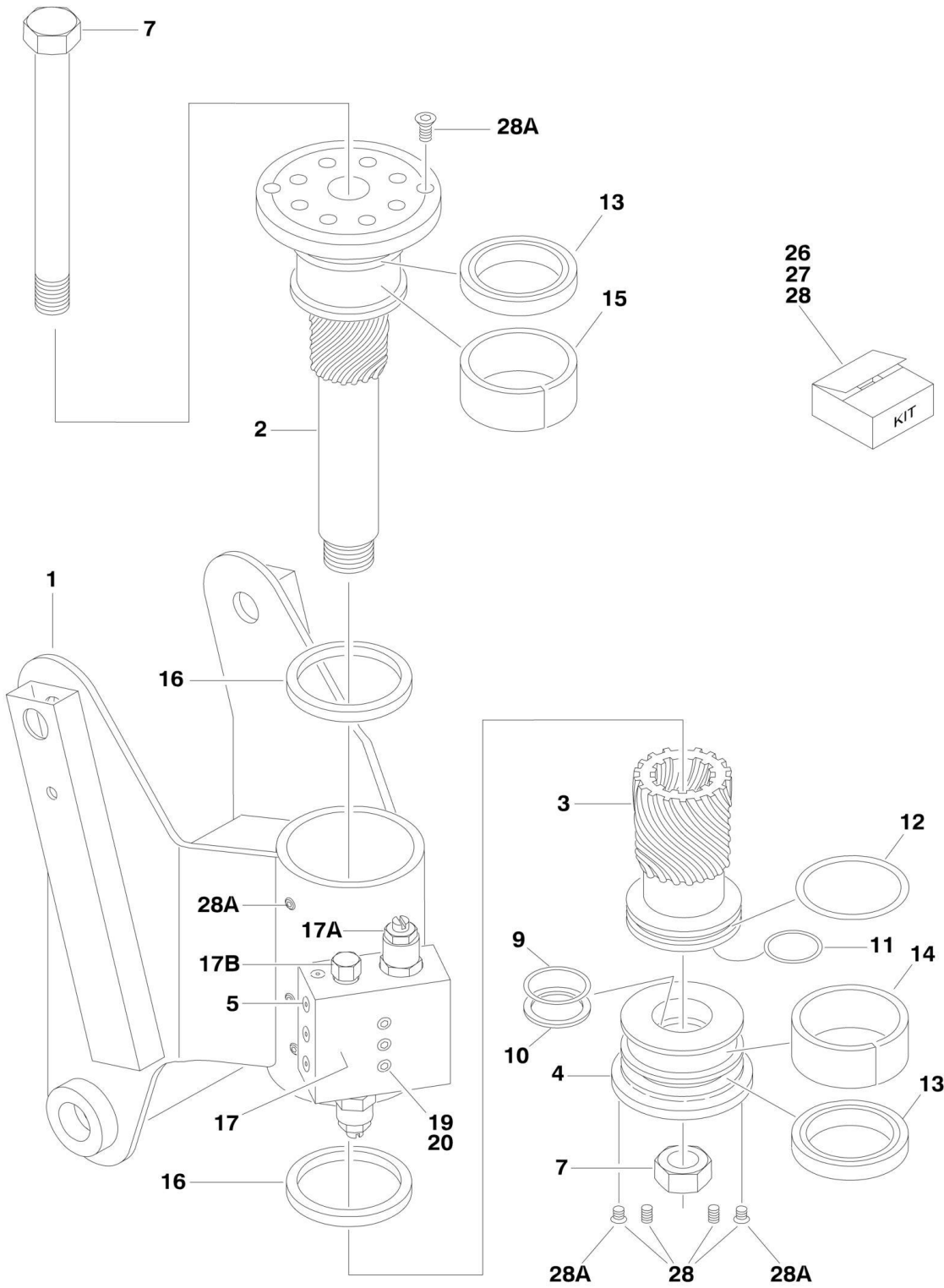
| ITEM | PART NUMBER | QTY | DESCRIPTION | REV |
|------|-------------|-----|--|-----|
| | 0801136 | Ref | MAIN BOOM ASSEMBLY | M |
| 1 | | Ref | Base Weldment Options: | |
| 1 | 0801191 | NLA | Base Weldment (Use p/n 0801591) (Prior to SN 0300103805) | |
| 1 | 0801591 | 1 | Base Weldment (SN 0300103805 through 0300185827) | |
| 2 | | Ref | Fly Weldment | |
| 2 | 0801140 | NLA | Fly Weldment (Use p/n 0801573) (Prior to SN 0300098644) | |
| 2 | 0801573 | 1 | Fly Weldment (SN 0300098644 through 0300185827) | |
| 3 | 1683672 | NLA | Telescope Cylinder Assembly (Use p/n 1001228087) (See CYLINDER SECTION for Breakdown) (Original Equipment) | |
| 3 | 1001188841 | NLA | Telescope Cylinder Assembly (Use p/n 1001228087) (Usage May Vary) (See CYLINDER SECTION for Breakdown) (Service Replacement) | |
| 3 | 1001228087 | 1 | Telescope Cylinder Assembly (See CYLINDER SECTION for Breakdown) (Service Replacement) | |
| 4 | 3422457 | 1 | Pin | |
| 5 | 3422690 | 1 | Pin | |
| 6 | 3841143 | 1 | Keeper, Pin | |
| 7 | 0561295 | 1 | Block, Boom Rest | |
| 8 | 0962102 | 2 | Bushing | |
| 9 | 3340871 | 4 | Pad, Wear | |
| 10 | 4070863 | 4 | Shim 1/8in | |
| 11 | 4070864 | 4 | Shim.05 | |
| 12 | | Ref | Pad, Wear Options: | |
| 12 | 3340881 | 12 | Pad, Wear (Prior to SN 0300169344) | |
| 12 | 1001148652 | 12 | Pad, Wear (SN 0300169344 through 0300185827) | |
| 13 | 4070897 | 10 | Shim .05 | |
| 14 | 4070898 | 12 | Shim 1/8in | |
| 15 | 3760133 | 2 | Ring, Retaining | |
| 16 | 4711600 | 2 | Flatwasher 3/8in Narrow | |
| 17 | 0100011 | AR | Compound, Locking | |
| 18 | 0641606 | 16 | Bolt 3/8in-16NC x 3/4in | |
| 19 | 0641607 | 10 | Bolt 3/8in-16NC x 7/8in | |
| 20 | 0641608 | 5 | Bolt 3/8in-16NC x 1in | |
| 21 | 0641609 | 6 | Bolt 3/8in-16NC x 1-1/8in | |
| 22 | 3900259 | 4 | Bolt, Shoulder | |
| 23 | 0641612 | 2 | Bolt 3/8in-16NC x 1-1/2in | |
| 24 | 1670836 | 6 | Cover, Boom (Prior to SN 0300120845) | |
| 25 | 0961951 | 2 | Bushing | |
| | 0258077 | Ref | POWER TRACK INSTALLATION | H |
| 101 | | Ref | Carrier Options: | |
| 101A | 1180349 | NLA | Gemco Brand Power Track (Original Equipment) (Use p/n 1001099837) | |
| 101B | 7016522 | AR | Carrier Repair Section (Includes 1 Pin for each end) | |
| 101B | 7016523 | AR | Rod Assembly (Includes 1 rod and hardware) | |
| 101B | 7016529 | AR | Roller, Plastic Rod | |
| 101B | 7006137 | AR | Link Pin Assembly | |
| 101C | 7016524 | 2 | Foot, Mounting (1 Pair) | |
| 101D | 1001099837 | 1 | Gortrac Brand Power Track (Service Replacement) | |
| 101E | 70002013 | AR | Carrier Repair Section (Includes 1 Pin Assembly for each end) | |
| 101F | 70002014 | 1 | Mounting Foot Kit (Includes Both Pair of Feet) | |
| 102 | 4845729 | 1 | Push Tube Weldment | |

SECTION 3 - BOOM

| ITEM | PART NUMBER | QTY | DESCRIPTION | REV |
|------|-------------|-----------|---------------------------------------|-----|
| 103 | 4845730 | 1 | Support | |
| 104 | 3340840 | 1 | Pad | |
| 105 | 3538758 | 1 | Plate, Backing | |
| 106 | 3340764 | 2 | Pad | |
| 107 | 4070969 | 3 | Shim | |
| 108 | 0641640 | 2 | Bolt 3/8in-16NC x 5in | |
| 109 | 0641606 | 18 | Bolt 3/8in-16NC x 3/4in | |
| 110 | 4711600 | 22 | Flatwasher 3/8in Narrow | |
| 111 | 0100011 | AR | Compound, Locking | |
| 112 | 4060805 | 8 in/20cm | Flex-Trim | |
| 113 | 0641624 | 2 | Bolt 3/8in-16NC x 3in | |
| 114 | 1320289 | 1 | Clamp, Hose | |
| 115 | 1320288 | 1 | Clamp, Hose | |
| 116 | 0641607 | 4 | Bolt 3/8in-16NC x 7/8in | |
| 117 | 3841406 | 1 | Loop, Hose | |
| 118 | 1320263 | 1 | Clamp, Loop | |
| 119 | 3340943 | 2 | Pad, Rubber | |
| 120 | 3340941 | 2 | Pad, Rubber | |
| 121 | 3900283 | 2 | Screw, Button Head 3/8in-16NC x 3/4in | |
| 122 | 3311605 | 2 | Locknut 3/8in-18NC | |
| 123 | 0100081 | AR | Adhesive | |
| 124 | 4071052 | 2 | Shim | |

SECTION 3 - BOOM

FIGURE 3-3. ROTATOR ASSEMBLY (Prior to SN 0300130881)



SECTION 3 - BOOM

FIGURE 3-3. ROTATOR ASSEMBLY (Prior to SN 0300130881)

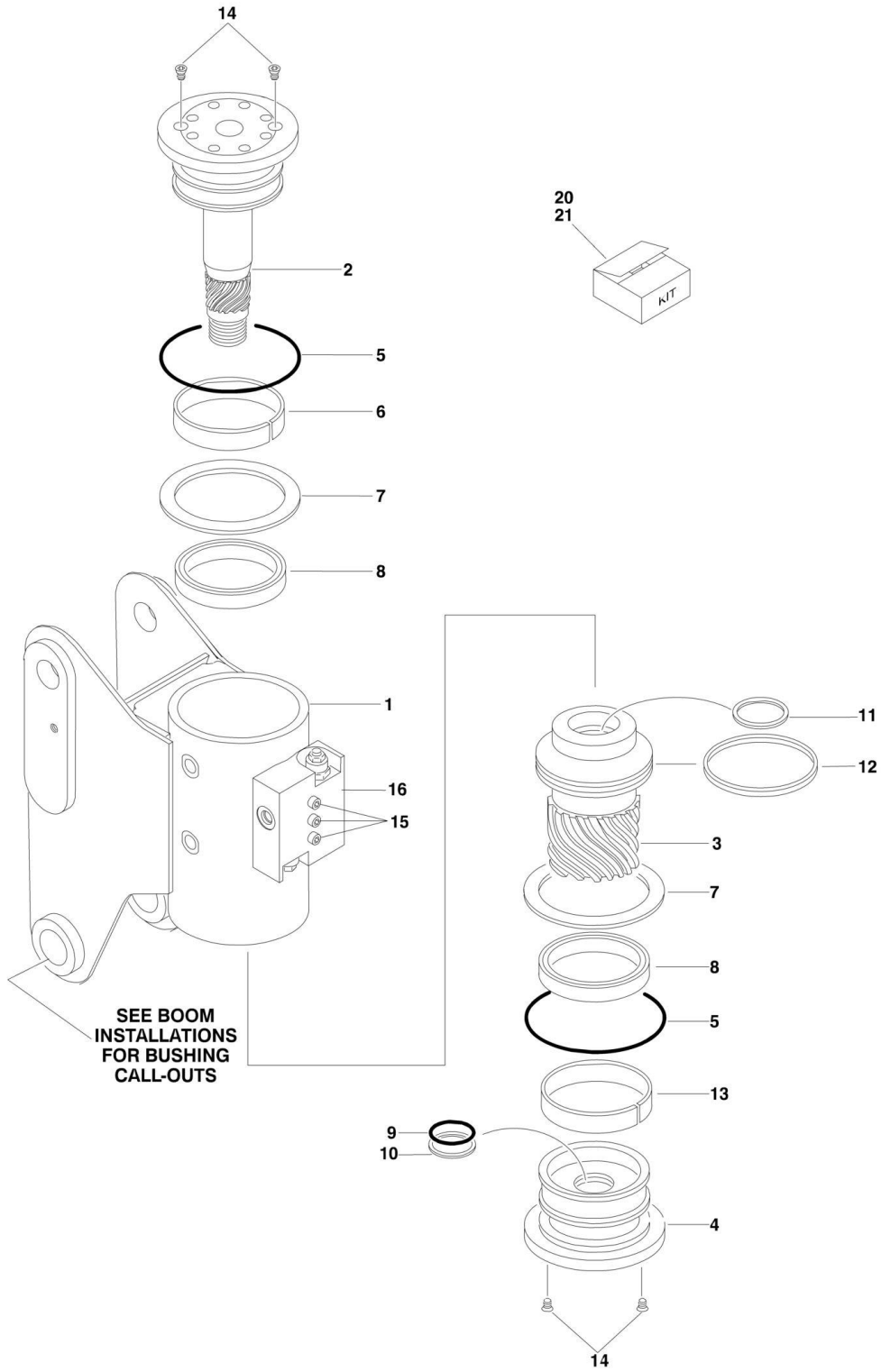
| ITEM | PART NUMBER | QTY | DESCRIPTION | REV |
|------|-------------|-----|---|-----|
| | | Ref | ROTATOR ASSEMBLIES (Prior to SN 0300130881) | |
| | 0060031 | Ref | Original Equipment | 1 |
| | 1001103095 | Ref | Service Replacement Kit (contains 0060074 rotator, upper pin, keeper shaft, keeper shaft bolt and instruction sheet) | 1 |
| | | Ref | Note: Before ordering parts, identify whether original equipment rotator has been replaced with service replacement. Service replacement rotator uses spacer plate bolted on the top with 8 capscrews (Not shown - located at item 2). Original equipment rotator does not use spacer plate. | |
| 1 | See Note | 1 | Housing/Ring Gear Assembly (Note: Not Available - Purchase Complete Assembly) | |
| 2 | | Ref | Shaft Weldment Options: | |
| 2 | 7017177 | 1 | 0060031 Rotator | |
| 2 | 7017162 | 1 | 0060074 Rotator | |
| 2 | See Note | 1 | Plate, Spacer (Not Shown) (0060074 Rotators Only) (Note: Not Available for Purchase) | |
| 3 | | Ref | Piston/Sleeve Options: | |
| 3 | 7017115 | 1 | 0060031 Rotator | |
| 3 | 7017163 | 1 | 0060074 Rotator | |
| 4 | | Ref | Cap, End Options: | |
| 4 | 7017174 | 1 | 0060031 Rotator | |
| 4 | 7017164 | 1 | 0060074 Rotator | |
| 5 | See Note | NSS | Plug, Port (Note: Not Available for Purchase) | |
| 6 | 7017142 | 2 | Plug | |
| 7 | 7017119 | 1 | Bolt 1in-8NC x 11in | |
| 7 | 3272605 | AR | Locknut 1in-8NC | |
| 9 | See Note | NSS | Seal, Cap (Note: Use Item 26) | |
| 10 | See Note | NSS | Ring, Back-up (Cap) (Note: Use Item 26) | |
| 11 | See Note | NSS | Seal, Rod (Note: Use Item 26) | |
| 12 | See Note | NSS | Seal, Piston (Note: Use Item 26) | |
| 13 | See Note | NSS | Packing, Bearing (Note: Use Item 26) | |
| 14 | See Note | NSS | Bearing, Cap (Note: Use Item 27) | |
| 15 | See Note | NSS | Bearing, Shaft (Note: Use Item 27) | |
| 16 | See Note | NSS | Thrustwasher (Note: Use Item 27) | |
| 17 | | Ref | Valve Assembly Options: | |
| 17 | 7017183 | 1 | 0060031 Rotator | |
| 17 | 7017183 | 1 | 0060074 Rotator | |
| 17A | | Ref | Cartridge, Valve Options: | |
| 17A | 7011331 | 2 | Cartridge for Helac p/n 24736 | |
| 17A | 7017193 | 2 | Cartridge for Helac p/n 27600 | |
| 17A | 2900770 | 2 | Seal Kit - 7011331 Valve | |
| 17A | See Note | 2 | Seal Kit - 7017193 Valve (Note: Not Available for Purchase) | |
| 17B | | Ref | Cartridge, Valve Options: | |
| 17B | 7011332 | AR | Cartridge for Helac p/n 24736 | |
| 17B | See Note | 1 | Cartridge for Helac p/n 27600 (Not Shown - Located on Side of Valve Block) (Note: Not Available for Purchase) | |
| 17B | 7011346 | 2 | Seal Kit - 7011332 Valve | |
| 17B | See Note | 1 | Seal Kit - Valve Located on Side of Block (Note: Not Available for Purchase) | |
| 18 | 7017118 | 2 | Setscrew (0060031 Rotators Only) | |
| 19 | See Note | 3 | Bolt 1/4in-20NC (Grade 8) (Note: Not Available for Purchase) | |

SECTION 3 - BOOM

| ITEM | PART NUMBER | QTY | DESCRIPTION | REV |
|------|-------------|-----|---|-----|
| 20 | 3790110 | 3 | O-Ring (Not Shown - Located between Valve and Actuator Housing) | |
| 26 | | Ref | Seal Kit Options (Includes Items 9-13): | |
| 26 | 7017157 | 1 | 0060031 Rotator | |
| 26 | | Ref | 0060074 Rotator Options: | |
| 26 | 7017158 | 1 | Standard | |
| 26 | 70000342 | 1 | Low Temperature | |
| 27 | | Ref | Bearing Kit Options (Includes Items 14-16): | |
| 27 | 7017156 | 1 | 0060031 Rotator | |
| 27 | 7017159 | 1 | 0060074 Rotator | |
| 28 | 7017142 | 1 | Hardware Kit for 0060031 Rotators (Includes End Cap Dowel Pins and Items 6 & 28A) | |
| 28A | 70001697 | 6 | Screw, Countersunk 1/4in-20NC x 3/8in Grade 8 | |

SECTION 3 - BOOM

FIGURE 3-4. ROTATOR ASSEMBLY (SN 0300130881 through 0300185827)



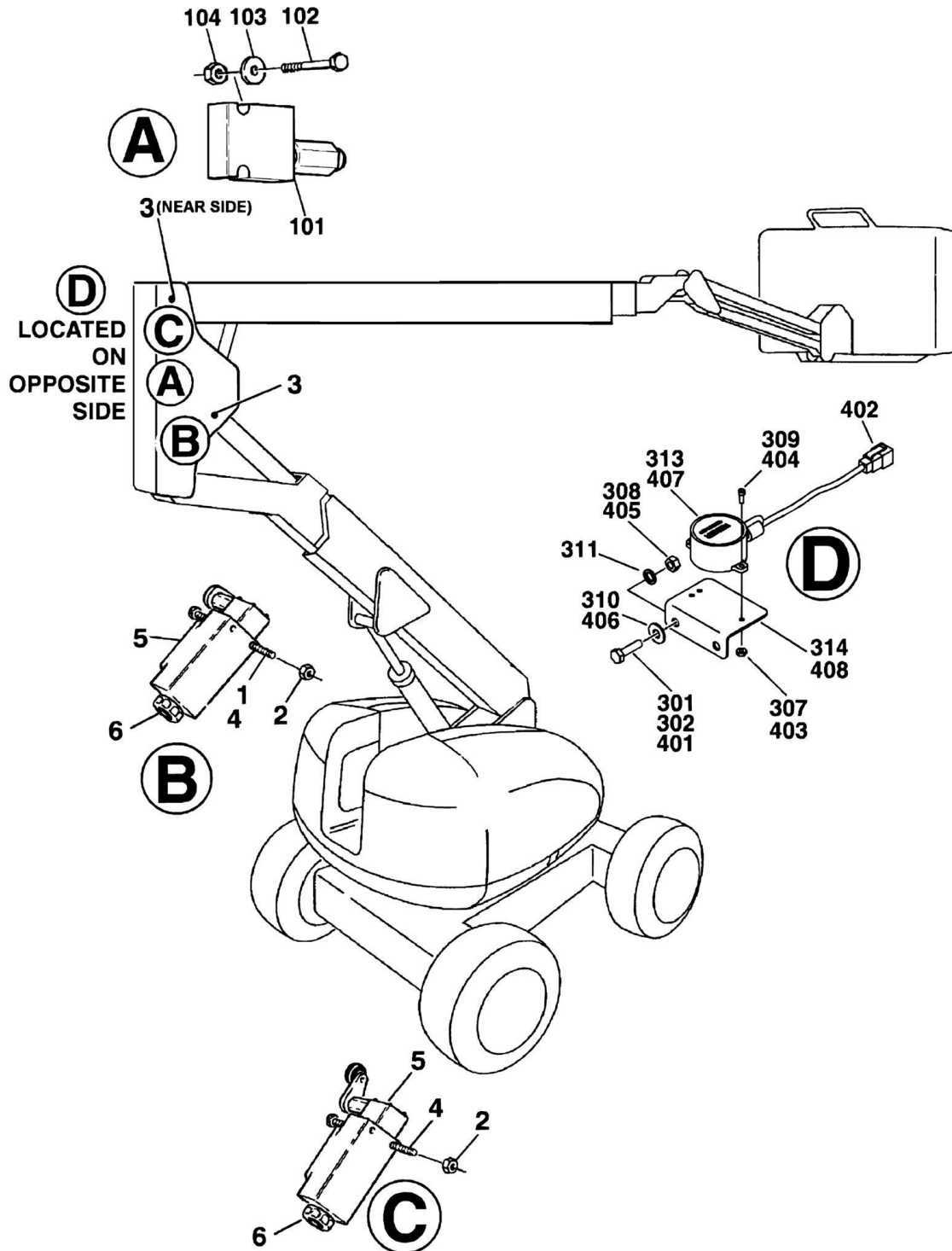
SECTION 3 - BOOM

FIGURE 3-4. ROTATOR ASSEMBLY (SN 0300130881 through 0300185827)

| ITEM | PART NUMBER | QTY | DESCRIPTION | REV |
|------|-------------|-----|--|-----|
| | 0060066 | Ref | ROTATOR ASSEMBLY | C |
| 1 | See Note | 1 | Housing/Ring Gear Assembly (Note: Not Available - Purchase Complete Assembly) | |
| 2 | 7017162 | 1 | Weldment, Shaft | |
| 3 | 7017163 | 1 | Piston/Sleeve Assembly | |
| 4 | 7017164 | 1 | Cap, End | |
| 5 | See Note | NSS | O-Ring (Note: Use Item 20) | |
| 6 | See Note | NSS | Bearing, Shaft (Note: Use Item 21) | |
| 7 | See Note | NSS | Washer, Thrust (Note: Use Item 21) | |
| 8 | See Note | NSS | Packing, Bearing (Note: Use Item 20) | |
| 9 | See Note | NSS | Seal, Cap (Note: Use Item 20) | |
| 10 | See Note | NSS | Ring, Back-up Cap (Note: Use Item 20) | |
| 11 | See Note | NSS | Seal, Rod (Note: Use Item 20) | |
| 12 | See Note | NSS | Seal, Piston (Note: Use Item 20) | |
| 13 | See Note | NSS | Bearing, Cap (Note: Use Item 21) | |
| 14 | 70001697 | 6 | Capscrew 1/4in-20NC x 3/8in (Grade 8) | |
| 15 | See Note | 3 | Bolt 1/4in-20NC (Grade 8) (Note: Not Available for Purchase) | |
| 16 | 7017183 | 1 | Valve Assembly | |
| 16 | 7017193 | 2 | Cartridge, Valve | |
| 16 | See Note | 2 | Seal Kit - 7017193 Valve (Note: Not Available - Purchase Complete Assembly) | |
| 16 | See Note | 1 | Cartridge, Valve (Not Shown - Located on Side of Block) (Note: Not Available - Purchase Complete Assembly) | |
| 16 | See Note | 1 | Seal Kit - Valve Located on Side of Block (Note: Not Available - Purchase Complete Assembly) | |
| 20 | | Ref | Seal Kit Options (Includes Items 5, 8-12): | |
| 20 | 7017158 | 1 | Standard | |
| 20 | 70000342 | 1 | Low Temperature | |
| 21 | 7017159 | 1 | Bearing Kit (Includes Items 6, 7 & 13) | |

SECTION 3 - BOOM

FIGURE 3-5. VALVE AND LIMIT SWITCH INSTALLATIONS (BOOM MOUNTED)



SECTION 3 - BOOM

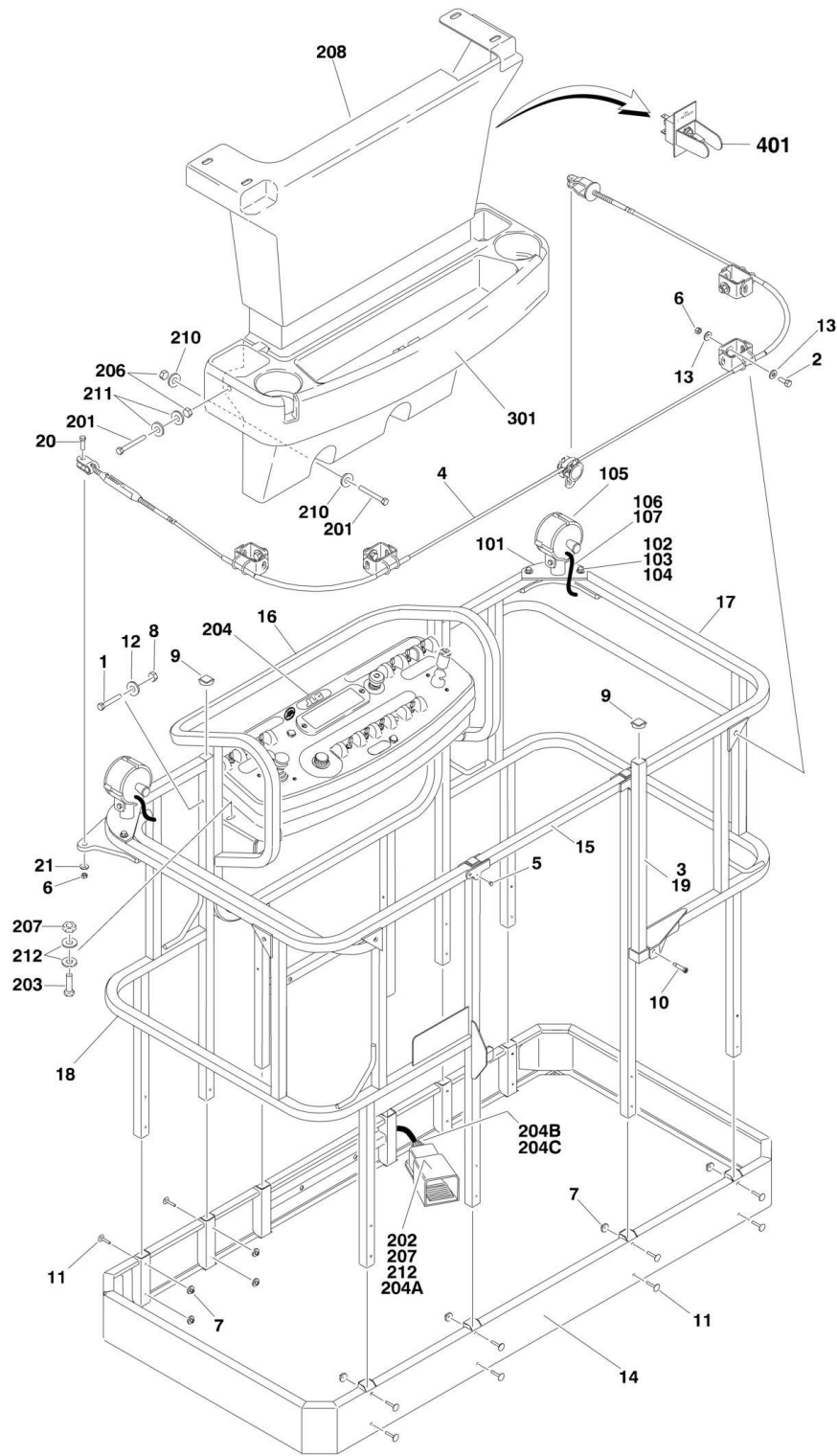
FIGURE 3-5. VALVE AND LIMIT SWITCH INSTALLATIONS (BOOM MOUNTED)

| ITEM | PART NUMBER | QTY | DESCRIPTION | REV |
|------|-------------|-----|--|-----|
| | 0271989 | Ref | BOOM VALVES AND LIMIT SWITCHES INSTALLATION | C |
| 1 | 0100035 | AR | Compound, Locking | |
| 2 | 3310805 | 4 | Locknut #8-32NC | |
| 3 | 3520035 | 2 | Plug, Cap | |
| 4 | 3930824 | 4 | Capscrew, Socket Head #8-32NC x 1-1/2in | |
| 5 | | Ref | Switch, Limit Options: (Note: P/N 4360549 & P/N 4360578 does not include #6 Connector - Purchase Separately) | |
| 5 | 4360322 | NLA | Switch, Limit (Use p/n 4360578) (Prior to SN 0300074427) | |
| 5 | 4360549 | NLA | Switch, Limit (Use p/n 4360578) (SN 0300074427 through 0300080871) | |
| 5 | 4360578 | 2 | Switch, Limit (SN 0300080872 through 0300185827) | |
| 6 | | Ref | Connector, Strain Relief Options: | |
| 6 | 4460428 | 2 | Use with p/n 4360322 Switch | |
| 6 | 4460968 | 2 | Use with p/n 4360549 & 4360578 Switches | |
| | | Ref | VALVES INSTALLATION | |
| | 0258457 | Ref | Valves Installation (Prior to SN 0300089982) | C |
| | 0274643 | Ref | Valves Installation (SN 0300089982 through 0300095109) | C |
| | 0258457 | Ref | Valves Installation (SN 0300095110 through 0300137683) | D |
| | 0274643 | Ref | Valves Installation (SN 0300137684 through 0300185827) | E |
| 101 | 4640929 | 1 | Valve Assembly (Relief) | |
| 101 | 7012970 | 1 | Cartridge | |
| 101 | 7012953 | 1 | Seal Kit - 7012970 Cartridge | |
| 102 | 0641416 | 2 | Bolt 1/4in-20NC x 2in | |
| 103 | 4711400 | 4 | Flatwasher 1/4in Narrow | |
| 104 | 3311405 | 2 | Locknut 1/4in-20NC | |
| | 1001093187 | Ref | TILT SENSOR INSTALLATION (Prior to SN 0300112885) | C |
| 301 | 0100011 | AR | Compound, Locking | |
| 302 | 0641610 | 2 | Bolt 3/8in-16NC x 1-1/4in | |
| 307 | 3310605 | 3 | Locknut #6-32 NC | |
| 308 | 3311601 | 2 | Locknut 3/8in-16NC | |
| 309 | 3930606 | 3 | Screw #6-32 NC | |
| 310 | 4751600 | 2 | Flatwasher 3/8in | |
| 311 | 4761600 | 2 | Lockwasher 3/8in | |
| 313 | 1001094400 | 1 | Sensor, Dual Axis | |
| 314 | 1001094401 | 1 | Bracket, Tilt Sensor | |
| | 0275733 | Ref | TILT SENSOR INSTALLATION (SN 0300112885 through 0300185827) | A |
| 401 | 0641408 | 2 | Bolt 1/4in-20NC x 1in | |
| 402 | 0100048 | AR | Grease, Dielectric | |
| 403 | 3310605 | 3 | Locknut #6-32 NC | |
| 404 | 3930606 | 3 | Screw #6-32 NC | |
| 405 | 3311405 | 2 | Locknut 1/4in-20NC | |
| 406 | 4751400 | 2 | Flatwasher 1/4in | |
| 407 | 1001094400 | 1 | Sensor, Dual Axis | |
| 408 | 1001096736 | 1 | Bracket, Tilt Sensor | |

SECTION 4 - PLATFORM

SECTION 4 - PLATFORM

FIGURE 4-1. PLATFORM COMPONENTS INSTALLATION (Prior to SN 0300130881)



SECTION 4 - PLATFORM

FIGURE 4-1. PLATFORM COMPONENTS INSTALLATION (Prior to SN 0300130881)

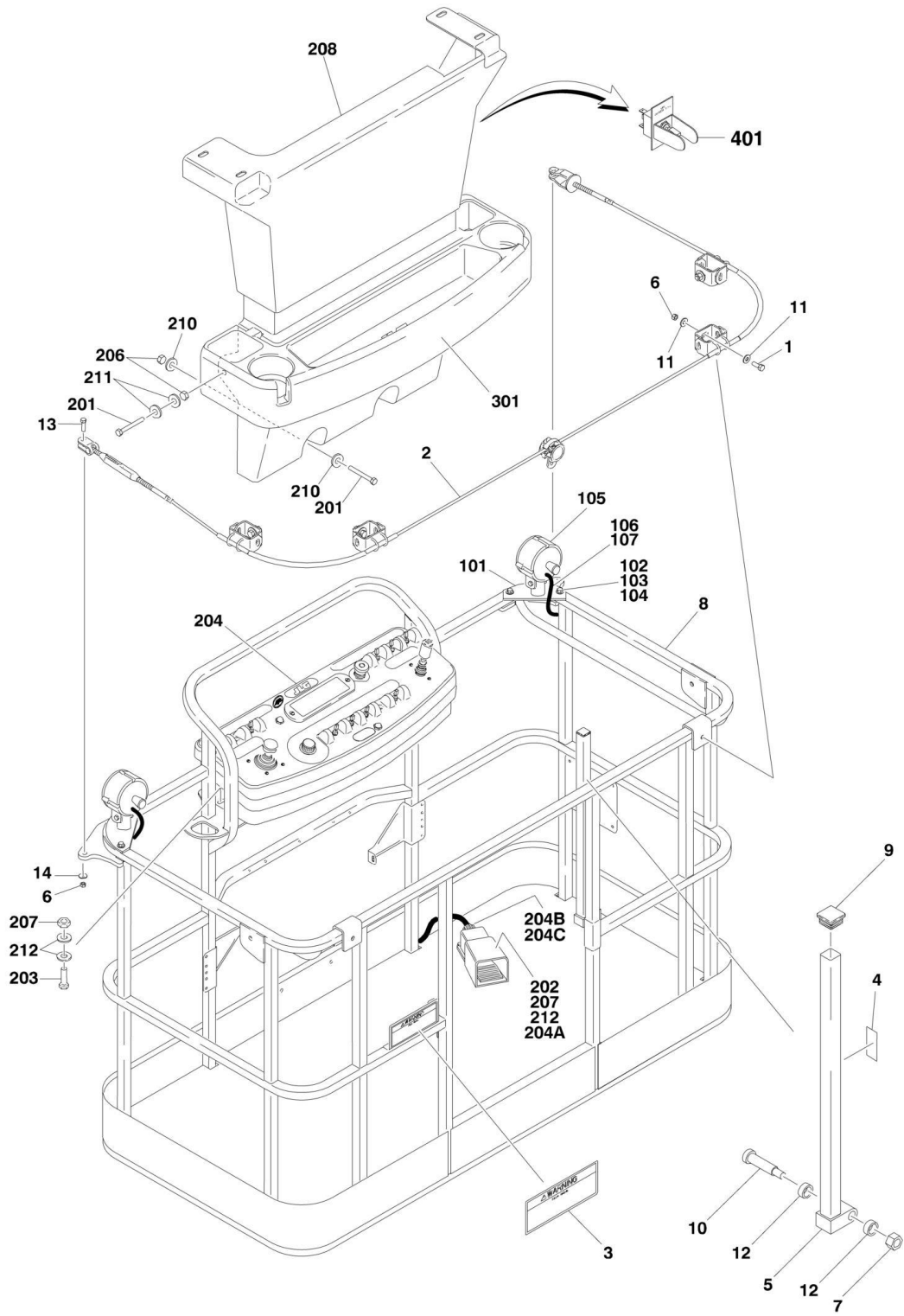
| ITEM | PART NUMBER | QTY | DESCRIPTION | REV |
|------|-------------|-----|--|-----|
| | 3510784 | Ref | PLATFORM INSTALLATION (FALL ARREST) | D |
| | | Ref | Note: Replacement Decals Must be purchased separately - See DECALS SECTION. | |
| 1 | 0641524 | 4 | Bolt 5/16in-18NC x 3in | |
| 2 | 0681810 | 4 | Bolt 1/2in-13NC x 1-1/4in (Grade 8) | |
| 3 | 0962270 | 2 | Bearing, Oilite | |
| 4 | 1060919 | 1 | Cable, Fall Arrest | |
| 5 | 2080040 | 8 | Fastener, Huck | |
| 6 | 3271805 | 6 | Locknut 1/2in-13NC | |
| 7 | 3300393 | 16 | Collar | |
| 8 | 3311505 | 4 | Locknut 5/16in-18NC | |
| 9 | 3520072 | 5 | Cap, Plug | |
| 10 | 3900054 | 1 | Bolt, Shoulder 1/2inx 1-3/4in | |
| 11 | 3900207 | 16 | Fastener | |
| 12 | 4751500 | 4 | Flatwasher 5/16in (Wide) | |
| 13 | 4751800 | 8 | Flatwasher 1/2in (Wide) | |
| 14 | 4844954 | 1 | Weldment, Floor | |
| 15 | 4845287 | 1 | Weldment, Door Rail | |
| 16 | 4845328 | 1 | Weldment, Control Box Rail | |
| 17 | 4846442 | 1 | Weldment, Rail (Right Side) | |
| 18 | 4846443 | 1 | Weldment, Rail (Left Side) | |
| 19 | 4846450 | 1 | Weldment, Gate | |
| 20 | 0681814 | 2 | Bolt 1/2in-13NC x 1-3/4in (Grade 8) | |
| 21 | 4711800 | 2 | Flatwasher 1/2in Narrow | |
| | 0270814 | Ref | WORKLIGHTS INSTALLATIONS (OPTIONAL) | 3-E |
| 101 | 3536089 | 2 | Plate, Mounting | |
| 102 | 0641414 | 4 | Bolt 1/4in-20NC x 1-3/4in | |
| 103 | 3311405 | 4 | Locknut 1/4in-20NC | |
| 104 | 4711400 | 8 | Flatwasher 1/4in Narrow | |
| 105 | 2920140 | 2 | Worklight | |
| 105 | 7016399 | 2 | Bulb, Replacement (1 Per Worklight) | |
| 106 | 4240099 | 10 | Tie-Strap (Not Shown) | |
| 107 | 2820035 | 9 | Loom, Vinyl (Not Shown) | |
| 109 | 4460598 | 1 | Connector, Strain Relief (Not Shown - Located at Console Box) | |
| | 0272762 | Ref | CONSOLE BOX INSTALLATIONS | B |
| 201 | 0641406 | 4 | Bolt 1/4in-20NC x 3/4in | |
| 202 | 0641408 | 3 | Bolt 1/4in-20NC x 1in | |
| 203 | 0641610 | 4 | Bolt 3/8in-16NC x 1-1/4in | |
| 204 | 0861549 | 1 | Platform Console Box Assembly (See PLATFORM CONSOLE ASSEMBLY for Breakdown) | |
| 204A | 4360031 | NLA | Footswitch Assembly (Includes Footswitch and Items 204B & 204C) (Use p/n 0272970) | |
| | | Ref | Note: Assembly p/n 0272970 may use either p/n 4360031 or p/n 1001117320. If Original Equipment was replaced as an "assembly," p/n 1001117320 may have been used as part of the Service Replacement. Identify component before ordering parts. | |
| 204A | | Ref | Footswitch Less Cable Options: | |
| 204A | 4360031 | 1 | Original Equipment | |
| 204A | 1001117320 | 1 | Service Replacement | |
| 204A | | Ref | Block, Contact Options (See Note Above): | |

SECTION 4 - PLATFORM

| ITEM | PART NUMBER | QTY | DESCRIPTION | REV |
|------|-------------|------------|--|-----|
| 204A | 7000625 | 2 | Contact Block for 4360031 Footswitch | |
| 204A | 70003483 | 1 | Contact Block for 1001117320 Footswitch | |
| 204B | 1060918 | 7 ft/2.14m | Cable, Electrical - 18/3 | |
| 204C | 4460071 | 1 | Connector, Strain Relief | |
| 206 | 3311405 | 7 | Locknut 1/4in-20NC | |
| 207 | 3311605 | 4 | Locknut 3/8in-16NC | |
| 208 | 3380434 | 1 | Panel, Decal Mount | |
| 210 | 4740362 | 7 | Washer, Fender 1/4in | |
| 211 | 4751400 | 4 | Flatwasher 1/4in Wide | |
| 212 | 4751600 | 8 | Flatwasher 3/8in Wide | |
| | | Ref | TRAY INSTALLATIONS (OPTIONAL) | |
| 301 | 1580012 | 1 | Tray, Storage (Center) | |
| | | Ref | GENERATOR INSTALLATION - ANSI AND CSA SPEC (OPTIONAL) | |
| | 0272480 | Ref | 110V, 60Hz Generator with Deutz Engine (Prior to SN 0300082504) | 3-B |
| | 0274082 | Ref | 110V, 60Hz Generator with Deutz Engine (SN 0300082504 through 0300130881) | 3-C |
| | 0273507 | Ref | 110V, 60Hz Generator with ADE System with Ford Engine | C |
| | 0275039 | Ref | 110V, 60Hz Generator with GM Engine | D |
| 401 | 4360336 | 1 | Switch, Toggle | |
| 401 | 4740397 | 1 | Bushing | |
| 401 | 4060802 | 1 | Guard, Switch | |
| 401 | 3251102 | 1 | Decal - Generator ON/OFF | |

SECTION 4 - PLATFORM

FIGURE 4-2. PLATFORM COMPONENTS INSTALLATION (SN 0300130881 through 0300185827)



SECTION 4 - PLATFORM

FIGURE 4-2. PLATFORM COMPONENTS INSTALLATION (SN 0300130881 through 0300185827)

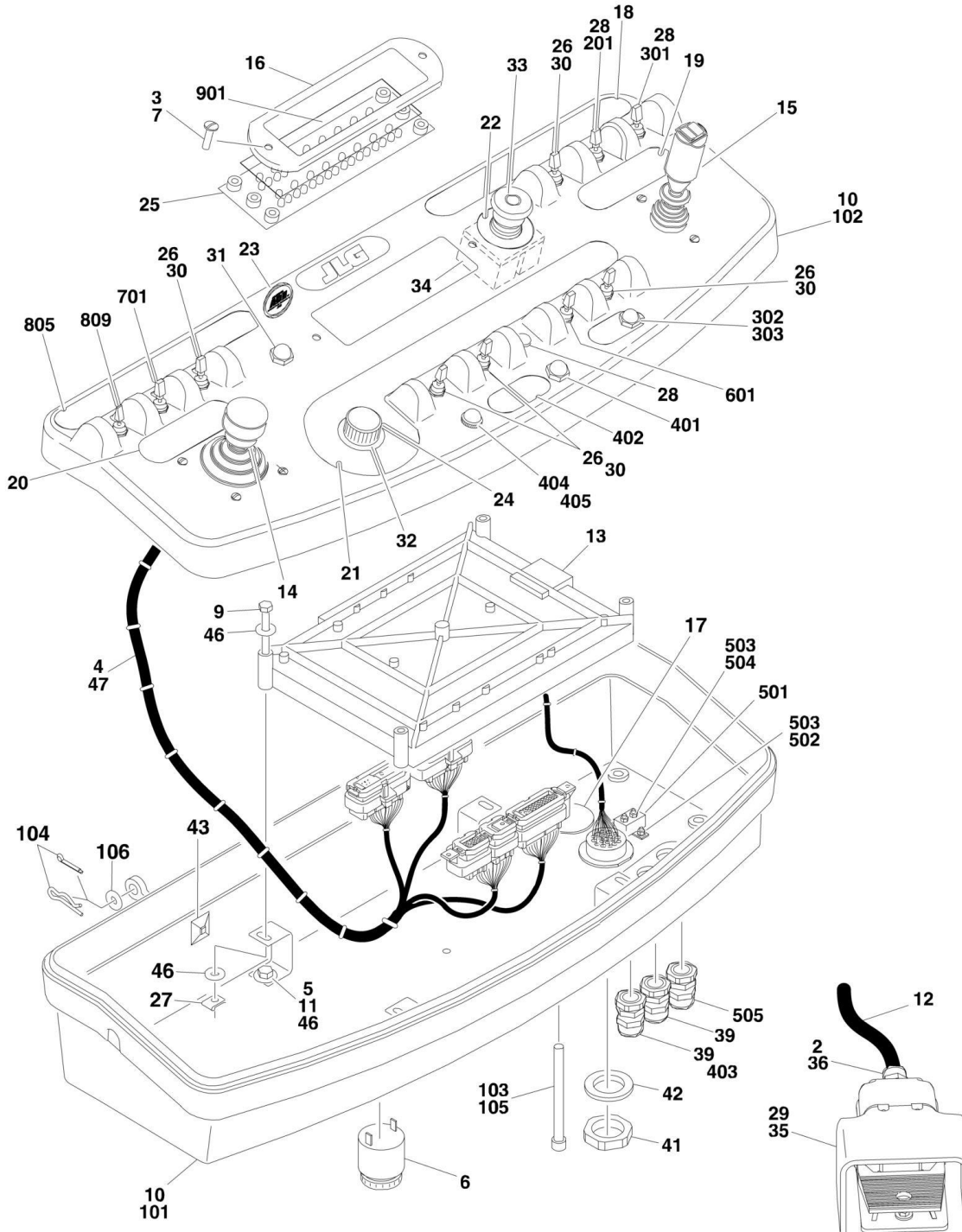
| ITEM | PART NUMBER | QTY | DESCRIPTION | REV |
|------|-------------|-----|--|-----|
| | 3510884 | Ref | PLATFORM ASSEMBLY (FALL ARREST) | E |
| | | Ref | Note: Replacement Decals Must be purchased separately See DECALS SECTION. | |
| 1 | 0681822 | 4 | Bolt 1/2in-13NC x 2-3/4in (Grade 8) | |
| 2 | 1060919 | 1 | Cable, Fall Arrest | |
| 3 | 1705014 | 1 | Decal, Safety | |
| 4 | 1706385 | 1 | Decal, Drop Bar | |
| 5 | 2410014 | 1 | Drop Bar | |
| 6 | 3271805 | 6 | Locknut 1/2in-13NC (Grade 8) | |
| 7 | 3311605 | 1 | Locknut 3/8in-16NC | |
| 8 | See Note | 1 | Weldment, Platform (Note: Purchase Complete Platform Assembly) | |
| 9 | 3520072 | 1 | Cap, Plug | |
| 10 | 3900054 | 1 | Bolt, Shoulder 1/2in x 1-3/4in | |
| 11 | 4751800 | 8 | Flatwasher 1/2in (Wide) | |
| 12 | 0962270 | 2 | Bearing, Oilite | |
| 13 | 0681814 | 2 | Bolt 1/2in-13NC x 1-3/4in (Grade 8) | |
| 14 | 4711800 | 2 | Flatwasher 1/2in Narrow | |
| | | Ref | WORKLIGHTS INSTALLATIONS (OPTIONAL) | |
| | 0270814 | Ref | Worklights Installations (SN 0300130881 through 0300137665) | 3-E |
| | 0273485 | Ref | Worklights Installations (SN 0300137666 through 0300185827) | D |
| 101 | 3536089 | 2 | Plate, Mounting | |
| 102 | | Ref | Fastener Options: | |
| 102 | 0641414 | 4 | Bolt 1/4in-20NC x 1-3/4in (SN 0300130881 through 0300137665) | |
| 102 | 0641414 | 4 | Fastener, Huck (SN 0300137666 through 0300185827) | |
| 103 | 3311405 | 4 | Locknut 1/4in-20NC (SN 0300130881 through 0300137666) | |
| 104 | 4711400 | 8 | Flatwasher 1/4in Narrow (SN 0300130881 through 0300137666) | |
| 105 | 2920140 | 2 | Worklight | |
| 105 | 7016399 | 2 | Bulb, Replacement (1 Per Worklight) | |
| 106 | 4240099 | 10 | Tie-Strap (Not Shown) | |
| 107 | 2820035 | 9 | Loom, Vinyl (Not Shown) | |
| 109 | 4460598 | 1 | Connector, Strain Relief (Not Shown - Located at Console Box) | |
| | | Ref | CONSOLE BOX INSTALLATION | |
| | 0272762 | Ref | Console Box Installation (Prior to SN 0300138447) | B |
| | 1001108852 | Ref | Console Box Installation (SN 0300138447 through 0300144198) | B |
| | 1001115320 | NLA | Console Box Installation (Use p/n 1001145904) (SN 0300144199 through 0300185827) | A-C |
| 201 | 0641406 | 4 | Bolt 1/4in-20NC x 3/4in | |
| 202 | 0641408 | 3 | Bolt 1/4in-20NC x 1in | |
| 203 | 0641610 | 4 | Bolt 3/8in-16NC x 1-1/4in | |
| 204 | | Ref | Platform Console Box Assembly Options: | |
| 204 | 0861549 | 1 | Platform Console Box Assembly (See PLATFORM CONSOLE ASSEMBLY for Breakdown) (Prior to SN 0300138447) | |
| 204 | 1001108851 | 1 | Platform Console Box Assembly (See PLATFORM CONSOLE ASSEMBLY for Breakdown) (SN 0300138447 through 0300144198) | |
| 204 | 1001115321 | NLA | Platform Console Box Assembly (See PLATFORM CONSOLE ASSEMBLY for Breakdown) (Use p/n 1001145905) (SN 0300144199 through 0300185827) | |
| 204A | | Ref | Footswitch Assembly Options (Includes Footswitch and Items | |

SECTION 4 - PLATFORM

| ITEM | PART NUMBER | QTY | DESCRIPTION | REV |
|------|-------------|------------|--|-----|
| 204A | 0272970 | 1 | 204B & 204C): Footswitch Assembly (Prior to SN 0300169344) | |
| 204A | 1001117174 | 1 | Footswitch Assembly (SN 0300169344 through 0300185827) | |
| | | Ref | Note: Assembly p/n 0272970 may use either p/n 4360031 or p/n 1001117320. If Original Equipment was replaced as an "assembly," p/n 1001117320 may have been used as part of the Service Replacement. Identify component before ordering parts. | |
| 204A | | Ref | Footswitch Less Cable Options: | |
| 204A | 4360031 | 1 | Original Equipment | |
| 204A | 7000625 | 2 | Block for 4360031 Footswitch | |
| 204A | 1001117320 | 1 | Service Replacement for Footswitch p/n 4360031 (Prior to SN 0300169344) | |
| 204A | 70003483 | 1 | Block for 1001117320 Footswitch | |
| 204A | 1001117172 | 1 | Footswitch Less Cable (SN 0300169344 through 0300185827) | |
| 204A | 70002902 | 1 | Block, Contact for 1001117172 Footswitch | |
| 204A | 70002903 | 1 | Gasket for 1001117172 Footswitch | |
| 204A | 70002905 | 1 | Cover for 1001117172 Footswitch | |
| 204A | 70002904 | 1 | Bolt Replacement Kit for 1001117172 Footswitch | |
| 204B | 1060918 | 7 ft/2.14m | Cable, Electrical - 18/3 | |
| 204C | 4460071 | 1 | Connector, Strain Relief | |
| 206 | 3311405 | 7 | Locknut 1/4in-20NC | |
| 207 | 3311605 | 4 | Locknut 3/8in-16NC | |
| 208 | 3380434 | 1 | Panel, Decal Mount | |
| 210 | 4740362 | 7 | Washer, Fender 1/4in | |
| 211 | 4751400 | 4 | Flatwasher 1/4in Wide | |
| 212 | 4751600 | 8 | Flatwasher 3/8in Wide | |
| | | Ref | TRAY INSTALLATIONS (OPTIONAL) | |
| 301 | 1580012 | 1 | Tray, Storage (Center) | |
| | | Ref | GENERATOR INSTALLATION - ANSI AND CSA SPEC (OPTIONAL) | |
| | 0274082 | Ref | 110V, 60Hz Generator with Deutz Engine | 3-C |
| | 0275039 | Ref | 110V, 60Hz Generator with GM Engine | D |
| 401 | 4360336 | 1 | Switch, Toggle | |
| 401 | 4740397 | 1 | Bushing | |
| 401 | 4060802 | 1 | Guard, Switch | |
| 401 | 3251102 | 1 | Decal - Generator ON/OFF | |

SECTION 4 - PLATFORM

FIGURE 4-3. PLATFORM CONSOLE ASSEMBLY (Prior to SN 0300138447)



SECTION 4 - PLATFORM

FIGURE 4-3. PLATFORM CONSOLE ASSEMBLY (Prior to SN 0300138447)

| ITEM | PART NUMBER | QTY | DESCRIPTION | REV |
|------|-------------|-----------|--|-----|
| | 0861549 | Ref | CONSOLE BOX AND FOOTSWITCH ASSEMBLY | F |
| 1 | 0100009 | AR | Sealant | |
| 2 | 0100020 | AR | Sealant | |
| 3 | 0100035 | AR | Compound, Locking | |
| 4 | 0100048 | AR | Grease, Dielectric | |
| 5 | 0100081 | AR | Adhesive | |
| 6 | 0140011 | 1 | Alarm | |
| 7 | 0630464 | 2 | Screw, Button Head #10-24NC x 1/2in | |
| 8 | 0641404 | 4 | Bolt 1/4in-20NC x 1/2in | |
| 9 | 0641414 | 4 | Bolt 1/4in-20NC x 1-3/4in | |
| 10 | 0861537 | 1 | Box, Console (See Items 101-106 for Breakdown) | |
| 11 | 0902751 | 4 | Bracket, Card Support | |
| 12 | 1060918 | 7 ft/2.1m | Cable, 18/3 | |
| 13 | | Ref | Controller, Module Options (Re-calibration Required when Replaced): | |
| 13 | 1600313 | 1 | Controller, Module (Prior to SN 0300077500) | |
| 13 | 1600375 | 1 | Controller, Module (SN 0300077500 through 0300138447) | |
| 14 | 1600317 | NLA | Controller Assembly (Swing and Lift) (See CONTROLLER ASSEMBLY (SWING AND LIFT) for Breakdown) (Use p/n 1001129555) | |
| 15 | 1600318 | NLA | Controller Assembly (Drive and Steer) (See CONTROLLER ASSEMBLY (DRIVE AND STEER) for Breakdown) (Use p/n 1001212415) | |
| 16 | 1670829 | 1 | Bezel | |
| 17 | 1671037 | 1 | Cover | |
| 18 | | Ref | Decal (Stop) Options: | |
| 18 | 1702564 | 1 | Decal (Prior to SN 0300073037) | |
| 18 | 1704997 | 1 | Decal (SN 0300073037 through 0300135981) | |
| 18 | 1001107527 | 1 | Decal (SN 0300135982 through 0300138447) | |
| 19 | 1702565 | 1 | Decal (Drive and Steer) | |
| 20 | 1702566 | 1 | Decal (Lift and Swing) | |
| 21 | 1702567 | 1 | Decal (Function Speed) | |
| 22 | 1704260 | 1 | Decal - EMS | |
| 23 | 1705132 | 1 | Decal - ADE | |
| 24 | 2560136 | 1 | Handle, Knob | |
| 25 | 2760105 | 1 | Housing, Display Light | |
| 26 | 3790012 | 5 | O-Ring | |
| 27 | 3300353 | 4 | Nut, Tinnerman | |
| 28 | | Ref | Plug, Hole Options: | |
| 28 | 3520028 | 5 | Plug, Hole (Prior to SN 0300077500) | |
| 28 | 3520054 | 5 | Plug, Hole (SN 0300077500 through 0300138447) | |
| 29 | See Note | 1 | Footswitch (Note: See PLATFORM COMPONENTS INSTALLATION for Service Parts) | |
| 30 | 4360328 | 5 | Switch, Toggle | |
| 31 | 4360387 | 1 | Switch, Pushbutton | |
| 32 | 4360407 | 1 | Controller, Speed | |
| 32 | See Note | 1 | Gasket "Top Hat" (Included with Switch) (Note: Not Available for Purchase) | |
| 32 | 70003784 | 1 | Seal | |
| 33 | 4360475 | 1 | Switch, Emergency Stop | |
| 33 | 7020175 | 1 | Cap, Red | |

SECTION 4 - PLATFORM

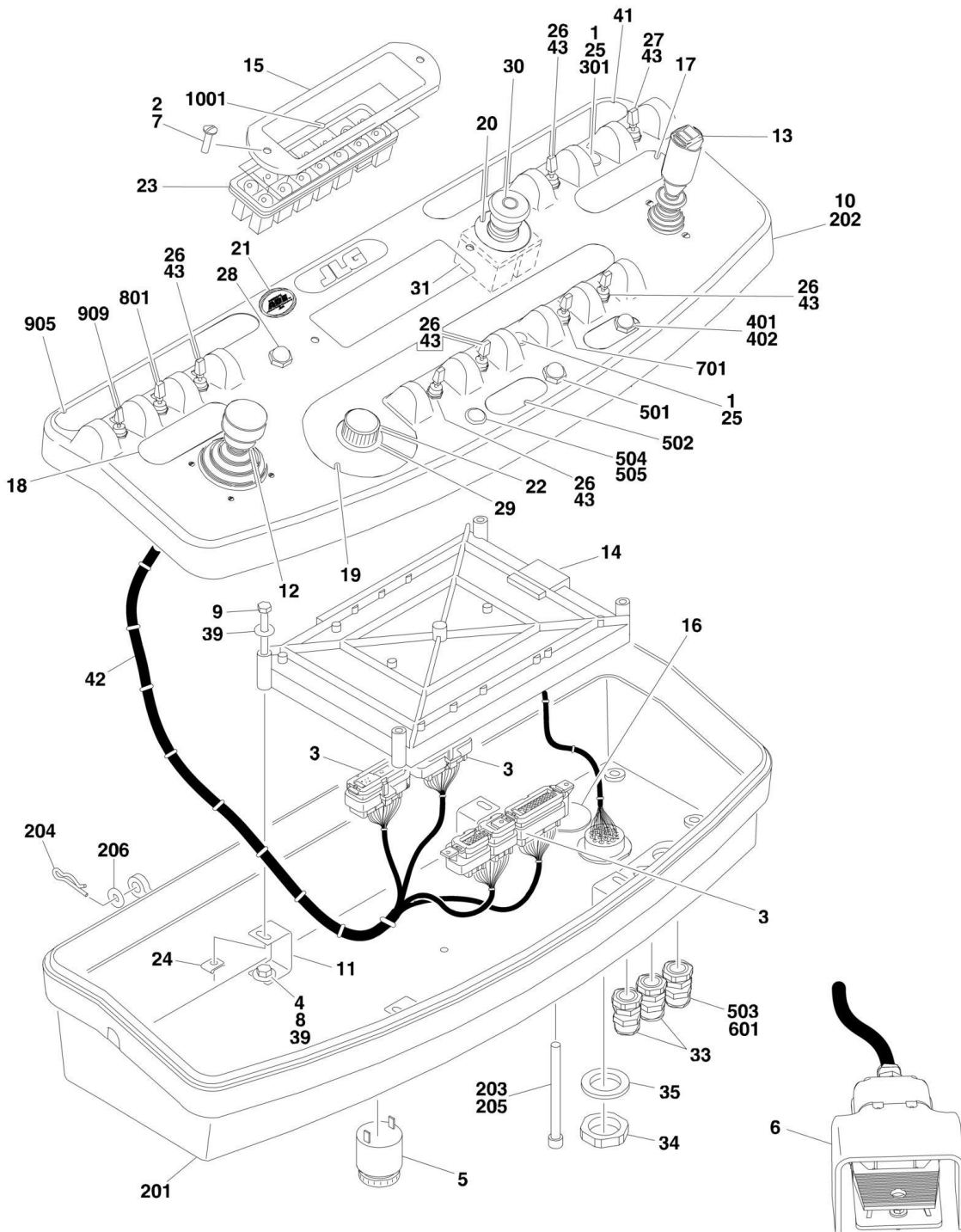
| ITEM | PART NUMBER | QTY | DESCRIPTION | REV |
|------|-------------|-----|---|-----|
| 33 | 7020176 | 1 | Contact Block | |
| 34 | 4360476 | 1 | Block, Contact | |
| 35 | 4460042 | 3 | Ring, Terminal | |
| 36 | 4460071 | 1 | Connector, Strain Relief | |
| 37 | 4460226 | 2 | Contact, Socket (See ELECTRICAL SECTION for Location) | |
| 38 | 4460234 | 3 | Tie-Strap (Not Shown) | |
| 39 | 4460428 | 2 | Connector, Strain Relief | |
| 40 | 4460464 | 1 | Terminal, Deutsch (See ELECTRICAL SECTION for Location) | |
| 41 | 4460470 | 1 | Nut, Terminal | |
| 42 | 4460471 | 1 | Lockwasher, Terminal | |
| 43 | 4460488 | 1 | Base, Mounting | |
| 44 | 4460708 | 2 | Terminal, 15 Pin (See ELECTRICAL SECTION for Location) | |
| 45 | 4460905 | 5 | Plug, Seal (See ELECTRICAL SECTION for Location) | |
| 46 | 4751400 | 8 | Flatwasher 1/4in | |
| 47 | | Ref | Harness, Platform Box Options: | |
| 47 | 4922639 | 1 | Harness, Platform Box (Prior to SN 0300135982) | |
| 47 | 1001107753 | 1 | Harness, Platform Box (SN 0300135982 through 0300138447) | |
| 48 | 4922666 | 1 | Harness, Analyzer Cable (See ELECTRICAL SECTION for Location) | |
| | 0272970 | 1 | Preassembled Footswitch Kit (Includes Items 2, 12, 29, 35, 36, 37 & 40) | |
| | 0861537 | Ref | CONSOLE BOX ASSEMBLY | E |
| 101 | 0861537 | 1 | Console Bottom (Note: Not Available for Purchase) | |
| 102 | 0861537 | 1 | Console Top (Note: Not Available for Purchase) | |
| 103 | 3311601 | 1 | Nut 3/8in-16NC | |
| 104 | | Ref | Pin Options: | |
| 104 | 3420156 | 2 | Pin, Cotter (Prior to SN 030088136) | |
| 104 | 3470003 | 2 | Pin, Hair (SN 030088136 through 0300138447) | |
| 105 | 0630568 | 1 | Screw 3/8in-16NC x 4-1/2in | |
| 106 | 4711500 | 2 | Flatwasher 5/16 | |
| | | Ref | DUAL FUEL SWITCH INSTALLATIONS | |
| 201 | 4360336 | 1 | Switch, Toggle | |
| 201 | 3790012 | 1 | O-Ring | |
| | | Ref | HEAD AND TAIL LIGHTS INSTALLATION (OPTIONAL) | |
| | 0257884 | Ref | Head and Tail Lights Installation (Prior to SN 0300135982) | 2 |
| 301 | 4360336 | 1 | Switch, Toggle | |
| 301 | 3790012 | 1 | O-Ring | |
| | 0271768 | Ref | Head and Tail Lights Installation (SN 0300135982 through 0300138447) | C |
| 302 | 4360522 | 1 | Switch, Pushbutton | |
| 303 | 1705170 | 1 | Decal - Lights | |
| | 0271622 | Ref | SOFT TOUCH SYSTEM INSTALLATION (OPTIONAL) | E |
| 401 | 4360387 | 1 | Switch, Pushbutton | |
| 402 | 1702938 | 1 | Decal - Soft Touch Override | |
| 403 | 4460425 | 1 | Connector, Strain Relief | |
| 404 | 2920028 | 1 | Lamp, Indicator | |
| 405 | 2920029 | 1 | Bulb | |
| | | Ref | PLATFORM WORKLIGHT INSTALLATION (OPTIONAL) | |
| | 0270814 | Ref | Platform Worklight Installation (Prior to SN 0300137666) | 3 |
| | 0273485 | Ref | Platform Worklight Installation (SN 0300137666 through 0300138447) | D |
| 501 | 4360232 | 1 | Breaker, Circuit - 15Amp (Prior to SN 0300137666) | |

SECTION 4 - PLATFORM

| ITEM | PART NUMBER | QTY | DESCRIPTION | REV |
|------|-------------|-----|--|-----|
| 502 | 0721003 | 2 | Bolt #10-24NC x 3/8in (Prior to SN 0300137666) | |
| 503 | 4761000 | 4 | Lockwasher #10 (Prior to SN 0300137666) | |
| 504 | 3311001 | 2 | Nut #10-24NC (Prior to SN 0300137666) | |
| 505 | | Ref | Connector, Strain Relief Options: | |
| 505 | 4460598 | 1 | Connector, Strain Relief (Prior to SN 0300137666) | |
| 505 | 4460426 | 1 | Connector, Strain Relief (SN 0300137666 through 0300138447) | |
| | 0271340 | Ref | JIB SWITCH INSTALLATION | 1 |
| 601 | 4360328 | 1 | Switch, Toggle | |
| 601 | 3790012 | 1 | O-Ring | |
| | 0258945 | Ref | STEER SWITCH (4WS) INSTALLATION | 1 |
| 701 | 4360331 | 1 | Switch, Toggle | |
| 701 | 3790012 | 1 | O-Ring | |
| | 0272762 | Ref | 4WD SWITCH INSTALLTION | B |
| 805 | 1702676 | 1 | Decal - Horn | |
| 809 | 4360331 | 1 | Switch, Toggle (4WD) | |
| 809 | 3790012 | 1 | O-Ring | |
| | 0275804 | Ref | LIGHT PANEL DECAL INSTALLATION | B |
| 901 | 1707111 | 1 | Decal - Light Panel Display | |
| | | Ref | Note: Machines should have been updated to this light panel installation. | |

SECTION 4 - PLATFORM

FIGURE 4-4. PLATFORM CONSOLE ASSEMBLY (SN 0300138447 through 0300185827)



SECTION 4 - PLATFORM

FIGURE 4-4. PLATFORM CONSOLE ASSEMBLY (SN 0300138447 through 0300185827)

| ITEM | PART NUMBER | QTY | DESCRIPTION | REV |
|------|-------------|-----|--|-----|
| | | Ref | CONSOLE BOX AND FOOTSWITCH ASSEMBLY | |
| | 1001108851 | Ref | Console (SN 0300138447 through 0300144198) | C |
| | 1001115321 | NLA | Console (Use p/n 1001145905) (SN 0300144199 through 0300185827) | A-E |
| 1 | 0100009 | AR | Sealant | |
| 2 | 0100035 | AR | Compound, Locking | |
| 3 | 0100048 | AR | Grease, Dielectric | |
| 4 | 0100081 | AR | Adhesive | |
| 5 | 0140011 | 1 | Alarm | |
| 6 | See Note | 1 | Footswitch Assembly (Note: See PLATFORM COMPONENTS INSTALLATION for Service Parts) | |
| 7 | 0630464 | 2 | Screw, Button Head #10-24NC x 1/2in | |
| 8 | 0641404 | 4 | Bolt 1/4in-20NC x 1/2in | |
| 9 | 0641414 | 4 | Bolt 1/4in-20NC x 1-3/4in | |
| 10 | 0861537 | 1 | Box, Console (See Items 201-206 for Breakdown) | |
| 11 | 0902751 | 4 | Bracket, Card Support | |
| 12 | 1600317 | NLA | Controller Assembly (Swing and Lift) (See CONTROLLER ASSEMBLY (SWING AND LIFT) for Breakdown) (Use p/n 1001129555) (SN 0300138447 through 0300146306) | |
| 12 | 1001118417 | NLA | Controller Assembly (Swing and Lift) (See CONTROLLER ASSEMBLY (SWING AND LIFT) for Breakdown) (Use p/n 1001129555) (SN 0300146307 through 0300185827) | |
| 13 | | Ref | Controller Assembly (Drive and Steer) Options (See CONTROLLER ASSEMBLY (DRIVE AND STEER)) for Breakdown): | |
| 13 | 1600318 | NLA | Controller Assembly (Use p/n 1001212415) (SN 0300138447 through 0300146306) | |
| 13 | 1001118416 | NLA | Controller Assembly (Use p/n 1001212415) (SN 0300146307 through 0300185827) | |
| 14 | | Ref | Controller, Module Options (Re-calibration Required when Replaced): | |
| 14 | 1600375 | 1 | Controller, Module (SN 0300138447 through 0300144198) | |
| 14 | 1001106355 | 1 | Controller, Module (SN 0300144199 through 0300185827) | |
| 15 | 1670829 | 1 | Bezel | |
| 16 | 1671037 | NLA | Plug (Use p/n 1001110434) | |
| 17 | 1702565 | 1 | Decal (Drive and Steer) | |
| 18 | 1702566 | 1 | Decal (Lift and Swing) | |
| 19 | 1702567 | 1 | Decal (Function Speed) | |
| 20 | 1704260 | 1 | Decal - EMS | |
| 21 | 1705132 | 1 | Decal - ADE | |
| 22 | 2560136 | 1 | Handle, Knob | |
| 23 | 2760105 | 1 | Housing, Display Light | |
| 24 | 3300353 | 4 | Nut, Tinnerman | |
| 25 | 3520054 | AR | Plug, Hole | |
| 26 | 4360328 | 5 | Switch, Toggle | |
| 27 | 4360330 | 1 | Switch, Toggle | |
| 28 | 4360387 | 1 | Switch, Pushbutton | |
| 29 | 4360407 | 1 | Controller, Speed | |
| 29 | See Note | 1 | Gasket "Top Hat" (Included with Switch) (Note: Not Available for Purchase) | |
| 29 | 70003784 | 1 | Seal | |
| 30 | 4360475 | 1 | Switch, Emergency Stop | |

SECTION 4 - PLATFORM

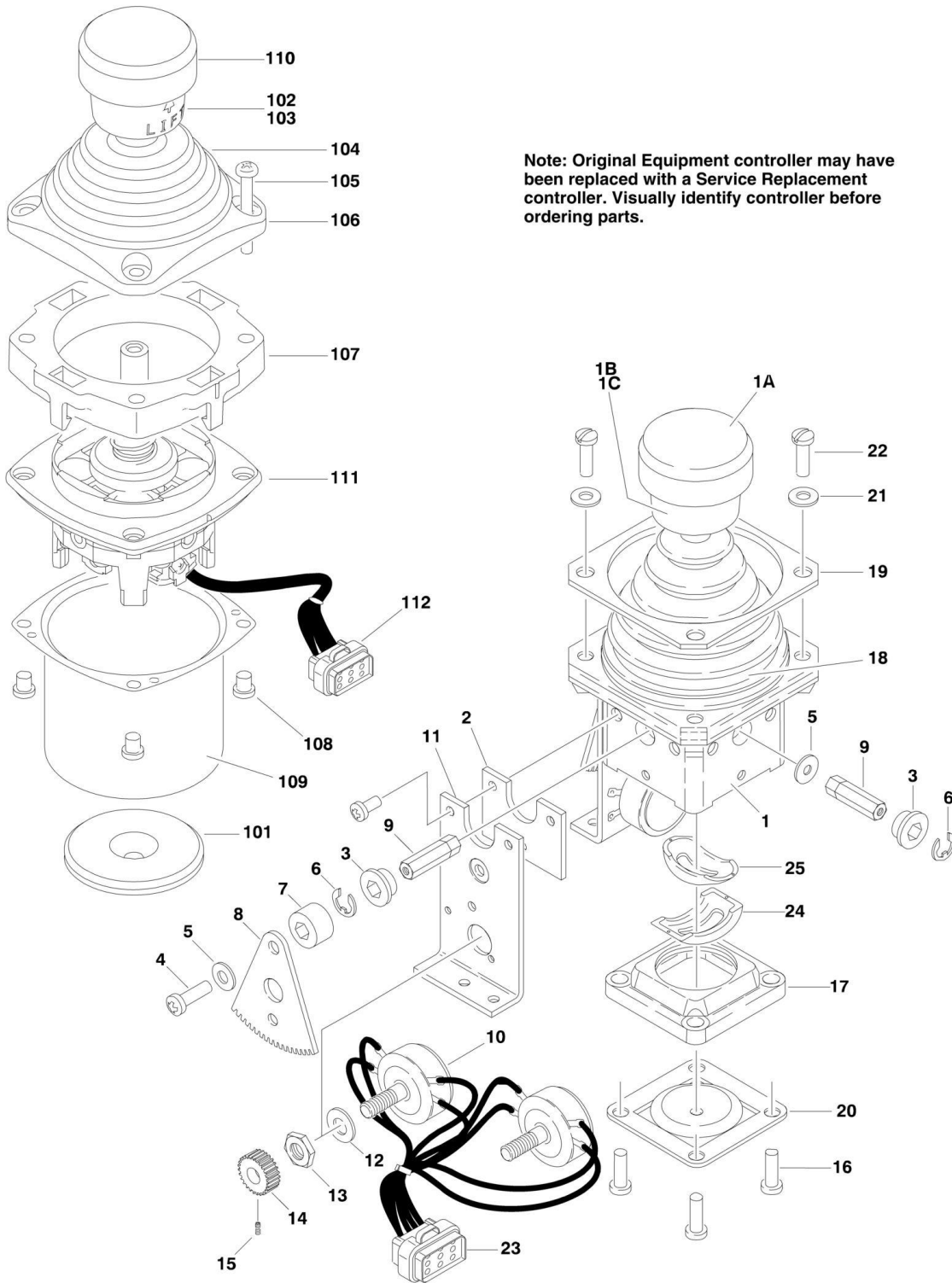
| ITEM | PART NUMBER | QTY | DESCRIPTION | REV |
|------|-------------|-----|--|-----|
| 30 | 7020175 | 1 | Cap, Red | |
| 30 | 7020176 | 1 | Contact Block | |
| 31 | 4360476 | 1 | Block, Contact | |
| 32 | 4460234 | 3 | Tie-Strap (Not Shown) | |
| 33 | 4460428 | 2 | Connector, Strain Relief | |
| 34 | 4460470 | 1 | Nut, Terminal | |
| 35 | 4460471 | 1 | Lockwasher, Terminal | |
| 36 | 4460488 | 1 | Base, Mounting (Not Shown) | |
| 37 | 4460708 | 2 | Terminal, 15 Pin (See ELECTRICAL SECTION for Location) | |
| 38 | 4460905 | 5 | Plug, Seal (See ELECTRICAL SECTION for Location) | |
| 39 | 4751400 | 8 | Flatwasher 1/4in | |
| 40 | 4922666 | 1 | Harness, Analyzer Cable (See ELECTRICAL SECTION for Location) | |
| 41 | | Ref | Decal (Stop) Options: | |
| 41 | 1001107677 | NLA | Decal (Use p/n 1001131168) (SN 0300138447 through 0300150265) | |
| 41 | 1001131168 | 1 | Decal (SN 0300150266 through 0300185827) | |
| 42 | 1001107753 | 1 | Harness, Platform Box | |
| 43 | 3790012 | 6 | O-Ring | |
| | 0861537 | Ref | CONSOLE BOX ASSEMBLY | G |
| 201 | 0861537 | 1 | Console Bottom (Note: Not Available for Purchase) | |
| 202 | 0861537 | 1 | Console Top (Note: Not Available for Purchase) | |
| 203 | 3311601 | 1 | Nut 3/8in-16NC | |
| 204 | 3470003 | 2 | Pin, Hair | |
| 205 | 0630568 | 1 | Screw 3/8in-16NC x 4-1/2in | |
| 206 | 4711500 | 2 | Flatwasher 5/16in | |
| | | Ref | DUAL FUEL SWITCH INSTALLATIONS | |
| 301 | 4360336 | 1 | Switch, Toggle | |
| 301 | 3790012 | 1 | O-Ring | |
| | 0271768 | Ref | HEAD AND TAIL LIGHTS INSTALLATION (OPTIONAL) | C |
| 401 | 4360522 | 1 | Switch, Pushbutton | |
| 402 | 1705170 | 1 | Decal - Lights | |
| | 0271622 | Ref | SOFT TOUCH SYSTEM INSTALLATION (OPTIONAL) | E |
| 501 | 4360387 | 1 | Switch, Pushbutton | |
| 502 | 1702938 | 1 | Decal - Soft Touch Override | |
| 503 | 4460425 | 1 | Connector, Strain Relief | |
| 504 | 2920028 | 1 | Lamp, Indicator | |
| 505 | 2920029 | 1 | Bulb | |
| | 0273485 | Ref | PLATFORM WORKLIGHT INSTALLATION (OPTIONAL) | D |
| 601 | 4460426 | 1 | Connector, Strain Relief | |
| | 0271340 | Ref | JIB SWITCH INSTALLATION | 1 |
| 701 | 4360328 | 1 | Switch, Toggle | |
| 701 | 3790012 | 1 | O-Ring | |
| | 0258945 | Ref | STEER SWITCH (4WS) INSTALLATION | 1 |
| 801 | 4360331 | 1 | Switch, Toggle | |
| | 3790012 | 1 | O-Ring | |
| | 1001108852 | Ref | 4WD SWITCH INSTALLATION | A |
| 905 | 1702676 | 1 | Decal - Horn | |
| 909 | 4360331 | 1 | Switch, Toggle (4WD) | |
| 909 | 3790012 | 1 | O-Ring | |
| | | Ref | LIGHT PANEL DECAL INSTALLATIONS | |
| | 1001108763 | Ref | ANSI Spec | A |

SECTION 4 - PLATFORM

| ITEM | PART NUMBER | QTY | DESCRIPTION | REV |
|------|-------------|-----|--------------------------------------|-----|
| | 1001108764 | Ref | CE Spec | A |
| 1001 | | Ref | Decal - Light Panel Display Options: | |
| 1001 | 1001107927 | 1 | ANSI Spec | |
| 1001 | 1001107926 | 1 | CE Spec | |

SECTION 4 - PLATFORM

FIGURE 4-5. CONTROLLER ASSEMBLY (SWING AND LIFT)



Note: Original Equipment controller may have been replaced with a Service Replacement controller. Visually identify controller before ordering parts.

SECTION 4 - PLATFORM

FIGURE 4-5. CONTROLLER ASSEMBLY (SWING AND LIFT)

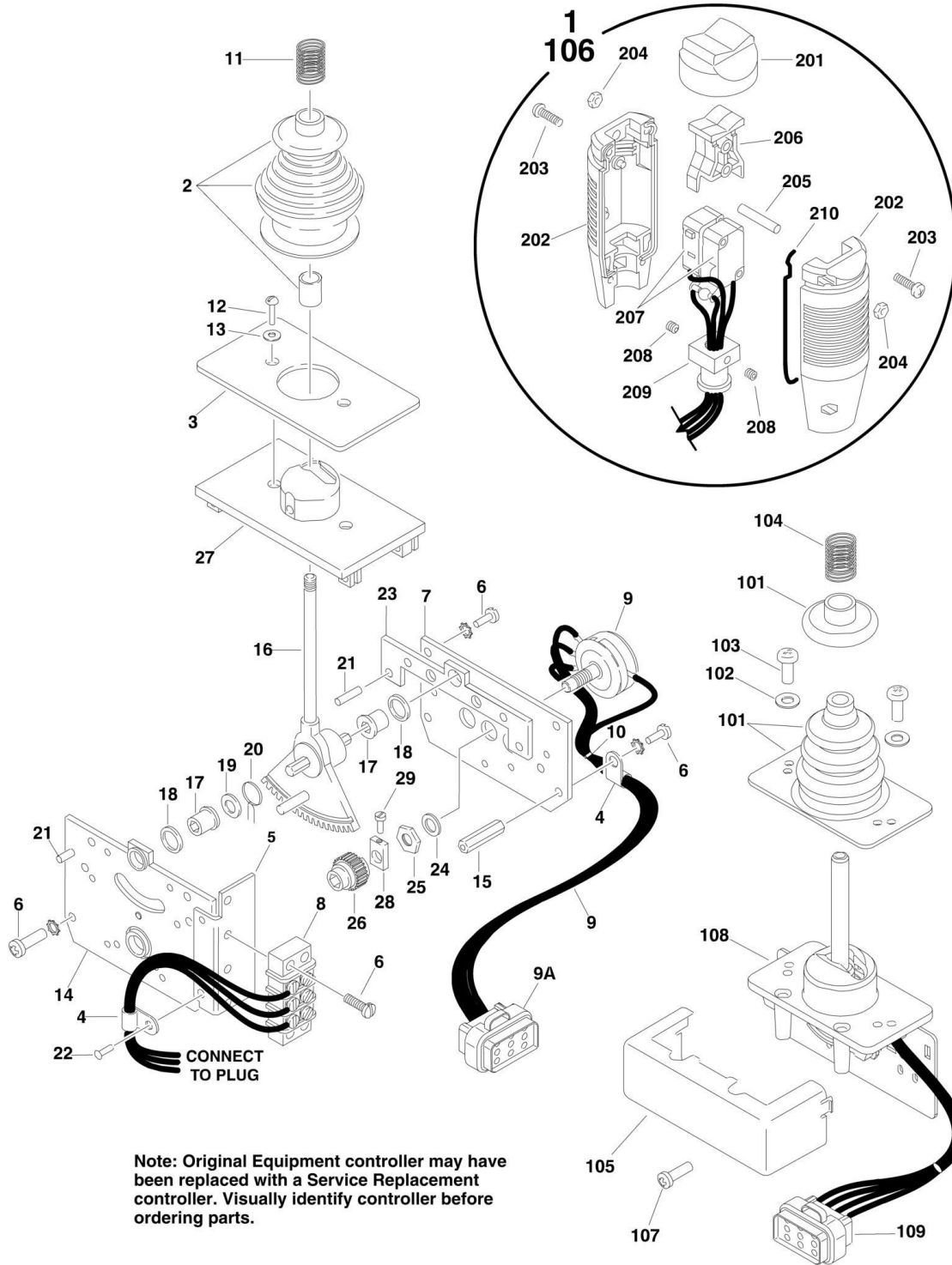
| ITEM | PART NUMBER | QTY | DESCRIPTION | REV |
|------|-------------|-----|--|-----|
| | | Ref | Note: Original Equipment controller may have been replaced with Service Replacement controller. Visually identify controller before ordering parts. | |
| | 1600317 | Ref | CONTROLLER ASSEMBLY | |
| | | Ref | Controller Assembly (Original Equipment) | B |
| | | Ref | Note: Use p/n 1001129555 Kit as replacement. | |
| 1 | 7019141 | 1 | Mechanical Assembly (Includes Base, Handle Stem and Items 1A, 1B, 1C & 18) | |
| 1A | 7019197 | 1 | Handle Cap and Rod | |
| 1B | 7003928 | 1 | Spring | |
| 1C | 7022808 | 1 | Cap, Lift | |
| 2 | 7019171 | 2 | Plate | |
| 3 | 7019111 | 4 | Bearing, Gear | |
| 4 | 7019143 | 2 | Screw | |
| 5 | 7019144 | 2 | Spacer, Cam | |
| 6 | 7019145 | 4 | E-Clip | |
| 7 | 7019174 | 2 | Spacer | |
| 8 | 7003977 | 2 | Gear, Drive | |
| 9 | | Ref | Shaft Options: | |
| 9 | 7019147 | 2 | Shaft, Short | |
| 9 | 7019177 | 2 | Shaft, Long | |
| 10 | 7022818 | 2 | Potentiometer | |
| 11 | 7019142 | 2 | Plate | |
| 12 | 7003992 | 2 | Washer | |
| 13 | 7003993 | 2 | Nut | |
| 14 | 7003976 | 2 | Gear, Slave | |
| 15 | 7019149 | 2 | Setscrew | |
| 16 | 7022816 | 4 | Screw | |
| 17 | 7019150 | 1 | Gate | |
| 18 | 7022814 | 1 | Boot | |
| 19 | 7022815 | 1 | Bezel | |
| 20 | See Note | 1 | Center, Detent (Note: Not Available for Purchase) | |
| 21 | 7003953 | 4 | Washer | |
| 22 | 7022817 | 4 | Screw | |
| 23 | 7022819 | 1 | Plug, Male 8 Position (Natural) | |
| 23 | 4460871 | 8 | Socket, Female | |
| 24 | 7019122 | 1 | Gimble, Outer | |
| 25 | 7019123 | 1 | Gimble, Inner | |
| | 1001118417 | NLA | Controller Assembly: | |
| | | Ref | Service Replacement (Prior to SN 0300146307) | |
| | | Ref | Original Equipment (SN 0300146307 through 0300185827) | |
| | | Ref | Note: Use p/n 1001129555 Kit as replacement. | C |
| 101 | 70002730 | 1 | Gasket | |
| 102 | 7003928 | 1 | Spring | |
| 103 | 7022808 | 1 | Cap, Lift | |
| 104 | 70002731 | 1 | Boot | |
| 105 | 70002732 | 4 | Screw | |
| 106 | 7022815 | 1 | Bezel | |
| 107 | 70002733 | 1 | Adapter | |
| 108 | 70002734 | 4 | Screw | |

SECTION 4 - PLATFORM

| ITEM | PART NUMBER | QTY | DESCRIPTION | REV |
|------|-------------|-----|--|-----|
| 109 | 70002735 | 1 | Can, Enclosure | |
| 110 | 70002906 | 1 | Cap | |
| 111 | 1001129555 | 1 | Mechanical Assembly (Note: Not Available for Purchase) | |
| 112 | 7022819 | 1 | Plug, Male 8 Position (Natural) (Not Shown) | |
| 112 | 4460871 | 6 | Socket, Female | |

SECTION 4 - PLATFORM

FIGURE 4-6. CONTROLLER ASSEMBLY (DRIVE AND STEER)



SECTION 4 - PLATFORM

FIGURE 4-6. CONTROLLER ASSEMBLY (DRIVE AND STEER)

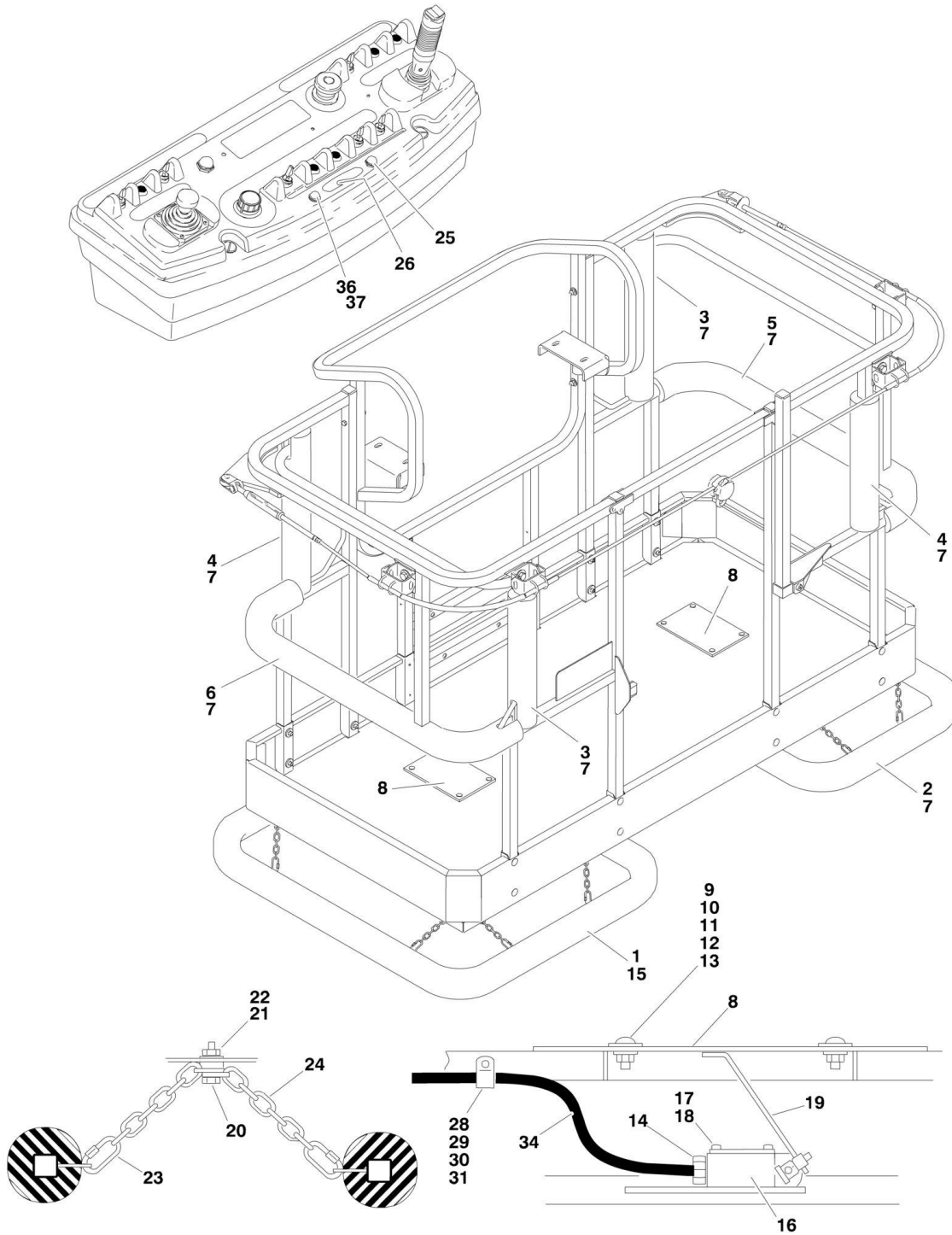
| ITEM | PART NUMBER | QTY | DESCRIPTION | REV |
|------|-------------|-----|--|-----|
| | | Ref | Note: Original Equipment controller may have been replaced with Service Replacement controller. Visually identify controller before ordering parts. | |
| | 1600318 | Ref | CONTROLLER ASSEMBLY | |
| | | Ref | Controller Assembly (Original Equipment) | D |
| | | Ref | Note: Use p/n 1001212415 as Replacement. | |
| 1 | 7022812 | 1 | Handle Assembly (See Items 201-210 for Breakdown) | |
| 2 | 7019161 | 1 | Boot and Sleeve | |
| 3 | 7003933 | 1 | Gasket | |
| 4 | 7019154 | 2 | Clamp, Wire | |
| 5 | 7022823 | 1 | Bracket, Mounting | |
| 6 | 7003994 | 1 | Screw | |
| 7 | 7022822 | 1 | Plate, Pot Mounting | |
| 8 | 7003986 | 1 | Strip, Terminal - 3 Position | |
| 9 | 7022824 | 1 | Electric Assembly | |
| 9A | 1001113961 | 1 | Plug, Male - 8 Position (Black) (was p/n 7022825) | |
| 9A | 4460871 | 7 | Socket, Female | |
| 10 | 7019151 | AR | Tie-Strap | |
| 11 | 7019162 | 1 | Spring | |
| 12 | 7003969 | 2 | Screw | |
| 13 | 7003941 | 2 | Washer | |
| 14 | See Note | 1 | Plate, Mounting (Left Side) (Note: Not Available for Purchase) | |
| 15 | 7019115 | 2 | Stand-Off | |
| 16 | 7019155 | 1 | Shaft 8mm | |
| 17 | 7019111 | 2 | Bearing | |
| 18 | 7019110 | 2 | Spacer, Head Gear | |
| 19 | 7019112 | 1 | Washer | |
| 20 | 7003946 | 1 | Spring, Return | |
| 21 | 7019103 | 4 | Pin | |
| 22 | See Note | 1 | Rivet (Note: Not Available - Purchase Locally) | |
| 23 | 7019168 | 1 | Plate, Mounting (Right Side) | |
| 24 | 7003992 | 1 | Washer | |
| 25 | 7003993 | 1 | Nut | |
| 26 | 7003935 | 1 | Gear, Slave | |
| 27 | 7019160 | 1 | Plate, Base | |
| 28 | 7019114 | 1 | Coupling, Potentiometer | |
| 29 | See Note | 1 | Capscrew (Note: Not Available for Purchase) | |
| | 1001118416 | Ref | Controller Assembly: | |
| | | Ref | Controller Assembly (Service Replacement) (Prior to SN 0300146307) | B |
| | | Ref | Controller Assembly (Original Equipment) (SN 0300146307 through 0300185827) | |
| | | Ref | Note: Use p/n 1001212415 as Replacement. | |
| 101 | 70002724 | 1 | Boot and Control Lock Assembly | |
| 102 | 7003941 | 2 | Washer | |
| 103 | 70002725 | 2 | Screw | |
| 104 | 7019162 | 1 | Spring | |
| 105 | 70002726 | 1 | Enclosure | |
| 106 | 70002727 | 1 | Handle Assembly (See Items 201-210 for Breakdown) | |
| 107 | 70002728 | 1 | Screw | |

SECTION 4 - PLATFORM

| ITEM | PART NUMBER | QTY | DESCRIPTION | REV |
|------|-------------|-----|--|-----|
| 108 | 1001118416 | 1 | Mechanical Assembly (Note: Not Available for Purchase) | |
| 109 | 1001113961 | 1 | Plug, Male - 8 Position (Black) (was p/n 7022825) | |
| 109 | 4460871 | 7 | Socket, Female | |
| | | Ref | HANDLE ASSEMBLIES | |
| | 7022812 | Ref | Controller Assembly p/n 1600318 | |
| | 70002727 | Ref | Controller Assembly p/n 1001118416 | |
| 201 | 7003972 | 1 | Boot, Switch | |
| 202 | 7003973 | 2 | Half, Handle | |
| 203 | 7003980 | 4 | Screw | |
| 204 | 7019167 | 4 | Nut | |
| 205 | 7019164 | 1 | Axle | |
| 206 | 7019165 | 1 | Rocker | |
| 207 | | Ref | Wiring Assembly Options: | |
| 207 | 7019196 | 1 | Controller Assembly p/n 1600318 | |
| 207 | 7019166 | 2 | Switch, Micro | |
| 207 | 70002729 | 1 | Controller Assembly p/n 1001118416 | |
| 207 | 7003982 | 2 | Switch, Micro | |
| 208 | 7003983 | 2 | Setscrew | |
| 209 | 7019194 | 1 | Coupling | |
| 210 | 7003989 | 2 | Gasket | |

SECTION 4 - PLATFORM

FIGURE 4-7. SOFT TOUCH SYSTEM INSTALLATION (OPTIONAL) (Prior to SN 0300137666)



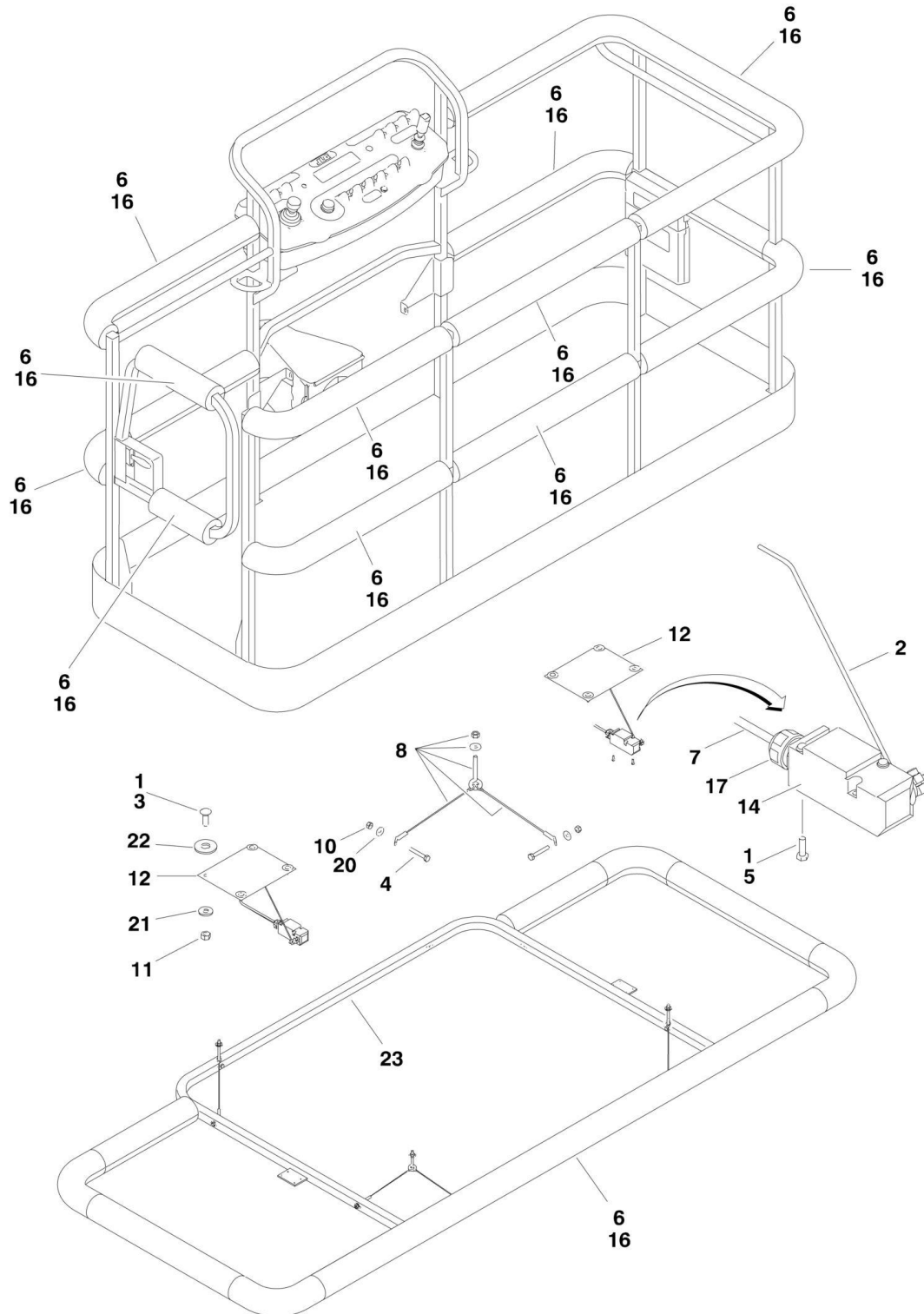
SECTION 4 - PLATFORM

FIGURE 4-7. SOFT TOUCH SYSTEM INSTALLATION (OPTIONAL) (Prior to SN 0300137666)

| ITEM | PART NUMBER | QTY | DESCRIPTION | REV |
|------|-------------|------------|---|-----|
| | 0271622 | Ref | SOFT TOUCH SYSTEM INSTALLTION (FALL ARREST) | E |
| 1 | 4845308 | 2 | Weldment, Soft Touch Rail | |
| 2 | 1670804 | 2 | Cover, Rail | |
| 3 | 1670785 | 2 | Cover, Post (Right/Front) | |
| 4 | 1670786 | 2 | Cover, Post (Left/Front) | |
| 5 | 1671041 | 1 | Cover, Mid Rail (Right Side/End) | |
| 6 | 1671042 | 1 | Cover, Mid Rail (Left Side/End) | |
| 7 | 0940038 | AR | Padding, Bumper | |
| 8 | 3539719 | 2 | Plate, Switch Strike | |
| 9 | 0630462 | 8 | Bolt, Carriage | |
| 10 | 4761500 | 8 | Lockwasher 5/16in | |
| 11 | 4751800 | 8 | Flatwasher 1/2in | |
| 12 | 3311501 | 8 | Nut 5/16in-18NC | |
| 13 | 4751500 | 8 | Flatwasher 5/16in | |
| 14 | 4460049 | 2 | Connector, Strain Relief | |
| 15 | 3530072 | 4 | Plug, Cap | |
| 16 | 4360057 | 2 | Switch, Limit | |
| 17 | 0731005 | 4 | Bolt #10-32NC x 5/8in | |
| 18 | 4751000 | 4 | Lockwasher #10 | |
| 19 | 0200550 | 2 | Arm, Switch | |
| 20 | 0641612 | 8 | Bolt 3/8in-16NC x 1-1/2in | |
| 21 | 4751600 | 40 | Flatwasher 3/8in | |
| 22 | 3311605 | 8 | Locknut 3/8in-16NC | |
| 23 | 3010088 | 16 | Link, Quick | |
| 24 | 1260136 | 10 ft/3m | Chain | |
| 25 | 4360387 | 1 | Switch, Push Button | |
| 26 | 1702938 | 1 | Decal - Soft Touch Override | |
| 28 | 1320043 | 4 | Clamp | |
| 29 | 0641406 | 4 | Bolt 1/4in-20NC x 3/4in | |
| 30 | 4711400 | 8 | Flatwasher 1/4in | |
| 31 | 3311405 | 4 | Locknut 1/4in-20NC | |
| 33 | 4460425 | 1 | Connector, Strain Relief (Not Shown - Located in Console Box) | |
| 34 | 1060341 | 16 ft/4.9m | Cable, Electrical - 16/2 | |
| 36 | 2920028 | 1 | Lamp, Indicator | |
| 37 | 2920029 | 1 | Bulb | |
| | 0272444 | Ref | SOFT TOUCH COUNTERWEIGHT INSTALLATION (NOT SHOWN) | C |
| | 4821397 | 1 | Counterweight (Located in Frame) | |

SECTION 4 - PLATFORM

FIGURE 4-8. SOFT TOUCH SYSTEM INSTALLATION (OPTIONAL) (SN 0300137666 through 0300185827)



SECTION 4 - PLATFORM

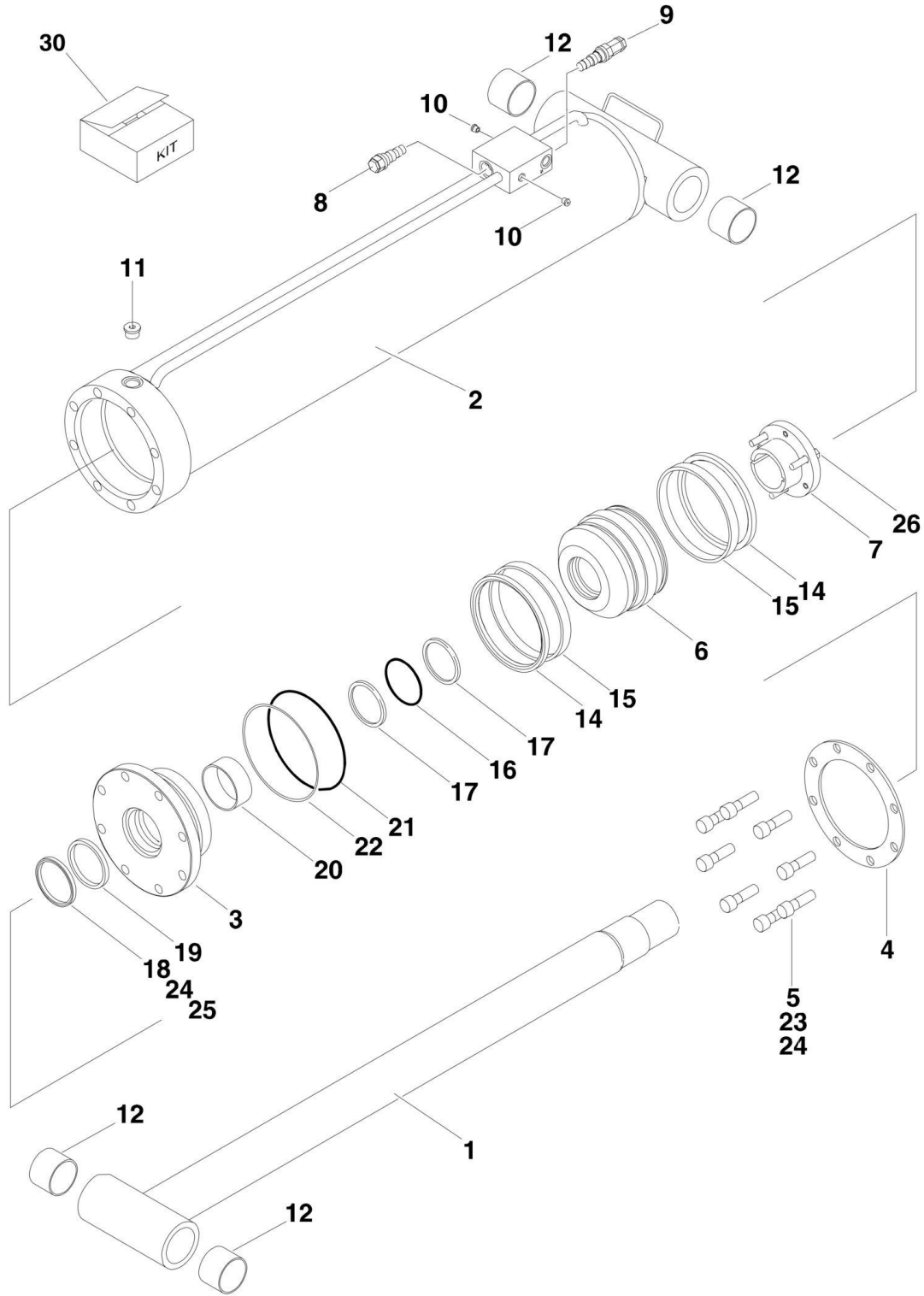
FIGURE 4-8. SOFT TOUCH SYSTEM INSTALLATION (OPTIONAL) (SN 0300137666 through 0300185827)

| ITEM | PART NUMBER | QTY | DESCRIPTION | REV |
|------|-------------|------------|--|-----|
| | 1001108256 | Ref | SOFT TOUCH SYSTEM INSTALLATION (FALL ARREST) | A |
| 1 | 0100011 | AR | Compound, Locking | |
| 2 | 0200048 | 2 | Arm, Switch Activator | |
| 3 | 0630462 | 8 | Bolt, Carriage | |
| 4 | 0641414 | 8 | Bolt 1/4in-20NC x 1-3/4in | |
| 5 | 0731005 | 4 | Screw, Machine #10-32 x 5/8in | |
| 6 | 0940177 | 1 | Bumper Kit | |
| 7 | 1060341 | 23 ft/7.0m | Cable, Electrical - 16/2 | |
| 8 | 1060903 | 4 | Wire Rope and Eyebolt Assembly | |
| 9 | 1702938 | 1 | Decal, Soft Touch Override (Not Shown - Located on Platform Box) | |
| 10 | 3311401 | 8 | Nut 1/4in-20NC | |
| 11 | 3311501 | 8 | Nut 5/16in-18NC | |
| 12 | 3575359 | 2 | Plate, Striker | |
| 13 | 4240099 | 7 | Tie-Strap (Not Shown) | |
| 14 | 4360057 | 2 | Switch, Limit | |
| 15 | 4360387 | 1 | Switch, Push Button (Not Shown - Located on Platform Box) | |
| 16 | 4420068 | 1 | Tape, Yellow Adhesive | |
| 17 | 4460049 | 2 | Connector, Strain Relief | |
| 18 | 4460234 | AR | Base, Tie-Strap Mounting (Not Shown) | |
| 19 | 4460425 | 1 | Connector, Strain Relief (Not Shown - Located in Platform Box) | |
| 20 | 4751400 | 8 | Flatwasher 1/4in Wide | |
| 21 | 4751500 | 9 | Flatwasher 5/16in Wide | |
| 22 | 4751800 | 8 | Flatwasher 1/2in Wide | |
| 23 | 3641569 | 1 | Rail, Soft-Touch | |
| 25 | 2920028 | 1 | Lamp, Indicator (Not Shown - Located on Platform Box) | |
| 26 | 2920029 | 1 | Bulb (Not Shown - Located on Platform Box) | |
| | 0272444 | Ref | SOFT TOUCH COUNTERWEIGHT INSTALLATION (NOT SHOWN) | C |
| | 4821397 | 1 | Counterweight (Located in Frame) | |

SECTION 5 - CYLINDER

SECTION 5 - CYLINDER

FIGURE 5-1. UPRIGHT LEVEL CYLINDER ASSEMBLY



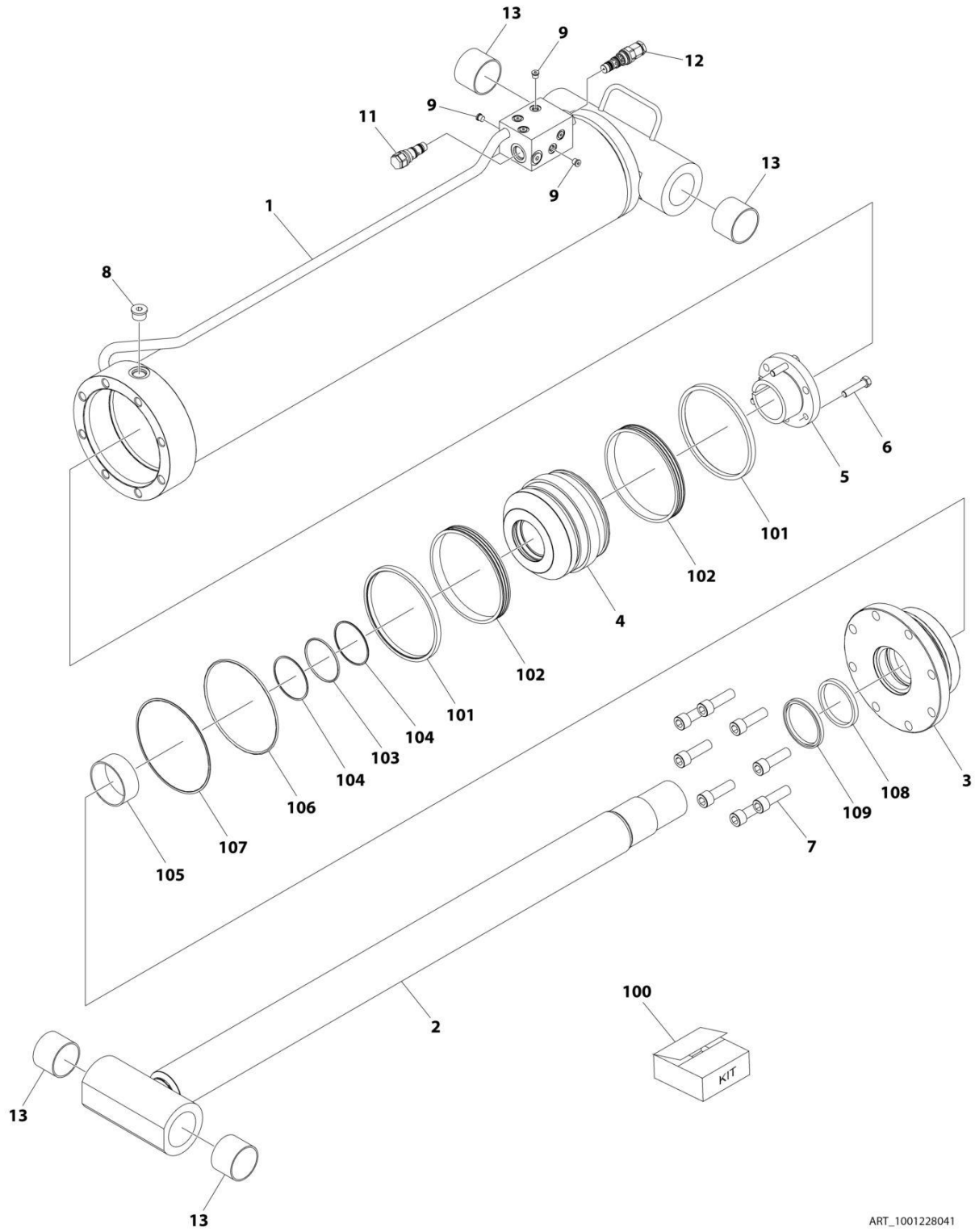
SECTION 5 - CYLINDER

FIGURE 5-1. UPRIGHT LEVEL CYLINDER ASSEMBLY

| ITEM | PART NUMBER | QTY | DESCRIPTION | REV |
|------|-------------|-----|--|-----|
| | | Ref | Note: Original Equipment Cylinder may have been replaced with Service Replacement Cylinder. Identify p/n stamped on cylinder before ordering parts. | |
| | | Ref | UPRIGHT LEVEL CYLINDER ASSEMBLIES: | |
| | 1683546 | Ref | Original Equipment | H |
| | 1684497 | Ref | Service Replacement (Usage May Vary) | D |
| 1 | 1683544 | 1 | Rod Weldment | |
| 2 | 1683819 | NLA | Barrel Weldment (Use p/n 0370034) | |
| 3 | 1683071 | 1 | Head | |
| 4 | 3760374 | 1 | Ring, Washer | |
| 5 | 3932240 | 8 | Bolt, Socket Head 3/4in x 2-1/2in | |
| 6 | 3480237 | 1 | Piston | |
| 7 | 0961901 | 1 | Bushing, Tapered | |
| 8 | 4640509 | 1 | Cartridge, Valve | |
| 8 | 2900792 | 1 | Seal Kit - 4640509 Valve | |
| 9 | 4640605 | 1 | Cartridge, Valve | |
| 9 | 2900792 | 1 | Seal Kit - 4640605 Valve | |
| 10 | 2220883 | 2 | Plug, O-Ring | |
| 11 | 2220888 | 1 | Plug, O-Ring | |
| 12 | 0962102 | 4 | Bushing | |
| 14 | See Note | NSS | Ring, Lock (Note: Use Item 30) | |
| 15 | See Note | NSS | Seal (Note: Use Item 30) | |
| 16 | See Note | NSS | Ring, Washer (Note: Use Item 30) | |
| 17 | See Note | NSS | Ring, Back-up (Note: Use Item 30) | |
| 18 | See Note | NSS | Wiper (Note: Use Item 30) | |
| 19 | See Note | NSS | Seal, Rod (Note: Use Item 30) | |
| 20 | See Note | NSS | Ring, Wear (Note: Use Item 30) | |
| 21 | See Note | NSS | O-Ring (Note: Use Item 30) | |
| 22 | See Note | NSS | Ring, Back-up (Note: Use Item 30) | |
| 23 | 0100011 | AR | Compound, Locking | |
| 24 | 0100038 | AR | Primer, Locking | |
| 25 | 0100063 | AR | Loctite #RC609 (Prior to SN 0300133544) | |
| 26 | 0630537 | 3 | Bolt | |
| 30 | 2901526 | 1 | Seal Kit (Includes Items 14-22) | |

SECTION 5 - CYLINDER

FIGURE 5-2. UPRIGHT LEVEL CYLINDER ASSEMBLY (SERVICE REPLACEMENT)



ART_1001228041

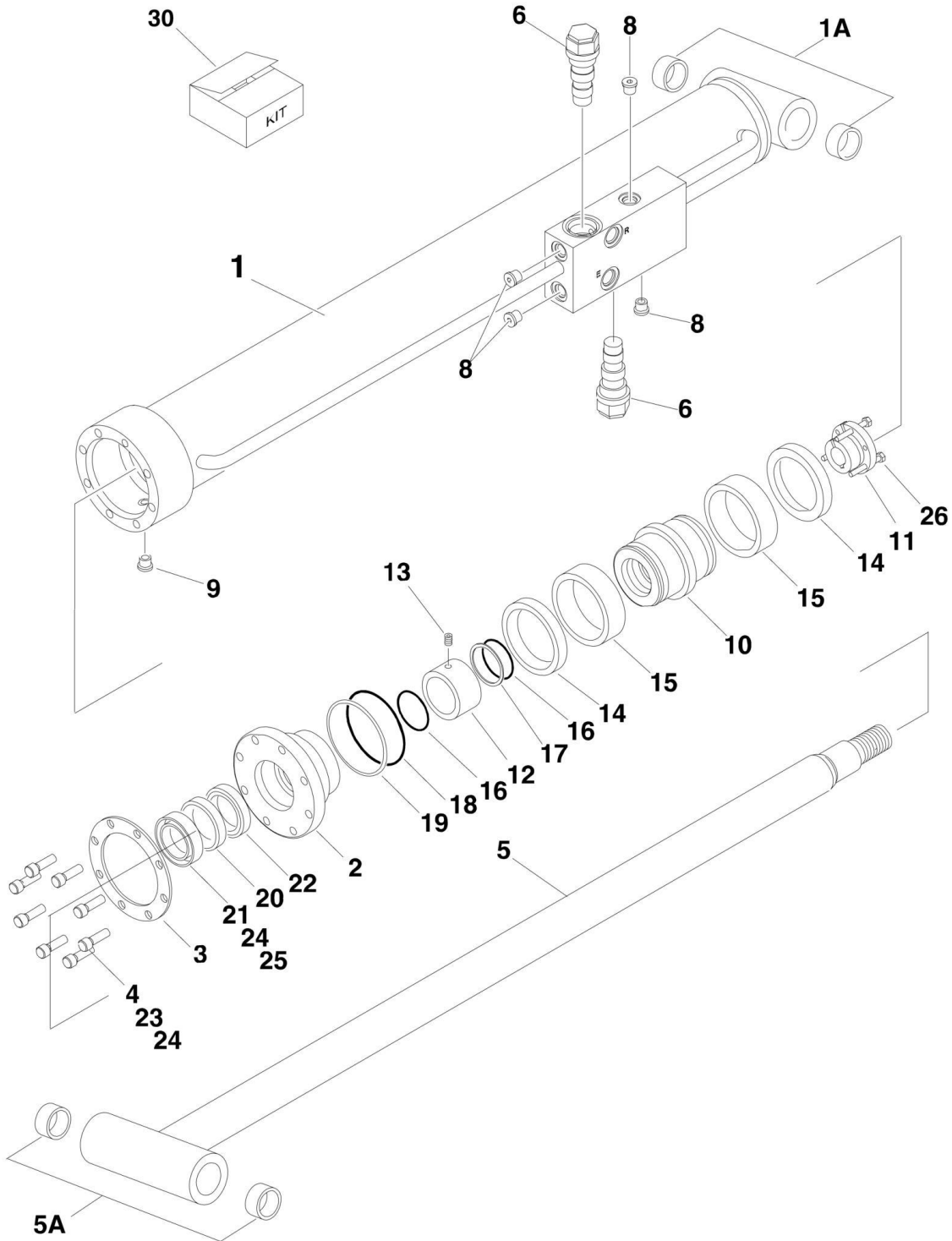
SECTION 5 - CYLINDER

FIGURE 5-2. UPRIGHT LEVEL CYLINDER ASSEMBLY (SERVICE REPLACEMENT)

| ITEM | PART NUMBER | QTY | DESCRIPTION | REV |
|------|-------------|-----|---|-----|
| | 1001228041 | Ref | LEVEL CYLINDER ASSEMBLY | C |
| | | Ref | Note: Original Cylinder may have been replaced with Service Replacement. Identify PN Stamped on Cylinder Before Ordering Parts. | |
| 1 | See Note | NSS | Barrel (Note: Not Available for Purchase) | |
| 2 | 70006391 | 1 | Rod | |
| 3 | 70006390 | 1 | Head | |
| 4 | 70006389 | 1 | Piston | |
| 5 | 70006385 | 1 | Bushing, Tapered | |
| 6 | 0630537 | 3 | Bolt | |
| 7 | 3932240 | 8 | Capscrew 3/4 x 2-1/2 | |
| 8 | 2220888 | 1 | Plug, O-Ring | |
| 9 | 2220883 | 6 | Plug, O-Ring | |
| 11 | 4640509 | 1 | Cartridge, Valve | |
| 11 | 2900792 | 1 | Seal Kit - 4640509 Valve | |
| 12 | 4640605 | 1 | Cartridge, Valve | |
| 12 | 2900792 | 1 | Seal Kit - 4640605 Valve | |
| 13 | 0962102 | 4 | Bushing | |
| 100 | 2901526 | 1 | Seal Kit (Includes Items 101-109) | |
| 101 | See Note | NSS | Ring, Lock (Note: Use Item 100) | |
| 102 | See Note | NSS | Seal (Note: Use Item 100) | |
| 103 | See Note | NSS | Ring, Washer (Note: Use Item 100) | |
| 104 | See Note | NSS | Ring, Back-up (Note: Use Item 100) | |
| 105 | See Note | NSS | Ring, Wear (Note: Use Item 100) | |
| 106 | See Note | NSS | O-Ring (Note: Use Item 100) | |
| 107 | See Note | NSS | Ring, Back-up (Note: Use Item 100) | |
| 108 | See Note | NSS | Seal, Rod (Note: Use Item 100) | |
| 109 | See Note | NSS | Wiper (Note: Use Item 100) | |

SECTION 5 - CYLINDER

FIGURE 5-3. LIFT CYLINDER ASSEMBLY - JIB (ORIGINAL EQUIPMENT)



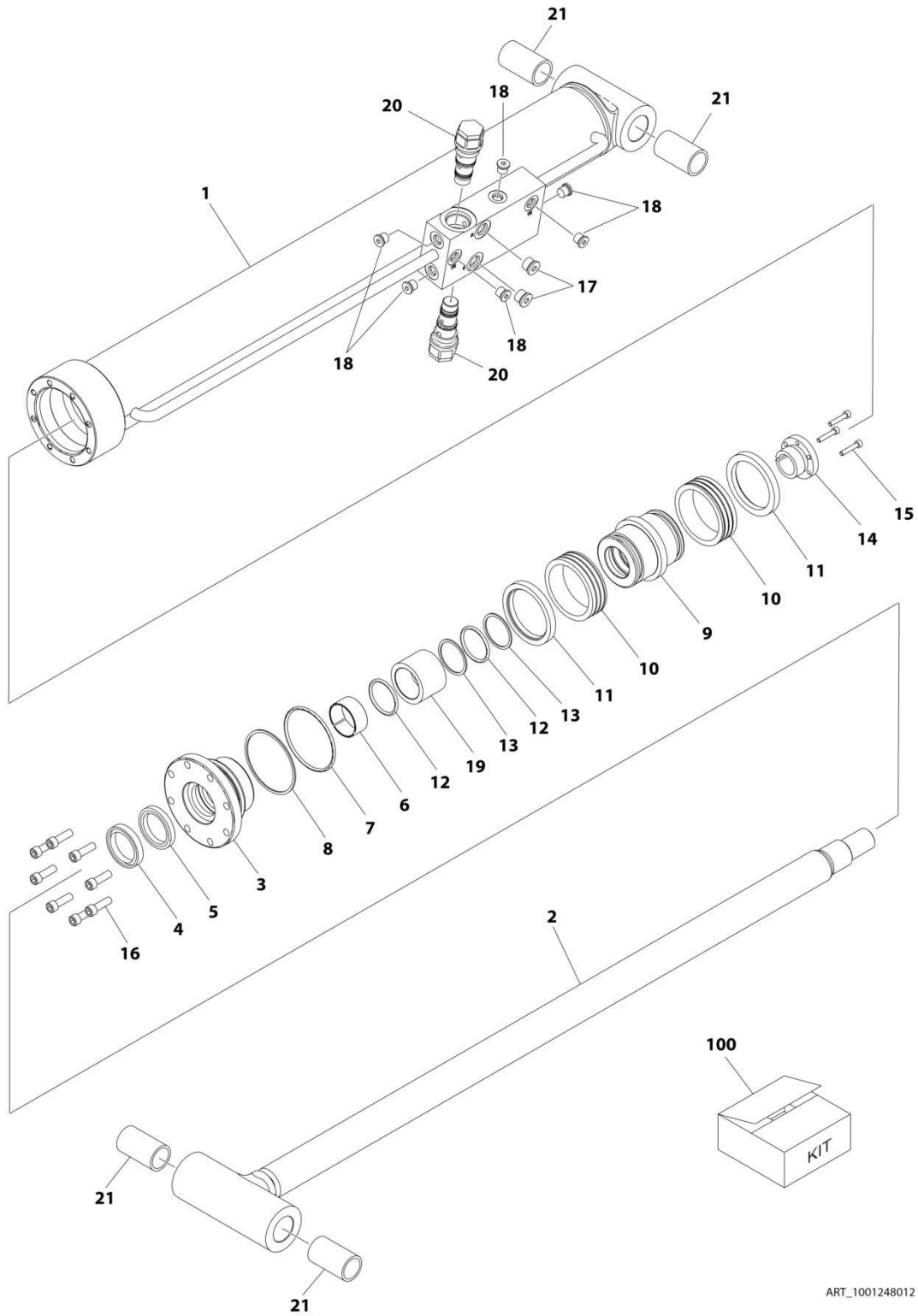
SECTION 5 - CYLINDER

FIGURE 5-3. LIFT CYLINDER ASSEMBLY - JIB (ORIGINAL EQUIPMENT)

| ITEM | PART NUMBER | QTY | DESCRIPTION | REV |
|------|-------------|-----|--|-----|
| | 1683609 | Ref | JIB LIFT CYLINDER ASSEMBLY | L |
| | | Ref | Note: Original Cylinder may have been replaced with Service Replacement. Identify PN Stamped on Cylinder Before Ordering Parts. | |
| 1 | 1684089 | 1 | Barrel Weldment (Note: Includes Item 1A) | |
| 1A | 0962336 | 2 | Bushing | |
| 2 | 1683053 | 1 | Head | |
| 3 | 3760368 | 1 | Washer, Ring | |
| 4 | 3931516 | 8 | Bolt, Socket Head 5/16in-18NC x 2in | |
| 5 | 1684090 | 1 | Rod Weldment (Note: Includes Item 5A) | |
| 5A | 0962336 | 2 | Bushing | |
| 6 | 4640509 | 2 | Cartridge, Valve (Counterbalance Non-Vented) | |
| 6 | 2900792 | 2 | Seal Kit - 4640509 Valve | |
| 8 | 2220883 | 4 | Plug, O-Ring | |
| 9 | 2220885 | 1 | Plug, O-Ring | |
| 10 | 3480210 | 1 | Piston | |
| 11 | 0961893 | 1 | Bushing, Tapered | |
| 12 | | Ref | Spacer, Tube Options: | |
| 12 | 4566471 | 1 | Spacer, Tube (SN 0300069000 through 0300079612) | |
| 12 | 4100100 | 1 | Spacer, Tube (SN 0300079613 through 0300185827) | |
| 13 | 3900141 | 1 | Setscrew 1/4in-20NC x 1/4in (SN 0300069000 through 0300079613) | |
| 14 | See Note | NSS | Ring, Lock (Note: Use Item 30) | |
| 15 | See Note | NSS | Seal, Piston (Note: Use Item 30) | |
| 16 | See Note | NSS | O-Ring (Note: Use Item 30) | |
| 17 | See Note | NSS | Ring, Back-up (Note: Use Item 30) | |
| 18 | See Note | NSS | O-Ring (Note: Use Item 30) | |
| 19 | See Note | NSS | Ring, Back-up (Note: Use Item 30) | |
| 20 | See Note | NSS | Seal (Note: Use Item 30) | |
| 21 | See Note | NSS | Wiper (Note: Use Item 30) | |
| 22 | See Note | NSS | Ring, Wear (Note: Use Item 30) | |
| 23 | 0100011 | AR | Compound, Locking | |
| 24 | 0100038 | AR | Primer, Locking | |
| 25 | 0100063 | AR | Loctite #RC609 | |
| 26 | 0630534 | 3 | Capscrew, Socket Head #10-24NC x 1in | |
| 30 | 2901303 | 1 | Seal Kit (Includes Items 14-22) | |

SECTION 5 - CYLINDER

FIGURE 5-4. LIFT CYLINDER ASSEMBLY - JIB (SERVICE REPLACEMENT)



ART_1001248012

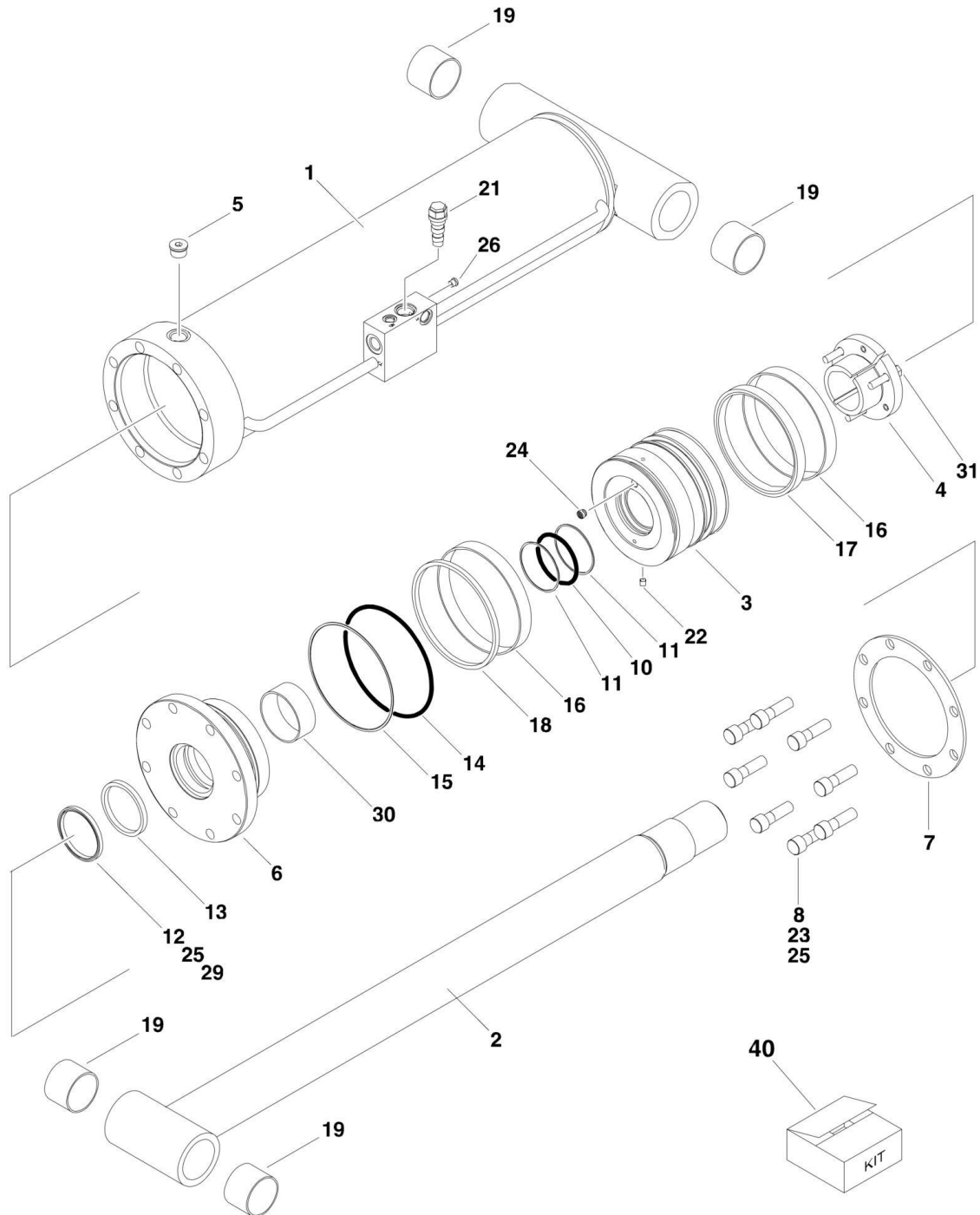
SECTION 5 - CYLINDER

FIGURE 5-4. LIFT CYLINDER ASSEMBLY - JIB (SERVICE REPLACEMENT)

| ITEM | PART NUMBER | QTY | DESCRIPTION | REV |
|------|-------------|-----|---|-----|
| | 1001248012 | Ref | LIFT CYLINDER ASSEMBLY - JIB | C |
| | | Ref | Note: Original Cylinder May Have Been Replaced with Service Replacement. Identify PN Stamped on Cylinder Before Ordering Parts. | |
| 1 | See Note | NSS | Barrel (Note: Not Available for Purchase) | |
| 2 | 70006734 | 1 | Rod | |
| 3 | 70006649 | 1 | Head | |
| 4 | See Note | NSS | Wiper (Note: Use Item 100) | |
| 5 | See Note | NSS | Seal, Rod (Note: Use Item 100) | |
| 6 | See Note | NSS | Ring, Wear (Note: Use Item 100) | |
| 7 | See Note | NSS | O-Ring (Note: Use Item 100) | |
| 8 | See Note | NSS | Ring, Back-up (Note: Use Item 100) | |
| 9 | 70006650 | 1 | Piston | |
| 10 | See Note | NSS | Seal (Note: Use Item 100) | |
| 11 | See Note | NSS | Ring, Lock (Note: Use Item 100) | |
| 12 | See Note | NSS | O-Ring (Note: Use Item 100) | |
| 13 | See Note | NSS | Ring, Back-up (Note: Use Item 100) | |
| 14 | 0961893 | 1 | Bushing, Tapered | |
| 15 | 0630534 | 3 | Capscrew, Socket Head #10 x 1 | |
| 16 | 70006735 | 8 | Capscrew 5/16 | |
| 17 | 2220885 | 2 | Plug, O-Ring | |
| 18 | 2220883 | 6 | Plug, O-Ring | |
| 19 | 70006736 | 1 | Spacer | |
| 20 | 4640509 | 2 | Cartridge, Valve | |
| 20 | 2900792 | 2 | Seal Kit - 4640509 Valve | |
| 21 | 0962336 | 4 | Bushing | |
| 100 | 1001138795 | 1 | Seal Kit (Includes Items 4-8 & 10-13) | |

SECTION 5 - CYLINDER

FIGURE 5-5. LIFT CYLINDER ASSEMBLY - MAIN BOOM (ORIGINAL EQUIPEMNT)



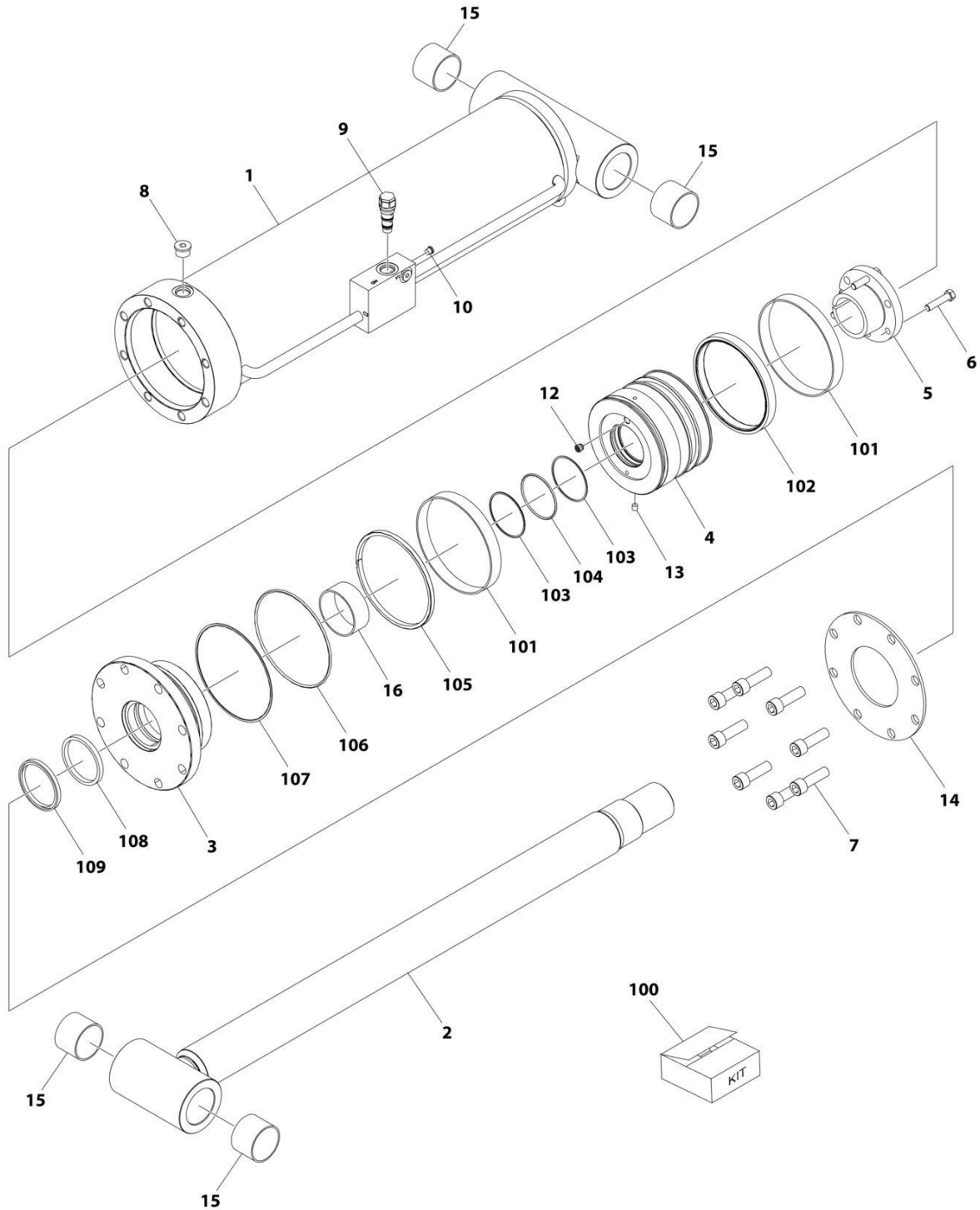
SECTION 5 - CYLINDER

FIGURE 5-5. LIFT CYLINDER ASSEMBLY - MAIN BOOM (ORIGINAL EQUIPEMNT)

| ITEM | PART NUMBER | QTY | DESCRIPTION | REV |
|------|-------------|-----|---|-----|
| | 1683547 | Ref | MAIN BOOM LIFT CYLINDER ASSEMBLY Note: Original Cylinder may have been replaced with Service Replacement. Identify PN Stamped on Cylinder Before Ordering Parts. | M |
| | | Ref | | |
| 1 | 1683821 | 1 | Barrel Weldment | |
| 2 | 1683549 | 1 | Rod Weldment | |
| 3 | 3480238 | 1 | Piston | |
| 4 | 0961901 | 1 | Bushing, Tapered | |
| 5 | 2220888 | 1 | Plug, O-Ring | |
| 6 | 1683071 | 1 | Head | |
| 7 | 3760374 | 1 | Washer, Ring | |
| 8 | 3932240 | 8 | Bolt, Socket Head 3/4in x 2-1/2in | |
| 10 | See Note | NSS | O-Ring (Note: Use Item 40) | |
| 11 | See Note | NSS | Ring, Back-up (Note: Use Item 40) | |
| 12 | See Note | NSS | Wiper (Note: Use Item 40) | |
| 13 | See Note | NSS | Seal, Rod (Note: Use Item 40) | |
| 14 | See Note | NSS | O-Ring (Note: Use Item 40) | |
| 15 | See Note | NSS | Ring, Back-up (Note: Use Item 40) | |
| 16 | See Note | NSS | Ring, Wear (Note: Use Item 40) | |
| 17 | See Note | NSS | T-Seal (Note: Use Item 40) | |
| 18 | See Note | NSS | Seal (Note: Use Item 40) | |
| 19 | 0962102 | 4 | Bushing | |
| 21 | 4640509 | 1 | Cartridge, Valve | |
| 21 | 2900792 | 1 | Seal Kit - 4640509 Valve | |
| 22 | 2180615 | 1 | Orifice | |
| 23 | 0100011 | AR | Compound, Locking | |
| 24 | 4641027 | 1 | Plug, Check Valve | |
| 25 | 0100038 | AR | Primer, Locking | |
| 26 | 2220883 | 1 | Plug | |
| 29 | 0100063 | AR | Loctite RC609 (Prior to SN 0300134353) | |
| 30 | See Note | NSS | Ring, Wear (Note: Use Item 40) | |
| 31 | 0630537 | 3 | Bolt | |
| 40 | 2901514 | 1 | Seal Kit (Includes Items 10-18 & 30) | |

SECTION 5 - CYLINDER

FIGURE 5-6. LIFT CYLINDER ASSEMBLY - MAIN BOOM (SERVICE REPLACEMENT)



ART_1001228010

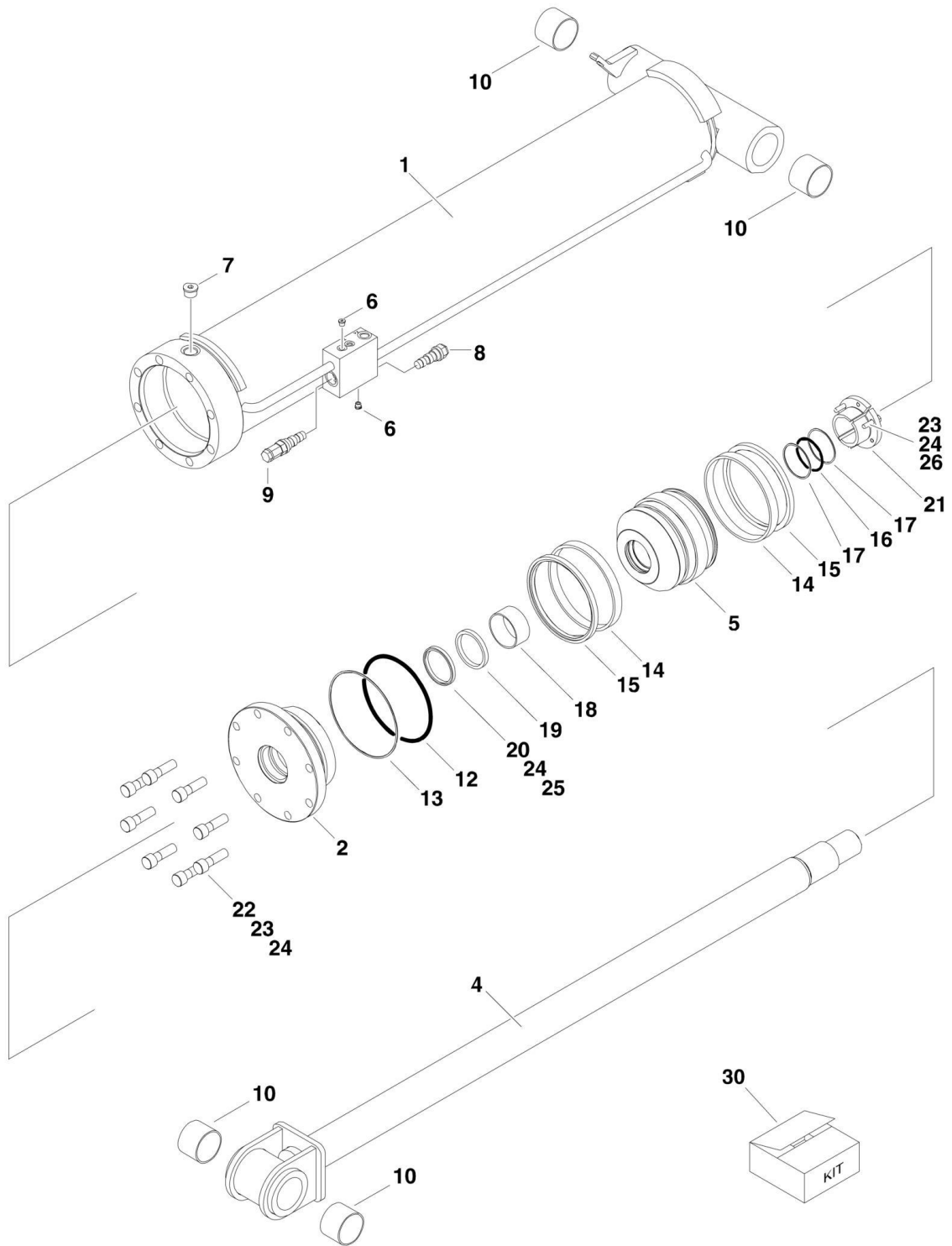
SECTION 5 - CYLINDER

FIGURE 5-6. LIFT CYLINDER ASSEMBLY - MAIN BOOM (SERVICE REPLACEMENT)

| ITEM | PART NUMBER | QTY | DESCRIPTION | REV |
|------|-------------|-----|---|-----|
| | 1001228010 | Ref | LIFT CYLINDER ASSEMBLY | C |
| | | Ref | Note: Original Cylinder may have been replaced with Service Replacement. Identify PN Stamped on Cylinder Before Ordering Parts. | |
| 1 | See Note | NSS | Barrel (Note: Not Available for Purchase) | |
| 2 | 70006388 | 1 | Rod | |
| 3 | 70006387 | 1 | Head | |
| 4 | 70006386 | 1 | Piston | |
| 5 | 70006385 | 1 | Bushing, Tapered | |
| 6 | 0630537 | 3 | Bolt | |
| 7 | 3932240 | 8 | Capscrew 3/4 x 2-1/2 | |
| 7 | See Note | AR | Compound, Locking (Note: Use Loctite 263) | |
| 8 | 2220888 | 1 | Plug | |
| 9 | 4640509 | 1 | Cartridge, Valve | |
| 9 | 2900792 | 1 | Seal Kit - 4640509 Valve | |
| 10 | 2220883 | 1 | Plug | |
| 12 | 4641027 | 1 | Plug, Check Valve | |
| 13 | 2180615 | 1 | Orifice | |
| 14 | 70006384 | 1 | Washer, Ring | |
| 15 | 0962102 | 4 | Bushing | |
| 16 | See Note | NSS | Ring, Wear (Note: Use Item 100) | |
| 100 | 2901514 | 1 | Seal Kit (Includes Items 16 and 101-109) | |
| 101 | See Note | NSS | Ring, Wear (Note: Use Item 100) | |
| 102 | See Note | NSS | T-Seal (Note: Use Item 100) | |
| 103 | See Note | NSS | Ring, Back-up (Note: Use Item 100) | |
| 104 | See Note | NSS | O-Ring (Note: Use Item 100) | |
| 105 | See Note | NSS | Seal (Note: Use Item 100) | |
| 106 | See Note | NSS | O-Ring (Note: Use Item 100) | |
| 107 | See Note | NSS | Ring Back-up (Note: Use Item 100) | |
| 108 | See Note | NSS | Seal, Rod (Note: Use Item 100) | |
| 109 | See Note | NSS | Wiper (Note: Use Item 100) | |

SECTION 5 - CYLINDER

FIGURE 5-7. LIFT CYLINDER ASSEMBLY - TOWER BOOM (ORIGINAL EQUIPMENT)



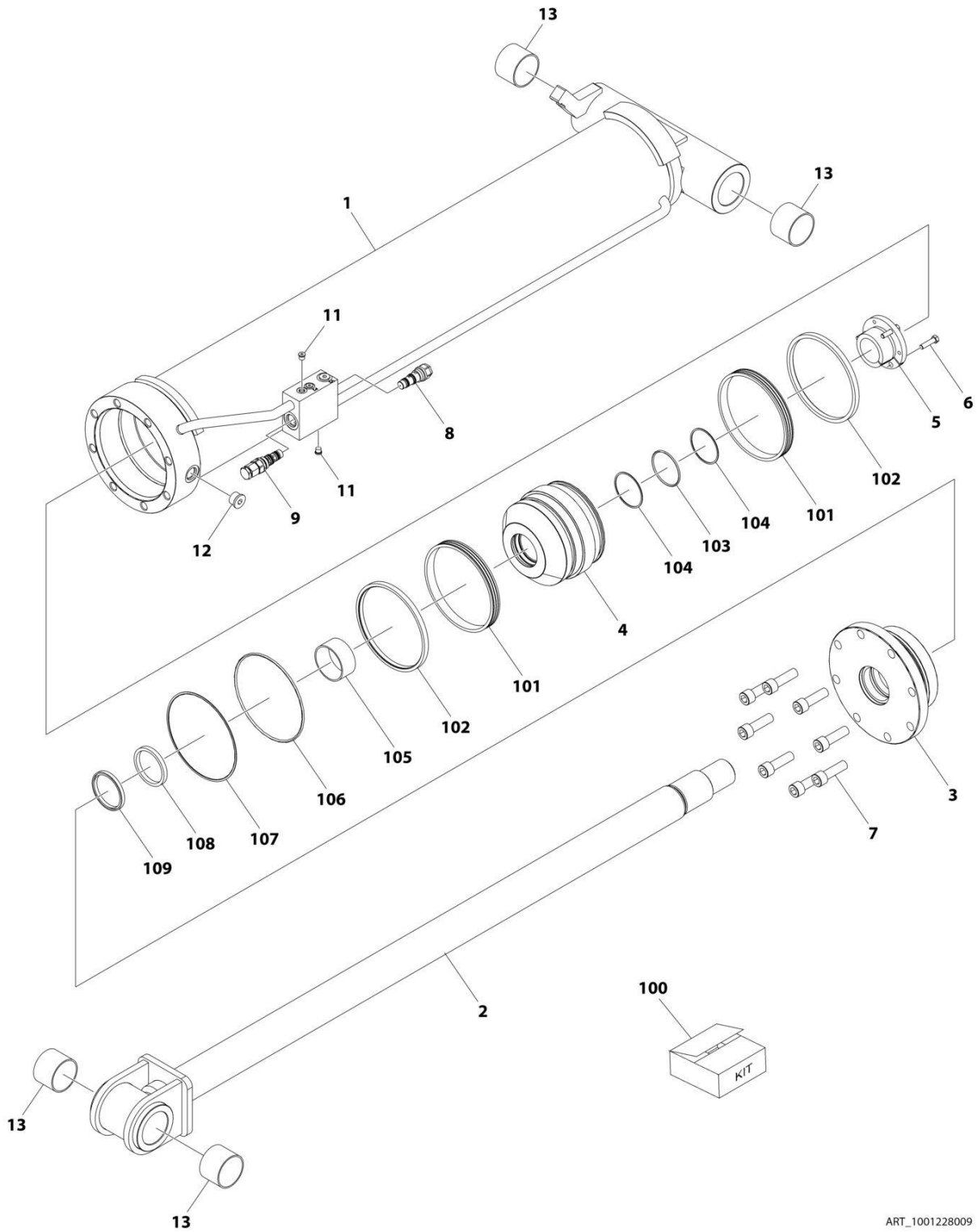
SECTION 5 - CYLINDER

FIGURE 5-7. LIFT CYLINDER ASSEMBLY - TOWER BOOM (ORIGINAL EQUIPMENT)

| ITEM | PART NUMBER | QTY | DESCRIPTION | REV |
|------|-------------|-----|---|-----|
| | 1683537 | Ref | TOWER LIFT CYLINDER ASSEMBLY Note: Original Cylinder may have been replaced with Service Replacement. Identify PN Stamped on Cylinder Before Ordering Parts. | J |
| | | Ref | | |
| 1 | 1683823 | 1 | Barrel Weldment | |
| 2 | 1683818 | 1 | Head | |
| 4 | 1683539 | 1 | Rod Weldment | |
| 5 | 3480236 | 1 | Piston | |
| 6 | 2220883 | 2 | Plug, O-Ring | |
| 7 | 2220888 | 1 | Plug, O-Ring | |
| 8 | 4640509 | 1 | Cartridge, Valve | |
| 8 | 2900792 | 1 | Seal Kit - 4640999 Valve | |
| 9 | 4640605 | 1 | Cartridge, Valve | |
| 9 | 2900792 | 1 | Seal Kit - 4640605 Valve | |
| 10 | 0962102 | 4 | Bushing | |
| 12 | See Note | NSS | O-Ring (Note: Use Item 30) | |
| 13 | See Note | NSS | Ring, Lock (Note: Use Item 30) | |
| 14 | See Note | NSS | Seal (Note: Use Item 30) | |
| 15 | See Note | NSS | Ring, Lock (Note: Use Item 30) | |
| 16 | See Note | NSS | O-Ring (Note: Use Item 30) | |
| 17 | See Note | NSS | Ring, Back-up (Note: Use Item 30) | |
| 18 | See Note | NSS | Ring, Wear (Note: Use Item 30) | |
| 19 | See Note | NSS | Seal (Note: Use Item 30) | |
| 20 | See Note | NSS | Wiper (Note: Use Item 30) | |
| 21 | 0961903 | 1 | Bushing, Tapered | |
| 22 | 3932240 | 8 | Capscrew, Socket Head 3/4in x 2-1/2in | |
| 23 | 0100011 | AR | Compound, Locking | |
| 24 | 0100038 | AR | Primer, Locking | |
| 25 | 0100063 | AR | Loctite #RC609 (Prior to SN 0300133544) | |
| 26 | 0630536 | 3 | Bolt | |
| 30 | 2901537 | 1 | Seal Kit (Includes Items 12-20) | |

SECTION 5 - CYLINDER

FIGURE 5-8. LIFT CYLINDER ASSEMBLY - TOWER BOOM (SERVICE REPLACEMENT)



ART_1001228009

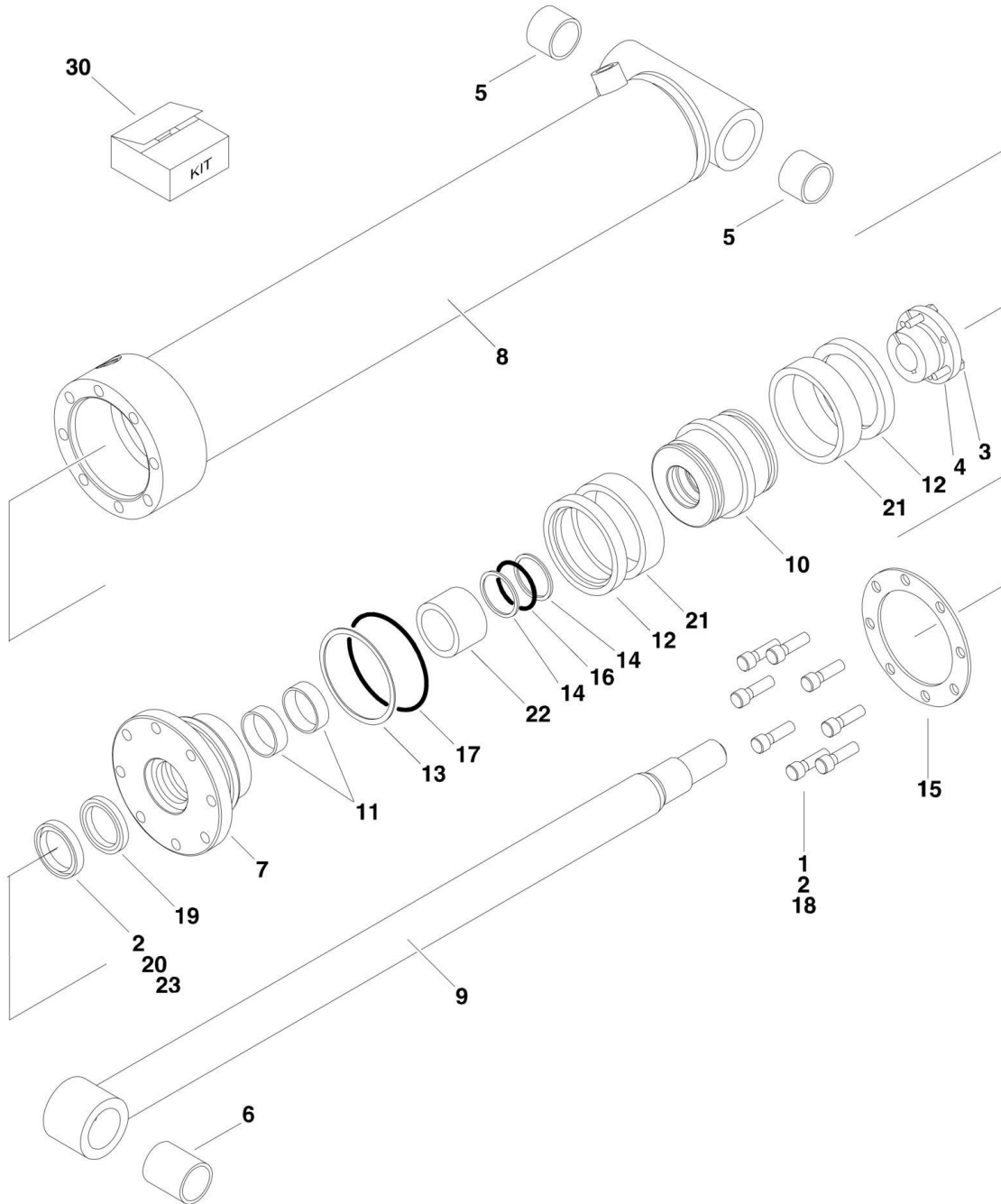
SECTION 5 - CYLINDER

FIGURE 5-8. LIFT CYLINDER ASSEMBLY - TOWER BOOM (SERVICE REPLACEMENT)

| ITEM | PART NUMBER | QTY | DESCRIPTION | REV |
|------|-------------|-----|---|-----|
| | 1001228009 | Ref | LIFT CYLINDER ASSEMBLY | C |
| | | Ref | Note: Original Cylinder may have been replaced with Service Replacement. Identify PN Stamped on Cylinder Before Ordering Parts. | |
| 1 | See Note | NSS | Barrel (Note: Not Available for Purchase) | |
| 2 | 70006378 | 1 | Rod | |
| 3 | 70006377 | 1 | Head | |
| 4 | 70006376 | 1 | Piston | |
| 5 | 70006375 | 1 | Bushing, Tapered | |
| 6 | 0630536 | 3 | Bolt | |
| 7 | 3932240 | 8 | Capscrew 3/4 x 2-1/2 | |
| 8 | 4640509 | 1 | Cartridge, Valve | |
| 8 | 2900792 | 1 | Seal Kit - 4640999 Valve | |
| 9 | 4640605 | 1 | Cartridge, Valve | |
| 9 | 2900792 | 1 | Seal Kit - 4640605 Valve | |
| 11 | 2220883 | 4 | Plug, O-Ring | |
| 12 | 2220888 | 1 | Plug, O-Ring | |
| 13 | 0962102 | 4 | Bushing | |
| 100 | 2901537 | 1 | Seal Kit (Includes Items 101-109) | |
| 101 | See Note | NSS | Seal (Note: Use Item 100) | |
| 102 | See Note | NSS | Ring, Lock (Note: Use Item 100) | |
| 103 | See Note | NSS | O-Ring (Note: Use Item 100) | |
| 104 | See Note | NSS | Ring, Back-up (Note: Use Item 100) | |
| 105 | See Note | NSS | Ring, Wear (Note: Use Item 100) | |
| 106 | See Note | NSS | O-Ring (Note: Use Item 100) | |
| 107 | See Note | NSS | Ring, Back-up (Note: Use Item 100) | |
| 108 | See Note | NSS | Seal (Note: Use Item 100) | |
| 109 | See Note | NSS | Wiper (Note: Use Item 100) | |

SECTION 5 - CYLINDER

FIGURE 5-9. MASTER CYLINDER ASSEMBLY (ORIGINAL EQUIPMENT)



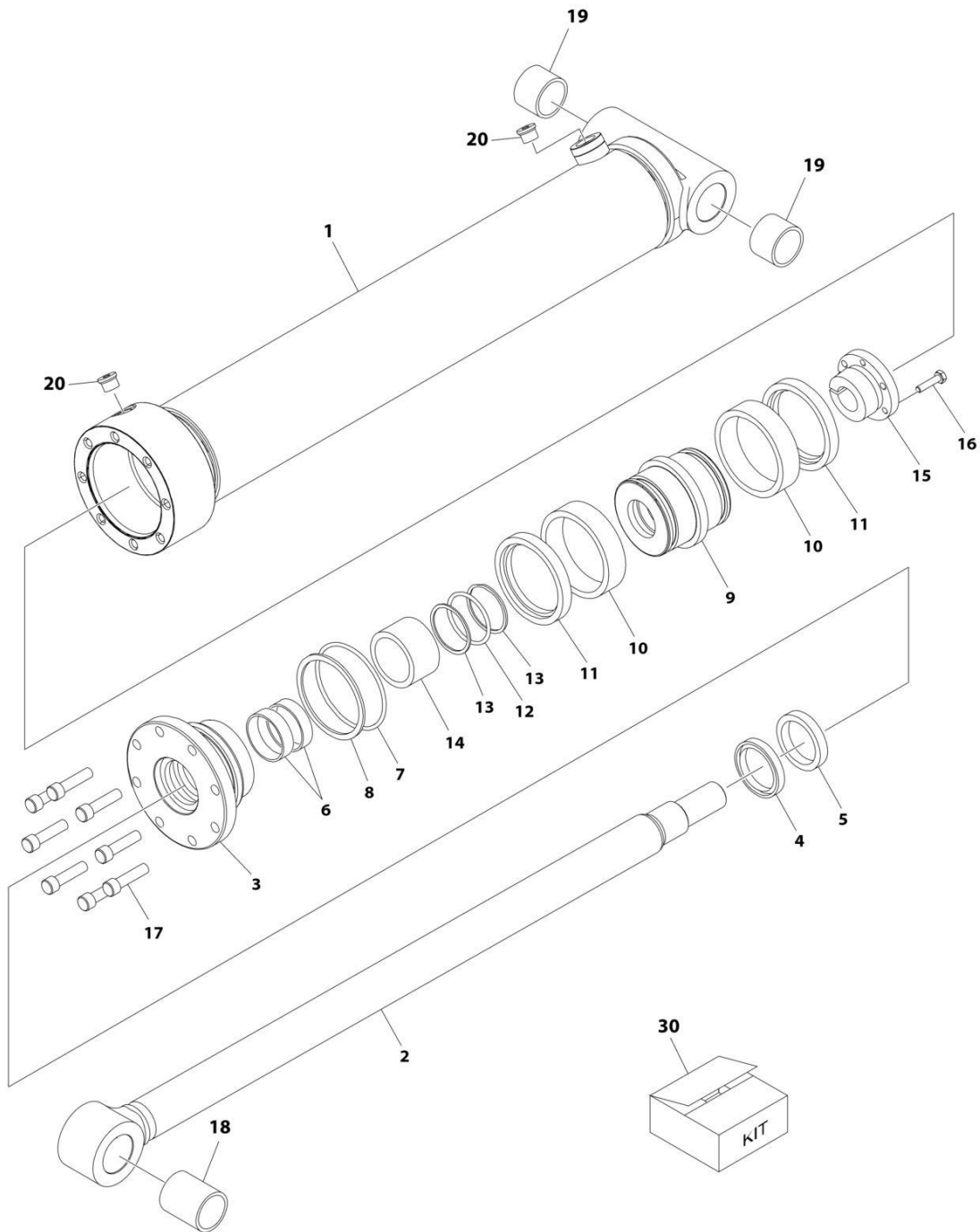
SECTION 5 - CYLINDER

FIGURE 5-9. MASTER CYLINDER ASSEMBLY (ORIGINAL EQUIPMENT)

| ITEM | PART NUMBER | QTY | DESCRIPTION | REV |
|------|-------------|-----|---|-----|
| | 1683682 | Ref | MASTER CYLINDER ASSEMBLY Note: Original Cylinder may have been replaced with Service Replacement. Identify PN Stamped on Cylinder Before Ordering Parts. | H |
| | | Ref | | |
| 1 | 0100011 | AR | Compound, Locking | |
| 2 | 0100038 | AR | Primer, Locking | |
| 3 | 0630535 | 3 | Capscrew, Socket Head 1/4in-20NC x 1in | |
| 4 | 0961894 | 1 | Bushing, Tapered | |
| 5 | 0961951 | 2 | Bushing | |
| 6 | 0962155 | 1 | Bushing | |
| 7 | 1683055 | 1 | Head | |
| 8 | 1684125 | 1 | Barrel | |
| 9 | 1684126 | 1 | Rod | |
| 10 | 3480188 | 1 | Piston | |
| 11 | See Note | NSS | Ring, Wear (Note: Use Item 30) | |
| 12 | See Note | NSS | Ring, Lock (Note: Use Item 30) | |
| 13 | See Note | NSS | Ring, Back-up (Note: Use Item 30) | |
| 14 | See Note | NSS | Ring, Back-up (Note: Use Item 30) | |
| 15 | 3760369 | 1 | Ring, Washer | |
| 16 | See Note | NSS | O-Ring (Note: Use Item 30) | |
| 17 | See Note | NSS | O-Ring (Note: Use Item 30) | |
| 18 | 3931620 | 8 | Capscrew 3/8in-16NC x 1-1/4in | |
| 19 | See Note | NSS | Seal, Rod (Note: Use Item 30) | |
| 20 | See Note | NSS | Wiper (Note: Use Item 30) | |
| 21 | See Note | NSS | Seal (Note: Use Item 30) | |
| 22 | 4566468 | 1 | Spacer, Tube | |
| 23 | 0100063 | AR | Loctite #RC 609 (Prior to SN 0300133482) | |
| 30 | 2901301 | 1 | Seal Kit - 1683682 Cylinder (Includes Items 11-14, 16, 17 & 19-21) | |

SECTION 5 - CYLINDER

FIGURE 5-10. MASTER CYLINDER ASSEMBLY (SERVICE REPLACEMENT)



ART_1001228050

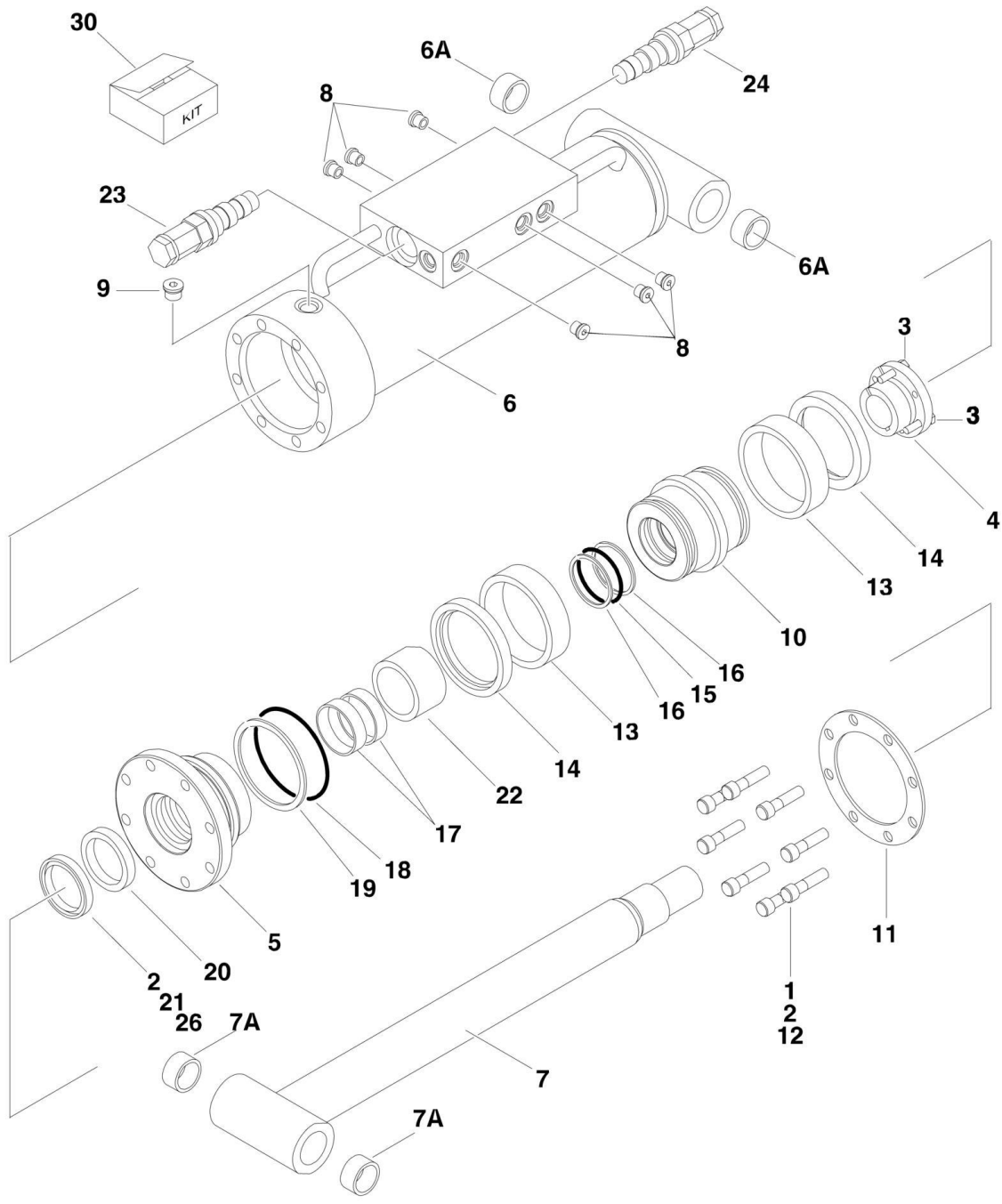
SECTION 5 - CYLINDER

FIGURE 5-10. MASTER CYLINDER ASSEMBLY (SERVICE REPLACEMENT)

| ITEM | PART NUMBER | QTY | DESCRIPTION | REV |
|------|-------------|-----|---|-----|
| | 1001228050 | Ref | MASTER CYLINDER ASSEMBLY | C |
| | | Ref | Note: Original Cylinder may have been replaced with Service Replacement. Identify PN Stamped on Cylinder Before Ordering Parts. | |
| 1 | See Note | NSS | Barrel (Note: Not Available for Purchase) | |
| 2 | 70006668 | 1 | Rod | |
| 3 | 70006643 | 1 | Head | |
| 4 | See Note | NSS | Wiper (Note: Use Item 30) | |
| 5 | See Note | NSS | Seal, Rod (Note: Use Item 30) | |
| 6 | See Note | NSS | Ring, Wear (Note: Use Item 30) | |
| 7 | See Note | NSS | O-Ring (Note: Use Item 30) | |
| 8 | See Note | NSS | Ring, Back-up (Note: Use Item 30) | |
| 9 | 70006644 | 1 | Piston | |
| 10 | See Note | NSS | Ring, Wear (Note: Use Item 30) | |
| 11 | See Note | NSS | Ring, Lock (Note: Use Item 30) | |
| 12 | See Note | NSS | O-Ring (Note: Use Item 30) | |
| 13 | See Note | NSS | Ring, Back-up (Note: Use Item 30) | |
| 14 | 70006651 | 1 | Spacer, Tube | |
| 15 | 0961894 | 1 | Bushing, Tapered | |
| 16 | 0630535 | 3 | Capscrew 1/4 x 1-1/8 | |
| 17 | 3931620 | 8 | Capscrew 3/8 x 1-1/4 | |
| 18 | 0962155 | 1 | Bushing | |
| 19 | 0961951 | 2 | Bushing | |
| 20 | 2220885 | 2 | Plug, O-Ring | |
| 30 | 1001138796 | 1 | Seal Kit (Machines with Arctic Package) (Includes Items 4-8 & 10-13) | |

SECTION 5 - CYLINDER

FIGURE 5-11. SLAVE CYLINDER ASSEMBLY (ORIGINAL EQUIPMENT)



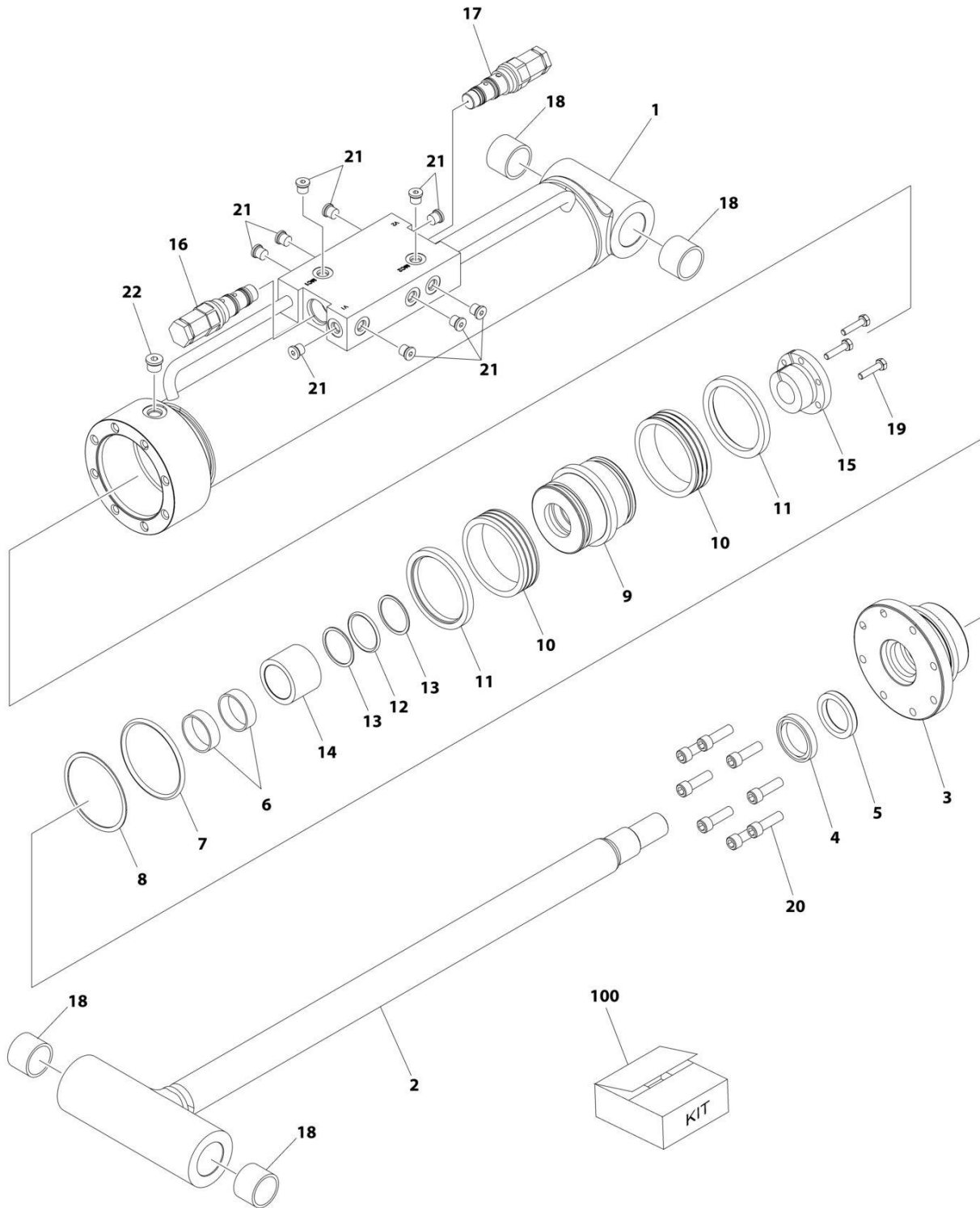
SECTION 5 - CYLINDER

FIGURE 5-11. SLAVE CYLINDER ASSEMBLY (ORIGINAL EQUIPMENT)

| ITEM | PART NUMBER | QTY | DESCRIPTION | REV |
|------|-------------|-----|--|-----|
| | 1684228 | Ref | SLAVE CYLINDER ASSEMBLY Note: Original Cylinder may have been replaced with Service Replacement. Identify PN Stamped on Cylinder Before Ordering Parts. | F |
| | | Ref | | |
| 1 | 0100011 | AR | Compound, Locking | |
| 2 | 0100038 | AR | Primer, Locking | |
| 3 | 0630535 | 3 | Capscrew, Socket Head 1/4in-20NC x 1in | |
| 4 | 0961894 | 1 | Bushing, Tapered | |
| 5 | 1683055 | 1 | Head | |
| 6 | 1684230 | 1 | Barrel (Note: Includes Item 6A) | |
| 6A | 0961951 | 2 | Bushing | |
| 7 | 1684232 | 1 | Rod (Note: Includes Item 7A) | |
| 7A | 0961951 | 2 | Bushing | |
| 8 | 2220883 | 6 | Plug | |
| 9 | 2220885 | 1 | Plug | |
| 10 | 3480188 | 1 | Piston | |
| 11 | 3760369 | 1 | Ring, Washer | |
| 12 | 3931620 | 8 | Capscrew 3/8in-16NC x 1-1/4in | |
| 13 | See Note | NSS | Seal (Note: Use Item 30) | |
| 14 | See Note | NSS | Ring, Lock (Note: Use Item 30) | |
| 15 | See Note | NSS | O-Ring (Note: Use Item 30) | |
| 16 | See Note | NSS | Ring, Back-up (Note: Use Item 30) | |
| 17 | See Note | NSS | Ring, Wear (Note: Use Item 30) | |
| 18 | See Note | NSS | O-Ring (Note: Use Item 30) | |
| 19 | See Note | NSS | Ring, Back-up (Note: Use Item 30) | |
| 20 | See Note | NSS | Seal (Note: Use Item 30) | |
| 21 | See Note | NSS | Wiper (Note: Use Item 30) | |
| 22 | 4566468 | 1 | Spacer, Tube | |
| 23 | 4640605 | 1 | Valve, Cartridge | |
| 23 | 2900792 | 1 | Seal Kit - 4640605 Valve | |
| 24 | 4640932 | 1 | Valve, Cartridge | |
| 24 | 7011112 | 1 | Seal Kit - 4640932 Valve | |
| 26 | 0100063 | AR | Loctite #RC 609 | |
| 30 | 2901301 | 1 | Seal Kit (Includes Items 13-21) | |

SECTION 5 - CYLINDER

FIGURE 5-12. SLAVE CYLINDER ASSEMBLY (SERVICE REPLACEMENT)



ART_1001228030

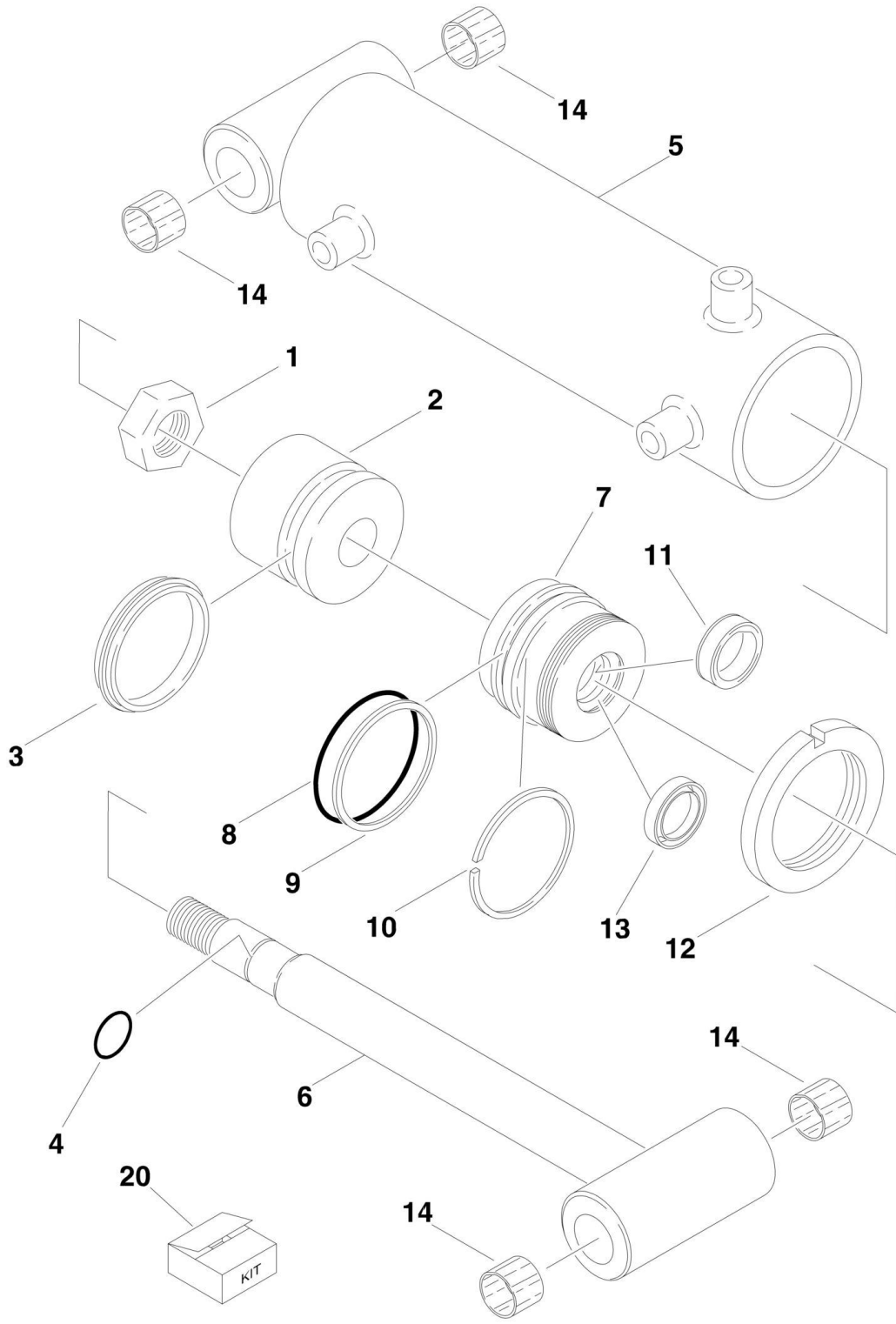
SECTION 5 - CYLINDER

FIGURE 5-12. SLAVE CYLINDER ASSEMBLY (SERVICE REPLACEMENT)

| ITEM | PART NUMBER | QTY | DESCRIPTION | REV |
|------|-------------|-----|---|-----|
| | 1001228030 | Ref | LEVEL (SLAVE) CYLINDER ASSEMBLY | E |
| | | Ref | Note: Original Cylinder may have been replaced with Service Replacement. Identify PN Stamped on Cylinder Before Ordering Parts. | |
| 1 | See Note | NSS | Barrel (Note: Not Available for Purchase) | |
| 2 | 70006642 | 1 | Rod | |
| 3 | 70006643 | 1 | Head | |
| 4 | See Note | NSS | Wiper (Note: Use Item 100) | |
| 5 | See Note | NSS | Seal (Note: Use Item 100) | |
| 6 | See Note | NSS | Ring, Wear (Note: Use Item 100) | |
| 7 | See Note | NSS | O-Ring (Note: Use Item 100) | |
| 8 | See Note | NSS | Ring, Back-up (Note: Use Item 100) | |
| 9 | 70006644 | 1 | Piston | |
| 10 | See Note | NSS | Seal (Note: Use Item 100) | |
| 11 | See Note | NSS | Ring, Lock (Note: Use Item 100) | |
| 12 | See Note | NSS | O-Ring (Note: Use Item 100) | |
| 13 | See Note | NSS | Ring, Back-up (Note: Use Item 100) | |
| 14 | 70006645 | 1 | Spacer, Tube | |
| 15 | 0961894 | 1 | Bushing, Tapered | |
| 16 | 4640932 | 1 | Valve, Cartridge | |
| 16 | 7011112 | 1 | Seal Kit - 4640932 Valve | |
| 17 | 4640605 | 1 | Valve, Cartridge | |
| 17 | 2900792 | 1 | Seal Kit - 4640605 Valve | |
| 18 | 0961951 | 4 | Bushing | |
| 19 | 0630535 | 3 | Bolt | |
| 20 | 3931620 | 8 | Capscrew 3/8-16 x 1-1/4 | |
| 21 | 2220883 | 10 | Plug, O-Ring | |
| 22 | 2220885 | 1 | Plug, O-Ring | |
| 100 | 1001138796 | 1 | Seal Kit (Includes Items 4-8 & 10-13) | |

SECTION 5 - CYLINDER

FIGURE 5-13. STEER CYLINDER ASSEMBLY (Prior to SN 0300142664)



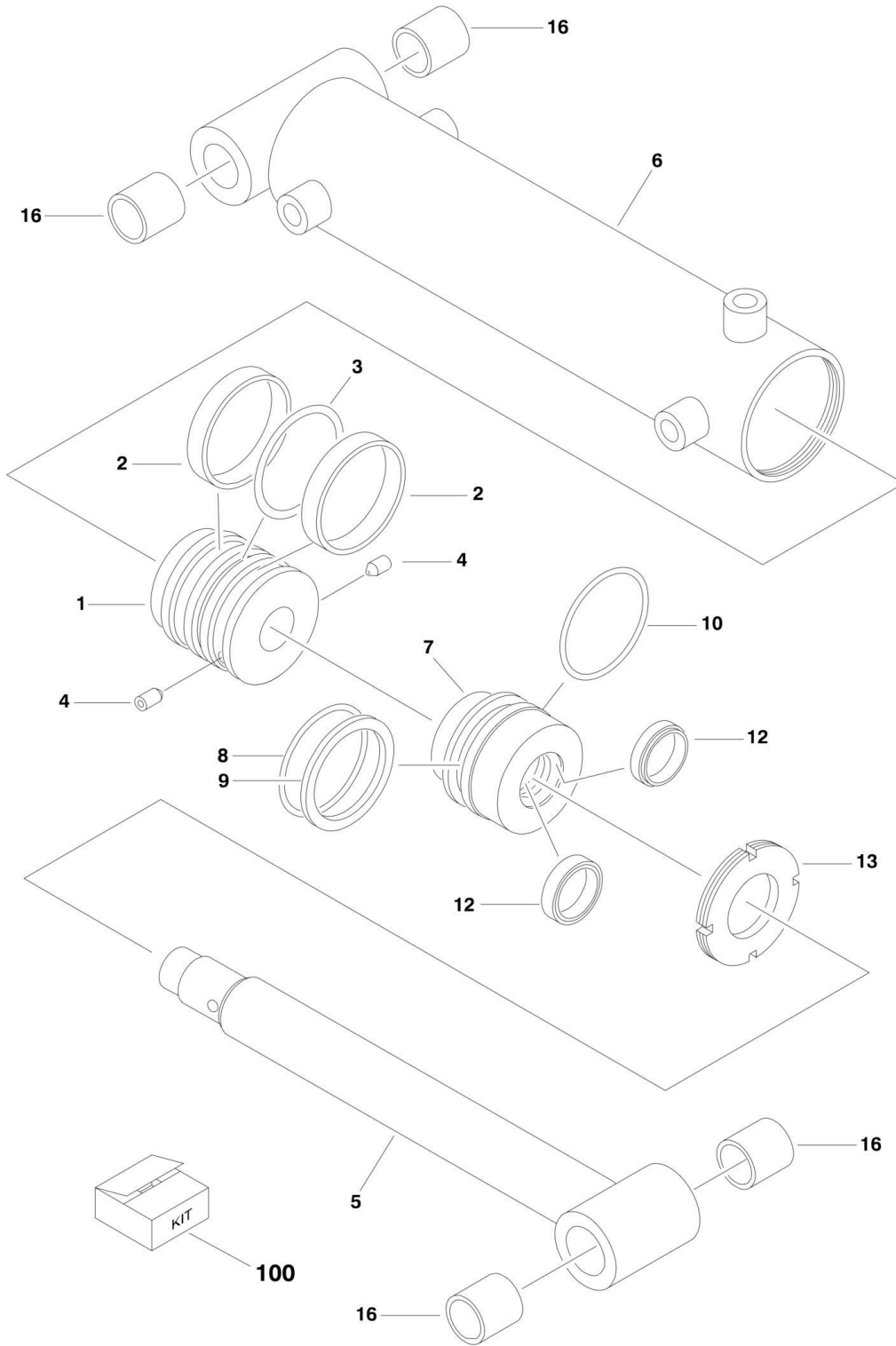
SECTION 5 - CYLINDER

FIGURE 5-13. STEER CYLINDER ASSEMBLY (Prior to SN 0300142664)

| ITEM | PART NUMBER | QTY | DESCRIPTION | REV |
|------|-------------|-----|---|-----|
| | 1683740 | Ref | STEER CYLINDER ASSEMBLY | C |
| 1 | 7017210 | 1 | Locknut | |
| 2 | 7017211 | 1 | Piston | |
| 3 | See Note | NSS | Seal (Note: Use Item 20) | |
| 4 | See Note | NSS | O-Ring (Note: Use Item 20) | |
| 5 | 7023023 | 1 | Barrel Weldment | |
| 6 | 7017236 | 1 | Rod Weldment | |
| 7 | 7017213 | 1 | Head | |
| 8 | See Note | NSS | O-Ring (Note: Use Item 20) | |
| 9 | See Note | NSS | Ring, Back-up (Note: Use Item 20) | |
| 10 | See Note | NSS | Ring, Retainer (Note: Use Item 20) | |
| 11 | See Note | NSS | Seal (Note: Use Item 20) | |
| 12 | 7017214 | 1 | Nut, Spanner | |
| 13 | See Note | NSS | Wiper (Note: Use Item 20) | |
| 14 | 0961977 | 4 | Bushings | |
| 20 | 7017215 | 1 | Seal Kit (Includes Items 3, 4, 8-11 & 13) | |

SECTION 5 - CYLINDER

FIGURE 5-14. STEER CYLINDER ASSEMBLY (SN 0300142664 through 0300185827)



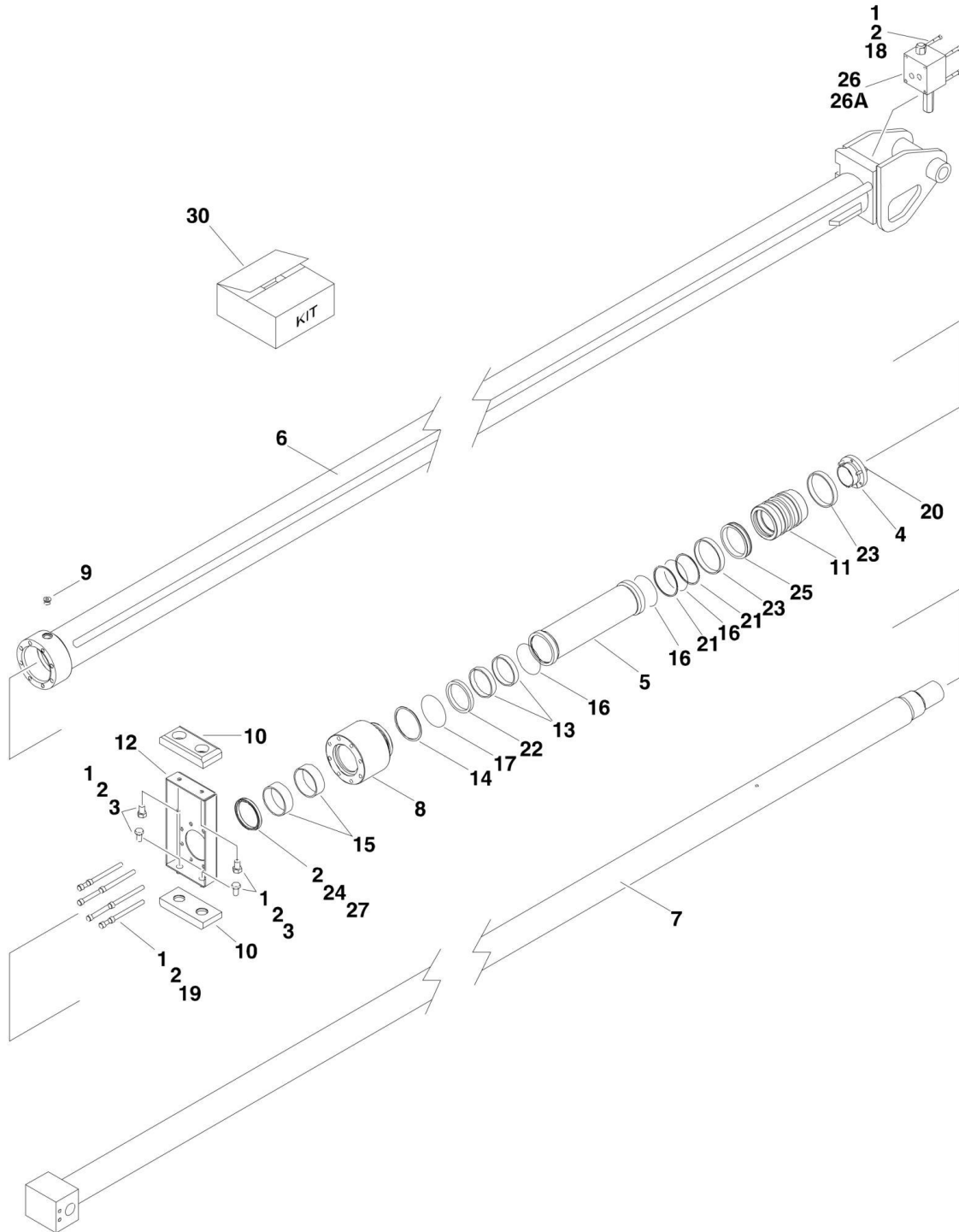
SECTION 5 - CYLINDER

FIGURE 5-14. STEER CYLINDER ASSEMBLY (SN 0300142664 through 0300185827)

| ITEM | PART NUMBER | QTY | DESCRIPTION | REV |
|------|-------------|-----|--|-----|
| | 1001097243 | Ref | STEER CYLINDER ASSEMBLY | B |
| 1 | 70002744 | 1 | Piston | |
| 2 | See Note | NSS | Seal (Note: Use Item 100) | |
| 3 | See Note | NSS | Seal (Note: Use Item 100) | |
| 4 | 70002745 | 2 | Setscrew | |
| 5 | 70002746 | 1 | Rod Weldment | |
| 6 | 70002747 | 1 | Barrel Weldment | |
| 7 | 70002748 | 1 | Head | |
| 8 | See Note | NSS | O-Ring (Note: Use Item 100) | |
| 9 | See Note | NSS | Ring, Back-up (Note: Use Item 100) | |
| 10 | See Note | NSS | Ring, Retainer (Note: Use Item 100) | |
| 11 | 70002749 | 1 | Nut, Spanner | |
| 12 | See Note | NSS | Seal (Note: Use Item 100) | |
| 13 | See Note | NSS | Wiper (Note: Use Item 100) | |
| 14 | See Note | NSS | O-Ring (Note: Use Item 100) | |
| 15 | 70002750 | 5 | Plug, Port | |
| 16 | 0962356 | 4 | Bushings | |
| 100 | 70002751 | 1 | Seal Kit (Includes Items 2, 3, 8-10 & 12-14) | |

SECTION 5 - CYLINDER

FIGURE 5-15. TELESCOPE CYLINDER ASSEMBLY - MAIN



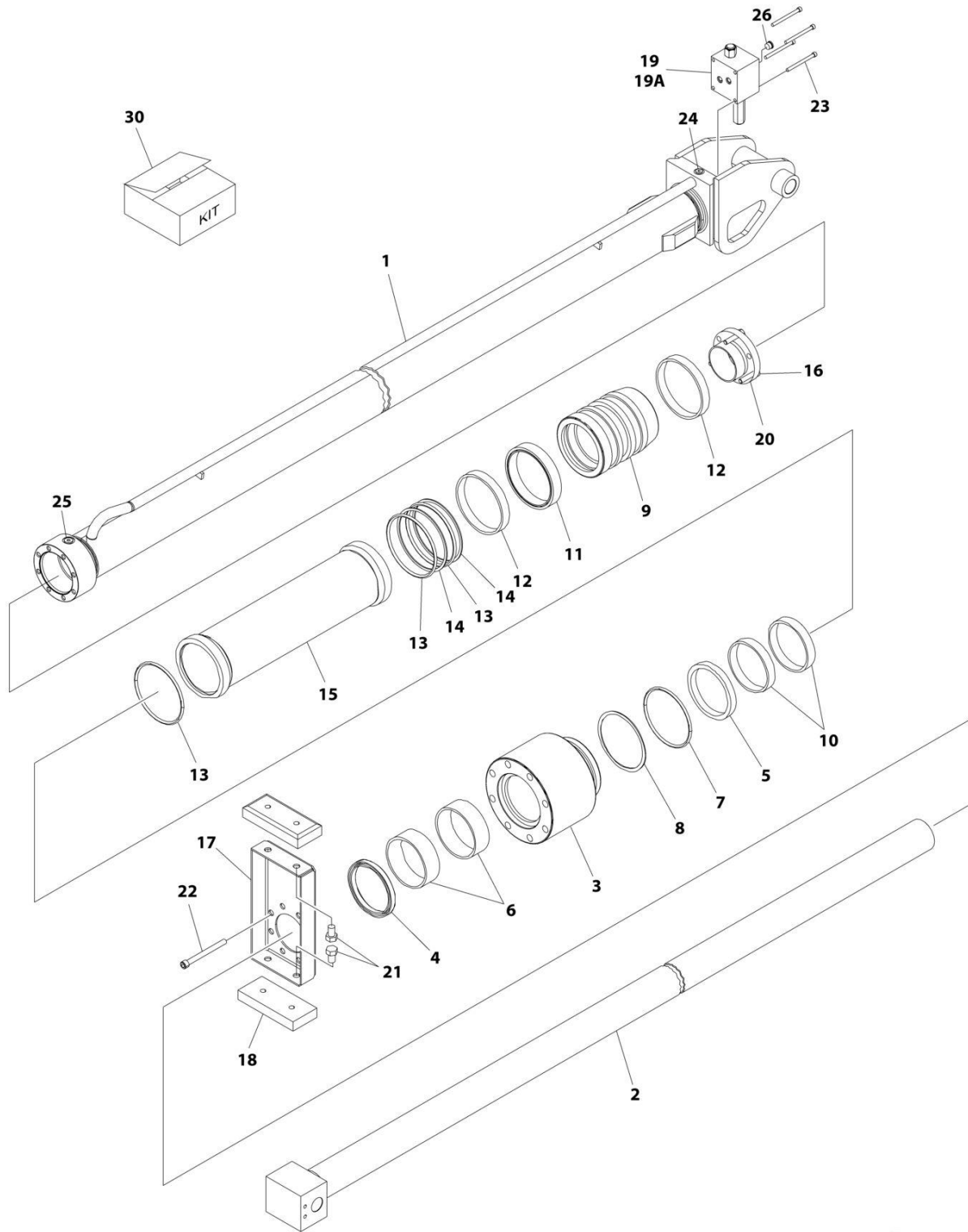
SECTION 5 - CYLINDER

FIGURE 5-15. TELESCOPE CYLINDER ASSEMBLY - MAIN

| ITEM | PART NUMBER | QTY | DESCRIPTION | REV |
|------|-------------|-----|--|-----|
| | | Ref | TELESCOPE CYLINDER ASSEMBLY - MAIN | |
| | 1683672 | Ref | Telescope Cylinder Assembly (Original Equipment) | H |
| | 1001188841 | Ref | Telescope Cylinder Assembly (Usage May Vary) (Service Replacement) | B |
| | | Ref | Note: Original Cylinder may have been replaced with Service Replacement. Identify PN Stamped on Cylinder Before Ordering Parts. | |
| 1 | 0100011 | AR | Compound, Locking | |
| 2 | 0100038 | AR | Primer, Locking | |
| 3 | 0641806 | 4 | Bolt 1/2in-13NC x 3/4in | |
| 4 | 0961897 | 1 | Bushing, Tapered | |
| 5 | | Ref | Spacer, Tube Options: | |
| 5 | 0962219 | 1 | Spacer, Tube (Prior to SN 0300071952) | |
| 5 | 0962524 | 1 | Spacer, Tube (SN 0300071952 through 0300185827) | |
| 6 | 1683673 | 1 | Barrel | |
| 7 | 1683675 | 1 | Rod | |
| 8 | 1683663 | 1 | Head | |
| 9 | 2220885 | 1 | Plug, O-Ring | |
| 10 | 3340838 | 2 | Pad, Wear | |
| 11 | 3480234 | 1 | Piston | |
| 12 | 3570775 | 1 | Plate | |
| 13 | See Note | NSS | Ring, Wear (Note: Use Item 30) | |
| 14 | See Note | NSS | Ring, Back-up (Note: Use Item 30) | |
| 15 | See Note | NSS | Ring, Wear (Note: Use Item 30) | |
| 16 | See Note | NSS | O-Ring (Note: Use Item 30) | |
| 17 | See Note | NSS | O-Ring (Note: Use Item 30) | |
| 18 | 3931448 | 4 | Capscrew 1/4in-20NC x 3in | |
| 19 | 3931664 | 8 | Capscrew 3/8in-16NC x 4in | |
| 20 | 0630535 | 3 | Bolt 1/4in-20NC x 1-1/8in | |
| 21 | See Note | NSS | Ring, Back-up (Note: Use Item 30) | |
| 22 | See Note | NSS | Seal, Rod (Note: Use Item 30) | |
| 23 | See Note | NSS | Ring, Wear (Note: Use Item 30) | |
| 24 | See Note | NSS | Wiper (Note: Use Item 30) | |
| 25 | See Note | NSS | T-Seal (Note: Use Item 30) | |
| 26 | 4641033 | 1 | Valve Assembly (No serviceable parts - sold as assembly only) | |
| 26A | 7024508 | 2 | O-Ring | |
| 27 | 0100063 | AR | Loctite #RC 609 | |
| 30 | 2901712 | 1 | Seal Kit (Includes Items 13-17 & 21-25) | |

SECTION 5 - CYLINDER

FIGURE 5-16. TELESCOPE CYLINDER ASSEMBLY - MAIN (SERVICE REPLACEMENT)



ART_1001228087

SECTION 5 - CYLINDER

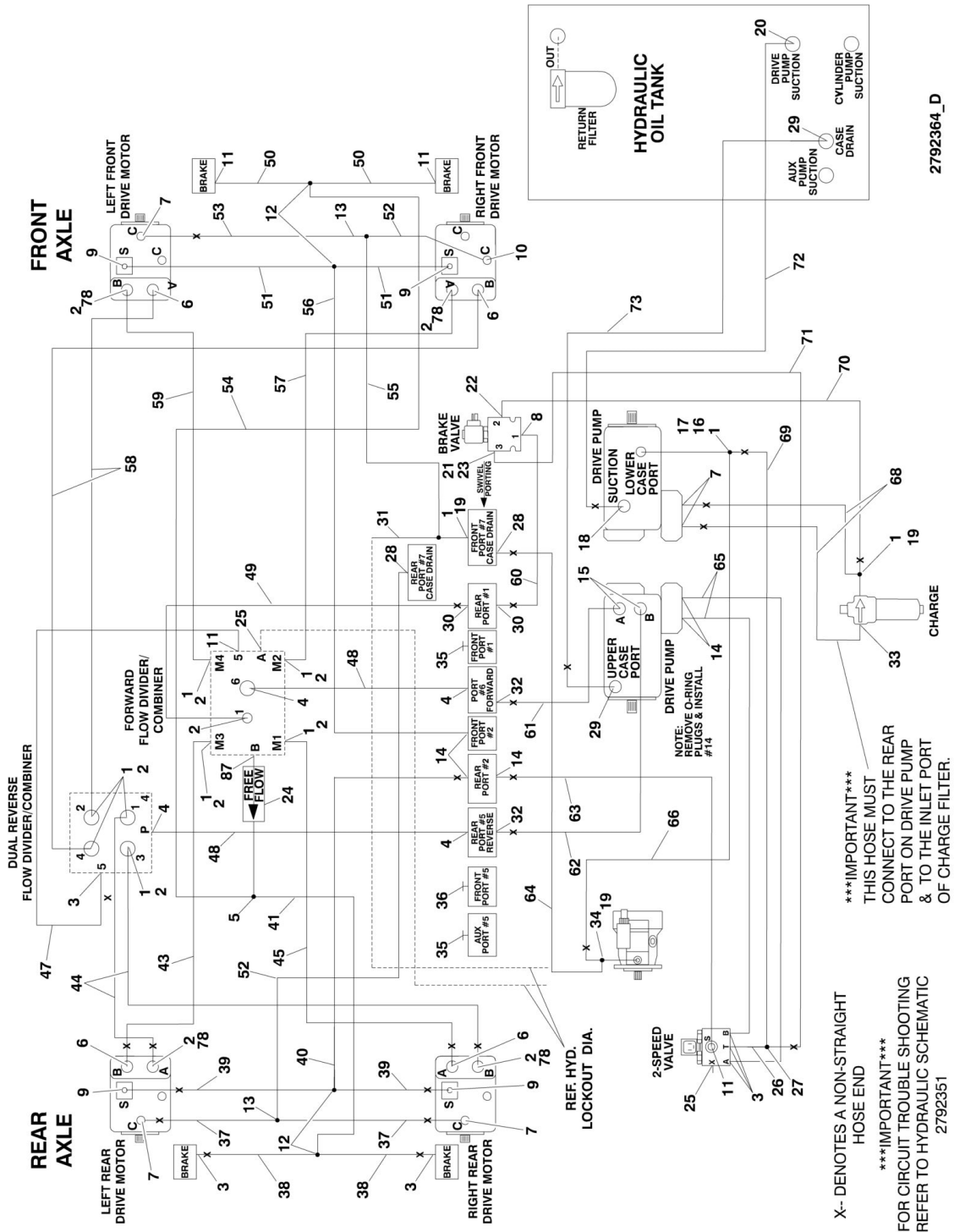
FIGURE 5-16. TELESCOPE CYLINDER ASSEMBLY - MAIN (SERVICE REPLACEMENT)

| ITEM | PART NUMBER | QTY | DESCRIPTION | REV |
|------|-------------|-----|---|-----|
| | 1001228087 | Ref | TELESCOPE CYLINDER ASSEMBLY | F |
| | | Ref | Note: Original Cylinder may have been replaced with Service Replacement. Identify PN Stamped on Cylinder Before Ordering Parts. | |
| 1 | See Note | NSS | Barrel (Note: Not Available for Purchase) | |
| 2 | 70006669 | 1 | Rod | |
| 3 | 70006670 | 1 | Head | |
| 4 | See Note | NSS | Wiper (Note: Use Item 30) | |
| 5 | See Note | NSS | Seal, Rod (Note: Use Item 30) | |
| 6 | See Note | NSS | Ring, Wear (Note: Use Item 30) | |
| 7 | See Note | NSS | O-Ring (Note: Use Item 30) | |
| 8 | See Note | NSS | Ring, Back-up (Note: Use Item 30) | |
| 9 | 70006671 | 1 | Piston | |
| 10 | See Note | NSS | Ring, Wear (Note: Use Item 30) | |
| 11 | See Note | NSS | Seal, Piston (Note: Use Item 30) | |
| 12 | See Note | NSS | Ring, Wear (Note: Use Item 30) | |
| 13 | See Note | NSS | O-Ring (Note: Use Item 30) | |
| 14 | See Note | NSS | Ring, Back-up (Note: Use Item 30) | |
| 15 | 70006672 | 1 | Spacer | |
| 16 | 0961897 | 1 | Bushing, Tapered | |
| 17 | 3570775 | 1 | Plate | |
| 18 | 3340838 | 2 | Pad, Wear | |
| 19 | 4641033 | 1 | Valve Assembly (No serviceable parts - sold as assembly only) | |
| 19A | 7024508 | 2 | O-Ring (Between Valve and Cylinder Barrel) | |
| 20 | 0630535 | 3 | Bolt 1/4 x 1-1/8 | |
| 21 | 0641806 | 4 | Bolt 1/2 x 3/4 | |
| 22 | 3931664 | 8 | Capscrew 3/8 x 4 | |
| 23 | 3931448 | 4 | Capscrew 1/4 x 3 | |
| 24 | 2220883 | 1 | Plug, O-Ring | |
| 25 | 2220885 | AR | Plug, O-Ring | |
| 26 | 2220886 | 1 | Plug, O-Ring | |
| 30 | 1001149391 | 1 | Seal Kit (Includes Items 4-8 & 10-14) | |

SECTION 6 - HYDRAULIC

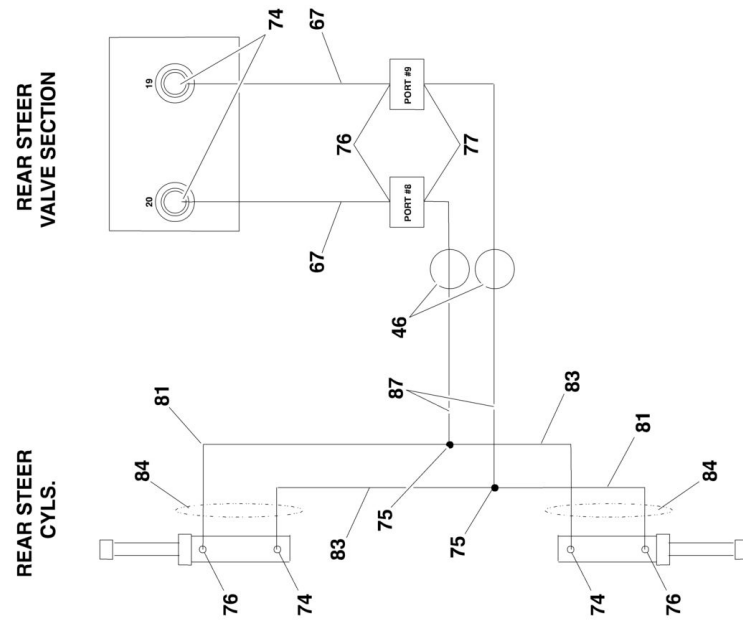
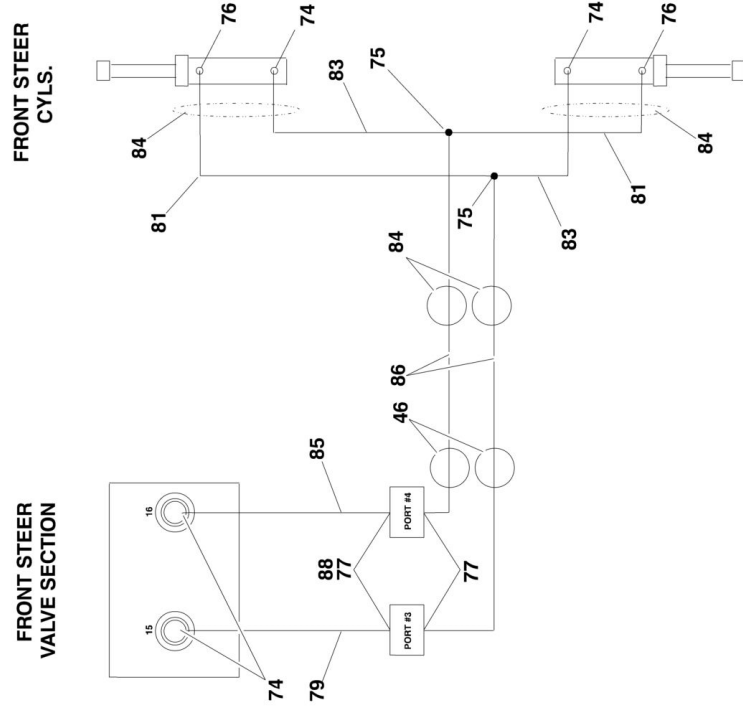
SECTION 6 - HYDRAULIC

FIGURE 6-1. DRIVE HYDRAULIC DIAGRAM (Prior to SN 0300137975)



2792364_D

SECTION 6 - HYDRAULIC



SECTION 6 - HYDRAULIC

FIGURE 6-1. DRIVE HYDRAULIC DIAGRAM (Prior to SN 0300137975)

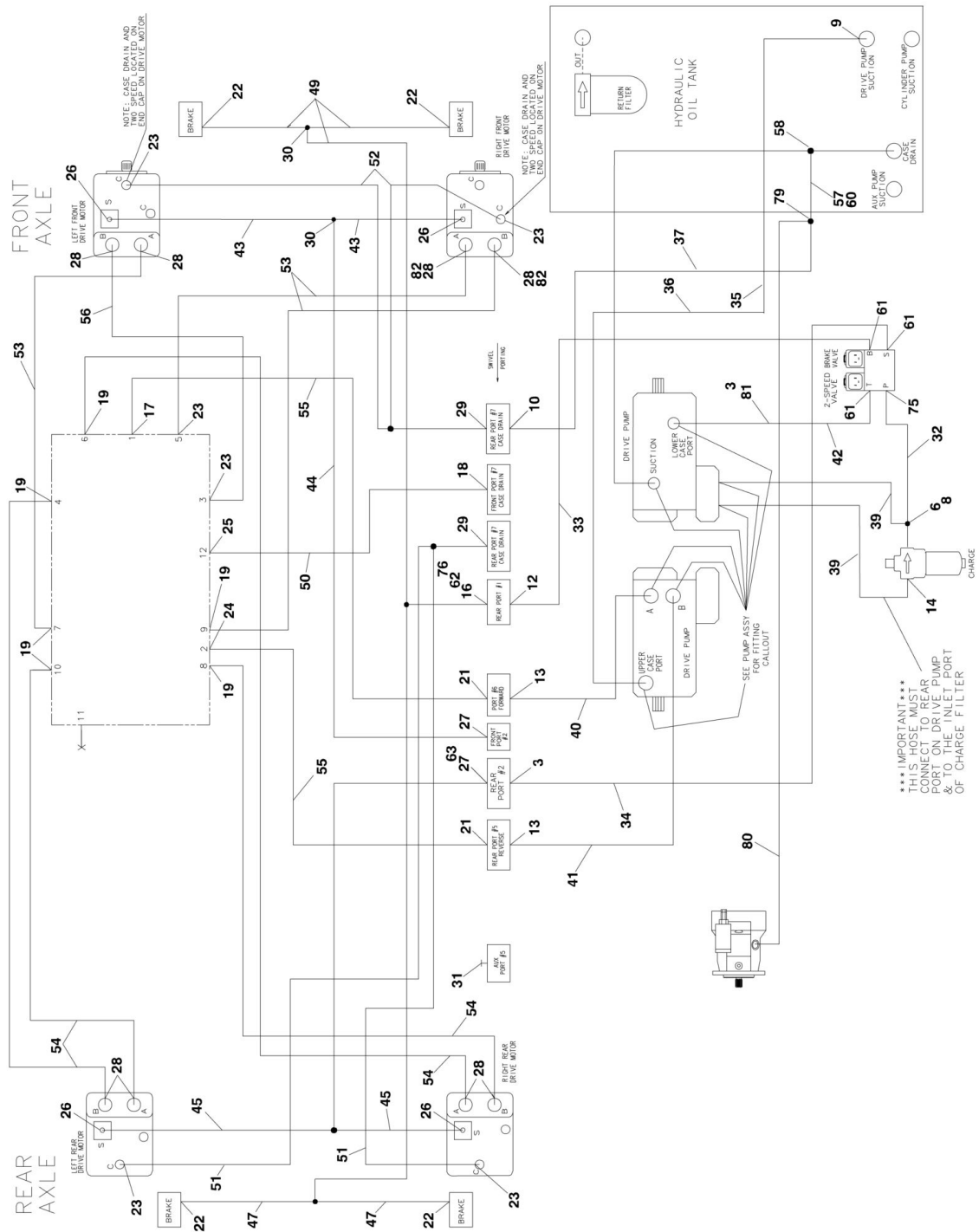
| ITEM | PART NUMBER | QTY | DESCRIPTION | REV |
|------|-------------|-----|---|------|
| | 2792364 | Ref | DRIVE HYDRAULIC DIAGRAM | 14-H |
| 1 | 2220811 | Ref | Fitting, Reducer | |
| 1 | 2220811 | 9 | Fitting, Reducer (Prior to SN 0300087266) | |
| 1 | 2220811 | 8 | Fitting, Reducer (SN 0300087266 through 030137975) | |
| 2 | 2220500 | 13 | Fitting, Elbow | |
| 3 | 2220415 | 6 | Fitting, Straight | |
| 4 | 2220365 | 4 | Fitting, Elbow | |
| 5 | 2220711 | 1 | Fitting, Tee | |
| 6 | 2220800 | 4 | Fitting, Straight | |
| 7 | 2220374 | 5 | Fitting, Straight | |
| 8 | 2220373 | 1 | Fitting, Straight | |
| 9 | 2220502 | 4 | Fitting, Elbow | |
| 10 | 2220499 | 1 | Fitting, Elbow | |
| 11 | 2220466 | 4 | Fitting, Elbow | |
| 12 | 2220504 | 4 | Fitting, Tee | |
| 13 | 2220362 | 2 | Fitting, Tee | |
| 14 | 2220582 | 5 | Fitting, Straight | |
| 15 | 2220646 | 2 | Fitting, Elbow | |
| 16 | 2220999 | 1 | Fitting, Tee | |
| 17 | 2220618 | 1 | Fitting, Reducer | |
| 18 | 2220479 | 1 | Fitting, Straight | |
| 19 | 2220602 | 3 | Fitting, Tee | |
| 20 | 2220380 | 1 | Fitting, Straight | |
| 21 | 2220609 | 1 | Fitting, Reducer | |
| 22 | 2220596 | 1 | Fitting, Elbow | |
| 23 | 2220628 | 1 | Fitting, Elbow | |
| 24 | 4640778 | 1 | Valve, Restrictor | |
| 25 | 2220235 | 2 | Fitting, Plug | |
| 26 | 2221029 | 1 | Fitting, Orifice | |
| 27 | 2220605 | 1 | Fitting, Tee | |
| 28 | 2220375 | 2 | Fitting, Straight | |
| 29 | 2220451 | 2 | Fitting, Straight | |
| 30 | 2220600 | 2 | Fitting | |
| 31 | 2220517 | 1 | Fitting, Cap | |
| 32 | 2220377 | 2 | Fitting, Straight | |
| 33 | | Ref | Fitting, Elbow Options: | |
| 33 | 2220366 | 1 | Fitting, Elbow (Prior to SN 0300087266) | |
| 33 | 2220596 | 1 | Fitting, Elbow (SN 0300087266 through 0300137975) | |
| 34 | 2220810 | 1 | Fitting, Reducer | |
| 35 | 2220237 | 2 | Fitting, Plug | |
| 36 | 2220242 | 1 | Fitting, Plug | |
| 37 | 2752495 | 2 | Hose | |
| 38 | 2752580 | 2 | Hose | |
| 39 | 2751014 | 2 | Hose | |
| 40 | 2751021 | 1 | Hose | |
| 41 | 2752459 | 1 | Hose | |
| 42 | 2221030 | 1 | Fitting, O-Ring Nipple | |
| 43 | 2753160 | 1 | Hose | |
| 44 | 2753090 | 2 | Hose | |
| 45 | 2753156 | 1 | Hose | |

SECTION 6 - HYDRAULIC

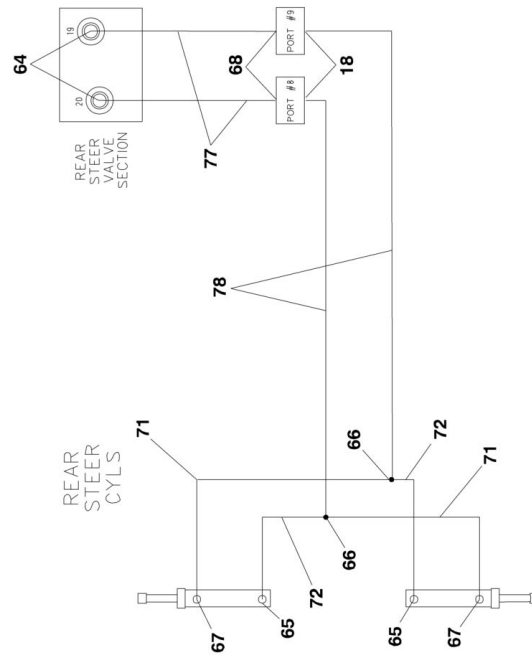
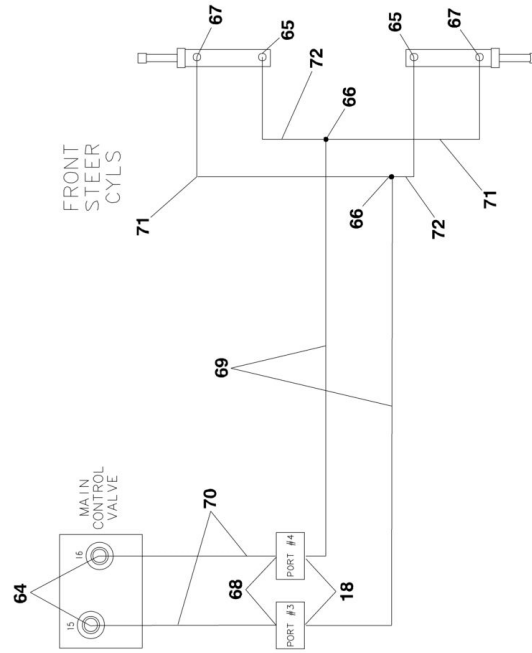
| ITEM | PART NUMBER | QTY | DESCRIPTION | REV |
|------|-------------|-----|--|-----|
| 46 | 4100059 | 4 | Sleeve, Nylon (Prior to SN 0300099884) | |
| 47 | 2751017 | 1 | Hose | |
| 48 | 2752363 | 2 | Hose | |
| 49 | 2752498 | 1 | Hose | |
| 50 | 2752592 | 2 | Hose | |
| 51 | 2753035 | 2 | Hose | |
| 52 | 2752516 | 2 | Hose | |
| 53 | 2752514 | 1 | Hose | |
| 54 | 2752591 | 1 | Hose | |
| 55 | 2752949 | 1 | Hose | |
| 56 | 2751906 | 1 | Hose | |
| 57 | 2753157 | 1 | Hose | |
| 58 | 2753158 | 2 | Hose | |
| 59 | 2753159 | 1 | Hose | |
| 60 | 2751500 | 1 | Hose | |
| 61 | 2752365 | 1 | Hose | |
| 62 | 2752366 | 1 | Hose | |
| 63 | 2751399 | 1 | Hose | |
| 64 | 2753417 | 1 | Hose | |
| 65 | 2751397 | 2 | Hose | |
| 66 | 2752942 | 1 | Hose | |
| 67 | 2752466 | 2 | Hose | |
| 68 | 2752494 | 2 | Hose | |
| 69 | 2752433 | 1 | Hose | |
| 70 | 2752514 | 1 | Hose | |
| 71 | 2752573 | 1 | Hose | |
| 72 | 2752754 | 1 | Hose | |
| 73 | 2752670 | 1 | Hose | |
| 74 | 2220501 | 8 | Fitting, Elbow | |
| 75 | 2220490 | 4 | Fitting, Tee | |
| 76 | 2220473 | 6 | Fitting, Elbow | |
| 77 | 2220371 | 6 | Fitting, Straight | |
| 78 | 2220833 | 4 | Fitting, Reducer | |
| 79 | 2752462 | 1 | Hose | |
| 81 | 2753087 | 4 | Hose | |
| 83 | 2752648 | 4 | Hose | |
| 84 | 4100058 | 4 | Sleeve, Nylon (Prior to SN 0300099884) | |
| 85 | 2752489 | 1 | Hose | |
| 86 | 2753117 | 2 | Hose | |
| 87 | 2752480 | 2 | Hose | |
| 88 | 2220507 | 1 | Fitting, Elbow | |

SECTION 6 - HYDRAULIC

FIGURE 6-2. DRIVE HYDRAULIC DIAGRAM (SN 0300137975 through 0300185827)



SECTION 6 - HYDRAULIC



SECTION 6 - HYDRAULIC

FIGURE 6-2. DRIVE HYDRAULIC DIAGRAM (SN 0300137975 through 0300185827)

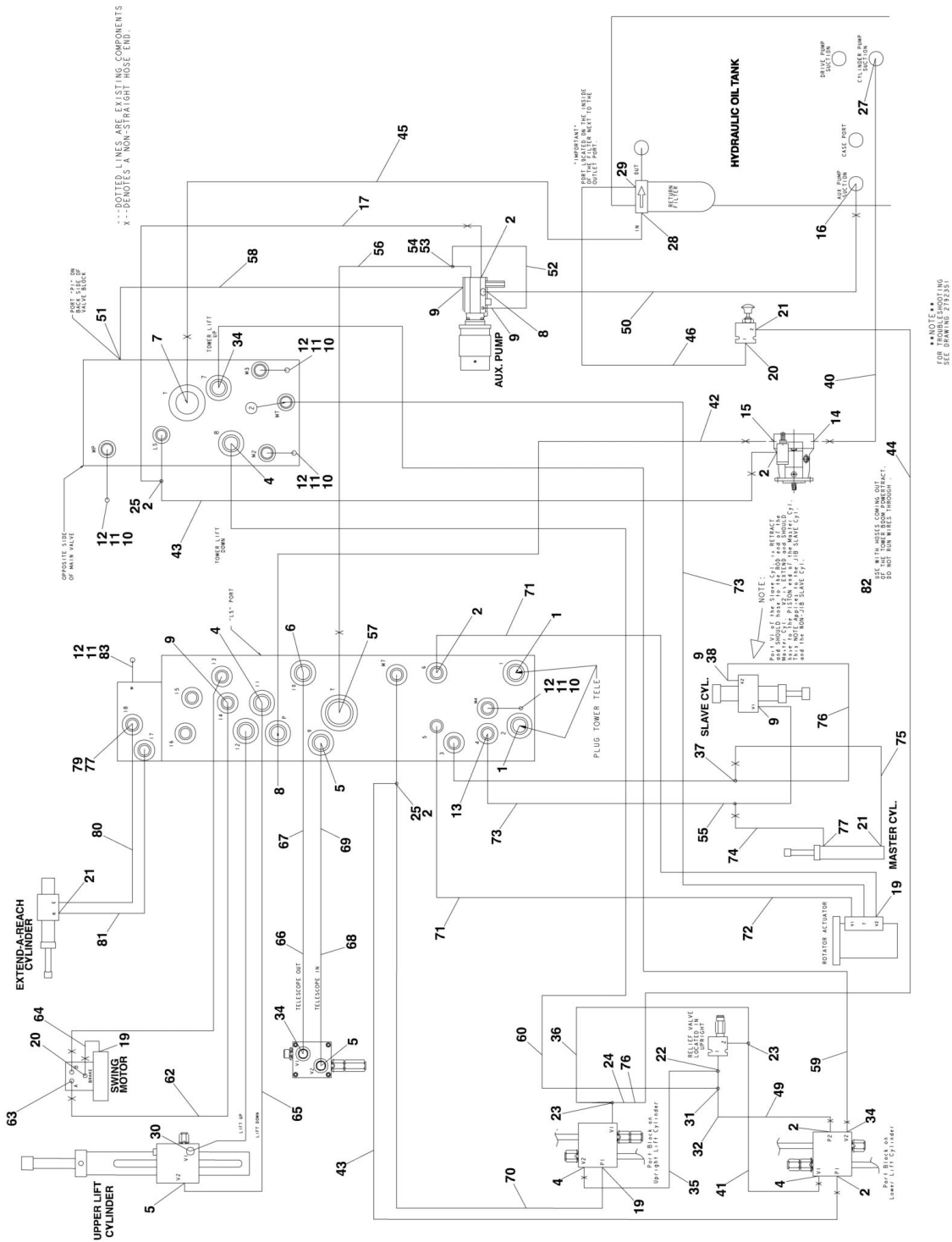
| ITEM | PART NUMBER | QTY | DESCRIPTION | REV |
|------|-------------|-----|---|-----|
| | 2792710 | Ref | DRIVE HYDRAULIC DIAGRAM | 8-G |
| 3 | 2220582 | AR | Fitting, Straight | |
| 6 | 2220618 | 1 | Fitting, Reducer | |
| 8 | 2220602 | 1 | Fitting, Tee | |
| 9 | 2220380 | 1 | Fitting, Straight | |
| 10 | 2220375 | 1 | Fitting, Straight | |
| 12 | 2220468 | 1 | Fitting, Straight | |
| 13 | 2220377 | 2 | Fitting, Straight | |
| 14 | 2220596 | 1 | Fitting, Elbow | |
| 16 | 2170350 | 1 | Fitting, Tee | |
| 17 | 2151616 | 1 | Fitting, Elbow | |
| 18 | 2110606 | 5 | Fitting, Straight | |
| 19 | 2110808 | 5 | Fitting, Straight | |
| 21 | 2111616 | 3 | Fitting, Straight | |
| 22 | 2130414 | 6 | Fitting, Elbow | |
| 23 | 2130808 | 5 | Fitting, Elbow | |
| 24 | 2131616 | 1 | Fitting, Elbow | |
| 25 | 2130604 | 1 | Fitting, Elbow | |
| 26 | 2130406 | 4 | Fitting, Elbow | |
| 27 | 2150406 | 2 | Fitting, Elbow | |
| 28 | | Ref | Fitting, Elbow Options: | |
| 28 | 2150812 | 4 | Fitting, Elbow (SN 0300137975 through 0300138513) | |
| 28 | 2150808 | 4 | Fitting, Elbow (SN 0300138514 through 030183033) | |
| 29 | 2170408 | 2 | Fitting, Tee | |
| 30 | 2170504 | 2 | Fitting, Tee | |
| 31 | 2220237 | 1 | Fitting, Plug | |
| 32 | 2752434 | 1 | Hose | |
| 33 | 2752997 | 1 | Hose | |
| 34 | 2751399 | 1 | Hose | |
| 35 | 2752754 | 1 | Hose | |
| 36 | 2752673 | 1 | Hose | |
| 37 | 2751500 | 1 | Hose | |
| 39 | 2752494 | 2 | Hose | |
| 40 | 1001110032 | 1 | Hose | |
| 41 | 1001110033 | 1 | Hose | |
| 42 | 2752453 | 1 | Hose | |
| 43 | 2753549 | 2 | Hose | |
| 44 | 2753540 | 1 | Hose | |
| 45 | 2754511 | 2 | Hose | |
| 47 | 2754512 | 2 | Hose | |
| 49 | 2753622 | 3 | Hose | |
| 50 | 2753626 | 1 | Hose | |
| 51 | 2754510 | 2 | Hose | |
| 52 | 2753628 | 2 | Hose | |
| 53 | 2753970 | 3 | Hose | |
| 54 | 2754509 | 4 | Hose | |
| 55 | 2753634 | 2 | Hose | |
| 56 | 2754040 | 1 | Hose | |
| 57 | 2220386 | 1 | Fitting, Elbow | |
| 58 | 2220738 | 1 | Fitting, Tee | |

SECTION 6 - HYDRAULIC

| ITEM | PART NUMBER | QTY | DESCRIPTION | REV |
|------|-------------|-----|---|-----|
| 60 | 2220622 | 1 | Fitting, Reducer | |
| 61 | 2220466 | 2 | Fitting, Elbow | |
| 62 | 2170804 | 1 | Fitting, Tee | |
| 63 | 2170704 | 1 | Fitting, Tee | |
| 64 | 2220501 | 4 | Fitting, Elbow | |
| 65 | 2150606 | 4 | Fitting, Elbow | |
| 66 | 2150506 | 4 | Fitting, Tee | |
| 67 | 2130606 | 6 | Fitting, Elbow | |
| 68 | 2220473 | 4 | Fitting, Elbow | |
| 69 | 2753627 | 2 | Hose | |
| 70 | 2752489 | 2 | Hose | |
| 71 | 2753626 | 4 | Hose | |
| 72 | 2753625 | 4 | Hose | |
| 75 | 2220940 | 1 | Fitting, Elbow | |
| 76 | 2220591 | 1 | Fitting, Reducer | |
| 77 | 2752466 | 2 | Hose | |
| 78 | 2754243 | 2 | Hose | |
| 79 | 2220385 | 1 | Fitting, Tee | |
| 80 | 2752934 | 1 | Hose | |
| 81 | 2220221 | 1 | Fitting, Reducer (SN 0300137975 through 0300138513) | |
| 82 | 2220811 | 1 | Fitting, Reducer (SN 0300138514 through 030183033) | |

SECTION 6 - HYDRAULIC

FIGURE 6-3. STANDARD HYDRAULIC DIAGRAM (WITH FENNER AND HALDEX BRAND AUXILIARY PUMP)



SECTION 6 - HYDRAULIC

FIGURE 6-3. STANDARD HYDRAULIC DIAGRAM (WITH FENNER AND HALDEX BRAND AUXILIARY PUMP)

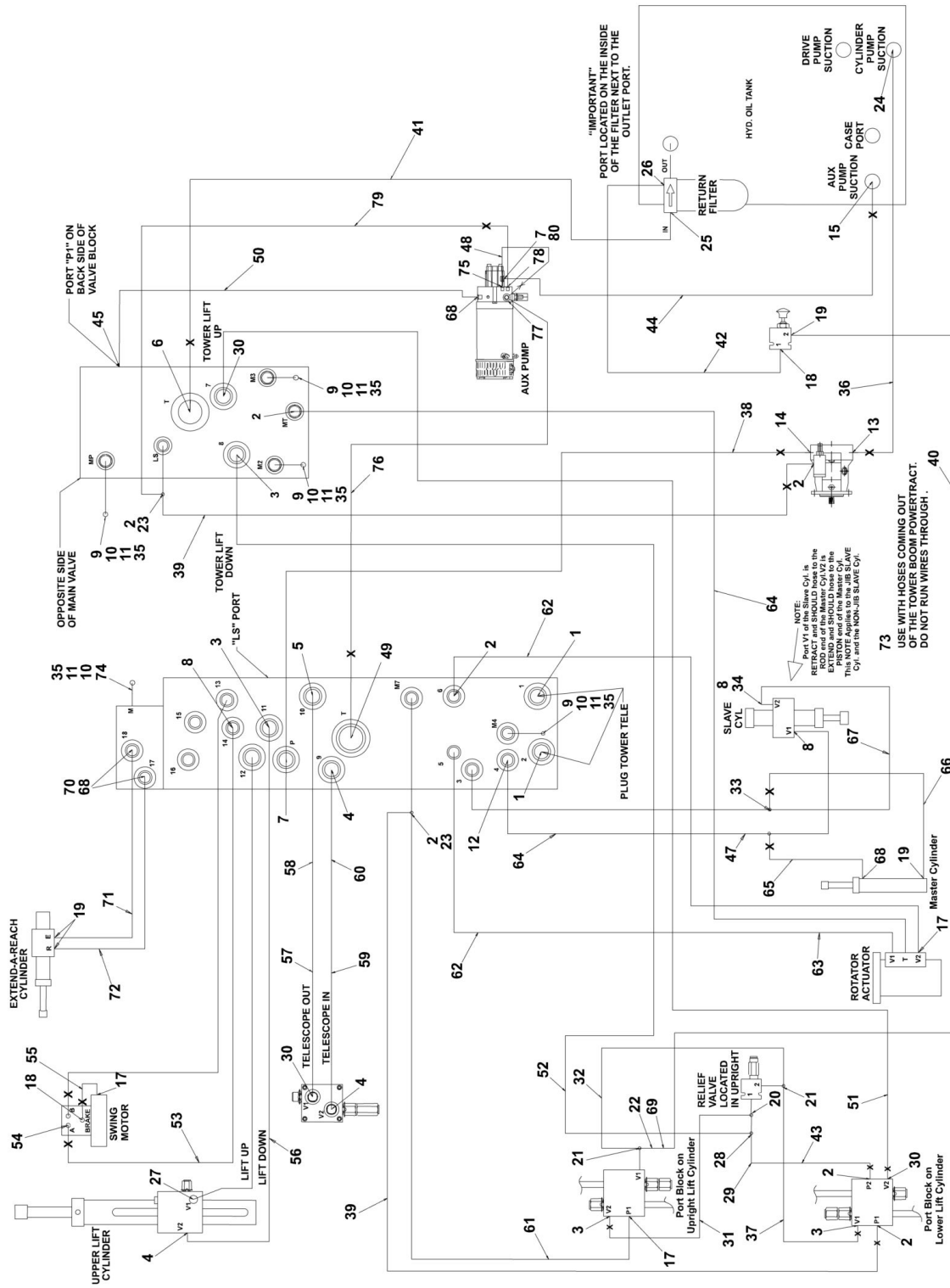
| ITEM | PART NUMBER | QTY | DESCRIPTION | REV |
|------|-------------|-----|-----------------------------------|-----|
| | 2792528 | Ref | STANDARD HYDRAULIC DIAGRAM | C-C |
| 1 | 2220238 | 2 | Fitting, O-Ring Plug | |
| 2 | 2220415 | 10 | Fitting, Straight | |
| 4 | 2220373 | 5 | Fitting, Straight | |
| 5 | 2220500 | 3 | Fitting, Elbow | |
| 6 | 2220947 | 1 | Fitting, Straight | |
| 7 | 2220376 | 1 | Fitting, Straight | |
| 8 | 2220593 | 2 | Fitting, Straight | |
| 9 | 2220371 | 6 | Fitting, Straight | |
| 10 | 2220873 | 4 | Fitting, Straight | |
| 11 | 2220428 | 5 | Fitting, Pressure Check | |
| 12 | 2220429 | 5 | Cap, Dust | |
| 13 | 2220502 | 1 | Fitting, Elbow | |
| 14 | 2220737 | 1 | Kit, Split Flange | |
| 15 | 2220478 | 1 | Kit, Split Flange | |
| 16 | 2220451 | 1 | Fitting, Straight | |
| 17 | 2752453 | 1 | Hose | |
| 19 | 2220466 | 5 | Fitting, Elbow | |
| 20 | 2220582 | 2 | Fitting, Straight | |
| 21 | 2220473 | 4 | Fitting, Elbow | |
| 22 | 2220602 | 1 | Fitting, Tee | |
| 23 | 2220999 | 2 | Fitting, Tee | |
| 24 | 2220619 | 1 | Fitting, Reducer (Female) | |
| 25 | 2220605 | 2 | Fitting, Tee | |
| 27 | 2220765 | 1 | Fitting, Straight | |
| 28 | 2220379 | 1 | Fitting, Straight | |
| 29 | 2220574 | 1 | Fitting, Straight | |
| 30 | 2220596 | 1 | Fitting, Elbow | |
| 31 | 2220385 | 1 | Fitting, Tee | |
| 32 | 2220618 | 1 | Fitting, Reducer (Female) | |
| 34 | 2220852 | 3 | Fitting, Straight | |
| 35 | 2753197 | 1 | Hose | |
| 36 | 2753196 | 1 | Hose | |
| 37 | 2220490 | 2 | Fitting, Tee | |
| 38 | 4567139 | 1 | Tube | |
| 39 | 0100020 | AR | Sealant, Pipe | |
| 40 | 2753216 | 1 | Hose | |
| 41 | 2753641 | 1 | Hose | |
| 42 | 2753231 | 1 | Hose | |
| 43 | 2753010 | 2 | Hose | |
| 44 | 2753639 | 1 | Hose | |
| 45 | 2752721 | 1 | Hose | |
| 46 | 2752438 | 1 | Hose | |
| 49 | 2753644 | 1 | Hose | |
| 50 | 2752674 | 1 | Hose | |
| 51 | 4640780 | 1 | Fitting, Check Valve | |
| 52 | 2753118 | 1 | Hose | |
| 53 | 2220775 | 1 | Fitting, Elbow | |
| 54 | 2220635 | 1 | Fitting, Tee | |

SECTION 6 - HYDRAULIC

| ITEM | PART NUMBER | QTY | DESCRIPTION | REV |
|------|-------------|-----|-------------------|-----|
| 55 | 2220609 | 2 | Fitting, Reducer | |
| 56 | 2752463 | 1 | Hose | |
| 57 | 2220577 | 1 | Fitting, Straight | |
| 58 | 2753122 | 1 | Hose | |
| 59 | 2752768 | 1 | Hose | |
| 60 | 2752930 | 1 | Hose | |
| 62 | 2752462 | 2 | Hose | |
| 63 | 2220497 | 2 | Fitting, Straight | |
| 64 | 2752573 | 1 | Hose | |
| 65 | 2753637 | 2 | Hose | |
| 66 | 2752767 | 1 | Hose | |
| 67 | 2753642 | 1 | Hose | |
| 68 | 2753190 | 1 | Hose | |
| 69 | 2753640 | 1 | Hose | |
| 70 | 2753643 | 1 | Hose | |
| 71 | 2753638 | 2 | Hose | |
| 72 | 2753006 | 3 | Hose | |
| 73 | 2753636 | 3 | Hose | |
| 74 | 2753124 | 1 | Hose | |
| 75 | 2753125 | 1 | Hose | |
| 76 | 2753126 | 2 | Hose | |
| 77 | 2220501 | 3 | Fitting, Elbow | |
| 78 | 4567757 | 1 | Tube | |
| 79 | 2220591 | 2 | Fitting, Reducer | |
| 80 | 2753645 | 2 | Hose | |
| 81 | 2753128 | 2 | Hose | |
| 82 | 4100062 | 2 | Sleeve, Nylon | |
| 83 | 2220873 | 1 | Fitting, Nipple | |

SECTION 6 - HYDRAULIC

FIGURE 6-4. STANDARD HYDRAULIC DIAGRAM (WITH BUCHER BRAND AUXILIARY PUMP)



SECTION 6 - HYDRAULIC

FIGURE 6-4. STANDARD HYDRAULIC DIAGRAM (WITH BUCHER BRAND AUXILIARY PUMP)

| ITEM | PART NUMBER | QTY | DESCRIPTION | REV |
|------|-------------|-----|-----------------------------------|-----|
| | 1001143189 | Ref | STANDARD HYDRAULIC DIAGRAM | A-A |
| 1 | 2220238 | 2 | Fitting, O-Ring Plug | |
| 2 | 2220415 | 9 | Fitting, Straight | |
| 3 | 2220373 | 5 | Fitting, Straight | |
| 4 | 2220500 | 3 | Fitting, Elbow | |
| 5 | 2220947 | 1 | Fitting, Straight | |
| 6 | 2220376 | 1 | Fitting, Straight | |
| 7 | 2220593 | 2 | Fitting, Straight | |
| 8 | 2220371 | 5 | Fitting, Straight | |
| 9 | 2220873 | 4 | Fitting, Straight | |
| 10 | 2220428 | 5 | Fitting, Pressure Check | |
| 11 | 2220429 | 5 | Cap, Dust | |
| 12 | 2220502 | 1 | Fitting, Elbow | |
| 13 | 2220737 | 1 | Kit, Split Flange | |
| 14 | 2220478 | 1 | Kit, Split Flange | |
| 15 | 2220451 | 1 | Fitting, Straight | |
| 17 | 2220466 | 5 | Fitting, Elbow | |
| 18 | 2220582 | 2 | Fitting, Straight | |
| 19 | 2220473 | 4 | Fitting, Elbow | |
| 20 | 2220602 | 1 | Fitting, Tee | |
| 21 | 2220999 | 2 | Fitting, Tee | |
| 22 | 2220619 | 1 | Fitting, Reducer (Female) | |
| 23 | 2220605 | 2 | Fitting, Tee | |
| 24 | 2220765 | 1 | Fitting, Straight | |
| 25 | 2220379 | 1 | Fitting, Straight | |
| 26 | 2220574 | 1 | Fitting, Straight | |
| 27 | 2220596 | 1 | Fitting, Elbow | |
| 28 | 2220385 | 1 | Fitting, Tee | |
| 29 | 2220618 | 1 | Fitting, Reducer (Female) | |
| 30 | 2220852 | 3 | Fitting, Straight | |
| 31 | 2753197 | 1 | Hose | |
| 32 | 2753196 | 1 | Hose | |
| 33 | 2220490 | 2 | Fitting, Tee | |
| 34 | 4567139 | 1 | Tube | |
| 35 | 0100020 | AR | Sealant, Pipe | |
| 36 | 2753216 | 1 | Hose | |
| 37 | 2753641 | 1 | Hose | |
| 38 | 2753231 | 1 | Hose | |
| 39 | 2753010 | 2 | Hose | |
| 40 | 2753639 | 1 | Hose | |
| 41 | 2752721 | 1 | Hose | |
| 42 | 2752438 | 1 | Hose | |
| 43 | 2753644 | 1 | Hose | |
| 44 | 2752674 | 1 | Hose | |
| 45 | 4640780 | 1 | Fitting, Check Valve | |
| 47 | 2220609 | 2 | Fitting, Reducer | |
| 48 | 2752463 | 1 | Hose | |
| 49 | 2220577 | 1 | Fitting, Straight | |
| 50 | 2753118 | 1 | Hose | |
| 51 | 2752768 | 1 | Hose | |

SECTION 6 - HYDRAULIC

| ITEM | PART NUMBER | QTY | DESCRIPTION | REV |
|------|-------------|-----|-------------------|-----|
| 52 | 2752930 | 1 | Hose | |
| 53 | 2752462 | 2 | Hose | |
| 54 | 2220497 | 2 | Fitting, Straight | |
| 55 | 2752573 | 1 | Hose | |
| 56 | 2753637 | 2 | Hose | |
| 57 | 2752767 | 1 | Hose | |
| 58 | 2753642 | 1 | Hose | |
| 59 | 2753190 | 1 | Hose | |
| 60 | 2753640 | 1 | Hose | |
| 61 | 2753643 | 1 | Hose | |
| 62 | 2753638 | 2 | Hose | |
| 63 | 2753006 | 3 | Hose | |
| 64 | 2753636 | 3 | Hose | |
| 65 | 2753124 | 1 | Hose | |
| 66 | 2753125 | 1 | Hose | |
| 67 | 2753126 | 2 | Hose | |
| 68 | 2220501 | 4 | Fitting, Elbow | |
| 69 | 4567757 | 1 | Tube | |
| 70 | 2220591 | 2 | Fitting, Reducer | |
| 71 | 2753645 | 2 | Hose | |
| 72 | 2753128 | 2 | Hose | |
| 73 | 4100062 | 2 | Sleeve, Nylon | |
| 74 | 2220873 | 1 | Fitting, Nipple | |
| 75 | 2220603 | 1 | Fitting, Straight | |
| 76 | 1001109690 | 1 | Hose | |
| 77 | 2220606 | 1 | Fitting, Tee | |
| 78 | 2220923 | 1 | Fitting, Straight | |
| 79 | 1001143192 | 1 | Hose | |
| 80 | 2220655 | 1 | Fitting, Elbow | |

SECTION 6 - HYDRAULIC

FIGURE 6-5. HYDRAULIC DIAGRAM LIST

| ITEM | PART NUMBER | QTY | DESCRIPTION | REV |
|------|--------------|-----|--|-----|
| | | Ref | Note: Diagrams not shown is available from JLG Service/Parts Departments. | |
| | 2792589 | Ref | Air Compressor Hydraulic Diagram | |
| | | Ref | Tow Package Hydraulic Diagram Options: | |
| | 2792571 | Ref | Tow Package Hydraulic Diagram (Prior to SN 0300136124) | |
| | 1001107290 | Ref | Tow Package Hydraulic Diagram (SN 0300136124 through 0300183033) | |
| | | Ref | Drive Hydraulic Diagram | |
| | 2792364 | Ref | Drive Hydraulic Diagram (Prior to SN 0300137975) | |
| | 2792710 | Ref | Drive Hydraulic Diagram (SN 030037975 through 0300185827) | |
| | | Ref | Oil Cooler Hydraulic Schematic | |
| | | Ref | Deutz Engine | |
| | 1282665 | Ref | Deutz Engine (Prior to SN 0300137666) | |
| | Not Required | 0 | Deutz Engine (SN 0300137666 through 0300185827) | |
| | 1283309 | Ref | Ford and GM Engine | |
| | | Ref | Standard Hydraulic Diagram | |
| | 2792528 | Ref | Fenner and Haldex Brand Auxiliary Pump | |
| | 1001143189 | Ref | Bucher Brand Auxiliary Pump | |
| | | Ref | Standard Hydraulic Schematic | |
| | 2792535 | Ref | Standard Hydraulic Schematic (Prior to SN 0300137975) | |
| | 1001108855 | Ref | Standard Hydraulic Schematic (SN 0300137975 through 0300185827) | |
| | | Ref | Tilt Sensor Installation Options: | |
| | 1001093187 | Ref | Tilt Sensor Installation (Prior to SN 0300112885) | |
| | 1001094557 | Ref | Adapter, Pressure Tap | |

SECTION 7 - ELECTRICAL

SECTION 7 - ELECTRICAL

FIGURE 7-1. ELECTRICAL DIAGRAM LIST

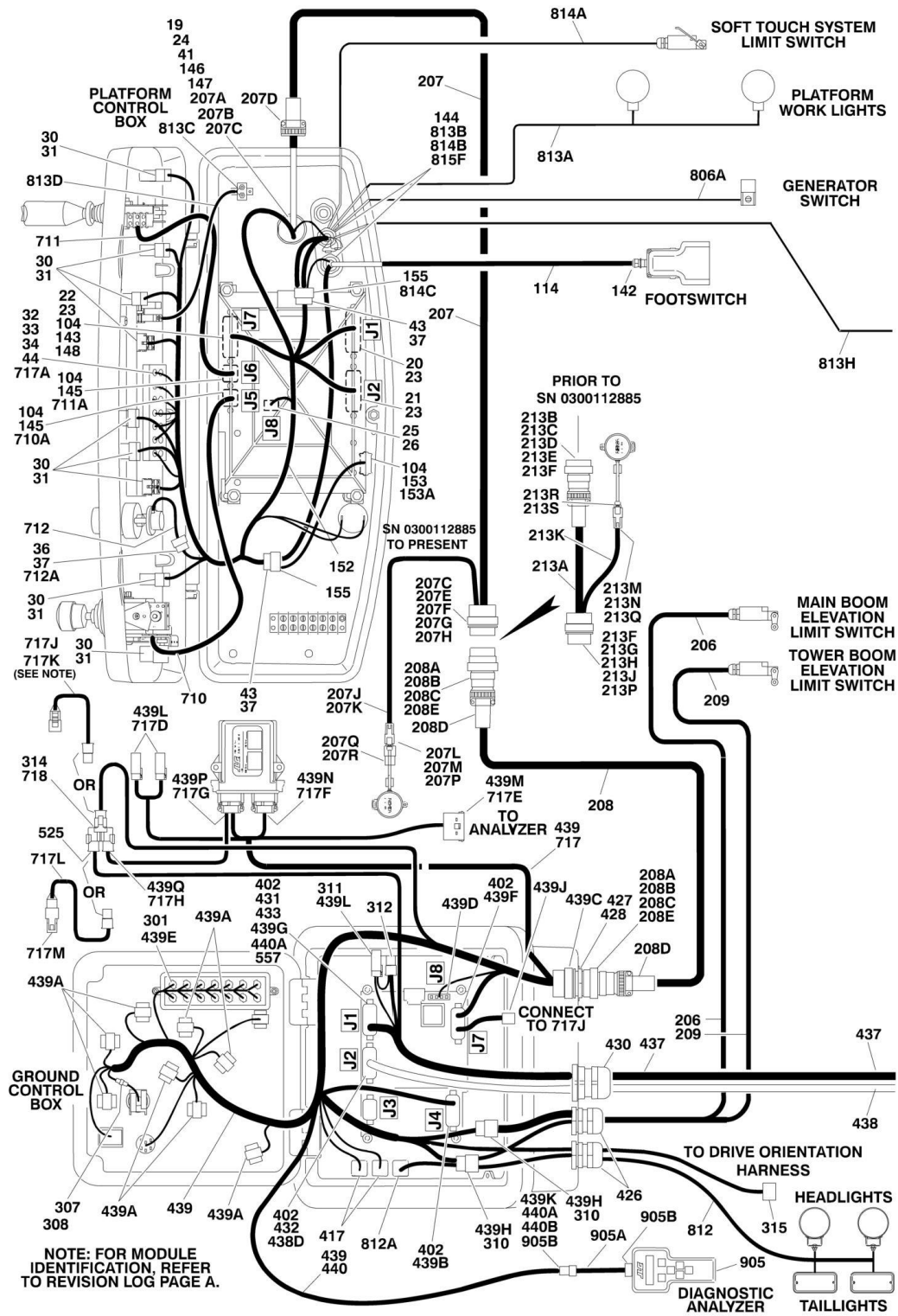
| ITEM | PART NUMBER | QTY | DESCRIPTION | REV |
|------|--------------|-----|---|-----|
| | 0257157 | Ref | ETHER START ELECTRICAL DIAGRAM | |
| | 1282571 | Ref | ETHER START ELECTRICAL DIAGRAM | |
| | 4932986 | Ref | ENGINE SHUTDOWN ELECTRICAL DIAGRAM (DEUTZ ENGINE MACHINES OPTION) | |
| | | Ref | GENERATOR ELECTRICAL DIAGRAMS | |
| | | Ref | Deutz and Ford Engines | |
| | 4933215 | Ref | 110Volt (SN 0300069000 through 0300077499) | |
| | 4933216 | Ref | 220 Volt (SN 0300069000 through 0300077499) | |
| | 4933300 | Ref | 110/220 Volt (SN 0300077500 through 0300139399) | |
| | 1001112588 | Ref | 110/220 Volt - 60Hz (SN 0300139400 through 0300185827) | |
| | 1001112743 | Ref | 110/220 Volt - 50Hz (SN 0300139400 through 0300185827) | |
| | Not Required | 0 | Ford Engines 110/220 Volt (SN 0300139400 through 0300185827) | |
| | 4933350 | Ref | GM Engines - ANSI and ANSI Export Specs | |
| | | Ref | GLOW PLUG DIAGRAM OPTIONS: | |
| | 4933189 | Ref | GLOW PLUG DIAGRAM (Prior to SN 0300073049) | |
| | 4922565 | 1 | Harness | |
| | 4933217 | Ref | GLOW PLUG DIAGRAM (SN 0300073049 through 0300185827) | |
| | 1282571 | Ref | COLD WEATHER START ELECTRICAL DIAGRAM | |
| | 4933231 | Ref | LIGHTS ELECTRICAL DIAGRAMS (NON-UL SPEC MACHINES) | |
| | 4922643 | 1 | Harness (Located in Ground Console Box) | |
| | 3740049 | 1 | Relay | |
| | 4933218 | Ref | PLATFORM SOFT TOUCH SYSTEM ELECTRICAL DIAGRAM | |
| | | Ref | PLATFORM WORKLIGHTS ELECTRICAL DIAGRAM | |
| | 0270814 | Ref | Platform Worklights Electrical Diagram (Prior to SN 0300137666) | |
| | 0273485 | Ref | Platform Worklights Electrical Diagram (SN 0300137666 through 0300185827) | |
| | | Ref | STANDARD ELECTRICAL DIAGRAMS: | |
| | 4922852 | Ref | Deutz Engine without UGM (Prior to SN 0300085331) | |
| | 4933322 | Ref | Deutz Engine without UGM (SN 0300085331 through 0300099883) | |
| | 4933370 | Ref | Deutz Engine without UGM (SN 0300099884 through 0300185827) | |
| | 1001110223 | Ref | Deutz Engine with UGM | |
| | 4933233 | Ref | Ford EFI Engine (Prior to SN 0300087266) | |
| | 4933339 | Ref | Ford EFI Engine (SN 0300087266 through 0300185827) | |
| | 4933359 | Ref | GM Engine without UGM (Prior to SN 0300099884) | |
| | 4933385 | Ref | GM Engine without UGM (SN 0300099884 through 0300185827) | |
| | 1001110224 | Ref | GM Engine with UGM | |
| | | Ref | NOTE: FOR MODULE IDENTIFICATION, REFER TO REVISION LOG PAGE A. | |
| | | Ref | STANDARD ELECTRICAL SCHEMATICS | |
| | 1870163 | Ref | Deutz and Ford Engines without UGM | |
| | 1870199 | Ref | Deutz EMR2 and GM Engines without UGM (Prior to SN 0300099884) | |
| | 1870220 | Ref | Deutz EMR2 and GM Engines without UGM (SN 0300099884 through 0300185827) | |
| | 1001115344 | Ref | Deutz and GM Engines with UGM | |
| | 1001131992 | Ref | GM Engine Schematic (Engine Schematic Only. P/N | |

SECTION 7 - ELECTRICAL

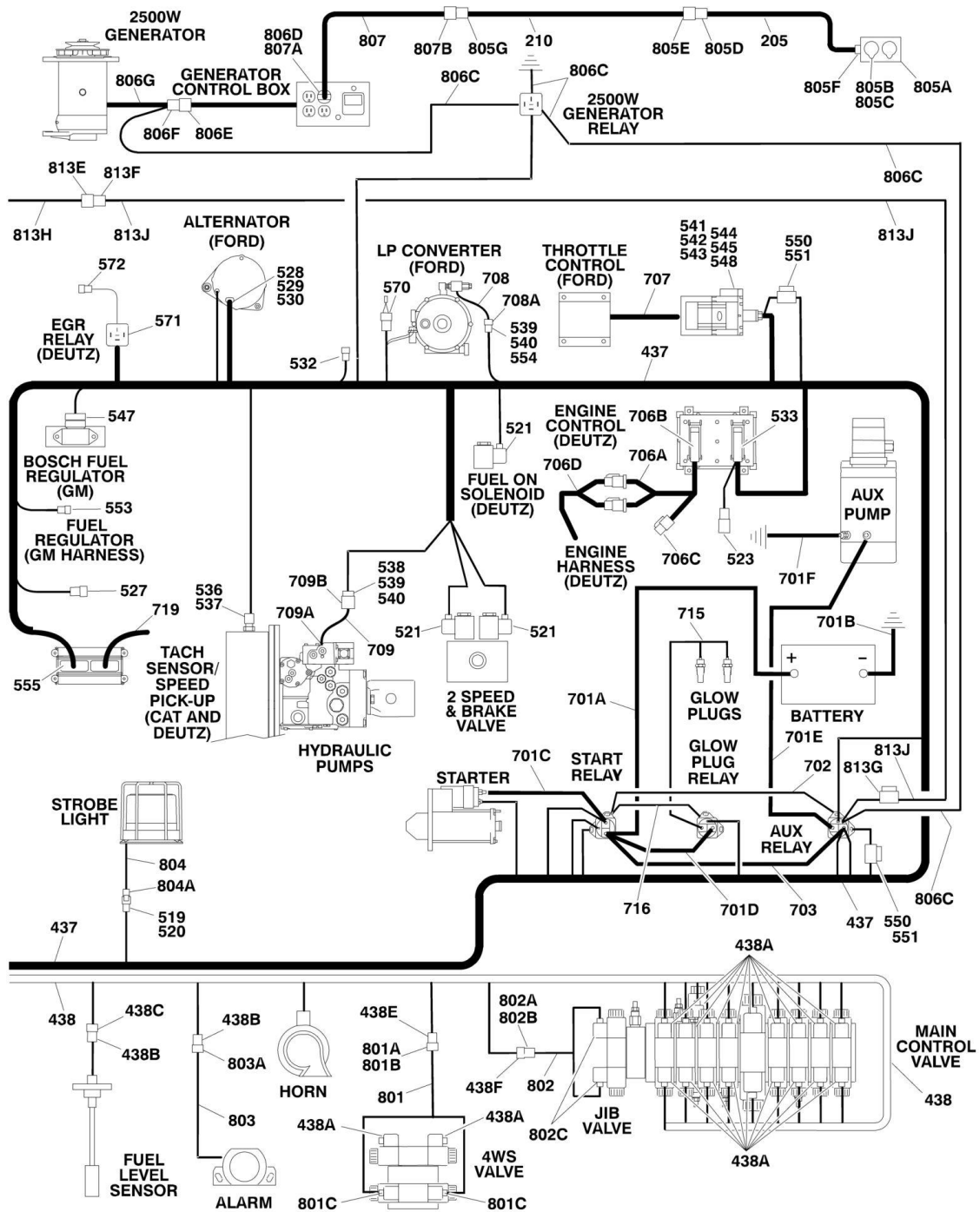
| ITEM | PART NUMBER | QTY | DESCRIPTION | REV |
|------|-------------|-----|---|-----|
| | | Ref | 100115344 is schematic for complete machine) NOTE: FOR MODULE IDENTIFICATION, REFER TO REVISION LOG PAGE A. | |

SECTION 7 - ELECTRICAL

FIGURE 7-2. HARNESS COMPONENTS INSTALLATION WITHOUT UGM



SECTION 7 - ELECTRICAL



SECTION 7 - ELECTRICAL

FIGURE 7-2. HARNESS COMPONENTS INSTALLATION WITHOUT UGM

| ITEM | PART NUMBER | QTY | DESCRIPTION | REV |
|------|-------------|-----------|---|-----|
| | | Ref | PLATFORM BOX HARNESS ASSEMBLY | |
| | 4922639 | Ref | Platform Box Harness Assembly (Prior to SN 0300135982) | 8-I |
| | 1001107753 | Ref | Platform Box Harness Assembly (SN 0300135982 through 0300185827) | B |
| 19 | 4460866 | 1 | Connector - 19 Position | |
| 20 | 4460874 | 1 | Plug, Male 35 Position (Natural) | |
| 21 | 4460875 | 1 | Plug, Male 35 Position (Gray) | |
| 22 | 4460873 | 1 | Plug, Male 35 Position (Black) | |
| 23 | 4460871 | AR | Socket, Female | |
| 24 | 4460464 | 7 | Pin, Male (16 Gauge) | |
| 25 | 4460879 | 1 | Plug, Male 2 Position | |
| 26 | 4460887 | 2 | Terminal (12 Gauge) | |
| 30 | 4460418 | 9 | Connector - 6 Position | |
| 31 | 4460419 | 27 | Terminal, Female | |
| 32 | 4120035 | AR | Base, Light | |
| 33 | 4460634 | AR | Terminal, (16 Gauge) | |
| 34 | 4460635 | AR | Terminal, (12 Gauge) | |
| 36 | 4460225 | 1 | Plug, Male 6 Position | |
| 37 | 4460227 | AR | Pin | |
| 41 | 4460508 | 3 | Pin, Male (12 Gauge) | |
| 43 | 4460434 | 2 | Plug, Male 15 Position | |
| 44 | 2920129 | AR | Lamp, Indicator | |
| | | Ref | PLATFORM BOX ASSEMBLY COMPONENTS | |
| 104 | 0100048 | AR | Grease, Dielectric | |
| 114 | 1060918 | 8 ft/2.4m | Cable, Electrical - 18/3 | |
| 142 | 4460071 | 1 | Connector, Strain Relief | |
| 143 | 4460226 | 2 | Socket, Female | |
| 144 | 4460428 | 2 | Connector, Strain Relief | |
| 145 | 4460464 | 1 | Pin, Male (16 Gauge) | |
| 146 | 4460470 | 1 | Nut, Terminal | |
| 147 | 4460471 | 1 | Lockwasher, Terminal | |
| 148 | 4460905 | 5 | Seal, Plug | |
| 152 | | Ref | Harness, Console Box Options (See Items 1-44 for Breakdown): | |
| 152 | 4922639 | 1 | Harness, Console Box (Prior to SN 0300135982) | |
| 152 | 1001107753 | 1 | Harness, Console Box (SN 0300135982 through 0300185827) | |
| 153 | 4922666 | 1 | Harness, Analyzer Cable | 2-B |
| 153 | 4460226 | 4 | Socket, Female (Not Shown - Located at J2) | |
| 153A | 4460761 | 1 | Connector, Female - 4 Position | |
| 153A | 4460227 | 4 | Pin, Male | |
| 155 | 4460708 | 2 | Connector, Female 15 Position | |
| | | Ref | BOOM CABLES INSTALLATION | |
| | 0272028 | Ref | ANSI Spec without Aircraft De-icing Package | C |
| | 1001107763 | Ref | ANSI Spec with Communication System / Aircraft De-icing Package | A |
| | 0272787 | Ref | CE Spec | A |
| 203 | | Ref | Clamp, Block Options (Not Shown-Located on back of T/T): | |
| 203 | 1320256 | 1 | ANSI Spec without Aircraft De-icing Package and CE Spec | |
| 203 | 1001112652 | 1 | ANSI Spec with Aircraft De-icing Package | |
| 205 | | Ref | Harness Assembly - Upper Boom (10/3) Options: | |
| 205 | 4922216 | 1 | ANSI Spec | |

SECTION 7 - ELECTRICAL

| ITEM | PART NUMBER | QTY | DESCRIPTION | REV |
|------|-------------|----------------|--|-----|
| 205 | 4922219 | 1 | CE Spec | |
| 206 | 4922578 | 1 | Harness Assembly - Main Boom (18/2) | |
| 207 | 4922582 | 1 | Harness Assembly - Main Boom (12/4 -18/8) | F |
| 207 | 1060896 | AR | Cable, Electrical - 4 #12 AWG, 8 #18 AWG and 1 STP #18 AWG | |
| 207 | 0100009 | AR | Sealant | |
| 207A | 4460465 | 11 | Socket, Female | |
| 207B | 4460865 | 1 | Connector - 19 Position | |
| 207C | 4460509 | 4 | Socket, Female | |
| 207D | 4460473 | 1 | Clamp, Cable | |
| 207E | 4460466 | 8 | Seal, Plug | |
| 207F | 4460464 | 11 | Pin, Male (16 Gauge) | |
| 207G | 4460866 | 1 | Connector - 19 Position | |
| 207H | 4460508 | 4 | Pin, Male (12 Gauge) | |
| 207J | 4923613 | 1 | Harness, Tilt Switch | |
| 207K | 1060978 | 2 ft/0.6m | Cable, Electrical - 18/3 | |
| 207L | 1001097051 | 1 | Connector - 4 Position | |
| 207M | 1001097082 | 3 | Pin, Male (Gold) | |
| 207N | 4460464 | 3 | Pin, Male (16 Gauge) | |
| 207P | 4460466 | 1 | Seal, Plug | |
| 207Q | 1001094400 | 1 | Tilt Sensor Harness (Boom) (Includes Sensor) | C |
| 207R | 4461077 | 1 | Terminal, Plug - 4 Position | |
| 207R | 4460918 | 3 | Socket, Female | |
| 208 | 4922853 | 1 | Harness Assembly - Lower Boom (12/4 - 18/8) | |
| 208 | 1060896 | 37 ft/11.3m | Cable, Electrical - 4 #12 AWG, 8 #18 AWG and 1 STP #18 AWG | |
| 208A | 4460465 | 22 | Socket, Female | |
| 208B | 4460865 | 2 | Connector - 19 Position | |
| 208C | 4460509 | 8 | Socket, Female | |
| 208D | 4460473 | 2 | Clamp, Cable | |
| 208E | 4460466 | 8 | Seal, Plug | |
| 209 | 4922854 | 1 | Harness Assembly - Tower Boom (18/2) | |
| 210 | | Ref | Harness Assembly - Tower Boom (10/3) Options: | |
| 210 | 4922681 | 1 | ANSI Spec | |
| 210 | 4922860 | 1 | CE Spec | |
| 213 | 1001094470 | 1 | Harness, Boom Cable Jumper (Prior to SN 0300112885) | C |
| 213A | 1060896 | 1 ft/0.3m | Cable, Electrical - 4 #12 AWG, 8 #18 AWG and 1 STP #18 AWG | |
| 213B | 4460465 | 11 | Socket, Female | |
| 213C | 4460865 | 1 | Connector - 19 Position | |
| 213D | 4460509 | 4 | Socket, Female | |
| 213E | 4460473 | 1 | Clamp, Cable | |
| 213F | 4460466 | 8 | Seal, Plug | |
| 213G | 4460464 | 8 | Pin, Male (16 Gauge) | |
| 213H | 4460866 | 1 | Connector - 19 Position | |
| 213J | 4460508 | 4 | Pin, Male (12 Gauge) | |
| 213K | 4923613 | 1 | Harness, Tilt Switch | |
| 213L | 1060978 | 2 ft/0.6m | Cable, Electrical - 18/3 | |
| 213M | 1001097051 | 1 | Connector - 4 Position | |
| 213N | 1001097082 | 3 | Pin, Male (Gold) | |
| 213P | 4460464 | 3 | Pin, Male (16 Gauge) | |
| 213Q | 4460466 | 1 | Seal, Plug | |

SECTION 7 - ELECTRICAL

| ITEM | PART NUMBER | QTY | DESCRIPTION | REV |
|------|-------------|-----|--|-----|
| 213R | 4461077 | 1 | Terminal, Plug - 4 Position | |
| 213S | See Note | 3 | Socket, Female (Note: Not Available for Purchase) | |
| 214 | 1001107754 | 1 | Harness Assembly - Tower Boom Communication (18/4 Shielded) (Not Shown - Machines with Aircraft De-icing Package Only) | |
| 214 | 1001111128 | 1 | Cable, Electrical - 18/4 Individually Shielded | |
| 214 | 4460464 | 5 | Pin, Male (16 Gauge) | |
| 214 | 4460466 | 1 | Seal, Plug | |
| 214 | 4460899 | 1 | Terminal, Receptacle - 6 Position | |
| 214 | 1001111136 | 1 | Plug, 4 Position Cannon | |
| 215 | 1001107755 | 1 | Harness Assembly - Main Boom Communication (18/4 Shielded) (Not Shown - Machines with Aircraft De-icing Package Only) | |
| 215 | 1001111128 | 1 | Cable, Electrical - 18/4 Individually Shielded | |
| 215 | 4460464 | 5 | Pin, Male (16 Gauge) | |
| 215 | 4460466 | 1 | Seal, Plug | |
| 215 | 4460894 | 1 | Terminal, Plug - 6 Position | |
| 215 | 1001111136 | 1 | Plug, 4 Position Cannon | |
| | | Ref | GROUND CONTROL BOX WIRING DIAGRAMS | |
| | 4922852 | Ref | Deutz Engine (Prior to SN 0300085331) | 2-B |
| | 4933322 | Ref | Deutz Engine (SN 0300085331 through 0300099883) | F |
| | 4933370 | Ref | Deutz Engine (SN 0300099884 through 0300185827) | F |
| | 4933233 | Ref | Ford Engine (Prior to SN 0300087266) | 4-F |
| | 4933339 | Ref | Ford Engine (SN 0300087266 through 0300185827) | 2-B |
| | 4933359 | Ref | GM Engine (Prior to SN 0300099884) | B |
| | 4933385 | Ref | GM Engine (SN 0300099884 through 0300185827) | F |
| 301 | 2920129 | AR | Bulb, Light | |
| 307 | 2400065 | 1 | Fuse, 30Amp | |
| 308 | 2400066 | 1 | Fuse, Holder | |
| 310 | 4460708 | 2 | Receptacle, Female - 15 Position | |
| 310 | 4460226 | AR | Socket, Female | |
| 310 | 4922637 | 1 | Harness, Jumper (Not Shown) | |
| 311 | 4460894 | 1 | Plug, Male - 6 Position (Deutz and GM Engines) (SN 0300085331 through 0300112885) | |
| 311 | 4460892 | 1 | Receptacle, Female - 6 Position (Deutz and GM Engines) (SN 0300085331 through 0300112885) | |
| 312 | 2902443 | 1 | Receptacle Kit (Deutz) (SN 0300085331 through 0300185827) | |
| 312 | 4461071 | 8 | Socket, Female | |
| 312 | 4461072 | 1 | Receptacle | |
| 312 | 4461073 | 1 | Cap, Dust | |
| 312 | 4461074 | 1 | Shell, Black | |
| 314 | 4460945 | 1 | Connector (3 Way Tee) | |
| 315 | 4460424 | 1 | Receptacle, Female - 2 Position | |
| 315 | 4460226 | 2 | Socket, Female | |
| | | Ref | GROUND CONTROL BOX COMPONENTS | |
| 402 | 0100048 | AR | Grease, Dielectric | |
| 417 | 3740049 | 2 | Relay | |
| 426 | 4460426 | 2 | Connector, Strain Relief | |
| 427 | 4460470 | 1 | Nut, Terminal | |
| 428 | 4460471 | 1 | Lockwasher, Terminal | |
| 430 | 4460526 | 1 | Connector, Strain Relief | |
| 431 | 4460874 | 1 | Connector - 35 Position (Natural) | |
| 432 | 4460875 | 1 | Connector - 35 Position (Gray) | |

SECTION 7 - ELECTRICAL

| ITEM | PART NUMBER | QTY | DESCRIPTION | REV |
|------|-------------|-----|---|-----|
| 433 | 4460905 | 4 | Connector, Amp Seal Plug | |
| 437 | | Ref | Engine Harness Assembly (See 501-572 for Breakdown) | |
| 437 | 4922549 | 1 | Deutz Engine Machines (Prior to SN 0300085331) | |
| 437 | 4923238 | 1 | Deutz Engine Machines (SN 0300085331 through 0300185827) | |
| 437 | 4922550 | 1 | Ford Engine Machines (Prior to SN 0300087266) | |
| 437 | 4923281 | 1 | Ford Engine All Machines (SN 0300087266 through 0300185827) | |
| 437 | 4923499 | 1 | GM Engine All Machines | |
| 438 | 4922557 | 1 | Valve Harness Assembly | 1-A |
| 438A | 4460880 | 19 | Connector, DIN | |
| 438B | 4460320 | 2 | Connector, Female- 2 Position | |
| 438B | 4460267 | 7 | Pin, Male | |
| 438C | 4460424 | 1 | Connector, Male- 2 Position | |
| 438C | 4460268 | 5 | Pin, Female | |
| 438D | 4460871 | AR | Socket, Female | |
| 438E | 4460326 | 1 | Connector, Male - 3 Position | |
| 438E | 4460267 | 7 | Pin, Male | |
| 438F | 4460445 | 1 | Connector, Female - 3 Position | |
| 438F | 4460268 | 5 | Pin, Female | |
| 439 | | Ref | Ground Control Box Harness Assemblies | 4-E |
| 439 | 4922675 | 1 | Ford Engine Machines (Prior to SN 0300087266) | 5-F |
| 439 | 4923282 | 1 | Ford Engine Machines (SN 0300087266 through 0300185827) | 1-A |
| 439 | 4922675 | 1 | Deutz Engine Machines (Prior to SN 0300085331) | 5-F |
| 439 | 4923223 | 1 | Deutz and GM Engine Machines (SN 0300085331 through 0300099883) | G |
| 439 | 4923575 | 1 | Deutz and GM Engine Machines (SN 0300099884 through 0300112884) | C |
| 439 | 1001096458 | 1 | Deutz and GM Engine Machines (SN 0300112885 through 0300185827) | E |
| 439A | 4460418 | 9 | Connector, Female- 6 Position | |
| 439A | 4460419 | 27 | Socket, Female | |
| 439B | 4460876 | 1 | Connector, 35- Position | |
| 439B | 4460871 | AR | Socket, Female | |
| 439B | 4460905 | 1 | Seal, Plug | |
| 439C | 4460866 | 1 | Connector - 19 Position | |
| 439C | 4460464 | 10 | Pin, Male Deutsch (16 Gauge) | |
| 439C | 4460508 | 3 | Pin, Male Deutsch (12 Gauge) | |
| 439D | 4460878 | 1 | Housing, Terminal- 4 Position | |
| 439D | 4460887 | 3 | Terminal (12 Gauge) | |
| 439E | 4120035 | AR | Base, Light | |
| 439E | 4460634 | AR | Terminal (16 Gauge) | |
| 439F | 4460873 | 1 | Connector, 35- Position (Black) | |
| 439F | 4460871 | AR | Socket, Female | |
| 439F | 4460905 | 1 | Seal, Plug | |
| 439G | 4460871 | AR | Socket, Female | |
| 439H | 4460434 | 2 | Plug, Male 15- Position | |
| 439H | 4460227 | AR | Pin | |
| 439I | 3990010 | 2 | Diode - 6 Amp (Not Shown) | |
| 439J | | Ref | Receptacle, Female Options: | |
| 439J | 4460536 | 1 | Receptacle, Female - 3 Position (Deutz and GM Engine) (SN 0300085331 through 0300112884) | |
| 439J | 4460943 | 3 | Pin | |

SECTION 7 - ELECTRICAL

| ITEM | PART NUMBER | QTY | DESCRIPTION | REV |
|------|-------------|-----|---|-----|
| 439J | 4460965 | 1 | Receptacle, Female - 3 Position (SN 0300112885 through 0300185827) | |
| 439J | 4460944 | 3 | Pin | |
| 439K | 4460761 | 1 | Connector, Female 4- Position | |
| 439K | 4460227 | 4 | Pin, Male | |
| | | Ref | Note: Items 439L-439Q From. (SN 0300112885 through 0300185827) | |
| 439L | 4460894 | 3 | Plug, Male - Position | |
| 439L | 4460465 | AR | Socket, Female | |
| 439L | 4460892 | 3 | Terminal, Buss Connector - 6 Position | |
| 439M | 4460761 | 1 | Connector, Female 4- Position | |
| 439M | 4460227 | 4 | Pin, Male | |
| 439N | 4460909 | 1 | Connector - 12 Position (Black) | |
| 439N | 4460915 | 1 | Wedge Lock - 12 Position | |
| 439N | 4460928 | 6 | Socket, Female | |
| 439P | 4460908 | 1 | Connector - 12 Position (Gray) | |
| 439P | 4460915 | 1 | Wedge Lock - 12 Position | |
| 439P | 4460928 | 5 | Socket, Female | |
| 439Q | 4460965 | 1 | Connector, Male - 3 Position | |
| 439Q | 4460944 | 3 | Socket, Female (Gold) | |
| 440 | 4922666 | 1 | Cable, Analyzer (Previously came out of J1. On Caterpillar and Ford Machines SN 0300087266 through 0300185827 and on Deutz and GM Machines SN 0300085331 through 0300185827 part of Item 439) | 2-B |
| 440A | 4460226 | 4 | Socket, Female | |
| 440B | 4460761 | 1 | Connector, Female 4- Position | |
| 440B | 4460227 | 4 | Pin, Male | |
| 441 | | Ref | Ground Control Box Wiring Diagram (Not Shown - See Items 301-315 for Breakdown) | |
| 441 | 4922852 | 1 | Deutz Engine (Prior to SN 0300085331) | |
| 441 | 4933322 | 1 | Deutz Engine (SN 0300085331 through 0300099883) | |
| 441 | 4933370 | 1 | Deutz Engine (SN 0300099884 through 0300185827) | |
| 441 | 4933233 | 1 | Ford Engine (Prior to SN 0300087266) | |
| 441 | 4933339 | 1 | Ford Engine (SN 0300087266 through 0300185827) | |
| 441 | 4933359 | 1 | GM Engine (Prior to SN 0300099884) | |
| 441 | 4933385 | 1 | GM Engine (SN 0300099884 through 0300185827) | |
| | | Ref | ENGINE HARNESS ASSEMBLY | |
| | 4922549 | Ref | Deutz Engine Machines (Prior to SN 0300085331) | 5-F |
| | 4923238 | Ref | Deutz Engine Machines (SN 0300085331 through 0300129455) | E |
| | 1001102150 | Ref | Deutz Engine Machines (SN 0300129456 through 0300185827) | B |
| | 4922550 | Ref | Ford Engine Machines (Prior to SN 0300087266) | 3-D |
| | 4923281 | Ref | Ford Engine Machines (SN 0300087266 through 0300185827) | 3-C |
| | 4923499 | Ref | GM Engine Machines | D |
| 519 | 4460424 | 1 | Receptacle, Female - 2 Position | |
| 520 | 4460268 | AR | Socket, Female (Deutz and GM Engines) | |
| 520 | 4460226 | AR | Socket, Female (Ford Engine Machines) | |
| 521 | 4460880 | AR | DIN Connector without Diode | |
| 523 | 4461070 | 1 | Receptacle, Female with Resistor (3 Position) (Deutz Engine) (SN 0300085331 through 0300185827) | |
| 523 | 4461095 | 1 | Plug, Male - 3 Position (Deutz Engine) (SN 0300085331 through 0300185827) | |
| 523 | 4460944 | 3 | Socket, Female (Deutz Engine) (SN 0300085331 through 0300185827) | |

SECTION 7 - ELECTRICAL

| ITEM | PART NUMBER | QTY | DESCRIPTION | REV |
|------|--------------|-----|---|-----|
| 525 | 4460539 | 1 | Connector, Male - 3 Position (Deutz and GM Engine) (SN 0300085331 through 0300185827) | |
| 525 | 4460944 | 3 | Socket, Female (Deutz and GM Engine) (SN 0300085331 through 0300185827) | |
| 527 | 4461070 | 3 | Receptacle with Resistor (GM Engine Only) | |
| 527 | 4460944 | 1 | Terminal, Gold (GM Engine Only) | |
| 527 | 4461095 | 1 | Plug, Male - 3 Position (GM Engine Only) | |
| 528 | 4460582 | 3 | Terminal (Ford Engine - ANSI Spec Machines Only) | |
| 529 | 4460580 | 1 | Lock, Terminal (Ford Engine - ANSI Spec Machines Only) | |
| 530 | 4460579 | 1 | Housing - 3 Position (Ford Engine - ANSI Spec Machines Only) | |
| 532 | 4461157 | 1 | Receptacle, Female - 2 Position (GM Engine Only) | |
| 532 | 4460979 | 2 | Pin, Male (GM Engine Only) | |
| 532 | 4460458 | 2 | Seal, Terminal (GM Engine Only) | |
| 533 | 4461052 | 1 | Connector, Receptacle - 25 Position (Deutz Engine) (SN 0300085331 through 0300185827) | |
| 533 | 4461005 | 5 | Terminal (Gold) (Deutz Engine) (SN 0300085331 through 0300185827) | |
| 533 | 4461006 | 5 | Seal, Terminal (Deutz Engine) (SN 0300085331 through 0300185827) | |
| 533 | 4461060 | 2 | Terminal (Tin) (Deutz Engine) (SN 0300085331 through 0300185827) | |
| 533 | 4461054 | 2 | Seal, Terminal (Deutz Engine) (SN 0300085331 through 0300185827) | |
| 533 | 4461053 | 1 | Cover, Plug (Deutz Engine) (SN 0300085331 through 0300185827) | |
| 533 | 4461008 | 18 | Plug, Hole (Deutz Engine) (SN 0300085331 through 0300185827) | |
| 536 | | Ref | Housing - 2 Position Options: | |
| 536 | 4460890 | 1 | Deutz Engine (Prior to SN 0300085331) | |
| 536 | Not Required | 0 | Deutz Engine (SN 0300085331 through 0300185827) | |
| 536 | Not Required | 0 | Ford Engine | |
| 536 | Not Required | 0 | GM Engine | |
| 537 | | Ref | Terminal Options: | |
| 537 | 4460889 | 2 | Deutz Engine (Prior to SN 0300085331) | |
| 537 | Not Required | 0 | Deutz Engine (SN 0300085331 through 0300185827) | |
| 537 | Not Required | 0 | Ford Engine | |
| 537 | Not Required | 0 | GM Engine | |
| 538 | 4460460 | 1 | Connector, Male - 4 Position | |
| 539 | 4460457 | AR | Terminal, Female | |
| 540 | 4460458 | AR | Seal, Terminal | |
| 541 | 4460713 | 1 | Connector, Housing 42 Position (Ford Engine Only) | |
| 542 | 4460725 | 1 | Connector Wedge Lock, Center (Ford Engine Only) | |
| 543 | 4460726 | 2 | Connector Wedge Lock, Side (Ford Engine Only) | |
| 544 | 4460800 | 32 | Connector, Plug (Ford Engine Only) | |
| 545 | 4460799 | 7 | Pin, Male (Ford Engine Only) | |
| 547 | 4461121 | 1 | Plug, Male - 4 Position (GM Engine Only) | |
| 547 | 4461122 | 4 | Socket, Female (GM Engine Only) | |
| 547 | 4461123 | 4 | Seal, Terminal (GM Engine Only) | |
| 548 | 4460728 | 3 | Pin, Male (Ford Engine Only) | |
| 550 | 2400061 | AR | Fuse (Ford Engine Only) | |
| 551 | 2400060 | AR | Holder, Fuse (Ford Engine Only) | |
| 553 | 4461124 | 1 | Receptacle, Female - 4 Position (GM Engine Only) | |
| 553 | 4460693 | 4 | Pin, Male (GM Engine Only) | |

SECTION 7 - ELECTRICAL

| ITEM | PART NUMBER | QTY | DESCRIPTION | REV |
|------|--------------|-----|--|-----|
| 553 | 4460608 | 4 | Seal, Terminal (GM Engine Only) | |
| 553 | 4461161 | 1 | Lock, Terminal (GM Engine Only) | |
| 554 | 4460742 | AR | Connector, Male - 2 Position (Ford Engine Only) | |
| 555 | 4461109 | 1 | Plug, Male - 16 Position (GM Engine Only) | |
| 555 | 4461111 | 7 | Pin, Male (GM Engine Only) | |
| 555 | 4461113 | 16 | Seal, Terminal (GM Engine Only) | |
| 555 | 4461222 | 9 | Plug, Terminal (GM Engine Only) | |
| 557 | 4460871 | AR | Socket, Female | |
| 570 | 3730120 | 1 | Resistor Assembly (Ford Engine) (SN 0300073347 through 0300185827) | |
| 570 | 4460978 | 1 | Receptacle, Male - 2 Position | |
| 570 | 4460979 | 2 | Pin, Male | |
| 570 | 4460458 | 2 | Seal, Terminal | |
| 570 | 3730121 | 1 | Resistor | |
| 571 | 4460374 | 1 | Connector, Relay (Deutz Engine) (SN 0300129456 through 0300185827) | |
| 571 | 4460375 | 4 | Terminal, Female (Deutz Engine) (SN 0300129456 through 0300185827) | |
| 572 | 1001102290 | 1 | Receptacle, Female - 2 Position (Deutz Engine) (SN 0300129456 through 0300185827) | |
| 572 | 1001102291 | 2 | Pin, Female (Deutz Engine) (SN 0300129456 through 0300185827) | |
| 572 | 1001102304 | 2 | Seal, Terminal (Deutz Engine) (SN 0300129456 through 0300185827) | |
| | | Ref | STANDARD HARNESS COMPONENTS | |
| 701 | | Ref | Battery Cable Kit Options: | |
| 701 | 2901609 | 1 | Deutz Engines (Prior to SN 0300078364) | |
| 701 | 2902401 | 1 | Deutz Engines (SN 0300078364 through 0300185827) | |
| 701 | 2901608 | 1 | Ford Engines (Prior to SN 0300087266) | |
| 701 | 2902445 | 1 | Ford Engines (SN 030087266 through 0300185827) | |
| 701 | 2902533 | 1 | GM Engines | |
| 701A | 7016800 | 1 | Cable, Battery (Red) (Kit p/n 2901609) | |
| 701A | 7016813 | 1 | Cable, Battery (Red) (Kit p/n 2902401) | |
| 701A | 7016800 | 1 | Cable, Battery (Red) (Kit p/n 2901608) | |
| 701A | 7016821 | 1 | Cable, Battery (Red) (Kit p/n 2902445) | |
| 701A | 7027015 | 1 | Cable, Battery (Red) (Kit p/n 2902533) | |
| 701B | 7016809 | 1 | Cable, Battery (Black) (Kit p/n 2901609) | |
| 701B | 7027012 | 1 | Cable, Battery | |
| 701B | 7016807 | 1 | Cable, Battery (Black) (Kit p/n 2901608) | |
| 701B | 7016822 | 1 | Cable, Battery (Black) (Kit p/n 2902445) | |
| 701B | 7027018 | 1 | Cable, Battery (Black) (Kit p/n 2902533) | |
| 701C | 7016802 | 1 | Cable To Starter (Red) (Kit p/n 2901609) | |
| 701C | Not Required | 0 | Cable To Starter (Part of 701A) (Red) (Kit p/n 2902401) | |
| 701C | 7016808 | 1 | Cable (Red) (Kit p/n 2901608) | |
| 701C | 7016808 | 1 | Cable (Red) (Kit p/n 2902445) | |
| 701C | 7016825 | 1 | Cable To Starter (Red) (Kit p/n 2902533) | |
| 701D | 7016803 | 1 | Cable To Glow Plug Relay (Red) (Kit p/n 2901609) | |
| 701D | 7016803 | 1 | Cable To Glow Plug Relay (Red) (Kit p/n 2902401) | |
| 701D | Not Required | 0 | Cable (Red) (Kit p/n 2901608) | |
| 701D | Not Required | 0 | Cable (Red) (Kit p/n 2902445) | |
| 701D | Not Required | 0 | Cable (Red) (Kit p/n 2902533) | |
| 701E | 7016824 | 1 | Cable (Red) | |
| 701F | 7016825 | 1 | Cable (Black) | |

SECTION 7 - ELECTRICAL

| ITEM | PART NUMBER | QTY | DESCRIPTION | REV |
|------|-------------|-----|---|-----|
| 702 | 1060904 | 1 | Cable, Battery (Deutz Engines Only) | |
| 703 | 4922737 | 1 | Harness, Relay Ground (Deutz Engines Only) | |
| 706 | See Note | AR | Deutz Engine Harness Components (Deutz Engine Machines Only) (Note: Not Available for Purchase) | |
| 706A | | Ref | Deutz Engine Harness Options: | |
| 706A | See Note | 1 | Deutz Engine Harness (Note: Not Available for Purchase) (Prior to SN 0300085331) | |
| 706A | 7027796 | 1 | Deutz Engine Harness (SN 0300085331 through 0300185827) | |
| 706B | See Note | 1 | Receptacle, Female - 25 Position (Note: Not Available for Purchase) (SN 0300085331 through 0300185827) | |
| 706C | 7027793 | 1 | Plug-In, Connector (SN 0300085331 through 0300185827) | |
| 706D | 7027794 | 1 | Deutz Engine Harness (For other replacement parts refer to Deutz Engine dealer) (SN 0300085331 through 0300185827) | |
| 707 | | Ref | Ford Engine Harness Options (For other replacement parts refer to Ford Engine dealer): | |
| 707 | 7023663 | 1 | Ford Engine Harness (ECM) (SN 0300069000 through 0300073348) | |
| 707 | 7023681 | 1 | Ford Engine Harness (EPM) (SN 0300073348 through 0300185827) | |
| 707 | 7023657 | 1 | Ford Engine TPS Harness (Not Shown) | |
| 707 | 7022134 | 1 | Ford Engine Fuel Pump Harness (Not Shown) | |
| 708 | See Note | 1 | Dual Fuel Shut-Off Filter Harness (Note: Not Available for Purchase) | |
| 708A | 7023679 | 1 | Electrical Connector Kit (Includes [1] 2 Position Connector, 2 Pins and 2 Seals) | |
| 709 | See Note | 1 | Pump Harness (Note: Not Available for Purchase) | |
| 709A | 7007497 | 1 | Plug (Pump End) | |
| 709B | 7007498 | 1 | Plug (Engine Harness End) | |
| 710 | See Note | 1 | Controller Harness Assembly (Lift and Swing) (Note: Not Available for Purchase) | |
| 710A | 7022819 | 1 | Plug, Male - 8 Position (Natural) | |
| 710A | 4460871 | 8 | Socket, Female | |
| 711 | See Note | 1 | Controller Harness/Circuit Board Assembly (Drive and Steer) (Note: Not Available for Purchase) | |
| 711A | 7022825 | 1 | Plug, Male - 8 Position (Black) | |
| 711A | 4460871 | 7 | Socket, Female | |
| 712 | See Note | 1 | Controller Harness (Speed Control) (Note: Not Available for Purchase) | |
| 712A | 4460224 | 1 | Receptacle, Female - 6 Position | |
| 712A | 4460226 | 6 | Socket, Female | |
| 715 | 4923379 | 1 | Harness, Glow Plugs (Deutz Engine Machines) (SN 0300092718 through 0300185827) | |
| 716 | 1060904 | 1 | Cable, Jumper (Deutz Engine Machines) (SN 0300092718 through 0300185827) | |
| 717 | 1001093256 | Ref | Harness, Tilt | F |
| 717A | 2920129 | 1 | Bulb | |
| 717A | 4120035 | 1 | Socket, Light | |
| 717B | 4460464 | 4 | Pin, Male Deutsch (16 Gauge) | |
| 717C | 4460871 | 4 | Socket, Female | |
| 717D | 4460894 | 2 | Plug, Male - 6 Position | |
| 717D | 4460465 | 8 | Socket, Female | |
| 717D | 4460892 | 2 | Terminal, Buss Connector - 6 Position | |
| 717E | 4460761 | 1 | Connector, Female - 4 Position | |
| 717E | 4460227 | 4 | Pin, Male | |

SECTION 7 - ELECTRICAL

| ITEM | PART NUMBER | QTY | DESCRIPTION | REV |
|------|-------------|-----|--|-----|
| 717F | 4460909 | 1 | Connector - 12 Position (Black) | |
| 717F | 4460915 | 1 | Wedge Lock - 12 Position | |
| 717F | 4460928 | 6 | Socket, Female | |
| 717G | 4460908 | 1 | Connector - 12 Position (Gray) | |
| 717G | 4460915 | 1 | Wedge Lock - 12 Position | |
| 717G | 4460928 | 5 | Socket, Female | |
| 717H | 4460965 | 1 | Connector, Male - 3 Position | |
| 717H | 4460944 | 3 | Socket, Female (Gold) | |
| 717J | 4922099 | AR | Cable, Can-Buss (Machines with Can Buss Engine | |
| 717J | | Ref | Controllers and Caterpillar Engine without Can Buss Engine Controllers | |
| 717J | 4460965 | 1 | Connector, Male - 3 Position | |
| 717J | 4460944 | 6 | Socket, Female (Gold) | |
| 717J | 4460539 | 1 | Terminal, Plug - 3 Position | |
| | | Ref | Note: Machines with Can Buss Item #717J Connect to MTB Harness Can Buss. | |
| 717K | 4922099 | AR | Cable, Can-Buss (Machines without Can Buss Engine Controllers) | |
| 717K | 4460965 | 1 | Connector, Male - 3 Position | |
| 717K | 4460944 | 6 | Socket, Female (Gold) | |
| 717K | 4460464 | 3 | Pin, Male Deutsch (16 Gauge) | |
| | | Ref | Note: Machines without Can Buss Item #717K Connect to Deutsch Boom Cable Connector. | |
| 717L | 4922099 | AR | Cable, Can-Buss (Machines without Can Buss Engine Controllers) | |
| 717L | 4460539 | 2 | Terminal, Plug - 3 Position | |
| 717L | 4460944 | 6 | Socket, Female (Gold) | |
| 717M | 4460536 | 1 | Terminal, Receptacle - 3 Position (Machines without Can Buss Engine Controllers) | |
| 718 | 1001093187 | Ref | Tilt Sensor Installation | C |
| 718 | 4460945 | 1 | Receptacle - 3 Position (3 way Tee) | |
| 719 | | Ref | GM Engine Harness Options: | |
| 719 | 7027991 | 1 | Tier 1 Engines | |
| 719 | 70000718 | 1 | Tier 2 Engines | |
| 719 | 70002898 | 1 | Tier 3 & 4 interim | |
| 719 | 7027989 | 1 | Connector, Male - 10 Position (Not Shown) | |
| 719 | See Note | 1 | Box, Fuse (Note: Parts of Harness - Not Available for Purchase) | |
| 719 | 70002627 | 1 | Cover, Fuse Box | |
| 719 | 70001950 | 2 | Relay (Power and Fuel Pump) | |
| 719 | 70001951 | 1 | Relay (Starter) | |
| 719 | 70001931 | 1 | Fuse - 60 Amp (Alternator) | |
| 719 | See Note | 1 | Fuse - 20 Amp (Note: Not Available - Purchase Locally) | |
| 719 | See Note | 3 | Fuse - 15 Amp (Note: Not Available - Purchase Locally) | |
| 719 | See Note | 1 | Fuse - 10 Amp (Note: Not Available - Purchase Locally) | |
| 719 | See Note | 1 | Fuse - 5 Amp (Note: Not Available - Purchase Locally) | |
| | | Ref | OPTIONAL HARNESS COMPONENTS | |
| 801 | 4921928 | 1 | 4WS Valve Harness | E |
| 801A | 4460268 | 3 | Socket, Female | |
| 801B | 4460445 | 1 | Connector, Female - 3 Position | |
| 801C | 4460499 | 2 | Connector, DIN with Diode | |
| 802 | 4921927 | 1 | Jib Valve Harness | F |
| 802A | 4460326 | 1 | Plug, Male - 3 Position | |
| 802B | 4460267 | 3 | Pin, Male | |

SECTION 7 - ELECTRICAL

| ITEM | PART NUMBER | QTY | DESCRIPTION | REV |
|------|-------------|-----|--|-----|
| 802C | 4460499 | 2 | Connector, DIN with Diode | |
| 803 | 0257887 | 1 | Alarm Harness (Includes Alarm) | |
| 803A | 4460424 | 1 | Plug, Male - 2 Position | |
| 803A | 4460268 | 2 | Socket, Female | |
| 804 | | Ref | Strobe Light Harness (Includes Strobe Light) Options: | |
| 804 | 0255917 | 1 | Strobe Light Harness (Includes Strobe Light) (Prior to SN 0300069325) | |
| 804 | 0272507 | 1 | Strobe Light Harness (Includes Strobe Light) (SN 0300069325 through 0300185827) | |
| 804A | 4460320 | 1 | Connector, Female - 2 Position | |
| 804A | 4460267 | 2 | Pin, Male | |
| 805 | | Ref | 2500W AC to Platform Receptacle Components Options: | |
| 805 | 0272259 | Ref | ANSI Spec - 110V GFI Receptacle (JLG Supplied Box and Receptacle) | B |
| 805 | 0272260 | Ref | ANSI Spec - 220V GFI Receptacle (JLG Supplied Box and Receptacle) | B |
| 805 | 0256202 | Ref | CE Spec - 110/220V Receptacle (Locally Supplied Box and Receptacle) | B |
| 805A | 0860038 | 1 | Box, Switch | |
| 805B | | Ref | Receptacle Options: | |
| 805B | 4460346 | 1 | 110V GFI Receptacle (JLG Supplied Box and Receptacle) | |
| 805B | 4460125 | 1 | 220V GFI Receptacle (JLG Supplied Box and Receptacle) | |
| 805B | See Note | 1 | 110/220V Receptacle (Locally Supplied Box and Receptacle) (Note: Not Available - Purchase Locally) | |
| 805C | | Ref | Shield, Cover Options: | |
| 805C | 4060700 | 1 | 110V GFI Receptacle (Side Hinged) (JLG Supplied Box and Receptacle) | |
| 805C | 1001110873 | 1 | 110V GFI Receptacle (Top Hinged) (JLG Supplied Box and Receptacle) | |
| 805C | 4060092 | 1 | 220V GFI Receptacle (JLG Supplied Box and Receptacle) | |
| 805C | See Note | 1 | 110/220V Receptacle (Locally Supplied Box and Receptacle) (Note: Not Available - Purchase Locally) | |
| 805D | | Ref | Plug, Male Options: | |
| 805D | 4460205 | 1 | 110V GFI Receptacle (JLG Supplied Box and Receptacle) | |
| 805D | 4460233 | 1 | 220V GFI Receptacle (JLG Supplied Box and Receptacle) | |
| 805D | 4460709 | 1 | 110/220V Receptacle (Locally Supplied Box and Receptacle) (Purchase Locally) | |
| 805E | | Ref | Connector, Female Options: | |
| 805E | 4460134 | 1 | 110V GFI Receptacle (JLG Supplied Box and Receptacle) | |
| 805E | 4460701 | 1 | 220V GFI Receptacle (JLG Supplied Box and Receptacle) | |
| 805E | 4460710 | 1 | 110/220V Receptacle (Locally Supplied Box and Receptacle) (Purchase Locally) | |
| 805F | 4460051 | 1 | Connector, Strain Relief | |
| 805G | | Ref | Plug, Male Options: | |
| 805G | 4460205 | 1 | 110V GFI Receptacle (JLG Supplied Box and Receptacle) | |
| 805G | 4460233 | 1 | 220V GFI Receptacle (JLG Supplied Box and Receptacle) | |
| 805G | See Note | 1 | 110/220V Receptacle (Locally Supplied Box and Receptacle) (Note: Not Available - Purchase Locally) | |
| 806 | | Ref | Generator Electrical Components | |
| 806 | 4933215 | AR | 110V (Prior to SN 0300082504) | 2-C |
| 806 | 4933216 | AR | 220V (Prior to SN 0300082504) | 2-C |
| 806 | 4933300 | AR | 110V/220V (SN 0300082504 through 0300185827) | 2-A |
| 806 | 4933350 | AR | 110V (GM Engine Only) | A |
| 806 | 3990010 | 1 | Diode - 6 Amp (Not Shown) | |

SECTION 7 - ELECTRICAL

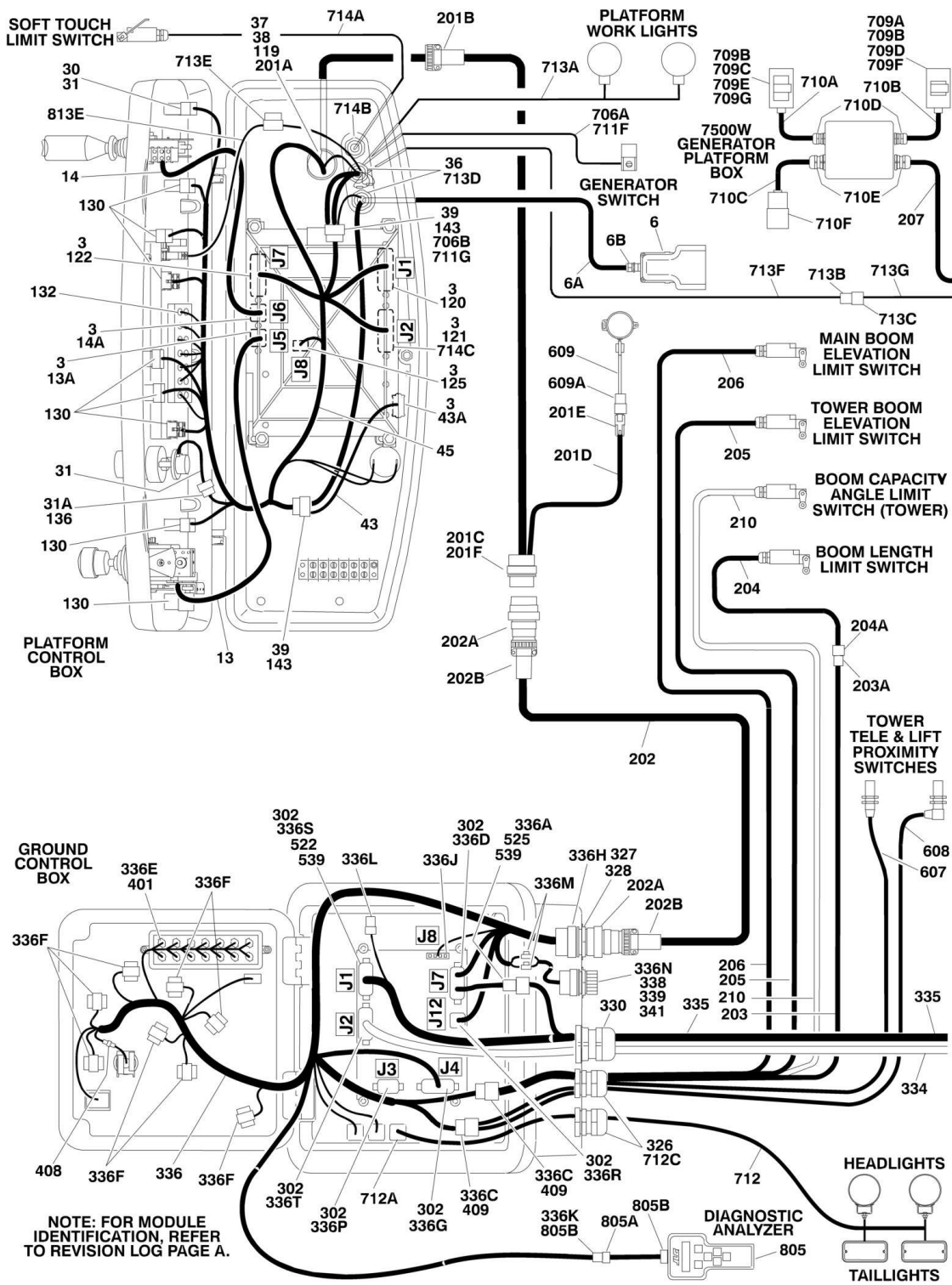
| ITEM | PART NUMBER | QTY | DESCRIPTION | REV |
|------|-------------|-----------------|---|-----|
| 806A | 4922641 | 1 | Harness - On/Off Switch | |
| 806B | 4460226 | 2 | Socket, Female | |
| 806C | | Ref | Powermite Control Box to Relay Options: | |
| 806C | 4922482 | 1 | Powermite Control Box to Relay (Prior to SN 0300077500) | |
| 806C | 4922970 | 1 | Powermite Control Box to Relay (SN 0300077500 through 0300185827) | |
| 806D | 4460027 | 1 | Receptacle, Twist Lock (110V Only) | |
| 806E | 4460961 | 1 | Connector, Female - 4 Position (SN 0300082504 through 0300185827) | |
| 806E | 4460705 | 4 | Pin, Male | |
| 806F | 4460321 | 1 | Connector, Male - 4 Position (SN 0300082504 through 0300185827) | |
| 806F | 4460906 | 4 | Socket, Female | |
| 806G | 7020193 | 1 | Harness, Generator Power | |
| 807 | 4921829 | 1 | Generator to Rear of Boom Harness (110V) | |
| 807 | 4921955 | 1 | Generator to Rear of Boom Harness (220V) | |
| | | Ref | Note: Harness used to connect AC at platform harness to generator receptacle to power platform receptacle. | |
| 807 | 1060494 | 6 ft/1.8m | Cable, Electrical - 12/3 | |
| 807A | 4460205 | 1 | Plug, Male (110V) | |
| 807A | 4460233 | 1 | Plug, Male (220V) | |
| 807B | 4460134 | 1 | Receptacle, Female (110V) | |
| 807B | 4460701 | 1 | Receptacle, Female (220V) | |
| 812 | See Note | 1 | Lights Harness (Note: Not Available for Purchase) | |
| 812 | 1060341 | 48 ft /14.6m | Cable, Electrical - 16/2 | |
| 812A | 3740049 | 1 | Relay | |
| 812B | 4922643 | 1 | Harness, Bagged Options (Located at Ground Control Box) (Not Shown) | |
| 813 | | Ref | Platform Worklights Components | |
| 813A | 2920140 | 2 | Platform Worklights Harness (External) Options (Includes Light and Wire Only) | |
| 813B | | Ref | Connector, Strain Relief Options: | |
| 813B | 4460598 | 1 | Connector, Strain Relief (Prior to SN 0300137666) | |
| 813B | 4460426 | 1 | Connector, Strain Relief (SN 0300137666 through 0300185827) | |
| 813C | 4360232 | 1 | Circuit Breaker, 15Amp (Prior to SN 0300137666) | |
| 813D | 4922498 | 1 | Platform Worklights Harness (Internal) (Prior to SN 0300137666) | |
| 813D | 4460871 | 3 | Socket, Female | |
| 813E | 1001098234 | 1 | Receptacle, Female - 3 Position (SN 0300137666 through 0300185827) | |
| 813F | 1001098349 | 1 | Plug, Male - 3 Position (SN 0300137666 through 0300185827) | |
| 813G | 2400066 | 1 | Fuseholder with Cover (SN 0300137666 through 0300185827) | |
| 813G | 2400070 | 1 | Fuse - 20Amp (SN 0300137666 through 0300185827) | |
| 813H | 4922216 | 1 | Worklight Harness (Main Boom) (SN 0300137666 through 0300185827) | |
| 813J | 4922217 | 1 | Worklight Harness (Tower Boom) (SN 0300137666 through 0300185827) | |
| 814 | See Note | 1 | Soft Touch System Harness (Note: Not Available for Purchase) | |
| 814A | 1060341 | 16 ft/4.9m | Cable, Electrical - 16/2 | |
| 814B | 4460425 | 1 | Connector, Strain Relief | |
| 814C | 4460226 | 2 | Socket, Female | |
| | | Ref | TOOLS | |
| 901 | 7002821 | 1 | Crimper (For Wire to Pin/Socket Connections) (Not Shown) | |

SECTION 7 - ELECTRICAL

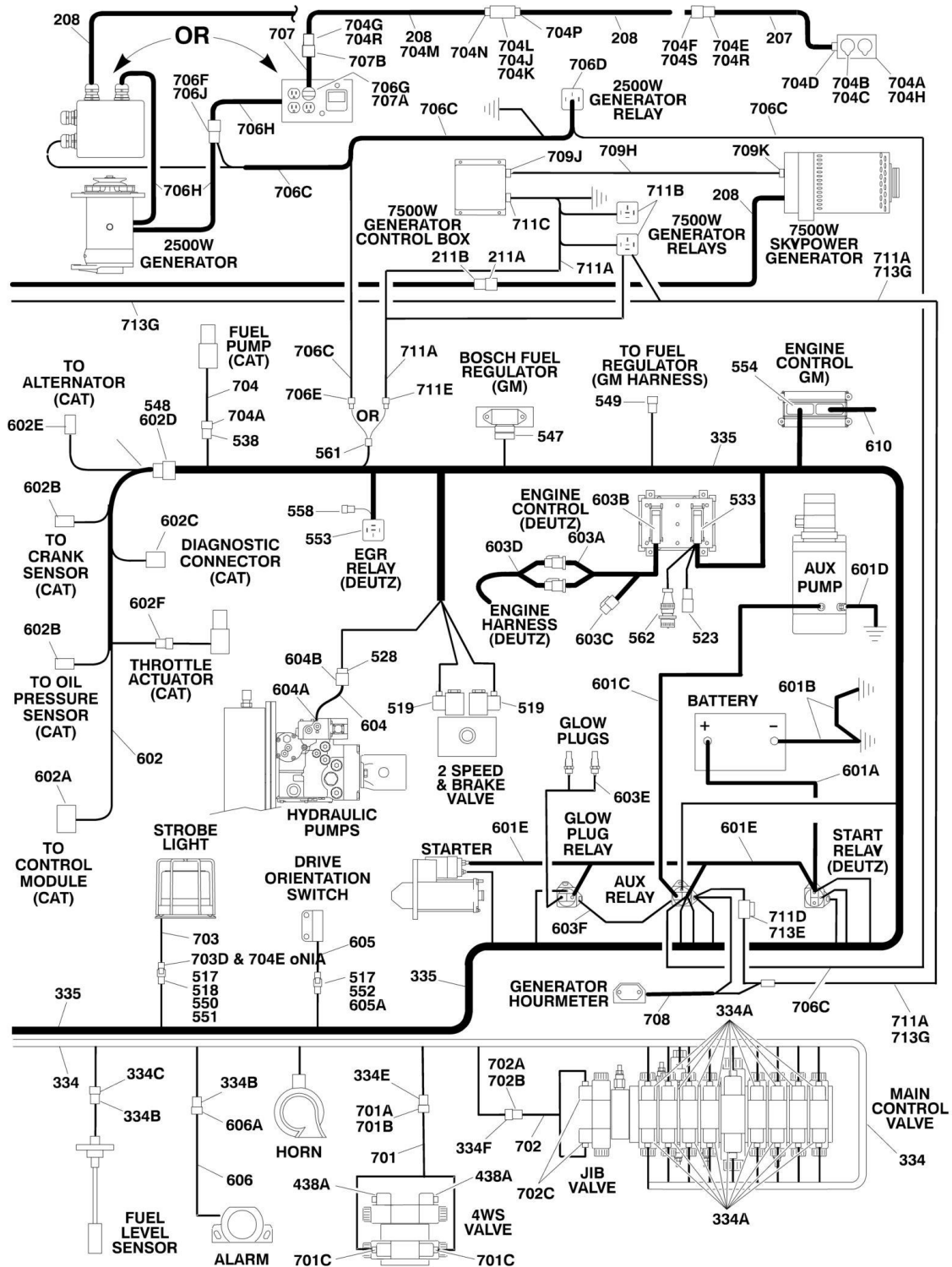
| ITEM | PART NUMBER | QTY | DESCRIPTION | REV |
|------|-------------|-----|---|-----|
| 902 | 7002823 | 1 | Extractor (For Removal of Pin/Socket from Connectors) (Not Shown) | |
| 903 | 4460467 | 1 | Extractor, Pin (Blue 16-18 Gauge) (For Removal of Pin/Socket from Connectors) (Not Shown) | |
| 903 | 4460510 | 1 | Extractor, Pin (Yellow 12-14 Gauge) (For Removal of Pin/Socket from Connectors) (Not Shown) | |
| 904 | 7002828 | 1 | Stripper, Wire (Not Shown) | |
| 905 | 1600244 | 1 | Analyzer | |
| 905A | 1060633 | 1 | Cable, Analyzer | 1-A |
| 905B | 4460321 | 2 | Plug, Male | |
| 905B | 4460226 | 8 | Socket, Female | |

SECTION 7 - ELECTRICAL

FIGURE 7-3. HARNESS COMPONENTS INSTALLATION WITH UGM



SECTION 7 - ELECTRICAL



SECTION 7 - ELECTRICAL

FIGURE 7-3. HARNESS COMPONENTS INSTALLATION WITH UGM

| ITEM | PART NUMBER | QTY | DESCRIPTION | REV |
|------|-------------|------------|--|-----|
| | 1001115321 | Ref | PLATFORM BOX ASSEMBLY COMPONENTS | B |
| 3 | 0100048 | AR | Grease, Dielectric | |
| 6 | | Ref | Footswitch Components: | |
| 6A | 1060918 | 7 ft/2.13m | Cable, Electrical - 18/3 | |
| 6A | 4460042 | 3 | Terminal, Ring | |
| 6B | 4460226 | 2 | Socket, Female | |
| 6B | 4460464 | 1 | Pin, Male (16 Gauge) | |
| 6C | 4460071 | 2 | Connector, Strain Relief | |
| 13 | See Note | 1 | Controller Harness Assembly (Lift and Swing) (Note: Not Available for Purchase) | |
| 13A | 7022819 | 1 | Plug, Male - 8 Position (Natural) | |
| 13A | 4460871 | 8 | Socket, Female | |
| 14 | See Note | 1 | Controller Harness/Circuit Board Assembly (Drive and Steer) (Note: Not Available for Purchase) | |
| 14A | 7022825 | 1 | Plug, Male - 8 Position (Black) | |
| 14A | 4460871 | 7 | Socket, Female | |
| 31 | See Note | 1 | Controller Harness (Speed Control) (Note: Not Available for Purchase) | |
| 31A | 4460224 | 1 | Receptacle, Female - 6 Position | |
| 31A | 4460226 | 6 | Socket, Female | |
| 36 | 4460428 | 2 | Connector, Strain Relief | |
| 37 | 4460470 | 1 | Nut, Terminal | |
| 38 | 4460471 | 1 | Lockwasher, Terminal | |
| 39 | 4460708 | 2 | Connector, Female 15 Position | |
| 40 | 4460905 | 5 | Seal, Plug | |
| 43 | 4922666 | 1 | Harness, Analyzer Cable | 2-B |
| 43 | 4460226 | 4 | Socket, Female (Not Shown - Located at J2) | |
| 43A | 4460761 | 1 | Connector, Female - 4 Position | |
| 43A | 4460227 | 4 | Pin, Male | |
| 45 | 1001107753 | 1 | Harness, Console Box (See Items 101-143 for Breakdown) | |
| | 1001107753 | Ref | PLATFORM BOX HARNESS ASSEMBLY | E |
| 119 | 4460866 | 1 | Connector 19 Position | |
| 119 | 4460464 | 7 | Pin, Male (16 Gauge) | |
| 119 | 4460508 | 3 | Pin, Male (12 Gauge) | |
| 120 | 4460874 | 1 | Plug, Male 35 Position (Natural) | |
| 120 | 4460871 | 29 | Socket, Female | |
| 121 | 4460875 | 1 | Plug, Male 35 Position (Gray) | |
| 121 | 4460871 | 24 | Socket, Female | |
| 122 | 4460873 | 1 | Plug, Male 35 Position (Black) | |
| 122 | 4460871 | 26 | Socket, Female | |
| 125 | 4460879 | 1 | Plug, Male 2 Position | |
| 125 | 4460887 | 2 | Terminal (12 Gauge) | |
| 130 | 4460418 | 9 | Connector 6 Position | |
| 130 | 4460419 | 27 | Terminal, Female | |
| 132 | 4120035 | 13 | Base, Light | |
| 132 | 4460634 | 13 | Terminal, (16 Gauge) | |
| 132 | 4460635 | 13 | Terminal, (12 Gauge) | |
| 132 | 2920129 | 13 | Lamp, Indicator | |
| 136 | 4460225 | 1 | Plug, Male 6 Position | |
| 136 | 4460227 | 5 | Pin, Male | |

SECTION 7 - ELECTRICAL

| ITEM | PART NUMBER | QTY | DESCRIPTION | REV |
|------------|--------------|--------------|--|-----|
| 143 | 4460434 | 2 | Plug, Male 15 Position | |
| 143 | 4460227 | 25 | Pin, Male | |
| | | Ref | BOOM CABLES INSTALLATION | |
| | 0272028 | Ref | ANSI Spec without Aircraft De-icing Package | C |
| | 1001107763 | Ref | ANSI Spec with Communication System / Aircraft De-icing Package | A |
| | 0272787 | Ref | Australian Spec | A |
| 201 | 4922582 | 1 | Harness Assembly - Main Boom (12/4 -18/8) | F |
| 201 | 1060896 | AR | Cable, Electrical - 4 #12 AWG, 8 #18 AWG and 1 STP #18 AWG | |
| 201 | 0100009 | AR | Sealant | |
| 201A | 4460865 | 1 | Connector - 19 Position | |
| 201A | 4460465 | 11 | Socket, Female | |
| 201A | 4460509 | 4 | Socket, Female | |
| 201A | 4460466 | 4 | Seal, Plug | |
| 201B | 4460473 | 1 | Clamp, Cable | |
| 201C | 4460866 | 1 | Connector - 19 Position | |
| 201C | 4460464 | 11 | Pin, Male (16 Gauge) | |
| 201C | 4460508 | 4 | Pin, Male (12 Gauge) | |
| 201C | 4460466 | 4 | Seal, Plug | |
| 201D | 4923613 | 1 | Harness, Tilt Switch | C |
| 201D | 1060978 | 2 ft/0.6m | Cable, Electrical - 18/3 | |
| 201E | 1001097051 | 1 | Connector - 4 Position | |
| 201E | 1001097082 | 3 | Pin, Male (Gold) | |
| 201E | 4460466 | 1 | Seal, Plug | |
| 201F | 4460464 | 3 | Pin, Male (16 Gauge) | |
| 202 | 4922853 | 1 | Harness Assembly - Tower Boom (12/4 - 18/8) | 1-A |
| 202 | 1060896 | 37 ft /11.3m | Cable, Electrical - 4 #12 AWG, 8 #18 AWG and 1 STP #18 AWG | |
| 202A | 4460865 | 2 | Connector - 19 Position | |
| 202A | 4460465 | 22 | Socket, Female | |
| 202A | 4460509 | 8 | Socket, Female | |
| 202A | 4460466 | 8 | Seal, Plug | |
| 202B | 4460473 | 2 | Clamp, Cable | |
| 203 to 204 | Not Required | 0 | Not Required | |
| 205 | 4922854 | 1 | Harness Assembly - Tower Boom (18/2) | |
| 206 | 4922578 | 1 | Harness Assembly - Main Boom (18/2) | |
| 207 | | Ref | Harness Assembly - Main Boom (10/3) Options: | |
| 207 | 4922216 | 1 | ANSI Spec | |
| 207 | 4922219 | 1 | Australian Spec | |
| 208 | | Ref | Harness Assembly - Tower Boom (10/3) Options: | |
| 208 | 4922681 | 1 | ANSI Spec | |
| 208 | 4922860 | 1 | Australian Spec | |
| 209 | | Ref | Clamp, Block Options (Not Shown-Located on back of T/T): | |
| 209 | 1320256 | 1 | ANSI Spec without Aircraft De-icing Package | |
| 209 | 1001112652 | 1 | ANSI Spec with Aircraft De-icing Package | |
| 209 | 1320256 | 1 | Australian Spec | |
| 210 to 211 | Not Required | 0 | Not Required | |
| 212 | 1001107754 | 1 | Harness Assembly - Tower Boom Communication (18/4 Shielded) (Not Shown - Machines With Aircraft De-icing Package Only) | |
| 212 | 1001111128 | 1 | Cable, Electrical - 18/4 Individually Shielded | |

SECTION 7 - ELECTRICAL

| ITEM | PART NUMBER | QTY | DESCRIPTION | REV |
|------|-------------|-----|--|-----|
| 212 | 4460464 | 5 | Pin, Male (16 Gauge) | |
| 212 | 4460466 | 1 | Seal, Plug | |
| 212 | 4460899 | 1 | Terminal, Receptacle - 6 Position | |
| 212 | 1001111136 | 1 | Plug, 4 Position Cannon | |
| 213 | 1001107755 | 1 | Harness Assembly - Main Boom Communication (18/4 Shielded) (Not Shown - Machines with Aircraft De-icing Package Only) | |
| 213 | 1001111128 | 1 | Cable, Electrical - 18/4 Individually Shielded | |
| 213 | 4460464 | 5 | Pin, Male (16 Gauge) | |
| 213 | 4460466 | 1 | Seal, Plug | |
| 213 | 4460894 | 1 | Terminal, Plug - 6 Position | |
| 213 | 1001111136 | 1 | Plug, 4 Position Cannon | |
| | | Ref | GROUND CONTROL BOX COMPONENTS | |
| 302 | 0100048 | AR | Grease, Dielectric | |
| 326 | 4460426 | AR | Connector, Strain Relief | |
| 327 | 4460470 | 1 | Nut, Terminal | |
| 328 | 4460471 | 1 | Lockwasher, Terminal | |
| 330 | 4460526 | 1 | Connector, Strain Relief | |
| 334 | 4922557 | 1 | Valve Harness Assembly | 1-A |
| 334A | 4460880 | 19 | Connector, DIN | |
| 334B | 4460320 | 2 | Connector, Female- 2 Position | |
| 334B | 4460267 | 7 | Pin, Male | |
| 334C | 4460424 | 1 | Connector, Male- 2 Position | |
| 334C | 4460268 | 5 | Pin, Female | |
| 334D | 4460871 | 11 | Socket, Female | |
| 334E | 4460326 | 1 | Connector, Male - 3 Position | |
| 334E | 4460267 | 7 | Pin, Male | |
| 334F | 4460445 | 1 | Connector, Female - 3 Position | |
| 334F | 4460268 | 5 | Pin, Female | |
| 335 | | Ref | Engine Harness Assembly (See 501-562 for Breakdown) | |
| 335 | 1001110222 | 1 | Deutz Engine Machines | |
| 335 | 1001110221 | 1 | GM Engine Machines | |
| 336 | 1001110225 | 1 | Ground Control Box Harness Assembly | C |
| 336A | 4460536 | 1 | Connector, Female 3 Position | |
| 336A | 4460943 | 3 | Pin, Male | |
| 336B | 3990010 | 2 | Diode - 6 Amp (Not Shown) | |
| 336C | 4460434 | 2 | Plug, Male 15- Position | |
| 336C | 4460227 | 22 | Pin | |
| 336D | 4460873 | 1 | Connector, 35 Position (Black) | |
| 336D | 4460871 | 21 | Socket, Female | |
| 336D | 4460905 | AR | Seal, Plug | |
| 336E | 4120035 | 7 | Base, Light | |
| 336E | 4460634 | 7 | Terminal (16 Gauge) | |
| 336E | 4460635 | 6 | Terminal (12 Gauge) | |
| 336F | 4460418 | 9 | Connector, Female- 6 Position | |
| 336F | 4460419 | 27 | Socket, Female | |
| 336G | 4460876 | 1 | Connector, 35 Position (Blue) | |
| 336G | 4460871 | 29 | Socket, Female | |
| 336G | 4460905 | AR | Seal, Plug | |
| 336H | 4460866 | 1 | Connector, Female - 19 Pin | |
| 336H | 4460464 | 7 | Pin, Male (16 Gauge) | |
| 336H | 4460508 | 3 | Pin, Male (12 Gauge) | |
| 336J | 4460878 | 1 | Housing, Terminal - 4 Position | |

SECTION 7 - ELECTRICAL

| ITEM | PART NUMBER | QTY | DESCRIPTION | REV |
|------|--------------|-----|---|-----|
| 336J | 4460887 | 3 | Terminal (12 Gauge) | |
| 336K | 4460761 | 1 | Connector, Female 4- Position | |
| 336K | 4460227 | 4 | Pin, Male | |
| 336L | 4460894 | 3 | Plug, Male - 6 Position | |
| 336L | 4460465 | AR | Socket, Female | |
| 336L | 4460892 | 3 | Terminal, Buss Connector - 6 Position | |
| 336M | 8229242 | 2 | Fuse 5A | |
| 336M | 2400060 | 2 | Holder, Fuse | |
| 336N | 1001112612 | 1 | Connector - 9 Position | |
| 336N | 4460943 | 4 | Pin, Male | |
| 336P | 1001106339 | 1 | Connector, Male - 14 Position | |
| 336P | 4460871 | 2 | Socket, Female | |
| 336P | 4460905 | AR | Plug, Seal | |
| 336R | 1001106340 | 1 | Connector, Male - 14 Position | |
| 336R | 4460871 | 5 | Socket, Female | |
| 336S | 4460874 | 1 | Connector, Natural | |
| 336S | 4460871 | 10 | Socket, Female | |
| 336S | 4460905 | AR | Plug, Seal | |
| 336T | 4460875 | 1 | Connector, Gray | |
| 336T | 4460871 | 2 | Socket, Female | |
| 336T | 4460905 | AR | Plug, Seal | |
| 337 | | Ref | Ground Control Box Wiring Diagram (Not Shown - See Items 401-409 for Breakdown) | |
| 337 | 1001110322 | Ref | Deutz Engine | |
| 337 | 1001110321 | Ref | GM Engine | |
| 338 | 4460471 | 1 | Lockwasher, Terminal | |
| 339 | 4460470 | 1 | Nut, Terminal | |
| 341 | 1001106736 | 1 | Cap, Dust | |
| | | Ref | GROUND CONTROL BOX WIRING DIAGRAMS | |
| | 1001110322 | Ref | Deutz Engine | C |
| | 1001110321 | Ref | GM Engine | A |
| 401 | 2920129 | AR | Bulb, Light | |
| 408 | 2400065 | 1 | Fuse, 30Amp | |
| 408 | 2400066 | 1 | Fuse, Holder | |
| 409 | 4460708 | 2 | Receptacle, Female - 15 Position | |
| 409 | 4460226 | AR | Socket, Female | |
| 409 | 4460905 | AR | Plug, Seal | |
| 409 | 4922637 | 1 | Harness, Jumper (Not Shown) | |
| | | Ref | ENGINE HARNESS ASSEMBLY | |
| | 1001110222 | Ref | Deutz Engine Machines | B |
| | 1001110221 | Ref | GM Engine All Machines | A |
| 517 | 4460424 | 1 | Receptacle, Female - 2 Position | |
| 518 | 4460268 | AR | Socket, Female | |
| 519 | 4460880 | AR | DIN Connector without Diode | |
| 522 | Not Required | 0 | Not Required | |
| 523 | 4461070 | 1 | Receptacle, Female with Resistor (3 Position) (Deutz Engine Only) | |
| 523 | 4461095 | 1 | Plug, Male - 3 Position (Deutz Engine Only) | |
| 523 | 4460944 | 3 | Socket, Female (Deutz Engine Only) | |
| 525 | 4460539 | 1 | Connector, Male - 3 Position | |
| 525 | 4460944 | 3 | Socket, Female | |
| 528 | 4460460 | 1 | Plug, Male - 4 Position | |

SECTION 7 - ELECTRICAL

| ITEM | PART NUMBER | QTY | DESCRIPTION | REV |
|------|--------------|-----|---|-----|
| 528 | 4460457 | 4 | Terminal, Female | |
| 528 | 4460458 | 4 | Seal, Terminal | |
| 533 | 4461052 | 1 | Connector, Receptacle - 25 Position (Deutz Engine Only) | |
| 533 | 4461005 | 5 | Terminal (Gold) (Deutz Engine Only) | |
| 533 | 4461006 | 5 | Seal, Terminal (Deutz Engine Only) | |
| 533 | 4461060 | 2 | Terminal (Tin) (Deutz Engine Only) | |
| 533 | 4461054 | 2 | Seal, Terminal (Deutz Engine Only) | |
| 533 | 4461053 | 1 | Cover, Plug (Deutz Engine Only) | |
| 533 | 4461008 | 18 | Plug, Hole (Deutz Engine Only) | |
| 538 | Not Required | 0 | Not Required | |
| 539 | 4460871 | AR | Socket, Female | |
| 539 | 4460226 | AR | Socket, Female | |
| 547 | 4461121 | 1 | Plug, Male - 4 Position (GM Engine Only) | |
| 547 | 4461122 | 4 | Socket, Female (GM Engine Only) | |
| 547 | 4461123 | 4 | Seal, Terminal (GM Engine Only) | |
| 548 | Not Required | 0 | Not Required | |
| 549 | 4461124 | 1 | Receptacle, Female - 4 Position (GM Engine Only) | |
| 549 | 4460693 | 4 | Pin, Male (GM Engine Only) | |
| 549 | 4460608 | 4 | Seal, Terminal (GM Engine Only) | |
| 549 | 4461161 | 1 | Lock, Terminal (GM Engine Only) | |
| 552 | 4460268 | 2 | Socket, Female | |
| 553 | 4460374 | 1 | Connector, Relay (Deutz Engine Only) | |
| 553 | 4460375 | 4 | Terminal, Female (Deutz Engine Only) | |
| 554 | 4461109 | 1 | Plug, Male - 16 Position (GM Engine Only) | |
| 554 | 4461111 | 7 | Pin, Male (GM Engine Only) | |
| 554 | 4461113 | 7 | Seal, Terminal (GM Engine Only) | |
| 554 | 4461222 | 9 | Plug, Terminal (GM Engine Only) | |
| 558 | 1001102290 | 1 | Receptacle, Female - 2 Position (Deutz Engine Only) | |
| 558 | 1001102291 | 2 | Pin, Female (Deutz Engine Only) | |
| 558 | 1001102304 | 2 | Seal, Terminal (Deutz Engine Only) | |
| 561 | 4461157 | 1 | Receptacle, Female - 2 Position | |
| 561 | 4460979 | 2 | Pin, Male | |
| 561 | 4460458 | 2 | Seal, Terminal | |
| 562 | 2902443 | 1 | Receptacle Kit (Deutz Engine Only) | |
| 562 | 4461071 | 8 | Socket, Female (Gold) | |
| 562 | 4461072 | 1 | Receptacle 8 Position with Mounting Flange | |
| 562 | 4461073 | 1 | Cap, Dust | |
| 562 | 4461074 | 1 | Shell | |
| | | Ref | STANDARD HARNESS COMPONENTS | |
| 601 | | Ref | Battery Cable Kit Options: | |
| 601 | 2902401 | 1 | Deutz Engines | |
| 601 | 2902533 | 1 | GM Engines | |
| 601A | | Ref | Cable, Battery (Red) Options: | |
| 601A | 1001116288 | 1 | Deutz Engines (2 Relays) (Kit p/n 2902401) (was p/n 7027027) (Includes Item 601E) | |
| 601A | 1001116287 | 1 | Deutz Engines (3 Relays) | |
| 601A | 7027015 | 1 | GM Engines (Kit p/n 2902533) | |
| 601B | | Ref | Cable, Battery (Black) Options: | |
| 601B | 7027004 | 1 | Deutz Engines (Kit p/n 2902401) | |
| 601B | 7027018 | 1 | GM Engines (Kit p/n 2902533) | |
| 601C | | Ref | Cable, Battery (Red) Options: | |
| 601C | 7016824 | 1 | Deutz Engines (Kit p/n 2902401) | |

SECTION 7 - ELECTRICAL

| ITEM | PART NUMBER | QTY | DESCRIPTION | REV |
|------------|--------------|-----|---|-----|
| 601C | 7016824 | 1 | GM Engines (Kit p/n 2902533) | |
| 601D | | Ref | Cable, Battery (Black) Options: | |
| 601D | 7016825 | 1 | Deutz Engines (Kit p/n 2902401) | |
| 601D | 7016825 | 1 | GM Engines (Kit p/n 2902533) | |
| 601E | | Ref | Cable, Battery (Red) Options: | |
| 601E | See Note | 1 | Deutz Engines (Kit p/n 2902401) (Note: Use Item 601A) | |
| 601E | 7027017 | 1 | GM Engines (Kit p/n 2902533) | |
| 602 to 602 | Not Required | 0 | Not Required | |
| 603 | See Note | AR | Deutz Engine Harness Components (Deutz Engine Machines Only) (Note: Not Available for Purchase) | |
| 603A | 7027796 | 1 | Deutz Engine Harness | |
| 603B | See Note | 1 | Receptacle, Female - 25 Position (Note: Not Available for Purchase) | |
| 603C | 7027793 | 1 | Plug-In, Connector | |
| 603D | 70001872 | 1 | Deutz Engine Harness (For other replacement parts refer to Deutz engine dealer) | |
| 603E | 4923379 | 1 | Deutz Glow Plugs Harness | |
| 603F | 1060904 | 1 | Deutz Jumper Harness | |
| 604 | See Note | 1 | Pump Harness (Note: Not Available for Purchase) | |
| 604A | 7007497 | 1 | Plug (Pump End) | |
| 604B | 7007498 | 1 | Plug (Engine Harness End) | |
| 605 | 4360517 | 1 | Proximity Switch Harness (Includes Switch) | |
| 605A | 4460320 | 1 | Plug, Male 2 Position | |
| 605A | 4460227 | 2 | Pin, Male | |
| 606 | 0257887 | 1 | Alarm Harness (Includes Alarm) | |
| 606A | 4460424 | 1 | Plug, Male - 2 Position | |
| 606A | 4460268 | 2 | Socket, Female | |
| 607 | 4360498 | 2 | Proximity Switch Harness (Includes Switch) | |
| 608 | 4360499 | 2 | Proximity Switch Harness (Includes Switch) | |
| 609 | 1001094400 | Ref | Tilt Sensor Harness (Includes Sensor) | C |
| 609A | 4461077 | 1 | Plug, Male 4 Position | |
| 609A | 4460918 | 6 | Socket, Female (Gold) | |
| 610 | | Ref | GM Engine Harness Options: | |
| 610 | 7027991 | 1 | Tier 1 Engines | |
| 610 | 70000718 | 1 | Tier 2 Engines | |
| 610 | 70002898 | 1 | Tier 3 & 4 interim | |
| 610 | 7027989 | 1 | Connector, Male - 10 Position (Not Shown) | |
| 610 | See Note | 1 | Box, Fuse (Note: Parts of Harness - Not Available for Purchase) | |
| 610 | 70002627 | 1 | Cover, Fuse Box | |
| 610 | 70001950 | 2 | Relay (Power and Fuel Pump) | |
| 610 | 70001951 | 1 | Relay (Starter) | |
| 610 | 70001931 | 1 | Fuse - 60 Amp (Alternator) | |
| 610 | See Note | 1 | Fuse - 20 Amp (Note: Not Available - Purchase Locally) | |
| 610 | See Note | 3 | Fuse - 15 Amp (Note: Not Available - Purchase Locally) | |
| 610 | See Note | 1 | Fuse - 10 Amp (Note: Not Available - Purchase Locally) | |
| 610 | See Note | 1 | Fuse - 5 Amp (Note: Not Available - Purchase Locally) | |
| | | Ref | OPTIONAL HARNESS COMPONENTS | |
| 701 | 4921928 | 1 | 4WS Valve Harness | E |
| 701A | 4460268 | 3 | Socket, Female | |
| 701B | 4460445 | 1 | Connector, Female - 3 Position | |
| 701C | 4460499 | 2 | Connector, DIN with Diode | |
| 702 | 4921927 | 1 | Jib Valve Harness (800AJ Only) | F |

SECTION 7 - ELECTRICAL

| ITEM | PART NUMBER | QTY | DESCRIPTION | REV |
|----------------|--------------|-----|---|-----|
| 702A | 4460326 | 1 | Plug, Male - 3 Position | |
| 702B | 4460267 | 3 | Pin, Male | |
| 702C | 4460499 | 2 | Connector, DIN with Diode | |
| 703 | 0272507 | 1 | Strobe Light Harness (Includes Strobe Light) | |
| 703A | 4460320 | 1 | Connector, Female - 2 Position | |
| 703A | 4460267 | 2 | Pin, Male | |
| 704 | | Ref | 2500W AC to Platform Receptacle Components Options: | |
| | | Ref | Note: See SPECIAL OPTIONS SPECIAL for Machines with 4000W Generator. | |
| 704 | 0272259 | Ref | 110V GFI Receptacle (JLG Supplied Box and Receptacle) | 3 |
| 704 | 0272260 | Ref | 220V GFI Receptacle (JLG Supplied Box and Receptacle) | 2 |
| 704 | 0256202 | Ref | 110/220V Receptacle (Locally Supplied Box and Receptacle) | C |
| 704A | 0860038 | 1 | Box, Switch | |
| 704B | | Ref | Receptacle Options: | |
| 704B | 4460346 | 1 | 110V GFI Receptacle (JLG Supplied Box and Receptacle) | |
| 704B | 4460125 | 1 | 220V GFI Receptacle (JLG Supplied Box and Receptacle) | |
| 704B | See Note | 1 | 110/220V Receptacle (Locally Supplied Box and Receptacle) (Note: Not Available - Purchase Locally) | |
| 704C | | Ref | Shield, Cover Options: | |
| 704C | 4060700 | 1 | 110V GFI Receptacle (Side Hinged) (JLG Supplied Box and Receptacle) | |
| 704C | 1001110873 | 1 | 110V GFI Receptacle (Top Hinged) (JLG Supplied Box and Receptacle) | |
| 704C | 4060092 | 1 | 220V GFI Receptacle (JLG Supplied Box and Receptacle) | |
| 704C | See Note | 1 | 110/220V Receptacle (Locally Supplied Box and Receptacle) (Note: Not Available - Purchase Locally) | |
| 704D | 4460051 | 1 | Connector, Strain Relief | |
| 704E | | Ref | Plug, Male Options: | |
| 704E | 4460205 | 1 | 110V GFI Receptacle (JLG Supplied Box and Receptacle) | |
| 704E | 4460233 | 1 | 220V GFI Receptacle (JLG Supplied Box and Receptacle) | |
| 704E | 4460709 | 1 | 110/220V Receptacle (Locally Supplied Box and Receptacle) (Purchase Locally) | |
| 704F | | Ref | Connector, Female Options: | |
| 704F | 4460134 | 1 | 110V GFI Receptacle (JLG Supplied Box and Receptacle) | |
| 704F | 4460701 | 1 | 220V GFI Receptacle (JLG Supplied Box and Receptacle) | |
| 704F | 4460710 | 1 | 110/220V Receptacle (Locally Supplied Box and Receptacle) (Purchase Locally) | |
| 704G | | Ref | Plug, Male Options: | |
| 704G | 4460205 | 1 | 110V GFI Receptacle (JLG Supplied Box and Receptacle) | |
| 704G | 4460233 | 1 | 220V GFI Receptacle (JLG Supplied Box and Receptacle) | |
| 704G | See Note | 1 | 110/220V Receptacle (Locally Supplied Box and Receptacle) (Note: Not Available - Purchase Locally) | |
| 704 Hto 704 | Not Required | 0 | Not Required | |
| 704R | | Ref | Cover, Connector 0256202 Installation Options: | |
| 704R | 1671092 | 2 | 0300185827 0300167883 to 0300185827 0300175278 | |
| 704R | 1001156351 | 2 | 0300185827 0300175278 to 0300185827 0300185827 | |
| 704S | | Ref | Cover, Plug 0256202 Installation Options: | |
| 704S | 1671093 | 1 | 0300185827 0300167883 to 0300185827 0300175278 | |
| 704S | 1001156352 | 1 | 0300185827 0300175278 to 0300185827 0300185827 | |
| 706 | | Ref | 2500W Generator Electrical Components | |
| | | Ref | Note: See SPECIAL OPTIONS SPECIAL for Machines with 4000W Generator. | |
| 706 | 1001112743 | Ref | 50Hz (Deutz Engines) | B |

SECTION 7 - ELECTRICAL

| ITEM | PART NUMBER | QTY | DESCRIPTION | REV |
|------------|--------------|-----------------|---|-----|
| 706 | 1001112588 | Ref | 60Hz (Deutz Engines) | A |
| 706 | 4933350 | Ref | 60Hz (GM Engine) | B |
| 706A | 4922641 | 1 | Harness - On/Off Switch | A |
| 706B | 4460226 | 2 | Socket, Female | |
| 706C | | Ref | Harness, Powermite Control Box to Relay Options: | |
| 706C | 1001112589 | 1 | Caterpillar and Deutz Engines | A |
| 706C | 4923445 | 1 | GM Engine | A |
| 706D | 4460374 | 1 | Connector, Seal Relay | |
| 706D | 4460705 | 4 | Terminal | |
| 706E | 4460742 | 1 | Connector, Male - 2 Position | |
| 706E | 4460743 | 2 | Socket, Female | |
| 706E | 4460458 | 2 | Seal | |
| 706F | 4460321 | 1 | Connector, Male - 4 Position (60Hz Only) | |
| 706F | 4460906 | 4 | Socket, Female (60Hz Only) | |
| 706G | 4460027 | 1 | Receptacle, Twist Lock (110V Only) | |
| 706H | 7020193 | 1 | Harness, Generator Power | |
| 706J | 4460961 | 1 | Connector, Female - 4 Position | |
| 706J | 4460705 | 4 | Pin, Male | |
| 707 | 4921829 | 1 | Generator to Rear of Boom Harness (110V) | |
| 707 | 4921955 | 1 | Generator to Rear of Boom Harness (220V) | |
| | | Ref | Note: Harness used to connect AC at platform harness to generator receptacle to power platform receptacle. | |
| 707 | 1060494 | 6 ft/1.8m | Cable, Electrical - 12/3 | |
| 707A | 4460205 | 1 | Plug, Male (110V) | |
| 707A | 4460233 | 1 | Plug, Male (220V) | |
| 707B | 4460134 | 1 | Receptacle, Female (110V) | |
| 707B | 4460701 | 1 | Receptacle, Female (220V) | |
| 708 | 1001094509 | 1 | Generator Hourmeter Harness | A |
| 709 to 711 | Not Required | 0 | Not Required | |
| 712 | See Note | 1 | Lights Harness (Note: Not Available for Purchase) | |
| 712 | 1060341 | 48 ft /14.6m | Cable, Electrical - 16/2 | |
| 712A | 3740049 | 1 | Relay | |
| 712B | 4922643 | 1 | Harness, Bagged (Located at Ground Control Box) (Not Shown) | |
| 713 | | Ref | Platform Worklights Components | |
| 713A | 2920140 | 2 | Platform Worklights Harness (External) (Includes Light and Wire Only) | |
| 713B | 1001098234 | AR | Connector, Female - 3 Position | |
| 713C | 1001098349 | 1 | Connector, Male - 3 Position | |
| 713D | 4460426 | 1 | Connector, Strain Relief | |
| 713E | 2400068 | AR | Fuseholder (Non-UL Spec Machines Located at Aux Power Relay and UL Spec Machines Located at Platform Console) | |
| 713E | 2400070 | AR | Fuse - 10 Amp (Non-UL Spec Machines Located at Aux Power Relay and UL Spec Machines Located at Platform Console) | |
| 713F | 4922216 | 1 | Platform Worklights Main Boom Harness | |
| 713F | 1060708 | 64 ft /19.5m | Cable, Electrical - 10/3 | |
| 713G | 4922217 | 1 | Platform Worklights Tower Boom Harness | |
| 713G | 1060708 | 39 ft /11.9m | Cable, Electrical - 10/3 | |
| 714 | See Note | 1 | Soft Touch System Harness (Note: Not Available for Purchase) | |
| 714A | 1060341 | 23 ft/7.1m | Cable, Electrical - 16/2 | |
| 714B | | Ref | Connector, Strain Relief Options: | |

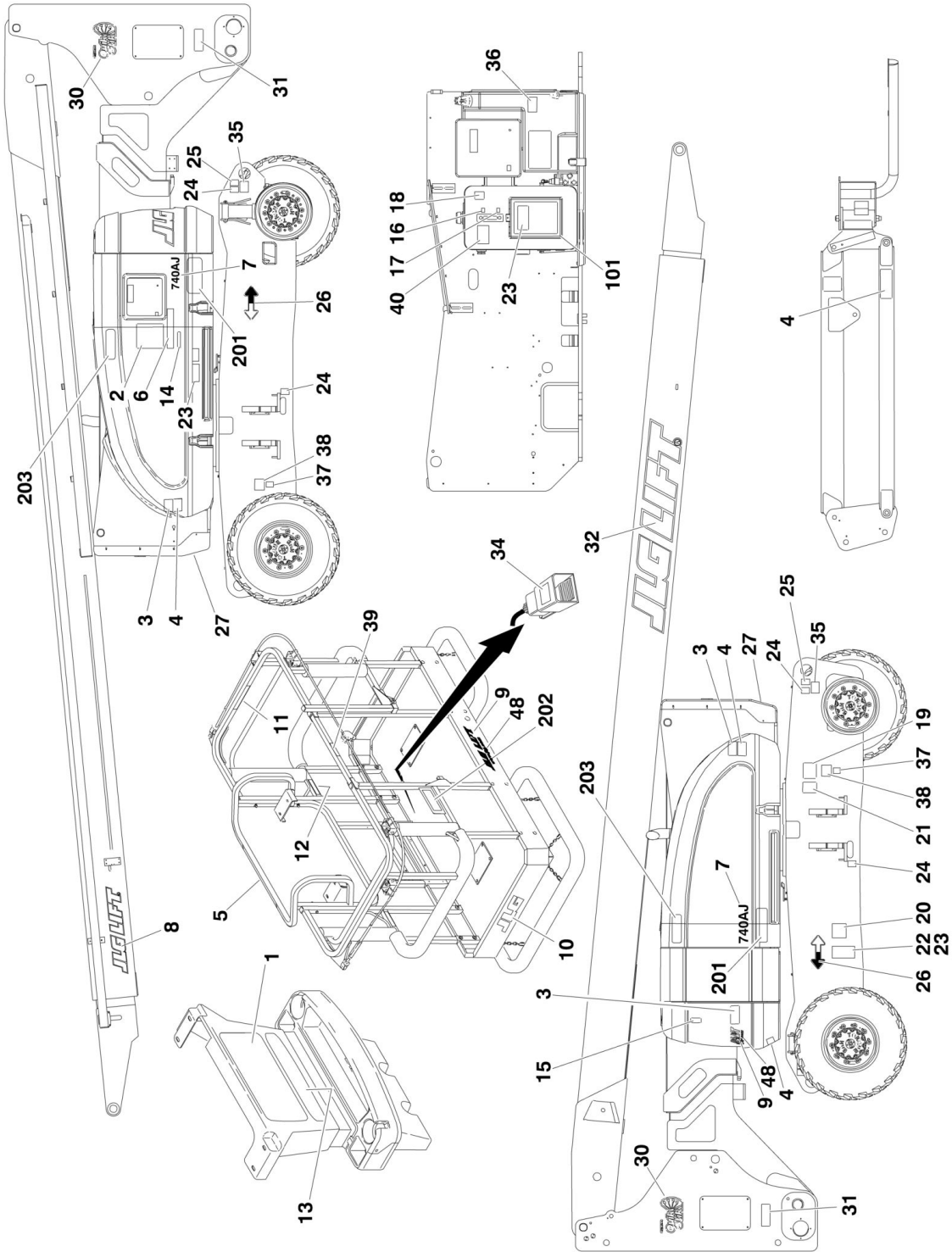
SECTION 7 - ELECTRICAL

| ITEM | PART NUMBER | QTY | DESCRIPTION | REV |
|------|-------------|-----|---|-----|
| 714B | 4460425 | 1 | 6ft Platforms | |
| 714B | 4460049 | 1 | 8ft Platforms | |
| 714C | 4460226 | 2 | Socket, Female | |
| | | Ref | TOOLS | |
| 801 | 7002821 | 1 | Crimper (For Wire to Pin/Socket Connections) (Not Shown) | |
| 802 | 7002823 | 1 | Extractor (For Removal of Pin/Socket from Connectors) (Not Shown) | |
| 803 | 4460467 | 1 | Extractor, Pin (Blue 16-18 Gauge) (For Removal of Pin/Socket from Connectors) (Not Shown) | |
| 803 | 4460510 | 1 | Extractor, Pin (Yellow 12-14 Gauge) (For Removal of Pin/Socket from Connectors) (Not Shown) | |
| 804 | 7002828 | 1 | Stripper, Wire (Not Shown) | |
| 805 | 1600244 | 1 | Analyzer | |
| 805A | 1060633 | 1 | Cable, Analyzer | 1-A |
| 805B | 4460321 | 2 | Plug, Male | |
| 805B | 4460226 | 8 | Socket, Female | |

SECTION 8 - DECALS

SECTION 8 - DECALS

FIGURE 8-1. DECAL INSTALLATION (ANSI AND CSA SPEC) (Prior to SN 0300089982)



SECTION 8 - DECALS

FIGURE 8-1. DECAL INSTALLATION (ANSI AND CSA SPEC) (Prior to SN 0300089982)

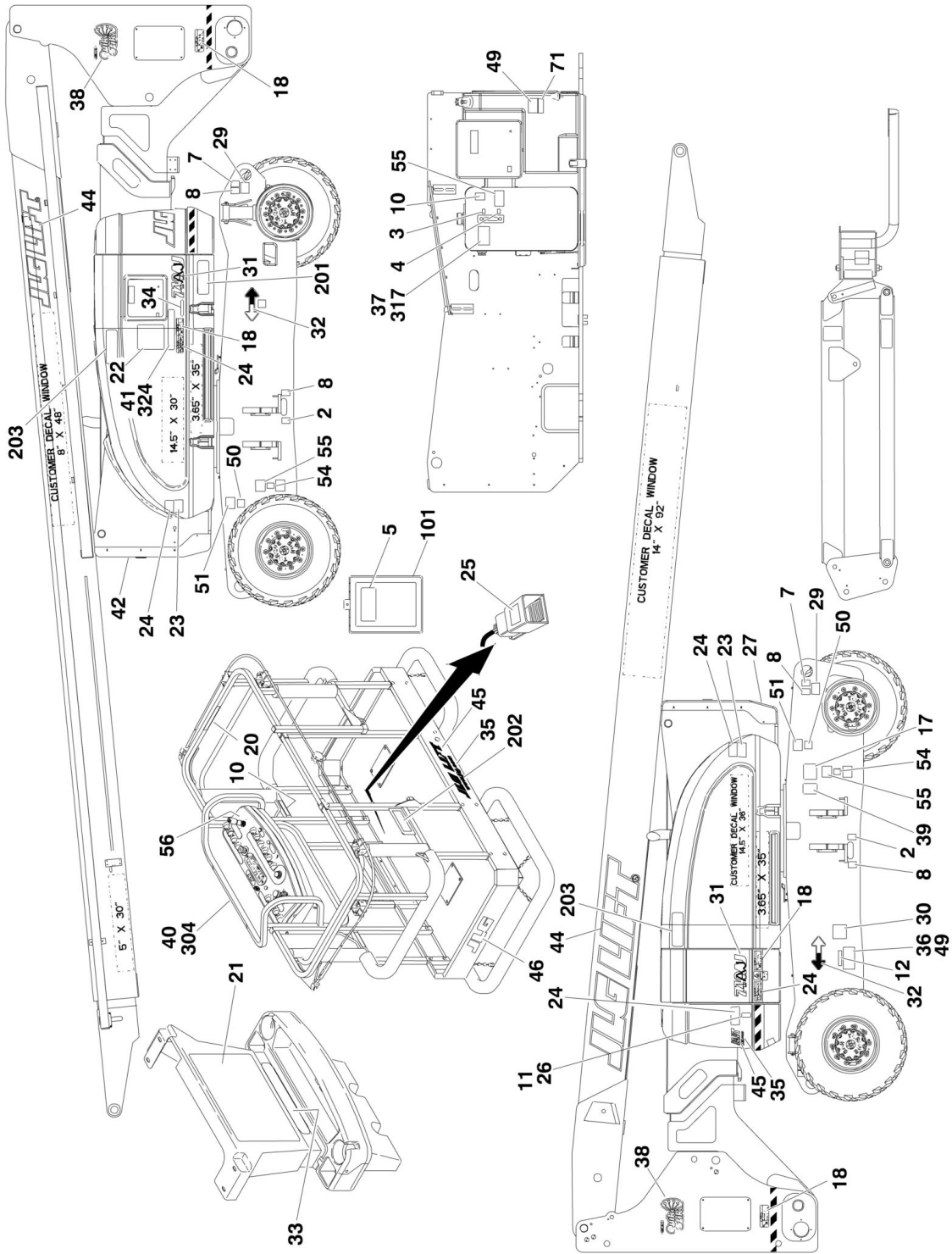
| ITEM | PART NUMBER | QTY | DESCRIPTION | REV |
|------|-------------|-----|--|-----|
| | | Ref | STANDARD DECAL INSTALLATIONS | |
| | 0271038 | Ref | JLG Logo | 1 |
| | 0271588 | Ref | Standard Decal Installations 740AJ Decals - ANSI Spec | 4 |
| | 0273535 | Ref | Standard Decal Installations 740AJ Decals - CSA Spec | 3 |
| 1 | | Ref | Decal - Danger/Caution (PLF) Options: | |
| 1 | 1703797 | 1 | ANSI Spec | |
| 1 | 1703924 | 1 | CSA Spec | |
| 2 | | Ref | Decal - Danger/Caution (MTB) Options: | |
| 2 | 1703798 | 1 | ANSI Spec | |
| 2 | 1703930 | 1 | CSA Spec | |
| 3 | | Ref | Decal - Danger/Electrocution Options: | |
| 3 | 1703805 | 3 | ANSI Spec | |
| 3 | 1703936 | 3 | CSA Spec | |
| 4 | | Ref | Decal - Warning/Crushing Options: | |
| 4 | 1703804 | 4 | ANSI Spec | |
| 4 | 1703948 | 4 | CSA Spec | |
| 5 | 1702784 | NLA | Decal - Legend (Use p/n 1707110) | |
| 6 | 1703808 | NLA | Decal - Legend (Use p/n 1001095809) | |
| 7 | 1703808 | NLA | Decal - 740AJ (Use PN 1705007) | |
| 8 | 1702860 | 2 | Decal - JLG Lift (5in) | |
| 9 | 1702774 | 2 | Decal - JLG Lift (3-1/2in) | |
| 10 | 1702773 | 2 | Decal - JLG (5in) | |
| 11 | | Ref | Decal - No Hands Options: | |
| 11 | 1702868 | 2 | ANSI Spec | |
| 11 | 1704000 | 2 | CSA Spec | |
| 12 | 1704277 | 4 | Decal - Attach Lanyard Here | |
| 13 | | Ref | Decal - 500LBS Max Capacity Options: | |
| 13 | 1701645 | 1 | ANSI Spec | |
| 13 | 1703996 | 1 | CSA Spec | |
| 14 | | Ref | Decal - 500LBS Max Capacity Options: | |
| 14 | 1702688 | 1 | ANSI Spec | |
| 14 | 1704112 | 1 | CSA Spec | |
| 15 | 3251813 | 1 | Decal - USA | |
| 16 | 1701502 | 1 | Decal - High Oil Level | |
| 17 | 1701503 | 1 | Decal - Low Oil Level | |
| 18 | 1701504 | 1 | Decal - Hydraulic Oil | |
| 19 | | Ref | Decal - Inspection Options: | |
| 19 | 1702153 | 1 | ANSI Spec | |
| 19 | 1704006 | 1 | CSA Spec | |
| 20 | See Note | 1 | Decal - Bar Code (Note: Not Available for Purchase) | |
| 21 | 1700584 | 1 | Decal - Patent | |
| 22 | See Note | 1 | Nameplate - Serial Number (Note: Not Available for Purchase) | |
| 23 | 1701509 | 1 | Decal - Manual | |
| 24 | 1702300 | 6 | Decal - Tie Down/Lift | |
| 25 | 1701500 | 4 | Decal - Tie Down/Lift | |
| 26 | 1701501 | 4 | Decal - Arrow | |
| 27 | 3251243 | 1 | Nameplate - Generator | |
| 30 | 1703959 | 2 | Decal - Quick Stick | |
| 31 | | Ref | Decal - Warning/Crushing Options: | |
| 31 | 1703953 | 3 | ANSI Spec | |

SECTION 8 - DECALS

| ITEM | PART NUMBER | QTY | DESCRIPTION | REV |
|------|--------------|-----|--|-----|
| 31 | 1703942 | 3 | CSA Spec | |
| 33 | 3820001 | AR | Rivet | |
| 34 | | Ref | Decal - Footswitch Options: | |
| 34 | 3252347 | 1 | ANSI Spec (Part of 4360031 Footswitch) | |
| 34 | 1703984 | 1 | CSA Spec | |
| 35 | 1703477 | 4 | Decal - Max Tire Load | |
| 36 | | Ref | Decal - Fuel Options: | |
| 36 | 1701542 | 1 | Ford Engine Machines | |
| 36 | 1701505 | 1 | Diesel Engine Machines | |
| 37 | 1701543 | 1 | Decal - LPG Gas (Ford Engine Machines) | |
| 38 | 1700818 | 1 | Decal - LP Gas Liquid Withdrawal System (Ford Engine Machines) | |
| 39 | 1705514 | 1 | Decal - CSA | |
| 40 | | Ref | Decal - Upright Level Override Options: | |
| 40 | 1702265 | NLA | ANSI Spec (Use p/n 1001096141) | |
| 40 | 1703990 | NLA | CSA Spec (Use p/n 1705977) | |
| 48 | | Ref | Decal - Website Options: | |
| 48 | 1704885 | 2 | ANSI Spec | |
| 48 | Not Required | 0 | CSA Spec | |
| | 0258671 | Ref | MANUAL STORAGE BOX INSTALLATION | B |
| 101 | 0860520 | 1 | Box, Manual Storage | |
| 101 | 1060279 | 1 | Cable, Lanyard | |
| 101 | 0641408 | 1 | Bolt 1/4in-20NC x 1in | |
| 101 | 0641406 | 4 | Bolt 1/4in-20NC x 3/4in | |
| 101 | 4751400 | 6 | Flatwasher 1/4in | |
| 101 | 3311405 | 5 | Locknut 1/4in-20NC | |
| 101 | 0100011 | AR | Compound, Locking | |
| | 0010551 | Ref | DECAL INSTALLATIONS (OPTIONS) | |
| | 0271585 | Ref | Decal Installation | A |
| 201 | 1705012 | 2 | Decal - Fall Arrest | |
| | 0271674 | Ref | Decal Installation | A |
| 202 | 1705014 | 2 | Decal - Safety | |
| | 0271584 | Ref | Decal Installation | A |
| 203 | 1705006 | 2 | Decal - Jet Blast | |
| | 1001093187 | Ref | TILT SENSOR INSTALLATION | C |
| 304 | 1707110 | 1 | Decal - Legend (Platform) | |
| 305 | 1707111 | 1 | Decal - Platform Display (Not Shown - Located on Platform Console) | |
| 317 | 1001096141 | 1 | Decal - Upright Level Over Ride | |
| 324 | 1001095809 | 1 | Decal - Legend (MTB Control) | |

SECTION 8 - DECALS

FIGURE 8-2. DECAL INSTALLATION (ANSI AND CSA SPEC) (SN 0300089982 through 0300185827)



SECTION 8 - DECALS

FIGURE 8-2. DECAL INSTALLATION (ANSI AND CSA SPEC) (SN 0300089982 through 0300185827)

| ITEM | PART NUMBER | QTY | DESCRIPTION | REV |
|------|--------------|-----|---|-----|
| | | Ref | DECALS INSTALLATIONS | |
| | 0274519 | Ref | JLG Logo | B |
| | 0274483 | Ref | Decals Installations 740AJ Decals - ANSI Spec | B |
| | 0274488 | Ref | Decals Installations 740AJ Decals - CSA Spec | B |
| | | Ref | Note: All Machines should have been updated to new Tilt Sensor Upright Installation p/n 0275733. | |
| 2 | 1701499 | 2 | Decal - No Tie Down/Lift | |
| 3 | 1701502 | 1 | Decal - High Oil Level (SN 0300089982 through 0300134564) | |
| 4 | 1701503 | 1 | Decal - Low Oil Level (SN 0300089982 through 0300134564) | |
| 5 | 1701509 | 1 | Decal - Manual | |
| 7 | 1703811 | 4 | Decal - Tie Down/Lift | |
| 8 | 1703814 | 6 | Decal - Tie Down | |
| 9 | 1704277 | 3 | Decal - Attach Lanyard Here | |
| 10 | 1704412 | 1 | Decal - Hydraulic Oil Chart | |
| 12 | 1705514 | 1 | Decal - CSA (CSA Machines Only) | |
| 13 | 3251243 | 1 | Nameplate - 120V-60Hz | |
| 17 | | Ref | Decal - Inspection Options: | |
| 17 | | Ref | ANSI Spec | |
| 17 | 1702153 | 1 | Decal - Inspection (SN 0300089982 through 0300134563) | |
| 17 | Not Required | 0 | Decal - Inspection (SN 0300134564 through 0300185827) | |
| 17 | 1704006 | 1 | CSA Spec (SN 0300089982 through 0300151569) | |
| 18 | | Ref | Decal - Warning/Crushing Options: | |
| 18 | 1703953 | 4 | ANSI Spec | |
| 18 | 1703942 | 4 | CSA Spec | |
| 20 | | Ref | Decal - No Hands Options: | |
| 20 | 1702868 | 2 | ANSI Spec | |
| 20 | 1704000 | 2 | CSA Spec | |
| 21 | | Ref | Decal Options: | |
| 21 | 1703797 | 1 | Decal - Warning/Danger (ANSI Spec) | |
| 21 | 1703924 | 1 | Decal - Danger/Warning (CSA Spec) | |
| 22 | | Ref | Decal - Warning Inspection (MTB) Options: | |
| 22 | 1705336 | 1 | ANSI Spec | |
| 22 | 1705347 | 1 | CSA Spec | |
| 23 | | Ref | Decal - Crushing Options: | |
| 23 | 1703804 | 6 | ANSI Spec | |
| 23 | 1703948 | 6 | CSA Spec | |
| 24 | | Ref | Decal - Danger/Electrocution Options: | |
| 24 | 1703805 | 4 | ANSI Spec | |
| 24 | 1703936 | 4 | CSA Spec | |
| 25 | | Ref | Decal - Footswitch Options: | |
| 25 | 3252347 | 1 | ANSI Spec | |
| 25 | 1703984 | 1 | CSA Spec | |
| 26 | 3251813 | 1 | Decal - USA | |
| 29 | 2902358 | 1 | Kit, Decal Max Tire Load (Includes Qty 4 of p/n 1703477) | 1 |
| 29 | 1703477 | 4 | Decal - Max Tire Load | |
| 30 | See Note | 1 | Decal - Bar Code (Note: Not Available for Purchase) | |
| 31 | 1705007 | 2 | Decal - 740AJ | |
| 32 | 1701501 | 4 | Decal - Arrow | |
| 33 | | Ref | Decal - Capacity Options: | |
| 33 | 1701645 | 2 | ANSI Spec (500LBS Maximum Capacity) (Prior to SN | |

SECTION 8 - DECALS

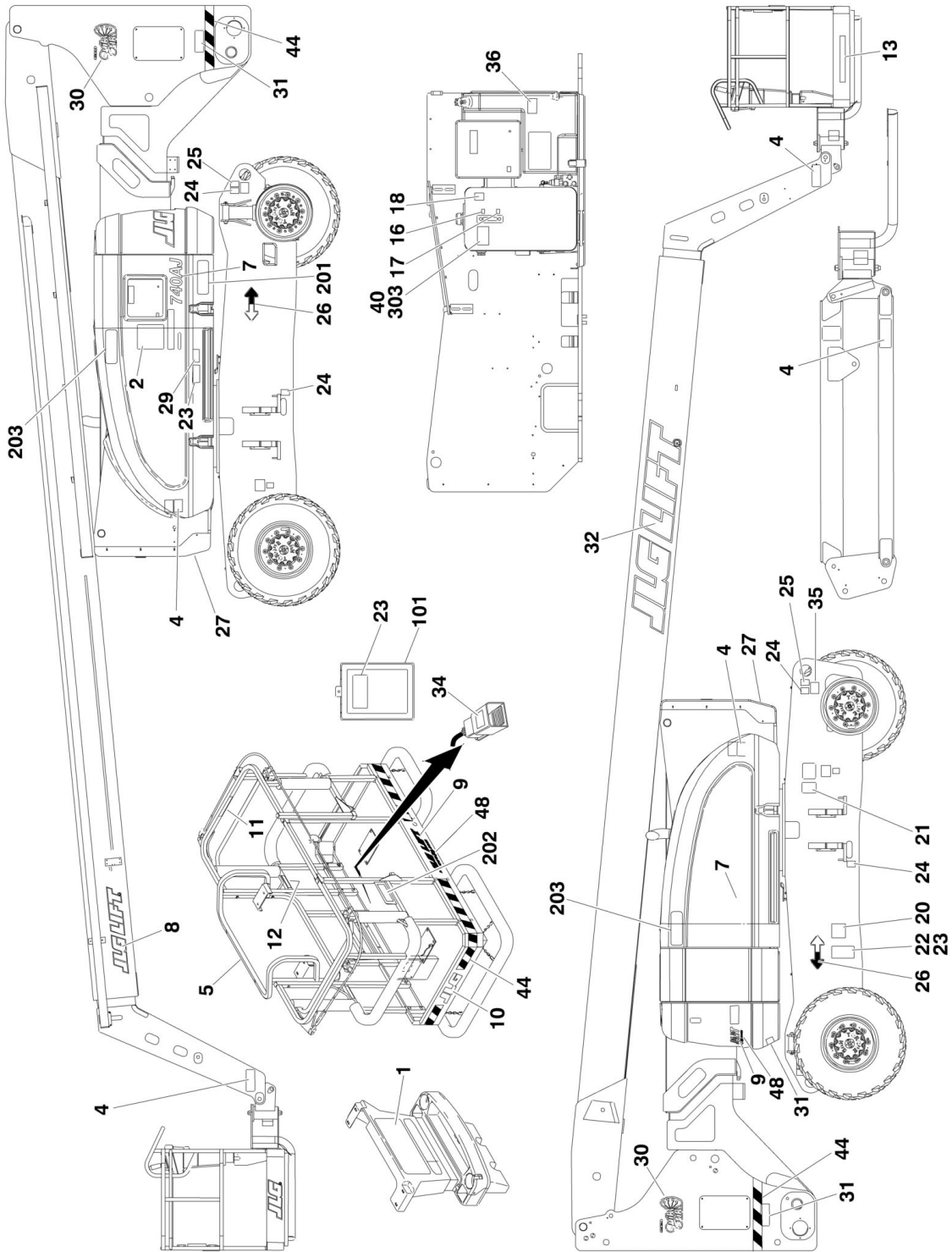
| ITEM | PART NUMBER | QTY | DESCRIPTION | REV |
|------|-------------|-----|--|-----|
| | | | 0300142933) | |
| 33 | 1001121801 | 2 | ANSI Spec (500LBS Maximum Capacity) (SN 0300142933 through 0300185827) | |
| 33 | 1703996 | 2 | CSA Spec (230kg/500LBS Max Capacity) (Prior to SN 0300100380) | |
| 33 | 1707055 | 2 | CSA Spec (230kg/500LBS Max Capacity) (SN 0300100380 through 0300142932) | |
| 33 | 1001121803 | 2 | CSA Spec (230kg/500LBS Max Capacity) (SN 0300142933 through 0300185827) | |
| 34 | | Ref | Decal - Capacity Options: | |
| 34 | 1702688 | 1 | ANSI Spec (500LBS Maximum Capacity) (Prior to SN 0300100380) | |
| 34 | 1707013 | 1 | ANSI Spec (500LBS Maximum Capacity) (SN 0300100380 through 0300142932) | |
| 34 | 1001121814 | 1 | ANSI Spec (500LBS Maximum Capacity) (SN 0300142933 through 0300185827) | |
| 34 | 1704112 | 1 | CSA Spec (230kg/500LBS Max Capacity) (Prior to SN 0300100380) | |
| 34 | 1707047 | 1 | CSA Spec (230kg/500LBS Max Capacity) (SN 0300100380 through 0300142932) | |
| 34 | 1001121816 | 1 | CSA Spec (230kg/500LBS Max Capacity) (SN 0300142933 through 0300185827) | |
| 35 | 1704885 | AR | Decal - Website | |
| 36 | See Note | 1 | Nameplate, Manufactures (Note: Not Available for Purchase) | |
| 37 | | Ref | Decal - Upright Level Override Options: | |
| 37 | 1001096141 | 1 | ANSI Spec | |
| 37 | 1705977 | 1 | CSA Spec | |
| 38 | 1703959 | 2 | Decal - Quick Stick | |
| 39 | | Ref | Decal - Patent Options: | |
| 39 | 1700584 | 1 | Decal - Patent (SN 0300089982 through 0300151568) | |
| 39 | 1001131269 | 1 | Decal - Patent (SN 0300151569 through 0300185827) | |
| 40 | | Ref | Decal - Legend Options: | |
| 40 | 1707110 | 1 | Decal - Legend (SN 0300089982 through 0300137974) | |
| 40 | 1001108495 | 1 | Decal - Legend (SN 0300137975 through 0300185827) | |
| 41 | 1001095809 | 1 | Decal - Legend (MTB) | |
| 43 | 3820001 | 4 | Rivet | |
| 44 | 1702861 | 2 | Decal - JLG Lift (8in Height) | |
| 45 | 1702774 | 1 | Decal - JLG Lift (3-1/2in Height) | |
| 46 | 1702773 | 1 | Decal - JLG (5in Height) | |
| 47 | 3250872 | 1 | Nameplate - Steer/Tow Selector | |
| 48 | 1705090 | 1 | Decal - Towing Instructions | |
| 49 | | Ref | Decal - Fuel | |
| 49 | 1701505 | 1 | Diesel | |
| 49 | 1701542 | 1 | Gas | |
| 50 | 1701543 | 2 | Decal - LP Gas (GM Engine Machines Only) | |
| 51 | | Ref | Decal - LP Gas (Liquid) Options (GM Engine Machines Only): | |
| 51 | 1700818 | 2 | ANSI Spec | |
| 51 | 1704271 | 2 | CSA Spec | |
| 53 | 1703175 | 1 | Decal - Lanyard Attach (GM Spec Only) | |
| 54 | | Ref | Decal - Warning (Proposition 65) (California Spec Only) | |
| 54 | 1702962 | 1 | Diesel | |
| 54 | 1702961 | 1 | Gas | |
| 55 | 1702788 | 1 | Decal - Bio Hydraulic Fluid | |
| 56 | | Ref | Decal - Drive/Steer Instruction Options: (SN 0300138447 | |

SECTION 8 - DECALS

| ITEM | PART NUMBER | QTY | DESCRIPTION | REV |
|------|-------------|-----|--|-----|
| | | | through 0300185827) | |
| 56 | 1705351 | 1 | ANSI Spec | |
| 56 | 1705429 | 1 | CSA Spec | |
| 71 | 1001108923 | 1 | Decal - Low Sulfur Fuel (Caterpillar and Deutz Engine Machines) | |
| | 0258671 | Ref | MANUAL STORAGE BOX INSTALLATION | C |
| 101 | 0860520 | 1 | Box, Manual Storage | |
| 101 | 1060279 | 1 | Cable, Lanyard (SN 0300089982 through 0300179246) | |
| 101 | 0641408 | 1 | Bolt 1/4in-20NC x 1in (SN 0300089982 through 0300179246) | |
| 101 | 0641406 | 4 | Bolt 1/4in-20NC x 3/4in | |
| 101 | 4751400 | AR | Flatwasher 1/4in | |
| 101 | 3311405 | AR | Locknut 1/4in-20NC | |
| | 0010551 | Ref | DECAL INSTALLATIONS (OPTIONS) | |
| | 0271585 | Ref | Decal Installation | A |
| 201 | 1705012 | 2 | Decal - Fall Arrest | |
| | 0271674 | Ref | Decal Installation | A |
| 202 | 1705014 | 2 | Decal - Safety | |
| | 0271584 | Ref | Decal Installation | A |
| 203 | 1705006 | 2 | Decal - Jet Blast | |
| | 1001093187 | Ref | TILT SENSOR INSTALLATION (SN 0300089982 through 0300112885) | C |
| 304 | 1707110 | 1 | Decal - Legend (Platform) | |
| 305 | 1707111 | 1 | Decal - Platform Display (Not Shown - Located on Platform Console) | |
| 317 | 1001096141 | 1 | Decal - Upright Level Over Ride | |
| 324 | 1001095809 | 1 | Decal - Legend (MTB Control) | |

SECTION 8 - DECALS

FIGURE 8-3. DECAL INSTALLATION (COUNTRY SPEC) (Prior to SN 0300089982)



SECTION 8 - DECALS

FIGURE 8-3. DECAL INSTALLATION (COUNTRY SPEC) (Prior to SN 0300089982)

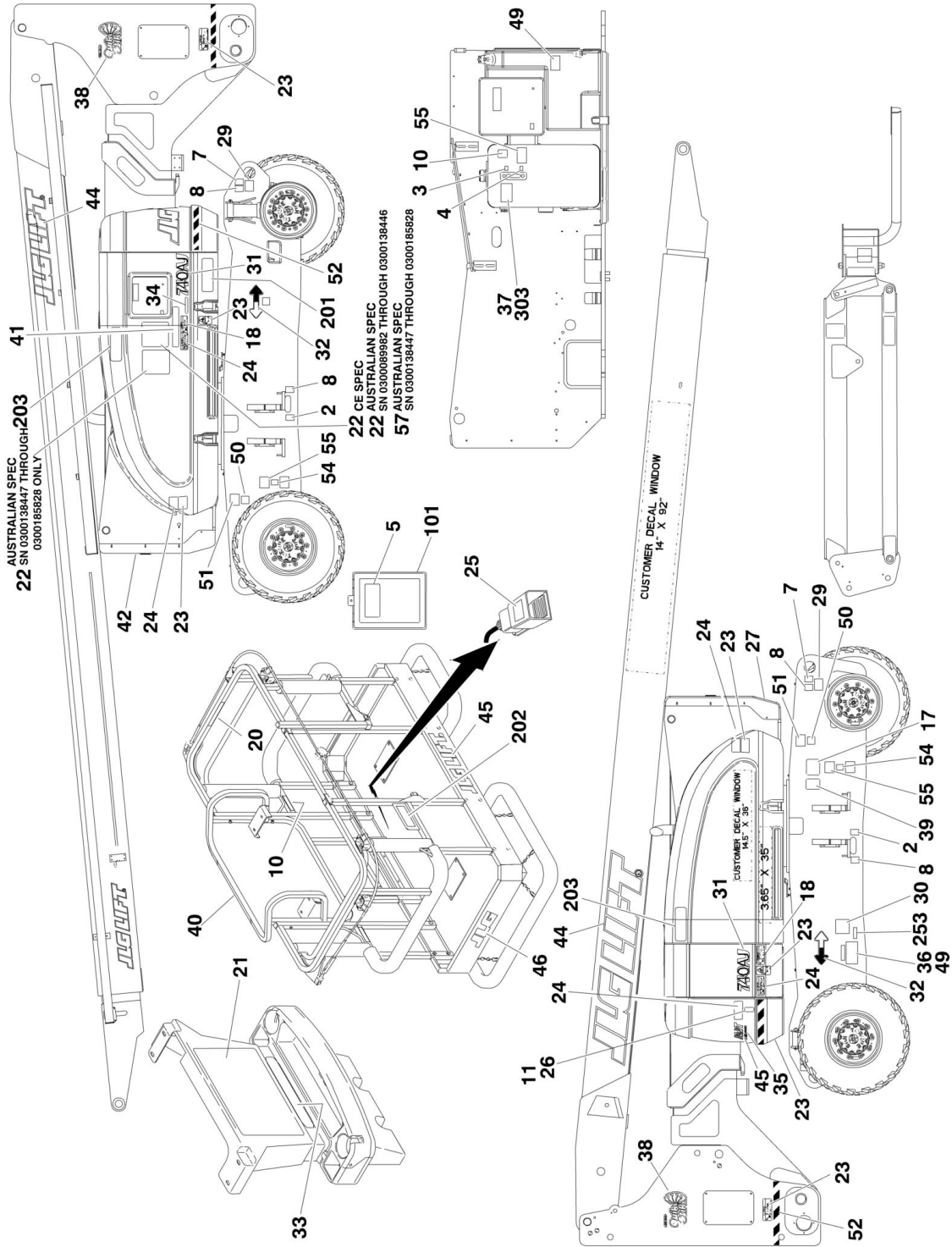
| ITEM | PART NUMBER | QTY | DESCRIPTION | REV |
|------|-------------|-----|--|-----|
| | | Ref | STANDARD DECAL INSTALLATIONS | |
| | 0272789 | Ref | Australian Spec | 2 |
| | See Note | Ref | Dutch Spec (Note: Not Available for Purchase) | |
| | See Note | Ref | French Spec (Note: Not Available for Purchase) | |
| | See Note | Ref | German Spec (Note: Not Available for Purchase) | |
| | See Note | Ref | Italian Spec (Note: Not Available for Purchase) | |
| | See Note | Ref | Spanish Spec (Note: Not Available for Purchase) | |
| | See Note | Ref | UK Spec (Note: Not Available for Purchase) | |
| 1 | | Ref | Decal - Danger/Warning Options: | |
| 1 | 1703992 | 1 | Australian Spec | |
| 1 | 1703913 | 1 | Dutch Spec | |
| 1 | 1703917 | 1 | French Spec | |
| 1 | 1703799 | 1 | German Spec | |
| 1 | 1703915 | 1 | Italian Spec | |
| 1 | 1703919 | 1 | Spanish Spec | |
| 1 | 1703806 | 1 | UK Spec | |
| 2 | | Ref | Decal - Danger/Warning Options: | |
| 2 | 1703807 | 1 | Australian Spec | |
| 2 | 1703914 | 1 | Dutch Spec | |
| 2 | 1703918 | 1 | French Spec | |
| 2 | 1703800 | 1 | German Spec | |
| 2 | 1703916 | 1 | Italian Spec | |
| 2 | 1703920 | 1 | Spanish Spec | |
| 2 | 1703807 | 1 | UK Spec | |
| 4 | 1701518 | 4 | Decal - Warning/Crushing | |
| 7 | 1705007 | 2 | Decal - Model 740AJ | |
| 8 | 1702860 | 1 | Decal - JLG Lift (5in) | |
| 9 | 1702774 | 2 | Decal - JLG Lift (3 1/2in) | |
| 10 | 1702773 | 2 | Decal - JLG (5in) | |
| 12 | 1704277 | 4 | Decal - Attach Lanyard Here | |
| 16 | 1701502 | 1 | Decal - High Oil Level | |
| 17 | 1701503 | 1 | Decal - Low Oil Level | |
| 18 | 1701504 | 1 | Decal - Hydraulic Oil | |
| 20 | See Note | 1 | Decal - Bar Code (Note: Not Available for Purchase) | |
| 21 | 1700584 | 1 | Decal - Patent | |
| 22 | See Note | 1 | Nameplate - Serial Number (Note: Not Available for Purchase) | |
| 23 | 1701509 | 1 | Decal - Manual | |
| 24 | 1702300 | 4 | Decal - Tie Down /Lift | |
| 25 | 1701500 | 4 | Decal - Tie Down /Lift | |
| 26 | 1701501 | 4 | Decal- Arrow | |
| 27 | | Ref | Nameplate - Voltage Options: | |
| 27 | 1705325 | 1 | 110V | |
| 27 | 3252507 | 1 | 220V | |
| 30 | 1703959 | 2 | Decal - Quick Stick | |
| 31 | 1701518 | 3 | Decal - Warning/Crushing | |
| 32 | 1702862 | 1 | Decal - JLG Lift | |
| 33 | 3820001 | 4 | Rivet | |
| 34 | | Ref | Decal - Footswitch | |
| 34 | 3252347 | 1 | Australian/UK Spec (Part of 4360031 Footswitch) | |
| 34 | 1703518 | 1 | Dutch Spec | |

SECTION 8 - DECALS

| ITEM | PART NUMBER | QTY | DESCRIPTION | REV |
|------|-------------|------------|---|-----|
| 34 | 1693292 | 1 | French Spec | |
| 34 | 1693294 | 1 | Dutch Spec | |
| 34 | 1701600 | 1 | Italian Spec | |
| 34 | 1701791 | 1 | Spanish Spec | |
| 35 | 1703960 | 4 | Decal - Max Tire Load | |
| 36 | 1701505 | 1 | Decal - Fuel | |
| 40 | | Ref | Decal - Upright Level Override | |
| 40 | 1702265 | NLA | Australian/UK Spec (Use p/n 1705977) | |
| 40 | 1702268 | NLA | Dutch Spec (Use p/n 1705977) | |
| 40 | 1702270 | NLA | French Spec (Use p/n 1705977) | |
| 40 | 1702267 | NLA | Dutch Spec (Use p/n 1705977) | |
| 40 | 1702269 | NLA | Italian Spec (Use p/n 1705977) | |
| 40 | 1702266 | NLA | Spanish Spec (Use p/n 1705977) | |
| 44 | 4420051 | 23.1 ft/7m | Decal - Warning Stripes | |
| 48 | 1704885 | 2 | Decal - Website | |
| | 0258671 | Ref | MANUAL STORAGE BOX INSTALLATION | B |
| 101 | 0860520 | 1 | Box, Manual Storage | |
| 101 | 1060279 | 1 | Cable, Lanyard | |
| 101 | 0641408 | 1 | Bolt 1/4in-20NC x 1in | |
| 101 | 0641406 | 4 | Bolt 1/4in-20NC x 3/4in | |
| 101 | 4751400 | 6 | Flatwasher 1/4in | |
| 101 | 3311405 | 5 | Locknut 1/4in-20NC | |
| 101 | 0100011 | AR | Compound, Locking | |
| | 0010551 | Ref | DECAL INSTALLATIONS (OPTIONS) | |
| | 0271585 | Ref | Decal Installation | A |
| 201 | 1705012 | 2 | Decal - Fall Arrest | |
| | 0271674 | Ref | Decal Installation | A |
| 202 | 1705014 | 2 | Decal - Safety | |
| | 0271584 | Ref | Decal Installation | A |
| 203 | 1705006 | 2 | Decal - Jet Blast | |
| | 1001093187 | Ref | TILT SENSOR INSTALLATION | C |
| 303 | 1705977 | 1 | Decal - Upright Level Over Ride | |
| 305 | 1707111 | 1 | Decal - Platform Display (Australian Spec Only) (Not Shown - Located on Platform Console) | |
| 306 | 1707113 | 1 | Decal - Platform Display (CE Spec Only) (Not Shown - Located on Platform Console) | |

SECTION 8 - DECALS

FIGURE 8-4. DECAL INSTALLATION (COUNTRY SPEC) (SN 0300089982 through 0300185827)



SECTION 8 - DECALS

FIGURE 8-4. DECAL INSTALLATION (COUNTRY SPEC) (SN 0300089982 through 0300185827)

| ITEM | PART NUMBER | QTY | DESCRIPTION | REV |
|------|--------------|------------|---|-----|
| | | Ref | DECAL INSTALLATIONS | |
| | 0274519 | Ref | JLG Logo | B |
| | 0274484 | Ref | Australian Spec (SN 0300089982 through 0300138446) | 4 |
| | 1001114464 | Ref | Australian Spec (SN 0300138447 through 0300185827) | B |
| | 0274484 | Ref | CE Spec | B |
| 2 | 1701499 | 2 | Decal - No Tie Down/Lift | |
| 3 | 1701502 | 1 | Decal - High Oil Level (SN 0300089982 through 0300134564) | |
| 4 | 1701503 | 1 | Decal - Low Oil Level (SN 0300089982 through 0300134564) | |
| 5 | 1701509 | 1 | Decal - Manual | |
| 7 | 1703811 | 4 | Decal - Tie Down/Lift | |
| 8 | 1703814 | 6 | Decal - Tie Down | |
| 9 | 1704277 | 3 | Decal - Attach Lanyard Here | |
| 10 | 1704412 | 1 | Decal - Hydraulic Oil Chart | |
| 11 | | Ref | Decal - Sound Power Level Options: | |
| 11 | 1705084 | 1 | Decal - Sound Power Level (SN 0300089982 through 0300179245) | |
| 11 | 1705980 | 1 | Decal - Sound Power Level (SN 0300179246 through 0300185827) | |
| 21 | 1705921 | 1 | Decal - Tipping/Electrical | |
| 22 | 1705822 | 1 | Decal - Electrical/Safety Manual | |
| 23 | 1701518 | 10 | Decal - Crushing | |
| 24 | 1705961 | 5 | Decal - Danger/Electrocution | |
| 25 | 1705828 | 1 | Decal - Footswitch | |
| 29 | 2902353 | 1 | Kit, Decal Max Tire Load (Includes Qty 4 of p/n 1703960) | 1 |
| 29 | 1703960 | 4 | Decal - Max Tire Load | |
| 30 | See Note | 1 | Decal - Bar Code (Note: Not Available for Purchase) | |
| 31 | 1705007 | 2 | Decal - 740AJ | |
| 32 | 1701501 | 4 | Decal- Arrow | |
| 33 | 1705978 | 2 | Decal Capacity (230kg Capacity) | |
| 34 | 1705978 | 1 | Decal Capacity (230kg Capacity) | |
| 35 | 1704885 | AR | Decal - Website | |
| 36 | See Note | 1 | Nameplate, Manufactures (Note: Not Available for Purchase) | |
| 37 | 1705977 | 1 | Decal - Upright Level Override | |
| 38 | 1703959 | 2 | Decal - Quick Stick | |
| 39 | 1700584 | 1 | Decal - Patent | |
| 43 | 3820001 | 2 | Rivet | |
| 44 | 1702861 | 2 | Decal - JLG Lift (8in Height) | |
| 45 | 1702774 | 1 | Decal - JLG Lift (3-1/2in Height) | |
| 46 | 1702773 | 1 | Decal - JLG (5in Height) | |
| 47 | 3250872 | 1 | Nameplate - Steer/Tow Selector | |
| 48 | 1705090 | 1 | Decal - Towing Instructions | |
| 49 | | Ref | Decal - Fuel | |
| 49 | 1701505 | 1 | Diesel | |
| 49 | 1701542 | 1 | Gas | |
| 50 | 1701543 | 2 | Decal - LP Gas (GM Engine Machines Only) | |
| 51 | 1700818 | 2 | Decal - LP Gas (Liquid) (GM Engine Machines Only) | |
| 52 | 4420051 | 23.1 ft/7m | Decal - Warning Stripes | |
| 55 | 1702788 | 1 | Decal - Bio Hydraulic Fluid | |
| 57 | | Ref | Decal - Emergency Controls Options: | |
| 57 | Not Required | 0 | Australian Spec (SN 0300089982 through 0300138446) | |

SECTION 8 - DECALS

| ITEM | PART NUMBER | QTY | DESCRIPTION | REV |
|------|--------------|-----|---|-----|
| 57 | 1001112551 | AR | Australian Spec (SN 0300138447 through 0300185827) | |
| 57 | Not Required | 0 | CE Spec | |
| | 0258671 | Ref | MANUAL STORAGE BOX INSTALLATION | C |
| 101 | 0860520 | 1 | Box, Manual Storage | |
| 101 | 1060279 | 1 | Cable, Lanyard (SN 0300089982 through 0300179246) | |
| 101 | 0641408 | 1 | Bolt 1/4in-20NC x 1in (SN 0300089982 through 0300179246) | |
| 101 | 0641406 | 4 | Bolt 1/4in-20NC x 3/4in | |
| 101 | 4751400 | AR | Flatwasher 1/4in | |
| 101 | 3311405 | AR | Locknut 1/4in-20NC | |
| | 0010551 | Ref | DECAL INSTALLATIONS (OPTIONS) | |
| | 0271585 | Ref | Decal Installation | A |
| 201 | 1705012 | 2 | Decal - Fall Arrest | |
| | 0271674 | Ref | Decal Installation | A |
| 202 | 1705014 | 2 | Decal - Safety | |
| | 0271584 | Ref | Decal Installation | A |
| 203 | 1705006 | 2 | Decal - Jet Blast | |
| | 0010580 | Ref | ADDITIONAL DECAL COMPONENTS | M |
| 253 | 1001143852 | 1 | Decal - Emission Compliance (SN 0300181347 through 0300185827) | |
| | 1001093187 | Ref | TILT SENSOR INSTALLATION (Prior to SN 0300112885) | C |
| 303 | 1705977 | 1 | Decal - Upright Level Over Ride | |
| 305 | 1707111 | 1 | Decal - Platform Display (Australian Spec Only) (Not Shown - Located on Platform Console) | |
| 306 | 1707113 | 1 | Decal - Platform Display (CE Spec Only) (Not Shown - Located on Platform Console) | |

SECTION 9 - RECOMMENDED SERVICE PARTS STOCK

SECTION 9 - RECOMMENDED SERVICE PARTS STOCK

SECTION 9 - RECOMMENDED SERVICE PARTS STOCK

FIGURE 9-1. MODEL 740AJ STANDARD PARTS

| ITEM | PART NUMBER | QTY | DESCRIPTION | REV |
|------|-------------|-------|--|-----|
| | Note | Ref | Note: The following list will service one machine (built to current production per date on the front cover) with emergency repair parts which can be installed in the field. Parts from the list should be replaced when inventory is depleted to keep service parts stock supplied. For further information, contact your JLG dealer or the JLG Industries Parts Department. | |
| | | Ref | STANDARD PARTS | |
| | 2120168 | 4 | Element, Filter | |
| | 2120210 | 4 | Element, Filter | |
| | 7012944 | 1 | Coil | |
| | 7018991 | 1 | Coil | |
| | 7012772 | 1 | Coil | |
| | 7000645 | 1 | Coil | |
| | 70000582 | 1 | Coil | |
| | 7012664 | 1/doz | Element, Air Cleaner | |
| | 3740067 | 1 | Relay | |
| | 7024444 | 1 | Breather, Hydraulic Tank | |
| | 4360475 | 1 | Switch, Mushroom | |
| | 4360469 | 1 | Switch, Key (ANSI Spec) | |
| | 4360470 | 1 | Switch, Key (CE Spec) | |
| | 2860030 | 1 | Key, Replacement | |
| | 4360476 | 1 | Contact, Switch Block | |
| | 4360328 | 1 | Switch, Toggle | |
| | 3740049 | 1 | Relay | |
| | 4360387 | 1 | Switch, Push Button | |
| | 1001129555 | 1 | Controller (Lift and Swing) | |
| | 1001212415 | 1 | Controller (Drive and Steer) | |
| | 4360330 | 1 | Switch, Toggle | |
| | 4360407 | 1 | Controller, Speed | |
| | 2400065 | 2 | Fuse - 30 Amp | |
| | 3990010 | 2 | Diode | |

SECTION 9 - RECOMMENDED SERVICE PARTS STOCK

FIGURE 9-2. MODEL 740AJ VARIABLE PARTS

| ITEM | PART NUMBER | QTY | DESCRIPTION | REV |
|------|-------------|-------|--|-----|
| | Note | Ref | Note: The following list will service one machine (built to current production per date on the front cover) with emergency repair parts which can be installed in the field. Parts from the list should be replaced when inventory is depleted to keep service parts stock supplied. For further information, contact your JLG dealer or the JLG Industries Parts Department. | |
| | | Ref | VARIABLE PARTS | |
| | 7016331 | 1/doz | Filter, Oil (Deutz Engine Machines) | |
| | 7016328 | 1/doz | Filter, Fuel (Deutz Engine Machines) | |
| | 7027795 | 1 | Module, Engine Control (Deutz Engine Machines) | |
| | 7021868 | 1/doz | Filter, Oil (Ford Engine Machines) | |
| | 91083218 | 1/doz | Filter, Fuel (Ford Engine Machines) | |
| | 1600374 | 1 | Module, EPM (Ford Engine Machines) | |
| | 4360336 | 1 | Switch, Toggle (Machines with Dual Fuel Option) | |
| | 7027965 | 1/doz | Filter, Oil (GM Engine Machines) | |
| | 7027972 | 1/doz | Filter, Fuel (GM Engine Machines) | |
| | 70002895 | 1 | Module, Engine Control (GM Engine Machines) | |
| | 4360517 | 1 | Switch, Proximity | |
| | 1001103667 | 1 | Module, Ground Control | |
| | 4360522 | 1 | Switch, Toggle (Machines with Lights Option) | |
| | 3740080 | 1 | Relay (Machines with Generator Option) | |
| | 4360336 | 1 | Switch, Toggle (Machines with Generator Option) | |
| | 70002013 | 1 | Powertrack Repair Section (Gortrac Brand) | |
| | 7016522 | 2 | Powertrack Repair Section (Gemco Brand) | |
| | 7006137 | 24 | Powertrack Pin Kit (Gemco Brand) | |
| | 4360578 | 1 | Switch, Limit | |
| | 1001094400 | 1 | Sensor, Dual Axle | |
| | 1001106355 | 1 | Controller, Module Platform | |
| | 4360331 | 1 | Switch, Toggle (Machines with 4WD or 4WS Options) | |
| | 4360498 | 1 | Switch, Proximity | |
| | 4360499 | 1 | Switch, Proximity | |
| | 2400070 | 2 | Fuse (Machines with Platform Worklights) | |

SECTION 10 - SPECIAL OPTIONS

SECTION 10 - SPECIAL OPTIONS

FIGURE 10-1. SPECIAL OPTIONS

| ITEM | PART NUMBER | QTY | DESCRIPTION | REV |
|------|-------------|-----|--|-----|
| | Note | Ref | Note: This list is to accommodate machines ordered with special equipment. Options may not be applicable to all models. For more specific parts information contact JLG Parts Department. | |
| | | Ref | MISCELLANEOUS SPECIAL OPTIONS | |
| | 1340061 | Ref | Air Cleaner Pre-Cleaner | |
| | 0271511 | Ref | Airline to Platform Installation | |
| | | Ref | Bellows Installation Options: | |
| | 0258737 | Ref | Boom | |
| | 0258759 | Ref | Chassis (Fixed Axle 4WS) | |
| | | Ref | Cold Weather Package Installation Options: | |
| | 0256060 | Ref | Deutz without Glow Plugs (Deutz Engine Machines) (Prior to SN 0300085331 Only) | |
| | 0258927 | Ref | Deutz with Glow Plugs (Prior to SN 0300073049) | |
| | 0271912 | Ref | Deutz with Glow Plugs (SN 0300073049 through 0300185827) | |
| | 0255386 | Ref | Ford | |
| | 0275262 | Ref | GM | |
| | 1001109263 | Ref | Communication System (David Clark) Installation | |
| | | Ref | Compressor Installation | |
| | 0272741 | Ref | With ABS Hood | |
| | 1001118053 | Ref | With Steel Hood | |
| | | Ref | Decal Installations Options: | |
| | 1702788 | Ref | Decal - Biodegradable Hydraulic Fluid (All except German Spec) | |
| | 1703479 | Ref | Decal - Biodegradable Hydraulic Fluid (German Spec Only) | |
| | 1001116565 | Ref | Decal - ClearSky (ANSI Spec) (ABS Hoods) | |
| | 1001116566 | Ref | Decal - ClearSky (CSA Spec) (ABS Hoods) | |
| | 1001127094 | Ref | Decal - ClearSky (ANSI, ANSI Export, Australian and CSA Spec) (Steel Hoods) | |
| | 0253550 | Ref | Decal - CSA (CSA Spec) | |
| | 1703175 | Ref | Decal - Lanyard Attach (GM K-1 Spec) | |
| | 1702962 | Ref | Decal - Prop 65 Warning (Diesel Machines) (California Spec) | |
| | 1702961 | Ref | Decal - Prop 65 Warning (Gasoline Machines) (California Spec) | |
| | 0257195 | Ref | Decals - Government Warranty | |
| | 0271895 | Ref | Decals - United Rentals | |
| | 0271112 | Ref | Decals - Sunbelt Rentals | |
| | | Ref | Decal Kits | |
| | 2902307 | Ref | Decal Kit - Country Spec (ANSI Spec) | |
| | 2902329 | Ref | Decal Kit - Country Spec (Australian and CE Specs) | |
| | 1001241334 | Ref | Decal Kit - Platform | |
| | 2902303 | Ref | Decal Kit - Master (Common Decals) | |
| | 2902358 | Ref | Decal Kit - Tire Load | |
| | 1001106503 | Ref | De-icing Nozzle Installation | |
| | | Ref | Electrical Connector Kits | |
| | 1001148902 | Ref | Amp/Tyco Electrical Connector Kit | |
| | 1001148903 | Ref | Deutsch DT Electrical Connector Kit | |
| | 1001148904 | Ref | Deutsch HD Electrical Connector Kit | |
| | 1001148905 | Ref | Packard Electrical Connector Kit | |
| | 1001148906 | Ref | Various Electrical Connectors Kit | |
| | | Ref | Engine Block Heater Installations: | |

SECTION 10 - SPECIAL OPTIONS

| ITEM | PART NUMBER | QTY | DESCRIPTION | REV |
|------|-------------|-----|--|-----|
| | 0258696 | Ref | Ford and GM Engine Machines | |
| | 0257157 | Ref | Ether Start Installation (Deutz Engine Machines) (Prior to SN 0300085331 Only) | |
| | | Ref | Filter Kits: | |
| | | Ref | Combined Filter Kit Options (Hydraulic/Air and Fuel/Engine Oil): | |
| | | Ref | Deutz Engine Machines | |
| | 2910467 | 1 | Deutz Engine Machines (Prior to SN 0300077500) | |
| | 1001110996 | 1 | Deutz Engine Machines (SN 0300077500 through 0300087265) | |
| | 1001114033 | NLA | Deutz Engine Machines (Use p/n 1001111014) (SN 0300087266 through 0300185827) | |
| | | Ref | Ford LRG-425 Non-UL Engine Machines | |
| | 2910466 | NLA | Ford LRG-425 Non-UL Engine Machines (Use p/n 1001114116) (Prior to SN 0300087266) | |
| | 1001114115 | 1 | Ford LRG-425 Non-UL Engine Machines (SN 0300087266 through 0300185827) | |
| | 1001114056 | 1 | GM Engine Machines | |
| | | Ref | Hydraulic/Air Filter Options: | |
| | | Ref | Deutz Engine Machines | |
| | 2910925 | NLA | Deutz Engine Machines (Use p/n 1001109693) (Prior to SN 0300087266) | |
| | 2910948 | NLA | Deutz Engine Machines (Use p/n 1001109717) (SN 0300087266 through 0300185827) | |
| | | Ref | Ford Engine Machines | |
| | 2910925 | NLA | Ford Engine Machines (Use p/n 1001109693) (Prior to SN 0300087266) | |
| | 2910948 | NLA | Ford Engine Machines (Use p/n 1001109717) (SN 0300087266 through 0300185827) | |
| | | Ref | Engine - Fuel/Engine Oil Filter Options: | |
| | 1001110133 | 1 | Deutz Engine Machines | |
| | | Ref | Footswitch Shield Options (Note: Move Decal to Shield): | |
| | 4060959 | Ref | Footswitch Shield (Prior to SN 0300169344) | |
| | 1001117294 | Ref | Footswitch Shield (SN 0300169344 through 0300185827) | |
| | 1001128057 | Ref | Footswitch Installation | |
| | 1001139952 | Ref | Generator - 4000W Generator Installation | |
| | 1001160273 | Ref | Generator - 4000W Boom Cables | |
| | 1001160272 | Ref | Generator - 4000W AC Cable Connector | |
| | | Ref | Glow Plugs Installations (Deutz Engine Machines): | |
| | 0271326 | Ref | Glow Plugs Installations (Deutz Engine Machines) (Prior to SN 0300073049) | |
| | 0271548 | Ref | Glow Plugs Installations (Deutz Engine Machines) (SN 0300073049 through 0300092718) | |
| | | Ref | Hood Kit Installations (Steel) | |
| | 1001125415 | Ref | Deutz Engine Machines | |
| | 1001125417 | Ref | GM Engine Machines | |
| | 1001239618 | Ref | Hose Kit – Upper Powertrack | |
| | 1001241409 | Ref | Hostile Environment Kit | |
| | | Ref | Hydraulic Fluids | |
| | 2300014 | Ref | Mobil 424 | |
| | 2300027 | Ref | Mobil 224H Bio | |
| | 2300016 | Ref | Mobil DTE 10 EXCEL 32 | |
| | 2300021 | Ref | Union Carbide Ucon HP5046 Fire Resistant | |
| | 1001148971 | Ref | Lanyard (Bolt-on) Kit Installation | |
| | | Ref | Oil Cooler Installations | |

SECTION 10 - SPECIAL OPTIONS

| ITEM | PART NUMBER | QTY | DESCRIPTION | REV |
|------|-------------|-----|--|-----|
| | 0256762 | Ref | Deutz Engine Machines | |
| | 0272040 | Ref | Ford and GM Engine Machines | |
| | 0255398 | NLA | Platform Console Cover Installation (Use p/n 0258703) | |
| | 1001142504 | Ref | Platform Entry Kit - Drop Bar (Replaces Swing Gate with Drop Bar) | |
| | 1001142505 | Ref | Platform Entry Kit - Swing Gate (Replaces Drop Bar with Swing Gate) | |
| | 1001139944 | NLA | Pump Mounting Bracket Kit (Use p/n 1001162546) (Sauer Danfoss) | |
| | 1001162546 | Ref | Pump Mounting Bracket Kit (Sauer Danfoss) | |
| | | Ref | SkyGuard Component Options: | |
| | 1001149560 | Ref | SkyGuard Complete Add-on Kit (Non-UGM Machines) | |
| | 1001143669 | Ref | SkyGuard Complete Add-on Kit (UGM Machines) | |
| | 1001210026 | Ref | SkyGuard Complete Add-on Kit (Red Beacon) | |
| | 1001137672 | Ref | SkyGuard Platform Sensor Kit (UGM Machines) | |
| | 1001143256 | Ref | SkyGuard Blue Beacon Kit | |
| | 1001210025 | Ref | SkyGuard Strobe Light Kit (Red Beacon) | |
| | | Ref | Telematic (ClearSky) Installation (Factory Installed) | |
| | | Ref | Note: Refer to Manual Supplement p/n 3128499 for available replacement parts. | |
| | | Ref | ADE Machines | |
| | 1001102841 | Ref | ANSI Spec | |
| | 1001102842 | Ref | ANSI Export and Australian Specs | |
| | 1001104985 | Ref | CSA Spec | |
| | | Ref | ADE/UGM MACHINES (ABS HOODS) | |
| | 1001112990 | Ref | ANSI Spec | |
| | 1001112991 | Ref | ANSI Export and Australian Specs | |
| | 1001112992 | Ref | CSA Spec | |
| | | Ref | UGM Machines (Steel Hoods) | |
| | 1001118963 | Ref | ANSI SPEC | |
| | 1001134103 | Ref | Australian Spec | |
| | 1001127087 | Ref | Brazil and New Zealand Specs | |
| | 1001118964 | Ref | CSA SPEC | |
| | | Ref | Telematic (ClearSky) Kit (Dealer Installed) | |
| | | Ref | ADE/Non UGM Machines | |
| | 1001117251 | Ref | ANSI Spec | |
| | 1001117258 | Ref | CSA Spec | |
| | | Ref | ADE/UGM MACHINES | |
| | 1001119939 | Ref | ANSI Spec | |
| | 1001139151 | Ref | Australian Spec | |
| | 1001119947 | Ref | CSA Spec | |
| | | Ref | Tools for Service | |
| | 1600244 | 1 | Analyzer, Machine System | |
| | 7002840 | 1 | Antirotation Pin Removal Tool | |
| | 8896941 | 1 | Wire Stripper | |
| | 7002821 | 1 | Wire Crimper (To install wire ends to wires) | |
| | 7002823 | 1 | Pin/Socket Extractor - Universal (To Remove Pins/Sockets from Connectors) | |
| | 4460467 | 1 | Extractor - 16-18 Gauge (For Removal of Pin/Sockets from Deutsch Connectors) | |
| | 4460510 | 1 | Extractor - 12-14 Gauge (For Removal of Pin/Sockets from Deutsch Connectors) | |
| | 7002822 | 1 | Screwdriver, Potentiometer (To Adjust Drive Controllers) | |

SECTION 10 - SPECIAL OPTIONS

| ITEM | PART NUMBER | QTY | DESCRIPTION | REV |
|------|-------------|-----|---|-----|
| | 7016654 | 1 | Screwdriver, Magnetic | |
| | 7004275 | 1 | Seal Installation Tool - 1in | |
| | 7004276 | 1 | Seal Installation Tool - 1-1/2in | |
| | 7002826 | 1 | Seal Installation Tool - 2in | |
| | 7016655 | 1 | Wire Rope Sheave Gauge | |
| | 7016652 | 1 | Huck Bolt Fastener (For Small Huck Bolts Only) | |
| | 2900838 | 1 | U.S. Standards Fastener (Hardware) Kit | |
| | 7014676 | 1 | U.S. Standards Tool Kit | |
| | 70000017 | 1 | ADE Software CD | |
| | 1001137005 | 1 | Software Cable Kit | |
| | 2890203 | Ref | Upright Monitoring System Installation (Pre-Ade) Kit | |
| | 1001241271 | Ref | Wear Pad Kit (Prior to SN 0300169344) | |
| | 1001241272 | Ref | Wear Pad Kit (SN 0300169344 through 0300185827) | |
| | 0258826 | Ref | Weld Leads to Platform Installation | |

PART NUMBER INDEX

SECTION 10 - SPECIAL OPTIONS

| | | | |
|---|-----------------------------------|--|--|
| 0010551.....298, 303, 306, 310 | 0257157 268, 317 | 0272319 12 | 0630534.....221, 223 |
| 0010580.....310 | 0257195 316 | 0272355 119 | 0630535....233, 235, 237, 239, 245, 247 |
| 0060031.....170, 177 | 0257884 131, 196 | 0272373 31 | 0630536.....229, 231 |
| 0060066.....170, 181 | 0257887 ... 131, 281, 291 | 0272444 211, 213 | 0630537....217, 219, 225, 227 |
| 0080163.....64, 73 | 0258077 173 | 0272480 153, 188 | 0630548.....123, 127 |
| 0080201...80, 87, 98, 103 | 0258286 11 | 0272507 281, 292 | 0630568.....196, 200 |
| 0080214.....80, 87 | 0258343 29 | 0272737 135 | 0641404....169, 195, 199 |
| 0080241.....131 | 0258382 115 | 0272741 ... 137, 142, 316 | 0641405.....161, 165 |
| 0100009....123, 127, 195, 199, 273, 287 | 0258390 83 | 0272745 79 | 0641406....80, 87, 96, 98, 102, 104, 136, 140, 187, 191, 211, 298, 303, 306, 310 |
| 0100011....11, 12, 15, 29, 31, 36, 49, 62, 68, 69, 70, 79, 80, 86, 87, 96, 97, 98, 102, 103, 115, 119, 121, 123, 127, 131, 136, 137, 140, 142, 146, 147, 148, 153, 157, 161, 165, 169, 170, 171, 173, 174, 183, 213, 217, 221, 225, 229, 233, 237, 245, 298, 306 | 0258391 83 | 0272762 ... 187, 191, 197 | 0641407....61, 70, 71, 87, 97, 103, 128 |
| 0100019.....11, 49, 161 | 0258457 35, 183 | 0272787 272, 287 | 0641408....36, 80, 86, 87, 146, 148, 183, 187, 191, 298, 303, 306, 310 |
| 0100020....62, 68, 70, 79, 80, 86, 87, 91, 96, 98, 102, 104, 116, 195, 259, 263 | 0258609 135 | 0272789 305 | 0641410.....69, 81, 125 |
| 0100035....183, 195, 199 | 0258670 36 | 0272831 79, 91 | 0641414..36, 81, 87, 187, 191, 195, 199, 213 |
| 0100038....217, 221, 225, 229, 233, 237, 245 | 0258671 ... 298, 303, 306, 310 | 0272970 192, 196 | 064141636, 96, 102, 169, 183 |
| 0100048..81, 86, 96, 102, 123, 127, 131, 183, 195, 199, 272, 274, 286, 288 | 0258674 131 | 0273485 ... 191, 196, 200, 268 | 0641418.....35, 36 |
| 0100062.....115 | 0258696 317 | 0273507 161, 188 | 0641420.....169 |
| 0100063....217, 221, 225, 229, 233, 237, 245 | 0258728 151 | 0273535 297 | 0641424.....81 |
| 0100079.....115 | 0258737 316 | 0273709 68 | 0641504.....31 |
| 0100081....147, 174, 195, 199 | 0258759 316 | 0274024 86, 91 | 064150636, 87, 123, 127, 137, 140, 142, 143, 146, 148 |
| 0140001.....36 | 0258766 170 | 0274082 ... 153, 188, 192 | 0641507.....83, 87 |
| 0140011.....195, 199 | 0258826 319 | 0274232 15, 29 | 0641508....12, 35, 62, 68, 80, 86, 96, 103, 115, 131, 136, 140, 146, 153, 157, 161 |
| 0140032.....131 | 0258909 11 | 0274266 29 | 0641510.....62, 71, 165 |
| 0181727....61, 68, 79, 86, 96 | 0258927 316 | 0274301 68 | 0641512.....71 |
| 0181949.....92 | 0258945 197, 200 | 0274301 68 | 0641514.....103, 165 |
| 0200048.....213 | 0258945 197, 200 | 0274483 301 | 0641524.....187 |
| 0200547.....157 | 0259147 49 | 0274483 301 | 0641550.....15 |
| 0200550.....211 | 0270211 15, 29 | 0274488 301 | 0641560.....29 |
| 0200742.....153 | 0270396 115 | 0274519 301, 309 | 0641604.....169 |
| 0232121.....31 | 0270814 ... 187, 191, 196, 268 | 0274624 86, 91 | 0641606....35, 62, 71, 81, 89, 92, 98, 104, 141, 142, 169, 170, 173, 174 |
| 0253550.....316 | 0270888 15 | 0274643 35, 183 | 0641607....115, 146, 169, 173, 174 |
| 0255316.....49 | 0271002 49 | 0274759 139 | 0641608....12, 29, 62, 68, 80, 86, 87, 96, 98, 102, 104, 136, 137, 140, 141, 142, 148, 169, 173 |
| 0255386.....316 | 0271002 49 | 0275026 139 | 0641610....36, 61, 68, 71, 72, 80, 87, 98, 104, 153, 183, 187, 191 |
| 0255398.....318 | 0271038 297 | 0275039 ... 165, 188, 192 | 0641611....119, 121, 161, 169 |
| 0255524.....91 | 0271090 15 | 0275262 316 | 0641612..87, 96, 98, 102, 104, 161, 173, 211 |
| 0255917.....131, 281 | 0271091 15 | 0275386 96 | 0641614.....35, 115, 169 |
| 0256060.....316 | 0271112 316 | 0275546 139 | 0641618.....169 |
| 0256196.....15 | 0271326 317 | 0275600 139 | 0641624.....174 |
| 0256202.....281, 292 | 0271340 197, 200 | 0275733 183 | 0641628.....29 |
| 0256689.....63, 70 | 0271364 79 | 0275804 197 | 0641640.....174 |
| 0256690.....63, 70 | 0271366 79, 91 | 0340041 ... 61, 71, 80, 87, 98, 104 | |
| 0256762.....318 | 0271366 79, 91 | 0340046 83, 87 | |
| 0256823....137, 142, 148 | 0271371 61 | 0362519 92 | |
| 0256847.....64, 73 | 0271422 131 | 0362726 11, 12 | |
| | 0271505 169 | 0362770 135, 139 | |
| | 0271511 316 | 0362910 31 | |
| | 0271519 171 | 0363082 161 | |
| | 0271545 157 | 0363097 161 | |
| | 0271548 317 | 0400075 ... 61, 68, 79, 86, 96, 102 | |
| | 0271584 ... 298, 303, 306, 310 | 0440244 49 | |
| | 0271585 ... 298, 303, 306, 310 | 0480111 157 | |
| | 0271588 297 | 0480121 153 | |
| | 0271622 ... 196, 200, 211 | 0480134 157 | |
| | 0271654 11 | 0480135 161 | |
| | 0271674 ... 298, 303, 306, 310 | 0480142 165 | |
| | 0271768 ... 131, 196, 200 | 0561237 169 | |
| | 0271895 316 | 0561295 173 | |
| | 0271912 316 | 0630462 211, 213 | |
| | 0271989 183 | 0630464 195, 199 | |
| | 0272028 272, 287 | 0630485 146 | |
| | 0272040 318 | 0630491 131 | |
| | 0272070 171 | 0630498 ... 61, 68, 79, 86, 96 | |
| | 0272189 49 | 0630507 ... 136, 140, 146 | |
| | 0272259 281, 292 | 0630518 123, 127 | |
| | 0272260 281, 292 | | |

SECTION 10 - SPECIAL OPTIONS

| | | | | | | | |
|---------------------------------|--------------------------------------|---------------|--|--------------------------|--------------------------------------|------------------|-----------------------|
| 0641710 | 165 | 0801314 | 169, 171 | 0962155..... | 233, 235 | 1001099686 | 72 |
| 0641718 | 161 | 0801573 | 173 | 0962219..... | 245 | 1001099837 | 173 |
| 0641772 | 153, 158 | 0801591 | 173 | 0962224..... | 12 | 1001100156 | 11 |
| 0641806 | 245, 247 | 0860038 | 281, 292 | 0962270..... | 187, 191 | 1001101060 | 49, 58 |
| 0641808 ... | 62, 68, 81, 86, 96, 97, 102, 103 | 0860520 ... | 298, 303, 306, 310 | 0962292..... | 13 | 1001101241 | 71 |
| 0641810 | 12, 161, 170 | 0861407 | 123 | 0962335..... | 169, 170 | 1001101323 | 142 |
| 0641812 ... | 62, 70, 79, 87, 97, 103, 121, 171 | 0861537 ... | 195, 196, 199, 200 | 0962336..... | 221, 223 | 1001101324 | 142 |
| 0641814 | 70 | 0861549 ... | 187, 191, 195 | 0962348..... | 13 | 1001101391 | 141 |
| 064181861, 71, 115, 146, 151 | | 0861550 | 123 | 0962356..... | 243 | 1001101392 | 141 |
| 0641820 | 11, 119, 121, 169 | 0861587 | 123 | 0962448..... | 12 | 1001101600 | 69 |
| 0641826 .. | 63, 71, 99, 105 | 0861590 | 123 | 0962524..... | 245 | 1001101623 | 141 |
| 0641828 .. | 80, 87, 98, 104 | 0861716 | 123 | 1001091179..... | 71 | 1001101673 | 141 |
| 0642010 ... | 62, 68, 81, 86, 96, 102 | 0861717 | 123 | 1001091424..... | 36 | 1001101905 | 139 |
| 0642038 | 31 | 0861763 | 123 | 1001091562..... | 115 | 1001102150 | 125, 276 |
| 0642212 | 11 | 0861799 | 123 | 1001091583..... | 98 | 1001102240 | 123 |
| 0642214 | 169 | 0901921 | 143, 148 | 1001091587..... | 96, 103 | 1001102241 | 123 |
| 0642612 | 131 | 0902143 | 135, 140 | 1001091632..... | 98 | 1001102290 | 278, 290 |
| 0642620 | 169 | 0902161 | 135, 139 | 1001091637..... | 97 | 1001102291 | 278, 290 |
| 0642684 | 171 | 0902206 | 131 | 1001091638..... | 96 | 1001102304 | 278, 290 |
| 0651406 | 36 | 0902219 | 135, 139 | 1001091794..... | 98, 104 | 1001102600 | 124, 127 |
| 0681608 | 11, 171 | 0902223 | 135, 139 | 1001091892...71, 98, 104 | | 1001102841 | 318 |
| 0681610 | 170 | 0902223 | 135, 139 | 1001091928..... | 115 | 1001102842 | 318 |
| 0681612 | 157 | 0902309 | 83 | 1001093187..... | 183, 266, 280, 298, 303, 306, 310 | 1001103095 | 177 |
| 0681810 | 187 | 0902351 | 135, 139 | 1001093248..... | 105 | 1001103667 | 127, 314 |
| 0681814 | 187, 191 | 0902412 | 135, 139 | 1001093256..... | 279 | 1001103810 | 12 |
| 0681820 | 171 | 0902415 | 36 | 1001093382...68, 96, 103 | | 1001104308 | 72 |
| 0681822 | 191 | 0902426 | 135, 139 | 1001093943..... | 72 | 1001104985 | 318 |
| 0682016 | 15 | 0902491 | 135, 139 | 1001093943..... | 72 | 1001105872 | 99, 105 |
| 0682023 | 49 | 0902539 | 79, 89 | 1001094101..... | 71, 73 | 1001106328 | 171 |
| 0682032 | 49 | 0902751 | 195, 199 | 1001094321..... | 72 | 1001106329 | 171 |
| 0682216 | 49 | 0902756 | 157 | 1001094400..... | 183, 273, 291, 314 | 1001106339 | 289 |
| 0700616 | 147 | 0902846 | 119 | 1001094401..... | 183 | 1001106340 | 289 |
| 0700808 | 62, 71 | 0902952 | 161 | 1001094470..... | 273 | 1001106355 | 199, 314 |
| 0700810 ... | 64, 73, 79, 98, 104 | 0903010 | 89 | 1001094484..... | 125 | 1001106503 | 316 |
| 0700819 | 81, 88 | 0903056 | 121 | 1001094509..... | 293 | 1001106736 | 128, 289 |
| 0700820 | 165 | 0903079 | 88 | 1001094557..... | 266 | 1001106975 | 121 |
| 0701012 ... | 62, 71, 80, 87 | 0903308 | 139 | 1001094595...70, 97, 103 | | 1001107290 | 266 |
| 0701014 | 72, 79, 87 | 0903510 | 96, 102 | 1001094889..... | 49 | 1001107299 | 169 |
| 0701015 62, 71, 157, 161 | | 0920117 | 15 | 1001094889..... | 49 | 1001107300 | 169 |
| 0701016 | 165 | 0920119 | 15 | 1001095347..... | 69 | 1001107419 | 169 |
| 0701022 | 79 | 0920119 | 15 | 1001095348..... | 68 | 1001107527 | 195 |
| 0701414 | 61 | 0940038 | 211 | 1001095354...70, 97, 103 | | 1001107530 | 121 |
| 0711025 | 70, 73 | 0940049 | 140, 146 | 1001095363..... | 96 | 1001107677 | 200 |
| 0721003 | 197 | 0940070 ... | 61, 71, 80, 89, 98, 104 | 1001095364..... | 97 | 1001107753 | 196, 200, 272, 286 |
| 0721005 ... | 137, 142, 148 | 0940071 ... | 135, 137, 140, 142, 148 | 1001095809..... | 298, 302, 303 | 1001107754 | 274, 287 |
| 0721006 ... | 79, 136, 140, 153, 157 | 0940088 | 140 | 1001096141..... | 298, 302, 303 | 1001107755 | 274, 288 |
| 0721008 ... | 136, 141, 142 | 0940177 | 213 | 1001096458..... | 124, 275 | 1001107763 | 272, 287 |
| 0721014 | 79 | 0961893 | 221, 223 | 1001096736..... | 183 | 1001107926 | 201 |
| 0731005 | 211, 213 | 0961894 ... | 233, 235, 237, 239 | 1001097051..... | 273, 287 | 1001107927 | 201 |
| 0741606 | 131, 161 | 0961897 | 245, 247 | 1001097082..... | 273, 287 | 1001108256 | 213 |
| 0741607 | 169 | 0961901 | 217, 225 | 1001097164..... | 123 | 1001108495 | 302 |
| 0741609 | 13 | 0961903 | 229 | 1001097243...12, 13, 243 | | 1001108763 | 200 |
| 0741808 | 161 | 0961947 | 169 | 1001097964..... | 141 | 1001108764 | 201 |
| 0760606 | 87 | 0961951 ... | 173, 233, 235, 237, 239 | 1001097965..... | 141 | 1001108851 | 191, 199 |
| 0771414 | 71 | 0961977 | 241 | 1001098234..... | 282, 293 | 1001108852 | 191, 200 |
| 0791608 | 70 | 0961986 ... | 62, 71, 81, 88, 98, 104 | 1001098234..... | 282, 293 | 1001108855 | 266 |
| 0801136 | 169, 173 | 0962051 | 151 | 1001098349..... | 282, 293 | 1001108923 | 303 |
| 0801140 | 173 | 0962102 | 11, 171, 173, 217, 219, 225, 227, 229, 231 | 1001098506..... | 68 | 1001109263 | 316 |
| 0801191 | 173 | 0962122 | 171 | 1001098507..... | 69 | 1001109690 | 264 |
| 0801311 | 171 | 0962152 | 12 | 1001098508..... | 70 | 1001110032 | 256 |
| | | | | 1001098916..... | 73 | 1001110033 | 256 |
| | | | | 1001099051..... | 71 | 1001110133 | 317 |
| | | | | 1001099121..... | 141 | 1001110166 | 146 |
| | | | | 1001099137..... | 139 | 1001110199 | 127 |
| | | | | 1001099138..... | 139, 140 | 1001110218 | 127 |
| | | | | 1001099139..... | 141 | 1001110219 | 127 |

SECTION 10 - SPECIAL OPTIONS

| | | | |
|---------------------------------|---------------------------------|---------------------------------------|---|
| 1001110220.....127 | 1001117294.....317 | 1001143190.....36 | 1282571.....268 |
| 1001110221.....128, 288, 289 | 1001117307.....147 | 1001143192.....264 | 1282665.....266 |
| 1001110222.....128, 288, 289 | 1001117320.....187, 192 | 1001143256.....318 | 1283309.....266 |
| 1001110223.....128, 268 | 1001117441.....147 | 1001143669.....318 | 1320012...80, 88, 98, 104 |
| 1001110224.....128, 268 | 1001117503.....146 | 1001143852.....310 | 1320016....61, 71, 81, 88, 98, 104 |
| 1001110225.....128, 288 | 1001117523.....147 | 1001148652.....173 | 1320019.....79 |
| 1001110321.....289 | 1001117525.....147 | 1001148902.....316 | 1320022....61, 68, 72, 79, 80, 86, 88, 96, 98, 102, 104 |
| 1001110322.....289 | 1001117568.....147 | 1001148903.....316 | 1320032.....81 |
| 1001110873.....281, 292 | 1001117598.....147 | 1001148904.....316 | 1320033.....88 |
| 1001110996.....317 | 1001118053.....148, 316 | 1001148905.....316 | 1320043.....211 |
| 1001111128.....274, 287, 288 | 1001118055.....146 | 1001148906.....316 | 1320060.....80 |
| 1001111136.....274, 288 | 1001118056.....146 | 1001148971.....317 | 1320127.....63, 69, 71 |
| 1001112551.....310 | 1001118133.....115 | 1001149391.....247 | 1320218.....92 |
| 1001112588.....268, 293 | 1001118236.....147 | 1001149560.....318 | 1320220.....91 |
| 1001112589.....293 | 1001118263.....147 | 1001149918.....127 | 1320222.....62, 87 |
| 1001112612.....289 | 1001118264.....147 | 1001153282.....73 | 1320223....62, 71, 81, 89, 98, 104, 115 |
| 1001112651.....12 | 1001118344.....147 | 1001153622 70, 103, 111 | 1320250.....171 |
| 1001112652.....272, 287 | 1001118345.....147 | 1001156351.....292 | 1320251.....171 |
| 1001112743.....268, 292 | 1001118416199, 207, 208 | 1001156352.....292 | 1320256.....272, 287 |
| 1001112990.....318 | 1001118417199, 203 | 1001156823.....102 | 1320263.....174 |
| 1001112991.....318 | 1001118716.....147 | 1001156824.....102 | 1320288.....174 |
| 1001112992.....318 | 1001118963.....318 | 1001156825.....102 | 1320289.....174 |
| 1001113047.....146 | 1001118964.....318 | 1001160272.....317 | 1320323.....96, 102 |
| 1001113961.....207, 208 | 1001119935.....147 | 1001160273.....317 | 1321138.....88 |
| 1001114033.....317 | 1001119939.....318 | 1001161901115, 116 | 1321384....141, 142, 146 |
| 1001114056.....317 | 1001119947.....318 | 100116254669, 318 | 1340060....61, 71, 80, 88, 98, 104 |
| 1001114115.....317 | 1001120508147, 148 | 1001166807.....31 | 1340061.....316 |
| 1001114464.....309 | 1001120962.....147 | 1001188841173, 245 | 1380147.....151 |
| 1001114595.....103 | 1001121122.....147 | 1001210025.....318 | 1580011...80, 89, 98, 104 |
| 1001114632.....103 | 1001121123.....147 | 1001210026.....318 | 1580012.....188, 192 |
| 1001114635.....103 | 1001121314.....148 | 1001212415.....312 | 1600244....283, 294, 318 |
| 1001114636.....102, 148 | 1001121801.....302 | 1001228009170, 231 | 1600313.....195 |
| 1001115320.....191 | 1001121803.....302 | 1001228010169, 227 | 1600314.....79 |
| 1001115321191, 199, 286 | 1001121814.....302 | 1001228030170, 239 | 1600317....195, 199, 203 |
| 1001115344.....268 | 1001121816.....302 | 1001228041169, 219 | 1600318....195, 199, 207 |
| 1001115405.....153 | 1001121891.....103 | 1001228050170, 235 | 1600327.....123 |
| 10011156819.....103 | 1001123000.....103 | 1001228087173, 247 | 1600363.....82 |
| 1001116287.....68, 290 | 1001125415.....317 | 1001239618.....317 | 1600364.....123 |
| 1001116288.....68, 290 | 1001125417.....317 | 1001241271.....319 | 1600374.....89, 314 |
| 1001116290.....147, 148 | 1001127087.....318 | 1001241272.....319 | 1600375.....195, 199 |
| 1001116292.....147, 148 | 1001127094.....316 | 1001241334.....316 | 1600411.....123 |
| 1001116342.....115 | 1001128057.....317 | 1001241409.....317 | 1641808.....81 |
| 1001116456.....146 | 1001129555204, 312 | 1001248012169, 223 | 1660223.....119 |
| 1001116457.....146 | 1001131168.....200 | 1060279 ...298, 303, 306, 310 | 1660223RR119 |
| 1001116544.....104 | 1001131269.....302 | 1060341 ...211, 213, 282, 293 | 1660234.....64, 73 |
| 1001116545.....105 | 1001131992.....268 | 1060494282, 293 | 1660250.....82, 89 |
| 1001116562.....316 | 1001134103.....318 | 1060633283, 294 | 1670769.....169 |
| 1001116566.....316 | 1001137005.....319 | 1060637 ...62, 68, 81, 86, 97, 103 | 1670776.....15 |
| 1001116618.....146 | 1001137261.....11, 12 | 1060708293 | 1670785.....211 |
| 1001117040.....141 | 1001137460.....36, 46 | 1060896273, 287 | 1670786.....211 |
| 1001117045.....139, 141 | 1001137672.....318 | 1060903213 | 1670804.....211 |
| 1001117139.....141 | 1001137737.....71, 73 | 106090472, 279, 291 | 1670829....124, 127, 195, 199 |
| 1001117140.....142 | 1001137738.....70 | 1060918 ...188, 192, 195, 272, 286 | 1670836.....173 |
| 1001117172.....192 | 1001137899.....70 | 1060919187, 191 | 1670842....135, 139, 146 |
| 1001117174.....192 | 1001137895.....223 | 1060978273, 287 | 1670844.....169 |
| 1001117209.....146 | 1001138796235, 239 | 1120484116 | 1670850.....169 |
| 1001117219.....146 | 1001139151.....318 | 1120487116 | 1671037.....195, 199 |
| 1001117234.....147 | 1001139944.....318 | 1120510169 | 1671041.....211 |
| 1001117236.....147 | 1001139952.....317 | 1120601140 | 1671042.....211 |
| 1001117249.....147 | 1001142504.....318 | 1180349173 | 1671092.....292 |
| 1001117251.....318 | 1001142505.....318 | 126001731, 49 | |
| 1001117258.....318 | 1001142522111, 112 | 126013531 | |
| | 1001143189263, 266 | 1260136211 | |

SECTION 10 - SPECIAL OPTIONS

| | | | | | | | |
|------------------------------------|--------------------------------|---------------|-------------------------|---------------|-------------------------|---------------|-------------------------|
| 1671093 | 292 | 1702268 | 306 | 1704271 | 302 | 2000296 | 87 |
| 1671228 | 139, 142 | 1702269 | 306 | 1704277 | 297, 301, 305, 309 | 2000322 | 87 |
| 1671230 | 141 | 1702270 | 306 | 1704412 | 301, 309 | 2000339 | 71, 73 |
| 1671231 | 142 | 1702300 | 297, 305 | 1704578 | 31 | 2000342 | 70 |
| 1671232 | 142 | 1702564 | 195 | 1704578 | 31 | 2000354 | 98 |
| 1671233 | 139 | 1702565 | 195, 199 | 1704833 | 123 | 2000375 | 98 |
| 1671249 | 139, 140 | 1702566 | 195, 199 | 1704885 | 298, 302, 306, 309 | 2000378 | 97 |
| 1671332 | 139, 141 | 1702567 | 195, 199 | 1704997 | 195 | 2060025 ... | 61, 71, 80, 88, 98, 104 |
| 1683053 | 221 | 1702676 | 197, 200 | 1705006 | 298, 303, 306, 310 | 2080040 | 146, 187 |
| 1683055 | 233, 237 | 1702688 | 297, 302 | 1705007 | 301, 305, 309 | 2080044 | 170 |
| 1683071 | 217, 225 | 1702773 ... | 297, 302, 305, 309 | 1705012 | 298, 303, 306, 310 | 2110606 | 256 |
| 1683537 | 170, 229 | 1702774 ... | 297, 302, 305, 309 | 1705014 | 191, 298, 303, 306, 310 | 2110808 | 256 |
| 1683539 | 229 | 1702784 | 297 | 1705084 | 309 | 2111616 | 256 |
| 1683544 | 217 | 1702788 ... | 302, 309, 316 | 1705090 | 31, 302, 309 | 2120150 | 35 |
| 1683546 | 169, 217 | 1702860 | 297, 305 | 1705132 | 125, 195, 199 | 2120163 | 35 |
| 1683547 | 169, 225 | 1702861 | 302, 309 | 1705170 | 132, 196, 200 | 2120167 | 35 |
| 1683549 | 225 | 1702862 | 305 | 1705325 | 305 | 2120168 | 35, 312 |
| 1683609 | 169, 221 | 1702866 | 297, 301 | 1705336 | 301 | 2120209 | 35 |
| 1683663 | 245 | 1702938 ... | 196, 200, 211, 213 | 1705347 | 301 | 2120210 | 35, 312 |
| 1683672 | 173, 245 | 1702961 | 302, 316 | 1705351 | 303 | 2130406 | 256 |
| 1683673 | 245 | 1702962 | 302, 316 | 1705429 | 303 | 2130414 | 256 |
| 1683675 | 245 | 1703162 ... | 61, 71, 80, 88, 98, 104 | 1705514 | 298, 301 | 2130604 | 256 |
| 1683682 | 170, 233 | 1703175 | 302, 316 | 1705566 | 124, 127 | 2130606 | 257 |
| 1683740 | 12, 13, 241 | 1703468 | 124 | 1705753 | 123 | 2130808 | 256 |
| 1683818 | 229 | 1703477 | 298, 301 | 1705822 | 309 | 2131616 | 256 |
| 1683819 | 217 | 1703479 | 316 | 1705828 | 309 | 2150406 | 256 |
| 1683821 | 225 | 1703518 | 305 | 1705921 | 309 | 2150506 | 257 |
| 1683823 | 229 | 1703797 | 297, 301 | 1705961 | 309 | 2150606 | 257 |
| 1684089 | 221 | 1703798 | 297 | 1705977 | 302, 306, 309, 310 | 2150808 | 256 |
| 1684090 | 221 | 1703799 | 305 | 1705978 | 309 | 2150812 | 256 |
| 1684125 | 233 | 1703800 | 305 | 1705980 | 309 | 2151616 | 256 |
| 1684126 | 233 | 1703804 | 297, 301 | 1706098 | 69 | 2160003 | 49 |
| 1684228 | 169, 237 | 1703805 | 297, 301 | 1706385 | 191 | 2170350 | 256 |
| 1684230 | 237 | 1703806 | 305 | 1706712 | 123, 127 | 2170408 | 256 |
| 1684232 | 237 | 1703807 | 305 | 1706913 | 124 | 2170504 | 256 |
| 1684497 | 169, 217 | 1703808 | 297 | 1706957 | 31 | 2170704 | 257 |
| 1693292 | 306 | 1703811 | 301, 309 | 1706960 | 31 | 2170804 | 257 |
| 1693294 | 306 | 1703814 | 301, 309 | 1707013 | 302 | 2180125 | 91 |
| 1700584 ... | 297, 302, 305, 309 | 1703913 | 305 | 1707047 | 302 | 2180344 | 49 |
| 1700818 | 91, 298, 302, 309 | 1703914 | 305 | 1707055 | 302 | 2180348 | 68 |
| 1701499 | 301, 309 | 1703915 | 305 | 1707110 | 298, 302, 303 | 2180387 | 92 |
| 1701500 | 297, 305 | 1703916 | 305 | 1707111 | 197, 298, 303, 306, 310 | 2180388 | 92 |
| 1701501 ... | 297, 301, 305, 309 | 1703917 | 305 | 1707113 | 306, 310 | 2180389 | 92 |
| 1701502 ... | 297, 301, 305, 309 | 1703918 | 305 | 1810086 | 123 | 2180418 ... | 91, 92, 96, 102 |
| 1701503 ... | 297, 301, 305, 309 | 1703919 | 305 | 1810087 | 123 | 2180467 | 80, 88 |
| 1701504 | 297, 305 | 1703920 | 305 | 1810126 | 123 | 2180536 | 61 |
| 1701505 62, 68, 298, 302, 306, 309 | | 1703924 | 297, 301 | 1870163 | 268 | 2180615 | 225, 227 |
| 1701509 ... | 297, 301, 305, 309 | 1703936 | 297, 301 | 1870199 | 268 | 2180798 ... | 61, 72, 81, 88 |
| 1701518 | 305, 309 | 1703942 | 298, 301 | 1870220 | 268 | 2180877 | 99, 105 |
| 1701542 | 81, 86, 96, 102, 298, 302, 309 | 1703948 | 297, 301 | 2000174 | 79, 81, 91 | 2200222 | 52, 115 |
| 1701543 91, 96, 102, 298, 302, 309 | | 1703953 | 297, 301 | 2000189 | 61, 63 | 2200233 | 115 |
| 1701600 | 306 | 1703959 ... | 297, 302, 305, 309 | 2000193 | 79, 81, 91 | 2220005 | 91, 96, 102 |
| 1701645 | 297, 301 | 1703960 | 306, 309 | 2000211 | 87 | 2220063 | 49 |
| 1701791 | 306 | 1703984 | 298, 301 | 2000216 | 71, 73 | 2220064 | 91 |
| 1702153 | 297, 301 | 1703990 | 298 | 2000219 | 70 | 2220221 ... | 109, 111, 257 |
| 1702265 | 298, 306 | 1703992 | 305 | 2000225 | 69 | 2220235 | 252 |
| 1702266 | 306 | 1703996 | 297, 302 | 2000261 | 87 | 2220237 | 252, 256 |
| 1702267 | 306 | 1704000 | 297, 301 | 2000272 | 88, 89 | 2220238 | 259, 263 |
| | | 1704006 | 297, 301 | 2000274 | 71, 73 | 2220242 | 252 |
| | | 1704112 | 297, 302 | 2000279 | 70 | 2220250 | 62, 81 |
| | | 1704260 | 195, 199 | 2000284 | 69 | 2220261 | 91 |
| | | | | | | 2220273 | 61 |
| | | | | | | 2220313 ... | 61, 68, 86, 96 |
| | | | | | | 2220362 | 252 |
| | | | | | | 2220365 | 252 |
| | | | | | | 2220366 | 252 |

SECTION 10 - SPECIAL OPTIONS

| | | | |
|--|---|---|---------------------------------|
| 2220371.....253, 259, 263 | 2220810.....252 | 2720434.....62, 71 | 2753125.....260, 264 |
| 2220373.....252, 259, 263 | 2220811 109, 252, 257 | 2720435.....80, 88 | 2753126.....260, 264 |
| 2220374...70, 87, 97, 108, 111, 252 | 2220833.....253 | 2720436.....81, 88 | 2753128.....260, 264 |
| 2220375.....252, 256 | 2220852.....259, 263 | 2720449.....62, 71 | 2753156.....252 |
| 2220376.....259, 263 | 2220873 ... 259, 260, 263, 264 | 2720472.....80, 86 | 2753157.....253 |
| 2220377.....252, 256 | 2220883.....27, 217, 219, 221, 223, 225, 227, 229, 231, 237, 239, 247 | 2720514.....88, 98 | 2753158.....253 |
| 2220379.....259, 263 | 2220885 ... 221, 223, 235, 237, 239, 245, 247 | 2720532.....86 | 2753159.....253 |
| 2220380.....252, 256 | 2220886.....27, 247 | 2720563.....98, 104 | 2753160.....252 |
| 2220385.....257, 259, 263 | 2220888.....27, 217, 219, 225, 227, 229, 231 | 2720564.....98, 104 | 2753190.....260, 264 |
| 2220386.....256 | 2220893.....35 | 2720566.....96, 102 | 2753196.....259, 263 |
| 2220415...70, 87, 97, 103, 252, 259, 263 | 2220923.....264 | 2720567.....96, 102 | 2753197.....259, 263 |
| 2220428.....259, 263 | 2220940.....257 | 2720580.....96, 102 | 2753216.....259, 263 |
| 2220429.....259, 263 | 2220947.....259, 263 | 2750532 ... 62, 68, 79, 80, 88, 96, 98 | 2753231.....259, 263 |
| 2220430.....81 | 2220999 ... 252, 259, 263 | 2751014.....252 | 2753417.....253 |
| 2220451 61, 71, 108, 111, 252, 259, 263 | 2221024.....92 | 2751017.....253 | 2753540.....256 |
| 2220459.....62 | 2221029.....252 | 2751021.....252 | 2753622.....256 |
| 2220466...252, 257, 259, 263 | 2221030.....252 | 2751032.....49 | 2753625.....257 |
| 2220468.....256 | 2221176 ...68, 86, 96, 102 | 2751095.....49 | 2753626.....256, 257 |
| 2220473...253, 257, 259, 263 | 2221197.....91 | 2751397.....253 | 2753627.....257 |
| 2220478.....259, 263 | 2221270.....115 | 2751399.....253, 256 | 2753628.....256 |
| 2220479.....108, 252 | 2300004.....87, 97 | 2751500.....253, 256 | 2753634.....256 |
| 2220490.....253, 259, 263 | 2300014.....317 | 2751906.....253 | 2753636.....260, 264 |
| 2220497.....260, 264 | 2300016.....317 | 2752363.....253 | 2753637.....260, 264 |
| 2220499.....252 | 2300021.....317 | 2752365.....253 | 2753638.....260, 264 |
| 2220500.....252, 259, 263 | 2300027.....317 | 2752366.....253 | 2753639.....259, 263 |
| 2220501...253, 257, 260, 264 | 2360570.....13 | 2752433.....253 | 2753640.....260, 264 |
| 2220502...252, 259, 263 | 2360686.....13 | 2752434.....256 | 2753641.....259, 263 |
| 2220504.....252 | 2400060.....277, 289 | 2752438.....259, 263 | 2753642.....260, 264 |
| 2220507.....253 | 2400061.....277 | 2752453.....256, 259 | 2753643.....260, 264 |
| 2220517.....252 | 2400065 ... 274, 289, 312 | 2752459.....252 | 2753644.....259, 263 |
| 2220574.....259, 263 | 2400066 ... 274, 282, 289 | 2752462 ... 253, 260, 264 | 2753645.....260, 264 |
| 2220577.....260, 263 | 2400068.....293 | 2752463.....260, 263 | 2753970.....256 |
| 2220582...108, 109, 111, 252, 256, 259, 263 | 2400070 ... 282, 293, 314 | 2752466.....253, 257 | 2754040.....256 |
| 2220591...257, 260, 264 | 2410014.....191 | 2752480.....253 | 2754243.....257 |
| 2220593.....259, 263 | 2420172.....124, 127 | 2752489.....253, 257 | 2754509.....256 |
| 2220596...252, 256, 259, 263 | 2420187.....82, 89 | 2752494.....253, 256 | 2754510.....256 |
| 2220600.....252 | 2420203 ... 153, 157, 161, 165 | 2752495.....252 | 2754511.....256 |
| 2220602...252, 256, 259, 263 | 2460032.....153, 157 | 2752498.....253 | 2754512.....256 |
| 2220603.....264 | 2460044.....157 | 2752514.....253 | 2760105...124, 127, 195, 199 |
| 2220605...252, 259, 263 | 2460051.....161, 165 | 2752516.....253 | 2780227.....21 |
| 2220606.....264 | 2460055.....153 | 2752573 ... 253, 260, 264 | 2780228.....15, 17 |
| 2220609...252, 260, 263 | 2560136.....195, 199 | 2752580.....252 | 2780272.....15, 21 |
| 2220618...252, 256, 259, 263 | 2560187.....147 | 2752591.....253 | 2792364.....252, 266 |
| 2220619.....259, 263 | 2600209.....136, 141 | 2752592.....253 | 2792528.....259, 266 |
| 2220622.....257 | 2600233.....136, 142 | 2752670.....253 | 2792535.....266 |
| 2220628.....252 | 2600244 ... 135, 137, 139, 142, 148 | 2752673.....256 | 2792571.....266 |
| 2220635.....259 | 2600280.....146 | 2752674.....259, 263 | 2792589.....266 |
| 2220646...109, 112, 252 | 2680436.....136 | 2752721.....259, 263 | 2792710.....256, 266 |
| 2220655.....264 | 2680437.....136 | 2752754.....253, 256 | 2820031...154, 158, 161, 165 |
| 2220711.....252 | 2680448.....135, 136 | 2752767.....260, 264 | 2820035...131, 187, 191 |
| 2220737.....259, 263 | 2680450.....135 | 2752768.....260, 263 | 2820078...137, 142, 148 |
| 2220738.....256 | 2680451.....135, 136 | 2752930.....260, 264 | 2820079.....137 |
| 2220765.....259, 263 | 2680515.....137, 142 | 2752934.....257 | 2820080.....137, 141 |
| 2220775.....259 | 2720058 ... 62, 68, 81, 86, 96, 98, 104 | 2752942.....253 | 2820081.....137 |
| 2220794.....62 | 2720144.....91 | 2752949.....253 | 2820153.....142 |
| 2220800.....112, 252 | 2720271.....62, 99, 105 | 2752997.....256 | 2820172.....88 |
| 2220805.....80 | 2720341.....82 | 2753006.....260, 264 | 2820173.....88 |
| | 2720392.....91, 96, 102 | 2753010.....259, 263 | 2820176.....142 |
| | 2720398.....61, 71 | 2753035.....253 | 2820180.....98 |
| | | 2753087.....253 | 2820233.....141 |
| | | 2753090.....252 | 2820234.....141 |
| | | 2753117.....253 | 2820235.....141 |
| | | 2753118.....259, 263 | 2840016.....151 |
| | | 2753122.....260 | 2860012.....153, 157 |
| | | 2753124.....260, 264 | |

SECTION 10 - SPECIAL OPTIONS

| | | | |
|--|--|--|--|
| 2860030 124, 127, 312 | 3220113 83 | 3340764 174 | 3520028 ... 124, 127, 153, 157, 195 |
| 2890203 319 | 3220114 83 | 3340835 170 | 3520030 146 |
| 2900708 35, 39, 40 | 3220134 89 | 3340838 245, 247 | 3520033 136 |
| 2900756 29 | 3250872 31, 302, 309 | 3340840 174 | 3520035 125, 128, 183 |
| 2900770 177 | 3251102 ... 154, 158, 165, 188, 192 | 3340871 173 | 3520054 73, 195, 199 |
| 2900788 25 | 3251243 ... 153, 157, 161, 165, 297, 301 | 3340877 147, 148 | 3520072 187, 191 |
| 2900792 ... 217, 219, 221, 223, 225, 227, 229, 231, 237, 239 | 3251813 297, 301 | 3340881 173 | 3530072 211 |
| 2900838 319 | 3252347 ... 298, 301, 305 | 3340941 174 | 3536089 187, 191 |
| 2901207 36 | 3252507 305 | 3340966 13 | 3537416 61, 72 |
| 2901301 233, 237 | 3252764 161 | 3380429 ... 62, 69, 81, 86, 96 | 3537420 61 |
| 2901303 221 | 3271805 121, 187, 191 | 3380434 188, 192 | 3537445 151 |
| 2901514 225, 227 | 3272605 177 | 3380442 135, 139 | 3537446 151 |
| 2901526 217, 219 | 3290405 96, 102 | 3380443 135 | 3538047 11 |
| 2901537 229, 231 | 3290505 96, 102 | 3380444 135, 139 | 3538758 174 |
| 2901608 81, 86, 278 | 3290601 147 | 3420156 196 | 3539219 124, 127 |
| 2901609 62, 278 | 3300007 15 | 3420292 31 | 3539281 131 |
| 2901712 245 | 3300205 124, 127 | 3420372 31 | 3539662 31 |
| 2902065 73 | 3300243 171 | 3420447 31 | 3539719 211 |
| 2902303 316 | 3300353 195, 199 | 3420447 31 | 3539872 ... 61, 72, 79, 88, 99, 104 |
| 2902307 316 | 3300364 146 | 3421565 49 | 3539877 11 |
| 2902329 316 | 3300393 187 | 3422446 ... 61, 69, 80, 86, 96, 102 | 3539878 11 |
| 2902353 309 | 3300408 124, 127 | 3422457 173 | 3539934 135 |
| 2902358 301, 316 | 3310601 151 | 3422530 151 | 3539955 137, 142, 148 |
| 2902401 68, 278, 290 | 3310605 183 | 3422532 ... 62, 70, 81, 87, 97, 103 | 3539957 ... 63, 69, 80, 86, 96, 103 |
| 2902443 274, 290 | 3310805 92, 183 | 3422561 170 | 3539971 61, 72 |
| 2902445 86, 278 | 3311001 ... 136, 140, 197 | 3422563 170 | 3539972 79 |
| 2902533 97, 103, 278, 290 | 3311005 79, 131, 136, 137, 141, 142, 153, 157, 161, 165 | 3422583 170 | 3539979 135 |
| 2910466 317 | 3311401 31, 124, 213 | 3422587 13 | 3570103 80 |
| 2910467 317 | 3311405 ... 36, 61, 70, 71, 80, 86, 87, 88, 96, 97, 99, 102, 103, 104, 125, 136, 140, 146, 148, 161, 165, 183, 187, 188, 191, 192, 211, 298, 303, 306, 310 | 3422681 170 | 3570133 80 |
| 2910925 317 | 3311501 ... 140, 146, 211, 213 | 3422683 170 | 3570686 29 |
| 2910948 317 | 3311505 ... 29, 62, 69, 72, 80, 83, 86, 89, 96, 97, 103, 115, 136, 137, 140, 143, 147, 148, 165, 187 | 3422684 170 | 3570690 29 |
| 2915094 49 | 3311600 136 | 3422685 170 | 3570775 245, 247 |
| 2915195 83 | 3311601 ... 115, 136, 137, 140, 142, 146, 148, 183, 196, 200 | 3422686 170 | 3570979 35 |
| 2915196 83 | 3311605 ... 61, 69, 70, 72, 80, 86, 88, 96, 97, 99, 102, 104, 132, 136, 137, 140, 141, 142, 146, 148, 151, 153, 157, 170, 171, 174, 188, 191, 192, 211 | 3422687 170 | 3571498 79 |
| 2920028 ... 196, 200, 211, 213 | 3311705 153, 158 | 3422688 170 | 3571712 139 |
| 2920029 ... 196, 200, 211, 213 | 3311801 ... 15, 62, 69, 81, 86 | 3422689 170 | 3572280 88, 99, 104 |
| 2920110 131 | 3311805 ... 61, 72, 80, 88, 97, 99, 103, 104, 119, 136, 140, 146, 151, 171 | 3422690 173 | 3572414 81, 86 |
| 2920113 131 | 3312001 31 | 3422701 12, 13 | 3572423 115 |
| 2920129 ... 272, 274, 279, 286, 289 | 3312002 49 | 3422702 12, 13 | 3573001 13 |
| 2920140 ... 187, 191, 282, 293 | 3321501 140 | 3422703 11 | 3574122 80 |
| 2920162 153, 157 | 3322201 121 | 3422729 170 | 3574156 137, 142, 148 |
| 2920215 131 | | 3422753 12 | 3574157 137, 142, 148 |
| 2940045 146 | | 3422754 12, 13 | 3574162 81, 88 |
| 2940080 ... 137, 142, 148 | | 3422813 13 | 3574222 81 |
| 2940088 ... 136, 141, 142 | | 3422848 13 | 3574225 161 |
| 2940173 146 | | 3422860 170 | 3574504 88 |
| 2940188 140 | | 3422861 170 | 3574978 72 |
| 3010088 211 | | 3422867 170 | 3575359 213 |
| 3020021 64, 73 | | 3422972 12, 13 | 3575718 29 |
| 3020029 13 | | 3430816 151 | 3576755 96, 115 |
| 3124114 83 | | 3450404 151 | 3580158 153 |
| 3160204 15, 25 | | 3460398 88 | 3580250 157 |
| 3160286 49, 52 | | 3460399 135 | 3580276 153, 157 |
| 3160294 49, 52 | | 3460552 141 | 3580307 157 |
| 3160348 15, 27 | | 3470003 196, 200 | 3580312 161, 165 |
| 3200362 ... 62, 71, 80, 88, 99, 104 | | 3480188 233, 237 | 3580313 161 |
| 3200406 61, 71 | | 3480210 221 | 3580324 161, 165 |
| 3220103 63, 71 | | 3480234 245 | 3580348 165 |
| 3220104 63, 71 | | 3480236 229 | 3600278 ... 61, 70, 79, 87, 97 |
| | | 3480237 217 | 3600287 36, 45 |
| | | 3480238 225 | 3600295 ... 61, 79, 107, 109 |
| | | 3510784 187 | 3600377 81, 89 |
| | | 3510884 191 | |

SECTION 10 - SPECIAL OPTIONS

| | | | |
|---|---|--|--|
| 3600400..70, 87, 97, 103, 108 | 3932240 ... 217, 219, 225, 227, 229, 231 | 4160143 135, 140 | 4460190.... 153, 157, 161, 165 |
| 3600401.....70, 87, 97 | 3952020 49 | 4160194 146 | 4460205....281, 282, 292, 293 |
| 3600458.....36, 45 | 3960389 ... 61, 70, 80, 87, 98, 103, 136, 140, 146 | 4220162 131 | 4460224.....279, 286 |
| 3620033.....61, 72 | 3960407 62, 72 | 4240018 146, 161, 165 | 4460225.....272, 286 |
| 3620040...79, 88, 99, 104 | 3960438 137, 142 | 4240032 131 | 4460226.... 196, 272, 274, 276, 279, 282, 283, |
| 3641569.....213 | 3960453 135, 139 | 4240099 ... 187, 191, 213 | 286, 289, 290, 293, 294 |
| 3730120.....278 | 3960461 131 | 4240112 115 | 4460227....272, 275, 276, 279, 286, 287, 288, 289, 291 |
| 3730121.....278 | 3960462 ... 136, 137, 141, 142, 146 | 4240113 115 | 4460233.... 281, 282, 292, 293 |
| 3740049.... 124, 127, 268, 274, 282, 293, 312 | 3960464 ... 136, 137, 141, 142 | 4280295 115 | 4460234.... 131, 132, 196, 200, 213 |
| 3740067....61, 72, 80, 88, 99, 104, 312 | 3960468 ... 62, 72, 81, 89, 99, 104 | 4300097 15 | 4460267....275, 280, 281, 288, 292 |
| 3740080.....73, 153, 158, 161, 165, 314 | 3960469 ... 62, 72, 81, 89, 99, 104 | 4340738 162 | 4460268.... 131, 275, 276, 280, 281, 288, 289, 290, 291 |
| 3760133.....173 | 3960470 136, 140 | 4341239 99, 104 | 4460320....275, 281, 288, 291, 292 |
| 3760170.....31, 49 | 3960591 88 | 4360031 187, 192 | 4460321....282, 283, 293, 294 |
| 3760368.....221 | 3990010 ... 275, 281, 288, 312 | 4360057 211, 213 | 4460326....275, 280, 288, 292 |
| 3760369.....233, 237 | 4060092 281, 292 | 4360188 91 | 4460346.....281, 292 |
| 3760374.....217, 225 | 4060700 281, 292 | 4360232 196, 282 | 4460374.....278, 290, 293 |
| 379001291, 97, 102, 132, 195, 196, 197, 200 | 4060802 ... 154, 158, 161, 165, 188, 192 | 4360294 154, 158 | 4460375.....278, 290 |
| 3790044....62, 70, 79, 87, 98, 103 | 4060803 143 | 4360322 183 | 4460418....272, 275, 286, 288 |
| 3790110.....178 | 4060804 62, 81 | 4360328 ... 124, 127, 195, 197, 199, 200, 312 | 4460419....272, 275, 286, 288 |
| 3820001.....31, 298, 302, 305, 309 | 4060805 ... 62, 72, 89, 99, 104, 174 | 4360330 199, 312 | 4460424.... 131, 274, 275, 276, 281, 288, 289, 291 |
| 3841143.... 12, 13, 61, 69, 80, 86, 97, 102, 170, 173 | 4060906 124, 127 | 4360331 ... 197, 200, 314 | 4460425.... 196, 200, 211, 213, 282, 294 |
| 3841287.....11, 170 | 4060907 131 | 436033691, 97, 102, 132, 154, 158, 162, 165, 188, 192, 196, 200, 314 | 4460426.... 124, 127, 197, 200, 274, 282, 288, 293 |
| 3841340....35, 61, 69, 80, 86, 97, 102, 170, 171 | 4060959 317 | 4360387 ... 195, 196, 199, 200, 211, 213, 312 | 4460428.... 183, 196, 200, 272, 286 |
| 3841356.....170 | 4061010 141 | 4360392 61, 72, 80, 88 | 4460434....272, 275, 287, 288 |
| 3841406.....174 | 4061032 147 | 4360407 ... 195, 199, 312 | 4460445....275, 280, 288, 291 |
| 3900032.... 137, 142, 148 | 4070410 136, 140 | 4360436 115 | 4460457.....277, 290 |
| 3900054.....187, 191 | 4070411 136, 140 | 4360469 ... 124, 127, 312 | 4460458....277, 278, 290, 293 |
| 3900141.....221 | 4070412 136, 140 | 4360470 ... 124, 127, 312 | 4460460.....277, 289 |
| 3900207.....187 | 4070450 31 | 4360475 ... 124, 127, 195, 199, 312 | 4460464.... 196, 272, 273, 274, 275, 279, 280, 286, 287, 288 |
| 3900210.... 136, 140, 146, 147, 148 | 4070560 31 | 4360476 ... 124, 127, 196, 200, 312 | 4460465....273, 276, 279, 287, 289 |
| 3900232.... 136, 140, 141 | 4070561 31 | 4360498 291, 314 | 4460466....273, 274, 287, 288 |
| 3900239.....170 | 4070585 154 | 4360499 291, 314 | 4460467....283, 294, 318 |
| 3900259.....173 | 4070863 173 | 4360517 ... 121, 291, 314 | 4460470.... 124, 127, 196, 200, 272, 274, 286, 288, 289 |
| 3900262.....171 | 4070864 173 | 4360522 ... 132, 196, 200, 314 | 4460471.... 124, 127, 196, 200, 272, 274, 286, 288, 289 |
| 3900268.....124, 127 | 4070878 11 | 4360542 ... 153, 157, 161, 165 | 4460473.....273, 287 |
| 3900272....62, 69, 80, 87, 97 | 4070879 11 | 4360549 183 | 4460488.... 124, 127, 196, 200 |
| 3900283.....174 | 4070897 173 | 4360578 183, 314 | |
| 3900293.....49 | 4070898 173 | 4400275 92 | |
| 3900316.... 137, 142, 146, 148 | 4070944 11 | 4400400 115 | |
| 3900322.....161 | 4070945 11 | 4400410 115, 116 | |
| 3900363.....147, 148 | 4070945 11 | 4400420 92 | |
| 3910608.....151 | 4070969 174 | 4400452 115, 116 | |
| 3910804.....124, 127 | 4070987 124, 127 | 4420038 115 | |
| 3910808.....92 | 4071009 49 | 4420051 31, 306, 309 | |
| 3911040.....131 | 4071052 174 | 4420060 36 | |
| 3930606.....183 | 4071059 13 | 4420068 213 | |
| 3930824.....183 | 4071122 97, 102 | 4460023 153, 157 | |
| 3931048.....41 | 4100058 253 | 4460027 ... 153, 161, 165, 282, 293 | |
| 3931448.....245, 247 | 4100059 253 | 4460042 196, 286 | |
| 3931516.....221 | 4100062 260, 264 | 4460049 ... 211, 213, 294 | |
| 3931620....233, 235, 237, 239 | 4100100 221 | 4460051 281, 292 | |
| 3931664.....245, 247 | 4120035 ... 272, 275, 279, 286, 288 | 4460071 ... 188, 192, 196, 272, 286 | |
| 3932224.....49 | 4130357 12 | 4460125 281, 292 | |
| | 4130358 12 | 4460134 ... 281, 282, 292, 293 | |
| | 4130388 13 | | |
| | 4130389 12, 13 | | |
| | 4130390 12, 13 | | |
| | 4160139 135, 140 | | |

SECTION 10 - SPECIAL OPTIONS

| | | | |
|--|---|---|--|
| 4460496 128 | 4460905 ... 124, 196, 200, 272, 275, 286, 288, 289 | 4640509....217, 219, 221, 223, 225, 227, 229, 231 | 136, 140, 146, 148, 183, 188, 192, 196, 200, 213, 298, 303, 306, 310 |
| 4460497 128 | 4460906 165, 282, 293 | 4640605....217, 219, 229, 231, 237, 239 | 4751500... 69, 79, 88, 97, 102, 136, 137, 140, 142, 143, 146, 148, 153, 157, 166, 187, 211, 213 |
| 4460499 43, 280, 281, 291, 292 | 4460908 276, 280 | 4640751.....61 | 4751600 ... 29, 36, 61, 69, 72, 80, 86, 88, 92, 97, 99, 102, 105, 115, 119, 136, 140, 141, 143, 146, 148, 153, 157, 162, 183, 188, 192, 211 |
| 4460508 ... 272, 273, 275, 286, 287, 288 | 4460909 276, 280 | 4640778.....252 | 4751700 72 |
| 4460509 273, 287 | 4460915 276, 280 | 4640780.....259, 263 | 4751800 ... 62, 69, 80, 87, 97, 98, 99, 103, 105, 115, 119, 121, 146, 162, 187, 191, 211, 213 |
| 4460510 283, 294, 318 | 4460918 273, 291 | 4640866.....35 | 4752000 ... 62, 69, 81, 87, 97, 103 |
| 4460526 ... 124, 127, 274, 288 | 4460928 276, 280 | 4640906.....35 | 4761000 136, 140, 197 |
| 4460536 275, 280, 288 | 4460943 ... 275, 288, 289 | 4640921.....36, 43 | 4761400 124, 128 |
| 4460539 277, 280, 289 | 4460944 ... 276, 277, 280, 289 | 4640922.....36, 43 | 4761500 79, 211 |
| 4460579 277 | 4460945 274, 280 | 4640929.....183 | 4761600 183 |
| 4460580 277 | 4460961 282, 293 | 4640932.....237, 239 | 4762000 31 |
| 4460582 277 | 4460965 276, 280 | 4640952.....99 | 4770600 151 |
| 4460598 ... 187, 191, 197, 282 | 4460968 183 | 4640989.....79, 88 | 4771800 81 |
| 4460608 278, 290 | 4460978 278 | 4641022 116 | 4791400 ... 62, 72, 99, 105 |
| 4460611 62, 81 | 4460979 ... 277, 278, 290 | 4641027 225, 227 | 4811900 166 |
| 4460634 ... 272, 275, 286, 288 | 4461005 277, 290 | 4641033.....245, 247 | 4812000 88, 157 |
| 4460635 272, 286, 288 | 4461006 277, 290 | 4641041.....29 | 4812200 72 |
| 4460693 277, 290 | 4461008 277, 290 | 4641042.....29 | 4821397 211, 213 |
| 4460701 ... 281, 282, 292, 293 | 4461052 277, 290 | 4641061.....35 | 4831900 ... 64, 73, 81, 88, 99, 105 |
| 4460705 282, 293 | 4461053 277, 290 | 4641099.....35, 39 | 4832000 64, 73, 80, 89 |
| 4460708 ... 196, 200, 272, 274, 286, 289 | 4461054 277, 290 | 4641303.....29 | 4843777 31 |
| 4460709 281, 292 | 4461060 277, 290 | 4641317.....36 | 4844790 171 |
| 4460710 281, 292 | 4461070 276, 277, 289 | 4641453.....35, 39 | 4844816 170 |
| 4460713 277 | 4461071 274, 290 | 4711400....36, 62, 69, 72, 81, 88, 97, 99, 102, 105, 125, 162, 165, 183, 187, 191, 211 | 4844817 170 |
| 4460725 277 | 4461072 274, 290 | 4711500....29, 31, 36, 83, 87, 102, 115, 131, 147, 148, 196, 200 | 4844954 187 |
| 4460726 277 | 4461073 274, 290 | 4711600....11, 35, 62, 72, 88, 99, 105, 136, 137, 142, 148, 171, 173, 174 | 4844958 49 |
| 4460728 277 | 4461074 274, 290 | 4711700.....72, 162, 165 | 4845287 187 |
| 4460742 278, 293 | 4461077 ... 273, 274, 291 | 4711800....151, 171, 187, 191 | 4845308 211 |
| 4460743 293 | 4461095 ... 276, 277, 289 | 4711900.....63, 72 | 4845328 187 |
| 4460761 ... 272, 276, 279, 286, 289 | 4461109 278, 290 | 4740036.....31 | 4845395 62, 72 |
| 4460799 277 | 4461111 278, 290 | 4740057.....49 | 4845404 61, 72, 80, 89 |
| 4460800 277 | 4461113 278, 290 | 4740076.....136, 140 | 4845411 135, 141 |
| 4460865 273, 287 | 4461121 277, 290 | 4740111.....12, 13 | 4845593 170 |
| 4460866 ... 272, 273, 275, 286, 287, 288 | 4461122 277, 290 | 4740119.....151 | 4845658 11 |
| 4460871 ... 203, 204, 207, 208, 272, 275, 278, 279, 282, 286, 288, 289, 290 | 4461123 277, 290 | 4740155.....13 | 4845716 170 |
| 4460873 ... 272, 275, 286, 288 | 4461124 277, 290 | 4740171.....136, 140 | 4845729 173 |
| 4460874 ... 124, 272, 274, 286, 289 | 4461157 277, 290 | 4740256.....12, 13 | 4845730 174 |
| 4460875 ... 124, 272, 274, 286, 289 | 4461161 278, 290 | 4740274....63, 72, 80, 88, 99, 105 | 4845928 115 |
| 4460876 275, 288 | 4461222 278, 290 | 4740362....131, 188, 192 | 4846011 79 |
| 4460878 275, 288 | 4520253 15 | 4740397....154, 158, 162, 165, 188, 192 | 4846046 79 |
| 4460879 272, 286 | 4564281 82, 89 | 4740439.....170 | 4846413 11 |
| 4460880 ... 275, 276, 288, 289 | 4564417 157 | 4740444.....124, 128 | 4846414 13 |
| 4460887 ... 272, 275, 286, 289 | 4566468 233, 237 | 4740463.....12, 13 | 4846430 49 |
| 4460889 277 | 4566471 221 | 4740472.....11 | 4846442 187 |
| 4460890 277 | 4566605 79, 88 | 4740473.....12, 13 | 4846443 187 |
| 4460892 ... 274, 276, 279, 289 | 4567073 83 | 4740500.....141 | 4846450 187 |
| 4460894 ... 274, 276, 279, 288, 289 | 4567139 259, 263 | 4740508.....103 | 4846507 31 |
| 4460899 274, 288 | 4567627 ... 137, 142, 148 | 4750800.....92 | 4846508 31 |
| | 4567757 260, 264 | 4751000....79, 131, 136, 137, 140, 141, 142, 148, 154, 158, 162, 166, 211 | 4846566 61, 72 |
| | 4567815 63, 72 | 4751400....31, 61, 70, 72, 80, 86, 87, 88, 98, 99, 103, 105, 124, 128, | 4846573 171 |
| | 4567879 80, 88 | | |
| | 4568119 115, 116 | | |
| | 4568158 81 | | |
| | 4568734 162 | | |
| | 4568735 162, 165 | | |
| | 4568951 88 | | |
| | 4569083 88 | | |
| | 4569171 72 | | |
| | 4569173 88 | | |
| | 4569342 99 | | |
| | 4569384 99 | | |
| | 4569385 97, 102 | | |
| | 4620119 49 | | |
| | 4620135 49 | | |
| | 4640261 31 | | |

SECTION 10 - SPECIAL OPTIONS

| | | | |
|---|-----------------------------------|-------------------------|-----------------------|
| 4846806.....79, 89 | 4933339 ... 125, 268, 274, 276 | 70001870 75 | 70002730.....203 |
| 4846935.....13 | 4933350 ... 268, 281, 293 | 70001872 291 | 70002731.....203 |
| 4860225.....15 | 4933359 ... 125, 268, 274, 276 | 70001874 74 | 70002732.....203 |
| 4891500.....35, 162 | 4933370 ... 125, 268, 274, 276 | 70001931 280, 291 | 70002733.....203 |
| 4891600..70, 73, 87, 121, 151, 162, 166, 171 | 4933385 ... 125, 268, 274, 276 | 70001941 131 | 70002734.....203 |
| 4891800....15, 61, 70, 79, 98, 103, 151, 171 | 70000017 319 | 70001950 280, 291 | 70002735.....204 |
| 4892000.....15, 49, 162 | 700001126 76 | 70001951 280, 291 | 7000274.....17, 21 |
| 4892600.....131, 171 | 70000164 98, 104 | 70001976 40, 43 | 70002744.....243 |
| 4920385.....88, 99, 105 | 70000264 75 | 70002013 173, 314 | 70002745.....243 |
| 4921829.....282, 293 | 70000342 178, 181 | 70002014 173 | 70002746.....243 |
| 4921927.....36, 280, 291 | 70000345 75 | 70002065 58 | 70002747.....243 |
| 4921928.....36, 280, 291 | 70000579 40 | 70002066 58 | 70002748.....243 |
| 4921955.....282, 293 | 70000580 40 | 70002067 58 | 70002749.....243 |
| 4922099.....280 | 70000582 40, 312 | 70002068 58 | 7000275.....17, 21 |
| 4922216....272, 282, 287, 293 | 70000583 40 | 70002069 58 | 70002750.....243 |
| 4922217.....282, 293 | 70000718 280, 291 | 70002070 58 | 70002751.....243 |
| 4922219.....273, 287 | 70000782 58 | 70002071 58 | 7000281.....52, 58 |
| 4922482.....282 | 70000793 73 | 70002072 58 | 7000282.....17, 21 |
| 4922498.....282 | 70000797 27 | 70002073 58 | 7000283.....17, 21 |
| 4922549....125, 275, 276 | 70000800 75 | 70002074 58 | 7000284.....17, 21 |
| 4922550....125, 275, 276 | 70000912 74 | 70002075 58 | 7000285.....21 |
| 4922557....125, 128, 275, 288 | 70000913 74 | 70002085 59 | 7000287.....17, 21 |
| 4922565.....268 | 70000914 74 | 70002086 59 | 7000288.....17, 21 |
| 4922578.....273, 287 | 70000915 74 | 7000209 52 | 7000289.....17, 21 |
| 4922582.....273, 287 | 70000916 74 | 7000213 17, 21 | 70002895.....104, 314 |
| 4922637.....274, 289 | 70000917 74 | 7000214 52 | 70002898.....280, 291 |
| 4922639.....196, 272 | 70000918 74 | 7000217 52, 58 | 7000290.....17, 21 |
| 4922641.....282, 293 | 70000919 74 | 7000220 17, 21 | 70002902.....192 |
| 4922643....268, 282, 293 | 70000934 35 | 70002200 64, 74 | 70002903.....192 |
| 4922666....125, 196, 200, 272, 276, 286 | 70000970 45 | 70002212 121 | 70002904.....192 |
| 4922675.....124, 275 | 70000976 45 | 70002234 63, 74 | 70002905.....192 |
| 4922681.....273, 287 | 70001002 63, 73 | 7000224 17, 21 | 70002906.....204 |
| 4922737.....63, 69, 279 | 70001017 63, 71, 83 | 7000228 52, 58 | 70002946.....39 |
| 4922852....125, 268, 274, 276 | 70001059 45 | 7000229 52, 58 | 70003001.....75 |
| 4922853.....273, 287 | 70001060 45 | 7000230 52, 58 | 70003002.....75 |
| 4922854.....273, 287 | 70001061 45 | 70002307 82, 89 | 70003003.....75 |
| 4922860.....273, 287 | 70001062 45 | 7000231 17, 21 | 70003476.....64, 74 |
| 4922870.....282 | 70001063 45 | 7000235 17, 21 | 70003483.....188, 192 |
| 4922978.....69 | 70001064 45 | 7000236 17, 21 | 70003556.....63 |
| 4923223.....124, 275 | 70001065 45 | 7000238 17, 21 | 70003784.....195, 199 |
| 4923238....125, 275, 276 | 70001066 45 | 7000239 17, 21 | 70003935.....29 |
| 4923281....125, 275, 276 | 70001067 45 | 7000240 17, 21 | 70003936.....29 |
| 4923282.....124, 275 | 70001068 45 | 70002411 63 | 70003989.....46 |
| 4923379.....73, 279, 291 | 70001069 45 | 70002415 75 | 70003992.....46 |
| 4923445.....293 | 70001103 116 | 70002416 75 | 70003993.....46 |
| 4923499....125, 275, 276 | 70001132 73 | 70002417 75 | 70004125.....46 |
| 4923575.....124, 275 | 70001423 63, 74 | 7000246 52, 58 | 70004149.....115 |
| 4923613.....273, 287 | 70001435 74 | 7000248 52, 58 | 70004183.....73 |
| 4932986.....268 | 70001498 63, 74 | 7000253 52, 58 | 70004184.....115 |
| 4933189.....268 | 70001681 63 | 70002530 63 | 70004330.....111 |
| 4933215.....268, 281 | 70001690 89 | 7000255 52, 58 | 70004331.....111 |
| 4933216.....268, 281 | 70001697 178, 181 | 70002567 83, 89 | 70004332.....111 |
| 4933217.....268 | 70001835 74 | 7000257 52, 58 | 70004333.....111 |
| 4933218.....268 | 70001836 74 | 70002627 280, 291 | 70004334.....111 |
| 4933231.....268 | 70001837 74 | 7000263 52 | 70004335.....111 |
| 4933233....125, 268, 274, 276 | 70001838 74 | 7000265 17, 21 | 70004336.....111 |
| 4933300.....268, 281 | 70001839 74 | 7000269 52 | 70004337.....111 |
| 4933322....125, 268, 274, 276 | 70001841 74 | 7000270 52 | 70004338.....111 |
| | 70001847 76 | 70002716 116 | 70004339.....111 |
| | 70001848 73 | 7000272 17, 21 | 70004340.....111 |
| | 70001850 73 | 70002724 207 | 70004341.....111 |
| | 70001866 74 | 70002725 207 | 70004342.....111 |
| | 70001868 74 | 70002726 207 | 70004343.....111 |
| | | 70002727 207, 208 | 70004344.....111 |
| | | 70002728 207 | 70004345.....111 |
| | | 70002729 208 | 70004346.....111 |
| | | 7000273 17, 21 | 70004347.....111 |

SECTION 10 - SPECIAL OPTIONS

| | | | | | | | |
|----------|---------------|---------|---------------|---------|------------------------------|---------|--|
| 70004348 | 111 | 7003980 | 208 | 7010492 | 52, 58 | 7014813 | 116 |
| 70004349 | 111 | 7003982 | 208 | 7010542 | 39 | 7014816 | 116 |
| 70004350 | 111 | 7003983 | 208 | 7010543 | 36, 39, 40 | 7014817 | 116 |
| 70004351 | 111 | 7003986 | 207 | 7010795 | 53 | 7014818 | 116 |
| 70004352 | 111 | 7003989 | 208 | 7010903 | 45 | 7016314 | 116 |
| 7000625 | 188, 192 | 7003992 | 203, 207 | 7010944 | 46 | 7016322 | 151 |
| 70006375 | 231 | 7003993 | 203, 207 | 7011008 | 45 | 7016328 | 63, 314 |
| 70006376 | 231 | 7003994 | 207 | 7011022 | 45 | 7016331 | 63, 73, 314 |
| 70006377 | 231 | 7004035 | 58 | 7011043 | 45 | 7016342 | 119 |
| 70006378 | 231 | 7004036 | 58 | 7011044 | 45 | 7016374 | 151 |
| 70006384 | 227 | 7004042 | 53 | 7011048 | 45 | 7016380 | 131 |
| 70006385 | 219, 227 | 7004043 | 53, 59 | 7011112 | 237, 239 | 7016399 | 187, 191 |
| 70006386 | 227 | 7004044 | 53, 59 | 7011331 | 177 | 7016522 | 173, 314 |
| 70006387 | 227 | 7004045 | 59 | 7011332 | 177 | 7016523 | 173 |
| 70006388 | 227 | 7004046 | 53 | 7011346 | 177 | 7016524 | 173 |
| 70006389 | 219 | 7004047 | 59 | 7012513 | 153, 157, 161, 165 | 7016529 | 173 |
| 70006390 | 219 | 7004049 | 59 | 7012514 | 153, 157, 161, 165 | 7016652 | 319 |
| 70006391 | 219 | 7004275 | 319 | 7012518 | 35 | 7016654 | 319 |
| 7000645 | 40, 312 | 7004276 | 319 | 7012558 | 153, 157, 161, 165 | 7016655 | 319 |
| 7000663 | 63, 74 | 7004906 | 111 | 7012664 | 61, 71, 80, 88, 98, 104, 312 | 7016779 | 45 |
| 70006642 | 239 | 7004907 | 111 | 7012679 | 89 | 7016780 | 45 |
| 70006643 | 235, 239 | 7004908 | 111 | 7012700 | 25 | 7016781 | 45 |
| 70006644 | 235, 239 | 7006137 | 173, 314 | 7012701 | 25 | 7016782 | 45 |
| 70006645 | 239 | 7007208 | 107 | 7012702 | 25 | 7016783 | 45 |
| 70006649 | 223 | 7007412 | 108 | 7012703 | 25 | 7016784 | 45 |
| 70006650 | 223 | 7007413 | 107 | 7012704 | 25 | 7016785 | 45 |
| 70006651 | 235 | 7007414 | 107 | 7012705 | 25 | 7016800 | 62, 81, 86, 278 |
| 70006668 | 235 | 7007417 | 107 | 7012706 | 25 | 7016802 | 62, 278 |
| 70006669 | 247 | 7007419 | 107 | 7012707 | 25 | 7016803 | 62, 69, 278 |
| 70006670 | 247 | 7007423 | 107 | 7012708 | 25 | 7016807 | 81, 86, 278 |
| 70006671 | 247 | 7007425 | 107 | 7012709 | 25 | 7016808 | 81, 86, 278 |
| 70006672 | 247 | 7007435 | 107 | 7012710 | 25 | 7016809 | 62, 278 |
| 70006734 | 223 | 7007437 | 27, 107 | 7012711 | 25 | 7016813 | 68, 278 |
| 70006735 | 223 | 7007438 | 27, 107 | 7012712 | 25 | 7016821 | 86, 278 |
| 70006736 | 223 | 7007439 | 27, 107 | 7012713 | 25 | 7016822 | 86, 278 |
| 7000731 | 15, 22, 53 | 7007441 | 107 | 7012714 | 25 | 7016824 | 62, 69, 81, 86, 97, 103, 278, 290, 291 |
| 7000897 | 82, 89 | 7007442 | 107 | 7012715 | 25 | 7016825 | 62, 69, 81, 86, 97, 103, 278, 291 |
| 7001498 | 108 | 7007446 | 27, 107 | 7012716 | 25 | 7017023 | 52, 58 |
| 7001872 | 75 | 7007452 | 107 | 7012717 | 25 | 7017027 | 17 |
| 7001901 | 17, 21 | 7007453 | 108 | 7012718 | 25 | 7017028 | 58 |
| 7001902 | 17, 21 | 7007454 | 107 | 7012719 | 25 | 7017033 | 17, 21 |
| 7001903 | 17, 21 | 7007457 | 107 | 7012720 | 40 | 7017034 | 17 |
| 7001906 | 17, 21 | 7007463 | 108 | 7012721 | 39, 40, 43, 312 | 7017035 | 17 |
| 7001909 | 52 | 7007464 | 108 | 7012722 | 39, 40, 43 | 7017036 | 17 |
| 7001911 | 52 | 7007465 | 108 | 7012723 | 40, 43 | 7017037 | 17 |
| 7001912 | 52 | 7007466 | 108 | 7012724 | 39 | 7017040 | 17 |
| 7001928 | 17, 21, 52 | 7007470 | 107 | 7012725 | 43 | 7017042 | 17 |
| 7001931 | 52 | 7007472 | 108 | 7012726 | 43 | 7017043 | 17 |
| 7001985 | 52 | 7007474 | 108 | 7012727 | 35 | 7017044 | 17 |
| 7002821 | 282, 294, 318 | 7007475 | 108 | 7012728 | 39 | 7017045 | 17 |
| 7002822 | 318 | 7007478 | 108 | 7012729 | 39 | 7017046 | 17 |
| 7002823 | 283, 294, 318 | 7007483 | 108 | 7012730 | 36, 40 | 7017047 | 17, 21 |
| 7002826 | 319 | 7007484 | 108 | 7012731 | 35 | 7017048 | 17, 21 |
| 7002828 | 283, 294 | 7007485 | 108 | 7012732 | 35, 36, 40, 312 | 7017050 | 21 |
| 7002840 | 318 | 7007487 | 108 | 7012733 | 40, 43, 183 | 7017068 | 18, 22 |
| 7003657 | 153, 157 | 7007488 | 108 | 7012734 | 35 | 7017070 | 52, 58 |
| 7003928 | 203 | 7007494 | 107 | 7012735 | 43 | 7017072 | 58 |
| 7003933 | 207 | 7007496 | 108 | 7012736 | 183 | 7017080 | 58 |
| 7003935 | 207 | 7007497 | 108, 279, 291 | 7012737 | 35 | 7017082 | 52 |
| 7003941 | 207 | 7007498 | 108, 279, 291 | 7012738 | 40 | 7017085 | 53, 58 |
| 7003946 | 207 | 7007633 | 52, 58 | 7012739 | 39, 41, 43 | 7017089 | 52 |
| 7003953 | 203 | 7007990 | 15 | 7012740 | 121 | 7017115 | 177 |
| 7003969 | 207 | 7010116 | 108 | 7012741 | 319 | 7017118 | 177 |
| 7003972 | 208 | 7010122 | 108 | 7012742 | 116 | 7017119 | 177 |
| 7003973 | 208 | 7010461 | 52 | 7012743 | 116 | 7017142 | 177, 178 |
| 7003976 | 203 | 7010464 | 17, 21 | 7012744 | 116 | | |
| 7003977 | 203 | 7010474 | 52 | 7012745 | 116 | | |

SECTION 10 - SPECIAL OPTIONS

| | | | | | | | |
|----------------------------------|------------|----------------------------------|----------|--------------|-------------|--------------|-----------------------|
| 7017156..... | 178 | 7019164..... | 208 | 7021208..... | 107 | 7022397..... | 29 |
| 7017157..... | 178 | 7019165..... | 208 | 7021209..... | 107 | 7022398..... | 29 |
| 7017158..... | 178, 181 | 7019166..... | 208 | 7021212..... | 107 | 7022399..... | 29 |
| 7017159..... | 178, 181 | 7019167..... | 208 | 7021213..... | 107 | 7022808..... | 203 |
| 7017162..... | 177, 181 | 7019168..... | 207 | 7021214..... | 108 | 7022812..... | 207, 208 |
| 7017163..... | 177, 181 | 7019171..... | 203 | 7021218..... | 108 | 7022814..... | 203 |
| 7017164..... | 177, 181 | 7019174..... | 203 | 7021219..... | 108 | 7022815..... | 203 |
| 7017174..... | 177 | 7019177..... | 203 | 7021220..... | 108 | 7022816..... | 203 |
| 7017177..... | 177 | 7019194..... | 208 | 7021221..... | 108 | 7022817..... | 203 |
| 7017183..... | 177, 181 | 7019196..... | 208 | 7021222..... | 108 | 7022818..... | 203 |
| 7017193..... | 177, 181 | 7019197..... | 203 | 7021223..... | 108 | 7022819..... | 203, 204, 279, 286 |
| 7017210..... | 241 | 7019658..... | 115 | 7021226..... | 108 | 7022822..... | 207 |
| 7017211..... | 241 | 7019680... 153, 161, 165 | | 7021227..... | 108 | 7022823..... | 207 |
| 7017213..... | 241 | 7019925..... | 83, 89 | 7021228..... | 108 | 7022824..... | 207 |
| 7017214..... | 241 | 7019930..... | 83 | 7021229..... | 108 | 7022825..... | 279, 286 |
| 7017215..... | 241 | 7019932..... | 83 | 7021230..... | 108 | 7023023..... | 241 |
| 7017236..... | 241 | 7019976..... | 82, 89 | 7021231..... | 108 | 7023206..... | 35 |
| 7017414..... | 40 | 7019977..... | 82, 89 | 7021232..... | 108 | 7023207..... | 35 |
| 7017420..... | 39, 43 | 7019986..... | 82 | 7021249..... | 27 | 7023318..... | 58 |
| 7017421..... | 43 | 7019993..... | 82, 89 | 7021275..... | 27 | 7023366..... | 135 |
| 7017422..... | 43 | 7019994..... | 82, 89 | 7021276..... | 27 | 7023603..... | 91 |
| 7017423..... | 39 | 7019996..... | 82, 89 | 7021277..... | 27 | 7023613..... | 82 |
| 7017427..... | 39 | 7020020..... | 35 | 7021310..... | 40 | 7023637..... | 82 |
| 7017428..... | 39, 41 | 7020021..... | 35 | 7021311..... | 41 | 7023644..... | 82 |
| 7017466..... | 35 | 7020108... 153, 157, 161, 165 | | 7021601..... | 40 | 7023645..... | 91 |
| 7017474..... | 39 | 7020109... 153, 157, 161, 165 | | 7021602..... | 39 | 7023652..... | 82 |
| 7017477..... | 40 | 7020110... 153, 157, 161, 165 | | 7021625..... | 29 | 7023653..... | 82 |
| 7017478..... | 40 | 7020111... 153, 157, 161, 165 | | 7021639..... | 29 | 7023654..... | 82 |
| 7017479..... | 35 | 7020168..... | 63 | 7021656..... | 29 | 7023655..... | 82 |
| 7017481..... | 35 | 7020175... 124, 127, 195, 200 | | 7021868..... | 82, 89, 314 | 7023656..... | 82 |
| 7018612..... | 15 | 7020176... 124, 127, 196, 200 | | 7022134..... | 81, 89, 279 | 7023657..... | 82, 279 |
| 7018912..... | 39, 40, 43 | 7020190... 153, 157, 161, 165 | | 7022139..... | 82, 89 | 7023658..... | 82 |
| 7018941..... | 39 | 7020191..... | 153, 157 | 7022143..... | 82, 89 | 7023659..... | 91 |
| 7018942..... | 41, 43 | 7020193..... | 282, 293 | 7022144..... | 82 | 7023660..... | 91 |
| 7018945..... | 40, 43 | 7020246..... | 123, 127 | 7022149..... | 82 | 7023662..... | 82 |
| 7018946..... | 43 | 7020408..... | 63, 74 | 7022150..... | 83, 89 | 7023663..... | 82, 279 |
| 7018947..... | 43 | 7020411..... | 63, 74 | 7022151..... | 83 | 7023665..... | 91 |
| 7018948..... | 43 | 7020431..... | 63 | 7022153..... | 82 | 7023679..... | 279 |
| 7018951..... | 41 | 7020447..... | 74 | 7022154..... | 82 | 7023680..... | 91 |
| 7018991..... | 39, 312 | 7020449..... | 64, 74 | 7022155..... | 82, 89 | 7023681..... | 82, 89, 279 |
| 7018992..... | 39 | 7020458..... | 63, 75 | 7022156..... | 82 | 7023682..... | 82, 89 |
| 7018993..... | 40 | 7020459..... | 63, 75 | 7022157..... | 83 | 7023683..... | 82, 89 |
| 7018994..... | 39 | 7020460..... | 64, 75 | 7022158..... | 82 | 7023695..... | 82 |
| 7018995... 61, 70, 79, 87, 97 | | 7020461..... | 63, 75 | 7022159..... | 82 | 7023698..... | 89 |
| 7019103..... | 207 | 7020462..... | 63 | 7022160..... | 82 | 7023699..... | 89 |
| 7019110..... | 207 | 7020464..... | 63, 74 | 7022161..... | 82 | 7023900..... | 29 |
| 7019111..... | 203, 207 | 7020465..... | 64, 73 | 7022162..... | 82 | 7023907..... | 27 |
| 7019112..... | 207 | 7020468..... | 64, 73 | 7022165..... | 91 | 7023908..... | 27 |
| 7019114..... | 207 | 7020471..... | 64, 74 | 7022166..... | 91 | 7023910..... | 27 |
| 7019115..... | 207 | 7020474..... | 64 | 7022167..... | 91 | 7023917..... | 29 |
| 7019122..... | 203 | 7020479..... | 63, 74 | 7022168..... | 91 | 7023933..... | 29 |
| 7019123..... | 203 | 7020480..... | 63 | 7022170..... | 91 | 7023956..... | 70, 98, 103 |
| 7019141..... | 203 | 7020487..... | 73 | 7022171..... | 91 | 7023967..... | 70, 98, 103 |
| 7019142..... | 203 | 7021200..... | 107 | 7022178..... | 82 | 7023977..... | 107 |
| 7019143..... | 203 | 7021201..... | 107 | 7022180..... | 82, 89 | 7023981..... | 35 |
| 7019144..... | 203 | 7021202..... | 107 | 7022302..... | 27 | 7024100..... | 53, 59 |
| 7019145..... | 203 | 7021203..... | 107 | 7022305..... | 27 | 7024146..... | 21 |
| 7019147..... | 203 | 7021205..... | 107 | 7022310..... | 27 | 7024147..... | 21 |
| 7019149..... | 203 | 7021206..... | 108 | 7022311..... | 27 | 7024148..... | 21 |
| 7019150..... | 203 | 7021207..... | 107 | 7022312..... | 27 | 7024149..... | 21 |
| 7019151..... | 207 | | | 7022314..... | 27 | 7024151..... | 21 |
| 7019154..... | 207 | | | 7022326..... | 27 | 7024154..... | 21 |
| 7019155..... | 207 | | | 7022328..... | 27 | 7024155..... | 17, 21 |
| 7019160..... | 207 | | | 7022368..... | 27 | 7024182..... | 22 |
| 7019161..... | 207 | | | 7022371..... | 27 | 7024185..... | 53 |
| 7019162..... | 207 | | | 7022372..... | 27 | 7024189..... | 22, 53 |
| | | | | 7022396..... | 29 | | |

SECTION 10 - SPECIAL OPTIONS

| | | | |
|------------------------|-----------------------------------|-------------------------------------|-----------------------------|
| 7024190 22, 53 | 7024459 53 | 7026197 121 | 7027411 82 |
| 7024191 22, 53 | 7024481 116 | 7026199 153, 157, 161, 165 | 7027413 89 |
| 7024192 22, 53 | 7024508 245, 247 | 7026505 121 | 7027608 74 |
| 7024193 22, 54 | 7024560 63, 71 | 7026506 121 | 7027609 74 |
| 7024194 22, 54 | 7024565 63, 75 | 7026507 121 | 7027610 74 |
| 7024195 22, 54 | 7024579 63, 75 | 7026509 121 | 7027790 75 |
| 7024196 22, 54 | 7024598 151 | 7026511 121 | 7027791 75 |
| 7024197 22, 54 | 7024702 53 | 7026522 63 | 7027792 75 |
| 7024379 53, 59 | 7024703 52 | 7026607 63, 75 | 7027793 76, 279, 291 |
| 7024380 53, 59 | 7024704 52, 58 | 7026608 63, 74 | 7027794 75, 279 |
| 7024381 59 | 7024705 52 | 7026631 63, 73 | 7027795 75, 314 |
| 7024390 59 | 7024706 53 | 7027004 68, 290 | 7027796 75, 279, 291 |
| 7024396 53, 59 | 7024707 53 | 7027012 68, 278 | 7027887 153, 161, 165 |
| 7024398 63, 71 | 7024717 22 | 7027015 97, 103, 278, 290 | 7027965 98, 104, 314 |
| 7024404 121 | 7024718 22 | 7027017 97, 103, 291 | 7027972 98, 104, 314 |
| 7024413 63 | 7024762 52, 58 | 7027018 97, 103, 278, 290 | 7027989 280, 291 |
| 7024439 116 | 7024763 22, 58 | 7027236 75 | 7027991 280, 291 |
| 7024440 116 | 7024781 21 | 7027239 75 | 77143013 127 |
| 7024441 116 | 7024782 21 | 7027241 75 | 80424002 58 |
| 7024442 116 | 7024783 21 | 7027245 75 | 80424043 59 |
| 7024443 116 | 7024784 53, 58 | 7027246 73 | 80934561 121 |
| 7024444 116, 312 | 7024828 108 | 7027400 89 | 8180311 ... 79, 88, 99, 104 |
| 7024445 116 | 7024854 27 | 7027402 83, 89 | 8229242 289 |
| 7024446 116 | 7024868 27 | 7027404 89 | 8320270 74 |
| 7024453 53, 59 | 7024881 29 | 7027405 89 | 8770050 112 |
| 7024454 53, 58 | 7024918 ... 61, 70, 79, 87, 97 | 7027409 89 | 88521205 69, 97, 103 |
| 7024455 53, 59 | 7024930 ... 61, 70, 79, 87, 97 | 7027410 89 | 8896941 318 |
| 7024456 53, 59 | 7025124 82 | | 91083218 81, 89, 314 |
| 7024457 53, 59 | | | 91401281 68, 96, 103 |
| 7024458 53, 59 | | | |



3121161



An Oshkosh Corporation Company

Corporate Office
JLG Industries, Inc.
1 JLG Drive
McConnellsburg, PA 17233-9533 USA
☎ (717) 485-5161 (Corporate)
☎ (877) 554-5438 (Customer Support)
☎ (717) 485-6417

Visit our website for JLG Worldwide Locations.
www.jlg.com