



---

# Illustrated Parts Manual

## *Models* **1200SJP** **1350SJP**

SN 0300201016 to SN 0300272504  
excluding SN 0300272455 to SN 0300272461  
SN B300000100 to SN B300007118

P/N  
3121738

June 1, 2021 - Rev N

**ANSI**

**CE**



**AS/NZS**



An Oshkosh Corporation Company



## REVISION LOG

**NOTE: The 1200SJP & 1350SJP may be manufactured by JLG Industries in the following countries: USA and China. The country of manufacture may be determined by the serial number located on the serial number nameplate. Machines manufactured in the USA will have a prefix number of 03 (i.e. 03xxxxxxx). Machines manufactured in China will have a prefix number of B3 (i.e.B3xxxxxxx).**

### REVISION LOG:

**June 30, 2016 - A - Original Issue Of Manual (Edited to B/M 1001160100 Revision AJ)**

**September 15, 2016 - B - Revised Manual (Edited to B/M 1001160100 Revision AJ)**

**December 31, 2016 - C - Revised Manual (Edited to B/M 1001160100 Revision AJ)**

**March 15, 2017 - D - Revised Manual (Edited to B/M 1001160100 Revision AW)**

**June 23, 2017 - E - Revised Manual (Edited to B/M 1001160100 Revision AW)**

**September 15, 2017 - F - Revised Manual (Edited to B/M 1001160100 Revision AX and 1001220713 Revision B)**

**December 22, 2017 - G - Revised Manual (Edited to B/M 1001160100 Revision AY and 1001220713 Revision C)**

**March 16, 2018 - H - Revised Manual (Edited to B/M 1001160100 Revision BD and 1001220713 Revision C)**

**June 15, 2018 - I - Revised Manual (Edited to B/M 1001160100 Revision BK and 1001220713 Revision C) (Revision 1)**

**September 4, 2018 - J - Revised Manual (Edited to B/M 1001160100 Revision BP and 1001220713 Revision G) (Revision 2)**

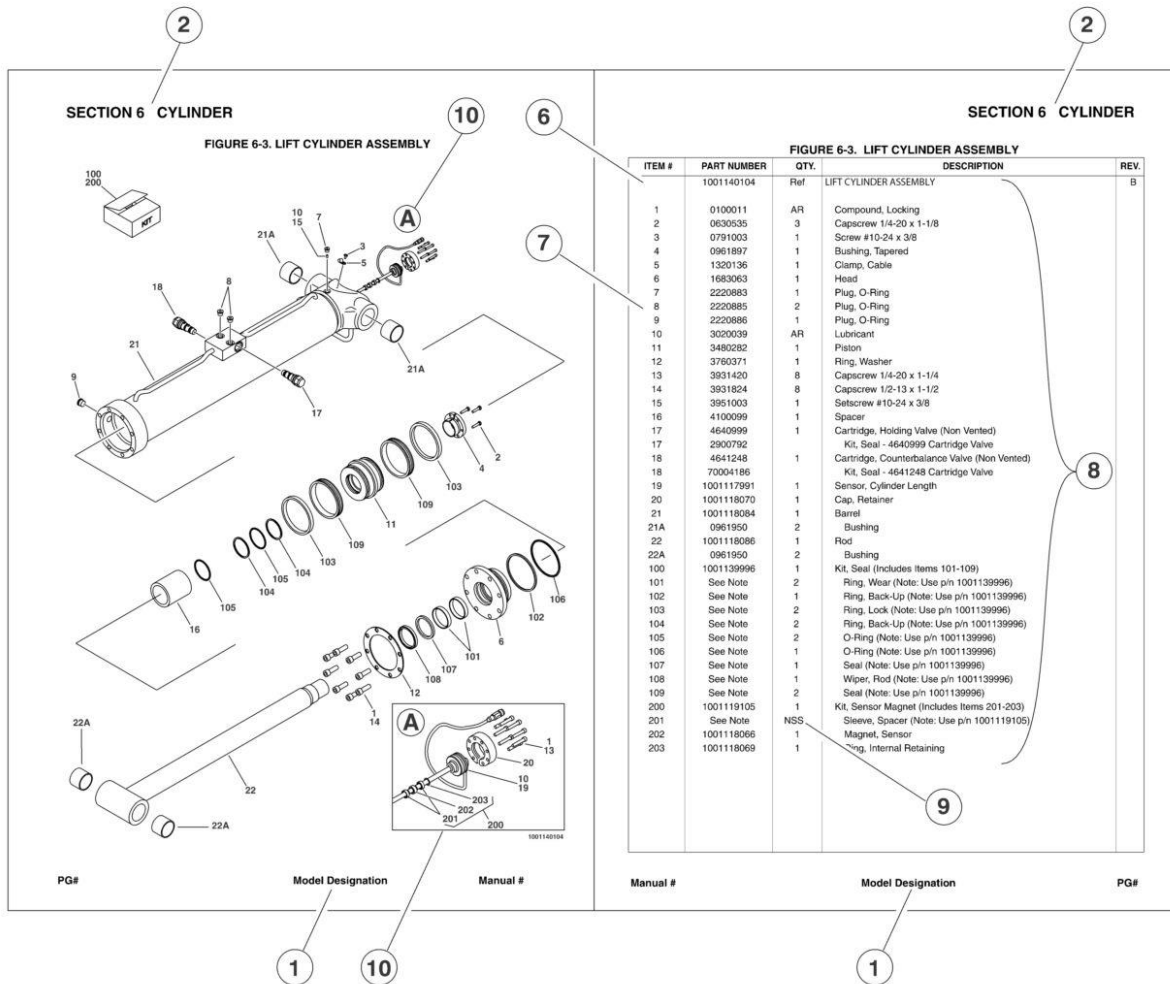
**December 21, 2018 - K - Revised Manual (Edited to B/M 1001160100 Revision BX and 1001220713 Revision K) (Revision 2)**

**April 27, 2020 - L - Revised Manual (Edited to B/M 1001160100 Revision BX and 1001220713 Revision K) (Revision 2)**

**August 20, 2020 - M - Revised Manual (Edited to B/M 1001160100 Revision BZ and 1001220713 Revision K) (Revision 1)**

**June 1, 2021 - N - Revised Manual (Edited to B/M 1001160100 Revision BZ and 1001220713 Revision K)**

# GENERAL INFORMATION



## 1) MACHINE IDENTIFICATION

Machines are identified by model and in some cases a combination of models, serial number (SN) or regional standard (i.e. ANSI, CE, CSA). Components may also be identified by SN or manufacturer. Common components that may be identified by these characteristics are engines and hydraulic components.

## 2) PARTS MANUAL ORGANIZATION

Product information in this manual is organized under section titles. Frame, Cylinder, Hydraulic and Electrical are a few examples. Each section is organized by figure and page number. The information within the Figure is then organized by item number, part number, description and corresponding illustration(s).

## 3) TABLE OF CONTENTS

A table of contents is found toward the beginning of the manual. Figure number, description and page number are provided for quick reference to the page containing the related information.

## 4) RECOMMENDED SPARE PARTS

The Recommended Spare Parts, located near the end of the manual, reference most frequently used maintenance parts.

## 5) PART NUMBER INDEX

A numerical index listing all part numbers and the corresponding page number(s) appears at the back of the manual.

# GENERAL INFORMATION

## 6) NON-SERVICED PARTS

In some instances, it is necessary to display non-serviced parts, assemblies or installations. In the case of assemblies and installations there will be a Ref in the Qty column. In case of parts that are not available for service within assemblies or components, there will be a NSS (Not Sold Separately) or NLA (No Longer Available) listed in the Qty. column of the manual.

## 7) PARTS LIST ITEM NUMBERS

Numbers shown in the item# column correspond to numbers used in the associated illustration (s). Item numbers which are missing from the sequence in the parts list are not used on that page

## 8) INDENTED PARTS DESCRIPTION

An indented part description is included in the item under which it is indented.

## 9) ABBREVIATION AND SYMBOLS

AC.....	.. Alternating Current	LCD.....	.. Liquid Crystal Display
ADE.....	..Advanced Design Electronics	LED.....	.. Light Emitting Diodes
ANSI.....	..American National Standards Institute	LH.....	.. Left Hand
AR.....	..As Required	LSS.....	..Load Sensing System
ASSY.....	.. Assembly	M(m).....	.. Metric/Meter
AUX.....	..Auxiliary	MM (mm).....	..Milimeter
AWG.....	..American WireGauge	mA.....	.. Miliamps
B/M.....	.. Bill of Material	NLA.....	..No Longer Available
CE.....	..European Conformity	NPT.....	.. National Pipe Threads
CCW.....	..Counter Clockwise	NSS.....	..Not So Id Separately
cm.....	..Centimeter	OD.....	..Outside Diameter
CW.....	..Clockwise	ORB.....	.. O-Ring Boss
CSA.....	..Canadian Standards Association	ORFS.....	.. O-Ring Face Seal
CYL.....	..Cylinder	OZ (oz).....	..Ounces
DIA.....	..Diameter	PG.....	..Page
DC.....	..Direct Current	P/N.....	..Part Number
EMS.....	..Emergency Stop	qt.....	..Quarts
ENG.....	..Engine	QTY.....	..Quantity
FT (ft).....	..Feet	REF.....	..Reference
GA (Ga).....	..Gauge	REV.....	..Revision Level
HYD.....	..Hydraulic	RH.....	.. Right Hand
Hz.....	..Hertz	SAE.....	.. Society of Automotive Engineers
ID.....	..Inside Diameter	SN.....	..Serial Number
in.....	..inches	SPEC(S).....	..Specifications
ISO.....	..International Organization for Standards	T/T.....	..Turntable
JIC.....	..Joint Industry Council	UGM.....	..Universal Ground Module
KG.....	..Kilogram	V.....	..Volts
L.....	..Liter	W.....	..Watts
LB.....	..Pounds	#.....	.. Number

## 10) ILLUSTRATION REFERENCE LETTERS

When necessary, illustrations may contain reference letters that are intended to track information (i. e. hoses, harnesses) from one point to another or to track visual enlargement of components to show details that may be located in another area on the illustration.

*Note: Due to continuous product improvements, JLG Industries, Inc. reserves the right to make specification changes without prior notification. Contact JLG Industries, Inc. for updated information.*



# TABLE OF CONTENTS

SECTION 1 - FRAME.....	19
FIGURE 1-1. AXLE INSTALLATION - FIXED (SN 0300201016 through 0300207700).....	20
FIGURE 1-2. AXLE INSTALLATION - FIXED (SN 0300207701 through 0300272504, SN B30002238 through B300007118) .....	24
FIGURE 1-3. AXLE INSTALLATION - OSCILLATING AXLE (SN 0300201016 through 0300207700) .....	28
FIGURE 1-4. AXLE INSTALLATION - OSCILLATING (SN 0300207701 through 0300272504, SN B300002238 through B300007118) .....	32
FIGURE 1-5. STEER INSTALLATION.....	36
FIGURE 1-6. WHEEL DRIVE INSTALLATION - BONFIGLIOLI .....	38
FIGURE 1-7. WHEEL DRIVE INSTALLATION - REGGIANA RIDUTTORI .....	40
FIGURE 1-8. DRIVE HUB AND MOTOR ASSEMBLY - BONFIGLIOLI.....	42
FIGURE 1-9. DRIVE HUB AND MOTOR ASSEMBLY - REGGIANA RIDUTTORI.....	44
FIGURE 1-10. DRIVE HUB ASSEMBLY - BONFIGLIOLI.....	46
FIGURE 1-11. DRIVE HUB ASSEMBLY - REGGIANA RIDUTTORI.....	50
FIGURE 1-12. DRIVE MOTOR ASSEMBLY .....	54
FIGURE 1-13. TIRE AND WHEEL INSTALLATION - FOAM - FILLED .....	56
FIGURE 1-14. TIRE AND WHEEL INSTALLATION - SOLID .....	58
FIGURE 1-15. TIRE AND WHEEL INSTALLATION - SOLID NON MARKING .....	60
FIGURE 1-16. FRAME VALVES INSTALLATION - WITHOUT LSS AND WITH 4 CELL LSS .....	62
FIGURE 1-17. FRAME VALVES INSTALLATION - WITH 1 CELL LSS .....	64
FIGURE 1-18. STEER VALVE ASSEMBLY .....	66
FIGURE 1-19. TRACTION VALVE ASSEMBLY .....	68
FIGURE 1-20. FRAME COVERS INSTALLATION - ABS.....	70
FIGURE 1-21. FRAME COVERS INSTALLATION - STEEL .....	72
SECTION 2 - TURNTABLE.....	75
FIGURE 2-1. TURNTABLE VALVES INSTALLATION - WITHOUT LSS AND WITH 4 CELL LSS.....	76
FIGURE 2-2. TURNTABLE VALVES INSTALLATION - WITH 1 CELL LSS .....	78
FIGURE 2-3. BATTERY AND AUXILIARY PUMP INSTALLATION - ABS HOODS .....	80
FIGURE 2-4. BATTERY AND AUXILIARY PUMP INSTALLATION - STEEL HOODS.....	82
FIGURE 2-5. AUXILIARY PUMP ASSEMBLY.....	84
FIGURE 2-6. MAIN VALVE ASSEMBLY .....	86
FIGURE 2-7. SWING DRIVE INSTALLATION (SN 0300201016 through 0300254466, SN B300002238 through B300003825) ..	90
FIGURE 2-8. SWING DRIVE INSTALLATION (SN 0300254467 through 0300272504, SN B300003826 through B300007118) ..	92
FIGURE 2-9. TURNTABLE BEARING AND LUBE INSTALLATION .....	94
FIGURE 2-10. TURNTABLE LOCK INSTALLATION.....	96
FIGURE 2-11. PINION SHIELD INSTALLATION .....	98
FIGURE 2-12. EXTREME HOSTILE PACKAGE INSTALLATION (OPTIONAL) .....	100
FIGURE 2-13. SWING MOTOR/HUB ASSEMBLY (SN 0300201016 through 0300254466, SN B300002238 through B300003825) .....	102
FIGURE 2-14. SWING MOTOR/HUB ASSEMBLY (SN 0300254467 through 0300272504, SN B300003826 through B300007118) .....	108
FIGURE 2-15. ROTARY COUPLING AND COLLECTOR RING INSTALLATION.....	112
FIGURE 2-16. TANK INSTALLATION - WITH ABS HOODS .....	114
FIGURE 2-17. TANK INSTALLATION - WITH STEEL HOODS .....	116
FIGURE 2-18. TANK INSTALLATION - WITH STEEL HOODS AND 52.8 GAL/200 L FUEL TANK .....	118
FIGURE 2-19. HYDRAULIC OIL TANK ASSEMBLY.....	120

# TABLE OF CONTENTS

FIGURE 2-20. HYDRAULIC OIL COOLER INSTALLATION - DEUTZ TD2011 ENGINES WITH REXROTH PUMPS (OPTIONAL)	122
FIGURE 2-21. HYDRAULIC OIL COOLER INSTALLATION - DEUTZ TD2011 ENGINES WITH SAUER PUMPS (OPTIONAL)	124
FIGURE 2-22. HYDRAULIC OIL COOLER INSTALLATION - DEUTZ TCD2.9L4 ENGINES AND DEUTZ TCD2.9L4 (STAGE V) ENGINES WITH REXROTH PUMPS (OPTIONAL)	126
FIGURE 2-23. HYDRAULIC OIL COOLER INSTALLATION - DEUTZ TCD2.9L4 ENGINES WITH REXROTH PUMPS (OPTIONAL) (CHINA SPEC ONLY)	128
FIGURE 2-24. HYDRAULIC OIL COOLER INSTALLATION – DEUTZ TCD2.9L4 ENGINES AND DEUTZ TCD2.9L4 (STAGE V) ENGINES WITH SAUER PUMPS (OPTIONAL)	130
FIGURE 2-25. HYDRAULIC OIL COOLER INSTALLATION - DEUTZ TCD2.9L4 ENGINES WITH SAUER PUMPS (OPTIONAL) (CHINA SPEC ONLY)	132
FIGURE 2-26. GROUND CONTROL BOX INSTALLATION - DEUTZ TD2011 ENGINES WITH REXROTH PUMPS (ALL SPECS EXCEPT CE SPECS)	134
FIGURE 2-27. GROUND CONTROL BOX INSTALLATION – DEUTZ TD2011 ENGINES WITH REXROTH PUMPS (CE SPECS)	136
FIGURE 2-28. GROUND CONTROL BOX INSTALLATION – DEUTZ TD2011 ENGINES WITH SAUER PUMPS (ALL SPECS EXCEPT CE SPECS)	138
FIGURE 2-29. GROUND CONTROL BOX INSTALLATION – DEUTZ TD2011 ENGINES WITH SAUER PUMPS (CE SPECS)	140
FIGURE 2-30. GROUND CONTROL BOX INSTALLATION – DEUTZ TCD2.9L4 ENGINES (ALL SPECS EXCEPT CE SPECS)	142
FIGURE 2-31. GROUND CONTROL BOX INSTALLATION – DEUTZ TCD2.9L4 ENGINES (CE SPECS)	144
FIGURE 2-32. GROUND CONTROL BOX ASSEMBLY (ALL SPECS EXCEPT CE SPECS)	146
FIGURE 2-33. GROUND CONTROL BOX ASSEMBLY (CE SPECS)	150
FIGURE 2-34. KEYSWITCH INSTALLATION	154
FIGURE 2-35. KEYSWITCH INSTALLATION (SN 0300201016 through 0300205135)	156
FIGURE 2-36. LIGHT PANEL INSTALLATION - ANSI AND ANSI EXPORT SPECS	158
FIGURE 2-37. LIGHT PANEL INSTALLATION - AUSTRALIAN AND CE SPECS	160
FIGURE 2-38. ALARMS INSTALLATION	162
FIGURE 2-39. BACKUP ALARM (WHITE NOISE) INSTALLATION	164
FIGURE 2-40. BACKUP ALARM AMBIENT (WHITE NOISE) INSTALLATION	166
FIGURE 2-41. STROBE LIGHT INSTALLATION (AMBER)	168
FIGURE 2-42. BEACON LIGHT INSTALLATION (BLUE) (SN 0300201016 through 0300217081)	170
FIGURE 2-43. STROBE LIGHT INSTALLATION (BLUE) (SN 0300217082 through 0300256988, SN B300002238 through B300003730)	172
FIGURE 2-44. STROBE LIGHT INSTALLATION (BLUE) (SN 0300256989 through 0300272504, SN B300003731 through B300007118)	174
FIGURE 2-45. STROBE LIGHT INSTALLATION (RED) (SN 0300216184 through 0300217081)	176
FIGURE 2-46. STROBE LIGHT INSTALLATION (RED) (SN 0300217082 through 0300256988)	178
FIGURE 2-47. STROBE LIGHT INSTALLATION (RED) (SN 03002589 through 0300272504)	180
FIGURE 2-48. ENGINE TRAY JACK INSTALLATION - DEUTZ TD2011 ENGINES	182
FIGURE 2-49. ENGINE TRAY JACK INSTALLATION - DEUTZ TD2.9L4/TCD2.9L4 ENGINES AND DEUTZ TCD2.9L4 (STAGE V) ENGINES	184
FIGURE 2-50. HOOD INSTALLATIONS - DEUTZ TD2011 ENGINES (ABS)	186
FIGURE 2-51. HOOD INSTALLATION - DEUTZ TCD2.9L4 ENGINES (ABS)	190
FIGURE 2-52. HOOD INSTALLATION - DEUTZ TD2011/TD2.9L4 ENGINES (STEEL)	194
FIGURE 2-53. HOOD INSTALLATION - DEUTZ TCD2.9L4 ENGINES (STEEL)	198
FIGURE 2-54. CLEARSKY TELEMATICS INSTALLATION (ANSI SPECS) (OPTIONAL)	202
FIGURE 2-55. CLEARSKY TELEMATICS CONTROLLERS (ANSI EXPORT - BRAZIL AND NEW ZEALAND SPECS) (OPTIONAL)	204
FIGURE 2-56. CLEARSKY TELEMATICS INSTALLATION (AUSTRALIAN SPECS) (OPTIONAL)	206



# TABLE OF CONTENTS

FIGURE 2-57. CLEARSKY TELEMATICS INSTALLATION (CSA SPECS) (OPTIONAL) .....	208
SECTION 3 - ENGINE .....	211
FIGURE 3-1. DEUTZ TD2011 DIESEL ENGINE INSTALLATION - WITH REXROTH PUMPS AND ABS HOODS (WITHOUT SKYPOWER AND WITHOUT COLD WEATHER PLUS PACKAGE) .....	212
FIGURE 3-2. DEUTZ TD2011 ENGINE ASSEMBLY - WITH REXROTH PUMPS AND ABS HOODS (WITHOUT SKYPOWER AND WITHOUT COLD WEATHER PLUS PACKAGE) .....	216
FIGURE 3-3. DEUTZ TD2011 DIESEL ENGINE INSTALLATION - WITH REXROTH PUMPS AND ABS HOODS (WITH SKYPOWER AND WITHOUT COLD WEATHER PLUS PACKAGE) .....	220
FIGURE 3-4. DEUTZ TD2011 ENGINE ASSEMBLY - WITH REXROTH PUMPS AND ABS HOODS (WITH SKYPOWER AND WITHOUT COLD WEATHER PLUS PACKAGE) .....	224
FIGURE 3-5. DEUTZ TD2011 DIESEL ENGINE INSTALLATION - WITH REXROTH PUMPS AND STEEL HOOD (WITHOUT SKYPOWER AND WITHOUT COLD WEATHER PLUS PACKAGE) .....	228
FIGURE 3-6. DEUTZ TD2011 ENGINE ASSEMBLY - WITH REXROTH PUMPS AND STEEL HOODS (WITHOUT SKYPOWER AND WITHOUT COLD WEATHER PLUS PACKAGE) .....	232
FIGURE 3-7. DEUTZ TD2011 DIESEL ENGINE INSTALLATION - WITH REXROTH PUMPS AND STEEL HOODS (WITH SKYPOWER AND WITHOUT COLD WEATHER PLUS PACKAGE) .....	236
FIGURE 3-8. DEUTZ TD2011 ENGINE ASSEMBLY - WITH REXROTH PUMPS AND STEEL HOODS (WITH SKYPOWER AND WITHOUT COLD WEATHER PLUS PACKAGE) .....	240
FIGURE 3-9. DEUTZ TD2011 DIESEL ENGINE INSTALLATION – WITH REXROTH PUMPS AND STEEL HOODS (WITH SKYPOWER AND WITH COLD WEATHER PLUS PACKAGE) .....	244
FIGURE 3-10. DEUTZ TD2011 ENGINE ASSEMBLY - WITH REXROTH PUMPS AND STEEL HOODS (WITH SKYPOWER AND WITH COLD WEATHER PLUS PACKAGE) .....	248
FIGURE 3-11. DEUTZ TD2011 DIESEL ENGINE INSTALLATION - WITH SAUER PUMPS AND ABS HOODS (WITHOUT SKYPOWER AND WITHOUT COLD WEATHER PLUS PACKAGE) .....	252
FIGURE 3-12. DEUTZ TD2011 ENGINE ASSEMBLY - WITH SAUER PUMPS AND ABS HOODS (WITHOUT SKYPOWER AND WITHOUT COLD WEATHER PLUS PACKAGE) .....	256
FIGURE 3-13. DEUTZ TD2011 DIESEL ENGINE INSTALLATION - WITH SAUER PUMPS AND ABS HOODS (WITH SKYPOWER AND WITHOUT COLD WEATHER PLUS PACKAGE) .....	260
FIGURE 3-14. DEUTZ TD2011 ENGINE ASSEMBLY - WITH SAUER PUMPS AND ABS HOODS (WITH SKYPOWER AND WITHOUT COLD WEATHER PLUS PACKAGE) .....	264
FIGURE 3-15. DEUTZ TD2011 DIESEL ENGINE INSTALLATION - WITH SAUER PUMPS AND STEEL HOODS (WITHOUT SKYPOWER AND WITHOUT COLD WEATHER PLUS PACKAGE) .....	268
FIGURE 3-16. DEUTZ TD2011 ENGINE ASSEMBLY - WITH SAUER PUMPS AND STEEL HOODS (WITHOUT SKYPOWER AND WITHOUT COLD WEATHER PLUS PACKAGE) .....	272
FIGURE 3-17. DEUTZ TD2011 DIESEL ENGINE INSTALLATION - WITH SAUER PUMPS AND STEEL HOODS (WITH SKYPOWER AND WITHOUT COLD WEATHER PLUS PACKAGE) .....	276
FIGURE 3-18. DEUTZ TD2011 ENGINE ASSEMBLY - WITH SAUER PUMPS AND STEEL HOODS (WITH SKYPOWER AND WITHOUT COLD WEATHER PLUS PACKAGE) .....	280
FIGURE 3-19. DEUTZ TD2011 DIESEL ENGINE INSTALLATION - WITH SAUER PUMPS AND STEEL HOODS (WITH SKYPOWER AND WITH COLD WEATHER PLUS PACKAGE) .....	284
FIGURE 3-20. DEUTZ TD2011 ENGINE ASSEMBLY - WITH SAUER PUMPS AND STEEL HOODS (WITH SKYPOWER AND WITH COLD WEATHER PLUS PACKAGE) .....	288
FIGURE 3-21. DEUTZ TD2011 ENGINE COMPONENTS .....	292
FIGURE 3-22. DEUTZ TD2.9L4 DIESEL ENGINE INSTALLATION - WITH REXROTH PUMPS AND STEEL HOODS (CHINA SPEC ONLY) .....	296
FIGURE 3-23. DEUTZ TD2.9L4 DIESEL ENGINE INSTALLATION - WITH SAUER PUMPS AND STEEL HOODS (CHINA SPEC ONLY) .....	300
FIGURE 3-24. DEUTZ TD2.9L4 ENGINE SUB-ASSEMBLY - WITH REXROTH PUMP (CHINA SPEC ONLY) .....	304
FIGURE 3-25. DEUTZ TD2.9L4 ENGINE SUB-ASSEMBLY - WITH SAUER PUMPS (CHINA SPEC ONLY) .....	306
FIGURE 3-26. DEUTZ TD2.9L4 ENGINE ASSEMBLY (CHINA SPEC ONLY) .....	308
FIGURE 3-27. DEUTZ TD2.9L4 ENGINE COMPONENTS (CHINA SPEC ONLY) .....	314

# TABLE OF CONTENTS

FIGURE 3-28. DEUTZ TCD2.9L4 DIESEL ENGINE INSTALLATION - WITH REXROTH PUMPS AND ABS HOODS (WITHOUT COLD WEATHER PLUS PACKAGE).....	318
FIGURE 3-29. DEUTZ TCD2.9L4 DIESEL ENGINE INSTALLATION - WITH REXROTH PUMPS AND STEEL HOODS (WITHOUT COLD WEATHER PLUS PACKAGE).....	322
FIGURE 3-30. DEUTZ TCD2.9L4 DIESEL ENGINE INSTALLATION - WITH REXROTH PUMPS AND STEEL HOODS (WITH COLD WEATHER PLUS PACKAGE).....	326
FIGURE 3-31. DEUTZ TCD2.9L4 DIESEL ENGINE INSTALLATION - WITH SAUER PUMPS AND ABS HOODS (WITHOUT COLD WEATHER PLUS PACKAGE).....	330
FIGURE 3-32. DEUTZ TCD2.9L4 DIESEL ENGINE INSTALLATION - WITH SAUER PUMPS AND STEEL HOODS (WITHOUT COLD WEATHER PLUS PACKAGE).....	334
FIGURE 3-33. DEUTZ TCD2.9L4 DIESEL ENGINE INSTALLATION - WITH SAUER PUMPS AND STEEL HOODS (WITH COLD WEATHER PLUS PACKAGE) .....	338
FIGURE 3-34. DEUTZ TCD2.9L4 ENGINE SUB-ASSEMBLY - WITH REXROTH PUMP (WITHOUT COLD WEATHER PLUS PACKAGE).....	342
FIGURE 3-35. DEUTZ TCD2.9L4 ENGINE SUB-ASSEMBLY - WITH REXROTH PUMP (WITH COLD WEATHER PLUS PACKAGE).....	344
FIGURE 3-36. DEUTZ TCD2.9L4 ENGINE SUB-ASSEMBLY - WITH SAUER PUMP (WITHOUT COLD WEATHER PLUS PACKAGE).....	346
FIGURE 3-37. DEUTZ TCD2.9L4 ENGINE SUB-ASSEMBLY - WITH SAUER PUMPS (WITH COLD WEATHER PLUS PACKAGE).....	348
FIGURE 3-38. DEUTZ TCD2.9L4 ENGINE ASSEMBLY (WITHOUT COLD WEATHER PLUS PACKAGE) .....	350
FIGURE 3-39. DEUTZ TCD2.9L4 ENGINE ASSEMBLY (WITH COLD WEATHER PLUS PACKAGE) .....	356
FIGURE 3-40. DEUTZ TCD2.9L4 ENGINE COMPONENTS .....	362
FIGURE 3-41. DEUTZ TCD2.9L4 (STAGE V) DIESEL ENGINE INSTALLATION - WITH SAUER PUMPS AND ABS HOODS (WITHOUT COLD WEATHER PLUS PACKAGE).....	366
FIGURE 3-42. DEUTZ TCD2.9L4 (STAGE V) DIESEL ENGINE INSTALLATION - WITH REXROTH PUMPS AND ABS HOODS (WITHOUT COLD WEATHER PLUS PACKAGE).....	370
FIGURE 3-43. DEUTZ TCD2.9L4 (STAGE V) ENGINE SUB-ASSEMBLY - WITH SAUER PUMP AND ABS HOODS (WITHOUT COLD WEATHER PLUS PACKAGE).....	374
FIGURE 3-44. DEUTZ TCD2.9L4 (STAGE V) ENGINESUB-ASSEMBLY - WITH REXROTH PUMP AND ABS HOODS (WITHOUT COLD WEATHER PLUS PACKAGE).....	376
FIGURE 3-45. DEUTZ TCD2.9L4 ENGINE (STAGE V) ASSEMBLY (WITHOUT COLD WEATHER PLUS PACKAGE) .....	378
FIGURE 3-46. DEUTZ TCD2.9L4 ENGINE COMPONENTS (STAGE V) .....	384
FIGURE 3-47. PUMP ASSEMBLY (REXROTH) (DEUTZ TD2011 ENGINES) .....	388
FIGURE 3-48. PUMP ASSEMBLY (REXROTH) (DEUTZ TCD2.9L4 ENGINES) .....	394
FIGURE 3-49. PUMP ASSEMBLY (SAUER TANDEM) .....	400
FIGURE 3-50. PUMP ASSEMBLY (SAUER PISTON).....	404
FIGURE 3-51. PUMP ASSEMBLY (SAUER GEAR) .....	408
FIGURE 3-52. PUMP COUPLING KIT .....	410
FIGURE 3-53. WATER/FUEL SEPARATOR INSTALLATION - DEUTZ TD2011 ENGINE.....	412
FIGURE 3-54. FUEL PUMP/FILTER BRACKET ASSEMBLY - DEUTZ TCD2.9L4 ENGINE AND DEUTZ TCD2.9L4 (STAGE V) ENGINE .....	414
FIGURE 3-55. FUEL PUMP/FILTER BRACKET ASSEMBLY - DEUTZ TD2.9L4 ENGINE (CHINA SPECS ONLY) (SN 0300238862 through 0300272504, SN B300002450 through B300007118).....	416
FIGURE 3-56. FUEL FILTER/WATER SEPARATOR INSTALLATION - DEUTZ TD2.9L4 ENGINE .....	418
FIGURE 3-57. SPARK ARRESTING CATALYTIC MUFFLER - DEUTZ TD2011 ENGINES (OPTIONAL).....	420
FIGURE 3-58. SPARK ARRESTOR INSTALLATION - DEUTZ TCD2.9L4 ENGINES AND DEUTZ TCD2.9L4 (STAGE V) ENGINES (OPTIONAL).....	422
FIGURE 3-59. 2500W GENERATOR INSTALLATION - 60HZ SPEC (DEUTZ TD2011 ENGINES) (OPTIONAL) .....	424
FIGURE 3-60. 2500W GENERATOR INSTALLATION - 50HZ SPEC (DEUTZ TD2011 ENGINES) (OPTIONAL) .....	428
FIGURE 3-61. 4000W GENERATOR INSTALLATION - 60HZ SPEC (DEUTZ TD2011 ENGINES) (OPTIONAL) .....	432

# TABLE OF CONTENTS

FIGURE 3-62. 4000W GENERATOR INSTALLATION - 50HZ SPEC (DEUTZ TD2011 ENGINES) (OPTIONAL) .....	436
FIGURE 3-63. 4000W GENERATOR INSTALLATION - 60HZ SPEC (DEUTZ TCD2.9L4 ENGINES) (OPTIONAL) .....	440
FIGURE 3-64. 4000W GENERATOR INSTALLATION - 50HZ SPEC (DEUTZ TCD2.9L4 ENGINES AND DEUTZ TCD2.9L4 (STAGE V) ENGINES) (OPTIONAL) .....	444
FIGURE 3-65. 7500W SKYPOWER GENERATOR INSTALLATION - 60HZ SPEC (DEUTZ TD2011 ENGINES) (OPTIONAL) .....	448
FIGURE 3-66. 7500W SKYPOWER GENERATOR INSTALLATION - 50HZ SPEC (DEUTZ TD2011 ENGINES) (OPTIONAL) .....	452
FIGURE 3-67. 7500W SKYPOWER GENERATOR INSTALLATION - 60HZ SPEC (DEUTZ TCD2.9L4 ENGINES) (OPTIONAL) .....	456
FIGURE 3-68. 7500W SKYPOWER GENERATOR INSTALLATION - 50HZ SPEC (DEUTZ TCD2.9L4 ENGINES) (OPTIONAL) .....	460
SECTION 4 - BOOM .....	465
FIGURE 4-1. BOOM INSTALLATION - WITHOUT COLD WEATHER PLUS PACKAGE (1200SJP) .....	466
FIGURE 4-2. BOOM INSTALLATION - WITH COLD WEATHER PLUS PACKAGE (1200SJP) .....	468
FIGURE 4-3. BOOM INSTALLATION - WITHOUT COLD WEATHER PLUS PACKAGE (1350SJP) .....	470
FIGURE 4-4. BOOM INSTALLATION - WITH COLD WEATHER PLUS PACKAGE (1350SJP) .....	472
FIGURE 4-5. BOOM ASSEMBLY - WITHOUT COLD WEATHER PLUS PACKAGE (1200SJP) .....	474
FIGURE 4-6. BOOM ASSEMBLY - WITH COLD WEATHER PLUS PACKAGE (1200SJP) .....	482
FIGURE 4-7. BOOM ASSEMBLY - WITHOUT COLD WEATHER PLUS PACKAGE (1350SJP) .....	490
FIGURE 4-8. BOOM ASSEMBLY - WITH COLD WEATHER PLUS PACKAGE (1350SJP) .....	498
FIGURE 4-9. WIRE ROPE TOOLS INSTALLATION (OPTIONAL) .....	506
FIGURE 4-10. PLATFORM ROTATE ASSEMBLY (SN 0300201016 through 0300201348) .....	508
FIGURE 4-11. PLATFORM ROTATE ASSEMBLY (SN 0300201349 through 0300272504, SN B300002238 through B300007118) .....	510
FIGURE 4-12. JIB ROTATE ASSEMBLY (SN 0300201016 through 0300201348) .....	512
FIGURE 4-13. JIB ROTATE ASSEMBLY (SN 0300201349 through 0300272504, SN B300002238 through B300007118) .....	514
FIGURE 4-14. POWER TRACK INSTALLATION (1200SJP) .....	516
FIGURE 4-15. POWER TRACK INSTALLATION (1350SJP) .....	520
FIGURE 4-16. BOOM SENSORS AND SWITCHES INSTALLATION .....	524
FIGURE 4-17. PLATFORM SUPPORT INSTALLATION - WITHOUT LSS .....	528
FIGURE 4-18. PLATFORM SUPPORT INSTALLATION - WITH 4 CELL LSS .....	530
FIGURE 4-19. PLATFORM SUPPORT INSTALLATION - WITH 1 CELL LSS .....	532
FIGURE 4-20. CONTROL VALVE INSTALLATION - WITHOUT LSS AND WITH 4 CELL LSS .....	534
FIGURE 4-21. CONTROL VALVE INSTALLATION - WITH 1 CELL LSS .....	536
FIGURE 4-22. CONTROL VALVE ASSEMBLY .....	538
SECTION 5 - PLATFORM .....	541
FIGURE 5-1. PLATFORM ASSEMBLY - 30IN X 4FT (76.2CM X 1.22M) WITH SWING GATE .....	542
FIGURE 5-2. PLATFORM ASSEMBLY - 36IN X 6FT (91.5CM X 1.83M) WITH SWING GATE .....	544
FIGURE 5-3. PLATFORM ASSEMBLY - 36IN X 8FT (91.5CM X 2.44M) WITH SWING GATE .....	546
FIGURE 5-4. PLATFORM ASSEMBLY - 30IN X 3FT (76CM X .91M) - WITH DROP BAR .....	548
FIGURE 5-5. PLATFORM ASSEMBLY - 30IN X 4FT (76.2CM X 1.22M) WITH DROP BAR .....	550
FIGURE 5-6. PLATFORM ASSEMBLY - 36IN X 6FT (91.5CM X 1.83M) WITH DROP BAR .....	552
FIGURE 5-7. PLATFORM ASSEMBLY - 36IN X 8FT (91.5CM X 2.44M) WITH DROP BAR (USA BUILT MACHINES) .....	554
FIGURE 5-8. PLATFORM ASSEMBLY - 36IN X 8FT (91.5CM X 2.44M) WITH DROP BAR (CHINA BUILT MACHINES) .....	556
FIGURE 5-9. PLATFORM ASSEMBLY - 36IN X 6FT (91.5CM X 1.83M) WITH FALL ARREST (ANSI, ANSI EXPORT AND CSA SPECS) .....	558
FIGURE 5-10. PLATFORM ASSEMBLY - 36IN X 8FT (91.5CM X 2.44M) WITH FALL ARREST (ANSI SPEC) .....	560

# TABLE OF CONTENTS

FIGURE 5-11. PLATFORM ASSEMBLY - 36IN X 8FT (91.5CM X 2.44M) WITH FALL ARREST (ALL SPECS EXCEPT CSA SPECS).....	562
FIGURE 5-12. PLATFORM ASSEMBLY - 36IN X 6FT (91.5CM X 1.83M) TRI-ENTRY WITH SWING GATE .....	564
FIGURE 5-13. PLATFORM ASSEMBLY - 36IN X 6FT (91.5CM X 1.83M) TRI-ENTRY WITH DROPBAR .....	566
FIGURE 5-14. PLATFORM ASSEMBLY - 36IN X 8FT (91.5CM X 2.44M) TRI-ENTRY WITH DROPBAR .....	568
FIGURE 5-15. PLATFORM ASSEMBLY - 36IN X 8FT (91.5CM X 2.44M) TRI-ENTRY WITH DROPGATE .....	570
FIGURE 5-16. TRAY ASSEMBLY .....	572
FIGURE 5-17. PLATFORM CONTROLS INSTALLATION - WITHOUT SKYGUARD .....	574
FIGURE 5-18. PLATFORM CONTROLS INSTALLATION - WITH SKYGUARD (SN 0300201016 through 0300235781, SN B300002238 through B300002991) .....	576
FIGURE 5-19. PLATFORM CONTROLS INSTALLATION - WITH SKYGUARD (SN 0300235782 through 0300256988, SN B300002992 through B300003730) .....	578
FIGURE 5-20. PLATFORM CONTROLS INSTALLATION (SN 0300256989 through 0300272504, SN B300003731 through B300007118).....	580
FIGURE 5-21. PLATFORM CONSOLE ASSEMBLY - WITHOUT SKYGUARD (SN 0300201016 through 0300220138) .....	582
FIGURE 5-22. PLATFORM CONSOLE ASSEMBLY - WITHOUT SKYGUARD (SN 0300220139 through 0300272504, SN B300002238 through B300007118) .....	586
FIGURE 5-23. PLATFORM CONSOLE ASSEMBLY - WITH SKYGUARD (SN 0300201016 through 0300220138).....	590
FIGURE 5-24. PLATFORM CONSOLE ASSEMBLY - WITH SKYGUARD (SN 0300220139 through 0300235781, SN B300002238 through B300002991) .....	594
FIGURE 5-25. PLATFORM CONSOLE ASSEMBLY - WITH SKYGUARD (SN 0300235782 through 0300256988, SN B300002992 through B300003730) .....	598
FIGURE 5-26. PLATFORM CONSOLE ASSEMBLY (SN 03002256989 through 0300272504, SN B300003731 through B300007118).....	602
FIGURE 5-27. DECAL AND LIGHT PANEL (ANSI SPECS) .....	606
FIGURE 5-28. DECAL AND LIGHT PANEL (CE SPECS) .....	608
FIGURE 5-29. CONTROLLER ASSEMBLY (LIFT AND SWING) .....	610
FIGURE 5-30. CONTROLLER ASSEMBLY (DRIVE AND STEER) .....	614
FIGURE 5-31. BOOM CONTROL SELECT SWITCH INSTALLATION.....	616
FIGURE 5-32. FOOTSWITCH ASSEMBLY .....	618
FIGURE 5-33. SOFT TOUCH SYSTEM INSTALLATION - 6FT/1.8M PLATFORMS (OPTIONAL) .....	620
FIGURE 5-34. SOFT TOUCH SYSTEM INSTALLATION - 8FT/2.4M PLATFORMS (OPTIONAL) .....	622
FIGURE 5-35. SOFT TOUCH INSTALLATION - 8FT (2.4M) FALL ARREST PLATFORM (OPTIONAL) .....	624
FIGURE 5-36. SKYGUARD SYSTEM INSTALLATION (SN 0300201016 through 0300256988, SN B300002238 through B300003794).....	626
FIGURE 5-37. SKYGUARD BAR INSTALLATION (SN 0300256989 through 0300272504, SN B300003795 through B300007118) .....	628
FIGURE 5-38. CROSS RAIL INSTALLATION .....	630
FIGURE 5-39. SKYEYE INSTALLATION.....	632
FIGURE 5-40. SKYGLAZIER INSTALLATION (ANSI, CSA AND JAPANESE SPECS) .....	634
FIGURE 5-41. SKYGLAZIER INSTALLATION (AUSTRALIAN SPECS).....	636
FIGURE 5-42. SKYGLAZIER INSTALLATION (BRAZIL SPECS).....	638
FIGURE 5-43. SKYGLAZIER INSTALLATION (DANISH SPECS).....	640
FIGURE 5-44. SKYGLAZIER INSTALLATION (FINNISH SPECS) (SN 0300201016 through 0300235781).....	642
FIGURE 5-45. SKYGLAZIER INSTALLATION (FINNISH SPECS) (SN 0300235782 through 0300272504).....	644
FIGURE 5-46. SKYGLAZIER INSTALLATION (FRENCH SPECS) (SN 0300201016 through 0300235781) .....	646
FIGURE 5-47. SKYGLAZIER INSTALLATION (FRENCH SPECS) (SN 0300235782 through 0300272504) .....	648
FIGURE 5-48. SKYGLAZIER INSTALLATION (GERMAN SPECS) (SN 0300201016 through 0300235781) .....	650
FIGURE 5-49. SKYGLAZIER INSTALLATION (GERMAN SPECS) (SN 0300235782 through 0300272504) .....	652

# TABLE OF CONTENTS

FIGURE 5-50. SKYGLAZIER INSTALLATION (ITALIAN SPECS) (SN 0300201016 through 0300235781)	654
FIGURE 5-51. SKYGLAZIER INSTALLATION (ITALIAN SPECS) (SN 0300235782 through 0300272504)	656
FIGURE 5-52. SKYGLAZIER INSTALLATION (LATIN AMERICAN SPECS)	658
FIGURE 5-53. SKYGLAZIER INSTALLATION (PORTUGUESE SPECS) (SN 0300201016 through 0300235781)	660
FIGURE 5-54. SKYGLAZIER INSTALLATION (PORTUGUESE SPECS) (SN 0300235782 through 0300272504)	662
FIGURE 5-55. SKYGLAZIER INSTALLATION (SPANISH SPECS) (SN 0300201016 through 0300235781)	664
FIGURE 5-56. SKYGLAZIER INSTALLATION (SPANISH SPECS) (SN 0300235782 through 0300272504)	666
FIGURE 5-57. SKYGLAZIER INSTALLATION (SWEDISH SPECS) (SN 0300201016 through 0300235781)	668
FIGURE 5-58. SKYGLAZIER INSTALLATION (SWEDISH SPECS) (SN 0300235782 through 0300272504)	670
FIGURE 5-59. SKYGLAZIER INSTALLATION (UK SPECS) (SN 0300201016 through 0300235781)	672
FIGURE 5-60. SKYGLAZIER INSTALLATION (UK SPECS) (SN 0300235782 through 0300272504)	674
FIGURE 5-61. SKYLINE INSTALLATION	676
FIGURE 5-62. SKYWELDER/SKYCUTTER COMBO INSTALLATION (60HZ)	678
FIGURE 5-63. SKYWELDER INSTALLATION (50HZ)	682
FIGURE 5-64. SKYWELDER INSTALLATION (60HZ)	684
FIGURE 5-65. SKYWELDER PREP PACKAGE (60HZ)	686
FIGURE 5-66. WELDER ASSEMBLY	688
FIGURE 5-67. SKYCUTTER INSTALLATION	690
FIGURE 5-68. PLASMA CUTTER ASSEMBLY	692
FIGURE 5-69. PIPE RACK INSTALLATION (ANSI SPEC)	694
FIGURE 5-70. PIPE RACK INSTALLATION (AUSTRALIAN AND CE SPECS)	696
FIGURE 5-71. PIPE RACK INSTALLATION (KOREAN SPEC)	698
FIGURE 5-72. FALL ARREST INSTALLATION (BOLT - ON EXTERNAL) 6FT/1.82M PLATFORM	700
FIGURE 5-73. FALL ARREST INSTALLATION (BOLT - ON EXTERNAL) 6FT/1.82M PLATFORM	702
FIGURE 5-74. FALL ARREST INSTALLATION (BOLT - ON EXTERNAL) 8FT/2.4M PLATFORM	704
SECTION 6 - CYLINDER	707
FIGURE 6-1. AXLE EXTENSION CYLINDER ASSEMBLY (SN 0300207701 through 0300238565, SN B300002238 through B300002404)	708
FIGURE 6-2. AXLE EXTENSION CYLINDER ASSEMBLY (SN 0300238566 through 0300271480, SN B300002405 through B300005767)	710
FIGURE 6-3. AXLE EXTENSION CYLINDER ASSEMBLY (SN 0300238566 through 0300271481, SN B300005768 through B300007118)	712
FIGURE 6-4. AXLE LOCKOUT CYLINDER ASSEMBLY (SN 0300207701 through 0300239161, SN B300002238 through B300002449)	714
FIGURE 6-5. AXLE LOCKOUT CYLINDER ASSEMBLY (SN 0300239162 through 0300272504, SN B300002450 through B300007118)	716
FIGURE 6-6. PLATFORM LEVEL CYLINDER ASSEMBLY - WITHOUT COLD WEATHER PLUS PACKAGE (SN 0300201016 through 0300239161, SN B300002238 through B300002449)	718
FIGURE 6-7. PLATFORM LEVEL CYLINDER ASSEMBLY - WITHOUT COLD WEATHER PLUS PACKAGE (SN 0300239162 through 0300272504, SN B300002450 through B300007118)	720
FIGURE 6-8. PLATFORM LEVEL CYLINDER ASSEMBLY - WITH COLD WEATHER PLUS PACKAGE (SN 0300201016 through 0300239980)	722
FIGURE 6-9. PLATFORM LEVEL CYLINDER ASSEMBLY - WITH COLD WEATHER PLUS PACKAGE (SN 0300239981 through 0300272504)	724
FIGURE 6-10. LIFT CYLINDER ASSEMBLY (SN 0300201016 through 0300239470, SN B300002238 through B300002473)	726
FIGURE 6-11. LIFT CYLINDER ASSEMBLY (SN 0300239471 through 0300272504, SN B300002474 through B300007118)	728
FIGURE 6-12. JIB CYLINDER ASSEMBLY - WITHOUT COLD WEATHER PLUS PACKAGE (SN 0300201016 through 0300239161, SN B300002238 through B300002449)	730

# TABLE OF CONTENTS

FIGURE 6-13. JIB CYLINDER ASSEMBLY - WITH COLD WEATHER PLUS PACKAGE (SN 0300201016 through 0300239161)	732
FIGURE 6-14. JIB CYLINDER ASSEMBLY - WITH OR WITHOUT COLD WEATHER PLUS PACKAGE (SN 0300239162 through 0300272504, SN B300002450 through B300007118)	734
FIGURE 6-15. STEER CYLINDER ASSEMBLY (SN 0300201016 through 0300238011, SN B300002238 through B300002376)	736
FIGURE 6-16. STEER CYLINDER ASSEMBLY (SN 0300238012 through 0300272504, SN B300002377 through B300007118)	738
FIGURE 6-17. TELESCOPE CYLINDER ASSEMBLY (1200SJP) (SN 0300201016 through 0300243437, SN B300002238 through B300002718)	740
FIGURE 6-18. TELESCOPE CYLINDER ASSEMBLY (1200SJP) (SN 0300243438 through 0300272504, SN B300002719 through B300007118)	742
FIGURE 6-19. TELESCOPE CYLINDER ASSEMBLY (1350SJP) (SN 0300201016 through 0300243473, SN B300002238 through B300002646)	744
FIGURE 6-20. TELESCOPE CYLINDER ASSEMBLY (1350SJP) (SN 0300243474 through 0300272504, SN B300002647 through B300007118)	746
SECTION 7 - HYDRAULIC	749
FIGURE 7-1. HYDRAULIC DIAGRAM - BOOM (1200SJP)	750
FIGURE 7-2. HYDRAULIC DIAGRAM - BOOM (1350SJP)	752
FIGURE 7-3. HYDRAULIC DIAGRAM - DRIVE	754
FIGURE 7-4. HYDRAULIC DIAGRAM - OSCILLATING AXLE	758
FIGURE 7-5. HYDRAULIC DIAGRAM - STEER	760
FIGURE 7-6. HYDRAULIC DIAGRAM - TURNTABLE (DEUTZ TD2011 ENGINES WITH REXROTH PUMPS)	762
FIGURE 7-7. HYDRAULIC DIAGRAM - TURNTABLE (DEUTZ TCD2.9L4 ENGINES AND DEUTZ TCD2.9L4 (STAGE V) ENGINES WITH REXROTH PUMPS)	766
FIGURE 7-8. HYDRAULIC DIAGRAM - TURNTABLE (WITH SAUER PUMPS)	770
FIGURE 7-9. HYDRAULIC DIAGRAM LIST	774
SECTION 8 - ELECTRICAL	777
FIGURE 8-1. AC BOX AT PLATFORM - 110V (ANSI SPECS)	778
FIGURE 8-2. AC BOX AT PLATFORM - 110V GFI RECEPTACLE (ANSI SPECS)	780
FIGURE 8-3. AC BOX AT PLATFORM - 220V GFI RECEPTACLE (ANSI SPECS)	782
FIGURE 8-4. AC BOX AT PLATFORM INSTALLATION - BOX WITH COVER (2X4 BOX) WITH 4000W GENERATOR (ANSI EXPORT SPECS) (SN 0300205136 through 0300214024)	784
FIGURE 8-5. AC BOX AT PLATFORM INSTALLATION - BOX WITH COVER (2X4 BOX) WITH 4000W GENERATOR (ANSI EXPORT SPECS) (SN 0300214025 through 0300272504, SN B300002238 through B300007118)	786
FIGURE 8-6. AC BOX AT PLATFORM INSTALLATION - 110V IEC 60309 YELLOW WITHOUT 2500W GENERATOR (CE SPECS)	788
FIGURE 8-7. AC BOX AT PLATFORM INSTALLATION - 110V IEC 60309 YELLOW WITHOUT 4000W GENERATOR (CE SPECS) (SN 0300205136 through 0300214024)	790
FIGURE 8-8. AC BOX AT PLATFORM INSTALLATION - 110V IEC 60309 YELLOW WITHOUT 4000W GENERATOR (CE SPECS) (SN 0300214025 through 0300272504, SN B300002238 through B300007118)	792
FIGURE 8-9. AC BOX AT PLATFORM INSTALLATION - 220V IEC 60309 BLUE WITHOUT 2500W GENERATOR (CE SPECS)	794
FIGURE 8-10. AC BOX AT PLATFORM INSTALLATION - 220V IEC 60309 BLUE WITHOUT 4000W GENERATOR (CE SPECS) (SN 0300205136 through 0300214024)	796
FIGURE 8-11. AC BOX AT PLATFORM INSTALLATION - 220V IEC 60309 BLUE WITHOUT 4000W GENERATOR (CE SPECS) (SN 0300214025 through 0300272504, SN B300002238 through B300007118)	798
FIGURE 8-12. AC BOX AT PLATFORM INSTALLATION - 220V CEE7 POST GROUND (70MM X 70MM BOX) WITHOUT 2500W GENERATOR (CE SPECS) (SN 0300201016 through 0300205136)	800

# TABLE OF CONTENTS

FIGURE 8-13. AC BOX AT PLATFORM INSTALLATION - 220V CEE7 SIDE GROUND (70MM X 70MM BOX) WITHOUT 2500W GENERATOR (CE SPECS) (SN 0300201016 through 0300205136) .....	802
FIGURE 8-14. AC BOX AT PLATFORM INSTALLATION - 220V CEE7 POST GROUND (2X4 BOX) WITHOUT 2500W GENERATOR (CE SPECS) .....	804
FIGURE 8-15. AC BOX AT PLATFORM INSTALLATION - 220V CEE7 POST GROUND (2X4 BOX) WITHOUT 4000W GENERATOR (CE SPECS) (SN 0300205136 through 0300214024) .....	806
FIGURE 8-16. AC BOX AT PLATFORM INSTALLATION - 220V CEE7 POST GROUND (2X4 BOX) WITHOUT 4000W GENERATOR (CE SPECS) (SN 0300214025 through 0300272504) .....	808
FIGURE 8-17. AC BOX AT PLATFORM INSTALLATION - 220V CEE7 SIDE GROUND (2X4 BOX) WITHOUT 2500W GENERATOR (CE SPECS) .....	810
FIGURE 8-18. AC BOX AT PLATFORM INSTALLATION - 220V CEE7 SIDE GROUND (2X4 BOX) WITHOUT 4000W GENERATOR (CE SPECS) (SN 0300205136 through 0300214024) .....	812
FIGURE 8-19. AC BOX AT PLATFORM INSTALLATION - 220V CEE7 SIDE GROUND (2X4 BOX) WITHOUT 4000W GENERATOR (CE SPECS) (SN 0300214025 through 0300272504) .....	814
FIGURE 8-20. AC BOX AT PLATFORM INSTALLATION - 220V AFSINT 107 KEYED GROUND (2X4 BOX) WITHOUT 2500W GENERATOR (CE SPECS) .....	816
FIGURE 8-21. AC BOX AT PLATFORM INSTALLATION - 220V AFSINT 107 KEYED GROUND (2X4 BOX) WITHOUT 4000W GENERATOR (CE SPECS) (SN 0300205136 through 0300214024) .....	818
FIGURE 8-22. AC BOX AT PLATFORM INSTALLATION - 220V AFSINT 107 KEYED GROUND (2X4 BOX) WITHOUT 4000W GENERATOR (CE SPECS) (SN 0300214025 through 0300272504) .....	820
FIGURE 8-23. AC 16 AMP BREAKER BOX INSTALLATION .....	822
FIGURE 8-24. AC 16 AMP BREAKER BOX INSTALLATION (CE SPECS).....	824
FIGURE 8-25. ANALYZER CABLE HARNESS .....	826
FIGURE 8-26. AXLE POWER TRACK HARNESS ASSEMBLY.....	828
FIGURE 8-27. BATTERY DISCONNECT INSTALLATION .....	830
FIGURE 8-28. BEACON CONTROL HARNESS (BLUE BEACON LIGHT ONLY) .....	832
FIGURE 8-29. BEACON LIGHT HARNESS (BLUE BEACON LIGHT ONLY) .....	834
FIGURE 8-30. B.L.A.M. TO BOOM LENGTH SENSOR HARNESS.....	836
FIGURE 8-31. B.L.A.M. TO BOOM ANGLE SENSOR HARNESS (LEFT SIDE).....	838
FIGURE 8-32. B.L.A.M. TO BOOM ANGLE SENSOR HARNESS (RIGHT SIDE) .....	840
FIGURE 8-33. B.L.A.M. HARNESS .....	842
FIGURE 8-34. BOOM CABLES INSTALLATION (ANSI, ANSI EXPORT, CHINA, CSA AND JAPANESE SPECS) (1200SJP) ..	844
FIGURE 8-35. BOOM CABLES INSTALLATION (ANSI, ANSI EXPORT, CHINA, CSA AND JAPANESE SPECS) (1350SJP) ..	846
FIGURE 8-36. BOOM CABLES INSTALLATION (AUSTRALIAN AND CE SPECS) (1200SJP) .....	848
FIGURE 8-37. BOOM CABLES INSTALLATION (AUSTRALIAN AND CE SPECS) (1350SJP) .....	850
FIGURE 8-38. BOOM CABLES INSTALLATION WITH 4000W GENERATOR (1200SJP).....	852
FIGURE 8-39. BOOM CABLES INSTALLATION WITH 4000W GENERATOR (1350SJP).....	854
FIGURE 8-40. BOOM CABLES INSTALLATION WITH 7500W GENERATOR (1200SJP).....	856
FIGURE 8-41. BOOM CABLES INSTALLATION WITH 7500W GENERATOR (1350SJP).....	858
FIGURE 8-42. BREAKER BOX KIT - 16 AMP (2500W GENERATOR).....	860
FIGURE 8-43. BREAKER BOX KIT - 16 AMP (4000W GENERATOR).....	862
FIGURE 8-44. CHASSIS HARNESS ASSEMBLY.....	864
FIGURE 8-45. CLEARSKY READY HARNESS .....	866
FIGURE 8-46. DUAL CAPACITY JIB POSITION SWITCH HARNESS .....	868
FIGURE 8-47. EIM LOAD CELL HARNESS.....	870
FIGURE 8-48. ENGINE HARNESS - DEUTZ TD2011 ENGINES .....	872
FIGURE 8-49. ENGINE HARNESS - DEUTZ TCD2.9L4 ENGINES AND DEUTZ TCD2.9L4 (STAGE V) ENGINES .....	874
FIGURE 8-50. FUEL FILTER HARNESS - DEUTZ TCD2.9L4 ENGINES AND UTZ TCD2.9L4 (STAGE V) ENGINES .....	878
FIGURE 8-51. FUEL HARNESS - DEUTZ TCD2.9L4 ENGINES AND DEUTZ TCD2.9L4 (STAGE V) ENGINES .....	880

# TABLE OF CONTENTS

FIGURE 8-52. GENERATOR HARNESS - 4000W GENERATOR .....	882
FIGURE 8-53. GENERATOR HARNESS - 7500W GENERATOR .....	884
FIGURE 8-54. GENERATOR HARNESS - 7500W GENERATOR .....	886
FIGURE 8-55. GROUND CONTROL BOX HARNESS .....	888
FIGURE 8-56. GROUND CONTROL BOX HARNESS - DEUTZ TCD2.9L4 ENGINES (CE SPECS) .....	892
FIGURE 8-57. GROUND CONTROLS TO ENGINE HARNESS .....	896
FIGURE 8-58. JIB STOW SWITCH HARNESS .....	898
FIGURE 8-59. LOAD SENSING PIN HARNESS .....	900
FIGURE 8-60. LOCKOUT VALVE HARNESS .....	902
FIGURE 8-61. MAIN BOOM CONTROL CABLE HARNESS (1200SJP) .....	904
FIGURE 8-62. MAIN BOOM CONTROL CABLE HARNESS (1350SJP) .....	906
FIGURE 8-63. MAIN VALVE HARNESS.....	908
FIGURE 8-64. PLATFORM CONSOLE BOX HARNESS - WITHOUT SKYGUARD .....	910
FIGURE 8-65. PLATFORM CONSOLE BOX HARNESS - WITH SKYGUARD (SN 0300201016 through 0300234290, SN B300002238 through B300002991) .....	912
FIGURE 8-66. PLATFORM CONSOLE BOX HARNESS - WITH SKYGUARD (SN 0300234291 through 0300272504, SN B300002992 through B300007118) .....	916
FIGURE 8-67. PLATFORM INTERFACE HARNESS.....	920
FIGURE 8-68. PLATFORM VALVE HARNESS .....	922
FIGURE 8-69. PUMP ADAPTER HARNESS - SAUER PUMPS.....	924
FIGURE 8-70. RECEPTACLE BOX KIT - 110V IEC YELLOW WITHOUT 2500W GENERATOR (CE SPECS) .....	926
FIGURE 8-71. RECEPTACLE BOX KIT - 220V IEC BLUE WITHOUT 2500W GENERATOR (CE SPECS).....	928
FIGURE 8-72. RECEPTACLE BOX KIT - 220V CEE7 POST GROUND WITHOUT 2500W GENERATOR (70MM X 70MM BOX) (CE SPECS).....	930
FIGURE 8-73. RECEPTACLE BOX KIT - 220V CEE7 SIDE GROUND WITHOUT 2500W GENERATOR (70MM X 70MM BOX) (CE SPECS).....	932
FIGURE 8-74. RECEPTACLE BOX KIT - 220V CEE7 POST GROUND WITHOUT 2500W GENERATOR (2X4 BOX) (CE SPECS).....	934
FIGURE 8-75. RECEPTACLE BOX KIT - 220V CEE7 SIDE GROUND WITHOUT 2500W GENERATOR (2X4 BOX) (CE SPECS) .....	936
FIGURE 8-76. RECEPTACLE BOX KIT - 220V AFSINT 107 KEYED GROUND WITHOUT 2500W GENERATOR (2X4 BOX) (CE SPECS).....	938
FIGURE 8-77. SKYEYE INTERMEDIATE HARNESS .....	940
FIGURE 8-78. SKYEYE EMITTER HARNESS .....	942
FIGURE 8-79. SKYEYE RECEIVER HARNESS.....	944
FIGURE 8-80. SKYLINE HARNESS .....	946
FIGURE 8-81. STROBE LIGHT HARNESS (AMBER) .....	948
FIGURE 8-82. TILT SENSOR HARNESS (LEFT).....	950
FIGURE 8-83. TILT SENSOR HARNESS (RIGHT) .....	952
FIGURE 8-84. ELECTRICAL DIAGRAM LIST .....	954
SECTION 9 - DECALS .....	955
FIGURE 9-1. DECAL INSTALLATION - ANSI SPEC .....	956
FIGURE 9-2. DECAL INSTALLATION - AUSTRALIAN SPEC.....	958
FIGURE 9-3. DECAL INSTALLATION - BRAZIL SPEC (PORTGUESE/ENGLISH) .....	960
FIGURE 9-4. DECAL INSTALLATION - CE SPEC .....	962
FIGURE 9-5. DECAL INSTALLATION - CHINESE SPEC (CHINESE/ENGLISH) .....	964
FIGURE 9-6. DECAL INSTALLATION - CSA SPEC (ENGLISH/FRENCH) .....	966



## TABLE OF CONTENTS

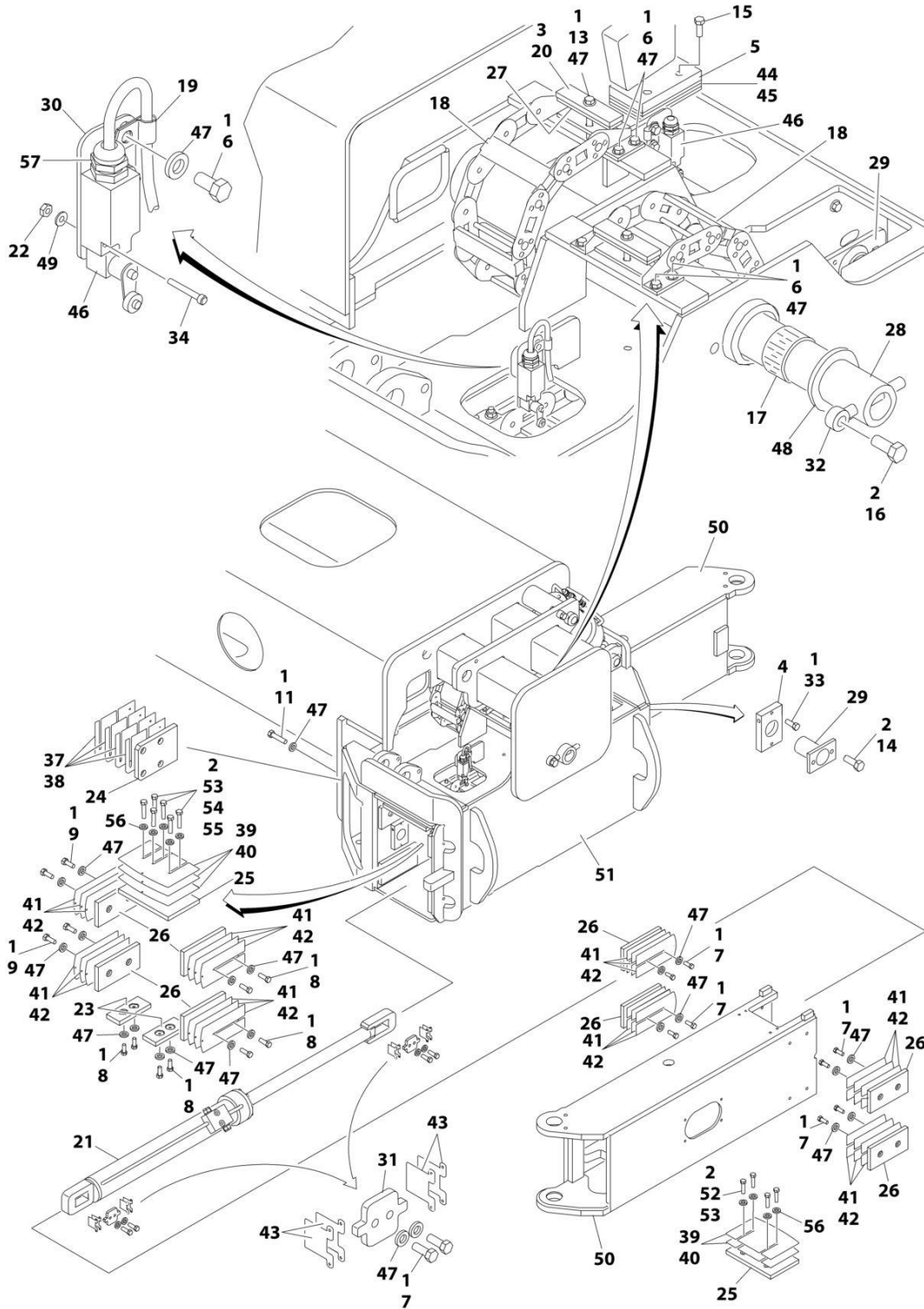
FIGURE 9-7. DECAL INSTALLATION - JAPANESE SPEC (JAPANESE/ENGLISH) .....	968
FIGURE 9-8. DECAL INSTALLATION - KOREAN SPEC (KOREAN/ENGLISH) .....	970
FIGURE 9-9. DECAL INSTALLATION - LATIN AMERICAN SPEC (SPANISH/ENGLISH) .....	972
FIGURE 9-10. DECAL INSTALLATION - OPTIONS .....	974
SECTION 10 - RECOMMENDED SERVICE PARTS STOCK .....	977
FIGURE 10-1. RECOMMENDED SERVICE PARTS STOCK .....	978
SECTION 11 - SPECIAL OPTIONS .....	981
FIGURE 11-1. SPECIAL OPTIONS .....	982
PART NUMBER INDEX .....	989



**SECTION 1 - FRAME**

# SECTION 1 - FRAME

## FIGURE 1-1. AXLE INSTALLATION - FIXED (SN 0300201016 through 0300207700)



ART\_0271934

## SECTION 1 - FRAME

**FIGURE 1-1. AXLE INSTALLATION - FIXED (SN 0300201016 through 0300207700)**

ITEM	PART NUMBER	QTY	DESCRIPTION	REV
	0271934	Ref	AXLE INSTALLATION - FIXED (SN 0300201016 through 0300207700)	M
1	0100011	AR	Compound, Locking	
2	0100019	AR	Compound, Locking	
3	0100081	AR	Adhesive #454	
4	0363037	4	Bar, Stop	
5	0363076	2	Bar, Stop	
6	0641606	40	Bolt 3/8 x 3/4	
7	0641608	48	Bolt 3/8 x 1	
8	0641609	32	Bolt 3/8 x 1-1/8	
9	0641611	16	Bolt 3/8 x 1-3/8	
11	0641613	8	Bolt 3/8 x 1-5/8	
13	0641620	4	Bolt 3/8 x 2-1/2	
14	0641808	8	Bolt 1/2 x 1	
15	0641814	4	Bolt 1/2 x 1-3/4	
16	0642214	1	Bolt 3/4 x 1-3/4	
17	0962033	2	Bushing	
18	1180358	4	Carrier	
18	7024365	AR	Section Repair Kit (Includes Inner and Outer Links, Joining Bars and Rollers and Assembling Hardware)	
18	7024366	1	Mounting Bracket Kit (Includes Mounting Brackets for Both Ends, 1 Roller Assembly and Assembling Hardware)	
19	1320263	4	Clamp, Cable	
20	1320298	4	Clamp, Hose	
21	1684102	NLA	Axle Extension Cylinder Assembly (Use p/n 1001228020) (See Separate Breakdown in CYLINDER SECTION)	
22	3310805	8	Nut #8	
23	3340881	8	Pad, Wear	
24	1001161401	2	Pad, Axle	
25	1001161402	8	Pad, Wear	
26	1001161403	32	Pad, Wear	
27	3340939	8	Pad, Rubber	
28	3422918	1	Pin	
29	3422960	4	Pin	
30	3573294	4	Plate	
31	3573335	8	Plate	
32	3841287	1	Keeper, Pin	
33	3900270	4	Bolt 1/2 x 1-1/2	
34	3930820	8	Capscrew #8 x 1-1/4	
37	4071035	2	Shim #18 Gauge	
38	4071036	4	Shim #11 Gauge	
39	4071054	8	Shim #18 Gauge	
40	4071055	12	Shim #11 Gauge	
41	4071039	10	Shim #18 Gauge	
42	4071040	36	Shim #11 Gauge	
43	4071042	24	Shim #16 Gauge	
44	4071049	6	Shim #11 Gauge	
45	4071050	4	Shim #16 Gauge	
46	4360578	4	Switch, Limit	
47	4711600	140	Washer 3/8	

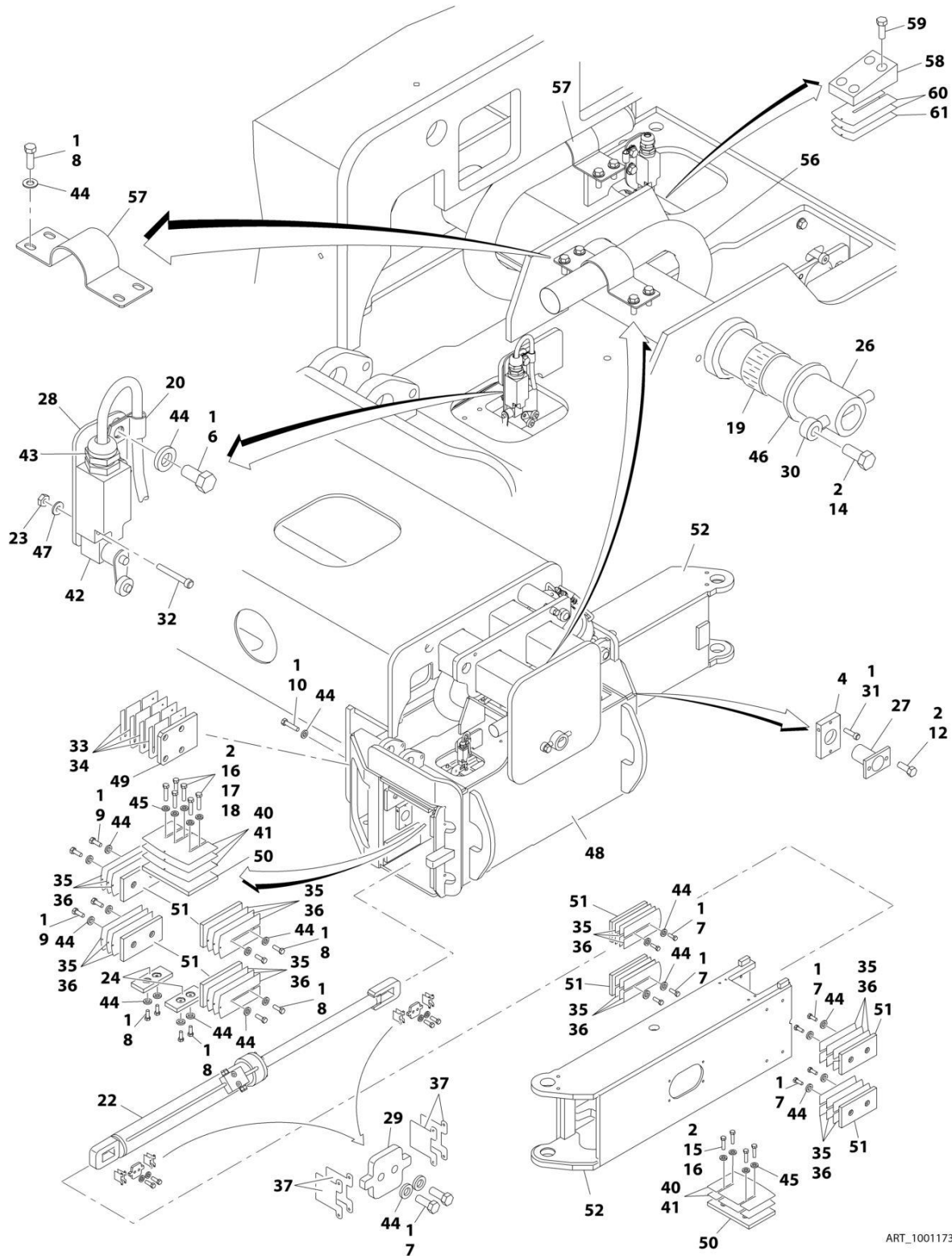
## SECTION 1 - FRAME

ITEM	PART NUMBER	QTY	DESCRIPTION	REV
48	4740461	1	Thrustwasher	
49	4750800	8	Washer #8	
50	4846637	4	Extension, Axle	
51	4846383	1	Box, Axle Pivot	
52	0681813	12	Bolt 1/2 x 1-5/8 Grade 8	
53	0681814	18	Bolt 1/2 x 1-3/4 Grade 8	
54	0681815	12	Bolt 1/2 x 1-7/8 Grade 8	
55	0681816	6	Bolt 1/2 x 2 Grade 8	
56	4711800	48	Washer 1/2	
57	4460968	4	Connector, Strain Relief	



# SECTION 1 - FRAME

FIGURE 1-2. AXLE INSTALLATION - FIXED (SN 0300207701 through 0300272504, SN B30002238 through B300007118)



ART\_1001173914



## SECTION 1 - FRAME

**FIGURE 1-2. AXLE INSTALLATION - FIXED (SN 0300207701 through 0300272504, SN B30002238 through B300007118)**

ITEM	PART NUMBER	QTY	DESCRIPTION	REV
	1001173914	Ref	AXLE INSTALLATION - FIXED	J
1	0100011	AR	Compound, Locking	
2	0100019	AR	Compound, Locking	
4	0363037	4	Bar, Stop	
6	0641606	8	Bolt 3/8 x 3/4	
7	0641608	48	Bolt 3/8 x 1	
8	0641609	64	Bolt 3/8 x 1-1/8	
9	0641611	16	Bolt 3/8 x 1-3/8	
10	0641613	8	Bolt 3/8 x 1-5/8	
12	0641808	8	Bolt 1/2 x 1	
14	0642214	1	Bolt 3/4 x 1-3/4	
15	0681813	12	Bolt 1/2 x 1-5/8 Grade 8	
16	0681814	18	Bolt 1/2 x 1-3/4 Grade 8	
17	0681815	12	Bolt 1/2 x 1-7/8 Grade 8	
18	0681816	6	Bolt 1/2 x 2 Grade 8	
19	0962033	2	Bushing	
20	1320263	4	Clamp, Cable	
22	1684102	NLA	Axle Extension Cylinder Assembly (Use p/n 1001251020) (See Separate Breakdown in CYLINDER SECTION) <b>(SN 0300207701 through 0300238565, SN B300002238 through B300002404)</b>	
22	1001228020	NLA	Axle Extension Cylinder Assembly (Use p/n 1001251020) (See Separate Breakdown in CYLINDER SECTION) <b>(SN 0300238566 through 0300271480, SN B300002405 through B300005767)</b>	
22	1001251020	4	Axle Extension Cylinder Assembly (See Separate Breakdown in CYLINDER SECTION) <b>(SN 0300271481 through 0300272504, SN B300005768 through B300007118)</b>	
23	3310805	8	Nut #8	
24	3340881	8	Pad, Wear	
26	3422918	1	Pin	
27	3422960	4	Pin	
28	3573294	4	Plate	
29	3573335	8	Plate	
30	3841287	1	Keeper, Pin	
31	3900270	4	Bolt 1/2 x 1-1/2	
32	3930820	8	Capscrew #8 x 1-1/4	
33	4071035	2	Shim #18 Gauge	
34	4071036	4	Shim #11 Gauge	
35	4071039	10	Shim #18 Gauge	
36	4071040	36	Shim #11 Gauge	
37	4071042	24	Shim #16 Gauge	
40	4071054	8	Shim #18 Gauge	
41	4071055	12	Shim #11 Gauge	
42	4360578	4	Switch, Limit	
43	4460968	4	Connector, Strain Relief	
44	4711600	144	Washer 3/8	
45	4711800	48	Washer 1/2	
46	4740461	1	Thrustwasher	
47	4750800	8	Washer #8	
48	4846383	1	Box, Axle Pivot	
49	1001161401	2	Pad, Axle	

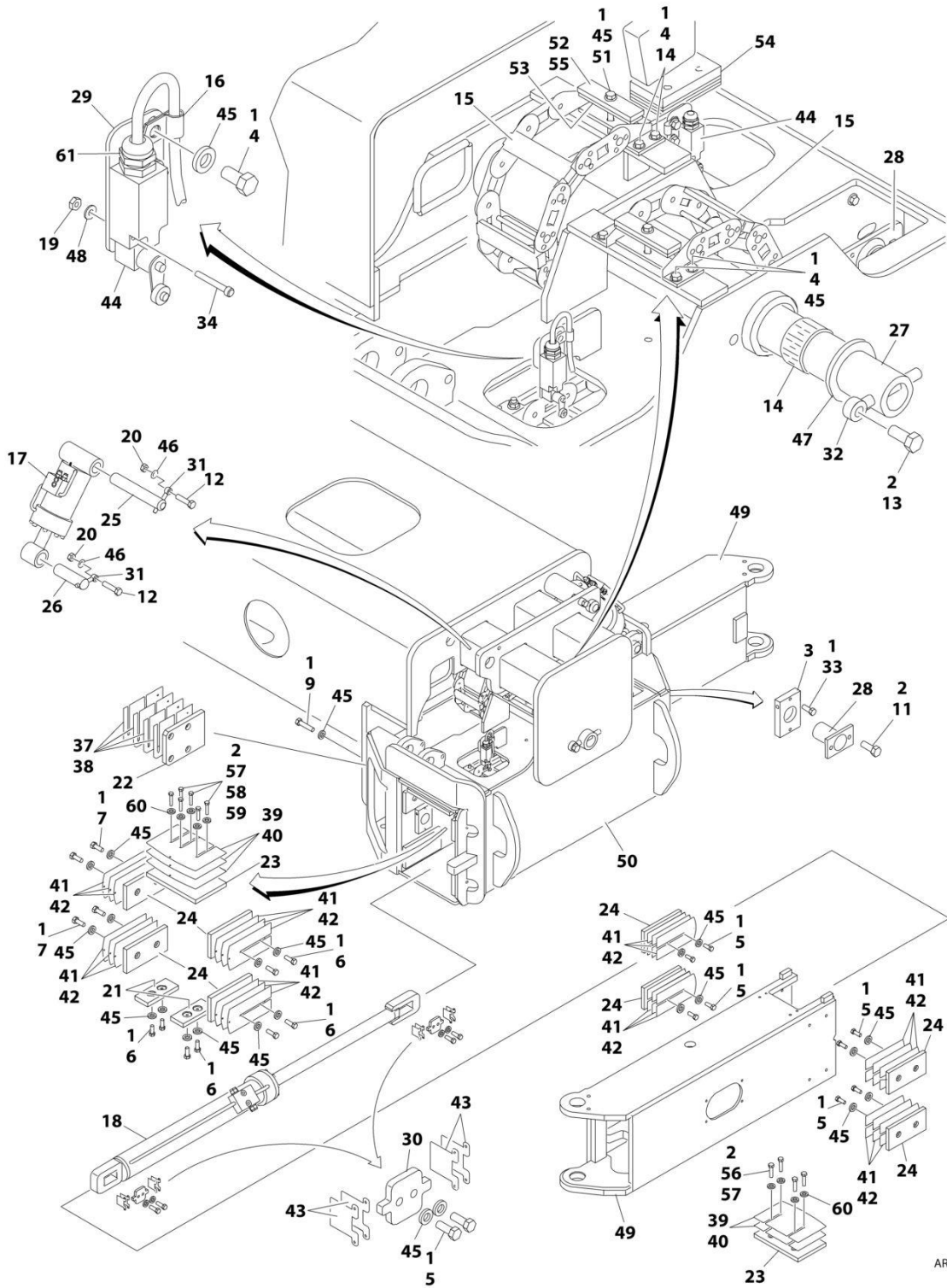
## SECTION 1 - FRAME

ITEM	PART NUMBER	QTY	DESCRIPTION	REV
50	1001161402	8	Pad, Wear	
51	1001161403	32	Pad, Wear	
52	4846637	4	Extension, Axle	
55	4240155	6	Strap (Not Shown)	
56	1001193674	4	Sleeve, Nylon	
57	1001191541	8	Bracket, Hose Mount	
58	0363076	2	Bar	
59	0641814	4	Bolt 1/2 x 1-3/4	
60	4071049	4	Shim #11 Gauge	
61	4071050	2	Shim #16 Gauge	
62	2220235	1	Plug (Not Shown - Located on Junction Manifold) <b>(SN 0300218848 through 0300272504, SN B300002238 through B300007118, Except SN 0300272455 through 0300272461)</b>	



# SECTION 1 - FRAME

## FIGURE 1-3. AXLE INSTALLATION - OSCILLATING AXLE (SN 0300201016 through 0300207700)



ART\_0271521

## SECTION 1 - FRAME

**FIGURE 1-3. AXLE INSTALLATION - OSCILLATING AXLE (SN 0300201016 through 0300207700)**

ITEM	PART NUMBER	QTY	DESCRIPTION	REV
	0271521	Ref	AXLE INSTALLATION - OSCILLATING AXLE (SN 0300201016 through 0300207700)	M
1	0100011	AR	Compound, Locking	
2	0100019	AR	Compound, Locking	
3	0363037	4	Bar, Stop	
4	0641606	40	Bolt 3/8 x 3/4	
5	0641608	48	Bolt 3/8 x 1	
6	0641609	32	Bolt 3/8 x 1-1/8	
7	0641611	16	Bolt 3/8 x 1-3/8	
9	0641613	8	Bolt 3/8 x 1-5/8	
11	0641808	8	Bolt 1/2 x 1	
12	0642020	4	Bolt 5/8 x 2-1/2	
13	0642214	1	Bolt 3/4 x 1-3/4	
14	0962033	2	Bushing	
15	1180358	4	Carrier	
15	7024365	AR	Section Repair Kit (Includes Inner and Outer Links, Joining Bars and Rollers and Assembling Hardware)	
15	7024366	1	Mounting Bracket Kit (Includes Mounting Brackets for Both Ends, 1 Roller Assembly and Assembling Hardware)	
16	1320263	4	Clamp, Cable	
17	1684081	NLA	Oscillating Axle Cylinder Assembly (Use p/n 1001228019) (See Separate Breakdown in CYLINDER SECTION)	
18	1684102	NLA	Axle Extension Cylinder Assembly (Use p/n 1001228020) (See Separate Breakdown in CYLINDER SECTION)	
19	3310805	8	Nut #8	
20	3312005	4	Nut 5/8	
21	3340881	8	Pad, Wear	
22	1001161401	2	Pad, Axle	
23	1001161402	8	Pad, Wear	
24	1001161403	32	Pad, Wear	
25	3422833	2	Pin	
26	3422915	2	Pin	
27	3422918	1	Pin	
28	3422960	4	Pin	
29	3573294	4	Plate	
30	3573335	8	Plate	
31	3841258	4	Keeper, Pin	
32	3841287	1	Keeper, Pin	
33	3900270	4	Bolt 1/2 x 1-1/2	
34	3930820	8	Capscrew #8 x 1-1/4	
37	4071035	2	Shim #18 Gauge	
38	4071036	4	Shim #11 Gauge	
39	4071054	8	Shim #18 Gauge	
40	4071055	12	Shim #11 Gauge	
41	4071039	10	Shim #18 Gauge	
42	4071040	36	Shim #11 Gauge	
43	4071042	24	Shim #16 Gauge	
44	4360578	4	Switch, Limit	
45	4711600	140	Washer 3/8	
46	4712000	4	Washer 5/8	
47	4740461	1	Thrustwasher	

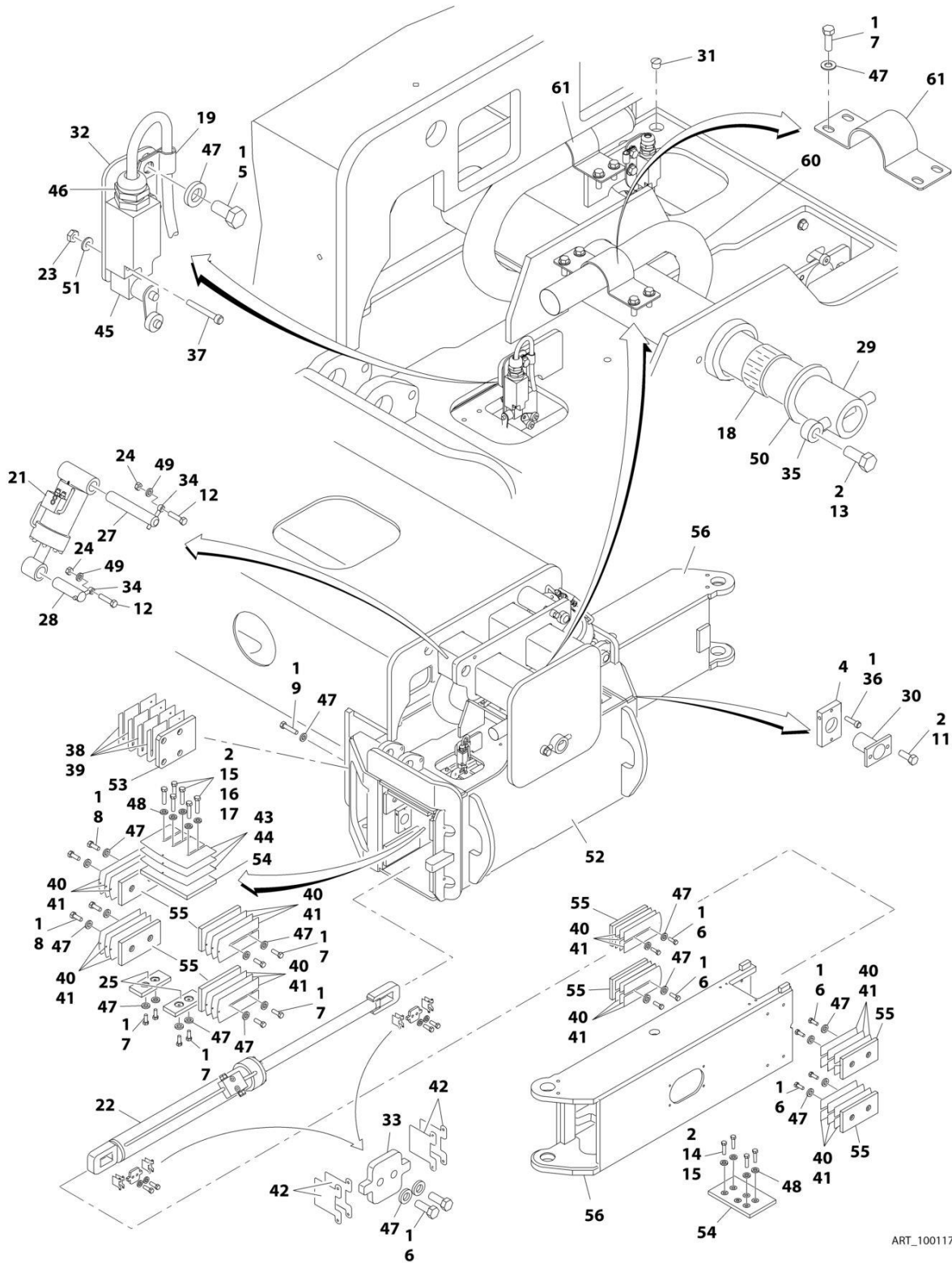
## SECTION 1 - FRAME

ITEM	PART NUMBER	QTY	DESCRIPTION	REV
48	4750800	8	Washer #8	
49	4846637	4	Extension, Axle	
50	4846383	1	Box, Axle Pivot	
51	0641624	4	Bolt 3/8 x 3	
52	1320298	4	Clamp, Hose	
53	3340939	8	Pad, Rubber	
54	3520054	4	Plug	
55	0100081	AR	Adhesive #454	
56	0681813	12	Bolt 1/2 x 1-5/8 Grade 8	
57	0681814	18	Bolt 1/2 x 1-3/4 Grade 8	
58	0681815	12	Bolt 1/2 x 1-7/8 Grade 8	
59	0681816	6	Bolt 1/2 x 2 Grade 8	
60	4711800	48	Washer 1/2	
61	4460968	4	Connector, Strain Relief	



# SECTION 1 - FRAME

FIGURE 1-4. AXLE INSTALLATION - OSCILLATING (SN 0300207701 through 0300272504, SN B300002238 through B300007118)



ART\_1001173913



## SECTION 1 - FRAME

**FIGURE 1-4. AXLE INSTALLATION - OSCILLATING (SN 0300207701 through 0300272504, SN B300002238 through B300007118)**

ITEM	PART NUMBER	QTY	DESCRIPTION	REV
	1001173913	Ref	AXLE INSTALLATION - OSCILLATING	I
1	0100011	AR	Compound, Locking	
2	0100019	AR	Compound, Locking	
4	0363037	4	Bar, Stop	
5	0641606	8	Bolt 3/8 x 3/4	
6	0641608	48	Bolt 3/8 x 1	
7	0641609	64	Bolt 3/6 x 1-1/8	
8	0641611	16	Bolt 3/8 x 1-3/8	
9	0641613	8	Bolt 3/8 x 1-5/8	
11	0641808	8	Bolt 1/2 x 1	
12	0642020	4	Bolt 5/8 x 2-1/2	
13	0642214	1	Bolt 3/4 x 1-3/4	
14	0681813	12	Bolt 1/2 x 1-5/8 Grade 8	
15	0681814	18	Bolt 1/2 x 1-3/4 Grade 8	
16	0681815	12	Bolt 1/2 x 1-7/8 Grade 8	
17	0681816	6	Bolt 1/2 x 2 Grade 8	
18	0962033	2	Bushing	
19	1320263	4	Clamp, Cable	
21	1684081	NLA	Oscillating Axle Cylinder Assembly (Use p/n 1001228019) (See Separate Breakdown in CYLINDER SECTION) <b>(SN 0300207701 through 0300239161, SN B300002238 through B300002449)</b>	
21	1001228019	2	Oscillating Axle Cylinder Assembly (See Separate Breakdown in CYLINDER SECTION) <b>(SN 0300239162 through 0300272504, SN B300002450 through B300007118)</b>	
22	1684102	NLA	Axle Extension Cylinder Assembly (Use p/n 1001251020) (See Separate Breakdown in CYLINDER SECTION) <b>(SN 0300207701 through 0300238565, SN B300002238 through B300002404)</b>	
22	1001228020	NLA	Axle Extension Cylinder Assembly (Use p/n 1001251020) (See Separate Breakdown in CYLINDER SECTION) <b>(SN 0300238566 through 0300271480, SN B300002405 through B300005767)</b>	
22	1001251020	4	Axle Extension Cylinder Assembly (See Separate Breakdown in CYLINDER SECTION) <b>(SN 0300238566 through 0300271481, SN B300005768 through B300007118)</b>	
23	3310805	8	Nut #8	
24	3312005	4	Nut 5/8	
25	3340881	8	Pad, Wear	
27	3422833	2	Pin	
28	3422915	2	Pin	
29	3422918	1	Pin	
30	3422960	4	Pin	
31	3520054	4	Plug	
32	3573294	4	Plate	
33	3573335	8	Plate	
34	3841258	4	Keeper, Pin	
35	3841287	1	Keeper, Pin	
36	3900270	4	Bolt 1/2 x 1-1/2	
37	3930820	8	Capscrew #8 x 1-1/4	
38	4071035	2	Shim #18 Gauge	
39	4071036	4	Shim #11 Gauge	
40	4071039	10	Shim #18 Gauge	
41	4071040	36	Shim #11 Gauge	

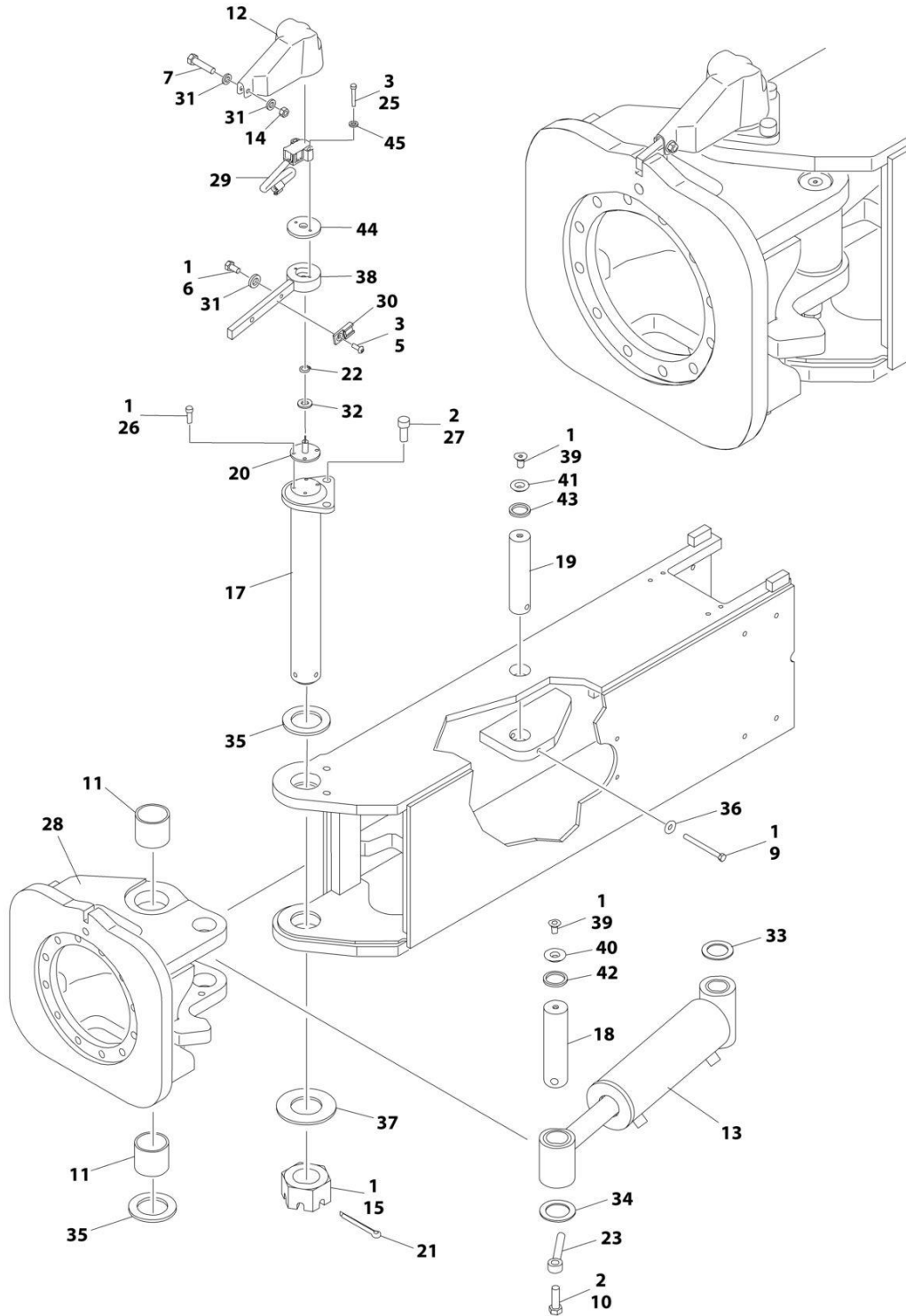
## SECTION 1 - FRAME

ITEM	PART NUMBER	QTY	DESCRIPTION	REV
42	4071042	24	Shim #16 Gauge	
43	4071054	8	Shim #18 Gauge	
44	4071055	12	Shim #11 Gauge	
45	4360578	4	Switch, Limit	
46	4460968	4	Connector, Strain Relief	
47	4711600	144	Washer 3/8	
48	4711800	48	Washer 1/2	
49	4712000	4	Washer 5/8	
50	4740461	1	Thrustwasher	
51	4750800	8	Washer #8	
52	4846383	1	Box, Axle Pivot	
53	1001161401	2	Pad, Axle	
54	1001161402	8	Pad, Wear	
55	1001161403	32	Pad, Wear	
56	4846637	4	Extension, Axle	
59	4240155	6	Strap (Not Shown)	
60	1001193674	4	Sleeve, Nylon	
61	1001191541	8	Bracket, Hose Mount	



# SECTION 1 - FRAME

## FIGURE 1-5. STEER INSTALLATION



ART\_0271520

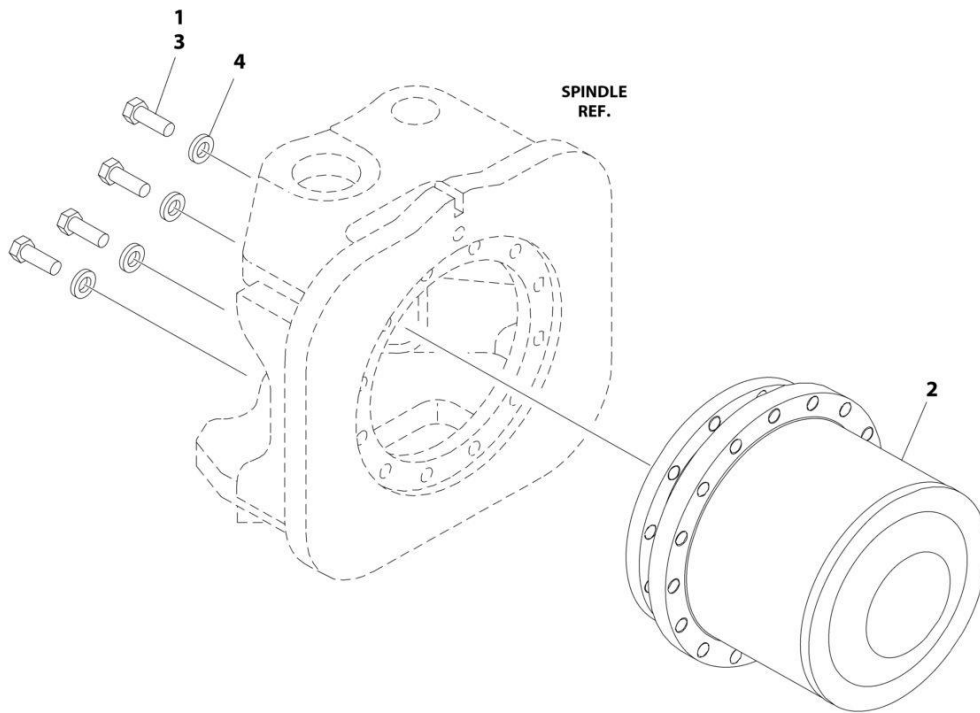
# SECTION 1 - FRAME

## FIGURE 1-5. STEER INSTALLATION

ITEM	PART NUMBER	QTY	DESCRIPTION	REV
	0271520	Ref	STEER INSTALLATION	L
1	0100011	AR	Compound, Locking	
2	0100019	AR	Compound, Locking	
3	0100035	AR	Compound, Locking	
5	0630464	4	Screw #10 x 1/2	
6	0641505	4	Bolt 5/16 x 5/8	
7	0641511	4	Bolt 5/16 x 1-3/8	
9	0641634	4	Bolt 3/8 x 4-1/4	
10	0642016	4	Bolt 5/8 x 2	
11	0962423	8	Bushing	
12	1671040	4	Cover, Sensor	
13	1684314	NLA	Steer Cylinder Assembly (Use p/n 1001228031) (See Separate Breakdown in CYLINDER SECTION) (SN 0300201016 through 0300238011, SN B300002238 through B300002376)	
13	1001228031	4	Steer Cylinder Assembly (See Separate Breakdown in CYLINDER SECTION) (SN 0300238012 through 0300272504, SN B300002377 through B300007118, Except SN 0300272455 through 0300272461)	
14	3311505	4	Nut 5/16	
15	3300464	4	Nut, Slotted	
17	3422917	4	Kingpin	
18	3422940	4	Pin, Steer Cylinder (Outer)	
19	3422941	4	Pin, Steer Cylinder (Inner)	
20	3423256	4	Pin, Sensor	
21	3451214	4	Pin, Cotter 3/8 x 3-1/2	
22	3760383	4	Ring, Retaining	
23	3841258	4	Keeper, Pin	
25	3931020	8	Capscrew #10 x 1-1/4	
26	3931412	16	Capscrew 1/4 x 3/4	
27	3932024	8	Capscrew 5/8 x 1-1/2	
28	1001099632	4	Spindle	
29	4360505	4	Switch, Rotary Angle Sensor (Steer)	
30	4460914	4	Terminal	
31	4711500	12	Washer 5/16	
32	4711800	4	Washer 1/2	
33	4740181	4	Thrustwasher	
34	4740229	4	Thrustwasher	
35	4740505	8	Thrustwasher	
36	4751600	4	Washer 3/8	
37	4755000	4	Washer 2-1/2	
38	0200833	4	Arm, Steer	
39	0741606	8	Screw 3/8 x 3/4	
40	1120549	4	Cap, Seal (Outer)	
41	1120550	4	Cap, Seal (Inner)	
42	3960551	4	Seal (Outer)	
43	3960552	4	Seal (Inner)	
44	0080277	4	Adapter, Angle Sensor Pilot	
45	4750800	8	Washer M8 (SN 0300201016 through 0300235781)	
45	4811600	8	Washer M5 (SN 0300235782 through 0300272504, SN B30002238 through B300007118, Except SN 0300272455 through 0300272461)	

# SECTION 1 - FRAME

## FIGURE 1-6. WHEEL DRIVE INSTALLATION - BONFIGLIOLI



ART\_0275685

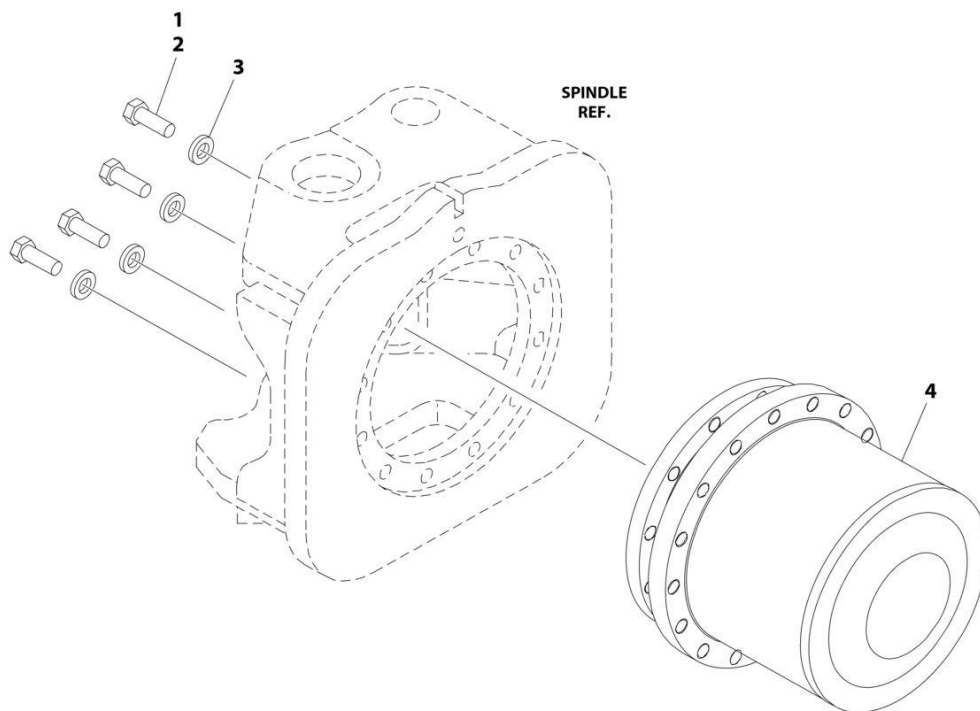
## SECTION 1 - FRAME

### FIGURE 1-6. WHEEL DRIVE INSTALLATION - BONFIGLIOLI

ITEM	PART NUMBER	QTY	DESCRIPTION	REV
	0275685	Ref	WHEEL DRIVE INSTALLATION - BONFIGLIOLI	C
1	0100019	AR	Compound, Locking	
2	2780286	4	Drive Hub and Motor Assembly - Bonfiglioli (See Separate Breakdown in this Section)	
3	0701617	48	Bolt M16 x 45 (12 Per Wheel)	
4	4892000	48	Washer 5/8 (12 Per Wheel)	

# SECTION 1 - FRAME

## FIGURE 1-7. WHEEL DRIVE INSTALLATION - REGGIANA RIDUTTORI



ART\_1001104324



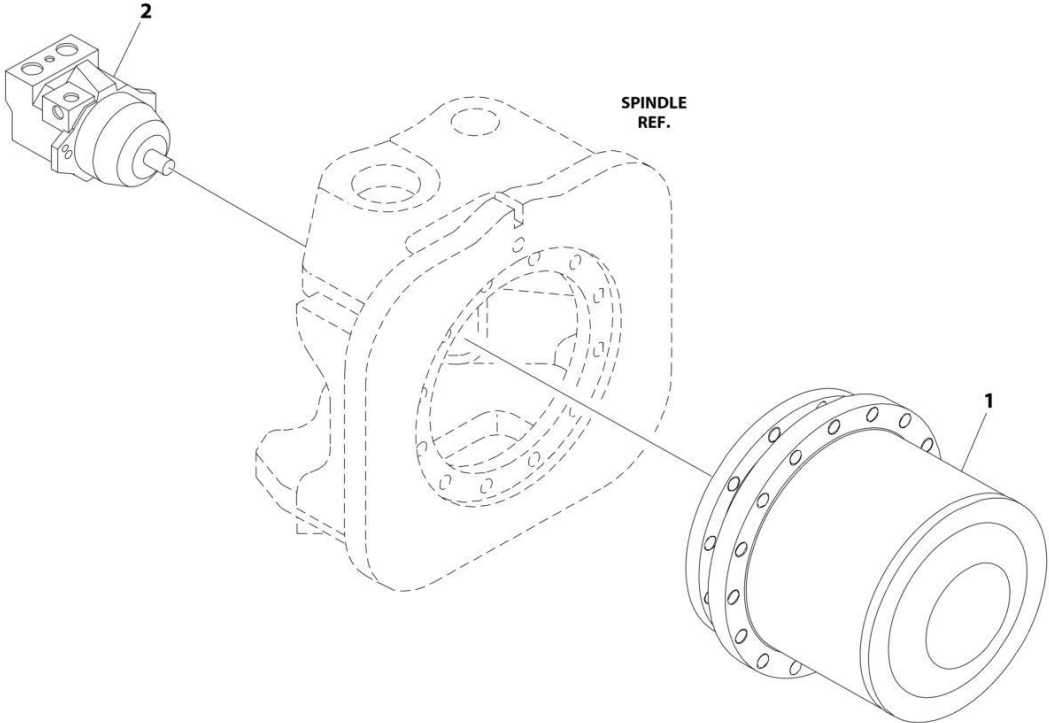
## SECTION 1 - FRAME

**FIGURE 1-7. WHEEL DRIVE INSTALLATION - REGGIANA RIDUTTORI**

ITEM	PART NUMBER	QTY	DESCRIPTION	REV
	1001104324	Ref	WHEEL DRIVE INSTALLATION - REGGIANA RIDUTTORI	B
1	0100019	AR	Compound, Locking	
2	0701617	48	Bolt M16 x 45 (12 Per Wheel)	
3	4892000	48	Washer 5/8 (12 Per Wheel)	
4	1001104315	4	Drive Hub and Motor Assembly - Reggiana Riduttori (See Separate Breakdown in this Section)	

**SECTION 1 - FRAME**

**FIGURE 1-8. DRIVE HUB AND MOTOR ASSEMBLY - BONFIGLIOLI**



ART\_2780286

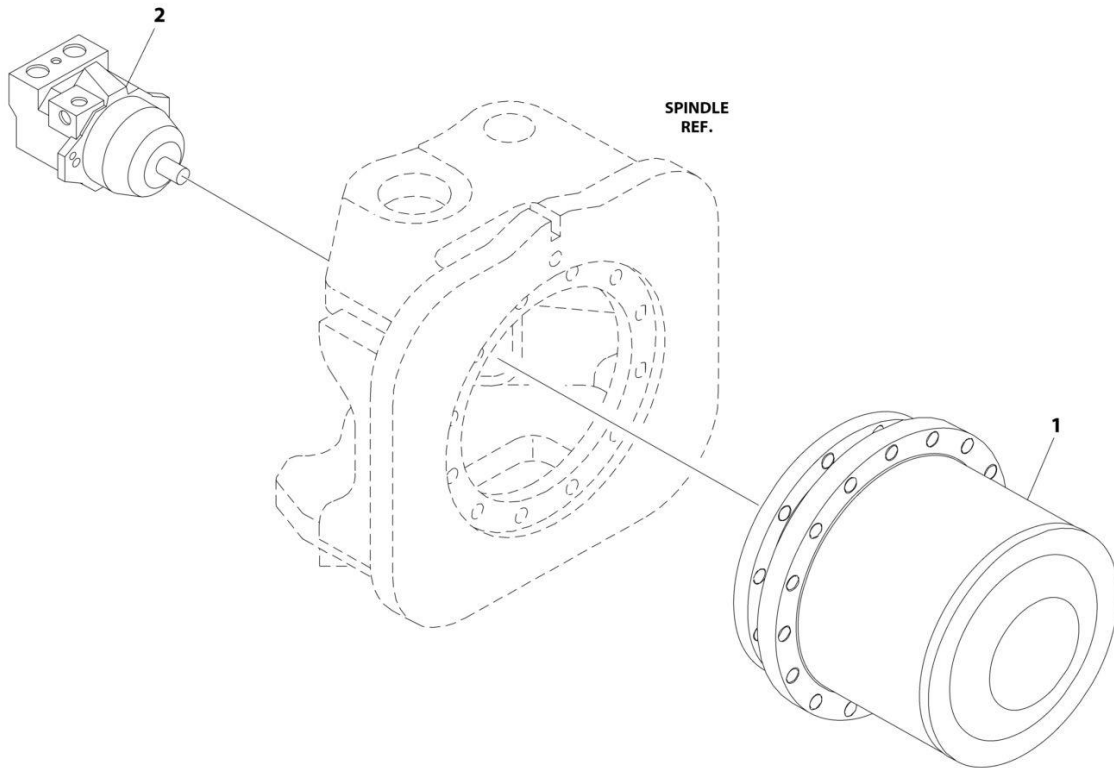
**SECTION 1 - FRAME**

**FIGURE 1-8. DRIVE HUB AND MOTOR ASSEMBLY - BONFIGLIOLI**

ITEM	PART NUMBER	QTY	DESCRIPTION	REV
	2780286	Ref	DRIVE HUB AND MOTOR ASSEMBLY - BONFIGLIOLI	D
		Ref	Note: Various brands used on Machines. When replacing complete hub, note that all 4 hubs must be the same brand.	
		Ref	Note: Various brands used on Machines. Identify brand before ordering replacement parts.	
1	1001093243	4	Drive Hub Assembly - Bonfiglioli (See Separate Breakdown in this Section)	
2	3160339	4	Drive Motor Assembly (See Separate Breakdown in this Section)	

# SECTION 1 - FRAME

FIGURE 1-9. DRIVE HUB AND MOTOR ASSEMBLY - REGGIANA RIDUTTORI



ART\_1001104315

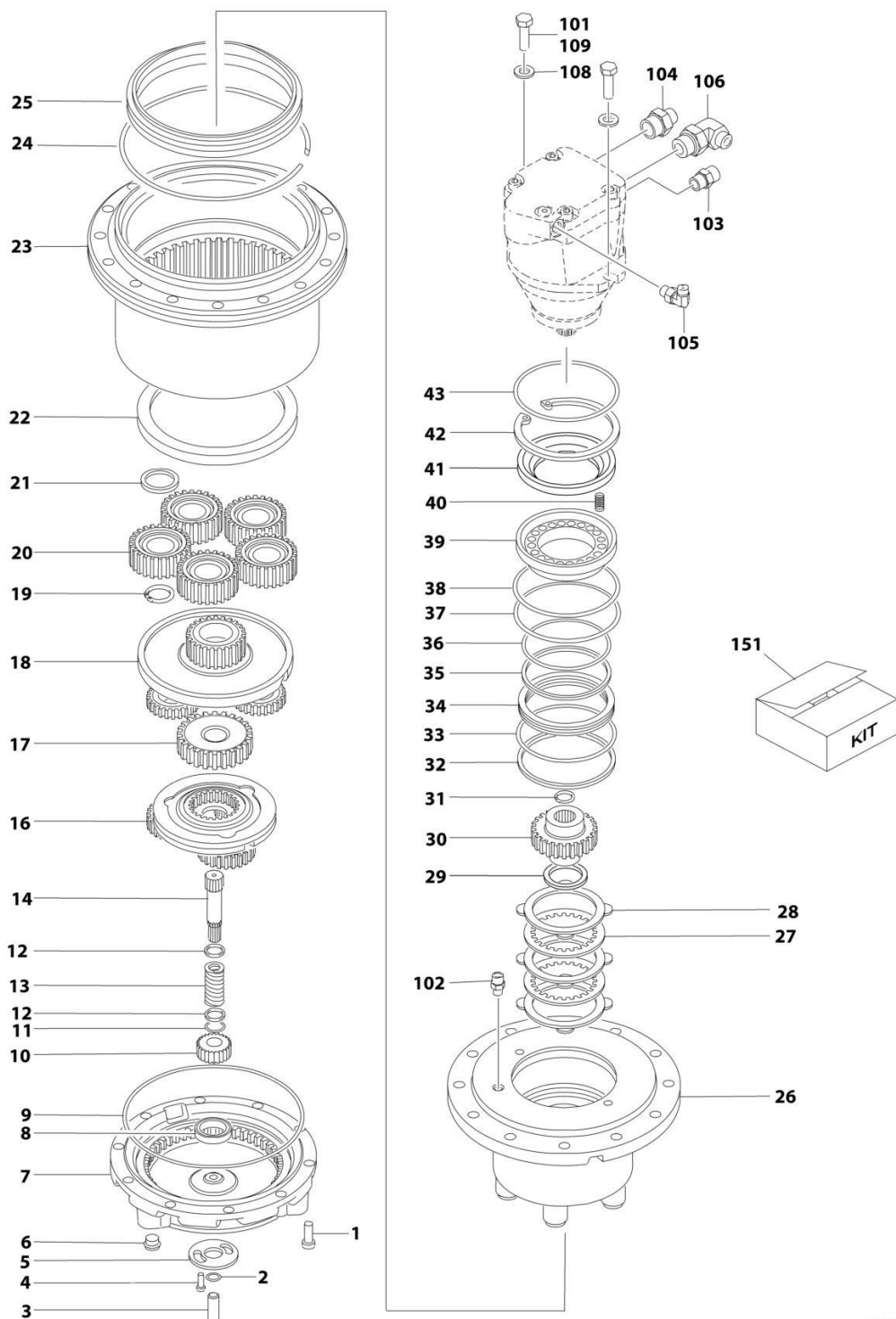
## SECTION 1 - FRAME

**FIGURE 1-9. DRIVE HUB AND MOTOR ASSEMBLY - REGGIANA RIDUTTORI**

ITEM	PART NUMBER	QTY	DESCRIPTION	REV
	1001104315	Ref	DRIVE HUB AND MOTOR ASSEMBLY - REGGIANA RIDUTTORI Note: Various brands used on Machines. When replacing complete hub, note that all 4 hubs must be the same brand. Note: Various brands used on Machines. Identify brand before ordering replacement parts.	B
		Ref		
		Ref		
1	1001104325	4	Drive Hub Assembly - Reggiana Riduttori (See Separate Breakdown in this Section)	
2	3160339	4	Drive Motor Assembly (See Separate Breakdown in this Section)	

# SECTION 1 - FRAME

## FIGURE 1-10. DRIVE HUB ASSEMBLY - BONFIGLIOLI



ART\_1001093243

# SECTION 1 - FRAME

## FIGURE 1-10. DRIVE HUB ASSEMBLY - BONFIGLIOLI

ITEM	PART NUMBER	QTY	DESCRIPTION	REV
	1001093243	Ref	DRIVE HUB ASSEMBLY - BONFIGLIOLI	F
		Ref	Note: Various brands used on Machines. Identify brand before ordering replacement parts.	
	1001093242	1	Hub, Torque - Bonfiglioli	
1	70000810	10	Bolt M10 x 25	
2	70000811	1	O-Ring	
3	70000812	1	Pin	
4	70000813	2	Bolt M8 x 16	
5	70002393	1	Cap, Disconnect	
6	See Note	2	Plug (Note: Not Available for Purchase)	
7	70002394	1	Cover Assembly (Includes Items 2-6 & 8)	
8	70000816	1	Pad	
9	70000817	1	O-Ring	
10	70000818	1	Gear, Primary Sun	
11	See Note	NSS	Ring, Neoprene (Note: Use Item 151)	
12	See Note	NSS	Washer (Note: Use Item 151)	
13	See Note	NSS	Spring (Note: Use Item 151)	
14	See Note	NSS	Shaft (Note: Use Item 151)	
16	70000820	1	Reduction Assembly, Primary	
17	70000821	1	Gear, Secondary Sun	
18	70000822	1	Reduction Assembly, Secondary	
19	70000823	5	Snap Ring	
20	70000824	5	Gear Assembly, Planetary	
21	70000825	5	Spacer	
22	70000826	1	Nut	
23	70002395	1	Housing (Includes Bearing)	
24	70002396	2	Ball Bearing	
25	70002397	1	Seal	
26	See Note	NSS	Spindle (Note: Not Available - Purchase Complete Assembly)	
27	70000834	4	Disc, Steel	
28	70000835	5	Disc, Lined	
29	70000836	1	Spacer	
30	70002398	1	Shaft, Brake	
31	70000838	1	Snap Ring	
32	70000839	1	Ring, Back-up	
33	70000840	1	O-Ring	
34	70000841	1	Spacer	
35	70000842	1	Ring, Back-up	
36	70000843	1	O-Ring	
37	70000844	1	O-Ring	
38	70000845	1	Ring, Back-up	
39	70000846	1	Piston, Brake	
40	70000847	15	Spring	
41	70000848	1	Plate, Spring Retainer	
42	70000849	1	Snap Ring	
48	70002399	1	O-Ring	
101	0761215	2	Bolt M12 x 35	
102	2110404	1	Fitting, Adapter	
103	2110808	1	Fitting, Adapter	
104	2110812	1	Fitting, Adapter	

## SECTION 1 - FRAME

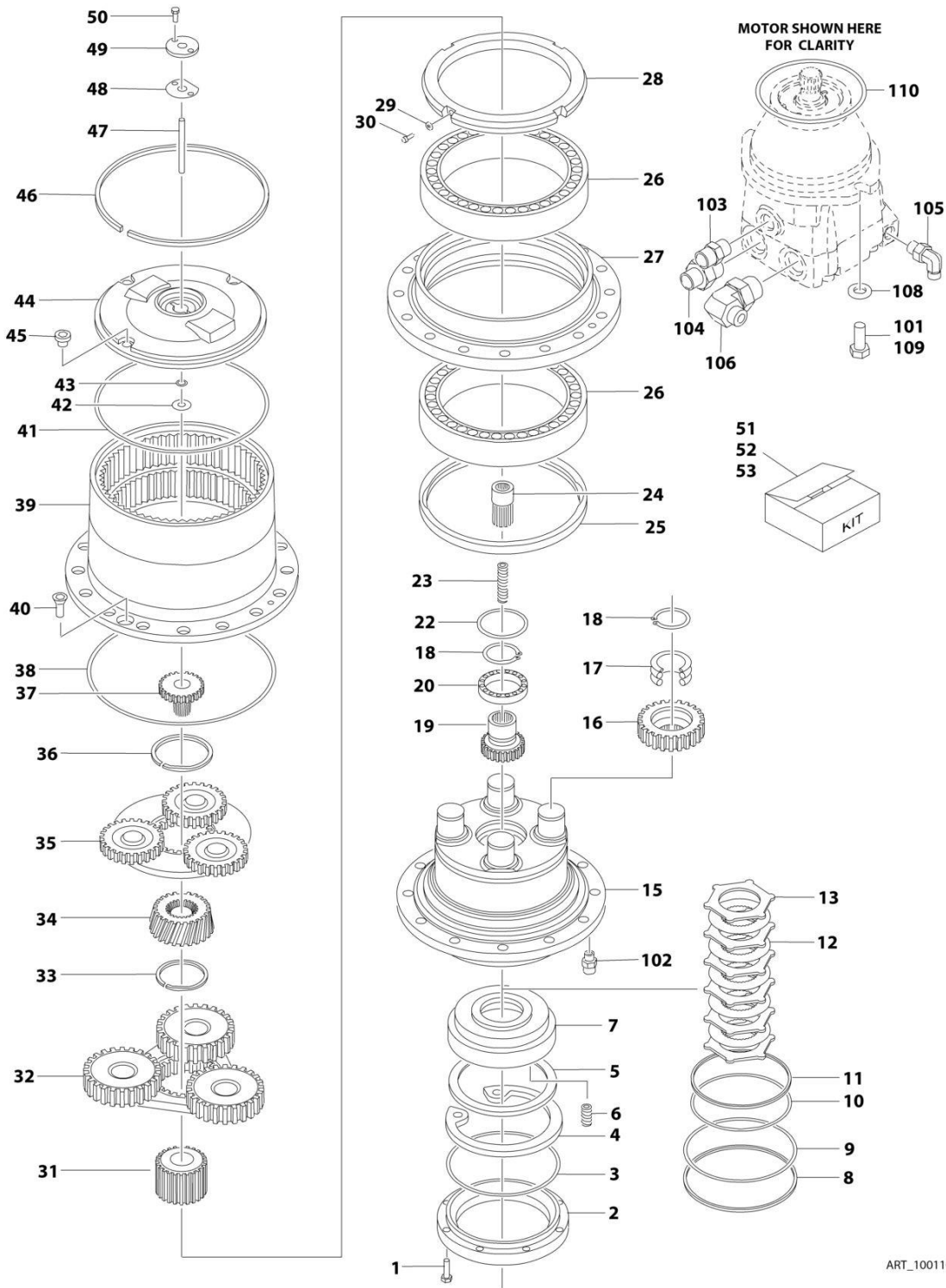
ITEM	PART NUMBER	QTY	DESCRIPTION	REV
105	2130406	1	Fitting, 90 Adapter	
106	2130812	1	Fitting, 90 Adapter	
108	5241200	2	Washer M12	
109	0100011	AR	Compound, Locking	
151	70000819	1	Brake Shaft Kit (Includes Items 11-14)	





# SECTION 1 - FRAME

## FIGURE 1-11. DRIVE HUB ASSEMBLY - REGGIANA RIDUTTORI



ART\_1001104325

# SECTION 1 - FRAME

## FIGURE 1-11. DRIVE HUB ASSEMBLY - REGGIANA RIDUTTORI

ITEM	PART NUMBER	QTY	DESCRIPTION	REV
	1001104325	Ref	DRIVE HUB ASSEMBLY - REGGIANA RIDUTTORI	E
		Ref	Note: Various brands used on Machines. Identify brand before ordering replacement parts.	
	1001101550	1	Hub, Torque	C
1	70002015	8	Bolt M8 x 25	
2	70002016	1	Ring, Motor Support	
3	See Note	NSS	O-Ring (Note: Use Item 51)	
4	70002018	1	Snap Ring	
5	70002019	1	Retainer, Spring	
6	70002020	9	Spring	
7	70002021	1	Piston	
8	See Note	NSS	Ring, Back-up (Note: Use Item 51 or 53)	
9	See Note	NSS	O-Ring (Note: Use Item 51 or 53)	
10	See Note	NSS	O-Ring (Note: Use Item 51 or 53)	
11	See Note	NSS	Ring, Back-up (Note: Use Item 51 or 53)	
12	70002026	5	Disc, Friction	
13	70002027	6	Disc, Steel	
15	70002029	1	Spindle	
16	70002030	4	Gear, Planetary	
17	70002031	4	Bearing	
18	70002032	5	Snap Ring	
19	70002033	1	Gear, Brake/Input	
20	70002034	1	Bearing	
22	70002035	1	Ring, Wear	
23	70002036	1	Spring	
24	70002037	1	Shaft, Engagement	
25	See Note	NSS	Seal (Note: Use Item 51)	
26	70002039	2	Bearing Assembly	
27	70002040	1	Support, Hub	
28	70002041	1	Nut, Retaining	
29	70002674	4	Washer	
30	70002674	4	Screw	
31	70002044	1	Gear, Planetary Sun	
32	70002045	1	Reduction Assembly, Secondary	
33	70002046	1	Snap Ring	
34	70002047	1	Gear, Secondary Input Sun	
35	70002048	1	Reduction Assembly, Primary	
36	70002049	1	Snap Ring	
37	70002050	1	Gear, Primary Input Sun	
38	See Note	NSS	O-Ring (Note: Use Item 51)	
39	See Note	NSS	Housing, Hub (Note: Not Available - Purchase Complete Assembly)	
40	70002052	2	Screw, Countersunk	
41	See Note	NSS	O-Ring (Note: Use Item 51 or 52)	
42	See Note	NSS	Thrustwasher (Note: Use Item 52)	
43	See Note	NSS	O-Ring (Note: Use Item 51 or 52)	
44	See Note	NSS	Cover, Hub (Note: Use Item 52)	
45	70002057	3	Plug	
46	See Note	NSS	Snap Ring (Note: Use Item 52)	
47	See Note	NSS	Pin, Engagement (Note: Use Item 52)	

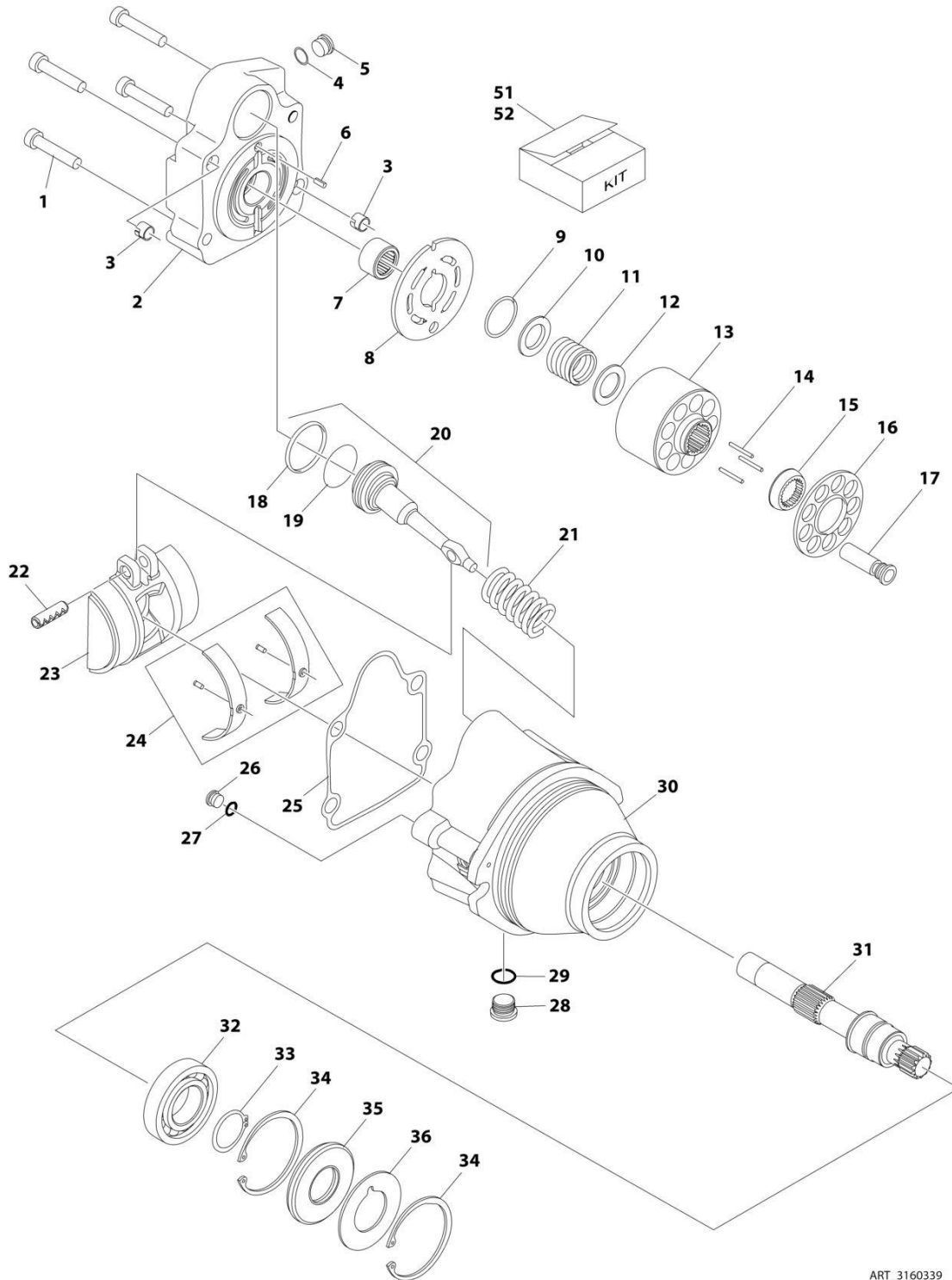
## SECTION 1 - FRAME

ITEM	PART NUMBER	QTY	DESCRIPTION	REV
48	See Note	NSS	Gasket (Note: Use Item 51 or 52)	
49	See Note	NSS	Cover, Engagement (Note: Use Item 52)	
50	See Note	NSS	Screw (Note: Use Item 52)	
51	70002248	1	Seal Kit (Includes Items 3, 8-11, 25, 38, 41, 43 & 48)	
52	70002247	1	Cover Kit (Includes Items 41-50)	
53	70002249	1	Brake Kit (Includes Items 4-13)	
101	0761214	2	Bolt M12 x 30	
102	2110404	1	Fitting, Adapter	
103	2110808	1	Fitting, Adapter	
104	2110812	1	Fitting, Adapter	
105	2130406	1	Fitting, 90 Adapter	
106	2130812	1	Fitting, 90 Adapter	
108	5241200	2	Washer M12	
109	0100011	AR	Compound, Locking	
110	3790158	1	O-Ring	
111	3020008	51 oz / 1.5L	Lubricant HD 80W-90 (Not Shown)	



# SECTION 1 - FRAME

## FIGURE 1-12. DRIVE MOTOR ASSEMBLY



ART\_3160339

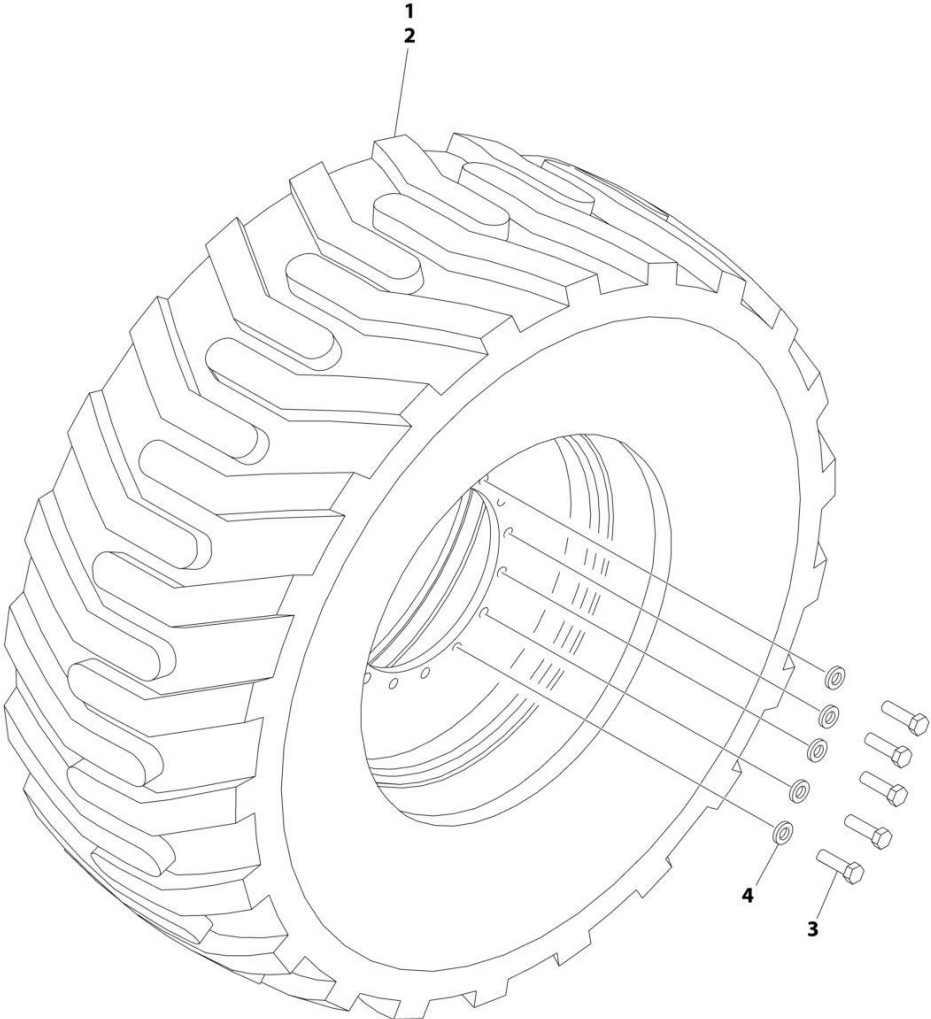
# SECTION 1 - FRAME

## FIGURE 1-12. DRIVE MOTOR ASSEMBLY

ITEM	PART NUMBER	QTY	DESCRIPTION	REV
	3160339	Ref	DRIVE MOTOR ASSEMBLY	D
1	7022368	4	Bolt	
2	70000859	1	End Cap, Motor	
3	70003628	2	Locating Pin	
4	See Note	NSS	O-Ring (Note: Use Item 51)	
5	7007420	1	Plug (Includes Item 4)	
6	7007446	1	Pin, Dowel	
7	7021249	1	Bearing, Needle	
8	70000854	1	Plate, Valve	
9	7022311	1	Snap Ring	
10	7022314	1	Retainer, Spring	
11	7024867	1	Spring	
12	7024868	1	Washer	
13	70000855	1	Block, Cylinder	
14	7021275	3	Pin, Slipper	
15	70000856	1	Guide	
16	70000857	1	Retainer, Slipper	
17	7024865	9	Piston, Cylinder	
18	See Note	NSS	Ring, Piston (Note: Use Item 51)	
19	See Note	NSS	O-Ring (Note: Use Item 51)	
20	70000860	1	Piston, Servo (Includes Items 18 & 19)	
21	70000861	1	Spring	
22	See Note	1	Pin (Note: Not Available for Purchase)	
23	70000853	1	Swash Plate	
24	70000852	1	Bearing Kit	
25	See Note	NSS	Gasket (Note: Use Item 51)	
26	See Note	1	Plug (Note: Not Available for Purchase)	
27	See Note	NSS	O-Ring (Note: Use Item 51)	
28	7022321	1	Plug (Includes Item 29)	
29	See Note	NSS	O-Ring (Note: Use Item 51)	
30	See Note	1	Housing (Note: Not Available - Purchase Complete Motor)	
31	70000858	1	Shaft	
32	7007437	1	Bearing	
33	7007439	1	Snap Ring	
34	7007438	2	Snap Ring	
35	See Note	NSS	Seal (Note: Use Item 51)	
36	7022371	1	Washer, Seal Support	
51	70000862	1	Kit 1 - Motor Seal Kit (Includes Items 4, 18, 19, 25, 27, 29 & 35)	
52	7027740	1	Kit 2 - Cylinder Block Kit (Includes Items 9-17)	

**SECTION 1 - FRAME**

**FIGURE 1-13. TIRE AND WHEEL INSTALLATION - FOAM - FILLED**



ART\_0271852



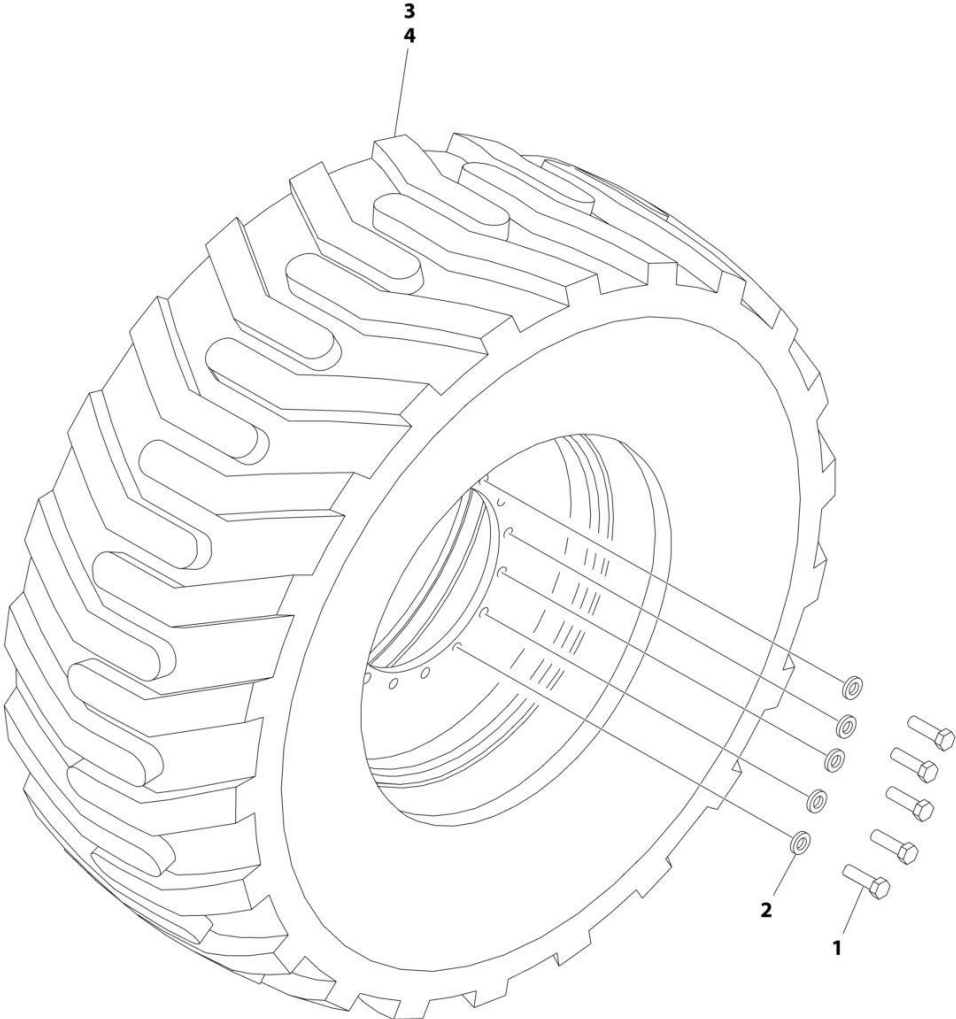
**SECTION 1 - FRAME**

**FIGURE 1-13. TIRE AND WHEEL INSTALLATION - FOAM - FILLED**

ITEM	PART NUMBER	QTY	DESCRIPTION	REV
	0271852	Ref	TIRE AND WHEEL INSTALLATION - FOAM - FILLED	B
		Ref	Note: Assemblies may require ballast/foam filling to manufacturer's specifications prior to installing on a machine. Refer to Operation and Safety or Service and Maintenance Manuals. Purchase individual tire and/or rim only if able to foam fill tire and wheel assembly, otherwise, purchase complete assembly.	
1	0272055	2	Right Side Tire and Wheel Assembly - Foam - Filled	
2	0272056	2	Left Side Tire and Wheel Assembly - Foam - Filled	
3	0701619	64	Bolt M16 x 55 (16 Per Wheel)	
4	4892000	64	Washer 5/8 (16 Per Wheel)	

**SECTION 1 - FRAME**

**FIGURE 1-14. TIRE AND WHEEL INSTALLATION - SOLID**



ART\_1001115961

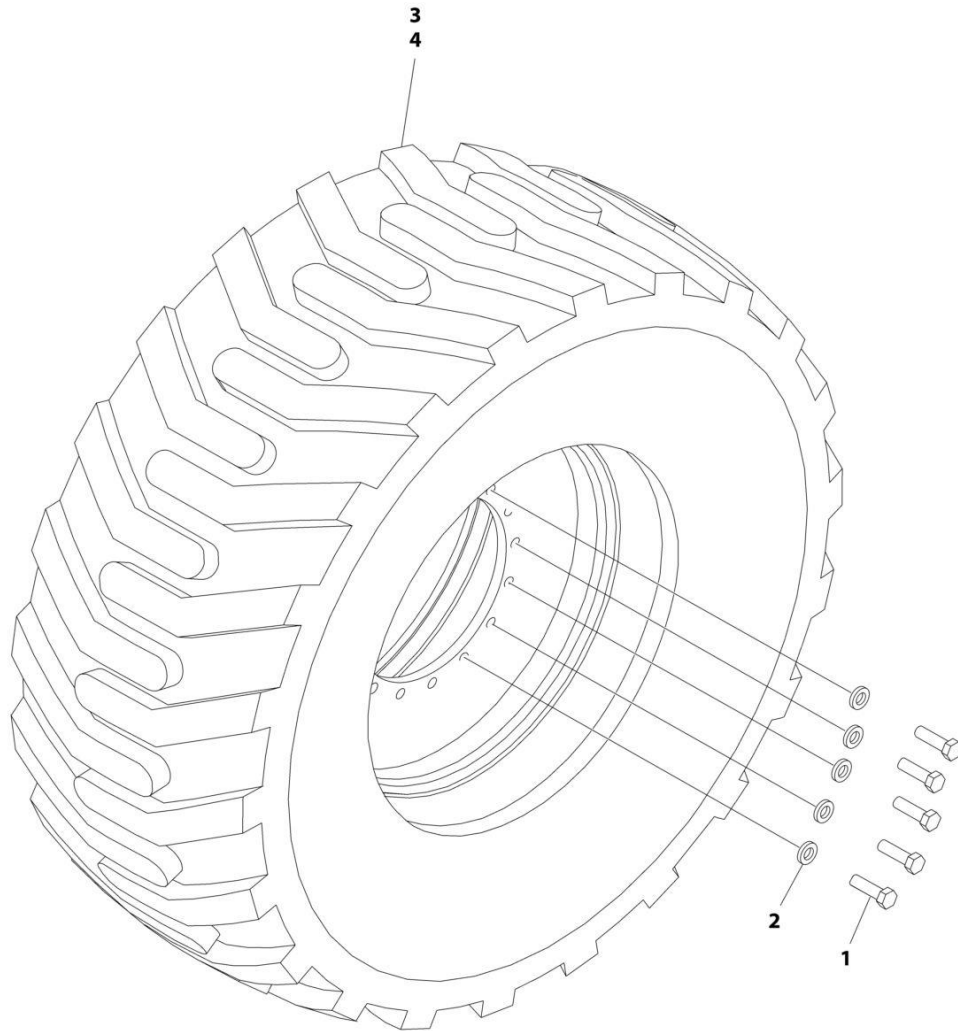
## SECTION 1 - FRAME

### FIGURE 1-14. TIRE AND WHEEL INSTALLATION - SOLID

ITEM	PART NUMBER	QTY	DESCRIPTION	REV
	1001115961	Ref	TIRE AND WHEEL INSTALLATION - SOLID	A
1	0701619	64	Bolt M16 x 55 (16 Per Wheel)	
2	4892000	64	Washer 5/8 (16 Per Wheel)	
3	1001112716	2	Right Side Tire and Wheel Assembly - Solid	
4	1001112669	2	Left Side Tire and Wheel Assembly - Solid	

# SECTION 1 - FRAME

## FIGURE 1-15. TIRE AND WHEEL INSTALLATION - SOLID NON MARKING



ART\_1001223883

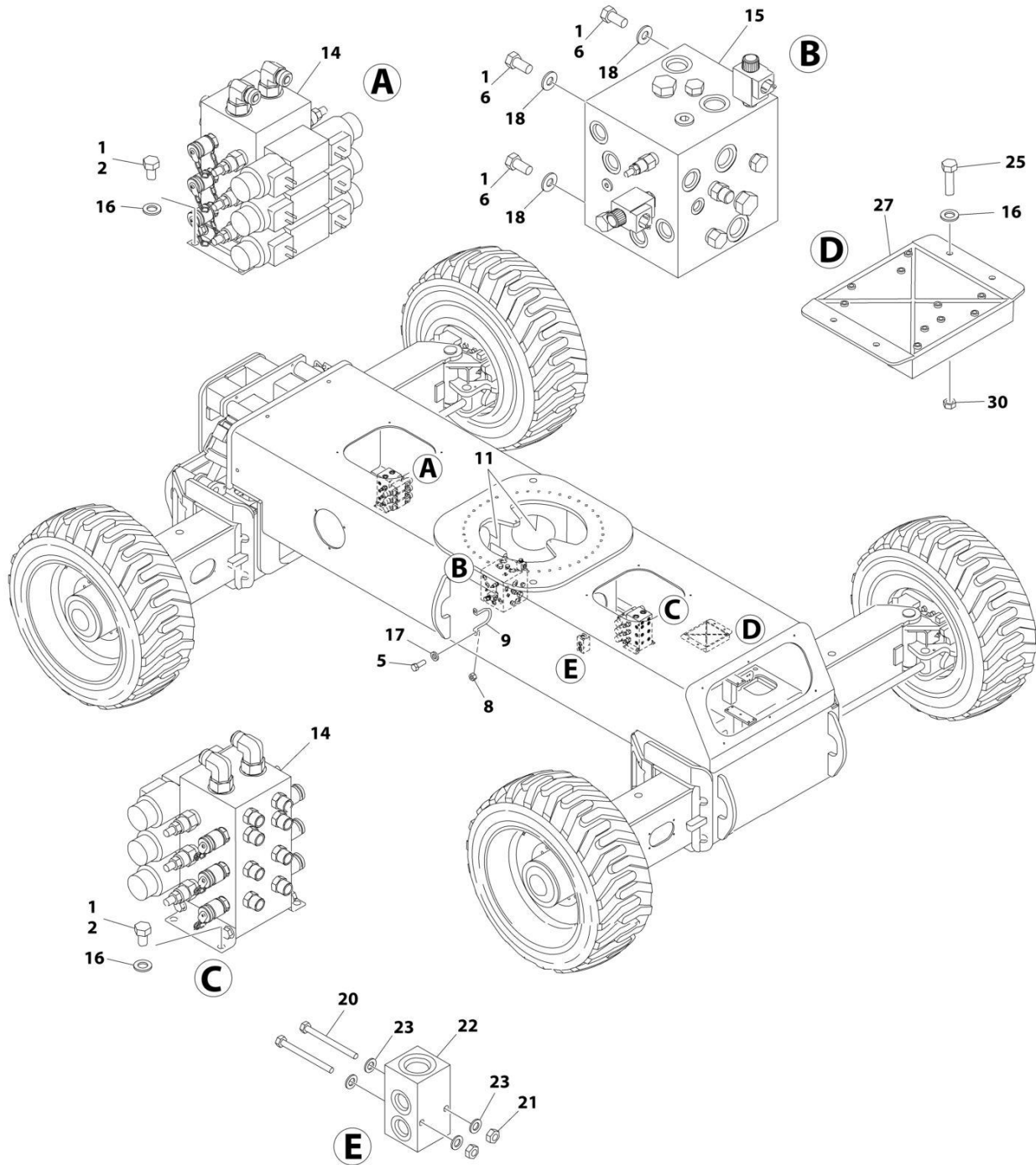
## SECTION 1 - FRAME

### FIGURE 1-15. TIRE AND WHEEL INSTALLATION - SOLID NON MARKING

ITEM	PART NUMBER	QTY	DESCRIPTION	REV
	1001223883	Ref	TIRE AND WHEEL INSTALLATION - SOLID NON MARKING	A
1	0701619	64	Bolt M16 x 55 (16 Per Wheel)	
2	4892000	64	Washer 5/8 (16 Per Wheel)	
3	1001216876	2	Left Side Tire and Wheel Assembly - Solid	
4	1001216877	2	Right Side Tire and Wheel Assembly - Solid	

# SECTION 1 - FRAME

## FIGURE 1-16. FRAME VALVES INSTALLATION - WITHOUT LSS AND WITH 4 CELL LSS



ART\_0271802\_10F3

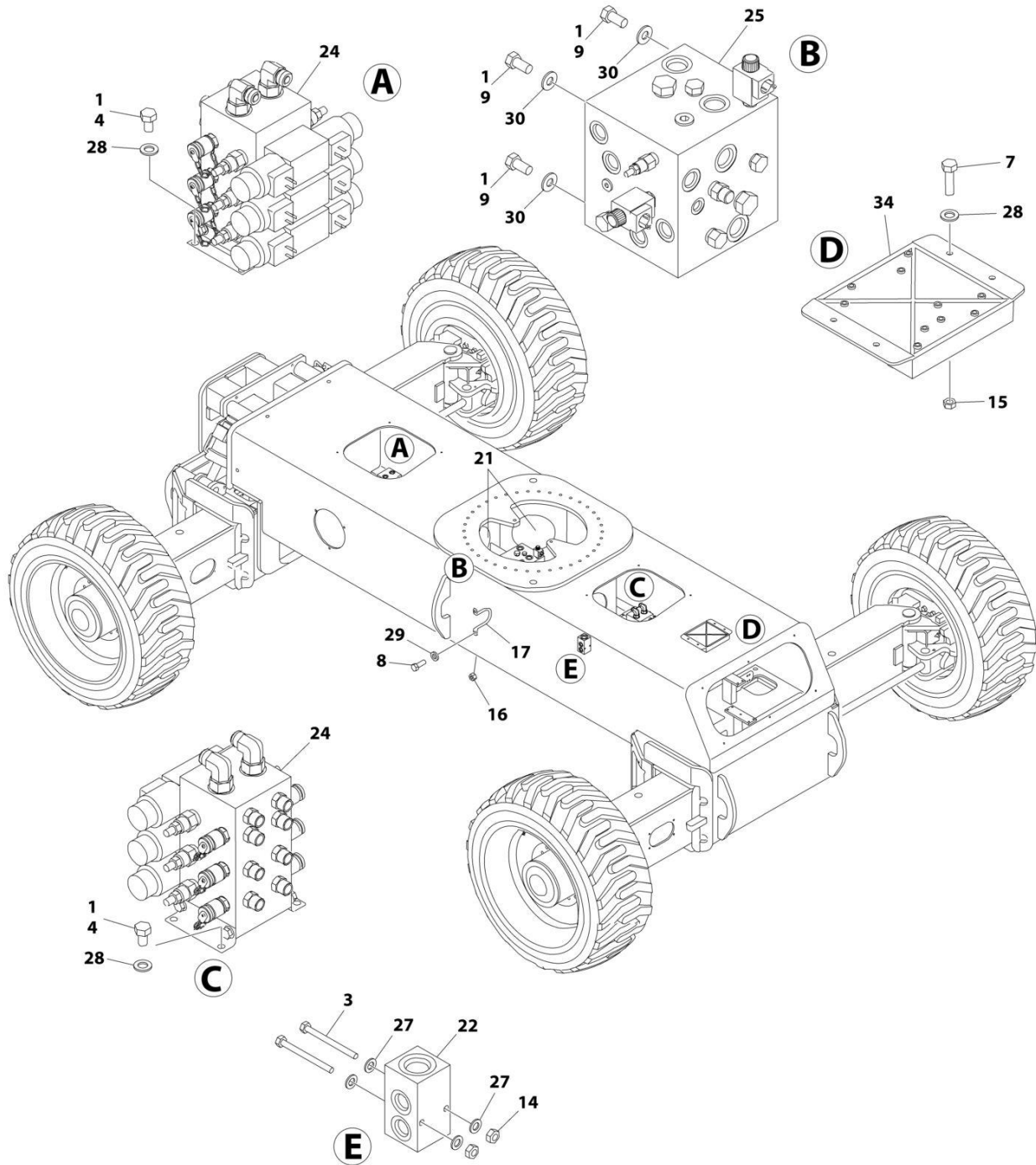
## SECTION 1 - FRAME

**FIGURE 1-16. FRAME VALVES INSTALLATION - WITHOUT LSS AND WITH 4 CELL LSS**

ITEM	PART NUMBER	QTY	DESCRIPTION	REV
	0271802	Ref	FRAME VALVES INSTALLATION - WITHOUT LSS AND WITH 4 CELL LSS	M
1	0100011	AR	Compound, Locking	
2	0641504	8	Bolt 5/16 x 1/2	
5	0641608	4	Bolt 3/8 x 1	
6	0641808	4	Bolt 1/2 x 1	
8	3311605	4	Nut 3/8	
9	3841340	2	Loop, Hose	
11	4060808	124 in/ 3.2m	Flex-Trim	
14	4641268	2	Valve Assembly - Steer (See Separate Breakdown in this Section)	
15	4641454	1	Valve Assembly - Traction (See Separate Breakdown in this Section)	
16	4711500	16	Washer 5/16	
17	4711600	4	Washer 3/8	
18	4711800	4	Washer 1/2	
20	0641424	2	Bolt 1/4 x 3	
21	3311405	2	Nut 1/4	
22	4641155	1	Manifold, Junction	
23	4711400	4	Washer 1/4	
25	0641509	4	Bolt 5/16 x 1-1/8	
27	1001112758	1	Module (Chassis) (Note: Re-calibration Required when Replaced)	
27	2915024	1	Update Kit (Includes Cables, Programming Instructions and CD Software)	
30	3311505	4	Nut 5/16	

# SECTION 1 - FRAME

## FIGURE 1-17. FRAME VALVES INSTALLATION - WITH 1 CELL LSS



ART\_1001219990\_10F3



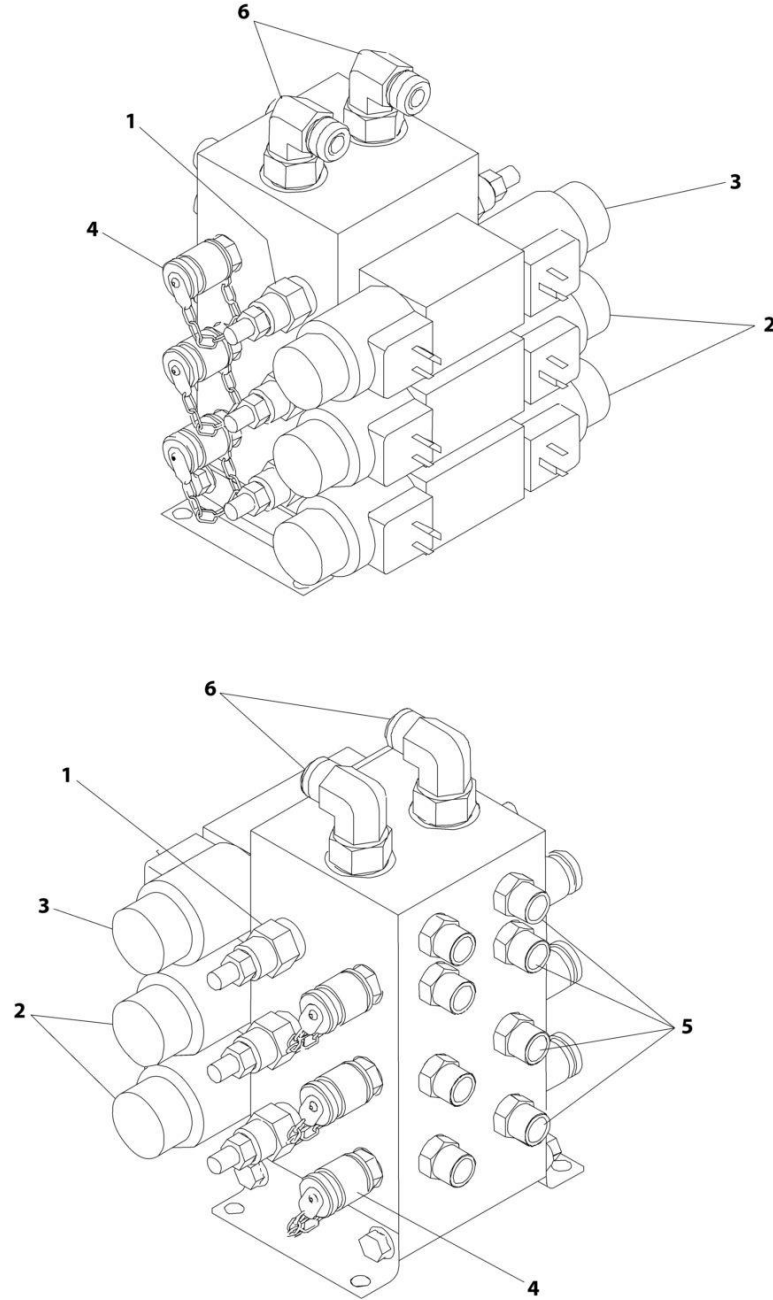
## SECTION 1 - FRAME

**FIGURE 1-17. FRAME VALVES INSTALLATION - WITH 1 CELL LSS**

ITEM	PART NUMBER	QTY	DESCRIPTION	REV
	1001219990	Ref	FRAME VALVES INSTALLATION - WITH 1 CELL LSS	B
1	0100011	AR	Compound, Locking	
3	0641424	2	Bolt 1/4 x 3	
4	0641504	8	Bolt 5/16 x 1/2	
7	0641509	4	Bolt 5/16 x 1-1/8	
8	0641608	4	Bolt 3/8 x 1	
9	0641808	4	Bolt 1/2 x 1	
14	3311405	2	Nut 1/4	
15	3311505	4	Nut 5/16	
16	3311605	4	Nut 3/8	
17	3841340	2	Loop, Hose	
21	4060808	124 in/ 3.2m	Flex-Trim	
22	4641155	1	Manifold, Junction	
24	4641268	2	Valve Assembly - Steer (See Separate Breakdown in this Section)	
25	4641454	1	Valve Assembly - Traction (See Separate Breakdown in this Section)	
27	4711400	4	Washer 1/4	
28	4711500	16	Washer 5/16	
29	4711600	2	Washer 3/8	
30	4711800	4	Washer 1/2	
34	100112758	1	Module (Chassis) (Note: Re-calibration Required when Replaced)	

# SECTION 1 - FRAME

## FIGURE 1-18. STEER VALVE ASSEMBLY



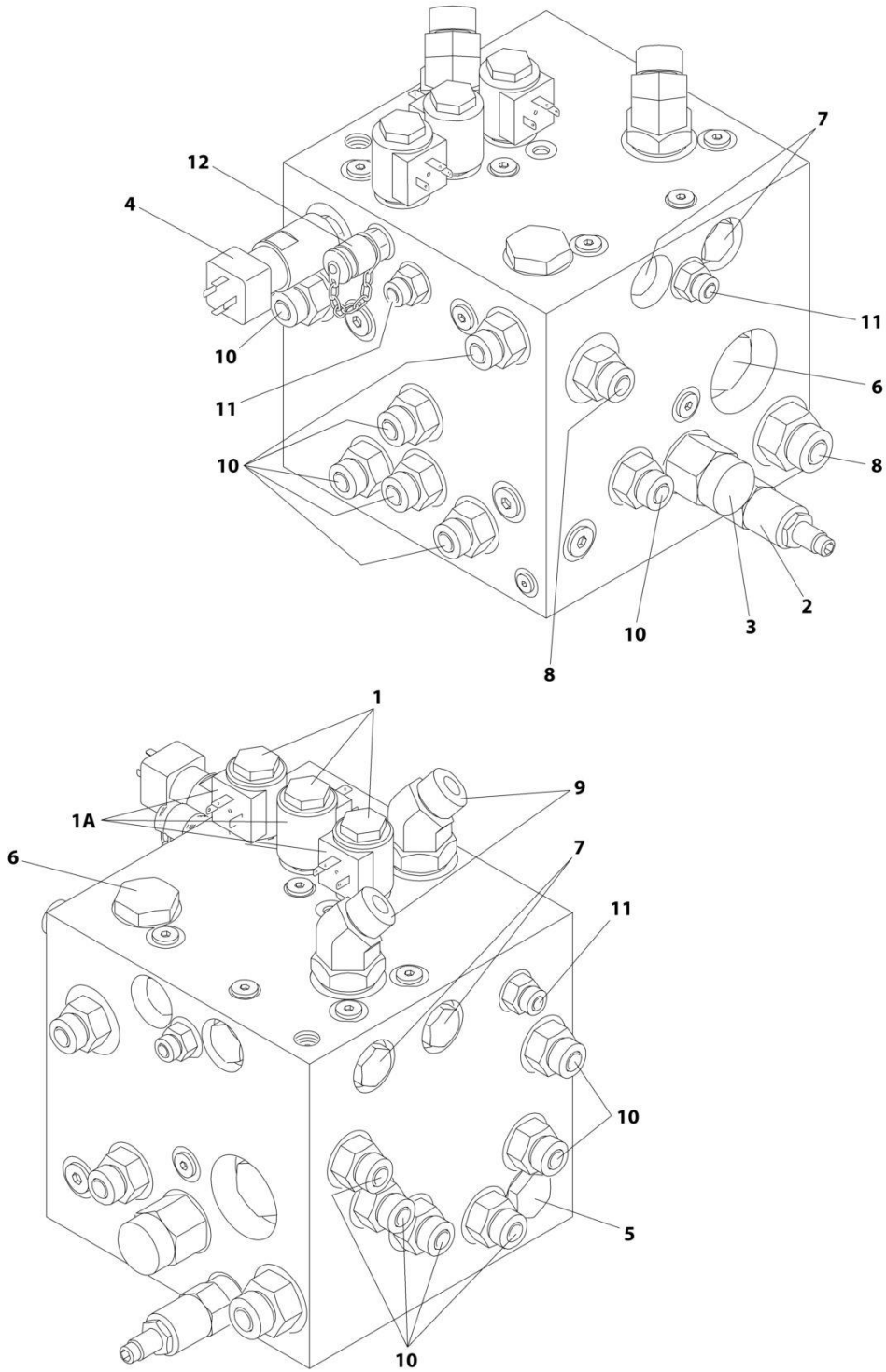
ART\_4641268

**FIGURE 1-18. STEER VALVE ASSEMBLY**

ITEM	PART NUMBER	QTY	DESCRIPTION	REV
	4641268	Ref	STEER VALVE ASSEMBLY	B
1	7026028	12	Cartridge (6 Per Valve)	
1	7011346	12	Seal Kit - Cartridge (1 Per Cartridge)	
2	7024927	4	Valve (2 Per Valve)	
2	7012773	4	Seal Kit - Cartridge (1 Per Cartridge)	
2	7018991	8	Coil (2 Per Valve)	
3	70001976	2	Valve (1 Per Valve)	
3	7012773	2	Seal Kit - Cartridge (1 Per Cartridge)	
3	7018991	4	Coil (2 Per Valve)	
3	70001939	2	Orifice	
4	2221086	6	Check, Pressure	
5	2110606	8	Fitting, Straight	
6	2130810	2	Fitting, 90	

# SECTION 1 - FRAME

## FIGURE 1-19. TRACTION VALVE ASSEMBLY



ART\_4641454

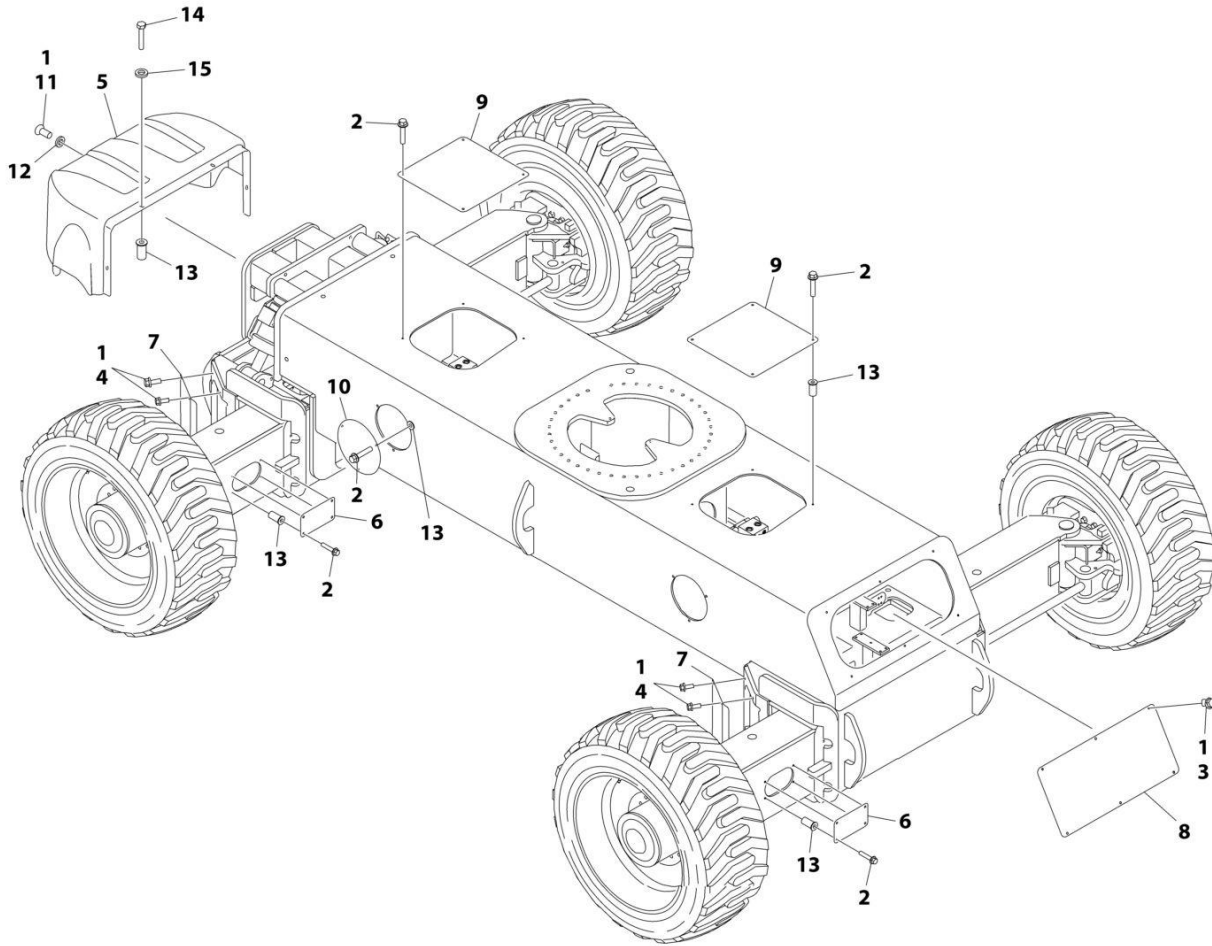
# SECTION 1 - FRAME

## FIGURE 1-19. TRACTION VALVE ASSEMBLY

ITEM	PART NUMBER	QTY	DESCRIPTION	REV
	4641454	Ref	TRACTION VALVE ASSEMBLY	E
1	7012941	3	Cartridge, Valve (Steer, Brake and Axle Lockout)	
1	7010543	3	Seal Kit - 7012941 Cartridge	
1A	7012944	2	Coil	
2	70000801	1	Cartridge, Valve (Relief)	
2	7012998	1	Seal Kit - 70000801 Cartridge	
3	70000802	1	Cartridge, Valve (Pilot)	
3	7012942	1	Seal Kit - 70000802 Cartridge	
4	70000803	1	Pressure Switch	
5	70000804	1	Cartridge, Valve (Shuttle)	
5	70000805	1	Seal Kit - 70000804 Cartridge	
6	70000806	2	Cartridge, Valve (Flow Divider)	
6	7017405	2	Seal Kit - 70000806 Cartridge	
7	7012955	4	Cartridge, Valve (Check)	
7	7012967	4	Seal Kit - 7012955 Cartridge	
8	2111012	2	Fitting, Straight	
9	2151012	2	Fitting, 45	
10	2110810	13	Fitting, Straight	
11	2110406	3	Fitting, Straight	
12	2221086	1	Check, Pressure	
13	2220883	1	Plug, #4 (Not Shown)	

# SECTION 1 - FRAME

## FIGURE 1-20. FRAME COVERS INSTALLATION - ABS



ART\_1001176346

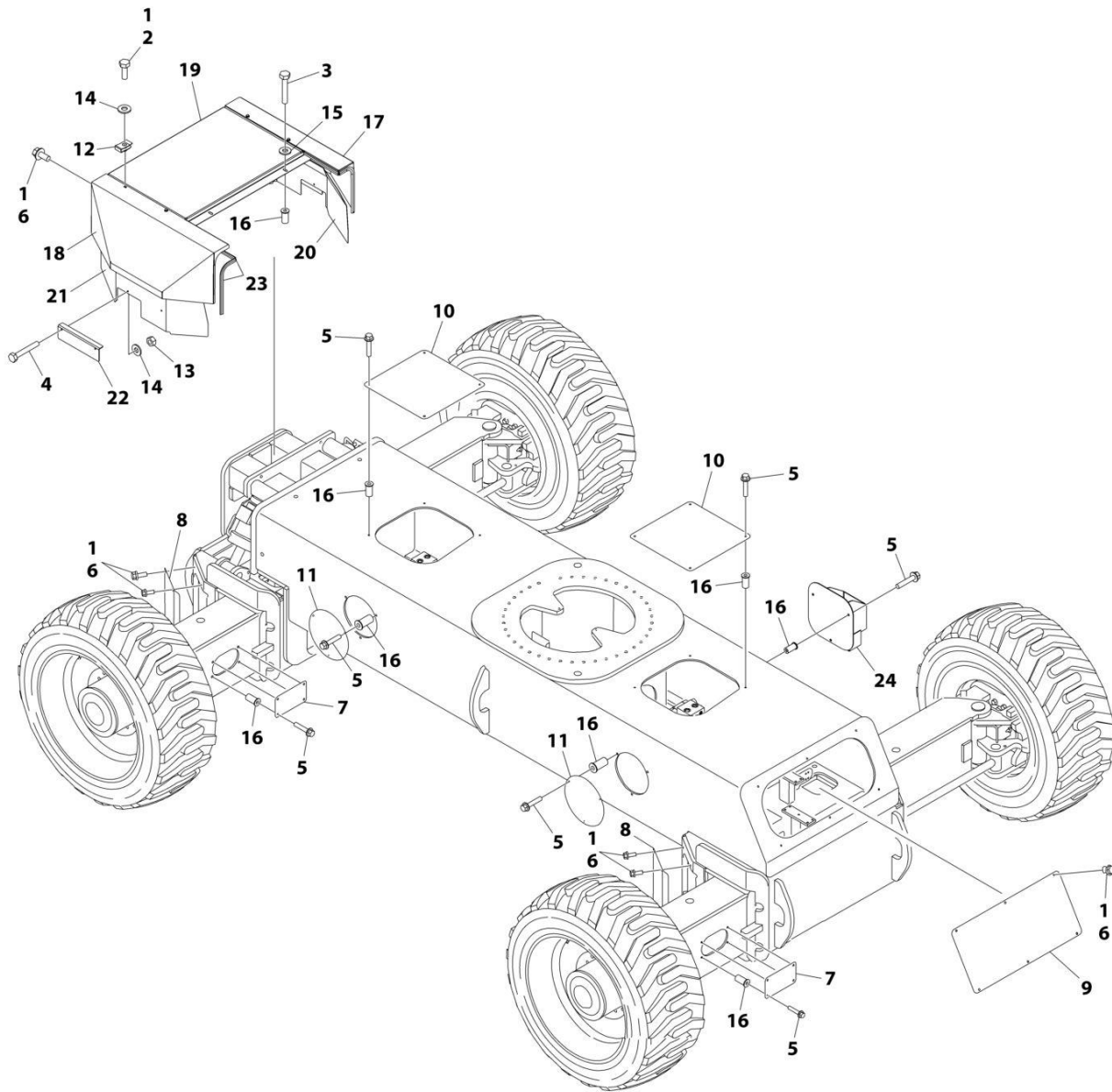
## SECTION 1 - FRAME

**FIGURE 1-20. FRAME COVERS INSTALLATION - ABS**

ITEM	PART NUMBER	QTY	DESCRIPTION	REV
	1001176346	Ref	FRAME COVERS INSTALLATION - ABS	C
1	0100011	AR	Compound, Locking	
2	0791410	36	Screw 1/4 x 1-1/4	
3	0791604	6	Screw 3/8 x 1/2	
4	0791607	16	Screw 3/8 x 7/8	
5	1670996	1	Cover, Front	
6	1671045	4	Plate, Cover (Axle Side)	
7	1671046	4	Plate, Cover (Axle Corner)	
8	1671047	1	Plate, Cover (Rear)	
9	1671048	2	Plate, Cover (Frame Top)	
10	1671049	4	Plate, Cover (Frame Side)	
11	3900283	3	Screw 3/8 x 3/4	
12	4751600	3	Washer 3/8	
13	8580420	40	Nut, Well	
14	0641412	4	Bolt 1/4 x 1-1/2	
15	4740430	4	Washer, Fender	

# SECTION 1 - FRAME

## FIGURE 1-21. FRAME COVERS INSTALLATION - STEEL



ART\_1001176347



## SECTION 1 - FRAME

**FIGURE 1-21. FRAME COVERS INSTALLATION - STEEL**

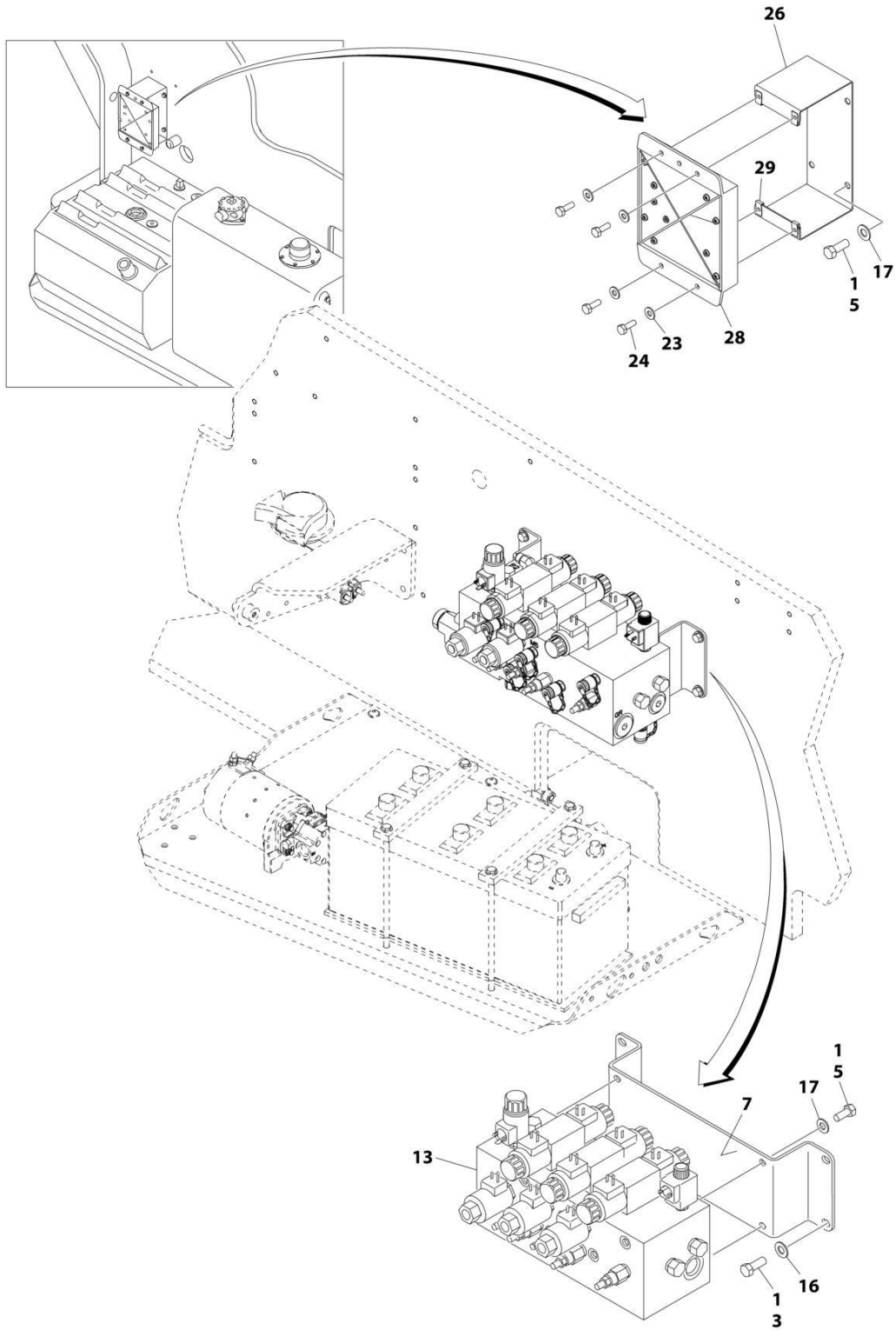
ITEM	PART NUMBER	QTY	DESCRIPTION	REV
	1001176347	Ref	FRAME COVERS INSTALLATION (STEEL)	C
		Ref	Note: Only Available on ANSI, ANSI Export and Japanese Specs.	
1	0100011	AR	Compound, Locking	
2	0641406	8	Screw 1/4 x 3/4	
3	0641412	2	Bolt 1/4 x 1-1/2	
4	0641414	4	Screw 1/4 x 1-3/4	
5	0791410	36	Screw 1/4 x 1-1/4	
6	0791604	25	Screw 3/8 x 1/2	
7	1671045	4	Plate, Cover (Axle Side)	
8	1671046	4	Plate, Cover (Axle Corner)	
9	1671047	1	Plate, Cover (Rear)	
10	1671048	2	Plate, Cover (Frame Top)	
11	1671049	3	Plate, Cover (Frame Side)	
12	3300454	8	Nut 1/4	
13	3311405	4	Nut 1/4	
14	4711400	12	Washer 1/4	
15	4740430	2	Washer, Fender	
16	8580420	38	Nut, Well	
17	1001110108	1	Cover - RH Side	
18	1001110109	1	Cover - LH Side	
19	1001110110	1	Cover - Center Side	
20	1001110111	1	Shift - RH Side	
21	1001110112	1	Shift - LH Side	
22	1001110113	2	Plate	
23	1001110513	51 in /5.5m	Seal	
24	1001110877	1	Mount, Fire Extinguisher	



**SECTION 2 - TURNTABLE**

# SECTION 2 - TURNTABLE

## FIGURE 2-1. TURNTABLE VALVES INSTALLATION - WITHOUT LSS AND WITH 4 CELL LSS



ART\_0271802\_2OF3

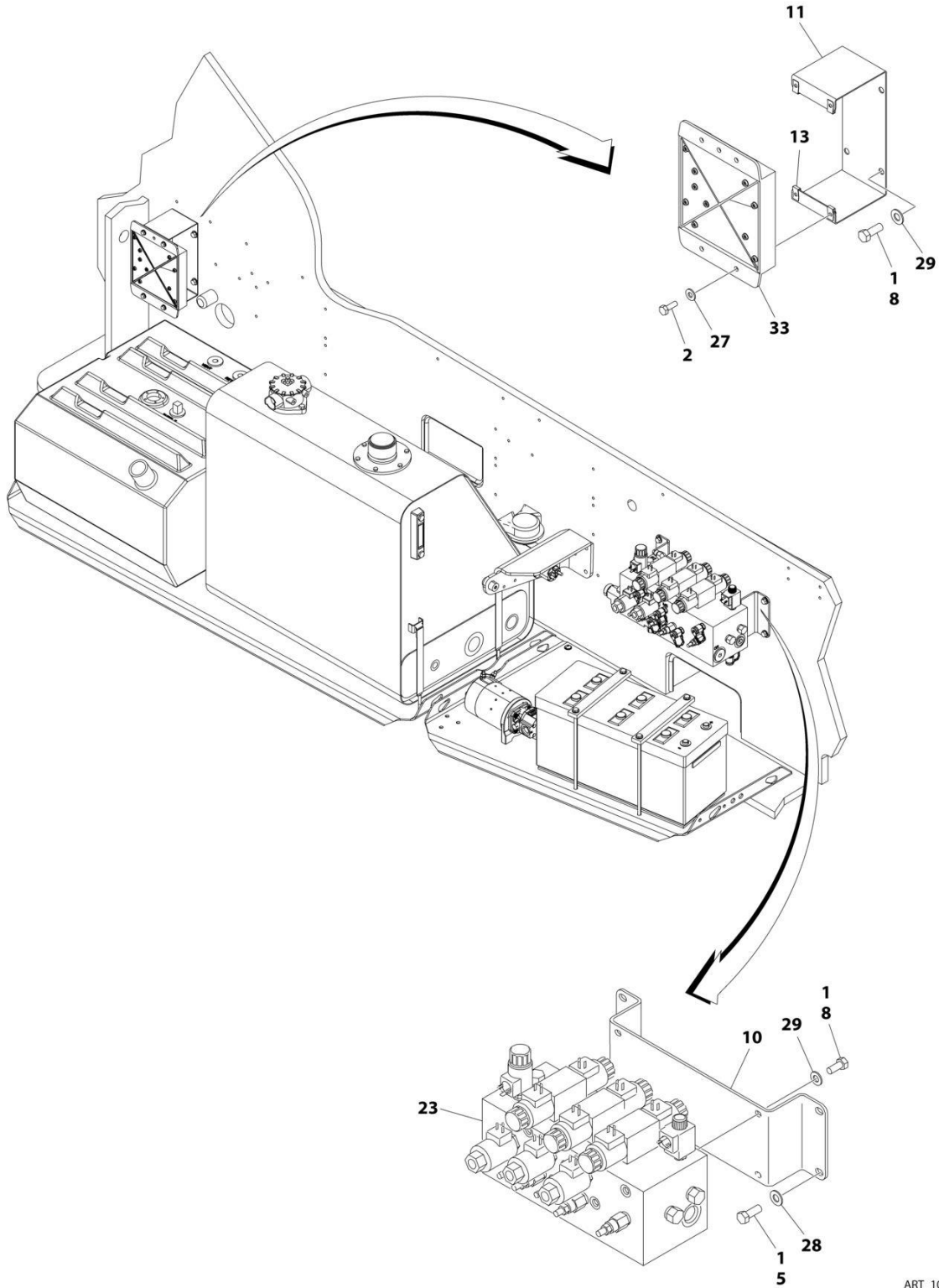
## SECTION 2 - TURNTABLE

**FIGURE 2-1. TURNTABLE VALVES INSTALLATION - WITHOUT LSS AND WITH 4 CELL LSS**

ITEM	PART NUMBER	QTY	DESCRIPTION	REV
	0271802	Ref	TURNTABLE VALVES INSTALLATION - WITHOUT LSS AND WITH 4 CELL LSS	M
1	0100011	AR	Compound, Locking	
3	0641506	4	Bolt 5/16 x 3/4	
5	0641608	8	Bolt 3/8 x 1	
7	0902755	1	Bracket, Valve Mounting	
13	4641267	1	Main Valve Assembly (See Separate Breakdown in this Section)	
16	4711500	4	Washer 5/16	
17	4711600	8	Washer 3/8	
23	4711400	4	Washer 1/4	
24	0641406	4	Bolt 1/4 x 3/4	
26	0902800	1	Bracket, Module Mounting	
28	1001112757	NLA	Module, B.L.A.M. (Use p/n 1001227960) (Note: Control System must be recalibrated when Module is replaced) <b>(SN 0300201016 through 0300248611)</b>	
28	1001227960	1	Module, B.L.A.M. (Note: Control System must be recalibrated when Module is replaced) <b>(SN 0300248612 through 0300272504, Except SN 0300272455 through 0300272461)</b>	
28	2915024	1	Update Kit (Includes Cables, Programming Instructions and CD Software)	
29	3300454	4	Nut, Special	

# SECTION 2 - TURNTABLE

## FIGURE 2-2. TURNTABLE VALVES INSTALLATION - WITH 1 CELL LSS



ART\_1001219990\_2OF3

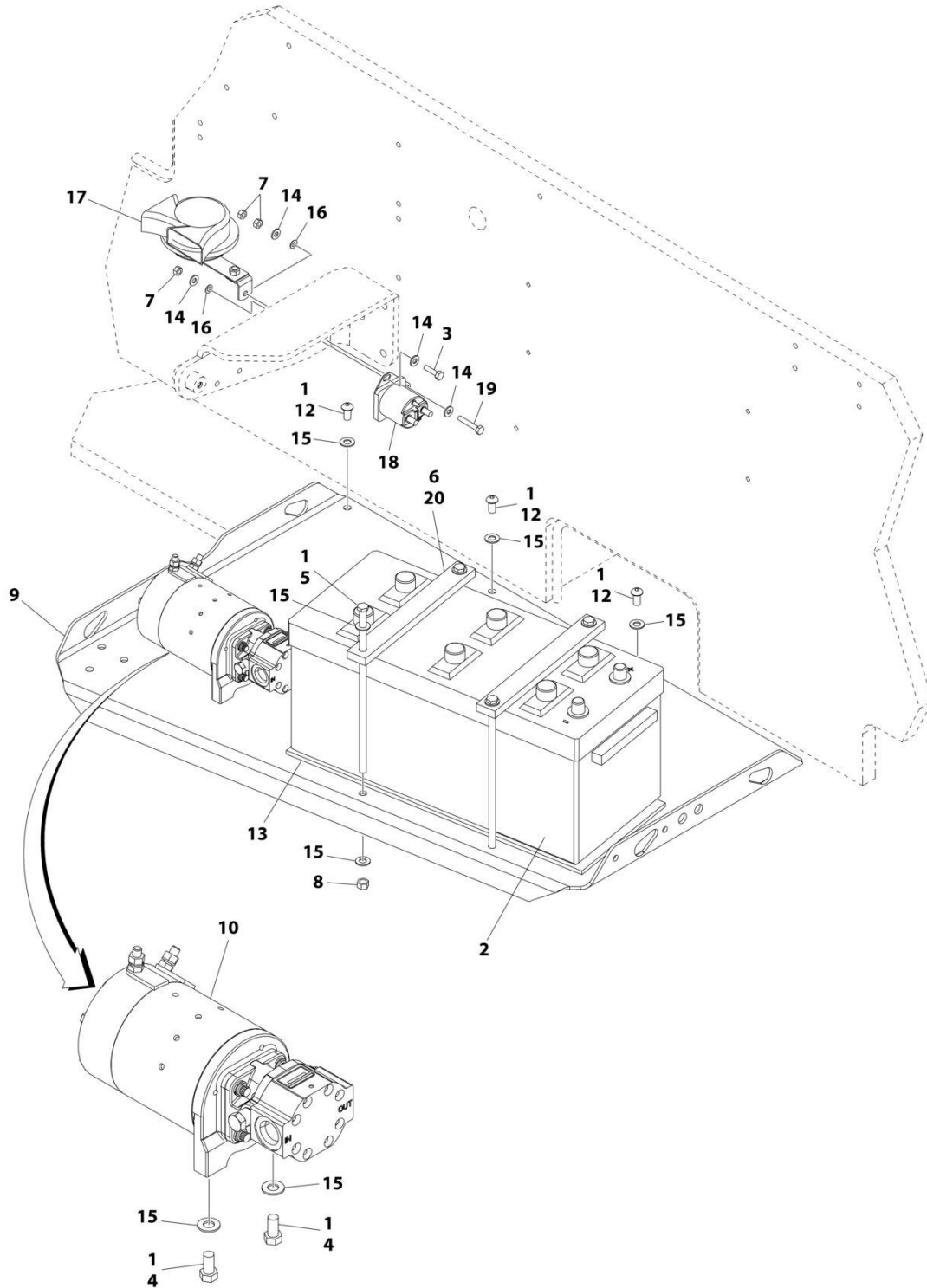
## SECTION 2 - TURNTABLE

**FIGURE 2-2. TURNTABLE VALVES INSTALLATION - WITH 1 CELL LSS**

ITEM	PART NUMBER	QTY	DESCRIPTION	REV
	1001219990	Ref	TURNTABLE VALVES INSTALLATION - WITH 1 CELL LSS	B
1	0100011	AR	Compound, Locking	
2	0641406	4	Bolt 1/4 x 3/4	
5	0641506	4	Bolt 5/16 x 3/4	
8	0641608	8	Bolt 3/8 x 1	
10	0902755	1	Bracket, Valve Mounting	
11	0902800	1	Bracket, Module Mounting	
13	3300454	1	Nut, Special	
23	4641267	1	Main Valve Assembly (See Separate Breakdown in this Section)	
27	4711400	1	Washer 1/4	
28	4711500	1	Washer 5/16	
29	4711600	1	Washer 3/8	
33	1001112757	NLA	Module, B.L.A.M. (Use p/n 1001227960) (Note: Control System must be recalibrated when Module is replaced) <b>(SN 0300201016 through 0300248611, SN B300002238 through B300002991)</b>	
33	1001227960	1	Module, B.L.A.M. (Note: Control System must be Re-calibrated when Module is Replaced) <b>(SN 0300248612 through 0300272504, SN B300002992 through B300007118, Except SN 0300272455 through 0300272461)</b>	
33	2915024	1	Update Kit (Includes Cables, Programming Instructions and CD Software)	

# SECTION 2 - TURNTABLE

## FIGURE 2-3. BATTERY AND AUXILIARY PUMP INSTALLATION - ABS HOODS



ART\_0271795



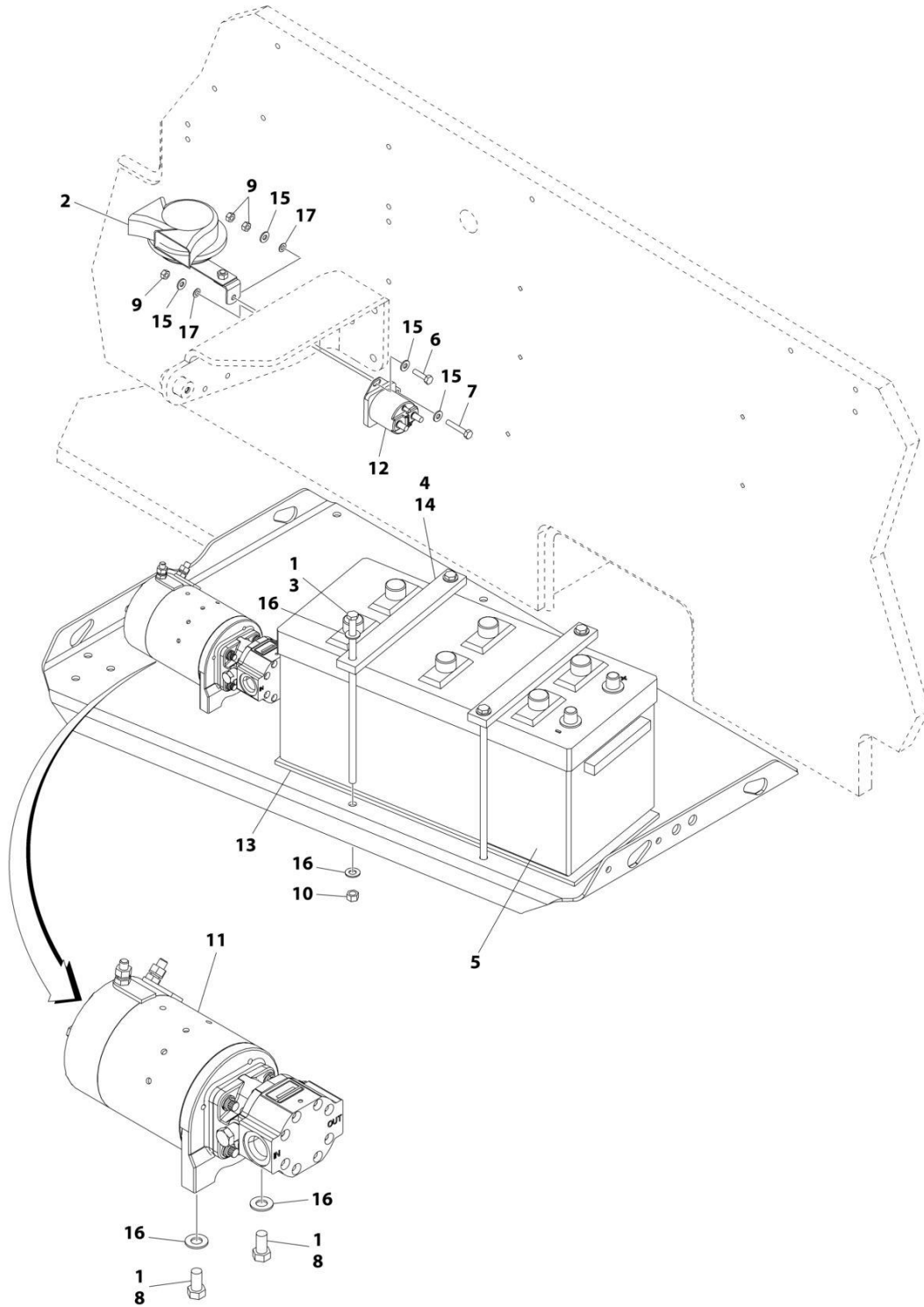
## SECTION 2 - TURNTABLE

**FIGURE 2-3. BATTERY AND AUXILIARY PUMP INSTALLATION - ABS HOODS**

ITEM	PART NUMBER	QTY	DESCRIPTION	REV
	0271795	Ref	BATTERY AND AUXILIARY PUMP INSTALLATION - ABS HOODS	E
1	0100011	AR	Compound, Locking	
2	0400020	1	Battery	
3	0641408	1	Bolt 1/4 x 1	
4	0641606	2	Bolt 3/8 x 3/4	
5	0236768	4	Rod, Hold-down	
6	0363062	2	Bar, Battery	
7	3311405	3	Nut 1/4	
8	3311601	4	Nut 3/8	
9	3573259	1	Tray	
10	3600424	1	Auxiliary Pump Assembly (See Separate Breakdown in this Section)	
12	3900283	7	Screw 3/8 x 3/4	
13	3980006	1	Seat, Battery	
14	4711400	4	Washer 1/4	
15	4711600	17	Washer 3/8	
16	4791400	2	Starwasher 1/4	
17	0140001	1	Horn	
18	3740140	1	Relay	
19	0641412	1	Bolt 1/4 x 1-1/2	
20	4420037	17 in /43cm	Tape, Insulation	

# SECTION 2 - TURNTABLE

## FIGURE 2-4. BATTERY AND AUXILIARY PUMP INSTALLATION - STEEL HOODS



ART\_1001110740

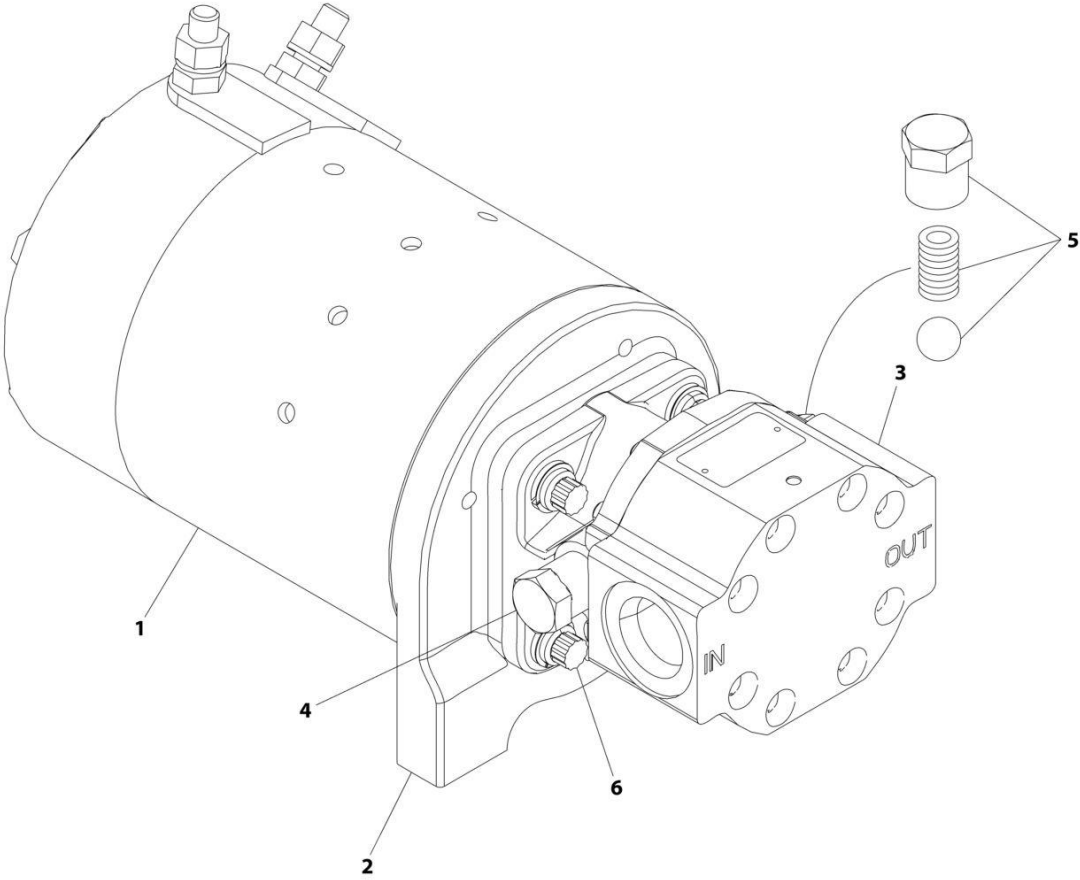
# SECTION 2 - TURNTABLE

**FIGURE 2-4. BATTERY AND AUXILIARY PUMP INSTALLATION - STEEL HOODS**

ITEM	PART NUMBER	QTY	DESCRIPTION	REV
	1001110740	Ref	BATTERY AND AUXILIARY PUMP INSTALLATION – STEEL HOODS	A
1	0100011	AR	Compound, Locking	
2	0140001	1	Horn	
3	0236768	4	Rod, Hold-down	
4	0363062	2	Bar, Battery	
5	0400020	1	Battery	
6	0641408	1	Bolt 1/4 x 1	
7	0641412	1	Bolt 1/4 x 1-1/2	
8	0641606	2	Bolt 3/8 x 3/4	
9	3311405	3	Nut 1/4	
10	3311601	4	Nut 3/8	
11	3600424	1	Auxiliary Pump Assembly (See Separate Breakdown in this Section)	
12	3740067	1	Relay	
13	3980006	1	Seat, battery	
14	4420037	17 in /43cm	Tape, Insulation	
15	4711400	4	Washer 1/4	
16	4711600	10	Washer 3/8	
17	4791400	2	Starwasher 1/4	

**SECTION 2 - TURNTABLE**

**FIGURE 2-5. AUXILIARY PUMP ASSEMBLY**



ART\_3600424

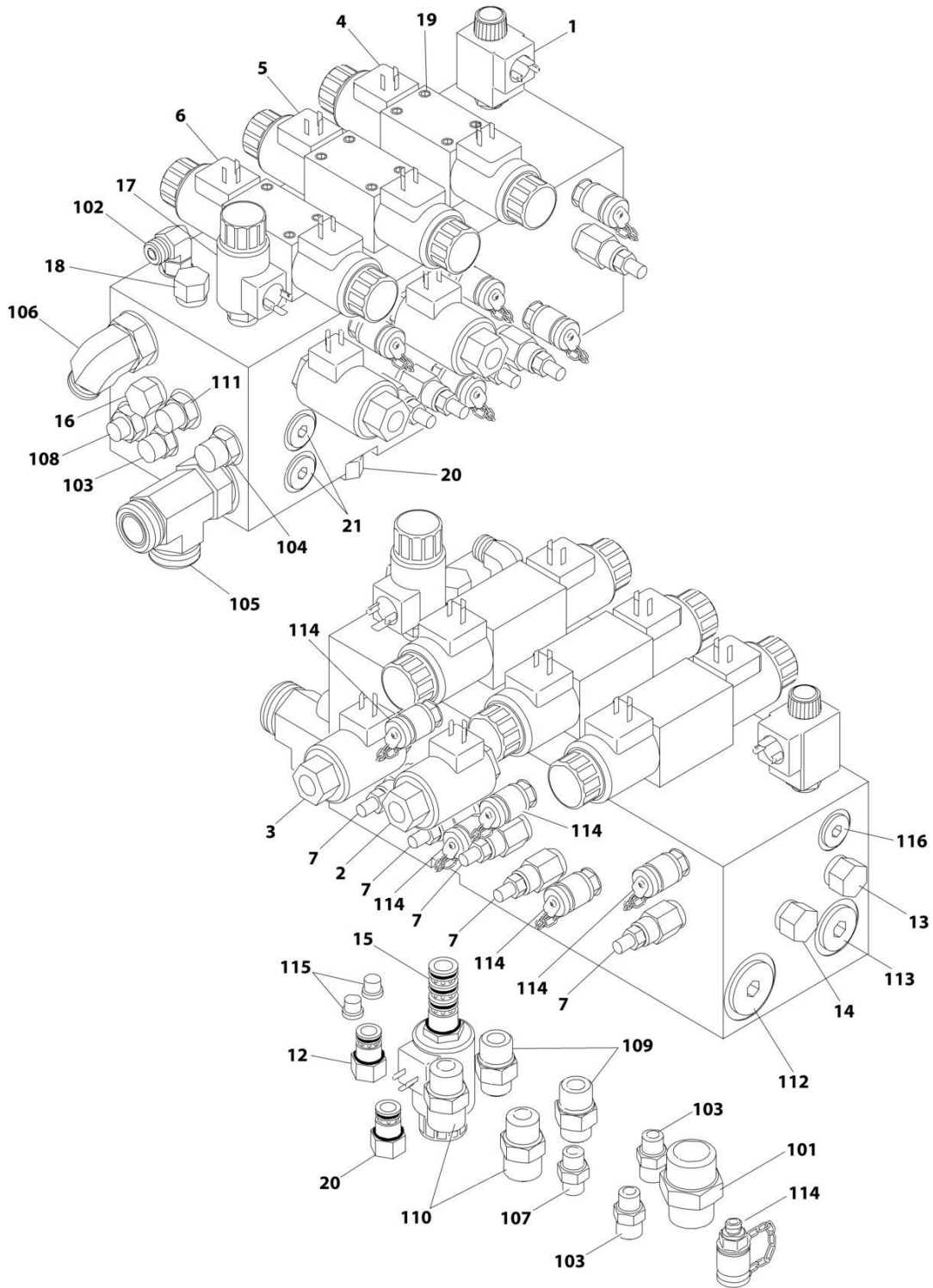
**SECTION 2 - TURNTABLE**

**FIGURE 2-5. AUXILIARY PUMP ASSEMBLY**

ITEM	PART NUMBER	QTY	DESCRIPTION	REV
	3600424	Ref	AUXILIARY PUMP ASSEMBLY	B
1	70001056	1	Motor Service Replacement Kit (Includes Motor, p/n 7011062 Adapter, p/n 7011016 Coupling and qty 2 Setscrews)	
1	See Note	1	Brush Kit (Note: Not Available For Purchase)	
2	7011062	1	Bracket, Motor/Pump (Part of Item 1)	
2	7011016	1	Coupling (Part of Items 1 & 3)	
2	7011044	1	Gasket (Part of Item 3)	
3	7029593	1	Pump Service Replacement Kit (Includes Pump, p/n 7011016 Coupling, qty 2 Gaskets and qty 4 each of Screws and Washers)	
3	See Note	1	Seal, Shaft (Note: Not Available For Purchase)	
4	7029593	1	Valve Components	
5	7029593	1	Valve Components	
6	7011048	4	Screw	
6	7011043	4	Washer	

# SECTION 2 - TURNTABLE

## FIGURE 2-6. MAIN VALVE ASSEMBLY



ART\_4641267

## SECTION 2 - TURNTABLE

### FIGURE 2-6. MAIN VALVE ASSEMBLY

ITEM	PART NUMBER	QTY	DESCRIPTION	REV
	4641267	Ref	MAIN VALVE ASSEMBLY	B
1	7024573	1	Cartridge, Solenoid Valve (Dump)	
1	7024574	1	Seal Kit - Cartridge	
1	7011354	1	Coil	
2	7021636	1	Cartridge, Solenoid Valve (Lift Flow)	
2	7017495	1	Seal Kit - Cartridge	
2	7017451	1	Coil	
3	7021636	1	Cartridge, Solenoid Valve (Tele Flow)	
3	7017495	1	Seal Kit - Cartridge	
3	7017451	1	Coil	
4	7024924	1	Control Valve Assembly (Swing)	
4	7012773	1	Seal Kit - Valve	
4	7018991	2	Coil	
4	7021375	2	Nut, Coil	
5	7024925	1	Control Valve Assembly (Lift)	
5	7012773	1	Seal Kit - Valve	
5	7018991	2	Coil	
5	7021375	2	Nut, Coil	
6	70001976	1	Control Valve Assembly (Tele)	
6	7012773	1	Seal Kit - Valve	
6	7018991	2	Coil	
6	7021375	2	Nut, Coil	
7	7026007	5	Cartridge, Relief Valve (Swing/Lift Up/Lift Down/Tele In/Tele Out)	
7	7024574	1	Seal Kit - Cartridge	
12	7026000	1	Cartridge, Check Valve	
12	7011311	1	Seal Kit - Cartridge	
13	7026001	1	Cartridge, Check Valve	
13	7011311	1	Seal Kit - Cartridge	
14	7026002	1	Cartridge, Shuttle Valve	
14	2900770	1	Seal Kit - Cartridge	
15	7024570	1	Cartridge, Solenoid Valve (Aux Lift Down Select)	
15	70001930	1	Seal Kit - Cartridge	
15	7024571	1	Coil	
16	7026003	1	Cartridge, Pilot Valve	
16	7026004	1	Seal Kit - Cartridge	
17	7026005	1	Cartridge, Solenoid Valve (Aux Lift Down)	
17	7026006	1	Seal Kit - Cartridge	
17	7024571	1	Coil	
18	7026008	1	Cartridge, Check Valve	
18	7011346	1	Seal Kit - Cartridge	
19	7018942	12	Capscrew #10 x 2	
20	7026016	1	Cartridge, Valve	
20	7011346	1	Seal Kit - Cartridge	
21	70002759	1	Plug with O-Ring (Valve p/n 4641222 Only)	
	4641267	Ref	Main Valve Assembly (Fitting Information)	B
101	2111216	1	Fitting, Straight	
102	2130606	1	Fitting, Elbow	
103	2110606	3	Fitting, Straight	
104	2110808	1	Fitting, Straight	
105	2170316	1	Fitting, Tee	

## SECTION 2 - TURNTABLE

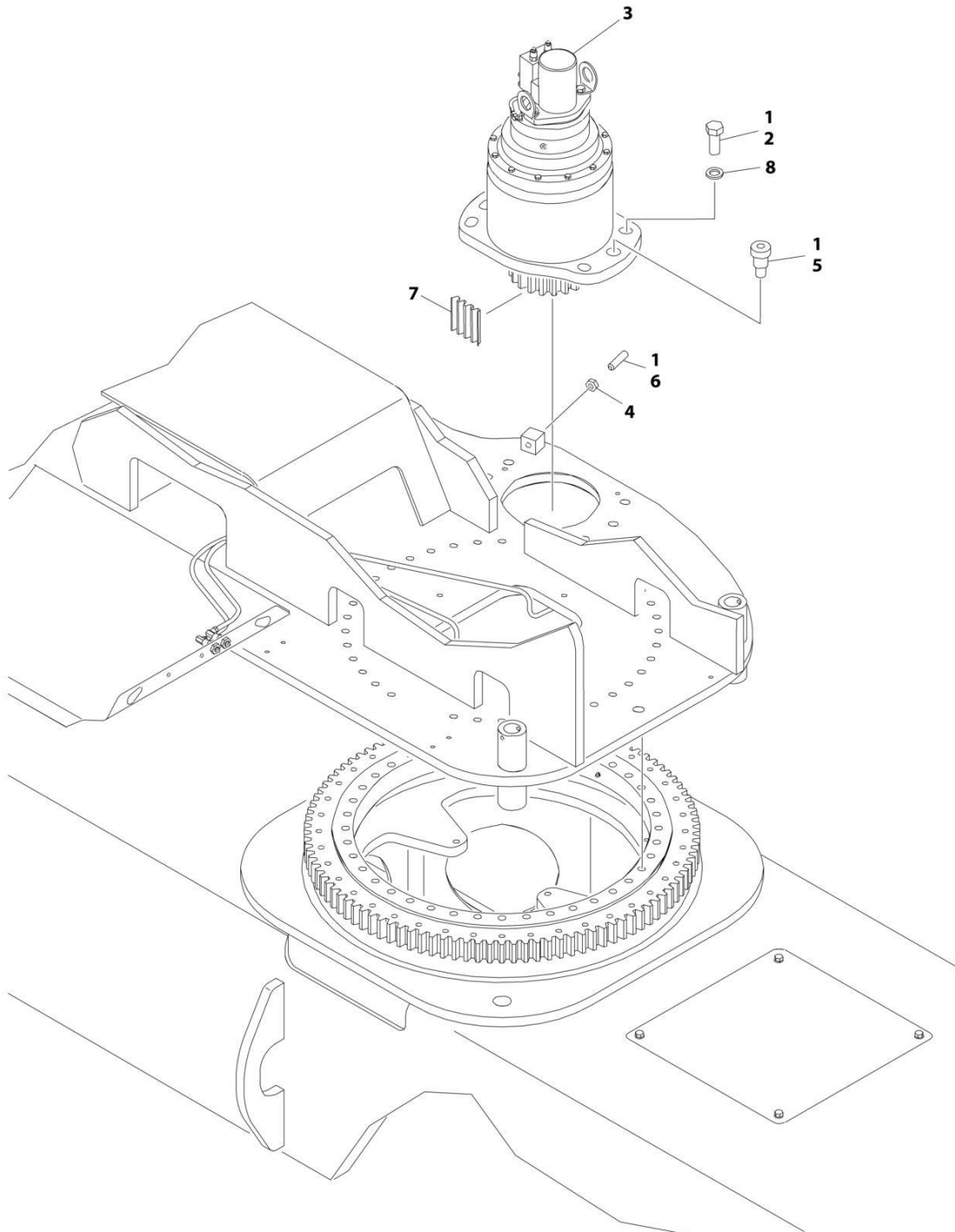
ITEM	PART NUMBER	QTY	DESCRIPTION	REV
106	2131012	1	Fitting, Elbow	
107	2110406	1	Fitting, Straight	
108	2110408	1	Fitting, Straight	
109	2110810	2	Fitting, Straight	
110	2111010	2	Fitting, Straight	
111	2110608	1	Fitting, Straight	
112	2220890	1	Plug	
113	70002760	1	Plug	
114	2221086	6	Check, Pressure	
115	70002758	2	Fitting, Plug	
116	70002759	1	Plug with O-Ring	





## SECTION 2 - TURNTABLE

FIGURE 2-7. SWING DRIVE INSTALLATION (SN 0300201016 through 0300254466, SN B300002238 through B300003825)



ART\_0271596

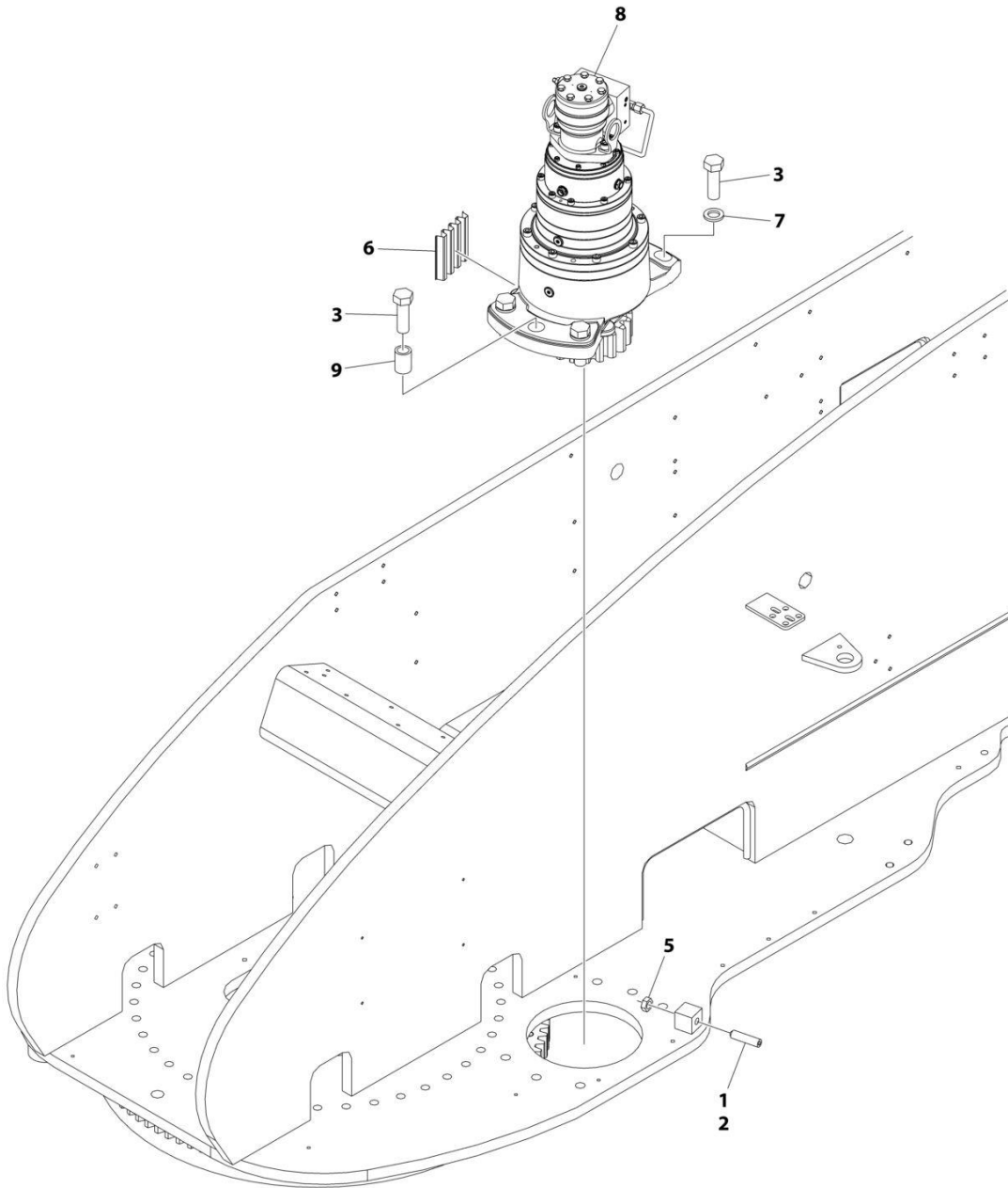
**SECTION 2 - TURNTABLE**

**FIGURE 2-7. SWING DRIVE INSTALLATION (SN 0300201016 through 0300254466, SN B300002238 through B300003825)**

ITEM	PART NUMBER	QTY	DESCRIPTION	REV
	0271596	Ref	SWING DRIVE INSTALLATION	E
1	0100019	AR	Compound, Locking	
2	0682418	5	Bolt 7/8 x 2-1/4 Grade 8	
3	1001134098	1	Swing Motor/Hub Assembly (See Separate Breakdown in this Section)	
4	3312002	1	Nut 5/8	
5	3900223	1	Screw, Shoulder	
6	3952020	1	Setscrew 5/8 x 2-1/2	
7	4071041	1	Shim	
8	4892400	5	Washer 7/8	

## SECTION 2 - TURNTABLE

FIGURE 2-8. SWING DRIVE INSTALLATION (SN 0300254467 through 0300272504, SN B300003826 through B300007118)



ART\_1001228617

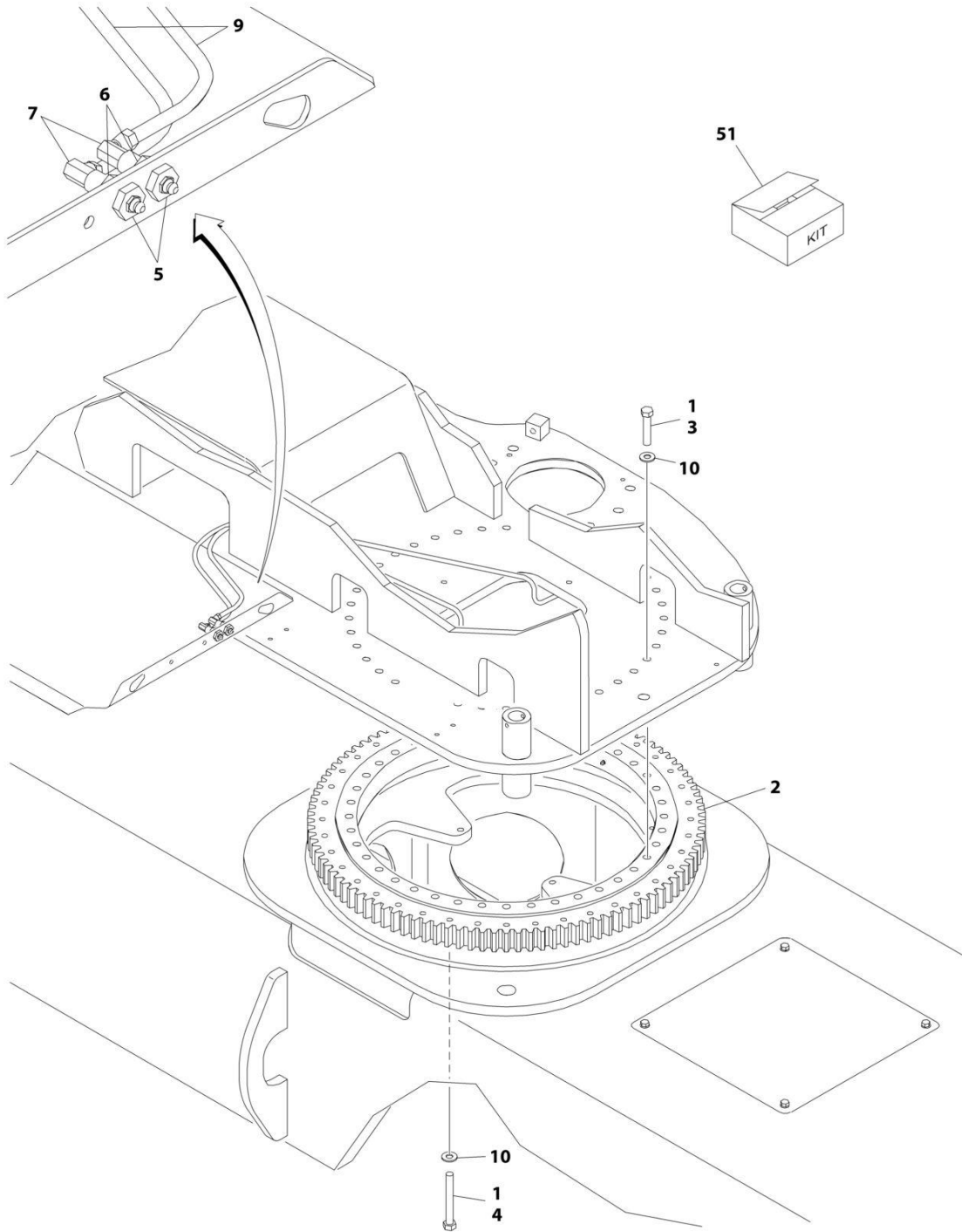
**SECTION 2 - TURNTABLE**

**FIGURE 2-8. SWING DRIVE INSTALLATION (SN 0300254467 through 0300272504, SN B300003826 through B300007118)**

ITEM	PART NUMBER	QTY	DESCRIPTION	REV
	1001228617	Ref	SWING DRIVE INSTALLATION	E
1	0100019	AR	Compound, Locking	
2	3952020	1	Setscrew 5/8 x 2-1/2	
3	0682422	6	Bolt 7/8 x 2-3/4 Grade 8	
5	3312002	1	Nut 5/8	
6	4071041	1	Shim	
7	4892400	5	Washer 7/8	
8	1001228488	1	Swing Motor/Hub Assembly (See Separate Breakdown in this Section)	
9	1001229058	1	Sleeve	

# SECTION 2 - TURNTABLE

## FIGURE 2-9. TURNTABLE BEARING AND LUBE INSTALLATION



ART\_0271512

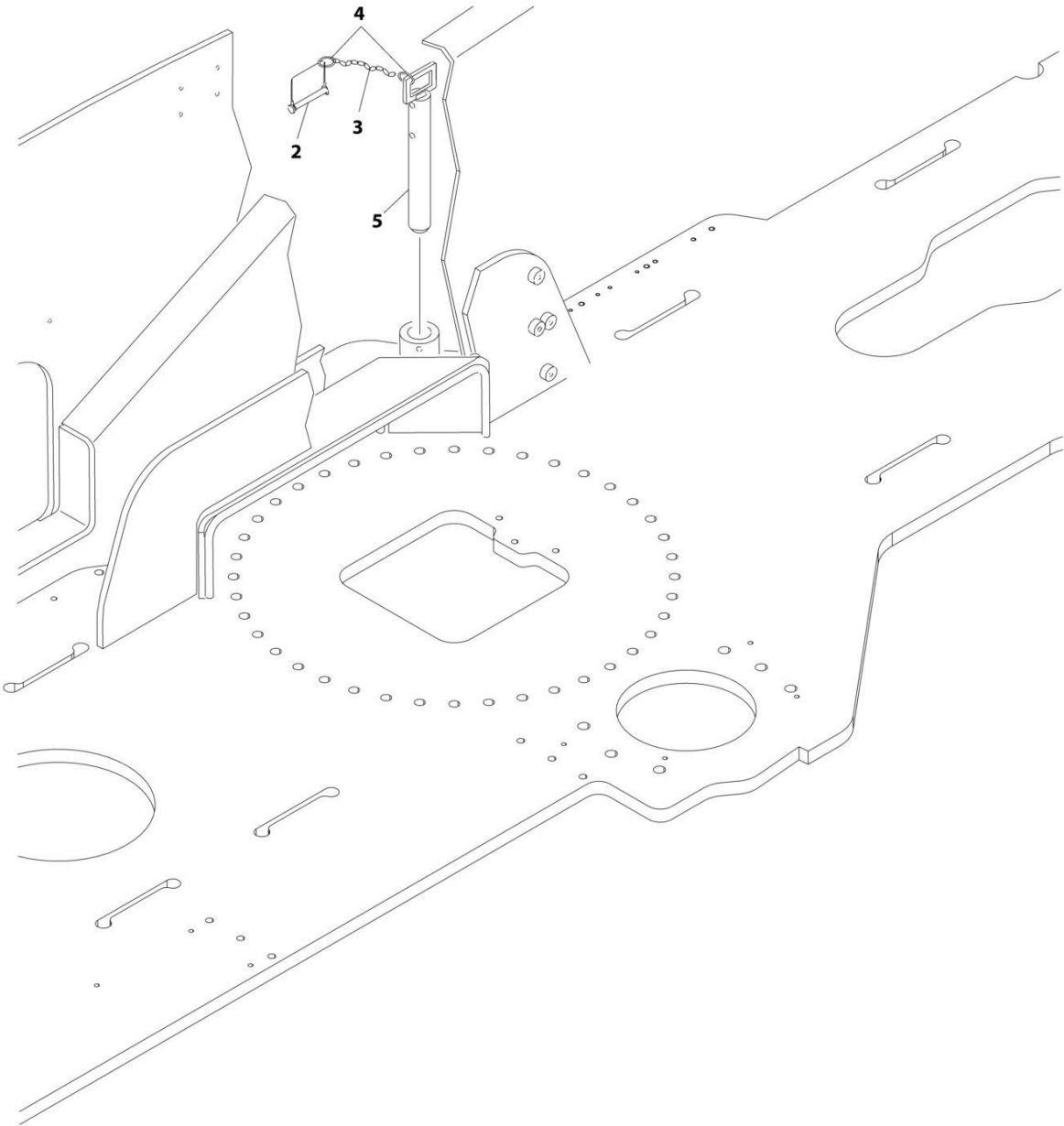
**SECTION 2 - TURNTABLE**

**FIGURE 2-9. TURNTABLE BEARING AND LUBE INSTALLATION**

ITEM	PART NUMBER	QTY	DESCRIPTION	REV
	0271512	Ref	TURNTABLE BEARING AND LUBE INSTALLATION	B
1	0100019	AR	Compound, Locking	
2	0440251	1	Bearing, Turntable	
3	0682026	40	Bolt 5/8 x 3-1/4 Grade 8	
4	0682040	40	Bolt 5/8 x 5 Grade 8	
5	2160002	2	Fitting, Grease	
6	2180344	2	Fitting, Bulkhead	
7	2220063	2	Fitting, Adapter	
9	2750528	2	Hose	
10	4892000	80	Washer 5/8	
51	2915072	1	Bearing Kit (Includes Items 2, 3, 4 & 10)	

# SECTION 2 - TURNTABLE

## FIGURE 2-10. TURNTABLE LOCK INSTALLATION



ART\_0239842



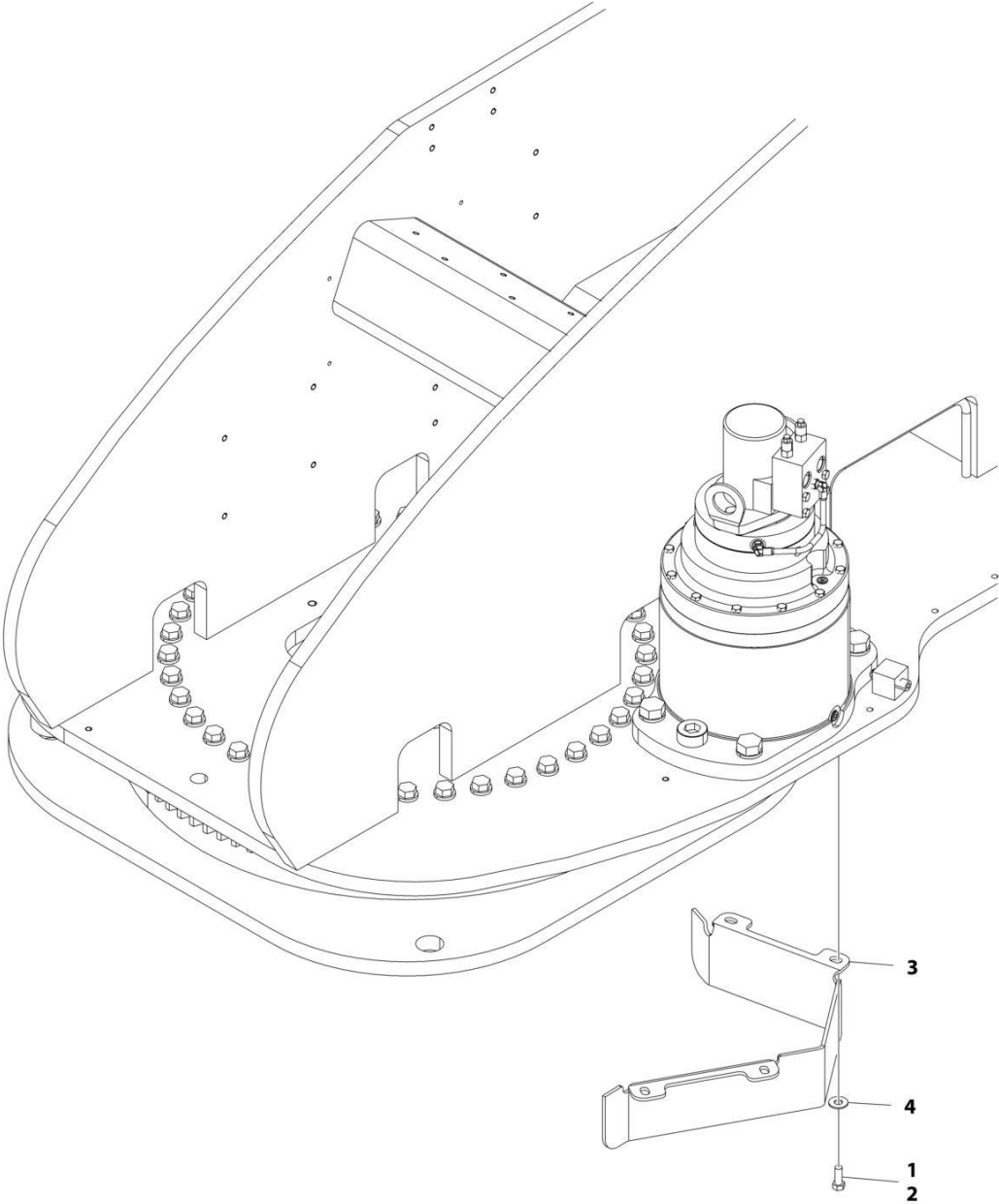
**SECTION 2 - TURNTABLE**

**FIGURE 2-10. TURNTABLE LOCK INSTALLATION**

<b>ITEM</b>	<b>PART NUMBER</b>	<b>QTY</b>	<b>DESCRIPTION</b>	<b>REV</b>
	0239842	Ref	TURNTABLE LOCK INSTALLATION	B
2	3421565	1	Pin, Snap	
3	1260017	9 in/23cm	Chain - #3	
4	3760170	2	Ring, Quick Release	
5	3421563	1	Pin, Turntable Lock	

**SECTION 2 - TURNTABLE**

**FIGURE 2-11. PINION SHIELD INSTALLATION**



ART\_0271874

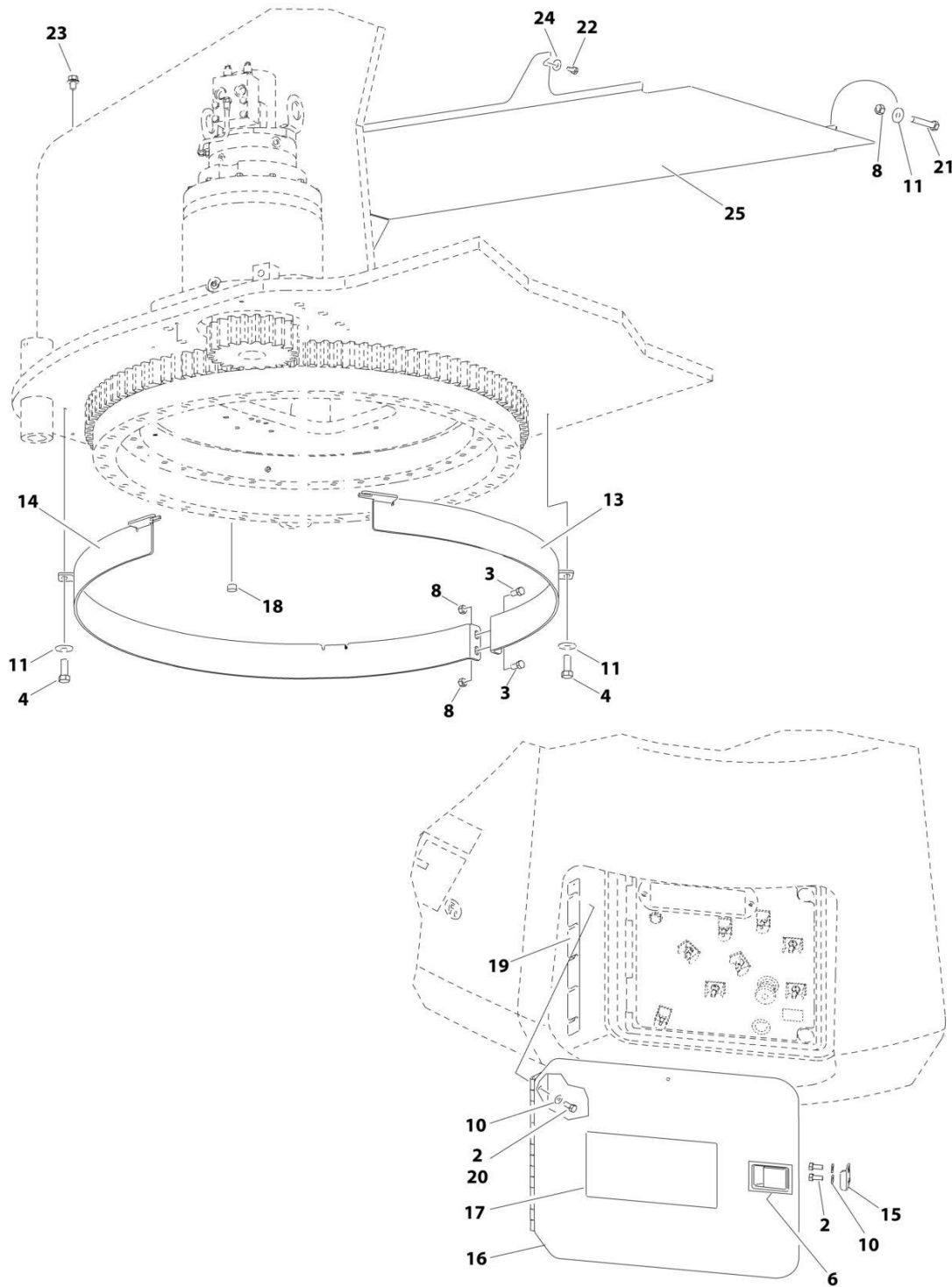
**SECTION 2 - TURNTABLE**

**FIGURE 2-11. PINION SHIELD INSTALLATION**

<b>ITEM</b>	<b>PART NUMBER</b>	<b>QTY</b>	<b>DESCRIPTION</b>	<b>REV</b>
	0271874	Ref	PINION SHIELD INSTALLATION	A
1	0100011	AR	Compound, Locking	
2	0641608	4	Bolt 3/8 x 1	
3	3573355	1	Plate, Pinion	
4	4751600	4	Washer 3/8	

# SECTION 2 - TURNTABLE

## FIGURE 2-12. EXTREME HOSTILE PACKAGE INSTALLATION (OPTIONAL)



ART\_1001111219

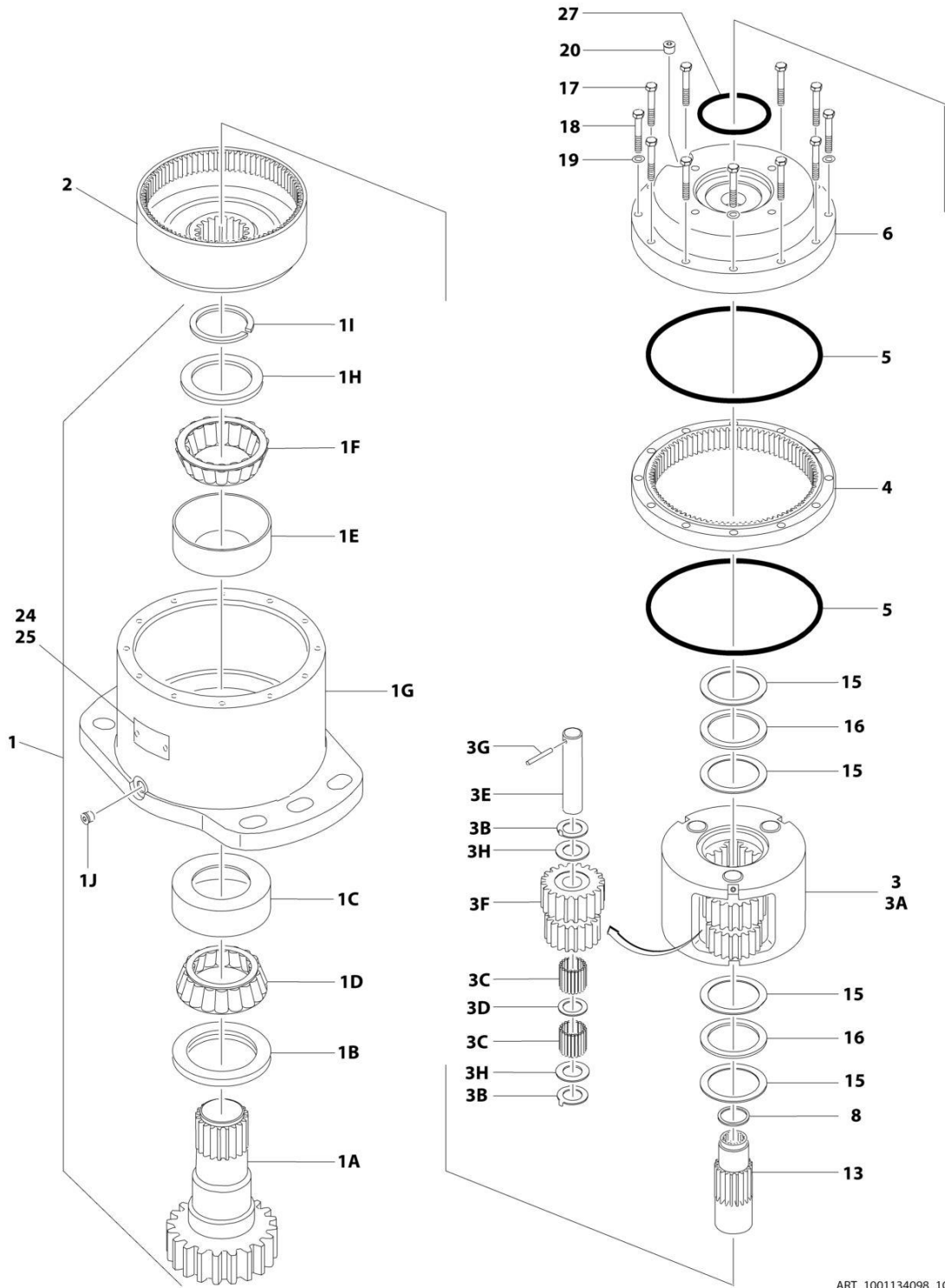
# SECTION 2 - TURNTABLE

**FIGURE 2-12. EXTREME HOSTILE PACKAGE INSTALLATION (OPTIONAL)**

ITEM	PART NUMBER	QTY	DESCRIPTION	REV
	1001111219	Ref	EXTREME HOSTILE PACKAGE INSTALLATION (OPTIONAL)	G
2	0641506	5	Bolt 5/16 x 3/4	
3	0641606	2	Bolt 3/8 x 3/4	
4	0641608	3	Bolt 3/8 x 1	
6	2940045	1	Latch, Paddle	
8	3311605	AR	Nut 3/8	
10	4711500	7	Washer 5/16	
11	4751600	AR	Washer 3/8	
12	1001110940	1	Filter, Hydraulic Tank (Not Shown)	
13	1001111175	1	Plate, Bearing Cover	
14	1001111176	1	Plate, Bearing Cover	
15	1001112911	1	Plate, Striker	
16	1001111193	1	Door	
17	1001113173	1	Decal - Emergency Stop	
18	1001114392	1	Plug, Rubber	
19	1001115168	1	Shim	
20	0100011	AR	Compound, Locking	
21	0630511	1	Bolt 3/8 x 2	
22	0641404	1	Bolt 1/4 x 1/2	
23	0791604	2	Bolt 3/8 x 1/2	
24	4751400	1	Washer 1/4	
25	1001115440	1	Shield, Turntable	

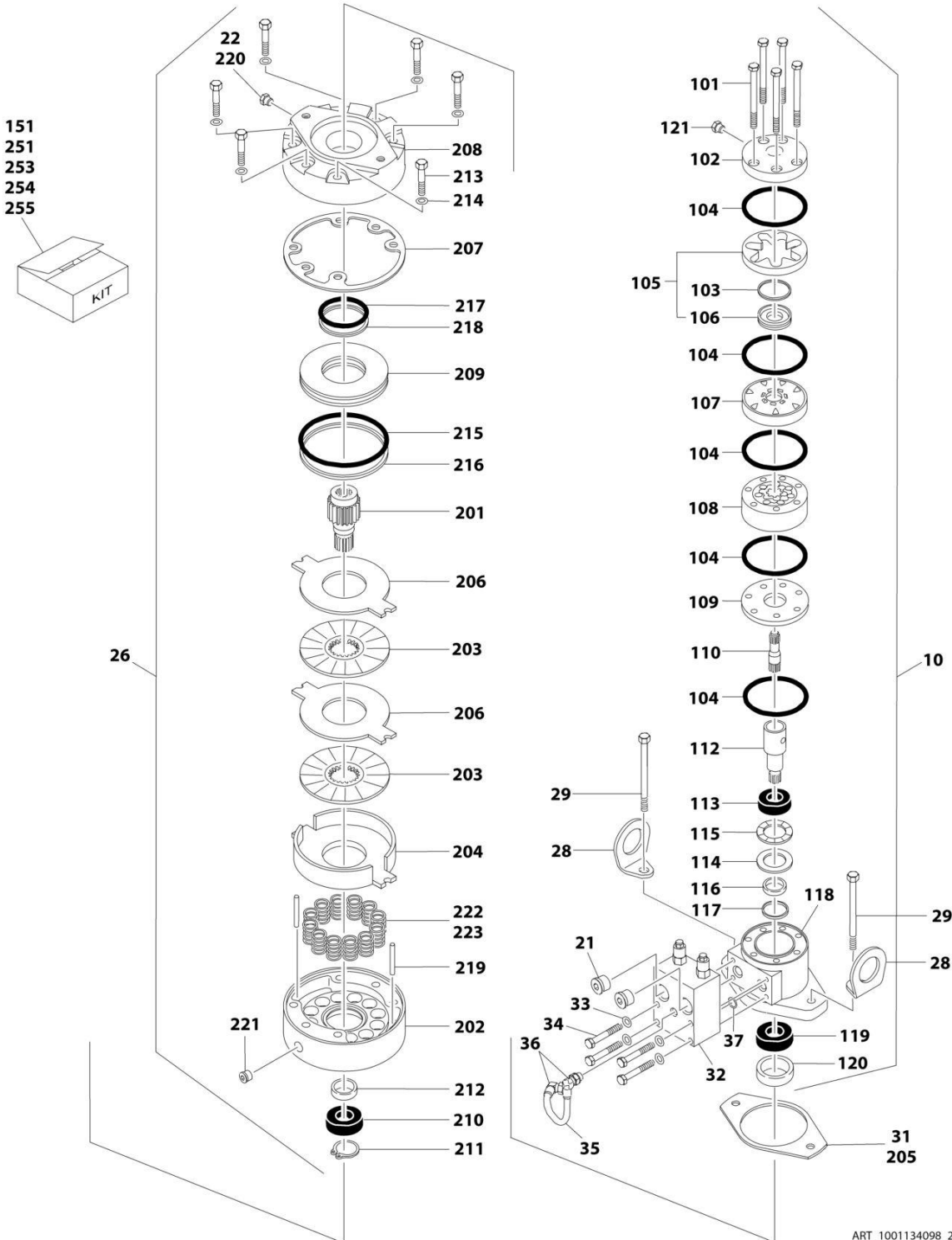
# SECTION 2 - TURNTABLE

FIGURE 2-13. SWING MOTOR/HUB ASSEMBLY (SN 0300201016 through 0300254466, SN B300002238 through B300003825)



ART\_1001134098\_10F2

# SECTION 2 - TURNTABLE



## SECTION 2 - TURNTABLE

**FIGURE 2-13. SWING MOTOR/HUB ASSEMBLY (SN 0300201016 through 0300254466, SN B300002238 through B300003825)**

ITEM	PART NUMBER	QTY	DESCRIPTION	REV
	1001134098	Ref	SWING MOTOR/HUB ASSEMBLY	D
1	See Note	1	Housing/Shaft Assembly (Note: Not Available - Purchase Complete Swing Motor/Hub Assembly)	
1A	7024183	1	Shaft, Output	
1B	7000236	1	Seal, Lip	
1C	1001091460	1	Cup, Bearing	
1D	1001091460	1	Cone, Bearing	
1E	1001091461	1	Cup, Bearing	
1F	1001091461	1	Cone, Bearing	
1G	7024184	1	Housing	
1H	7000239	1	Thrustwasher	
1I	7000240	1	Ring, Retaining	
1J	7017072	1	Plug, Pipe	
2	7001917	1	Gear, Internal	
3	7001918	1	Carrier Assembly	
3A	7001900	1	Carrier	
3B	7007645	6	Washer, Tanged	
3C	7001902	84	Bearing, Needle	
3D	7007646	3	Thrustwasher	
3E	7001904	3	Shaft, Planet	
3F	7001927	3	Gear, Cluster	
3G	7001906	3	Rollpin	
3H	7007648	6	Washer	
4	7010467	1	Gear, Ring	
5	7000224	2	O-Ring	
6	7001920	1	Cover, Input	
8	7001922	1	Thrustwasher	
10	7024188	1	Motor Assembly (See Items 101-121 for Breakdown)	
13	7001921	1	Gear, Sun	
15	7000287	4	Washer, Thrust	
16	7000288	2	Bearing, Thrust	
17	7001923	8	Bolt 3/8 x 3 Grade 8	
18	7001924	4	Bolt 3/8 x 2-3/4 Grade 8	
19	7001929	4	Washer, Lock (Used with Item 18 Only)	
20	7001928	1	Plug, Pipe	
21	7001926	2	Plug, Pipe	
22	7017082	1	Plug, Pipe	
24	See Note	1	Plate, ID (Note: Not Available For Purchase)	
25	7000281	2	Screw, Drive	
26	70003524	1	Brake Assembly (See Items 201-223 for Breakdown)	
27	7024763	1	O-Ring	
28	See Note	2	Lug, Lifting (Note: Not Available For Purchase)	
29	7024185	2	Bolt 1/2 x 5 Grade 8	
31	7000731	1	Gasket	
32	70003523	1	Valve	
32	70003629	2	Cartridge	
32	2900770	2	Seal Kit - 70003629 Cartridge (1 Per Cartridge)	
33	See Note	4	Washer, Lock (Note: Not Available For Purchase)	
34	7024135	4	Bolt 5/16 x 2-1/2 Grade 8	



**SECTION 2 - TURNTABLE**

ITEM	PART NUMBER	QTY	DESCRIPTION	REV
35	7024186	1	Tube	
36	7017085	2	Elbow	
37	7000213	2	O-Ring	
	7024188	Ref	MOTOR ASSEMBLY	
101	7024391	5	Bolt	
102	7004035	1	Cover, End	
103	7024389	1	Seal, Commutator	
104	7024389	5	Seal, Ring	
105	7024453	1	Commutator and Ring Assembly	
106	7004453	1	Ring	
107	7024379	1	Manifold	
108	7024392	1	Rotor Set	
109	7024380	1	Plate, Wear	
110	7024393	1	Link, Drive	
112	7024395	1	Shaft, Coupling	
113	7024381	1	Bushing, Bronze	
114	7004043	1	Thrustwasher	
115	7004044	1	Bearing, Thrust	
116	7024389	1	Seal, Inner	
117	7024389	1	Washer, Back-up	
118	7024394	1	Housing	
119	7024390	1	Bearing	
120	7024389	1	Seal	
121	7010795	1	Plug, O-Ring	
151	7024389	1	Seal Kit - 7024188 Motor (Includes Items 103, 104, 116, 117 & 120)	
	70003524	Ref	BRAKE ASSEMBLY	
201	7024189	1	Shaft	
202	7024182	1	Housing (Note: Not Available For Purchase)	
203	7024193	2	Plate, Friction	
204	7024193	1	Plate, Pressure	
205	7000731	1	Gasket	
206	7024193	2	Plate, Outer	
207	See Note	1	Gasket (Note: Use Item 251, 254 or 255)	
208	7024191	1	Cylinder	
209	7024192	1	Piston	
210	7024197	1	Bearing, Ball	
211	7024197	1	Ring, Retaining	
212	7024197	1	Seal, Shaft	
213	See Note	6	Capscrew (Note: Not Available For Purchase)	
214	See Note	6	Washer, Lock (Note: Not Available For Purchase)	
215	7024194	1	O-Ring	
216	7024194	1	Ring, Back-up	
217	7024194	1	O-Ring	
218	7024194	1	Ring, Back-up	
219	7024190	2	Pin, Dowel	
220	See Note	1	Plug (Note: Not Available For Purchase)	
221	See Note	1	Plug (Note: Not Available For Purchase)	
222	7024196	AR	Spring (Natural)	
223	7024196	AR	Spring, (Blue)	
251	7024194	1	Seal Kit - Brake (Includes Items 205, 207 & 215-218)	
253	7024196	1	Spring Kit - Brake (Includes 12 Natural & 2 Blue Colored Springs)	

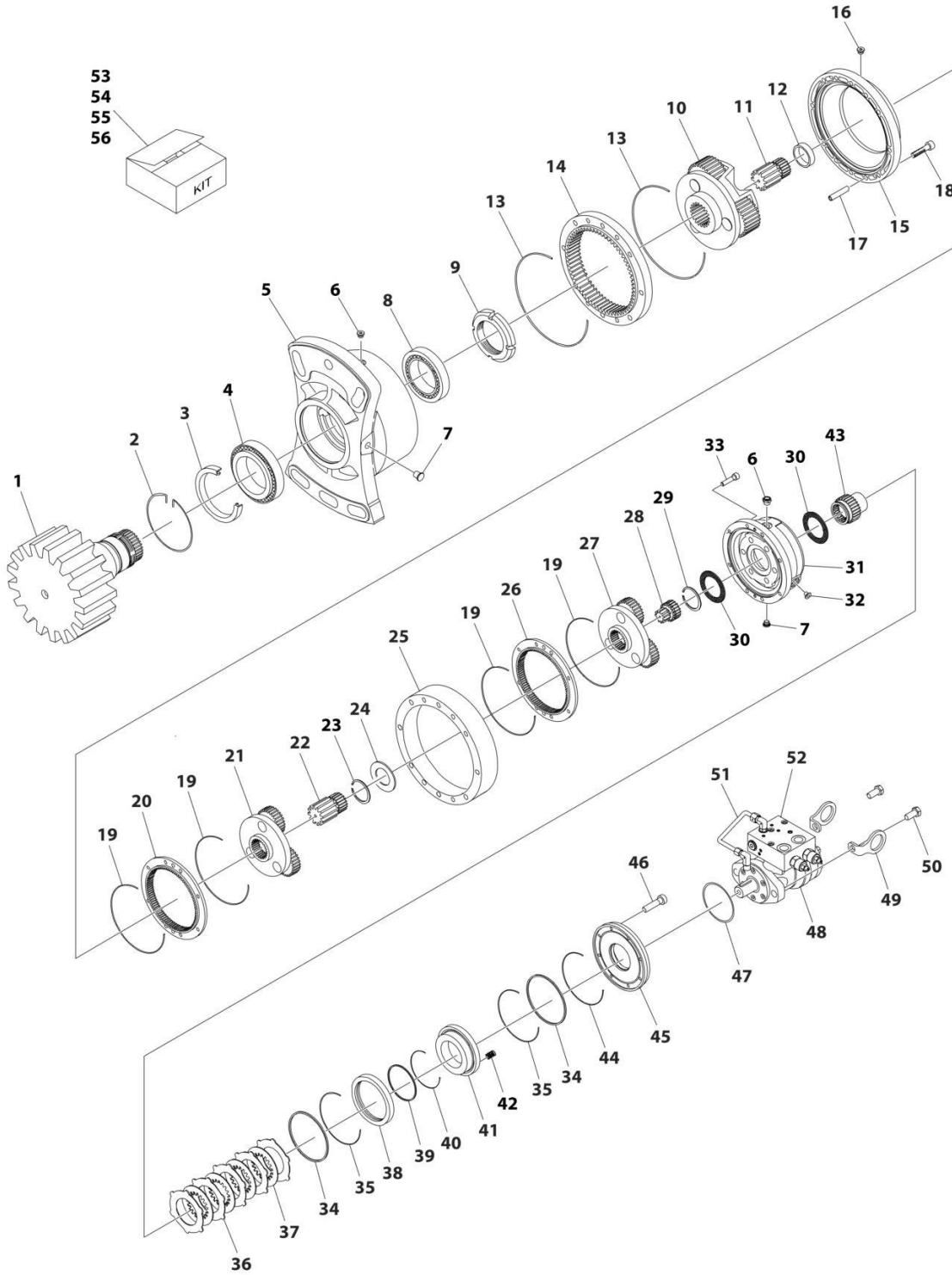
## SECTION 2 - TURNTABLE

ITEM	PART NUMBER	QTY	DESCRIPTION	REV
254	7024193	1	Friction Disc Kit - Brake (Includes Items 203, 204, 206 & 207)	
255	7024197	1	Bearing Kit - Brake (Includes Items 207 & 210-212)	



# SECTION 2 - TURNTABLE

FIGURE 2-14. SWING MOTOR/HUB ASSEMBLY (SN 0300254467 through 0300272504, SN B300003826 through B300007118)



ART\_1001228488

## SECTION 2 - TURNTABLE

**FIGURE 2-14. SWING MOTOR/HUB ASSEMBLY (SN 0300254467 through 0300272504, SN B300003826 through B300007118)**

ITEM	PART NUMBER	QTY	DESCRIPTION	REV
	1001228488	Ref	SWING MOTOR/HUB ASSEMBLY	B
1	See Note	NSS	Shaft (Note: Use Item 56)	
2	70004467	1	Ring	
3	See Note	NSS	Seal, Oil (Note: Use Item 53)	
4	See Note	NSS	Bearing (Note: Use Item 55)	
5	See Note	NSS	Support, Output (Note: Not Available for Purchase)	
6	70002057	5	Plug with O-Ring	
7	70004469	2	Plug with O-Ring	
8	See Note	NSS	Bearing (Note: Use Item 55)	
9	See Note	NSS	Nut, Ring (Note: Use Item 56)	
10	70006986	1	Reduction, Gear - Complete	
11	70006987	1	Pinion	
12	70004477	1	Spacer	
13	See Note	NSS	O-Ring (Note: Use Item 53)	
14	70004474	1	Ring, Planetary	
15	70006988	1	Spacer	
16	70002057	2	Plug with O-Ring	
17	70006989	4	Pin, Spring	
18	70004480	8	Capscrew M10 x 55	
19	See Note	NSS	O-Ring (Note: Use Item 53)	
20	70006990	1	Ring, Planetary	
21	70006991	1	Reduction, Gear - Complete	
22	70006992	1	Pinion	
23	70002032	1	Ring	
24	70006993	1	Spacer	
25	70006994	1	Spacer	
26	70004481	1	Ring, Planetary	
27	70006995	1	Reduction, Gear - Complete	
28	70006996	1	Pinion	
29	70006997	1	Ring	
30	70006998	2	Washer	
31	See Note	NSS	Housing, Brake (Note: Not Available for Purchase)	
32	70006999	1	Plug	
33	70007000	8	Capscrew M8 x 90	
34	See Note	NSS	Seal (Note: Use Item 53 or 54)	
35	See Note	NSS	O-Ring (Note: Use Item 53 or 54)	
36	See Note	NSS	Disc, Steel (Note: Use Item 54)	
37	See Note	NSS	Disc (Note: Use Item 54)	
38	70005317	1	Spacer	
39	See Note	NSS	Seal (Note: Use Item 53 or 54)	
40	See Note	NSS	O-Ring (Note: Use Item 53 or 54)	
41	70005318	1	Piston, Brake	
42	See Note	NSS	Spring, Brake (Note: Use Item 54)	
43	70007001	1	Shaft, Input	
44	See Note	NSS	O-Ring (Note: Use Item 53 or 54)	
45	70007002	1	Cover	
46	70007003	8	Screw M6 x 25	
47	See Note	NSS	O-Ring (Note: Use Item 53)	
48	70007009	1	Motor	

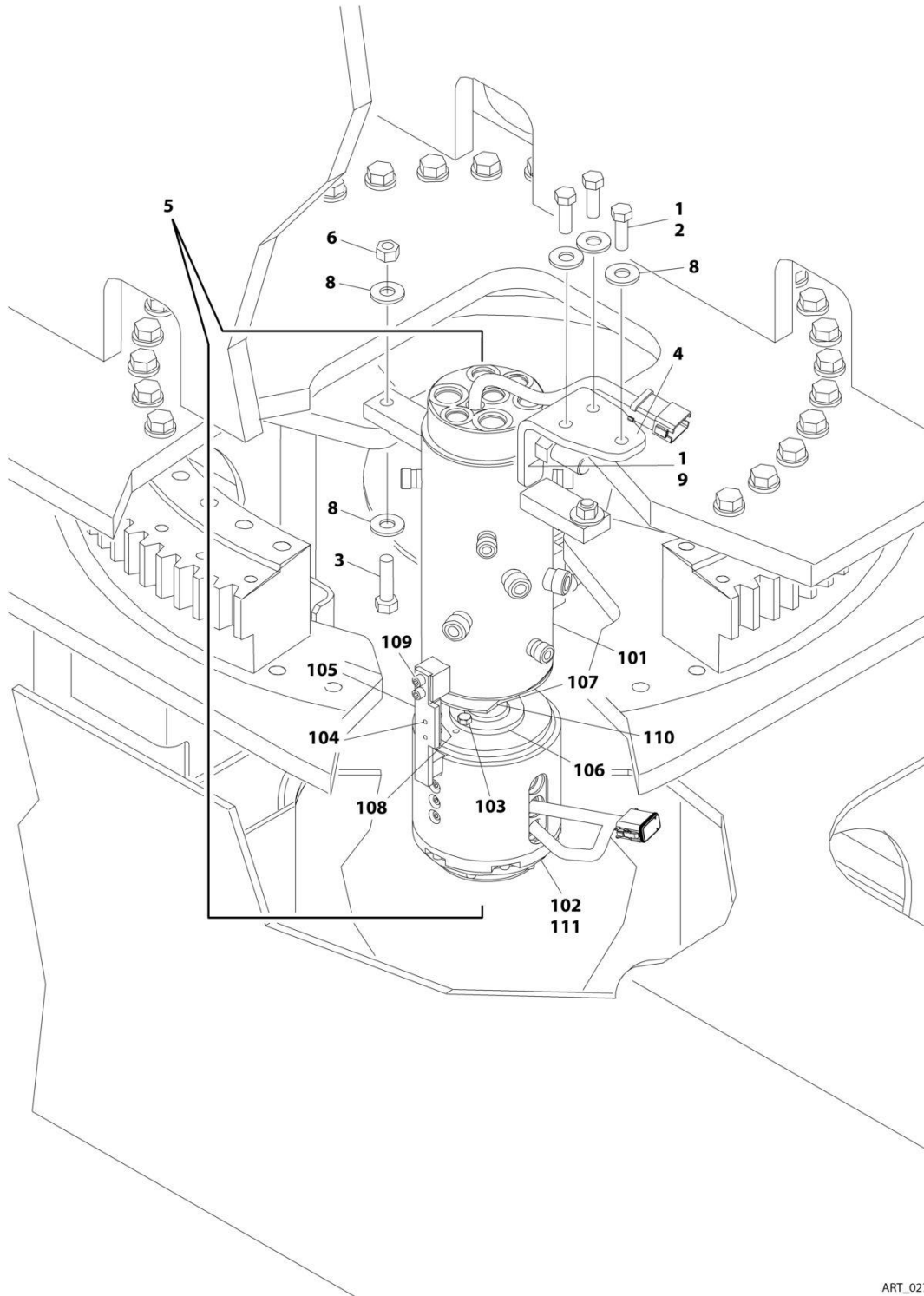
## SECTION 2 - TURNTABLE

ITEM	PART NUMBER	QTY	DESCRIPTION	REV
48	70007011	1	Seal Kit	
49	See Note	NSS	Lug, Lifting (Note: Not Available for Purchase)	
50	70004494	2	Capscrew M12 x 35	
51	70007004	1	Brake, Valve Adapter	
52	70007010	1	Valve	
52	70007012	1	Seal Kit	
52	70007013	1	Hardware Kit	
53	70007005	1	Seal Kit – Brake and Hub (Includes Items 3, 13, 19, 34, 35, 39, 40, 44 & 47)	
54	70007006	1	Seal Kit – Brake (Includes Items 34-37, 39, 40, 42 & 44)	
55	70007007	1	Bearing Kit (Includes Items 4 & 8)	
56	70007008	1	Output Shaft Kit (Includes Items 1 & 9)	



# SECTION 2 - TURNTABLE

## FIGURE 2-15. ROTARY COUPLING AND COLLECTOR RING INSTALLATION



ART\_0271688



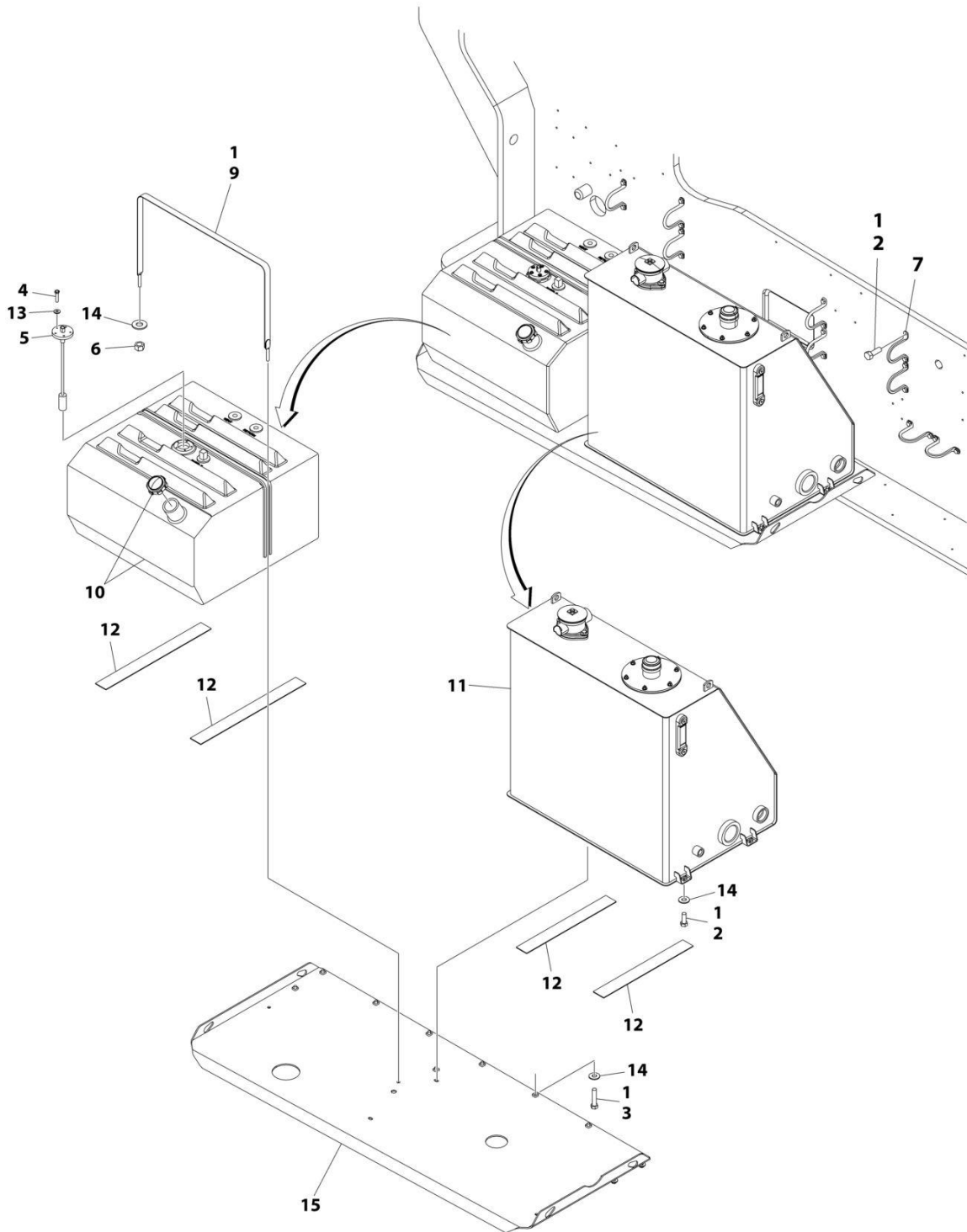
## SECTION 2 - TURNTABLE

**FIGURE 2-15. ROTARY COUPLING AND COLLECTOR RING INSTALLATION**

ITEM	PART NUMBER	QTY	DESCRIPTION	REV
	0271688	Ref	ROTARY COUPLING AND COLLECTOR RING INSTALLATION	E
1	0100011	AR	Compound, Locking	
2	0641812	3	Bolt 1/2 x 1-1/2	
3	0641820	2	Bolt 1/2 x 2-1/2	
4	0902790	1	Bracket, Swivel (SN 0300201016 through 0300227054)	
4	0902915	1	Bracket, Swivel (SN 0300227055 through 0300272504, SN B300002238 through B300007118, Except SN 0300272455 through 0300272461)	
5	1660302	1	Rotary Coupling and Collector Ring Assembly (See Items 101-111 for Breakdown)	
6	3311805	2	Nut 1/2	
8	4751800	7	Washer 1/2	
9	3322201	2	Nut 3/4	
	1660302	Ref	ROTARY COUPLING AND COLLECTOR RING ASSEMBLY	C
101	70001102	1	Coupling, Rotary	
101	See Note	1	Bearing (Note: Not Available For Purchase)	
101	70001101	1	Seal Kit - Coupling	
102	7026029	1	Contactora, Rotary Circuit (Does not include connector or pins)	
103	0641506	4	Bolt 5/16 x 3/4	
104	3931512	2	Capscrew 5/16 x 3/4	
105	70000780	1	Arm, Torque	
106	80334251	1	Adapter	
107	7026030	1	Plate, Cam	
108	7026031	1	Sensor, Proximity	
109	3931008	2	Capscrew #10 x 1/2	
110	7026032	1	Pin, Dowel	
111	0100048	AR	Grease, Silicone (Apply to Contactora Connector)	

# SECTION 2 - TURNTABLE

## FIGURE 2-16. TANK INSTALLATION - WITH ABS HOODS



ART\_0271572

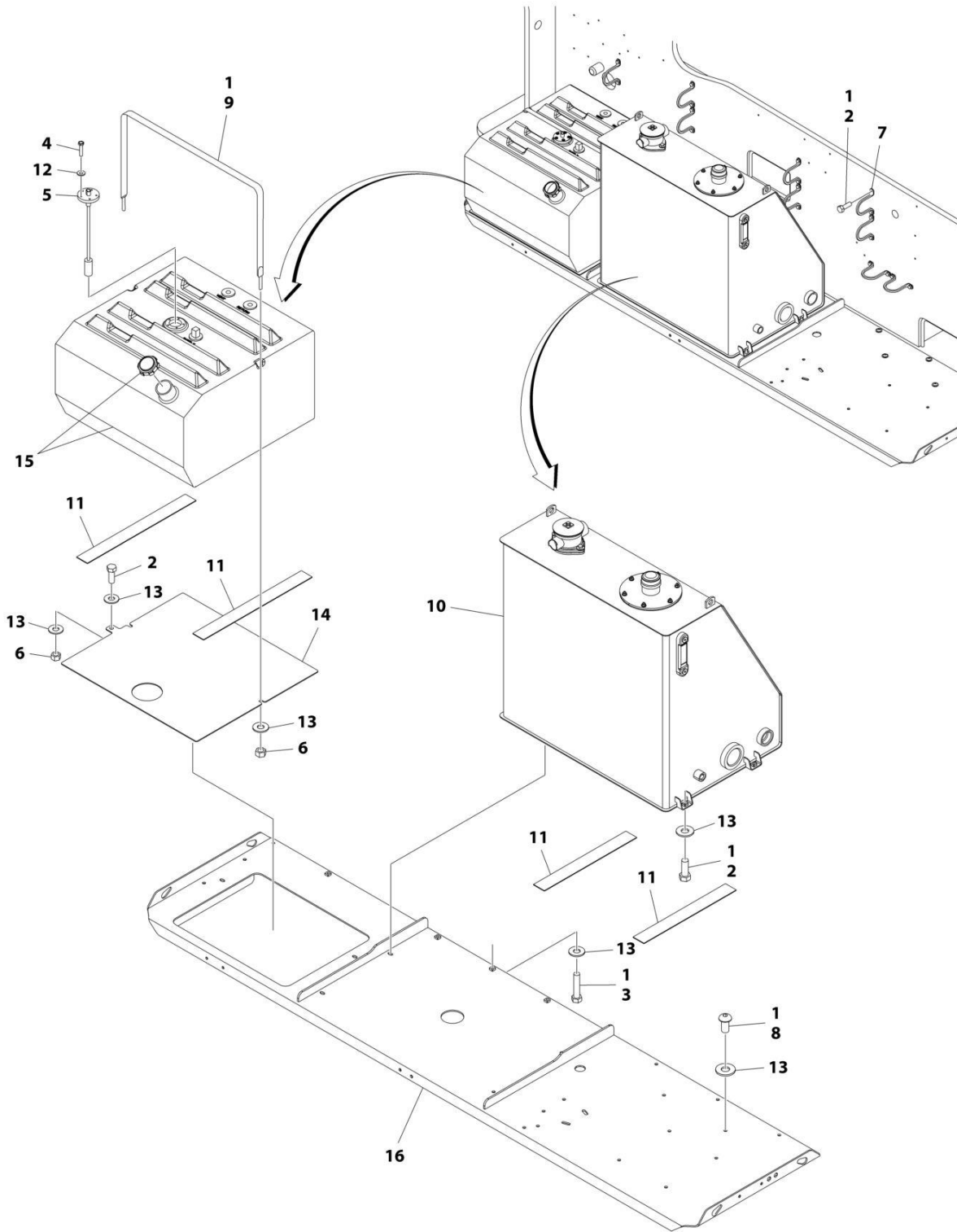
**SECTION 2 - TURNTABLE**

**FIGURE 2-16. TANK INSTALLATION - WITH ABS HOODS**

ITEM	PART NUMBER	QTY	DESCRIPTION	REV
	0271572	Ref	TANKS INSTALLATION - WITH ABS HOODS	C
1	0100011	AR	Compound, Locking	
2	0641608	22	Bolt 3/8 x 1	
3	0641614	10	Bolt 3/8 x 1-3/4	
4	0731007	5	Screw, Machine #10 x 7/8	
5	2420191	1	Gauge, Fuel	
6	3311601	2	Nut 3/8	
7	3841340	9	Loop, Hose	
9	4240139	1	Strap, Tank	
10	1001160567	1	Tank, Fuel	
10	70004414	1	Cap	
10	7020043	1	Tube, Pick up	
11	4400457	1	Tank, Hydraulic Oil (See Separate Breakdown in this Section)	
12	4420038	74 in /1.9m	Tape	
13	4751000	5	Washer #10	
14	4751600	16	Washer 3/8	
15	4846476	1	Tray	

# SECTION 2 - TURNTABLE

## FIGURE 2-17. TANK INSTALLATION - WITH STEEL HOODS



ART\_1001173915

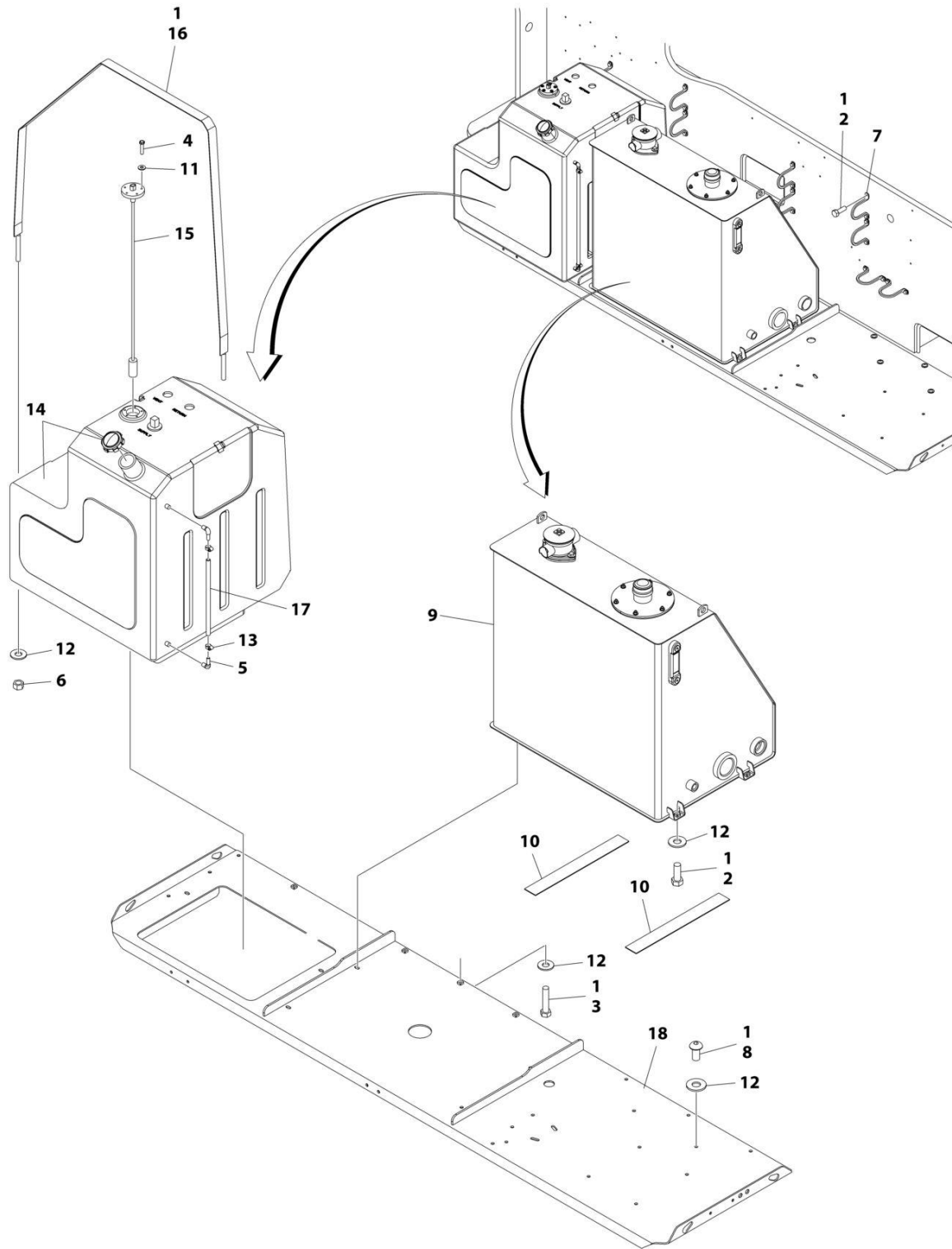
**SECTION 2 - TURNTABLE**

**FIGURE 2-17. TANK INSTALLATION - WITH STEEL HOODS**

ITEM	PART NUMBER	QTY	DESCRIPTION	REV
	1001173915	Ref	TANKS INSTALLATION - WITH STEEL HOODS	C
1	0100011	AR	Compound, Locking	
2	0641608	23	Bolt 3/8 x 1	
3	0641614	10	Bolt 3/8 x 1-3/4	
4	0731007	5	Screw, Machine #10 x 7/8	
5	2420191	1	Gauge, Fuel	
6	3311601	3	Nut 3/8	
7	3841340	9	Loop, Hose	
8	3900283	6	Screw 3/8 x 3/4	
9	4240139	1	Strap, Tank	
10	4400457	1	Tank, Hydraulic Oil (See Separate Breakdown in this Section)	
11	4420038	74 in /1.9m	Tape	
12	4751000	5	Washer #10	
13	4751600	24	Washer 3/8	
14	1001107359	1	Plate, Support	
15	1001160567	1	Tank, Fuel	
15	70004414	1	Cap	
15	7020043	1	Tube, Pick up	
16	1001173171	1	Tray	

# SECTION 2 - TURNTABLE

FIGURE 2-18. TANK INSTALLATION - WITH STEEL HOODS AND 52.8 GAL/200 L FUEL TANK



ART\_1001173918

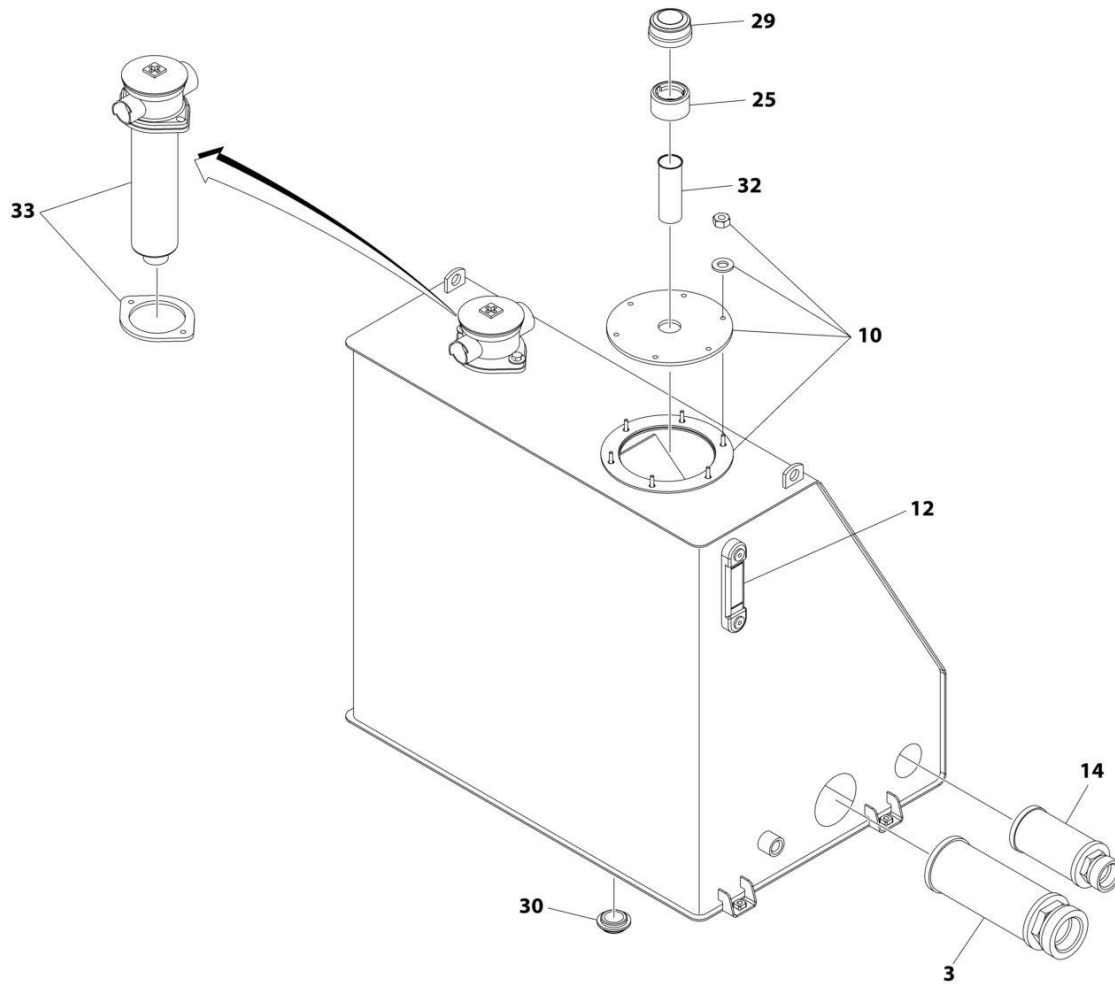
## SECTION 2 - TURNTABLE

**FIGURE 2-18. TANK INSTALLATION - WITH STEEL HOODS AND 52.8 GAL/200 L FUEL TANK**

ITEM	PART NUMBER	QTY	DESCRIPTION	REV
	1001173918	Ref	TANKS INSTALLATION - WITH STEEL HOODS AND 52.8 GAL/200 L FUEL TANK	C
1	0100011	AR	Compound, Locking	
2	0641608	22	Bolt 3/8 x 1	
3	0641614	10	Bolt 3/8 x 1-3/4	
4	0731007	5	Screw, Machine #10 x 7/8	
5	2180467	2	Fitting, Barb	
6	3311601	2	Nut 3/8	
7	3841340	9	Loop, Hose	
8	3900283	6	Screw 3/8 x 3/4	
9	4400457	1	Tank, Hydraulic Oil (See Separate Breakdown in this Section)	
10	4420038	74 in/1.9m	Tape	
11	4751000	5	Washer #10	
12	4751600	22	Washer 3/8	
13	8405009	2	Clamp	
14	1001108579	1	Tank, Fuel	
14	7016314	1	Cap	
14	70004413	1	Tube, Pick up	
15	1001109048	1	Gauge, Fuel	
16	1001110059	1	Strap, Tank Mounting	
17	1001113103	19.5 in /0.5m	Tube, Sight	
18	1001173171	1	Tray	

# SECTION 2 - TURNTABLE

## FIGURE 2-19. HYDRAULIC OIL TANK ASSEMBLY



ART\_4400457



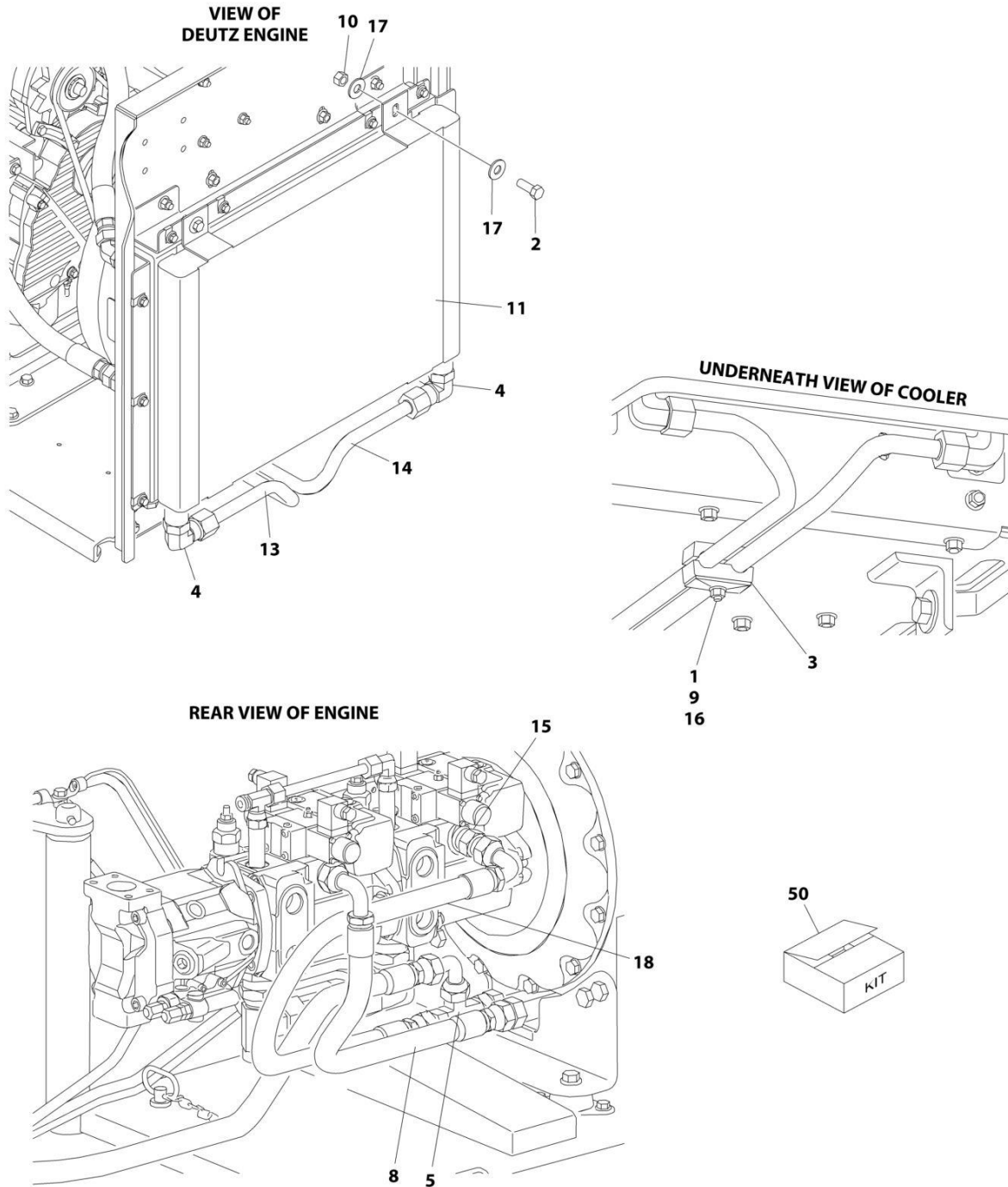
**SECTION 2 - TURNTABLE**

**FIGURE 2-19. HYDRAULIC OIL TANK ASSEMBLY**

ITEM	PART NUMBER	QTY	DESCRIPTION	REV
	4400457	Ref	HYDRAULIC OIL TANK ASSEMBLY	E
3	7026571	1	Strainer, Suction	
10	7024439	1	Cover	
10	7023306	1	Seal, Cover Plate	
10	7024440	1	Gasket	
12	7024441	1	Gauge, Sight	
14	7024442	1	Strainer	
25	7024445	1	Strainer (Filler Neck)	
29	7024444	1	Cap, Fill	
30	7024446	1	Plug, Magnetic	
32	7024443	1	Neck, Filler	
33	7024374	1	Filter, Hydraulic Oil	
33	7024375	1	Element, Filter	
33	7023347	1	Gasket, Filter Mounting Flange	

## SECTION 2 - TURNTABLE

FIGURE 2-20. HYDRAULIC OIL COOLER INSTALLATION - DEUTZ TD2011 ENGINES WITH REXROTH PUMPS (OPTIONAL)



ART\_0272080

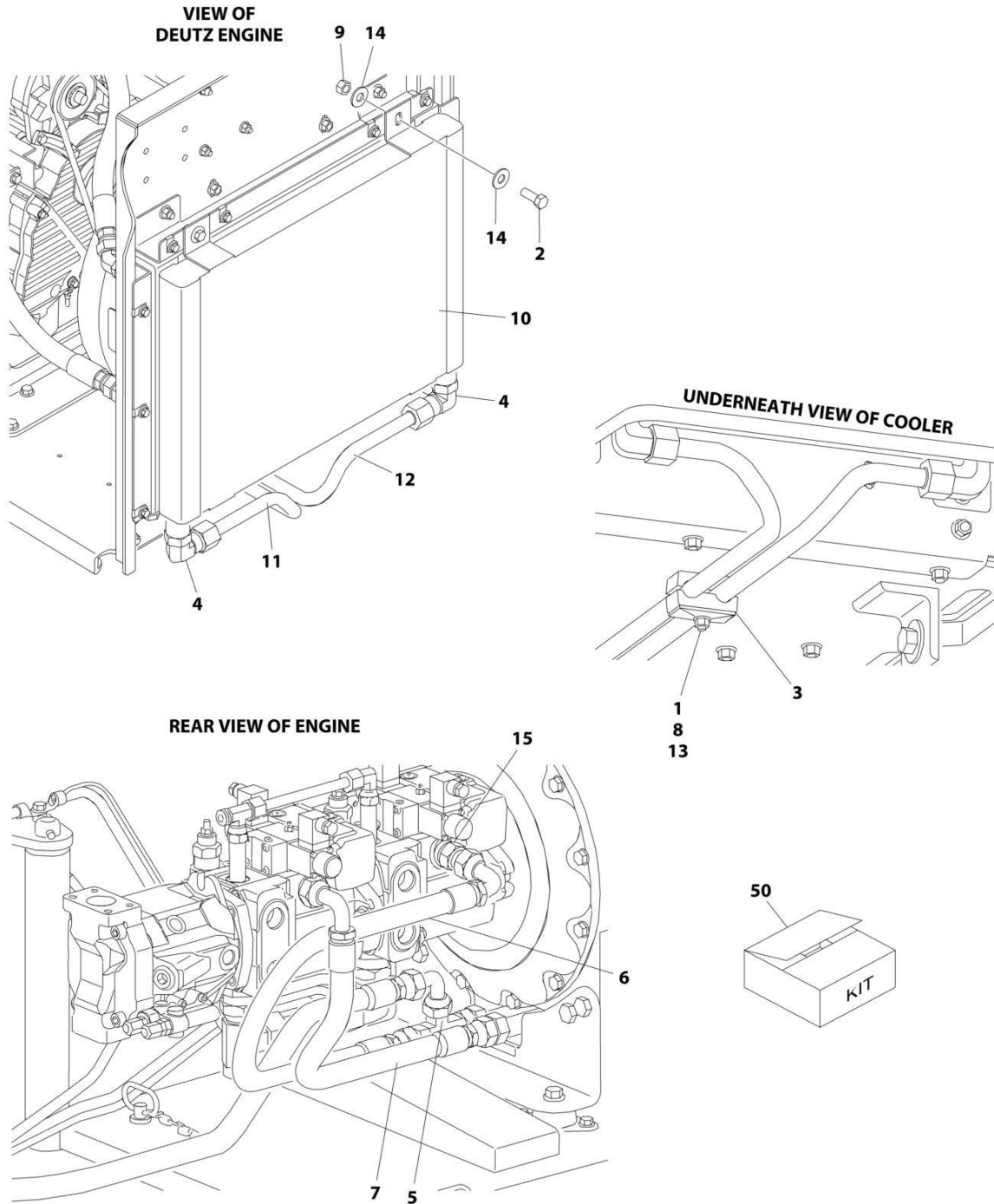
## SECTION 2 - TURNTABLE

**FIGURE 2-20. HYDRAULIC OIL COOLER INSTALLATION - DEUTZ TD2011 ENGINES WITH REXROTH PUMPS (OPTIONAL)**

ITEM	PART NUMBER	QTY	DESCRIPTION	REV
	0272080	Ref	HYDRAULIC OIL COOLER INSTALLATION - DEUTZ TD2011 ENGINES WITH REXROTH PUMPS (OPTIONAL)	B
		Ref	Note: See Engine Installation for Engine Oil Cooler.	
1	0641520	2	Bolt 5/16 x 2-1/2	
2	0641608	4	Bolt 3/8 x 1	
3	1320162	2	Clamp, Hose	
4	2131212	2	Fitting, Elbow	
5	2170712	1	Fitting, Tee	
8	2753778	1	Hose	
9	3311505	2	Nut 5/16	
10	3311605	4	Nut 3/8	
11	3620034	1	Cooler, Hydraulic Oil	
13	4568426	1	Tube	
14	4568427	1	Tube	
15	4641247	1	Valve, Check	
16	4711500	4	Washer 5/16	
17	4751600	8	Washer 3/8	
18	2753843	1	Hose	
50	1001120564	1	Oil Cooler Add-on Kit (Includes Items 1-18)	

## SECTION 2 - TURNTABLE

FIGURE 2-21. HYDRAULIC OIL COOLER INSTALLATION - DEUTZ TD2011 ENGINES WITH SAUER PUMPS (OPTIONAL)



ART\_1001118957

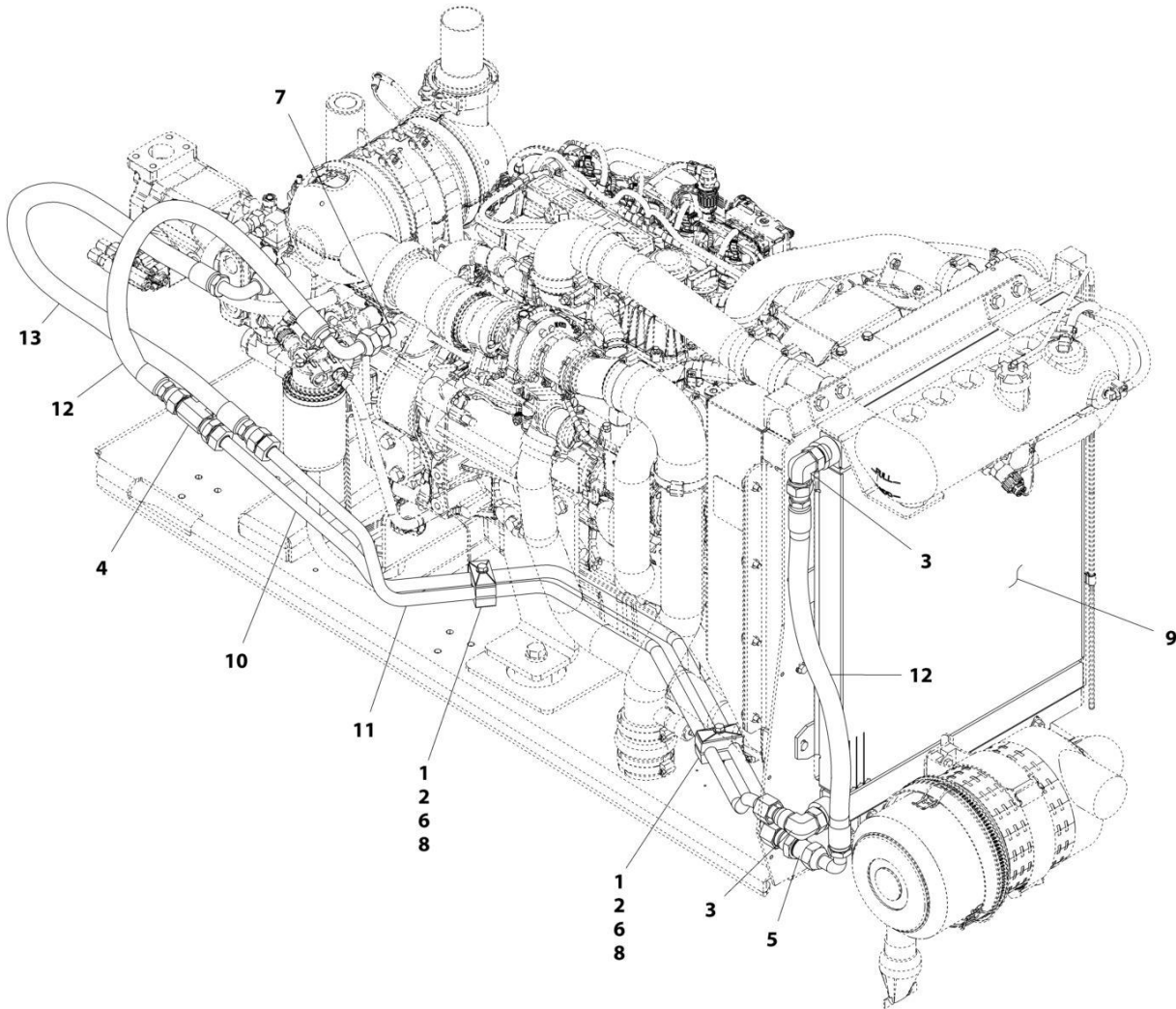
**SECTION 2 - TURNTABLE**

**FIGURE 2-21. HYDRAULIC OIL COOLER INSTALLATION - DEUTZ TD2011 ENGINES WITH SAUER PUMPS (OPTIONAL)**

ITEM	PART NUMBER	QTY	DESCRIPTION	REV
	1001118957	Ref	HYDRAULIC OIL COOLER INSTALLATION - DEUTZ TD2011 ENGINES WITH SAUER PUMPS (OPTIONAL)	B
		Ref	Note: See Engine Installation for Engine Oil Cooler.	
1	0641520	2	Bolt 5/16 x 2-1/2	
2	0641608	4	Bolt 3/8 x 1	
3	1320162	2	Clamp, Hose	
4	2131212	2	Fitting, Elbow	
5	2170712	1	Fitting, Tee	
6	2753778	1	Hose	
7	2753999	1	Hose	
8	3311505	2	Nut 5/16	
9	3311605	4	Nut 3/8	
10	3620034	1	Cooler, Hydraulic Oil	
11	4568426	1	Tube	
12	4568427	1	Tube	
13	4711500	4	Washer 5/16	
14	4751600	8	Washer 3/8	
15	1001109677	1	Valve, Check	
50	1001120564	1	Oil Cooler Add-on Kit Options (Includes Items 1-15):	

## SECTION 2 - TURNTABLE

FIGURE 2-22. HYDRAULIC OIL COOLER INSTALLATION - DEUTZ TCD2.9L4 ENGINES AND DEUTZ TCD2.9L4 (STAGE V) ENGINES WITH REXROTH PUMPS (OPTIONAL)



ART\_1001139494

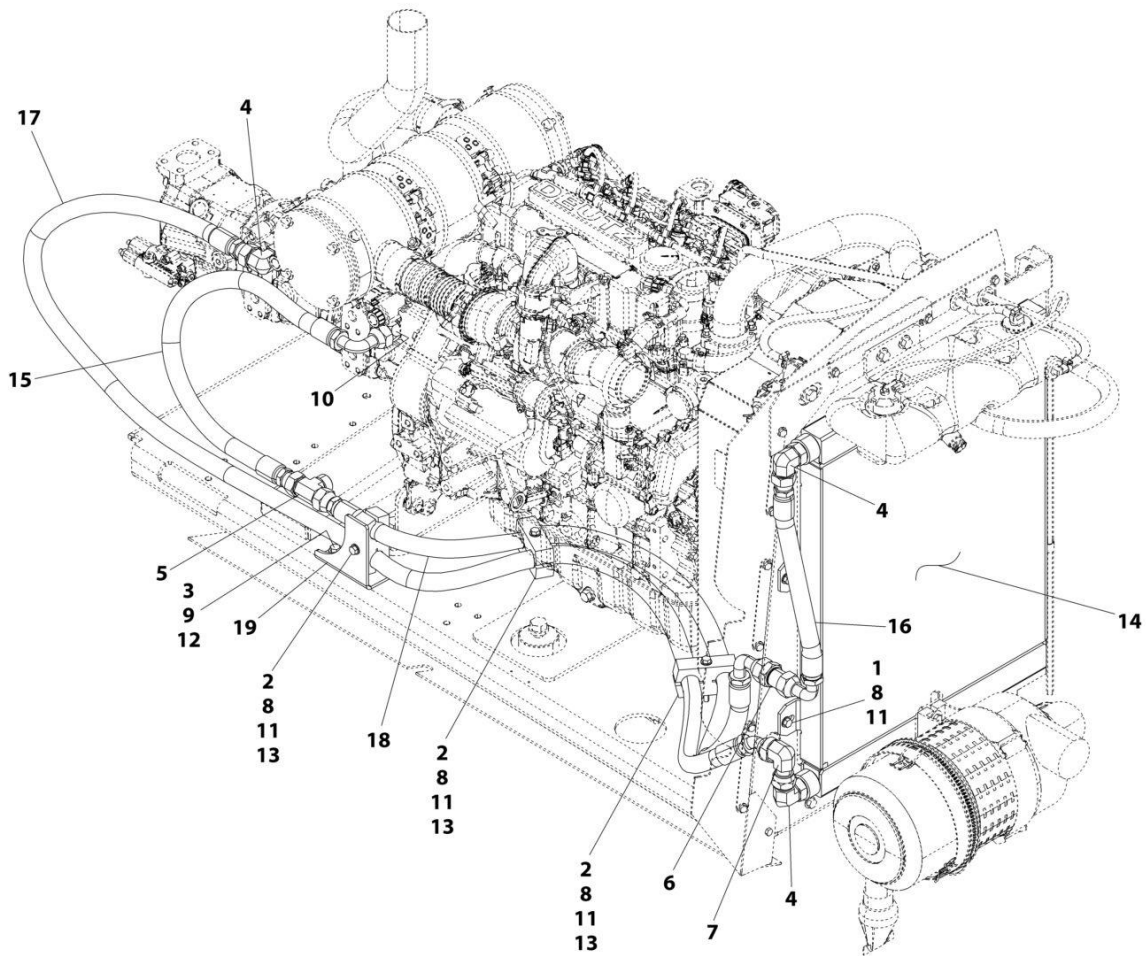
## SECTION 2 - TURNTABLE

**FIGURE 2-22. HYDRAULIC OIL COOLER INSTALLATION - DEUTZ TCD2.9L4 ENGINES AND DEUTZ TCD2.9L4 (STAGE V) ENGINES WITH REXROTH PUMPS (OPTIONAL)**

ITEM	PART NUMBER	QTY	DESCRIPTION	REV
	1001139494	Ref	HYDRAULIC OIL COOLER INSTALLATION - DEUTZ TCD2.9L4 ENGINES AND DEUTZ TCD2.9L4 (STAGE V) ENGINES WITH REXROTH PUMPS (OPTIONAL)	E
		Ref	Note: See Engine Installation for Engine Oil Cooler.	
1	0641520	2	Bolt 5/16 x 2-1/2	
2	1320162	2	Clamp, Hose	
3	2131212	2	Fitting, 90	
4	2170712	1	Fitting, Tee	
5	2171112	1	Fitting, Straight	
6	3311505	2	Nut 5/16	
7	4641247	1	Valve	
8	4711500	4	Washer 5/16	
9	1001135124	1	Cooler, Hydraulic Oil	
10	1001154214	1	Tube (SN 0300201016 through 0300237153)	
10	1001139665	1	Tube (SN 0300237154 through 0300272504, SN B30002238 through B300007118, Except SN 0300272455 through 0300272461)	
11	1001139666	1	Tube	
12	1001143087	2	Hose	
13	1001143123	1	Hose	

## SECTION 2 - TURNTABLE

FIGURE 2-23. HYDRAULIC OIL COOLER INSTALLATION - DEUTZ TCD2.9L4 ENGINES WITH REXROTH PUMPS (OPTIONAL) (CHINA SPEC ONLY)



ART\_1001221802



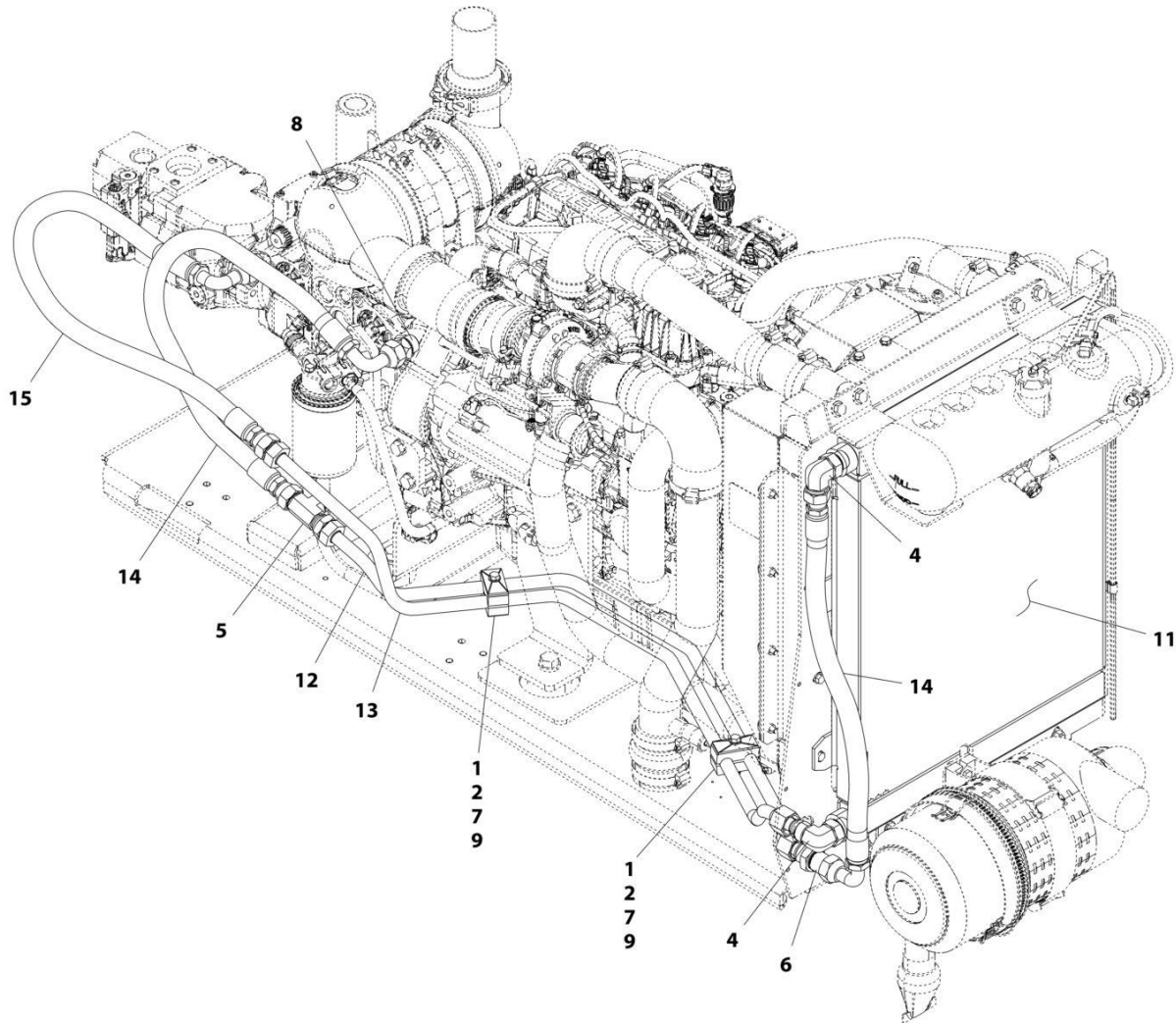
## SECTION 2 - TURNTABLE

**FIGURE 2-23. HYDRAULIC OIL COOLER INSTALLATION - DEUTZ TCD2.9L4 ENGINES WITH REXROTH PUMPS (OPTIONAL) (CHINA SPEC ONLY)**

ITEM	PART NUMBER	QTY	DESCRIPTION	REV
	1001221802	Ref	HYDRAULIC OIL COOLER INSTALLATION - DEUTZ TCD2.9L4 ENGINES WITH REXROTH PUMPS (OPTIONAL) (CHINA SPEC ONLY)	A
1	0641508	4	Bolt 5/16 x 1	
2	0641524	3	Bolt 5/16 x 3	
3	0641609	2	Bolt 3/8 x 1-1/8	
4	2131212	3	Fitting, 90 ORFS/ORB	
5	2170512	1	Fitting, Tee ORFS/ORFS/ORFS	
6	2171112	1	Fitting, Straight ORFS/ORFS	
7	2172112	1	Fitting, 90 ORFS/FSORFS	
8	3311505	7	Nut 5/16	
9	3311605	2	Nut 3/8	
10	4641247	1	Valve	
11	4711500	14	Washer 5/16	
12	4711600	4	Washer 3/8	
13	8750024	3	Clamp	
14	1001135124	1	Cooler, Hydraulic Oil	
15	1001143087	1	Hose	
16	1001181129	1	Hose	
17	1001188376	1	Hose	
18	1001188382	1	Hose	
19	1001220560	1	Bracket	

## SECTION 2 - TURNTABLE

FIGURE 2-24. HYDRAULIC OIL COOLER INSTALLATION – DEUTZ TCD2.9L4 ENGINES AND DEUTZ TCD2.9L4 (STAGE V) ENGINES WITH SAUER PUMPS (OPTIONAL)



ART\_1001139492

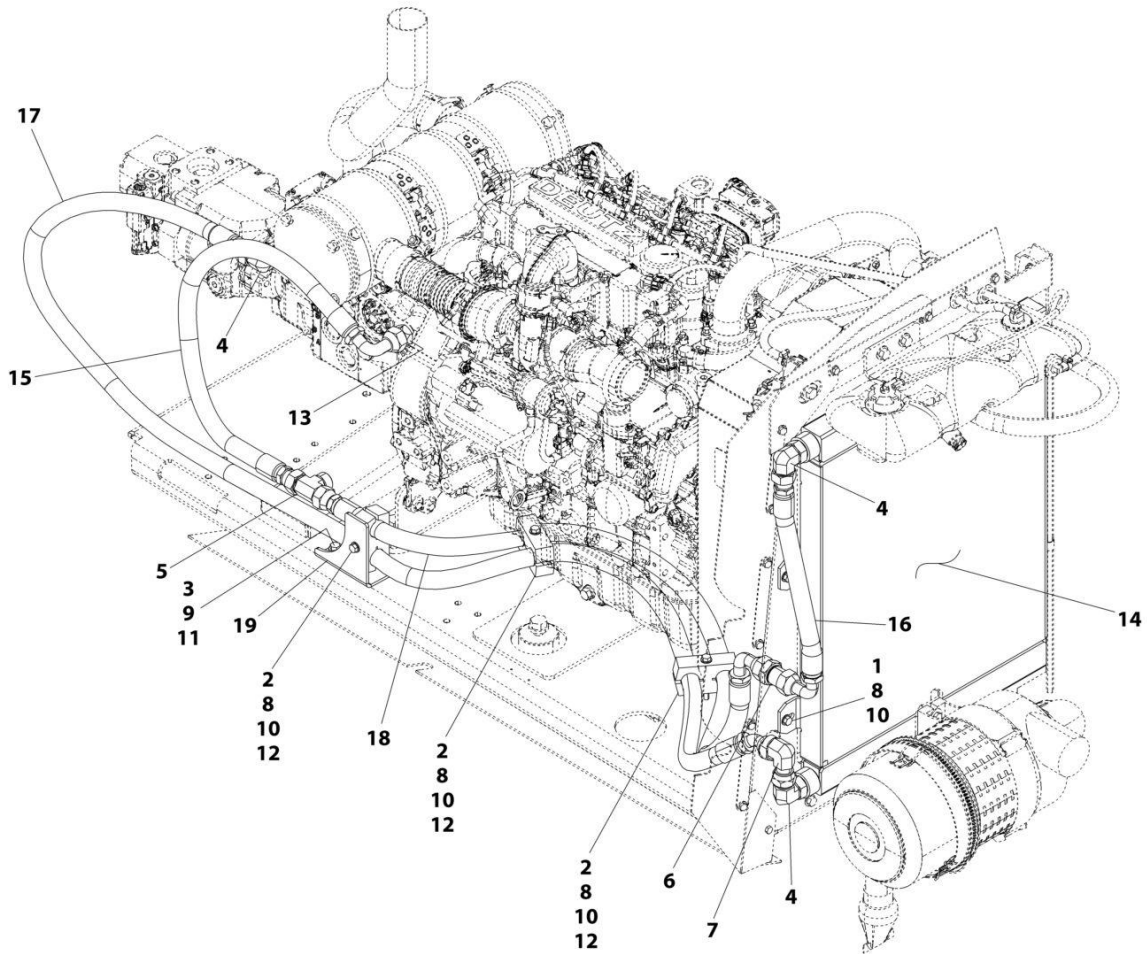
## SECTION 2 - TURNTABLE

**FIGURE 2-24. HYDRAULIC OIL COOLER INSTALLATION – DEUTZ TCD2.9L4 ENGINES AND DEUTZ TCD2.9L4 (STAGE V) ENGINES WITH SAUER PUMPS (OPTIONAL)**

ITEM	PART NUMBER	QTY	DESCRIPTION	REV
	1001139492	Ref	HYDRAULIC OIL COOLER INSTALLATION - DEUTZ TCD2.9L4 ENGINES AND DEUTZ TCD2.9L4 (STAGE V) ENGINES WITH SAUER PUMPS (OPTIONAL)	E
		Ref	Note: See Engine Installation for Engine Oil Cooler	
1	0641520	2	Bolt 5/16 x 2-1/2	
2	1320162	2	Clamp, Hose	
4	2131212	2	Fitting, 90	
5	2170712	1	Fitting, Tee	
6	2171112	1	Fitting, Straight	
7	3311505	2	Nut 5/16	
8	1001109677	1	Valve	
9	4711500	4	Washer 5/16	
11	1001135124	1	Cooler, Hydraulic Oil	
12	1001139665	1	Tube	
13	1001139666	1	Tube	
14	1001143087	2	Hose	
15	1001143123	1	Hose	

## SECTION 2 - TURNTABLE

FIGURE 2-25. HYDRAULIC OIL COOLER INSTALLATION - DEUTZ TCD2.9L4 ENGINES WITH SAUER PUMPS (OPTIONAL) (CHINA SPEC ONLY)



ART\_1001221666

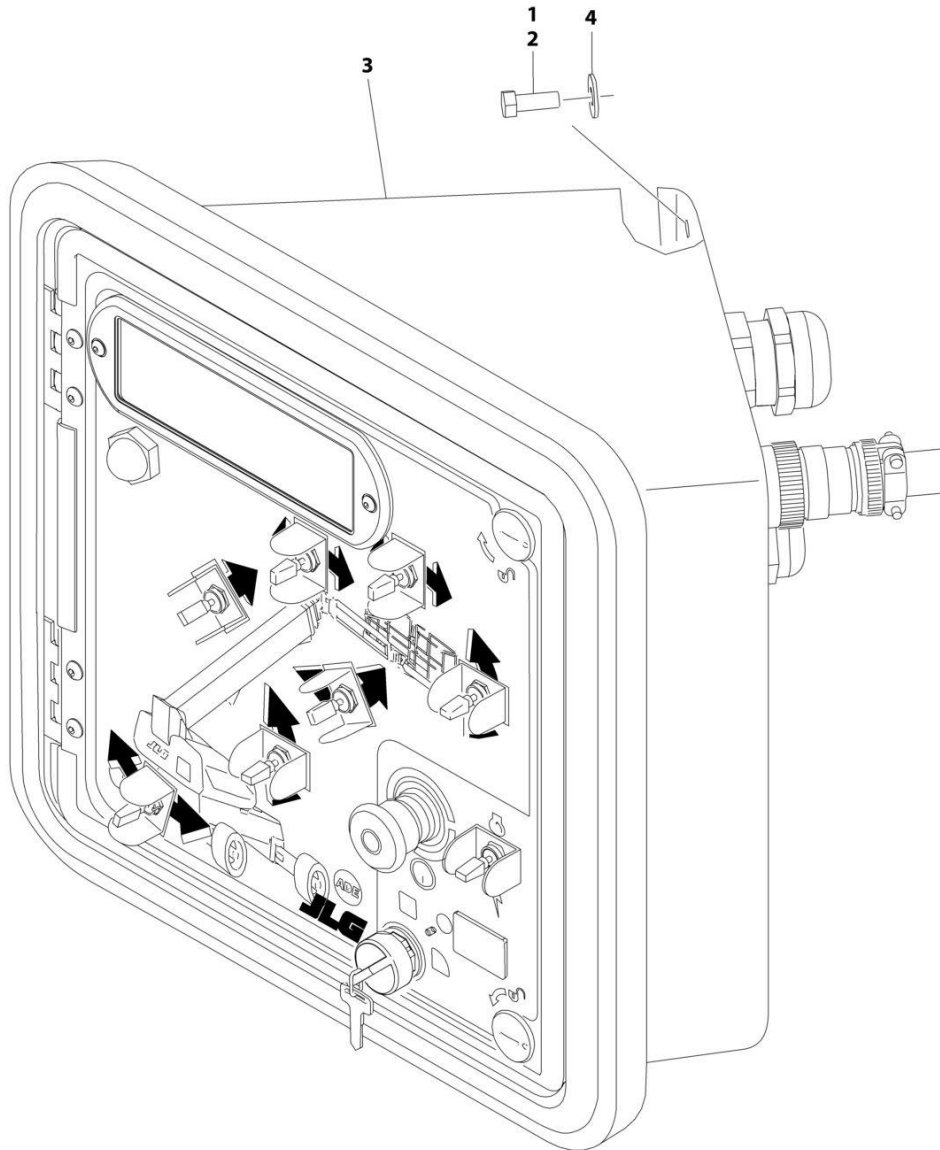
## SECTION 2 - TURNTABLE

**FIGURE 2-25. HYDRAULIC OIL COOLER INSTALLATION - DEUTZ TCD2.9L4 ENGINES WITH SAUER PUMPS (OPTIONAL) (CHINA SPEC ONLY)**

ITEM	PART NUMBER	QTY	DESCRIPTION	REV
	1001221666	Ref	HYDRAULIC OIL COOLER INSTALLATION - DEUTZ TCD2.9L4 ENGINES WITH SAUER PUMPS (OPTIONAL) (CHINA SPEC ONLY)	A
1	0641508	4	Bolt 5/16 x 1	
2	0641524	3	Bolt 5/16 x 3	
3	0641609	2	Bolt 3/8 x 1-1/8	
4	2131212	3	Fitting, 90 ORFS/ORB	
5	2170512	1	Fitting, Tee ORFS/ORFS/ORFS	
6	2171112	1	Fitting, Straight ORFS/ORFS	
7	2172112	1	Fitting, 90 ORFS/FSORFS	
8	3311505	7	Nut 5/16	
9	3311605	2	Nut 3/8	
10	4711500	14	Washer 5/16	
11	4711600	4	Washer 3/8	
12	8750024	3	Clamp	
13	1001109677	1	Valve	
14	1001135124	1	Cooler, Hydraulic Oil	
15	1001143087	1	Hose	
16	1001181129	1	Hose	
17	1001188376	1	Hose	
18	1001188382	1	Hose	
19	1001220560	1	Bracket	

## SECTION 2 - TURNTABLE

FIGURE 2-26. GROUND CONTROL BOX INSTALLATION - DEUTZ TD2011 ENGINES WITH REXROTH PUMPS (ALL SPECS EXCEPT CE SPECS)



ART\_100119346

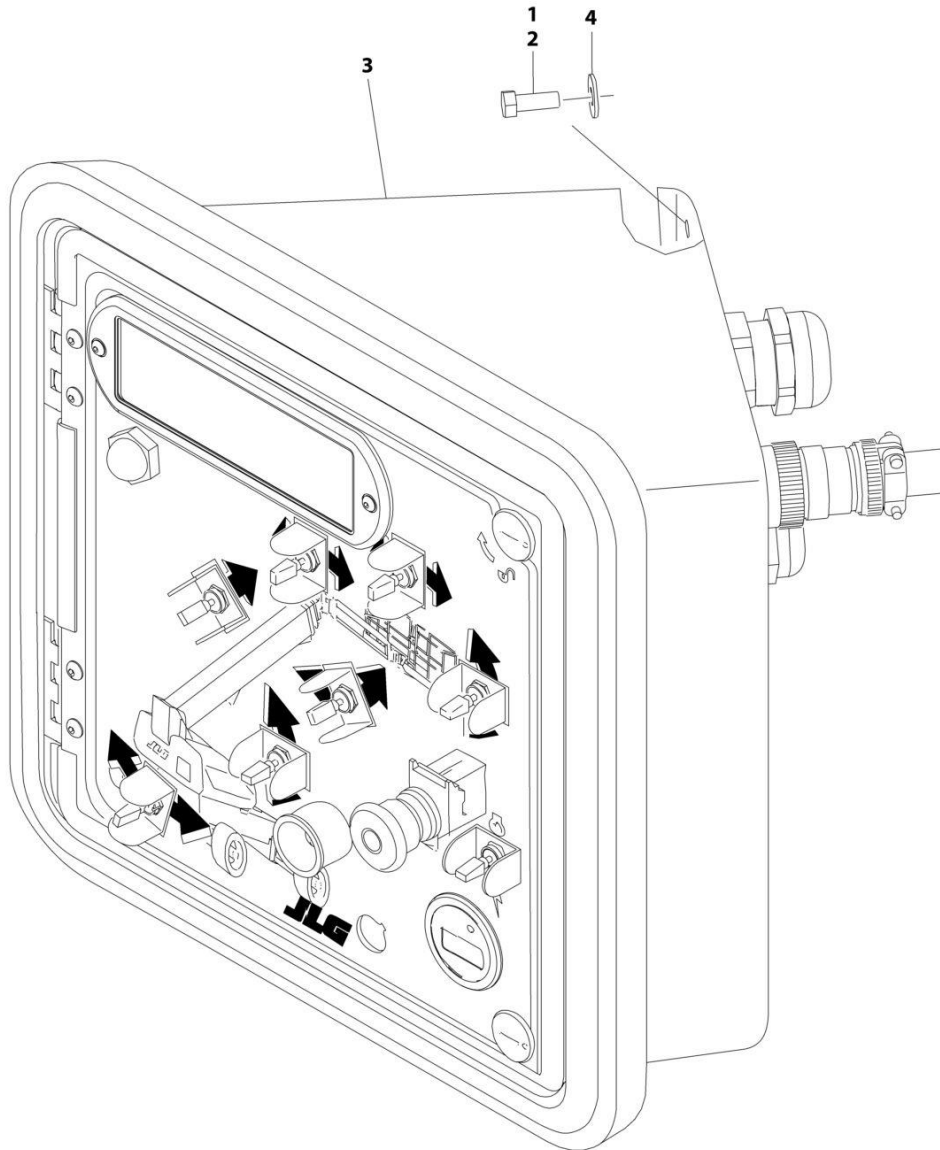
**SECTION 2 - TURNTABLE**

**FIGURE 2-26. GROUND CONTROL BOX INSTALLATION - DEUTZ TD2011 ENGINES WITH REXROTH PUMPS (ALL SPECS EXCEPT CE SPECS)**

ITEM	PART NUMBER	QTY	DESCRIPTION	REV
	1001119346	Ref	GROUND CONTROL BOX INSTALLATION - DEUTZ TD2011 ENGINES WITH REXROTH PUMPS (ALL SPECS EXCEPT CE SPECS)	B
1	0100011	AR	Compound, Locking	
2	3931616	4	Bolt 3/8 x 3/4	
3	1001119374	1	Ground Control Box Assembly (See Separate Breakdown in this Section)	
4	4751600	4	Washer 3/8	
5	1001119456	2	Harness, Pump Adapter (Not Shown) (See Separate Breakdown in ELECTRICAL SECTION)	
6	1001119470	1	Harness, Engine (Not Shown) (See Separate Breakdown in ELECTRICAL SECTION)	

## SECTION 2 - TURNTABLE

FIGURE 2-27. GROUND CONTROL BOX INSTALLATION – DEUTZ TD2011 ENGINES WITH REXROTH PUMPS (CE SPECS)



ART\_1001194122



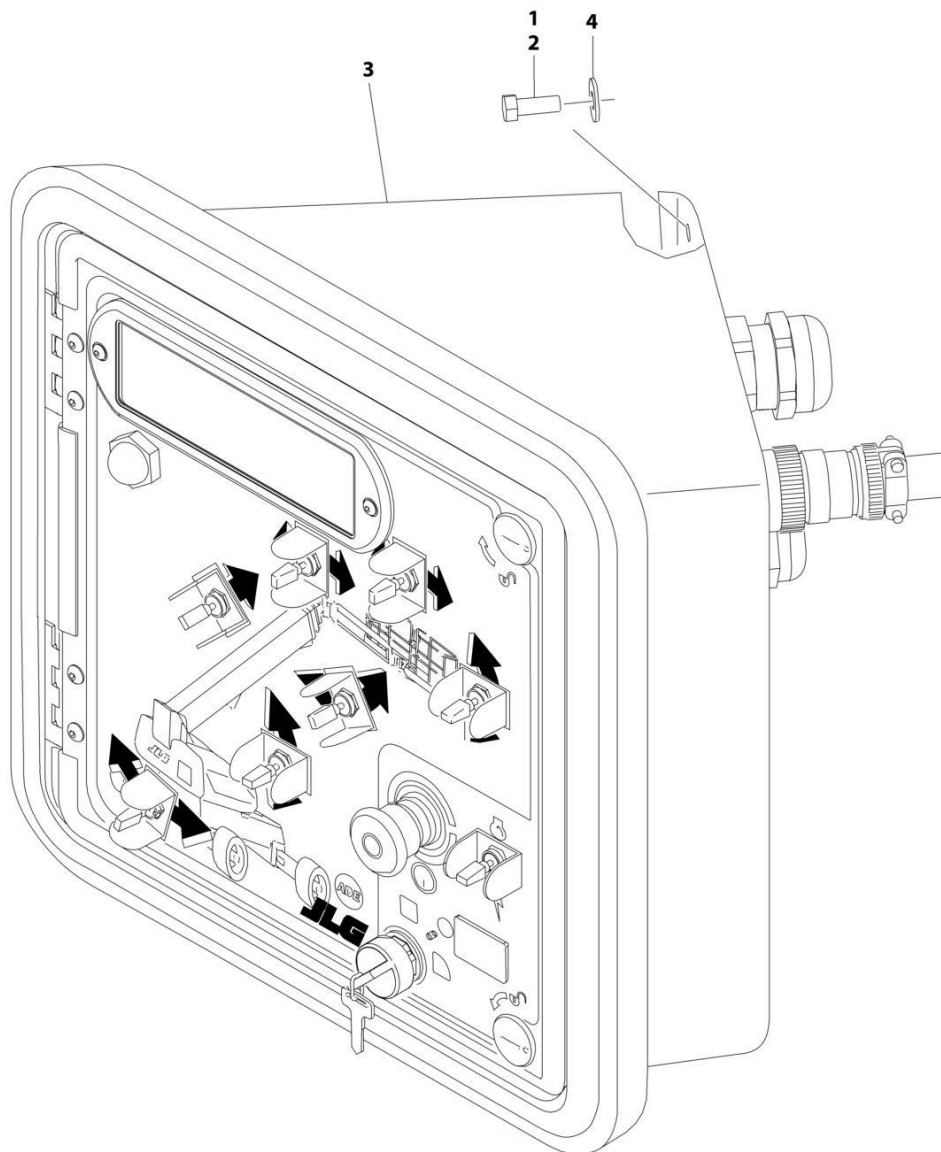
**SECTION 2 - TURNTABLE**

**FIGURE 2-27. GROUND CONTROL BOX INSTALLATION – DEUTZ TD2011 ENGINES WITH REXROTH PUMPS (CE SPECS)**

ITEM	PART NUMBER	QTY	DESCRIPTION	REV
	1001194122	Ref	GROUND CONTROL BOX INSTALLATION – DEUTZ TD2011 ENGINES WITH REXROTH PUMPS (CE SPECS)	B
1	0100011	AR	Compound, Locking	
2	3931616	4	Bolt 3/8 x 3/4	
3	1001184939	1	Ground Control Box Assembly (See Separate Breakdown in this Section)	
4	4751600	4	Washer 3/8	
5	1001119456	2	Harness, Pump Adapter (Not Shown) (See Separate Breakdown in ELECTRICAL SECTION)	
6	1001119470	1	Harness, Engine (Not Shown) (See Separate Breakdown in ELECTRICAL SECTION)	

## SECTION 2 - TURNTABLE

FIGURE 2-28. GROUND CONTROL BOX INSTALLATION – DEUTZ TD2011 ENGINES WITH SAUER PUMPS (ALL SPECS EXCEPT CE SPECS)



ART\_100119345

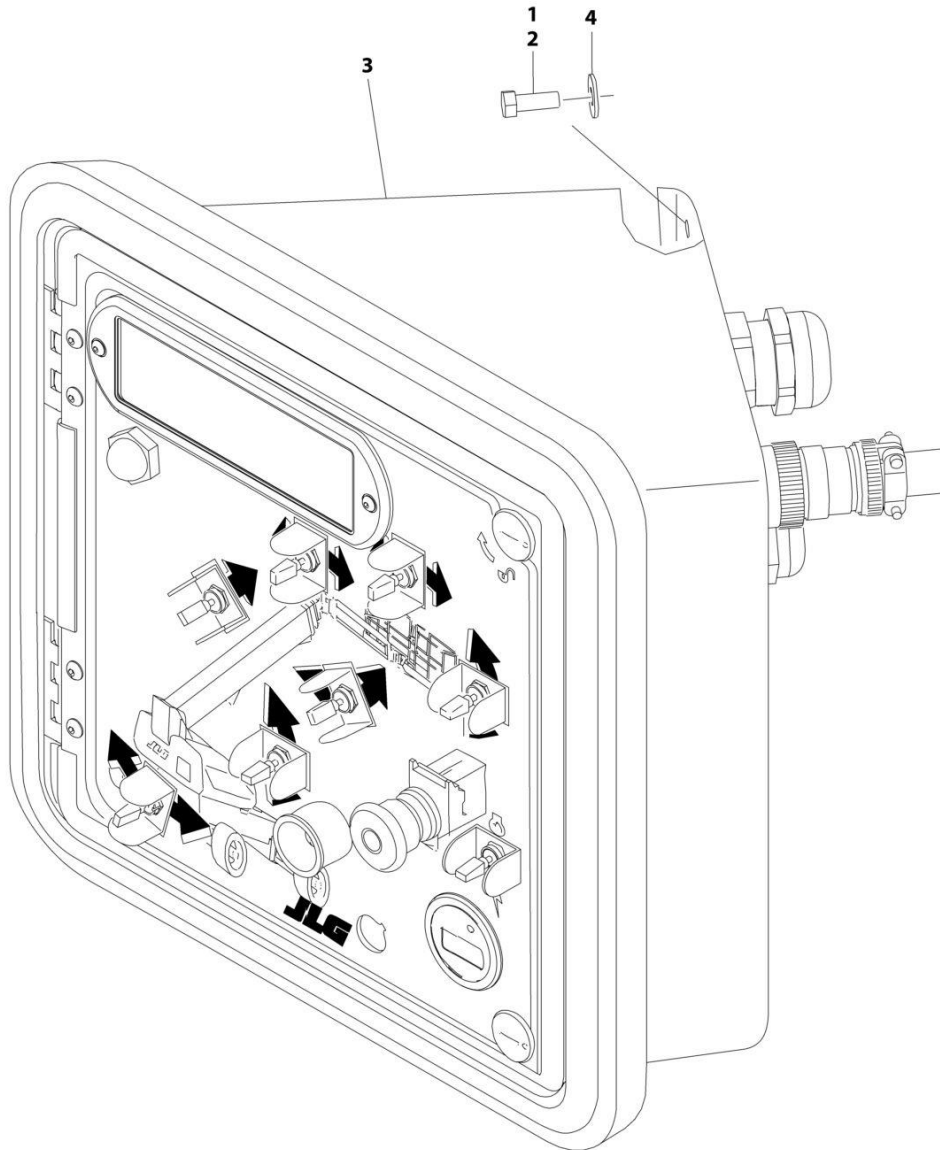
**SECTION 2 - TURNTABLE**

**FIGURE 2-28. GROUND CONTROL BOX INSTALLATION – DEUTZ TD2011 ENGINES WITH SAUER PUMPS (ALL SPECS EXCEPT CE SPECS)**

ITEM	PART NUMBER	QTY	DESCRIPTION	REV
	1001119345	Ref	GROUND CONTROL BOX INSTALLATION – DEUTZ TD2011 ENGINES WITH SAUER PUMPS (ALL SPECS EXCEPT CE SPECS)	B
1	0100011	AR	Compound, Locking	
2	3931616	4	Bolt 3/8 x 3/4	
3	1001119374	1	Ground Control Box Assembly (See Separate Breakdown in this Section)	
4	4751600	4	Washer 3/8	
6	1001119470	1	Harness, Engine (Not Shown) (See Separate Breakdown in ELECTRICAL SECTION)	

## SECTION 2 - TURNTABLE

FIGURE 2-29. GROUND CONTROL BOX INSTALLATION – DEUTZ TD2011 ENGINES WITH SAUER PUMPS (CE SPECS)



ART\_1001194123

**SECTION 2 - TURNTABLE**

**FIGURE 2-29. GROUND CONTROL BOX INSTALLATION – DEUTZ TD2011 ENGINES WITH SAUER PUMPS (CE SPECS)**

ITEM	PART NUMBER	QTY	DESCRIPTION	REV
	1001194123	Ref	GROUND CONTROL BOX INSTALLATION – DEUTZ TD2011 ENGINES WITH SAUER PUMPS (CE SPECS)	B
1	0100011	AR	Compound, Locking	
2	3931616	4	Bolt 3/8-16 x 3/4	
3	1001174939	1	Ground Control Box Assembly (See Separate Breakdown in this Section)	
4	4751600	4	Washer 3/8	
6	1001119470	1	Harness, Engine (Not Shown) (See Separate Breakdown in ELECTRICAL SECTION)	



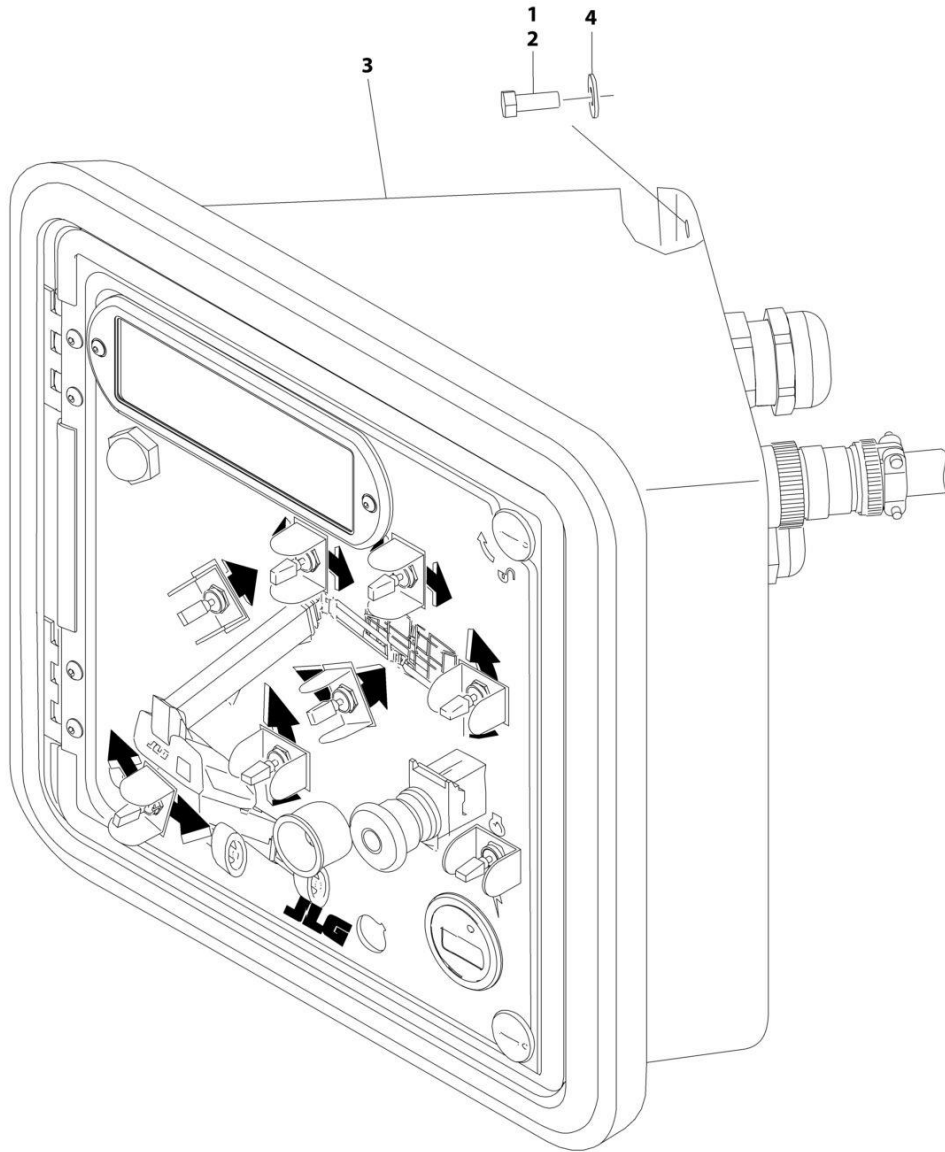
**SECTION 2 - TURNTABLE**

**FIGURE 2-30. GROUND CONTROL BOX INSTALLATION – DEUTZ TCD2.9L4 ENGINES (ALL SPECS EXCEPT CE SPECS)**

ITEM	PART NUMBER	QTY	DESCRIPTION	REV
	1001144347	Ref	GROUND CONTROL BOX INSTALLATION – DEUTZ TCD2.9L4 ENGINES (ALL SPECS EXCEPT CE SPECS)	C
1	0100011	AR	Compound, Locking	
2	3931616	4	Bolt 3/8 x 3/4	
3	1001119374	1	Ground Control Box Assembly (See Separate Breakdown in this Section)	
4	4751600	4	Washer 3/8	

## SECTION 2 - TURNTABLE

FIGURE 2-31. GROUND CONTROL BOX INSTALLATION – DEUTZ TCD2.9L4 ENGINES (CE SPECS)



ART\_1001185284



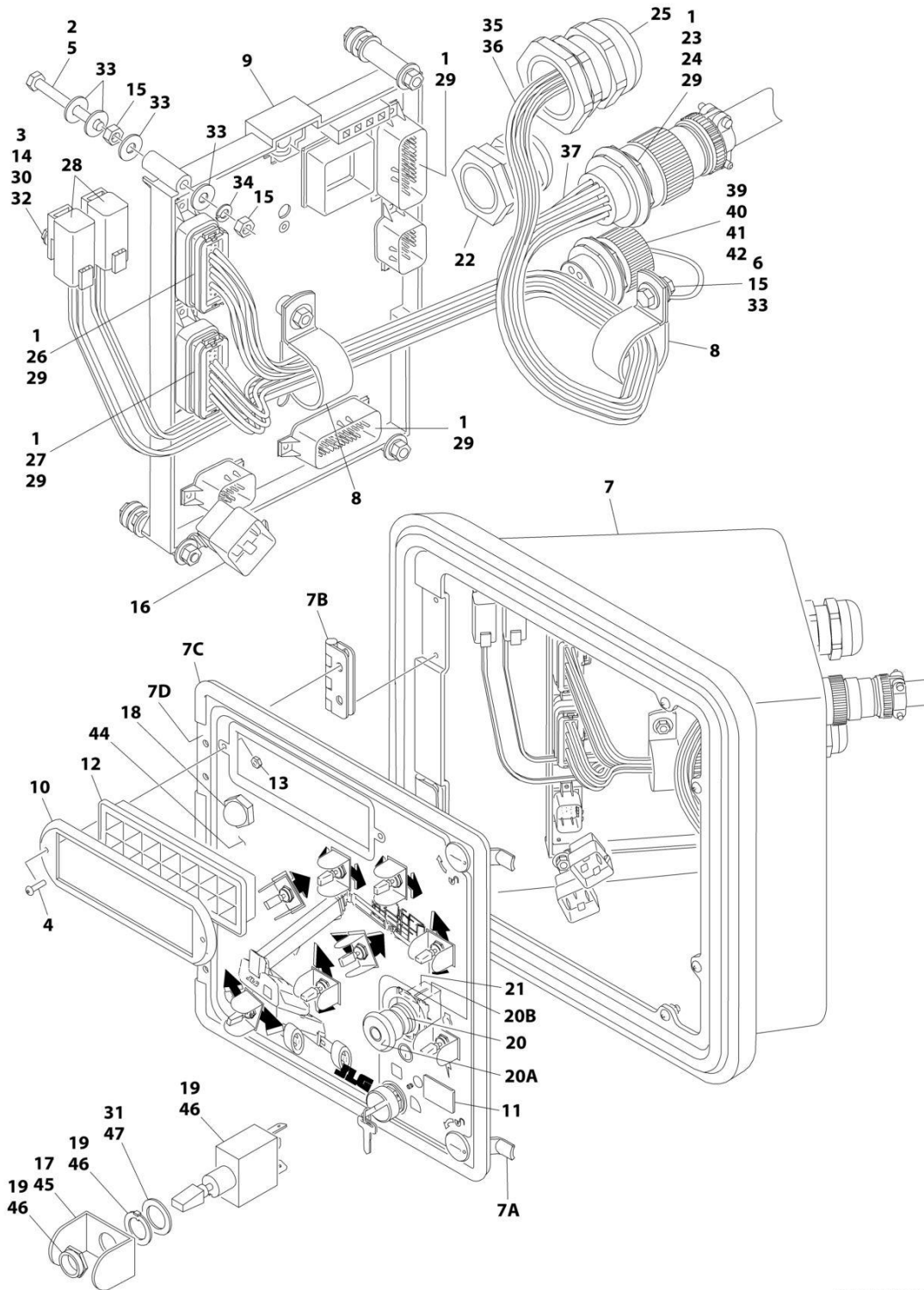
**SECTION 2 - TURNTABLE**

**FIGURE 2-31. GROUND CONTROL BOX INSTALLATION – DEUTZ TCD2.9L4 ENGINES (CE SPECS)**

<b>ITEM</b>	<b>PART NUMBER</b>	<b>QTY</b>	<b>DESCRIPTION</b>	<b>REV</b>
	1001185284	Ref	GROUND CONTROL BOX INSTALLATION - DEUTZ TCD2.9L4 ENGINES (CE SPECS)	B
1	0100011	AR	Compound, Locking	
2	3931616	4	Bolt 3/8 x 3/4	
3	1001184939	1	Ground Control Box Assembly (See Separate Breakdown in this Section)	
4	4751600	4	Washer 3/8	

# SECTION 2 - TURNTABLE

## FIGURE 2-32. GROUND CONTROL BOX ASSEMBLY (ALL SPECS EXCEPT CE SPECS)



ART\_1001119374

## SECTION 2 - TURNTABLE

**FIGURE 2-32. GROUND CONTROL BOX ASSEMBLY (ALL SPECS EXCEPT CE SPECS)**

ITEM	PART NUMBER	QTY	DESCRIPTION	REV
	1001119374	Ref	GROUND CONTROL BOX SUB-ASSEMBLY (ALL SPECS EXCEPT CE SPECS)	F
	1001119363	Ref	GROUND CONTROL BOX ASSEMBLY	M
1	0100048	AR	Grease, Dielectric	
2	0100081	AR	Loctite #454	
3	0630464	2	Screw #10 x 1/2	
4	0630518	2	Screw #10 x 3/4	
5	0630548	5	Screw, Self Tapping	
6	0641406	1	Bolt 1/4 x 3/4	
7	1001110014	1	Box Assembly	
7A	2940139	2	Latch	
7B	2600279	2	Hinge	
7C	3960418	53 in /1.4m	Seal	
7D	3380465	1	Panel, Front	
8	1320095	2	Clamp	
9	1001110084	1	Module, Ground Control (Note: Control System must be recalibrated when Module is replaced)	
10	1670829	1	Bezel	
11	2420172	1	Hourmeter	
12	2760105	1	Housing, Light	
13	3300408	2	Nut, Nylon	
14	3311001	2	Nut #10	
15	3311401	11	Nut 1/4	
16	3740049	1	Relay	
17	4060906	7	Guard, Switch	
18	4360274	1	Switch, Pushbutton	
19	4360328	7	Switch, Toggle	
20	4360475	1	Switch, Push-Pull Emergency	
20A	7020175	1	Cap	
20B	7020176	1	Block, Contact	
21	4360476	1	Block, Contact	
22	4460426	1	Connector, Strain Relief	
23	4460470	1	Nut, Terminal	
24	4460471	1	Washer, Terminal	
25	4460526	1	Connector, Strain Relief	
26	4460874	1	Connector, White	
27	4460875	1	Connector, Gray	
28	4460892	2	Connector, Buss Bar - 6 Position	
29	4460905	4	Connector, Plug	
30	4460914	2	Base, Terminal	
31	4740444	7	Washer	
32	4751000	2	Washer #10	
33	4751400	22	Washer 1/4	
34	4761400	5	Washer 1/4	
35	1001119372	1	Harness, Ground Control Box (See Separate Breakdown in ELECTRICAL SECTION)	
36	1001116369	1	Harness, Valve (See Separate Breakdown in ELECTRICAL SECTION)	
37	1001120180	1	Harness, Ground Control Box (See Separate Breakdown in ELECTRICAL SECTION)	

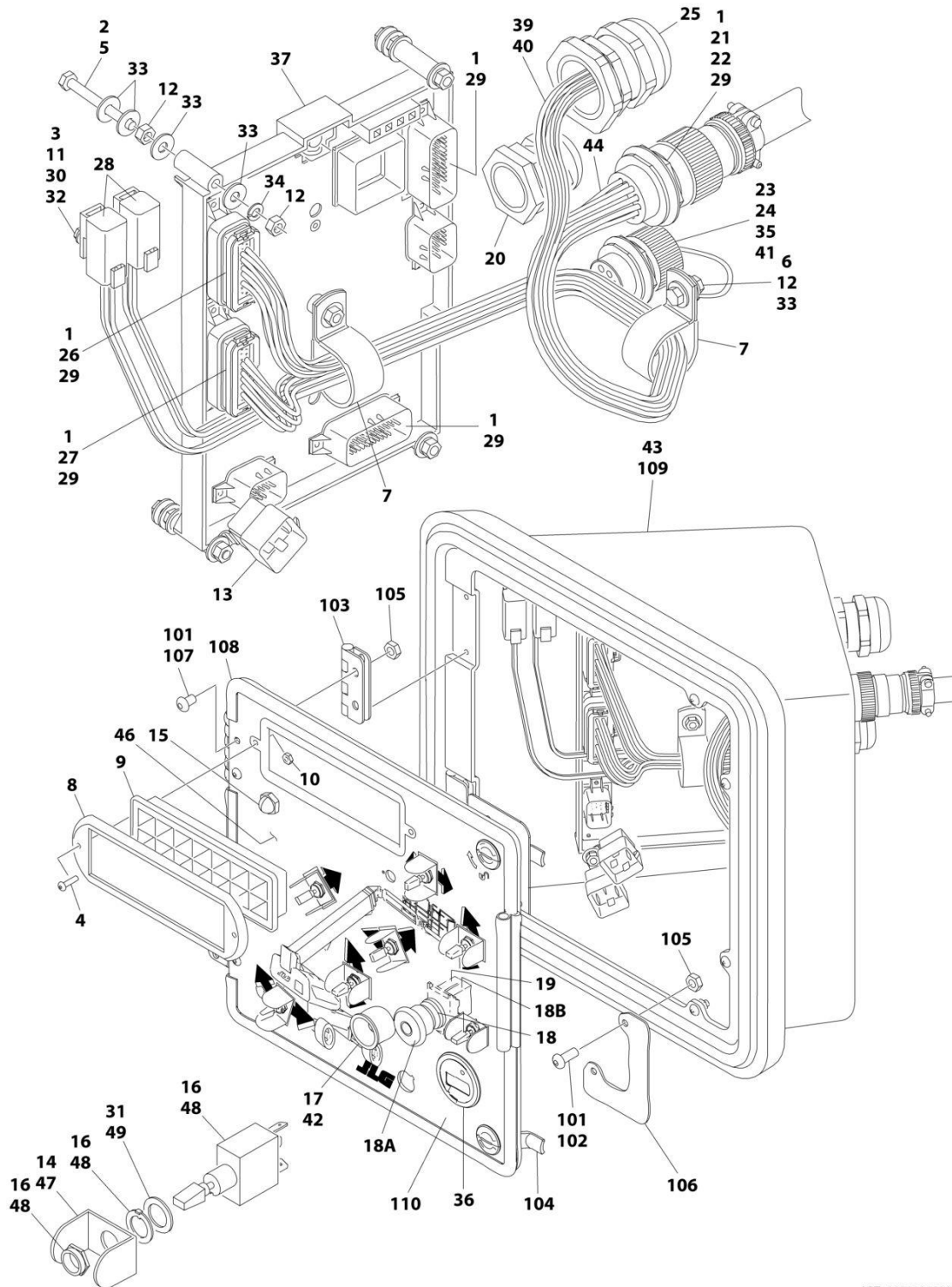
## SECTION 2 - TURNTABLE

ITEM	PART NUMBER	QTY	DESCRIPTION	REV
39	4460496	1	Terminal, Washer	
40	4460497	1	Nut, Strain Relief	
41	1001120337	1	Harness, ClearSky Ready (See Separate Breakdown in ELECTRICAL SECTION)	
42	1001106736	1	Cap, Dust	
44	1706911	1	Decal - Lid	
45	4060906	1	Guard, Switch	
46	4360328	1	Switch, Toggle	
47	4740444	1	Washer	



# SECTION 2 - TURNTABLE

## FIGURE 2-33. GROUND CONTROL BOX ASSEMBLY (CE SPECS)



ART\_1001184938

## SECTION 2 - TURNTABLE

**FIGURE 2-33. GROUND CONTROL BOX ASSEMBLY (CE SPECS)**

ITEM	PART NUMBER	QTY	DESCRIPTION	REV
	1001184939	Ref	GROUND CONTROL BOX SUB-ASSEMBLY	B
	1001184938	Ref	GROUND CONTROLS ASSEMBLY (CE SPECS)	C
1	0100048	AR	Grease, Dielectric	
2	0100081	AR	Loctite #454	
3	0630464	2	Screw #10 x 1/2	
4	0630518	2	Screw #10 x 3/4	
5	0630548	5	Screw, Self Tapping	
6	0641406	1	Bolt 1/4 x 3/4	
7	1320095	2	Clamp	
8	1670829	1	Bezel	
9	2760105	1	Housing, Light	
10	3300408	2	Nut, Nylon	
11	3311001	2	Nut #10	
12	3311401	11	Nut 1/4	
13	3740049	1	Relay	
14	4060906	7	Guard, Switch	
15	4360274	1	Switch, Pushbutton	
16	4360328	7	Switch, Toggle	
17	4360387	1	Switch, Push Button	
18	4360475	1	Switch, Push-Pull Emergency	
18A	7020175	1	Cap	
18B	7020176	1	Block, Contact	
19	4360476	1	Block, Contact	
20	4460426	1	Connector, Strain Relief	
21	4460470	1	Nut, Terminal	
22	4460471	1	Washer, Terminal	
23	4460496	1	Terminal, Washer	
24	4460497	1	Nut, Strain Relief	
25	4460526	1	Connector, Strain Relief	
26	4460874	1	Connector, White	
27	4460875	1	Connector, Gray	
28	4460892	2	Connector, Buss Bar - 6 Position	
29	4460905	4	Connector, Plug	
30	4460914	2	Base, Terminal	
31	4740444	7	Washer	
32	4751000	2	Washer #10	
33	4751400	22	Washer 1/4	
34	4761400	5	Washer 1/4	
35	1001106736	1	Cap, Dust	
36	1001109503	1	Gauge, Indicator	
37	1001110084	1	Module, Ground Control (Note: Control System must be recalibrated when Module is replaced)	
39	1001116369	1	Harness, Valve (See Separate Breakdown in ELECTRICAL SECTION)	
40	1001119372	1	Harness, Ground Control Box (See Separate Breakdown in ELECTRICAL SECTION)	
41	1001120337	1	Harness, ClearSky Ready (See Separate Breakdown in ELECTRICAL SECTION)	
42	1001176469	1	Shroud	
43	1001184937	1	Box Assembly (See Items 101-110 for Breakdown)	

## SECTION 2 - TURNTABLE

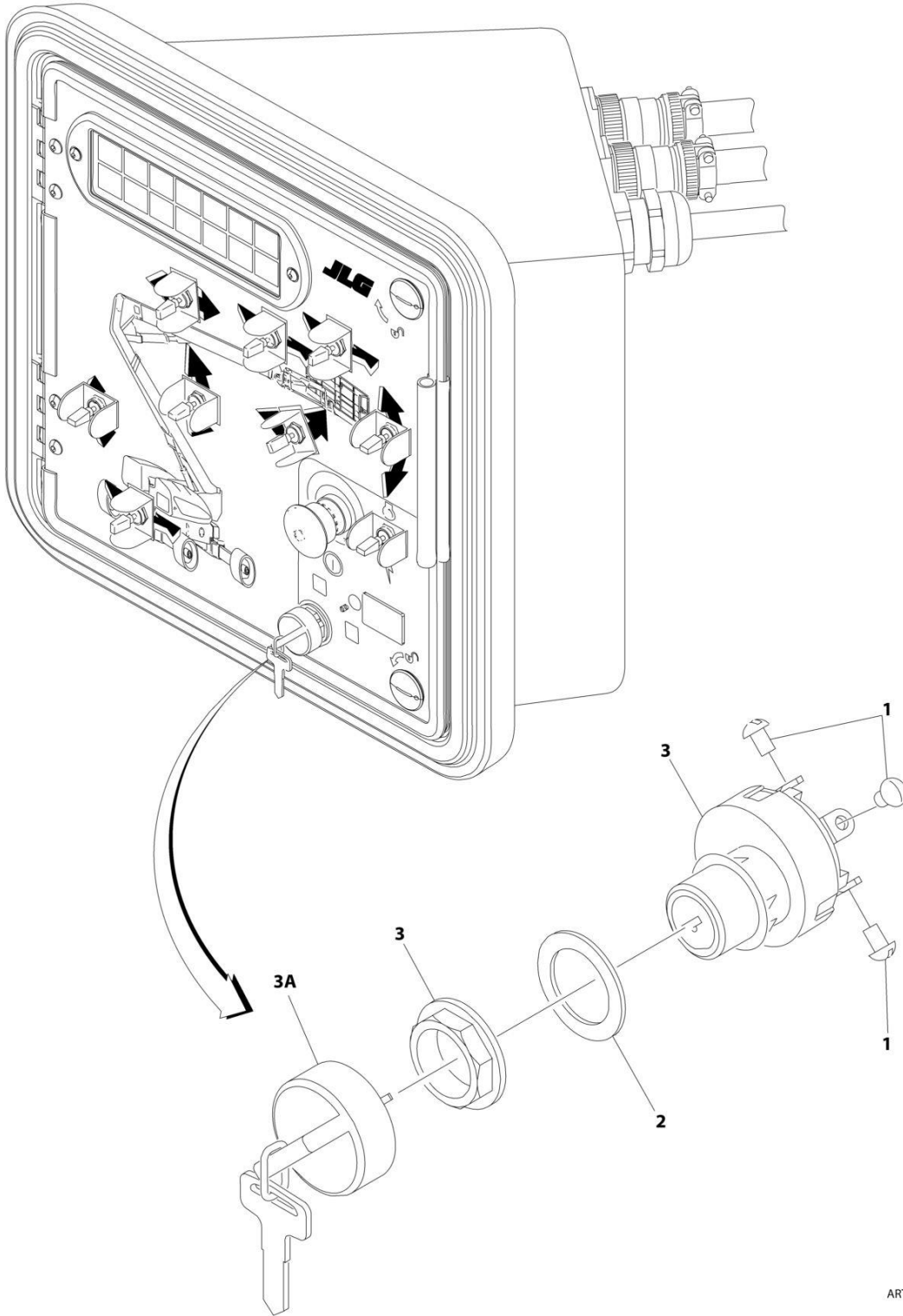
ITEM	PART NUMBER	QTY	DESCRIPTION	REV
44	1001187386	1	Harness, Ground Control Box (See Separate Breakdown in ELECTRICAL SECTION)	A
46	1001179831	1	Decal - Lid	
47	4060906	1	Guard, Switch	
48	4360328	1	Switch, Toggle	
49	4740444	1	Washer	
	1001184937	Ref	BOX ASSEMBLY	
101	0100011	AR	Compound, Locking	
102	0630407	4	Screw 1/4 x 5/8	
103	2600279	2	Hinge	
104	2940139	2	Latch	
105	3311402	8	Nut 1/4	
106	3573144	2	Plate, Latch	
107	3900251	8	Screw 1/4 x 3/8	
108	3960418	53 in /1.4m	Seal	
109	1001110064	1	Box	
110	1001184936	1	Lid	





# SECTION 2 - TURNTABLE

## FIGURE 2-34. KEYSWITCH INSTALLATION



ART\_0259666

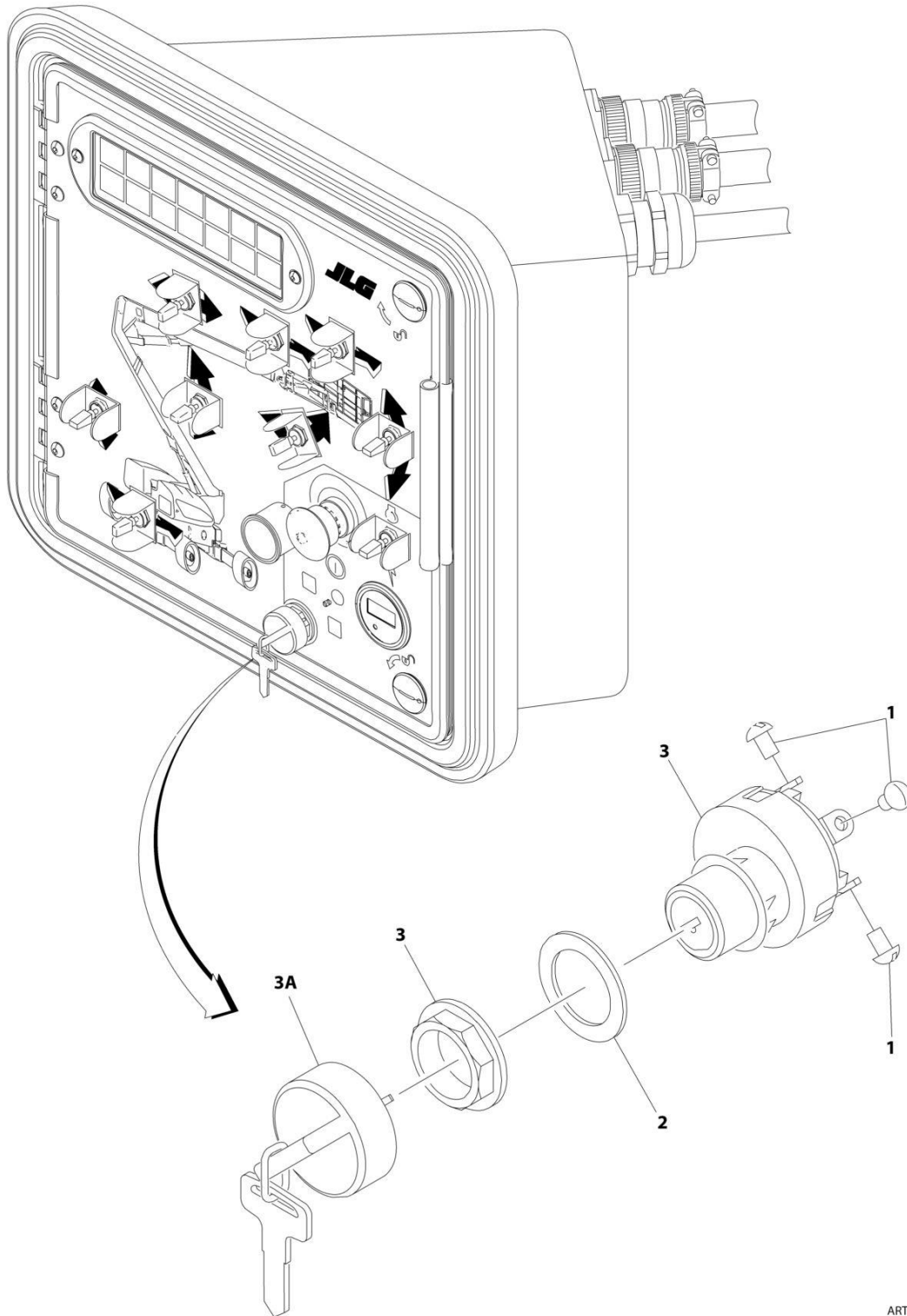
**SECTION 2 - TURNTABLE**

**FIGURE 2-34. KEYSWITCH INSTALLATION**

ITEM	PART NUMBER	QTY	DESCRIPTION	REV
		Ref	USAGE CHART:	
		Ref	- All Specs Except CE (LRC) Specs	
		Ref	- CE (LRC) Specs	
	0259666	Ref	KEYSWITCH INSTALLATION	B
1	3910804	6	Screw #8 x 1/8	
2	1001151393	1	Shim .063	
3	4360469	1	Keyswitch	
3A	2860030	1	Key, Replacement	

## SECTION 2 - TURNTABLE

FIGURE 2-35. KEYSWITCH INSTALLATION (SN 0300201016 through 0300205135)



ART\_0259667

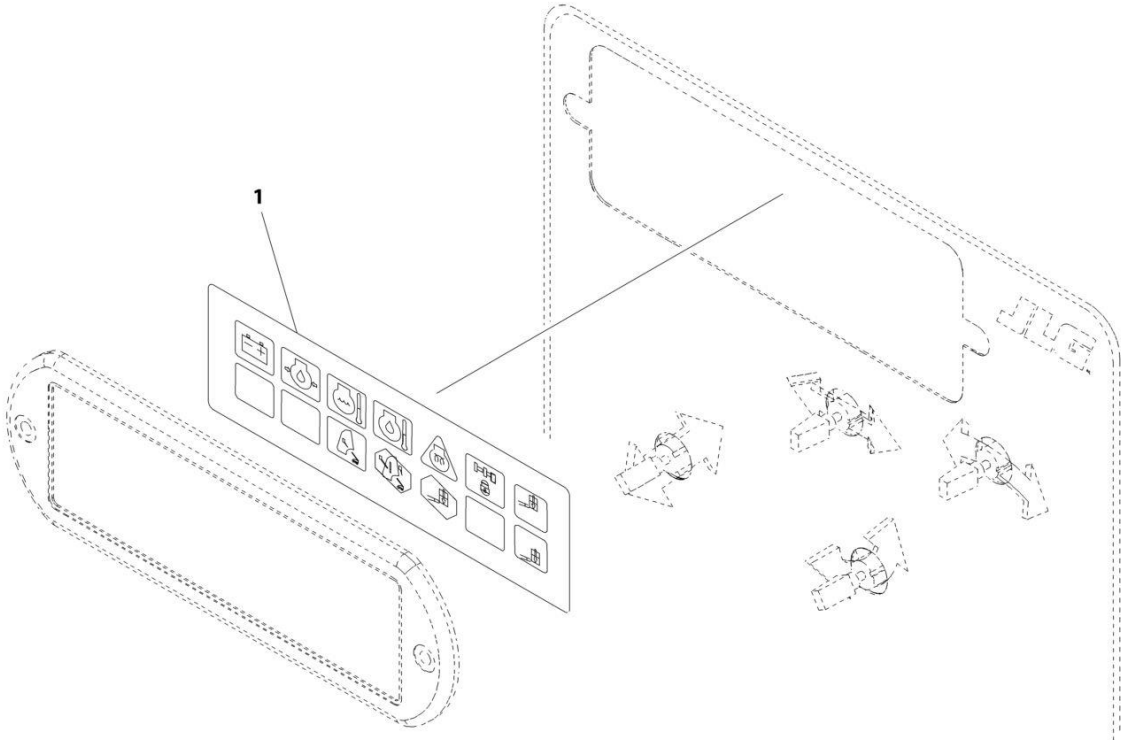
**SECTION 2 - TURNTABLE**

**FIGURE 2-35. KEYSWITCH INSTALLATION (SN 0300201016 through 0300205135)**

ITEM	PART NUMBER	QTY	DESCRIPTION	REV
		Ref	USAGE CHART:	
		Ref	- CE (LRC) Specs	
	0259667	Ref	<b>KEYSWITCH INSTALLATION (SN 0300201016 through 0300205135)</b>	B
1	3910804	6	Screw #8 x 1/8	
2	1001151393	1	Shim .063	
3	4360470	1	Keyswitch	
3A	2860030	1	Key, Replacement	

**SECTION 2 - TURNTABLE**

**FIGURE 2-36. LIGHT PANEL INSTALLATION - ANSI AND ANSI EXPORT SPECS**



ART\_1001121826\_10F2

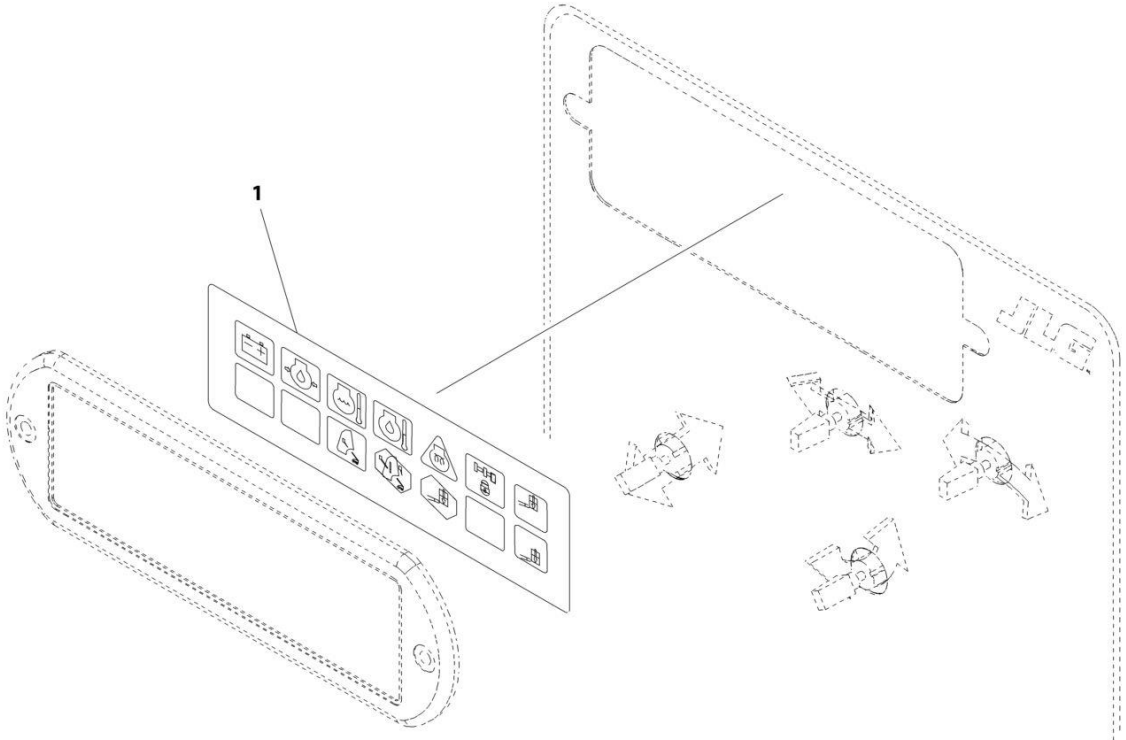
**SECTION 2 - TURNTABLE**

**FIGURE 2-36. LIGHT PANEL INSTALLATION - ANSI AND ANSI EXPORT SPECS**

ITEM	PART NUMBER	QTY	DESCRIPTION	REV
1	1001121826 1001122383	Ref 1	LIGHT PANEL INSTALLATION - ANSI AND ANSI EXPORT SPECS Decal - Light Panel	A

**SECTION 2 - TURNTABLE**

**FIGURE 2-37. LIGHT PANEL INSTALLATION - AUSTRALIAN AND CE SPECS**



ART\_1001121827\_10F2



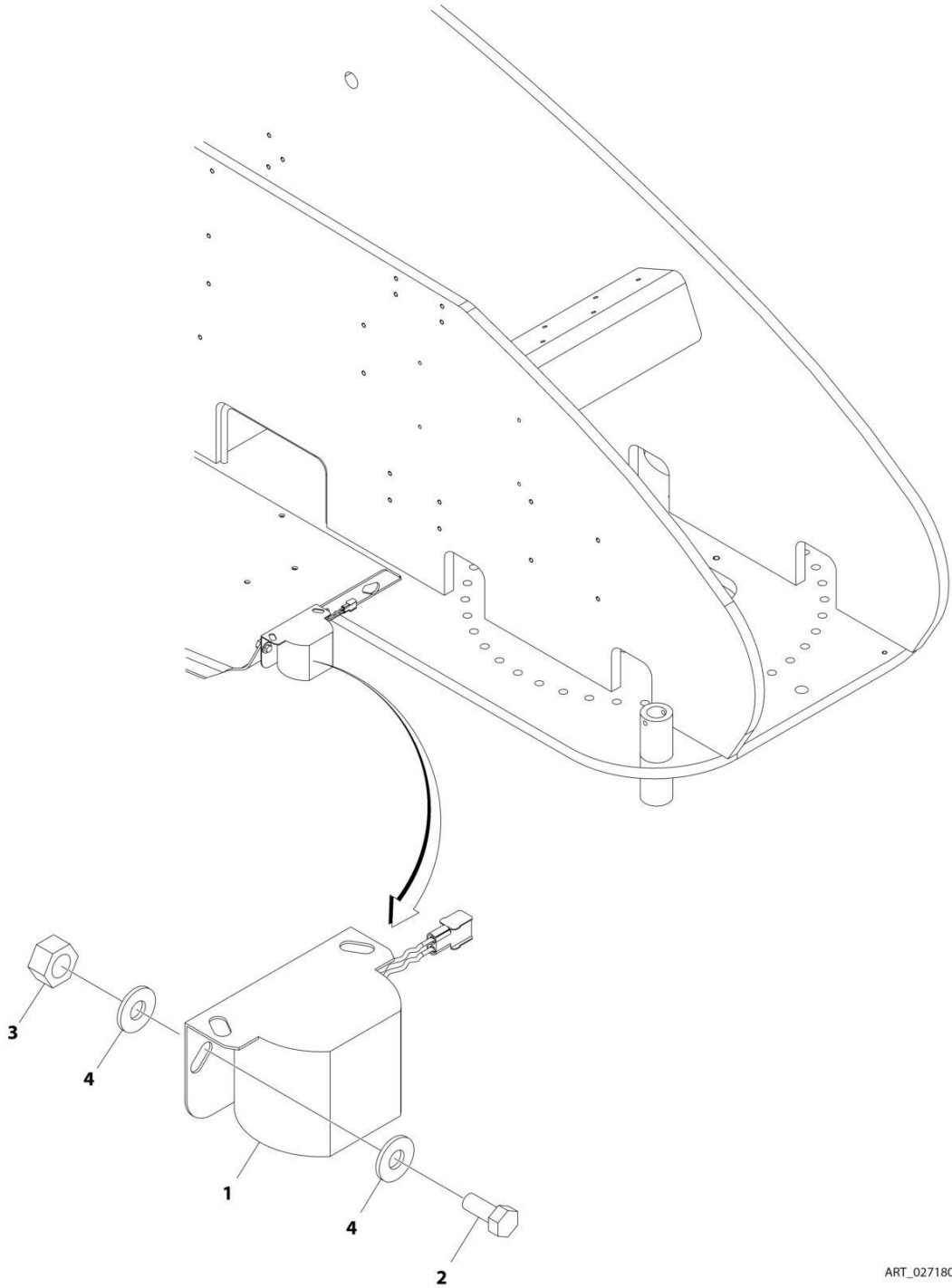
**SECTION 2 - TURNTABLE**

**FIGURE 2-37. LIGHT PANEL INSTALLATION - AUSTRALIAN AND CE SPECS**

ITEM	PART NUMBER	QTY	DESCRIPTION	REV
1	1001121827 1705974	Ref 1	LIGHT PANEL INSTALLATION - AUSTRALIAN AND CE SPECS Decal - Light Panel	A

# SECTION 2 - TURNTABLE

## FIGURE 2-38. ALARMS INSTALLATION



ART\_0271806

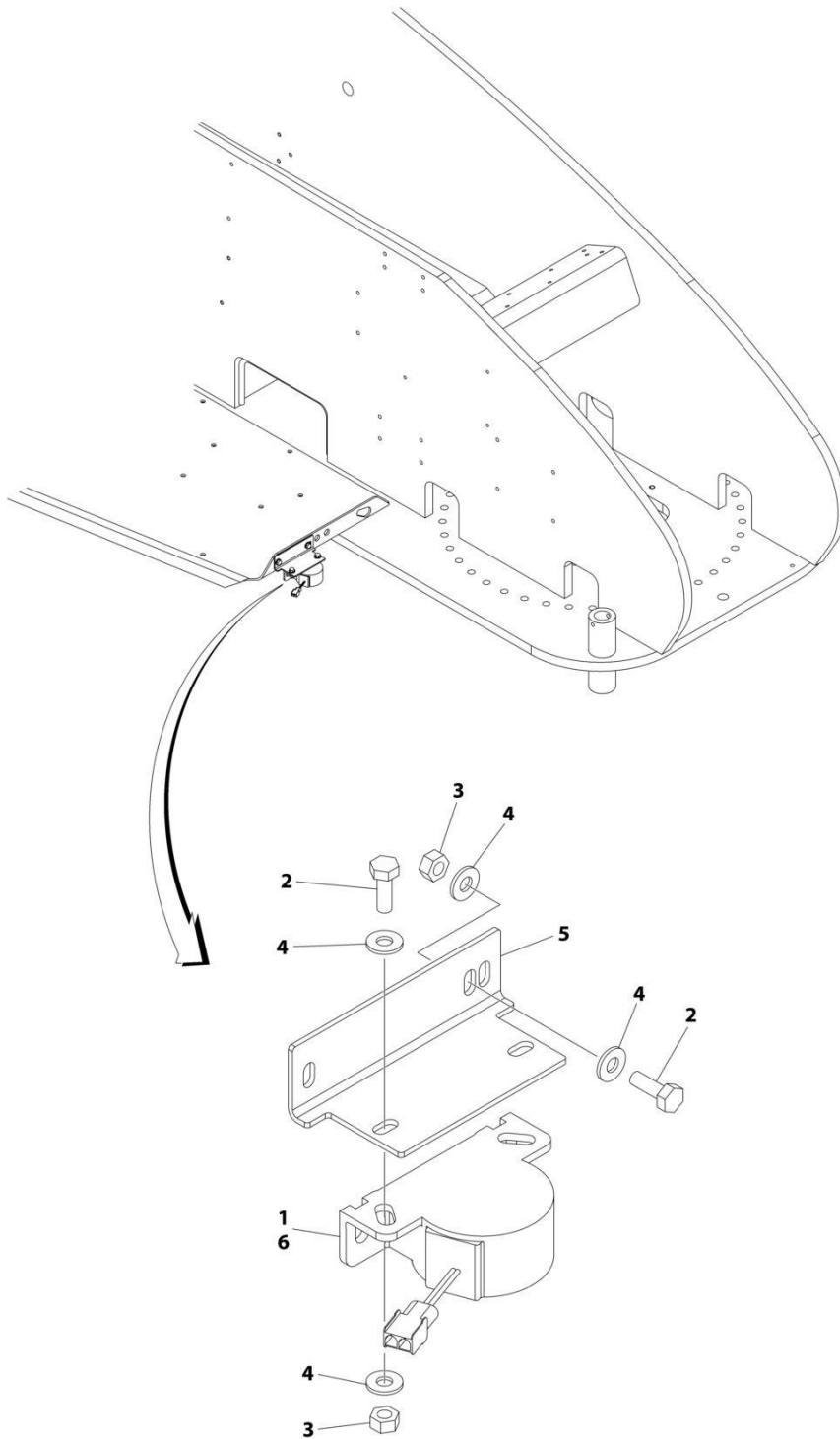
**SECTION 2 - TURNTABLE**

**FIGURE 2-38. ALARMS INSTALLATION**

<b>ITEM</b>	<b>PART NUMBER</b>	<b>QTY</b>	<b>DESCRIPTION</b>	<b>REV</b>
	0271806	Ref	ALARMS INSTALLATION	A
1	0257887	1	Alarm	
1	0140032	1	Alarm	
1	2820035	6 in/15cm	Loom	
1	4460424	1	Plug	
1	4460268	2	Socket, Female	
2	0641506	2	Bolt 5/16 x 3/4	
3	3311505	2	Nut 5/16	
4	4751500	4	Washer 5/16	

## SECTION 2 - TURNTABLE

FIGURE 2-39. BACKUP ALARM (WHITE NOISE) INSTALLATION



ART\_1001239281

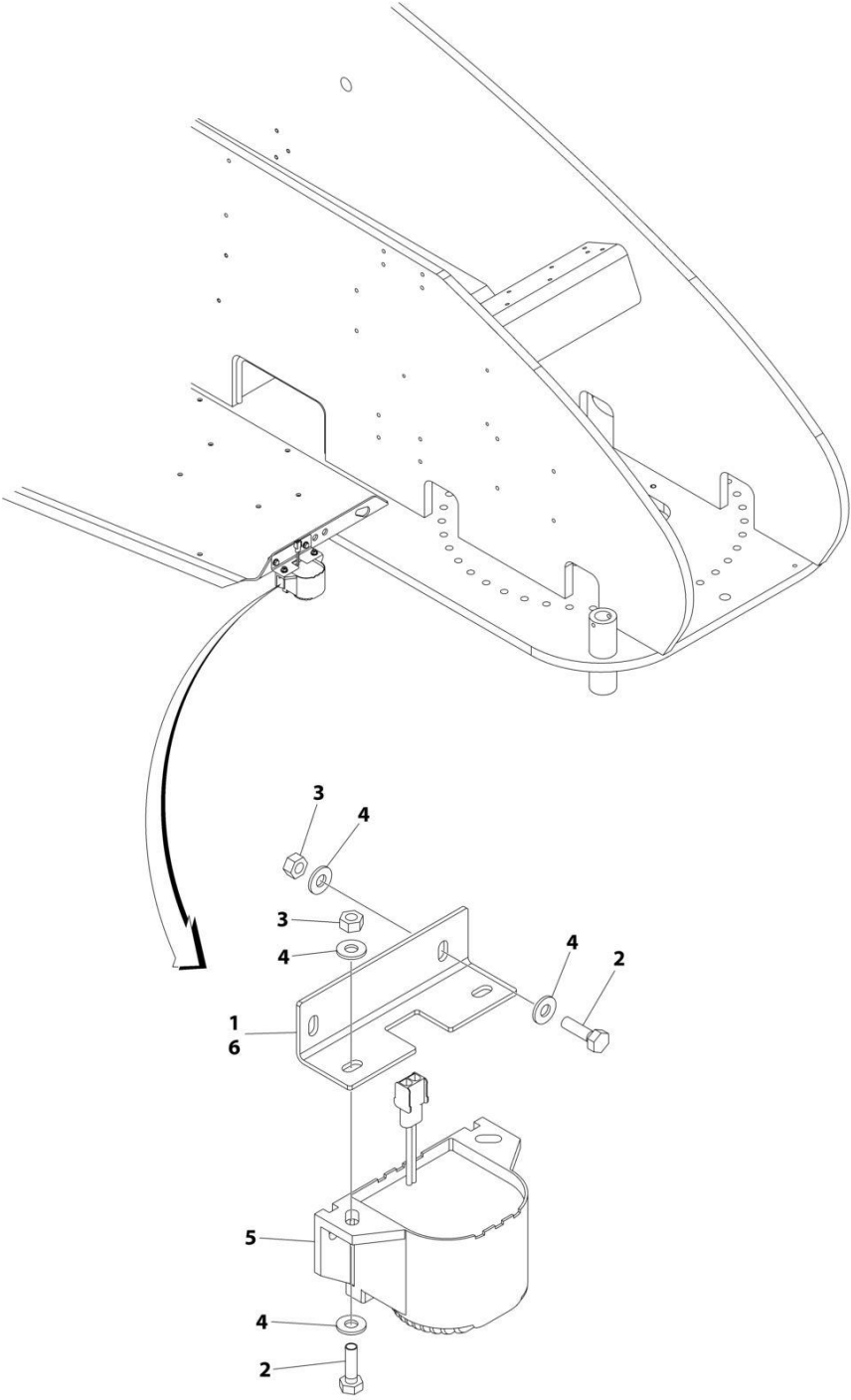
**SECTION 2 - TURNTABLE**

**FIGURE 2-39. BACKUP ALARM (WHITE NOISE) INSTALLATION**

ITEM	PART NUMBER	QTY	DESCRIPTION	REV
	1001239281	Ref	BACKUP ALARM (WHITE NOISE) INSTALLATION	A
1	0100048	AR	Grease, Dielectric	
2	0641406	4	Bolt 1/4 x 3/4	
3	3311405	4	Nut 1/4	
4	4711400	8	Washer 1/4	
5	1001231886	1	Plate	
6	1001243734	1	Alarm	
6	1001184682	1	Alarm	
6	4460424	1	Plug	
6	4460268	2	Socket, Female	

**SECTION 2 - TURNTABLE**

**FIGURE 2-40. BACKUP ALARM AMBIENT (WHITE NOISE) INSTALLATION**



ART\_1001241383

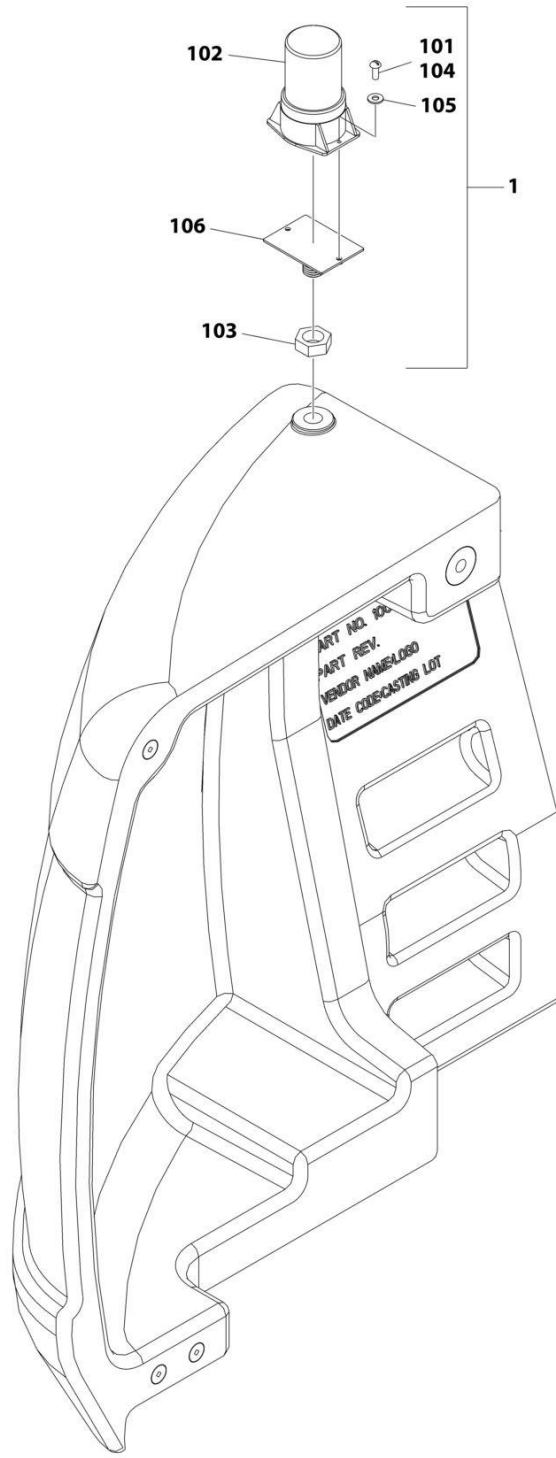
**SECTION 2 - TURNTABLE**

**FIGURE 2-40. BACKUP ALARM AMBIENT (WHITE NOISE) INSTALLATION**

ITEM	PART NUMBER	QTY	DESCRIPTION	REV
	1001241383	Ref	ALARM AMBIENT (WHITE NOISE) INSTALLATION	A
1	0100048	AR	Grease, Dielectric	
2	0641407	4	Bolt 1/4 x 7/8	
3	3311405	4	Nut 1/4	
4	4711400	8	Washer 1/4	
5	1001243731	1	Alarm	
5	1001182806	1	Alarm	
5	4460424	1	Plug	
5	4460268	2	Socket, Female	
6	1001243849	1	Plate	

# SECTION 2 - TURNTABLE

## FIGURE 2-41. STROBE LIGHT INSTALLATION (AMBER)



ART\_1001149955



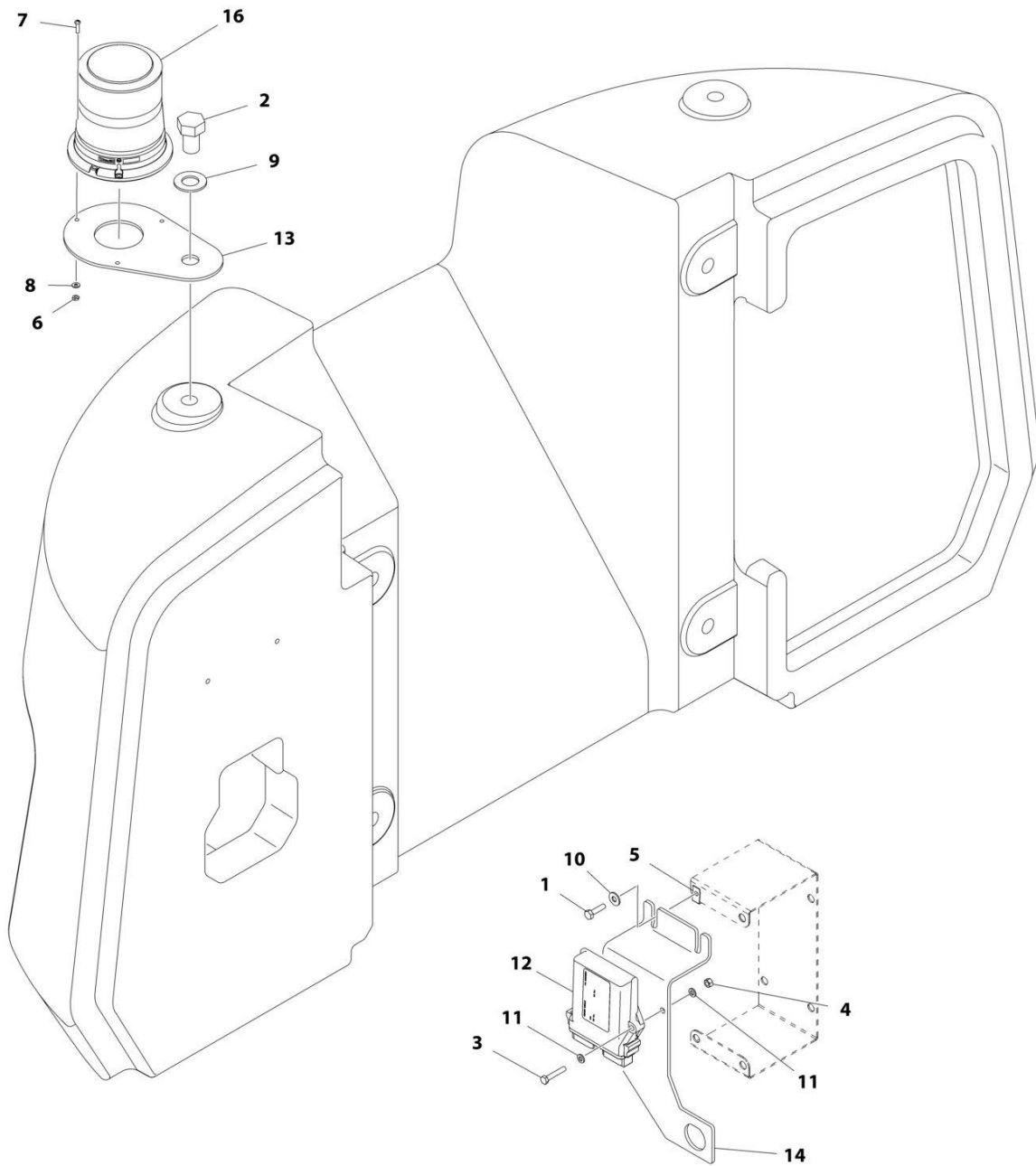
**SECTION 2 - TURNTABLE**

**FIGURE 2-41. STROBE LIGHT INSTALLATION (AMBER)**

ITEM	PART NUMBER	QTY	DESCRIPTION	REV
	1001149955	Ref	STROBE LIGHT INSTALLATION (AMBER)	B
1	1001150406	1	Strobe Light Assembly (See Items 101-106 for Breakdown)	
2	1001149818	1	Harness, Strobe Light (Not Shown) (See Separate Breakdown in ELECTRICAL SECTION)	
	1001150406	Ref	STROBE LIGHT ASSEMBLY (AMBER)	B
101	0100035	AR	Compound, Locking	
102	2920161	1	Strobe Light/Harness Assembly	
102	7016319	1	Bulb	
102	7016372	1	Lens	
103	3312602	1	Nut 1	
104	3900085	2	Screw #10 x 1/2	
105	4751000	2	Washer 1/4	
106	1001149994	1	Mount Strobe	

## SECTION 2 - TURNTABLE

FIGURE 2-42. BEACON LIGHT INSTALLATION (BLUE) (SN 0300201016 through 0300217081)



ART\_1001189176

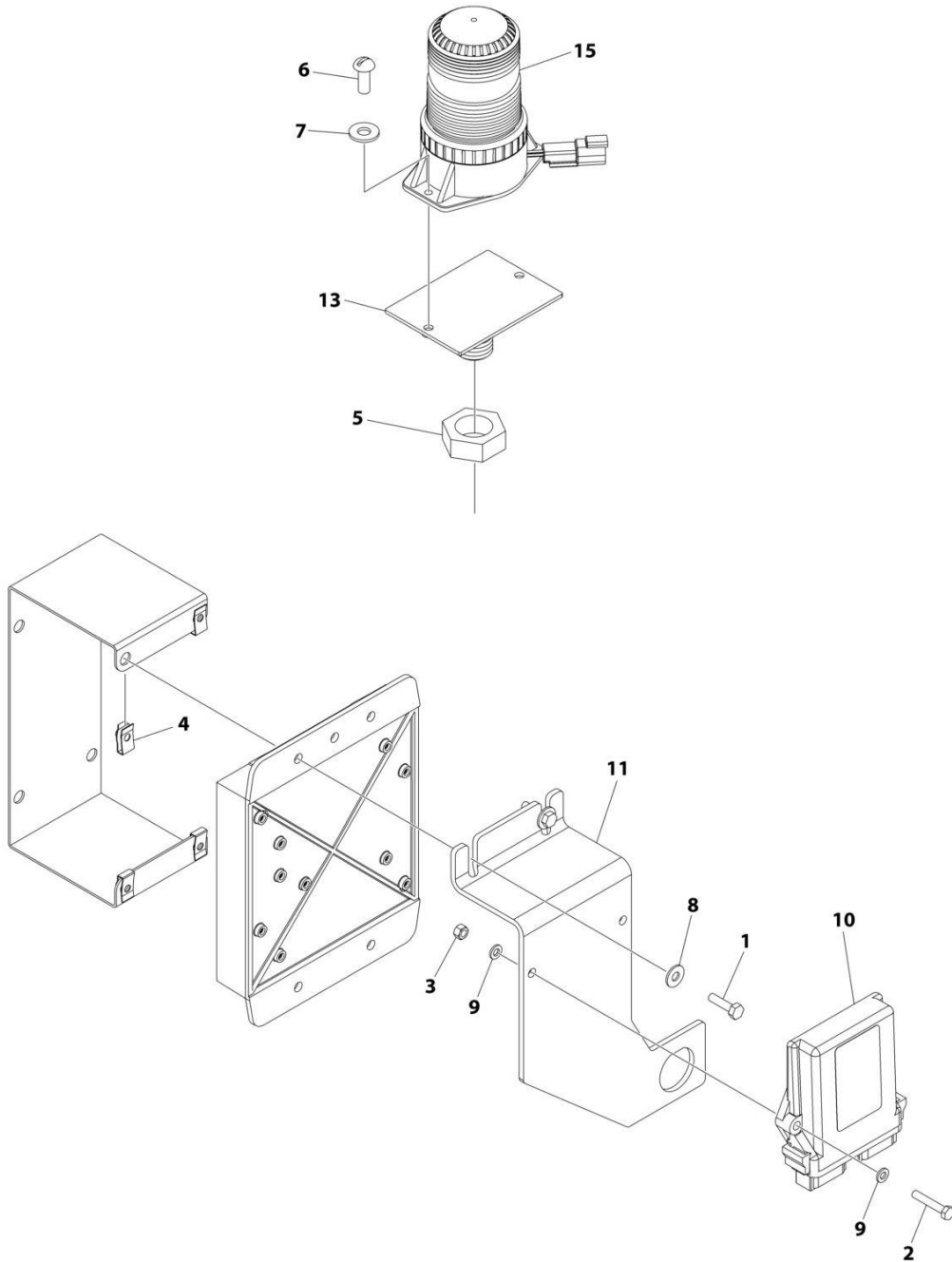
## SECTION 2 - TURNTABLE

**FIGURE 2-42. BEACON LIGHT INSTALLATION (BLUE) (SN 0300201016 through 0300217081)**

ITEM	PART NUMBER	QTY	DESCRIPTION	REV
	1001189176	Ref	BEACON LIGHT INSTALLATION (BLUE) (SN 0300201016 through 0300217081)	B
1	0641408	2	Bolt 1/4 x 1	
2	0642612	1	Bolt 1 x 1-1/2	
3	0700615	2	Bolt M6 x 35	
4	3290607	2	Nut M6 x 1	
5	3300454	2	Nut	
6	3311005	3	Nut #10	
7	3911012	3	Screw 10 x 3/4	
8	4711000	3	Washer #10	
9	4712600	1	Washer 1	
10	4751400	2	Washer 1/4	
11	4811700	4	Washer M6	
12	1001142683	1	Control, Beacon Module	
13	1001142694	1	Bracket, Beacon Mounting	
14	1001142719	1	Bracket, Beacon Module Ultra	
15	1001142736	1	Harness, Beacon Control (Not Shown) (See Separate Breakdown in ELECTRICAL SECTION)	
16	1001143431	NLA	Lamp, Beacon (Use p/n 1001210693 & 1001200910)	
16	7028909	1	Connector - 2 Position	
16	4460943	2	Pin, Male	
17	1001150944	1	Harness, Beacon Control (Not Shown) (See Separate Breakdown in ELECTRICAL SECTION)	

## SECTION 2 - TURNTABLE

FIGURE 2-43. STROBE LIGHT INSTALLATION (BLUE) (SN 0300217082 through 0300256988, SN B300002238 through B300003730)



ART\_1001205401

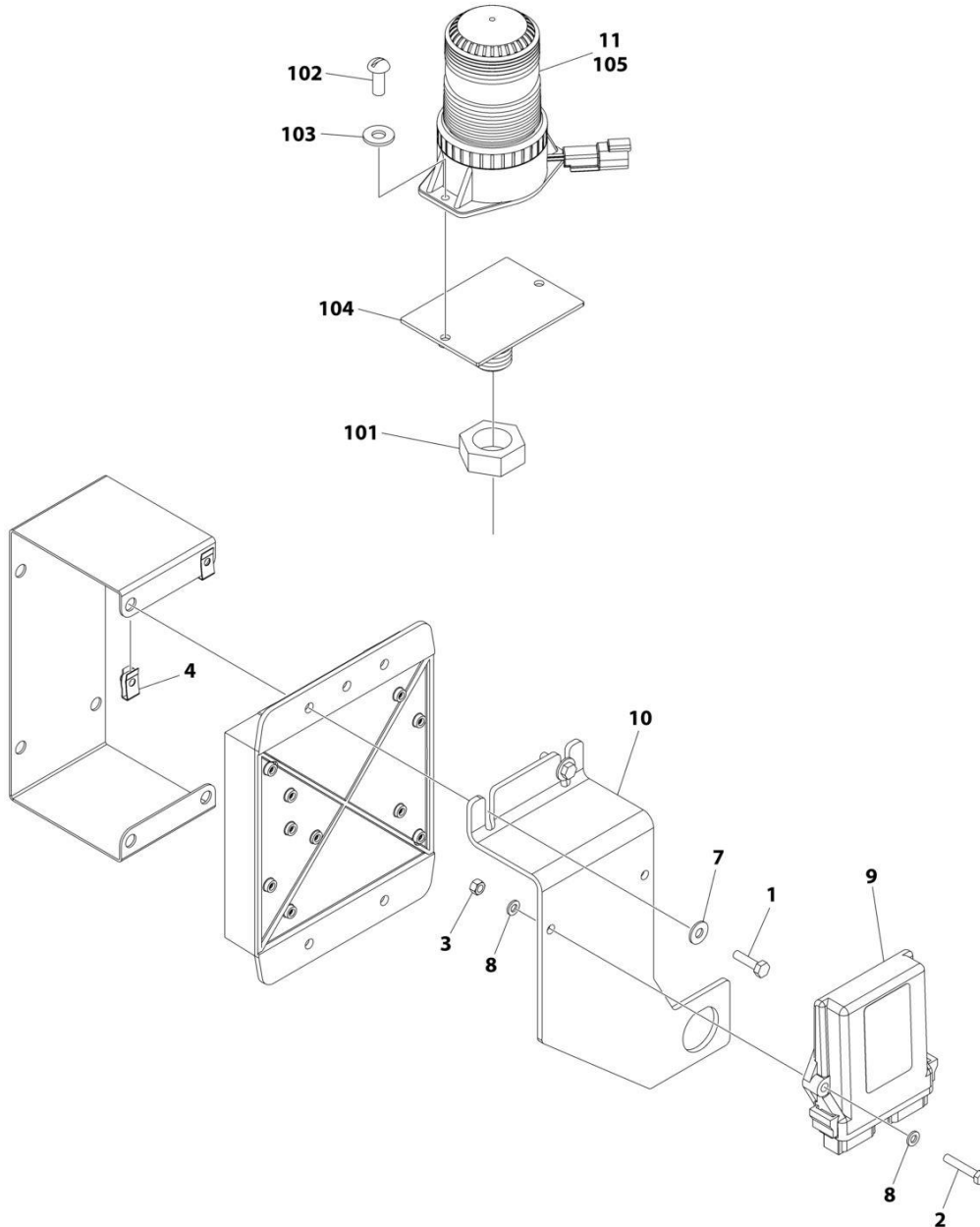
**SECTION 2 - TURNTABLE**

**FIGURE 2-43. STROBE LIGHT INSTALLATION (BLUE) (SN 0300217082 through 0300256988, SN B300002238 through B300003730)**

ITEM	PART NUMBER	QTY	DESCRIPTION	REV
	1001205401	Ref	STROBE LIGHT INSTALLATION (BLUE)	F
1	0641408	2	Bolt 1/4 x 1	
2	0700615	2	Bolt M6 x 35	
3	3290607	2	Nut M6 x 1	
4	3300454	2	Nut	
5	3312602	1	Nut 1	
6	3900085	2	Screw 10 x 1/2	
7	4751000	2	Washer #10	
8	4751400	2	Washer 1/4	
9	4811700	4	Washer M6	
10	1001142683	1	Module, Control Beacon	
11	1001142719	1	Bracket	
12	1001142736	1	Harness, Beacon Control (Not Shown) (See Separate Breakdown in ELECTRICAL SECTION)	
13	1001149994	1	Mount, Beacon	
15	1001200910	1	Light, Strobe	
15	7028909	1	Connector - 2 Position	
15	4460943	2	Pin, Male	
16	4240032	AR	Tie-Strap (Not Shown) (SN 0300237541 through 0300256988, SN B300002238 through B300003730)	
17	4460488	AR	Mount, Tie-Strap (Not Shown) (SN 0300237541 through 0300256988, SN B300002238 through B300003730)	
18	1001217005	1	Strobe Light Kit - Blue (Includes Items 5, 6, 7, 13 & 15) (Not Shown) (SN 0300237541 through 0300256988, SN B300002238 through B300003730)	

## SECTION 2 - TURNTABLE

FIGURE 2-44. STROBE LIGHT INSTALLATION (BLUE) (SN 0300256989 through 0300272504, SN B300003731 through B300007118)



ART\_1001244026-A

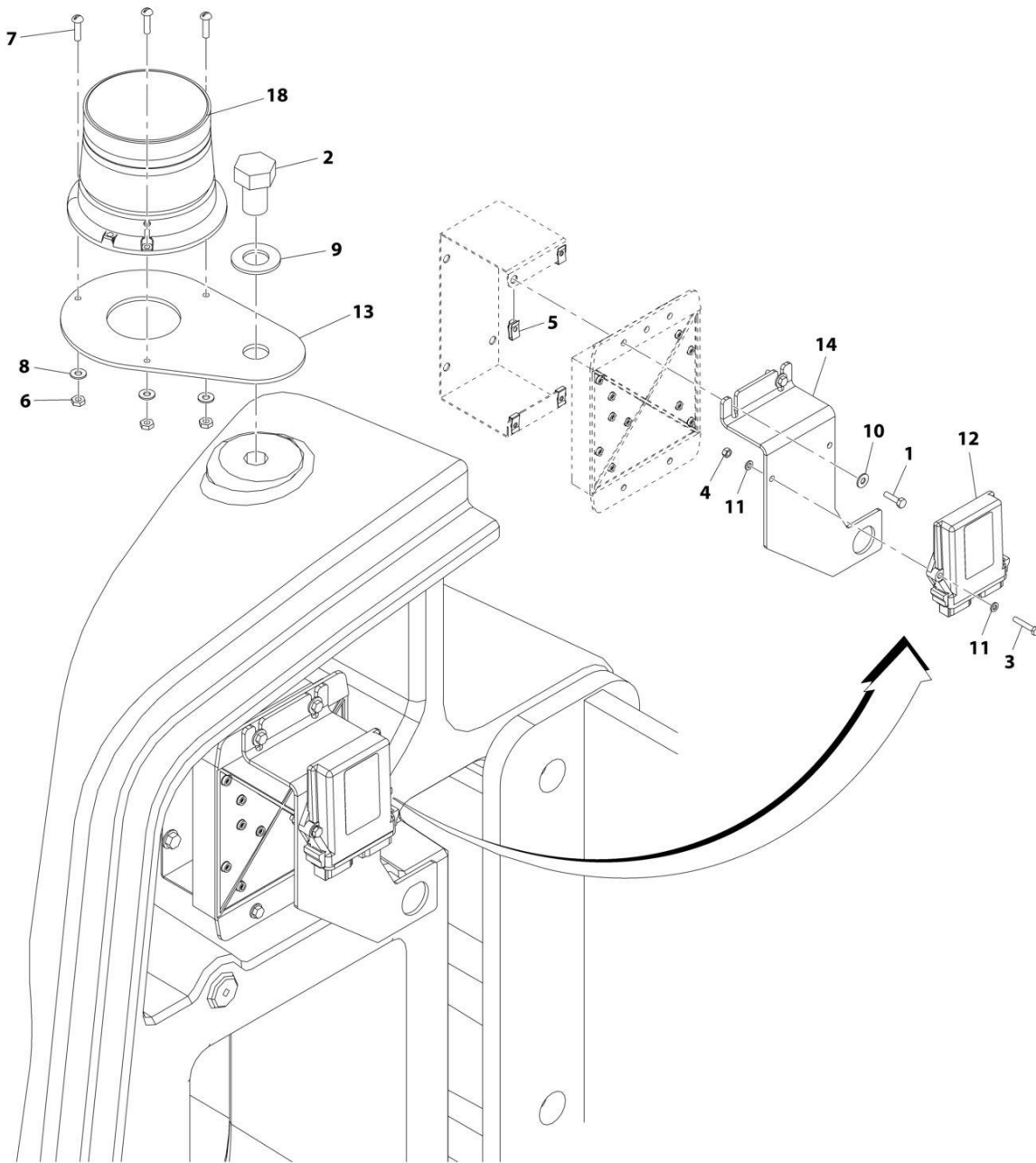
## SECTION 2 - TURNTABLE

**FIGURE 2-44. STROBE LIGHT INSTALLATION (BLUE) (SN 0300256989 through 0300272504, SN B300003731 through B300007118)**

ITEM	PART NUMBER	QTY	DESCRIPTION	REV
	1001244026	Ref	STROBE LIGHT INSTALLATION (BLUE)	A
1	0641408	2	Bolt 1/4 x 1	
2	0700615	2	Bolt M6 x 35	
3	3290607	2	Nut M6 x 1	
4	3300454	2	Nut 1/4	
5	4240032	AR	Tie-Strap (Not Shown)	
6	4460488	AR	Mounting Base (Not Shown)	
7	4751400	2	Washer 1/4	
8	4811700	4	Washer M6	
9	1001142683	1	Module, Control Beacon	
10	1001142719	1	Bracket	
11	1001217005	1	Blue Beacon Light Kit (See Items 101-105 for Breakdown)	
12	1001142736	1	Harness, Beacon Control (Not Shown - See Separate Breakdown in ELECTRICAL SECTION)	
101	3312602	1	Nut 1/4	
102	3900085	2	Screw 10 x 1/2	
103	4751000	2	Washer #10	
104	1001149994	1	Mount, Beacon	
105	1001200910	1	Light, Strobe	
105	7028909	1	Connector - 2 Position	
105	4460943	2	Pin, Male	

# SECTION 2 - TURNTABLE

FIGURE 2-45. STROBE LIGHT INSTALLATION (RED) (SN 0300216184 through 0300217081)



ART\_1001207309



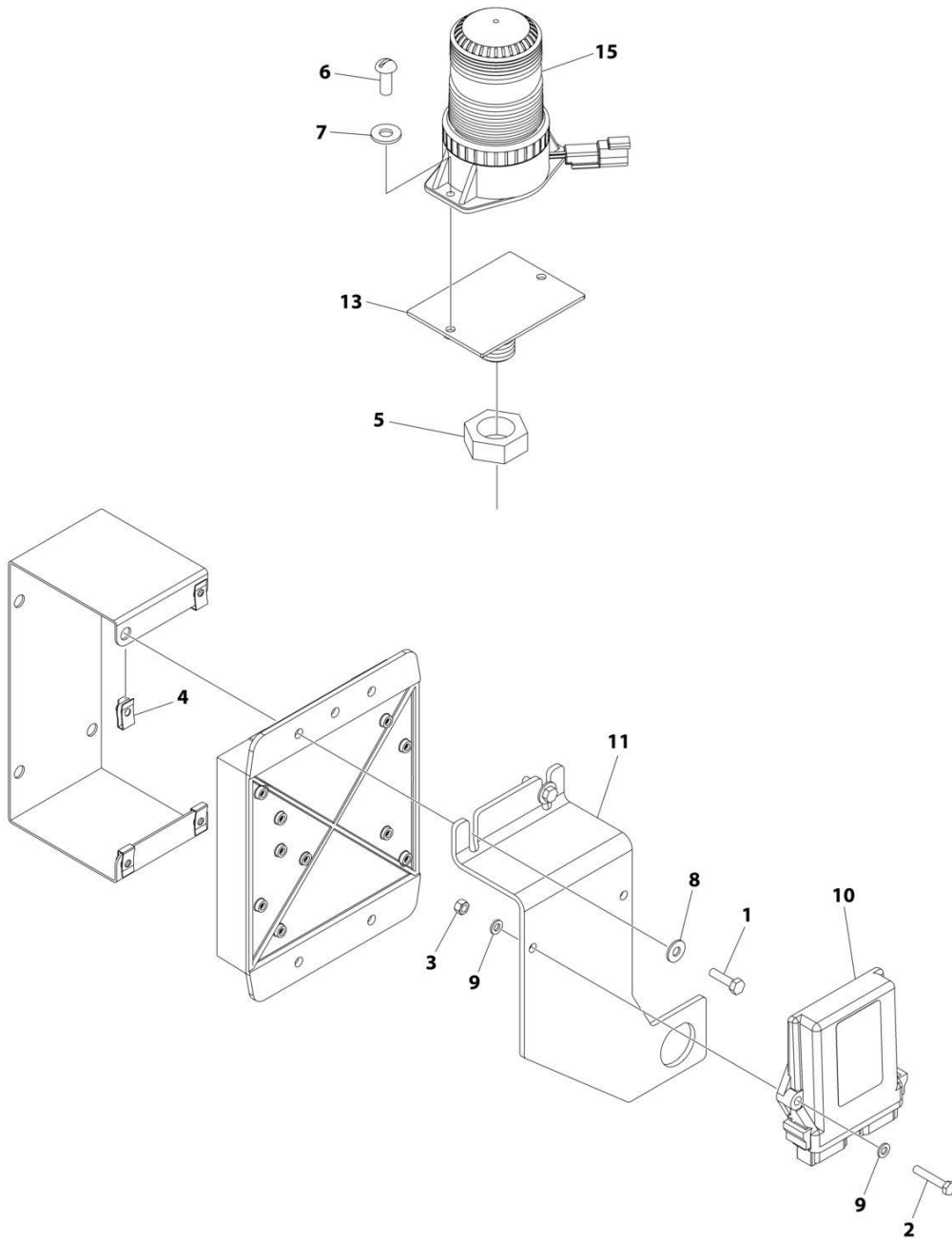
## SECTION 2 - TURNTABLE

**FIGURE 2-45. STROBE LIGHT INSTALLATION (RED) (SN 0300216184 through 0300217081)**

ITEM	PART NUMBER	QTY	DESCRIPTION	REV
	1001207309	Ref	STROBE LIGHT INSTALLATION (RED) (SN 0300216184 through 0300217081)	B
1	0641408	2	Bolt 1/4 x 1	
2	0642612	1	Bolt 1 x 1-1/2	
3	0700615	2	Bolt M6 x 35	
4	3290607	2	Nut M6 x 1	
5	3300454	2	Nut	
6	3311005	3	Nut #10	
7	3911012	3	Screw 10 x 3/4	
8	4711000	3	Washer #10	
9	4712600	1	Washer 1	
10	4751400	2	Washer 1/4	
11	4811700	4	Washer M6	
12	1001142683	1	Module, Control Beacon	
13	1001142694	1	Bracket	
14	1001142719	1	Bracket	
15	1001142736	1	Harness, Beacon Control (Not Shown) (See Separate Breakdown in ELECTRICAL SECTION)	
18	1001197067	NLA	Light, Strobe (Use p/n 1001210693 & 1001207004)	
18	7028909	1	Connector - 2 Position	
18	4460943	2	Pin, Male	

# SECTION 2 - TURNTABLE

FIGURE 2-46. STROBE LIGHT INSTALLATION (RED) (SN 0300217082 through 0300256988)



ART\_1001209873

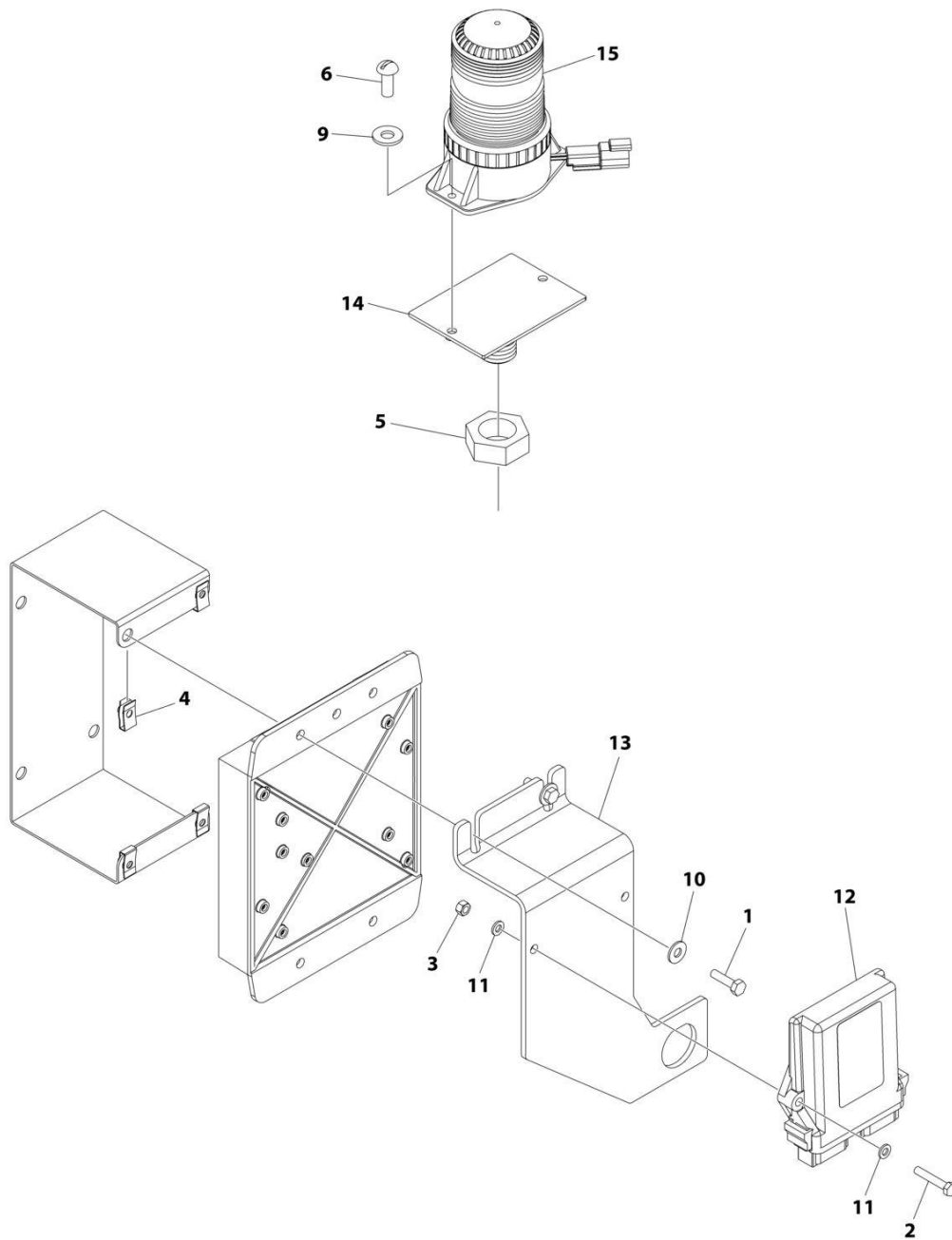
## SECTION 2 - TURNTABLE

**FIGURE 2-46. STROBE LIGHT INSTALLATION (RED) (SN 0300217082 through 0300256988)**

ITEM	PART NUMBER	QTY	DESCRIPTION	REV
	1001209873	Ref	STROBE LIGHT INSTALLATION (RED)	E
1	0641408	2	Bolt 1/4 x 1	
2	0700615	2	Bolt M6 x 35	
3	3290607	2	Nut M6 x 1	
4	3300454	2	Nut	
5	3312602	1	Nut 1	
6	3900085	2	Screw 10 x 1/2	
7	4751000	2	Washer #10	
8	4751400	2	Washer 1/4	
9	4811700	4	Washer M6	
10	1001142683	1	Module, Control Beacon	
11	1001142719	1	Bracket	
12	1001142736	1	Harness, Beacon Control (Not Shown) (See Separate Breakdown in ELECTRICAL SECTION)	
13	1001149994	1	Mount, Beacon	
15	1001207004	1	Light, Strobe	
15	7028909	1	Connector - 2 Position	
15	4460943	2	Pin, Male	
16	4240032	AR	Tie-Strap (Not Shown) (SN 0300233745 through 0300256988)	
17	4460488	AR	Mount, Tie Strap (Not Shown) (SN 0300233745 through 0300256988)	

## SECTION 2 - TURNTABLE

FIGURE 2-47. STROBE LIGHT INSTALLATION (RED) (SN 03002589 through 0300272504)



ART\_1001244027

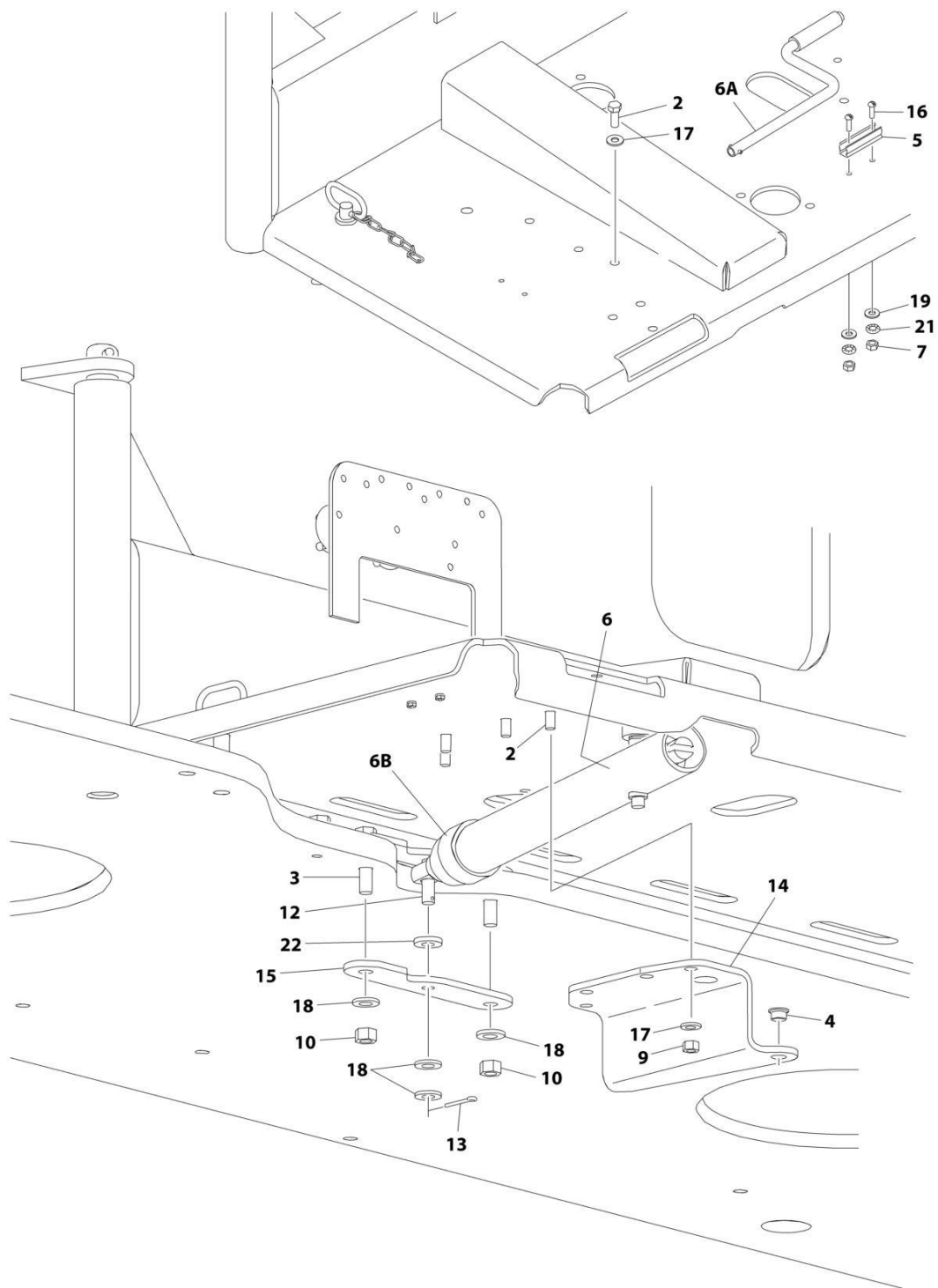
# SECTION 2 - TURNTABLE

**FIGURE 2-47. STROBE LIGHT INSTALLATION (RED) (SN 03002589 through 0300272504)**

ITEM	PART NUMBER	QTY	DESCRIPTION	REV
	1001244027	Ref	STROBE LIGHT INSTALLATION (RED)	A
1	0641408	2	Bolt 1/4 x 1	
2	0700615	2	Bolt M6 x 35	
3	3290607	2	Nut M6 x 1	
4	3300454	2	Nut	
5	3312602	1	Nut 1	
6	3900085	2	Screw 10 x 1/2	
7	4240032	AR	Tie-Strap (Not Shown)	
8	4460488	AR	Mounting Base (Not Shown)	
9	4751000	2	Washer #10	
10	4751400	2	Washer 1/4	
11	4811700	4	Washer M6	
12	1001142683	1	Module, Control Beacon	
13	1001142719	1	Bracket	
14	1001149994	1	Mount, Beacon	
15	1001207004	1	Light, Strobe	
15	7028909	1	Connector - 2 Position	
15	4460943	2	Pin, Male	
16	1001142736	1	Harness, Beacon Control (Not Shown - See Separate Breakdown in ELECTRICAL SECTION)	

## SECTION 2 - TURNTABLE

FIGURE 2-48. ENGINE TRAY JACK INSTALLATION - DEUTZ TD2011 ENGINES



ART\_0272064

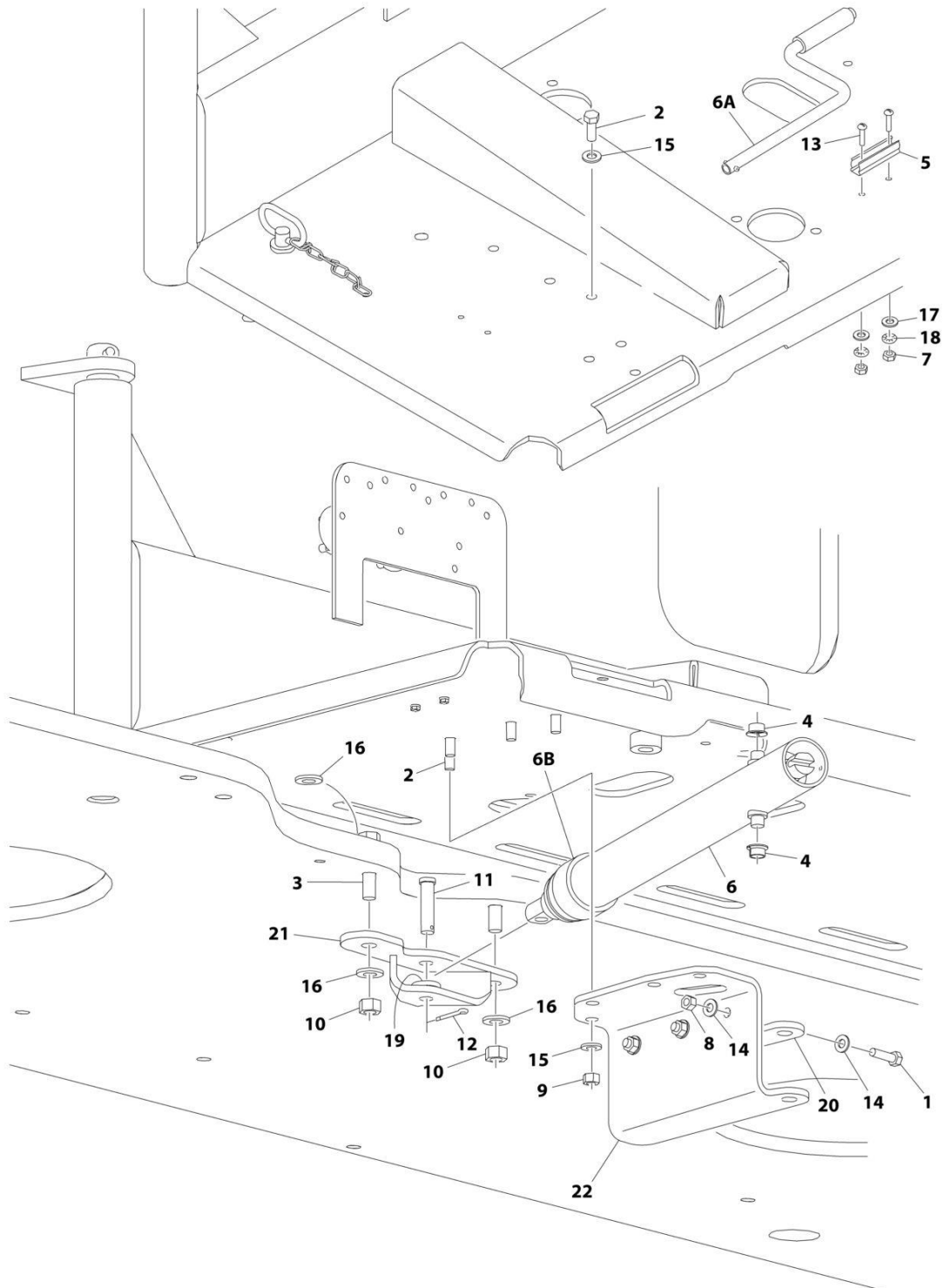
**SECTION 2 - TURNTABLE**

**FIGURE 2-48. ENGINE TRAY JACK INSTALLATION - DEUTZ TD2011 ENGINES**

ITEM	PART NUMBER	QTY	DESCRIPTION	REV
	0272064	Ref	ENGINE TRAY JACK INSTALLATION - DEUTZ TD2011 ENGINES	C
2	0641608	4	Bolt 3/8 x 1	
3	0641818	2	Bolt 1/2 x 2-1/4	
4	0962051	2	Bearing, Flanged	
5	1380147	1	Clip, Spring	
6	2840016	1	Jack and Handle Assembly	
6A		Ref	Handle Options:	
6A	7016374	1	Burr Manufacturing Brand	
6A	7024598	1	Hammerblow Corp Brand	
6B	7016322	1	Wiper (Burr Manufacturing Brand Only)	
7	3310601	2	Nut #6	
9	3311605	4	Nut 3/8	
10	3311805	2	Nut 1/2	
12	3430816	1	Pin, Clevis	
13	3450404	1	Pin, Cotter 1/8 x 1	
14	3537445	1	Bracket	
15	3573454	2	Plate	
16	3910608	2	Screw #6 x 1/2	
17	4711600	8	Washer 3/8	
18	4711800	4	Washer 1/2	
19	4750600	2	Washer #6	
21	4770600	2	Starwasher #6	
22	4891800	1	Washer 1/2	

## SECTION 2 - TURNTABLE

FIGURE 2-49. ENGINE TRAY JACK INSTALLATION - DEUTZ TD2.9L4/TCD2.9L4 ENGINES AND DEUTZ TCD2.9L4 (STAGE V) ENGINES



ART\_1001143294



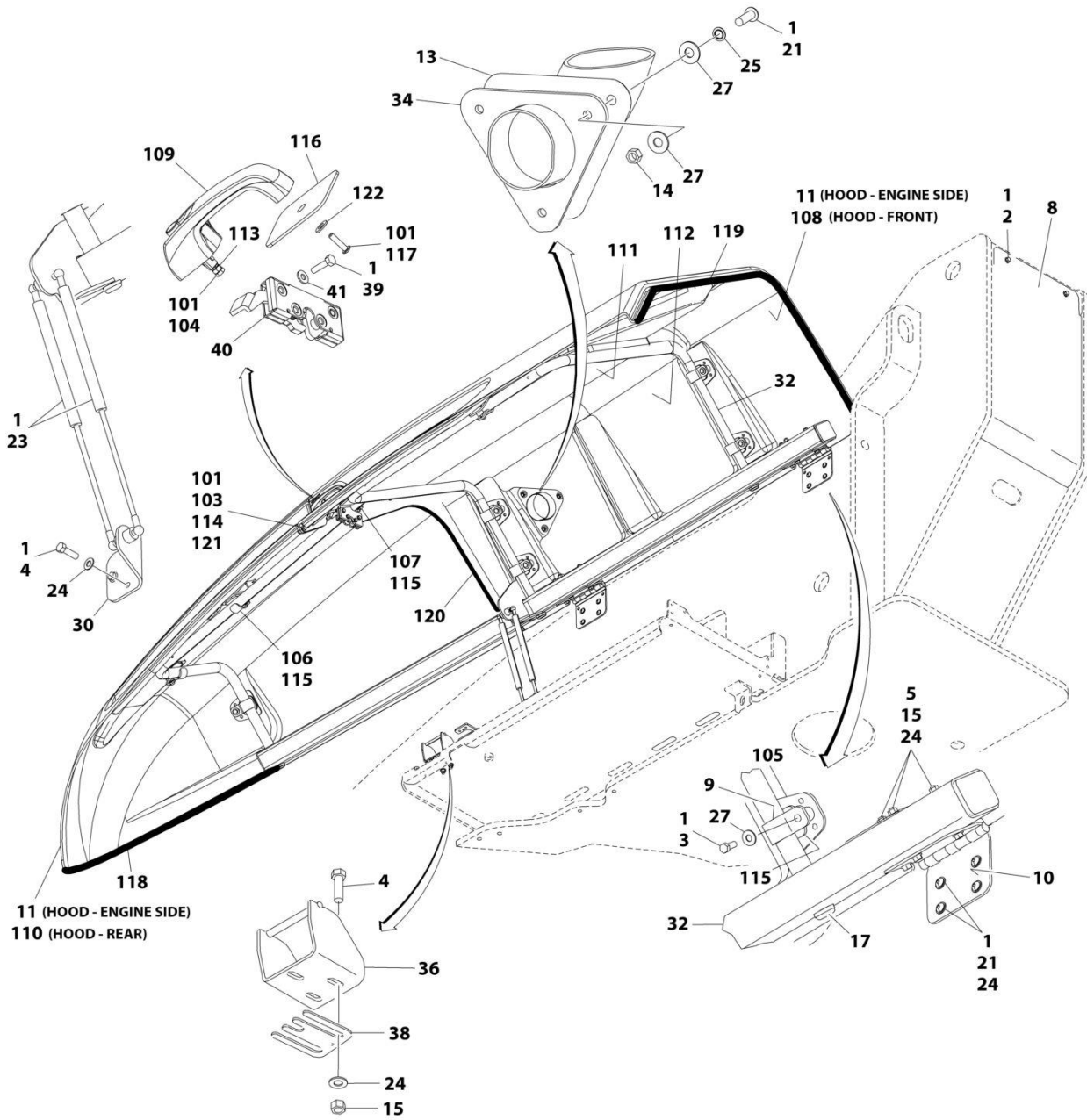
## SECTION 2 - TURNTABLE

**FIGURE 2-49. ENGINE TRAY JACK INSTALLATION - DEUTZ TD2.9L4/TCD2.9L4 ENGINES AND DEUTZ TCD2.9L4 (STAGE V) ENGINES**

ITEM	PART NUMBER	QTY	DESCRIPTION	REV
	1001143294	Ref	ENGINE TRAY JACK INSTALLATION - DEUTZ TD2.9L4/TCD2.9L4 ENGINES AND DEUTZ TCD2.9L4 (STAGE V) ENGINES	A
1	0641509	3	Bolt 5/16 x 1-1/8	
2	0641608	4	Bolt 3/8 x 1	
3	0641816	2	Bolt 1/2 x 2	
4	0962051	2	Bearing, Flanged	
5	1380147	1	Clip, Spring	
6	2840016	1	Jack and Handle Assembly	
6A		Ref	Handle Options:	
6A	7016374	1	Burr Manufacturing Brand (Identified by 4in handle offset)	
6A	7024598	1	Hammerblow Corp Brand (Identified by 4-1/2in handle offset)	
6B	7016322	1	Wiper (Burr Manufacturing Brand Only)	
7	3310601	2	Nut #6	
8	3311505	3	Nut 5/16	
9	3311605	4	Nut 3/8	
10	3311805	2	Nut 1/2	
11	3430816	1	Pin, Clevis	
12	3450404	1	Pin, Cotter 1/8 x 1	
13	3910608	2	Screw #6 x 1/2	
14	4711500	6	Washer 5/16	
15	4711600	8	Washer 3/8	
16	4711800	4	Washer 1/2	
17	4750600	2	Washer #6	
18	4770600	2	Starwasher #6	
19	4891800	1	Washer 1/2	
20	1001131482	1	Plate, Jack Bracket	
21	1001135663	1	Support, Engine Tray Jack	
22	1001143298	1	Plate, Jack Bracket	

# SECTION 2 - TURNTABLE

## FIGURE 2-50. HOOD INSTALLATIONS - DEUTZ TD2011 ENGINES (ABS)



ART\_0271595\_10F2



## SECTION 2 - TURNTABLE

**FIGURE 2-50. HOOD INSTALLATIONS - DEUTZ TD2011 ENGINES (ABS)**

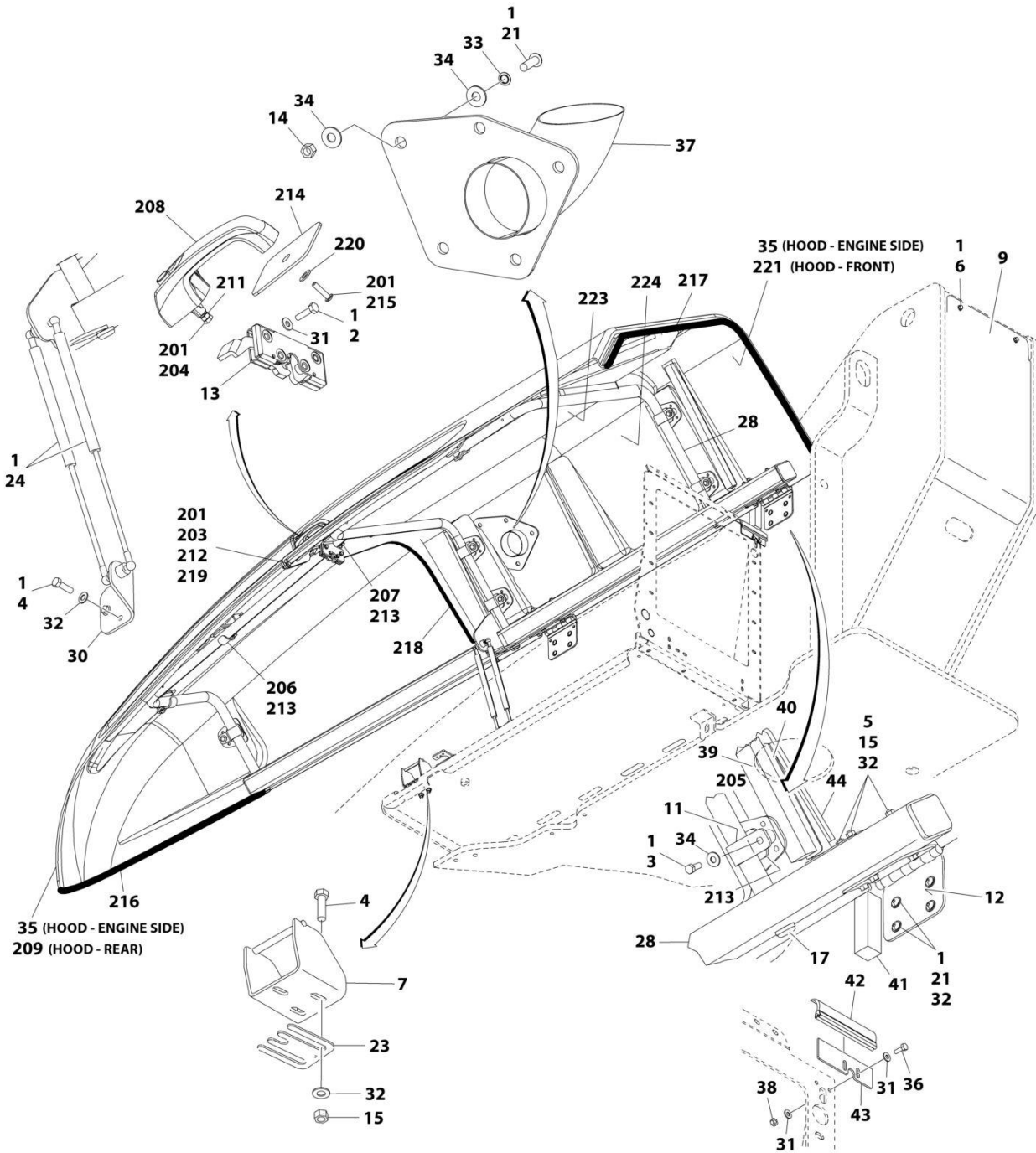
ITEM	PART NUMBER	QTY	DESCRIPTION	REV
	0271595	Ref	HOOD INSTALLATIONS - DEUTZ TD2011 ENGINES (ABS)	F
1	0100011	AR	Compound, Locking	
2	0791604	2	Screw 3/8 x 1/2	
3	0641608	24	Bolt 3/8 x 1	
4	0641610	12	Bolt 3/8 x 1-1/4	
5	0641630	12	Bolt 3/8 x 3-3/4	
6	0903156	1	Bracket	
8	1671038	1	Cover, Turntable	
9	2080051	16	Clamp	
10	2600280	4	Hinge	
11	1671192	1	Hood, Engine Side (See Items 101-123 for Breakdown)	
		Ref	Note: Replacement decals must be ordered separately - See DECAL SECTION.	
12	1671194	1	Hood, Tank Side (See Items 201-225 for Breakdown)	
		Ref	Note: Replacement decals must be ordered separately - See DECAL SECTION.	
13	2820141	1	Shield, Heat	
14	3311601	5	Nut 3/8	
15	3311605	18	Nut 3/8	
17	3520186	6	Plug	
18	3573231	1	Trough, Powertrack	
19	3573232	1	Mount, Trough	
20	3573233	1	Plate, Seal Mounting	
21	3900232	21	Screw 3/8 x 1-1/4	
22	3900283	16	Screw 3/8 x 3/4	
23	4160194	4	Spring, Gas	
24	4711600	70	Washer 3/8	
25	4740500	3	Washer, Nylon	
27	4751600	38	Washer 3/8	
28	4340923	1	Support, Rear Hood	
29	4340924	1	Support, Front Hood	
30	4341001	1	Mount, Gas Spring	
31	4340999	1	Mount, Gas Spring	
32	4340996	1	Support, Engine Side Hood	
33	4340995	1	Support, Tank Side Hood	
34	4846503	1	Stack, Exhaust	
36	0903154	1	Bracket, Latch	
37	3520034	2	Plug (Not Shown - Located in Boom Rest)	
38	4071048	2	Shim	
39	0641408	8	Bolt 1/4 x 1	
40	2940173	2	Latch, Rotary	
41	4711400	8	Washer 1/4	
	1671192	Ref	ENGINE SIDE HOOD ASSEMBLIES (ABS)	B
101	0100011	AR	Compound, Locking	
102	0100081	AR	Adhesive (Not Shown)	
103	0641506	10	Bolt 5/16 x 3/4	
104	0760608	1	Screw M6 x 16	
105	0902746	7	Bracket	
106	0902761	1	Bracket	
107	0903161	1	Bracket	

**SECTION 2 - TURNTABLE**

ITEM	PART NUMBER	QTY	DESCRIPTION	REV
108	1671191	1	Hood - Front	
109	2560187	1	Handle, Push Button	
110	2680496	1	Hood - Rear	
111	2820145	1	Insulation	
112	2820146	1	Insulation	
113	3290601	1	Nut M6 x 1	
114	3311501	10	Nut 5/16	
115	3340877	9	Pad	
116	3575782	1	Plate, Handle Backing	
117	3900363	2	Screw M6 x 1 x 25	
118	3960464	12 ft /3.7m	Seal, Hood	
119	4060804	61 in /1.6m	Flex-Trim	
120	4060806	49 in /1.3m	Flex-Trim	
121	4751500	20	Washer 5/16	
122	4811900	2	Washer M8	
	1671194	Ref	TANK SIDE HOOD ASSEMBLY (ABS)	A
201	0100011	AR	Compound, Locking	
202	0100081	AR	Adhesive (Not Shown)	
203	0641506	9	Bolt 5/16 x 3/4	
204	0760608	1	Screw M6 x 16	
205	0902746	4	Bracket	
206	0902762	1	Bracket	
207	0902763	1	Bracket	
208	0903162	1	Bracket	
209	1671193	1	Hood - Front	
210	2560187	1	Handle, Push Button	
211	2680498	1	Hood - Rear	
212	3290601	1	Nut M6	
213	3311501	9	Nut 5/16	
214	3340877	7	Pad	
215	3900363	2	Screw M6 x 1 x 25	
216	3960464	149 in /3.8m	Seal, Hood	
217	4060804	53 in /1.4m	Flex-Trim	
218	4060806	40 in /1.2m	Flex-Trim	
219	4240150	1	Strap, Ground	
220	4751500	18	Washer 5/16	
221	4811900	2	Washer M8	

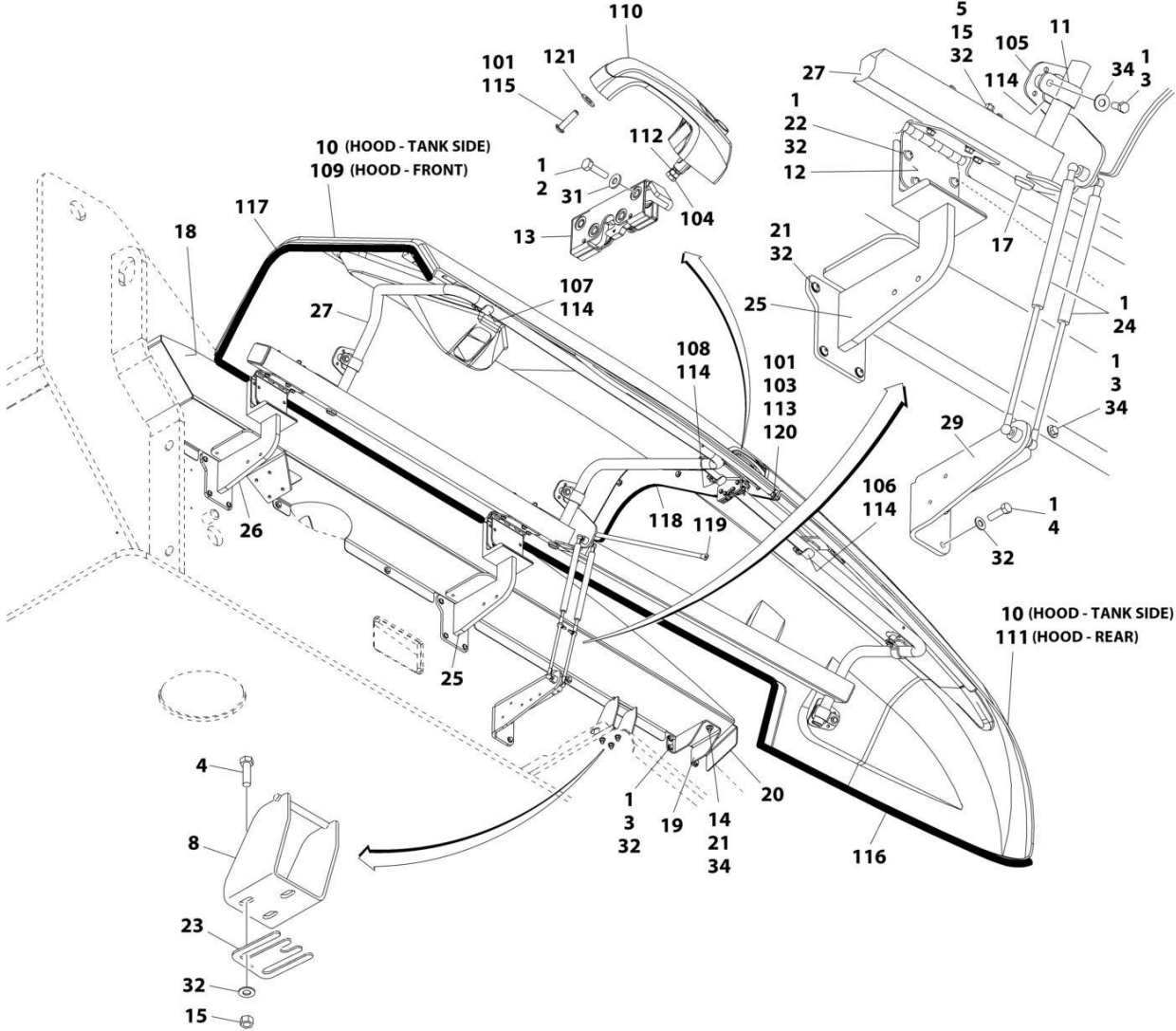
# SECTION 2 - TURNTABLE

FIGURE 2-51. HOOD INSTALLATION - DEUTZ TCD2.9L4 ENGINES (ABS)



ART\_1001142024\_10F2

# SECTION 2 - TURNTABLE



ART\_1001142024\_2OF2

## SECTION 2 - TURNTABLE

FIGURE 2-51. HOOD INSTALLATION - DEUTZ TCD2.9L4 ENGINES (ABS)

ITEM	PART NUMBER	QTY	DESCRIPTION	REV
	1001142024	Ref	HOOD INSTALLATION - DEUTZ TCD2.9L4 ENGINES (ABS)	C
1	0100011	AR	Compound, Locking	
2	0641408	8	Bolt 1/4 x 1	
3	0641608	24	Bolt 3/8 x 1	
4	0641610	12	Bolt 3/8 x 1-1/4	
5	0641630	12	Bolt 3/8 x 3-3/4	
6	0791604	2	Screw 3/8 x 1/2	
7	0903154	1	Bracket, Latch	
8	0903156	1	Bracket	
9	1671038	1	Cover, Turntable	
10	1671194	1	Hood, Tank Side (See Items 101-121 for Breakdown)	
		Ref	Note: Replacement decals must be ordered separately - See DECAL SECTION.	
11	2080051	16	Clamp	
12	2600280	4	Hinge	
13	2940173	2	Latch, Rotary	
14	3311601	7	Nut 3/8	
15	3311605	18	Nut 3/8	
16	3520034	2	Plug (Not Shown - Located in Boom Rest)	
17	3520186	6	Plug	
18	3573231	1	Trough, Powertrack	
19	3573232	1	Mount, Trough	
20	3573233	1	Plate, Seal Mounting	
21	3900232	23	Screw 3/8 x 1-1/4	
22	3900283	16	Screw 3/8 x 3/4	
23	4071048	2	Shim	
24	4160194	4	Spring, Gas	
25	4340923	1	Support, Rear Hood	
26	4340924	1	Support, Front Hood	
27	4340995	1	Support, Tank Side Hood	
28	4340996	1	Support, Engine Side Hood	
29	4340999	1	Mount, Gas Spring	
30	4341001	1	Mount, Gas Spring	
31	4711400	12	Washer 1/4	
32	4711600	70	Washer 3/8	
33	4740500	5	Washer, Nylon	
34	4751600	42	Washer 3/8	
35	1001142023	1	Hood, Engine Side (See Items 201-224 for Breakdown)	
		Ref	Note: Replacement decals must be ordered separately - See DECAL SECTION.	
36	0641406	2	Bolt 1/4 x 3/4	
37	1001142181	1	Stack, Exhaust	
38	3311405	2	Nut 1/4	
39	1001140485	1	Seal	
40	1001142144	1	Bracket	
41	1001146132	1	Seal	
42	1001146178	1	Seal	
43	1001146183	1	Plate	
44	1001146142	1	Seal	
	1671194	Ref	TANK SIDE HOOD ASSEMBLY (ABS)	A

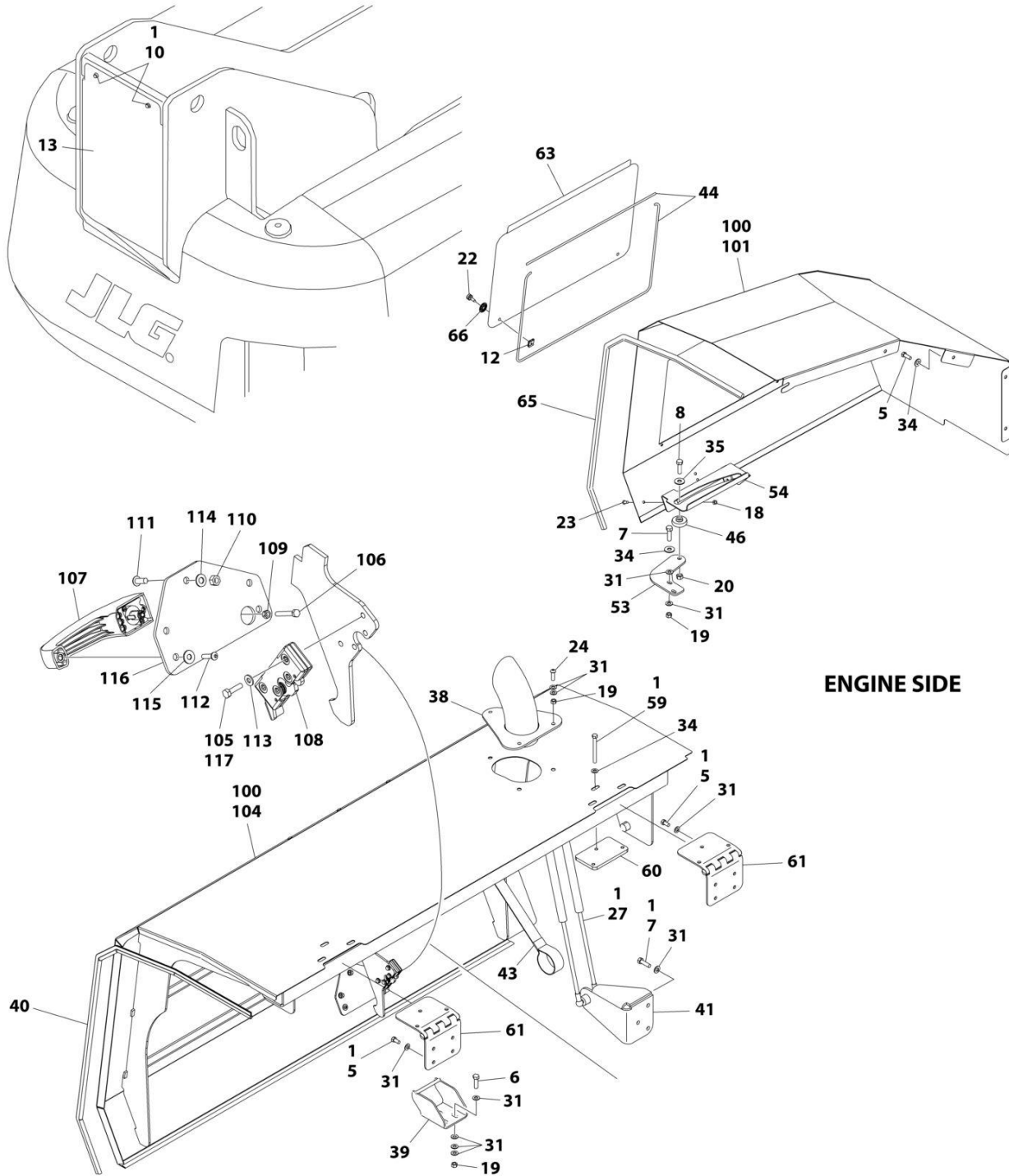


## SECTION 2 - TURNTABLE

ITEM	PART NUMBER	QTY	DESCRIPTION	REV
101	0100011	AR	Compound, Locking	
102	0100081	AR	Adhesive (Not Shown)	
103	0641506	9	Bolt 5/16 x 3/4	
104	0760608	1	Screw M6 x 16	
105	0902746	4	Bracket	
106	0902762	1	Bracket	
107	0902763	1	Bracket	
108	0903162	1	Bracket	
109	1671193	1	Hood - Front	
110	2560187	1	Handle, Push Button	
111	2680498	1	Hood - Rear	
112	3290601	1	Nut M6	
113	3311501	9	Nut 5/16	
114	3340877	7	Pad	
115	3900363	2	Screw M6 x 25	
116	3960464	12.4 ft /3.8m	Seal, Hood	
117	4060804	4.4 ft /1.4m	Flex-Trim	
118	4060806	3.3 ft /1.2m	Flex-Trim	
119	4240150	1	Strap, Ground	
120	4751500	18	Washer 5/16	
121	4811900	2	Washer M8	
	1001142023	Ref	ENGINE SIDE HOOD ASSEMBLY (ABS)	D
201	0100011	AR	Compound, Locking	
202	0100081	AR	Adhesive (Not Shown)	
203	0641510	10	Bolt 5/16 x 1-1/4	
204	0760608	1	Screw M6 x 16	
205	0902746	7	Bracket	
206	0902761	1	Bracket	
207	0903161	1	Bracket	
208	2560187	1	Handle, Push Button	
209	2680496	1	Hood - Rear	
211	3290601	1	Nut M6	
212	3311501	10	Nut 5/16	
213	3340877	9	Pad	
214	3575782	1	Plate, Handle Backing	
215	3900363	2	Screw M6 x 25	
216	3960464	12 ft /3.7m	Seal, Hood	
217	4060804	5.1 ft /1.6m	Flex-Trim	
218	4060806	4.1 ft /1.3m	Flex-Trim	
219	4751500	20	Washer 5/16	
220	4811900	2	Washer M8	
221	1001142021	1	Hood - Front	
		Ref	Note: When installing a replacement hood, heat shields (item 223) must be installed on the replacement hood before being place in service. Heat shield must be purchased separately.	
223	1001152566	AR	Insulation	
224	1001117140	AR	Tape, Aluminized	

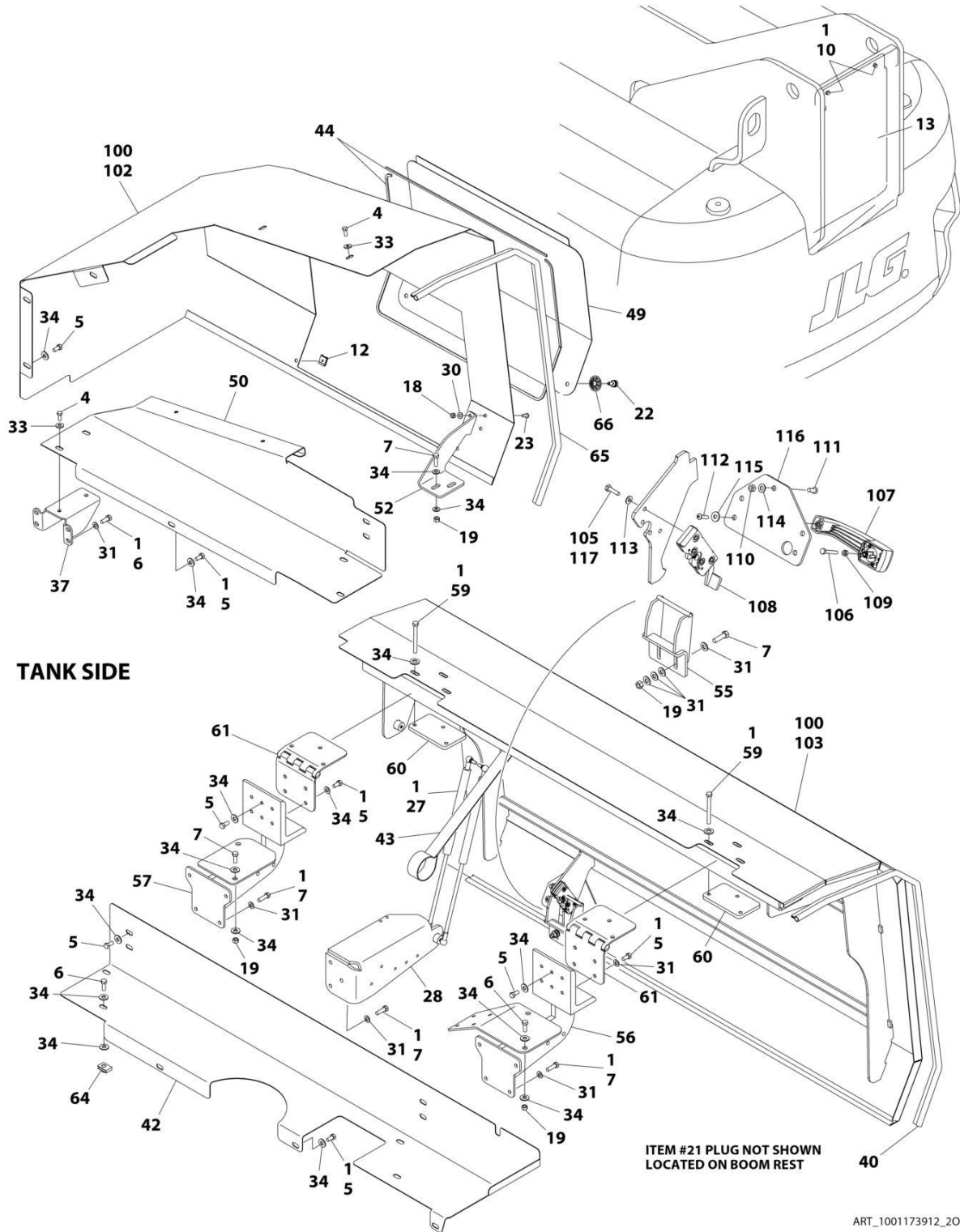
# SECTION 2 - TURNTABLE

## FIGURE 2-52. HOOD INSTALLATION - DEUTZ TD2011/TD2.9L4 ENGINES (STEEL)



ART\_1001173912\_10F2

# SECTION 2 - TURNTABLE



ART\_1001173912\_20F2

## SECTION 2 - TURNTABLE

FIGURE 2-52. HOOD INSTALLATION - DEUTZ TD2011/TD2.9L4 ENGINES (STEEL)

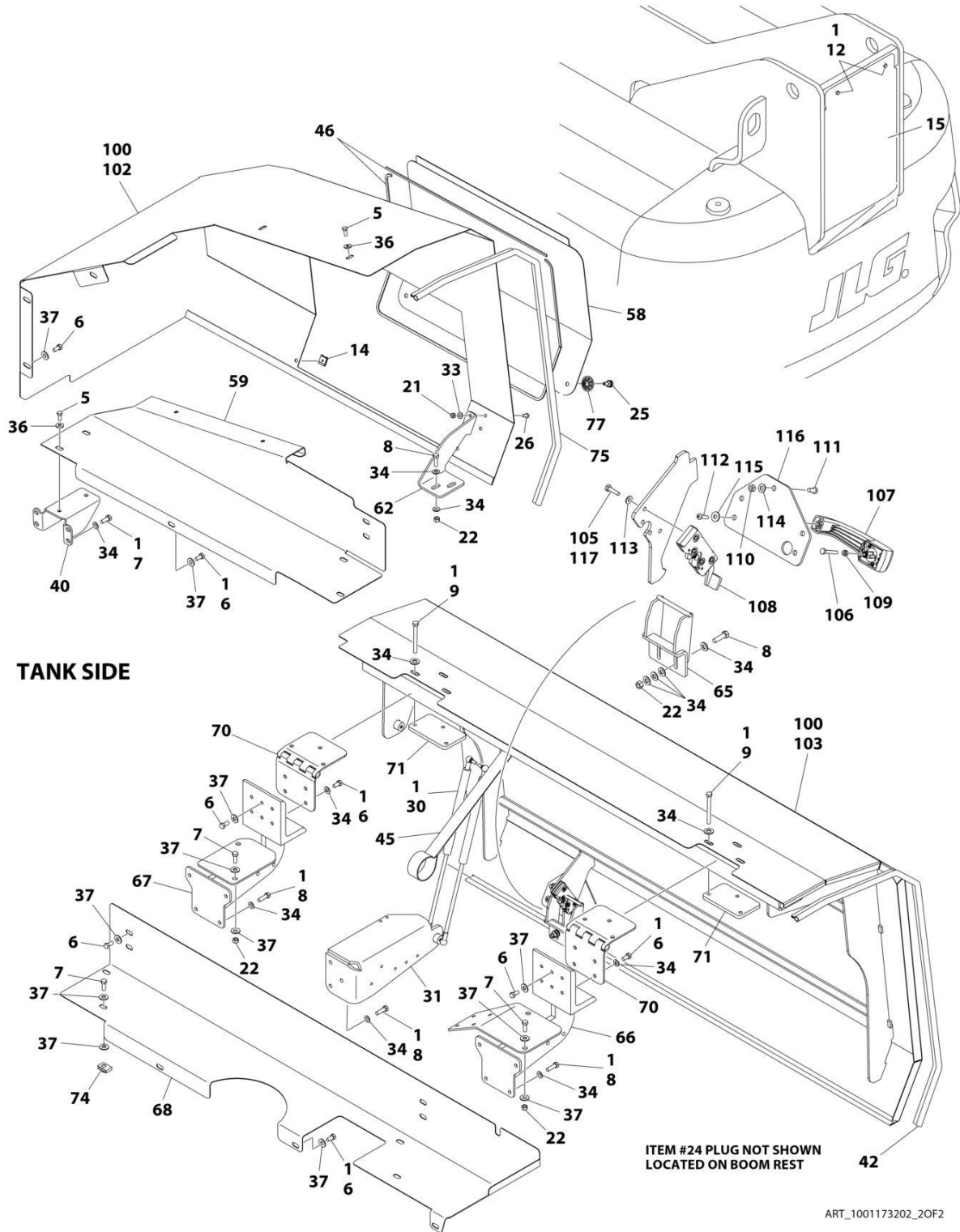
ITEM	PART NUMBER	QTY	DESCRIPTION	REV
	1001173912	Ref	HOOD INSTALLATION - DEUTZ TD2011/TD2.9L4 ENGINES (STEEL)	H
		Ref	Note: Replacement Decals Must be Ordered Separately - See DECAL SECTION.	
1	0100011	AR	Compound, Locking	
4	0641506	AR	Bolt 5/16 x 3/4	
5	0641606	32	Bolt 3/8 x 3/4	
6	0641608	8	Bolt 3/8 x 1	
7	0641610	AR	Bolt 3/8 x 1-1/4	
8	0641813	1	Bolt 1/2 x 1-5/8	
10	0791604	2	Screw 3/8 x 1/2	
12	1380169	4	Clip	
13	1671038	1	Cover	
18	3311505	5	Nut 5/16	
19	3311605	AR	Nut 3/8	
20	3311805	1	Nut 1/2	
21	3520034	2	Plug, Hole	
22	3900174	4	Screw, Thumb	
23	3900210	5	Screw 5/16 x 3/4	
24	3900232	3	Screw 3/8 x 1-1/4	
27	4160194	4	Spring, Gas	
28	4340999	1	Mount, Gas Spring	
30	4711500	2	Washer 5/16	
31	4711600	64	Washer 3/8	
33	4751500	4	Washer 5/16	
34	4751600	AR	Washer 3/8	
35	4751800	1	Washer 1/2	
37	1001109759	1	Support, Power Track Trough (SN 0300201016 through 0300225809)	
37	3573232	1	Support, Power Track Trough (SN 0300225810 through 0300272504, SN B300002238 through B300007118, Except SN 0300272455 through 0300272461)	
38	1001110027	1	Stack, Exhaust	
39	1001110194	1	Bracket, Striker	
40	1001110433	AR	Seal	
41	1001110486	1	Mount, Gas Spring	
42	1001175859	1	Plate, Power Track Trough	
43	1001112691	2	Strap, Hand Pull	
44	1001113047	14.5 ft/ 4.4m	Seal	
46	1001131462	1	Pad, Hood Slide	
49	1001173166	1	Cover, Access (Tank Side)	
50	1001173170	1	Plate, Power Track Trough	
52	1001173185	1	Plate, Mounting	
53	1001173186	1	Bracket, Engine Tray	
54	1001173187	1	Bracket, Engine Tray	
55	1001173188	1	Bracket, Hood Latch	
56	1001173647	1	Support, Front Hood	
57	1001173651	1	Support, Front Hood	
59	0641630	12	Bolt 3/8 x 3-3/4	
60	1001175880	4	Plate	

## SECTION 2 - TURNTABLE

ITEM	PART NUMBER	QTY	DESCRIPTION	REV
61	1001175879	4	Hinge, Offset Hood	D
63	1001180051	1	Cover, Access (Engine Side)	
64	88662523	4	Nut, Tinnerman	
65	3960447	10 ft/ 3.1m	Seal, Self-Gripping	
66	3760308	4	Retainer <b>(SN 0300243050 through 0300272504, SN B300002647 through B300007118, Except SN 0300272455 through 0300272461)</b>	
100	1001175250	1	Kit, Hood	
101	1001173163	1	Hood, Engine Side - Rear	
102	1001173164	1	Hood, Tank Side - Rear	
103	1001173183	1	Hood, Tank Side - Front	
104	1001174331	1	Hood, Engine Side - Front	
105	0641408	8	Bolt 1/4 x 1	
106	0700616	2	Bolt M6 x 40	
107	2560187	2	Handle, Push Button	
108	2940173	2	Latch, Rotary	
109	3290601	2	Nut M6	
110	3311505	6	Nut 5/16	
111	3900210	6	Screw 5/16 x 3/4	
112	3900363	4	Screw M6 x 25	
113	4711400	8	Washer 1/4	
114	4711500	6	Washer 5/16	
115	4751400	4	Washer 1/4	
116	1001116290	2	Plate, Latch Mounting	
117	0100011	AR	Compound, Locking	



# SECTION 2 - TURNTABLE



ART\_1001173202\_2OF2

## SECTION 2 - TURNTABLE

FIGURE 2-53. HOOD INSTALLATION - DEUTZ TCD2.9L4 ENGINES (STEEL)

ITEM	PART NUMBER	QTY	DESCRIPTION	REV
	1001173202	Ref	HOOD INSTALLATION - DEUTZ TCD2.9L4 ENGINES (STEEL)	I
		Ref	Note: Replacement Decals Must be Ordered Separately - See DECAL SECTION.	
1	0100011	AR	Compound, Locking	
3	0641406	2	Bolt 1/4 x 3/4	
5	0641506	AR	Bolt 5/16 x 3/4	
6	0641606	32	Bolt 3/8 x 3/4	
7	0641608	8	Bolt 3/8 x 1	
8	0641610	AR	Bolt 3/8 x 1-1/4	
9	0641630	12	Bolt 3/8 x 3-3/4	
10	0641813	1	Bolt 1/2 x 1-5/8	
12	0791604	2	Screw 3/8 x 1/2	
14	1380169	4	Clip	
15	1671038	1	Cover	
20	3311405	2	Nut 1/4	
21	3311505	5	Nut 5/16	
22	3311605	AR	Nut 3/8	
23	3311805	1	Nut 1/2	
24	3520034	2	Plug, Hole	
25	3900174	4	Screw, Thumb	
26	3900210	10	Screw 5/16 x 3/4	
27	3900232	3	Screw 3/8 x 1-1/4	
30	4160194	4	Spring, Gas	
31	4340999	1	Mount, Gas Spring	
32	4711400	4	Washer 1/4	
33	4711500	2	Washer 5/16	
34	4711600	82	Washer 3/8	
36	4751500	AR	Washer 5/16	
37	4751600	AR	Washer 3/8	
38	4751800	1	Washer 1/2	
39	8310658	5	Nut .312 x 1	
40	1001109759	1	Support, Power Track Trough (SN 0300201016 through 0300225809)	
40	3573232	1	Support, Power Track Trough (SN 0300225810 through 0300272504, Except SN 0300272455 through 0300272461)	
41	1001110194	1	Bracket, Striker	
42	1001110433	AR	Seal	
43	1001110486	1	Mount, Gas Spring	
45	1001112691	2	Strap, Hand Pull	
46	1001113047	14.5 ft/ 4.2m	Seal	
48	1001131462	1	Pad, Hood Slide	
49	1001139778	1	Stack, Exhaust	
50	1001140485	1	Seal	
51	1001145162	1	Panel, Heat Deflector	
53	1001146178	1	Seal	
54	1001146183	1	Plate	
55	1001146244	1	Seal	
58	1001173166	1	Cover, Access (Tank Side)	
59	1001173170	1	Plate, Power Track Trough	

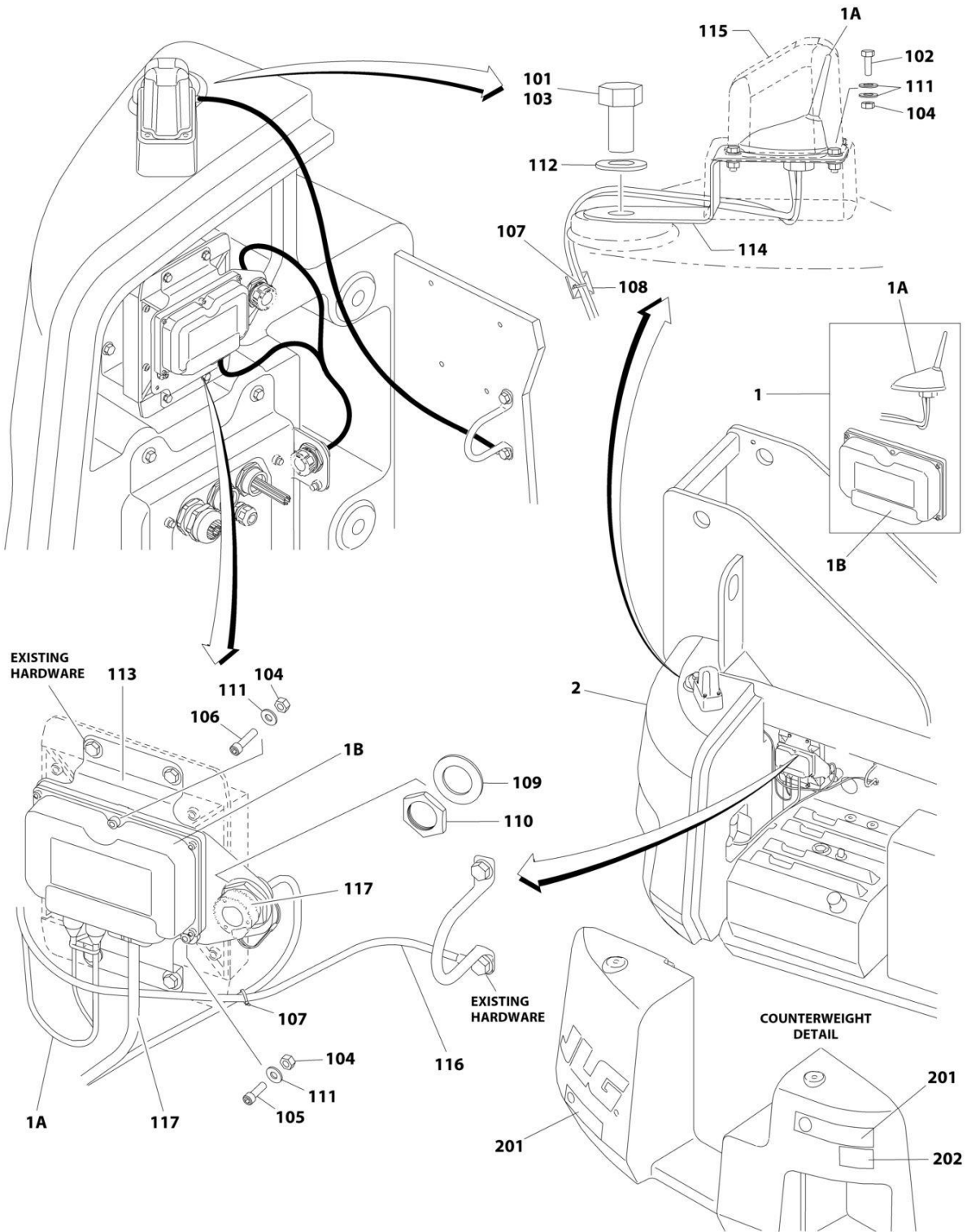


## SECTION 2 - TURNTABLE

ITEM	PART NUMBER	QTY	DESCRIPTION	REV
62	1001173185	1	Plate, Mounting	
63	1001173186	1	Bracket, Engine Tray	
64	1001173187	1	Bracket, Engine Tray	
65	1001173188	1	Bracket, Hood Latch	
66	1001173647	1	Support, Front Hood	
67	1001173651	1	Support, Front Hood	
68	1001175859	1	Plate, Power Track Trough	
70	1001175879	4	Hinge, Offset Hood	
71	1001175880	4	Plate	
73	1001180051	1	Cover, Access (Engine Side)	
74	88662523	1	Nut, Tinnerman	
75	3960447	10 ft/ 3.1m	Seal, Self-Gripping	
76	1001146132	1	Seal (SN 0300219183 through 0300272504, Except SN 0300272455 through 0300272461)	
77	3760308	4	Retainer (SN 0300243050 through 0300272504, Except SN 0300272455 through 0300272461)	
100	1001175237	1	Kit, Hood	D
101	1001173163	1	Hood, Engine Side - Rear	
102	1001173164	1	Hood, Tank Side - Rear	
103	1001173183	1	Hood, Tank Side - Front	
104	1001173184	1	Hood, Engine Side - Front	
105	0641408	8	Bolt 1/4 x 1	
106	0700616	2	Bolt M6 x 40	
107	2560187	2	Handle, Push Button	
108	2940173	2	Latch, Rotary	
109	3290601	2	Nut M6	
110	3311505	6	Nut 5/16	
111	3900210	6	Screw 5/16 x 3/4	
112	3900363	4	Screw M6 x 25	
113	4711400	8	Washer 1/4	
114	4711500	6	Washer 5/16	
115	4751400	4	Washer 1/4	
116	1001116290	2	Plate, Latch Mounting	
117	0100011	1	Compound, Locking	

# SECTION 2 - TURNTABLE

## FIGURE 2-54. CLEARSKY TELEMATICS INSTALLATION (ANSI SPECS) (OPTIONAL)



ART\_1001112988

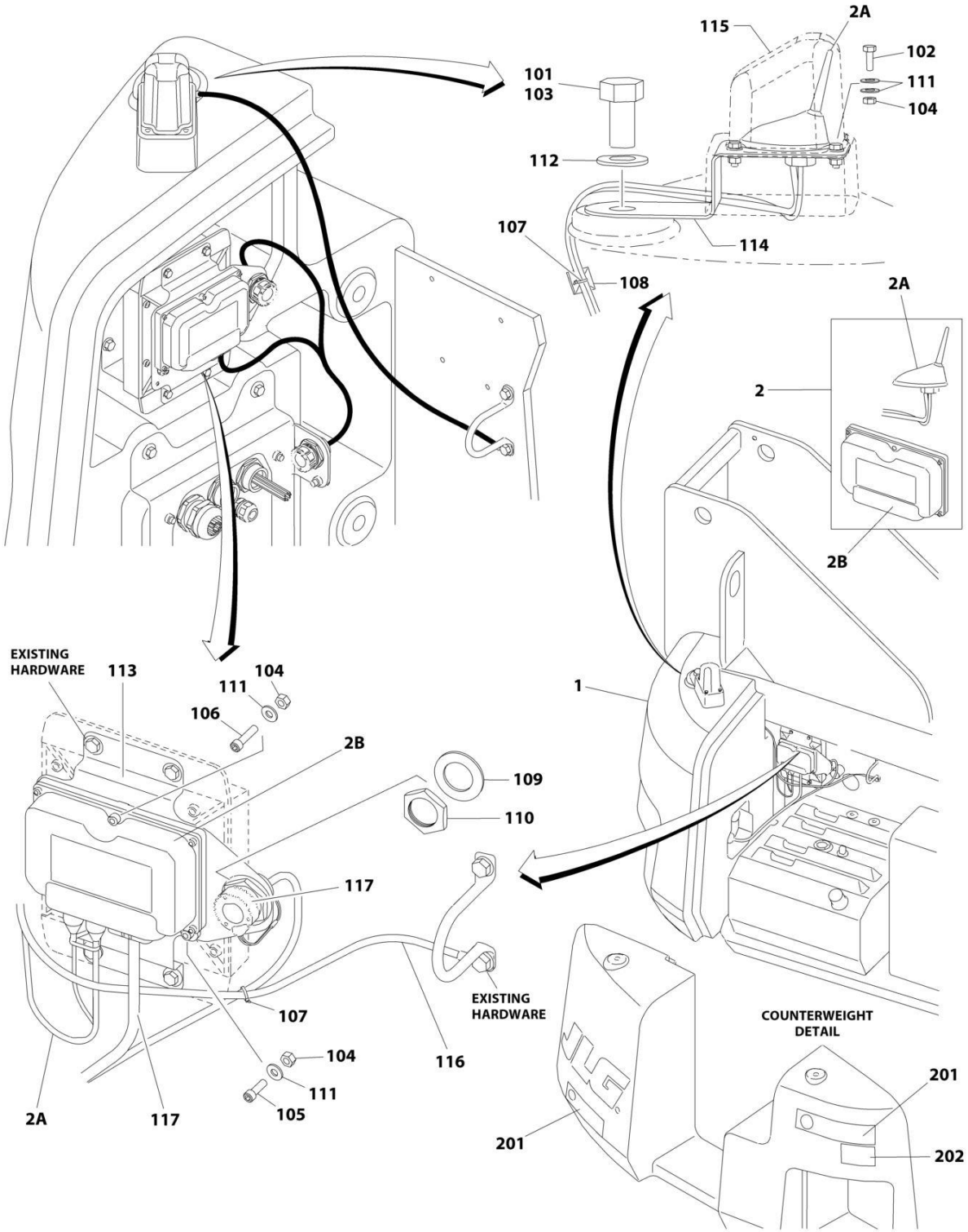
## SECTION 2 - TURNTABLE

**FIGURE 2-54. CLEARSKY TELEMATICS INSTALLATION (ANSI SPECS) (OPTIONAL)**

ITEM	PART NUMBER	QTY	DESCRIPTION	REV
	1001112988	Ref	CLEARSKY TELEMATICS INSTALLATION (ANSI SPECS) (OPTIONAL)	A
1	1001100352	Ref	Controller, Telematics Kit (Includes Items 1A & 1B)	
1A	1001100443	1	Antenna and Harness	
1B	70002293	1	Controller, Telematics	
2	1001112987	1	ClearSky Telematics Installation (See Items 101-117 for Breakdown)	
	1001112987	Ref	CLEARSKY TELEMATICS INSTALLATION	B
101	0100011	AR	Compound, Locking	
102	0641406	4	Bolt 1/4 x 3/4	
103	0642612	1	Bolt 1 x 1-1/2	
104	3311405	7	Nut 1/4	
105	3931412	2	Capscrew 1/4 x 3/4	
106	3931416	1	Capscrew 1/4 x 1	
107	4240033	AR	Strap, Tie	
108	4460488	2	Mount, Tie Strap	
109	4460496	1	Washer, Strain Relief	
110	4460497	1	Nut, Strain Relief	
111	4711400	11	Washer 1/4	
112	4712600	1	Washer 1	
113	1001100432	1	Support, Controller	
114	1001100672	1	Mount, Antenna	
115	1001100876	1	Cover	
116	1001103356	1	Ground Wire	
117	1001111914	1	Harness, Telematics (See Separate Breakdown in ELECTRICAL SECTION)	
118	1001116208	1	Decal - ClearSky	
	1001120994	Ref	CLEARSKY TELEMATICS DECALS	A
201	1001116208	2	Decal - ClearSky	
202	1001120989	1	Decal - Radio Frequency Device	

# SECTION 2 - TURNTABLE

## FIGURE 2-55. CLEARSKY TELEMATICS CONTROLLERS (ANSI EXPORT - BRAZIL AND NEW ZEALAND SPECS) (OPTIONAL)



ART\_1001127092

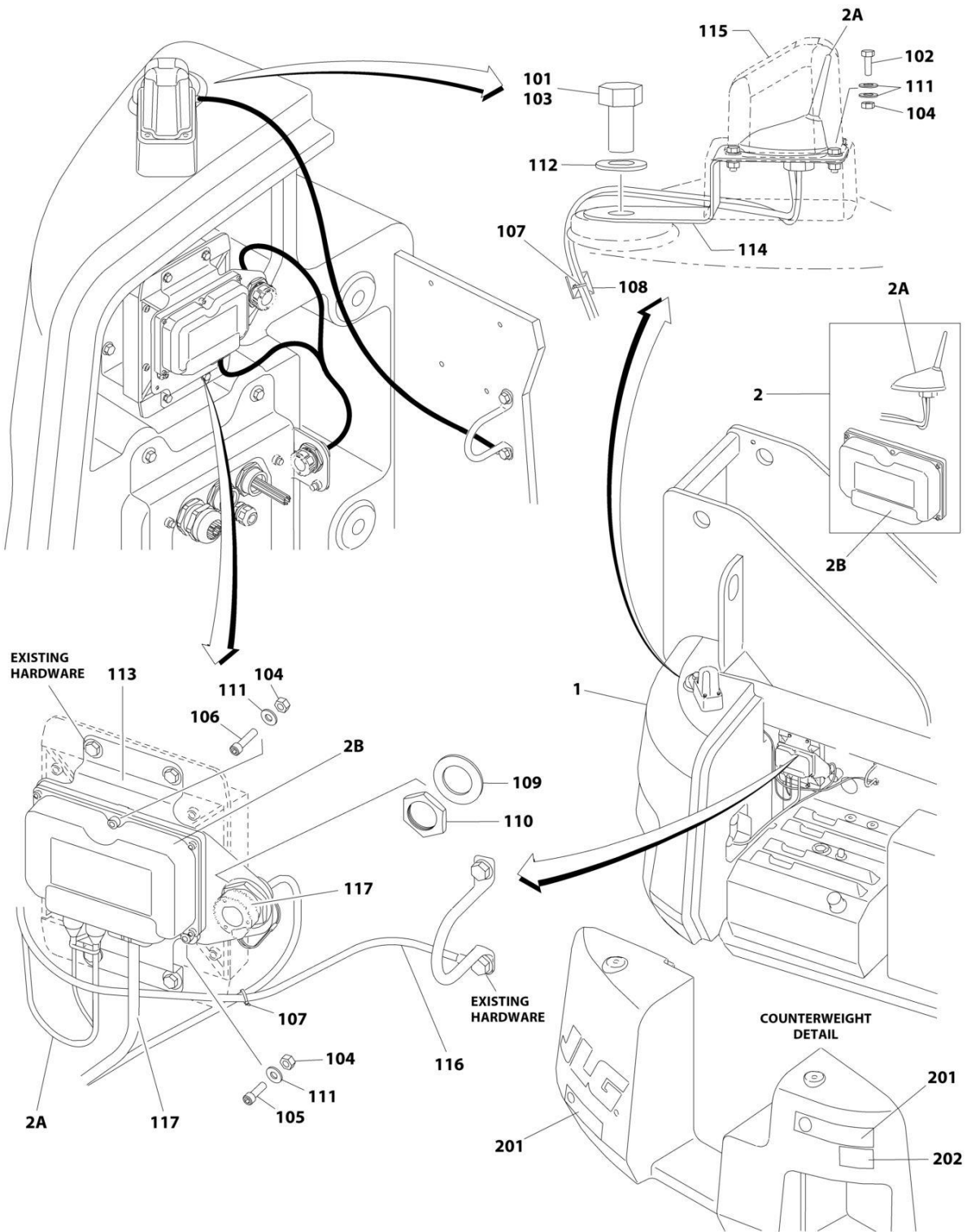
## SECTION 2 - TURNTABLE

**FIGURE 2-55. CLEARSKY TELEMATICS CONTROLLERS (ANSI EXPORT - BRAZIL AND NEW ZEALAND SPECS) (OPTIONAL)**

ITEM	PART NUMBER	QTY	DESCRIPTION	REV
	1001127092	Ref	CLEARSKY TELEMATICS CONTROLLERS (ANSI EXPORT - BRAZIL AND NEW ZEALAND SPECS) (OPTIONAL)	A
1	1001112987	1	ClearSky Telematics Installation (See Items 101-117 for Breakdown)	
2	1001102831	Ref	Controller, Telematics Kit (Includes Items 2A & 2B)	
2A	1001100443	1	Antenna and Harness	
2B	70002295	1	Controller, Telematics	
	1001112987	Ref	CLEARSKY TELEMATICS INSTALLATION	B
101	0100011	AR	Compound, Locking	
102	0641406	4	Bolt 1/4 x 3/4	
103	0642612	1	Bolt 1 x 1-1/2	
104	3311405	7	Nut 1/4	
105	3931412	2	Capscrew 1/4 x 3/4	
106	3931416	1	Capscrew 1/4 x 1	
107	4240033	AR	Strap, Tie	
108	4460488	2	Mount, Tie Strap	
109	4460496	1	Washer, Strain Relief	
110	4460497	1	Nut, Strain Relief	
111	4711400	11	Washer 1/4	
112	4712600	1	Washer 1	
113	1001100432	1	Support, Controller	
114	1001100672	1	Mount, Antenna	
115	1001100876	1	Cover	
116	1001103356	1	Ground Wire	
117	1001111914	1	Harness, Telematics (See Separate Breakdown in ELECTRICAL SECTION)	
	1001120994	Ref	CLEARSKY TELEMATICS DECALS	A
201	1001116208	2	Decal - ClearSky	
202	1001120989	1	Decal - Radio Frequency Device	

# SECTION 2 - TURNTABLE

## FIGURE 2-56. CLEARSKY TELEMATICS INSTALLATION (AUSTRALIAN SPECS) (OPTIONAL)



ART\_1001132730

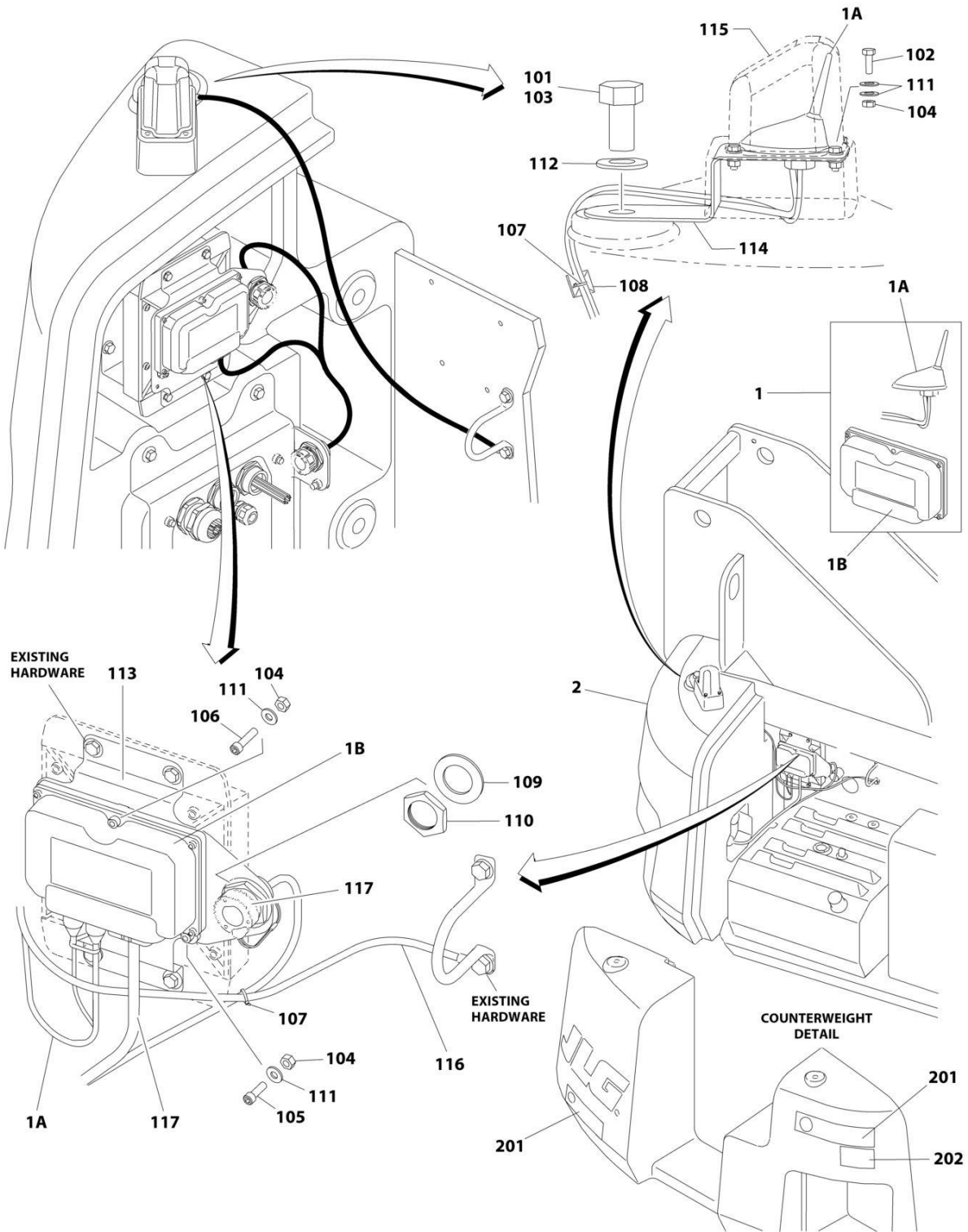
## SECTION 2 - TURNTABLE

**FIGURE 2-56. CLEARSKY TELEMATICS INSTALLATION (AUSTRALIAN SPECS) (OPTIONAL)**

ITEM	PART NUMBER	QTY	DESCRIPTION	REV
	1001132730	Ref	CLEARSKY TELEMATICS INSTALLATION (AUSTRALIAN SPECS) (OPTIONAL)	A
1	1001112987	1	ClearSky Telematics Installation (See Items 101-117 for Breakdown)	
2	1001132733	Ref	Controller, Telematics Kit (Includes Items 2A & 2B)	
2A	1001100443	1	Antenna and Harness	
2B	70003617	1	Controller, Telematics	
	1001112987	Ref	CLEARSKY TELEMATICS INSTALLATION	B
101	0100011	AR	Compound, Locking	
102	0641406	4	Bolt 1/4 x 3/4	
103	0642612	1	Bolt 1 x 1-1/2	
104	3311405	7	Nut 1/4	
105	3931412	2	Capscrew 1/4 x 3/4	
106	3931416	1	Capscrew 1/4 x 1	
107	4240033	AR	Strap, Tie	
108	4460488	2	Mount, Tie Strap	
109	4460496	1	Washer, Strain Relief	
110	4460497	1	Nut, Strain Relief	
111	4711400	11	Washer 1/4	
112	4712600	1	Washer 1	
113	1001100432	1	Support, Controller	
114	1001100672	1	Mount, Antenna	
115	1001100876	1	Cover	
116	1001103356	1	Ground Wire	
117	1001111914	1	Harness, Telematics (See Separate Breakdown in ELECTRICAL SECTION)	
	1001120994	Ref	CLEARSKY TELEMATICS DECALS	A
201	1001116208	2	Decal - ClearSky	
202	1001120989	1	Decal - Radio Frequency Device	

# SECTION 2 - TURNTABLE

## FIGURE 2-57. CLEARSKY TELEMATICS INSTALLATION (CSA SPECS) (OPTIONAL)



ART\_1001112973



## SECTION 2 - TURNTABLE

**FIGURE 2-57. CLEARSKY TELEMATICS INSTALLATION (CSA SPECS) (OPTIONAL)**

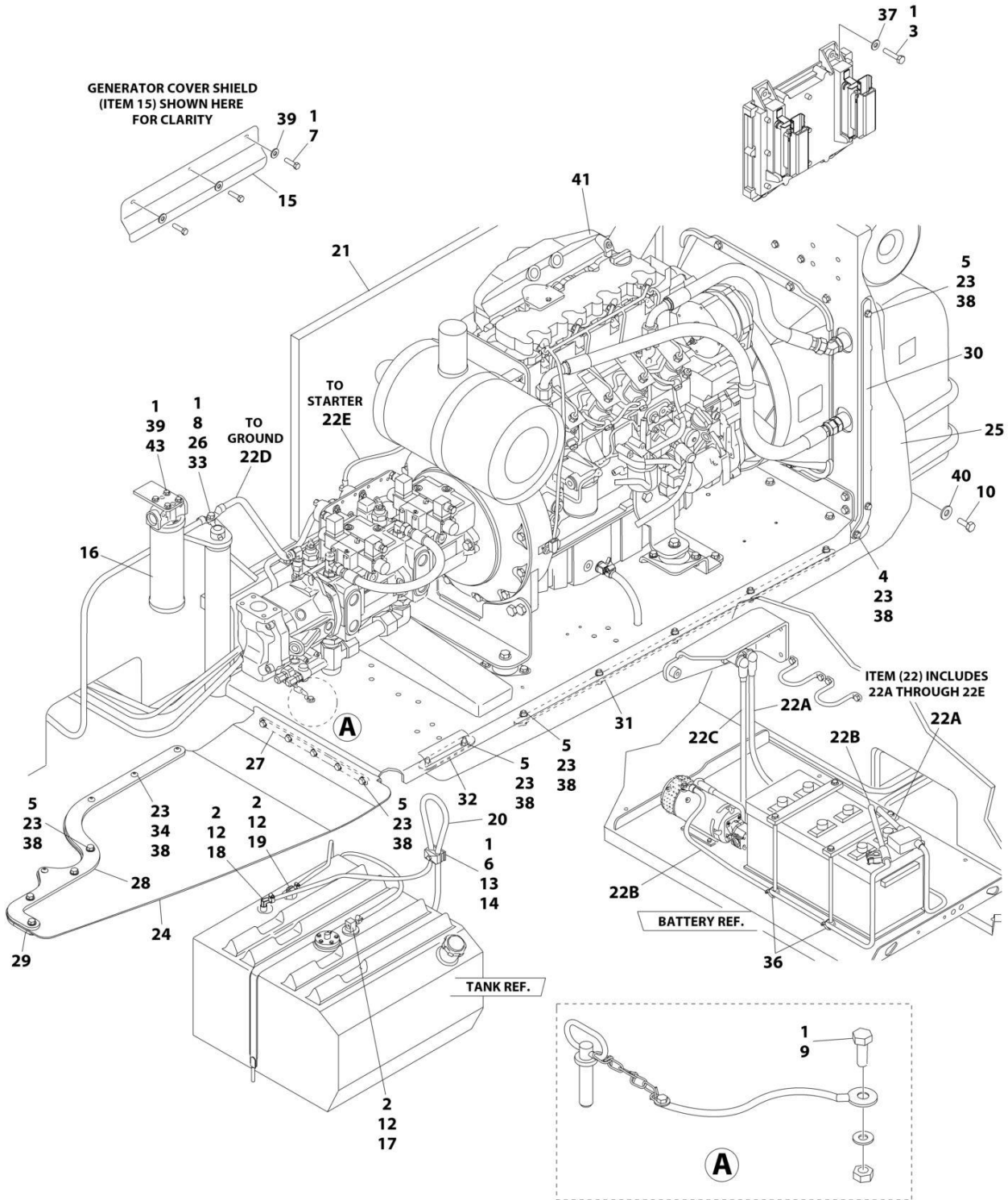
ITEM	PART NUMBER	QTY	DESCRIPTION	REV
	1001112973	Ref	CLEARSKY TELEMATICS INSTALLATION (CSA SPECS) (OPTIONAL)	A
1	1001104735	Ref	Controller, Telematics Kit (Includes Items 1A & 1B)	
1A	1001100443	1	Antenna and Harness	
1B	70002294	1	Controller, Telematics	
2	1001112987	1	ClearSky Telematics Installation (See Items 101-117 for Breakdown)	
	1001112987	Ref	CLEARSKY TELEMATICS INSTALLATION	B
101	0100011	AR	Compound, Locking	
102	0641406	4	Bolt 1/4 x 3/4	
103	0642612	1	Bolt 1 x 1-1/2	
104	3311405	7	Nut 1/4	
105	3931412	2	Capscrew 1/4 x 3/4	
106	3931416	1	Capscrew 1/4 x 1	
107	4240033	AR	Strap, Tie	
108	4460488	2	Mount, Tie Strap	
109	4460496	1	Washer, Strain Relief	
110	4460497	1	Nut, Strain Relief	
111	4711400	11	Washer 1/4	
112	4712600	1	Washer 1	
113	1001100432	1	Support, Controller	
114	1001100672	1	Mount, Antenna	
115	1001100876	1	Cover	
116	1001103356	1	Ground Wire	
117	1001111914	1	Harness, Telematics (See Separate Breakdown in ELECTRICAL SECTION)	
	1001120994	Ref	CLEARSKY TELEMATICS DECALS	A
201	1001116208	2	Decal - ClearSky	
202	1001120989	1	Decal - Radio Frequency Device	



**SECTION 3 - ENGINE**

# SECTION 3 - ENGINE

**FIGURE 3-1. DEUTZ TD2011 DIESEL ENGINE INSTALLATION - WITH REXROTH PUMPS AND ABS HOODS (WITHOUT SKYPOWER AND WITHOUT COLD WEATHER PLUS PACKAGE)**



ART\_1001098512

## SECTION 3 - ENGINE

**FIGURE 3-1. DEUTZ TD2011 DIESEL ENGINE INSTALLATION - WITH REXROTH PUMPS AND ABS HOODS (WITHOUT SKYPOWER AND WITHOUT COLD WEATHER PLUS PACKAGE)**

ITEM	PART NUMBER	QTY	DESCRIPTION	REV
	1001098512	Ref	DEUTZ TD2011 DIESEL ENGINE INSTALLATION - WITH REXROTH PUMPS AND ABS HOODS (WITHOUT SKYPOWER AND WITHOUT COLD WEATHER PLUS PACKAGE)	G
1	0100011	AR	Compound, Locking	
2	0100079	AR	Sealant, Pipe	
3	0641410	4	Bolt 1/4 x 1-1/4	
4	0641506	1	Bolt 5/16 x 3/4	
5	0641509	18	Bolt 5/16 x 1-1/8	
6	0641511	1	Bolt 5/16 x 1-3/8	
7	0641605	3	Bolt 3/8 x 5/8	
8	0641610	1	Bolt 3/8 x 1-1/4	
9	0641808	1	Bolt 1/2 x 1	
10	0642010	1	Bolt 5/8 x 1-1/4	
12	1320022	3	Clamp	
13	1320187	1	Clamp, Twin	
14	1320190	1	Cover, Clamp	
15	1671121	1	Cover, Generator	
16	1001108617	1	Pressure Filter	
16	70002231	1	Element, Filter	
17	2180348	1	Fitting, Barbed	
18	2220313	1	Fitting, Elbow Barbed	
19	2221176	1	Fitting, Elbow	
20	2750532	5 ft/ 1.5m	Hose	
21	2820170	1	Insulation, Sound Absorbing	
22	2902099	1	Battery Cable Kit	
22A	7024580	1	Cable, Red (To Aux Pump Relay, Battery Positive Terminal and Start Relay)	
22B	7024581	1	Cable, Black (To Aux Pump, Battery Negative Terminal and Ground at Tray Pivot)	
22C	7024582	1	Cable, Red (Aux Pump Relay to Aux Pump)	
22D	7024583	1	Cable, Black (Tray Pivot to Engine Mount)	
22E	7024584	1	Cable, Red (Start Relay to Starter)	
23	3311505	23	Nut 5/16	
24	3380472	1	Panel, Rubber	
25	3380473	1	Panel, Rubber	
26	3422446	1	Pin	
27	3573644	1	Plate, Tray Clamp	
28	3573645	1	Plate, Top Clamp	
29	3573646	1	Plate, Bottom Clamp	
30	3573669	1	Plate, Clamp	
31	3573727	1	Plate, Tray Clamp	
32	3573728	1	Plate, Tray Clamp	
33	3841143	1	Keeper, Pin	
34	3900272	4	Screw 5/16 x 1-3/4	
35	4240018	2	Strap, Tie (Not Shown)	
36	4240099	AR	Strap, Tie	
37	4711400	4	Washer 1/4	
38	4711500	42	Washer 5/16	
39	4711600	7	Washer 3/8	
40	4752000	1	Washer 5/8	

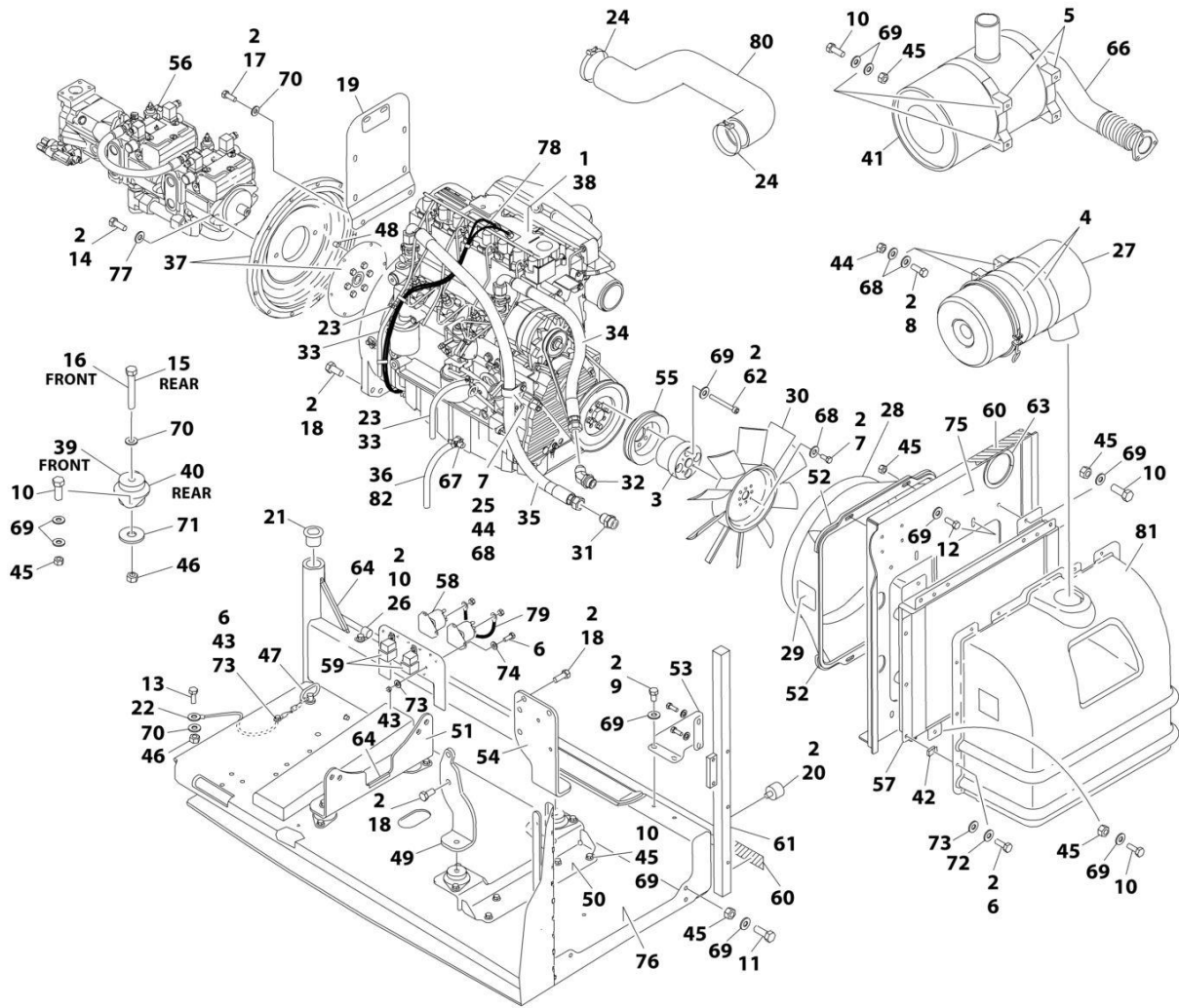
## SECTION 3 - ENGINE

ITEM	PART NUMBER	QTY	DESCRIPTION	REV
41	1001098513	1	Engine Assembly with Pumps (See Separate Breakdown in this Section)	
42	2200222	1	Plug, Pipe - Used in Bottom of Fuel Tank (Not Shown) <b>(SN 0300201016 through 0300237154)</b>	
43	0641606	4	Bolt 3/8 x 3/4	



# SECTION 3 - ENGINE

FIGURE 3-2. DEUTZ TD2011 ENGINE ASSEMBLY - WITH REXROTH PUMPS AND ABS HOODS (WITHOUT SKYPOWER AND WITHOUT COLD WEATHER PLUS PACKAGE)



ART\_1001098513



## SECTION 3 - ENGINE

**FIGURE 3-2. DEUTZ TD2011 ENGINE ASSEMBLY - WITH REXROTH PUMPS AND ABS HOODS  
(WITHOUT SKYPOWER AND WITHOUT COLD WEATHER PLUS PACKAGE)**

ITEM	PART NUMBER	QTY	DESCRIPTION	REV
	1001098513	Ref	DEUTZ TD2011 ENGINE ASSEMBLY - WITH REXROTH PUMPS AND ABS HOODS (WITHOUT SKYPOWER AND WITHOUT COLD WEATHER PLUS PACKAGE)	H
1	1001098601	1	Engine, Deutz TD2011 Components (See Separate Breakdown in this Section) )	
2	0100011	AR	Compound, Locking	
3	0080237	1	Spacer, Fan	
4	0340003	2	Band, Air Cleaner	
5	0340051	2	Band, Muffler	
6	0641406	15	Bolt 1/4 x 3/4	
7	0641506	5	Bolt 5/16 x 3/4	
8	0641507	4	Bolt 5/16 x 7/8	
9	0641605	4	Bolt 3/8 x 5/8	
10	0641608	25	Bolt 3/8 x 1	
11	0641609	2	Bolt 3/8 x 1-1/8	
12	0641610	4	Bolt 3/8 x 1-1/4	
13	0641808	1	Bolt 1/2 x 1	
14	0641812	2	Bolt 1/2 x 1-1/2	
15	0641818	2	Bolt 1/2 x 2-1/4	
16	0641826	2	Bolt 1/2 x 3-1/4	
17	0711214	2	Bolt M12 x 30	
18	0771414	10	Bolt M14 x 30	
19	1001112766	1	Bracket, Muffler	
20	0940070	1	Bumper	
21	0961986	2	Bushing, Flanged	
22	1001131542	1	Lanyard	
23	1320022	3	Clamp	
24	1320058	2	Clamp	
25	1320060	1	Clamp	
26	1320223	1	J-Clip	
27	1340065	1	Air Cleaner Assembly	
27	7003655	1	Element, Air Cleaner	
27	7015013	1	Baffle, Rubber	
27	7015014	1	Clamp, Cap	
27	7015015	1	Cup	
27	7015003	1	Wingnut	
28	1671023	1	Shroud, Fan	
29	1703162	2	Decal - Fan Blade	
30	2060025	1	Fan	
31	2220451	1	Fitting, Straight	
32	2220498	1	Fitting, Elbow	
33	2720058	34 ft/ 10.3m	Hose	
34	2720500	1	Hose, Oil Cooler (Top)	
35	2720501	1	Hose, Oil Cooler (Bottom)	
36	2750532	9 in /23cm	Hose	
37	2902065	1	Pump Coupling Kit (See Separate Breakdown in this Section)	
38	3020016	3.3 gal/ 12.3L	Motor Oil, 15W-40	
39	3200362	2	Mount, Motor (Front)	

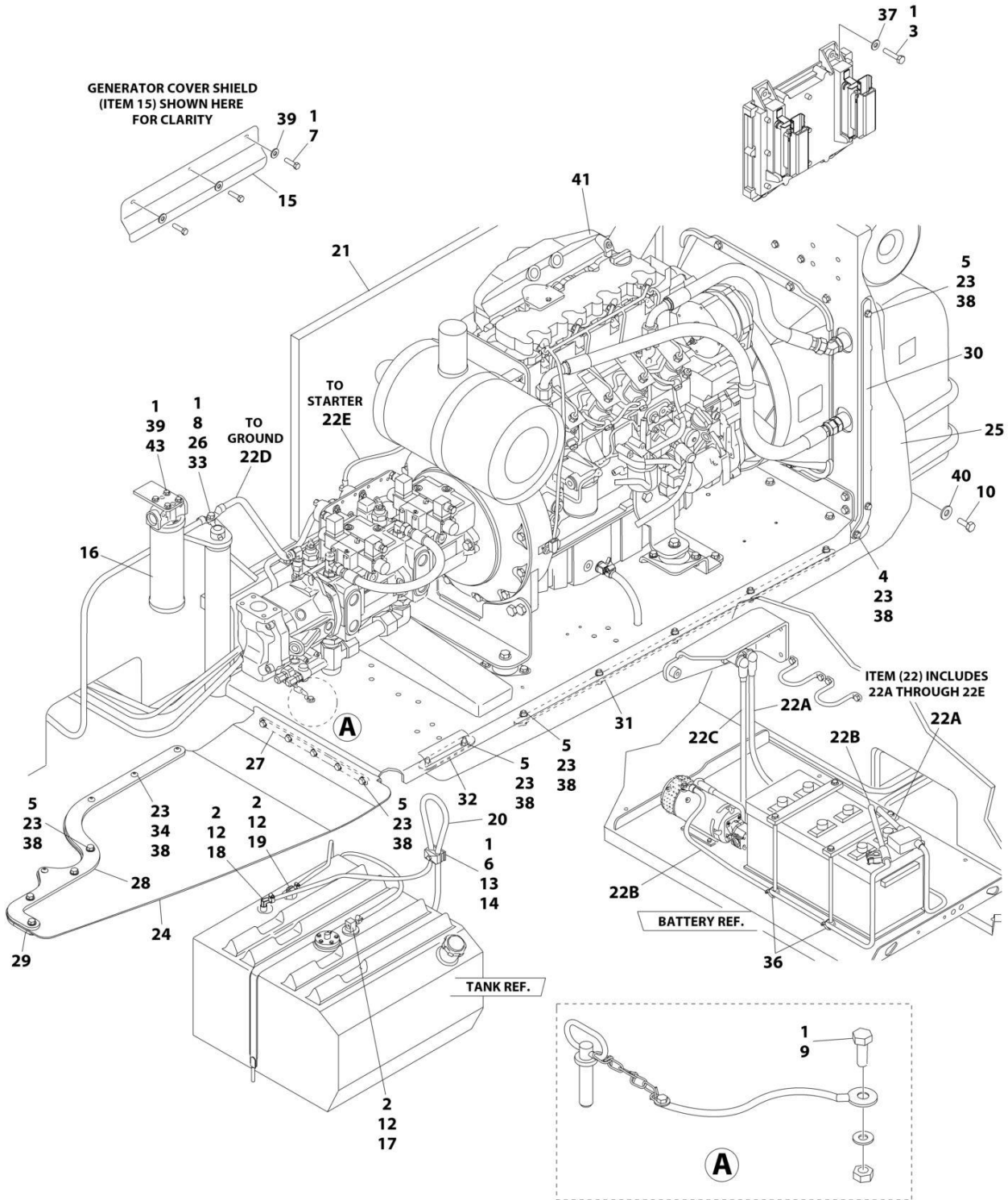
## SECTION 3 - ENGINE

ITEM	PART NUMBER	QTY	DESCRIPTION	REV
40	3200401	2	Mount, Motor (Rear)	
41	3220126	1	Muffler	
41	70003555	1	Clamp	
42	3300454	10	Nut	
43	3311405	5	Nut 1/4	
44	3311505	5	Nut 5/16	
45	3311605	30	Nut 3/8	
46	3311805	5	Nut 1/2	
47	3422532	1	Pin, Hitch	
48	3520054	2	Plug	
49	3537416	1	Plate, Mounting (Front Right)	
50	3539971	1	Bracket, Engine Mounting (Front)	
51	3573142	1	Bracket, Engine Mounting (Rear)	
52	3573411	2	Plate, Clamp	
53	3573412	1	Gusset	
54	3573529	1	Plate, Mounting (Front Left)	
55	3580158	1	Pulley	
56	3600339	1	Pump Assembly - Rexroth (See Separate Breakdown in this Section)	
57	1001145382	1	Cooler, Engine Oil	
58	3740067	2	Relay, Start	
59	3740080	2	Relay	
60	3960543	1	Seal	
61	3960544	1	Seal	
62	4032022	4	Capscrew M10 x 90	
63	4060804	1 ft/25cm	Flex-Trim	
64	4060805	8 in/20cm	Flex-Trim	
65	4240099	AR	Tie, Wire (Not Shown)	
66	4568293	1	Pipe, Exhaust	
67	4640751	1	Valve, Oil Drain	
68	4711500	13	Washer 5/16	
69	4711600	68	Washer 3/8	
70	4711800	7	Washer 1/2	
71	4740274	4	Washer, Snubbing	
72	4740518	10	Washer, Nylon	
73	4751400	20	Washer 1/4	
74	4791400	4	Washer 1/4	
75	4846552	1	Plate, Oil Cooler Mounting	
76	4846946	1	Tray	
77	4891800	2	Washer 1/2 Hardened	
78	4923468	1	Harness, Glow Plugs	
79	4923592	1	Cable, Jumper	
80	1001092856	1	Hose, Air Intake (SN 0300201016 through 0300234290)	
80	1001225118	1	Hose, Air Intake (SN 0300243291 through 0300272504, Except SN 0300272455 through 0300272461)	
81	0272060	1	Box, Air Intake	
82	8410013	1	Clamp, Gear	



# SECTION 3 - ENGINE

FIGURE 3-3. DEUTZ TD2011 DIESEL ENGINE INSTALLATION - WITH REXROTH PUMPS AND ABS HOODS (WITH SKYPOWER AND WITHOUT COLD WEATHER PLUS PACKAGE)



ART\_1001098516

## SECTION 3 - ENGINE

**FIGURE 3-3. DEUTZ TD2011 DIESEL ENGINE INSTALLATION - WITH REXROTH PUMPS AND ABS HOODS (WITH SKYPOWER AND WITHOUT COLD WEATHER PLUS PACKAGE)**

ITEM	PART NUMBER	QTY	DESCRIPTION	REV
	1001098516	Ref	DEUTZ TD2011 DIESEL ENGINE INSTALLATION - WITH REXROTH PUMPS AND ABS HOODS (WITH SKYPOWER AND WITHOUT COLD WEATHER PLUS PACKAGE)	G
1	0100011	AR	Compound, Locking	
2	0100079	AR	Sealant, Pipe	
3	0641410	4	Bolt 1/4 x 1-1/4	
4	0641506	1	Bolt 5/16 x 3/4	
5	0641509	18	Bolt 5/16 x 1-1/8	
6	0641511	1	Bolt 5/16 x 1-3/8	
7	0641605	3	Bolt 3/8 x 5/8	
8	0641610	1	Bolt 3/8 x 1-1/4	
9	0641808	1	Bolt 1/2 x 1	
10	0642010	1	Bolt 5/8 x 1-1/4	
12	1320022	3	Clamp	
13	1320187	1	Clamp, Twin	
14	1320190	1	Cover, Clamp	
15	1671121	1	Cover, Generator	
16	1001108617	1	Pressure Filter	
16	70002231	1	Element, Filter	
17	2180348	1	Fitting, Barbed	
18	2220313	1	Fitting, Elbow Barbed	
19	2221176	1	Fitting, Elbow	
20	2750532	5 ft/ 1.5m	Hose	
21	2820170	1	Insulation, Sound Absorbing	
22	2902099	1	Battery Cable Kit	
22A	7024580	1	Cable, Red (To Aux Pump Relay, Battery Positive Terminal and Start Relay)	
22B	7024581	1	Cable, Black (To Aux Pump, Battery Negative Terminal and Ground at Tray Pivot)	
22C	7024582	1	Cable, Red (Aux Pump Relay to Aux Pump)	
22D	7024583	1	Cable, Black (Tray Pivot to Engine Mount)	
22E	7024584	1	Cable, Red (Start Relay to Starter)	
23	3311505	23	Nut 5/16	
24	3380472	1	Panel, Rubber	
25	3380473	1	Panel, Rubber	
26	3422446	1	Pin	
27	3573644	1	Plate, Tray Clamp	
28	3573645	1	Plate, Top Clamp	
29	3573646	1	Plate, Bottom Clamp	
30	3573669	1	Plate, Clamp	
31	3573727	1	Plate, Tray Clamp	
32	3573728	1	Plate, Tray Clamp	
33	3841143	1	Keeper, Pin	
34	3900272	4	Screw 5/16 x 1-3/4	
35	4240018	2	Strap, Tie (Not Shown)	
36	4240099	AR	Strap, Tie	
37	4711400	4	Washer 1/4	
38	4711500	42	Washer 5/16	
39	4711600	7	Washer 3/8	
40	4752000	1	Washer 5/8	

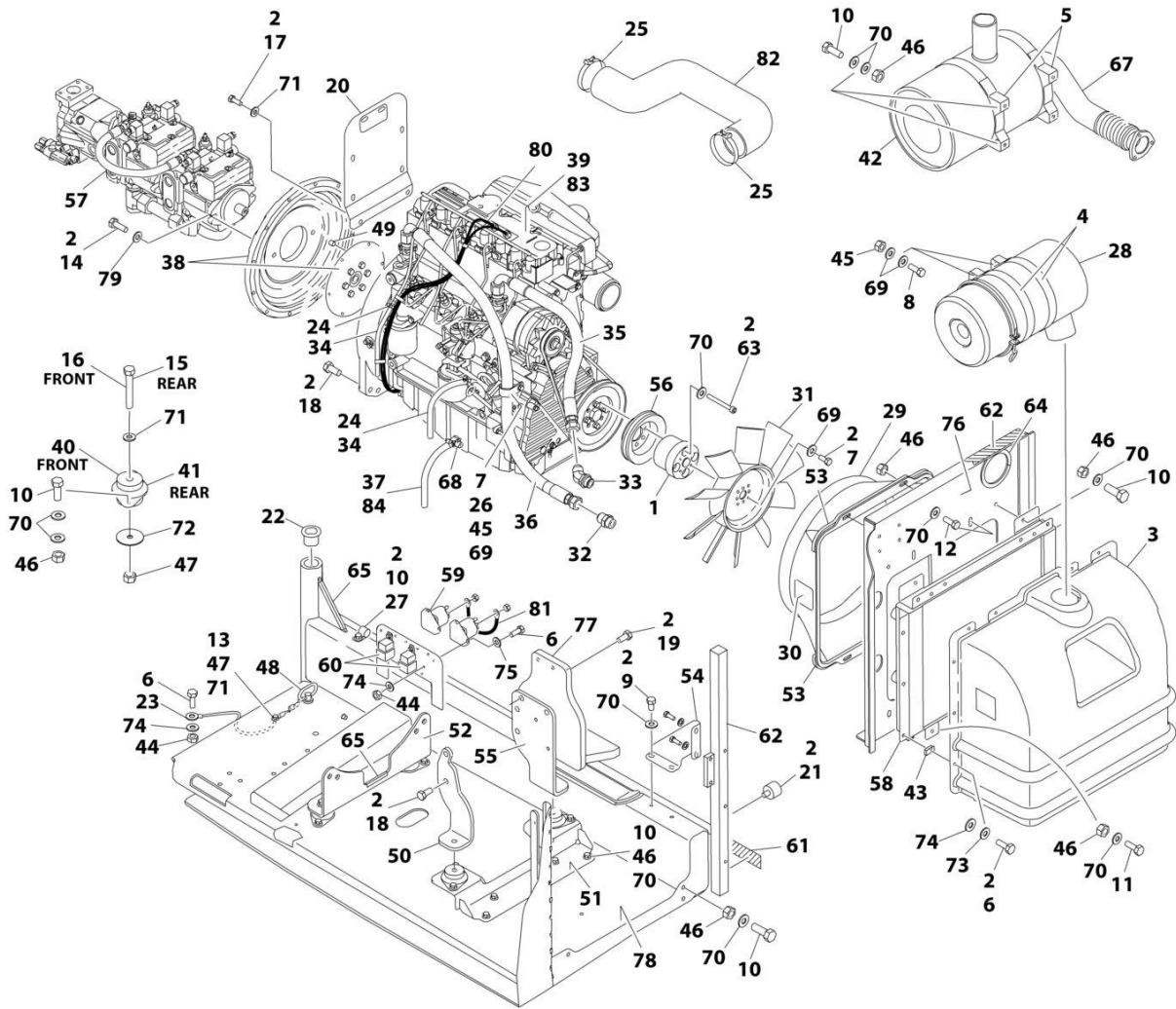
## SECTION 3 - ENGINE

ITEM	PART NUMBER	QTY	DESCRIPTION	REV
41	1001098530	1	Engine Assembly with Pumps (See Separate Breakdown in this Section)	
42	2200222	1	Plug, Pipe - Used in Bottom of Fuel Tank (Not Shown) <b>(SN 0300201016 through 0300237154)</b>	
43	0641606	4	Bolt 3/8 x 3/4	



# SECTION 3 - ENGINE

FIGURE 3-4. DEUTZ TD2011 ENGINE ASSEMBLY - WITH REXROTH PUMPS AND ABS HOODS (WITH SKYPOWER AND WITHOUT COLD WEATHER PLUS PACKAGE)



ART\_1001098530



## SECTION 3 - ENGINE

**FIGURE 3-4. DEUTZ TD2011 ENGINE ASSEMBLY - WITH REXROTH PUMPS AND ABS HOODS (WITH SKYPOWER AND WITHOUT COLD WEATHER PLUS PACKAGE)**

ITEM	PART NUMBER	QTY	DESCRIPTION	REV
	1001098530	Ref	DEUTZ TD2011 ENGINE ASSEMBLY - WITH REXROTH PUMPS AND ABS HOODS (WITH SKYPOWER AND WITHOUT COLD WEATHER PLUS PACKAGE)	J
1	0080244	1	Spacer, Fan	
2	0100011	AR	Compound, Locking	
3	0272060	1	Box, Air Intake	
4	0340003	2	Band, Air Cleaner	
5	0340051	2	Band, Muffler	
6	0641406	15	Bolt 1/4 x 3/4	
7	0641506	5	Bolt 5/16 x 3/4	
8	0641507	4	Bolt 5/16 x 7/8	
9	0641605	4	Bolt 3/8 x 5/8	
10	0641608	25	Bolt 3/8 x 1	
11	0641609	2	Bolt 3/8 x 1-1/8	
12	0641610	4	Bolt 3/8 x 1-1/4	
13	0641808	1	Bolt 1/2 x 1	
14	0641812	2	Bolt 1/2 x 1-1/2	
15	0641818	2	Bolt 1/2 x 2-1/4	
16	0641826	2	Bolt 1/2 x 3-1/4	
17	0711214	2	Bolt M12 x 30	
18	0771414	6	Bolt M14 x 30	
19	0711417	4	Bolt M14 x 45	
20	1001112766	1	Bracket, Muffler	
21	0940070	1	Bumper	
22	0961986	2	Bushing, Flanged	
23	1001131542	1	Lanyard	
24	1320022	2	Clamp	
25	1320058	2	Clamp	
26	1320060	1	Clamp	
27	1320223	1	J-Clip	
28	1340065	1	Air Cleaner Assembly	
28	7003655	1	Element, Air Cleaner	
28	7015013	1	Baffle, Rubber	
28	7015014	1	Clamp, Cap	
28	7015015	1	Cup	
28	7015003	1	Wingnut	
29	1671023	1	Shroud, Fan	
30	1703162	2	Decal - Fan Blade	
31	2060025	1	Fan	
32	2220451	1	Fitting, Straight	
33	2220498	1	Fitting, Elbow	
34	2720058	34 ft/ 10.3m	Hose	
35	2720500	1	Hose, Oil Cooler (Top)	
36	2720501	1	Hose, Oil Cooler (Bottom)	
37	2750532	9 in/23cm	Hose	
38	2902065	1	Pump Coupling Kit (See Separate Breakdown in this Section)	
39	3020016	3.3 gal/ 12.3L	Motor Oil, 15W-40	
40	3200362	2	Mount, Motor (Front)	

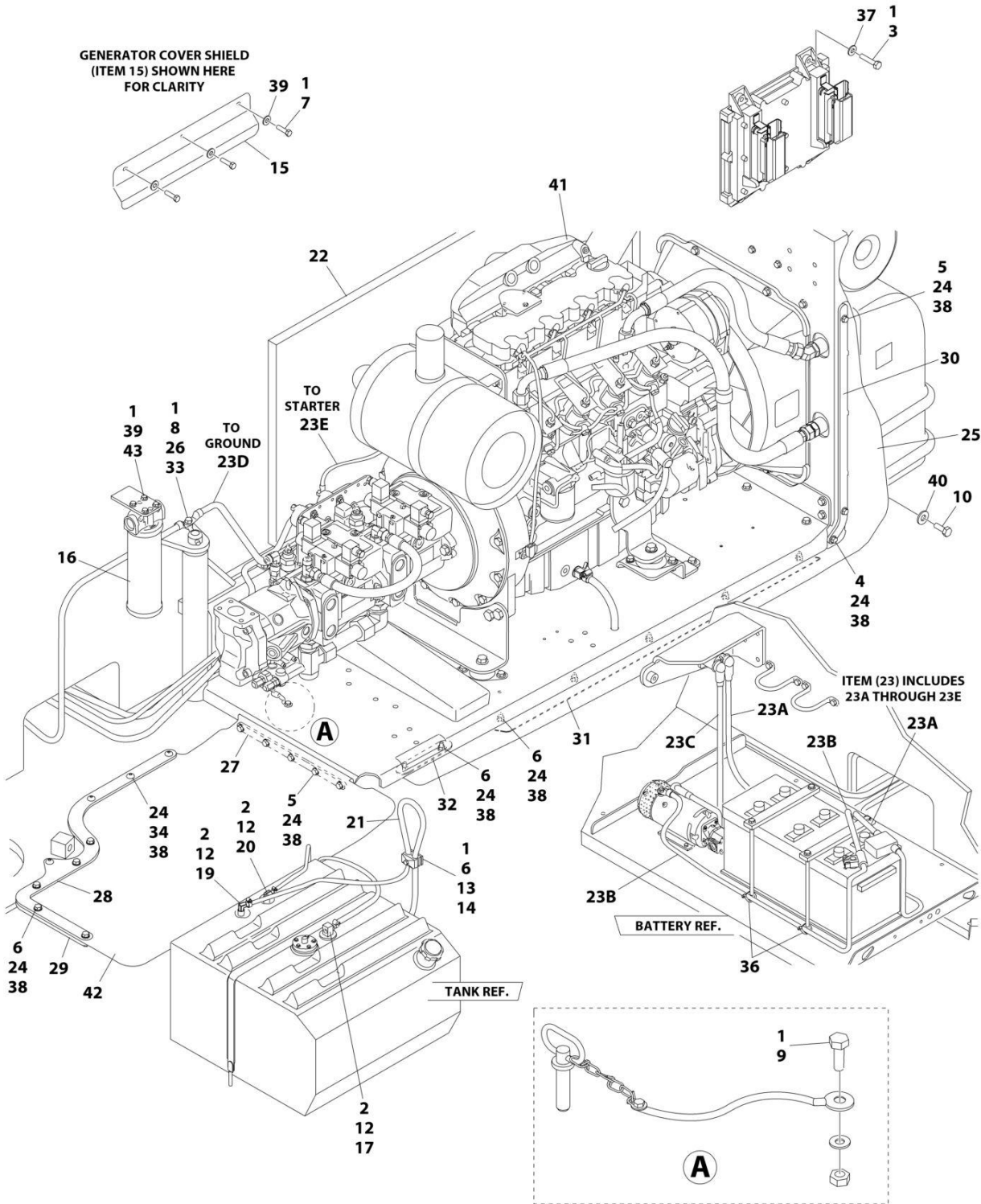
## SECTION 3 - ENGINE

ITEM	PART NUMBER	QTY	DESCRIPTION	REV
41	3200401	2	Mount, Motor (Rear)	
42	3220126	1	Muffler	
42	70003555	1	Clamp	
43	3300454	10	Nut	
44	3311405	5	Nut 1/4	
45	3311505	5	Nut 5/16	
46	3311605	30	Nut 3/8	
47	3311805	5	Nut 1/2	
48	3422532	1	Pin, Hitch	
49	3520054	2	Plug	
50	3537416	1	Plate, Mounting (Front Right)	
51	3539971	1	Bracket, Engine Mounting (Front)	
52	3573142	1	Bracket, Engine Mounting (Rear)	
53	3573411	2	Plate, Clamp	
54	3573412	1	Gusset	
55	3573529	1	Plate, Mounting (Front Left)	
56	3580320	1	Pulley	
57	3600339	1	Pump Assembly - Rexroth (See Separate Breakdown in this Section)	
58	1001145382	1	Cooler, Engine Oil	
59	3740067	2	Relay, Start	
60	3740080	2	Relay	
61	3960543	1	Seal	
62	3960544	1	Seal	
63	4032022	4	Capscrew M10 x 90	
64	4060804	1 ft/25cm	Flex-Trim	
65	4060805	8 in/20cm	Flex-Trim	
66	4240099	AR	Tie, Wire (Not Shown)	
67	4568293	1	Pipe, Exhaust	
68	4640751	1	Valve, Oil Drain	
69	4711500	13	Washer 5/16	
70	4711600	68	Washer 3/8	
71	4711800	7	Washer 1/2	
72	4740274	4	Washer, Snubbing	
73	4740518	10	Washer, Nylon	
74	4751400	20	Washer 1/4	
75	4791400	4	Washer 1/4	
76	4846552	1	Plate, Oil Cooler Mounting	
77	4846945	1	Mount, Generator	
78	4846946	1	Tray	
79	4891800	2	Washer 1/2	
80	4923468	1	Harness, Glow Plugs	
81	4923592	1	Cable, Jumper	
82	1001092856	1	Hose, Air Intake (SN 0300201016 through 0300234290)	
82	1001225118	1	Hose, Air Intake (SN 0300243291 through 0300272504, Except SN 0300272455 through 0300272461)	
83	1001098601	1	Engine, Deutz TD2011 Components (See Separate Breakdown in this Section)	
84	8410013	1	Clamp, Gear	



# SECTION 3 - ENGINE

**FIGURE 3-5. DEUTZ TD2011 DIESEL ENGINE INSTALLATION - WITH REXROTH PUMPS AND STEEL HOOD (WITHOUT SKYPOWER AND WITHOUT COLD WEATHER PLUS PACKAGE)**



ART\_1001117370

## SECTION 3 - ENGINE

**FIGURE 3-5. DEUTZ TD2011 DIESEL ENGINE INSTALLATION - WITH REXROTH PUMPS AND STEEL HOOD (WITHOUT SKYPOWER AND WITHOUT COLD WEATHER PLUS PACKAGE)**

ITEM	PART NUMBER	QTY	DESCRIPTION	REV
	1001117370	Ref	DEUTZ TD2011 DIESEL ENGINE INSTALLATION - WITH REXROTH PUMPS AND STEEL HOOD (WITHOUT SKYPOWER AND WITHOUT COLD WEATHER PLUS PACKAGE)	D
1	0100011	AR	Compound, Locking	
2	0100079	AR	Sealant, Pipe	
3	0641410	4	Bolt 1/4 x 1-1/4	
4	0641506	1	Bolt 5/16 x 3/4	
5	0641509	7	Bolt 5/16 x 1-1/8	
6	0641511	13	Bolt 5/16 x 1-3/8	
7	0641605	3	Bolt 3/8 x 5/8	
8	0641610	1	Bolt 3/8 x 1-1/4	
9	0641808	1	Bolt 1/2 x 1	
10	0642010	1	Bolt 5/8 x 1-1/4	
12	1320022	3	Clamp	
13	1320187	1	Clamp, Twin	
14	1320190	1	Cover, Clamp	
15	1671121	1	Cover, Generator	
16	1001108617	1	Pressure Filter	
16	70002231	1	Element, Filter	
17	2180348	1	Fitting, Barbed	
18	2200222	1	Plug, Pipe - Used in Bottom of Fuel Tank (Not Shown) (SN <b>0300201016 through 0300237154</b> )	
19	2220313	1	Fitting, Elbow Barbed	
20	2221176	1	Fitting, Elbow	
21	2750532	5 ft/ 1.5m	Hose	
22	2820170	1	Insulation, Sound Absorbing	
23	2902099	1	Battery Cable Kit	
23A	7024580	1	Cable, Red (To Aux Pump Relay, Battery Positive Terminal and Start Relay)	
23B	7024581	1	Cable, Black (To Aux Pump, Battery Negative Terminal and Ground at Tray Pivot)	
23C	7024582	1	Cable, Red (Aux Pump Relay to Aux Pump)	
23D	7024583	1	Cable, Black (Tray Pivot to Engine Mount)	
23E	7024584	1	Cable, Red (Start Relay to Starter)	
24	3311505	24	Nut 5/16	
25	3380473	1	Panel, Rubber	
26	3422446	1	Pin	
27	3573644	1	Plate, Tray Clamp	
28	1001112878	1	Plate, Top Clamp	
29	1001112879	1	Plate, Bottom Clamp	
30	3573669	1	Plate, Clamp	
31	1001112880	1	Plate, Tray Clamp	
32	3573728	1	Plate, Tray Clamp	
33	3841143	1	Keeper, Pin	
34	3900272	4	Screw 5/16 x 1-3/4	
35	4240018	2	Strap, Tie (Not Shown)	
36	4240099	AR	Strap, Tie	
37	4711400	4	Washer 1/4	
38	4711500	44	Washer 5/16	
39	4711600	7	Washer 3/8	

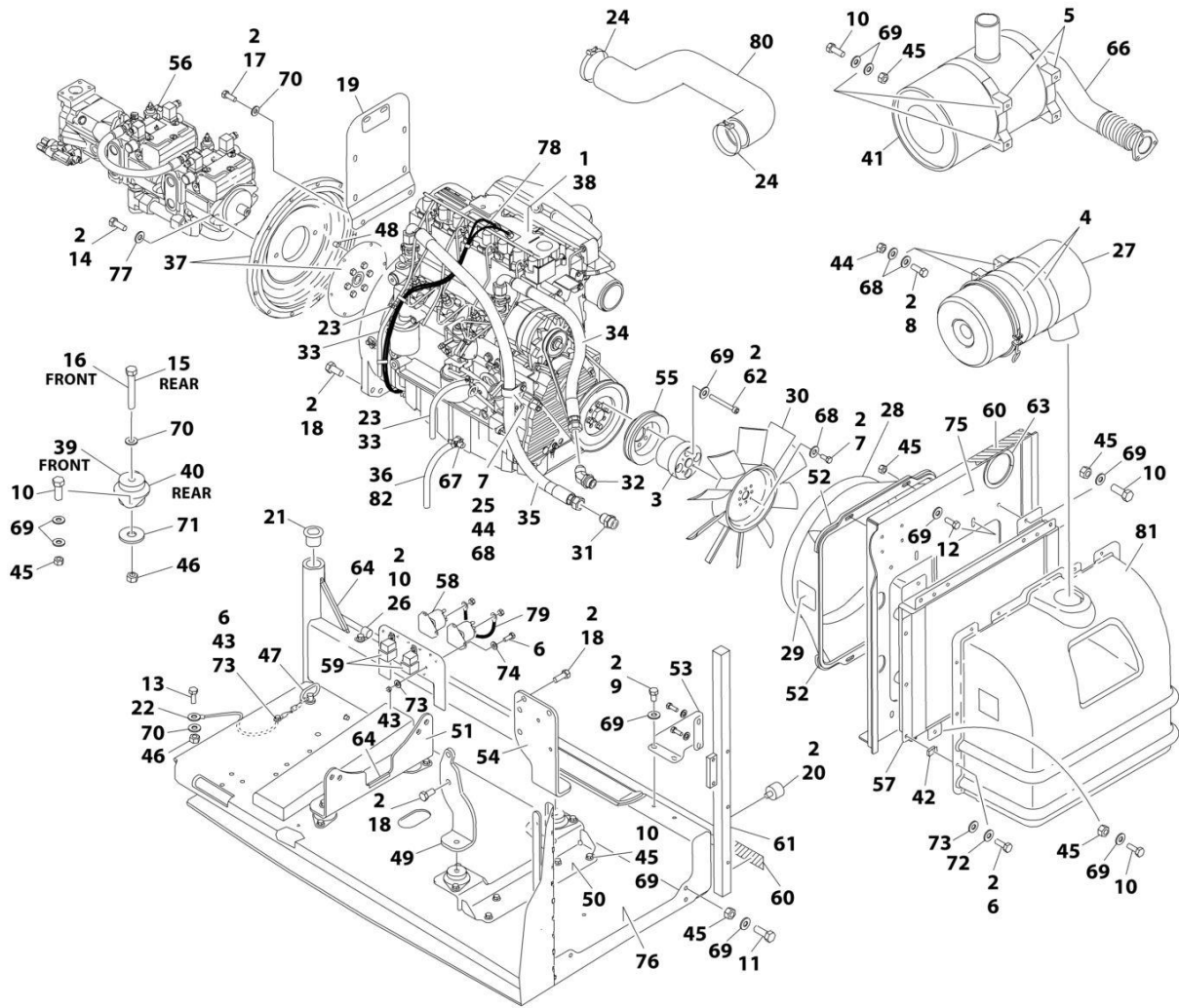
## SECTION 3 - ENGINE

ITEM	PART NUMBER	QTY	DESCRIPTION	REV
40	4752000	1	Washer 5/8	
41	1001098513	1	Engine Assembly with Pumps (See Separate Breakdown in this Section)	
42	1001111132	1	Panel, Rubber	
43	0641606	4	Bolt 3/8 x 3/4	



# SECTION 3 - ENGINE

FIGURE 3-6. DEUTZ TD2011 ENGINE ASSEMBLY - WITH REXROTH PUMPS AND STEEL HOODS (WITHOUT SKYPOWER AND WITHOUT COLD WEATHER PLUS PACKAGE)



ART\_1001098513



## SECTION 3 - ENGINE

**FIGURE 3-6. DEUTZ TD2011 ENGINE ASSEMBLY - WITH REXROTH PUMPS AND STEEL HOODS  
(WITHOUT SKYPOWER AND WITHOUT COLD WEATHER PLUS PACKAGE)**

ITEM	PART NUMBER	QTY	DESCRIPTION	REV
	1001098513	Ref	DEUTZ TD2011 ENGINE ASSEMBLY - WITH REXROTH PUMPS AND STEEL HOODS (WITHOUT SKYPOWER AND WITHOUT COLD WEATHER PLUS PACKAGE)	1
1	1001098601	1	Engine, Deutz TD2011 Components (See Separate Breakdown in this Section)	
2	0100011	AR	Compound, Locking	
3	0080237	1	Spacer, Fan	
4	0340003	2	Band, Air Cleaner	
5	0340051	2	Band, Muffler	
6	0641406	15	Bolt 1/4 x 3/4	
7	0641506	5	Bolt 5/16 x 3/4	
8	0641507	4	Bolt 5/16 x 7/8	
9	0641605	4	Bolt 3/8 x 5/8	
10	0641608	25	Bolt 3/8 x 1	
11	0641609	2	Bolt 3/8 x 1-1/8	
12	0641610	4	Bolt 3/8 x 1-1/4	
13	0641808	1	Bolt 1/2 x 1	
14	0641812	2	Bolt 1/2 x 1-1/2	
15	0641818	2	Bolt 1/2 x 2-1/4	
16	0641826	2	Bolt 1/2 x 3-1/4	
17	0711214	2	Bolt M12 x 30	
18	0771414	10	Bolt M14 x 30	
19	1001112766	1	Bracket, Muffler	
20	0940070	1	Bumper	
21	0961986	2	Bushing, Flanged	
22	1001131542	1	Lanyard	
23	1320022	3	Clamp	
24	1320058	2	Clamp	
25	1320060	1	Clamp	
26	1320223	1	J-Clip	
27	1340065	1	Air Cleaner Assembly	
27	7003655	1	Element, Air Cleaner	
27	7015013	1	Baffle, Rubber	
27	7015014	1	Clamp, Cap	
27	7015015	1	Cup	
27	7015003	1	Wingnut	
28	1671023	1	Shroud, Fan	
29	1703162	2	Decal - Fan Blade	
30	2060025	1	Fan	
31	2220451	1	Fitting, Straight	
32	2220498	1	Fitting, Elbow	
33	2720058	34 ft/ 10.3m	Hose	
34	2720500	1	Hose, Oil Cooler (Top)	
35	2720501	1	Hose, Oil Cooler (Bottom)	
36	2750532	9 in/23cm	Hose	
37	2902065	1	Pump Coupling Kit (See Separate Breakdown in this Section)	
38	3020016	3.3 gal/ 12.3L	Motor Oil, 15W-40	
39	3200362	2	Mount, Motor (Front)	

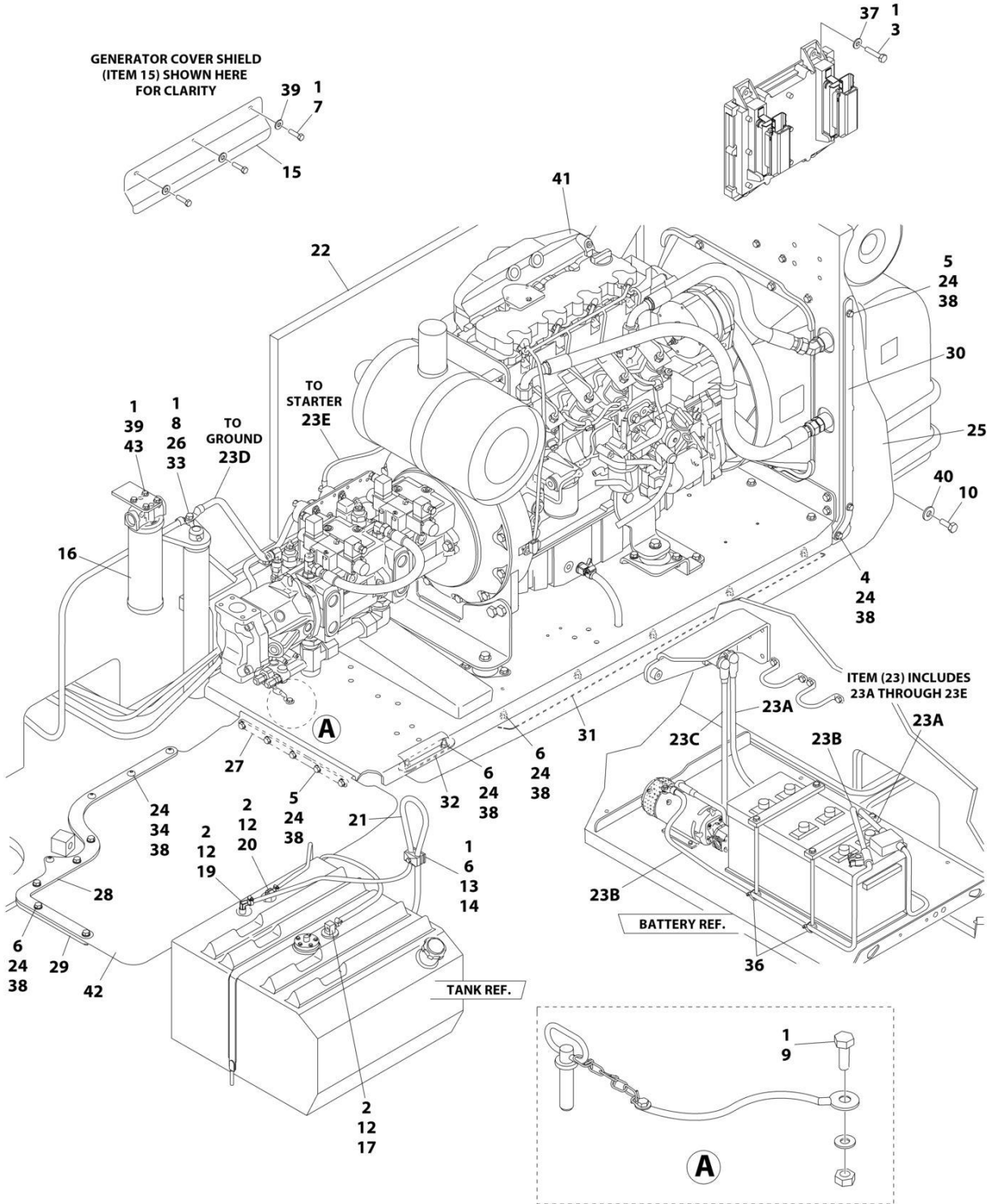
## SECTION 3 - ENGINE

ITEM	PART NUMBER	QTY	DESCRIPTION	REV
40	3200401	2	Mount, Motor (Rear)	
41	3220126	1	Muffler	
41	70003555	1	Clamp	
42	3300454	10	Nut	
43	3311405	5	Nut 1/4	
44	3311505	5	Nut 5/16	
45	3311605	30	Nut 3/8	
46	3311805	5	Nut 1/2	
47	3422532	1	Pin, Hitch	
48	3520054	2	Plug	
49	3537416	1	Plate, Mounting (Front Right)	
50	3539971	1	Bracket, Engine Mounting (Front)	
51	3573142	1	Bracket, Engine Mounting (Rear)	
52	3573411	2	Plate, Clamp	
53	3573412	1	Gusset	
54	3573529	1	Plate, Mounting (Front Left)	
55	3580158	1	Pulley	
56	3600339	1	Pump Assembly - Rexroth (See Separate Breakdown in this Section)	
57	1001145382	1	Cooler, Engine Oil	
58	3740067	2	Relay, Start	
59	3740080	2	Relay	
60	3960543	1	Seal	
61	3960544	1	Seal	
62	4032022	4	Capscrew M10 x 90	
63	4060804	1 ft/ 25cm	Flex-Trim	
64	4060805	8 in/ 20cm	Flex-Trim	
65	4240099	AR	Tie, Wire (Not Shown)	
66	4568293	1	Pipe, Exhaust	
67	4640751	1	Valve, Oil Drain	
68	4711500	13	Washer 5/16	
69	4711600	68	Washer 3/8	
70	4711800	7	Washer 1/2	
71	4740274	4	Washer, Snubbing	
72	4740518	10	Washer, Nylon	
73	4751400	20	Washer 1/4	
74	4791400	4	Washer 1/4	
75	4846552	1	Plate, Oil Cooler Mounting	
76	4846946	1	Tray	
77	4891800	2	Washer 1/2 Hardened	
78	4923468	1	Harness, Glow Plugs	
79	4923592	1	Cable, Jumper	
80	1001092856	1	Hose, Air Intake (SN 0300201016 through 0300234290)	
80	1001225118	1	Hose, Air Intake (SN 0300243291 through 0300272504, Except SN 0300272455 through 0300272461)	
81	0272060	1	Box, Air Intake	
82	8410013	1	Clamp, Gear	



# SECTION 3 - ENGINE

FIGURE 3-7. DEUTZ TD2011 DIESEL ENGINE INSTALLATION - WITH REXROTH PUMPS AND STEEL HOODS (WITH SKYPOWER AND WITHOUT COLD WEATHER PLUS PACKAGE)



ART\_1001117371

## SECTION 3 - ENGINE

**FIGURE 3-7. DEUTZ TD2011 DIESEL ENGINE INSTALLATION - WITH REXROTH PUMPS AND STEEL HOODS (WITH SKYPOWER AND WITHOUT COLD WEATHER PLUS PACKAGE)**

ITEM	PART NUMBER	QTY	DESCRIPTION	REV
	1001117371	Ref	DEUTZ TD2011 DIESEL ENGINE INSTALLATION - WITH REXROTH PUMPS AND STEEL HOODS (WITH SKYPOWER AND WITHOUT COLD WEATHER PLUS PACKAGE)	D
1	0100011	AR	Compound, Locking	
2	0100079	AR	Sealant, Pipe	
3	0641410	4	Bolt 1/4 x 1-1/4	
4	0641506	1	Bolt 5/16 x 3/4	
5	0641509	7	Bolt 5/16 x 1-1/8	
6	0641511	13	Bolt 5/16 x 1-3/8	
7	0641605	3	Bolt 3/8 x 5/8	
8	0641610	1	Bolt 3/8 x 1-1/4	
9	0641808	1	Bolt 1/2 x 1	
10	0642010	1	Bolt 5/8 x 1-1/4	
12	1320022	3	Clamp	
13	1320187	1	Clamp, Twin	
14	1320190	1	Cover, Clamp	
15	1671121	1	Cover, Generator	
16	1001108617	1	Pressure Filter	
16	70002231	1	Element, Filter	
17	2180348	1	Fitting, Barbed	
18	2200222	1	Plug, Pipe - Used in Bottom of Fuel Tank (Not Shown) (SN <b>0300201016 through 0300237154</b> )	
19	2220313	1	Fitting, Elbow Barbed	
20	2221176	1	Fitting, Elbow	
21	2750532	5 ft/ 1.5m	Hose	
22	2820170	1	Insulation, Sound Absorbing	
23	2902099	1	Battery Cable Kit	
23A	7024580	1	Cable, Red (To Aux Pump Relay, Battery Positive Terminal and Start Relay)	
23B	7024581	1	Cable, Black (To Aux Pump, Battery Negative Terminal and Ground at Tray Pivot)	
23C	7024582	1	Cable, Red (Aux Pump Relay to Aux Pump)	
23D	7024583	1	Cable, Black (Tray Pivot to Engine Mount)	
23E	7024584	1	Cable, Red (Start Relay to Starter)	
24	3311505	24	Nut 5/16	
25	3380473	1	Panel, Rubber	
26	3422446	1	Pin	
27	3573644	1	Plate, Tray Clamp	
28	1001112878	1	Plate, Top Clamp	
29	1001112879	1	Plate, Bottom Clamp	
30	3573669	1	Plate, Clamp	
31	1001112880	1	Plate, Tray Clamp	
32	3573728	1	Plate, Tray Clamp	
33	3841143	1	Keeper, Pin	
34	3900272	4	Screw 5/16 x 1-3/4	
35	4240018	2	Strap, Tie (Not Shown)	
36	4240099	AR	Strap, Tie	
37	4711400	4	Washer 1/4	
38	4711500	44	Washer 5/16	
39	4711600	7	Washer 3/8	

## SECTION 3 - ENGINE

ITEM	PART NUMBER	QTY	DESCRIPTION	REV
40	4752000	1	Washer 5/8	
41	1001098530	1	Engine Assembly with Pumps (See Separate Breakdown in this Section)	
42	1001111132	1	Panel, Rubber	
43	0641606	4	Bolt 3/8 x 3/4	







## SECTION 3 - ENGINE

**FIGURE 3-8. DEUTZ TD2011 ENGINE ASSEMBLY - WITH REXROTH PUMPS AND STEEL HOODS  
(WITH SKYPOWER AND WITHOUT COLD WEATHER PLUS PACKAGE)**

ITEM	PART NUMBER	QTY	DESCRIPTION	REV
	1001098530	Ref	DEUTZ TD2011 ENGINE ASSEMBLY - WITH REXROTH PUMPS AND STEEL HOODS (WITH SKYPOWER AND WITHOUT COLD WEATHER PLUS PACKAGE)	J
1	0080244	1	Spacer, Fan	
2	0100011	AR	Compound, Locking	
3	0272060	1	Box, Air Intake	
4	0340003	2	Band, Air Cleaner	
5	0340051	2	Band, Muffler	
6	0641406	15	Bolt 1/4 x 3/4	
7	0641506	5	Bolt 5/16 x 3/4	
8	0641507	4	Bolt 5/16 x 7/8	
9	0641605	4	Bolt 3/8 x 5/8	
10	0641608	25	Bolt 3/8 x 1	
11	0641609	2	Bolt 3/8 x 1-1/8	
12	0641610	4	Bolt 3/8 x 1-1/4	
13	0641808	1	Bolt 1/2 x 1	
14	0641812	2	Bolt 1/2 x 1-1/2	
15	0641818	2	Bolt 1/2 x 2-1/4	
16	0641826	2	Bolt 1/2 x 3-1/4	
17	0711214	2	Bolt M12 x 30	
18	0771414	6	Bolt M14 x 30	
19	0711417	4	Bolt M14 x 45	
20	1001112766	1	Bracket, Muffler	
21	0940070	1	Bumper	
22	0961986	2	Bushing, Flanged	
23	1001131542	1	Lanyard	
24	1320022	2	Clamp	
25	1320058	2	Clamp	
26	1320060	1	Clamp	
27	1320223	1	J-Clip	
28	1340065	1	Air Cleaner Assembly	
28	7003655	1	Element, Air Cleaner	
28	7015013	1	Baffle, Rubber	
28	7015014	1	Clamp, Cap	
28	7015015	1	Cup	
28	7015003	1	Wingnut	
29	1671023	1	Shroud, Fan	
30	1703162	2	Decal - Fan Blade	
31	2060025	1	Fan	
32	2220451	1	Fitting, Straight	
33	2220498	1	Fitting, Elbow	
34	2720058	34 ft/ 10.3m	Hose	
35	2720500	1	Hose, Oil Cooler (Top)	
36	2720501	1	Hose, Oil Cooler (Bottom)	
37	2750532	9 in/23cm	Hose	
38	2902065	1	Pump Coupling Kit (See Separate Breakdown in this Section)	
39	3020016	3.3 gal/ 12.3L	Motor Oil, 15W-40	
40	3200362	2	Mount, Motor (Front)	

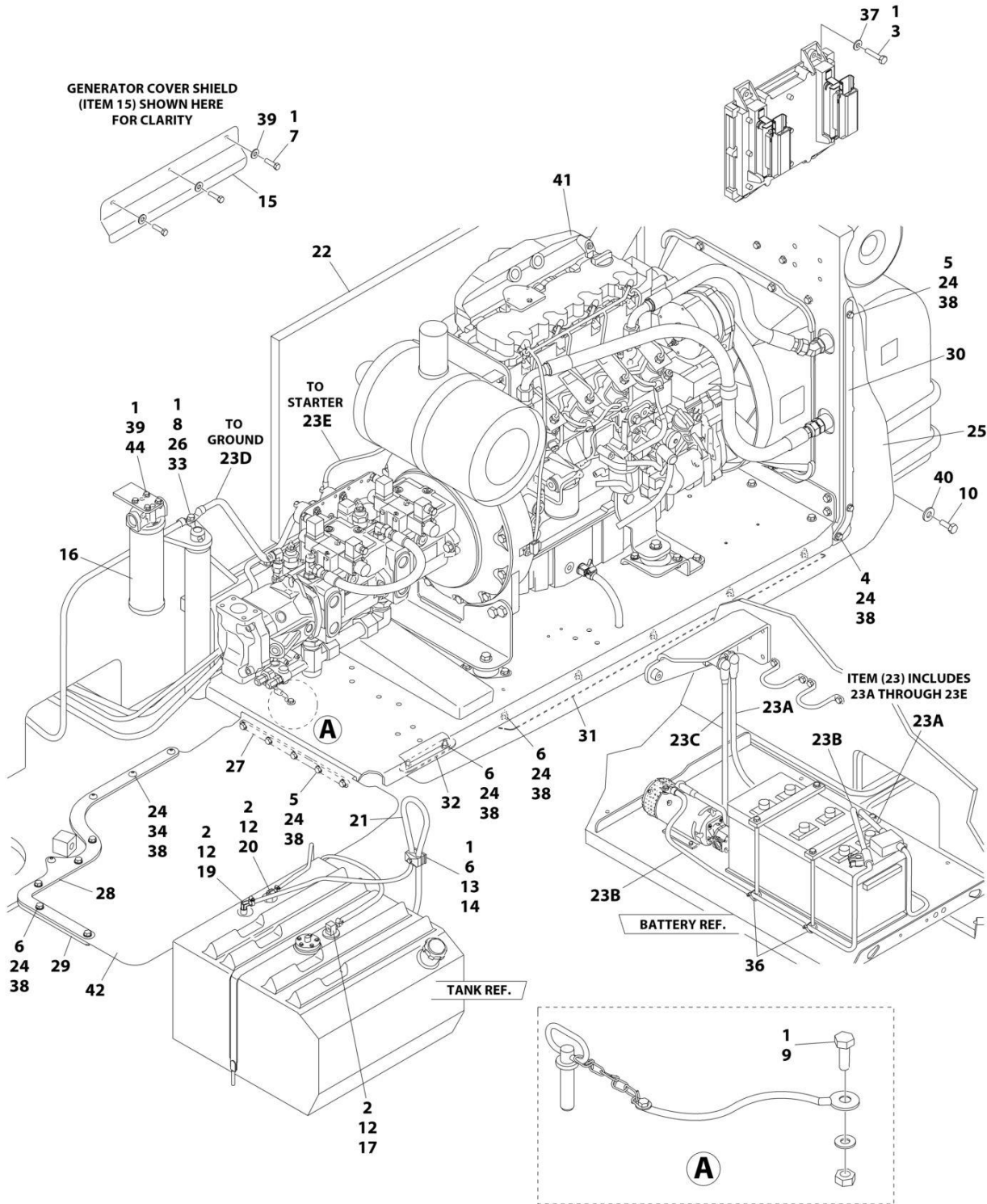
## SECTION 3 - ENGINE

ITEM	PART NUMBER	QTY	DESCRIPTION	REV
41	3200401	2	Mount, Motor (Rear)	
42	3220126	1	Muffler	
42	70003555	1	Clamp	
43	3300454	10	Nut	
44	3311405	5	Nut 1/4	
45	3311505	5	Nut 5/16	
46	3311605	30	Nut 3/8	
47	3311805	5	Nut 1/2	
48	3422532	1	Pin, Hitch	
49	3520054	2	Plug	
50	3537416	1	Plate, Mounting (Front Right)	
51	3539971	1	Bracket, Engine Mounting (Front)	
52	3573142	1	Bracket, Engine Mounting (Rear)	
53	3573411	2	Plate, Clamp	
54	3573412	1	Gusset	
55	3573529	1	Plate, Mounting (Front Left)	
56	3580320	1	Pulley	
57	3600339	1	Pump Assembly - Rexroth (See Separate Breakdown in this Section)	
58	1001145382	1	Cooler, Engine Oil	
59	3740067	2	Relay, Start	
60	3740080	2	Relay	
61	3960543	1	Seal	
62	3960544	1	Seal	
63	4032022	4	Capscrew M10 x 90	
64	4060804	1 ft/25cm	Flex-Trim	
65	4060805	8 in/20cm	Flex-Trim	
66	4240099	AR	Tie, Wire (Not Shown)	
67	4568293	1	Pipe, Exhaust	
68	4640751	1	Valve, Oil Drain	
69	4711500	13	Washer 5/16	
70	4711600	68	Washer 3/8	
71	4711800	7	Washer 1/2	
72	4740274	4	Washer, Snubbing	
73	4740518	10	Washer, Nylon	
74	4751400	20	Washer 1/4	
75	4791400	4	Washer 1/4	
76	4846552	1	Plate, Oil Cooler Mounting	
77	4846945	1	Mount, Generator	
78	4846946	1	Tray	
79	4891800	2	Washer 1/2	
80	4923468	1	Harness, Glow Plugs	
81	4923592	1	Cable, Jumper	
82	1001092856	1	Hose, Air Intake (SN 0300201016 through 0300234290)	
82	1001225118	1	Hose, Air Intake (SN 0300243291 through 0300272504, Except SN 0300272455 through 0300272461)	
83	1001098601	1	Engine, Deutz TD2011 Components (See Separate Breakdown in this Section)	
84	8410013	1	Clamp, Gear	



# SECTION 3 - ENGINE

**FIGURE 3-9. DEUTZ TD2011 DIESEL ENGINE INSTALLATION – WITH REXROTH PUMPS AND STEEL HOODS (WITH SKYPOWER AND WITH COLD WEATHER PLUS PACKAGE)**



ART\_1001116015

## SECTION 3 - ENGINE

**FIGURE 3-9. DEUTZ TD2011 DIESEL ENGINE INSTALLATION – WITH REXROTH PUMPS AND STEEL HOODS (WITH SKYPOWER AND WITH COLD WEATHER PLUS PACKAGE)**

ITEM	PART NUMBER	QTY	DESCRIPTION	REV
	1001116015	Ref	DEUTZ TD2011 DIESEL ENGINE INSTALLATION - WITH REXROTH PUMPS AND STEEL HOODS (WITH SKYPOWER AND WITH COLD WEATHER PLUS PACKAGE)	D
1	0100011	AR	Compound, Locking	
2	0100079	AR	Sealant, Pipe	
3	0641410	4	Bolt 1/4 x 1-1/4	
4	0641506	1	Bolt 5/16 x 3/4	
5	0641509	7	Bolt 5/16 x 1-1/8	
6	0641511	13	Bolt 5/16 x 1-3/8	
7	0641605	3	Bolt 3/8 x 5/8	
8	0641610	1	Bolt 3/8 x 1-1/4	
9	0641808	1	Bolt 1/2 x 1	
10	0642010	1	Bolt 5/8 x 1-1/4	
12	1320022	3	Clamp	
13	1320187	1	Clamp, Twin	
14	1320190	1	Cover, Clamp	
15	1671121	1	Cover, Generator	
16	1001108617	1	Pressure Filter	
16	70002231	1	Element, Filter	
17	2180348	1	Fitting, Barbed	
18	2200222	1	Plug, Pipe - Used in Bottom of Fuel Tank (Not Shown) (SN <b>0300201016 through 0300237154</b> )	
19	2220313	1	Fitting, Elbow Barbed	
20	2221176	1	Fitting, Elbow	
21	2750532	5 ft/ 1.5m	Hose	
22	2820170	1	Insulation, Sound Absorbing	
23	2902099	1	Battery Cable Kit	
23A	7024580	1	Cable, Red (To Aux Pump Relay, Battery Positive Terminal and Start Relay)	
23B	7024581	1	Cable, Black (To Aux Pump, Battery Negative Terminal and Ground at Tray Pivot)	
23C	7024582	1	Cable, Red (Aux Pump Relay to Aux Pump)	
23D	7024583	1	Cable, Black (Tray Pivot to Engine Mount)	
23E	7024584	1	Cable, Red (Start Relay to Starter)	
24	3311505	24	Nut 5/16	
25	3380473	1	Panel, Rubber	
26	3422446	1	Pin	
27	3573644	1	Plate, Tray Clamp	
28	1001112878	1	Plate, Top Clamp	
29	1001112879	1	Plate, Bottom Clamp	
30	3573669	1	Plate, Clamp	
31	1001112880	1	Plate, Tray Clamp	
32	3573728	1	Plate, Tray Clamp	
33	3841143	1	Keeper, Pin	
34	3900272	4	Screw, Button 5/16 x 1-3/4	
35	4240018	2	Strap, Tie (Not Shown)	
36	4240099	AR	Strap, Tie	
37	4711400	4	Washer 1/4	
38	4711500	44	Washer 5/16	
39	4711600	7	Washer 3/8	

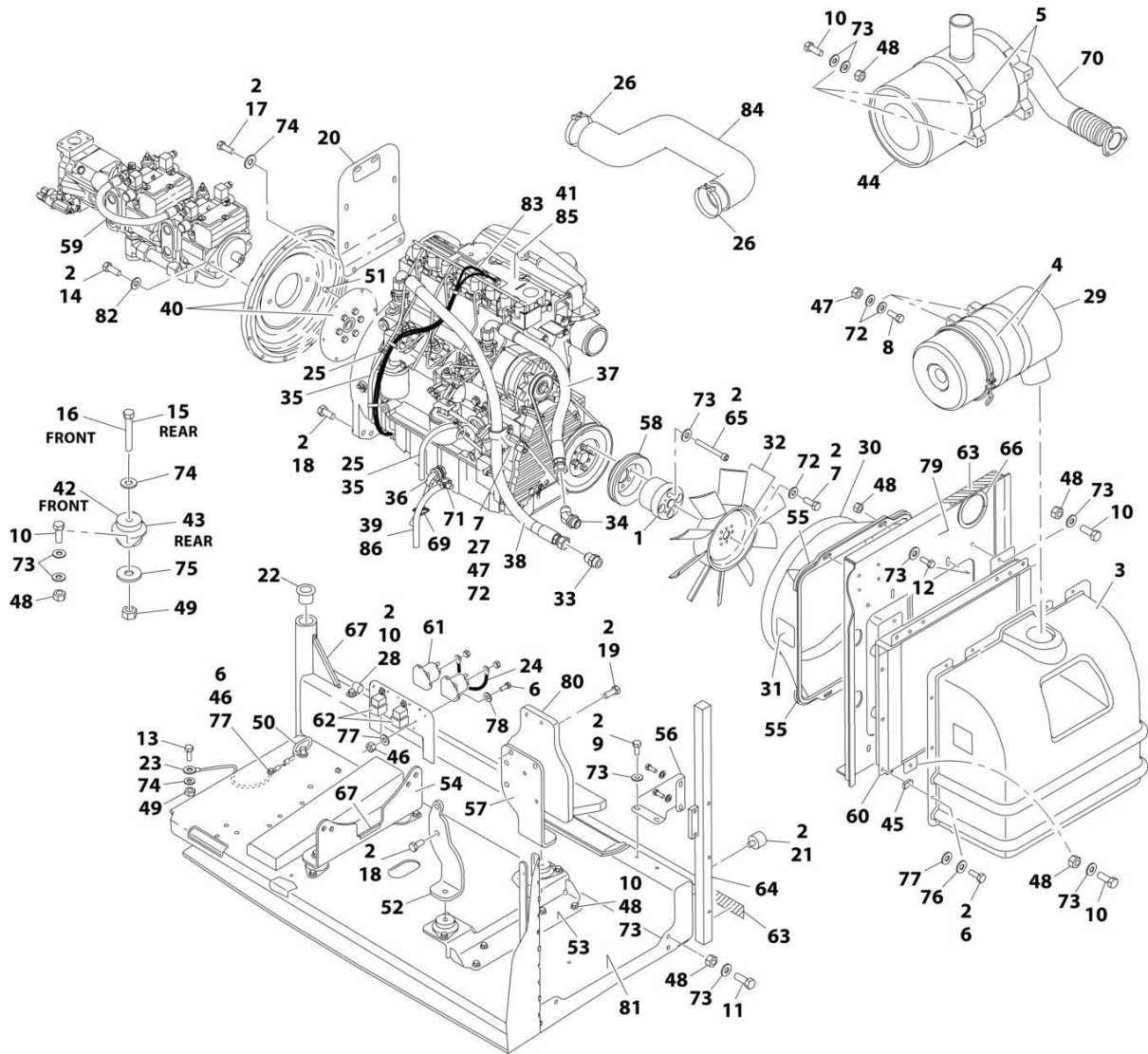
## SECTION 3 - ENGINE

ITEM	PART NUMBER	QTY	DESCRIPTION	REV
40	4752000	1	Washer 5/8	
41	1001098531	1	Engine Assembly with Pumps (See Separate Breakdown in this Section)	
42	1001111132	1	Panel, Rubber	
43	1702942	1	Decal - Block Heater (Not Shown)	
44	0641606	4	Bolt 3/8 x 3/4	



# SECTION 3 - ENGINE

## FIGURE 3-10. DEUTZ TD2011 ENGINE ASSEMBLY - WITH REXROTH PUMPS AND STEEL HOODS (WITH SKYPOWER AND WITH COLD WEATHER PLUS PACKAGE)



ART\_1001098531



## SECTION 3 - ENGINE

**FIGURE 3-10. DEUTZ TD2011 ENGINE ASSEMBLY - WITH REXROTH PUMPS AND STEEL HOODS  
(WITH SKYPOWER AND WITH COLD WEATHER PLUS PACKAGE)**

ITEM	PART NUMBER	QTY	DESCRIPTION	REV
	1001098531	Ref	DEUTZ TD2011 ENGINE ASSEMBLY - WITH REXROTH PUMPS AND STEEL HOODS (WITH SKYPOWER AND WITH COLD WEATHER PLUS PACKAGE)	J
1	0080244	1	Spacer, Fan	
2	0100011	AR	Compound, Locking	
3	0272060	1	Box, Air Intake	
4	0340003	2	Band, Air Cleaner	
5	0340051	2	Band, Muffler	
6	0641406	15	Bolt 1/4 x 3/4	
7	0641506	5	Bolt 5/16 x 3/4	
8	0641507	4	Bolt 5/16 x 7/8	
9	0641605	4	Bolt 3/8 x 5/8	
10	0641608	25	Bolt 3/8 x 1	
11	0641609	2	Bolt 3/8 x 1-1/8	
12	0641610	4	Bolt 3/8 x 1-1/4	
13	0641808	1	Bolt 1/2 x 1	
14	0641812	2	Bolt 1/2 x 1-1/2	
15	0641818	2	Bolt 1/2 x 2-1/4	
16	0641826	2	Bolt 1/2 x 3-1/4	
17	0711214	2	Bolt M12 x 30	
18	0771414	6	Bolt M14 x 30	
19	0711417	4	Bolt M14 x 45	
20	1001112766	1	Bracket, Muffler	
21	0940070	1	Bumper	
22	0961986	2	Bushing, Flanged	
23	1001131542	1	Lanyard	
24	1060904	1	Cable, Jumper	
25	1320022	2	Clamp	
26	1320058	2	Clamp	
27	1320060	1	Clamp	
28	1320223	1	J-Clip	
29	1340065	1	Air Cleaner Assembly	
29	7003655	1	Element, Air Cleaner	
29	7015013	1	Baffle, Rubber	
29	7015014	1	Clamp, Cap	
29	7015015	1	Cup	
29	7015003	1	Wingnut	
30	1671023	1	Shroud, Fan	
31	1703162	2	Decal - Fan Blade	
32	2060025	1	Fan	
33	2220451	1	Fitting, Straight	
34	2220498	1	Fitting, Elbow	
35	2720058	34 ft/ 10.3m	Hose	
36	2580062	1	Heater, Engine Block	
37	2720500	1	Hose, Oil Cooler (Top)	
38	2720501	1	Hose, Oil Cooler (Bottom)	
39	2750532	9 in/23cm	Hose	
40	2902065	1	Pump Coupling Kit (See Separate Breakdown in this Section)	

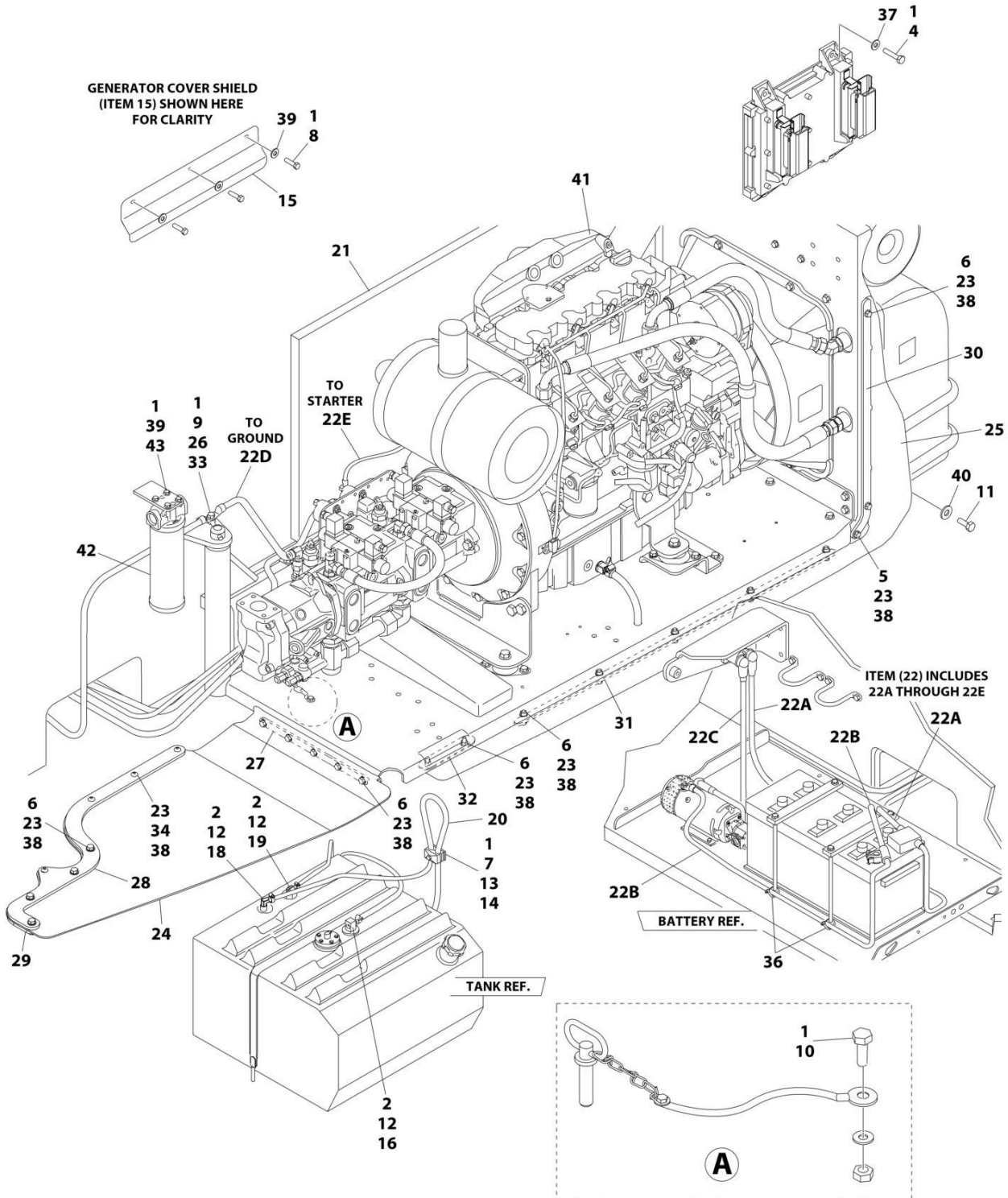
## SECTION 3 - ENGINE

ITEM	PART NUMBER	QTY	DESCRIPTION	REV
41	3020044	3.3 gal/ 12.3L	Oil, Engine	
42	3200362	2	Mount, Motor (Front)	
43	3200401	2	Mount, Motor (Rear)	
44	3220126	1	Muffler	
44	70003555	1	Clamp	
45	3300454	10	Nut	
46	3311405	5	Nut 1/4	
47	3311505	5	Nut 5/16	
48	3311605	30	Nut 3/8	
49	3311805	5	Nut 1/2	
50	3422532	1	Pin, Hitch	
51	3520054	2	Plug	
52	3537416	1	Plate, Mounting (Front Right)	
53	3539971	1	Bracket, Engine Mounting (Front)	
54	3573142	1	Bracket, Engine Mounting (Rear)	
55	3573411	2	Plate, Clamp	
56	3573412	1	Gusset	
57	3573529	1	Plate, Mounting (Front Left)	
58	3580320	1	Pulley	
59	3600339	1	Pump Assembly - Rexroth (See Separate Breakdown in this Section)	
60	1001145382	1	Cooler, Engine Oil	
61	3740067	2	Relay, Start	
62	3740080	2	Relay	
63	3960543	1	Seal	
64	3960544	1	Seal	
65	4032022	4	Capscrew M10 x 90	
66	4060804	1 ft/25cm	Flex-Trim	
67	4060805	8 in/20cm	Flex-Trim	
68	4240099	AR	Tie, Wire (Not Shown)	
69	4460234	3	Mount, Wire Tie	
70	4568293	1	Pipe, Exhaust	
71	4640751	1	Valve, Oil Drain	
72	4711500	13	Washer 5/16	
73	4711600	68	Washer 3/8	
74	4711800	7	Washer 1/2	
75	4740274	4	Washer, Snubbing	
76	4740518	10	Washer, Nylon	
77	4751400	20	Washer 1/4	
78	4791400	4	Washer 1/4	
79	4846552	1	Plate, Oil Cooler Mounting	
80	4846945	1	Mount, Generator	
81	4846946	1	Tray	
82	4891800	2	Washer 1/2 Hardened	
83	4923468	1	Harness, Glow Plugs	
84	1001092856	1	Hose, Air Intake (SN 0300201016 through 0300234290)	
84	1001225118	1	Hose, Air Intake (SN 0300243291 through 0300272504, Except SN 0300272455 through 0300272461)	
85	1001098601	1	Engine, Deutz TD2011 Components (See Separate Breakdown in this Section)	
86	8410013	1	Clamp, Gear	



# SECTION 3 - ENGINE

**FIGURE 3-11. DEUTZ TD2011 DIESEL ENGINE INSTALLATION - WITH SAUER PUMPS AND ABS HOODS (WITHOUT SKYPOWER AND WITHOUT COLD WEATHER PLUS PACKAGE)**



ART\_1001098712

## SECTION 3 - ENGINE

**FIGURE 3-11. DEUTZ TD2011 DIESEL ENGINE INSTALLATION - WITH SAUER PUMPS AND ABS HOODS (WITHOUT SKYPOWER AND WITHOUT COLD WEATHER PLUS PACKAGE)**

ITEM	PART NUMBER	QTY	DESCRIPTION	REV
	1001118712	Ref	DEUTZ TD2011 DIESEL ENGINE INSTALLATION - WITH SAUER PUMPS AND ABS HOODS (WITHOUT SKYPOWER AND WITHOUT COLD WEATHER PLUS PACKAGE)	E
1	0100011	AR	Compound, Locking	
2	0100079	AR	Sealant, Pipe	
3	0641410	4	Bolt 1/4 x 1-1/4	
4	0641506	1	Bolt 5/16 x 3/4	
5	0641509	18	Bolt 5/16 x 1-1/8	
6	0641511	1	Bolt 5/16 x 1-3/8	
7	0641605	3	Bolt 3/8 x 5/8	
8	0641610	1	Bolt 3/8 x 1-1/4	
9	0641808	1	Bolt 1/2 x 1	
10	0642010	1	Bolt 5/8 x 1-1/4	
12	1320022	3	Clamp	
13	1320187	1	Clamp, Twin	
14	1320190	1	Cover, Clamp	
15	1671121	1	Cover, Generator	
16	2180348	1	Fitting, Barbed	
17	2200222	1	Plug, Pipe - Used in Bottom of Fuel Tank (Not Shown) <b>(SN 0300201016 through 0300237154)</b>	
18	2220313	1	Fitting, Elbow Barbed	
19	2221176	1	Fitting, Elbow	
20	2750532	5 ft/ 1.5m	Hose	
21	2820170	1	Insulation, Sound Absorbing	
22	2902099	1	Battery Cable Kit	
22A	7024580	1	Cable, Red (To Aux Pump Relay, Battery Positive Terminal and Start Relay)	
22B	7024581	1	Cable, Black (To Aux Pump, Battery Negative Terminal and Ground at Tray Pivot)	
22C	7024582	1	Cable, Red (Aux Pump Relay to Aux Pump)	
22D	7024583	1	Cable, Black (Tray Pivot to Engine Mount)	
22E	7024584	1	Cable, Red (Start Relay to Starter)	
23	3311505	23	Nut 5/16	
24	3380472	1	Panel, Rubber	
25	3380473	1	Panel, Rubber	
26	3422446	1	Pin	
27	3573644	1	Plate, Tray Clamp	
28	3573645	1	Plate, Top Clamp	
29	3573646	1	Plate, Bottom Clamp	
30	3573669	1	Plate, Clamp	
31	3573727	1	Plate, Tray Clamp	
32	3573728	1	Plate, Tray Clamp	
33	3841143	1	Keeper, Pin	
34	3900272	4	Screw, Button 5/16 x 1-3/4	
35	4240018	2	Strap, Tie (Not Shown)	
36	4240099	AR	Strap, Tie	
37	4711400	4	Washer 1/4	
38	4711500	42	Washer 5/16	
39	4711600	7	Washer 3/8	
40	4752000	1	Washer 5/8	

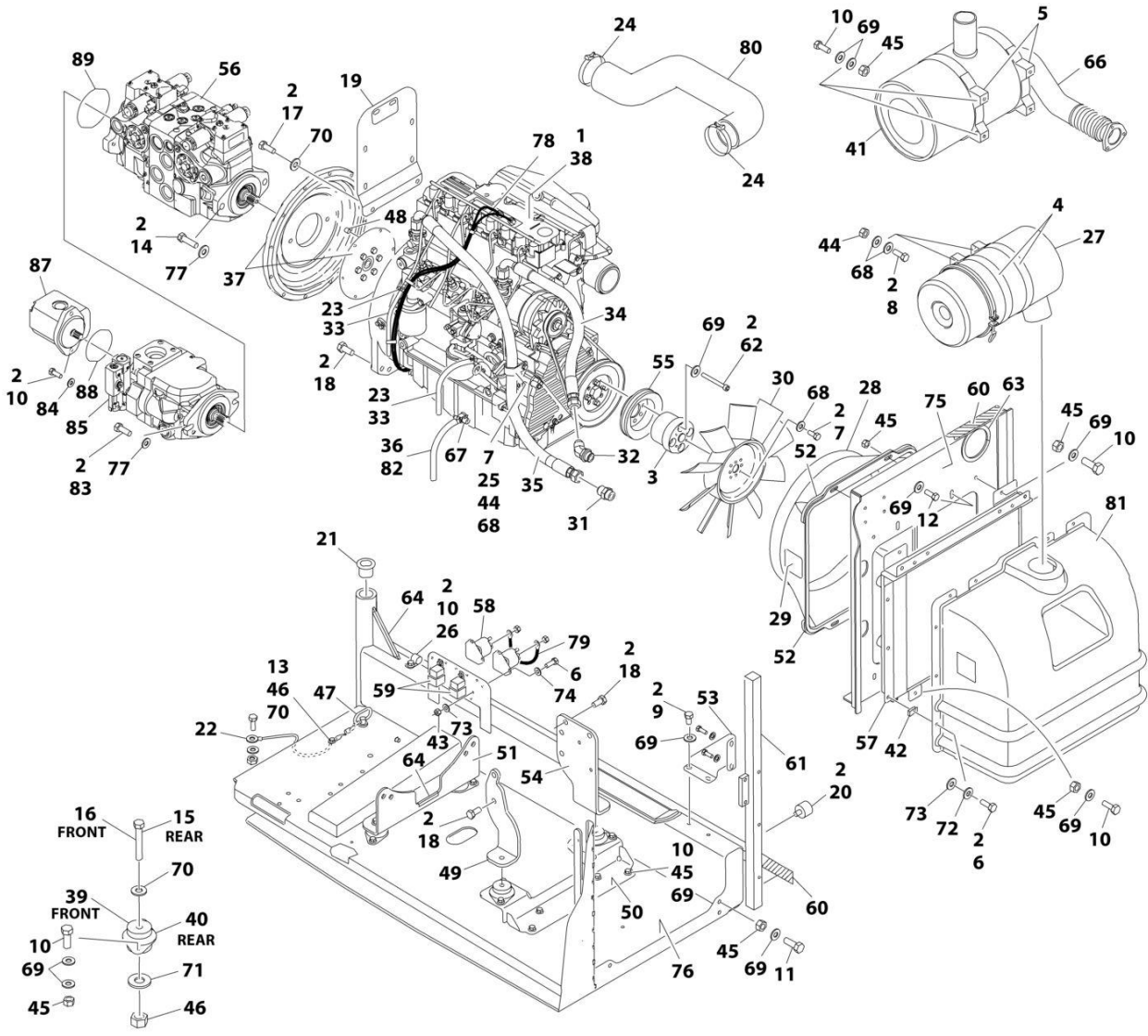
## SECTION 3 - ENGINE

ITEM	PART NUMBER	QTY	DESCRIPTION	REV
41	1001107971	1	Engine Assembly with Pumps (See Separate Breakdown in this Section)	
42	1001108617	1	Pressure Filter	
42	70002231	1	Element, Filter	
43	0641606	4	Bolt 3/8 x 3/4	



# SECTION 3 - ENGINE

## FIGURE 3-12. DEUTZ TD2011 ENGINE ASSEMBLY - WITH SAUER PUMPS AND ABS HOODS (WITHOUT SKYPOWER AND WITHOUT COLD WEATHER PLUS PACKAGE)



ART\_1001107971



## SECTION 3 - ENGINE

**FIGURE 3-12. DEUTZ TD2011 ENGINE ASSEMBLY - WITH SAUER PUMPS AND ABS HOODS  
(WITHOUT SKYPOWER AND WITHOUT COLD WEATHER PLUS PACKAGE)**

ITEM	PART NUMBER	QTY	DESCRIPTION	REV
	1001107971	Ref	DEUTZ TD2011 ENGINE ASSEMBLY - WITH SAUER PUMPS AND ABS HOODS (WITHOUT SKYPOWER AND WITHOUT COLD WEATHER PLUS PACKAGE)	1
1	1001098601	1	Engine, Deutz TD2011 Components (See Separate Breakdown in this Section)	
2	0100011	AR	Compound, Locking	
3	0080237	1	Spacer, Fan	
4	0340003	2	Band, Air Cleaner	
5	0340051	2	Band, Muffler	
6	0641406	15	Bolt 1/4 x 3/4	
7	0641506	5	Bolt 5/16 x 3/4	
8	0641507	4	Bolt 5/16 x 7/8	
9	0641605	4	Bolt 3/8 x 5/8	
10	0641608	27	Bolt 3/8 x 1	
11	0641609	2	Bolt 3/8 x 1-1/8	
12	0641610	4	Bolt 3/8 x 1-1/4	
13	0641808	1	Bolt 1/2 x 1	
14	0641814	2	Bolt 1/2 x 1-3/4	
15	0641818	2	Bolt 1/2 x 2-1/4	
16	0641826	2	Bolt 1/2 x 3-1/4	
17	0711214	2	Bolt M12 x 30	
18	0771414	10	Bolt M14 x 30	
19	1001112766	1	Bracket, Muffler	
20	0940070	1	Bumper	
21	0961986	2	Bushing, Flanged	
22	1001131542	1	Lanyard	
23	1320022	3	Clamp	
24	1320058	2	Clamp	
25	1320060	1	Clamp	
26	1320223	1	J-Clip	
27	1340065	1	Air Cleaner Assembly	
27	7003655	1	Element, Air Cleaner	
27	7015013	1	Baffle, Rubber	
27	7015014	1	Clamp, Cap	
27	7015015	1	Cup	
27	7015003	1	Wingnut	
28	1671023	1	Shroud, Fan	
29	1703162	2	Decal - Fan Blade	
30	2060025	1	Fan	
31	2220451	1	Fitting, Straight	
32	2220498	1	Fitting, Elbow	
33	2720058	34 ft/ 10.3m	Hose	
34	2720500	1	Hose, Oil Cooler (Top)	
35	2720501	1	Hose, Oil Cooler (Bottom)	
36	2750532	9 in /23cm	Hose	
37	2902065	1	Pump Coupling Kit (See Separate Breakdown in this Section)	
38	3020016	3.3 gal/ 12.3L	Motor Oil, 15W-40	
39	3200362	2	Mount, Motor (Front)	

## SECTION 3 - ENGINE

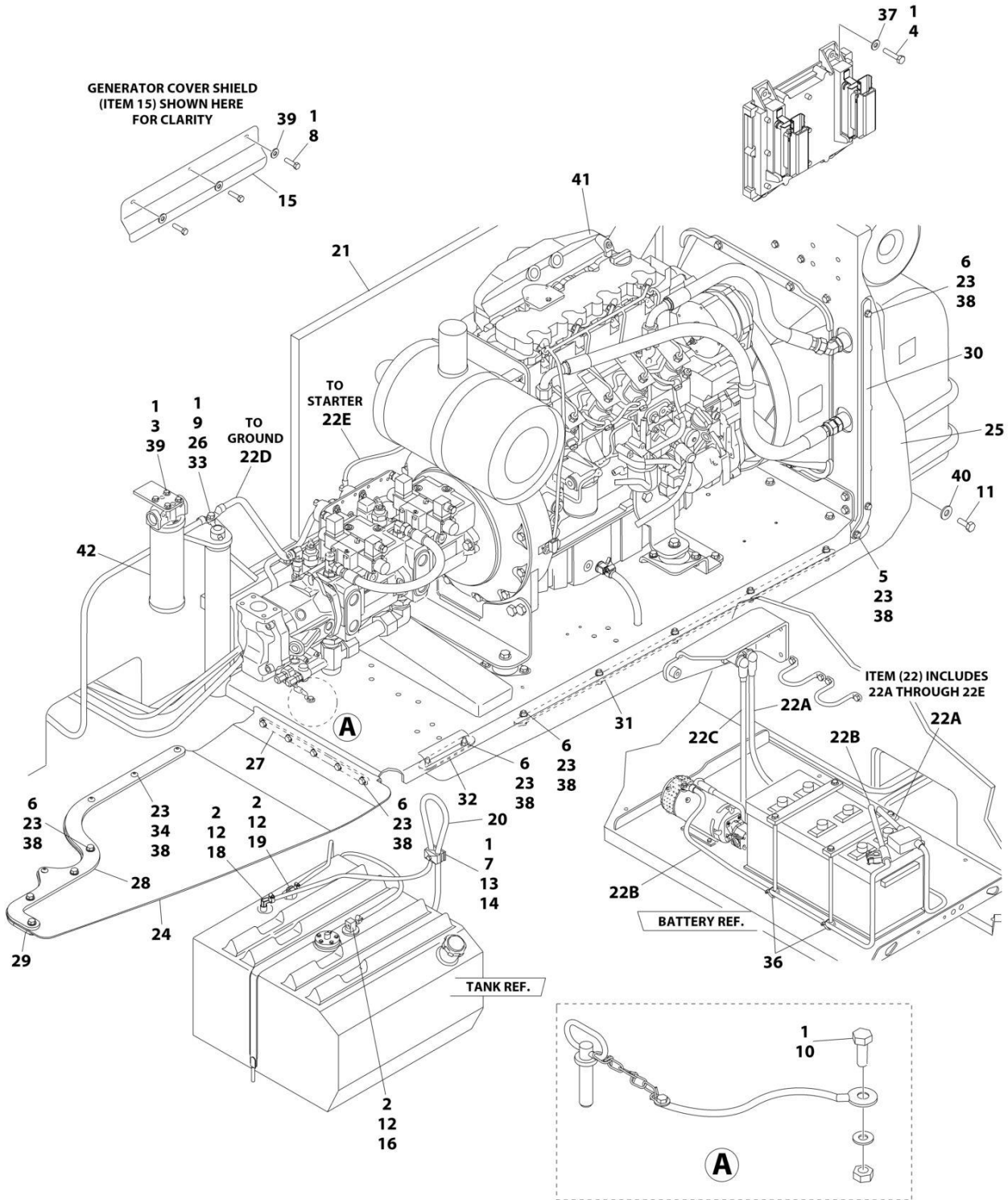
ITEM	PART NUMBER	QTY	DESCRIPTION	REV
40	3200401	2	Mount, Motor (Rear)	
41	3220126	1	Muffler	
41	70003555	1	Clamp	
42	3300454	10	Nut	
43	3311405	5	Nut 1/4	
44	3311505	5	Nut 5/16	
45	3311605	30	Nut 3/8	
46	3311805	5	Nut 1/2	
47	3422532	1	Pin, Hitch	
48	3520054	2	Plug	
49	3537416	1	Plate, Mounting (Front Right)	
50	3539971	1	Bracket, Engine Mounting (Front)	
51	3573142	1	Bracket, Engine Mounting (Rear)	
52	3573411	2	Plate, Clamp	
53	3573412	1	Gusset	
54	3573529	1	Plate, Mounting (Front Left)	
55	3580158	1	Pulley	
56	1001108616	1	Pump Assembly - Sauer (See Separate Breakdown in this Section)	
57	1001145382	1	Cooler, Engine Oil	
58	3740067	2	Relay, Start	
59	3740080	2	Relay	
60	3960543	1	Seal	
61	3960544	1	Seal	
62	4032022	4	Capscrew M10 x 90	
63	4060804	1 ft /25cm	Flex-Trim	
64	4060805	8 in /20cm	Flex-Trim	
65	4240099	AR	Tie, Wire (Not Shown)	
66	4568293	1	Pipe, Exhaust	
67	4640751	1	Valve, Oil Drain	
68	4711500	13	Washer 5/16	
69	4711600	68	Washer 3/8	
70	4711800	7	Washer 1/2	
71	4740274	4	Washer, Snubbing	
72	4740518	10	Washer, Nylon	
73	4751400	20	Washer 1/4	
74	4791400	4	Washer 1/4	
75	4846552	1	Plate, Oil Cooler Mounting	
76	4846946	1	Tray	
77	4891800	4	Washer 1/2	
78	4923468	1	Harness, Glow Plugs	
79	4923592	1	Cable, Jumper	
80	1001092856	1	Hose, Air Intake (SN 0300201016 through 0300234290)	
80	1001225118	1	Hose, Air Intake (SN 0300243291 through 0300272504, Except SN 0300272455 through 0300272461)	
81	0272060	1	Box, Air Intake	
82	8410013	1	Clamp, Gear	
83	0761215	2	Bolt M12 x 35mm	
84	4891600	2	Washer 3/8	
85	1001171095	1	Pump Assembly - Sauer Piston (See Separate Breakdown in this Section)	
87	1001112927	1	Pump Assembly - Sauer Gear (See Separate Breakdown in this Section)	

## SECTION 3 - ENGINE

ITEM	PART NUMBER	QTY	DESCRIPTION	REV
88	3790152	1	O-Ring	
89	3790155	1	O-Ring	

# SECTION 3 - ENGINE

**FIGURE 3-13. DEUTZ TD2011 DIESEL ENGINE INSTALLATION - WITH SAUER PUMPS AND ABS HOODS (WITH SKYPOWER AND WITHOUT COLD WEATHER PLUS PACKAGE)**



ART\_1001098713

## SECTION 3 - ENGINE

**FIGURE 3-13. DEUTZ TD2011 DIESEL ENGINE INSTALLATION - WITH SAUER PUMPS AND ABS HOODS (WITH SKYPOWER AND WITHOUT COLD WEATHER PLUS PACKAGE)**

ITEM	PART NUMBER	QTY	DESCRIPTION	REV
	100118713	Ref	DEUTZ TD2011 DIESEL ENGINE INSTALLATION - WITH SAUER PUMPS AND ABS HOODS (WITH SKYPOWER AND WITHOUT COLD WEATHER PLUS PACKAGE)	E
1	0100011	AR	Compound, Locking	
2	0100079	AR	Sealant, Pipe	
3	0641606	4	Bolt 3/8 x 3/4	
4	0641410	4	Bolt 1/4 x 1-1/4	
5	0641506	1	Bolt 5/16 x 3/4	
6	0641509	18	Bolt 5/16 x 1-1/8	
7	0641511	1	Bolt 5/16 x 1-3/8	
8	0641605	3	Bolt 3/8 x 5/8	
9	0641610	1	Bolt 3/8 x 1-1/4	
10	0641808	1	Bolt 1/2 x 1	
11	0642010	1	Bolt 5/8 x 1-1/4	
12	1320022	3	Clamp	
13	1320187	1	Clamp, Twin	
14	1320190	1	Cover, Clamp	
15	1671121	1	Cover, Generator	
16	2180348	1	Fitting, Barbed	
17	2200222	1	Plug, Pipe - Used in Bottom of Fuel Tank (Not Shown) <b>(SN 0300201016 through 0300237154)</b>	
18	2220313	1	Fitting, Elbow Barbed	
19	2221176	1	Fitting, Elbow	
20	2750532	5 ft/ 1.5m	Hose	
21	2820170	1	Insulation, Sound Absorbing	
22	2902099	1	Battery Cable Kit	
22A	7024580	1	Cable, Red (To Aux Pump Relay, Battery Positive Terminal and Start Relay)	
22B	7024581	1	Cable, Black (To Aux Pump, Battery Negative Terminal and Ground at Tray Pivot)	
22C	7024582	1	Cable, Red (Aux Pump Relay to Aux Pump)	
22D	7024583	1	Cable, Black (Tray Pivot to Engine Mount)	
22E	7024584	1	Cable, Red (Start Relay to Starter)	
23	3311505	23	Nut 5/16	
24	3380472	1	Panel, Rubber	
25	3380473	1	Panel, Rubber	
26	3422446	1	Pin	
27	3573644	1	Plate, Tray Clamp	
28	3573645	1	Plate, Top Clamp	
29	3573646	1	Plate, Bottom Clamp	
30	3573669	1	Plate, Clamp	
31	3573727	1	Plate, Tray Clamp	
32	3573728	1	Plate, Tray Clamp	
33	3841143	1	Keeper, Pin	
34	3900272	4	Screw, Button 5/16 x 1-3/4	
35	4240018	2	Strap, Tie (Not Shown)	
36	4240099	AR	Strap, Tie	
37	4711400	4	Washer 1/4	
38	4711500	42	Washer 5/16	
39	4711600	7	Washer 3/8	

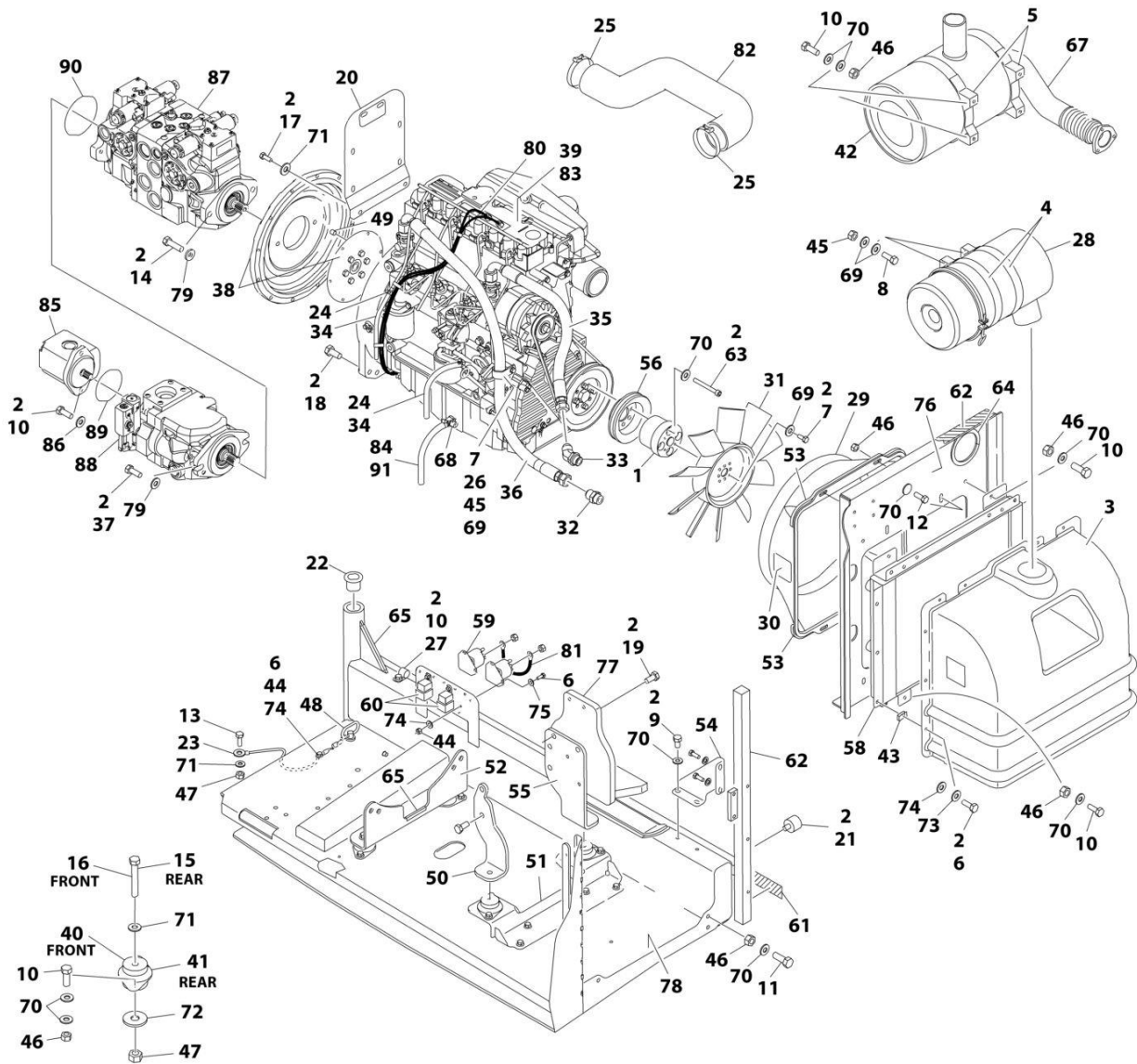
## SECTION 3 - ENGINE

ITEM	PART NUMBER	QTY	DESCRIPTION	REV
40	4752000	1	Washer 5/8	
41	1001107973	1	Engine Assembly with Pumps (See Separate Breakdown in this Section)	
42	1001108617	1	Pressure Filter	
42	70002231	1	Element, Filter	



# SECTION 3 - ENGINE

FIGURE 3-14. DEUTZ TD2011 ENGINE ASSEMBLY - WITH SAUER PUMPS AND ABS HOODS (WITH SKYPOWER AND WITHOUT COLD WEATHER PLUS PACKAGE)



ART\_1001107973



## SECTION 3 - ENGINE

**FIGURE 3-14. DEUTZ TD2011 ENGINE ASSEMBLY - WITH SAUER PUMPS AND ABS HOODS (WITH SKYPOWER AND WITHOUT COLD WEATHER PLUS PACKAGE)**

ITEM	PART NUMBER	QTY	DESCRIPTION	REV
	1001107973	Ref	DEUTZ TD2011 ENGINE ASSEMBLY - WITH SAUER PUMPS AND ABS HOODS (WITH SKYPOWER AND WITHOUT COLD WEATHER PLUS PACKAGE)	1
1	0080244	1	Spacer, Fan	
2	0100011	AR	Compound, Locking	
3	0272060	1	Box, Air Intake	
4	0340003	2	Band, Air Cleaner	
5	0340051	2	Band, Muffler	
6	0641406	15	Bolt 1/4 x 3/4	
7	0641506	5	Bolt 5/16 x 3/4	
8	0641507	4	Bolt 5/16 x 7/8	
9	0641605	4	Bolt 3/8 x 5/8	
10	0641608	27	Bolt 3/8 x 1	
11	0641609	2	Bolt 3/8 x 1-1/8	
12	0641610	4	Bolt 3/8 x 1-1/4	
13	0641808	1	Bolt 1/2 x 1	
14	0641814	2	Bolt 1/2 x 1-3/4	
15	0641818	2	Bolt 1/2 x 2-1/4	
16	0641826	2	Bolt 1/2 x 3-1/4	
17	0711214	2	Bolt M12 x 30	
18	0771414	6	Bolt M14 x 30	
19	0711417	4	Bolt M14 x 45	
20	1001112766	1	Bracket, Muffler	
21	0940070	1	Bumper	
22	0961986	2	Bushing, Flanged	
23	1001131542	1	Lanyard	
24	1320022	2	Clamp	
25	1320058	2	Clamp	
26	1320060	1	Clamp	
27	1320223	1	J-Clip	
28	1340065	1	Air Cleaner Assembly	
28	7003655	1	Element, Air Cleaner	
28	7015013	1	Baffle, Rubber	
28	7015014	1	Clamp, Cap	
28	7015015	1	Cup	
28	7015003	1	Wingnut	
29	1671023	1	Shroud, Fan	
30	1703162	2	Decal - Fan Blade	
31	2060025	1	Fan	
32	2220451	1	Fitting, Straight	
33	2220498	1	Fitting, Elbow	
34	2720058	34 ft/ 10.3m	Hose	
35	2720500	1	Hose, Oil Cooler (Top)	
36	2720501	1	Hose, Oil Cooler (Bottom)	
37	0761215	2	Bolt M12 x 35mm	
38	2902065	1	Pump Coupling Kit (See Separate Breakdown in this Section)	
39	3020016	3.3 gal/ 12.3L	Motor Oil, 15W-40	
40	3200362	2	Mount, Motor (Front)	

## SECTION 3 - ENGINE

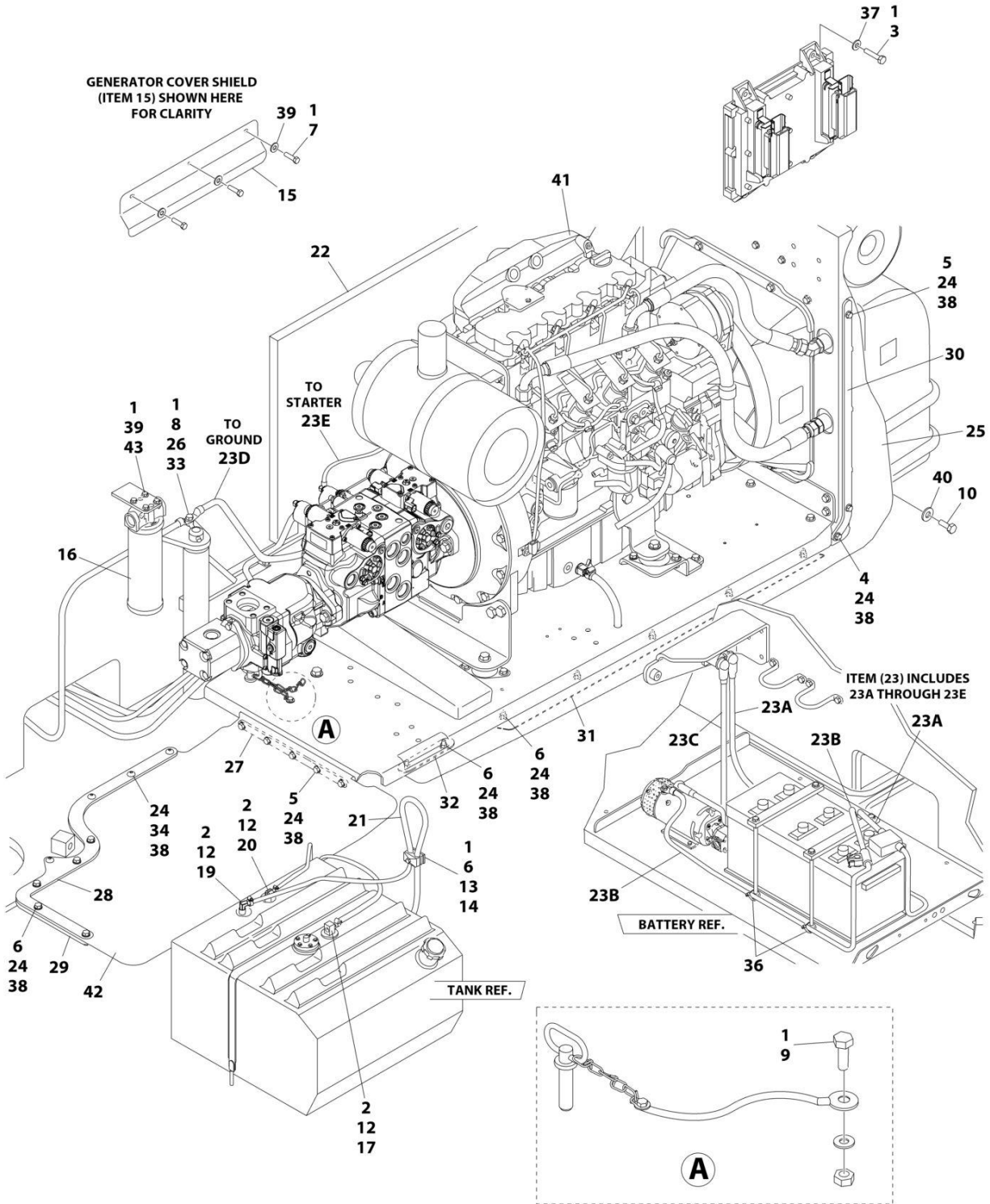
ITEM	PART NUMBER	QTY	DESCRIPTION	REV
41	3200401	2	Mount, Motor (Rear)	
42	3220126	1	Muffler	
42	70003555	1	Clamp	
43	3300454	10	Nut	
44	3311405	5	Nut 1/4	
45	3311505	5	Nut 5/16	
46	3311605	30	Nut 3/8	
47	3311805	5	Nut 1/2	
48	3422532	1	Pin, Hitch	
49	3520054	2	Plug	
50	3537416	1	Plate, Mounting (Front Right)	
51	3539971	1	Bracket, Engine Mounting (Front)	
52	3573142	1	Bracket, Engine Mounting (Rear)	
53	3573411	2	Plate, Clamp	
54	3573412	1	Gusset	
55	3573529	1	Plate, Mounting (Front Left)	
56	3580320	1	Pulley	
58	1001145382	1	Cooler, Engine Oil	
59	3740067	2	Relay, Start	
60	3740080	2	Relay	
61	3960543	1	Seal	
62	3960544	1	Seal	
63	4032022	4	Capscrew M10 x 90	
64	4060804	1 ft /25cm	Flex-Trim	
65	4060805	8 in/20cm	Flex-Trim	
66	4240099	AR	Tie, Wire (Not Shown)	
67	4568293	1	Pipe, Exhaust	
68	4640751	1	Valve, Oil Drain	
69	4711500	13	Washer 5/16	
70	4711600	68	Washer 3/8	
71	4711800	7	Washer 1/2	
72	4740274	4	Washer, Snubbing	
73	4740518	10	Washer, Nylon	
74	4751400	20	Washer 1/4	
75	4791400	4	Washer 1/4	
76	4846552	1	Plate, Oil Cooler Mounting	
77	4846945	1	Mount, Generator	
78	4846946	1	Tray	
79	4891800	4	Washer 1/2	
80	4923468	1	Harness, Glow Plugs	
81	4923592	1	Cable, Jumper	
82	1001092856	1	Hose, Air Intake (SN 0300201016 through 0300234290)	
82	1001225118	1	Hose, Air Intake (SN 0300243291 through 0300272504, Except SN 0300272455 through 0300272461)	
83	1001098601	1	Engine, Deutz TD2011 Components (See Separate Breakdown in this Section)	
84	8410013	1	Clamp, Gear	
85	1001112927	1	Pump Assembly - Sauer Gear (See Separate Breakdown in this Section)	
86	4891600	2	Washer 3/8	
87	1001108616	1	Pump Assembly - Sauer (See Separate Breakdown in this Section)	

## SECTION 3 - ENGINE

ITEM	PART NUMBER	QTY	DESCRIPTION	REV
88	1001171095	1	Pump Assembly - Sauer Piston (See Separate Breakdown in this Section)	
89	3790152	1	O-Ring	
90	3790155	1	O-Ring	
91	2750532	0.8 ft/ 0.2m	Hose	

# SECTION 3 - ENGINE

**FIGURE 3-15. DEUTZ TD2011 DIESEL ENGINE INSTALLATION - WITH SAUER PUMPS AND STEEL HOODS (WITHOUT SKYPOWER AND WITHOUT COLD WEATHER PLUS PACKAGE)**



ART\_1001119052

## SECTION 3 - ENGINE

**FIGURE 3-15. DEUTZ TD2011 DIESEL ENGINE INSTALLATION - WITH SAUER PUMPS AND STEEL HOODS (WITHOUT SKYPOWER AND WITHOUT COLD WEATHER PLUS PACKAGE)**

ITEM	PART NUMBER	QTY	DESCRIPTION	REV
	1001119052	Ref	DEUTZ TD2011 DIESEL ENGINE INSTALLATION - WITH SAUER PUMPS AND STEEL HOODS (WITHOUT SKYPOWER AND WITHOUT COLD WEATHER PLUS PACKAGE)	D
1	0100011	AR	Compound, Locking	
2	0100079	AR	Sealant, Pipe	
3	0641410	4	Bolt 1/4 x 1-1/4	
4	0641506	1	Bolt 5/16 x 3/4	
5	0641509	7	Bolt 5/16 x 1-1/8	
6	0641511	13	Bolt 5/16 x 1-3/8	
7	0641605	3	Bolt 3/8 x 5/8	
8	0641610	1	Bolt 3/8 x 1-1/4	
9	0641808	1	Bolt 1/2 x 1	
10	0642010	1	Bolt 5/8 x 1-1/4	
12	1320022	3	Clamp	
13	1320187	1	Clamp, Twin	
14	1320190	1	Cover, Clamp	
15	1671121	1	Cover, Generator	
16	1001108617	1	Pressure Filter	
16	70002231	1	Element, Filter	
17	2180348	1	Fitting, Barbed	
18	2200222	1	Plug, Pipe - Used in Bottom of Fuel Tank (Not Shown) (SN <b>0300201016 through 0300237154</b> )	
19	2220313	1	Fitting, Elbow Barbed	
20	2221176	1	Fitting, Elbow	
21	2750532	5 ft/ 1.5m	Hose	
22	2820170	1	Insulation, Sound Absorbing	
23	2902099	1	Battery Cable Kit	
23A	7024580	1	Cable, Red (To Aux Pump Relay, Battery Positive Terminal and Start Relay)	
23B	7024581	1	Cable, Black (To Aux Pump, Battery Negative Terminal and Ground at Tray Pivot)	
23C	7024582	1	Cable, Red (Aux Pump Relay to Aux Pump)	
23D	7024583	1	Cable, Black (Tray Pivot to Engine Mount)	
23E	7024584	1	Cable, Red (Start Relay to Starter)	
24	3311505	24	Nut 5/16	
25	3380473	1	Panel, Rubber	
26	3422446	1	Pin	
27	3573644	1	Plate, Tray Clamp	
28	1001112878	1	Plate, Top Clamp	
29	1001112879	1	Plate, Bottom Clamp	
30	3573669	1	Plate, Clamp	
31	1001112880	1	Plate, Tray Clamp	
32	3573728	1	Plate, Tray Clamp	
33	3841143	1	Keeper, Pin	
34	3900272	4	Screw 5/16 x 1-3/4	
35	4240018	2	Strap, Tie (Not Shown)	
36	4240099	AR	Strap, Tie	
37	4711400	4	Washer 1/4	
38	4711500	44	Washer 5/16	
39	4711600	7	Washer 3/8	

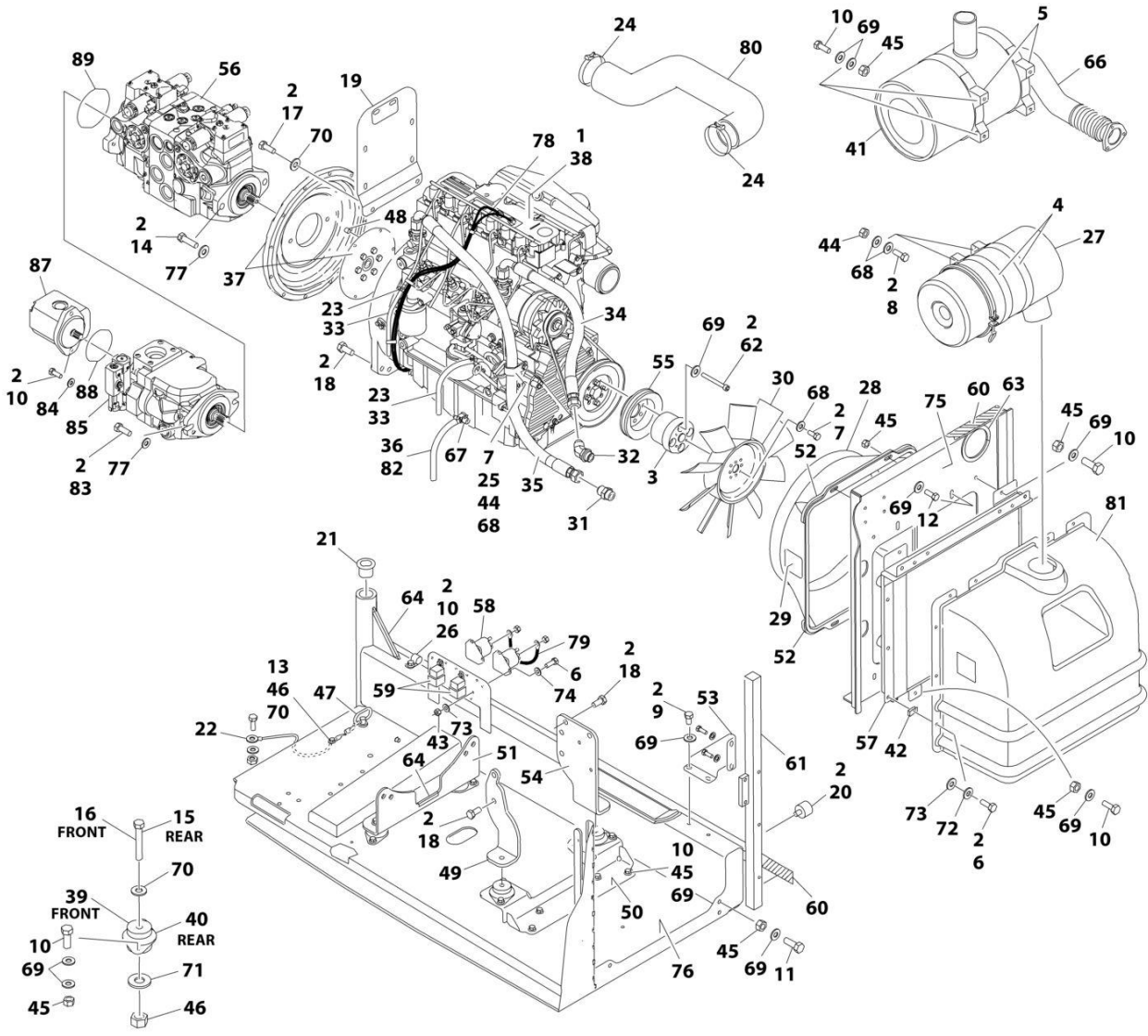
## SECTION 3 - ENGINE

ITEM	PART NUMBER	QTY	DESCRIPTION	REV
40	4752000	1	Washer 5/8	
41	1001107971	1	Engine Assembly with Pumps (See Separate Breakdown in this Section)	
42	1001111132	1	Panel, Rubber	
43	0641606	4	Bolt 3/8 x 3/4	



# SECTION 3 - ENGINE

**FIGURE 3-16. DEUTZ TD2011 ENGINE ASSEMBLY - WITH SAUER PUMPS AND STEEL HOODS (WITHOUT SKYPOWER AND WITHOUT COLD WEATHER PLUS PACKAGE)**



ART\_1001107971



## SECTION 3 - ENGINE

**FIGURE 3-16. DEUTZ TD2011 ENGINE ASSEMBLY - WITH SAUER PUMPS AND STEEL HOODS  
(WITHOUT SKYPOWER AND WITHOUT COLD WEATHER PLUS PACKAGE)**

ITEM	PART NUMBER	QTY	DESCRIPTION	REV
	1001107971	Ref	DEUTZ TD2011 ENGINE ASSEMBLY - WITH SAUER PUMPS AND STEEL HOODS (WITHOUT SKYPOWER AND WITHOUT COLD WEATHER PLUS PACKAGE)	1
1	1001098601	1	Engine, Deutz TD2011 Components (See Separate Breakdown in this Section)	
2	0100011	AR	Compound, Locking	
3	0080237	1	Spacer, Fan	
4	0340003	2	Band, Air Cleaner	
5	0340051	2	Band, Muffler	
6	0641406	15	Bolt 1/4 x 3/4	
7	0641506	5	Bolt 5/16 x 3/4	
8	0641507	4	Bolt 5/16 x 7/8	
9	0641605	4	Bolt 3/8 x 5/8	
10	0641608	27	Bolt 3/8 x 1	
11	0641609	2	Bolt 3/8 x 1-1/8	
12	0641610	4	Bolt 3/8 x 1-1/4	
13	0641808	1	Bolt 1/2 x 1	
14	0641814	2	Bolt 1/2 x 1-3/4	
15	0641818	2	Bolt 1/2 x 2-1/4	
16	0641826	2	Bolt 1/2 x 3-1/4	
17	0711214	2	Bolt M12 x 30	
18	0771414	10	Bolt M14 x 30	
19	1001112766	1	Bracket, Muffler	
20	0940070	1	Bumper	
21	0961986	2	Bushing, Flanged	
22	1001131542	1	Lanyard	
23	1320022	3	Clamp	
24	1320058	2	Clamp	
25	1320060	1	Clamp	
26	1320223	1	J-Clip	
27	1340065	1	Air Cleaner Assembly	
27	7003655	1	Element, Air Cleaner	
27	7015013	1	Baffle, Rubber	
27	7015014	1	Clamp, Cap	
27	7015015	1	Cup	
27	7015003	1	Wingnut	
28	1671023	1	Shroud, Fan	
29	1703162	2	Decal - Fan Blade	
30	2060025	1	Fan	
31	2220451	1	Fitting, Straight	
32	2220498	1	Fitting, Elbow	
33	2720058	34 ft/ 10.3m	Hose	
34	2720500	1	Hose, Oil Cooler (Top)	
35	2720501	1	Hose, Oil Cooler (Bottom)	
36	2750532	9 in/23cm	Hose	
37	2902065	1	Pump Coupling Kit (See Separate Breakdown in this Section)	
38	3020016	3.3 gal/ 12.3L	Motor Oil, 15W-40	
39	3200362	2	Mount, Motor (Front)	

## SECTION 3 - ENGINE

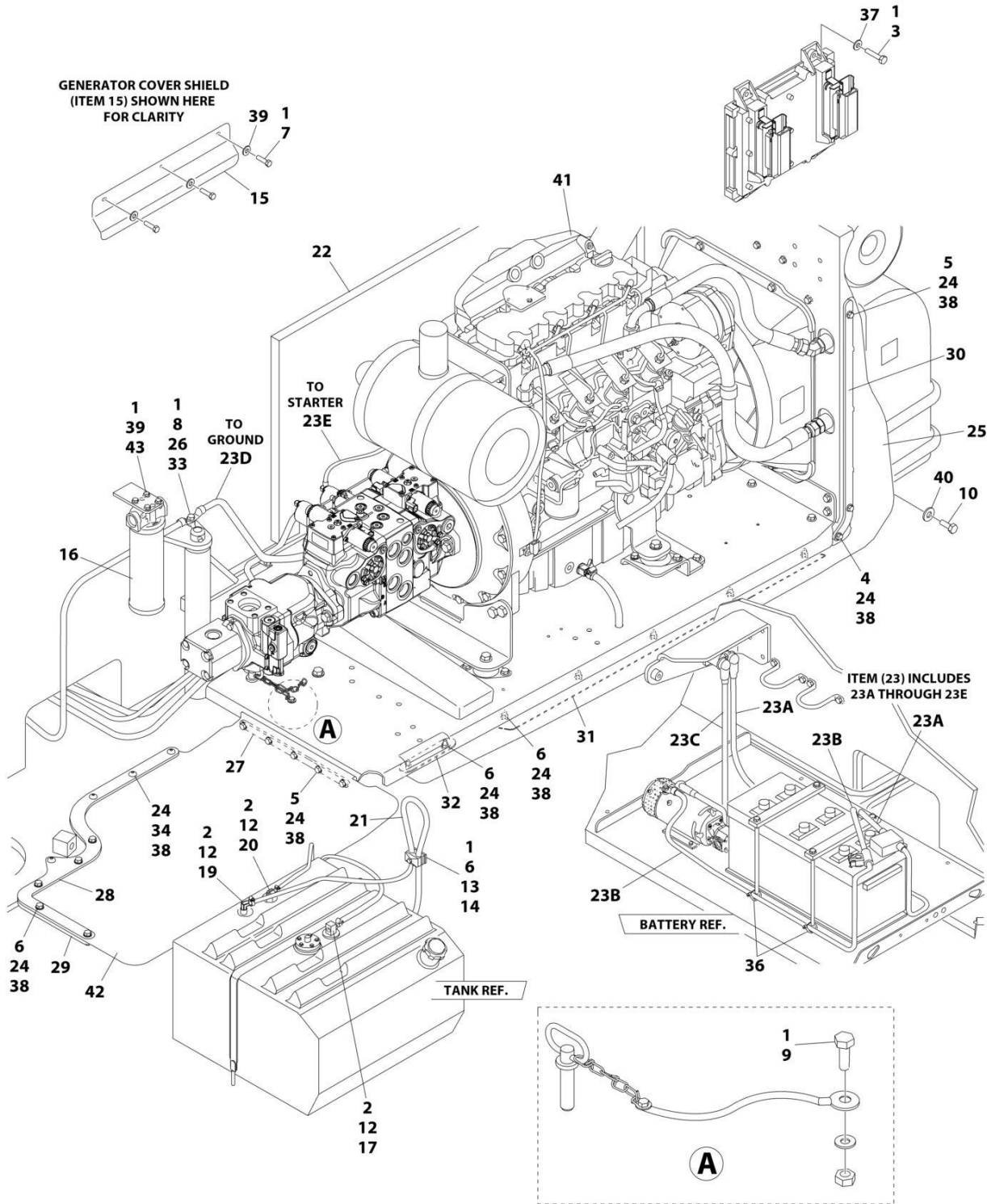
ITEM	PART NUMBER	QTY	DESCRIPTION	REV
40	3200401	2	Mount, Motor (Rear)	
41	3220126	1	Muffler	
41	70003555	1	Clamp	
42	3300454	10	Nut	
43	3311405	5	Nut 1/4	
44	3311505	5	Nut 5/16	
45	3311605	30	Nut 3/8	
46	3311805	5	Nut 1/2	
47	3422532	1	Pin, Hitch	
48	3520054	2	Plug	
49	3537416	1	Plate, Mounting (Front Right)	
50	3539971	1	Bracket, Engine Mounting (Front)	
51	3573142	1	Bracket, Engine Mounting (Rear)	
52	3573411	2	Plate, Clamp	
53	3573412	1	Gusset	
54	3573529	1	Plate, Mounting (Front Left)	
55	3580158	1	Pulley	
56	1001108616	1	Pump Assembly - Sauer (See Separate Breakdown in this Section)	
57	1001145382	1	Cooler, Engine Oil	
58	3740067	2	Relay, Start	
59	3740080	2	Relay	
60	3960543	1	Seal	
61	3960544	1	Seal	
62	4032022	4	Capscrew M10 x 90	
63	4060804	1 ft/ 25cm	Flex-Trim	
64	4060805	8 in/20cm	Flex-Trim	
65	4240099	AR	Tie, Wire (Not Shown)	
66	4568293	1	Pipe, Exhaust	
67	4640751	1	Valve, Oil Drain	
68	4711500	13	Washer 5/16	
69	4711600	68	Washer 3/8	
70	4711800	7	Washer 1/2	
71	4740274	4	Washer, Snubbing	
72	4740518	10	Washer, Nylon	
73	4751400	20	Washer 1/4	
74	4791400	4	Washer 1/4	
75	4846552	1	Plate, Oil Cooler Mounting	
76	4846946	1	Tray	
77	4891800	4	Washer 1/2	
78	4923468	1	Harness, Glow Plugs	
79	4923592	1	Cable, Jumper	
80	1001092856	1	Hose, Air Intake (SN 0300201016 through 0300234290)	
80	1001225118	1	Hose, Air Intake (SN 0300243291 through 0300272504, Except SN 0300272455 through 0300272461)	
81	0272060	1	Box, Air Intake	
82	8410013	1	Clamp, Gear	
83	0761215	2	Bolt M12 x 35mm	
84	4891600	2	Washer 3/8	
85	1001171095	1	Pump Assembly - Sauer Piston (See Separate Breakdown in this Section)	
87	1001112927	1	Pump Assembly - Sauer Gear (See Separate Breakdown in this Section)	

## SECTION 3 - ENGINE

ITEM	PART NUMBER	QTY	DESCRIPTION	REV
88	3790152	1	O-Ring	
89	3790155	1	O-Ring	

# SECTION 3 - ENGINE

**FIGURE 3-17. DEUTZ TD2011 DIESEL ENGINE INSTALLATION - WITH SAUER PUMPS AND STEEL HOODS (WITH SKYPOWER AND WITHOUT COLD WEATHER PLUS PACKAGE)**



ART\_1001119053

## SECTION 3 - ENGINE

**FIGURE 3-17. DEUTZ TD2011 DIESEL ENGINE INSTALLATION - WITH SAUER PUMPS AND STEEL HOODS (WITH SKYPOWER AND WITHOUT COLD WEATHER PLUS PACKAGE)**

ITEM	PART NUMBER	QTY	DESCRIPTION	REV
	1001119053	Ref	DEUTZ TD2011 DIESEL ENGINE INSTALLATION - WITH SAUER PUMPS AND STEEL HOODS (WITH SKYPOWER AND WITHOUT COLD WEATHER PLUS PACKAGE)	D
1	0100011	AR	Compound, Locking	
2	0100079	AR	Sealant, Pipe	
3	0641410	4	Bolt 1/4 x 1-1/4	
4	0641506	1	Bolt 5/16 x 3/4	
5	0641509	7	Bolt 5/16 x 1-1/8	
6	0641511	13	Bolt 5/16 x 1-3/8	
7	0641605	3	Bolt 3/8 x 5/8	
8	0641610	1	Bolt 3/8 x 1-1/4	
9	0641808	1	Bolt 1/2 x 1	
10	0642010	1	Bolt 5/8 x 1-1/4	
12	1320022	3	Clamp	
13	1320187	1	Clamp, Twin	
14	1320190	1	Cover, Clamp	
15	1671121	1	Cover, Generator	
16	1001108617	1	Pressure Filter	
16	70002231	1	Element, Filter	
17	2180348	1	Fitting, Barbed	
18	2200222	1	Plug, Pipe - Used in Bottom of Fuel Tank (Not Shown) (SN <b>0300201016 through 0300237154</b> )	
19	2220313	1	Fitting, Elbow Barbed	
20	2221176	1	Fitting, Elbow	
21	2750532	5 ft/ 1.5m	Hose	
22	2820170	1	Insulation, Sound Absorbing	
23	2902099	1	Battery Cable Kit	
23A	7024580	1	Cable, Red (To Aux Pump Relay, Battery Positive Terminal and Start Relay)	
23B	7024581	1	Cable, Black (To Aux Pump, Battery Negative Terminal and Ground at Tray Pivot)	
23C	7024582	1	Cable, Red (Aux Pump Relay to Aux Pump)	
23D	7024583	1	Cable, Black (Tray Pivot to Engine Mount)	
23E	7024584	1	Cable, Red (Start Relay to Starter)	
24	3311505	24	Nut 5/16	
25	3380473	1	Panel, Rubber	
26	3422446	1	Pin	
27	3573644	1	Plate, Tray Clamp	
28	1001112878	1	Plate, Top Clamp	
29	1001112879	1	Plate, Bottom Clamp	
30	3573669	1	Plate, Clamp	
31	1001112880	1	Plate, Tray Clamp	
32	3573728	1	Plate, Tray Clamp	
33	3841143	1	Keeper, Pin	
34	3900272	4	Screw 5/16 x 1-3/4	
35	4240018	2	Strap, Tie (Not Shown)	
36	4240099	AR	Strap, Tie	
37	4711400	4	Washer 1/4	
38	4711500	44	Washer 5/16	
39	4711600	7	Washer 3/8	

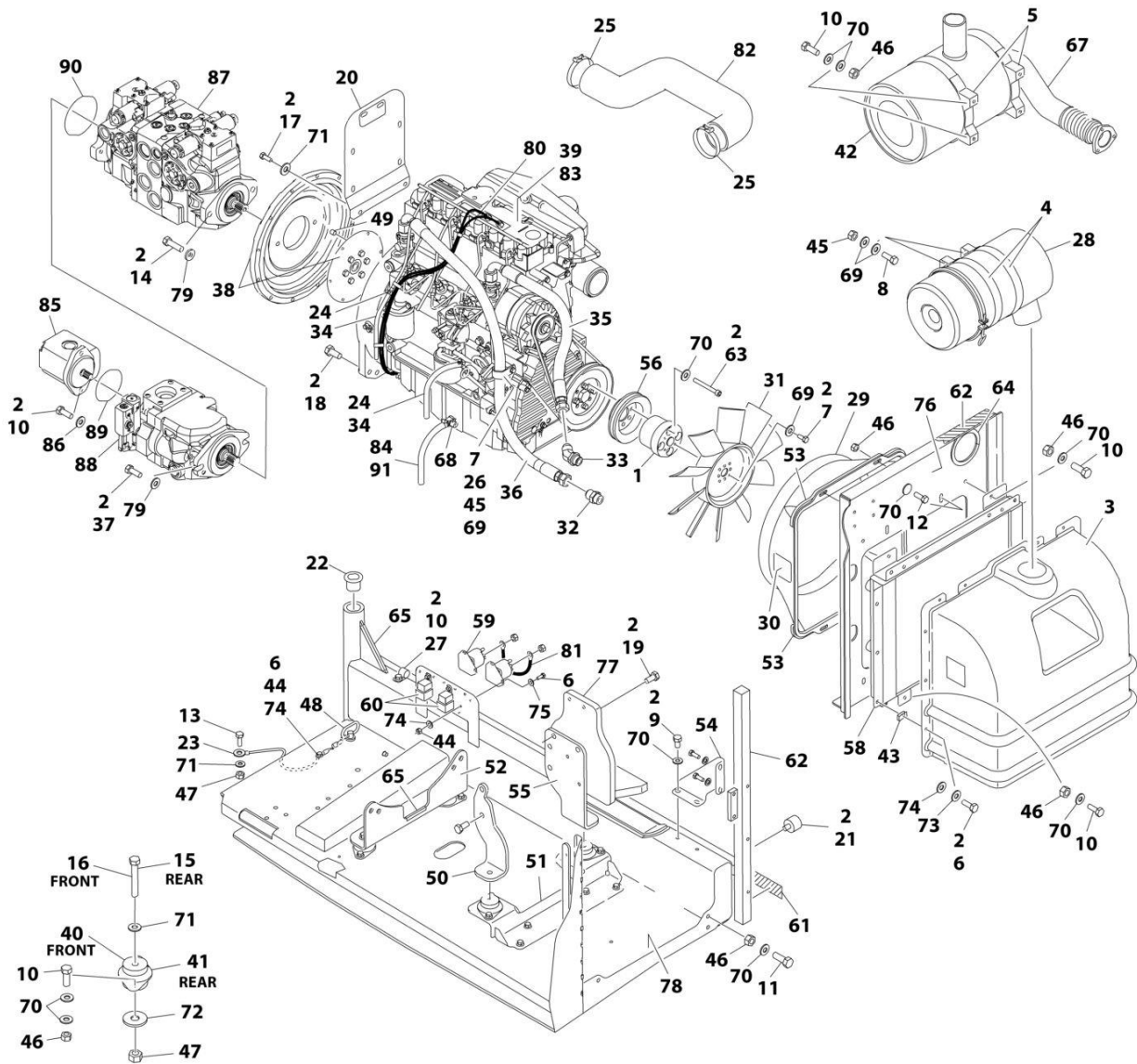
## SECTION 3 - ENGINE

ITEM	PART NUMBER	QTY	DESCRIPTION	REV
40	4752000	1	Washer 5/8	
41	1001107973	1	Engine Assembly with Pumps (See DEUTZ TD2011 ENGINE ASSEMBLY - WITH SAUER PUMPS AND STEEL HOODS (WITH SKYPOWER AND WITHOUT COLD WEATHER PLUS PACKAGE) for Breakdown)	
42	1001111132	1	Panel, Rubber	
43	0641606	4	Bolt 3/8 x 3/4	



# SECTION 3 - ENGINE

FIGURE 3-18. DEUTZ TD2011 ENGINE ASSEMBLY - WITH SAUER PUMPS AND STEEL HOODS (WITH SKYPOWER AND WITHOUT COLD WEATHER PLUS PACKAGE)



ART\_1001107973



## SECTION 3 - ENGINE

**FIGURE 3-18. DEUTZ TD2011 ENGINE ASSEMBLY - WITH SAUER PUMPS AND STEEL HOODS  
(WITH SKYPOWER AND WITHOUT COLD WEATHER PLUS PACKAGE)**

ITEM	PART NUMBER	QTY	DESCRIPTION	REV
	1001107973	Ref	DEUTZ TD2011 ENGINE ASSEMBLY - WITH SAUER PUMPS AND STEEL HOODS (WITH SKYPOWER AND WITHOUT COLD WEATHER PLUS PACKAGE)	I
1	0080244	1	Spacer, Fan	
2	0100011	AR	Compound, Locking	
3	0272060	1	Box, Air Intake	
4	0340003	2	Band, Air Cleaner	
5	0340051	2	Band, Muffler	
6	0641406	15	Bolt 1/4 x 3/4	
7	0641506	5	Bolt 5/16 x 3/4	
8	0641507	4	Bolt 5/16 x 7/8	
9	0641605	4	Bolt 3/8 x 5/8	
10	0641608	27	Bolt 3/8 x 1	
11	0641609	2	Bolt 3/8 x 1-1/8	
12	0641610	4	Bolt 3/8 x 1-1/4	
13	0641808	1	Bolt 1/2 x 1	
14	0641814	2	Bolt 1/2 x 1-3/4	
15	0641818	2	Bolt 1/2 x 2-1/4	
16	0641826	2	Bolt 1/2 x 3-1/4	
17	0711214	2	Bolt M12 x 30	
18	0771414	6	Bolt M14 x 30	
19	0711417	4	Bolt M14 x 45	
20	1001112766	1	Bracket, Muffler	
21	0940070	1	Bumper	
22	0961986	2	Bushing, Flanged	
23	1001131542	1	Lanyard	
24	1320022	2	Clamp	
25	1320058	2	Clamp	
26	1320060	1	Clamp	
27	1320223	1	J-Clip	
28	1340065	1	Air Cleaner Assembly	
28	7003655	1	Element, Air Cleaner	
28	7015013	1	Baffle, Rubber	
28	7015014	1	Clamp, Cap	
28	7015015	1	Cup	
28	7015003	1	Wingnut	
29	1671023	1	Shroud, Fan	
30	1703162	2	Decal - Fan Blade	
31	2060025	1	Fan	
32	2220451	1	Fitting, Straight	
33	2220498	1	Fitting, Elbow	
34	2720058	34 ft/ 10.3m	Hose	
35	2720500	1	Hose, Oil Cooler (Top)	
36	2720501	1	Hose, Oil Cooler (Bottom)	
37	0761215	2	Bolt M12 x 35mm	
38	2902065	1	Pump Coupling Kit (See Separate Breakdown in this Section)	
39	3020016	3.3 gal/ 12.3L	Motor Oil, 15W-40	
40	3200362	2	Mount, Motor (Front)	

## SECTION 3 - ENGINE

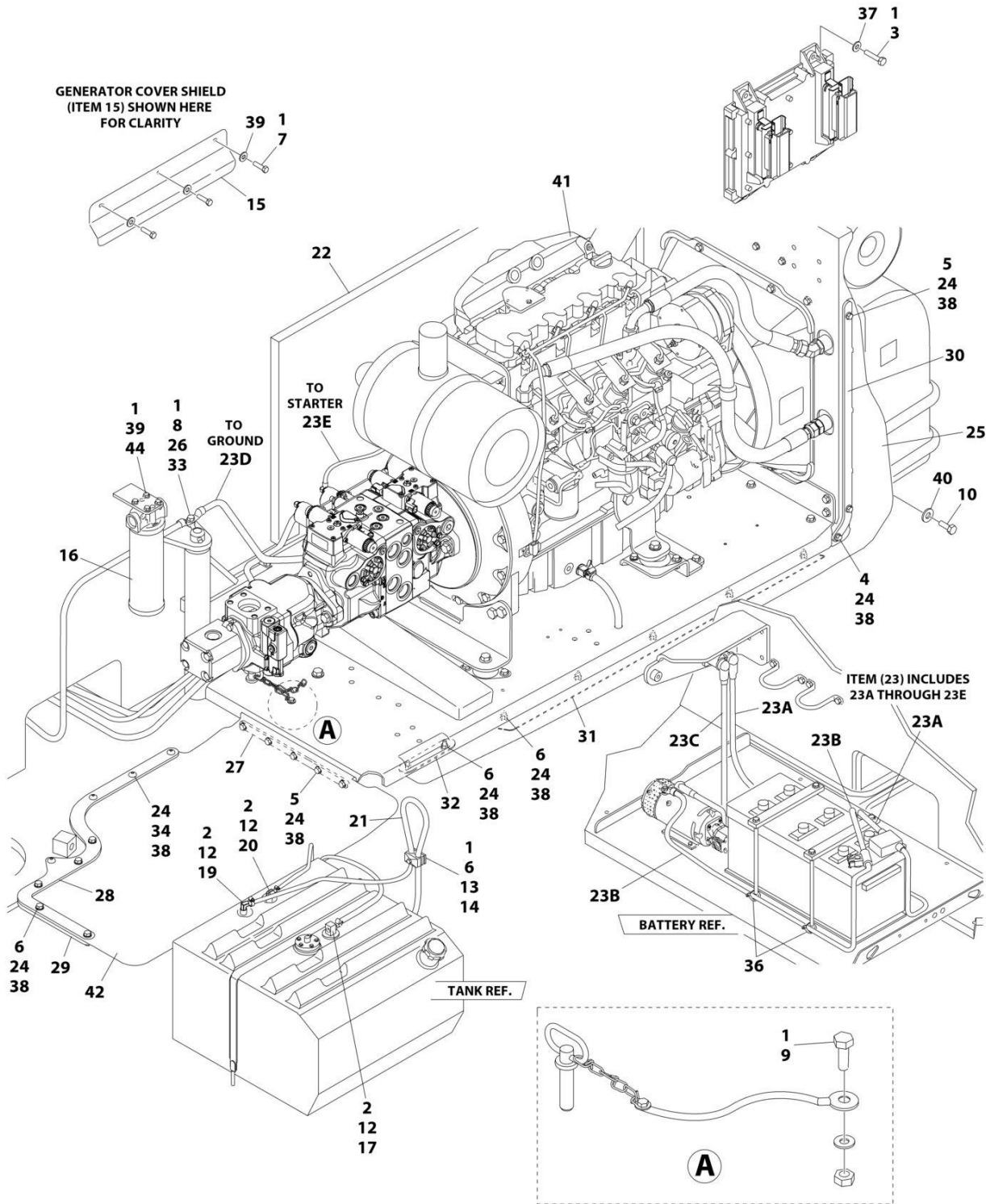
ITEM	PART NUMBER	QTY	DESCRIPTION	REV
41	3200401	2	Mount, Motor (Rear)	
42	3220126	1	Muffler	
42	70003555	1	Clamp	
43	3300454	10	Nut	
44	3311405	5	Nut 1/4	
45	3311505	5	Nut 5/16	
46	3311605	30	Nut 3/8	
47	3311805	5	Nut 1/2	
48	3422532	1	Pin, Hitch	
49	3520054	2	Plug	
50	3537416	1	Plate, Mounting (Front Right)	
51	3539971	1	Bracket, Engine Mounting (Front)	
52	3573142	1	Bracket, Engine Mounting (Rear)	
53	3573411	2	Plate, Clamp	
54	3573412	1	Gusset	
55	3573529	1	Plate, Mounting (Front Left)	
56	3580320	1	Pulley	
58	1001145382	1	Cooler, Engine Oil	
59	3740067	2	Relay, Start	
60	3740080	2	Relay	
61	3960543	1	Seal	
62	3960544	1	Seal	
63	4032022	4	Capscrew M10 x 90	
64	4060804	1 ft/ 25cm	Flex-Trim	
65	4060805	8 in/20cm	Flex-Trim	
66	4240099	AR	Tie, Wire (Not Shown)	
67	4568293	1	Pipe, Exhaust	
68	4640751	1	Valve, Oil Drain	
69	4711500	13	Washer 5/16	
70	4711600	68	Washer 3/8	
71	4711800	7	Washer 1/2	
72	4740274	4	Washer, Snubbing	
73	4740518	10	Washer, Nylon	
74	4751400	20	Washer 1/4	
75	4791400	4	Washer 1/4	
76	4846552	1	Plate, Oil Cooler Mounting	
77	4846945	1	Mount, Generator	
78	4846946	1	Tray	
79	4891800	4	Washer 1/2	
80	4923468	1	Harness, Glow Plugs	
81	4923592	1	Cable, Jumper	
82	1001092856	1	Hose, Air Intake (SN 0300201016 through 0300234290)	
82	1001225118	1	Hose, Air Intake (SN 0300243291 through 0300272504, Except SN 0300272455 through 0300272461)	
83	1001098601	1	Engine, Deutz TD2011 Components (See Separate Breakdown in this Section)	
84	8410013	1	Clamp, Gear	
85	1001112927	1	Pump Assembly - Sauer Gear (See Separate Breakdown in this Section)	
86	4891600	2	Washer 3/8	
87	1001108616	1	Pump Assembly - Sauer (See Separate Breakdown in this Section)	

## SECTION 3 - ENGINE

ITEM	PART NUMBER	QTY	DESCRIPTION	REV
88	1001171095	1	Pump Assembly - Sauer Piston (See Separate Breakdown in this Section)	
89	3790152	1	O-Ring	
90	3790155	1	O-Ring	
91	2750532	0.8 ft/ 0.2m	Hose	

# SECTION 3 - ENGINE

**FIGURE 3-19. DEUTZ TD2011 DIESEL ENGINE INSTALLATION - WITH SAUER PUMPS AND STEEL HOODS (WITH SKYPOWER AND WITH COLD WEATHER PLUS PACKAGE)**



ART\_1001119054

## SECTION 3 - ENGINE

**FIGURE 3-19. DEUTZ TD2011 DIESEL ENGINE INSTALLATION - WITH SAUER PUMPS AND STEEL HOODS (WITH SKYPOWER AND WITH COLD WEATHER PLUS PACKAGE)**

ITEM	PART NUMBER	QTY	DESCRIPTION	REV
	1001119054	Ref	DEUTZ TD2011 DIESEL ENGINE INSTALLATION - WITH SAUER PUMPS AND STEEL HOODS (WITH SKYPOWER AND WITH COLD WEATHER PLUS PACKAGE)	D
1	0100011	AR	Compound, Locking	
2	0100079	AR	Sealant, Pipe	
3	0641410	4	Bolt 1/4 x 1-1/4	
4	0641506	1	Bolt 5/16 x 3/4	
5	0641509	7	Bolt 5/16 x 1-1/8	
6	0641511	13	Bolt 5/16 x 1-3/8	
7	0641605	3	Bolt 3/8 x 5/8	
8	0641610	1	Bolt 3/8 x 1-1/4	
9	0641808	1	Bolt 1/2 x 1	
10	0642010	1	Bolt 5/8 x 1-1/4	
12	1320022	3	Clamp	
13	1320187	1	Clamp, Twin	
14	1320190	1	Cover, Clamp	
15	1671121	1	Cover, Generator	
16	1001108617	1	Pressure Filter	
16	70002231	1	Element, Filter	
17	2180348	1	Fitting, Barbed	
18	2200222	1	Plug, Pipe - Used in Bottom of Fuel Tank (Not Shown) (SN <b>0300201016 through 0300237154</b> )	
19	2220313	1	Fitting, Elbow Barbed	
20	2221176	1	Fitting, Elbow	
21	2750532	5 ft/ 1.5m	Hose	
22	2820170	1	Insulation, Sound Absorbing	
23	2902099	1	Battery Cable Kit	
23A	7024580	1	Cable, Red (To Aux Pump Relay, Battery Positive Terminal and Start Relay)	
23B	7024581	1	Cable, Black (To Aux Pump, Battery Negative Terminal and Ground at Tray Pivot)	
23C	7024582	1	Cable, Red (Aux Pump Relay to Aux Pump)	
23D	7024583	1	Cable, Black (Tray Pivot to Engine Mount)	
23E	7024584	1	Cable, Red (Start Relay to Starter)	
24	3311505	24	Nut 5/16	
25	3380473	1	Panel, Rubber	
26	3422446	1	Pin	
27	3573644	1	Plate, Tray Clamp	
28	1001112878	1	Plate, Top Clamp	
29	1001112879	1	Plate, Bottom Clamp	
30	3573669	1	Plate, Clamp	
31	1001112880	1	Plate, Tray Clamp	
32	3573728	1	Plate, Tray Clamp	
33	3841143	1	Keeper, Pin	
34	3900272	4	Screw 5/16 x 1-3/4	
35	4240018	2	Strap, Tie (Not Shown)	
36	4240099	AR	Strap, Tie	
37	4711400	4	Washer 1/4	
38	4711500	44	Washer 5/16	
39	4711600	7	Washer 3/8	

## SECTION 3 - ENGINE

ITEM	PART NUMBER	QTY	DESCRIPTION	REV
40	4752000	1	Washer 5/8	
41	1001107975	1	Engine Assembly with Pumps (See Separate Breakdown in this Section)	
42	1001111132	1	Panel, Rubber	
43	1702942	1	Decal - Block Heater (Not Shown)	
44	0641606	4	Bolt 3/8 x 3/4	







## SECTION 3 - ENGINE

**FIGURE 3-20. DEUTZ TD2011 ENGINE ASSEMBLY - WITH SAUER PUMPS AND STEEL HOODS  
(WITH SKYPOWER AND WITH COLD WEATHER PLUS PACKAGE)**

ITEM	PART NUMBER	QTY	DESCRIPTION	REV
	1001107975	Ref	DEUTZ TD2011 ENGINE ASSEMBLY - WITH SAUER PUMPS AND STEEL HOODS (WITH SKYPOWER AND WITH COLD WEATHER PLUS PACKAGE)	I
1	0080244	1	Spacer, Fan	
2	0100011	AR	Compound, Locking	
3	0272060	1	Box, Air Intake	
4	0340003	2	Band, Air Cleaner	
5	0340051	2	Band, Muffler	
6	0641406	15	Bolt 1/4 x 3/4	
7	0641506	5	Bolt 5/16 x 3/4	
8	0641507	4	Bolt 5/16 x 7/8	
9	0641605	4	Bolt 3/8 x 5/8	
10	0641608	27	Bolt 3/8 x 1	
11	0641609	2	Bolt 3/8 x 1-1/8	
12	0641610	4	Bolt 3/8 x 1-1/4	
13	0641808	1	Bolt 1/2 x 1	
14	0641814	2	Bolt 1/2 x 1-3/4	
15	0641818	2	Bolt 1/2 x 2-1/4	
16	0641826	2	Bolt 1/2 x 3-1/4	
17	0711214	2	Bolt M12 x 30	
18	0771414	6	Bolt M14 x 30	
19	0711417	4	Bolt M14 x 45	
20	1001112766	1	Bracket, Muffler	
21	0940070	1	Bumper	
22	0961986	2	Bushing, Flanged	
23	1001131542	1	Lanyard	
24	1060904	1	Cable, Jumper	
25	1320022	2	Clamp	
26	1320058	2	Clamp	
27	1320060	1	Clamp	
28	1320223	1	J-Clip	
29	1340065	1	Air Cleaner Assembly	
29	7003655	1	Element, Air Cleaner	
29	7015013	1	Baffle, Rubber	
29	7015014	1	Clamp, Cap	
29	7015015	1	Cup	
29	7015003	1	Wingnut	
30	1671023	1	Shroud, Fan	
31	1703162	2	Decal - Fan Blade	
32	2060025	1	Fan	
33	2220451	1	Fitting, Straight	
34	2220498	1	Fitting, Elbow	
35	2720058	34 ft/ 10.3m	Hose	
36	2580062	1	Heater, Engine Block	
37	2720500	1	Hose, Oil Cooler (Top)	
38	2720501	1	Hose, Oil Cooler (Bottom)	
39	2750532	9 in /23cm	Hose	
40	2902065	1	Pump Coupling Kit (See Separate Breakdown in this Section))	

## SECTION 3 - ENGINE

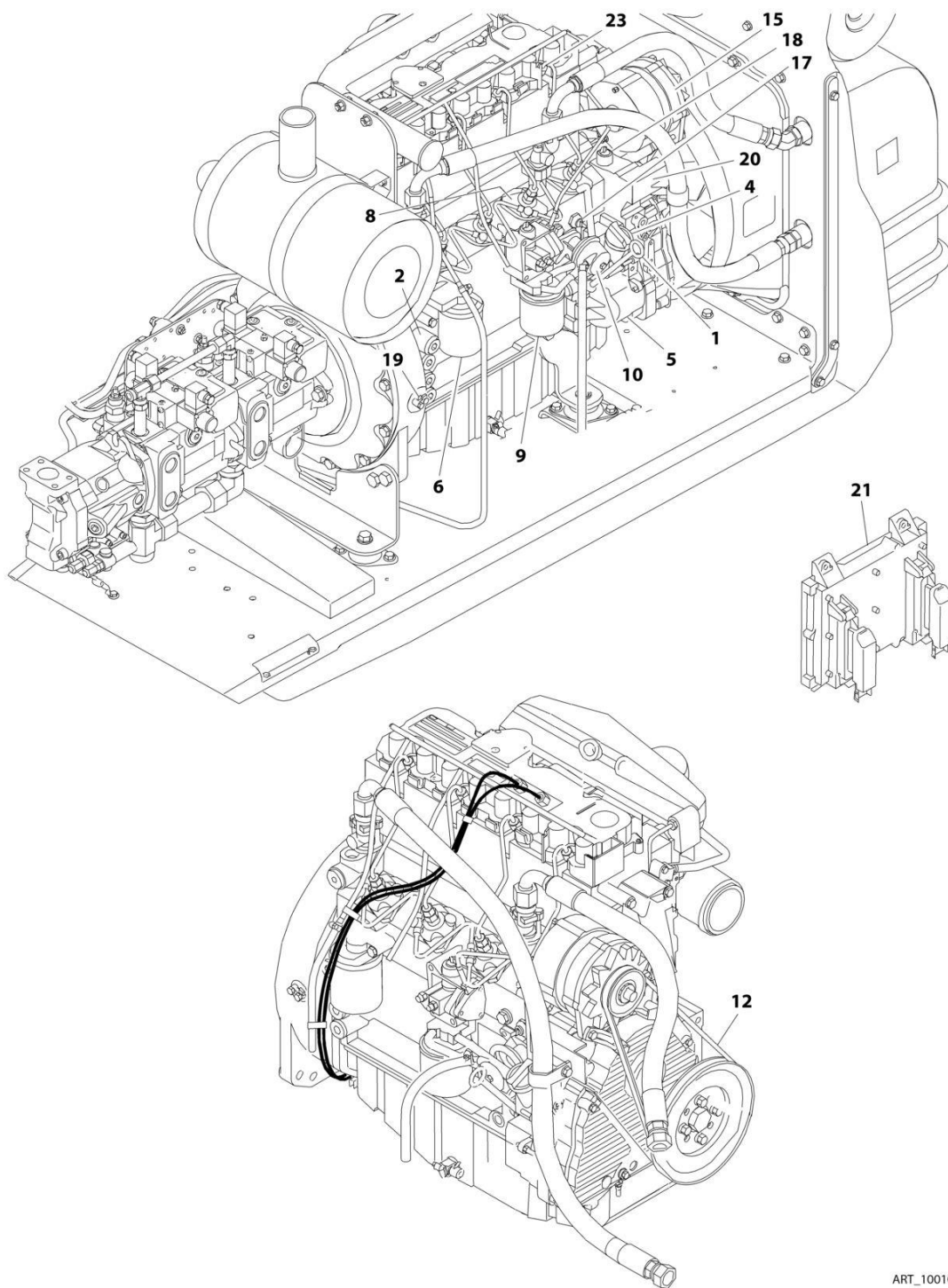
ITEM	PART NUMBER	QTY	DESCRIPTION	REV
41	3020044	3.3 gal/ 12.3L	Oil, Engine	
42	3200362	2	Mount, Motor (Front)	
43	3200401	2	Mount, Motor (Rear)	
44	3220126	1	Muffler	
44	70003555	1	Clamp	
45	3300454	10	Nut	
46	3311405	5	Nut 1/4	
47	3311505	5	Nut 5/16	
48	3311605	30	Nut 3/8	
49	3311805	5	Nut 1/2	
50	3422532	1	Pin, Hitch	
51	3520054	2	Plug	
52	3537416	1	Plate, Mounting (Front Right)	
53	3539971	1	Bracket, Engine Mounting (Front)	
54	3573142	1	Bracket, Engine Mounting (Rear)	
55	3573411	2	Plate, Clamp	
56	3573412	1	Gusset	
57	3573529	1	Plate, Mounting (Front Left)	
58	3580320	1	Pulley	
60	1001145382	1	Cooler, Engine Oil	
61	3740067	2	Relay, Start	
62	3740080	2	Relay	
63	3960543	1	Seal	
64	3960544	1	Seal	
65	4032022	4	Capscrew M10 x 90	
66	4060804	1 ft/ 25cm	Flex-Trim	
67	4060805	8 in/20cm	Flex-Trim	
68	4240099	AR	Tie, Wire (Not Shown)	
69	4460234	3	Mount, Wire Tie	
70	4568293	1	Pipe, Exhaust	
71	4640751	1	Valve, Oil Drain	
72	4711500	13	Washer 5/16	
73	4711600	68	Washer 3/8	
74	4711800	7	Washer 1/2	
75	4740274	4	Washer, Snubbing	
76	4740518	10	Washer, Nylon	
77	4751400	20	Washer 1/4	
78	4791400	4	Washer 1/4	
79	4846552	1	Plate, Oil Cooler Mounting	
80	4846945	1	Mount, Generator	
81	4846946	1	Tray	
82	4891800	4	Washer 1/2	
83	4923468	1	Harness, Glow Plugs	
84	1001092856	1	Hose, Air Intake (SN 0300201016 through 0300234290)	
84	1001225118	1	Hose, Air Intake (SN 0300243291 through 0300272504, Except SN 0300272455 through 0300272461)	
85	1001098601	1	Engine, Deutz TD2011 Components (See Separate Breakdown in this Section)	
86	8410013	1	Clamp, Gear	
87	0761215	2	Bolt M12 x 35	

## SECTION 3 - ENGINE

ITEM	PART NUMBER	QTY	DESCRIPTION	REV
88	1001112927	1	Pump Assembly - Sauer Gear (See Separate Breakdown in this Section)	
89	4891600	2	Washer 3/8	
90	1001108616	1	Pump Assembly - Sauer Tandem (See Separate Breakdown in this Section)	
91	1001171095	1	Pump Assembly - Sauer Piston (See Separate Breakdown in this Section)	
92	3790152	1	O-Ring	
93	3790155	1	O-Ring	

# SECTION 3 - ENGINE

## FIGURE 3-21. DEUTZ TD2011 ENGINE COMPONENTS



ART\_1001098601

## SECTION 3 - ENGINE

### FIGURE 3-21. DEUTZ TD2011 ENGINE COMPONENTS

ITEM	PART NUMBER	QTY	DESCRIPTION	REV
	1001098601	Ref	DEUTZ TD2011 ENGINE COMPONENTS	C
1	7027235	1	Dipstick	
1	70000044	1	O-Ring	
2	70003475	1	Thermostat	
2	7020460	1	Compression Spring	
3	70001870	1	Flywheel (Not Shown)	
3	7024579	1	Gear, Ring (Not Shown)	
4	7020465	1	Cap, Filler	
5	70001850	1	Pump, Oil	
5	7020468	1	Seal Between Oil Pump and Engine Block (Not Shown)	
6	7016331	1	Filter, Oil	
6	7027236	1	Sender, Temperature (Located near Oil Filter)	
8		Ref	Injector Pump	
8	70001128	AR	"A" Series	
8	70001129	AR	"B" Series	
8	70001130	AR	"C" Series	
8	70001131	AR	"D" Series	
8	7020447	AR	Gasket (1 per Injector)	
9	7016328	1	Filter, Fuel	
10	70000916	1	Pump Fuel Supply	
10	70001435	1	Repair Kit	
10	70000917	1	O-Seal Between Fuel Pump and Engine Block (Not Shown)	
10	70000918	1	Sealing Ring (Not Shown)	
10	70000919	1	Pump, Hand (Not Shown)	
11	7027239	1	Solenoid, Start (Not Shown - Located near Throttle)	
12	7020414	1	V-Belt	
13	7020471	4	Gasket, Exhaust Manifold to Engine Block (Not Shown)	
13	7020486	1	Gasket, Exhaust Manifold to Exhaust Pipe (Not Shown)	
14	7027240	1	Turbocharger (Not Shown)	
14	70001857	1	Flange, Turbocharger (Not Shown)	
14	70001135	1	Gasket (Not Shown)	
15	70001867	1	Alternator	
15	70001868	1	Regulator, Voltage (Not Shown)	
16	7020479	1	Starter (Not Shown - Located on Right Side of Engine)	
16	7026608	1	Relay, Start (Not Shown)	
17	7027790	1	Sensor, Oil Pressure	
18	7027791	1	Sensor, Temperature (Not Shown)	
19	7024565	1	Sensor, Speed	
20	7027792	1	Actuator Throttle	
20	7027276	2	Spring	
21	1600443	1	Module, EMR2 Controller	
22	70002718	1	Seal, Rear Main (Not Shown)	
23	70003135	4	Injector, Fuel	
23	70003136	1	Ring, Sealing	
24	70001847	1	Valve, Breather (Located - Front Cover) (Not Shown)	
24	70001126	1	O-Ring (Not Shown)	
25	70001125	1	Cap, Breather (Located In Cylinder Head Cover) (Not Shown)	
25	70001126	1	O-Ring (Not Shown)	
26	70001871	4	Gasket, Air Intake Manifold (Not Shown)	
27	70000345	4	Plug, Glow (Not Shown)	

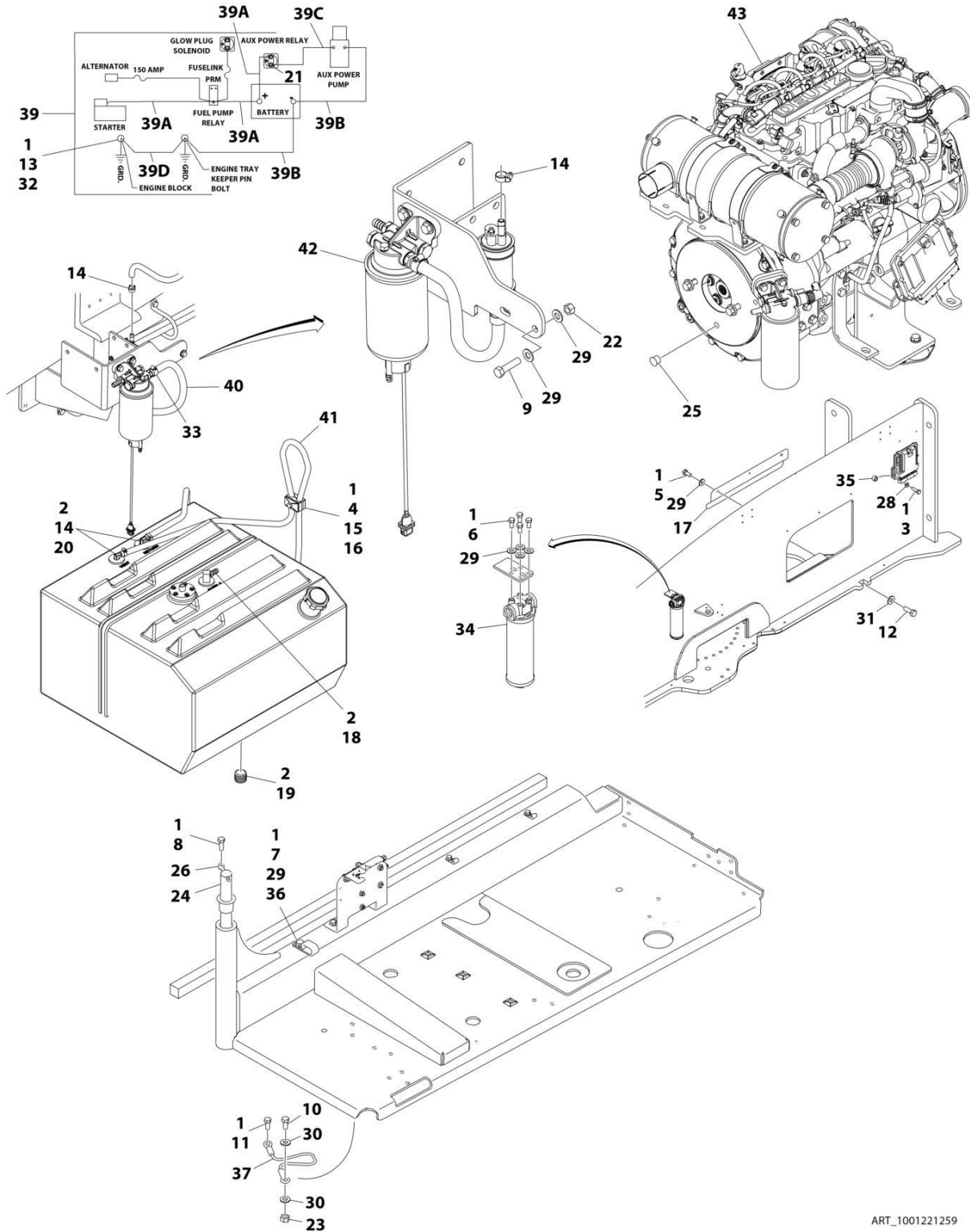
## SECTION 3 - ENGINE

ITEM	PART NUMBER	QTY	DESCRIPTION	REV
28	70007353	1	Gasket Kit (Not Shown)	



# SECTION 3 - ENGINE

**FIGURE 3-22. DEUTZ TD2.9L4 DIESEL ENGINE INSTALLATION - WITH REXROTH PUMPS AND STEEL HOODS (CHINA SPEC ONLY)**



ART\_1001221259



## SECTION 3 - ENGINE

**FIGURE 3-22. DEUTZ TD2.9L4 DIESEL ENGINE INSTALLATION - WITH REXROTH PUMPS AND STEEL HOODS (CHINA SPEC ONLY)**

ITEM	PART NUMBER	QTY	DESCRIPTION	REV
	1001221259	Ref	DEUTZ TD2.9L4 DIESEL ENGINE INSTALLATION - WITH REXROTH PUMPS AND STEEL HOODS (CHINA SPEC ONLY)	C
1	0100011	AR	Compound, Locking	
2	0100079	AR	Sealant, Pipe	
3	0641410	4	Bolt 1/4 x 1-1/4	
4	0641511	1	Bolt 5/16 x 1-3/8	
5	0641605	3	Bolt 3/8 x 5/8	
6	0641606	4	Bolt 3/8 x 3/4	
7	0641608	1	Bolt 3/8 x 1	
8	0641610	1	Bolt 3/8 x 1-1/4	
9	0641612	2	Bolt 3/8 x 1-1/2	
10	0641708	1	Bolt 7/16 x 1	
11	0641808	1	Bolt 1/2 x 1	
12	0642010	1	Bolt 5/8 x 1-1/4	
13	0761210	1	Bolt M12 x 20	
14	1320022	3	Clamp	
15	1320187	1	Clamp	
16	1320190	1	Cover, Clamp	
17	1671121	1	Cover	
18	2180832	1	Fitting, Barbed	
19	2200222	1	Plug, Pipe <b>(SN 0300201016 through 0300238861)</b>	
20	2220313	2	Fitting, Elbow Barbed	
21	3300220	2	Nut 5/16	
22	3311605	2	Nut 3/8	
23	3311705	1	Nut 7/16	
24	3422446	1	Pin, Pivot	
25	3520054	1	Plug	
26	3841143	1	Pin, Keeper	
27	4240018	2	Strap, Tie (Not Shown)	
28	4711400	4	Washer 1/4	
29	4711600	12	Washer 3/8	
30	4711700	2	Washer 7/16	
31	4752000	1	Washer 5/8	
32	4812100	1	Washer M12	
33	8405006	2	Clamp <b>(SN 0300201016 through 0300238861)</b>	
34	1001108617	1	Filter	
34	70002231	1	Element, Filter	
35	1001110425	4	Spacer	
36	1001116792	1	Clamp	
37	1001131542	1	Lanyard	
38	1001138491	NLA	Harness, Fuel (Use p/n 1001222665) (Not Shown - See Separate Breakdown in ELECTRICAL SECTION)	
39	1001141225	1	Battery Cable Kit	E
39A	7027042	1	Cable, Battery (Red) (Battery + to Relays and Starter)	
39B	7027043	1	Cable, Battery (Black) (Battery - to Tray Pivot Grd and Aux Pump)	
39C	7027044	1	Cable (Red) (Aux Relay to Aux Pump)	
39D	7027045	1	Cable, Battery (Black) (Engine to Tray Pivot Grd)	
40	1001154405	2 ft/ 0.6m	Hose <b>(SN 0300201016 through 0300238861)</b>	

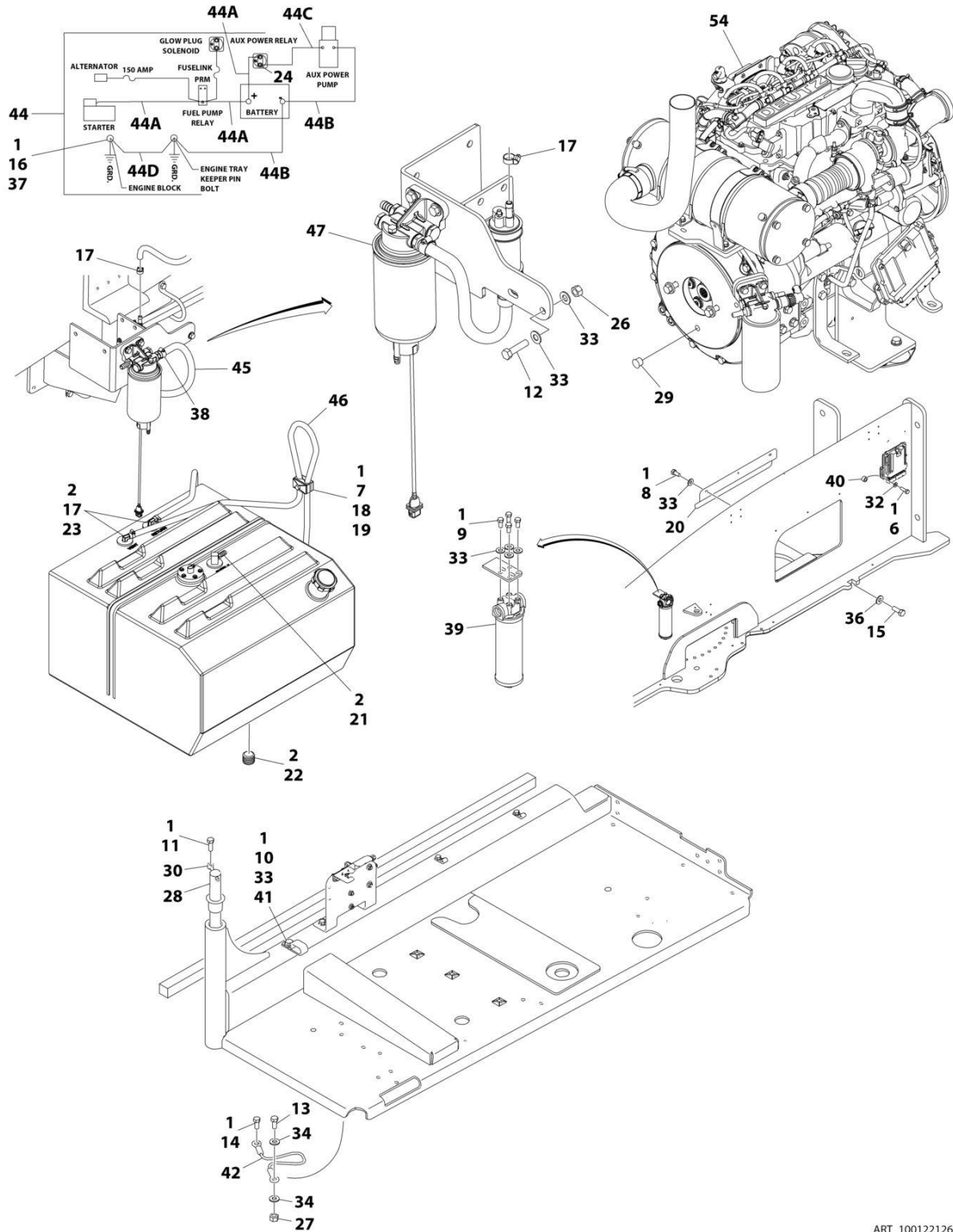
## SECTION 3 - ENGINE

ITEM	PART NUMBER	QTY	DESCRIPTION	REV
41	1001165035	5 ft/ 1.5m	Hose (SN 0300201016 through 0300238861)	
41	2750532	5 ft/ 1.5m	Hose (SN 0300238862 through 0300272504, Except SN 0300272455 through 0300272461)	
42	1001165101	1	Bracket, Fuel Pump Filter Assembly (See Separate Breakdown in this Section) (SN 0300201016 through 0300238861)	
42	1001227606	1	Bracket, Fuel Pump Filter Assembly (See Separate Breakdown in this Section) (SN 0300238862 through 0300272504, Except SN 0300272455 through 0300272461)	
43	1001221263	1	Engine Sub-Assembly (See Separate Breakdown in this Section)	



# SECTION 3 - ENGINE

FIGURE 3-23. DEUTZ TD2.9L4 DIESEL ENGINE INSTALLATION - WITH SAUER PUMPS AND STEEL HOODS (CHINA SPEC ONLY)



ART\_1001221261

## SECTION 3 - ENGINE

**FIGURE 3-23. DEUTZ TD2.9L4 DIESEL ENGINE INSTALLATION - WITH SAUER PUMPS AND STEEL HOODS (CHINA SPEC ONLY)**

ITEM	PART NUMBER	QTY	DESCRIPTION	REV
	1001221261	Ref	DEUTZ TD2.9L4 DIESEL ENGINE INSTALLATION - WITH SAUER PUMPS AND STEEL HOODS (CHINA SPEC ONLY)	D
1	0100011	AR	Compound, Locking	
2	0100079	AR	Sealant, Pipe	
6	0641410	4	Bolt 1/4 x 1-1/4	
7	0641511	1	Bolt 5/16 x 1-3/8	
8	0641605	3	Bolt 3/8 x 5/8	
9	0641606	4	Bolt 3/8 x 3/4	
10	0641608	1	Bolt 3/8 x 1	
11	0641610	1	Bolt 3/8 x 1-1/4	
12	0641612	2	Bolt 3/8 x 1-1/2	
13	0641708	1	Bolt 7/16 x 1	
14	0641808	1	Bolt 1/2 x 1	
15	0642010	1	Bolt 5/8 x 1-1/4	
16	0761210	1	Bolt M12 x 20	
17	1320022	3	Clamp	
18	1320187	1	Clamp	
19	1320190	1	Cover, Clamp	
20	1671121	1	Cover	
21	2180832	1	Fitting, Barbed	
22	2200222	1	Plug, Pipe (SN 0300201016 through 0300238861, SN B300002238 through B300002449)	
23	2220313	2	Fitting, Elbow Barbed	
24	3300220	2	Nut 5/16	
26	3311605	2	Nut 3/8	
27	3311705	1	Nut 7/16	
28	3422446	1	Pin, Pivot	
29	3520054	1	Plug	
30	3841143	1	Pin, Keeper	
31	4240018	2	Strap, Tie (Not Shown)	
32	4711400	4	Washer 1/4	
33	4711600	12	Washer 3/8	
34	4711700	2	Washer 7/16	
36	4752000	1	Washer 5/8	
37	4812100	1	Washer M12	
38	8405006	2	Clamp (SN 0300201016 through 0300238861, SN B300002238 through B300002449)	
39	1001108617	1	Filter	
39	70002231	1	Element, Filter	
40	1001110425	4	Spacer	
41	1001116792	1	Clamp	
42	1001131542	1	Lanyard	
43	1001138491	NLA	Harness, Fuel (Use p/n 1001222665) (Not Shown - See Separate Breakdown in ELECTRICAL SECTION)	
44	1001141225	1	Battery Cable Kit	E
44A	7027042	1	Cable, Battery (Red) (Battery + to Relays and Starter)	
44B	7027043	1	Cable, Battery (Black) (Battery - to Tray Pivot Grd and Aux Pump)	
44C	7027044	1	Cable (Red) (Aux Relay to Aux Pump)	
44D	7027045	1	Cable, Battery (Black) (Engine to Tray Pivot Grd)	

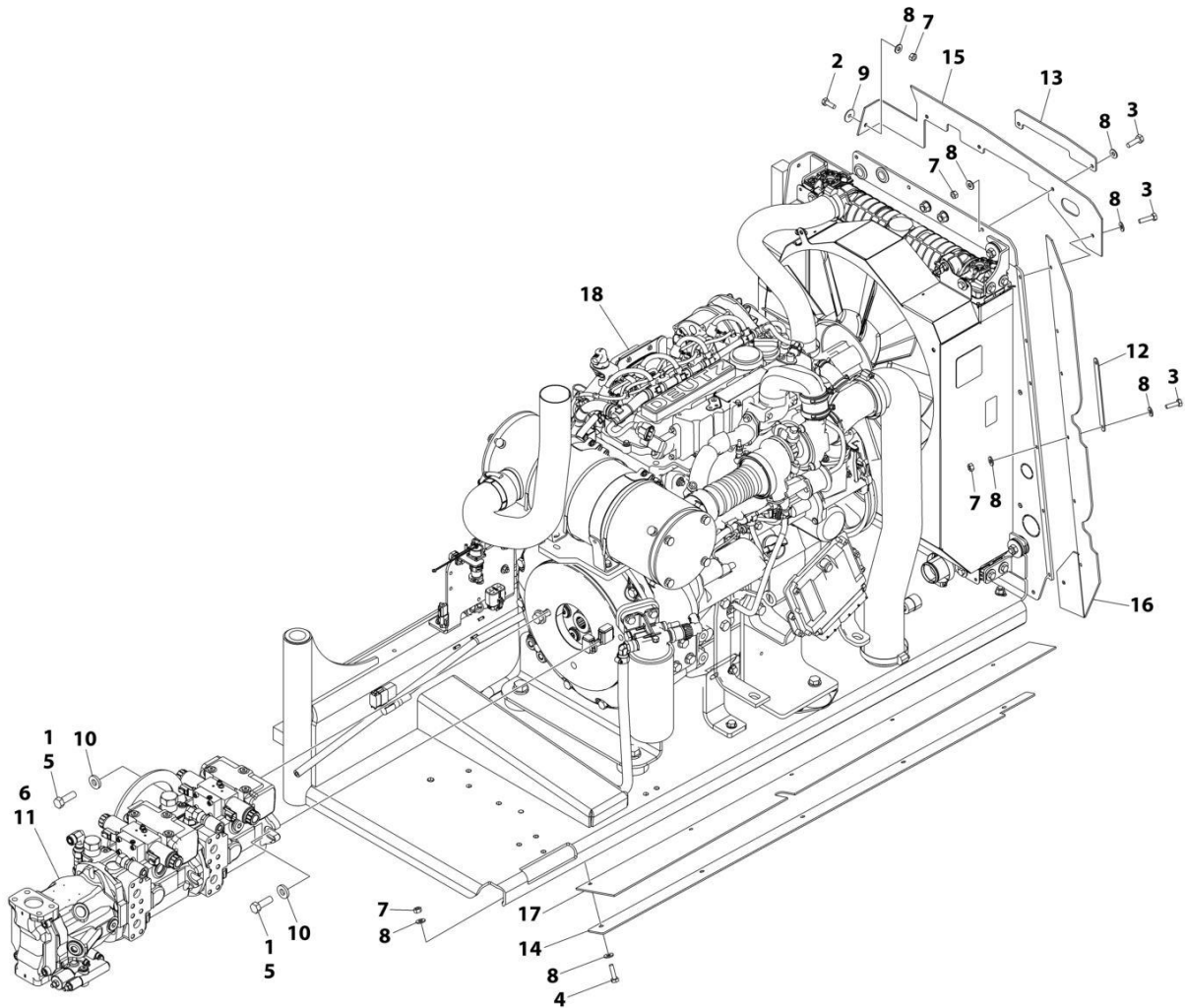
## SECTION 3 - ENGINE

ITEM	PART NUMBER	QTY	DESCRIPTION	REV
45	1001154405	2 ft/ 0.6m	Hose (SN 0300201016 through 0300238861, SN B300002238 through B300002449)	
46	1001165035	5 ft/ 1.5m	Hose (SN 0300201016 through 0300238861, SN B300002238 through B300002449)	
46	2750532	5 ft/ 1.5m	Hose (SN 0300238862 through 0300272504, SN B300002450 through B300007118, Except SN 0300272455 through 0300272461)	
47	1001165101	1	Bracket, Fuel Pump Filter Assembly (See Separate Breakdown in this Section) (SN 0300201016 through 0300238861, SN B300002238 through B300002449)	
47	1001227606	1	Bracket, Fuel Pump Filter Assembly (See Separate Breakdown in this Section) (SN 0300238862 through 0300272504, SN B300002450 through B300007118, Except SN 0300272455 through 0300272461)	
54	1001221265	1	Engine Sub-Assembly (See Separate Breakdown in this Section)	



# SECTION 3 - ENGINE

FIGURE 3-24. DEUTZ TD2.9L4 ENGINE SUB-ASSEMBLY - WITH REXROTH PUMP (CHINA SPEC ONLY)



ART\_1001221263



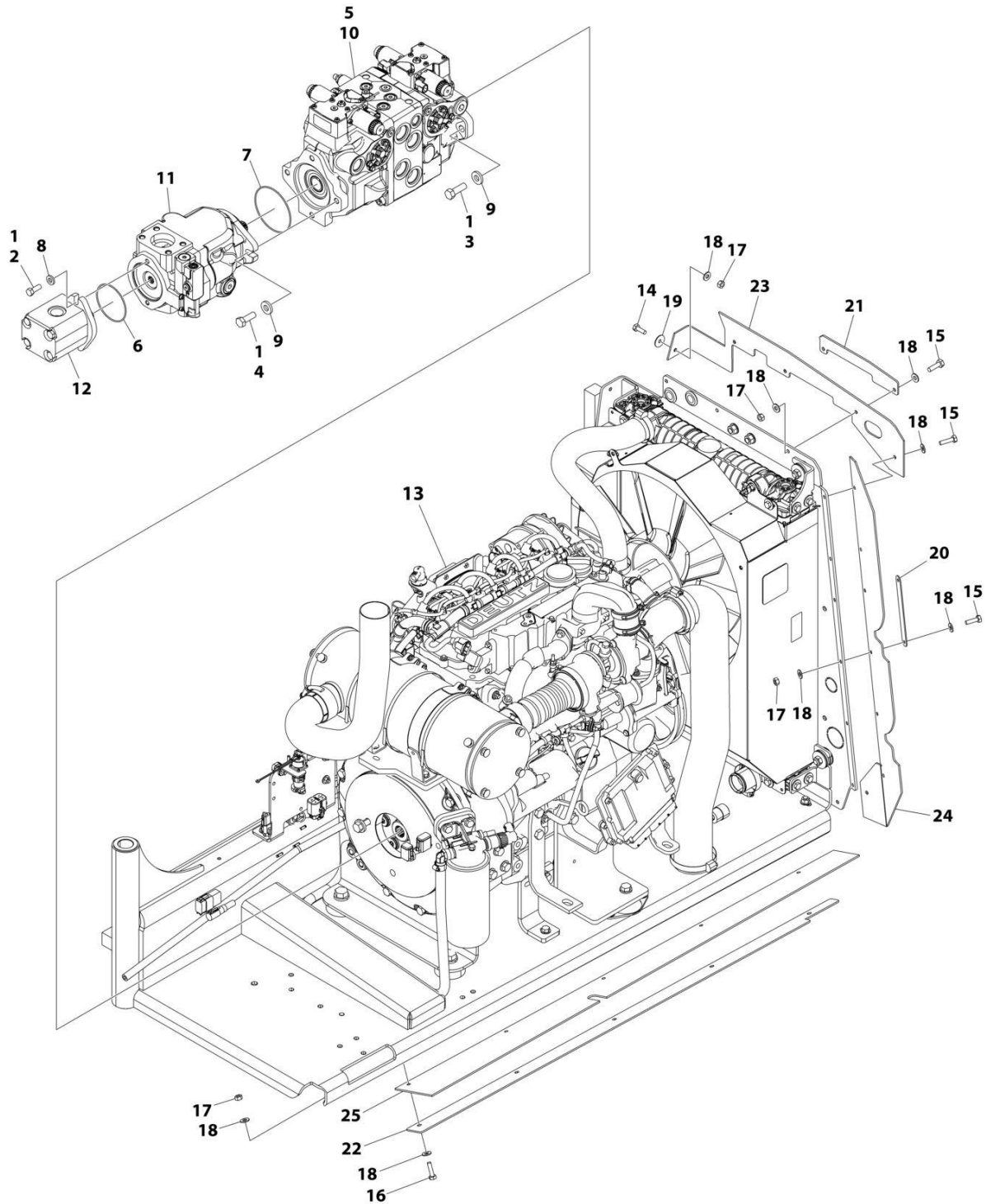
## SECTION 3 - ENGINE

**FIGURE 3-24. DEUTZ TD2.9L4 ENGINE SUB-ASSEMBLY - WITH REXROTH PUMP (CHINA SPEC ONLY)**

ITEM	PART NUMBER	QTY	DESCRIPTION	REV
	1001221263	Ref	DEUTZ TD2.9L4 ENGINE SUB-ASSEMBLY - WITH REXROTH PUMP (CHINA SPEC ONLY)	I
1	0100011	AR	Compound, Locking	
2	0641406	AR	Bolt 1/4 x 3/4	
3	0641407	8	Bolt 1/4 x 7/8	
4	0641408	AR	Bolt 1/4 x 1	
5	0641812	2	Bolt 1/2 x 1-1/2	
6	3020037	AR	Grease, Pump Coupling (SN 0300201016 through 0300238861)	
7	3311405	16	Nut 1/4	
8	4711400	AR	Washer 1/4	
9	4740430	AR	Washer, Fender	
10	4891800	2	Washer 1/2	
11	1001152963	1	Pump Assembly - Rexroth (See Separate Breakdown in this Section)	
12	1001167164	3	Plate, Support	
13	1001177945	1	Bracket	
14	1001177946	1	Bracket	
15	1001177957	1	Seal, Rubber Baffle	
16	1001177958	1	Seal, Rubber Baffle	
17	1001177959	1	Seal, Rubber Baffle	
18	1001220735	1	Deutz TD2.9L4 Engine Assembly (See Separate Breakdown in this Section)	

# SECTION 3 - ENGINE

FIGURE 3-25. DEUTZ TD2.9L4 ENGINE SUB-ASSEMBLY - WITH SAUER PUMPS (CHINA SPEC ONLY)



ART\_1001221265

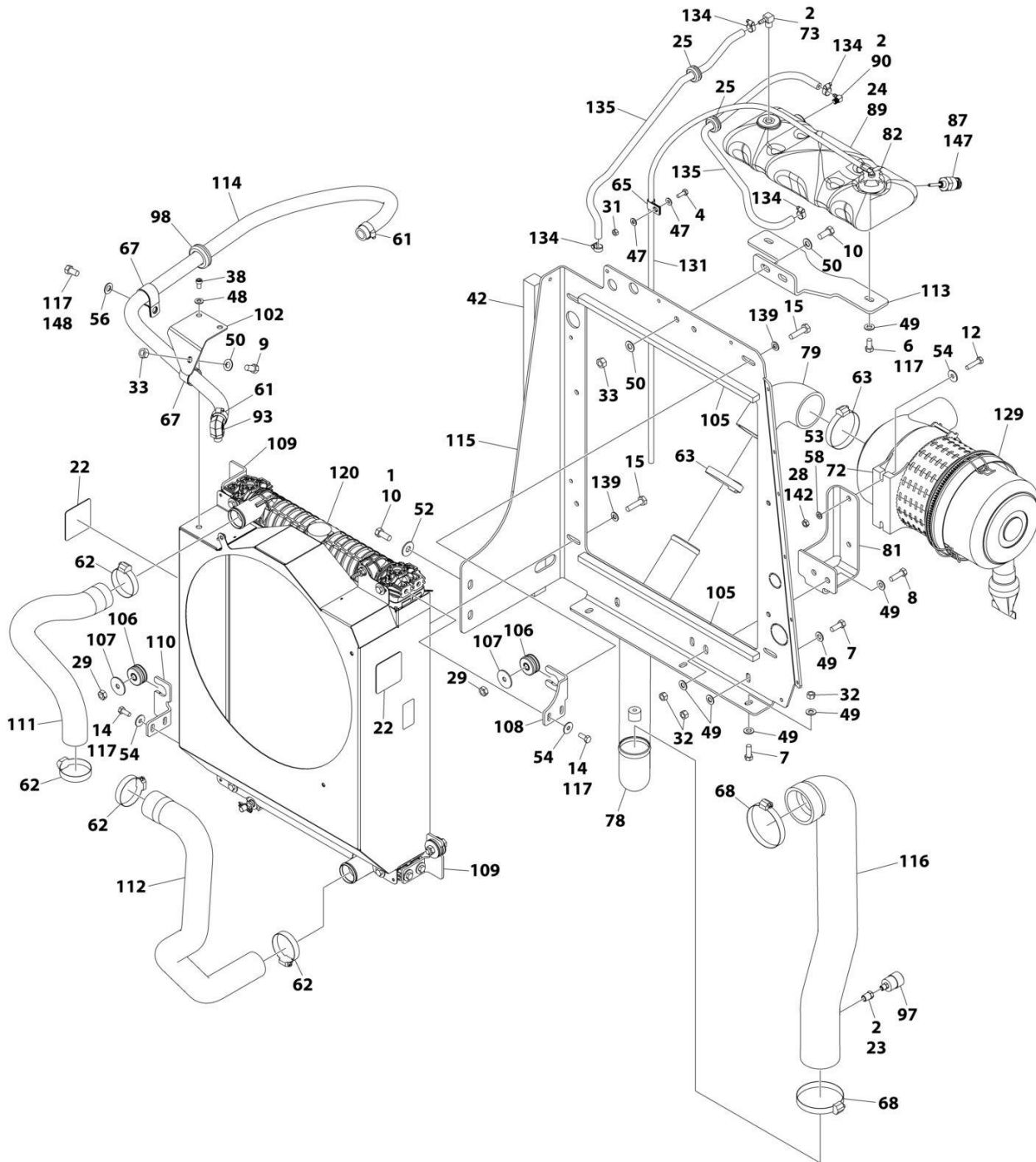
## SECTION 3 - ENGINE

**FIGURE 3-25. DEUTZ TD2.9L4 ENGINE SUB-ASSEMBLY - WITH SAUER PUMPS (CHINA SPEC ONLY)**

ITEM	PART NUMBER	QTY	DESCRIPTION	REV
	1001221265	Ref	DEUTZ TD2.9L4 ENGINE SUB-ASSEMBLY - WITH SAUER PUMPS (CHINA SPEC ONLY)	J
1	0100011	AR	Compound, Locking	
2	0641608	2	Bolt 3/8 x 1	
3	0641812	2	Bolt 1/2 x 1-1/2	
4	0761215	2	Bolt M12 x 35	
5	3020037	AR	Grease, Pump Coupling (SN 0300201016 through 0300238861, SN B300002238 through B300002449)	
6	3790152	1	O-Ring	
7	3790155	1	O-Ring	
8	4891600	2	Washer 3/8	
9	4891800	4	Washer 1/2	
10	1001108616	1	Pump Assembly (Sauer Tandem) (See Separate Breakdown in this Section)	
11	1001171095	1	Pump Assembly (Sauer Piston) (See Separate Breakdown in this Section)	
12	1001112927	1	Pump Assembly (Sauer Gear) (See Separate Breakdown in this Section)	
13	1001220735	1	Deutz TD2.9L4 Engine Assembly (See Separate Breakdown in this Section)	
14	0641406	AR	Bolt 1/4 x 3/4	
15	0641407	8	Bolt 1/4 x 7/8	
16	0641408	AR	Bolt 1/4 x 1	
16	0641407	AR	Bolt 1/4 x 7/8	
17	3311405	16	Nut 1/4	
18	4711400	AR	Washer 1/4	
19	4740430	AR	Washer, Fender	
20	1001167164	3	Plate, Support	
21	1001177945	1	Bracket	
22	1001177946	1	Bracket	
23	1001177957	1	Seal, Rubber Baffle	
24	1001177958	1	Seal, Rubber Baffle	
25	1001177959	1	Seal, Rubber Baffle	

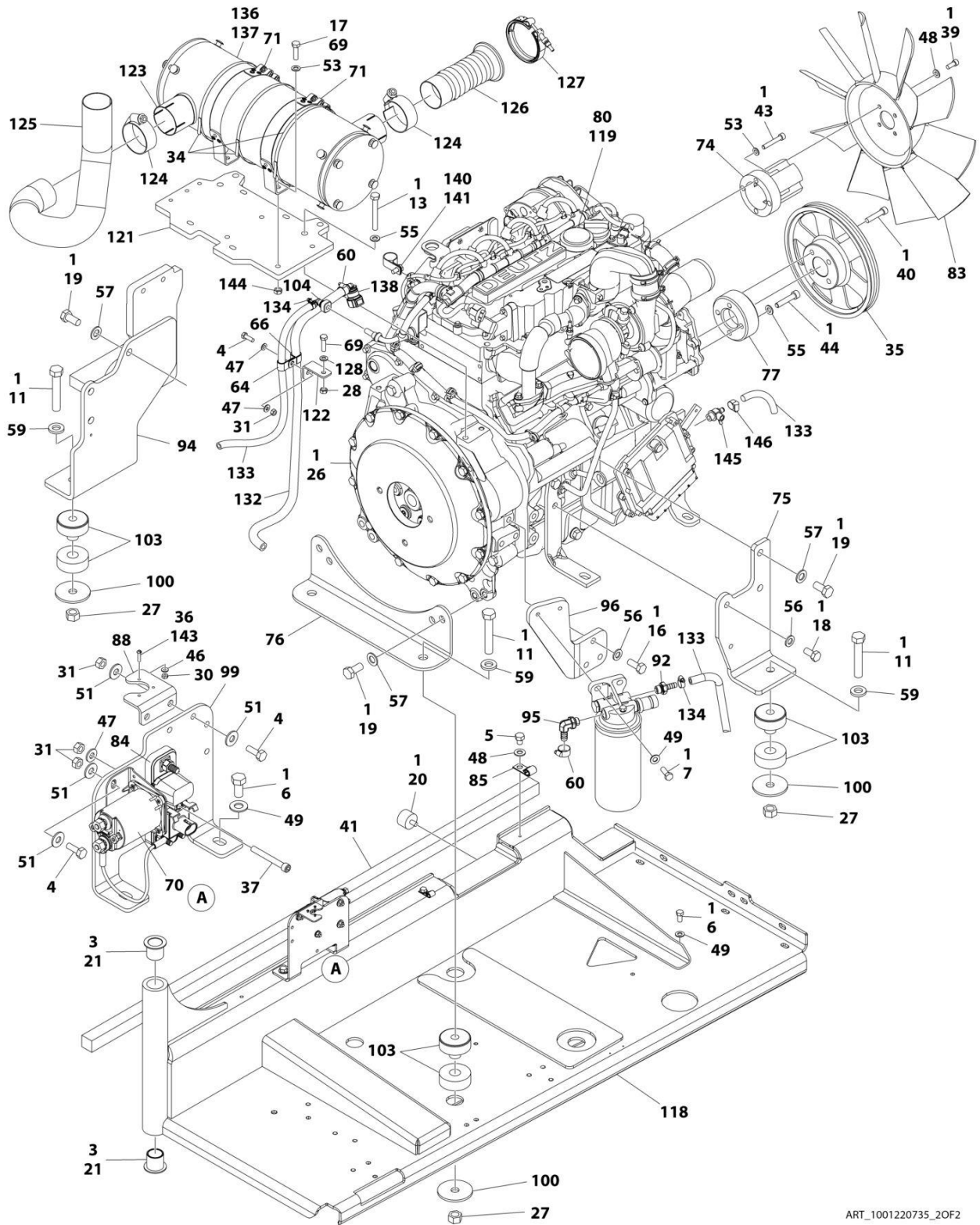
# SECTION 3 - ENGINE

## FIGURE 3-26. DEUTZ TD2.9L4 ENGINE ASSEMBLY (CHINA SPEC ONLY)



ART\_1001220735\_10F2

# SECTION 3 - ENGINE



ART\_1001220735\_20F2

## SECTION 3 - ENGINE

FIGURE 3-26. DEUTZ TD2.9L4 ENGINE ASSEMBLY (CHINA SPEC ONLY)

ITEM	PART NUMBER	QTY	DESCRIPTION	REV
	1001220735	Ref	DEUTZ TD2.9L4 ENGINE ASSEMBLY (CHINA SPEC ONLY)	J
1	0100011	AR	Compound, Locking	
2	0100020	AR	Sealant	
3	0100062	AR	Adhesive, Loctite #680	
4	0641406	7	Bolt 1/4 x 3/4	
5	0641503	2	Bolt 5/16 x 3/8	
6	0641606	5	Bolt 3/8 x 3/4	
7	0641608	7	Bolt 3/8 x 1	
8	0641610	2	Bolt 3/8 x 1-1/4	
9	0641706	AR	Bolt 7/16 x 3/4	
10	0641708	4	Bolt 7/16 x 1	
11	0682028	4	Bolt 5/8 x 3-1/2 Grade 8	
12	0700815	2	Bolt M8 x 35	
13	0701024	4	Bolt M10 x 80	
14	0760810	8	Bolt M8 x 20	
15	0761016	4	Bolt M10 x 40	
16	0761214	3	Bolt M12 x 30	
17	0770814	4	Bolt M8 x 30 (SN 0300201016 through 0300227054)	
18	0771212	1	Bolt M12 x 25 Grade 10.9	
19	0771414	9	Bolt M14 x 30 Grade 10.9	
20	0940070	1	Bumper	
21	0961986	2	Bushing, Flanged	
22	1703162	2	Decal - Fan	
23	2220273	1	Fitting, Straight NPTF/FNPTF	
24	2300004	3.2 gal/ 12.1L	Anti-freeze	
25	2540038	2	Grommet	
26	2902065	1	Pump Coupling Kit (See Separate Breakdown in this Section)	
27	3272001	4	Nut 5/8 Grade 8	
28	3290801	AR	Nut M8	
29	3291001	4	Nut M10	
29	3291007	4	Nut M10	
30	3310401	3	Nut #4	
31	3311405	8	Nut 1/4	
32	3311605	7	Nut 3/8	
33	3311705	3	Nut 7/16	
34	1001137336	AR	Strap	
35	3580320	1	Pulley	
36	3910408	3	Screw #4 x 1/2	
37	3931432	1	Capscrew 1/4 x 2	
38	3931508	2	Capscrew 5/16 x 1/2	
38	4031907	2	Capscrew M8 x 16	
39	3931512	4	Capscrew 5/16 x 3/4	
40	3931628	4	Capscrew 3/8 x 1-3/4	
41	3960543	1	Seal	
42	3960544	1	Seal	
43	4031914	4	Bolt M8 x 50	
44	4032014	4	Bolt M10 x 50	
45	4240099	AR	Tie-Strap (Not Shown)	
46	4710400	3	Washer #4	

## SECTION 3 - ENGINE

ITEM	PART NUMBER	QTY	DESCRIPTION	REV
47	4711400	7	Washer 1/4	
48	4711500	AR	Washer 5/16	
49	4711600	21	Washer 3/8	
50	4711700	6	Washer 7/16	
51	4751400	8	Washer 1/4	
52	4751700	2	Washer 7/16	
53	4811900	AR	Washer M8	
54	4811902	10	Washer M8	
55	4812000	AR	Washer M10	
56	4812100	AR	Washer M12	
57	4812200	9	Washer M14	
58	4831900	2	Washer M8 (SN 0300201016 through 0300227054)	
59	4892000	4	Washer 5/8	
60	8405006	2	Clamp	
61	8405007	2	Clamp	
62	8405201	4	Clamp	
63	8405204	2	Clamp	
64	8406102	1	Clip	
65	8406110	2	Clip (SN 0300201016 through 0300227054)	
65	8406109	2	Clip (SN 0300227055 through 0300272504, SN B300002238 through B300007118, Except SN 0300272455 through 0300272461)	
66	8406112	1	Clip	
67	8406302	2	Clamp	
68	8410011	2	Clamp	
69	0760814001	1	Bolt M8 x 30	
69	0760814	5	Bolt M8 x 30	
70	1001117308	1	Relay	
71	1001119727	2	Clamp	
72	1001133634	1	Clamp	
73	1001134488	1	Fitting, 90 Barbed	
74	1001135138	1	Spacer, Fan	
75	1001135560	1	Support, Engine	
76	1001135562	1	Support, Engine - Rear	
77	1001135679	1	Spacer, Pulley	
78	1001135903	1	Pipe, Air Intake	
79	1001135946	1	Elbow, Rubber	
80	1001136079	2.4 gal /9L	Oil, Motor	
80	1001136172	2.4 gal /9L	Oil, Motor	
81	1001136665	1	Bracket	
82	1001136834	1	Cap, Tank	
83	1001137276	1	Fan	
84	1001138228	1	Module, Power	
84	70023592	1	Fuse 20Amp (Switched Output)	
84	70023593	1	Fuse 30Amp (Battery Output)	
85	1001138253	2	Clamp	
86	1001138346	1	Harness, Engine (Not Shown - See Separate Breakdown in ELECTRICAL SECTION)	
87	1001138827	1	Sensor, Coolant Level	
88	1001139240	1	Bracket	
89	1001140535	1	Tank, Surge (SN 0300201016 through 0300238861, SN B30002238 through B300002449)	

## SECTION 3 - ENGINE

ITEM	PART NUMBER	QTY	DESCRIPTION	REV
89	1001166393	1	Tank, Surge (SN 0300238862 through 0300272504, SN B300002450 through B300007118, Except SN 0300272455 through 0300272461)	
90	1001140564	1	Fitting, 90 Barbed	
91	1001141304	1	Wire, Glow Plug (Not Shown)	
92	1001141717	1	Fitting, Straight	
93	1001141719	1	Fitting, 90 Barbed	
94	1001142398	1	Support, Engine	
95	1001142501	1	Fitting, 90 Barbed	
96	1001142685	1	Bracket	
97	1001143390	1	Indicator, Air Filter Service	
98	1001144089	1	Grommet	
99	1001145154	1	Plate, Mounting	
100	1001146219	4	Washer Special	
101	1001148843	1	Harness, Fuel Filter (Not Shown - See Separate Breakdown in ELECTRICAL SECTION)	
102	1001153387	1	Plate (SN 0300201016 through 0300238861, SN B30002238 through B300002449)	
102	1001229600	1	Plate (SN 0300238862 through 0300272504, SN B300002450 through B300007118, Except SN 0300272455 through 0300272461)	
103	1001155575	4	Mount, Motor	
104	1001155823	1	Coupling	
105	1001168166	2	Seal	
106	1001169054	4	Isolator	
107	1001169138	4	Pad	
108	1001170035	1	Bracket	
109	1001176329	2	Bracket	
110	1001176330	1	Bracket	
111	1001176415	1	Hose, Radiator (Upper)	
112	1001176416	1	Hose, Radiator (Lower)	
113	1001176940	1	Bracket (SN 0300201016 through 0300238861, SN B30002238 through B300002449)	
113	1001229599	1	Bracket (SN 0300238862 through 0300272504, SN B300002450 through B300007118, Except SN 0300272455 through 0300272461)	
114	1001177094	1	Hose (SN 0300201016 through 0300238861, SN B30002238 through B300002449)	
114	1001138524	1	Hose (SN 0300238862 through 0300272504, SN B300002450 through B300007118, Except SN 0300272455 through 0300272461)	
115	1001178236	1	Support, Radiator	
116	1001178894	1	Hose, Air Intake	
117	1001180620	AR	Adhesive	
118	1001187011	1	Tray	
119	1001219642	1	Engine, Deutz TD2.9L4 (See Separate Breakdown in this Section)	
120	1001220770	1	Radiator	
121	1001221203	1	Muffler Bracket Assembly	
122	1001221205	1	Bracket	
123	1001221207	1	Muffler	
124	1001221212	2	Clamp	
125	1001221213	1	Pipe, Exhaust	
126	1001221217	1	Pipe, Flex Assembly	
127	1001221219	1	Clamp	

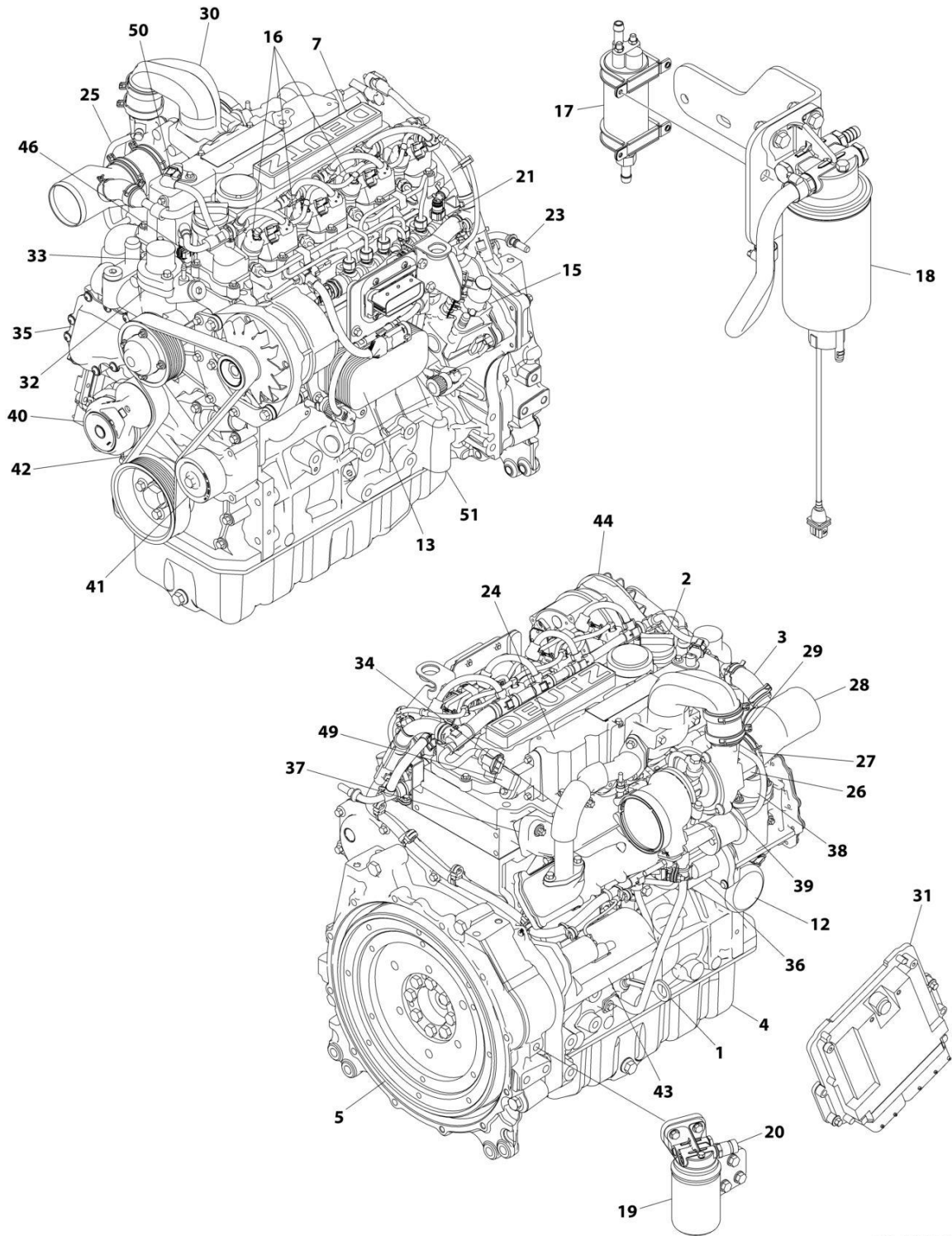


## SECTION 3 - ENGINE

ITEM	PART NUMBER	QTY	DESCRIPTION	REV
128	4811900001	1	Washer M8 (SN 0300201016 through 0300227054)	
129	1001133633	1	Air Cleaner Assembly	
129	70024190	1	Element, Air Filter	
130	1001135779	1	Cable, Alternator Positive (Not Shown)	
131	1001138248	4 ft/ 1.2m	Tubing	
132	1001154405	5 ft/ 1.5m	Hose	
133	1001165035	30.5 ft/ 9.3m	Hose	
134	1320022	2	Clamp	
135	2720015	5 ft/ 1.52m	Hose	
136	1001221427	1	Muffler-Wrap Assembly	
137	4920385	AR	Wire, Safety (SN 0300227055 through 0300272504, SN B300002238 through B300007118, Except SN 0300272455 through 0300272461)	
138	1001170982	1	Adapter (SN 0300227055 through 0300272504, SN B300002238 through B300007118, Except SN 0300272455 through 0300272461)	
139	4812002	4	Washer M10 (SN 0300227055 through 0300272504, SN B300002238 through B300007118, Except SN 0300272455 through 0300272461)	
140	1320130	1	Clamp (SN 0300227055 through 0300272504, SN B300002238 through B300007118, Except SN 0300272455 through 0300272461)	
141	5250808	1	Bolt M8 x 16 (SN 0300227055 through 0300272504, SN B300002238 through B300007118, Except SN 0300272455 through 0300272461)	
142	3290805	2	Nut, M10 (Not Shown) (SN 0300227055 through 0300272504, SN B300002238 through B300007118, Except SN 0300272455 through 0300272461)	
143	0100035	AR	Compound, Locking (SN 0300227055 through 0300272504, SN B300002238 through B300007118, Except SN 0300272455 through 0300272461)	
144	3290807	4	Nut M8 (SN 0300238862 through 0300272504, SN B300002450 through B300007118, Except SN 0300272455 through 0300272461)	
145	4640751	1	Valve, Oil Drain (SN 0300238862 through 0300272504, SN B300002450 through B300007118, Except SN 0300272455 through 0300272461)	
146	8410013	1	Clamp, Gear (SN 0300238862 through 0300272504, SN B300002450 through B300007118, Except SN 0300272455 through 0300272461)	
147	1001182997	AR	Adhesive (SN 0300238862 through 0300272504, SN B300002450 through B300007118, Except SN 0300272455 through 0300272461)	
148	0761210	1	Bolt M12 x 20 (SN 0300238862 through 0300272504, SN B300002450 through B300007118, Except SN 0300272455 through 0300272461)	
149	1001138559	1	Fitting, 90 (SN 0300238862 through 0300272504, SN B300002450 through B300007118, Except SN 0300272455 through 0300272461)	

# SECTION 3 - ENGINE

## FIGURE 3-27. DEUTZ TD2.9L4 ENGINE COMPONENTS (CHINA SPEC ONLY)



ART\_1001219642

## SECTION 3 - ENGINE

**FIGURE 3-27. DEUTZ TD2.9L4 ENGINE COMPONENTS (CHINA SPEC ONLY)**

ITEM	PART NUMBER	QTY	DESCRIPTION	REV
	1001219642	Ref	DEUTZ TD2.9L4 ENGINE COMPONENTS (CHINA SPEC ONLY)	C
1	70006127	1	Dipstick	
1	70024905	1	O-Ring	
2	7020465	2	Cap, Filler	
3	70005920	1	Hose	
3	70025111	2	Clamp	
4	70025162	1	Pan, Oil	
4	70005941	2	Plug	
4	70005942	2	Washer, Sealing	
5	70001870	1	Flywheel	
5	7024579	1	Gear, Ring	
6	70024906	1	Gasket, Head (Not Shown)	
7	70005921	1	Cover, Valve	
7	70025205	1	Gasket	
7	70005171	1	Gasket	
8	70025076	1	Valve (Not Shown - Located on Right Side of Front Engine Cover)	
8	70025176	1	Spring	
8	70025082	1	Ring, Sealing	
8	70025091	1	Plug	
9	70004280	1	Seal, Shaft - Front (Not Shown)	
10	70002718	1	Seal, Shaft - Rear (Not Shown)	
11	70005172	1	Pump, Oil Lube (Not Shown)	
11	70025135	1	O-Ring	
11	70005173	1	Gasket	
12	7016331	1	Filter, Oil	
12	70025137	1	Bushing	
13	70024494	1	Cooler, Engine Oil (Not Shown - Located on Right Side)	
13	70024925	1	Gasket	
14	70025171	1	Oil Suction Pump (Not Shown - Located Inside of Engine Oil Pan)	
15	70024924	1	Pump, Fuel	
15	70025152	1	O-Ring	
15	70025080	1	Washer	
15	70024488	1	Spacer	
15	70024517	1	O-Ring	
16	70025181	4	Injector, Fuel (Not Shown - Located on Right Side)	
16	70025140	4	Washer, Sealing	
16	70025146	4	Clamp (Top of Injector)	
16	70025145	4	O-Ring	
16	70025154	4	Shoe, Clamping	
16	70000345	1	Plug, Glow (Not Shown)	
16	70025231	1	Harness, Glow Plug (Not Shown)	
17	70005174	NLA	Pump, Fuel (Use p/n 1001226098)	
17	70025144	2	Clamp	
18	70024961	1	Fuel Filter Assembly	
18	70025153	NLA	Filter, Fuel (Use p/n 1001225430)	
18	70024513	1	Cable, Sensor	
18	70025239	1	Ring, Sealing	
19	70004511	1	Filter with Head	
19	70004512	NLA	Filter, Fuel (Use p/n 1001225432)	
20	70024504	1	Sensor, Pressure	

## SECTION 3 - ENGINE

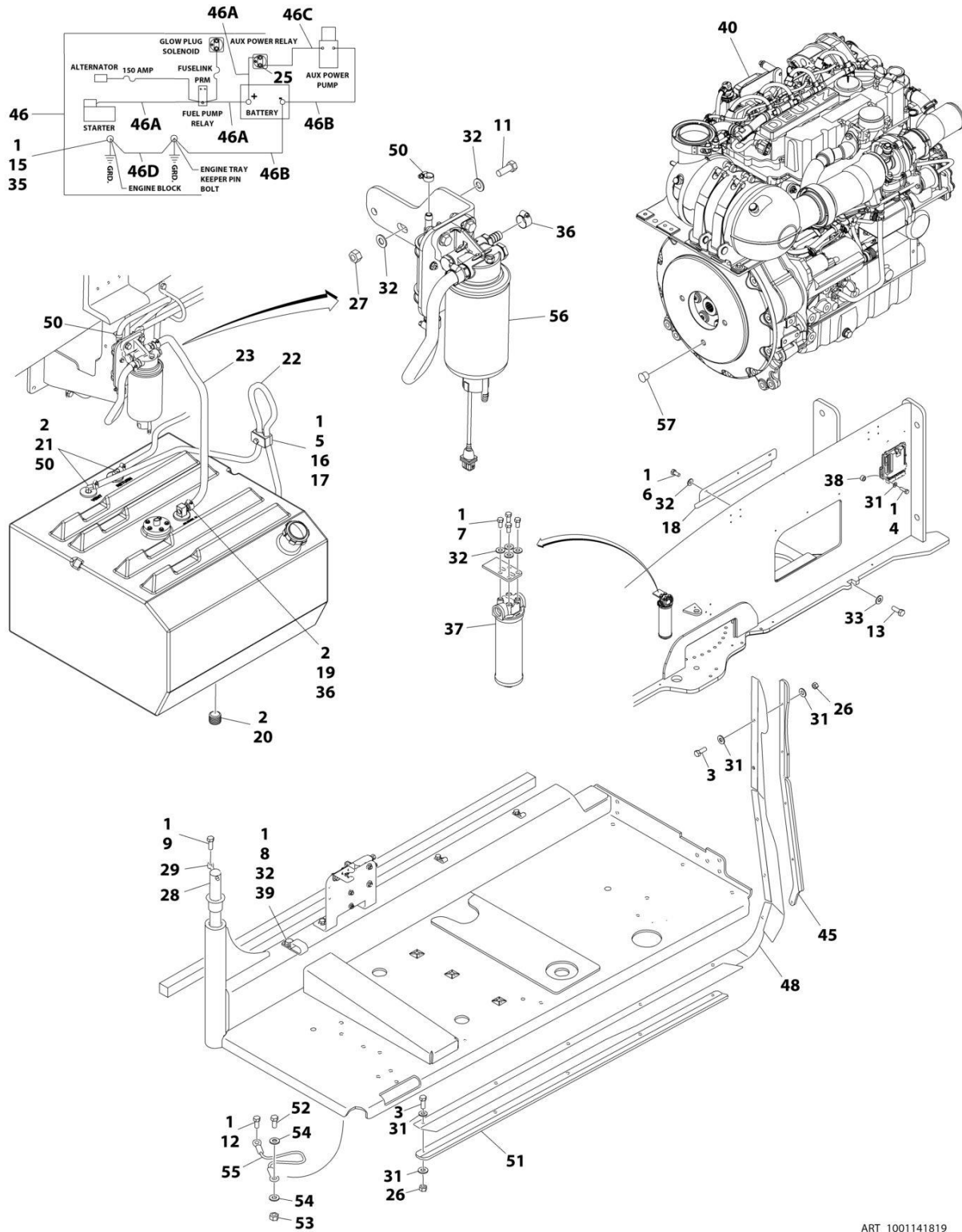
ITEM	PART NUMBER	QTY	DESCRIPTION	REV
20	70024920	1	O-Ring	
21	70025151	1	Rail, Fuel	
21	70025235	1	Repair Kit	
21	70025240	1	O-Ring	
22	70025182	1	Fuel Line - High Pressure (Cylinder 1 & 2) (Not Shown)	
22	70025183	1	Fuel Line - High Pressure (Cylinder 3 & 4) (Not Shown)	
22	70025184	1	Fuel Line - High Pressure (Supply) (Not Shown)	
23	70025158	1	Manifold, Fuel	
23	70025109	2	Clamp	
23	70025115	1	Clamp	
23	70025133	1	Hose	
23	70024502	1	Pipe	
23	70025185	1	Hose	
23	70025101	2	Clamp	
24	70005923	1	Charge Air Pipe	
24	70005924	1	O-Ring	
24	70005177	1	Gasket	
25	70005925	1	Breather Line	
25	70005181	1	O-Ring	
26	70004501	1	Sleeve, Rubber	
27	70025112	2	Clamp	
28	70005926	1	Elbow Connector	
29	70005927	1	Sleeve, Rubber	
29	70025107	2	Clamp	
30	70005928	1	Charge Air Elbow	
31	70025210	1	ECU (Engine Control Unit)	
32	70024910	1	Pump, Water	
32	70025200	1	Ring, Sealing	
32	70025084	2	Plug	
32	7020492	2	Ring, Sealing	
33	70005929	1	Thermostat	
33	70005184	1	O-Ring	
33	70025142	1	Cover, Thermostat	
33	70025931	1	Gasket	
34	70025178	1	Pipe	
34	70025768	1	Valve, Shuttle	
34	70025179	2	Gasket	
34	70025180	1	Gasket	
35	70025203	1	Module, EGR (Includes Item 36)	
35	70025155	1	Plug	
36	70005188	1	Control Valve	
36	70005189	1	Seal	
37	70004282	1	Manifold, Exhaust	
37	70025164	1	Gasket, Exhaust Manifold to Head	
38	70026995	1	Pipe (Not Shown - Located on Left Side)	
38	70021895	2	Gasket	
39	70004276	1	Turbocharger	
39	70024912	1	Gasket, Exhaust Manifold	
39	70024509	1	Gasket, Return Line	
40	70025477	1	Tensioner, Belt	
41	70024484	1	Idler Roller	

## SECTION 3 - ENGINE

ITEM	PART NUMBER	QTY	DESCRIPTION	REV
42	70004277	1	Belt, Drive	
43	70024915	1	Starter	
43	70005647	1	Switch, Solenoid	
43	70005648	1	Relay	
44	70025533	1	Generator	
44	70025149	1	Regulator, Voltage	
45	70025077	1	Harness, Engine (Not Shown)	
46	70024918	1	Sender, Temperature	
47	70024504	1	Sensor, Pressure (Not Shown - Located on Right Side)	
47	70024920	1	O-Ring	
48	70026210	2	Sensor, Speed (Not Shown - Located Left Side Front and Flywheel Housing)	
48	70005191	2	O-Ring	
49	70024507	1	Sensor, Pressure (Not Shown - Located Top Rear)	
49	70025120	1	O-Ring	
50	70024922	1	Temperature, Transmitter	
50	70035212	1	O-Ring	
51	70025660	1	Screw	

# SECTION 3 - ENGINE

FIGURE 3-28. DEUTZ TCD2.9L4 DIESEL ENGINE INSTALLATION - WITH REXROTH PUMPS AND ABS HOODS (WITHOUT COLD WEATHER PLUS PACKAGE)



ART\_1001141819

## SECTION 3 - ENGINE

**FIGURE 3-28. DEUTZ TCD2.9L4 DIESEL ENGINE INSTALLATION - WITH REXROTH PUMPS AND ABS HOODS (WITHOUT COLD WEATHER PLUS PACKAGE)**

ITEM	PART NUMBER	QTY	DESCRIPTION	REV
	1001141819	Ref	DEUTZ TCD2.9L4 DIESEL ENGINE INSTALLATION - WITH REXROTH PUMPS AND ABS HOODS (WITHOUT COLD WEATHER PLUS PACKAGE)	J
1	0100011	AR	Compound, Locking	
2	0100079	AR	Sealant, Pipe	
3	0641408	10	Bolt 1/4 x 1	
4	0641410	4	Bolt 1/4 x 1-1/4	
5	0641511	1	Bolt 5/16 x 1-3/8	
6	0641605	3	Bolt 3/8 x 5/8	
7	0641606	4	Bolt 3/8 x 3/4	
8	0641608	1	Bolt 3/8 x 1	
9	0641610	1	Bolt 3/8 x 1-1/4	
11	0641612	2	Bolt 3/8 x 1-1/2	
12	0641808	1	Bolt 1/2 x 1	
13	0642010	1	Bolt 5/8 x 1-1/4	
15	0761210	1	Bolt M12 x 20	
16	1320187	1	Clamp	
17	1320190	1	Cover, Clamp	
18	1671121	1	Cover	
19	2180832	1	Fitting, Barbed	
20	2200222	1	Plug, Pipe (SN 0300201016 through 0300237154)	
21	2220313	2	Fitting, Elbow Barbed	
22	1001165035	5 ft/ 1.5m	Hose (SN 0300201016 through 0300217382)	
22	2750532	5 ft/ 1.5m	Hose (SN 0300217383 through 0300272504, Except SN 0300272455 through 0300272461)	
23	1001154405	2 ft/ 0.6m	Hose	
25	3300220	2	Nut 5/16	
26	3311405	10	Nut 1/4	
27	3311605	2	Nut 3/8	
28	3422446	1	Pin, Pivot	
29	3841143	1	Pin, Keeper	
30	4240018	2	Strap, Tie (Not Shown)	
31	4711400	24	Washer 1/4	
32	4711600	12	Washer 3/8	
33	4752000	1	Washer 5/8	
35	4812100	1	Washer M12	
36	8405006	2	Clamp	
37	1001108617	1	Filter	
37	70002231	1	Element, Filter	
38	1001110425	4	Spacer	
39	1001116792	1	Clamp	
40	1001141812	1	Engine Sub-Assembly (See Separate Breakdown in this Section)	
42	1001138491	NLA	Harness, Fuel (Use p/n 1001222665) (Not Shown - See Separate Breakdown in ELECTRICAL SECTION)	
45	1001145089	1	Clamp	
46	1001141225	1	Battery Cable Kit	
46A	7027042	1	Cable, Battery (Red) (Battery + to Relays and Starter)	
46B	7027043	1	Cable, Battery (Black) (Battery - to Tray Pivot Grd and Aux Pump)	
46C	7027044	1	Cable (Red) (Aux Relay to Aux Pump)	

## SECTION 3 - ENGINE

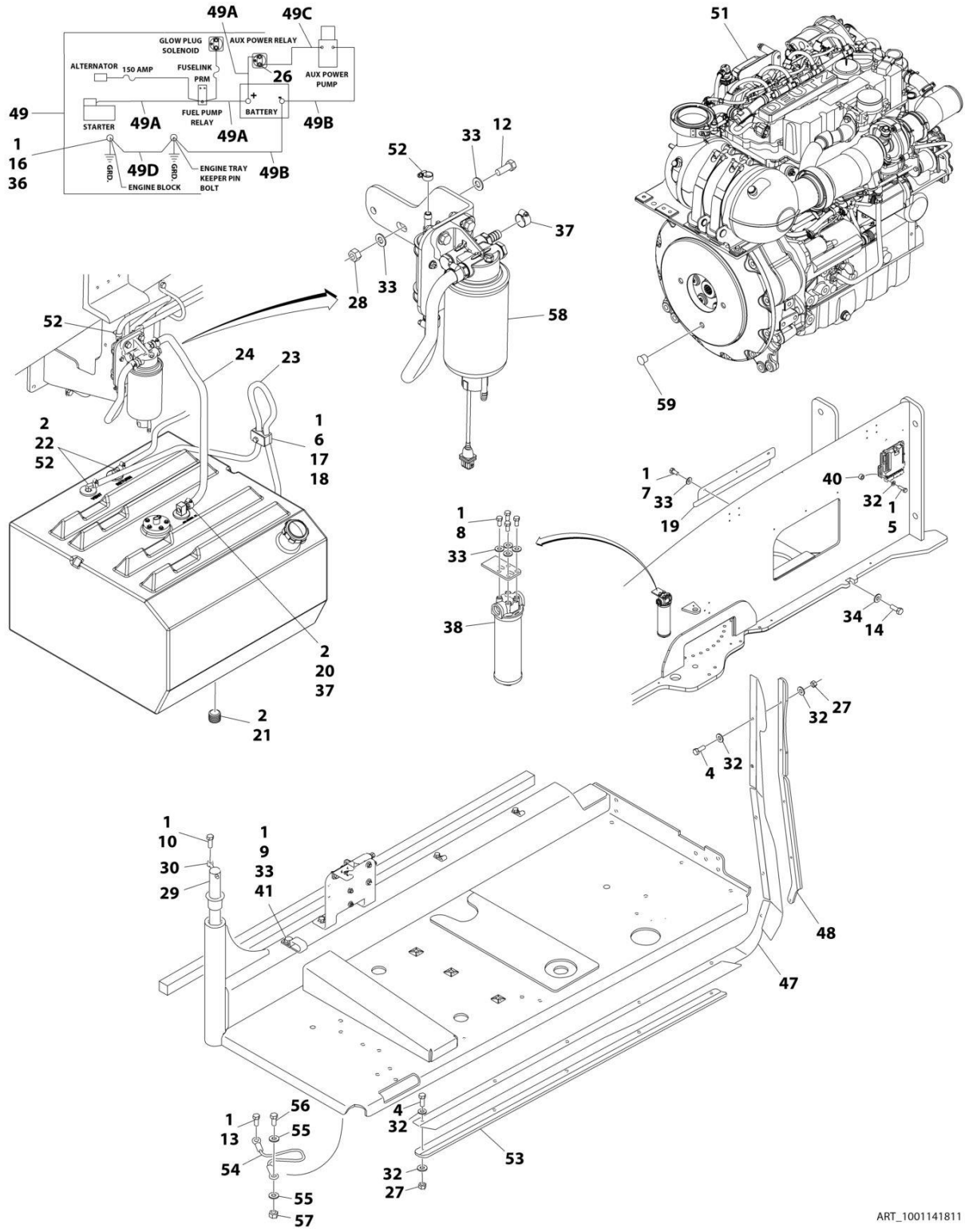
ITEM	PART NUMBER	QTY	DESCRIPTION	REV
46D	7027045	1	Cable, Battery (Black) (Engine to Tray Pivot Grd)	
48	1001145560	1	Panel, Rubber	
50	1320022	3	Clamp	
51	1001145842	1	Plate, Clamping	
52	0641708	1	Bolt 7/16 x 1	
53	3311705	1	Nut 7/16	
54	4711700	2	Washer 7/16	
55	1001131542	1	Lanyard	
56	1001165101	1	Bracket, Fuel Pump Filter Assembly (See Separate Breakdown in this Section)	
57	3520054	1	Plug	





# SECTION 3 - ENGINE

FIGURE 3-29. DEUTZ TCD2.9L4 DIESEL ENGINE INSTALLATION - WITH REXROTH PUMPS AND STEEL HOODS (WITHOUT COLD WEATHER PLUS PACKAGE)



ART\_1001141811

## SECTION 3 - ENGINE

**FIGURE 3-29. DEUTZ TCD2.9L4 DIESEL ENGINE INSTALLATION - WITH REXROTH PUMPS AND STEEL HOODS (WITHOUT COLD WEATHER PLUS PACKAGE)**

ITEM	PART NUMBER	QTY	DESCRIPTION	REV
	1001141811	Ref	DEUTZ TCD2.9L4 DIESEL ENGINE INSTALLATION - WITH REXROTH PUMPS AND STEEL HOODS (WITHOUT COLD WEATHER PLUS PACKAGE)	J
1	0100011	AR	Compound, Locking	
2	0100079	AR	Sealant, Pipe	
4	0641408	10	Bolt 1/4 x 1	
5	0641410	4	Bolt 1/4 x 1-1/4	
6	0641511	1	Bolt 5/16 x 1-3/8	
7	0641605	3	Bolt 3/8 x 5/8	
8	0641606	4	Bolt 3/8 x 3/4	
9	0641608	1	Bolt 3/8 x 1	
10	0641610	1	Bolt 3/8 x 1-1/4	
12	0641612	2	Bolt 3/8 x 1-1/2	
13	0641808	1	Bolt 1/2 x 1	
14	0642010	1	Bolt 5/8 x 1-1/4	
16	0761210	1	Bolt M12 x 20	
17	1320187	1	Clamp	
18	1320190	1	Cover, Clamp	
19	1671121	1	Cover	
20	2180832	1	Fitting, Barbed	
21	2200222	1	Plug, Pipe (SN 0300201016 through 0300237154)	
22	2220313	2	Fitting, Elbow Barbed	
23	1001165035	5 ft/ 1.5m	Hose (SN 0300201016 through 0300217382)	
23	2750532	5 ft/ 1.5m	Hose (SN 0300217383 through 0300272504, Except SN 0300272455 through 0300272461)	
24	1001154405	2 ft/ 0.6m	Hose	
26	3300220	2	Nut 5/16	
27	3311405	10	Nut 1/4	
28	3311605	2	Nut 3/8	
29	3422446	1	Pin, Pivot	
30	3841143	1	Pin, Keeper	
31	4240018	2	Strap, Tie (Not Shown)	
32	4711400	24	Washer 1/4	
33	4711600	12	Washer 3/8	
34	4752000	1	Washer 5/8	
36	4812100	1	Washer M12	
37	8405006	2	Clamp	
38	1001108617	1	Filter	
38	70002231	1	Element, Filter	
40	1001110425	4	Spacer	
41	1001116792	1	Clamp	
43	1001138491	NLA	Harness, Fuel (Use p/n 1001222665) (Not Shown - See Separate Breakdown in ELECTRICAL SECTION)	
47	1001140604	1	Panel, Rubber	
48	1001145089	1	Clamp	
49	1001141225	1	Battery Cable Kit	E
49A	7027042	1	Cable, Battery (Red) (Battery + to Relays and Starter)	
49B	7027043	1	Cable, Battery (Black) (Battery - to Tray Pivot Grd and Aux Pump)	
49C	7027044	1	Cable (Red) (Aux Relay to Aux Pump)	

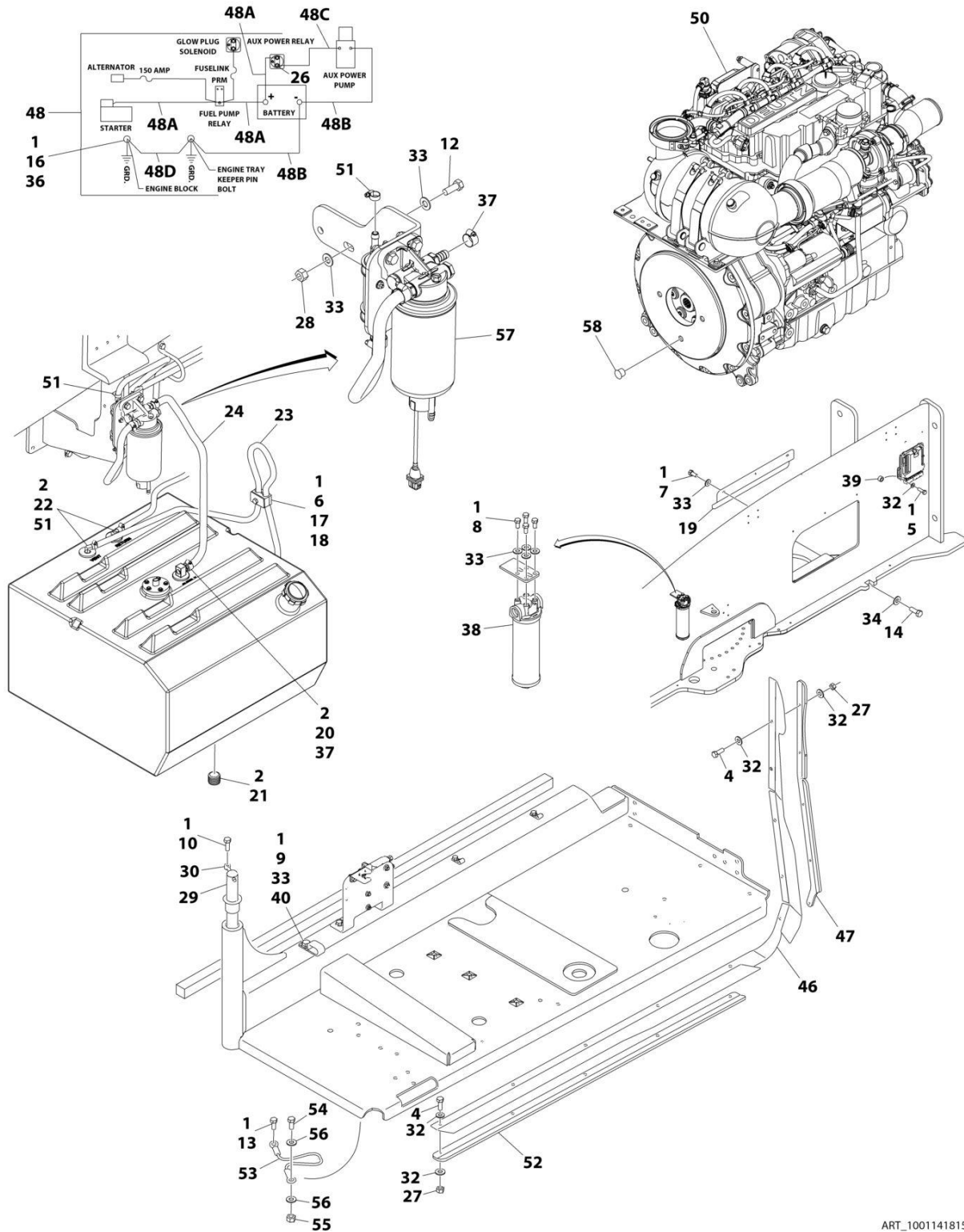
## SECTION 3 - ENGINE

ITEM	PART NUMBER	QTY	DESCRIPTION	REV
49D	7027045	1	Cable, Battery (Black) (Engine to Tray Pivot Grd)	
51	1001141812	1	Engine Sub-Assembly (See Separate Breakdown in this Section)	
52	1320022	3	Clamp	
53	1001145842	1	Plate, Clamping	
54	1001131542	1	Lanyard	
55	4711700	2	Washer 7/16	
56	0641708	1	Bolt 7/16 x 1	
57	3311705	1	Nut 7/16	
58	1001165101	1	Bracket, Fuel Pump Filter Assembly (See Separate Breakdown in this Section)	
59	3520054	1	Plug	



# SECTION 3 - ENGINE

FIGURE 3-30. DEUTZ TCD2.9L4 DIESEL ENGINE INSTALLATION - WITH REXROTH PUMPS AND STEEL HOODS (WITH COLD WEATHER PLUS PACKAGE)



ART\_1001141815

## SECTION 3 - ENGINE

**FIGURE 3-30. DEUTZ TCD2.9L4 DIESEL ENGINE INSTALLATION - WITH REXROTH PUMPS AND STEEL HOODS (WITH COLD WEATHER PLUS PACKAGE)**

ITEM	PART NUMBER	QTY	DESCRIPTION	REV
	1001141815	Ref	DEUTZ TCD2.9L4 DIESEL ENGINE INSTALLATION - WITH REXROTH PUMPS AND STEEL HOODS (WITH COLD WEATHER PLUS PACKAGE)	L
1	0100011	AR	Compound, Locking	
2	0100079	AR	Sealant, Pipe	
4	0641408	10	Bolt 1/4 x 1	
5	0641410	4	Bolt 1/4 x 1-1/4	
6	0641511	1	Bolt 5/16 x 1-3/8	
7	0641605	3	Bolt 3/8 x 5/8	
8	0641606	4	Bolt 3/8 x 3/4	
9	0641608	1	Bolt 3/8 x 1	
10	0641610	1	Bolt 3/8 x 1-1/4	
12	0641612	2	Bolt 3/8 x 1-1/2	
13	0641808	1	Bolt 1/2 x 1	
14	0642010	1	Bolt 5/8 x 1-1/4	
16	0761210	1	Bolt M12 x 20	
17	1320187	1	Clamp	
18	1320190	1	Cover, Clamp	
19	1671121	1	Cover	
20	2180832	1	Fitting, Barbed	
21	2200222	1	Plug, Pipe (SN 0300201016 through 0300237154)	
22	2220313	2	Fitting, Elbow Barbed	
23	1001165035	5 ft/ 1.5m	Hose (SN 0300201016 through 0300217382)	
23	2750532	5 ft/ 1.5m	Hose (SN 0300217383 through 0300272504, Except SN 0300272455 through 0300272461)	
24	1001154405	2 ft/ 0.6m	Hose	
26	3300220	2	Nut 5/16	
27	3311405	10	Nut 1/4	
28	3311605	2	Nut 3/8	
29	3422446	1	Pin, Pivot	
30	3841143	1	Pin, Keeper	
31	4240018	2	Strap, Tie (Not Shown)	
32	4711400	24	Washer 1/4	
33	4711600	12	Washer 3/8	
34	4752000	1	Washer 5/8	
36	4812100	1	Washer M12	
37	8405006	2	Clamp	
38	1001108617	1	Filter	
38	70002231	1	Element, Filter	
39	1001110425	4	Spacer	
40	1001116792	1	Clamp	
42	1001138491	NLA	Harness, Fuel (Use p/n 1001222665) (Not Shown - See Separate Breakdown in ELECTRICAL SECTION)	
46	1001140604	1	Panel, Rubber	
47	1001145089	1	Clamp	
48	1001141225	1	Battery Cable Kit	E
48A	7027042	1	Cable, Battery (Red) (Battery + to Relays and Starter)	
48B	7027043	1	Cable, Battery (Black) (Battery - to Tray Pivot Grd and Aux Pump)	
48C	7027044	1	Cable (Red) (Aux Relay to Aux Pump)	

## SECTION 3 - ENGINE

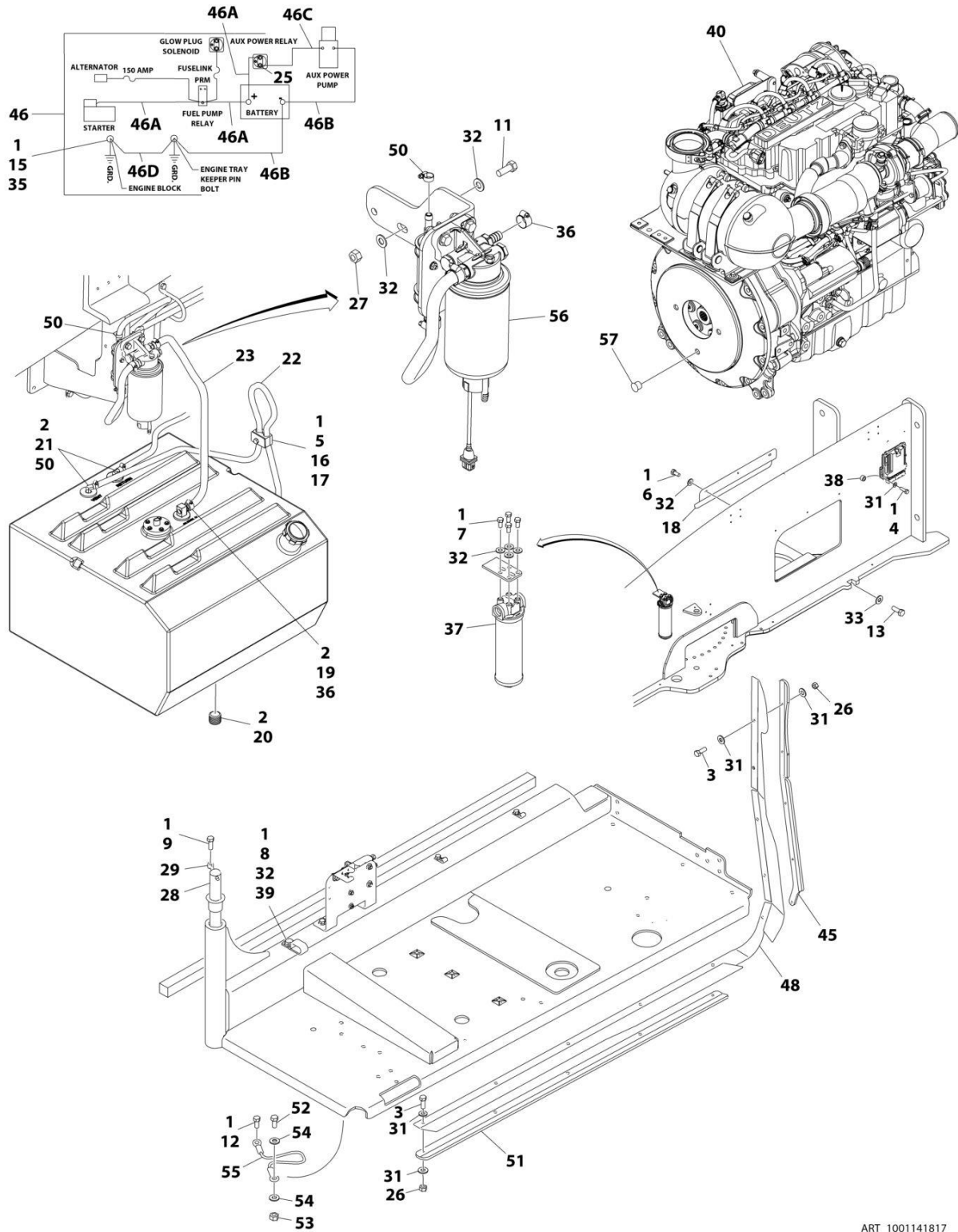
ITEM	PART NUMBER	QTY	DESCRIPTION	REV
48D	7027045	1	Cable, Battery (Black) (Engine to Tray Pivot Grd)	
50	1001141813	1	Engine Sub-Assembly (See Separate Breakdown in this Section)	
51	1320022	3	Clamp	
52	1001145842	1	Plate, Clamping	
53	1001131542	1	Lanyard	
54	0641708	1	Bolt 7/16 x 1	
55	3311705	1	Nut 7/16	
56	4711700	2	Washer 7/16	
57	1001165101	1	Bracket, Fuel Pump Filter Assembly (See Separate Breakdown in this Section)	
58	3520054	1	Plug	





# SECTION 3 - ENGINE

FIGURE 3-31. DEUTZ TCD2.9L4 DIESEL ENGINE INSTALLATION - WITH SAUER PUMPS AND ABS HOODS (WITHOUT COLD WEATHER PLUS PACKAGE)



ART\_1001141817

## SECTION 3 - ENGINE

**FIGURE 3-31. DEUTZ TCD2.9L4 DIESEL ENGINE INSTALLATION - WITH SAUER PUMPS AND ABS HOODS (WITHOUT COLD WEATHER PLUS PACKAGE)**

ITEM	PART NUMBER	QTY	DESCRIPTION	REV
	1001141817	Ref	DEUTZ TCD2.9L4 DIESEL ENGINE INSTALLATION - WITH SAUER PUMPS AND ABS HOODS (WITHOUT COLD WEATHER PLUS PACKAGE)	J
1	0100011	AR	Compound, Locking	
2	0100079	AR	Sealant, Pipe	
3	0641408	10	Bolt 1/4 x 1	
4	0641410	4	Bolt 1/4 x 1-1/4	
5	0641511	1	Bolt 5/16 x 1-3/8	
6	0641605	3	Bolt 3/8 x 5/8	
7	0641606	4	Bolt 3/8 x 3/4	
8	0641608	1	Bolt 3/8 x 1	
9	0641610	1	Bolt 3/8 x 1-1/4	
11	0641612	2	Bolt 3/8 x 1-1/2	
12	0641808	1	Bolt 1/2 x 1	
13	0642010	1	Bolt 5/8 x 1-1/4	
15	0761210	1	Bolt M12 x 20	
16	1320187	1	Clamp	
17	1320190	1	Cover, Clamp	
18	1671121	1	Cover	
19	2180832	1	Fitting, Barbed	
20	2200222	1	Plug, Pipe (SN 0300201016 through 0300237154)	
21	2220313	2	Fitting, Elbow Barbed	
22	1001165035	5 ft/ 1.5m	Hose (SN 0300201016 through 0300217382)	
22	2750532	5 ft/ 1.5m	Hose (SN 0300217383 through 0300272504, Except SN 0300272455 through 0300272461)	
23	1001154405	2 ft/ 0.6m	Hose	
25	3300220	2	Nut 5/16	
26	3311405	10	Nut 1/4	
27	3311605	2	Nut 3/8	
28	3422446	1	Pin, Pivot	
29	3841143	1	Pin, Keeper	
30	4240018	2	Strap, Tie (Not Shown)	
31	4711400	24	Washer 1/4	
32	4711600	12	Washer 3/8	
33	4752000	1	Washer 5/8	
35	4812100	1	Washer M12	
36	8405006	2	Clamp	
37	1001108617	1	Filter	
37	70002231	1	Element, Filter	
38	1001110425	4	Spacer	
39	1001116792	1	Clamp	
40	1001134390	1	Engine Sub-Assembly (See Separate Breakdown in this Section)	
42	1001138491	NLA	Harness, Fuel (Use p/n 1001222665) (Not Shown - See Separate Breakdown in ELECTRICAL SECTION)	
45	1001145089	1	Clamp	
46	1001141225	1	Battery Cable Kit	E
46A	7027042	1	Cable, Battery (Red) (Battery + to Relays and Starter)	
46B	7027043	1	Cable, Battery (Black) (Battery - to Tray Pivot Grd and Aux Pump)	
46C	7027044	1	Cable (Red) (Aux Relay to Aux Pump)	

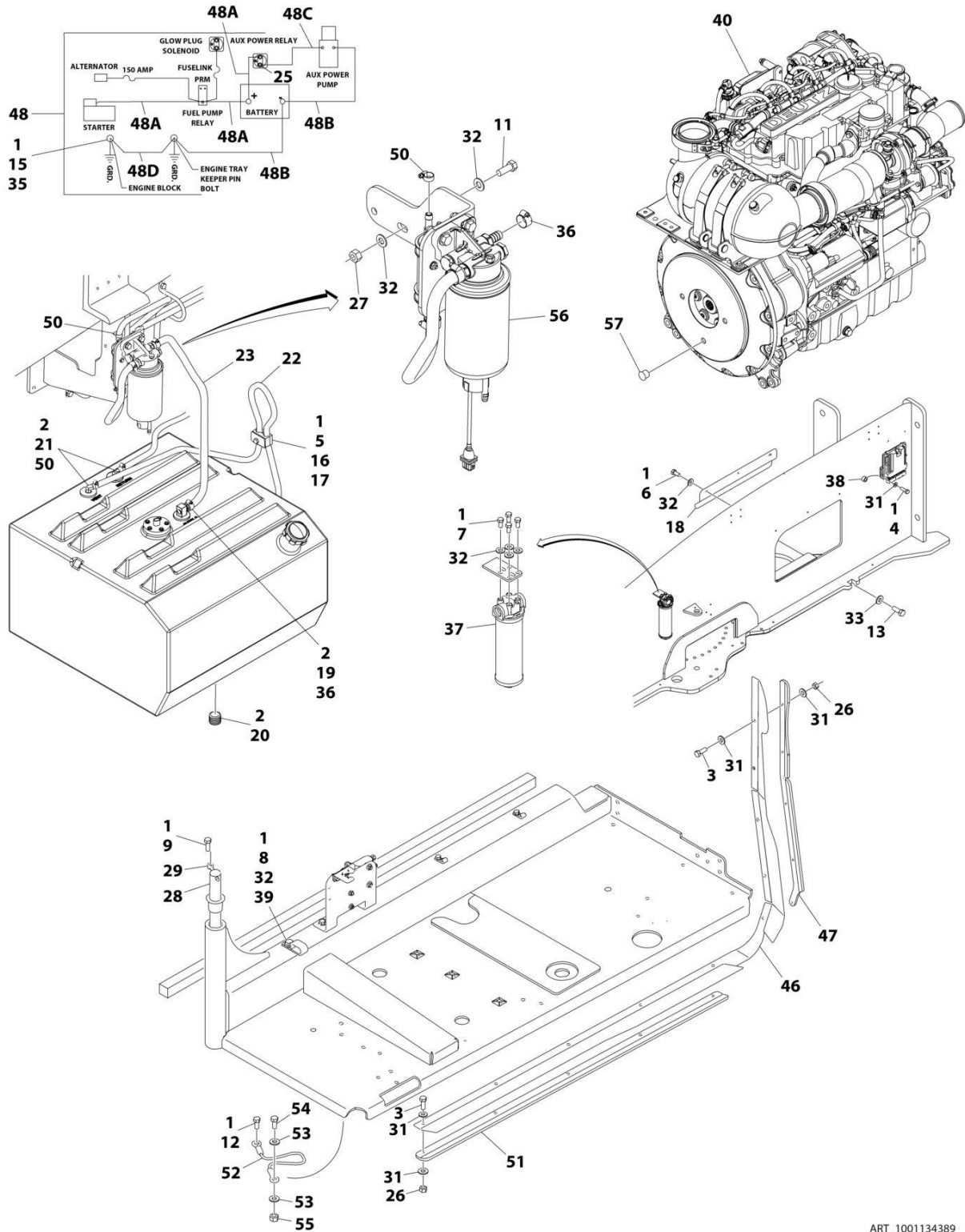
## SECTION 3 - ENGINE

ITEM	PART NUMBER	QTY	DESCRIPTION	REV
46D	7027045	1	Cable, Battery (Black) (Engine to Tray Pivot Grd)	
48	1001145560	1	Panel, Rubber	
50	1320022	3	Clamp	
51	1001145842	1	Plate, Clamping	
52	0641708	1	Bolt 7/16 x 1	
53	3311705	1	Nut 7/16	
54	4711700	2	Washer 7/16	
55	1001131542	1	Lanyard	
56	1001165101	1	Bracket, Fuel Pump Filter Assembly (See Separate Breakdown in this Section)	
57	3520054	1	Plug	



# SECTION 3 - ENGINE

FIGURE 3-32. DEUTZ TCD2.9L4 DIESEL ENGINE INSTALLATION - WITH SAUER PUMPS AND STEEL HOODS (WITHOUT COLD WEATHER PLUS PACKAGE)



ART\_1001134389

## SECTION 3 - ENGINE

**FIGURE 3-32. DEUTZ TCD2.9L4 DIESEL ENGINE INSTALLATION - WITH SAUER PUMPS AND STEEL HOODS (WITHOUT COLD WEATHER PLUS PACKAGE)**

ITEM	PART NUMBER	QTY	DESCRIPTION	REV
	1001134389	Ref	DEUTZ TCD2.9L4 DIESEL ENGINE INSTALLATION - WITH SAUER PUMPS AND STEEL HOODS (WITHOUT COLD WEATHER PLUS PACKAGE)	J
1	0100011	AR	Compound, Locking	
2	0100079	AR	Sealant, Pipe	
3	0641408	10	Bolt 1/4 x 1	
4	0641410	4	Bolt 1/4 x 1-1/4	
5	0641511	1	Bolt 5/16 x 1-3/8	
6	0641605	3	Bolt 3/8 x 5/8	
7	0641606	4	Bolt 3/8 x 3/4	
8	0641608	1	Bolt 3/8 x 1	
9	0641610	1	Bolt 3/8 x 1-1/4	
11	0641612	2	Bolt 3/8 x 1-1/2	
12	0641808	1	Bolt 1/2 x 1	
13	0642010	1	Bolt 5/8 x 1-1/4	
15	0761210	1	Bolt M12 x 20	
16	1320187	1	Clamp	
17	1320190	1	Cover, Clamp	
18	1671121	1	Cover	
19	2180832	1	Fitting, Barbed	
20	2200222	1	Plug, Pipe (SN 0300201016 through 0300237154)	
21	2220313	2	Fitting, Elbow Barbed	
22	1001165035	5 ft/ 1.5m	Hose (SN 0300201016 through 0300217382)	
22	2750532	5 ft/ 1.5m	Hose (SN 0300217383 through 0300272504, Except SN 0300272455 through 0300272461)	
23	1001154405	2 ft/ 0.6m	Hose	
25	3300220	2	Nut 5/16	
26	3311405	10	Nut 1/4	
27	3311605	2	Nut 3/8	
28	3422446	1	Pin, Pivot	
29	3841143	1	Pin, Keeper	
30	4240018	2	Strap, Tie (Not Shown)	
31	4711400	24	Washer 1/4	
32	4711600	12	Washer 3/8	
33	4752000	1	Washer 5/8	
35	4812100	1	Washer M12	
36	8405006	2	Clamp	
37	1001108617	1	Filter	
37	70002231	1	Element, Filter	
38	1001110425	4	Spacer	
39	1001116792	1	Clamp	
40	1001134390	1	Engine Sub-Assembly (See Separate Breakdown in this Section)	
42	1001138491	NLA	Harness, Fuel (Use p/n 1001222665) (Not Shown - See Separate Breakdown in ELECTRICAL SECTION)	
46	1001140604	1	Panel, Rubber	
47	1001145089	1	Clamp	
48	1001141225	1	Battery Cable Kit	E
48A	7027042	1	Cable, Battery (Red) (Battery + to Relays and Starter)	
48B	7027043	1	Cable, Battery (Black) (Battery - to Tray Pivot Grd and Aux Pump)	

## SECTION 3 - ENGINE

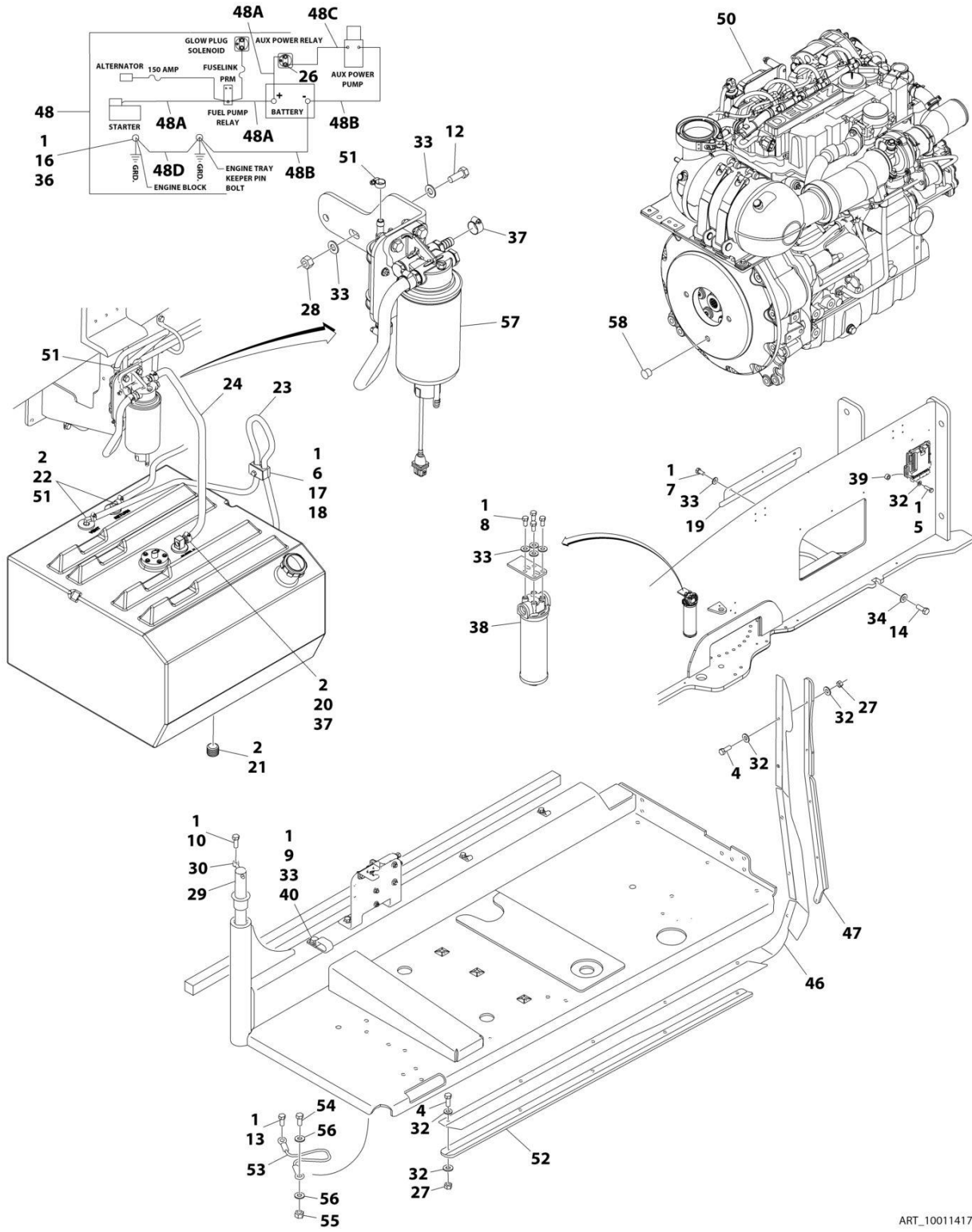
ITEM	PART NUMBER	QTY	DESCRIPTION	REV
48C	7027044	1	Cable (Red) (Aux Relay to Aux Pump)	
48D	7027045	1	Cable, Battery (Black) (Engine to Tray Pivot Grd)	
50	1320022	3	Clamp	
51	1001145842	1	Plate, Clamping	
52	1001131542	1	Lanyard	
53	4711700	2	Washer 7/16	
54	0641708	1	Bolt 7/16 x 1	
55	3311705	1	Nut 7/16	
56	1001165101	1	Bracket, Fuel Pump Filter Assembly (See Separate Breakdown in this Section)	
57	3520054	1	Plug	





# SECTION 3 - ENGINE

FIGURE 3-33. DEUTZ TCD2.9L4 DIESEL ENGINE INSTALLATION - WITH SAUER PUMPS AND STEEL HOODS (WITH COLD WEATHER PLUS PACKAGE)



ART\_1001141744

## SECTION 3 - ENGINE

**FIGURE 3-33. DEUTZ TCD2.9L4 DIESEL ENGINE INSTALLATION - WITH SAUER PUMPS AND STEEL HOODS (WITH COLD WEATHER PLUS PACKAGE)**

ITEM	PART NUMBER	QTY	DESCRIPTION	REV
	1001141744	Ref	DEUTZ TCD2.9L4 DIESEL ENGINE INSTALLATION - WITH SAUER PUMPS AND STEEL HOODS (WITH COLD WEATHER PLUS PACKAGE)	L
1	0100011	AR	Compound, Locking	
2	0100079	AR	Sealant, Pipe	
4	0641408	10	Bolt 1/4 x 1	
5	0641410	4	Bolt 1/4 x 1-1/4	
6	0641511	1	Bolt 5/16 x 1-3/8	
7	0641605	3	Bolt 3/8 x 5/8	
8	0641606	4	Bolt 3/8 x 3/4	
9	0641608	1	Bolt 3/8 x 1	
10	0641610	1	Bolt 3/8 x 1-1/4	
12	0641612	2	Bolt 3/8 x 1-1/2	
13	0641808	1	Bolt 1/2 x 1	
14	0642010	1	Bolt 5/8 x 1-1/4	
16	0761210	1	Bolt M12 x 20	
17	1320187	1	Clamp	
18	1320190	1	Cover, Clamp	
19	1671121	1	Cover	
20	2180832	1	Fitting, Barbed	
21	2200222	1	Plug, Pipe (SN 0300201016 through 0300237154)	
22	2220313	2	Fitting, Elbow Barbed	
23	1001165035	5 ft/ 1.5m	Hose (SN 0300201016 through 0300217382)	
23	2750532	5 ft/ 1.5m	Hose (SN 0300217383 through 0300272504, Except SN 0300272455 through 0300272461)	
24	1001154405	2 ft/ 0.6m	Hose	
26	3300220	2	Nut 5/16	
27	3311405	10	Nut 1/4	
28	3311605	2	Nut 3/8	
29	3422446	1	Pin, Pivot	
30	3841143	1	Pin, Keeper	
31	4240018	2	Strap, Tie (Not Shown)	
32	4711400	24	Washer 1/4	
33	4711600	12	Washer 3/8	
34	4752000	1	Washer 5/8	
36	4812100	1	Washer M12	
37	8405006	2	Clamp	
38	1001108617	1	Filter	
38	70002231	1	Element, Filter	
39	1001110425	4	Spacer	
40	1001116792	1	Clamp	
42	1001138491	NLA	Harness, Fuel (Use p/n 1001222665) (Not Shown - See Separate Breakdown in ELECTRICAL SECTION)	
46	1001140604	1	Panel, Rubber	
47	1001145089	1	Clamp	
48	1001141225	1	Battery Cable Kit	E
48A	7027042	1	Cable, Battery (Red) (Battery + to Relays and Starter)	
48B	7027043	1	Cable, Battery (Black) (Battery - to Tray Pivot Grd and Aux Pump)	
48C	7027044	1	Cable (Red) (Aux Relay to Aux Pump)	

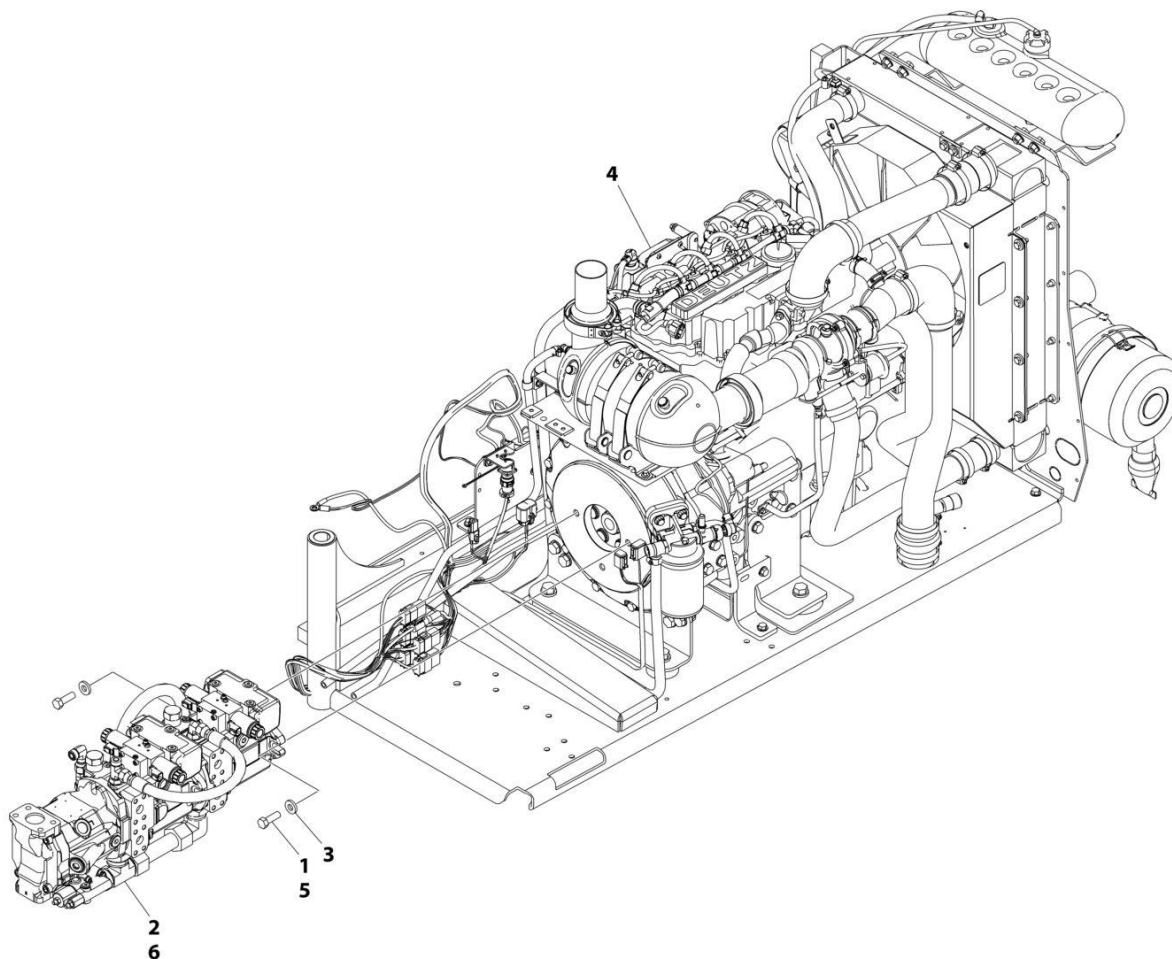
## SECTION 3 - ENGINE

ITEM	PART NUMBER	QTY	DESCRIPTION	REV
48D	7027045	1	Cable, Battery (Black) (Engine to Tray Pivot Grd)	
50	1001141745	1	Engine Sub-Assembly (See Separate Breakdown in this Section)	
51	1320022	3	Clamp	
52	1001145842	1	Plate, Clamping	
53	1001131542	1	Lanyard	
54	0641708	1	Bolt 7/16 x 1	
55	3311705	1	Nut 7/16	
56	4711700	2	Washer 7/16	
57	1001165101	1	Bracket, Fuel Pump Filter Assembly (See Separate Breakdown in this Section)	
58	3520054	1	Plug	



## SECTION 3 - ENGINE

FIGURE 3-34. DEUTZ TCD2.9L4 ENGINE SUB-ASSEMBLY - WITH REXROTH PUMP (WITHOUT COLD WEATHER PLUS PACKAGE)



ART\_1001141812

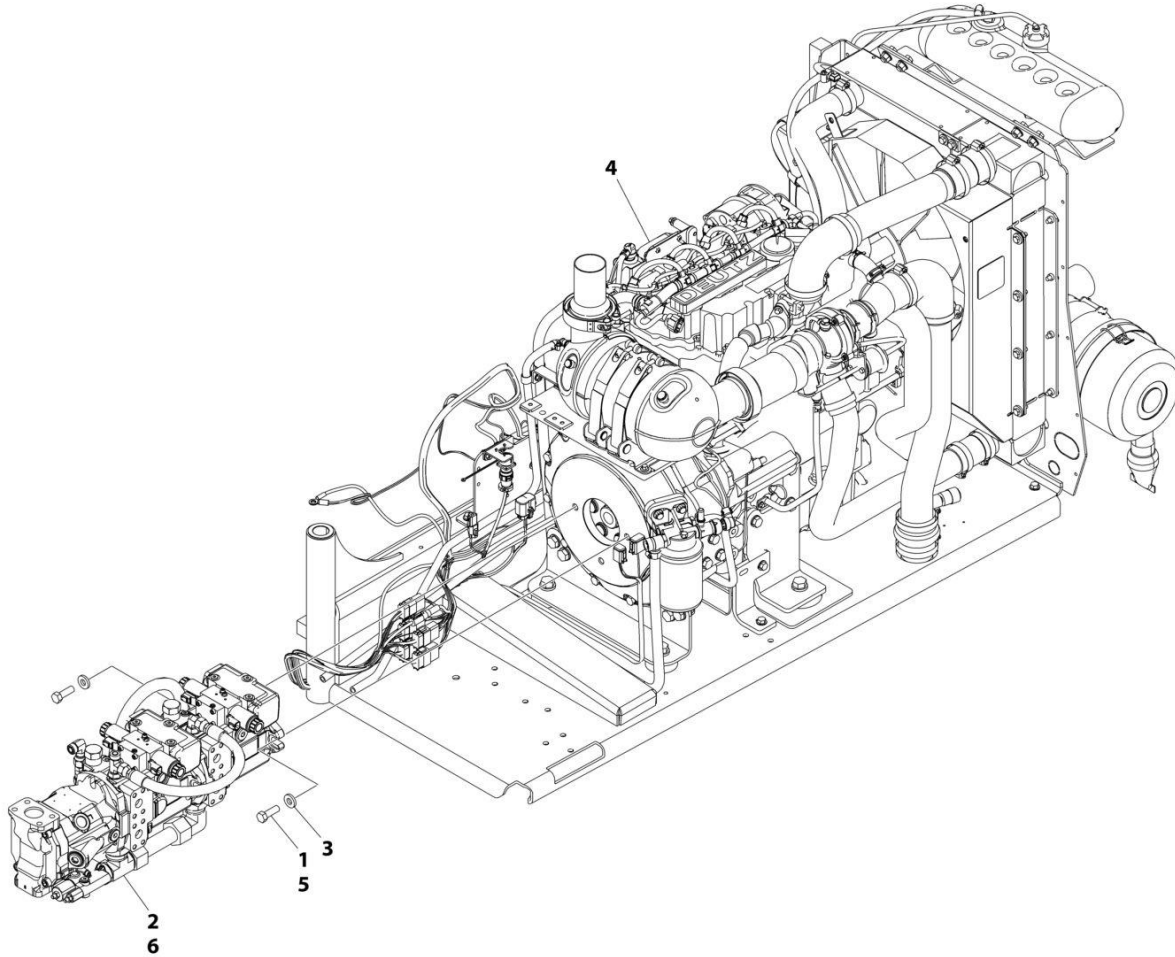
## SECTION 3 - ENGINE

**FIGURE 3-34. DEUTZ TCD2.9L4 ENGINE SUB-ASSEMBLY - WITH REXROTH PUMP (WITHOUT COLD WEATHER PLUS PACKAGE)**

ITEM	PART NUMBER	QTY	DESCRIPTION	REV
	1001141812	Ref	DEUTZ TCD2.9L4 ENGINE SUB-ASSEMBLY - WITH REXROTH PUMP (WITHOUT COLD WEATHER PLUS PACKAGE)	Z
1	0641812	2	Bolt 1/2 x 1-1/2	
2	3020037	AR	Grease, Pump Coupling	
3	4891800	2	Washer 1/2	
4	1001134392	1	Engine Assembly (See Separate Breakdown in this Section)	
5	0100011	AR	Compound, Locking	
6	1001152963	1	Pump Assembly - Rexroth (See Separate Breakdown in this Section)	

# SECTION 3 - ENGINE

FIGURE 3-35. DEUTZ TCD2.9L4 ENGINE SUB-ASSEMBLY - WITH REXROTH PUMP (WITH COLD WEATHER PLUS PACKAGE)



ART\_1001141813



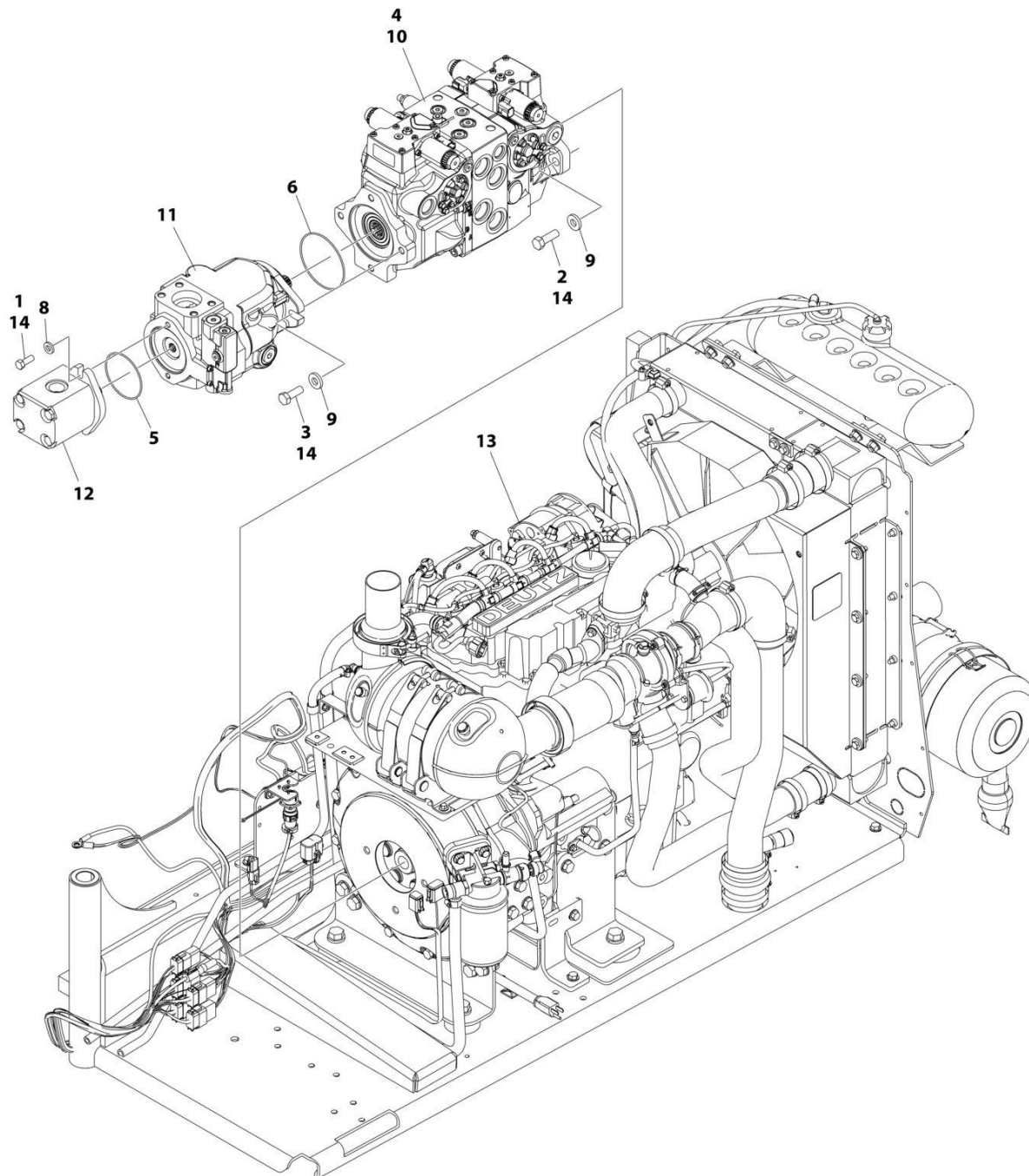
## SECTION 3 - ENGINE

**FIGURE 3-35. DEUTZ TCD2.9L4 ENGINE SUB-ASSEMBLY - WITH REXROTH PUMP (WITH COLD WEATHER PLUS PACKAGE)**

ITEM	PART NUMBER	QTY	DESCRIPTION	REV
	1001141813	Ref	DEUTZ TCD2.9L4 ENGINE SUB-ASSEMBLY - WITH REXROTH PUMP (WITH COLD WEATHER PLUS PACKAGE)	AB
1	0641812	2	Bolt 1/2 x 1-1/2	
2	3020037	AR	Grease, Pump Coupling	
3	4740171	2	Washer 1/2	
4	1001134392	1	Engine Assembly (See Separate Breakdown in this Section)	
5	0100011	AR	Compound, Locking	
6	1001152963	1	Pump Assembly - Rexroth (See Separate Breakdown in this Section)	

## SECTION 3 - ENGINE

FIGURE 3-36. DEUTZ TCD2.9L4 ENGINE SUB-ASSEMBLY - WITH SAUER PUMP (WITHOUT COLD WEATHER PLUS PACKAGE)



ART\_1001134390

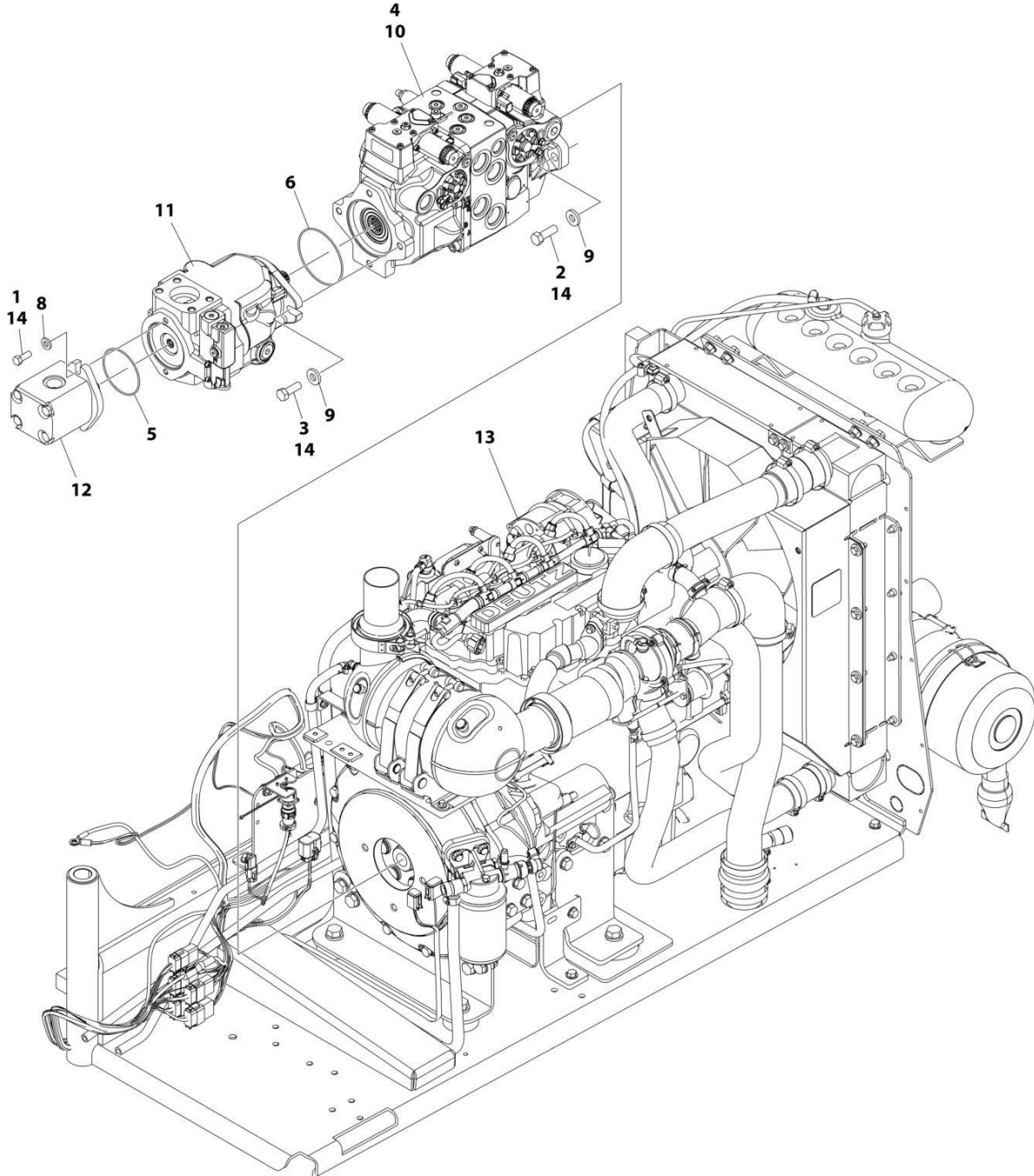
## SECTION 3 - ENGINE

**FIGURE 3-36. DEUTZ TCD2.9L4 ENGINE SUB-ASSEMBLY - WITH SAUER PUMP (WITHOUT COLD WEATHER PLUS PACKAGE)**

ITEM	PART NUMBER	QTY	DESCRIPTION	REV
	1001134390	Ref	DEUTZ TCD2.9L4 ENGINE SUB-ASSEMBLY - WITH SAUER PUMP (WITHOUT COLD WEATHER PLUS PACKAGE)	Y
1	0641608	2	Bolt 3/8 x 1	
2	0641812	2	Bolt 1/2 x 1-1/2	
3	0761215	2	Bolt M12 x 35	
4	3020037	AR	Grease, Pump Coupling	
5	3790152	1	O-Ring	
6	3790155	1	O-Ring	
8	4891600	2	Washer 3/8	
9	4891800	4	Washer 1/2	
10	1001108616	1	Pump Assembly - Sauer Tandem (See Separate Breakdown in this Section)	
11	1001171095	1	Pump Assembly - Sauer Piston (See Separate Breakdown in this Section)	
12	1001112927	1	Pump Assembly - Sauer Gear (See Separate Breakdown in this Section)	
13	1001134392	1	Engine Assembly (See Separate Breakdown in this Section)	
14	0100011	AR	Compound, Locking	

# SECTION 3 - ENGINE

FIGURE 3-37. DEUTZ TCD2.9L4 ENGINE SUB-ASSEMBLY - WITH SAUER PUMPS (WITH COLD WEATHER PLUS PACKAGE)



ART\_1001141745

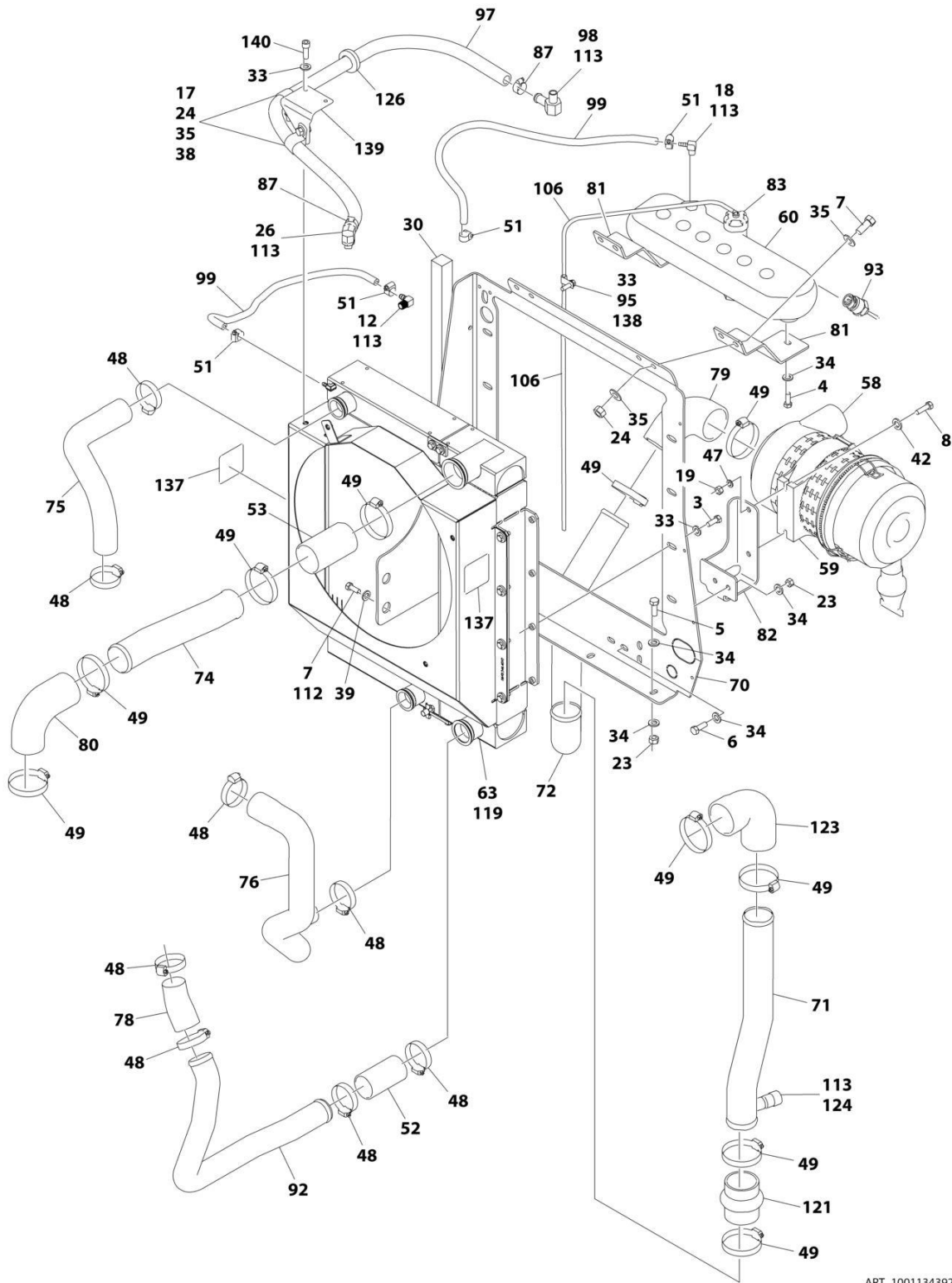
## SECTION 3 - ENGINE

**FIGURE 3-37. DEUTZ TCD2.9L4 ENGINE SUB-ASSEMBLY - WITH SAUER PUMPS (WITH COLD WEATHER PLUS PACKAGE)**

ITEM	PART NUMBER	QTY	DESCRIPTION	REV
	1001141745	Ref	DEUTZ TCD2.9L4 ENGINE SUB-ASSEMBLY - WITH SAUER PUMPS (WITH COLD WEATHER PLUS PACKAGE)	Y
1	0641608	2	Bolt 3/8 x 1	
2	0641812	2	Bolt 1/2 x 1-1/2	
3	0761215	2	Bolt M12 x 35	
4	3020037	AR	Grease, Pump Coupling	
5	3790152	1	O-Ring	
6	3790155	1	O-Ring	
8	4891600	2	Washer 3/8	
9	4891800	4	Washer 1/2	
10	1001108616	1	Pump Assembly - Sauer Tandem (See Separate Breakdown in this Section)	
11	1001171095	1	Pump Assembly - Sauer Piston (See Separate Breakdown in this Section)	
12	1001112927	1	Pump Assembly - Sauer Gear (See Separate Breakdown in this Section)	
13	1001141746	1	Engine Assembly (See Separate Breakdown in this Section)	
14	0100011	AR	Compound, Locking	

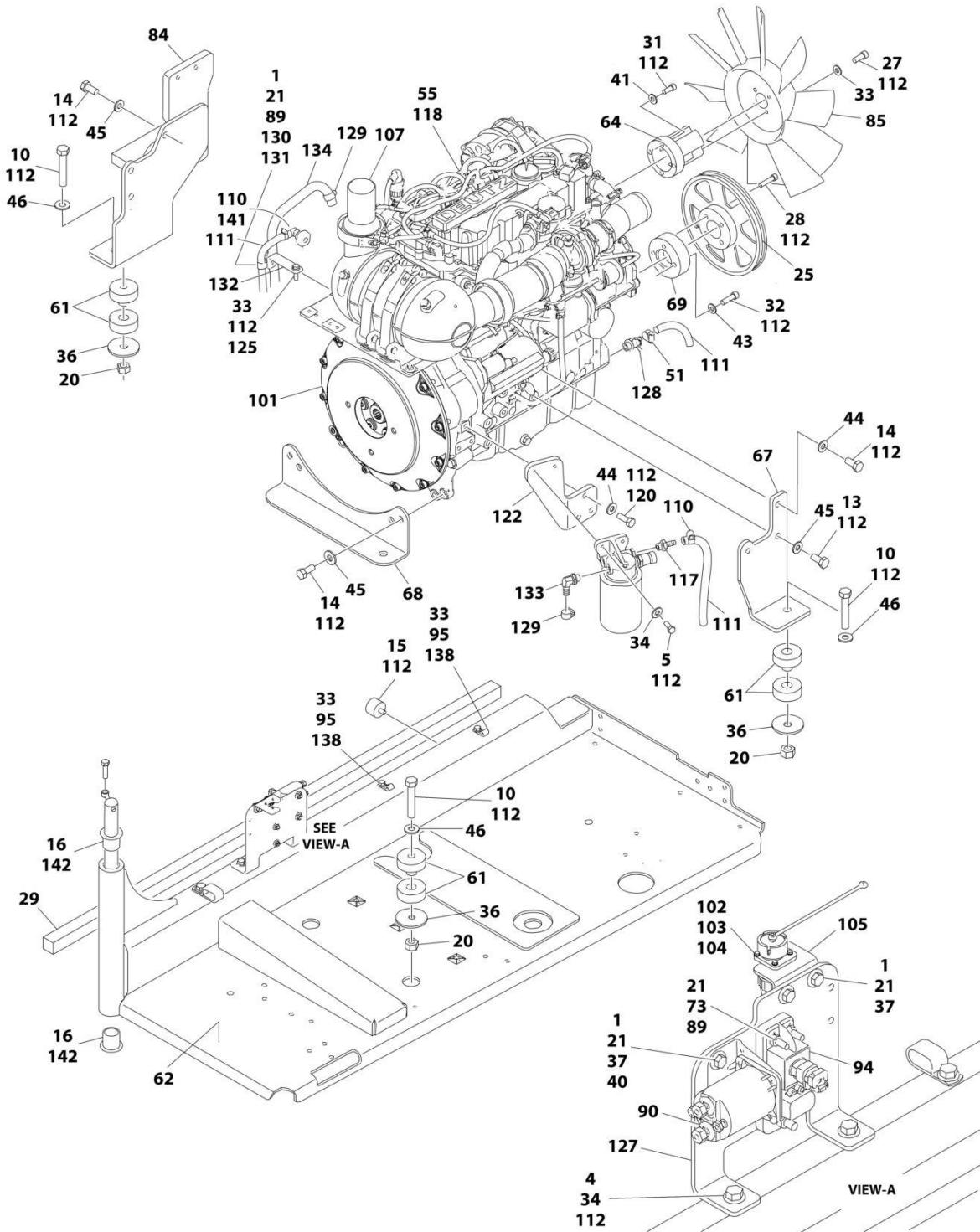
# SECTION 3 - ENGINE

## FIGURE 3-38. DEUTZ TCD2.9L4 ENGINE ASSEMBLY (WITHOUT COLD WEATHER PLUS PACKAGE)



ART\_1001134392\_10F2

# SECTION 3 - ENGINE



ART\_1001134392\_20F2

## SECTION 3 - ENGINE

FIGURE 3-38. DEUTZ TCD2.9L4 ENGINE ASSEMBLY (WITHOUT COLD WEATHER PLUS PACKAGE)

ITEM	PART NUMBER	QTY	DESCRIPTION	REV
	1001134392	Ref	DEUTZ TCD2.9L4 ENGINE ASSEMBLY (WITHOUT COLD WEATHER PLUS PACKAGE)	AI
1	0641406	5	Bolt 1/4 x 3/4	
3	0641508	8	Bolt 5/16 x 1	
4	0641606	5	Bolt 3/8 x 3/4	
5	0641608	9	Bolt 3/8 x 1	
6	0641610	2	Bolt 3/8 x 1-1/4	
7	0641708	6	Bolt 7/16 x 1	
8	0700815	2	Bolt M8 x 35	
10	0682028	4	Bolt 5/8 x 3-1/2 Grade 8	
12	1001140564	1	Fitting, 90 Barbed	
13	0771212	1	Bolt M12 x 25 Grade 10.9	
14	0771414	9	Bolt M14 x 30 Grade 10.9	
15	0940070	1	Bumper	
16	0961986	2	Bushing, Flanged	
17	0641706	2	Bolt 7/16 x 3/4	
18	1001134488	1	Fitting, 90 Barbed	
19	3290801	2	Nut M8	
20	3272001	4	Nut 5/8 Grade 8	
21	3311405	6	Nut 1/4	
23	3311605	9	Nut 3/8	
24	3311705	5	Nut 7/16	
25	3580320	1	Pulley	
26	1001141719	1	Fitting, 90 Barbed	
27	3931512	4	Capscrew 5/16 x 3/4	
28	3931628	4	Capscrew 3/8 x 1-3/4	
29	3960543	1	Seal	
30	3960544	1	Seal	
31	4031914	4	Bolt M8 x 50	
32	4032014	4	Bolt M10 x 50	
33	4711500	19	Washer 5/16	
34	4711600	25	Washer 3/8	
35	4711700	10	Washer 7/16	
36	1001146219	4	Washer Special	
37	4751400	8	Washer 1/4	
38	8406302	2	Clamp	
39	4751700	2	Washer 7/16	
40	4791400	2	Starwasher 1/4	
41	4811900	4	Washer M8	
42	4811902	2	Washer M8	
43	4812000	4	Washer M10	
44	4812100	4	Washer M12	
45	4812200	9	Washer M14	
46	4892000	4	Washer 5/8	
47	4831900	2	Washer M8	
48	8405201	8	Clamp	
49	8405204	10	Clamp	
51	8410013	5	Clamp	
52	91563070	1	Coupling, Rubber	
53	1001114495	1	Hose	



## SECTION 3 - ENGINE

ITEM	PART NUMBER	QTY	DESCRIPTION	REV
55	1001128947	1	Engine, Deutz TCD2.9L4 (See Separate Breakdown in this Section)	
58	1001133633	1	Air Cleaner Assembly	
58	70024190	1	Element, Air Filter	
59	1001133634	1	Clamp	
60	1001166393	1	Tank, Surge	
61	1001155575	4	Mount, Motor	
62	1001134485	NLA	Tray (Use p/n 1001191272) <b>(SN 0300201016 through 0300230056)</b>	
62	1001191272	1	Tray <b>(SN 0300230057 through 0300272504, SN B300002238 through B300007118, Except SN 0300272455 through 0300272461)</b>	
63	1001135090	1	Radiator	
64	1001135138	1	Spacer, Fan	
67	1001135560	1	Support, Engine	
68	1001135562	1	Support, Engine - Rear	
69	1001135679	1	Spacer, Pulley	
70	1001135680	1	Support, Radiator	
71	1001135901	1	Pipe, Air Intake	
72	1001135903	1	Pipe, Air Intake	
73	3931432	1	Capscrew 1/4 x 2	
74	1001135914	1	Pipe, Air Cleaner to Intake	
75	1001135924	1	Hose, Radiator (Upper)	
76	1001135926	1	Hose, Radiator (Lower)	
78	1001135943	1	Coupling, Rubber	
79	1001135946	1	Elbow, Rubber	
80	1001136292	1	Pipe, 90	
81	1001136626	2	Bracket	
82	1001136665	1	Bracket	
83	1001136834	1	Cap, Tank	
84	1001142398	1	Support, Engine	
85	1001137276	1	Fan	
87	8405007	2	Clamp	
89	4711400	3	Washer 1/4	
90	1001117308	1	Relay	
92	1001135913	1	Pipe, Turbo to Air Cleaner	
93	1001138827	1	Sensor, Coolant Level	
94	1001138228	1	Module, Power	
94	70023592	1	Fuse 20Amp (Switched Output)	
94	70023593	1	Fuse 30Amp (Battery Output)	
95	1001138253	5	Clamp	
96	1001138346	1	Harness, Engine (Not Shown - See Separate Breakdown in ELECTRICAL SECTION)	
97	1001138524	1	Hose	
98	1001138559	1	Fitting, 90	
99	2720015	4.5 ft/ 1.4m	Hose	
101	2902065	1	Pump Coupling Kit (See Separate Breakdown in this Section)	
102	3310401	3	Nut #4	
103	3910408	3	Screw #4 x 1/2	
104	4710400	3	Washer #4	
105	1001139240	1	Bracket	
106	1001138248	4 ft/ 1.2m	Tubing	

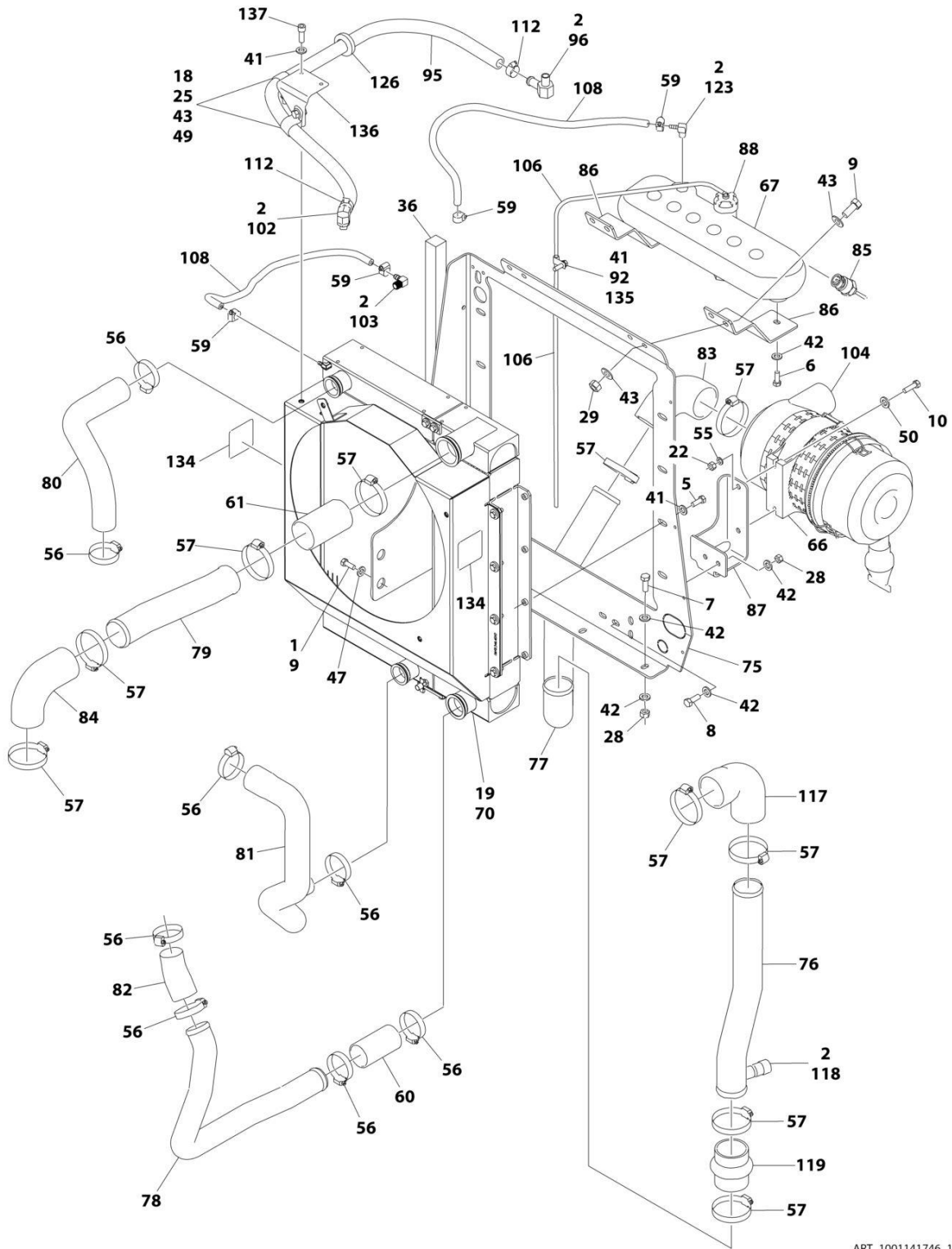
## SECTION 3 - ENGINE

ITEM	PART NUMBER	QTY	DESCRIPTION	REV
107	1001153024	1	Pipe, Exhaust	
110	1320022	2	Clamp	
111	1001165035	30.5 ft/ 9.3m	Hose	
112	0100011	AR	Compound, Locking	
113	0100020	AR	Sealant	
114	1001141304	1	Wire, Glow Plug (Not Shown)	
115	1001135779	1	Cable, Alternator Positive (Not Shown)	
117	1001141717	1	Fitting, Straight	
118	1001136079	2.4 gal /9L	Oil, Motor	
119	2300004	3.2 gal/ 12.1L	Anti-freeze	
120	0761214	3	Bolt M12 x 30	
121	1001142637	1	Hose, Hump	
122	1001142685	1	Bracket	
123	1001165820	1	Pipe, Elbow	
124	1001143390	1	Indicator, Air Filter Service	
125	0760810	2	Bolt M8 x 20	
126	1001144089	1	Grommet	
127	1001145154	1	Plate, Mounting	
128	4640751	1	Valve, Oil Drain	
129	8405006	2	Clamp	
130	8406102	AR	Clip	
131	8406112	1	Clip	
132	1001138717	1	Bracket	
133	1001142501	1	Fitting, 90 Barbed	
134	1001154405	5 ft/ 1.5m	Hose	
135	1001148843	1	Harness, Fuel Filter (Not Shown - See Separate Breakdown in ELECTRICAL SECTION)	
137	1703162	2	Decal - Fan	
138	0641503	3	Bolt 5/16 x 3/8	
139	1001153387	1	Plate	
140	3931508	2	Capscrew 5/16 x 1/2	
141	1001155823	1	Coupling	
142	0100062	AR	Adhesive, Loctite #680	
143	4240099	AR	Tie-Strap (Not Shown)	



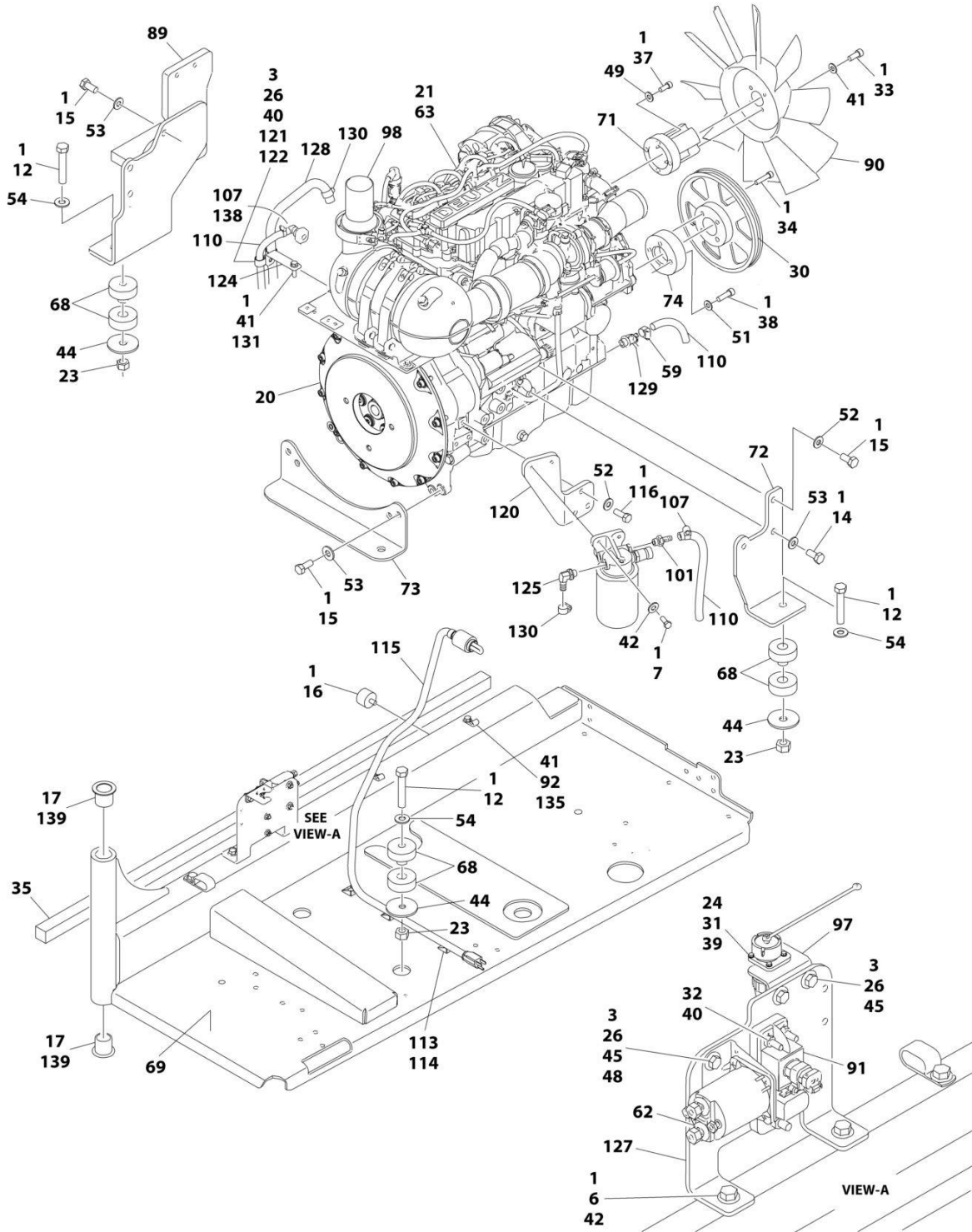
# SECTION 3 - ENGINE

## FIGURE 3-39. DEUTZ TCD2.9L4 ENGINE ASSEMBLY (WITH COLD WEATHER PLUS PACKAGE)



ART\_1001141746\_10F2

# SECTION 3 - ENGINE



ART\_1001141746\_20F2

## SECTION 3 - ENGINE

**FIGURE 3-39. DEUTZ TCD2.9L4 ENGINE ASSEMBLY (WITH COLD WEATHER PLUS PACKAGE)**

ITEM	PART NUMBER	QTY	DESCRIPTION	REV
	1001141746	Ref	DEUTZ TCD2.9L4 ENGINE ASSEMBLY (WITH COLD WEATHER PLUS PACKAGE)	AG
1	0100011	AR	Compound, Locking	
2	0100020	AR	Sealant	
3	0641406	5	Bolt 1/4 x 3/4	
5	0641508	8	Bolt 5/16 x 1	
6	0641606	5	Bolt 3/8 x 3/4	
7	0641608	9	Bolt 3/8 x 1	
8	0641610	2	Bolt 3/8 x 1-1/4	
9	0641708	6	Bolt 7/16 x 1	
10	0700815	2	Bolt M8 x 35	
12	0682028	4	Bolt 5/8 x 3-1/2 Grade 8	
14	0771212	1	Bolt M12 x 25 Grade 10.9	
15	0771414	9	Bolt M14 x 30 Grade 10.9	
16	0940070	1	Bumper	
17	0961986	2	Bushing, Flanged	
18	0641706	2	Bolt 7/16 x 3/4	
19	2300041	3.2 gal/ 12.1L	Anti-freeze	
20	2902065	1	Pump Coupling Kit (See Separate Breakdown in this Section)	
21	1001136172	2.4 gal /9L	Oil, Motor	
22	3290801	2	Nut M8	
23	3272001	4	Nut 5/8 Grade 8	
24	3310401	3	Nut #4	
25	8406302	2	Clamp	
26	3311405	6	Nut 1/4	
28	3311605	9	Nut 3/8	
29	3311705	5	Nut 7/16	
30	3580320	1	Pulley	
31	3910408	3	Screw #4 x 1/2	
32	3931432	1	Capscrew 1/4 x 2	
33	3931512	4	Capscrew 5/16 x 3/4	
34	3931628	4	Capscrew 3/8 x 1-3/4	
35	3960543	1	Seal	
36	3960544	1	Seal	
37	4031914	4	Bolt M8 x 50	
38	4032014	4	Bolt M10 x 50	
39	4710400	3	Washer #4	
40	4711400	3	Washer 1/4	
41	4711500	19	Washer 5/16	
42	4711600	25	Washer 3/8	
43	4711700	10	Washer 7/16	
44	1001146219	4	Washer Special	
45	4751400	8	Washer 1/4	
47	4751700	2	Washer 7/16	
48	4791400	2	Starwasher 1/4	
49	4811900	4	Washer M8	
50	4811902	2	Washer M8	
51	4812000	4	Washer M10	
52	4812100	4	Washer M12	

## SECTION 3 - ENGINE

ITEM	PART NUMBER	QTY	DESCRIPTION	REV
53	4812200	9	Washer M14	
54	4892000	4	Washer 5/8	
55	4831900	2	Washer M8	
56	8405201	8	Clamp	
57	8405204	10	Clamp	
59	8410013	5	Clamp	
60	91563070	1	Coupling, Rubber	
61	1001114495	1	Hose	
62	1001117308	1	Relay	
63	1001128947	1	Engine, Deutz TCD2.9L4 (See Separate Breakdown in this Section)	
66	1001133634	1	Clamp	
67	1001166393	1	Tank, Surge	
68	1001155575	4	Mount, Motor	
69	1001134485	NLA	Tray (Use p/n 1001191272) <b>(SN 0300201016 through 0300230056)</b>	
69	1001191272	1	Tray <b>(SN 0300230057 through 0300272504, Except SN 0300272455 through 0300272461)</b>	
70	1001135090	1	Radiator	
71	1001135138	1	Spacer, Fan	
72	1001135560	1	Support, Engine	
73	1001135562	1	Support, Engine - Rear	
74	1001135679	1	Spacer, Pulley	
75	1001135680	1	Support, Radiator	
76	1001135901	1	Pipe, Air Intake	
77	1001135903	1	Pipe, Air Intake	
78	1001135913	1	Pipe, Turbo to Air Cleaner	
79	1001135914	1	Pipe, Air Cleaner to Intake	
80	1001135924	1	Hose, Radiator (Upper)	
81	1001135926	1	Hose, Radiator (Lower)	
82	1001135943	1	Coupling, Rubber	
83	1001135946	1	Elbow, Rubber	
84	1001136292	1	Pipe, 90	
85	1001138827	1	Sensor, Coolant Level	
86	1001136626	2	Bracket	
87	1001136665	1	Bracket	
88	1001136834	1	Cap, Tank	
89	1001142398	1	Support, Engine	
90	1001137276	1	Fan	
91	1001138228	1	Module, Power	
91	70023592	1	Fuse 20Amp (Switched Output)	
91	70023593	1	Fuse 30Amp (Battery Output)	
92	1001138253	5	Clamp	
94	1001138346	1	Harness, Engine (Not Shown - See Separate Breakdown in ELECTRICAL SECTION)	
95	1001138524	1	Hose	
96	1001138559	1	Fitting, 90	
97	1001139240	1	Bracket	
98	1001153024	1	Pipe, Exhaust	
100	1001141304	1	Wire, Glow Plug (Not Shown)	
101	1001141717	1	Fitting, Straight	
102	1001141719	1	Fitting, 90 Barbed	

## SECTION 3 - ENGINE

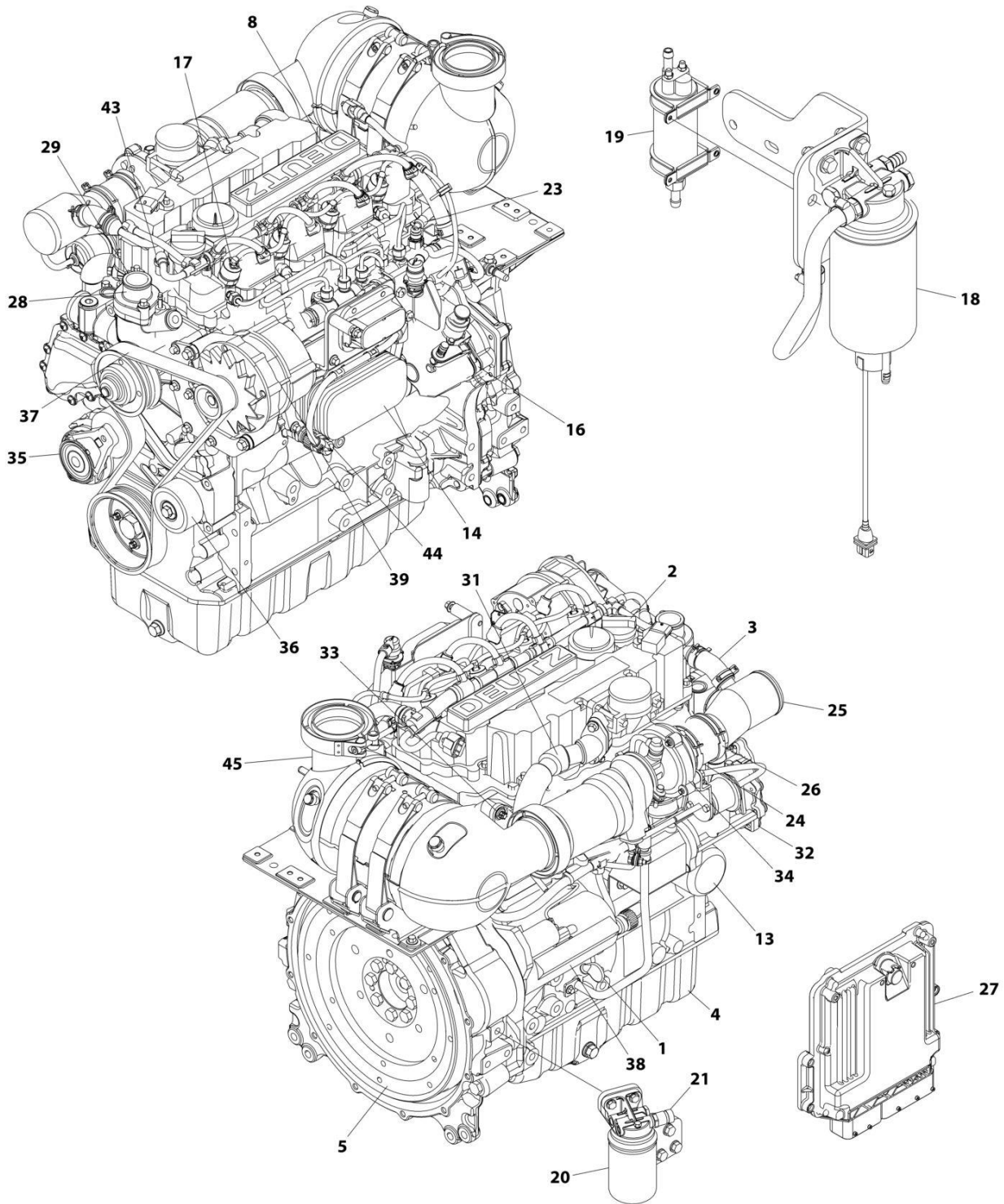
ITEM	PART NUMBER	QTY	DESCRIPTION	REV
103	1001140564	1	Fitting, 90 Barbed	
104	1001133633	1	Air Cleaner Assembly	
104	70024190	1	Element, Air Filter	
105	1001135779	1	Cable, Alternator Positive (Not Shown)	
106	1001138248	4 ft/ 1.2m	Tubing	
107	1320022	2	Clamp	
108	2720015	4.5 ft/ 1.4m	Hose	
110	1001165035	30.5 ft/ 9.3m	Hose	
112	8405007	2	Clamp	
113	4240099	AR	Tie-Strap (Used to Secure Block Heater Cord)	
114	4460234	3	Mount, Wire Tie (Used to Secure Block Heater Cord)	
115	1001140312	1	Heater, Block	
116	0761214	3	Bolt M12 x 30	
117	1001165820	1	Pipe, Elbow	
118	1001143390	1	Indicator, Air Filter Service	
119	1001142637	1	Hose, Hump	
120	1001142685	1	Bracket	
121	8406102	AR	Clip	
122	8406112	1	Clip	
123	1001134488	1	Fitting, 90 Barbed	
124	1001138717	1	Bracket	
125	1001142501	1	Fitting, 90 Barbed	
126	1001144089	1	Grommet	
127	1001145154	1	Plate, Mounting	
128	1001154405	5 ft/ 1.5m	Hose	
129	4640751	1	Valve, Oil Drain	
130	8405006	2	Clamp	
131	0760810	AR	Bolt M8 x 20	
132	1001148843	1	Harness, Fuel Filter (Not Shown - See Separate Breakdown in ELECTRICAL SECTION)	
134	1703162	2	Decal - Fan	
135	0641503	3	Bolt 5/16 x 3/8	
136	1001153387	1	Plate	
137	3931508	2	Capscrew 5/16 x 1/2	
138	1001155823	1	Coupling	
139	0100062	AR	Adhesive, Loctite #680	
140	1001181895	AR	Adhesive, Loctite #640 (Not Shown - Apply to Block Heater)	





# SECTION 3 - ENGINE

## FIGURE 3-40. DEUTZ TCD2.9L4 ENGINE COMPONENTS



ART\_1001128947

## SECTION 3 - ENGINE

**FIGURE 3-40. DEUTZ TCD2.9L4 ENGINE COMPONENTS**

ITEM	PART NUMBER	QTY	DESCRIPTION	REV
	1001128947	Ref	DEUTZ TCD2.9L4 ENGINE COMPONENTS	K
1	70024904	1	Dipstick	
1	70024905	1	O-Ring	
2	7020465	2	Cap, Filler	
3	7002511	2	Clamp	
4	70025162	1	Pan, Oil	
4	70025088	2	Plug	
4	7020404	2	Washer, Sealing	
5	70001870	1	Flywheel	
5	7024579	1	Gear, Ring	
6	70024906	1	Gasket, Head (Not Shown)	
7	70025204	1	Shield, Heat (Not Shown)	
8	70025163	1	Cover, Valve	
8	70025205	1	Gasket	
8	70025206	1	Gasket, Small Valve Cover	
8	70025207	1	Gasket, Large Valve Cover	
8	70025208	1	Gasket	
9	70025076	1	Valve (Not Shown - Located on Right Side of Front Engine Cover)	
9	70025176	1	Spring	
9	70025082	1	Ring, Sealing	
9	70025091	1	Plug	
10	70025190	1	Cover, Front (Not Shown - Located on Front of Engine)	
10	70024907	1	Gasket, Front Cover	
10	70004280	1	Seal, Shaft - Front	
11	70002718	1	Seal, Shaft - Rear (Not Shown)	
12	70025202	1	Pump, Oil Lube (Not Shown)	
12	70025135	1	O-Ring	
12	70025136	1	Gasket	
13	7016331	1	Filter, Oil	
13	70025137	1	Bushing	
14	70004275	1	Cooler, Engine Oil	
14	70024925	1	Gasket	
15	70025171	1	Oil Suction Pump (Not Shown - Located Inside of Engine Oil Pan)	
16	70024924	1	Pump, Fuel	
16	70025152	1	O-Ring	
16	70025080	1	Washer	
16	70024488	1	Spacer	
16	70024517	1	O-Ring	
17	70025181	4	Injector, Fuel	
17	70025140	4	Washer, Sealing	
17	70025146	4	Clamp (Top of Injector)	
17	70025145	4	O-Ring	
17	70025154	4	Shoe, Clamping	
17	70000345	1	Plug, Glow (Not Shown)	
17	70025231	1	Harness, Glow Plug (Not Shown)	
18	70024961	1	Fuel Filter Assembly	
18	70025153	NLA	Filter, Fuel (Use p/n 1001225430)	
18	70024513	1	Cable, Sensor	
18	70025239	1	Ring, Sealing	
19	70024486	2	Pump, Fuel	

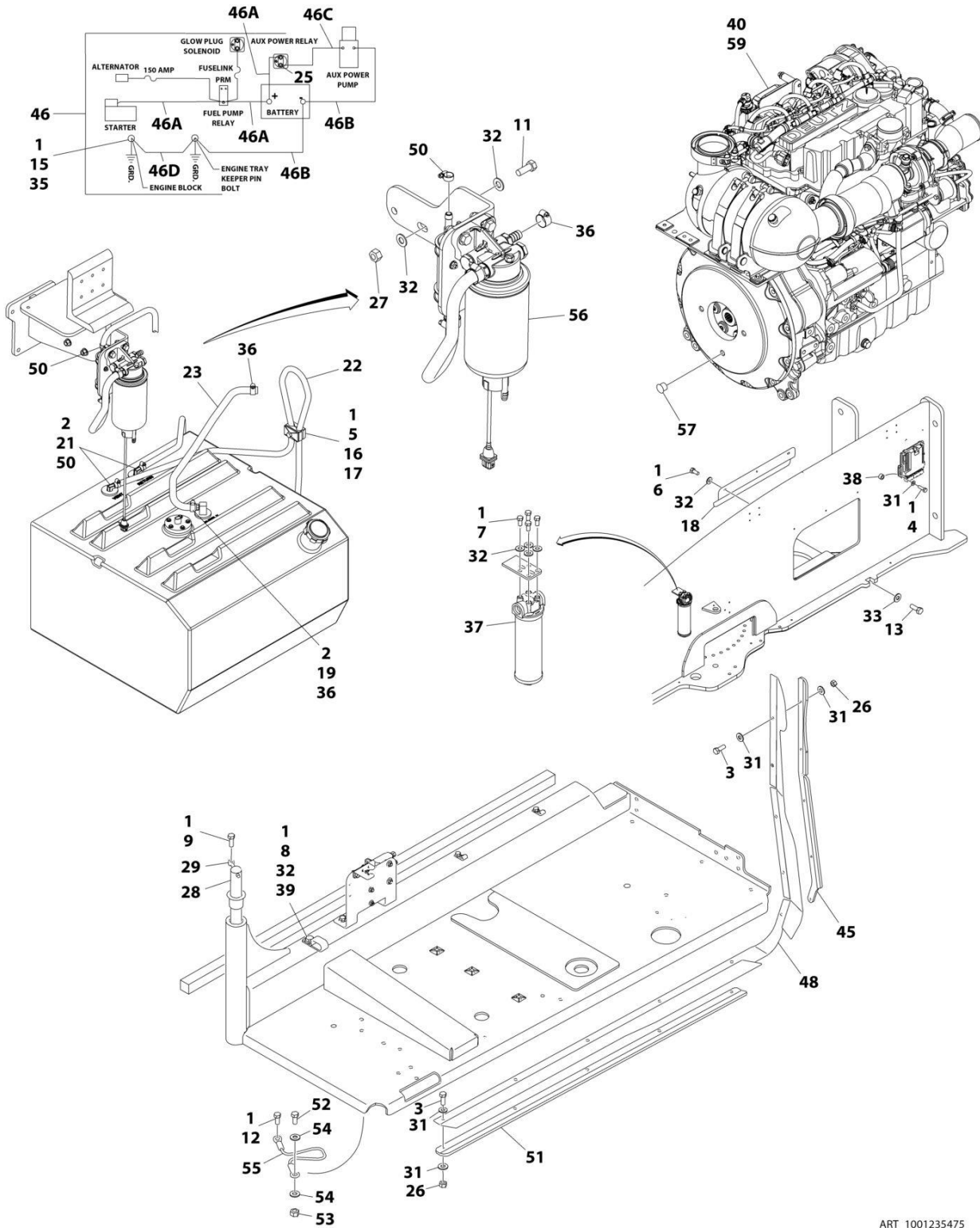
## SECTION 3 - ENGINE

ITEM	PART NUMBER	QTY	DESCRIPTION	REV
19	70025144	1	Clamp	
20	70025160	1	Filter with Head	
20	70025161	NLA	Filter, Fuel (Use p/n 1001225431)	
21	70024504	1	Sensor, Pressure	
21	70024920	1	O-Ring	
21	70025103	1	Retainer	
22	70025151	1	Rail, Fuel (Not Shown)	
22	70025235	1	Repair Kit (Not Shown)	
23	70025182	1	Fuel Line - High Pressure (Cylinder 1 & 2)	
23	70025183	1	Fuel Line - High Pressure (Cylinder 3 & 4)	
23	70025184	1	Fuel Line - High Pressure (Supply)	
24	70004501	1	Sleeve, Rubber	
25	70004502	1	Pipe, Intake	
26	70025112	2	Clamp	
27	70025210	1	ECU (Engine Control Unit)	
28	70024910	1	Pump, Water	
28	70025200	1	Ring, Sealing	
28	70025084	2	Plug	
28	7020492	2	Ring, Sealing	
29	70024473	1	Thermostat	
29	70025143	1	O-Ring	
29	70025142	1	Cover, Thermostat	
30	70025177	1	Pipe (Not Shown - Located on Left Side)	
30	70025179	2	Gasket (Not Shown)	
31	70025178	1	Pipe	
31	70025156	1	Valve, Shuttle	
31	70025179	2	Gasket	
31	70025180	1	Gasket	
32	70025203	1	Module, EGR	
32	70025155	1	Plug	
33	70004282	1	Manifold, Exhaust	
33	70025164	1	Gasket, Exhaust Manifold to Head	
34	70004503	1	Turbocharger	
34	70024912	1	Gasket, Exhaust Manifold	
35	70025477	1	Tensioner, Belt	
36	70024484	1	Idler Roller	
37	70004277	1	Belt, Drive	
38	70024915	1	Starter	
39	70025533	1	Generator	
39	70025149	1	Regulator, Voltage	
40	70004284	1	Harness, Engine (Not Shown)	
41	70024507	1	Sensor, Pressure (Not Shown - Located Top Rear)	
41	70025120	1	O-Ring	
42	70026210	1	Sensor (Not Shown - Located Left Side Front and Flywheel Housing)	
42	70024917	1	O-Ring	
43	70024918	1	Sender, Temperature	
44	70024919	1	Sensor, Pressure	
44	70024920	1	O-Ring	
45	70005445	1	Outlet, Muffler	
46	70004279	1	Gasket Kit (Not Shown)	



# SECTION 3 - ENGINE

**FIGURE 3-41. DEUTZ TCD2.9L4 (STAGE V) DIESEL ENGINE INSTALLATION - WITH SAUER PUMPS AND ABS HOODS (WITHOUT COLD WEATHER PLUS PACKAGE)**



ART\_1001235475

## SECTION 3 - ENGINE

**FIGURE 3-41. DEUTZ TCD2.9L4 (STAGE V) DIESEL ENGINE INSTALLATION - WITH SAUER PUMPS AND ABS HOODS (WITHOUT COLD WEATHER PLUS PACKAGE)**

ITEM	PART NUMBER	QTY	DESCRIPTION	REV
	1001235475	Ref	DEUTZ TCD2.9L4 (Stage V) DIESEL ENGINE INSTALLATION - WITH SAUER PUMPS AND ABS HOODS (WITHOUT COLD WEATHER PLUS PACKAGE)	D
1	0100011	AR	Compound, Locking	
2	0100079	AR	Sealant, Pipe	
3	0641408	10	Bolt 1/4 x 1	
4	0641410	4	Bolt 1/4 x 1-1/4	
5	0641511	1	Bolt 5/16 x 1-3/8	
6	0641605	3	Bolt 3/8 x 5/8	
7	0641606	4	Bolt 3/8 x 3/4	
8	0641608	1	Bolt 3/8 x 1	
9	0641610	1	Bolt 3/8 x 1-1/4	
11	0641612	2	Bolt 3/8 x 1-1/2	
12	0641808	1	Bolt 1/2 x 1	
13	0642010	1	Bolt 5/8 x 1-1/4	
15	0761210	1	Bolt M12 x 20	
16	1320187	1	Clamp	
17	1320190	1	Cover, Clamp	
18	1671121	1	Cover	
19	2180832	1	Fitting, Barbed	
21	2220313	2	Fitting, Elbow Barbed	
22	2750532	5 ft/ 1.5m	Hose	
23	1001154405	2 ft/ 0.6m	Hose	
25	3300220	2	Nut 5/16	
26	3311405	10	Nut 1/4	
27	3311605	2	Nut 3/8	
28	3422446	1	Pin, Pivot	
29	3841143	1	Pin, Keeper	
30	4240018	2	Strap, Tie (Not Shown)	
31	4711400	24	Washer 1/4	
32	4711600	12	Washer 3/8	
33	4752000	1	Washer 5/8	
35	4812100	1	Washer M12	
36	8405006	2	Clamp	
37	1001108617	1	Filter	
37	70002231	1	Element, Filter	
38	1001110425	4	Spacer	
39	1001116792	1	Clamp	
40	1001235476	1	Engine Sub-Assembly (See Separate Breakdown in this Section)	
42	1001138491	NLA	Harness, Fuel (Use p/n 1001222665) (Not Shown - See Separate Breakdown in ELECTRICAL SECTION)	
45	1001145089	1	Clamp	
46	1001141225	1	Battery Cable Kit	E
46A	7027042	1	Cable, Battery (Red) (Battery + to Relays and Starter)	
46B	7027043	1	Cable, Battery (Black) (Battery - to Tray Pivot Grd and Aux Pump)	
46C	7027044	1	Cable (Red) (Aux Relay to Aux Pump)	
46D	7027045	1	Cable, Battery (Black) (Engine to Tray Pivot Grd)	
48	1001145560	1	Panel, Rubber	
50	1320022	3	Clamp	

### SECTION 3 - ENGINE

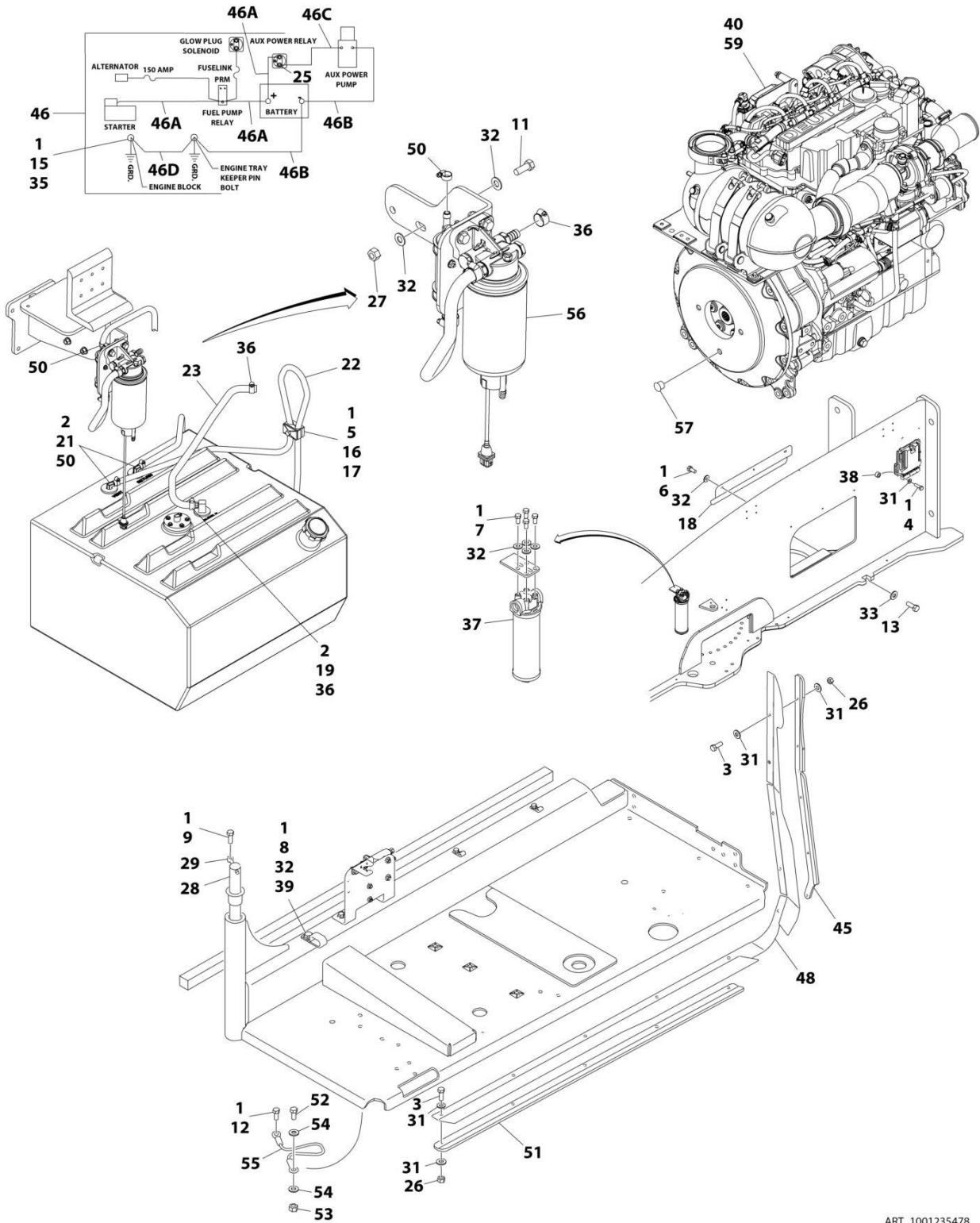
ITEM	PART NUMBER	QTY	DESCRIPTION	REV
51	1001145842	1	Plate, Clamping	
52	0641708	1	Bolt 7/16 x 1	
53	3311705	1	Nut 7/16	
54	4711700	2	Washer 7/16	
55	1001131542	1	Lanyard	
56	1001165101	1	Bracket, Fuel Pump Filter Assembly (See Separate Breakdown in this Section)	
57	3520054	1	Plug	
59	1001235459	1	Engine, Deutz TCD2.9L4 (See Separate Breakdown in this Section)	





# SECTION 3 - ENGINE

**FIGURE 3-42. DEUTZ TCD2.9L4 (STAGE V) DIESEL ENGINE INSTALLATION - WITH REXROTH PUMPS AND ABS HOODS (WITHOUT COLD WEATHER PLUS PACKAGE)**



ART\_1001235478

## SECTION 3 - ENGINE

**FIGURE 3-42. DEUTZ TCD2.9L4 (STAGE V) DIESEL ENGINE INSTALLATION - WITH REXROTH PUMPS AND ABS HOODS (WITHOUT COLD WEATHER PLUS PACKAGE)**

ITEM	PART NUMBER	QTY	DESCRIPTION	REV
	1001235478	Ref	DEUTZ TCD2.9L4 (STAGE V) DIESEL ENGINE INSTALLATION - WITH REXROTH PUMPS AND ABS HOODS (WITHOUT COLD WEATHER PLUS PACKAGE)	D
1	0100011	AR	Compound, Locking	
2	0100079	AR	Sealant, Pipe	
3	0641408	10	Bolt 1/4 x 1	
4	0641410	4	Bolt 1/4 x 1-1/4	
5	0641511	1	Bolt 5/16 x 1-3/8	
6	0641605	3	Bolt 3/8 x 5/8	
7	0641606	4	Bolt 3/8 x 3/4	
8	0641608	1	Bolt 3/8 x 1	
9	0641610	1	Bolt 3/8 x 1-1/4	
11	0641612	2	Bolt 3/8 x 1-1/2	
12	0641808	1	Bolt 1/2 x 1	
13	0642010	1	Bolt 5/8 x 1-1/4	
15	0761210	1	Bolt M12 x 20	
16	1320187	1	Clamp	
17	1320190	1	Cover, Clamp	
18	1671121	1	Cover	
19	2180832	1	Fitting, Barbed	
21	2220313	2	Fitting, Elbow Barbed	
22	2750532	5 ft/ 1.5m	Hose	
23	1001154405	2 ft/ 0.6m	Hose	
25	3300220	2	Nut 5/16	
26	3311405	10	Nut 1/4	
27	3311605	2	Nut 3/8	
28	3422446	1	Pin, Pivot	
29	3841143	1	Pin, Keeper	
30	4240018	2	Strap, Tie (Not Shown)	
31	4711400	24	Washer 1/4	
32	4711600	12	Washer 3/8	
33	4752000	1	Washer 5/8	
35	4812100	1	Washer M12	
36	8405006	2	Clamp	
37	1001108617	1	Filter	
37	70002231	1	Element, Filter	
38	1001110425	4	Spacer	
39	1001116792	1	Clamp	
40	1001235479	1	Engine Sub-Assembly (See Separate Breakdown in this Section)	
42	1001138491	NLA	Harness, Fuel (Use p/n 1001222665) (Not Shown - See Separate Breakdown in ELECTRICAL SECTION)	
45	1001145089	1	Clamp	
46	1001141225	1	Battery Cable Kit	
46A	7027042	1	Cable, Battery (Red) (Battery + to Relays and Starter)	
46B	7027043	1	Cable, Battery (Black) (Battery - to Tray Pivot Grd and Aux Pump)	
46C	7027044	1	Cable (Red) (Aux Relay to Aux Pump)	
46D	7027045	1	Cable, Battery (Black) (Engine to Tray Pivot Grd)	
48	1001145560	1	Panel, Rubber	
50	1320022	3	Clamp	

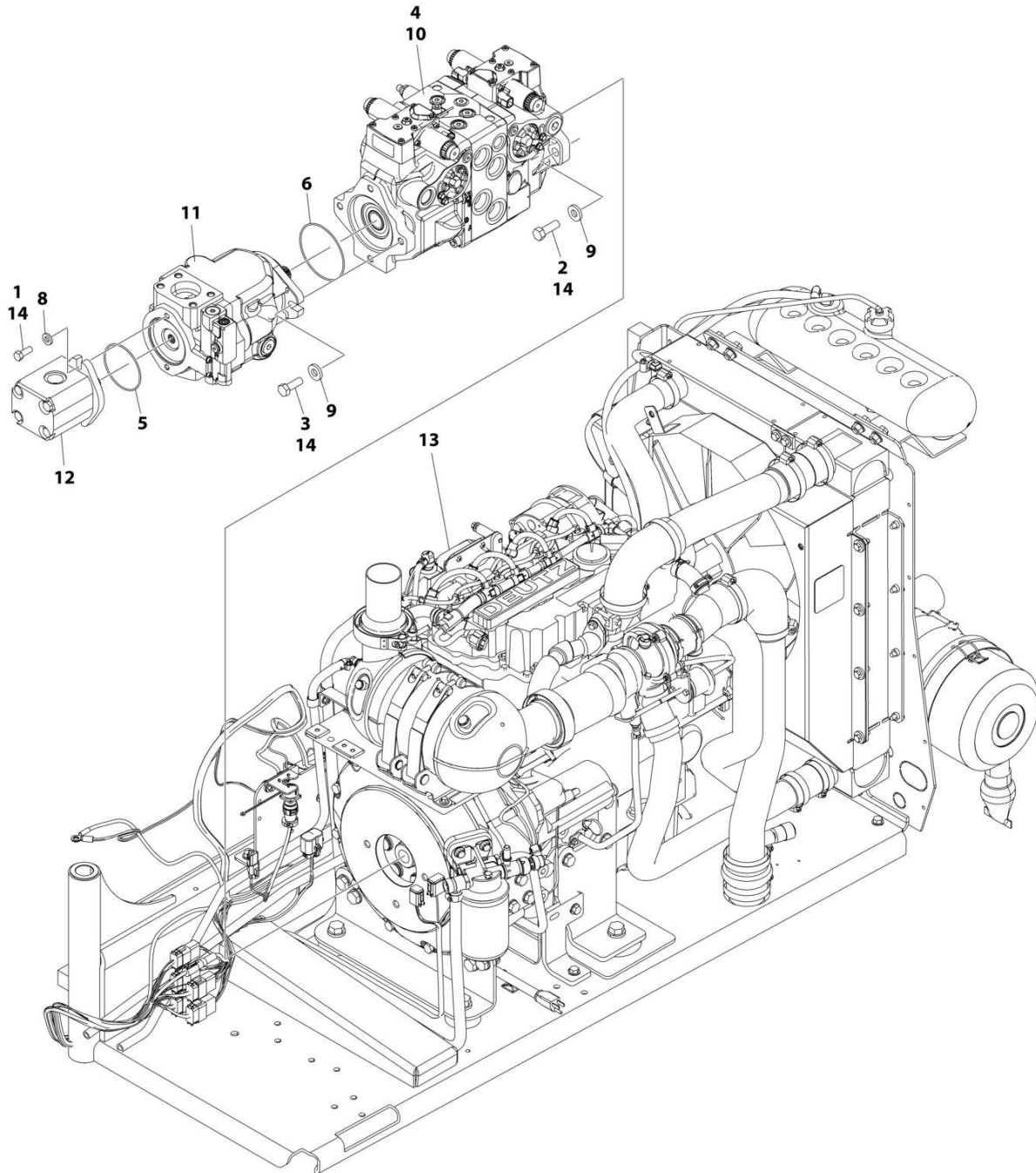
## SECTION 3 - ENGINE

ITEM	PART NUMBER	QTY	DESCRIPTION	REV
51	1001145842	1	Plate, Clamping	
52	0641708	1	Bolt 7/16 x 1	
53	3311705	1	Nut 7/16	
54	4711700	2	Washer 7/16	
55	1001131542	1	Lanyard	
56	1001165101	1	Bracket, Fuel Pump Filter Assembly (See Separate Breakdown in this Section)	
57	3520054	1	Plug	
59	1001235459	1	Engine, Deutz TCD2.9L4 (See Separate Breakdown in this Section)	



## SECTION 3 - ENGINE

FIGURE 3-43. DEUTZ TCD2.9L4 (STAGE V) ENGINE SUB-ASSEMBLY - WITH SAUER PUMP AND ABS HOODS (WITHOUT COLD WEATHER PLUS PACKAGE)



ART\_1001235476

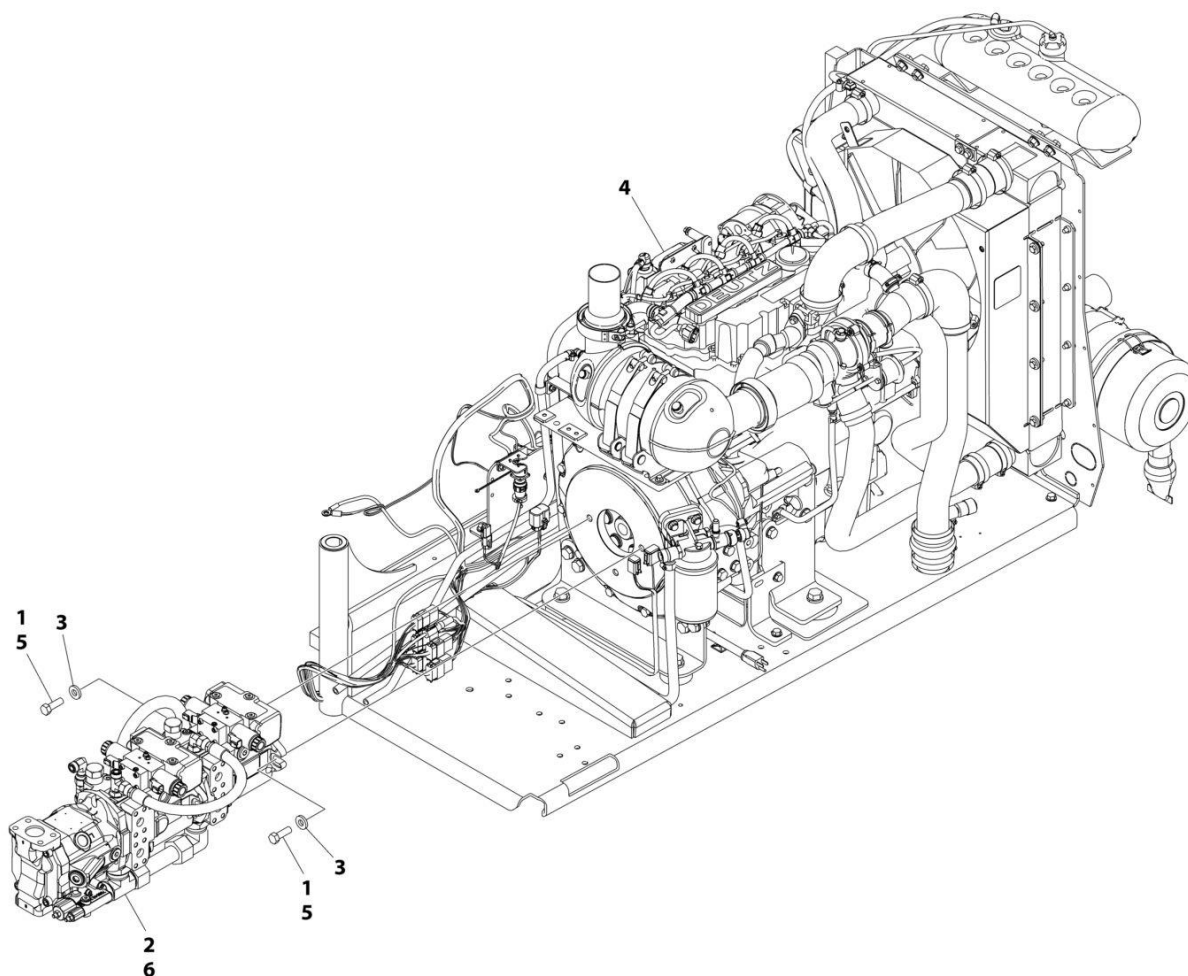
## SECTION 3 - ENGINE

**FIGURE 3-43. DEUTZ TCD2.9L4 (STAGE V) ENGINE SUB-ASSEMBLY - WITH SAUER PUMP AND ABS HOODS (WITHOUT COLD WEATHER PLUS PACKAGE)**

ITEM	PART NUMBER	QTY	DESCRIPTION	REV
	1001235476	Ref	DEUTZ TCD2.9L4 (STAGE V PRE-BUY) ENGINE SUB-ASSEMBLY	K
1	0641608	2	Bolt 3/8 x 1	
2	0641812	2	Bolt 1/2 x 1-1/2	
3	0761215	2	Bolt M12 x 35	
4	3020037	AR	Grease, Pump Coupling	
5	3790152	1	O-Ring	
6	3790155	1	O-Ring	
8	4891600	2	Washer 3/8	
9	4891800	4	Washer 1/2	
10	1001108616	1	Pump Assembly - Sauer Tandem (See Separate Breakdown in this Section)	
11	1001171095	1	Pump Assembly - Sauer Piston (See Separate Breakdown in this Section)	
12	1001112927	1	Pump Assembly - Sauer Gear (See Separate Breakdown in this Section)	
13	1001235477	1	Engine Assembly (See Separate Breakdown in this Section)	
14	0100011	AR	Compound, Locking	

## SECTION 3 - ENGINE

FIGURE 3-44. DEUTZ TCD2.9L4 (STAGE V) ENGINE SUB-ASSEMBLY - WITH REXROTH PUMP AND ABS HOODS (WITHOUT COLD WEATHER PLUS PACKAGE)



ART\_1001235479



## SECTION 3 - ENGINE

**FIGURE 3-44. DEUTZ TCD2.9L4 (STAGE V) ENGINESUB-ASSEMBLY - WITH REXROTH PUMP AND ABS HOODS (WITHOUT COLD WEATHER PLUS PACKAGE)**

ITEM	PART NUMBER	QTY	DESCRIPTION	REV
	1001235479	Ref	DEUTZ TCD2.9L4 (STAGE V PRE-BUY) ENGINE SUB-ASSEMBLY	K
1	0641812	2	Bolt 1/2 x 1-1/2	
2	3020037	AR	Grease, Pump Coupling	
3	4891800	2	Washer 1/2	
4	1001235477	1	Engine Assembly (See Separate Breakdown in this Section)	
5	0100011	AR	Compound, Locking	
6	1001152963	1	Pump Assembly - Rexroth (See Separate Breakdown in this Section)	





## SECTION 3 - ENGINE

**FIGURE 3-45. DEUTZ TCD2.9L4 (STAGE V) ENGINE ASSEMBLY (WITHOUT COLD WEATHER PLUS PACKAGE)**

ITEM	PART NUMBER	QTY	DESCRIPTION	REV
	1001235477	Ref	DEUTZ TCD2.9L4 (STAGE V PRE-BUY) ENGINE ASSEMBLY	J
1	0641406	5	Bolt 1/4 x 3/4	
3	0641508	8	Bolt 5/16 x 1	
4	0641606	3	Bolt 3/8 x 3/4	
5	0641608	9	Bolt 3/8 x 1	
6	0641610	2	Bolt 3/8 x 1-1/4	
7	0641708	6	Bolt 7/16 x 1	
8	0700815	2	Bolt M8 x 35	
9	1001135913	1	Pipe, Turbo to Air Cleaner	
10	0682028	4	Bolt 5/8 x 3-1/2 Grade 8	
12	1001140564	1	Fitting, 90 Barbed	
13	0771212	1	Bolt M12 x 25 Grade 10.9	
14	0771414	9	Bolt M14 x 30 Grade 10.9	
15	0940070	1	Bumper	
16	0961986	2	Bushing, Flanged	
17	0641706	2	Bolt 7/16 x 3/4	
18	1001134488	1	Fitting, 90 Barbed	
19	3290801	2	Nut M8	
20	3272001	4	Nut 5/8 Grade 8	
21	3311405	6	Nut 1/4	
22	1001135914	1	Pipe, Air Cleaner to Intake	
23	3311605	9	Nut 3/8	
24	3311705	5	Nut 7/16	
25	3580320	1	Pulley	
26	1001141719	1	Fitting, 90 Barbed	
27	3931512	4	Capscrew 5/16 x 3/4	
28	3931628	4	Capscrew 3/8 x 1-3/4	
29	3960543	1	Seal	
30	3960544	1	Seal	
31	4031914	4	Bolt M8 x 50	
32	4032014	4	Bolt M10 x 50	
33	4711500	19	Washer 5/16	
34	4711600	25	Washer 3/8	
35	4711700	10	Washer 7/16	
36	1001146219	4	Washer Special	
37	4751400	8	Washer 1/4	
38	8406302	2	Clamp	
39	4751700	2	Washer 7/16	
40	4791400	2	Starwasher 1/4	
41	4811900	4	Washer M8	
42	4811902	2	Washer M8	
43	4812000	4	Washer M10	
44	4812100	4	Washer M12	
45	4812200	9	Washer M14	
46	4892000	4	Washer 5/8	
47	4831900	2	Washer M8	
48	8405201	8	Clamp	
49	8405204	10	Clamp	
50	1001135926	1	Pipe, Radiator (Lower)	

## SECTION 3 - ENGINE

ITEM	PART NUMBER	QTY	DESCRIPTION	REV
51	8410013	5	Clamp	
52	91563070	1	Coupling, Rubber	
53	1001114495	1	Hose	
58	1001133633	1	Air Cleaner Assembly	
58	70024190	1	Element, Air Filter	
59	1001133634	1	Clamp	
60	1001166393	1	Tank, Surge	
61	1001155575	4	Mount, Motor	
62	1001191272	1	Tray	
63	1001135090	1	Radiator	
64	1001135138	1	Spacer, Fan	
67	1001135560	1	Support, Engine	
68	1001135562	1	Support, Engine - Rear	
69	1001135679	1	Spacer, Pulley	
70	1001135680	1	Support, Radiator	
71	1001135901	1	Pipe, Air Intake	
72	1001135903	1	Pipe, Air Intake	
73	3931432	1	Capscrew 1/4 x 2	
75	1001135924	1	Hose, Radiator (Upper)	
78	1001135943	1	Coupling, Rubber	
79	1001135946	1	Elbow, Rubber	
80	1001136292	1	Pipe, 90	
81	1001136626	2	Bracket	
82	1001136665	1	Bracket	
83	1001136834	1	Cap, Tank	
84	1001142398	1	Support, Engine	
84	1001283008	1	Support, Engine	
85	1001137276	1	Fan	
87	8405007	2	Clamp	
89	4711400	3	Washer 1/4	
90	1001117308	1	Relay	
93	1001138827	1	Sensor, Coolant Level	
94	1001138228	1	Module, Power	
94	70023592	1	Fuse 20Amp (Switched Output)	
94	70023593	1	Fuse 30Amp (Battery Output)	
95	1001138253	5	Clamp	
96	1001138346	1	Harness, Engine (Not Shown - See Separate Breakdown in ELECTRICAL Section)	
97	1001138524	1	Hose	
98	1001138559	1	Fitting, 90	
99	2720015	4.5 ft/ 1.4m	Hose	
101	2902065	1	Pump Coupling Kit (See Separate Breakdown in this Section)	
102	3310401	3	Nut #4	
103	3910408	3	Screw #4 x 1/2	
104	4710400	3	Washer #4	
105	1001139240	1	Bracket	
106	1001138248	4 ft/ 1.2m	Tubing	
107	1001153024	1	Pipe, Exhaust	
110	1320022	2	Clamp	
111	1001165035	30.5 ft/ 9.3m	Hose	

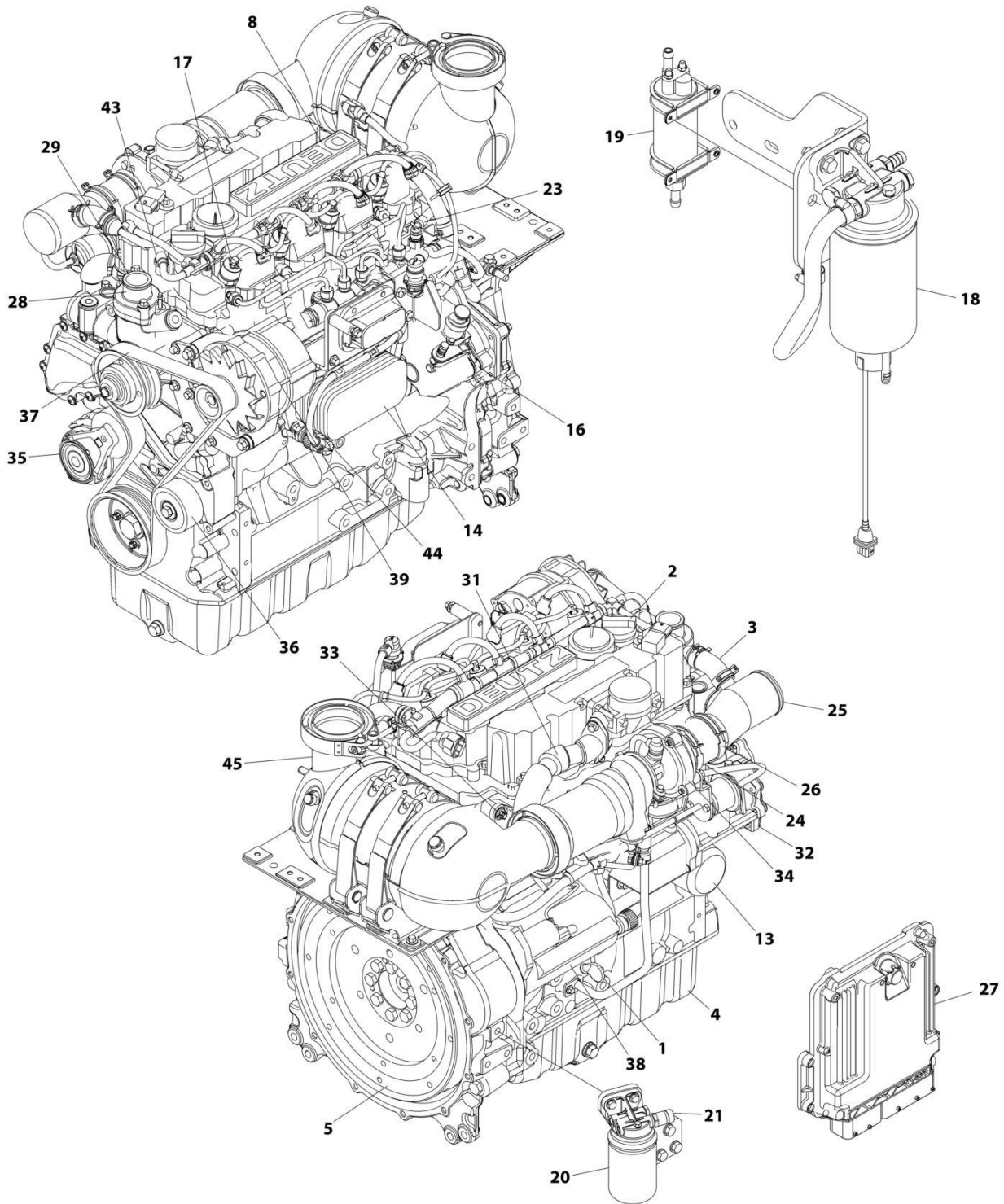
## SECTION 3 - ENGINE

ITEM	PART NUMBER	QTY	DESCRIPTION	REV
112	0100011	AR	Compound, Locking	
113	0100020	AR	Sealant	
114	1001141304	1	Wire, Glow Plug (Not Shown)	
115	1001135779	1	Cable, Alternator Positive (Not Shown)	
117	1001141717	1	Fitting, Straight	
120	0761214	3	Bolt M12 x 30	
121	1001142637	1	Hose, Hump	
122	1001142685	1	Bracket	
123	1001165820	1	Pipe, Elbow	
124	1001143390	1	Indicator, Air Filter Service	
125	0760810	2	Bolt M8 x 20	
126	1001144089	1	Grommet	
127	1001145154	1	Plate, Mounting	
128	4640751	1	Valve, Oil Drain	
129	8405006	2	Clamp	
130	8406102	AR	Clip	
131	8406112	1	Clip	
132	1001138717	1	Bracket	
133	1001142501	1	Fitting, 90 Barbed	
134	1001154405	5 ft/ 1.5m	Hose	
135	1001148843	1	Harness, Fuel Filter (Not Shown - See Separate Breakdown in ELECTRICAL Section)	
137	1703162	2	Decal - Fan	
138	0641503	1	Bolt 5/16 x 3/8	
139	1001153387	1	Plate	
140	3931508	2	Capscrew 5/16 x 1/2	
141	1001155823	1	Coupling	
142	0100062	AR	Adhesive, Loctite #680	
143	4240099	AR	Tie-Strap (Not Shown)	
144	0641510	2	Bolt 5/16 x 1-1/4 Grade 5 (Not Shown)	
145	0641612	2	Bolt 3/8 x 1-1/2 Grade 5 (Not Shown)	



# SECTION 3 - ENGINE

## FIGURE 3-46. DEUTZ TCD2.9L4 ENGINE COMPONENTS (STAGE V)



ART\_1001128947



## SECTION 3 - ENGINE

**FIGURE 3-46. DEUTZ TCD2.9L4 ENGINE COMPONENTS (STAGE V)**

ITEM	PART NUMBER	QTY	DESCRIPTION	REV
	1001235459	Ref	DEUTZ TCD2.9L4 (STAGE V PRE-BUY) ENGINE COMPONENTS	B
1	70024904	1	Dipstick	
1	70024905	1	O-Ring	
2	7020465	2	Cap, Filler	
3	7002511	2	Clamp	
4	70025162	1	Pan, Oil	
4	70025088	2	Plug	
4	7020404	2	Washer, Sealing	
5	70001870	1	Flywheel	
5	7024579	1	Gear, Ring	
6	70024906	1	Gasket, Head (Not Shown)	
7	70025204	1	Shield, Heat (Not Shown)	
8	70025163	1	Cover, Valve	
8	70025205	1	Gasket	
8	70025206	1	Gasket, Small Valve Cover	
8	70025207	1	Gasket, Large Valve Cover	
8	70025208	1	Gasket	
9	70025076	1	Valve (Not Shown - Located on Right Side of Front Engine Cover)	
9	70025176	1	Spring	
9	70025082	1	Ring, Sealing	
9	70025091	1	Plug	
10	70025190	1	Cover, Front (Not Shown - Located on Front of Engine)	
10	70024907	1	Gasket, Front Cover	
10	70004280	1	Seal, Shaft - Front	
11	70002718	1	Seal, Shaft - Rear (Not Shown)	
12	70025202	1	Pump, Oil Lube (Not Shown)	
12	70025135	1	O-Ring	
12	70025136	1	Gasket	
13	7016331	1	Filter, Oil	
13	70025137	1	Bushing	
14	70004275	1	Cooler, Engine Oil	
14	70024925	1	Gasket	
15	70025171	1	Oil Suction Pump (Not Shown - Located Inside of Engine Oil Pan)	
16	70024924	1	Pump, Fuel	
16	70025152	1	O-Ring	
16	70025080	1	Washer	
16	70024488	1	Spacer	
16	70024517	1	O-Ring	
17	70025181	4	Injector, Fuel	
17	70025140	4	Washer, Sealing	
17	70025146	4	Clamp (Top of Injector)	
17	70025145	4	O-Ring	
17	70025154	4	Shoe, Clamping	
17	70000345	1	Plug, Glow (Not Shown)	
17	70025231	1	Harness, Glow Plug (Not Shown)	
18	70024961	1	Fuel Filter Assembly	
18	70025153	NLA	Filter, Fuel (Use p/n 1001225430)	
18	70024513	1	Cable, Sensor	
18	70025239	1	Ring, Sealing	
19	70024486	2	Pump, Fuel	

## SECTION 3 - ENGINE

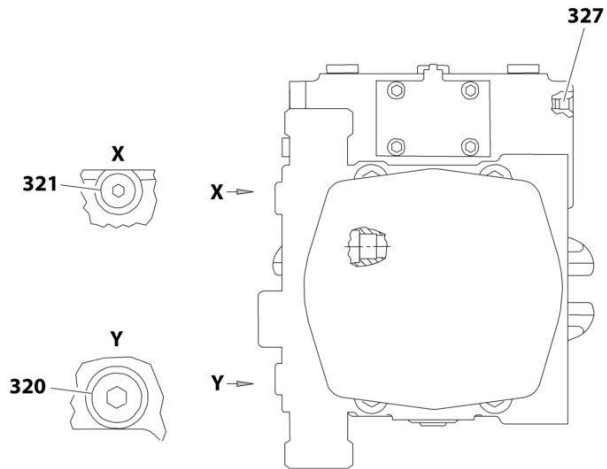
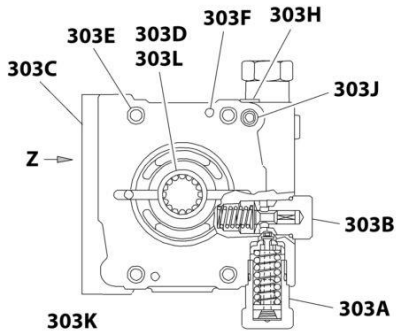
ITEM	PART NUMBER	QTY	DESCRIPTION	REV
19	70025144	1	Clamp	
20	70025160	1	Filter with Head	
20	70025161	NLA	Filter, Fuel (Use p/n 1001225431)	
21	70024504	1	Sensor, Pressure	
21	70024920	1	O-Ring	
21	70025103	1	Retainer	
22	70025151	1	Rail, Fuel (Not Shown)	
22	70025235	1	Repair Kit (Not Shown)	
23	70025182	1	Fuel Line - High Pressure (Cylinder 1 & 2)	
23	70025183	1	Fuel Line - High Pressure (Cylinder 3 & 4)	
23	70025184	1	Fuel Line - High Pressure (Supply)	
24	70004501	1	Sleeve, Rubber	
25	70004502	1	Pipe, Intake	
26	70025112	2	Clamp	
27	70025210	1	ECU (Engine Control Unit)	
28	70024910	1	Pump, Water	
28	70025200	1	Ring, Sealing	
28	70025084	2	Plug	
28	7020492	2	Ring, Sealing	
29	70024473	1	Thermostat	
29	70025143	1	O-Ring	
29	70025142	1	Cover, Thermostat	
30	70025177	1	Pipe (Not Shown - Located on Left Side)	
30	70025179	2	Gasket (Not Shown)	
31	70025178	1	Pipe	
31	70025156	1	Valve, Shuttle	
31	70025179	2	Gasket	
31	70025180	1	Gasket	
32	70025203	1	Module, EGR	
32	70025155	1	Plug	
33	70004282	1	Manifold, Exhaust	
33	70025164	1	Gasket, Exhaust Manifold to Head	
34	70004503	1	Turbocharger	
34	70024912	1	Gasket, Exhaust Manifold	
35	70025477	1	Tensioner, Belt	
36	70024484	1	Idler Roller	
37	70004277	1	Belt, Drive	
38	70024915	1	Starter	
39	70025533	1	Generator	
39	70025149	1	Regulator, Voltage	
40	70004284	1	Harness, Engine (Not Shown)	
41	70024507	1	Sensor, Pressure (Not Shown - Located Top Rear)	
41	70025120	1	O-Ring	
42	70026210	1	Sensor (Not Shown - Located Left Side Front and Flywheel Housing)	
42	70024917	1	O-Ring	
43	70024918	1	Sender, Temperature	
44	70024919	1	Sensor, Pressure	
44	70024920	1	O-Ring	
45	70005445	1	Outlet, Muffler	
46	70004279	1	Gasket Kit (Not Shown)	



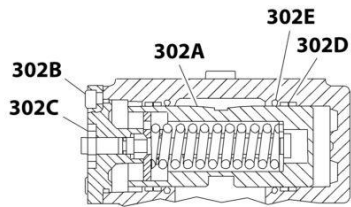
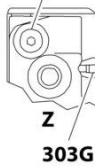


# SECTION 3 - ENGINE

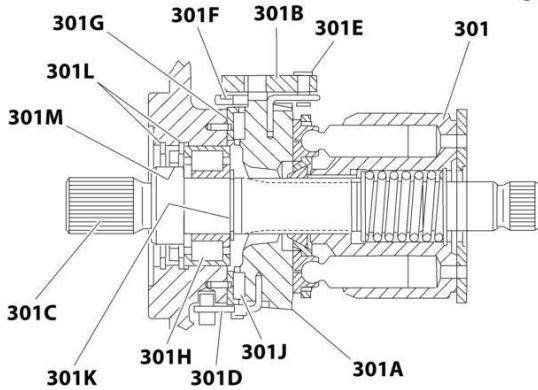
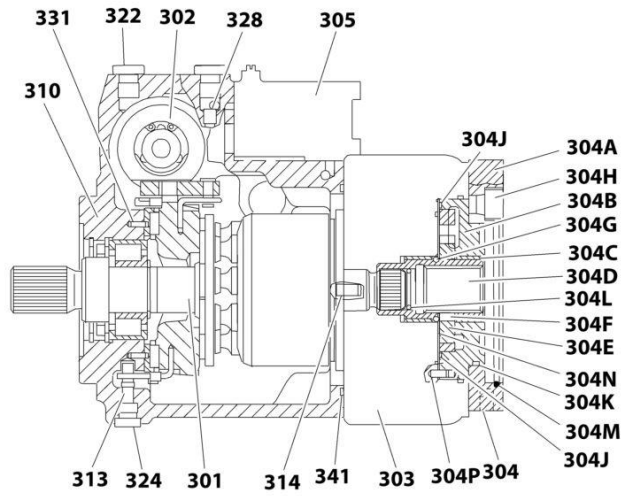
**COMPLETE FRONT AND PUMPS**



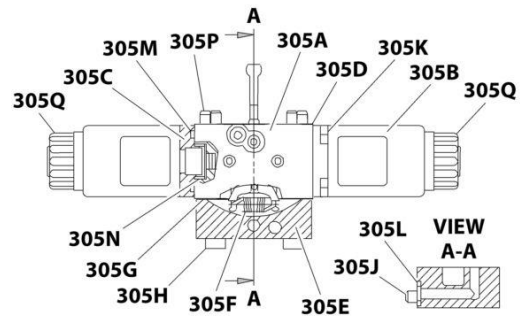
**PORT PLATE SECTION FRONT AND MID PUMPS (DETAIL OF ITEM 303)**



**HYD. CONTROL FRONT AND MID PUMPS (DETAIL OF ITEM 302)**



**ROTARY GROUP FRONT AND MID PUMPS (DETAIL OF ITEM 301)**



**CONTROL MODULE FRONT AND MID PUMPS (DETAIL OF ITEM 305)**

ART\_3600339\_20F2

## SECTION 3 - ENGINE

**FIGURE 3-47. PUMP ASSEMBLY (REXROTH) (DEUTZ TD2011 ENGINES)**

ITEM	PART NUMBER	QTY	DESCRIPTION	REV
	3600339	Ref	PUMP ASSEMBLY (REXROTH) (DEUTZ TD2011 ENGINES)	D
1	7024042	1	Front Drive Pump Assembly (Includes Items 301-341)	
2	7024043	1	Middle Drive Pump Assembly (Includes Items 301-341)	
3	7024044	1	Rear Function Pump Assembly (Includes Items 101-201)	
4	70001952	1	Hydraulic Kit (Includes all Rexroth Supplied Hydraulic Fittings, Hoses and Tubes)	
	7024044	Ref	REAR FUNCTION PUMP ASSEMBLY	
101	7024914	1	Rotary Section	
102	See Note	1	Piston, Control (Note: Not Available - Purchase Complete Assembly)	
103	See Note	1	Rod, Piston (Note: Not Available - Purchase Complete Assembly)	
105	See Note	1	Housing, Pump (Note: Not Available - Purchase Complete Assembly)	
106	See Note	1	Plate, Port (Note: Not Available - Purchase Complete Assembly)	
107	7024915	1	Plate, Swash	
108	7024916	1	Driveshaft	
109	See Note	1	Plug (Note: Not Available for Purchase)	
110	See Note	1	Spring (Note: Not Available for Purchase)	
112	7012709	1	Shim	
115	7024038	1	Bearing, Roller	
116	7012706	1	Bearing, Roller	
117	7024917	2	Shell, Cradle	
120	7024918	1	Seal, Shaft	
121	7024919	1	O-Ring	
122	7024920	1	O-Ring	
124	7024921	1	Seal	
125	7012715	1	V-Ring	
127	See Note	4	Capscrew M12 x 45 Grade 10.9 (Note: Not Available for Purchase)	
131	See Note	1	Plug (Note: Not Available for Purchase)	
133	See Note	1	Pin, Dowel (Note: Not Available for Purchase)	
134	See Note	1	Plug (Note: Not Available for Purchase)	
201	7024913	Ref	Pilot Valve Assembly	
		Ref	Note: Two mounting designs of p/n 7024913 pilot valve exist. Early design uses qty. 3 O-rings. Late design uses qty 1 sealing plate. Seal designs cannot be interchanged. Verify seal design before ordering.	
201	7024922	3	O-Ring (Seals between Pilot Valve and Rear Pump)	
201	70021867	1	Plate, Sealing (Seals between Pilot Valve and Rear Pump)	
		Ref	FRONT DRIVE PUMP ASSEMBLIES	
	7024042	Ref	Front Drive Pump Assembly	
	7024043	Ref	Middle Drive Pump Assembly	
301	7024064	1	Rotary Group	
301A	See Note	NSS	Cradle (Note: Use Item 301)	
301B	See Note	NSS	Ring, Slide (Note: Use Item 301)	
301C	See Note	NSS	Driveshaft (Note: Use Item 301)	
301D	See Note	NSS	Wire (Note: Use Item 301)	
301E	See Note	NSS	Pin, Joint (Note: Use Item 301)	
301F	See Note	NSS	Wire (Note: Use Item 301)	
301G	See Note	NSS	Liner, Bearing (Note: Use Item 301)	
301H	See Note	NSS	Bearing, Roller (Note: Use Item 301)	
301J	See Note	NSS	Cradle Bearing Assembly (Note: Use Item 301)	

## SECTION 3 - ENGINE

ITEM	PART NUMBER	QTY	DESCRIPTION	REV
301K	See Note	NSS	Ring, Retaining (Note: Use Item 301)	
301L	70001968	2	Ring, Retaining	
301M	7024070	1	Seal, Shaft Ring	
302	7024065	1	Control Group - Hydraulic	
302A	See Note	NSS	Piston, Positioning - Complete (Note: Use Item 302)	
302A	7024071	1	O-Ring, Outer Seal	
302A	7024072	1	O-Ring, Stem	
302B	See Note	4	Capscrew M6 x 12 (Note: Not Available - Purchase Locally)	
302C	See Note	NSS	Nut (Note: Use Item 302)	
302D	See Note	NSS	Ring, Guide (Note: Use Item 302)	
302E	See Note	NSS	Seal, O-Ring (Note: Use Item 302)	
303	7024911	1	Port Plate Group	
303A	7024073	2	Cartridge, Relief Valve (High Pressure)	
303A	7024075	1	O-Ring	
303A	7024076	1	Ring, Back-up	
303B		Ref	Cartridge Options:	
303B	7024097	1	Front Pump Cartridge (Lock Valve with Orifice) Note: Sold as an Assembly except Outer Seal.	
303B	7024075	1	O-Ring	
303B	7023881	1	Middle Pump Cartridge (Pressure Relief Valve) Note: Sold as an Assembly except Outer Seal.	
303B	7024077	1	O-Ring	
303C	See Note	NSS	Plate, Port (Note: Use Item 303)	
303D	See Note	NSS	Bushing, Bearing (Note: Use Item 303)	
303E	See Note	4	Capscrew M12 x 70 Grade10.9 (Note: Not Available - Purchase Locally)	
303F	See Note	NSS	Pin, Dowel (Note: Use Item 303)	
303G	See Note	NSS	Pin, Break-Off (Note: Use Item 303)	
303H	See Note	1	Screw, Locking M10 x 1 (Note: Not Available - Purchase Locally)	
303J	7024908	2	O-Ring	
303K	See Note	2	Screw, Locking 7/16 (Note: Not Available - Purchase Locally)	
303L	See Note	NSS	Bearing, Roller (Note: Use Item 303)	
304	7024906	1	Internal Gear Pump	
304A	See Note	NSS	Flange, Intermediate (Note: Use Item 304)	
304B	See Note	NSS	IZP-Housing (Note: Use Item 304)	
304C	See Note	NSS	Bushing, Bearing (Note: Use Item 304)	
304D	See Note	NSS	Coupling, Driveshaft Through (Note: Use Item 304)	
304E	See Note	NSS	Gear Set (Note: Use Item 304)	
304F	See Note	NSS	Key, Driveshaft (Note: Use Item 304)	
304G	See Note	NSS	Ring, Retaining (Note: Use Item 304)	
304H	See Note	4	Capscrew M10 x 20 (Note: Not Available - Purchase Locally)	
304J	7024080	2	Seal	
304K	7024081	1	O-Ring	
304L	See Note	NSS	Ring, Retaining (Note: Use Item 304)	
304M	See Note	NSS	O-Ring (Note: Use Item 304)	
304N	7024005	1	Plate, Wear	
304P	See Note	NSS	Pin, Cylinder (Note: Use Item 304)	
305	7024068	1	Control Module	
305A	7024084	1	Valve Body, Lever and Internal Components	
305B	7024083	2	Coil, Solenoid	
305C	See Note	NSS	Spacer, Coil (Note: Use Item 305)	

## SECTION 3 - ENGINE

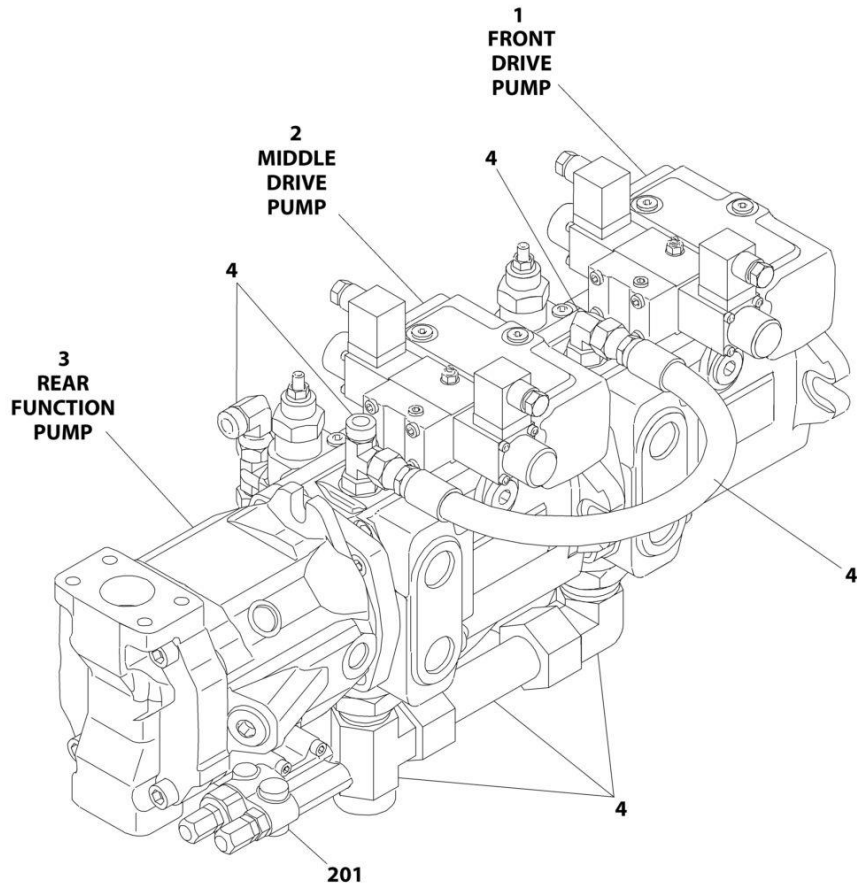
ITEM	PART NUMBER	QTY	DESCRIPTION	REV
305D	7024085	1	Gasket	
305E	See Note	NSS	Cover (Note: Use Item 305)	
305F	See Note	NSS	Spring, Draw (Note: Use Item 305)	
305G	See Note	NSS	Gasket (Note: Use Item 305)	
305H	See Note	4	Capscrew M6 x 65 (Note: Not Available - Purchase Locally)	
305J	See Note	1	Capscrew M6 x 45 (Note: Not Available - Purchase Locally)	
305K	See Note	8	Capscrew M5 x 10 (Note: Not Available - Purchase Locally)	
305L	7024087	1	O-Ring	
305M	7024088	2	O-Ring	
305N	7024089	2	Cup, Spring	
305P	See Note	NSS	Pin, Cylinder (Note: Use Item 305)	
305Q	70002569	2	Nut, Coil	
310	See Note	1	Housing (Note: Not Available for Purchase)	
313	See Note	2	Pin, Dowel (Note: Not Available for Purchase)	
314	See Note	1	Pin, Cylinder (Note: Not Available for Purchase)	
320	See Note	1	Screw 7/8 (Front Drive Pump Only) (Note: Not Available - Purchase Locally)	
321	See Note	1	Screw 9/16 (Note: Not Available - Purchase Locally)	
322	See Note	1	Screw 7/16 (Note: Not Available - Purchase Locally)	
324	See Note	1	Screw M10 x 1 (Note: Not Available - Purchase Locally)	
327	See Note	1	Pin, Double Break-Off (Note: Not Available for Purchase)	
328	7018936	2	Orifice	
331	See Note	2	Pin, Clamping (Note: Not Available for Purchase)	
341	7024069	1	O-Ring	



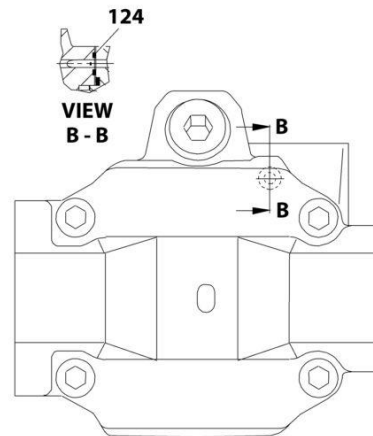
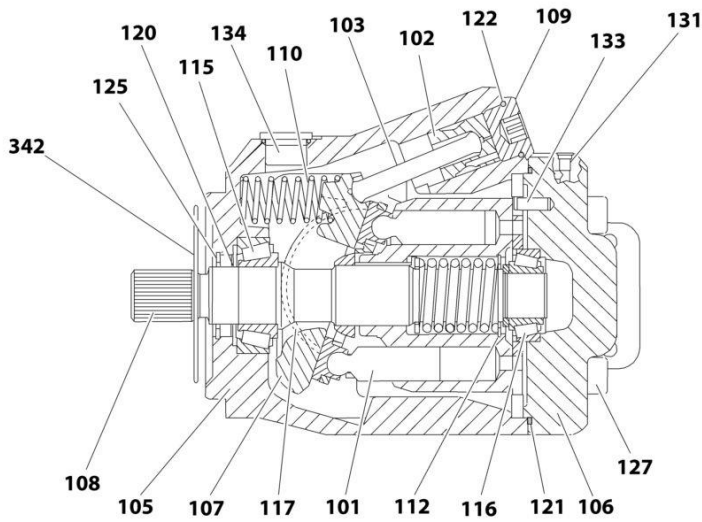


# SECTION 3 - ENGINE

FIGURE 3-48. PUMP ASSEMBLY (REXROTH) (DEUTZ TCD2.9L4 ENGINES)



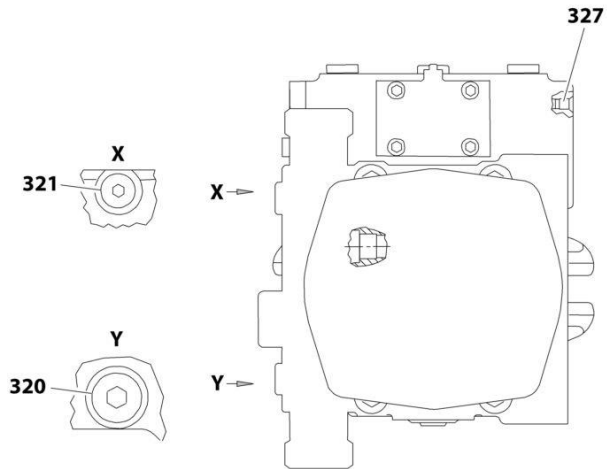
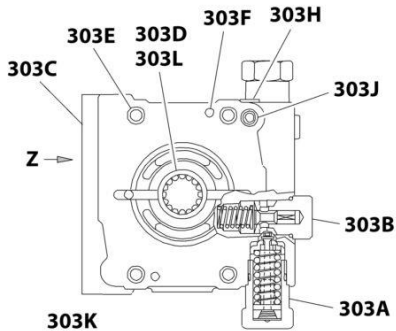
COMPLETE REAR PUMP



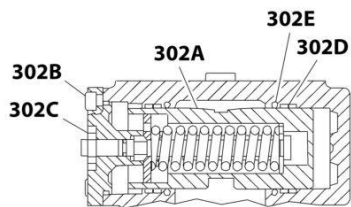
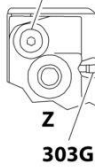
ART\_1001152963\_10F2

# SECTION 3 - ENGINE

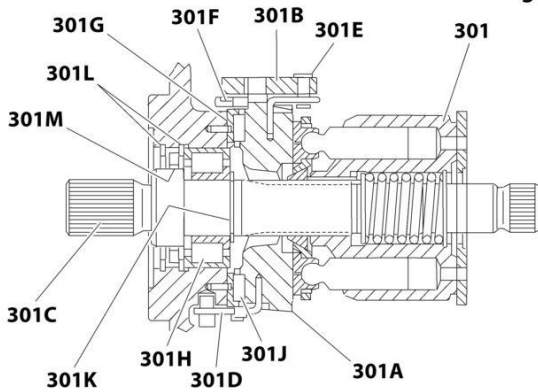
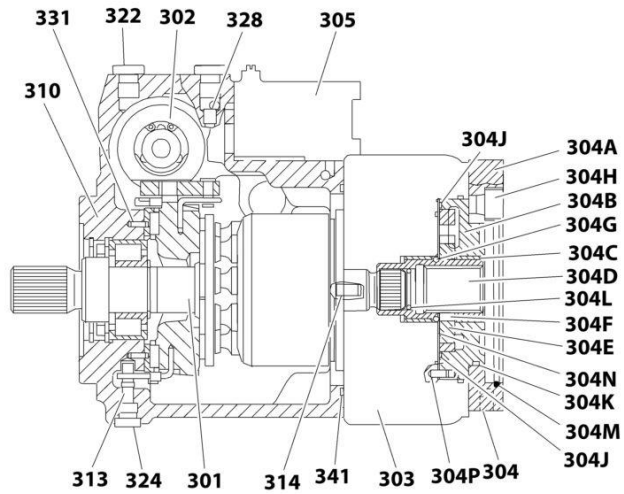
**COMPLETE FRONT AND PUMPS**



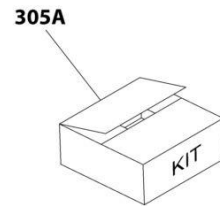
**PORT PLATE SECTION FRONT AND MID PUMPS (DETAIL OF ITEM 303)**



**HYD. CONTROL FRONT AND MID PUMPS (DETAIL OF ITEM 302)**



**ROTARY GROUP FRONT AND MID PUMPS (DETAIL OF ITEM 301)**



ART\_1001152963\_20F2

## SECTION 3 - ENGINE

**FIGURE 3-48. PUMP ASSEMBLY (REXROTH) (DEUTZ TCD2.9L4 ENGINES)**

ITEM	PART NUMBER	QTY	DESCRIPTION	REV
	1001152963	Ref	PUMP ASSEMBLY (REXROTH) (DEUTZ TCD2.9L4 ENGINES)	C
1	70005480	1	Front Drive Pump Assembly Options (Includes Items 301-341)	
2	70005481	1	Middle Drive Pump Assembly (Includes Items 301-341)	
3	7024044	1	Rear Function Pump Assembly (Includes Items 101-201)	
4	See Note	NSS	Hydraulic Kit (Includes all Rexroth Supplied Hydraulic Fittings, Hoses and Tubes) (Note: Not Available for Purchase)	
	7024044	Ref	REAR FUNCTION PUMP ASSEMBLY	
101	7024914	1	Rotary Section	
102	See Note	1	Piston Control (Note: Not Available - Purchase Complete Assembly)	
103	See Note	1	Rod, Piston (Note: Not Available - Purchase Complete Assembly)	
105	See Note	1	Housing, Pump (Note: Not Available - Purchase Complete Assembly)	
106	See Note	1	Plate, Port (Note: Not Available - Purchase Complete Assembly)	
107	7024915	1	Plate, Swash	
108	7024916	1	Driveshaft	
109	See Note	1	Plug (Note: Not Available for Purchase)	
110	See Note	1	Spring (Note: Not Available for Purchase)	
112	7012709	1	Shim	
115	7024038	1	Bearing, Roller	
116	7012706	1	Bearing, Roller	
117	7024917	2	Shell, Cradle	
120	7024918	1	Seal, Shaft	
121	7024919	1	O-Ring	
122	7024920	1	O-Ring	
124	7024921	1	Seal	
125	7012715	1	V-Ring	
127	See Note	4	Capscrew M12 x 45 Grade 10.9 (Note: Not Available for Purchase)	
131	See Note	1	Plug (Note: Not Available for Purchase)	
133	See Note	1	Pin, Dowel (Note: Not Available for Purchase)	
134	See Note	1	Plug (Note: Not Available for Purchase)	
201	7024913	Ref	Pilot Valve Assembly	
		Ref	Note: Two mounting designs of p/n 7024913 pilot valve exist. Early design uses qty. 3 o-rings. Late design uses qty. 1 sealing plate. Seal designs cannot be interchanged. Verify seal design before ordering.	
201	7024922	3	O-Ring (Seals between Pilot Valve and Rear Pump)	
201	70021867	1	Plate, Sealing (Seals between Pilot Valve and Rear Pump)	
		Ref	FRONT DRIVE PUMP ASSEMBLIES	
	70005480	Ref	Front Drive Pump Assembly	
	70005481	Ref	Middle Drive Pump Assembly	
		Ref	Note: Service Parts not available at time of printing, call-out number on illustration for ref only.	
301	See Note	NSS	Rotary Group (Use p/n 70005480 or 70005481)	
301A	See Note	NSS	Cradle (Note: Use Item 301)	
301B	See Note	NSS	Ring, Slide (Note: Use Item 301)	
301C	See Note	NSS	Driveshaft (Note: Use Item 301)	
301D	See Note	NSS	Wire (Note: Use Item 301)	
301E	See Note	NSS	Pin, Joint (Note: Use Item 301)	
301F	See Note	NSS	Wire (Note: Use Item 301)	
301G	See Note	NSS	Liner, Bearing (Note: Use Item 301)	

## SECTION 3 - ENGINE

ITEM	PART NUMBER	QTY	DESCRIPTION	REV
301H	See Note	NSS	Bearing, Roller (Note: Use Item 301)	
301J	See Note	NSS	Cradle Bearing Assembly (Note: Use Item 301)	
301K	See Note	NSS	Ring, Retaining (Note: Use Item 301)	
301L	See Note	NSS	Ring, Retaining (Note: Not Available for Purchase)	
301M	See Note	NSS	Seal, Shaft Ring	
302	See Note	NSS	Control Group - Hydraulic (Use p/n 70005480 or 70005481)	
302A	See Note	NSS	Piston, Positioning - Complete (Note: Use Item 302)	
302A	See Note	NSS	O-Ring, Outer Seal (Note: Not Available for Purchase)	
302A	See Note	NSS	O-Ring, Stem (Note: Not Available for Purchase)	
302B	See Note	4	Capscrew M6 x 12 (Note: Not Available - Purchase Locally)	
302C	See Note	NSS	Nut (Note: Use Item 302)	
302D	See Note	NSS	Ring, Guide (Note: Use Item 302)	
302E	See Note	NSS	Seal, O-Ring (Note: Use Item 302)	
303	See Note	NSS	Port Plate Group (Use p/n 70005480 or 70005481)	
303A	See Note	NSS	Cartridge, Relief Valve (High Pressure) (Note: Not Available for Purchase)	
303A	See Note	NSS	O-Ring (Note: Not Available for Purchase)	
303A	See Note	NSS	Ring, Back-up (Note: Not Available for Purchase)	
303B		Ref	Cartridge Options:	
303B	See Note	NSS	Front Pump Cartridge (Lock Valve with Orifice) Note: Sold as an Assembly except Outer Seal. (Note: Not Available for Purchase)	
303B	See Note	NSS	O-Ring (Note: Not Available for Purchase)	
303B	See Note	NSS	Middle Pump Cartridge (Pressure Relief valve) Note: Sold as an Assembly except Outer Seal. (Note: Not Available for Purchase)	
303B	See Note	NSS	O-Ring	
303C	See Note	NSS	Plate, Port (Note: Use Item 303)	
303D	See Note	NSS	Bushing, Bearing (Note: Use Item 303)	
303E	See Note	4	Capscrew M12 x 70 Grade 10.9 (Note: Not Available - Purchase Locally)	
303F	See Note	NSS	Pin, Dowel (Note: Use Item 303)	
303G	See Note	NSS	Pin, Break-Off (Note: Use Item 303)	
303H	See Note	1	Screw, Locking M10 x 1 (Note: Not Available - Purchase Locally)	
303J	See Note	NSS	O-Ring (Note: Not Available for Purchase)	
303K	See Note	2	Screw, Locking 7/16 (Note: Not Available - Purchase Locally)	
303L	See Note	NSS	Bearing, Roller (Note: Use Item 303)	
304	See Note	NSS	Internal Gear Pump (Use p/n 70005480 or 70005481)	
304A	See Note	NSS	Flange, Intermediate (Note: Use Item 304)	
304B	See Note	NSS	IZP-Housing (Note: Use Item 304)	
304C	See Note	NSS	Bushing, Bearing (Note: Use Item 304)	
304D	See Note	NSS	Coupling, Driveshaft Through (Note: Use Item 304)	
304E	See Note	NSS	Gear Set (Note: Use Item 304)	
304F	See Note	NSS	Key, Driveshaft (Note: Use Item 304)	
304G	See Note	NSS	Ring, Retaining (Note: Use Item 304)	
304H	See Note	4	Capscrew M10 x 20 (Note: Not Available - Purchase Locally)	
304J	See Note	NSS	Seal (Note: Not Available for Purchase)	
304K	See Note	NSS	O-Ring (Note: Not Available for Purchase)	
304L	See Note	NSS	Ring, Retaining (Note: Use Item 304)	
304M	See Note	NSS	O-Ring (Note: Use Item 304)	
304N	See Note	NSS	Plate, Wear (Note: Not Available for Purchase)	
304P	See Note	NSS	Pin, Cylinder (Note: Use Item 304)	

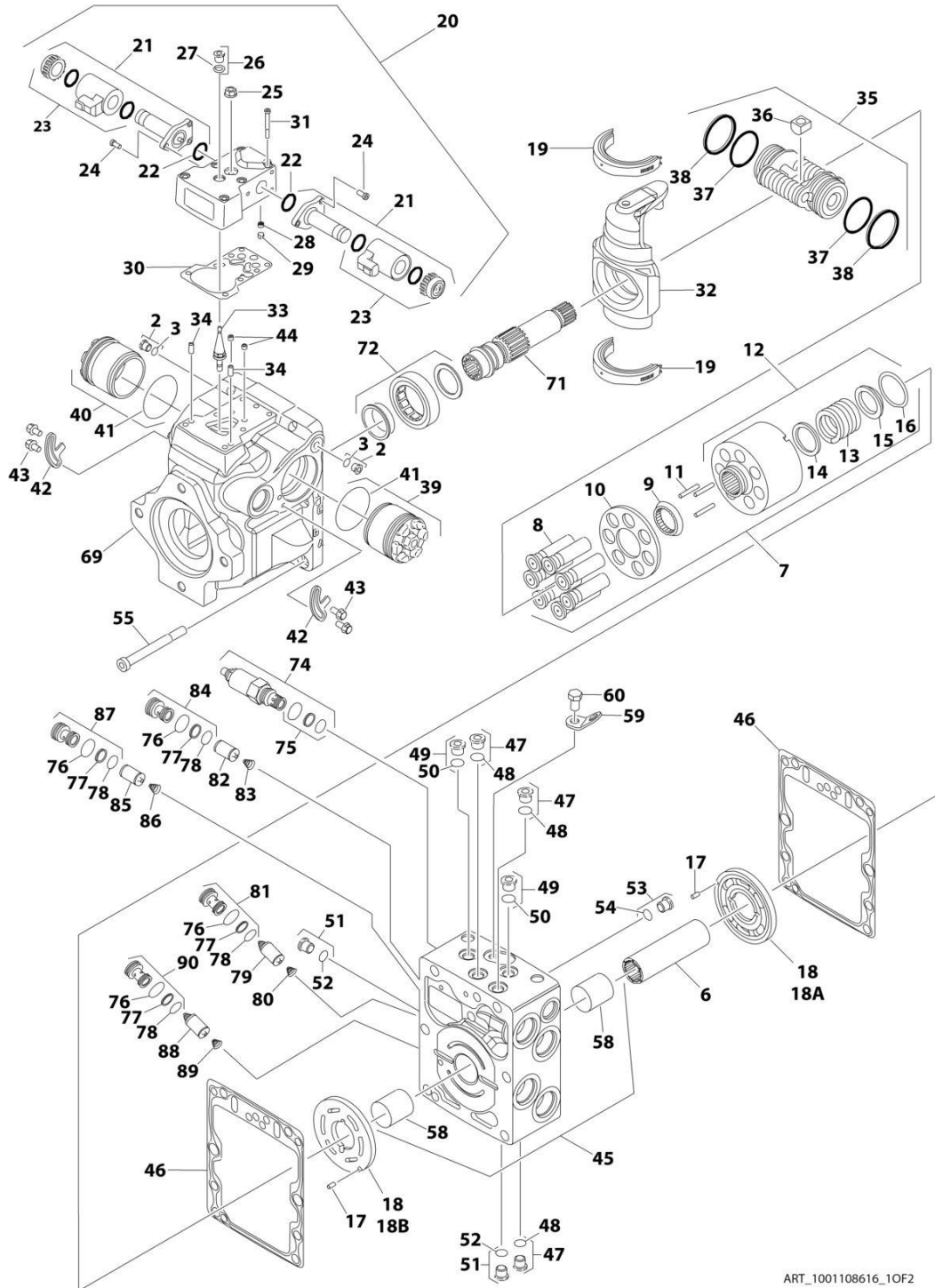
## SECTION 3 - ENGINE

ITEM	PART NUMBER	QTY	DESCRIPTION	REV
305	See Note	NSS	Control Module (Use p/n 70005480 or 70005481)	
305	See Note	NSS	Coil, Solenoid (Note: Not Available for Purchase)	
305A	See Note	NSS	Seal Kit (Note: Not Available for Purchase)	
310	See Note	1	Housing (Note: Not Available for Purchase)	
313	See Note	2	Pin, Dowel (Note: Not Available for Purchase)	
314	See Note	1	Pin, Cylinder (Note: Not Available for Purchase)	
320	See Note	1	Screw 7/8 (Front Drive Pump Only) (Note: Not Available - Purchase Locally)	
321	See Note	1	Screw 9/16 (Note: Not Available - Purchase Locally)	
322	See Note	1	Screw 7/16 (Note: Not Available - Purchase Locally)	
324	See Note	1	Screw M10 x 1 (Note: Not Available - Purchase Locally)	
327	See Note	1	Pin, Double Break-Off (Note: Not Available - Purchase Locally)	
328	See Note	NSS	Orifice (Note: Not Available for Purchase)	
331	See Note	2	Pin, Clamping (Note: Not Available for Purchase)	
341	See Note	NSS	O-Ring (Note: Not Available for Purchase)	
342	70007178	1	O-Ring	



# SECTION 3 - ENGINE

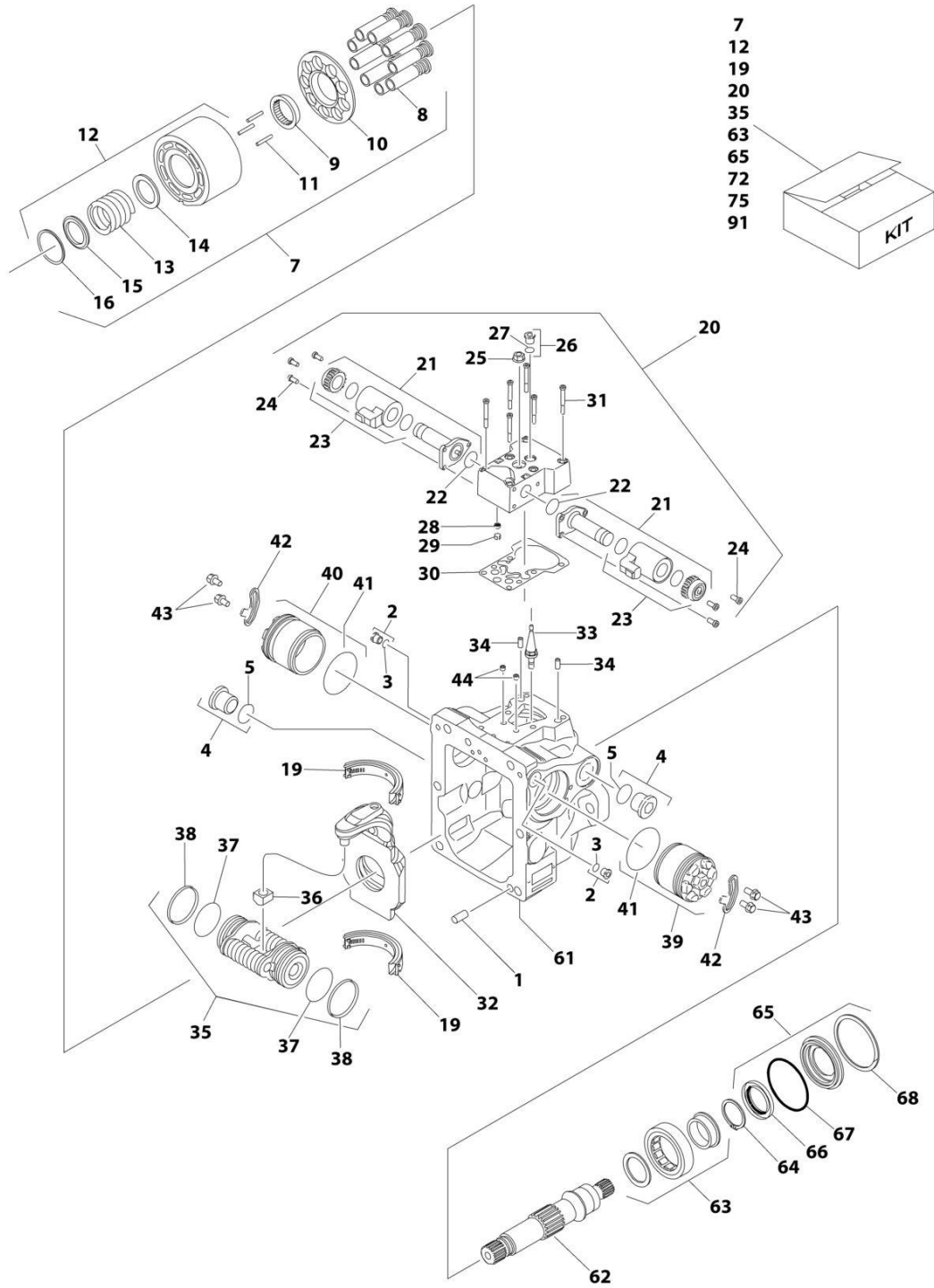
## FIGURE 3-49. PUMP ASSEMBLY (SAUER TANDEM)



ART\_1001108616\_10F2



# SECTION 3 - ENGINE



ART\_1001108616\_2OF2

## SECTION 3 - ENGINE

**FIGURE 3-49. PUMP ASSEMBLY (SAUER TANDEM)**

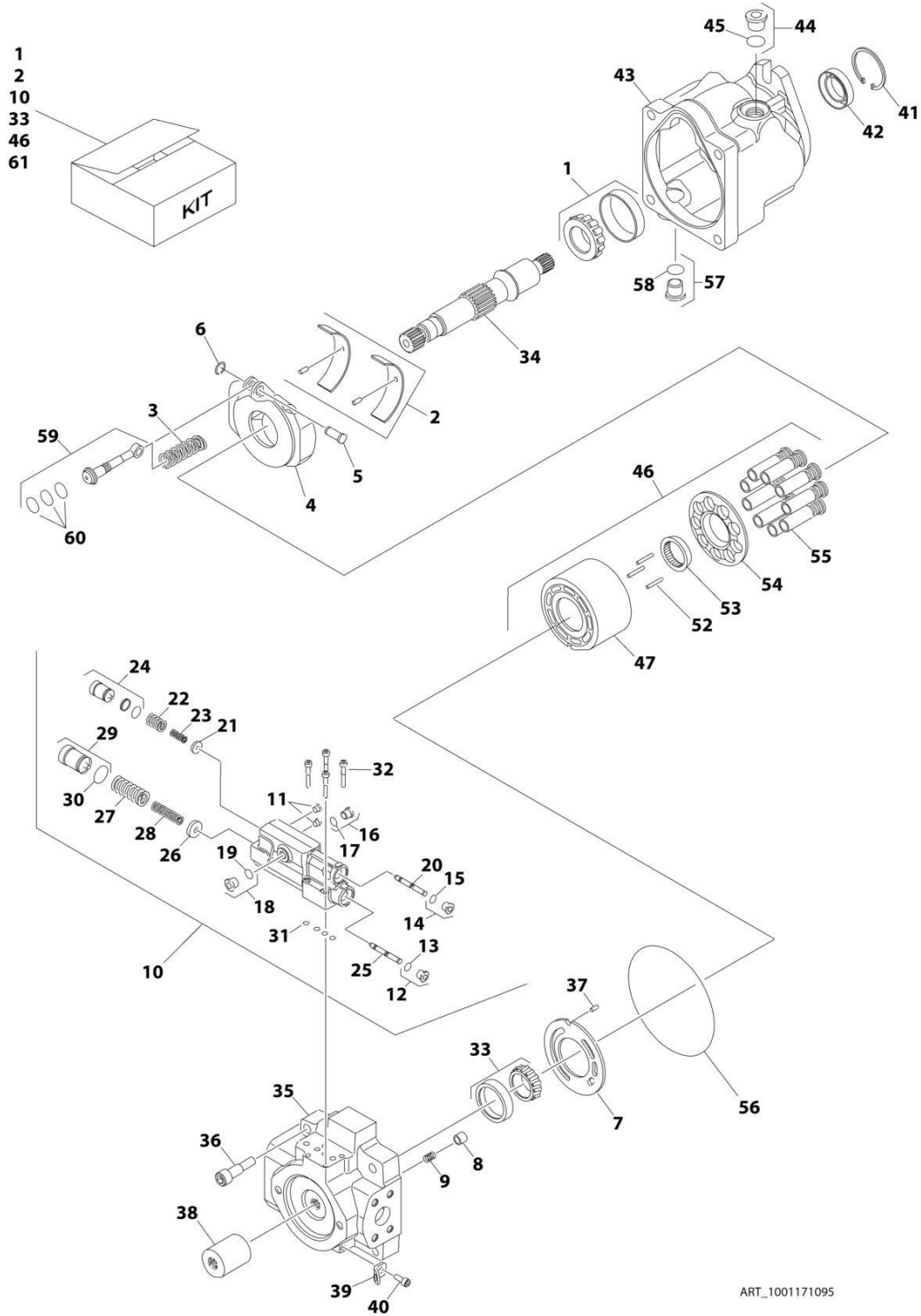
ITEM	PART NUMBER	QTY	DESCRIPTION	REV
	1001108616	Ref	PUMP ASSEMBLY (SAUER TANDEM)	D
1	70002132	4	Pin	
2	70002133	4	Plug Assembly (Includes Item 3)	
3	7007207	4	O-Ring (Part of Item 2)	
4	7007419	2	Plug Assembly (Includes Item 5)	
5	7007418	2	O-Ring (Part of Item 4)	
6	70002600	1	Coupling	
7	70002135	2	Cylinder Block Kit (Each Kit Includes Qty 1 of Items 8-10 & 12-16 & Qty 3 of Item 11)	
8	70002136	2	Piston Assembly Kit (Includes Qty 9 Piston Assemblies) (Part of Item 7)	
9	70002137	2	Guide, Slipper Retainer (Part of Item 7)	
10	70002138	2	Retainer, Slipper (Part of Item 7)	
11	7021275	6	Pin, Slipper Retainer Holddown (Part of Item 7)	
12	70002135	2	Cylinder Block Assembly (Includes Qty 1 of Item 13-16) (Part of Item 7)	
13	70002139	2	Spring (Part of Item 12)	
14	70002140	2	Washer (Part of Item 12)	
15	70002141	2	Washer (Part of Item 12)	
16	70002142	2	Ring, Retaining (Part of Item 12)	
17	7007446	2	Pin	
18		Ref	Plate, Valve Options:	
18A	70002601	1	Plate, CW Valve	
18B	70002602	1	Plate, CCW Valve	
19	70002145	2	Swash Plate Bearing Kit (Includes Qty 2 Bearings)	
20	70002618	2	EDC Kit (Includes Items 21-31)	
21	70002619	4	Solenoid Valve Assembly (Includes Items 22 & 23) (Part of Item 20)	
22	70002148	4	O-Ring (2 Per EDC Assembly) (Part of Item 21)	
23	70002620	4	Coil, Nut and Seals Kit (2 Per EDC Assembly) (Part of Item 21)	
24	70002150	12	Screw (Part of Item 20)	
25	7022301	2	Nut, Seal (Part of Item 20)	
26	70002151	2	Plug Assembly (Part of Item 20) (Includes Item 27)	
27	7007207	2	O-Ring (Part of Item 26)	
28	70002134	2	Screen (Part of Item 20)	
29	70002153	2	Ring, Locking (Part of Item 20)	
30	70002154	2	Gasket, Control (Part of Item 20)	
31	70002156	12	Capscrew (Part of Item 20)	
32	70002152	2	Swash Plate	
33	70002155	2	Link, Swash Plate	
34	70002157	4	Pin, Dowel	
35	70002158	2	Servo Piston Assembly (Includes Items 36-38)	
36	70002159	2	Block, Slider (Part of Item 35)	
37	70002160	2	O-Ring (Part of Item 35)	
38	70002161	2	Ring, Piston (Part of Item 35)	
39	70002162	2	Cylinder, Servo	
40	70002162	2	Cylinder, Servo	
41	70002163	4	O-Ring	
42	70002164	4	Plate, Locking	
43	70002165	8	Screw	

## SECTION 3 - ENGINE

ITEM	PART NUMBER	QTY	DESCRIPTION	REV
44	70002604	4	Orifice	
45	70002605	1	Center Section Assembly (Includes Item 58)	
46	70002168	2	Gasket, End Cap	
47	70001958	2	Plug Assembly (Includes Item 48)	
48	7021256	2	O-Ring (Part of Item 47)	
49	70001958	2	Plug Assembly (Includes Item 50)	
50	7021256	2	O-Ring (Part of Item 49)	
51	70001958	2	Plug Assembly (Includes Item 52)	
52	7021256	2	O-Ring (Part of Item 51)	
53	70001958	2	Plug Assembly (Includes Item 54)	
54	7021256	2	O-Ring (Part of Item 53)	
55	70002606	4	Capscrew	
58	70002607	2	Bearing, Journal (Part of Item 45)	
59	70002608	1	Bracket, Lifting	
60	70002609	1	Screw	
61	See Note	1	Housing (Note: Not Available for Purchase)	
62	70002175	1	Shaft	
63	70002610	1	Ball Bearing Kit	
64	70007439	1	Ring, Retaining	
65	70002174	1	Shaft Seal Kit (Includes Items 66-68) (Note: This is a universal kit and will contain extra pieces that are not used on this pump assembly)	
66	70002177	1	Seal, Lip	
67	70002178	1	O-Ring	
68	70002179	1	Ring, Retaining	
69	See Note	1	Housing (Note: Not Available for Purchase)	
71	70002612	1	Shaft	
72	70002610	1	Ball Bearing Kit	
74	70002621	1	High Pressure Relief Valve Cartridge Assembly (Includes Item 75)	
75	70002622	1	Seal Kit - 70002621 Valve (Part of Item 74)	
76	7007415	1	O-Ring (Part of Items 81, 84, 87 & 90)	
77	7021293	1	Ring, Back-up (Part of Items 81, 84, 87 & 90)	
78	7022300	1	O-Ring (Part of Items 81, 84, 87 & 90)	
79	70002616	1	SCR Valve Assembly	
80	7024800	1	Spring	
81	7021265	1	Plug Assembly (Includes Qty 1 of Items 76-78)	
82	70002616	1	SCR Valve Assembly	
83	7024800	1	Spring	
84	7021265	1	Plug Assembly (Includes Qty 1 of Item 76-78)	
85	70002616	1	SCR Valve Assembly	
86	7024800	1	Spring	
87	70002617	1	Plug Assembly (Includes Qty 1 of Item 76-78)	
88	70002616	1	SCR Valve Assembly	
89	7024800	1	Spring	
90	7021265	1	Plug Assembly (Includes Qty 1 of Items 76-78)	
91	70002623	1	Overhaul Seal Kit (Includes Items 3, 5, 22, 27, 30, 37, 38, 41, 46, 48, 50, 52, 54, 66, 67, 75, 76, 77 & 78)	

# SECTION 3 - ENGINE

## FIGURE 3-50. PUMP ASSEMBLY (SAUER PISTON)



ART\_1001171095

## SECTION 3 - ENGINE

### FIGURE 3-50. PUMP ASSEMBLY (SAUER PISTON)

ITEM	PART NUMBER	QTY	DESCRIPTION	REV
	1001171095	Ref	PUMP ASSEMBLY (SAUER PISTON)	B
1	70002578	1	Bearing Kit - Front (Includes Cup and Cone)	
2	70004426	1	Swash Plate Bearing Kit (Includes Qty 2 Bearings and Retainer Pins)	
3	70002580	1	Spring, Bias	
4	70004416	1	Swash Plate Assembly	
5	70002582	1	Shaft	
6	70002583	1	Ring, Retaining	
7	70004417	1	Plate, Valve	
8	70001956	1	Poppet, Check Valve	
9	70001955	1	Spring	
10	70022286	1	Control Kit (Includes Items 11-32)	
11	See Note	NSS	Setscrew (Note: Use Item 10)	
12	70002133	1	Plug Assembly (Includes Item 13)	
13	7007207	1	O-Ring (Part of Item 12)	
14	70002133	1	Plug Assembly (Part of Item 15)	
15	7007207	1	O-Ring (Part of Item 14)	
16	70002133	1	Plug Assembly (Includes Item 17)	
17	7007207	1	O-Ring (Part of Item 16)	
18	70002133	1	Plug Assembly (Includes Item 19)	
19	7007207	1	O-Ring (Part of Item 18)	
20	See Note	NSS	Spool (Note: Use Item 10)	
21	See Note	NSS	Guide, Spring LS (Note: Use Item 10)	
22	See Note	NSS	Spring, Outer LS (Note: Use Item 10)	
23	See Note	NSS	Spring, Inner LS (Note: Use Item 10)	
24	See Note	NSS	Plug, Adjusting LS (Note: Use Item 10 or 61)	
25	See Note	NSS	Spool, Control (Note: Use Item 10)	
26	See Note	NSS	Guide, Spring PC (Note: Use Item 10)	
27	See Note	NSS	Spring, Outer PC (Note: Use Item 10)	
28	See Note	NSS	Spring, Inner PC (Note: Use Item 10)	
29	See Note	NSS	Plug, Adjusting PC (Note: Use Item 10)	
30	See Note	NSS	O-Ring (Note: Use Item 10 or 61)	
31	See Note	NSS	Ring, Seal (Note: Use Item 10 or 61)	
32	See Note	NSS	Capscrew (Note: Use Item 10)	
33	70002585	1	Bearing Kit - Rear (Includes Cup and Cone)	
34	70002586	1	Shaft	
35	70004420	1	Cap, End	
36	70002588	4	Capscrew	
37	7007446	1	Pin, Slotted	
38	70002589	1	Coupling	
39	7022340	1	Bracket, Lifting	
40	70002590	1	Capscrew	
41	7023962	1	Ring, Retaining	
42	See Note	NSS	Seal, Lip (Note: Use Item 61)	
43	See Note	NSS	Housing (Note: Not Available for Purchase)	
44	7023964	1	Plug Assembly (Includes Item 45)	
45	7007415	1	O-Ring (Part of Item 44)	
46	70004423	1	Cylinder Block Kit (Includes Items 47-55)	
47	70004421	1	Cylinder	
52	7021275	3	Pin, Hold-down	

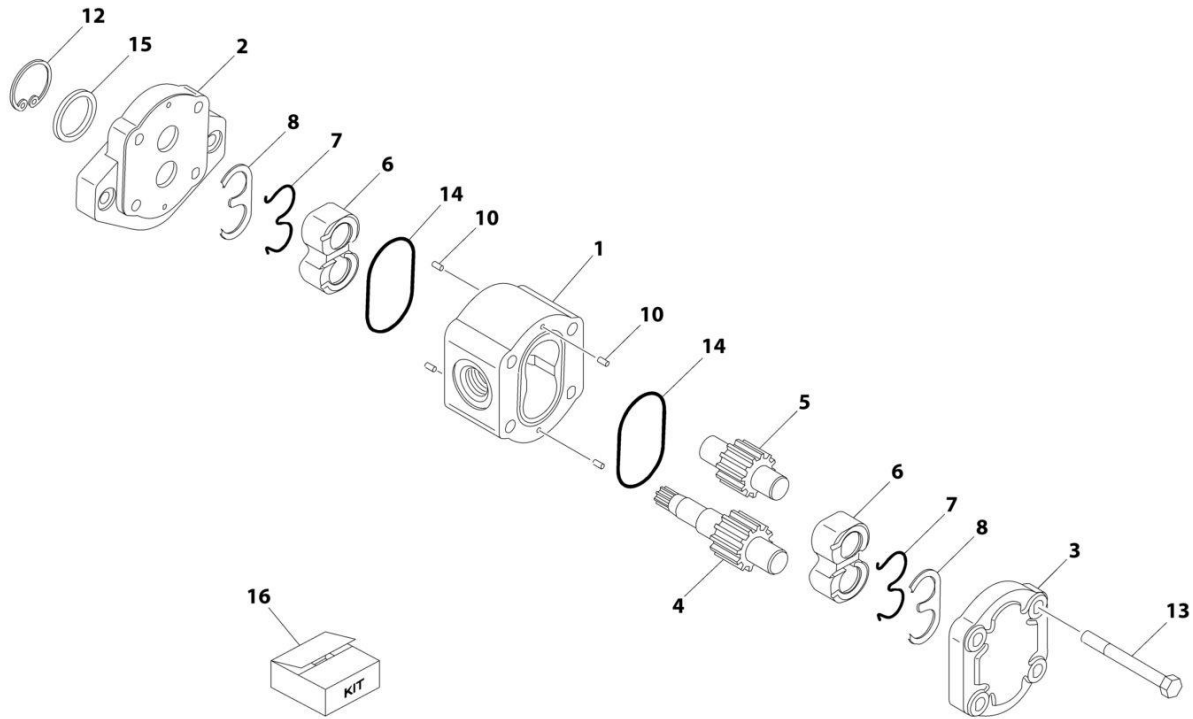
## SECTION 3 - ENGINE

ITEM	PART NUMBER	QTY	DESCRIPTION	REV
53	70002592	1	Guide, Slipper Retainer	
54	70002593	1	Retainer, Slipper	
55	70004422	1	Piston Assembly	
56	See Note	NSS	Seal, End Cap (Note: Use Item 61)	
57	7023964	1	Plug, O-Ring (Includes Item 58)	
58	7007415	1	O-Ring (Part of Item 57)	
59	70005418	1	Servo Piston Assembly (Includes Item 60)	
60	See Note	NSS	Ring, Piston (Part of Item 59) (Note: Use Item 61)	
61	70002599	1	Complete Seal Kit (Includes Items 13, 15, 17, 19, 24, 30, 31, 42, 45, 56, 58 & 60)	



# SECTION 3 - ENGINE

## FIGURE 3-51. PUMP ASSEMBLY (SAUER GEAR)



ART\_1001112927



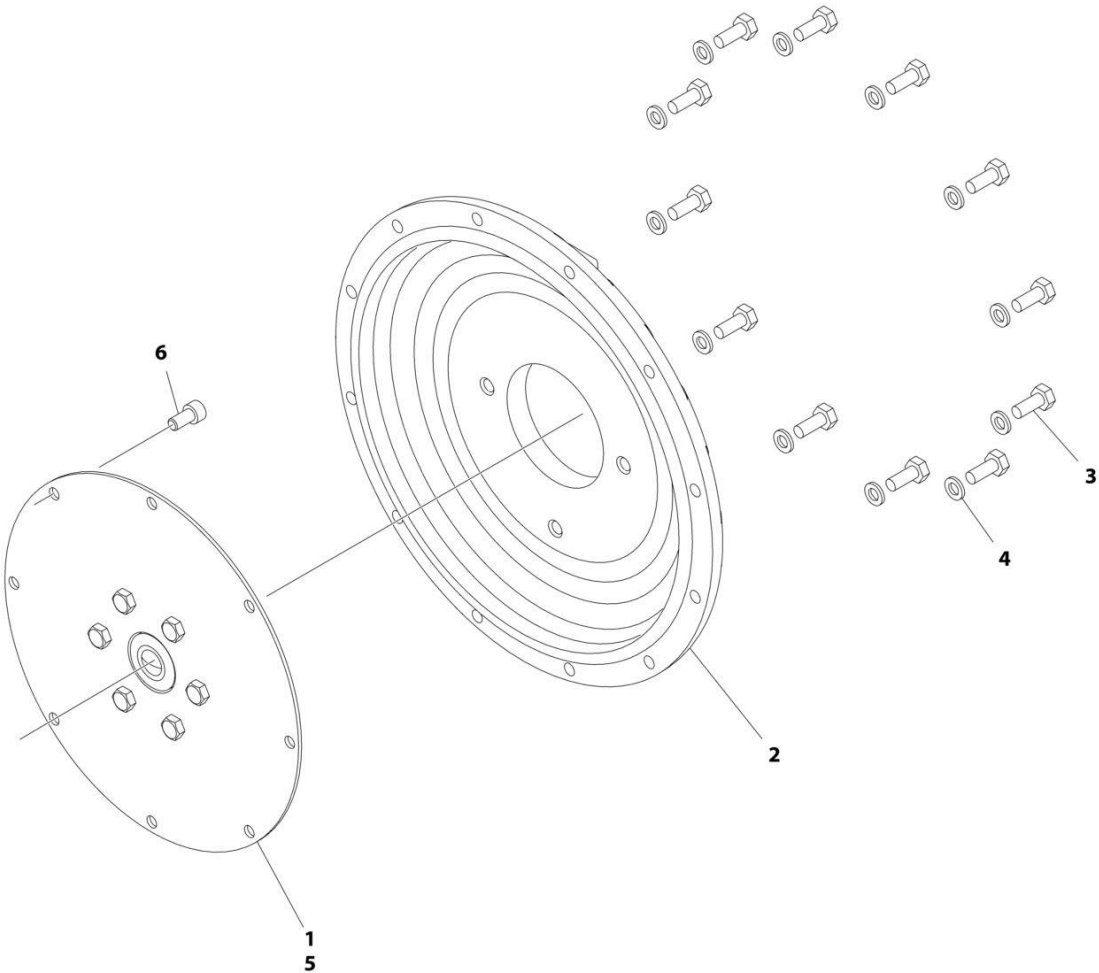
## SECTION 3 - ENGINE

**FIGURE 3-51. PUMP ASSEMBLY (SAUER GEAR)**

ITEM	PART NUMBER	QTY	DESCRIPTION	REV
	1001112927	Ref	PUMP ASSEMBLY (SAUER GEAR)	A
1	See Note	NSS	Body (Note: Use p/n 1001112927)	
2	See Note	NSS	Cover, Front (Note: Use p/n 1001112927)	
3	See Note	NSS	Cover, Rear (Note: Use p/n 1001112927)	
4	See Note	NSS	Shaft, Gear (Note: Use p/n 1001112927)	
5	See Note	NSS	Gear, Idler (Note: Use p/n 1001112927)	
6	See Note	NSS	Block, Bearing (Note: Use p/n 1001112927)	
7	7007489	2	Ring, Anti-Extrusion	
8	7007489	2	Ring, Seal	
10	See Note	NSS	Pin, Dowel (Note: Use p/n 1001112927)	
12	70002576	1	Ring, Retaining	
13	See Note	NSS	Capscrew (Note: Use p/n 1001112927)	
14	7007489	2	O-Ring	
15	7007489	1	Seal, Lip	
16	7007489	1	Seal Kit - 1001112927 Pump (Includes Items 7, 8, 14 & 15)	

**SECTION 3 - ENGINE**

**FIGURE 3-52. PUMP COUPLING KIT**



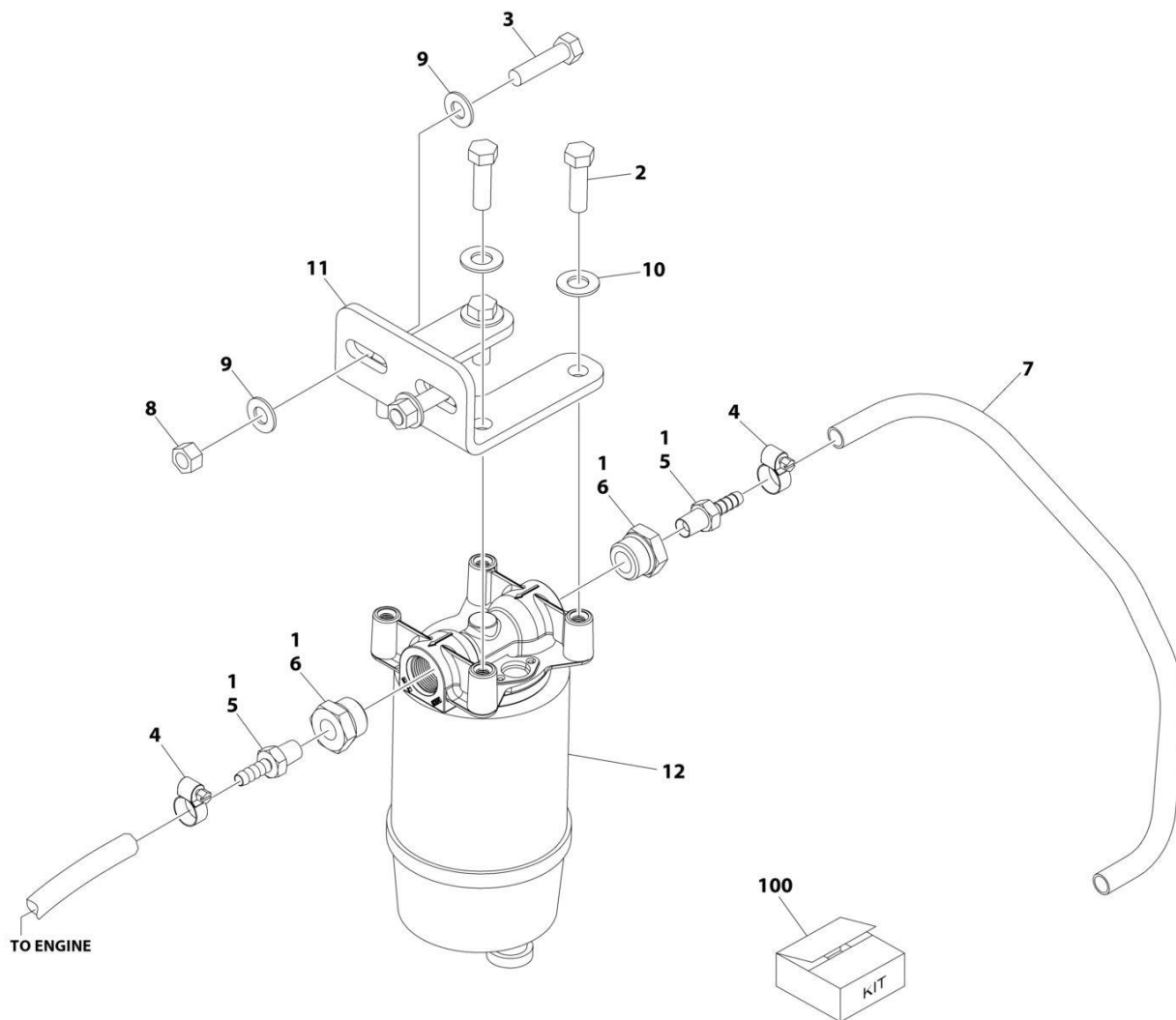
ART\_2902065

FIGURE 3-52. PUMP COUPLING KIT

ITEM	PART NUMBER	QTY	DESCRIPTION	REV
	2902065	Ref	PUMP COUPLING KIT	K
1	70000793	1	Coupling, Hayes	
2	See Note	NSS	Plate, Pump Adapter (Note: Use p/n 2902065)	
3	See Note	NSS	Bolt M10 x 30 Grade 10.9 (Note: Use p/n 2902065)	
4	See Note	NSS	Washer M10 (Note: Use p/n 2902065)	
5	3020021	AR	Grease, Coupling	
6	See Note	NSS	Bolt M10 x 20 Grade 10.9 (Note: Use p/n 2902065)	

# SECTION 3 - ENGINE

## FIGURE 3-53. WATER/FUEL SEPARATOR INSTALLATION - DEUTZ TD2011 ENGINE



ART\_1001195214

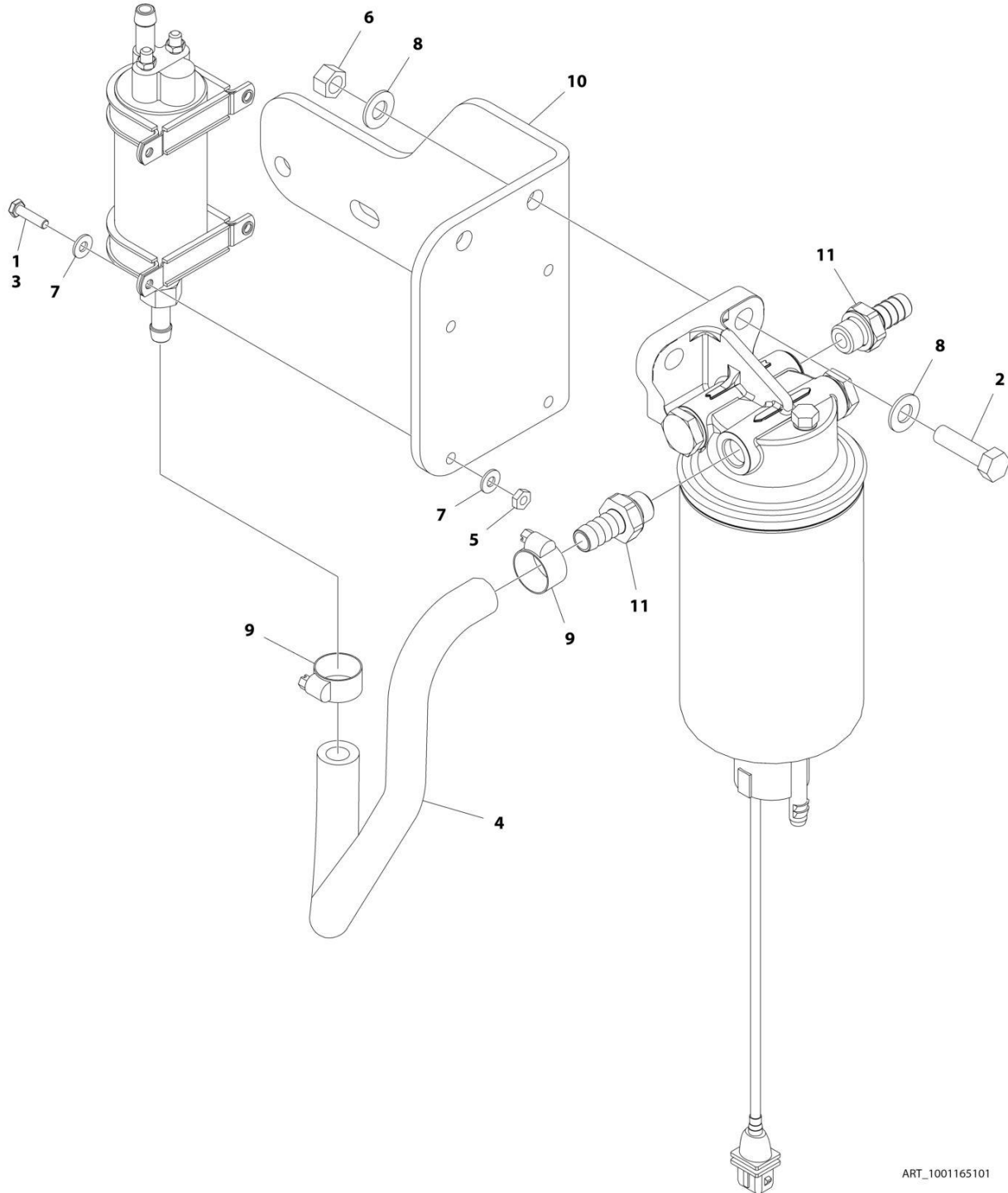
## SECTION 3 - ENGINE

**FIGURE 3-53. WATER/FUEL SEPARATOR INSTALLATION - DEUTZ TD2011 ENGINE**

ITEM	PART NUMBER	QTY	DESCRIPTION	REV
	1001195214	Ref	WATER/FUEL SEPARATOR INSTALLATION - DEUTZ TD2011 ENGINE	A
1	0100079	AR	Sealant, Pipe	
2	0641610	4	Bolt 3/8 x 1-1/4	
3	0641612	2	Bolt 3/8 x 1-1/2	
4	1320022	2	Clamp	
5	2180348	1	Fitting, Barbed	
6	2220816	2	Fitting, Adapter FNPTF/ORB	
7	2720058	3.5 ft /1.1m	Hose	
8	3271601	2	Nut 3/8	
9	4711600	4	Washer 3/8	
10	4711700	4	Washer 7/16	
11	1001188884	1	Bracket, Water/Fuel	
12	1001188887	1	Filter Water/Fuel	
12	1001202280	1	Filter, Head	
12	1001202281	1	Filter, Element	
100	1001204159	1	Water/Separator Add-on Kit	

# SECTION 3 - ENGINE

FIGURE 3-54. FUEL PUMP/FILTER BRACKET ASSEMBLY - DEUTZ TCD2.9L4 ENGINE AND DEUTZ TCD2.9L4 (STAGE V) ENGINE



ART\_1001165101

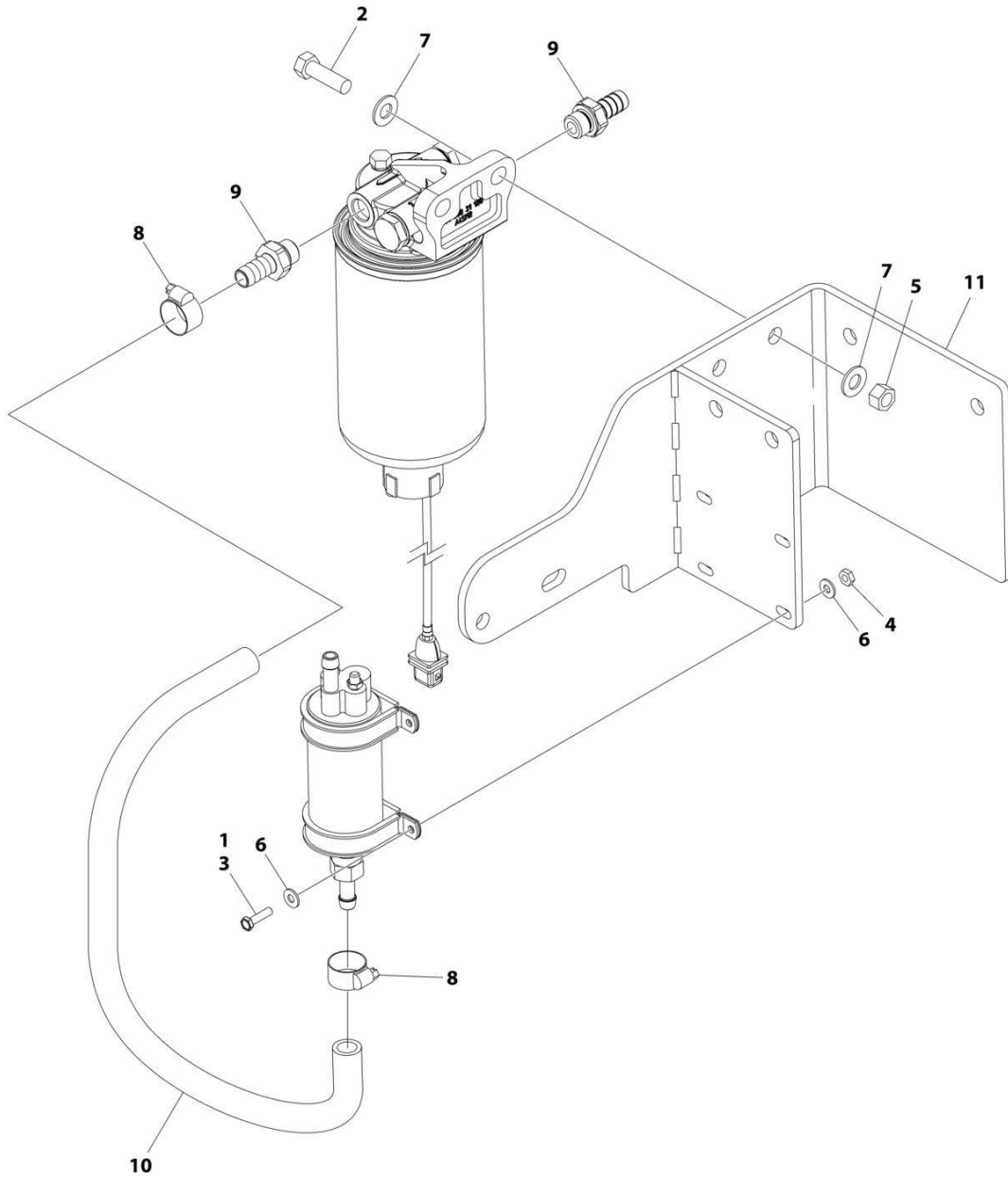
## SECTION 3 - ENGINE

**FIGURE 3-54. FUEL PUMP/FILTER BRACKET ASSEMBLY - DEUTZ TCD2.9L4 ENGINE AND DEUTZ TCD2.9L4 (STAGE V) ENGINE**

ITEM	PART NUMBER	QTY	DESCRIPTION	REV
	1001165101	Ref	FUEL PUMP/FILTER BRACKET ASSEMBLY - DEUTZ TCD2.9L4 ENGINE AND DEUTZ TCD2.9L4 (STAGE V) ENGINE	C
1	0100011	AR	Compound, Locking	
2	0641611	2	Bolt 3/8 x 1-3/8	
3	0721006	4	Bolt #10 x 3/4	
4	1001154405	1.5 ft /0.4m	Hose	
5	3311001	4	Nut #10	
6	3311605	2	Nut 3/8	
7	4711000	8	Washer #10	
8	4711600	4	Washer 3/8	
9	8405006	2	Clamp	
10	1001140222	1	Bracket, Fuel Pump Mounting	
11	1001141718	1	Fitting, Barbed	

## SECTION 3 - ENGINE

**FIGURE 3-55. FUEL PUMP/FILTER BRACKET ASSEMBLY - DEUTZ TD2.9L4 ENGINE (CHINA SPECS ONLY) (SN 0300238862 through 0300272504, SN B300002450 through B300007118)**



ART\_1001227606



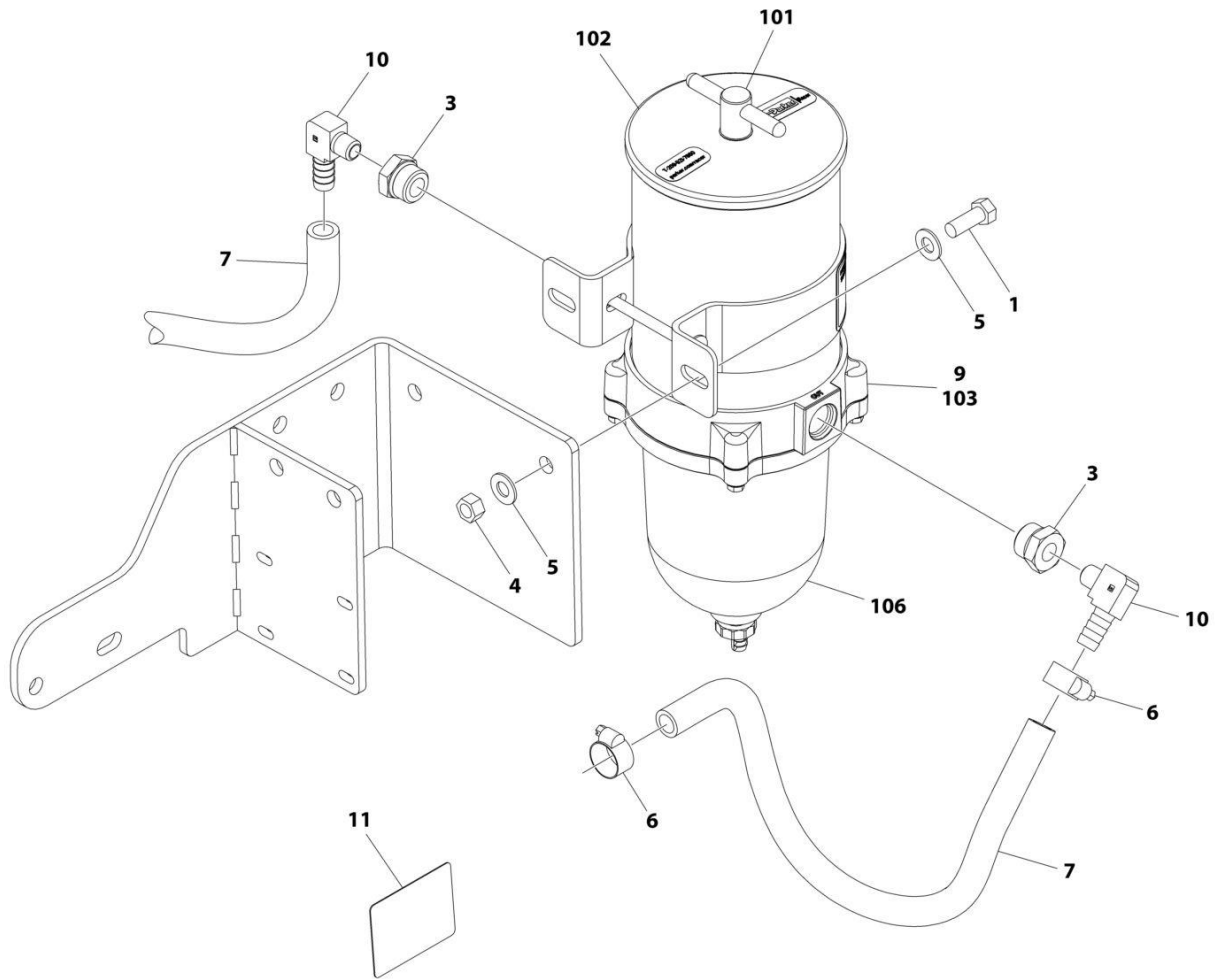
## SECTION 3 - ENGINE

**FIGURE 3-55. FUEL PUMP/FILTER BRACKET ASSEMBLY - DEUTZ TD2.9L4 ENGINE (CHINA SPECS ONLY) (SN 0300238862 through 0300272504, SN B300002450 through B300007118)**

ITEM	PART NUMBER	QTY	DESCRIPTION	REV
	1001227606	Ref	FUEL PUMP/FILTER BRACKET ASSEMBLY - DEUTZ TD2.9L4 ENGINE (CHINA SPECS ONLY)	A
1	0100011	AR	Compound, Locking	
2	0641610	2	Bolt 3/8 x 1-1/4	
3	0721006	4	Bolt #10 x 3/4	
4	3311001	4	Nut #10	
5	3311605	2	Nut 3/8	
6	4711000	8	Washer #10	
7	4711600	4	Washer 3/8	
8	8405006	2	Clamp	
9	1001141718	2	Fitting, Barbed	
10	1001154405	1.5 ft/ 0.4m	Hose	
11	1001222773	1	Bracket, Fuel Pump Mounting	

# SECTION 3 - ENGINE

## FIGURE 3-56. FUEL FILTER/WATER SEPARATOR INSTALLATION - DEUTZ TD2.9L4 ENGINE



NOTE: LOCATED ON HOOD

ART\_1001223068

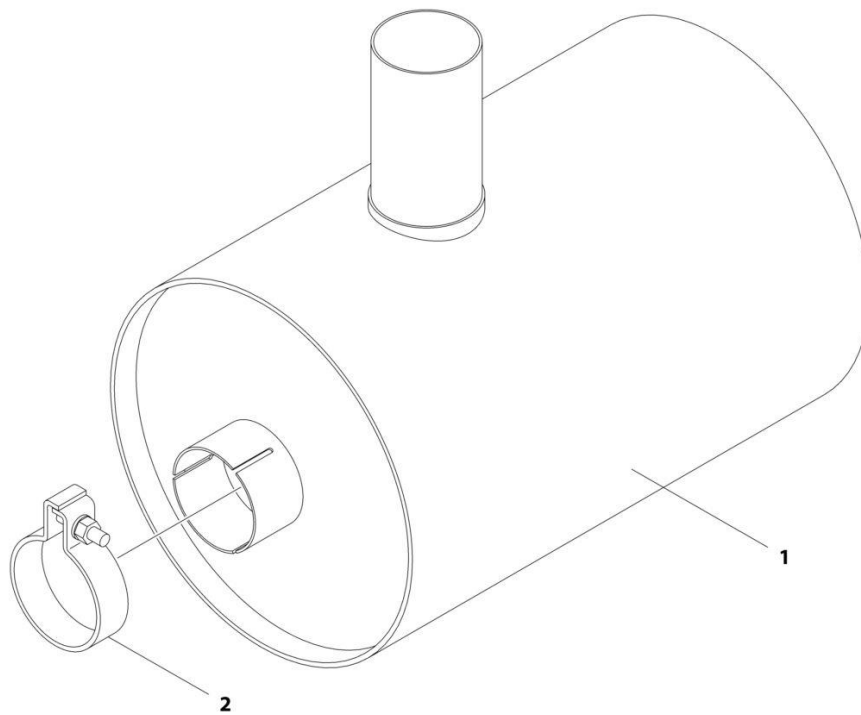
## SECTION 3 - ENGINE

**FIGURE 3-56. FUEL FILTER/WATER SEPARATOR INSTALLATION - DEUTZ TD2.9L4 ENGINE**

ITEM	PART NUMBER	QTY	DESCRIPTION	REV
	1001223068	Ref	FUEL FILTER/WATER SEPARATOR INSTALLATION - DEUTZ TD2.9L4 ENGINE	C
1	0641608	2	Bolt 3/8 x 1	
3	2220816	2	Fitting, Adapter FNPTF/ORB	
4	3311605	2	Nut 3/8	
5	4711600	4	Washer 3/8	
6	8405006	4	Clamp	
7	1001154405	4 ft/ 1.22m	Hose	
9	1001222817	1	Fuel Filter Assembly (See Items 101-107 for Breakdown)	
10	1001178797	2	Fitting, 90	
11	1001226923	1	Decal - Fuel Water Separator	
	1001222817	Ref	FUEL FILTER ASSEMBLY	
101	70006403	1	T-Handle Kit (Includes O-Ring)	
102	70006404	1	Lid Kit (Includes Gasket)	
103	70006405	1	Element	
104	70006406	1	Checkball & Gasket Kit (Not Shown)	
105	70006407	1	Centrifuge and Baffle Kit (Not Shown)	
106	70006409	1	Bowl Kit (Includes Gasket, O-Ring and Drain)	
106	70006408	1	Gasket, Bowl	
107	70006410	1	Bowl Ring Kit (Includes Gasket & Hardware) (Not Shown)	

## SECTION 3 - ENGINE

FIGURE 3-57. SPARK ARRESTING CATALYTIC MUFFLER - DEUTZ TD2011 ENGINES (OPTIONAL)



ART\_3220130

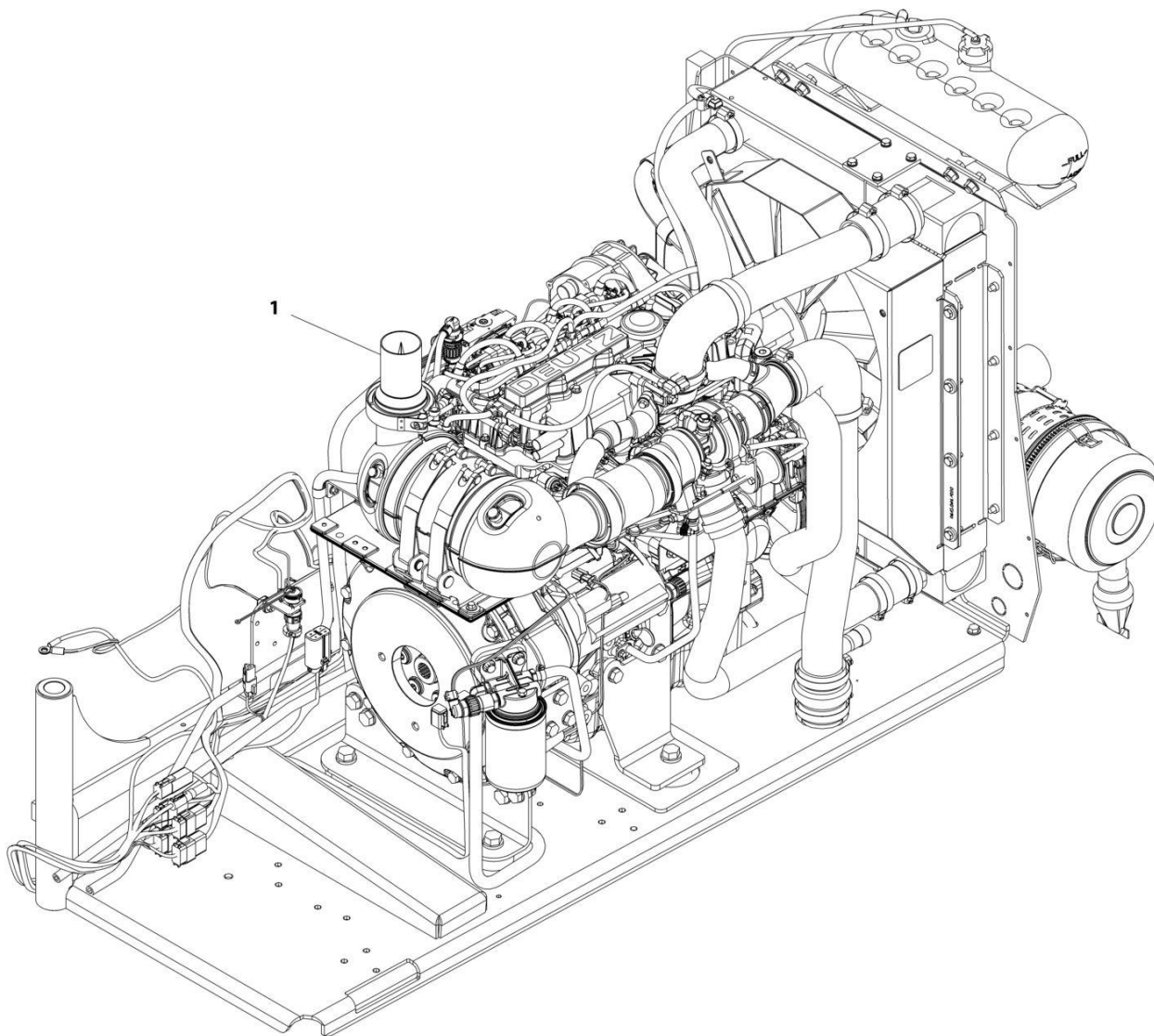
## SECTION 3 - ENGINE

**FIGURE 3-57. SPARK ARRESTING CATALYTIC MUFFLER - DEUTZ TD2011 ENGINES (OPTIONAL)**

ITEM	PART NUMBER	QTY	DESCRIPTION	REV
	3220130	Ref	SPARK ARRESTING CATALYTIC MUFFLER - DEUTZ TD2011 ENGINES (OPTIONAL)	A
1	See Note	NSS	Muffler (Note: Use p/n 3220130)	
2	70001017	1	Clamp	

## SECTION 3 - ENGINE

FIGURE 3-58. SPARK ARRESTOR INSTALLATION - DEUTZ TCD2.9L4 ENGINES AND DEUTZ TCD2.9L4 (STAGE V) ENGINES (OPTIONAL)



ART\_1001139930

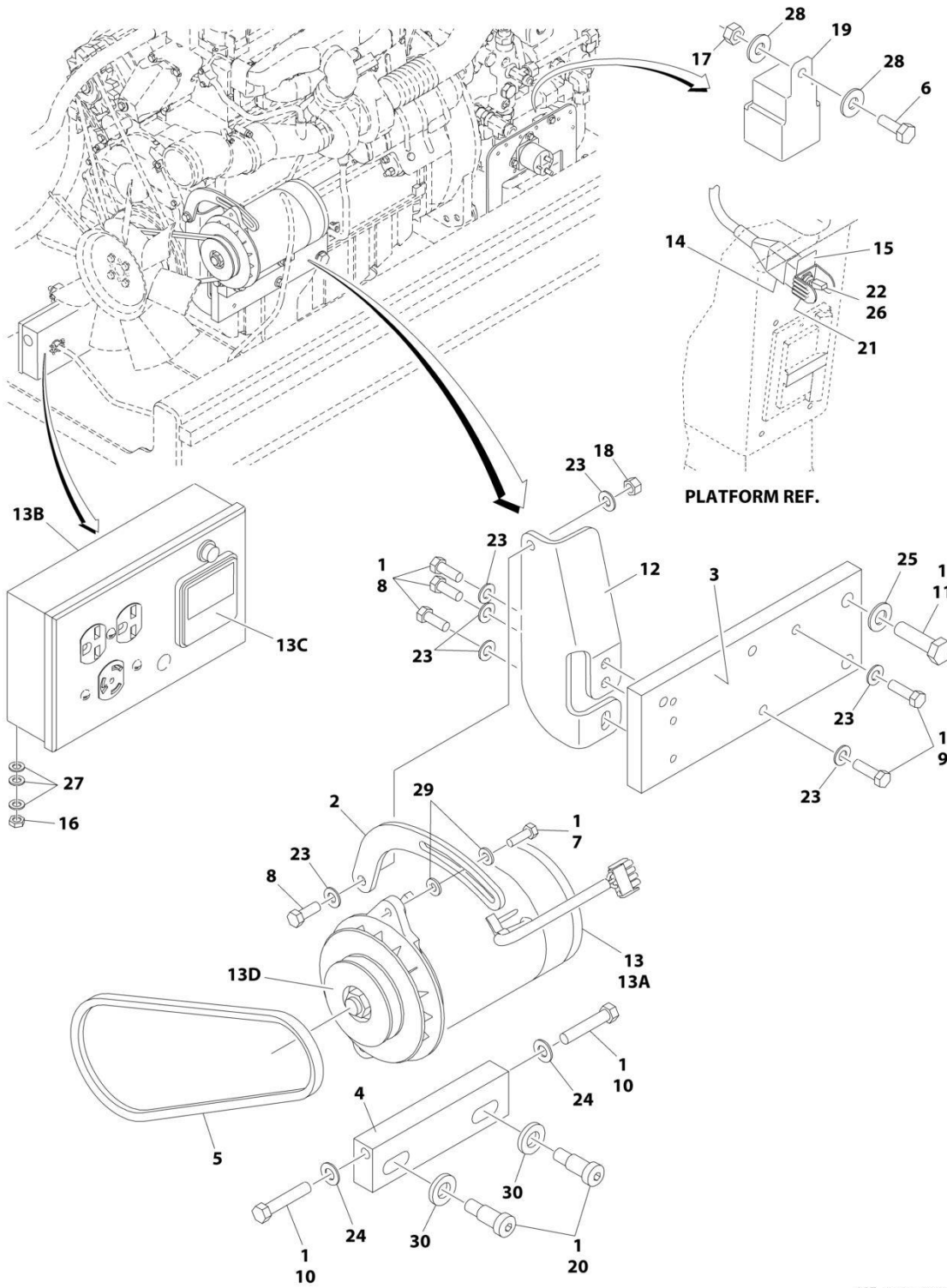
## SECTION 3 - ENGINE

**FIGURE 3-58. SPARK ARRESTOR INSTALLATION - DEUTZ TCD2.9L4 ENGINES AND DEUTZ TCD2.9L4 (STAGE V) ENGINES (OPTIONAL)**

ITEM	PART NUMBER	QTY	DESCRIPTION	REV
	1001139930	Ref	SPARK ARRESTOR INSTALLATION - DEUTZ TCD2.9L4 ENGINES AND DEUTZ TCD2.9L4 (STAGE V) ENGINES (OPTIONAL)	C
1	1001154157	1	Arrestor, Spark	

# SECTION 3 - ENGINE

## FIGURE 3-59. 2500W GENERATOR INSTALLATION - 60HZ SPEC (DEUTZ TD2011 ENGINES) (OPTIONAL)



ART\_1001125425



## SECTION 3 - ENGINE

**FIGURE 3-59. 2500W GENERATOR INSTALLATION - 60HZ SPEC (DEUTZ TD2011 ENGINES)  
(OPTIONAL)**

ITEM	PART NUMBER	QTY	DESCRIPTION	REV
	1001125425	Ref	2500W GENERATOR INSTALLATION - 60HZ SPEC (DEUTZ TD2011 ENGINES) (OPTIONAL)	A
1	0100011	AR	Compound, Locking	
2	0200742	1	Arm, Adjusting	
3	0363081	1	Bar, Mounting	
4	0363082	1	Bar, Adjusting	
5	0480127	1	Belt	
6	0641406	1	Bolt 1/4 x 3/4	
7	0641508	1	Bolt 5/16 x 1	
8	0641608	4	Bolt 3/8 x 1	
9	0641610	2	Bolt 3/8 x 1-1/4	
10	0641718	2	Bolt 7/16 x 2-1/14	
11	0701418	2	Bolt M14 x 50	
12	0902813	1	Bracket, Arm Mounting	
13	2460055	1	Generator, 110V/60Hz	
13A	7012558	1	Generator 110V/60Hz	
		Ref	Note: Replacement generators come standard with p/n 3580134 pulley. This pulley may not be correct for all applications. Refer to pulley options below for correct pulley.	
13A	7012513	4	Cap, Brush Holder	
13A	7020108	4	Brush	
13A	7020109	4	Holder, Brush	
13A	7012514	1	Fan	
13A	7020190	2	Bearing	
13A	7020110	1	End Bell, Front	
13A	7020111	1	End Bell, Rear	
13B	7019680	1	Box Control	
13B	4360542	1	Breaker, Circuit	
13B	4460190	AR	Receptacle, Double (110V)	
13B	4460027	AR	Receptacle, Double Twist Lock (110V)	
13B	70000124	1	Receptacle, Double (220V)	
13B	70000125	1	Receptacle, Single Twist Lock (220V)	
13C	2420203	1	Voltmeter	
13D	3580276	1	Pulley	
13D	7027887	1	Key, Woodruff	
14	2820031	AR	Heat Shrink	
15	3251102	1	Nameplate - Generator	
16	3311005	2	Nut #10	
17	3311405	1	Nut 1/4	
18	3311605	1	Nut 3/8	
19	3740080	1	Relay	
20	3900322	2	Screw, Socket Head Shoulder	
21	4060802	1	Guard, Switch	
22	4360336	1	Switch, Toggle	
23	4711600	7	Washer 3/8	
24	4711700	2	Washer 7/16	
25	4711900	2	Washer 9/16	
26	4740397	1	Spacer	
27	4751000	6	Washer #10	

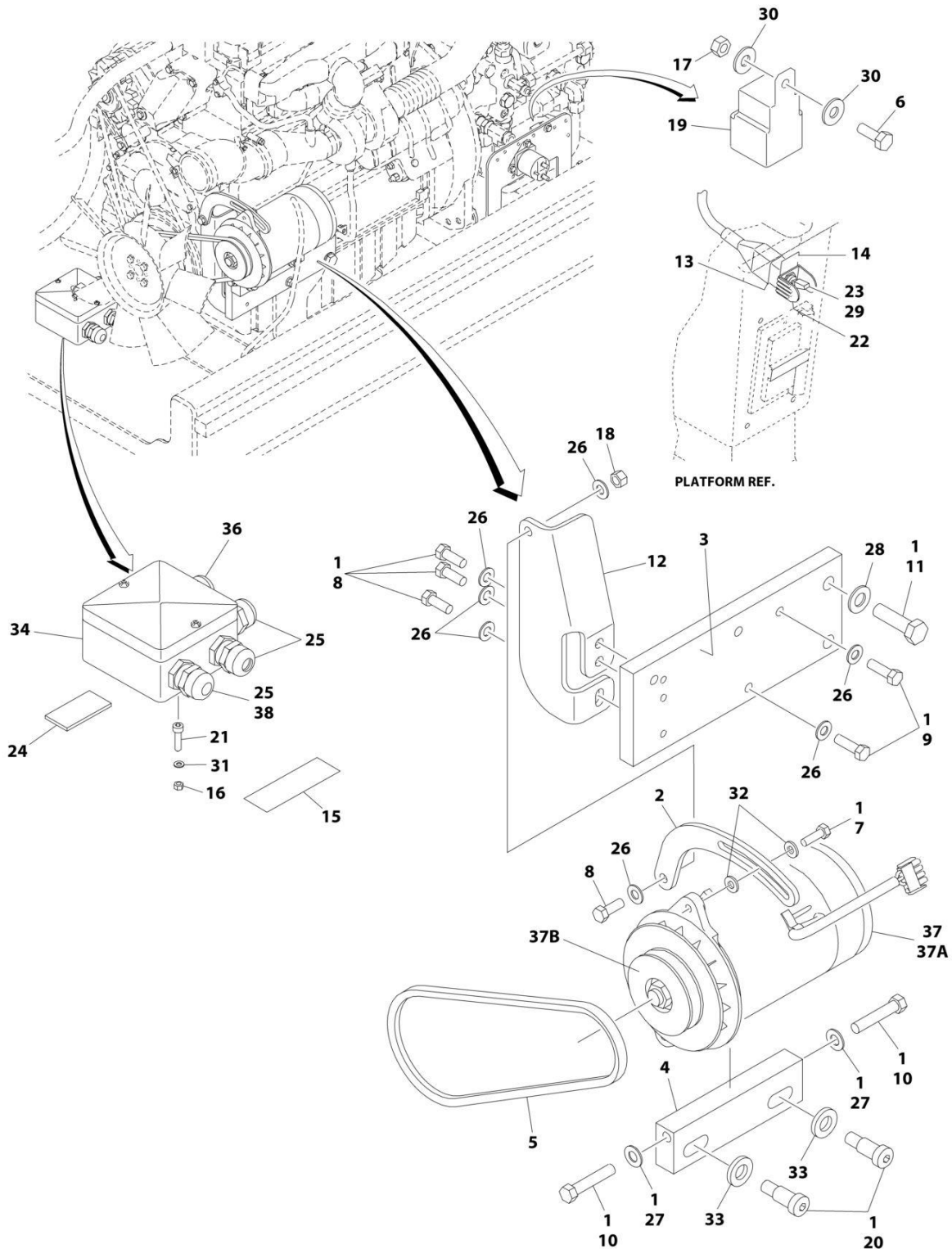
## SECTION 3 - ENGINE

ITEM	PART NUMBER	QTY	DESCRIPTION	REV
28	4751400	2	Washer 1/4	
29	4891500	2	Washer 5/16	
30	4892000	2	Washer 5/8	



# SECTION 3 - ENGINE

## FIGURE 3-60. 2500W GENERATOR INSTALLATION - 50HZ SPEC (DEUTZ TD2011 ENGINES) (OPTIONAL)



ART\_1001125426

## SECTION 3 - ENGINE

**FIGURE 3-60. 2500W GENERATOR INSTALLATION - 50HZ SPEC (DEUTZ TD2011 ENGINES)  
(OPTIONAL)**

ITEM	PART NUMBER	QTY	DESCRIPTION	REV
	1001125426	Ref	2500W GENERATOR INSTALLATION - 50HZ SPEC (DEUTZ TD2011 ENGINES) (OPTIONAL)	A
1	0100011	AR	Compound, Locking	
2	0200742	1	Arm, Adjusting	
3	0363081	1	Bar, Mounting	
4	0363082	1	Bar, Adjusting	
5	0480122	1	Belt	
6	0641406	1	Bolt 1/4 x 3/4	
7	0641508	1	Bolt 5/16 x 1	
8	0641608	4	Bolt 3/8 x 1	
9	0641610	2	Bolt 3/8 x 1-1/4	
10	0641718	2	Bolt 7/16 x 2-1/4	
11	0701418	2	Bolt M14 x 50	
12	0902813	1	Bracket, Arm Mounting	
13	2820031	AR	Heat Shrink	
14	3251102	1	Nameplate - Generator	
15	3252507	1	Decal, Voltage	
16	3290505	1	Nut M5	
17	3311405	1	Nut 1/4	
18	3311605	1	Nut 3/8	
19	3740080	1	Relay	
20	3900322	2	Screw, Socket Head Shoulder	
21	4031608	1	Screw M5 x 20	
22	4060802	1	Guard, Switch	
23	4360336	1	Switch, Toggle	
24	4420060	AR	Tape, Double-Sided	
25	4460968	3	Relief, Strain	
26	4711600	7	Washer 3/8	
27	4711700	2	Washer 7/16	
28	4711900	2	Washer 9/16	
29	4740397	1	Spacer	
30	4751400	2	Washer 1/4	
31	4811600	1	Washer M5	
32	4891500	2	Washer 5/16	
33	4892000	2	Washer 5/8	
34	1001099869	1	Box, Junction	
35	1001120382	1	Wiring Diagram (Not Shown - See Separate Breakdown in ELECTRICAL SECTION)	
36	1001100233	1	Light, Red	
37	1001100321	1	Generator Assembly	
		Ref	Note: Replacement generators come standard with p/n 3580134 pulley. This pulley may not be correct for all applications. Refer to pulley options below for correct pulley.	
37A	7012513	4	Cap, Brush Holder	
37A	7020108	4	Brush	
37A	7020109	4	Holder, Brush	
37A	7012514	1	Fan	
37A	7020190	2	Bearing	
37A	7020110	1	End Bell, Front	
37A	7020111	1	End Bell, Rear	

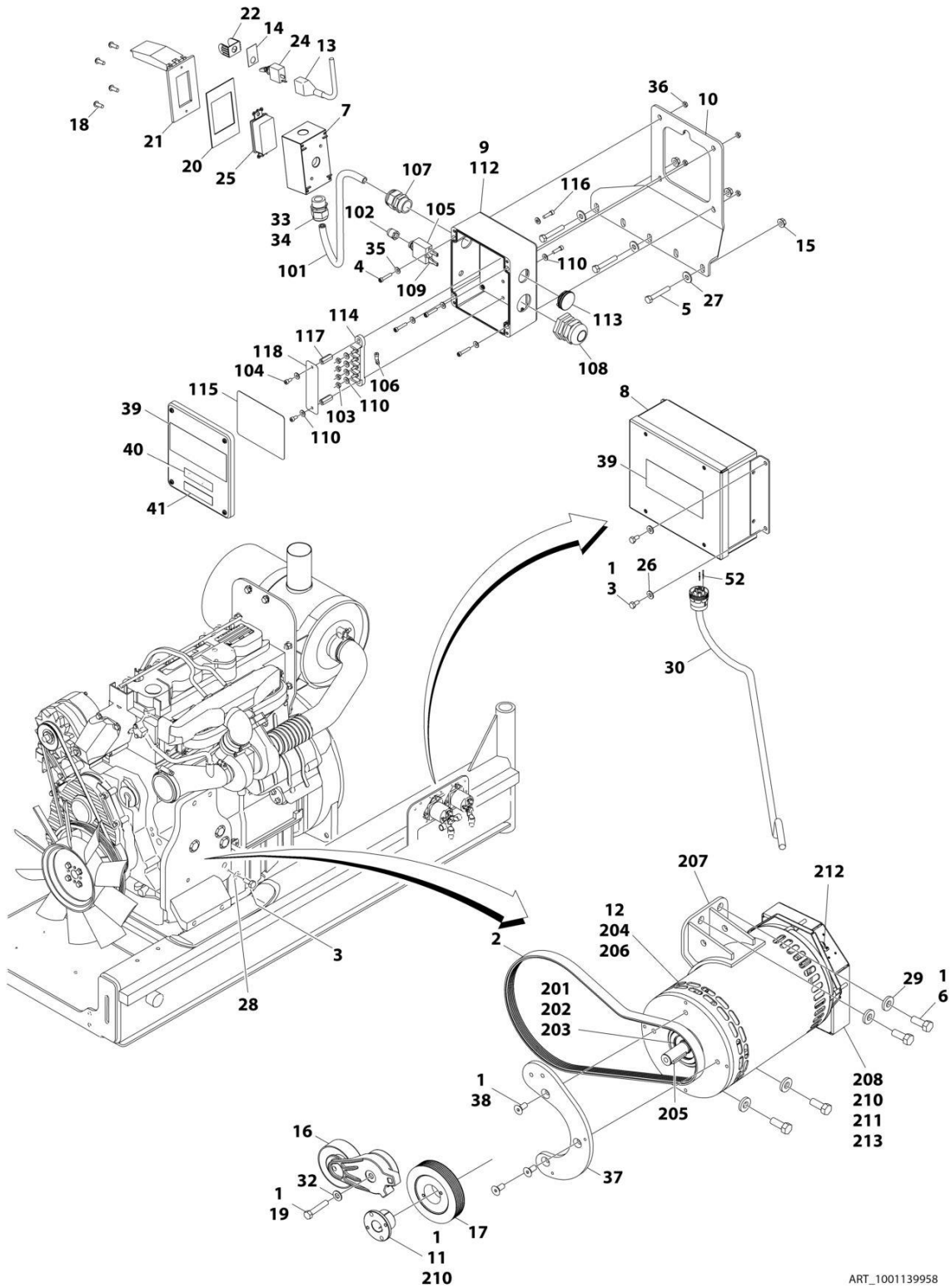
## SECTION 3 - ENGINE

ITEM	PART NUMBER	QTY	DESCRIPTION	REV
37B	7027887	1	Key, Woodruff	
38	0962449	1	Bushing, Silicone	



# SECTION 3 - ENGINE

## FIGURE 3-61. 4000W GENERATOR INSTALLATION - 60HZ SPEC (DEUTZ TD2011 ENGINES) (OPTIONAL)



ART\_1001139958



## SECTION 3 - ENGINE

**FIGURE 3-61. 4000W GENERATOR INSTALLATION - 60HZ SPEC (DEUTZ TD2011 ENGINES)  
(OPTIONAL)**

ITEM	PART NUMBER	QTY	DESCRIPTION	REV
	1001139958	Ref	4000W GENERATOR INSTALLATION - 60HZ SPEC (DEUTZ TD2011 ENGINES) (OPTIONAL)	B
		Ref	Note: See ELECTRICAL SECTION for Boom Cable Installation.	
1	0100011	AR	Compound, Locking	
2	0480128	1	Belt, Generator	
3	0641404	5	Bolt 1/4 x 1/2	
4	3931016	4	Screw 1/4 x 1	
5	0641516	3	Bolt 5/16 x 2	
6	0641810	4	Bolt 1/2 x 1-1/4	
7	0860038	1	Box, Switch-Weatherhead	
8	1001138566	1	Box, Generator Control	
8	70006552	1	Capacitor	
8	70006553	1	Relay	
9	1001152457	1	Box, Junction Assembly (See Items 101-118 for Breakdown)	
10	0902888	1	Bracket, Generator Junction Box	
11	0962520	1	Bushing, Taper	
12	1001129858	1	Generator, 4000W Assembly (See Items 200-213 for Breakdown)	
13	2820031	AR	Insulator, Heat Shrink	
14	3251102	1	Nameplate, Generator	
15	3311508	3	Nut 5/16	
16	3580317	1	Pulley, Belt Tensioner	
17	3580318	1	Pulley, Generator	
18	3910606	4	Screw 6 x 3/8	
19	0641616	AR	Bolt 3/8 x 2	
20	3960422	1	Gasket, AC Receptacle	
21	1001110873	1	Cover, Gang Vertical Receptacle GFCI	
22	4060802	1	Guard, Switch	
23	4240018	AR	Strap, Tie (Not Shown)	
24	4360336	1	Switch, Toggle	
25	4460346	1	Terminal, Receptacle	
26	4711400	4	Washer 1/4	
27	4751500	3	Washer 5/16	
28	4791400	2	Starwasher 1/4	
29	4891800	4	Washer 1/2	
30	1001152533	1	Harness, Generator Cable (See Separate Breakdown in ELECTRICAL SECTION)	
31	1001153257	1	Diagram, Generator Wiring (Not Shown)	
32	4711600	1	Washer 3/8	
33	0100020	AR	Sealant, Pipe	
34	4460071	1	Connector, Strain Relief	
35	4751000	4	Washer #10	
36	3311005	4	Nut #10	
37	1001139357	1	Mount, Generator Tensioner	
38	0741607	3	Screw 3/8 x 0.88	
39	1705387	3	Decal - Hazardous Voltage	
40	3251243	1	Decal - 120V-60Hz	
41	1705374	1	Decal - 240V-60Hz	
52	0100048	AR	Grease, Dielectric	
	1001152457	Ref	JUNCTION BOX ASSEMBLY	B

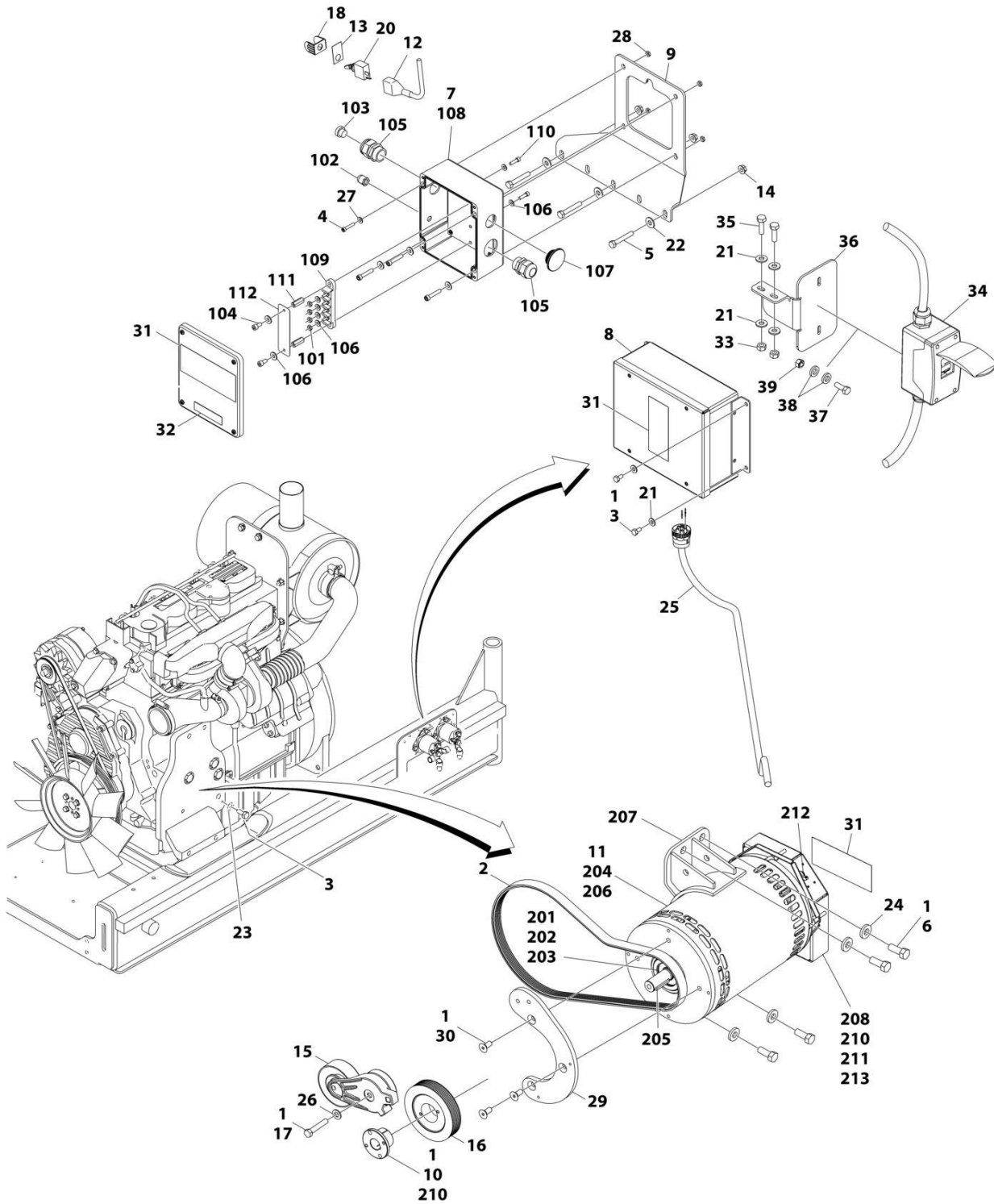
## SECTION 3 - ENGINE

ITEM	PART NUMBER	QTY	DESCRIPTION	REV
101	1060494	2 ft/ 0.6m	Cable, 12/3 (SN 0300201016 through 0300205503)	
101	1001179154	2.5 ft/ 0.8m	Cable, 12/3 (SN 0300205504 through 0300272504, SN B300002238 through B300007118, Except SN 0300272455 through 0300272461)	
102	3300396	1	Cover, Fuse	
103	3311001	4	Nut #10 Grade 2	
104	3900300	2	Screw, Spec, Cap	
105	4360070	1	Circuit Breaker, 15Amp	
106	4460068	3	Terminal, Ring	
107	4460425	1	Terminal, Strain Relief	
108	4460426	1	Connector, Strain Relief	
109	4460483	2	Terminal	
110	4711000	8	Washer #10	
112	1001152456	1	Box, Junction	
113	1001152525	1	Plug, Hole Pluggit	
114	1001152530	1	Terminal, Block, 4 Pole	
115	1001153260	1	Decal - Wiring 4000W Generator	
116	3900267	2	Screw, Spec, Cap	
117	1001158008	2	Stand-Off, Female, Threaded	
118	1001158363	1	Plate, Cover, PVC	
	1001129858	Ref	4000W GENERATOR ASSEMBLY	
201	70003709	1	Ring, Retaining	
202	70003708	1	Ring, Retaining	
203	70001966	1	Bearing, Ball	
204	70004092	1	Endbell	
205	70004171	1	Key	
206	70004676	1	Rotor Assembly	
207	70004684	1	Stator, Generator 4000W	
208	70004678	1	Endbell	
210	70004680	1	Enclosure	
211	70004685	1	Cover, Enclosure	
212	70004682	1	Protector, Supplementary, Manual Reset	
213	70004098	1	Bushing, Strain Relief	



# SECTION 3 - ENGINE

## FIGURE 3-62. 4000W GENERATOR INSTALLATION - 50HZ SPEC (DEUTZ TD2011 ENGINES) (OPTIONAL)



ART\_1001139959

## SECTION 3 - ENGINE

**FIGURE 3-62. 4000W GENERATOR INSTALLATION - 50HZ SPEC (DEUTZ TD2011 ENGINES)  
(OPTIONAL)**

ITEM	PART NUMBER	QTY	DESCRIPTION	REV
	1001139959	Ref	4000W GENERATOR INSTALLATION - 50HZ SPEC (DEUTZ TD2011 ENGINES) (OPTIONAL)	D
		Ref	Note: See ELECTRICAL SECTION for Boom Cable Installation.	
1	0100011	AR	Compound, Locking	
2	1001136356	1	Belt, Generator	
3	0641404	5	Bolt 1/4 x 1/2	
4	3931016	4	Screw 1/4 x 1 ( <b>SN 0300201016 through 0300203454</b> )	
5	0641516	3	Bolt 5/16 x 2 ( <b>SN 0300201016 through 0300203454</b> )	
6	0641810	4	Bolt 1/2 x 1-1/4	
7	1001152458	1	Box, Junction Assembly (50Hz Spec Only) (See items 101-112 for Breakdown) ( <b>SN 0300201016 through 0300203454</b> )	
8	1001138566	1	Box, Generator Control	
8	70006552	1	Capacitor	
8	70006553	1	Relay	
9	0902888	1	Bracket, Generator Junction Box ( <b>SN 0300201016 through 0300203454</b> )	
10	0962520	1	Bushing, Taper	
11	1001138565	1	Generator, 4000W Assembly Options: (See items 200-213 for Breakdown)	
12	2820031	AR	Insulator, Heat Shrink (Not Shown)	
13	3251102	1	Nameplate, Generator	
14	3311508	3	Nut 5/16 ( <b>SN 0300201016 through 0300203454</b> )	
15	3580317	1	Pulley, Belt Tensioner	
16	3580319	1	Pulley, Generator	
17	0641616	1	Bolt 3/8 x 2	
18	4060802	1	Guard, Switch	
19	4240018	AR	Strap, Tie (Not Shown)	
20	4360336	1	Switch, Toggle	
21	4711400	8	Washer 1/4	
22	4751500	3	Washer 5/16 ( <b>SN 0300201016 through 0300203454</b> )	
23	4791400	2	Washer 1/4	
24	4891800	4	Washer 1/2	
25	1001152533	1	Harness, Generator Cable (See Separate Breakdown in ELECTRICAL SECTION)	
26	4711600	1	Washer 3/8	
27	4751000	4	Washer #10 ( <b>SN 0300201016 through 0300203454</b> )	
28	3311005	4	Nut #10 ( <b>SN 0300201016 through 0300203454</b> )	
29	1001139357	1	Mount, Generator Tensioner	
30	0741607	3	Screw, Flat head, 3/8 x .88	
31	1705489	AR	Decal - Hazardous Voltage	
32	3251242	1	Decal - 240V-50Hz ( <b>SN 0300201016 through 0300203454</b> )	
33	3311405	2	Nut 1/4	
34	1001165368	1	Kit, Box and Breaker (See Separate Breakdown in ELECTRICAL SECTION)	
35	0641407	2	Bolt 1/4 x 7/8	
36	1001094915	1	Bracket, AC Breaker Box	
37	4010408	2	Screw M4 x 16	
38	1001091102	4	Washer M4	
39	3290405	2	Nut M4	

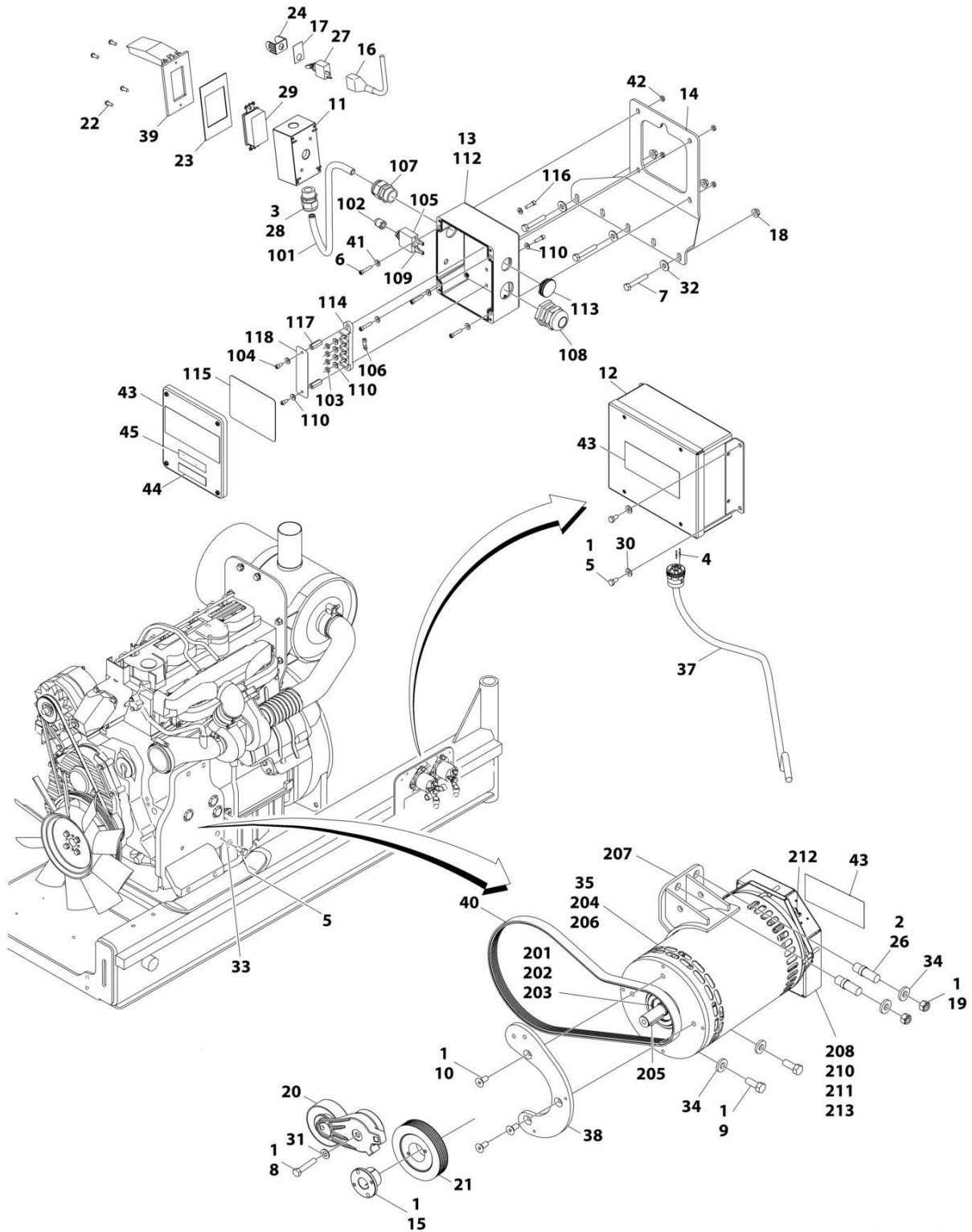
## SECTION 3 - ENGINE

ITEM	PART NUMBER	QTY	DESCRIPTION	REV
	1001152458	Ref	JUNCTION BOX ASSEMBLY (SN 0300201016 through 0300203454)	B
101	3311001	3	Nut #10	
102	1001155813	1	Plug, Hole Pluggit	
103	3520192	1	Plug, Hole	
104	3900300	2	Screw, Spec, Cap	
105	4460425	1	Terminal, Strain Relief	
106	4711000	7	Washer #10	
107	1001148648	1	Plug, Hole Pluggit	
108	1001152456	1	Box, Junction	
109	1001152530	1	Terminal, Block, 4 pole	
110	3900267	2	Screw, Spec, Cap	
111	1001158008	2	Standoff, female, threaded	
112	1001158363	1	Plate, Cover, PVC	
	1001138565	Ref	4000W GENERATOR ASSEMBLY	
201	70003709	1	Ring, Retaining	
202	70003708	1	Ring, Retaining	
203	70001966	1	Bearing, Ball	
204	70004092	1	Endbell	
205	70004171	1	Key	
206	70004676	1	Rotor Assembly	
207	70004677	1	Stator, Generator 4000W	
208	70004678	1	Endbell	
210	70004680	1	Enclosure	
211	70004681	1	Cover, Enclosure	
212	70004682	1	Protector, Supplementary, Manual Reset	
213	70004683	1	Bushing, Strain Relief	



# SECTION 3 - ENGINE

## FIGURE 3-63. 4000W GENERATOR INSTALLATION - 60HZ SPEC (DEUTZ TCD2.9L4 ENGINES) (OPTIONAL)



ART\_1001171130



## SECTION 3 - ENGINE

**FIGURE 3-63. 4000W GENERATOR INSTALLATION - 60HZ SPEC (DEUTZ TCD2.9L4 ENGINES)  
(OPTIONAL)**

ITEM	PART NUMBER	QTY	DESCRIPTION	REV
	1001171130	Ref	4000W GENERATOR INSTALLATION - 60HZ SPEC (DEUTZ TCD2.9L4 ENGINES) (OPTIONAL)	B
		Ref	Note: See ELECTRICAL SECTION for Boom Cable Installation.	
1	0100011	AR	Compound, Locking	
2	0100019	AR	Compound, Locking	
3	0100020	AR	Sealant, Pipe	
4	0100048	AR	Grease, Dielectric	
5	0641404	5	Bolt 1/4 x 1/2	
6	3931016	4	Screw 1/4 x 1	
7	0641516	3	Bolt 5/16 x 2	
8	0641618	1	Bolt 3/8 x 2-1/4	
9	0641810	2	Bolt 1/2 x 1-1/4	
10	0741607	3	Screw 3/8 x 0.88	
11	0860038	1	Box, Switch-Weatherhead	
12	1001138566	1	Box, Generator Control	
12	70006552	1	Capacitor	
12	70006553	1	Relay	
13	1001152457	1	Box, Junction Assembly (See Items 101-118 for Breakdown)	
14	0902888	1	Bracket, Generator Junction Box	
15	0962520	1	Bushing, Taper	
16	2820031	AR	Insulator, Heat Shrink	
17	3251102	1	Nameplate, Generator	
18	3311508	3	Nut 5/16	
19	3311801	2	Nut 1/2	
20	3580317	1	Pulley, Belt Tensioner	
21	3580318	1	Pulley, Generator	
22	3910606	4	Screw 6 x 3/8	
23	3960422	1	Gasket, AC Receptacle	
24	4060802	1	Guard, Switch	
25	4240018	AR	Strap, Tie (Not Shown)	
26	4300157	2	Stud	
27	4360336	1	Switch, Toggle	
28	4460071	1	Connector, Strain Relief	
29	4460346	1	Terminal, Receptacle	
30	4711400	4	Washer 1/4	
31	4711600	1	Washer 3/8	
32	4751500	3	Washer 5/16	
33	4791400	2	Starwasher 1/4	
34	4891800	4	Washer 1/2	
35	1001140344	1	Generator, 4000W Assembly (See Items 200-213 for Breakdown)	
36	1001132055	1	Diagram, Generator Wiring (Not Shown) <b>(SN 0300201017 through 0300213727)</b>	
36	1001153257	1	Diagram, Generator Wiring (Not Shown) <b>(SN 0300213728 through 0300272504, SN B300002238 through B300007118, Except SN 0300272455 through 0300272461)</b>	
37	1001152533	1	Harness, Generator Cable (See ELECTRICAL SECTION for Breakdown)	
38	1001138011	1	Mount, Generator Tensioner	
39	1001110873	1	Cover, Gang Vertical Receptacle GFCI	
40	1001142645	1	Belt, Generator	

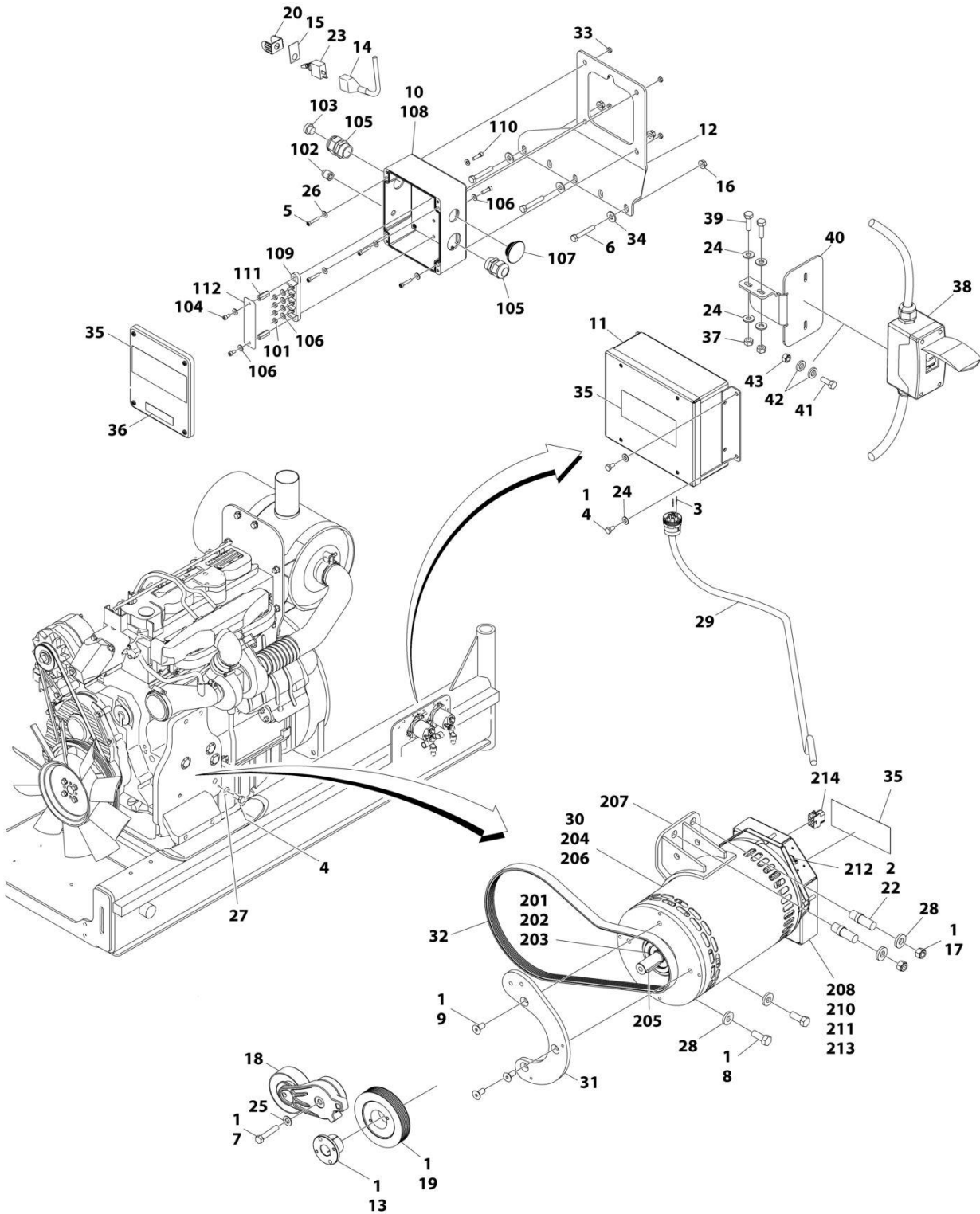
## SECTION 3 - ENGINE

ITEM	PART NUMBER	QTY	DESCRIPTION	REV
41	4751000	4	Washer #10	
42	3311005	4	Nut 10	
43	1705387	3	Decal - Hazardous Voltage	
44	1705374	1	Decal - 240V-60Hz	
45	3251243	1	Decal - 120V-60Hz	
	1001152457	Ref	JUNCTION BOX ASSEMBLY	B
101	1060494	2 ft/0.7m	Cable, Electrical 12/3 (SN 0300201016 through 0300205503)	
101	1001179154	2.5 ft/ 0.8m	Cable, Electrical 12/3 (SN 0300205504 through 0300272504, SN B300002238 through B300007118, Except SN 0300272455 through 0300272461)	
102	3300396	1	Cover, Fuse	
103	3311001	4	Nut 10 Grade 2	
104	3900300	2	Screw, Spec, Cap	
105	4360070	1	Circuit Breaker, 15Amp	
106	4460068	3	Terminal, Ring	
107	4460425	1	Terminal, Strain Relief	
108	4460426	1	Connector, Strain Relief	
109	4460483	2	Terminal	
110	4711000	AR	Washer #10	
112	1001152456	1	Box, Junction	
113	1001152525	1	Plug, Hole Pluggit	
114	1001152530	1	Terminal, Block, 4 Pole	
115	1001153260	1	Decal - Wiring 4000W Generator	
116	3900267	2	Screw, Spec, Cap	
117	1001158008	2	Stand-Off, Female, Threaded	
118	1001158363	1	Plate, Cover, PVC	
	1001140346	Ref	4000W GENERATOR ASSEMBLY	
201	70003709	1	Ring, Retaining	
202	70003708	1	Ring, Retaining	
203	70001966	1	Bearing, Ball	
204	70004092	1	Endbell	
205	70004099	1	Key	
206	70004676	1	Rotor Assembly	
207	70004687	1	Stator, Generator 4000W	
208	70004678	1	Endbell	
210	70004680	1	Enclosure	
211	70004685	1	Cover, Enclosure	
212	70004682	1	Protector, Supplementary, Manual Reset	
213	70004098	1	Bushing, Strain Relief	



# SECTION 3 - ENGINE

## FIGURE 3-64. 4000W GENERATOR INSTALLATION - 50HZ SPEC (DEUTZ TCD2.9L4 ENGINES AND DEUTZ TCD2.9L4 (STAGE V) ENGINES) (OPTIONAL)



ART\_1001171273

## SECTION 3 - ENGINE

**FIGURE 3-64. 4000W GENERATOR INSTALLATION - 50HZ SPEC (DEUTZ TCD2.9L4 ENGINES AND DEUTZ TCD2.9L4 (STAGE V) ENGINES) (OPTIONAL)**

ITEM	PART NUMBER	QTY	DESCRIPTION	REV
	1001171273	Ref	4000W GENERATOR INSTALLATION - 50HZ SPEC (DEUTZ TCD2.9L4 ENGINES AND DEUTZ TCD2.9L4 (STAGE V) ENGINES) (OPTIONAL)	C
		Ref	Note: See ELECTRICAL SECTION for Boom Cable Installation.	
1	0100011	AR	Compound, Locking	
2	0100019	AR	Compound, Locking	
3	0100048	AR	Grease, Dielectric	
4	0641404	5	Bolt 1/4 x 1/2	
5	3931016	4	Screw 1/4 x 1 ( <b>SN 0300201016 through 0300205136</b> )	
6	0641516	3	Bolt 5/16 x 2 ( <b>SN 0300201016 through 0300205136</b> )	
7	0641618	1	Bolt 3/8 x 2-1/4	
8	0641810	2	Bolt 1/2 x 1-1/4	
9	0741607	3	Screw 3/8 x 0.88	
10	1001152458	1	Box, Junction Assembly (See Items 101-113 for Breakdown) ( <b>SN 0300201016 through 0300205136</b> )	
11	1001138566	1	Box, Generator Control	
11	70006552	1	Capacitor	
11	70006553	1	Relay	
12	0902888	1	Bracket, Generator Junction Box ( <b>SN 0300201016 through 0300205136</b> )	
13	0962520	1	Bushing, Taper	
14	2820031	AR	Insulator, Heat Shrink	
15	3251102	1	Nameplate, Generator	
16	3311508	3	Nut 5/16 ( <b>SN 0300201016 through 0300205136</b> )	
17	3311801	2	Nut 1/2	
18	3580317	1	Pulley, Belt Tensioner	
19	3580319	1	Pulley, Generator	
20	4060802	1	Guard, Switch	
21	4240018	AR	Strap, Tie (Not Shown)	
22	4300157	2	Stud	
23	4360336	1	Switch, Toggle	
24	4711400	8	Washer 1/4	
25	4711600	1	Washer 3/8	
26	4751000	AR	Washer #10 ( <b>SN 0300201016 through 0300205136</b> )	
27	4791400	2	Starwasher 1/4	
28	4891800	4	Washer 1/2	
29	1001152533	1	Harness, Generator Cable (See Separate Breakdown in ELECTRICAL SECTION)	
30	1001140347	1	Generator, 4000W Assembly (See Items 200-213 for Breakdown)	
31	1001138011	1	Mount, Generator Tensioner	
32	1001136357	1	Belt, Generator	
33	3311005	4	Nut #10 ( <b>SN 0300201016 through 0300205136</b> )	
34	4751500	3	Washer 5/16 ( <b>SN 0300201016 through 0300205136</b> )	
35	1705489	AR	Decal - Hazardous Voltage	
36	3251242	1	Decal - 240V-50Hz ( <b>SN 0300201016 through 0300205136</b> )	
37	3311405	2	Nut 1/4	
38	1001165368	1	Kit, Box and Breaker (See Separate Breakdown in ELECTRICAL SECTION)	
39	0641407	2	Bolt 1/4 x 7/8	
40	1001094915	1	Bracket	

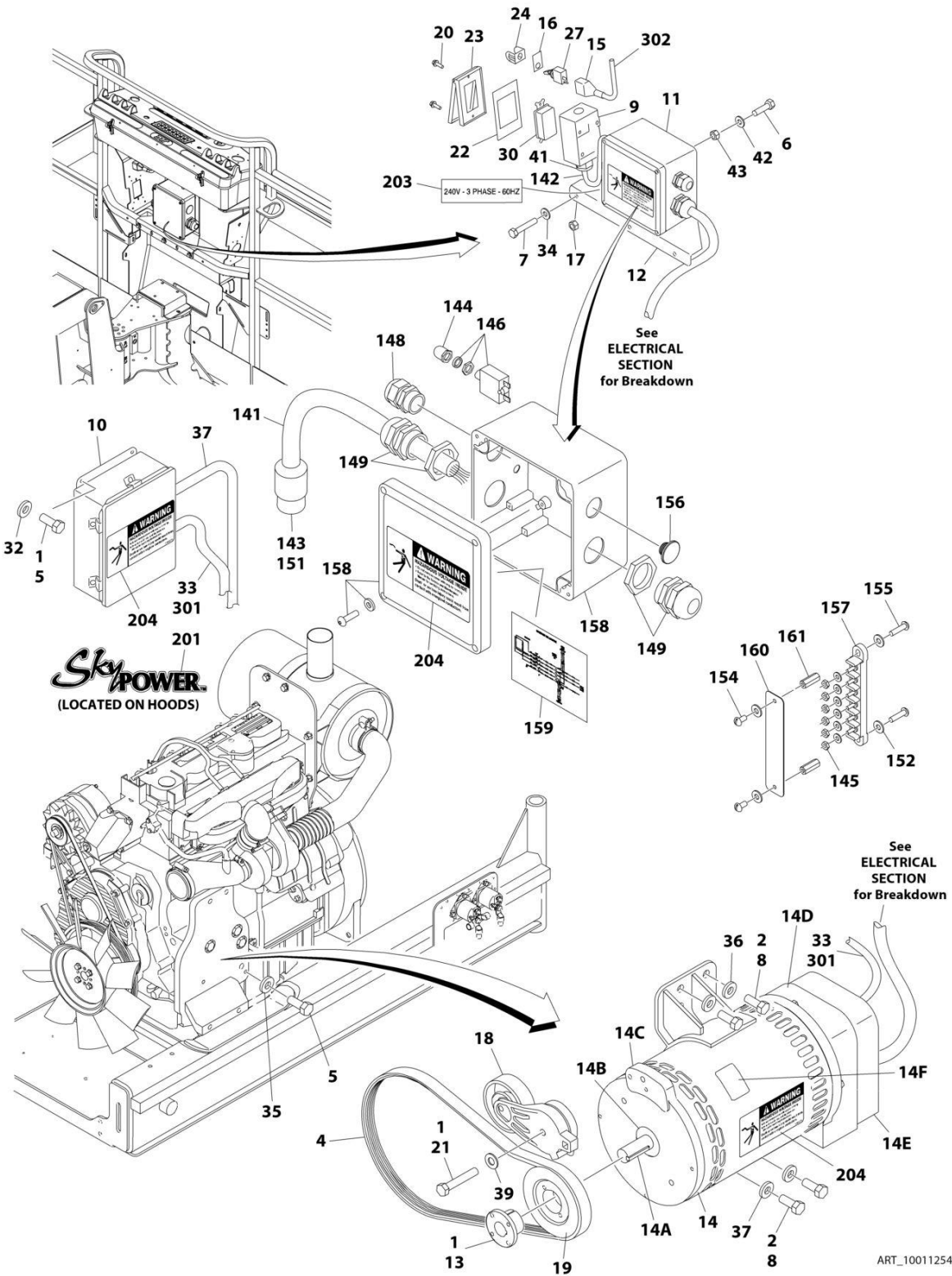
## SECTION 3 - ENGINE

ITEM	PART NUMBER	QTY	DESCRIPTION	REV
41	4010408	2	Screw M4 x 16	
42	1001091102	4	Washer M4	
43	3290405	2	Nut M4	
	1001152458	Ref	<b>JUNCTION BOX ASSEMBLY (SN 0300201016 through 0300205136)</b>	B
101	3311001	3	Nut #10	
102	1001155813	1	Plug, Hole Pluggit	
103	3520192	1	Plug	
104	3900300	2	Screw, Spec, Cap	
105	4460425	2	Terminal, Strain Relief	
106	4711000	7	Washer #10	
107	1001148648	1	Plug	
108	1001152456	1	Box, Junction	
109	1001152530	1	Terminal, Block, 4 Pole	
110	3900267	2	Screw, Spec, Cap	
111	1001158008	2	Stand-Off, Female, Threaded	
112	1001158363	1	Plate, Cover, PVC	
	1001140347	Ref	<b>4000W GENERATOR ASSEMBLY</b>	
201	70003709	1	Ring, Retaining	
202	70003708	1	Ring, Retaining	
203	70001966	1	Bearing, Ball	
204	70004092	1	Endbell	
205	70004099	1	Key	
206	70004676	1	Rotor Assembly	
207	70004686	1	Stator, Generator 4000W	
208	70004678	1	Endbell	
210	70004680	1	Enclosure	
211	70004681	1	Cover, Enclosure	
212	70004682	1	Protector, Supplementary, Manual Reset	
213	70004683	1	Bushing, Strain Relief	
214	4460224	1	Connector - 6 Position (50Hz) (Located on Enclosure Cover)	
214	4460294	2	Pin, Male (50Hz) (Located on Enclosure Cover)	



# SECTION 3 - ENGINE

FIGURE 3-65. 7500W SKYPOWER GENERATOR INSTALLATION - 60HZ SPEC (DEUTZ TD2011 ENGINES) (OPTIONAL)





## SECTION 3 - ENGINE

**FIGURE 3-65. 7500W SKYPOWER GENERATOR INSTALLATION - 60HZ SPEC (DEUTZ TD2011 ENGINES) (OPTIONAL)**

ITEM	PART NUMBER	QTY	DESCRIPTION	REV
	1001125427	Ref	7500W SKYPOWER GENERATOR INSTALLATION - 60HZ SPEC (DEUTZ TD2011 ENGINES) (OPTIONAL)	D
		Ref	Note: See ELECTRICAL SECTION for Boom Cable Installation.	
1	0100011	AR	Compound, Locking	
2	0100019	AR	Compound, Locking	
4	0480128	1	Belt, Generator	
5	0641404	6	Bolt 1/4 x 1/2	
6	3931016	AR	Bolt 10 x 1	
7	0641516	3	Bolt 5/16 x 2	
8	0641810	4	Bolt 1/2 x 1-1/4	
9	0860038	1	Box, Switch	
10	0861538	1	Box, Generator Control	
10	7024488	1	Card, Circuit - Generator Power (Not Shown)	
10	See Note	1	Fuse (Note: Not Available - Purchase Locally)	
10	7024489	1	Card, Circuit - Control (Not Shown)	
		Ref	Note: When replacing card, rocker switch on card must be set for required application.	
10	70000619	1	Harness, Circuit Card	
11	1001157592	1	Junction Box Assembly Options (See Items 141-161 for Breakdown)	
12	0902888	1	Bracket, Generator Junction Box	
13	0962520	1	Bushing, Taper	
14	2460048	1	Generator, 7500W	
14	70001100	1	Rotor (Includes p/n 70001384 & 70000863) (Not Shown)	
14	70001384	1	Bearing, Shaft (Rear) (Not Shown)	
14	70000863	1	Fan, Generator (Not Shown)	
14	70002088	1	Stator (Not Shown)	
14	70002297	2	Stud 1/4 x 12-7/8 (Not Shown)	
14	70003631	1	Brushholder Assembly (Not Shown) (was p/n 7024484)	
14A	70004171	1	Key	
14B	70001966	1	Bearing, Ball Radial (Located in Belt Tensioner Endbell)	
14B	70003709	1	Ring, Retaining (Small)	
14B	70003708	1	Ring, Retaining (Large)	
14C	70001953	1	Endbell, Belt Tensioner	
14D	70004169	1	Kit, Endbell (Includes Endbell, Brush Block and Shroud Assembly)	
14E	7027799	1	Block, Connector 6 Position (Not Shown)	
14E	70002460	6	Nut, Brass (Attaches p/n 7027799 to Cover) (Not Shown)	
14E	7024485	1	Breaker, Circuit 30Amp (Not Shown)	
14E	70001696	1	Boot, Breaker (Not Shown)	
14E	7026597	1	Connector with Leads (Not Shown)	
14E	7026626	1	Connector with Pins (Not Shown)	
14E	7026188	1	Clamp, Cable (Not Shown)	
14E	70002255	1	Plate, End Panel (Not Shown)	
14E	See Note	NSS	Insulator, End Panel (Note: Not Available for Purchase)	
14E	70001974	1	Decal - Terminal Connections (Not Shown)	
14F	70001973	1	Decal - Warning Moving Parts	
15	2820031	AR	Insulator, Heat Shrink	
16	3251102	1	Nameplate, Generator	
17	3311508	3	Nut 5/16	

## SECTION 3 - ENGINE

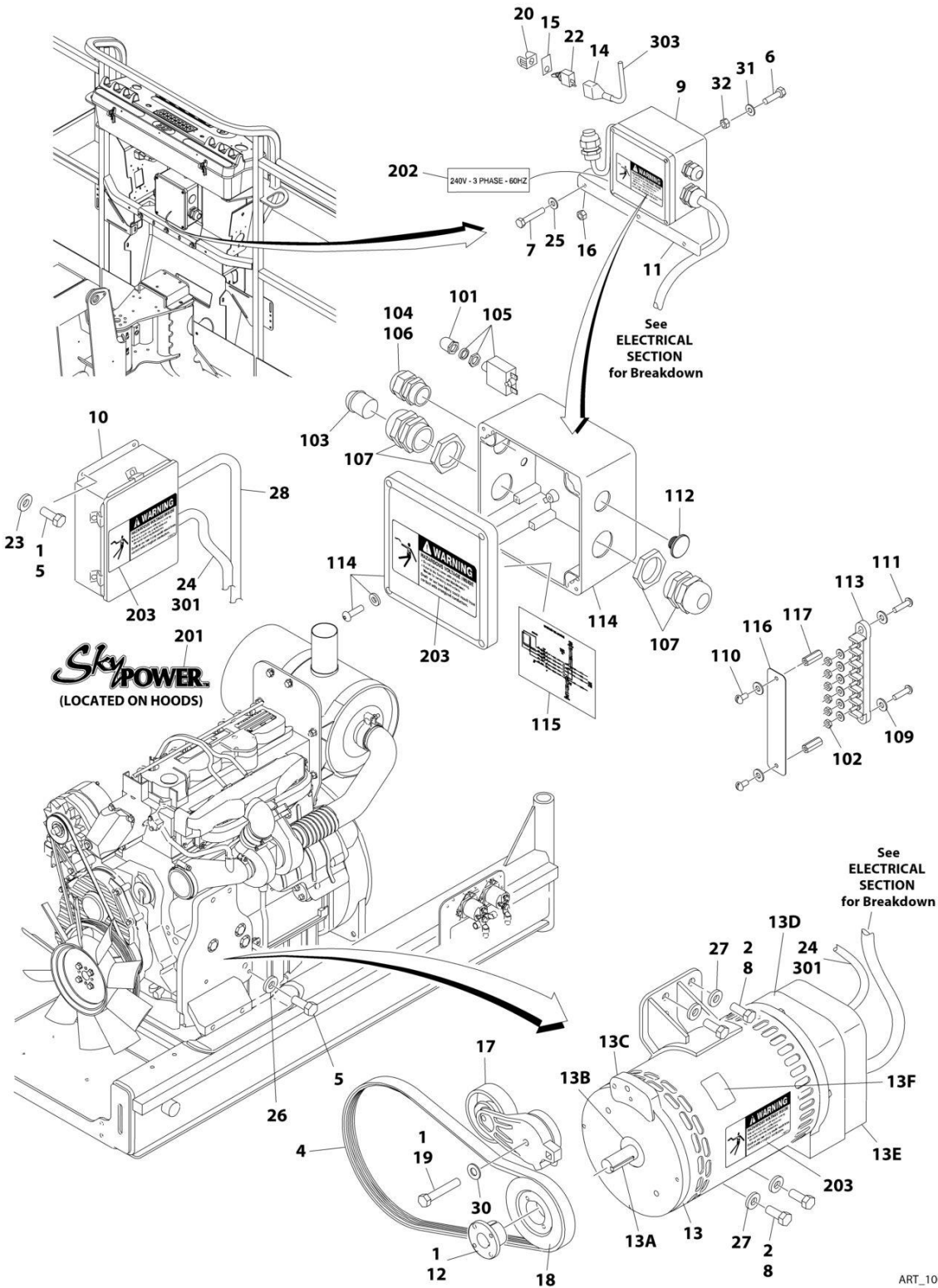
ITEM	PART NUMBER	QTY	DESCRIPTION	REV
18	3580317	1	Pulley, Belt Tensioner	
19	3580318	1	Pulley, Generator	
20	3910606	4	Screw #6 x 3/8	
21	0641618	1	Bolt 3/8 x 2	
22	3960422	1	Gasket, AC Receptacle	
23	1001110873	1	Shield, Receptacle Cover	
24	4060802	1	Guard, Switch	
26	4240018	AR	Strap, Tie (Not Shown)	
27	4360336	1	Switch, Toggle	
30	4460346	1	Terminal, Receptacle	
32	4711400	4	Washer 1/4	
33	0100048	AR	Grease, Dielectric	
34	4751500	3	Washer 5/16	
35	4791400	2	Starwasher 1/4	
36	4891800	4	Washer 1/2	
37	4922972	1	Harness, Generator Cable (See Separate Breakdown in ELECTRICAL SECTION)	
39	4711600	1	Washer 3/8	
40	0100020	AR	Sealant, Pipe (Not Shown)	
41	4460071	1	Connector, Strain Relief	
42	4751000	4	Washer #10	
43	3311005	4	Nut #10	
	1001157592	Ref	JUNCTION BOX ASSEMBLY	C
141	1060343	1.5 ft/ 0.5m	Cable, Electrical 10/4	
142	1060494	2 ft/ 0.7m	Cable, 12/3 (SN 0300201016 through 0300205503)	
142	1001179154	2.5 ft/ 0.8m	Cable, 12/3 (SN 0300205504 through 0300272504, SN B300002238 through B300007118, Except SN 0300272455 through 0300272461)	
143	1671092	1	Cover	
144	3300396	1	Cover, Fuse	
145	3311001	6	Nut #10	
146	4360070	1	Circuit Breaker - 15Amp	
148	4460425	1	Strain Relief, Terminal	
149	4460426	2	Connector, Strain Relief	
151	4460963	1	Connector	
152	4711000	10	Washer #10	
154	10702077	2	Screw #10 x 3/8	
155	10702082	2	Screw #10 x 3/4	
156	1001152525	1	Plug	
157	1001157520	1	Block, Terminal	
158	1001157521	1	Box, Junction	
159	1001157528	1	Decal - Wiring Schematic	
160	1001158007	1	Decal - PVC	
161	1001158008	2	Stand-Off	
	0272435	Ref	DECAL INSTALLATION	D
201	1705460	2	Decal - SkyPower	
202	3251243	1	Decal - 120V - 60Hz (Located at Platform Receptacle) (SN 0300222664 through 0300272504, SN B300002238 through B300007118, Except SN 0300272455 through 0300272461)	
203	1705375	1	Decal - 240V - 3 Phase	
204	1705387	3	Decal - Hazardous Voltage	
	1001122528	Ref	ELECTRICAL DIAGRAM COMPONENTS	B

## SECTION 3 - ENGINE

ITEM	PART NUMBER	QTY	DESCRIPTION	REV
301	1001119968	1	Generator Harness (See ELECTRICAL SECTION for Breakdown)	B
301A	4460967	1	Plug, Male - 3 Position (Not Shown)	
301A	4460465	6	Socket, Female	
301B	1001117078	1	Fuseholder with Fuse (Not Shown)	
302	4922641	1	Switch, Harness	

# SECTION 3 - ENGINE

FIGURE 3-66. 7500W SKYPOWER GENERATOR INSTALLATION - 50HZ SPEC (DEUTZ TD2011 ENGINES) (OPTIONAL)



ART\_1001125428

## SECTION 3 - ENGINE

**FIGURE 3-66. 7500W SKYPOWER GENERATOR INSTALLATION - 50HZ SPEC (DEUTZ TD2011 ENGINES) (OPTIONAL)**

ITEM	PART NUMBER	QTY	DESCRIPTION	REV
	1001125428	Ref	7500W SKYPOWER GENERATOR INSTALLATION - 50HZ SPEC (DEUTZ TD2011 ENGINES) (OPTIONAL)	C
		Ref	Note: See ELECTRICAL SECTION for Boom Cable Installation.	
1	0100011	AR	Compound, Locking	
2	0100019	AR	Compound, Locking	
4	0480129	1	Belt, Generator	
5	0641404	5	Bolt 1/4 x 1/2	
6	3931016	4	Bolt 10 x 1	
7	0641516	3	Bolt 5/16 x 2	
8	0641810	4	Bolt 1/2 x 1-1/4	
9	1001157525	1	Junction Box Assembly (See Items 101-117 for Breakdown)	
10	0861572	1	Box, Generator Control	
10	7024488	1	Card, Circuit - Generator Power (Not Shown)	
10	See Note	1	Fuse (Note: Not Available - Purchase Locally)	
10	7024489	1	Card, Circuit - Control (Not Shown)	
		Ref	Note: When replacing card, rocker switch on card must be set for required application.	
10	70000619	1	Harness, Circuit Card	
11	0902888	1	Bracket, Generator Junction Box	
12	0962520	1	Bushing, Taper	
13	2460048	1	Generator, 7500W	
13	70001100	1	Rotor (Includes p/n 70001384 & 70000863) (Not Shown)	
13	70001384	1	Bearing, Shaft (Rear) (Not Shown)	
13	70000863	1	Fan, Generator (Not Shown)	
13	70002088	1	Stator (Not Shown)	
13	70002297	2	Stud 1/4 x 12-7/8	
13	70003631	1	Brushholder Assembly (Not Shown)	
13A	70004171	1	Key	
13B	70001966	1	Bearing, Ball Radial (Located in Belt Tensioner Endbell)	
13B	70003709	1	Ring, Retaining (Small)	
13B	70003708	1	Ring, Retaining (Large)	
13C	70001953	1	Endbell, Belt Tensioner	
13D	70004169	1	Kit, Endbell (Includes Endbell, Brush Block and Shroud Assembly)	
13E	7027799	1	Block, Connector 6 Position (Not Shown)	
13E	70002460	6	Nut, Brass (Attaches p/n 7027799 to Cover) (Not Shown)	
13E	7024485	1	Breaker, Circuit 30Amp (Not Shown)	
13E	70001696	1	Boot, Breaker (Not Shown)	
13E	7026597	1	Connector with Lead (Not Shown)	
13E	7026626	1	Connector with Pins (Not Shown)	
13E	7026188	1	Clamp, Cable (Not Shown)	
13E	70002255	1	Plate, End Panel (Not Shown)	
13E	See Note	1	Insulator, End Panel (Not Shown) (Note: Not Available for Purchase)	
13E	70001974	1	Decal - Terminal Connections (Not Shown)	
13F	70001973	1	Decal - Warning Moving Parts	
14	2820031	AR	Insulator, Heat Shrink	
15	3251102	1	Nameplate, Generator	
16	3311508	3	Nut 5/16	
17	3580317	1	Pulley, Belt Tensioner	

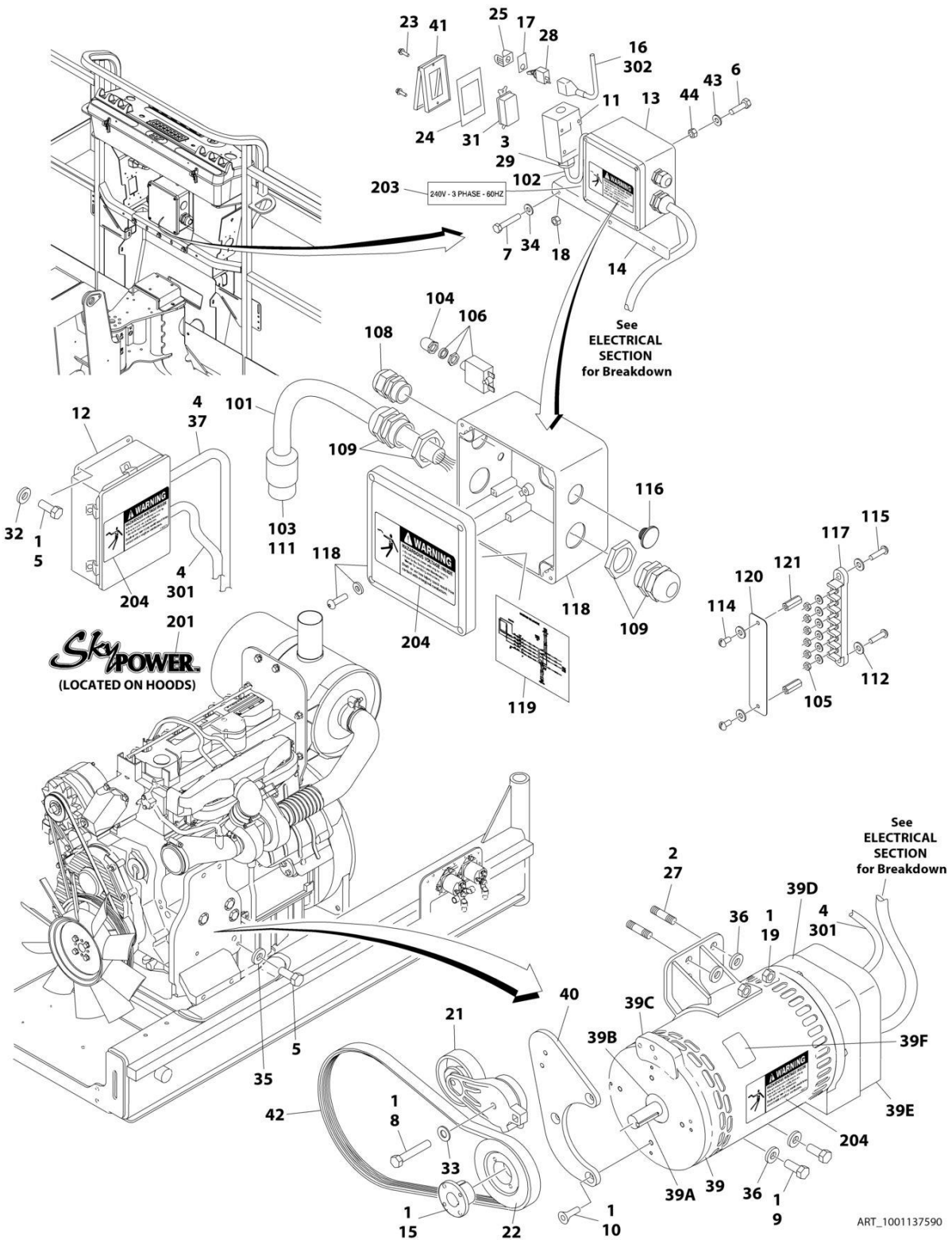
## SECTION 3 - ENGINE

ITEM	PART NUMBER	QTY	DESCRIPTION	REV
18	3580319	1	Pulley, Generator	
19	0641618	1	Bolt 3/8 x 2	
20	4060802	1	Guard, Switch	
21	4240018	AR	Strap, Tie (Not Shown)	
22	4360336	1	Switch, Toggle	
23	4711400	4	Washer 1/4	
24	0100048	AR	Grease, Dielectric	
25	4751500	3	Washer 5/16	
26	4791400	2	Starwasher 1/4	
27	4891800	4	Washer 1/2	
28	4922972	1	Harness, Generator Cable (See Separate Breakdown in ELECTRICAL SECTION)	
30	4711600	1	Washer 3/8	
31	4751000	4	Washer #10	
32	3311005	4	Nut #10	
	1001157525	Ref	JUNCTION BOX ASSEMBLY	B
101	3300396	1	Cover, Fuse	
102	3311001	6	Nut #10	
103	3520189	1	Plug	
104	3520192	1	Plug	
105	4360070	1	Circuit Breaker - 15Amp	
106	4460425	1	Strain Relief, Terminal	
107	4460426	2	Connector, Strain Relief	
109	4711000	10	Washer #10	
110	10702077	2	Screw #10 x 3/8	
111	10702082	2	Screw #10 x 3/4	
112	1001152525	1	Plug	
113	1001157520	1	Block, Terminal	
114	1001157521	1	Box, Junction	
115	1001157528	1	Decal - Wiring Schematic	
116	1001158007	1	Cover, PVC	
117	1001158008	2	Stand-Off	
	0272589	Ref	DECAL INSTALLATION	A
201	1705460	2	Decal - SkyPower	
202	1705461	1	Decal - 240V - 3 Phase	
203	1705489	3	Decal - Hazardous Voltage	
	1001122528	Ref	ELECTRICAL DIAGRAM COMPONENTS	B
301	1001119968	1	Generator Harness	B
301A	4460967	1	Plug, Male - 3 Position (Not Shown)	
301A	4460465	6	Socket, Female	
301B	1001117078	1	Fuseholder with Fuse (Not Shown)	
303	4922641	1	Switch Harness	



# SECTION 3 - ENGINE

## FIGURE 3-67. 7500W SKYPOWER GENERATOR INSTALLATION - 60HZ SPEC (DEUTZ TCD2.9L4 ENGINES) (OPTIONAL)





## SECTION 3 - ENGINE

**FIGURE 3-67. 7500W SKYPOWER GENERATOR INSTALLATION - 60HZ SPEC (DEUTZ TCD2.9L4 ENGINES) (OPTIONAL)**

ITEM	PART NUMBER	QTY	DESCRIPTION	REV
	1001137590	Ref	7500W SKYPOWER GENERATOR INSTALLATION - 60HZ SPEC (DEUTZ TCD2.9L4 ENGINES) (OPTIONAL)	G
		Ref	Note: See ELECTRICAL SECTION for Boom Cable Installation.	
1	0100011	AR	Compound, Locking	
2	0100019	AR	Compound, Locking	
3	0100020	AR	Sealant, Pipe	
4	0100048	AR	Grease, Dielectric	
5	0641404	5	Bolt 1/4 x 1/2	
6	3931016	4	Bolt 10 x 1	
7	0641516	3	Bolt 5/16 x 2	
8	0641618	1	Bolt 3/8 x 2	
9	0641810	2	Bolt 1/2 x 1-1/4	
10	0741607	3	Screw 3/8 x 7/8	
11	0860038	1	Box, Switch	
12	0861538	1	Box, Generator Control	
12	7024488	1	Card, Circuit - Generator Power (Not Shown)	
12	See Note	1	Fuse (Note: Not Available Purchase Locally)	
12	7024489	1	Card, Circuit - Control (Not Shown)	
		Ref	Note: When replacing card, rocker switch on card must be set for required application.	
12	70000619	1	Harness, Circuit Card	
13	1001157592	1	Junction Box Assembly (See Items 101-121 for Breakdown)	
14	0902888	1	Bracket, Generator Junction Box	
15	0962520	1	Bushing, Taper	
16	2820031	AR	Insulator, Heat Shrink	
17	3251102	1	Nameplate, Generator	
18	3311508	3	Nut 5/16	
19	3311801	2	Nut 1/2	
21	3580317	1	Pulley, Belt Tensioner	
22	3580318	1	Pulley, Generator	
23	3910606	AR	Screw #6 x 3/8	
24	3960422	1	Gasket, AC Receptacle	
25	4060802	1	Guard, Switch	
26	4240018	AR	Strap, Tie (Not Shown)	
27	4300157	2	Stud 1/2	
28	4360336	1	Switch, Toggle	
29	4460071	1	Connector, Strain Relief	
31	4460346	1	Terminal, Receptacle	
32	4711400	4	Washer 1/4	
33	4711600	1	Washer 3/8	
34	4751500	3	Washer 5/16	
35	4791400	2	Starwasher 1/4	
36	4891800	4	Washer 1/2	
37	4922972	1	Harness, Generator Cable (See Separate Breakdown in ELECTRICAL SECTION)	
39	1001136988	NLA	Generator, 7500W (Use p/n 1001212223) <b>(SN 0300201016 through 0300226418)</b>	
39	1001212223	1	Generator, 7500W <b>(SN 0300226419 through 0300272504, SN B30002238 through B300007118, Except SN 0300272455 through 0300272461)</b>	

## SECTION 3 - ENGINE

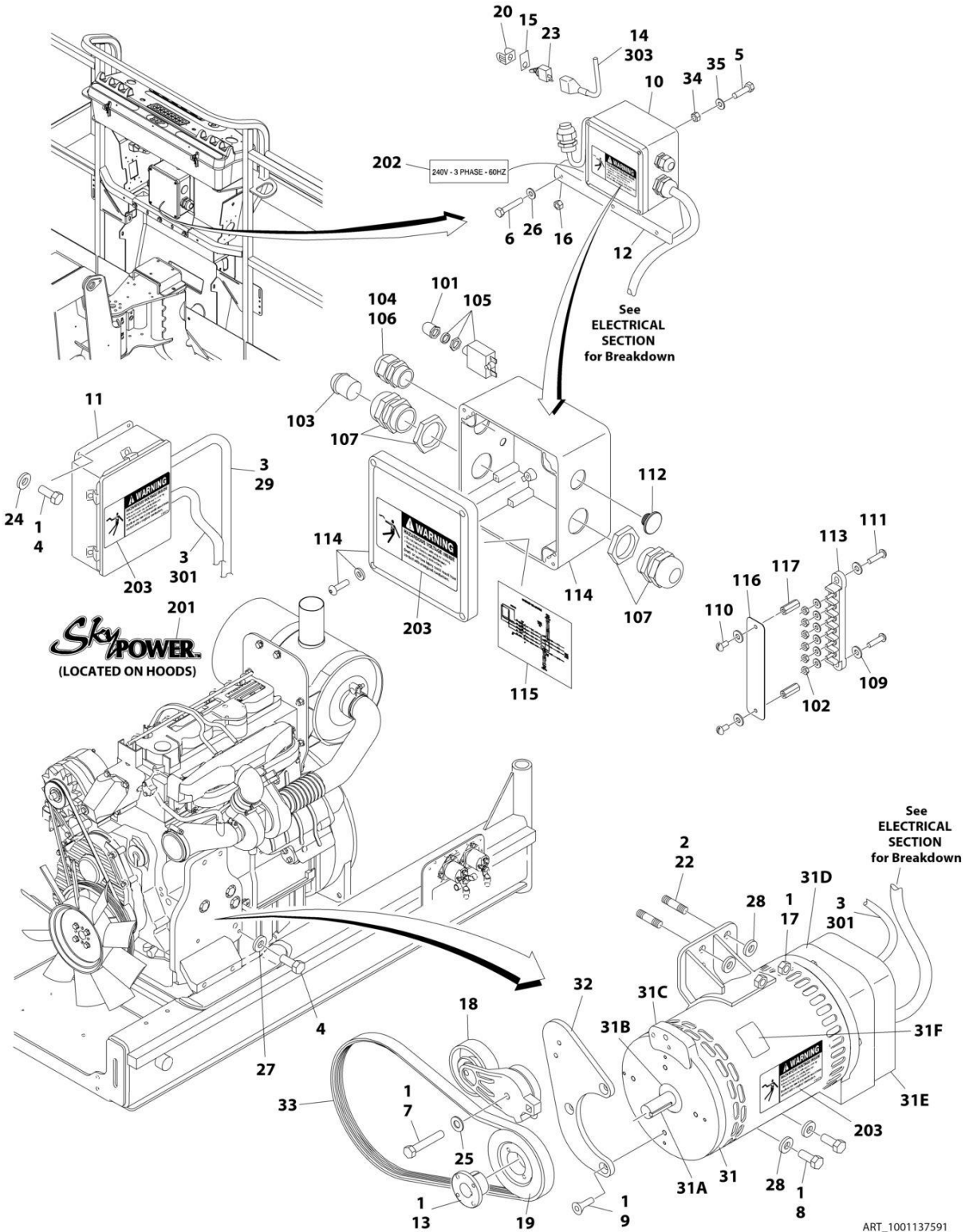
ITEM	PART NUMBER	QTY	DESCRIPTION	REV
39	70001100	1	Rotor (Includes p/n 70001384 & 70000863) (Not Shown)	
39	70001384	1	Bearing, Shaft (Rear) (Not Shown)	
39	70000863	1	Fan, Generator (Not Shown)	
39	70004093	1	Stator - 1001136988 Generator (Not Shown)	
39	70006093	1	Stator - 1001212223 Generator (Not Shown)	
39	70002297	2	Stud 1/4 x 12-7/8 - 1001136988 Generator (Not Shown)	
39	70003631	1	Brushholder Assembly (Not Shown) (was p/n 7024484)	
39A	70004099	NLA	Key (Use p/n 70004171)	
39B	70001966	1	Bearing, Ball Radial (Located in Belt Tensioner Endbell)	
39B	70003709	1	Ring, Retaining (Small)	
39B	70003708	1	Ring, Retaining (Large)	
39C	70004092	1	Endbell, Belt Tensioner	
39D	70004094	1	Endbell, Brush Block	
39E	70004096	1	Shroud Assembly - 1001136988 Generator	
39E	70006094	1	Shroud Assembly - 1001212223 Generator	
39E	7027799	1	Block, Connector - 6 Position (Not Shown)	
39E	70002460	6	Nut, Brass (Attaches p/n 7027799 to Cover) (Not Shown)	
39E	7024485	1	Breaker, Circuit 30Amp - 1001136988 Generator (Not Shown)	
39E	70006095	1	Breaker, Circuit 30Amp - 1001212223 Generator (Not Shown)	
39E	70001696	1	Boot, Breaker - 1001136988 Generator (Not Shown)	
39E	70006096	1	Boot, Breaker - 1001212223 Generator (Not Shown)	
39E	7026597	1	Connector with Leads (Not Shown)	
39E	7026626	1	Connector with Pins (Not Shown)	
39E	70004098	1	Clamp, Cable (Not Shown)	
39E	70004095	1	Plate, End Panel - 1001136988 Generator (Not Shown)	
39E	70006097	1	Plate, End Panel - 1001212223 Generator (Not Shown)	
39E	70004097	1	Insulator, End Panel - 1001136988 Generator (Not Shown)	
39E	70002291	1	Insulator, End Panel - 1001212223 Generator (Not Shown)	
39E	70001974	1	Decal - Terminal Connections (Not Shown)	
39F	70001973	1	Decal - Warning Moving Parts	
40	1001138011	1	Bracket	
41	1001110873	1	Shield, Receptacle Cover	
42	1001142645	1	Belt, Generator	
43	4751000	4	Washer #10	
44	3311005	4	Nut #10	
	1001157592	Ref	JUNCTION BOX ASSEMBLY	C
101	1060343	1.5 ft/ 0.5m	Cable, Electrical 10/4	
102	1060494	2 ft/ 0.7m	Cable, 12/3 (SN 0300201016 through 0300205503)	
102	1001179154	2.5 ft/ 0.8m	Cable, Electrical 12/3 (SN 0300205504 through 0300272504, SN B300002238 through B300007118, Except SN 0300272455 through 0300272461)	
103	1671092	1	Cover	
104	3300396	1	Cover, Fuse	
105	3311001	6	Nut #10	
106	4360070	1	Circuit Breaker - 15Amp	
108	4460425	1	Strain Relief, Terminal	
109	4460426	2	Connector, Strain Relief	
111	4460963	1	Connector	
112	4711000	10	Washer #10	
114	10702077	2	Screw #10 x 3/8	
115	10702082	2	Screw #10 x 3/4	

## SECTION 3 - ENGINE

ITEM	PART NUMBER	QTY	DESCRIPTION	REV
116	1001152525	1	Plug	
117	1001157520	1	Block, Terminal	
118	1001157521	1	Box, Junction	
119	1001157528	1	Decal - Wiring Schematic	
120	1001158007	1	Cover, PVC	
121	1001158008	2	Stand-Off	
	0272435	Ref	DECAL INSTALLATION	D
201	1705460	2	Decal - SkyPower	
202	3251243	1	Decal - 120V - 60Hz (Not Shown - Located at Platform Receptacle) <b>(SN 0300222664 through 0300272504, SN B300002238 through B300007118, Except SN 0300272455 through 0300272461)</b>	
203	1705375	1	Decal - 240V - 3 Phase	
204	1705387	3	Decal - Hazardous Voltage	
	1001122528	Ref	ELECTRICAL DIAGRAM COMPONENTS	B
301	1001119968	1	Generator Harness	B
301A	4460967	1	Plug, Male - 3 Position (Not Shown)	
301A	4460465	6	Socket, Female	
301B	1001117078	1	Fuseholder with Fuse (Not Shown)	
302	4922641	1	Switch Harness	

# SECTION 3 - ENGINE

FIGURE 3-68. 7500W SKYPOWER GENERATOR INSTALLATION - 50HZ SPEC (DEUTZ TCD2.9L4 ENGINES) (OPTIONAL)



ART\_1001137591

## SECTION 3 - ENGINE

**FIGURE 3-68. 7500W SKYPOWER GENERATOR INSTALLATION - 50HZ SPEC (DEUTZ TCD2.9L4 ENGINES) (OPTIONAL)**

ITEM	PART NUMBER	QTY	DESCRIPTION	REV
	1001137591	Ref	7500W SKYPOWER GENERATOR INSTALLATION - 50HZ SPEC (DEUTZ TCD2.9L4 ENGINES) (OPTIONAL)	D
		Ref	Note: See ELECTRICAL SECTION for Boom Cable Installation.	
1	0100011	AR	Compound, Locking	
2	0100019	AR	Compound, Locking	
3	0100048	AR	Grease, Dielectric	
4	0641404	5	Bolt 1/4 x 1/2	
5	3931016	4	Bolt 10 x 1	
6	0641516	3	Bolt 5/16 x 2	
7	0641618	1	Bolt 3/8 x 2	
8	0641810	2	Bolt 1/2 x 1-1/4	
9	0741607	3	Screw 3/8 x 7/8	
10	1001157525	1	Junction Box Assembly (See Items 101-117 for Breakdown)	
11	0861572	1	Box, Generator Control	
11	7024488	1	Card, Circuit - Generator Power (Not Shown)	
11	See Note	1	Fuse (Note: Not Available - Purchase Locally)	
11	7024489	1	Card, Circuit - Control (Not Shown)	
		Ref	Note: When replacing card, rocker switch on card must be set for required application.	
11	70000619	1	Harness, Circuit Card	
12	0902888	1	Bracket, Generator Junction Box	
13	0962520	1	Bushing, Taper	
14	2820031	AR	Insulator, Heat Shrink	
15	3251102	1	Nameplate, Generator	
16	3311508	3	Nut 5/16	
17	3311801	2	Nut 1/2	
18	3580317	1	Pulley, Belt Tensioner	
19	3580319	1	Pulley, Generator	
20	4060802	1	Guard, Switch	
21	4240018	AR	Strap, Tie (Not Shown)	
22	4300157	2	Stud 1/2	
23	4360336	1	Switch, Toggle	
24	4711400	4	Washer 1/4	
25	4711600	1	Washer 3/8	
26	4751500	3	Washer 5/16	
27	4791400	2	Starwasher 1/4	
28	4891800	4	Washer 1/2	
29	4922972	1	Harness, Generator Cable (See Separate Breakdown in ELECTRICAL SECTION)	
31	1001136988	NLA	Generator, 7500W (Use p/n 1001212223) <b>(SN 0300201016 through 0300226418)</b>	
31	1001212223	1	Generator, 7500W <b>(SN 0300226419 through 0300272504, SN B300002238 through B300007118, Except SN 0300272455 through 0300272461)</b>	
31	70001100	1	Rotor (Includes p/n 70001384 & 70000863) (Not Shown)	
31	70001384	1	Bearing, Shaft (Rear) (Not Shown)	
31	70000863	1	Fan, Generator (Not Shown)	
31	70004093	1	Stator - 1001136988 Generator (Not Shown)	
31	70006093	1	Stator - 1001212223 Generator (Not Shown)	
31	70002297	2	Stud 1/4 x 12-7/8 - 1001136988 Generator (Not Shown)	

## SECTION 3 - ENGINE

ITEM	PART NUMBER	QTY	DESCRIPTION	REV
31	70003631	1	Brushholder Assembly (Not Shown)	
31A	70004099	NLA	Key (Use p/n 70004171)	
31B	70001966	1	Bearing, Ball Radial (Located in Belt Tensioner Endbell)	
31B	70003709	1	Ring, Retaining (Small)	
31B	70003708	1	Ring, Retaining (Large)	
31C	70004092	1	Endbell, Belt Tensioner	
31D	70004094	1	Endbell, Brush Block	
31E	70004096	1	Shroud Assembly - 1001136988 Generator	
31E	70006094	1	Shroud Assembly - 1001212223 Generator	
31E	7027799	1	Block, Connector - 6 Position (Not Shown)	
31E	70002460	6	Nut, Brass (Attaches p/n 7027799 to Cover) (Not Shown)	
31E	7024485	1	Breaker, Circuit 30Amp - 1001136988 Generator (Not Shown)	
31E	70006095	1	Breaker, Circuit 30Amp - 1001212223 Generator (Not Shown)	
31E	70001696	1	Boot, Breaker - 1001136988 Generator (Not Shown)	
31E	70006096	1	Boot, Breaker - 1001212223 Generator (Not Shown)	
31E	7026597	1	Connector with Leads (Not Shown)	
31E	7026626	1	Connector with Pins (Not Shown)	
31E	70004098	1	Clamp, Cable (Not Shown)	
31E	70004095	1	Plate, End Panel - 1001136988 Generator (Not Shown)	
31E	70006097	1	Plate, End Panel - 1001212223 Generator (Not Shown)	
31E	70004097	1	Insulator, End Panel - 1001136988 Generator (Not Shown)	
31E	70002291	1	Insulator, End Panel - 1001212223 Generator (Not Shown)	
31E	70001974	1	Decal - Terminal Connections (Not Shown)	
31F	70001973	1	Decal - Warning Moving Parts	
32	1001138011	1	Bracket	
33	1001136357	1	Belt, Generator	
34	3311005	4	Nut #10	
35	4751000	4	Washer #10	
	1001157525	Ref	JUNCTION BOX ASSEMBLY	B
101	3300396	1	Cover, Fuse	
102	3311001	6	Nut #10	
103	3520189	1	Plug (50Hz Spec Only)	
104	3520192	1	Plug	
105	4360070	1	Circuit Breaker - 15Amp	
106	4460425	1	Strain Relief, Terminal	
107	4460426	2	Connector, Strain Relief	
109	4711000	10	Washer #10	
110	10702077	2	Screw #10 x 3/8	
111	10702082	2	Screw #10 x 3/4	
112	1001152525	1	Plug	
113	1001157520	1	Block, Terminal	
114	1001157521	1	Box, Junction	
115	1001157528	1	Decal - Wiring Schematic	
116	1001158007	1	Cover, PVC	
117	1001158008	2	Stand-Off	
	0272589	Ref	DECAL INSTALLATION	A
201	1705460	2	Decal - SkyPower	
202	1705461	1	Decal - 240V - 3 Phase	
203	1705489	3	Decal - Hazardous Voltage	
	1001122528	Ref	ELECTRICAL DIAGRAM COMPONENTS	B
301	1001119968	1	Generator Harness (With UGM)	B

## SECTION 3 - ENGINE

ITEM	PART NUMBER	QTY	DESCRIPTION	REV
301A	4460967	1	Plug, Male - 3 Position (Not Shown)	
301A	4460465	6	Socket, Female	
301B	1001117078	1	Fuseholder with Fuse (Not Shown)	
303	4922641	1	Switch Harness	





**SECTION 4 - BOOM**



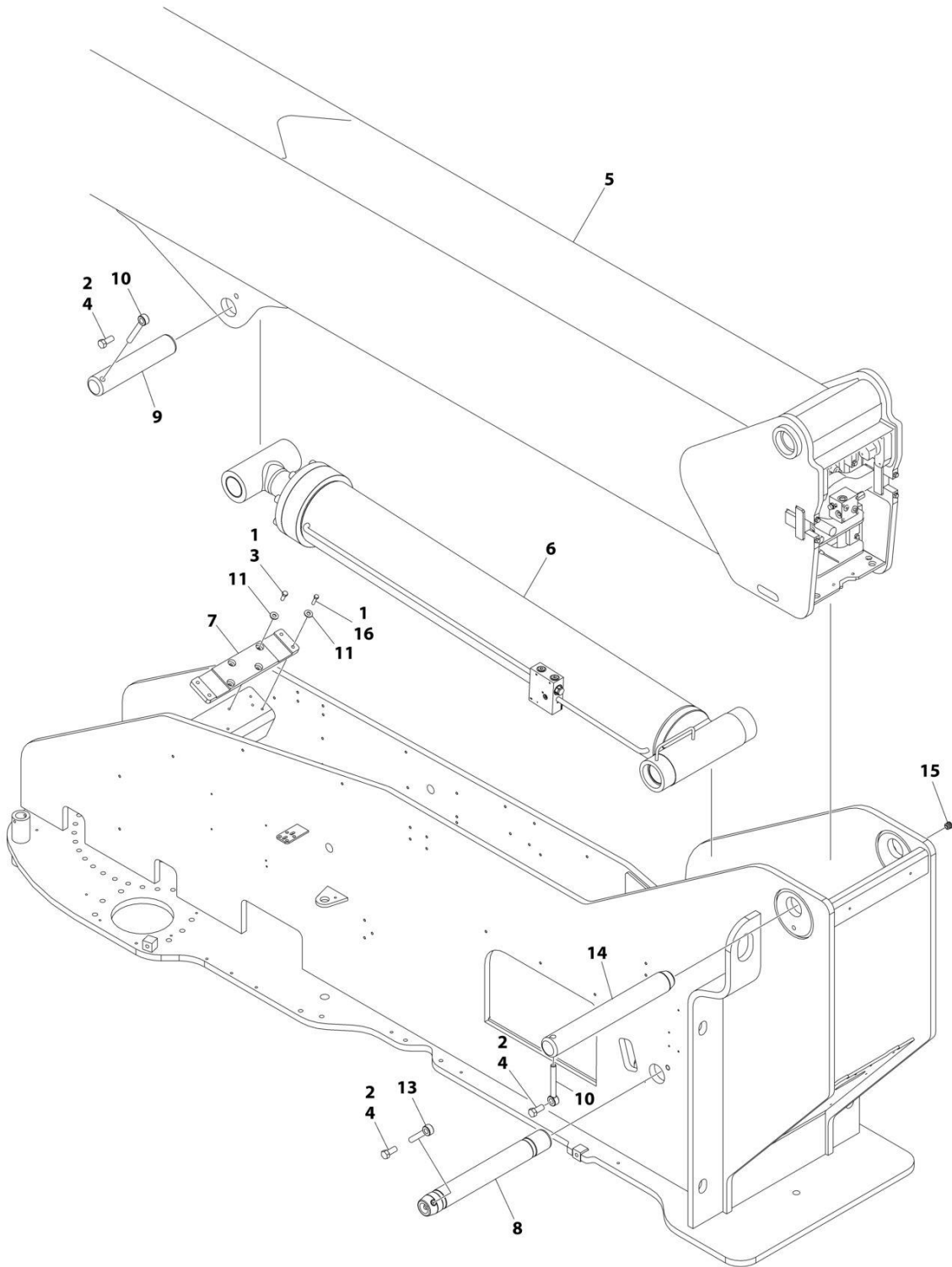
## SECTION 4 - BOOM

**FIGURE 4-1. BOOM INSTALLATION - WITHOUT COLD WEATHER PLUS PACKAGE (1200SJP)**

ITEM	PART NUMBER	QTY	DESCRIPTION	REV
	0271799	Ref	BOOM INSTALLATION	1
1	0100011	AR	Compound, Locking	
2	0100019	AR	Compound, Locking	
3	0641608	4	Bolt 3/8 x 1	
4	0642214	3	Bolt 3/4 x 1-3/4	
5	0801320	1	Boom Assembly (See Separate Breakdown in this Section)	
6	1684162	NLA	Lift Cylinder Assembly (Use p/n 1001228024) (See Separate Breakdown in CYLINDER SECTION) <b>(SN 0300201016 through 0300239470, SN B300002238 through B300002473)</b>	
6	1001228024	1	Lift Cylinder Assembly (See Separate Breakdown in CYLINDER SECTION) <b>(SN 0300239471 through 0300272504, SN B300002474 through B300007118, Except SN 0300272455 through 0300272461)</b>	
7	3340927	1	Pad <b>(SN 0300201016 through 0300251445, SN B300002238 through B300003452)</b>	
7	1001237755	1	Pad <b>(SN 0300251446 through 0300272504, SN B300003453 through B300007118, Except SN 0300272455 through 0300272461)</b>	
8	3423208	1	Pin, Load Sensing	
9	3422955	1	Pin	
10	3841287	2	Keeper, Pin	
11	4751600	AR	Washer 3/8	
13	3841581	1	Keeper, Pin	
14	3422988	1	Pin	
15	1001213705	1	Plug <b>(SN 0300216184 through 0300272504, SN B300002238 through B300007118, Except SN 0300272455 through 0300272461)</b>	
16	0641612	4	Bolt 3/8 x 1-1/2	

# SECTION 4 - BOOM

## FIGURE 4-2. BOOM INSTALLATION - WITH COLD WEATHER PLUS PACKAGE (1200SJP)



ART\_1001138800

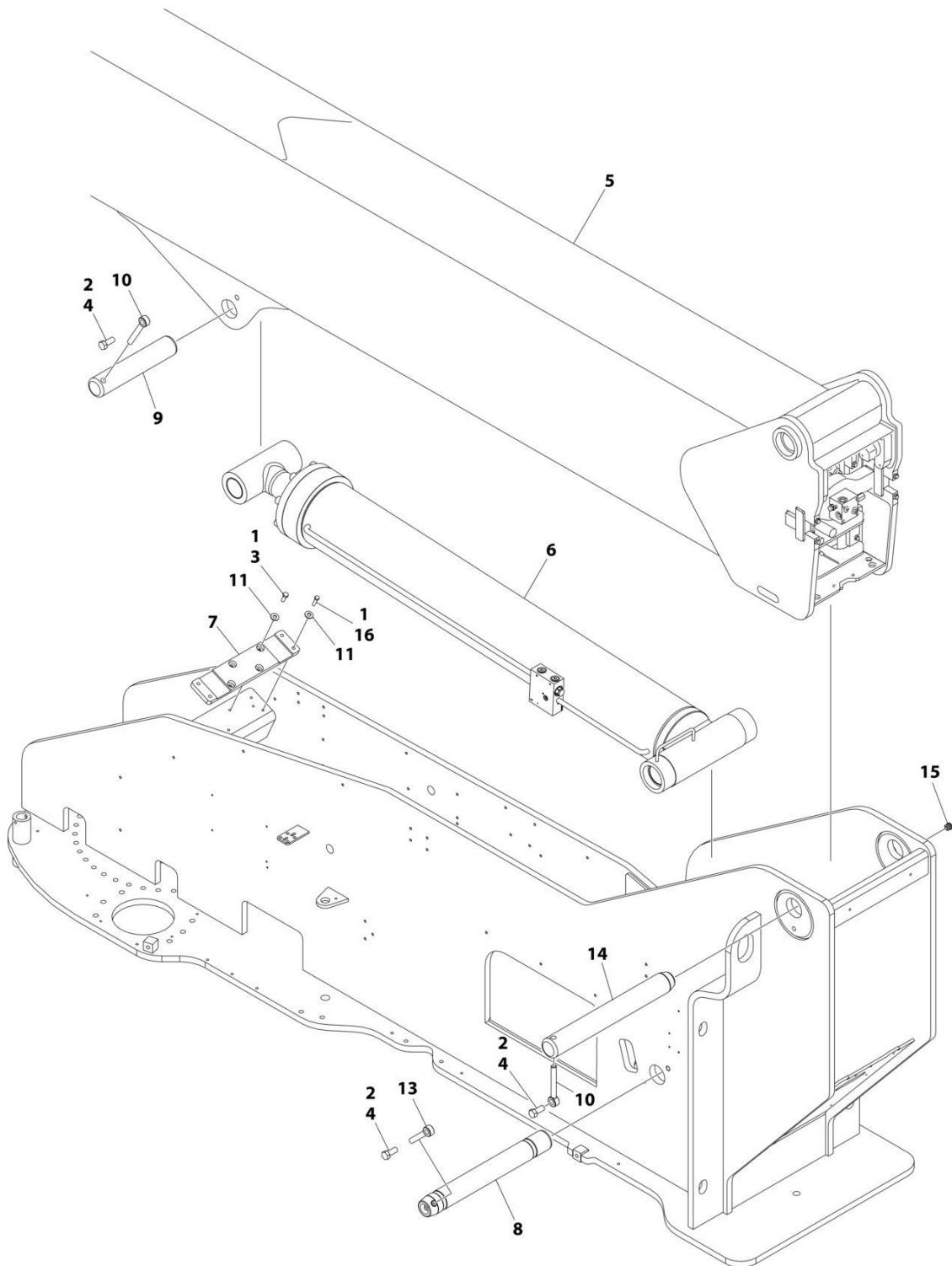
## SECTION 4 - BOOM

**FIGURE 4-2. BOOM INSTALLATION - WITH COLD WEATHER PLUS PACKAGE (1200SJP)**

ITEM	PART NUMBER	QTY	DESCRIPTION	REV
	1001138800	Ref	BOOM INSTALLATION	D
1	0100011	AR	Compound, Locking	
2	0100019	AR	Compound, Locking	
3	0641608	4	Bolt 3/8 x 1	
4	0642214	3	Bolt 3/4 x 1-3/4	
5	1001138801	1	Boom Assembly (See Separate Breakdown in this Section)	
6	1684162	NLA	Lift Cylinder Assembly (Use p/n 1001228024) (See Separate Breakdown in CYLINDER SECTION) <b>(SN 0300201016 through 0300239470)</b>	
6	1001228024	1	Lift Cylinder Assembly (See Separate Breakdown in CYLINDER SECTION) <b>(SN 0300239471 through 0300272504, Except SN 0300272455 through 0300272461)</b>	
7	3340927	1	Pad <b>(SN 0300201016 through 0300251445)</b>	
7	1001237755	1	Pad <b>(SN 0300251446 through 0300272504, Except SN 0300272455 through 0300272461)</b>	
8	3423208	1	Pin, Load Sensing	
9	3422955	1	Pin	
10	3841287	2	Keeper, Pin	
11	4751600	AR	Washer 3/8	
13	3841581	1	Keeper, Pin	
14	3422988	1	Pin	
15	1001213705	1	Plug <b>(SN 0300216184 through 0300272504, Except SN 0300272455 through 0300272461)</b>	
16	0641611	4	Bolt 3/8 x 1-3/8	

# SECTION 4 - BOOM

FIGURE 4-3. BOOM INSTALLATION - WITHOUT COLD WEATHER PLUS PACKAGE (1350SJP)



ART\_0271530

## SECTION 4 - BOOM

**FIGURE 4-3. BOOM INSTALLATION - WITHOUT COLD WEATHER PLUS PACKAGE (1350SJP)**

ITEM	PART NUMBER	QTY	DESCRIPTION	REV
	0271530	Ref	BOOM INSTALLATION	1
1	0100011	AR	Compound, Locking	
2	0100019	AR	Compound, Locking	
3	0641608	4	Bolt 3/8 x 1	
4	0642214	3	Bolt 3/4 x 1-3/4	
5	0801315	1	Boom Assembly (See Separate Breakdown in this Section)	
6	1684162	NLA	Lift Cylinder Assembly (Use p/n 1001228024) (See Separate Breakdown in CYLINDER SECTION) <b>(SN 0300201016 through 0300239470, SN B300002238 through B300002473)</b>	
6	1001228024	1	Lift Cylinder Assembly (See Separate Breakdown in CYLINDER SECTION) <b>(SN 0300239471 through 0300272504, SN B300002474 through B300007118, Except SN 0300272455 through 0300272461)</b>	
7	3340927	1	Pad <b>(SN 0300201016 through 0300251445, SN B300002238 through B300003452)</b>	
7	1001237755	1	Pad <b>(SN 0300251446 through 0300272504, SN B300003453 through B300007118, Except SN 0300272455 through 0300272461)</b>	
8	3423208	1	Pin, Load Sensing	
9	3422955	1	Pin	
10	3841287	2	Keeper, Pin	
11	4751600	AR	Washer 3/8	
13	3841581	1	Keeper, Pin	
14	3422988	1	Pin	
15	1001213705	1	Plug <b>(SN 0300216184 through 0300272504, SN B300002238 through B300007118, Except SN 0300272455 through 0300272461)</b>	
16	0641612	4	Bolt 3/8 x 1-1/2	





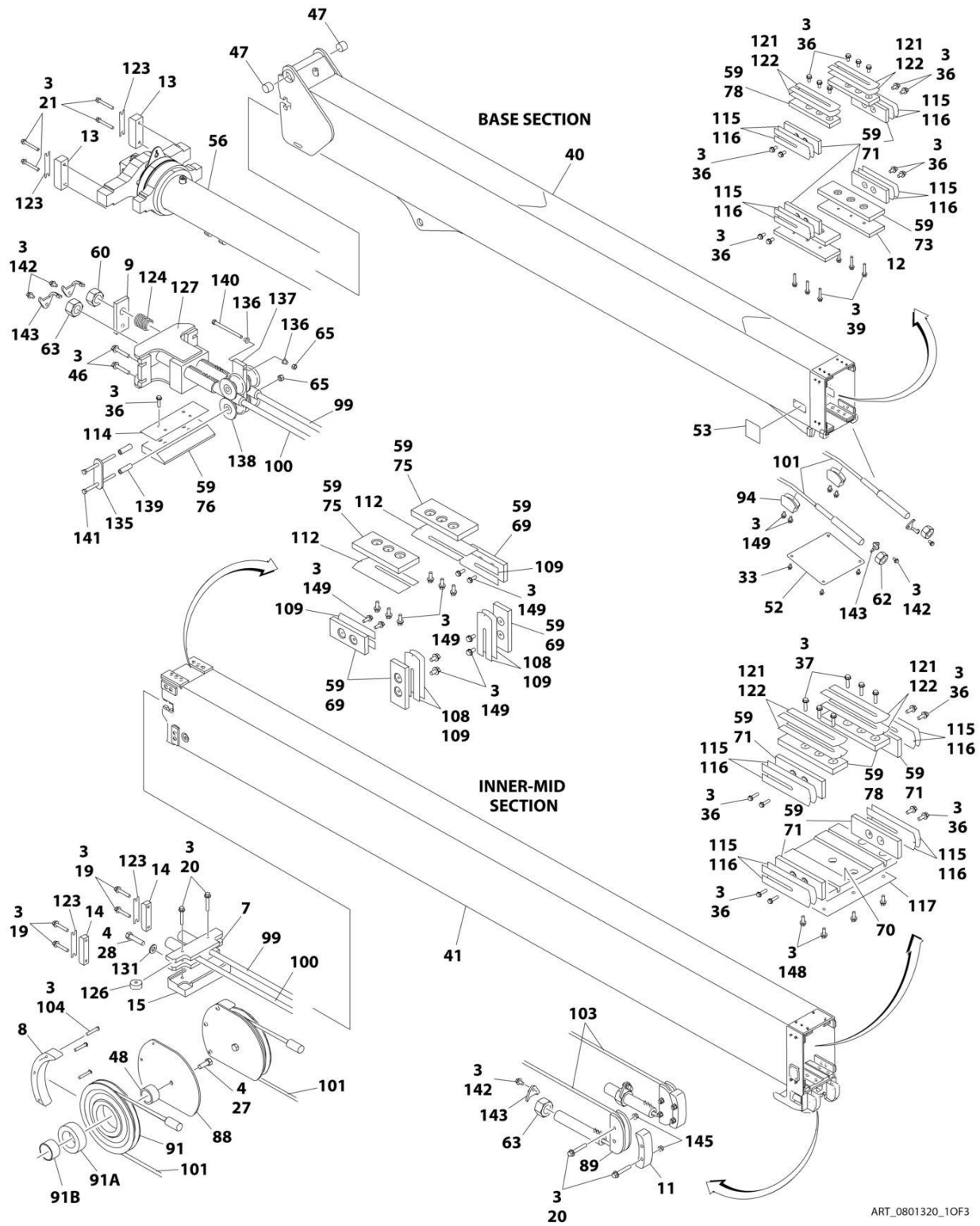
## SECTION 4 - BOOM

**FIGURE 4-4. BOOM INSTALLATION - WITH COLD WEATHER PLUS PACKAGE (1350SJP)**

ITEM	PART NUMBER	QTY	DESCRIPTION	REV
	1001139516	Ref	BOOM INSTALLATION	D
1	0100011	AR	Compound, Locking	
2	0100019	AR	Compound, Locking	
3	0641608	4	Bolt 3/8 x 1	
4	0642214	3	Bolt 3/4 x 1-3/4	
5	1001139517	1	Boom Assembly (See Separate Breakdown in this Section)	
6	1684162	NLA	Lift Cylinder Assembly (Use p/n 1001228024) (See Separate Breakdown in CYLINDER SECTION) <b>(SN 0300201016 through 0300239470)</b>	
6	1001228024	1	Lift Cylinder Assembly (See Separate Breakdown in CYLINDER SECTION) <b>(SN 0300239471 through 0300272504, Except SN 0300272455 through 0300272461)</b>	
7	3340927	1	Pad <b>(SN 0300201016 through 0300251445)</b>	
7	1001237755	1	Pad <b>(SN 0300251446 through 0300272504, Except SN 0300272455 through 0300272461)</b>	
8	3423208	1	Pin, Load Sensing	
9	3422955	1	Pin	
10	3841287	2	Keeper, Pin	
11	4751600	AR	Washer 3/8	
13	3841581	1	Keeper, Pin	
14	3422988	1	Pin	
15	1001213705	1	Plug <b>(SN 0300216184 through 0300272504, Except SN 0300272455 through 0300272461)</b>	
16	0641611	4	Bolt 3/8 x 1-3/8	

# SECTION 4 - BOOM

## FIGURE 4-5. BOOM ASSEMBLY - WITHOUT COLD WEATHER PLUS PACKAGE (1200SJP)



ART\_0801320\_10F3





## SECTION 4 - BOOM

**FIGURE 4-5. BOOM ASSEMBLY - WITHOUT COLD WEATHER PLUS PACKAGE (1200SJP)**

ITEM	PART NUMBER	QTY	DESCRIPTION	REV
	0801320	Ref	BOOM ASSEMBLY	W
1	1001097643	NLA	Actuator Assembly (Platform Rotate) (See Separate Breakdown in this Section) (SN 0300201016 through 0300201349)	
1	1001178247	1	Actuator Assembly (Platform Rotate) (See Separate Breakdown in this Section) (SN 0300201350 through 0300272504, SN B300002238 through B300007118, Except SN 0300272455 through 0300272461)	
2	1001097619	NLA	Actuator Assembly (Jib Rotate) (See Separate Breakdown in this Section) (SN 0300201016 through 0300201349)	
2	1001178248	1	Actuator Assembly (Jib Rotate) (See Separate Breakdown in this Section) (SN 0300201350 through 0300272504, SN B300002238 through B300007118, Except SN 0300272455 through 0300272461)	
3	0100011	AR	Compound, Locking	
4	0100019	AR	Compound, Locking	
5	0561431	1	Block, Rope Retainer	
6	0561437	2	Block, Rope Retainer	
7	0561439	1	Block, Outer Mid Extend	
8	0561444	2	Block, Cable Retainer	
9	0561454	1	Block, Switch Adjuster	
10	0561457	2	Block, Cable Retainer	
11	0561458	2	Block, Cable Retainer	
12	0561471	2	Block, Spacer	
13	0561500	2	Block, Trunnion Keeper	
14	0561482	2	Block, Trunnion Keeper	
15	3340955	1	Pad	
16	0641607	5	Bolt 3/8 x 7/8	
17	0641610	1	Bolt 3/8 x 1-1/4	
18	0641615	4	Bolt 3/8 x 1-7/8	
19	0791618	4	Screw 3/8 x 2-1/4	
20	0791620	10	Screw 3/8 x 2-1/2	
21	0791624	4	Screw 3/8 x 3	
22	0641646	4	Bolt 3/8 x 5-3/4	
23	0641652	3	Bolt 3/8 x 6-1/2	
24	0641808	1	Bolt 1/2 x 1	
25	0641813	1	Bolt 1/2 x 1-5/8	
26	0642012	1	Bolt 5/8 x 1-1/2	
27	0642014	4	Bolt 5/8 x 1-3/4	
28	0642022	2	Bolt 5/8 x 2-3/4	
29	0682028	8	Bolt 5/8 x 3-1/2 Grade 8	
30	0682212	8	Bolt 3/4 x 1-1/2 Grade 8	
31	0741606	3	Screw 3/8 x 3/4	
32	0741806	1	Screw 1/2 x 3/4	
33	0791604	4	Screw 3/8 x 1/2	
34	0791606	2	Screw 3/8 x 3/4	
36	0811608	43	Screw 3/8 x 1	
37	0811610	10	Screw 3/8 x 1-1/4	
38	0811614	4	Screw 3/8 x 1-3/4	
39	0811616	6	Screw 3/8 x 2	
40	0801316	1	Base, Boom	
41	0801317	1	Mid, Inner	

## SECTION 4 - BOOM

ITEM	PART NUMBER	QTY	DESCRIPTION	REV
42	0801318	1	Mid, Outer	
43	0801319	1	Fly, Boom	
44	0961951	8	Bushing	
45	0962224	2	Bearing	
46	0791612	4	Screw 3/8 x 1-1/2	
47	0962297	2	Bushing	
48	0962409	2	Bushing	
49	0962410	2	Bushing	
50	1100131	1	Cam	
52	1671032	1	Cover	
53	1671033	1	Cover	
54	1684149	NLA	Platform Level Cylinder Assembly (Use p/n 1001228023) (See Separate Breakdown in CYLINDER SECTION)	
54	1001228023	1	Platform Level Cylinder Assembly (See Separate Breakdown in CYLINDER SECTION)	
55	1684173	NLA	Jib Cylinder Assembly (Use p/n 1001228025) (See Separate Breakdown in CYLINDER SECTION) <b>(SN 0300201016 through 0300239161, SN B300002238 through B300002449)</b>	
55	1001228025	1	Jib Cylinder Assembly (See Separate Breakdown in CYLINDER SECTION) <b>(SN 0300239162 through 0300272504, SN B300002450 through B300007118, Except SN 0300272455 through 0300272461)</b>	
56	1684178	NLA	Telescope Cylinder Assembly (Use p/n 1001228026) (See Separate Breakdown in CYLINDER SECTION) <b>(SN 0300201016 through 0300243437, SN B300002238 through B300002719)</b>	
56	1001228026	1	Telescope Cylinder Assembly (See Separate Breakdown in CYLINDER SECTION) <b>(SN 0300243438 through 0300272504, SN B300002719 through B300007118, Except SN 0300272455 through 0300272461)</b>	
57	3020039	AR	Lubricant, Moly	
58	3300239	4	Nut, Nylon Insert	
59	3020042	AR	Lubricant with PTFE	
60	3300458	1	Nut 1	
62	3300460	2	Nut 1-1/4	
63	3300461	3	Nut 1-3/8	
65	3311605	7	Nut 3/8	
66	3311801	4	Nut 1/2	
67	3311805	1	Nut 1/2	
68	3340871	2	Pad, Wear	
69	3340881	12	Pad, Wear	
70	3340910	1	Pad, Wear	
71	3340912	2	Pad, Wear	
72	4700039	1	Pad, Wear	
73	3340916	2	Pad, Wear	
74	3340917	2	Pad, Wear	
75	3340918	2	Pad, Wear	
76	4700038	1	Pad, Wear	
77	3340921	12	Pad, Wear	
78	3340922	6	Pad, Wear	
79	3340926	1	Pad, Wear	
80	3422926	1	Pin	
81	3422937	1	Pin	
82	1001119899	1	Pin	
83	3422956	1	Pin	

## SECTION 4 - BOOM

ITEM	PART NUMBER	QTY	DESCRIPTION	REV
84	3422957	5	Pin	
85	3422958	1	Pin	
86	3422959	1	Pin	
87	3572950	2	Plate, Cable Retract Retainer	
88	3572951	2	Plate, Cable Retract Retainer	
89	3580342	2	Sheave	
90	1001154260	2	Sheave	
90A	1001154294	1	Ring, Snap	
90B	1001154304	1	Bushing (Inner)	
90C	1001154306	1	Bushing (Outer)	
91	3580298	2	Sheave	
91A	0962402	1	Bushing (Outer)	
91B	0962406	1	Bushing (Inner)	
92	3580300	1	Sheave	
92A	1001139972	1	Sleeve, Bushing (Inner)	
92B	0962403	1	Bushing (Outer)	
93	3580302	2	Sheave	
93A	0962404	1	Bushing (Outer)	
93B	0962411	1	Bushing (Inner)	
94	3580341	2	Sheave	
95	3760233	1	Ring, Retaining	
96	3841143	6	Keeper, Pin	
97	3841203	2	Keeper, Pin	
98	3841258	1	Keeper, Pin	
99	3890034	1	Cable, Outer Mid Extend	
100	3890035	1	Cable, Outer Mid Extend	
101	3890036	2	Cable, Outer Mid Retract	
102	3890037	4	Cable, Fly Extend	
103	3890038	2	Cable, Fly Retract	
104	0641618	6	Screw 3/8 x 2-1/4	
105	4070863	2	Shim #11 Gauge	
106	4070864	2	Shim #18 Gauge	
107	4070895	2	Shim #16 Gauge	
108	4070897	6	Shim #18 Gauge	
109	4070898	12	Shim #11 Gauge	
110	4071012	1	Shim #16 Gauge	
112	4071015	2	Shim #16 Gauge	
114	4071017	1	Shim #16 Gauge	
115	4071018	8	Shim #16 Gauge	
116	4071019	12	Shim #11 Gauge	
117	4071024	1	Shim #16 Gauge	
118	4071025	1	Shim #16 Gauge	
120	4071027	2	Shim #16 Gauge	
121	4071028	6	Shim #16 Gauge	
122	4071029	6	Shim #11 Gauge	
123	4071031	4	Shim #16 Gauge	
124	4160197	1	Spring	
125	4711600	10	Washer 3/8	
126	4740509	2	Spacer	
127	4846453	1	Plate, Mounting	
128	4846462	1	Pivot	

## SECTION 4 - BOOM

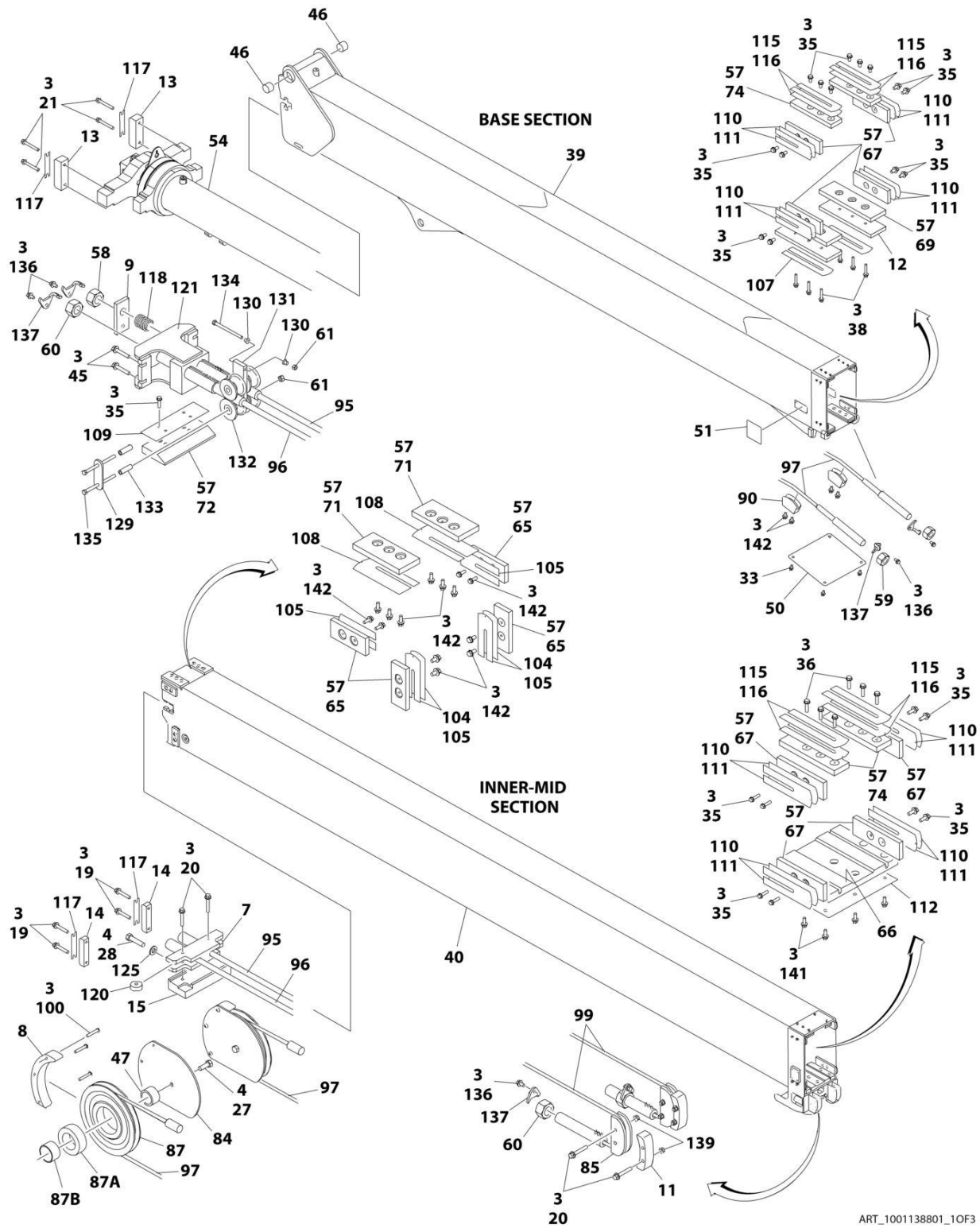
ITEM	PART NUMBER	QTY	DESCRIPTION	REV
129	4846482	1	Link, Jib (Upper)	
130	0801550	1	Link, Jib (Lower)	
131	4892000	2	Washer 5/8	
132	4071044	1	Shim #18 Gauge	
133	4071045	1	Shim #11 Gauge	
134	4071046	2	Shim #16 Gauge	
135	0363066	2	Bar, Stabilizer	
136	0962447	2	Bearing, Flanged	
137	3573437	1	Plate, Pulley Adjustment	
138	3580306	4	Pulley	
139	4568423	4	Tube, Spacer	
140	0641640	1	Bolt 3/8 x 5	
141	0641644	2	Bolt 3/8 x 5-1/2	
142	0791605	6	Screw 3/8 x 5/8	
143	3573444	6	Plate, Lock	
144	0630558	1	Bolt 1 x 2	
145	3311608	8	Nut 3/8	
146	3760133	5	Ring, Retaining	
148	0811606	30	Screw 3/8 x 3/4	
149	0811607	24	Screw 3/8 x 7/8	





# SECTION 4 - BOOM

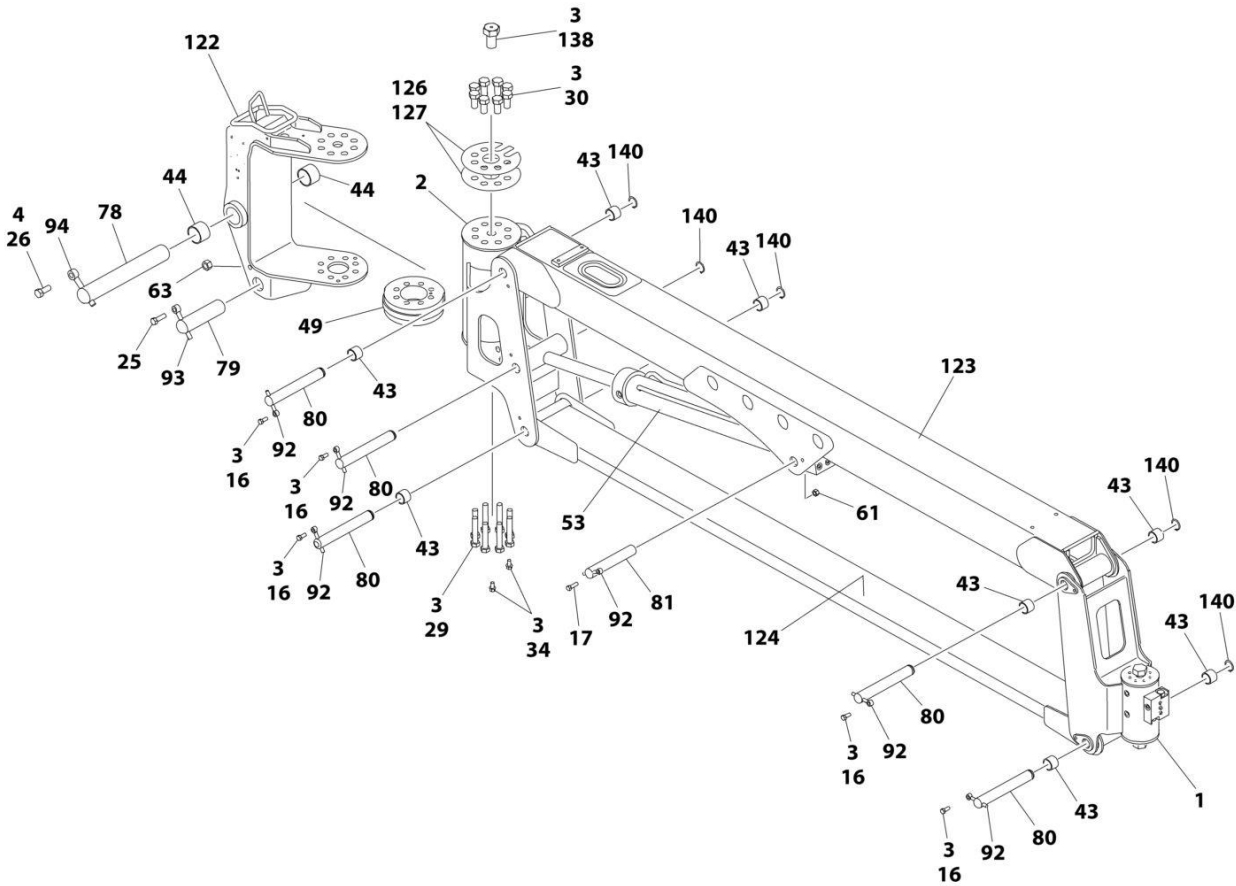
FIGURE 4-6. BOOM ASSEMBLY - WITH COLD WEATHER PLUS PACKAGE (1200SJP)



ART\_1001138801\_10F3



# SECTION 4 - BOOM



ART\_1001138801\_3OF3

## SECTION 4 - BOOM

**FIGURE 4-6. BOOM ASSEMBLY - WITH COLD WEATHER PLUS PACKAGE (1200SJP)**

ITEM	PART NUMBER	QTY	DESCRIPTION	REV
	1001138801	Ref	BOOM ASSEMBLY	F
1	1001097643	NLA	Actuator Assembly (Platform Rotate) (See Separate Breakdown in this Section) <b>(SN 0300201016 through 0300201349)</b>	
1	1001178247	1	Actuator Assembly (Platform Rotate) (See Separate Breakdown in this Section) <b>(SN 0300201350 through 0300272504, Except SN 0300272455 through 0300272461)</b>	
2	1001097619	NLA	Actuator Assembly (Jib Rotate) (See Separate Breakdown in this Section) <b>(SN 0300201016 through 0300201349)</b>	
2	1001178248	1	Actuator Assembly (Jib Rotate) (See Separate Breakdown in this Section) <b>(SN 0300201350 through 0300272504, Except SN 0300272455 through 0300272461)</b>	
3	0100011	AR	Compound, Locking	
4	0100019	AR	Compound, Locking	
5	0561431	1	Block, Rope Retainer	
6	0561437	2	Block, Rope Retainer	
7	0561439	1	Block, Outer Mid Extend	
8	0561444	2	Block, Cable Retainer	
9	0561454	1	Block, Switch Adjuster	
10	0561457	2	Block, Cable Retainer	
11	0561458	2	Block, Cable Retainer	
12	0561471	2	Block, Spacer	
13	0561500	2	Block, Trunnion Keeper	
14	0561482	2	Block, Trunnion Keeper	
15	3340955	1	Pad	
16	0641607	5	Bolt 3/8 x 7/8	
17	0641610	1	Bolt 3/8 x 1-1/4	
18	0641615	4	Bolt 3/8 x 1-7/8	
19	0791618	4	Screw 3/8 x 2-1/4	
20	0791620	10	Screw 3/8 x 2-1/2	
21	0791624	4	Screw 3/8 x 3	
22	0641646	4	Bolt 3/8 x 5-3/4	
23	0641652	3	Bolt 3/8 x 6-1/2	
24	0641808	1	Bolt 1/2 x 1	
25	0641813	1	Bolt 1/2 x 1-5/8	
26	0642012	1	Bolt 5/8 x 1-1/2	
27	0642014	4	Bolt 5/8 x 1-3/4	
28	0642022	2	Bolt 5/8 x 2-3/4	
29	0682028	8	Bolt 5/8 x 3-1/2 Grade 8	
30	0682212	8	Bolt 3/4 x 1-1/2 Grade 8	
31	0741606	3	Screw 3/8 x 3/4	
32	0741806	1	Screw 1/2 x 3/4	
33	0791604	4	Screw 3/8 x 1/2	
34	0791606	2	Screw 3/8 x 3/4	
35	0811608	43	Screw 3/8 x 1	
36	0811610	10	Screw 3/8 x 1-1/4	
37	0811614	4	Screw 3/8 x 1-3/4	
38	0811616	6	Screw 3/8 x 2	
39	0801316	1	Base, Boom	
40	0801317	1	Mid, Inner	
41	0801318	1	Mid, Outer	
42	0801319	1	Fly, Boom	

## SECTION 4 - BOOM

ITEM	PART NUMBER	QTY	DESCRIPTION	REV
43	0961951	8	Bushing	
44	0962224	2	Bearing	
45	0791612	4	Screw 3/8 x 1-1/2	
46	0962297	2	Bushing	
47	0962409	2	Bushing	
48	0962410	2	Bushing	
49	1100131	1	Cam	
50	1671032	1	Cover	
51	1671033	1	Cover	
52	1001138802	NLA	Platform Level Cylinder Assembly (Use p/n 1001228053) (See Separate Breakdown in CYLINDER SECTION) <b>(SN 0300201016 through 0300239980)</b>	
52	1001228053	1	Platform Level Cylinder Assembly (See Separate Breakdown in CYLINDER SECTION) <b>(SN 0300239981 through 0300272504, Except SN 0300272455 through 0300272461)</b>	
53	1001138803	NLA	Jib Cylinder Assembly (Use p/n 1001228025) (See Separate Breakdown in CYLINDER SECTION) <b>(SN 0300201016 through 0300239161)</b>	
53	1001228025	1	Jib Cylinder Assembly (See Separate Breakdown in CYLINDER SECTION) <b>(SN 0300239162 through 0300272504, Except SN 0300272455 through 0300272461)</b>	
54	1684178	NLA	Telescope Cylinder Assembly (Use p/n 1001228026) (See Separate Breakdown in CYLINDER SECTION) <b>(SN 0300201016 through 0300243437)</b>	
54	1001228026	1	Telescope Cylinder Assembly (See Separate Breakdown in CYLINDER SECTION) <b>(SN 0300243438 through 0300272504, Except SN 0300272455 through 0300272461)</b>	
55	3020039	AR	Lubricant, Moly	
56	3300239	4	Nut, Nylon Insert	
57	3020042	AR	Lubricant with PTFE	
58	3300458	1	Nut 1	
59	3300460	2	Nut 1-1/4	
60	3300461	3	Nut 1-3/8	
61	3311605	7	Nut 3/8	
62	3311801	4	Nut 1/2	
63	3311805	1	Nut 1/2	
64	3340871	2	Pad, Wear	
65	3340881	12	Pad, Wear	
66	3340910	1	Pad, Wear	
67	3340912	2	Pad, Wear	
68	4700039	1	Pad, Wear	
69	3340916	2	Pad, Wear	
70	3340917	2	Pad, Wear	
71	3340918	2	Pad, Wear	
72	4700038	1	Pad, Wear	
73	3340921	12	Pad, Wear	
74	3340922	6	Pad, Wear	
75	3340926	1	Pad, Wear	
76	3422926	1	Pin	
77	3422937	1	Pin	
78	1001119899	1	Pin	
79	3422956	1	Pin	
80	3422957	5	Pin	
81	3422958	1	Pin	

## SECTION 4 - BOOM

ITEM	PART NUMBER	QTY	DESCRIPTION	REV
82	3422959	1	Pin	
83	3572950	2	Plate, Cable Retract Retainer	
84	3572951	2	Plate, Cable Retract Retainer	
85	3580342	2	Sheave	
86	1001154260	2	Sheave	
86A	1001154294	1	Ring, Snap	
86B	1001154304	1	Bushing (Inner)	
86C	1001154306	1	Bushing (Outer)	
87	3580298	2	Sheave	
87A	0962402	1	Bushing (Outer)	
87B	0962406	1	Bushing (Inner)	
88	3580300	1	Sheave	
88A	1001139972	1	Sleeve, Bushing (Inner)	
88B	0962403	1	Bushing (Outer)	
89	3580302	2	Sheave	
89A	0962404	1	Bushing (Outer)	
89B	0962411	1	Bushing (Inner)	
90	3580341	2	Sheave	
91	3760233	1	Ring, Retaining	
92	3841143	6	Keeper, Pin	
93	3841203	2	Keeper, Pin	
94	3841258	1	Keeper, Pin	
95	3890034	1	Cable, Outer Mid Extend	
96	3890035	1	Cable, Outer Mid Extend	
97	3890036	2	Cable, Outer Mid Retract	
98	3890037	4	Cable, Fly Extend	
99	3890038	2	Cable, Fly Retract	
100	0641618	6	Screw 3/8 x 2-1/4	
101	4070863	2	Shim #11 Gauge	
102	4070864	2	Shim #18 Gauge	
103	4070895	2	Shim #16 Gauge	
104	4070897	6	Shim #18 Gauge	
105	4070898	12	Shim #11 Gauge	
106	4071012	1	Shim #16 Gauge	
107	4071013	2	Shim #16 Gauge	
108	4071015	2	Shim #16 Gauge	
109	4071017	1	Shim #16 Gauge	
110	4071018	8	Shim #16 Gauge	
111	4071019	12	Shim #11 Gauge	
112	4071024	1	Shim #16 Gauge	
113	4071025	1	Shim #16 Gauge	
114	4071027	2	Shim #16 Gauge	
115	4071028	6	Shim #16 Gauge	
116	4071029	6	Shim #11 Gauge	
117	4071031	4	Shim #16 Gauge	
118	4160197	1	Spring	
119	4711600	10	Washer 3/8	
120	4740509	2	Spacer	
121	4846453	1	Plate, Mounting	
122	4846462	1	Pivot	
123	4846482	1	Link, Jib (Upper)	

## SECTION 4 - BOOM

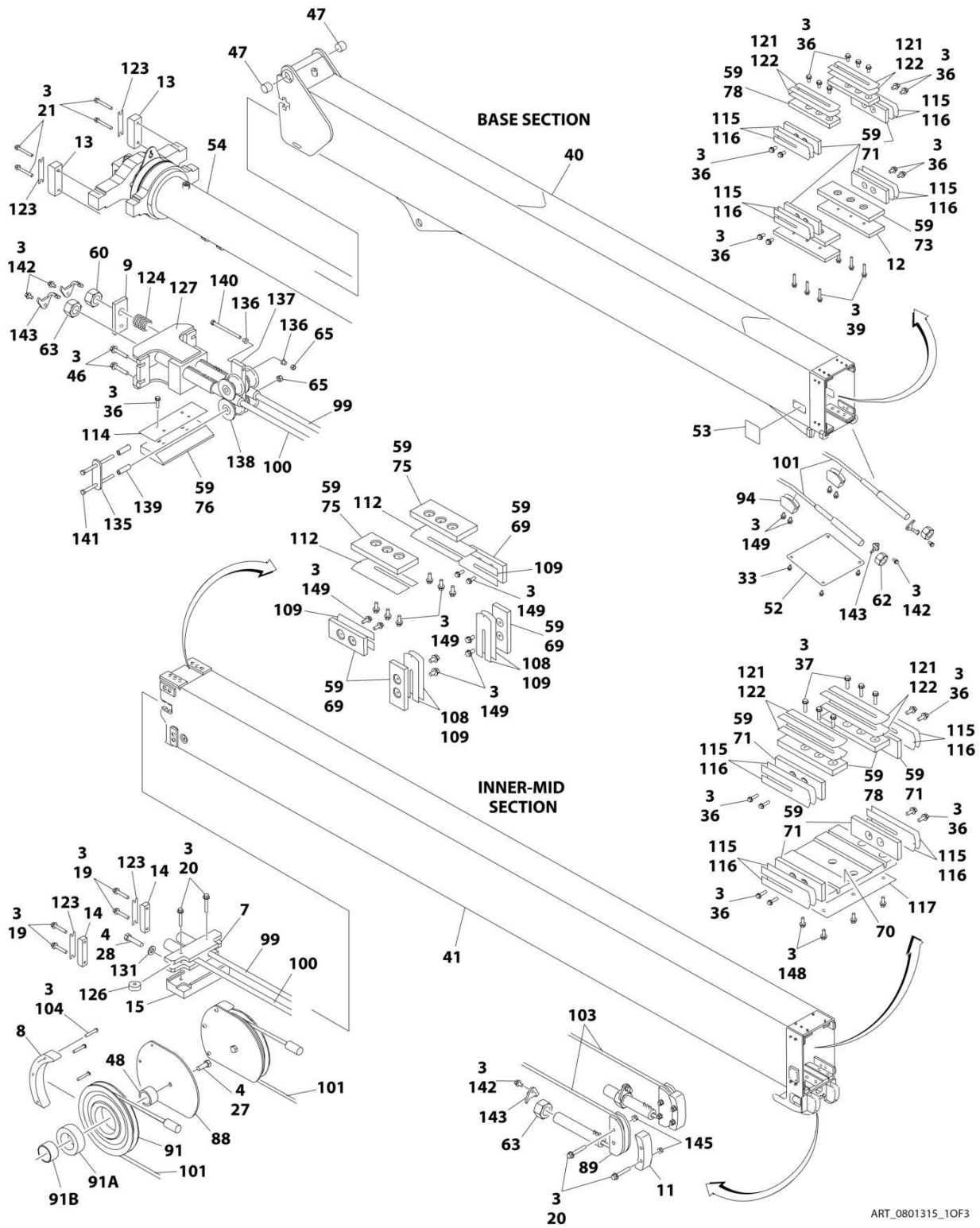
ITEM	PART NUMBER	QTY	DESCRIPTION	REV
124	0801550	1	Link, Jib (Lower)	
125	4892000	2	Washer 5/8	
126	4071044	1	Shim #18 Gauge	
127	4071045	1	Shim #11 Gauge	
128	4071046	2	Shim #16 Gauge	
129	0363066	2	Bar, Stabilizer	
130	0962447	2	Bearing, Flanged	
131	3573437	1	Plate, Pulley Adjustment	
132	3580306	4	Pulley	
133	4568423	4	Tube, Spacer	
134	0641640	1	Bolt 3/8 x 5	
135	0641644	2	Bolt 3/8 x 5-1/2	
136	0791605	6	Screw 3/8 x 5/8	
137	3573444	6	Plate, Lock	
138	0630558	1	Bolt 1 x 2	
139	3311608	8	Nut 3/8	
140	3760133	5	Ring, Retaining	
141	0811606	30	Screw 3/8 x 3/4	
142	0811607	24	Screw 3/8 x 7/8	





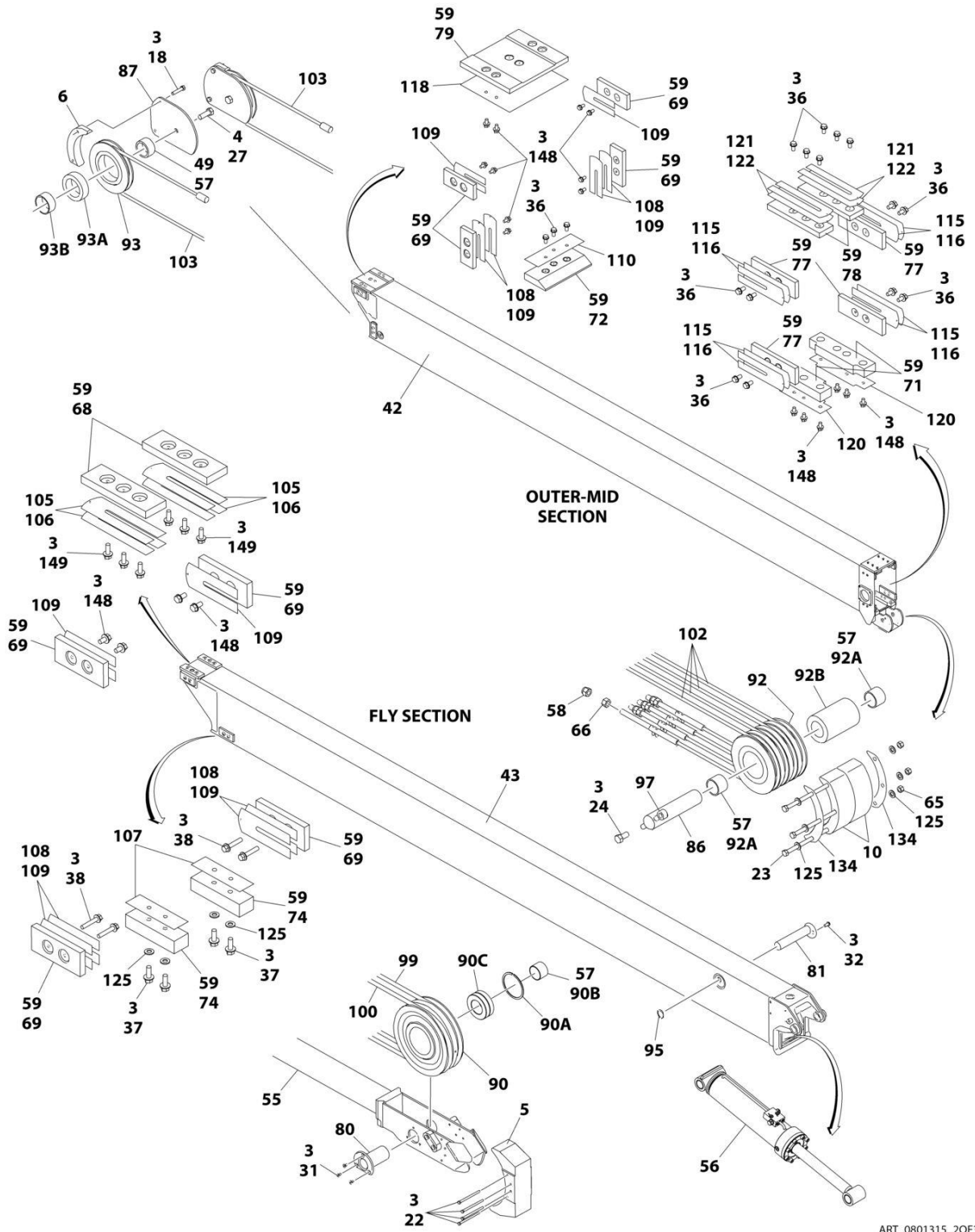
# SECTION 4 - BOOM

## FIGURE 4-7. BOOM ASSEMBLY - WITHOUT COLD WEATHER PLUS PACKAGE (1350SJP)



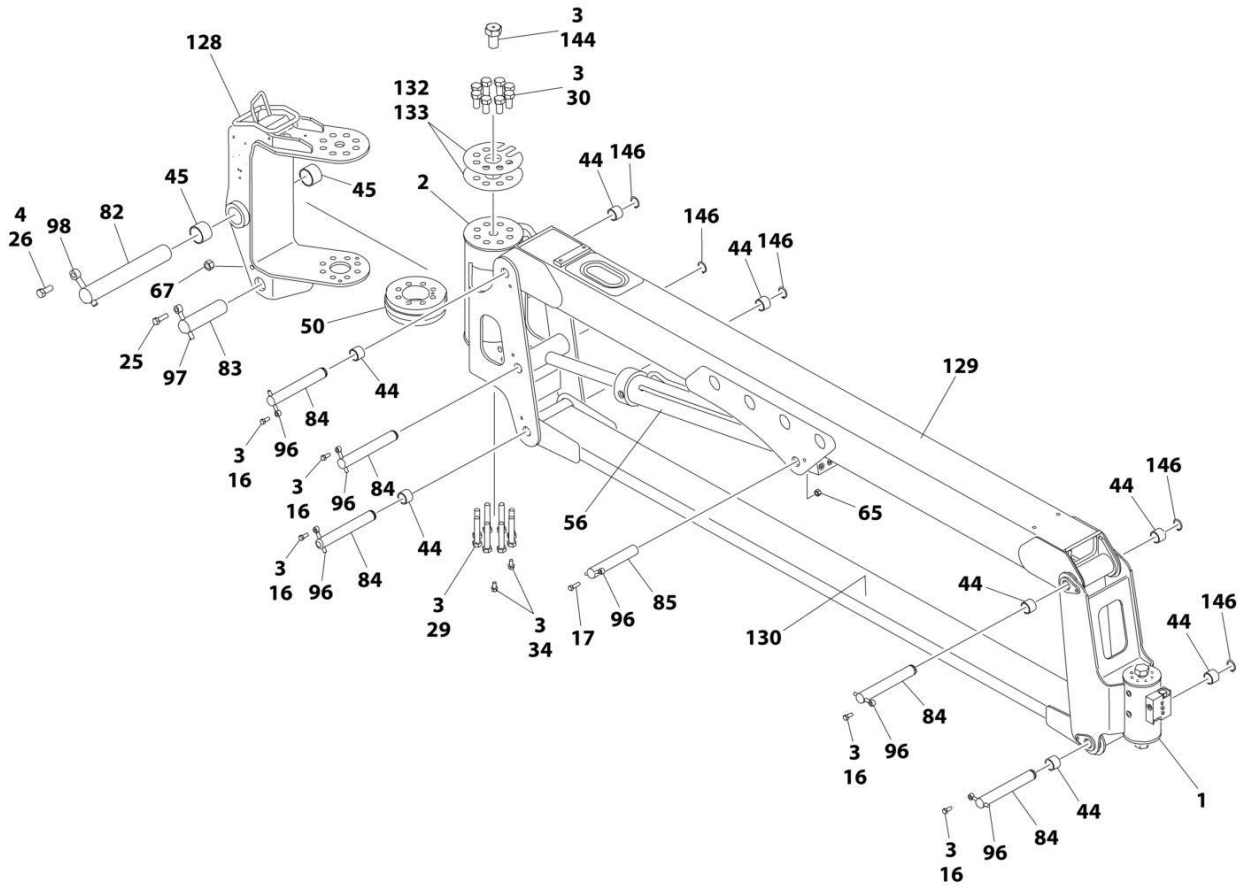
ART\_0801315\_10F3

# SECTION 4 - BOOM



ART\_0801315\_20F3

# SECTION 4 - BOOM



ART\_0801315\_3OF3

## SECTION 4 - BOOM

**FIGURE 4-7. BOOM ASSEMBLY - WITHOUT COLD WEATHER PLUS PACKAGE (1350SJP)**

ITEM	PART NUMBER	QTY	DESCRIPTION	REV
	0801315	Ref	BOOM ASSEMBLY	U
1	1001097643	NLA	Actuator Assembly (Platform Rotate) (See Separate Breakdown in this Section) (SN 0300201016 through 0300201349)	
1	1001178247	1	Actuator Assembly (Platform Rotate) (See Separate Breakdown in this Section) (SN 0300201350 through 0300272504, SN B300002238 through B300007118, Except SN 0300272455 through 0300272461)	
2	1001097619	NLA	Actuator Assembly (Jib Rotate) (See Separate Breakdown in this Section) (SN 0300201016 through 0300201349)	
2	1001178248	1	Actuator Assembly (Jib Rotate) (See Separate Breakdown in this Section) (SN 0300201350 through 0300272504, SN B300002238 through B300007118, Except SN 0300272455 through 0300272461)	
3	0100011	AR	Compound, Locking	
4	0100019	AR	Compound, Locking	
5	0561431	1	Block, Rope Retainer	
6	0561437	2	Block, Rope Retainer	
7	0561439	1	Block, Outer Mid Extend	
8	0561444	2	Block, Cable Retainer	
9	0561454	1	Block, Switch Adjuster	
10	0561457	2	Block, Cable Retainer	
11	0561458	2	Block, Cable Retainer	
12	0561471	2	Block, Spacer	
13	0561500	2	Block, Trunnion Keeper	
14	0561482	2	Block, Trunnion Keeper	
15	3340955	1	Pad	
16	0641607	5	Bolt 3/8 x 7/8	
17	0641610	1	Bolt 3/8 x 1-1/4	
18	0641615	4	Bolt 3/8 x 1-7/8	
19	0791618	4	Screw 3/8 x 2-1/4	
20	0791620	10	Screw 3/8 x 2-1/2	
21	0791624	4	Screw 3/8 x 3	
22	0641646	4	Bolt 3/8 x 5-3/4	
23	0641652	3	Bolt 3/8 x 6-1/2	
24	0641808	1	Bolt 1/2 x 1	
25	0641813	1	Bolt 1/2 x 1-5/8	
26	0642012	1	Bolt 5/8 x 1-1/2	
27	0642014	4	Bolt 5/8 x 1-3/4	
28	0642022	2	Bolt 5/8 x 2-3/4	
29	0682028	8	Bolt 5/8 x 3-1/2 Grade 8	
30	0682212	8	Bolt 3/4 x 1-1/2 Grade 8	
31	0741606	3	Screw 3/8 x 3/4	
32	0741806	1	Screw 1/2 x 3/4	
33	0791604	4	Screw 3/8 x 1/2	
34	0791606	2	Screw 3/8 x 3/4	
36	0811608	43	Screw 3/8 x 1	
37	0811610	10	Screw 3/8 x 1-1/4	
38	0811614	4	Screw 3/8 x 1-3/4	
39	0811616	6	Screw 3/8 x 2	
40	0801301	1	Base, Boom	
41	0801302	1	Mid, Inner	

## SECTION 4 - BOOM

ITEM	PART NUMBER	QTY	DESCRIPTION	REV
42	0801303	1	Mid, Outer	
43	0801304	1	Fly, Boom	
44	0961951	8	Bushing	
45	0962224	2	Bearing	
46	0791612	4	Screw 3/8 x 1-1/2	
47	0962297	2	Bushing	
48	0962409	2	Bushing	
49	0962410	2	Bushing	
50	1100131	1	Cam	
52	1671032	1	Cover	
53	1671033	1	Cover	
54	1684108	NLA	Telescope Cylinder Assembly (Use p/n 1001228021) (See Separate Breakdown in CYLINDER SECTION) (SN 0300201016 through 0300243473, SN B300002238 through B300002646)	
54	1001228021	1	Telescope Cylinder Assembly (See Separate Breakdown in CYLINDER SECTION) (SN 0300243474 through 0300272504, SN B300002647 through B300007118, Except SN 0300272455 through 0300272461)	
55	1684149	NLA	Platform Level Cylinder Assembly (Use p/n 1001228023) (See Separate Breakdown in CYLINDER SECTION) (SN 0300201016 through 0300239980, SN B300002238 through B300002570)	
55	1001228023	1	Platform Level Cylinder Assembly (See Separate Breakdown in CYLINDER SECTION) (SN 0300239981 through 0300272504, SN B300002571 through B300007118, Except SN 0300272455 through 0300272461)	
56	1684173	NLA	Jib Cylinder Assembly (Use p/n 1001228025) (See Separate Breakdown in CYLINDER SECTION) (SN 0300201016 through 0300239161, SN B300002238 through B300002449)	
56	1001228025	1	Jib Cylinder Assembly (See Separate Breakdown in CYLINDER SECTION) (SN 0300239162 through 0300272504, SN B300002450 through B300007118, Except SN 0300272455 through 0300272461)	
57	3020039	AR	Lubricant, Moly	
58	3300239	4	Nut, Nylon Insert	
59	3020042	AR	Lubricant with PTFE	
60	3300458	1	Nut 1	
62	3300460	2	Nut 1-1/4	
63	3300461	3	Nut 1-3/8	
65	3311605	7	Nut 3/8	
66	3311801	4	Nut 1/2	
67	3311805	1	Nut 1/2	
68	3340871	2	Pad, Wear	
69	3340881	12	Pad, Wear	
70	3340910	1	Pad, Wear	
71	3340912	2	Pad, Wear	
72	4700039	1	Pad, Wear	
73	3340916	2	Pad, Wear	
74	3340917	2	Pad, Wear	
75	3340918	2	Pad, Wear	
76	4700038	1	Pad, Wear	
77	3340921	12	Pad, Wear	
78	3340922	6	Pad, Wear	
79	3340926	1	Pad, Wear	
80	3422926	1	Pin	
81	3422937	1	Pin	

## SECTION 4 - BOOM

ITEM	PART NUMBER	QTY	DESCRIPTION	REV
82	1001119899	1	Pin	
83	3422956	1	Pin	
84	3422957	5	Pin	
85	3422958	1	Pin	
86	3422959	1	Pin	
87	3572950	2	Plate, Cable Retract Retainer	
88	3572951	2	Plate, Cable Retract Retainer	
89	3580342	2	Sheave	
90	1001154260	2	Sheave	
90A	1001154294	1	Ring, Snap	
90B	1001154304	1	Bushing (Inner)	
90C	1001154306	1	Bushing (Outer)	
91	3580298	2	Sheave	
91A	0962402	1	Bushing (Outer)	
91B	0962406	1	Bushing (Inner)	
92	3580300	1	Sheave	
92A	1001139972	1	Bushing (Inner)	
92B	0962403	1	Bushing (Outer)	
93	3580302	1	Sheave	
93A	0962404	1	Bushing (Outer)	
93B	0962411	1	Bushing (Inner)	
94	3580341	2	Sheave	
95	3760233	1	Ring, Retaining	
96	3841143	6	Keeper, Pin	
97	3841203	2	Keeper, Pin	
98	3841258	1	Keeper, Pin	
99	3890029	1	Cable, Outer Mid Extend	
100	3890030	1	Cable, Outer Mid Extend	
101	3890031	2	Cable, Outer Mid Retract	
102	3890032	4	Cable, Fly Extend	
103	3890033	2	Cable, Fly Retract	
104	0641618	6	Screw 3/8 x 2-1/4	
105	4070863	2	Shim #11 Gauge	
106	4070864	2	Shim #18 Gauge	
107	4070895	2	Shim #16 Gauge	
108	4070897	6	Shim #18 Gauge	
109	4070898	12	Shim #11 Gauge	
110	4071012	1	Shim #16 Gauge	
112	4071015	2	Shim #16 Gauge	
114	4071017	1	Shim #16 Gauge	
115	4071018	8	Shim #16 Gauge	
116	4071019	12	Shim #11 Gauge	
117	4071024	1	Shim #16 Gauge	
118	4071025	1	Shim #16 Gauge	
120	4071027	2	Shim #16 Gauge	
121	4071028	6	Shim #16 Gauge	
122	4071029	6	Shim #11 Gauge	
123	4071031	4	Shim #16 Gauge	
124	4160197	1	Spring	
125	4711600	10	Washer 3/8	
126	4740509	2	Spacer	

## SECTION 4 - BOOM

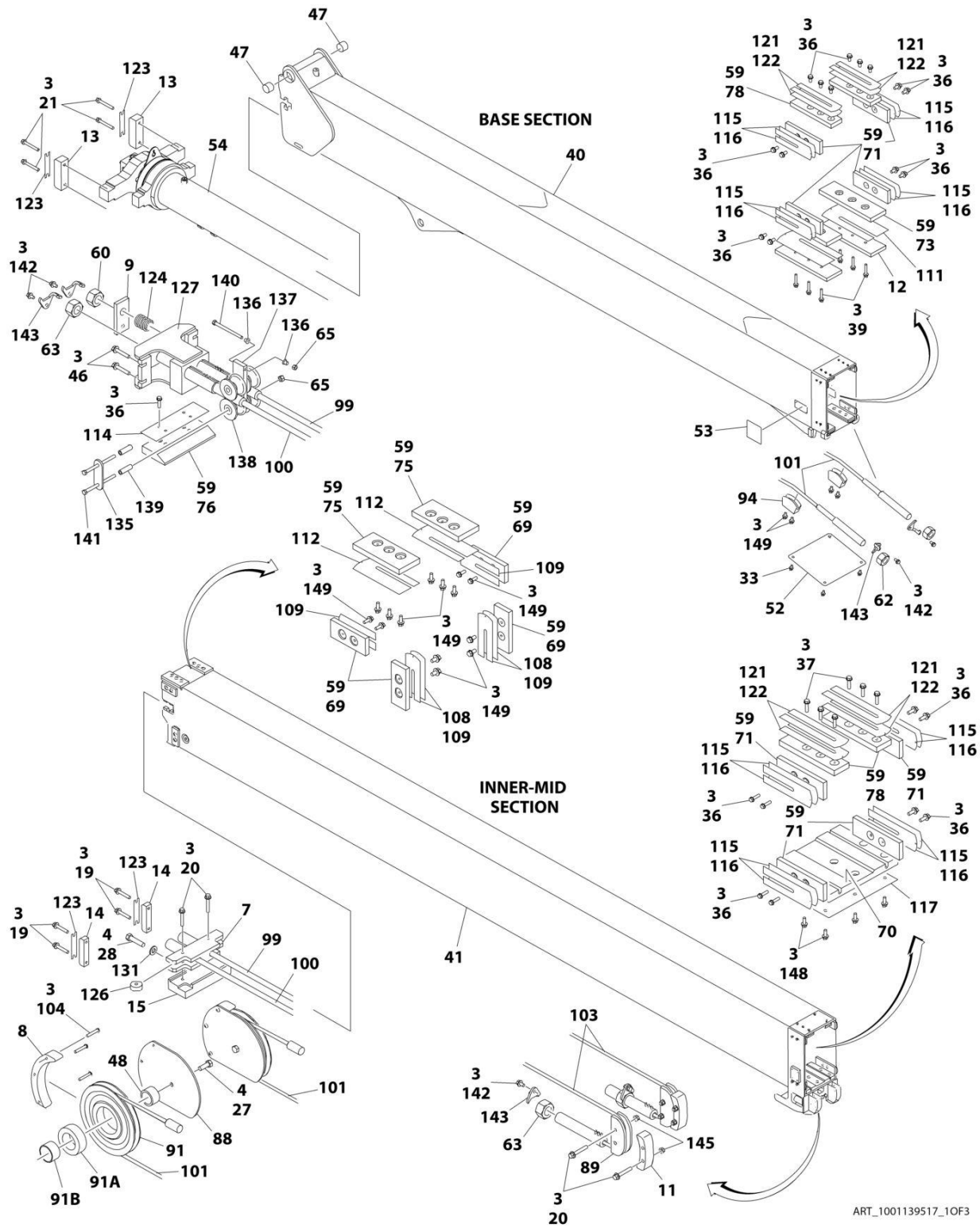
ITEM	PART NUMBER	QTY	DESCRIPTION	REV
127	4846453	1	Plate, Mounting	
128	4846462	1	Pivot	
129	4846482	1	Link, Jib (Upper)	
130	0801550	1	Link, Jib (Lower)	
131	4892000	2	Washer 5/8	
132	4071044	1	Shim #18 Gauge	
133	4071045	1	Shim #11 Gauge	
134	4071046	2	Shim #16 Gauge	
135	0363066	2	Bar, Stabilizer	
136	0962447	2	Bearing, Flanged	
137	3573437	1	Plate, Pulley Adjustment	
138	3580306	4	Pulley	
139	4568423	4	Tube, Spacer	
140	0641640	1	Bolt 3/8 x 5	
141	0641644	2	Bolt 3/8 x 5-1/2	
142	0791605	6	Screw 3/8 x 5/8	
143	3573444	6	Plate, Lock	
144	0630558	1	Bolt 1-1/8 x 2	
145	3311608	8	Nut 3/8	
146	3760133	5	Ring, Retaining	
148	0811606	30	Screw 3/8 x 3/4	
149	0811607	24	Screw 3/8 x 7/8	





# SECTION 4 - BOOM

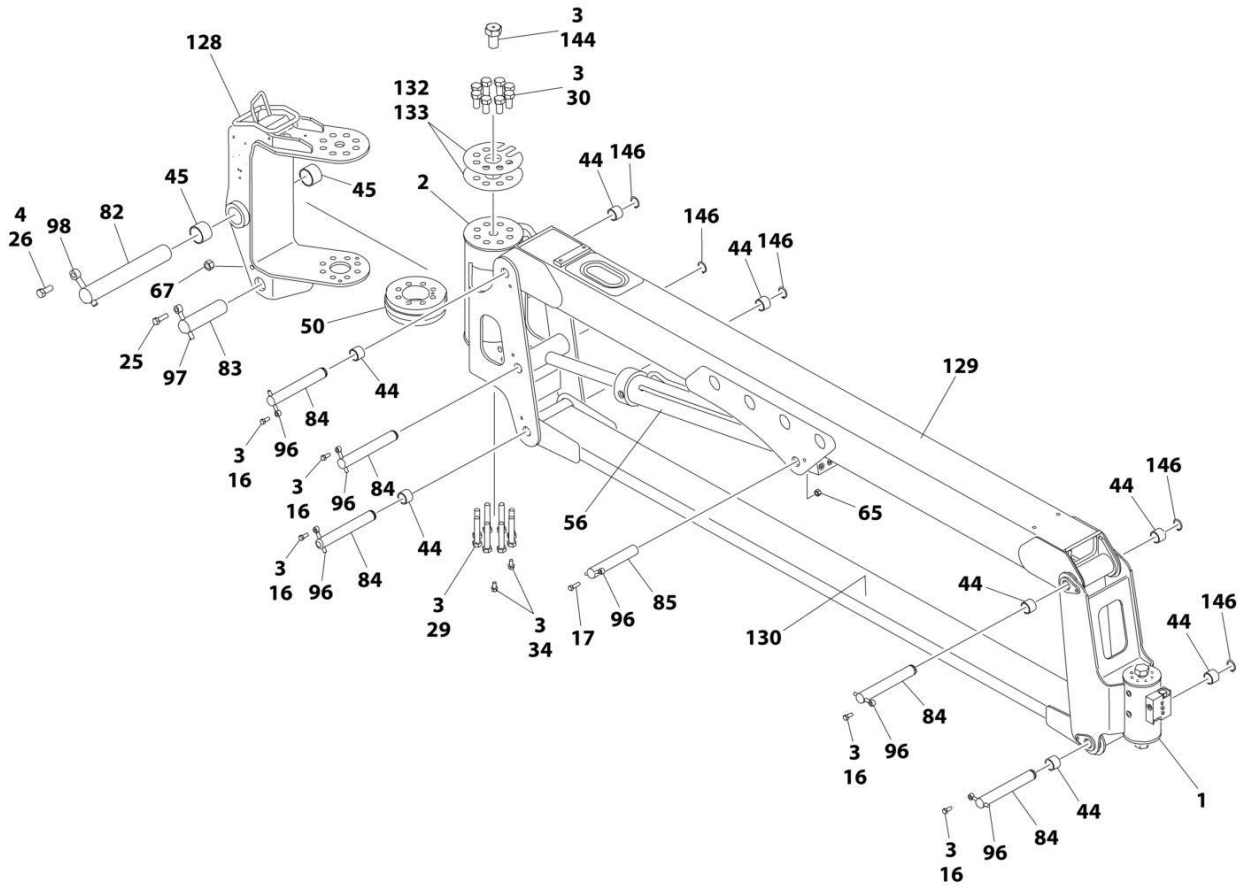
FIGURE 4-8. BOOM ASSEMBLY - WITH COLD WEATHER PLUS PACKAGE (1350SJP)



ART\_1001139517\_10F3



# SECTION 4 - BOOM



ART\_1001139517\_3OF3

## SECTION 4 - BOOM

**FIGURE 4-8. BOOM ASSEMBLY - WITH COLD WEATHER PLUS PACKAGE (1350SJP)**

ITEM	PART NUMBER	QTY	DESCRIPTION	REV
	1001139517	Ref	BOOM ASSEMBLY	F
1	1001097643	NLA	Actuator Assembly (Platform Rotate) (See Separate Breakdown in this Section) <b>(SN 0300201016 through 0300201349)</b>	
1	1001178247	1	Actuator Assembly (Platform Rotate) (See Separate Breakdown in this Section) <b>(SN 0300201350 through 0300272504, Except SN 0300272455 through 0300272461)</b>	
2	1001097619	NLA	Actuator Assembly (Jib Rotate) (See Separate Breakdown in this Section) <b>(SN 0300201016 through 0300201349)</b>	
2	1001178248	1	Actuator Assembly (Jib Rotate) (See Separate Breakdown in this Section) <b>(SN 0300201350 through 0300272504, Except SN 0300272455 through 0300272461)</b>	
3	0100011	AR	Compound, Locking	
4	0100019	AR	Compound, Locking	
5	0561431	1	Block, Rope Retainer	
6	0561437	2	Block, Rope Retainer	
7	0561439	1	Block, Outer Mid Extend	
8	0561444	2	Block, Cable Retainer	
9	0561454	1	Block, Switch Adjuster	
10	0561457	2	Block, Cable Retainer	
11	0561458	2	Block, Cable Retainer	
12	0561471	2	Block, Spacer	
13	0561500	2	Block, Trunnion Keeper	
14	0561482	2	Block, Trunnion Keeper	
15	3340955	1	Pad	
16	0641607	5	Bolt 3/8 x 7/8	
17	0641610	1	Bolt 3/8 x 1-1/4	
18	0641615	4	Bolt 3/8 x 1-7/8	
19	0791618	4	Screw 3/8 x 2-1/4	
20	0791620	10	Screw 3/8 x 2-1/2	
21	0791624	4	Screw 3/8 x 3	
22	0641646	4	Bolt 3/8 x 5-3/4	
23	0641652	3	Bolt 3/8 x 6-1/2	
24	0641808	1	Bolt 1/2 x 1	
25	0641813	1	Bolt 1/2 x 1-5/8	
26	0642012	1	Bolt 5/8 x 1-1/2	
27	0642014	4	Bolt 5/8 x 1-3/4	
28	0642022	2	Bolt 5/8 x 2-3/4	
29	0682028	8	Bolt 5/8 x 3-1/2 Grade 8	
30	0682212	8	Bolt 3/4 x 1-1/2 Grade 8	
31	0741606	3	Screw 3/8 x 3/4	
32	0741806	1	Screw 1/2 x 3/4	
33	0791604	4	Screw 3/8 x 1/2	
34	0791606	2	Screw 3/8 x 3/4	
36	0811608	43	Screw 3/8 x 1	
37	0811610	10	Screw 3/8 x 1-1/4	
38	0811614	4	Screw 3/8 x 1-3/4	
39	0811616	6	Screw 3/8 x 2	
40	0801301	1	Base, Boom	
41	0801302	1	Mid, Inner	
42	0801303	1	Mid, Outer	
43	0801304	1	Fly, Boom	

## SECTION 4 - BOOM

ITEM	PART NUMBER	QTY	DESCRIPTION	REV
44	0961951	8	Bushing	
45	0962224	2	Bearing	
46	0791612	4	Screw 3/8 x 1-1/2	
47	0962297	2	Bushing	
48	0962409	2	Bushing	
49	0962410	2	Bushing	
50	1100131	1	Cam	
52	1671032	1	Cover	
53	1671033	1	Cover	
54	1684108	NLA	Telescope Cylinder Assembly (Use p/n 1001228021) (See Separate Breakdown in CYLINDER SECTION) (SN 0300201016 through 0300243476)	
54	1001228021	1	Telescope Cylinder Assembly (See Separate Breakdown in CYLINDER SECTION) (SN 0300243474 through 0300272504, Except SN 0300272455 through 0300272461)	
55	1001138802	NLA	Platform Level Cylinder Assembly (Use p/n 1001228053) (See Separate Breakdown in CYLINDER SECTION) (SN 0300201016 through 0300239980)	
55	1001228053	1	Platform Level Cylinder Assembly (See Separate Breakdown in CYLINDER SECTION) (SN 0300239981 through 0300272504, Except SN 0300272455 through 0300272461)	
56	1001138803	NLA	Jib Cylinder Assembly (Use p/n 1001228025) (See Separate Breakdown in CYLINDER SECTION) (SN 0300201016 through 0300239161)	
56	1001228025	1	Jib Cylinder Assembly (See Separate Breakdown in CYLINDER SECTION) (SN 0300239162 through 0300272504, Except SN 0300272455 through 0300272461)	
57	3020039	AR	Lubricant, Moly	
58	3300239	4	Nut, Nylon Insert	
59	3020042	AR	Lubricant with PTFE	
60	3300458	1	Nut 1	
62	3300460	2	Nut 1-1/4	
63	3300461	3	Nut 1-3/8	
65	3311605	7	Nut 3/8	
66	3311801	4	Nut 1/2	
67	3311805	1	Nut 1/2	
68	3340871	2	Pad, Wear	
69	3340881	12	Pad, Wear	
70	3340910	1	Pad, Wear	
71	3340912	2	Pad, Wear	
72	4700039	1	Pad, Wear	
73	3340916	2	Pad, Wear	
74	3340917	2	Pad, Wear	
75	3340918	2	Pad, Wear	
76	4700038	1	Pad, Wear	
77	3340921	12	Pad, Wear	
78	3340922	6	Pad, Wear	
79	3340926	1	Pad, Wear	
80	3422926	1	Pin	
81	3422937	1	Pin	
82	1001119899	1	Pin	
83	3422956	1	Pin	
84	3422957	5	Pin	
85	3422958	1	Pin	

## SECTION 4 - BOOM

ITEM	PART NUMBER	QTY	DESCRIPTION	REV
86	3422959	1	Pin	
87	3572950	2	Plate, Cable Retract Retainer	
88	3572951	2	Plate, Cable Retract Retainer	
89	3580342	2	Sheave	
90	1001154260	2	Sheave	
90A	1001154294	1	Ring, Snap	
90B	1001154304	1	Bushing (Inner)	
90C	1001154306	1	Bushing (Outer)	
91	3580298	2	Sheave	
91A	0962402	1	Bushing (Outer)	
91B	0962406	1	Bushing (Inner)	
92	3580300	1	Sheave	
92A	1001139972	1	Sleeve, Bushing (Inner)	
92B	0962403	1	Bushing (Outer)	
93	3580302	2	Sheave	
93A	0962404	1	Bushing (Outer)	
93B	0962411	1	Bushing (Inner)	
94	3580341	2	Sheave	
95	3760233	1	Ring, Retaining	
96	3841143	6	Keeper, Pin	
97	3841203	2	Keeper, Pin	
98	3841258	1	Keeper, Pin	
99	3890029	1	Cable, Outer Mid Extend	
100	3890030	1	Cable, Outer Mid Extend	
101	3890031	2	Cable, Outer Mid Retract	
102	3890032	4	Cable, Fly Extend	
103	3890033	2	Cable, Fly Retract	
104	0641618	6	Screw 3/8 x 2-1/4	
105	4070863	2	Shim #11 Gauge	
106	4070864	2	Shim #18 Gauge	
107	4070895	2	Shim #16 Gauge	
108	4070897	6	Shim #18 Gauge	
109	4070898	12	Shim #11 Gauge	
110	4071012	1	Shim #16 Gauge	
111	4071013	2	Shim #16 Gauge	
112	4071015	2	Shim #16 Gauge	
114	4071017	1	Shim #16 Gauge	
115	4071018	8	Shim #16 Gauge	
116	4071019	12	Shim #11 Gauge	
117	4071024	1	Shim #16 Gauge	
118	4071025	1	Shim #16 Gauge	
120	4071027	2	Shim #16 Gauge	
121	4071028	6	Shim #16 Gauge	
122	4071029	6	Shim #11 Gauge	
123	4071031	4	Shim #16 Gauge	
124	4160197	1	Spring	
125	4711600	10	Washer 3/8	
126	4740509	2	Spacer	
127	4846453	1	Plate, Mounting	
128	4846462	1	Pivot	
129	4846482	1	Link, Jib (Upper)	

## SECTION 4 - BOOM

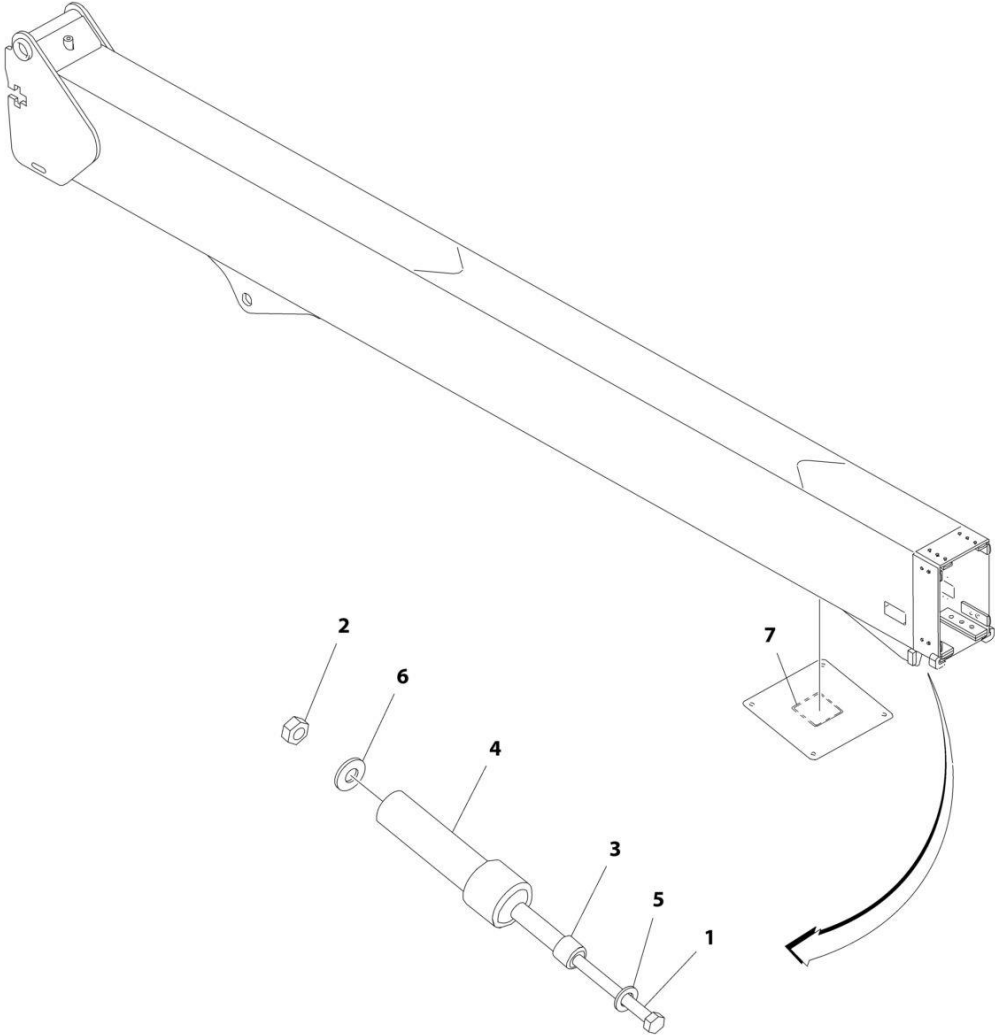
ITEM	PART NUMBER	QTY	DESCRIPTION	REV
130	0801550	1	Link, Jib (Lower)	
131	4892000	2	Washer 5/8	
132	4071044	1	Shim #18 Gauge	
133	4071045	1	Shim #11 Gauge	
134	4071046	2	Shim #16 Gauge	
135	0363066	2	Bar, Stabilizer	
136	0962447	2	Bearing, Flanged	
137	3573437	1	Plate, Pulley Adjustment	
138	3580306	4	Pulley	
139	4568423	4	Tube, Spacer	
140	0641640	1	Bolt 3/8 x 5	
141	0641644	2	Bolt 3/8 x 5-1/2	
142	0791605	6	Screw 3/8 x 5/8	
143	3573444	6	Plate, Lock	
144	0630558	1	Bolt 1 x 2	
145	3311608	8	Nut 3/8	
146	3760133	5	Ring, Retaining	
148	0811606	30	Screw 3/8 x 3/4	
149	0811607	24	Screw 3/8 x 7/8	





**SECTION 4 - BOOM**

**FIGURE 4-9. WIRE ROPE TOOLS INSTALLATION (OPTIONAL)**



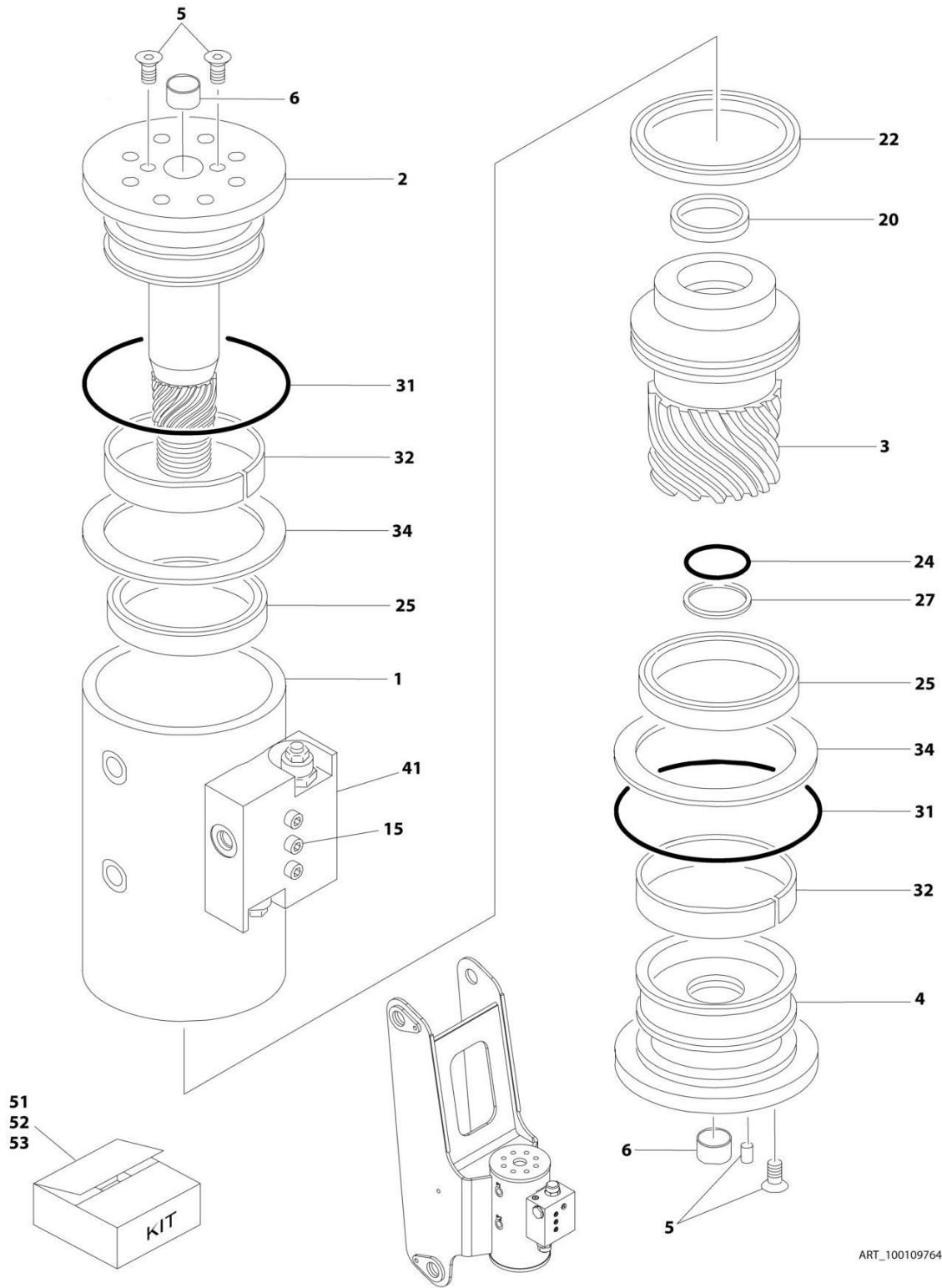
ART\_0272048

**FIGURE 4-9. WIRE ROPE TOOLS INSTALLATION (OPTIONAL)**

ITEM	PART NUMBER	QTY	DESCRIPTION	REV
	0272048	Ref	WIRE ROPE TOOLS INSTALLATION (OPTIONAL)	B
1	0641676	1	Bolt 3/8 x 9-1/2	
2	3311605	1	Nut 3/8	
3	4120040	1	Socket 3/4	
4	4120043	1	Socket 2	
5	4711600	1	Washer 3/8	
6	4891600	1	Washer 3/8	
7	1705307	1	Decal - Tool Location	

# SECTION 4 - BOOM

FIGURE 4-10. PLATFORM ROTATE ASSEMBLY (SN 0300201016 through 0300201348)



ART\_1001097643

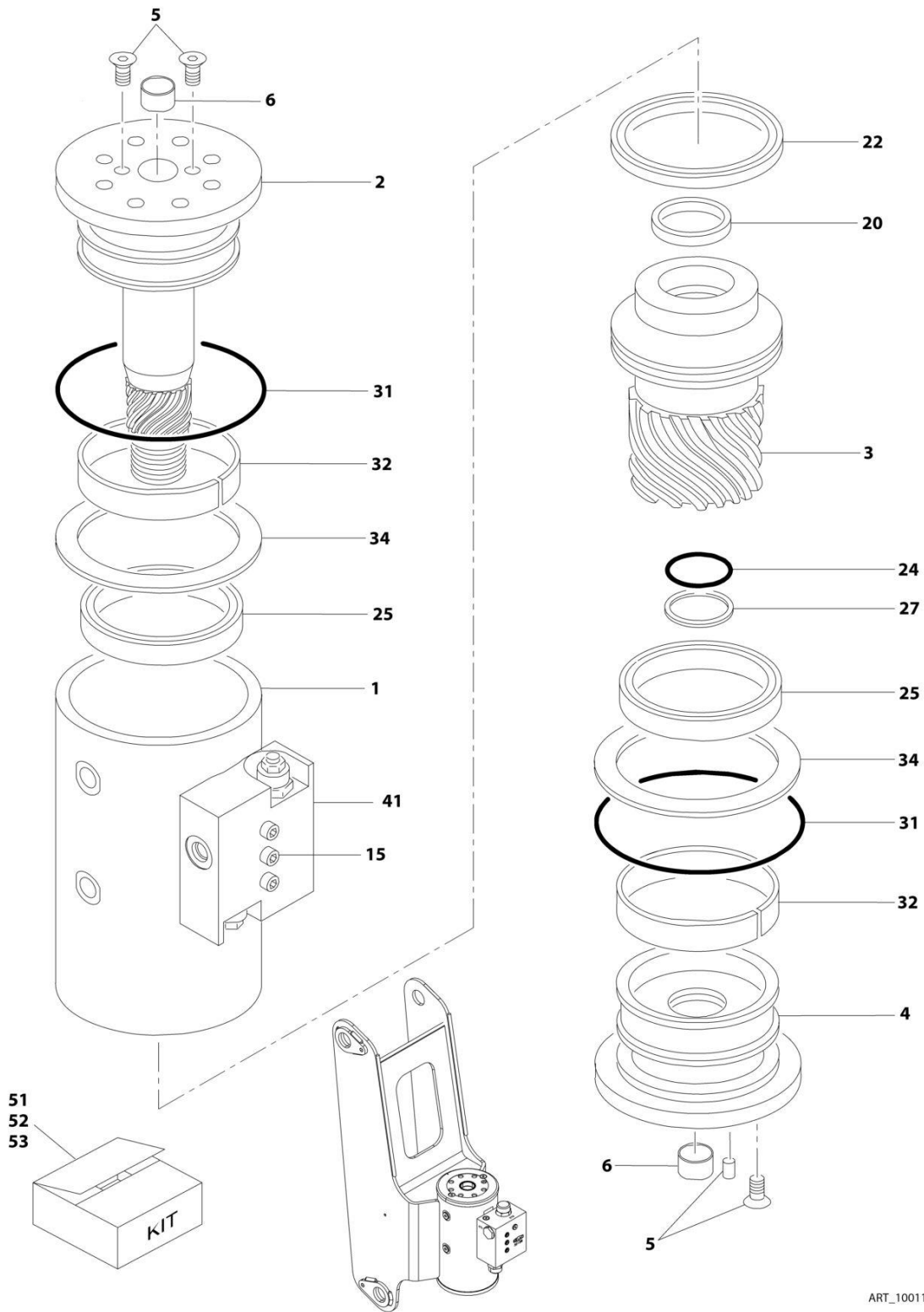
## SECTION 4 - BOOM

**FIGURE 4-10. PLATFORM ROTATE ASSEMBLY (SN 0300201016 through 0300201348)**

ITEM	PART NUMBER	QTY	DESCRIPTION	REV
	1001097643	Ref	PLATFORM ROTATE ASSEMBLY (SN 0300201016 through 0300201348)	B
1	See Note	1	Case/Bracket Weldment (Note: Not Available - Purchase Complete Assembly)	
2	7017162	1	Shaft	
3	7017163	1	Sleeve, Piston	
4	7017164	1	Cap, End	
5	See Note	AR	Screw (Note: See Item 53 for Replacement)	
5	See Note	AR	Dowel Pin (Note: See Item 53 for Replacement)	
6	7017195	2	Bushing	
15	See Note	NSS	Capscrew 1/4 x 1-1/2 (Grade 8) (Note: Not Available for Purchase)	
20	See Note	1	Seal, Rod (Note: See Item 51 for Replacement Options)	
22	See Note	1	Seal, Piston (Note: See Item 51 for Replacement Options)	
24	See Note	1	Seal, Cap (Note: See Item 51 for Replacement Options)	
25	See Note	2	Packing, Bearing (Note: See Item 51 for Replacement Options)	
27	See Note	1	Ring, Cap Back-up (Note: See Item 51 for Replacement Options)	
31	See Note	2	Seal (Note: See Item 51 for Replacement Options)	
32	See Note	2	Bearing, Shaft (Note: See Item 52 for Replacement)	
34	See Note	2	Thrustwasher (Note: See Item 52 for Replacement)	
41	70001639	1	Motion Control Valve Assembly (Cartridges not serviced separately)	
51		Ref	Seal Kit Options: (Includes Items 20, 22, 24, 25, 27 & 31)	
51	7017158	1	Standard	
51	70000342	1	Cold Climate	
52	7017159	1	Bearing Kit (Includes Items 32 & 34)	
53	7017142	1	Hardware Kit (Includes Item 5 and Plugs)	

# SECTION 4 - BOOM

FIGURE 4-11. PLATFORM ROTATE ASSEMBLY (SN 0300201349 through 0300272504, SN B300002238 through B300007118)



ART\_1001178247

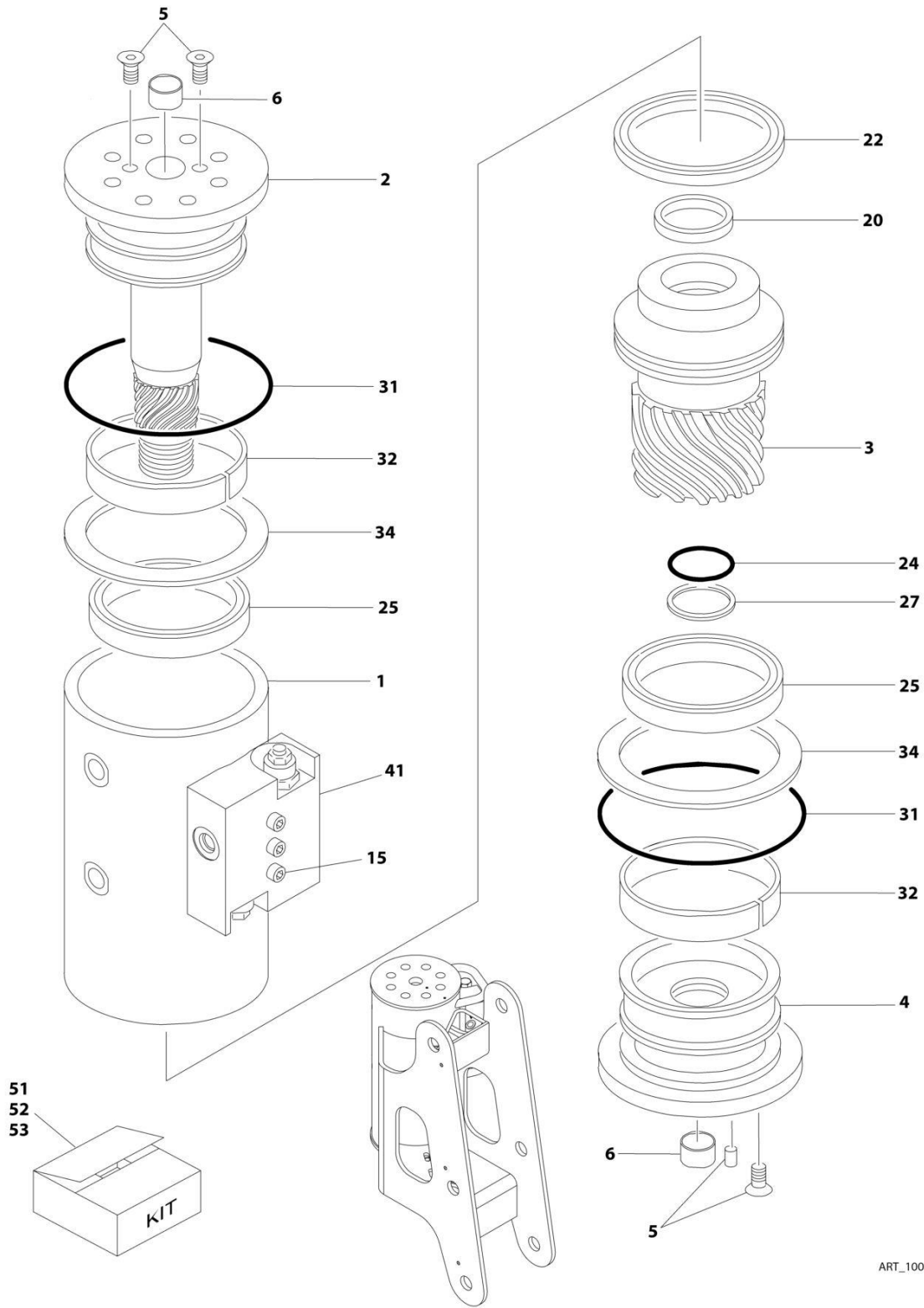
## SECTION 4 - BOOM

**FIGURE 4-11. PLATFORM ROTATE ASSEMBLY (SN 0300201349 through 0300272504, SN B300002238 through B300007118)**

ITEM	PART NUMBER	QTY	DESCRIPTION	REV
	1001178247	Ref	PLATFORM ROTATE ASSEMBLY	A
1	See Note	NSS	Case/Bracket Weldment (Note: Not Available - Purchase Complete Assembly)	
2	7017162	1	Shaft	
3	7017163	1	Sleeve, Piston	
4	7017164	1	Cap, End	
5	See Note	AR	Screw (Note: See Item 53 for Replacement)	
5	See Note	AR	Dowel Pin (Note: See Item 53 for Replacement)	
6	7017195	2	Bushing	
15	See Note	NSS	Capscrew 1/4 x 1-1/2 Grade 8 (Note: Not Available for Purchase)	
20	See Note	1	Seal, Rod (Note: See Item 51 for Replacement Options)	
22	See Note	1	Seal, Piston (Note: See Item 51 for Replacement Options)	
24	See Note	1	Seal, Cap (Note: See Item 51 for Replacement Options)	
25	See Note	2	Packing, Bearing (Note: See Item 51 for Replacement Options)	
27	See Note	1	Ring, Cap Back-up (Note: See Item 51 for Replacement Options)	
31	See Note	2	Seal (Note: See Item 51 for Replacement Options)	
32	See Note	2	Bearing, Shaft (Note: See Item 52 for Replacement)	
34	See Note	2	Thrustwasher (Note: See Item 52 for Replacement)	
41	70001639	1	Motion Control Valve Assembly (Cartridges not serviced separately)	
51	70000342	1	Seal Kit (Includes Items 20, 22, 24, 25, 27 & 31)	
52	7017159	1	Bearing Kit (Includes Items 32 & 34)	
53	7017142	1	Hardware Kit (Includes Item 5 and Plugs)	

# SECTION 4 - BOOM

FIGURE 4-12. JIB ROTATE ASSEMBLY (SN 0300201016 through 0300201348)



ART\_1001097619



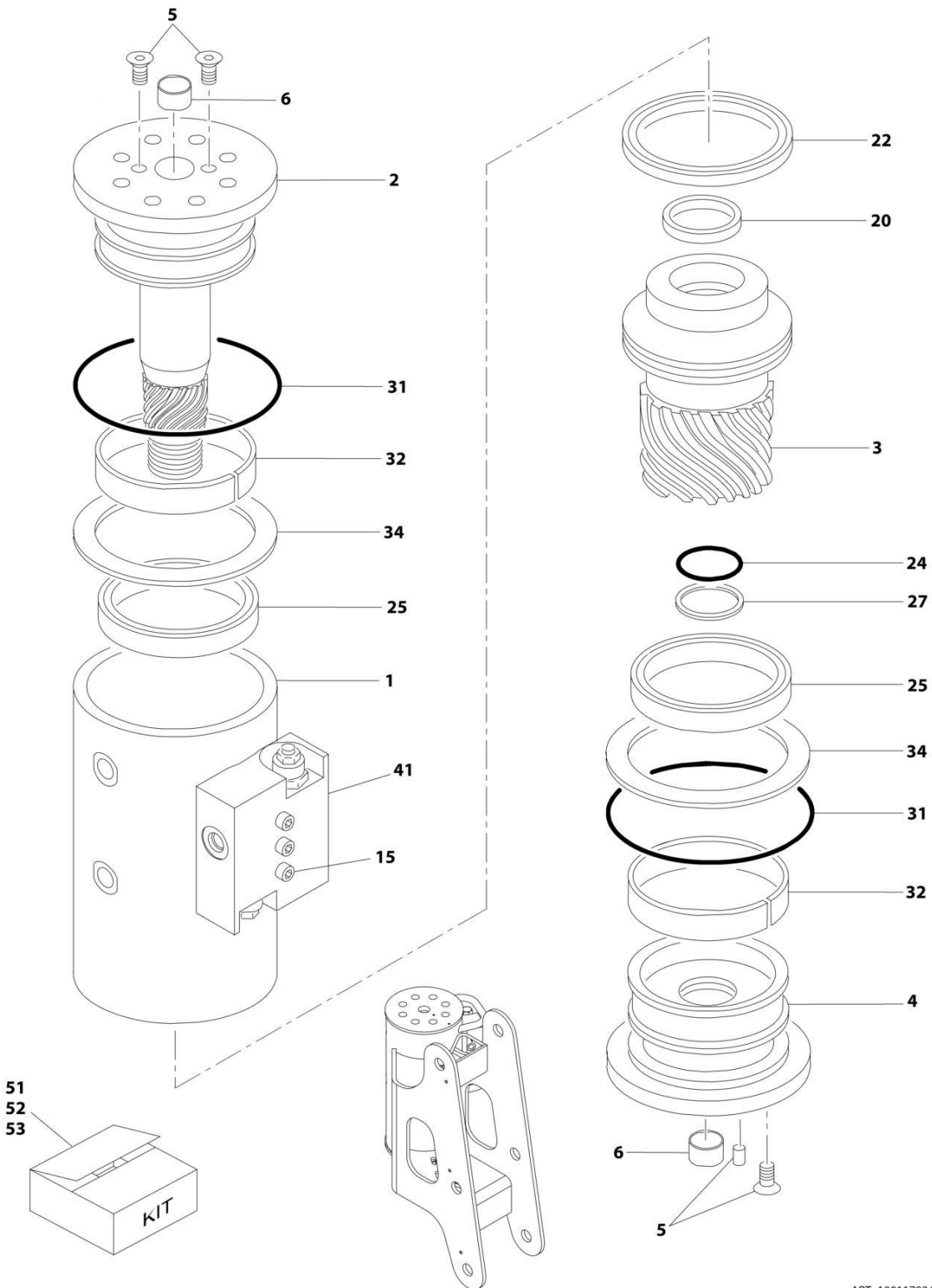
## SECTION 4 - BOOM

**FIGURE 4-12. JIB ROTATE ASSEMBLY (SN 0300201016 through 0300201348)**

ITEM	PART NUMBER	QTY	DESCRIPTION	REV
	1001097619	Ref	JIB ROTATE ASSEMBLY (SN 0300201016 through 0300201348)	B
1	See Note	1	Case/Bracket Weldment (Note: Not Available - Purchase Complete Assembly)	
2	7017191	1	Shaft	
3	7017187	1	Sleeve, Piston	
4	7017188	1	Cap, End	
5	See Note	AR	Screw (Note: See Item 53 for Replacement)	
5	See Note	AR	Dowel Pin (Note: See Item 53 for Replacement)	
6	7017195	2	Bushing	
15	See Note	NSS	Capscrew 1/4 x 1-1/2 (Grade 8) (Note: Not Available for Purchase)	
20	See Note	1	Seal, Rod (Note: See Item 51 for Replacement Options)	
22	See Note	1	Seal, Piston (Note: See Item 51 for Replacement Options)	
24	See Note	1	Seal, Cap (Note: See Item 51 for Replacement Options)	
25	See Note	2	Packing, Bearing (Note: See Item 51 for Replacement Options)	
27	See Note	1	Ring, Cap Back-up (Note: See Item 51 for Replacement Options)	
31	See Note	2	Seal (Note: See Item 51 for Replacement Options)	
32	See Note	2	Bearing, Shaft (Note: See Item 52 for Replacement)	
34	See Note	2	Thrustwasher (Note: See Item 52 for Replacement)	
41	70002859	1	Motion Control Valve Assembly (Cartridges not serviced separately)	
51		Ref	Seal Kit Options: (Includes Items 20, 22, 24, 25, 27 & 31)	
51	7017184	1	Standard	
51	70000796	1	Cold Climate	
52	7017185	1	Bearing Kit (Includes Items 32 & 34)	
53	70001640	1	Hardware Kit (Includes Item 5 and Plugs)	

# SECTION 4 - BOOM

FIGURE 4-13. JIB ROTATE ASSEMBLY (SN 0300201349 through 0300272504, SN B300002238 through B300007118)



ART\_1001178248

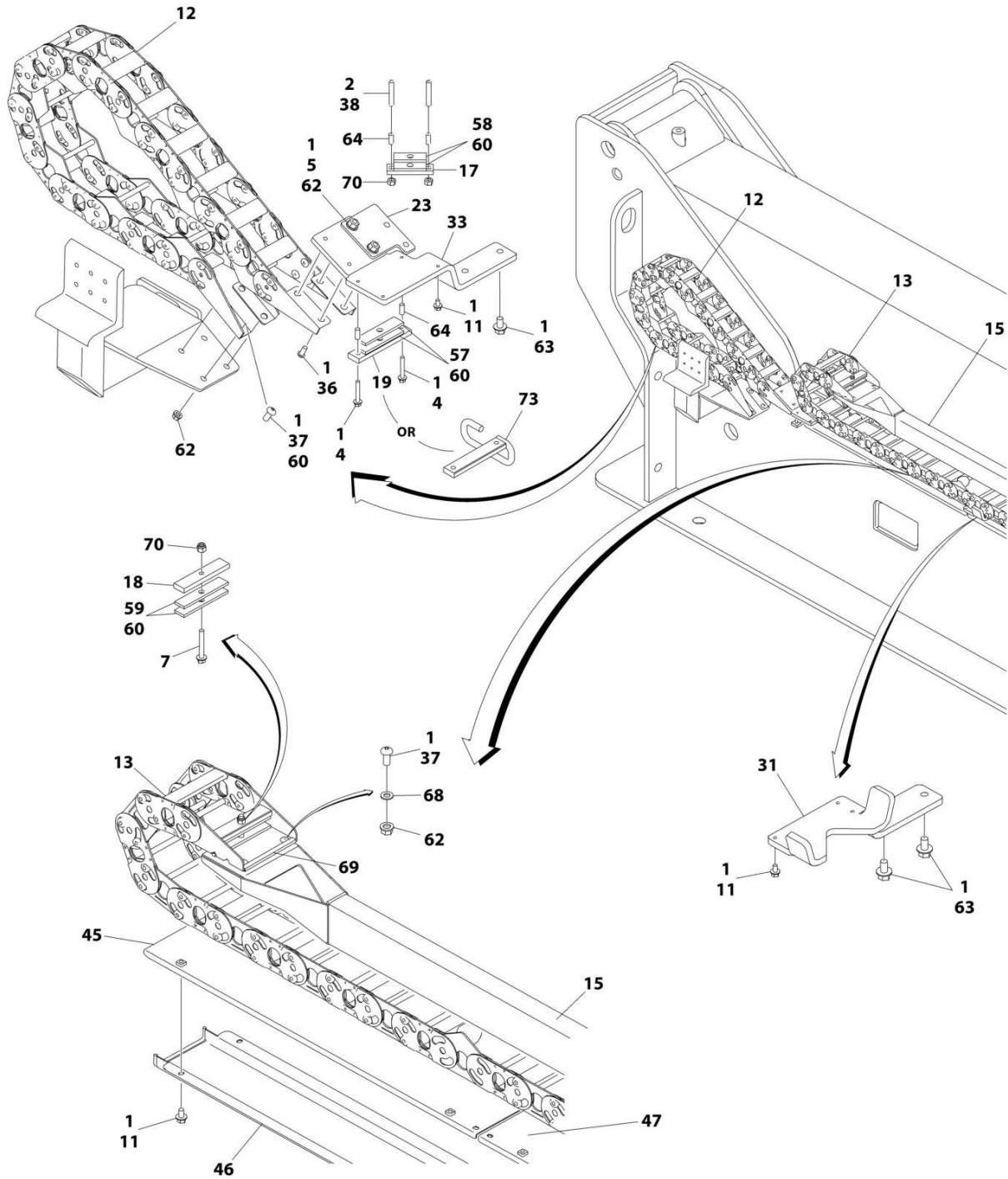
## SECTION 4 - BOOM

**FIGURE 4-13. JIB ROTATE ASSEMBLY (SN 0300201349 through 0300272504, SN B300002238 through B300007118)**

ITEM	PART NUMBER	QTY	DESCRIPTION	REV
	1001178248	Ref	JIB ROTATE ASSEMBLY	A
1	See Note	NSS	Case/Bracket Weldment (Note: Not Available - Purchase Complete Assembly)	
2	7017162	1	Shaft	
3	7017163	1	Sleeve, Piston	
4	7017164	1	Cap, End	
5	See Note	AR	Screw (Note: See Item 53 for Replacement)	
5	See Note	AR	Dowel Pin (Note: See Item 53 for Replacement)	
6	7017195	2	Bushing	
15	See Note	NSS	Capscrew 1/4 x 1-1/2 Grade 8 (Note: Not Available for Purchase)	
20	See Note	1	Seal, Rod (Note: See Item 51 for Replacement Options)	
22	See Note	1	Seal, Piston (Note: See Item 51 for Replacement Options)	
24	See Note	1	Seal, Cap (Note: See Item 51 for Replacement Options)	
25	See Note	2	Packing, Bearing (Note: See Item 51 for Replacement Options)	
27	See Note	1	Ring, Cap Back-up (Note: See Item 51 for Replacement Options)	
31	See Note	2	Seal (Note: See Item 51 for Replacement Options)	
32	See Note	2	Bearing, Shaft (Note: See Item 52 for Replacement)	
34	See Note	2	Thrustwasher (Note: See Item 52 for Replacement)	
41	70002859	1	Motion Control Valve Assembly (Cartridges not serviced separately)	
51	70000796	1	Seal Kit (Includes Items 20, 22, 24, 25, 27 & 31)	
52	7017185	1	Bearing Kit (Includes Items 32 & 34)	
53	70001640	1	Hardware Kit (Includes Item 5 and Plugs)	

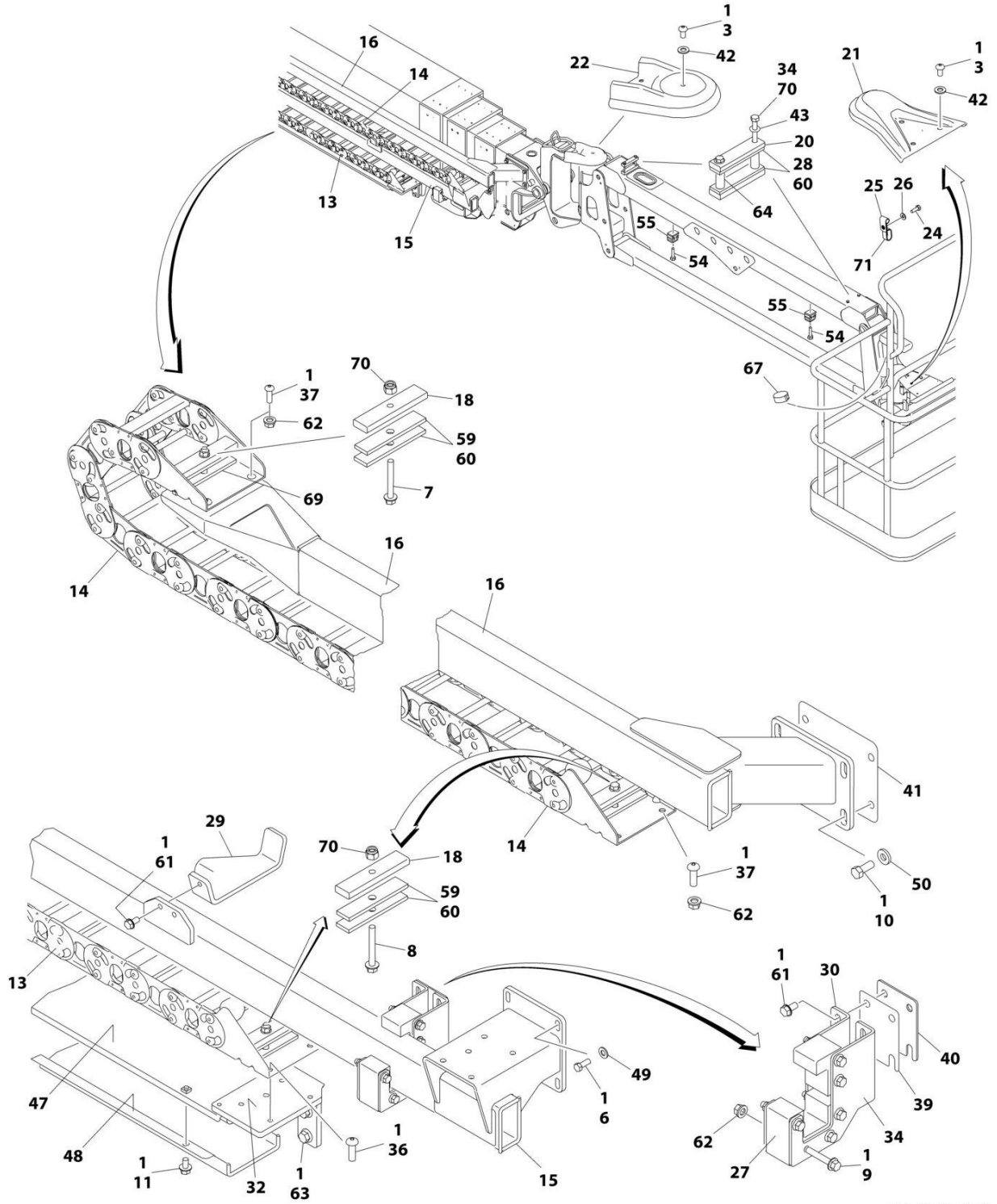
# SECTION 4 - BOOM

## FIGURE 4-14. POWER TRACK INSTALLATION (1200SJP)



ART\_0271800\_10F2

# SECTION 4 - BOOM



ART\_0271800\_2OF2

## SECTION 4 - BOOM

FIGURE 4-14. POWER TRACK INSTALLATION (1200SJP)

ITEM	PART NUMBER	QTY	DESCRIPTION	REV
	0271800	Ref	POWER TRACK INSTALLATION	Q
1	0100011	AR	Compound, Locking	
2	0100019	AR	Compound, Locking	
3	0630467	AR	Screw 5/16 x 1/2	
4	0791518	2	Screw 5/16 x 2-1/4	
5	3900232	AR	Screw 3/8 x 1-1/4	
6	0641608	4	Bolt 3/8 x 1	
7	0791620	2	Screw 3/8 x 2-1/2	
8	0791622	2	Screw 3/8 x 2-3/4	
9	0791624	6	Screw 3/8 x 3	
10	0641810	4	Bolt 1/2 x 1-1/4	
11	0791504	48	Screw 5/16 x 1/2	
12	1001131620	Ref	Carrier (T/T to Boom)	
12	70003917	AR	Section Repair Kit (Includes Inner and Outer Links, Joining Bars and Rollers and Assembling Hardware)	
12	70003918	1	Mounting Bracket Kit (Includes Mounting Brackets for Both Ends, 1 Roller Assembly and Assembling Hardware)	
13	1001131734	1	Carrier (Lower)	
13	70003913	AR	Section Repair Kit (Includes Inner and Outer Links, Joining Bars and Rollers and Assembling Hardware)	
13	70003915	1	Mounting Bracket Kit (Includes Mounting Brackets for Both Ends, 1 Roller Assembly and Assembling Hardware)	
13	70003914	AR	Center Bracket Kit (Includes 1 Flat Bar, 1 Round Bar, 1 Roller and Assembling Hardware)	
14	1001131729	1	Carrier (Upper)	
14	70003913	AR	Section Repair (Includes Inner and Outer Links, Joining Bars and Rollers and Assembling Hardware)	
14	70003915	1	Mounting Bracket Kit (Includes Mounting Brackets for Both Ends, 1 Roller Assembly and Assembling Hardware)	
14	70003914	AR	Center Bracket Kit (Includes 1 Flat Bar, 1 Round Bar, 1 Roller and Assembling Hardware)	
15	1180369	1	Tube, Push (Lower)	
16	1180370	1	Tube, Push (Upper)	
17	1320277	1	Clamp, Hose	
18	1320294	4	Clamp, Bar	
19	1320295	1	Clamp, Bar (SN 0300201016 through 0300247517, SN B300002238 through B300002942)	
20	1320296	3	Clamp, Bar	
21	1670964	1	Cover, Support/Rotator (SN 0300201016 through 0300224860)	
22	1671043	1	Cover, Jib Pivot	
23	4846753	1	Shield, Hose Protection (SN 0300201016 through 0300247517, SN B300002238 through B300002942)	
24	0641406	1	Screw 1/4 x 3/4	
25	1320263	1	Clamp, Cable	
26	4711400	1	Washer 1/4	
27	3340925	1	Pad	
28	3340934	4	Pad, Clamp	
29	3573016	3	Support, Track	
30	3573179	2	Plate, Mounting	
31	3573181	4	Support, Track	
32	3573194	1	Plate, Track Mounting	
33	3573210	1	Plate, Track Mounting	

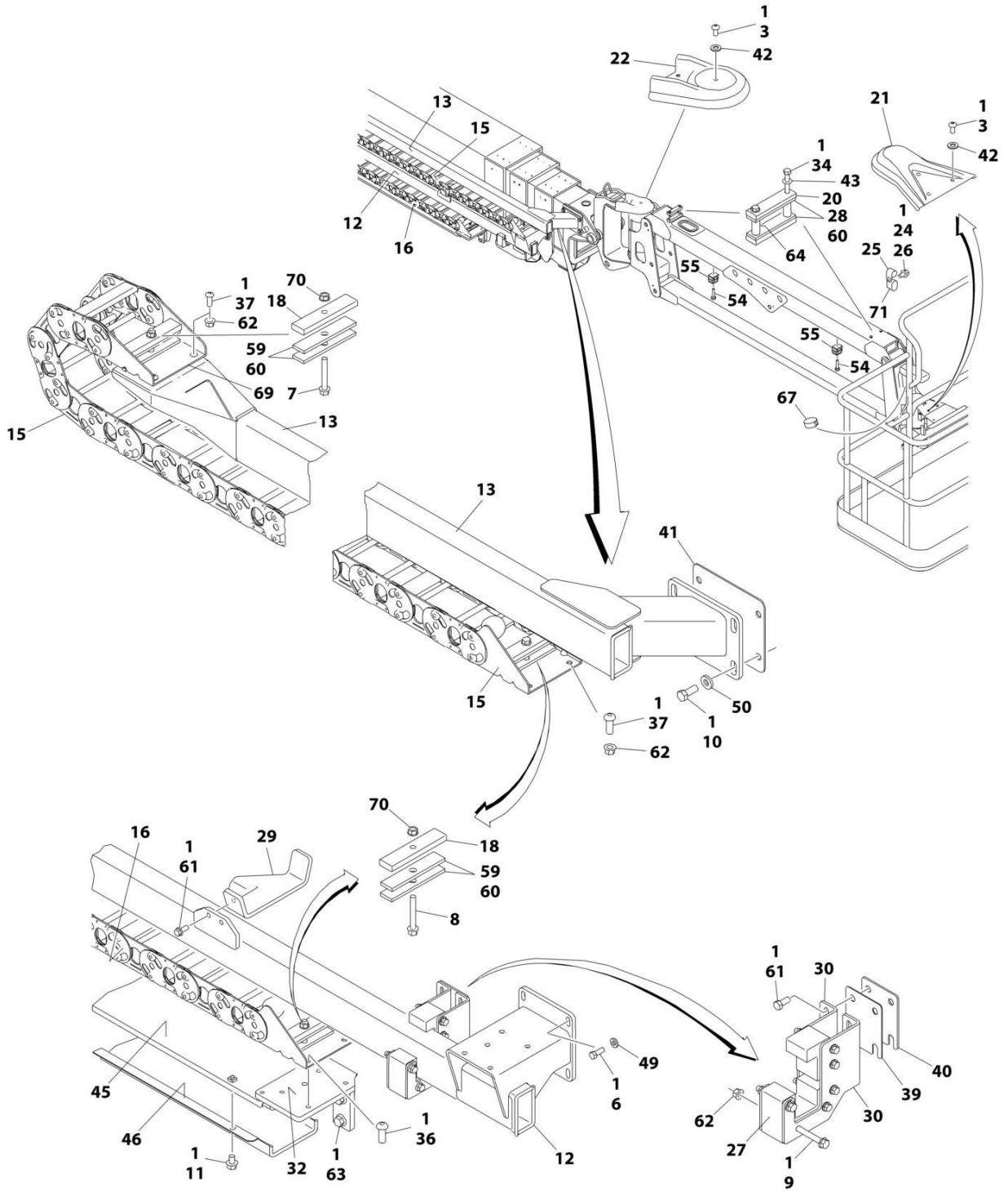
## SECTION 4 - BOOM

ITEM	PART NUMBER	QTY	DESCRIPTION	REV
34	3900260	4	Capscrew 3/8 x 4	
36	3900283	6	Screw 3/8 x 3/4	
37	3900316	16	Screw 3/8 x 1	
38	3951620	2	Setscrew 3/8 x 2-1/2	
39	4071021	1	Shim, Adjusting 16Ga	
40	4071022	1	Shim, Adjusting 11Ga	
41	4071023	1	Shim, Adjusting 11Ga	
42	4711500	AR	Washer 5/16	
43	4711600	4	Washer 3/8	
45	4846431	1	Cover, Cable (Front)	
46	4846485	1	Support, Cable (Front)	
47	4846515	4	Cover, Cable (Rear)	
48	4846516	4	Support, Cable (Rear)	
49	4891600	4	Washer 3/8	
50	4891800	4	Washer 1/2	
54	0641510	2	Bolt 5/16 x 1-1/4	
55	1320159	2	Clamp	
56	4240018	10	Tie-Strap (Not Shown)	
57	3340940	2	Pad, Rubber	
58	3340941	2	Pad, Rubber	
59	3340942	8	Pad, Rubber	
60	0100081	AR	Adhesive #454	
61	0791607	10	Screw 3/8 x 7/8	
62	3311608	24	Nut 3/8	
63	0791808	12	Screw 1/2 x 1	
64	4562516	AR	Tubing, Poly	
66	4240155	4	Strap, 8 Cinch (Not Shown)	
67	4240156	1	Strap, 12 Cinch	
68	4751500	4	Washer 5/16	
69	4060804	11 in /28cm	Shield, Flex Trim 3/16	
70	3300492	8	Nut, Nylon Insert	
71	1321385	1	Clamp, Hose	
72	4240153	1	Strap, 4 Cinch (Not Shown)	
73	1001212790	1	Clamp <b>(SN 0300247518 through 0300272504, SN B300002943 through B300007118, Except SN 0300272455 through 0300272461)</b>	





# SECTION 4 - BOOM



ART\_0271570\_20F2

## SECTION 4 - BOOM

FIGURE 4-15. POWER TRACK INSTALLATION (1350SJP)

ITEM	PART NUMBER	QTY	DESCRIPTION	REV
	0271570	Ref	POWER TRACK INSTALLATION	R
1	0100011	AR	Compound, Locking	
2	0100019	AR	Compound, Locking	
3	0630467	AR	Screw 5/16 x 1/2	
4	0791518	2	Screw 5/16 x 2-1/4	
5	3900232	AR	Screw 3/8 x 1-1/4	
6	0641608	4	Bolt 3/8 x 1	
7	0791620	2	Screw 3/8 x 2-1/2	
8	0791622	2	Screw 3/8 x 2-3/4	
9	0791624	6	Screw 3/8 x 3	
10	0641810	4	Bolt 1/2 x 1-1/4	
11	0791504	58	Screw 5/16 x 1/2	
12	1180362	1	Tube, Push (Lower)	
13	1180363	1	Tube, Push (Upper)	
14	1001131620	1	Carrier (T/T to Boom)	
14	70003917	AR	Section Repair Kit (Includes Inner and Outer Links, Joining Bars and Rollers and Assembling Hardware)	
14	70003918	1	Mounting Bracket Kit (Includes Mounting Brackets for Both Ends, 1 Roller Assembly and Assembling Hardware)	
15	1001131728	1	Carrier (Upper)	
15	70003913	AR	Section Repair Kit (Includes Inner and Outer Links, Joining Bars and Rollers and Assembling Hardware)	
15	70003915	1	Mounting Bracket Kit (Includes Mounting Brackets for Both Ends, 1 Roller Assembly and Assembling Hardware)	
15	70003914	AR	Center Bracket Kit (Includes 1 Flat Bar, 1 Round Bar, 1 Roller and Assembling Hardware)	
16	1001131733	1	Carrier (Lower)	
16	70003913	AR	Section Repair Kit (Includes Inner and Outer Links, Joining Bars and Rollers and Assembling Hardware)	
16	70003915	1	Mounting Bracket Kit (Includes Mounting Brackets for Both Ends, 1 Roller Assembly and Assembling Hardware)	
16	70003914	AR	Center Bracket Kit (Includes 1 Flat Bar, 1 Round Bar, 1 Roller and Assembling Hardware)	
17	1320277	1	Clamp, Hose	
18	1320294	4	Clamp, Bar	
19	1320295	1	Clamp, Bar (SN 0300201016 through 0300247528, SN B300002238 through B300002833)	
20	1320296	3	Clamp, Bar	
21	1670964	1	Cover, Support/Rotator (SN 0300201016 through 0300224860)	
22	1671043	1	Cover, Jib Pivot	
23	4846753	1	Shield, Hose Protection (SN 0300201016 through 0300247528, SN B300002238 through B300002833)	
24	0641406	1	Screw 1/4 x 3/4	
25	1320263	1	Clamp, Cable	
26	4711400	1	Washer 1/4	
27	3340925	1	Pad	
28	3340934	4	Pad, Clamp	
29	3573016	3	Support, Track	
30	3573179	2	Plate, Mounting	
31	3573181	5	Support, Track	
32	3573194	1	Plate, Track Mounting	
33	3573210	1	Plate, Track Mounting	

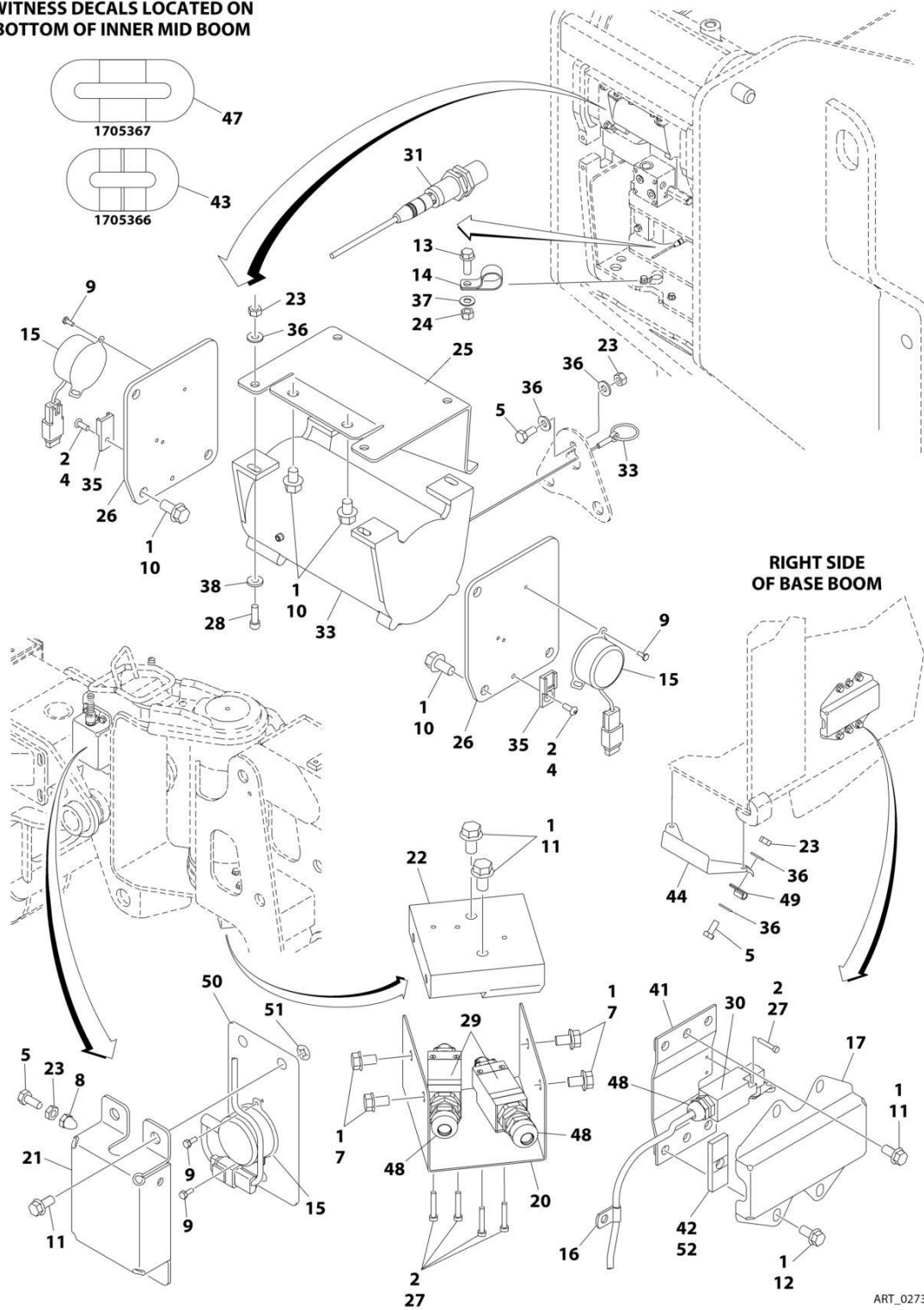
## SECTION 4 - BOOM

ITEM	PART NUMBER	QTY	DESCRIPTION	REV
34	3900260	4	Capscrew 3/8 x 4	
36	3900283	AR	Screw 3/8 x 3/4	
37	3900316	16	Screw 3/8 x 1	
38	3951620	2	Setscrew 3/8 x 2-1/2	
39	4071021	1	Shim, Adjusting 16Ga	
40	4071022	1	Shim, Adjusting 11Ga	
41	4071023	1	Shim, Adjusting 11Ga	
42	4711500	AR	Washer 5/16	
43	4711600	4	Washer 3/8	
45	4846423	5	Cover, Cable (Rear)	
46	4846429	5	Support, Cable (Rear)	
47	4846431	1	Cover, Cable (Front)	
48	4846485	1	Support, Cable (Front)	
49	4891600	4	Washer 3/8	
50	4891800	4	Washer 1/2	
54	0641510	2	Bolt 5/16 x 1-1/4	
55	1320159	2	Clamp	
56	4240018	10	Tie-Strap (Not Shown)	
57	3340940	2	Pad, Rubber	
58	3340941	2	Pad, Rubber	
59	3340942	8	Pad, Rubber	
60	0100081	AR	Adhesive #454	
61	0791607	10	Screw 3/8 x 7/8	
62	3311608	AR	Nut 3/8	
63	0791808	14	Screw 1/2 x 1	
64	4562516	AR	Tubing, Poly	
66	4240155	4	Strap, 8 Cinch (Not Shown)	
67	4240156	1	Strap, 12 Cinch	
68	4751500	4	Washer 5/16	
69	4060804	11 in /28cm	Shield, Flex Trim 3/16	
70	3300492	8	Nut, Nylon Insert	
71	1321385	1	Clamp, Hose	
72	4240153	1	Strap, 4 Cinch (Not Shown)	
73	1001212790	1	Clamp <b>(SN 0300247529 through 0300272504, SN B300002833 through B300007118, Except SN 0300272455 through 0300272461)</b>	

# SECTION 4 - BOOM

## FIGURE 4-16. BOOM SENSORS AND SWITCHES INSTALLATION

WITNESS DECALS LOCATED ON  
BOTTOM OF INNER MID BOOM



ART\_0273696

## SECTION 4 - BOOM

**FIGURE 4-16. BOOM SENSORS AND SWITCHES INSTALLATION**

ITEM	PART NUMBER	QTY	DESCRIPTION	REV
	0273696	Ref	BOOM SENSORS AND SWITCHES INSTALLATION	H
1	0100011	AR	Compound, Locking	
2	0100035	AR	Compound, Locking	
3	0100048	AR	Grease, Dielectric	
4	0630464	2	Screw #10 x 1/2	
5	0641405	5	Bolt 1/4 x 5/8	
7	0791504	4	Screw 5/16 x 1/2	
8	3300430	2	Nut 1/4	
9	3930606	12	Screw, Machine #6 x 3/8	
10	0791604	8	Screw 3/8 x 1/2	
11	0791605	12	Screw 3/8 x 5/8	
12	0791606	4	Screw 3/8 x 3/4	
13	0791608	4	Screw 3/8 x 1	
14	1320130	2	Clamp, Hose	
15	1001147479	4	Sensor, Angle Indicator (Note: Control System must be recalibrated when Sensor is replaced)	
15	4460910	2	Connector, Female Deutsch - 3 Position	
15	4460917	6	Pin, Male	
15	4460913	1	Lock, Wedge	
16	1320301	1	Clamp, Cable	
17	1671031	1	Cover, Limit Switch	
20	1671039	1	Cover, Jib Switch	
21	1671044	2	Cover, Level Sensor	
22	3200433	1	Mount, Jib Switch	
23	3311405	9	Nut 1/4	
24	3311605	2	Nut 3/8	
25	3574431	1	Plate, Switch Mounting	
26	3573301	2	Plate, Sensor Mounting	
27	3930816	6	Capscrew #8 x 1	
28	3931414	4	Capscrew 1/4 x 7/8	
29	4360548	2	Switch, Jib Limit (Note: Control System must be recalibrated when Switch is replaced)	
30	4360578	1	Switch, Limit (Note: Control System must be recalibrated when Switch is replaced)	
31	4360527	1	Switch, Cable Break Proximity (Note: Control System must be recalibrated when Switch is replaced)	
33	4360543	1	Sensor, Boom Length (Note: Control System must be recalibrated when Sensor is replaced)	
35	4460914	2	Terminal, Base	
36	4711400	10	Washer 1/4	
37	4711600	2	Washer 3/8	
38	4891400	4	Washer 1/4	
41	4846484	1	Mount, Switch	
42	3340941	1	Pad, Rubber	
43	1705366	1	Decal - Boom Length (500LB Cap)	
44	3574616	1	Plate, Boom Length	
47	1705367	1	Decal - Boom Length (1000LB Cap)	
48	4460968	3	Connector, Strain Relief (Not Shown)	
49	1320136	2	Clamp, Cable (Not Shown)	
50	4341158	2	Plate, Mounting Sensor	
51	8310070	6	Pushnut 3/8	

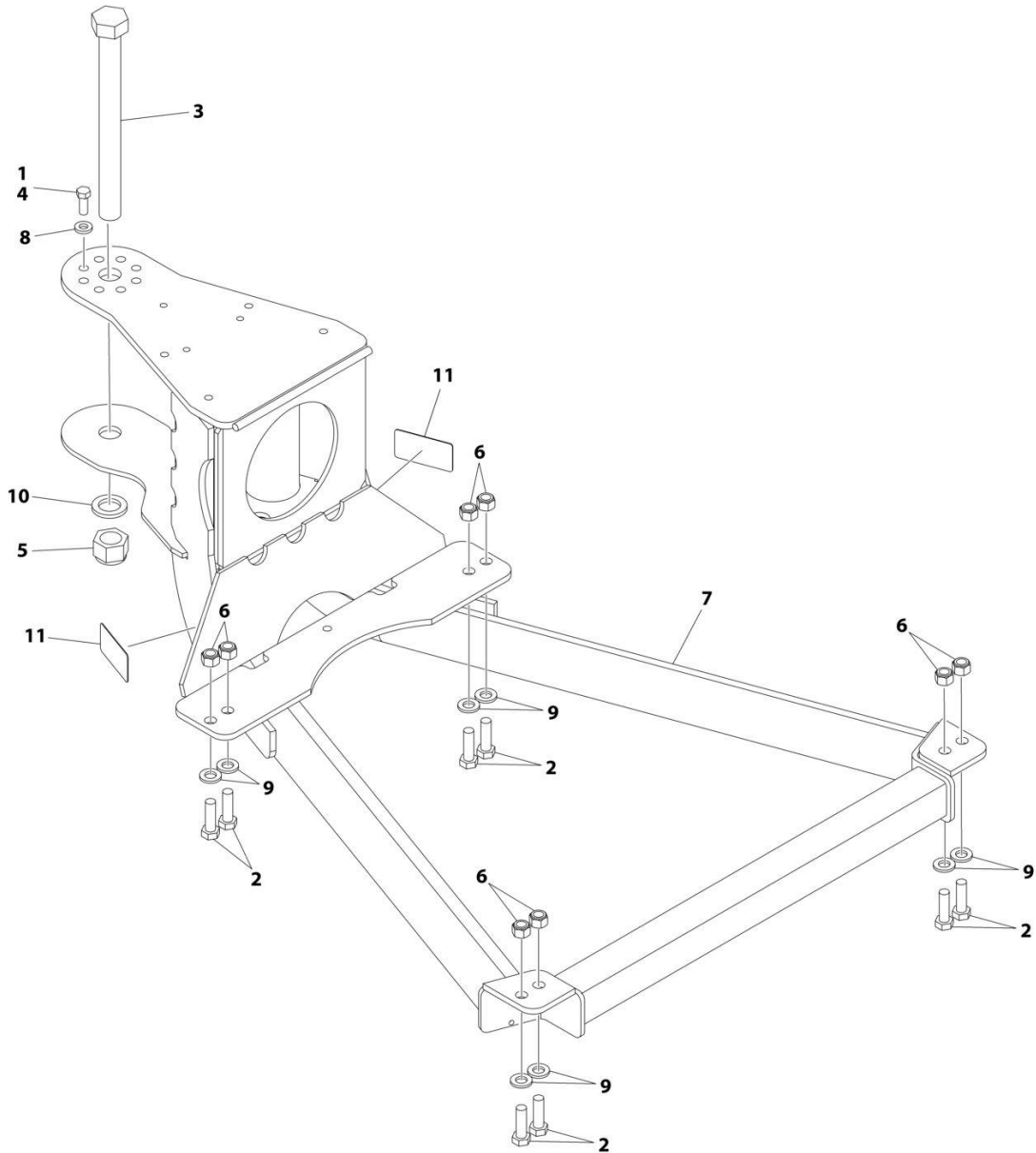
## SECTION 4 - BOOM

ITEM	PART NUMBER	QTY	DESCRIPTION	REV
52	0100081	AR	Adhesive	



# SECTION 4 - BOOM

## FIGURE 4-17. PLATFORM SUPPORT INSTALLATION - WITHOUT LSS



ART\_0272070



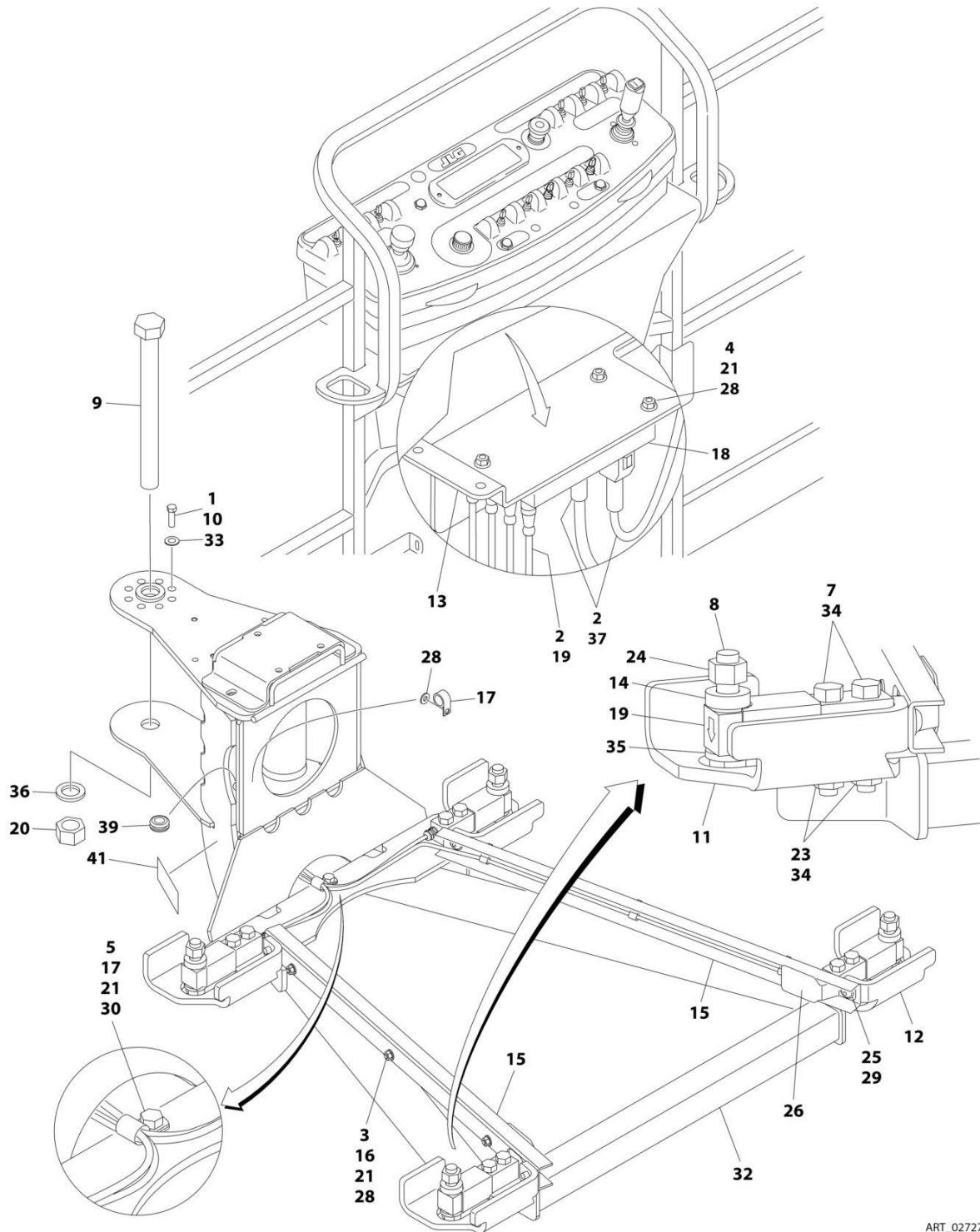
## SECTION 4 - BOOM

**FIGURE 4-17. PLATFORM SUPPORT INSTALLATION - WITHOUT LSS**

ITEM	PART NUMBER	QTY	DESCRIPTION	REV
	0272070	Ref	PLATFORM SUPPORT INSTALLATION - WITHOUT LSS	I
1	0100011	AR	Compound, Locking	
2	0641812	8	Bolt 1/2 x 1-1/2	
2	0761216	8	Bolt M12 x 40	
3	0642684	1	Bolt 1 x 10-1/2	
4	0681608	8	Bolt 3/8 x 1 Grade 8	
5	3300243	1	Nut 1	
6	3311805	8	Nut 1/2	
6	3291205	8	Nut M12	
7	4846573	1	Support	
8	4891600	8	Washer 3/8	
9	4891800	8	Washer 1/2	
9	5241200	8	Washer M12	
10	4892600	1	Washer 1	
11	1001216630	2	Decal - Tie Down/No Lift (SN 0300224749 through 0300272504, Except SN 0300272455 through 0300272461)	

# SECTION 4 - BOOM

## FIGURE 4-18. PLATFORM SUPPORT INSTALLATION - WITH 4 CELL LSS



ART\_0272703

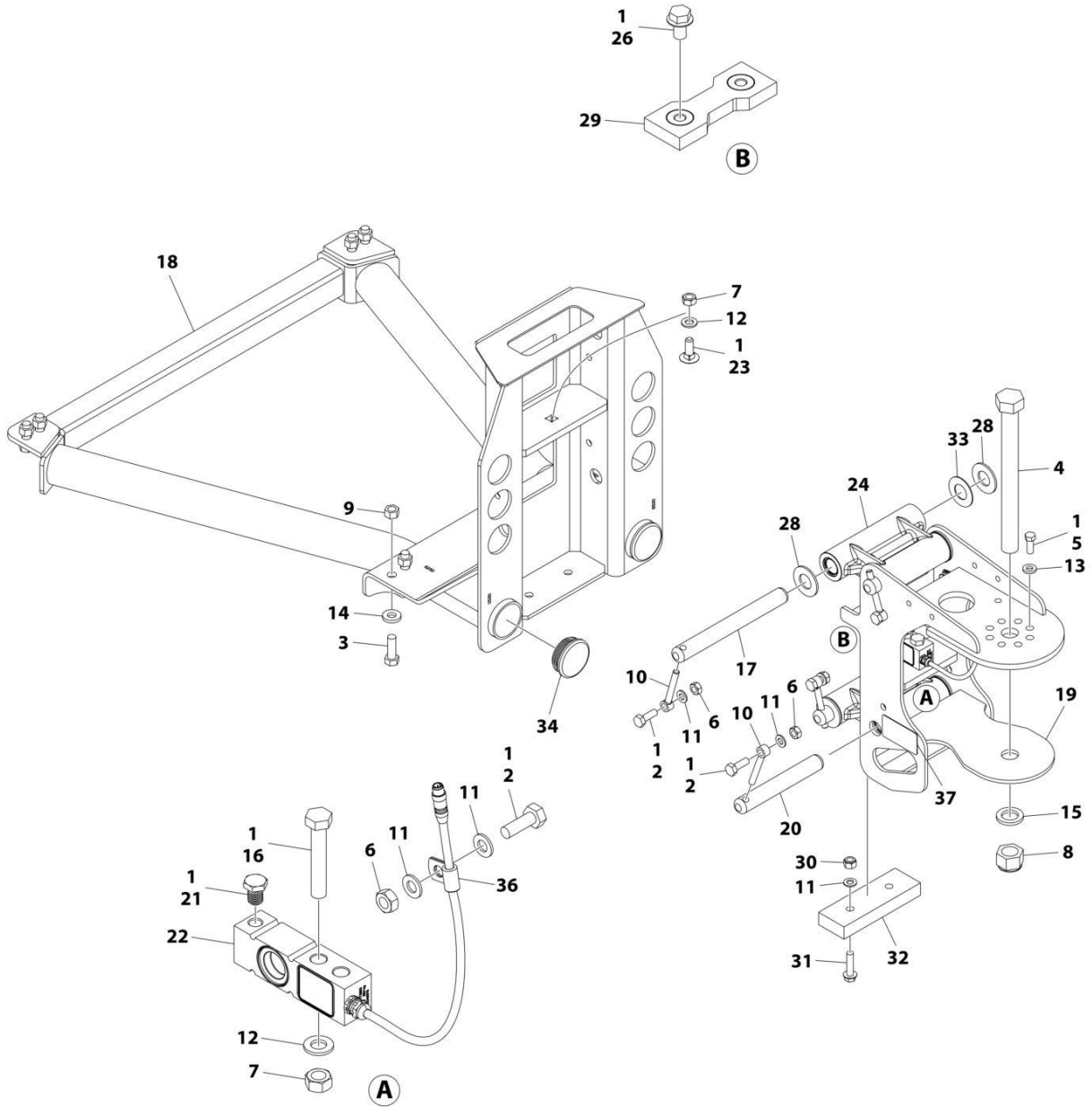
## SECTION 4 - BOOM

**FIGURE 4-18. PLATFORM SUPPORT INSTALLATION - WITH 4 CELL LSS**

ITEM	PART NUMBER	QTY	DESCRIPTION	REV
	0272703	Ref	PLATFORM SUPPORT INSTALLATION - WITH 4 CELL LSS	Q
1	0100011	AR	Compound, Locking	
2	0100048	AR	Grease, Dielectric	
3	0641405	6	Bolt 1/4 x 5/8	
4	0641416	3	Bolt 1/4 x 2	
5	0641407	1	Bolt 1/4 x 7/8	
7	0641822	8	Bolt 1/2 x 2-3/4	
8	0642024	4	Bolt 5/8 x 3	
9	0642684	1	Bolt 1 x 10-1/2	
10	0681608	8	Bolt 3/8 x 1	
11	0902919	2	Bracket, Cell Guard	
12	0902920	2	Bracket, Cell Guard	
13	1001113483	1	Bracket, Module Mount	
14	0962450	4	Bushing, Spacer	
15	1271538	2	Channel	
16	1320136	6	Clamp	
17	1320224	2	Clamp	
18	1600387	1	Electronic Interface Module	
19	2420202	4	Load Cell Assembly	
20	3272605	1	Nut 1	
21	3311405	10	Nut 1/4	
23	3311805	8	Nut 1/2	
24	3312005	4	Nut 5/8	
25	3900283	4	Screw 3/8 x 3/4	
26	4061054	2	Shield	
27	4240033	AR	Tie-Strap (Not Shown)	
28	4711400	13	Washer 1/4	
29	4711600	4	Washer 3/8	
30	4751400	1	Washer 1/4	
32	4846573	1	Platform Support	
33	4891600	8	Washer 3/8	
34	4891800	8	Washer 1/2	
35	4892000	4	Washer 5/8	
36	4892600	1	Washer 1	
37	4922869	1	EIM Load Cell Harness (See Separate Breakdown in ELECTRICAL SECTION)	
38	4933278	1	EIM Load Cell to Platform Console Box Wiring (See Separate Breakdown in ELECTRICAL SECTION)	
39	2540038	1	Grommet	
40	2920129	1	Bulb (Not Shown - Located in Ground Control Box)	
41	1001216630	2	Decal - Tie Down/No Lift	

# SECTION 4 - BOOM

## FIGURE 4-19. PLATFORM SUPPORT INSTALLATION - WITH 1 CELL LSS



ART\_1001167596

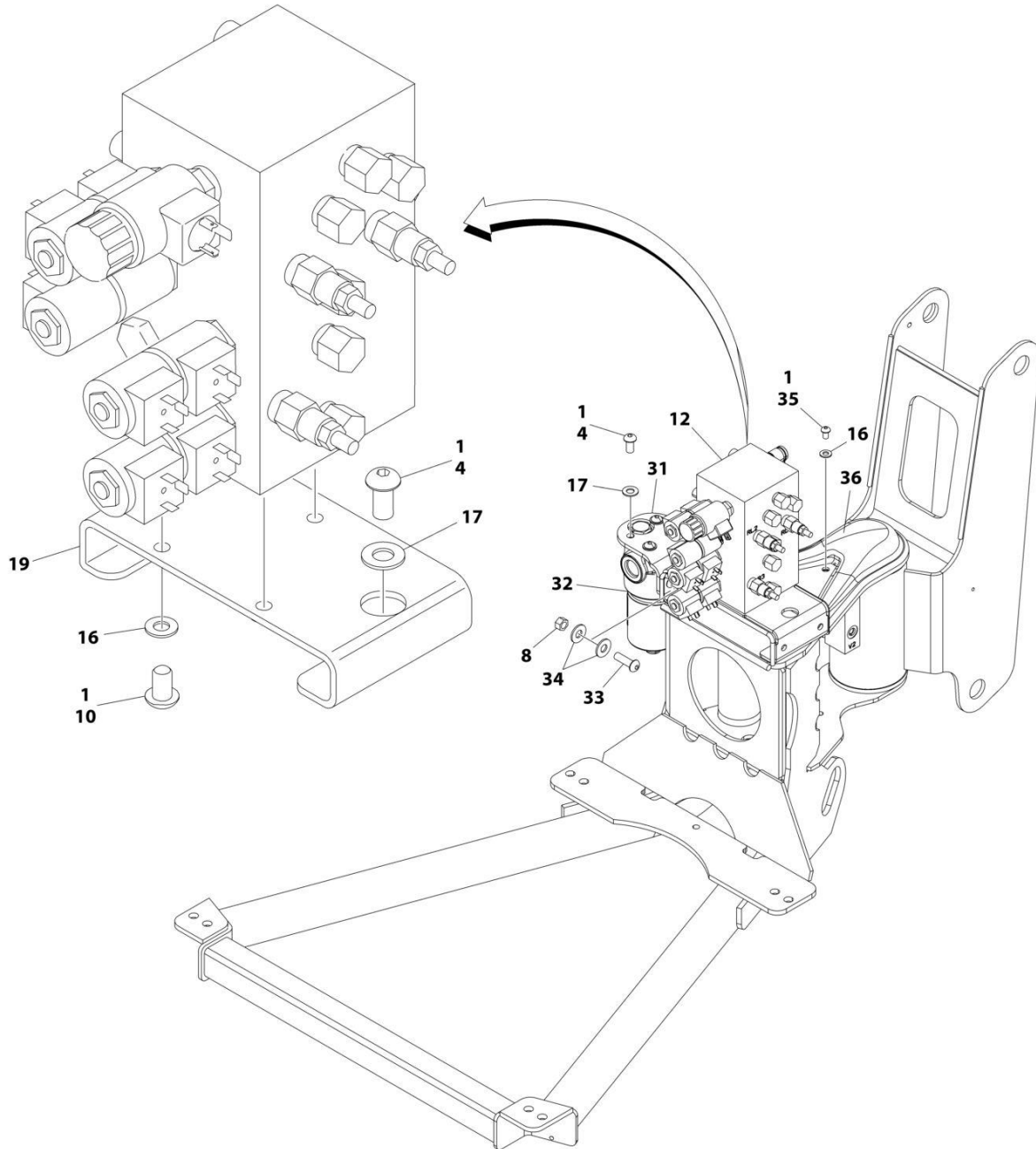
## SECTION 4 - BOOM

**FIGURE 4-19. PLATFORM SUPPORT INSTALLATION - WITH 1 CELL LSS**

ITEM	PART NUMBER	QTY	DESCRIPTION	REV
	1001167596	Ref	PLATFORM SUPPORT INSTALLATION - WITH LSS	J
1	0100011	AR	Compound, Locking	
2	0761014	5	Bolt M10 x 30	
3	0641812	8	Bolt 1/2 x 1-1/2	
3	0761216	8	Bolt M12 x 40	
4	0642684	1	Bolt 1 x 10-1/2	
5	0681608	8	Bolt 3/8 x 1	
6	3291001	5	Nut M10	
7	3291201	3	Nut M12	
8	3300243	1	Nut 1	
9	3311805	8	Nut 1/2	
9	3291205	8	Nut M12	
10	3841143	4	Keeper, Pin	
11	4812000	8	Washer M10	
12	4812100	3	Washer M12	
13	4891600	8	Washer 3/8	
14	4891800	8	Washer 1/2	
14	5241200	8	Washer M12	
15	4892600	1	Washer 1	
16	1001098828	2	Bolt M12 x 70 Grade 10.9	
17	1001167565	2	Pin	
18	1001200494	1	Support, Platform	
19	1001167567	1	Support, Rotator	
20	1001168402	2	Pin	
21	1001188622	1	Screw	
22	1001172663	1	Gauge, Load Sensing	
23	1001188844	1	Bolt M12 x 35	
24	1001201351	2	Link	
26	5251008	2	Bolt M10 x 16	
28	1001189002	8	Bearing	
29	1001190985	1	Pad, Wear	
30	3291005	2	Nut M10	
31	5251016	2	Bolt M10 x 40	
32	1001200491	1	Pad, Wear	
33	1001189001	4	Bearing	
34	1001204725	2	Plug	
36	91203039	1	Clamp	
37	1001216630	2	Decal - Tie Down/No Lift	

# SECTION 4 - BOOM

## FIGURE 4-20. CONTROL VALVE INSTALLATION - WITHOUT LSS AND WITH 4 CELL LSS



ART\_0271802\_30F3

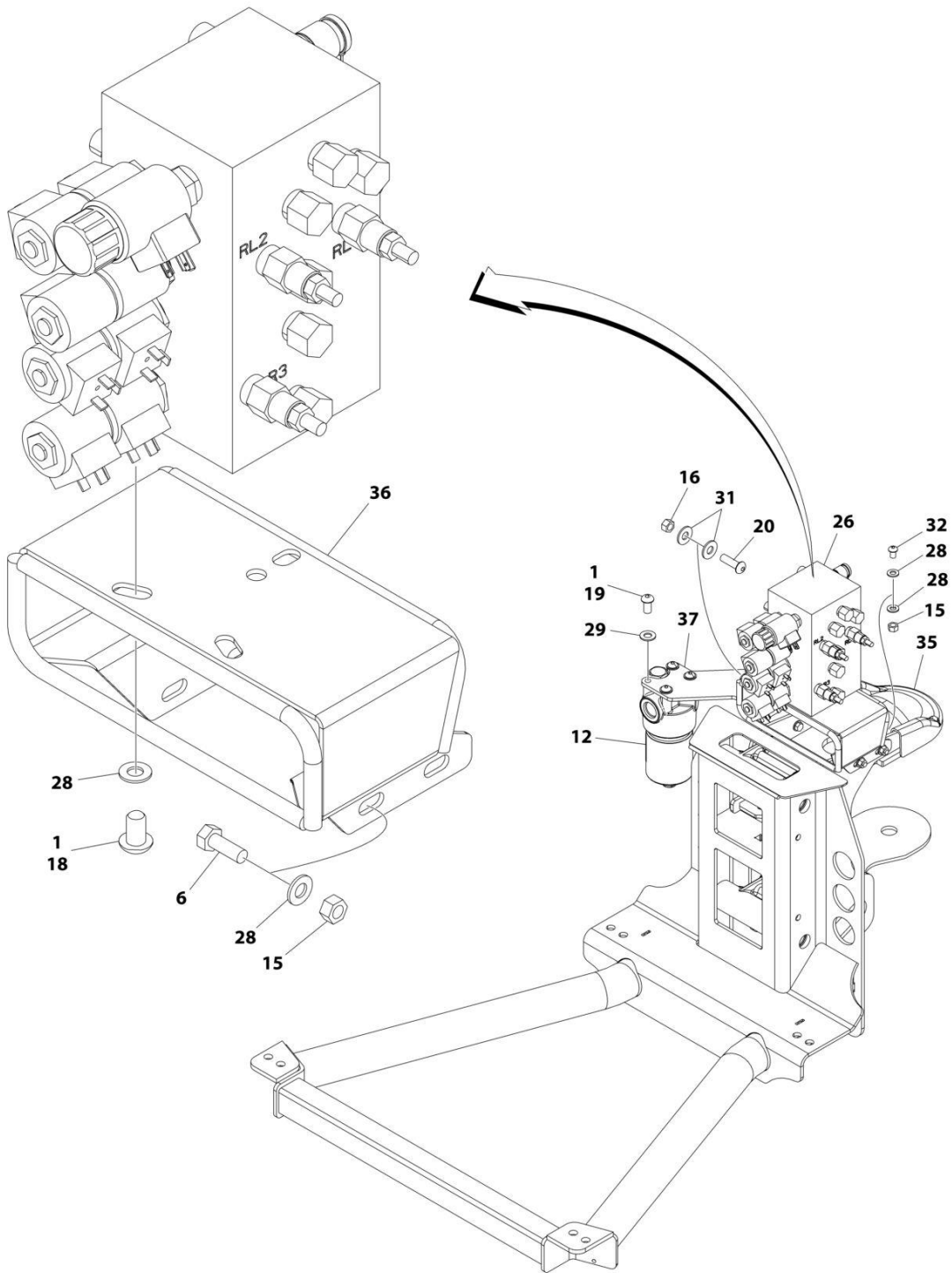
## SECTION 4 - BOOM

**FIGURE 4-20. CONTROL VALVE INSTALLATION - WITHOUT LSS AND WITH 4 CELL LSS**

ITEM	PART NUMBER	QTY	DESCRIPTION	REV
	0271802	Ref	CONTROL VALVE INSTALLATION - WITHOUT LSS AND WITH 4 CELL LSS	M
1	0100011	AR	Compound, Locking	
4	3900283	6	Screw 3/8 x 3/4	
8	3311605	2	Nut 3/8	
10	3900210	3	Screw 5/16 x 3/4	
12	4641460	1	Platform Valve (See Separate Breakdown in this Section)	
16	4711500	AR	Washer 5/16	
17	4711600	6	Washer 3/8	
19	4341264	1	Plate, Valve Mounting	
31	0903530	1	Bracket, Filter Mounting	
32	2120217	1	Filter, Pressure	
32	70002097	1	Element	
32	70004328	1	Plug, Indicator	
33	3900232	2	Screw 3/8 x 1-1/4	
34	4751600	4	Washer 3/8	
35	0630467	3	Screw 5/16 x 1/2 (SN 0300224861 through 0300272504, Except SN 0300272455 through 0300272461)	
36	1670964	1	Cover, Support/Rotator (SN 0300224861 through 0300272504, Except SN 0300272455 through 0300272461)	

# SECTION 4 - BOOM

## FIGURE 4-21. CONTROL VALVE INSTALLATION - WITH 1 CELL LSS



ART\_1001219990\_30F3



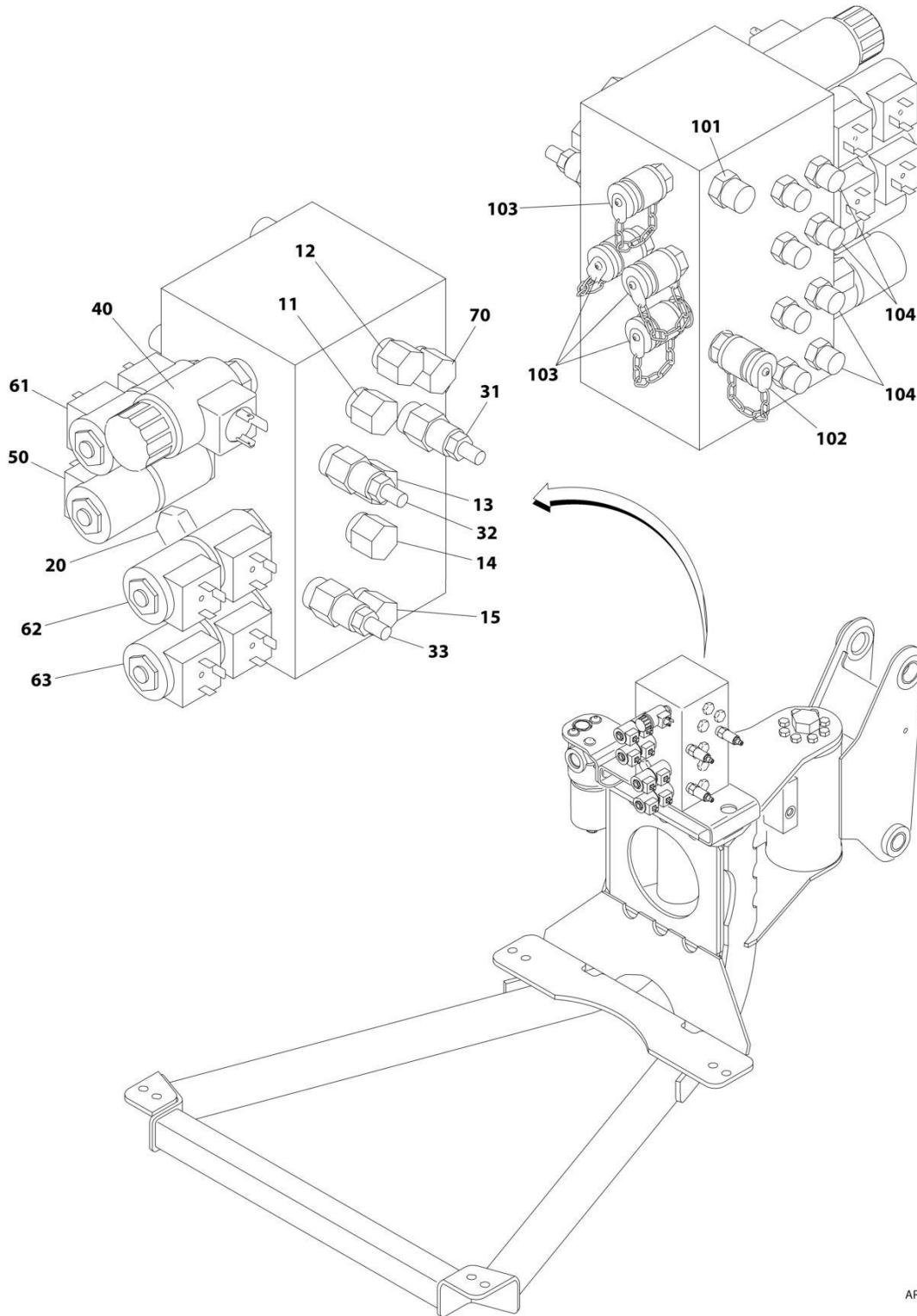
## SECTION 4 - BOOM

**FIGURE 4-21. CONTROL VALVE INSTALLATION - WITH 1 CELL LSS**

ITEM	PART NUMBER	QTY	DESCRIPTION	REV
	1001219990	Ref	CONTROL VALVE INSTALLATION - WITH 1 CELL LSS	B
1	0100011	AR	Compound, Locking	
6	0641507	4	Bolt 5/16 x 7/8	
12	2120217	1	Filter, Pressure	
12	70002097	1	Element	
12	70004328	1	Plug, Indicator	
15	3311505	6	Nut 5/16	
16	3311605	2	Nut 3/8	
18	3900210	3	Screw 5/16 x 3/4	
19	3900283	4	Screw 3/8 x 3/4	
20	3900316	2	Screw 3/8 x 1	
26	4641460	1	Platform Valve (See Separate Breakdown in this Section)	
28	4711500	15	Washer 5/16	
29	4711600	4	Washer 3/8	
31	4751600	4	Washer 3/8	
32	88261024	2	Bolt 5/16 x 1	
35	1001207969	1	Cover, Support/Rotator	
36	1001208994	1	Plate, Valve Mounting	
37	1001222314	1	Bracket, Filter Mounting	

# SECTION 4 - BOOM

## FIGURE 4-22. CONTROL VALVE ASSEMBLY



ART\_4641460

**SECTION 4 - BOOM**

**FIGURE 4-22. CONTROL VALVE ASSEMBLY**

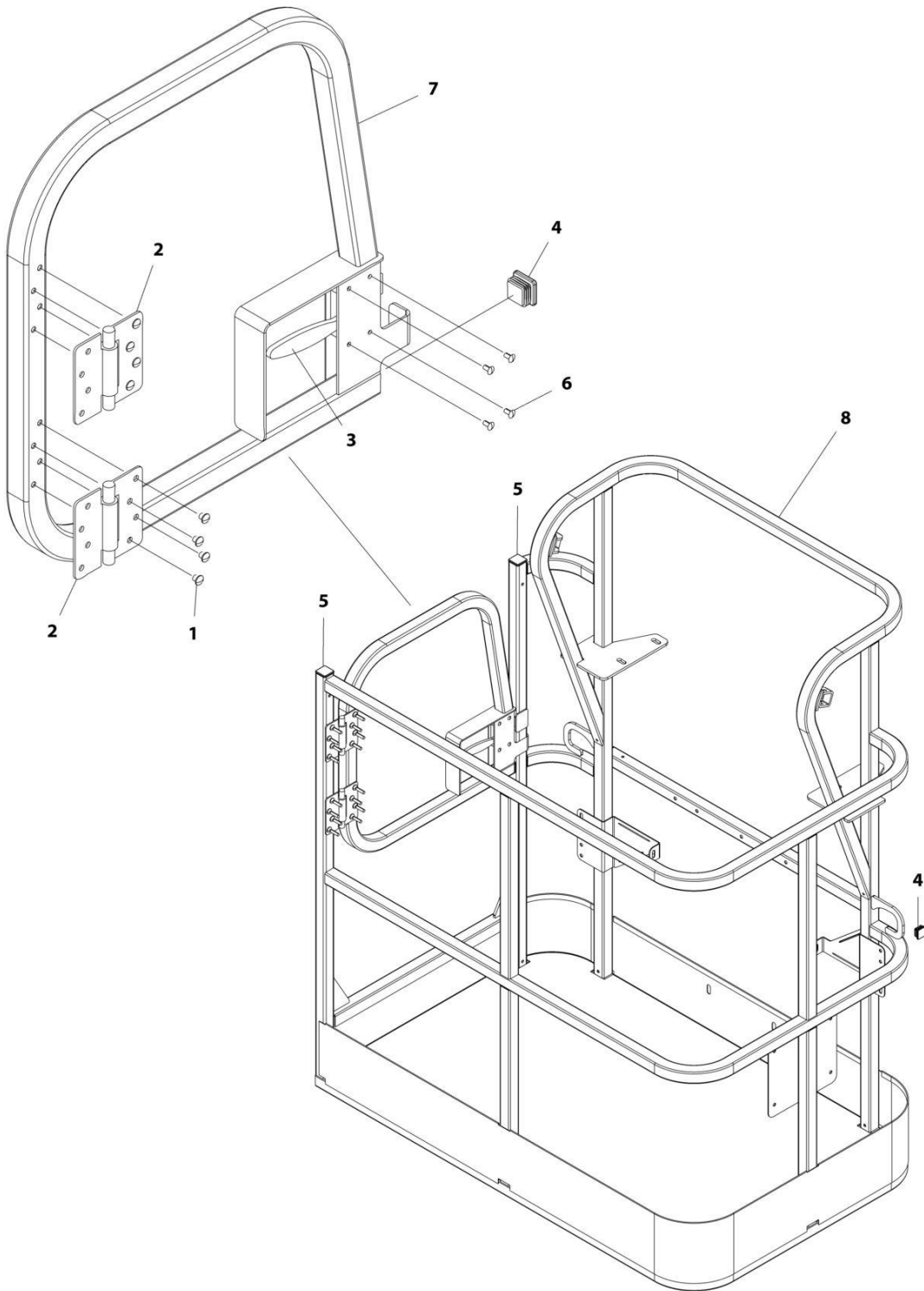
ITEM	PART NUMBER	QTY	DESCRIPTION	REV
	4641460	Ref	PLATFORM VALVE ASSEMBLY	C
11	7026018	1	Valve, Cartridge	
11	7011346	1	Seal Kit - Valve	
12	7026019	1	Valve, Cartridge (Flow Control)	
12	7011346	1	Seal Kit - Valve	
13	7026020	1	Valve, Cartridge (Rotate)	
13	7011346	1	Seal Kit - Valve	
14	7026021	1	Valve, Cartridge (Jib Swing)	
14	7011346	1	Seal Kit - Valve	
15	7026019	1	Valve, Cartridge (Jib Lift)	
15	7011346	1	Seal Kit - Valve	
20	7011355	1	Valve, Cartridge (Jib)	
20	2900770	1	Seal Kit - Valve	
31	7024572	1	Valve, Relief Cartridge (Platform Level Up)	
31	7011346	1	Seal Kit - Valve	
32	7024572	1	Valve, Relief Cartridge (Platform Level Down)	
32	7011346	1	Seal Kit - Valve	
33	7024572	1	Valve, Relief Cartridge (Jib Up/Down)	
33	7011346	1	Seal Kit - Valve	
40	7026022	1	Valve, Cartridge (Dump)	
40	2900770	1	Seal Kit - Valve	
40	7024571	1	Coil	
50	7023922	1	Valve, Cartridge (Platform Rotate)	
50	7017402	1	Seal Kit - Valve	
50	7012944	2	Coil	
61	7023922	1	Valve, Cartridge (Platform Level)	
61	7017402	1	Seal Kit - Valve	
61	7012944	2	Coil	
62	7023922	1	Valve, Cartridge (Jib Swing)	
62	7017402	1	Seal Kit - Valve	
62	7012944	2	Coil	
63	7023922	1	Valve, Cartridge (Jib Lift)	
63	7017402	1	Seal Kit - Valve	
63	7012944	2	Coil	
70	7026023	1	Valve, Cartridge (Check)	
70	7011346	1	Seal Kit - Valve	
	4641460	Ref	Platform Valve Assembly (Fitting Information)	C
101	2110606	1	Fitting, Straight	
102	4641255	1	Fitting (Check Valve)	
103	2221086	4	Check, Pressure	
104	2110404	8	Fitting, Straight	



**SECTION 5 - PLATFORM**

# SECTION 5 - PLATFORM

FIGURE 5-1. PLATFORM ASSEMBLY - 30IN X 4FT (76.2CM X 1.22M) WITH SWING GATE



ART\_1001186387

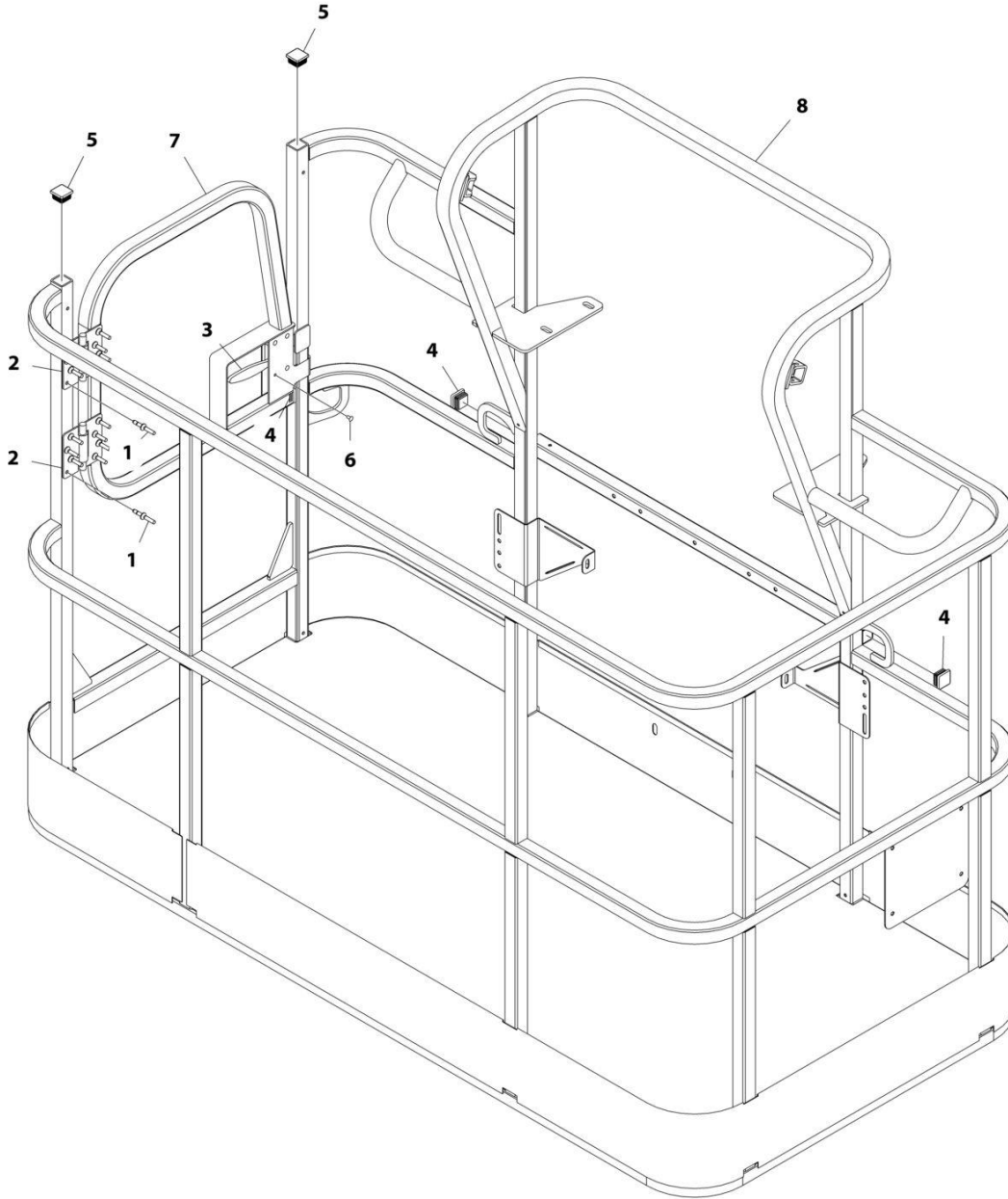
## SECTION 5 - PLATFORM

**FIGURE 5-1. PLATFORM ASSEMBLY - 30IN X 4FT (76.2CM X 1.22M) WITH SWING GATE**

ITEM	PART NUMBER	QTY	DESCRIPTION	REV
	1001186387	Ref	PLATFORM ASSEMBLY - 30IN X 4FT (76.2CM X 1.22M) WITH SWING GATE	C
		Ref	Note: Platform and Mesh must be ordered separately for Platforms with Mesh. See SPECIAL OPTIONS SECTION for Mesh Installations.	
		Ref	Note: Replacement Decals Must be Ordered Separately - See DECALS SECTION.	
1	2080040	16	Fastener, Huck	
2	2600281	2	Hinge, Self-Closing	
3	2940074	1	Latch	
4	3520072	3	Plug, Cap	
5	3520198	2	Plug, Cap	
6	3820020	4	Rivet	
7	1001144629	1	Gate	
8	See Note	1	Platform (Note: Not Available - Purchase Platform Assembly)	

# SECTION 5 - PLATFORM

FIGURE 5-2. PLATFORM ASSEMBLY - 36IN X 6FT (91.5CM X 1.83M) WITH SWING GATE



ART\_1001186384



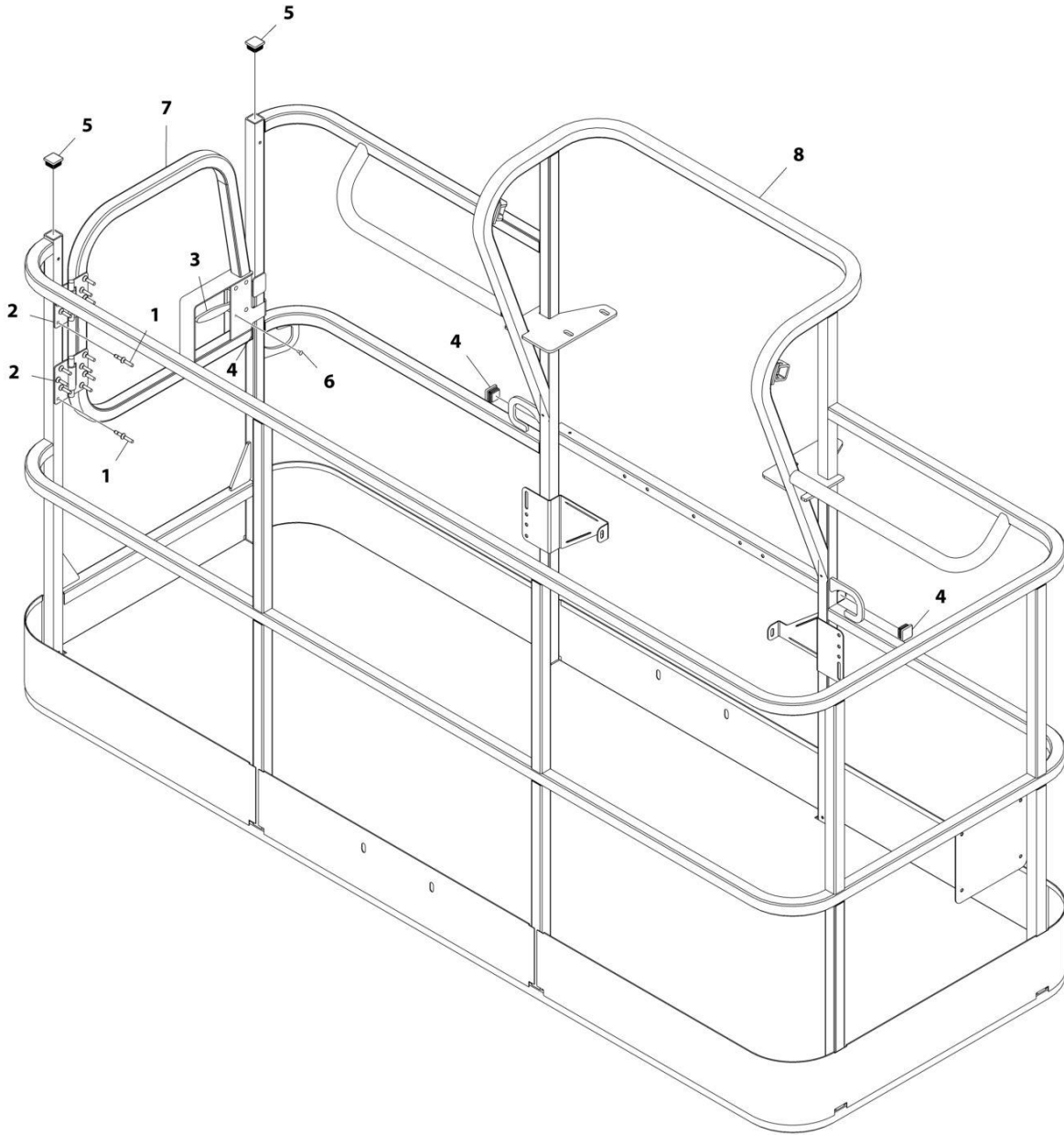
## SECTION 5 - PLATFORM

**FIGURE 5-2. PLATFORM ASSEMBLY - 36IN X 6FT (91.5CM X 1.83M) WITH SWING GATE**

ITEM	PART NUMBER	QTY	DESCRIPTION	REV
	1001186384	Ref	PLATFORM ASSEMBLY - 36IN X 6FT (91.5CM X 1.83M) WITH SWING GATE	C
	See Note	Ref	Note: Platform and Mesh must be ordered separately for Platforms with Mesh. See SPECIAL OPTIONS SECTION for Mesh Installations.	
	See Note	Ref	Note: Replacement Decals Must be Ordered Separately - See DECALS SECTION.	
1	2080040	16	Fastener, Huck	
2	2600281	2	Hinge, Self-Closing	
3	2940074	1	Latch	
4	3520072	3	Cap, Plug	
5	3520198	2	Cap, Plug	
6	3820020	4	Rivet	
7	1001144629	1	Gate, Weldment	
8	See Note	1	Platform, Weldment (Note: Not Available - Purchase Platform Assembly)	

# SECTION 5 - PLATFORM

FIGURE 5-3. PLATFORM ASSEMBLY - 36IN X 8FT (91.5CM X 2.44M) WITH SWING GATE



ART\_1001186383

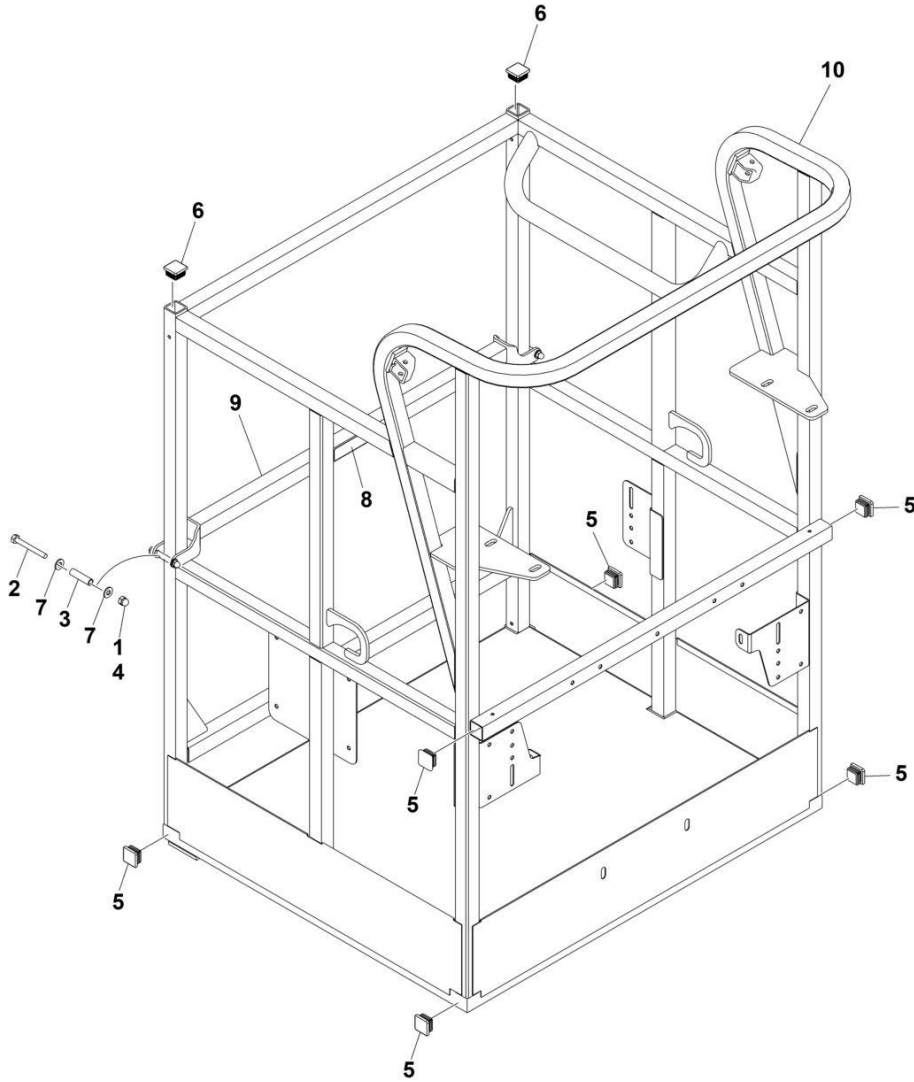
## SECTION 5 - PLATFORM

**FIGURE 5-3. PLATFORM ASSEMBLY - 36IN X 8FT (91.5CM X 2.44M) WITH SWING GATE**

ITEM	PART NUMBER	QTY	DESCRIPTION	REV
	1001186383	Ref	PLATFORM ASSEMBLY - 36IN X 8FT (91.5CM X 2.44M) WITH SWING GATE	D
	See Note	Ref	Note: Platform and Mesh must be ordered separately for Platforms with Mesh. See SPECIAL OPTIONS SECTION for Mesh Installations.	
	See Note	Ref	Note: Replacement Decals Must be Ordered Separately - See DECALS SECTION.	
1	2080040	16	Fastener, Huck	
2	2600281	2	Hinge, Self-Closing	
3	2940074	1	Latch	
4	3520072	3	Cap, Plug	
5	3520198	2	Cap, Plug	
6	3820020	4	Rivet	
7	1001144629	1	Gate, Weldment	
8	See Note	1	Platform, Weldment (Note: Not Available - Purchase Platform Assembly)	

# SECTION 5 - PLATFORM

FIGURE 5-4. PLATFORM ASSEMBLY - 30IN X 3FT (76CM X .91M) - WITH DROP BAR



ART\_1001228215

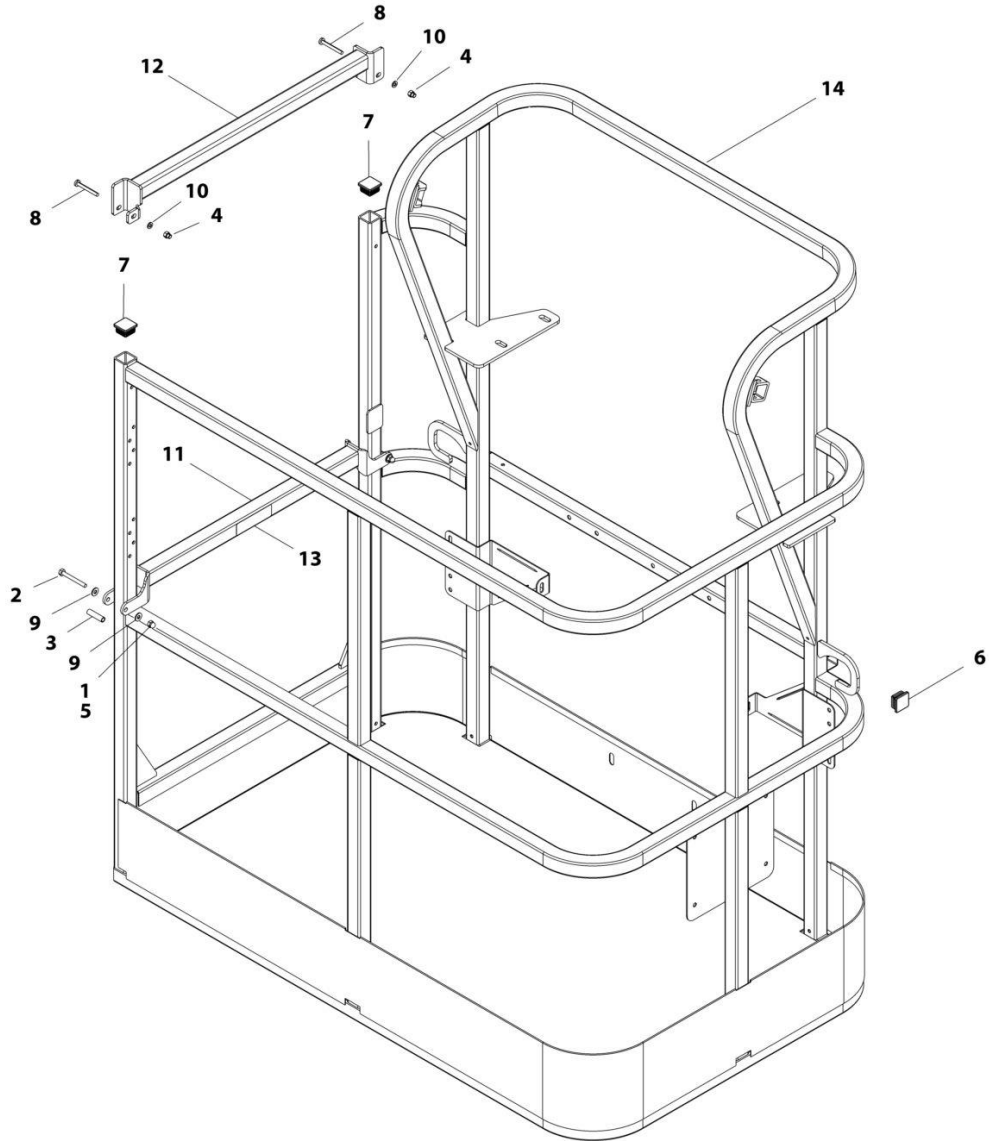
## SECTION 5 - PLATFORM

**FIGURE 5-4. PLATFORM ASSEMBLY - 30IN X 3FT (76CM X .91M) - WITH DROP BAR**

ITEM	PART NUMBER	QTY	DESCRIPTION	REV
	1001228215	Ref	PLATFORM ASSEMBLY	A
	See Note	Ref	Note: Platform and Mesh must be ordered separately for Platforms with Mesh. See SPECIAL OPTIONS SECTION for Mesh Installations.	
	See Note	Ref	Note: Replacement Decals Must be Ordered Separately - See DECAL SECTION.	
1	0100011	AR	Compound, Locking	
2	0641418	2	Bolt 1/4 x 2-1/4	
3	0961845	2	Bushing	
4	3300151	2	Nut 1/4	
5	3520072	6	Cap, Plug	
6	3520198	2	Cap, Plug	
7	4711400	4	Washer 1/4	
8	1001140429	1	Decal - Drop Bar	
9	1001226872	1	Bar, Drop	
10	See Note	NSS	Platform (Note: Not Available - Purchase Platform Assembly)	

# SECTION 5 - PLATFORM

FIGURE 5-5. PLATFORM ASSEMBLY - 30IN X 4FT (76.2CM X 1.22M) WITH DROP BAR



ART\_1001186375

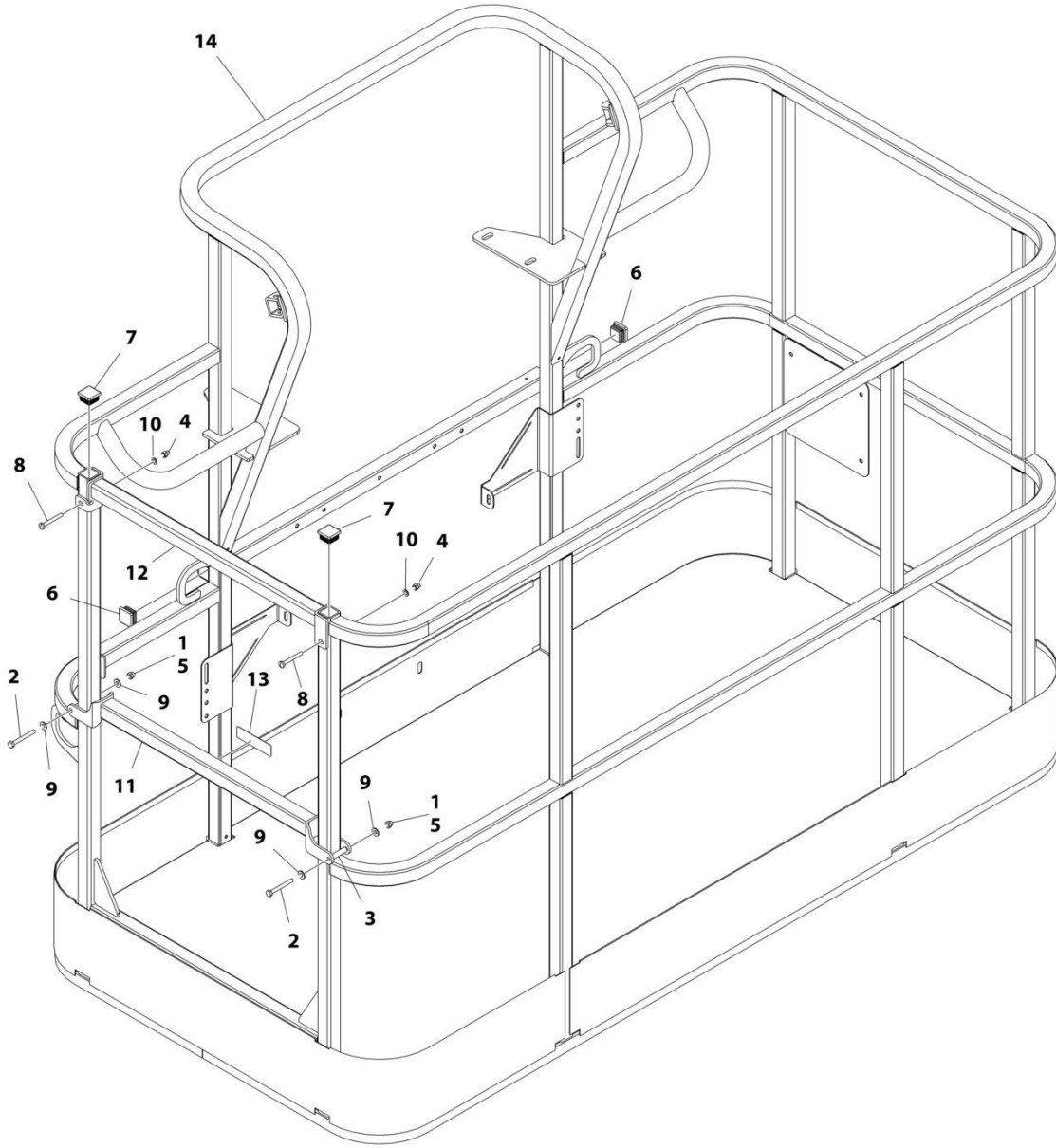
## SECTION 5 - PLATFORM

**FIGURE 5-5. PLATFORM ASSEMBLY - 30IN X 4FT (76.2CM X 1.22M) WITH DROP BAR**

ITEM	PART NUMBER	QTY	DESCRIPTION	REV
	1001186375	Ref	PLATFORM ASSEMBLY - 30IN X 4FT (76.2CM x 1.22M) WITH DROP BAR	B
		Ref	Note: Replacement Decals Must be Ordered Separately - See DECALS SECTION.	
1	0100011	AR	Compound, Locking	
2	0641418	2	Bolt 1/4 x 2-1/4	
3	0961845	2	Bushing	
4	3290606	2	Nut M6	
5	3300151	2	Nut 1/4	
6	3520072	2	Plug, Cap	
7	3520198	2	Plug, Cap	
8	4010618	2	Screw M6 x 50	
9	4711400	4	Washer 1/4	
10	4811700	2	Washer M6	
11	1001138494	1	Bar, Drop	
12	1001138514	1	Rail - Top	
13	1001140429	1	Decal - Drop Bar	
14	See Note	1	Platform (Note: Not Available - Purchase Platform Assembly)	

# SECTION 5 - PLATFORM

FIGURE 5-6. PLATFORM ASSEMBLY - 36IN X 6FT (91.5CM X 1.83M) WITH DROP BAR



ART\_1001186379



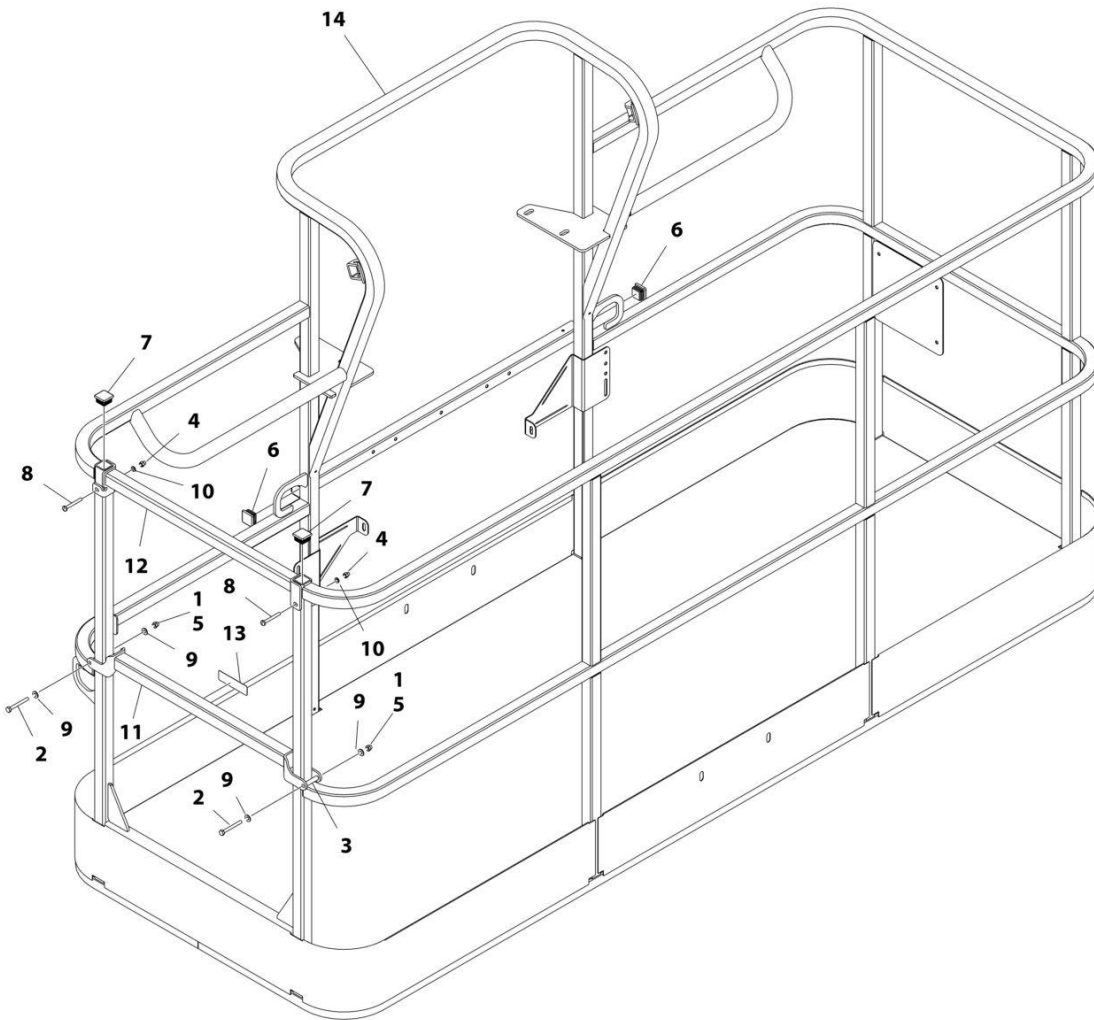
## SECTION 5 - PLATFORM

**FIGURE 5-6. PLATFORM ASSEMBLY - 36IN X 6FT (91.5CM X 1.83M) WITH DROP BAR**

ITEM	PART NUMBER	QTY	DESCRIPTION	REV
	1001186379	Ref	PLATFORM ASSEMBLY - 36IN X 6FT (91.5CM X 1.83M) WITH DROP BAR	B
	See Note	Ref	Note: Platform and Mesh must be ordered separately for Platforms with Mesh. See SPECIAL OPTIONS SECTION for Mesh Installations.	
	See Note	Ref	Note: Replacement Decals Must be Ordered Separately - See DECALS SECTION.	
1	0100011	AR	Compound, Locking	
2	0641418	2	Bolt 1/4 x 2-1/4	
3	0961845	2	Bushing	
4	3290606	2	Nut M6 x 1	
5	3300151	2	Nut 1/4	
6	3520072	2	Cap, Plug	
7	3520198	2	Cap, Plug	
8	4010618	2	Screw M6 x 50	
9	4711400	4	Washer 1/4	
10	4811700	2	Washer M6	
11	1001138494	1	Bar, Drop	
12	1001138514	1	Rail (Top)	
13	1001140429	1	Decal - Drop Bar	
14	See Note	1	Platform (Note: Not Available - Purchase Platform Assembly)	

# SECTION 5 - PLATFORM

FIGURE 5-7. PLATFORM ASSEMBLY - 36IN X 8FT (91.5CM X 2.44M) WITH DROP BAR (USA BUILT MACHINES)



ART\_1001186382

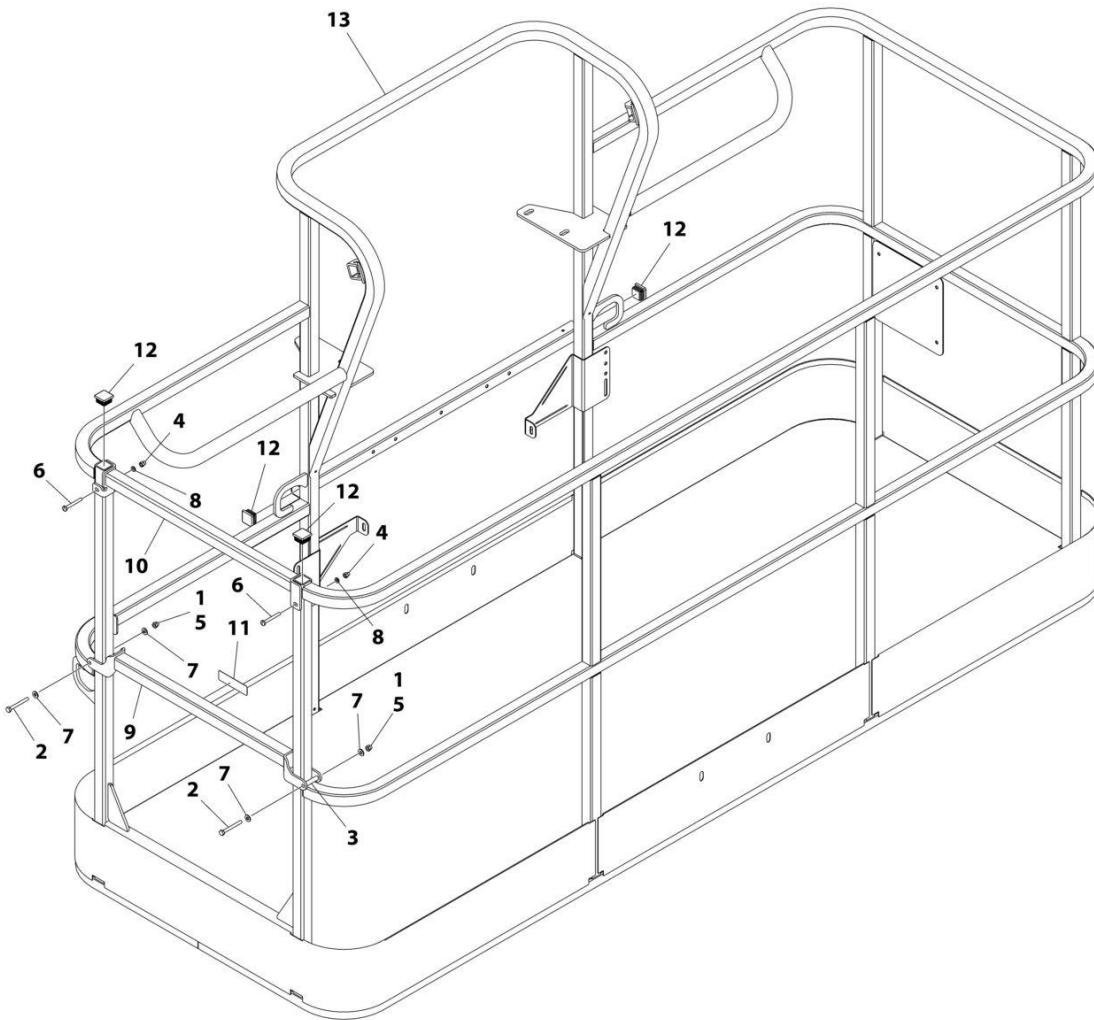
## SECTION 5 - PLATFORM

**FIGURE 5-7. PLATFORM ASSEMBLY - 36IN X 8FT (91.5CM X 2.44M) WITH DROP BAR (USA BUILT MACHINES)**

ITEM	PART NUMBER	QTY	DESCRIPTION	REV
	1001186382	Ref	PLATFORM ASSEMBLY - 36IN X 8FT (91.5CM X 2.44M) WITH DROP BAR (USA BUILT MACHINES)	C
	See Note	Ref	Note: Platform and Mesh must be ordered separately for Platforms with Mesh. See SPECIAL OPTIONS SECTION for Mesh Installations.	
	See Note	Ref	Note: Replacement Decals Must be Ordered Separately - See DECALS SECTION.	
1	0100011	AR	Compound, Locking	
2	0641418	2	Bolt 1/4 x 2-1/4	
3	0961845	2	Bushing	
4	3290606	2	Nut M6 x 1	
5	3300151	2	Nut 1/4	
6	3520072	2	Cap, Plug	
7	3520198	2	Cap, Plug	
8	4010618	2	Screw M6 x 50	
9	4711400	4	Washer 1/4	
10	4811700	2	Washer M6	
11	1001138494	1	Bar, Drop	
12	1001138514	1	Rail (Top)	
13	1001140429	1	Decal - Drop Bar	
14	See Note	NSS	Platform (Note: Not Available - Purchase Platform Assembly)	

# SECTION 5 - PLATFORM

FIGURE 5-8. PLATFORM ASSEMBLY - 36IN X 8FT (91.5CM X 2.44M) WITH DROP BAR (CHINA BUILT MACHINES)



ART\_1001188309

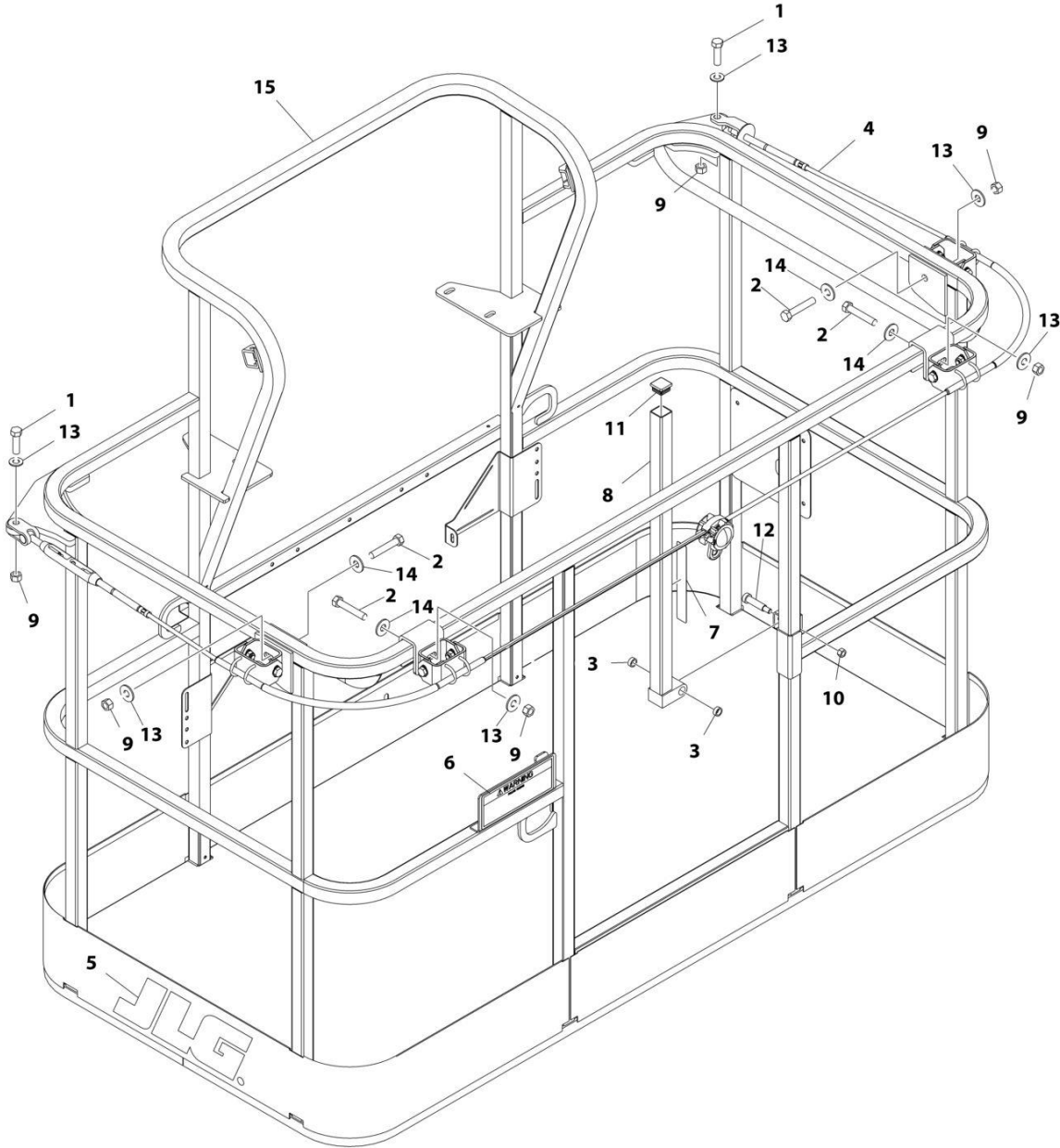
## SECTION 5 - PLATFORM

**FIGURE 5-8. PLATFORM ASSEMBLY - 36IN X 8FT (91.5CM X 2.44M) WITH DROP BAR (CHINA BUILT MACHINES)**

ITEM	PART NUMBER	QTY	DESCRIPTION	REV
	1001188309	Ref	PLATFORM ASSEMBLY - 36IN X 8FT (91.5CM X 2.44M) WITH DROP BAR (CHINA BUILT MACHINES)	B
	See Note	Ref	Note: Platform and Mesh must be ordered separately for Platforms with Mesh. See SPECIAL OPTIONS SECTION for Mesh Installations.	
	See Note	Ref	Note: Replacement Decals Must be Ordered Separately - See DECALS SECTION	
1	0100011	AR	Compound, Locking	
2	0641418	2	Bolt 1/4 x 2-1/4	
3	0961845	2	Bushing	
4	3290606	2	Nut M6 x 1	
5	3300151	2	Nut 1/4	
6	4010618	2	Screw M6 x 50	
7	4711400	4	Washer 1/4	
8	4811700	2	Washer M6	
9	1001138494	1	Bar, Drop	
10	1001138514	1	Rail (Top)	
11	1001140429	1	Decal - Drop Bar	
12	1001145781	4	Cap, Plug	
13	See Note	NSS	Platform (Note: Not Available - Purchase Platform Assembly)	

# SECTION 5 - PLATFORM

FIGURE 5-9. PLATFORM ASSEMBLY - 36IN X 6FT (91.5CM X 1.83M) WITH FALL ARREST (ANSI, ANSI EXPORT AND CSA SPECS)



ART\_1001186333

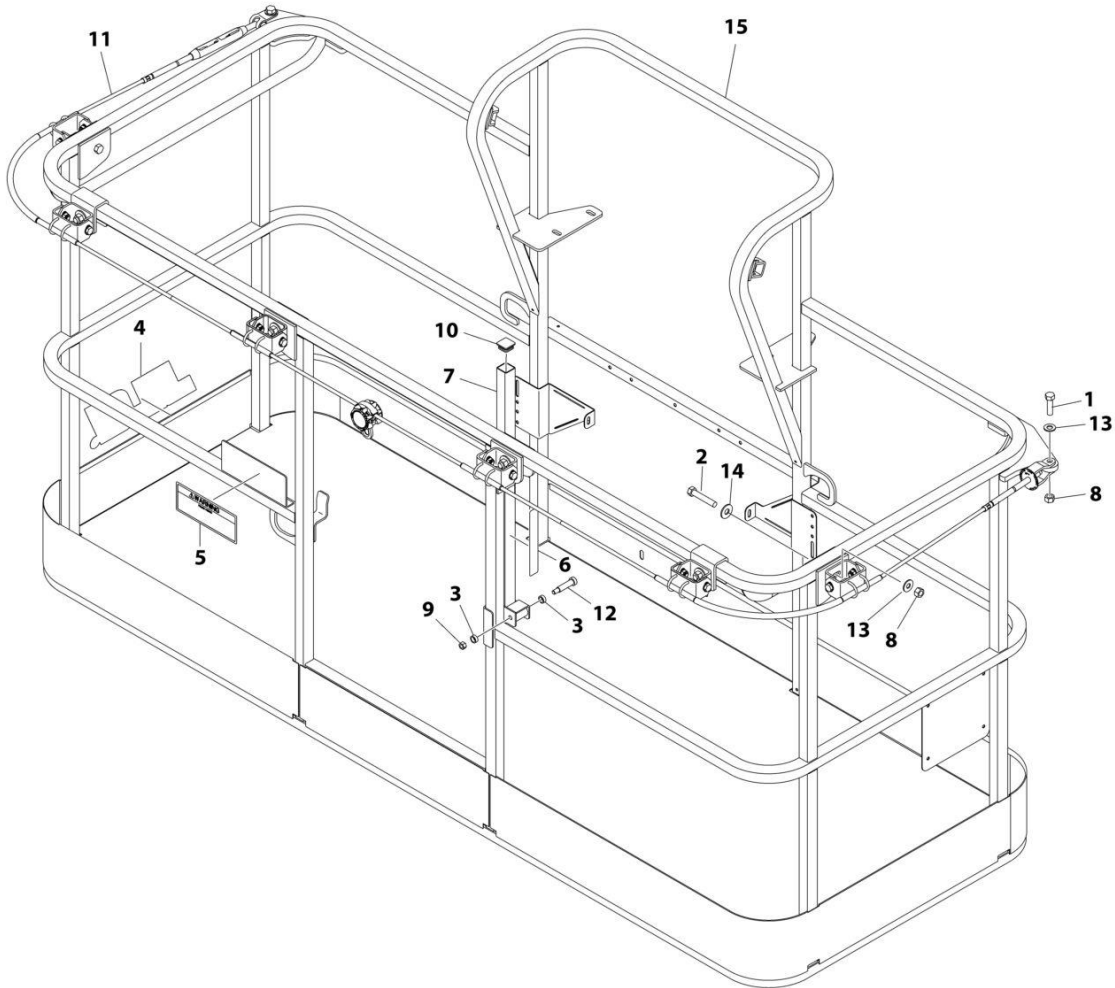
## SECTION 5 - PLATFORM

**FIGURE 5-9. PLATFORM ASSEMBLY - 36IN X 6FT (91.5CM X 1.83M) WITH FALL ARREST (ANSI, ANSI EXPORT AND CSA SPECS)**

ITEM	PART NUMBER	QTY	DESCRIPTION	REV
	1001186333	Ref	PLATFORM ASSEMBLY - 36IN X 6FT (91.5CM X 1.83M) WITH FALL ARREST (ANSI, ANSI EXPORT AND CSA SPECS)	C
	See Note	Ref	Note: Fall Arrest Not Available on CE Spec Platform Assembly.	
	See Note	Ref	Note: Replacement Decals Must be Ordered Separately - See DECALS SECTION.	
1	0681814	2	Bolt 1/2 x 1-3/4 Grade 8	
2	0681822	4	Bolt 1/2 x 2-3/4 Grade 8	
3	0962270	2	Bearing	
4	1060919	NLA	Cable (Use p/n 1001203655) <b>(SN 0300201016 through 0300214283)</b>	
4	1001203655	1	Cable <b>(SN 0300214284 through 0300272504, Except SN 0300272455 through 0300272461)</b>	
5	1702773	1	Decal - JLG	
6	1705014	1	Decal - Safety	
7	1706385	1	Decal - Drop Bar	
8	2410014	1	Bar, Drop	
9	3271805	6	Nut 1/2 Grade 8	
10	3311605	1	Nut 3/8	
11	3520072	1	Cap, Plug	
12	3900054	1	Bolt 1/2 x 1-3/4	
13	4711800	8	Washer 1/2	
14	4751800	4	Washer 1/2	
15	See Note	1	Platform (Note: Not Available - Purchase Platform Assembly)	

# SECTION 5 - PLATFORM

FIGURE 5-10. PLATFORM ASSEMBLY - 36IN X 8FT (91.5CM X 2.44M) WITH FALL ARREST (ANSI SPEC)



ART\_1001186334



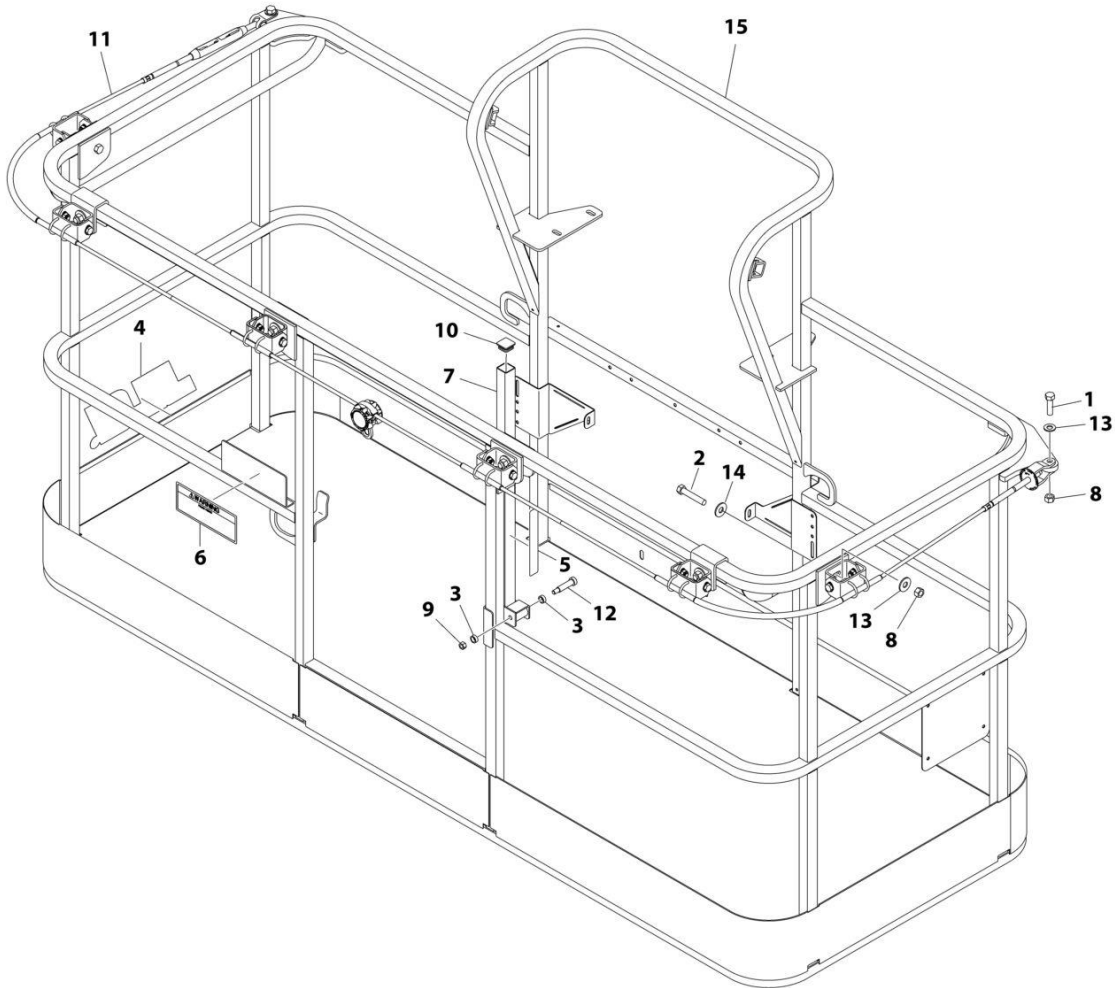
## SECTION 5 - PLATFORM

**FIGURE 5-10. PLATFORM ASSEMBLY - 36IN X 8FT (91.5CM X 2.44M) WITH FALL ARREST (ANSI SPEC)**

ITEM	PART NUMBER	QTY	DESCRIPTION	REV
	1001186334	Ref	PLATFORM ASSEMBLY - 36IN X 8FT (91.5CM X 2.44M) WITH FALL ARREST (ANSI SPEC)	D
		Ref	Note: Replacement Decals Must be Ordered Separately - See DECALS SECTION.	
1	0681814	2	Bolt 1/2 x 1-3/4 Grade 8	
2	0681822	6	Bolt 1/2 x 2-3/4 Grade 8	
3	0962270	2	Bearing	
4	1702773	1	Decal - JLG	
5	1705014	1	Decal - Safety	
6	1706385	1	Decal - Drop Bar	
7	2410014	1	Bar, Drop	
8	3271805	8	Nut 1/2 Grade 8	
9	3311605	1	Nut 3/8	
10	3520072	1	Plug	
11	3890040	NLA	Cable (Use p/n 1001203656) <b>(SN 0300201016 through 0300214283)</b>	
11	1001203656	1	Cable <b>(SN 0300214284 through 0300272504, Except SN 0300272455 through 0300272461)</b>	
12	3900054	1	Bolt 1/2 x 1-3/4	
13	4711800	10	Washer 1/2	
14	4751800	6	Washer 1/2	
15	See Note	NSS	Platform (Note: Purchase Platform Assembly)	

# SECTION 5 - PLATFORM

FIGURE 5-11. PLATFORM ASSEMBLY - 36IN X 8FT (91.5CM X 2.44M) WITH FALL ARREST (ALL SPECS EXCEPT CSA SPECS)



ART\_1001186389

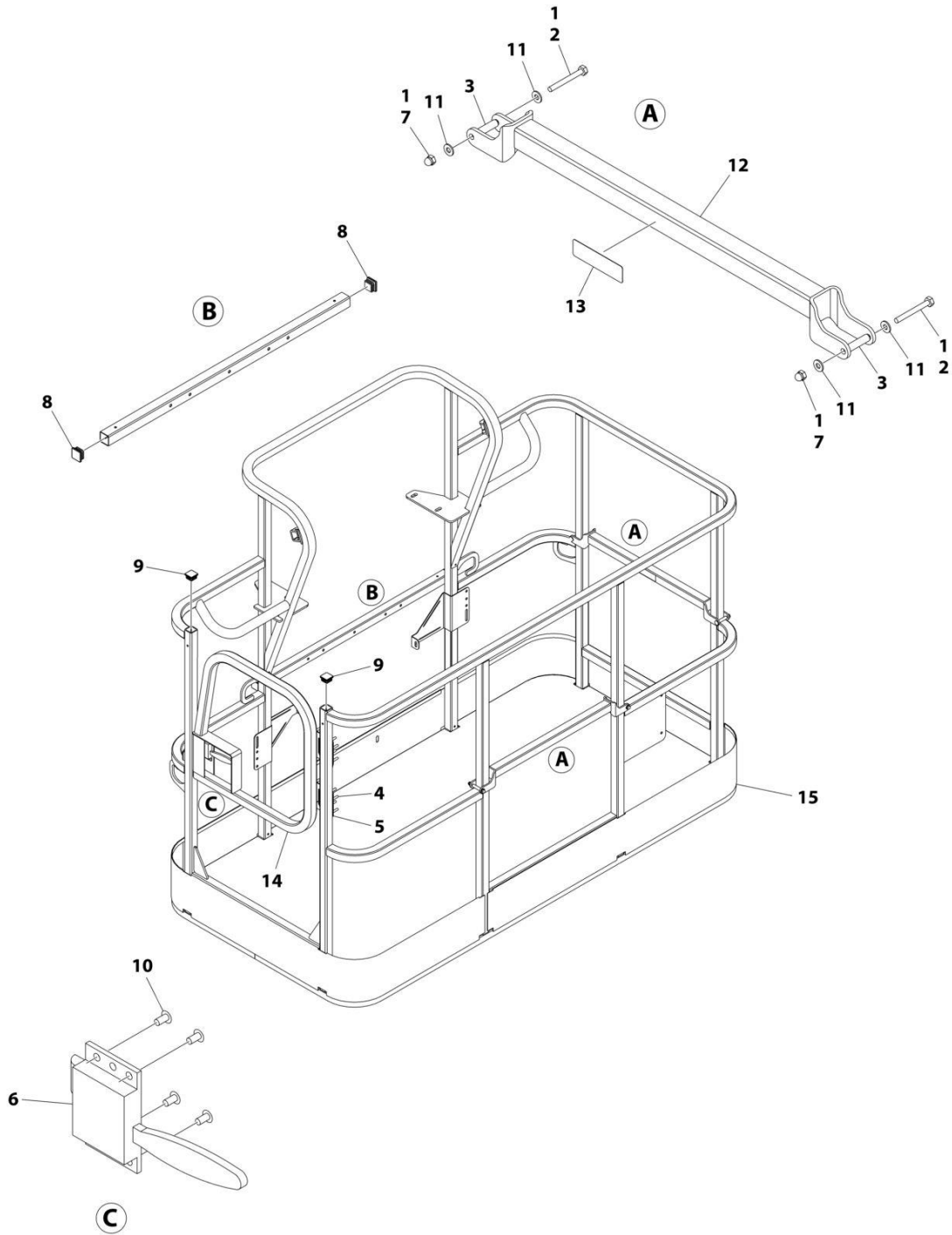
## SECTION 5 - PLATFORM

**FIGURE 5-11. PLATFORM ASSEMBLY - 36IN X 8FT (91.5CM X 2.44M) WITH FALL ARREST (ALL SPECS EXCEPT CSA SPECS)**

ITEM	PART NUMBER	QTY	DESCRIPTION	REV
	1001186389	Ref	PLATFORM ASSEMBLY - 36IN X 8FT (91.5CM X 2.44M) WITH FALL ARREST (All SPECS EXCEPT CSA SPECS)	D
		Ref	Note: Standard decals must be ordered separately - See DECAL SECTION.	
1	0681814	2	Bolt 1/2 x 1-3/4 Grade 8	
2	0681822	6	Bolt 1/2 x 2-3/4 Grade 8	
3	0962270	2	Bearing	
4	1702773	1	Decal - JLG	
5	1706493	1	Decal - Drop Bar	
6	1706501	1	Decal - Safety	
7	2410014	1	Gate	
8	3271805	8	Nut 1/2 Grade 8	
9	3311605	1	Nut 3/8	
10	3520072	1	Plug	
11	3890040	NLA	Cable (Use p/n 1001203656) (SN 0300201016 through 0300214283)	
11	1001203656	1	Cable (SN 0300214284 through 0300272504, Except SN 0300272455 through 0300272461)	
12	3900054	1	Bolt 1/2 x 1-3/4	
13	4711800	8	Washer 1/2	
14	4751800	6	Washer 1/2	
15	1001186318	NSS	Platform (Note: Not Available - Purchase Platform Assembly)	

# SECTION 5 - PLATFORM

FIGURE 5-12. PLATFORM ASSEMBLY - 36IN X 6FT (91.5CM X 1.83M) TRI-ENTRY WITH SWING GATE



ART\_1001228376

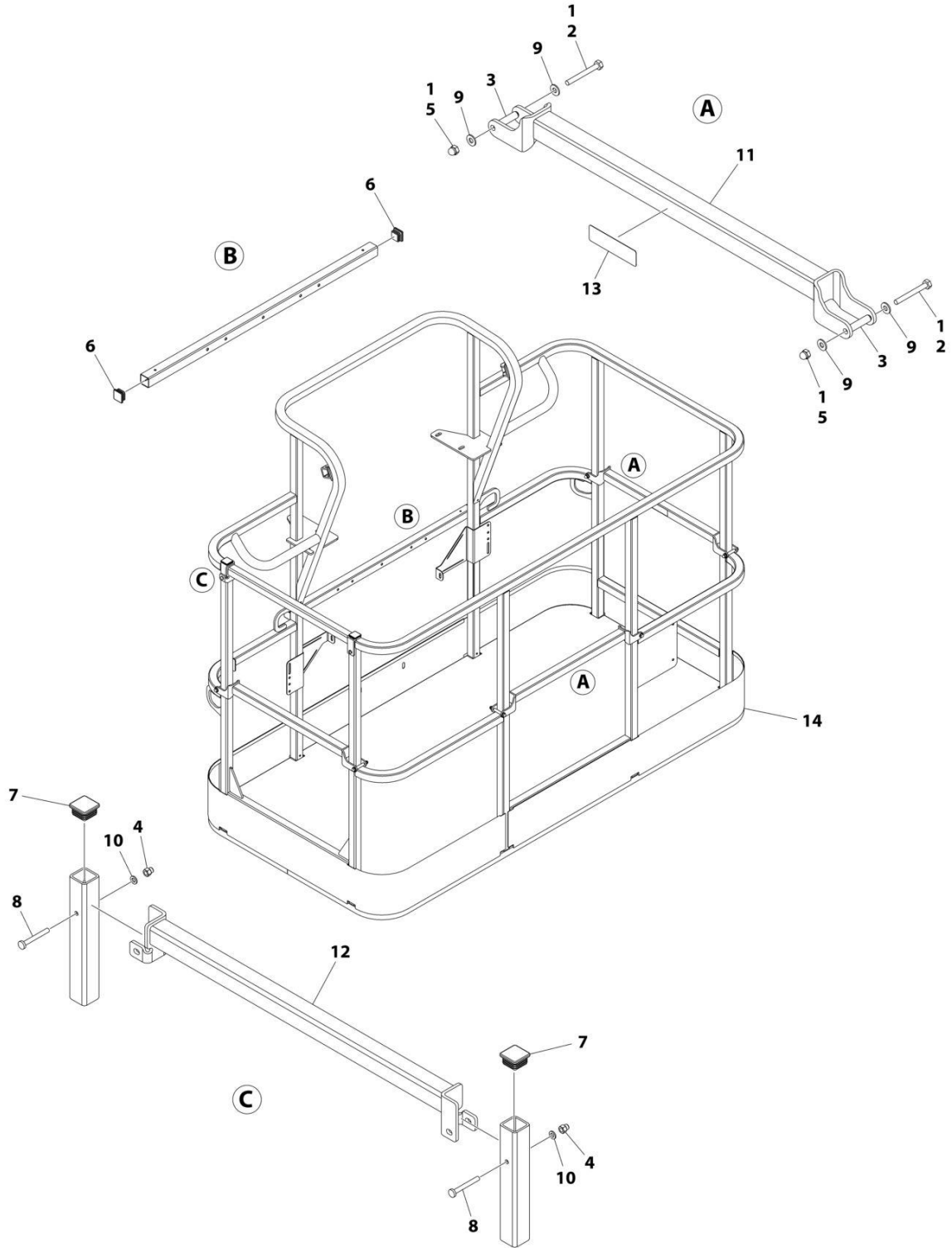
## SECTION 5 - PLATFORM

**FIGURE 5-12. PLATFORM ASSEMBLY - 36IN X 6FT (91.5CM X 1.83M) TRI-ENTRY WITH SWING GATE**

ITEM	PART NUMBER	QTY	DESCRIPTION	REV
	1001228376	Ref	PLATFORM ASSEMBLY - 36IN x 6FT (91.5CM x 1.83M)	B
		Ref	Note: Platform and Mesh must be ordered separately for Platforms with Mesh. See SPECIAL OPTIONS SECTION for Mesh Installations.	
		Ref	Note: Replacement Decals Must be Ordered Separately - See DECAL SECTION.	
1	0100011	AR	Compound, Locking	
2	0641418	4	Bolt 1/4 x 2-1/4	
3	0961845	4	Bushing	
4	2080040	16	Fastener	
5	2600281	2	Hinge	
6	2940074	1	Latch	
7	3300151	4	Nut 1/4	
8	3520072	3	Plug	
9	3520198	2	Plug	
10	3820020	4	Rivet	
11	4711400	8	Washer 1/4	
12	1001138494	2	Bar, Drop	
13	1001140429	2	Decal - Drop Bar	
14	1001144629	1	Gate	
15	See Note	NSS	Platform (Note: Not Available - Purchase Platform Assembly)	

# SECTION 5 - PLATFORM

FIGURE 5-13. PLATFORM ASSEMBLY - 36IN X 6FT (91.5CM X 1.83M) TRI-ENTRY WITH DROPBAR



ART\_1001228377

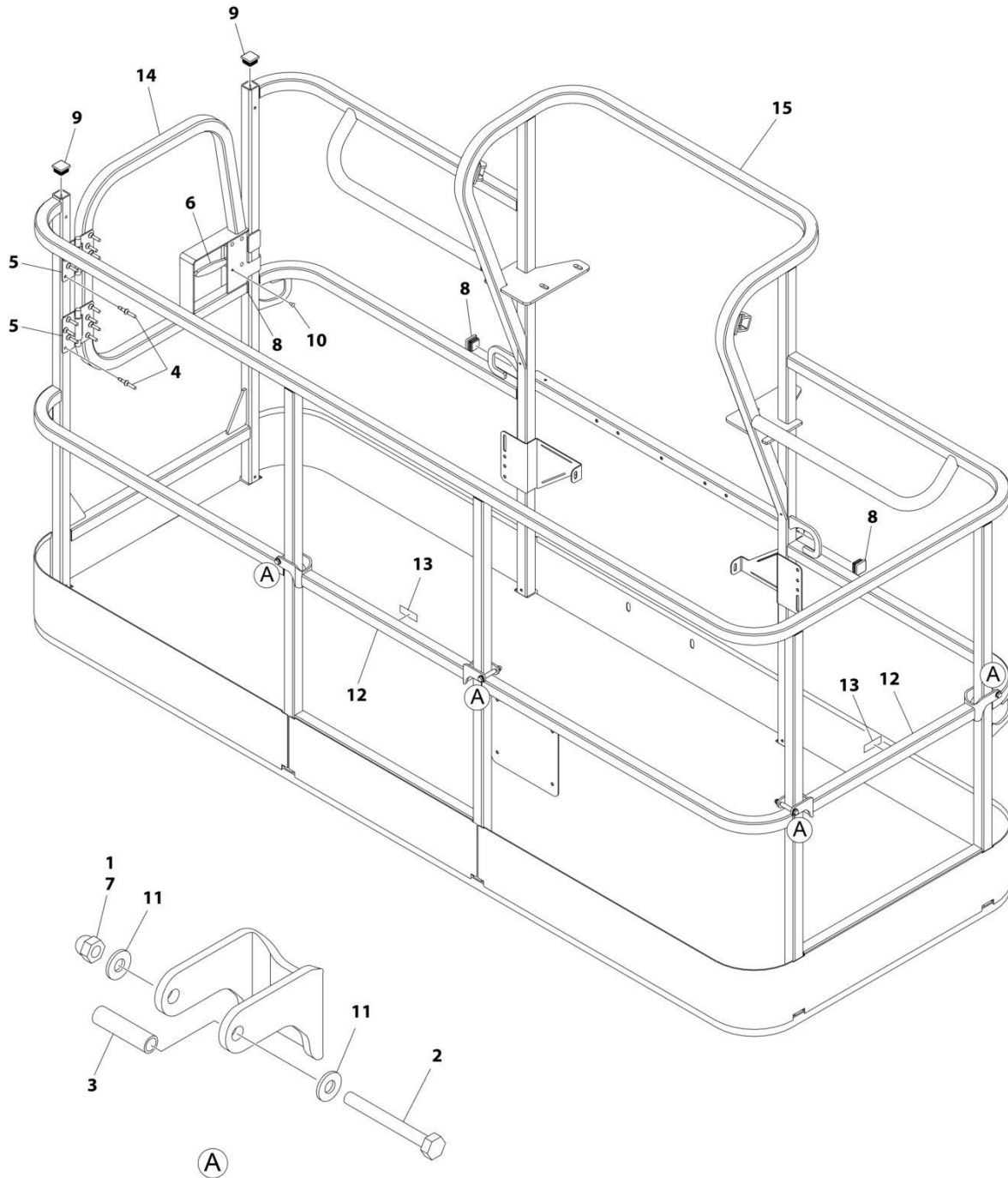
## SECTION 5 - PLATFORM

**FIGURE 5-13. PLATFORM ASSEMBLY - 36IN X 6FT (91.5CM X 1.83M) TRI-ENTRY WITH DROPBAR**

ITEM	PART NUMBER	QTY	DESCRIPTION	REV
	1001228377	Ref	PLATFORM ASSEMBLY - 36IN x 6FT (91.5CM x 1.83M)	B
		Ref	Note: Platform and Mesh must be ordered separately for Platforms with Mesh. See SPECIAL OPTIONS SECTION for Mesh Installations.	
		Ref	Note: Replacement Decals Must be Ordered Separately - See DECAL SECTION.	
1	0100011	1	Compound, Locking	
2	0641418	6	Bolt 1/4 x 2-1/4	
3	0961845	6	Bushing	
4	3290606	2	Nut M6	
5	3300151	6	Nut 1/4	
6	3520072	2	Plug	
7	3520198	2	Plug	
8	4010618	2	Screw M6 x 50	
9	4711400	12	Washer 1/4	
10	4811700	2	Washer M6	
11	1001138494	3	Bar, Drop	
12	1001138514	1	Rail (Top)	
13	1001140429	3	Decal - Drop Bar	
14	See Note	NSS	Platform, Weldment (Note: Not Available - Purchase Platform Assembly)	

# SECTION 5 - PLATFORM

FIGURE 5-14. PLATFORM ASSEMBLY - 36IN X 8FT (91.5CM X 2.44M) TRI-ENTRY WITH DROPBAR



ART\_1001228243



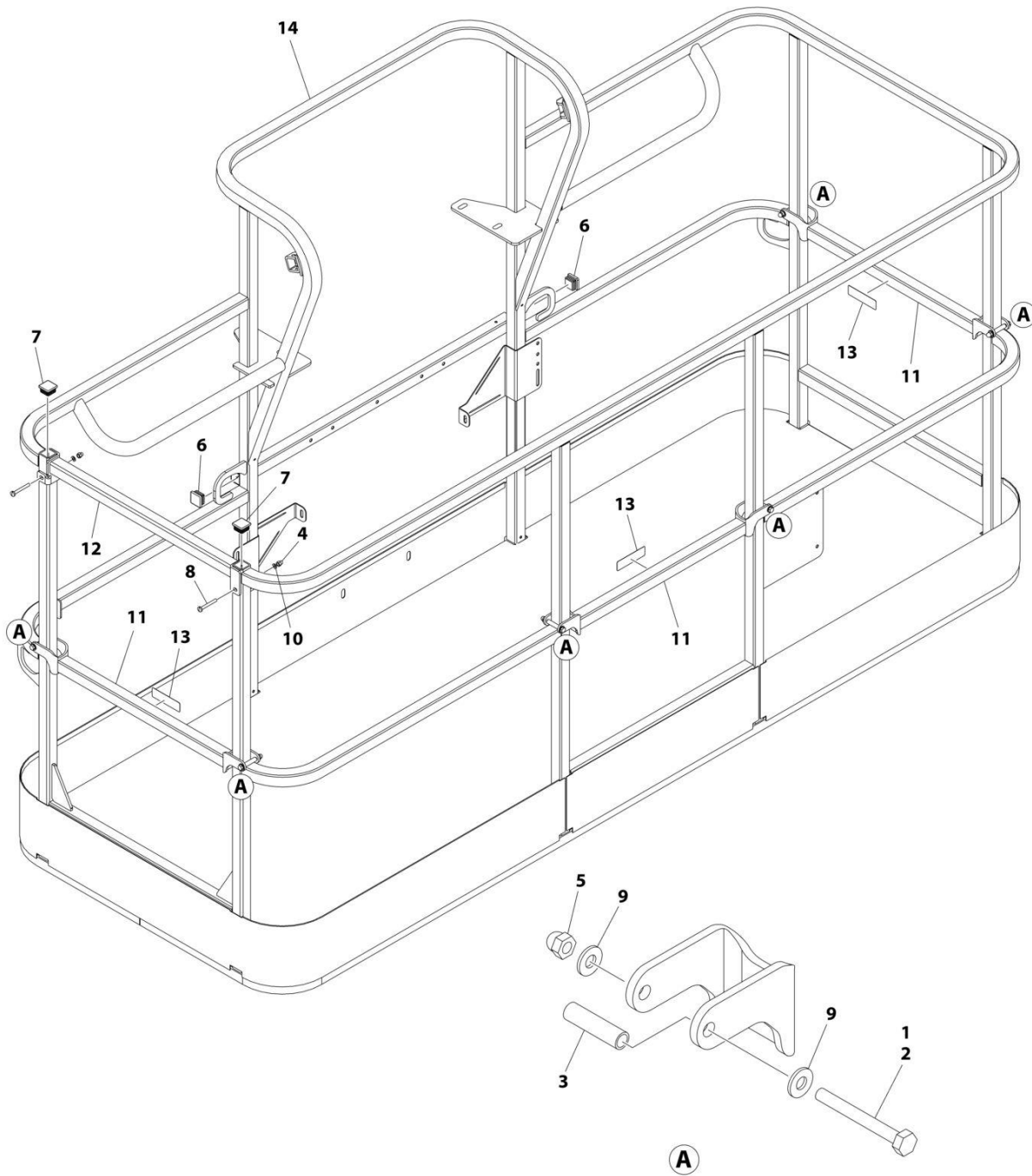
## SECTION 5 - PLATFORM

**FIGURE 5-14. PLATFORM ASSEMBLY - 36IN X 8FT (91.5CM X 2.44M) TRI-ENTRY WITH DROPBAR**

ITEM	PART NUMBER	QTY	DESCRIPTION	REV
	1001228243	Ref	PLATFORM ASSEMBLY - 36IN X 8FT (91.5CM X 2.44M) WITH TRI-ENTRY	A
		Ref	Note: Platform and Mesh must be ordered separately for Platforms with Mesh. See SPECIAL OPTIONS SECTION for Mesh Installations.	
1	0100011	AR	Compound, Locking	
2	0641418	4	Bolt 1/4 x 2-1/4	
3	0961845	4	Bushing	
4	2080040	16	Fastener, Huck	
5	2600281	2	Hinge, Self-Closing	
6	2940074	1	Latch	
7	3300151	4	Nut 1/4	
8	3520072	3	Cap, Plug	
9	3520198	2	Cap, Plug	
10	3820020	4	Rivet	
11	4711400	8	Washer 1/4	
12	1001138494	2	Bar, Drop	
13	1001140429	2	Decal - Drop Bar	
14	1001144629	1	Gate, Weldment	
15	See Note	1	Platform (Note: Not Available - Purchase Platform Assembly)	

# SECTION 5 - PLATFORM

FIGURE 5-15. PLATFORM ASSEMBLY - 36IN X 8FT (91.5CM X 2.44M) TRI-ENTRY WITH DROPGATE



ART\_1001228375

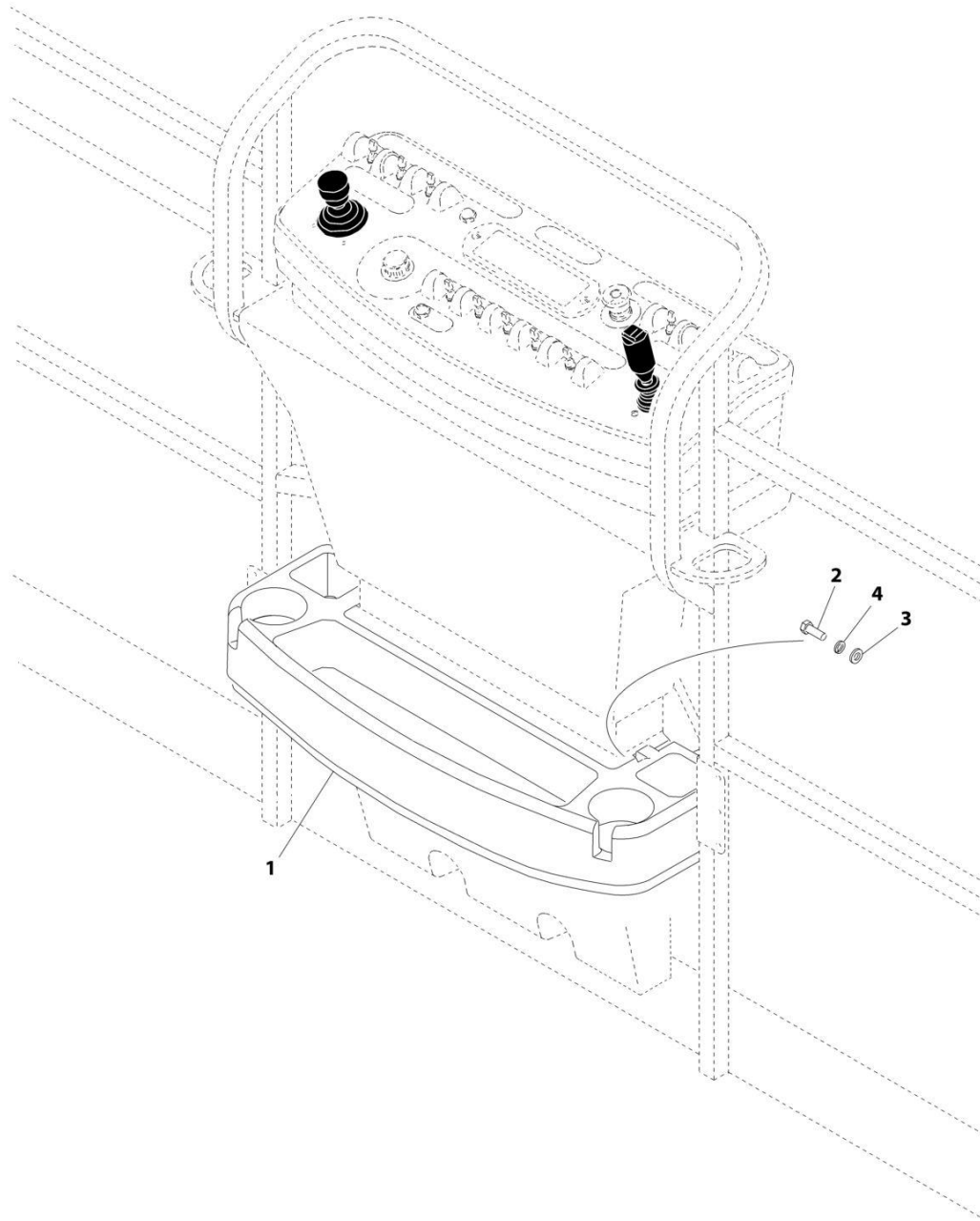
## SECTION 5 - PLATFORM

**FIGURE 5-15. PLATFORM ASSEMBLY - 36IN X 8FT (91.5CM X 2.44M) TRI-ENTRY WITH DROPGATE**

ITEM	PART NUMBER	QTY	DESCRIPTION	REV
	1001228375	Ref	PLATFORM ASSEMBLY - 36IN X 8FT (91.5CM X 2.44M) WITH TRI-ENTRY	A
		Ref	Note: Platform and Mesh must be ordered separately for Platforms with Mesh. See SPECIAL OPTIONS SECTION for Mesh Installations.	
		Ref	Note: Replacement Decals Must be Ordered Separately - See DECAL SECTION.	
1	0100011	AR	Compound, Locking	
2	0641418	6	Bolt 1/4 x 2-1/4	
3	0961845	6	Bushing	
4	3290606	2	Nut M6 x 1	
5	3300151	6	Nut 1/4	
6	3520072	2	Cap, Plug	
7	3520198	2	Cap, Plug	
8	4010618	2	Screw M6 x 50	
9	4711400	12	Washer 1/4	
10	4811700	2	Washer M6	
11	1001138494	3	Bar, Drop	
12	1001138514	1	Rail (Top)	
13	1001140429	3	Decal - Drop Bar	
14	See Note	1	Platform (Note: Not Available - Purchase Platform Assembly)	

# SECTION 5 - PLATFORM

## FIGURE 5-16. TRAY ASSEMBLY



ART\_1580012

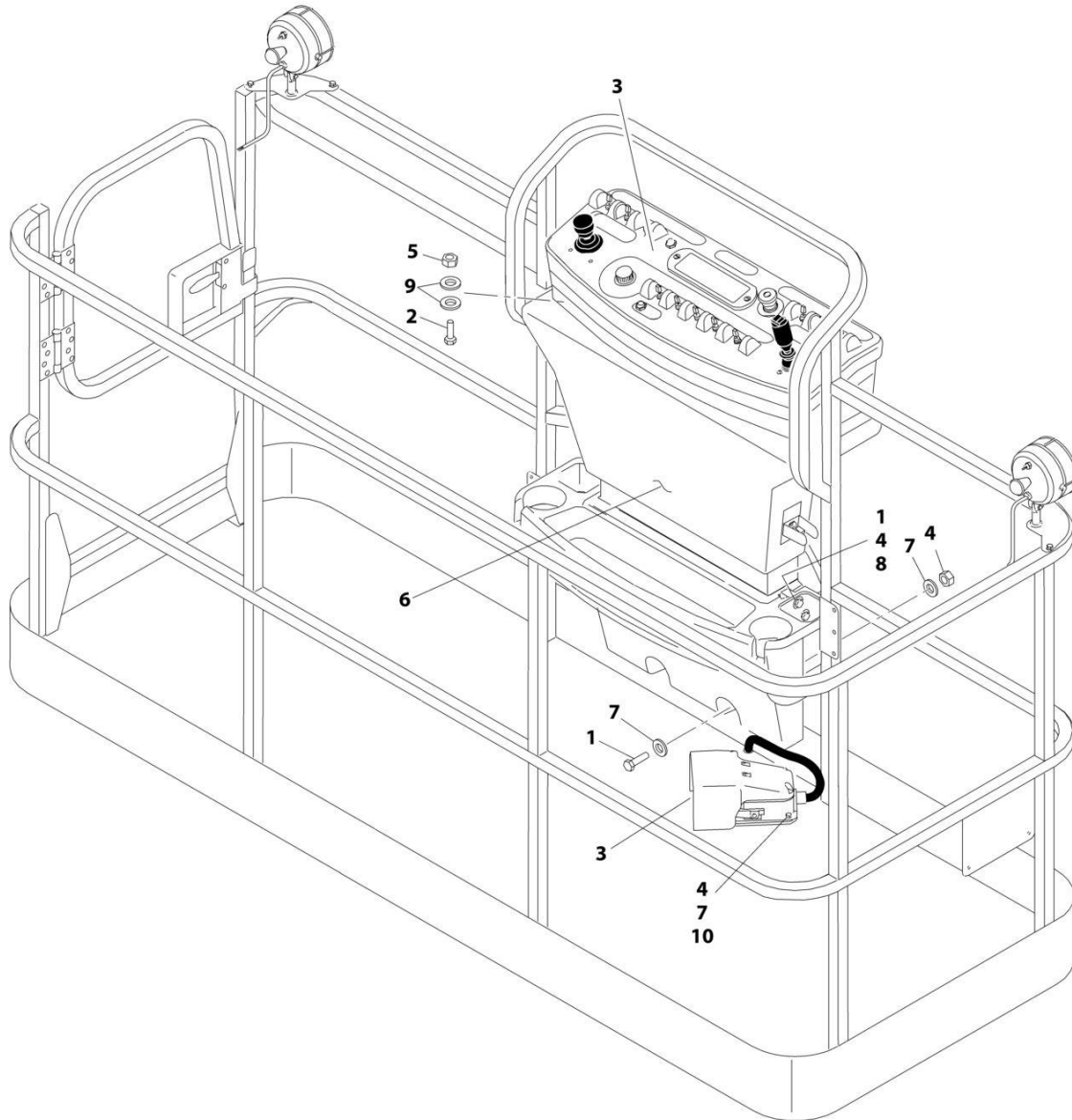
## SECTION 5 - PLATFORM

### FIGURE 5-16. TRAY ASSEMBLY

ITEM	PART NUMBER	QTY	DESCRIPTION	REV
	1580012	Ref	TRAY ASSEMBLY	C
1	See Note	1	Tray, Storage (Center) (Note: Purchase p/n 1580012)	
2	0641406	2	Bolt 1/4 x 3/4	
3	4751400	2	Washer 1/4	
4	4761400	2	Washer 1/4	

# SECTION 5 - PLATFORM

## FIGURE 5-17. PLATFORM CONTROLS INSTALLATION - WITHOUT SKYGUARD



ART\_1001145785

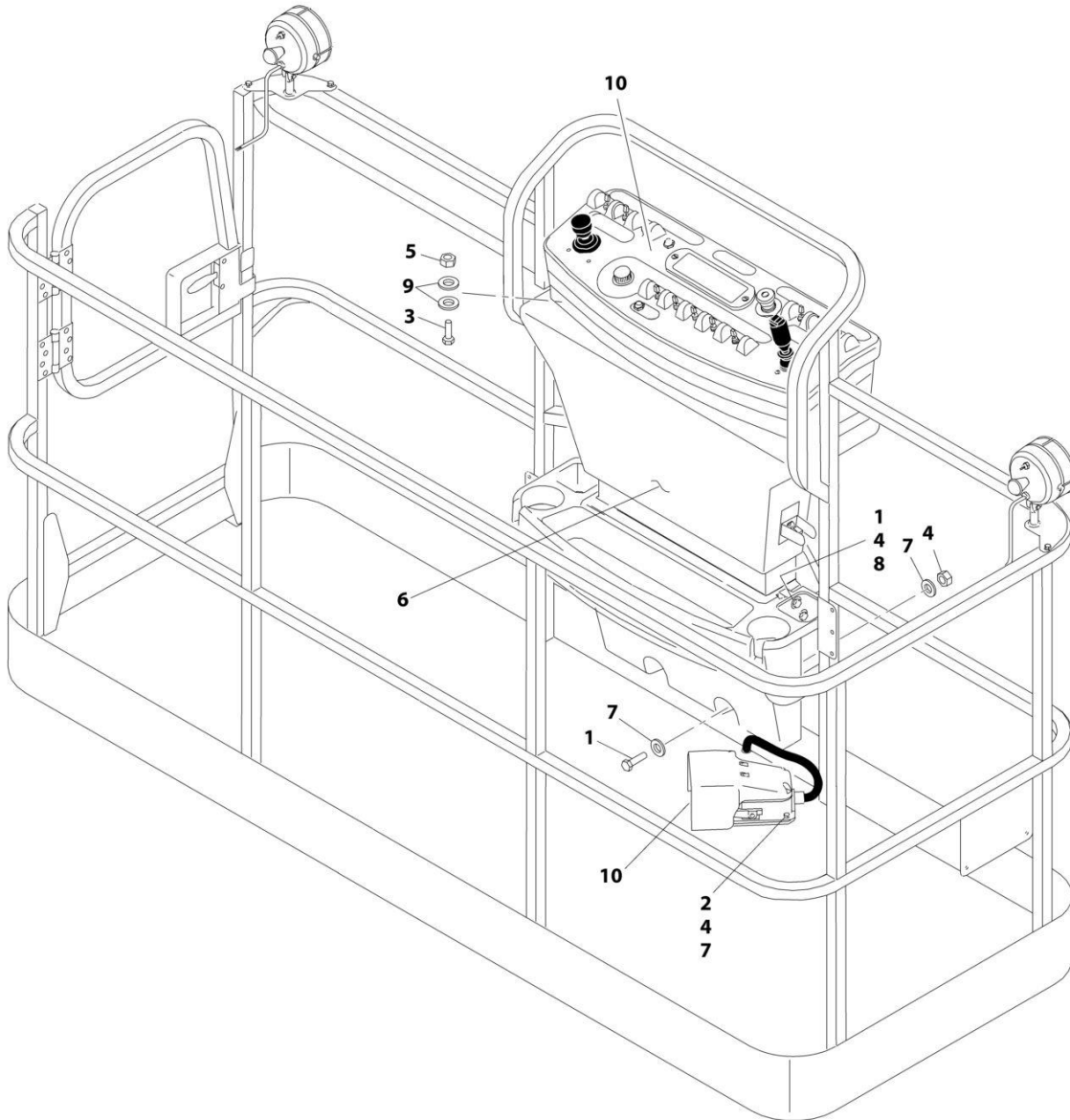
## SECTION 5 - PLATFORM

**FIGURE 5-17. PLATFORM CONTROLS INSTALLATION - WITHOUT SKYGUARD**

ITEM	PART NUMBER	QTY	DESCRIPTION	REV
	1001145785	Ref	PLATFORM CONTROLS INSTALLATION - WITHOUT SKYGUARD	C
1	0641406	4	Bolt 1/4 x 3/4	
2	0641610	4	Bolt 3/8 x 1-1/4	
3	1001166665	1	Platform Console Box Assembly (See Separate Breakdown in this Section) <b>(SN 0300201016 through 0300220138)</b>	
3	1001202564	1	Platform Console Box Assembly (See Separate Breakdown in this Section) <b>(SN 0300220139 through 0300272504, Except SN 0300272455 through 0300272461)</b>	
4	3311405	7	Nut 1/4	
5	3311605	4	Nut 3/8	
6	3380434	1	Panel, Molded	
7	4740362	7	Washer, Fender	
8	4751400	4	Washer 1/4	
9	4751600	8	Washer 3/8	
10	0641408	3	Bolt 1/4 x 1	

# SECTION 5 - PLATFORM

FIGURE 5-18. PLATFORM CONTROLS INSTALLATION - WITH SKYGUARD (SN 0300201016 through 0300235781, SN B300002238 through B300002991)



ART\_1001190111



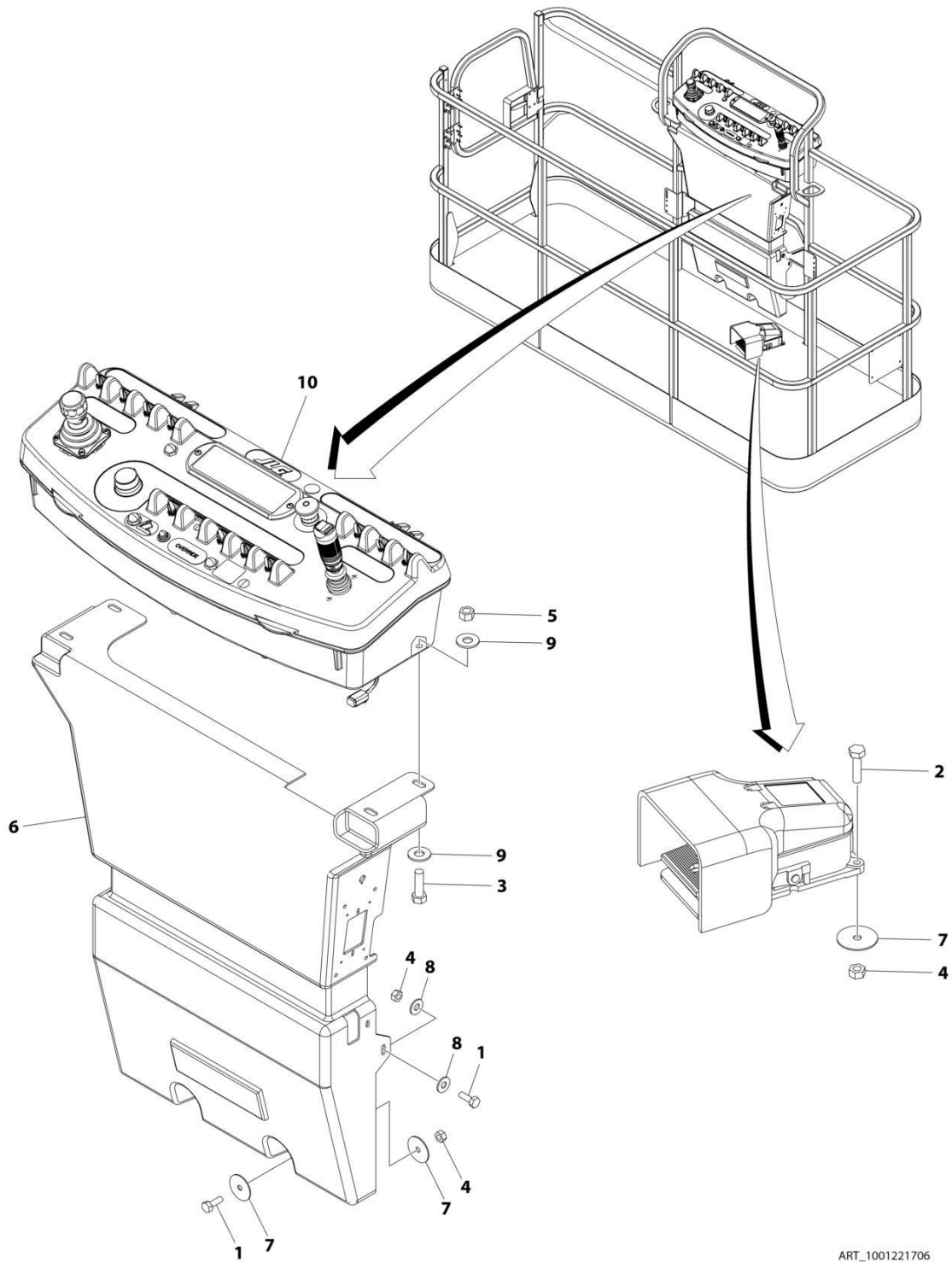
## SECTION 5 - PLATFORM

**FIGURE 5-18. PLATFORM CONTROLS INSTALLATION - WITH SKYGUARD (SN 0300201016 through 0300235781, SN B300002238 through B300002991)**

ITEM	PART NUMBER	QTY	DESCRIPTION	REV
	1001190111	Ref	PLATFORM CONTROLS INSTALLATION - WITH SKYGUARD (SN 0300201016 through 0300235781, SN B300002238 through B300002991)	C
1	0641406	4	Bolt 1/4 x 3/4	
2	0641408	3	Bolt 1/4 x 1	
3	0641610	4	Bolt 3/8 x 1-1/4	
4	3311405	7	Nut 1/4	
5	3311605	4	Nut 3/8	
6	3380434	1	Panel, Molded	
7	4740362	7	Washer, Fender	
8	4751400	4	Washer 1/4	
9	4751600	8	Washer 3/8	
10	1001190098	1	Platform Console Box Assembly (See Separate Breakdown in this Section) (SN 0300201016 through 0300200138)	
10	1001202562	1	Platform Console Box Assembly (See Separate Breakdown in this Section) (SN 0300200139 through 0300235781, SN B300002238 through B300002991)	

# SECTION 5 - PLATFORM

FIGURE 5-19. PLATFORM CONTROLS INSTALLATION - WITH SKYGUARD (SN 0300235782 through 0300256988, SN B300002992 through B300003730)



ART\_1001221706

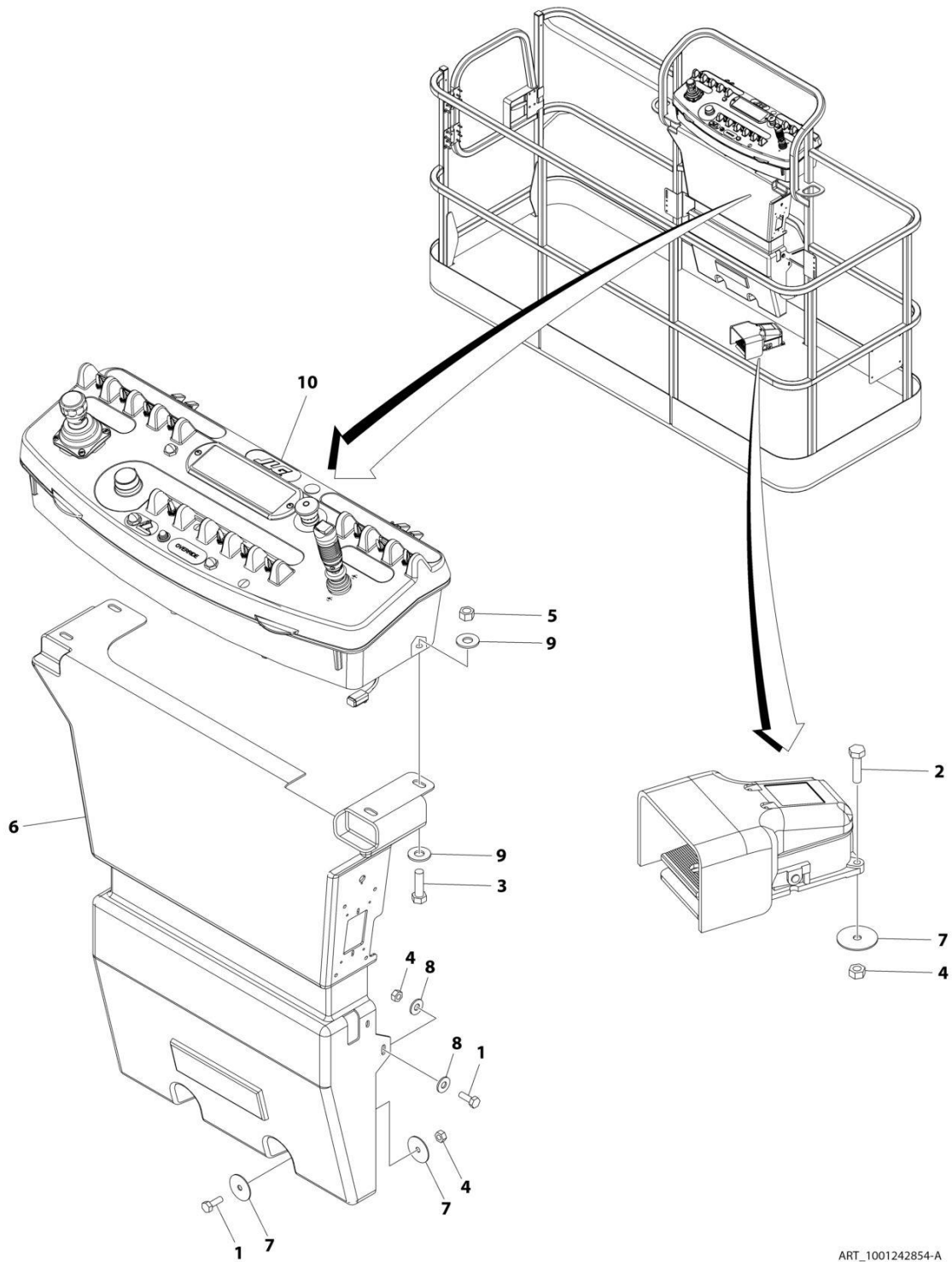
## SECTION 5 - PLATFORM

**FIGURE 5-19. PLATFORM CONTROLS INSTALLATION - WITH SKYGUARD (SN 0300235782 through 0300256988, SN B300002992 through B300003730)**

ITEM	PART NUMBER	QTY	DESCRIPTION	REV
	1001221706	Ref	PLATFORM CONTROLS INSTALLATION - WITH SKYGUARD	B
1	0641406	4	Bolt 1/4 x 3/4	
2	0641408	3	Bolt 1/4 x 1	
3	0641610	4	Bolt 3/8 x 1-1/4	
4	3311405	7	Nut 1/4	
5	3311605	4	Nut 3/8	
6	3380434	1	Panel, Molded	
7	4740362	7	Washer, Fender	
8	4751400	4	Washer 1/4	
9	4751600	8	Washer 3/8	
10	1001219987	NLA	Platform Console Box Assembly (Use p/n 1001243461) (See Separate Breakdown in this Section)	

# SECTION 5 - PLATFORM

FIGURE 5-20. PLATFORM CONTROLS INSTALLATION (SN 0300256989 through 0300272504, SN B300003731 through B300007118)



ART\_1001242854-A

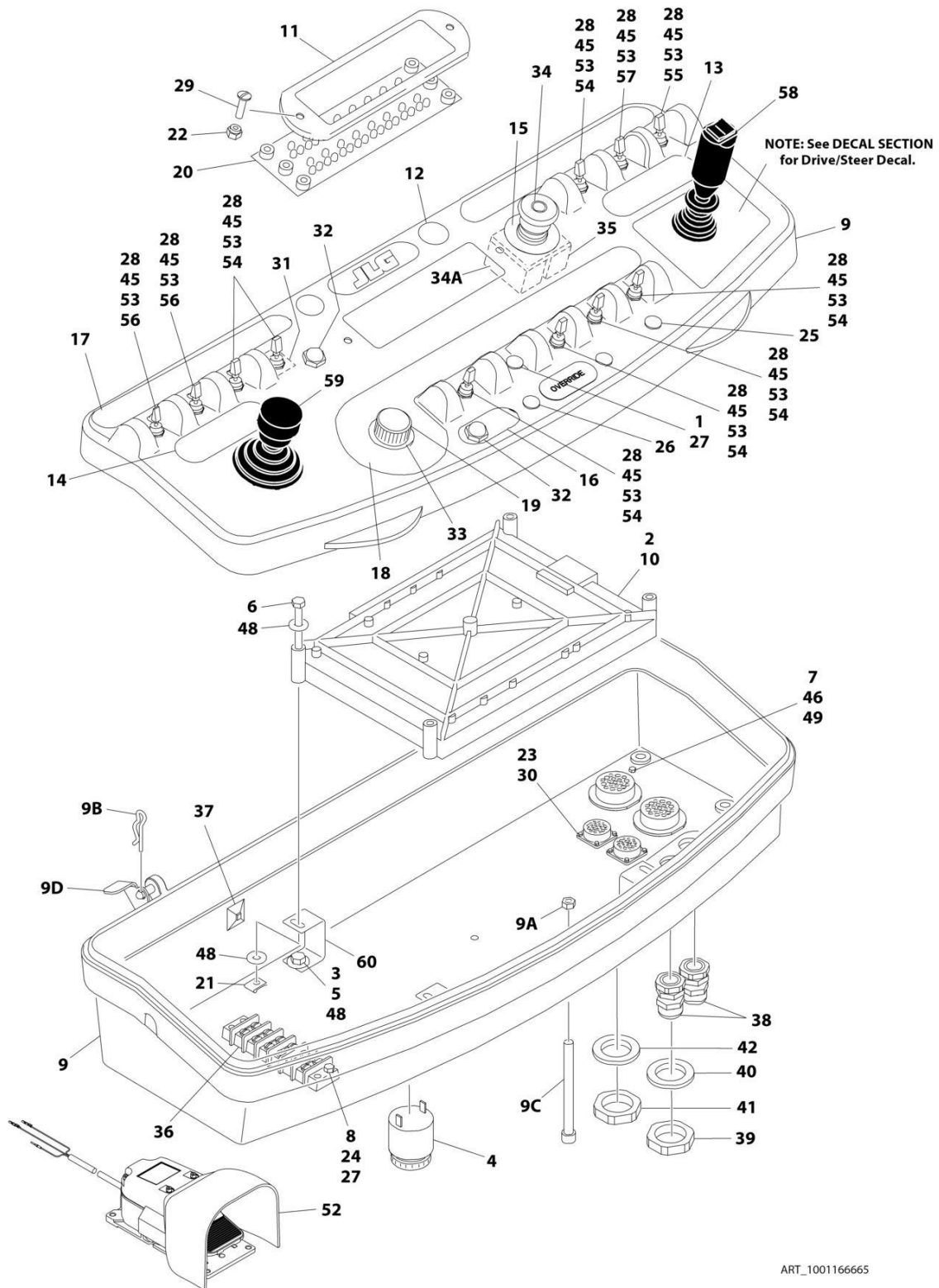
## SECTION 5 - PLATFORM

**FIGURE 5-20. PLATFORM CONTROLS INSTALLATION (SN 0300256989 through 0300272504, SN B300003731 through B300007118)**

ITEM	PART NUMBER	QTY	DESCRIPTION	REV
	1001242854	Ref	PLATFORM CONTROLS INSTALLATION	A
1	0641406	4	Bolt 1/4 x 3/4	
2	0641408	3	Bolt 1/4 x 1	
3	0641610	4	Bolt 3/8 x 1-1/4	
4	3311405	7	Nut 1/4	
5	3311605	4	Nut 3/8	
6	3380434	1	Panel, Molded	
7	4740362	7	Washer, Fender	
8	4751400	4	Washer 1/4	
9	4751600	8	Washer 3/8	
10	1001243461	1	Platform Console Assembly	

# SECTION 5 - PLATFORM

FIGURE 5-21. PLATFORM CONSOLE ASSEMBLY - WITHOUT SKYGUARD (SN 0300201016 through 0300220138)



ART\_1001166665

## SECTION 5 - PLATFORM

**FIGURE 5-21. PLATFORM CONSOLE ASSEMBLY - WITHOUT SKYGUARD (SN 0300201016 through 0300220138)**

ITEM	PART NUMBER	QTY	DESCRIPTION	REV
	1001166665	Ref	PLATFORM CONSOLE ASSEMBLY - WITHOUT SKYGUARD (SN 0300201016 through 0300220138)	C
1	0100009	AR	Sealant	
2	0100048	AR	Grease, Dielectric	
3	0100081	AR	Loctite 454	
4	0140011	1	Alarm	
5	0641404	4	Bolt 1/4 x 1/2	
6	0641414	4	Bolt 1/4 x 1-3/4	
7	0720804	1	Screw #8 x 1/2	
8	0721006	2	Bolt #10 x 3/4	
9	0861630	1	Box, Console	I
9A	3311601	1	Nut 3/8	
9B	3470003	2	Pin	
9C	0630568	1	Screw 3/8 x 4-1/2	
9D	4711500	2	Washer 5/16 (SN 0300201016 through 0300210408)	
9D	1001200575	2	Bracket, Stop (SN 0300210409 through 0300220138)	
10	1600343	1	Module, Platform Control (Note: Re-calibration Required when Replaced)	
10	2915024	1	Update Kit (Includes Cables, Programming Instructions and CD Software)	
11	1671176	1	Bezel	
12	1671314	1	Cover, Hole	
13	1702565	1	Decal - Drive and Steer	
14	1702566	1	Decal - Lift and Swing	
15	1704260	1	Decal - EMS	
16	1705171	1	Decal - Jib Stow	
17	1705744	1	Decal - Horn	
18	1705745	1	Decal - Function Speed	
19	2560136	1	Handle, Knob	
20	2920154	1	Panel, LED Light	
21	3300353	4	Nut, Tinnerman	
22	3300408	2	Insert, Nylon	
23	3300482	2	Nut M2.5	
24	3311005	2	Nut #10	
25	3520026	2	Plug, Hole	
26	3520027	1	Plug, Hole	
27	3520054	1	Plug, Hole	
28	3790012	11	O-Ring	
29	3900183	2	Screw #10 x 1-1/4	
30	3900349	8	Capscrew M2.5	
31	4071074	1	Shim	
32	4360387	2	Switch, Pushbutton	
33	4360407	1	Controller, Speed	
	See Note	1	Gasket "Top Hat" (Included with Switch) (Note: Not Available - Purchase Complete Controller)	
33	70003784	1	Seal	
34	4360475	1	Switch, Emergency Stop	
34	7020175	1	Cap, Red	
34A	7020176	1	Block, Contact	
35	4360476	1	Block, Contact	

## SECTION 5 - PLATFORM

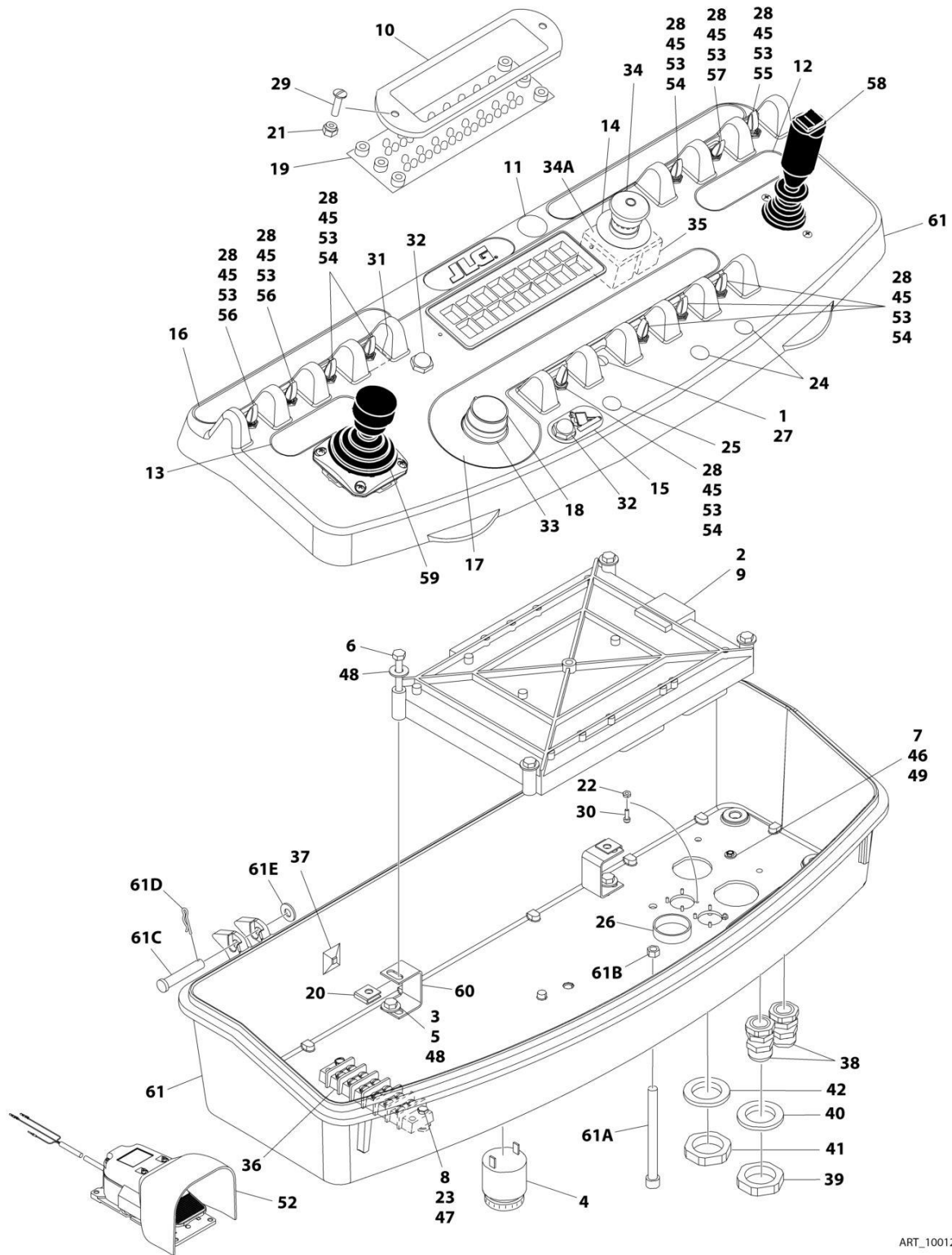
ITEM	PART NUMBER	QTY	DESCRIPTION	REV
36	4460007	1	Bar, Buss	
37	4460234	3	Tie-Strap	
38	4460428	2	Connector, Strain Relief	
39	4460470	1	Nut, Terminal	
40	4460471	1	Washer, Terminal	
41	4460496	1	Nut, Terminal	
42	4460497	1	Washer, Terminal	
43	4460708	2	Connector, Female - 15 Position (Not Shown - See ELECTRICAL SECTION for Location)	
44	4460905	AR	Plug, Seal (Not Shown - See ELECTRICAL SECTION for Location)	
45	4740397	11	Spacer	
46	4750800	1	Washer #8	
47	4751000	2	Washer #10	
48	4751400	8	Washer 1/4	
49	4760800	1	Washer #8	
50	4922666	1	Harness, Analyzer Cable (Not Shown - See Separate Breakdown in ELECTRICAL SECTION)	
51	4923448	1	Harness, Console Box (Not Shown - See Separate Breakdown in ELECTRICAL SECTION)	
52	1001117174	1	Footswitch Assembly (See Separate Breakdown in this Section)	
53	1001155044	11	Nut	
54	1001155045	7	Switch, Toggle	
55	1001159256	1	Switch, Toggle	
56	1001161709	2	Switch, Toggle	
57	1001161710	1	Switch, Toggle	
58	1001166538	NLA	Controller Assembly (Drive and Steer) (Use p/n 1001212415) (See Separate Breakdown in this Section)	
59	1001166539	NLA	Controller Assembly (Lift and Swing) (Use p/n 1001129555) (See Separate Breakdown in this Section)	
60	1001172760	4	Bracket, Support	





# SECTION 5 - PLATFORM

**FIGURE 5-22. PLATFORM CONSOLE ASSEMBLY - WITHOUT SKYGUARD (SN 0300220139 through 0300272504, SN B300002238 through B300007118)**



ART\_1001202564

## SECTION 5 - PLATFORM

**FIGURE 5-22. PLATFORM CONSOLE ASSEMBLY - WITHOUT SKYGUARD (SN 0300220139 through 0300272504, SN B300002238 through B300007118)**

ITEM	PART NUMBER	QTY	DESCRIPTION	REV
	1001202564	Ref	PLATFORM CONSOLE ASSEMBLY - WITHOUT SKYGUARD	B
1	0100009	AR	Sealant	
2	0100048	AR	Grease, Dielectric	
3	0100081	AR	Loctite 454	
4	0140011	1	Alarm	
5	0641404	4	Bolt 1/4 x 1/2	
6	0641414	4	Bolt 1/4 x 1-3/4	
7	0720804	1	Screw #8 x 1/2	
8	0721006	2	Bolt #10 x 3/4	
9	1600343	1	Module, Platform Control (Note: Re-calibration Required when Replaced)	
9	2915024	1	Update Kit (Includes Cables, Programming Instructions and CD Software)	
10	1671176	1	Bezel	
11	1671314	1	Cover, Hole	
12	1702565	1	Decal - Drive and Steer	
13	1702566	1	Decal - Lift and Swing	
14	1704260	1	Decal - EMS	
15	1705171	1	Decal - Jib Stow	
16	1705744	1	Decal - Horn	
17	1705745	1	Decal - Function Speed	
18	2560136	1	Handle, Knob	
19	2920154	1	Panel, LED Light	
20	3300353	4	Nut, Tinnerman	
21	3300408	2	Insert, Nylon	
22	3300482	2	Nut M2.5	
23	3311005	2	Nut #10	
24	3520026	2	Plug, Hole	
25	3520027	1	Plug, Hole	
26	3520035	1	Plug, Cap	
27	3520054	1	Plug, Hole	
28	3790012	11	O-Ring	
29	3900183	2	Screw #10 x 1-1/4	
30	3900349	8	Capscrew M2.5	
31	4071074	1	Shim	
32	4360387	2	Switch, Pushbutton	
33	4360407	1	Controller, Speed	
	See Note	1	Gasket "Top Hat" (Included with Switch) (Note: Not Available - Purchase Complete Controller)	
33	70003784	1	Seal	
34	4360475	1	Switch, Emergency Stop	
34	7020175	1	Cap, Red	
34A	7020176	1	Block, Contact	
35	4360476	1	Block, Contact	
36	4460007	1	Bar, Buss	
37	4460234	3	Tie-Strap	
38	4460428	2	Connector, Strain Relief	
39	4460470	1	Nut, Terminal	
40	4460471	1	Washer, Terminal	

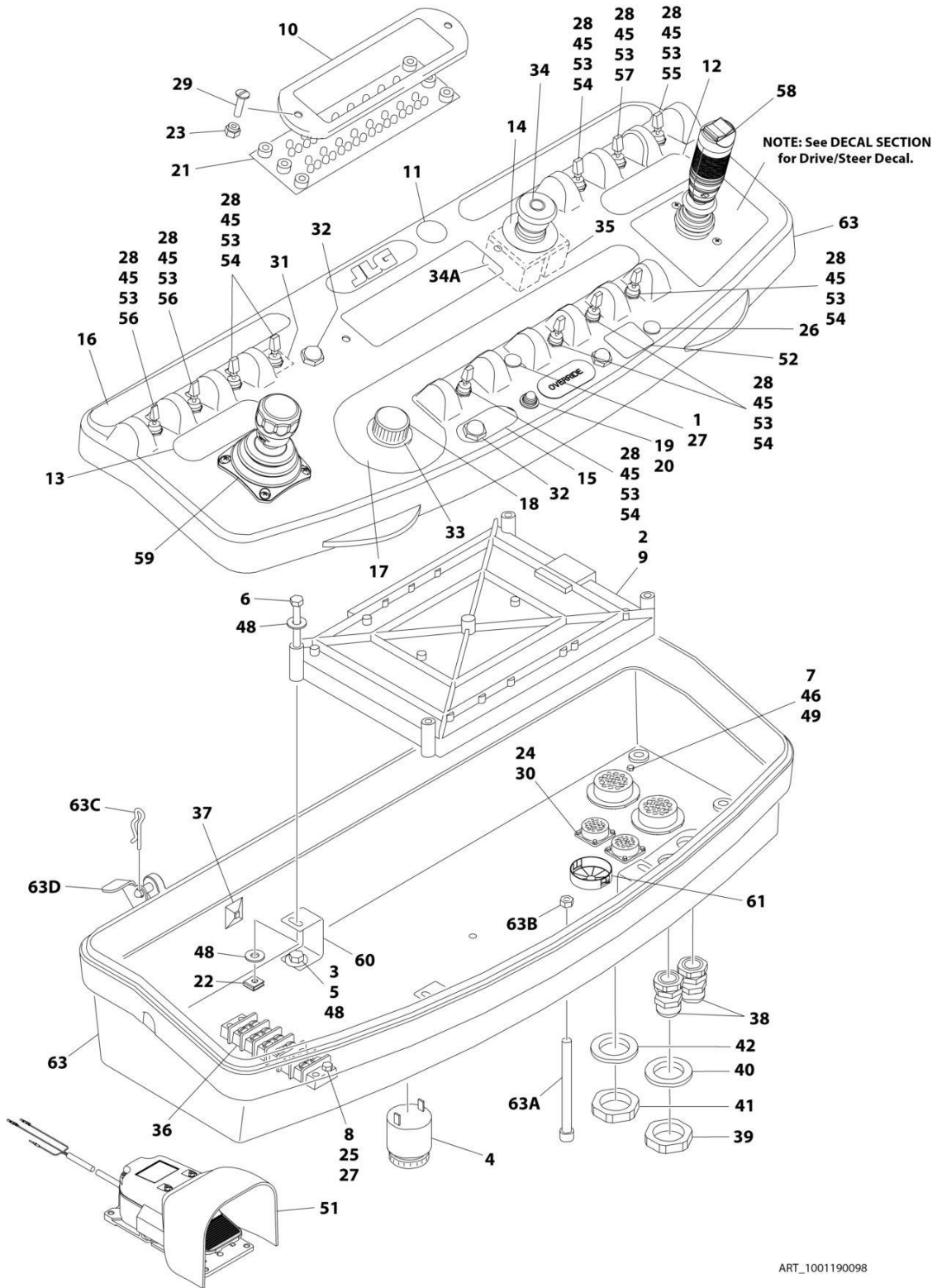
## SECTION 5 - PLATFORM

ITEM	PART NUMBER	QTY	DESCRIPTION	REV
41	4460496	1	Nut, Terminal	
42	4460497	1	Washer, Terminal	
43	4460708	2	Connector, Female - 15 Position (Not Shown)	
44	4460905	AR	Plug, Seal (Not Shown)	
45	4740397	11	Spacer	
46	4750800	1	Washer #8	
47	4751000	2	Washer #10	
48	4751400	8	Washer 1/4	
49	4760800	1	Washer #8	
50	4922666	1	Harness, Analyzer Cable (Not Shown - See Separate Breakdown in ELECTRICAL SECTION)	
51	4923448	1	Harness, Console Box (Not Shown - See Separate Breakdown in ELECTRICAL SECTION)	
52	1001117174	1	Footswitch Assembly (See Separate Breakdown in this Section)	
53	1001155044	11	Nut	
54	1001155045	7	Switch, Toggle	
55	1001159256	1	Switch, Toggle	
56	1001161709	2	Switch, Toggle	
57	1001161710	1	Switch, Toggle	
58	1001166538	NLA	Controller Assembly (Drive and Steer) (Use p/n 1001212415) (See Separate Breakdown in this Section)	
59	1001166539	NLA	Controller Assembly (Lift and Swing) (Use p/n 1001129555) (See Separate Breakdown in this Section)	
60	1001172760	4	Bracket, Support	
61	1001201888	1	Box, Console	B
61A	0630568	1	Screw 3/8 x 4-1/2	
61B	3311601	1	Nut 3/8	
61C	3430616	2	Clevis	
61D	3470003	2	Pin	
61E	4711600	2	Washer 3/8	



# SECTION 5 - PLATFORM

FIGURE 5-23. PLATFORM CONSOLE ASSEMBLY - WITH SKYGUARD (SN 0300201016 through 0300220138)



ART\_1001190098

## SECTION 5 - PLATFORM

**FIGURE 5-23. PLATFORM CONSOLE ASSEMBLY - WITH SKYGUARD (SN 0300201016 through 0300220138)**

ITEM	PART NUMBER	QTY	DESCRIPTION	REV
	1001190098	Ref	PLATFORM CONSOLE ASSEMBLY - WITH SKYGUARD (SN 0300201016 through 0300220138)	C
1	0100009	AR	Sealant	
2	0100048	AR	Grease, Dielectric	
3	0100081	AR	Loctite 454	
4	0140011	1	Alarm	
5	0641404	4	Bolt 1/4 x 1/2	
6	0641414	4	Bolt 1/4 x 1-3/4	
7	0720804	1	Screw #8 x 1/2	
8	0721006	2	Bolt #10 x 3/4	
9	1600343	1	Module, Platform Control (Note: Re-calibration Required when Replaced)	
9	2915024	1	Update Kit (Includes Cables, Programming Instructions and CD Software)	
10	1671176	1	Bezel	
11	1671314	1	Cover, Hole	
12	1702565	1	Decal - Drive and Steer	
13	1702566	1	Decal - Lift and Swing	
14	1704260	1	Decal - EMS	
15	1705171	1	Decal - Jib Stow	
16	1705744	1	Decal - Horn	
17	1705745	1	Decal - Function Speed	
18	2560136	1	Handle, Knob	
19	2920028	1	Light, Indicator	
20	2920029	1	Bulb	
21	2920154	1	Panel, LED Light	
22	3300353	4	Nut, Tinnerman	
23	3300408	2	Insert, Nylon	
24	3300482	2	Nut M2.5	
25	3311005	2	Nut #10	
26	3520026	1	Plug, Hole	
27	3520054	1	Plug, Hole	
28	3790012	11	O-Ring	
29	3900183	2	Screw #10 x 1-1/4	
30	3900349	8	Capscrew M2.5	
31	4071074	1	Shim	
32	4360387	3	Switch, Pushbutton	
33	4360407	1	Controller, Speed	
	See Note	1	Gasket "Top Hat" (Included with Switch) (Note: Not Available - Purchase Complete Controller)	
33	70003784	1	Seal	
34	4360475	1	Switch, Emergency Stop	
34	7020175	1	Cap, Red	
34A	7020176	1	Block, Contact	
35	4360476	1	Block, Contact	
36	4460007	1	Bar, Buss	
37	4460234	3	Tie-Strap	
38	4460428	2	Connector, Strain Relief	
39	4460470	1	Nut, Terminal	
40	4460471	1	Washer, Terminal	

## SECTION 5 - PLATFORM

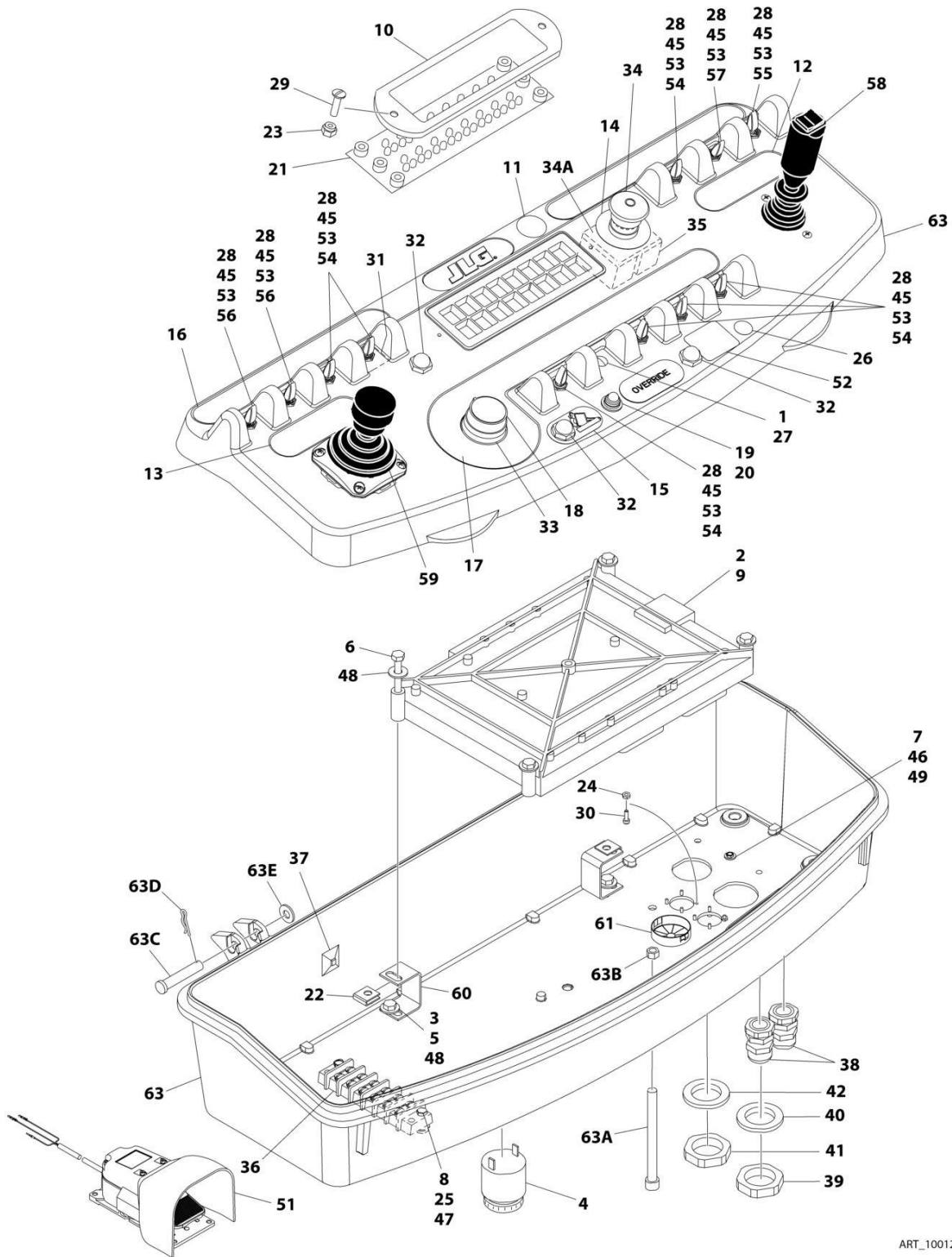
ITEM	PART NUMBER	QTY	DESCRIPTION	REV
41	4460496	1	Nut, Terminal	
42	4460497	1	Washer, Terminal	
43	4460708	2	Connector, Female - 15 Position (Not Shown - See ELECTRICAL SECTION for Location)	
44	4460905	AR	Plug, Seal (Not Shown - See ELECTRICAL SECTION for Location)	
45	4740397	11	Spacer	
46	4750800	1	Washer #8	
47	4751000	2	Washer #10	
48	4751400	8	Washer 1/4	
49	4760800	1	Washer #8	
50	4922666	1	Harness, Analyzer Cable (Not Shown - See Separate Breakdown in ELECTRICAL SECTION)	
51	1001117174	1	Footswitch Assembly (See Separate Breakdown in this Section)	
52	1001144433	1	Decal - No Weight SkyGuard	
53	1001155044	11	Nut	
54	1001155045	7	Switch, Toggle	
55	1001159256	1	Switch, Toggle	
56	1001161709	2	Switch, Toggle	
57	1001161710	1	Switch, Toggle	
58	1001166538	NLA	Controller Assembly (Drive and Steer) (Use p/n 1001212415) (See Separate Breakdown in this Section)	
59	1001166539	NLA	Controller Assembly (Lift and Swing) (Use p/n 1001129555) (See Separate Breakdown in this Section)	
60	1001172760	4	Bracket, Support	
61	1001185281	1	Plug	
62	1001186477	1	Harness, Console Box (Not Shown - See Separate Breakdown in ELECTRICAL SECTION)	
63	1001190106	1	Box, Console	C
63A	0630568	1	Capscrew 3/8 X 4-1/2	
63B	3311601	1	Nut 3/8	
63C	3470003	2	Pin, Hair	
63D	4711500	2	Washer 5/16 (SN 0300201016 through 0300210408)	
63D	1001200575	2	Bracket, Stop (SN 0300210409 through 0300220138)	





# SECTION 5 - PLATFORM

**FIGURE 5-24. PLATFORM CONSOLE ASSEMBLY - WITH SKYGUARD (SN 0300220139 through 0300235781, SN B300002238 through B300002991)**



ART\_1001202562

## SECTION 5 - PLATFORM

**FIGURE 5-24. PLATFORM CONSOLE ASSEMBLY - WITH SKYGUARD (SN 0300220139 through 0300235781, SN B300002238 through B300002991)**

ITEM	PART NUMBER	QTY	DESCRIPTION	REV
	1001202562	Ref	PLATFORM CONSOLE ASSEMBLY - WITH SKYGUARD (SN 0300220139 through 0300235781, SN B300002238 through B300002991)	D
1	0100009	AR	Sealant	
2	0100048	AR	Grease, Dielectric	
3	0100035	AR	Compound, Locking	
4	0140011	1	Alarm	
5	0641404	4	Bolt 1/4 x 1/2	
6	0641414	4	Bolt 1/4 x 1-3/4	
7	0720804	1	Screw #8 x 1/2	
8	0721006	2	Bolt #10 x 3/4	
9	1600343	1	Module, Platform Control (Note: Re-calibration Required when Replaced)	
9	2915024	1	Update Kit (Includes Cables, Programming Instructions and CD Software)	
10	1671176	1	Bezel	
11	1671314	1	Cover, Hole	
12	1702565	1	Decal - Drive and Steer	
13	1702566	1	Decal - Lift and Swing	
14	1704260	1	Decal - EMS	
15	1705171	1	Decal - Jib Stow	
16	1705744	1	Decal - Horn	
17	1705745	1	Decal - Function Speed	
18	2560136	1	Handle, Knob	
19	2920028	1	Light, Indicator	
20	2920029	1	Bulb	
21	2920154	1	Panel, LED Light	
22	3300353	4	Nut, Tinnerman	
23	3300408	2	Insert, Nylon	
24	3300482	2	Nut M2.5	
25	3311005	2	Nut #10	
26	3520026	2	Plug, Hole	
27	3520054	1	Plug, Hole	
28	3790012	11	O-Ring	
29	3900183	2	Screw #10 x 1-1/4	
30	3900349	8	Capscrew M2.5	
31	4071074	1	Shim	
32	4360387	2	Switch, Pushbutton	
33	4360407	1	Controller, Speed	
	See Note	1	Gasket "Top Hat" (Included with Switch) (Note: Not Available - Purchase Complete Controller)	
33	70003784	1	Seal	
34	4360475	1	Switch, Emergency Stop	
34	7020175	1	Cap, Red	
34A	7020176	1	Block, Contact	
35	4360476	1	Block, Contact	
36	4460007	1	Bar, Buss	
37	4460234	3	Tie-Strap	
38	4460428	2	Connector, Strain Relief	
39	4460470	1	Nut, Terminal	

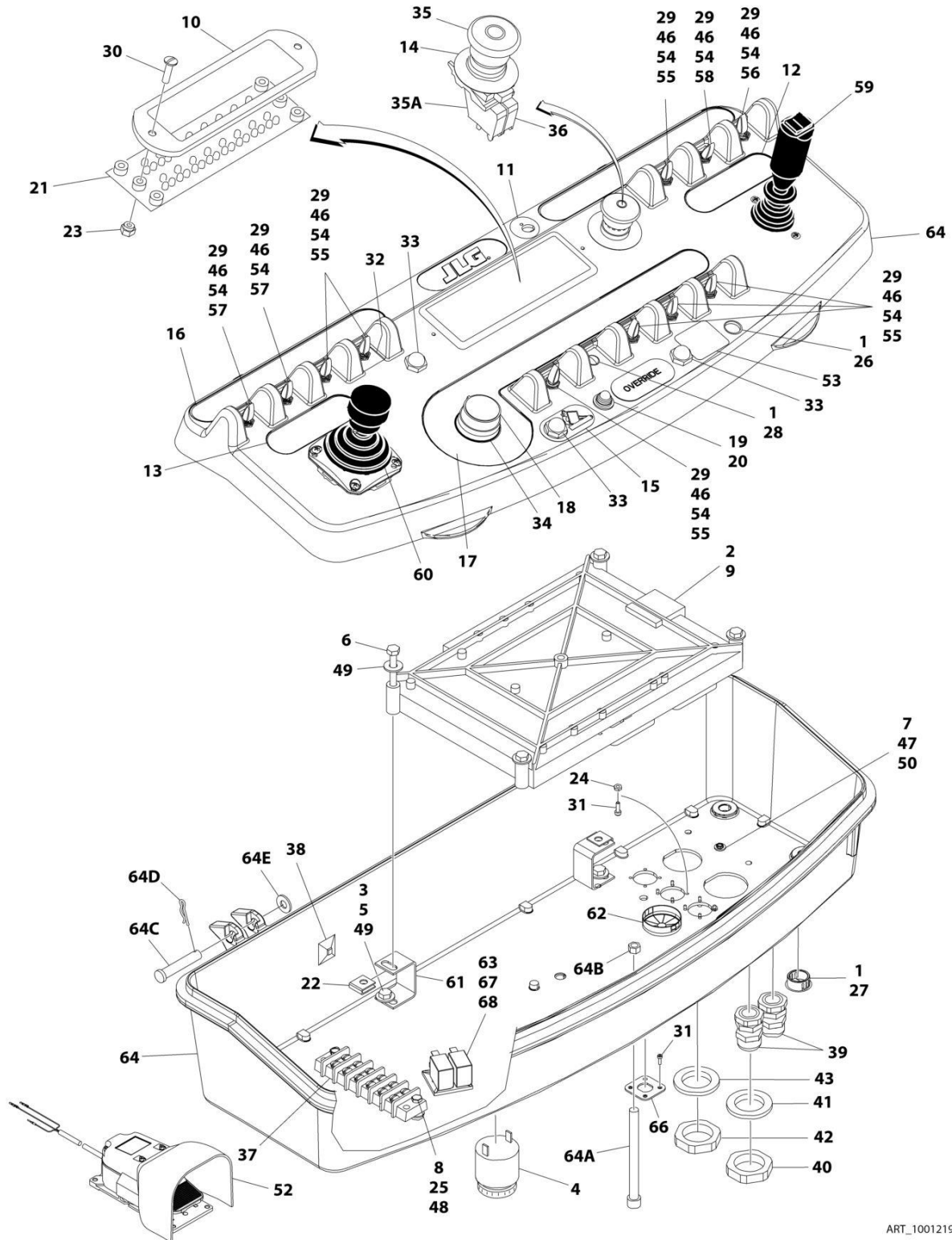
## SECTION 5 - PLATFORM

ITEM	PART NUMBER	QTY	DESCRIPTION	REV
40	4460471	1	Washer, Terminal	
41	4460496	1	Nut, Terminal	
42	4460497	1	Washer, Terminal	
43	4460708	2	Connector, Female - 15 Position (Not Shown)	
44	4460905	AR	Plug, Seal (Not Shown)	
45	4740397	11	Spacer	
46	4750800	1	Washer #8	
47	4751000	2	Washer #10	
48	4751400	8	Washer 1/4	
49	4760800	1	Washer #8	
50	4922666	1	Harness, Analyzer Cable (Not Shown - See Separate Breakdown in ELECTRICAL SECTION)	
51	100117174	1	Footswitch Assembly (See Separate Breakdown in this Section)	
52	1001144433	1	Decal - No Weight SkyGuard	
53	1001155044	11	Nut	
54	1001155045	7	Switch, Toggle	
55	1001159256	1	Switch, Toggle	
56	1001161709	2	Switch, Toggle	
57	1001161710	1	Switch, Toggle	
58	1001166538	NLA	Controller Assembly (Drive and Steer) (Use p/n 1001212415) (See Separate Breakdown in this Section)	
59	1001166539	NLA	Controller Assembly (Lift and Swing) (Use p/n 1001129555) (See Separate Breakdown in this Section)	
60	1001172760	4	Bracket, Support	
61	1001185281	1	Plug	
62	1001186477	1	Harness, Console Box (Not Shown - See Separate Breakdown in ELECTRICAL SECTION)	
63	1001201888	1	Box, Console	B
63A	0630568	1	Screw 3/8 x 4-1/2	
63B	3311601	1	Nut 3/8	
63C	3430616	2	Clevis	
63D	3470003	2	Pin	
63E	4711600	2	Washer 3/8	



# SECTION 5 - PLATFORM

**FIGURE 5-25. PLATFORM CONSOLE ASSEMBLY - WITH SKYGUARD (SN 0300235782 through 0300256988, SN B300002992 through B300003730)**



ART\_1001219987

## SECTION 5 - PLATFORM

**FIGURE 5-25. PLATFORM CONSOLE ASSEMBLY - WITH SKYGUARD (SN 0300235782 through 0300256988, SN B30002992 through B300003730)**

ITEM	PART NUMBER	QTY	DESCRIPTION	REV
	1001219987	Ref	PLATFORM CONSOLE ASSEMBLY - WITH SKYGUARD	C
1	0100009	AR	Sealant	
2	0100048	AR	Grease, Dielectric	
3	0100035	AR	Compound, Locking	
4	0140011	1	Alarm	
5	0641404	4	Bolt 1/4 x 1/2	
6	0641414	4	Bolt 1/4 x 1-3/4	
7	0720804	1	Screw #8 x 1/2	
8	0721006	2	Bolt #10 x 3/4	
9	1600343	1	Module, Platform Control (Note: Re-calibration Required when Replaced)	
9	2915024	1	Update Kit (Includes Cables, Programming Instructions and CD Software)	
10	1671176	1	Bezel	
11	1671314	1	Cover, Hole	
12	1702565	1	Decal - Drive and Steer	
13	1702566	1	Decal - Lift and Swing	
14	1704260	1	Decal - EMS	
15	1705171	1	Decal - Jib Stow	
16	1705744	1	Decal - Horn	
17	1705745	1	Decal - Function Speed	
18	2560136	1	Handle, Knob	
19	2920028	1	Light, Indicator	
20	2920029	1	Bulb	
21	2920154	1	Panel, LED Light	
22	3300353	4	Nut, Tinnerman	
23	3300408	2	Insert, Nylon	
24	3300482	2	Nut M2.5	
25	3311005	2	Nut #10	
26	3520026	2	Plug, Hole	
27	3520030	1	Plug, Hole	
28	3520054	1	Plug, Hole	
29	3790012	11	O-Ring	
30	3900183	2	Screw #10 x 1-1/4	
31	3900349	12	Capscrew M2.5	
32	4071074	1	Shim	
33	4360387	3	Switch, Pushbutton	
34	4360407	1	Controller, Speed	
	See Note	NSS	Gasket "Top Hat" (Included with Switch) (Note: Not Available - Purchase Complete Controller)	
34	70003784	1	Seal	
35	4360475	1	Switch, Emergency Stop	
35	7020175	1	Cap, Red	
35A	7020176	1	Block, Contact	
36	4360476	1	Block, Contact	
37	4460007	1	Bar, Buss	
38	4460234	3	Tie-Strap	
39	4460428	2	Connector, Strain Relief	
40	4460470	1	Nut, Terminal	

## SECTION 5 - PLATFORM

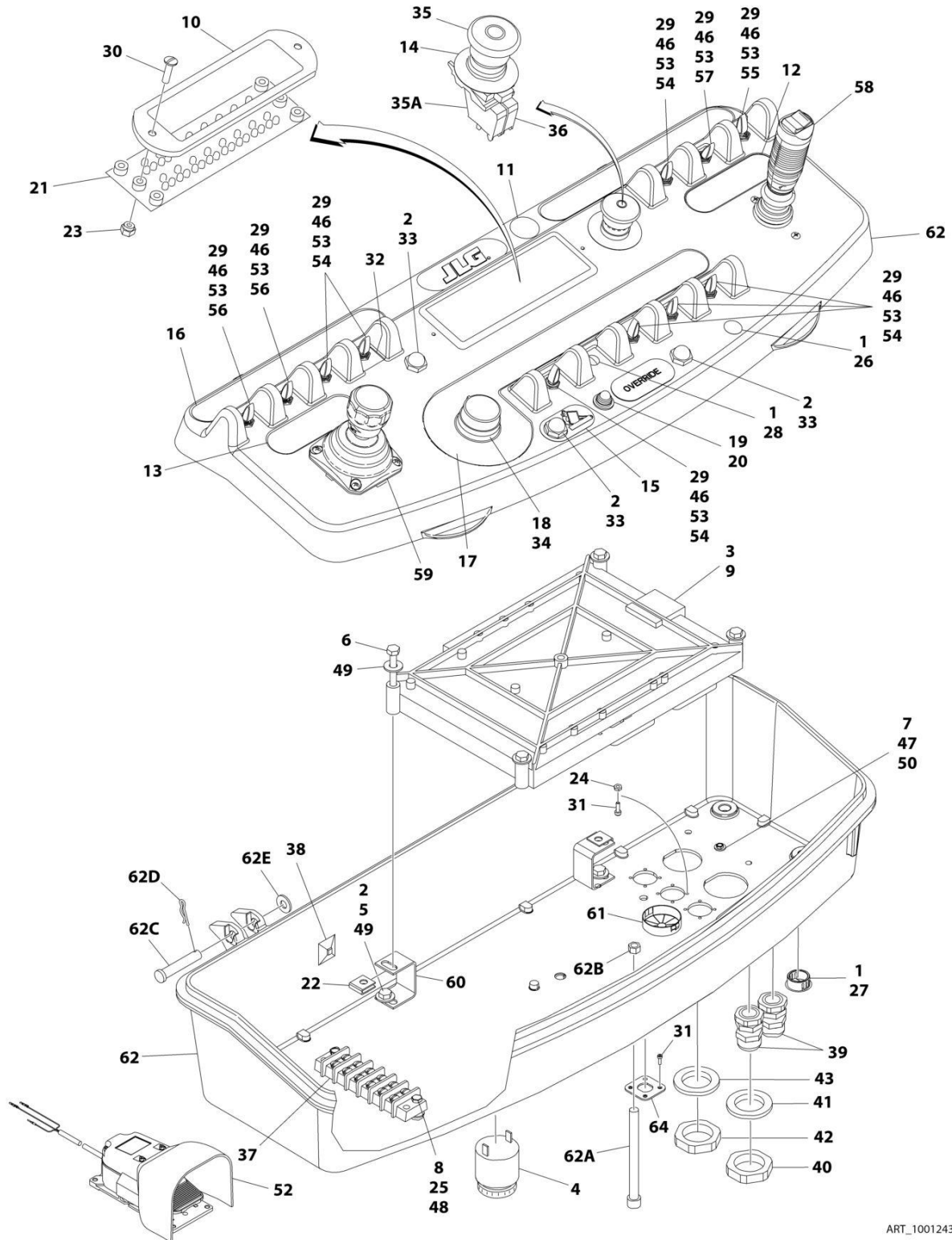
ITEM	PART NUMBER	QTY	DESCRIPTION	REV
41	4460471	1	Washer, Terminal	
42	4460496	1	Nut, Terminal	
43	4460497	1	Washer, Terminal	
44	4460708	2	Connector, Female - 15 Position (Not Shown)	
45	4460905	AR	Plug, Seal (Not Shown)	
46	4740397	11	Spacer	
47	4750800	1	Washer #8	
48	4751000	2	Washer #10	
49	4751400	8	Washer 1/4	
50	4760800	1	Washer #8	
51	4922666	1	Harness, Analyzer Cable (Not Shown - See Separate Breakdown in ELECTRICAL SECTION)	
52	1001117174	1	Footswitch Assembly (See Separate Breakdown in this Section)	
53	1001144433	1	Decal - No Weight SkyGuard	
54	1001155044	11	Nut	
55	1001155045	7	Switch, Toggle	
56	1001159256	1	Switch, Toggle	
57	1001161709	2	Switch, Toggle	
58	1001161710	1	Switch, Toggle	
59	1001166538	NLA	Controller Assembly (Drive and Steer) (Use p/n 1001212415) (See Separate Breakdown in this Section)	
60	1001166539	NLA	Controller Assembly (Lift and Swing) (Use p/n 1001129555) (See Separate Breakdown in this Section)	
61	1001172760	4	Bracket, Support	
62	1001185281	1	Plug	
63	1001186431	2	Relay	
64	1001201889	1	Box, Console	C
64A	0630568	1	Screw 3/8 x 4-1/2	
64B	3311601	1	Nut 3/8	
64C	3430616	2	Clevis	
64D	3470003	2	Pin	
64E	4711600	2	Washer 3/8	
65	1001220866	1	Harness, Console Box (Not Shown - See Separate Breakdown in ELECTRICAL SECTION)	
66	1001220929	1	Mount	
67	4240032	1	Tie-Strap	
68	4460488	1	Mount, Tie-Strap	
69	1001225580	1	Harness, Interface (Not Shown - See Separate Breakdown in ELECTRICAL SECTION)	





# SECTION 5 - PLATFORM

FIGURE 5-26. PLATFORM CONSOLE ASSEMBLY (SN 03002256989 through 0300272504, SN B300003731 through B300007118)



ART\_1001243461-A

## SECTION 5 - PLATFORM

**FIGURE 5-26. PLATFORM CONSOLE ASSEMBLY (SN 03002256989 through 0300272504, SN B300003731 through B300007118)**

ITEM	PART NUMBER	QTY	DESCRIPTION	REV
	1001243461	Ref	PLATFORM CONSOLE ASSEMBLY	A
1	0100009	AR	Sealant	
2	0100035	AR	Compound, Locking	
3	0100048	AR	Grease, Dielectric	
4	0140011	1	Alarm	
5	0641404	4	Bolt 1/4 x 1/2	
6	0641414	4	Bolt 1/4 x 1-3/4	
7	0720804	1	Screw #8 x 1/2	
8	0721006	2	Bolt #10 x 3/4	
9	1600343	1	Module, Platform Control (Note: Re-calibration Required when Replaced)	
9	2915024	1	Update Kit (Includes Cables, Programming Instructions and CD Software)	
10	1671176	1	Bezel	
11	1671314	1	Cover, Hole	
12	1702565	1	Decal - Drive and Steer	
13	1702566	1	Decal - Lift and Swing	
14	1704260	1	Decal - EMS	
15	1705171	1	Decal - Jib Stow	
16	1705744	1	Decal - Horn	
17	1705745	1	Decal - Function Speed	
18	2560136	1	Handle, Knob	
19	2920028	1	Light, Indicator	
20	2920029	1	Bulb	
21	2920154	1	Panel, LED Light	
22	3300353	4	Nut, Tinnerman	
23	3300408	2	Insert, Nylon	
24	3300482	2	Nut M2.5	
25	3311005	2	Nut #10	
26	3520026	1	Plug, Hole	
27	3520030	1	Plug, Hole	
28	3520054	1	Plug, Hole	
29	3790012	11	O-Ring	
30	3900183	2	Screw #10 x 1-1/4	
31	3900349	12	Capscrew M2.5	
32	4071074	1	Shim	
33	4360387	3	Switch, Pushbutton	
34	4360407	1	Controller, Speed	
	See Note	NSS	Gasket "Top Hat" (Included with Switch) (Note: Not Available - Purchase Complete Controller)	
34	70003784	1	Seal	
35	4360475	1	Switch, Emergency Stop	
35	7020175	1	Cap	
35A	7020176	1	Block, Contact	
36	4360476	1	Block, Contact	
37	4460007	1	Bar, Buss	
38	4460234	3	Tie-Strap	
39	4460428	2	Connector, Strain Relief	
40	4460470	1	Nut, Terminal	

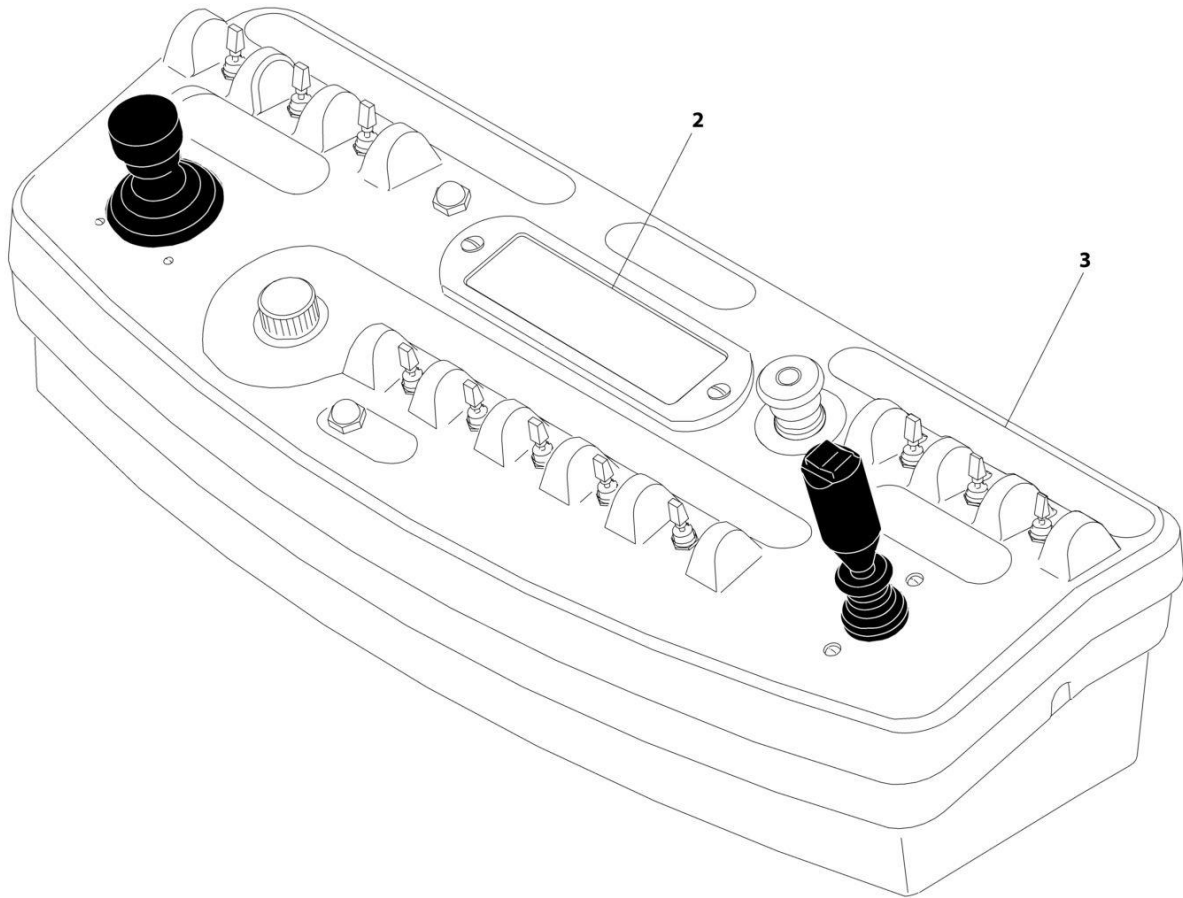
## SECTION 5 - PLATFORM

ITEM	PART NUMBER	QTY	DESCRIPTION	REV
41	4460471	1	Washer, Terminal	
42	4460496	1	Nut, Terminal	
43	4460497	1	Washer, Terminal	
44	4460708	2	Connector, Female - 15 Position (Not Shown)	
45	4460905	AR	Plug, Seal (Not Shown)	
46	4740397	11	Spacer	
47	4750800	1	Washer #8	
48	4751000	2	Washer #10	
49	4751400	8	Washer 1/4	
50	4760800	1	Washer	
51	4922666	1	Harness, Analyzer Cable (Not Shown - See Separate Breakdown in ELECTRICAL SECTION)	
52	1001117174	1	Footswitch Assembly (See Separate Breakdown in this Section)	
53	1001155044	11	Nut 15/32-32	
54	1001155045	7	Switch, Toggle	
55	1001159156	1	Switch, Toggle	
56	1001161709	2	Switch, Toggle	
57	1001161710	1	Switch, Toggle	
58	1001166538	NLA	Controller Assembly - Drive and Steer (See CONTROLLER ASSEMBLY - DRIVE AND STEER for Breakdown)	
59	1001166539	NLA	Controller Assembly - Lift and Swing (See CONTROLLER ASSEMBLY - LIFT AND SWING for Breakdown)	
60	1001172760	4	Bracket, Support	
61	1001185281	1	Plug	
62	1001201889	1	Box, Console	C
62A	0630568	1	Screw 3/8 x 4-1/2	
62B	3311601	1	Nut 3/8	
62C	3430616	2	Clevis	
62D	3470003	2	Pin	
62E	4711600	2	Washer 3/8	
63	1001220866	1	Harness, Console Box (Not Shown - See Separate Breakdown in ELECTRICAL SECTION)	
64	1001220929	1	Mount, Connector	



# SECTION 5 - PLATFORM

FIGURE 5-27. DECAL AND LIGHT PANEL (ANSI SPECS)



ART\_1001121826\_20F2

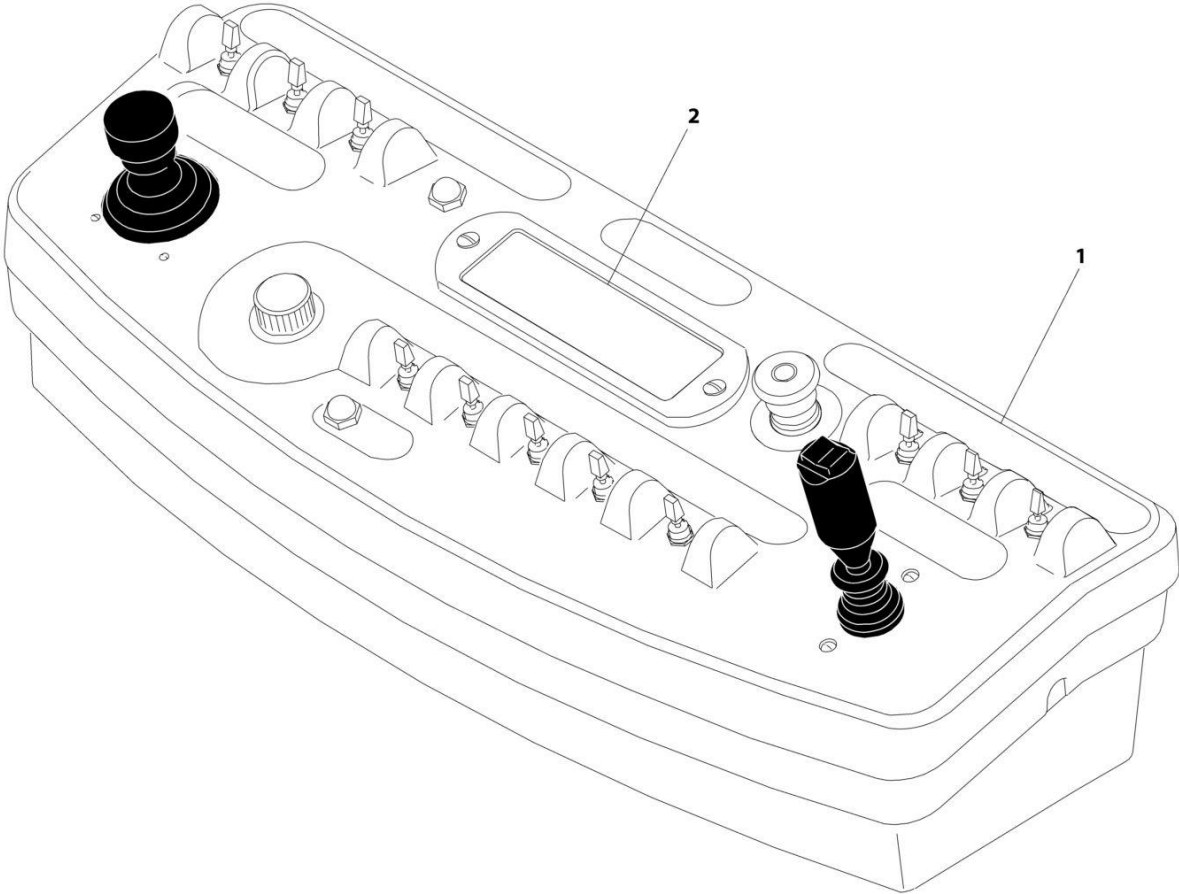
## SECTION 5 - PLATFORM

**FIGURE 5-27. DECAL AND LIGHT PANEL (ANSI SPECS)**

ITEM	PART NUMBER	QTY	DESCRIPTION	REV
	1001121826	Ref	DECAL AND LIGHT PANEL (ANSI SPECS)	A
2	1001122384	1	Decal - Display	
3	1001122611	1	Decal - Stop	

**SECTION 5 - PLATFORM**

**FIGURE 5-28. DECAL AND LIGHT PANEL (CE SPECS)**



ART\_1001121827\_2OF2



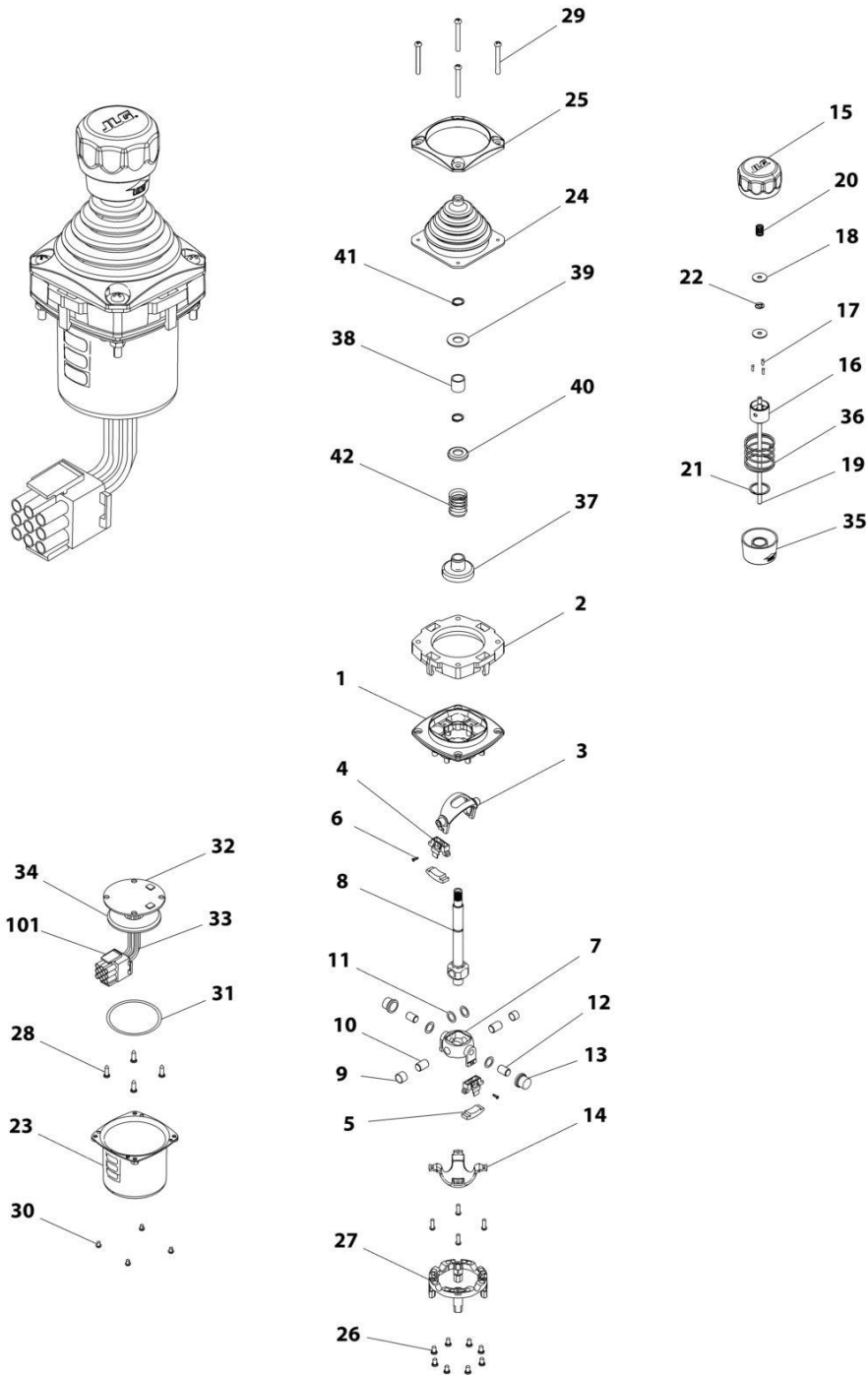
## SECTION 5 - PLATFORM

**FIGURE 5-28. DECAL AND LIGHT PANEL (CE SPECS)**

ITEM	PART NUMBER	QTY	DESCRIPTION	REV
	1001121827	Ref	DECAL AND LIGHT PANEL (CE SPECS)	A
1	1705174	1	Decal - Stop	
2	1705973	1	Decal - Display	

# SECTION 5 - PLATFORM

## FIGURE 5-29. CONTROLLER ASSEMBLY (LIFT AND SWING)



ART\_1001166539

## SECTION 5 - PLATFORM

**FIGURE 5-29. CONTROLLER ASSEMBLY (LIFT AND SWING)**

ITEM	PART NUMBER	QTY	DESCRIPTION	REV
	1001166539	Ref	CONTROLLER ASSEMBLY (LIFT AND SWING)	D
		Ref	Note: Use p/n 1001129555 as replacement.	
1	See Note	1	Main Cast Body (Note: Not Available - Purchase Complete Assembly)	
2	70004752	1	Adapter	
3	See Note	1	Pivot Arm, Plastic (Note: Not Available - Purchase Complete Assembly)	
4	See Note	2	Holder, Magnet (Note: Not Available - Purchase Complete Assembly)	
5	See Note	2	Arc, Magnet (Note: Not Available - Purchase Complete Assembly)	
6	See Note	2	Screw (Note: Not Available for Purchase)	
7	See Note	1	Pivot Arm, Cast (Note: Not Available - Purchase Complete Assembly)	
8	See Note	1	Shaft, Main (Note: Not Available - Purchase Complete Assembly)	
9	See Note	2	Bearing (Note: Not Available - Purchase Complete Assembly)	
10	See Note	2	Pin (Note: Not Available - Purchase Complete Assembly)	
11	See Note	4	Shim (Note: Not Available - Purchase Complete Assembly)	
12	See Note	2	Pin (Note: Not Available - Purchase Complete Assembly)	
13	See Note	2	Bearing (Note: Not Available - Purchase Complete Assembly)	
14	See Note	1	Dome, Centering (Note: Not Available - Purchase Complete Assembly)	
15	70004753	1	Cap	
16	70004754	1	Insert, Cap	
17	70004755	3	Pin	
18	70004756	2	Washer	
19	70004757	1	Pin, Centering	
20	70004758	1	Spring	
21	70004759	1	Ring, Retaining	
22	70004760	1	E-Ring	
23	70004761	1	Can, Enclosure	
24	70004762	1	Boot	
25	70004763	1	Bezel	
26	See Note	8	Screw (Note: Not Available for Purchase)	
27	See Note	1	Base, Mounting (Note: Not Available - Purchase Complete Assembly)	
28	See Note	4	Screw (Note: Not Available for Purchase)	
29	70004764	4	Screw	
30	70004765	4	Screw	
31	70004766	1	O-Ring	
32	See Note	1	Plate (Note: Not Available - Purchase Complete Assembly)	
33	See Note	1	Harness (Note: Not Available - Purchase Complete Assembly)	
34	70004767	1	Grommet, Rubber	
35	70004768	1	Housing	
36	70004769	1	Spring	
37	70004770	1	Stopper	
38	70004771	1	Spacer	
39	70004772	1	Washer	
40	70004773	1	Disc	
41	70004774	2	Ring, Retaining	
42	70004775	1	Spring	
101	4460265	1	Connector - 9 Position	

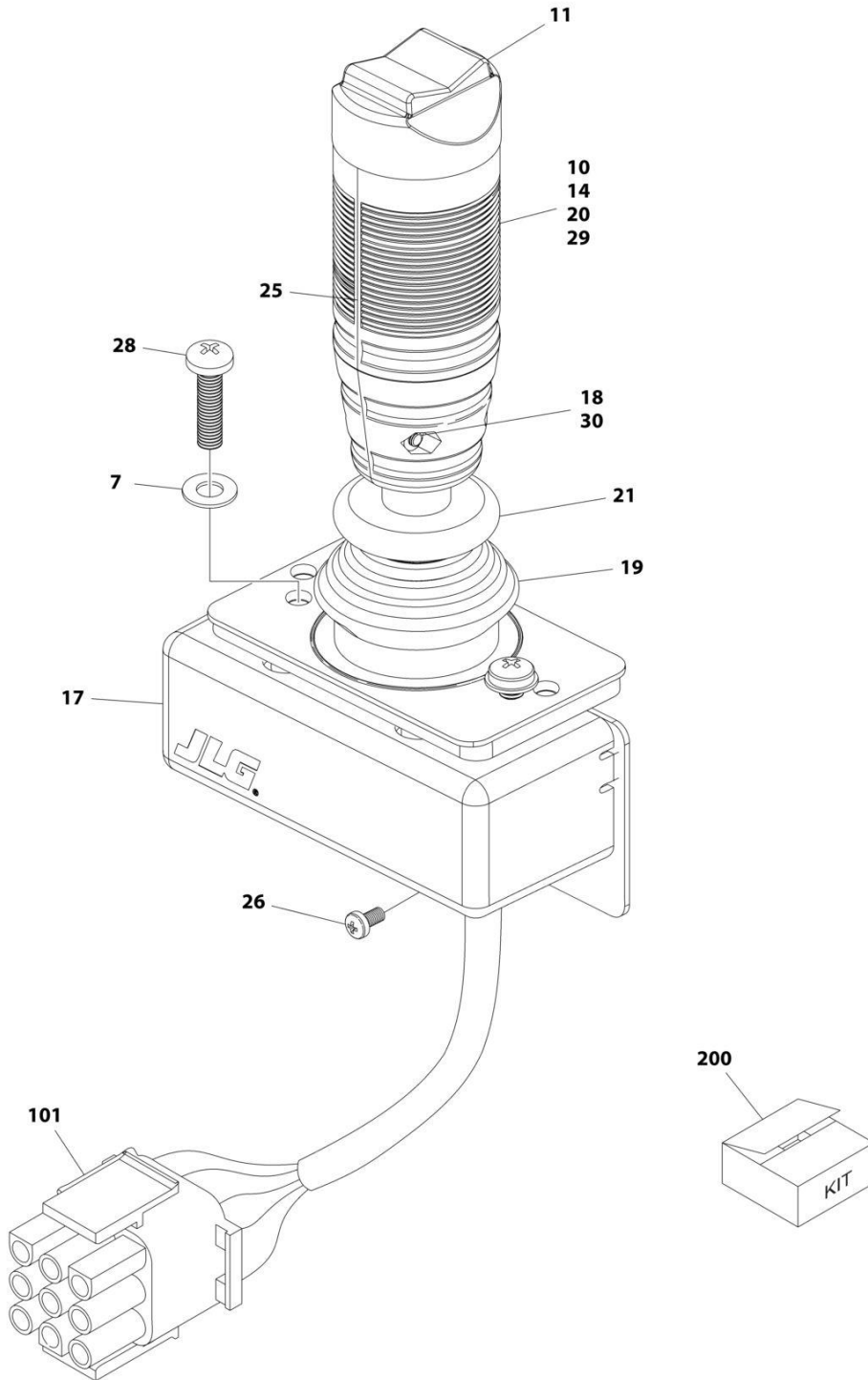
## SECTION 5 - PLATFORM

ITEM	PART NUMBER	QTY	DESCRIPTION	REV
101	4460226	6	Socket, Female	



# SECTION 5 - PLATFORM

## FIGURE 5-30. CONTROLLER ASSEMBLY (DRIVE AND STEER)



ART\_1001166538

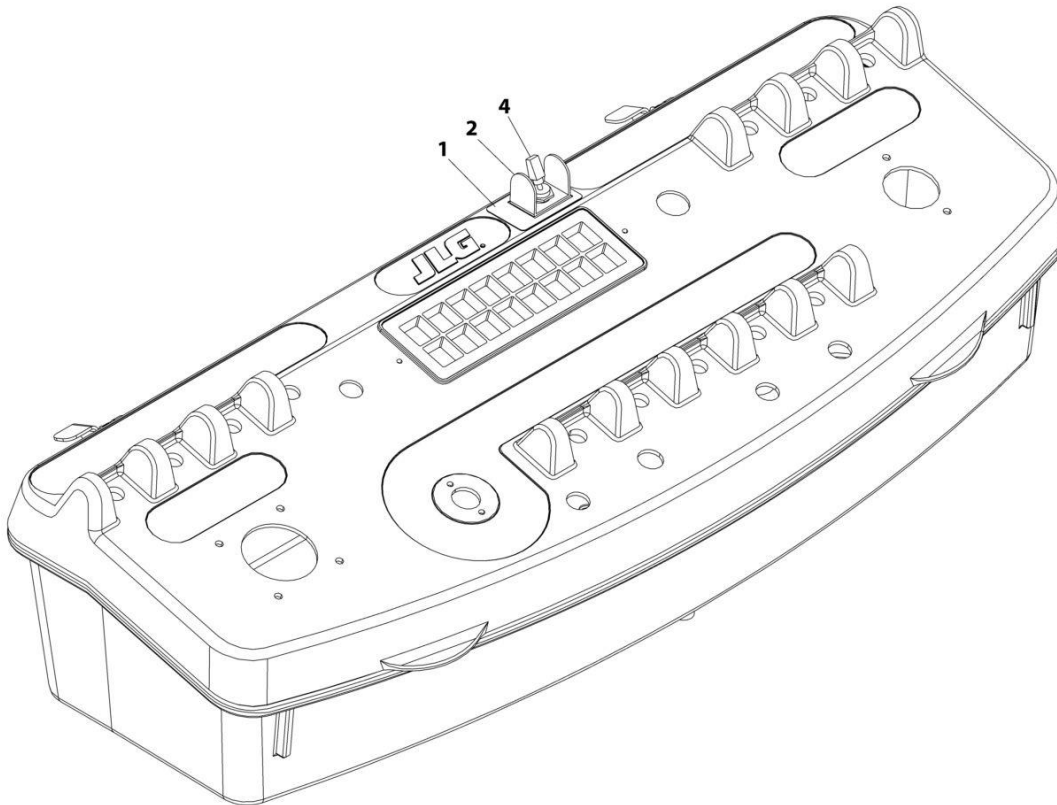
## SECTION 5 - PLATFORM

**FIGURE 5-30. CONTROLLER ASSEMBLY (DRIVE AND STEER)**

ITEM	PART NUMBER	QTY	DESCRIPTION	REV
	1001166538	Ref	CONTROLLER ASSEMBLY (DRIVE AND STEER)	G
		Ref	Note: Use p/n 1001212415 Kit as Replacement.	
7	70004738	2	Washer	
10	70004739	1	Roller	
11	70004740	1	Boot, Switch	
14	70004741	2	Half, Handle	
17	70004742	1	Enclosure	
18	70004743	4	Nut	
19	70004744	NLA	Boot, Controller (Use Item 200)	
20	70004745	NLA	Tube, Locking (Use Item 200)	
21	70004746	NLA	Disc, Locking (Use Item 200)	
25	70004747	2	Seal, Rope	
26	70004748	1	Screw M3 x 6	
28	70004749	2	Screw M5 x 20	
29	70004750	1	Pin, Dowel	
30	70004751	4	Screw M3 x 16	
101	4460265	1	Connector - 9 Position	
101	4460226	7	Socket, Female	
200	70005230	1	Boot Kit (Includes Items 19-21)	

## SECTION 5 - PLATFORM

FIGURE 5-31. BOOM CONTROL SELECT SWITCH INSTALLATION



ART\_0275098



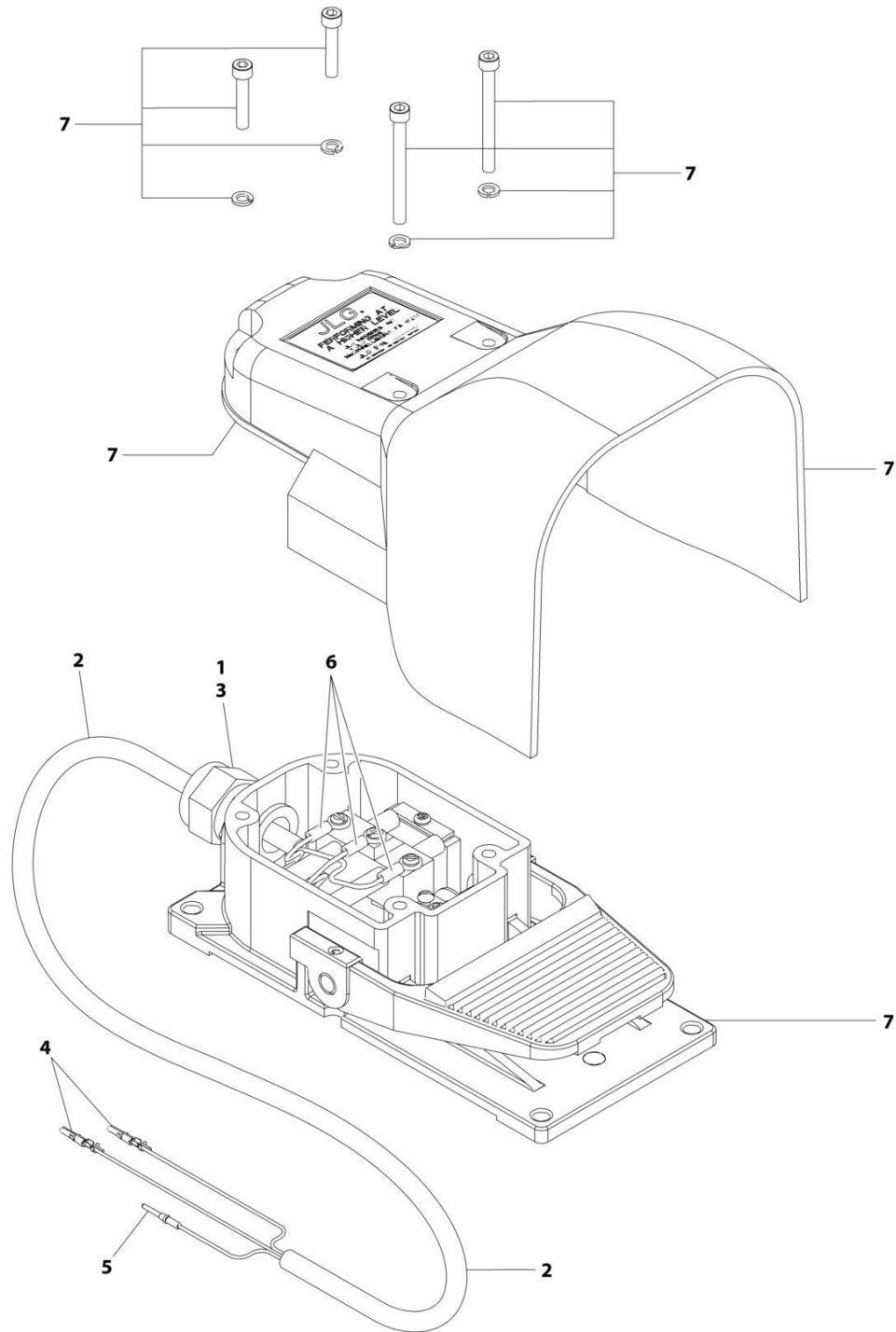
## SECTION 5 - PLATFORM

**FIGURE 5-31. BOOM CONTROL SELECT SWITCH INSTALLATION**

ITEM	PART NUMBER	QTY	DESCRIPTION	REV
	0275098	Ref	BOOM CONTROL SELECT SWITCH INSTALLATION	B
1	1706741	1	Decal - Boom Control Select	
2	4060906	1	Guard	
4	4360336	1	Switch, Toggle	

# SECTION 5 - PLATFORM

## FIGURE 5-32. FOOTSWITCH ASSEMBLY



ART\_1001117174

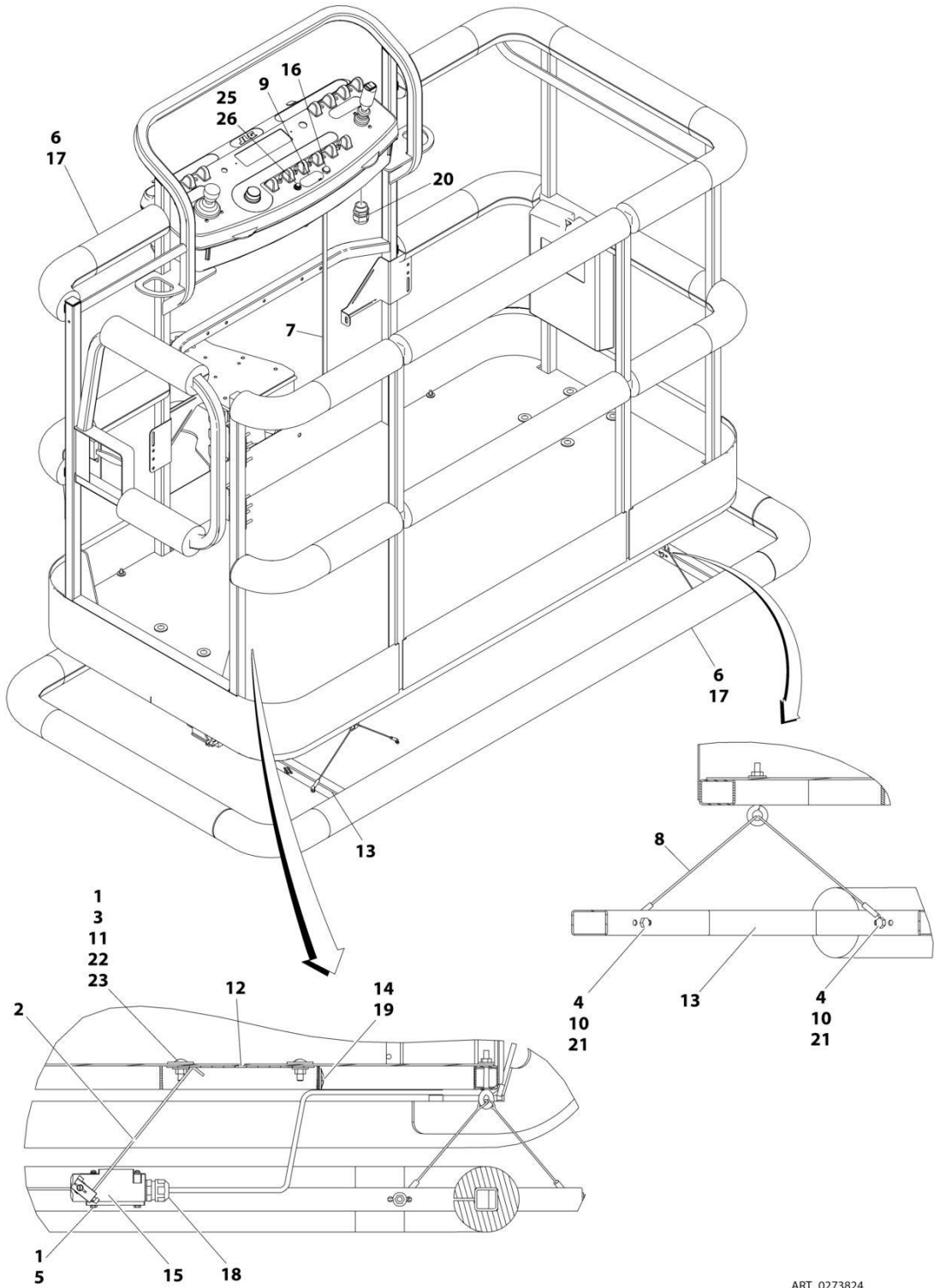
## SECTION 5 - PLATFORM

**FIGURE 5-32. FOOTSWITCH ASSEMBLY**

ITEM	PART NUMBER	QTY	DESCRIPTION	REV
	1001117174	Ref	FOOTSWITCH ASSEMBLY	B
1	0100020	AR	Sealant	
2	1060918	7.5 ft /2.3m	Cable, Electrical - 18/3	
3	4460071	1	Connector, Strain Relief	
4	4460226	2	Socket, Female	
5	4460464	1	Pin, Male	
6	1001098122	3	Terminal	
7	1001117172	1	Footswitch	
7	70002902	1	Switch, 20A	
7	70002903	1	Gasket	
7	70002904	1	Kit, Replacement Bolt	
7	70002905	1	Cover	

# SECTION 5 - PLATFORM

## FIGURE 5-33. SOFT TOUCH SYSTEM INSTALLATION - 6FT/1.8M PLATFORMS (OPTIONAL)



ART\_0273824

## SECTION 5 - PLATFORM

**FIGURE 5-33. SOFT TOUCH SYSTEM INSTALLATION - 6FT/1.8M PLATFORMS (OPTIONAL)**

ITEM	PART NUMBER	QTY	DESCRIPTION	REV
	0273824	Ref	SOFT TOUCH SYSTEM INSTALLATION - 6FT/1.8M PLATFORMS (OPTIONAL)	D
1	0100011	AR	Compound, Locking	
2	0200048	2	Arm, Switch	
3	0630462	8	Bolt, Carriage	
4	0641414	8	Bolt 1/4 x 1-3/4	
5	0721005	4	Bolt #10 x 5/8	
6	0940134	1	Bumper Kit	
6	0940092	AR	Bumper (Corner)	
6	0940094	AR	Bumper (12ft Length)	
7	1060341	23 ft/ 7m	Cable, Electrical - 16/2	
8	1060903	4	Wire Rope and Eyebolt Assembly	
9	1702938	1	Decal - Soft Touch Override	
10	3311401	8	Nut 1/4	
11	3311501	8	Nut 5/16	
12	3575359	2	Plate, Switch Strike	
13	3641569	1	Rail, Soft Touch	
14	4240099	7	Tie-Strap	
15	4360057	2	Switch, Limit	
16	4360387	1	Switch, Push Button	
17	4420068	AR	Tape, Adhesive	
17	1001197017	AR	Tie-Strap	
18	4460049	2	Connector, Strain Relief	
19	4460234	7	Mount, Tie-Strap	
20	4460425	1	Connector, Strain Relief	
21	4751400	8	Washer 1/4	
22	4751500	12	Washer 5/16	
23	4751800	8	Washer 1/2	
24	4933218	1	Wiring Diagram (Not Shown - See Separate Breakdown in ELECTRICAL SECTION)	
25	2920028	1	Light, Indicator	
26	2920029	1	Bulb	



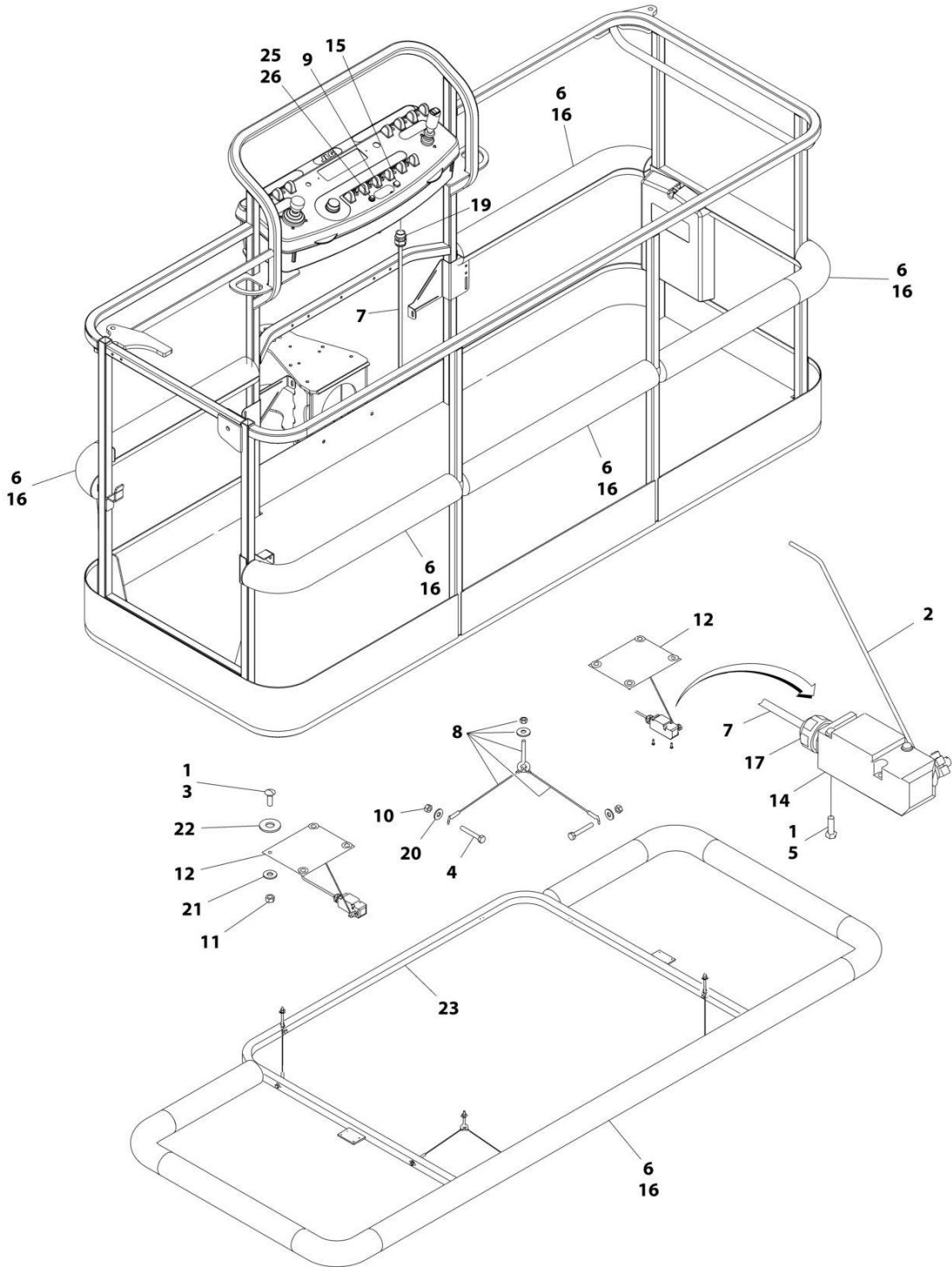
## SECTION 5 - PLATFORM

**FIGURE 5-34. SOFT TOUCH SYSTEM INSTALLATION - 8FT/2.4M PLATFORMS (OPTIONAL)**

ITEM	PART NUMBER	QTY	DESCRIPTION	REV
	0272427	Ref	SOFT TOUCH SYSTEM INSTALLATION - 8FT/2.4M PLATFORMS (OPTIONAL)	G
1	0100011	AR	Compound, Locking	
2	0200048	2	Arm, Switch	
3	0630462	8	Bolt, Carriage	
4	0641414	8	Bolt 1/4 x 1-3/4	
5	0721005	4	Bolt #10 x 5/8	
6	0940103	1	Bumper Kit	
6	0940092	AR	Bumper (Corner)	
6	0940094	AR	Bumper (12ft Length)	
7	1060341	23 ft/ 7m	Cable, Electrical - 16/2	
8	1060903	4	Wire Rope and Eyebolt Assembly	
9	1702938	1	Decal - Soft Touch Override	
10	3311401	8	Nut 1/4	
11	3311501	8	Nut 5/16	
12	3574091	2	Plate, Switch Strike	
13	4240099	7	Tie-Strap	
14	4360057	2	Switch, Limit	
15	4360387	1	Switch, Push Button	
16	4420068	AR	Tape, Adhesive	
16	1001197017	AR	Tie-Strap	
17	4460049	2	Connector, Strain Relief	
18	4460234	7	Mount, Tie-Strap	
19	4460425	1	Connector, Strain Relief	
20	4751400	8	Washer 1/4	
21	4751500	12	Washer 5/16	
22	4751800	8	Washer 1/2	
23	4846673	1	Rail, Soft Touch	
24	4933218	1	Wiring Diagram (Not Shown - See Separate Breakdown in ELECTRICAL SECTION)	
25	2920028	1	Light, Indicator	
26	2920029	1	Bulb	

# SECTION 5 - PLATFORM

## FIGURE 5-35. SOFT TOUCH INSTALLATION - 8FT (2.4M) FALL ARREST PLATFORM (OPTIONAL)



ART\_0273706



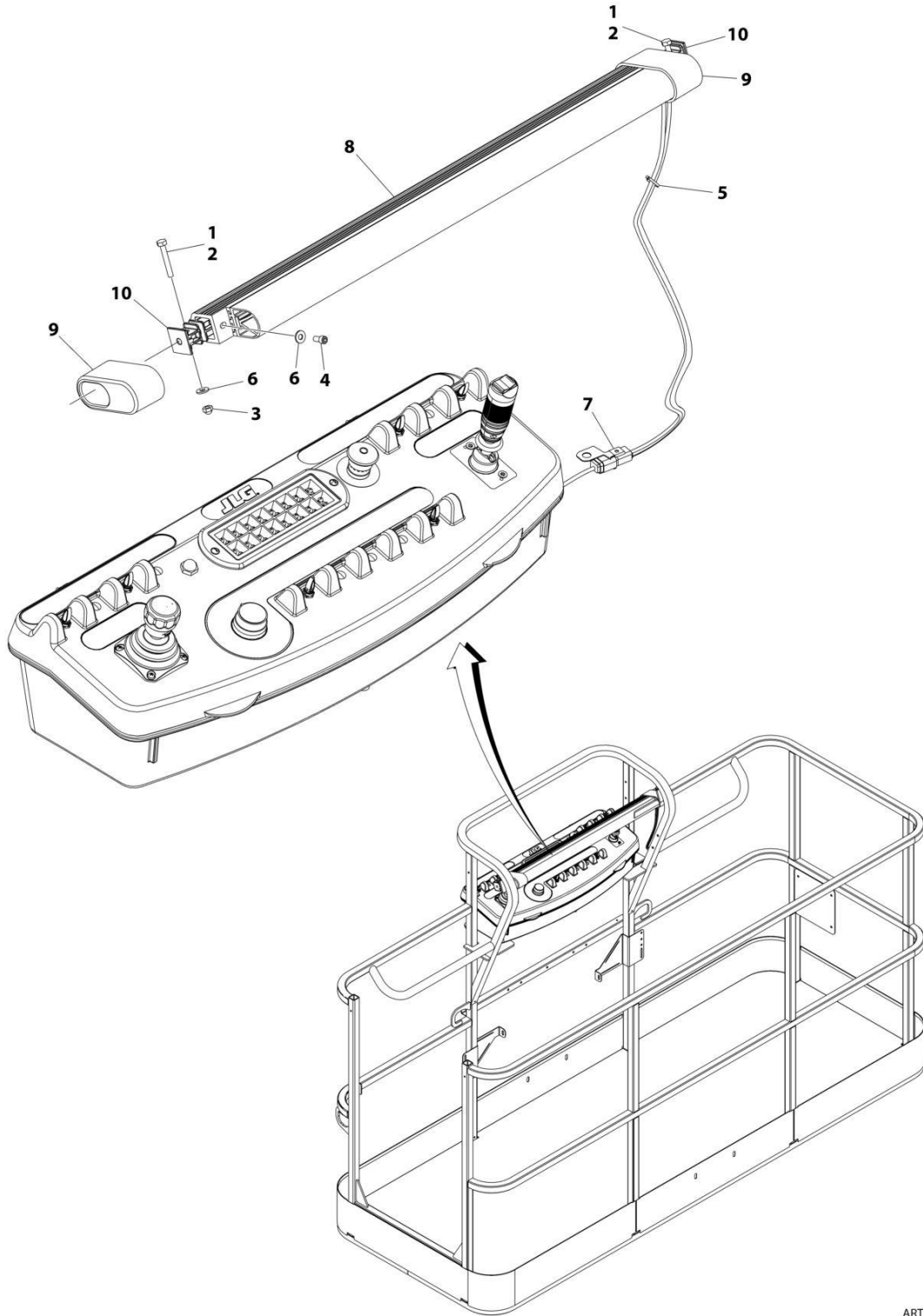
## SECTION 5 - PLATFORM

**FIGURE 5-35. SOFT TOUCH INSTALLATION - 8FT (2.4M) FALL ARREST PLATFORM (OPTIONAL)**

ITEM	PART NUMBER	QTY	DESCRIPTION	REV
	0273706	Ref	SOFT TOUCH INSTALLATION - 8FT (2.4M) FALL ARREST PLATFORM (OPTIONAL)	D
1	0100011	AR	Compound, Locking	
2	0200048	2	Arm, Switch	
3	0630462	8	Bolt	
4	0641414	8	Bolt 1/4 x 1-3/4	
5	0721005	4	Bolt #10 x 5/8	
6	0940133	1	Bumper Kit (Includes Corners and Enough Straight Material for One Platform)	
6	0940092	8	Bumper (Corner)	
6	0940094	AR	Bumper (12ft Length)	
7	1060341	23 ft/ 7m	Cable, Electrical - 16/2	
8	1060903	4	Wire Rope and Eyebolt Assembly	
9	1702938	1	Decal - Soft Touch Override	
10	3311401	8	Nut 1/4	
11	3311501	8	Nut 5/16	
12	3574091	2	Plate, Switch Strike	
13	4240099	7	Tie-Strap (Not Shown)	
14	4360057	2	Switch, Limit	
15	4360387	1	Switch, Push Button	
16	4420068	AR	Tape, Adhesive	
16	1001197017	AR	Tie-Strap	
17	4460049	2	Connector, Strain Relief	
18	4460234	7	Tie-Strap (Not Shown)	
19	4460425	1	Connector, Strain Relief	
20	4751400	8	Washer 1/4	
21	4751500	12	Washer 5/16	
22	4751800	8	Washer 1/2	
23	4846673	1	Rail, Soft Touch	
24	4933218	1	Wiring Diagram (See Separate Breakdown in ELECTRICAL SECTION) (Not Shown)	
25	2920028	1	Light, Indicator	
26	2920029	1	Bulb, Light	

# SECTION 5 - PLATFORM

FIGURE 5-36. SKYGUARD SYSTEM INSTALLATION (SN 0300201016 through 0300256988, SN B300002238 through B300003794)



ART\_1001187508

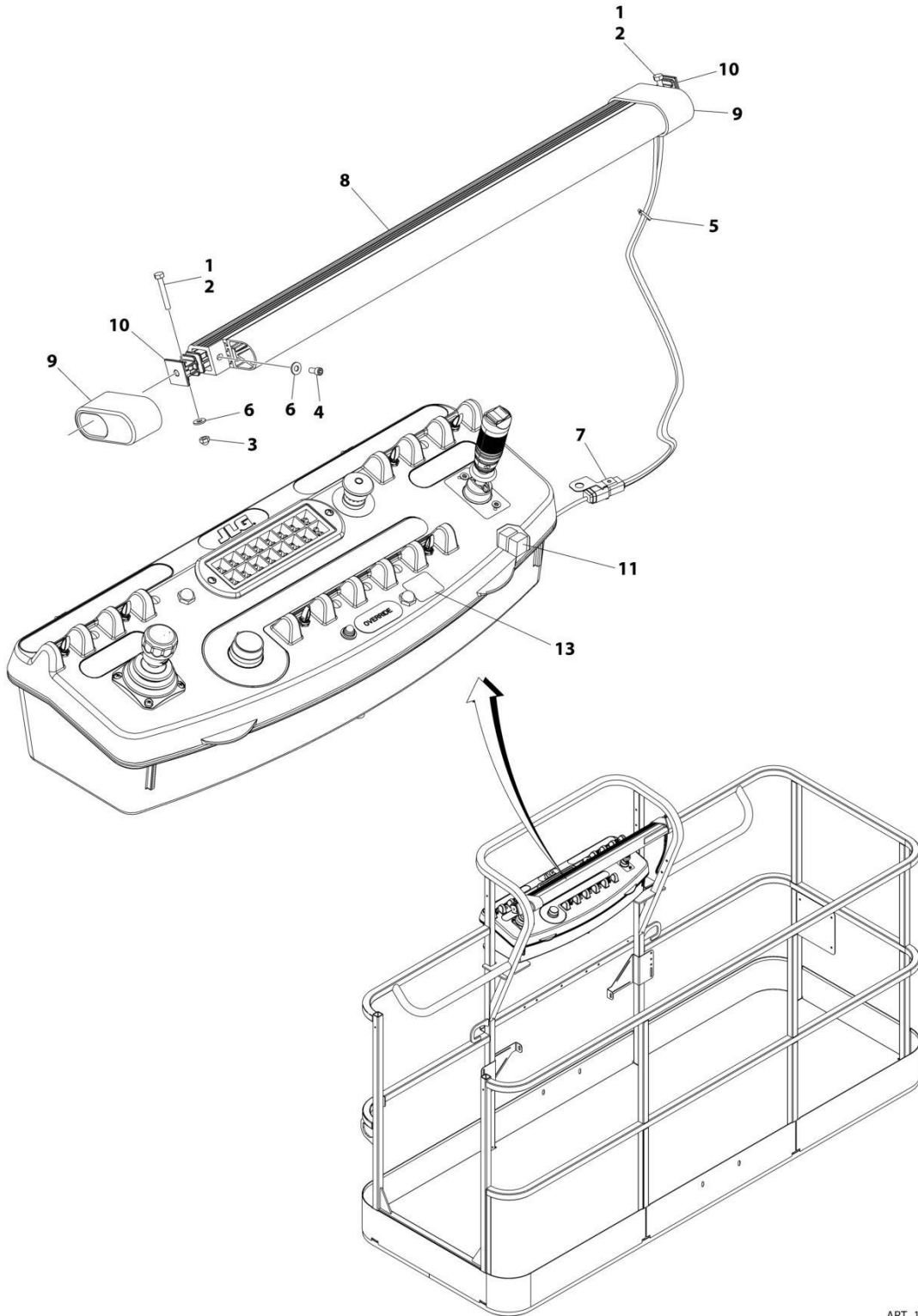
## SECTION 5 - PLATFORM

**FIGURE 5-36. SKYGUARD SYSTEM INSTALLATION (SN 0300201016 through 0300256988, SN B300002238 through B300003794)**

ITEM	PART NUMBER	QTY	DESCRIPTION	REV
	1001187508	Ref	SKYGUARD SYSTEM INSTALLATION	C
1	0100011	AR	Compound, Locking	
2	0641414	2	Bolt 1/4 x 1-3/4	
3	3300430	2	Nut 1/4	
4	3931424	2	Capscrew 1/4 x 1-1/2	
5	4240033	AR	Tie-Strap	
6	4711400	AR	Washer 1/4	
7	1001120328	1	Mount	
8	1001137673	1	Switch, SkyGuard Assembly	
9	1001186517	2	Cover, Platform Sensor	
10	1001188889	NLA	Support, Block (Use p/n 1001209664) (SN 0300201016 through 0300245526, SN B300002238 through B300002888)	
10	1001209664	2	Support, Block (SN 0300245527 through 0300256988, SN B300002889 through B300003794)	

# SECTION 5 - PLATFORM

FIGURE 5-37. SKYGUARD BAR INSTALLATION (SN 0300256989 through 0300272504, SN B300003795 through B300007118)



ART\_1001238495

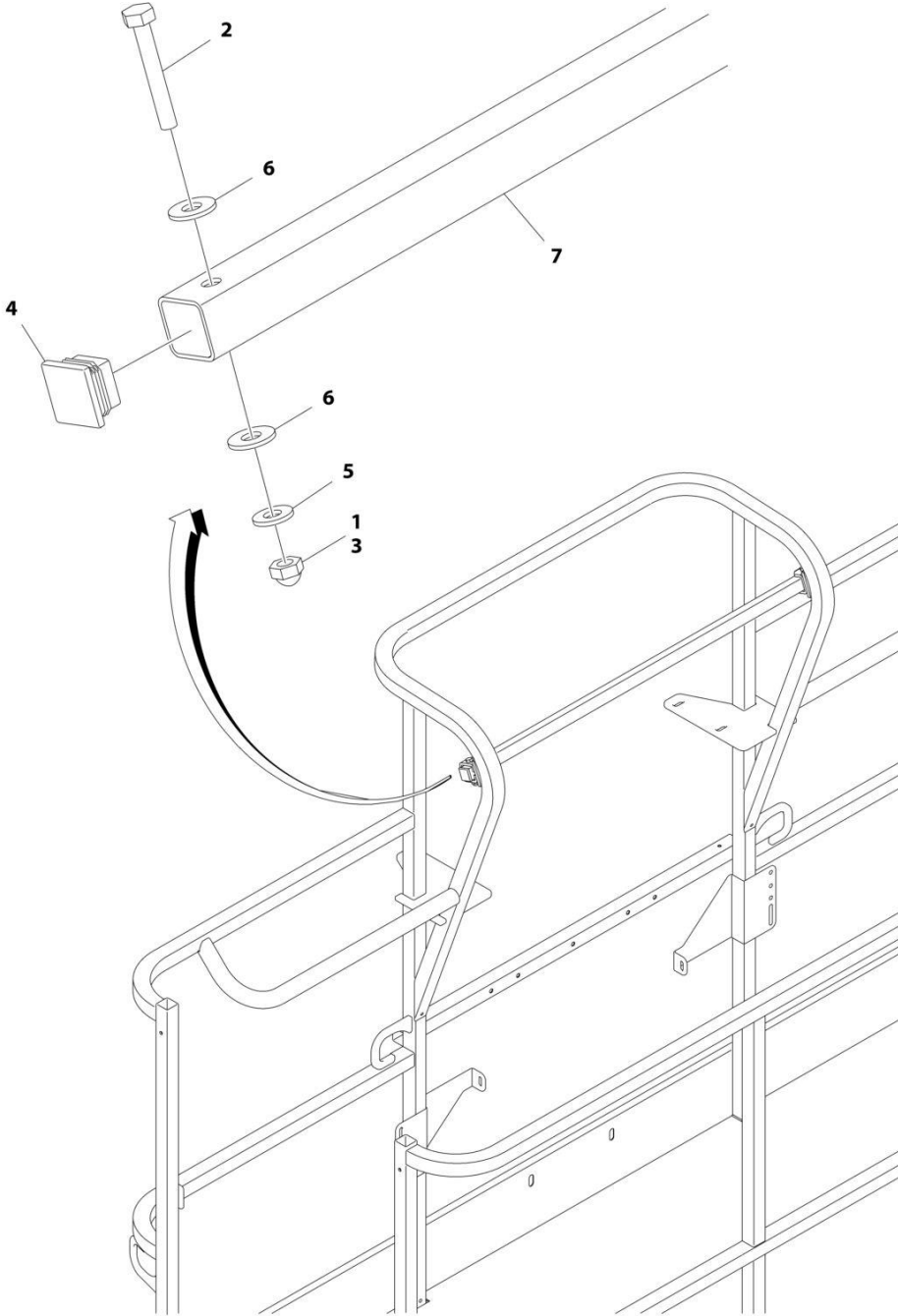
## SECTION 5 - PLATFORM

**FIGURE 5-37. SKYGUARD BAR INSTALLATION (SN 0300256989 through 0300272504, SN B300003795 through B300007118)**

ITEM	PART NUMBER	QTY	DESCRIPTION	REV
	1001238495	Ref	SKYGUARD BAR INSTALLATION	A
1	0100011	AR	Compound, Locking	
2	0641414	2	Bolt 1/4 x 1-3/4	
3	3300430	2	Nut 1/4	
4	3931408	2	Capscrew 1/4 x 1/2	
5	4240033	8	Tie-Strap	
6	4711400	6	Washer 1/4	
7	1001120328	1	Mount	
8	1001137673	1	SkyGuard Switch Assembly	
9	1001186517	2	Cover, Platform Sensor	
10	1001209664	2	Support, Block	
11	1001186431	2	Relay	
12	1001225580	1	Interface Harness Assembly (Not Shown - Located Inside Console Box) (See Separate Breakdown in ELECTRICAL Section)	
13	1001144433	1	Decal - No Weight SkyGuard	

**SECTION 5 - PLATFORM**

**FIGURE 5-38. CROSS RAIL INSTALLATION**



ART\_1001182138

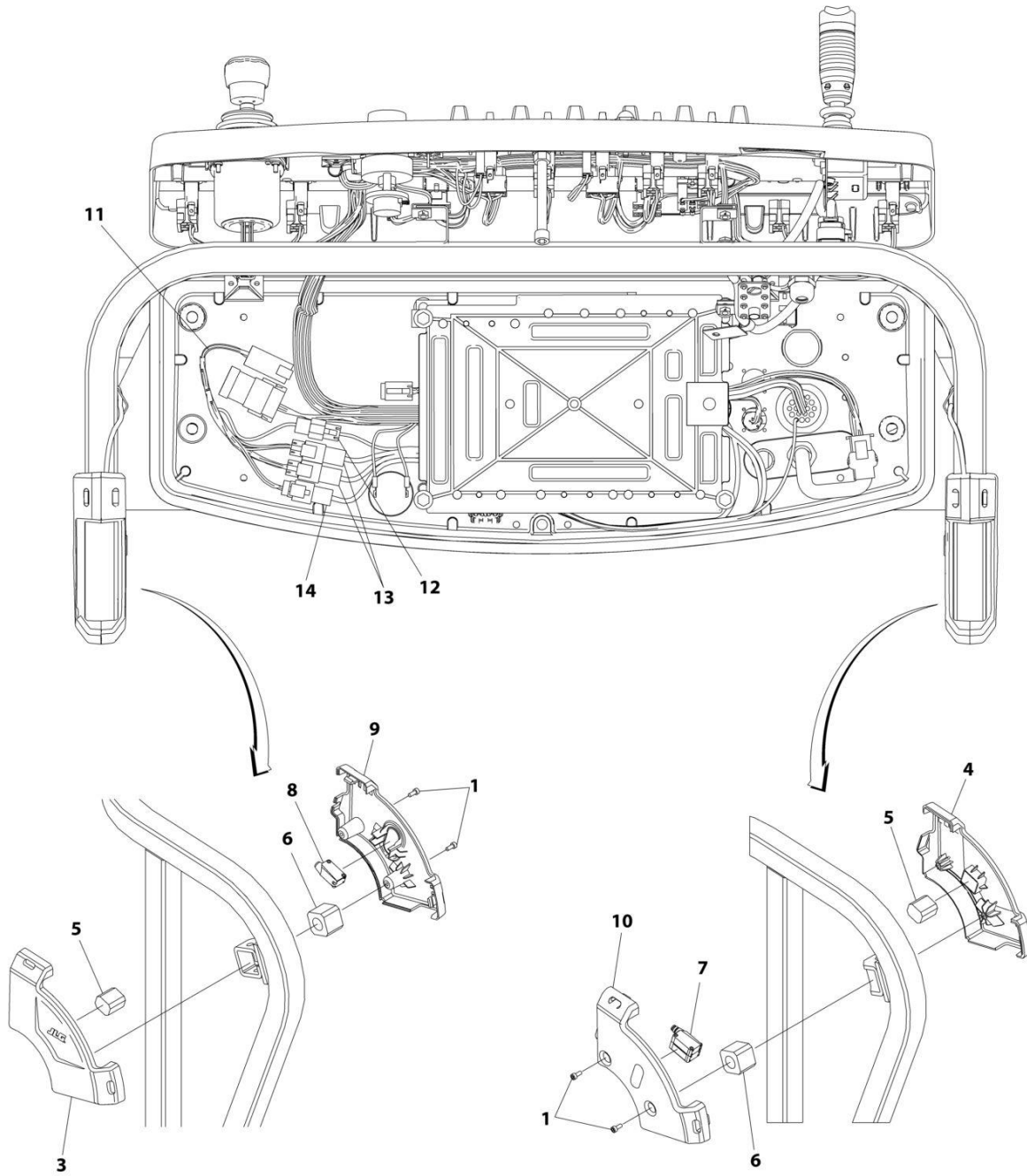
## SECTION 5 - PLATFORM

### FIGURE 5-38. CROSS RAIL INSTALLATION

ITEM	PART NUMBER	QTY	DESCRIPTION	REV
	1001182138	Ref	CROSS RAIL INSTALLATION	A
1	0100071	AR	Compound, Locking	
2	0641414	2	Bolt 1/4 x 1-3/4	
3	3300430	2	Nut 1/4	
4	3520182	2	Plug	
5	4711400	2	Washer 1/4	
6	4751400	4	Washer 1/4	
7	1001191708	1	Bar	

# SECTION 5 - PLATFORM

## FIGURE 5-39. SKYEYE INSTALLATION



ART\_1001229341



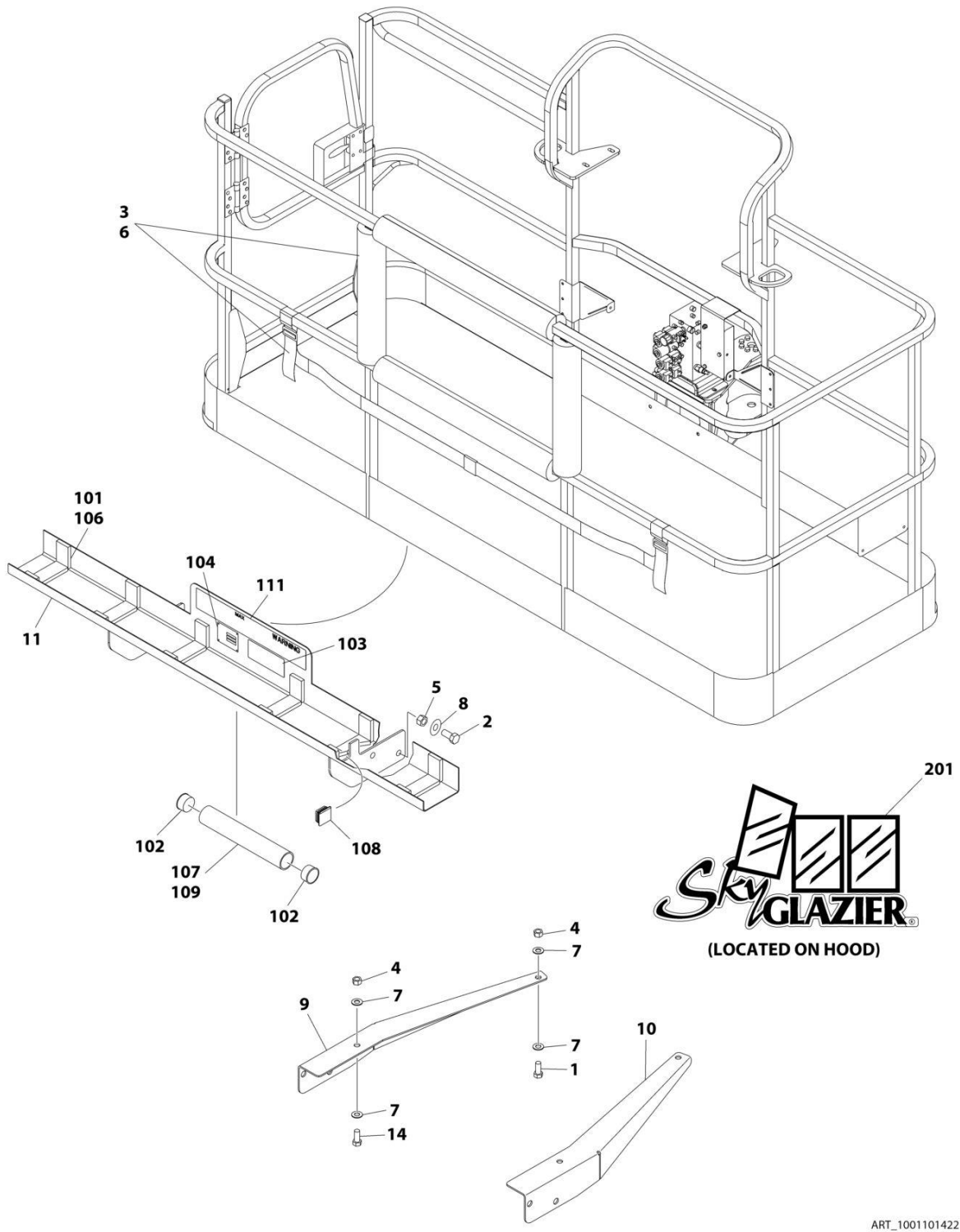
## SECTION 5 - PLATFORM

### FIGURE 5-39. SKYEYE INSTALLATION

ITEM	PART NUMBER	QTY	DESCRIPTION	REV
	1001229341	Ref	SKYEYE INSTALLATION	B
1	4031505	4	Bolt M4 x 10	
2	4240033	AR	Tie-Strap (Not Shown)	
3	1001227633	1	Housing, LH Outer	
4	1001227634	1	Housing, RH Outer	
5	1001227985	2	Shim	
6	1001227987	2	Shim	
7	1001228224	2	Sensor, Receiver	
8	1001228225	1	Sensor, Emitter	
9	1001232164	1	Housing, LH Inner	
10	1001232165	1	Housing, RH Inner	
11	1001237865	1	Harness, Skyeeye Intermediate (See Separate Breakdown in ELECTRICAL Section)	
12	1001238319	NLA	Harness, Skyeeye Drain Jumper	
12	1001187674	1	Plug, Male - 2 Position	
12	4460942	1	Terminal	
12	4460466	1	Plug, Terminal	
12	4460508	1	Pin, Male	
13	1001237863	2	Harness, Skyeeye Receiver (See Separate Breakdown in ELECTRICAL Section)	
14	1001237864	1	Harness, Skyeeye Emitter (See Separate Breakdown in ELECTRICAL Section)	

# SECTION 5 - PLATFORM

FIGURE 5-40. SKYGLAZIER INSTALLATION (ANSI, CSA AND JAPANESE SPECS)



ART\_1001101422

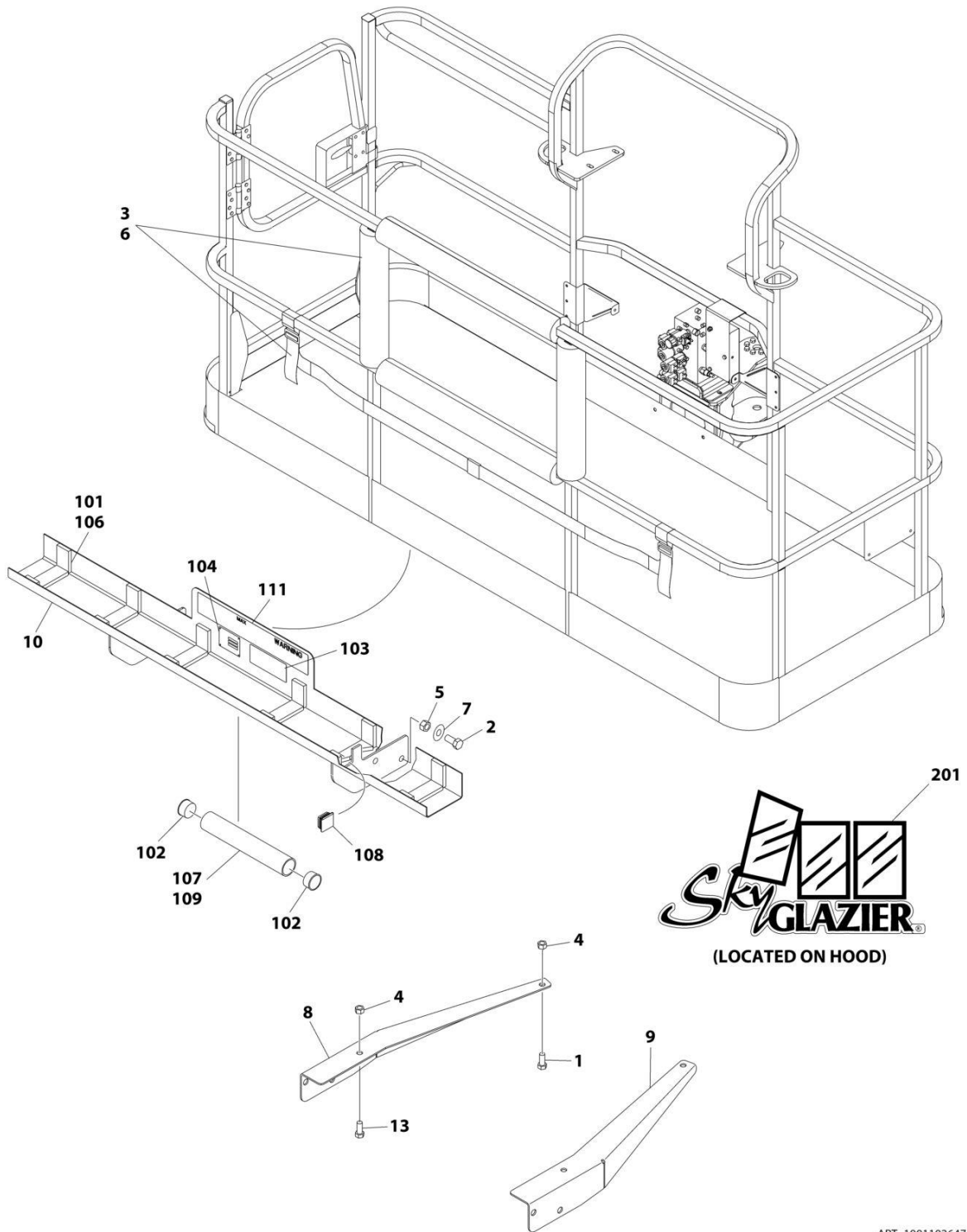
## SECTION 5 - PLATFORM

**FIGURE 5-40. SKYGLAZIER INSTALLATION (ANSI, CSA AND JAPANESE SPECS)**

ITEM	PART NUMBER	QTY	DESCRIPTION	REV
	1001101422	Ref	SKYGLAZIER INSTALLATION (ANSI, CSA AND JAPANESE SPECS)	C
1	0642012	2	Bolt 5/8 x 1-1/2	
2	0642212	4	Bolt 3/4 x 1-1/2	
3	2902212	1	Bumpers and Strap Kit	
3	0940102	1	Bumper Only	
3	4240149	1	Strap Only	
4	3312005	4	Nut 5/8	
5	3312205	4	Nut 3/4	
6	4420014	AR	Tape	
7	4712000	6	Washer 5/8	
8	4712200	8	Washer 3/4	
9	1001099366	1	Support	
10	1001099367	1	Support	
11	1001101421	1	Tray Assembly (See Items 101-111 for Breakdown)	
14	8310129	2	Bolt 3/4 x 2-1/2	
	1001101421	Ref	TRAY ASSEMBLY	E
101	0100081	AR	Adhesive	
102	1120555	2	Cap, Tube	
103	1701509	1	Decal - Manual	
104	See Note	NSS	Nameplate - Serial Number (Note: Not Available for Purchase)	
106	3340956	1	Pad Kit	
107	3460334	1	Tube	
108	3520071	2	Plug	
109	4420066	AR	Tape, Double Sided	
111	1001163131	2	Decal - Glazier Capacity	
	0272418	Ref	SKYGLAZIER DECAL INSTALLATION	4
201	1705358	2	Decal - SkyGlazier	

# SECTION 5 - PLATFORM

## FIGURE 5-41. SKYGLAZIER INSTALLATION (AUSTRALIAN SPECS)



ART\_1001102647

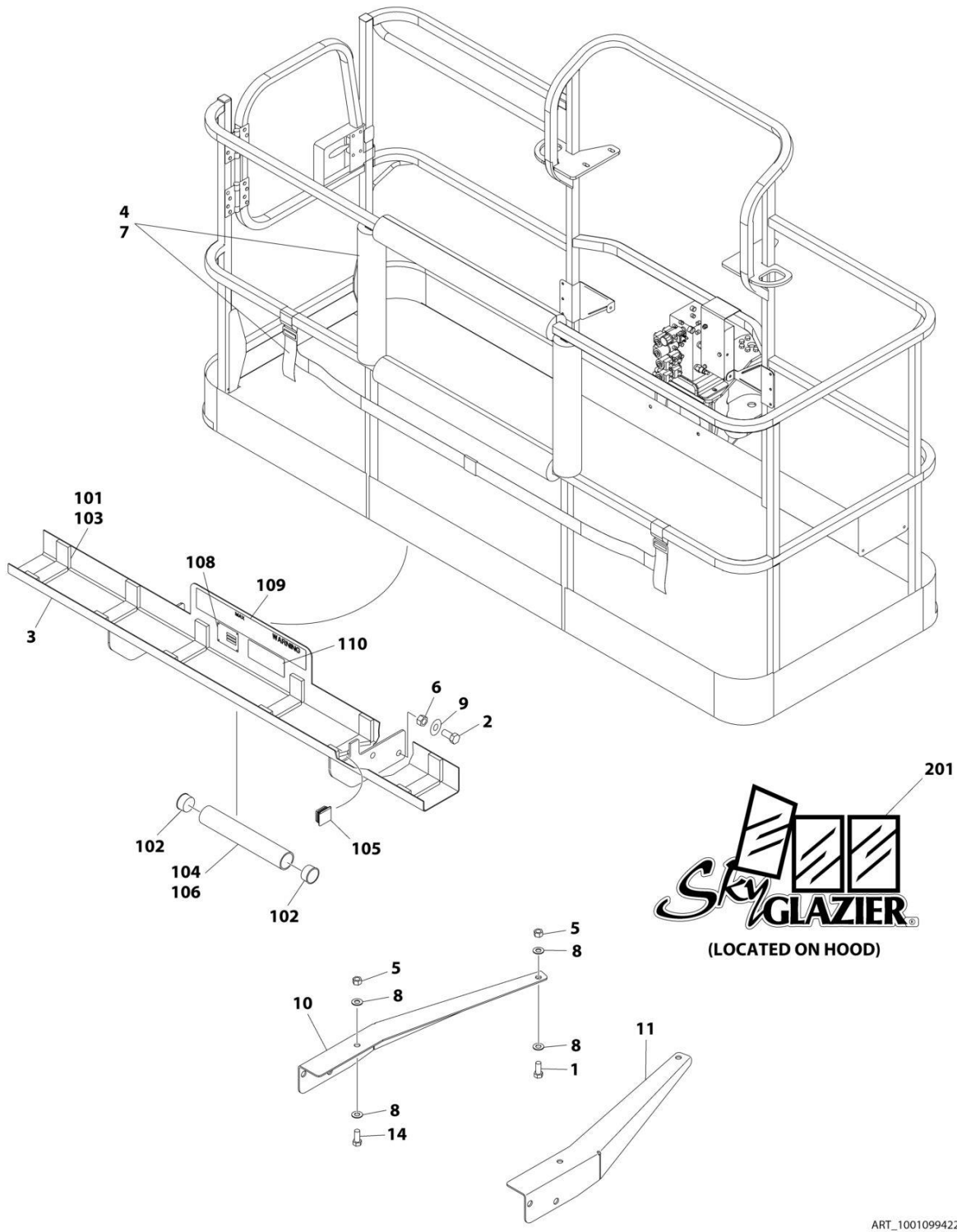
## SECTION 5 - PLATFORM

**FIGURE 5-41. SKYGLAZIER INSTALLATION (AUSTRALIAN SPECS)**

ITEM	PART NUMBER	QTY	DESCRIPTION	REV
	1001102647	Ref	SKYGLAZIER INSTALLATION (AUSTRALIAN SPECS)	C
1	0642026	2	Bolt 5/8 x 3-1/4	
2	0642212	4	Bolt 3/4 x 1-1/2	
3	2902212	1	Bumpers and Strap Kit	
3	0940102	1	Bumper Only	
3	4240149	1	Strap Only	
4	3312005	4	Nut 5/8	
5	3312205	4	Nut 3/4	
6	4420014	AR	Tape	
7	4712200	8	Washer 3/4	
8	1001099366	1	Support	
9	1001099367	1	Support	
10	1001101421	1	Tray Assembly (See Items 101-111 for Breakdown)	
13	8310230	2	Bolt 5/8 x 4	
	1001101421	Ref	TRAY ASSEMBLY	E
101	0100081	AR	Adhesive	
102	1120555	2	Cap, Tube	
103	1701509	1	Decal - Manual	
104	See Note	NSS	Nameplate - Serial Number (Note: Not Available for Purchase)	
106	3340956	1	Pad Kit	
107	3460334	1	Tube	
108	3520071	2	Plug	
109	4420066	AR	Tape, Double Sided	
111	1001163131	2	Decal - Glazier Capacity	
	0272418	Ref	SKYGLAZIER DECAL INSTALLATION	4
201	1705358	2	Decal - SkyGlazier	

# SECTION 5 - PLATFORM

## FIGURE 5-42. SKYGLAZIER INSTALLATION (BRAZIL SPECS)



ART\_1001099422

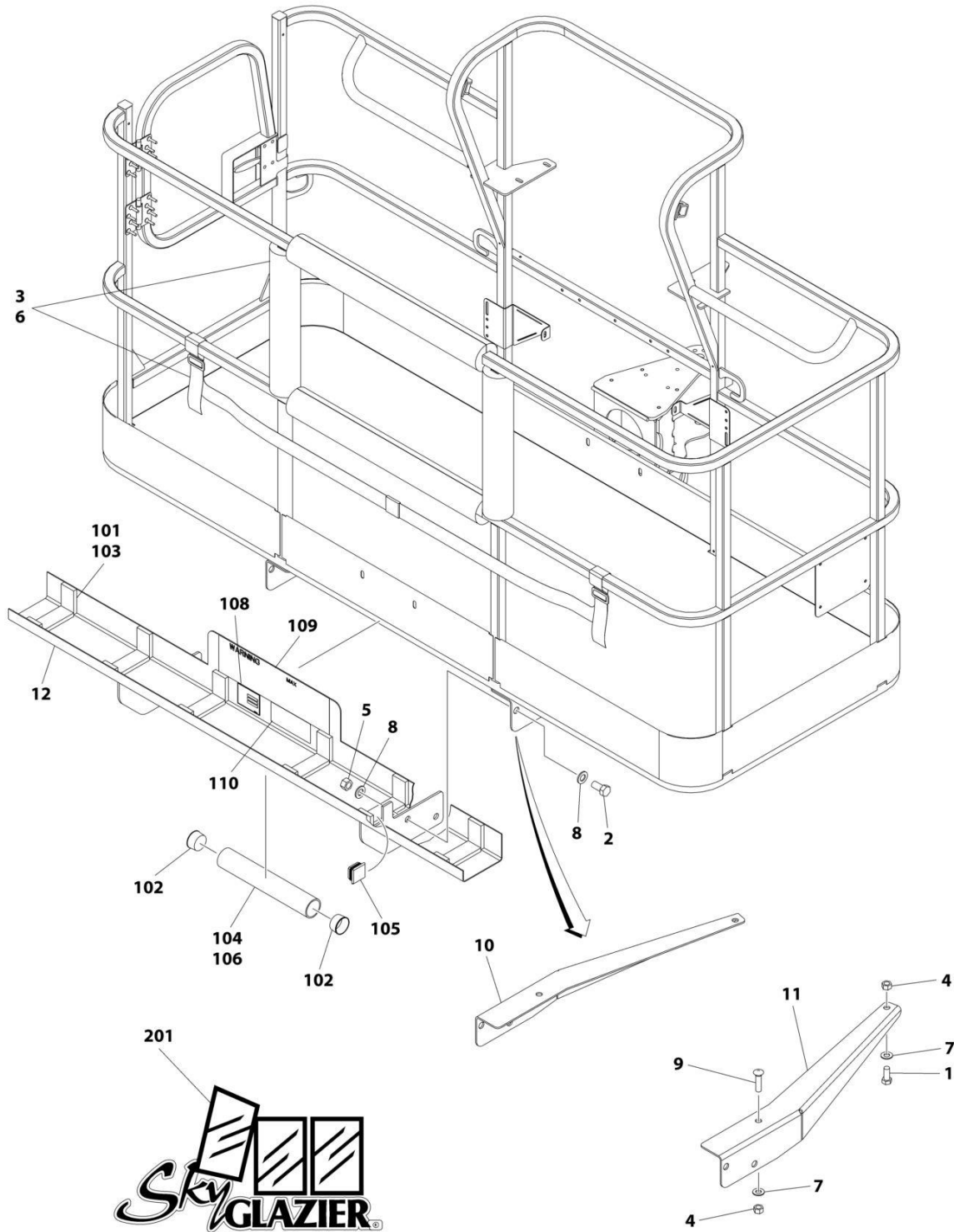
## SECTION 5 - PLATFORM

**FIGURE 5-42. SKYGLAZIER INSTALLATION (BRAZIL SPECS)**

ITEM	PART NUMBER	QTY	DESCRIPTION	REV
	1001099422	Ref	SKYGLAZIER INSTALLATION (BRAZIL SPECS)	C
1	0642012	2	Bolt 5/8 x 1-1/2	
2	0642212	4	Bolt 3/4 x 1-1/2	
3	0272951	1	Tray Assembly (See Items 101-110 for Breakdown)	
4	2902212	1	Bumpers and Strap Kit	
4	0940102	1	Bumper Only	
4	4240149	1	Strap Only	
5	3312005	4	Nut 5/8	
6	3312205	4	Nut 3/4	
7	4420014	AR	Tape	
8	4712000	6	Washer 5/8	
9	4712200	8	Washer 3/4	
10	1001099366	1	Support	
11	1001099367	1	Support	
14	8310129	2	Bolt 5/8 x 2-1/2	
	0272951	Ref	TRAY ASSEMBLY	E
101	0100081	AR	Adhesive	
102	1120555	2	Cap, Tube	
103	3340956	1	Pad Kit	
104	3460334	1	Tube	
105	3520071	2	Plug	
106	4420066	AR	Tape, Double Sided	
108	See Note	NSS	Nameplate - Serial Number (Note: Not Available for Purchase)	
109	1001163297	2	Decal - Glazier Capacity	
110	1701509	1	Decal - Manual	
	0272418	Ref	SKYGLAZIER DECAL INSTALLATION	4
201	1705358	2	Decal - SkyGlazier	

# SECTION 5 - PLATFORM

## FIGURE 5-43. SKYGLAZIER INSTALLATION (DANISH SPECS)



ART\_1001238462



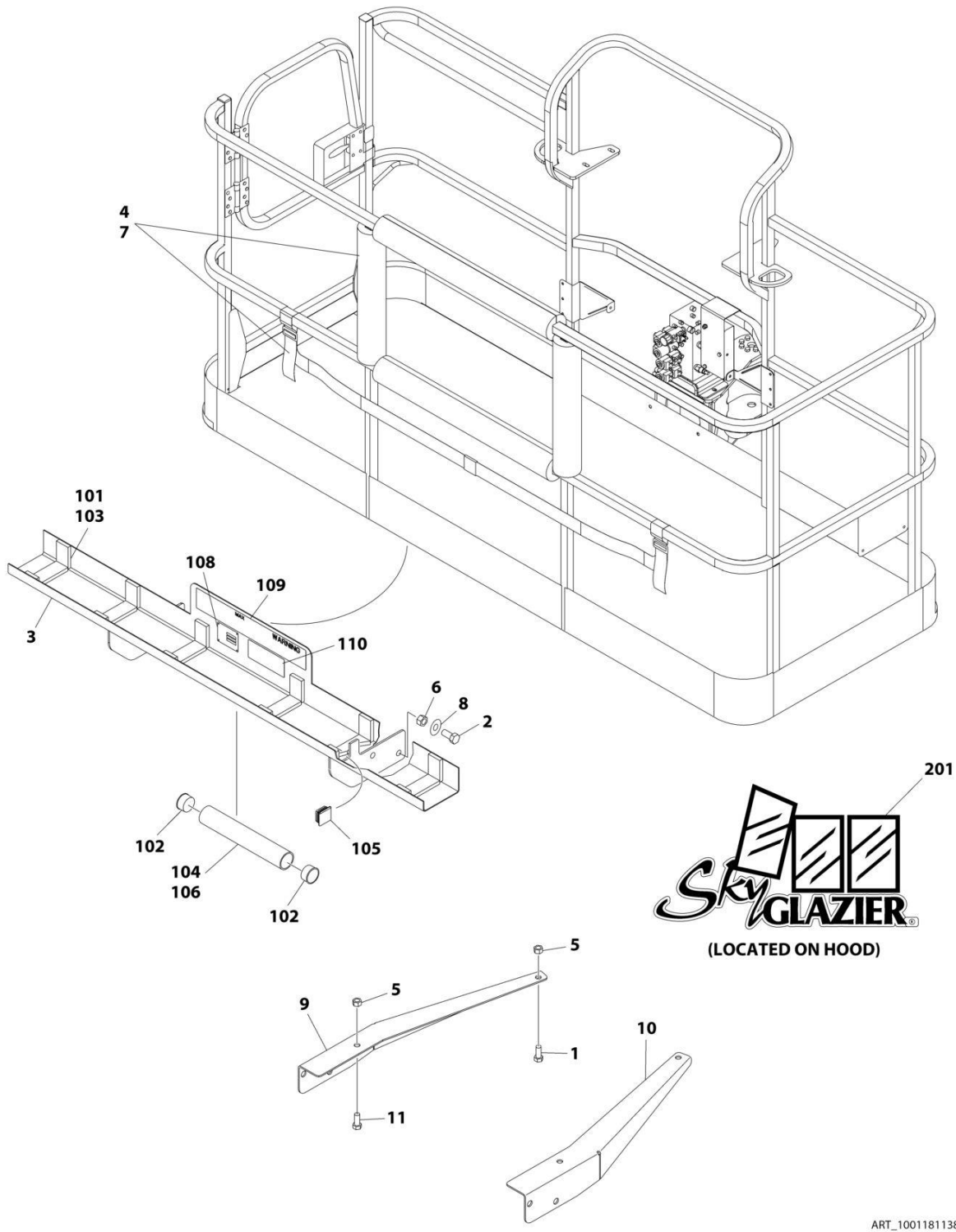
## SECTION 5 - PLATFORM

**FIGURE 5-43. SKYGLAZIER INSTALLATION (DANISH SPECS)**

ITEM	PART NUMBER	QTY	DESCRIPTION	REV
	1001238462	Ref	SKYGLAZIER INSTALLATION	A
1	0642012	2	Bolt 5/8 x 1-1/2	
2	0642212	4	Bolt 3/4 x 1-1/2	
3	2902212	1	Bumpers and Strap Kit	
3	0940102	1	Bumper Only	
3	4240149	1	Strap Only	
4	3312005	4	Nut 5/8	
5	3312205	4	Nut 3/4	
6	4420014	AR	Tape	
7	4712000	4	Washer 5/8	
8	4712200	8	Washer 3/4	
9	8310129	2	Bolt 5/8 x 2-1/2	
10	1001099366	1	Support	
11	1001099367	1	Support	
12	1001238423	1	Tray Assembly (See Items 101-110 for Breakdown)	
	1001238423	Ref	TRAY ASSEMBLY	B
101	0100081	AR	Adhesive	
102	1120555	2	Cap, Tube	
103	3340956	1	Pad Kit	
104	3460334	1	Tube	
105	3520071	2	Plug	
106	4420066	AR	Tape, Double Sided	
108	See Note	NSS	Nameplate - Serial Number (Note: Not Available for Purchase)	
109	1001237705	2	Decal - Glazier Capacity	
110	1701509	1	Decal - Manual	
	0272418	Ref	SKYGLAZIER DECAL INSTALLATION	4
201	1705358	2	Decal - SkyGlazier	

# SECTION 5 - PLATFORM

FIGURE 5-44. SKYGLAZIER INSTALLATION (FINNISH SPECS) (SN 0300201016 through 0300235781)



ART\_1001181138

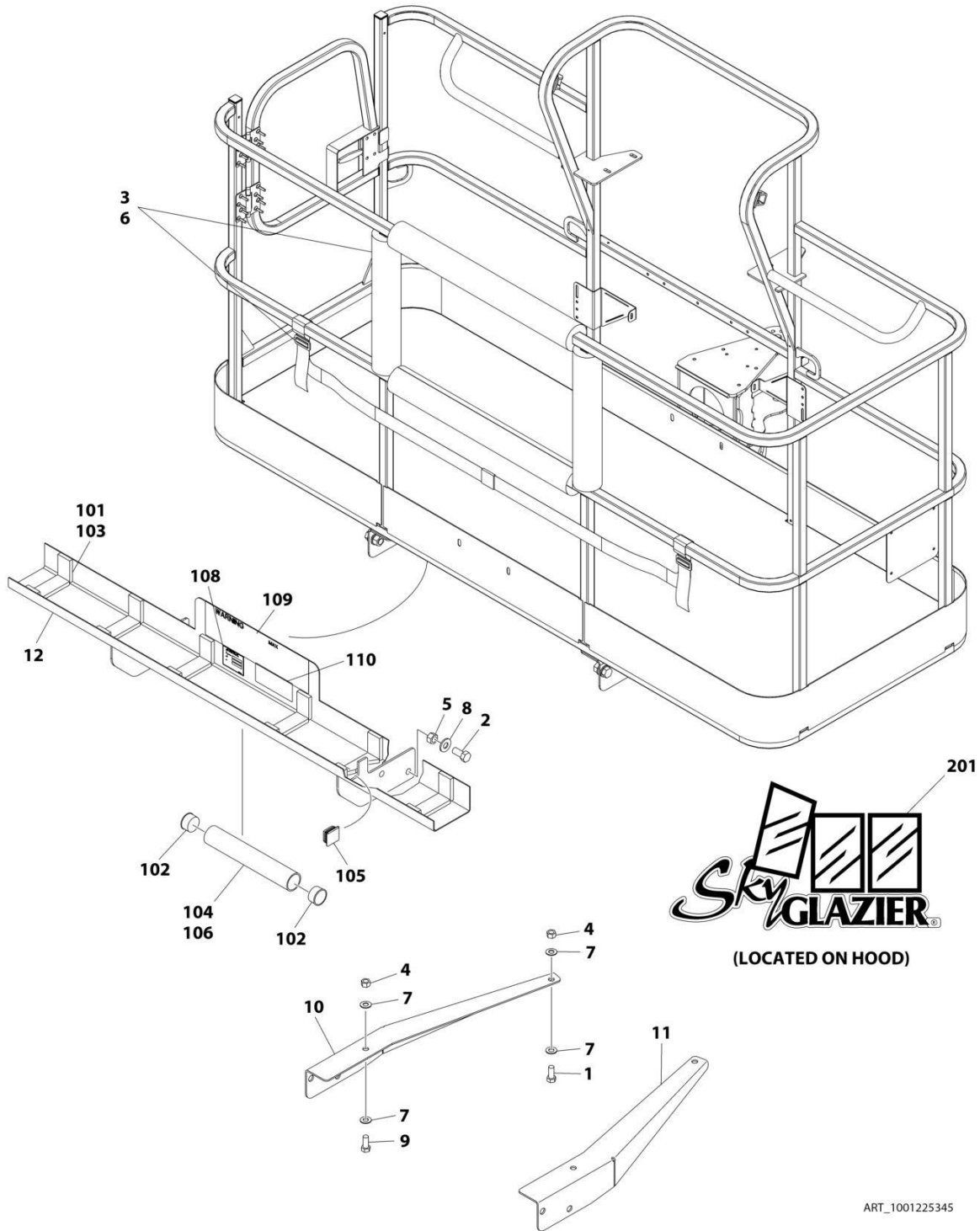
## SECTION 5 - PLATFORM

**FIGURE 5-44. SKYGLAZIER INSTALLATION (FINNISH SPECS) (SN 0300201016 through 0300235781)**

ITEM	PART NUMBER	QTY	DESCRIPTION	REV
	1001181138	Ref	SKYGLAZIER INSTALLATION (FINNISH SPECS) (SN 0300201016 through 0300235781)	C
1	0642026	2	Bolt 5/8 x 3-1/4	
2	0642212	4	Bolt 3/4 x 1-1/2	
3	1001181142	1	Tray Assembly (See Items 101-110 for Breakdown)	
4	2902212	1	Bumpers and Strap Kit	
4	0940102	1	Bumper Only	
4	4240149	1	Strap Only	
5	3312005	4	Nut 5/8	
6	3312205	4	Nut 3/4	
7	4420014	AR	Tape	
8	4712200	8	Washer 3/4	
9	1001099366	1	Support	
10	1001099367	1	Support	
11	8310230	2	Bolt 5/8 x 2-1/2	
	1001181142	Ref	TRAY ASSEMBLY	A
101	0100081	AR	Adhesive	
102	1120555	2	Cap, Tube	
103	3340956	1	Pad Kit	
104	3460334	1	Tube	
105	3520071	2	Plug	
106	4420066	AR	Tape, Double Sided	
108	See Note	NSS	Nameplate - Serial Number (Note: Not Available for Purchase)	
109	1001181134	2	Decal - Glazier Capacity	
110	1701509	1	Decal - Manual	
	0272418	Ref	SKYGLAZIER DECAL INSTALLATION	4
201	1705358	2	Decal - SkyGlazier	

# SECTION 5 - PLATFORM

FIGURE 5-45. SKYGLAZIER INSTALLATION (FINNISH SPECS) (SN 0300235782 through 0300272504)



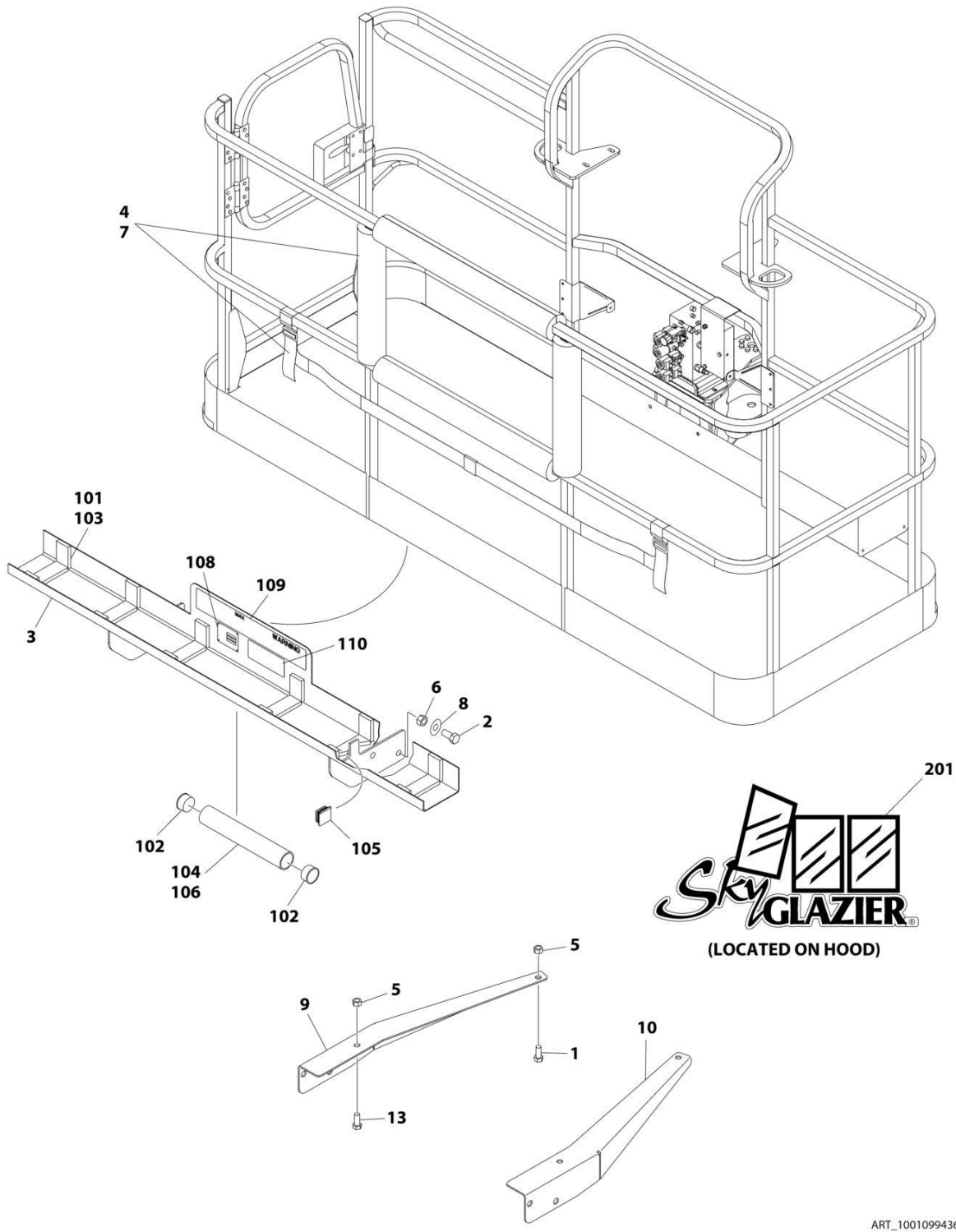
## SECTION 5 - PLATFORM

**FIGURE 5-45. SKYGLAZIER INSTALLATION (FINNISH SPECS) (SN 0300235782 through 0300272504)**

ITEM	PART NUMBER	QTY	DESCRIPTION	REV
	1001225345	Ref	SKYGLAZIER INSTALLATION (FINNISH SPECS)	A
1	0642012	2	Bolt 5/8 x 1-1/2	
2	0642212	4	Bolt 3/4 x 1-1/2	
3	2902212	1	Bumpers and Strap Kit	
3	0940102	1	Bumper Only	
3	4240149	1	Strap Only	
4	3312005	4	Nut 5/8	
5	3312205	4	Nut 3/4	
6	4420014	AR	Tape	
7	4712000	6	Washer 5/8	
8	4712200	8	Washer 3/4	
9	8310129	2	Bolt 5/8 x 2-1/2	
10	1001099366	1	Support	
11	1001099367	1	Support	
12	1001181142	1	Tray Assembly (See Items 101-110 for Breakdown)	
	1001181142	Ref	TRAY ASSEMBLY	A
101	0100081	AR	Adhesive	
102	1120555	2	Cap, Tube	
103	3340956	1	Pad Kit	
104	3460334	1	Tube	
105	3520071	2	Plug	
106	4420066	AR	Tape, Double Sided	
108	See Note	NSS	Nameplate - Serial Number (Note: Not Available for Purchase)	
109	1001181134	2	Decal - Glazier Capacity	
110	1701509	1	Decal - Manual	
	0272418	Ref	SKYGLAZIER DECAL INSTALLATION	4
201	1705358	2	Decal - SkyGlazier	

# SECTION 5 - PLATFORM

FIGURE 5-46. SKYGLAZIER INSTALLATION (FRENCH SPECS) (SN 0300201016 through 0300235781)



ART\_1001099436

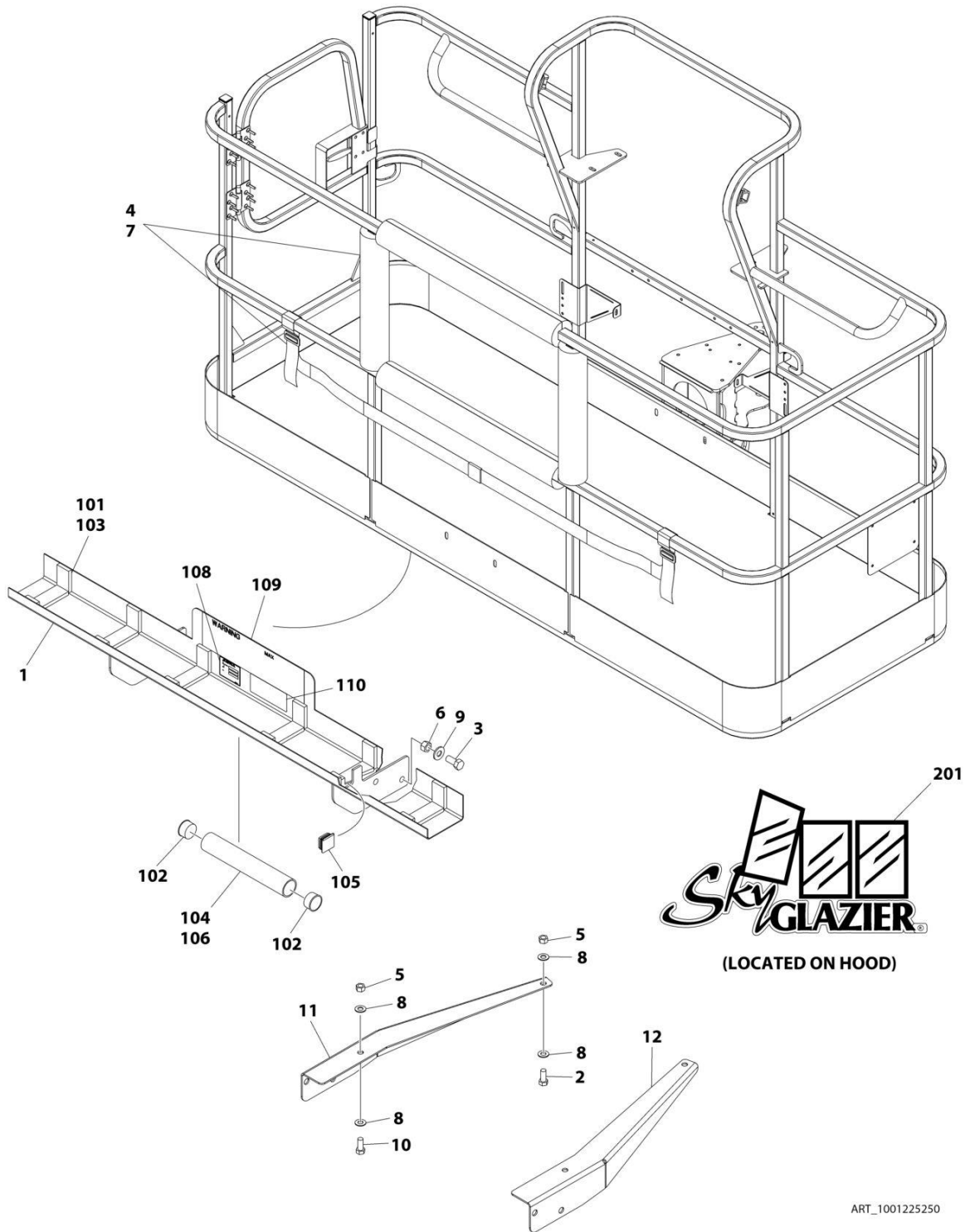
## SECTION 5 - PLATFORM

**FIGURE 5-46. SKYGLAZIER INSTALLATION (FRENCH SPECS) (SN 0300201016 through 0300235781)**

ITEM	PART NUMBER	QTY	DESCRIPTION	REV
	1001099436	Ref	SKYGLAZIER INSTALLATION (FRENCH SPECS) (SN 0300201016 through 0300235781)	D
1	0642026	2	Bolt 5/8 x 3-1/4	
2	0642212	4	Bolt 3/4 x 1-1/2	
3	0272949	1	Tray Assembly (See Items 101-110 for Breakdown)	
4	2902212	1	Bumpers and Strap Kit	
4	0940102	1	Bumper Only	
4	4240149	1	Strap Only	
5	3312005	4	Nut 5/8	
6	3312205	4	Nut 3/4	
7	4420014	AR	Tape	
8	4712200	8	Washer 3/4	
9	1001099366	1	Support	
10	1001099367	1	Support	
13	8310230	2	Bolt 5/8 x 4	
	0272949	Ref	TRAY ASSEMBLY	D
101	0100081	AR	Adhesive	
102	1120555	2	Cap, Tube	
103	3340956	1	Pad Kit	
104	3460334	1	Tube	
105	3520071	2	Plug	
106	4420066	AR	Tape, Double Sided	
108	See Note	NSS	Nameplate - Serial Number (Note: Not Available for Purchase)	
109	1001163293	2	Decal - Glazier Capacity	
110	1701509	1	Decal - Manual	
	0272418	Ref	SKYGLAZIER DECAL INSTALLATION	4
201	1705358	2	Decal - SkyGlazier	

# SECTION 5 - PLATFORM

FIGURE 5-47. SKYGLAZIER INSTALLATION (FRENCH SPECS) (SN 0300235782 through 0300272504)





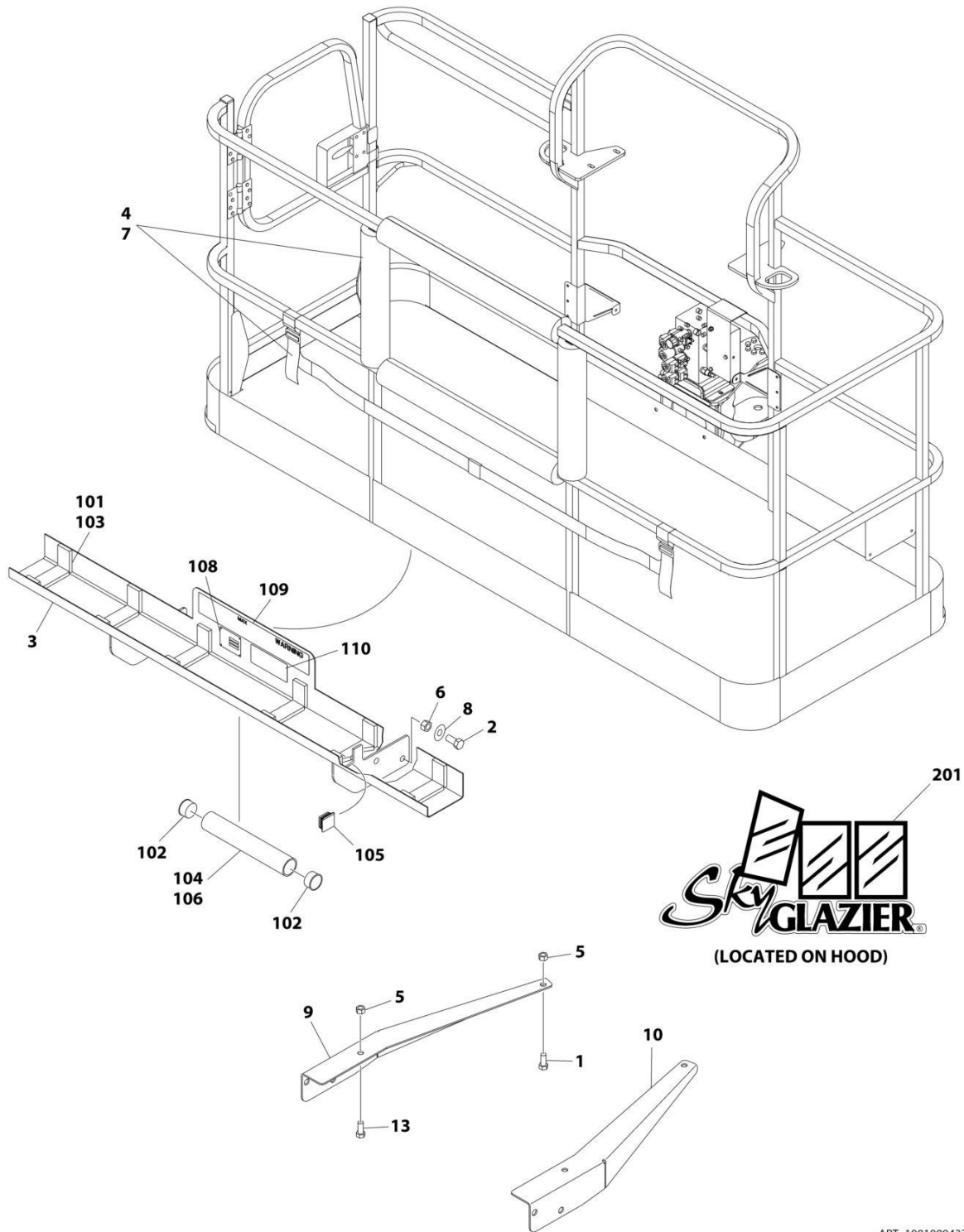
## SECTION 5 - PLATFORM

**FIGURE 5-47. SKYGLAZIER INSTALLATION (FRENCH SPECS) (SN 0300235782 through 0300272504)**

ITEM	PART NUMBER	QTY	DESCRIPTION	REV
	1001225250	Ref	SKYGLAZIER INSTALLATION (FRENCH SPECS)	A
1	0272949	1	Tray Assembly (See Items 101-110 for Breakdown)	
2	0642012	2	Bolt 5/8 x 1-1/2	
3	0642212	4	Bolt 3/4 x 1-1/2	
4	2902212	1	Bumpers and Strap Kit	
4	0940102	1	Bumper Only	
4	4240149	1	Strap Only	
5	3312005	4	Nut 5/8	
6	3312205	4	Nut 3/4	
7	4420014	AR	Tape	
8	4712000	6	Washer 5/8	
9	4712200	8	Washer 3/4	
10	8310129	2	Bolt 5/8 x 2-1/2	
11	1001099366	1	Support	
12	1001099367	1	Support	
	0272949	Ref	TRAY ASSEMBLY	D
101	0100081	AR	Adhesive	
102	1120555	2	Cap, Tube	
103	3340956	1	Pad Kit	
104	3460334	1	Tube	
105	3520071	2	Plug	
106	4420066	AR	Tape, Double Sided	
108	See Note	NSS	Nameplate - Serial Number (Note: Not Available for Purchase)	
109	1001163293	2	Decal - Glazier Capacity	
110	1701509	1	Decal - Manual	
	0272418	Ref	SKYGLAZIER DECAL INSTALLATION	4
201	1705358	2	Decal - SkyGlazier	

# SECTION 5 - PLATFORM

FIGURE 5-48. SKYGLAZIER INSTALLATION (GERMAN SPECS) (SN 0300201016 through 0300235781)



ART\_1001099437

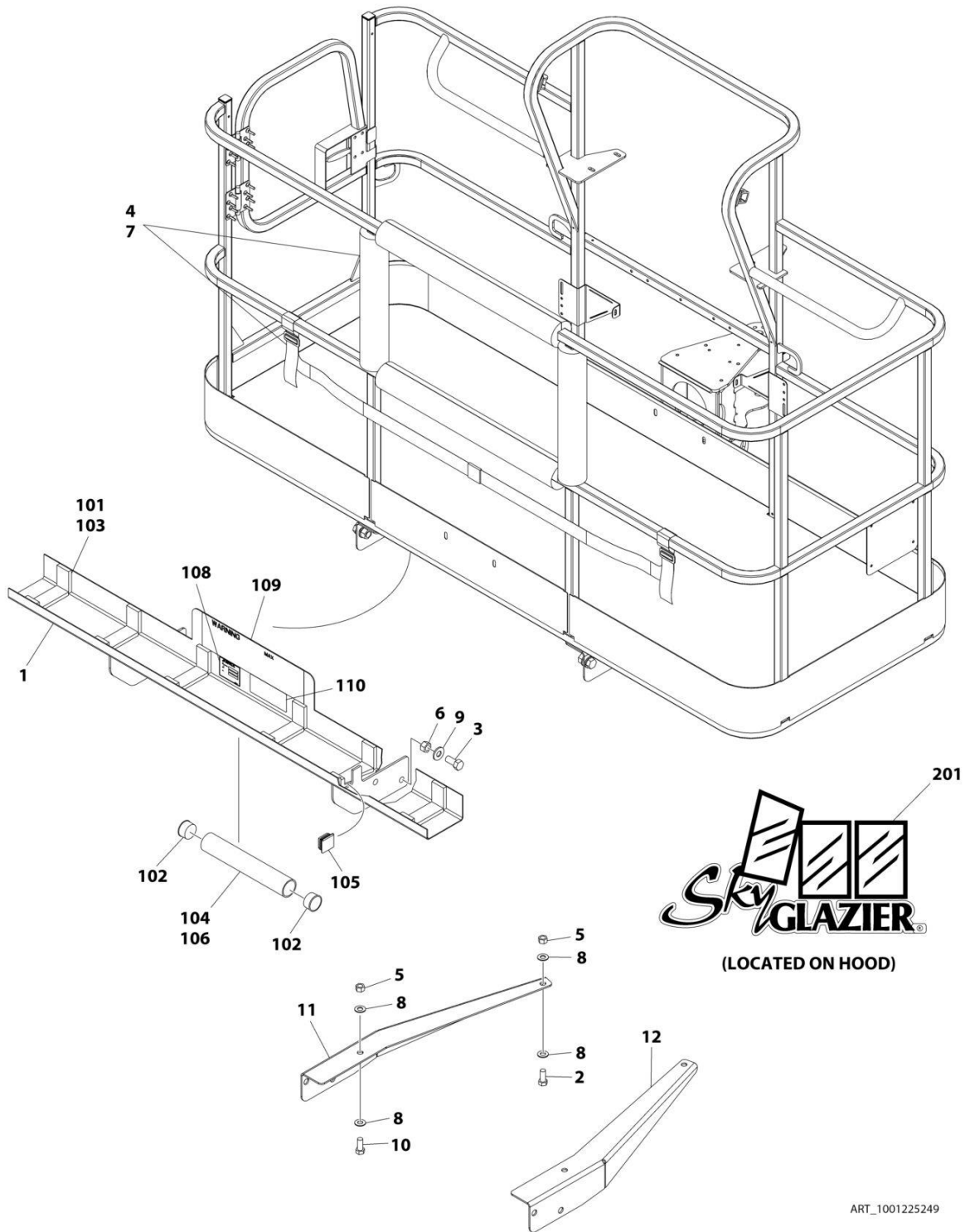
## SECTION 5 - PLATFORM

**FIGURE 5-48. SKYGLAZIER INSTALLATION (GERMAN SPECS) (SN 0300201016 through 0300235781)**

ITEM	PART NUMBER	QTY	DESCRIPTION	REV
	1001099437	Ref	SKYGLAZIER INSTALLATION (GERMAN SPECS) (SN <b>0300201016 through 0300235781</b> )	D
1	0642026	2	Bolt 5/8 x 3-1/4	
2	0642212	4	Bolt 3/4 x 1-1/2	
3	0272950	1	Tray Assembly (See Items 101-110 for Breakdown)	
4	2902212	1	Bumpers and Strap Kit	
4	0940102	1	Bumper Only	
4	4240149	1	Strap Only	
5	3312005	4	Nut 5/8	
6	3312205	4	Nut 3/4	
7	4420014	AR	Tape	
8	4712200	8	Washer 3/4	
9	1001099366	1	Support	
10	1001099367	1	Support	
13	8310230	2	Bolt 5/8 x 4	
	0272950	Ref	TRAY ASSEMBLY	D
101	0100081	AR	Adhesive	
102	1120555	2	Cap, Tube	
103	3340956	1	Pad Kit	
104	3460334	1	Tube	
105	3520071	2	Plug	
106	4420066	AR	Tape, Double Sided	
108	See Note	NSS	Nameplate - Serial Number (Note: Not Available for Purchase)	
109	1001163298	2	Decal - Glazier Capacity	
110	1701509	1	Decal - Manual	
	0272418	Ref	SKYGLAZIER DECAL INSTALLATION	4
201	1705358	2	Decal - SkyGlazier	

# SECTION 5 - PLATFORM

FIGURE 5-49. SKYGLAZIER INSTALLATION (GERMAN SPECS) (SN 0300235782 through 0300272504)



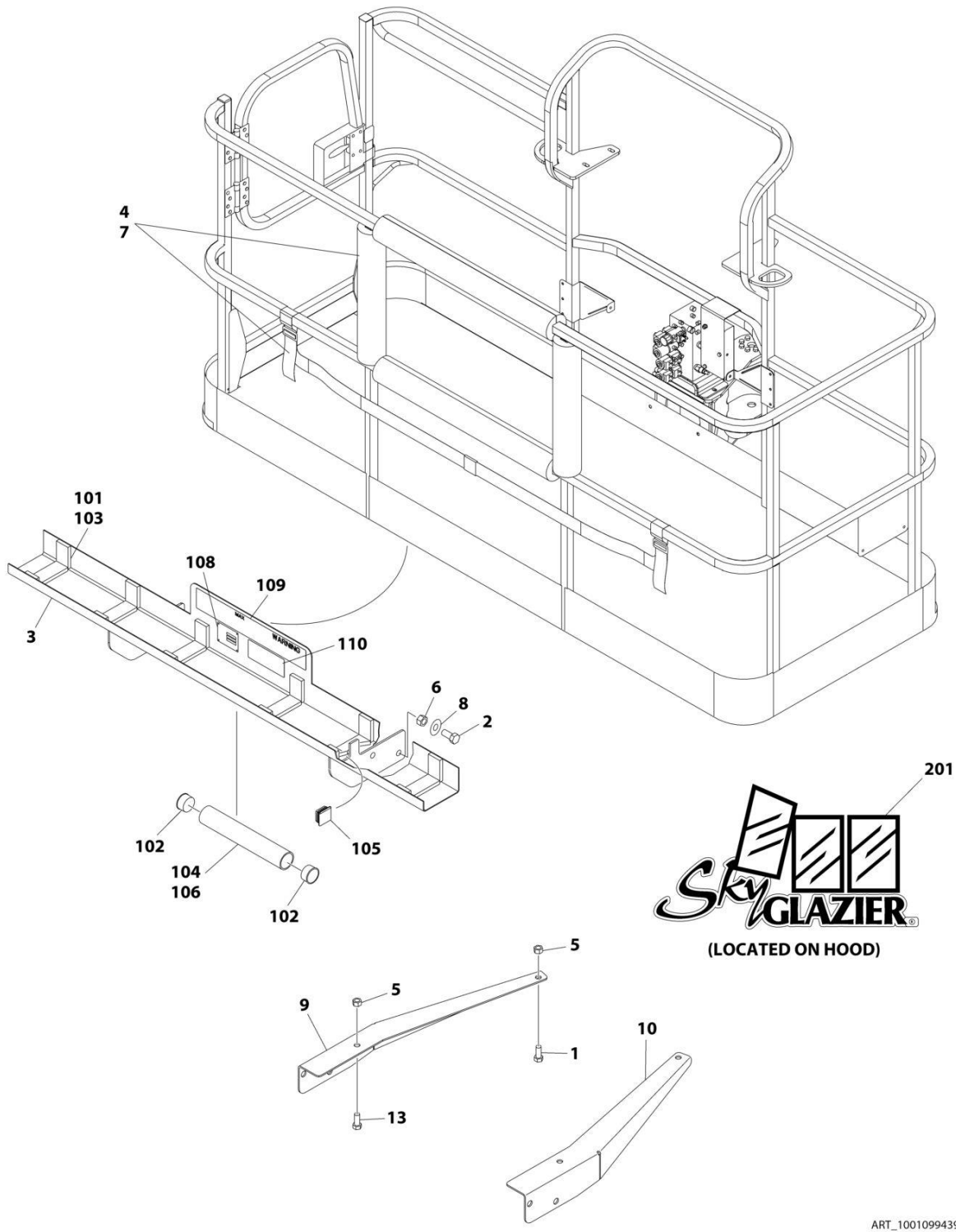
## SECTION 5 - PLATFORM

**FIGURE 5-49. SKYGLAZIER INSTALLATION (GERMAN SPECS) (SN 0300235782 through 0300272504)**

ITEM	PART NUMBER	QTY	DESCRIPTION	REV
	1001225249	Ref	SKYGLAZIER INSTALLATION (GERMAN SPECS)	A
1	0272950	1	Tray Assembly (See Items 101-110 for Breakdown)	
2	0642012	2	Bolt 5/8 x 1-1/2	
3	0642212	4	Bolt 3/4 x 1-1/2	
4	2902212	1	Bumpers and Strap Kit	
4	0940102	1	Bumper Only	
4	4240149	1	Strap Only	
5	3312005	4	Nut 5/8	
6	3312205	4	Nut 3/4	
7	4420014	AR	Tape	
8	4712000	6	Washer 5/8	
9	4712200	8	Washer 3/4	
10	8310129	2	Bolt 5/8 x 2-1/2	
11	1001099366	1	Support	
12	1001099367	1	Support	
	0272950	Ref	TRAY ASSEMBLY	D
101	0100081	AR	Adhesive	
102	1120555	2	Cap, Tube	
103	3340956	1	Pad Kit	
104	3460334	1	Tube	
105	3520071	2	Plug	
106	4420066	AR	Tape, Double Sided	
108	See Note	NSS	Nameplate - Serial Number (Note: Not Available for Purchase)	
109	1001163298	2	Decal - Glazier Capacity	
110	1701509	1	Decal - Manual	
	0272418	Ref	SKYGLAZIER DECAL INSTALLATION	4
201	1705358	2	Decal - SkyGlazier	

# SECTION 5 - PLATFORM

FIGURE 5-50. SKYGLAZIER INSTALLATION (ITALIAN SPECS) (SN 0300201016 through 0300235781)



## SECTION 5 - PLATFORM

**FIGURE 5-50. SKYGLAZIER INSTALLATION (ITALIAN SPECS) (SN 0300201016 through 0300235781)**

ITEM	PART NUMBER	QTY	DESCRIPTION	REV
	1001099439	Ref	SKYGLAZIER INSTALLATION (ITALIAN SPECS) (SN 0300201016 through 0300235781)	D
1	0642026	2	Bolt 5/8 x 3-1/4	
2	0642212	4	Bolt 3/4 x 1-1/2	
3	0272952	1	Tray Assembly (See Items 101-110 for Breakdown)	
4	2902212	1	Bumpers and Strap Kit	
4	0940102	1	Bumper Only	
4	4240149	1	Strap Only	
5	3312005	4	Nut 5/8	
6	3312205	4	Nut 3/4	
7	4420014	AR	Tape	
8	4712200	8	Washer 3/4	
9	1001099366	1	Support	
10	1001099367	1	Support	
13	8310230	2	Bolt 5/8 x 4	
	0272952	Ref	TRAY ASSEMBLY	D
101	0100081	AR	Adhesive	
102	1120555	2	Cap, Tube	
103	3340956	1	Pad Kit	
104	3460334	1	Tube	
105	3520071	2	Plug	
106	4420066	AR	Tape, Double Sided	
108	See Note	NSS	Nameplate - Serial Number (Note: Not Available for Purchase)	
109	1001163287	2	Decal - Glazier Capacity	
110	1701509	1	Decal - Manual	
	0272418	Ref	SKYGLAZIER DECAL INSTALLATION	4
201	1705358	2	Decal - SkyGlazier	





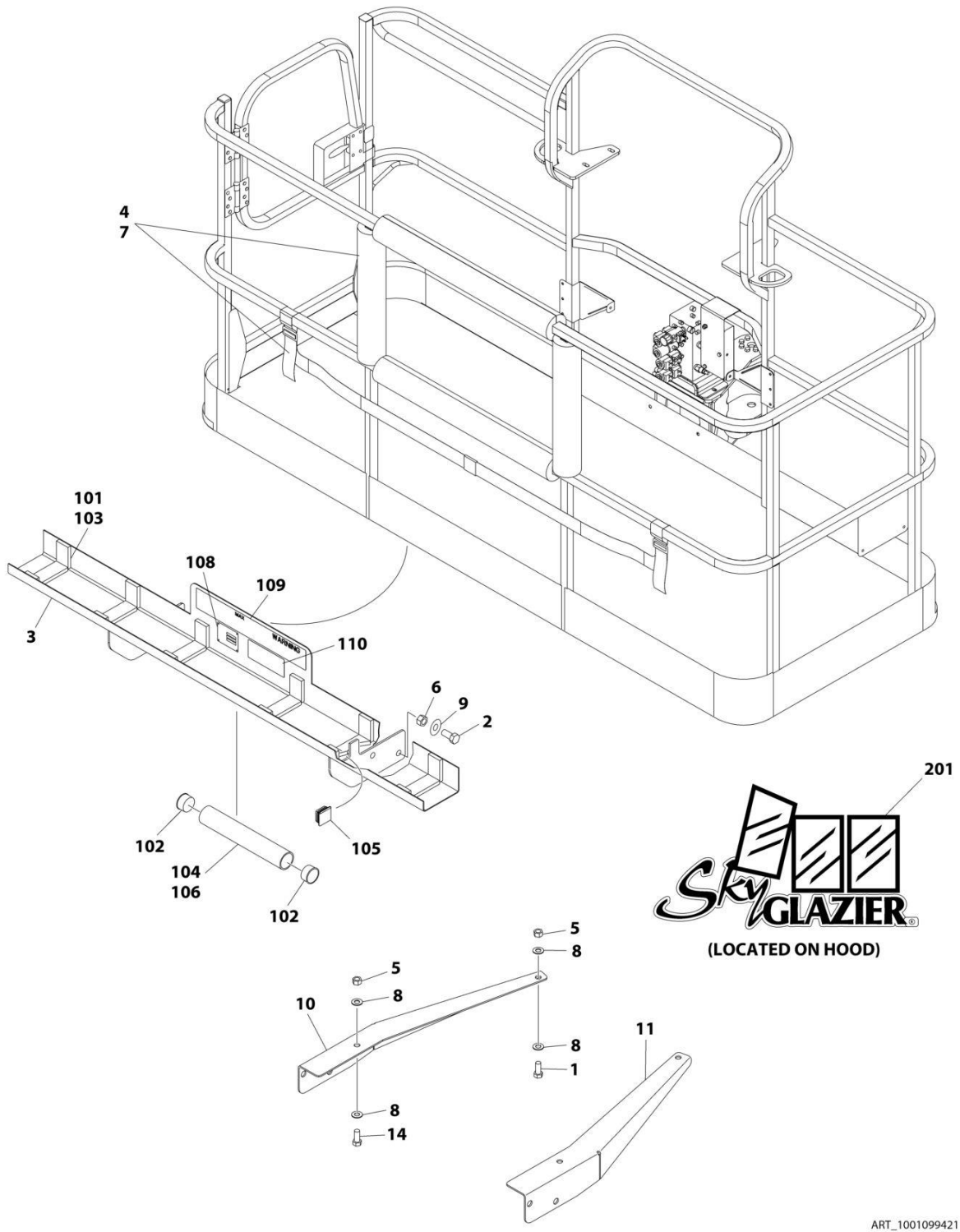
## SECTION 5 - PLATFORM

**FIGURE 5-51. SKYGLAZIER INSTALLATION (ITALIAN SPECS) (SN 0300235782 through 0300272504)**

ITEM	PART NUMBER	QTY	DESCRIPTION	REV
	1001225247	Ref	SKYGLAZIER INSTALLATION (ITALIAN SPECS)	A
1	0272952	1	Tray Assembly (See Items 101-110 for Breakdown)	
2	0642012	2	Bolt 5/8 x 1-1/2	
3	0642212	4	Bolt 3/4 x 1-1/2	
4	2902212	1	Bumpers and Strap Kit	
4	0940102	1	Bumper Only	
4	4240149	1	Strap Only	
5	3312005	4	Nut 5/8	
6	3312205	4	Nut 3/4	
7	4420014	AR	Tape	
8	4712000	6	Washer 5/8	
9	4712200	8	Washer 3/4	
10	8310129	2	Bolt 5/8 x 2-1/2	
11	1001099366	1	Support	
12	1001099367	1	Support	
	0272952	Ref	TRAY ASSEMBLY	D
101	0100081	AR	Adhesive	
102	1120555	2	Cap, Tube	
103	3340956	1	Pad Kit	
104	3460334	1	Tube	
105	3520071	2	Plug	
106	4420066	AR	Tape, Double Sided	
108	See Note	NSS	Nameplate - Serial Number (Note: Not Available for Purchase)	
109	1001163287	2	Decal - Glazier Capacity	
110	1701509	1	Decal - Manual	
	0272418	Ref	SKYGLAZIER DECAL INSTALLATION	4
201	1705358	2	Decal - SkyGlazier	

# SECTION 5 - PLATFORM

## FIGURE 5-52. SKYGLAZIER INSTALLATION (LATIN AMERICAN SPECS)



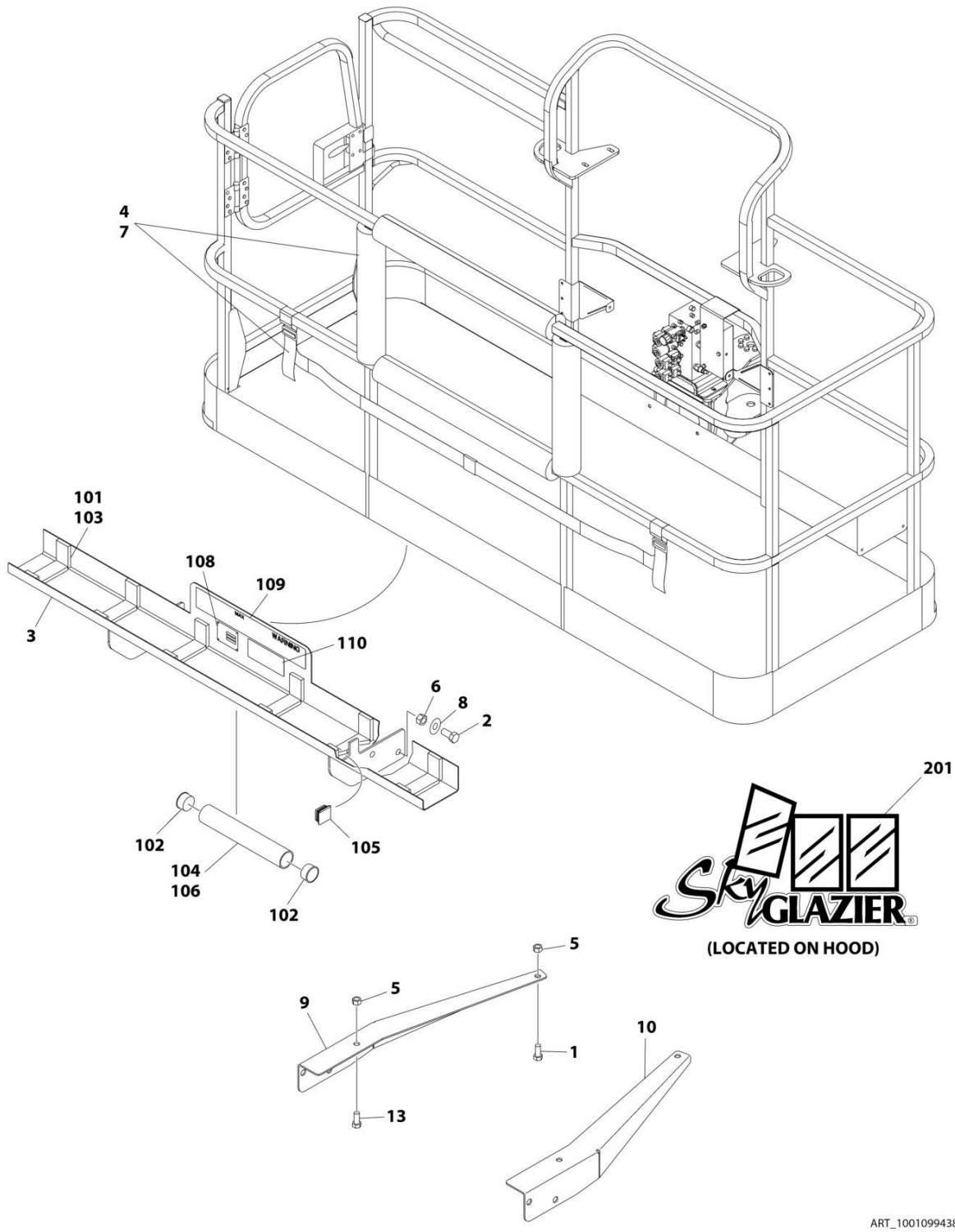
## SECTION 5 - PLATFORM

**FIGURE 5-52. SKYGLAZIER INSTALLATION (LATIN AMERICAN SPECS)**

ITEM	PART NUMBER	QTY	DESCRIPTION	REV
	1001099421	Ref	SKYGLAZIER INSTALLATION (LATIN AMERICAN SPECS)	C
1	0642012	2	Bolt 5/8 x 1-1/2	
2	0642212	4	Bolt 3/4 x 1-1/2	
3	0272948	1	Tray Assembly (See Items 101-110 for Breakdown)	
4	2902212	1	Bumpers and Strap Kit	
4	0940102	1	Bumper Only	
4	4240149	1	Strap Only	
5	3312005	4	Nut 5/8	
6	3312205	4	Nut 3/4	
7	4420014	AR	Tape	
8	4712000	6	Washer 5/8	
9	4712200	8	Washer 3/4	
10	1001099366	1	Support	
11	1001099367	1	Support	
14	8310129	2	Bolt 5/8 x 2.5	
	0272948	Ref	TRAY ASSEMBLY	E
101	0100081	AR	Adhesive	
102	1120555	2	Cap, Tube	
103	3340956	1	Pad Kit	
104	3460334	1	Tube	
105	3520071	2	Plug	
106	4420066	AR	Tape, Double Sided	
108	See Note	NSS	Nameplate - Serial Number (Note: Not Available for Purchase)	
109	1001163296	2	Decal - Glazier Capacity	
110	1701509	1	Decal - Manual	
	0272418	Ref	SKYGLAZIER DECAL INSTALLATION	4
201	1705358	2	Decal - SkyGlazier	

# SECTION 5 - PLATFORM

FIGURE 5-53. SKYGLAZIER INSTALLATION (PORTUGUESE SPECS) (SN 0300201016 through 0300235781)



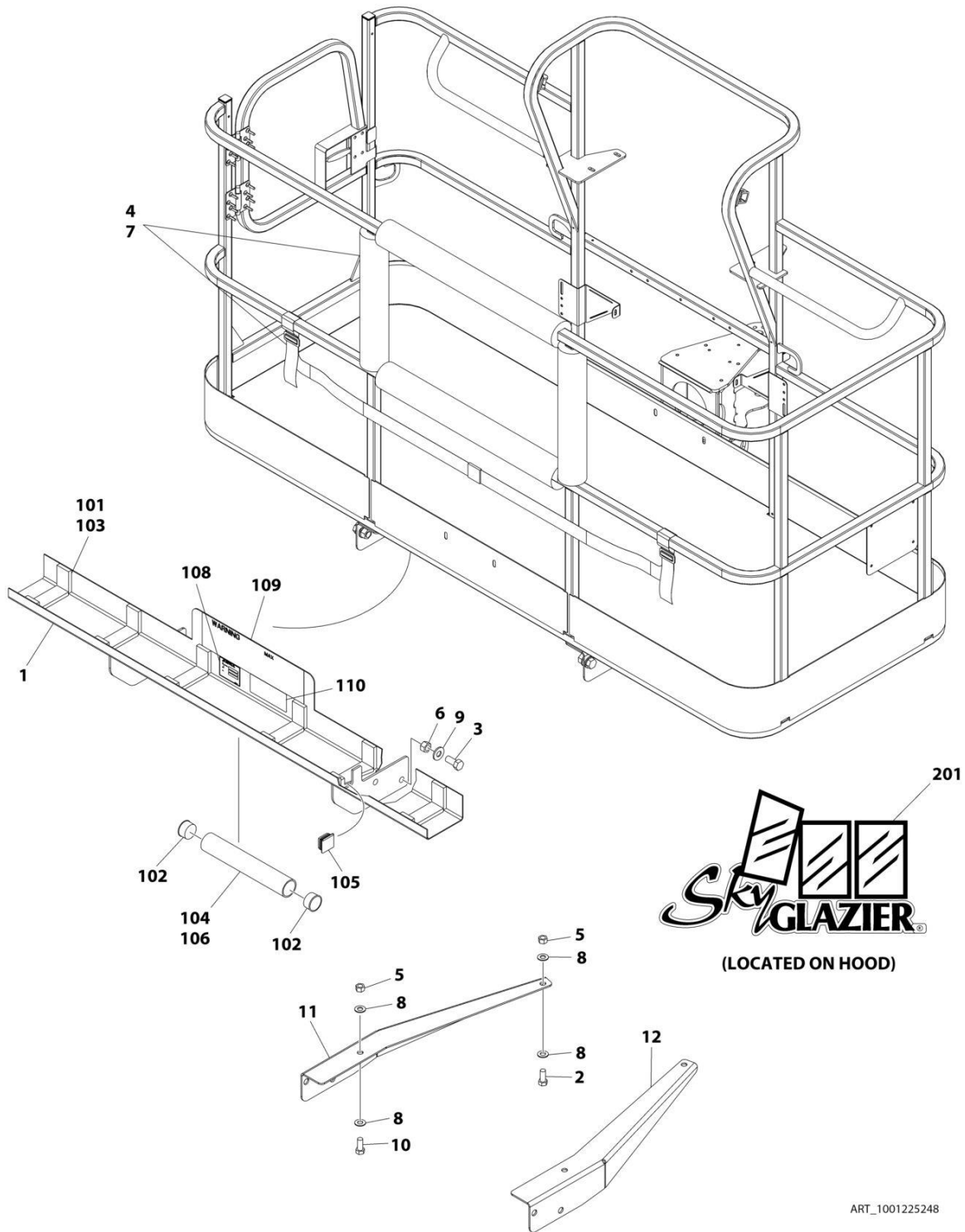
## SECTION 5 - PLATFORM

**FIGURE 5-53. SKYGLAZIER INSTALLATION (PORTUGUESE SPECS) (SN 0300201016 through 0300235781)**

ITEM	PART NUMBER	QTY	DESCRIPTION	REV
	1001099438	Ref	SKYGLAZIER INSTALLATION (PORTUGUESE SPECS) (SN <b>0300201016 through 0300235781</b> )	D
1	0642026	2	Bolt 5/8 x 3-1/4	
2	0642212	4	Bolt 3/4 x 1-1/2	
3	0273406	1	Tray Assembly (See Items 101-110 for Breakdown)	
4	2902212	1	Bumpers and Strap Kit	
4	0940102	1	Bumper Only	
4	4240149	1	Strap Only	
5	3312005	4	Nut 5/8	
6	3312205	4	Nut 3/4	
7	4420014	AR	Tape	
8	4712200	8	Washer 3/4	
9	1001099366	1	Support	
10	1001099367	1	Support	
13	8310230	2	Bolt 5/8 x 4	
	0273406	Ref	TRAY ASSEMBLY	D
101	0100081	AR	Adhesive	
102	1120555	2	Cap, Tube	
103	3340956	1	Pad Kit	
104	3460334	1	Tube	
105	3520071	2	Plug	
106	4420066	AR	Tape, Double Sided	
108	See Note	NSS	Nameplate - Serial Number (Note: Not Available for Purchase)	
109	1001163289	2	Decal - Glazier Capacity	
110	1701509	1	Decal - Manual	
	0272418	Ref	SKYGLAZIER DECAL INSTALLATION	4
201	1705358	2	Decal - SkyGlazier	

# SECTION 5 - PLATFORM

FIGURE 5-54. SKYGLAZIER INSTALLATION (PORTUGUESE SPECS) (SN 0300235782 through 0300272504)



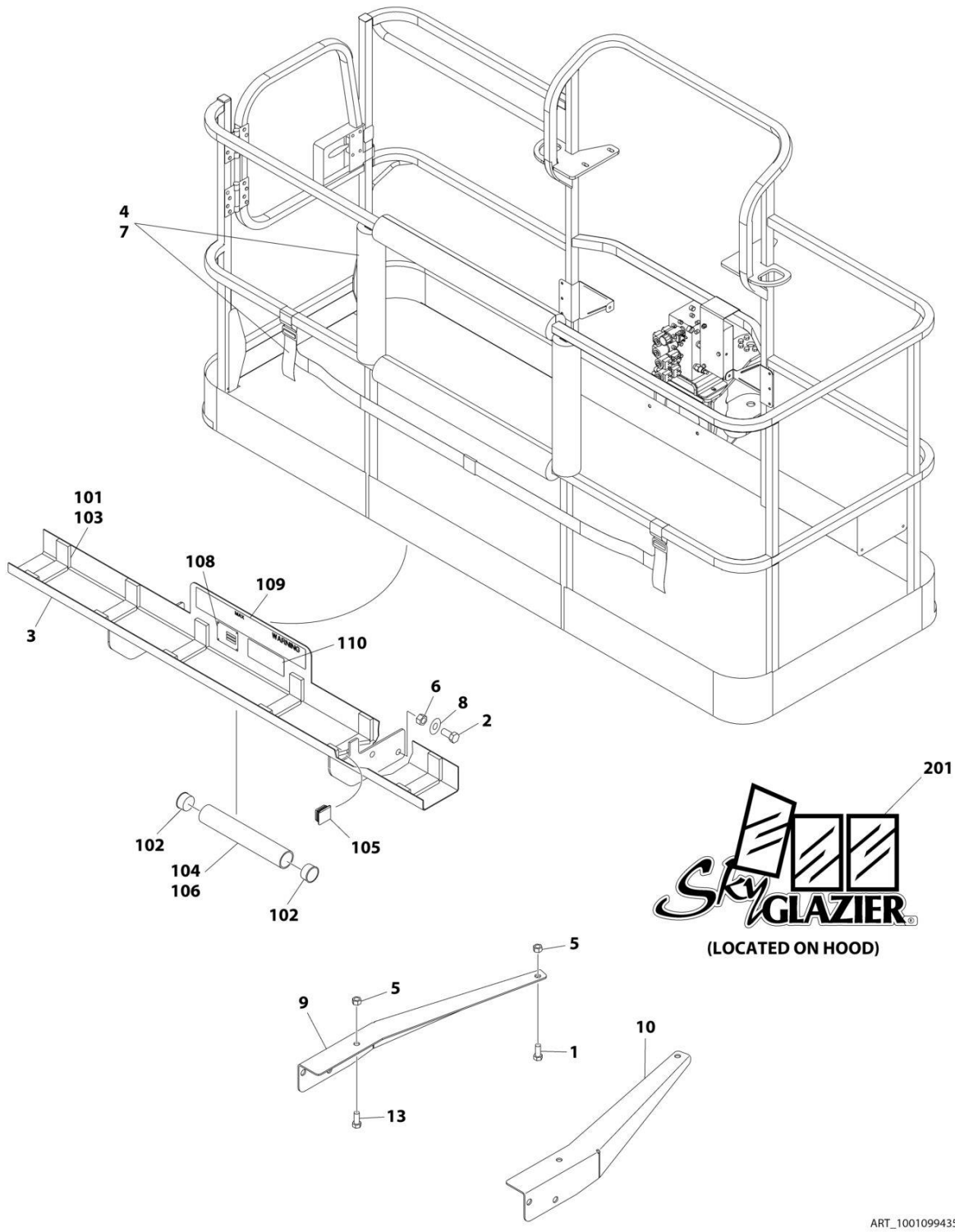
## SECTION 5 - PLATFORM

**FIGURE 5-54. SKYGLAZIER INSTALLATION (PORTUGUESE SPECS) (SN 0300235782 through 0300272504)**

ITEM	PART NUMBER	QTY	DESCRIPTION	REV
	1001225248	Ref	SKYGLAZIER INSTALLATION (PORTUGUESE SPECS)	A
1	0273406	1	Tray Assembly (See Items 101-110 for Breakdown)	
2	0642012	2	Bolt 5/8 x 1-1/2	
3	0642212	4	Bolt 3/4 x 1-1/2	
4	2902212	1	Bumpers and Strap Kit	
4	0940102	1	Bumper Only	
4	4240149	1	Strap Only	
5	3312005	4	Nut 5/8	
6	3312205	4	Nut 3/4	
7	4420014	AR	Tape	
8	4712000	6	Washer 5/8	
9	4712200	8	Washer 3/4	
10	8310129	2	Bolt 5/8 x 2-1/2	
11	1001099366	1	Support	
12	1001099367	1	Support	
	0273406	Ref	TRAY ASSEMBLY	D
101	0100081	AR	Adhesive	
102	1120555	2	Cap, Tube	
103	3340956	1	Pad Kit	
104	3460334	1	Tube	
105	3520071	2	Plug	
106	4420066	AR	Tape, Double Sided	
108	See Note	NSS	Nameplate - Serial Number (Note: Not Available for Purchase)	
109	1001163289	2	Decal - Glazier Capacity	
110	1701509	1	Decal - Manual	
	0272418	Ref	SKYGLAZIER DECAL INSTALLATION	4
201	1705358	2	Decal - SkyGlazier	

# SECTION 5 - PLATFORM

FIGURE 5-55. SKYGLAZIER INSTALLATION (SPANISH SPECS) (SN 0300201016 through 0300235781)





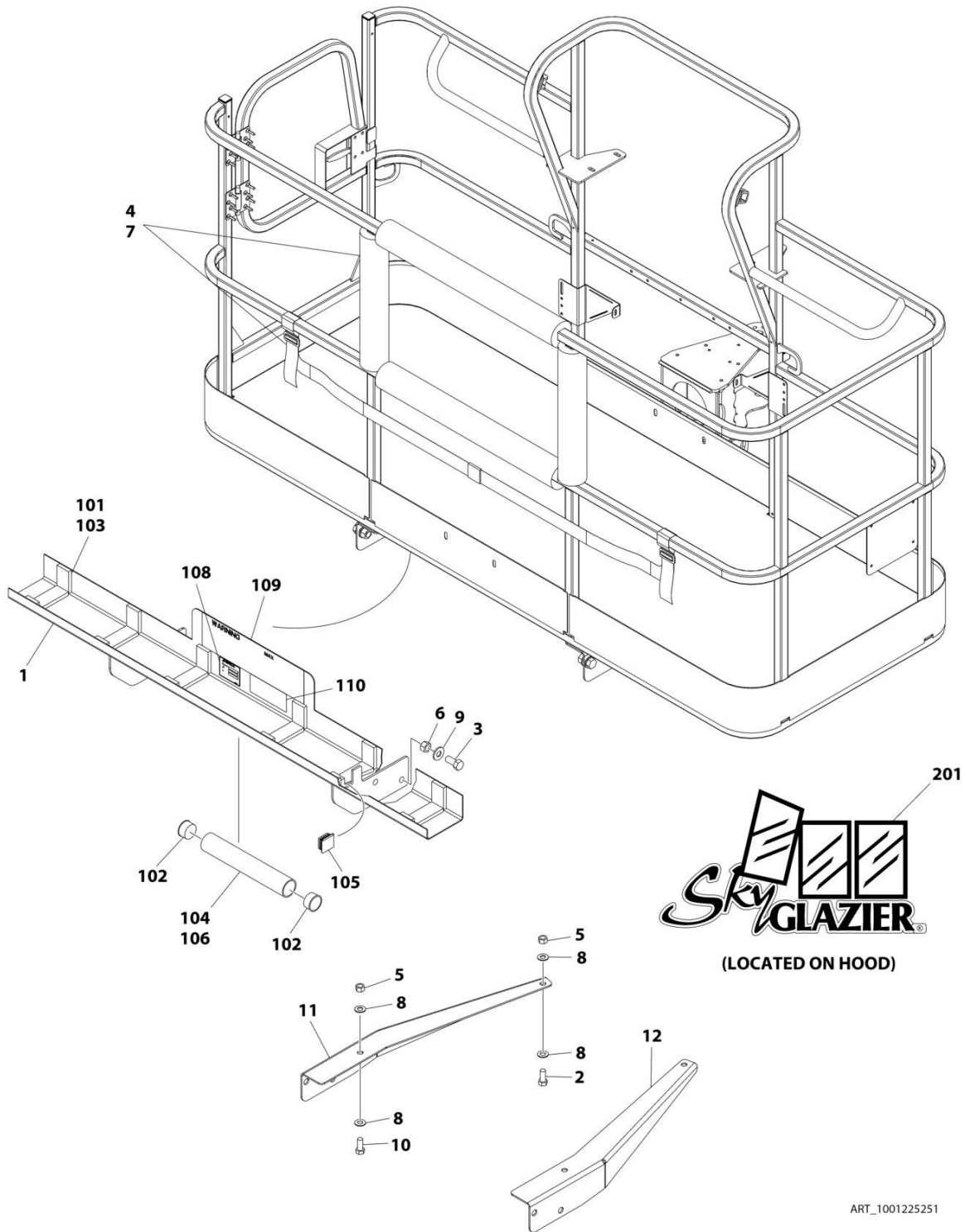
## SECTION 5 - PLATFORM

**FIGURE 5-55. SKYGLAZIER INSTALLATION (SPANISH SPECS) (SN 0300201016 through 0300235781)**

ITEM	PART NUMBER	QTY	DESCRIPTION	REV
	1001099435	Ref	SKYGLAZIER INSTALLATION (SPANISH SPECS) (SN <b>0300201016 through 0300235781</b> )	D
1	0642026	2	Bolt 5/8 x 3-1/4	
2	0642212	4	Bolt 3/4 x 1-1/2	
3	0273405	1	Tray Assembly (See Items 101-110 for Breakdown)	
4	2902212	1	Bumpers and Strap Kit	
4	0940102	1	Bumper Only	
4	4240149	1	Strap Only	
5	3312005	4	Nut 5/8	
6	3312205	4	Nut 3/4	
7	4420014	AR	Tape	
8	4712200	8	Washer 3/4	
9	1001099366	1	Support	
10	1001099367	1	Support	
13	8310230	2	Bolt 5/8 x 4	
	0273405	Ref	TRAY ASSEMBLY	D
101	0100081	AR	Adhesive	
102	1120555	2	Cap, Tube	
103	3340956	1	Pad Kit	
104	3460334	1	Tube	
105	3520071	2	Plug	
106	4420066	AR	Tape, Double Sided	
108	See Note	NSS	Nameplate - Serial Number (Note: Not Available for Purchase)	
109	1001163288	2	Decal - Glazier Capacity	
110	1701509	1	Decal - Manual	
	0272418	Ref	SKYGLAZIER DECAL INSTALLATION	4
201	1705358	2	Decal - SkyGlazier	

# SECTION 5 - PLATFORM

FIGURE 5-56. SKYGLAZIER INSTALLATION (SPANISH SPECS) (SN 0300235782 through 0300272504)



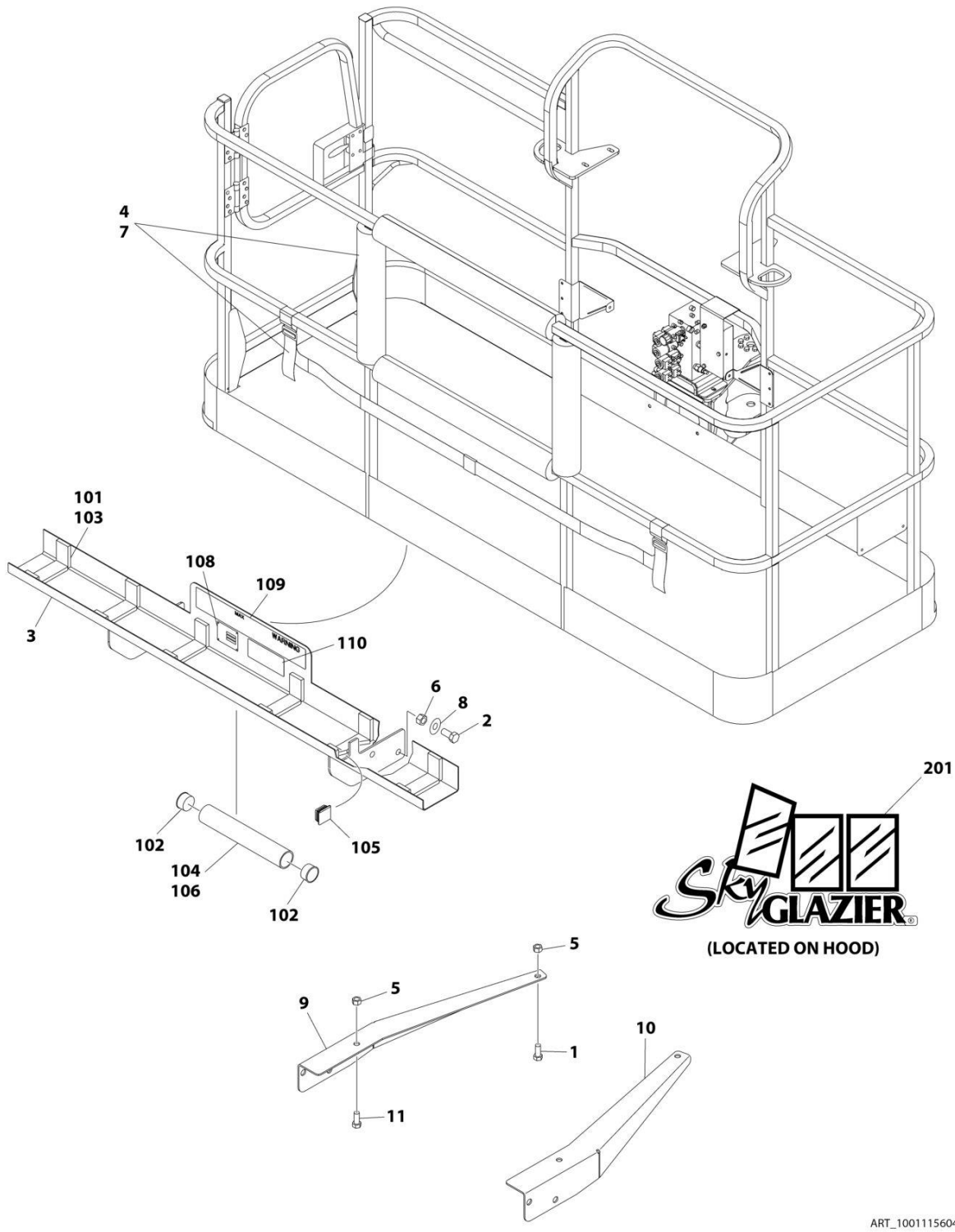
## SECTION 5 - PLATFORM

**FIGURE 5-56. SKYGLAZIER INSTALLATION (SPANISH SPECS) (SN 0300235782 through 0300272504)**

ITEM	PART NUMBER	QTY	DESCRIPTION	REV
	1001225251	Ref	SKYGLAZIER INSTALLATION (SPANISH SPECS)	A
1	0273405	1	Tray Assembly (See Items 101-110 for Breakdown)	
2	0642012	2	Bolt 5/8 x 1-1/2	
3	0642212	4	Bolt 3/4 x 1-1/2	
4	2902212	1	Bumpers and Strap Kit	
4	0940102	1	Bumper Only	
4	4240149	1	Strap Only	
5	3312005	4	Nut 5/8	
6	3312205	4	Nut 3/4	
7	4420014	AR	Tape	
8	4712000	6	Washer 5/8	
9	4712200	8	Washer 3/4	
10	8310129	2	Bolt 5/8 x 2-1/2	
11	1001099366	1	Support	
12	1001099367	1	Support	
	0273405	Ref	TRAY ASSEMBLY	D
101	0100081	AR	Adhesive	
102	1120555	2	Cap, Tube	
103	3340956	1	Pad Kit	
104	3460334	1	Tube	
105	3520071	2	Plug	
106	4420066	AR	Tape, Double Sided	
108	See Note	NSS	Nameplate - Serial Number (Note: Not Available for Purchase)	
109	1001163288	2	Decal - Glazier Capacity	
110	1701509	1	Decal - Manual	
	0272418	Ref	SKYGLAZIER DECAL INSTALLATION	4
201	1705358	2	Decal - SkyGlazier	

# SECTION 5 - PLATFORM

FIGURE 5-57. SKYGLAZIER INSTALLATION (SWEDISH SPECS) (SN 0300201016 through 0300235781)



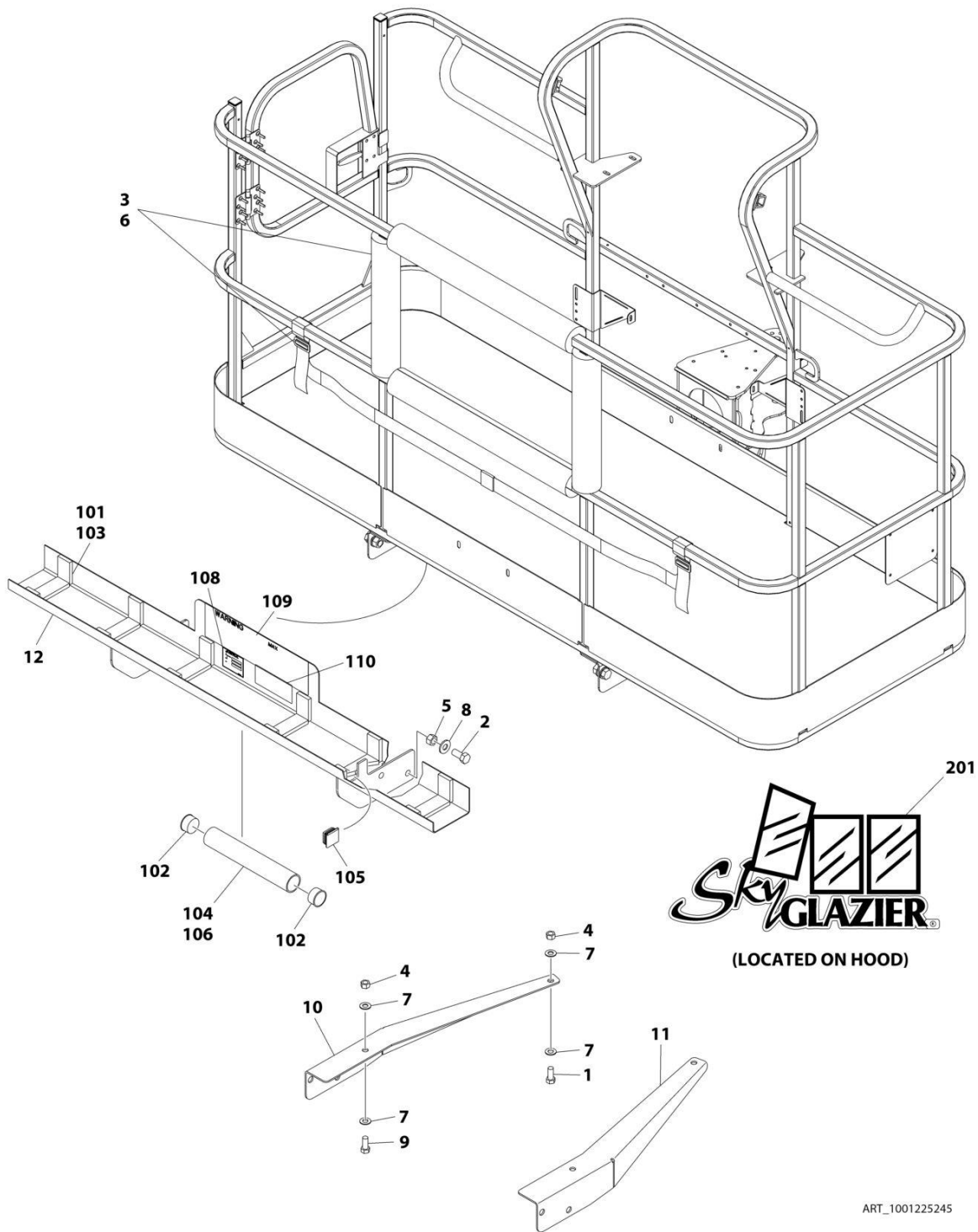
## SECTION 5 - PLATFORM

**FIGURE 5-57. SKYGLAZIER INSTALLATION (SWEDISH SPECS) (SN 0300201016 through 0300235781)**

ITEM	PART NUMBER	QTY	DESCRIPTION	REV
	1001115604	Ref	SKYGLAZIER INSTALLATION (SWEDISH SPECS) (SN <b>0300201016 through 0300235781</b> )	C
1	0642026	2	Bolt 5/8 x 3-1/4	
2	0642212	4	Bolt 3/4 x 1-1/2	
3	1001115603	1	Tray Assembly (See Items 101-110 for Breakdown)	
4	2902212	1	Bumpers and Strap Kit	
4	0940102	1	Bumper Only	
4	4240149	1	Strap Only	
5	3312005	4	Nut 5/8	
6	3312205	4	Nut 3/4	
7	4420014	AR	Tape	
8	4712200	8	Washer 3/4	
9	1001099366	1	Support	
10	1001099367	1	Support	
11	8310230	2	Bolt 5/8 x 4	
	1001115603	Ref	TRAY ASSEMBLY	C
101	0100081	AR	Adhesive	
102	1120555	2	Cap, Tube	
103	3340956	1	Pad Kit	
104	3460334	1	Tube	
105	3520071	2	Plug	
106	4420066	AR	Tape, Double Sided	
108	See Note	NSS	Nameplate - Serial Number (Note: Not Available for Purchase)	
109	1001163292	2	Decal - Glazier Capacity	
110	1701509	1	Decal - Manual	
	0272418	Ref	SKYGLAZIER DECAL INSTALLATION	4
201	1705358	2	Decal - SkyGlazier	

# SECTION 5 - PLATFORM

FIGURE 5-58. SKYGLAZIER INSTALLATION (SWEDISH SPECS) (SN 0300235782 through 0300272504)



ART\_1001225245

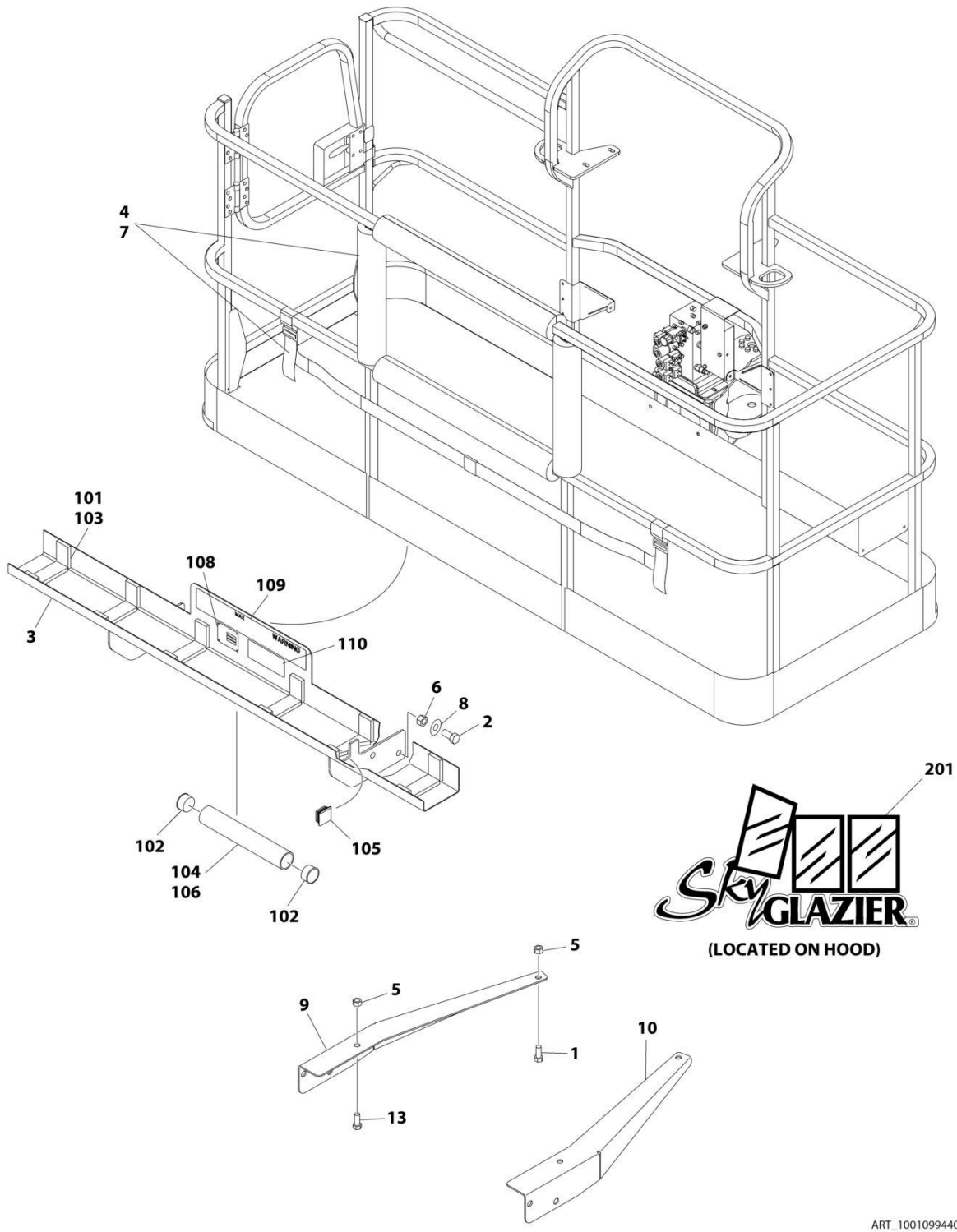
## SECTION 5 - PLATFORM

**FIGURE 5-58. SKYGLAZIER INSTALLATION (SWEDISH SPECS) (SN 0300235782 through 0300272504)**

ITEM	PART NUMBER	QTY	DESCRIPTION	REV
	1001225245	Ref	SKYGLAZIER INSTALLATION (SWEDISH SPECS)	B
1	0642012	2	Bolt 5/8 x 1-1/2	
2	0642212	4	Bolt 3/4 x 1-1/2	
3	2902212	1	Bumpers and Strap Kit	
3	0940102	1	Bumper Only	
3	4240149	1	Strap Only	
4	3312005	4	Nut 5/8	
5	3312205	4	Nut 3/4	
6	4420014	AR	Tape	
7	4712000	6	Washer 5/8	
8	4712200	8	Washer 3/4	
9	8310129	2	Bolt 5/8 x 2-1/2	
10	1001099366	1	Support	
11	1001099367	1	Support	
12	1001115603	1	Tray Assembly (See Items 101-110 for Breakdown)	
	1001115603	Ref	TRAY ASSEMBLY	C
101	0100081	AR	Adhesive	
102	1120555	2	Cap, Tube	
103	3340956	1	Pad Kit	
104	3460334	1	Tube	
105	3520071	2	Plug	
106	4420066	AR	Tape, Double Sided	
108	See Note	NSS	Nameplate - Serial Number (Note: Not Available for Purchase)	
109	1001163292	2	Decal - Glazier Capacity	
110	1701509	1	Decal - Manual	
	0272418	Ref	SKYGLAZIER DECAL INSTALLATION	4
201	1705358	2	Decal - SkyGlazier	

# SECTION 5 - PLATFORM

FIGURE 5-59. SKYGLAZIER INSTALLATION (UK SPECS) (SN 0300201016 through 0300235781)



ART\_1001099440



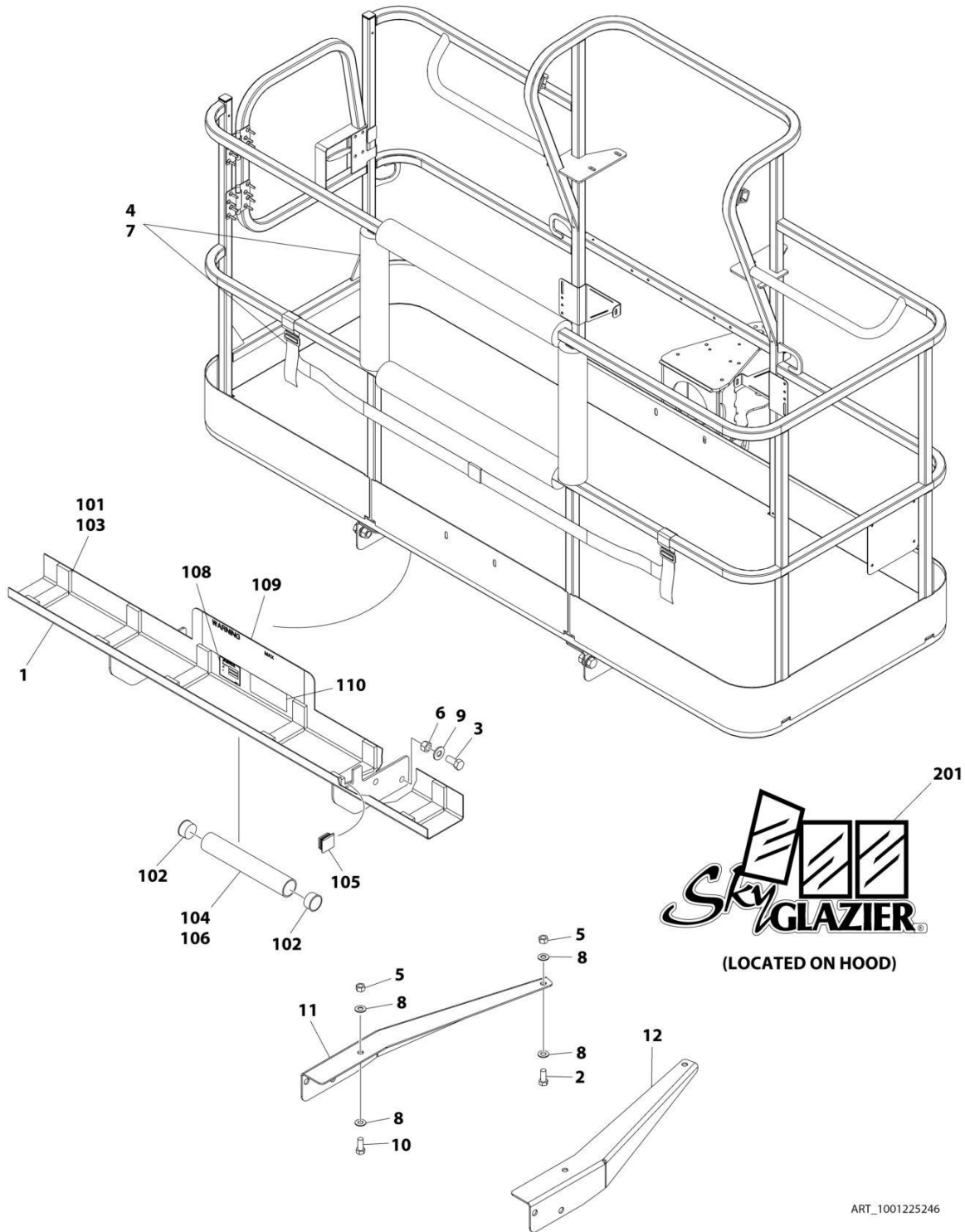
## SECTION 5 - PLATFORM

**FIGURE 5-59. SKYGLAZIER INSTALLATION (UK SPECS) (SN 0300201016 through 0300235781)**

ITEM	PART NUMBER	QTY	DESCRIPTION	REV
	1001099440	Ref	SKYGLAZIER INSTALLATION (UK SPECS) (SN 0300201016 through 0300235781)	D
1	0642026	2	Bolt 5/8 x 3-1/4	
2	0642212	4	Bolt 3/4 x 1-1/2	
3	0273404	1	Tray Assembly (See Items 101-110 for Breakdown)	
4	2902212	1	Bumpers and Strap Kit	
4	0940102	1	Bumper Only	
4	4240149	1	Strap Only	
5	3312005	4	Nut 5/8	
6	3312205	4	Nut 3/4	
7	4420014	AR	Tape	
8	4712200	8	Washer 3/4	
9	1001099366	1	Support	
10	1001099367	1	Support	
13	8310230	2	Bolt 5/8 x 4	
	0273404	Ref	TRAY ASSEMBLY	D
101	0100081	AR	Adhesive	
102	1120555	2	Cap, Tube	
103	3340956	1	Pad Kit	
104	3460334	1	Tube	
105	3520071	2	Plug	
106	4420066	AR	Tape, Double Sided	
108	See Note	NSS	Nameplate - Serial Number (Note: Not Available for Purchase)	
109	1001163295	2	Decal - Glazier Capacity	
110	1701509	1	Decal - Manual	
	0272418	Ref	SKYGLAZIER DECAL INSTALLATION	4
201	1705358	2	Decal - SkyGlazier	

# SECTION 5 - PLATFORM

FIGURE 5-60. SKYGLAZIER INSTALLATION (UK SPECS) (SN 0300235782 through 0300272504)



ART\_1001225246

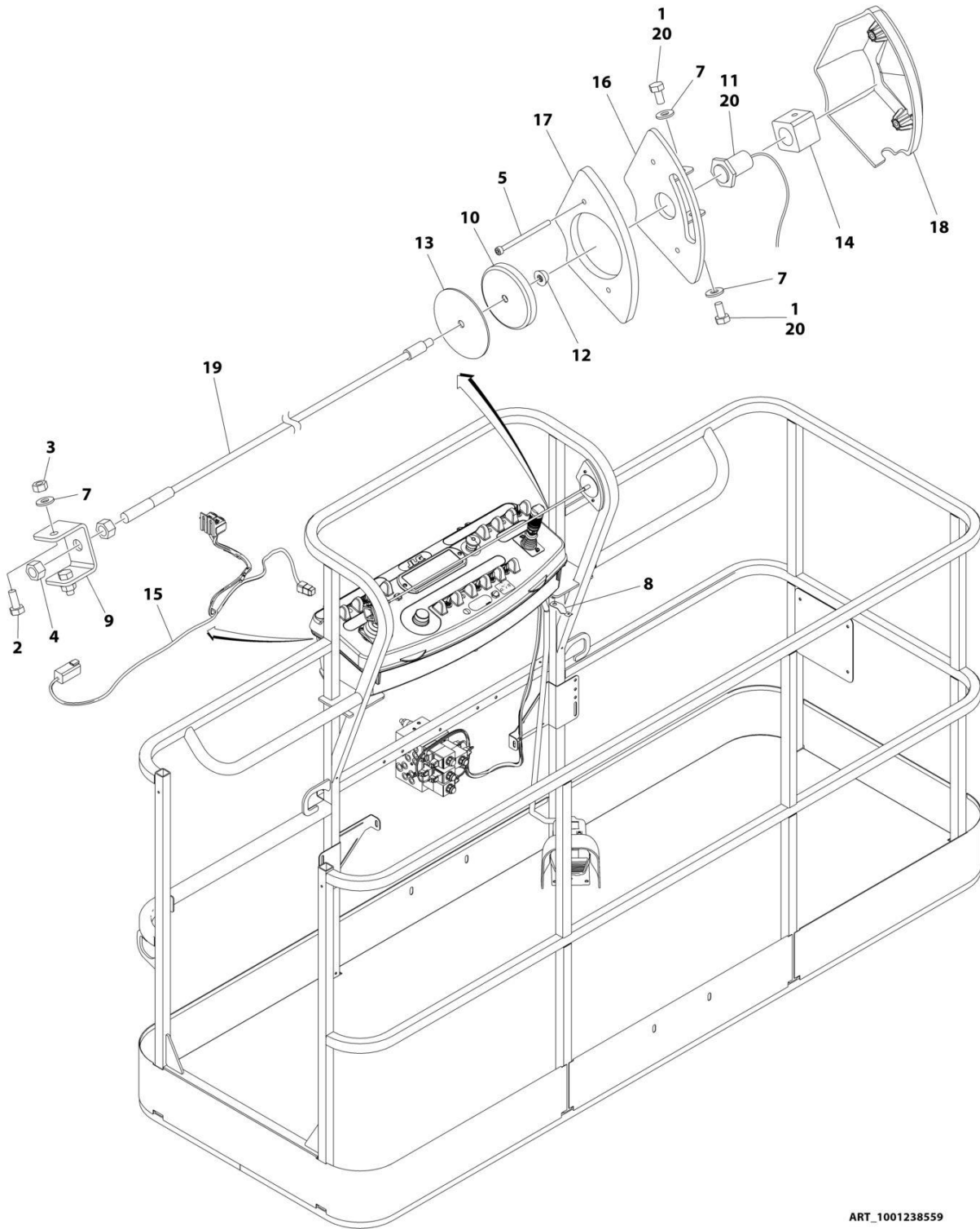
## SECTION 5 - PLATFORM

**FIGURE 5-60. SKYGLAZIER INSTALLATION (UK SPECS) (SN 0300235782 through 0300272504)**

ITEM	PART NUMBER	QTY	DESCRIPTION	REV
	1001225246	Ref	SKYGLAZIER INSTALLATION (UK SPECS)	A
1	0273404	1	Tray Assembly (See Items 101-110 for Breakdown)	
2	0642012	2	Bolt 5/8 x 1-1/2	
3	0642212	4	Bolt 3/4 x 1-1/2	
4	2902212	1	Bumpers and Strap Kit	
4	0940102	1	Bumper Only	
4	4240149	1	Strap Only	
5	3312005	4	Nut 5/8	
6	3312205	4	Nut 3/4	
7	4420014	AR	Tape	
8	4712000	6	Washer 5/8	
9	4712200	8	Washer 3/4	
10	8310129	2	Bolt 5/8 x 2-1/2	
11	1001099366	1	Support	
12	1001099367	1	Support	
	0273404	Ref	TRAY ASSEMBLY	D
101	0100081	AR	Adhesive	
102	1120555	2	Cap, Tube	
103	3340956	1	Pad Kit	
104	3460334	1	Tube	
105	3520071	2	Plug	
106	4420066	AR	Tape, Double Sided	
108	See Note	NSS	Nameplate - Serial Number (Note: Not Available for Purchase)	
109	1001163295	2	Decal - Glazier Capacity	
110	1701509	1	Decal - Manual	
	0272418	Ref	SKYGLAZIER DECAL INSTALLATION	4
201	1705358	2	Decal - SkyGlazier	

# SECTION 5 - PLATFORM

## FIGURE 5-61. SKYLINE INSTALLATION



ART\_1001238559

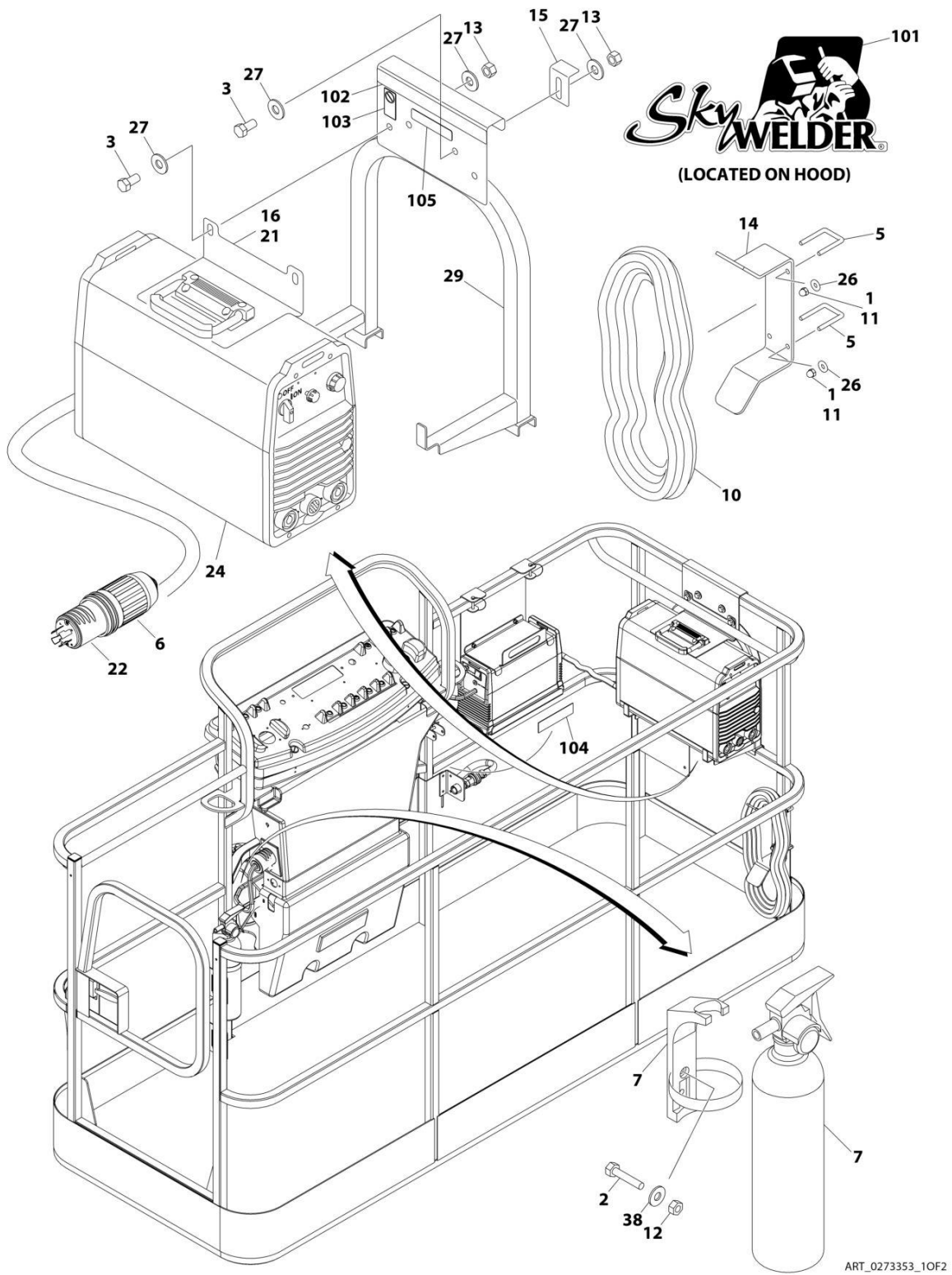
## SECTION 5 - PLATFORM

### FIGURE 5-61. SKYLINE INSTALLATION

ITEM	PART NUMBER	QTY	DESCRIPTION	REV
	1001238559	Ref	SKYLINE INSTALLATION	B
1	0641404	2	Bolt 1/4 x 1/2	
2	0641405	2	Bolt 1/4 x 5/8	
3	3311405	2	Nut 1/4	
4	3311601	2	Nut 3/8	
5	4031516	2	Capscrew M4 x 60	
6	4240033	AR	Tie-Strap (Not Shown)	
7	4711400	4	Washer 1/4	
8	1001120328	1	Mount	
9	1001232642	1	Bracket	
10	1001232650	1	Magnet	
11	1001232667	1	Sensor, Proximity	
12	1001235011	1	Nut	
13	1001235013	1	Washer	
14	1001236552	1	Block	
15	1001238418	1	Harness, Skyline (See Separate Breakdown in ELECTRICAL Section)	
16	1001238472	1	Mount	
17	1001238477	1	Housing, LH	
18	1001241965	1	Housing, RH	
19	1001238824	1	Rope	
20	0100011	AR	Compound, Locking	

# SECTION 5 - PLATFORM

## FIGURE 5-62. SKYWELDER/SKYCUTTER COMBO INSTALLATION (60HZ)



ART\_0273353\_10F2



# SECTION 5 - PLATFORM

## FIGURE 5-62. SKYWELDER/SKYCUTTER COMBO INSTALLATION (60HZ)

ITEM	PART NUMBER	QTY	DESCRIPTION	REV
	0273353	Ref	SKYWELDER/SKYCUTTER COMBO INSTALLATION (60HZ)	G
		Ref	Note: ANSI, ANSI Export, China, CSA and Japanese Spec Only.	
1	0100011	AR	Compound, Locking	
2	0630518	2	Screw #10 x 3/4	
3	0641606	4	Bolt 3/8 x 3/4	
4	1320177	2	Clamp	
5	1320302	2	Clamp	
6	1671093	1	Cover, Plug	
7	2030010	1	Extinguisher, Fire	
8	2180832	1	Fitting, Barbed/NPT	
9	2720160	4.5 ft/ 1.4m	Hose	
10	2902217	1	Weld Leads Kit	
11	3300151	4	Nut 1/4	
12	3311005	2	Nut #10	
13	3311605	4	Nut 3/8	
14	3573400	1	Bracket	
15	3577121	2	Angle	
16	3573642	1	Plate	
20	4240099	AR	Tie-Strap (Not Shown)	
21	4420037	2.4 ft/ 0.7m	Tape	
22	4460962	1	Plug, Twist Lock	
23	4460971	1	Plug, Twist Lock	
24	4530028	1	Welder Assembly (See Separate Breakdown in this Section)	
25	1001098012	1	Plasma Cutter Assembly (See Separate Breakdown in this Section)	
26	4751400	4	Washer 1/4	
27	4751600	8	Washer 3/8	
29	4846627	1	Support	
31	1001145405	1	Bracket	
32	4811700	2	Washer M6	
33	3290605	2	Nut M6	
34	3421453	3	Pin	
35	3576799	1	Plate, Hold-Down	
36	0100020	1	Sealant	
37	4010608	2	Screw M6 x 16	
38	4751000	2	Washer #10	
	0272448	Ref	SKYWELDER DECAL INSTALLATION	B
101	1705355	2	Decal - SkyWelder	
102	1702868	1	Decal - No Hands	
103	1705305	1	Decal - Weld Leads	
104	1705375	1	Decal - 240V - 3 Phase - 60Hz	
105	1705466	1	Decal - Weight (SN 0300201016 through 0300233704)	
105	1001228988	1	Decal - Weight (SN 0300233705 through 0300272504, SN B300000100 through B300007118, Except SN 0300272455 through 0300272461)	
	0272599	Ref	SKYCUTTER DECAL INSTALLATION	B
201	1702868	1	Decal - No Hands	
202	1705305	1	Decal - Weld Leads	
203	1705466	1	Decal - Weight (SN 0300201016 through 0300233704)	

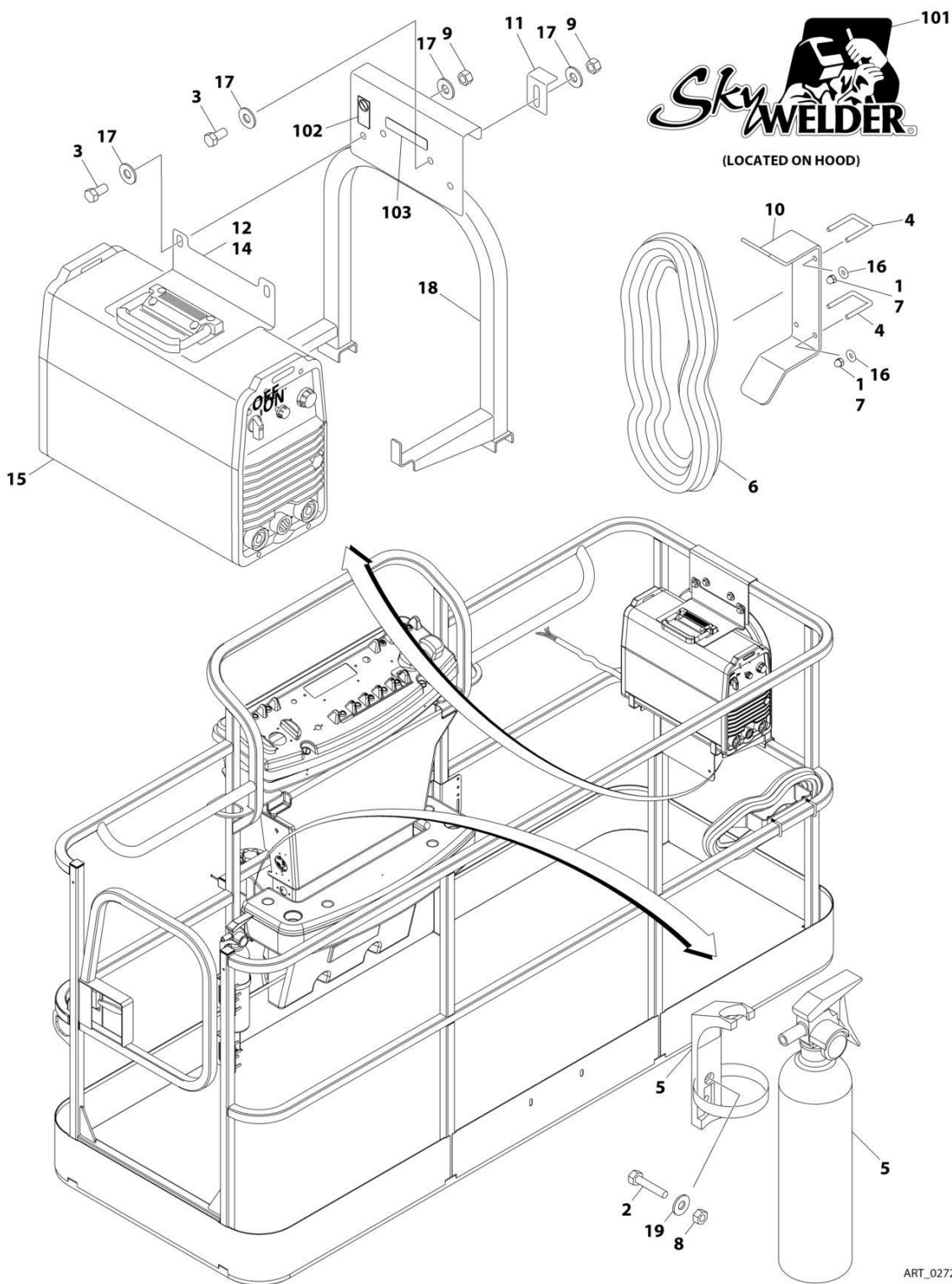


## SECTION 5 - PLATFORM

ITEM	PART NUMBER	QTY	DESCRIPTION	REV
203	1001228988	1	Decal - Weight (SN 0300233705 through 0300272504, SN B300000100 through B300007118, Except SN 0300272455 through 0300272461)	
204	1705490	2	Decal - SkyCutter	

# SECTION 5 - PLATFORM

## FIGURE 5-63. SKYWELDER INSTALLATION (50HZ)



ART\_0272521

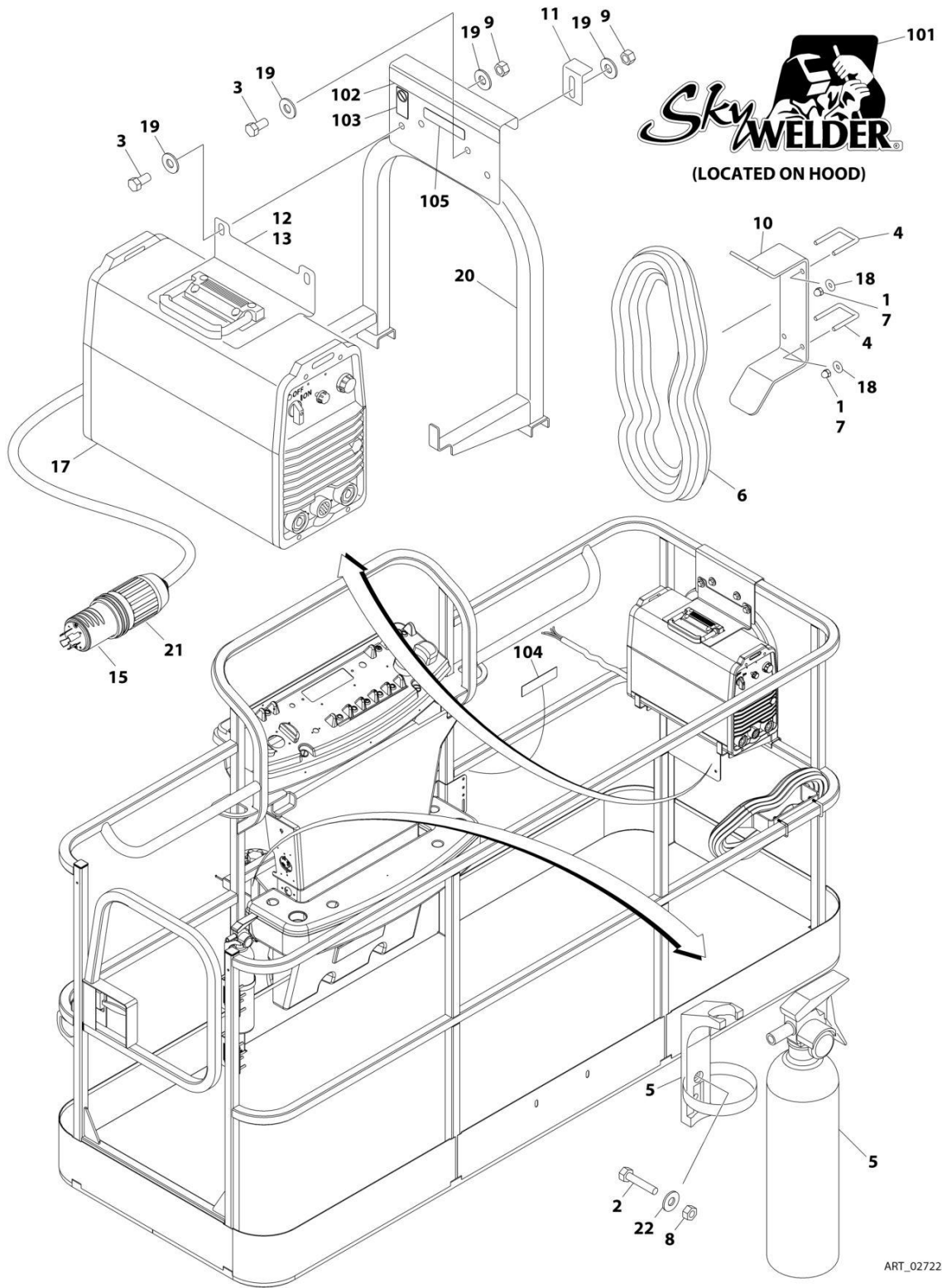
## SECTION 5 - PLATFORM

**FIGURE 5-63. SKYWELDER INSTALLATION (50HZ)**

ITEM	PART NUMBER	QTY	DESCRIPTION	REV
	0272521	Ref	SKYWELDER INSTALLATION (50HZ)	F
		Ref	Note: ANSI Export, Australian, CE, Chinese and Japanese Specs Only.	
1	0100011	AR	Compound, Locking	
2	0630518	2	Screw #10 x 3/4	
3	0641606	4	Bolt 3/8 x 3/4	
4	1320302	2	U-Clamp	
5	2030010	1	Extinguisher, Fire	
6	2902217	1	Weld Leads Kit	
7	3300151	4	Nut 1/4	
8	3311005	2	Nut #10	
9	3311605	4	Nut 3/8	
10	3573400	1	Bracket	
11	3577121	2	Angle	
12	3573642	1	Plate	
13	4240099	AR	Tie-Strap (Not Shown)	
14	4420037	AR	Tape	
15	4530028	1	Welder Assembly (See Separate Breakdown in this Section)	
16	4751400	4	Washer 1/4	
17	4751600	8	Washer 3/8	
18	4846627	1	Support	
19	4751000	2	Washer #10	
	0272588	Ref	SKYWELDER DECAL INSTALLATION	B
101	1705355	2	Decal - SkyWelder	
102	1705305	1	Decal - Weld Lead	
103	1705466	1	Decal - Weight (SN 0300201016 through 0300233704)	
103	1001228988	1	Decal - Weight (SN 0300233705 through 0300272504, SN B300000100 through B300007118, Except SN 0300272455 through 0300272461)	

# SECTION 5 - PLATFORM

## FIGURE 5-64. SKYWELDER INSTALLATION (60HZ)



ART\_0272254

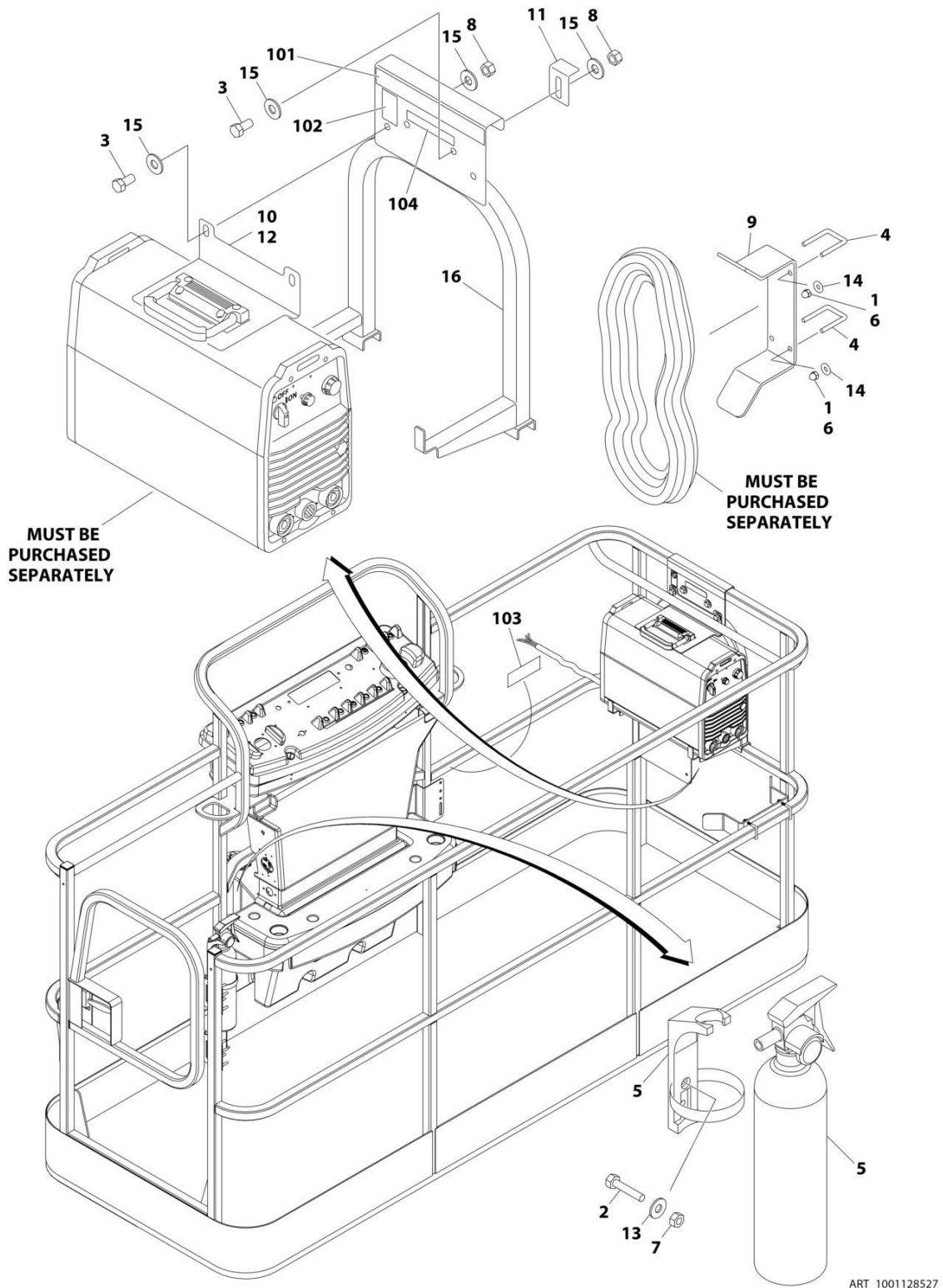
## SECTION 5 - PLATFORM

**FIGURE 5-64. SKYWELDER INSTALLATION (60HZ)**

ITEM	PART NUMBER	QTY	DESCRIPTION	REV
	0272254	Ref	SKYWELDER INSTALLATION (60HZ)	I
		Ref	Note: ANSI, ANSI Export, CSA and Japanese Specs Only.	
1	0100011	AR	Compound, Locking	
2	0630518	2	Screw #10 x 3/4	
3	0641606	4	Bolt 3/8 x 3/4	
4	1320302	2	U-Clamp	
5	2030010	1	Extinguisher, Fire	
6	2902217	1	Weld Leads Kit	
7	3300151	4	Nut 1/4	
8	3311005	2	Nut #10	
9	3311605	4	Nut 3/8	
10	3573400	1	Bracket	
11	3577121	2	Angle	
12	3573642	1	Plate	
13	4420037	AR	Tape	
14	4240099	AR	Tie-Strap (Not Shown)	
15	4460962	1	Plug, Male Twistlock	
17	4530028	1	Welder Assembly (See Separate Breakdown in this Section)	
18	4751400	4	Washer 1/4	
19	4751600	8	Washer 3/8	
20	4846627	1	Support	
21	1671093	1	Cover, Plug	
22	4751000	2	Washer #10	
	0272448	Ref	SKYWELDER DECAL INSTALLATION	B
101	1705355	2	Decal - SkyWelder	
102	1702868	1	Decal - No Hands	
103	1705305	1	Decal - Weld Lead	
104	1705375	1	Decal - 240V - 3 Phase - 60Hz	
105	1705466	1	Decal - Weight (SN 0300201016 through 0300233704)	
105	1001228988	1	Decal - Weight (SN 0300233705 through 0300272504, SN B300000100 through B300007118, Except SN 0300272455 through 0300272461)	

# SECTION 5 - PLATFORM

## FIGURE 5-65. SKYWELDER PREP PACKAGE (60HZ)



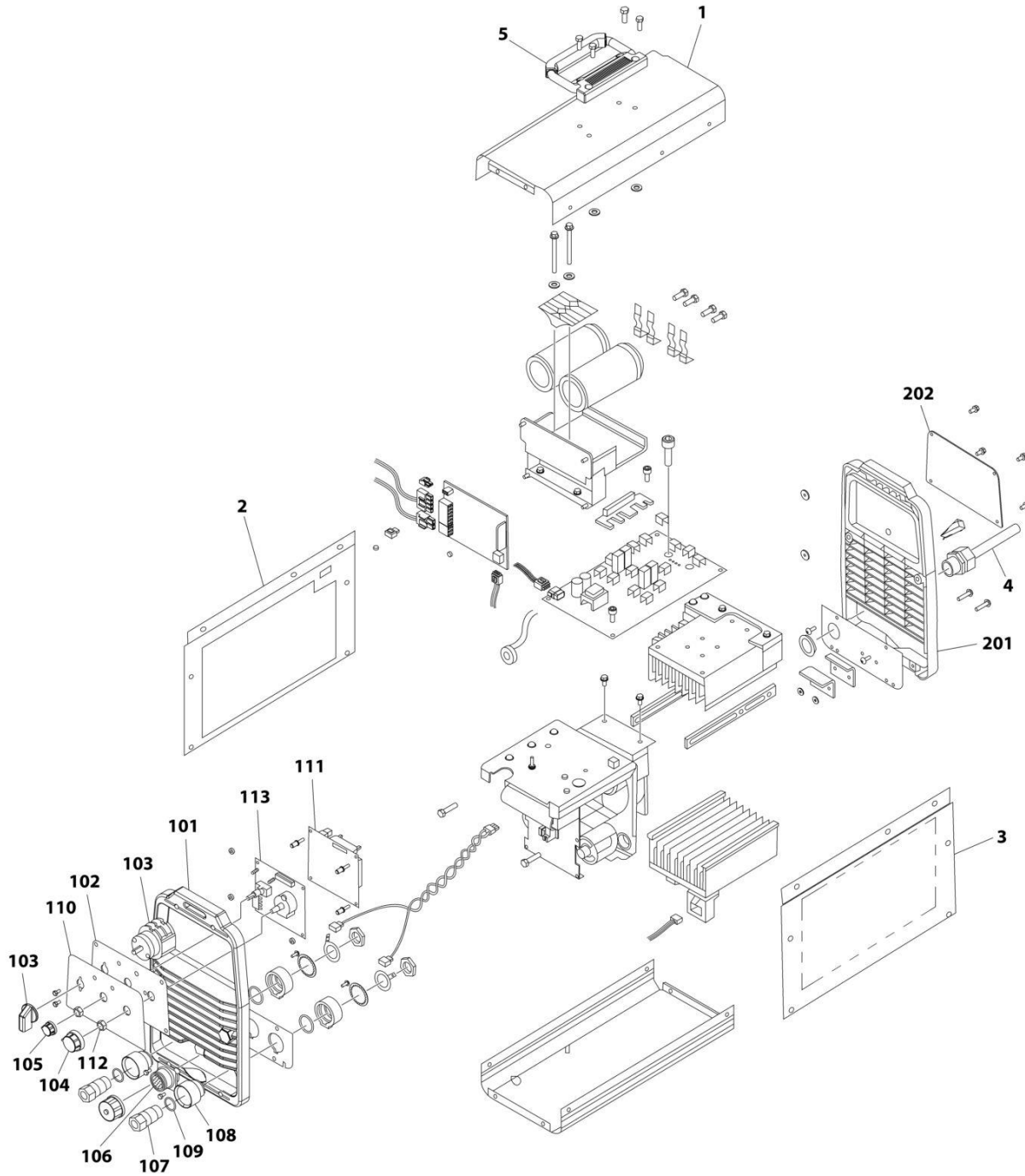
## SECTION 5 - PLATFORM

**FIGURE 5-65. SKYWELDER PREP PACKAGE (60HZ)**

ITEM	PART NUMBER	QTY	DESCRIPTION	REV
	1001128527	Ref	SKYWELDER PREP PACKAGE (60HZ)	B
		Ref	Note: ANSI, ANSI Export and CSA Specs Only.	
1	0100011	AR	Compound, Locking	
2	0630518	2	Screw #10 x 3/4	
3	0641606	4	Bolt 3/8 x 3/4	
4	1320302	2	U-Clamp	
5	2030010	1	Extinguisher, Fire	
6	3300151	4	Nut 1/4	
7	3311005	2	Nut #10	
8	3311605	4	Nut 3/8	
9	3573400	1	Bracket	
10	3573642	1	Plate	
11	3577121	2	Angle	
12	4420037	AR	Tape	
13	4751000	2	Washer #10	
14	4751400	4	Washer 1/4	
15	4751600	8	Washer 3/8	
16	4846627	1	Support	
	1001128556	Ref	SKYWELDER DECAL INSTALLATION	B
101	1702868	1	Decal - No Hands	
102	1705305	1	Decal - Weld Lead	
103	1705375	1	Decal - 240V - 3 Phase - 60Hz	
104	1705466	1	Decal - Weight <b>(SN 0300201016 through 0300233704)</b>	
104	1001228988	1	Decal - Weight <b>(SN 0300233705 through 0300272504, SN B300000100 through B300007118, Except SN 0300272455 through 0300272461)</b>	

# SECTION 5 - PLATFORM

## FIGURE 5-66. WELDER ASSEMBLY



ART\_4530028



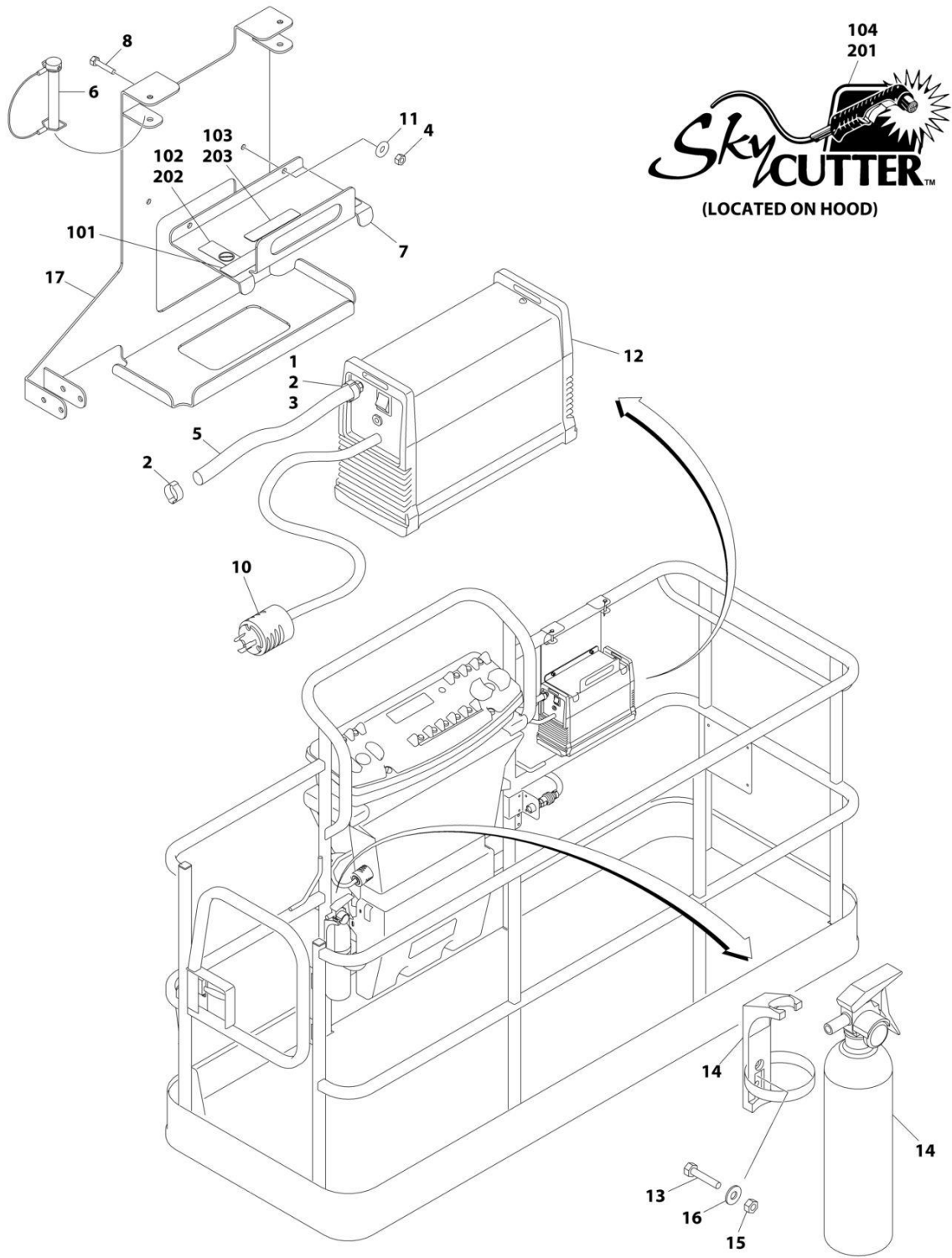
## SECTION 5 - PLATFORM

### FIGURE 5-66. WELDER ASSEMBLY

ITEM	PART NUMBER	QTY	DESCRIPTION	REV
	4530028	Ref	WELDER ASSEMBLY	B
		Ref	Note: For Other Components, contact your Miller Welder Dealer.	
1	7027773	1	Cover, Top	
1	7027774	1	Decal - Static Precautionary Warning	
2	See Note	NSS	Panel, LH Side (Note: Part of Item 1. Purchase Item 1)	
3	See Note	NSS	Panel, RH Side (Note: Part of Item 1. Purchase Item 1)	
4	7024467	1	Cable, Power	
4	7027775	1	Decal - Electrical Shock Warning (Not Shown)	
5	7027776	1	Handle, Carrying	
101	7024462	1	Panel, Front	
102	7024463	1	Panel, Console	
103	7024469	1	Switch with Lead	
104	7024470	1	Knob	
105	7024471	1	Knob	
106	7024472	1	Receptacle with Leads and Plugs	
107	7024473	2	Receptacle, Twistlock Female	
108	7024474	2	Insulator	
109	7024475	2	O-Ring	
110	7027777	1	Nameplate	
111	7027779	1	Circuit Card Assembly (Process Control)	
112	7024478	2	Nut	
113	7027778	1	Circuit Card Assembly (Operator Interface)	
201	7024462	1	Panel, Rear	
202	7027780	1	Panel, Cover	

# SECTION 5 - PLATFORM

## FIGURE 5-67. SKYCUTTER INSTALLATION



ART\_1001098149

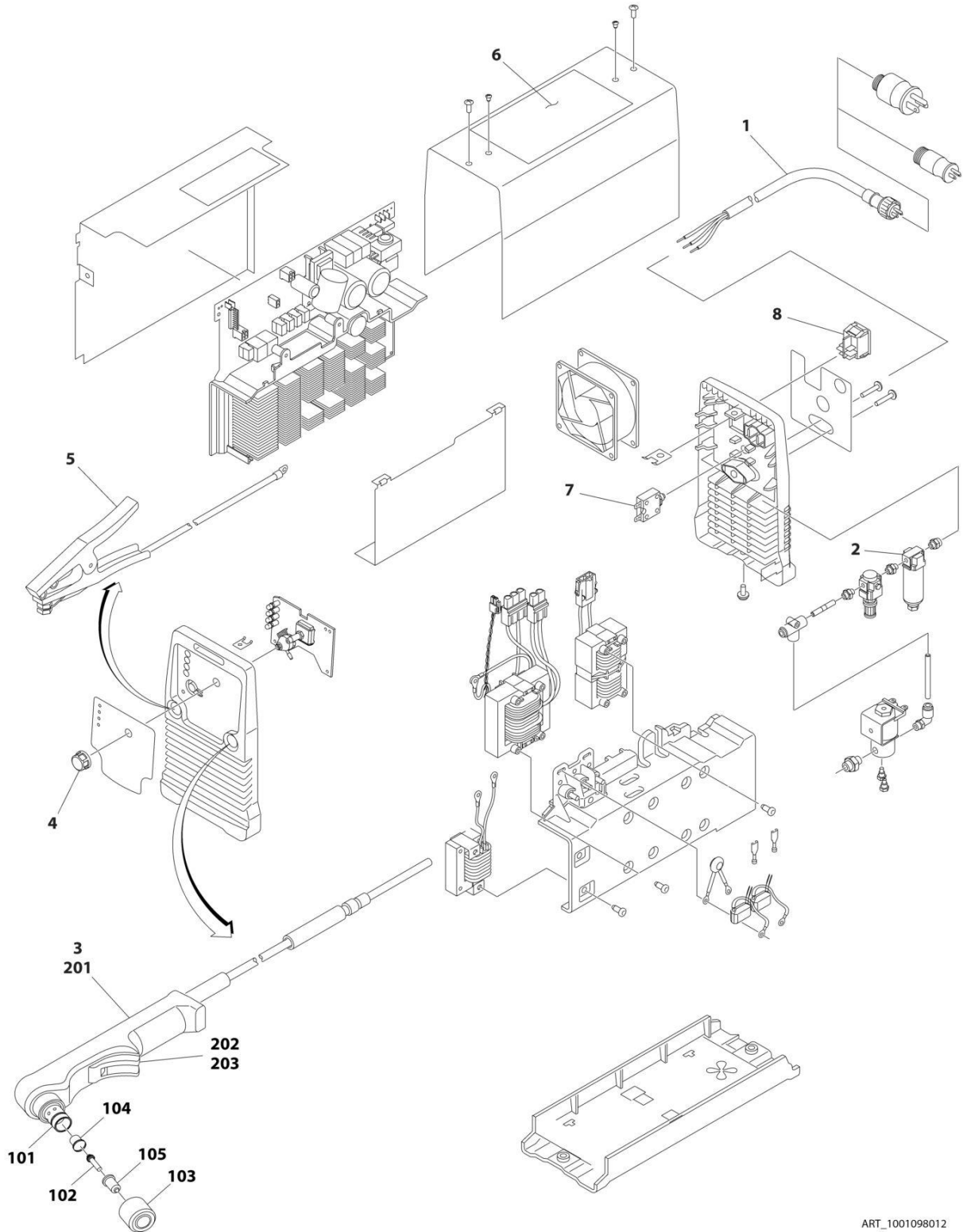
## SECTION 5 - PLATFORM

### FIGURE 5-67. SKYCUTTER INSTALLATION

ITEM	PART NUMBER	QTY	DESCRIPTION	REV
	1001098149	Ref	SKYCUTTER INSTALLATION	D
		Ref	Note: ANSI, ANSI Export, China, CSA and Japanese Specs Only.	
		Ref	Note: When replacing platform on machines with SkyCutter option, new bracket p/n 1001145405 must be purchased to accommodate SkyCutter components.	
1	0100020	AR	Sealant	
2	1320177	2	Clamp, Hose	
3	2180832	1	Fitting, NPT/Barbed	
4	3290605	2	Nut M6	
5	2720160	3 ft/.9m	Hose	
6	3421453	3	Pin	
7	3576799	1	Plate, Hold-Down	
8	4010608	2	Screw M6 x 16	
10	4460971	1	Plug, Twistlock	
11	4811700	2	Washer M6	
12	1001098012	1	Plasma Cutter Assembly (See Separate Breakdown in this Section)	
13	0630518	2	Screw #10 x 3/4	
14	2030010	1	Extinguisher, Fire	
15	3311005	2	Nut #10	
16	4751000	2	Washer #10	
17	1001145405	1	Support	
	0272599	Ref	SKYCUTTER DECAL INSTALLATION (ANSI, ANSI EXPORT AND CSA SPECS)	B
101	1702868	1	Decal - No Hands	
102	1705305	1	Decal - Weld Lead	
103	1705466	1	Decal - Weight (SN 0300201016 through 0300233704)	
103	1001228988	1	Decal - Weight (SN 0300233705 through 0300272504, SN B300000100 through B300007118, Except SN 0300272455 through 0300272461)	
104	1705490	2	Decal - SkyCutter	
	0272607	Ref	SKYCUTTER DECAL INSTALLATION (JAPANESE SPECS)	B
201	1705490	2	Decal - SkyCutter	
202	1705305	1	Decal - Weld Lead	
203	1705466	1	Decal - Weight (SN 0300201016 through 0300233704)	
203	1001228988	1	Decal - Weight (SN 0300233705 through 0300272504, SN B300000100 through B300007118, Except SN 0300272455 through 0300272461)	

# SECTION 5 - PLATFORM

## FIGURE 5-68. PLASMA CUTTER ASSEMBLY



ART\_1001098012

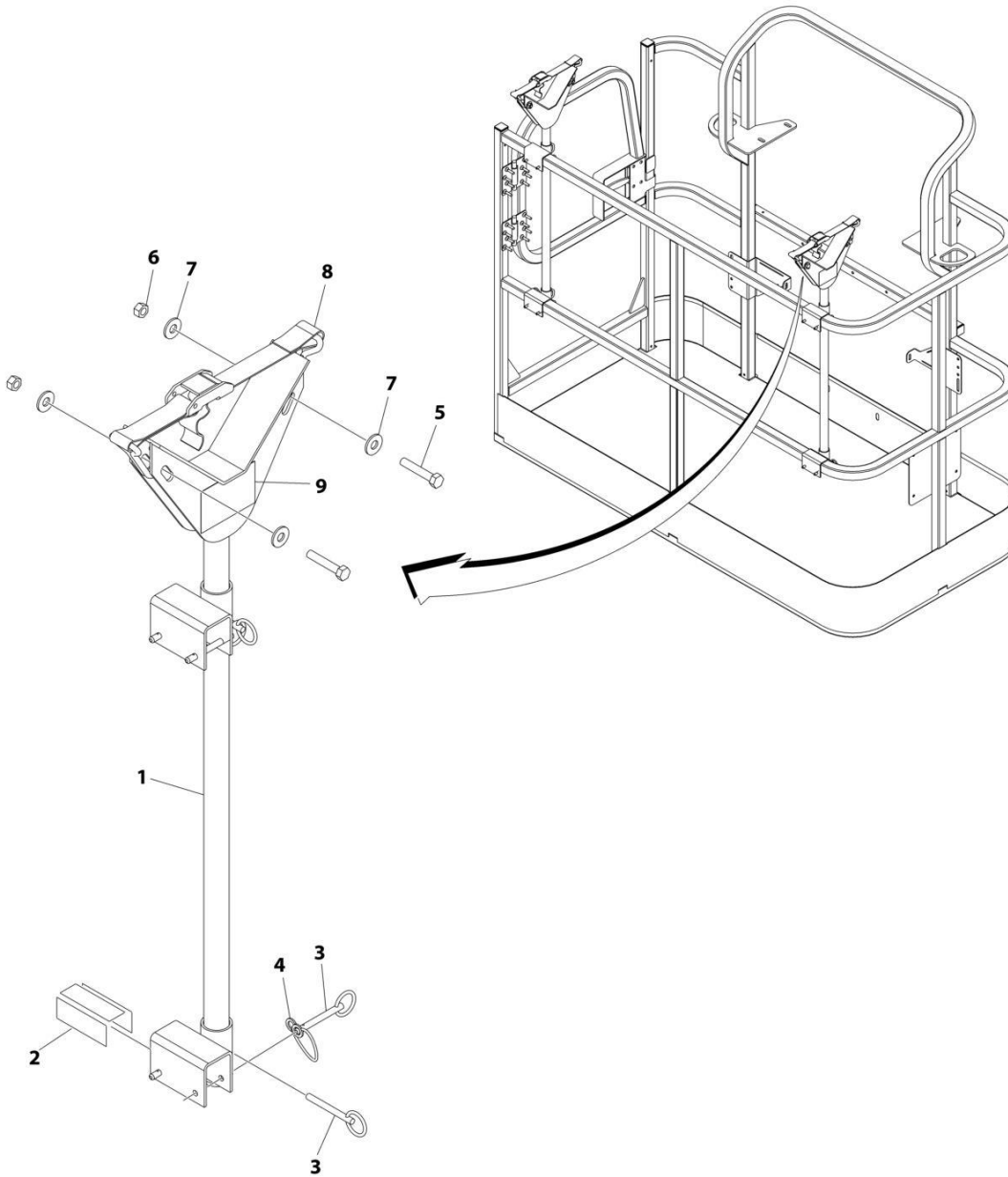
## SECTION 5 - PLATFORM

### FIGURE 5-68. PLASMA CUTTER ASSEMBLY

ITEM	PART NUMBER	QTY	DESCRIPTION	REV
	1001098012	Ref	PLASMA CUTTER ASSEMBLY	A
		Ref	Note: For Other Components, contact your Miller Welder Dealer.	
1	70001424	1	Cable, Power	
1	70001425	1	Decal - Voltage Warning	
2	70001427	1	Filter, Regulator	
3	70001428	1	Torch Assembly (See Items 101-203 for Breakdown)	
4	7024471	1	Knob	
5	70001429	1	Clamp with Cable	
6	70001430	1	Decal - Caution	
7	70001431	1	Breaker, Circuit	
8	70001432	1	Switch, Rocker	
	70001428	Ref	TORCH ASSEMBLY	
101	7024530	1	O-Ring	
102	7024531	1	Electrode	
103	7024532	1	Cup, Retaining	
104	7024533	1	Swirl Ring	
105	7024534	1	Tip	
201	7024535	1	Handle, Torch	
202	7024536	1	Switch	
203	7024537	1	Trigger	

# SECTION 5 - PLATFORM

## FIGURE 5-69. PIPE RACK INSTALLATION (ANSI SPEC)



ART\_0257728

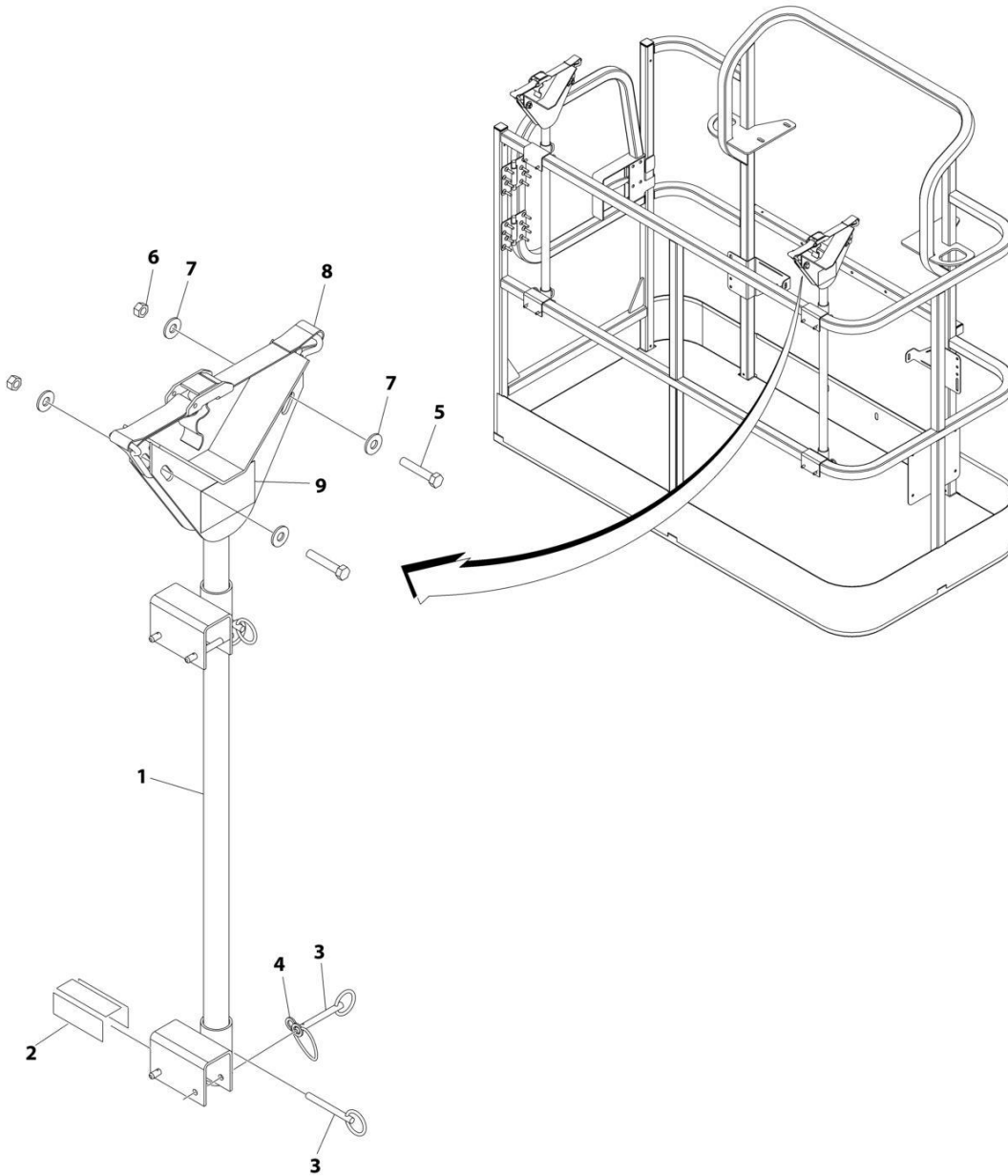
## SECTION 5 - PLATFORM

### FIGURE 5-69. PIPE RACK INSTALLATION (ANSI SPEC)

ITEM	PART NUMBER	QTY	DESCRIPTION	REV
	0257728	Ref	PIPE RACK INSTALLATION (ANSI SPEC)	2/C
1	4845582	2	Rack, Pipe	
2	4420062	AR	Tape	
3	3422661	10	Pin	
4	1060379	4	Lanyard	
5	0641514	4	Bolt 5/16 x 1-3/4	
6	3311505	4	Nut 5/16	
7	4751500	8	Washer 5/16	
8	0480100	2	Tie-Down	
9	1703683	2	Decal - Capacity	

# SECTION 5 - PLATFORM

## FIGURE 5-70. PIPE RACK INSTALLATION (AUSTRALIAN AND CE SPECS)



ART\_0274661



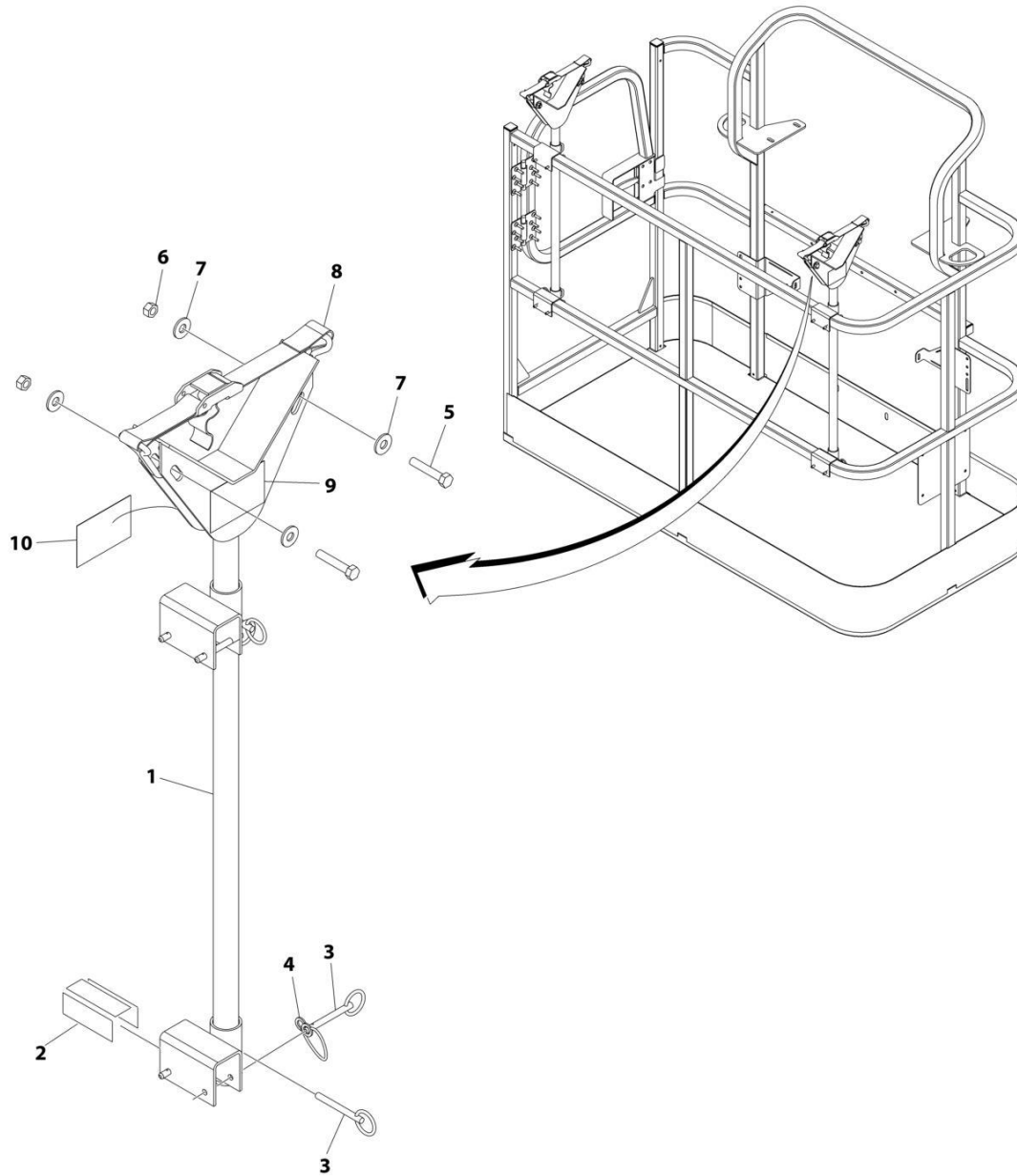
## SECTION 5 - PLATFORM

**FIGURE 5-70. PIPE RACK INSTALLATION (AUSTRALIAN AND CE SPECS)**

ITEM	PART NUMBER	QTY	DESCRIPTION	REV
	0274661	Ref	PIPE RACK INSTALLATION (AUSTRALIAN AND CE SPECS)	1/A
1	4845582	2	Rack, Pipe	
2	4420062	AR	Tape	
3	3422661	10	Pin	
4	1060379	4	Lanyard	
5	0641514	4	Bolt 5/16 x 1-3/4	
6	3311505	4	Nut 5/16	
7	4751500	8	Washer 5/16	
8	0480100	2	Tie-Down	
9	1706510	2	Decal - Capacity	

# SECTION 5 - PLATFORM

## FIGURE 5-71. PIPE RACK INSTALLATION (KOREAN SPEC)



ART\_1001178978

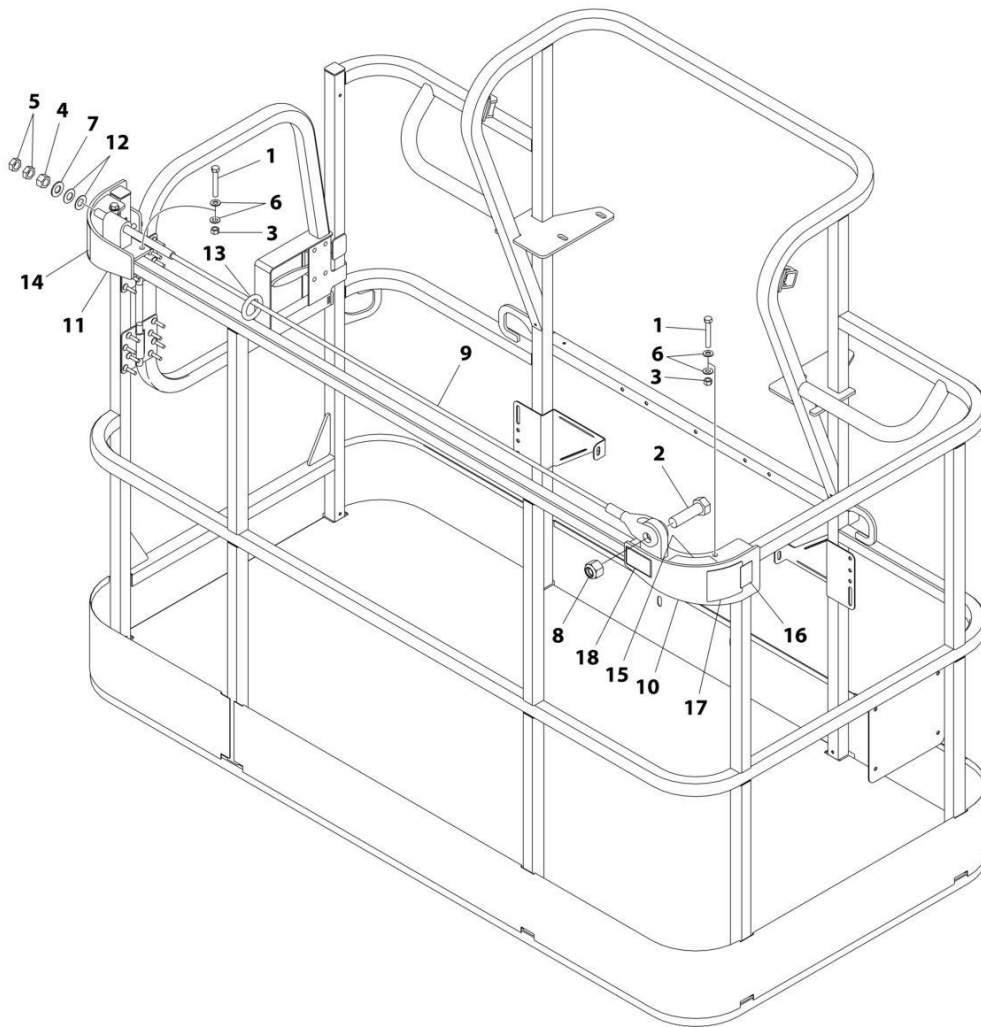
## SECTION 5 - PLATFORM

### FIGURE 5-71. PIPE RACK INSTALLATION (KOREAN SPEC)

ITEM	PART NUMBER	QTY	DESCRIPTION	REV
	1001178978	Ref	PIPE RACK INSTALLATION (KOREAN SPEC)	1/A
1	4845582	2	Rack, Pipe	
2	4420062	AR	Tape	
3	3422661	10	Pin	
4	1060379	4	Lanyard	
5	0641514	4	Bolt 5/16 x 1-3/4	
6	3311505	4	Nut 5/16	
7	4751500	8	Washer 5/16	
8	0480100	2	Tie-Down	
9	1703683	2	Decal - Capacity	
10	1001178266	2	Decal - Capacity	

# SECTION 5 - PLATFORM

FIGURE 5-72. FALL ARREST INSTALLATION (BOLT - ON EXTERNAL) 6FT/1.82M PLATFORM



ART\_1001236747

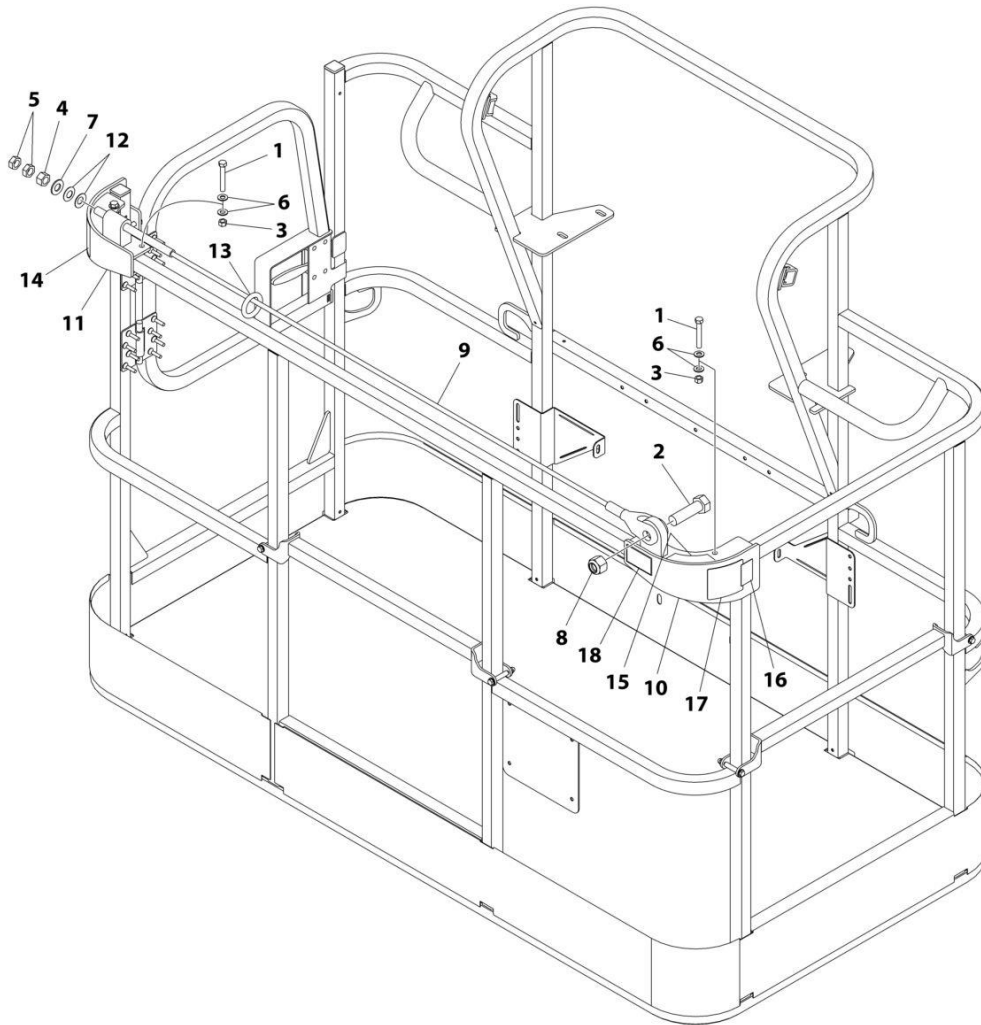
## SECTION 5 - PLATFORM

**FIGURE 5-72. FALL ARREST INSTALLATION (BOLT - ON EXTERNAL) 6FT/1.82M PLATFORM**

ITEM	PART NUMBER	QTY	DESCRIPTION	REV
	1001236747	Ref	FALL ARREST INSTALLATION (BOLT - ON) 6FT/1.82M PLATFORM	C
1	0681620	6	Bolt 3/8 x 2-1/2	
2	0682424	1	Bolt 7/8 x 3	
3	3271605	6	Nut 3/8	
4	3272001	1	Nut 5/8	
5	3312002	2	Nut 5/8	
6	4711600	12	Washer 3/8	
7	4712000	1	Washer 5/8	
8	88521214	1	Nut 7/8	
9	1001231950	1	Rope	
10	1001232010	1	Bracket (RH)	
11	1001232011	1	Bracket (LH)	
12	1001236891	2	Washer	
13	1001236895	1	Ring	
14	1001238263	1	Decal - Warning Falling Hazard	
15	1001252629	1	Decal - Weight	
16	1001248140	1	Decal - Bolt Fall Arrest Re-Cert	
17	1001248141	1	Decal - Inscription	

# SECTION 5 - PLATFORM

FIGURE 5-73. FALL ARREST INSTALLATION (BOLT - ON EXTERNAL) 6FT/1.82M PLATFORM



ART\_1001238463

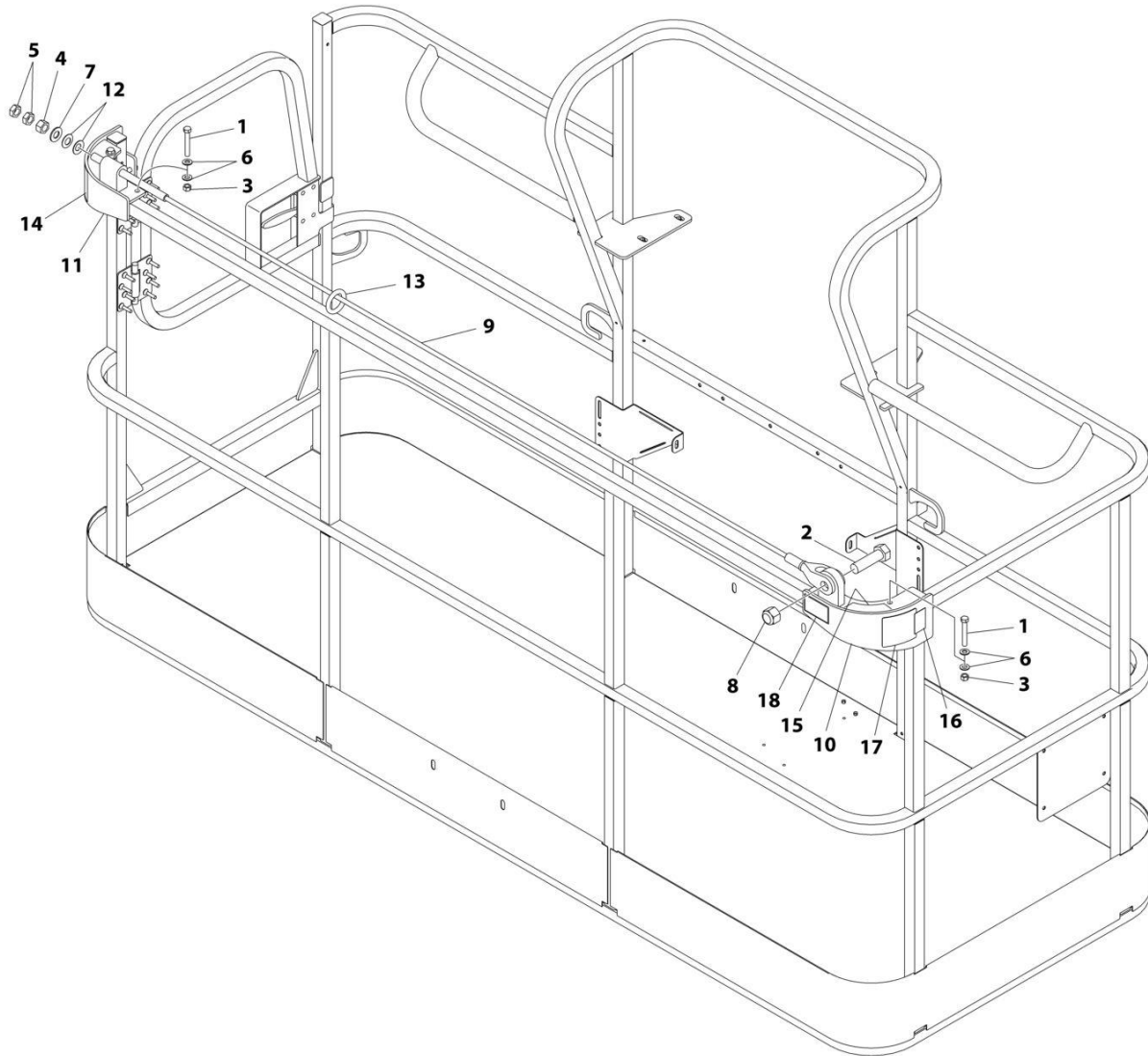
## SECTION 5 - PLATFORM

**FIGURE 5-73. FALL ARREST INSTALLATION (BOLT - ON EXTERNAL) 6FT/1.82M PLATFORM**

ITEM	PART NUMBER	QTY	DESCRIPTION	REV
	1001238463	Ref	FALL ARREST INSTALLATION (BOLT - ON) 6FT/1.82M PLATFORM	C
1	0681620	6	Bolt 3/8 x 2-1/2	
2	0682424	1	Bolt 7/8 x 3	
3	3271605	6	Nut 3/8	
4	3272001	1	Nut 5/8	
5	3312002	2	Nut 5/8	
6	4711600	12	Washer 3/8	
7	4712000	1	Washer 5/8	
8	88521214	1	Nut 7/8	
9	1001231950	1	Rope	
10	1001232010	1	Bracket (RH)	
11	1001232011	1	Bracket (LH)	
12	1001236891	2	Washer	
13	1001236895	1	Ring	
14	1001238263	1	Decal - Warning Falling Hazard	
15	1001252629	1	Decal - Weight	
16	1001248140	1	Decal - Bolt Fall Arrest Re-Cert	
17	1001248141	1	Decal - Inscription	

# SECTION 5 - PLATFORM

## FIGURE 5-74. FALL ARREST INSTALLATION (BOLT - ON EXTERNAL) 8FT/2.4M PLATFORM



ART\_1001236746



## SECTION 5 - PLATFORM

**FIGURE 5-74. FALL ARREST INSTALLATION (BOLT - ON EXTERNAL) 8FT/2.4M PLATFORM**

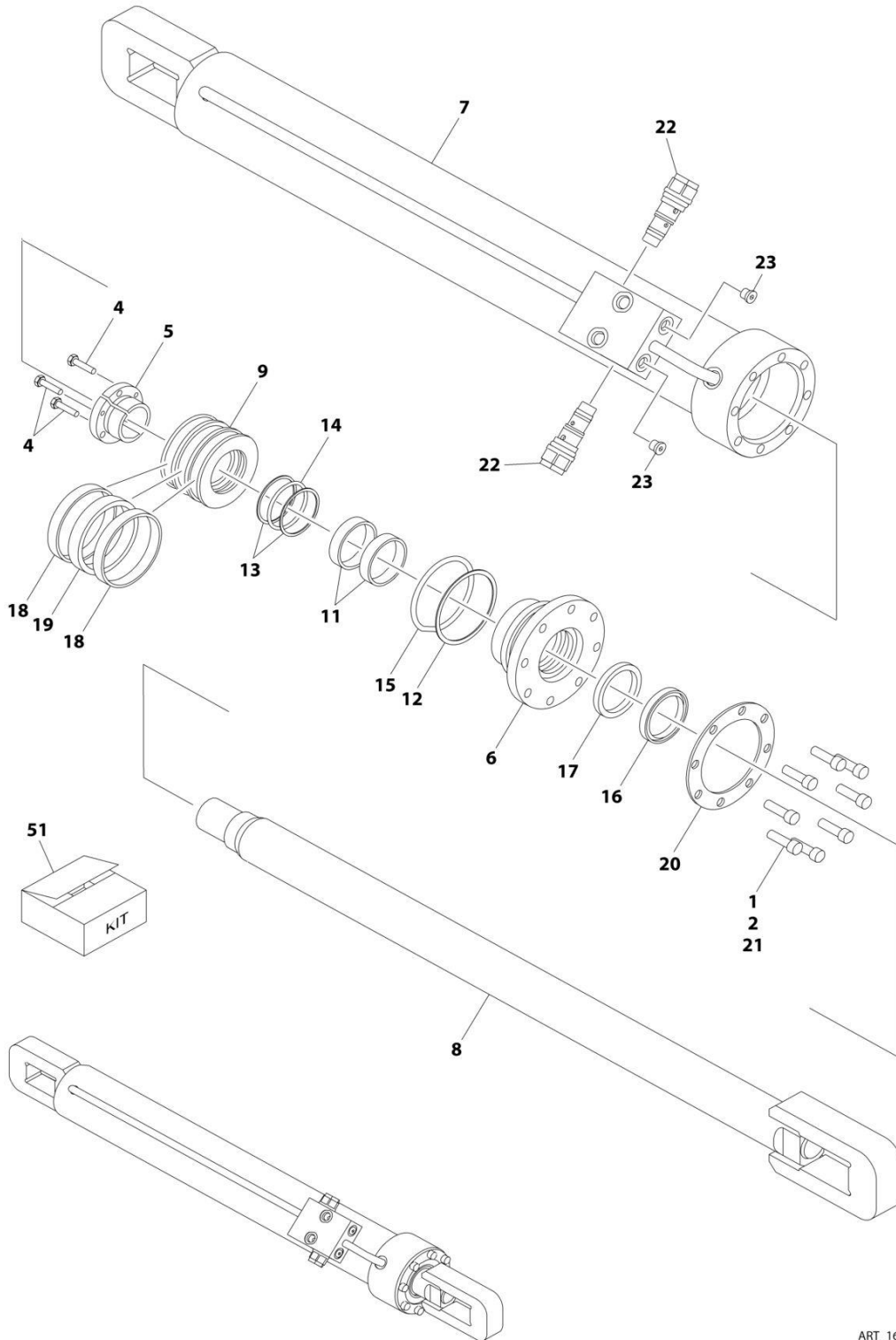
ITEM	PART NUMBER	QTY	DESCRIPTION	REV
	1001236746	Ref	FALL ARREST INSTALLATION (BOLT - ON) 8FT/2.4M PLATFORM	C
1	0681620	6	Bolt 3/8 x 2-1/2	
2	0682424	1	Bolt 7/8 x 3	
3	3271605	6	Nut 3/8	
4	3272001	1	Nut 5/8	
5	3312002	2	Nut 5/8	
6	4711600	12	Washer 3/8	
7	4712000	1	Washer 5/8	
8	88521214	1	Nut 7/8	
9	1001231949	1	Rope	
10	1001232010	1	Bracket (RH)	
11	1001232011	1	Bracket (LH)	
12	1001236891	2	Washer	
13	1001236895	1	Ring	
14	1001238263	1	Decal - Warning Falling Hazard	
15	1001252629	1	Decal - Weight 23LBS/10.4KG	
16	1001248140	1	Decal - Bolt Fall Arrest Re-Cert	
17	1001248141	1	Decal - Inscription	



**SECTION 6 - CYLINDER**

# SECTION 6 - CYLINDER

FIGURE 6-1. AXLE EXTENSION CYLINDER ASSEMBLY (SN 0300207701 through 0300238565, SN B300002238 through B300002404)



ART\_1684102

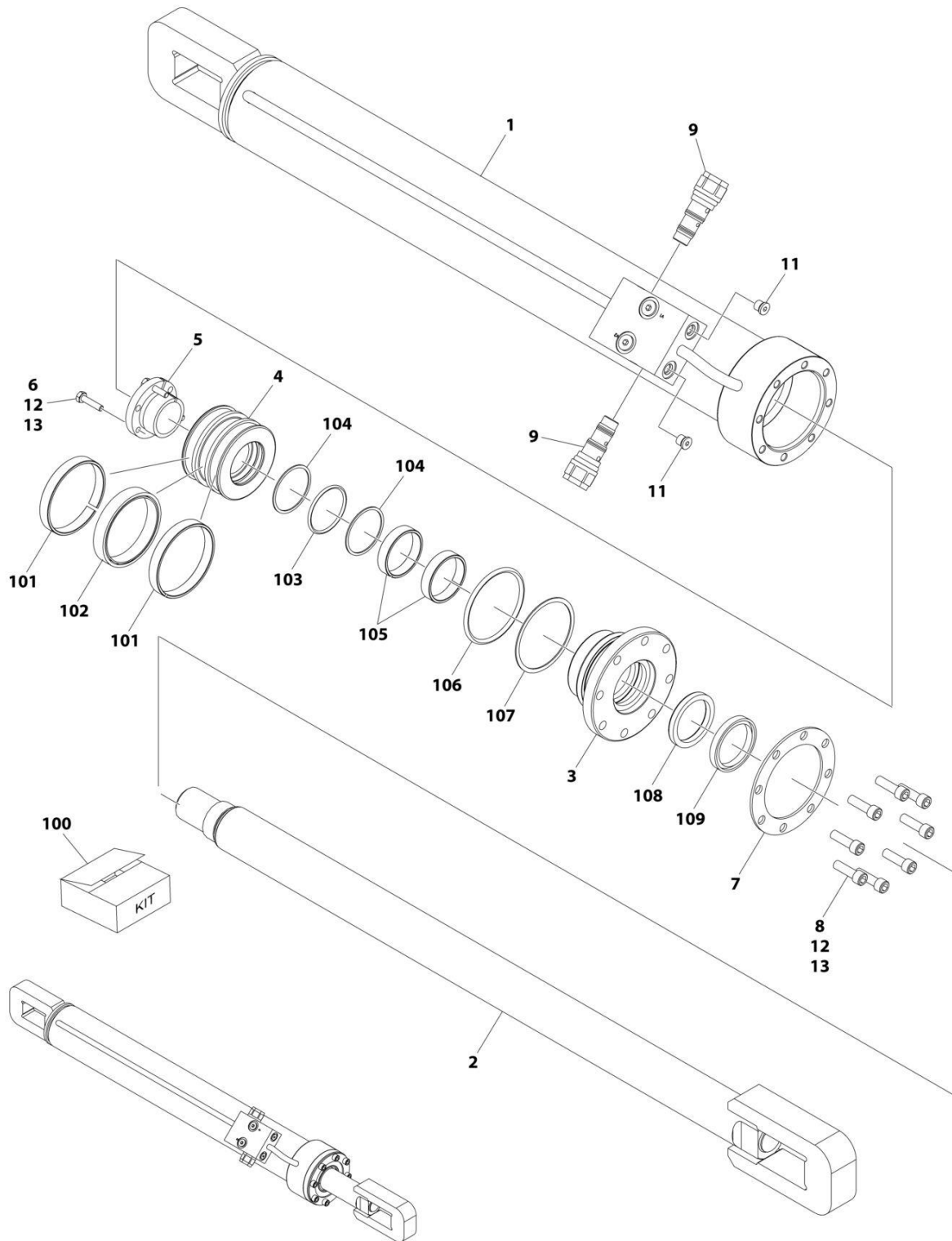
## SECTION 6 - CYLINDER

**FIGURE 6-1. AXLE EXTENSION CYLINDER ASSEMBLY (SN 0300207701 through 0300238565, SN B300002238 through B300002404)**

ITEM	PART NUMBER	QTY	DESCRIPTION	REV
	1684102	Ref	AXLE EXTENSION CYLINDER ASSEMBLY (SN 0300207701 through 0300238565, SN B300002238 through B300002404)	E
		Ref	Note: Original Cylinder May Have Been Replaced with Service Replacement. Identify PN Stamped on Cylinder Before Ordering Parts.	
1	0100011	AR	Compound, Locking	
2	0100038	AR	Primer, Locking	
4	0630535	3	Capscrew 1/4 x 1-1/8	
5	0961896	1	Bushing, Tapered	
6	1683056	1	Head	
7	1684103	1	Barrel Weldment	
8	1684105	1	Rod Weldment	
9	3480272	1	Piston	
11	See Note	NSS	Ring, Wear (Note: Use Item 51)	
12	See Note	NSS	Ring, Back-up (Note: Use Item 51)	
13	See Note	NSS	Ring, Back-up (Note: Use Item 51)	
14	See Note	NSS	O-Ring (Note: Use Item 51)	
15	See Note	NSS	O-Ring (Note: Use Item 51)	
16	See Note	NSS	Wiper, Rod (Note: Use Item 51)	
17	See Note	NSS	Seal (Note: Use Item 51)	
18	See Note	NSS	Ring, Wear (Note: Use Item 51)	
19	See Note	NSS	T-Seal (Note: Use Item 51)	
20	3760369	1	Ring, Washer	
21	3931620	8	Bolt 3/8 x 1-1/4	
22	4640509	2	Cartridge, Holding Valve	
22	2900792	2	Seal Kit - 4640509 Cartridge Valve (1 Per Valve)	
23	2220883	2	Plug, O-Ring	
51	2901773	1	Seal Kit (Includes Items 11-19)	

# SECTION 6 - CYLINDER

FIGURE 6-2. AXLE EXTENSION CYLINDER ASSEMBLY (SN 0300238566 through 0300271480, SN B300002405 through B300005767)



ART\_1001228020

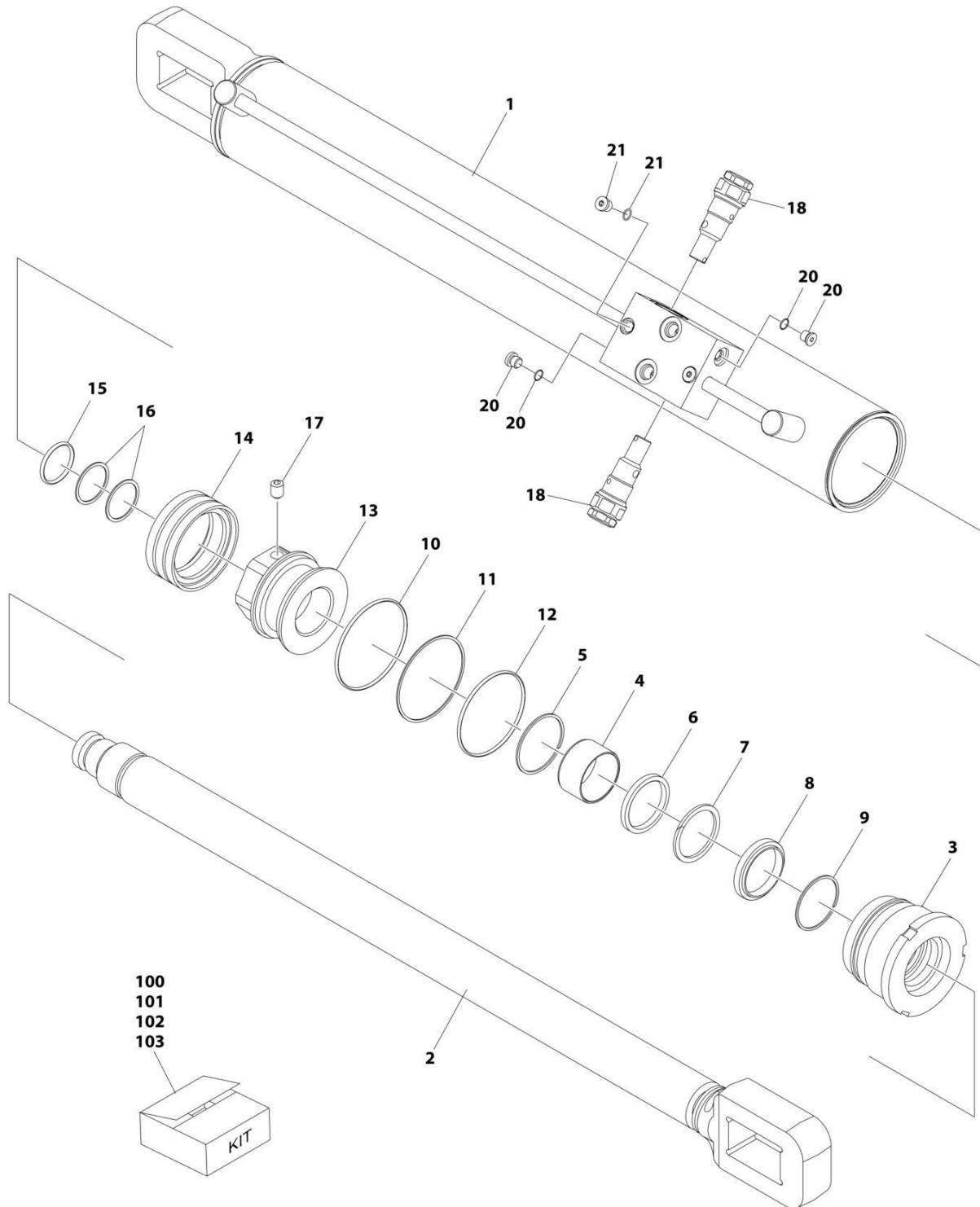
## SECTION 6 - CYLINDER

**FIGURE 6-2. AXLE EXTENSION CYLINDER ASSEMBLY (SN 0300238566 through 0300271480, SN B300002405 through B300005767)**

ITEM	PART NUMBER	QTY	DESCRIPTION	REV
	1001228020	Ref	AXLE EXTENSION CYLINDER ASSEMBLY	E
		Ref	Note: Original Cylinder May Have Been Replaced with Service Replacement. Identify PN Stamped on Cylinder Before Ordering Parts.	
1	See Note	NSS	Barrel Weldment (Note: Not Available for Purchase)	
2	70006363	1	Rod Weldment	
3	70006362	1	Head	
4	70006361	1	Piston	
5	70006360	1	Bushing, Tapered	
6	0630535	3	Capscrew 1/4 x 1-1/8	
7	70006359	1	Ring, Washer	
8	3931620	8	Bolt 3/8 x 1-1/4	
9	4640509	2	Cartridge, Holding Valve	
9	2900792	2	Seal Kit - 4640509 Cartridge Valve (1 Per Valve)	
11	2220883	2	Plug, O-Ring	
12	0100011	AR	Compound, Locking	
13	0100038	AR	Primer, Locking	
100	2901773	1	Seal Kit (Includes Items 101-109)	
101	See Note	NSS	Ring, Wear (Note: Use Item 100)	
102	See Note	NSS	T-Seal (Note: Use Item 100)	
103	See Note	NSS	O-Ring (Note: Use Item 100)	
104	See Note	NSS	Ring, Back-up (Note: Use Item 100)	
105	See Note	NSS	Ring, Wear (Note: Use Item 100)	
106	See Note	NSS	O-Ring (Note: Use Item 100)	
107	See Note	NSS	Ring, Back-up (Note: Use Item 100)	
108	See Note	NSS	Seal (Note: Use Item 100)	
109	See Note	NSS	Wiper, Rod (Note: Use Item 100)	

# SECTION 6 - CYLINDER

FIGURE 6-3. AXLE EXTENSION CYLINDER ASSEMBLY (SN 0300238566 through 0300271481, SN B300005768 through B300007118)



ART\_1001251020



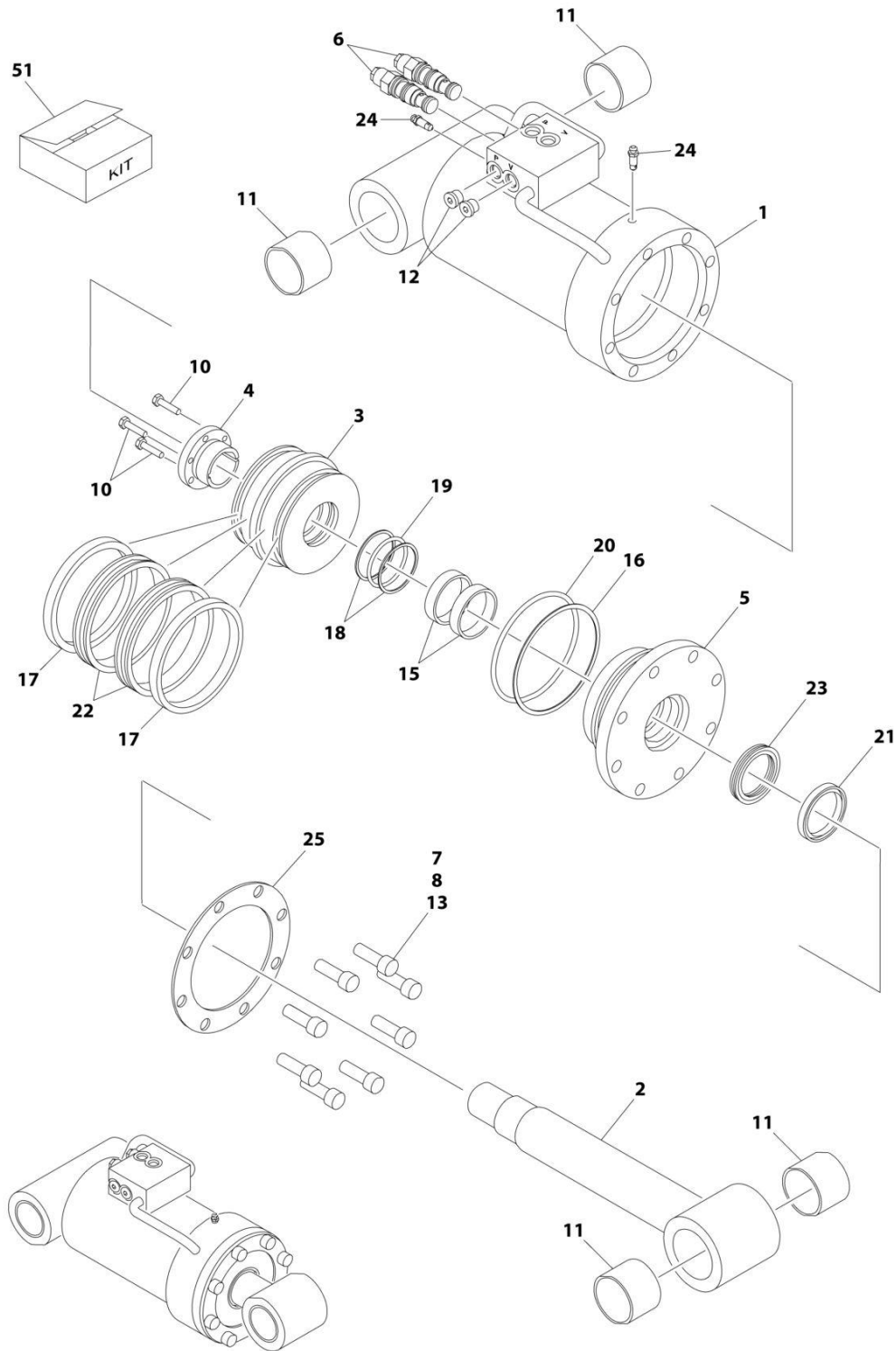
## SECTION 6 - CYLINDER

**FIGURE 6-3. AXLE EXTENSION CYLINDER ASSEMBLY (SN 0300238566 through 0300271481, SN B300005768 through B300007118)**

ITEM	PART NUMBER	QTY	DESCRIPTION	REV
	1001251020	Ref	AXLE EXTENSION CYLINDER ASSEMBLY	A
		Ref	Note: Original Cylinder May Have Been Replaced with Service Replacement. Identify PN Stamped on Cylinder Before Ordering Parts.	
1	See Note	NSS	Barrel (Note: Use p/n 1001251020)	
2	70007382	1	Rod	
3	See Note	NSS	Head (Use Item 100)	
5	See Note	NSS	Ring (Note: Use Item 100)	
6	See Note	NSS	Seal (Note: Use Item 101)	
7	See Note	NSS	Ring, Back-up (Note: Use Item 101)	
8	See Note	NSS	Wiper, Rod (Note: Use Item 101)	
9	See Note	NSS	Ring, Retaining (Note: Use Item 101)	
10	See Note	NSS	O-Ring (Note: Use Item 101)	
11	See Note	NSS	Ring, Back-up (Note: Use Item 101)	
12	See Note	NSS	O-Ring (Note: Use Item 101)	
13	See Note	NSS	Piston (Note: Use Item 102)	
14	See Note	NSS	Seal (Note: Use Item 101)	
15	See Note	NSS	O-Ring (Note: Use Item 101)	
16	See Note	NSS	Ring, Back-up (Note: Use Item 101)	
17	See Note	NSS	Setscrew (Note: Use Item 102)	
18	4640509	2	Cartridge, Holding Valve	
18	2900792	2	Seal Kit - 4640509 Cartridge Valve (1 Per Assembly)	
20	See Note	NSS	Plug (Note: Use Item 103)	
21	See Note	NSS	Plug (Note: Use Item 103)	
100	70007383	1	Rod Cover Kit (Includes Items 3-5)	
101	70007384	1	Seal Kit (Includes Items 6-12 & 14-16)	
102	70007385	1	Piston Kit (Includes Items 13 & 17)	
103	70007386	1	Plug Kit (Includes Items 20 & 21)	

# SECTION 6 - CYLINDER

FIGURE 6-4. AXLE LOCKOUT CYLINDER ASSEMBLY (SN 0300207701 through 0300239161, SN B300002238 through B300002449)



ART\_1684081

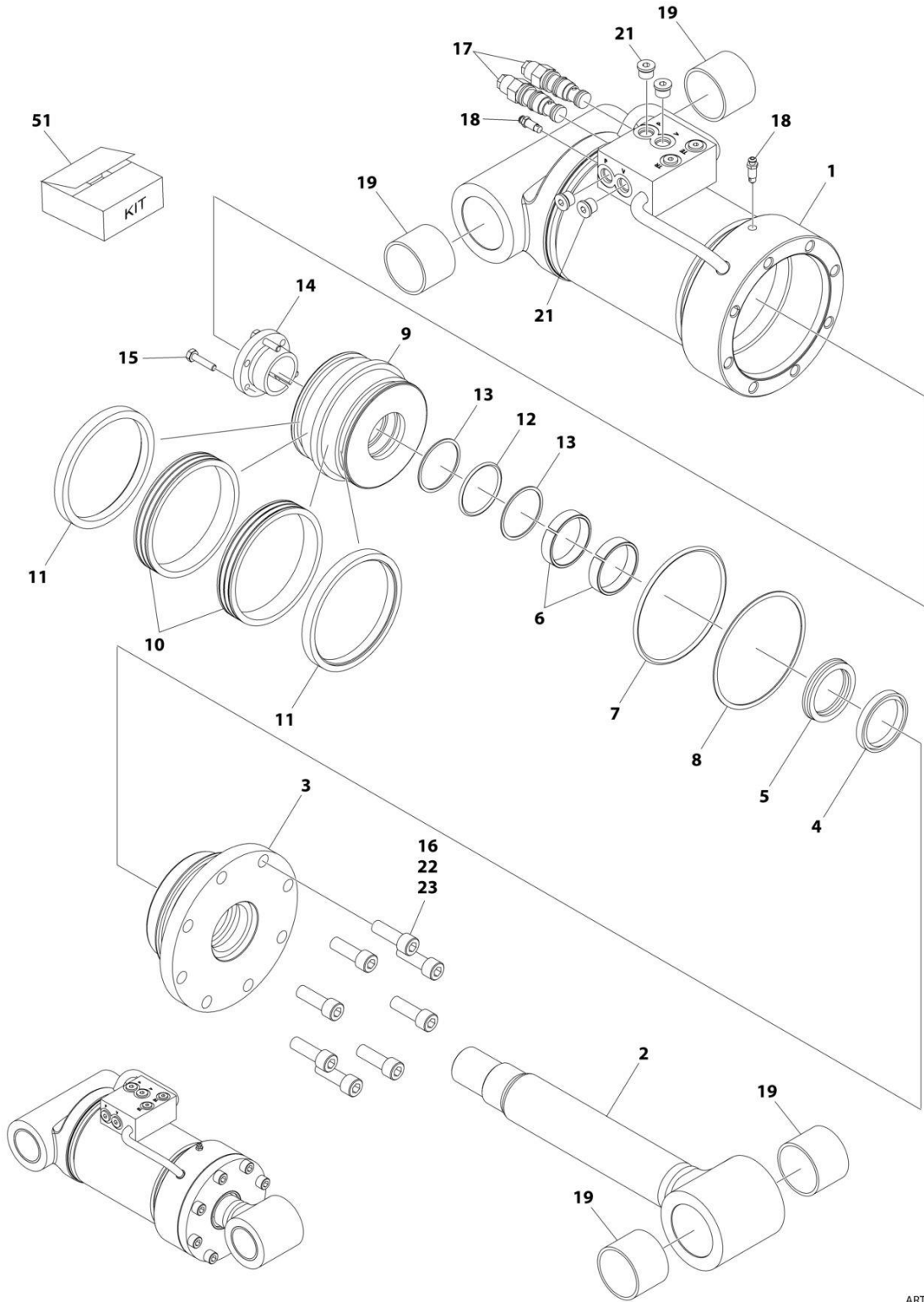
## SECTION 6 - CYLINDER

**FIGURE 6-4. AXLE LOCKOUT CYLINDER ASSEMBLY (SN 0300207701 through 0300239161, SN B300002238 through B300002449)**

ITEM	PART NUMBER	QTY	DESCRIPTION	REV
	1684081	Ref	AXLE LOCKOUT CYLINDER ASSEMBLY (SN 0300207701 through 0300239161, SN B300002238 through B300002449)	F
		Ref	Note: Original Cylinder May Have Been Replaced with Service Replacement. Identify PN Stamped on Cylinder Before Ordering Parts.	
1	1684082	1	Barrel Weldment	
2	1684083	1	Rod Weldment	
3	3480269	1	Piston	
4	0961896	1	Bushing	
5	1683062	1	Head	
6	4641276	2	Cartridge, Valve Options: (Counterbalance)	
6	2900770	2	Seal Kit - 4641276 Valve (1 Per Assembly)	
7	0100011	AR	Compound, Locking	
8	0100038	AR	Primer, Locking	
10	0630535	3	Bolt 1/4 x 1-1/8	
11	0961950	4	Bearing	
12	2220885	2	Plug, O-Ring	
13	3931824	8	Bolt 1/2 x 1-1/2	
15	See Note	NSS	Ring, Wear (Note: Use Item 51)	
16	See Note	NSS	Ring, Back-up (Note: Use Item 51)	
17	See Note	NSS	Ring, Lock (Note: Use Item 51)	
18	See Note	NSS	Ring, Back-up (Note: Use Item 51)	
19	See Note	NSS	O-Ring (Note: Use Item 51)	
20	See Note	NSS	O-Ring (Note: Use Item 51)	
21	See Note	NSS	Wiper (Note: Use Item 51)	
22	See Note	NSS	Seal (Note: Use Item 51)	
23	See Note	NSS	Seal, Rod (Note: Use Item 51)	
24	4640858	2	Valve, Bleeder	
25	3760371	1	Ring, Washer	
51	2902087	1	Seal Kit (Includes Items 15-23)	

# SECTION 6 - CYLINDER

FIGURE 6-5. AXLE LOCKOUT CYLINDER ASSEMBLY (SN 0300239162 through 0300272504, SN B300002450 through B300007118)



ART\_1001228019

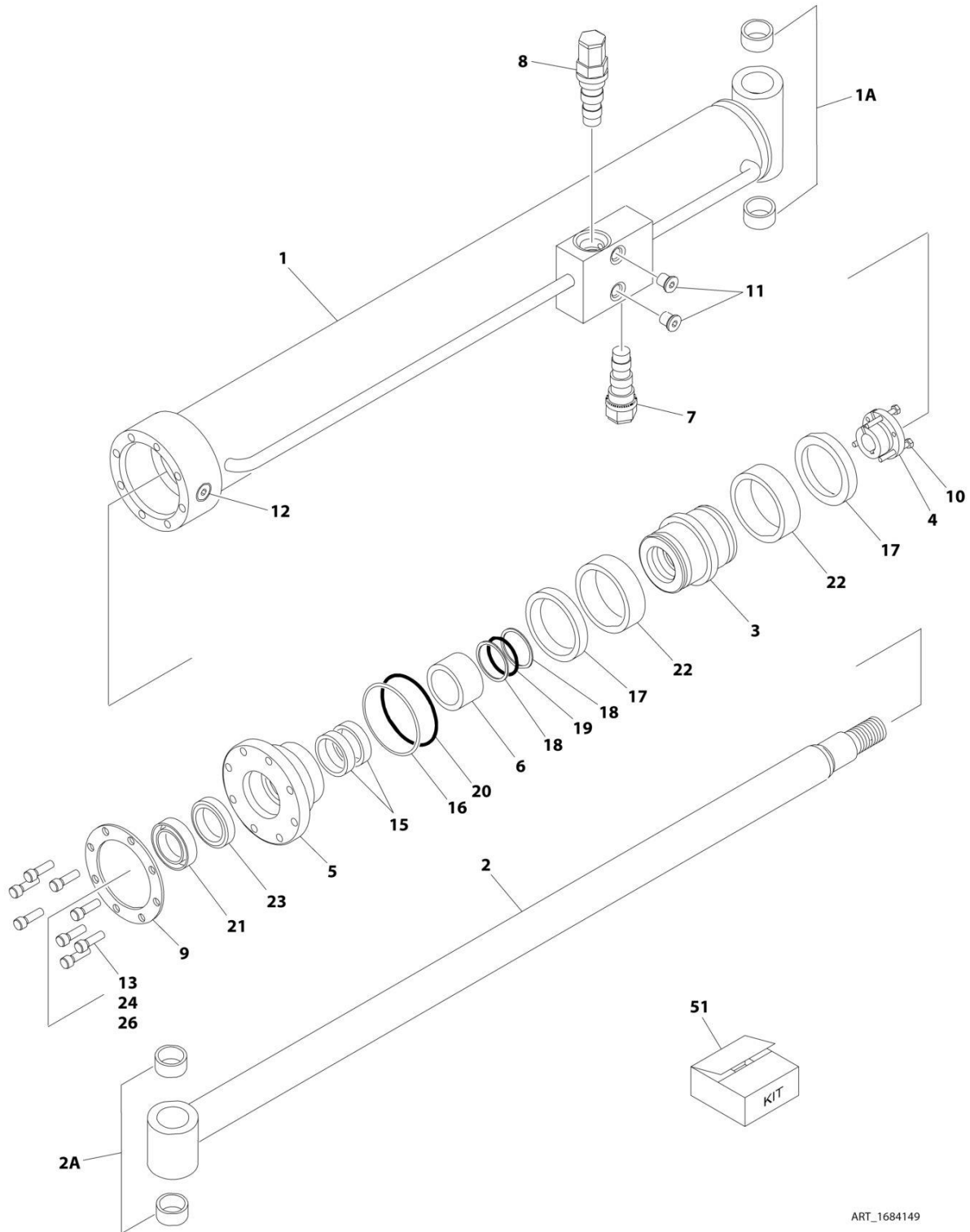
## SECTION 6 - CYLINDER

**FIGURE 6-5. AXLE LOCKOUT CYLINDER ASSEMBLY (SN 0300239162 through 0300272504, SN B300002450 through B300007118)**

ITEM	PART NUMBER	QTY	DESCRIPTION	REV
	1001228019	Ref	AXLE LOCKOUT CYLINDER ASSEMBLY	C
		Ref	Note: Original Cylinder May Have Been Replaced with Service Replacement. Identify PN Stamped on Cylinder Before Ordering Parts.	
1	See Note	NSS	Barrel Weldment (Note: Not Available for Purchase)	
2	70006520	1	Rod Weldment	
3	70006474	1	Head	
4	See Note	NSS	Wiper (Note: Use Item 51)	
5	See Note	NSS	Seal, Rod (Note: Use Item 51)	
6	See Note	NSS	Ring, Wear (Note: Use Item 51)	
7	See Note	NSS	O-Ring (Note: Use Item 51)	
8	See Note	NSS	Ring, Back-up (Note: Use Item 51)	
9	70006473	1	Piston	
10	See Note	NSS	Seal (Note: Use Item 51)	
11	See Note	NSS	Ring, Lock (Note: Use Item 51)	
12	See Note	NSS	O-Ring (Note: Use Item 51)	
13	See Note	NSS	Ring, Back-up (Note: Use Item 51)	
14	0961896	1	Bushing	
15	0630535	3	Bolt 1/4 x 1-1/8	
16	3931824	8	Bolt 1/2 x 1-1/2	
17	4641276	2	Cartridge, Valve Options: (Counterbalance)	
17	2900770	2	Seal Kit - 4641276 Valve (1 Per Assembly)	
18	4640858	2	Valve, Bleeder	
19	0961950	4	Bearing	
21	2220885	4	Plug, O-Ring	
22	0100011	AR	Compound, Locking	
23	0100038	AR	Primer, Locking	
51	2902087	1	Seal Kit (Includes Items 4-8 & 10-13)	

# SECTION 6 - CYLINDER

**FIGURE 6-6. PLATFORM LEVEL CYLINDER ASSEMBLY - WITHOUT COLD WEATHER PLUS PACKAGE (SN 0300201016 through 0300239161, SN B300002238 through B300002449)**



ART\_1684149

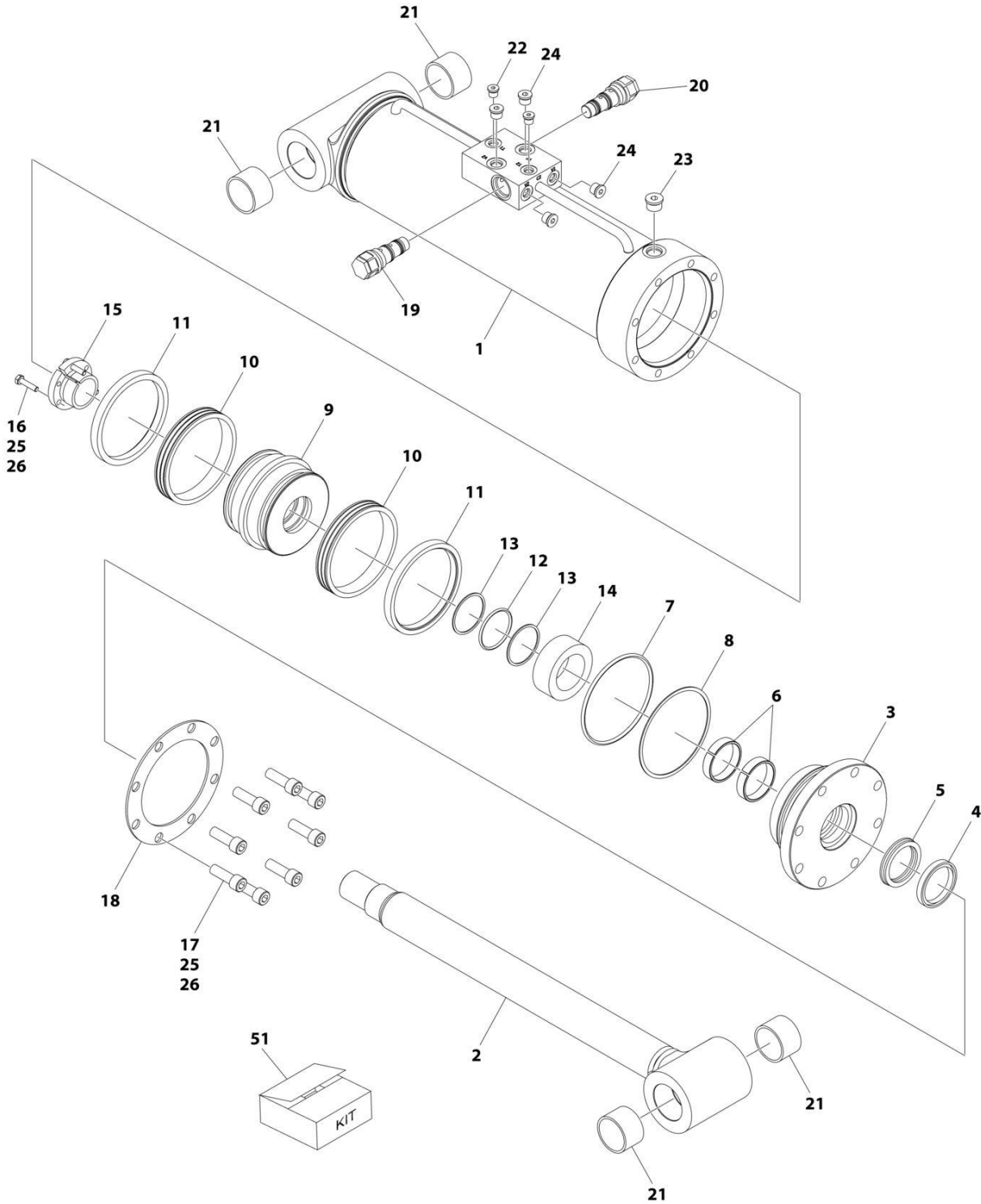
## SECTION 6 - CYLINDER

**FIGURE 6-6. PLATFORM LEVEL CYLINDER ASSEMBLY - WITHOUT COLD WEATHER PLUS PACKAGE (SN 0300201016 through 0300239161, SN B300002238 through B300002449)**

ITEM	PART NUMBER	QTY	DESCRIPTION	REV
	1684149	Ref	PLATFORM LEVEL CYLINDER ASSEMBLY - WITHOUT COLD WEATHER PLUS PACKAGE (SN 0300201016 through 0300239161, SN B300002238 through B300002449)	G
		Ref	Note: Original Cylinder May Have Been Replaced with Service Replacement. Identify PN Stamped on Cylinder Before Ordering Parts.	
1	1684150	1	Barrel Weldment	
1A	0961949	2	Bushing	
2	1684306	1	Rod Weldment	
2A	0961949	2	Bushing	
3	3480269	1	Piston	
4	0961896	1	Bushing, Tapered	
5	1683062	1	Head	
6	4568345	1	Spacer	
7	4640509	1	Cartridge, Holding Valve (Non-Vented)	
7	2900792	1	Seal Kit - 4640509 Cartridge Valve	
8	4641248	1	Cartridge, Counterbalance Valve (Non-Vented)	
8	See Note	NSS	Seal Kit - 4641248 Cartridge Valve (Note: Use p/n 4641248)	
9	3760371	1	Ring, Washer	
10	0630535	3	Capscrew 1/4 x 1-1/8	
11	2220885	2	Plug, O-Ring	
12	2220886	1	Plug, O-Ring	
13	3931824	8	Capscrew 1/2 x 1-1/2	
15	See Note	NSS	Ring, Wear (Note: Use Item 51)	
16	See Note	NSS	Ring, Back-up (Note: Use Item 51)	
17	See Note	NSS	Ring, Lock (Note: Use Item 51)	
18	See Note	NSS	Ring, Back-up (Note: Use Item 51)	
19	See Note	NSS	O-Ring (Note: Use Item 51)	
20	See Note	NSS	O-Ring (Note: Use Item 51)	
21	See Note	NSS	Wiper, Rod (Note: Use Item 51)	
22	See Note	NSS	Ring, Guide (Note: Use Item 51)	
23	See Note	NSS	Seal, Rod (Note: Use Item 51)	
24	0100011	AR	Compound, Locking	
26	0100038	AR	Primer, Locking	
51	2902087	1	Seal Kit Options (Includes Items 15-23)	

# SECTION 6 - CYLINDER

**FIGURE 6-7. PLATFORM LEVEL CYLINDER ASSEMBLY - WITHOUT COLD WEATHER PLUS PACKAGE (SN 0300239162 through 0300272504, SN B300002450 through B300007118)**



ART\_1001228023



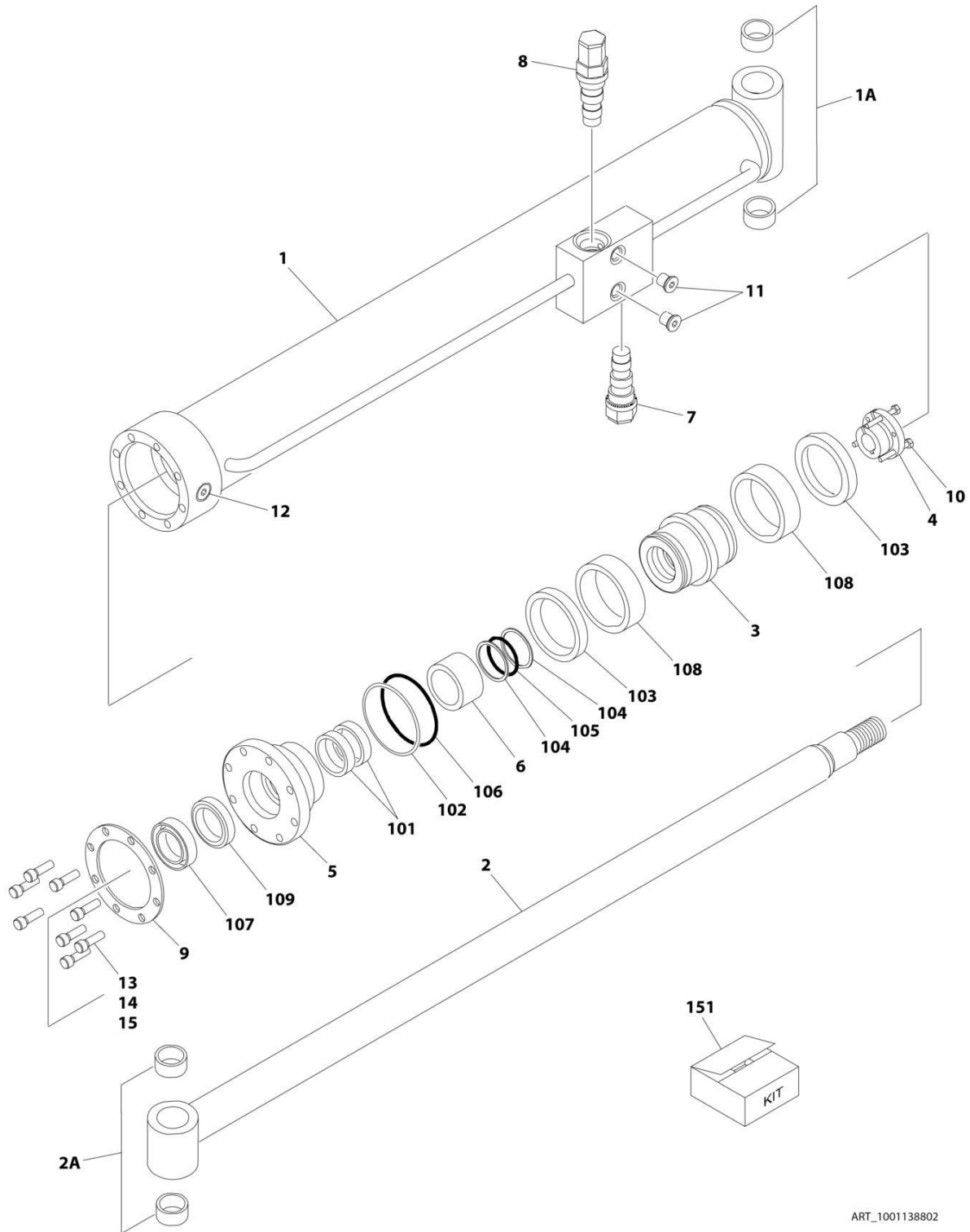
## SECTION 6 - CYLINDER

**FIGURE 6-7. PLATFORM LEVEL CYLINDER ASSEMBLY - WITHOUT COLD WEATHER PLUS PACKAGE (SN 0300239162 through 0300272504, SN B300002450 through B300007118)**

ITEM	PART NUMBER	QTY	DESCRIPTION	REV
	1001228023	Ref	PLATFORM LEVEL CYLINDER ASSEMBLY - WITHOUT COLD WEATHER PLUS PACKAGE	C
		Ref	Note: Original Cylinder May Have Been Replaced with Service Replacement. Identify PN Stamped on Cylinder Before Ordering Parts.	
1	See Note	NSS	Barrel Weldment (Note: Not Available for Purchase)	
2	70006550	NLA	Rod Weldment (Use p/n 70007059)	
3	70006549	1	Head	
4	See Note	NSS	Wiper, Rod (Note: Use Item 51)	
5	See Note	NSS	Seal, Rod (Note: Use Item 51)	
6	See Note	NSS	Ring, Wear (Note: Use Item 51)	
7	See Note	NSS	O-Ring (Note: Use Item 51)	
8	See Note	NSS	Ring, Back-up (Note: Use Item 51)	
9	70006548	1	Piston	
10	See Note	NSS	Ring, Guide (Note: Use Item 51)	
11	See Note	NSS	Ring, Lock (Note: Use Item 51)	
12	See Note	NSS	O-Ring (Note: Use Item 51)	
13	See Note	NSS	Ring, Back-up (Note: Use Item 51)	
14	70006547	1	Spacer	
15	0961896	1	Bushing, Tapered	
16	0630535	3	Capscrew 1/4 x 1-1/8	
17	3931824	8	Capscrew 1/2 x 1-1/2	
18	3760371	1	Ring, Washer	
18	70007049	2	Ring, Washer	
19	4641248	1	Cartridge, Counterbalance Valve (Non-Vented)	
19	See Note	NSS	Seal Kit - 4641248 Cartridge Valve (Note: Use p/n 4641248)	
20	4640509	1	Cartridge, Holding Valve (Non-Vented)	
20	2900792	1	Seal Kit - 4640509 Cartridge Valve	
21	0961949	4	Bushing	
22	2220883	4	Plug, O-Ring	
23	2220886	AR	Plug, O-Ring	
24	2220885	2	Plug, O-Ring	
25	0100011	AR	Compound, Locking	
26	0100038	AR	Primer, Locking	
51	2902087	1	Seal Kit Options (Includes Items 4-8 & 10-13)	

# SECTION 6 - CYLINDER

FIGURE 6-8. PLATFORM LEVEL CYLINDER ASSEMBLY - WITH COLD WEATHER PLUS PACKAGE  
(SN 0300201016 through 0300239980)



ART\_1001138802

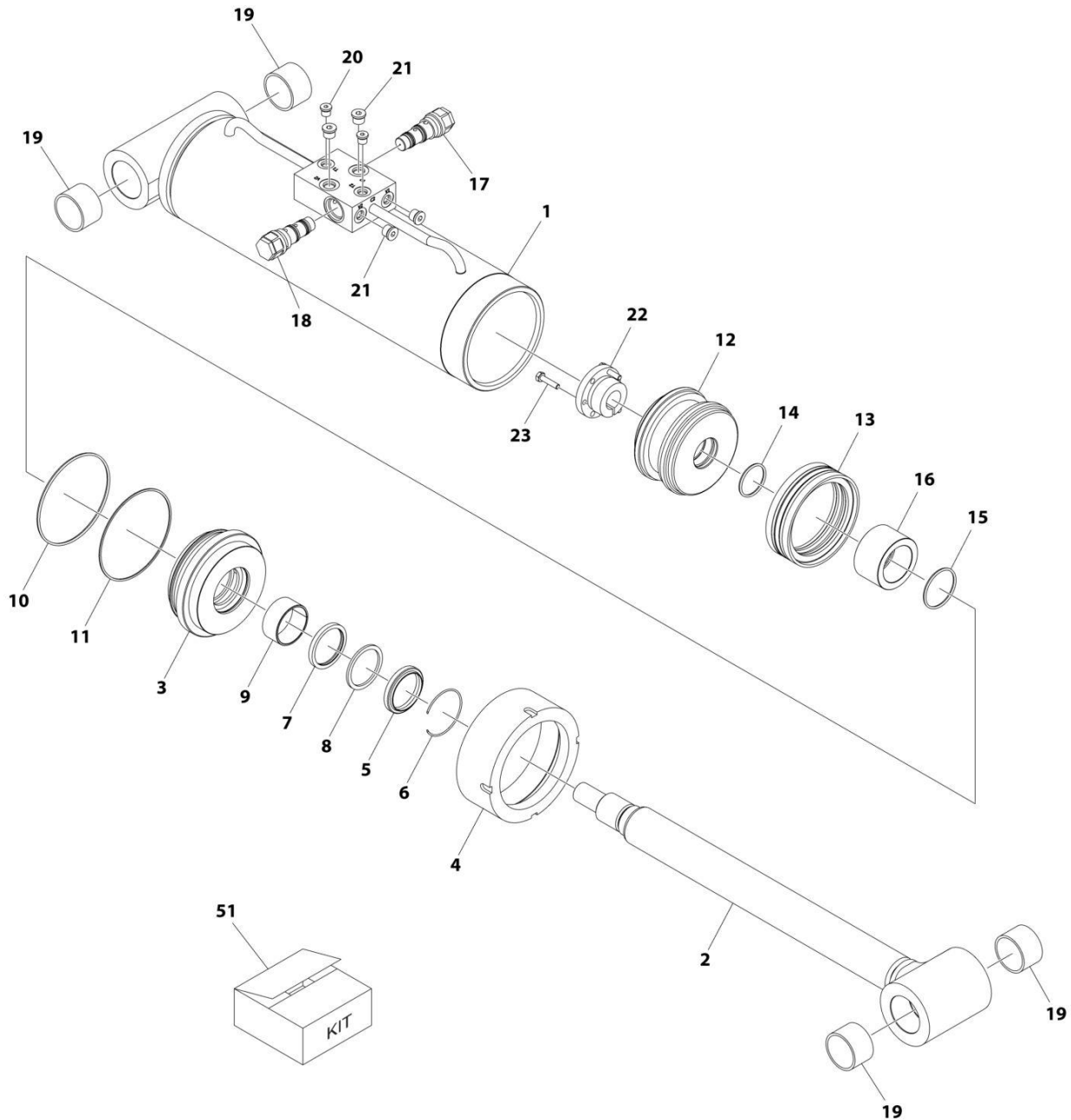
## SECTION 6 - CYLINDER

**FIGURE 6-8. PLATFORM LEVEL CYLINDER ASSEMBLY - WITH COLD WEATHER PLUS PACKAGE  
(SN 0300201016 through 0300239980)**

ITEM	PART NUMBER	QTY	DESCRIPTION	REV
	1001138802	Ref	PLATFORM LEVEL CYLINDER ASSEMBLY - WITH COLD WEATHER PLUS PACKAGE (SN 0300201016 through 0300239980)	B
		Ref	Note: Original Cylinder May Have Been Replaced with Service Replacement. Identify PN Stamped on Cylinder Before Ordering Parts.	
1	1684150	1	Barrel Weldment	
1A	0961949	2	Bushing	
2	1684306	1	Rod Weldment	
2A	0961949	2	Bushing	
3	3480269	1	Piston	
4	0961896	1	Bushing, Tapered	
5	1683062	1	Head	
6	4568345	1	Spacer	
7	4640509	1	Cartridge, Holding Valve (Non-Vented)	
7	2900792	1	Seal Kit - 4640509 Cartridge Valve	
8	4641248	1	Cartridge, Counterbalance Valve (Non-Vented)	
8	See Note	NSS	Seal Kit - 4641248 Cartridge Valve (Note: Use p/n 4641248)	
9	3760371	1	Ring, Washer	
10	0630535	3	Capscrew 1/4 x 1-1/8	
11	2220885	2	Plug, O-Ring	
12	2220886	1	Plug, O-Ring	
13	3931824	8	Capscrew 1/2 x 1-1/2	
14	0100011	AR	Compound, Locking	
15	0100038	AR	Primer, Locking	
101	See Note	NSS	Ring, Wear (Note: Use Item 151)	
102	See Note	NSS	Ring, Back-up (Note: Use Item 151)	
103	See Note	NSS	Ring, Lock (Note: Use Item 151)	
104	See Note	NSS	Ring, Back-up (Note: Use Item 151)	
105	See Note	NSS	O-Ring (Note: Use Item 151)	
106	See Note	NSS	O-Ring (Note: Use Item 151)	
107	See Note	NSS	Wiper, Rod (Note: Use Item 151)	
108	See Note	NSS	Ring, Guide (Note: Use Item 151)	
109	See Note	NSS	Seal, Rod (Note: Use Item 151)	
151	1001138804	1	Seal Kit Options (Includes Items 101-109)	

# SECTION 6 - CYLINDER

FIGURE 6-9. PLATFORM LEVEL CYLINDER ASSEMBLY - WITH COLD WEATHER PLUS PACKAGE  
(SN 0300239981 through 0300272504)



ART\_1001228053

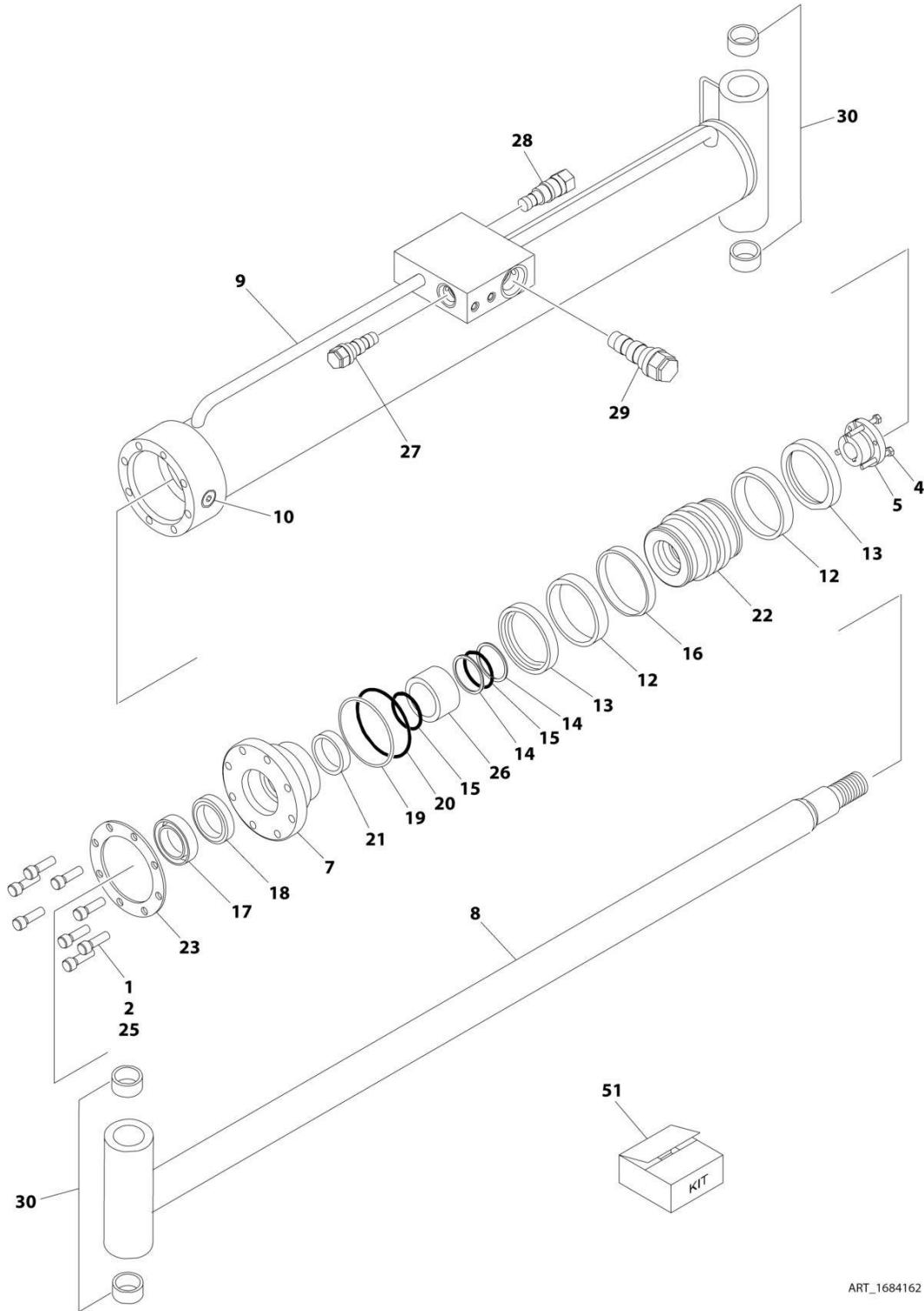
## SECTION 6 - CYLINDER

**FIGURE 6-9. PLATFORM LEVEL CYLINDER ASSEMBLY - WITH COLD WEATHER PLUS PACKAGE  
(SN 0300239981 through 0300272504)**

ITEM	PART NUMBER	QTY	DESCRIPTION	REV
	1001228053	Ref	PLATFORM LEVEL CYLINDER ASSEMBLY - WITH COLD WEATHER PLUS PACKAGE	B
		Ref	Note: Original Cylinder May Have Been Replaced with Service Replacement. Identify PN Stamped on Cylinder Before Ordering Parts.	
1	See Note	NSS	Barrel (Note: Not Available for Purchase)	
2	70007015	1	Rod	
3	70007016	1	Head	
4	70007017	1	Cap, Cylinder	
5	See Note	NSS	Wiper, Rod (Note: Use Item 51)	
6	70002412	1	Retainer	
7	See Note	NSS	Seal, Rod (Note: Use Item 51)	
8	See Note	NSS	Ring, Back-up (Note: Use Item 51)	
9	70005153	1	Ring, Wear	
10	See Note	NSS	O-Ring (Note: Use Item 51)	
11	See Note	NSS	Ring, Back-up (Note: Use Item 51)	
12	70007018	1	Piston	
13	See Note	NSS	Seal, Piston (Note: Use Item 51)	
14	See Note	NSS	O-Ring (Note: Use Item 51)	
15	See Note	NSS	O-Ring (Note: Use Item 51)	
16	70007019	1	Spacer	
17	4640509	1	Cartridge, Holding Valve (Non-Vented)	
17	2900792	1	Seal Kit - 4640509 Cartridge Valve	
18	4641248	1	Cartridge, Counterbalance Valve (Non-Vented)	
18	70004186	1	Seal Kit - 4641248 Cartridge Valve	
19	0961949	4	Bushing	
20	2220883	2	Plug, O-Ring	
21	2220885	4	Plug, O-Ring	
22	0961894	1	Bushing, Tapered	
23	0630535	3	Capscrew 1/4 x 1-1/8	
51	70007020	1	Seal Kit Options (Includes Items 5, 7, 8, 10, 11 & 13-15)	

# SECTION 6 - CYLINDER

FIGURE 6-10. LIFT CYLINDER ASSEMBLY (SN 0300201016 through 0300239470, SN B300002238 through B300002473)



ART\_1684162

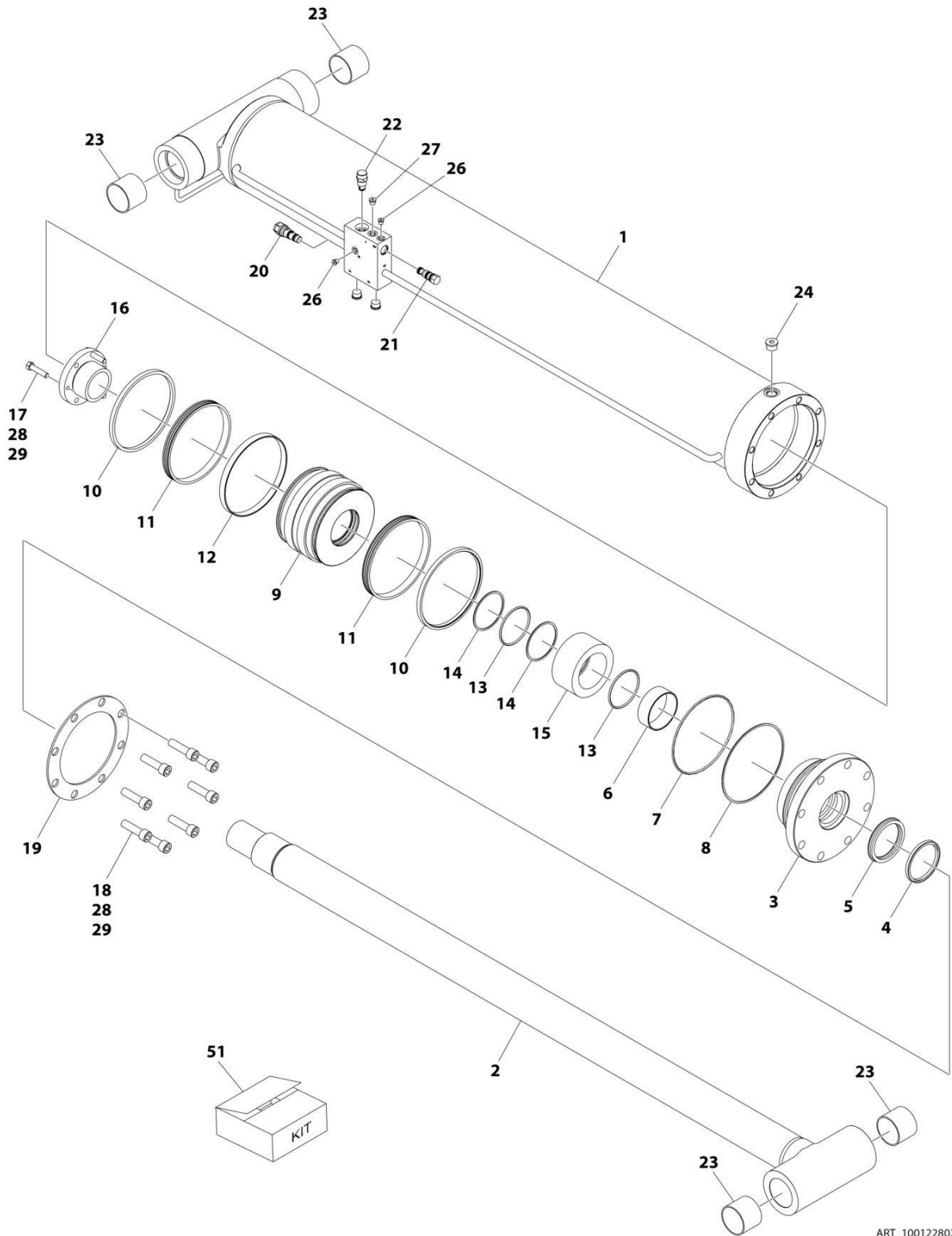
## SECTION 6 - CYLINDER

**FIGURE 6-10. LIFT CYLINDER ASSEMBLY (SN 0300201016 through 0300239470, SN B300002238 through B300002473)**

ITEM	PART NUMBER	QTY	DESCRIPTION	REV
	1684162	Ref	LIFT CYLINDER ASSEMBLY (SN 0300201016 through 0300239470, SN B300002238 through B300002473)  Note: Original Cylinder May Have Been Replaced with Service Replacement. Identify PN Stamped on Cylinder Before Ordering Parts.	J
		Ref		
1	0100011	AR	Compound, Locking	
2	0100038	AR	Primer, Locking	
4	0630537	3	Capscrew	
5	0961901	1	Bushing, Tapered	
7	1683072	1	Head	
8	1684159	1	Rod	
9	1684249	1	Barrel	
10	2220888	1	Plug, O-Ring	
12	See Note	NSS	Ring, Guide (Note: Use Item 51)	
13	See Note	NSS	Ring, Lock (Note: Use Item 51)	
14	See Note	NSS	Ring, Back-up (Note: Use Item 51)	
15	See Note	NSS	O-Ring (Note: Use Item 51)	
16	See Note	NSS	Ring, Wear (Note: Use Item 51)	
17	See Note	NSS	Wiper, Rod (Note: Use Item 51)	
18	See Note	NSS	Seal, Rod (Note: Use Item 51)	
19	See Note	NSS	Ring, Back-up (Note: Use Item 51)	
20	See Note	NSS	O-Ring (Note: Use Item 51)	
21	See Note	NSS	Ring, Wear (Note: Use Item 51)	
22	3480270	1	Piston	
23	3760375	1	Ring, Washer	
25	3932244	8	Capscrew 3/4 x 2-3/4	
26	4568319	1	Spacer	
27	4640438	1	Cartridge, Check Valve	
27	2900770	1	Seal Kit - 4640438 Cartridge Valve	
28	4640509	1	Cartridge, Holding Valve (Non-Vented)	
28	2900792	1	Seal Kit - 4640509 Cartridge Valve	
29	4641210	1	Cartridge, Pressure Regulator Valve	
29	7010545	1	Seal Kit - 4641210 Cartridge Valve	
30	0962297	4	Bushing	
51	1001174325	1	Seal Kit (Includes Items 12-21)	

# SECTION 6 - CYLINDER

FIGURE 6-11. LIFT CYLINDER ASSEMBLY (SN 0300239471 through 0300272504, SN B300002474 through B300007118)



ART\_1001228024



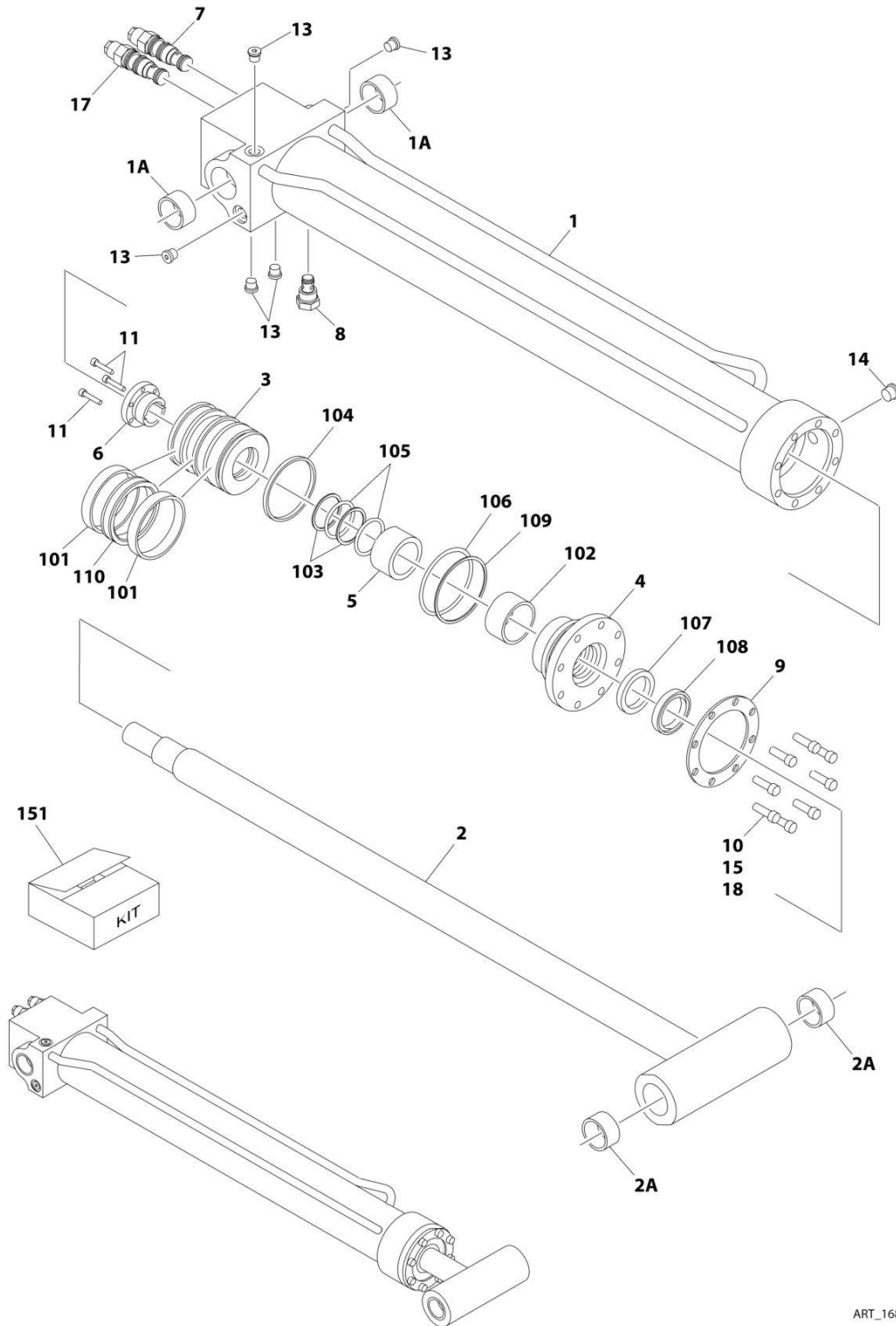
## SECTION 6 - CYLINDER

**FIGURE 6-11. LIFT CYLINDER ASSEMBLY (SN 0300239471 through 0300272504, SN B300002474 through B300007118)**

ITEM	PART NUMBER	QTY	DESCRIPTION	REV
	1001228024	Ref	LIFT CYLINDER ASSEMBLY	D
		Ref	Note: Original Cylinder May Have Been Replaced with Service Replacement. Identify PN Stamped on Cylinder Before Ordering Parts.	
1	See Note	NSS	Barrel Weldment (Note: Not Available for Purchase)	
2	70006530	1	Rod	
3	70006529	1	Head	
4	See Note	NSS	Wiper, Rod (Note: Use Item 51)	
5	See Note	NSS	Seal, Rod (Note: Use Item 51)	
6	See Note	NSS	Ring, Wear (Note: Use Item 51)	
7	See Note	NSS	O-Ring (Note: Use Item 51)	
8	See Note	NSS	Ring, Back-up (Note: Use Item 51)	
9	70006528	1	<b>Piston</b>	
10	See Note	NSS	Ring, Lock (Note: Use Item 51)	
11	See Note	NSS	Ring, Guide (Note: Use Item 51)	
12	See Note	NSS	Ring, Wear (Note: Use Item 51)	
13	See Note	NSS	O-Ring (Note: Use Item 51)	
14	See Note	NSS	Ring, Back-up (Note: Use Item 51)	
15	70006527	1	Spacer	
16	0961901	1	Bushing, Tapered	
17	0630537	3	Capscrew	
18	3932244	8	Capscrew 3/4 x 2-3/4	
19	3760375	1	Ring, Washer	
20	4640509	1	Cartridge, Holding Valve (Non-Vented)	
20	2900792	1	Seal Kit - 4640509 Cartridge Valve	
21	4640438	1	Cartridge, Check Valve	
21	2900770	1	Seal Kit - 4640438 Cartridge Valve	
22	4641210	1	Cartridge, Pressure Regulator Valve	
22	7010545	1	Seal Kit - 4641210 Cartridge Valve	
23	0962297	4	Bushing	
24	2220888	AR	Plug, O-Ring	
26	2220883	2	Plug, O-Ring	
27	2220885	1	Plug, O-Ring	
28	0100011	AR	Compound, Locking	
29	0100038	AR	Primer, Locking	
51	1001174325	1	Seal Kit (Includes Items 4-8 & 10-14)	

# SECTION 6 - CYLINDER

FIGURE 6-12. JIB CYLINDER ASSEMBLY - WITHOUT COLD WEATHER PLUS PACKAGE (SN 0300201016 through 0300239161, SN B300002238 through B300002449)



ART\_1684173

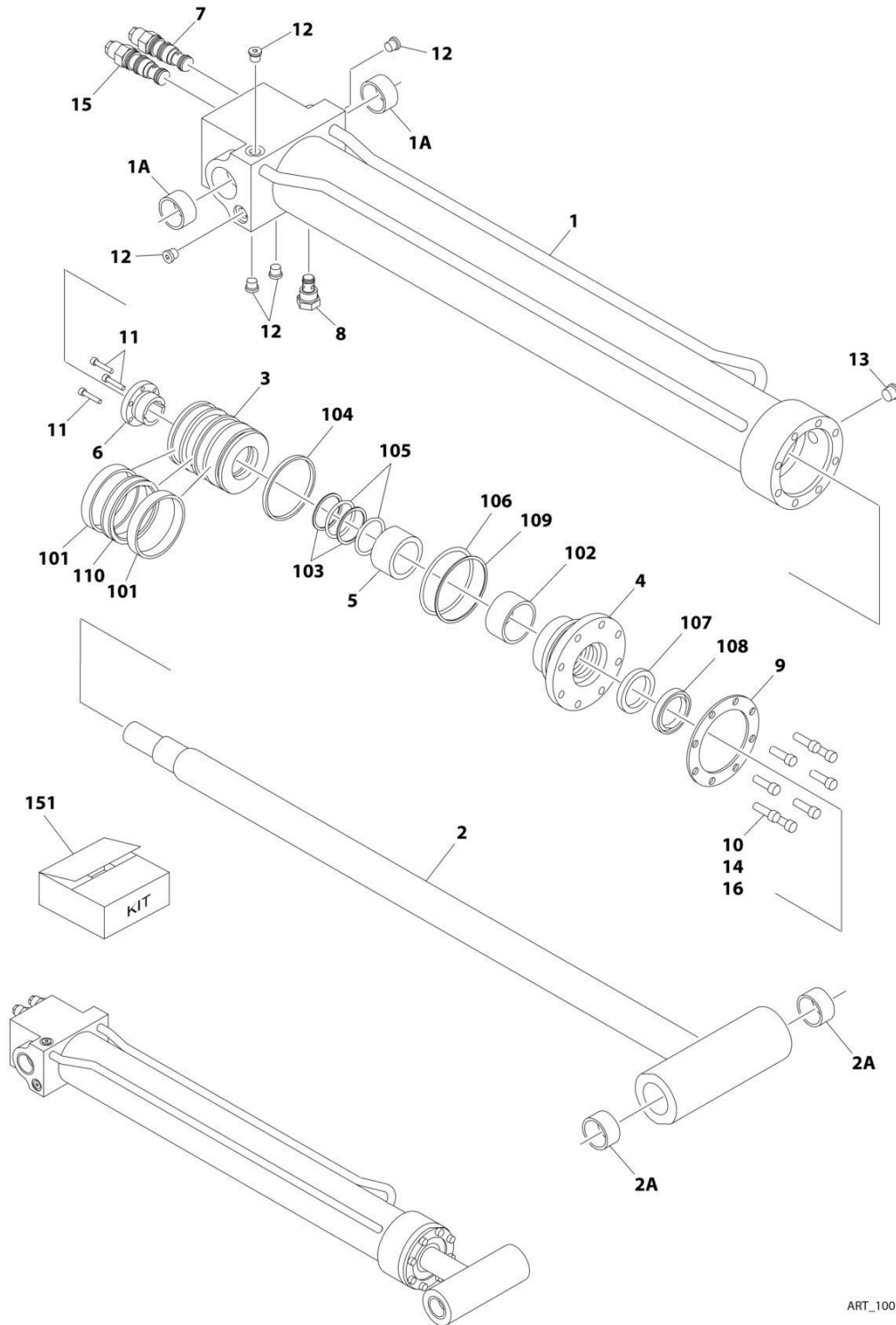
## SECTION 6 - CYLINDER

**FIGURE 6-12. JIB CYLINDER ASSEMBLY - WITHOUT COLD WEATHER PLUS PACKAGE (SN 0300201016 through 0300239161, SN B300002238 through B300002449)**

ITEM	PART NUMBER	QTY	DESCRIPTION	REV
	1684173	Ref	JIB CYLINDER ASSEMBLY - WITHOUT COLD WEATHER PLUS PACKAGE (SN 0300201016 through 0300239161, SN B300002238 through B300002449)	H
		Ref	Note: Original Cylinder May Have Been Replaced with Service Replacement. Identify PN Stamped on Cylinder Before Ordering Parts.	
1	1684174	1	Barrel Weldment	
1A	0962257	2	Bushing	
2	1684176	1	Rod Weldment	
2A	0962257	2	Bushing	
3	3480271	1	Piston	
4	1683053	1	Head	
5	4100100	1	Spacer	
6	0961893	1	Bushing, Tapered	
7	4640452	1	Cartridge, Counterbalance (Port above V2)	
7	2900770	1	Seal Kit - 4640452 Cartridge Valve (1 Per Valve)	
8	4641114	1	Cartridge, Restricted/Check	
8	7012967	1	Seal Kit - 4641114 Cartridge Valve (1 Per Valve)	
9	3760368	1	Ring, Washer	
10	3931516	8	Capscrew 5/16 x 1	
11	0630534	3	Capscrew #10 x 1	
13	2220883	5	Plug, O-Ring	
14	2220885	1	Plug, O-Ring	
15	0100011	AR	Compound, Locking	
17	4641260	1	Cartridge, Counterbalance (Port above V1)	
17	2900770	1	Seal Kit - 4641260 Cartridge Valve (1 Per Valve)	
18	0100038	AR	Primer, Locking	
101	See Note	NSS	Ring, Wear (Note: Use Item 151)	
102	See Note	NSS	Ring, Wear (Note: Use Item 151)	
103	See Note	NSS	Ring, Back-up (Note: Use Item 151)	
104	See Note	NSS	Seal (Note: Use Item 151)	
105	See Note	NSS	O-Ring (Note: Use Item 151)	
106	See Note	NSS	O-Ring (Note: Use Item 151)	
107	See Note	NSS	Seal (Note: Use Item 151)	
108	See Note	NSS	Wiper, Rod (Note: Use Item 151)	
109	See Note	NSS	Ring, Back-up (Note: Use Item 151)	
110	See Note	NSS	Seal (Note: Use Item 151)	
151	2902092	1	Seal Kit Options (Includes Items 101-110)	

# SECTION 6 - CYLINDER

FIGURE 6-13. JIB CYLINDER ASSEMBLY - WITH COLD WEATHER PLUS PACKAGE (SN 0300201016 through 0300239161)



ART\_1001138803

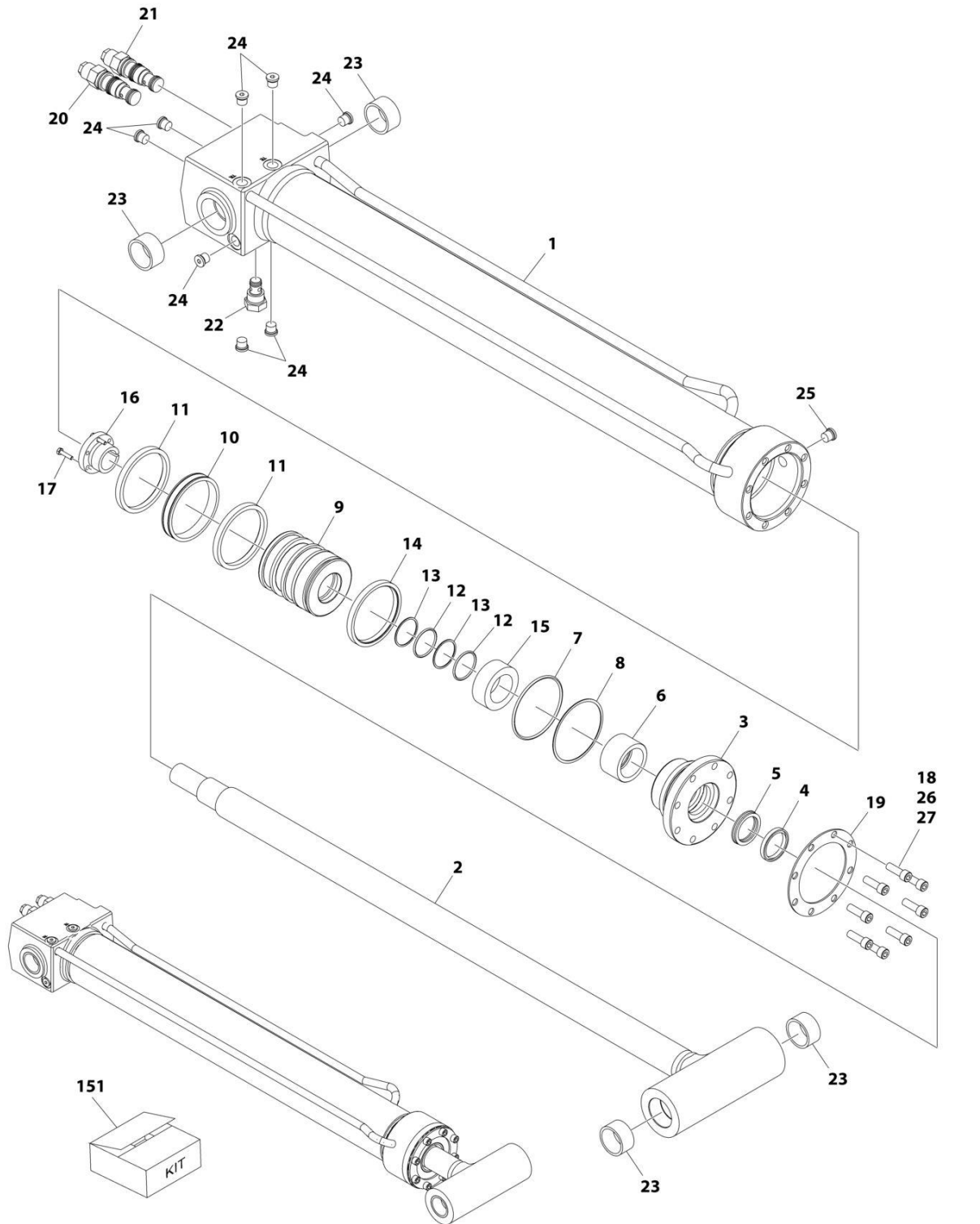
## SECTION 6 - CYLINDER

**FIGURE 6-13. JIB CYLINDER ASSEMBLY - WITH COLD WEATHER PLUS PACKAGE (SN 0300201016 through 0300239161)**

ITEM	PART NUMBER	QTY	DESCRIPTION	REV
	1001138803	Ref	JIB CYLINDER ASSEMBLY - WITH COLD WEATHER PLUS PACKAGE (SN 0300201016 through 0300239161)	B
		Ref	Note: Original Cylinder May Have Been Replaced with Service Replacement. Identify PN Stamped on Cylinder Before Ordering Parts.	
1	1684174	1	Barrel Weldment	
1A	0962257	2	Bushing	
2	1684176	1	Rod Weldment	
2A	0962257	2	Bushing	
3	3480271	1	Piston	
4	1683053	1	Head	
5	4100100	1	Spacer	
6	0961893	1	Bushing, Tapered	
7	4640452	1	Cartridge, Counterbalance (Port above V2)	
7	2900770	1	Seal Kit - 4640452 Cartridge Valve (1 Per Valve)	
8	4641114	1	Cartridge, Restricted/Check	
8	7012967	1	Seal Kit - 4641114 Cartridge Valve (1 Per Valve)	
9	3760368	1	Ring, Washer	
10	3931516	8	Capscrew 5/16 x 1	
11	0630534	3	Capscrew # 10 x 1	
12	2220883	5	Plug, O-Ring	
13	2220885	1	Plug, O-Ring	
14	0100011	AR	Compound, Locking	
15	4641260	1	Cartridge, Counterbalance (Port above V1)	
15	2900770	1	Seal Kit - 4641260 Cartridge Valve	
16	0100038	AR	Primer, Locking	
101	See Note	NSS	Ring, Wear (Note: Use Item 151)	
102	See Note	NSS	Ring, Wear (Note: Use Item 151)	
103	See Note	NSS	Ring, Back-up (Note: Use Item 151)	
104	See Note	NSS	Seal (Note: Use Item 151)	
105	See Note	NSS	O-Ring (Note: Use Item 151)	
106	See Note	NSS	O-Ring (Note: Use Item 151)	
107	See Note	NSS	Seal (Note: Use Item 151)	
108	See Note	NSS	Wiper, Rod (Note: Use Item 151)	
109	See Note	NSS	Ring, Back-up (Note: Use Item 151)	
110	See Note	NSS	Seal (Note: Use Item 151)	
151	1001138805	1	Seal Kit Options (Includes Items 101-110)	

# SECTION 6 - CYLINDER

FIGURE 6-14. JIB CYLINDER ASSEMBLY - WITH OR WITHOUT COLD WEATHER PLUS PACKAGE  
(SN 0300239162 through 0300272504, SN B300002450 through B300007118)



ART\_1001228025

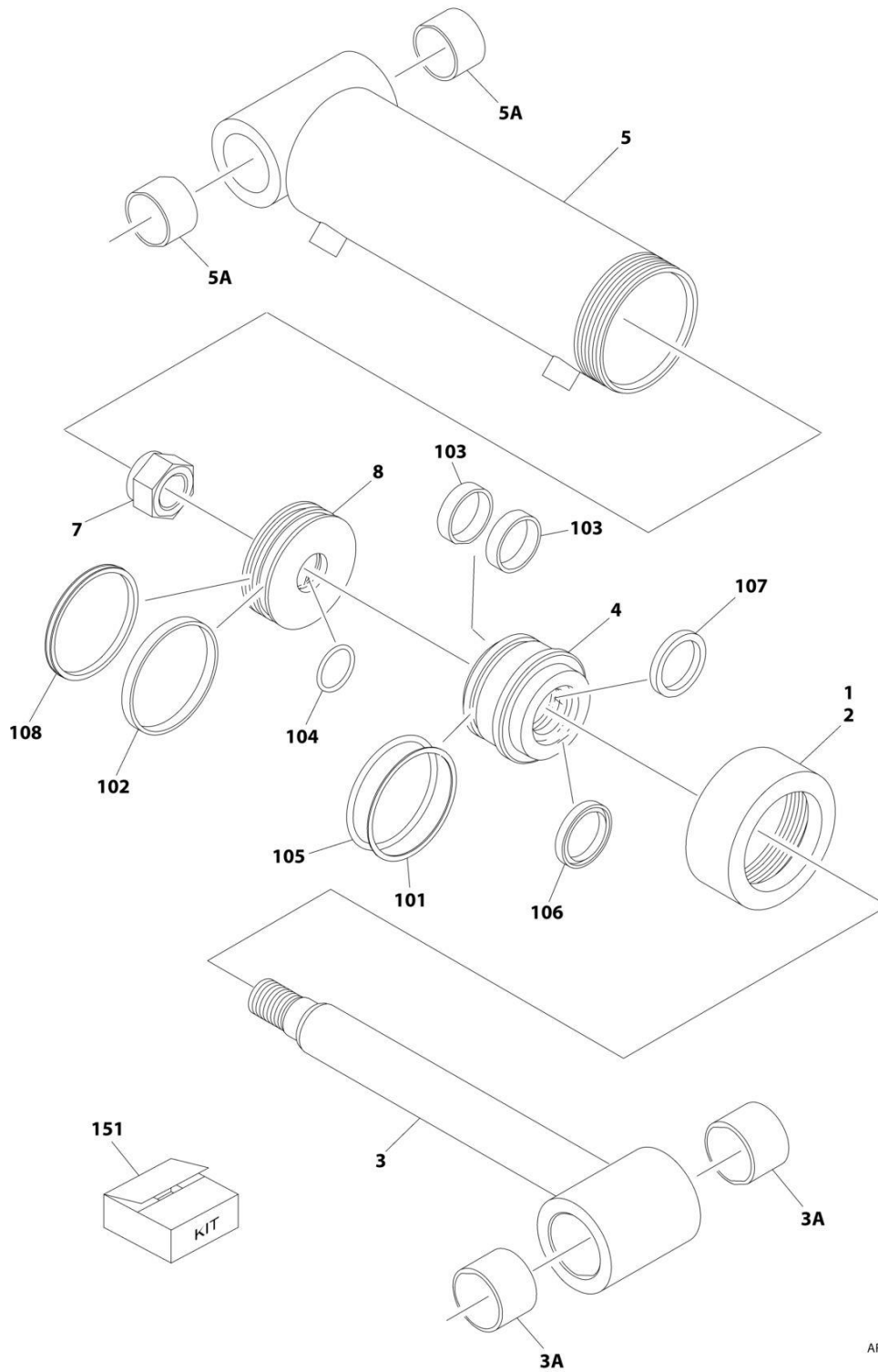
## SECTION 6 - CYLINDER

**FIGURE 6-14. JIB CYLINDER ASSEMBLY - WITH OR WITHOUT COLD WEATHER PLUS PACKAGE  
(SN 0300239162 through 0300272504, SN B300002450 through B300007118)**

ITEM	PART NUMBER	QTY	DESCRIPTION	REV
	1001228025	Ref	JIB CYLINDER ASSEMBLY	E
		Ref	Note: Original Cylinder May Have Been Replaced with Service Replacement. Identify PN Stamped on Cylinder Before Ordering Parts.	
1	See Note	NSS	Barrel Weldment (Note: Not Available for Purchase)	
2	70006526	1	Rod Weldment	
3	70006525	1	Head	
4	See Note	NSS	Wiper, Rod (Note: Use Item 151)	
5	See Note	NSS	Seal (Note: Use Item 151)	
6	See Note	NSS	Ring, Wear (Note: Use Item 151)	
7	See Note	NSS	O-Ring (Note: Use Item 151)	
8	See Note	NSS	Ring, Back-up (Note: Use Item 151)	
9	70006524	1	Piston	
10	See Note	NSS	Seal (Note: Use Item 151)	
11	See Note	NSS	Ring, Wear (Note: Use Item 151)	
12	See Note	NSS	O-Ring (Note: Use Item 151)	
13	See Note	NSS	Ring, Back-up (Note: Use Item 151)	
14	See Note	NSS	Seal (Note: Use Item 151)	
15	70006523	1	Spacer	
16	0961893	1	Bushing, Tapered	
17	0630534	3	Capscrew #10 x 1	
18	3931516	8	Capscrew 5/16 x 1	
19	3760368	1	Ring, Washer	
20	4641260	1	Cartridge, Counterbalance (Port above V1)	
20	2900770	1	Seal Kit - 4641260 Cartridge Valve (1 Per Valve)	
21	4640452	1	Cartridge, Counterbalance (Port above V2)	
21	2900770	1	Seal Kit - 4640452 Cartridge Valve (1 Per Valve)	
22	4641114	1	Cartridge, Restricted/Check	
22	7012967	1	Seal Kit - 4641114 Cartridge Valve (1 Per Valve)	
23	0962257	4	Bushing	
24	2220883	8	Plug, O-Ring	
25	2220885	AR	Plug, O-Ring	
26	0100011	AR	Compound, Locking	
27	0100038	AR	Primer, Locking	
151	1001138805	1	Seal Kit Options (Includes Items 4-8 & 10-14)	

# SECTION 6 - CYLINDER

FIGURE 6-15. STEER CYLINDER ASSEMBLY (SN 0300201016 through 0300238011, SN B300002238 through B300002376)



ART\_1684314



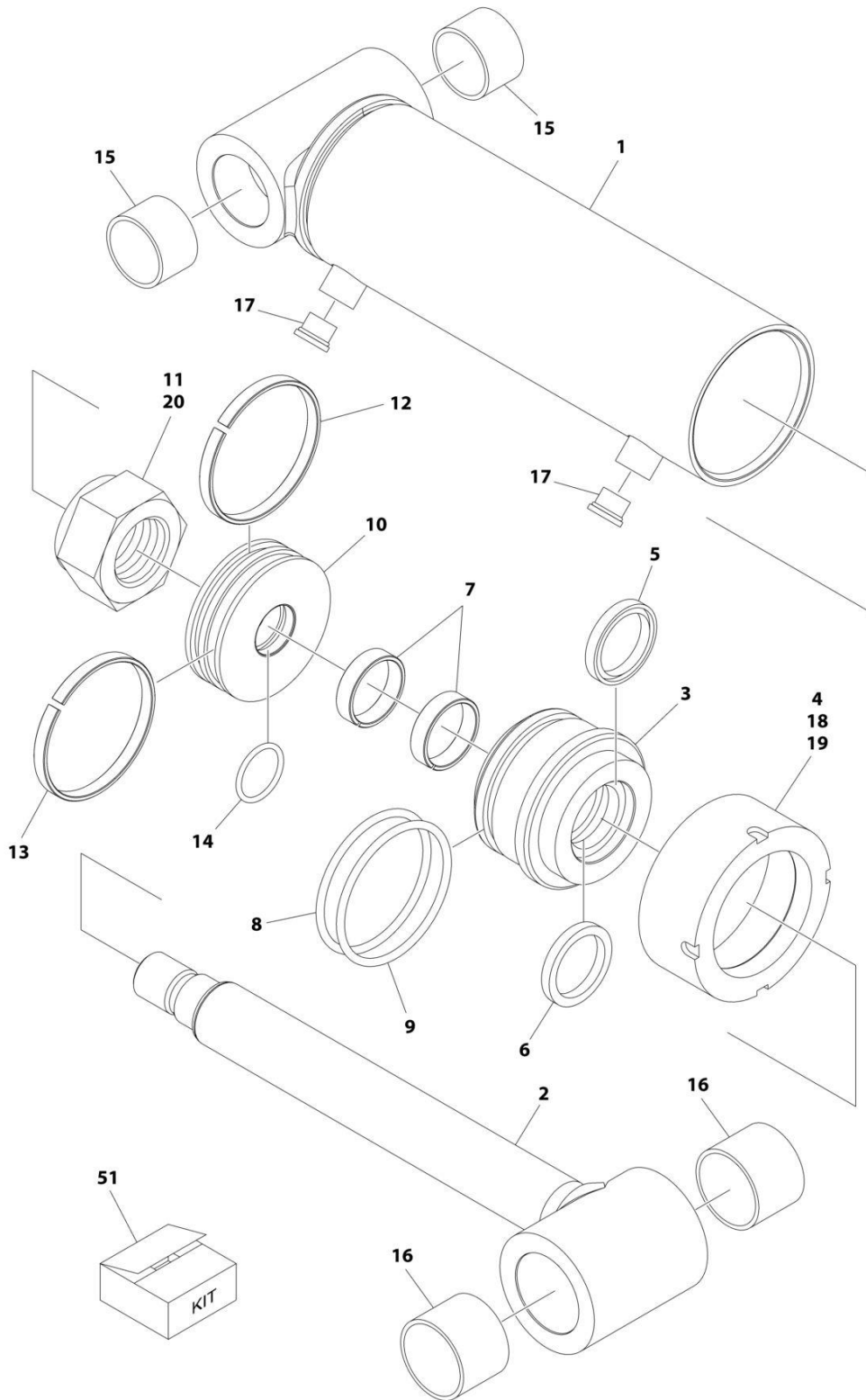
## SECTION 6 - CYLINDER

**FIGURE 6-15. STEER CYLINDER ASSEMBLY (SN 0300201016 through 0300238011, SN B300002238 through B300002376)**

ITEM	PART NUMBER	QTY	DESCRIPTION	REV
	1684314	Ref	STEER CYLINDER ASSEMBLY (SN 0300201016 through 0300238011, SN B300002238 through B300002376)  Note: Original Cylinder May Have Been Replaced with Service Replacement. Identify PN Stamped on Cylinder Before Ordering Parts.	F
		Ref		
1	0100035	AR	Compound, Locking	
2	1120094	1	Cap, Cylinder	
3	1684275	1	Rod	
3A	0961950	2	Bushing	
4	1684315	1	Head	
5	1684317	1	Barrel	
5A	0961949	2	Bushing	
7	3300465	1	Nut	
8	3480278	1	Piston	
101	See Note	NSS	Ring, Back-up (Note: Use Item 151)	
102	See Note	NSS	Ring, Wear (Note: Use Item 151)	
103	See Note	NSS	Ring, Wear (Note: Use Item 151)	
104	See Note	NSS	O-Ring (Note: Use Item 151)	
105	See Note	NSS	O-Ring (Note: Use Item 151)	
106	See Note	NSS	Wiper (Note: Use Item 151)	
107	See Note	NSS	Seal, Piston (Note: Use Item 151)	
108	See Note	NSS	Seal (Note: Use Item 151)	
151	2902257	1	Seal Kit (Includes Items 101-108)	

# SECTION 6 - CYLINDER

FIGURE 6-16. STEER CYLINDER ASSEMBLY (SN 0300238012 through 0300272504, SN B300002377 through B300007118)



ART\_1001228031

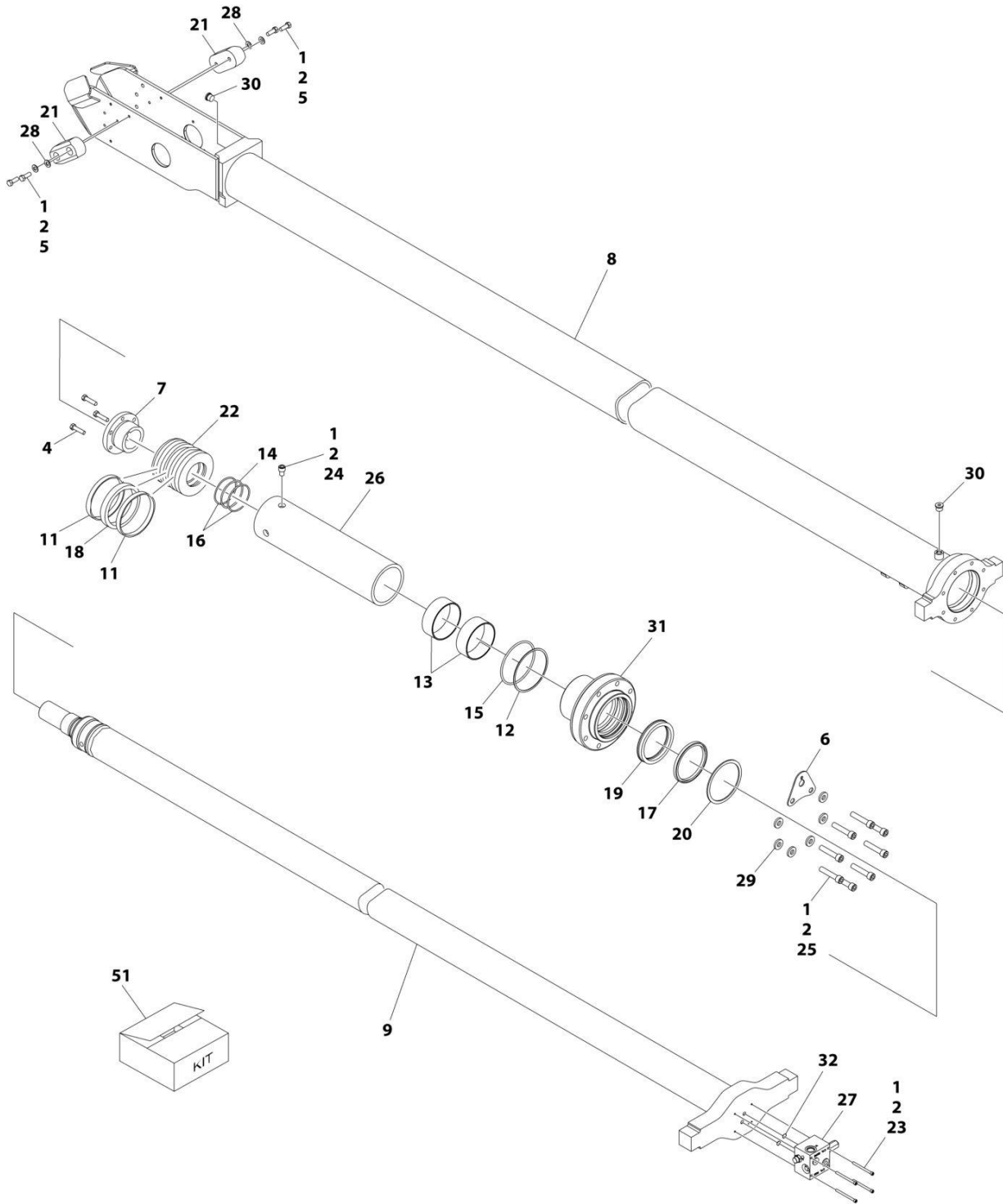
## SECTION 6 - CYLINDER

**FIGURE 6-16. STEER CYLINDER ASSEMBLY (SN 0300238012 through 0300272504, SN B300002377 through B300007118)**

ITEM	PART NUMBER	QTY	DESCRIPTION	REV
	1001228031	Ref	STEER CYLINDER ASSEMBLY	B
		Ref	Note: Original Cylinder May Have Been Replaced with Service Replacement. Identify PN Stamped on Cylinder Before Ordering Parts.	
1	See Note	NSS	Barrel Weldment (Note: Not Available for Purchase)	
2	70006493	1	Rod	
3	70006492	1	Head	
4	70006491	1	Cap, Cylinder	
5	See Note	NSS	Wiper (Note: Use Item 51)	
6	See Note	NSS	Seal, Piston (Note: Use Item 51)	
7	See Note	NSS	Ring, Wear (Note: Use Item 51)	
8	See Note	NSS	O-Ring (Note: Use Item 51)	
9	See Note	NSS	Ring, Back-up (Note: Use Item 51)	
10	70006490	1	Piston	
11	3300465	1	Nut	
12	See Note	NSS	Seal (Note: Use Item 51)	
13	See Note	NSS	Ring, Wear (Note: Use Item 51)	
14	See Note	NSS	O-Ring (Note: Use Item 51)	
15	0961949	2	Bushing	
16	0961950	2	Bushing	
17	2220885	2	Plug (With O-Ring)	
18	0100011	AR	Compound, Locking	
19	0100038	AR	Primer, Locking	
20	0100019	AR	Compound, Locking	
51	2902257	1	Seal Kit (Includes Items 5-9 & 12-14)	

# SECTION 6 - CYLINDER

FIGURE 6-17. TELESCOPE CYLINDER ASSEMBLY (1200SJP) (SN 0300201016 through 0300243437, SN B300002238 through B300002718)



ART\_1684178

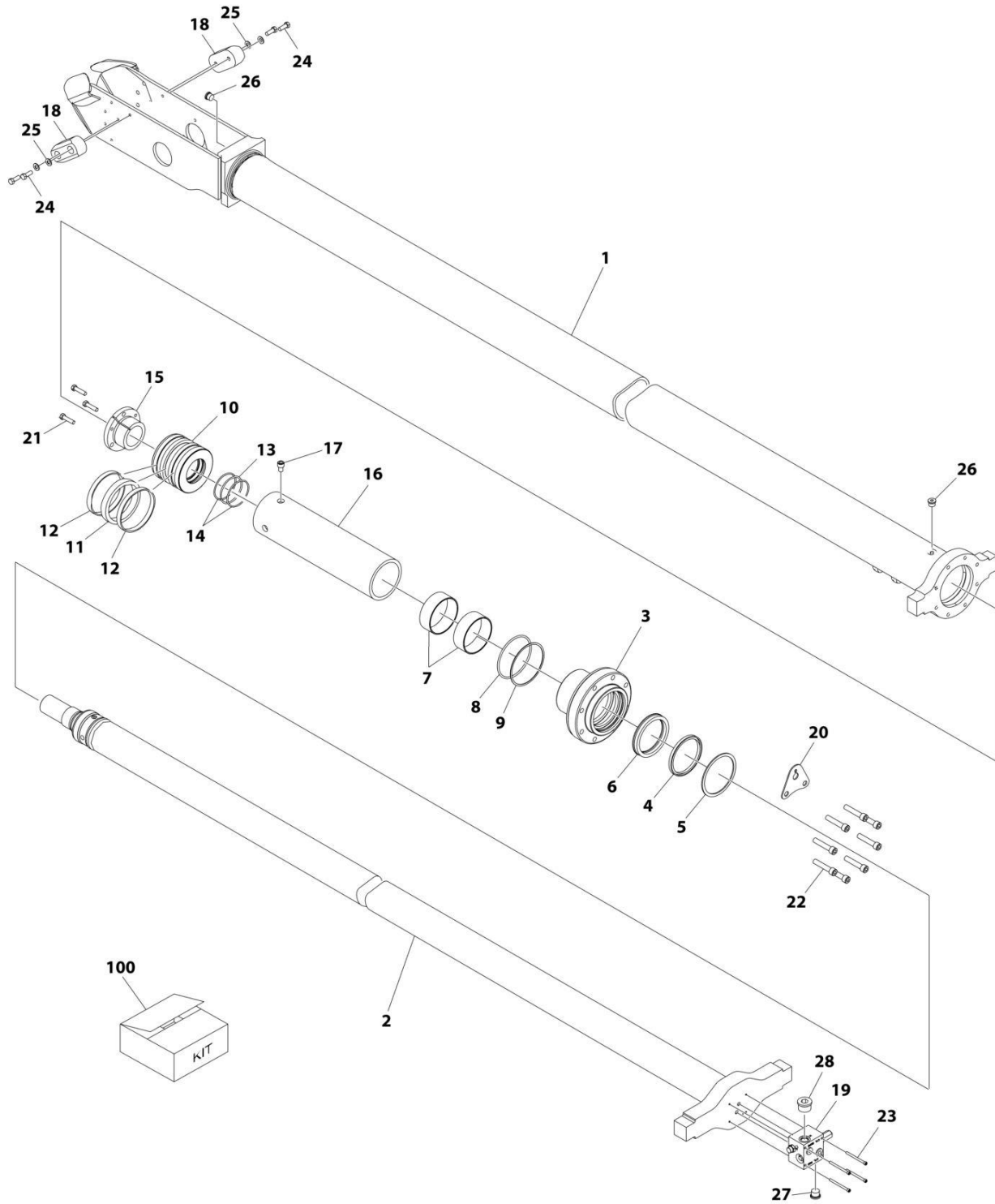
## SECTION 6 - CYLINDER

**FIGURE 6-17. TELESCOPE CYLINDER ASSEMBLY (1200SJP) (SN 0300201016 through 0300243437, SN B300002238 through B300002718)**

ITEM	PART NUMBER	QTY	DESCRIPTION	REV
	1684178	Ref	TELESCOPE CYLINDER ASSEMBLY (SN 0300201016 through 0300243437, SN B300002238 through B300002718)  Note: Original Cylinder May Have Been Replaced with Service Replacement. Identify PN Stamped on Cylinder Before Ordering Parts.	K
		Ref		
1	0100011	AR	Compound, Locking	
2	0100038	AR	Primer, Locking	
4	0630536	3	Capscrew	
5	0641608	4	Bolt 3/8 x 1	
6	0902743	1	Bracket	
7	0961903	1	Bushing, Tapered	
8	1684179	1	Barrel Weldment	
9	1001105016	1	Rod Weldment	
11	See Note	NSS	Ring, Wear (Note: Use Item 51)	
12	See Note	NSS	Ring, Back-up (Note: Use Item 51)	
13	See Note	NSS	Ring, Wear (Note: Use Item 51)	
14	See Note	NSS	O-Ring (Note: Use Item 51)	
15	See Note	NSS	O-Ring (Note: Use Item 51)	
16	See Note	NSS	Ring, Back-up (Note: Use Item 51)	
17	See Note	NSS	Wiper, Rod (Note: Use Item 51)	
18	See Note	NSS	T-Seal (Note: Use Item 51)	
19	See Note	NSS	Seal, Rod (Note: Use Item 51)	
20	See Note	NSS	Ring, Retaining (Note: Use Item 51)	
21	3340963	2	Pad, Wear	
22	3480268	1	Piston	
23	3931448	4	Capscrew 1/4 x 3	
24	3931608	1	Capscrew 3/8 x 1	
25	3931840	8	Capscrew 1/2 x 2-1/2	
26	1001105014	1	Spacer	
27	4641256	1	Valve Assembly	
27	2220884	1	Plug, SAE #5 (With O-Ring)	
27	2220885	1	Plug, SAE #6 (With O-Ring)	
28	4711600	4	Washer 3/8	
29	4891800	6	Washer 1/2	
30	2220885	2	Plug, O-Ring	
31	1684141	1	Head	
32	3790112	2	O-Ring	
51	2902081	1	Seal Kit (Includes Items 11-20)	

# SECTION 6 - CYLINDER

FIGURE 6-18. TELESCOPE CYLINDER ASSEMBLY (1200SJP) (SN 0300243438 through 0300272504, SN B300002719 through B300007118)



ART\_1001228026

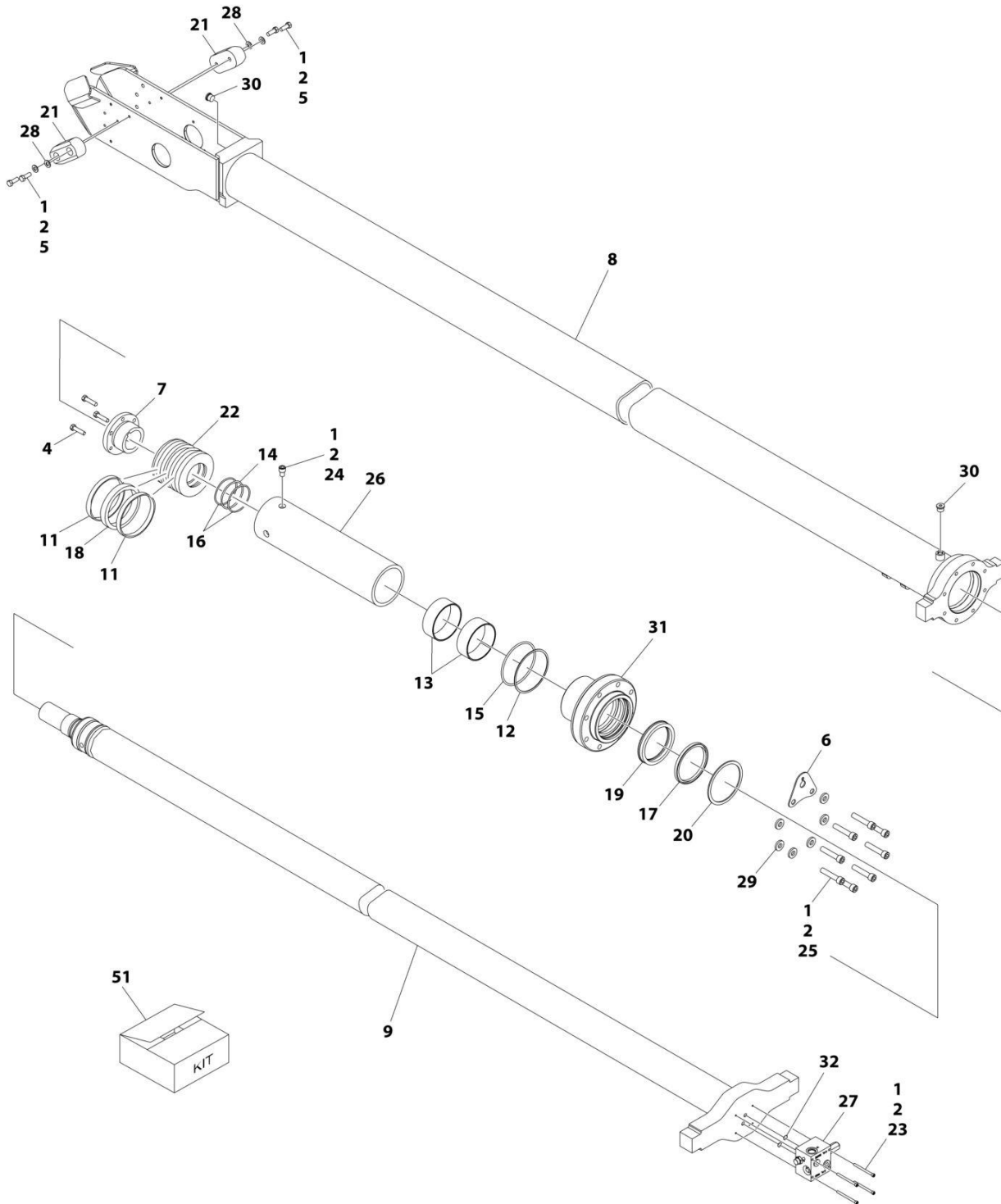
## SECTION 6 - CYLINDER

**FIGURE 6-18. TELESCOPE CYLINDER ASSEMBLY (1200SJP) (SN 0300243438 through 0300272504,  
SN B300002719 through B300007118)**

ITEM	PART NUMBER	QTY	DESCRIPTION	REV
	1001228026	Ref	TELESCOPE CYLINDER ASSEMBLY	B
		Ref	Note: Original Cylinder May Have Been Replaced with Service Replacement. Identify PN Stamped on Cylinder Before Ordering Parts.	
1	See Note	NSS	Barrel (Note: Not Available for Purchase)	
2	70006656	1	Rod	
3	70006657	1	Head	
4	See Note	NSS	Wiper (Note: Use Item 100)	
5	See Note	NSS	Ring, Retaining (Note: Use Item 100)	
6	See Note	NSS	Seal, Rod (Note: Use Item 100)	
7	See Note	NSS	Ring, Wear (Note: Use Item 100)	
8	See Note	NSS	O-Ring (Note: Use Item 100)	
9	See Note	NSS	Ring, Back-up (Note: Use Item 100)	
10	70006658	1	Piston	
11	See Note	NSS	Seal (Note: Use Item 100)	
12	See Note	NSS	Ring, Wear (Note: Use Item 100)	
13	See Note	NSS	O-Ring (Note: Use Item 100)	
14	See Note	NSS	Ring, Back-up (Note: Use Item 100)	
15	0961903	1	Bushing, Tapered	
16	70006659	1	Spacer	
17	3931608	1	Capscrew 3/8 x 1	
18	3340963	2	Pad, Wear	
19	4641256	1	Valve Assembly	
19	2220884	1	Plug, SAE #5 (With O-Ring)	
19	2220885	1	Plug, SAE #6 (With O-Ring)	
20	0902743	1	Bracket	
21	0630536	3	Capscrew	
22	3931840	8	Capscrew 1/2 x 2-1/2	
23	3931448	4	Capscrew 1/4 x 3	
24	0641608	4	Bolt 3/8 x 1	
25	4711600	4	Washer 3/8	
26	2220885	2	Plug, O-Ring	
27	2220886	1	Plug, O-Ring	
28	70005433	1	Plug, O-Ring	
100	2902081	1	Seal Kit (Includes Items 4-9 & 11-14)	

# SECTION 6 - CYLINDER

FIGURE 6-19. TELESCOPE CYLINDER ASSEMBLY (1350SJP) (SN 0300201016 through 0300243473, SN B300002238 through B300002646)



ART\_1684108



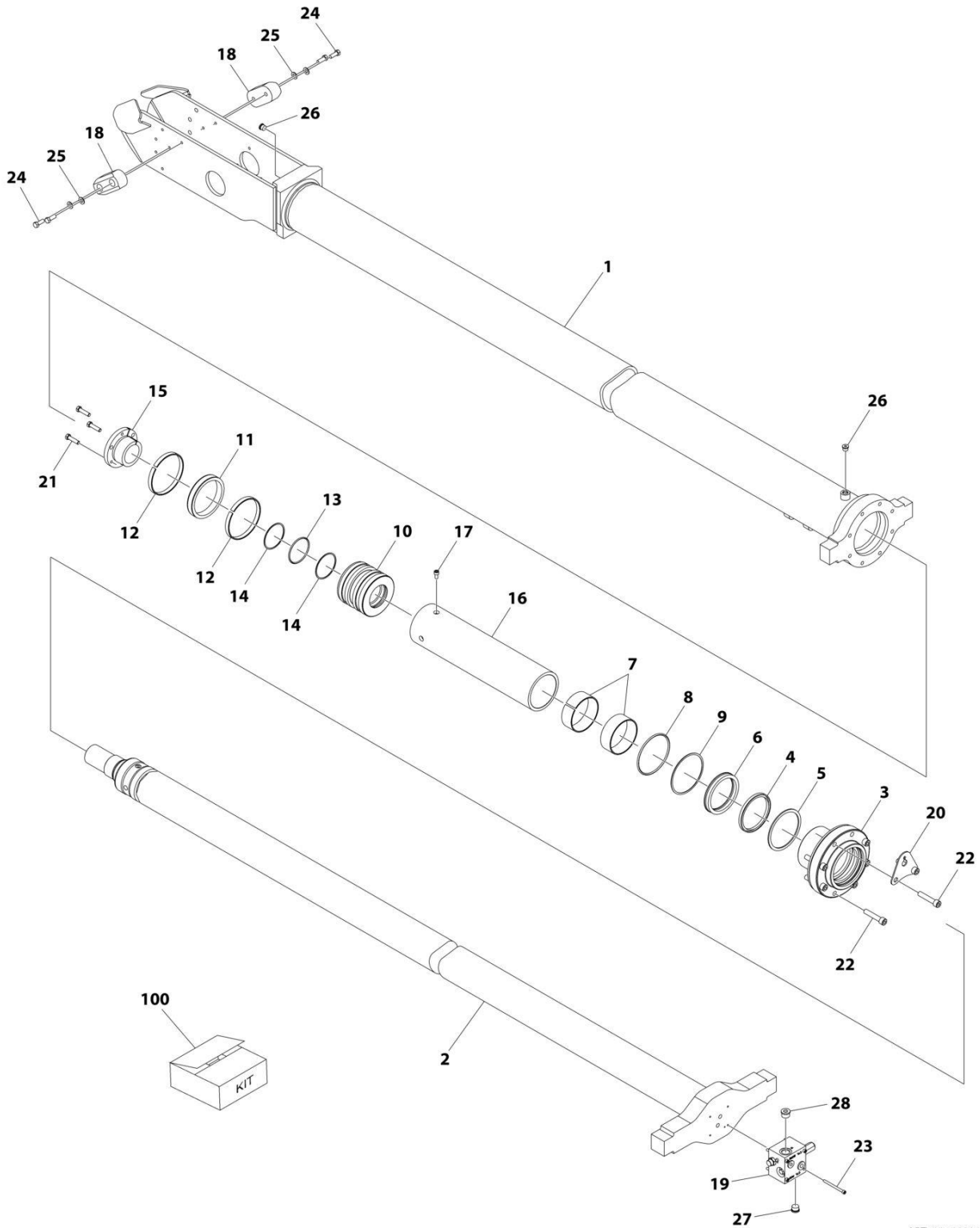
## SECTION 6 - CYLINDER

**FIGURE 6-19. TELESCOPE CYLINDER ASSEMBLY (1350SJP) (SN 0300201016 through 0300243473,  
SN B300002238 through B300002646)**

ITEM	PART NUMBER	QTY	DESCRIPTION	REV
	1684108	Ref	TELESCOPE CYLINDER ASSEMBLY	M
		Ref	Note: Original Cylinder May Have Been Replaced with Service Replacement. Identify PN Stamped on Cylinder Before Ordering Parts.	
1	0100011	AR	Compound, Locking	
2	0100038	AR	Primer, Locking	
4	0630536	3	Capscrew	
5	0641608	4	Bolt 3/8 x 1	
6	0902743	1	Bracket	
7	0961903	1	Bushing, Tapered	
8	1684109	1	Barrel Weldment	
9	1001104923	1	Rod Weldment	
11	See Note	NSS	Ring, Wear (Note: Use Item 51)	
12	See Note	NSS	Ring, Back-up (Note: Use Item 51)	
13	See Note	NSS	Ring, Wear (Note: Use Item 51)	
14	See Note	NSS	O-Ring (Note: Use Item 51)	
15	See Note	NSS	O-Ring (Note: Use Item 51)	
16	See Note	NSS	Ring, Back-up (Note: Use Item 51)	
17	See Note	NSS	Wiper, Rod (Note: Use Item 51)	
18	See Note	NSS	T-Seal (Note: Use Item 51)	
19	See Note	NSS	Seal, Rod (Note: Use Item 51)	
20	See Note	NSS	Ring, Retaining (Note: Use Item 51)	
21	3340963	2	Pad, Wear	
22	3480268	1	Piston	
23	3931448	4	Capscrew 1/4 x 3	
24	3931608	1	Capscrew 3/8 x 1	
25	3931840	8	Capscrew 1/2 x 2-1/2	
26	1001104922	1	Spacer	
27	4641256	1	Valve Assembly	
27	2220884	1	Plug, SAE #5 (With O-Ring)	
27	2220885	1	Plug, SAE #6 (With O-Ring)	
28	4711600	4	Washer 3/8	
29	4891800	6	Washer 1/2	
30	2220885	2	Plug, O-Ring	
31	1684141	1	Head	
32	3790112	2	O-Ring	
51	2902081	1	Seal Kit (Includes Items 11-20)	

# SECTION 6 - CYLINDER

FIGURE 6-20. TELESCOPE CYLINDER ASSEMBLY (1350SJP) (SN 0300243474 through 0300272504, SN B300002647 through B300007118)



ART\_1001228021

## SECTION 6 - CYLINDER

**FIGURE 6-20. TELESCOPE CYLINDER ASSEMBLY (1350SJP) (SN 0300243474 through 0300272504,  
SN B300002647 through B300007118)**

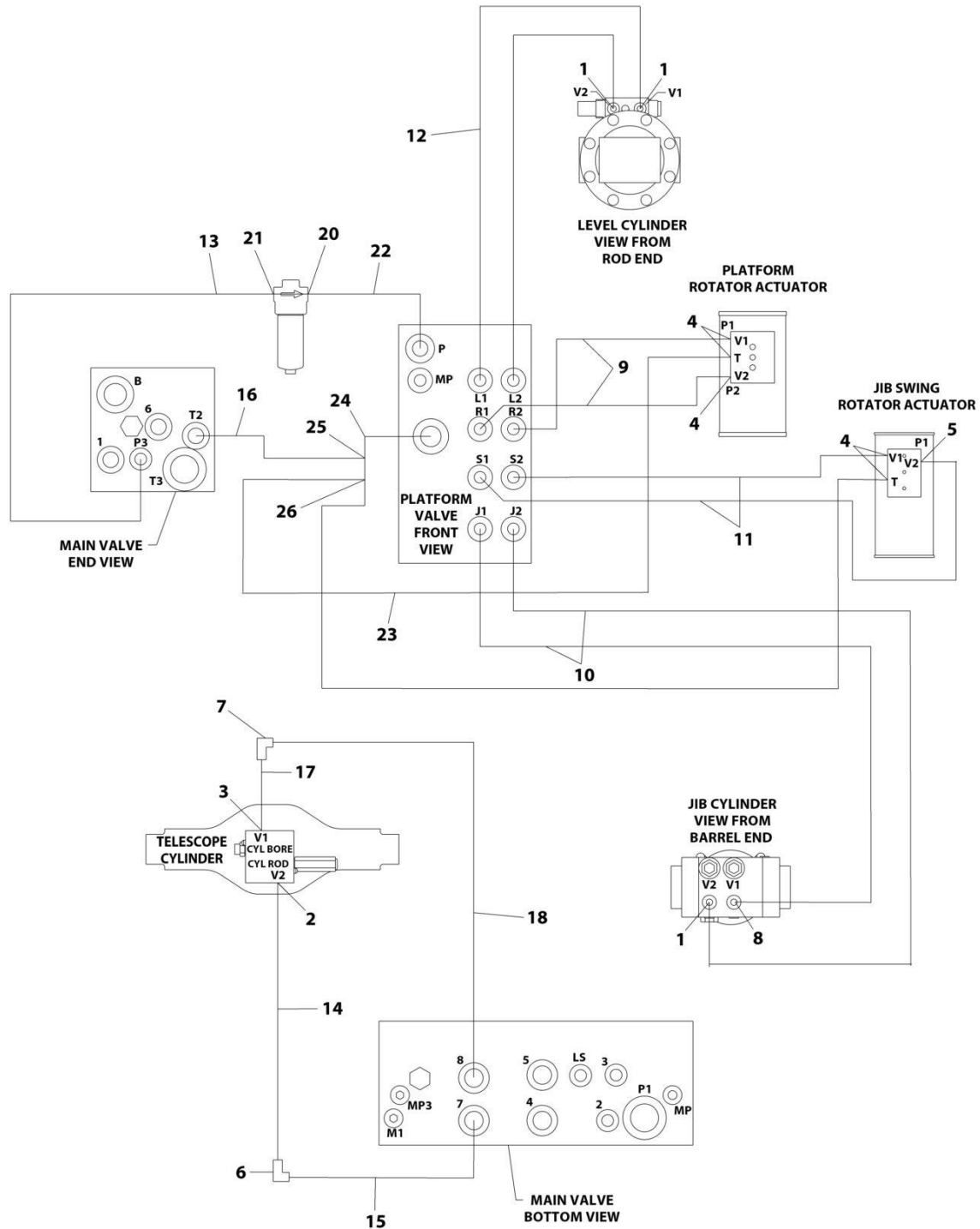
ITEM	PART NUMBER	QTY	DESCRIPTION	REV
	1001228021	Ref	TELESCOPE CYLINDER ASSEMBLY	C
		Ref	Note: Original Cylinder May Have Been Replaced with Service Replacement. Identify PN Stamped on Cylinder Before Ordering Parts.	
1	See Note	NSS	Barrel (Note: Not Available for Purchase)	
2	70006697	1	Rod	
3	70006657	1	Head	
4	See Note	NSS	Wiper (Note: Use Item 100)	
5	See Note	NSS	Ring, Retaining (Note: Use Item 100)	
6	See Note	NSS	Seal, Rod (Note: Use Item 100)	
7	See Note	NSS	Ring, Wear (Note: Use Item 100)	
8	See Note	NSS	O-Ring (Note: Use Item 100)	
9	See Note	NSS	Ring, Back-up (Note: Use Item 100)	
10	70006658	1	Piston	
11	See Note	NSS	Seal (Note: Use Item 100)	
12	See Note	NSS	Ring, Wear (Note: Use Item 100)	
13	See Note	NSS	O-Ring (Note: Use Item 100)	
14	See Note	NSS	Ring, Back-up (Note: Use Item 100)	
15	0961903	1	Bushing, Tapered	
16	70006698	1	Spacer	
17	70006631	1	Capscrew M8 x 16	
18	3340963	2	Pad, Wear	
19	4641256	1	Valve Assembly	
19	2220884	1	Plug, SAE #5 (With O-Ring)	
19	2220885	1	Plug, SAE #6 (With O-Ring)	
20	0902743	1	Bracket	
21	0630536	3	Capscrew	
22	3931840	8	Capscrew 1/2 x 2-1/2	
23	3931448	4	Capscrew 1/4 x 3	
24	0641608	4	Bolt 3/8 x 1	
25	4711600	4	Washer 3/8	
26	2220885	2	Plug, O-Ring	
27	2220886	1	Plug, O-Ring	
28	70005433	1	Plug, O-Ring	
100	2902081	1	Seal Kit (Includes Items 4-9 & 11-14)	



**SECTION 7 - HYDRAULIC**

# SECTION 7 - HYDRAULIC

## FIGURE 7-1. HYDRAULIC DIAGRAM - BOOM (1200SJP)



ART\_1283457\_10F7

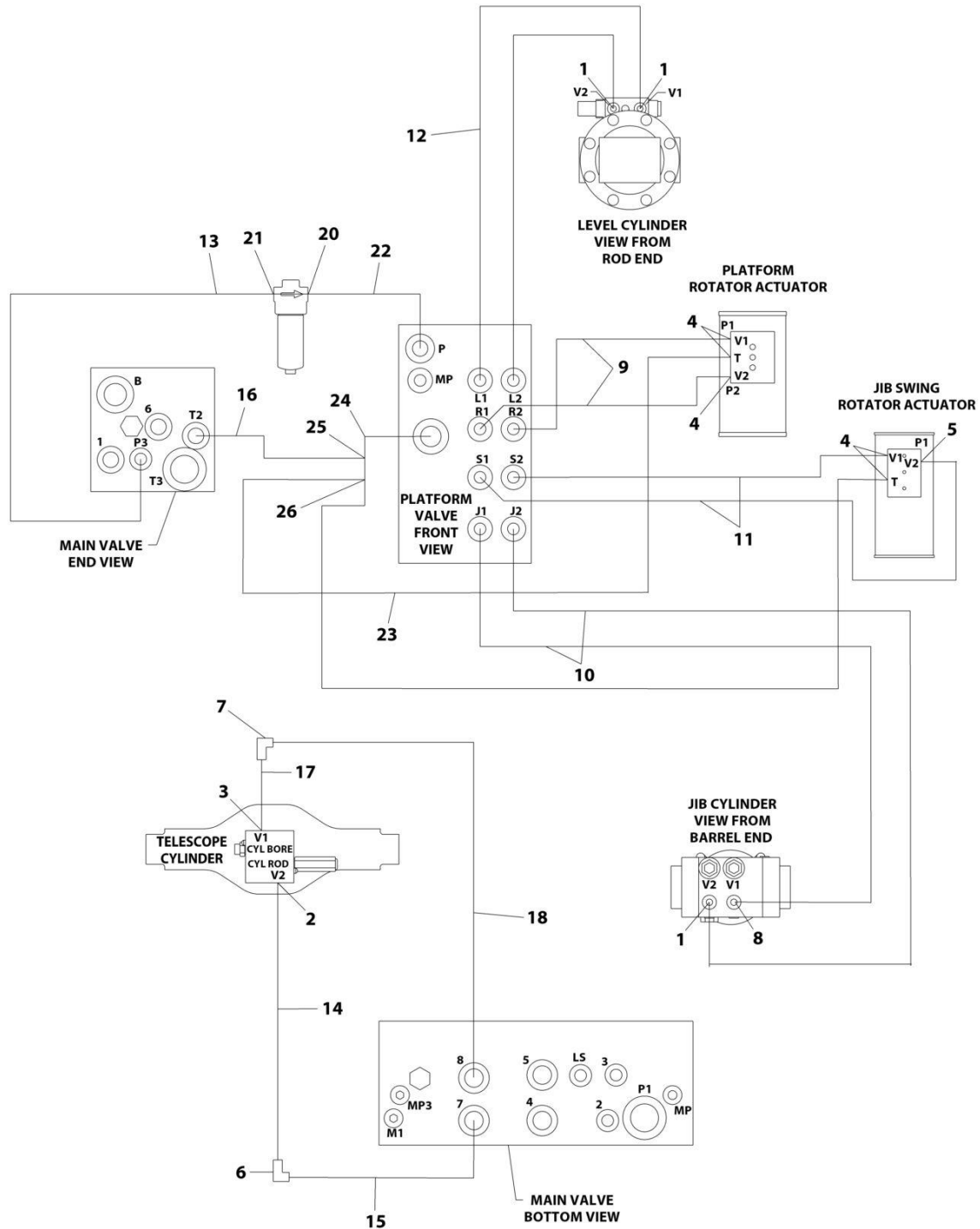
## SECTION 7 - HYDRAULIC

**FIGURE 7-1. HYDRAULIC DIAGRAM - BOOM (1200SJP)**

ITEM	PART NUMBER	QTY	DESCRIPTION	REV
	1283457	Ref	HYDRAULIC DIAGRAM - BOOM	L
	1001098025	Ref	Hydraulic Diagram - Upper Boom	3
1	2110404	3	Fitting, Straight ORFS/ORB	
2	2110808	1	Fitting, Straight ORFS/ORB	
3	2111010	1	Fitting, Straight ORFS/ORB	
4	2150404	5	Fitting, 45 ORFS/ORB	
5	2170204	1	Fitting, 90 ORFS/ORB	
6	2171208	1	Fitting, Elbow	
7	2171210	1	Fitting, Elbow	
8	2180830	1	Fitting, Orifice	
9	2753545	2	Hose	
10	2753717	2	Hose	
11	2753716	3	Hose	
12	2753552	2	Hose	
13	2753810	1	Hose	
14	2753745	1	Hose	
15	2753755	1	Hose	
16	2753811	1	Hose	
17	2753763	1	Hose	
18	2753767	1	Hose	
20	2110612	1	Fitting, Straight ORFS/ORB	
21	2130612	1	Fitting, 90 ORFS/ORB	
22	2717059	1	Hose	
23	2754288	1	Hose	
24	2170708	1	Fitting, Swivel Nut Run Tee ORFS/FSORFS/ORFS	
25	1001097820	1	Fitting, Adapter ORFS/FSORFS	
26	2170704	1	Fitting, Swivel Nut Run Tee ORFS/FSORFS/ORFS	

# SECTION 7 - HYDRAULIC

## FIGURE 7-2. HYDRAULIC DIAGRAM - BOOM (1350SJP)



ART\_1283457\_10F7



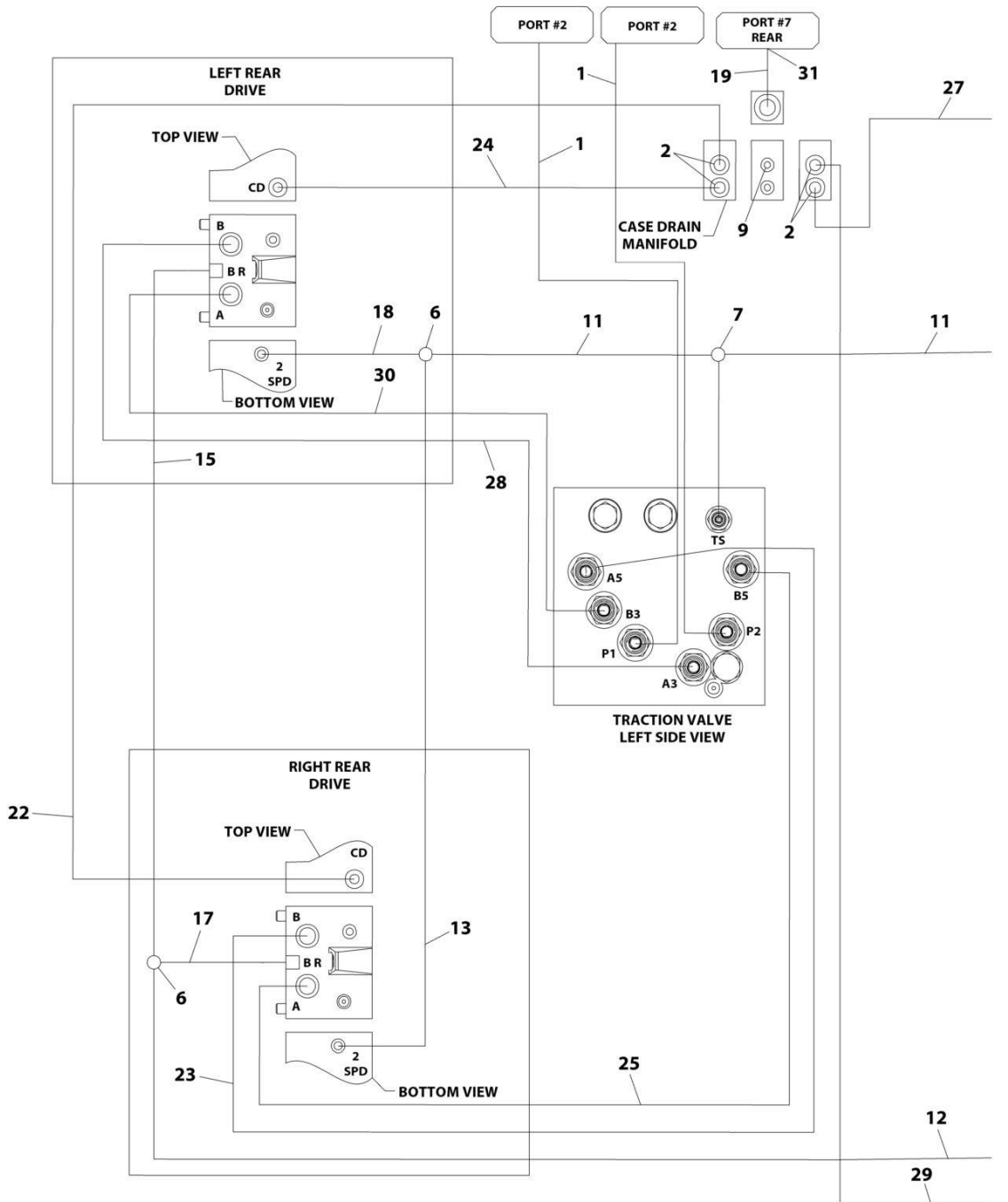
## SECTION 7 - HYDRAULIC

**FIGURE 7-2. HYDRAULIC DIAGRAM - BOOM (1350SJP)**

ITEM	PART NUMBER	QTY	DESCRIPTION	REV
	1283457	Ref	HYDRAULIC DIAGRAM - BOOM	L
	1001098026	Ref	Hydraulic Diagram - Upper Boom	3
1	2110404	3	Fitting, Straight ORFS/ORB	
2	2110808	1	Fitting, Straight ORFS/ORB	
3	2111010	1	Fitting, Straight ORFS/ORB	
4	2150404	5	Fitting, 45 ORFS/ORB	
5	2170204	1	Fitting, 90 ORFS/ORB	
6	2171208	1	Fitting, Elbow	
7	2171210	1	Fitting, Elbow	
8	2180830	1	Fitting, Orifice	
9	2753545	2	Hose	
10	2753717	2	Hose	
11	2753716	3	Hose	
12	2753552	2	Hose	
13	2753740	1	Hose	
14	2753745	1	Hose	
15	2753755	1	Hose	
16	2753751	1	Hose	
17	2753763	1	Hose	
18	2753767	1	Hose	
20	2110612	1	Fitting, Straight ORFS/ORB	
21	2130612	1	Fitting, 90 ORFS/ORB	
22	2717059	1	Hose	
23	2754288	1	Hose	
24	2170708	1	Fitting, Swivel Nut Run Tee ORFS/FSORFS/ORFS	
25	1001097820	1	Fitting, Adapter ORFS/FSORFS	
26	2170704	1	Fitting, Swivel Nut Run Tee ORFS/FSORFS/ORFS	

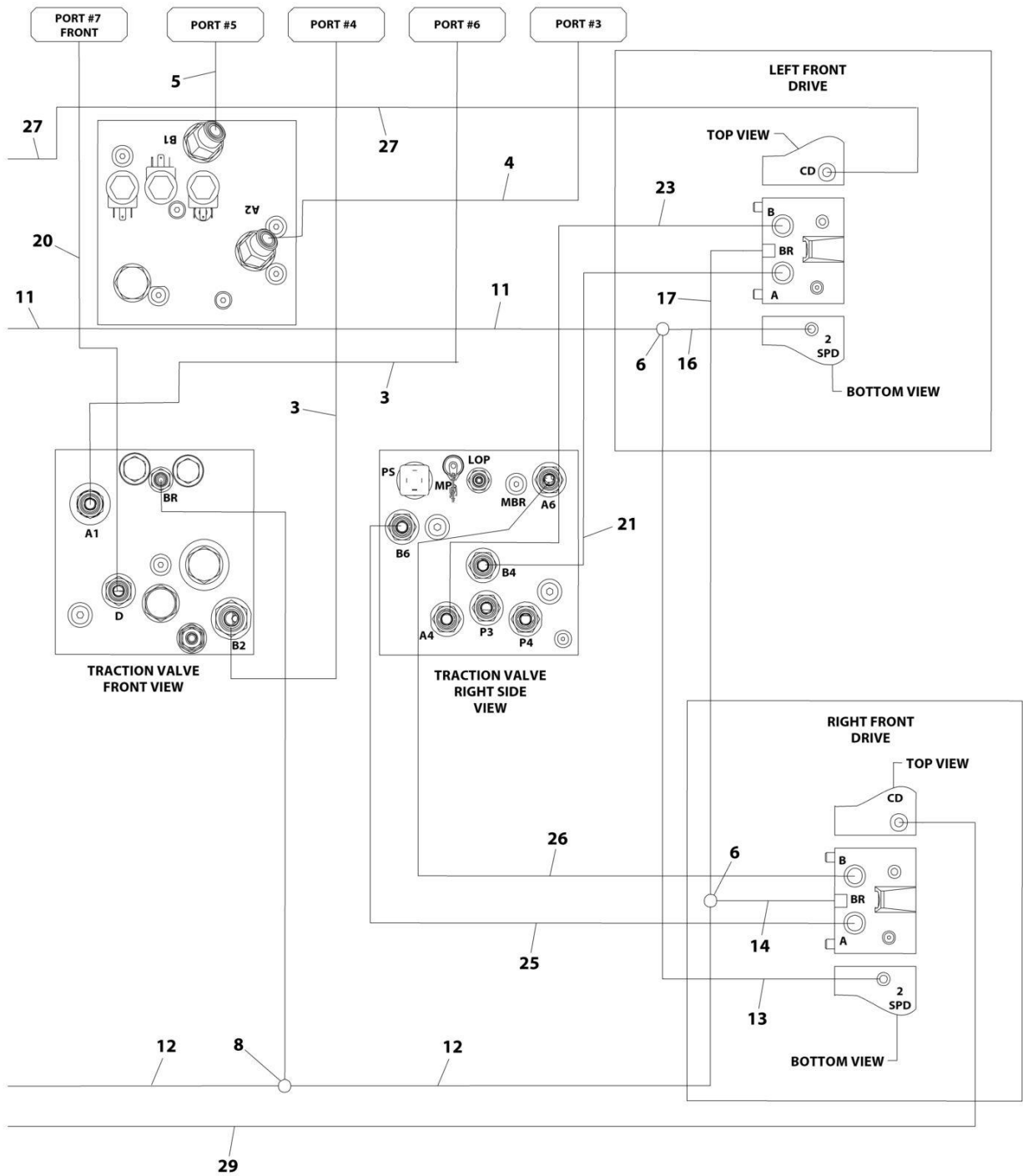
# SECTION 7 - HYDRAULIC

## FIGURE 7-3. HYDRAULIC DIAGRAM - DRIVE



ART\_1283457\_20F7

# SECTION 7 - HYDRAULIC



ART\_1283457\_3OF7

# SECTION 7 - HYDRAULIC

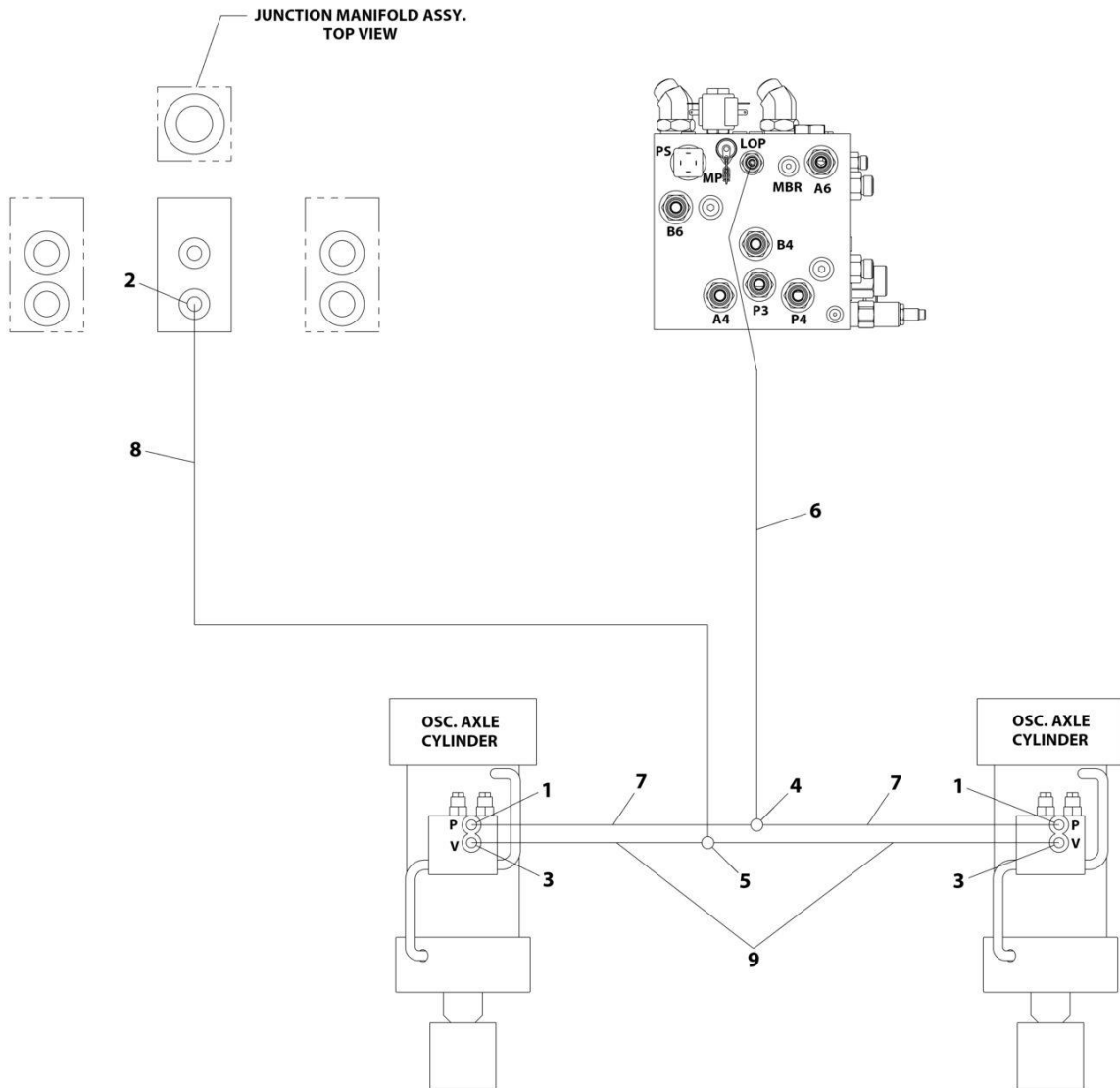
## FIGURE 7-3. HYDRAULIC DIAGRAM - DRIVE

ITEM	PART NUMBER	QTY	DESCRIPTION	REV
	1283457	Ref	HYDRAULIC DIAGRAM - DRIVE	L
	2792772	Ref	Hydraulic Diagram - Drive Circuit	F
1	2753685	2	Hose	
2	2110808	4	Fitting, Straight ORFS/ORB	
3	2753703	2	Hose	
4	2753764	1	Hose	
5	2753768	1	Hose	
6	2170504	4	Fitting, Tee ORFS	
7	2170704	1	Fitting, Tee ORFS/ORB/ORFS	
8	2170804	1	Fitting, Tee ORFS/ORB/ORFS	
9	2220235	1	Plug	
11	2753541	2	Hose	
12	2753545	2	Hose	
13	2753677	2	Hose	
14	2753714	1	Hose	
15	2753713	1	Hose	
16	2753716	1	Hose	
17	2753715	2	Hose	
18	2753552	1	Hose	
19	2753752	1	Hose	
20	2753582	1	Hose	
21	2753756	1	Hose	
22	2753747	1	Hose	
23	2753757	2	Hose	
24	2753748	1	Hose	
25	2753759	2	Hose	
26	2753760	1	Hose	
27	2753749	1	Hose	
28	2753761	1	Hose	
29	2753750	1	Hose	
30	2753762	1	Hose	
31	2110812	1	Fitting, Straight ORFS/ORB	



# SECTION 7 - HYDRAULIC

## FIGURE 7-4. HYDRAULIC DIAGRAM - OSCILLATING AXLE



ART\_1283457\_40F7

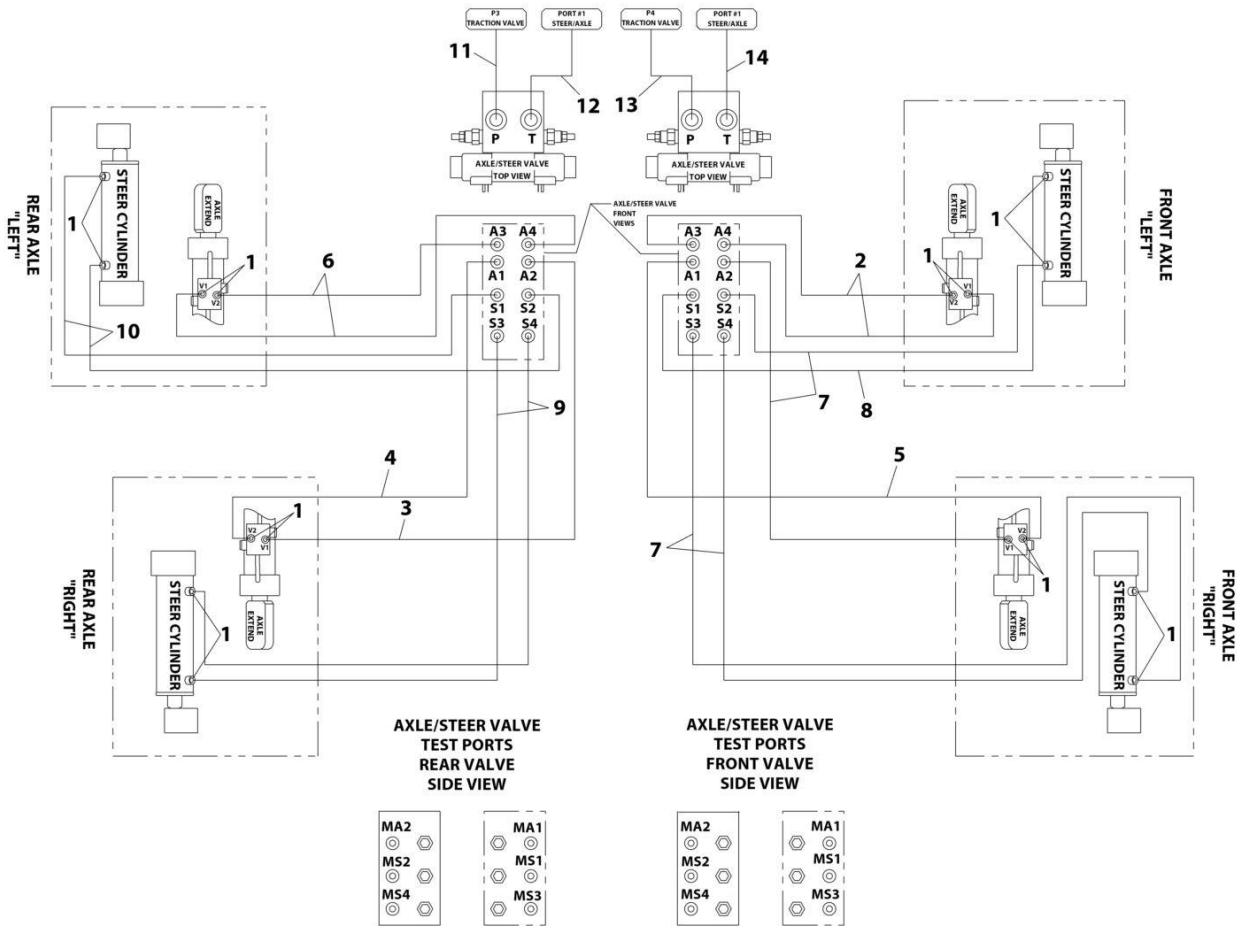
## SECTION 7 - HYDRAULIC

**FIGURE 7-4. HYDRAULIC DIAGRAM - OSCILLATING AXLE**

ITEM	PART NUMBER	QTY	DESCRIPTION	REV
	1283457	Ref	HYDRAULIC DIAGRAM - OSCILLATING AXLE	L
	2792647	Ref	Hydraulic Diagram - Oscillating Axle	4
1	2110406	2	Fitting, Straight ORFS/ORB	
2	2110604	1	Fitting, Straight ORFS/ORB	
3	2110606	2	Fitting, Straight ORFS/ORB	
4	2170504	1	Fitting, Tee ORFS	
5	2170506	1	Fitting, Tee ORFS	
6	2753726	1	Hose	
7	2753719	2	Hose	
8	2753727	1	Hose	
9	2753729	2	Hose	

# SECTION 7 - HYDRAULIC

## FIGURE 7-5. HYDRAULIC DIAGRAM - STEER



ART\_1283457\_50F7



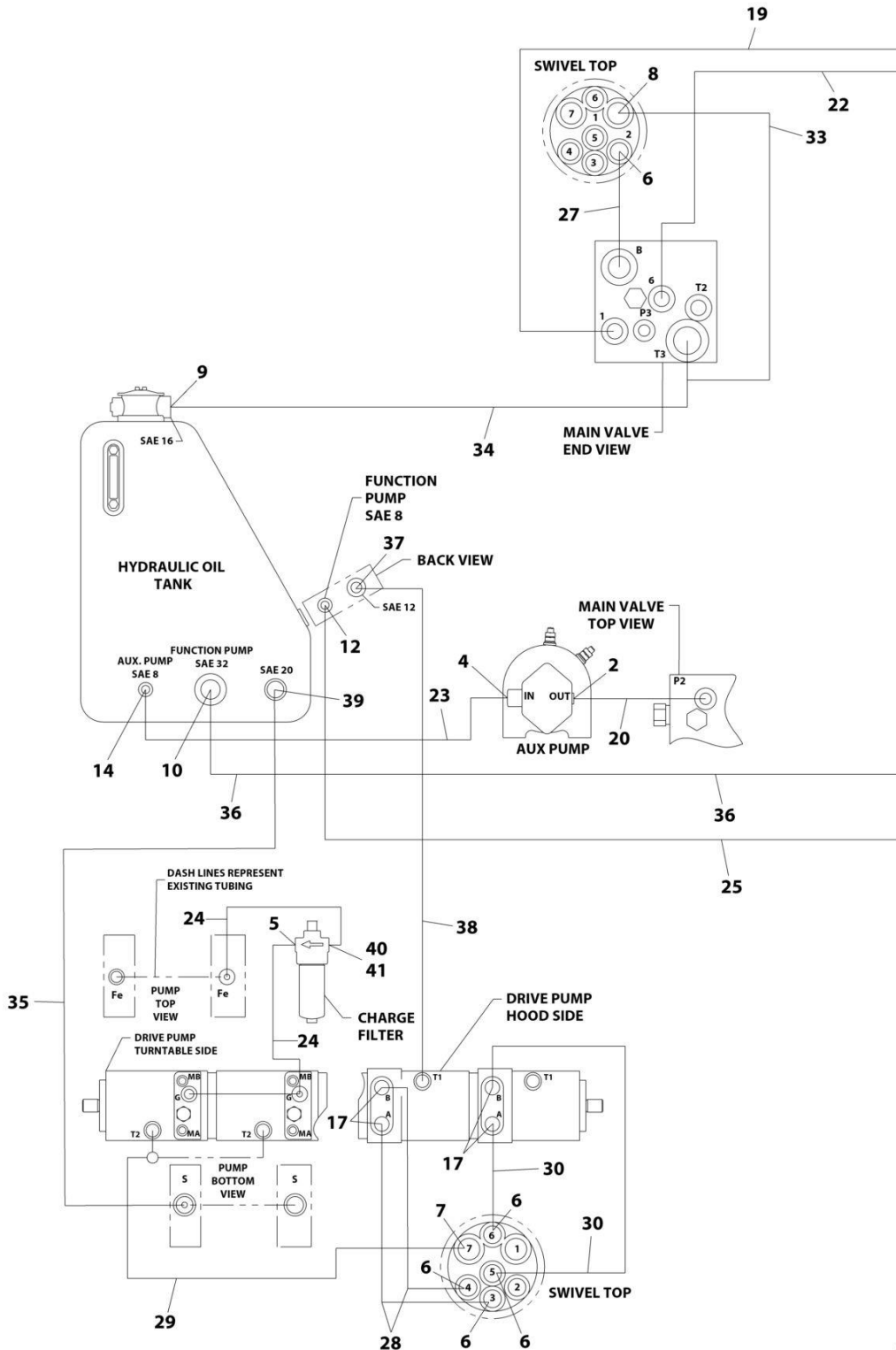
## SECTION 7 - HYDRAULIC

**FIGURE 7-5. HYDRAULIC DIAGRAM - STEER**

ITEM	PART NUMBER	QTY	DESCRIPTION	REV
	1283457	Ref	HYDRAULIC DIAGRAM - STEER	L
	2792773	Ref	Hydraulic Diagram - Steer	2
1	2130606	16	Fitting, 90 ORFS/ORB	
2	2753732	2	Hose	
3	2753733	1	Hose	
4	2753728	1	Hose	
5	2753734	1	Hose	
6	2753735	2	Hose	
7	2753736	4	Hose	
8	2753737	1	Hose	
9	2753738	2	Hose	
10	2753739	2	Hose	
11	2753753	1	Hose	
12	2753742	1	Hose	
13	2753754	1	Hose	
14	2753743	1	Hose	

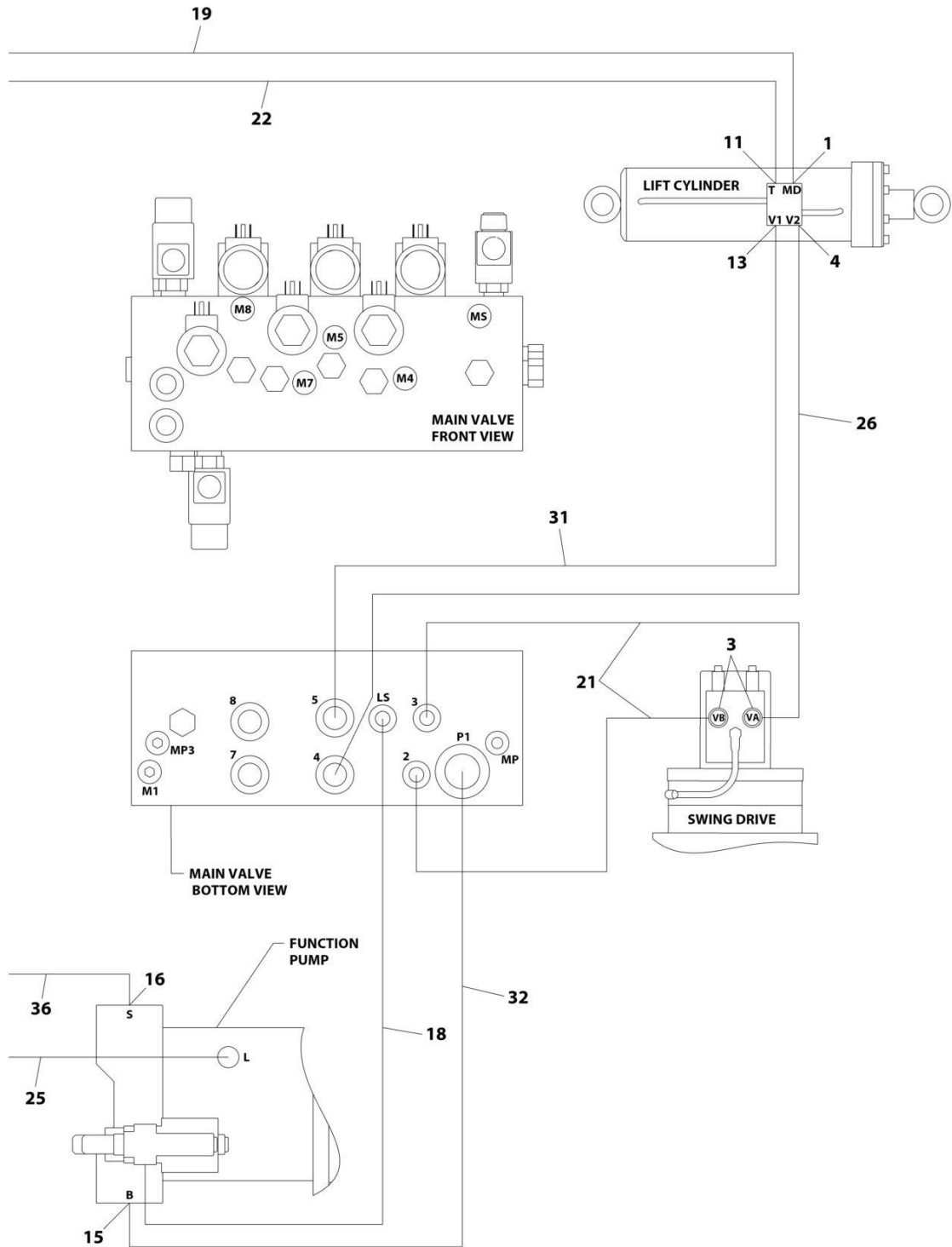
# SECTION 7 - HYDRAULIC

FIGURE 7-6. HYDRAULIC DIAGRAM - TURNTABLE (DEUTZ TD2011 ENGINES WITH REXROTH PUMPS)



ART\_1283457\_60F7

# SECTION 7 - HYDRAULIC



ART\_1283457\_7OF7

## SECTION 7 - HYDRAULIC

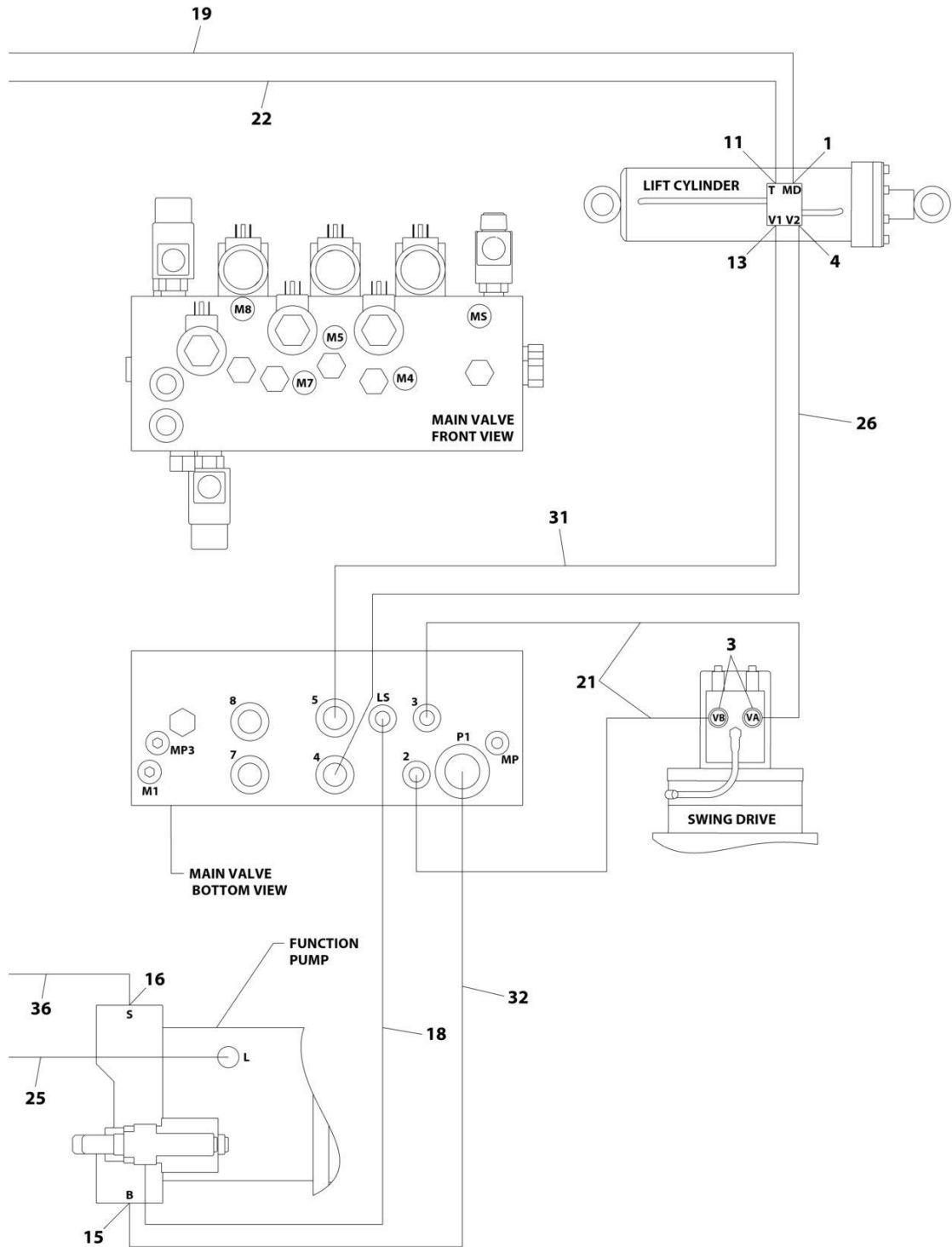
**FIGURE 7-6. HYDRAULIC DIAGRAM - TURNTABLE (DEUTZ TD2011 ENGINES WITH REXROTH PUMPS)**

ITEM	PART NUMBER	QTY	DESCRIPTION	REV
	1283457	Ref	HYDRAULIC DIAGRAM - TURNTABLE (DEUTZ TD2011 ENGINES WITH REXROTH PUMPS)	L
	1001114620	Ref	Hydraulic Diagram - Turntable	B
1	2110404	1	Fitting, Straight ORFS/ORB	
2	2110608	1	Fitting, Straight ORFS/ORB	
3	2110610	2	Fitting, Straight ORFS/ORB	
4	2110810	2	Fitting, Straight ORFS/ORB	
5	2110812	1	Fitting, Straight ORFS/ORB	
6	2111010	5	Fitting, Straight ORFS/ORB	
7	2111012	1	Fitting, Straight ORFS/ORB	
8	2111212	1	Fitting, Straight ORFS/ORB	
9	2111616	1	Fitting, Straight ORFS/ORB	
10	2113232	1	Fitting, Straight ORFS/ORB	
11	2130606	1	Fitting, 90 ORFS/ORB	
12	2130808	1	Fitting, 90 ORFS/ORB	
13	2131010	1	Fitting, 90 ORFS/ORB	
14	2150808	1	Fitting, 45 ORFS/ORB	
15	2220478	1	Flange Kit	
16	2220737	1	Flange Kit	
17	2221117	4	Flange Kit	
18	2753622	1	Hose (SN 0300201016 through 0300217081)	
18	1001213385	1	Hose (SN 0300217082 through 0300272504, SN B300002238 through B300007118, Except SN 0300272455 through 0300272461)	
19	2753718	1	Hose	
20	2753730	1	Hose	
21	2753731	2	Hose	
22	2753734	1	Hose	
23	2753758	1	Hose	
24	2753746	2	Hose	
25	2753741	1	Hose	
26	2753744	1	Hose	
27	2753766	1	Hose	
28	2753769	2	Hose	
29	2753708	1	Hose	
30	2753770	2	Hose	
31	2753765	1	Hose	
32	2753771	1	Hose	
33	2753772	1	Hose	
34	2753774	1	Hose	
35	2753775	1	Hose	
36	2753776	1	Hose	
37	2131212	1	Fitting, 90 ORFS/ORB	
38	2753773	1	Hose	
39	2112020	1	Fitting, Straight ORFS/ORB	
40	2221084	1	Fitting, Tee ORFS/ORFS/ORB	
41	2170908	1	Fitting, Cap ORFS	





# SECTION 7 - HYDRAULIC



ART\_1001152971\_20F2

## SECTION 7 - HYDRAULIC

**FIGURE 7-7. HYDRAULIC DIAGRAM - TURNTABLE (DEUTZ TCD2.9L4 ENGINES AND DEUTZ TCD2.9L4 (STAGE V) ENGINES WITH REXROTH PUMPS)**

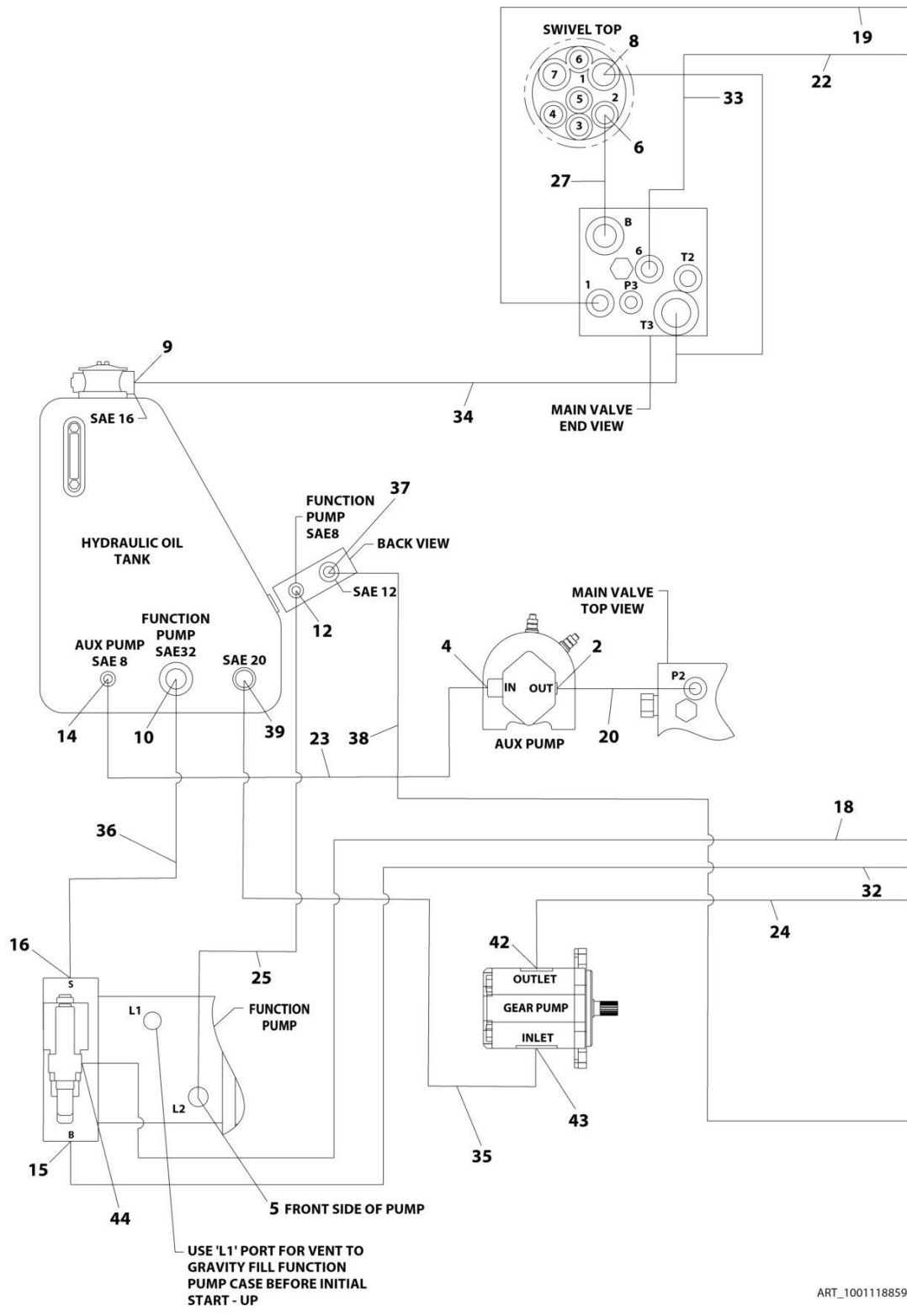
ITEM	PART NUMBER	QTY	DESCRIPTION	REV
	1001152971	Ref	HYDRAULIC DIAGRAM - TURNTABLE (DEUTZ TCD2.9L4 ENGINES AND DEUTZ TCD2.9L4 (STAGE V) ENGINES WITH REXROTH PUMPS)	C
	1001152968	Ref	Hydraulic Diagram - Turntable	B
1	2110404	1	Fitting, Straight ORFS/ORB	
2	2110608	1	Fitting, Straight ORFS/ORB	
3	2110610	2	Fitting, Straight ORFS/ORB	
4	2110810	2	Fitting, Straight ORFS/ORB	
5	2110812	1	Fitting, Straight ORFS/ORB	
6	2111010	5	Fitting, Straight ORFS/ORB	
7	2111012	1	Fitting, Straight ORFS/ORB	
8	2111212	1	Fitting, Straight ORFS/ORB	
9	2111616	1	Fitting, Straight ORFS/ORB	
10	2113232	1	Fitting, Straight ORFS/ORB	
11	2130606	1	Fitting, 90 ORFS/ORB	
12	2130808	1	Fitting, 90 ORFS/ORB	
13	2131010	1	Fitting, 90 ORFS/ORB	
14	2150808	1	Fitting, 45 ORFS/ORB	
15	2220478	1	Flange Kit	
16	2220737	1	Flange Kit	
17	2221117	4	Flange Kit	
18	2753622	1	Hose (SN 0300201016 through 0300217081)	
18	1001213385	1	Hose (SN 0300217082 through 0300272504, SN B300002238 through B300007118, Except SN 0300272455 through 0300272461)	
19	2753718	1	Hose	
20	2753730	1	Hose	
21	2753731	2	Hose	
22	2753734	1	Hose	
23	2753758	1	Hose	
24	2753746	2	Hose	
25	2753741	1	Hose	
26	2753744	1	Hose	
27	2753766	1	Hose	
28	2753769	2	Hose	
29	2753708	1	Hose	
30	2753770	2	Hose	
31	2753765	1	Hose	
32	2753771	1	Hose	
33	2753772	1	Hose	
34	2753774	1	Hose	
35	1001152966	1	Hose	
36	2753776	1	Hose	
37	2131212	1	Fitting, 90 ORFS/ORB	
38	2753773	1	Hose	
39	2112020	1	Fitting, Straight ORFS/ORB	
40	2221084	1	Fitting, Tee ORFS/ORFS/ORB	
41	2170908	1	Fitting, Cap ORFS	



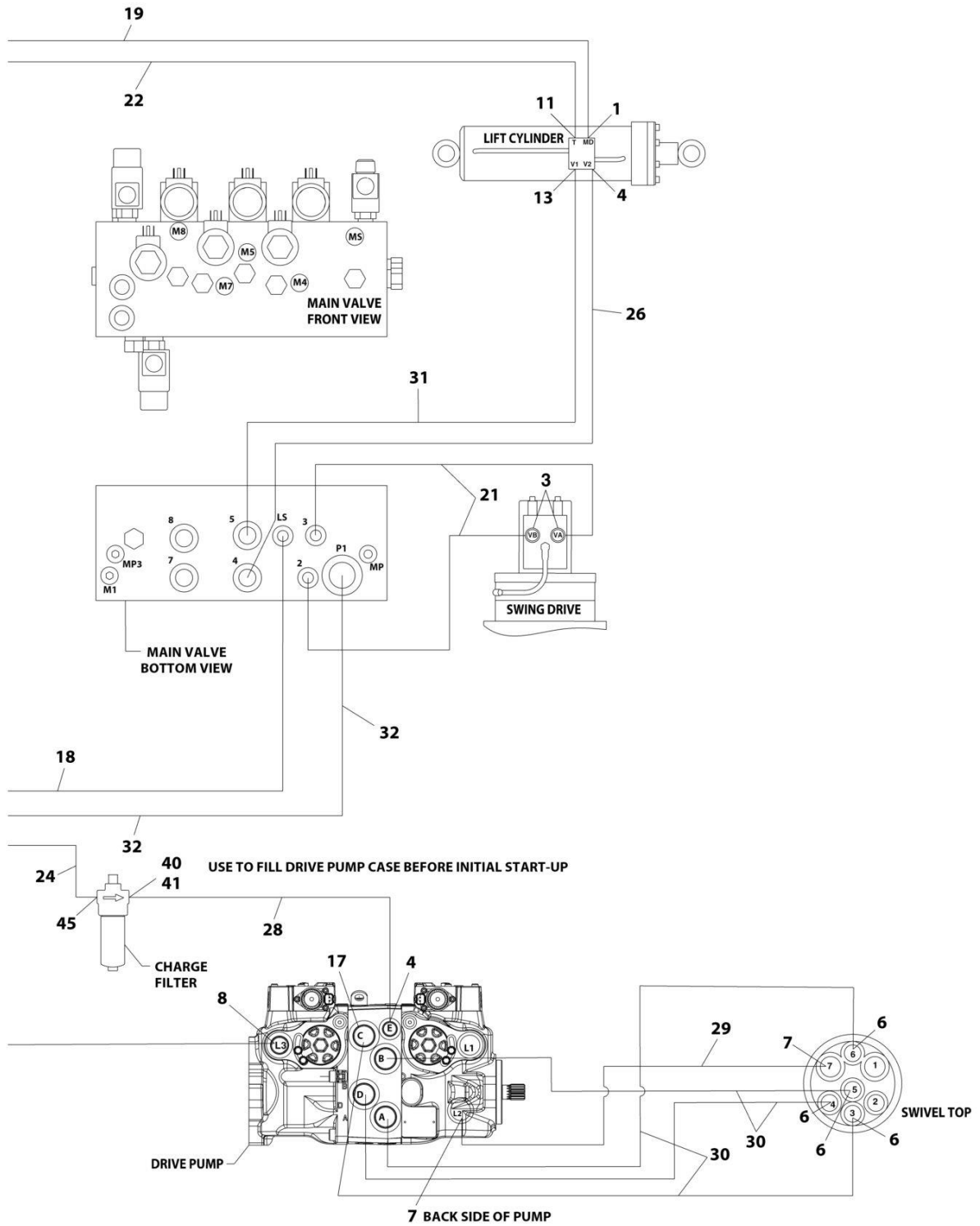


# SECTION 7 - HYDRAULIC

## FIGURE 7-8. HYDRAULIC DIAGRAM - TURNTABLE (WITH SAUER PUMPS)



# SECTION 7 - HYDRAULIC



ART\_1001118859\_2OF2

## SECTION 7 - HYDRAULIC

FIGURE 7-8. HYDRAULIC DIAGRAM - TURNTABLE (WITH SAUER PUMPS)

ITEM	PART NUMBER	QTY	DESCRIPTION	REV
	1001118859	Ref	HYDRAULIC DIAGRAM - TURNTABLE (WITH SAUER PUMPS)	D
	1001118869	Ref	Hydraulic Diagram - Turntable	B
1	2110404	1	Fitting, Straight ORFS/ORB	
2	2110608	1	Fitting, Straight ORFS/ORB	
3	2110610	2	Fitting, Straight ORFS/ORB	
4	2110810	3	Fitting, Straight ORFS/ORB	
5	2130810	1	Fitting, 90 ORFS/ORB	
6	2111010	5	Fitting, Straight ORFS/ORB	
7	2111012	2	Fitting, Straight ORFS/ORB	
8	2111212	2	Fitting, Straight ORFS/ORB	
9	2111616	1	Fitting, Straight ORFS/ORB	
10	2113232	1	Fitting, Straight ORFS/ORB	
11	2130606	1	Fitting, 90 ORFS/ORB	
12	2130808	1	Fitting, 90 ORFS/ORB	
13	2131010	1	Fitting, 90 ORFS/ORB	
14	2150808	1	Fitting, 45 ORFS/ORB	
15	2220478	1	Flange Kit	
16	1001110604	1	Flange Kit	
17	2111016	4	Fitting, Straight ORFS/ORB	
18	1001118932	1	Hose (SN 0300201016 through 0300217081)	
18	1001213385	1	Hose (SN 0300217082 through 0300272504, SN B300002238 through B300007118, Except SN 0300272455 through 0300272461)	
19	2753718	1	Hose	
20	2753730	1	Hose	
21	2753731	2	Hose	
22	2753734	1	Hose	
23	2753758	1	Hose	
24	2753746	1	Hose	
25	1001118934	1	Hose	
26	2753744	1	Hose	
27	2753766	1	Hose	
28	1001118933	1	Hose	
29	2753708	1	Hose	
30	1001109468	4	Hose	
31	2753765	1	Hose	
32	2753771	1	Hose	
33	2753772	1	Hose	
34	2753774	1	Hose	
35	1001119817	1	Hose	
36	1001118935	1	Hose	
37	2131612	1	Fitting, 90 ORFS/ORB	
38	1001119138	1	Hose	
39	2112020	1	Fitting, Straight ORFS/ORB	
40	2221084	1	Fitting, Tee ORFS/ORFS/ORB	
41	2170908	1	Fitting, Cap ORFS	
42	2110812	1	Fitting, Straight ORFS/ORB	
43	2112016	1	Fitting, Straight ORFS/ORB	
44	2130404	1	Fitting, 90 ORFS/ORB	
45	2130812	1	Fitting, 90 ORFS/ORB	



## SECTION 7 - HYDRAULIC

### FIGURE 7-9. HYDRAULIC DIAGRAM LIST

ITEM	PART NUMBER	QTY	DESCRIPTION	REV
		Ref	HYDRAULIC DIAGRAM - BOOM Options: (1200SJP)	
	1283457	Ref	Hydraulic Diagram for Deutz TD2011 Engine Machines with Rexroth Pumps (1200SJP)	
	1001152971	Ref	Hydraulic Diagram for Deutz TCD2.9L4 Engine Machines with Rexroth Pumps (1200SJP)	
	1001098025	Ref	Hydraulic Diagram - Boom (1200SJP)	
	1001118859	Ref	Hydraulic Diagram (Sauer Pumps) (1200SJP)	
	1001098025	Ref	Hydraulic Diagram - Boom (1200SJP)	
		Ref	Hydraulic Diagram - Boom Options: (1350SJP)	
	1283457	Ref	Hydraulic Diagram for Deutz TD2011 Engine Machines with Rexroth Pumps (1350SJP)	
	1001152971	Ref	Hydraulic Diagram for Deutz TCD2.9L4 Engine Machines with Rexroth Pumps (1350SJP)	
	1001098026	Ref	Hydraulic Diagram - Boom (1350SJP)	
	1001118859	Ref	Hydraulic Diagram (Sauer Pumps) (Deutz TD2011 and TCD2.9L4 Engine Machines) (1350SJP)	
	1001098026	Ref	Hydraulic Diagram - Boom (1350SJP)	
		Ref	Hydraulic Diagram - Drive Options:	
	1283457	Ref	Hydraulic Diagram for Deutz TD2011 Engine Machines with Rexroth Pumps	
	1001152971	Ref	Hydraulic Diagram for Deutz TCD2.9L4 Engine Machines with Rexroth Pumps	
	2792772	Ref	Hydraulic Diagram - Drive	
	1001118859	Ref	Hydraulic Diagram for Machines with Sauer Pumps	
	2792772	Ref	Hydraulic Diagram - Drive	
		Ref	Hydraulic Diagram - Oscillating Axle Options:	
	1283457	Ref	Hydraulic Diagram for Deutz TD2011 Engine Machines with Rexroth Pumps	
	1001152971	Ref	Hydraulic Diagram for Deutz TCD2.9L4 Engine Machines with Rexroth Pumps	
	2792647	Ref	Hydraulic Diagram - Oscillating Axle	
	1001118859	Ref	Hydraulic Diagram for Machines with Sauer Pumps	
	2792647	Ref	Hydraulic Diagram - Oscillating Axle	
		Ref	Hydraulic Diagram - Steer Options:	
	1283457	Ref	Hydraulic Diagram for Deutz TD2011 Engine Machines with Rexroth Pumps	
	1001152971	Ref	Hydraulic Diagram for Deutz TCD2.9L4 Engine Machines with Rexroth Pumps	
	2792773	Ref	Hydraulic Diagram - Steer	
	1001118859	Ref	Hydraulic Diagram for Machines with Sauer Pumps	
	2792773	Ref	Hydraulic Diagram - Steer	
		Ref	Hydraulic Diagram - Turntable Options:	
	1283457	Ref	Hydraulic Diagram for Deutz TD2011 Engine Machines with Rexroth Pumps	
	1001152971	Ref	Hydraulic Diagram for Deutz TCD2.9L4 Engine Machines with Rexroth Pumps	
	1001114620	Ref	Hydraulic Diagram - Turntable (Deutz BF4M2011 & TD2011 Engines)	
	1001152968	Ref	Hydraulic Diagram - Turntable (Deutz TCD2.9L4 Engines)	
	1001118859	Ref	Hydraulic Diagram for Machines with Sauer Pumps	
	1001118869	Ref	Hydraulic Diagram - Turntable	

## SECTION 7 - HYDRAULIC

ITEM	PART NUMBER	QTY	DESCRIPTION	REV
		Ref	Hydraulic Schematic - Oil Cooler Options:	
	0272080	Ref	Deutz TD2011 Engine Machines with Rexroth Pumps	
	1001139494	Ref	Deutz TCD2.9L4 Engine and Deutz TCD2.9L4 (Stage V) Engine Machines with Rexroth Pumps	
	1001221802	Ref	Deutz TD2.9L4 Engine Machines with Rexroth Pumps (China Spec Only)	
	1001118957	Ref	Deutz Machines with Sauer Pumps	
	1001221666	Ref	Deutz TD2.9L4 Engine Machines with Sauer Pumps (China Spec Only)	
	1001110749	Ref	Hydraulic Schematic - Standard	

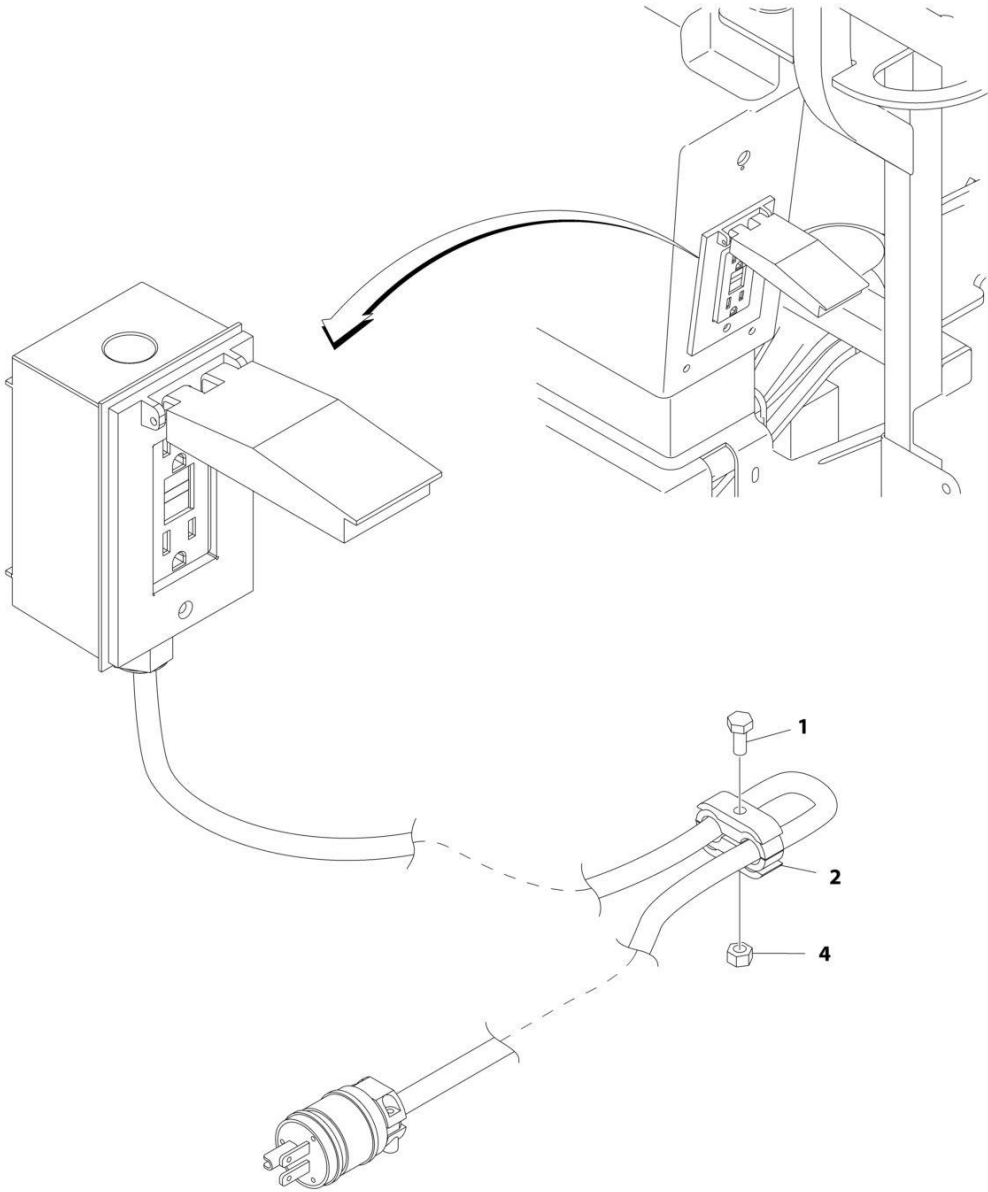




**SECTION 8 - ELECTRICAL**

**SECTION 8 - ELECTRICAL**

**FIGURE 8-1. AC BOX AT PLATFORM - 110V (ANSI SPECS)**



ART\_0271955

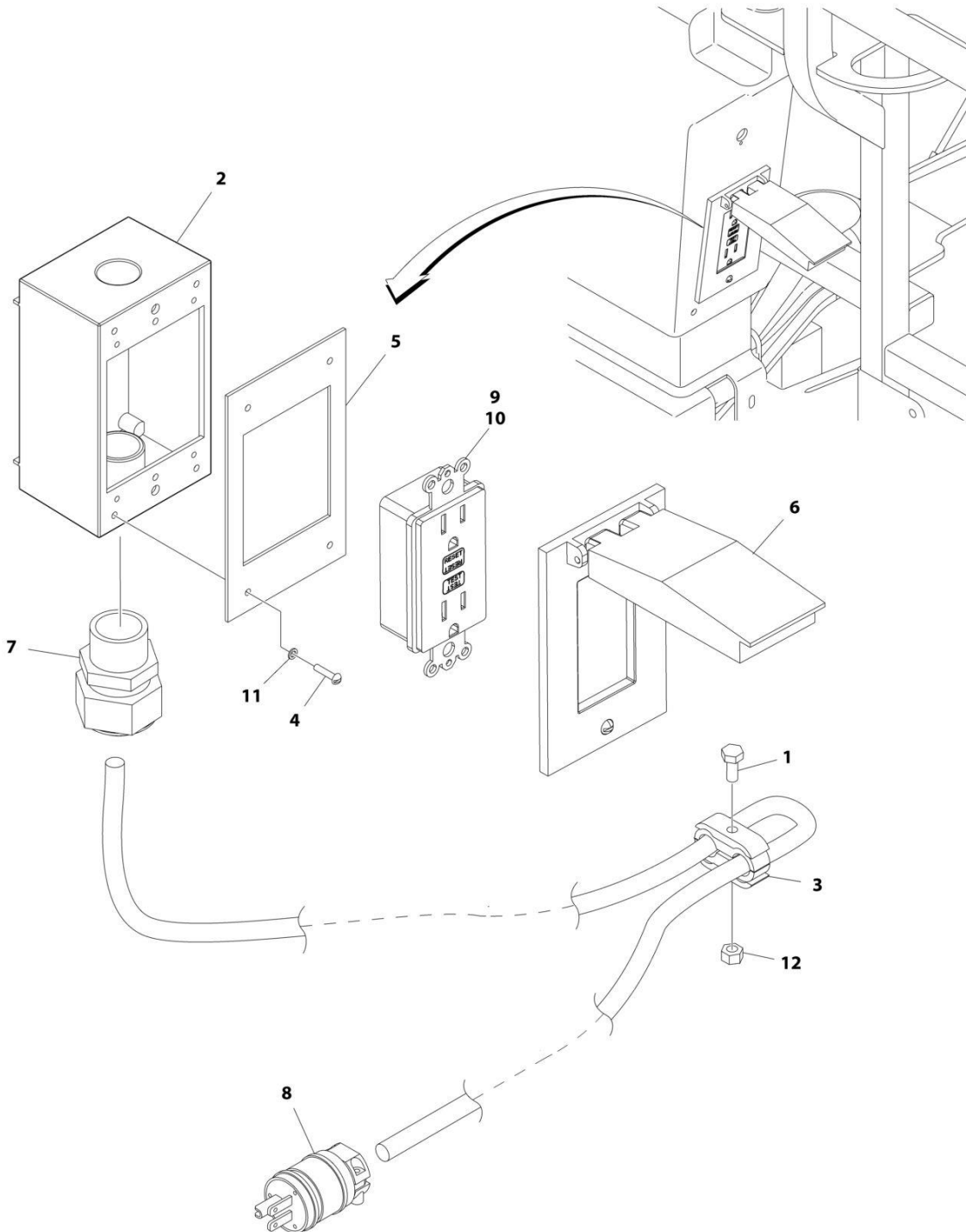
## SECTION 8 - ELECTRICAL

**FIGURE 8-1. AC BOX AT PLATFORM - 110V (ANSI SPECS)**

ITEM	PART NUMBER	QTY	DESCRIPTION	REV
	0271955	Ref	AC BOX AT PLATFORM - 110V (ANSI SPECS)	C
1	0641416	1	Bolt 1/4 x 2	
2	1320146	1	Clamp	
4	3311405	1	Nut 1/4	

# SECTION 8 - ELECTRICAL

## FIGURE 8-2. AC BOX AT PLATFORM - 110V GFI RECEPTACLE (ANSI SPECS)



ART\_0271953

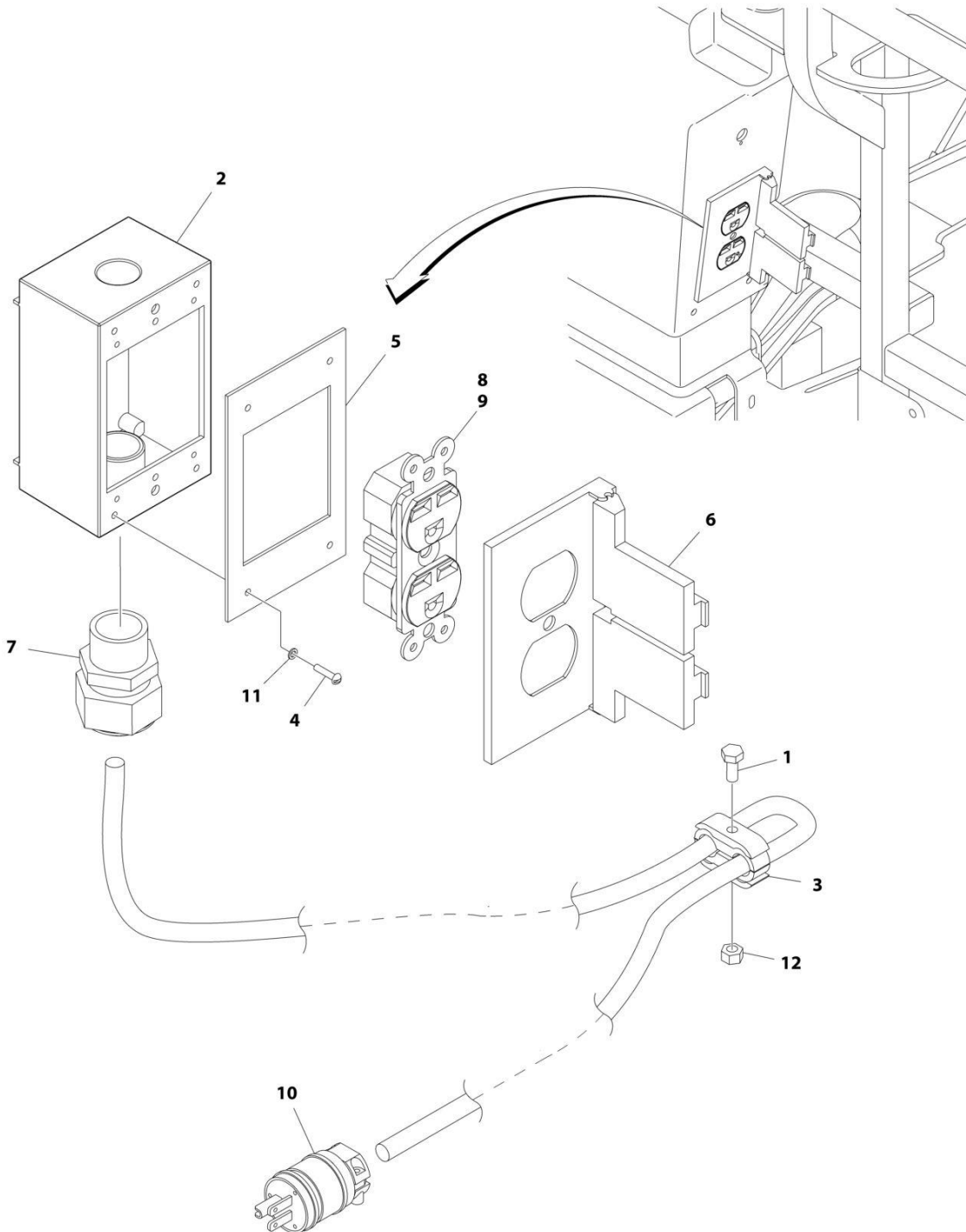
## SECTION 8 - ELECTRICAL

**FIGURE 8-2. AC BOX AT PLATFORM - 110V GFI RECEPTACLE (ANSI SPECS)**

ITEM	PART NUMBER	QTY	DESCRIPTION	REV
	0271953	Ref	AC BOX AT PLATFORM - 110V GFI RECEPTACLE (ANSI SPECS)	D
1	0641416	1	Bolt 1/4 x 2	
2	0860038	1	Box, Switch	
3	1320146	1	Clamp	
4	3910606	4	Screw #6 x 3/8	
5	3960422	1	Gasket, AC Receptacle	
6	1001110873	1	Shield, Receptacle Cover	
7	4460051	1	Connector, Strain Relief	
8	4460205	1	Plug, Male	
9	4460315	1	Terminal, Spade	
10	4460346	1	Terminal, Receptacle	
11	4760600	4	Washer #6	
12	3311405	1	Nut 1/4	

# SECTION 8 - ELECTRICAL

## FIGURE 8-3. AC BOX AT PLATFORM - 220V GFI RECEPTACLE (ANSI SPECS)



ART\_0271954

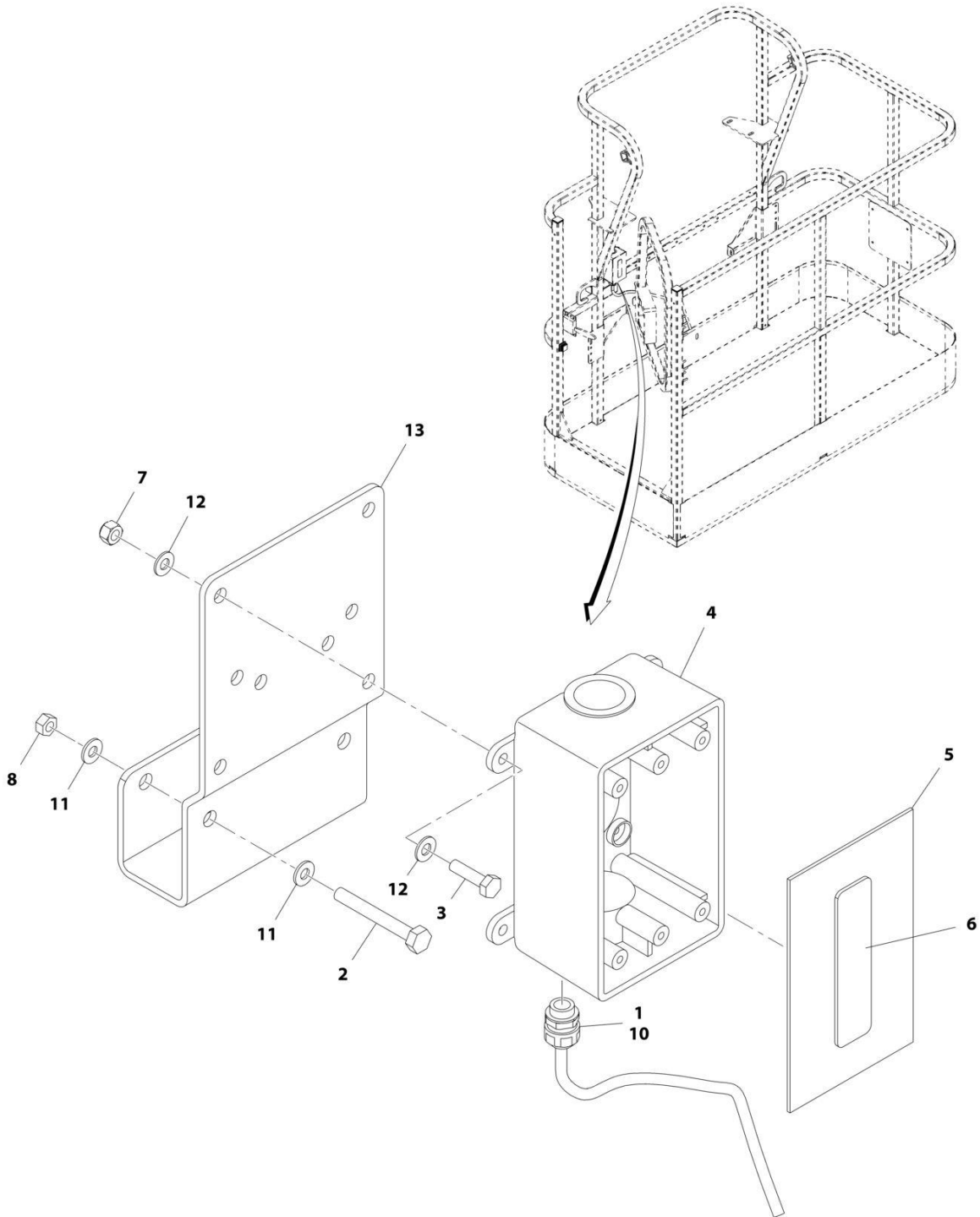
## SECTION 8 - ELECTRICAL

**FIGURE 8-3. AC BOX AT PLATFORM - 220V GFI RECEPTACLE (ANSI SPECS)**

ITEM	PART NUMBER	QTY	DESCRIPTION	REV
	0271954	Ref	AC BOX AT PLATFORM - 220V GFI RECEPTACLE (ANSI SPECS)	C
1	0641416	1	Bolt 1/4 x 2	
2	0860038	1	Box, Switch	
3	1320146	1	Clamp	
4	3910606	4	Screw #6 x 3/8	
5	3960422	1	Gasket, AC Receptacle	
6	4060092	1	Shield, Receptacle Cover	
7	4460051	1	Connector, Strain Relief	
8	4460125	1	Terminal, Receptacle	
9	4460315	1	Terminal, Spade	
10	4460709	1	Plug, Male	
11	4760600	4	Washer #6	
12	3311405	1	Nut 1/4	

# SECTION 8 - ELECTRICAL

FIGURE 8-4. AC BOX AT PLATFORM INSTALLATION - BOX WITH COVER (2X4 BOX) WITH 4000W GENERATOR (ANSI EXPORT SPECS) (SN 0300205136 through 0300214024)



ART\_1001194365



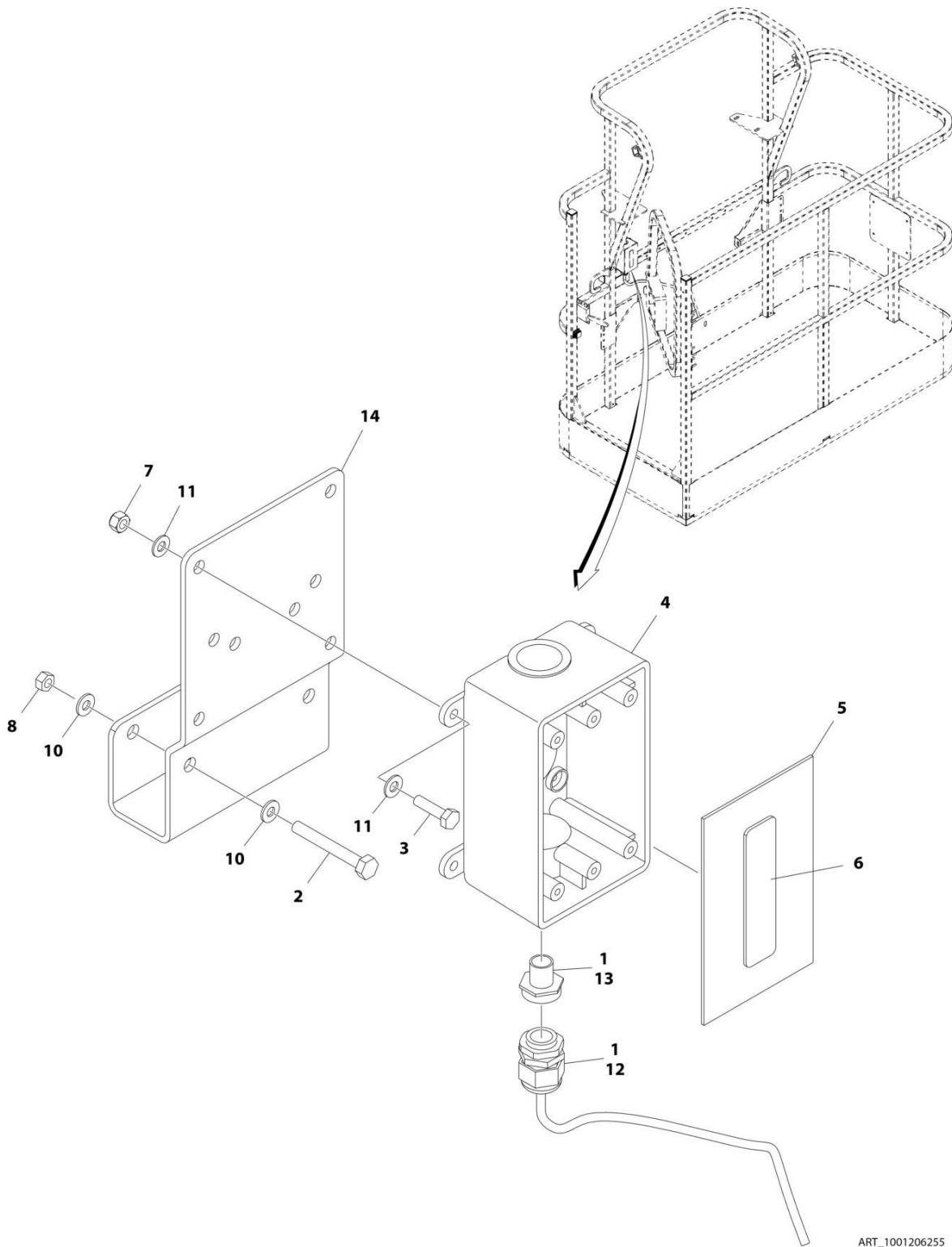
## SECTION 8 - ELECTRICAL

**FIGURE 8-4. AC BOX AT PLATFORM INSTALLATION - BOX WITH COVER (2X4 BOX) WITH 4000W GENERATOR (ANSI EXPORT SPECS) (SN 0300205136 through 0300214024)**

ITEM	PART NUMBER	QTY	DESCRIPTION	REV
	1001194365	Ref	AC BOX AT PLATFORM INSTALLATION - BOX WITH COVER (2X4 BOX) WITH 4000W GENERATOR (ANSI EXPORT SPECS) (SN 0300205136 through 0300214024)	A
1	0100020	AR	Sealant, Pipe	
2	0641416	2	Bolt 1/4 x 2	
3	0700408	4	Bolt M4 x 16	
4	0861731	1	Box, Switch	
5	1670603	1	Cover	
6	3251242	1	Decal - 240V-50Hz	
7	3290405	4	Nut M4	
8	3311405	2	Nut 1/4	
9	4460384	3	Terminal (Not Shown)	
10	4460662	1	Connector, Strain Relief	
11	4711400	4	Washer 1/4	
12	4811400	8	Washer M4	
13	1001193018	1	Bracket, AC Receptacle	

## SECTION 8 - ELECTRICAL

FIGURE 8-5. AC BOX AT PLATFORM INSTALLATION - BOX WITH COVER (2X4 BOX) WITH 4000W GENERATOR (ANSI EXPORT SPECS) (SN 0300214025 through 0300272504, SN B300002238 through B300007118)



ART\_1001206255

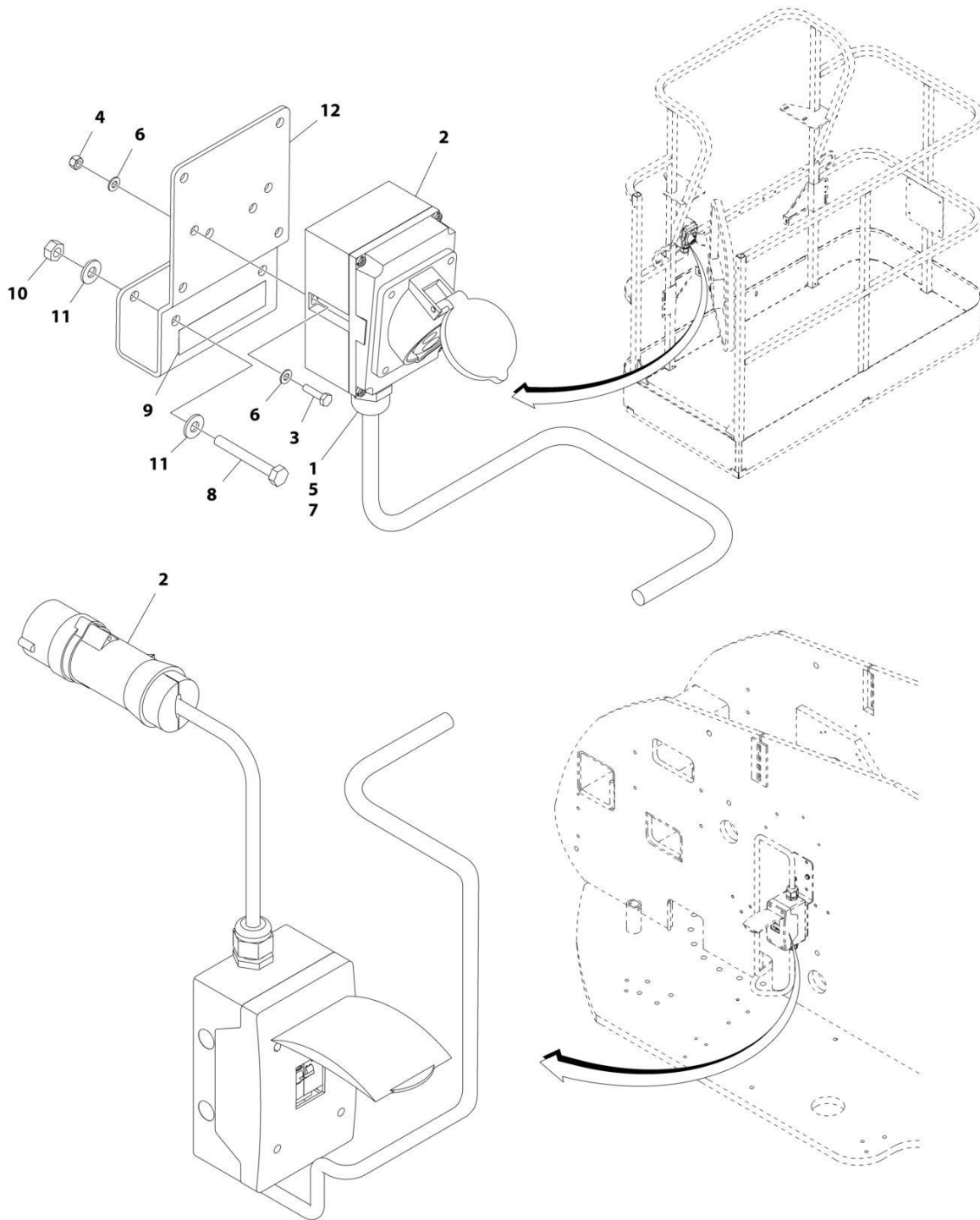
## SECTION 8 - ELECTRICAL

**FIGURE 8-5. AC BOX AT PLATFORM INSTALLATION - BOX WITH COVER (2X4 BOX) WITH 4000W GENERATOR (ANSI EXPORT SPECS) (SN 0300214025 through 0300272504, SN B300002238 through B300007118)**

ITEM	PART NUMBER	QTY	DESCRIPTION	REV
	1001206255	Ref	AC BOX AT PLATFORM INSTALLATION - BOX WITH COVER (2X4 BOX) WITH 4000W GENERATOR (ANSI EXPORT SPECS)	A
1	0100020	AR	Sealant, Pipe	
2	0641416	2	Bolt 1/4 x 2	
3	0700408	4	Bolt M4 x 16	
4	0861731	1	Box, Switch	
5	1670603	1	Cover	
6	3251242	1	Decal - 240V-50Hz	
7	3290405	4	Nut M4	
8	3311405	2	Nut 1/4	
10	4711400	4	Washer 1/4	
11	4811400	8	Washer M4	
12	1001101191	1	Connector, Strain Relief	
13	1001101197	1	Adapter	
14	1001193018	1	Bracket, AC Receptacle	

# SECTION 8 - ELECTRICAL

FIGURE 8-6. AC BOX AT PLATFORM INSTALLATION - 110V IEC 60309 YELLOW WITHOUT 2500W GENERATOR (CE SPECS)



ART\_1001091969

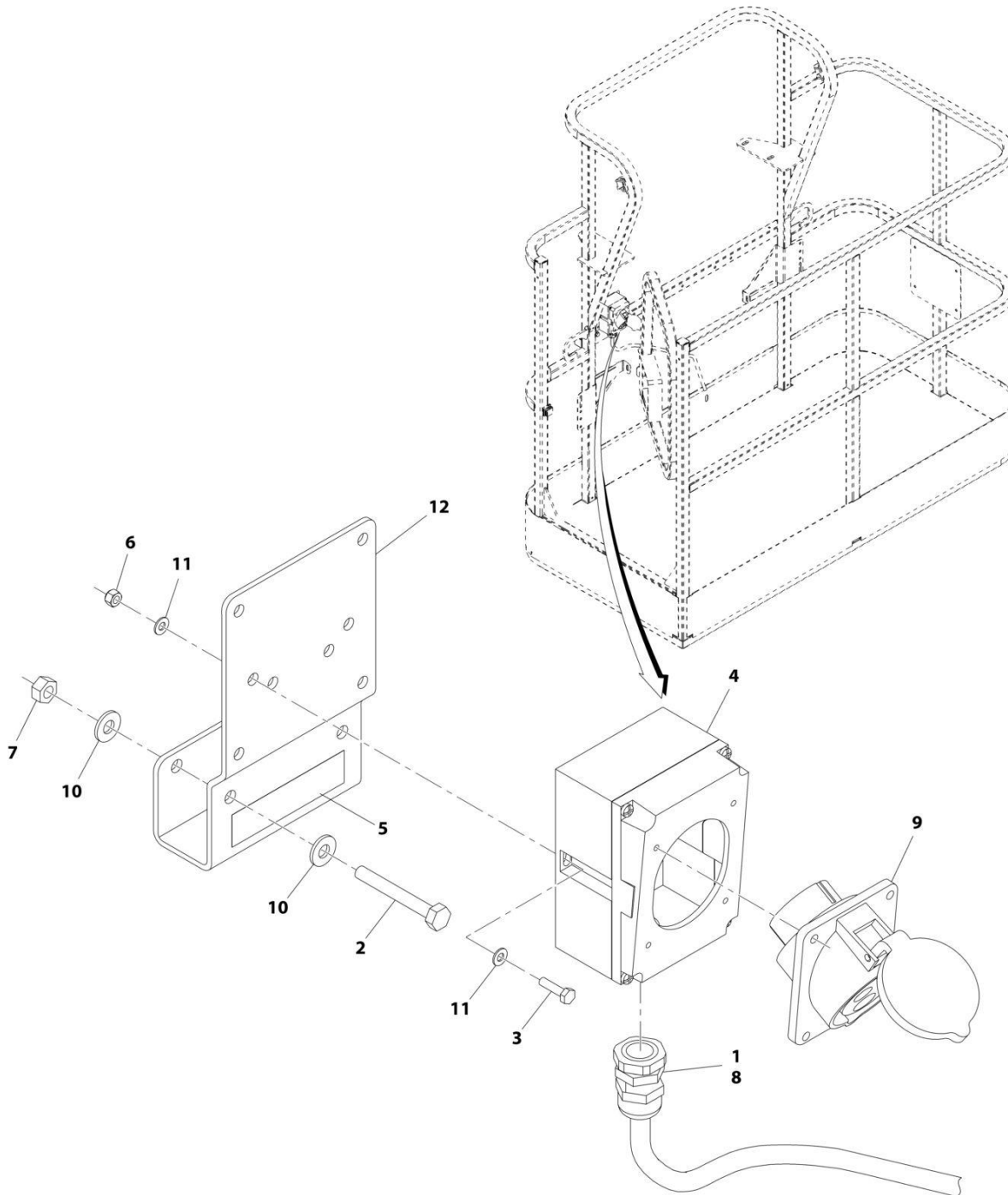
## SECTION 8 - ELECTRICAL

**FIGURE 8-6. AC BOX AT PLATFORM INSTALLATION - 110V IEC 60309 YELLOW WITHOUT 2500W GENERATOR (CE SPECS)**

ITEM	PART NUMBER	QTY	DESCRIPTION	REV
	1001091969	Ref	AC BOX AT PLATFORM INSTALLATION - 110V IEC 60309 YELLOW WITHOUT 2500W GENERATOR (CE SPECS)	C
1	0100020	AR	Sealant, Pipe	
2	0275216	1	Receptacle Box Kit (See Separate Breakdown in this Section)	
3	0700408	2	Bolt M4 x 16	
4	3290405	2	Nut M4	
5	1001101196	1	Adapter	
6	4811400	4	Washer M4	
7	1001101191	1	Connector, Strain Relief	
8	0641416	2	Bolt 1/4 x 2	
9	1705325	1	Decal - 110V	
10	3311405	2	Nut 1/4	
11	4711400	4	Washer 1/4	
12	1001193018	1	Bracket	

# SECTION 8 - ELECTRICAL

FIGURE 8-7. AC BOX AT PLATFORM INSTALLATION - 110V IEC 60309 YELLOW WITHOUT 4000W GENERATOR (CE SPECS) (SN 0300205136 through 0300214024)



ART\_1001194203

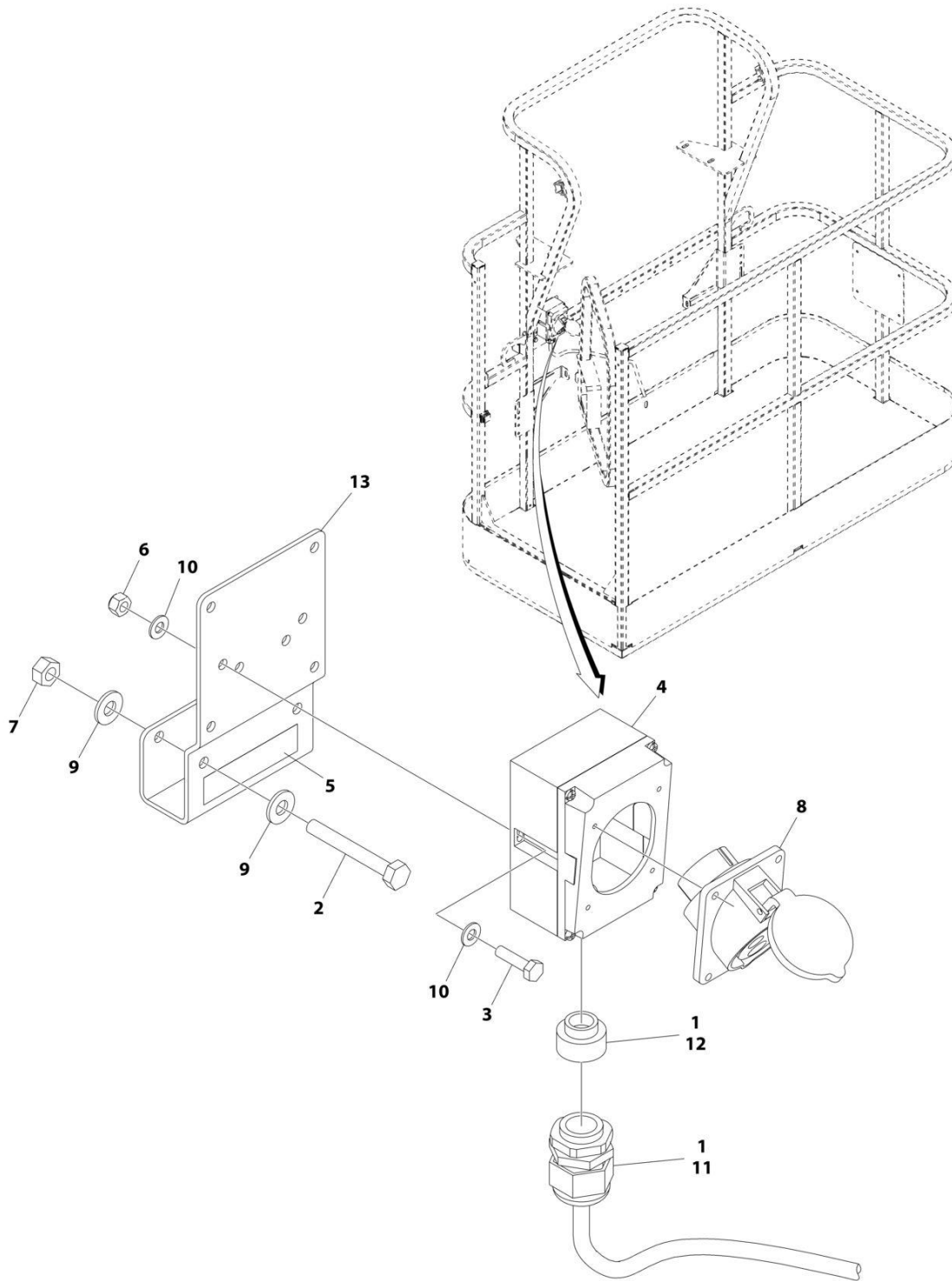
## SECTION 8 - ELECTRICAL

**FIGURE 8-7. AC BOX AT PLATFORM INSTALLATION - 110V IEC 60309 YELLOW WITHOUT 4000W GENERATOR (CE SPECS) (SN 0300205136 through 0300214024)**

ITEM	PART NUMBER	QTY	DESCRIPTION	REV
	1001194203	Ref	AC BOX AT PLATFORM INSTALLATION - 110V IEC 60309 YELLOW WITHOUT 4000W GENERATOR (CE SPECS) (SN <b>0300205136 through 0300214024</b> )	B
1	0100020	AR	Sealant, Pipe	
2	0641416	2	Bolt 1/4 x 2	
3	0700408	2	Bolt M4 x 16	
4	0861781	1	Box, Switch	
5	1705325	1	Decal - 110V	
6	3290405	2	Nut M4	
7	3311405	2	Nut 1/4	
8	4460968	1	Connector, Strain Relief	
9	4461198	1	Receptacle	
10	4711400	4	Washer 1/4	
11	4811400	4	Washer M4	
12	1001193018	1	Bracket, AC Receptacle	

# SECTION 8 - ELECTRICAL

**FIGURE 8-8. AC BOX AT PLATFORM INSTALLATION - 110V IEC 60309 YELLOW WITHOUT 4000W GENERATOR (CE SPECS) (SN 0300214025 through 0300272504, SN B300002238 through B300007118)**



ART\_1001206253



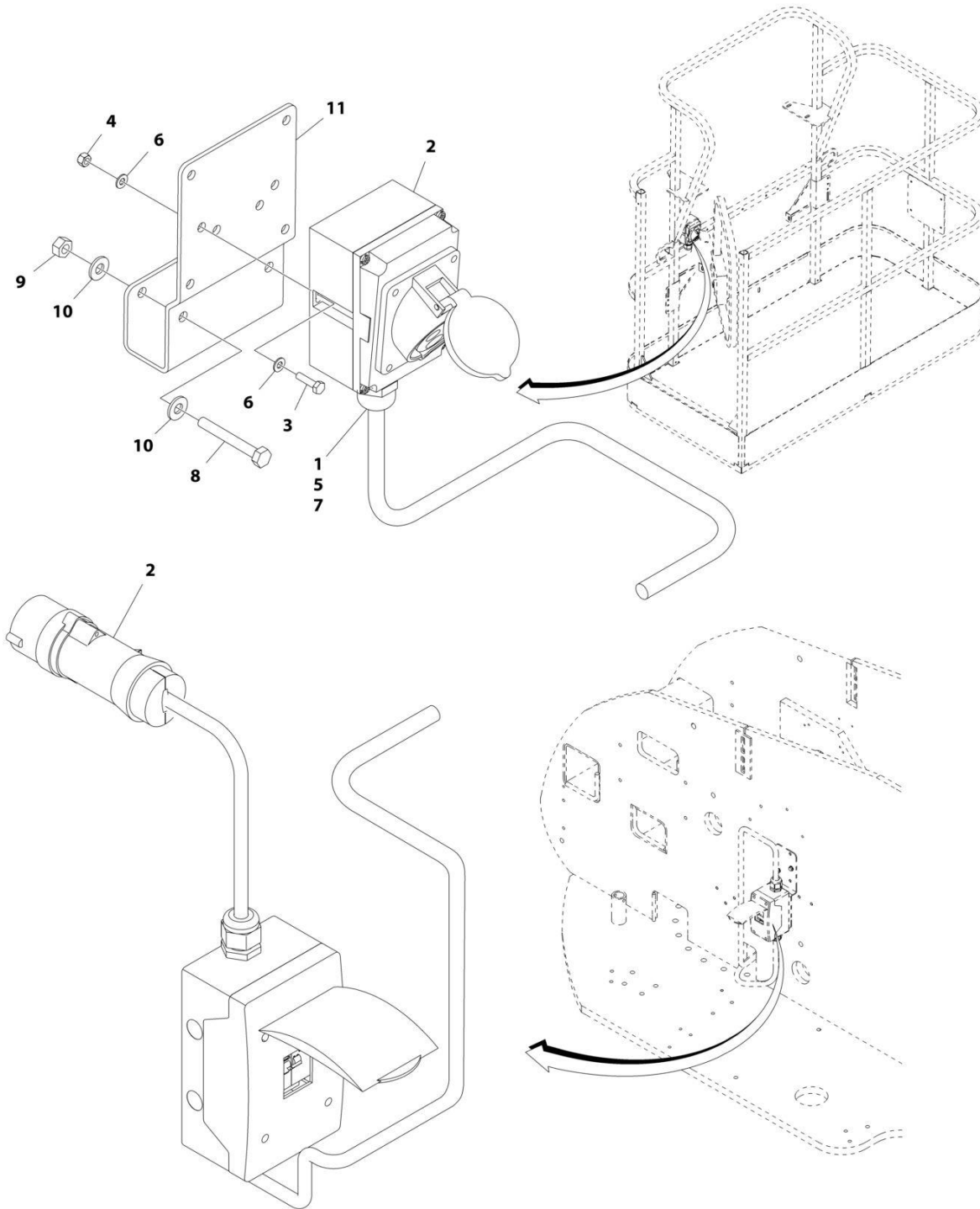
## SECTION 8 - ELECTRICAL

**FIGURE 8-8. AC BOX AT PLATFORM INSTALLATION - 110V IEC 60309 YELLOW WITHOUT 4000W GENERATOR (CE SPECS) (SN 0300214025 through 0300272504, SN B300002238 through B300007118)**

ITEM	PART NUMBER	QTY	DESCRIPTION	REV
	1001206253	Ref	AC BOX AT PLATFORM INSTALLATION - 110V IEC 60309 YELLOW WITHOUT 4000W GENERATOR (CE SPECS)	A
1	0100020	AR	Sealant, Pipe	
2	0641416	2	Bolt 1/4 x 2	
3	0700408	2	Bolt M4 x 16	
4	0861781	1	Box, Switch	
5	1705325	1	Decal - 110V	
6	3290405	2	Nut M4	
7	3311405	2	Nut 1/4	
8	4461198	1	Receptacle	
9	4711400	4	Washer 1/4	
10	4811400	4	Washer M4	
11	1001101191	1	Connector, Strain Relief	
12	1001101196	1	Adapter	
13	1001193018	1	Bracket, AC Receptacle	

# SECTION 8 - ELECTRICAL

FIGURE 8-9. AC BOX AT PLATFORM INSTALLATION - 220V IEC 60309 BLUE WITHOUT 2500W GENERATOR (CE SPECS)



ART\_1001091970

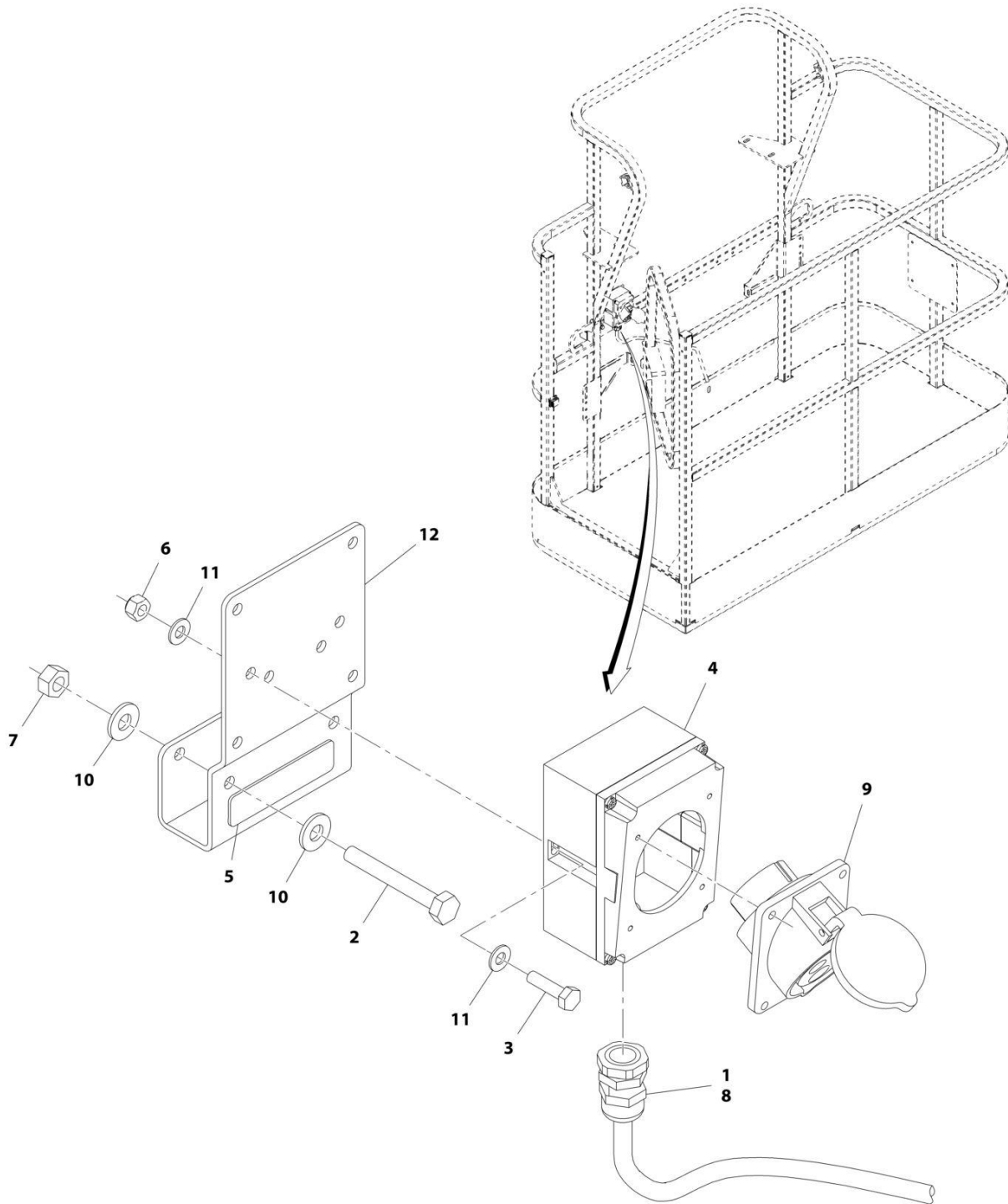
## SECTION 8 - ELECTRICAL

**FIGURE 8-9. AC BOX AT PLATFORM INSTALLATION - 220V IEC 60309 BLUE WITHOUT 2500W GENERATOR (CE SPECS)**

ITEM	PART NUMBER	QTY	DESCRIPTION	REV
	1001091970	Ref	AC BOX AT PLATFORM INSTALLATION - 220V IEC 60309 BLUE WITHOUT 2500W GENERATOR (CE SPECS)	C
1	0100020	AR	Sealant, Pipe	
2	0275217	1	Receptacle Box Kit (See Separate Breakdown in this Section)	
3	0700408	2	Bolt M4 x 16	
4	3290405	2	Nut M4	
5	1001101196	1	Adapter	
6	4811400	4	Washer M4	
7	1001101191	1	Connector, Strain Relief	
8	0641416	2	Bolt 1/4 x 2	
9	3311405	2	Nut 1/4	
10	4711400	4	Washer 1/4	
11	1001193018	1	Bracket	

# SECTION 8 - ELECTRICAL

FIGURE 8-10. AC BOX AT PLATFORM INSTALLATION - 220V IEC 60309 BLUE WITHOUT 4000W GENERATOR (CE SPECS) (SN 0300205136 through 0300214024)



ART\_1001194204

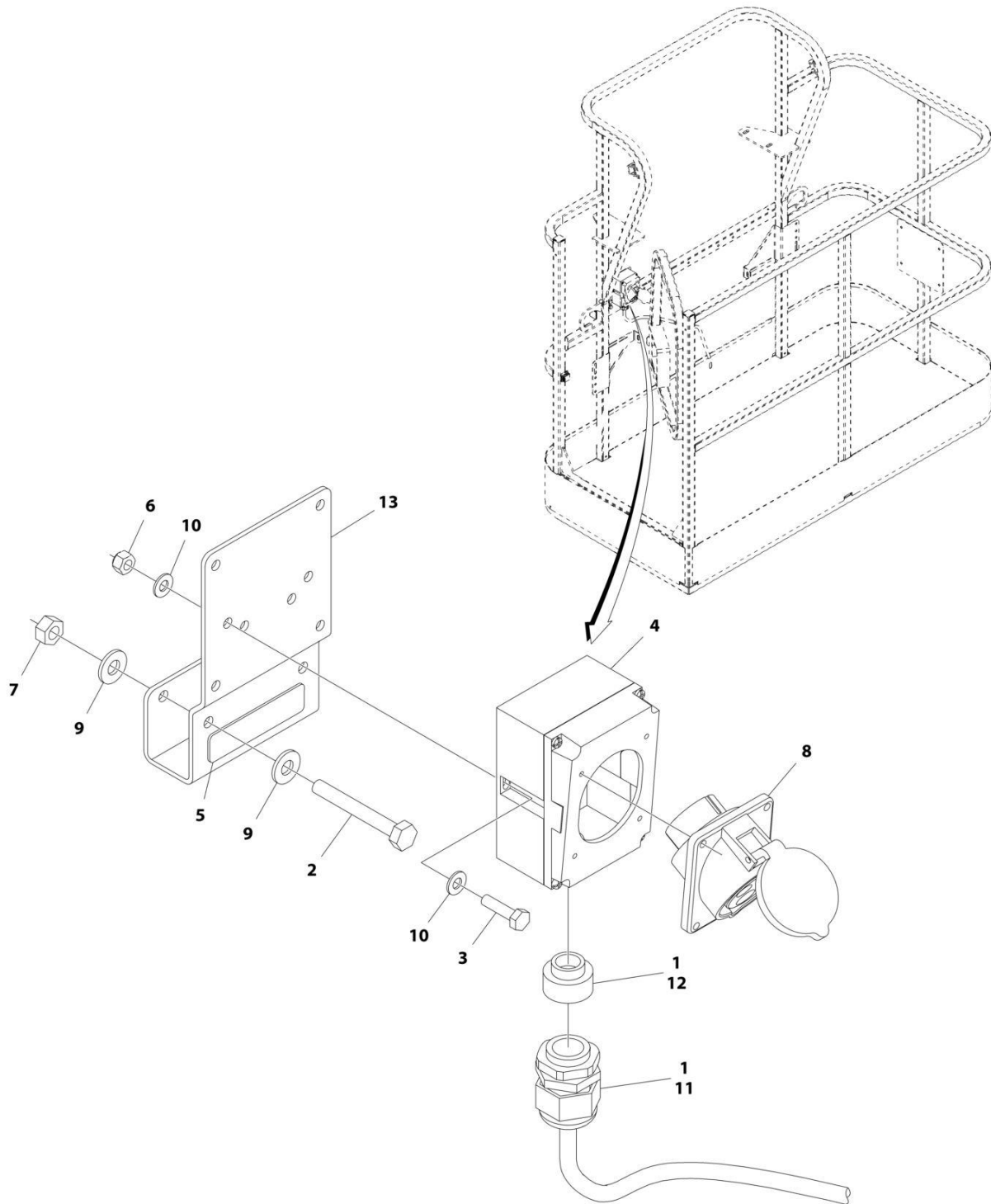
## SECTION 8 - ELECTRICAL

**FIGURE 8-10. AC BOX AT PLATFORM INSTALLATION - 220V IEC 60309 BLUE WITHOUT 4000W GENERATOR (CE SPECS) (SN 0300205136 through 0300214024)**

ITEM	PART NUMBER	QTY	DESCRIPTION	REV
	1001194204	Ref	AC BOX AT PLATFORM INSTALLATION - 220V IEC 60309 BLUE WITHOUT 4000W GENERATOR (CE SPECS) (SN 0300205136 through 0300214024)	B
1	0100020	AR	Sealant, Pipe	
2	0641416	2	Bolt 1/4 x 2	
3	0700408	2	Bolt M4 x 16	
4	0861781	1	Box, Switch	
5	3251242	1	Decal - 240V-50Hz	
6	3290405	2	Nut M4	
7	3311405	2	Nut 1/4	
8	4460968	1	Connector, Strain Relief	
9	4461201	1	Receptacle	
10	4711400	4	Washer 1/4	
11	4811400	4	Washer M4	
12	1001193018	1	Bracket, AC Receptacle	

# SECTION 8 - ELECTRICAL

**FIGURE 8-11. AC BOX AT PLATFORM INSTALLATION - 220V IEC 60309 BLUE WITHOUT 4000W GENERATOR (CE SPECS) (SN 0300214025 through 0300272504, SN B300002238 through B300007118)**



ART\_1001206254

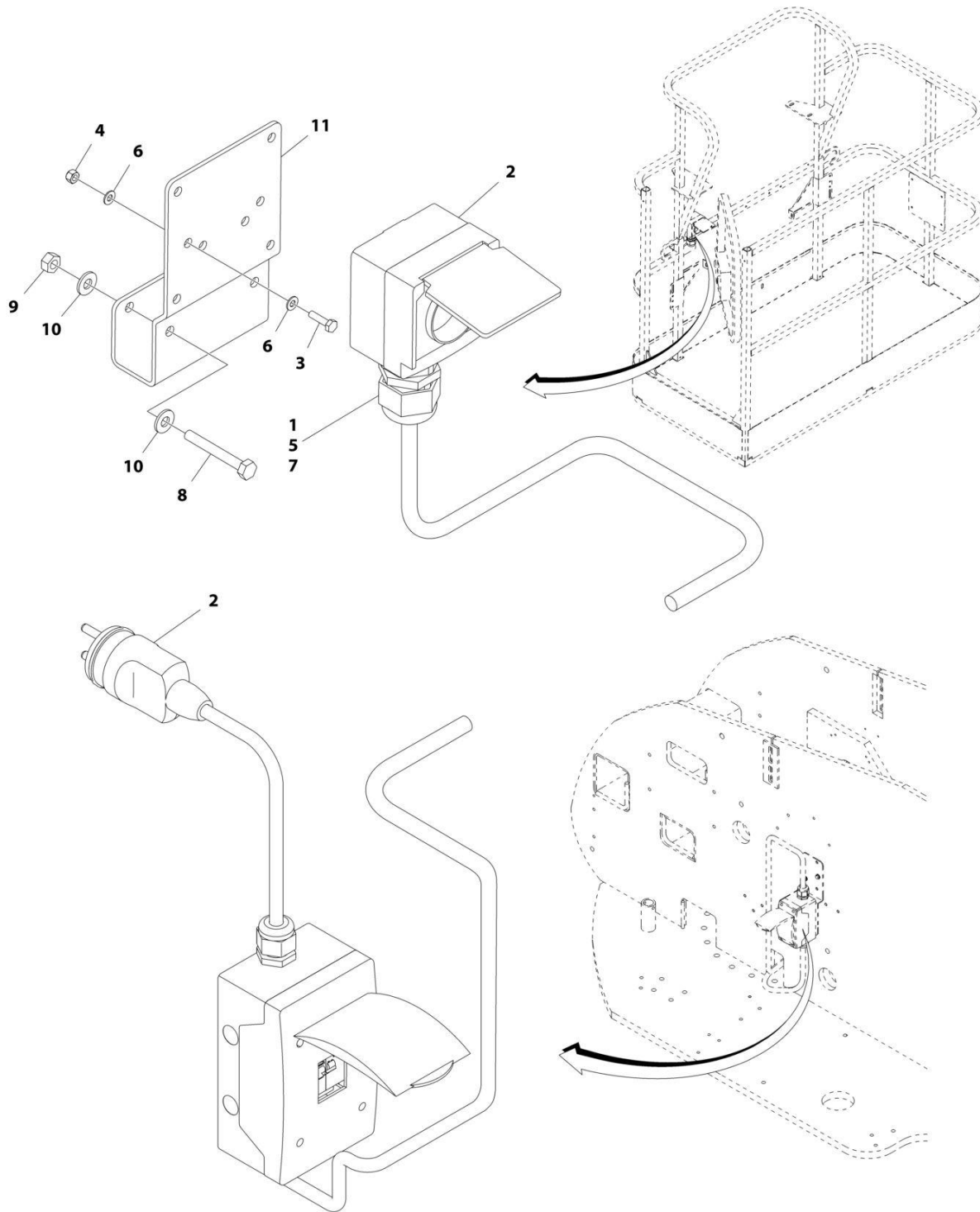
## SECTION 8 - ELECTRICAL

**FIGURE 8-11. AC BOX AT PLATFORM INSTALLATION - 220V IEC 60309 BLUE WITHOUT 4000W GENERATOR (CE SPECS) (SN 0300214025 through 0300272504, SN B300002238 through B300007118)**

ITEM	PART NUMBER	QTY	DESCRIPTION	REV
	1001206254	Ref	AC BOX AT PLATFORM INSTALLATION - 220V IEC 60309 BLUE WITHOUT 4000W GENERATOR (CE SPECS)	A
1	0100020	AR	Sealant, Pipe	
2	0641416	2	Bolt 1/4 x 2	
3	0700408	2	Bolt M4 x 16	
4	0861781	1	Box, Switch	
5	3251242	1	Decal - 240V-50Hz	
6	3290405	2	Nut M4	
7	3311405	2	Nut 1/4	
8	4461201	1	Receptacle	
9	4711400	4	Washer 1/4	
10	4811400	4	Washer M4	
11	1001101191	1	Connector, Strain Relief	
12	1001101196	1	Adapter	
13	1001193018	1	Bracket, AC Receptacle	

## SECTION 8 - ELECTRICAL

**FIGURE 8-12. AC BOX AT PLATFORM INSTALLATION - 220V CEE7 POST GROUND (70MM X 70MM BOX) WITHOUT 2500W GENERATOR (CE SPECS) (SN 0300201016 through 0300205136)**



ART\_1001091971



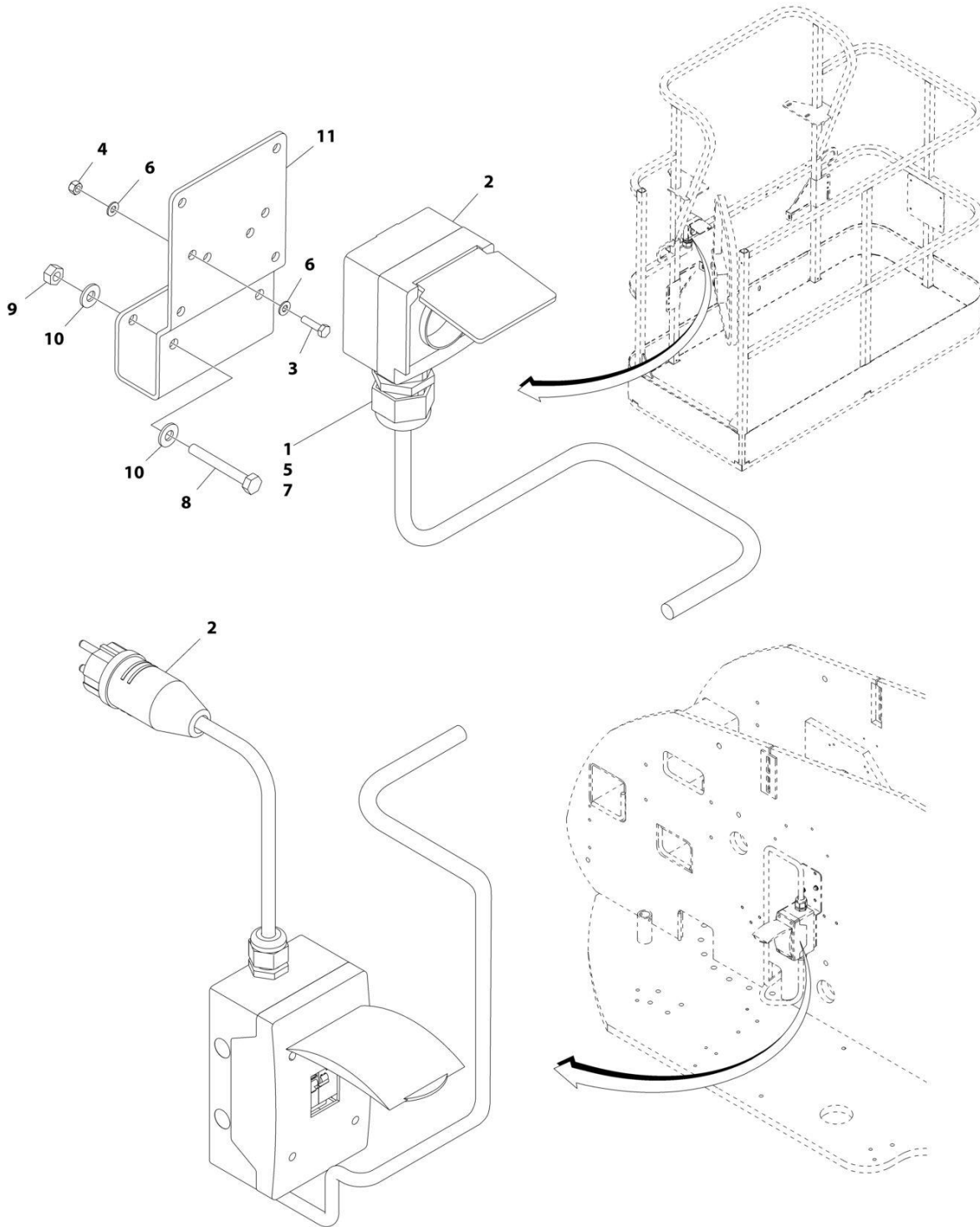
## SECTION 8 - ELECTRICAL

**FIGURE 8-12. AC BOX AT PLATFORM INSTALLATION - 220V CEE7 POST GROUND (70MM X 70MM BOX) WITHOUT 2500W GENERATOR (CE SPECS) (SN 0300201016 through 0300205136)**

ITEM	PART NUMBER	QTY	DESCRIPTION	REV
	1001091971	Ref	AC BOX AT PLATFORM INSTALLATION - 220V CEE7 POST GROUND (70MM X 70MM BOX) WITHOUT 2500W GENERATOR (CE SPECS) (SN 0300201016 through 0300205136)	C
1	0100020	AR	Sealant, Pipe	
2	0275218	1	Receptacle Box Kit (See Separate Breakdown in this Section)	
3	0700408	2	Bolt M4 x 16	
4	3290405	2	Nut M4	
5	1001101196	1	Adapter	
6	4811400	4	Washer M4	
7	1001101191	1	Connector, Strain Relief	
8	0641416	2	Bolt 1/4 x 2	
9	3311405	2	Nut 1/4	
10	4711400	4	Washer 1/4	
11	1001193018	1	Bracket	

## SECTION 8 - ELECTRICAL

FIGURE 8-13. AC BOX AT PLATFORM INSTALLATION - 220V CEE7 SIDE GROUND (70MM X 70MM BOX) WITHOUT 2500W GENERATOR (CE SPECS) (SN 0300201016 through 0300205136)



ART\_1001091972

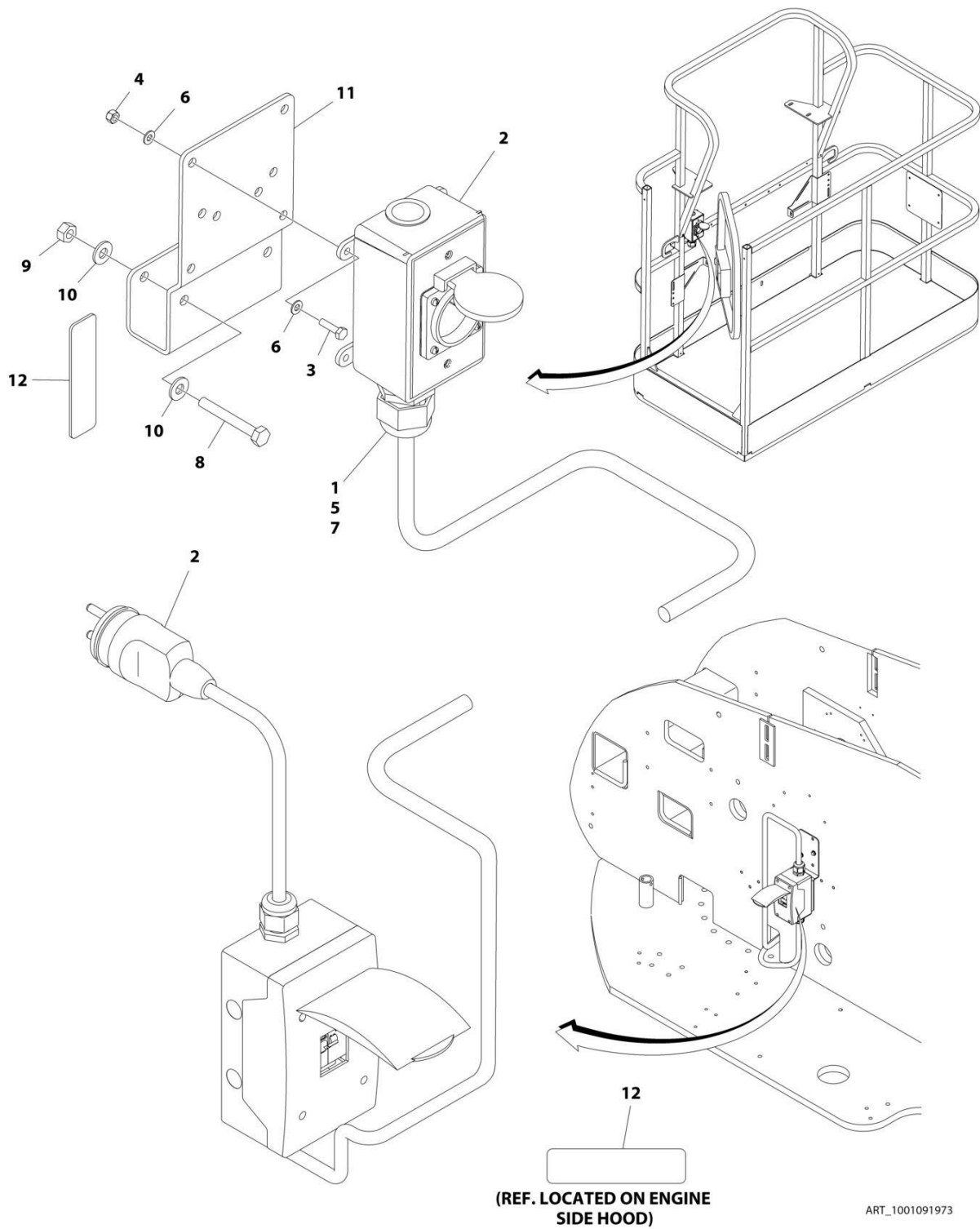
## SECTION 8 - ELECTRICAL

**FIGURE 8-13. AC BOX AT PLATFORM INSTALLATION - 220V CEE7 SIDE GROUND (70MM X 70MM BOX) WITHOUT 2500W GENERATOR (CE SPECS) (SN 0300201016 through 0300205136)**

ITEM	PART NUMBER	QTY	DESCRIPTION	REV
	1001091972	Ref	AC BOX AT PLATFORM INSTALLATION - 220V CEE7 SIDE GROUND (70MM X 70MM BOX) WITHOUT 2500W GENERATOR (CE SPECS) (SN 0300201016 through 0300205136)	C
1	0100020	AR	Sealant, Pipe	
2	0275219	1	Receptacle Box Kit (See Separate Breakdown in this Section)	
3	0700408	2	Bolt M4 x 16	
4	3290405	2	Nut M4	
5	1001101196	1	Adapter	
6	4811400	4	Washer M4	
7	1001101191	1	Connector, Strain Relief	
8	0641416	2	Bolt 1/4 x 2	
9	3311405	2	Nut 1/4	
10	4711400	4	Washer 1/4	
11	1001193018	1	Bracket	

# SECTION 8 - ELECTRICAL

## FIGURE 8-14. AC BOX AT PLATFORM INSTALLATION - 220V CEE7 POST GROUND (2X4 BOX) WITHOUT 2500W GENERATOR (CE SPECS)



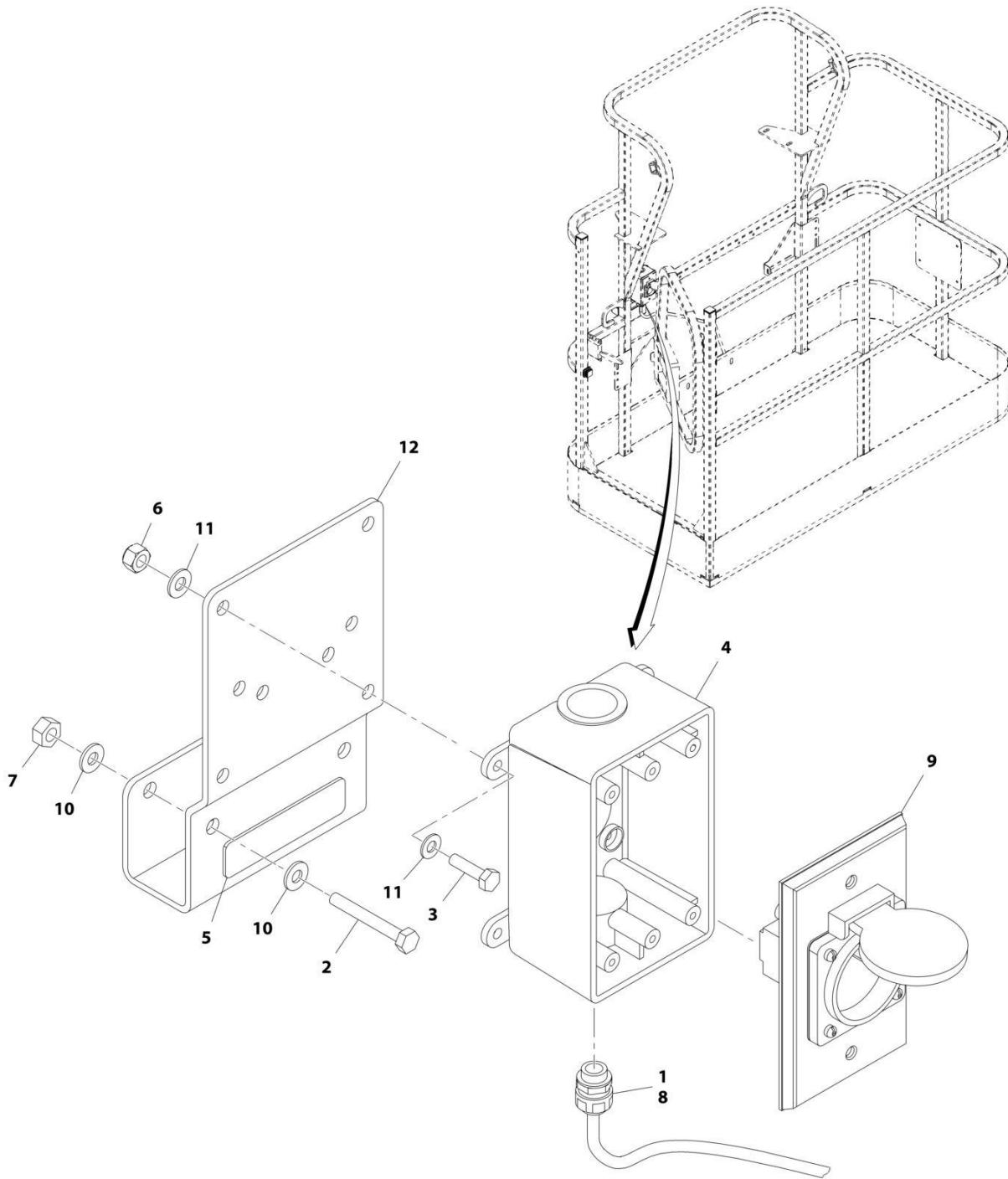
## SECTION 8 - ELECTRICAL

**FIGURE 8-14. AC BOX AT PLATFORM INSTALLATION - 220V CEE7 POST GROUND (2X4 BOX)  
WITHOUT 2500W GENERATOR (CE SPECS)**

ITEM	PART NUMBER	QTY	DESCRIPTION	REV
	1001091973	Ref	AC BOX AT PLATFORM INSTALLATION - 220V CEE7 POST GROUND (2X4 BOX) WITHOUT 2500W GENERATOR (CE SPECS)	F
1	0100020	AR	Sealant, Pipe	
2	0275452	1	Receptacle Box Kit (See Separate Breakdown in this Section)	
3	0700408	4	Bolt M4 x 16	
4	3290405	4	Nut M4	
5	1001101197	1	Adapter	
6	4811400	8	Washer M4	
7	1001101191	1	Connector, Strain Relief	
8	0641416	2	Bolt 1/4 x 2	
9	3311405	2	Nut 1/4	
10	4711400	4	Washer 1/4	
11	1001193018	1	Bracket	
12	3251242	2	Decal - 240V-50Hz (SN 0300190452 through 0300272504, Except SN 0300272455 through 0300272461)	
13	4460806	2	Terminal, Fork (Not Shown)	
14	1001205958	1	Terminal (Not Shown)	

# SECTION 8 - ELECTRICAL

**FIGURE 8-15. AC BOX AT PLATFORM INSTALLATION - 220V CEE7 POST GROUND (2X4 BOX)  
WITHOUT 4000W GENERATOR (CE SPECS) (SN 0300205136 through 0300214024)**



ART\_1001194197

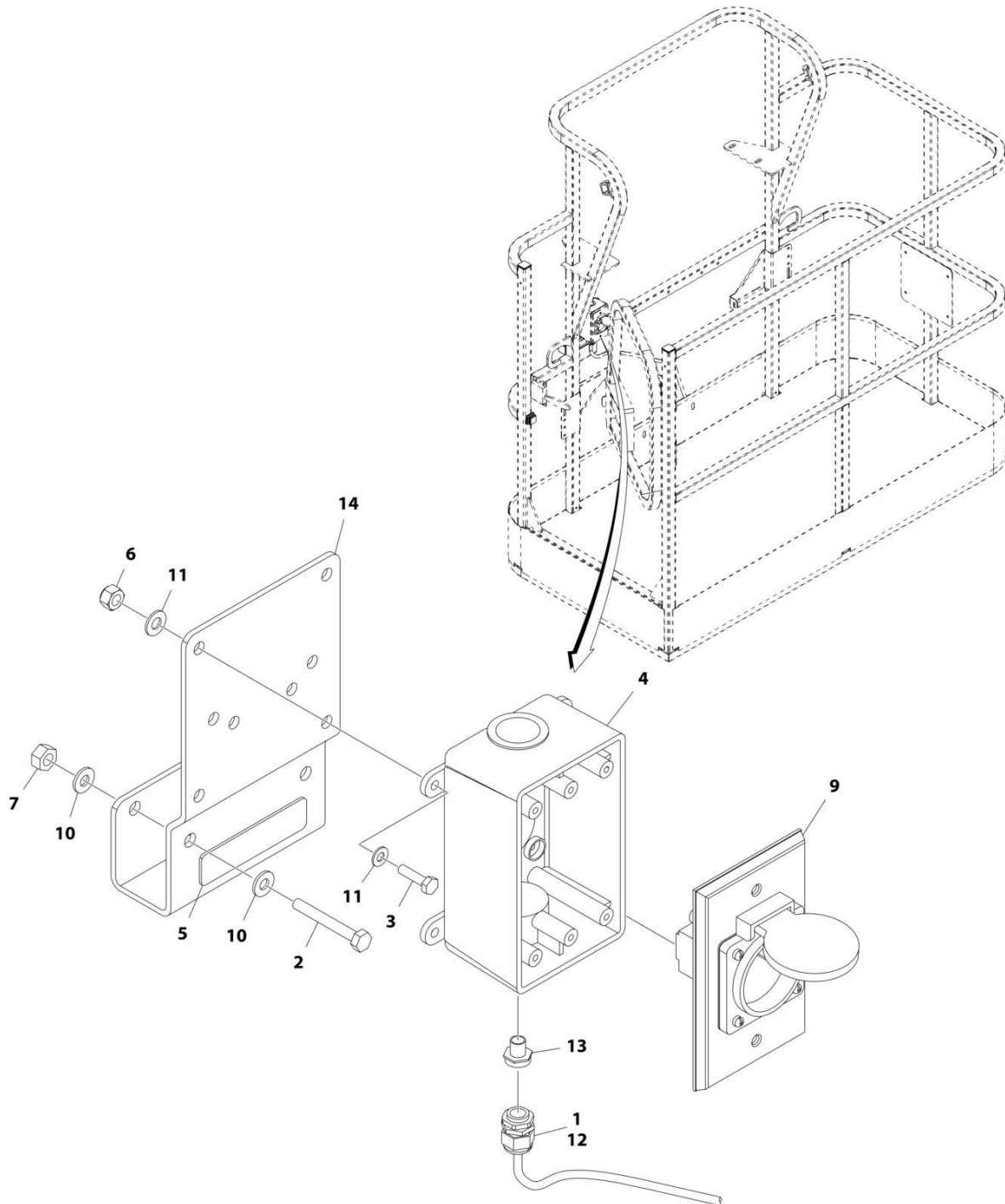
## SECTION 8 - ELECTRICAL

**FIGURE 8-15. AC BOX AT PLATFORM INSTALLATION - 220V CEE7 POST GROUND (2X4 BOX)  
WITHOUT 4000W GENERATOR (CE SPECS) (SN 0300205136 through 0300214024)**

ITEM	PART NUMBER	QTY	DESCRIPTION	REV
	1001194197	Ref	AC BOX AT PLATFORM INSTALLATION - 220V CEE7 POST GROUND (2X4 BOX) WITHOUT 4000W GENERATOR (CE SPECS) (SN 0300205136 through 0300214024)	B
1	0100020	AR	Sealant, Pipe	
2	0641416	2	Bolt 1/4 x 2	
3	0700408	4	Bolt M4 x 16	
4	0861731	1	Box, Switch	
5	3251242	1	Decal - 240V-50Hz	
6	3290405	4	Nut M4	
7	3311405	2	Nut 1/4	
8	4460662	1	Connector, Strain Relief	
9	4461244	1	Receptacle	
10	4711400	4	Washer 1/4	
11	4811400	8	Washer M4	
12	1001193018	1	Bracket, AC Receptacle	
13	4460806	2	Terminal, Fork	
14	1001205958	1	Terminal	

# SECTION 8 - ELECTRICAL

**FIGURE 8-16. AC BOX AT PLATFORM INSTALLATION - 220V CEE7 POST GROUND (2X4 BOX)  
WITHOUT 4000W GENERATOR (CE SPECS) (SN 0300214025 through 0300272504)**



ART\_1001206250



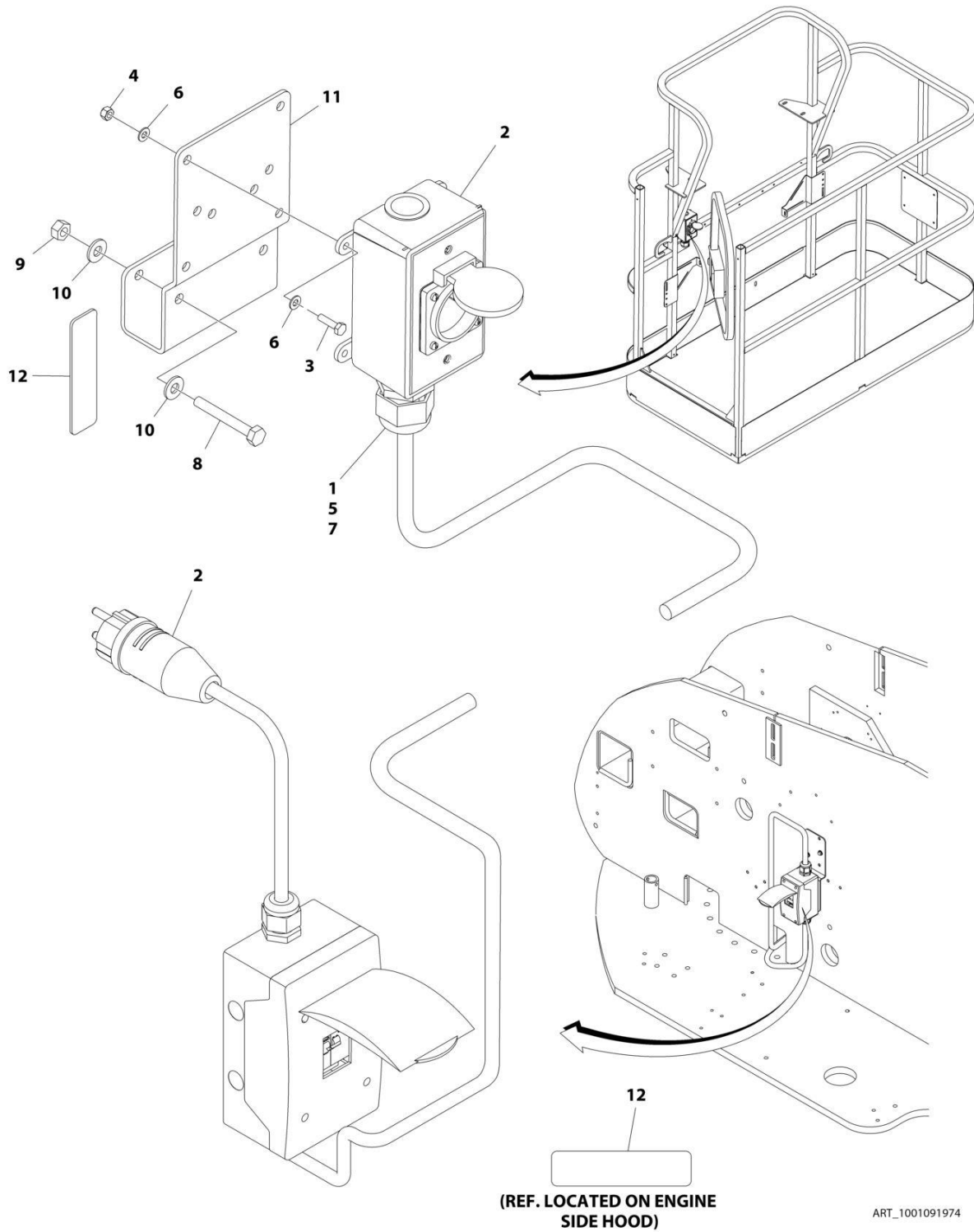
## SECTION 8 - ELECTRICAL

**FIGURE 8-16. AC BOX AT PLATFORM INSTALLATION - 220V CEE7 POST GROUND (2X4 BOX)  
WITHOUT 4000W GENERATOR (CE SPECS) (SN 0300214025 through 0300272504)**

ITEM	PART NUMBER	QTY	DESCRIPTION	REV
	1001206250	Ref	AC BOX AT PLATFORM INSTALLATION - 220V CEE7 POST GROUND (2X4 BOX) WITHOUT 4000W GENERATOR (CE SPECS)	A
1	0100020	AR	Sealant, Pipe	
2	0641416	2	Bolt 1/4 x 2	
3	0700408	4	Bolt M4 x 16	
4	0861731	1	Box, Switch	
5	3251242	1	Decal - 240V-50Hz	
6	3290405	4	Nut M4	
7	3311405	2	Nut 1/4	
8	4460806	2	Terminal, Fork	
9	4461244	1	Receptacle	
10	4711400	4	Washer 1/4	
11	4811400	8	Washer M4	
12	1001101191	1	Connector, Strain Relief	
13	1001101197	1	Adapter	
14	1001193018	1	Bracket, AC Receptacle	
15	1001205958	1	Terminal	

# SECTION 8 - ELECTRICAL

## FIGURE 8-17. AC BOX AT PLATFORM INSTALLATION - 220V CEE7 SIDE GROUND (2X4 BOX) WITHOUT 2500W GENERATOR (CE SPECS)



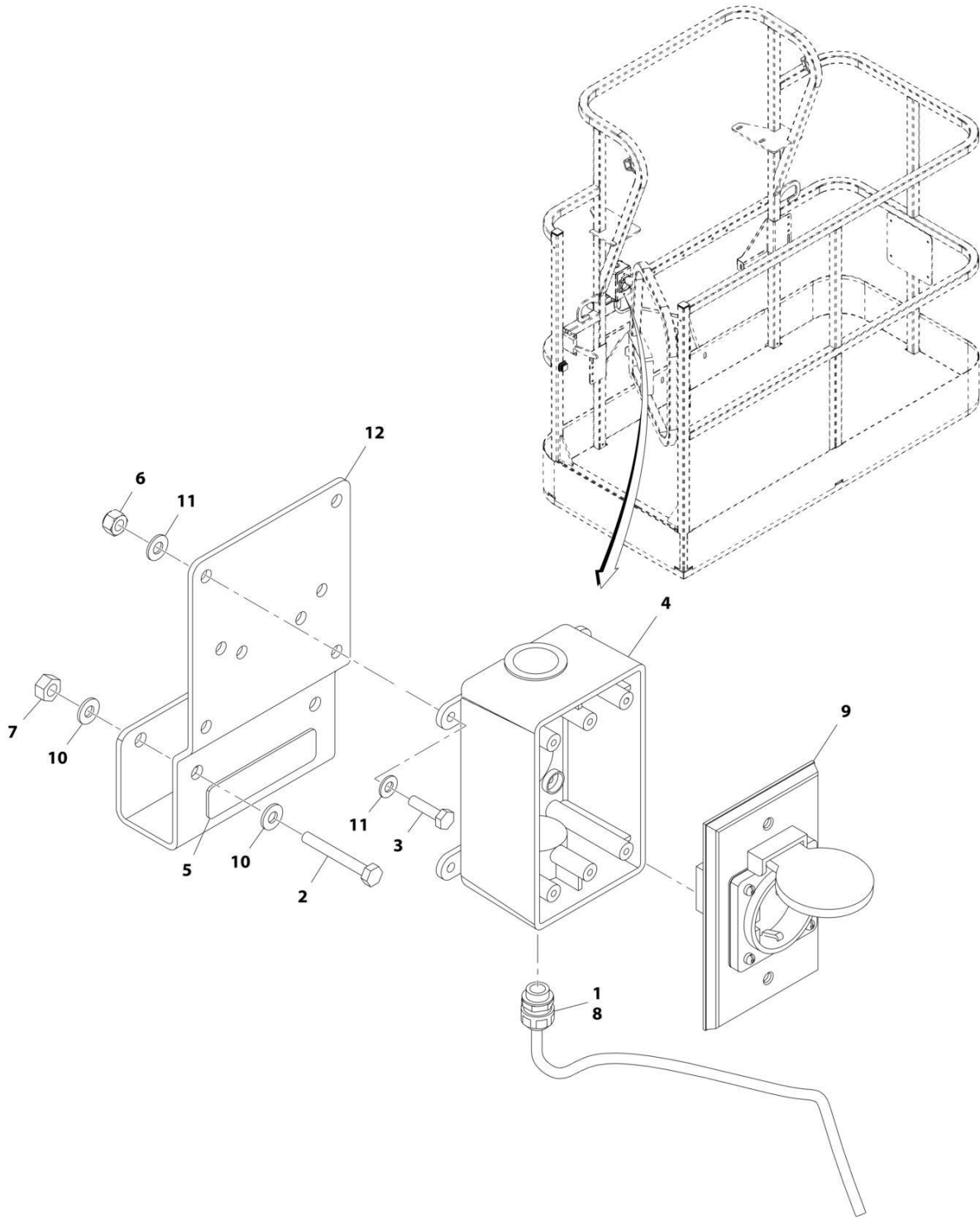
## SECTION 8 - ELECTRICAL

**FIGURE 8-17. AC BOX AT PLATFORM INSTALLATION - 220V CEE7 SIDE GROUND (2X4 BOX)  
WITHOUT 2500W GENERATOR (CE SPECS)**

ITEM	PART NUMBER	QTY	DESCRIPTION	REV
	1001091974	Ref	AC BOX AT PLATFORM INSTALLATION - 220V CEE7 SIDE GROUND (2X4 BOX) WITHOUT 2500W GENERATOR (CE SPECS)	F
1	0100020	AR	Sealant, Pipe	
2	0275453	1	Receptacle Box Kit (See Separate Breakdown in this Section)	
3	0700408	4	Bolt M4 x 16	
4	3290405	4	Nut M4	
5	1001101197	1	Adapter	
6	4811400	8	Washer M4	
7	1001101191	1	Connector, Strain Relief	
8	0641416	2	Bolt 1/4 x 2	
9	3311405	2	Nut 1/4	
10	4711400	4	Washer 1/4	
11	1001193018	1	Bracket	
12	3251242	2	Decal - 240V-50Hz (SN 0300190452 through 0300272504, Except SN 0300272455 through 0300272461)	
13	4460806	2	Terminal, Fork (Not Shown)	
14	1001205958	1	Terminal (Not Shown)	

# SECTION 8 - ELECTRICAL

**FIGURE 8-18. AC BOX AT PLATFORM INSTALLATION - 220V CEE7 SIDE GROUND (2X4 BOX)  
WITHOUT 4000W GENERATOR (CE SPECS) (SN 0300205136 through 0300214024)**



ART\_1001194198

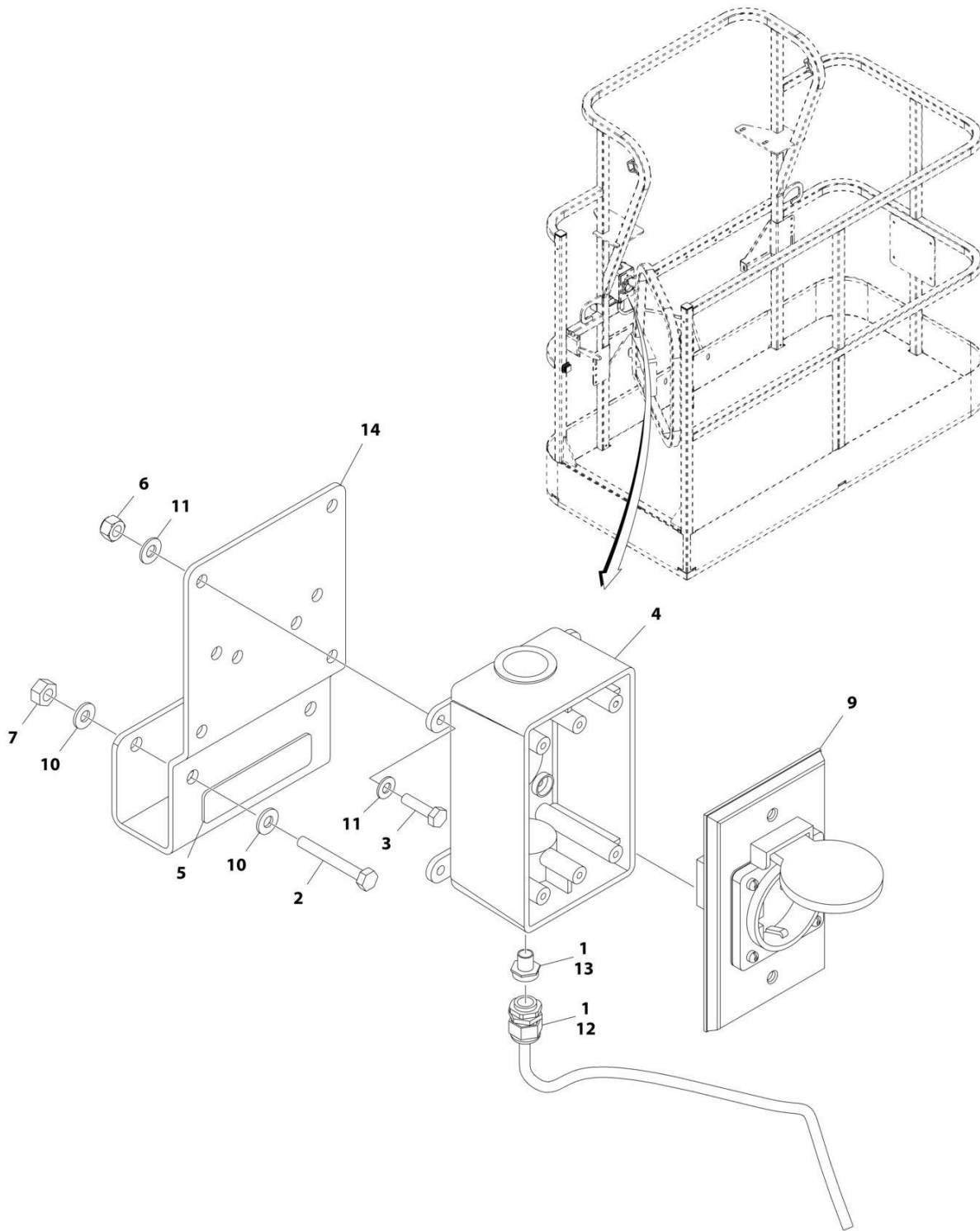
## SECTION 8 - ELECTRICAL

**FIGURE 8-18. AC BOX AT PLATFORM INSTALLATION - 220V CEE7 SIDE GROUND (2X4 BOX)  
WITHOUT 4000W GENERATOR (CE SPECS) (SN 0300205136 through 0300214024)**

ITEM	PART NUMBER	QTY	DESCRIPTION	REV
	1001194198	Ref	AC BOX AT PLATFORM INSTALLATION - 220V CEE7 SIDE GROUND (2X4 BOX) WITHOUT 4000W GENERATOR (CE SPECS) (SN 0300205136 through 0300214024)	B
1	0100020	AR	Sealant, Pipe	
2	0641416	2	Bolt 1/4 x 2	
3	0700408	4	Bolt M4 x 16	
4	0861731	1	Box, Switch	
5	3251242	1	Decal - 240V-50Hz	
6	3290405	4	Nut M4	
7	3311405	2	Nut 1/4	
8	4460662	1	Connector, Strain Relief	
9	4461245	1	Receptacle	
10	4711400	4	Washer 1/4	
11	4811400	8	Washer M4	
12	1001193018	1	Bracket, AC Receptacle	
13	4460806	2	Terminal, Fork	
14	1001205958	1	Terminal	

# SECTION 8 - ELECTRICAL

**FIGURE 8-19. AC BOX AT PLATFORM INSTALLATION - 220V CEE7 SIDE GROUND (2X4 BOX)  
WITHOUT 4000W GENERATOR (CE SPECS) (SN 0300214025 through 0300272504)**



ART\_1001206251

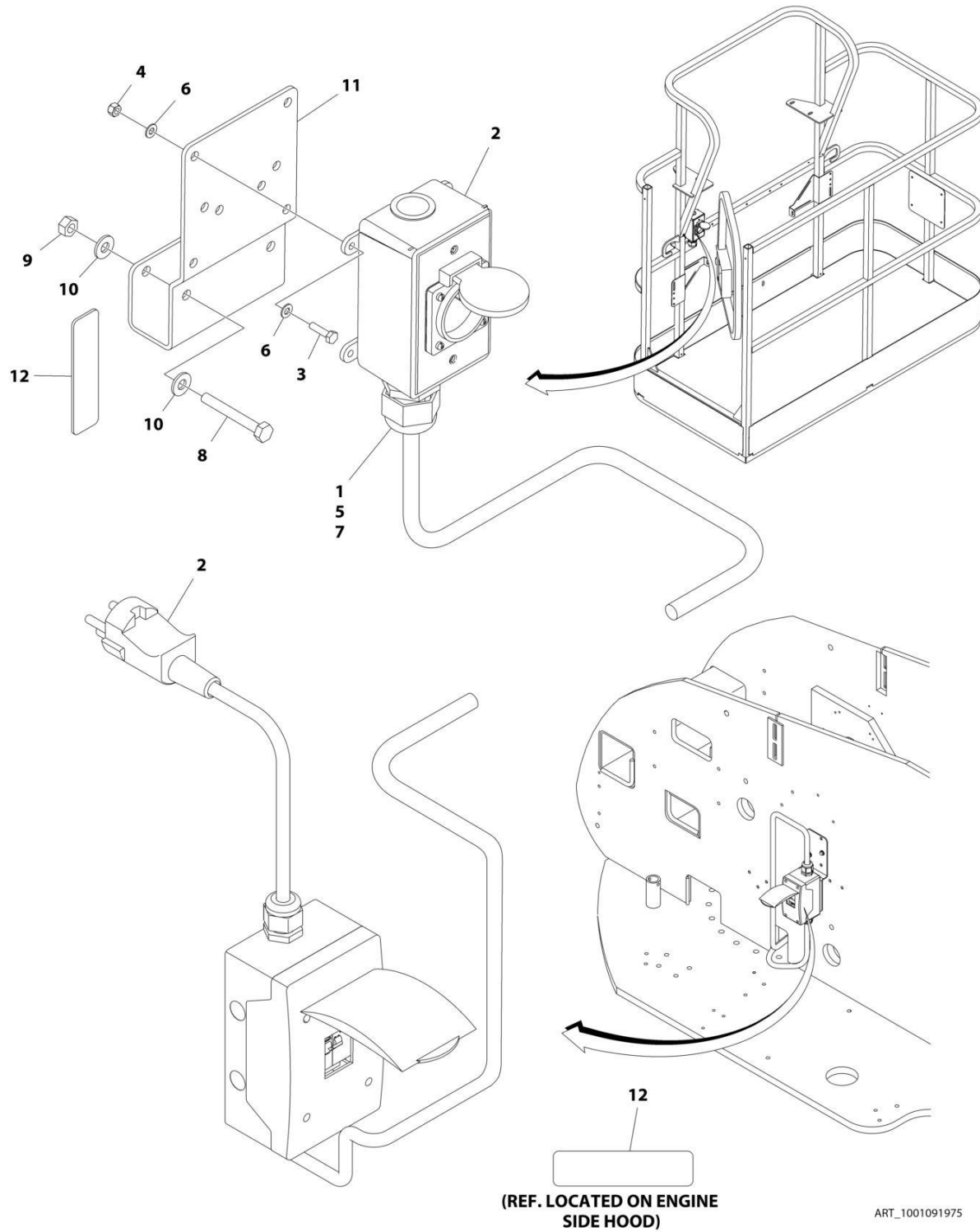
## SECTION 8 - ELECTRICAL

**FIGURE 8-19. AC BOX AT PLATFORM INSTALLATION - 220V CEE7 SIDE GROUND (2X4 BOX)  
WITHOUT 4000W GENERATOR (CE SPECS) (SN 0300214025 through 0300272504)**

ITEM	PART NUMBER	QTY	DESCRIPTION	REV
	1001206251	Ref	AC BOX AT PLATFORM INSTALLATION - 220V CEE7 SIDE GROUND (2X4 BOX) WITHOUT 4000W GENERATOR (CE SPECS)	A
1	0100020	AR	Sealant, Pipe	
2	0641416	2	Bolt 1/4 x 2	
3	0700408	4	Bolt M4 x 16	
4	0861731	1	Box, Switch	
5	3251242	1	Decal - 240V-50Hz	
6	3290405	4	Nut M4	
7	3311405	2	Nut 1/4	
8	4460806	2	Terminal, Fork	
9	4461245	1	Receptacle	
10	4711400	4	Washer 1/4	
11	4811400	8	Washer M4	
12	1001101191	1	Connector, Strain Relief	
13	1001101197	1	Adapter	
14	1001193018	1	Bracket, AC Receptacle	
15	1001205958	1	Terminal	

# SECTION 8 - ELECTRICAL

**FIGURE 8-20. AC BOX AT PLATFORM INSTALLATION - 220V AFSINT 107 KEYED GROUND (2X4 BOX) WITHOUT 2500W GENERATOR (CE SPECS)**





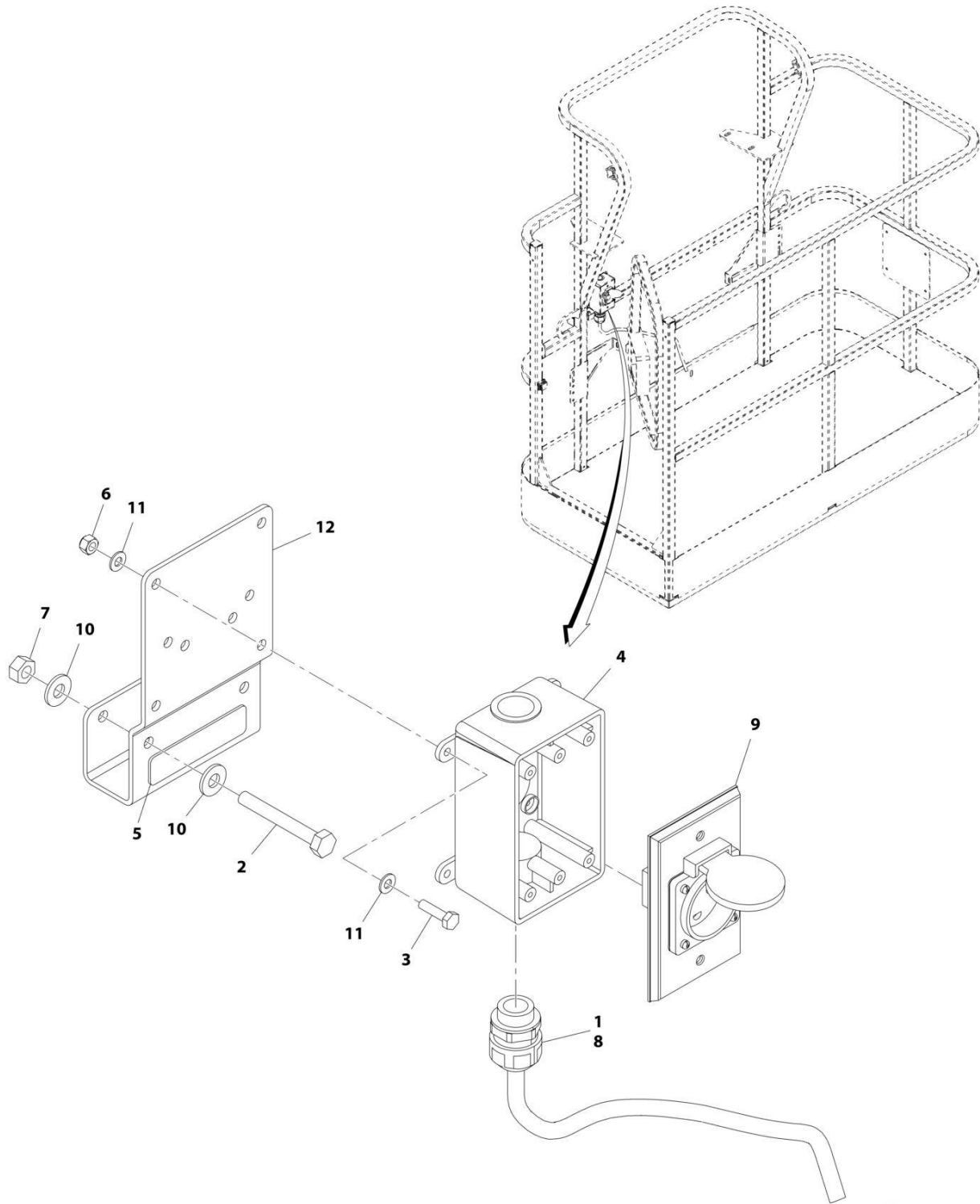
## SECTION 8 - ELECTRICAL

**FIGURE 8-20. AC BOX AT PLATFORM INSTALLATION - 220V AFSINT 107 KEYED GROUND (2X4 BOX) WITHOUT 2500W GENERATOR (CE SPECS)**

ITEM	PART NUMBER	QTY	DESCRIPTION	REV
	1001091975	Ref	AC BOX AT PLATFORM INSTALLATION - 220V AFSINT 107 KEYED GROUND (2X4 BOX) WITHOUT 2500W GENERATOR (CE SPECS)	F
1	0100020	AR	Sealant, Pipe	
2	0275454	1	Receptacle Box Kit (See Separate Breakdown in this Section)	
3	0700408	4	Bolt M4 x 16	
4	3290405	4	Nut M4	
5	1001101197	1	Adapter	
6	4811400	8	Washer M4	
7	1001101191	1	Connector, Strain Relief	
8	0641416	2	Bolt 1/4 x 2	
9	3311405	2	Nut 1/4	
10	4711400	4	Washer 1/4	
11	1001193018	1	Bracket	
12	3251242	2	Decal - 240V-50Hz (SN 0300190452 through 0300272504, Except SN 0300272455 through 0300272461)	
13	1001205958	3	Terminal (Not Shown)	

## SECTION 8 - ELECTRICAL

FIGURE 8-21. AC BOX AT PLATFORM INSTALLATION - 220V AFSINT 107 KEYED GROUND (2X4 BOX) WITHOUT 4000W GENERATOR (CE SPECS) (SN 0300205136 through 0300214024)



ART\_1001194200

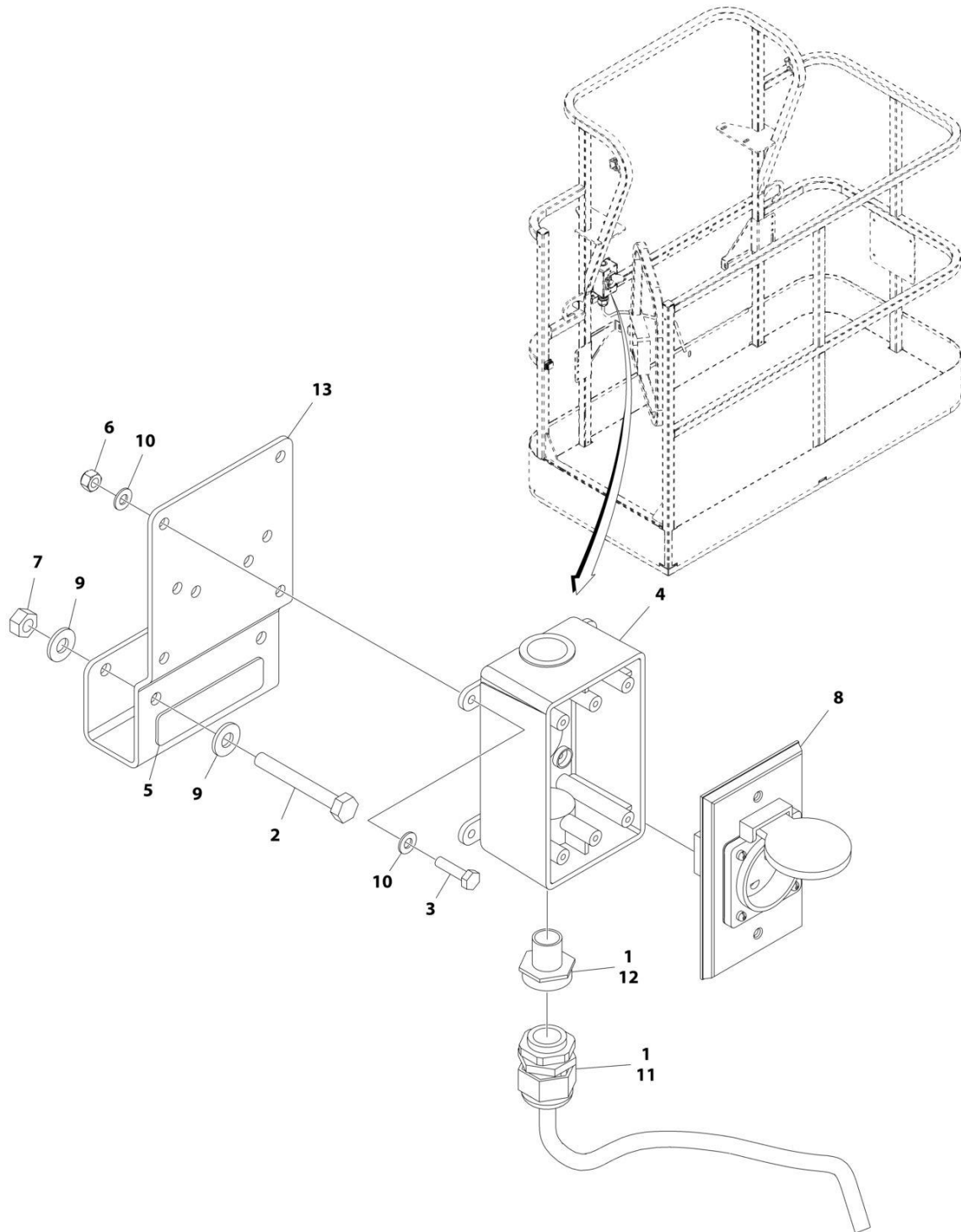
## SECTION 8 - ELECTRICAL

**FIGURE 8-21. AC BOX AT PLATFORM INSTALLATION - 220V AFSINT 107 KEYED GROUND (2X4 BOX) WITHOUT 4000W GENERATOR (CE SPECS) (SN 0300205136 through 0300214024)**

ITEM	PART NUMBER	QTY	DESCRIPTION	REV
	1001194200	Ref	AC BOX AT PLATFORM INSTALLATION - 220V AFSINT 107 KEYED GROUND (2X4 BOX) WITHOUT 4000W GENERATOR (CE SPECS) (SN 0300205136 through 0300214024)	B
1	0100020	AR	Sealant, Pipe	
2	0641416	2	Bolt 1/4 x 2	
3	0700408	4	Bolt M4 x 16	
4	0861731	1	Box, Switch	
5	3251242	1	Decal - 240V-50Hz	
6	3290405	4	Nut M4	
7	3311405	2	Nut 1/4	
8	4460662	1	Connector, Strain Relief	
9	4461246	1	Receptacle	
10	4711400	4	Washer 1/4	
11	4811400	8	Washer M4	
12	1001193018	1	Bracket, AC Receptacle	
13	1001205958	3	Terminal	

# SECTION 8 - ELECTRICAL

**FIGURE 8-22. AC BOX AT PLATFORM INSTALLATION - 220V AFSINT 107 KEYED GROUND (2X4 BOX) WITHOUT 4000W GENERATOR (CE SPECS) (SN 0300214025 through 0300272504)**



ART\_1001206252

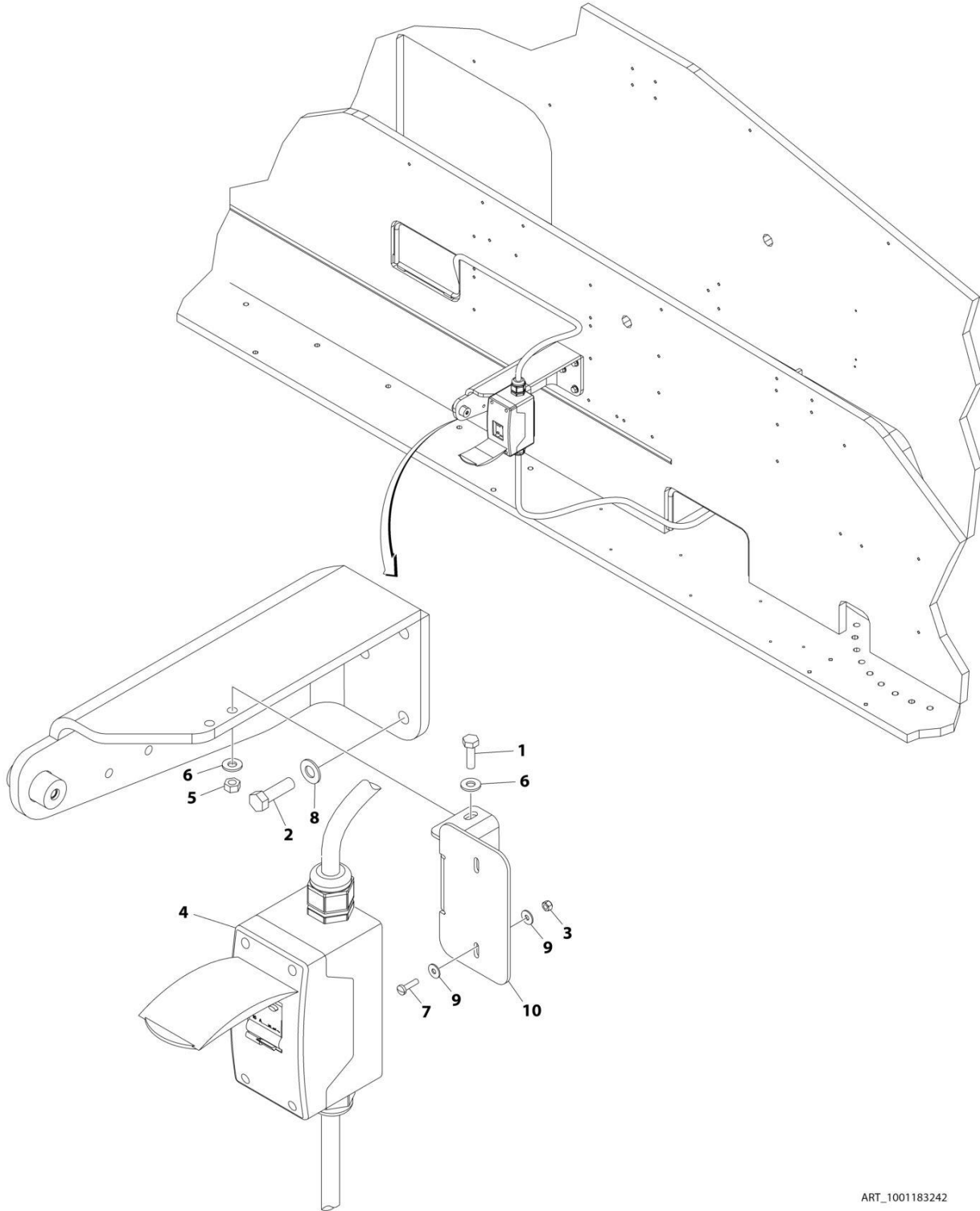
## SECTION 8 - ELECTRICAL

**FIGURE 8-22. AC BOX AT PLATFORM INSTALLATION - 220V AFSINT 107 KEYED GROUND (2X4 BOX) WITHOUT 4000W GENERATOR (CE SPECS) (SN 0300214025 through 0300272504)**

ITEM	PART NUMBER	QTY	DESCRIPTION	REV
	1001206252	Ref	AC BOX AT PLATFORM INSTALLATION - 220V AFSINT 107 KEYED GROUND (2X4 BOX) WITHOUT 4000W GENERATOR (CE SPECS)	A
1	0100020	AR	Sealant, Pipe	
2	0641416	2	Bolt 1/4 x 2	
3	0700408	4	Bolt M4 x 16	
4	0861731	1	Box, Switch	
5	3251242	1	Decal - 240V-50Hz	
6	3290405	4	Nut M4	
7	3311405	2	Nut 1/4	
8	4461246	1	Receptacle	
9	4711400	4	Washer 1/4	
10	4811400	8	Washer M4	
11	1001101191	1	Connector, Strain Relief	
12	1001101197	1	Adapter	
13	1001193018	1	Bracket, AC Receptacle	
14	1001205958	3	Terminal	

# SECTION 8 - ELECTRICAL

## FIGURE 8-23. AC 16 AMP BREAKER BOX INSTALLATION



ART\_1001183242

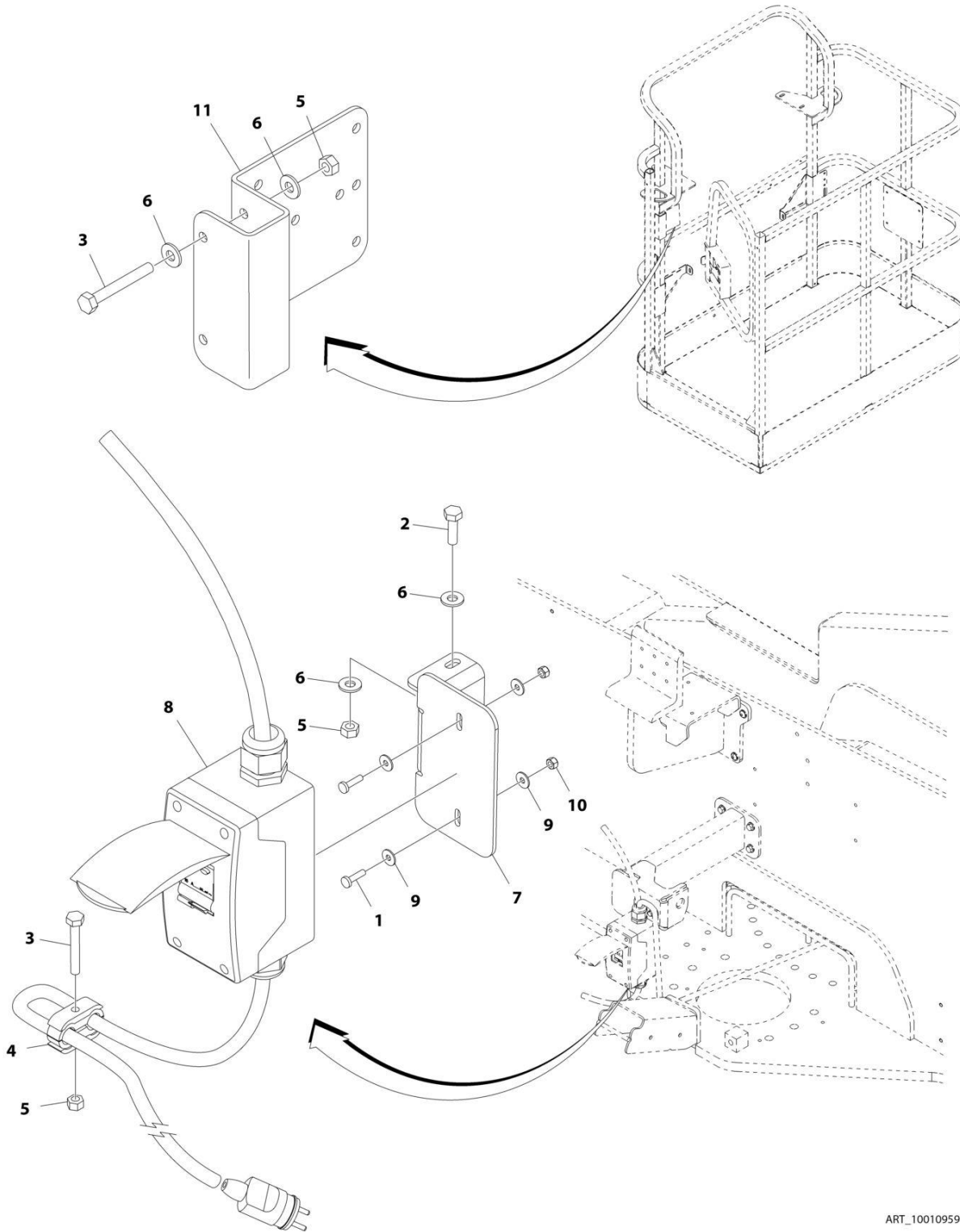
## SECTION 8 - ELECTRICAL

### FIGURE 8-23. AC 16 AMP BREAKER BOX INSTALLATION

ITEM	PART NUMBER	QTY	DESCRIPTION	REV
	1001183242	Ref	AC 16 AMP BREAKER BOX INSTALLATION	A
1	0641407	2	Bolt 1/4 x 7/8	
2	0641610	3	Bolt 3/8 x 1-1/4	
3	3290405	2	Nut M4	
4	1001109654	1	Breaker Box Kit - 16 Amp (See Separate Breakdown in this Section)	
5	3311405	2	Nut 1/4	
6	4711400	4	Washer 1/4	
7	4010408	2	Screw M4 x 16	
8	4711600	3	Washer 3/8	
9	1001091102	4	Washer M4	
10	1001094915	1	Bracket	

# SECTION 8 - ELECTRICAL

## FIGURE 8-24. AC 16 AMP BREAKER BOX INSTALLATION (CE SPECS)



ART\_1001095976



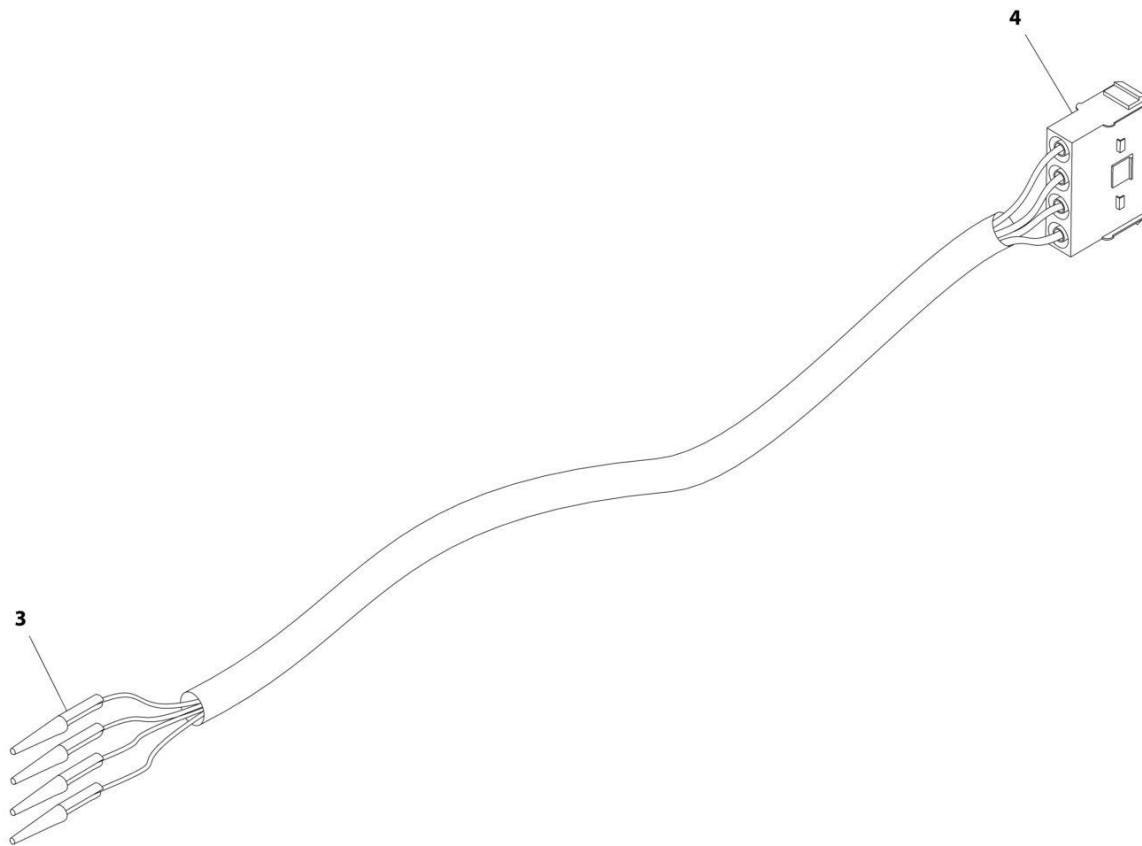
## SECTION 8 - ELECTRICAL

**FIGURE 8-24. AC 16 AMP BREAKER BOX INSTALLATION (CE SPECS)**

ITEM	PART NUMBER	QTY	DESCRIPTION	REV
	1001095976	Ref	AC 16 AMP BREAKER BOX INSTALLATION (CE SPECS)	D
1	4010408	2	Screw M4 x 16	
2	0641407	2	Bolt 1/4 x 7/8	
3	0641416	AR	Bolt 1/4 x 2	
4	1320146	1	Clamp	
5	3311405	AR	Nut 1/4	
6	4711400	AR	Washer 1/4	
7	1001094915	1	Bracket	
8	1001109654	1	Breaker Box Kit - 16 Amp (See Separate Breakdown in this Section)	
9	1001091102	4	Washer M4	
10	3290405	2	Nut M4	
11	0903484	1	Bracket (SN 0300201016 through 0300234780)	

# SECTION 8 - ELECTRICAL

## FIGURE 8-25. ANALYZER CABLE HARNESS



ART\_4922666

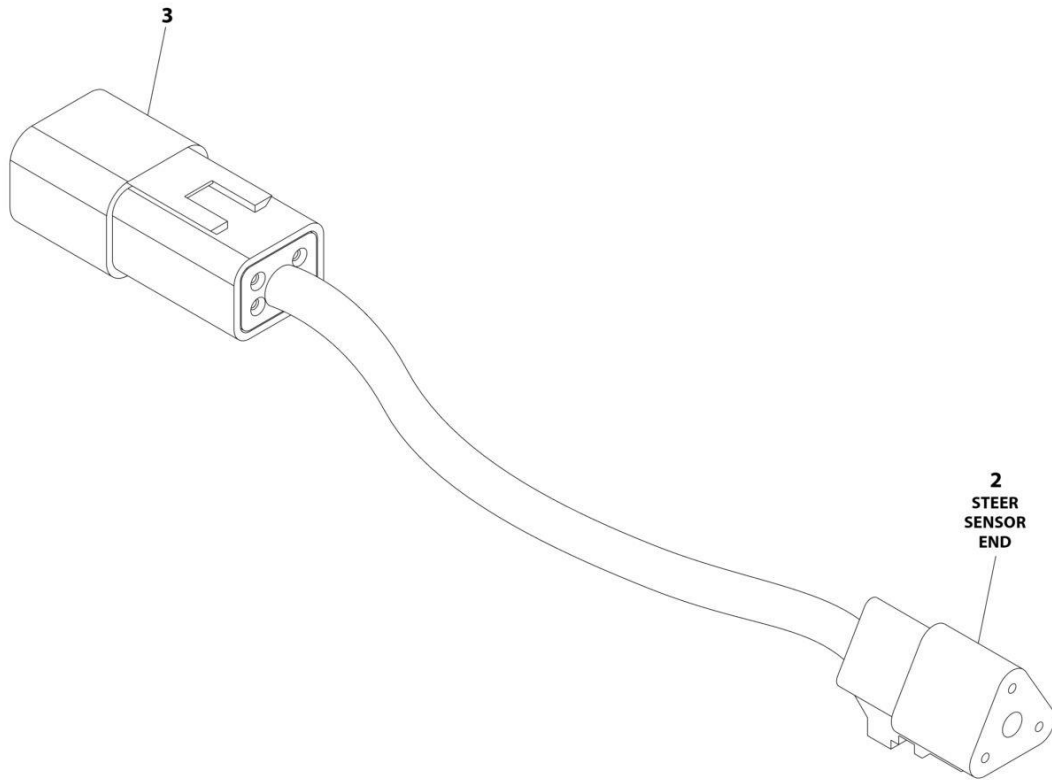
## SECTION 8 - ELECTRICAL

### FIGURE 8-25. ANALYZER CABLE HARNESS

ITEM	PART NUMBER	QTY	DESCRIPTION	REV
	4922666	Ref	ANALYZER CABLE HARNESS	C
3	4460226	4	Socket, Female	
4	4460761	1	Connector - 4 Position	
4	4460227	4	Pin, Male	

# SECTION 8 - ELECTRICAL

## FIGURE 8-26. AXLE POWER TRACK HARNESS ASSEMBLY



ART\_4922718

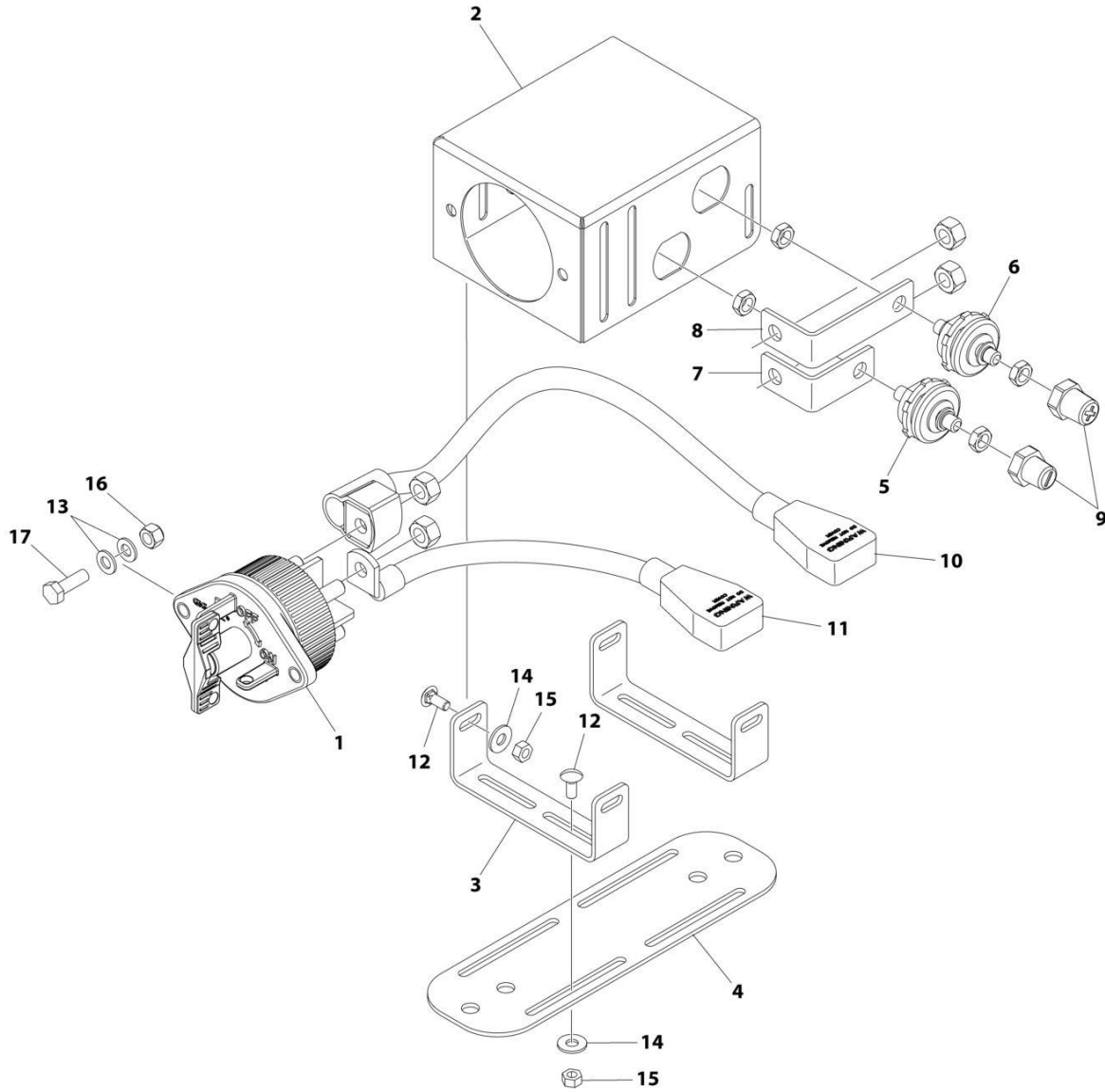
## SECTION 8 - ELECTRICAL

### FIGURE 8-26. AXLE POWER TRACK HARNESS ASSEMBLY

ITEM	PART NUMBER	QTY	DESCRIPTION	REV
	4922718	Ref	AXLE POWER TRACK HARNESS ASSEMBLY	D
2	4460539	1	Connector - 3 Position	
2	4460944	3	Socket, Female	
3	4460932	1	Connector - 4 Position	
3	4460943	4	Pin, Male	

# SECTION 8 - ELECTRICAL

## FIGURE 8-27. BATTERY DISCONNECT INSTALLATION



ART\_1001241630

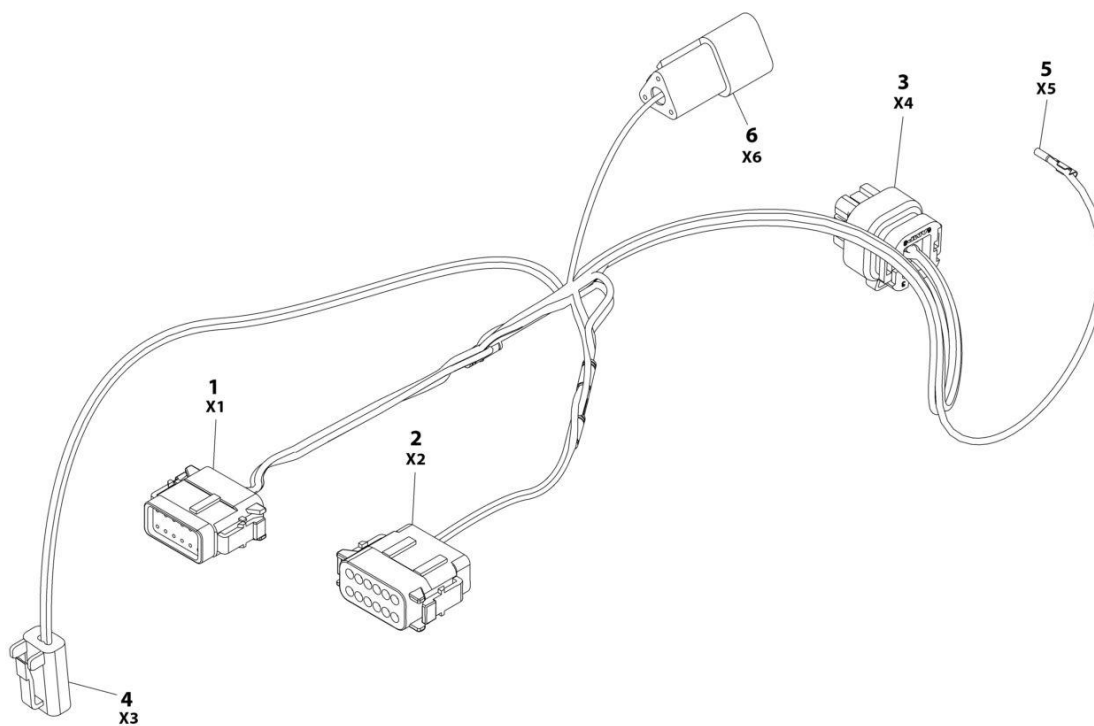
## SECTION 8 - ELECTRICAL

**FIGURE 8-27. BATTERY DISCONNECT INSTALLATION**

ITEM	PART NUMBER	QTY	DESCRIPTION	REV
	1001241630	Ref	BATTERY DISCONNECT SWITCH	A
1	1001225346	1	Switch, Battery Disconnect	
2	1001226531	1	Mount	
3	1001239805	2	Mount	
4	1001241585	1	Plate	
5	1001214571	1	Connector (Black)	
6	1001214570	1	Connector (Red)	
7	1001209474	1	Buss bar	
8	1001209432	1	Buss bar	
9	1001206476	1	Connector	
10	1001236504	1	Cable (Positive)	
11	1001236505	1	Cable (Negative)	
12	88411013	8	Bolt 1/4 x 3/4	
13	4811900	4	Washer M8	
14	4751400	8	Washer 1/4	
15	3311405	8	Nut 1/4	
16	3290805	2	Nut M8	
17	0760812	2	Bolt M8 x 25	

# SECTION 8 - ELECTRICAL

## FIGURE 8-28. BEACON CONTROL HARNESS (BLUE BEACON LIGHT ONLY)



ART\_1001150944



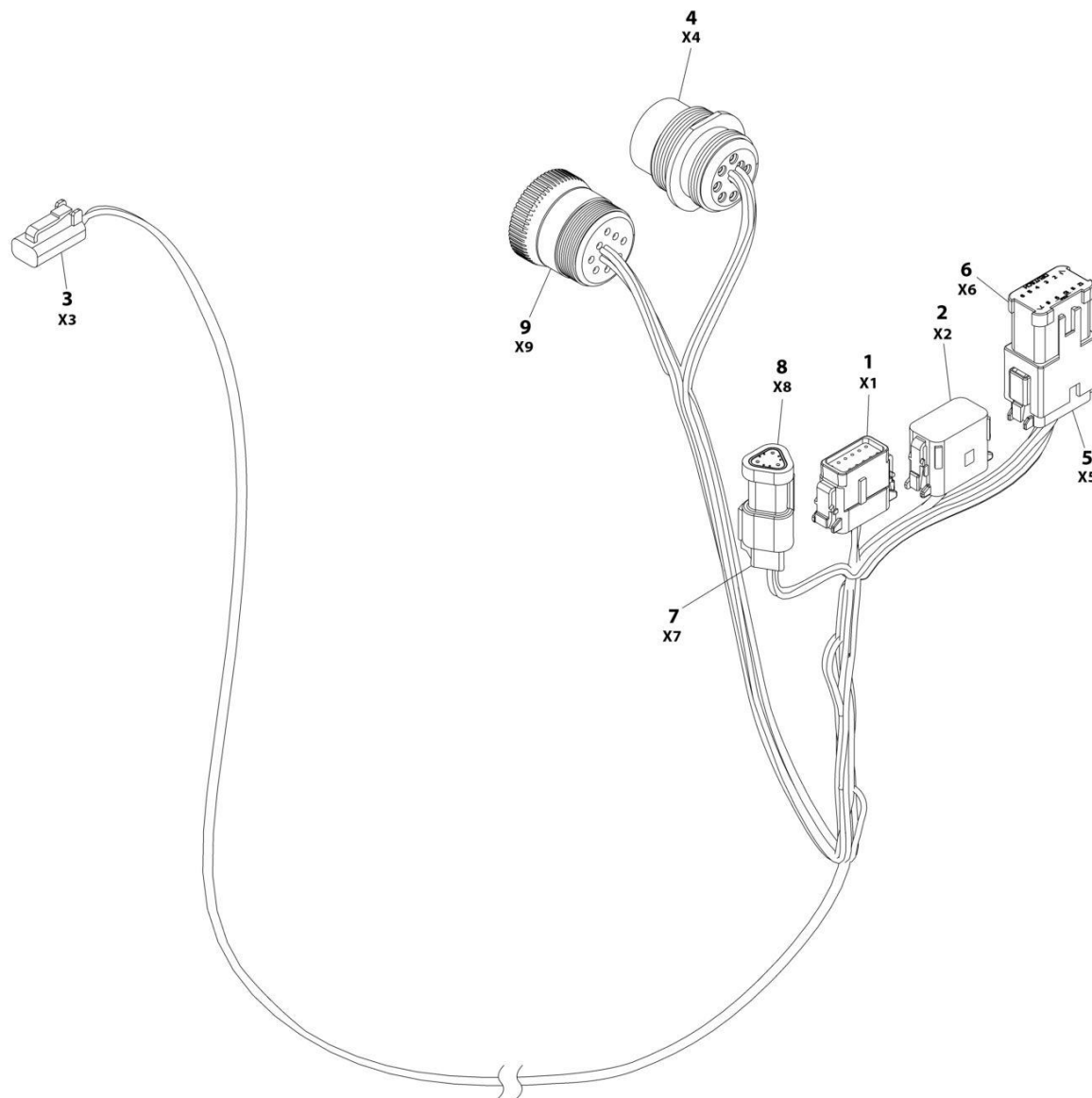
## SECTION 8 - ELECTRICAL

**FIGURE 8-28. BEACON CONTROL HARNESS (BLUE BEACON LIGHT ONLY)**

ITEM	PART NUMBER	QTY	DESCRIPTION	REV
	1001150944	Ref	BEACON CONTROL HARNESS (BLUE BEACON LIGHT ONLY)	C
1	1001116808	1	Connector - 12 Position	
1	1001126008	3	Pin, Male	
1	4460518	9	Plug, Sealing	
2	1001116774	1	Connector - 12 Position	
2	1001116008	2	Pin, Male	
2	4460518	10	Plug, Sealing	
3	1001113961	1	Connector - 8 Position	
3	4460871	5	Socket, Female	
3	4460905	3	Plug, Sealing	
4	4460891	1	Connector - 2 Position	
4	4460465	2	Socket, Female	
5	4460871	1	Socket, Female	
6	4460536	1	Connector - 3 Position <b>(SN 0300201016 through 0300207775)</b>	
6	1001144147	1	Connector - 3 Position <b>(SN 0300207776 through 0300272504, Except SN 0300272455 through 0300272461)</b>	
6	4460464	2	Pin, Male	
6	4460466	1	Plug, Terminal	
6	1001116815	1	Connector - 3 Position	

# SECTION 8 - ELECTRICAL

## FIGURE 8-29. BEACON LIGHT HARNESS (BLUE BEACON LIGHT ONLY)



ART\_1001142736

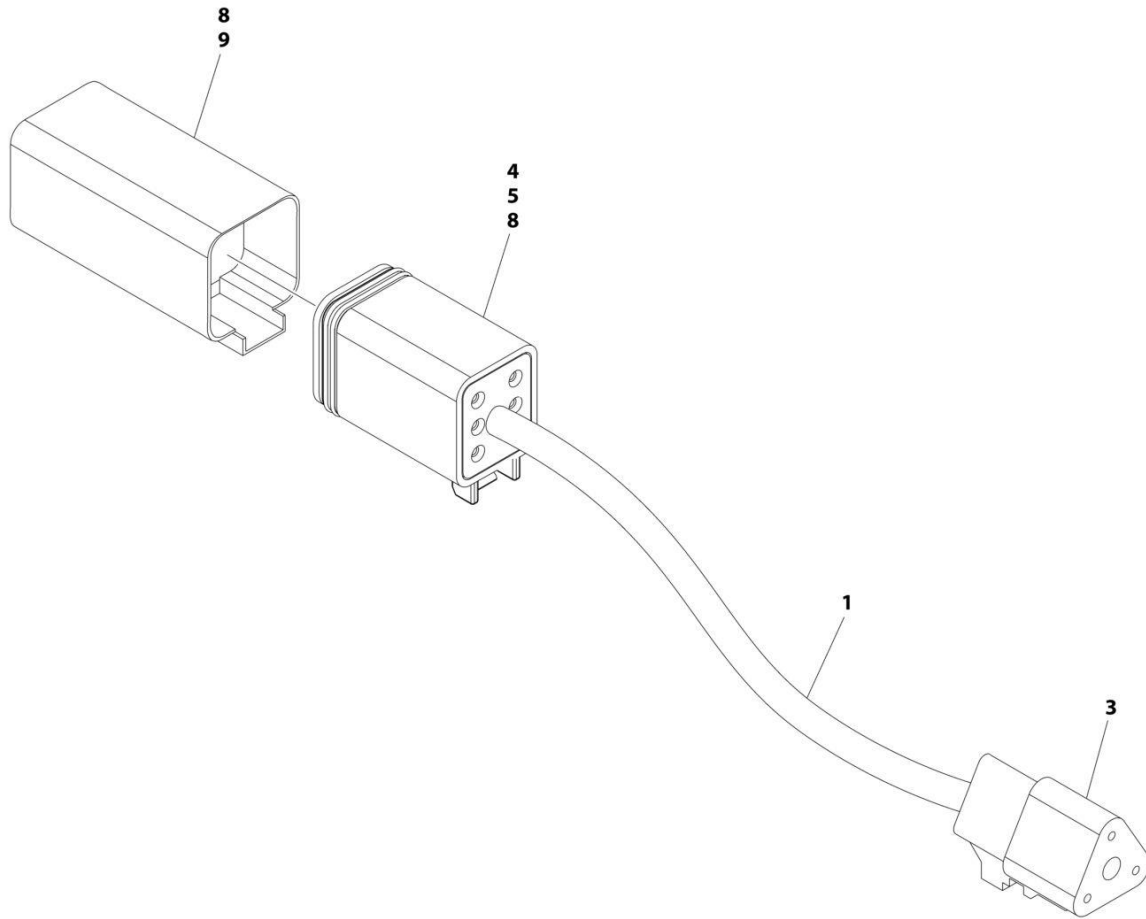
## SECTION 8 - ELECTRICAL

**FIGURE 8-29. BEACON LIGHT HARNESS (BLUE BEACON LIGHT ONLY)**

ITEM	PART NUMBER	QTY	DESCRIPTION	REV
	1001142736	Ref	BEACON LIGHT HARNESS (BLUE BEACON LIGHT ONLY)	F
1	1001116808	1	Plug, Male - 12 Position	
1	4460928	3	Socket, Female	
1	4460518	9	Plug, Terminal	
2	1001116774	1	Plug, Male - 12 Position	
2	4460928	3	Socket, Female	
2	4460518	9	Plug, Terminal	
3	4460891	1	Plug, Male - 2 Position	
3	4460465	2	Socket, Female	
4	1001112612	1	Connector - 9 Position	
4	4460464	6	Pin, Male	
4	4460466	3	Plug, Terminal	
5	4460933	1	Plug, Male - 12 Position	
5	4460465	12	Socket, Female	
6	1001119020	1	Bussbar - 12 Position	
7	4461095	1	Plug, Male - 3 Position	
7	4460465	3	Socket, Female	
8	4461070	1	Bussbar - 3 Position	
9	1001112796	1	Connector - 9 Position	
9	4460465	6	Socket, Female	
9	4460466	3	Plug, Terminal	

# SECTION 8 - ELECTRICAL

## FIGURE 8-30. B.L.A.M. TO BOOM LENGTH SENSOR HARNESS



ART\_4922716

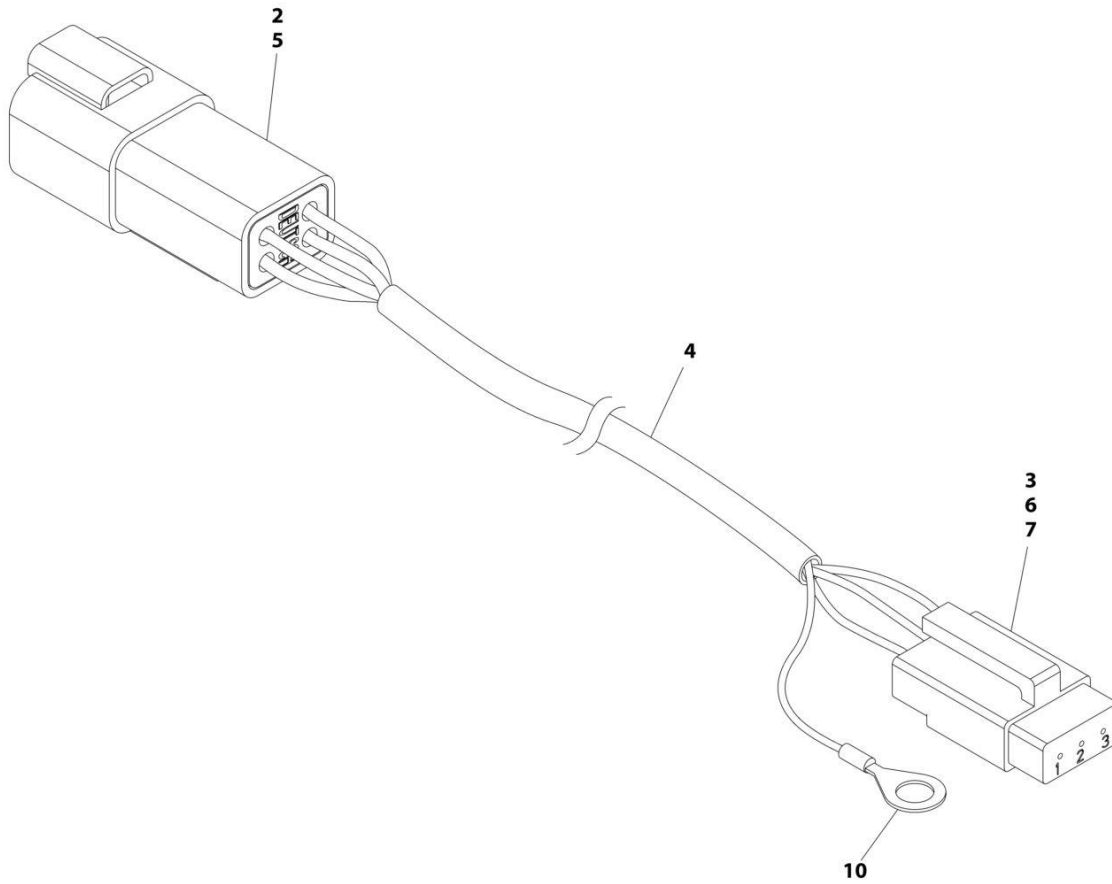
## SECTION 8 - ELECTRICAL

**FIGURE 8-30. B.L.A.M. TO BOOM LENGTH SENSOR HARNESS**

ITEM	PART NUMBER	QTY	DESCRIPTION	REV
	4922716	Ref	B.L.A.M. TO BOOM LENGTH SENSOR HARNESS	G
1	1060981	14 ft/ 4.3m	Cable, Electrical 18/3	
3	4460539	1	Connector - 3 Position	
4	4460944	7	Socket, Female (Gold)	
5	4460894	1	Plug, Male - 6 Position	
8	4460466	AR	Plug, Terminal	
9	4460899	1	Connector, Female - 6 Position ( <b>SN 0300235239 through 0300272504, SN B300002238 through B300007118, Except SN 0300272455 through 0300272461</b> )	

## SECTION 8 - ELECTRICAL

FIGURE 8-31. B.L.A.M. TO BOOM ANGLE SENSOR HARNESS (LEFT SIDE)



ART\_4922781

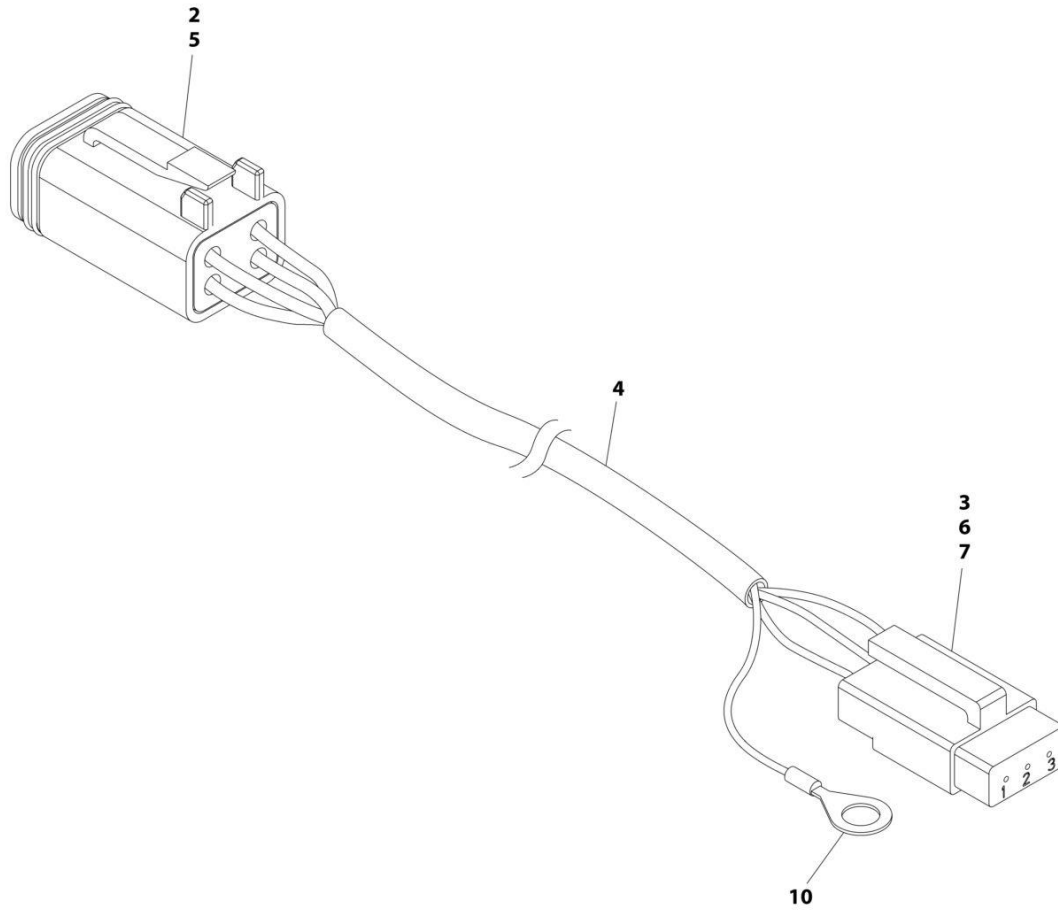
## SECTION 8 - ELECTRICAL

**FIGURE 8-31. B.L.A.M. TO BOOM ANGLE SENSOR HARNESS (LEFT SIDE)**

ITEM	PART NUMBER	QTY	DESCRIPTION	REV
	4922781	Ref	B.L.A.M. TO BOOM ANGLE SENSOR HARNESS (LEFT SIDE)	F
2	4460932	1	Connector, Female - 4 Position	
3	4460912	1	Lock, Wedge - Position	
4	1060982	16.2 ft/ 4.9m	Cable, Electrical 18/3	
5	4460943	4	Pin, Male 16 Ga	
6	4460911	1	Plug, Male - 3 Position	
7	4460918	3	Socket, Female (Gold)	
10	4460722	1	Terminal, Ring	

# SECTION 8 - ELECTRICAL

## FIGURE 8-32. B.L.A.M. TO BOOM ANGLE SENSOR HARNESS (RIGHT SIDE)



ART\_4922780



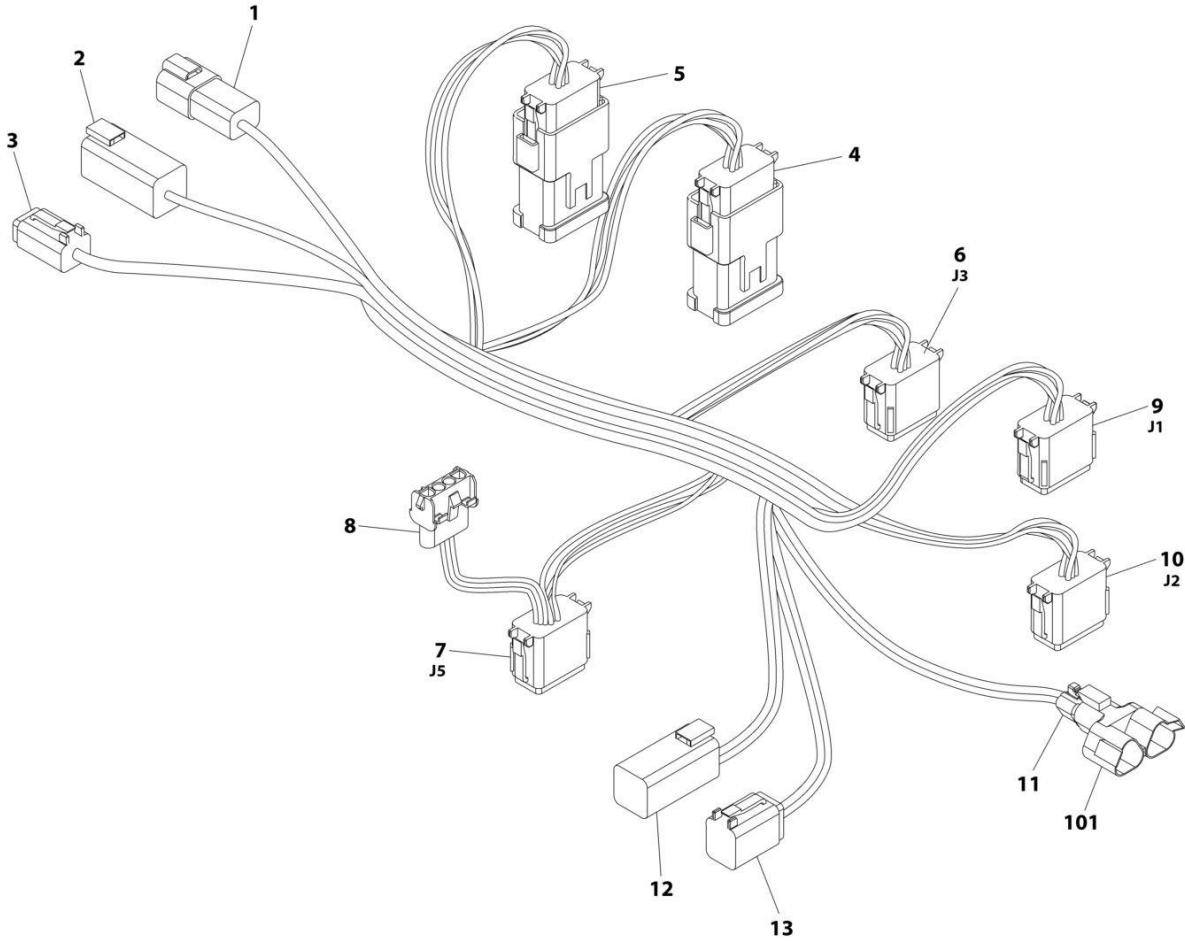
## SECTION 8 - ELECTRICAL

**FIGURE 8-32. B.L.A.M. TO BOOM ANGLE SENSOR HARNESS (RIGHT SIDE)**

ITEM	PART NUMBER	QTY	DESCRIPTION	REV
	4922780	Ref	B.L.A.M. TO BOOM ANGLE SENSOR HARNESS (RIGHT SIDE)	E
2	4460884	1	Connector, Gray - 4 Position	
3	4460912	1	Lock, Wedge - Position	
4	1060981	16.2 ft/ 4.9m	Cable, Electrical 18/3	
5	4460944	4	Socket, Female (Gold)	
6	4460911	1	Plug, Male - 3 Position	
7	4460918	3	Socket, Female (Gold)	
10	4460722	1	Terminal, Ring	

**SECTION 8 - ELECTRICAL**

**FIGURE 8-33. B.L.A.M. HARNESS**



ART\_4922786

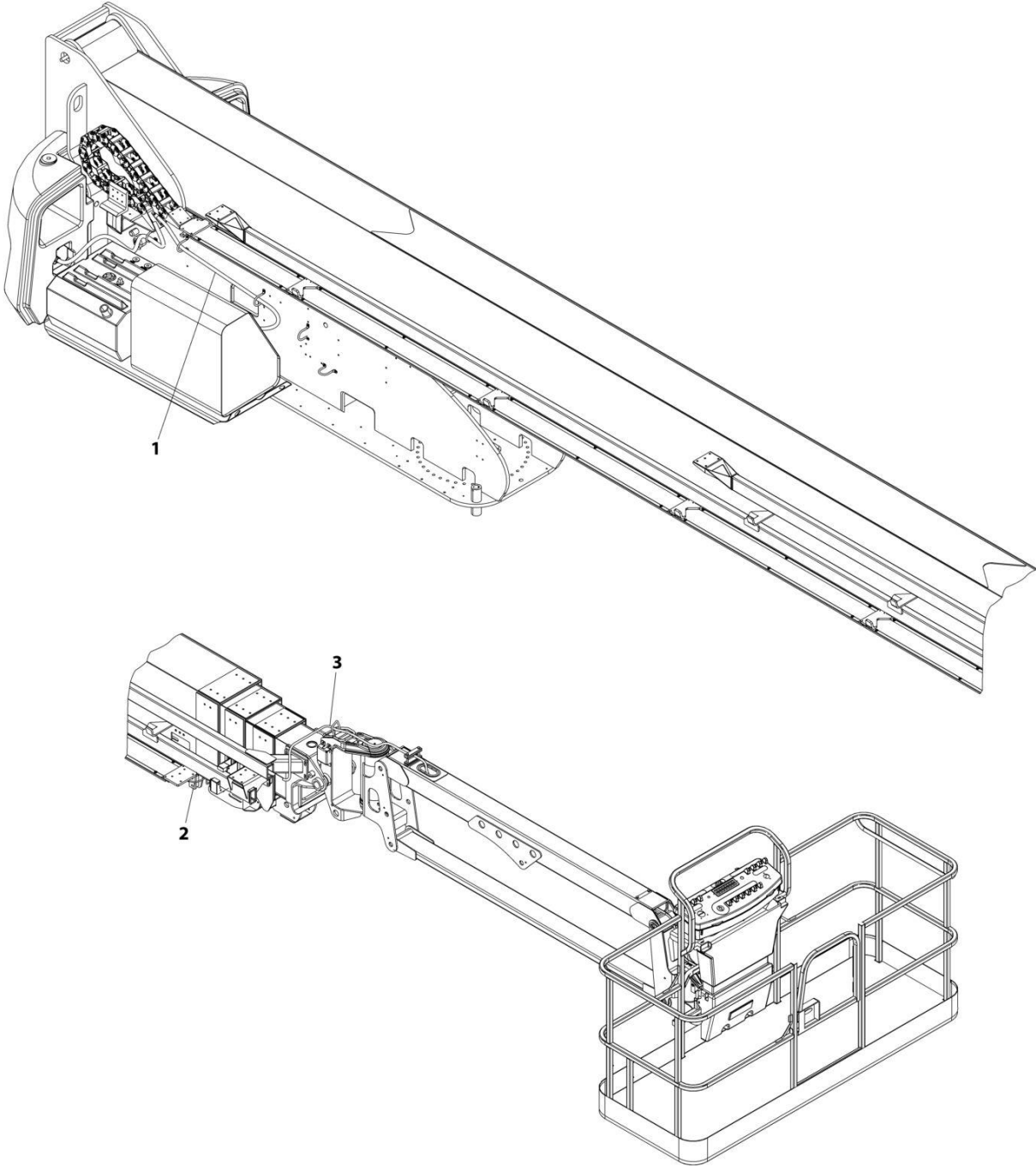
## SECTION 8 - ELECTRICAL

### FIGURE 8-33. B.L.A.M. HARNESS

ITEM	PART NUMBER	QTY	DESCRIPTION	REV
	4922786	Ref	B.L.A.M. HARNESS	C/4
1	4460932	1	Connector - 4 Position (Gray)	
1	4460943	4	Pin, Male	
2	4460899	1	Connector, Female - 6 Position	
2	4460943	4	Pin, Male (Gold)	
2	4460466	2	Plug, Seal	
3	4460884	1	Connector - 4 Position (Gray)	
3	4460944	4	Socket, Female	
4	4460836	1	Connector - 12 Position (Black)	
4	4460466	8	Plug, Seal	
4	4460465	4	Socket, Female	
4	4460942	2	Socket, Female	
4	4460837	1	Connector - 12 Position Buss Bar	
5	4460836	1	Plug, Male - 12 Position (Black)	
5	4460466	6	Plug, Seal	
5	4460944	5	Socket, Female	
5	4460465	1	Socket, Female	
5	4460837	1	Connector - 12 Position Buss Bar	
6	4460934	1	Connector, Green - 12 Position	
6	4460466	7	Plug, Seal	
6	4460944	3	Socket, Female	
6	4460465	2	Socket, Female	
7	4460935	1	Connector - 12 Position (Green)	
7	4460466	5	Plug, Seal	
7	4460465	2	Socket, Female	
8	4922705	1	Analyzer Harness	
8	4460761	1	Connector, Female - 4 Position	
8	4460227	4	Pin, Male	
8	4460465	4	Socket, Female	
9	4460933	1	Connector - 12 Position (Gray)	
9	4460466	7	Plug, Seal	
9	4460944	3	Socket, Female	
9	4460465	1	Socket, Female	
9	4460942	1	Socket, Female	
10	4460836	1	Connector - 12 Position (Black)	
10	4460466	8	Plug, Seal	
10	4460944	2	Socket, Female	
10	4460465	2	Socket, Female	
11	4460966	1	Plug, Male - 3 Position (Green Lock)	
11	4460944	3	Socket, Female	
12	4460899	1	Connector, Female - 6 Position	
12	4460465	3	Socket, Female	
12	4460464	3	Plug, Seal	
13	4460894	1	Connector - 6 Position (Gray)	
13	4460465	4	Socket, Female	
13	4460466	2	Plug, Seal	
14	4240033	AR	Tie-Strap (Not Shown)	
101	4460945	1	Connector, Female - 3 Way	

**SECTION 8 - ELECTRICAL**

**FIGURE 8-34. BOOM CABLES INSTALLATION (ANSI, ANSI EXPORT, CHINA, CSA AND JAPANESE SPECS) (1200SJP)**



ART\_0271932

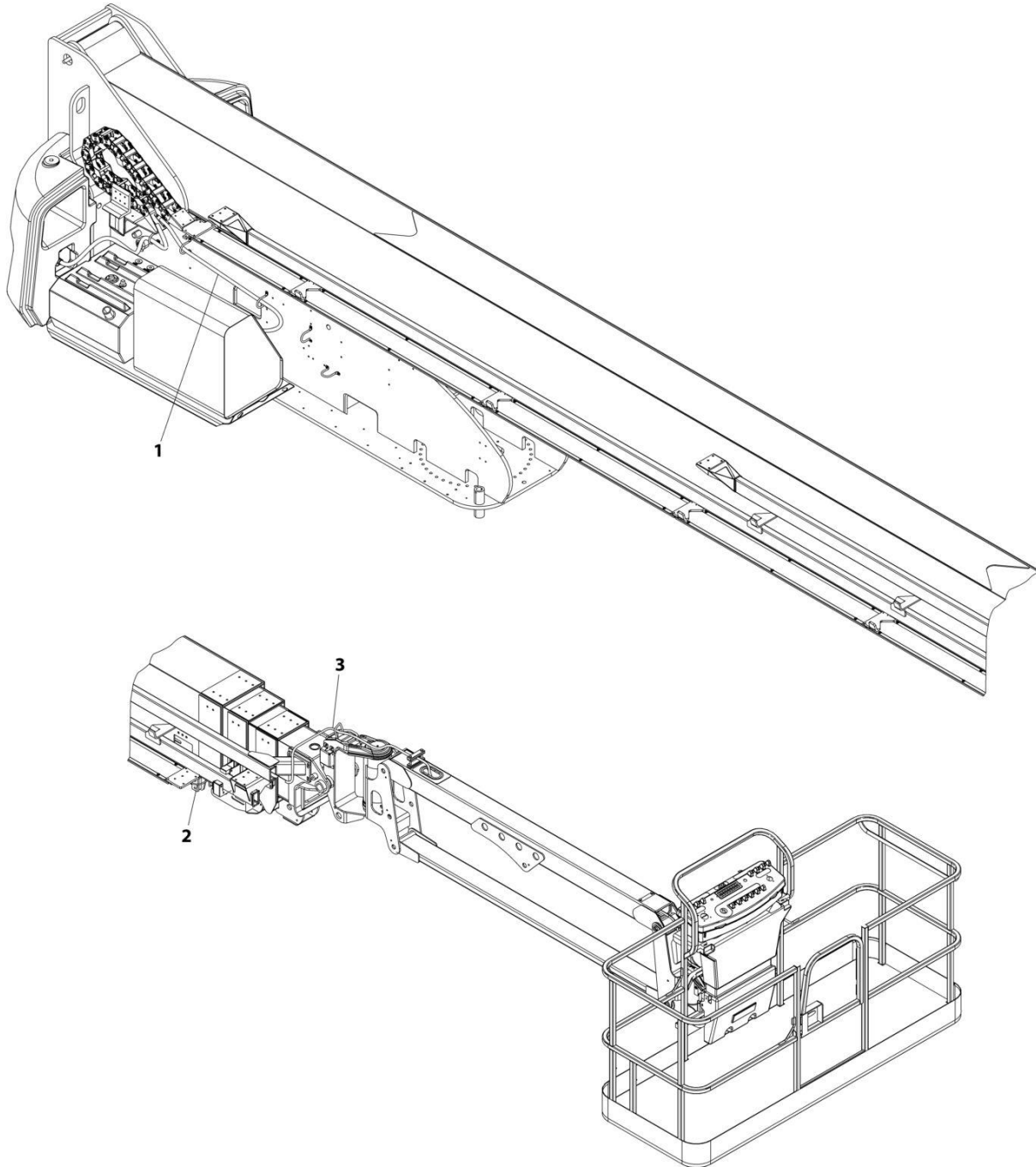
## SECTION 8 - ELECTRICAL

**FIGURE 8-34. BOOM CABLES INSTALLATION (ANSI, ANSI EXPORT, CHINA, CSA AND JAPANESE SPECS) (1200SJP)**

ITEM	PART NUMBER	QTY	DESCRIPTION	REV
	0271932	Ref	BOOM CABLES INSTALLATION	D
1	4922759	1	Harness, 10/3 AC	
2	4922763	1	Harness, 18/3 Transport Switch	
3	4922672	1	Harness, Main Boom Control (See Separate Breakdown in this Section)	

## SECTION 8 - ELECTRICAL

FIGURE 8-35. BOOM CABLES INSTALLATION (ANSI, ANSI EXPORT, CHINA, CSA AND JAPANESE SPECS) (1350SJP)



ART\_0271951

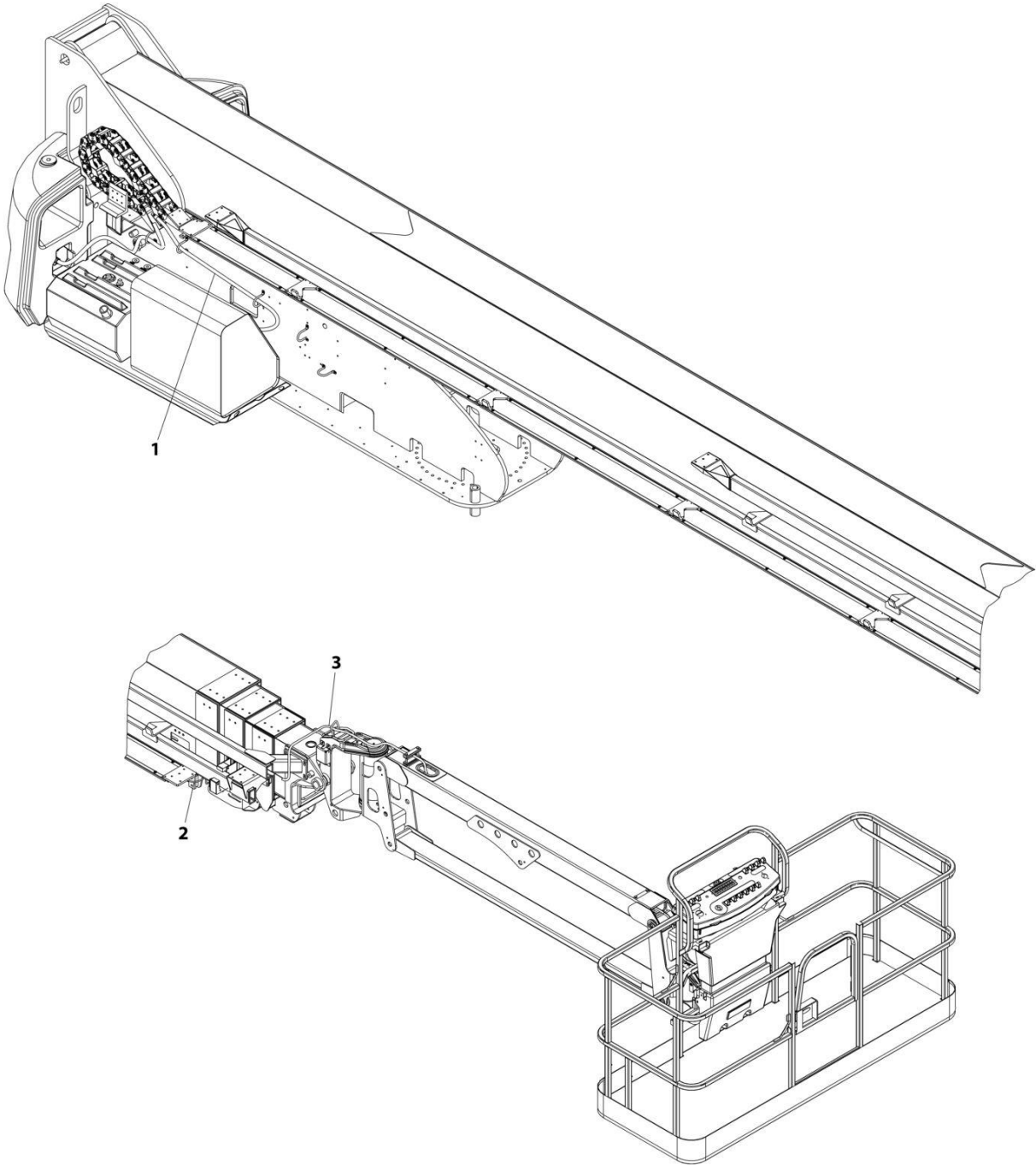
## SECTION 8 - ELECTRICAL

**FIGURE 8-35. BOOM CABLES INSTALLATION (ANSI, ANSI EXPORT, CHINA, CSA AND JAPANESE SPECS) (1350SJP)**

ITEM	PART NUMBER	QTY	DESCRIPTION	REV
	0271951	Ref	BOOM CABLES INSTALLATION	D
1	4922758	1	Harness, 10/3 AC	
2	4922762	1	Harness, 18/3 Transport Switch	
3	4922673	1	Harness, Main Boom Control (See Separate Breakdown in this Section)	

**SECTION 8 - ELECTRICAL**

**FIGURE 8-36. BOOM CABLES INSTALLATION (AUSTRALIAN AND CE SPECS) (1200SJP)**



ART\_0271950



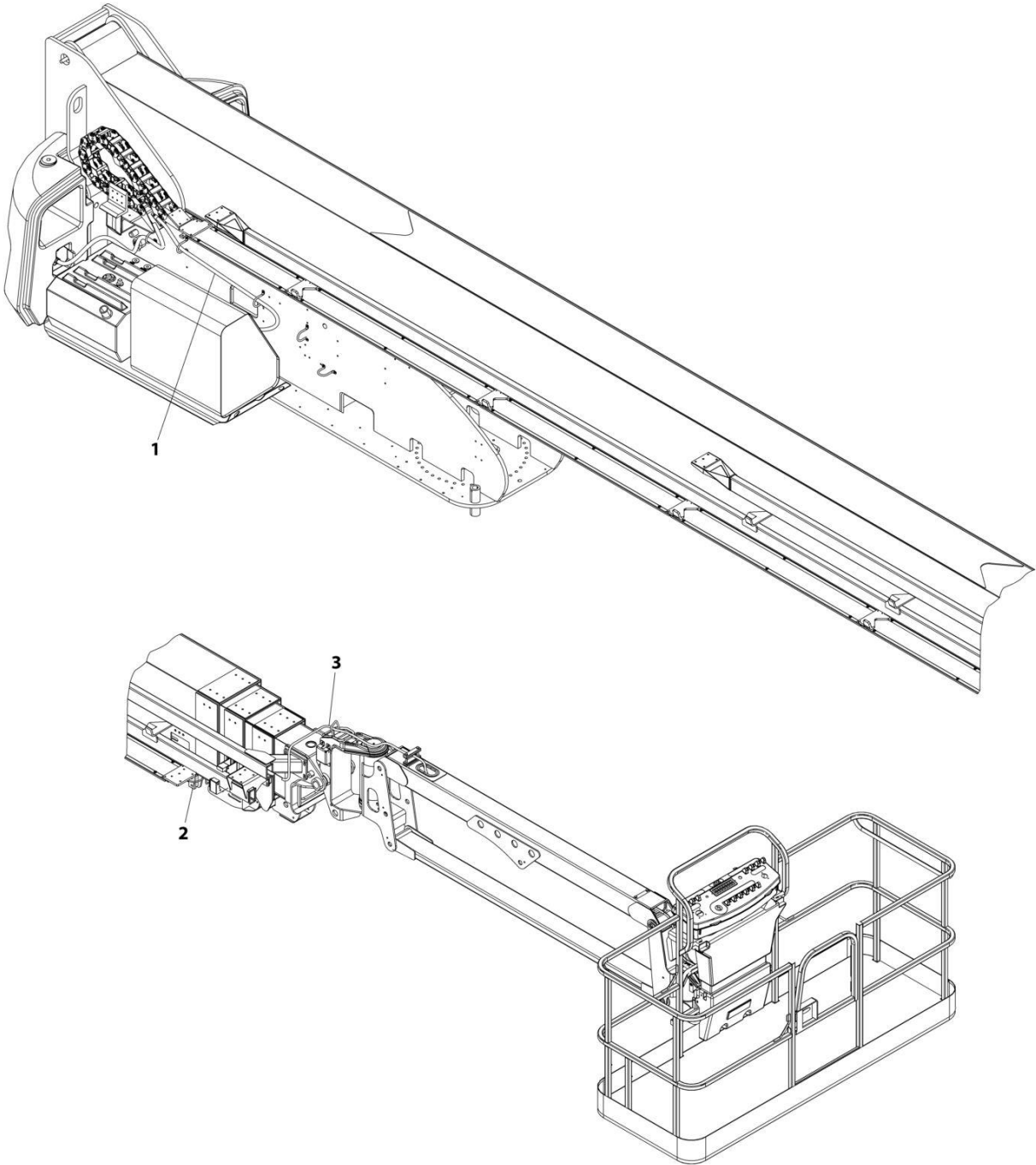
## SECTION 8 - ELECTRICAL

**FIGURE 8-36. BOOM CABLES INSTALLATION (AUSTRALIAN AND CE SPECS) (1200SJP)**

ITEM	PART NUMBER	QTY	DESCRIPTION	REV
	0271950	Ref	BOOM CABLES INSTALLATION	D
1	4922761	1	Harness, 10/3 AC	
2	4922763	1	Harness, 18/3 Transport Switch	
3	4922672	1	Harness, Main Boom Control (See Separate Breakdown in this Section)	

# SECTION 8 - ELECTRICAL

FIGURE 8-37. BOOM CABLES INSTALLATION (AUSTRALIAN AND CE SPECS) (1350SJP)



ART\_0271952

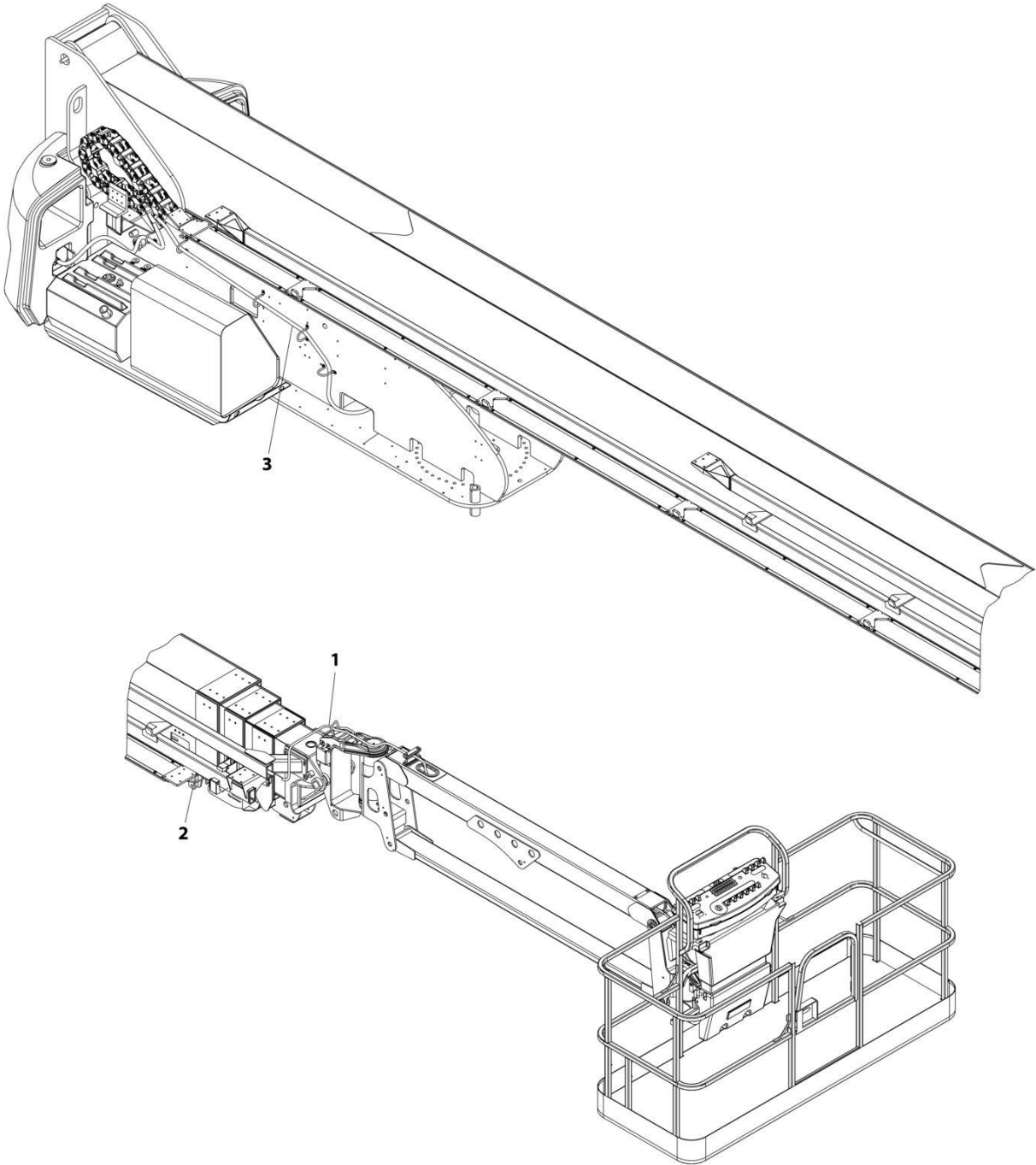
## SECTION 8 - ELECTRICAL

**FIGURE 8-37. BOOM CABLES INSTALLATION (AUSTRALIAN AND CE SPECS) (1350SJP)**

ITEM	PART NUMBER	QTY	DESCRIPTION	REV
	0271952	Ref	BOOM CABLES INSTALLATION	D
1	4922760	1	Harness, 10/3 AC	
2	4922762	1	Harness, 18/3 Transport Switch	
3	4922673	1	Harness, Main Boom Control (See Separate Breakdown in this Section)	

# SECTION 8 - ELECTRICAL

FIGURE 8-38. BOOM CABLES INSTALLATION WITH 4000W GENERATOR (1200SJP)



ART\_1001161048

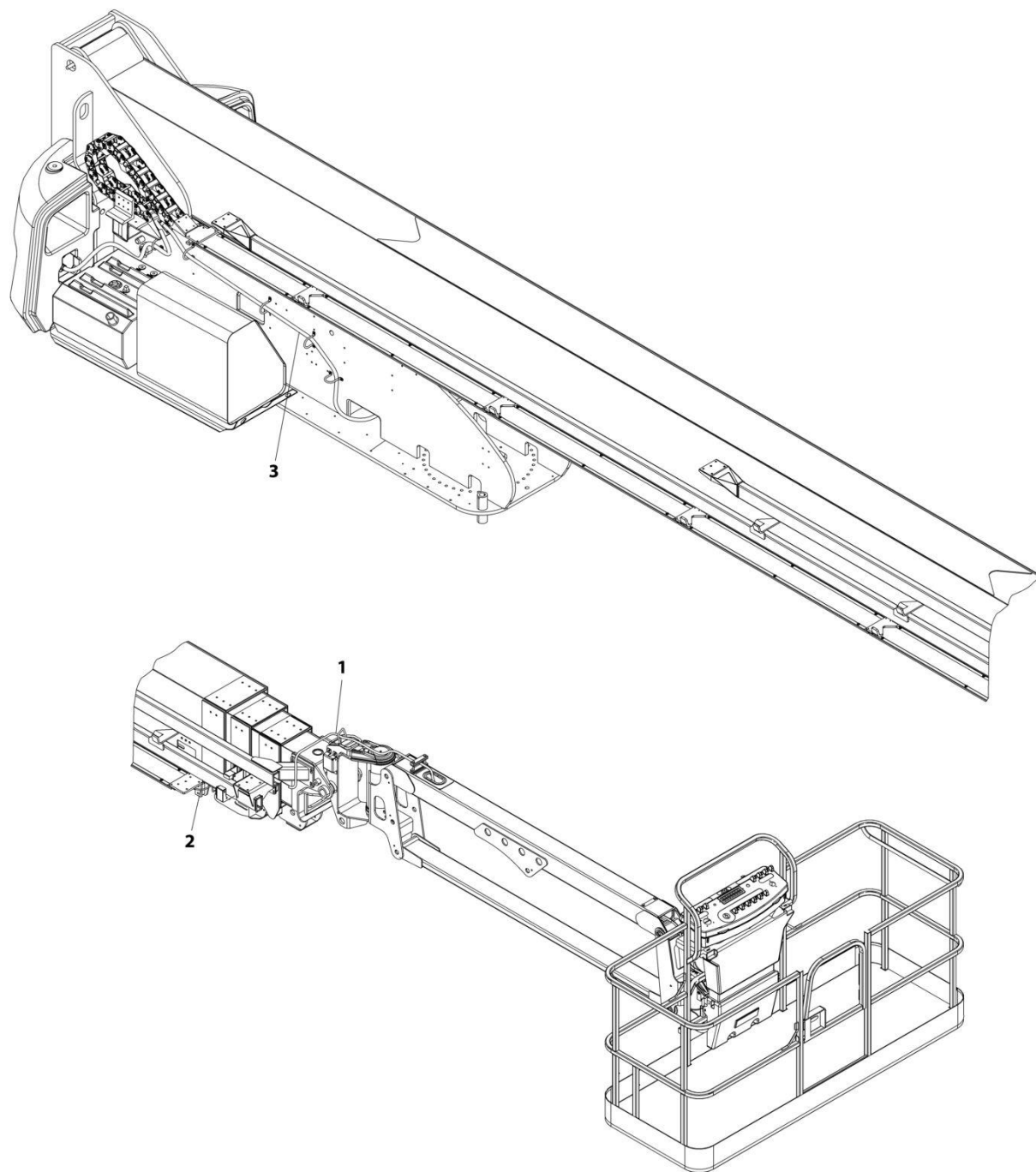
## SECTION 8 - ELECTRICAL

**FIGURE 8-38. BOOM CABLES INSTALLATION WITH 4000W GENERATOR (1200SJP)**

ITEM	PART NUMBER	QTY	DESCRIPTION	REV
	1001161048	Ref	BOOM CABLES INSTALLATION	A
1	4922673	1	Harness, Main Boom Control (See Separate Breakdown in this Section)	
2	4922762	1	Harness, 18/3 Transport Switch	
3	1001161041	1	Harness, 8/4 Generator	
3	1001131969	152 ft /46.3m	Cable, Electrical 8/4	

## SECTION 8 - ELECTRICAL

FIGURE 8-39. BOOM CABLES INSTALLATION WITH 4000W GENERATOR (1350SJP)



ART\_1001161050

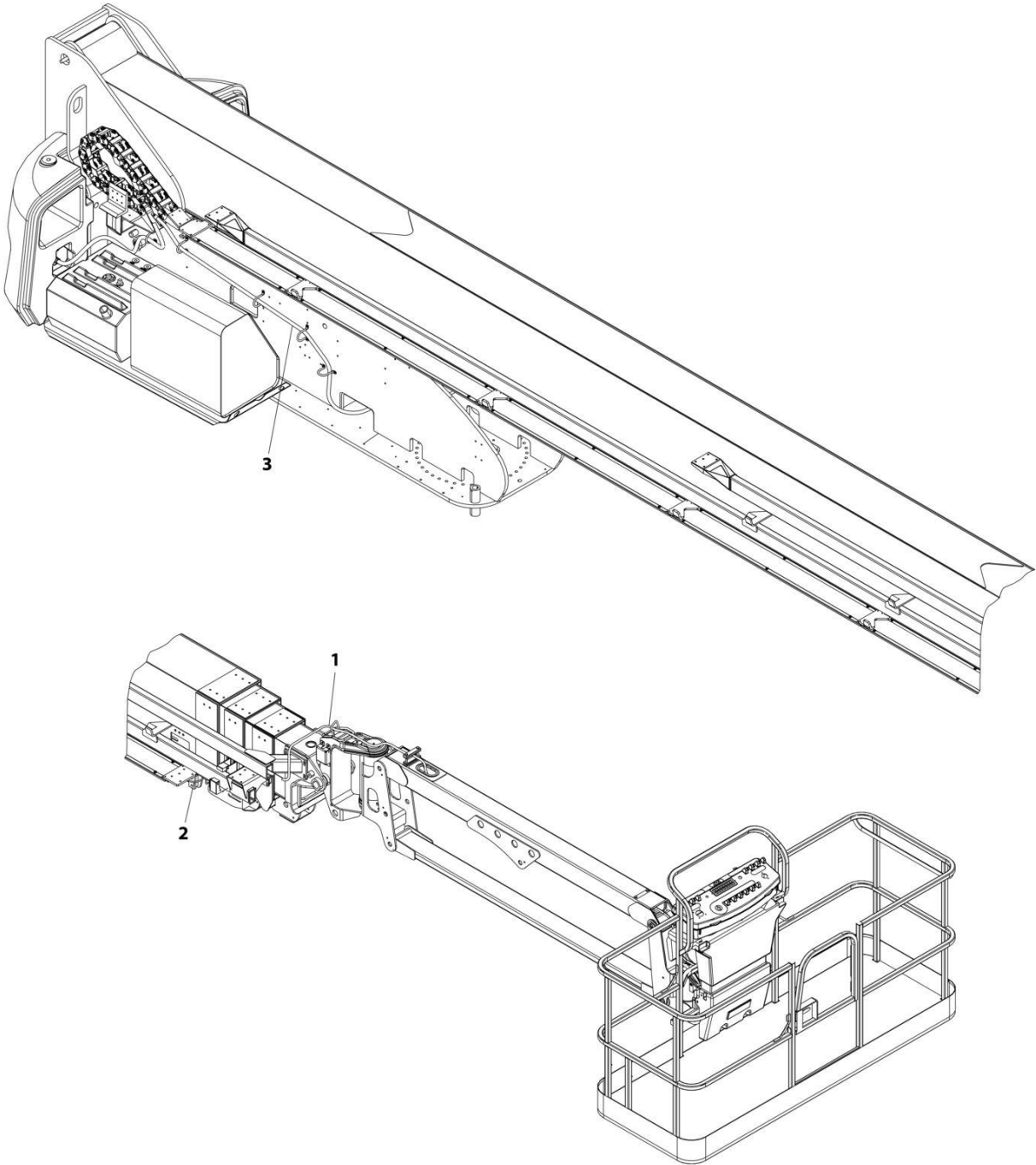
## SECTION 8 - ELECTRICAL

**FIGURE 8-39. BOOM CABLES INSTALLATION WITH 4000W GENERATOR (1350SJP)**

ITEM	PART NUMBER	QTY	DESCRIPTION	REV
	1001161050	Ref	BOOM CABLES INSTALLATION	A
1	4922673	1	Harness, Main Boom Control (See Separate Breakdown in this Section)	
2	4922762	1	Harness, 18/3 Transport Switch	
3	1001161044	1	Harness, Generator	
3	1001131969	168 ft /51.2m	Cable, Electrical 8/4	

**SECTION 8 - ELECTRICAL**

**FIGURE 8-40. BOOM CABLES INSTALLATION WITH 7500W GENERATOR (1200SJP)**



ART\_0273854



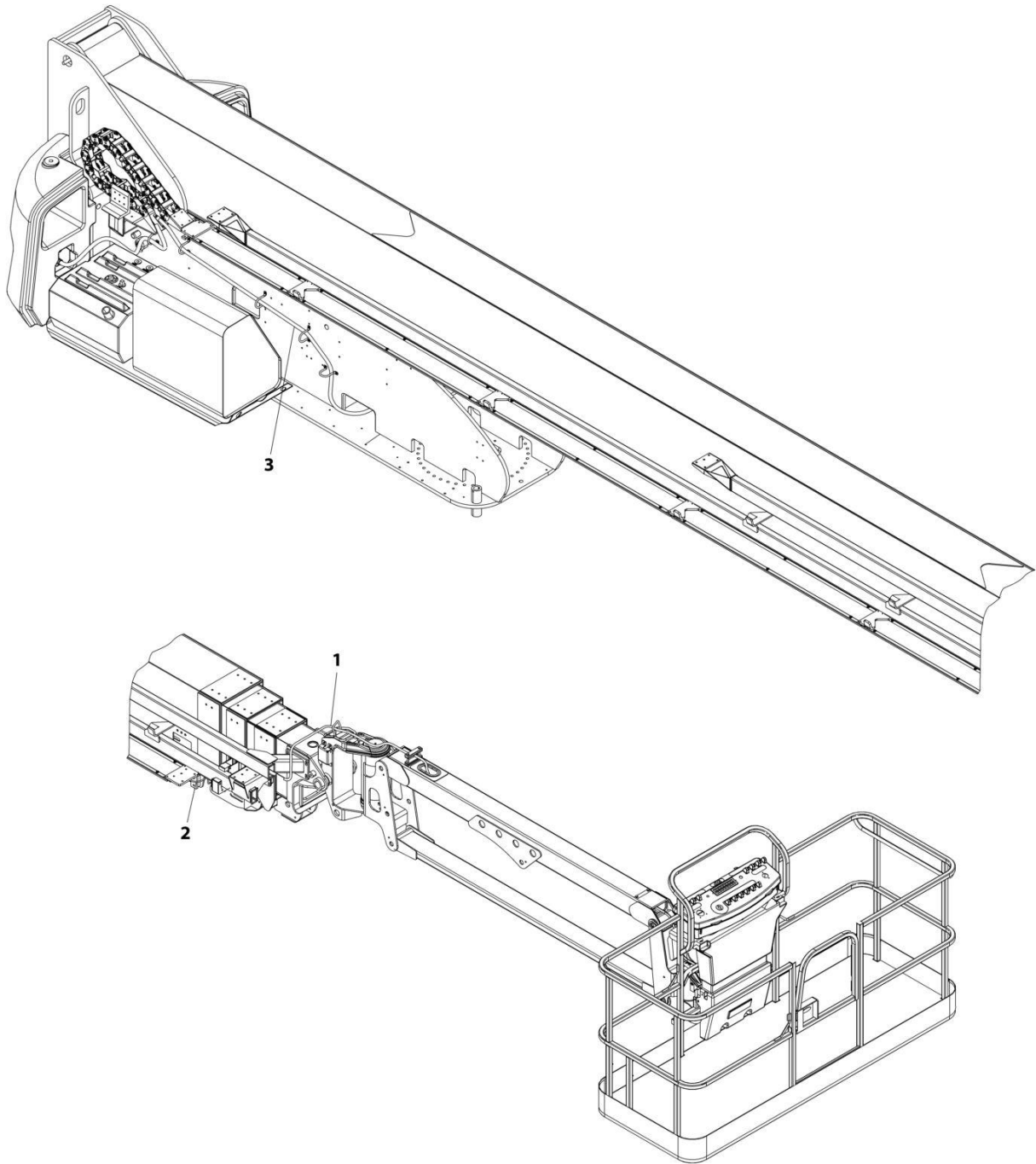
## SECTION 8 - ELECTRICAL

**FIGURE 8-40. BOOM CABLES INSTALLATION WITH 7500W GENERATOR (1200SJP)**

ITEM	PART NUMBER	QTY	DESCRIPTION	REV
	0273854	Ref	BOOM CABLES INSTALLATION	A
1	4922672	1	Harness, Main Boom Control (See Separate Breakdown in this Section)	
2	4922763	1	Harness, 18/3 Transport Switch	
3	4922796	1	Harness, Generator	

# SECTION 8 - ELECTRICAL

FIGURE 8-41. BOOM CABLES INSTALLATION WITH 7500W GENERATOR (1350SJP)



ART\_0273855

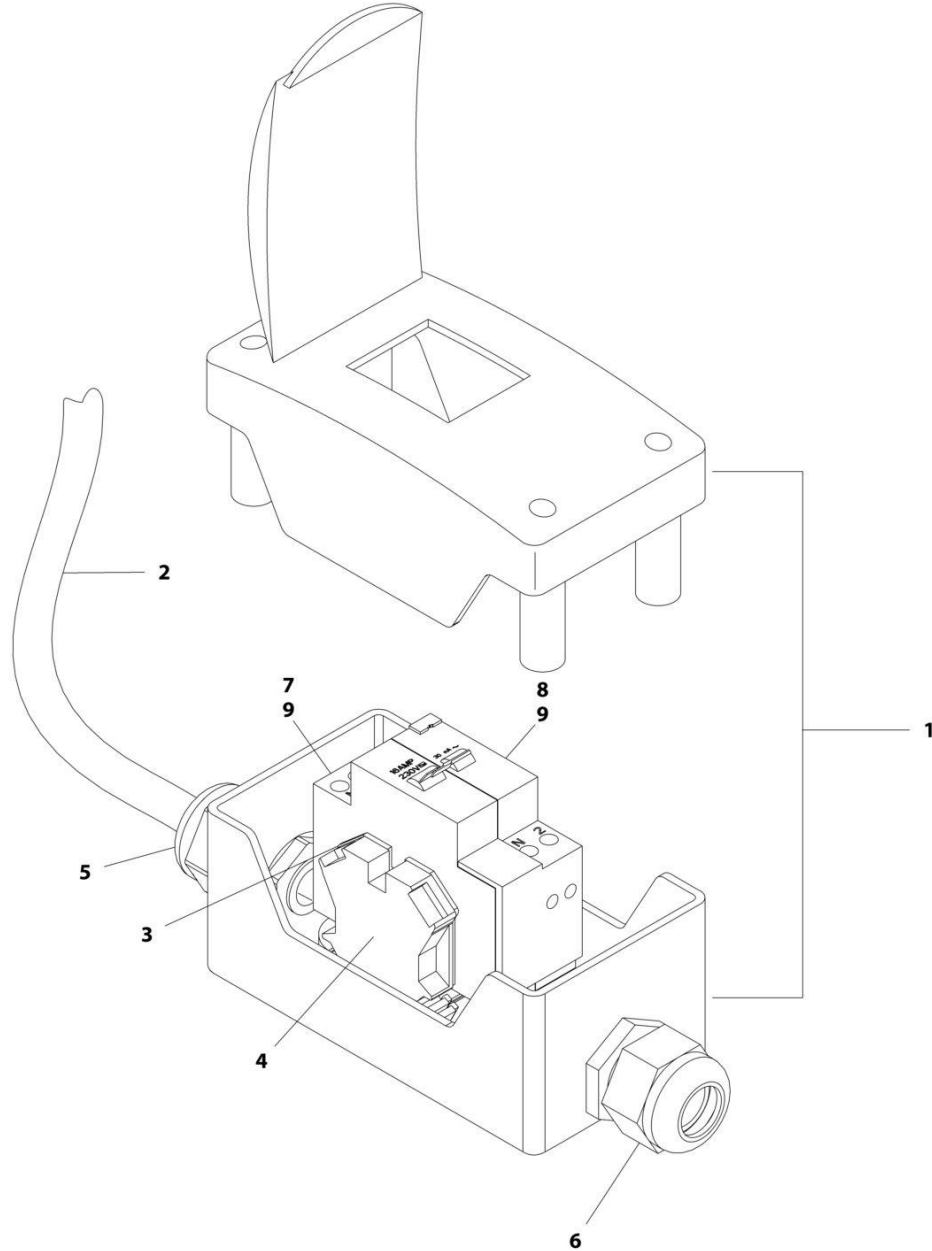
## SECTION 8 - ELECTRICAL

**FIGURE 8-41. BOOM CABLES INSTALLATION WITH 7500W GENERATOR (1350SJP)**

ITEM	PART NUMBER	QTY	DESCRIPTION	REV
	0273855	Ref	BOOM CABLES INSTALLATION	A
1	4922673	1	Harness, Main Boom Control (See Separate Breakdown in this Section)	
2	4922762	1	Harness, 18/3 Transport Switch	
3	4922795	1	Harness, Generator	

# SECTION 8 - ELECTRICAL

## FIGURE 8-42. BREAKER BOX KIT - 16 AMP (2500W GENERATOR)



ART\_1001109654

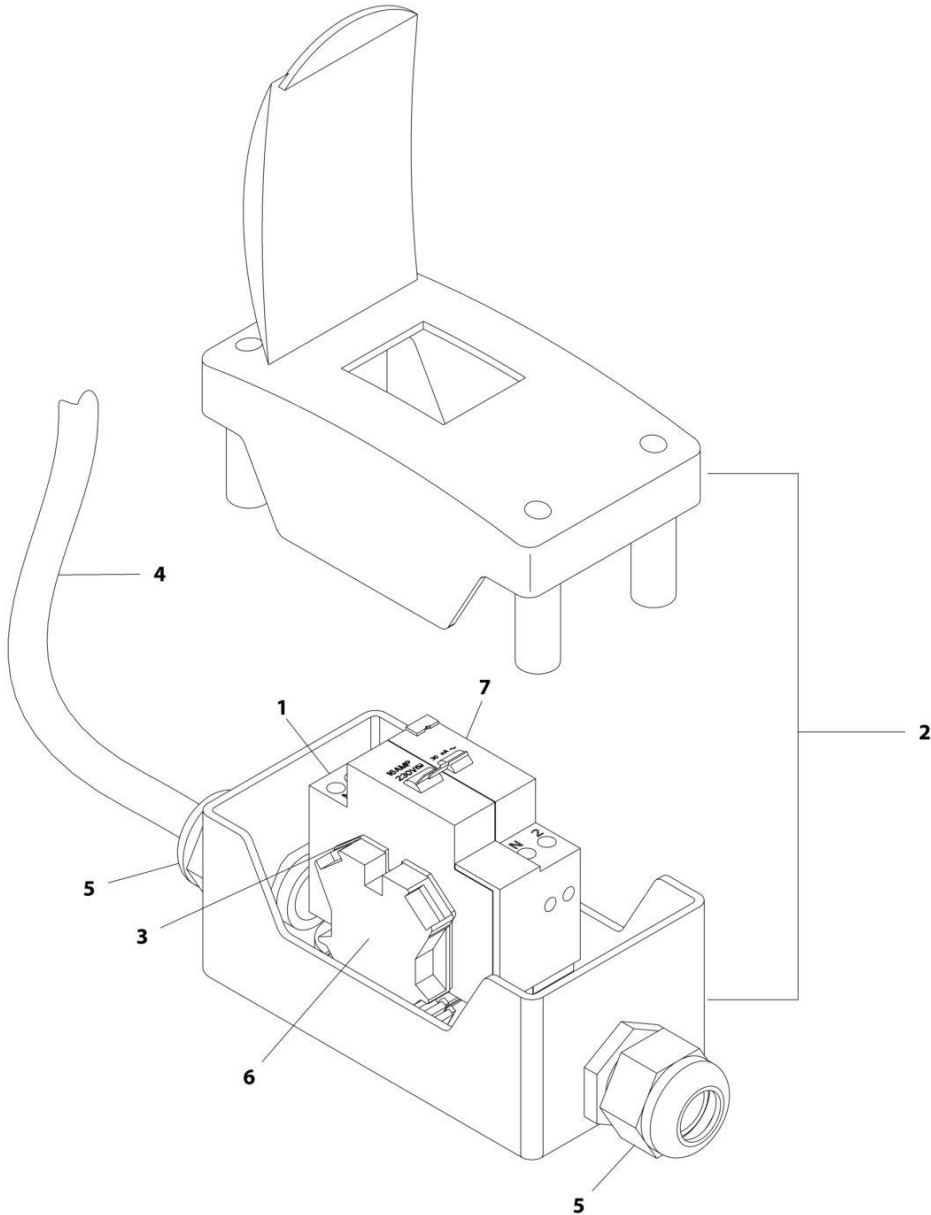
## SECTION 8 - ELECTRICAL

**FIGURE 8-42. BREAKER BOX KIT - 16 AMP (2500W GENERATOR)**

ITEM	PART NUMBER	QTY	DESCRIPTION	REV
	1001109654	Ref	BREAKER BOX KIT - 16 AMP (2500W GENERATOR)	B
1	0861880	1	Box, Breaker	
2	1060908	12 ft /3.6m	Cable, Electrical 12/3	
3	4460956	1	Barrier, Terminal Block End	
4	4460957	1	Block, Terminal	
5	1001097150	1	Connector, Strain Relief	
6	1001101191	1	Connector, Strain Relief	
7	1001109475	NLA	Breaker 16Amp (Use p/n 1001181045) <b>(SN 0300201016 through 0300204777)</b>	
8	1001109482	NLA	Breaker 30mA (Use p/n 1001181045) <b>(SN 0300201016 through 0300204777)</b>	
9	1001181045	1	Breaker, Double 30mA/16Amp <b>(SN 0300204778 through 0300272504, Except SN 0300272455 through 0300272461)</b>	

**SECTION 8 - ELECTRICAL**

**FIGURE 8-43. BREAKER BOX KIT - 16 AMP (4000W GENERATOR)**



ART\_1001165368

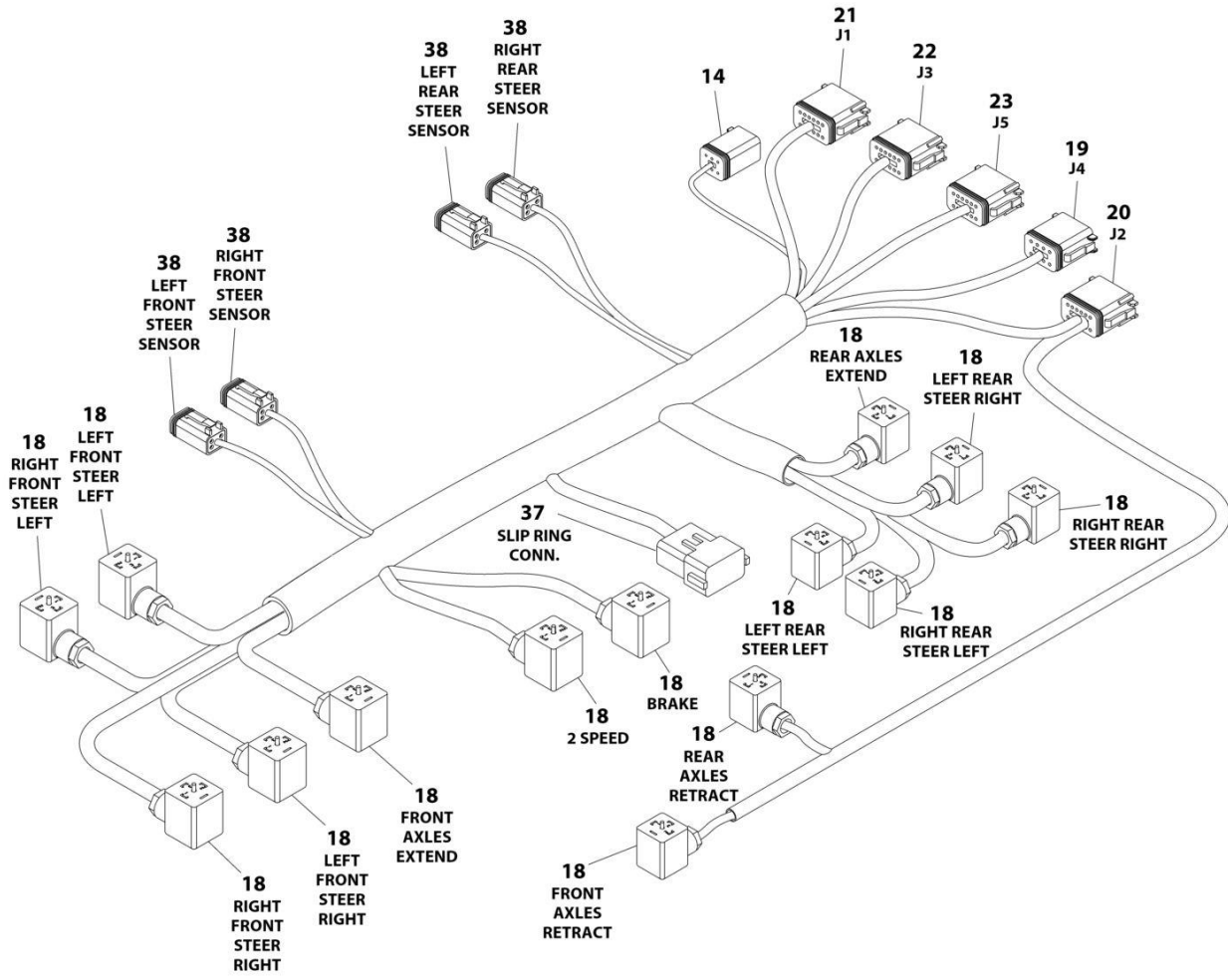
## SECTION 8 - ELECTRICAL

**FIGURE 8-43. BREAKER BOX KIT - 16 AMP (4000W GENERATOR)**

ITEM	PART NUMBER	QTY	DESCRIPTION	REV
1	1001165368	Ref	BREAKER BOX KIT - 16 AMP (4000W GENERATOR)	B
	1001109475	NLA	Breaker 16Amp (Use p/n 1001181045) <b>(SN 0300201016 through 0300204777)</b>	
2	0861880	1	Box, Circuit Breaker	
3	4460956	1	Barrier, Terminal Block End	
4	1060545	12 ft /3.6m	Cable, Electrical 10/3	
5	1001101191	2	Connector, Strain Relief	
6	4460957	1	Block, Terminal	
7	1001109482	NLA	Breaker 30mA (Use p/n 1001181045) <b>(SN 0300201016 through 0300204777)</b>	
8	1001181045	1	Breaker 30mA/16Amp <b>(SN 0300204778 through 0300272504, Except SN 0300272455 through 0300272461)</b>	

# SECTION 8 - ELECTRICAL

## FIGURE 8-44. CHASSIS HARNESS ASSEMBLY



ART\_4922696



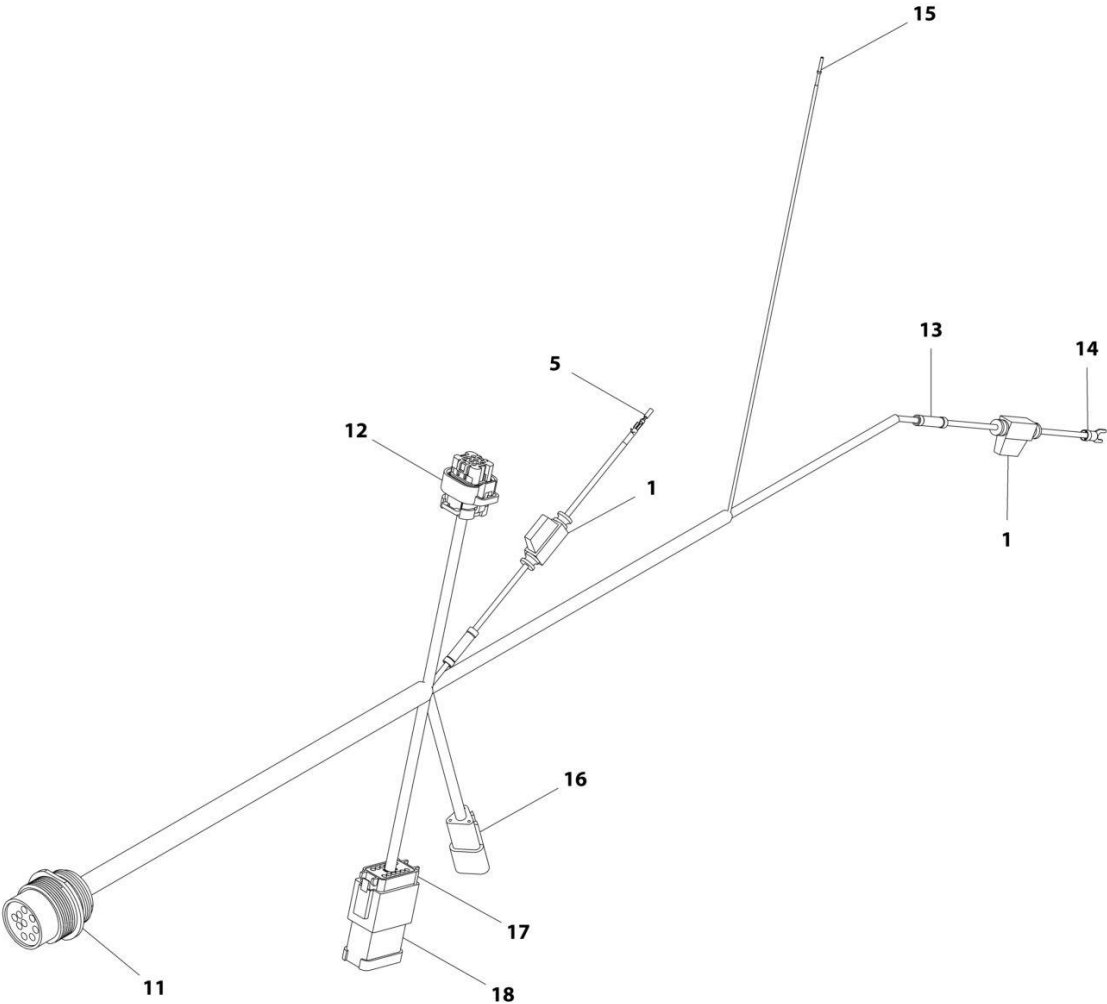
## SECTION 8 - ELECTRICAL

**FIGURE 8-44. CHASSIS HARNESS ASSEMBLY**

ITEM	PART NUMBER	QTY	DESCRIPTION	REV
	4922696	Ref	CHASSIS HARNESS ASSEMBLY	D
14	4460894	1	Connector - 6 Position	
14	4460465	6	Socket, Female	
14	4460892	1	Connector - 6 Position Buss Bar	
17	4460894	1	Connector - 6 Position (Not Shown)	
17	4460465	6	Socket, Female	
17	4460892	1	Connector - 6 Position Buss Bar	
18	4460880	14	DIN Connector	
19	4460930	1	Connector - 8 Position (Gray)	
19	4460465	1	Socket, Female	
19	4460466	7	Plug, Terminal	
20	4460836	1	Connector - 12 Position (Black)	
20	4460465	6	Socket, Female	
20	4460466	6	Plug, Terminal	
21	4460933	1	Connector - 12 Position (Gray)	
21	4460465	8	Socket, Female	
21	4460466	4	Plug, Terminal	
22	4460934	1	Connector - 12 Position (Green)	
22	4460944	12	Socket, Female	
23	4460935	1	Connector - 12 Position (Brown)	
23	4460465	8	Socket, Female	
25	4240032	10	Tie-Strap (Not Shown)	
26	4240033	15	Tie-Strap (Not Shown)	
37	4460950	1	Connector - 12 Position	
37	4460464	6	Pin, Male	
37	4460943	3	Pin, Male	
37	4460941	2	Pin, Male	
38	4460884	4	Connector - 4 Position (Gray)	
38	4460944	16	Socket, Female	

**SECTION 8 - ELECTRICAL**

**FIGURE 8-45. CLEARSKY READY HARNESS**



ART\_1001120337

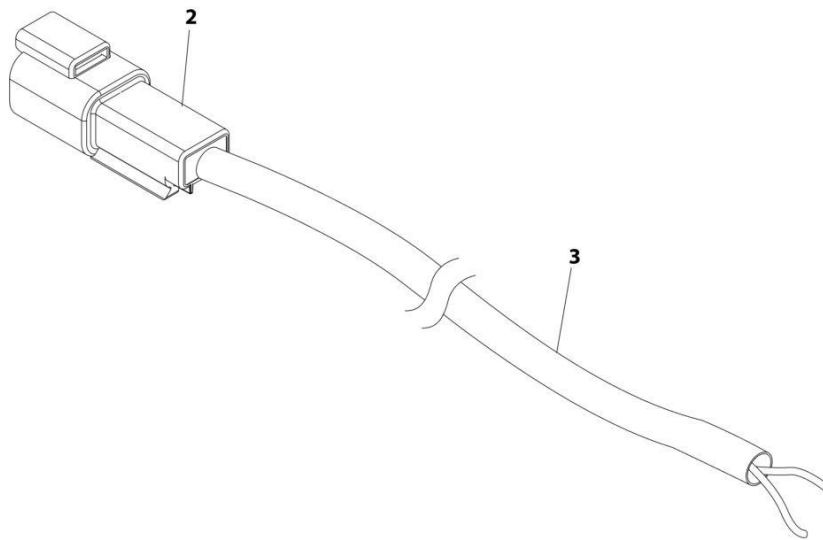
## SECTION 8 - ELECTRICAL

### FIGURE 8-45. CLEARSKY READY HARNESS

ITEM	PART NUMBER	QTY	DESCRIPTION	REV
	1001120337	Ref	CLEARSKY READY HARNESS	A
1	2400060	2	Fuseholder with Cover	
1	2400064	2	Fuse 5Amp	
5	4460871	1	Socket, Female	
11	1001112612	1	Connector - 9 Position	
11	4460464	9	Pin, Male	
11	4460466	3	Plug, Sealing	
12	1001113961	1	Connector - 8 Position	
12	4460871	5	Socket, Female	
12	4460905	5	Plug, Sealing	
13	4460035	2	Terminal, Connector	
14	4460183	1	Terminal, Eyelet	
15	4460465	1	Socket, Female	
16	4460536	1	Connector - 3 Position	
16	4460464	3	Pin, Male	
17	4460933	1	Connector - 12 Position	
17	4460465	9	Socket, Female	
17	4460466	3	Plug, Sealing	
18	4460898	1	Connector Bussbar - 9 Position	

## SECTION 8 - ELECTRICAL

FIGURE 8-46. DUAL CAPACITY JIB POSITION SWITCH HARNESS



ART\_4922785

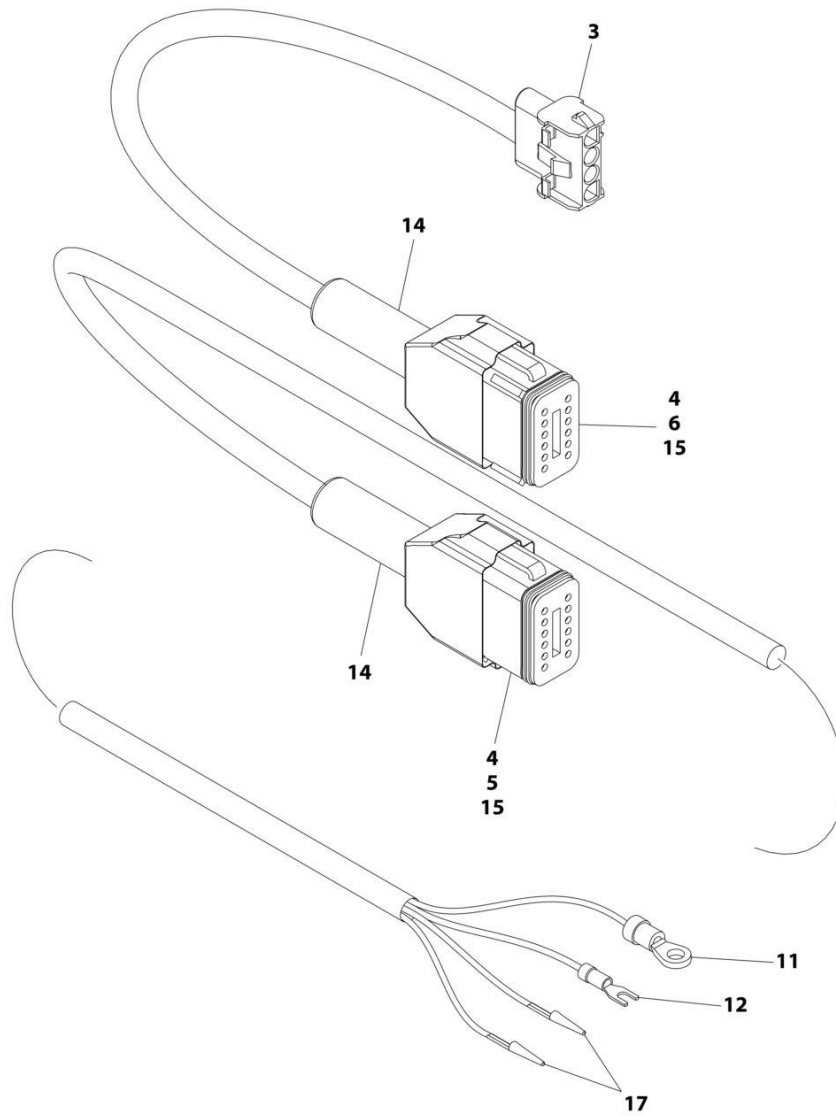
## SECTION 8 - ELECTRICAL

**FIGURE 8-46. DUAL CAPACITY JIB POSITION SWITCH HARNESS**

ITEM	PART NUMBER	QTY	DESCRIPTION	REV
	4922785	Ref	DUAL CAPACITY JIB POSITION SWITCH HARNESS	C
2	4460897	1	Connector - 2 Position	
2	4460464	2	Pin, Male	
3	1060902	15 ft/ 4.5m	Cable, Electrical 18/2	

# SECTION 8 - ELECTRICAL

## FIGURE 8-47. EIM LOAD CELL HARNESS



ART\_4922869

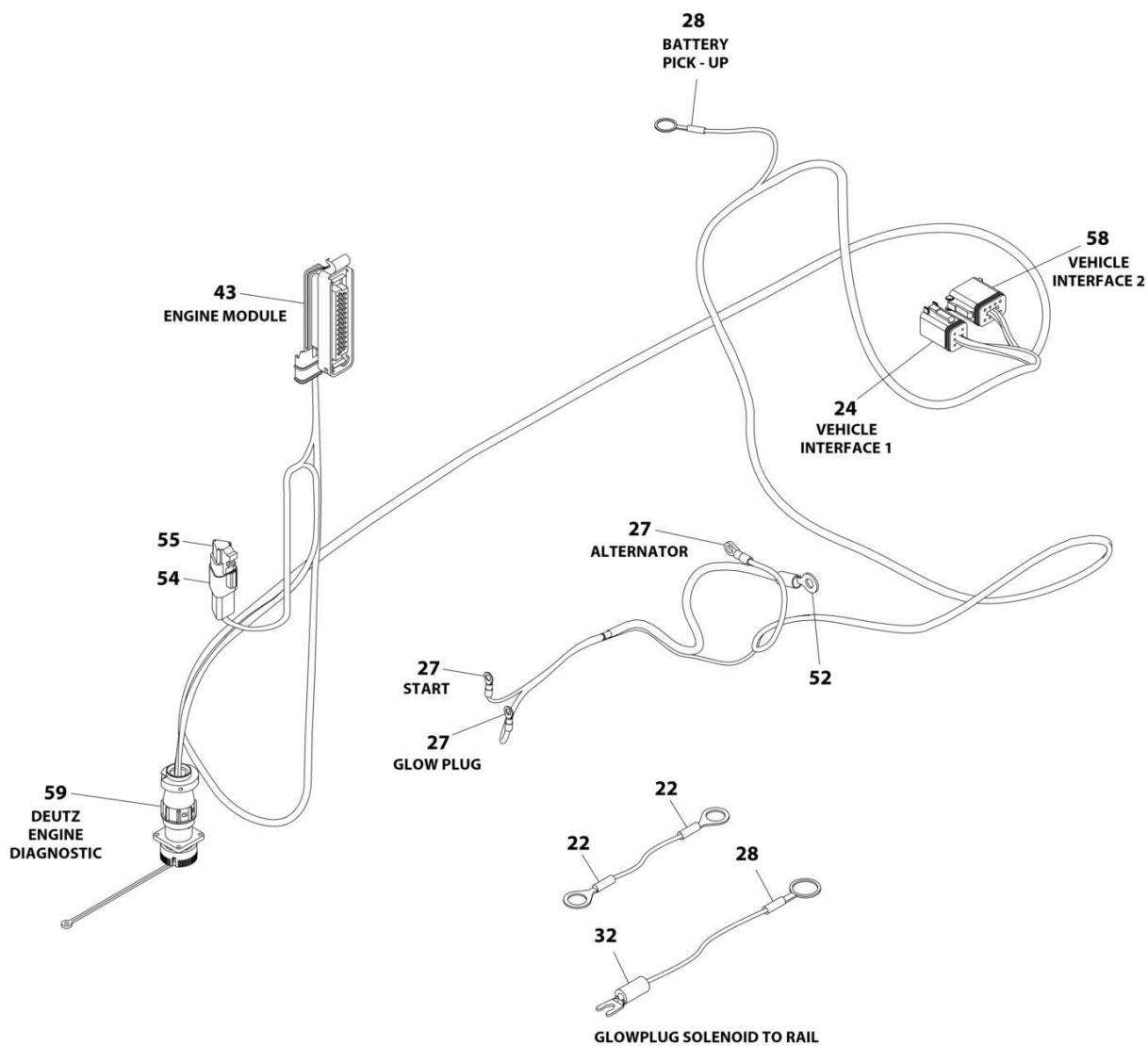
## SECTION 8 - ELECTRICAL

### FIGURE 8-47. EIM LOAD CELL HARNESS

ITEM	PART NUMBER	QTY	DESCRIPTION	REV
	4922869	Ref	EIM LOAD CELL HARNESS	E
3	4922705	1	Analyzer Harness	
3	4460761	1	Connector, Female - 4 Position	
3	4460227	4	Pin, Male	
3	4460465	4	Socket, Female	
4	4460465	6	Socket, Female	
5	4460933	1	Connector - 12 Position (Gray)	
6	4460836	1	Plug, Male - 12 Position (Black)	
11	4460042	1	Terminal, Eyelet	
12	4460183	1	Terminal, Fork	
14	0840055	2	Boot	
15	4460466	16	Plug, Terminal	
17	4460226	2	Terminal	

# SECTION 8 - ELECTRICAL

## FIGURE 8-48. ENGINE HARNESS - DEUTZ TD2011 ENGINES



ART\_1001119470



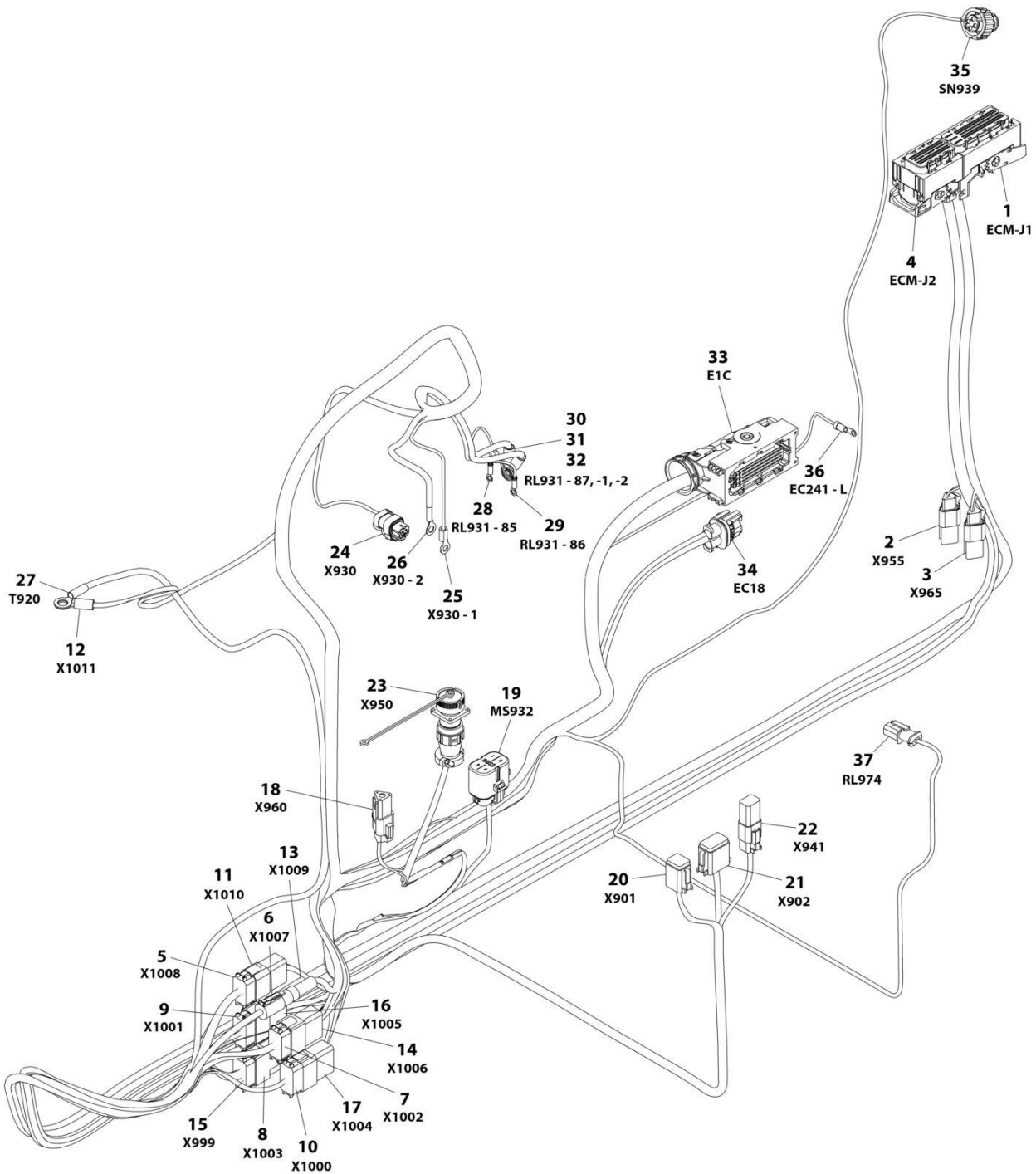
## SECTION 8 - ELECTRICAL

**FIGURE 8-48. ENGINE HARNESS - DEUTZ TD2011 ENGINES**

ITEM	PART NUMBER	QTY	DESCRIPTION	REV
	1001119470	Ref	ENGINE HARNESS - DEUTZ TD2011 ENGINES	B
22	4460702	2	Terminal, Eyelet	
24	4460894	1	Connector - 6 Position	
24	4460465	2	Socket, Female	
24	4460466	1	Plug, Terminal	
24	4460944	3	Socket, Female	
27	4460313	3	Terminal, Eyelet	
28	4460019	2	Terminal, Eyelet	
32	4460315	1	Terminal, Fork	
43	4461052	1	Connector - 25 Position	
43	4461005	5	Terminal	
43	4461006	5	Seal	
43	4461060	2	Terminal (Tin)	
43	4461054	2	Seal, Terminal	
43	4461008	18	Plug, Hole	
43	4461053	1	Cover, Plug	
50	4240032	AR	Tie-Strap (Not Shown)	
51	4240033	AR	Tie-Strap (Not Shown)	
52	4461097	1	Terminal, Eyelet	
54	4461095	1	Connector - 3 Position	
54	4460944	3	Socket, Female	
55	4461070	1	Connector with Resistor (3 Position)	
58	4460930	1	Connector - 8 Position	
58	4460465	2	Socket, Female	
58	4460466	6	Seal, Plug	
59	2902443	1	Kit, Receptacle	
59	4461071	8	Terminal, Female (Gold)	
59	4461072	1	Connector, Flange Mount	
59	4461073	1	Connector, Dust Cap	
59	4461074	1	Connector, Shell	

# SECTION 8 - ELECTRICAL

## FIGURE 8-49. ENGINE HARNESS - DEUTZ TCD2.9L4 ENGINES AND DEUTZ TCD2.9L4 (STAGE V) ENGINES



ART\_1001138346

## SECTION 8 - ELECTRICAL

**FIGURE 8-49. ENGINE HARNESS - DEUTZ TCD2.9L4 ENGINES AND DEUTZ TCD2.9L4 (STAGE V) ENGINES**

ITEM	PART NUMBER	QTY	DESCRIPTION	REV
	1001138346	Ref	ENGINE HARNESS - DEUTZ TCD2.9L4 ENGINES AND DEUTZ TCD2.9L4 (STAGE V) ENGINES	G
1	1001133956	1	Connector (Includes Cover, Locks and Retention Plate)	
1	1001126352	6	Terminal	
1	1001126384	19	Terminal	
1	1001126351	1	Terminal	
1	1001126357	3	Plug, Seal	
1	1001126356	65	Plug, Seal	
2	4461070	1	Connector with Resistor (3 Position)	
2	4461095	1	Connector - 3 Position	
2	4460944	2	Socket, Female	
2	4460466	1	Seal, Plug	
3	4461070	1	Connector with Resistor (3 Position)	
3	4461095	1	Connector - 3 Position	
3	4460944	2	Socket, Female	
3	4460466	1	Seal, Plug	
4	1001133957	1	Connector (Includes Cover, Locks and Retention Plate)	
4	1001126351	13	Terminal	
4	1001126384	17	Terminal	
4	1001126356	19	Plug, Seal	
4	1001126357	11	Plug, Seal	
5	4460930	1	Connector - 8 Position	
5	4460944	5	Socket, Female (Gold)	
5	4460465	2	Socket, Female	
5	4460466	1	Seal, Plug	
6	1001116707	1	Connector - 1 Position	
6	91143340	1	Terminal	
7	4460935	1	Plug, Brown - 12 Position	
7	4460465	12	Socket, Female	
8	4460970	1	Connector - 12 Position	
8	4460941	12	Pin, Male	
9	4460934	1	Connector, Green - 12 Position	
9	4460465	10	Socket, Female	
9	4460466	2	Seal, Plug	
10	4460836	1	Connector, Black - 12 Position	
10	4460465	8	Socket, Female	
10	4460466	4	Seal, Plug	
11	4460931	1	Connector - 8 Position (Gray)	
11	4460943	5	Pin, Male (Gold)	
11	4460466	3	Plug, Socket	
12	8220164	1	Terminal, Eyelet	
13	1001116967	1	Connector - 1 Position	
13	91143339	1	Terminal	
14	4460982	1	Connector - 12 Position	
14	4460464	12	Pin, Male	
15	4460933	1	Connector, Gray - 12 Position	
15	4460942	12	Socket, Female	
16	1001152742	1	Connector - 12 Position	
16	4460464	10	Pin, Male	

## SECTION 8 - ELECTRICAL

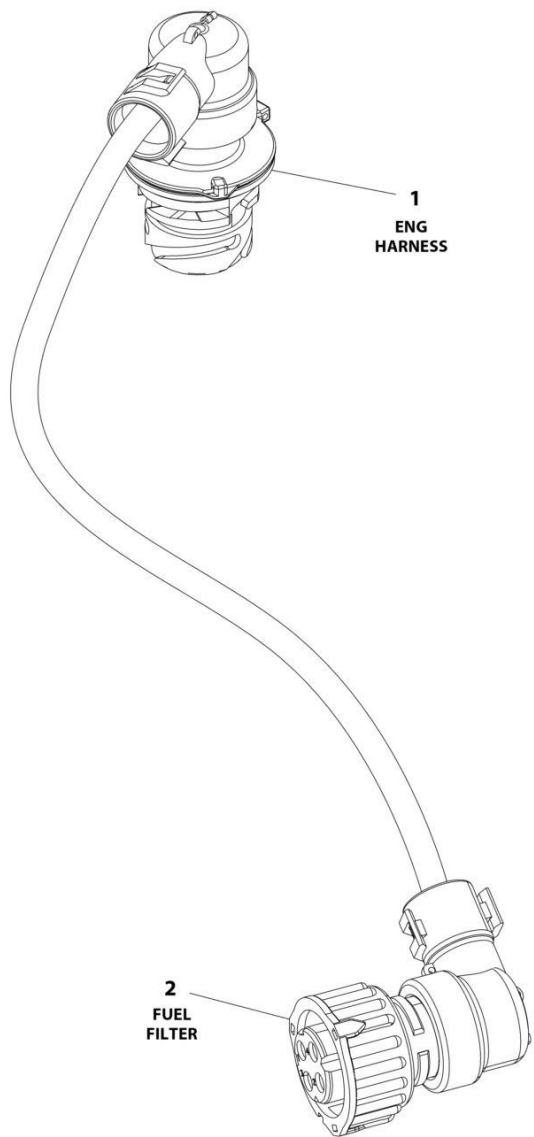
ITEM	PART NUMBER	QTY	DESCRIPTION	REV
16	4460466	2	Seal, Plug	
17	4460950	1	Connector - 12 Position	
17	4460464	8	Pin, Male	
17	4460466	4	Plug, Seal	
18	4461070	1	Connector with Resistor (3 Position)	
18	4461095	1	Connector - 3 Position	
18	4460944	2	Socket, Female	
18	4460466	1	Seal, Plug	
19	80484084	1	Connector - 8 Position	
19	8229242	1	Fuse - 5A	
19	80983191	1	Fuse - 10A	
19	1001147264	1	Cap	
19	1001116728	4	Plug	
19	4460458	4	Seal	
20	4460894	1	Connector - 6 Position	
20	4460465	3	Socket, Female	
20	4460944	2	Socket, Female	
20	4460466	1	Seal, Plug	
21	4460930	1	Connector - 8 Position	
21	4460465	1	Socket, Female	
21	4460466	7	Plug, Seal	
22	4460884	1	Connector - 4 Position (SN 0300201016 through 0300224478)	
22	1001220379	1	Connector - 4 Position (SN 0300224479 through 0300272504, Except SN 0300272455 through 0300272461)	
22	4460465	2	Socket, Female	
22	4460942	2	Socket, Female	
22	4460932	1	Connector - 4 Position (SN 0300211938 through 0300272504, Except SN 0300272455 through 0300272461)	
22	4460466	4	Seal, Plug (SN 0300211938 through 0300272504, Except SN 0300272455 through 0300272461)	
23	2902443	1	Kit, Receptacle	
23	4461071	8	Terminal, Female (Gold)	
23	4461072	1	Connector, Flange Mount	
23	4461073	1	Connector, Dust Cap	
23	4461074	1	Connector, Shell	
24	1001116952	1	Connector - 2 Position	
24	4460465	2	Socket, Female	
25	4460043	1	Terminal, Eyelet	
26	1001117106	1	Terminal, Eyelet	
27	4460019	1	Terminal, Eyelet	
28	4460247	1	Terminal, Eyelet	
29	4460247	1	Terminal, Eyelet	
30	1001117107	1	Terminal, Eyelet	
31	1001117107	1	Terminal, Eyelet	
32	4460703	1	Terminal, Eyelet	
33	1001126362	1	Connector - 62 Position	
33	1001126363	33	Terminal	
33	1001126364	33	Seal	
33	1001126391	23	Plug	
33	4461008	4	Plug, Cavity	
33	1001126365	2	Terminal	
33	4461054	2	Seal	

## SECTION 8 - ELECTRICAL

ITEM	PART NUMBER	QTY	DESCRIPTION	REV
34	1001142938	1	Connector - 2 Position	
34	1001142940	2	Terminal, Female	
34	1001142941	2	Seal	
35	1001133714	1	Connector - 4 Position	
35	1001133715	3	Terminal, Female	
35	1001135650	1	Seal	
35	1001135651	1	Plug, Cavity	
36	4460042	1	Terminal, Eyelet	
37	1001138110	1	Connector - 2 Position	
37	1001138111	2	Socket, Female	
37	1001138113	2	Seal	

## SECTION 8 - ELECTRICAL

FIGURE 8-50. FUEL FILTER HARNESS - DEUTZ TCD2.9L4 ENGINES AND UTZ TCD2.9L4 (STAGE V) ENGINES



ART\_1001148843

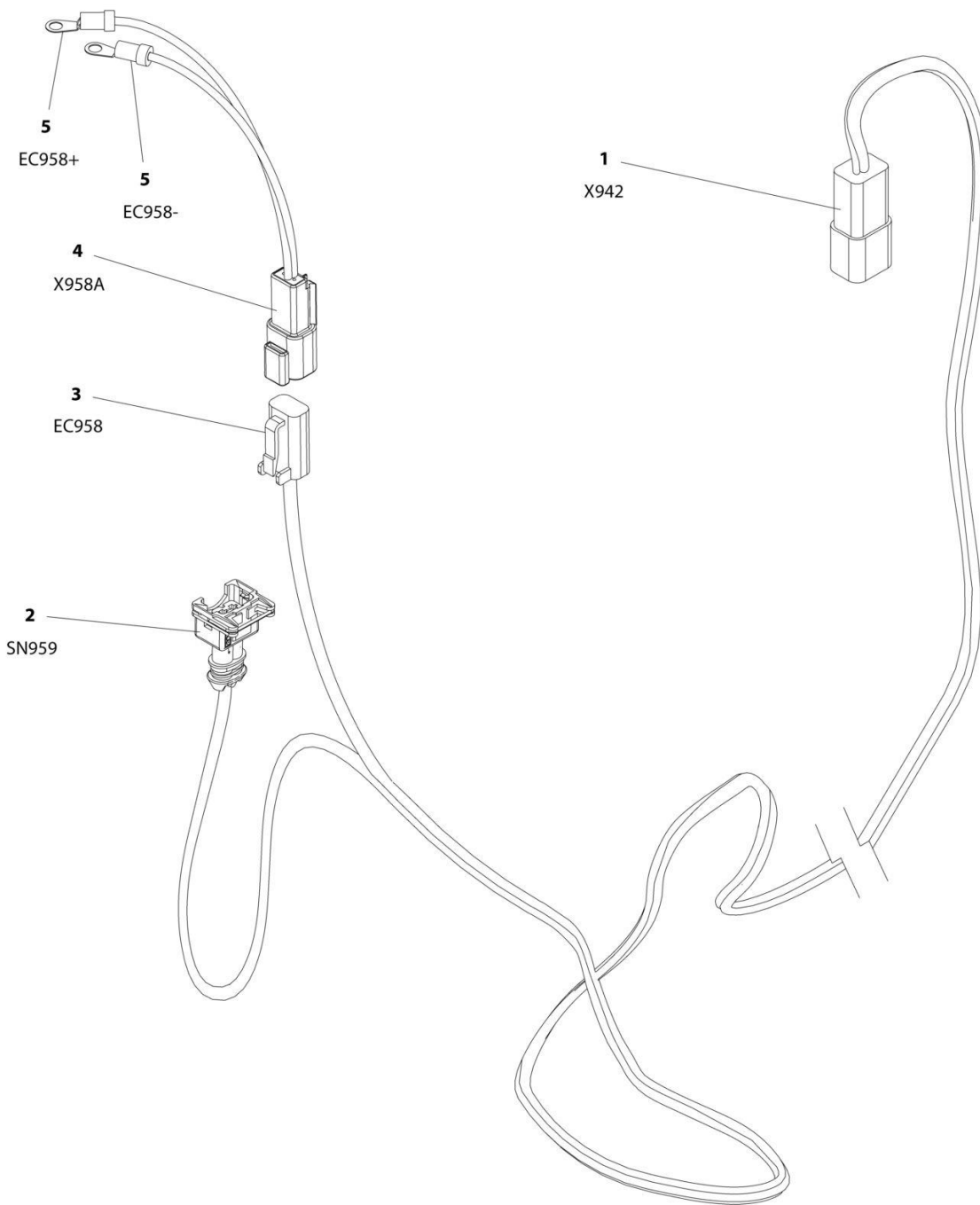
## SECTION 8 - ELECTRICAL

**FIGURE 8-50. FUEL FILTER HARNESS - DEUTZ TCD2.9L4 ENGINES AND UTZ TCD2.9L4 (STAGE V) ENGINES**

ITEM	PART NUMBER	QTY	DESCRIPTION	REV
	1001148843	Ref	FUEL FILTER HARNESS - DEUTZ TCD2.9L4 ENGINES AND UTZ TCD2.9L4 (STAGE V) ENGINES	A
1	1001148842	1	Connector - 4 Position	
1	1001148841	4	Pin, Male	
1	1001135650	4	Seal	
2	1001133714	1	Plug, Male - 4 Position	
2	1001133715	4	Socket, Female	
2	1001135650	4	Seal	

# SECTION 8 - ELECTRICAL

## FIGURE 8-51. FUEL HARNESS - DEUTZ TCD2.9L4 ENGINES AND DEUTZ TCD2.9L4 (STAGE V) ENGINES



ART\_1001138491



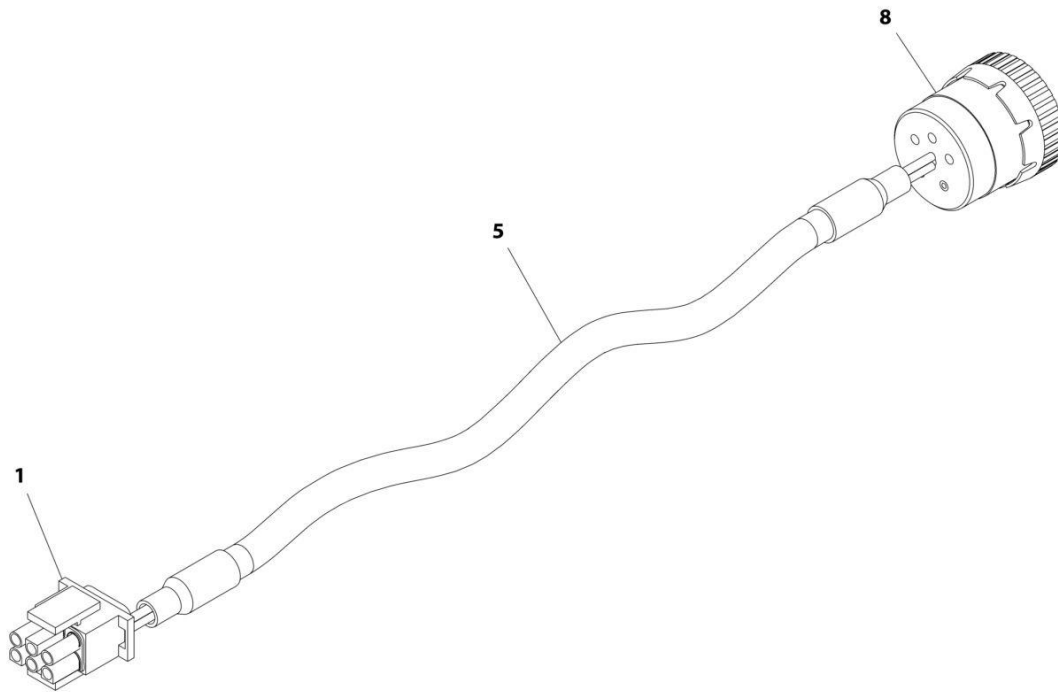
## SECTION 8 - ELECTRICAL

**FIGURE 8-51. FUEL HARNESS - DEUTZ TCD2.9L4 ENGINES AND DEUTZ TCD2.9L4 (STAGE V) ENGINES**

ITEM	PART NUMBER	QTY	DESCRIPTION	REV
	1001138491	Ref	FUEL HARNESS - DEUTZ TCD2.9L4 ENGINES AND DEUTZ TCD2.9L4 (STAGE V) ENGINES	D
1	4460932	1	Connector - 4 Position	
1	4460464	2	Pin, Male	
1	4460941	2	Pin, Male	
2	1001116983	1	Connector - 2 Position	
2	1001116710	2	Socket, Female	
2	4461054	2	Seal	
3	4460891	1	Connector - 2 Position	
3	4460942	2	Socket, Female	
4	4460897	1	Connector - 2 Position	
4	4460941	2	Pin, Male	
5	4460042	2	Terminal, Eye	
5	8220051	2	Terminal, Coupler	

# SECTION 8 - ELECTRICAL

FIGURE 8-52. GENERATOR HARNESS - 4000W GENERATOR



ART\_1001152533

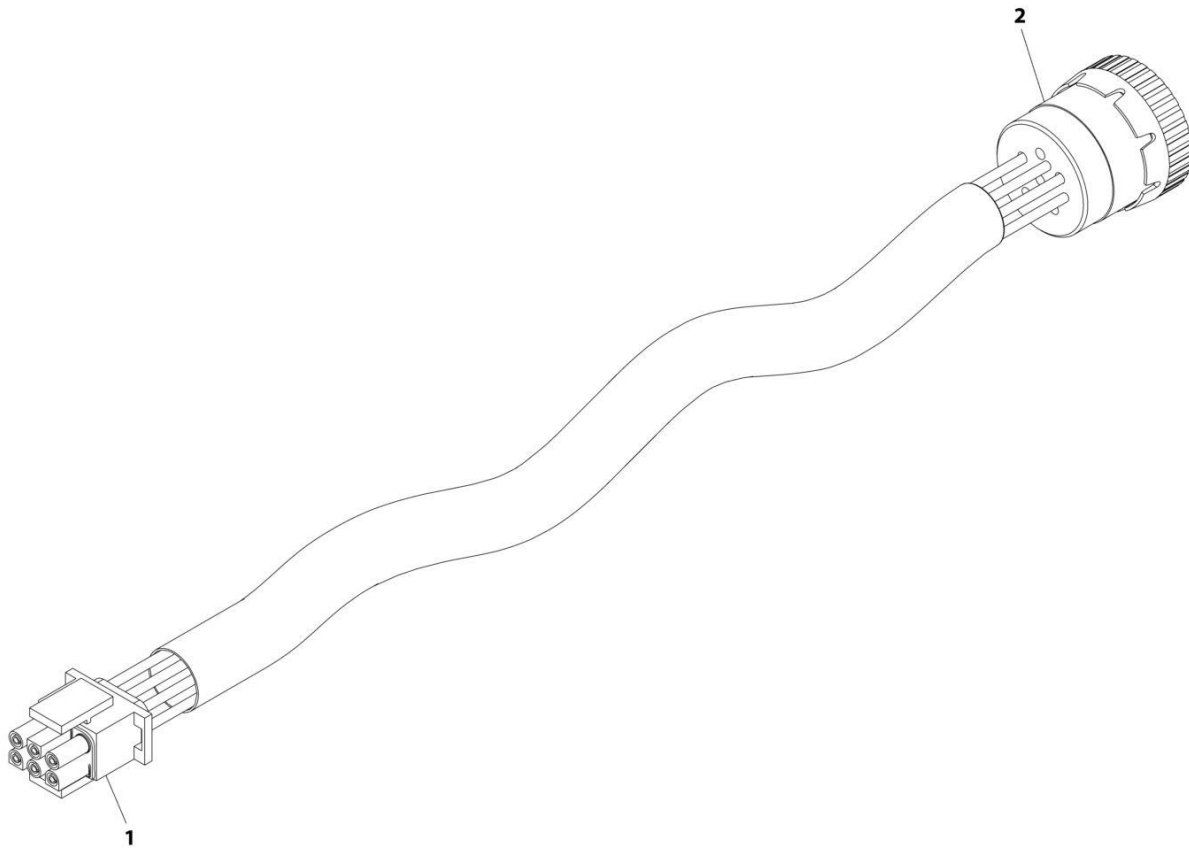
## SECTION 8 - ELECTRICAL

**FIGURE 8-52. GENERATOR HARNESS - 4000W GENERATOR**

ITEM	PART NUMBER	QTY	DESCRIPTION	REV
	1001152533	Ref	GENERATOR HARNESS - 4000W GENERATOR	A
1	4460225	1	Connector - 6 Position	
1	4460268	2	Socket, Female	
1	4460807	1	Seal, Plug	
1	4460808	1	Seal, Plug	
5	1060341	8 ft /2.4m	Cable, 16/2	
8	77363233	1	Connector - 6 Position	
8	4460465	2	Socket, Female	

## SECTION 8 - ELECTRICAL

FIGURE 8-53. GENERATOR HARNESS - 7500W GENERATOR



ART\_4922972

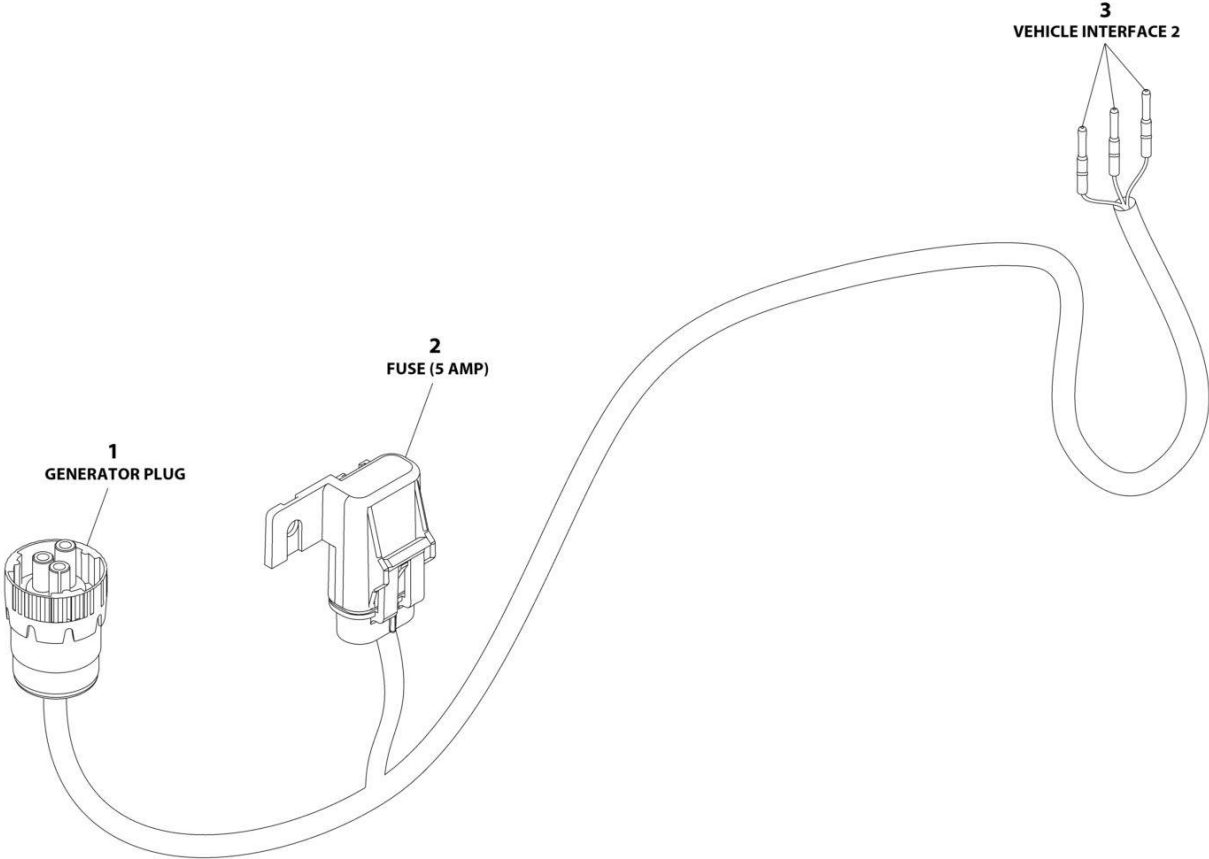
## SECTION 8 - ELECTRICAL

### FIGURE 8-53. GENERATOR HARNESS - 7500W GENERATOR

ITEM	PART NUMBER	QTY	DESCRIPTION	REV
	4922972	Ref	GENERATOR HARNESS - 7500W GENERATOR	C
1	4460225	1	Connector - 6 Position	
1	4460268	6	Socket, Female	
1	4460807	1	Seal, Plug	
1	4460808	1	Seal, Plug	
2	77363233	1	Connector - 6 Position	
2	4460465	6	Socket, Female	

**SECTION 8 - ELECTRICAL**

**FIGURE 8-54. GENERATOR HARNESS - 7500W GENERATOR**



ART\_100119968

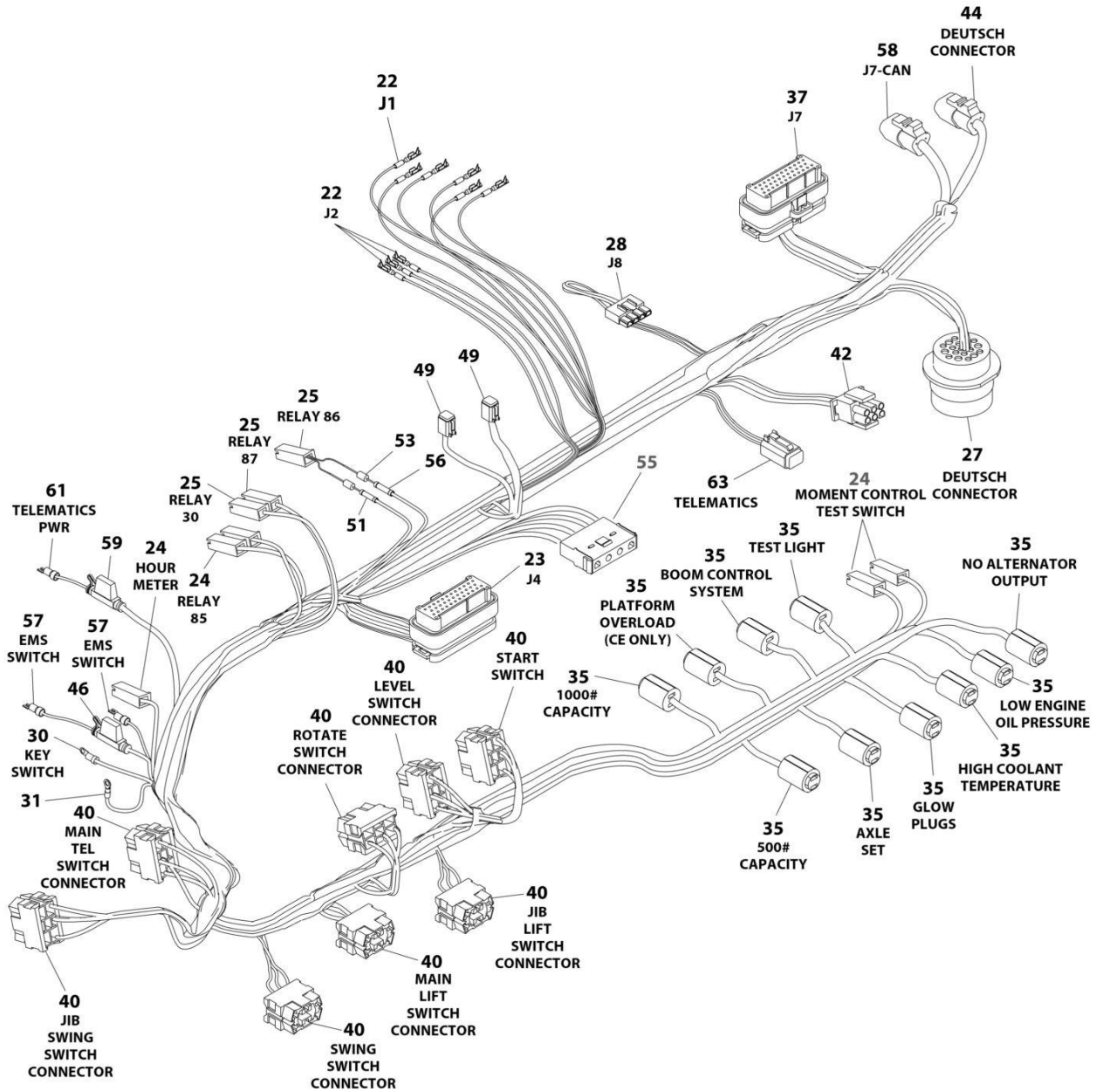
## SECTION 8 - ELECTRICAL

### FIGURE 8-54. GENERATOR HARNESS - 7500W GENERATOR

ITEM	PART NUMBER	QTY	DESCRIPTION	REV
	1001119968	Ref	GENERATOR HARNESS - 7500W GENERATOR	C
1	4460967	1	Connector - 3 Position	
1	4460465	3	Socket, Female	
2	1001117078	1	Connector, Metri-Pack with 5Amp Fuse	
3	4460465	3	Socket, Female	

# SECTION 8 - ELECTRICAL

## FIGURE 8-55. GROUND CONTROL BOX HARNESS



ART\_1001120180



## SECTION 8 - ELECTRICAL

### FIGURE 8-55. GROUND CONTROL BOX HARNESS

ITEM	PART NUMBER	QTY	DESCRIPTION	REV
	1001120180	Ref	GROUND CONTROL BOX HARNESS	C
22	4460871	9	Socket, Female	
23	4460876	1	Connector, Blue - 35 Position	
23	4460871	29	Socket, Female	
23	4460905	6	Plug, Sealing	
24	4460260	5	Terminal, Housing	
24	4460259	5	Terminal	
25	4460260	3	Terminal, Housing	
25	4460297	3	Terminal	
27	4460866	1	Connector - 19 Pin	
27	4460464	10	Pin, Male	
27	4460508	3	Pin, Male	
28	4460878	1	Connector - 4 Position	
28	4460887	3	Terminal	
30	4460142	3	Terminal, Eyelet	
31	4460313	3	Terminal, Eyelet	
35	4120035	10	Base, Light	
35	4460634	10	Terminal	
35	4460635	10	Terminal	
37	4460873	1	Connector, Black - 35 Position	
37	4460871	16	Socket, Female	
37	4460905	19	Plug, Sealing	
39	4240032	AR	Tie-Strap (Not Shown)	
40	4460418	8	Connector - 6 Position	
40	4460419	24	Socket, Female	
42	4460225	1	Plug, Male - 6 Position	
42	4460227	6	Pin, Male	
44	4460965	1	Plug, Male - 3 Position	
44	4460944	3	Socket, Female	
46	2400066	1	Fuseholder with Cover	
46	2400065	1	Fuse	
49	4460894	2	Connector - 6 Position	
49	4460465	3	Socket, Female	
49	4460942	2	Socket, Female	
51	4460474	1	Terminal, Connector	
53	3990010	2	Diode - 3 Amp	
55	4460761	1	Connector - 4 Position	
55	4460227	4	Pin, Male	
56	4460035	1	Terminal, Connector	
57	4460806	6	Terminal, Fork	
58	4460966	2	Connector - 3 Position (Green Lock)	
58	4460944	3	Socket, Female	
59	2400060	1	Fuse, Holder (SN 0300210074 through 0300272504, Except SN 0300272455 through 0300272461)	
59	8229242	1	Fuse, 5Amp (SN 0300210074 through 0300272504, Except SN 0300272455 through 0300272461)	
61	4460888	1	Terminal, Fork (SN 0300210074 through 0300272504, Except SN 0300272455 through 0300272461)	
63	4460884	1	Connector - 4 Position (SN 0300210074 through 0300272504, Except SN 0300272455 through 0300272461)	

## SECTION 8 - ELECTRICAL

ITEM	PART NUMBER	QTY	DESCRIPTION	REV
63	4460465	4	Socket, Female (SN 0300210074 through 0300272504, Except SN 0300272455 through 0300272461)	
63	1001192401	1	Connector, Dust Cap (SN 0300210074 through 0300272504, Except SN 0300272455 through 0300272461)	





## SECTION 8 - ELECTRICAL

**FIGURE 8-56. GROUND CONTROL BOX HARNESS - DEUTZ TCD2.9L4 ENGINES (CE SPECS)**

ITEM	PART NUMBER	QTY	DESCRIPTION	REV
	1001187386	Ref	GROUND CONTROL BOX HARNESS - DEUTZ TCD2.9L4 ENGINES (CE SPECS)	B
22	4460871	12	Socket, Female	
23	4460876	1	Connector, Blue - 35 Position	
23	4460871	29	Socket, Female	
23	4460905	6	Plug, Sealing	
24	4460260	3	Terminal, Housing	
24	4460259	3	Terminal	
25	4460260	3	Terminal, Housing	
25	4460297	3	Terminal	
27	4460866	1	Connector - 19 Pin	
27	4460464	10	Pin, Male	
27	4460508	3	Pin, Male	
27	4460466	9	Plug, Terminal	
28	4460878	1	Connector - 4 Position	
28	4460887	3	Terminal	
30	4460142	3	Terminal, Eyelet	
31	4460313	3	Terminal, Eyelet	
35	4120035	10	Base, Light	
35	4460634	10	Terminal	
35	4460635	10	Terminal	
37	4460873	1	Connector, Black - 35 Position	
37	4460871	17	Socket, Female	
37	4460905	18	Plug, Sealing	
39	4240032	AR	Tie-Strap (Not Shown)	
40	4460418	8	Connector - 6 Position	
40	4460419	24	Socket, Female	
42	4460225	1	Plug, Male - 6 Position	
42	4460227	6	Pin, Male	
44	4460965	1	Plug, Male - 3 Position	
44	4460944	3	Socket, Female	
46	2400066	1	Fuseholder with Cover	
46	2400065	1	Fuse	
49	4460894	2	Connector - 6 Position	
49	4460465	2	Socket, Female	
49	4460942	2	Socket, Female	
51	4460474	1	Terminal, Connector	
53	3990010	2	Diode - 3 Amp	
55	4460761	1	Connector - 4 Position	
55	4460227	4	Pin, Male	
56	4460035	1	Terminal, Connector	
57	4460806	6	Terminal, Fork	
58	4460966	2	Connector - 3 Position (Green Lock)	
58	4460944	6	Socket, Female	
59	4460868	1	Connector - 6 Position	
59	4460877	4	Terminal	
61	1001116812	2	Connector - 3 Position	
61	4460944	5	Socket, Female	
62	4460945	1	Connector, Female - 3 Way	

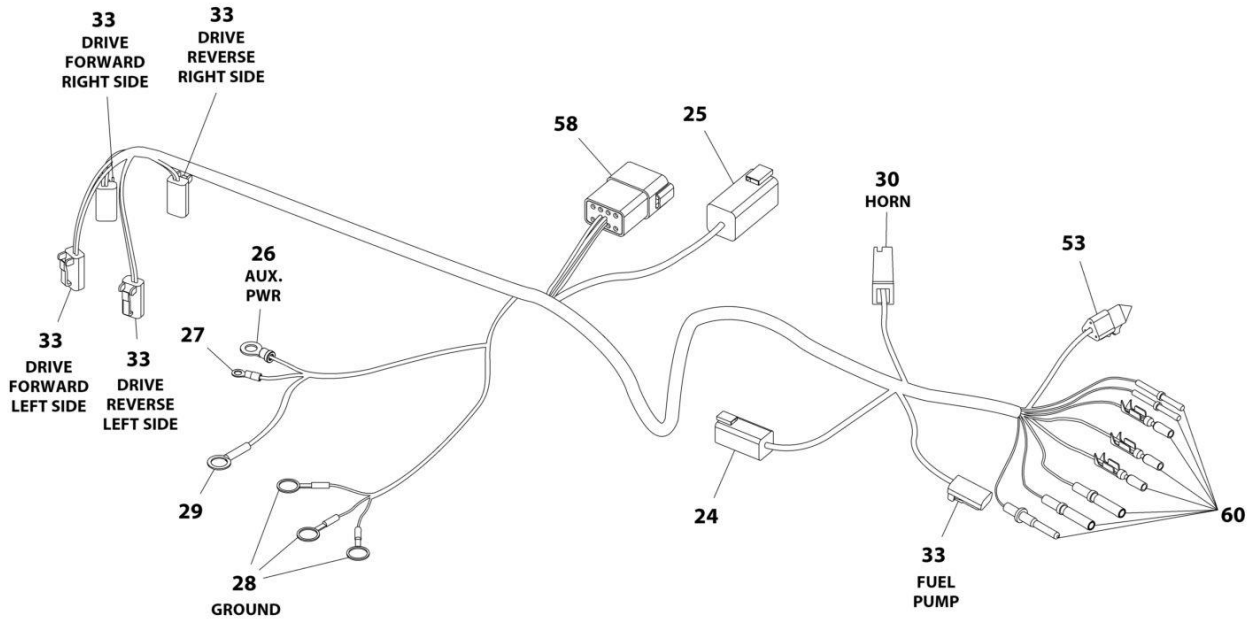
## SECTION 8 - ELECTRICAL

ITEM	PART NUMBER	QTY	DESCRIPTION	REV
66	2400060	1	Fuse, Holder (SN 0300210074 through 0300272504, Except SN 0300272455 through 0300272461)	
66	8229242	1	Fuse, 5Amp (SN 0300210074 through 0300272504, Except SN 0300272455 through 0300272461)	
68	4460888	1	Terminal, Fork (SN 0300210074 through 0300272504, Except SN 0300272455 through 0300272461)	
70	4460884	1	Connector - 4 Position (SN 0300210074 through 0300272504, Except SN 0300272455 through 0300272461)	
70	4460465	4	Socket, Female (SN 0300210074 through 0300272504, Except SN 0300272455 through 0300272461)	
70	1001192401	1	Connector, Dust Cap (SN 0300210074 through 0300272504, Except SN 0300272455 through 0300272461)	
71	4460260	2	Terminal, Housing (SN 0300210074 through 0300272504, Except SN 0300272455 through 0300272461)	



# SECTION 8 - ELECTRICAL

## FIGURE 8-57. GROUND CONTROLS TO ENGINE HARNESS



ART\_1001119372



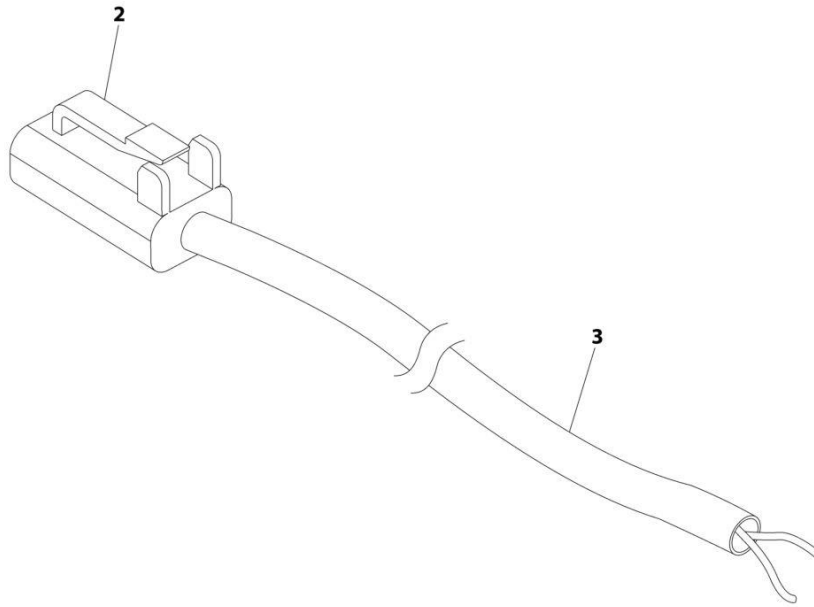
## SECTION 8 - ELECTRICAL

**FIGURE 8-57. GROUND CONTROLS TO ENGINE HARNESS**

ITEM	PART NUMBER	QTY	DESCRIPTION	REV
	1001119372	Ref	GROUND CONTROLS TO ENGINE HARNESS	C
24	4460899	1	Connector - 6 Position	
24	4460464	5	Pin, Male	
24	4460466	1	Plug, Terminal	
25	4460899	1	Connector - 6 Position	
25	4460464	4	Pin, Male	
25	4460943	2	Pin, Male (Gold)	
26	4460312	1	Terminal, Eyelet	
27	4460313	1	Terminal, Eyelet	
28	4460019	3	Terminal, Eyelet	
29	4460256	1	Terminal, Eyelet	
30	4460260	1	Terminal, Housing	
30	4460259	1	Terminal	
33	4460891	5	Connector - 2 Position	
33	4460465	10	Socket, Female	
53	4460539	1	Connector - 3 Position	
53	4460944	3	Socket, Female	
58	4460931	1	Connector - 8 Position	
58	4460464	8	Pin, Male	
60	4460465	2	Socket, Female	
60	4460887	1	Terminal (12 Gauge)	
60	4460871	11	Socket, Female	
60	4460508	1	Pin, Male	

# SECTION 8 - ELECTRICAL

## FIGURE 8-58. JIB STOW SWITCH HARNESS



ART\_4922784

## SECTION 8 - ELECTRICAL

### FIGURE 8-58. JIB STOW SWITCH HARNESS

ITEM	PART NUMBER	QTY	DESCRIPTION	REV
	4922784	Ref	JIB STOW SWITCH HARNESS	C
2	4460891	1	Connector - 2 Position	
2	4460465	2	Socket, Female	
3	1060902	15 ft/ 4.6m	Cable, Electrical 18/2	

## SECTION 8 - ELECTRICAL

FIGURE 8-59. LOAD SENSING PIN HARNESS



ART\_4923256

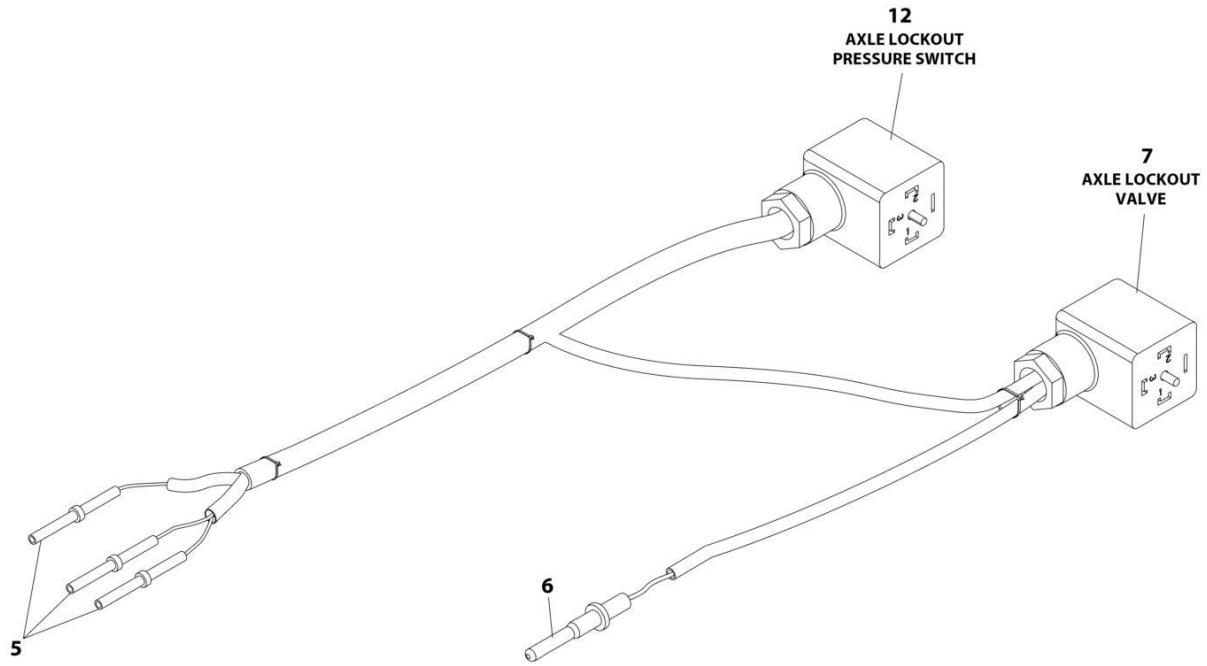
## SECTION 8 - ELECTRICAL

### FIGURE 8-59. LOAD SENSING PIN HARNESS

ITEM	PART NUMBER	QTY	DESCRIPTION	REV
	4923256	Ref	LOAD SENSING PIN HARNESS	B
1	4460930	1	Connector - 8 Position (Gray)	
1	4460465	4	Socket, Female	
1	4460466	3	Plug, Sealing	
2	See Note	NSS	Connector - 4 Position (Note: Not Available for Purchase)	
2	See Note	NSS	Terminal (Note: Not Available for Purchase)	

# SECTION 8 - ELECTRICAL

## FIGURE 8-60. LOCKOUT VALVE HARNESS



ART\_4922767

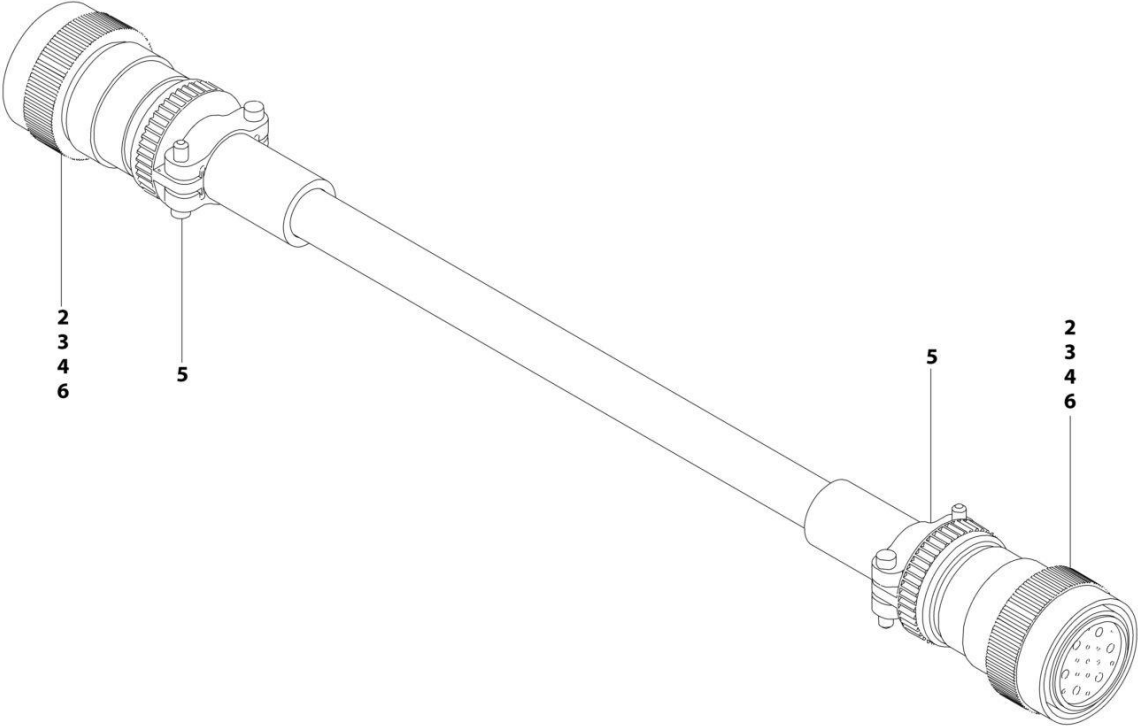
## SECTION 8 - ELECTRICAL

### FIGURE 8-60. LOCKOUT VALVE HARNESS

ITEM	PART NUMBER	QTY	DESCRIPTION	REV
	4922767	Ref	LOCKOUT VALVE HARNESS	C
5	4460465	3	Socket, Female	
6	4460464	1	Pin, Male	
7	4460880	1	Connector, Din	
8	4240033	6	Tie-Strap (Not Shown)	
12	4460449	1	Connector, DIN	

**SECTION 8 - ELECTRICAL**

**FIGURE 8-61. MAIN BOOM CONTROL CABLE HARNESS (1200SJP)**



ART\_4922672



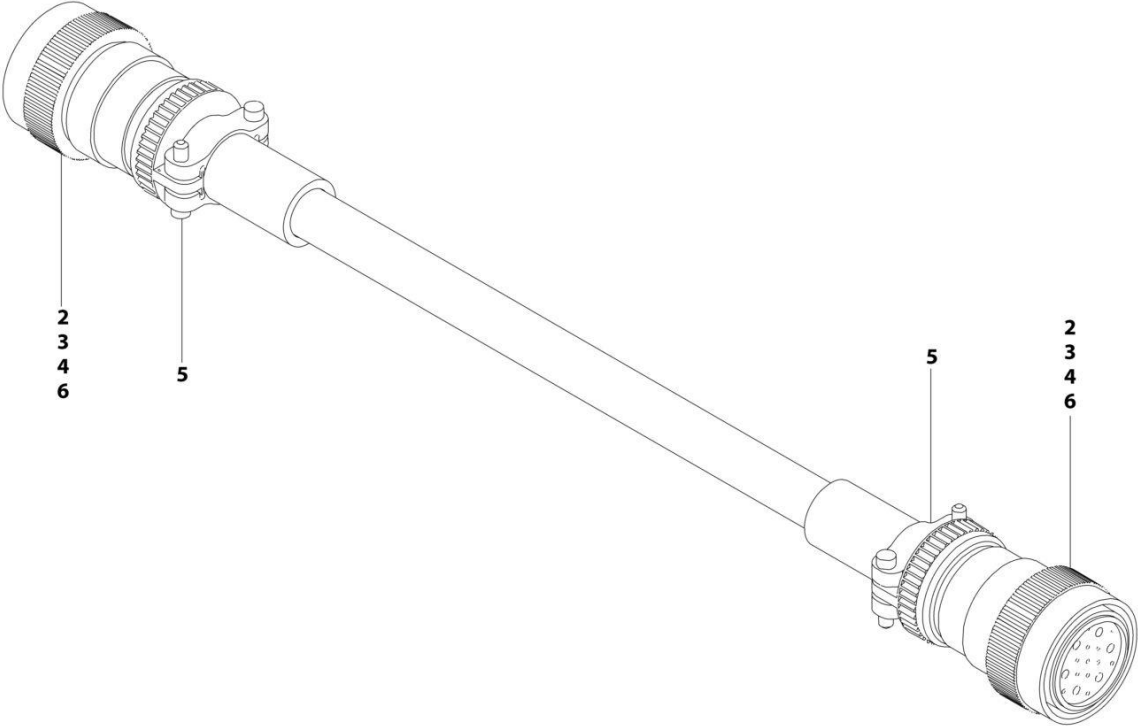
## SECTION 8 - ELECTRICAL

**FIGURE 8-61. MAIN BOOM CONTROL CABLE HARNESS (1200SJP)**

ITEM	PART NUMBER	QTY	DESCRIPTION	REV
	4922672	Ref	MAIN BOOM CONTROL CABLE HARNESS	C
2	4460465	22	Socket, Female	
3	4460865	2	Connector - 19 Position	
4	4460509	8	Socket, Female	
5	4460473	2	Clamp	
6	4460466	8	Plug, Socket	

**SECTION 8 - ELECTRICAL**

**FIGURE 8-62. MAIN BOOM CONTROL CABLE HARNESS (1350SJP)**



ART\_4922673

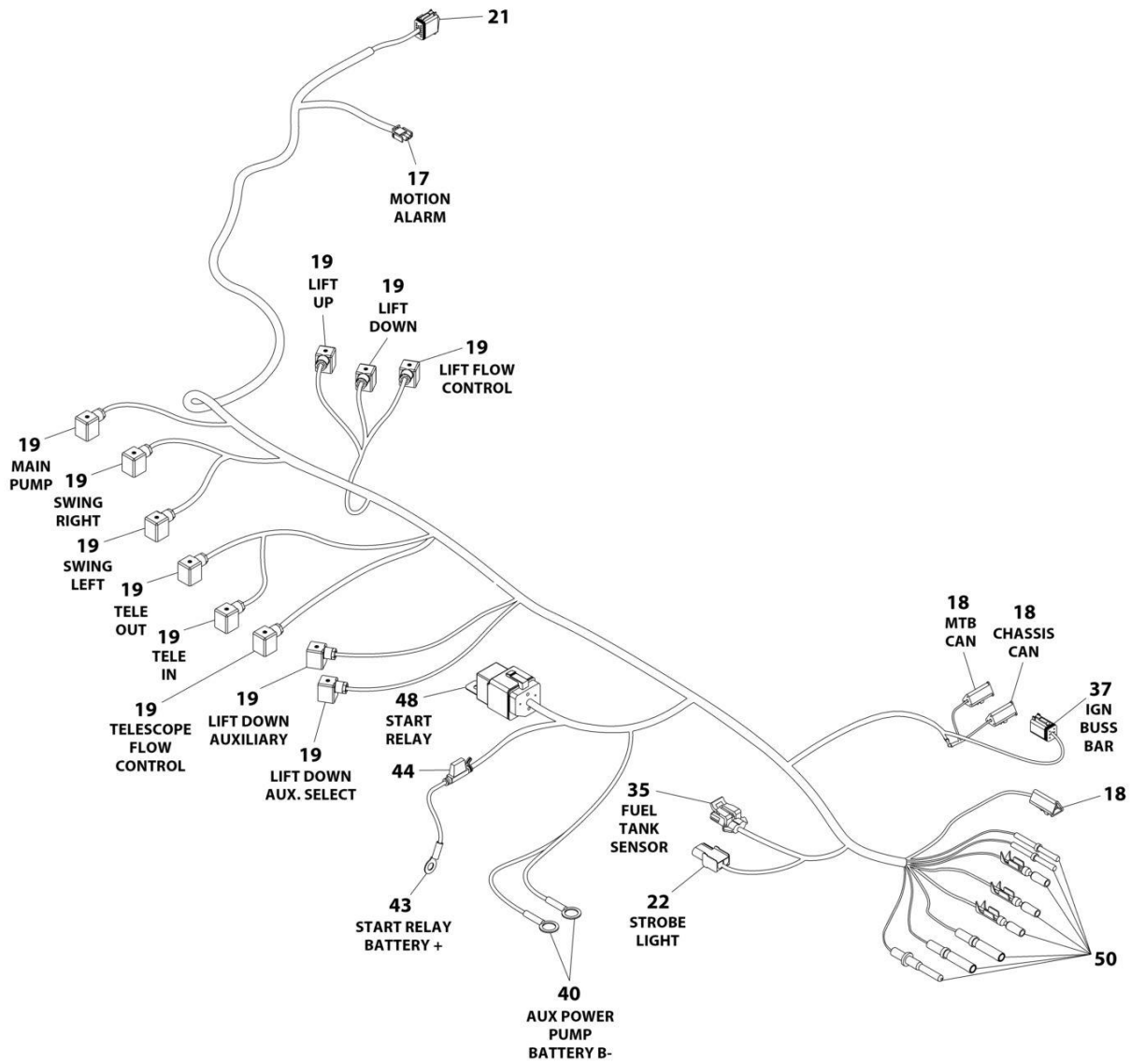
## SECTION 8 - ELECTRICAL

### FIGURE 8-62. MAIN BOOM CONTROL CABLE HARNESS (1350SJP)

ITEM	PART NUMBER	QTY	DESCRIPTION	REV
	4922673	Ref	MAIN BOOM CONTROL CABLE HARNESS	D
2	4460465	22	Socket, Female	
3	4460865	2	Connector - 19 Position	
4	4460509	8	Socket, Female	
5	4460473	2	Clamp	
6	4460466	8	Plug, Socket	

# SECTION 8 - ELECTRICAL

## FIGURE 8-63. MAIN VALVE HARNESS



ART\_1001116369

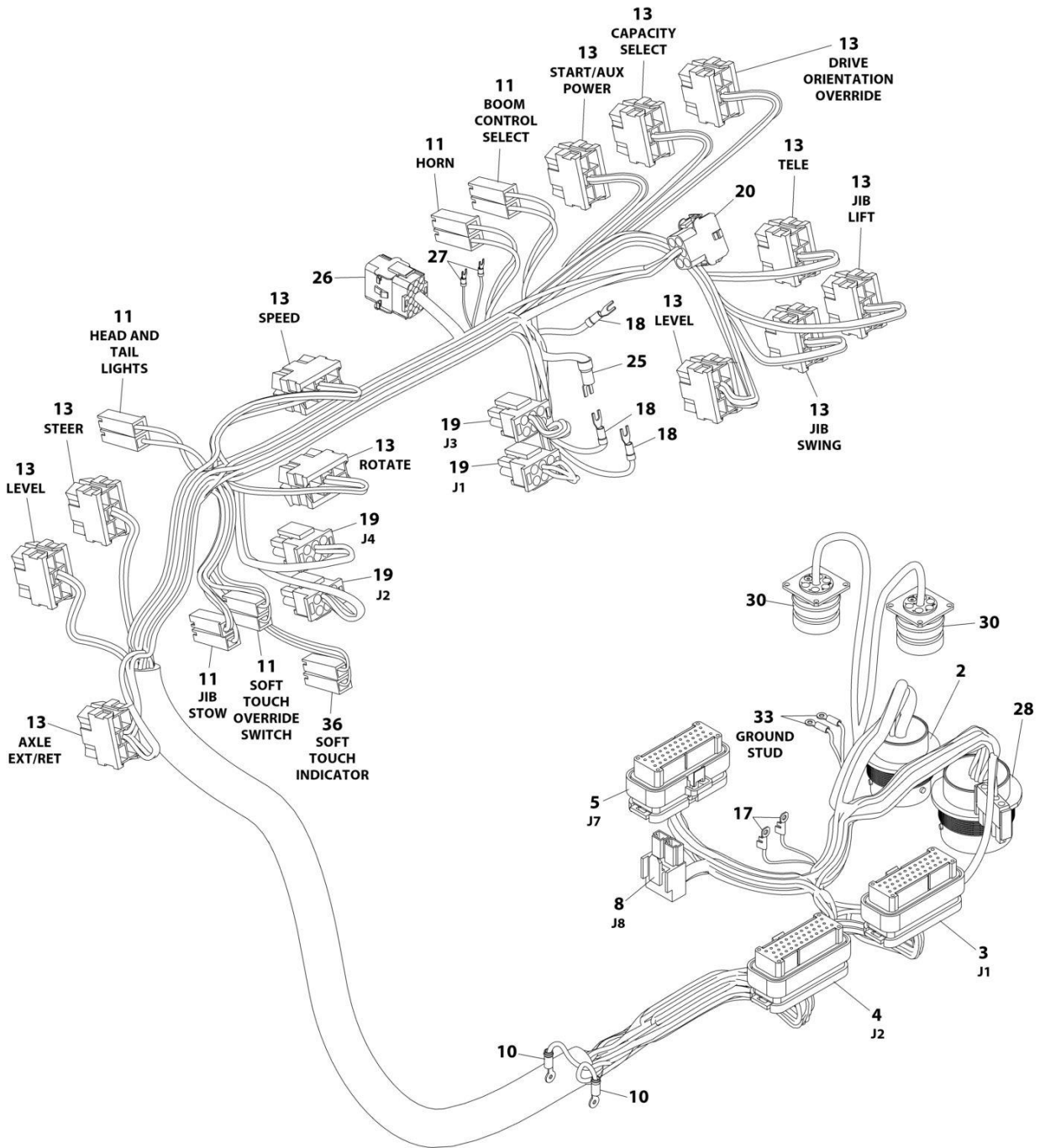
## SECTION 8 - ELECTRICAL

### FIGURE 8-63. MAIN VALVE HARNESS

ITEM	PART NUMBER	QTY	DESCRIPTION	REV
	1001116369	Ref	MAIN VALVE HARNESS	F
17	4460320	1	Connector - 2 Position	
17	4460267	2	Pin, Male	
18	4460965	3	Connector - 3 Position	
18	4460944	9	Socket, Female	
19	4460880	11	DIN Connector	
21	4460836	1	Connector - 12 Position (Black)	
21	4460465	3	Socket, Female	
21	4460466	4	Plug, Socket	
21	4460944	3	Socket, Female 16-18 GA (Gold)	
21	4460942	2	Socket, Female 14-16 GA	
22	4460424	1	Connector - 2 Position	
22	4460268	2	Socket, Female	
35	4460843	1	Connector - 2 Position	
35	4460842	2	Socket, Female	
37	4460894	1	Connector - 6 Position	
37	4460465	3	Socket, Female	
37	4460942	3	Socket, Female 14-16 GA	
40	4460256	2	Terminal, Eyelet	
43	4460019	1	Terminal, Eyelet	
44	2400066	1	Holder, Fuse	
44	2400065	1	Fuse	
48	3740080	1	Relay	
48	4460374	1	Plug, Seal	
48	4460375	5	Terminal	
48	0100048	AR	Grease, Dielectric	
50	4460465	2	Socket, Female	
50	4460944	1	Socket, Female (Gold)	
50	4460871	16	Socket, Female	
50	4460464	1	Pin, Male	
50	4460942	3	Socket, Female	

# SECTION 8 - ELECTRICAL

FIGURE 8-64. PLATFORM CONSOLE BOX HARNESS - WITHOUT SKYGUARD



ART\_4923448

## SECTION 8 - ELECTRICAL

**FIGURE 8-64. PLATFORM CONSOLE BOX HARNESS - WITHOUT SKYGUARD**

ITEM	PART NUMBER	QTY	DESCRIPTION	REV
	4923448	Ref	PLATFORM CONSOLE BOX HARNESS - WITHOUT SKYGUARD	C
2	4460866	1	Connector - 19 Pin	
2	4460464	7	Pin, Male	
2	4460508	4	Pin, Male	
2	4460943	3	Pin, Male 16 Ga (Gold)	
3	4460874	1	Connector - 35 Position (Natural)	
3	4460871	32	Socket, Female	
3	4460905	3	Plug	
4	4460876	1	Connector - 35 Position (Blue)	
4	4460871	34	Socket, Female	
4	4460905	1	Plug	
5	4460873	1	Connector - 35 Position (Black)	
5	4460871	23	Socket, Female	
5	4460905	12	Plug	
8	4460879	1	Connector, Male - 2 Position	
8	4460887	2	Terminal (12 Gauge)	
10	4460213	2	Terminal, Eyelet	
11	4460260	10	Terminal, Housing	
11	4460259	10	Terminal	
13	4460418	12	Connector - 6 Position	
13	4460419	36	Socket, Female	
17	1001121703	2	Terminal, Eyelet	
18	4460888	3	Terminal, Fork	
19	4460225	4	Connector - 6 Position	
19	4460226	21	Terminal (16 Gauge)	
20	4460225	1	Connector - 6 Position	
20	4460227	5	Pin, Male	
25	4460806	1	Terminal, Fork	
26	4460434	1	Connector - 15 Position	
26	4460227	14	Pin, Male	
27	4460183	13	Terminal, Fork	
28	4460925	1	Connector - 21 Pin	
28	4460929	13	Pin, Male Deutsch 16 Ga	
28	4460466	8	Plug	
30	1001121616	2	Connector - 6 Position	
30	1001121615	2	Base, Mounting	
33	4460142	2	Terminal, Eyelet	
36	4460016	2	Terminal	





## SECTION 8 - ELECTRICAL

**FIGURE 8-65. PLATFORM CONSOLE BOX HARNESS - WITH SKYGUARD (SN 0300201016 through 0300234290, SN B300002238 through B300002991)**

ITEM	PART NUMBER	QTY	DESCRIPTION	REV
	1001186477	Ref	PLATFORM CONSOLE BOX HARNESS - WITH SKYGUARD (SN 0300201016 through 0300234290, SN B300002238 through B300002991)	D
2	4460866	1	Connector - 19 Pin	
2	4460464	7	Pin, Male Deutsch 16 Ga	
2	4460508	4	Pin, Male Deutsch 12 Ga	
2	4460943	3	Pin, Male 16 Ga (Gold)	
3	4460874	1	Connector - 35 Position (Natural)	
3	4460871	32	Socket, Female	
3	4460905	3	Plug	
4	4460876	1	Connector - 35 Position (Blue)	
4	4460871	34	Socket, Female	
4	4460905	1	Plug	
5	4460873	1	Connector - 35 Position (Black)	
5	4460871	24	Socket, Female	
5	4460905	11	Plug	
8	4460879	1	Connector - 2 Position	
8	4460887	2	Terminal	
10	4460213	2	Terminal Eyelet	
11	4460260	10	Terminal, Housing	
11	4460259	10	Terminal	
13	4460418	12	Connector, Female - 6 Position	
13	4460419	36	Socket, Female	
17	1001121703	2	Terminal, Eyelet	
18	4460888	3	Terminal, Fork	
19	4460225	4	Connector - 6 Position	
19	4460226	21	Terminal (16 Gauge)	
20	4460225	1	Connector - 6 Position	
20	4460227	5	Pin, Male	
25	4460806	1	Terminal, Fork	
26	4460434	2	Connector - 15 Position	
26	4460227	14	Pin, Male	
26	4460267	1	Pin, Male	
27	4460183	13	Terminal, Fork	
28	4460925	1	Connector - 21 Pin	
28	4460929	13	Pin, Male Deutsch 16 Ga	
28	4460466	8	Plug	
30	1001121616	2	Connector, 6 Position	
30	1001121615	2	Base, Mounting	
33	4460142	2	Terminal, Eyelet	
36	4460016	2	Terminal	
37	4460708	1	Connector - 15 Position	
37	4460226	3	Terminal (16 Gauge)	
39	4460884	1	Connector - 4 Position	
39	4460944	4	Socket, Female (Gold)	
41	1001116720	4	Terminal	
42	1001118388	4	Terminal	
43	4460539	1	Plug, Male - 3 Position	
43	4460944	3	Socket, Female (Gold)	

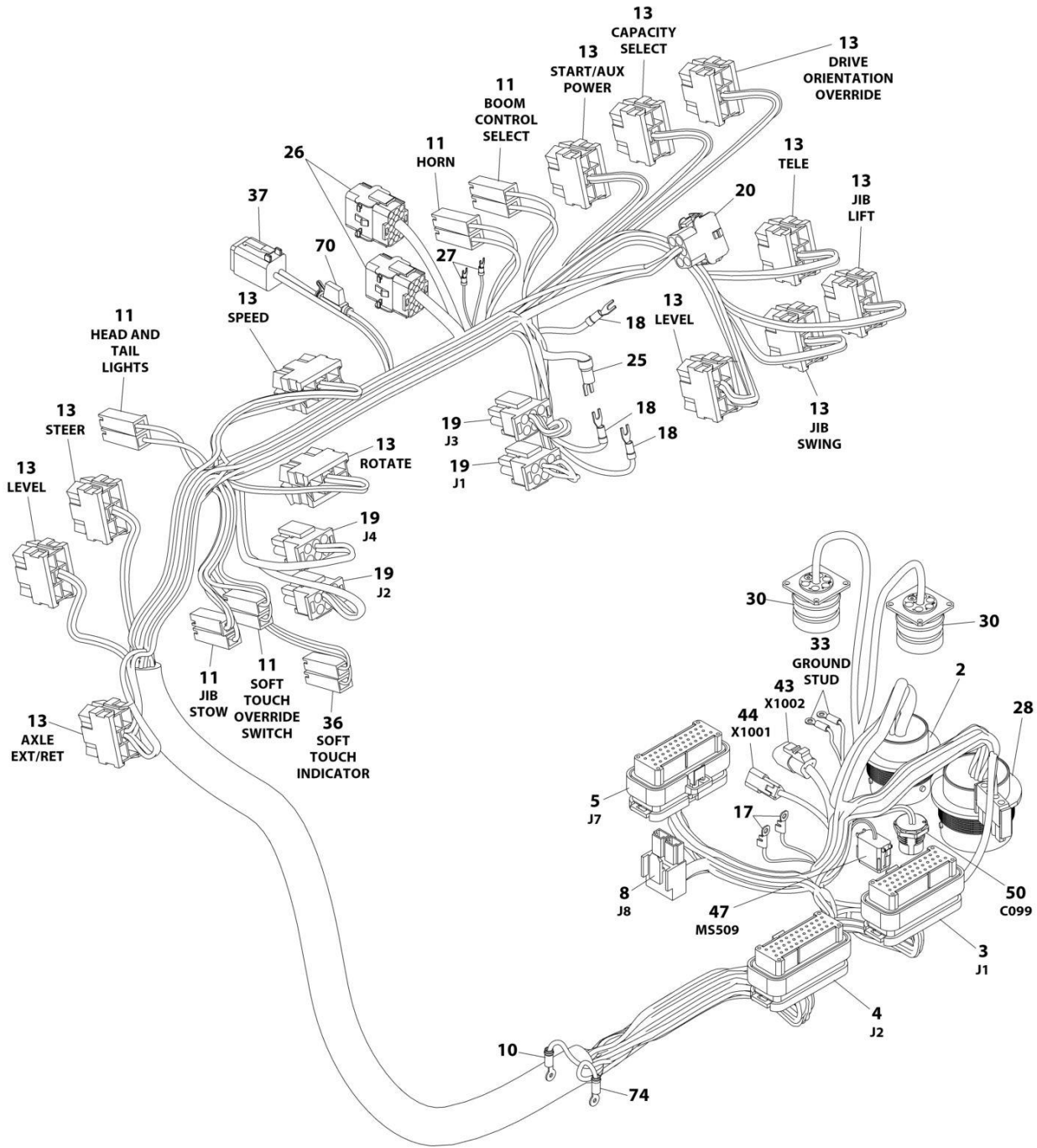
## SECTION 8 - ELECTRICAL

ITEM	PART NUMBER	QTY	DESCRIPTION	REV
44	4460536	1	Connector - 3 Position	
44	4460943	3	Pin, Male (Gold)	
46	4460932	1	Connector - 4 Position	



# SECTION 8 - ELECTRICAL

**FIGURE 8-66. PLATFORM CONSOLE BOX HARNESS - WITH SKYGUARD (SN 0300234291 through 0300272504, SN B300002992 through B300007118)**



ART\_1001220866

## SECTION 8 - ELECTRICAL

**FIGURE 8-66. PLATFORM CONSOLE BOX HARNESS - WITH SKYGUARD (SN 0300234291 through 0300272504, SN B300002992 through B300007118)**

ITEM	PART NUMBER	QTY	DESCRIPTION	REV
	1001220866	Ref	PLATFORM CONSOLE BOX HARNESS - WITH SKYGUARD (SN 0300234291 through 0300272504, SN B300002992 through B300007118, Except SN 0300272455 through 0300272461)	G
2	4460866	1	Connector - 19 Pin	
2	4460464	7	Pin, Male Deutsch 16 Ga	
2	4460508	4	Pin, Male Deutsch 12 Ga	
2	4460943	3	Pin, Male 16 Ga (Gold)	
3	4460874	1	Connector - 35 Position (Natural)	
3	4460871	33	Socket, Female	
3	4460905	2	Plug	
4	4460876	1	Connector - 35 Position (Blue)	
4	4460871	34	Socket, Female	
4	4460905	1	Plug	
5	4460873	1	Connector - 35 Position (Black)	
5	4460871	AR	Socket, Female	
5	4460905	AR	Plug	
8	4460879	1	Connector - 2 Position	
8	4460887	2	Terminal	
10	4460213	1	Terminal Eyelet	
11	4460260	10	Terminal, Housing	
11	4460259	10	Terminal	
13	4460418	12	Connector, Female - 6 Position	
13	4460419	34	Socket, Female	
17	1001121703	2	Terminal, Eyelet	
18	4460888	3	Terminal, Fork	
19	4460225	4	Connector - 6 Position	
19	4460226	21	Terminal (16 Gauge)	
20	4460225	1	Connector - 6 Position	
20	4460227	5	Pin, Male	
25	4460806	1	Terminal, Fork	
26	4460434	2	Connector - 15 Position	
26	4460227	16	Pin, Male	
27	4460183	13	Terminal, Fork	
28	4460925	1	Connector - 21 Pin	
28	4460929	13	Pin, Male Deutsch 16 Ga	
28	4460466	8	Plug	
30	1001121616	2	Connector - 6 Position	
30	1001121615	2	Base, Mounting	
33	4460142	2	Terminal, Eyelet	
36	4460016	2	Terminal	
37	4460894	1	Connector - 6 Position	
37	4460465	AR	Socket, Female	
37	4460466	AR	Plug	
43	4460539	1	Plug, Male - 3 Position	
43	4460944	3	Socket, Female (Gold)	
44	4460536	1	Connector - 3 Position	
44	4460943	3	Pin, Male (Gold)	
47	4460933	1	Connector, Gray - 12 Position	
47	4460944	8	Socket, Female (Gold)	

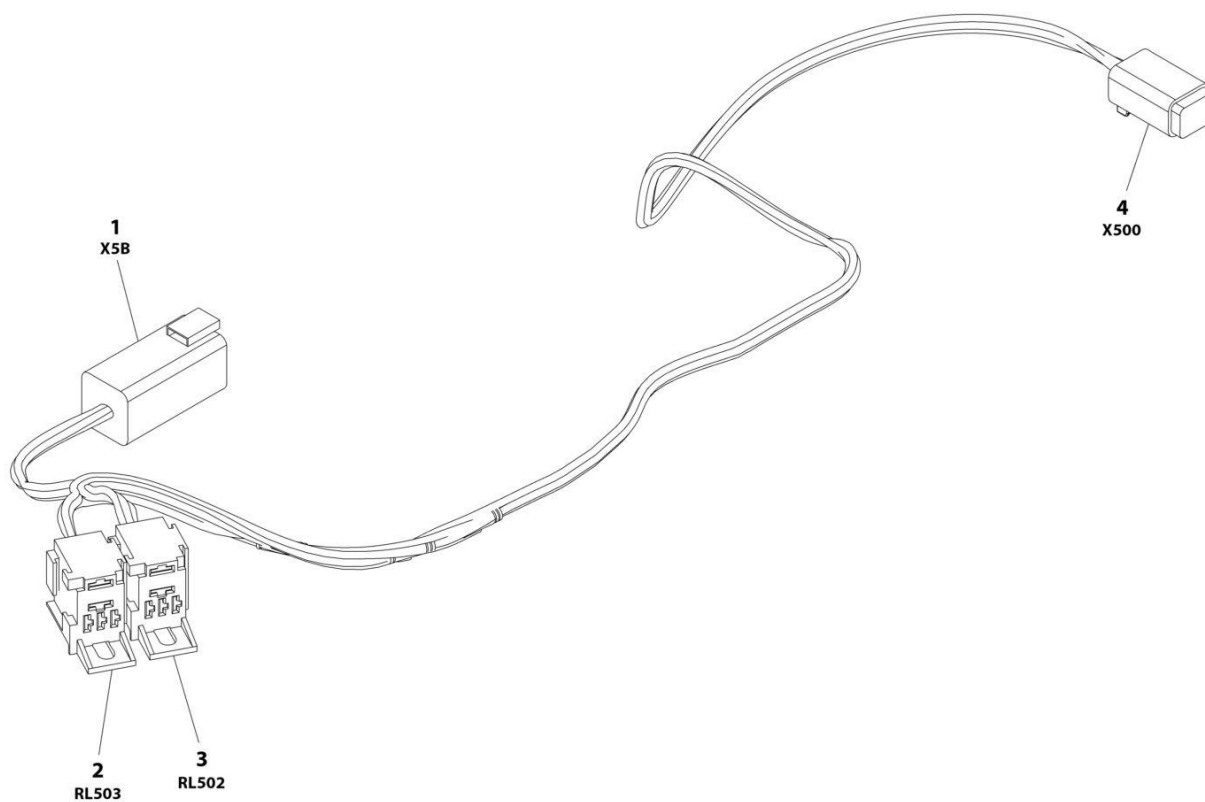
## SECTION 8 - ELECTRICAL

ITEM	PART NUMBER	QTY	DESCRIPTION	REV
47	4460466	4	Plug	
47	1001119020	1	Bussbar - 12 Position	
50	1001213447	1	Connector - 5 Position	
70	2400060	1	Fuse, Holder (SN 0300259330 through 0300272504, SN B300004191 through B300007118, Except SN 0300272455 through 0300272461)	
70	8229242	1	Fuse, 5Amp (SN 0300259330 through 0300272504, SN B300004191 through B300007118, Except SN 0300272455 through 0300272461)	
72	4460708	1	Connector - 15 Position (Not Shown) (SN 0300259330 through 0300272504, SN B300004191 through B300007118, Except SN 0300272455 through 0300272461)	
72	4460226	2	Terminal (16 Gauge) (SN 0300259330 through 0300272504, SN B300004191 through B300007118, Except SN 0300272455 through 0300272461)	
74	4460213	1	Terminal Eyelet (SN 0300234291 through 0300259329, SN B300002992 through B300004190)	
74	1001098122	1	Terminal Eyelet (SN 0300259330 through 0300272504, SN B300004191 through B300007118, Except SN 0300272455 through 0300272461)	



# SECTION 8 - ELECTRICAL

## FIGURE 8-67. PLATFORM INTERFACE HARNESS



ART\_1001225580



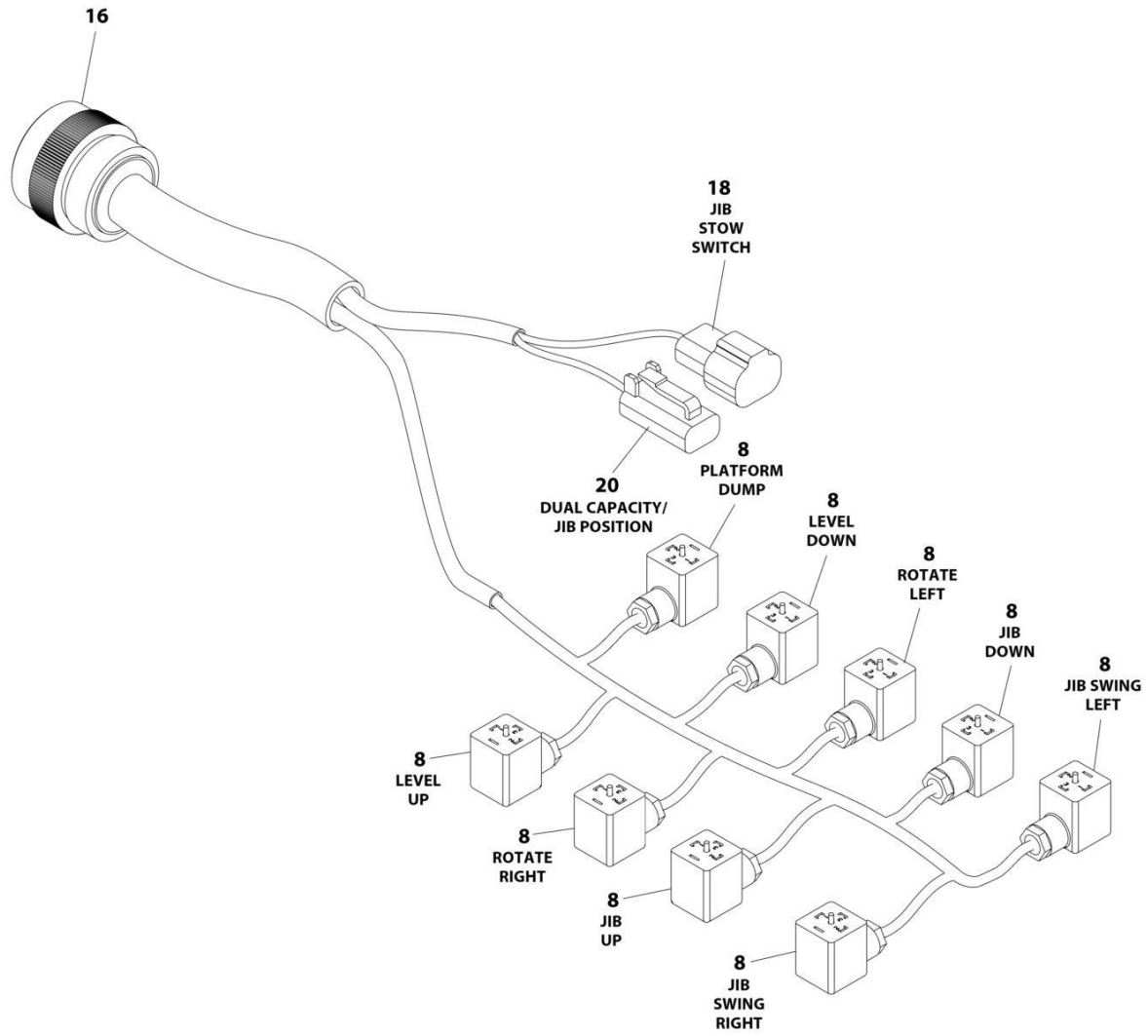
## SECTION 8 - ELECTRICAL

**FIGURE 8-67. PLATFORM INTERFACE HARNESS**

ITEM	PART NUMBER	QTY	DESCRIPTION	REV
	1001225580	Ref	PLATFORM INTERFACE HARNESS	D
1	4460899	1	Connector, Female - 6 Position	
1	4460464	4	Pin, Male	
1	4460466	2	Seal, Plug	
2	1001186432	1	Holder, Micro Relay	
2	1001116720	2	Terminal	
2	1001118388	2	Terminal	
3	1001186432	1	Holder, Micro Relay	
3	1001116720	2	Terminal	
3	1001118388	2	Terminal	
4	4460884	1	Connector - 3 Position	
4	4460465	4	Socket, Female	

# SECTION 8 - ELECTRICAL

## FIGURE 8-68. PLATFORM VALVE HARNESS



ART\_4922777

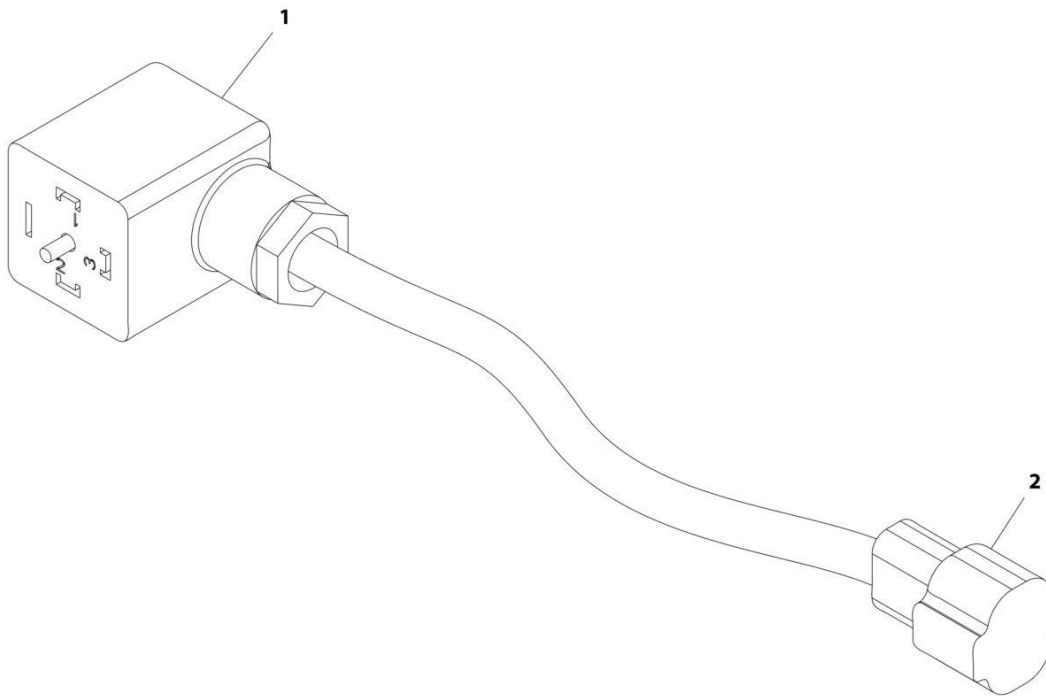
## SECTION 8 - ELECTRICAL

### FIGURE 8-68. PLATFORM VALVE HARNESS

ITEM	PART NUMBER	QTY	DESCRIPTION	REV
	4922777	Ref	PLATFORM VALVE HARNESS	D
7	4240033	10	Tie-Strap (Not Shown)	
8	4460880	9	DIN Connector	
16	4460926	1	Connector - 21 Position	
16	4460928	13	Socket, Female	
16	4460466	8	Plug, Hole	
18	4460897	1	Connector - 2 Position	
18	4460464	2	Pin, Male	
20	4460891	1	Plug, Male - 2 Position	
20	4460465	2	Socket, Female	

# SECTION 8 - ELECTRICAL

## FIGURE 8-69. PUMP ADAPTER HARNESS - SAUER PUMPS



ART\_1001119456

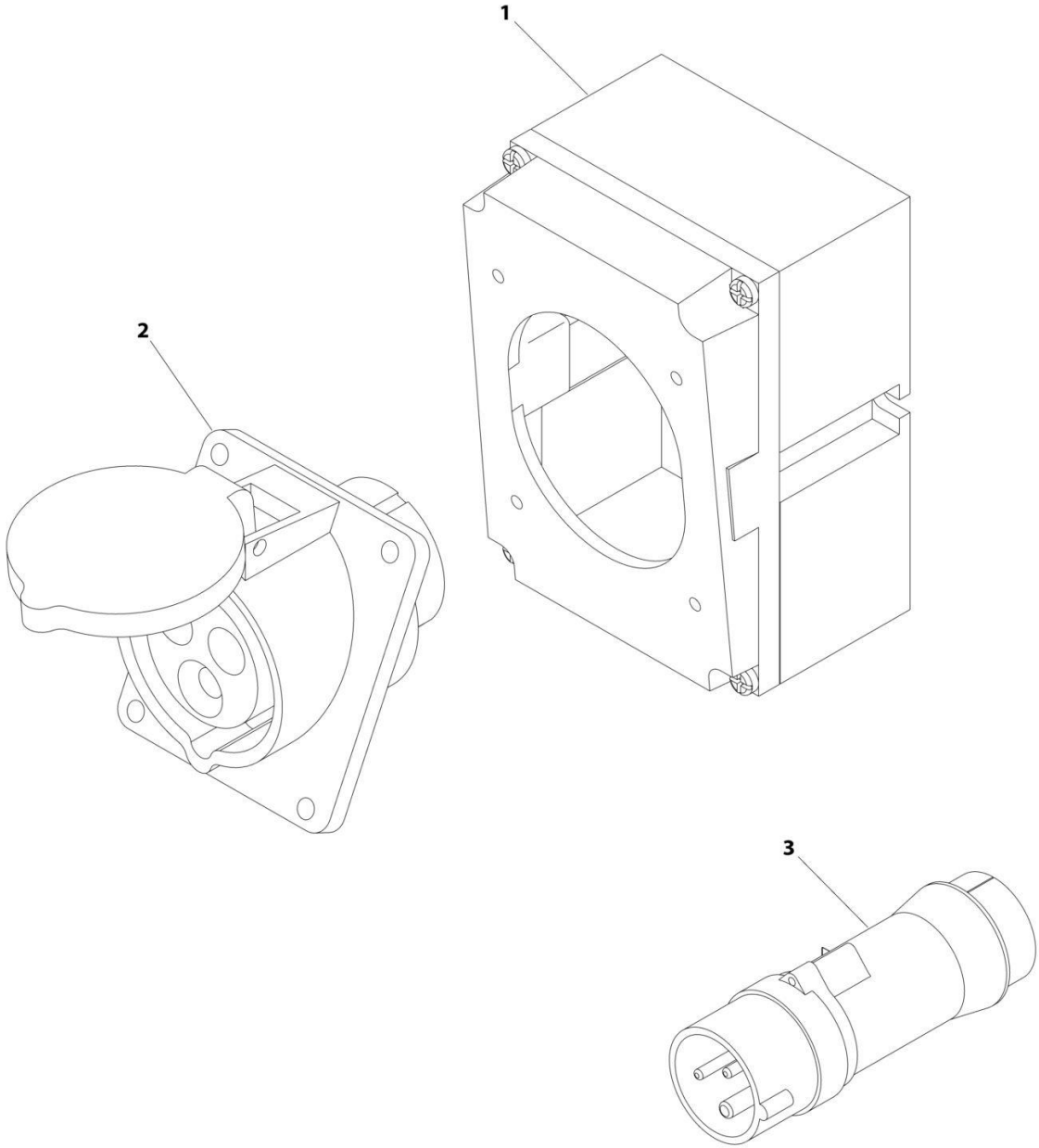
## SECTION 8 - ELECTRICAL

### FIGURE 8-69. PUMP ADAPTER HARNESS - SAUER PUMPS

ITEM	PART NUMBER	QTY	DESCRIPTION	REV
	1001119456	Ref	PUMP ADAPTER HARNESS - SAUER PUMPS	C
1	4460880	2	DIN Connector	
2	4460897	2	Connector - 2 Position	
2	4460464	4	Pin, Male	

# SECTION 8 - ELECTRICAL

FIGURE 8-70. RECEPTACLE BOX KIT - 110V IEC YELLOW WITHOUT 2500W GENERATOR (CE SPECS)



ART\_0275216

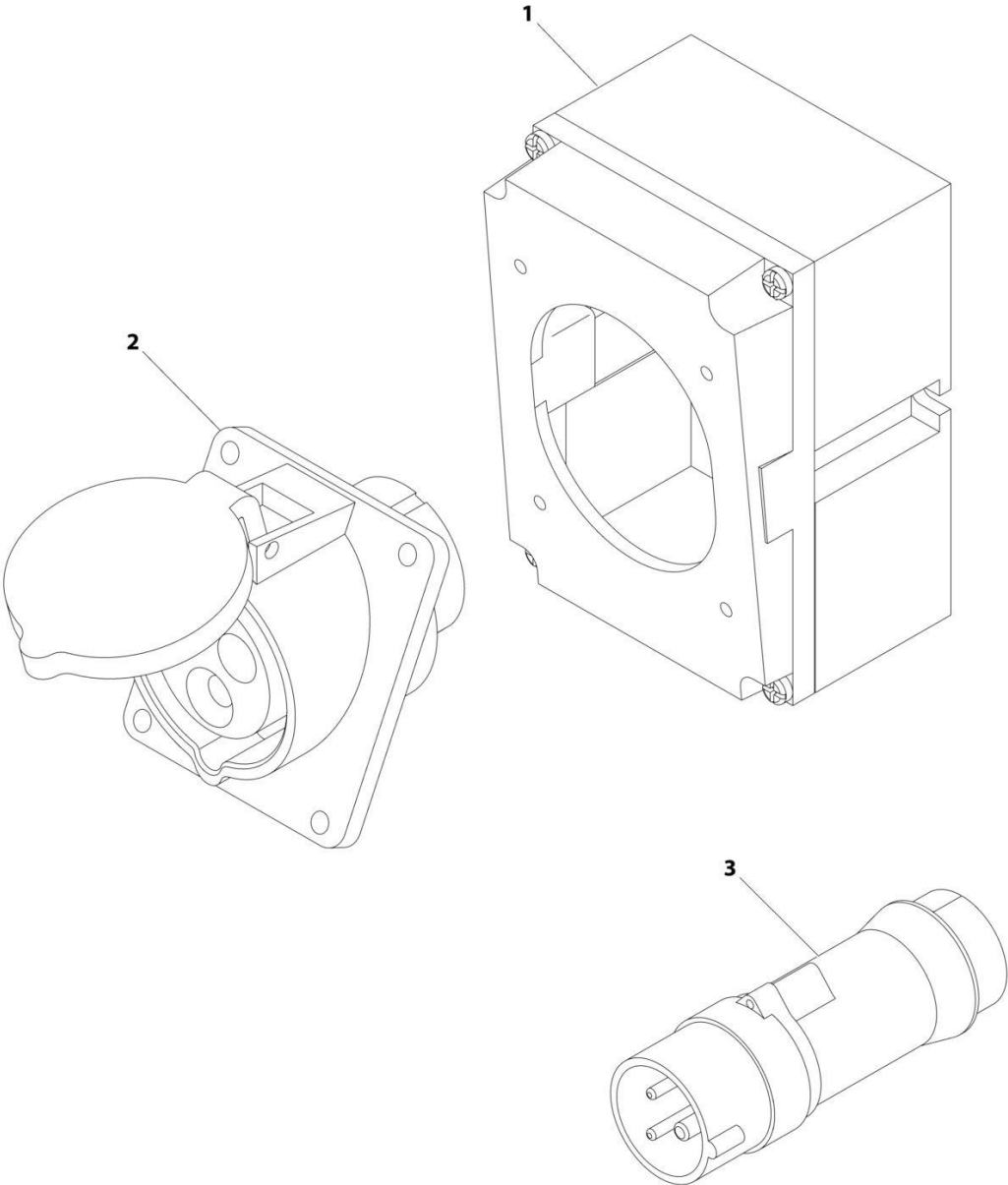
## SECTION 8 - ELECTRICAL

**FIGURE 8-70. RECEPTACLE BOX KIT - 110V IEC YELLOW WITHOUT 2500W GENERATOR (CE SPECS)**

ITEM	PART NUMBER	QTY	DESCRIPTION	REV
	0275216	Ref	RECEPTACLE BOX KIT - 110V IEC YELLOW WITHOUT 2500W GENERATOR (CE SPECS)	B
1	0861781	1	Box, Switch	
2	4461198	1	Receptacle	
3	4461196	1	Plug, Male	

**SECTION 8 - ELECTRICAL**

**FIGURE 8-71. RECEPTACLE BOX KIT - 220V IEC BLUE WITHOUT 2500W GENERATOR (CE SPECS)**



ART\_0275217



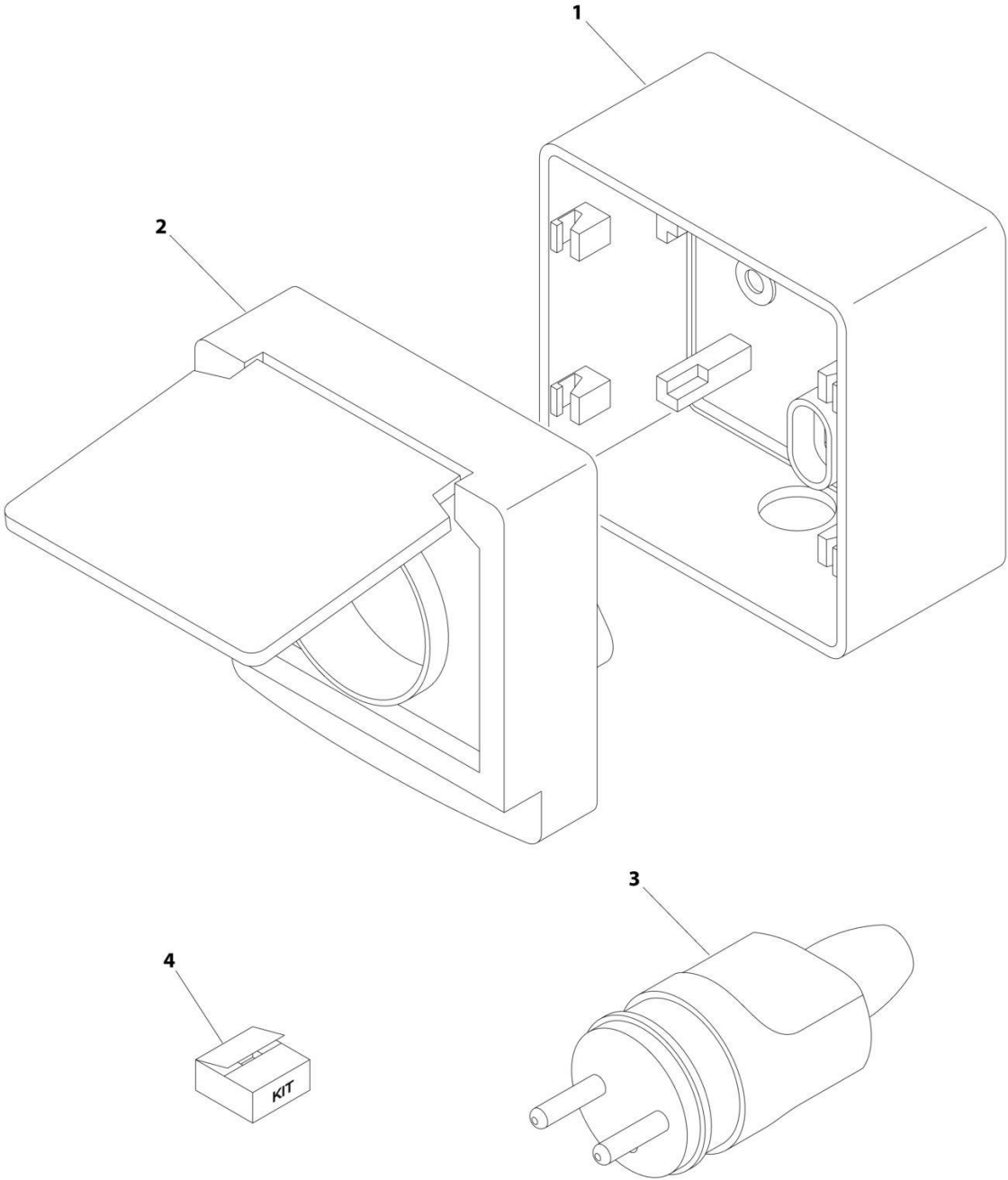
## SECTION 8 - ELECTRICAL

**FIGURE 8-71. RECEPTACLE BOX KIT - 220V IEC BLUE WITHOUT 2500W GENERATOR (CE SPECS)**

ITEM	PART NUMBER	QTY	DESCRIPTION	REV
	0275217	Ref	RECEPTACLE BOX KIT - 220V IEC BLUE WITHOUT 2500W GENERATOR (CE SPECS)	B
1	0861781	1	Box, Switch	
2	4461201	1	Receptacle	
3	4461199	1	Plug, Male	

**SECTION 8 - ELECTRICAL**

**FIGURE 8-72. RECEPTACLE BOX KIT - 220V CEE7 POST GROUND WITHOUT 2500W GENERATOR  
(70MM X 70MM BOX) (CE SPECS)**



ART\_0275218

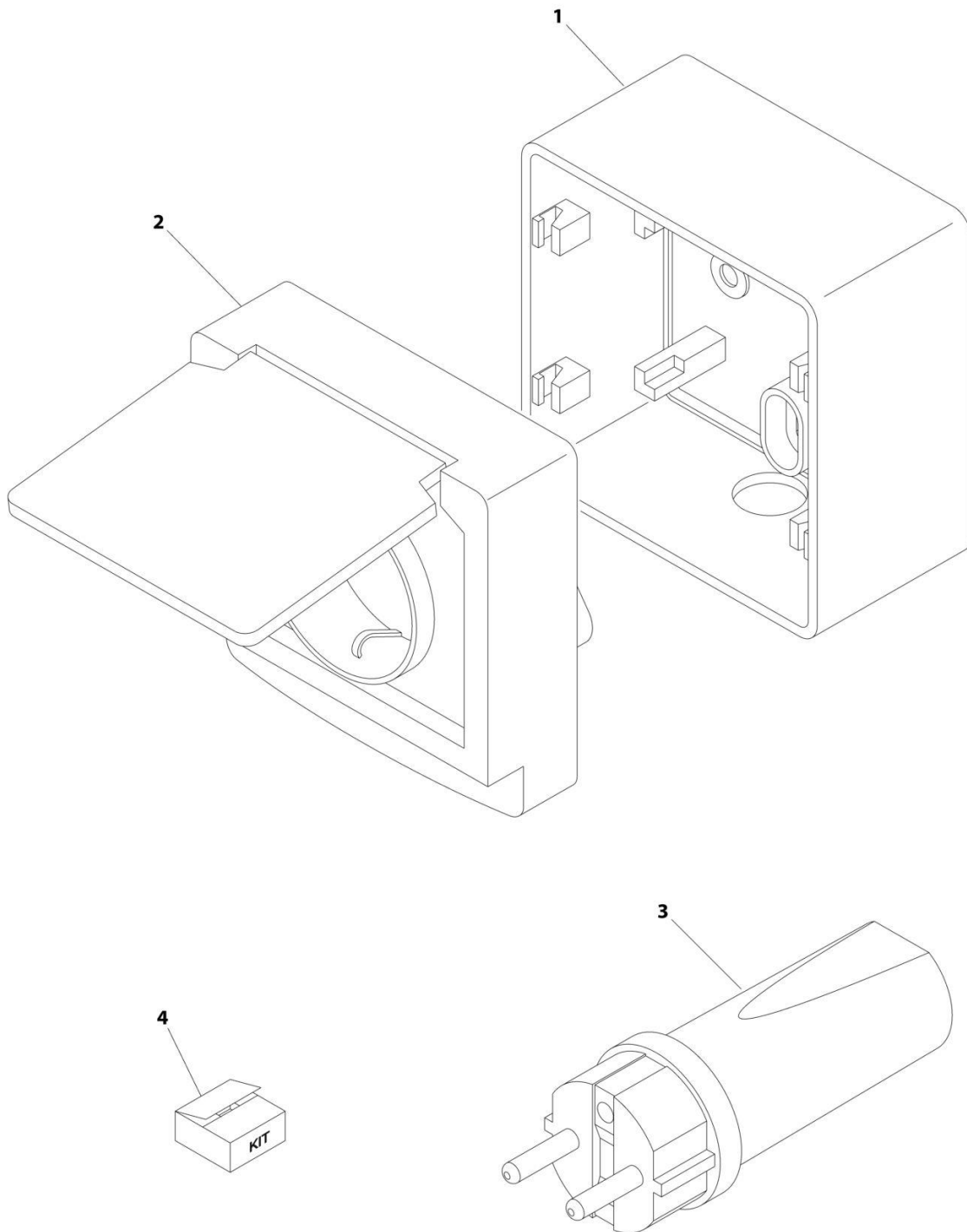
## SECTION 8 - ELECTRICAL

**FIGURE 8-72. RECEPTACLE BOX KIT - 220V CEE7 POST GROUND WITHOUT 2500W GENERATOR  
(70MM X 70MM BOX) (CE SPECS)**

ITEM	PART NUMBER	QTY	DESCRIPTION	REV
	0275218	Ref	RECEPTACLE BOX KIT - 220V CEE7 POST GROUND WITHOUT 2500W GENERATOR (70MM X 70MM BOX) (CE SPECS)	C
1	1001141967	1	Box, Switch	
2	1001141968	1	Receptacle	
3	4461202	NLA	Plug, Male (Use p/n 4461205) <b>(SN 0300201017 through 0300218299)</b>	
3	4461205	1	Plug, Male <b>(SN 0300218300 through 0300272504, Except SN 0300272455 through 0300272461)</b>	
4	1001141971	1	Plug and Socket Kit (Includes Items 1-3 and Female Plug p/n 4461203)	

## SECTION 8 - ELECTRICAL

FIGURE 8-73. RECEPTACLE BOX KIT - 220V CEE7 SIDE GROUND WITHOUT 2500W GENERATOR  
(70MM X 70MM BOX) (CE SPECS)



ART\_0275219

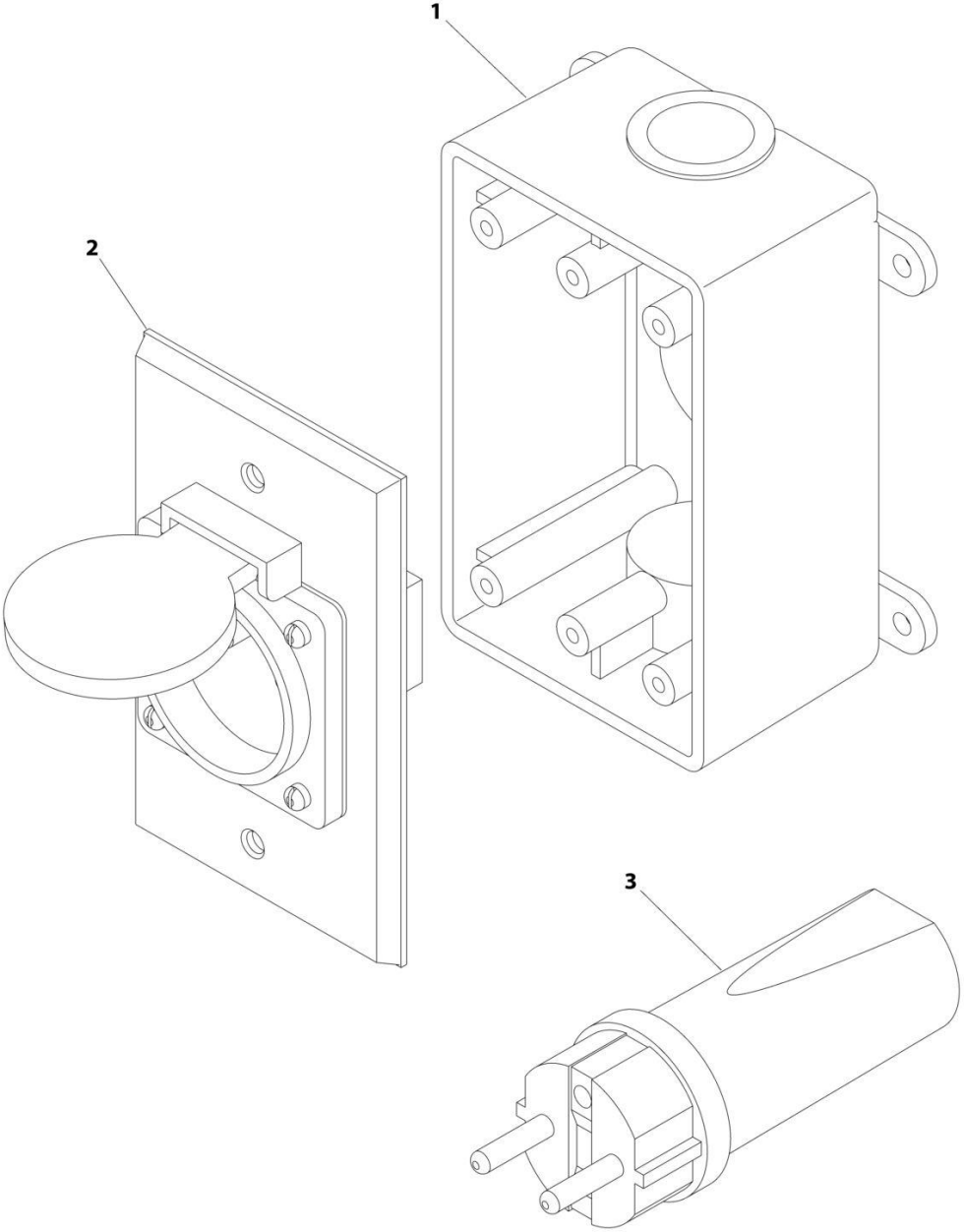
## SECTION 8 - ELECTRICAL

**FIGURE 8-73. RECEPTACLE BOX KIT - 220V CEE7 SIDE GROUND WITHOUT 2500W GENERATOR  
(70MM X 70MM BOX) (CE SPECS)**

ITEM	PART NUMBER	QTY	DESCRIPTION	REV
	0275219	Ref	RECEPTACLE BOX KIT - 220V CEE7 SIDE GROUND WITHOUT 2500W GENERATOR (70MM X 70MM BOX) (CE SPECS)	B
1	1001141967	1	Box, Switch	
2	1001141969	1	Receptacle	
3	4461205	1	Plug, Male	
4	1001141970	1	Plug and Socket Kit (Includes Items 1-3 and Female Plug p/n 4461206)	

**SECTION 8 - ELECTRICAL**

**FIGURE 8-74. RECEPTACLE BOX KIT - 220V CEE7 POST GROUND WITHOUT 2500W GENERATOR  
(2X4 BOX) (CE SPECS)**



ART\_0275452

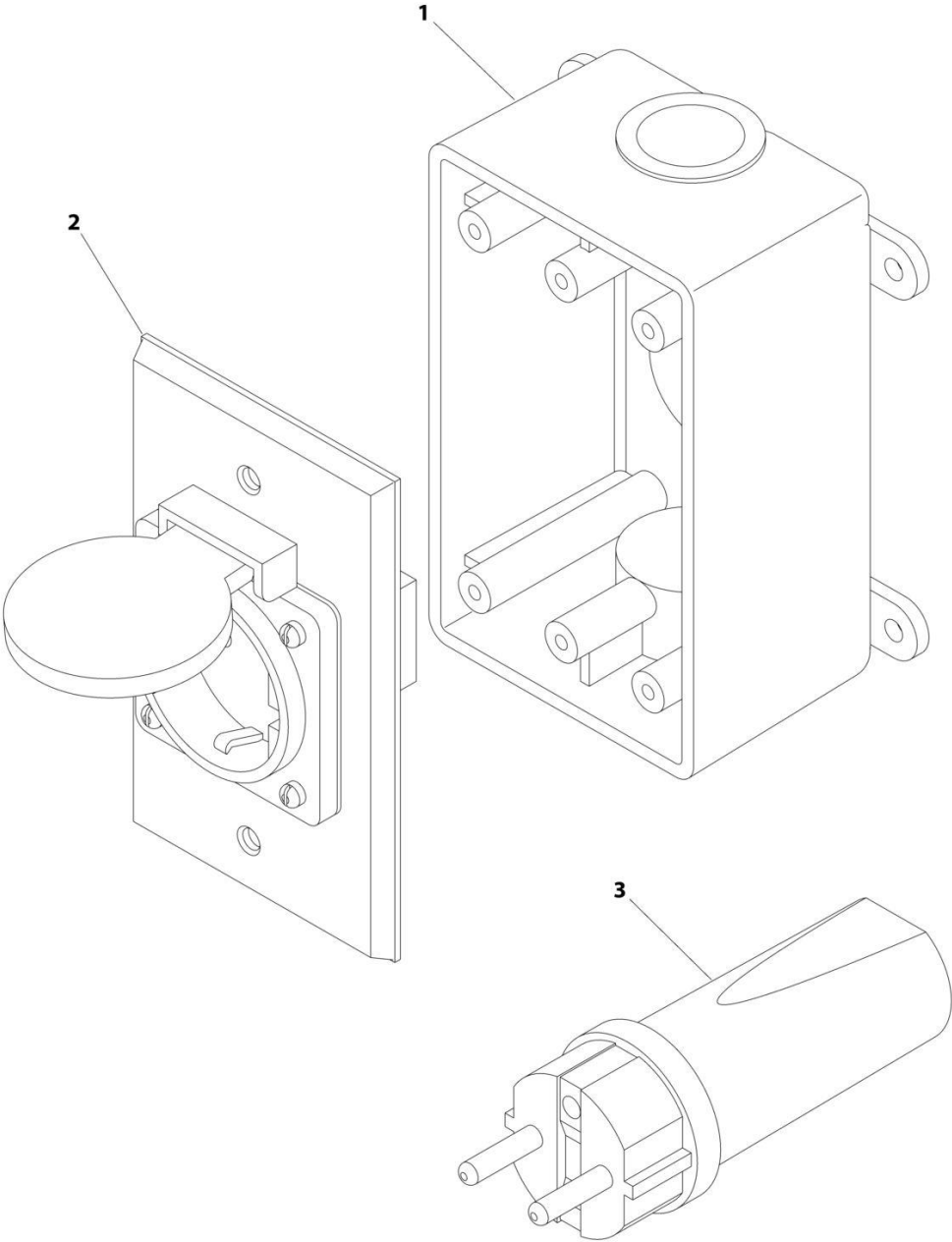
## SECTION 8 - ELECTRICAL

**FIGURE 8-74. RECEPTACLE BOX KIT - 220V CEE7 POST GROUND WITHOUT 2500W GENERATOR (2X4 BOX) (CE SPECS)**

ITEM	PART NUMBER	QTY	DESCRIPTION	REV
	0275452	Ref	RECEPTACLE BOX KIT - 220V CEE7 POST GROUND WITHOUT 2500W GENERATOR (2X4 BOX) (CE SPECS)	C
1	0861731	1	Box, Switch	
2	4461244	1	Receptacle	
3	4461202	NLA	Plug, Male (Use p/n 4461205) <b>(SN 0300201016 through 0300218299)</b>	
3	4461205	1	Plug, Male <b>(SN 0300218300 through 0300272504, Except SN 0300272455 through 0300272461)</b>	

**SECTION 8 - ELECTRICAL**

**FIGURE 8-75. RECEPTACLE BOX KIT - 220V CEE7 SIDE GROUND WITHOUT 2500W GENERATOR  
(2X4 BOX) (CE SPECS)**



ART\_0275453



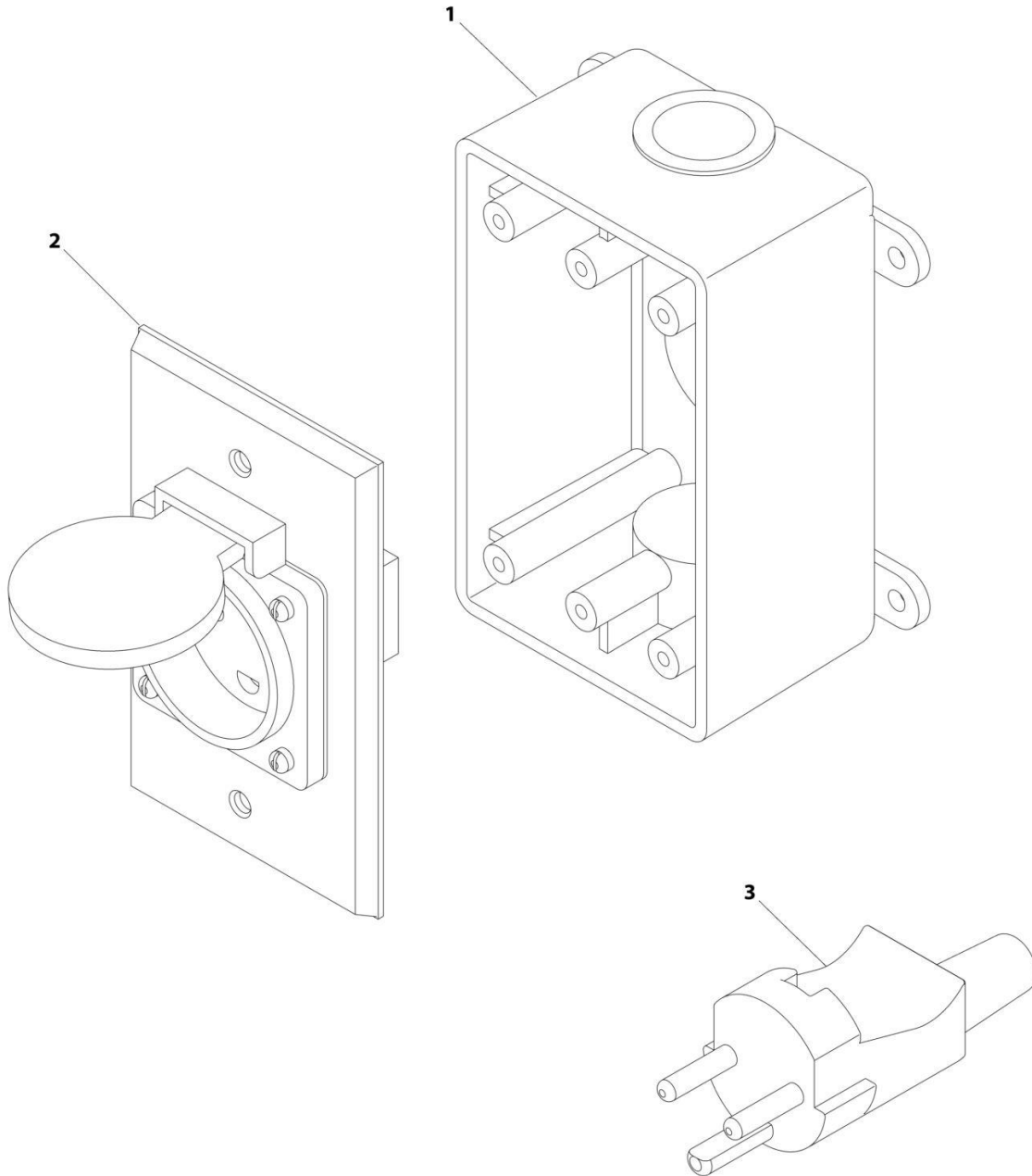
## SECTION 8 - ELECTRICAL

**FIGURE 8-75. RECEPTACLE BOX KIT - 220V CEE7 SIDE GROUND WITHOUT 2500W GENERATOR (2X4 BOX) (CE SPECS)**

ITEM	PART NUMBER	QTY	DESCRIPTION	REV
	0275453	Ref	RECEPTACLE BOX KIT - 220V CEE7 SIDE GROUND WITHOUT 2500W GENERATOR (2X4 BOX) (CE SPECS)	1
1	0861731	1	Box, Switch	
2	4461245	1	Receptacle	
3	4461205	1	Plug, Male	

# SECTION 8 - ELECTRICAL

FIGURE 8-76. RECEPTACLE BOX KIT - 220V AFSINT 107 KEYED GROUND WITHOUT 2500W GENERATOR (2X4 BOX) (CE SPECS)



ART\_0275454

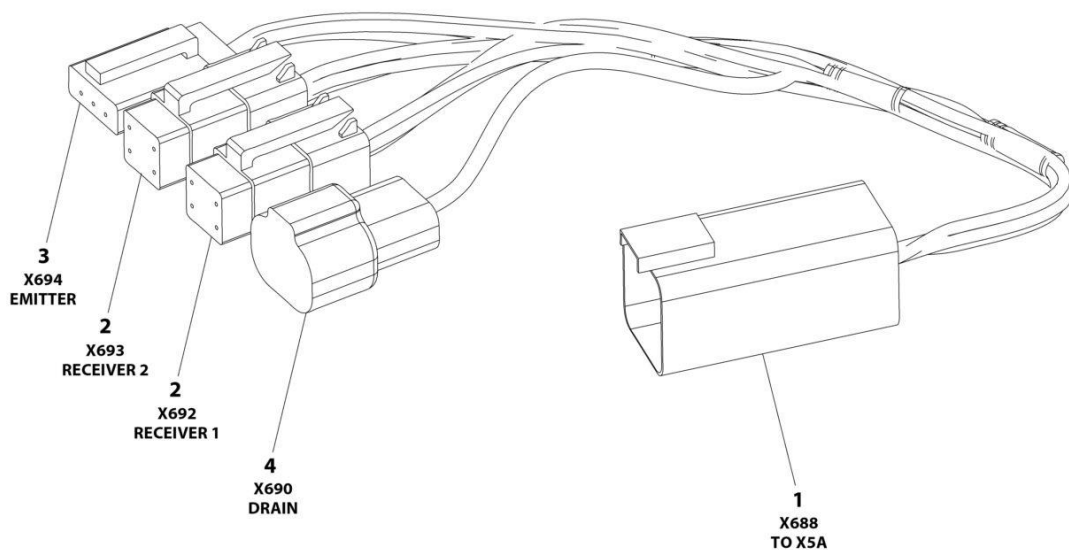
## SECTION 8 - ELECTRICAL

**FIGURE 8-76. RECEPTACLE BOX KIT - 220V AFSINT 107 KEYED GROUND WITHOUT 2500W GENERATOR (2X4 BOX) (CE SPECS)**

ITEM	PART NUMBER	QTY	DESCRIPTION	REV
	0275454	Ref	RECEPTACLE BOX KIT - 220V AFSINT 107 KEYED GROUND WITHOUT 2500W GENERATOR (2X4 BOX) (CE SPECS)	1
1	0861731	1	Box, Switch	
2	4461246	1	Receptacle	
3	4461249	1	Plug, Male	

# SECTION 8 - ELECTRICAL

## FIGURE 8-77. SKYEYE INTERMEDIATE HARNESS



ART\_1001237865

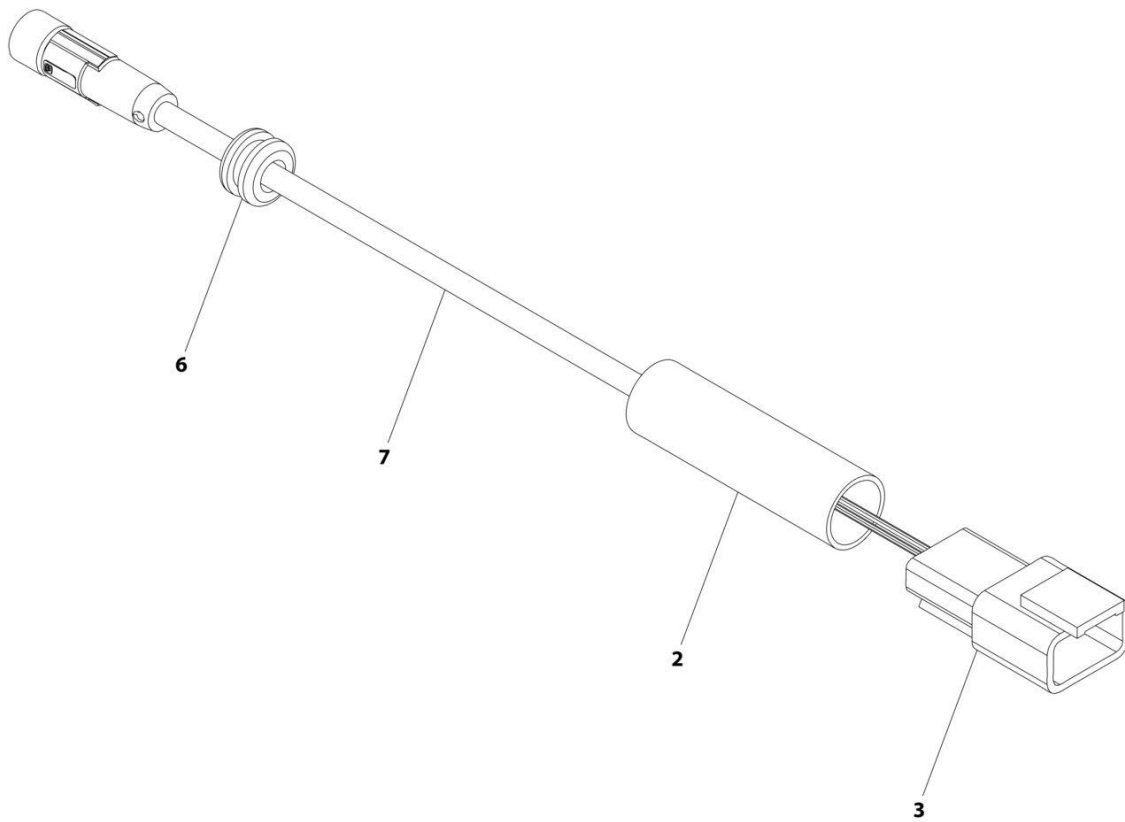
## SECTION 8 - ELECTRICAL

### FIGURE 8-77. SKYEYE INTERMEDIATE HARNESS

ITEM	PART NUMBER	QTY	DESCRIPTION	REV
	1001237865	Ref	SKYEYE INTERMEDIATE HARNESS	A
1	4460899	1	Connector - 6 Position	
1	4460943	4	Pin, Male	
1	4460466	2	Plug, Terminal	
2	4461077	2	Connector - 4 Position	
2	1001119619	8	Socket, Female	
3	4460911	1	Connector - 3 Position	
3	1001119619	3	Socket, Female	
4	1001187681	1	Connector - 2 Position	
4	4460941	1	Pin, Male	
4	4460466	1	Plug, Terminal	

# SECTION 8 - ELECTRICAL

## FIGURE 8-78. SKYEYE EMITTER HARNESS



ART\_1001237864

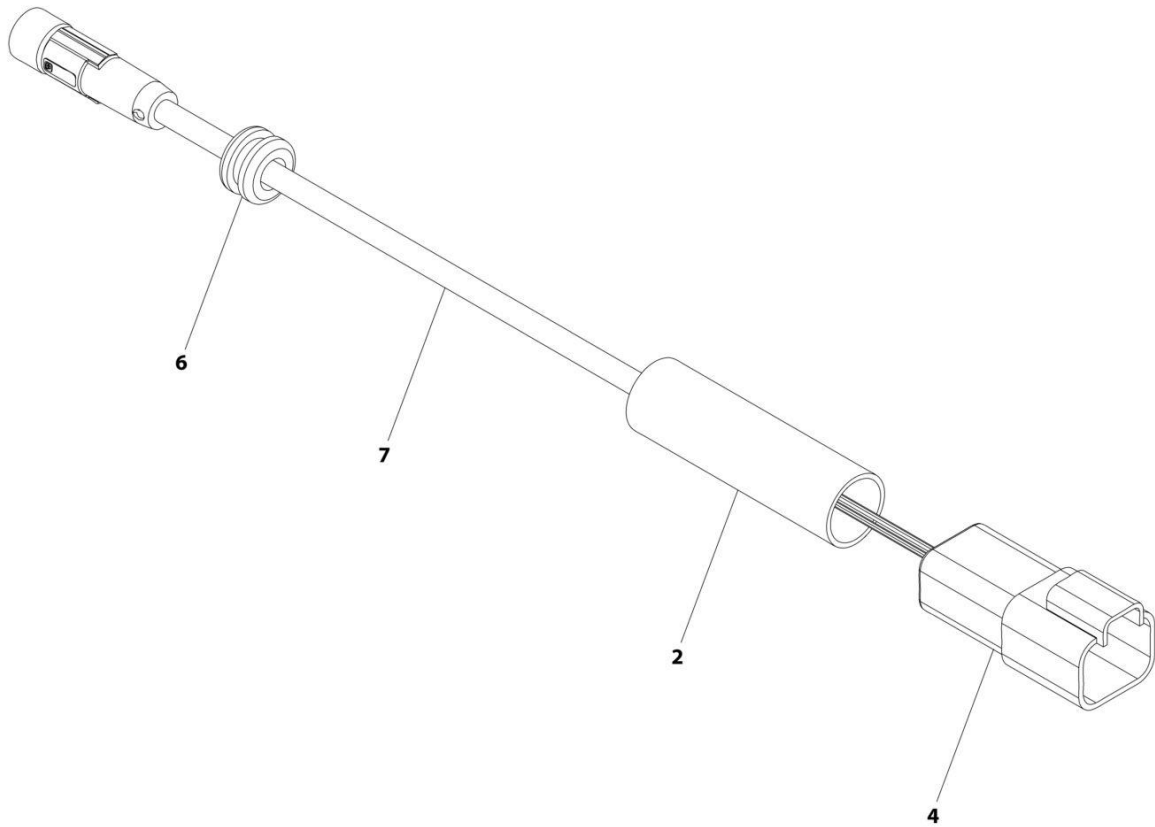
## SECTION 8 - ELECTRICAL

### FIGURE 8-78. SKYEYE EMITTER HARNESS

ITEM	PART NUMBER	QTY	DESCRIPTION	REV
	1001237864	Ref	SKYEYE EMITTER HARNESS	A
2	2820247	AR	Tubing, Heat Shrink	
3	4460910	1	Connector - 3 Position	
3	1001119620	3	Pin, Male	
6	1001227996	1	Grommet	
7	1001237862	1	Cable, M8 Female Cordset	

# SECTION 8 - ELECTRICAL

## FIGURE 8-79. SKYEYE RECEIVER HARNESS



ART\_1001237863



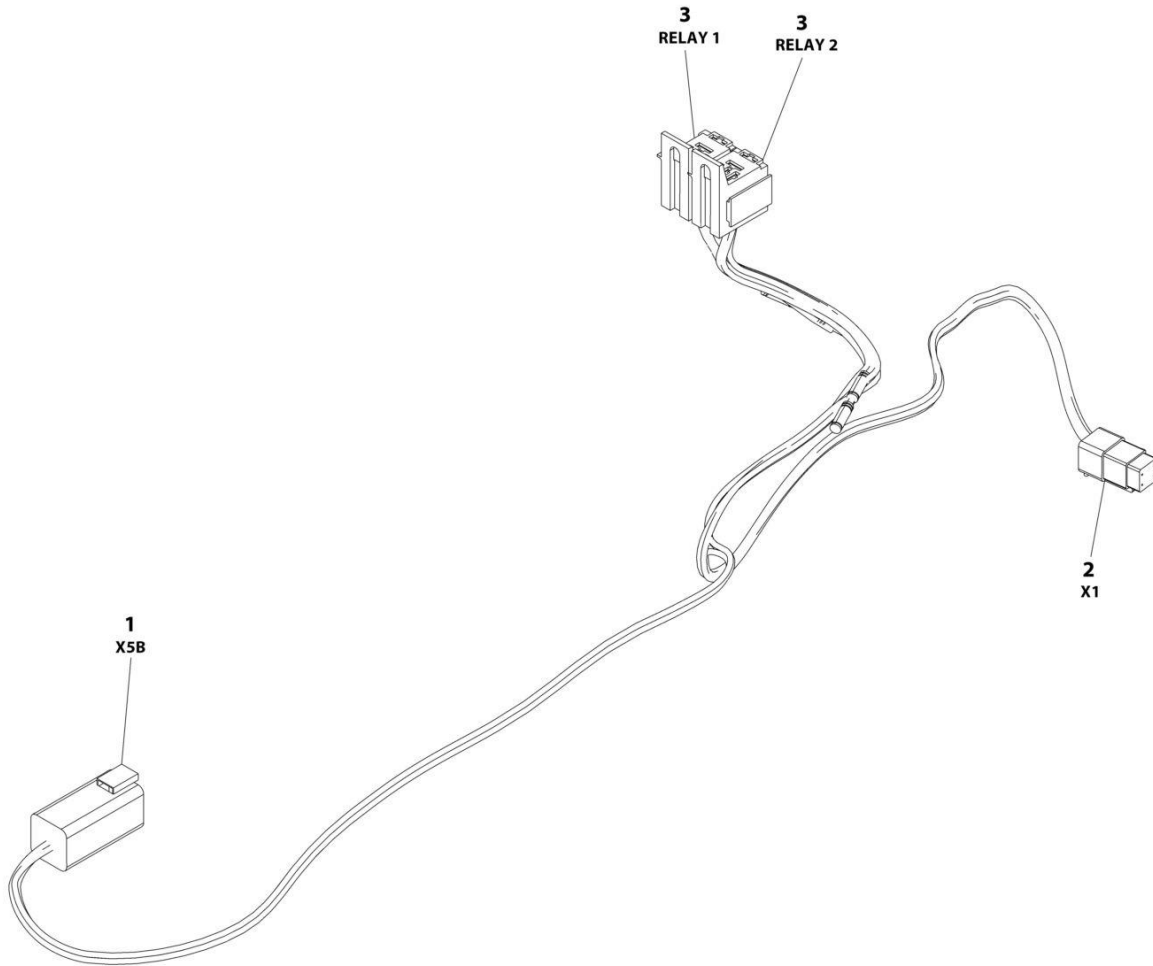
## SECTION 8 - ELECTRICAL

### FIGURE 8-79. SKYEYE RECEIVER HARNESS

ITEM	PART NUMBER	QTY	DESCRIPTION	REV
	1001237863	Ref	SKYEYE RECEIVER HARNESS	A
2	2820247	AR	Tubing, Heat Shrink	
4	1001097051	1	Connector - 4 Position	
4	1001119620	4	Pin, Male	
6	1001227996	1	Grommet	
7	1001237862	1	Cable, M8 Female Cordset	

# SECTION 8 - ELECTRICAL

## FIGURE 8-80. SKYLINE HARNESS



ART\_1001238418

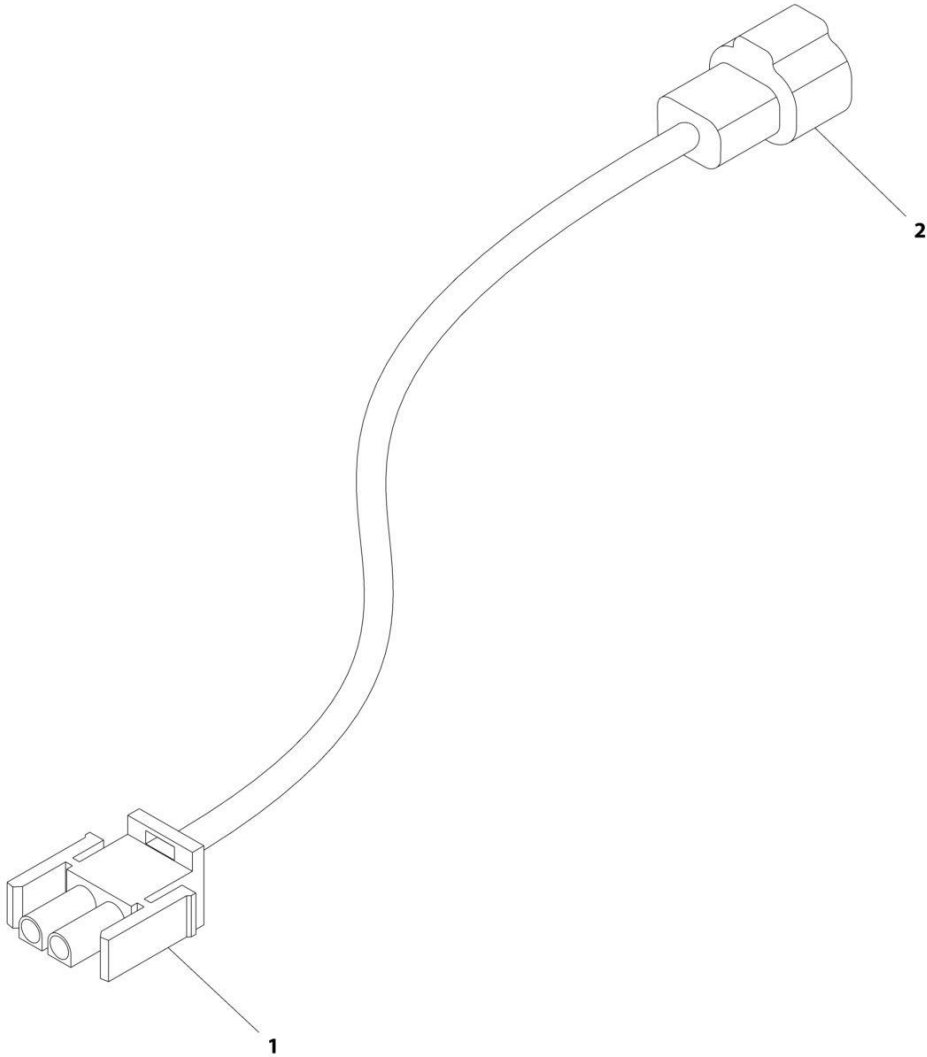
## SECTION 8 - ELECTRICAL

### FIGURE 8-80. SKYLINE HARNESS

ITEM	PART NUMBER	QTY	DESCRIPTION	REV
	1001238418	Ref	SKYLINE HARNESS	B
1	4460899	1	Connector - 6 Position	
1	4460464	4	Pin, Male	
1	4460466	2	Plug, Terminal	
2	4461077	1	Connector - 4 Position	
2	1001126009	4	Socket, Female	
3	1001186432	2	Plug, Relay	
3	1001118388	5	Terminal	
3	1001118384	3	Terminal	
3	3740086	2	Relay	

# SECTION 8 - ELECTRICAL

## FIGURE 8-81. STROBE LIGHT HARNESS (AMBER)



ART\_1001149818

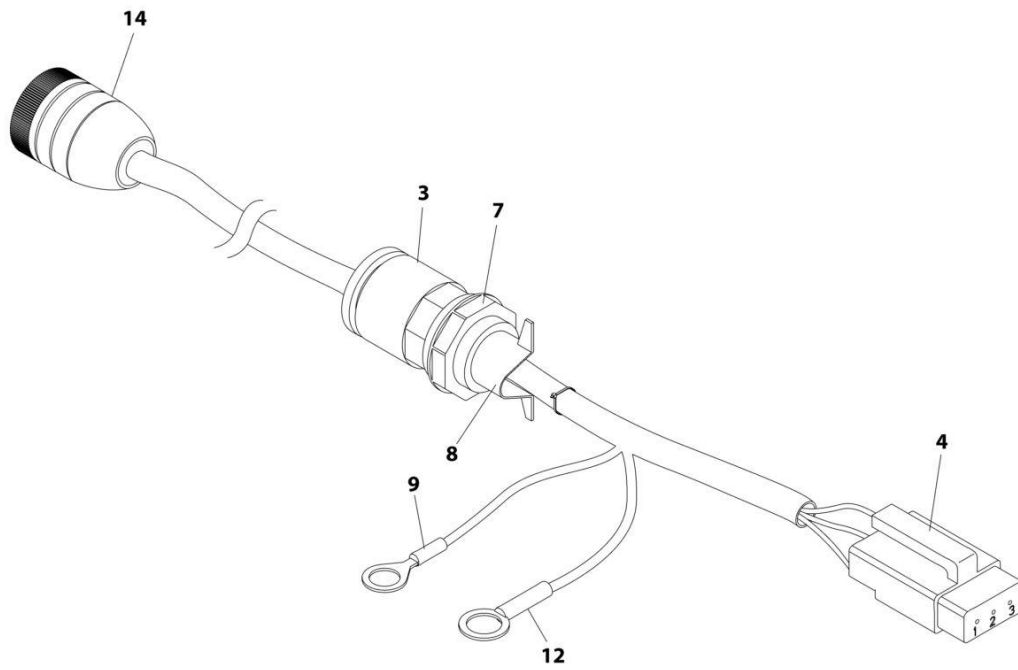
## SECTION 8 - ELECTRICAL

### FIGURE 8-81. STROBE LIGHT HARNESS (AMBER)

ITEM	PART NUMBER	QTY	DESCRIPTION	REV
	1001149818	Ref	STROBE LIGHT HARNESS (AMBER)	D
1	4460320	1	Plug, Male - 2 Position	
1	4460267	2	Pin, Male	
2	4460897	1	Connector - 2 Position	
2	4460464	2	Pin, Male	

# SECTION 8 - ELECTRICAL

## FIGURE 8-82. TILT SENSOR HARNESS (LEFT)



ART\_4922948

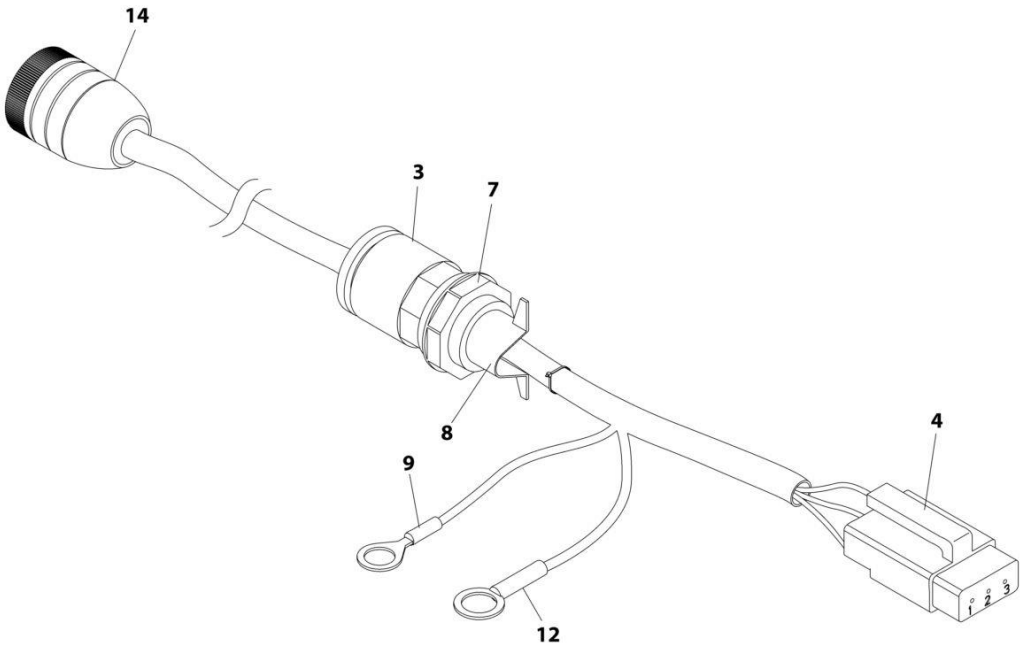
## SECTION 8 - ELECTRICAL

### FIGURE 8-82. TILT SENSOR HARNESS (LEFT)

ITEM	PART NUMBER	QTY	DESCRIPTION	REV
	4922948	Ref	TILT SENSOR HARNESS (LEFT)	E
3	1560011	1	Connector, Conduit	
4	4460911	1	Connector - 3 Position	
4	4460912	1	Lock, Wedge	
4	4460918	3	Pin, Male	
7	1560012	1	Nut, Conduit	
8	1320309	1	Clamp, Cable	
9	4460702	1	Terminal, Eyelet	
10	4240032	2	Tie-Strap (Not Shown)	
12	4460256	1	Terminal, Eyelet	
14	4461013	1	Connector - 6 Position	

**SECTION 8 - ELECTRICAL**

**FIGURE 8-83. TILT SENSOR HARNESS (RIGHT)**



ART\_4922947



## SECTION 8 - ELECTRICAL

**FIGURE 8-83. TILT SENSOR HARNESS (RIGHT)**

ITEM	PART NUMBER	QTY	DESCRIPTION	REV
	4922947	Ref	TILT SENSOR HARNESS (RIGHT)	E
3	1560011	1	Connector, Conduit	
4	4460911	1	Connector - 3 Position	
4	4460912	1	Lock, Wedge	
4	4460918	3	Pin, Male	
7	1560012	1	Nut, Conduit	
8	1320309	1	Clamp, Cable	
9	4460702	1	Terminal, Eyelet	
10	4240032	2	Tie-Strap (Not Shown)	
12	4460256	1	Terminal, Eyelet	
14	4461013	1	Connector - 6 Position	

## SECTION 8 - ELECTRICAL

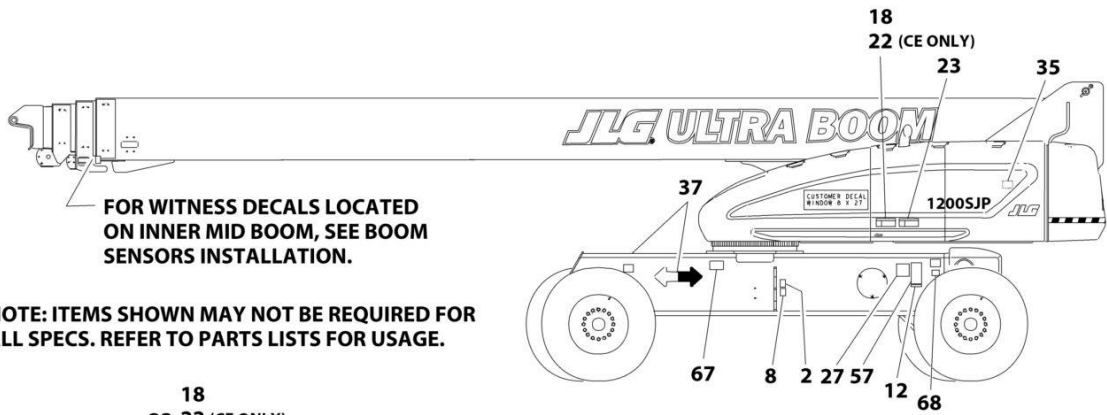
**FIGURE 8-84. ELECTRICAL DIAGRAM LIST**

ITEM	PART NUMBER	QTY	DESCRIPTION	REV
		Ref	Note: Diagrams not shown are available from the JLG Service Department. Schematics shown in the Service and Maintenance Manual.	
		Ref	ELECTRICAL DIAGRAM LIST	
	1001119860	Ref	Electrical Schematic	
	4933278	Ref	Wiring Diagram - EIM Load Cell to Platform Console Box Wiring	
	1001116206	Ref	Wiring Diagram - Ground Control Box	
	1001120381	Ref	Wiring Diagram - 2500W Generator 50Hz (ANSI Export Specs)	
	1001120382	Ref	Wiring Diagram - 2500W Generator 50Hz (CE Specs)	
	1001153257	Ref	Wiring Diagram - 4000W Generator 60Hz	
	1001162901	Ref	Wiring Diagram - 4000W Generator 50Hz (CE Specs)	
	1001162899	Ref	Wiring Diagram - 4000W Generator 50Hz (Australian Specs)	
	1001162900	Ref	Wiring Diagram - 4000W Generator 50Hz (CE Specs)	
	1001195793	Ref	Wiring Diagram - 4000W Generator 50Hz (ANSI Export and Japanese Specs)	
	1001157770	Ref	Wiring Diagram - 7500W Generator	
	0274660	Ref	Wiring Harness Installation	
	4933218	Ref	Wiring Diagram - Soft Touch	

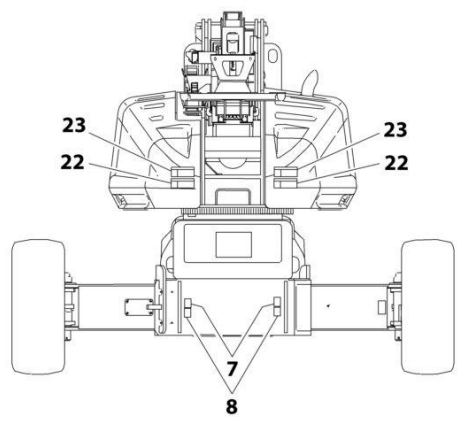
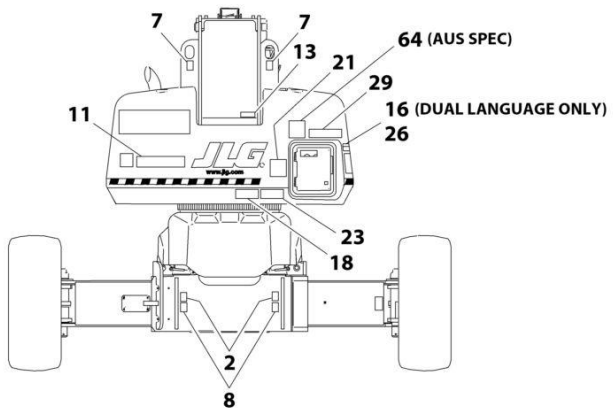
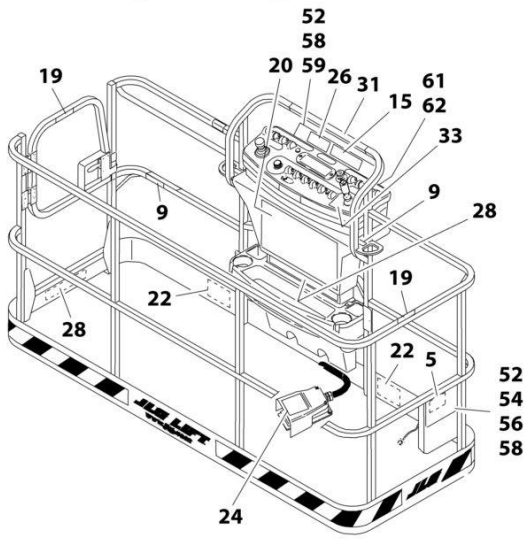
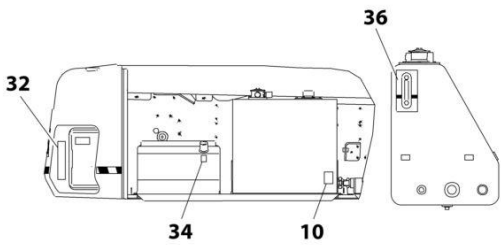
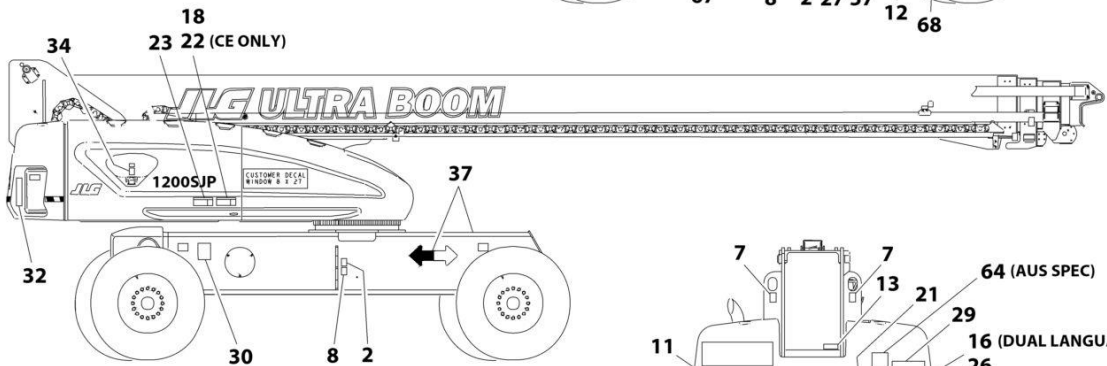
**SECTION 9 - DECALS**

# SECTION 9 - DECALS

## FIGURE 9-1. DECAL INSTALLATION - ANSI SPEC



NOTE: ITEMS SHOWN MAY NOT BE REQUIRED FOR ALL SPECS. REFER TO PARTS LISTS FOR USAGE.



ART\_0274722

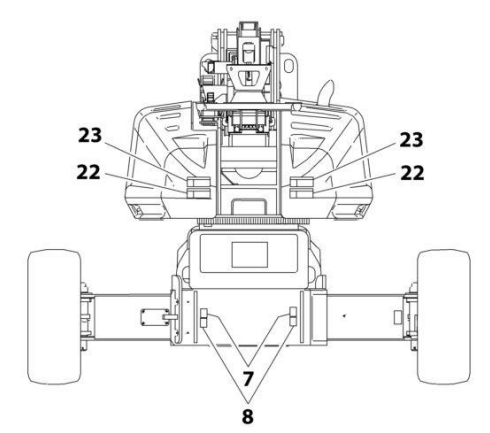
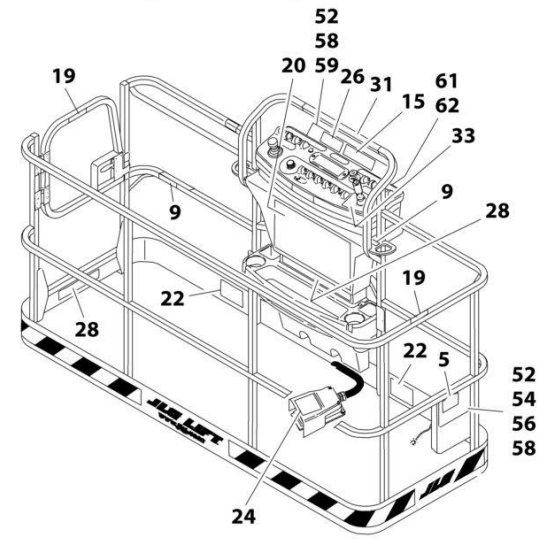
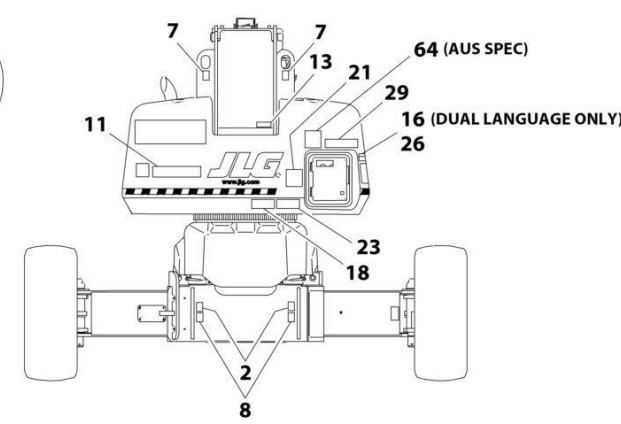
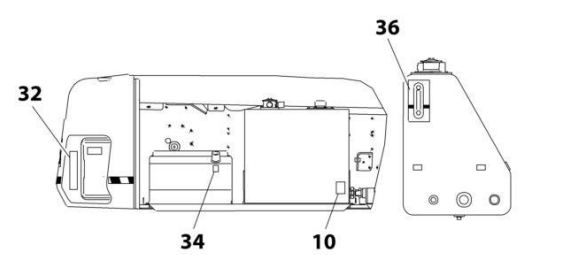
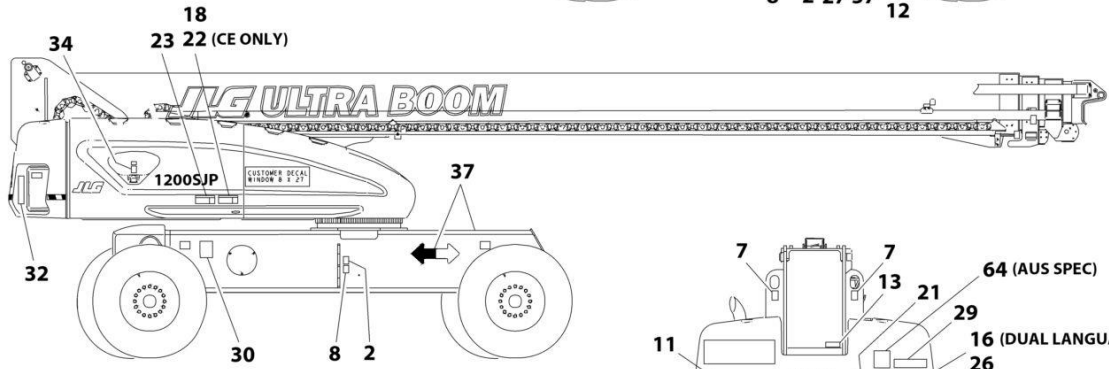
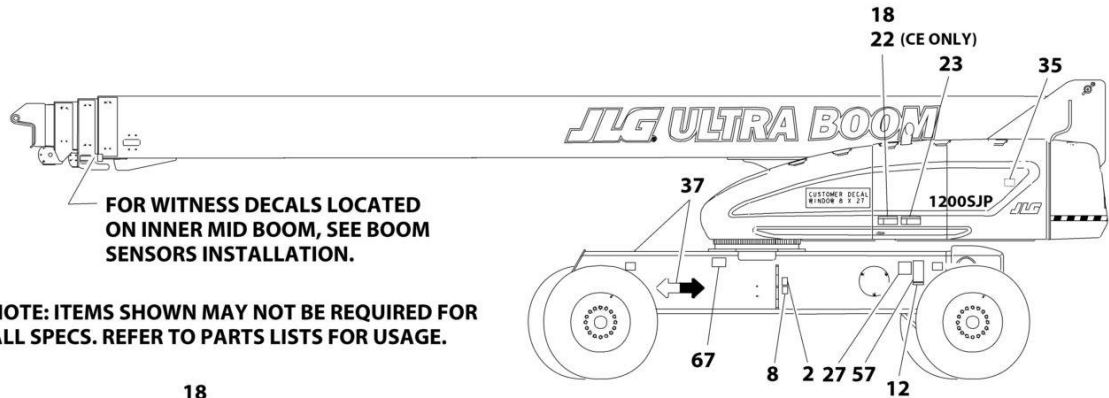
## SECTION 9 - DECALS

**FIGURE 9-1. DECAL INSTALLATION - ANSI SPEC**

ITEM	PART NUMBER	QTY	DESCRIPTION	REV
	1283409	Ref	DECAL INSTALLATION - REFERENCE CHART	AA
	0274722	Ref	DECAL INSTALLATION - ANSI SPEC	H
2	1701499	4	Decal - No Lift	
5	1701509	1	Decal - Manual	
7	1703811	4	Decal - Tie Down/Lift	
8	1703814	6	Decal - Tie Down	
9	1704277	4	Decal - Attach Lanyard Here	
10	1704412	1	Decal - Hydraulic Oil Chart	
12	1705514	1	Decal - CSA (SN 0300222914 through 0300272504, Except SN 0300272455 through 0300272461)	
13	3251243	1	Nameplate - 120V-60Hz	
15	1705337	1	Decal - Tip Over (SN 0300201016 through 0300241317)	
18	1703953	7	Decal - Warning/Crushing	
19	1702868	2	Decal - No Hands	
20	1703797	1	Decal - Danger/Warning (Platform) (SN 0300201016 through 0300241317)	
20	1001231315	1	Decal - Danger/Warning (Platform) (SN 0300241318 through 0300272504, Except SN 0300272455 through 0300272461)	
21	1705336	1	Decal - Danger/Warning (Ground Control)	
22	1703804	5	Decal - Warning Crushing	
23	1703805	5	Decal - Danger/Electrocution	
24	3252347	1	Decal - Footswitch	
26	1705492	AR	Decal - Tip Over Hazard	
27	See Note	1	Decal - Bar Code (Note: Not Available For Purchase)	
28	1001122369	2	Decal - Capacity (Platform)	
29	1001122376	1	Decal - Capacity (Ground Control)	
30	1001131269	1	Decal - Patent	
31	1706751	1	Decal - Legend (Platform)	
32	1705868	1	Decal - Legend (Ground Control)	
33	1705351	1	Decal - Drive/Steer Instructions	
34	1701505	2	Decal - Fuel	
35	1704972	1	Decal - Warning Explosion/Fire	
36	1705511	1	Decal - Oil Level	
37	1701501	4	Decal - Arrow	
52	0641406	AR	Bolt 1/4 x 3/4	
54	91403230	1	Box, Manual Storage	
56	3311405	4	Nut 1/4	
57	3820001	2	Rivet	
58	4751400	AR	Washer 1/4	
59	3380474	1	Plate, Decal Mount (SN 0300201016 through 0300241317)	
61	3520174	3	Plug (SN 0300241318 through 0300272504, Except SN 0300272455 through 0300272461)	
62	0100048	AR	Grease, Dielectric (SN 0300241318 through 0300272504, Except SN 0300272455 through 0300272461)	
67	1001223055	1	Decal - Yearly Inspection (SN 0300235507 through 0300272504, Except SN 0300272455 through 0300272461)	
68	1001223453	1	Decal - Ices (Canada) (SN 0300241610 through 0300272504, Except SN 0300272455 through 0300272461)	

# SECTION 9 - DECALS

## FIGURE 9-2. DECAL INSTALLATION - AUSTRALIAN SPEC



ART\_1001114382

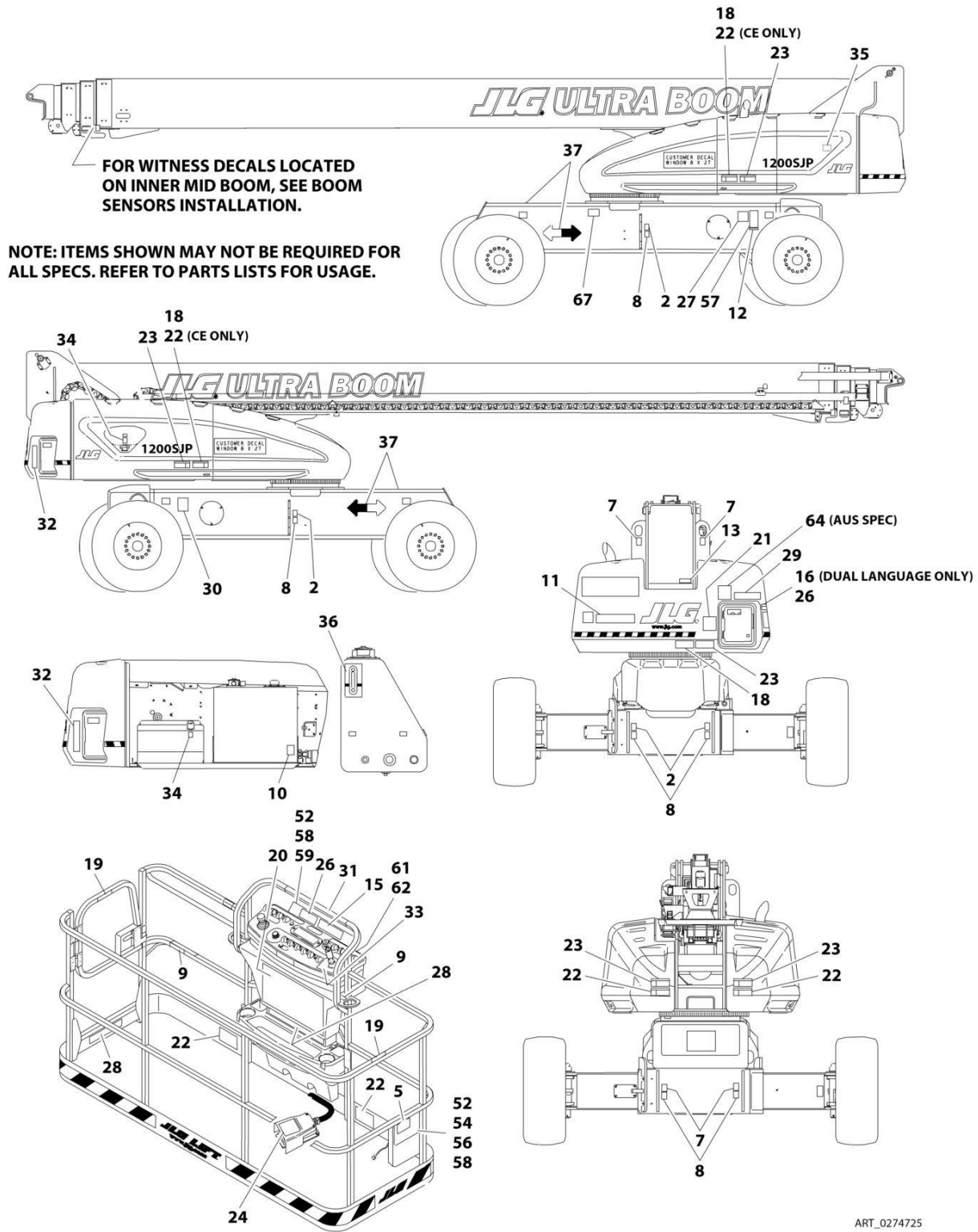
## SECTION 9 - DECALS

**FIGURE 9-2. DECAL INSTALLATION - AUSTRALIAN SPEC**

ITEM	PART NUMBER	QTY	DESCRIPTION	REV
	1283409	Ref	DECAL INSTALLATION - REFERENCE CHART	AA
	1001114382	Ref	DECAL INSTALLATION - AUSTRALIAN SPEC	E
2	1701499	4	Decal - No Lift	
5	1701509	1	Decal - Manual	
7	1703811	4	Decal - Tie Down/Lift	
8	1703814	6	Decal - Tie Down	
9	1704277	4	Decal - Attach Lanyard Here	
10	1704412	1	Decal - Hydraulic Oil Chart	
20	1705921	1	Decal - Tipping/Electrical (Platform)	
21	1705822	1	Decal - Electrical/Safety (Ground Control)	
22	1701518	10	Decal - Warning Crushing	
23	1705961	5	Decal - Danger Electrocution	
24	1705828	1	Decal - Footswitch	
27	See Note	1	Decal - Bar Code (Note: Not Available For Purchase)	
28	1706770	1	Decal - Capacity (Platform)	
29	1705468	1	Decal - Capacity (Ground Control)	
34	1701505	2	Decal - Fuel	
35	1706098	1	Decal - Warning Explosion/Fire	
36	1705511	1	Decal - Oil Level	
37	1701501	4	Decal - Arrow	
52	0641406	4	Bolt 1/4 x 3/4	
54	91403230	1	Box, Manual Storage	
56	3311405	4	Nut 1/4	
57	3820001	6	Rivet	
58	4751400	4	Washer 1/4	
61	3520174	3	Plug 3/16	
62	0100048	AR	Grease, Dielectric	
64	1001112551	1	Decal - Emergency Controls (Australian Spec)	

# SECTION 9 - DECALS

## FIGURE 9-3. DECAL INSTALLATION - BRAZIL SPEC (PORTGUESE/ENGLISH)



ART\_0274725



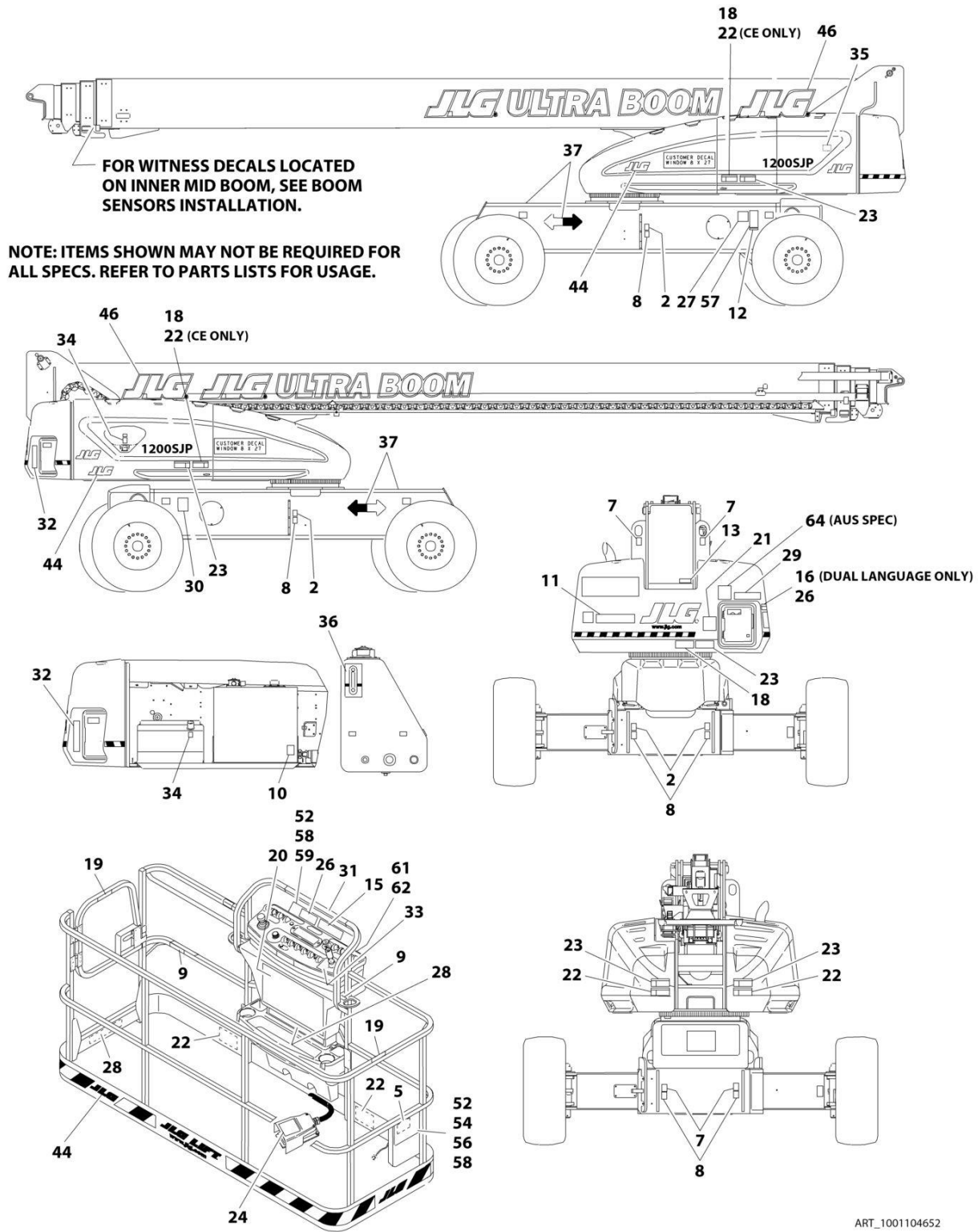
## SECTION 9 - DECALS

**FIGURE 9-3. DECAL INSTALLATION - BRAZIL SPEC (PORTGUESE/ENGLISH)**

ITEM	PART NUMBER	QTY	DESCRIPTION	REV
	1283409	Ref	DECAL INSTALLATION - REFERENCE CHART	AA
	0274725	Ref	DECAL INSTALLATION - BRAZIL SPEC (PORTGUESE/ENGLISH)	F
2	1701499	2	Decal - No Lift	
5	1701509	1	Decal - Manual	
7	1703811	2	Decal - Tie Down/Lift	
8	1703814	6	Decal - Tie Down	
9	1704277	3	Decal - Attach Lanyard Here	
10	1704412	1	Decal - Hydraulic Oil Chart	
13	3251243	1	Nameplate - 120V-60Hz	
15	1705904	1	Decal - Tip Over <b>(SN 0300201016 through 0300241317)</b>	
16	1705906	AR	Decal - Tip Over Hazard	
18	1705903	7	Decal - Warning/Crushing	
19	1705967	2	Decal - No Hands	
20	1705895	1	Decal - Danger/Warning (Platform) <b>(SN 0300201016 through 0300241317)</b>	
20	1001231319	1	Decal - Danger/Warning (Platform) <b>(SN 0300241318 through 0300272504, Except SN 0300272455 through 0300272461)</b>	
21	1705896	1	Decal - Danger/Warning (Ground Control)	
22	1705898	5	Decal - Warning Crushing	
23	1705897	5	Decal - Danger/Electrocution	
24	1705902	1	Decal - Footswitch	
27	See Note	1	Decal - Bar Code (Note: Not Available for Purchase)	
28	1001122372	2	Decal - Capacity (Platform)	
29	1001122379	1	Decal - Capacity (Ground Control)	
31	1706751	1	Decal - Legend (Platform)	
32	1705868	1	Decal - Legend (Ground Controls)	
33	1705905	1	Decal - Drive/Steer Instructions	
34	1701505	2	Decal - Fuel	
35	1706059	1	Decal - Warning Explosion/Fire	
36	1705511	1	Decal - Oil Level	
37	1701501	4	Decal - Arrow	
52	0641406	AR	Bolt 1/4 x 3/4	
54	91403230	1	Box, Manual Storage	
56	3311405	4	Nut 1/4	
57	3820001	2	Rivet	
58	4751400	AR	Washer 1/4	
59	3572327	1	Plate, Decal Mount <b>(SN 0300201016 through 0300241317)</b>	
67	1001224052	1	Decal - Yearly Inspection <b>(SN 0300235507 through 0300272504, Except SN 0300272455 through 0300272461)</b>	

# SECTION 9 - DECALS

## FIGURE 9-4. DECAL INSTALLATION - CE SPEC



ART\_1001104652

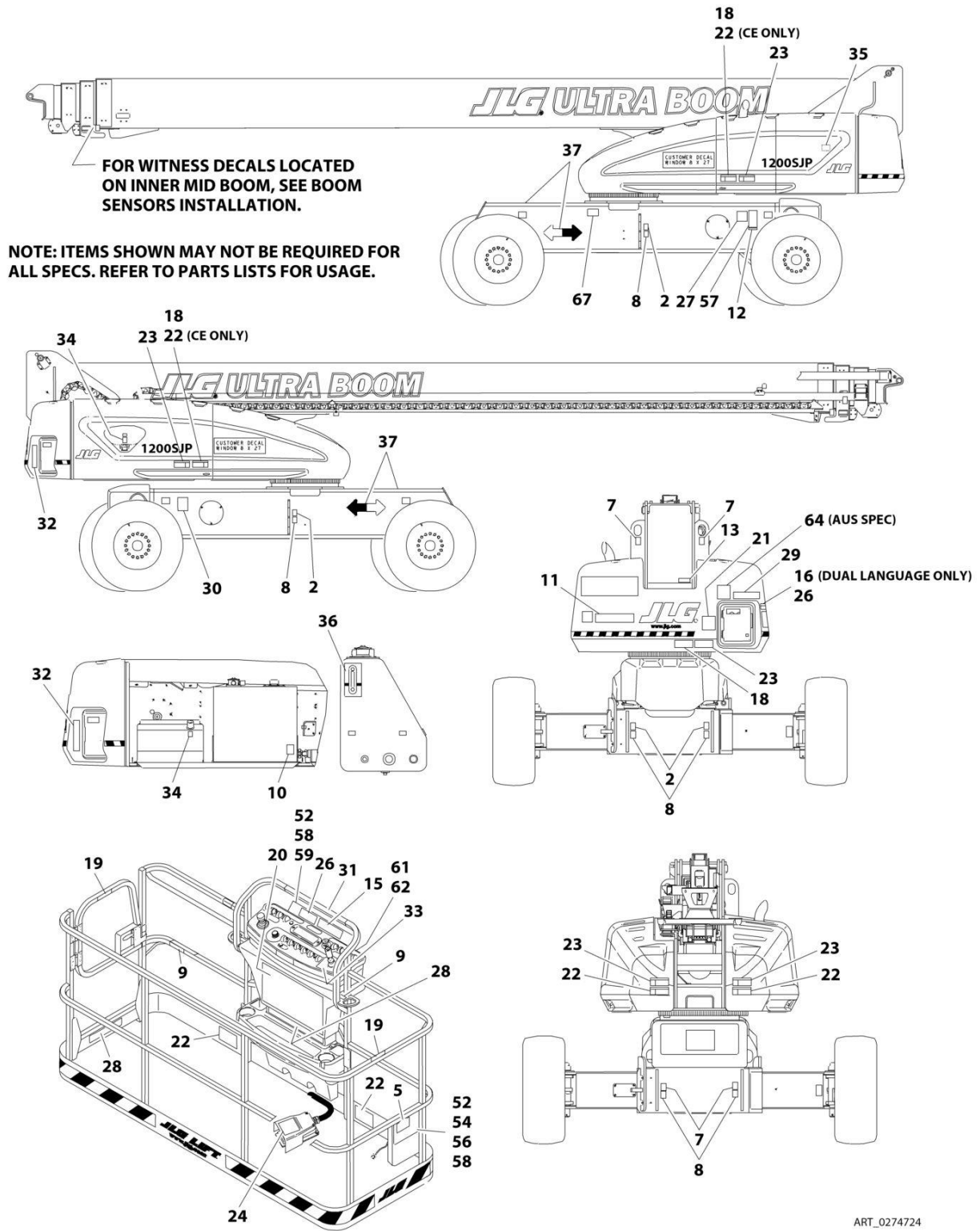
## SECTION 9 - DECALS

**FIGURE 9-4. DECAL INSTALLATION - CE SPEC**

ITEM	PART NUMBER	QTY	DESCRIPTION	REV
	1283409	Ref	DECAL INSTALLATION - REFERENCE CHART (SN 0300201016 through 0300220748)	Y
	1001217597	Ref	DECAL INSTALLATION - REFERENCE CHART (SN 0300220749 through 0300272504, Except SN 0300272455 through 0300272461)	B
	1001104652	Ref	DECAL INSTALLATION - CE SPEC	F
2	1701499	4	Decal - No Lift	
5	1701509	1	Decal - Manual	
7	1703811	4	Decal - Tie Down/Lift	
8	1703814	6	Decal - Tie Down	
9	1704277	AR	Decal - Attach Lanyard Here	
10	1704412	1	Decal - Hydraulic Oil Chart	
20	1705921	1	Decal - Tipping/Electrical (Platform)	
21	1705822	1	Decal - Electrical/Safety (Ground Control)	
22	1701518	AR	Decal - Warning Crushing	
23	1705961	5	Decal - Danger Electrocution	
24	1705828	1	Decal - Footswitch	
28	1706770	1	Decal - Capacity (Platform)	
29	1705468	1	Decal - Capacity (Ground Control)	
34	1701505	2	Decal - Fuel	
35	1706098	1	Decal - Warning Explosion/Fire	
36	1705511	1	Decal - Oil Level	
37	1701501	4	Decal - Arrow	
44	1702773	3	Decal - JLG (SN 0300220749 through 0300272504, Except SN 0300272455 through 0300272461)	
46	1705864	2	Decal - JLG (SN 0300220749 through 0300272504, Except SN 0300272455 through 0300272461)	
52	0641406	4	Bolt 1/4 x 3/4	
54	0860520	1	Box, Manual Storage	
56	3311405	4	Nut 1/4	
57	3820001	6	Rivet	
58	4751400	4	Washer 1/4	
61	3520174	3	Plug 3/16	
62	0100048	AR	Grease, Dielectric	

# SECTION 9 - DECALS

## FIGURE 9-5. DECAL INSTALLATION - CHINESE SPEC (CHINESE/ENGLISH)



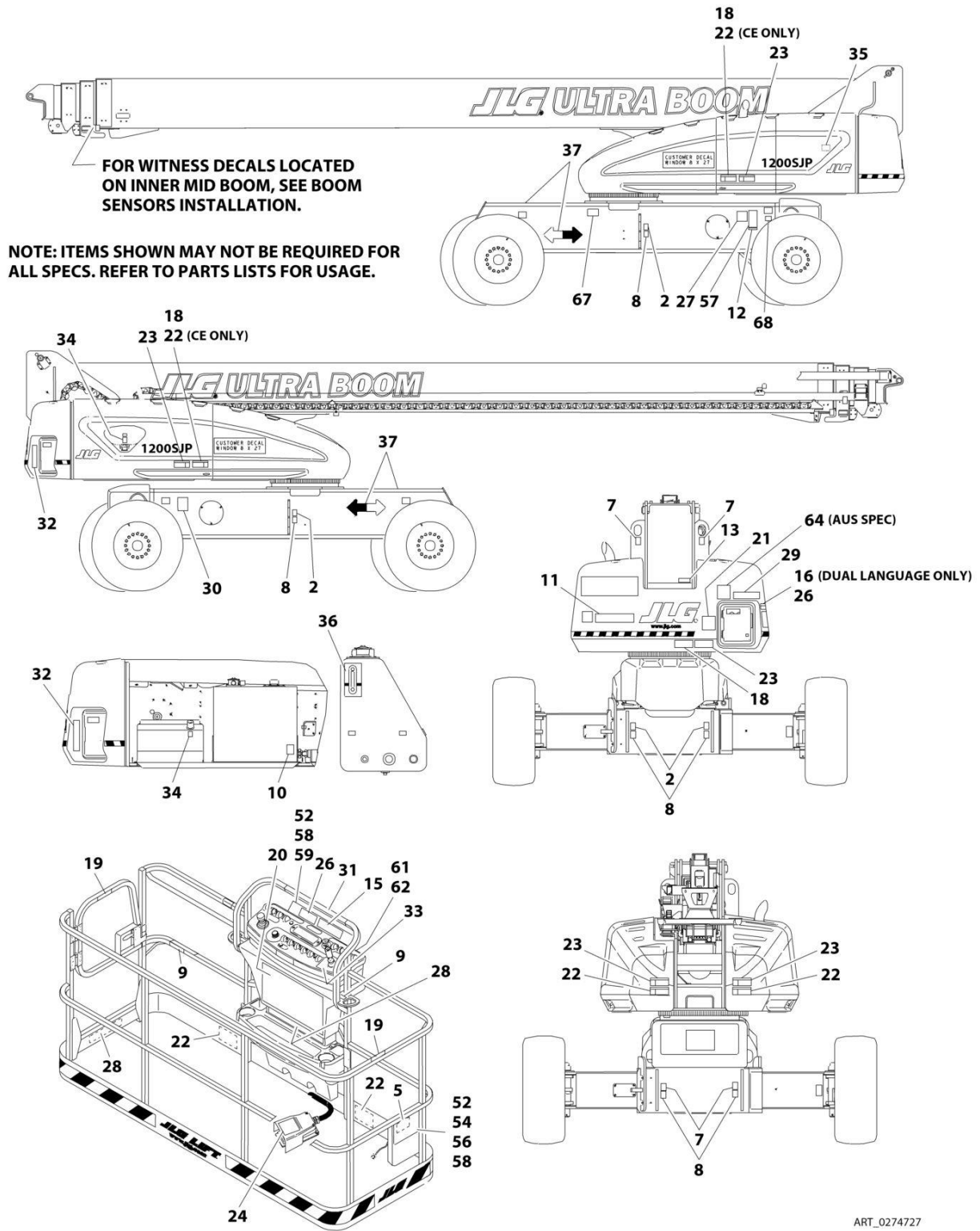
## SECTION 9 - DECALS

**FIGURE 9-5. DECAL INSTALLATION - CHINESE SPEC (CHINESE/ENGLISH)**

ITEM	PART NUMBER	QTY	DESCRIPTION	REV
	1283409	Ref	DECAL INSTALLATION - REFERENCE CHART	AA
	0274724	Ref	DECAL INSTALLATION - CHINESE SPEC (CHINESE/ENGLISH)	F
2	1701499	2	Decal - No Lift	
5	1701509	1	Decal - Manual	
7	1703811	2	Decal - Tie Down/Lift	
8	1703814	6	Decal - Tie Down	
9	1704277	3	Decal - Attach Lanyard Here	
10	1704412	1	Decal - Hydraulic Oil Chart	
13	3251243	1	Nameplate - 120V-60Hz	
15	1001117034	1	Decal - Tip Over <b>(SN 0300201016 through 0300241317, SN B300002238 through B300002646)</b>	
16	1001117035	AR	Decal - Tip Over Hazard	
18	1703943	7	Decal - Warning/Crushing	
19	1001116846	2	Decal - No Hands	
20	1703925	1	Decal - Danger/Warning (Platform) <b>(SN 0300201016 through 0300241317, SN B300002238 through B300002646)</b>	
20	1001231321	1	Decal - Danger/Warning (Platform) <b>(SN 0300241318 through 0300272504, SN B300002647 through B300007118, Except SN 0300272455 through 0300272461)</b>	
21	1001116849	1	Decal - Danger/Warning (Ground Control)	
22	1703949	5	Decal - Warning Crushing	
23	1001116851	5	Decal - Danger/Electrocution	
24	1703982	1	Decal - Footswitch	
27	See Note	1	Decal - Bar Code (Note: Not Available for Purchase)	
28	1001122371	2	Decal - Capacity (Platform)	
29	1001122378	1	Decal - Capacity (Ground Control)	
31	1706751	1	Decal - Legend (Platform)	
32	1705868	1	Decal - Legend (Ground Controls)	
33	1705430	1	Decal - Drive/Steer Instructions	
34	1701505	2	Decal - Fuel	
35	1706060	1	Decal - Warning Explosion/Fire	
36	1705511	1	Decal - Oil Level	
37	1701501	4	Decal - Arrow	
52	0641406	AR	Bolt 1/4 x 3/4	
54	91403230	1	Box, Manual Storage	
56	3311405	4	Nut 1/4	
57	3820001	2	Rivet	
58	4751400	AR	Washer 1/4	
59	3572327	1	Plate, Decal Mount <b>(SN 0300201016 through 0300241317, SN B300002238 through B300002646)</b>	
67	1001224050	1	Decal - Yearly Inspection <b>(SN 0300235507 through 0300272504, SN B300002238 through B300007118, Except SN 0300272455 through 0300272461)</b>	

# SECTION 9 - DECALS

## FIGURE 9-6. DECAL INSTALLATION - CSA SPEC (ENGLISH/FRENCH)



ART\_0274727

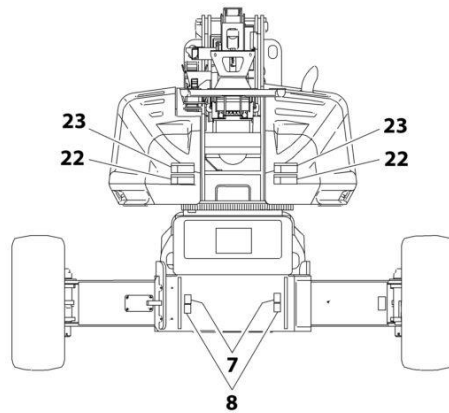
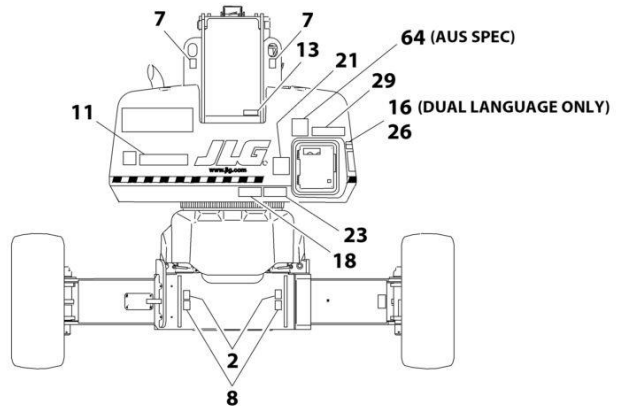
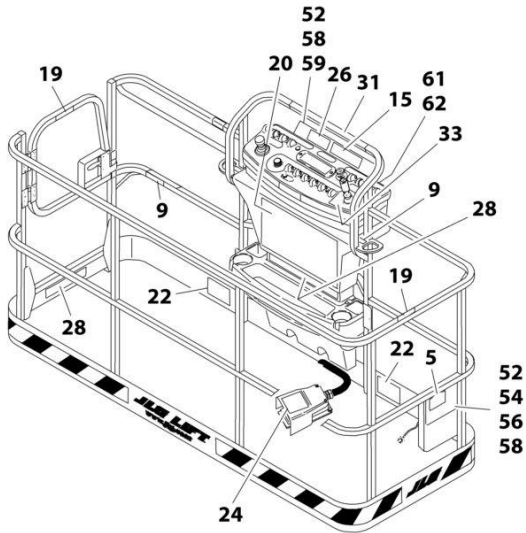
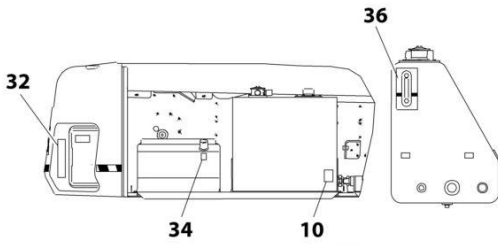
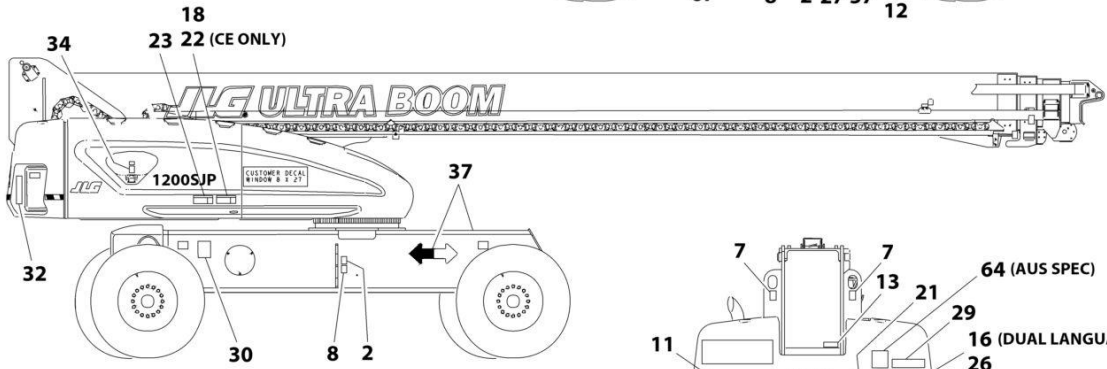
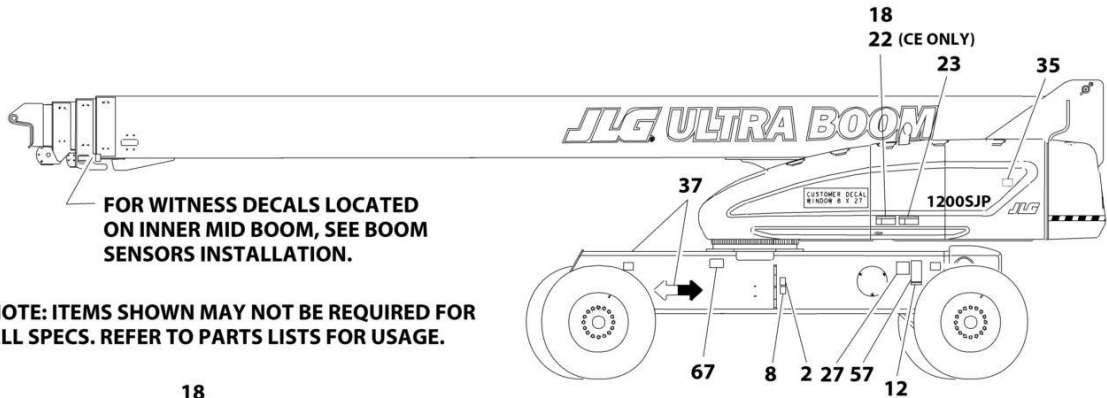
## SECTION 9 - DECALS

**FIGURE 9-6. DECAL INSTALLATION - CSA SPEC (ENGLISH/FRENCH)**

ITEM	PART NUMBER	QTY	DESCRIPTION	REV
	1283409	Ref	DECAL INSTALLATION - REFERENCE CHART	AA
	0274727	Ref	DECAL INSTALLATION - CSA SPEC (ENGLISH/FRENCH)	G
2	1701499	2	Decal - No Lift	
5	1701509	1	Decal - Manual	
7	1703811	2	Decal - Tie Down/Lift	
8	1703814	6	Decal - Tie Down	
9	1704277	3	Decal - Attach Lanyard Here	
10	1704412	1	Decal - Hydraulic Oil Chart	
12	1705514	1	Decal - CSA	
13	3251243	1	Nameplate - 120V-60Hz	
15	1705341	1	Decal - Tip Over <b>(SN 0300201016 through 0300241317)</b>	
16	1705505	AR	Decal - Tip Over Hazard	
18	1703942	7	Decal - Warning/Crushing	
19	1704000	2	Decal - No Hands	
20	1703924	1	Decal - Danger/Warning (Platform) <b>(SN 0300201016 through 0300241317)</b>	
20	1001231316	1	Decal - Danger/Warning (Platform) <b>(SN 0300241318 through 0300272504, Except SN 0300272455 through 0300272461)</b>	
21	1705347	1	Decal - Danger/Warning (Ground Control)	
22	1703948	5	Decal - Warning Crushing	
23	1703936	5	Decal - Danger/Electrocution	
24	1703984	1	Decal - Footswitch	
27	See Note	1	Decal - Bar Code (Note: Not Available for Purchase)	
28	1001122374	2	Decal - Capacity (Platform)	
29	1001122381	1	Decal - Capacity (Ground Control)	
30	1001131269	1	Decal - Patent	
31	1706751	1	Decal - Legend (Platform)	
32	1705868	1	Decal - Legend (Ground Controls)	
33	1705429	1	Decal - Drive/Steer Instructions	
34	1701505	2	Decal - Fuel	
35	1706064	1	Decal - Warning Explosion/Fire	
36	1705511	1	Decal - Oil Level	
37	1701501	4	Decal - Arrow	
52	0641406	AR	Bolt 1/4 x 3/4	
54	91403230	1	Box, Manual Storage	
56	3311405	4	Nut 1/4	
57	3820001	2	Rivet	
58	4751400	AR	Washer 1/4	
59	3572327	1	Plate, Decal Mount <b>(SN 0300201016 through 0300241317)</b>	
67	1001223971	1	Decal - Yearly Inspection <b>(SN 0300235507 through 0300272504, Except SN 0300272455 through 0300272461)</b>	
68	1001223453	1	Decal - Ices (Canada) <b>(SN 0300241610 through 0300272504, Except SN 0300272455 through 0300272461)</b>	

# SECTION 9 - DECALS

FIGURE 9-7. DECAL INSTALLATION - JAPANESE SPEC (JAPANESE/ENGLISH)



ART\_0274729



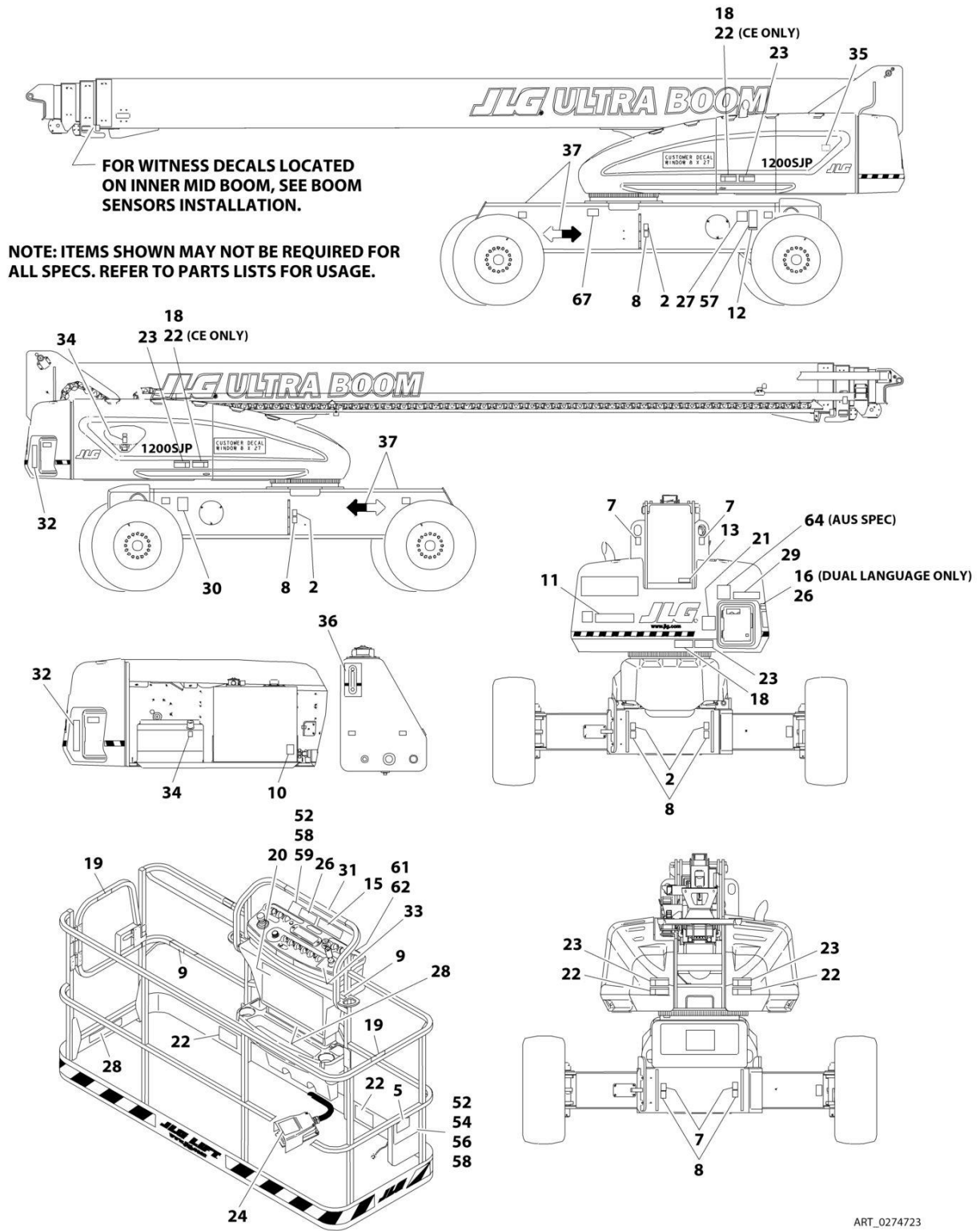
## SECTION 9 - DECALS

**FIGURE 9-7. DECAL INSTALLATION - JAPANESE SPEC (JAPANESE/ENGLISH)**

ITEM	PART NUMBER	QTY	DESCRIPTION	REV
	1283409	Ref	DECAL INSTALLATION - REFERENCE CHART	AA
	0274729	Ref	DECAL INSTALLATION - JAPANESE SPEC (JAPANESE/ENGLISH)	F
2	1701499	2	Decal - No Lift	
5	1701509	1	Decal - Manual	
7	1703811	2	Decal - Tie Down/Lift	
8	1703814	6	Decal - Tie Down	
9	1704277	3	Decal - Attach Lanyard Here	
10	1704412	1	Decal - Hydraulic Oil Chart	
13	3251243	1	Nameplate - 120V-60Hz	
15	1705338	1	Decal - Tip Over <b>(SN 0300201016 through 0300241317)</b>	
16	1705493	AR	Decal - Tip Over Hazard	
18	1703944	7	Decal - Warning/Crushing	
20	1703926	1	Decal - Danger/Warning (Platform) <b>(SN 0300201016 through 0300241317)</b>	
20	1001231320	1	Decal - Danger/Warning (Platform) <b>(SN 0300241318 through 0300272504, Except SN 0300272455 through 0300272461)</b>	
21	1705344	1	Decal - Danger/Warning (Ground Control)	
22	1703950	5	Decal - Warning Crushing	
23	1703938	5	Decal - Danger/Electrocution	
24	1703980	1	Decal - Footswitch	
27	See Note	1	Decal - Bar Code (Note: Not Available for Purchase)	
28	1001122375	2	Decal - Capacity (Platform)	
29	1001122382	1	Decal - Capacity (Ground Control)	
31	1706751	1	Decal - Legend (Platform)	
32	1705868	1	Decal - Legend (Ground Controls)	
33	1705426	1	Decal - Drive/Steer Instructions	
34	1701505	2	Decal - Fuel	
35	1704972	1	Decal - Warning Explosion/Fire <b>(SN 0300201016 through 0300235506)</b>	
35	1706062	1	Decal - Warning Explosion/Fire <b>(SN 0300235507 through 0300272504, Except SN 0300272455 through 0300272461)</b>	
36	1705511	1	Decal - Oil Level	
37	1701501	4	Decal - Arrow	
52	0641406	AR	Bolt 1/4 x 3/4	
54	91403230	1	Box, Manual Storage	
56	3311405	4	Nut 1/4	
57	3820001	2	Rivet	
58	4751400	AR	Washer 1/4	
59	3572327	1	Plate, Decal Mount <b>(SN 0300201016 through 0300241317)</b>	
67	1001224053	1	Decal- Yearly Inspection <b>(SN 0300235507 through 0300272504, Except SN 0300272455 through 0300272461)</b>	

# SECTION 9 - DECALS

## FIGURE 9-8. DECAL INSTALLATION - KOREAN SPEC (KOREAN/ENGLISH)



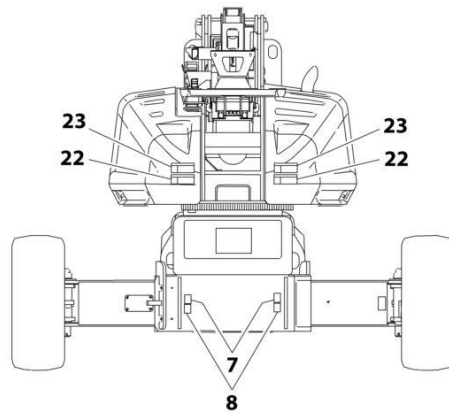
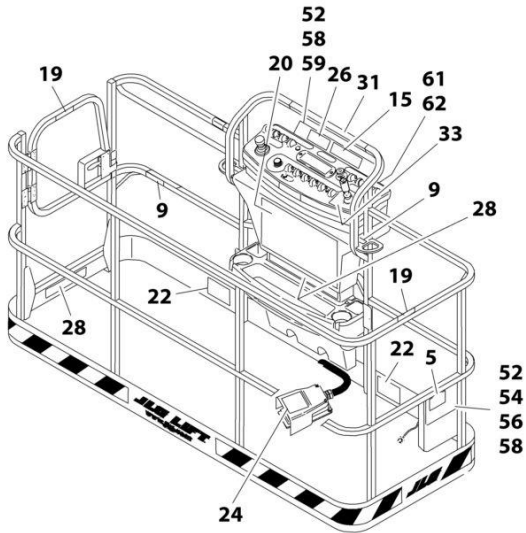
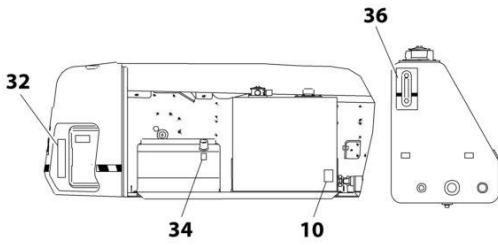
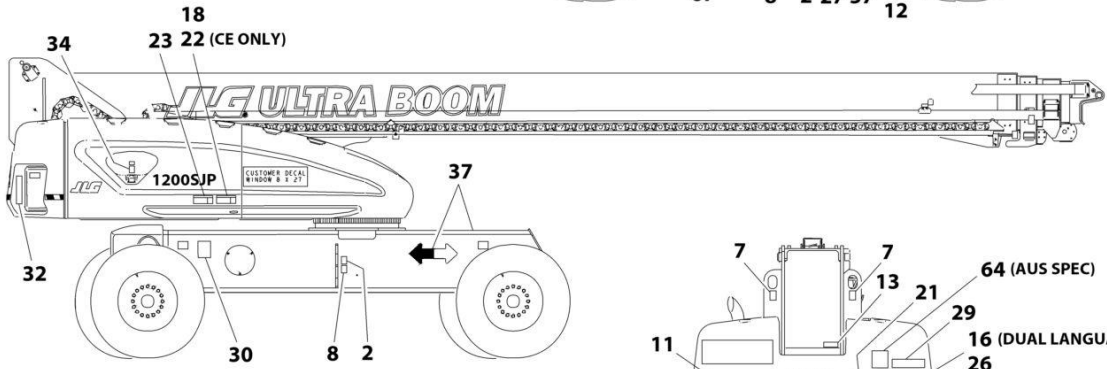
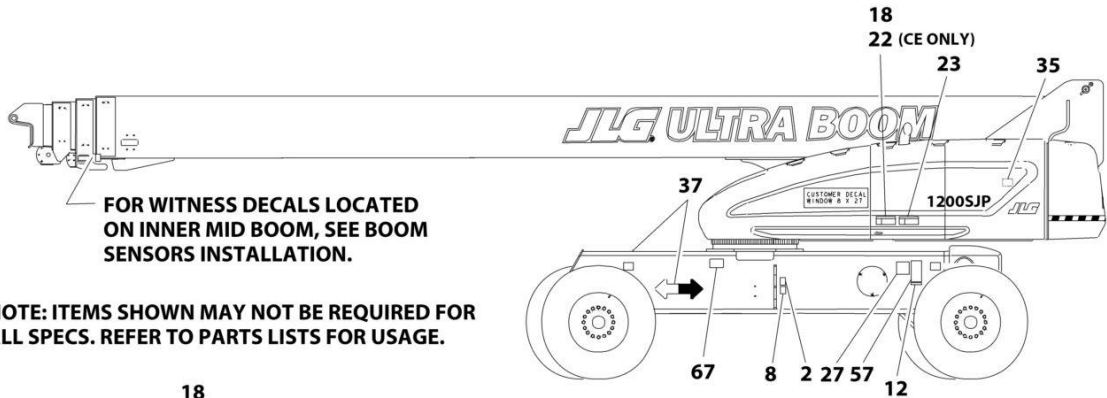
## SECTION 9 - DECALS

**FIGURE 9-8. DECAL INSTALLATION - KOREAN SPEC (KOREAN/ENGLISH)**

ITEM	PART NUMBER	QTY	DESCRIPTION	REV
	1283409	Ref	DECAL INSTALLATION - REFERENCE CHART	AA
	0274723	Ref	DECAL INSTALLATION - KOREAN SPEC (KOREAN/ENGLISH)	F
2	1701499	2	Decal - No Lift	
5	1701509	1	Decal - Manual	
7	1703811	2	Decal - Tie Down/Lift	
8	1703814	6	Decal - Tie Down	
9	1704277	3	Decal - Attach Lanyard Here	
10	1704412	1	Decal - Hydraulic Oil Chart	
13	3251243	1	Nameplate - 120V-60Hz	
15	1705339	1	Decal - Tip Over <b>(SN 0300201016 through 0300241317)</b>	
16	1705503	AR	Decal - Tip Over Hazard	
18	1703945	7	Decal - Warning/Crushing	
19	1705969	2	Decal - No Hands	
20	1703927	1	Decal - Danger/Warning (Platform) <b>(SN 0300201016 through 0300241317)</b>	
20	1001231317	1	Decal - Danger/Warning (Platform) <b>(SN 0300241318 through 0300272504, Except SN 0300272455 through 0300272461)</b>	
21	1705345	1	Decal - Danger/Warning (Ground Control)	
22	1703951	5	Decal - Warning Crushing	
23	1703939	5	Decal - Danger/Electrocution	
24	1703981	1	Decal - Footswitch	
27	See Note	1	Decal - Bar Code (Note: Not Available for Purchase)	
28	1001122370	2	Decal - Capacity (Platform)	
29	1001122377	1	Decal - Capacity (Ground Control)	
31	1706751	1	Decal - Legend (Platform)	
32	1705868	1	Decal - Legend (Ground Controls)	
33	1705427	1	Decal - Drive/Steer Instructions	
34	1701505	2	Decal - Fuel	
35	1706061	1	Decal - Warning Explosion/Fire	
36	1705511	1	Decal - Oil Level	
37	1701501	4	Decal - Arrow	
52	0641406	AR	Bolt 1/4 x 3/4	
54	91403230	1	Box, Manual Storage	
56	3311405	4	Nut 1/4	
57	3820001	2	Rivet	
58	4751400	AR	Washer 1/4	
59	3572327	1	Plate, Decal Mount <b>(SN 0300201016 through 0300241317)</b>	
67	1001224048	1	Decal - Yearly Inspection <b>(SN 0300235507 through 0300272504, Except SN 0300272455 through 0300272461)</b>	

# SECTION 9 - DECALS

FIGURE 9-9. DECAL INSTALLATION - LATIN AMERICAN SPEC (SPANISH/ENGLISH)



ART\_0274726

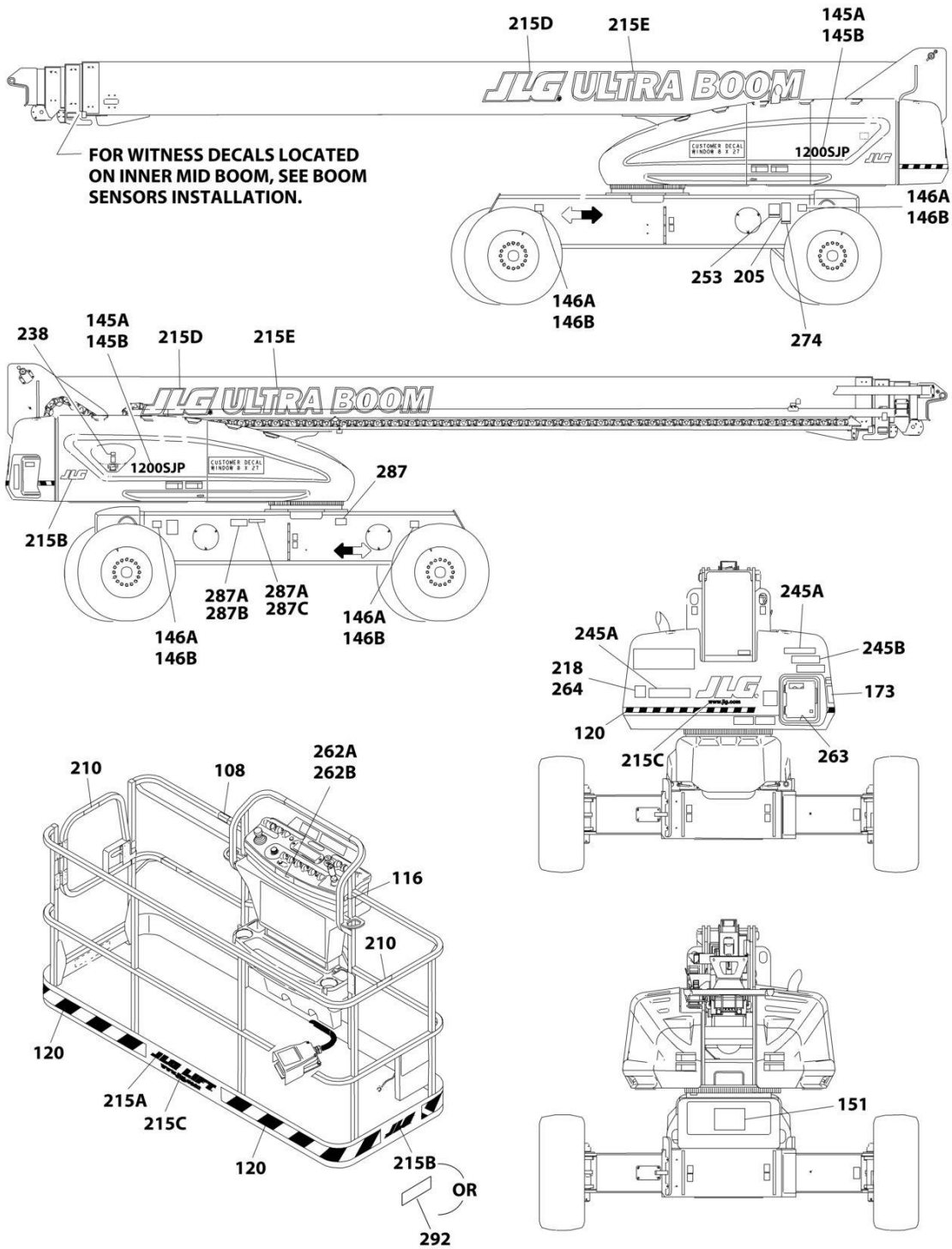
## SECTION 9 - DECALS

**FIGURE 9-9. DECAL INSTALLATION - LATIN AMERICAN SPEC (SPANISH/ENGLISH)**

ITEM	PART NUMBER	QTY	DESCRIPTION	REV
	1283409	Ref	DECAL INSTALLATION - REFERENCE CHART	AA
	0274726	Ref	DECAL INSTALLATION - LATIN AMERICAN SPEC (SPANISH/ENGLISH)	F
2	1701499	2	Decal - No Lift	
5	1701509	1	Decal - Manual	
7	1703811	2	Decal - Tie Down/Lift	
8	1703814	6	Decal - Tie Down	
9	1704277	3	Decal - Attach Lanyard Here	
10	1704412	1	Decal - Hydraulic Oil Chart	
13	3251243	1	Nameplate - 120V-60Hz	
15	1705909	1	Decal - Tip Over <b>(SN 0300201016 through 0300241317)</b>	
16	1705915	AR	Decal - Tip Over Hazard	
18	1703941	7	Decal - Warning/Crushing	
19	1704001	2	Decal - No Hands	
20	1703923	1	Decal - Danger/Warning (Platform) <b>(SN 0300201016 through 0300241317)</b>	
20	1001231318	1	Decal - Danger/Warning (Platform) <b>(SN 0300241318 through 0300272504, Except SN 0300272455 through 0300272461)</b>	
21	1705917	1	Decal - Danger/Warning (Ground Control)	
22	1703947	5	Decal - Warning Crushing	
23	1703935	5	Decal - Danger/Electrocution	
24	1703983	1	Decal - Footswitch	
27	See Note	1	Decal - Bar Code (Note: Not Available for Purchase)	
28	1001122373	2	Decal - Capacity (Platform)	
29	1001122380	1	Decal - Capacity (Ground Control) Options:	
31	1706751	1	Decal - Legend (Platform)	
32	1705868	1	Decal - Legend (Ground Controls)	
33	1705910	1	Decal - Drive/Steer Instructions	
34	1701505	2	Decal - Fuel	
35	1706063	1	Decal - Warning Explosion/Fire	
36	1705511	1	Decal - Oil Level	
37	1701501	4	Decal - Arrow	
52	0641406	AR	Bolt 1/4 x 3/4	
54	91403230	1	Box, Manual Storage	
56	3311405	4	Nut 1/4	
57	3820001	2	Rivet	
58	4751400	AR	Washer 1/4	
59	3572327	1	Plate, Decal Mount <b>(SN 0300201016 through 0300241317)</b>	
67	1001224049	1	Decal - Yearly Inspection <b>(SN 0300235507 through 0300272504, Except SN 0300272455 through 0300272461)</b>	

# SECTION 9 - DECALS

## FIGURE 9-10. DECAL INSTALLATION - OPTIONS



ART\_DECAL\_OPTIONS

## SECTION 9 - DECALS

### FIGURE 9-10. DECAL INSTALLATION - OPTIONS

ITEM	PART NUMBER	QTY	DESCRIPTION	REV
	1283409	Ref	DECAL INSTALLATION - REFERENCE CHART	AA
	1001160100	Ref	DECAL INSTALLATION - OPTIONS (USA Built Machines)	BX
	1001220713	Ref	DECAL INSTALLATION - OPTIONS (China Built Machines)	G
108	1702962	1	Decal - Warning (Proposition 65) (ANSI Spec Only) <b>(SN 0300201016 through 0300247517)</b>	
108	1001231801	1	Decal - Warning (Proposition 65) (ANSI Spec Only) <b>(SN 0300247518 through 0300272504, Except SN 0300272455 through 0300272461)</b>	
116	1703175	1	Lanyard Attachment Decal (GM K-1 Spec) (ANSI and CSA Specs Only)	
120	4420051	21.9 ft/ 6.7m	Decal - Warning Stripes	
145	0272523	1	Decal - Model Designation Installation (1200SJP)	2
145	0272522	1	Decal - Model Designation Installation (1350SJP)	2
145A	1705057	2	Decal - Model (1200SJP)	
145B	1705095	2	Decal - Model (1350SJP)	
146	2902355	1	Decal - Max Tire Load Kit (1200SJP)	2
146	2902357	1	Decal - Max Tire Load Kit (1350SJP)	2
146A	1705178	4	Decal - Max Tire Load (1200SJP)	
146B	1705167	4	Decal - Max Tire Load (1350SJP)	
151	1705096	1	Decal - Lift Diagram	
173	1705365	1	Decal - Daily Check List - ANSI Spec	
173	1705365	1	Decal - Daily Check List - Australian Spec	
173	1705452	1	Decal - Daily Check List - Chinese Spec (Chinese/English)	
173	1705451	1	Decal - Daily Check List - CSA Spec (English/French)	
173	1705552	1	Decal - Daily Check List - Danish Spec	
173	1705444	1	Decal - Daily Check List - Dutch Spec	
173	1705454	1	Decal - Daily Check List - Finnish Spec	
173	1705445	1	Decal - Daily Check List - French Spec	
173	1001172766	1	Decal - Daily Check List - German Spec (German/English)	
173	1705446	1	Decal - Daily Check List - Italian Spec	
173	1705449	1	Decal - Daily Check List - Japanese Spec (Japanese/English)	
173	1705448	1	Decal - Daily Check List - Korean Spec (Korean/English)	
173	1706904	1	Decal - Daily Check List - Latin American Spec (Spanish/English)	
173	1001219085	1	Decal - Daily Check List - Latvian Spec (Latvian/English)	
173	1001177533	1	Decal - Daily Check List - Norwegian Spec (Norwegian/English)	
173	1705554	1	Decal - Daily Check List - Polish Spec	
173	1705456	1	Decal - Daily Check List - Portuguese Spec	
173	1001221738	1	Decal - Daily Check List - Russian Spec	
173	1705447	1	Decal - Daily Check List - Spanish Spec	
173	1705455	1	Decal - Daily Check List - Swedish Spec	
173	1705365	1	Decal - Daily Check List - UK English Spec	
205	See Note	1	Decal - Nameplate (Note: Not Available for Purchase)	
210	1702868	2	Decal - No Hands - ANSI Spec	
210	1704000	2	Decal - No Hands - CSA Spec (French/English)	
210	1705969	2	Decal - No Hands - Korean Spec (Korean/English)	
215	0274730	1	Decal - JLG Decal Installation (ABS Hood)	D
215	1001116025	1	Decal - JLG Decal Installation (Steel Hood)	D
215A	1702774	1	Decal - JLG Lift	
215B	1702773	AR	Decal - JLG	
215C	1704885	1	Decal - Website	

## SECTION 9 - DECALS

ITEM	PART NUMBER	QTY	DESCRIPTION	REV
215D	1705864	2	Decal - JLG	
215E	1705865	2	Decal - Ultra Boom	
218	3251813	1	Decal - USA (ANSI, ANSI Export and CSA Specs)	
238	1001125387	1	Decal - Ultra Low Sulfur Fuel (Deutz TCD2.9L4 Engines) (ANSI and CSA Specs)	
238	1001139654	1	Decal - Ultra Low Sulfur Fuel (Deutz TCD2.9L4 Engines and Deutz TCD2.9L4 (Stage V) Engines) (ANSI Export (HRC), CE and Japanese Specs)	
245	1001120994	1	Decal - ClearSky Telematics Decal Installation	A
245A	1001116208	2	Decal - ClearSky	
245B	1001120989	1	Decal - Radio Frequency Device	
253	1001143852	1	Decal - EPA (ANSI Export and Australian Specs)	
262A	1001141300	1	Decal - SkyGuard Override	
262B	1001141302	1	Decal - SkyGuard/Soft Touch Override	
263	1001189882	NLA	Decal - MSSO (CE Specs Only) (Use p/n 1001197408) <b>(SN 0300201016 through 0300207775)</b>	
263	1001197408	1	Decal - MSSO (CE Specs Only) <b>(SN 0300207776 through 0300272504, Except SN 0300272455 through 0300272461)</b>	
264	1705980	1	Decal - Sound Power (Deutz TD2011 Engines)	
264	1001191526	1	Decal - Sound Power (Deutz TCD2.9L4 Engines and Deutz TCD2.9L4 (Stage V) Engines)	
274	1001214029	1	Decal Installation - EAC (Russian/CIS Specs)	
274	1001173703	1	Decal - EAC (Russian/CIS Specs)	
287	1001236398	1	Decal Installation - ECO Label (China)	
287A	3820001	8	Rivet	
287B	See Note	1	Decal - Nameplate (Note: Not Available for Purchase) (China Specs Only)	
287C	See Note	1	Decal - Mein Code (Note: Not Available for Purchase) (China Specs Only)	
292	1001122369	1	Decal - Dual Capacity (ANSI Spec)	
292	1001122372	1	Decal - Dual Capacity (Brazil Spec - Dual Language English/Portuguese)	
292	1001122371	1	Decal - Dual Capacity (Chinese Spec - Dual Language English/Chinese)	
292	1001122374	1	Decal - Dual Capacity (CSA Spec - Dual Language English/French)	
292	1001122370	1	Decal - Dual Capacity (Korean Spec - Dual Language English/Korean)	
292	1001122373	1	Decal - Dual Capacity (Latin American - Dual Language English/Spanish)	
292	1001222375	1	Decal - Dual Capacity (Japanese Spec - Dual Language English/Japanese)	



**SECTION 10 - RECOMMENDED SERVICE PARTS STOCK**

**SECTION 10 - RECOMMENDED SERVICE PARTS STOCK**

# SECTION 10 - RECOMMENDED SERVICE PARTS STOCK

FIGURE 10-1. RECOMMENDED SERVICE PARTS STOCK

ITEM	PART NUMBER	QTY	DESCRIPTION	REV
		Ref	Note: The following list will service one machine (built to current production per date on the front cover) with emergency repair parts which can be installed in the field. Parts from the list should be replaced when inventory is depleted to keep service parts stock supplied. For further information, contact your JLG dealer or the JLG Industries Parts Department.	
		Ref	STANDARD PARTS	
	7024365	1	Axle Powertrack Repair Kit	
	7024444	12	Breather, Hydraulic Oil Tank	
	70003917	1	Boom Powertrack Repair Section	
	70003913	1	Boom Powertrack Repair Section	
	7018991	1	Coil	
	7012944	1	Coil	
	7011354	1	Coil	
	7017451	1	Coil	
	7024571	1	Coil	
	4360476	1	Contact, Switch Block	
	1001129555	1	Controller, Lift and Swing	
	1001212415	1	Controller, Drive and Steer	
	4360407	1	Controller, Speed	
	3990010	2	Diode - 3Amp	
	7024375	12	Element, Hydraulic Oil Filter	
	70002097	12	Element, Pressure Filter	
	70002231	12	Element, Pressure Filter	
	2400065	2	Fuse	
	8229242	1	Fuse - 5Amp	
	80983191	1	Fuse - 10Amp	
	2860030	1	Key, Replacement	
	2940074	1	Latch, Platform	
	3740067	1	Relay	
	3740080	1	Relay	
	3740049	1	Relay	
	4360505	1	Switch	
	4360328	1	Switch, Toggle	
	4360475	1	Switch, Mushroom	
	4360274	1	Switch, Push Button	
	4360387	1	Switch, Push Button	
	1001155045	1	Switch, Toggle	
	1001159256	1	Switch, Toggle	
	1001161709	1	Switch, Toggle	
	1001161710	1	Switch, Toggle	
	4360336	1	Switch, Toggle	
	4360387	1	Switch, Push Button	
		Ref	VARIABLE PARTS	
	4360070	1	Circuit Breaker 15Amp (Machines with 7500W Generator)	
	7003655	12	Element, Deutz TD2011 Engine Air Filter	
	7016331	12	Element, Deutz TD2011 Engine Oil Filter	
	7016328	12	Element, Deutz TD2011 Engine Fuel	
	70024190	12	Element, Deutz TD2.9L4/TCD2.9L4 Engine Air Filter	

## SECTION 10 - RECOMMENDED SERVICE PARTS STOCK

ITEM	PART NUMBER	QTY	DESCRIPTION	REV
	7016331	12	Element, Deutz TD2.9L4/TCD2.9L4 Engine Oil Filter	
	1001117174	1	Footswitch Kit	
	1001227960	1	Module, B.L.A.M.	
	1001112758	1	Module (Chassis)	
	1600443	1	Module, Deutz TD2011 Engine	
	70025210	1	Module, Deutz TD2.9L4/TCD2.9L4 Engine	
	1001110084	1	Module, Ground Control	
	1600343	1	Module, Platform Control	
	3740080	1	Relay (110V/220V Generator Options)	
	1001147479	1	Sensor, Angle Indicator	
	4360543	1	Sensor, Boom Length	
	7026031	1	Sensor, Proximity	
	4360527	1	Switch, Cable Break	
	4360548	1	Switch, Jib Limit	
	4360469	1	Switch, Key (ANSI, ANSI Export and Australian Specs)	
	4360470	1	Switch, Key (CE Spec)	
	4360578	1	Switch, Limit	
	4360057	1	Switch, Limit (Soft Touch System Option)	
	4360387	1	Switch, Push Button (Soft Touch System Option)	
	4360336	1	Switch, Toggle (Generator Options)	



**SECTION 11 - SPECIAL OPTIONS**

# SECTION 11 - SPECIAL OPTIONS

## FIGURE 11-1. SPECIAL OPTIONS

ITEM	PART NUMBER	QTY	DESCRIPTION	REV
		Ref	Note: This list is to accommodate machines ordered with special equipment. Options may not be applicable to all models. For more specific parts information contact JLG Parts Department.	
		Ref	MISCELLANEOUS SPECIAL OPTIONS	
	0272078	Ref	Accessory Counterweight (Required with SkyWelder and Fall Arrest Platform Options)	
	1340067	Ref	Air Cleaner Pre-Cleaner	
	0271956	Ref	Airline Installation, 1/2in (1200SJP)	
	0271933	Ref	Airline Installation, 1/2in (1350SJP)	
	1001202697	Ref	Air Intake Shut-off Valve (Deutz TCD2.9L4 Engines)	
	1001241275	Ref	Axle Wear Pad Kit	
	0271803	Ref	Bellows, Cylinder (Fixed Axle)	
	0271804	Ref	Bellows, Cylinder (Oscillating Axle)	
	0271805	Ref	Bellows, Cylinder (Boom)	
	0271875	Ref	Boom Wipers Installation	
	1001233763	Ref	Breather Heater (Deutz TCD2.9L4 Engines and Deutz TCD2.9L4 (Stage V Engines)	
	1001220775	Ref	China Ultra Master Kit Installations (China Built Machines)	
	1001220745	Ref	Booms and Cylinder Kit (1200SJP)	
	1001220747	Ref	Booms and Cylinder Kit (1350SJP)	
	1001220041	Ref	China Parts Kit (With 1 Cell LSS and Sauer Pump) (1200SJP)	
	1001220743	Ref	China Parts Kit (With 1 Cell LSS and Sauer Pump) (1350SJP)	
	1001220045	Ref	Console and Footswitch Kit (With SkyGuard)	
	1001220039	Ref	Frame Kit	
	1001220044	Ref	Jib Kit (1200SJP)	
	1001220746	Ref	Jib Kit (1350SJP)	
	1001220042	Ref	Turntable Kit (1200SJP)	
	1001220744	Ref	Turntable Kit (1350SJP)	
		Ref	ClearSky (Telematics) Installations (Dealer Installed)	
	1001242192	Ref	ClearSky (Telematics) Access Control Installation Kit (Dealer Installed) (ANSI, ANSI Export and CSA Specs)	
	1001243183	Ref	ClearSky (Telematics) Added-on Kit (Dealer Installed) (ANSI, ANSI Export and CSA Specs)	
	1001243184	Ref	ClearSky (Telematics) Added-on Kit (Dealer Installed) (CE Specs)	
	1001119938	Ref	ClearSky Telematics (Dealer Installed) (ANSI Spec)	
	1001119946	Ref	ClearSky Telematics (Dealer Installed) (CSA Spec)	
	1001234099	Ref	ClearSky Telematics Kit (Dealer Installed) (CE Specs)	
		Ref	ClearSky Telematics (Factory Installed)	
	1001227449	Ref	Canbus Connection (ANSI and CSA Specs)	
	1001228951	Ref	Canbus Connection (ANSI Export and CE Specs)	
	1001246136	Ref	Canbus Connection (Australian Specs)	
	1001246137	Ref	Canbus Connection (China Specs)	
	1001229107	Ref	3 Wire Connection (ANSI and CSA Specs)	
	1001233237	Ref	3 Wire Connection (ANSI Export and CE Specs)	
	0273862	Ref	Cold Weather Package (Deutz TD2011 Engines) (110V)	
	1001235617	Ref	Cold Weather Package (Deutz TCD2.9L4 Engines and Deutz TCD2.9L4 (Stage V Engines)	
	1001205034	Ref	Cold Weather Plus Package (Add-on Kit)	
	0272621	Ref	Control System Analyzer Installation	

## SECTION 11 - SPECIAL OPTIONS

ITEM	PART NUMBER	QTY	DESCRIPTION	REV
	1001233047	Ref	Crankcase Breather Heater (Deutz TCD2'9L4 Engines)	
	1001213183	Ref	Cribbing Enable Installation	
		Ref	Decals Installations	
	0257195	Ref	Government Warranty Decal	
		Ref	Decal Kits	
	2902303	Ref	Decal Kit - Master (All Specs Except Australian and CE Specs)	
	1001104651	Ref	Decal Kit - Master (Australian and CE Specs)	
	2902307	Ref	Decal Kit - Country Spec (ANSI Spec) <b>(SN 0300201016 through 0300241317)</b>	
	1001232172	Ref	Decal Kit - Country Spec (ANSI Spec) <b>(SN 0300241318 through 0300272504, Except SN 0300272455 through 0300272461)</b>	
	2902329	Ref	Decal Kit - Country Spec (Australian and CE Specs)	
	2902312	Ref	Decal Kit - Country Spec (Brazilian Spec) <b>(SN 0300201016 through 0300241317)</b>	
	1001232176	Ref	Decal Kit - Country Spec (Brazilian Spec) <b>(SN 0300241318 through 0300272504, Except SN 0300272455 through 0300272461)</b>	
	2902309	Ref	Decal Kit - Country Spec (Chinese Spec) <b>(SN 0300201016 through 0300241317, SN B300002238 through B300002646)</b>	
	1001232178	Ref	Decal Kit - Country Spec (Chinese Spec) <b>(SN 0300241318 through 0300272504, SN B300002647 through B300007118, Except SN 0300272455 through 0300272461)</b>	
	2902322	Ref	Decal Kit - Country Spec (CSA Spec) <b>(SN 0300201016 through 0300241317)</b>	
	1001232173	Ref	Decal Kit - Country Spec (CSA Spec) <b>(SN 0300241318 through 0300272504, Except SN 0300272455 through 0300272461)</b>	
	2902308	Ref	Decal Kit - Country Spec (Japanese Spec) <b>(SN 0300201016 through 0300241317)</b>	
	1001232177	Ref	Decal Kit - Country Spec (Japanese Spec) <b>(SN 0300241318 through 0300272504, Except SN 0300272455 through 0300272461)</b>	
	2902310	Ref	Decal Kit - Country Spec (Korean Spec) <b>(SN 0300201016 through 0300241317)</b>	
	1001235174	Ref	Decal Kit - Country Spec (Korean Spec) <b>(SN 0300241318 through 0300272504, Except SN 0300272455 through 0300272461)</b>	
	2902311	Ref	Decal Kit - Country Spec (Latin American Spec) <b>(SN 0300201016 through 0300241317)</b>	
	1001232175	Ref	Decal Kit - Country Spec (Latin American Spec) <b>(SN 0300241318 through 0300272504, Except SN 0300272455 through 0300272461)</b>	
	1001193645	Ref	Decal Kit - Machine	
	1001108708	Ref	Decal Kit - Platform	
	1001109181	Ref	Decal Kit - Platform Console Box	
	1001197529	1	Decal - Quick Reference (Dutch) (Lomax Rentals)	
	1001197531	1	Decal - Quick Reference (Danish) (Lomax Rentals)	
	1001180690	1	Decal - Quick Reference (English) (Lomax Rentals)	
	1001197528	1	Decal - Quick Reference (French) (Lomax Rentals)	
	1001197530	1	Decal - Quick Reference (German) (Lomax Rentals)	
	1001197537	1	Decal - Quick Reference (Norwegian) (Lomax Rentals)	
	1001197533	1	Decal - Quick Reference (Spanish) (Lomax Rentals)	
	1001197532	1	Decal - Quick Reference (Swedish) (Lomax Rentals)	
		Ref	Electrical Connector Kits	
	1001148902	Ref	Amp/Tyco Electrical Connector Kit	

## SECTION 11 - SPECIAL OPTIONS

ITEM	PART NUMBER	QTY	DESCRIPTION	REV
	1001148903	Ref	Deutsch DT Electrical Connector Kit	
	1001148904	Ref	Deutsch HD Electrical Connector Kit	
	1001148905	Ref	Packard Electrical Connector Kit	
	1001148906	Ref	Various Electrical Connectors Kit	
	1001246867	Ref	Enhanced Detection System (EDS) Level 1 (2-Bar) Installation Kit	
	1001246860	Ref	Enhanced Detection System (EDS) Level 2 (3-Bar) Installation Kit	
	1001237883	Ref	Fall Arrest (Bolt-on) Add-on Kit (6ft/1.82m Platform (ANSI, ANSI Export, China, CSA & Japanese Specs Only) (Fits Platform p/ns 1001186384 & 1001228376)	
	1001237882	Ref	Fall Arrest (Bolt-on) Add-on Kit (8ft/2.4m Platform (ANSI, ANSI Export, China, CSA & Japanese Specs Only) (Fits Platform p/ns 1001186383)	
	1001206794	Ref	Fan & Belt Grille Add-on Kit (Deutz D2011 Engines Only)	
	1001206797	Ref	Fan & Belt Grille Add-on Kit (Deutz TCD2.9L4 Engines Only)	
	1001203564	Ref	Fan & Belt Grille Installation (Deutz TD2011 Engines and Deutz TCD2.9L4 (Stage V) Engines Only)	
	1001202221	Ref	Fan & Belt Grille Installation (Deutz TCD2.9L4 Engines Only)	
	1001182600	Ref	Fan Guard Installation (Deutz TD2011 Engines Only) (Factory Installed)	
	1001185079	Ref	Fan Guard Installation (Deutz TD2011 Engines Only) (Dealer Installed)	
	1001145708	Ref	Fan Guard Installation (Deutz TCD2.9L4 Engines and Deutz TCD2.9L4 (Stage V) Engines Only)	
		Ref	Filter Kits:	
		Ref	Combined Filter Kit Options (Hydraulic/Air and Fuel/Engine Oil):	
		Ref	Deutz Engine Machines:	
	1001137027	1	Deutz TD2011 Engine Only	
	1001181151	1	Deutz TCD2.9L4 Engines Only	
		Ref	Hydraulic/Air Filter Options:	
	1001137022	1	Hydraulic/Air Filter (Deutz TD2011 Engine Only)	
	1001182241	1	Hydraulic/Air Filter (Deutz TCD2.9L4 Engines Only)	
		Ref	Engine - Fuel/Engine Oil Filter	
	1001110133	1	Deutz TD2011 Engine Only	
	1001182242	1	Deutz TCD2.9L4 Engines Only	
	1001139099	Ref	Fire Extinguisher Installation	
		Ref	Fluids	
	3020008	Ref	Drive Hub Lubricant	
		Ref	Hydraulic Fluid	
	2300014	Ref	Mobil 424	
	2300029	Ref	Mobil EAL ISO 46 Bio	
	2300016	Ref	Mobil DTE 10 EXCEL 32	
	2300021	Ref	Union Carbide Ucon HP5046 Fire Resistant	
	2300039	Ref	Exxon Univis (Arctic Package)	
	1001191395	Ref	Fuel Cap Cover (Lockable) (Green)	
	1001202749	Ref	Fuel Cap Cover (Lockable) (Black)	
	1001220148	Ref	Generator Cable Kit - 4000W 60Hz	
	1001176291	Ref	Generator Kit - 4000W 50Hz (Deutz TD2011 Engines)	
	1001211801	Ref	Generator Kit - 4000W 50Hz (Deutz TCD2.9L4 Engines)	
	1001213601	Ref	Generator Kit - 4000W 60Hz (Deutz TD2011 Engines)	
	1001213600	Ref	Generator Kit - 4000W 60Hz (Deutz TCD2.9L4 Engines)	
	1001142966	Ref	Hood Bracket Kit (Eliminates bending of the hood when cranking engine tray open)	



## SECTION 11 - SPECIAL OPTIONS

ITEM	PART NUMBER	QTY	DESCRIPTION	REV
	1001103286	1	Generator Hourmeter Installation	
	0271769	Ref	Headlight and Taillights Installation	
	1001178043	Ref	Hood Kit (Replacing ABS Hood with Steel) (Deutz TD2011 Engines)	
		Ref	Hose Kits	
	1001098242	Ref	Hose Kit - Upper Boom (1200SJP)	
	1001098243	Ref	Hose Kit - Upper Boom (1350SJP)	
	1001111396	Ref	Hose/Cable Protection (Platform) ( <b>SN 0300201016 through 0300248611</b> )	
	1001233533	Ref	Hose/Cable Protection (Platform) (Without LSS) ( <b>SN 0300248612 through 0300272504, Except SN 0300272455 through 0300272461</b> )	
	1001233534	Ref	Hose/Cable Protection (Platform) (With LSS) ( <b>SN 0300248612 through 0300272504, Except SN 0300272455 through 0300272461</b> )	
	1001112741	Ref	Hose/Cable Protection (Boom) (1200SJP)	
	1001228431	Ref	Hose/Cable Protection (Boom) (1350SJP)	
	0271808	Ref	Illumination Lights Installation	
	1001204930	Ref	Hostile Environment - With Oscillating Axle (Add-on Kit)	
	1001241417	Ref	Hostile Environment - Fixed Axle (Add-on Kit)	
	1001148971	Ref	Lanyard (Bolt-on) Installation Kit	
		Ref	Lights Installations	
	0272093	Ref	Flood Lights (1200SJP)	
	0272092	Ref	Flood Lights (1350SJP)	
	0272097	Ref	Work Lights (1200SJP)	
	0272096	Ref	Work Lights (1350SJP)	
	2915046	Ref	Load Pin Harness Kit	
	1001183407	Ref	Low Temperature Cutout Installation (Russian Specs) ( <b>SN 0300201016 through 0300245504</b> )	
	1001236951	Ref	Low Temperature Cutout Installation (Russian Specs) ( <b>SN 0300245505 through 0300272504, Except SN 0300272455 through 0300272461</b> )	
	1001117294	Ref	Panel, Foot Switch	
		Ref	Platform Cable Carrier Installation Options:	
	1001116419	Ref	30in Platform ( <b>SN 0300201016 through 0300224748</b> )	
	1001116420	Ref	36in Platform ( <b>SN 0300201016 through 0300224748</b> )	
	1001172045	Ref	Platform Cable Carrier Installation ( <b>SN 0300224749 through 0300272504, Except SN 0300272455 through 0300272461</b> )	
	1001205175	Ref	Platform Console Cover Kit (Clear Polycarbonate Cover) (All Specs)	
	1001195304	Ref	Platform Console Cover Installation (Clear Polycarbonate Cover) (All Specs)	
	1001110974	Ref	Platform Console Cover Installation (Steel Cover) (ANSI, ANSI Export, CSA and Japanese Specs)	
	1580013	Ref	Platform Corner Storage Tray	
		Ref	Platform Entry Kits	
	1001142505	Ref	Drop Bar (Replacing Swing Gate with Drop Bar)	
	1001142504	Ref	Swing Gate (Replacing Drop Bar with Swing Gate)	
		Ref	Platform Mesh to Top Rail Installations	
	0273145	Ref	36in x 8ft (91.5cm x 2.44m) (ANSI Spec)	
	0273149	Ref	36in x 6ft (91.5cm x 1.83m) (ANSI and ANSI Export Specs)	
		Ref	Platform Mesh to Top Rail Add-on Kit (ANSI and ANSI Export Specs)	
	1001214562	Ref	Platform Mesh to Top Rail - 36in x 8ft (91.5cm x 2.44m) with Gate	

## SECTION 11 - SPECIAL OPTIONS

ITEM	PART NUMBER	QTY	DESCRIPTION	REV
	1001214561	Ref	Platform Mesh to Top Rail - 36in x 6ft (91.5cm x 1.83m) with Gate	
		Ref	Platform Mesh to Mid Rail Installations	
	1001138773	Ref	36in x 8ft (91.5cm x 2.44m) (ANSI, ANSI Export, Australian and China Specs)	
	1001138772	Ref	36in x 6ft (91.5cm x 1.83m) (ANSI, ANSI Export, Australian and China Specs)	
	1001140318	Ref	30in x 4ft (76.2cm x 1.22m) (ANSI, ANSI Export, Australian and China Specs)	
		Ref	Platform Mesh to Mid Rail Add-on Kit (ANSI, ANSI Export and Australian Specs)	
	1001214548	Ref	Mesh to Mid Rail - 36in x 8ft (91.5cm x 2.44m) with Gate	
	1001214540	Ref	Mesh to Mid Rail - 36in x 6ft (91.5cm x 1.83m) with Gate	
	1001214478	Ref	Mesh to Mid Rail - 30in x 4ft (76.2cm x 1.22m) with Gate	
	1001149730	Ref	Platform Mid Rail Repair Kit	
		Ref	Platform Rail Extensions	
	0272733	Ref	6ft Platform	
	0272725	Ref	8ft Platform	
	1001209059	Ref	Platform Work Surface Installation	
	1001099466	Ref	Programmable Security Lock Installation (CE Spec Only) (1200SJP)	
	1001171131	Ref	Receptacle (240V GFCI) Installation (4000W Generator Only)	
	1001159121	Ref	Receptacle (240V GFCI) Installation (7500W Generator Only)	
	1001247073	Ref	SkyEye Retrofit Kit	
		Ref	SkyGuard Component Options:	
	1001208923	NLA	SkyGuard Complete Add-on Kit (Blue Beacon) (Use p/n 1001209481)	
	1001210043	Ref	SkyGuard Complete Add-on Kit (Red Beacon)	
	1001209481	Ref	SkyGuard Complete Add-on Kit (Blue Beacon)	
	1001210042	Ref	SkyGuard Complete Add-on Kit (Red Beacon)	
	1001137672	Ref	SkyGuard Platform Sensor Kit	
	1001137440	Ref	Harness - Platform Sensor	
	1001186431	2	Relay	
	1001155079	NLA	SkyGuard Strobe Light Kit (Blue Beacon) (Use p/n 1001206544)	
	1001206544	Ref	SkyGuard Strobe Light Kit (Blue Beacon)	
	1001210028	Ref	SkyGuard Strobe Light Kit (Red Beacon)	
	1001176372	Ref	SkyGuard Removal Plug Kit	
	1001232643	Ref	SkyLine Kit	
	1001231235	Ref	SkyWelder Locking Bracket	
	1001228964	Ref	Telematics Retrofit Harness Kit (Machines with UGM)	
	1001228926	Ref	Turntable Bearing Cover Installation	
		Ref	Tools For Service:	
	2901443	1	Analyzer Kit	
	0272048	Ref	Boom Cable Tools Installation	
	4120040	1	Socket 3/4in	
	4120043	1	Socket 2in	
	1705307	1	Decal - Tool Location	
	7002821	Ref	Crimper, Wire	
		Ref	Drive Hub Assembly Tools	
	70004646	1	Puller	
	70004647	1	Seal, Tool	
	70004648	1	Puller (Brake Assembly)	

## SECTION 11 - SPECIAL OPTIONS

ITEM	PART NUMBER	QTY	DESCRIPTION	REV
	70004185	1	Torque Multiplier	
	7002823	Ref	Pin Extractor - Universal (For Electrical Connectors with Pins and Sockets)	
	4460467	1	Extractor - 16-18 Gauge (For Removal of Pin/Sockets from Deutsch Connectors)	
	4460510	1	Extractor - 12-14 Gauge (For Removal of Pin/Sockets from Deutsch Connectors)	
	7016654	Ref	Screwdriver, Magnetic	
	7002822	Ref	Screwdriver, Potentiometer	
	7004275	Ref	Seal Tool 1in (For Cylinders)	
	7004276	Ref	Seal Tool 1-1/2in (For Cylinders)	
	7002828	Ref	Stripper, Wire	
	4921850	1	Throttle Service Harness	
	70004185	1	Torque Multiplier	
	7016655	1	Wire Rope Sheave Gauge	
	1001137005	1	Cable Service Kit	
	1001173352	NLA	UGM Retrofit Kit - With SkyGuard (Use p/n 1001209395)	
	1001209395	Ref	UGM Retrofit Kit - With SkyGuard	
	1001232183	Ref	Ultra CKD Packaging Kit	
	1001232182	Ref	Ultra CKD Strapping Kit	
	2910890	Ref	Wear Pad Kit (Includes Wear Pads, Shims and Hardware)	
		Ref	Weld Leads at Platform Installation	
	0271983	Ref	Weld Leads at Platform Installation (1200SJP)	
	0271820	Ref	Weld Leads at Platform Installation (1350SJP)	
	2910894	Ref	Wire Rope Kit (Includes Cables, Sheaves, Sheave Pins and Hardware) (1200SJP)	
	2910895	Ref	Wire Rope Kit (Includes Cables, Sheaves, Sheave Pins and Hardware) (1350SJP)	



**PART NUMBER INDEX**

## SECTION 11 - SPECIAL OPTIONS

0080237 ....217, 233, 257, 273	587, 591, 595, 599, 603, 909, 957, 959, 963	0271983 ..... 987	0275219.....803, 933
0080244....225, 241, 249, 265, 281, 289	0100062 ... 310, 354, 360, 382	0272048 ..... 507, 986	0275452.....805, 935
0080277 .....37	0100071 ..... 631	0272055 ..... 57	0275453.....811, 937
0100009....583, 587, 591, 595, 599, 603	0100079 ... 213, 221, 229, 237, 245, 253, 261, 269, 277, 285, 297, 301, 319, 323, 327, 331, 335, 339, 367, 371, 413	0272056 ..... 57	0275454.....817, 939
0100011....21, 25, 29, 33, 37, 48, 52, 63, 65, 71, 73, 77, 79, 81, 83, 99, 101, 113, 115, 117, 119, 135, 137, 139, 141, 143, 145, 152, 188, 189, 192, 193, 196, 197, 200, 201, 203, 205, 207, 209, 213, 217, 221, 225, 229, 233, 237, 241, 245, 249, 253, 257, 261, 265, 269, 273, 277, 281, 285, 289, 297, 301, 305, 307, 310, 319, 323, 327, 331, 335, 339, 343, 345, 347, 349, 354, 358, 367, 371, 375, 377, 382, 415, 417, 425, 429, 433, 437, 441, 445, 449, 453, 457, 461, 467, 469, 471, 473, 477, 485, 493, 501, 518, 522, 525, 529, 531, 533, 535, 537, 549, 551, 553, 555, 557, 565, 567, 569, 571, 621, 623, 625, 627, 629, 677, 680, 683, 685, 687, 709, 711, 715, 717, 719, 721, 723, 727, 729, 731, 733, 735, 739, 741, 745	0100081 21, 30, 147, 151, 188, 189, 193, 519, 523, 526, 583, 587, 591, 635, 637, 639, 641, 643, 645, 647, 649, 651, 653, 655, 657, 659, 661, 663, 665, 667, 669, 671, 673, 675	0272060 ... 218, 225, 234, 241, 249, 258, 265, 274, 281, 289	0275685.....39
0100019....21, 25, 29, 33, 37, 39, 41, 91, 93, 95, 441, 445, 449, 453, 457, 461, 467, 469, 471, 473, 477, 485, 493, 501, 518, 522, 739	0140001 ..... 81, 83	0272064 ..... 183	0340003....217, 225, 233, 241, 249, 257, 265, 273, 281, 289
0100020....310, 354, 358, 382, 433, 441, 450, 457, 619, 680, 691, 785, 787, 789, 791, 793, 795, 797, 799, 801, 803, 805, 807, 809, 811, 813, 815, 817, 819, 821	0140011 ... 583, 587, 591, 595, 599, 603	0272070 ..... 529	0340051....217, 225, 233, 241, 249, 257, 265, 273, 281, 289
0100035.....37, 169, 313, 525, 595, 599, 603, 737	0140032 ..... 163	0272078 ..... 982	0363037....21, 25, 29, 33
0100038....709, 711, 715, 717, 719, 721, 723, 727, 729, 731, 733, 735, 739, 741, 745	0200048 .... 621, 623, 625	0272080 ..... 123, 775	0363062.....81, 83
0100048....113, 147, 151, 165, 167, 433, 441, 445, 450, 454, 457, 461, 525, 531, 583,	0200742 ..... 425, 429	0272092 ..... 985	0363066....480, 488, 496, 504
	0200833 ..... 37	0272093 ..... 985	0363076.....21, 26
	0236768 ..... 81, 83	0272096 ..... 985	0363081.....425, 429
	0239842 ..... 97	0272097 ..... 985	0363082.....425, 429
	0257195 ..... 983	0272254 ..... 685	0400020.....81, 83
	0257728 ..... 695	0272418 ... 635, 637, 639, 641, 643, 645, 647, 649, 651, 653, 655, 657, 659, 661, 663, 665, 667, 669, 671, 673, 675	0440251.....95
	0257887 ..... 163	0272427 ..... 623	0480100....695, 697, 699
	0259666 ..... 155	0272435 ..... 450, 459	0480122.....425
	0259667 ..... 157	0272448 ..... 680, 685	0480128.....433, 449
	0271512 ..... 95	0272521 ..... 683	0480129.....453
	0271520 ..... 37	0272522 ..... 975	0561431....477, 485, 493, 501
	0271521 ..... 29	0272523 ..... 975	0561437....477, 485, 493, 501
	0271530 ..... 471	0272588 ..... 683	0561439....477, 485, 493, 501
	0271570 ..... 522	0272589 ..... 454, 462	0561444....477, 485, 493, 501
	0271572 ..... 115	0272599 ..... 680, 691	0561454....477, 485, 493, 501
	0271595 ..... 188	0272607 ..... 691	0561457....477, 485, 493, 501
	0271596 ..... 91	0272621 ..... 982	0561458....477, 485, 493, 501
	0271688 ..... 113	0272703 ..... 531	0561471....477, 485, 493, 501
	0271769 ..... 985	0272725 ..... 986	0561482....477, 485, 493, 501
	0271795 ..... 81	0272733 ..... 986	0561482....477, 485, 493, 501
	0271799 ..... 467	0272948 ..... 659	0561500....477, 485, 493, 501
	0271800 ..... 518	0272949 ..... 647, 649	0630407.....152
	0271802 ..... 63, 77, 535	0272950 ..... 651, 653	0630462....621, 623, 625
	0271803 ..... 982	0272951 ..... 639	0630464.....37, 147, 151, 525
	0271804 ..... 982	0272952 ..... 655, 657	0630467....518, 522, 535
	0271805 ..... 982	0273145 ..... 985	0630511.....101
	0271806 ..... 163	0273149 ..... 985	0630518....147, 151, 680, 683, 685, 687, 691
	0271808 ..... 985	0273353 ..... 680	0630534....731, 733, 735
	0271820 ..... 987	0273404 ..... 673, 675	0630535....709, 711, 715, 717, 719, 721, 723, 725
	0271852 ..... 57	0273405 ..... 665, 667	0630536....741, 743, 745, 747
	0271874 ..... 99	0273406 ..... 661, 663	0630537.....727, 729
	0271875 ..... 982	0273696 ..... 525	0630548.....147, 151
	0271932 ..... 845	0273706 ..... 625	0630558....480, 488, 496, 504
	0271933 ..... 982	0273824 ..... 621	0630568....583, 588, 592, 596, 600, 604
	0271934 ..... 21	0273854 ..... 857	0641404....101, 433, 437, 441, 445, 449, 453,
	0271950 ..... 849	0273855 ..... 859	
	0271951 ..... 847	0273862 ..... 982	
	0271952 ..... 851	0274660 ..... 954	
	0271953 ..... 781	0274661 ..... 697	
	0271954 ..... 783	0274722 ..... 957	
	0271955 ..... 779	0274723 ..... 971	
	0271956 ..... 982	0274724 ..... 965	
		0274725 ..... 961	
		0274726 ..... 973	
		0274727 ..... 967	
		0274729 ..... 969	
		0274730 ..... 975	
		0275098 ..... 617	
		0275216 ..... 789, 927	
		0275217 ..... 795, 929	
		0275218 ..... 801, 931	

## SECTION 11 - SPECIAL OPTIONS

457, 461, 583, 587, 591, 595, 599, 603, 677	0641511 ..... 37, 213, 221, 229, 237, 245, 253, 261, 269, 277, 285, 297, 301, 319, 323, 327, 331, 335, 339, 367, 371	339, 367, 371, 382, 413, 467, 471	0642012... 477, 485, 493, 501, 635, 639, 641, 645, 649, 653, 657, 659, 663, 667, 671, 675
0641405 .... 525, 531, 677	0641514 .... 695, 697, 699	0641613.....21, 25, 29, 33	0642014 ... 477, 485, 493, 501
0641406 . 73, 77, 79, 147, 151, 165, 192, 200, 203, 205, 207, 209, 217, 225, 233, 241, 249, 257, 265, 273, 281, 289, 305, 307, 310, 352, 358, 380, 425, 429, 518, 522, 573, 575, 577, 579, 581, 957, 959, 961, 963, 965, 967, 969, 971, 973	0641516 ... 433, 437, 441, 445, 449, 453, 457, 461	0641614..... 115, 117, 119	0642016 ..... 37
0641407 ... 167, 305, 307, 437, 445, 531, 823, 825	0641520 ... 123, 125, 127, 131	0641615....477, 485, 493, 501	0642020 ..... 29, 33
0641408 81, 83, 171, 173, 175, 177, 179, 181, 188, 192, 197, 201, 305, 307, 319, 323, 327, 331, 335, 339, 367, 371, 575, 577, 579, 581	0641524 ..... 129, 133	0641616.....433, 437	0642022 ... 477, 485, 493, 501
0641410 ... 213, 221, 229, 237, 245, 253, 261, 269, 277, 285, 297, 301, 319, 323, 327, 331, 335, 339, 367, 371	0641605 ... 213, 217, 221, 225, 229, 233, 237, 241, 245, 249, 253, 257, 261, 265, 269, 273, 277, 281, 285, 289, 297, 301, 319, 323, 327, 331, 335, 339, 367, 371	0641618....441, 445, 450, 454, 457, 461, 479, 487, 495, 503	0642024 ..... 531
0641412 .... 71, 73, 81, 83	0641606 ... 21, 25, 29, 33, 81, 83, 101, 196, 200, 214, 222, 230, 238, 246, 254, 261, 270, 278, 286, 297, 301, 310, 319, 323, 327, 331, 335, 339, 352, 358, 367, 371, 380, 680, 683, 685, 687	0641620.....21	0642026 ... 637, 643, 647, 651, 655, 661, 665, 669, 673
0641414 ..... 73, 583, 587, 591, 595, 599, 603, 621, 623, 625, 627, 629, 631	0641607 ... 477, 485, 493, 501	0641624.....30	0642212 ... 635, 637, 639, 641, 643, 645, 647, 649, 651, 653, 655, 657, 659, 661, 663, 665, 667, 669, 671, 673, 675
0641416 ... 531, 779, 781, 783, 785, 787, 789, 791, 793, 795, 797, 799, 801, 803, 805, 807, 809, 811, 813, 815, 817, 819, 821, 825	0641608 ... 21, 25, 29, 33, 63, 65, 77, 79, 99, 101, 115, 117, 119, 123, 125, 183, 185, 188, 192, 196, 200, 217, 225, 233, 241, 249, 257, 265, 273, 281, 289, 297, 301, 307, 310, 319, 323, 327, 331, 335, 339, 347, 349, 352, 358, 367, 371, 375, 380, 419, 425, 429, 467, 469, 471, 473, 518, 522, 741, 743, 745, 747	0641630....188, 192, 196, 200	0642214 ... 21, 25, 29, 33, 467, 469, 471, 473
0641418 ... 549, 551, 553, 555, 557, 565, 567, 569, 571	0641609 ... 21, 25, 29, 33, 129, 133, 217, 225, 233, 241, 249, 257, 265, 273, 281, 289	0641634.....37	0642612 ... 171, 177, 203, 205, 207, 209
0641424 ..... 63, 65	0641610 ... 188, 192, 196, 200, 213, 217, 221, 225, 229, 233, 237, 241, 245, 249, 253, 257, 261, 265, 269, 273, 277, 281, 285, 289, 297, 301, 310, 319, 323, 327, 331, 335, 339, 352, 358, 367, 371, 380, 413, 417, 425, 429, 477, 485, 493, 501, 575, 577, 579, 581, 823	0641640....480, 488, 496, 504	0642614 ... 637, 643, 647, 651, 655, 661, 665, 669, 673
0641503 ... 310, 354, 360, 382	0641611 ... 21, 25, 29, 33, 415, 469, 473	0641644....480, 488, 496, 504	0642214 ... 21, 25, 29, 33, 467, 469, 471, 473
0641504 ..... 63, 65	0641612 ... 297, 301, 319, 323, 327, 331, 335,	0641646....477, 485, 493, 501	0642612 ... 171, 177, 203, 205, 207, 209
0641505 ..... 37		0641652....477, 485, 493, 501	0642614 ... 635, 637, 639, 641, 643, 645, 647, 649, 651, 653, 655, 657, 659, 661, 663, 665, 667, 669, 671, 673, 675
0641506 77, 79, 101, 113, 163, 188, 189, 193, 196, 200, 213, 217, 221, 225, 229, 233, 237, 241, 245, 249, 253, 257, 261, 265, 269, 273, 277, 281, 285, 289		0641676.....507	0642612 ... 171, 177, 203, 205, 207, 209
0641507 ... 217, 225, 233, 241, 249, 257, 265, 273, 281, 289, 537		0641706....310, 352, 358, 380	0642614 ... 635, 637, 639, 641, 643, 645, 647, 649, 651, 653, 655, 657, 659, 661, 663, 665, 667, 669, 671, 673, 675
0641508 ... 129, 133, 352, 358, 380, 425, 429		0641708....297, 301, 310, 320, 324, 328, 332, 336, 340, 352, 358, 368, 372, 380	0642612 ... 171, 177, 203, 205, 207, 209
0641509 63, 65, 185, 213, 221, 229, 237, 245, 253, 261, 269, 277, 285		0641718.....425, 429	0642614 ... 635, 637, 639, 641, 643, 645, 647, 649, 651, 653, 655, 657, 659, 661, 663, 665, 667, 669, 671, 673, 675
0641510 ... 193, 382, 519, 523		0641808....21, 25, 29, 33, 63, 65, 213, 217, 221, 225, 229, 233, 237, 241, 245, 249, 253, 257, 261, 265, 269, 273, 277, 281, 285, 289, 297, 301, 319, 323, 327, 331, 335, 339, 367, 371, 477, 485, 493, 501	0642614 ... 635, 637, 639, 641, 643, 645, 647, 649, 651, 653, 655, 657, 659, 661, 663, 665, 667, 669, 671, 673, 675

## SECTION 11 - SPECIAL OPTIONS

0741606.....37, 477, 485, 493, 501	0811607 ... 480, 488, 496, 504	0961903 ... 741, 743, 745, 747	1001098012.....680, 691, 693
0741607....433, 437, 441, 445, 457, 461	0811608 ... 477, 485, 493, 501	0961949 ... 719, 721, 723, 725, 737, 739	1001098025.....751, 774
0741806....477, 485, 493, 501	0811610 ... 477, 485, 493, 501	0961950 ... 715, 717, 737, 739	1001098026.....753, 774
0760608.....188, 189, 193	0811614 ... 477, 485, 493, 501	0961951 ... 478, 486, 494, 502	1001098122.....619, 918
0760810....310, 354, 360, 382	0811616 ... 477, 485, 493, 501	0961986 ... 217, 225, 233, 241, 249, 257, 265, 273, 281, 289, 310, 352, 358, 380	1001098149.....691
0760812.....831	0840055 ..... 871	0962033 .... 21, 25, 29, 33	1001098242.....985
0760814.....311	0860038 ... 433, 441, 449, 457, 781, 783	0962051 ..... 183, 185	1001098243.....985
0760814001.....311	0860520 ..... 963	0962224 ... 478, 486, 494, 502	1001098512.....213
0761014.....533	0861538 ..... 449, 457	0962257 .... 731, 733, 735	1001098513.....214, 217, 230, 233
0761016.....310	0861572 ..... 453, 461	0962270 .... 559, 561, 563	1001098516.....221
0761210....297, 301, 313, 319, 323, 327, 331, 335, 339, 367, 371	0861630 ..... 583	0962297 ... 478, 486, 494, 502, 727, 729	1001098530.....222, 225, 238, 241
0761214.....52, 310, 354, 360, 382	0861731 ... 785, 787, 807, 809, 813, 815, 819, 821, 935, 937, 939	0962402 ... 479, 487, 495, 503	1001098531.....246, 249
0761215.....47, 258, 265, 274, 281, 290, 307, 347, 349, 375	0861781 ... 791, 793, 797, 799, 927, 929	0962403 ... 479, 487, 495, 503	1001098601.....217, 226, 233, 242, 250, 257, 266, 273, 282, 290, 293
0761216.....529, 533	0861880 ..... 861, 863	0962404 ... 479, 487, 495, 503	1001098828.....533
0770814.....310	0902743 ... 741, 743, 745, 747	0962406 ... 479, 487, 495, 503	1001099366.....635, 637, 639, 641, 643, 645, 647, 649, 651, 653, 655, 657, 659, 661, 663, 665, 667, 669, 671, 673, 675
0771212....310, 352, 358, 380	0902746 .... 188, 189, 193	0962409 ... 478, 486, 494, 502	1001099367.....635, 637, 639, 641, 643, 645, 647, 649, 651, 653, 655, 657, 659, 661, 663, 665, 667, 669, 671, 673, 675
0771414....217, 225, 233, 241, 249, 257, 265, 273, 281, 289, 310, 352, 358, 380	0902755 ..... 77, 79	0962410 ... 478, 486, 494, 502	1001099421.....659
0791410.....71, 73	0902761 ..... 188, 193	0962411 ... 479, 487, 495, 503	1001099422.....639
0791504....518, 522, 525	0902762 ..... 189, 193	0962423 ..... 37	1001099435.....665
0791518.....518, 522	0902763 ..... 189, 193	0962447 ... 480, 488, 496, 504	1001099436.....647
079160471, 73, 101, 188, 192, 196, 200, 477, 485, 493, 501, 525	0902790 ..... 113	0962449 ..... 430	1001099437.....651
0791605....480, 488, 496, 504, 525	0902800 ..... 77, 79	0962450 ..... 531	1001099438.....661
0791606....477, 485, 493, 501, 525	0902813 ..... 425, 429	0962520 ... 433, 437, 441, 445, 449, 453, 457, 461	1001099439.....655
0791607.....71, 519, 523	0902888 ... 433, 437, 441, 445, 449, 453, 457, 461	1001091102 .... 437, 446, 823, 825	1001099440.....673
0791608.....525	0902915 ..... 113	1001091460 ..... 104	1001099466.....986
0791612....478, 486, 494, 502	0902919 ..... 531	1001091461 ..... 104	1001099632.....37
0791618....477, 485, 493, 501	0902920 ..... 531	1001091969 ..... 789	1001099869.....429
0791620....477, 485, 493, 501, 518, 522	0903154 ..... 188, 192	1001091970 ..... 795	1001100233.....429
0791622.....518, 522	0903156 ..... 188, 192	1001091971 ..... 801	1001100321.....429
0791624....477, 485, 493, 501, 518, 522	0903161 ..... 188, 193	1001091972 ..... 803	1001100352.....203
0791808.....519, 523	0903162 ..... 189, 193	1001091973 ..... 805	1001100432.....203, 205, 207, 209
0801301.....493, 501	0903484 ..... 825	1001091974 ..... 811	1001100443.....203, 205, 207, 209
0801302.....493, 501	0903530 ..... 535	1001091975 ..... 817	1001100876.....203, 205, 207, 209
0801303.....494, 501	0940070 ... 217, 225, 233, 241, 249, 257, 265, 273, 281, 289, 310, 352, 358, 380	1001092856 .... 218, 226, 234, 242, 250, 258, 266, 274, 282, 290	1001101191.....787, 789, 793, 795, 799, 801, 803, 805, 809, 811, 815, 817, 821, 861, 863
0801304.....494, 501	0940092 ... 621, 623, 625	1001093242 ..... 47	1001101196.....789, 793, 795, 799, 801, 803
0801315.....471, 493	0940094 ... 621, 623, 625	1001093243 ..... 43, 47	1001101197.....787, 805, 809, 811, 815, 817, 821
0801316.....477, 485	0940102 ... 635, 637, 639, 641, 643, 645, 647, 649, 651, 653, 655, 657, 659, 661, 663, 665, 667, 669, 671, 673, 675	1001094915 .... 437, 445, 823, 825	1001101421.....635, 637
0801317.....477, 485	0940103 ..... 623	1001095976 ..... 825	1001101422.....635
0801318.....478, 485	0940133 ..... 625	1001097051 ..... 945	1001101550.....51
0801319.....478, 485	0940134 ..... 621	1001097150 ..... 861	1001102647.....637
0801320.....467, 477	0961845 ... 549, 551, 553, 555, 557, 565, 567, 569, 571	1001097619 .... 477, 485, 493, 501, 513	1001102831.....205
0801550....480, 488, 496, 504	0961893 ... 731, 733, 735	1001097643 .... 477, 485, 493, 501, 509	1001103286.....985
0811606....480, 488, 496, 504	0961894 ..... 725	1001097820 .... 751, 753	
	0961896 ... 709, 715, 717, 719, 721, 723		
	0961901 ..... 727, 729		



## SECTION 11 - SPECIAL OPTIONS

1001103356 ..... 203, 205, 207, 209	1001110940..... 101	1001116774..... 833, 835	1001119968..... 451, 454, 459, 462, 887
1001104315 ..... 41, 45	1001110974..... 985	1001116792..... 297, 301, 319, 323, 327, 331, 335, 339, 367, 371	1001120180 ..... 147, 889
1001104324 ..... 41	1001111132..... 230, 238, 246, 270, 278, 286	1001116808..... 833, 835	1001120328 ..... 627, 629, 677
1001104325 ..... 45, 51	1001111175..... 101	1001116812..... 893	1001120337 ..... 148, 151, 867
1001104651 ..... 983	1001111176..... 101	1001116815..... 833	1001120381 ..... 954
1001104652 ..... 963	1001111193..... 101	1001116846..... 965	1001120382 ..... 429, 954
1001104735 ..... 209	1001111219..... 101	1001116849..... 965	1001120564 ..... 123, 125
1001104922 ..... 745	1001111396..... 985	1001116851..... 965	1001120989 ..... 203, 205, 207, 209, 976
1001104923 ..... 745	1001111914..... 203, 205, 207, 209	1001116952..... 876	1001120994 ..... 203, 205, 207, 209, 976
1001105014 ..... 741	1001112551..... 959	1001116967..... 875	1001121615 ..... 911, 913, 917
1001105016 ..... 741	1001112612..... 835, 867	1001116983..... 881	1001121616 ..... 911, 913, 917
1001106736 ..... 148, 151	1001112669..... 59	1001117034..... 965	1001121703 ..... 911, 913, 917
1001107359 ..... 117	1001112691..... 196, 200	1001117035..... 965	1001121826 ..... 159, 607
1001107971 ..... 254, 257, 270, 273	1001112716..... 59	1001117078..... 451, 454, 459, 463, 887	1001121827 ..... 161, 609
1001107973 ..... 262, 265, 278, 281	1001112741..... 985	1001117106..... 876	1001122369 ..... 957, 976
1001107975 ..... 286, 289	1001112757..... 77, 79	1001117107..... 876	1001122370 ..... 971, 976
1001108579 ..... 119	1001112758... 63, 65, 979	1001117140..... 193	1001122371 ..... 965, 976
1001108616 ..... 258, 266, 274, 282, 291, 307, 347, 349, 375, 402	1001112766..... 217, 225, 233, 241, 249, 257, 265, 273, 281, 289	1001117172..... 619	1001122372 ..... 961, 976
1001108617 ..... 213, 221, 229, 237, 245, 254, 262, 269, 277, 285, 297, 301, 319, 323, 327, 331, 335, 339, 367, 371	1001112796..... 835	1001117174..... 584, 588, 592, 596, 600, 604, 619, 979	1001122373 ..... 973, 976
1001108708 ..... 983	1001112878..... 229, 237, 245, 269, 277, 285	1001117294..... 985	1001122374 ..... 967, 976
1001109048 ..... 119	1001112879..... 229, 237, 245, 269, 277, 285	1001117308..... 311, 353, 359, 381	1001122375 ..... 969
1001109181 ..... 983	1001112880..... 229, 237, 245, 269, 277, 285	1001117370..... 229	1001122376 ..... 957
1001109468 ..... 772	1001112911..... 101	1001117371..... 237	1001122377 ..... 971
1001109475 ..... 861, 863	1001112927..... 258, 266, 274, 282, 291, 307, 347, 349, 375, 409	1001118384..... 947	1001122378 ..... 965
1001109482 ..... 861, 863	1001112973..... 209	1001118388..... 913, 921, 947	1001122379 ..... 961
1001109503 ..... 151	1001112987..... 203, 205, 207, 209	1001118712..... 253	1001122380 ..... 973
1001109654 ..... 823, 825, 861	1001112988..... 203	1001118713..... 261	1001122381 ..... 967
1001109677 ..... 125, 131, 133	1001113047..... 196, 200	1001118859..... 772, 774	1001122382 ..... 969
1001109759 ..... 196, 200	1001113103..... 119	1001118869..... 772, 774	1001122383 ..... 159
1001110014 ..... 147	1001113173..... 101	1001118932..... 772	1001122384 ..... 607
1001110027 ..... 196	1001113483..... 531	1001118933..... 772	1001122528 ..... 450, 454, 459, 462
1001110059 ..... 119	1001113483..... 531	1001118934..... 772	1001122611 ..... 607
1001110064 ..... 152	1001113961..... 833, 867	1001118935..... 772	1001125387 ..... 976
1001110084 ..... 147, 151, 979	1001114382..... 959	1001118957 ..... 125, 775	1001125425 ..... 425
1001110108 ..... 73	1001114392..... 101	1001119020..... 835, 918	1001125426 ..... 429
1001110109 ..... 73	1001114495..... 352, 359, 381	1001119052..... 269	1001125427 ..... 449
1001110110 ..... 73	1001114620..... 764, 774	1001119053..... 277	1001125428 ..... 453
1001110111 ..... 73	1001115168..... 101	1001119054..... 285	1001126008 ..... 833
1001110112 ..... 73	1001115440..... 101	1001119138..... 772	1001126009 ..... 947
1001110113 ..... 73	1001115603..... 669, 671	1001119345..... 139	1001126351 ..... 875
1001110133 ..... 984	1001115604..... 669	1001119346..... 135	1001126352 ..... 875
1001110194 ..... 196, 200	1001115961..... 59	1001119363..... 147	1001126356 ..... 875
1001110425 ..... 297, 301, 319, 323, 327, 331, 335, 339, 367, 371	1001116008..... 833	1001119372..... 147, 151, 897	1001126357 ..... 875
1001110433 ..... 196, 200	1001116015..... 245	1001119374..... 135, 139, 143, 147	1001126362 ..... 876
1001110486 ..... 196, 200	1001116025..... 975	1001119456..... 135, 137, 925	1001126363 ..... 876
1001110513 ..... 73	1001116206..... 954	1001119470..... 135, 137, 139, 141, 873	1001126364 ..... 876
1001110604 ..... 772	1001116208..... 203, 205, 207, 209, 976	1001119619..... 941	1001126365 ..... 876
1001110740 ..... 83	1001116290..... 197, 201	1001119620..... 943, 945	1001126384 ..... 875
1001110749 ..... 775	1001116369..... 147, 151, 909	1001119627..... 311	1001126391 ..... 876
1001110873 ..... 433, 441, 450, 458, 781	1001116419..... 985	1001119817..... 772	1001127092 ..... 205
1001110877 ..... 73	1001116420..... 985	1001119860..... 954	1001128527 ..... 687
	1001116707..... 875	1001119899..... 478, 486, 495, 502	1001128556 ..... 687
	1001116710..... 881	1001119938..... 982	1001128947 ..... 353, 359, 363
	1001116720..... 913, 921	1001119946..... 982	1001129555 ..... 978
	1001116728..... 876		1001129858 ..... 433, 434
			1001131269 ..... 957, 967
			1001131462 ..... 196, 200

## SECTION 11 - SPECIAL OPTIONS

1001131482.....185	1001135946 ..... 311, 353, 359, 381	1001138827 ..... 311, 353, 359, 381	1001142398.....312, 353, 359, 381
1001131542.....217, 225, 233, 241, 249, 257, 265, 273, 281, 289, 297, 301, 320, 324, 328, 332, 336, 340, 368, 372	1001136079 ..... 311, 354	1001139099 ..... 984	1001142501.....312, 354, 360, 382
1001131620.....518, 522	1001136172 ..... 311, 358	1001139240 ..... 311, 353, 359, 381	1001142504.....985
1001131728.....522	1001136292 ..... 353, 359, 381	1001139357 ..... 433, 437	1001142505.....985
1001131729.....518	1001136356 ..... 437	1001139492 ..... 131	1001142637.....354, 360, 382
1001131733.....522	1001136357 ..... 445, 462	1001139494 ..... 127, 775	1001142645.....441, 458
1001131734.....518	1001136626 ..... 353, 359, 381	1001139516 ..... 473	1001142683.....171, 173, 175, 177, 179, 181
1001131969.....853, 855	1001136665 ..... 311, 353, 359, 381	1001139517 ..... 473, 501	1001142685.....312, 354, 360, 382
1001132055.....441	1001136834 ..... 311, 353, 359, 381	1001139654 ..... 976	1001142694.....171, 177
1001132730.....207	1001136988 ..... 457, 461	1001139665 ..... 127, 131	1001142719.....171, 173, 175, 177, 179, 181
1001132733.....207	1001137005 ..... 987	1001139666 ..... 127, 131	1001142736.....171, 173, 175, 177, 179, 181, 835
1001133633.....313, 353, 360, 381	1001137022 ..... 984	1001139778 ..... 200	1001142938.....877
1001133634.....311, 353, 359, 381	1001137027 ..... 984	1001139930 ..... 423	1001142940.....877
1001133714.....877, 879	1001137276 ..... 311, 353, 359, 381	1001139958 ..... 433	1001142941.....877
1001133715.....877, 879	1001137336 ..... 310	1001139959 ..... 437	1001142966.....984
1001133956.....875	1001137440 ..... 986	1001139972 ..... 479, 487, 495, 503	1001143087.....127, 129, 131, 133
1001133957.....875	1001137590 ..... 457	1001140222 ..... 415	1001143123.....127, 131
1001134098.....91, 104	1001137591 ..... 461	1001140312 ..... 360	1001143294.....185
1001134389.....335	1001137672 ..... 986	1001140318 ..... 986	1001143298.....185
1001134390.....331, 335, 347	1001137673 ..... 627, 629	1001140344 ..... 441	1001143390.....312, 354, 360, 382
1001134392.....343, 345, 347, 352	1001138011 ..... 441, 445, 458, 462	1001140346 ..... 442	1001143852.....976
1001134485.....353, 359	1001138110 ..... 877	1001140347 ..... 445, 446	1001144089.....312, 354, 360, 382
1001134488.....311, 352, 360, 380	1001138111 ..... 877	1001140429 ..... 549, 551, 553, 555, 557, 565, 567, 569, 571	1001144147.....833
1001135090.....353, 359, 381	1001138113 ..... 877	1001140485 ..... 192, 200	1001144347.....143
1001135124.....127, 129, 131, 133	1001138228 ..... 311, 353, 359, 381	1001140535 ..... 311	1001144433.....592, 596, 600, 629
1001135138.....311, 353, 359, 381	1001138248 ..... 313, 353, 360, 381	1001140564 ..... 312, 352, 360, 380	1001144629.....543, 545, 547, 565, 569
1001135560.....311, 353, 359, 381	1001138253 ..... 311, 353, 359, 381	1001140604 ..... 323, 327, 335, 339	1001145089.....319, 323, 327, 331, 335, 339, 367, 371
1001135562.....311, 353, 359, 381	1001138346 ..... 311, 353, 359, 381, 875	1001141225 ..... 297, 301, 319, 323, 327, 331, 335, 339, 367, 371	1001145154.....312, 354, 360, 382
1001135650.....877, 879	1001138491 ..... 297, 301, 319, 323, 327, 331, 335, 339, 367, 371, 881	1001141300 ..... 976	1001145162.....200
1001135651.....877	1001138494 ..... 551, 553, 555, 557, 565, 567, 569, 571	1001141302 ..... 976	1001145382.....218, 226, 234, 242, 250, 258, 266, 274, 282, 290
1001135663.....185	1001138514 ..... 551, 553, 555, 557, 567, 571	1001141304 ..... 312, 354, 359, 382	1001145405.....680, 691
1001135679.....311, 353, 359, 381	1001138524 ..... 312, 353, 359, 381	1001141717 ..... 312, 354, 359, 382	1001145560.....320, 332, 367, 371
1001135680.....353, 359, 381	1001138559 ..... 313, 353, 359, 381	1001141718 ..... 415, 417	1001145708.....984
1001135779.....313, 354, 360, 382	1001138565 ..... 437, 438	1001141719 ..... 312, 352, 359, 380	1001145781.....557
1001135901.....353, 359, 381	1001138566 ..... 433, 437, 441, 445	1001141744 ..... 339	1001145785.....575
1001135903.....311, 353, 359, 381	1001138717 ..... 354, 360, 382	1001141745 ..... 340, 349	1001145842.....320, 324, 328, 332, 336, 340, 368, 372
1001135913.....353, 359, 380	1001138772 ..... 986	1001141746 ..... 349, 358	1001146132.....192, 201
1001135914.....353, 359, 380	1001138773 ..... 986	1001141811 ..... 323	1001146142.....192
1001135924.....353, 359, 381	1001138800 ..... 469	1001141812 ..... 319, 324, 343	1001146178.....192, 200
1001135926.....353, 359, 380	1001138801 ..... 469, 485	1001141813 ..... 328, 345	1001146183.....192, 200
1001135943.....353, 359, 381	1001138802 ..... 486, 502, 723	1001141815 ..... 327	1001146219.....312, 352, 358, 380
	1001138803 ..... 486, 502, 733	1001141817 ..... 331	1001146244.....200
	1001138804 ..... 723	1001141819 ..... 319	1001147264.....876
	1001138805 ..... 733, 735	1001141967 ..... 931, 933	1001147479.....525, 979
		1001141968 ..... 931	1001148648.....438, 446
		1001141969 ..... 933	
		1001141970 ..... 933	
		1001141971 ..... 931	
		1001142021 ..... 193	
		1001142023 ..... 192, 193	
		1001142024 ..... 192	
		1001142144 ..... 192	
		1001142181 ..... 192	

## SECTION 11 - SPECIAL OPTIONS

1001148841 ..... 879	1001155823..... 312, 354, 360, 382	1001166538.....584, 588, 592, 596, 600, 604, 615	1001177945 ..... 305, 307
1001148842 ..... 879	1001157520..... 450, 454, 459, 462	1001166539.....584, 588, 592, 596, 600, 604, 611	1001177946 ..... 305, 307
1001148843 ..... 312, 354, 360, 382, 879	1001157521..... 450, 454, 459, 462	1001166665.....575, 583	1001177957 ..... 305, 307
1001148902 ..... 983	1001157525..... 453, 454, 461, 462	1001167164.....305, 307	1001177958 ..... 305, 307
1001148903 ..... 984	1001157528..... 450, 454, 459, 462	1001167565.....533	1001177959 ..... 305, 307
1001148904 ..... 984	1001157592..... 449, 450, 457, 458	1001167567.....533	1001178043 ..... 985
1001148905 ..... 984	1001157770.....954	1001167596.....533	1001178236 ..... 312
1001148906 ..... 984	1001158007..... 450, 454, 459, 462	1001168166.....312	1001178247 ..... 477, 485, 493, 501, 511
1001148971 ..... 985	1001158008..... 434, 438, 442, 446, 450, 454, 459, 462	1001168402.....533	1001178248 ..... 477, 485, 493, 501, 515
1001149730 ..... 986	1001158363..... 434, 438, 442, 446	1001169054.....312	1001178266 ..... 699
1001149818 ..... 169, 949	1001159121.....986	1001169138.....312	1001178797 ..... 419
1001149955 ..... 169	1001159156.....604	1001170035.....312	1001178894 ..... 312
1001149994 ..... 169, 173, 175, 179, 181	1001159256..... 584, 588, 592, 596, 600, 978	1001170982.....313	1001178978 ..... 699
1001150406 ..... 169	1001160100.....975	1001171095.....258, 267, 274, 283, 291, 307, 347, 349, 375, 405	1001179154 ..... 434, 442, 450, 458
1001150944 ..... 171, 833	1001160567..... 115, 117	1001171130.....441	1001179831 ..... 152
1001151393 ..... 155, 157	1001161041.....853	1001171131 .....986	1001180051 ..... 197, 201
1001152456 ..... 434, 438, 442, 446	1001161044.....855	1001171273.....445	1001180620 ..... 312
1001152457 ..... 433, 441, 442	1001161048.....853	1001172045.....985	1001180690 ..... 983
1001152458 ..... 437, 438, 445, 446	1001161050.....855	1001172663.....533	1001181045 ..... 861, 863
1001152525 ..... 434, 442, 450, 454, 459, 462	1001161401.....21, 25, 29, 34	1001172760.....584, 588, 592, 596, 600, 604	1001181129 ..... 129, 133
1001152530 ..... 434, 438, 442, 446	1001161402.....21, 26, 29, 34	1001172766.....975	1001181134 ..... 643, 645
1001152533 ..... 433, 437, 441, 445, 883	1001161403.....21, 26, 29, 34	1001173163.....197, 201	1001181138 ..... 643
1001152566 ..... 193	1001161709..... 584, 588, 592, 596, 600, 604, 978	1001173166.....196, 200	1001181142 ..... 643, 645
1001152742 ..... 875	1001161710..... 584, 588, 592, 596, 600, 604, 978	1001173170 .....196, 200	1001181151 ..... 984
1001152963 ..... 305, 343, 345, 377, 396	1001162899.....954	1001173171 .....117, 119	1001181895 ..... 360
1001152966 ..... 768	1001162900.....954	1001173183.....197, 201	1001182138 ..... 631
1001152968 ..... 768, 774	1001162901.....954	1001173184.....201	1001182241 ..... 984
1001152971 ..... 768, 774	1001163131..... 635, 637	1001173185.....196, 201	1001182242 ..... 984
1001153024 ..... 354, 359, 381	1001163287..... 655, 657	1001173186.....196, 201	1001182600 ..... 984
1001153257 ..... 433, 441, 954	1001163288..... 665, 667	1001173187.....196, 201	1001182806 ..... 167
1001153260 ..... 434, 442	1001163289..... 661, 663	1001173188.....196, 201	1001182997 ..... 313
1001153387 ..... 312, 354, 360, 382	1001163292..... 669, 671	1001173202.....200	1001183242 ..... 823
1001154157 ..... 423	1001163293..... 647, 649	1001173352.....987	1001183407 ..... 985
1001154214 ..... 127	1001163295..... 673, 675	1001173647.....196, 201	1001184682 ..... 165
1001154260 ..... 479, 487, 495, 503	1001163296.....659	1001173651.....196, 201	1001184936 ..... 152
1001154294 ..... 479, 487, 495, 503	1001163297.....639	1001173703.....976	1001184937 ..... 151, 152
1001154304 ..... 479, 487, 495, 503	1001163298..... 651, 653	1001173912.....196	1001184938 ..... 151
1001154306 ..... 479, 487, 495, 503	1001165035..... 298, 302, 313, 319, 323, 327, 331, 335, 339, 354, 360, 381	1001173913.....33	1001184939 ..... 137, 145, 151
1001154405 ..... 297, 302, 313, 319, 323, 327, 331, 335, 339, 354, 360, 367, 371, 382, 415, 417, 419	1001165101..... 298, 302, 320, 324, 328, 332, 336, 340, 368, 372, 415	1001173914.....25	1001185079 ..... 984
1001155044 ..... 584, 588, 592, 596, 600, 604	1001165368..... 437, 445, 863	1001173915.....117	1001185281 ..... 592, 596, 600, 604
1001155045 ..... 584, 588, 592, 596, 600, 604, 978	1001165820..... 354, 360, 382	1001173918.....119	1001185284 ..... 145
1001155079 ..... 986	1001166393..... 312, 353, 359, 381	1001174325.....727, 729	1001186318 ..... 563
1001155575 ..... 312, 353, 359, 381		1001174331.....197	1001186333 ..... 559
1001155813 ..... 438, 446		1001174939.....141	1001186334 ..... 561
		1001175237.....201	1001186375 ..... 551
		1001175250.....197	1001186379 ..... 553
		1001175859.....196, 201	1001186382 ..... 555
		1001175879.....197, 201	1001186383 ..... 547
		1001175880.....196, 201	1001186384 ..... 545
		1001176291.....984	1001186387 ..... 543
		1001176329.....312	1001186389 ..... 563
		1001176330.....312	1001186431 ..... 600, 629, 986
		1001176346.....71	1001186432 ..... 921, 947
		1001176347.....73	1001186477 ..... 592, 596, 913
		1001176372.....986	1001186517 ..... 627, 629
		1001176415.....312	1001187011 ..... 312
		1001176416.....312	1001187386 ..... 152, 893
		1001176469.....151	1001187508 ..... 627
		1001176940.....312	1001187674 ..... 633
		1001177094.....312	1001187681 ..... 941
		1001177533.....975	

## SECTION 11 - SPECIAL OPTIONS

1001188309.....557	1001203655.....559	1001220041.....982	1001227449.....982
1001188376.....129, 133	1001203656.....561, 563	1001220042.....982	1001227606.....298, 302, 417
1001188382.....129, 133	1001204159.....413	1001220044.....982	1001227633.....633
1001188622.....533	1001204725.....533	1001220045.....982	1001227634.....633
1001188844.....533	1001204930.....985	1001220148.....984	1001227960...77, 79, 979
1001188884.....413	1001205034.....982	1001220379.....876	1001227985.....633
1001188887.....413	1001205175.....985	1001220560.....129, 133	1001227987.....633
1001188889.....627	1001205401.....173	1001220713.....975	1001227996.....943, 945
1001189001.....533	1001205958.....805, 807, 809, 811, 813, 815, 817, 819, 821	1001220735.....305, 307, 310	1001228019.....33, 717
1001189002.....533		1001220743.....982	1001228020...25, 33, 711
1001189176.....171	1001206250.....809	1001220744.....982	1001228021.....494, 502, 747
1001189882.....976	1001206251.....815	1001220745.....982	1001228023.....478, 494, 721
1001190098.....577, 591	1001206252.....821	1001220746.....982	1001228024.....467, 469, 471, 473, 729
1001190106.....592	1001206253.....793	1001220747.....982	1001228025.....478, 486, 494, 502, 735
1001190111.....577	1001206254.....799	1001220770.....312	1001228026.....478, 486, 743
1001190985.....533	1001206255.....787	1001220775.....982	1001228031.....37, 739
1001191272.....353, 359, 381	1001206476.....831	1001220866.....600, 604, 917	1001228053.....486, 502, 725
1001191395.....984	1001206544.....986	1001220929.....600, 604	1001228215.....549
1001191526.....976	1001206794.....984	1001221203.....312	1001228224.....633
1001191541.....26, 34	1001206797.....984	1001221205.....312	1001228225.....633
1001191708.....631	1001207004.....179, 181	1001221207.....312	1001228243.....569
1001192401.....890, 894	1001207309.....177	1001221212.....312	1001228375.....571
1001193018.....785, 787, 789, 791, 793, 795, 797, 799, 801, 803, 805, 807, 809, 811, 813, 815, 817, 819, 821	1001207969.....537	1001221213.....312	1001228376.....565
1001193645.....983	1001208923.....986	1001221217.....312	1001228377.....567
1001193674.....26, 34	1001208994.....537	1001221219.....312	1001228431.....985
1001194122.....137	1001209059.....986	1001221259.....297	1001228488.....93, 109
1001194123.....141	1001209395.....987	1001221261.....301	1001228617.....93
1001194197.....807	1001209432.....831	1001221263.....298, 305	1001228926.....986
1001194198.....813	1001209474.....831	1001221265.....302, 307	1001228951.....982
1001194200.....819	1001209481.....986	1001221427.....313	1001228964.....986
1001194203.....791	1001209664.....627, 629	1001221666.....133, 775	1001228988.....680, 681, 683, 685, 687, 691
1001194204.....797	1001209873.....179	1001221706.....579	1001229058.....93
1001194365.....785	1001210028.....986	1001221738.....975	1001229107.....982
1001195214.....413	1001210042.....986	1001221802.....129, 775	1001229341.....633
1001195304.....985	1001210043.....986	1001222314.....537	1001229599.....312
1001195793.....954	1001211801.....984	1001222375.....976	1001229600.....312
1001197017.....621, 623, 625	1001212223.....457, 461	1001222773.....417	1001231235.....986
1001197067.....177	1001212415.....978	1001222817.....419	1001231315.....957
1001197408.....976	1001212790.....519, 523	1001223055.....957	1001231316.....967
1001197528.....983	1001213183.....983	1001223068.....419	1001231317.....971
1001197529.....983	1001213385.....764, 768, 772	1001223453.....957, 967	1001231318.....973
1001197530.....983	1001213447.....918	1001223883.....61	1001231319.....961
1001197531.....983	1001213600.....984	1001223971.....967	1001231320.....969
1001197532.....983	1001213601.....984	1001224048.....971	1001231321.....965
1001197533.....983	1001213705.....467, 469, 471, 473	1001224049.....973	1001231801.....975
1001197537.....983	1001214029.....976	1001224050.....965	1001231886.....165
1001200491.....533	1001214478.....986	1001224052.....961	1001231949.....705
1001200494.....533	1001214478.....986	1001224053.....969	1001231950.....701, 703
1001200575.....583, 592	1001214540.....986	1001225118.....218, 226, 234, 242, 250, 258, 266, 274, 282, 290	1001232010.....701, 703, 705
1001200910.....173, 175	1001214548.....986	1001225245.....671	1001232011.....701, 703, 705
1001201351.....533	1001214561.....986	1001225246.....675	1001232164.....633
1001201888.....588, 596	1001214562.....985	1001225247.....657	1001232165.....633
1001201889.....600, 604	1001214570.....831	1001225248.....663	1001232172.....983
1001202221.....984	1001214571.....831	1001225249.....653	1001232173.....983
1001202280.....413	1001216630.....529, 531, 533	1001225250.....649	1001232175.....983
1001202281.....413	1001216876.....61	1001225251.....667	1001232176.....983
1001202562.....577, 595	1001216877.....61	1001225345.....645	1001232177.....983
1001202564.....575, 587	1001217005.....173, 175	1001225346.....831	
1001202697.....982	1001217597.....963	1001225580.....600, 629, 921	
1001202749.....984	1001219085.....975	1001226531.....831	
1001203564.....984	1001219642.....312, 315	1001226872.....549	
	1001219987.....579, 599	1001226923.....419	
	1001219990.....65, 79, 537		
	1001220039.....982		

## SECTION 11 - SPECIAL OPTIONS

1001232178 ..... 983	1001243183..... 982	273, 277, 281, 285,	1671023 ... 217, 225, 233,
1001232182 ..... 987	1001243184..... 982	289, 297, 301, 313,	241, 249, 257, 265,
1001232183 ..... 987	1001243461..... 581, 603	320, 324, 328, 332,	273, 281, 289
1001232642 ..... 677	1001243731..... 167	336, 340, 354, 360,	1671031 ..... 525
1001232643 ..... 986	1001243734..... 165	367, 371, 381, 413	1671032 ... 478, 486, 494,
1001232650 ..... 677	1001243849..... 167	1320058... 217, 225, 233,	502
1001232667 ..... 677	1001244026..... 175	241, 249, 257, 265,	1671033 ... 478, 486, 494,
1001233047 ..... 983	1001244027..... 181	273, 281, 289	502
1001233237 ..... 982	1001246136..... 982	1320060.... 217, 225, 233,	1671038 ... 188, 192, 196,
1001233533 ..... 985	1001246137..... 982	241, 249, 257, 265,	200
1001233534 ..... 985	1001246860..... 984	273, 281, 289	1671039 ..... 525
1001233763 ..... 982	1001246867..... 984	1320095..... 147, 151	1671040 ..... 37
1001234099 ..... 982	1001247073..... 986	1320130..... 313, 525	1671043 ..... 518, 522
1001235011 ..... 677	1001248140..... 701, 703,	1320136..... 525, 531	1671044 ..... 525
1001235013 ..... 677	705	1320146.... 779, 781, 783,	1671045 ..... 71, 73
1001235174 ..... 983	1001248141..... 701, 703,	825	1671046 ..... 71, 73
1001235459 ..... 368, 372,	705	1320159..... 519, 523	1671047 ..... 71, 73
385	1001251020... 25, 33, 713	1320162.... 123, 125, 127,	1671048 ..... 71, 73
1001235475 ..... 367	1001252629..... 701, 703,	131	1671049 ..... 71, 73
1001235476 ..... 367, 375	705	1320177..... 680, 691	1671092 ..... 450, 458
1001235477 ..... 375, 377,	1001283008..... 381	1320187 ... 213, 221, 229,	1671093 ..... 680, 685
380	1060341 ... 621, 623, 625,	237, 245, 253, 261,	1671121 ... 213, 221, 229,
1001235478 ..... 371	883	269, 277, 285, 297,	237, 245, 253, 261,
1001235479 ..... 371, 377	1060343 ..... 450, 458	301, 319, 323, 327,	269, 277, 285, 297,
1001235617 ..... 982	1060379 ... 695, 697, 699	331, 335, 339, 367, 371	301, 319, 323, 327,
1001236398 ..... 976	1060494 ... 434, 442, 450,	1320190.... 213, 221, 229,	331, 335, 339, 367, 371
1001236504 ..... 831	458	237, 245, 253, 261,	1671176 ... 583, 587, 591,
1001236505 ..... 831	1060545 ..... 863	269, 277, 285, 297,	595, 599, 603
1001236552 ..... 677	1060902 ..... 869, 899	301, 319, 323, 327,	1671191 ..... 189
1001236746 ..... 705	1060903 ... 621, 623, 625	331, 335, 339, 367, 371	1671192 ..... 188
1001236747 ..... 701	1060904 ..... 249, 289	1320223.... 217, 225, 233,	1671193 ..... 189, 193
1001236891 ..... 701, 703,	1060908 ..... 861	241, 249, 257, 265,	1671194 .... 188, 189, 192
705	1060918 ..... 619	273, 281, 289	1671314 ... 583, 587, 591,
1001236895 ..... 701, 703,	1060919 ..... 559	1320224..... 531	595, 599, 603
705	1060981 ..... 837, 841	1320263.... 21, 25, 29, 33,	1683053 ..... 731, 733
1001236951 ..... 985	1060982 ..... 839	518, 522	1683056 ..... 709
1001237705 ..... 641	10702077 . 450, 454, 458,	1320277..... 518, 522	1683062 .... 715, 719, 723
1001237755 ..... 467, 469,	462	1320294..... 518, 522	1683072 ..... 727
471, 473	10702082 . 450, 454, 458,	1320295..... 518, 522	1684081 ..... 29, 33, 715
1001237862 ..... 943, 945	462	1320296..... 518, 522	1684082 ..... 715
1001237863 ..... 633, 945	1100131 ... 478, 486, 494,	1320298..... 21, 30	1684083 ..... 715
1001237864 ..... 633, 943	502	1320301..... 525	1684102 ... 21, 25, 29, 33,
1001237865 ..... 633, 941	1120094 ..... 737	1320302.... 680, 683, 685,	709
1001237882 ..... 984	1120549 ..... 37	687	1684103 ..... 709
1001237883 ..... 984	1120550 ..... 37	1320309..... 951, 953	1684105 ..... 709
1001238263 ..... 701, 703,	1120555 ... 635, 637, 639,	1321385..... 519, 523	1684108 .... 494, 502, 745
705	641, 643, 645, 647,	1340065.... 217, 225, 233,	1684109 ..... 745
1001238319 ..... 633	649, 651, 653, 655,	241, 249, 257, 265,	1684141 ..... 741, 745
1001238418 ..... 677, 947	657, 659, 661, 663,	273, 281, 289	1684149 .... 478, 494, 719
1001238423 ..... 641	665, 667, 669, 671,	1340067..... 982	1684150 ..... 719, 723
1001238462 ..... 641	673, 675	1380147..... 183, 185	1684159 ..... 727
1001238463 ..... 703	1180358 ..... 21, 29	1380169..... 196, 200	1684162 ... 467, 469, 471,
1001238472 ..... 677	1180362 ..... 522	1560011 ..... 951, 953	473, 727
1001238477 ..... 677	1180363 ..... 522	1560012..... 951, 953	1684173 .... 478, 494, 731
1001238495 ..... 629	1180369 ..... 518	1580012..... 573	1684174 ..... 731, 733
1001238559 ..... 677	1180370 ..... 518	1580013..... 985	1684176 ..... 731, 733
1001238824 ..... 677	1260017 ..... 97	1600343.... 583, 587, 591,	1684178 .... 478, 486, 741
1001239281 ..... 165	1271538 ..... 531	595, 599, 603, 979	1684179 ..... 741
1001239805 ..... 831	1283409 ... 957, 959, 961,	1600387..... 531	1684249 ..... 727
1001241275 ..... 982	963, 965, 967, 969,	1600443..... 293, 979	1684275 ..... 737
1001241383 ..... 167	971, 973, 975	1660302..... 113	1684306 ..... 719, 723
1001241417 ..... 985	1283457 ... 751, 753, 756,	1670603..... 785, 787	1684314 ..... 37, 737
1001241585 ..... 831	759, 761, 764, 774	1670829..... 147, 151	1684315 ..... 737
1001241630 ..... 831	1320022 ... 213, 217, 221,	1670964.... 518, 522, 535	1684317 ..... 737
1001241965 ..... 677	225, 229, 233, 237,	1670996..... 71	1701499 ... 957, 959, 961,
1001242192 ..... 982	241, 245, 249, 253,		963, 965, 967, 969,
1001242854 ..... 581	257, 261, 265, 269,		971, 973

## SECTION 11 - SPECIAL OPTIONS

1701501....957, 959, 961, 963, 965, 967, 969, 971, 973	1704000..... 967, 975 1704001..... 973 1704260... 583, 587, 591, 595, 599, 603 1704277 ... 957, 959, 961, 963, 965, 967, 969, 971, 973 1704412 ... 957, 959, 961, 963, 965, 967, 969, 971, 973 1704885..... 975 1704972..... 957, 969 1705014..... 559, 561 1705057..... 975 1705095..... 975 1705096..... 975 1705167..... 975 1705171 ... 583, 587, 591, 595, 599, 603 1705174..... 609 1705178..... 975 1705305 ... 680, 683, 685, 687, 691 1705307..... 507, 986 1705325.... 789, 791, 793 1705336..... 957 1705337..... 957 1705338..... 969 1705339..... 971 1705341..... 967 1705344..... 969 1705345..... 971 1705347..... 967 1705351..... 957 1705355.... 680, 683, 685 1705358... 635, 637, 639, 641, 643, 645, 647, 649, 651, 653, 655, 657, 659, 661, 663, 665, 667, 669, 671, 673, 675 1705365..... 975 1705366..... 525 1705367..... 525 1705374..... 433, 442 1705375... 450, 459, 680, 685, 687 1705387 ... 433, 442, 450, 459 1705426..... 969 1705427..... 971 1705429..... 967 1705430..... 965 1705444..... 975 1705445..... 975 1705446..... 975 1705447..... 975 1705448..... 975 1705449..... 975 1705451..... 975 1705452..... 975 1705454..... 975 1705455..... 975 1705456..... 975 1705460... 450, 454, 459, 462 1705461..... 454, 462	1705466 ... 680, 683, 685, 687, 691 1705468..... 959, 963 1705489 ... 437, 445, 454, 462 1705490..... 681, 691 1705492..... 957 1705493..... 969 1705503..... 971 1705505..... 967 1705511 ... 957, 959, 961, 963, 965, 967, 969, 971, 973 1705514..... 957, 967 1705552..... 975 1705554..... 975 1705744 ... 583, 587, 591, 595, 599, 603 1705745 ... 583, 587, 591, 595, 599, 603 1705822..... 959, 963 1705828..... 959, 963 1705864..... 963, 976 1705865..... 976 1705868 ... 957, 961, 965, 967, 969, 971, 973 1705895..... 961 1705896..... 961 1705897..... 961 1705898..... 961 1705902..... 961 1705903..... 961 1705904..... 961 1705905..... 961 1705906..... 961 1705909..... 973 1705910..... 973 1705915..... 973 1705917..... 973 1705921..... 959, 963 1705961..... 959, 963 1705967..... 961 1705969..... 971, 975 1705973..... 609 1705974..... 161 1705980..... 976 1706059..... 961 1706060..... 965 1706061..... 971 1706062..... 969 1706063..... 973 1706064..... 967 1706098..... 959, 963 1706385..... 559, 561 1706493..... 563 1706501..... 563 1706510..... 697 1706741..... 617 1706751 ... 957, 961, 965, 967, 969, 971, 973 1706770..... 959, 963 1706904..... 975 1706911..... 148 2030010 ... 680, 683, 685, 687, 691	2060025....217, 225, 233, 241, 249, 257, 265, 273, 281, 289 2080040....543, 545, 547, 565, 569 2080051..... 188, 192 211040447, 52, 539, 751, 753, 764, 768, 772 2110406..... 69, 88, 759 2110408..... 88 2110604..... 759 2110606.67, 87, 539, 759 2110608..... 88, 764, 768, 772 2110610.... 764, 768, 772 2110612..... 751, 753 2110808..47, 52, 87, 751, 753, 756 211081069, 88, 764, 768, 772 211081247, 52, 756, 764, 768, 772 2111010.....88, 751, 753, 764, 768, 772 2111012..... 69, 764, 768, 772 2111016..... 772 2111212.... 764, 768, 772 2111216..... 87 2111616.... 764, 768, 772 2112016..... 772 2112020.... 764, 768, 772 2113232.... 764, 768, 772 2120217..... 535, 537 2130404..... 772 2130406..... 48, 52 2130606.... 87, 761, 764, 768, 772 2130612..... 751, 753 2130808.... 764, 768, 772 2130810..... 67, 772 2130812..... 48, 52, 772 2131010.... 764, 768, 772 2131012..... 88 2131212.... 123, 125, 127, 129, 131, 133, 764, 768 2131612..... 772 2150404..... 751, 753 2150808.... 764, 768, 772 2151012..... 69 2160002..... 95 2170204..... 751, 753 2170316..... 87 2170504..... 756, 759 2170506..... 759 2170512..... 129, 133 2170704.... 751, 753, 756 2170708..... 751, 753 2170712.... 123, 125, 127, 131 2170804..... 756 2170908.... 764, 768, 772 2171112.... 127, 129, 131, 133 2171208..... 751, 753 2171210..... 751, 753 2172112..... 129, 133
--	--	--	---

## SECTION 11 - SPECIAL OPTIONS

2180344 .....	95	2420203 .....	425	2753739.....	761	2900792 ...	709, 711, 713,
2180348 ...	213, 221, 229,	2460048 .....	449, 453	2753740.....	753	719, 721, 723, 725,	
237, 245, 253, 261,		2460055 .....	425	2753741.....	764, 768	727, 729	
269, 277, 285, 413		2540038 .....	310, 531	2753742.....	761	2901443 .....	986
2180467 .....	119	2560136 ...	583, 587, 591,	2753743.....	761	2901773 .....	709, 711
2180830 .....	751, 753	595, 599, 603		2753744.....	764, 768, 772	2902065 ...	217, 225, 233,
2180832 ...	297, 301, 319,	2560187 ...	189, 193, 197,	2753745.....	751, 753	241, 249, 257, 265,	
323, 327, 331, 335,		201		2753746.....	764, 768, 772	273, 281, 289, 310,	
339, 367, 371, 680, 691		2580062 .....	249, 289	2753747.....	756	353, 358, 381, 411	
2200222 ...	214, 222, 229,	2600279 .....	147, 152	2753748.....	756	2902081 ...	741, 743, 745,
237, 245, 253, 261,		2600280 .....	188, 192	2753749.....	756	747	
269, 277, 285, 297,		2600281 ...	543, 545, 547,	2753750.....	756	2902087 ...	715, 717, 719,
301, 319, 323, 327,		565, 569		2753751.....	753	721	
331, 335, 339		2680496 .....	189, 193	2753752.....	756	2902092 .....	731
2220063 .....	95	2680498 .....	189, 193	2753753.....	761	2902099 ...	213, 221, 229,
2220235 .....	26, 756	2717059 .....	751, 753	2753754.....	761	237, 245, 253, 261,	
2220273 .....	310	2720015 ...	313, 353, 360,	2753755.....	751, 753	269, 277, 285	
2220313 ...	213, 221, 229,	381		2753756.....	756	2902212 ...	635, 637, 639,
237, 245, 253, 261,		2720058 ...	217, 225, 233,	2753757.....	756	641, 643, 645, 647,	
269, 277, 285, 297,		241, 249, 257, 265,		2753758.....	764, 768, 772	649, 651, 653, 655,	
301, 319, 323, 327,		273, 281, 289, 413		2753759.....	756	657, 659, 661, 663,	
331, 335, 339, 367, 371		2720160 .....	680, 691	2753760.....	756	665, 667, 669, 671,	
2220451 ...	217, 225, 233,	2720500 ...	217, 225, 233,	2753761.....	756	673, 675	
241, 249, 257, 265,		241, 249, 257, 265,		2753762.....	756	2902217 ....	680, 683, 685
273, 281, 289		273, 281, 289		2753763.....	751, 753	2902257 .....	737, 739
2220478 ....	764, 768, 772	2720501 ...	217, 225, 233,	2753764.....	756	2902303 .....	983
2220498 ...	217, 225, 233,	241, 249, 257, 265,		2753765.....	764, 768, 772	2902307 .....	983
241, 249, 257, 265,		273, 281, 289		2753766.....	764, 768, 772	2902308 .....	983
273, 281, 289		2750528 .....	95	2753767.....	751, 753	2902309 .....	983
2220737 .....	764, 768	2750532 ...	213, 217, 221,	2753768.....	756	2902310 .....	983
2220816 .....	413, 419	225, 229, 233, 237,		2753769.....	764, 768	2902311 .....	983
2220883 .....	69, 709, 711,	241, 245, 249, 253,		2753770.....	764, 768	2902312 .....	983
721, 725, 729, 731,		257, 261, 267, 269,		2753771.....	764, 768, 772	2902322 .....	983
733, 735		273, 277, 283, 285,		2753772.....	764, 768, 772	2902329 .....	983
2220884 ...	741, 743, 745,	289, 298, 302, 319,		2753773.....	764, 768	2902355 .....	975
747		323, 327, 331, 335,		2753774.....	764, 768, 772	2902357 .....	975
2220885 ...	715, 717, 719,	339, 367, 371		2753775.....	764	2902443 .....	873, 876
721, 723, 725, 729,		2753541 .....	756	2753776.....	764, 768	2910890 .....	987
731, 733, 735, 739,		2753545 ....	751, 753, 756	2753778.....	123, 125	2910894 .....	987
741, 743, 745, 747		2753552 ....	751, 753, 756	2753810.....	751	2910895 .....	987
2220886 ...	719, 721, 723,	2753582 .....	756	2753811.....	751	2915024 .	63, 77, 79, 583,
743, 747		2753622 .....	764, 768	2753843.....	123	587, 591, 595, 599, 603	
2220888 .....	727, 729	2753677 .....	756	2753999.....	125	2915046 .....	985
2220890 .....	88	2753685 .....	756	2754288.....	751, 753	2915072 .....	95
2221084 ....	764, 768, 772	2753703 .....	756	2760105.....	147, 151	2920028 ...	591, 595, 599,
2221086 ..	67, 69, 88, 539	2753708 ....	764, 768, 772	2780286.....	39, 43	603, 621, 623, 625	
2221117 .....	764, 768	2753713 .....	756	2792647.....	759, 774	2920029 ...	591, 595, 599,
2221176 ...	213, 221, 229,	2753714 .....	756	2792772.....	756, 774	603, 621, 623, 625	
237, 245, 253, 261,		2753715 .....	756	2792773.....	761, 774	2920129 .....	531
269, 277, 285		2753716 ....	751, 753, 756	2820031 ....	425, 429, 433,	2920154 ...	583, 587, 591,
2300004 .....	310, 354	2753717 .....	751, 753	437, 441, 445, 449,		595, 599, 603	
2300014 .....	984	2753718 ....	764, 768, 772	453, 457, 461		2920161 .....	169
2300016 .....	984	2753719 .....	759	2820035.....	163	2940045 .....	101
2300021 .....	984	2753726 .....	759	2820141.....	188	2940074 ...	543, 545, 547,
2300029 .....	984	2753727 .....	759	2820145.....	189	565, 569, 978	
2300039 .....	984	2753728 .....	761	2820146.....	189	2940139 .....	147, 152
2300041 .....	358	2753729 .....	759	2820170....	213, 221, 229,	2940173 ...	188, 192, 197,
2400060 ...	867, 889, 894,	2753730 ....	764, 768, 772	237, 245, 253, 261,		201	
918		2753731 ....	764, 768, 772	269, 277, 285		3020008 .....	52, 984
2400064 .....	867	2753732 .....	761	2820247.....	943, 945	3020016 ...	217, 225, 233,
2400065 ...	889, 893, 909,	2753733 .....	761	2840016.....	183, 185	241, 257, 265, 273, 281	
978		2753734 ...	761, 764, 768,	2860030.....	155, 157, 978	3020021 .....	411
2400066 ....	889, 893, 909	772		2900770.....	87, 104, 539,	3020037 ...	305, 307, 343,
2410014 ....	559, 561, 563	2753735 .....	761	715, 717, 727, 729,		345, 347, 349, 375, 377	
2420172 .....	147	2753736 .....	761	731, 733, 735		3020039 ...	478, 486, 494,
2420191 .....	115, 117	2753737 .....	761			502	
2420202 .....	531	2753738 .....	761				

## SECTION 11 - SPECIAL OPTIONS

3020042....478, 486, 494, 502	3300353 ... 583, 587, 591, 595, 599, 603	234, 237, 242, 245, 250, 253, 258, 261, 266, 269, 274, 277, 282, 285, 290, 537, 695, 697, 699	3340916.... 478, 486, 494, 502
3020044.....250, 290	3300396 ... 434, 442, 450, 454, 458, 462	3311508 ... 433, 437, 441, 445, 449, 453, 457, 461	3340917.... 478, 486, 494, 502
3160339.....43, 45, 55	3300408 ... 147, 151, 583, 587, 591, 595, 599, 603	3311601 81, 83, 115, 117, 119, 188, 192, 583, 588, 592, 596, 600, 604, 677	3340918.... 478, 486, 494, 502
3200362....217, 225, 233, 241, 250, 257, 265, 273, 281, 290	3300430 ... 525, 627, 629, 631	3311605 63, 65, 101, 123, 125, 129, 133, 183, 185, 188, 192, 196, 200, 218, 226, 234, 242, 250, 258, 266, 274, 282, 290, 297, 301, 310, 319, 323, 327, 331, 335, 339, 352, 358, 367, 371, 380, 415, 417, 419, 425, 429, 478, 486, 494, 502, 507, 525, 535, 537, 559, 561, 563, 575, 577, 579, 581, 680, 683, 685, 687	3340921.... 478, 486, 494, 502
3200401....218, 226, 234, 242, 250, 258, 266, 274, 282, 290	3300454. 73, 77, 79, 171, 173, 175, 177, 179, 181, 218, 226, 234, 242, 250, 258, 266, 274, 282, 290	3311608 ... 480, 488, 496, 504, 519, 523	3340922.... 478, 486, 494, 502
3200433.....525	3300458 ... 478, 486, 494, 502	3311705 ... 297, 301, 310, 320, 324, 328, 332, 336, 340, 352, 358, 368, 372, 380	3340925.....518, 522
3220126....218, 226, 234, 242, 250, 258, 266, 274, 282, 290	3300460 ... 478, 486, 494, 502	3311801 ... 441, 445, 457, 461, 478, 486, 494, 502	3340926.... 478, 486, 494, 502
3220130.....421	3300461 ... 478, 486, 494, 502	3311805 ... 113, 183, 185, 196, 200, 218, 226, 234, 242, 250, 258, 266, 274, 282, 290, 478, 486, 494, 502, 529, 531, 533	3340927.... 467, 469, 471, 473
3251102....425, 429, 433, 437, 441, 445, 449, 453, 457, 461	3300464 ..... 37	3312002 91, 93, 701, 703, 705	3340934.....518, 522
3251242....437, 445, 785, 787, 797, 799, 805, 807, 809, 811, 813, 815, 817, 819, 821	3300465 ..... 737, 739	3312005 29, 33, 531, 635, 637, 639, 641, 643, 645, 647, 649, 651, 653, 655, 657, 659, 661, 663, 665, 667, 669, 671, 673, 675	3340939.....21, 30
3251243....433, 442, 450, 459, 957, 961, 965, 967, 969, 971, 973	3300482 ... 583, 587, 591, 595, 599, 603	3312009 101, 113, 115, 117, 119, 188, 192, 583, 588, 592, 596, 600, 604, 677	3340940.....519, 523
3251813.....976	3300492 ..... 519, 523	3312010 ... 169, 173, 175, 179, 181	3340941.....519, 523, 525
3252347.....957	3310401 ... 310, 353, 358, 381	3322201 ..... 113	3340942.....519, 523
3252507.....429	3310601 ..... 183, 185	3340871 ... 478, 486, 494, 502	3340955.... 477, 485, 493, 501
3271601.....413	3310805 .... 21, 25, 29, 33	3340877 ..... 189, 193	3340956.... 635, 637, 639, 641, 643, 645, 647, 649, 651, 653, 655, 657, 659, 661, 663, 665, 667, 669, 671, 673, 675
3271605....701, 703, 705	3311001 ... 147, 151, 415, 417, 434, 438, 442, 446, 450, 454, 458, 462	3340881 ... 21, 25, 29, 33, 478, 486, 494, 502	3340957.... 479, 486, 495, 502
3271805....559, 561, 563	3311005 ... 171, 177, 425, 433, 437, 442, 445, 450, 454, 458, 462, 583, 587, 591, 595, 599, 603, 680, 683, 685, 687, 691	3340910 ... 478, 486, 494, 502	3340958.... 478, 486, 494, 502
3272001....310, 352, 358, 380, 701, 703, 705	3311401 ... 147, 151, 621, 623, 625	3340912 ... 478, 486, 494, 502	3340959.... 478, 486, 494, 502
3272605.....531	3311402 ..... 152		3340960.... 478, 486, 494, 502
3290405....437, 446, 785, 787, 789, 791, 793, 795, 797, 799, 801, 803, 805, 807, 809, 811, 813, 815, 817, 819, 821, 823, 825	3311405 ... 63, 65, 73, 81, 83, 165, 167, 192, 200, 203, 205, 207, 209, 218, 226, 234, 242, 250, 258, 266, 274, 282, 290, 305, 307, 310, 319, 323, 327, 331, 335, 339, 352, 358, 367, 371, 380, 425, 429, 437, 445, 525, 531, 575, 577, 579, 581, 677, 779, 781, 783, 785, 787, 789, 791, 793, 795, 797, 799, 801, 803, 805, 807, 809, 811, 813, 815, 817, 819, 821, 823, 825, 831, 957, 959, 961, 963, 965, 967, 969, 971, 973		3340963.... 741, 743, 745, 747
3290505.....429	3311501 ... 189, 193, 621, 623, 625		3380434.... 575, 577, 579, 581
3290601.... 189, 193, 197, 201	3311505. 37, 63, 65, 123, 125, 127, 129, 131, 133, 163, 185, 196, 197, 200, 201, 213, 218, 221, 226, 229,		3380465.....147
3290605.....680, 691			3380472.... 213, 221, 253, 261
3290606....551, 553, 555, 557, 567, 571			3380473.... 213, 221, 229, 237, 245, 253, 261, 269, 277, 285
3290607.... 171, 173, 175, 177, 179, 181			3380474..... 957
3290801.... 310, 352, 358, 380			3421453..... 680, 691
3290805.....313, 831			3421563..... 97
3290807 ..... 313			3421565..... 97
3291001 ..... 310, 533			3422446.... 213, 221, 229, 237, 245, 253, 261, 269, 277, 285, 297, 301, 319, 323, 327, 331, 335, 339, 367, 371
3291005.....533			3422532.... 218, 226, 234, 242, 250, 258, 266, 274, 282, 290
3291007 ..... 310			3422661.... 695, 697, 699
3291201 ..... 533			3422833..... 29, 33
3291205.....529, 533			3422915..... 29, 33
3300151.... 549, 551, 553, 555, 557, 565, 567, 569, 571, 680, 683, 685, 687			3422917..... 37
3300220.... 297, 301, 319, 323, 327, 331, 335, 339, 367, 371			3422918.... 21, 25, 29, 33
3300239.... 478, 486, 494, 502			3422926.... 478, 486, 494, 502
3300243.....529, 533			3422937.... 478, 486, 494, 502



## SECTION 11 - SPECIAL OPTIONS

3422958 ... 479, 486, 495, 502	3539971 ... 218, 226, 234, 242, 250, 258, 266, 274, 282, 290	3577121.... 680, 683, 685, 687	3820020 ... 543, 545, 547, 565, 569
3422959 ... 479, 487, 495, 503	3572327 ... 961, 965, 967, 969, 971, 973	3580158....218, 234, 258, 274	3841143 ... 213, 221, 229, 237, 245, 253, 261, 269, 277, 285, 297, 301, 319, 323, 327, 331, 335, 339, 367, 371, 479, 487, 495, 503, 533
3422960 .... 21, 25, 29, 33	3572950 ... 479, 487, 495, 503	3580276.....425	
3422988 ... 467, 469, 471, 473	3572951 ... 479, 487, 495, 503	3580298....479, 487, 495, 503	
3423208 ... 467, 469, 471, 473	3573016 ..... 518, 522	3580300....479, 487, 495, 503	
3423256 ..... 37	3573142 ... 218, 226, 234, 242, 250, 258, 266, 274, 282, 290	3580302....479, 487, 495, 503	3841203 ... 479, 487, 495, 503
3430616 ... 588, 596, 600, 604	3573144 ..... 152	3580306....480, 488, 496, 504	3841258. 29, 33, 37, 479, 487, 495, 503
3430816 ..... 183, 185	3573179 ..... 518, 522	3580317....433, 437, 441, 445, 450, 453, 457, 461	3841287 ... 21, 25, 29, 33, 467, 469, 471, 473
3450404 ..... 183, 185	3573181 ..... 518, 522	3580318....433, 441, 450, 457	3841340 63, 65, 115, 117, 119
3451214 ..... 37	3573194 ..... 518, 522	3580319....437, 445, 454, 461	3841581 ... 467, 469, 471, 473
3460334 ... 635, 637, 639, 641, 643, 645, 647, 649, 651, 653, 655, 657, 659, 661, 663, 665, 667, 669, 671, 673, 675	3573210 ..... 518, 522	3580320....226, 242, 250, 266, 282, 290, 310, 352, 358, 380	3890029 ..... 495, 503
3470003 ... 583, 588, 592, 596, 600, 604	3573231 ..... 188, 192	3580341....479, 487, 495, 503	3890030 ..... 495, 503
3480268 ..... 741, 745	3573232 ... 188, 192, 196, 200	3580342....479, 487, 495, 503	3890031 ..... 495, 503
3480269 .... 715, 719, 723	3573233 ..... 188, 192	3600339....218, 226, 234, 242, 250, 390	3890032 ..... 495, 503
3480270 ..... 727	3573259 ..... 81	3600424.....81, 83, 85	3890033 ..... 495, 503
3480271 ..... 731, 733	3573294 .... 21, 25, 29, 33	3620034..... 123, 125	3890034 ..... 479, 487
3480272 ..... 709	3573301 ..... 525	3641569.....621	3890035 ..... 479, 487
3480278 ..... 737	3573335 .... 21, 25, 29, 33	3740049..... 147, 151, 978	3890036 ..... 479, 487
3520026 ... 583, 587, 591, 595, 599, 603	3573355 ..... 99	3740067.....83, 218, 226, 234, 242, 250, 258, 266, 274, 282, 290, 978	3890037 ..... 479, 487
3520027 ..... 583, 587	3573400 ... 680, 683, 685, 687	3740080....218, 226, 234, 242, 250, 258, 266, 274, 282, 290, 425, 429, 909, 978, 979	3890038 ..... 479, 487
3520030 ..... 599, 603	3573411 ... 218, 226, 234, 242, 250, 258, 266, 274, 282, 290	3740086.....947	3890040 ..... 561, 563
3520034 ... 188, 192, 196, 200	3573412 ... 218, 226, 234, 242, 250, 258, 266, 274, 282, 290	3740140.....81	3900054 .... 559, 561, 563
3520035 ..... 587	3573437 ... 480, 488, 496, 504	3760133....480, 488, 496, 504	3900085 ... 169, 173, 175, 179, 181
3520054 30, 33, 218, 226, 234, 242, 250, 258, 266, 274, 282, 290, 297, 301, 320, 324, 328, 332, 336, 340, 368, 372, 583, 587, 591, 595, 599, 603	3573444 ... 480, 488, 496, 504	3760170.....97	3900174 ..... 196, 200
3520071 ... 635, 637, 639, 641, 643, 645, 647, 649, 651, 653, 655, 657, 659, 661, 663, 665, 667, 669, 671, 673, 675	3573454 ..... 183	3760233....479, 487, 495, 503	3900183 ... 583, 587, 591, 595, 599, 603
3520072 ... 543, 545, 547, 549, 551, 553, 555, 559, 561, 563, 565, 567, 569, 571	3573529 ... 218, 226, 234, 242, 250, 258, 266, 274, 282, 290	3760237.....727, 729	3900210 ... 196, 197, 200, 201, 535, 537
3520174 .... 957, 959, 963	3573642 ... 680, 683, 685, 687	3760375.....727, 729	3900223 ..... 91
3520182 ..... 631	3573644 ... 213, 221, 229, 237, 245, 253, 261, 269, 277, 285	3760383.....37	3900232 ... 188, 192, 196, 200, 518, 522, 535
3520186 ..... 188, 192	3573645 ... 213, 221, 253, 261	3790012....583, 587, 591, 595, 599, 603	3900251 ..... 152
3520189 ..... 454, 462	3573669 ... 213, 221, 229, 237, 245, 253, 261, 269, 277, 285	3790112.....741, 745	3900260 ..... 519, 523
3520192 ... 438, 446, 454, 462	3573727 ... 213, 221, 253, 261	3790152....259, 267, 275, 283, 291, 307, 347, 349, 375	3900267 ... 434, 438, 442, 446
3520198 ... 543, 545, 547, 549, 551, 553, 555, 565, 567, 569, 571	3573728 ... 213, 221, 229, 237, 245, 253, 261, 269, 277, 285	3790155....259, 267, 275, 283, 291, 307, 347, 349, 375	3900270 .... 21, 25, 29, 33
3537416 ... 218, 226, 234, 242, 250, 258, 266, 274, 282, 290	3574091 ..... 623, 625	3790158.....52	3900272 ... 213, 221, 229, 237, 245, 253, 261, 269, 277, 285
3537445 ..... 183	3574431 ..... 525	3820001....957, 959, 961, 963, 965, 967, 969, 971, 973, 976	3900283 71, 81, 117, 119, 188, 192, 519, 523, 531, 535, 537
	3574616 ..... 525		3900300 ... 434, 438, 442, 446
	3575359 ..... 621		3900316 .... 519, 523, 537
	3575782 ..... 189, 193		3900322 ..... 425, 429
	3576799 ..... 680, 691		3900349 ... 583, 587, 591, 595, 599, 603
			3900363 ... 189, 193, 197, 201
			3910408 ... 310, 353, 358, 381
			3910606 ... 433, 441, 450, 457, 781, 783
			3910608 ..... 183, 185
			3910804 ..... 155, 157
			3911012 ..... 171, 177

## SECTION 11 - SPECIAL OPTIONS

3930606.....525	4032022 ... 218, 226, 234, 242, 250, 258, 266, 274, 282, 290	4071048 ..... 188, 192	4360336....425, 429, 433, 437, 441, 445, 450, 454, 457, 461, 617, 978, 979
3930816.....525	4060092 ..... 783	4071049 ..... 21, 26	4360387.... 151, 583, 587, 591, 595, 599, 603, 621, 623, 625, 978, 979
3930820....21, 25, 29, 33	4060802 ... 425, 429, 433, 437, 441, 445, 450, 454, 457, 461	4071050 ..... 21, 26	4360407....583, 587, 591, 595, 599, 603, 978
3931008.....113	4060804 ... 189, 193, 218, 226, 234, 242, 250, 258, 266, 274, 282, 290, 519, 523	4071054 .... 21, 25, 29, 34	4360469.....155, 979
3931016....433, 437, 441, 445, 449, 453, 457, 461	4060805 ... 218, 226, 234, 242, 250, 258, 266, 274, 282, 290	4071055 .... 21, 25, 29, 34	4360470.....157, 979
3931020.....37	4060806 ..... 189, 193	4071074 ... 583, 587, 591, 595, 599, 603	4360475....147, 151, 583, 587, 591, 595, 599, 603, 978
3931408.....629	4060808 ..... 63, 65	4100100 ..... 731, 733	4360476....147, 151, 583, 587, 591, 595, 599, 603, 978
3931412....37, 203, 205, 207, 209	4060906 ... 147, 148, 151, 152, 617	4120035 ..... 889, 893	4360505.....37, 978
3931414.....525	4061054 ..... 531	4120040 ..... 507, 986	4360527.....525, 979
3931416....203, 205, 207, 209	4070863 ... 479, 487, 495, 503	4120043 ..... 507, 986	4360542.....425
3931424.....627	4070864 ... 479, 487, 495, 503	4160194 ... 188, 192, 196, 200	4360543.....525, 979
3931432....310, 353, 358, 381	4070895 ... 479, 487, 495, 503	4160197 ... 479, 487, 495, 503	4360548.....525, 979
3931448....741, 743, 745, 747	4070897 ... 479, 487, 495, 503	4240018 ... 213, 221, 229, 237, 245, 253, 261, 269, 277, 285, 297, 301, 319, 323, 327, 331, 335, 339, 367, 371, 433, 437, 441, 445, 450, 454, 457, 461, 519, 523	4360578....21, 25, 29, 34, 525, 979
3931508....310, 354, 360, 382	4070898 ... 479, 487, 495, 503	4240032 ... 173, 175, 179, 181, 600, 865, 873, 889, 893, 951, 953	4400457....115, 117, 119, 121
3931512....113, 310, 352, 358, 380	4071012 ... 479, 487, 495, 503	4240033 ... 203, 205, 207, 209, 531, 627, 629, 633, 677, 843, 865, 873, 903, 923	4420014....635, 637, 639, 641, 643, 645, 647, 649, 651, 653, 655, 657, 659, 661, 663, 665, 667, 669, 671, 673, 675
3931516.....731, 733, 735	4071013 ..... 487, 503	4240099 ... 213, 218, 221, 226, 229, 234, 237, 242, 245, 250, 253, 258, 261, 266, 269, 274, 277, 282, 285, 290, 310, 354, 360, 382, 621, 623, 625, 680, 683, 685	4420037 81, 83, 680, 683, 685, 687
3931608....741, 743, 745	4071015 ... 479, 487, 495, 503	4240139 ..... 115, 117	4420038....115, 117, 119
3931616....135, 137, 139, 141, 143, 145	4071017 ... 479, 487, 495, 503	4240149 ... 635, 637, 639, 641, 643, 645, 647, 649, 651, 653, 655, 657, 659, 661, 663, 665, 667, 669, 671, 673, 675	4420051.....975
3931620.....709, 711	4071018 ... 479, 487, 495, 503	4300157 ... 441, 445, 457, 461	4420060.....429
3931628....310, 352, 358, 380	4071021 ..... 519, 523	4340923 ..... 188, 192	4420062....695, 697, 699
3931824....715, 717, 719, 721, 723	4071022 ..... 519, 523	4340924 ..... 188, 192	4420066....635, 637, 639, 641, 643, 645, 647, 649, 651, 653, 655, 657, 659, 661, 663, 665, 667, 669, 671, 673, 675
3931840....741, 743, 745, 747	4071023 ..... 519, 523	4340995 ..... 188, 192	4420068....621, 623, 625
3932024.....37	4071024 ... 479, 487, 495, 503	4340996 ..... 188, 192	4460007....584, 587, 591, 595, 599, 603
3932244.....727, 729	4071025 ... 479, 487, 495, 503	4340999 ... 188, 192, 196, 200	4460016....911, 913, 917
3951620.....519, 523	4071027 ... 479, 487, 495, 503	4341001 ..... 188, 192	4460019....873, 876, 897, 909
3952020.....91, 93	4071028 ... 479, 487, 495, 503	4341158 ..... 525	4460027.....425
3960418.....147, 152	4071029 ... 479, 487, 495, 503	4341264 ..... 535	4460035....867, 889, 893
3960422....433, 441, 450, 457, 781, 783	4071031 ... 479, 487, 495, 503	4360057 ... 621, 623, 625, 979	4460042....871, 877, 881
3960447 ..... 197, 201	4071035 .... 21, 25, 29, 33	4360070 ... 434, 442, 450, 454, 458, 462, 978	4460043.....876
3960464 ..... 189, 193	4071036 .... 21, 25, 29, 33	4360274 .... 147, 151, 978	4460049....621, 623, 625
3960543....218, 226, 234, 242, 250, 258, 266, 274, 282, 290, 310, 352, 358, 380	4071039 .... 21, 25, 29, 33	4360328 ... 147, 148, 151, 152, 978	4460051.....781, 783
3960544....218, 226, 234, 242, 250, 258, 266, 274, 282, 290, 310, 352, 358, 380	4071040 .... 21, 25, 29, 33		4460068.....434, 442
3960551 ..... 37	4071041 ..... 91, 93		4460071....433, 441, 450, 457, 619
3960552.....37	4071042 .... 21, 25, 29, 34		4460125.....783
3980006 ..... 81, 83	4071044 ... 480, 488, 496, 504		4460142....889, 893, 911, 913, 917
3990010....889, 893, 978	4071045 ... 480, 488, 496, 504		4460183....867, 871, 911, 913, 917
4010408....437, 446, 823, 825	4071046 ... 480, 488, 496, 504		4460190.....425
4010608.....680, 691			4460205.....781
4010618....551, 553, 555, 557, 567, 571			
4031505.....633			
4031516.....677			
4031608.....429			
4031907.....310			
4031914....310, 352, 358, 380			
4032014....310, 352, 358, 380			

## SECTION 11 - SPECIAL OPTIONS

4460213 ... 911, 913, 917, 918	4460466 ... 633, 833, 835, 837, 843, 865, 867, 871, 873, 875, 876, 893, 897, 901, 905, 907, 909, 911, 913, 917, 918, 921, 923, 941, 947	4460875.....147, 151	4460950 ..... 865, 876
4460224 ..... 446	4460470 ... 147, 151, 584, 587, 591, 595, 599, 603	4460876....889, 893, 911, 913, 917	4460956 ..... 861, 863
4460225 ... 883, 885, 889, 893, 911, 913, 917	4460471 ... 147, 151, 584, 587, 591, 596, 600, 604	4460877 .....893	4460957 ..... 861, 863
4460226 ... 612, 615, 619, 827, 871, 911, 913, 917, 918	4460473 .....905, 907	4460878.....889, 893	4460962 ..... 680, 685
4460227 ... 827, 843, 871, 889, 893, 911, 913, 917	4460474 .....889, 893	4460879.....911, 913, 917	4460963 ..... 450, 458
4460234 ... 250, 290, 360, 584, 587, 591, 595, 599, 603, 621, 623, 625	4460483 ..... 434, 442	4460880....865, 903, 909, 923, 925	4460965 .... 889, 893, 909
4460247 ..... 876	4460488 ... 173, 175, 179, 181, 203, 205, 207, 209, 600	4460884....841, 843, 865, 876, 889, 894, 913, 921	4460966 .... 843, 889, 893
4460256 ... 897, 909, 951, 953	4460496 ... 148, 151, 203, 205, 207, 209, 584, 588, 592, 596, 600, 604	4460887....889, 893, 897, 911, 913, 917	4460967 ... 451, 454, 459, 463, 887
4460259 ... 889, 893, 897, 911, 913, 917	4460497 ... 148, 151, 203, 205, 207, 209, 584, 588, 592, 596, 600, 604	4460888....889, 894, 911, 913, 917	4460968 ... 22, 25, 30, 34, 429, 525, 791, 797
4460260 ... 889, 893, 894, 897, 911, 913, 917	4460508 ... 633, 889, 893, 897, 911, 913, 917	4460889....833, 835, 881, 897, 899, 923	4460970 ..... 875
4460265 ..... 611, 615	4460509 .....905, 907	4460892.....147, 151, 865	4460971 ..... 680, 691
4460267 ... 909, 913, 949	4460510 .....987	4460894....837, 843, 865, 873, 876, 889, 893, 909, 917	4460982 ..... 875
4460268 ... 163, 165, 167, 883, 885, 909	4460518 ..... 833, 835	4460897 ... 869, 881, 923, 925, 949	4461005 ..... 873
4460294 ..... 446	4460526 ..... 147, 151	4460898.....867	4461006 ..... 873
4460297 ..... 889, 893	4460536 ... 833, 867, 914, 917	4460899....837, 843, 897, 921, 941, 947	4461008 ..... 873, 876
4460312 ..... 897	4460539 ... 829, 837, 897, 913, 917	4460905....147, 151, 584, 588, 592, 596, 600, 604, 833, 867, 889, 893, 911, 913, 917	4461013 ..... 951, 953
4460313 ... 873, 889, 893, 897	4460634 .....889, 893	4460909.....525, 943	4461052 ..... 873
4460315 .... 781, 783, 873	4460635 .....889, 893	4460911....839, 841, 941, 951, 953	4461053 ..... 873
4460320 ..... 909, 949	4460662 ... 785, 807, 813, 819	4460912....839, 841, 951, 953	4461054 .... 873, 876, 881
4460346 ... 433, 441, 450, 457, 781	4460702 .... 873, 951, 953	4460913.....525	4461060 ..... 873
4460374 ..... 909	4460703 .....876	4460914.....37, 147, 151, 525	4461070 ... 835, 873, 875, 876
4460375 ..... 909	4460708 ... 584, 588, 592, 596, 600, 604, 913, 918	4460917.....525	4461071 ..... 873, 876
4460384 ..... 785	4460709 .....783	4460918....839, 841, 951, 953	4461072 ..... 873, 876
4460418 ... 889, 893, 911, 913, 917	4460722 ..... 839, 841	4460925.....911, 913, 917	4461073 ..... 873, 876
4460419 ... 889, 893, 911, 913, 917	4460761 ... 827, 843, 871, 889, 893	4460926.....923	4461074 ..... 873, 876
4460424 ... 163, 165, 167, 909	4460806 ... 805, 807, 809, 811, 813, 815, 889, 893, 911, 913, 917	4460928.....835, 923	4461077 ..... 941, 947
4460425 ... 434, 438, 442, 446, 450, 454, 458, 462, 621, 623, 625	4460807 .....883, 885	4460929.....911, 913, 917	4461095 ... 835, 873, 875, 876
4460426 ... 147, 151, 434, 442, 450, 454, 458, 462	4460808 .....883, 885	4460930....865, 873, 875, 876, 901	4461097 ..... 873
4460428 ... 584, 587, 591, 595, 599, 603	4460836 ... 843, 865, 871, 875, 909	4460931.....875, 897	4461196 ..... 927
4460434 .... 911, 913, 917	4460837 .....843	4460932....829, 839, 843, 876, 881, 914	4461198 .... 791, 793, 927
4460449 ..... 903	4460842 .....909	4460933....835, 843, 865, 867, 871, 875, 917	4461199 ..... 929
4460458 ..... 876	4460843 .....909	4460934.....843, 865, 875	4461201 .... 797, 799, 929
4460464 ... 619, 833, 835, 843, 865, 867, 869, 875, 876, 881, 889, 893, 897, 903, 909, 911, 913, 917, 921, 923, 925, 947, 949	4460865 .....905, 907	4460935.....843, 865, 875	4461202 ..... 931, 935
4460465 ... 451, 454, 459, 463, 833, 835, 843, 865, 867, 871, 873, 875, 876, 883, 885, 887, 889, 890, 893, 894, 897, 899, 901, 903, 905, 907, 909, 917, 921, 923	4460866 ... 889, 893, 911, 913, 917	4460941 ....865, 875, 881, 941	4461205 ... 931, 933, 935, 937
	4460868 .....893	4460942....633, 843, 875, 876, 881, 889, 893, 909	4461244 .... 807, 809, 935
	4460871 ... 833, 867, 889, 893, 897, 909, 911, 913, 917	4460943....171, 173, 175, 177, 179, 181, 829, 839, 843, 865, 875, 897, 911, 913, 914, 917, 941	4461245 .... 813, 815, 937
	4460873 ... 889, 893, 911, 913, 917	4460944....829, 837, 841, 843, 865, 873, 875, 876, 889, 893, 897, 909, 913, 917	4461246 .... 819, 821, 939
	4460874 ... 147, 151, 911, 913, 917	4460945.....843, 893	4461249 ..... 939
			4530028 ... 680, 683, 685, 689
			4562516 ..... 519, 523
			4568293 ... 218, 226, 234, 242, 250, 258, 266, 274, 282, 290
			4568319 ..... 727
			4568345 ..... 719, 723
			4568423 ... 480, 488, 496, 504
			4568426 ..... 123, 125
			4568427 ..... 123, 125
			4640438 ..... 727, 729
			4640452 .... 731, 733, 735
			4640509 ... 709, 711, 713, 719, 721, 723, 725, 727, 729
			4640751 ... 218, 226, 234, 242, 250, 258, 266, 274, 282, 290, 313, 354, 360, 382
			4640858 ..... 715, 717
			4641114 .... 731, 733, 735
			4641155 ..... 63, 65

## SECTION 11 - SPECIAL OPTIONS

4641210.....727, 729	339, 352, 358, 367,	4751400 ... 101, 147, 151,	4812000....311, 352, 358,
4641247.....123, 127, 129	371, 380, 413, 415,	171, 173, 175, 177,	380, 533
4641248....719, 721, 723,	417, 419, 425, 429,	179, 181, 197, 201,	4812002.....313
725	433, 437, 441, 445,	218, 226, 234, 242,	4812100....297, 301, 311,
4641255.....539	450, 454, 457, 461,	250, 258, 266, 274,	319, 323, 327, 331,
4641256....741, 743, 745,	479, 487, 495, 503,	282, 290, 311, 352,	335, 339, 352, 358,
747	507, 519, 523, 525,	358, 380, 426, 429,	367, 371, 380, 533
4641260.....731, 733, 735	531, 535, 537, 588,	531, 573, 575, 577,	4812200....311, 352, 359,
4641267.....77, 79, 87	596, 600, 604, 701,	579, 581, 584, 588,	380
4641268.....63, 65, 67	703, 705, 741, 743,	592, 596, 600, 604,	4831900....311, 352, 359,
4641276.....715, 717	745, 747, 823	621, 623, 625, 631,	380
4641454.....63, 65, 69	4711700 ... 297, 301, 311,	680, 683, 685, 687,	4845582....695, 697, 699
4641460.....535, 537, 539	320, 324, 328, 332,	831, 957, 959, 961,	4846383....22, 25, 30, 34
4700038....478, 486, 494,	336, 340, 352, 358,	963, 965, 967, 969,	4846423.....523
502	368, 372, 380, 413,	971, 973	4846429.....523
4700039....478, 486, 494,	425, 429	4751500 ... 163, 189, 193,	4846431.....519, 523
502	4711800 ... 22, 25, 30, 34,	196, 200, 433, 437,	4846453....479, 487, 496,
4710400....310, 353, 358,	37, 63, 65, 183, 185,	441, 445, 450, 454,	503
381	218, 226, 234, 242,	457, 461, 519, 523,	4846462....479, 487, 496,
4711000....171, 177, 415,	250, 258, 266, 274,	621, 623, 625, 695,	503
417, 434, 438, 442,	282, 290, 559, 561, 563	697, 699	4846476.....115
446, 450, 454, 458, 462	4711900 ..... 425, 429	4751600 .37, 71, 99, 101,	4846482....480, 487, 496,
4711400....63, 65, 73, 77,	471200029, 34, 635, 639,	115, 117, 119, 123,	503
79, 81, 83, 165, 167,	641, 645, 649, 653,	125, 135, 137, 139,	4846484.....525
188, 192, 197, 200,	657, 659, 663, 667,	141, 143, 145, 188,	4846485.....519, 523
201, 203, 205, 207,	671, 675, 701, 703, 705	192, 196, 200, 467,	4846503.....188
209, 213, 221, 229,	4712200 ... 635, 637, 639,	469, 471, 473, 535,	4846515.....519
237, 245, 253, 261,	641, 643, 645, 647,	537, 575, 577, 579,	4846516.....519
269, 277, 285, 297,	649, 651, 653, 655,	581, 680, 683, 685, 687	4846552....218, 226, 234,
301, 305, 307, 311,	657, 659, 661, 663,	4751700 ... 311, 352, 358,	242, 250, 258, 266,
319, 323, 327, 331,	665, 667, 669, 671,	380	274, 282, 290
335, 339, 353, 358,	673, 675	4751800 ... 113, 196, 200,	4846573.....529, 531
367, 371, 381, 433,	4712600 ... 171, 177, 203,	559, 561, 563, 621,	4846627....680, 683, 685,
437, 441, 445, 450,	205, 207, 209	623, 625	687
454, 457, 461, 518,	4740171 ..... 345	4752000 ... 213, 221, 230,	4846637....22, 26, 30, 34
522, 525, 531, 549,	4740181 ..... 37	238, 246, 253, 262,	4846673.....623, 625
551, 553, 555, 557,	4740229 ..... 37	270, 278, 286, 297,	4846753.....518, 522
565, 567, 569, 571,	4740274 ... 218, 226, 234,	301, 319, 323, 327,	4846945....226, 242, 250,
627, 629, 631, 677,	242, 250, 258, 266,	331, 335, 339, 367, 371	266, 282, 290
785, 787, 789, 791,	274, 282, 290	4755000 ..... 37	4846946....218, 226, 234,
793, 795, 797, 799,	4740362 ... 575, 577, 579,	4760600 ..... 781, 783	242, 250, 258, 266,
801, 803, 805, 807,	581	4760800 ... 584, 588, 592,	274, 282, 290
809, 811, 813, 815,	4740397 ... 425, 429, 584,	596, 600, 604	4891400.....525
817, 819, 821, 823, 825	588, 592, 596, 600, 604	4761400 .... 147, 151, 573	4891500.....426, 429
4711500....37, 63, 65, 77,	4740430.71, 73, 305, 307	4770600 ..... 183, 185	4891600....258, 266, 274,
79, 101, 123, 125, 127,	4740444 ... 147, 148, 151,	479140081, 83, 218, 226,	282, 291, 307, 347,
129, 131, 133, 185,	152	234, 242, 250, 258,	349, 375, 507, 519,
196, 197, 200, 201,	4740461 .... 22, 25, 29, 34	266, 274, 282, 290,	523, 529, 531, 533
213, 218, 221, 226,	4740500 ..... 188, 192	352, 358, 380, 433,	4891800....183, 185, 218,
229, 234, 237, 242,	4740505 ..... 37	437, 441, 445, 450,	226, 234, 242, 250,
245, 250, 253, 258,	4740509 ... 479, 487, 495,	454, 457, 461	258, 266, 274, 282,
261, 266, 269, 274,	503	4811400 ... 785, 787, 789,	290, 305, 307, 343,
277, 282, 285, 290,	4740518 ... 218, 226, 234,	791, 793, 795, 797,	347, 349, 375, 377,
311, 352, 358, 380,	242, 250, 258, 266,	799, 801, 803, 805,	433, 437, 441, 445,
519, 523, 535, 537,	274, 282, 290	807, 809, 811, 813,	450, 454, 457, 461,
583, 592	4750600 ..... 183, 185	815, 817, 819, 821	519, 523, 529, 531,
4711600....21, 25, 29, 34,	4750800 ... 22, 25, 30, 34,	4811600 ..... 37, 429	533, 741, 745
63, 65, 77, 79, 81, 83,	37, 584, 588, 592, 596,	4811700 ... 171, 173, 175,	4892000....39, 41, 57, 59,
129, 133, 183, 185,	600, 604	177, 179, 181, 551,	61, 95, 311, 352, 359,
188, 192, 196, 200,	4751000 ... 115, 117, 119,	553, 555, 557, 567,	380, 426, 429, 480,
213, 218, 221, 226,	147, 151, 169, 173,	571, 680, 691	488, 496, 504, 531
229, 234, 237, 242,	175, 179, 181, 425,	4811900 ... 189, 193, 311,	4892400.....91, 93
245, 250, 253, 258,	433, 437, 442, 445,	352, 358, 380, 831	4892600....529, 531, 533
261, 266, 269, 274,	450, 454, 458, 462,	4811900001 ..... 313	4920385.....313
277, 282, 285, 290,	584, 588, 592, 596,	4811902 ... 311, 352, 358,	4921850.....987
297, 301, 311, 319,	600, 604, 680, 683,	380	4922641....451, 454, 459,
323, 327, 331, 335,	685, 687, 691		463

## SECTION 11 - SPECIAL OPTIONS

4922666 ... 584, 588, 592, 596, 600, 604, 827	70000817 ..... 47	70001640..... 513, 515	70002141 ..... 402
4922672 ... 845, 849, 857, 905	70000818 ..... 47	70001696.. 449, 453, 458, 462	70002142 ..... 402
4922673 ... 847, 851, 853, 855, 859, 907	70000819 ..... 48	70001847..... 293	70002145 ..... 402
4922696 ..... 865	70000820 ..... 47	70001850..... 293	70002148 ..... 402
4922705 ..... 843, 871	70000821 ..... 47	70001857..... 293	70002150 ..... 402
4922716 ..... 837	70000822 ..... 47	70001867..... 293	70002151 ..... 402
4922718 ..... 829	70000823 ..... 47	70001868..... 293	70002152 ..... 402
4922758 ..... 847	70000824 ..... 47	70001870.. 293, 315, 363, 385	70002153 ..... 402
4922759 ..... 845	70000825 ..... 47	70001871..... 293	70002154 ..... 402
4922760 ..... 851	70000826 ..... 47	70001930..... 87	70002155 ..... 402
4922761 ..... 849	70000834 ..... 47	70001939..... 67	70002156 ..... 402
4922762 ... 847, 851, 853, 855, 859	70000835 ..... 47	70001952..... 390	70002157 ..... 402
4922763 ... 845, 849, 857	70000836 ..... 47	70001953..... 449, 453	70002158 ..... 402
4922767 ..... 903	70000838 ..... 47	70001955..... 405	70002159 ..... 402
4922777 ..... 923	70000839 ..... 47	70001956..... 405	70002160 ..... 402
4922780 ..... 841	70000841 ..... 47	70001958..... 403	70002161 ..... 402
4922781 ..... 839	70000842 ..... 47	70001966.. 434, 438, 442, 446, 449, 453, 458, 462	70002162 ..... 402
4922784 ..... 899	70000843 ..... 47	70001968..... 391	70002163 ..... 402
4922785 ..... 869	70000844 ..... 47	70001973.. 449, 453, 458, 462	70002164 ..... 402
4922786 ..... 843	70000845 ..... 47	70001974.. 449, 453, 458, 462	70002165 ..... 402
4922795 ..... 859	70000846 ..... 47	70001976..... 67, 87	70002168 ..... 403
4922796 ..... 857	70000847 ..... 47	70002015..... 51	70002174 ..... 403
4922869 ..... 531, 871	70000848 ..... 47	70002016..... 51	70002175 ..... 403
4922947 ..... 953	70000849 ..... 47	70002018..... 51	70002177 ..... 403
4922948 ..... 951	70000852 ..... 55	70002019..... 51	70002178 ..... 403
4922972 ... 450, 454, 457, 461, 885	70000853 ..... 55	70002020..... 51	70002179 ..... 403
4923256 ..... 901	70000854 ..... 55	70002021..... 51	70002231 . 213, 221, 229, 237, 245, 254, 262, 269, 277, 285, 297, 301, 319, 323, 327, 331, 335, 339, 367, 371, 978
4923448 ... 584, 588, 911	70000855 ..... 55	70002022..... 51	7000224 ..... 104
4923468 ... 218, 226, 234, 242, 250, 258, 266, 274, 282, 290	70000856 ..... 55	70002023..... 51	70002247 ..... 52
4923592 ... 218, 226, 234, 242, 258, 266, 274, 282	70000857 ..... 55	70002024..... 51	70002248 ..... 52
4933218 ... 621, 623, 625, 954	70000858 ..... 55	70002025..... 51	70002249 ..... 52
4933278 ..... 531, 954	70000859 ..... 55	70002026..... 51	70002255 ..... 449, 453
5241200 48, 52, 529, 533	70000860 ..... 55	70002027..... 51	70002291 ..... 458, 462
5250808 ..... 313	70000861 ..... 55	70002028..... 51	70002293 ..... 203
5251008 ..... 533	70000862 . 449, 453, 458, 461	70002029..... 51	70002294 ..... 209
5251016 ..... 533	70000916 ..... 293	70002030..... 51	70002295 ..... 205
70000044 ..... 293	70000917 ..... 293	70002031..... 51	70002297 . 449, 453, 458, 461
70000124 ..... 425	70000918 ..... 293	70002032..... 51, 109	7000236 ..... 104
70000125 ..... 425	70000919 ..... 293	70002033..... 51	7000239 ..... 104
70000342 ..... 509, 511	70001017 ..... 421	70002034..... 51	70002393 ..... 47
70000345 . 293, 315, 363, 385	70001056 ..... 85	70002035..... 51	70002394 ..... 47
70000619 . 449, 453, 457, 461	70001100 . 449, 453, 458, 461	70002036..... 51	70002395 ..... 47
70000780 ..... 113	70001101 ..... 113	70002037..... 51	70002396 ..... 47
70000793 ..... 411	70001102 ..... 113	70002039..... 51	70002397 ..... 47
70000796 ..... 513, 515	70001125 ..... 293	70002040..... 51	70002398 ..... 47
70000801 ..... 69	70001126 ..... 293	70002041..... 51	70002399 ..... 47
70000802 ..... 69	70001128 ..... 293	70002044..... 51	7000240 ..... 104
70000803 ..... 69	70001129 ..... 293	70002045..... 51	70002412 ..... 725
70000804 ..... 69	70001130 ..... 293	70002046..... 51	70002460 . 449, 453, 458, 462
70000805 ..... 69	70001131 ..... 293	70002047..... 51	70002569 ..... 392
70000806 ..... 69	70001133 ..... 293	70002048..... 51	70002576 ..... 409
70000810 ..... 47	70001135 ..... 293	70002049..... 51	70002578 ..... 405
70000811 ..... 47	70001384 . 449, 453, 458, 461	70002050..... 51	70002580 ..... 405
70000812 ..... 47	70001424 ..... 693	70002052..... 51	70002582 ..... 405
70000813 ..... 47	70001425 ..... 693	70002057..... 51, 109	70002583 ..... 405
70000816 ..... 47	70001427 ..... 693	70002088..... 449, 453	70002585 ..... 405
	70001428 ..... 693	70002097... 535, 537, 978	70002586 ..... 405
	70001429 ..... 693	7000213..... 105	70002588 ..... 405
	70001430 ..... 693	70002132..... 402	70002589 ..... 405
	70001431 ..... 693	70002133..... 402, 405	70002590 ..... 405
	70001432 ..... 693	70002134..... 402	
	70001435 ..... 293	70002135..... 402	
	70001639 ..... 509, 511	70002136..... 402	
		70002137..... 402	
		70002138..... 402	
		70002139..... 402	
		70002140..... 402	

## SECTION 11 - SPECIAL OPTIONS

70002592.....406	70004098 . 434, 442, 458, 462	70004749 ..... 615	70006361.....711
70002593.....406		70004750 ..... 615	70006362.....711
70002599.....406	70004099 . 442, 446, 458, 462	70004751 ..... 615	70006363.....711
70002600.....402		70004752 ..... 611	70006403.....419
70002601.....402	70004169 ..... 449, 453	70004753 ..... 611	70006404.....419
70002602.....402	70004171 . 434, 438, 449, 453	70004754 ..... 611	70006405.....419
70002604.....403		70004755 ..... 611	70006406.....419
70002605.....403	70004185 ..... 987	70004756 ..... 611	70006407.....419
70002606.....403	70004186 ..... 725	70004757 ..... 611	70006408.....419
70002607.....403	70004275 ..... 363, 385	70004758 ..... 611	70006409.....419
70002608.....403	70004276 ..... 316	70004759 ..... 611	70006410.....419
70002609.....403	70004277 .. 317, 364, 386	70004760 ..... 611	70006473.....717
70002610.....403	70004279 ..... 364, 386	70004761 ..... 611	70006474.....717
70002612.....403	70004280 .. 315, 363, 385	70004762 ..... 611	70006490.....739
70002616.....403	70004282 .. 316, 364, 386	70004763 ..... 611	70006491.....739
70002617.....403	70004284 ..... 364, 386	70004764 ..... 611	70006492.....739
70002618.....402	70004328 ..... 535, 537	70004765 ..... 611	70006493.....739
70002619.....402	70004413 ..... 119	70004766 ..... 611	70006520.....717
70002620.....402	70004414 ..... 115, 117	70004767 ..... 611	70006523.....735
70002621.....403	70004416 ..... 405	70004768 ..... 611	70006524.....735
70002622.....403	70004417 ..... 405	70004769 ..... 611	70006525.....735
70002623.....403	70004420 ..... 405	70004770 ..... 611	70006526.....735
70002674.....51	70004421 ..... 405	70004771 ..... 611	70006527.....729
70002718..293, 315, 363, 385	70004422 ..... 406	70004772 ..... 611	70006528.....729
70002758.....88	70004423 ..... 405	70004773 ..... 611	70006529.....729
70002759.....87, 88	70004426 ..... 405	70004774 ..... 611	70006530.....729
70002760.....88	70004467 ..... 109	70004775 ..... 611	70006547.....721
7000281.....104	70004469 ..... 109	70005153 ..... 725	70006548.....721
70002859.....513, 515	70004474 ..... 109	70005171 ..... 315	70006549.....721
7000287.....104	70004477 ..... 109	70005172 ..... 315	70006550.....721
7000288.....104	70004480 ..... 109	70005173 ..... 315	70006552.. 433, 437, 441, 445
70002902.....619	70004481 ..... 109	70005174 ..... 315	70006553.. 433, 437, 441, 445
70002903.....619	70004494 ..... 110	70005177 ..... 316	70006631.....747
70002904.....619	70004501 .. 316, 364, 386	70005181 ..... 316	70006656.....743
70002905.....619	70004502 ..... 364, 386	70005184 ..... 316	70006657.....743, 747
70003135.....293	70004503 ..... 364, 386	70005188 ..... 316	70006658.....743, 747
70003136.....293	70004511 ..... 315	70005189 ..... 316	70006659.....743
70003475.....293	70004512 ..... 315	70005191 ..... 317	70006697.....747
70003523.....104	70004646 ..... 986	70005230 ..... 615	70006698.....747
70003524.....104, 105	70004647 ..... 986	70005317 ..... 109	70006986.....109
70003555..218, 226, 234, 242, 250, 258, 266, 274, 282, 290	70004648 ..... 986	70005318 ..... 109	70006987.....109
70003617.....207	70004676 . 434, 438, 442, 446	70005418 ..... 406	70006988.....109
70003628.....55	70004677 ..... 438	70005433 ..... 743, 747	70006989.....109
70003629.....104	70004678 . 434, 438, 442, 446	70005445 ..... 364, 386	70006990.....109
70003631..449, 453, 458, 462	70004680 . 434, 438, 442, 446	70005480 ..... 396	70006991.....109
70003708..434, 438, 442, 446, 449, 453, 458, 462	70004681 ..... 438, 446	70005481 ..... 396	70006992.....109
70003709..434, 438, 442, 446, 449, 453, 458, 462	70004682 . 434, 438, 442, 446	70005487 ..... 317	70006993.....109
70003784..583, 587, 591, 595, 599, 603	70004683 ..... 438, 446	70005647 ..... 317	70006994.....109
70003913...518, 522, 978	70004684 ..... 434	70005648 ..... 317	70006995.....109
70003914.....518, 522	70004685 ..... 434, 442	70005920 ..... 315	70006996.....109
70003915.....518, 522	70004686 ..... 446	70005921 ..... 315	70006997.....109
70003917...518, 522, 978	70004687 ..... 442	70005923 ..... 316	70006998.....109
70003918.....518, 522	70004738 ..... 615	70005924 ..... 316	70006999.....109
70004092..434, 438, 442, 446, 458, 462	70004739 ..... 615	70005925 ..... 316	70007000.....109
70004093.....458, 461	70004740 ..... 615	70005926 ..... 316	70007001.....109
70004094.....458, 462	70004741 ..... 615	70005927 ..... 316	70007002.....109
70004095.....458, 462	70004742 ..... 615	70005928 ..... 316	70007003.....109
70004096.....458, 462	70004743 ..... 615	70005929 ..... 316	70007004.....110
70004097.....458, 462	70004744 ..... 615	70005941 ..... 315	70007005.....110
	70004745 ..... 615	70006093 ..... 458, 461	70007006.....110
	70004746 ..... 615	70006094 ..... 458, 462	70007007.....110
	70004747 ..... 615	70006095 ..... 458, 462	70007008.....110
	70004748 ..... 615	70006096 ..... 458, 462	70007009.....109
		70006097 ..... 458, 462	70007010.....110
		70006127 ..... 315	70007011.....110
		70006359 ..... 711	
		70006360 ..... 711	

## SECTION 11 - SPECIAL OPTIONS

70007012 .....	110	70024924 ..	315, 363, 385	70025240.....	316	7015013 ...	217, 225, 233, 241, 249, 257, 265, 273, 281, 289
70007013 .....	110	70024925 ..	315, 363, 385	70025477...316, 364, 386		7015014 ...	217, 225, 233, 241, 249, 257, 265, 273, 281, 289
70007015 .....	725	70024961 ..	315, 363, 385	70025533...317, 364, 386		7015015 ...	217, 225, 233, 241, 249, 257, 265, 273, 281, 289
70007016 .....	725	70025076 ..	315, 363, 385	70025660.....	317	7016314 .....	119
70007017 .....	725	70025077 .....	317	70025768.....	316	7016319 .....	169
70007018 .....	725	70025080 ..	315, 363, 385	70025931.....	316	7016322 .....	183, 185
70007019 .....	725	70025082 ..	315, 363, 385	70026210...317, 364, 386		7016328 .....	293, 978
70007020 .....	725	70025084 ..	316, 364, 386	70026995.....	316	7016331 ...	293, 315, 363, 385, 978, 979
70007049 .....	721	70025088 .....	363, 385	7002821.....	986	7016372 .....	169
70007178 .....	398	70025091 ..	315, 363, 385	7002822.....	987	7016374 .....	183, 185
7000731 .....	104, 105	70025101 .....	316	7002823.....	987	7016654 .....	987
70007353 .....	294	70025103 .....	364, 386	7002828.....	987	7016655 .....	987
70007382 .....	713	70025107 .....	316	70035212.....	317	7017072 .....	104
70007383 .....	713	70025109 .....	316	7003655....217, 225, 233, 241, 249, 257, 265, 273, 281, 289, 978		7017082 .....	104
70007384 .....	713	70025111 .....	315	7004035.....	105	7017085 .....	105
70007385 .....	713	70025112 ..	316, 364, 386	7004043.....	105	7017142 .....	509, 511
70007386 .....	713	70025115 .....	316	7004044.....	105	7017158 .....	509
70007439 .....	403	70025120 ..	317, 364, 386	7004275.....	987	7017159 .....	509, 511
7001900 .....	104	70025133 .....	316	7004276.....	987	7017162 ....	509, 511, 515
7001902 .....	104	70025135 ..	315, 363, 385	7004453.....	105	7017163 ....	509, 511, 515
7001904 .....	104	70025136 .....	363, 385	7007207.....	402, 405	7017164 ....	509, 511, 515
7001906 .....	104	70025137 ..	315, 363, 385	7007415....	403, 405, 406	7017184 .....	513
7001917 .....	104	70025140 ..	315, 363, 385	7007418.....	402	7017185 .....	513, 515
7001918 .....	104	70025142 ..	316, 364, 386	7007419.....	402	7017187 .....	513
7001920 .....	104	70025143 .....	364, 386	7007420.....	55	7017188 .....	513
7001921 .....	104	70025144 ..	315, 364, 386	7007437.....	55	7017191 .....	513
7001922 .....	104	70025145 ..	315, 363, 385	7007438.....	55	7017195 ...	509, 511, 513, 515
7001923 .....	104	70025146 ..	315, 363, 385	7007439.....	55	7017402 .....	539
7001924 .....	104	70025149 ..	317, 364, 386	7007446.....	55, 402, 405	7017405 .....	69
7001926 .....	104	70025151 ..	316, 364, 386	7007489.....	409	7017451 .....	87, 978
7001927 .....	104	70025152 ..	315, 363, 385	7007645.....	104	7017495 .....	87
7001928 .....	104	70025153 ..	315, 363, 385	7007646.....	104	7018936 .....	392
7001929 .....	104	70025154 ..	315, 363, 385	7007648.....	104	7018942 .....	87
70021867 .....	390, 396	70025155 ..	316, 364, 386	7010467.....	104	7018991 .....	67, 87, 978
70021895 .....	316	70025156 .....	364, 386	7010543.....	69	7019680 .....	425
70022286 .....	405	70025158 .....	316	7010545.....	727, 729	7020043 .....	115, 117
70023592 ..	311, 353, 359, 381	70025160 .....	364, 386	7010795.....	105	7020108 .....	425, 429
70023593 ..	311, 353, 359, 381	70025161 .....	364, 386	7011016.....	85	7020109 .....	425, 429
70024190 ..	313, 353, 360, 381, 978	70025162 ..	315, 363, 385	7011043.....	85	7020110 .....	425, 429
70024473 .....	364, 386	70025163 .....	363, 385	7011044.....	85	7020111 .....	425, 429
70024484 ..	316, 364, 386	70025164 ..	316, 364, 386	7011048.....	85	7020175 ...	147, 151, 583, 587, 591, 595, 599, 603
70024486 .....	363, 385	70025171 ..	315, 363, 385	7011062.....	85	7020176 ...	147, 151, 583, 587, 591, 595, 599, 603
70024488 ..	315, 363, 385	70025176 ..	315, 363, 385	7011066.....	85	7020190 .....	425, 429
70024494 .....	315	70025177 .....	364, 386	7011311.....	87	7020404 .....	363, 385
70024502 .....	316	70025178 ..	316, 364, 386	7011346.....	67, 87, 539	7020414 .....	293
70024504 ..	315, 317, 364, 386	70025179 ..	316, 364, 386	7011354.....	87, 978	7020447 .....	293
70024507 ..	317, 364, 386	70025180 ..	316, 364, 386	7011355.....	539	7020460 .....	293
70024509 .....	316	70025181 ..	315, 363, 385	7012513.....	425, 429	7020465 ...	293, 315, 363, 385
70024513 ..	315, 363, 385	70025182 ..	316, 364, 386	7012514.....	425, 429	7020468 .....	293
70024517 ..	315, 363, 385	70025183 ..	316, 364, 386	7012558.....	425	7020471 .....	293
70024904 .....	363, 385	70025184 ..	316, 364, 386	7012706.....	390, 396	7020479 .....	293
70024905 ..	315, 363, 385	70025185 .....	316	7012709.....	390, 396	7020486 .....	293
70024906 ..	315, 363, 385	70025190 .....	363, 385	7012715.....	390, 396	7020492 ....	316, 364, 386
70024907 .....	363, 385	70025200 ..	316, 364, 386	7012773.....	67, 87	7021249 .....	55
70024910 ..	316, 364, 386	70025202 .....	363, 385	7012941.....	69	7021256 .....	403
70024912 ..	316, 364, 386	70025203 ..	316, 364, 386	7012942.....	69	7021265 .....	403
70024915 ..	317, 364, 386	70025204 .....	363, 385	7012944.....	69, 539, 978		
70024917 .....	364, 386	70025205 ..	315, 363, 385	7012955.....	69		
70024918 ..	317, 364, 386	70025206 .....	363, 385	7012967.....	69, 731, 733, 735		
70024919 .....	364, 386	70025207 .....	363, 385	7012998.....	69		
70024920 ..	316, 317, 364, 386	70025208 .....	363, 385	7015003....	217, 225, 233, 241, 249, 257, 265, 273, 281, 289		
70024922 .....	317	70025210 ..	316, 364, 386, 979				
		70025231 ..	315, 363, 385				
		70025235 ..	316, 364, 386				
		70025239 ..	315, 363, 385				

## SECTION 11 - SPECIAL OPTIONS

7021275.....	55, 402, 405	7024391 .....	105	7024868 .....	55	7027777.....	689
7021293.....	403	7024392 .....	105	7024906 .....	391	7027778.....	689
7021375.....	87	7024393 .....	105	7024908 .....	391	7027779.....	689
7021636.....	87	7024394 .....	105	7024911 .....	391	7027780.....	689
7022300.....	403	7024395 .....	105	7024913 .....	390, 396	7027790.....	293
7022301.....	402	7024439 .....	121	7024914 .....	390, 396	7027791.....	293
7022311.....	55	7024440 .....	121	7024915 .....	390, 396	7027792.....	293
7022314.....	55	7024441 .....	121	7024916 .....	390, 396	7027799....	449, 453, 458, 462
7022321.....	55	7024442 .....	121	7024917 .....	390, 396	7027887.....	425, 430
7022340.....	405	7024443 .....	121	7024918 .....	390, 396	7028909....	171, 173, 175, 177, 179, 181
7022368.....	55	7024444 .....	121, 978	7024919 .....	390, 396	7029593.....	85
7022371.....	55	7024445 .....	121	7024920 .....	390, 396	77363233.....	883, 885
7023306.....	121	7024446 .....	121	7024921 .....	390, 396	80334251.....	113
7023347.....	121	7024453 .....	105	7024922 .....	390, 396	80484084.....	876
7023881.....	391	7024462 .....	689	7024924 .....	87	80983191.....	876, 978
7023922.....	539	7024463 .....	689	7024925 .....	87	8220051.....	881
7023962.....	405	7024467 .....	689	7024927 .....	67	8220164.....	875
7023964.....	405, 406	7024469 .....	689	7026000 .....	87	8229242....	876, 889, 894, 918, 978
7024005.....	391	7024470 .....	689	7026001 .....	87	8310070.....	525
7024038.....	390, 396	7024471 .....	689, 693	7026002 .....	87	8310129....	635, 639, 641, 645, 649, 653, 657, 659, 663, 667, 671, 675
7024042.....	390	7024472 .....	689	7026003 .....	87	8310230....	637, 643, 647, 651, 655, 661, 665, 669, 673
7024043.....	390	7024473 .....	689	7026004 .....	87	8310658.....	200
7024044.....	390, 396	7024474 .....	689	7026005 .....	87	8405006....	297, 301, 311, 319, 323, 327, 331, 335, 339, 354, 360, 367, 371, 382, 415, 417, 419
7024064.....	390	7024475 .....	689	7026006 .....	87	8405007....	311, 353, 360, 381
7024065.....	391	7024478 .....	689	7026007 .....	87	8405009.....	119
7024068.....	391	7024485 ...	449, 453, 458, 462	7026008 .....	87	8405201....	311, 352, 359, 380
7024069.....	392	7024488 ...	449, 453, 457, 461	7026016 .....	87	8405204....	311, 352, 359, 380
7024070.....	391	7024489 ...	449, 453, 457, 461	7026018 .....	539	8406102....	311, 354, 360, 382
7024071.....	391	7024530 .....	693	7026019 .....	539	8406109.....	311
7024072.....	391	7024531 .....	693	7026020 .....	539	8406110.....	311
7024073.....	391	7024532 .....	693	7026021 .....	539	8406112....	311, 354, 360, 382
7024075.....	391	7024533 .....	693	7026022 .....	539	8406302....	311, 352, 358, 380
7024076.....	391	7024534 .....	693	7026023 .....	539	8410011.....	311
7024077.....	391	7024535 .....	693	7026028 .....	67	8410013....	218, 226, 234, 242, 250, 258, 266, 274, 282, 290, 313, 352, 359, 381
7024080.....	391	7024536 .....	693	7026029 .....	113	8580420.....	71, 73
7024081.....	391	7024537 .....	693	7026030 .....	113	8750024.....	129, 133
7024083.....	391	7024538 .....	693	7026031 .....	113, 979	88261024.....	537
7024084.....	391	7024539 .....	693	7026032 .....	113	88411013.....	831
7024085.....	392	7024540 .....	693	7026033 .....	113	88521214... 701, 703, 705	
7024087.....	392	7024541 .....	693	7026188 .....	449, 453	88662523.....	197, 201
7024088.....	392	7024542 .....	293	7026571 .....	121	91143339.....	875
7024089.....	392	7024543 .....	87	7026597 ...	449, 453, 458, 462	91143340.....	875
7024097.....	391	7024544 .....	87, 539, 978	7026608 .....	293	91203039.....	533
7024135.....	104	7024545 .....	539	7026626 ...	449, 453, 458, 462	91403230..	957, 959, 961, 965, 967, 969, 971, 973
7024182.....	105	7024546 .....	87	7027042 ...	297, 301, 319, 323, 327, 331, 335, 339, 367, 371	91563070... 352, 359, 381	
7024183.....	104	7024547 .....	87	7027043 ...	297, 301, 319, 323, 327, 331, 335, 339, 367, 371		
7024184.....	104	7024579 ...	293, 315, 363, 385	7027044 ...	297, 301, 319, 323, 327, 331, 336, 339, 367, 371		
7024185.....	104	7024580 ...	213, 221, 229, 237, 245, 253, 261, 269, 277, 285	7027045 ...	297, 301, 320, 324, 328, 332, 336, 340, 367, 371		
7024186.....	105	7024581 ...	213, 221, 229, 237, 245, 253, 261, 269, 277, 285	7027235 .....	293		
7024188.....	104, 105	7024582 ...	213, 221, 229, 237, 245, 253, 261, 269, 277, 285	7027236 .....	293		
7024189.....	105	7024583 ...	213, 221, 229, 237, 245, 253, 261, 269, 277, 285	7027239 .....	293		
7024190.....	105	7024584 ...	213, 221, 229, 237, 245, 253, 261, 269, 277, 285	7027240 .....	293		
7024191.....	105	7024585 ...	213, 221, 229, 237, 245, 253, 261, 269, 277, 285	7027240 .....	293		
7024192.....	105	7024586 ...	213, 221, 229, 237, 245, 253, 261, 269, 277, 285	7027276 .....	293		
7024193.....	105, 106	7024587 ...	213, 221, 229, 237, 245, 253, 261, 269, 277, 285	7027740 .....	55		
7024194.....	105	7024588 ...	213, 221, 229, 237, 245, 253, 261, 269, 277, 285	7027773 .....	689		
7024196.....	105	7024589 ...	213, 221, 229, 237, 245, 253, 261, 269, 277, 285	7027774 .....	689		
7024197.....	105, 106	7024590 .....	183, 185	7027775 .....	689		
7024365.....	21, 29, 978	7024598 .....	183, 185	7027776 .....	689		
7024366.....	21, 29	7024763 .....	104				
7024374.....	121	7024800 .....	403				
7024375.....	121, 978	7024865 .....	55				
7024379.....	105	7024867 .....	55				
7024380.....	105						
7024381.....	105						
7024389.....	105						
7024390.....	105						







3121738



An Oshkosh Corporation Company

**Corporate Office**  
**JLG Industries, Inc.**  
**1 JLG Drive**  
**McConnellsburg, PA 17233-9533 USA**  
**☎ (717) 485-5161 (Corporate)**  
**☎ (877) 554-5438 (Customer Support)**  
**☎ (717) 485-6417**

**Visit our website for JLG Worldwide Locations.**  
**[www.jlg.com](http://www.jlg.com)**