



Illustrated Parts Manual

Models
ES1932
ES1932i

PVC
1910
2004

P/N
31215920

September 15, 2020 - Rev B

ANSI

CE



AS/NZS



An Oshkosh Corporation Company

REVISION LOG

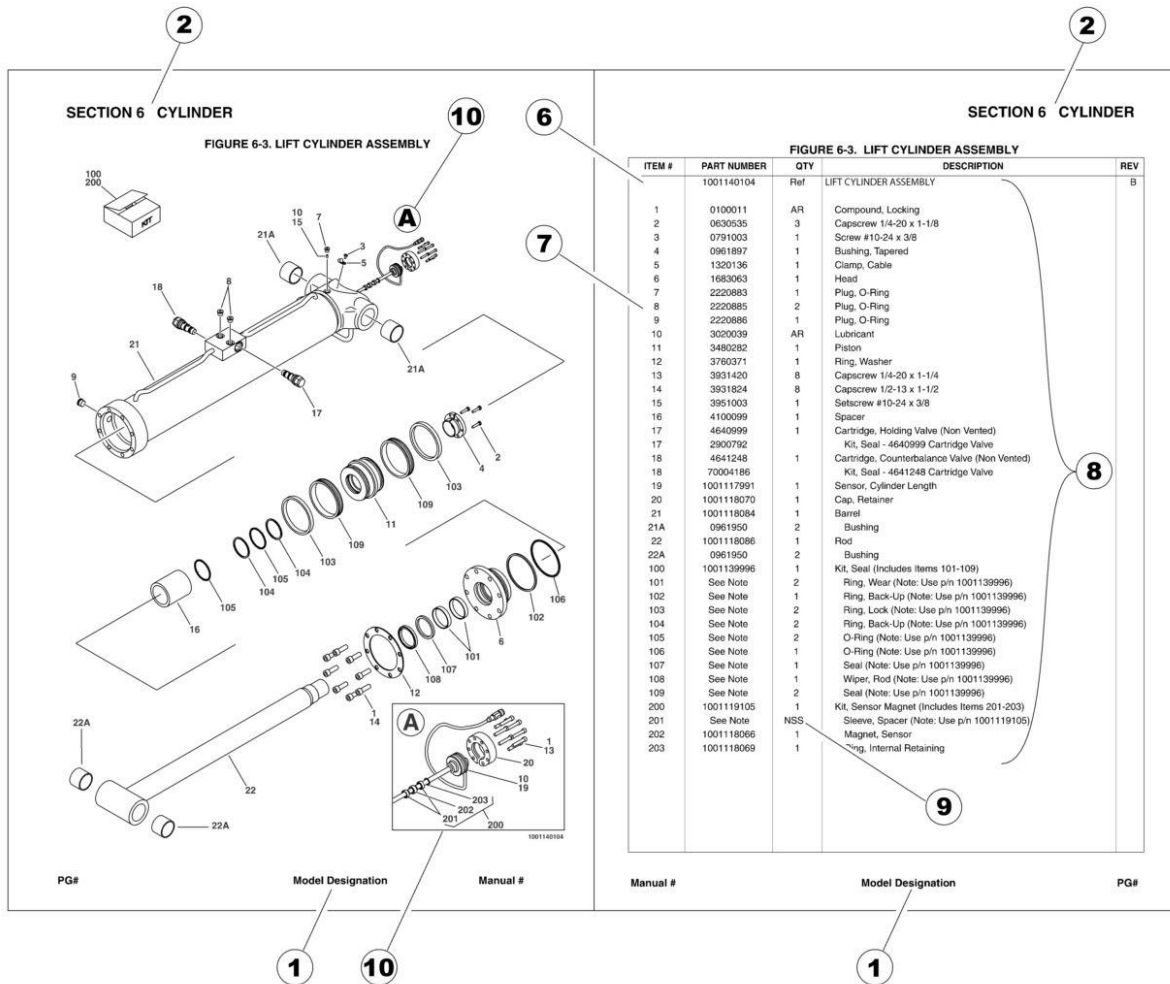
NOTES:

Country of Assembly - The ES Scissor Lifts are assembled by JLG Industries in the following countries: Mexico, Europe or China. Refer to the Serial Number Tag to identify the country of assembly. ES Scissors assembled in Mexico will have a serial number prefix of M2 (i.e. M2XXXXXXXX), ES Scissors assembled in Europe will have a serial number prefix of 12 (i.e. 12XXXXXXXX) and ES Scissors manufactured in China will have a serial number prefix of B2 or G2 (i.e. B2XXXXXXXX or G2XXXXXXXX).

REVISION LOG:

**March 1, 2020 - A - Original Issue of Manual (1001250333 Rev H, 1001259307 Rev A & 1001259308 Rev A)
September 15, 2020 - B - Revised Manual (1001250333 Rev I, 1001259307 Rev A & 1001259308 Rev A)**

GENERAL INFORMATION



1) MACHINE IDENTIFICATION

Machines are identified by model and in some cases a combination of models, serial number (SN) or regional standard (i.e ANSI, CE, CSA). Components may also be identified by SN or manufacturer. Common components that may be identified by these characteristics are engines and hydraulic components.

2) PARTS MANUAL ORGANIZATION

Product information in this manual is organized under section titles. Frame, Cylinder, Hydraulic and Electrical are a few examples. Each section is organized by figure and page number. The information within the Figure is then organized by item number, part number, description and corresponding illustration (s).

3) TABLE OF CONTENTS (NOT SHOWN)

A table of contents is found toward the beginning of the manual. Figure number, description and page number are provided for quick reference to the page containing the related information.

4) RECOMMENDED SPARE PARTS (NOT SHOWN)

The Recommended Spare Parts List, located near the end of the manual, reference most frequently used maintenance parts.

5) PART NUMBER INDEX (NOT SHOWN)

A numerical index listing all part numbers and the corresponding page number(s) appears at the back of the manual.

GENERAL INFORMATION

6) NON-SERVICED PARTS

In some instances, it is necessary to display non-serviced parts, assemblies or installations. In the case of assemblies and installations there will be a Ref in the Qty. column. In case of parts that are not available for service within assemblies or components, there will be a NSS (Not Sold Separately) or NLA (No Longer Available) listed in the Qty. column of the manual.

7) PARTS LIST ITEM NUMBERS

Numbers shown in the item# column correspond to numbers used in the associated illustration (s). Item numbers which are missing from the sequence in the parts list are not used on that page.

8) INDENTED PARTS DESCRIPTION

An indented part description is included in the item under which it is indented.

9) ABBREVIATION AND SYMBOLS

AC.....	Alternating Current	L.....	Liter
ADE.....	Advanced Design Electronics	LB(LBS).....	Pounds
AG.....	Agricultural	LCD.....	Liquid Crystal Display
ANSI.....	American National Standards Institute	LED.....	Light Emitting Diodes
AR.....	As Required	LH.....	Left Hand
ASSY.....	Assembly	LRC.....	Low Rated Countries
AUS.....	Australia	LSS.....	Load Sensing System
AUX.....	Auxiliary	M(m).....	Metric/Meter
AWG.....	American Wire Gauge	MM(mm).....	Milimeter
B/M.....	Bill of Material	mA.....	Miliamps
CAC.....	Charge Air Cooler	NLA.....	No Longer Available
CE.....	European Conformity	NPT.....	National Pipe Threads
CCW.....	Counter Clockwise	NSS.....	Not Sold Separately
CM.....	Centimeter	OD.....	Outside Diameter
CW.....	Clockwise	ORB.....	O-Ring Boss
CSA.....	Canadian Standards Association	ORFS.....	O-Ring Face Seal
CYL.....	Cylinder	OZ (oz).....	Ounces
DIA.....	Diameter	PG.....	Page
DC.....	Direct Current	PN.....	Part Number
DEF.....	Diesel Exhaust Fluid	QT(qt.).....	Quarts
EMS.....	Emergency Stop	QTY.....	Quantity
ENG.....	Engine	REF.....	Reference
FT(ft).....	Feet	REV.....	Revision Level
GA(Ga).....	Gauge	RH.....	Right Hand
HRC.....	High Rated Countries	SAE.....	Society of Automotive Engineers
HVAC.....	Heating, Ventilating, and Air Conditioning	SN.....	Serial Number
HYD.....	Hydraulic	SPEC(S).....	Specifications
Hz.....	Hertz	T/T.....	Turntable
ID.....	Inside Diameter	UGM.....	Universal Ground Module
IN.....	inches	V.....	Volts
ISO.....	International Organization for Standards	W.....	Watts
JIC.....	Joint Industry Council	#.....	Number
KG.....	Kilogram		

10) ILLUSTRATION REFERENCE LETTERS

When necessary, illustrations may contain reference letters that are intended to track information (i. e. hoses, harnesses) from one point to another or to track visual enlargement of components to show details that may be located in another area on the illustration.

Note: Due to continuous product improvements, JLG Industries, Inc. reserves the right to make specification changes without prior notification. Contact JLG Industries, Inc. for updated information.

TABLE OF CONTENTS

SECTION 1 - FRAME.....	11
FIGURE 1-1. DRIVE MOTOR AND STEER INSTALLATION.....	12
FIGURE 1-2. DRIVE MOTOR ASSEMBLY	14
FIGURE 1-3. REAR WHEEL HUB AND FRAME CLAMPS INSTALLATION.....	18
FIGURE 1-4. HUB ASSEMBLY - REAR.....	20
FIGURE 1-5. TIRE AND WHEEL INSTALLATION.....	22
FIGURE 1-6. POTHOLE PROTECTION INSTALLATION.....	24
FIGURE 1-7. TILT SENSOR INSTALLATION.....	26
FIGURE 1-8. BATTERY CHARGER INSTALLATION - DELTA-Q WITHOUT COMMUNICATION PORT (LOCALLY SUPPLIED PLUG).....	28
FIGURE 1-9. BATTERY CHARGER INSTALLATION - DELTA-Q WITH COMMUNICATION PORT (LOCALLY SUPPLIED PLUG).....	30
FIGURE 1-10. BATTERY CHARGER INSTALLATION - DELTA-Q WITHOUT COMMUNICATION PORT (110V PLUG).....	32
FIGURE 1-11. BATTERY CHARGER INSTALLATION - DELTA-Q WITH COMMUNICATION PORT (110V PLUG).....	34
FIGURE 1-12. BATTERY CHARGER INSTALLATION - DELTA-Q WITHOUT COMMUNICATION PORT (AUSTRALIAN PLUG).....	36
FIGURE 1-13. BATTERY CHARGER INSTALLATION - DELTA-Q WITH COMMUNICATION PORT (AUSTRALIAN PLUG).....	38
FIGURE 1-14. BATTERY CHARGER INSTALLATION - DELTA-Q WITHOUT COMMUNICATION PORT (KOREAN PLUG).....	40
FIGURE 1-15. BATTERY CHARGER INSTALLATION - DELTA-Q WITH COMMUNICATION PORT (KOREAN PLUG).....	42
FIGURE 1-16. BATTERY CHARGER INSTALLATION - EAGLE PERFORMANCE (110V PLUG).....	44
FIGURE 1-17. BATTERY CHARGER INSTALLATION - GREEN POWER (LOCALLY SUPPLIED PLUG).....	46
FIGURE 1-18. BATTERY CHARGER INSTALLATION - GREEN POWER (CHINA PLUG).....	48
FIGURE 1-19. STROBE LIGHT INSTALLATION – SINGLE (AMBER) (WITH GUARD).....	50
FIGURE 1-20. STROBE LIGHT INSTALLATION – DUAL (AMBER) (WITH GUARD).....	52
FIGURE 1-21. ALARM INSTALLATION (AMBIENT/WHITE NOISE) (OPTIONAL).....	54
FIGURE 1-22. LADDER INSTALLATION.....	56
FIGURE 1-23. FRAME COVERS INSTALLATION (ES1932).....	58
FIGURE 1-24. FRAME COVERS INSTALLATION (ES1932I).....	60
SECTION 2 - GROUND CONTROLS.....	63
FIGURE 2-1. PUMP/MOTOR/TANK AND HOSES INSTALLATION.....	64
FIGURE 2-2. PUMP/MOTOR/TANK ASSEMBLY (Prior to SN B200074702, Prior to SN M200056093, Prior to SN 1200039126, Except SN B200074581 through B200074586, Except SN B200074588 through B200074593, Except SN B200074692 through B200074696, Except SN 1200039003 through 1200039012, Excluding B200074650).....	66
FIGURE 2-3. PUMP/MOTOR/TANK ASSEMBLY (SN B200074702 to Present, SN M200056093 to Present, SN 1200039126 to Present).....	68
FIGURE 2-4. ELECTRICAL COMPONENTS INSTALLATION (MEXICO AND CHINA BUILT MACHINES).....	70
FIGURE 2-5. ELECTRICAL COMPONENTS INSTALLATION #1 (EUROPEAN BUILT MACHINES).....	72
FIGURE 2-6. ELECTRICAL COMPONENTS INSTALLATION #2 (EUROPEAN BUILT MACHINES).....	74
FIGURE 2-7. ACCESS CONTROL INSTALLATION.....	76
FIGURE 2-8. MDI INSTALLATION.....	78
FIGURE 2-9. BATTERIES INSTALLATION - STANDARD BATTERIES (U.S. BRAND).....	80
FIGURE 2-10. BATTERIES INSTALLATION - STANDARD BATTERIES (TROJAN BRAND).....	82
FIGURE 2-11. BATTERIES INSTALLATION - AGM BATTERIES.....	84
FIGURE 2-12. BATTERIES INSTALLATION - AGM EVCG BATTERIES.....	86
FIGURE 2-13. INVERTER INSTALLATION (OPTIONAL).....	88
FIGURE 2-14. DOORS INSTALLATION.....	90

TABLE OF CONTENTS

SECTION 3 - SCISSORS ARMS	93
FIGURE 3-1. SCISSORS ARMS INSTALLATION	94
FIGURE 3-2. SCISSORS ARMS KIT	98
FIGURE 3-3. ARM GUARD INSTALLATION	100
SECTION 4 - PLATFORM	103
FIGURE 4-1. PLATFORM EXTENSION INSTALLATION	104
FIGURE 4-2. RAILS INSTALLATION - FIXED	106
FIGURE 4-3. RAILS INSTALLATION - QUIK ACCESS (ANSI & JAPANESE SPECS ONLY).....	108
FIGURE 4-4. RAILS INSTALLATION - QUIK FOLD-DOWN (ALL SPECS EXCEPT AUSTRALIAN & CE SPECS).....	112
FIGURE 4-5. RAILS INSTALLATION - STANDARD FOLD-DOWN RAILS (ALL SPECS).....	114
FIGURE 4-6. HANDLE EXTENSION INSTALLATION (OPTIONAL).....	116
FIGURE 4-7. GATE LATCH INSTALLATION - OPTIONAL (ALL SPECS EXCEPT KOREAN SPECS)	118
FIGURE 4-8. PLATFORM CONSOLE INSTALLATION (ES1932)	120
FIGURE 4-9. PLATFORM CONSOLE INSTALLATION (ES1932I)	122
FIGURE 4-10. DRIVE/STEER CONTROLLER ASSEMBLY (AUSTRALIAN & CE SPECS).....	124
FIGURE 4-11. OVERHEAD PROTECTION INSTALLATION (KOREAN SPECS)	126
FIGURE 4-12. PANEL CARRIER INSTALLATION (AUSTRALIAN & CE SPECS)	128
FIGURE 4-13. PIPE RACK INSTALLATION (AUSTRALIAN & CE SPECS).....	130
SECTION 5 - CYLINDER.....	133
FIGURE 5-1. LIFT CYLINDER ASSEMBLY	134
FIGURE 5-2. STEER CYLINDER ASSEMBLY	136
SECTION 6 - ELECTRICAL.....	139
FIGURE 6-1. AC BOX AT PLATFORM INSTALLATION - 110V GFI (ANSI, ANSI EXPORT, CHINA AND JAPANESE SPECS).....	140
FIGURE 6-2. AC BOX AT PLATFORM INSTALLATION - 110V IEC YELLOW (CE SPECS).....	142
FIGURE 6-3. AC BOX AT PLATFORM INSTALLATION - 220V IEC BLUE (CE SPECS)	144
FIGURE 6-4. AC BOX AT PLATFORM INSTALLATION - 220V CEE7 POST GROUND (CE SPECS).....	146
FIGURE 6-5. AC BOX AT PLATFORM INSTALLATION - 220V CEE7 SIDE GROUND (CE SPECS)	148
FIGURE 6-6. AC BOX AT PLATFORM INSTALLATION - 220V AFSINT 107 (CE SPECS)	150
FIGURE 6-7. AC BOX AT PLATFORM INSTALLATION - 220V CHINA PLUG (CHINA SPECS).....	152
FIGURE 6-8. AC BOX AT PLATFORM INSTALLATION - 220V LOCALLY SUPPLIED COMPONENTS (ALL SPECS).....	154
FIGURE 6-9. BREAKER BOX KIT WITH 1 DOUBLE BREAKER	156
FIGURE 6-10. BREAKER BOX KIT WITH 3 BREAKERS.....	158
FIGURE 6-11. CHASSIS HARNESS.....	160
FIGURE 6-12. DRIVE HARNESS	164
FIGURE 6-13. GROUND TO PLATFORM CABLE INSTALLATION - WITHOUT PLATFORM COIL CABLE (ALL SPECS EXCEPT AUSTRALIAN SPECS) (CHINA & MEXICO BUILT MACHINES)	166
FIGURE 6-14. GROUND TO PLATFORM CABLE INSTALLATION - WITHOUT PLATFORM COIL CABLE (AUSTRALIAN SPECS) (CHINA BUILT MACHINES)	168
FIGURE 6-15. GROUND TO PLATFORM CABLE INSTALLATION - WITHOUT PLATFORM COIL CABLE AND WITH FOOTSWITCH (CHINA BUILT MACHINES).....	170
FIGURE 6-16. GROUND TO PLATFORM CABLE INSTALLATION - WITH PLATFORM COIL CABLE (ALL SPECS EXCEPT AUSTRALIAN SPECS) (CHINA & MEXICO BUILT MACHINES)	172
FIGURE 6-17. GROUND TO PLATFORM CABLE INSTALLATION - WITH PLATFORM COIL CABLE (AUSTRALIAN SPECS) (CHINA BUILT MACHINES).....	174

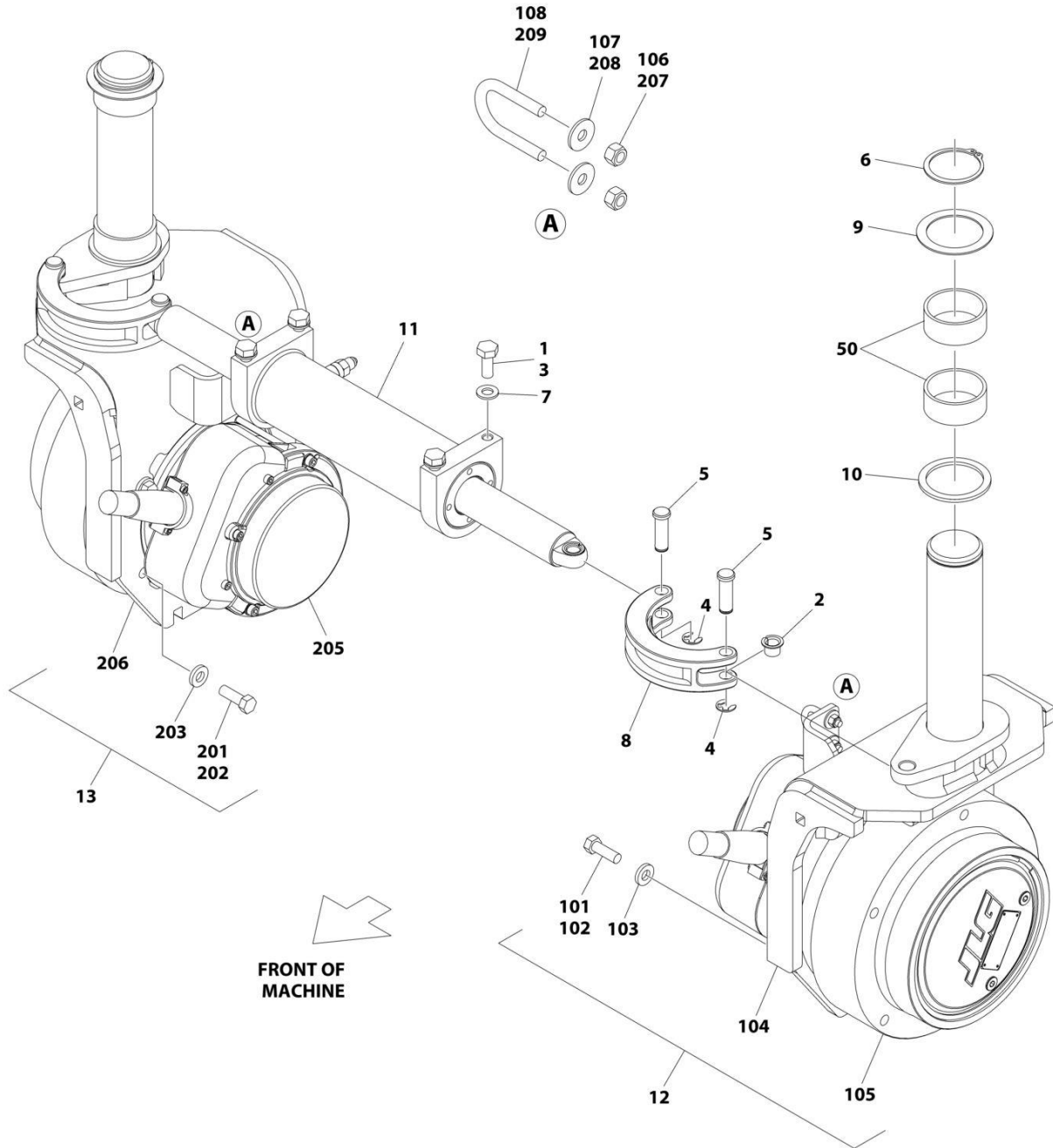
TABLE OF CONTENTS

FIGURE 6-18. GROUND TO PLATFORM CABLE INSTALLATION - WITH PLATFORM COIL CABLE AND FOOTSWITCH (CHINA BUILT MACHINES)	176
FIGURE 6-19. GROUND TO PLATFORM CABLE INSTALLATION - SCISSORS ARM CABLE ONLY (EUROPEAN BUILT MACHINES)	178
FIGURE 6-20. GROUND TO PLATFORM CABLE INSTALLATION - PLATFORM CABLE ONLY (STRAIGHT CABLE) (EUROPEAN BUILT MACHINES)	180
FIGURE 6-21. GROUND TO PLATFORM CABLE INSTALLATION - PLATFORM CABLE ONLY (COILED CABLE) (EUROPEAN BUILT MACHINES)	182
FIGURE 6-22. LIFT DOWN HARNESS	184
FIGURE 6-23. PLATFORM BOX HARNESS	186
FIGURE 6-24. RECEPTACLE BOX KIT - 110V GFI	188
FIGURE 6-25. RECEPTACLE BOX KIT - 110V IEC YELLOW (CE SPEC)	190
FIGURE 6-26. RECEPTACLE BOX KIT - 220V IEC BLUE (CE SPEC)	192
FIGURE 6-27. RECEPTACLE BOX KIT - 220V CEE7 POST GROUND (CE SPEC)	194
FIGURE 6-28. RECEPTACLE BOX KIT - 220V CEE7 SIDE GROUND (CE SPEC)	196
FIGURE 6-29. RECEPTACLE BOX KIT - 220V AFSINT 107 (CE SPEC)	198
SECTION 7 - DECALS	201
FIGURE 7-1. DECAL INSTALLATION - ANSI SPECS (ENGLISH LANGUAGE)	202
FIGURE 7-2. DECAL INSTALLATION - AUSTRALIAN & JAPANESE SPECS (ENGLISH LANGUAGE)	204
FIGURE 7-3. DECAL INSTALLATION - BRAZIL SPECS (PORTUGUESE/SPANISH LANGUAGES)	206
FIGURE 7-4. DECAL INSTALLATION - CE SPECS (ENGLISH LANGUAGE)	208
FIGURE 7-5. DECAL INSTALLATION - CHINA SPECS (ENGLISH/CHINESE LANGUAGES)	210
FIGURE 7-6. DECAL INSTALLATION - CSA SPECS (ENGLISH/FRENCH LANGUAGES)	212
FIGURE 7-7. DECAL INSTALLATION - KOREAN SPECS (ENGLISH/KOREAN LANGUAGES)	214
FIGURE 7-8. DECAL INSTALLATION - LATIN AMERICAN SPECS (ENGLISH/SPANISH LANGUAGES)	216
FIGURE 7-9. DECAL INSTALLATION - OPTIONS	218
SECTION 8 - RECOMMENDED SERVICE PARTS STOCK	221
FIGURE 8-1. RECOMMENDED SERVICE PARTS STOCK	222
SECTION 9 - SPECIAL OPTIONS	223
FIGURE 9-1. SPECIAL OPTIONS	224
PART NUMBER INDEX	227

SECTION 1 - FRAME

SECTION 1 - FRAME

FIGURE 1-1. DRIVE MOTOR AND STEER INSTALLATION



ART_1001256129

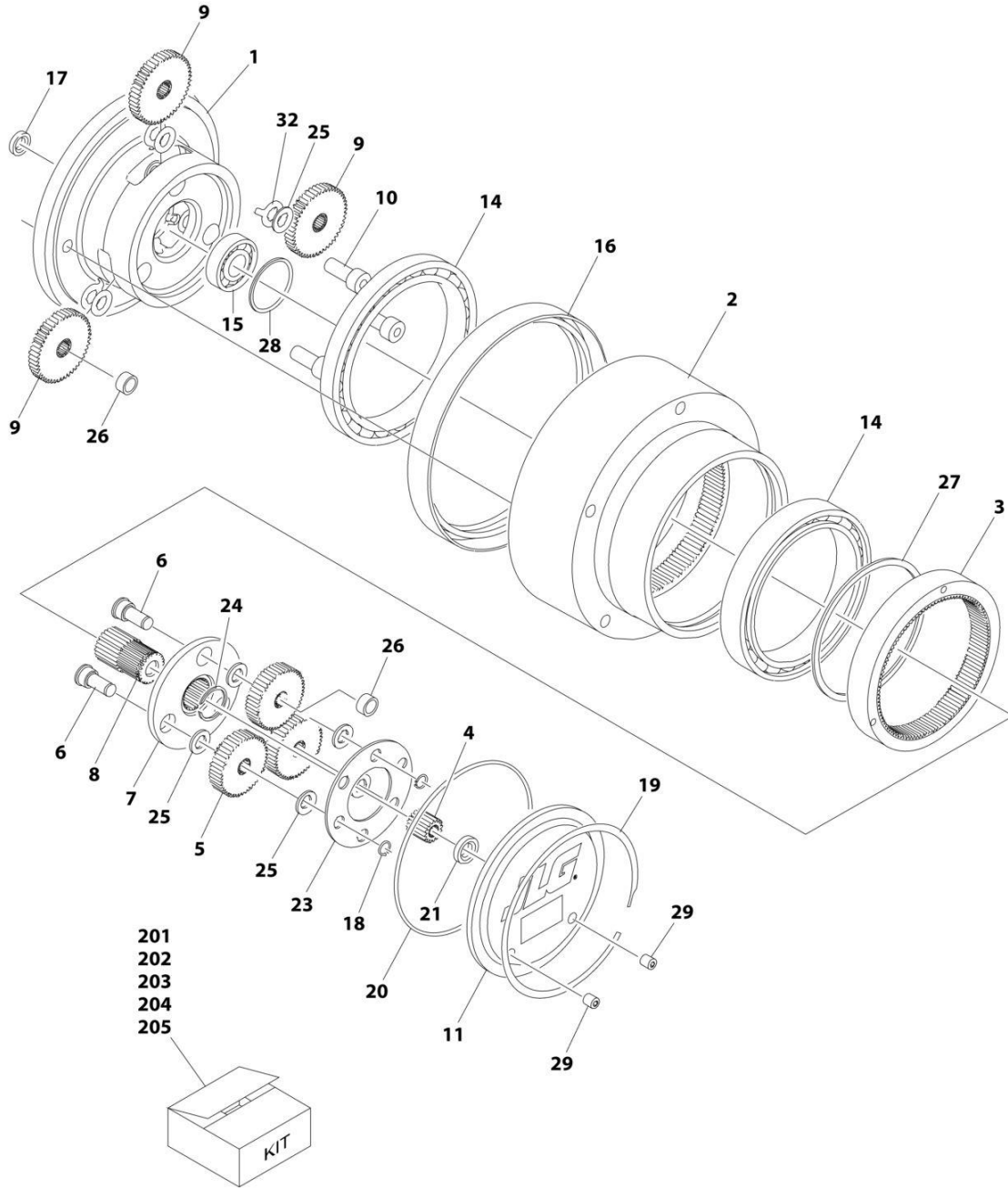
SECTION 1 - FRAME

FIGURE 1-1. DRIVE MOTOR AND STEER INSTALLATION

ITEM	PART NUMBER	QTY	DESCRIPTION	REV
	1001256129	Ref	STEER INSTALLATION	D
1	0100011	AR	Compound, Locking	
2	0440259	2	Bearing	
3	0761012	4	Bolt M10 x 25	
4	1380153	4	E-Clip	
5	3423037	4	Pin	
6	3760217	2	Ring, Retaining	
7	4812000	4	Washer M10	
8	4846757	2	Lug, Steering	
9	1001197396	2	Washer	
10	1001205751	2	Washer	
11	1001220570	1	Steer Cylinder Assembly (See Separate Breakdown in CYLINDER Section)	
12	1001258427	1	Motor/Spindle Assembly (See item 101-108 for Breakdown)	
13	1001258428	1	Motor/Spindle Assembly (See item 201-209 for Breakdown)	
50	1001153785	4	Bearing (Part of Frame)	
	1001258427	Ref	MOTOR/SPINDLE ASSEMBLY	G
101	0100011	AR	Compound, Locking	
102	0681609	6	Bolt 3/8 x 1-1/8 Grade 8	
103	4891600	6	Washer 3/8	
104	1001226487	1	Spindle	
105	1001256741	1	Drive Motor Assembly (See Separate Breakdown in this Section)	
106	3290605	2	Nut M6	
107	4811702	2	Washer M6	
108	1001259015	1	U-Bolt	
	1001258428	Ref	MOTOR/SPINDLE ASSEMBLY	G
201	0100011	AR	Compound, Locking	
202	0681609	6	Bolt 3/8 x 1-1/8 Grade 8	
203	4891600	6	Washer 3/8	
205	1001256741	1	Drive Motor Assembly (See Separate Breakdown in this Section)	
206	1001250162	1	Spindle	
207	3290605	2	Nut M6	
208	4811702	2	Washer M6	
209	1001259015	1	U-Bolt	

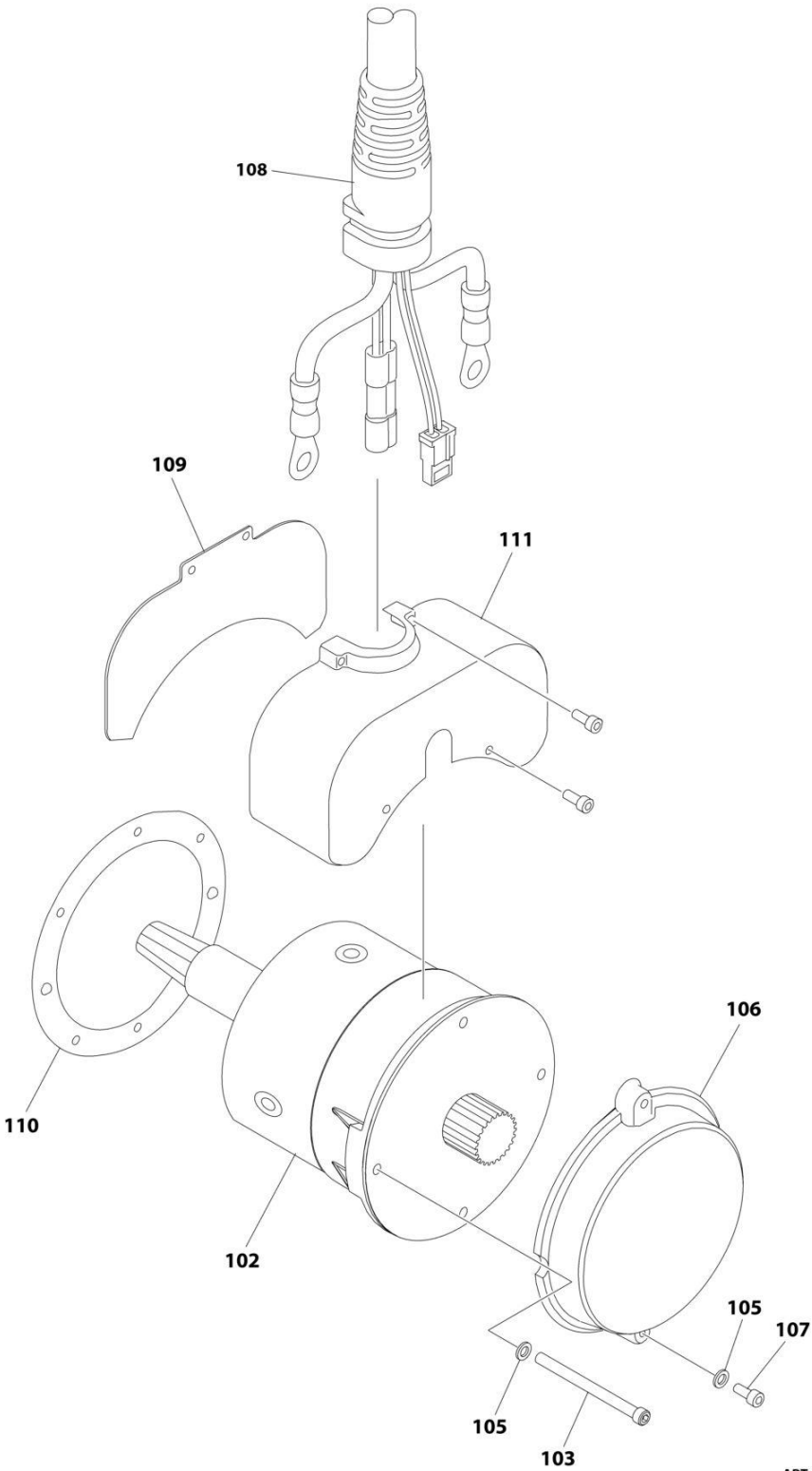
SECTION 1 - FRAME

FIGURE 1-2. DRIVE MOTOR ASSEMBLY



ART_1001256741_10F2

SECTION 1 - FRAME



ART_1001256741_20F2

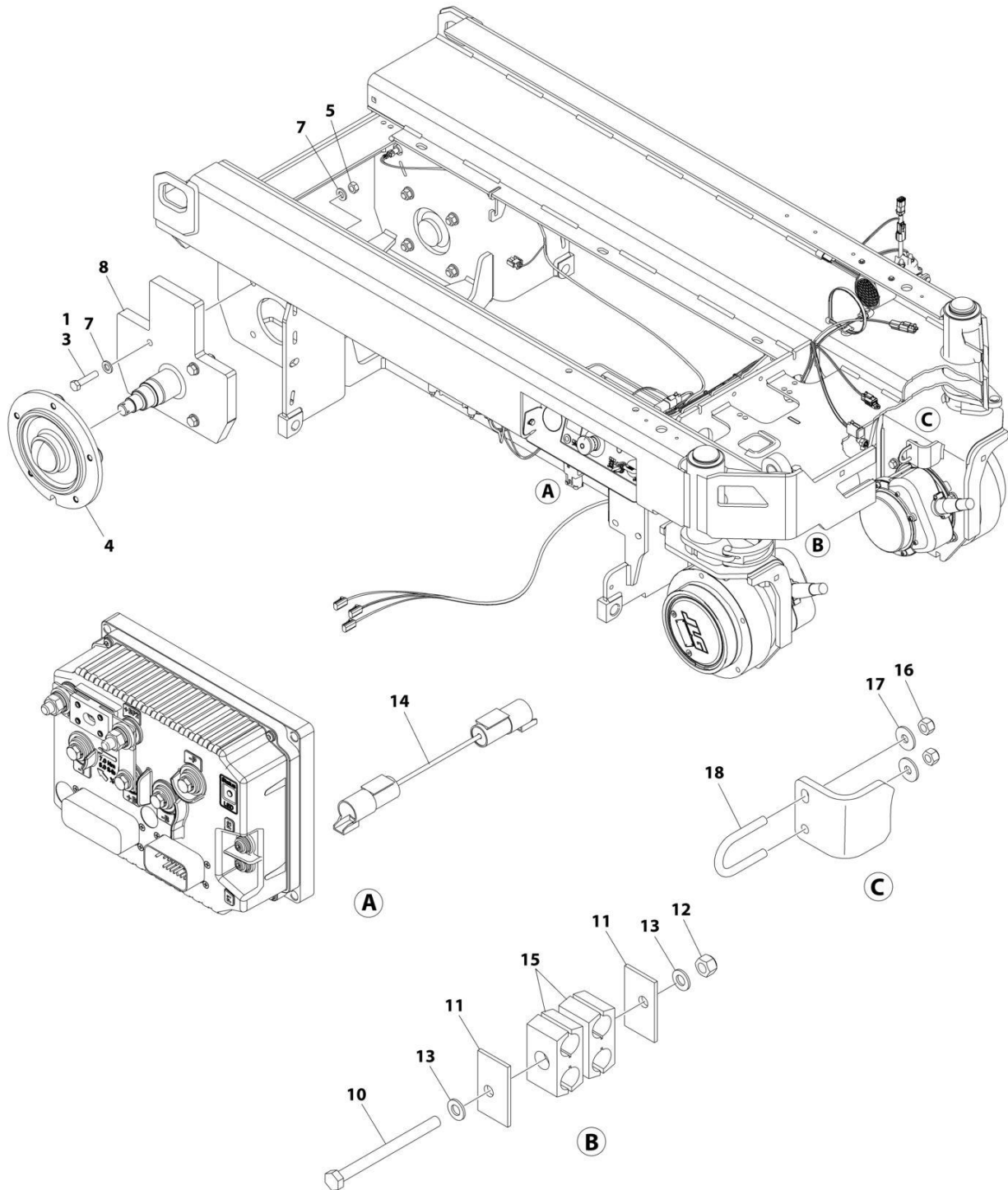
SECTION 1 - FRAME

FIGURE 1-2. DRIVE MOTOR ASSEMBLY

ITEM	PART NUMBER	QTY	DESCRIPTION	REV
	1001256741	Ref	DRIVE MOTOR ASSEMBLY	G
		Ref	HUB ASSEMBLY	
1	70007493	1	Spindle	
2	See Note	NSS	Hub (Note: Use Item 203)	
3	70007494	1	Ring, Input	
4	70007491	1	Gear, Input Sun	
5	70007490	3	Gear, Input Planet (Includes Item 26)	
6	70007196	3	Pin, Planet Gear	
7	70007492	1	Carrier	
8	70007195	1	Gear, Output Sun	
9	70007193	3	Gear, Output Planet (Includes Item 26)	
10	70007199	3	Pin, Output Planet	
11	See Note	NSS	Cover (Note: Use Item 201)	
14	See Note	NSS	Bearing, Main (Note: Use Item 202 or 203)	
15	70007200	1	Bearing , Shaft	
16	70001739	1	Seal, Lip (Note: Included in Items 202 or 203)	
17	7024786	1	Seal, Lip	
18	70007204	3	Ring, Retaining	
19	See Note	NSS	Ring , Retaining (Note: Use Item 201)	
20	70000191	1	O-Ring (Note: Included in Items 201 or 202 or 203)	
21	See Note	NSS	Washer, Thrust (Note: Use Item 201)	
23	70007207	1	Plate, Thrust	
24	70007203	1	Ring, Retaining	
25	70007206	9	Washer, Thrust	
26	70007201	6	Bushing	
27	See Note	NSS	Ring, Retaining (Note: Use Item 203)	
28	70007202	1	Ring, Retaining	
29	See Note	NSS	Plug (Note: Use Item 201)	
32	70007205	3	Washer, Tanged	
		Ref	BRAKE AND MOTOR	
102	70007496	1	Motor, Electric	
103	70007495	2	Bolt M6 x 100	
105	4711400	4	Washer 1/4	
106		Ref	Brake, Input (Use Motor/Brake Kit PN 70007673)	
107	70007191	2	Bolt M6 x 20	
108	70007759	1	Harness, Motor	
109	See Note	NSS	Plate, Cover (Note: Use Item 204)	
110	See Note	NSS	Gasket (Note: Use Item 204)	
111	See Note	NSS	Cover, Top (Note: Use Item 204)	
		Ref	KIT OPTIONS	
201	7024747	1	Cover Kit (Includes Items 11, 19, 20, 21 & 29)	
202	7024748	1	Main Seal Kit (Includes Qty 1 of Items 14, 16 & 20)	
203	7024756	1	Hub Kit (Includes Items 2, 16, 20, 27 & Qty 1 of Item 14)	
204	70007631	1	Cover Kit (Includes Item 109-111)	
205	70007673	1	Motor/Brake Kit (includes Attaching Hardware)	

SECTION 1 - FRAME

FIGURE 1-3. REAR WHEEL HUB AND FRAME CLAMPS INSTALLATION



ART_1001256130

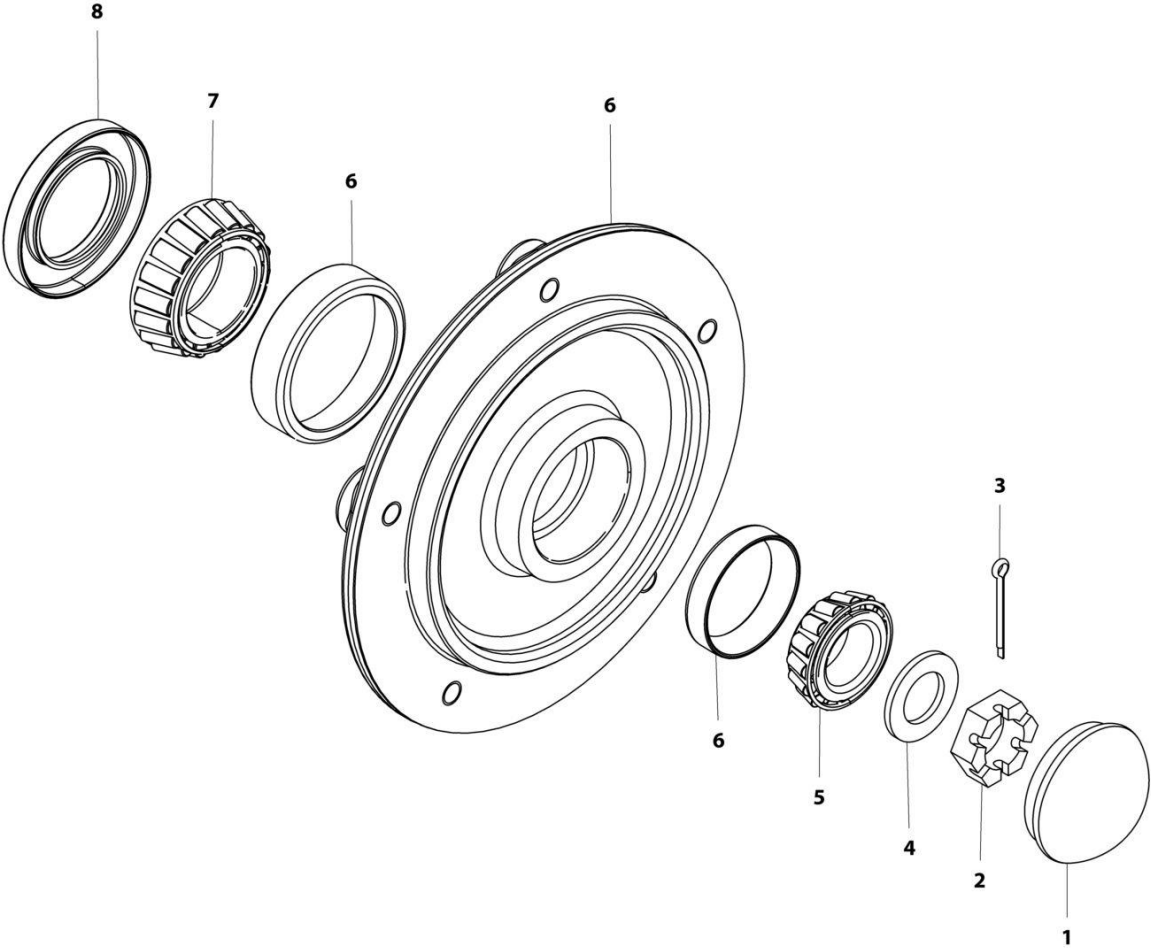
SECTION 1 - FRAME

FIGURE 1-3. REAR WHEEL HUB AND FRAME CLAMPS INSTALLATION

ITEM	PART NUMBER	QTY	DESCRIPTION	REV
	1001256130	Ref	REAR WHEEL HUB AND FRAME CLAMPS INSTALLATION	E
1	0100011	AR	Compound, Locking	
3	0711219	8	Bolt M12 x 55	
4	2780266	2	Hub Assembly - Rear (See Separate Breakdown in this Section)	
5	3331211	8	Nut M12	
7	5241200	16	Washer M12	
8	1001226423	2	Spindle Rear	
10	0760827	1	Bolt M8 x 100	
11	1321752	2	Cover, Clamp	
12	3290805	1	Nut M8	
13	4811900	2	Washer M8	
14	4923602	1	Harness, Field Wire Connection	
15	8750015	2	Clamp Set	
16	3290605	4	Nut M6	
17	4811702	4	Washer M6	
18	1001259015	2	U-Bolt	

SECTION 1 - FRAME

FIGURE 1-4. HUB ASSEMBLY - REAR



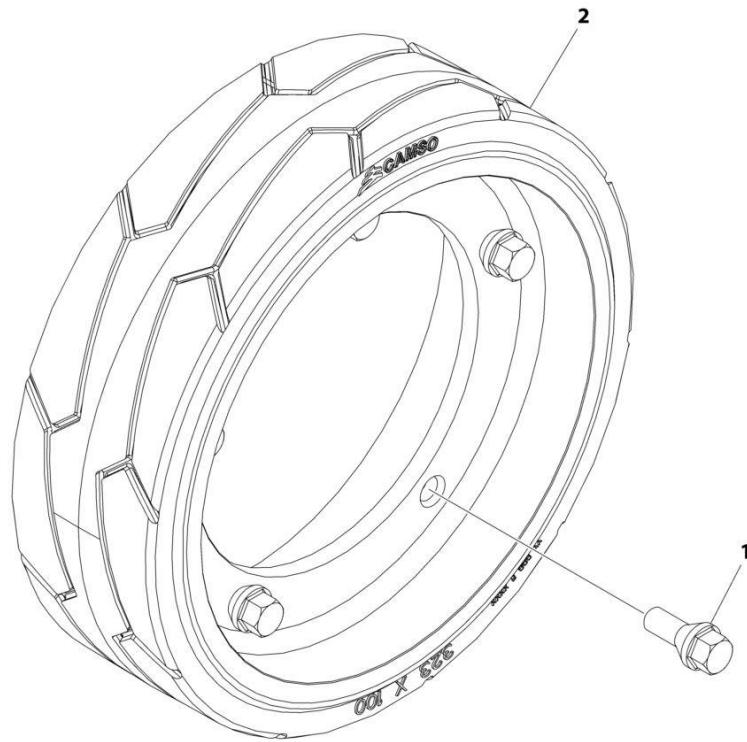
ART_2780266

FIGURE 1-4. HUB ASSEMBLY - REAR

ITEM	PART NUMBER	QTY	DESCRIPTION	REV
	2780266	Ref	HUB ASSEMBLY - REAR	E
1	1001102354	1	Cap, Dust (was p/n 7012524)	
2	3300423	1	Nut, Slotted (was p/n 7010641)	
3	3450406	1	Pin, Cotter 2 x 3/16 (was p/n 7010642)	
4	4740468	1	Washer (was p/n 7019697)	
5	1001102351	1	Bearing, Cone - Outer (was p/n 7026185)	
6	See Note	NSS	Hub (Note: Purchase Complete Assembly p/n 2780266)	
7	1001102353	1	Bearing, Cone - Inner (was p/n 7026183)	
8	1001102349	1	Seal (was p/n 7026184)	

SECTION 1 - FRAME

FIGURE 1-5. TIRE AND WHEEL INSTALLATION



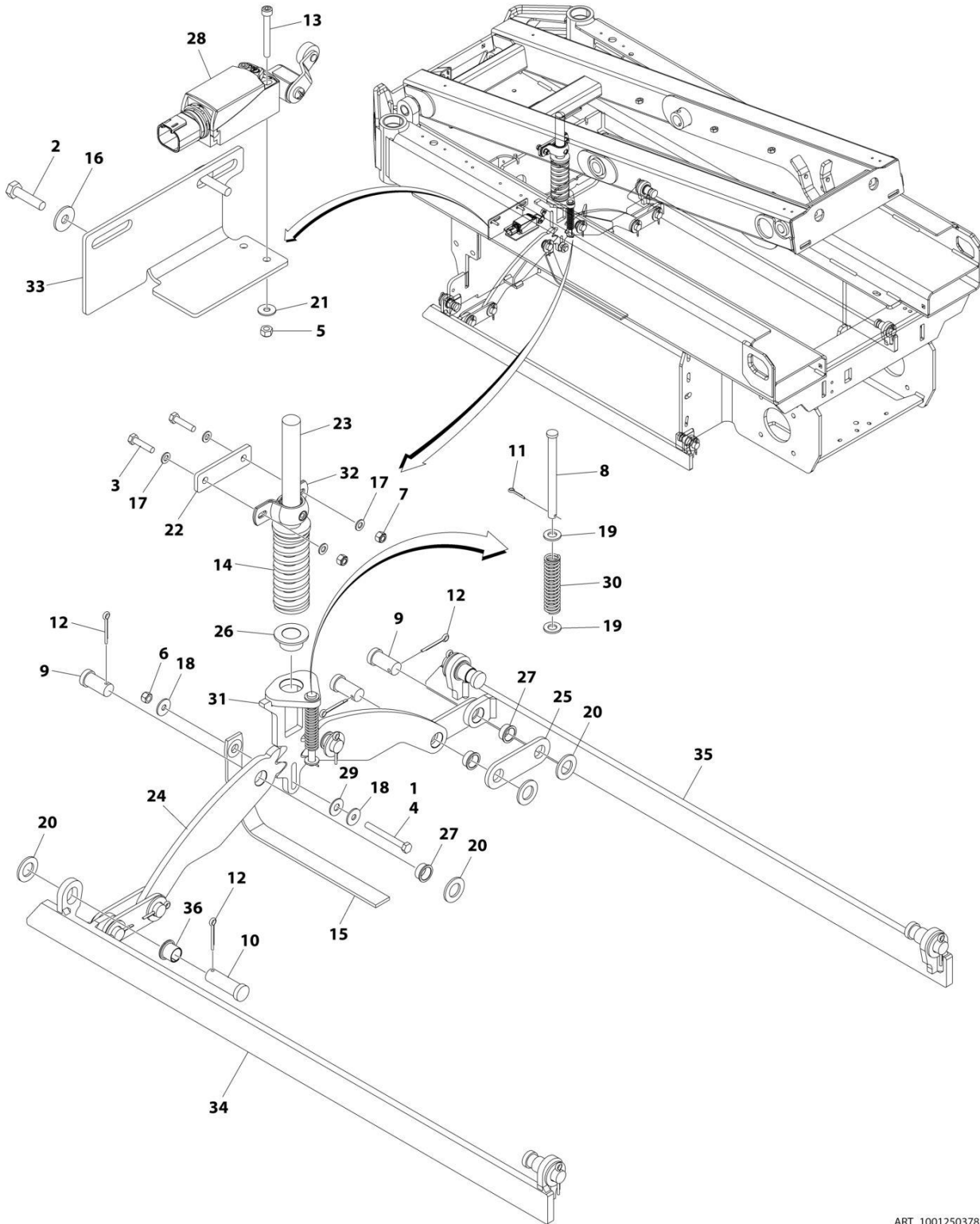
ART_1001248612

FIGURE 1-5. TIRE AND WHEEL INSTALLATION

ITEM	PART NUMBER	QTY	DESCRIPTION	REV
	1001248612	Ref	TIRE AND WHEEL ASSEMBLY	B
1	0630580	20	Bolt	
2	1001114467	4	Tire, 100 x 323	

SECTION 1 - FRAME

FIGURE 1-6. POTHOLE PROTECTION INSTALLATION



ART_1001250378

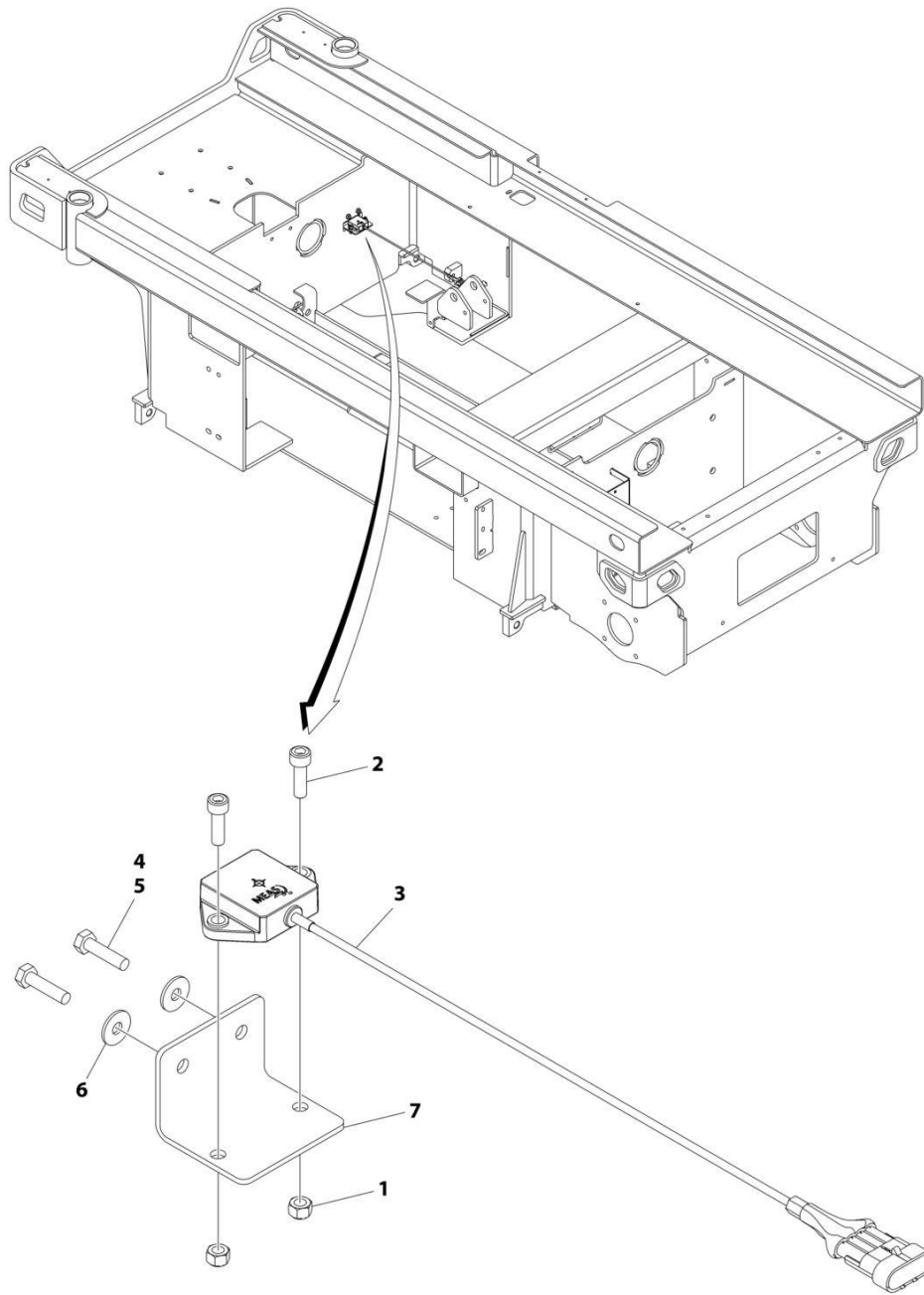
SECTION 1 - FRAME

FIGURE 1-6. POTHOLE PROTECTION INSTALLATION

ITEM	PART NUMBER	QTY	DESCRIPTION	REV
	1001250378	Ref	POTHOLE PROTECTION INSTALLATION	B
1	0100011	AR	Compound, Locking	
2	0700612	2	Bolt M6 x 25	
3	0700815	2	Bolt M8 x 35	
4	0700823	1	Bolt M8 x 75	
5	3290405	2	Nut M4	
6	3290801	1	Nut M8	
7	3290805	2	Nut M8	
8	3430636	1	Pin	
9	3431212	6	Pin	
10	3431218	4	Pin	
11	3450302	1	Pin, Cotter 7/8 x 1/2	
12	3450505	10	Pin, Cotter 5/32 x 1/2	
13	4031511	2	Capscrew M4 x 35	
14	4160202	1	Spring	
15	4240147	1	Strap, Anti-Static	
16	4811702	2	Washer M6	
17	4811900	4	Washer M8	
18	4811902	2	Washer M8	
19	4812000	2	Washer M10	
20	4812500	10	Washer M20	
21	1001091102	2	Washer M4	
22	1001202987	1	Plate, Mounting	
23	1001202988	1	Actuator (Upper)	
24	1001202994	2	Plate, Pinion	
25	1001202999	4	Link	
26	1001203869	1	Bearing	
27	1001203870	6	Bearing	
28	1001203871	1	Switch, Limit	
29	1001203872	1	Washer 3/8	
30	1001212068	1	Spring	
31	1001214526	1	Actuator (Lower)	
32	1001215953	1	Bearing	
33	1001218307	1	Plate, Sensor Mount	
34	1001251436	1	Bar (LH)	
35	1001251437	1	Bar (RH)	
36	0440263	4	Bearing	

SECTION 1 - FRAME

FIGURE 1-7. TILT SENSOR INSTALLATION



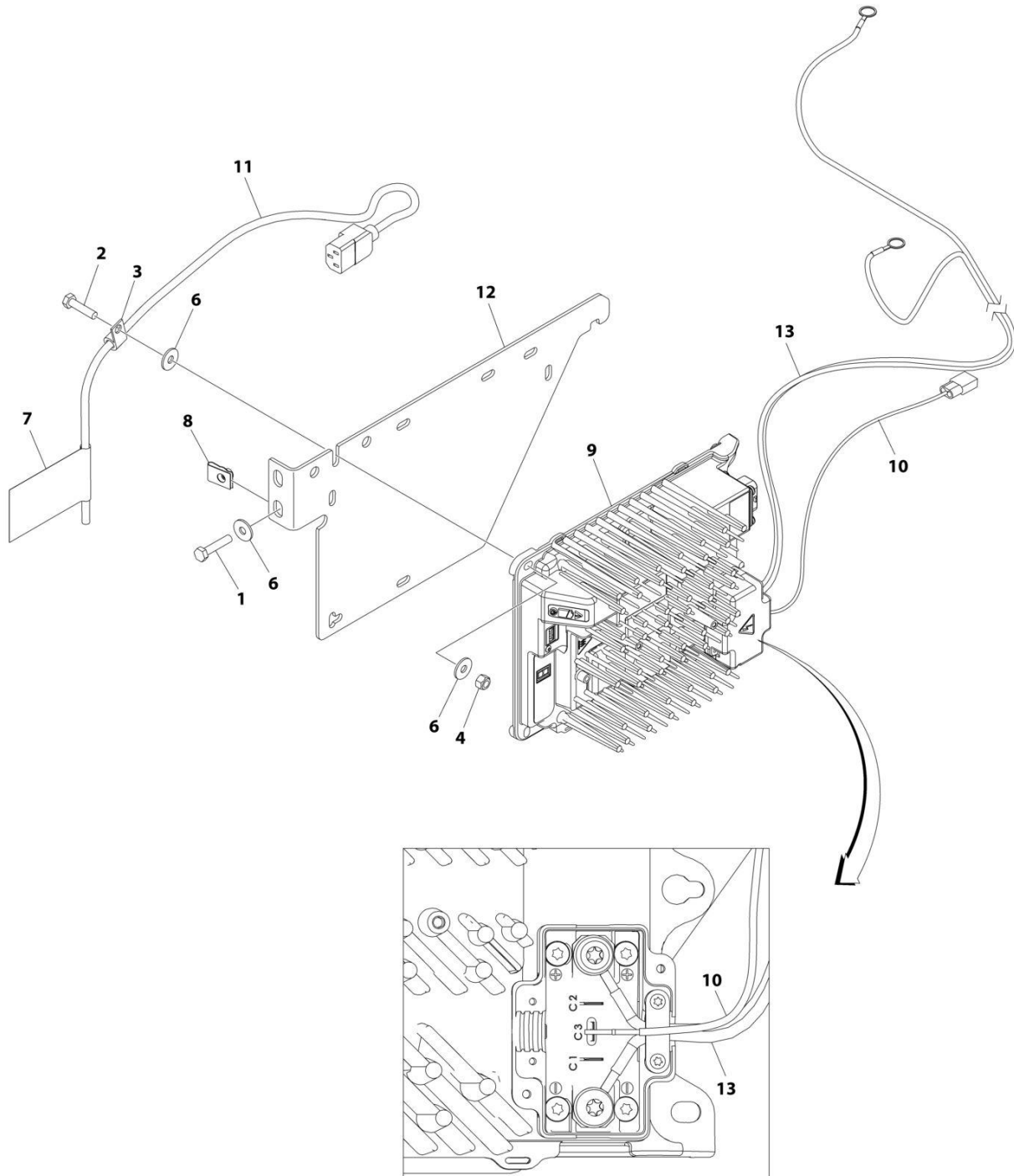
ART_1001214217

FIGURE 1-7. TILT SENSOR INSTALLATION

ITEM	PART NUMBER	QTY	DESCRIPTION	REV
	1001214217	Ref	TILT SENSOR INSTALLATION	D
1	3290601	2	Nut M6	
2	4031708	2	Capscrew M6 x 20	
3	1001186466	1	Sensor, Tilt	
4	0100011	AR	Compound, Locking	
5	0700612	2	Bolt M6 x 25	
6	4811702	2	Washer M6	
7	1001217059	1	Plate, Mounting	

SECTION 1 - FRAME

FIGURE 1-8. BATTERY CHARGER INSTALLATION - DELTA-Q WITHOUT COMMUNICATION PORT (LOCALLY SUPPLIED PLUG)



ART_1001256632

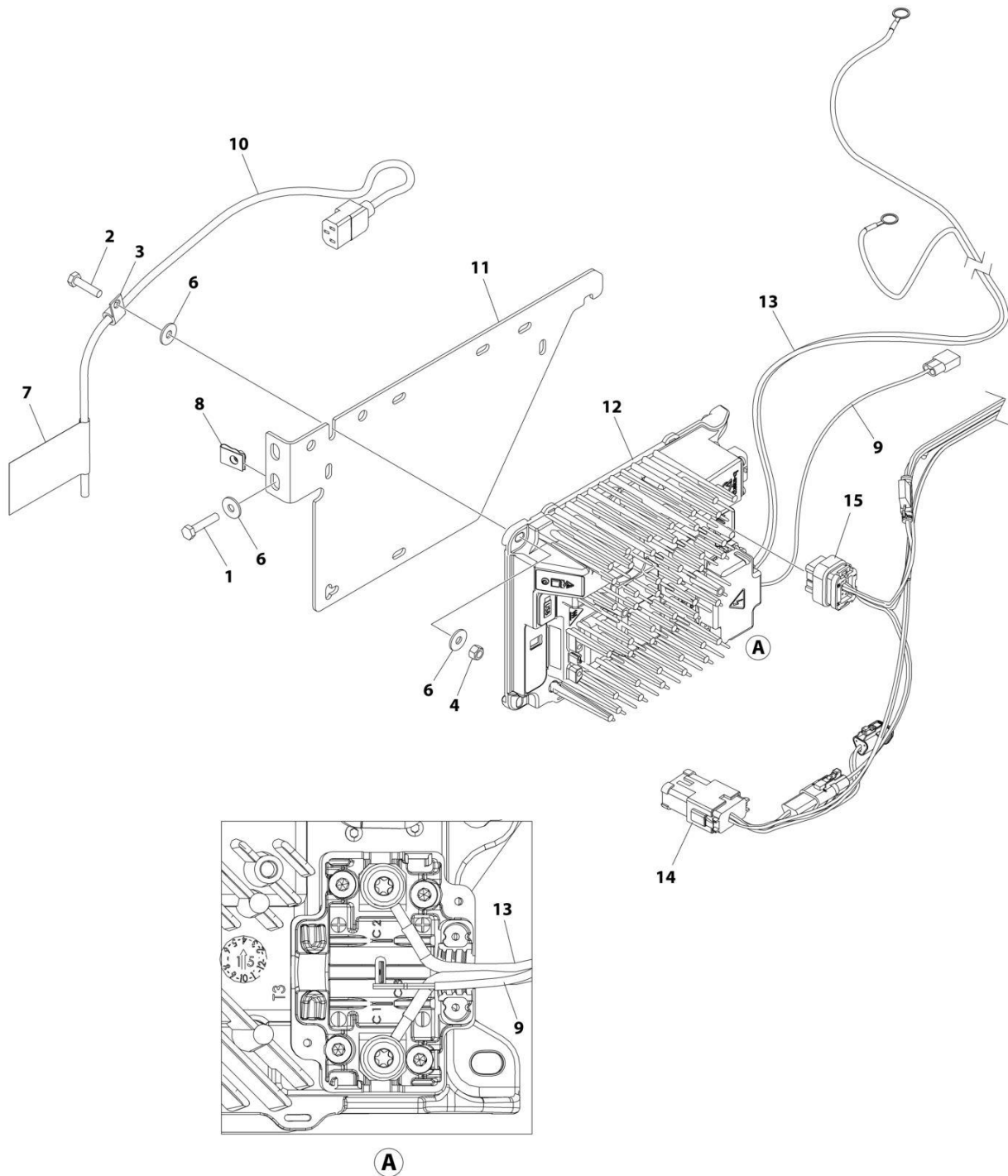
SECTION 1 - FRAME

**FIGURE 1-8. BATTERY CHARGER INSTALLATION - DELTA-Q WITHOUT COMMUNICATION PORT
(LOCALLY SUPPLIED PLUG)**

ITEM	PART NUMBER	QTY	DESCRIPTION	REV
	1001256632	Ref	BATTERY CHARGER INSTALLATION - DELTA-Q WITHOUT COMMUNICATION PORT (LOCALLY SUPPLIED PLUG)	B
1	0700614	2	Bolt M6 x 30	
2	0760612	3	Bolt M6 x 25	
3	1321293	1	Clamp	
4	3290605	3	Nut M6	
5	4240017	AR	Tie-Strap (Not Shown)	
6	4811702	8	Washer M6	
7	1001102489	1	Decal - Charger Label	
8	1001130220	2	Nut M6	
9	1001200561	1	Charger, Battery - Delta-Q	
10	1001207009	1	Charger Interlock Harness	
10	4460424	1	Receptacle, Female - 2 Position	
10	4460227	1	Pin, Male	
11	1001207974	1	Battery Charger to AC Connection Cable	
12	1001236139	1	Bracket	
13	1001256642	1	Harness, Charger DC Connection	

SECTION 1 - FRAME

FIGURE 1-9. BATTERY CHARGER INSTALLATION - DELTA-Q WITH COMMUNICATION PORT (LOCALLY SUPPLIED PLUG)



ART_1001256639

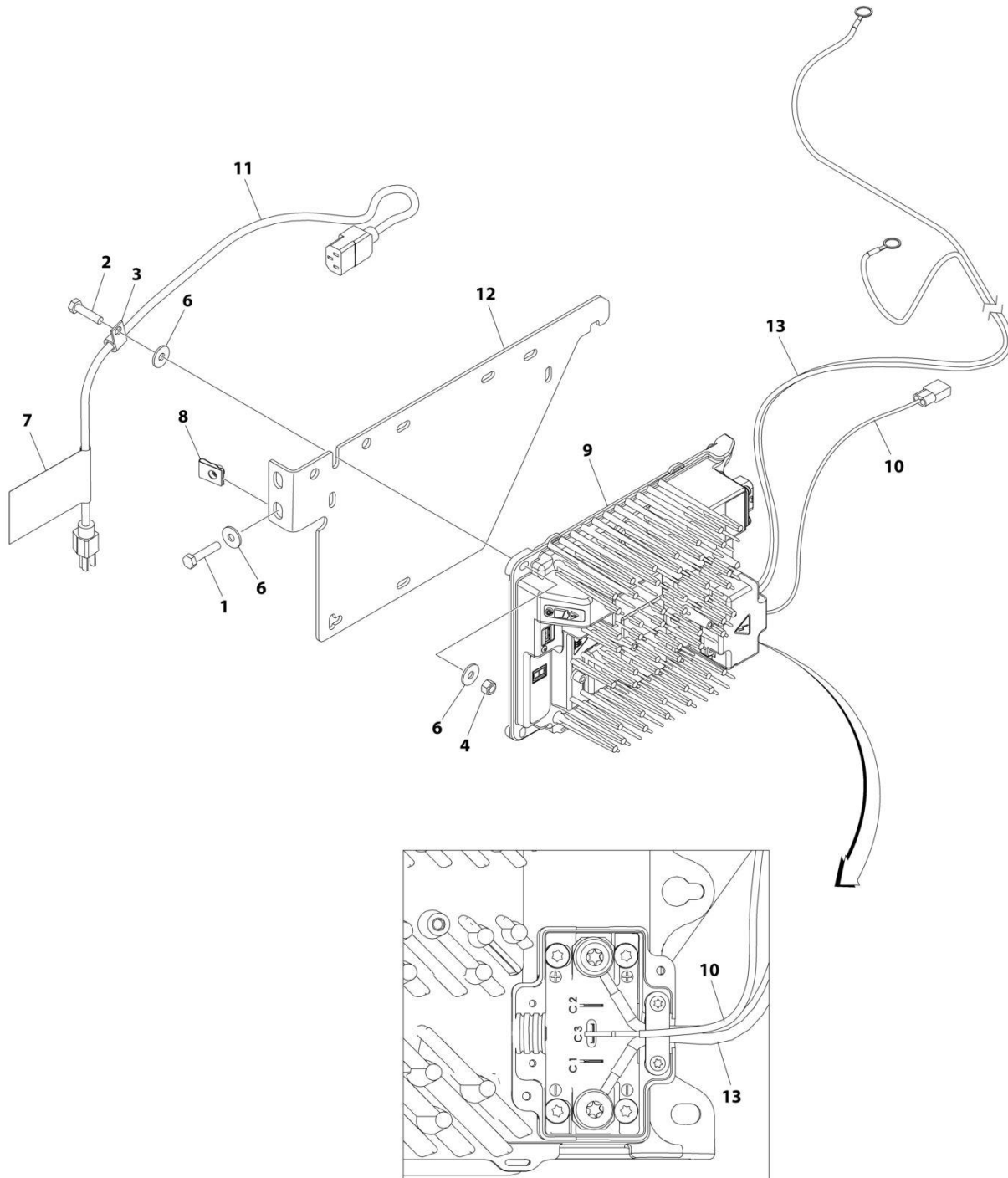
SECTION 1 - FRAME

**FIGURE 1-9. BATTERY CHARGER INSTALLATION - DELTA-Q WITH COMMUNICATION PORT
(LOCALLY SUPPLIED PLUG)**

ITEM	PART NUMBER	QTY	DESCRIPTION	REV
	1001256639	Ref	BATTERY CHARGER INSTALLATION - DELTA-Q WITH COMMUNICATION PORT (LOCALLY SUPPLIED PLUG)	B
1	0700614	2	Bolt M6 x 30	
2	0760612	3	Bolt M6 x 25	
3	1321293	1	Clamp	
4	3290605	3	Nut M6	
5	4240017	AR	Tie-Strap (Not Shown)	
6	4811702	8	Washer M6	
7	1001102489	1	Decal - Charger Label	
8	1001130220	2	Nut M6	
9	1001207009	1	Charger Interlock Harness	
9	4460424	1	Receptacle, Female - 2 Position	
9	4460227	1	Pin, Male	
10	1001207974	1	Battery Charger to AC Connection Cable	
11	1001236139	1	Bracket	
12	1001253952	1	Charger, Battery - Delta-Q	
13	1001256642	1	Harness, Charger DC Connection	
14	1001254027	1	Harness, RScissor	
15	1001254028	1	Harness, Charger	

SECTION 1 - FRAME

FIGURE 1-10. BATTERY CHARGER INSTALLATION - DELTA-Q WITHOUT COMMUNICATION PORT (110V PLUG)



ART_1001256631

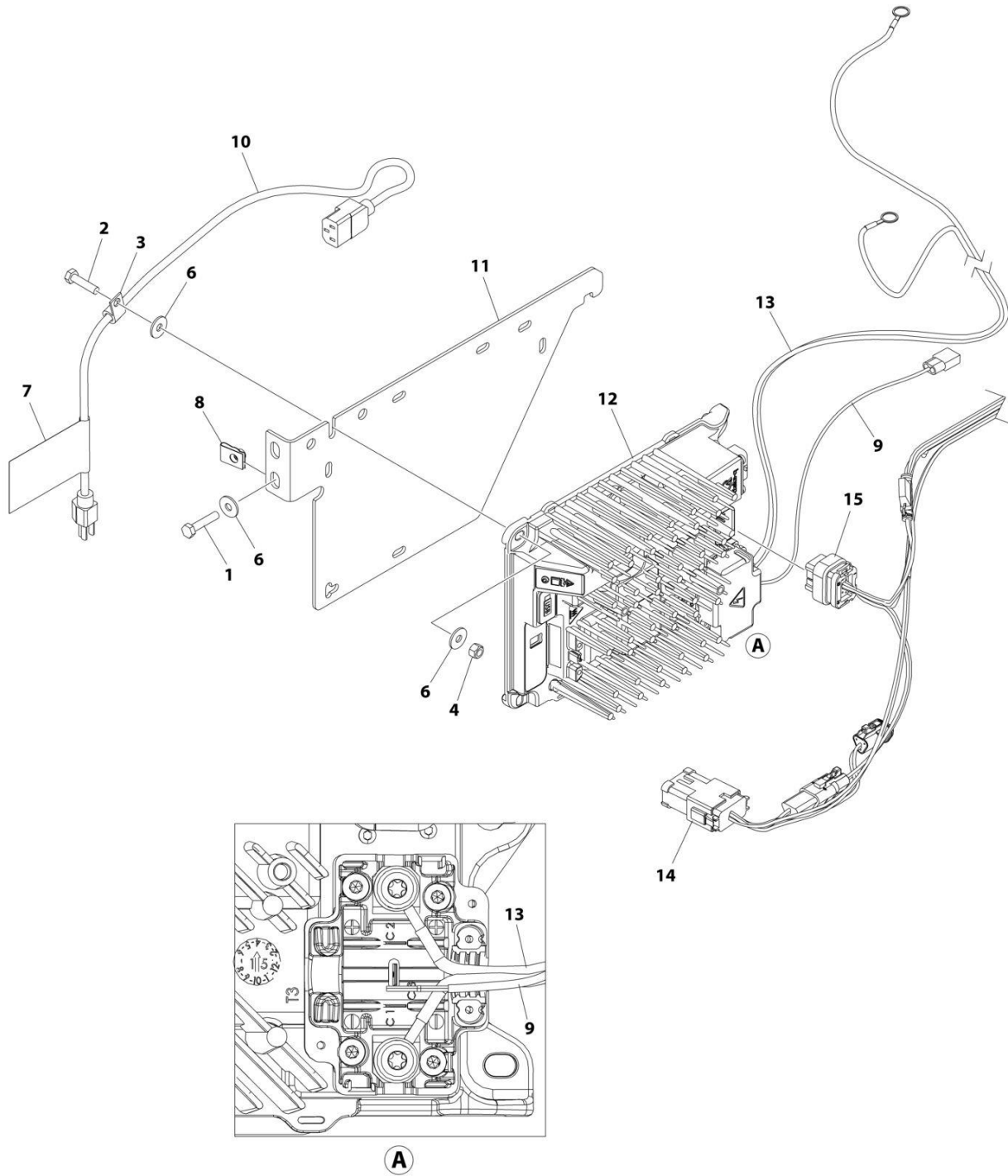
SECTION 1 - FRAME

**FIGURE 1-10. BATTERY CHARGER INSTALLATION - DELTA-Q WITHOUT COMMUNICATION PORT
(110V PLUG)**

ITEM	PART NUMBER	QTY	DESCRIPTION	REV
	1001256631	Ref	BATTERY CHARGER INSTALLATION - DELTA-Q WITHOUT COMMUNICATION PORT (110V PLUG)	B
1	0700614	2	Bolt M6 x 30	
2	0760612	3	Bolt M6 x 25	
3	1321293	1	Clamp	
4	3290605	3	Nut M6	
5	4240017	AR	Tie-Strap (Not Shown)	
6	4811702	8	Washer M6	
7	1001102489	1	Decal - Charger Label	
8	1001130220	2	Nut M6	
9	1001200561	1	Charger, Battery - Delta-Q	
10	1001207009	1	Charger Interlock Harness	
10	4460424	1	Receptacle, Female - 2 Position	
10	4460227	1	Pin, Male	
11	1001207970	1	Cable, Charger AC Input	
12	1001236139	1	Bracket	
13	1001256642	1	Harness, Charger DC Connection	

SECTION 1 - FRAME

FIGURE 1-11. BATTERY CHARGER INSTALLATION - DELTA-Q WITH COMMUNICATION PORT (110V PLUG)



ART_1001256638

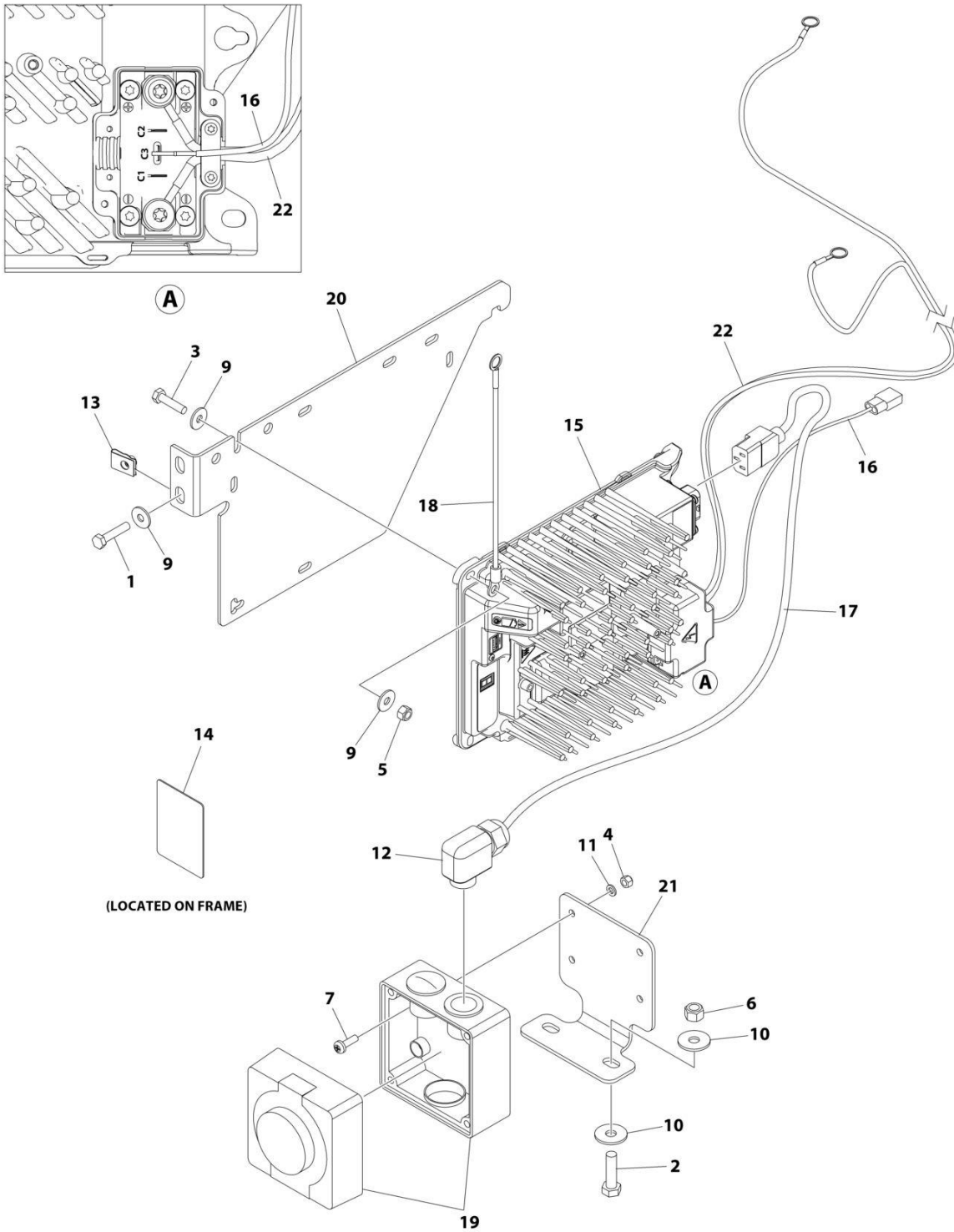
SECTION 1 - FRAME

FIGURE 1-11. BATTERY CHARGER INSTALLATION - DELTA-Q WITH COMMUNICATION PORT (110V PLUG)

ITEM	PART NUMBER	QTY	DESCRIPTION	REV
	1001256638	Ref	BATTERY CHARGER INSTALLATION - DELTA-Q WITH COMMUNICATION PORT	B
1	0700614	2	Bolt M6 x 30	
2	0760612	3	Bolt M6 x 25	
3	1321293	1	Clamp	
4	3290605	3	Nut M6	
5	4240017	AR	Tie-Strap (Not Shown)	
6	4811702	8	Washer M6	
7	1001102489	1	Decal - Charger Label	
8	1001130220	2	Nut M6	
9	1001207009	1	Charger Interlock Harness	
9	4460424	1	Receptacle, Female - 2 Position	
9	4460227	1	Pin, Male	
10	1001207970	1	Cable, Charger AC Input	
11	1001236139	1	Bracket	
12	1001253952	1	Charger, Battery - Delta-Q	
13	1001256642	1	Harness, Charger DC Connection	
14	1001254027	1	Harness, Scissor CAN Splice	
15	1001254028	1	Harness, Charger 24 VDC	

SECTION 1 - FRAME

FIGURE 1-12. BATTERY CHARGER INSTALLATION - DELTA-Q WITHOUT COMMUNICATION PORT (AUSTRALIAN PLUG)



ART_1001256637

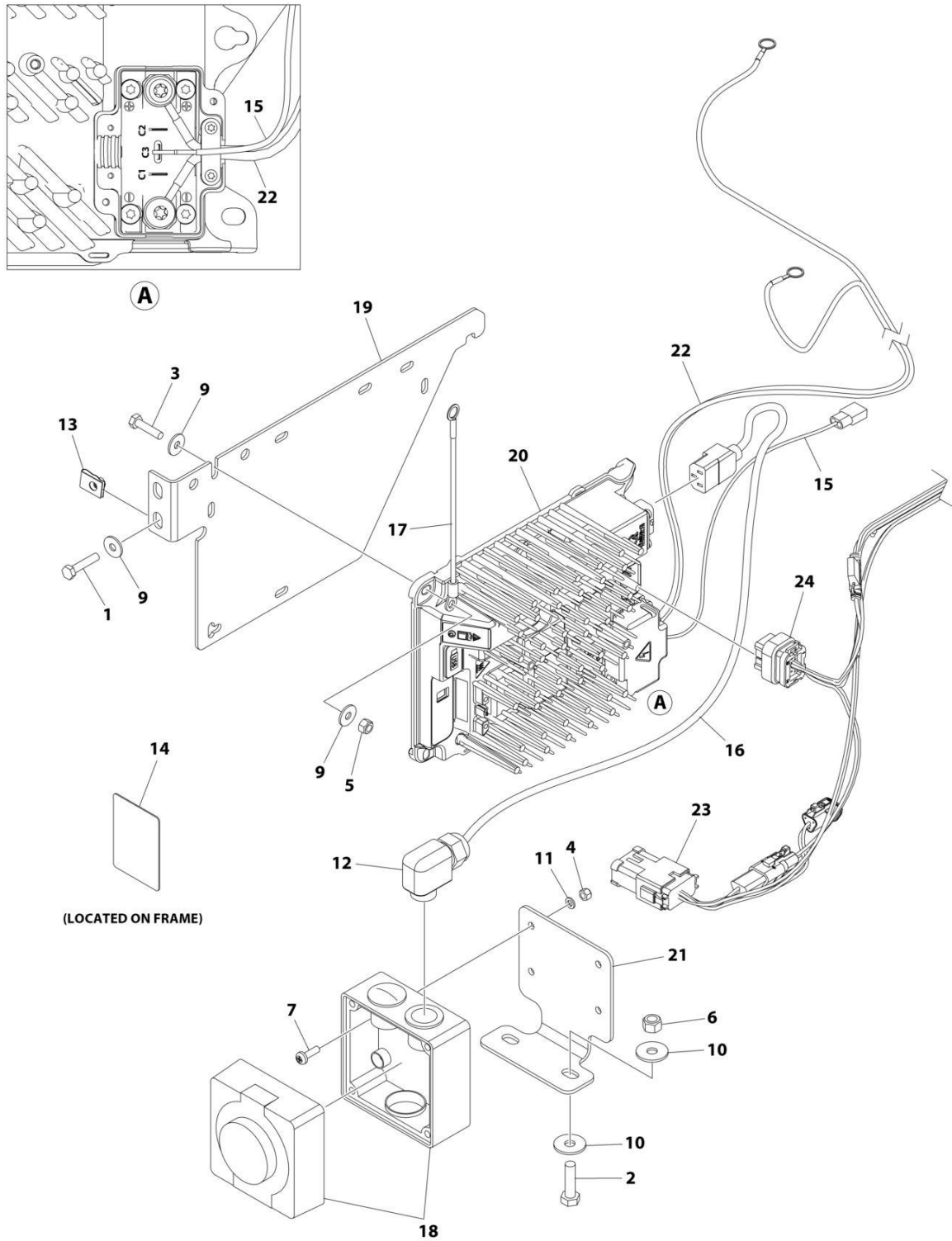
SECTION 1 - FRAME

**FIGURE 1-12. BATTERY CHARGER INSTALLATION - DELTA-Q WITHOUT COMMUNICATION PORT
(AUSTRALIAN PLUG)**

ITEM	PART NUMBER	QTY	DESCRIPTION	REV
	1001256637	Ref	BATTERY CHARGER INSTALLATION - DELTA-Q WITHOUT COMMUNICATION PORT (AUSTRALIAN PLUG)	B
1	0700614	2	Bolt M6 x 30	
2	0700814	2	Bolt M8 x 30	
3	0760612	3	Bolt M6 x 25	
4	3290505	4	Nut M5	
5	3290605	3	Nut M6	
6	3290805	2	Nut M8	
7	3900381	4	Screw M5 x 16	
8	4240017	AR	Tie-Strap (Not Shown)	
9	4811702	8	Washer M6	
10	4811902	4	Washer M8	
11	4831600	4	Washer M5	
12	1001103471	1	Connector, Strain Relief	
13	1001130220	2	Nut M6	
14	1001134280	1	Decal, Charger Label	
15	1001200561	1	Charger, Battery - Delta-Q	
16	1001207009	1	Charger Interlock Harness	
16	4460424	1	Receptacle, Female - 2 Position	
16	4460227	1	Pin, Male	
17	1001207974	1	Battery Charger to AC Connection Cable	
18	1001227219	1	Earth/Ground Harness	
19	1001227267	1	Electric Assembly	
20	1001236139	1	Bracket	
21	1001256503	1	Bracket	
22	1001256642	1	Harness, Charger DC Connection	

SECTION 1 - FRAME

FIGURE 1-13. BATTERY CHARGER INSTALLATION - DELTA-Q WITH COMMUNICATION PORT (AUSTRALIAN PLUG)



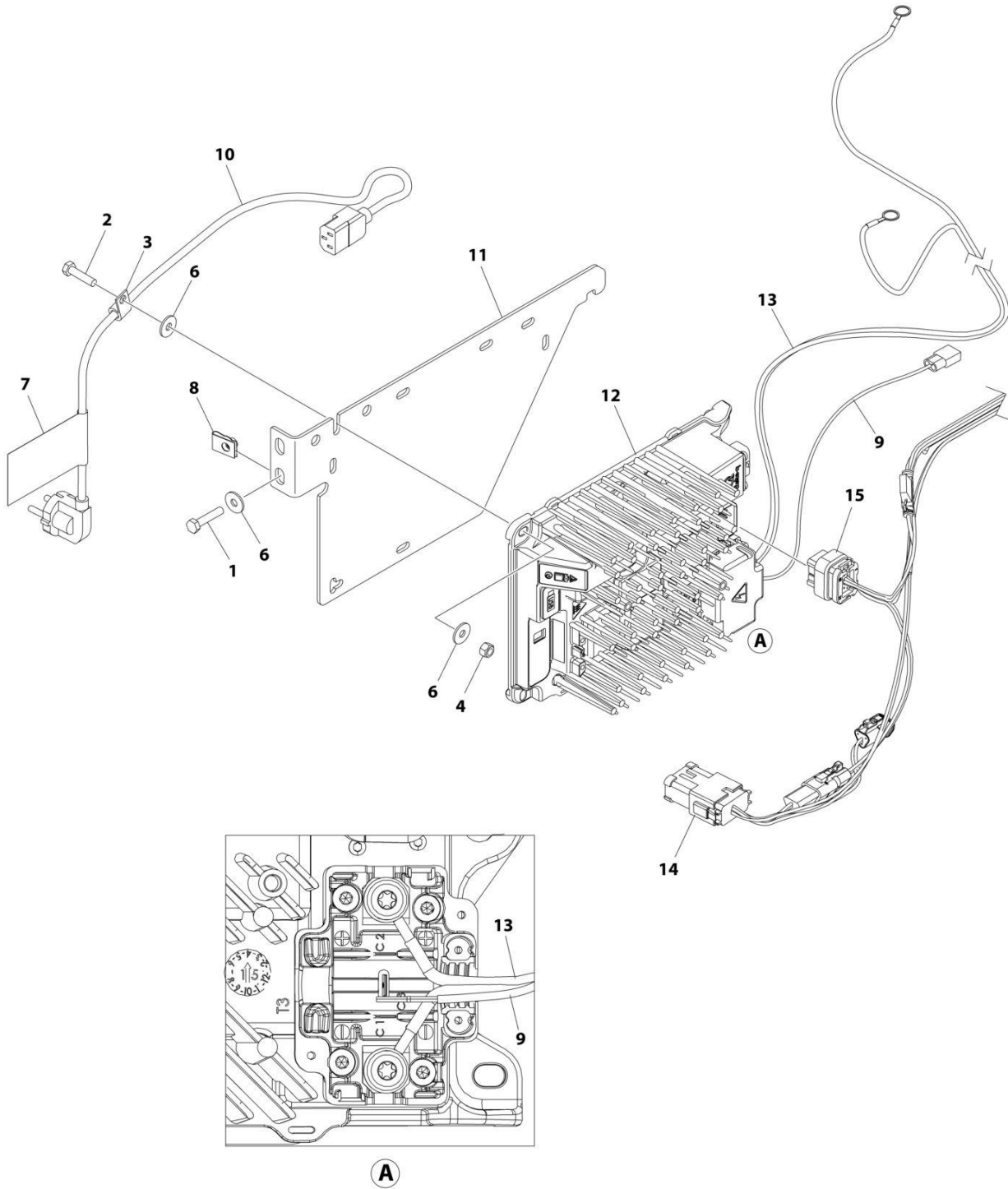
SECTION 1 - FRAME

**FIGURE 1-13. BATTERY CHARGER INSTALLATION - DELTA-Q WITH COMMUNICATION PORT
(AUSTRALIAN PLUG)**

ITEM	PART NUMBER	QTY	DESCRIPTION	REV
	1001256641	Ref	BATTERY CHARGER INSTALLATION - DELTA-Q WITH COMMUNICATION PORT (AUSTRALIAN PLUG)	B
1	0700614	2	Bolt M6 x 30	
2	0700814	2	Bolt M8 x 30	
3	0760612	3	Bolt M6 x 25	
4	3290505	4	Nut M5	
5	3290605	3	Nut M6	
6	3290805	2	Nut M8	
7	3900381	4	Screw M5 x 16	
8	4240017	AR	Tie-Strap (Not Shown)	
9	4811702	8	Washer M6	
10	4811902	4	Washer M8	
11	4831600	4	Washer M5	
12	1001103471	1	Connector, Strain Relief	
13	1001130220	2	Nut M6	
14	1001134280	1	Decal, Charger Label	
15	1001207009	1	Charger Interlock Harness	
15	4460424	1	Receptacle, Female - 2 Position	
15	4460227	1	Pin, Male	
16	1001207974	1	Battery Charger to AC Connection Cable	
17	1001227219	1	Earth/Ground Harness	
18	1001227267	1	Electric Assembly	
19	1001236139	1	Bracket	
20	1001253952	1	Charger, Universal	
21	1001256503	1	Bracket	
22	1001256642	1	Harness, Charger DC Connection	
23	1001254027	1	Harness, RScissor	
24	1001254028	1	Harness, Charger	

SECTION 1 - FRAME

FIGURE 1-14. BATTERY CHARGER INSTALLATION - DELTA-Q WITHOUT COMMUNICATION PORT (KOREAN PLUG)



ART_1001256640

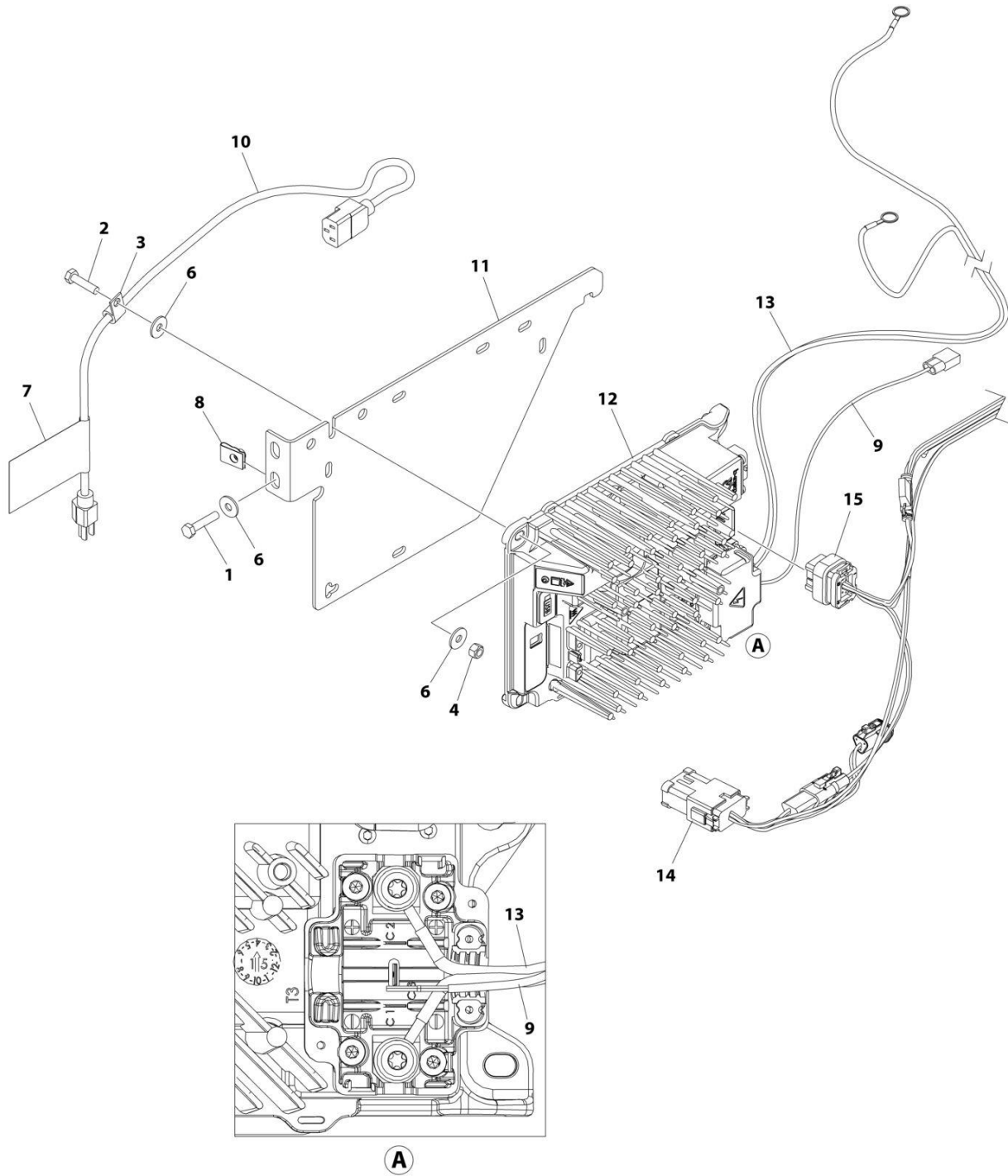
SECTION 1 - FRAME

**FIGURE 1-14. BATTERY CHARGER INSTALLATION - DELTA-Q WITHOUT COMMUNICATION PORT
(KOREAN PLUG)**

ITEM	PART NUMBER	QTY	DESCRIPTION	REV
	1001256640	Ref	BATTERY CHARGER INSTALLATION - DELTA-Q WITHOUT COMMUNICATION PORT (KOREAN PLUG)	B
1	0700614	2	Bolt M6 x 30	
2	0760612	3	Bolt M6 x 25	
3	1321293	1	Clamp	
4	3290605	3	Nut M6	
5	4240017	AR	Tie-Strap (Not Shown)	
6	4811702	8	Washer M6	
7	1001102489	1	Decal - Charger Label	
8	1001130220	2	Nut M6	
9	1001207009	1	Charger Interlock Harness	
9	4460424	1	Receptacle, Female - 2 Position	
9	4460227	1	Pin, Male	
10	1001221949	1	Cable, Charger AC Input	
11	1001236139	1	Bracket	
12	1001253952	1	Charger, Battery - Delta-Q	
13	1001256642	1	Harness, Charger DC Connection	
14	1001254027	1	Harness, Scissor CAN Splice	
15	1001254028	1	Harness, Charger 24 VDC	

SECTION 1 - FRAME

FIGURE 1-15. BATTERY CHARGER INSTALLATION - DELTA-Q WITH COMMUNICATION PORT (KOREAN PLUG)



ART_1001256638

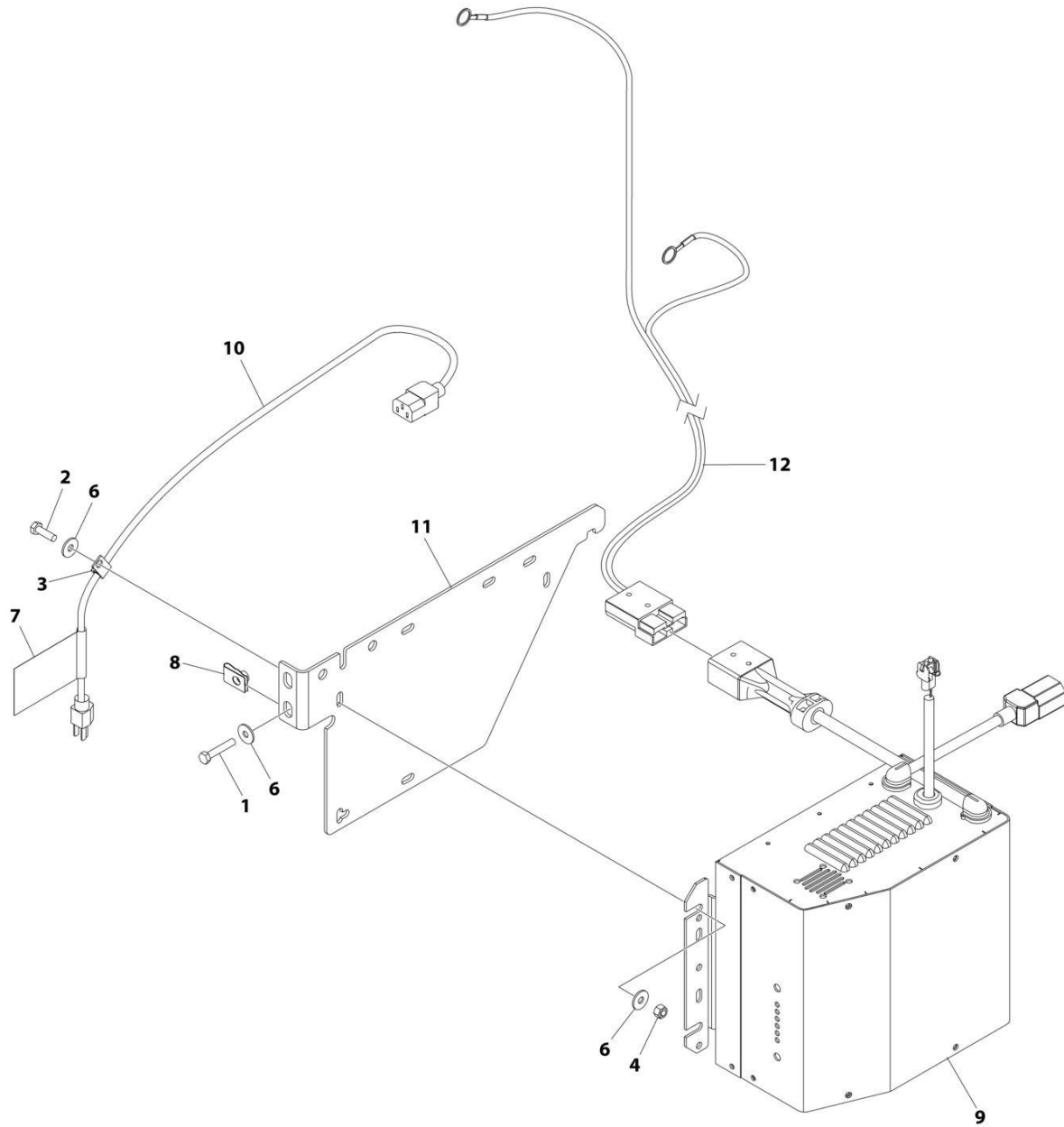
SECTION 1 - FRAME

**FIGURE 1-15. BATTERY CHARGER INSTALLATION - DELTA-Q WITH COMMUNICATION PORT
(KOREAN PLUG)**

ITEM	PART NUMBER	QTY	DESCRIPTION	REV
	1001256638	Ref	BATTERY CHARGER INSTALLATION - DELTA-Q WITH COMMUNICATION PORT	B
1	0700614	2	Bolt M6 x 30	
2	0760612	3	Bolt M6 x 25	
3	1321293	1	Clamp	
4	3290605	3	Nut M6	
5	4240017	AR	Tie-Strap (Not Shown)	
6	4811702	8	Washer M6	
7	1001102489	1	Decal - Charger Label	
8	1001130220	2	Nut M6	
9	1001207009	1	Charger Interlock Harness	
9	4460424	1	Receptacle, Female - 2 Position	
9	4460227	1	Pin, Male	
10	1001207970	1	Cable, Charger AC Input	
11	1001236139	1	Bracket	
12	1001253952	1	Charger, Battery - Delta-Q	
13	1001256642	1	Harness, Charger DC Connection	
14	1001254027	1	Harness, Scissor CAN Splice	
15	1001254028	1	Harness, Charger 24 VDC	

SECTION 1 - FRAME

FIGURE 1-16. BATTERY CHARGER INSTALLATION - EAGLE PERFORMANCE (110V PLUG)



ART_1001256635

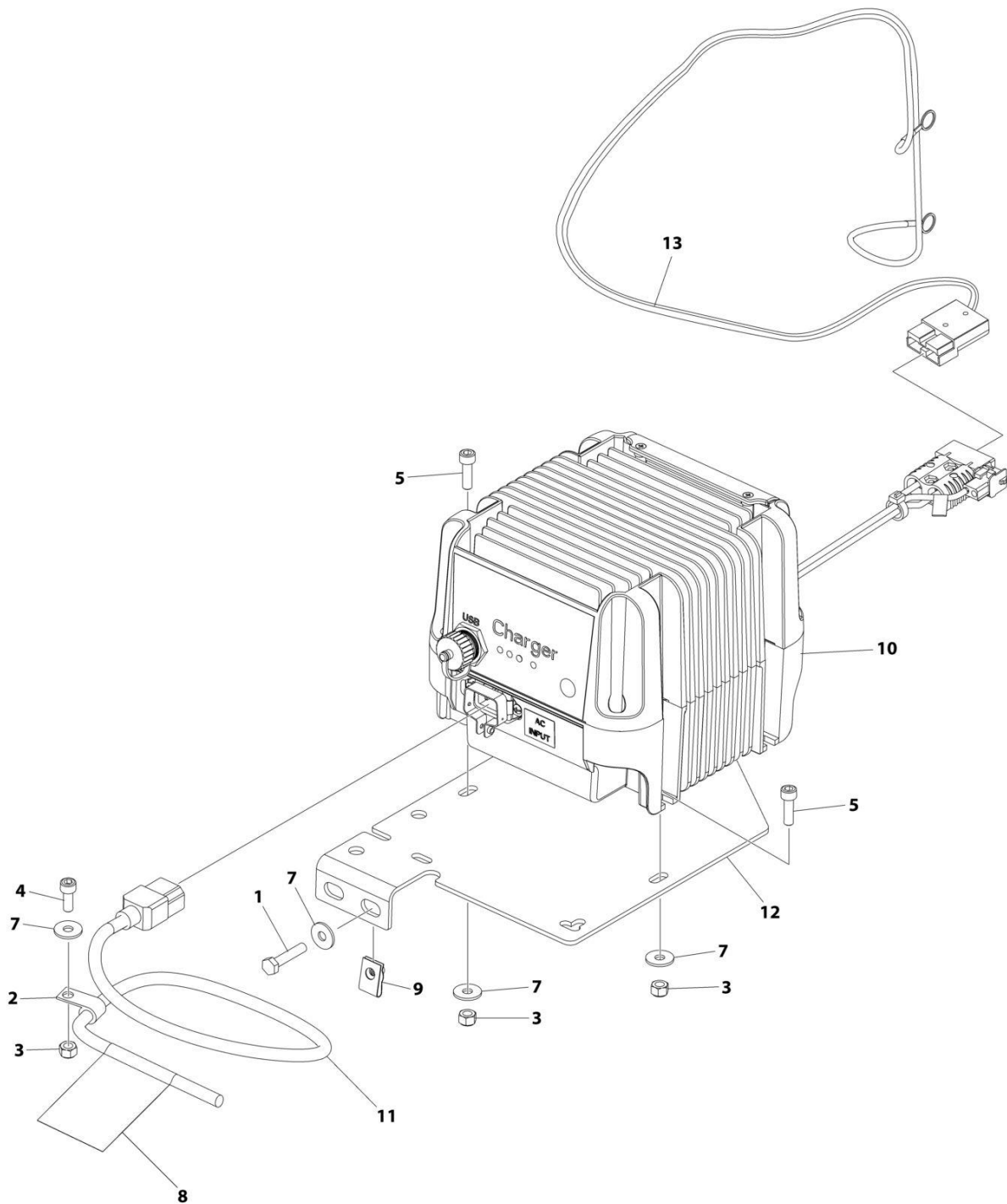
SECTION 1 - FRAME

FIGURE 1-16. BATTERY CHARGER INSTALLATION - EAGLE PERFORMANCE (110V PLUG)

ITEM	PART NUMBER	QTY	DESCRIPTION	REV
	1001256635	Ref	BATTERY CHARGER INSTALLATION - EAGLE PERFORMANCE (110V PLUG)	B
1	0700614	2	Bolt M6 x 30	
2	0760610	3	Bolt M6 x 20	
3	1321293	1	Clamp	
4	3290605	3	Nut M6	
5	4240017	AR	Tie-Strap (Not Shown)	
6	4811702	8	Washer M6	
7	1001102489	1	Decal - Charger Label	
8	1001130220	2	Nut, Tinnerman M6	
9	1001206995	1	Charger, Battery - Eagle Performance	
10	1001207970	1	Battery Charger to AC Connection Cable	
11	1001236139	1	Bracket	
12	1001256643	1	Battery DC Connection Harness	

SECTION 1 - FRAME

FIGURE 1-17. BATTERY CHARGER INSTALLATION - GREEN POWER (LOCALLY SUPPLIED PLUG)



ART_1001256634

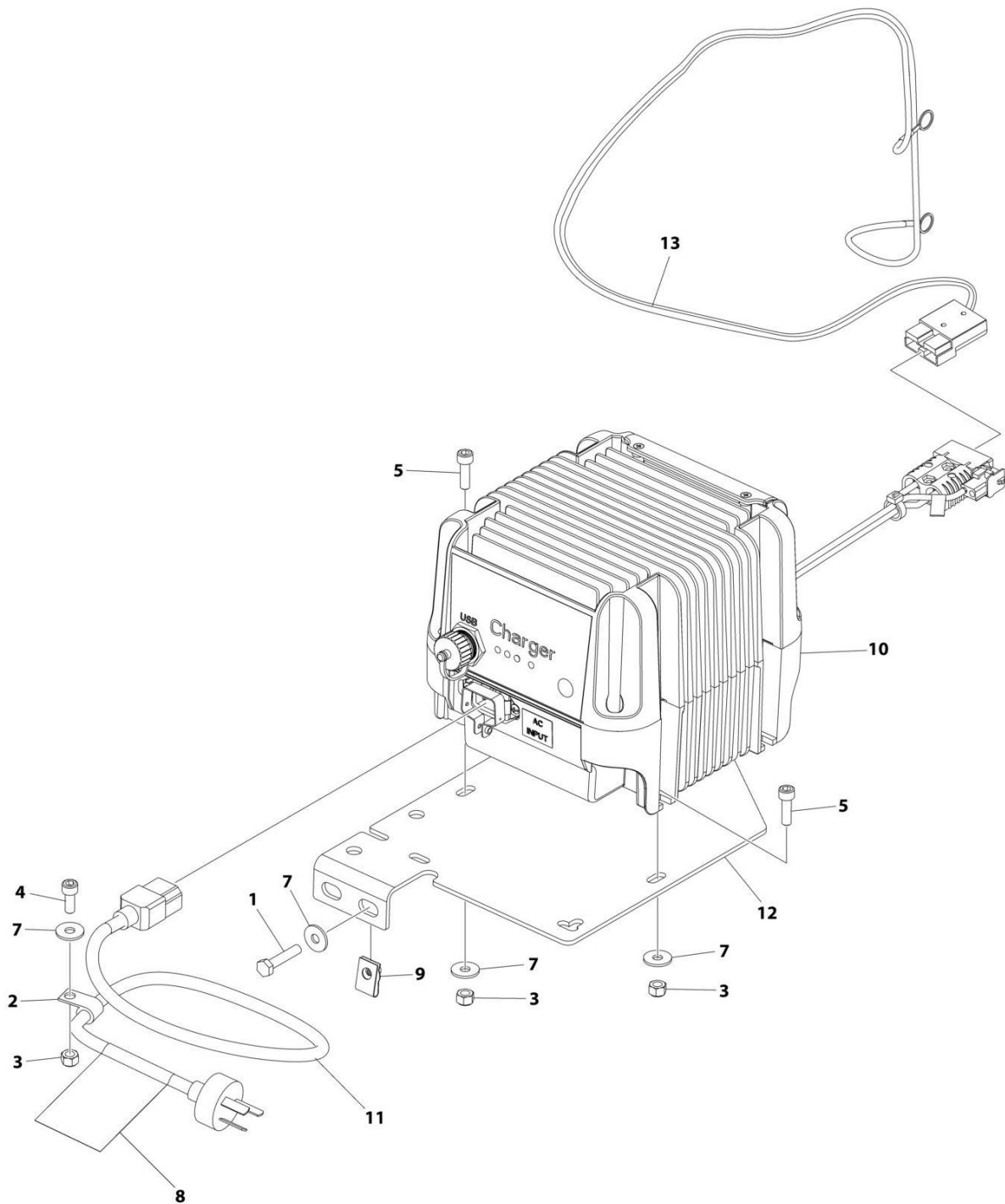
SECTION 1 - FRAME

FIGURE 1-17. BATTERY CHARGER INSTALLATION - GREEN POWER (LOCALLY SUPPLIED PLUG)

ITEM	PART NUMBER	QTY	DESCRIPTION	REV
	1001256634	Ref	BATTERY CHARGER INSTALLATION - GREEN POWER (LOCALLY SUPPLIED PLUG)	B
1	0700614	2	Bolt M6 x 30	
2	1321293	1	Clamp	
4	3290605	4	Nut M6	
4	4031707	1	Capscrew M8 x 16	
5	4031708	3	Capscrew M8 x 20	
6	4240017	AR	Tie-Strap (Not Shown)	
7	4811702	6	Washer M6	
8	1001102489	1	Decal - Charger	
9	1001130220	2	Nut, Tinnerman M6	
10	1001205598	1	Charger, Battery - Green Power	
11	1001207974	1	Battery Charger to AC Connection Cable	
12	1001236139	1	Bracket	
13	1001256643	1	Harness, Charger DC Connection	

SECTION 1 - FRAME

FIGURE 1-18. BATTERY CHARGER INSTALLATION - GREEN POWER (CHINA PLUG)



ART_1001256633

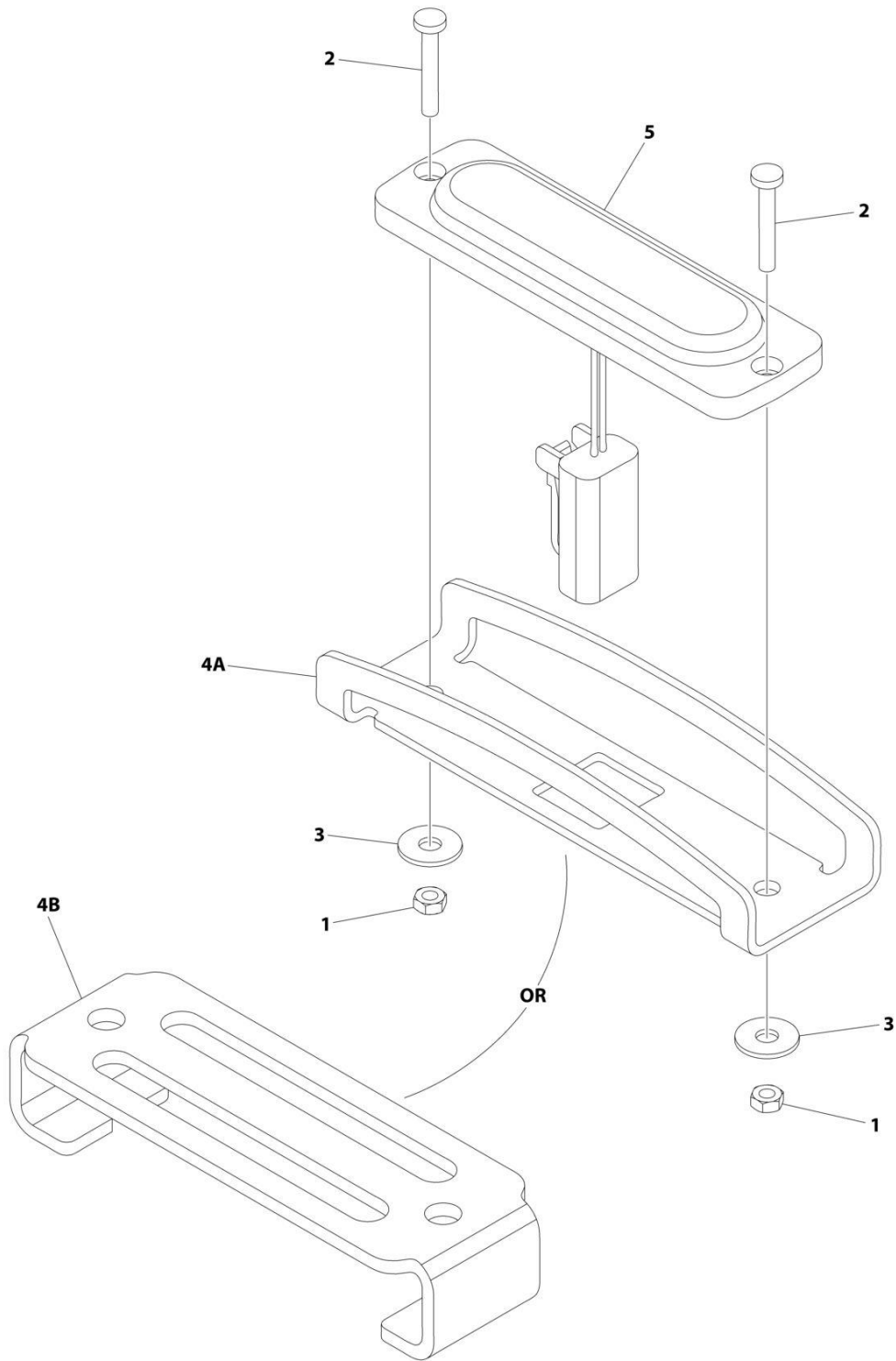
SECTION 1 - FRAME

FIGURE 1-18. BATTERY CHARGER INSTALLATION - GREEN POWER (CHINA PLUG)

ITEM	PART NUMBER	QTY	DESCRIPTION	REV
	1001256633	Ref	BATTERY CHARGER INSTALLATION - GREEN POWER (CHINA PLUG)	B
1	0700614	2	Bolt M6 x 30	
2	1321293	1	Clamp	
3	3290605	4	Nut M6	
4	4031707	1	Capscrew M6 x 16	
5	4031708	3	Capscrew M6 x 20	
6	4240017	AR	Tie-Strap (Not Shown)	
7	4811702	6	Washer M6	
8	1001102489	1	Decal - Charger	
9	1001130220	2	Nut, Tinnerman M6	
10	1001205598	1	Charger, Battery - Green Power	
11	1001207973	1	Battery Charger to AC Connection Cable	
12	1001236139	1	Bracket	
13	1001256643	1	Harness, Charger DC Connector	

SECTION 1 - FRAME

FIGURE 1-19. STROBE LIGHT INSTALLATION – SINGLE (AMBER) (WITH GUARD)



ART_1001242697

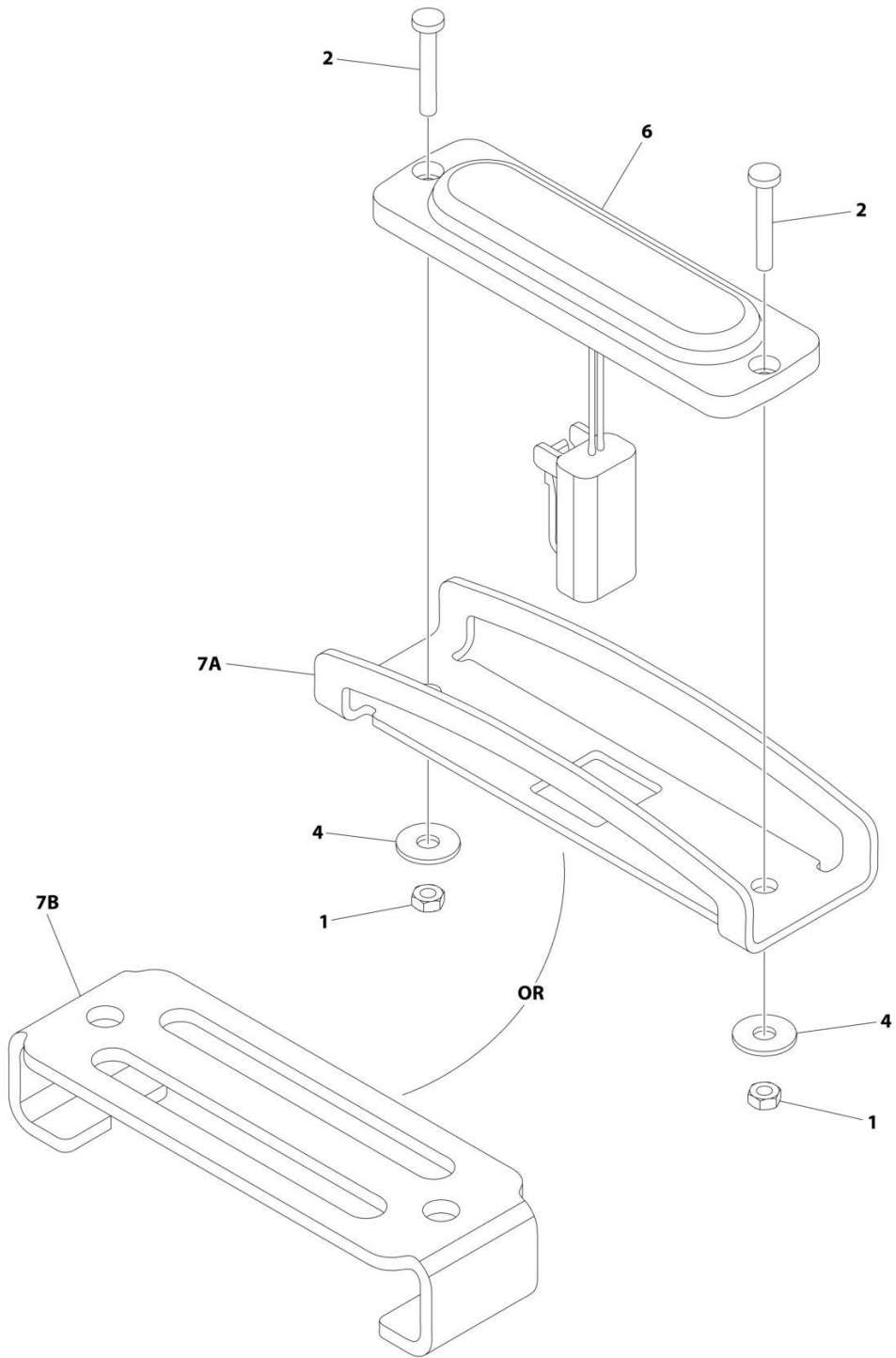
SECTION 1 - FRAME

FIGURE 1-19. STROBE LIGHT INSTALLATION – SINGLE (AMBER) (WITH GUARD)

ITEM	PART NUMBER	QTY	DESCRIPTION	REV
	1001242697	Ref	STROBE LIGHT INSTALLATION - SINGLE (AMBER) (WITH GUARD)	D
1	3290305	2	Nut M3	
2	4010310	2	Screw M3 x 20	
3	1001091102	2	Washer M4	
4A	1001242539	1	Guard	
4B	1001239661	1	Cover	
5	1001239224	1	Light, Strobe	
5	4460891	1	Plug, Male - 2 Position	
5	4460465	2	Socket, Female	

SECTION 1 - FRAME

FIGURE 1-20. STROBE LIGHT INSTALLATION – DUAL (AMBER) (WITH GUARD)



ART_1001247862

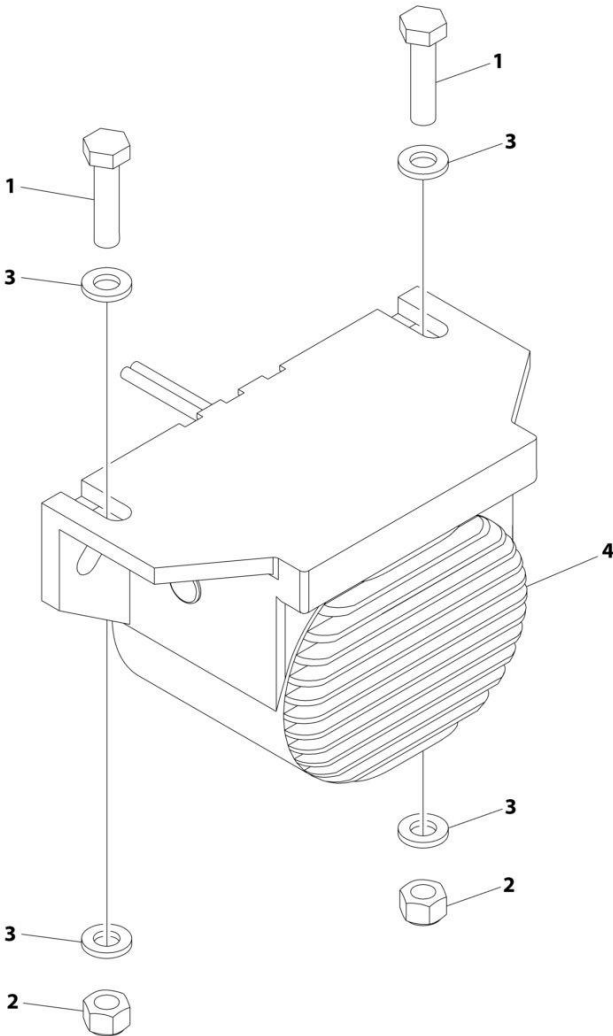
SECTION 1 - FRAME

FIGURE 1-20. STROBE LIGHT INSTALLATION – DUAL (AMBER) (WITH GUARD)

ITEM	PART NUMBER	QTY	DESCRIPTION	REV
	1001247862	Ref	STROBE LIGHT INSTALLATION - DUAL (AMBER) (WITH GUARD)	C
1	3290305	4	Nut M3	
2	4010310	4	Screw M3 x 20	
3	4240018	AR	Tie-Strap (Not Shown)	
4	1001091102	4	Washer M4	
5	1001201707	1	Strobe Light Jumper Harness (Not Shown)	
6	1001239224	2	Light, Strobe	
6	4460891	1	Plug, Male - 2 Position	
6	4460465	2	Socket, Female	
7A	1001242539	2	Guard	
7B	1001239661	2	Cover	

SECTION 1 - FRAME

FIGURE 1-21. ALARM INSTALLATION (AMBIENT/WHITE NOISE) (OPTIONAL)



ART_1001204495

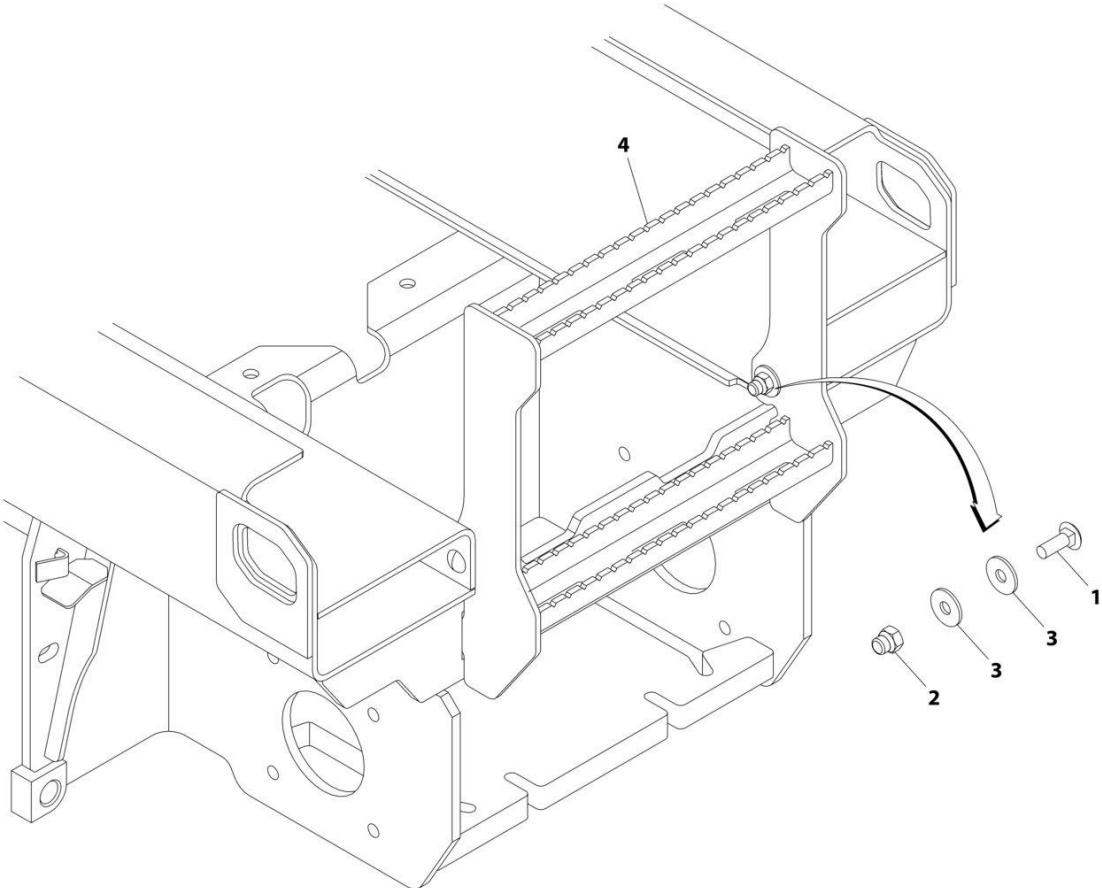
SECTION 1 - FRAME

FIGURE 1-21. ALARM INSTALLATION (AMBIENT/WHITE NOISE) (OPTIONAL)

ITEM	PART NUMBER	QTY	DESCRIPTION	REV
	1001204495	Ref	ALARM INSTALLATION (AMBIENT/WHITE NOISE)	B
1	0760612	2	Bolt M6 x 25	
2	3290605	2	Nut M6	
3	4811700	4	Washer M6	
4	1001182806	1	Alarm	
4	4460897	1	Receptacle, Female - 2 Position	
4	4460464	2	Pin, Male	

SECTION 1 - FRAME

FIGURE 1-22. LADDER INSTALLATION



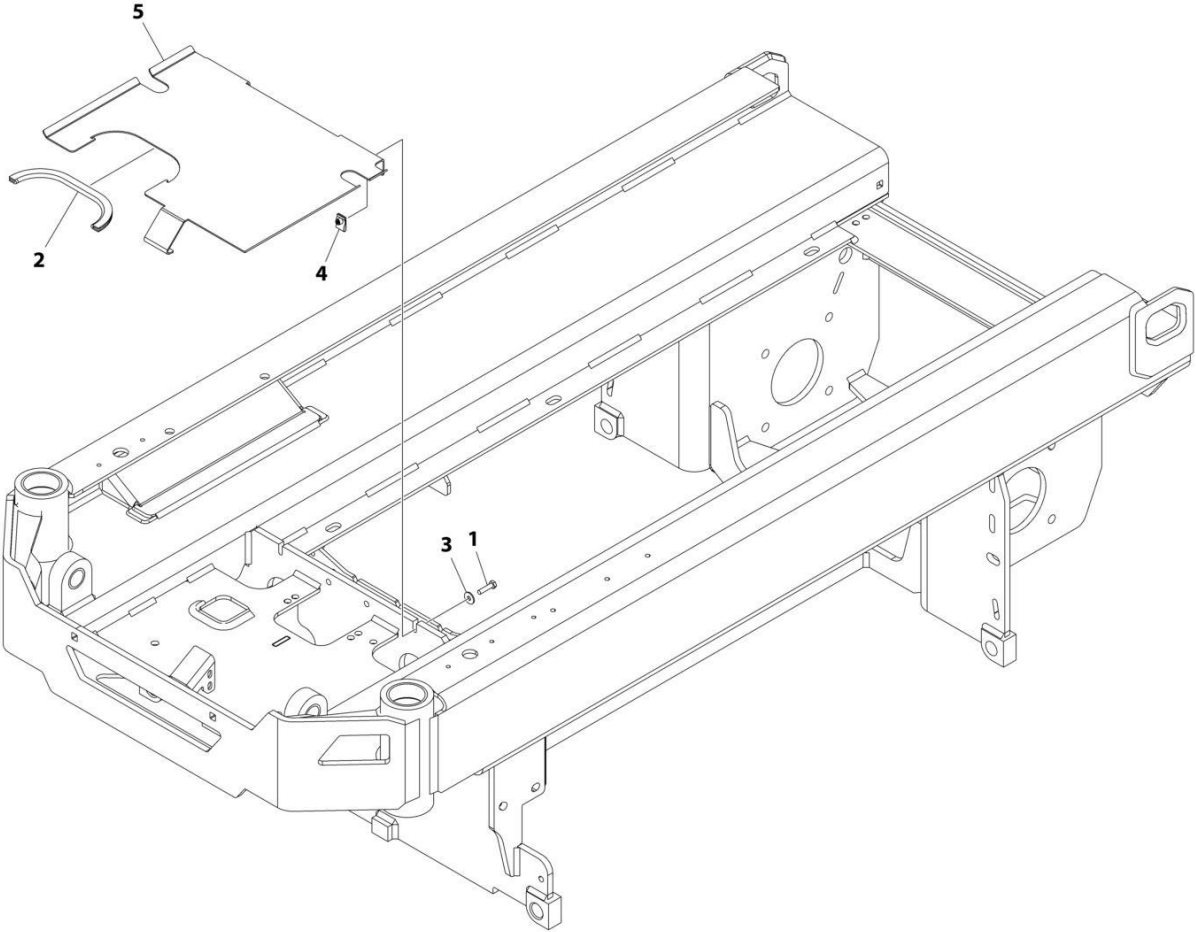
ART_1001203453

FIGURE 1-22. LADDER INSTALLATION

ITEM	PART NUMBER	QTY	DESCRIPTION	REV
	1001203453	Ref	LADDER INSTALLATION	C
1	0630613	2	Bolt M10 x 30	
2	3291006	2	Nut M10	
3	4812002	AR	Washer M10	
4	1001203457	1	Ladder	

SECTION 1 - FRAME

FIGURE 1-23. FRAME COVERS INSTALLATION (ES1932)



ART_1001250431

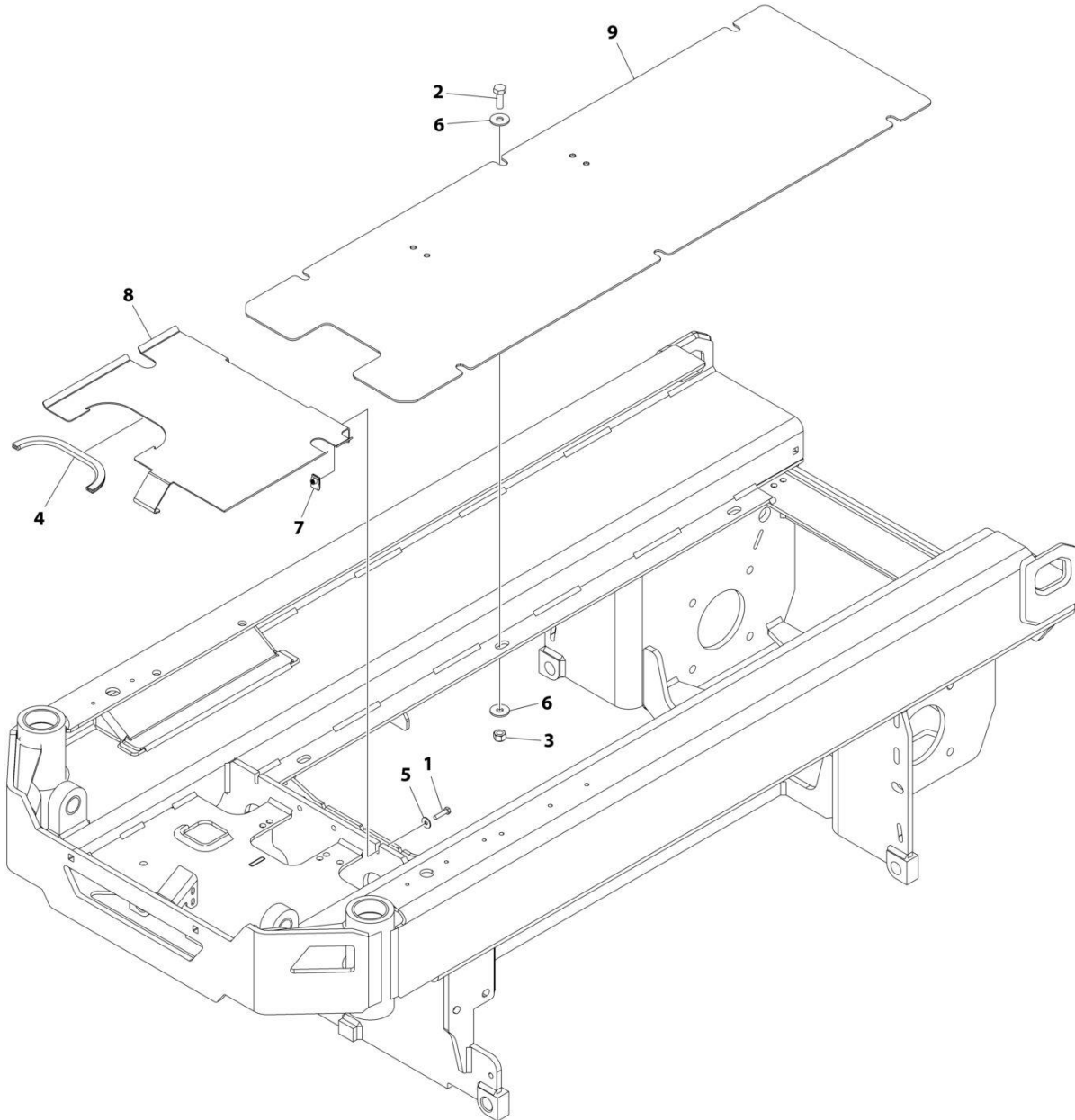
SECTION 1 - FRAME

FIGURE 1-23. FRAME COVERS INSTALLATION (ES1932)

ITEM	PART NUMBER	QTY	DESCRIPTION	REV
	1001250431	Ref	FRAME COVERS INSTALLATION	A
1	0700612	2	Bolt M6 x 25	
2	4060803	12.99 in /33cm	Flex-Trim	
3	4811702	2	Washer M6	
4	1001130220	2	Nut, Tinnerman M6	
5	1001227966	1	Cover	

SECTION 1 - FRAME

FIGURE 1-24. FRAME COVERS INSTALLATION (ES1932I)



ART_1001253359

SECTION 1 - FRAME

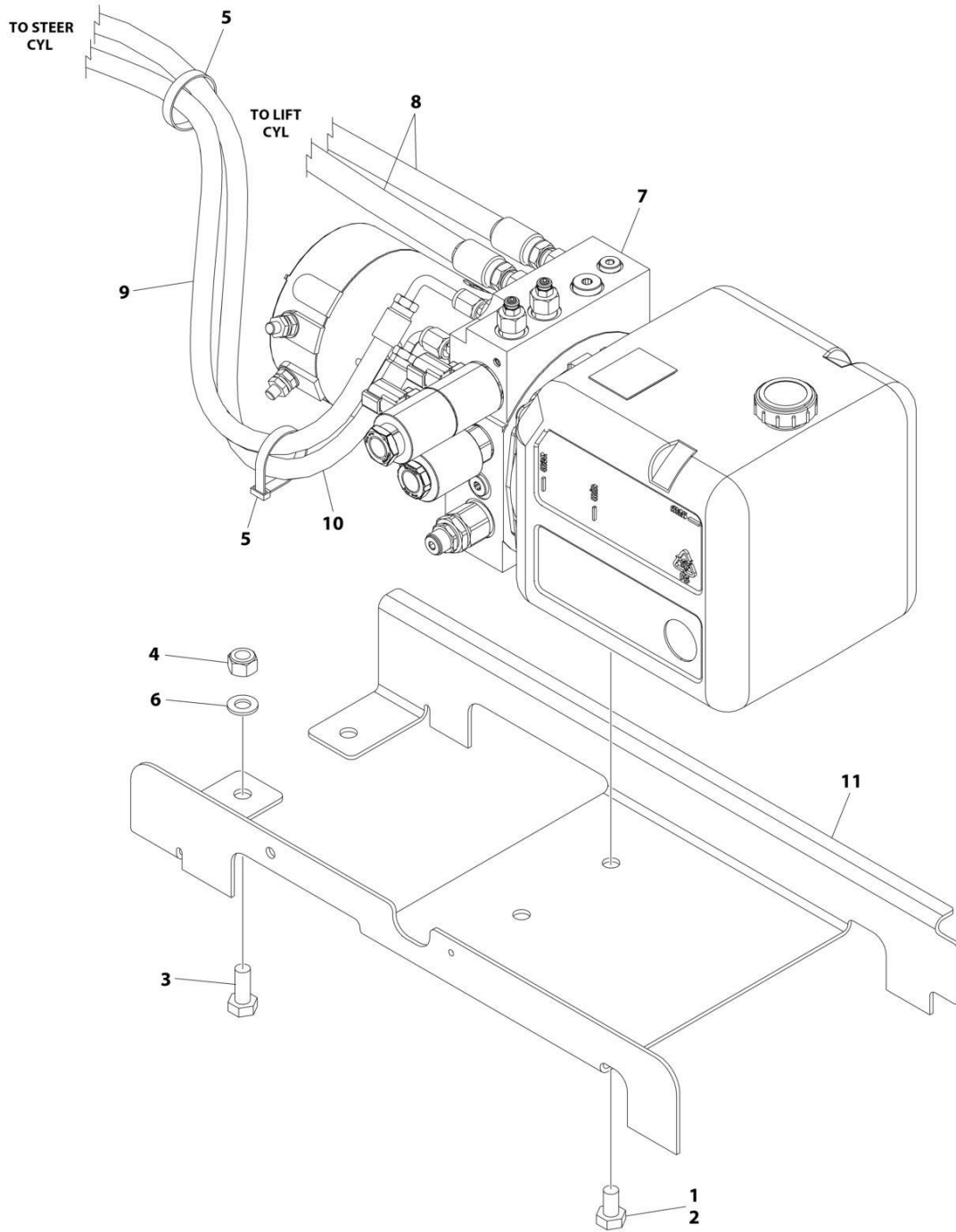
FIGURE 1-24. FRAME COVERS INSTALLATION (ES1932I)

ITEM	PART NUMBER	QTY	DESCRIPTION	REV
	1001253359	Ref	FRAME COVERS INSTALLATION	B
1	0700612	2	Bolt M6 x 25	
2	0701014	6	Bolt M10 x 30	
3	3291005	6	Nut M10	
4	4060803	12.99 in /33cm	Flex-Trim	
5	4811702	2	Washer M6	
6	4812002	12	Washer M10	
7	1001130220	2	Nut, Tinnerman M6	
8	1001227966	1	Cover	
9	1001253039	1	Cover	

SECTION 2 - GROUND CONTROLS

SECTION 2 - GROUND CONTROLS

FIGURE 2-1. PUMP/MOTOR/TANK AND HOSES INSTALLATION



ART_1001256288

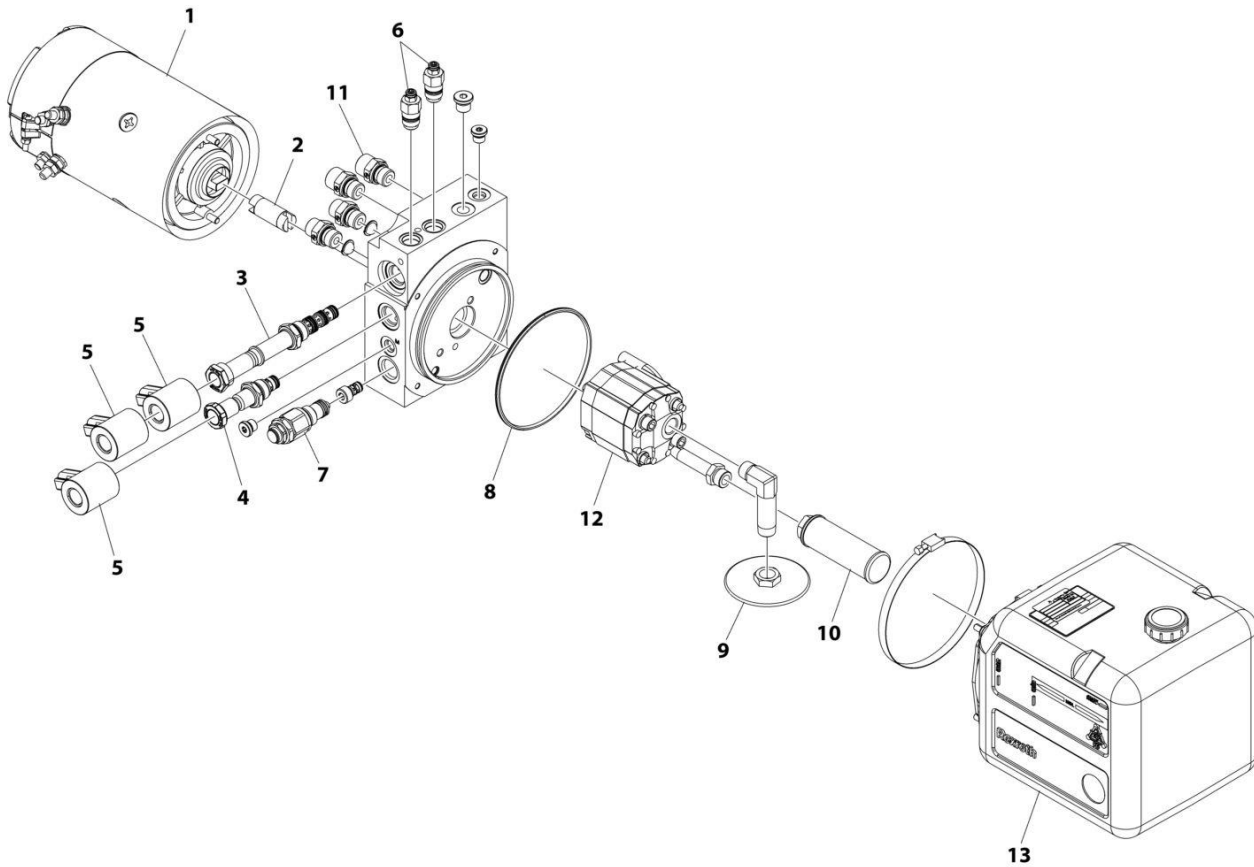
SECTION 2 - GROUND CONTROLS

FIGURE 2-1. PUMP/MOTOR/TANK AND HOSES INSTALLATION

ITEM	PART NUMBER	QTY	DESCRIPTION	REV
	1001256288	Ref	PUMP/MOTOR/TANK AND HOSES INSTALLATION	F
1	0100011	AR	Compound, Locking	
2	0761008	2	Bolt M10 x 16	
3	0761012	2	Bolt M10 x 25	
4	3291005	2	Nut M10	
5	4240018	AR	Tie-Strap	
6	4812000	2	Washer M10	
7	1001274484	1	Pump/Motor/Tank Assembly (See Separate Breakdown in this Section)	
8	1001256330	2	Hose	
9	1001258955	1	Hose	
10	1001258956	1	Hose	
11	1001256936	1	Bracket	

SECTION 2 - GROUND CONTROLS

FIGURE 2-2. PUMP/MOTOR/TANK ASSEMBLY (Prior to SN B200074702, Prior to SN M200056093, Prior to SN 1200039126, Except SN B200074581 through B200074586, Except SN B200074588 through B200074593, Except SN B200074692 through B200074696, Except SN 1200039003 through 1200039012, Excluding B200074650)



ART_1001254903

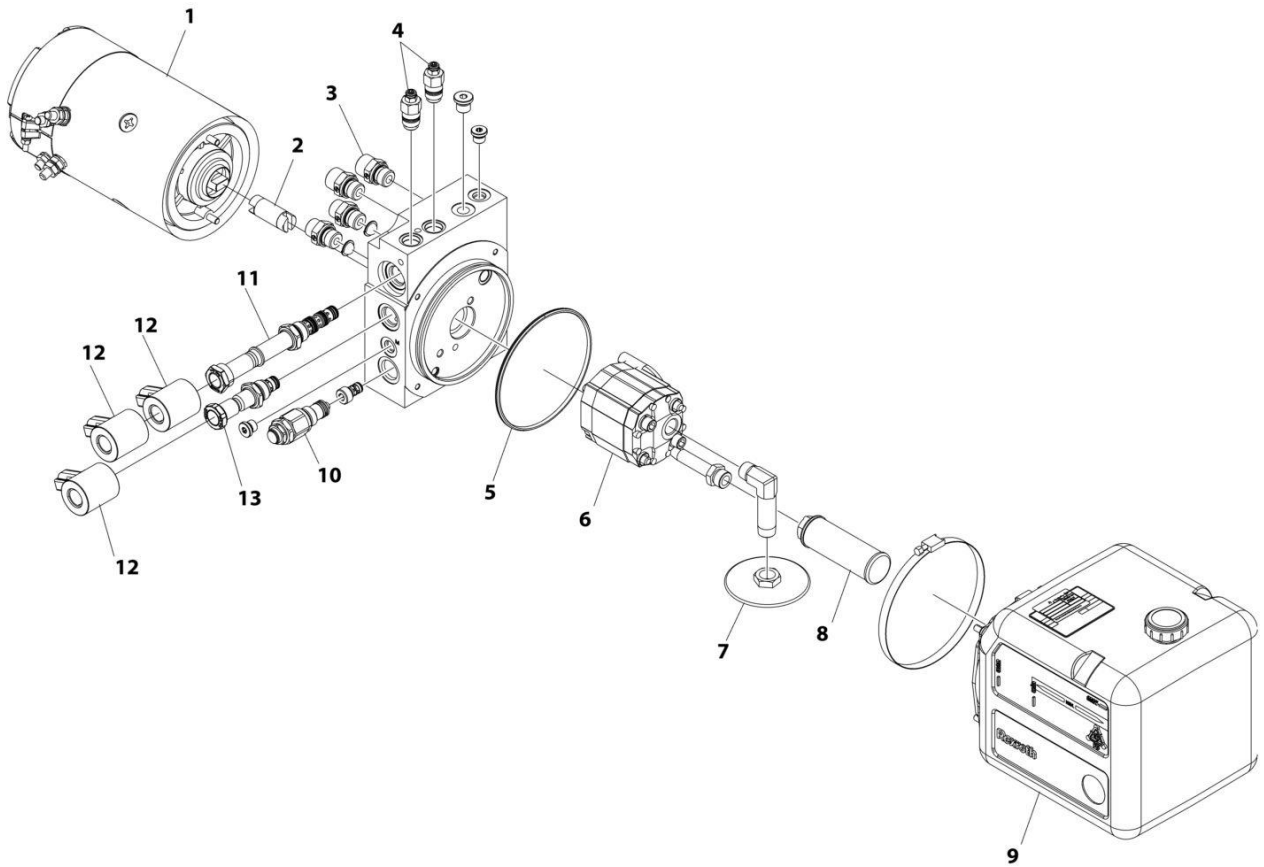
SECTION 2 - GROUND CONTROLS

FIGURE 2-2. PUMP/MOTOR/TANK ASSEMBLY (Prior to SN B200074702, Prior to SN M200056093, Prior to SN 1200039126, Except SN B200074581 through B200074586, Except SN B200074588 through B200074593, Except SN B200074692 through B200074696, Except SN 1200039003 through 1200039012, Excluding B200074650)

ITEM	PART NUMBER	QTY	DESCRIPTION	REV
	1001254903	Ref	PUMP/MOTOR/TANK ASSEMBLY	F
1	70007123	1	Motor	
2	See Note	1	Coupling (Note: Purchase Complete Assembly)	
3	70007589	1	Solenoid	
4	70007588	1	Solenoid	
5	70007590	3	Coil	
6	70007615	2	Relief, Valve	
7	70007614	1	Relief, Valve	
8	See Note	1	Seal (Note: Purchase Complete Assembly)	
9	70007706	1	Filter, Suction	
10	70003734	1	Filter, Return	
11	70007613	1	Filter & Fitting Kit	
12	70007616	1	Pump	
13	See Note	1	Tank (Note: Purchase Complete Assembly)	

SECTION 2 - GROUND CONTROLS

FIGURE 2-3. PUMP/MOTOR/TANK ASSEMBLY (SN B200074702 to Present, SN M200056093 to Present, SN 1200039126 to Present)



ART_1001274484

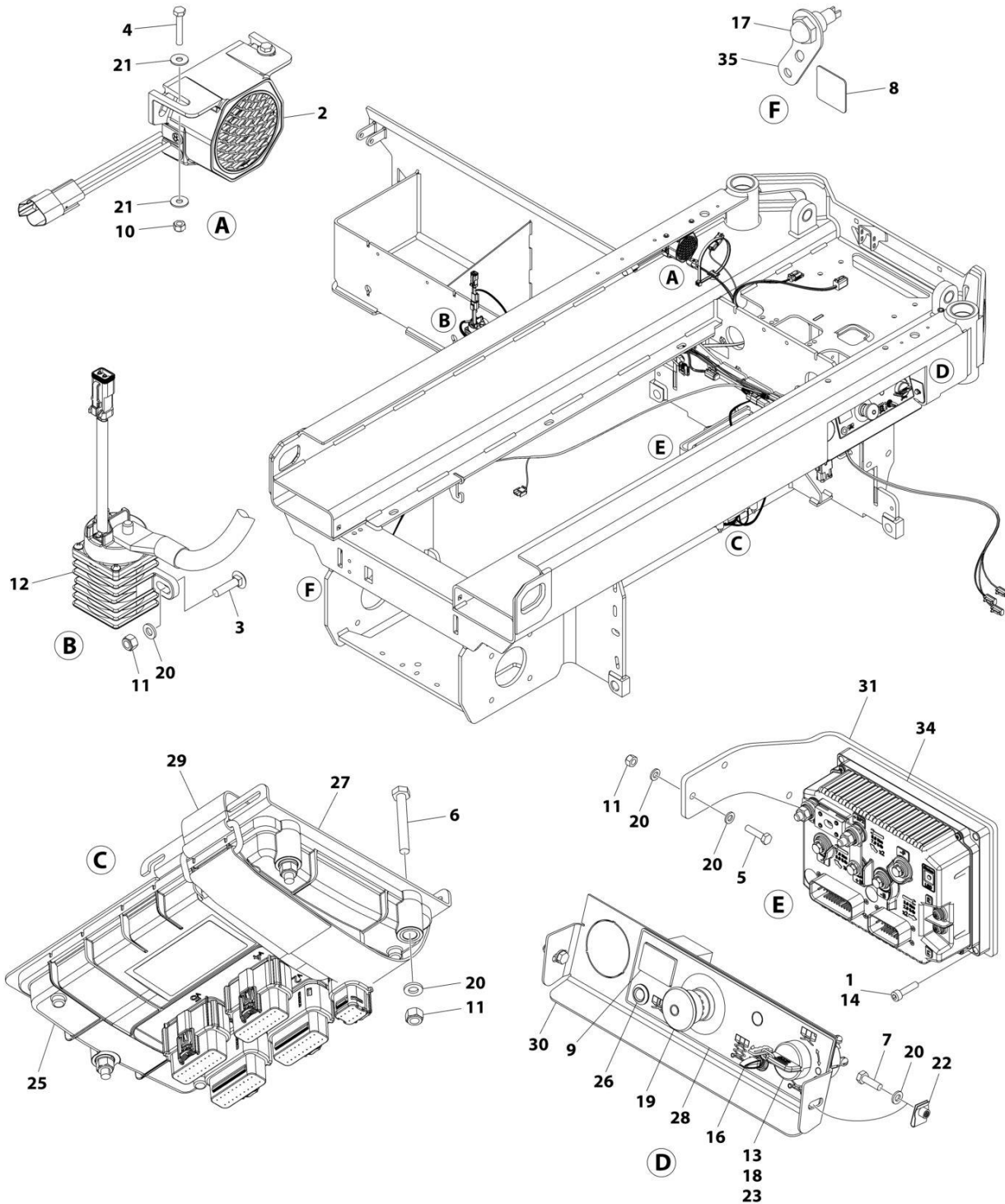
SECTION 2 - GROUND CONTROLS

FIGURE 2-3. PUMP/MOTOR/TANK ASSEMBLY (SN B200074702 to Present, SN M200056093 to Present, SN 1200039126 to Present)

ITEM	PART NUMBER	QTY	DESCRIPTION	REV
	1001274484	Ref	PUMP/MOTOR/TANK ASSEMBLY	A
1	70007123	1	Motor	
2	See Note	1	Coupling (Note: Purchase Complete Assembly)	
3	70007613	1	Filter & Fitting Kit	
4	70007615	2	Relief, Valve	
5	See Note	1	Seal (Note: Purchase Complete Assembly)	
6	70007616	1	Pump	
7	70007706	1	Filter, Suction	
8	70003734	1	Filter, Return	
9	See Note	1	Tank (Note: Purchase Complete Assembly)	
10	70007614	1	Relief, Valve	
11	70007589	1	Solenoid	
12	70007590	3	Coil	
13	70007588	1	Solenoid	

SECTION 2 - GROUND CONTROLS

FIGURE 2-4. ELECTRICAL COMPONENTS INSTALLATION (MEXICO AND CHINA BUILT MACHINES)



ART_1001255932

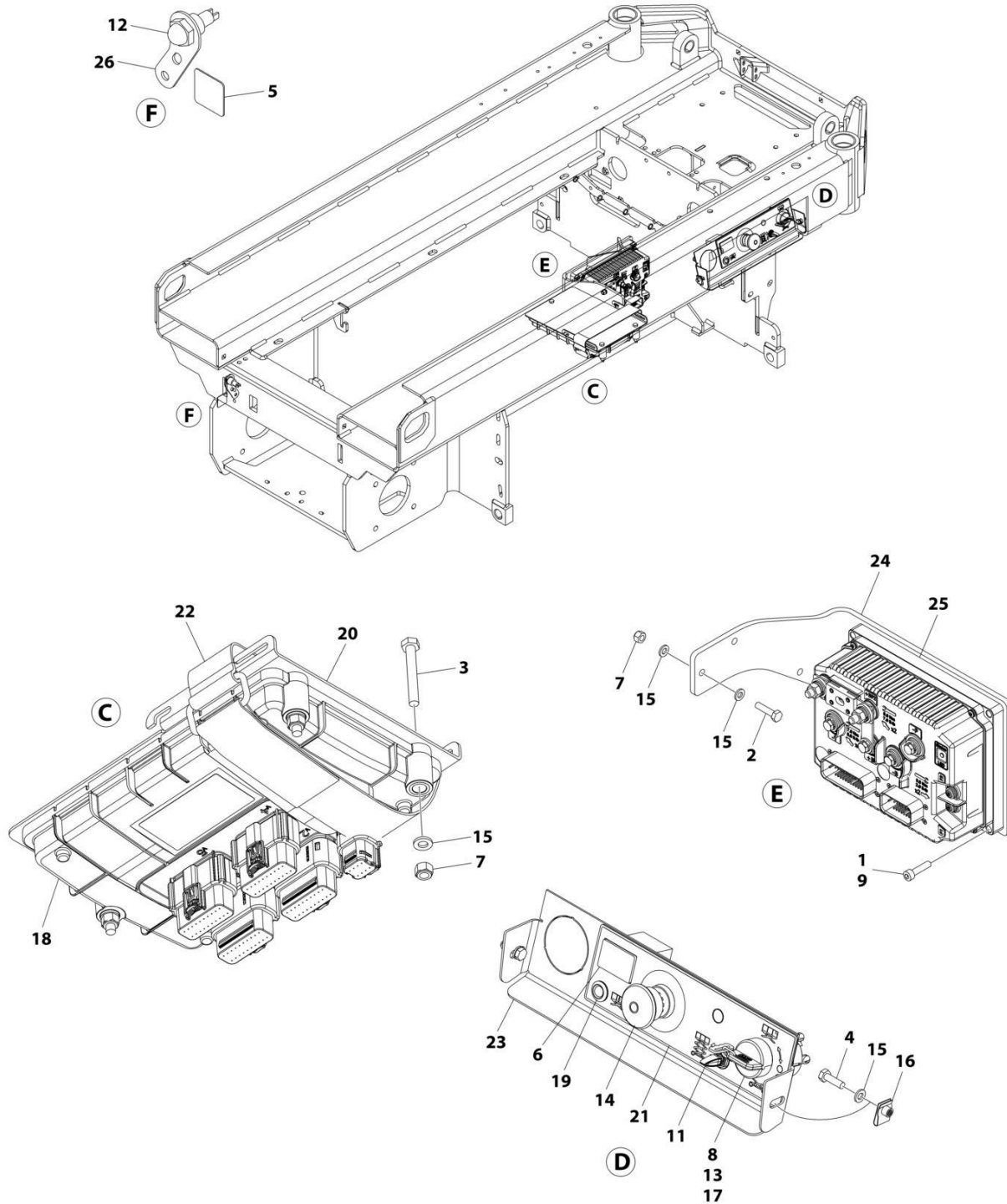
SECTION 2 - GROUND CONTROLS

FIGURE 2-4. ELECTRICAL COMPONENTS INSTALLATION (MEXICO AND CHINA BUILT MACHINES)

ITEM	PART NUMBER	QTY	DESCRIPTION	REV
	1001255932	Ref	ELECTRICAL COMPONENTS INSTALLATION	G
1	0100011	AR	Compound, Locking	
2	0140043	1	Alarm	
3	0630587	2	Bolt M6 x 25	
4	0700412	2	Bolt M4 x 25	
5	0700612	2	Bolt M6 x 25	
6	0700617	3	Bolt M6 x 45	
7	0760610	2	Bolt M6 x 20	
8	1706679	1	Decal - Brake Release	
9	2420172	1	Hourmeter	
10	3290405	2	Nut M4	
11	3290605	7	Nut M6	
12	3740150	1	Relay	
13	3910804	3	Screw #8 x 1/4	
14	4031708	4	Capscrew M6 x 20	
15	4240017	AR	Tie-Strap (Not Shown)	
16	4360328	1	Switch, Toggle	
17	4360387	1	Switch, Push Button	
18	4360469	1	Switch, Key	
18	2860030	1 Set	Key, Replacement	
19	4360475	1	Switch, Emergency Stop (Metal)	
19	7020175	1	Cap	
19	7020176	1	Block, Contact	
19	1001274559	1	Switch, Emergency Stop (Plastic)	
20	4811700	11	Washer M6	
21	1001091102	4	Washer M4	
22	1001130220	2	Nut, Tinnerman M6	
23	1001130590	1	Plate, Key Switch	
24	1001187781	1	Tie-Strap (Not Shown)	
25	1001200629	1	Module, Control (Note: Re-calibration Required when Replaced)	
26	1001200631	1	Light, Indicator	
27	1001207494	1	Bracket	
28	1001209682	1	Decal - Ground Control	
29	1001215762	1	Strap, Cinch	
30	1001235559	1	Support	
31	1001255885	1	Bracket	
32	1001255933	1	Chassis Harness (Not Shown - See Separate Breakdown in ELECTRICAL SECTION)	
33	1001255934	1	Drive Harness (Not Shown - See Separate Breakdown in ELECTRICAL SECTION)	
34	See Note	Ref	Module, System (Note: Identify PN on Label Before Ordering. Re-calibration Required when Replaced)	
34	1001256876	1	Module, System (Note: Re-calibration Required when Replaced)	
34	1001268506	1	Module, System (Note: Re-calibration Required when Replaced)	
35	1001257138	1	Bracket	
36	0100048	AR	Grease, Di-electric (Not Shown)	

SECTION 2 - GROUND CONTROLS

FIGURE 2-5. ELECTRICAL COMPONENTS INSTALLATION #1 (EUROPEAN BUILT MACHINES)



ART_1001260985

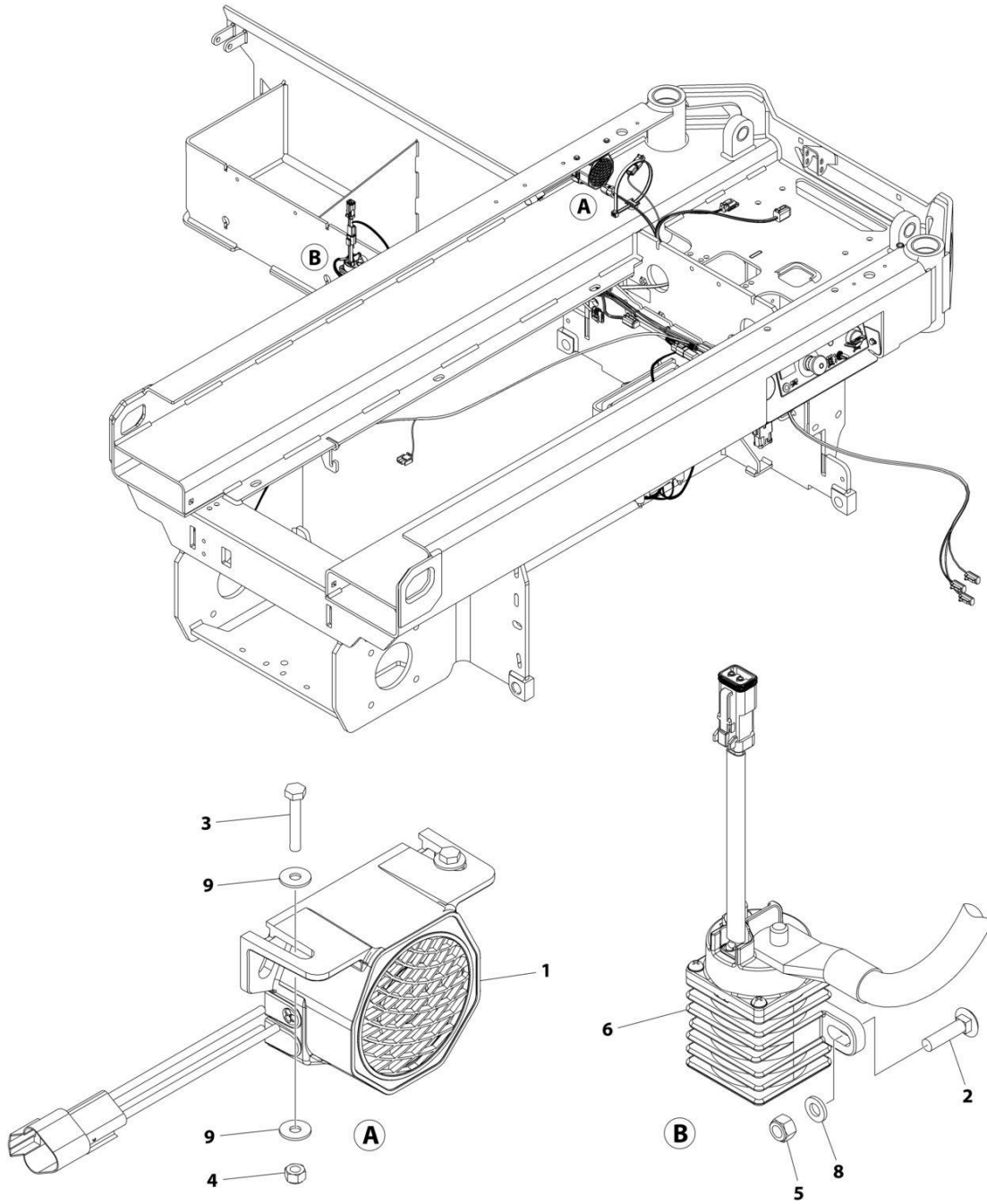
SECTION 2 - GROUND CONTROLS

FIGURE 2-5. ELECTRICAL COMPONENTS INSTALLATION #1 (EUROPEAN BUILT MACHINES)

ITEM	PART NUMBER	QTY	DESCRIPTION	REV
	1001260985	Ref	ELECTRICAL COMPONENTS INSTALLATION	C
1	0100011	AR	Compound, Locking	
2	0700612	2	Bolt M6 x 25	
3	0700617	3	Bolt M6 x 45	
4	0760610	2	Bolt M6 x 20	
5	1706679	1	Decal - Brake Release	
6	2420172	1	Hourmeter	
7	3290605	5	Nut M6	
8	3910804	3	Screw #8 x 1/4	
9	4031709	4	Capscrew M6 x 25	
10	4240017	AR	Tie-Strap (Not Shown)	
11	4360328	1	Switch, Toggle	
12	4360387	1	Switch, Push Button	
13	4360469	1	Switch, Key	
13	2860030	1 Set	Key, Replacement	
14	4360475	1	Switch, Emergency Stop (Metal)	
14	7020175	1	Cap	
14	7020176	1	Block, Contact	
14	1001274559	1	Switch, Emergency Stop (Plastic)	
15	4811700	9	Washer M6	
16	1001130220	2	Nut, Tinnerman M6	
17	1001130590	1	Plate, Key Switch	
18	1001200629	1	Module, Control (Note: Re-calibration Required when Replaced)	
19	1001200631	1	Lamp	
20	1001207494	1	Bracket	
21	1001209682	1	Decal - Ground Control	
22	1001215762	1	Strap, Cinch	
23	1001235559	1	Support	
24	1001255885	1	Bracket	
25	See Note	Ref	Module, System (Note: Identify PN on Label Before Ordering. Re-Calibration Required when Replaced)	
25	1001256876	1	Module, System (Note: Re-Calibration Required when Replaced)	
25	1001268506	1	Module, System (Note: Re-Calibration Required when Replaced)	
26	1001257138	1	Bracket	

SECTION 2 - GROUND CONTROLS

FIGURE 2-6. ELECTRICAL COMPONENTS INSTALLATION #2 (EUROPEAN BUILT MACHINES)



ART_1001260986

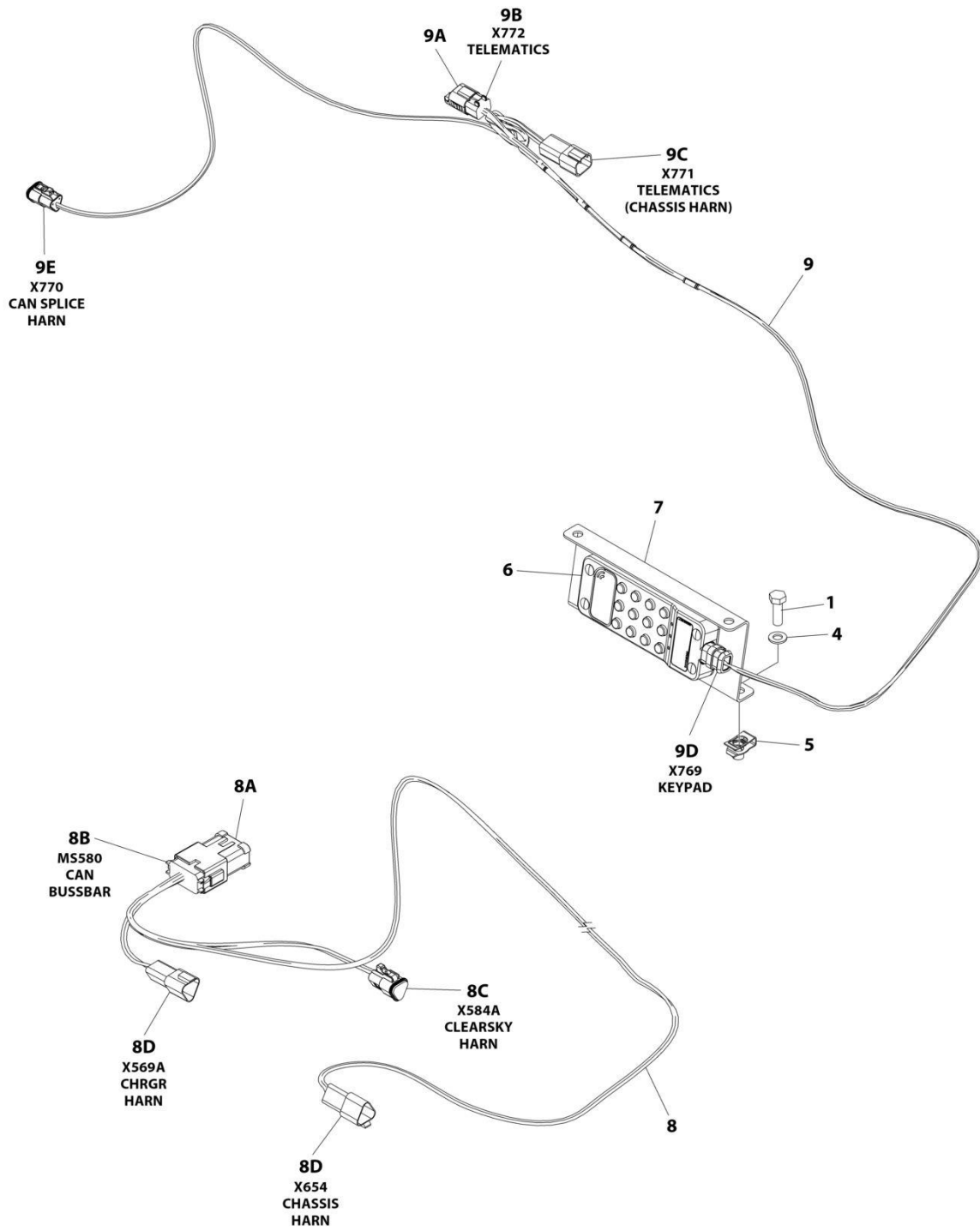
SECTION 2 - GROUND CONTROLS

FIGURE 2-6. ELECTRICAL COMPONENTS INSTALLATION #2 (EUROPEAN BUILT MACHINES)

ITEM	PART NUMBER	QTY	DESCRIPTION	REV
	1001260986	Ref	ELECTRICAL COMPONENTS INSTALLATION	A
1	0140043	1	Alarm	
2	0630587	2	Bolt M6 x 25	
3	0700412	2	Bolt M4 x 25	
4	3290405	2	Nut M4	
5	3290605	2	Nut M6	
6	3740150	1	Relay	
7	4240017	AR	Tie-Strap (Not Shown)	
8	4811700	2	Washer M6	
9	1001091102	4	Washer M4	
10	1001187781	1	Tie-Strap (Not Shown)	
11	1001255933	1	Chassis Harness (Not Shown - See Separate Breakdown in ELECTRICAL SECTION)	
12	1001255934	1	Drive Harness (Not Shown - See Separate Breakdown in ELECTRICAL SECTION)	

SECTION 2 - GROUND CONTROLS

FIGURE 2-7. ACCESS CONTROL INSTALLATION



ART_1001258356

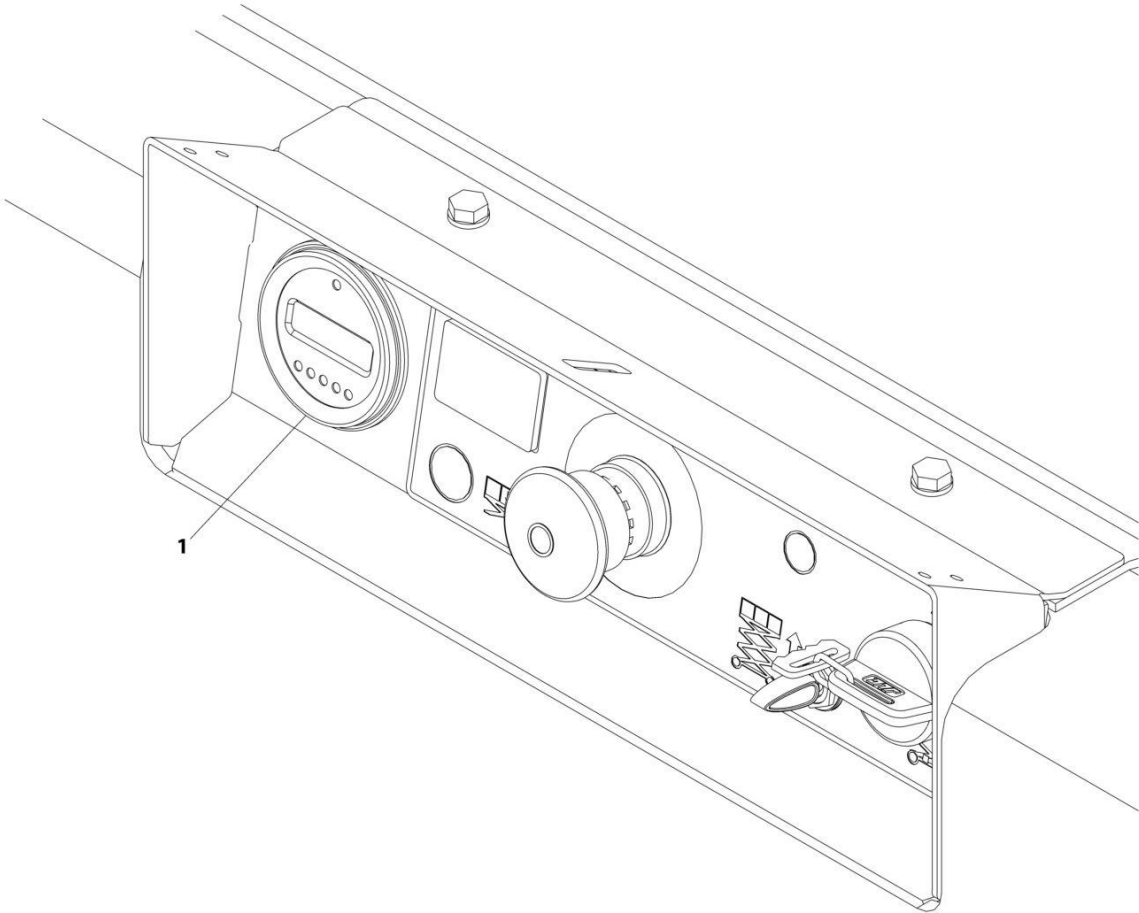
SECTION 2 - GROUND CONTROLS

FIGURE 2-7. ACCESS CONTROL INSTALLATION

ITEM	PART NUMBER	QTY	DESCRIPTION	REV
	1001258356	Ref	ACCESS CONTROL KEYPAD INSTALLATION	A
1	0760812	2	Bolt, M8 x 25	
2	1062255	AR	Tie-Strap (Not Shown)	
3	4240032	AR	Tie-Strap (Not Shown)	
4	4811900	2	Washer M8	
5	1001118274	2	Nut, Tinnerman	
6	1001238392	1	Keypad	
7	1001248773	1	Bracket	
8	1001254027	1	Access Control Keypad Can Splice Harness	
8A	1001125677	AR	Connector, Bus Bar - 12 Position	
8B	4460933	1	Plug, Male - 12 Position	
8B	4460944	6	Socket, Female	
8B	4460466	6	Plug, Terminal	
8C	1001118812	1	Plug, Male - 3 Position	
8C	4460944	2	Socket, Female	
8C	4460466	1	Plug, Terminal	
8D	1001144147	2	Receptacle, Female - 3 Position	
8D	4460943	4	Pin, Male	
8D	4460466	2	Plug, Terminal	
9	1001258691	1	Access Control Keypad Harness	
9A	1001192401	1	Dustcap	
9B	4460884	1	Plug, Male - 4 Position	
9B	4460465	4	Socket, Female	
9C	4460932	1	Receptacle, Female - 4 Position	
9C	4460464	4	Pin, Male	
9D	1001210079	1	Plug, Male - 4 Position	
9D	4460465	2	Socket, Female	
9D	4460944	2	Socket, Female	
9E	1001116812	1	Plug, Male - 3 Position	
9E	4460944	2	Socket, Female	
9E	4460466	1	Plug, Terminal	

SECTION 2 - GROUND CONTROLS

FIGURE 2-8. MDI INSTALLATION



ART_1001207293

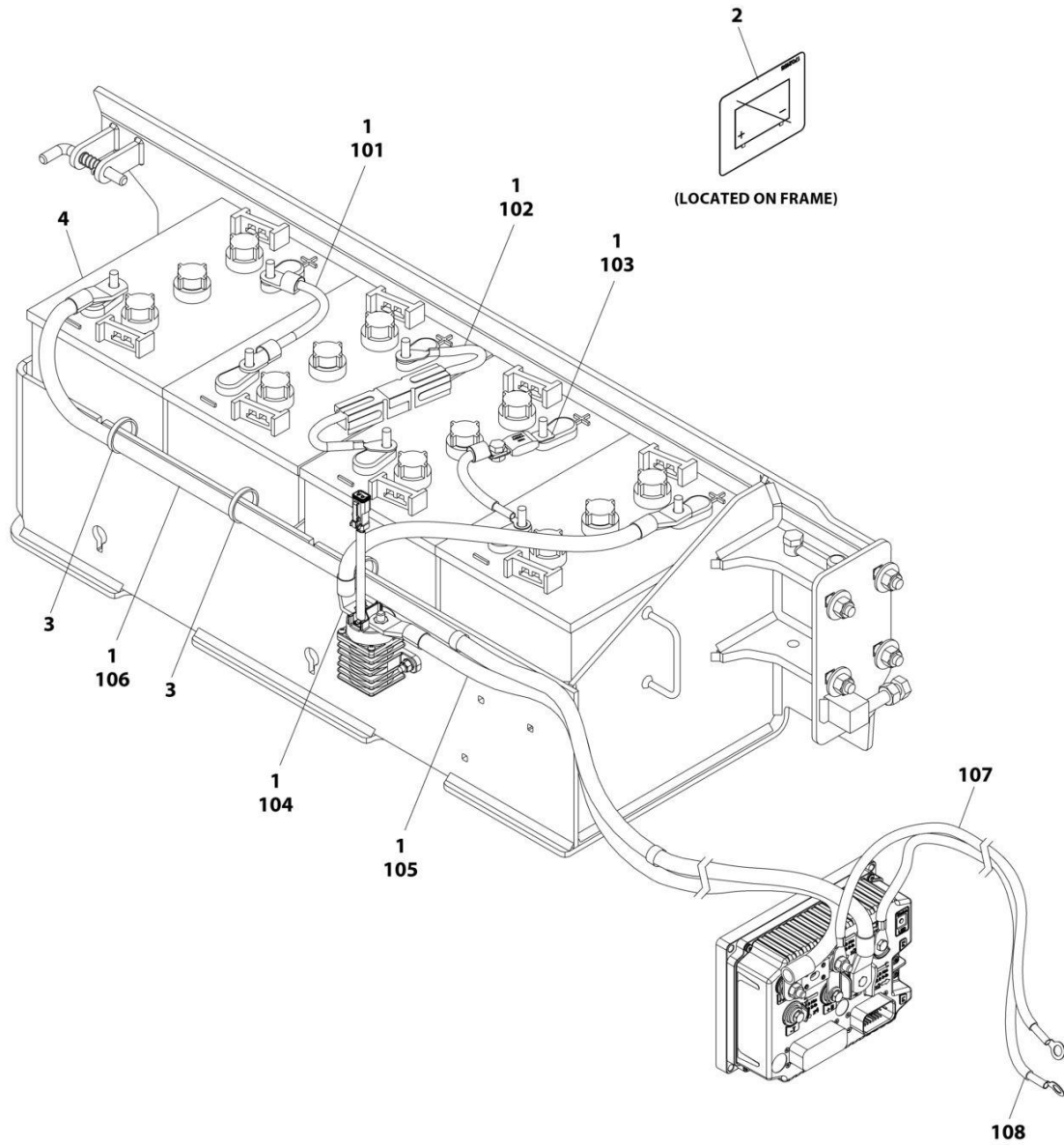
SECTION 2 - GROUND CONTROLS

FIGURE 2-8. MDI INSTALLATION

ITEM	PART NUMBER	QTY	DESCRIPTION	REV
1	1001207293 1001200632	Ref 1	MDI INSTALLATION Gauge, MDI	B

SECTION 2 - GROUND CONTROLS

FIGURE 2-9. BATTERIES INSTALLATION - STANDARD BATTERIES (U.S. BRAND)



ART_1001256323

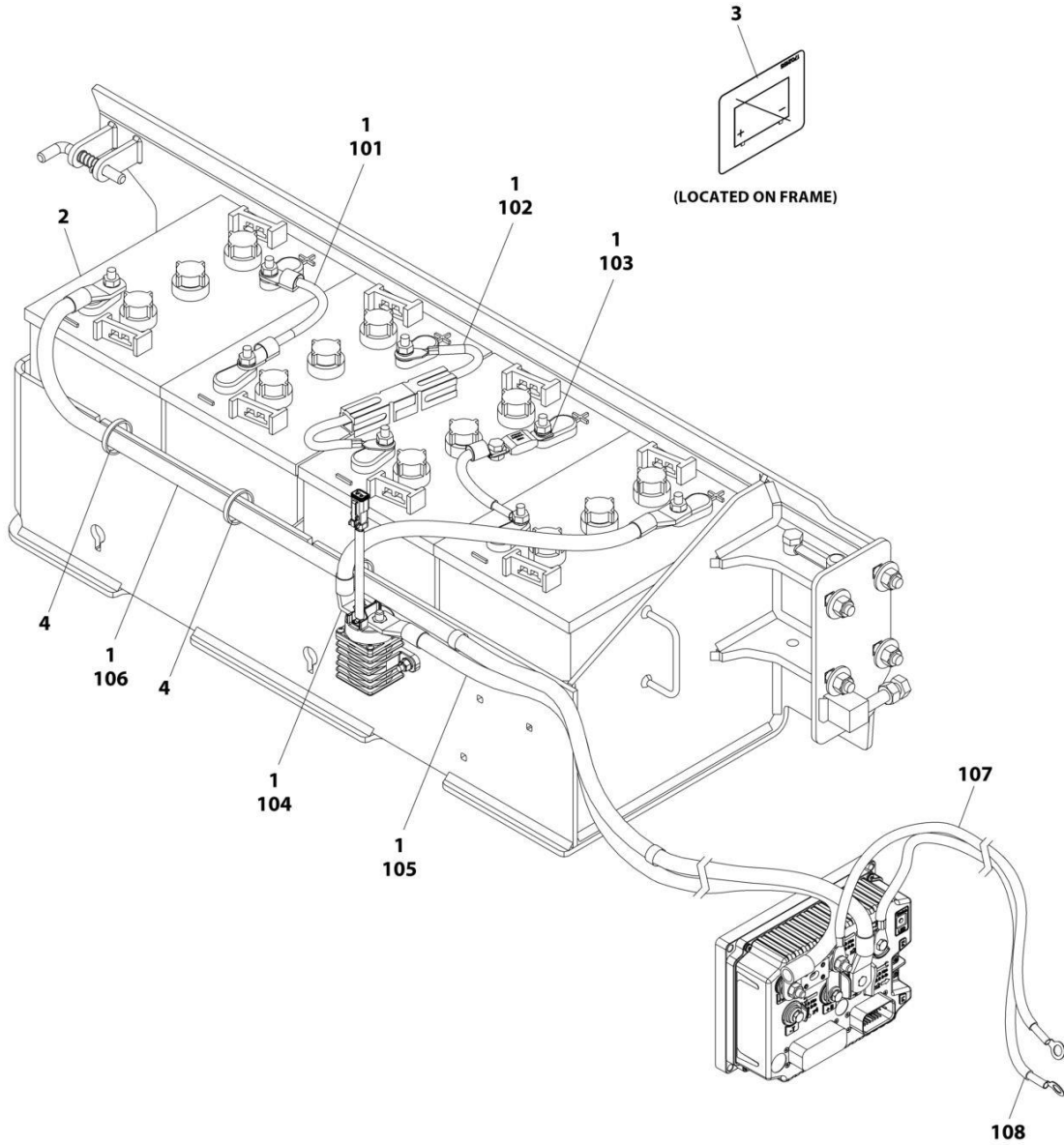
SECTION 2 - GROUND CONTROLS

FIGURE 2-9. BATTERIES INSTALLATION - STANDARD BATTERIES (U.S. BRAND)

ITEM	PART NUMBER	QTY	DESCRIPTION	REV
	1001256323	Ref	BATTERIES INSTALLATION - STANDARD BATTERIES (U.S. BRAND)	C
1	0100051	AR	Grease, Terminal	
2	1702155	1	Decal - Battery Disconnect	
3	4240017	AR	Tie-Strap (Not Shown)	
4	1001216180	4	Battery	
100	1001256327	1	Cable, Electrical Kit	
101	1060998	2	Cable, Positive to Negative	
102	4923328	1	Cable, Positive to Negative	
103	1001264310	1	Cable, Battery Fuse	
104	1001259017	1	Cable, Battery to Contactor	
105	1001256328	1	Cable, Contactor to Module B+	
106	1001256329	1	Cable, Battery- to Module B-	
107	1001243232	1	Cable, Pump Positive	
108	1001243233	1	Cable, Pump Negative	

SECTION 2 - GROUND CONTROLS

FIGURE 2-10. BATTERIES INSTALLATION - STANDARD BATTERIES (TROJAN BRAND)



ART_1001256324

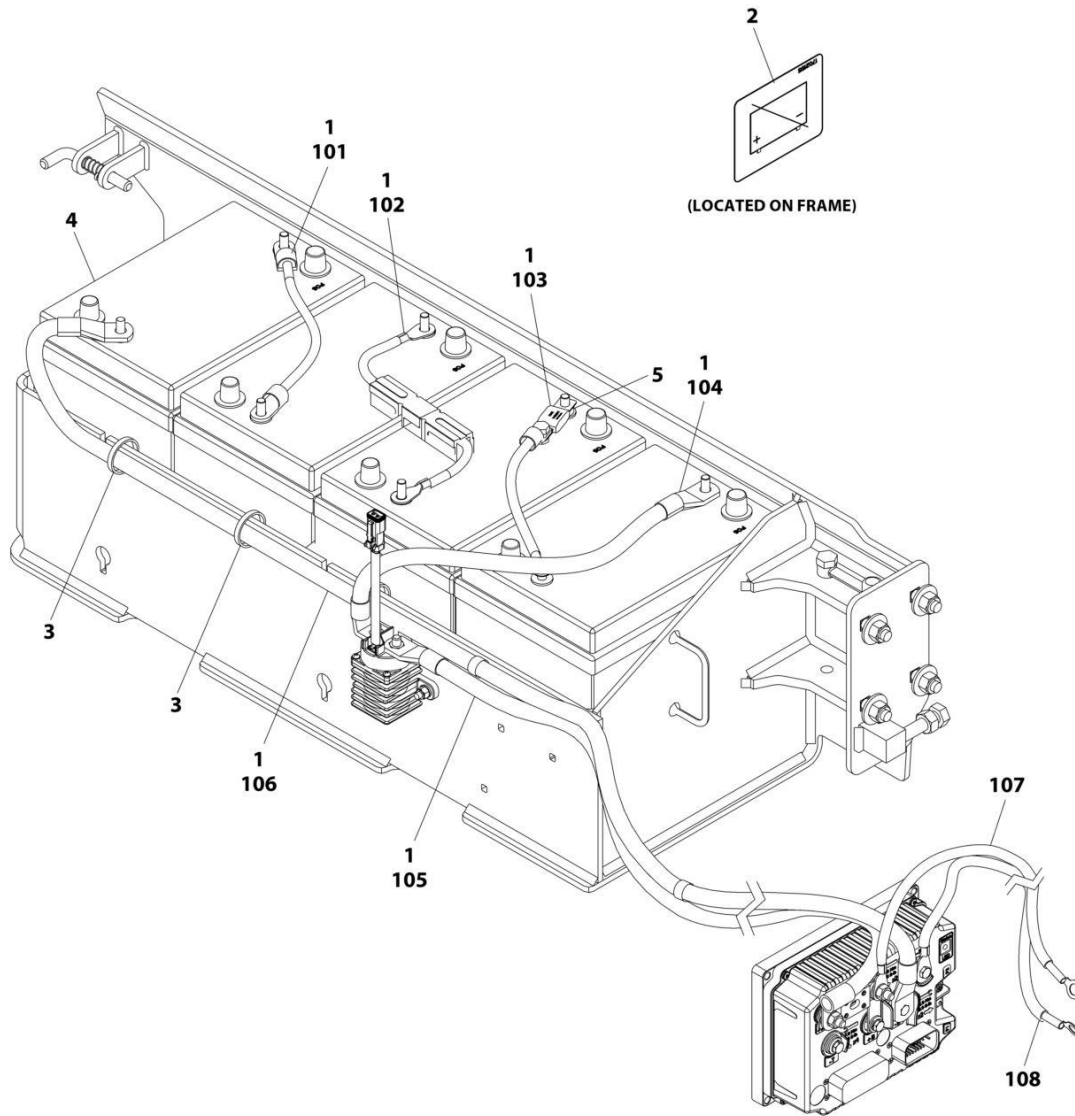
SECTION 2 - GROUND CONTROLS

FIGURE 2-10. BATTERIES INSTALLATION - STANDARD BATTERIES (TROJAN BRAND)

ITEM	PART NUMBER	QTY	DESCRIPTION	REV
	1001256324	1	BATTERIES INSTALLATION - STANDARD BATTERIES (TROJAN BRAND)	C
1	0100051	AR	Grease, Terminal	
2	1001258498	4	Battery	
3	1702155	1	Decal - Battery Disconnect	
4	4240017	AR	Tie-Strap (Not Shown)	
100	1001256327	1	Cable, Electrical Kit	
101	1060998	1	Cable, Positive to Negative	
102	4923328	1	Cable, Positive to Negative	
103	1001264310	1	Cable, Battery Fuse	
104	1001259017	1	Cable, Battery to Contactor	
105	1001256328	1	Cable, Contactor to Module B+	
106	1001256329	1	Cable, Battery- to Module B-	
107	1001243232	1	Cable, Pump Positive	
108	1001243233	1	Cable, Pump Negative	

SECTION 2 - GROUND CONTROLS

FIGURE 2-11. BATTERIES INSTALLATION - AGM BATTERIES



ART_1001256325

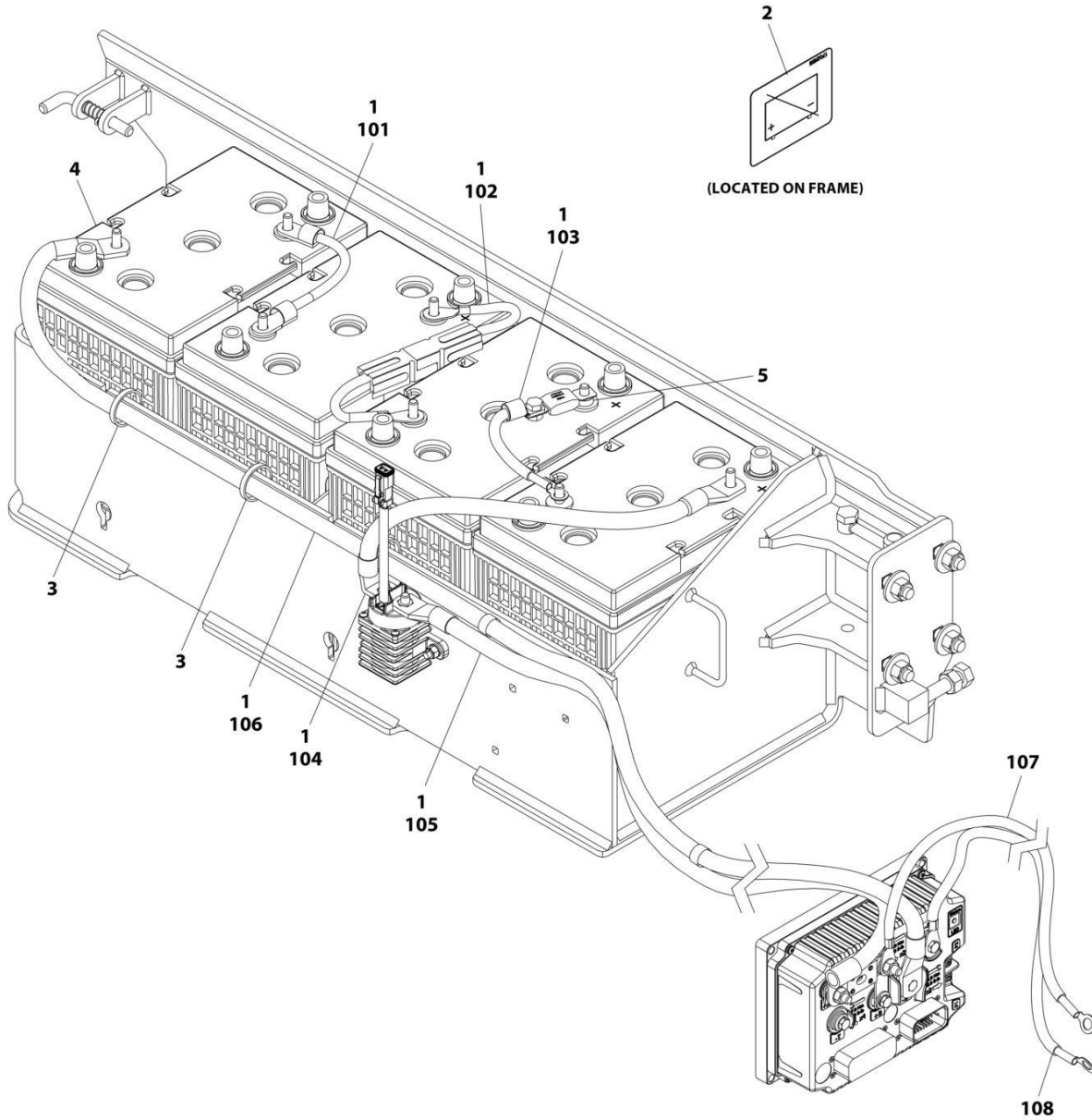
SECTION 2 - GROUND CONTROLS

FIGURE 2-11. BATTERIES INSTALLATION - AGM BATTERIES

ITEM	PART NUMBER	QTY	DESCRIPTION	REV
	1001256325	Ref	BATTERIES INSTALLATION - AGM BATTERIES	C
1	0100051	AR	Grease, Terminal	
2	1702155	1	Decal - Battery Disconnect	
3	4240017	AR	Tie-Strap (Not Shown)	
4	1001112112	4	Battery	
5	1001249668	1	Washer	
100	1001256327	1	Cable, Electrical Kit	
101	1060998	1	Cable, Positive to Negative	
102	4923328	1	Cable, Positive to Negative	
103	1001210401	1	Cable, Battery Fuse	
104	1001259017	1	Cable, Battery to Contactor	
105	1001256328	1	Cable, Contactor to Module B+	
106	1001256329	1	Cable, Battery- to Module B-	
107	1001243232	1	Cable, Pump Positive	
108	1001243233	1	Cable, Pump Negative	

SECTION 2 - GROUND CONTROLS

FIGURE 2-12. BATTERIES INSTALLATION - AGM EVCG BATTERIES



ART_1001256326

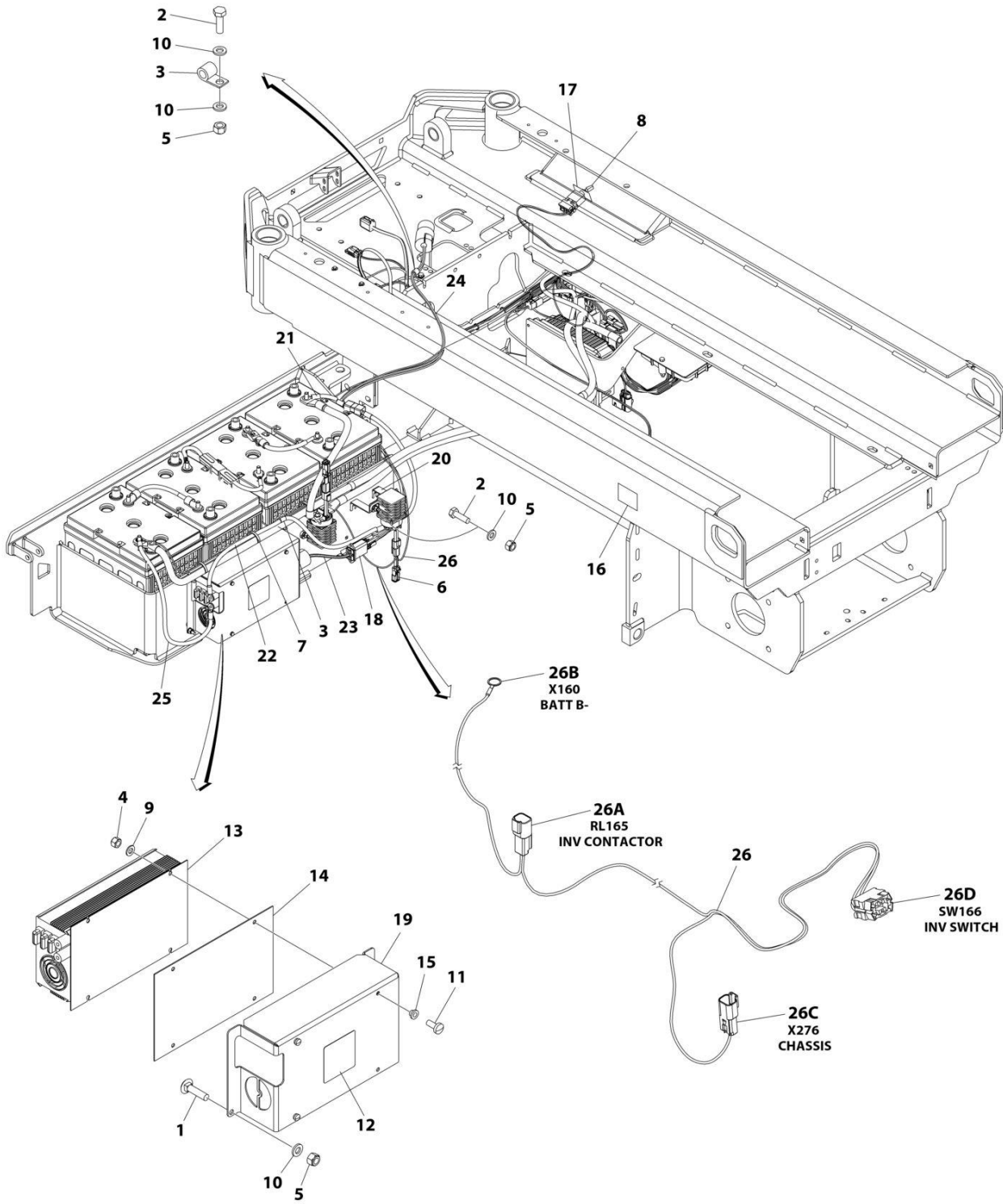
SECTION 2 - GROUND CONTROLS

FIGURE 2-12. BATTERIES INSTALLATION - AGM EVCG BATTERIES

ITEM	PART NUMBER	QTY	DESCRIPTION	REV
	1001256326	Ref	BATTERIES INSTALLATION - AGM EVCG BATTERIES	C
1	0100051	AR	Grease, Terminal	
2	1702155	1	Decal - Battery Disconnect	
3	4240017	AR	Tie-Strap (Not Shown)	
4	1001214347	4	Battery	
5	1001249668	1	Washer	
100	1001256327	1	Cable, Electrical Kit	
101	1060998	1	Cable, Positive to Negative	
102	4923328	1	Cable, Positive to Negative	
103	1001264310	1	Cable, Battery Fuse	
104	1001259017	1	Cable, Battery to Contactor	
105	1001256328	1	Cable, Contactor to Module B+	
106	1001256329	1	Cable, Battery- to Module B-	
107	1001243232	1	Cable, Pump Positive	
108	1001243233	1	Cable, Pump Negative	

SECTION 2 - GROUND CONTROLS

FIGURE 2-13. INVERTER INSTALLATION (OPTIONAL)



ART_1001257121

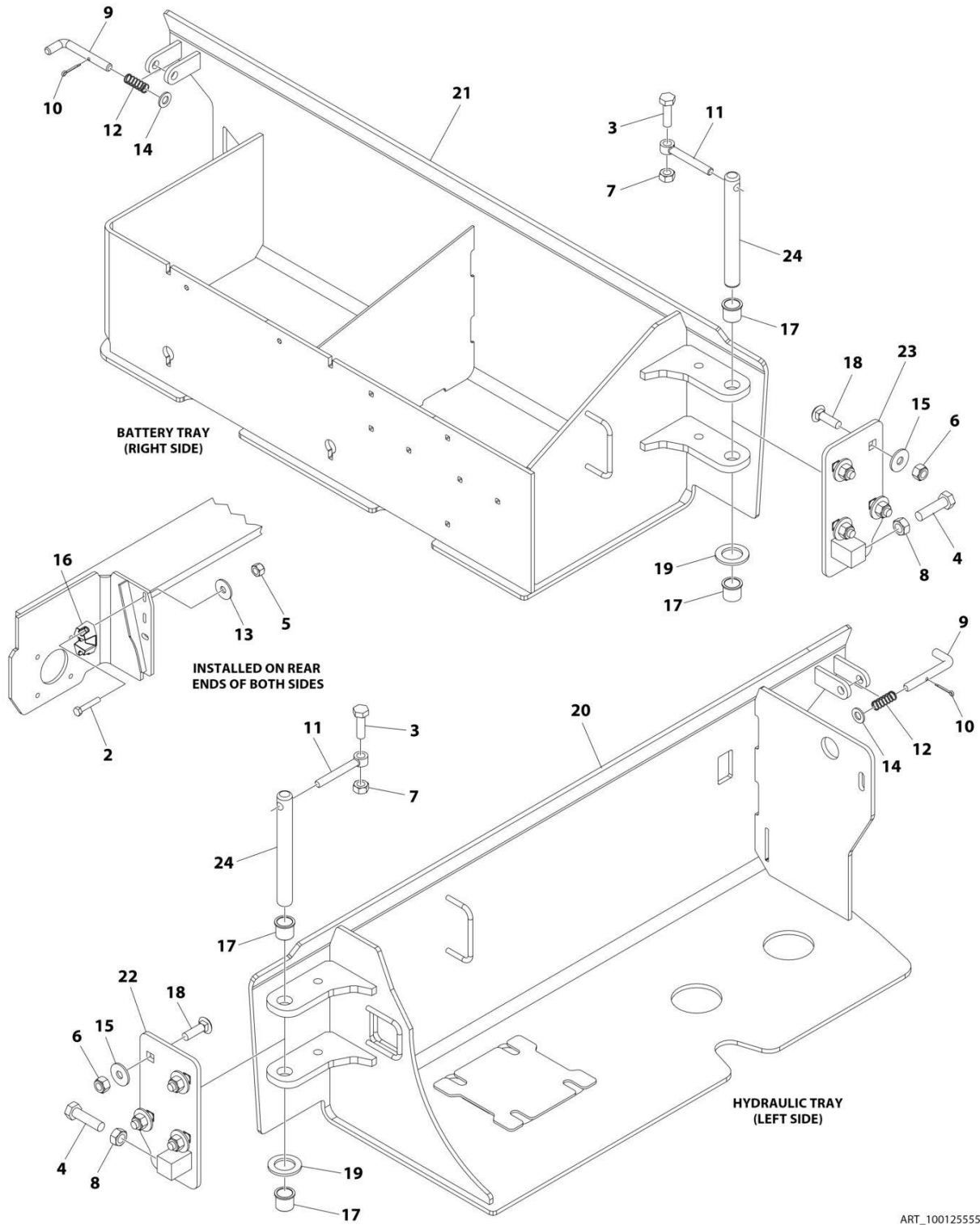
SECTION 2 - GROUND CONTROLS

FIGURE 2-13. INVERTER INSTALLATION (OPTIONAL)

ITEM	PART NUMBER	QTY	DESCRIPTION	REV
	1001257121	Ref	INVERTER INSTALLATION (OPTIONAL)	B
1	0630587	4	Bolt M6 x 25	
2	0760610	3	Bolt M6 x 20	
3	1321293	2	Clamp	
4	3290405	3	Nut M4	
5	3290605	7	Nut M6	
6	3740150	1	Relay	
8	4240017	AR	Tie-Strap	
9	4360336	1	Switch, Toggle	
10	4811400	3	Washer M4	
11	4811700	8	Washer M6	
7	1001101540	3	Screw M4 x 14	
12	1001125483	1	Decal - Pressure Wash	
13	1001136757	1	Inverter	
14	1001142173	1	Insulate	
15	1001142174	3	Washer 1/8	
16	1001143009	1	Decal - Inverter	
17	1001143010	1	Decal - On/Off Inverter	
18	1001157547	1	Filter, AC	
19	1001210440	1	Support	
20	1001210605	1	Support	
21	1001210878	1	Cable, Battery + to Inverter Contactor	
22	1001210879	1	Cable, Inverter Contactor to Inverter +	
23	1001210881	1	Cable, Inverter to AC Filter	
24	1001210882	1	Cable, AC Filter to AC Plug	
25	1001256744	1	Cable, Pump Control B- to Inverter-	
26	1001256746	1	Harness, Inverter	C
26A	4460897	1	Connector	
26A	4460464	2	Terminal	
26B	4460722	1	Connector	
26C	4460897	1	Connector	
26C	4460464	1	Terminal	
26C	4460466	1	Terminal	
26D	4460418	1	Connector	
26D	1001159186	2	Terminal	

SECTION 2 - GROUND CONTROLS

FIGURE 2-14. DOORS INSTALLATION



ART_100125555

SECTION 2 - GROUND CONTROLS

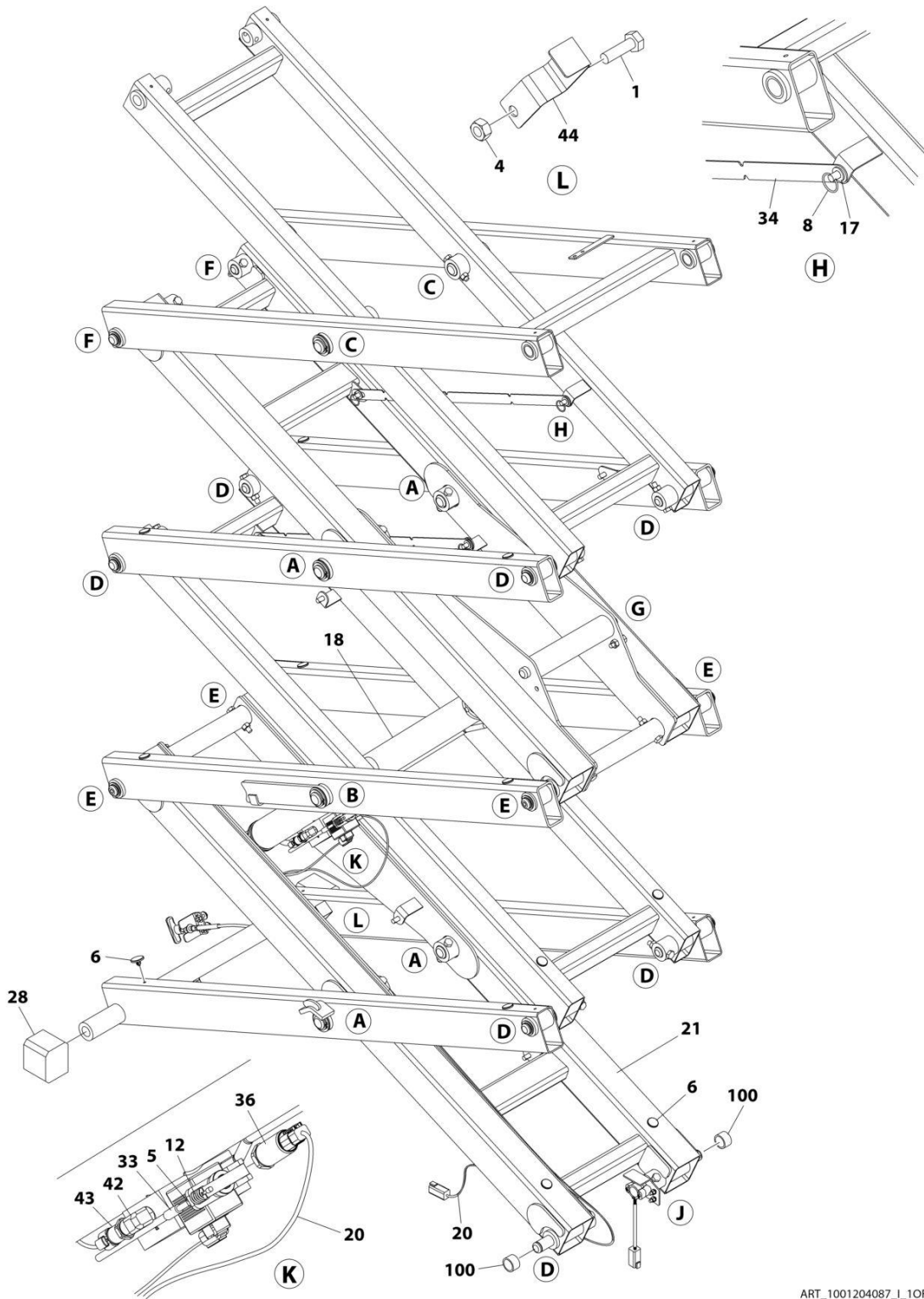
FIGURE 2-14. DOORS INSTALLATION

ITEM	PART NUMBER	QTY	DESCRIPTION	REV
	1001255555	Ref	DOORS INSTALLATION	C
2	0700817	4	Bolt M8 x 45	
3	0701015	2	Bolt M10 x 35	
4	0761217	2	Bolt M12 x 45	
5	3290805	4	Nut M8	
6	3291005	8	Nut M10	
7	3291007	2	Nut M10	
8	3291201	2	Nut M12	
9	3423243	2	Pin	
10	3450303	2	Pin, Cotter 3/32 x 3/4	
11	3841143	2	Keeper, Pin	
12	4160214	2	Spring	
13	4811902	4	Washer M8	
14	4812000	AR	Washer M10	
15	4812002	8	Washer M10	
16	1001214810	2	Support, Door Latch	
17	1001218573	4	Bearing	
18	1001228406	8	Bolt M10 x 35	
19	1001229792	2	Washer	
20	1001251232	1	Tray, Hydraulic	
21	1001251233	1	Tray, Battery	
22	1001251234	1	Hinge (Right)	
23	1001251235	1	Hinge (Left)	
24	1001251242	2	Pin	

SECTION 3 - SCISSORS ARMS

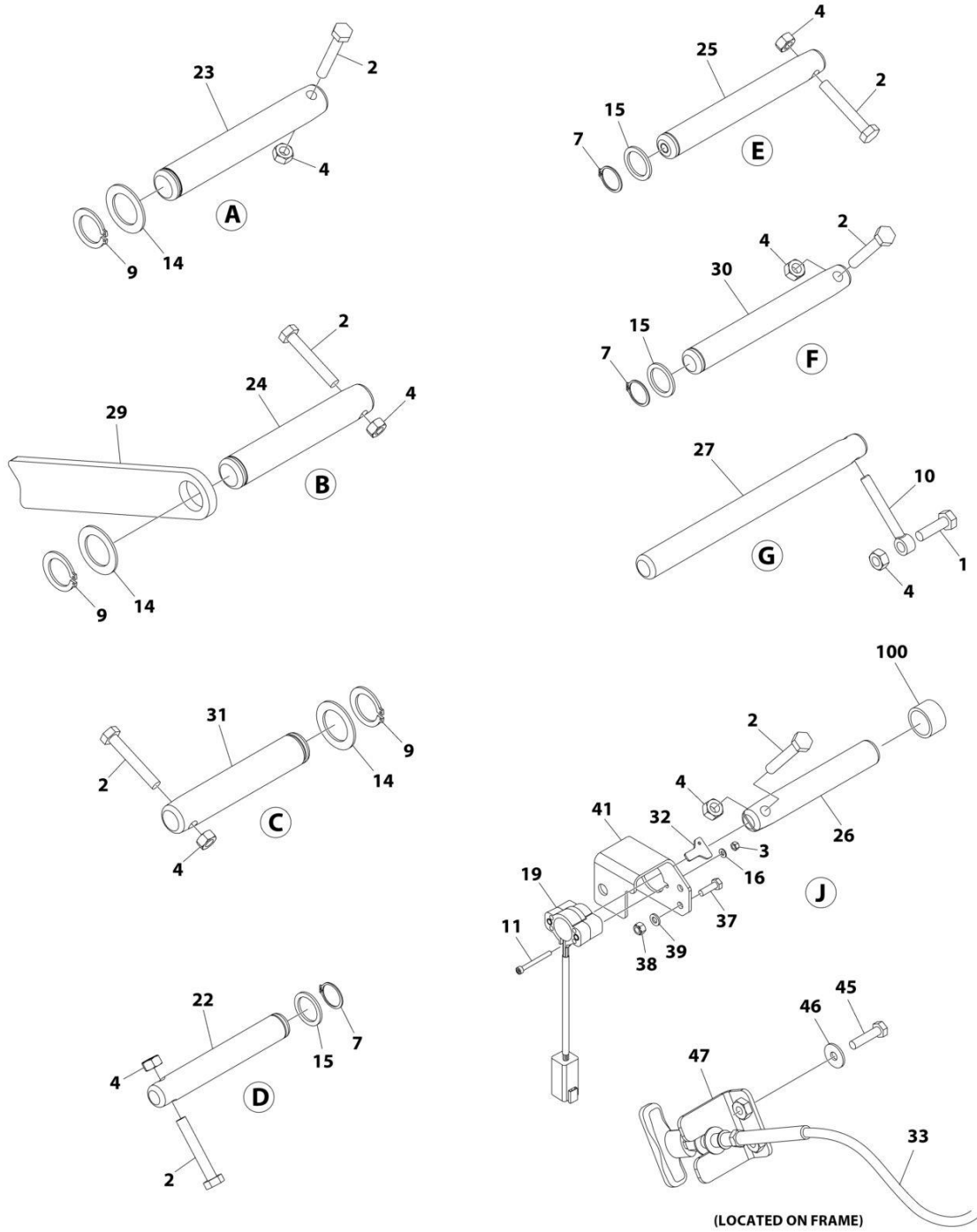
SECTION 3 - SCISSORS ARMS

FIGURE 3-1. SCISSORS ARMS INSTALLATION



ART_1001204087_I_10F2

SECTION 3 - SCISSORS ARMS



ART_1001204087_I_2OF2

SECTION 3 - SCISSORS ARMS

FIGURE 3-1. SCISSORS ARMS INSTALLATION

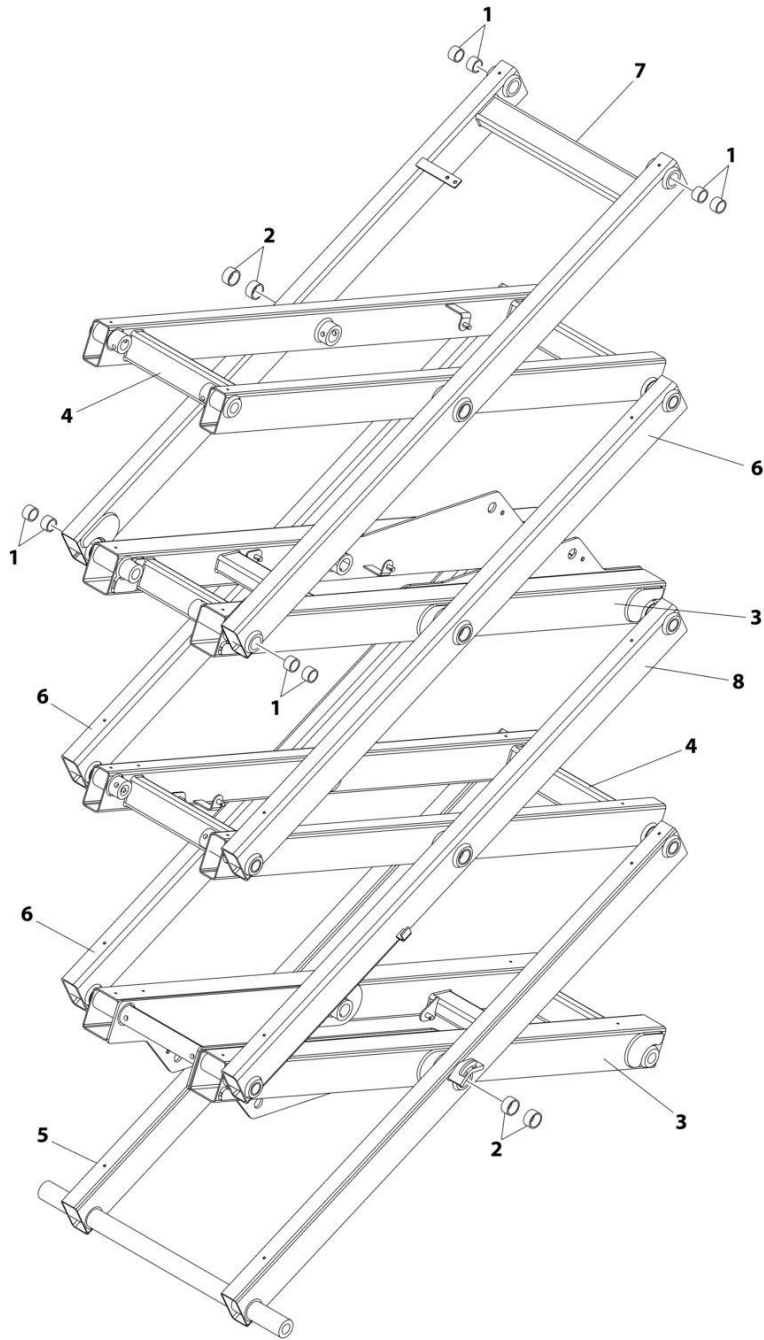
ITEM	PART NUMBER	QTY	DESCRIPTION	REV
	1001204087	Ref	SCISSORS ARMS INSTALLATION	I
1	0701015	AR	Bolt M10 x 35	
2	0701021	22	Bolt M10 x 65	
3	3290405	2	Nut M4	
4	3291007	AR	Nut M10	
5	3321402	1	Nut 1/4	
6	3340962	24	Pad	
7	3760115	12	Ring, Retaining	
8	3760170	4	Ring, Split	
9	3760387	8	Ring, Retaining	
10	3841143	2	Keeper, Pin	
11	4031512	2	Capscrew M4 x 40	
12	4160078	1	Spring	
13	4240017	5	Tie-Strap (Not Shown)	
14	4740438	8	Washer	
15	4740531	12	Washer	
16	4811400	2	Washer M4	
17	4812000	4	Washer M10	
18	1001198935	1	Lift Cylinder Assembly (See Separate Breakdown in CYLINDER SECTION)	
19	1001146963	1	Sensor, Angle	
19	4460899	1	Receptacle, Female - 6 Position	
19	4460464	6	Pin, Male	
20	1001222687	1	Lift Down Harness (See Separate Breakdown in ELECTRICAL SECTION)	
21	1001201355	1	Scissors Arms Kit (See Separate Breakdown in this Section)	
22	1001203443	7	Pin	
23	1001203444	4	Pin	
24	1001203445	1	Pin	
25	1001203446	4	Pin	
26	1001203447	1	Pin	
27	1001203448	2	Pin	
28	1001204311	2	Block, Slide	
29	1001204312	1	Plate, Prop	
30	1001204781	2	Pin	
31	1001204994	3	Pin	
32	1001205345	1	Key, Angle Sensor	
33	1061034	1	Cable, Manual Descent	
33	7020218	1	T-Handle (1/4 Threads)	
33	70001878	1	T-Handle (M5 Threads)	
34	1001206487	2	Support	
36	1001235104	1	Transducer, Pressure	
37	0760610	2	Bolt M6 x 20	
37	0700620	2	Bolt M6 x 60	
38	3290605	2	Nut M6	
39	4811700	2	Washer M6	
41	1001231268	1	Mount, Sensor	
42	2221116	1	Fitting, 90 ORB/ORB	
42	2221116	1	Fitting, 90 ORB/ORB	
43	1001225164	1	Transducer, Pressure	

SECTION 3 - SCISSORS ARMS

ITEM	PART NUMBER	QTY	DESCRIPTION	REV
43	1001225164	1	Transducer, Pressure	
44	1001226791	1	Bracket	
44	1001226791	1	Bracket	
45	0760612	2	Bolt M6 x 25	
46	4811702	2	Washer M6	
47	1001253153	1	Mount	
100	1001134289	2	Bearing (Part of Frame)	

SECTION 3 - SCISSORS ARMS

FIGURE 3-2. SCISSORS ARMS KIT



ART_1001201355

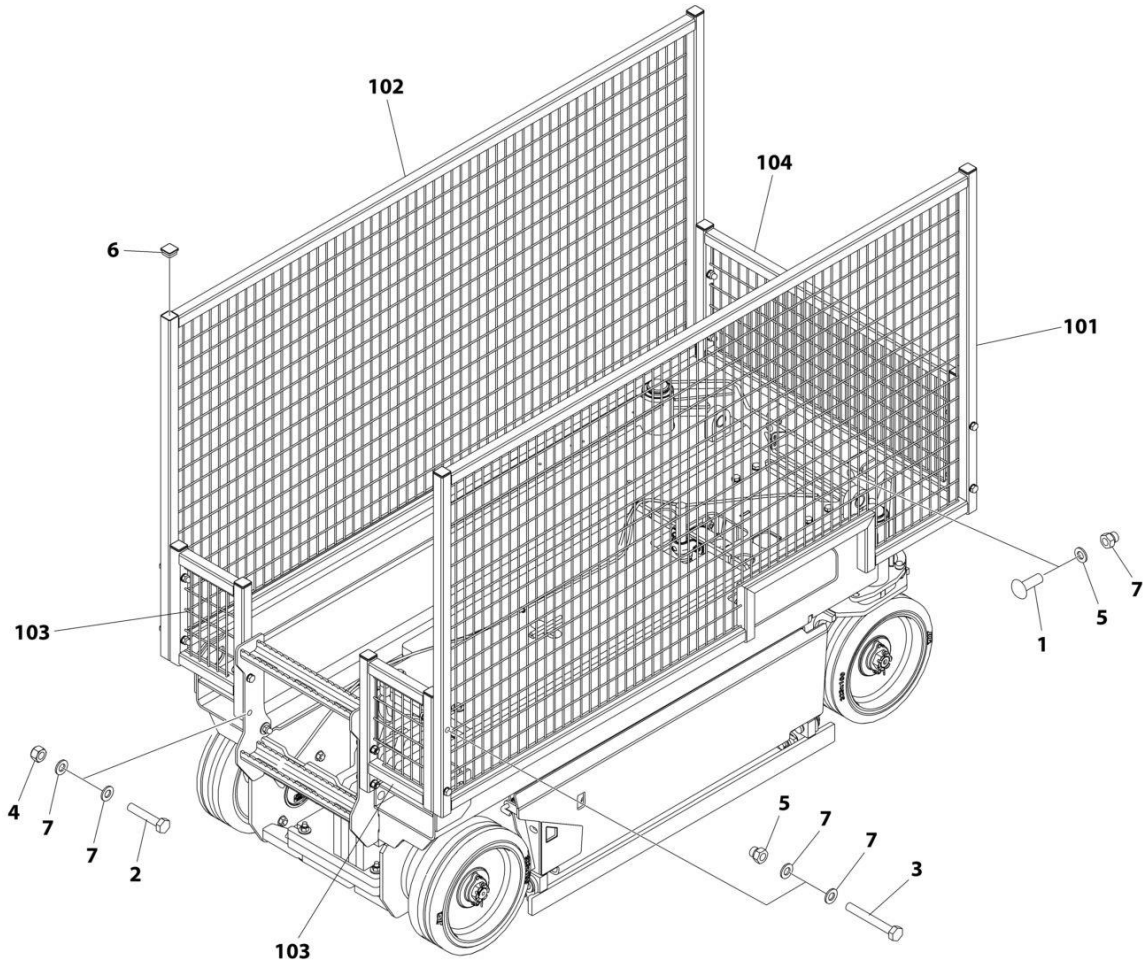
SECTION 3 - SCISSORS ARMS

FIGURE 3-2. SCISSORS ARMS KIT

ITEM	PART NUMBER	QTY	DESCRIPTION	REV
	1001201355	Ref	SCISSORS ARMS KIT	D
1	0440264	28	Bearing	
2	0440265	16	Bearing	
3	1001203973	1	Arm, Inboard (Upper Mid)	
4	1001203974	1	Arm, Inboard (Lower Mid)	
5	1001203975	1	Arm, Outboard (Bottom)	
6	1001203976	3	Arm, Outboard (Lower Mid Left Side and Upper Mid Right/Left)	
7	1001204621	1	Arm, Outboard (Top)	
8	1001213554	1	Arm, Outboard (Lower Mid Right Side)	
9	1001241604	1	Arm, Inboard (Bottom)	
10	1001241605	1	Arm, Inboard (Top)	

SECTION 3 - SCISSORS ARMS

FIGURE 3-3. ARM GUARD INSTALLATION



ART_1001224623

SECTION 3 - SCISSORS ARMS

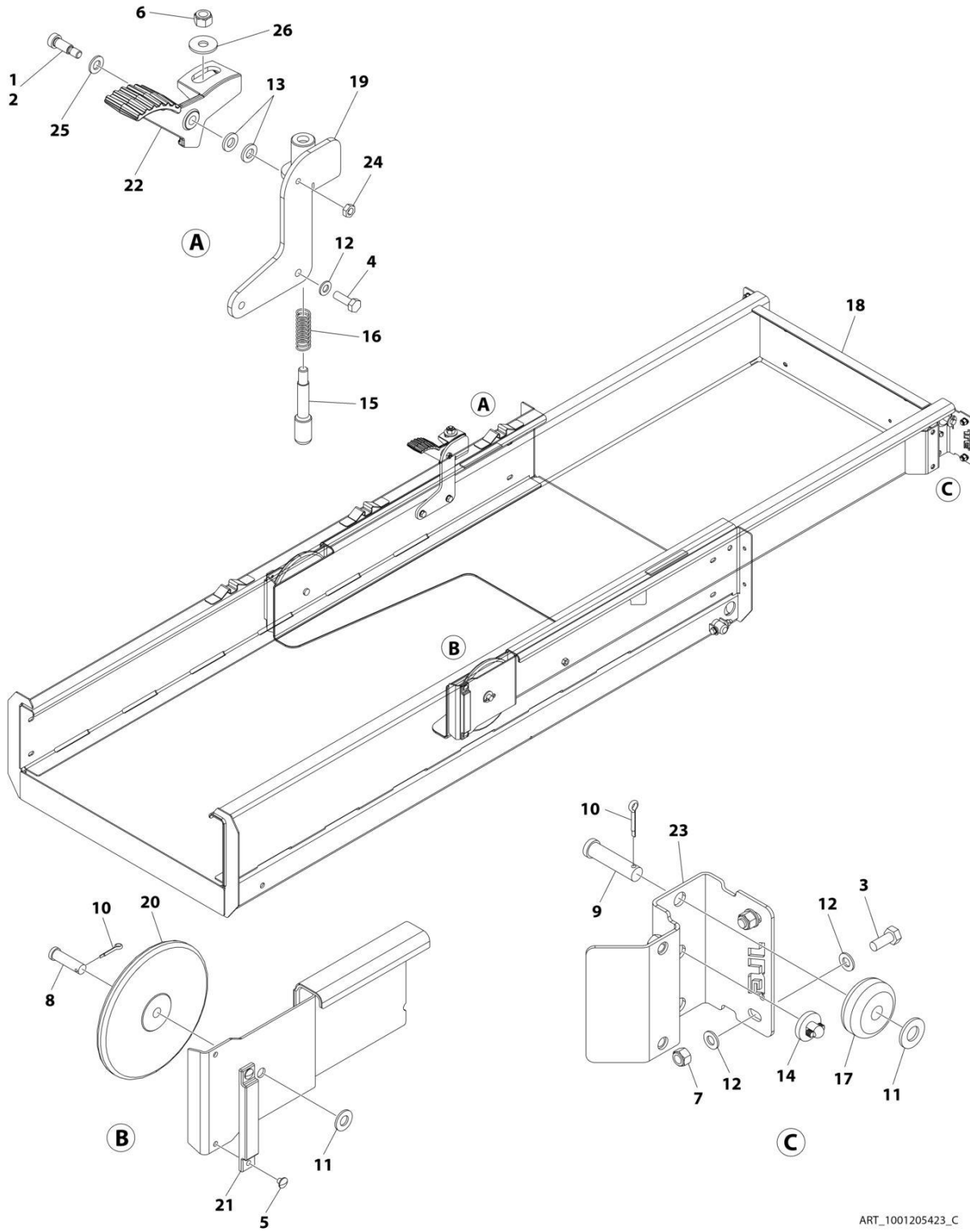
FIGURE 3-3. ARM GUARD INSTALLATION

ITEM	PART NUMBER	QTY	DESCRIPTION	REV
	1001224623	Ref	ARM GUARD INSTALLATION	A
1	0630613	2	Bolt M10 x 30	
2	0701019	4	Bolt M10 x 55	
3	0701024	8	Bolt M10 x 80	
4	3291005	4	Nut M10	
5	3291006	10	Nut M10	
6	3520072	10	Plug	
7	4812000	26	Washer M10	
8	1001224622	1	Arm Guard Kit	
101	1001224604	1	Guard, Arm (RH)	
102	1001224608	1	Guard, Arm (LH)	
103	1001224614	2	Guard, Arm (Rear)	
104	1001224620	1	Guard, Arm (Front)	

SECTION 4 - PLATFORM

SECTION 4 - PLATFORM

FIGURE 4-1. PLATFORM EXTENSION INSTALLATION



ART_1001205423_C

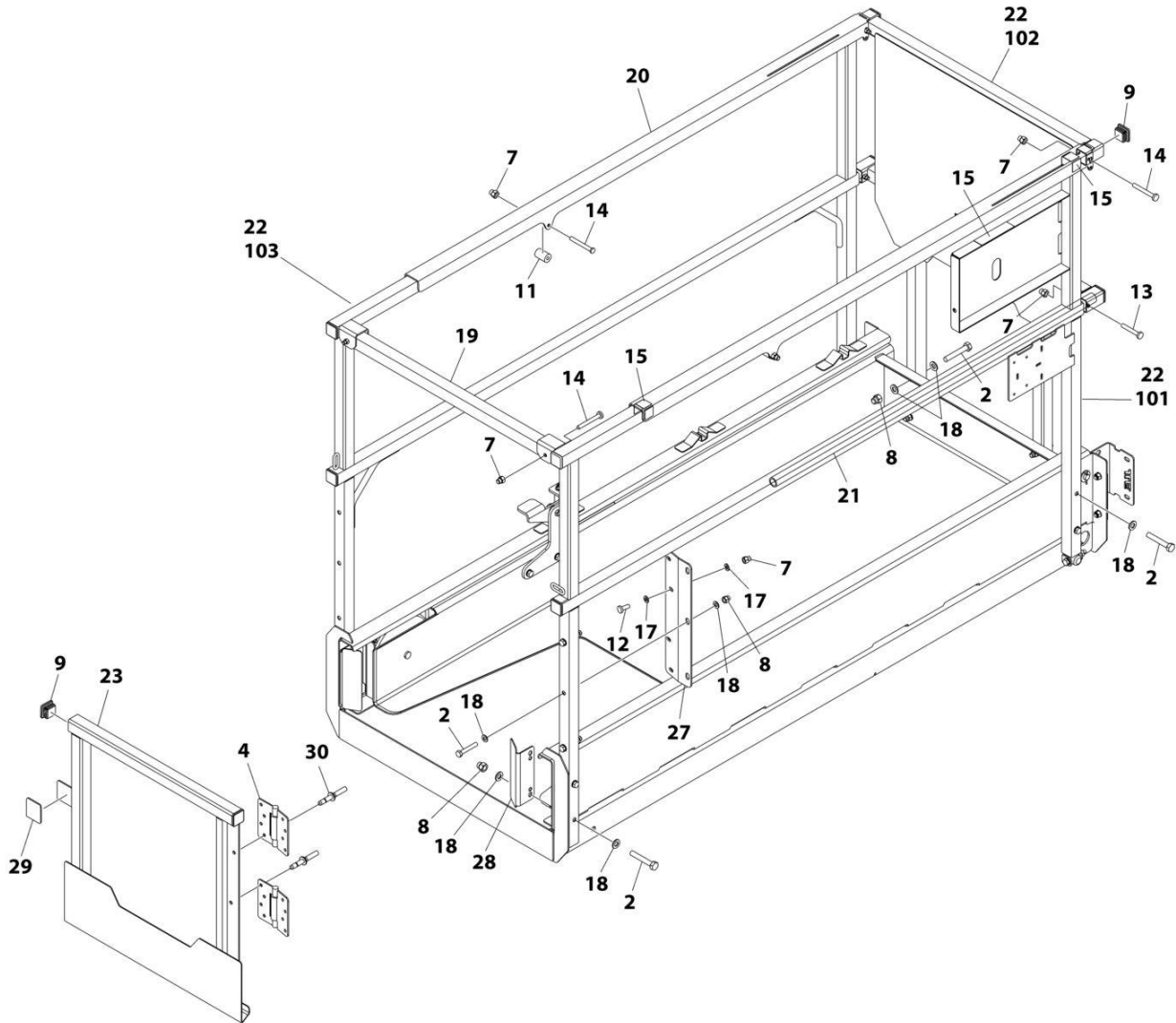
SECTION 4 - PLATFORM

FIGURE 4-1. PLATFORM EXTENSION INSTALLATION

ITEM	PART NUMBER	QTY	DESCRIPTION	REV
	1001205423	Ref	PLATFORM EXTENSION INSTALLATION	C
1	0100011	AR	Compound, Locking	
2	0630183	1	Screw 3/8 x 1	
3	0760810	4	Bolt M8 x 20	
4	0760812	2	Bolt M8 x 25	
5	2080040	4	Fastener	
6	3290605	AR	Nut M6	
6	3291005	AR	Nut M10	
7	3290805	4	Nut M8	
8	3430814	2	Pin	
9	3430816	2	Pin	
10	3450403	4	Pin, Cotter 1/8 x 3/4	
11	4711800	4	Washer 1/2	
12	4811900	11	Washer M8	
13	5241000	5	Washer M10	
14	1001137675	2	Bumper	
15	1001221476	1	Rod	
16	1001221475	1	Spring	
17	1001205422	2	Roller (Front)	
18	1001205424	1	Extension, Platform	
19	1001236129	1	Bracket	
20	1001205430	2	Roller (Rear)	
21	1001208852	2	Pad	
22	1001217043	1	Plate	
23	1001210064	2	Support	
24	3311502	1	Nut 5/16	
25	4812000	AR	Washer M10	
26	4812002	AR	Washer M10	

SECTION 4 - PLATFORM

FIGURE 4-2. RAILS INSTALLATION - FIXED



ART_1001207806_F

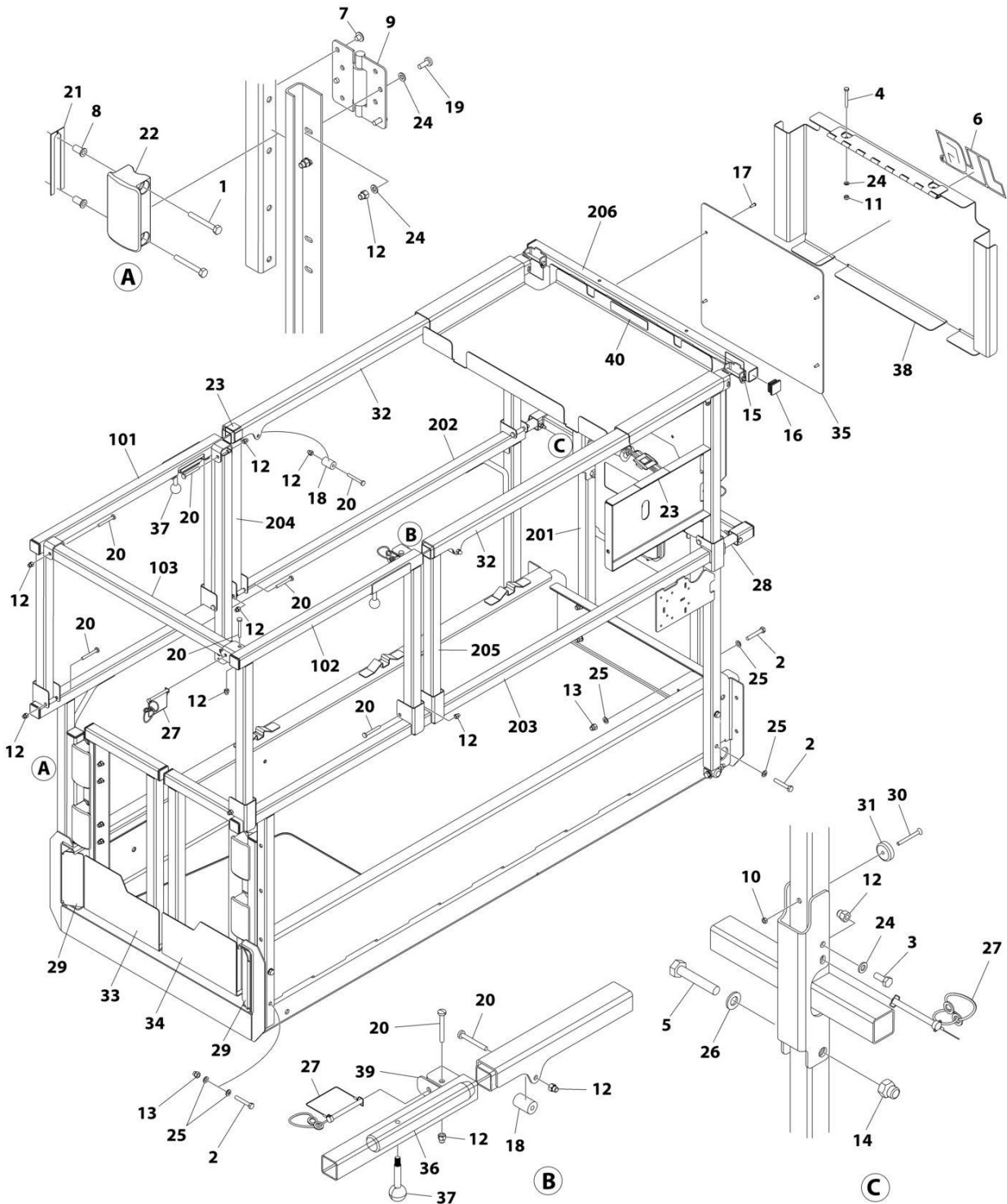
SECTION 4 - PLATFORM

FIGURE 4-2. RAILS INSTALLATION - FIXED

ITEM	PART NUMBER	QTY	DESCRIPTION	REV
	1001207806	Ref	RAILS INSTALLATION - FIXED RAILS/GATE ENTRY (INSIDE TUBE SLIDER)	F
2	0700818	15	Bolt M8 x 50	
4	2600281	2	Hinge	
7	3290606	12	Nut M6	
8	3290806	11	Nut M8	
9	3520072	10	Plug	
11	3860111	2	Roller	
12	4010608	4	Screw M6 x 16	
13	4010616	2	Screw M6 x 40	
14	4010618	6	Screw M6 x 50	
15	4420062	1.3 ft/ 40cm	Tape	
17	4811700	8	Washer M6	
18	4811900	28	Washer M8	
19	1001206224	1	Tube (Rear)	
20	1001206225	2	Rail, Top Slide	
21	1001206226	2	Rod	
22	1001206228	1	Rail Kit - Fixed Rails (See Items 101-103 for Breakdown))	
23	1001210302	1	Gate	
27	1001210586	1	Plate, Gate Hinge	
28	1001210963	2	Cover	
29	3080007	1	Magnet, Latch	
30	2080040	4	Fastener	
	1001206228	Ref	RAIL KIT - FIXED RAILS	H
101	1001206207	1	Rail, Side	
102	1001206217	1	Rail, Front	
103	1001206222	1	Rail, Side	

SECTION 4 - PLATFORM

FIGURE 4-3. RAILS INSTALLATION - QUIK ACCESS (ANSI & JAPANESE SPECS ONLY)



ART_1001249082

SECTION 4 - PLATFORM

FIGURE 4-3. RAILS INSTALLATION - QUIK ACCESS (ANSI & JAPANESE SPECS ONLY)

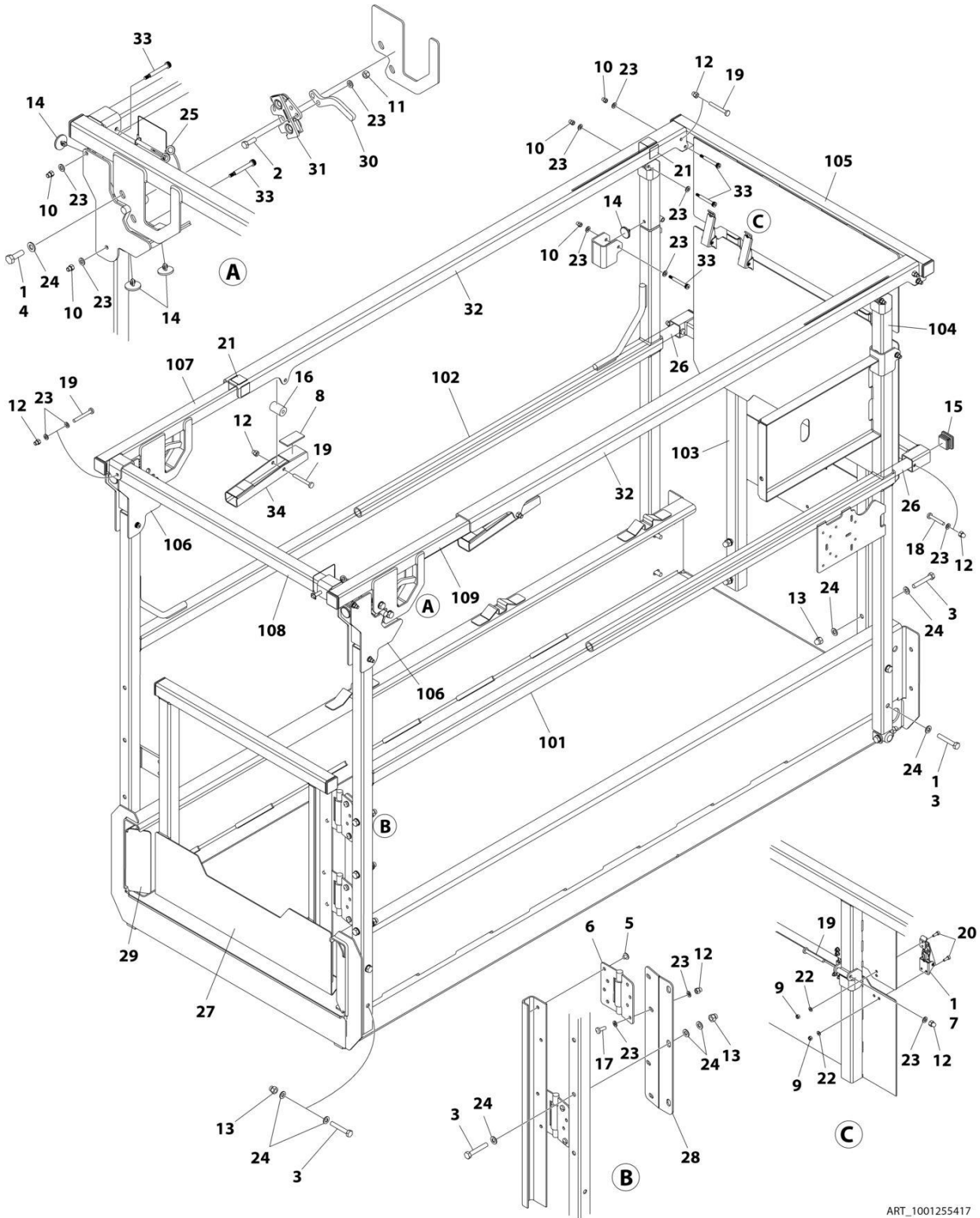
ITEM	PART NUMBER	QTY	DESCRIPTION	REV
	1001249082	Ref	RAILS INSTALLATION - FOLD-DOWN RAILS/GATE ENTRY	C
1	0641416	8	Bolt 1/4 x 2	
2	0700818	12	Bolt M8 x 50	
3	0760608	2	Bolt M6 x 16	
4	0760618	2	Bolt M6 x 50	
5	0761019	2	Bolt M10 x 55	
6	1001256675	1	Decal - JLG	
7	2080040	8	Fastener	
8	2080043	8	Rivnut	
9	2600281	4	Hinge	
10	3290501	2	Nut M5	
11	3290605	2	Nut M6	
12	3290606	26	Nut M6	
13	3290806	8	Nut M8	
14	3291006	2	Nut M10	
15	3422219	2	Pin	
16	3520072	16	Plug	
17	3820032	4	Rivet	
18	3860111	2	Roller	
19	4010608	8	Screw M6 x 16	
20	4010618	16	Screw M6 x 50	
21	4071095	AR	Shim	
22	4220309	4	Stop	
23	4420062	1.5 ft /0.46m	Tape	
24	4811700	20	Washer M6	
25	4811900	20	Washer M8	
26	4812000	2	Washer M10	
27	1001187587	4	Pin	
28	1001206226	2	Rod	
29	1001210963	2	Cover (LH)	
30	1001234395	2	Bolt M5 x 50	
31	1001243528	2	Magnet	
32	1001249114	2	Rail (Upper Slide)	
33	1001251383	1	Gate (Right)	
34	1001251388	1	Gate (Left)	
35	1001254825	1	Panel	
36	1001256471	2	Rail (Platform Extension)	
37	1001257890	2	Knob	
38	1001258528	1	Plate	
39	1001258704	2	Bracket	
40	1001261040	1	Decal - Max Capacity	
100	1001258617	1	Rail Narrow Access Kit (Not Shown)	A
101	1001249109	1	Rail (Upper Left)	
102	1001249111	1	Rail (Upper Right)	
103	1001258620	2	Tube (Drop Bar)	
200	1001258618	1	Rail Narrow Access Kit (Not Shown)	B
201	1001210446	1	Rail (Lower Extension)	
202	1001249096	1	Rail (Lower Left)	
203	1001249107	1	Rail (Lower Right)	

SECTION 4 - PLATFORM

ITEM	PART NUMBER	QTY	DESCRIPTION	REV
204	1001249110	1	Rail (Upper Left)	
205	1001249112	1	Rail (Upper Right)	
206	1001258411	1	Rail (Upper Extension)	

SECTION 4 - PLATFORM

FIGURE 4-4. RAILS INSTALLATION - QUIK FOLD-DOWN (ALL SPECS EXCEPT AUSTRALIAN & CE SPECS)



ART_1001255417

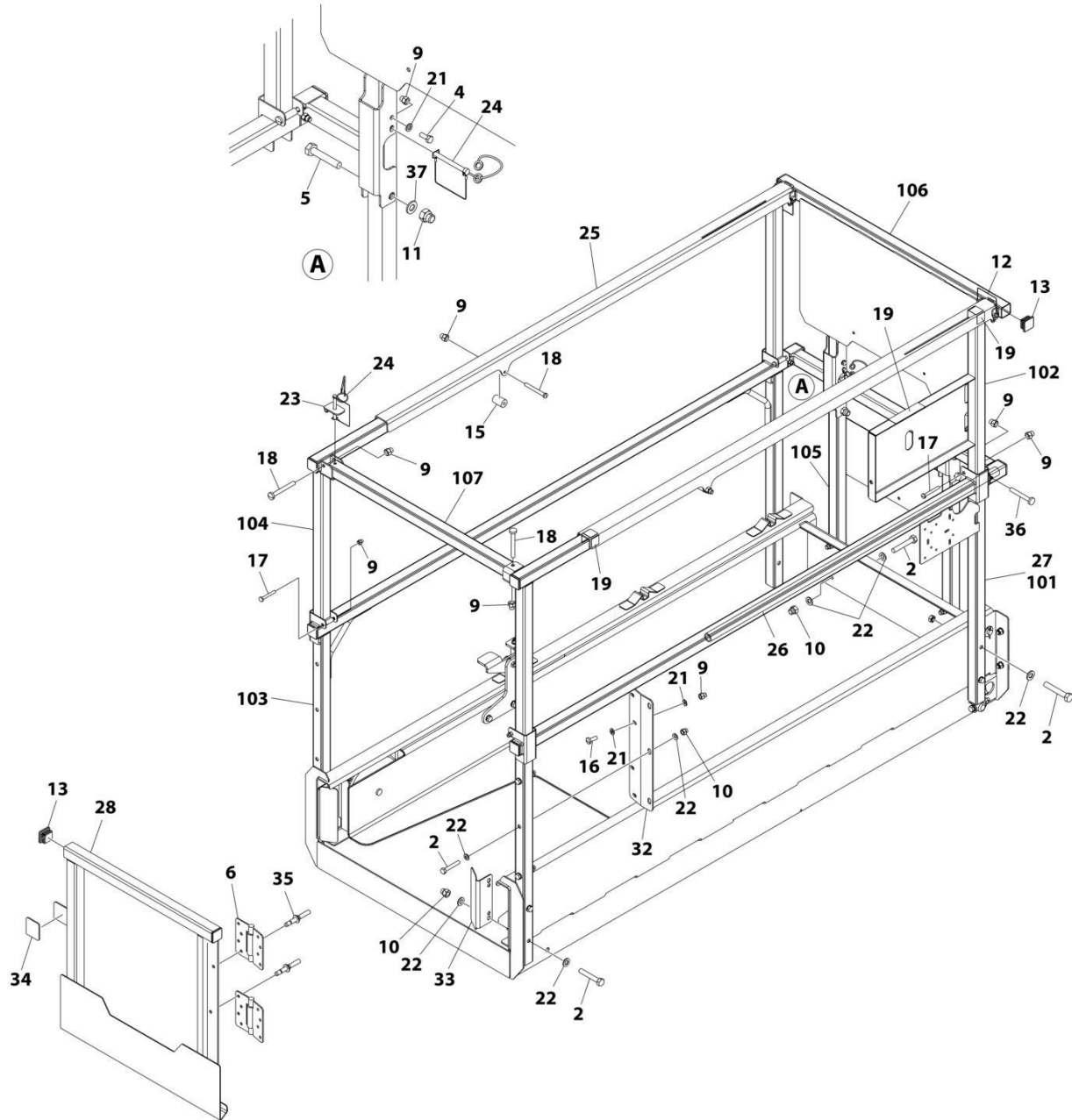
SECTION 4 - PLATFORM

FIGURE 4-4. RAILS INSTALLATION - QUIK FOLD-DOWN (ALL SPECS EXCEPT AUSTRALIAN & CE SPECS)

ITEM	PART NUMBER	QTY	DESCRIPTION	REV
	1001255417	Ref	RAILS INSTALLATION - FOLD-DOWN RAILS/GATE ENTRY (QUIK FOLD) (INSIDE TUBE SLIDER)	E
1	0100011	AR	Compound, Locking	
2	0700610	4	Bolt M6 x 20	
3	0700818	15	Bolt M8 x 50	
4	0700812	4	Bolt M8 x 25	
5	2080040	4	Fastener	
6	2600281	2	Hinge	
7	2940129	2	Latch	
8	3080007	3	Magnet	
9	3290405	8	Nut M4	
10	3290506	10	Nut M5	
11	3290605	4	Nut M6	
12	3290606	13	Nut M6	
13	3290806	11	Nut M8	
14	3340962	8	Pad	
15	3520072	10	Plug	
16	3860111	2	Roller	
17	4010608	4	Screw M6 x 16	
18	4010616	2	Screw M6 x 40	
19	4010618	7	Screw M6 x 50	
20	4031506	8	Bolt M4 x 12	
21	4420062	1.3 ft /40cm	Tape	
22	4811400	8	Washer M4	
23	4811700	38	Washer M6	
24	4811900	33	Washer M8	
25	1001187587	1	Pin	
26	1001206226	2	Rod	
27	1001210302	1	Gate	
28	1001210586	1	Plate, Gate Hinge	
29	1001210963	2	Cover	
30	1001259102	1	Plate, Latch Trigger	
31	1001255470	1	Latch Assembly	
32	1001255505	2	Rail, Top Slide	
33	1001256657	10	Bolt M6 x 40	
34	1001261149	2	Handle	
100	1001255420	1	Rail Kit (Not Shown)	D
101	1001255421	1	Rail (Right Platform)	
102	1001255428	1	Rail (Left Platform)	
103	1001255430	1	Rail (Platform Extension)	
104	1001255442	2	Tube (Rail Hinge)	
105	1001255457	1	Rail (Upper Extension)	
106	1001259105	2	Rail (Latch Assembly)	
107	1001259106	1	Rail (Upper)	
108	1001255491	1	Tube (Upper Extension)	
109	1001259107	1	Rail (Upper)	

SECTION 4 - PLATFORM

FIGURE 4-5. RAILS INSTALLATION - STANDARD FOLD-DOWN RAILS (ALL SPECS)



ART_1001207807_E

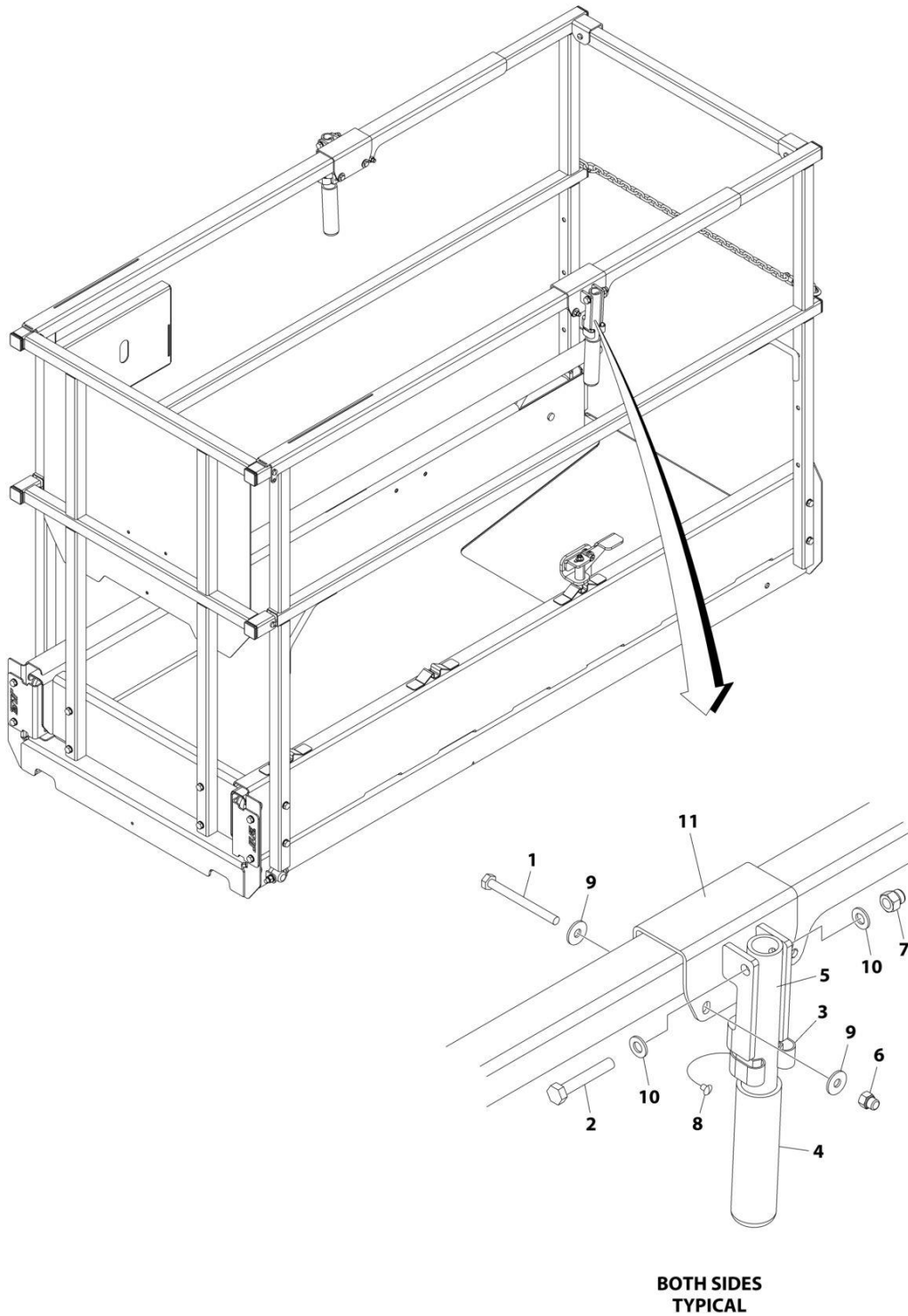
SECTION 4 - PLATFORM

FIGURE 4-5. RAILS INSTALLATION - STANDARD FOLD-DOWN RAILS (ALL SPECS)

ITEM	PART NUMBER	QTY	DESCRIPTION	REV
	1001207807	Ref	RAILS INSTALLATION - FOLD-DOWN RAILS/GATE ENTRY (INSIDE TUBE SLIDER)	E
2	0700818	15	Bolt M8 x 50	
4	0760608	2	Bolt M6 x 16	
5	0761019	2	Bolt M10 x 55	
6	2600281	2	Hinge	
9	3290606	16	Nut M6	
10	3290806	11	Nut M8	
11	3291006	2	Nut M10	
12	3422219	2	Pin	
13	3520072	10	Plug	
15	3860111	2	Roller	
16	4010608	4	Screw M6 x 16	
17	4010617	4	Screw M6 x 45	
18	4010618	4	Screw M6 x 50	
19	4420062	1.3 ft/ 40cm	Tape	
21	4811700	10	Washer M6	
22	4811900	26	Washer M8	
23	1001154378	1	Bracket	
24	1001187587	3	Pin	
25	1001206225	2	Rail, Top Slide	
26	1001206226	2	Rod	
27	1001208073	1	Rail Kit - Fold-Down Rails (Includes Items 101-107)	
28	1001210302	1	Gate	
32	1001210586	1	Plate, Gate Hinge	
33	1001210963	2	Cover	
34	3080007	1	Magnet	
35	2080040	4	Fastener	
36	4010616	4	Screw M6 x 40	
37	4812000	2	Washer M10	
101	1001210442	1	Rail - Lower (Right)	
102	1001210443	1	Rail - Upper (Right)	
103	1001210444	1	Rail - Lower (Left)	
104	1001210445	1	Rail - Upper (Left)	
105	1001210446	1	Rail - Extension Lower (Front)	
106	1001210447	1	Rail - Extension Upper (Front)	
107	1001210458	1	Rail (Rear)	

SECTION 4 - PLATFORM

FIGURE 4-6. HANDLE EXTENSION INSTALLATION (OPTIONAL)



ART_1001222587

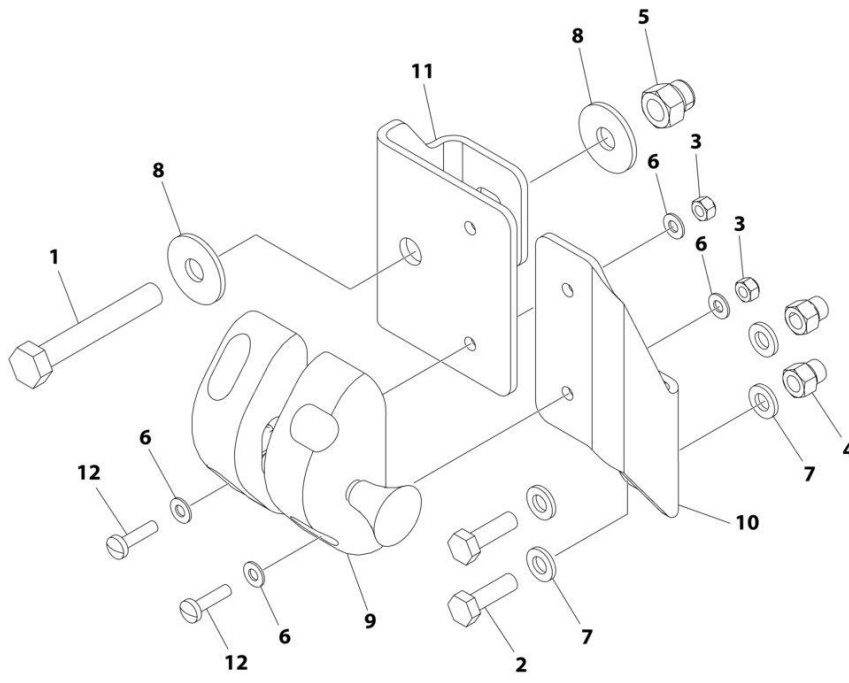
SECTION 4 - PLATFORM

FIGURE 4-6. HANDLE EXTENSION INSTALLATION (OPTIONAL)

ITEM	PART NUMBER	QTY	DESCRIPTION	REV
	1001222587	Ref	HANDLE EXTENSION INSTALLATION (OPTIONAL)	B
1	0700621	4	Bolt M6 x 65	
2	0700818	2	Bolt M8 x 50	
3	1380132	2	Clip	
4	2560088	2	Grip, Handle	
5	2560190	2	Handle	
6	3290606	2	Nut M6	
7	3290806	2	Nut M8	
8	3820019	2	Rivet	
9	4811702	8	Washer M6	
10	4811900	4	Washer M8	
11	1001216823	2	Bracket	

SECTION 4 - PLATFORM

FIGURE 4-7. GATE LATCH INSTALLATION - OPTIONAL (ALL SPECS EXCEPT KOREAN SPECS)



ART_1001220995

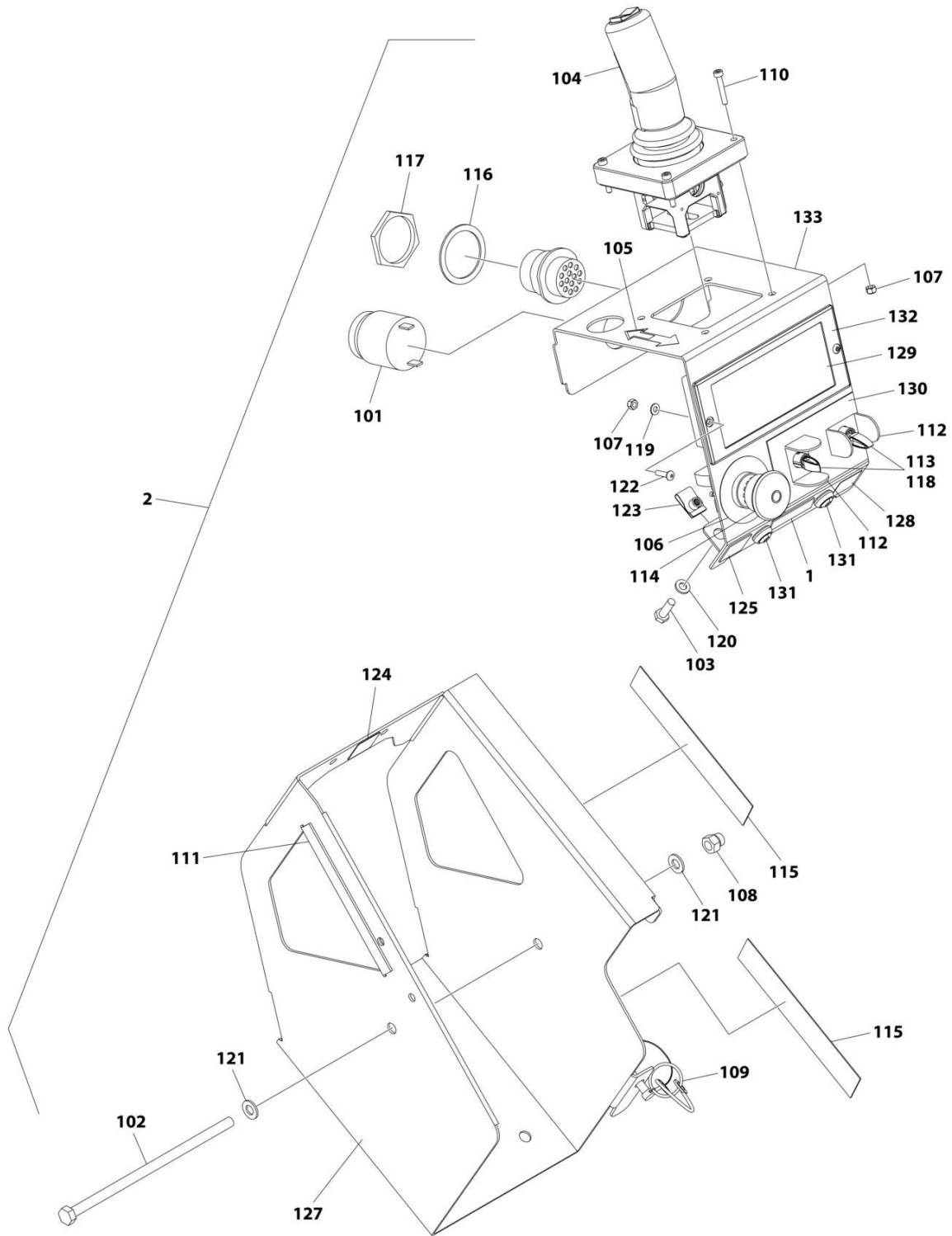
SECTION 4 - PLATFORM

FIGURE 4-7. GATE LATCH INSTALLATION - OPTIONAL (ALL SPECS EXCEPT KOREAN SPECS)

ITEM	PART NUMBER	QTY	DESCRIPTION	REV
	1001220995	Ref	GATE LATCH INSTALLATION	B
1	0700819	1	Bolt M8 x 55	
2	0760610	2	Bolt M6 x 20	
3	3290405	4	Nut M4	
4	3290606	2	Nut M6	
5	3290806	1	Nut M8	
6	4811400	8	Washer M4	
7	4811700	4	Washer M6	
8	4811902	2	Washer M8	
9	1001134821	1	Latch	
10	1001220409	1	Mount	
11	1001220410	1	Plate	
12	4010408	4	Screw M4 x 16	

SECTION 4 - PLATFORM

FIGURE 4-8. PLATFORM CONSOLE INSTALLATION (ES1932)



ART_1001258752

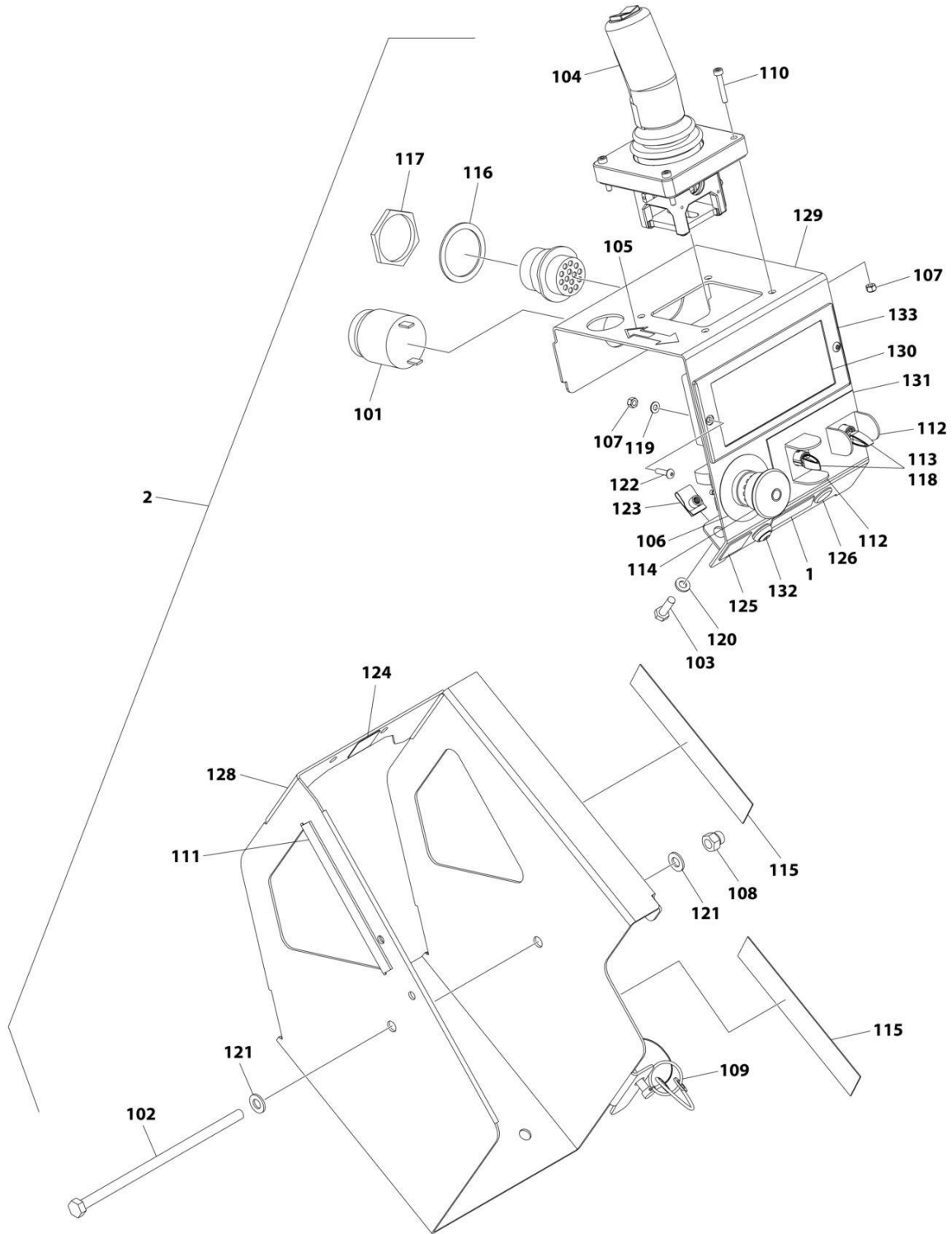
SECTION 4 - PLATFORM

FIGURE 4-8. PLATFORM CONSOLE INSTALLATION (ES1932)

ITEM	PART NUMBER	QTY	DESCRIPTION	REV
	1001258752	Ref	PLATFORM CONSOLE INSTALLATION	C
1	1001258867	1	Decal - ES1932/ES2632/ES3246	
2	1001262656	1	Platform Console Assembly	B
101	0140030	1	Alarm	
102	0700835	1	Bolt M8 x 180	
103	0760610	2	Bolt M6 x 20	
104	1600402	1	Controller Assembly (See Separate Breakdown in this Section)	
105	1703819	1	Decal - Arrow	
106	1704260	1	Decal - Emergency Stop	
107	3290405	6	Nut M4	
108	3290806	1	Nut M8	
109	3423278	1	Pin, Snap with Lanyard	
110	4031509	4	Capscrew M4 x 25	
111	4060803	6 in /14cm	Flex-Trim	
112	4060906	2	Guard, Switch	
113	4360345	2	Switch, Toggle	
114	4360475	1	Switch, Emergency Stop	
114	7020175	1	Cap	
114	7020176	1	Block, Contact	
115	4420062	12 in/ 30cm	Tape	
116	4460496	1	Washer, Terminal	
117	4460497	1	Nut, Terminal	
118	4711700	2	Washer 7/16	
119	4811400	2	Washer M4	
120	4811700	2	Washer M6	
121	4811900	2	Washer M8	
122	1001047064	2	Screw (Socket Head)	
123	1001130220	2	Nut, Tinnerman M6	
124	1001132358	1	Decal - Steer	
125	1001132361	1	Decal - Horn	
126	1001200819	1	Platform Control Box Harness (Not Shown - See Separate Breakdown in ELECTRICAL Section)	
127	1001209596	1	Plate, Box (Outside)	
128	1001213886	1	Decal - Indoor/Outdoor	
129	1001218285	1	Decal - Platform Control	
130	1001220893	1	Decal - Lift/Drive Function	
131	1001226749	2	Switch - Push Button	
132	1001228112	1	Module, Platform Control	
133	1001262655	1	Plate, Box (Inside)	

SECTION 4 - PLATFORM

FIGURE 4-9. PLATFORM CONSOLE INSTALLATION (ES1932I)



ART_1001258753

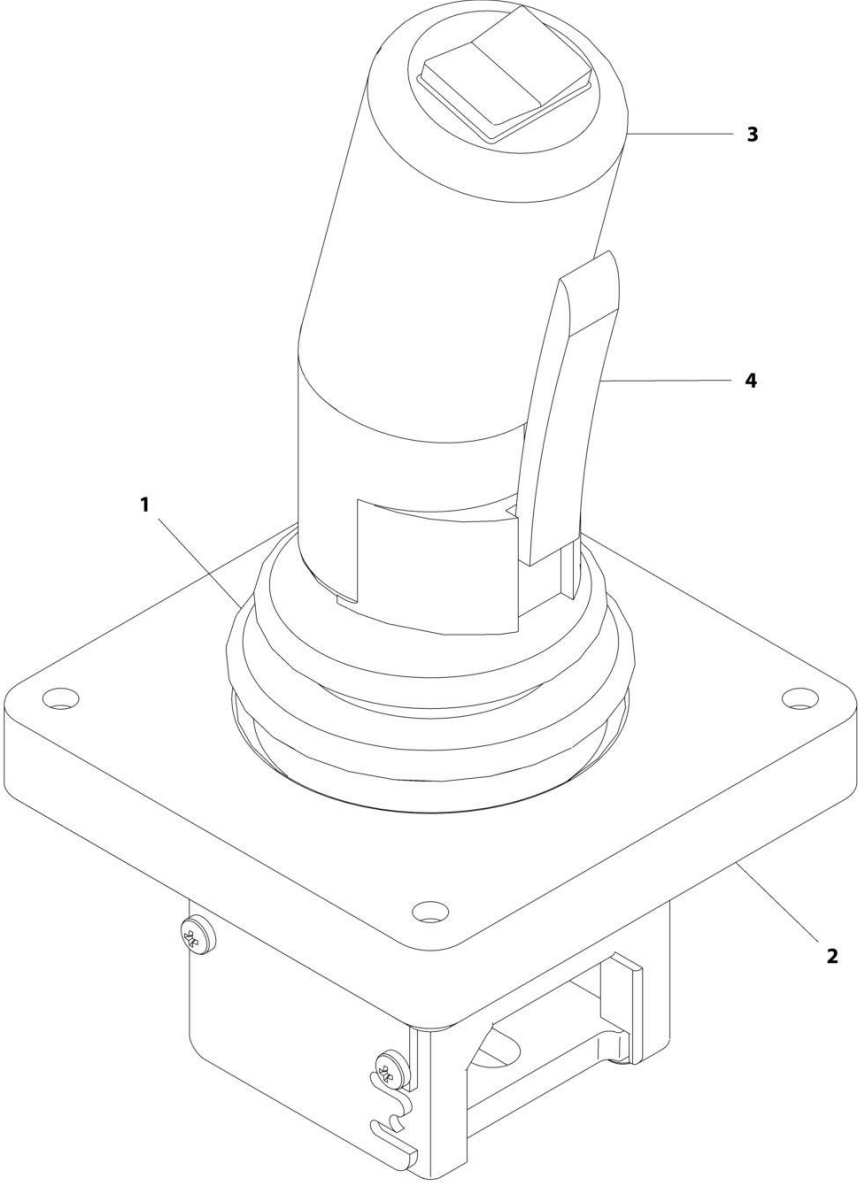
SECTION 4 - PLATFORM

FIGURE 4-9. PLATFORM CONSOLE INSTALLATION (ES1932I)

ITEM	PART NUMBER	QTY	DESCRIPTION	REV
	1001258753	Ref	PLATFORM CONSOLE INSTALLATION	B
1	1001258957	1	Decal - ES1932i/ES2632i/ES3246i	
2	1001258868	1	Platform Console Assembly	C
101	0140030	1	Alarm	
102	0700835	1	Bolt M8 x 180	
103	0760610	2	Bolt M6 x 20	
104	1600402	1	Controller Assembly (See Separate Breakdown in this Section)	
105	1703819	1	Decal - Arrow	
106	1704260	1	Decal - Emergency Stop	
107	3290405	6	Nut M4	
108	3290806	1	Nut M8	
109	3423278	1	Pin, Snap with Lanyard	
110	4031509	4	Capscrew M4 x 25	
111	4060803	6 in /14cm	Flex-Trim	
112	4060906	2	Guard, Switch	
113	4360345	2	Switch, Toggle	
114	4360475	1	Switch, Emergency Stop	
114	7020175	1	Cap	
114	7020176	1	Block, Contact	
115	4420062	12 in/ 30cm	Tape	
116	4460496	1	Washer, Terminal	
117	4460497	1	Nut, Terminal	
118	4711700	2	Washer 7/16	
119	4811400	2	Washer M4	
120	4811700	2	Washer M6	
121	4811900	2	Washer M8	
122	1001047064	2	Screw (Socket Head)	
123	1001130220	2	Nut, Tinnerman M6	
124	1001132358	1	Decal - Steer	
125	1001132361	1	Decal - Horn	
126	1001176626	1	Plug	
127	1001200819	1	Platform Control Box Harness (Not Shown) (See Separate Breakdown in ELECTRICAL SECTION)	
128	1001262655	1	Plate, Box (Inside)	
129	1001209596	1	Plate, Box (Outside)	
130	1001218285	1	Decal - Platform Control	
131	1001220893	1	Decal - Lift/Drive Function	
132	1001226749	1	Switch - Push Button	
133	1001228112	1	Module, Platform Control	

SECTION 4 - PLATFORM

FIGURE 4-10. DRIVE/STEER CONTROLLER ASSEMBLY (AUSTRALIAN & CE SPECS)



ART_1600402

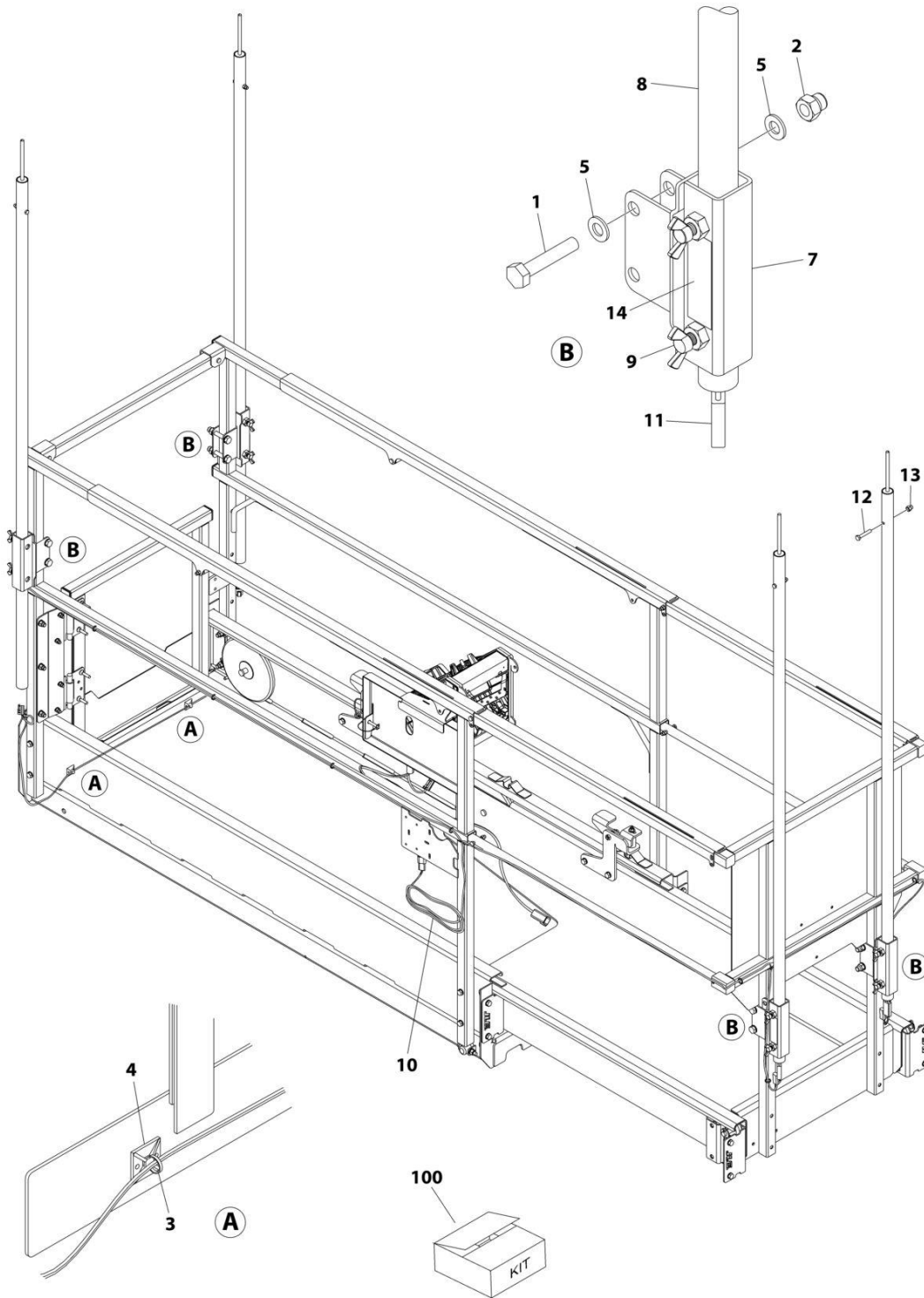
SECTION 4 - PLATFORM

FIGURE 4-10. DRIVE/STEER CONTROLLER ASSEMBLY (AUSTRALIAN & CE SPECS)

ITEM	PART NUMBER	QTY	DESCRIPTION	REV
	1600402	Ref	DRIVE/STEER CONTROLLER ASSEMBLY	A
1	70001250	1	Boot, Panel	
2	70001252	1	Gasket, Mounting	
2	70001251	1	Bezel, Mounting	
3	70003650	1	Handle Repair Kit (Includes handle gasket, item#4 push button and item #4 lever installed in front handle half, back handle half, top actuator, boot and hardware.)	
3	70000084	1	Cap, Rubber	
3	70000082	1	Microswitch	
3	7027766	1	Ring, Retaining	
3	7027365	1	Actuator, Handle	
3	70001253	1	Gasket, Handle	
3	70000683	4	Washer, Neoprene	
3	70000685	2	Spacer, Plastic	
3	70000686	2	Screw (Top)	
3	70000684	2	Screw (Bottom)	
4	7027367	1	Switch, Push Button	
4	7027765	1	Lever, Enable	

SECTION 4 - PLATFORM

FIGURE 4-11. OVERHEAD PROTECTION INSTALLATION (KOREAN SPECS)



ART_1001220216

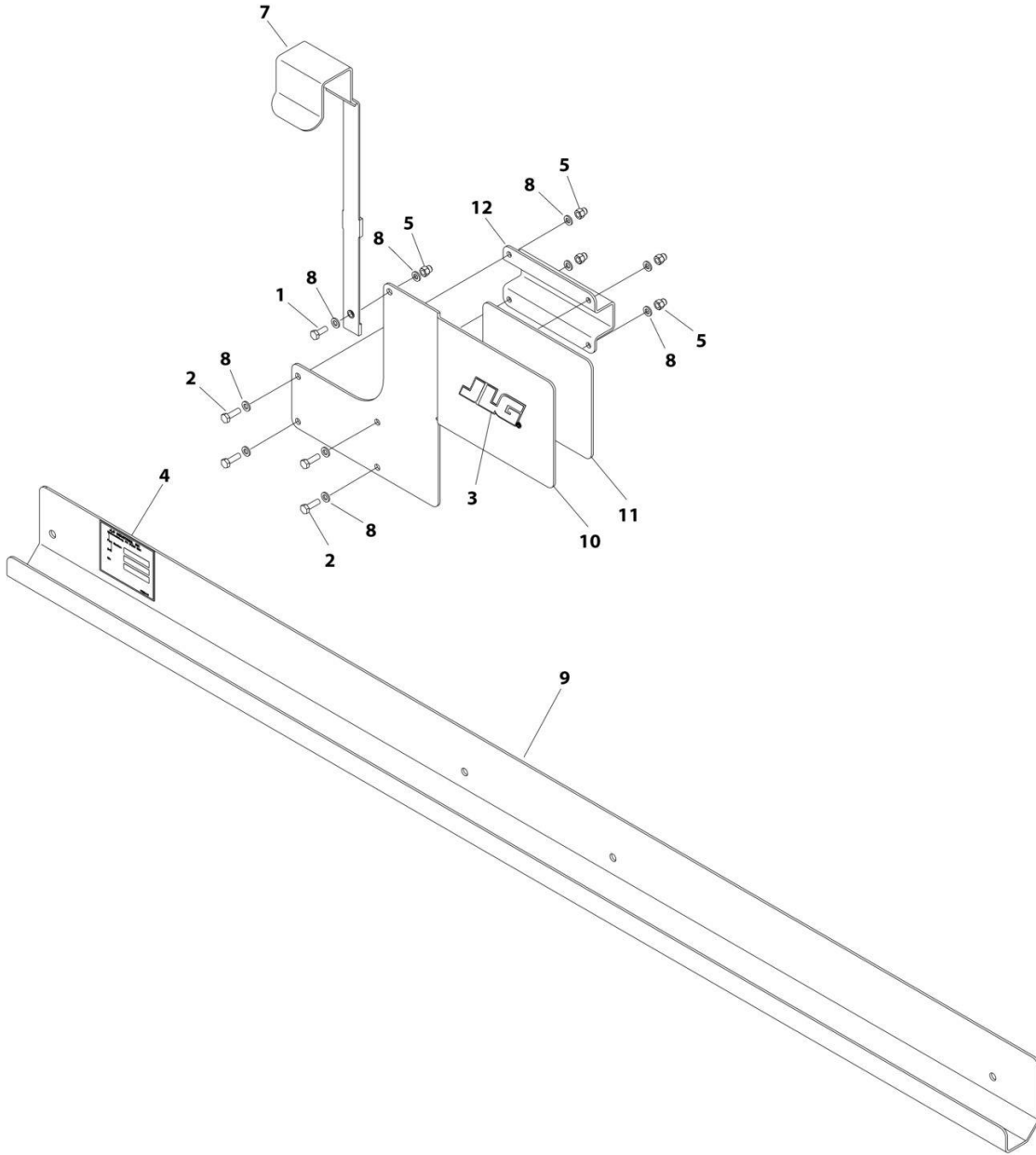
SECTION 4 - PLATFORM

FIGURE 4-11. OVERHEAD PROTECTION INSTALLATION (KOREAN SPECS)

ITEM	PART NUMBER	QTY	DESCRIPTION	REV
	1001220216	Ref	OVERHEAD PROTECTION INSTALLATION (KOREAN SPECS)	B
1	0701019	8	Bolt M10 x 55	
2	3291006	8	Nut M10	
3	4240017	AR	Tie-Strap	
4	4460234	2	Mount, Tie-Strap	
5	4812000	16	Washer M10	
7	1001221275	4	Bracket	
8	1001221276	4	Tube	
9	1001222914	8	Thumb Screw	
10	1001224468	1	Overhead Protection Harness	
10	4460891	4	Plug, Male - 2 Position (SW03-SW06)	
10	4460465	8	Socket, Female	
10	4460536	1	Receptacle, Female - 3 Position (X567)	
10	4460464	2	Pin, Male	
10	4460466	1	Plug, Terminal	
11	1001226277	4	Switch, Overhead Protection	
12	0700616	4	Bolt M6 x 40	
13	3290606	4	Nut M6	
14	1001228184	1	Decal - Overhead Protection Weight	
100	1001221244	1	Overhead Protection Kit (Includes Items 1, 2, 5-9 & 11-14)	

SECTION 4 - PLATFORM

FIGURE 4-12. PANEL CARRIER INSTALLATION (AUSTRALIAN & CE SPECS)



ART_1001235924

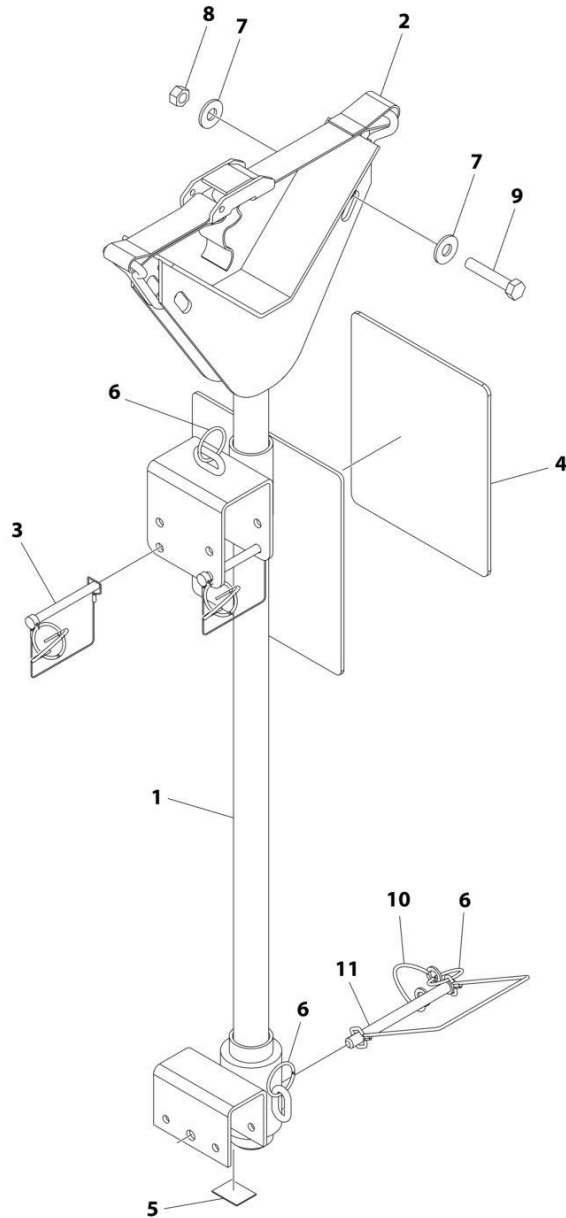
SECTION 4 - PLATFORM

FIGURE 4-12. PANEL CARRIER INSTALLATION (AUSTRALIAN & CE SPECS)

ITEM	PART NUMBER	QTY	DESCRIPTION	REV
	1001235924	Ref	PANEL CARRIER INSTALLATION	B
1	0760608	1	Bolt M6 x 16	
2	0760610	4	Bolt M6 x 20	
3	1702010	1	Decal - JLG	
4	See Note	NSS	Nameplate - Accessory SN (Note: Not Available for Purchase)	
5	3290606	5	Nut M6	
6	3574505	1	Plate	
7	4240165	1	Strap	
8	4811700	10	Washer M6	
9	1001235536	1	Channel	
10	1001235863	1	Plate	
11	1001236507	1	Decal – Panel Carrier Capacity	
12	4420037	6 in /15cm	Tape	

SECTION 4 - PLATFORM

FIGURE 4-13. PIPE RACK INSTALLATION (AUSTRALIAN & CE SPECS)



ART_1001229469

SECTION 4 - PLATFORM

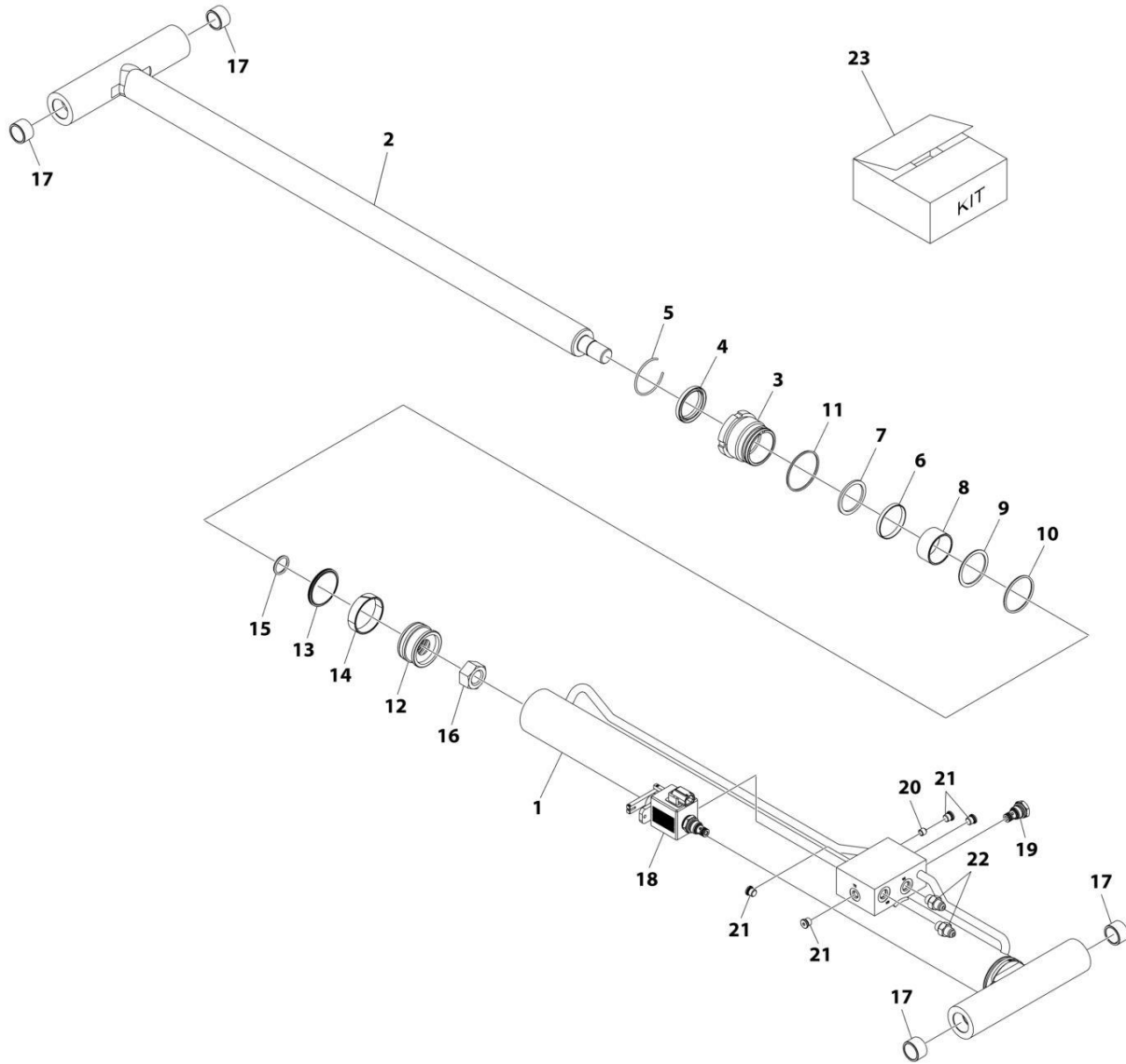
FIGURE 4-13. PIPE RACK INSTALLATION (AUSTRALIAN & CE SPECS)

ITEM	PART NUMBER	QTY	DESCRIPTION	REV
	1001229469	Ref	PIPE RACK INSTALLATION	A
1	1001199189	2	Rack Pipe	
2	0480100	2	Tie-Strap	
3	1001187587	4	Pin	
4	1001229441	2	Decal - Pipe Rack Capacity	
5	4420062	3 ft/ 1m	Tape	
6	3760170	6	Ring	
7	4751500	8	Washer 5/16	
8	3311505	4	Nut 5/16	
9	0641514	4	Bolt 5/16 x 1-3/4	
10	1060379	2	Lanyard	
11	3421854	2	Pin	

SECTION 5 - CYLINDER

SECTION 5 - CYLINDER

FIGURE 5-1. LIFT CYLINDER ASSEMBLY



ART_1001198935

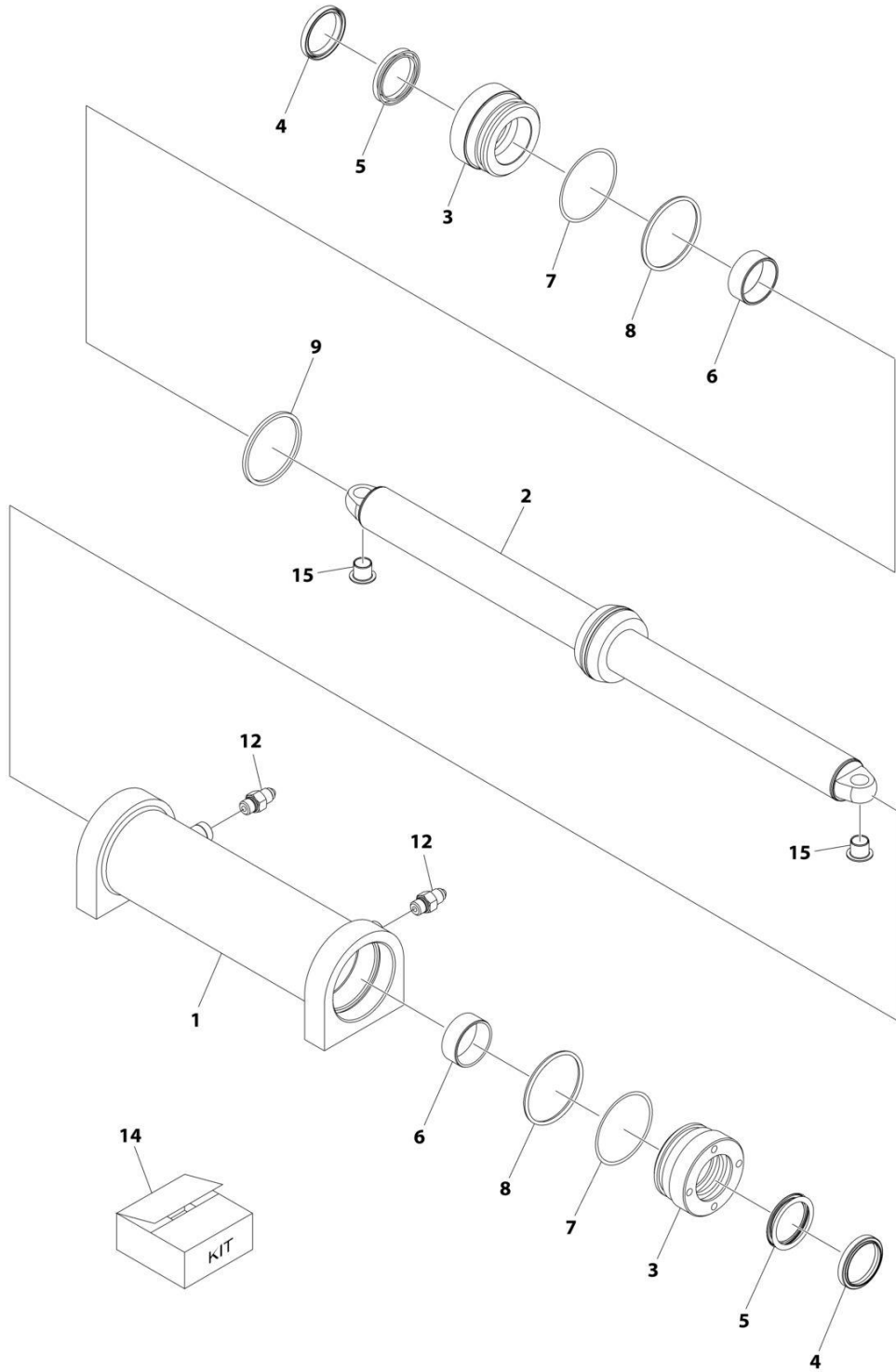
SECTION 5 - CYLINDER

FIGURE 5-1. LIFT CYLINDER ASSEMBLY

ITEM	PART NUMBER	QTY	DESCRIPTION	REV
	1001198935	Ref	LIFT CYLINDER ASSEMBLY	C
		Ref	Note: Original Cylinder May Have Been Replaced with Service Replacement. Identify PN Stamped on Cylinder Before Ordering Parts.	
1	70005790	1	Barrel	
2	70005791	1	Rod	
3	70005792	1	Head	
4	See Note	NSS	Wiper (Note: Use Item 23)	
5	70002410	1	Ring, Retaining	
6	See Note	NSS	Seal, Rod (Note: Use Item 23)	
7	See Note	NSS	Ring, Back-up (Note: Use Item 23)	
8	70005793	1	Spacer	
9	See Note	NSS	O-Ring (Note: Use Item 23)	
10	See Note	NSS	Ring, Back-up (Note: Use Item 23)	
11	See Note	NSS	O-Ring (Note: Use Item 23)	
12	70005794	1	Piston	
13	See Note	NSS	Seal, Piston (Note: Use Item 23)	
14	See Note	NSS	Ring, Wear (Note: Use Item 23)	
15	See Note	NSS	O-Ring (Note: Use Item 23)	
16	70005796	1	Nut	
17	0962292	4	Bearing	
18	70004233	1	Valve, Manual Descent	
19	70004232	1	Valve, Check	
20	70004231	1	Orifice	
21	70023370	4	Plug	
22	70005795	2	Fitting, Straight JIC	
23	70005797	1	Seal Kit - Cylinder (Includes Items 4, 6, 7, 9-11 & 13-15)	

SECTION 5 - CYLINDER

FIGURE 5-2. STEER CYLINDER ASSEMBLY



ART_1001220570_B

SECTION 5 - CYLINDER

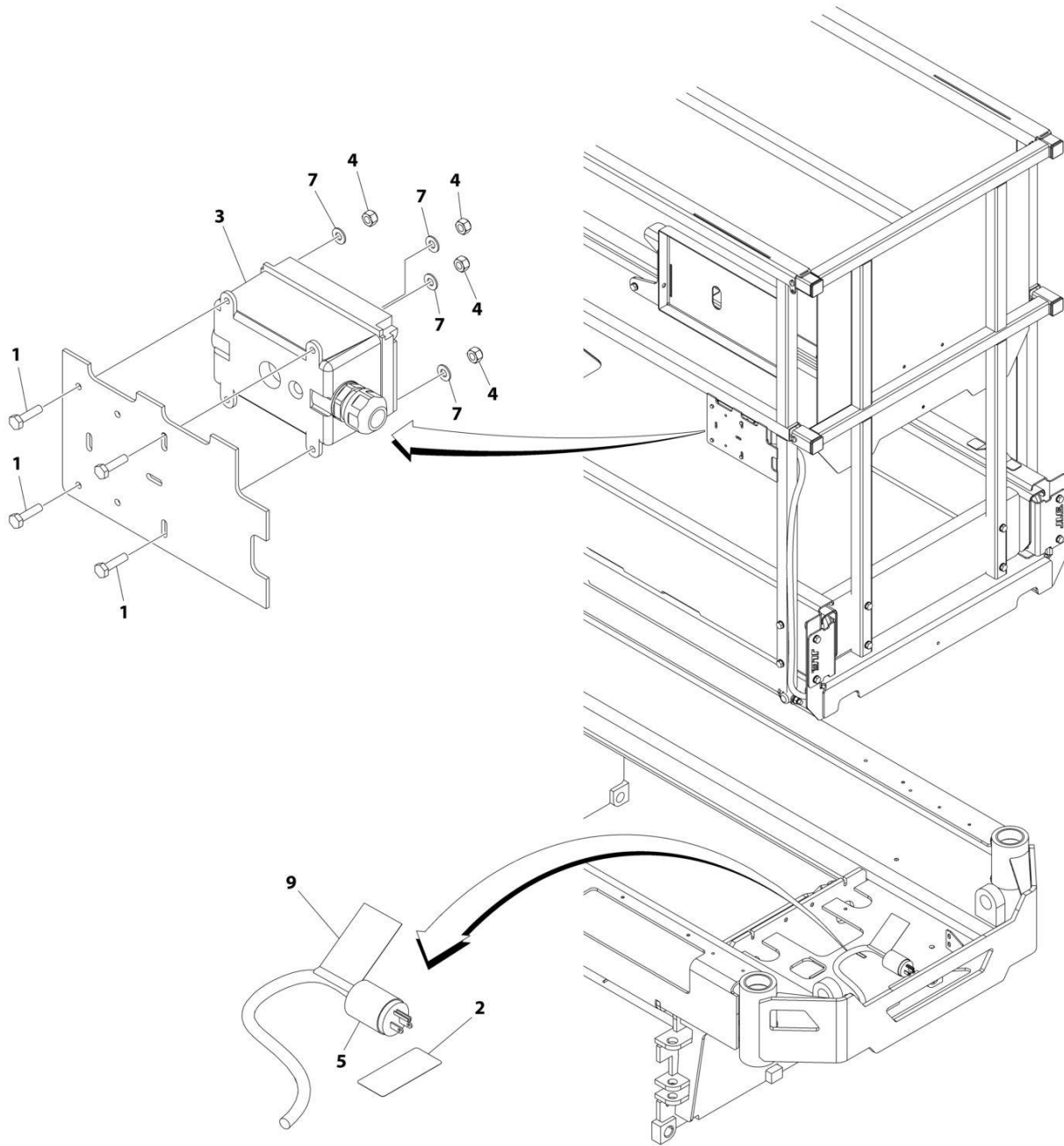
FIGURE 5-2. STEER CYLINDER ASSEMBLY

ITEM	PART NUMBER	QTY	DESCRIPTION	REV
	1001220570	Ref	STEER CYLINDER ASSEMBLY	B
		Ref	Note: See Usage Chart on Illustration before ordering parts.	
		Ref	Note: Original Cylinder May Have Been Replaced with Service Replacement. Identify PN Stamped on Cylinder Before Ordering Parts.	
1	70005798	1	Barrel	
2	70006143	1	Rod	
3	70004241	2	Head	
4	See Note	NSS	Wiper (Note: Use Item 14)	
5	See Note	NSS	Seal (Note: Use Item 14)	
6	70005800	2	Spacer	
7	See Note	NSS	O-Ring (Note: Use Item 14)	
8	See Note	NSS	Ring, Back-up (Note: Use Item 14)	
9	See Note	NSS	Seal, Piston (Note: Use Item 14)	
12	70005803	2	Fitting, Straight JIC	
14	70005805	1	Seal Kit - Cylinder (Includes Items 4, 5 & 7-9)	
15	0440259	2	Bushing	

SECTION 6 - ELECTRICAL

SECTION 6 - ELECTRICAL

FIGURE 6-1. AC BOX AT PLATFORM INSTALLATION - 110V GFI (ANSI, ANSI EXPORT, CHINA AND JAPANESE SPECS)



ART_1001208930

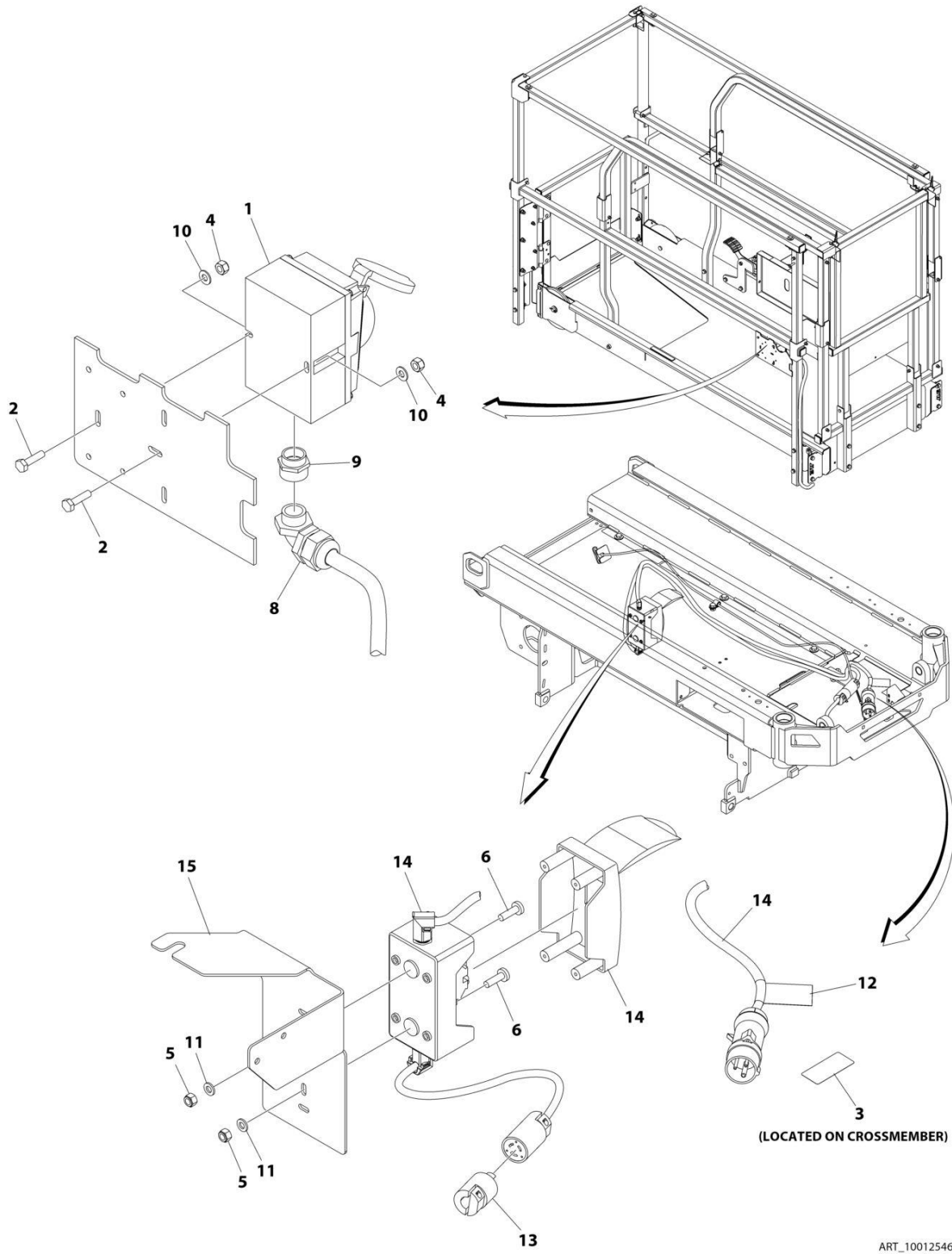
SECTION 6 - ELECTRICAL

FIGURE 6-1. AC BOX AT PLATFORM INSTALLATION - 110V GFI (ANSI, ANSI EXPORT, CHINA AND JAPANESE SPECS)

ITEM	PART NUMBER	QTY	DESCRIPTION	REV
	1001208930	Ref	AC BOX AT PLATFORM INSTALLATION - 110V GFI	C
1	0760408	4	Bolt M4 x 16	
2	1703464	1	Decal - AC Power	
3	2902431	1	Receptacle Box Kit (See Separate Breakdown in this Section)	
4	3290405	4	Nut M4	
5	4460138	1	Plug, Male - AC	
6	4460315	1	Terminal (Not Shown)	
7	4811400	4	Washer M4	
9	1001102258	1	Decal - AC Label	
10	4240017	AR	Tie-Strap (Not Shown)	

SECTION 6 - ELECTRICAL

FIGURE 6-2. AC BOX AT PLATFORM INSTALLATION - 110V IEC YELLOW (CE SPECS)



ART_1001254639

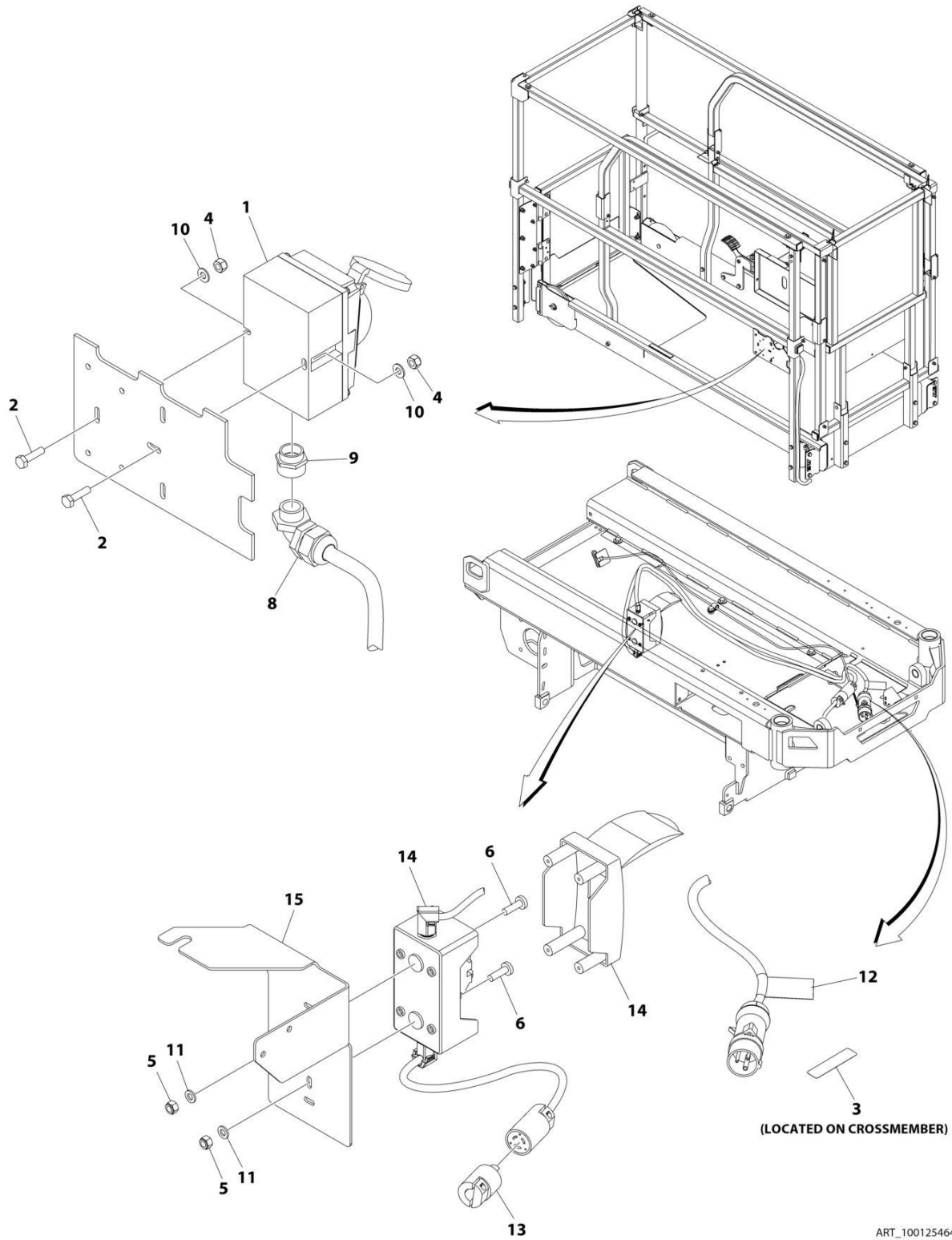
SECTION 6 - ELECTRICAL

FIGURE 6-2. AC BOX AT PLATFORM INSTALLATION - 110V IEC YELLOW (CE SPECS)

ITEM	PART NUMBER	QTY	DESCRIPTION	REV
	1001254639	Ref	AC BOX AT PLATFORM INSTALLATION - 110V IEC YELLOW	A
1	0275216	1	Receptacle Box Kit - 110V IEC Yellow (See Separate Breakdown in this Section)	
2	0760408	2	Bolt M4 x 16	
3	1703464	1	Decal - AC Power	
4	3290405	2	Nut M4	
5	3290605	2	Nut M6	
6	4010610	2	Screw M6 x 20	
7	4240017	AR	Tie-Strap (Not Shown)	
8	4461257	1	Connector, Strain Relief	
9	4461258	1	Connector, Adapter	
10	4811400	2	Washer M4	
11	4811700	4	Washer M6	
12	1001102258	1	Decal - AC Label	
13	1001120204	1	Plug, Male Twist	
14	1001209776	1	Breaker Box Kit (See Separate Breakdown in this Section)	
15	1001253280	1	Bracket	

SECTION 6 - ELECTRICAL

FIGURE 6-3. AC BOX AT PLATFORM INSTALLATION - 220V IEC BLUE (CE SPECS)



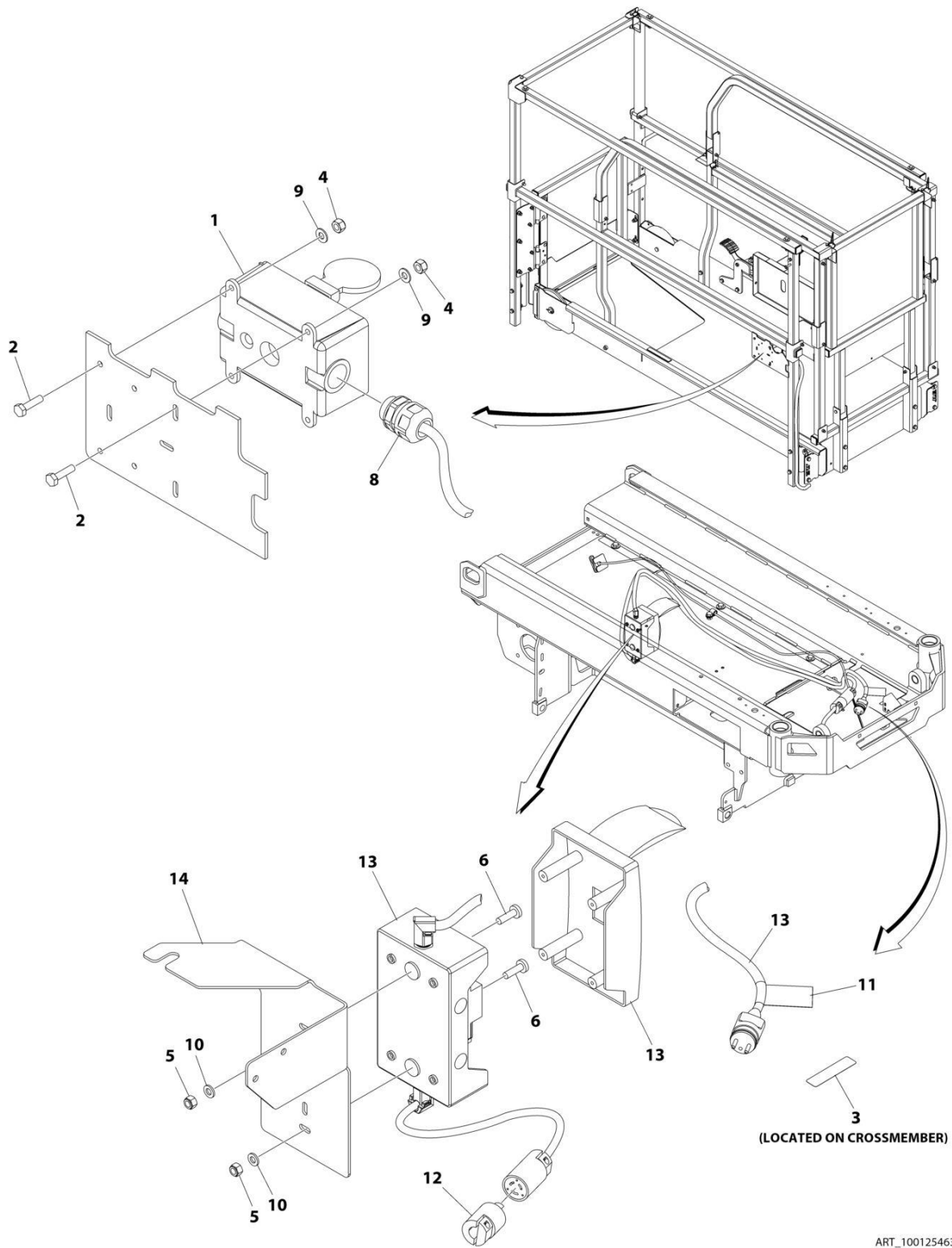
SECTION 6 - ELECTRICAL

FIGURE 6-3. AC BOX AT PLATFORM INSTALLATION - 220V IEC BLUE (CE SPECS)

ITEM	PART NUMBER	QTY	DESCRIPTION	REV
	1001254640	Ref	AC BOX AT PLATFORM INSTALLATION - 220V IEC BLUE	A
1	0275217	1	Receptacle Box Kit - 220V IEC Blue (See Separate Breakdown in this Section)	
2	0760408	2	Bolt M4 x 16	
3	3252507	1	Decal - AC Power	
4	3290405	2	Nut M4	
5	3290605	2	Nut M6	
6	4010610	2	Screw M6 x 20	
7	4240017	AR	Tie-Strap (Not Shown)	
8	4461257	1	Connector, Strain Relief	
9	4461258	1	Connector, Adapter	
10	4811400	2	Washer M4	
11	4811700	4	Washer M6	
12	1001102258	1	Decal - AC Label	
13	1001120204	1	Plug, Male Twist	
14	1001209776	1	Breaker Box Kit (See Separate Breakdown in this Section)	
15	1001253280	1	Bracket	

SECTION 6 - ELECTRICAL

FIGURE 6-4. AC BOX AT PLATFORM INSTALLATION - 220V CEE7 POST GROUND (CE SPECS)



ART_1001254636

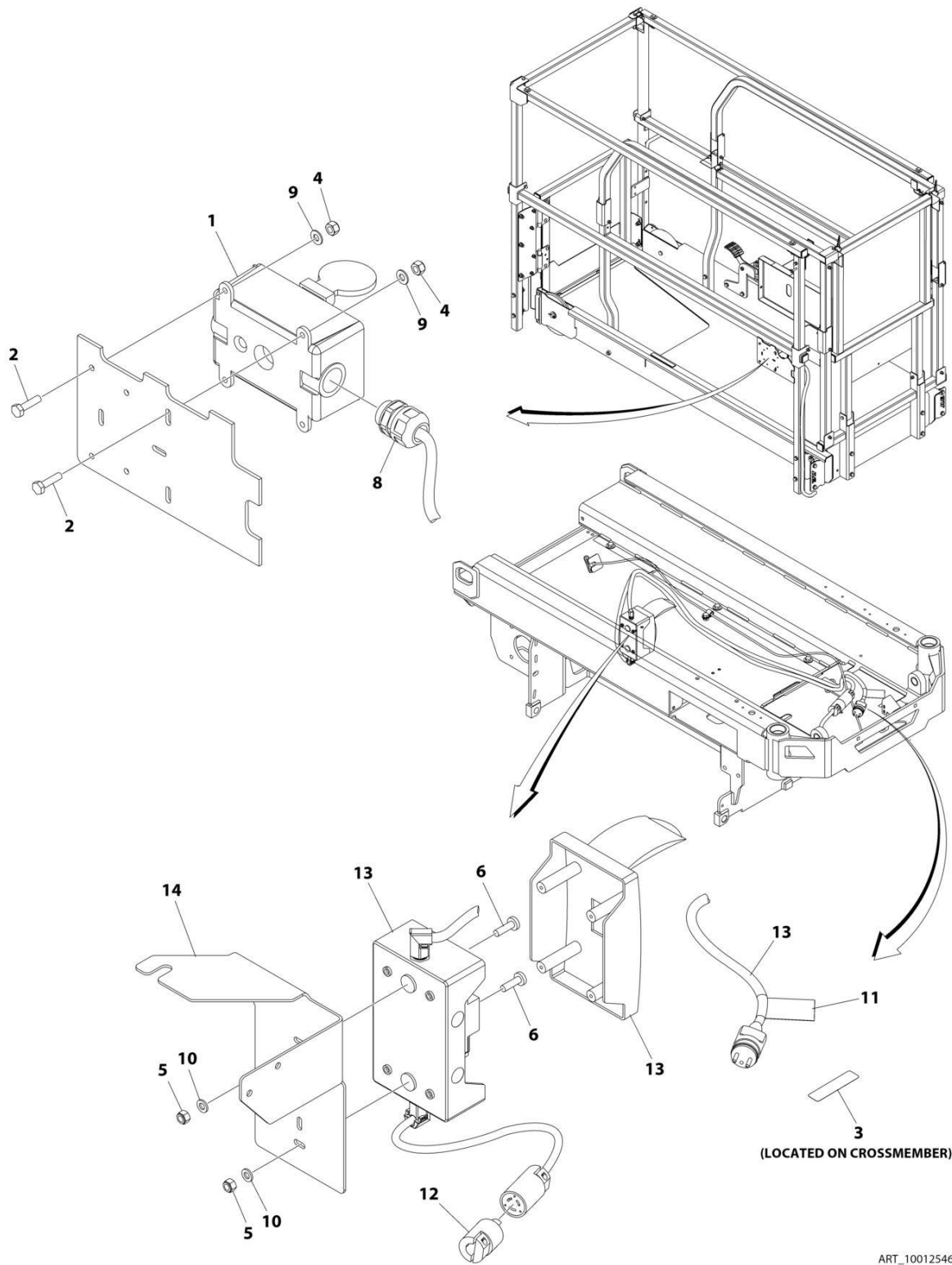
SECTION 6 - ELECTRICAL

FIGURE 6-4. AC BOX AT PLATFORM INSTALLATION - 220V CEE7 POST GROUND (CE SPECS)

ITEM	PART NUMBER	QTY	DESCRIPTION	REV
	1001254636	Ref	AC BOX AT PLATFORM INSTALLATION - 220V CEE7 POST GROUND	A
1	0275452	1	Receptacle Box Kit - 220V CEE7 Post Ground (See Separate Breakdown in this Section)	
2	0760408	4	Bolt M4 x 16	
3	3252507	1	Decal - AC Power	
4	3290405	4	Nut M4	
5	3290605	2	Nut M6	
6	4010610	2	Screw M6 x 20	
7	4240017	AR	Tie-Strap (Not Shown)	
8	4460662	1	Connector, Strain Relief	
9	4811400	4	Washer M4	
10	4811700	4	Washer M6	
11	1001102258	1	Decal - AC Label	
12	1001120204	1	Plug, Male Twist	
13	1001209482	1	Breaker Box Kit (See Separate Breakdown in this Section)	
14	1001253280	1	Bracket	

SECTION 6 - ELECTRICAL

FIGURE 6-5. AC BOX AT PLATFORM INSTALLATION - 220V CEE7 SIDE GROUND (CE SPECS)



ART_1001254637

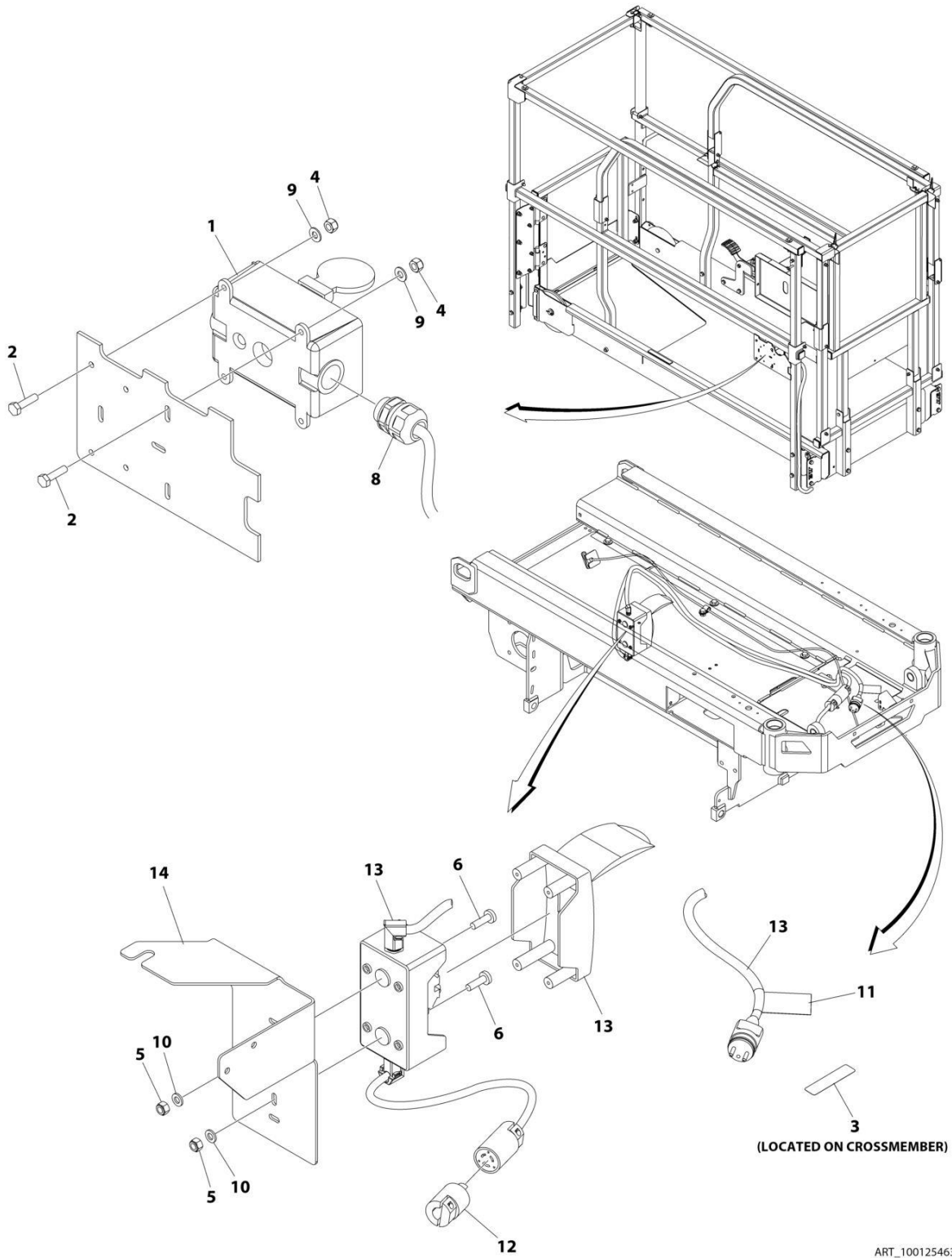
SECTION 6 - ELECTRICAL

FIGURE 6-5. AC BOX AT PLATFORM INSTALLATION - 220V CEE7 SIDE GROUND (CE SPECS)

ITEM	PART NUMBER	QTY	DESCRIPTION	REV
	1001254637	Ref	AC BOX AT PLATFORM INSTALLATION - 220V CEE7 SIDE GROUND	A
1	0275453	1	Receptacle Box Kit - 220V CEE7 Side Ground (See Separate Breakdown in this Section)	
2	0760408	4	Bolt M4 x 16	
3	3252507	1	Decal - AC Power	
4	3290405	4	Nut M4	
5	3290605	2	Nut M6	
6	4010610	2	Screw M6 x 20	
7	4240017	AR	Tie-Strap (Not Shown)	
8	4460662	1	Connector, Strain Relief	
9	4811400	4	Washer M4	
10	4811700	4	Washer M6	
11	1001102258	1	Decal - AC Label	
12	1001120204	1	Plug, Male Twist	
13	1001209482	1	Breaker Box Kit (See Separate Breakdown in this Section)	
14	1001253280	1	Bracket	

SECTION 6 - ELECTRICAL

FIGURE 6-6. AC BOX AT PLATFORM INSTALLATION - 220V AFSINT 107 (CE SPECS)



ART_1001254638

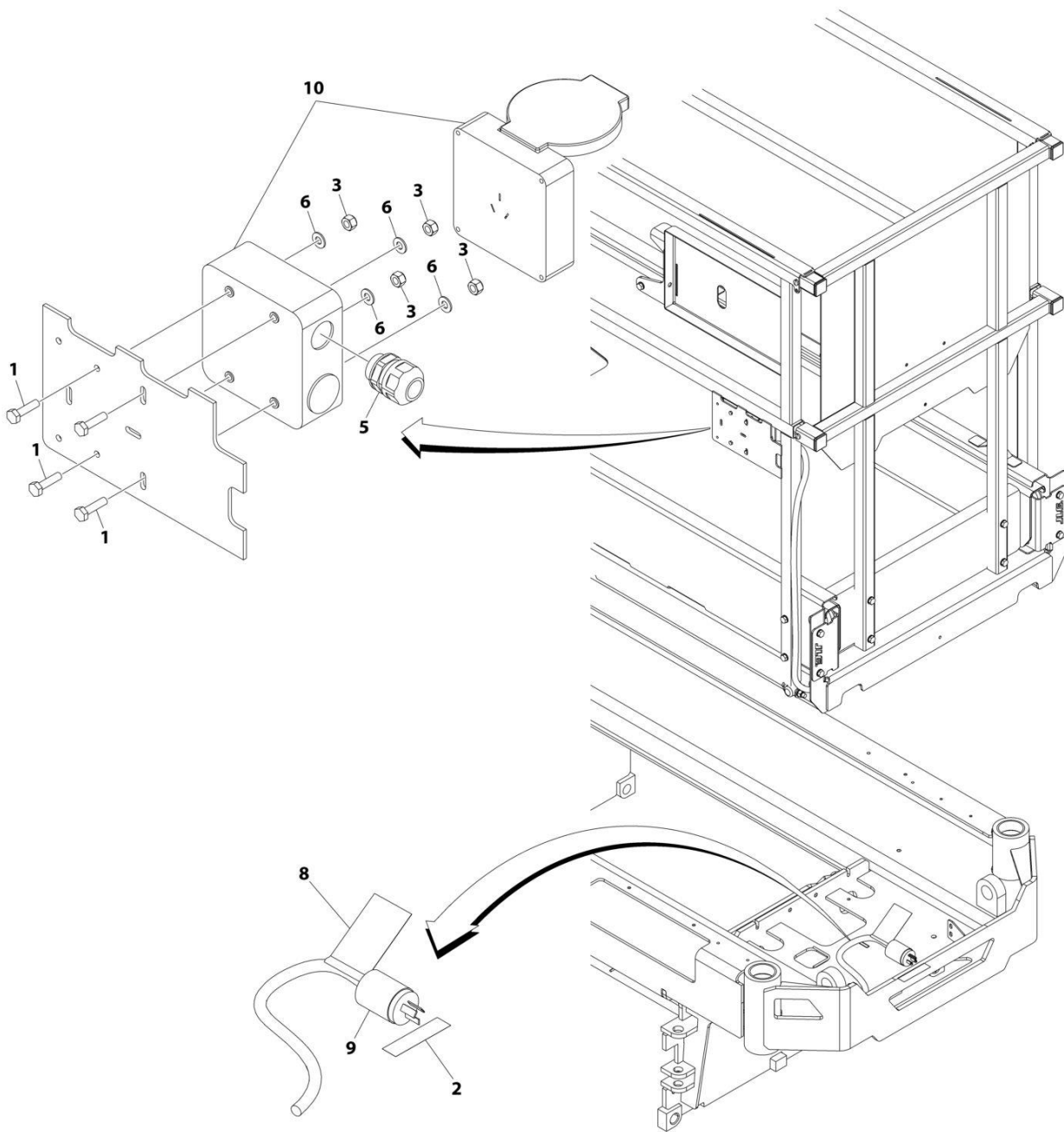
SECTION 6 - ELECTRICAL

FIGURE 6-6. AC BOX AT PLATFORM INSTALLATION - 220V AFSINT 107 (CE SPECS)

ITEM	PART NUMBER	QTY	DESCRIPTION	REV
	1001254638	Ref	AC BOX AT PLATFORM INSTALLATION - 220V AFSINT 107	A
1	0275454	1	Receptacle Box Kit - 220V AFSINT 107 (See Separate Breakdown in this Section)	
2	0760408	4	Bolt M4 x 16	
3	3252507	1	Decal - AC Power	
4	3290405	4	Nut M4	
5	3290605	2	Nut M6	
6	4010610	2	Screw M6 x 20	
7	4240017	AR	Tie-Strap (Not Shown)	
8	4460662	1	Connector, Strain Relief	
9	4811400	4	Washer M4	
10	4811700	4	Washer M6	
11	1001102258	1	Decal - AC Label	
12	1001120204	1	Plug, Male Twist	
13	1001209776	1	Breaker Box Kit (See Separate Breakdown in this Section)	
14	1001253280	1	Bracket	

SECTION 6 - ELECTRICAL

FIGURE 6-7. AC BOX AT PLATFORM INSTALLATION - 220V CHINA PLUG (CHINA SPECS)



ART_1001208938

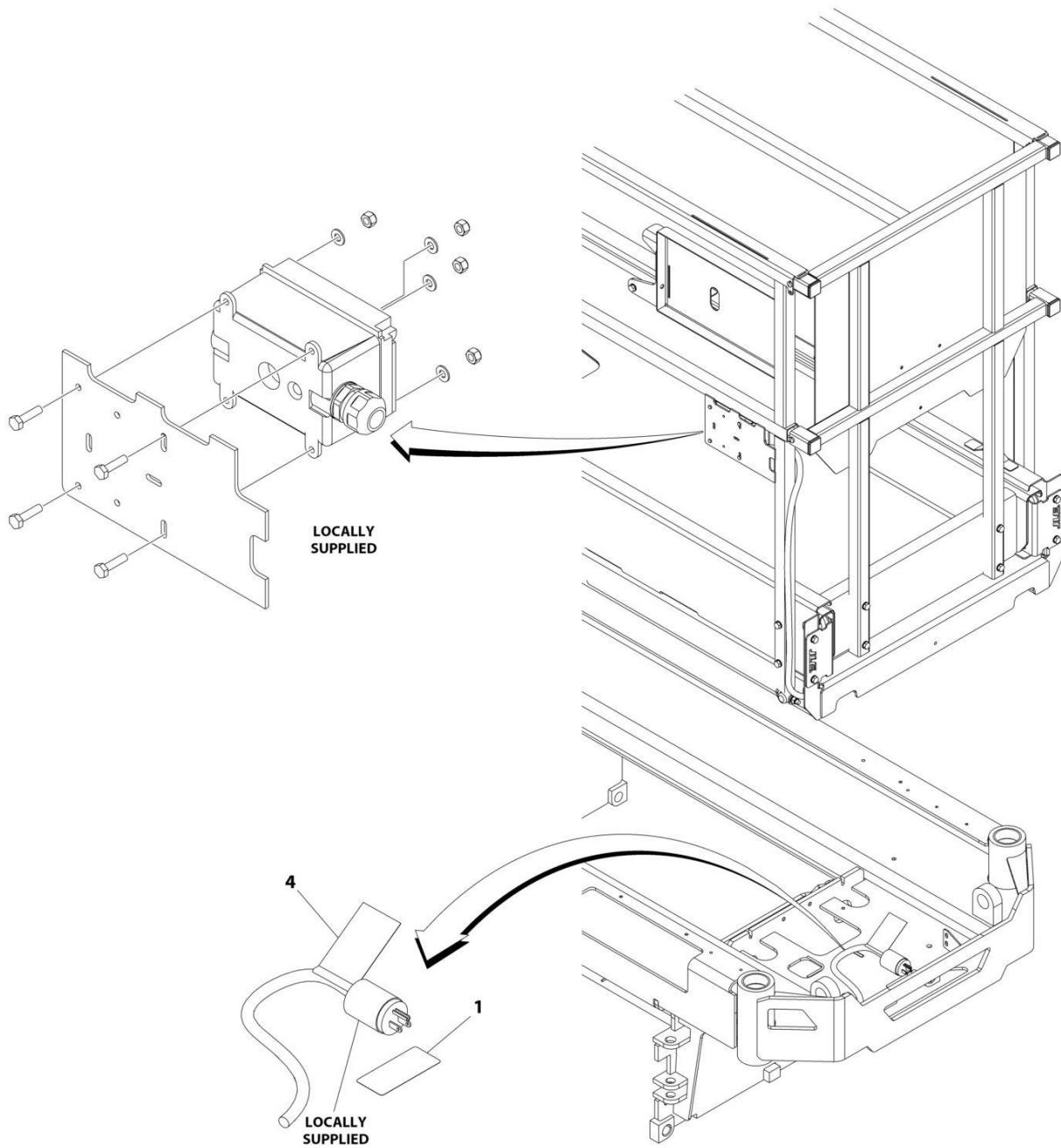
SECTION 6 - ELECTRICAL

FIGURE 6-7. AC BOX AT PLATFORM INSTALLATION - 220V CHINA PLUG (CHINA SPECS)

ITEM	PART NUMBER	QTY	DESCRIPTION	REV
	1001208938	Ref	AC BOX AT PLATFORM INSTALLATION - 220V CHINA PLUG	B
1	0760408	4	Bolt M4 x 16	
2	3252507	1	Decal - 220 Volt	
3	3290405	4	Nut M4	
4	4460315	1	Terminal (Not Shown)	
5	4460968	1	Connector, Strain Relief	
6	4811400	4	Washer M4	
8	1001102258	1	Decal - AC Label	
9	1001187816	1	Plug	
10	1001188116	1	Box	
11	4240017	AR	Tie-Strap (Not Shown)	

SECTION 6 - ELECTRICAL

FIGURE 6-8. AC BOX AT PLATFORM INSTALLATION - 220V LOCALLY SUPPLIED COMPONENTS (ALL SPECS)



ART_1001208931

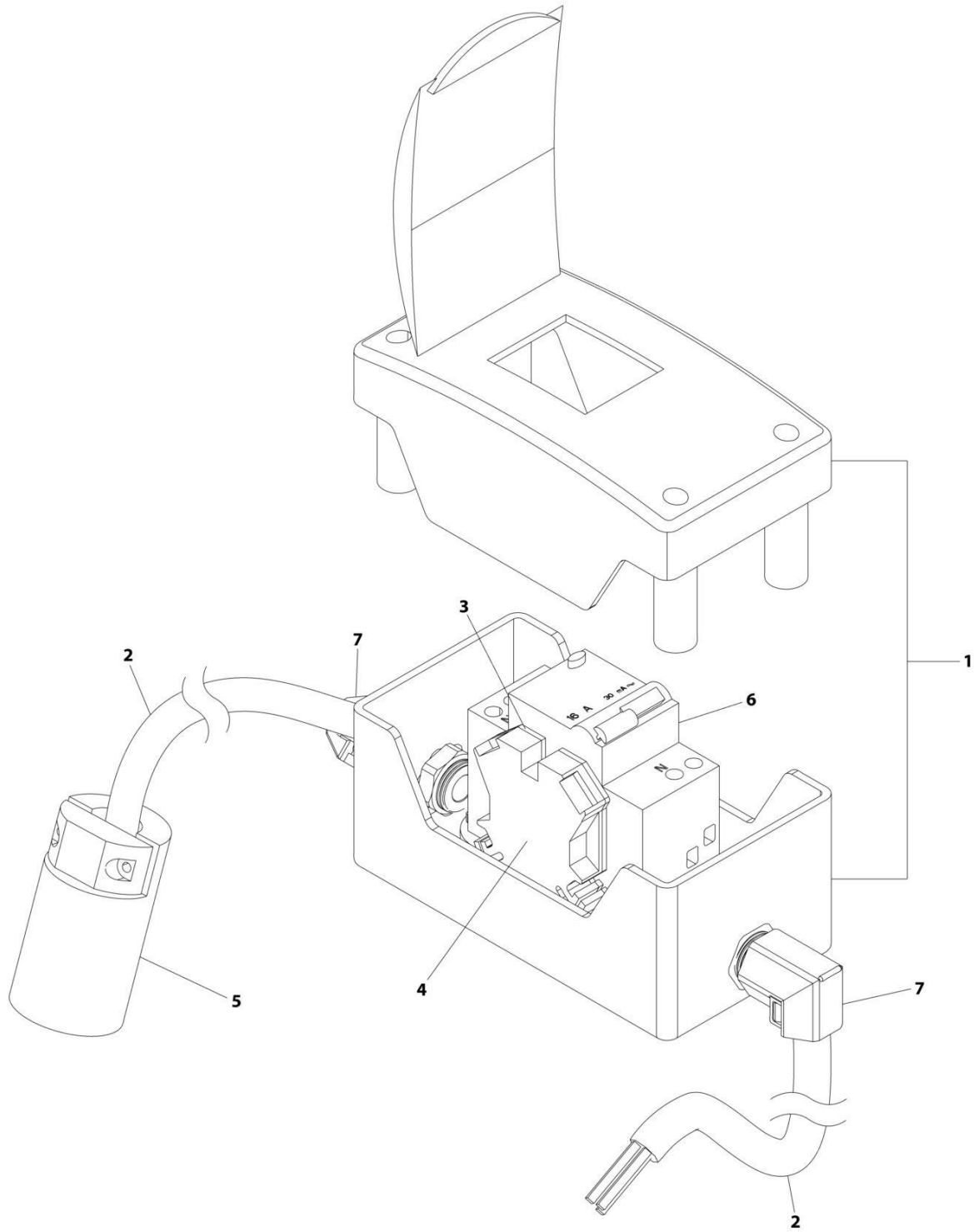
SECTION 6 - ELECTRICAL

**FIGURE 6-8. AC BOX AT PLATFORM INSTALLATION - 220V LOCALLY SUPPLIED COMPONENTS
(ALL SPECS)**

ITEM	PART NUMBER	QTY	DESCRIPTION	REV
	1001208931	Ref	AC BOX AT PLATFORM INSTALLATION - 220V LOCALLY SUPPLIED COMPONENTS	C
1	3252507	1	Decal - 220 Volt	
4	1001102258	1	Decal - AC Label	
5	4240017	AR	Tie-Strap (Not Shown)	

SECTION 6 - ELECTRICAL

FIGURE 6-9. BREAKER BOX KIT WITH 1 DOUBLE BREAKER



ART_1001209776

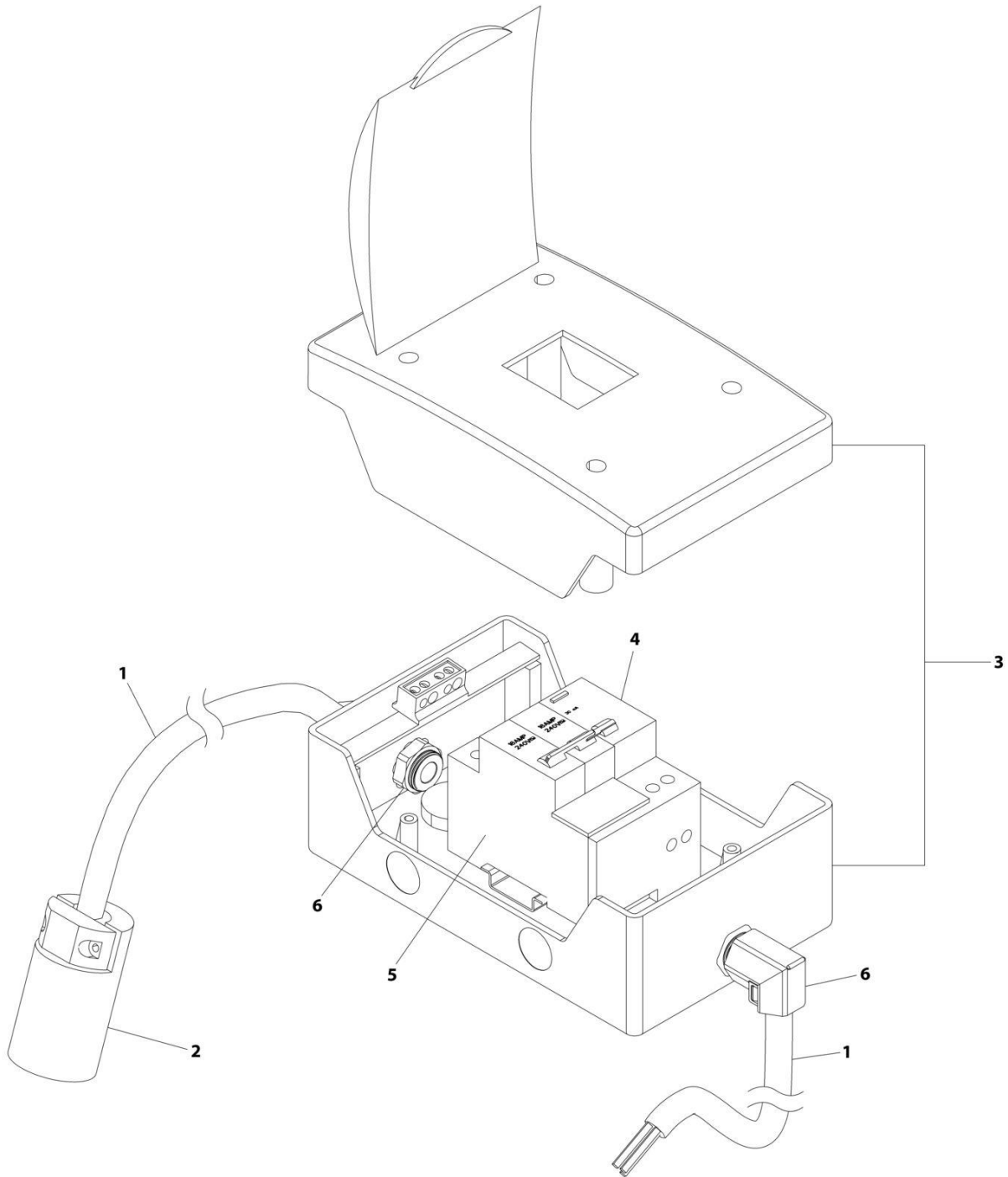
SECTION 6 - ELECTRICAL

FIGURE 6-9. BREAKER BOX KIT WITH 1 DOUBLE BREAKER

ITEM	PART NUMBER	QTY	DESCRIPTION	REV
	1001209776	Ref	BREAKER BOX KIT WITH 1 DOUBLE BREAKER	F
1	0861880	1	Box	
2	1060908	126 in /3.2m	Cable, 12/3	
3	4460956	1	Barrier, Terminal	
4	4460957	1	Block, Terminal	
5	1001120205	1	Connector, Female Twist	
6	1001181045	1	Breaker 30mAmp/16 Amp	
7	1001217164	2	Connector, Strain Relief 90	

SECTION 6 - ELECTRICAL

FIGURE 6-10. BREAKER BOX KIT WITH 3 BREAKERS



ART_1001209482

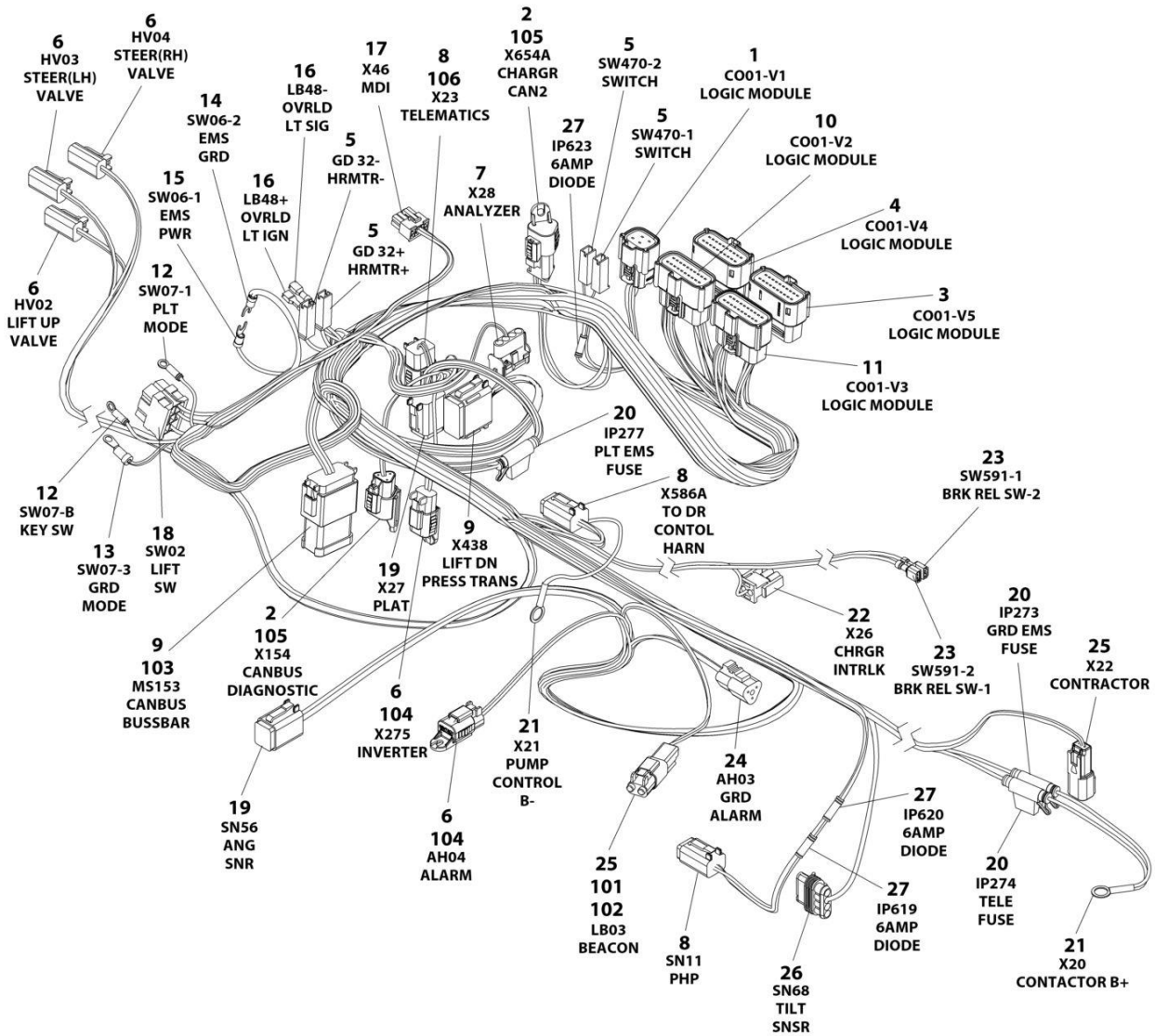
SECTION 6 - ELECTRICAL

FIGURE 6-10. BREAKER BOX KIT WITH 3 BREAKERS

ITEM	PART NUMBER	QTY	DESCRIPTION	REV
	1001209482	Ref	BREAKER BOX KIT WITH 3 BREAKERS	G
1	1060908	126 in /3.2m	Cable, 12/3	
2	1001120205	1	Connector, Female Twist	
3	1001152483	1	Box	
4	1001189171	1	Breaker, 30mAmp	
5	1001189172	1	Breaker 16 Amp, Double	
6	1001217164	2	Connector, Strain Relief 90	

SECTION 6 - ELECTRICAL

FIGURE 6-11. CHASSIS HARNESS



ART_1001255933

SECTION 6 - ELECTRICAL

FIGURE 6-11. CHASSIS HARNESS

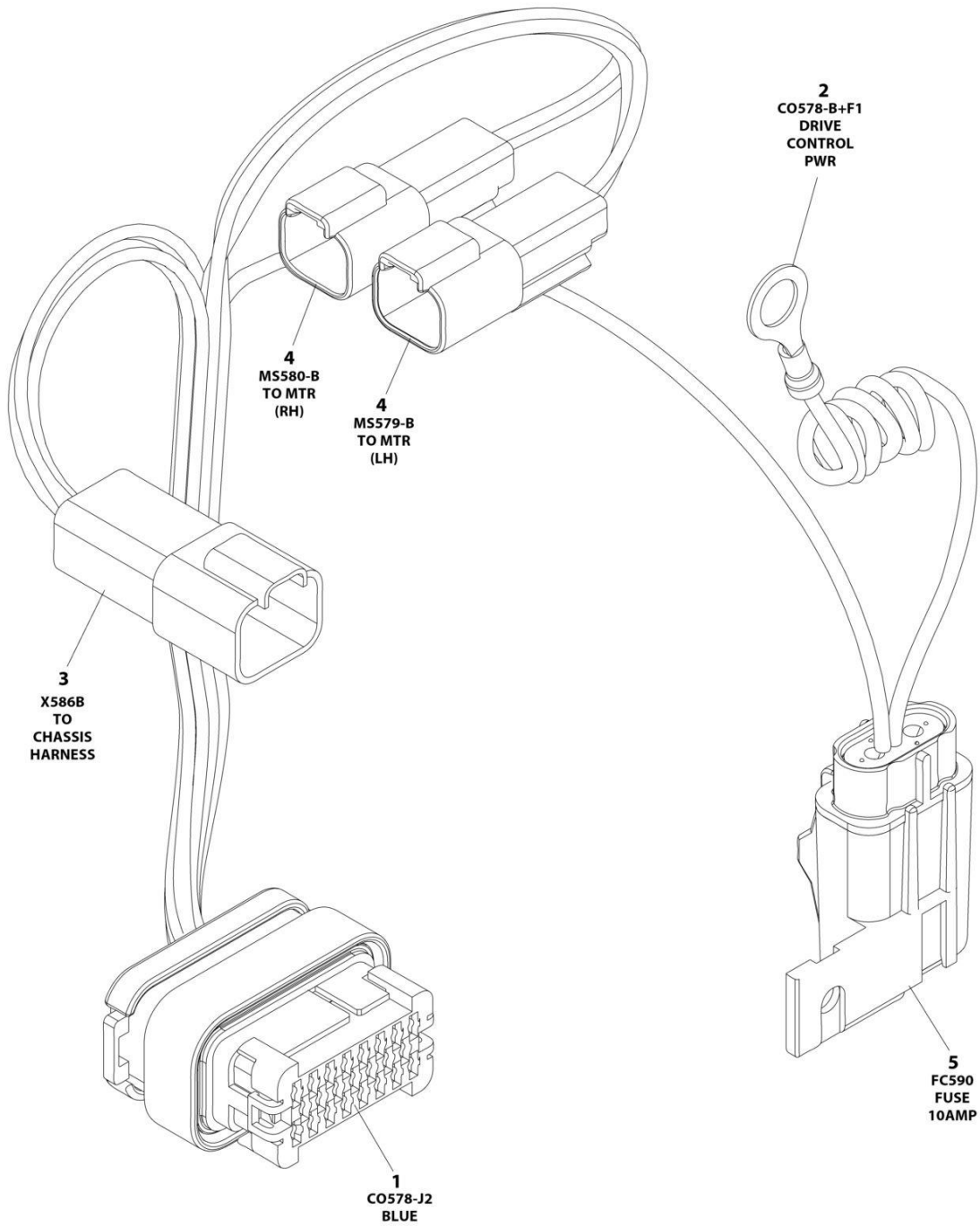
ITEM	PART NUMBER	QTY	DESCRIPTION	REV
	1001255933	Ref	CHASSIS HARNESS	G
1	1001205409	1	Connector- 8 Position	
1	1001162887	8	Terminal	
2	4460965	2	Receptacle, Female - 3 Position	
2	4460944	4	Pin, Male	
2	4460466	2	Plug, Terminal	
3	1001205412	1	Connector - 20 Position	
3	1001162887	14	Terminal	
3	1001163340	6	Plug, Terminal	
4	1001205411	1	Connector - 20 Position	
4	1001162887	16	Terminal	
4	1001163340	4	Plug, Terminal	
5	4460260	4	Cover, Terminal	
5	4460259	4	Terminal	
6	4460891	5	Plug, Male - 4 Position	
6	4460465	9	Socket, Female	
6	4460466	1	Plug, Terminal	
7	4460761	1	Plug, Male - 4 Position	
7	4460227	4	Socket, Female	
8	4460884	3	Plug, Male - 4 Position	
8	4460465	12	Socket, Female	
9	4460933	2	Plug, Male - 12 Position	
9	4460944	12	Socket, Female	
9	4460465	10	Socket, Female	
9	4460466	2	Plug, Terminal	
10	1001205410	1	Connector - 20 Position	
10	1001162887	13	Terminal	
10	1001163340	7	Plug, Terminal	
11	1001162886	1	Connector - 20 Position	
11	1001162887	15	Terminal	
11	1001163340	5	Plug, Terminal	
12	4460247	2	Terminal, Ring	
13	4460042	1	Terminal, Ring	
14	4460115	1	Terminal, Ring	
15	4460183	1	Terminal, Ring	
16	1001201885	2	Terminal	
17	1001151629	1	Plug, Male - 8 Position	
17	4461023	2	Terminal	
17	4460877	2	Terminal	
18	4460418	1	Connector - 6 Position	
18	4460419	3	Terminal	
19	4460894	2	Plug, Male - 6 Position	
19	4460465	10	Socket, Female	
19	4460944	2	Socket, Female	
20	2400060	3	Holder/Cover, Fuse	
20	8229242	2	Fuse 5 Amp	
20	8229244	1	Fuse 15 Amp	
21	4460256	2	Terminal	
22	4460320	1	Plug, Male - 2 Position	
22	4460226	1	Socket, Female	

SECTION 6 - ELECTRICAL

ITEM	PART NUMBER	QTY	DESCRIPTION	REV
23	1001194421	2	Terminal, Faston (Transparent - Shown)	
23	4460260	2	Housing, Terminal (Black - Not Shown)	
23	4460259	2	Terminal (Used with PN 4460260) (Not Shown)	
24	4460539	1	Plug, Male - 3 Position	
24	4460465	3	Socket, Female	
25	4460897	2	Receptacle, Female - 2 Position	
25	4460464	4	Pin, Male	
26	1001103012	1	Plug, Male - 4 Position	
26	1001237212	4	Socket Female	
26	1001197457	4	Seal, Terminal	
27	3990010	3	Diode 6 Amp	
101	4460466	2	Plug, Terminal	
102	4460891	1	Plug, Male - 2 Position	
103	1001125677	1	Receptacle, Female Buss Bar - 2x6 Position	
104	1001144295	2	Cap	
105	1001144296	2	Cap	
106	1001192401	1	Cover	

SECTION 6 - ELECTRICAL

FIGURE 6-12. DRIVE HARNESS



ART_1001255934

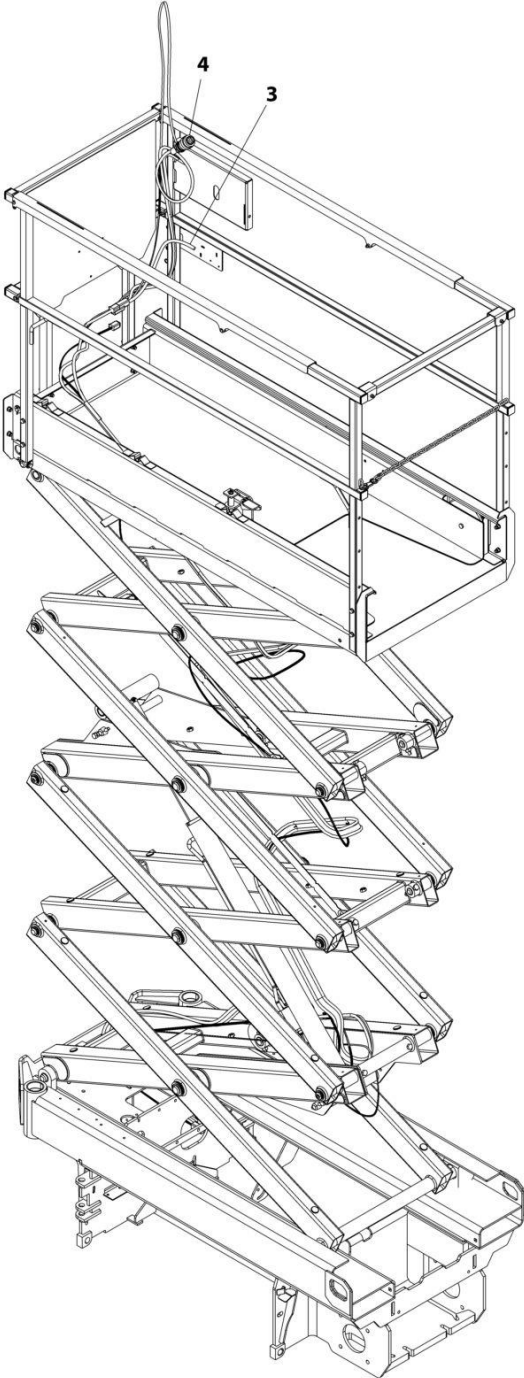
SECTION 6 - ELECTRICAL

FIGURE 6-12. DRIVE HARNESS

ITEM	PART NUMBER	QTY	DESCRIPTION	REV
	1001255934	Ref	DRIVE HARNESS	E
1	1001096138	1	Connector - 23 Position	
1	4460871	9	Terminal	
1	4460905	14	Plug, Terminal	
2	4460670	1	Terminal, Ring	
3	4460932	1	Receptacle, Female - 4 Position	
3	4460943	2	Pin, Male	
3	4460464	2	Pin, Male	
4	4460897	2	Receptacle, Female - 2 Position	
4	4460464	4	Pin, Male	
5	1001217843	1	Fuseholder with Cap	
5	1001217842	1	Cap, Cover	
5	8229234	1	Fuse - 10Amp	
5	1001116733	2	Terminal	

SECTION 6 - ELECTRICAL

**FIGURE 6-13. GROUND TO PLATFORM CABLE INSTALLATION - WITHOUT PLATFORM COIL CABLE
(ALL SPECS EXCEPT AUSTRALIAN SPECS) (CHINA & MEXICO BUILT MACHINES)**



ART_1001201087

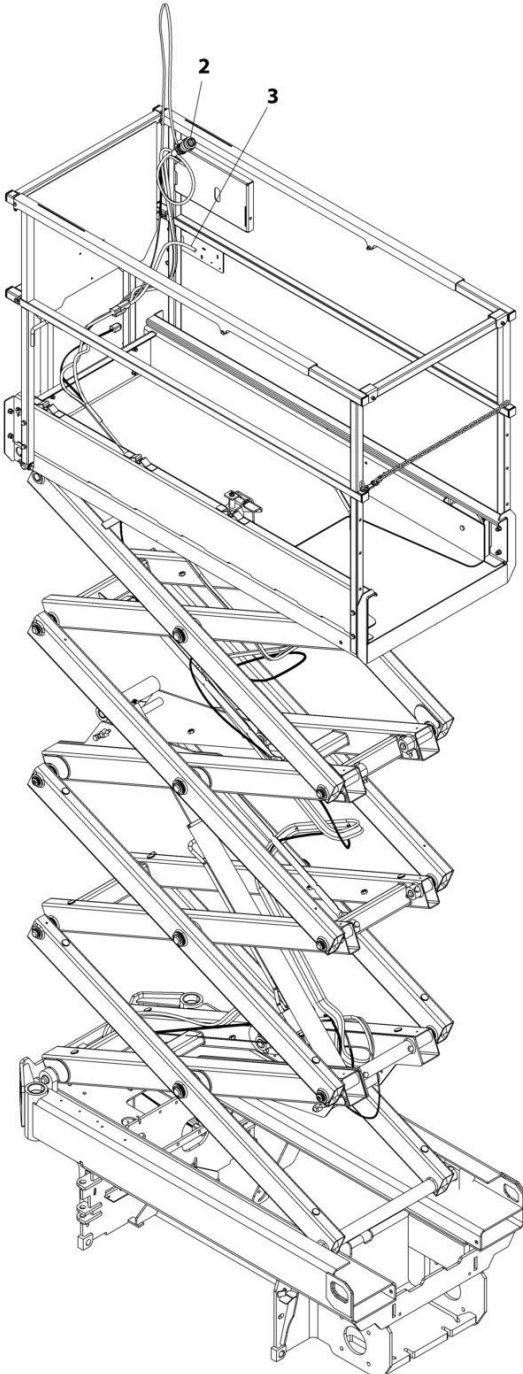
SECTION 6 - ELECTRICAL

**FIGURE 6-13. GROUND TO PLATFORM CABLE INSTALLATION - WITHOUT PLATFORM COIL CABLE
(ALL SPECS EXCEPT AUSTRALIAN SPECS) (CHINA & MEXICO BUILT MACHINES)**

ITEM	PART NUMBER	QTY	DESCRIPTION	REV
	1001201087	Ref	GROUND TO PLATFORM CABLE INSTALLATION	E
1	4240017	AR	Tie-Strap (Not Shown)	
3	1001200811	1	Cable Assembly - Ground to Platform	
3	4460894	1	Plug, Male - 6 Position (To Platform Harness Item 4)	
3	4460465	4	Socket, Female	
3	4460944	2	Socket, Female	
3	4460899	1	Receptacle, Female - 6 Position (To Chassis Harness)	
3	4460464	4	Pin, Male	
3	4460943	2	Pin, Male	
4	1001200812	1	Platform Harness	
4	4460899	1	Receptacle, Female - 6 Position (To Item 3)	
4	4460464	4	Pin, Male	
4	4460943	2	Pin, Male	
4	4460754	1	Connector - 14 Position (To Console Box)	
4	4460465	8	Socket, Female	
4	4460466	6	Plug, Terminal	

SECTION 6 - ELECTRICAL

**FIGURE 6-14. GROUND TO PLATFORM CABLE INSTALLATION - WITHOUT PLATFORM COIL CABLE
(AUSTRALIAN SPECS) (CHINA BUILT MACHINES)**



ART_1001230932

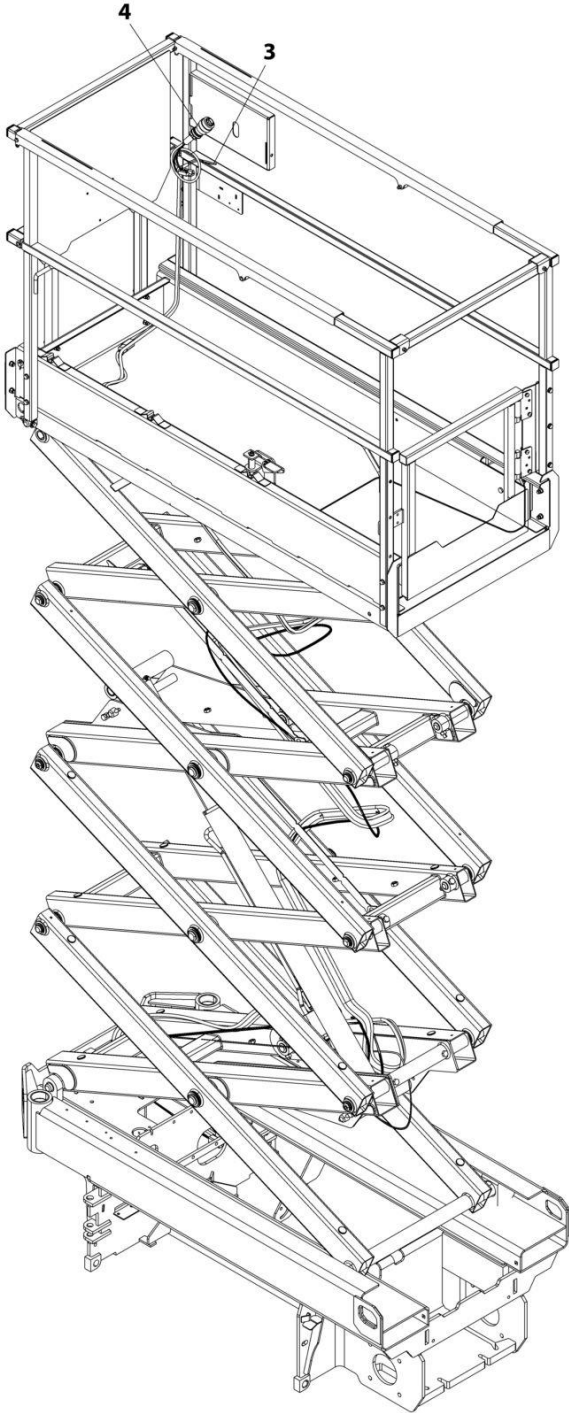
SECTION 6 - ELECTRICAL

**FIGURE 6-14. GROUND TO PLATFORM CABLE INSTALLATION - WITHOUT PLATFORM COIL CABLE
(AUSTRALIAN SPECS) (CHINA BUILT MACHINES)**

ITEM	PART NUMBER	QTY	DESCRIPTION	REV
	1001230932	Ref	GROUND TO PLATFORM CABLE INSTALLATION	A
1	4240017	AR	Tie-Strap (Not Shown)	
2	1001200812	1	Platform Harness	
2	4460899	1	Receptacle, Female - 6 Position (To Item 3)	
2	4460464	4	Pin, Male	
2	4460943	2	Pin, Male	
2	4460754	1	Connector - 14 Position (To Console Box)	
2	4460465	8	Socket, Female	
2	4460466	6	Plug, Terminal	
3	1001230839	1	Cable Assembly - Ground to Platform	
3	4460894	1	Plug, Male - 6 Position (To Platform Harness Item 2)	
3	4460465	4	Socket, Female	
3	4460944	2	Socket, Female	
3	4460899	1	Receptacle, Female - 6 Position (To Chassis Harness)	
3	4460464	4	Pin, Male	
3	4460943	2	Pin, Male	

SECTION 6 - ELECTRICAL

FIGURE 6-15. GROUND TO PLATFORM CABLE INSTALLATION - WITHOUT PLATFORM COIL CABLE AND WITH FOOTSWITCH (CHINA BUILT MACHINES)



ART_1001201129_F

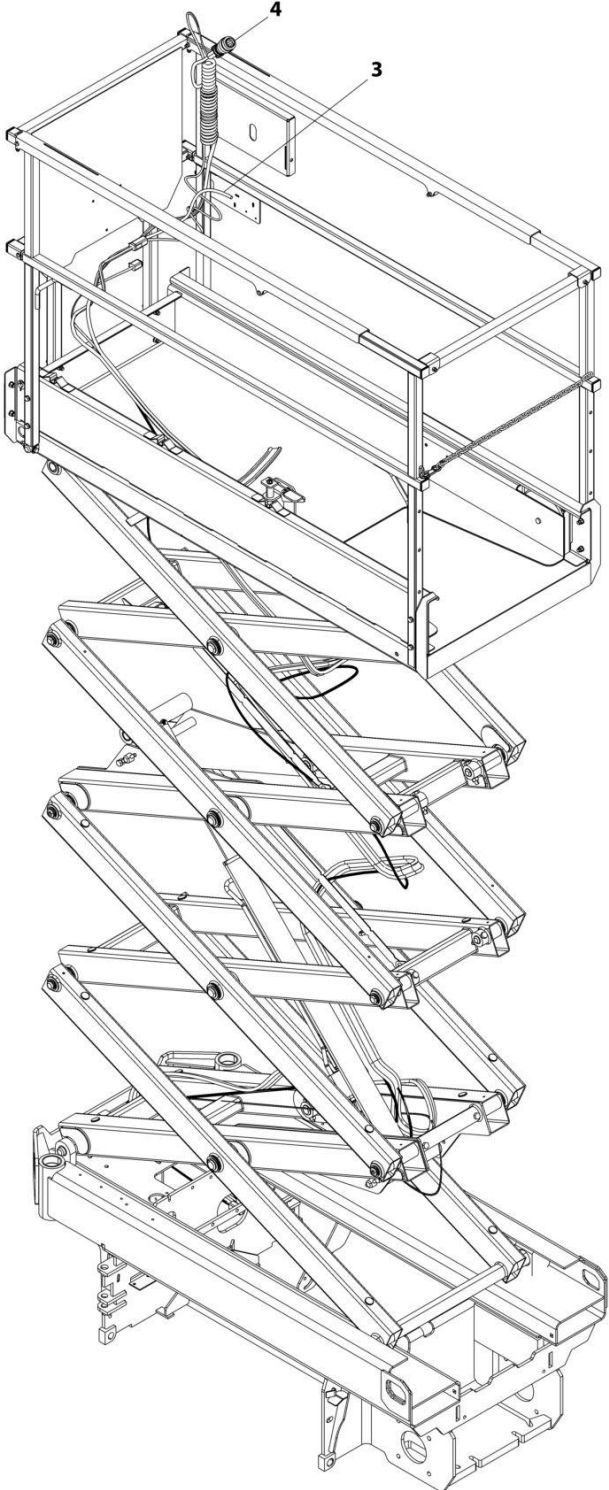
SECTION 6 - ELECTRICAL

FIGURE 6-15. GROUND TO PLATFORM CABLE INSTALLATION - WITHOUT PLATFORM COIL CABLE AND WITH FOOTSWITCH (CHINA BUILT MACHINES)

ITEM	PART NUMBER	QTY	DESCRIPTION	REV
	1001201129	Ref	GROUND TO PLATFORM CABLE INSTALLATION	F
		Ref	Note: Only Available on Japanese Specs.	
1	4240017	AR	Tie-Strap (Not Shown)	
3	1001200811	1	Cable Assembly - Ground to Platform	
3	4460894	1	Plug, Male - 6 Position (To Platform Harness Item 4)	
3	4460465	4	Socket, Female	
3	4460944	2	Socket, Female	
3	4460899	1	Receptacle, Female - 6 Position (To Chassis Harness)	
3	4460464	4	Pin, Male	
3	4460943	2	Pin, Male	
4	1001223263	1	Platform Harness	
4	4460899	1	Receptacle, Female - 6 Position (To Item 3)	
4	4460464	4	Pin, Male	
4	4460943	2	Pin, Male	
4	4460754	1	Connector - 14 Position (To Console Box)	
4	4460465	8	Socket, Female	
4	4460944	2	Socket, Female	
4	4460466	4	Plug, Terminal	
4	4460891	1	Plug, Male - 2 Position (To Footswitch)	
4	4460465	2	Socket, Female	
4	4460897	1	Receptacle, Female - 2 Position (Footswitch Jumper)	
4	4460464	2	Pin, Male	
4	4460539	1	Plug, Male - 3 Position (To Overhead Switches)	
4	4460465	2	Socket, Female	
4	4460466	1	Plug, Terminal	

SECTION 6 - ELECTRICAL

**FIGURE 6-16. GROUND TO PLATFORM CABLE INSTALLATION - WITH PLATFORM COIL CABLE
(ALL SPECS EXCEPT AUSTRALIAN SPECS) (CHINA & MEXICO BUILT MACHINES)**



ART_1001203630

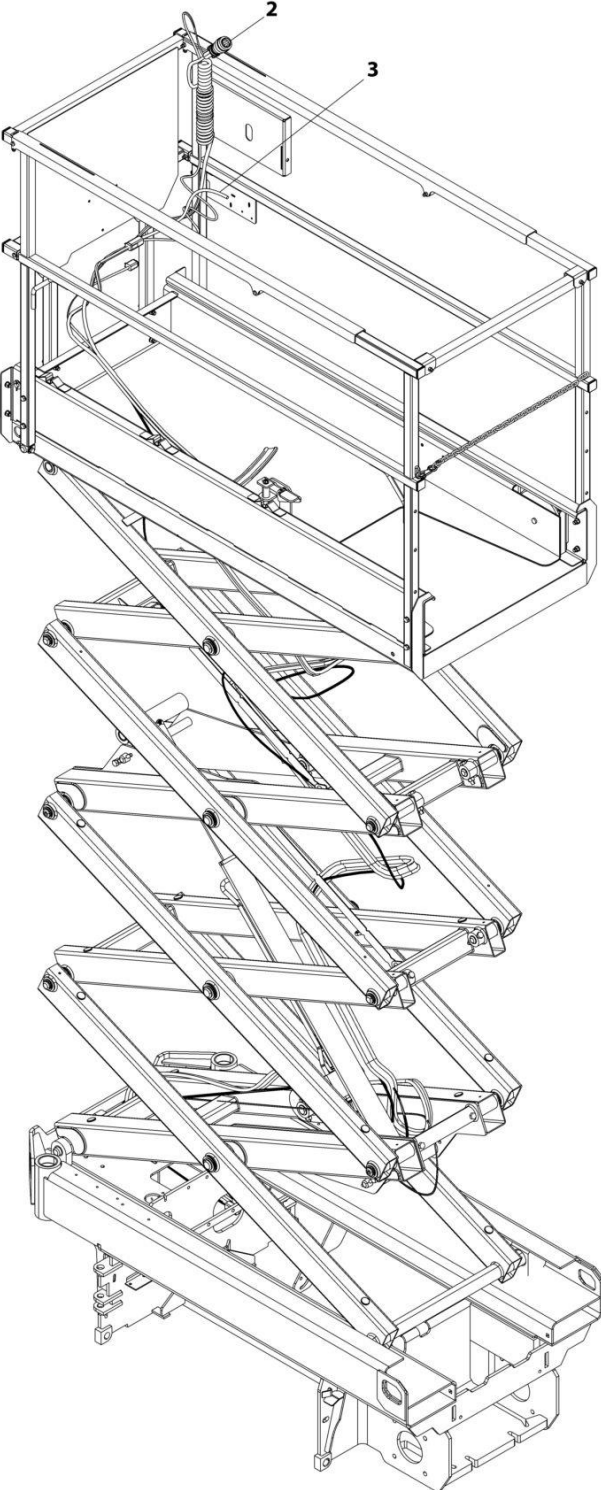
SECTION 6 - ELECTRICAL

**FIGURE 6-16. GROUND TO PLATFORM CABLE INSTALLATION - WITH PLATFORM COIL CABLE
(ALL SPECS EXCEPT AUSTRALIAN SPECS) (CHINA & MEXICO BUILT MACHINES)**

ITEM	PART NUMBER	QTY	DESCRIPTION	REV
	1001203630	Ref	GROUND TO PLATFORM CABLE INSTALLATION	E
1	4240017	AR	Tie-Strap (Not Shown)	
3	1001200811	1	Cable Assembly - Ground to Platform	
3	4460894	1	Plug, Male - 6 Position (To Platform Harness Item 4)	
3	4460465	4	Socket, Female	
3	4460944	2	Socket, Female	
3	4460899	1	Receptacle, Female - 6 Position (To Chassis Harness)	
3	4460464	4	Pin, Male	
3	4460943	2	Pin, Male	
4	1001202184	1	Platform Harness	
4	4460899	1	Receptacle, Female - 6 Position (To Item 3)	
4	4460464	4	Pin, Male	
4	4460943	2	Pin, Male	
4	4460754	1	Connector - 14 Position (To Console Box)	
4	4460465	8	Socket, Female	
4	4460466	6	Plug, Terminal	

SECTION 6 - ELECTRICAL

FIGURE 6-17. GROUND TO PLATFORM CABLE INSTALLATION - WITH PLATFORM COIL CABLE (AUSTRALIAN SPECS) (CHINA BUILT MACHINES)



ART_1001230933

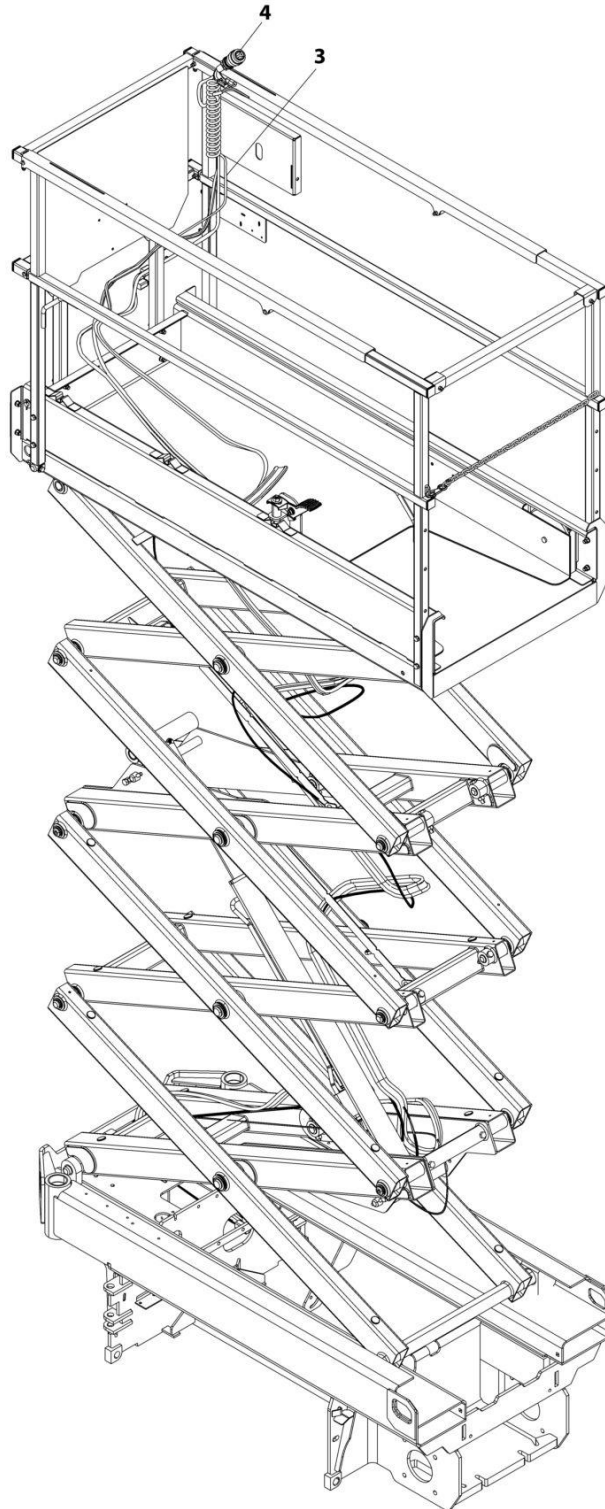
SECTION 6 - ELECTRICAL

**FIGURE 6-17. GROUND TO PLATFORM CABLE INSTALLATION - WITH PLATFORM COIL CABLE
(AUSTRALIAN SPECS) (CHINA BUILT MACHINES)**

ITEM	PART NUMBER	QTY	DESCRIPTION	REV
	1001230933	Ref	GROUND TO PLATFORM CABLE INSTALLATION	A
1	4240017	AR	Tie-Strap (Not Shown)	
2	1001202184	1	Platform Harness	
2	4460899	1	Receptacle, Female - 6 Position (To Item 3)	
2	4460464	4	Pin, Male	
2	4460943	2	Pin, Male	
2	4460754	1	Connector - 14 Position (To Console Box)	
2	4460465	8	Socket, Female	
2	4460466	6	Plug, Terminal	
3	1001230839	1	Cable Assembly - Ground to Platform	
3	4460894	1	Plug, Male - 6 Position (To Platform Harness Item 2)	
3	4460465	4	Socket, Female	
3	4460944	2	Socket, Female	
3	4460899	1	Receptacle, Female - 6 Position (To Chassis Harness)	
3	4460464	4	Pin, Male	
3	4460943	2	Pin, Male	

SECTION 6 - ELECTRICAL

FIGURE 6-18. GROUND TO PLATFORM CABLE INSTALLATION - WITH PLATFORM COIL CABLE AND FOOTSWITCH (CHINA BUILT MACHINES)



ART_1001203631_F

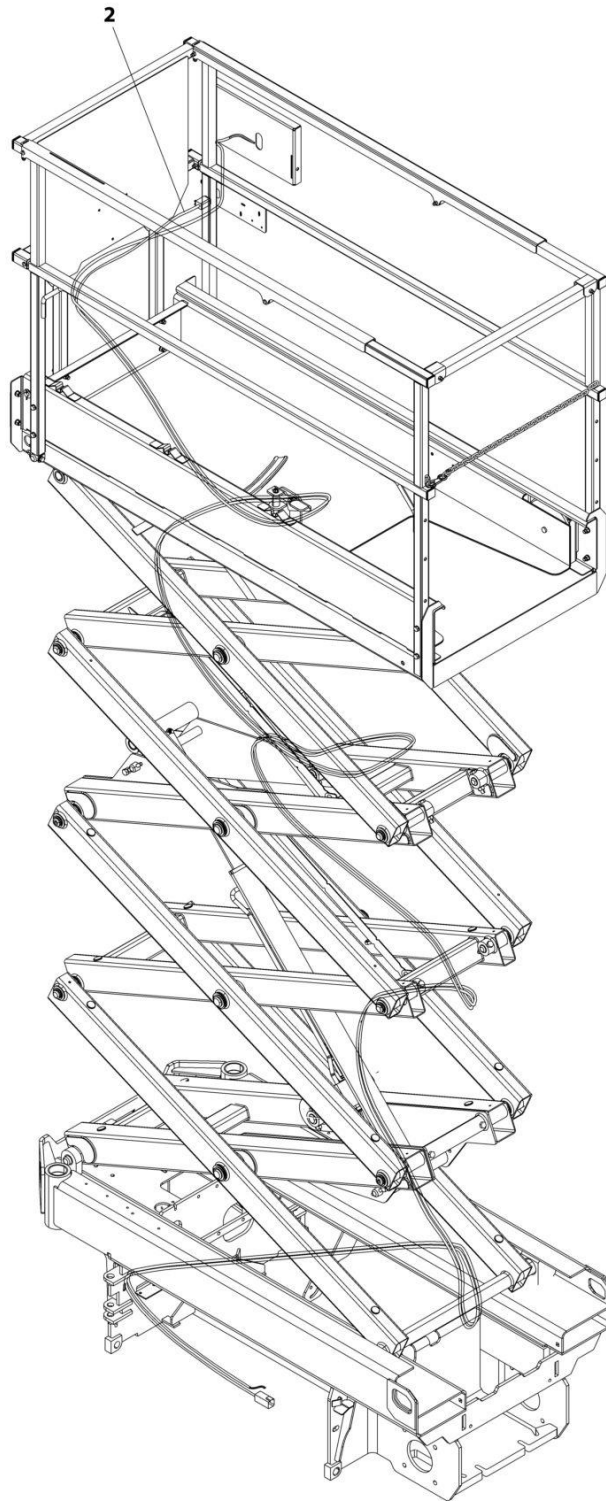
SECTION 6 - ELECTRICAL

FIGURE 6-18. GROUND TO PLATFORM CABLE INSTALLATION - WITH PLATFORM COIL CABLE AND FOOTSWITCH (CHINA BUILT MACHINES)

ITEM	PART NUMBER	QTY	DESCRIPTION	REV
	1001203631	Ref	GROUND TO PLATFORM CABLE INSTALLATION	F
		Ref	Note: Only Available on Japanese Specs.	
1	4240017	AR	Tie-Strap (Not Shown)	
3	1001200811	1	Cable Assembly - Ground to Platform	
3	4460894	1	Plug, Male - 6 Position (To Platform Harness Item 4)	
3	4460465	4	Socket, Female	
3	4460944	2	Socket, Female	
3	4460899	1	Receptacle, Female - 6 Position (To Chassis Harness)	
3	4460464	4	Pin, Male	
3	4460943	2	Pin, Male	
4	1001223262	1	Platform Harness	
4	4460899	1	Receptacle, Female - 6 Position (To Item 3)	
4	4460464	4	Pin, Male	
4	4460943	2	Pin, Male	
4	4460754	1	Connector - 14 Position (To Console Box)	
4	4460465	8	Socket, Female	
4	4460944	2	Socket, Female	
4	4460466	4	Plug, Terminal	
4	4460891	1	Plug, Male - 2 Position (To Footswitch)	
4	4460465	2	Socket, Female	
4	4460897	1	Receptacle, Female - 2 Position (Footswitch Jumper)	
4	4460464	2	Pin, Male	
4	4460539	1	Plug, Male - 3 Position (To Overhead Switches)	
4	4460465	2	Socket, Female	
4	4460466	1	Plug, Terminal	

SECTION 6 - ELECTRICAL

FIGURE 6-19. GROUND TO PLATFORM CABLE INSTALLATION - SCISSORS ARM CABLE ONLY
(EUROPEAN BUILT MACHINES)



ART_1001253807

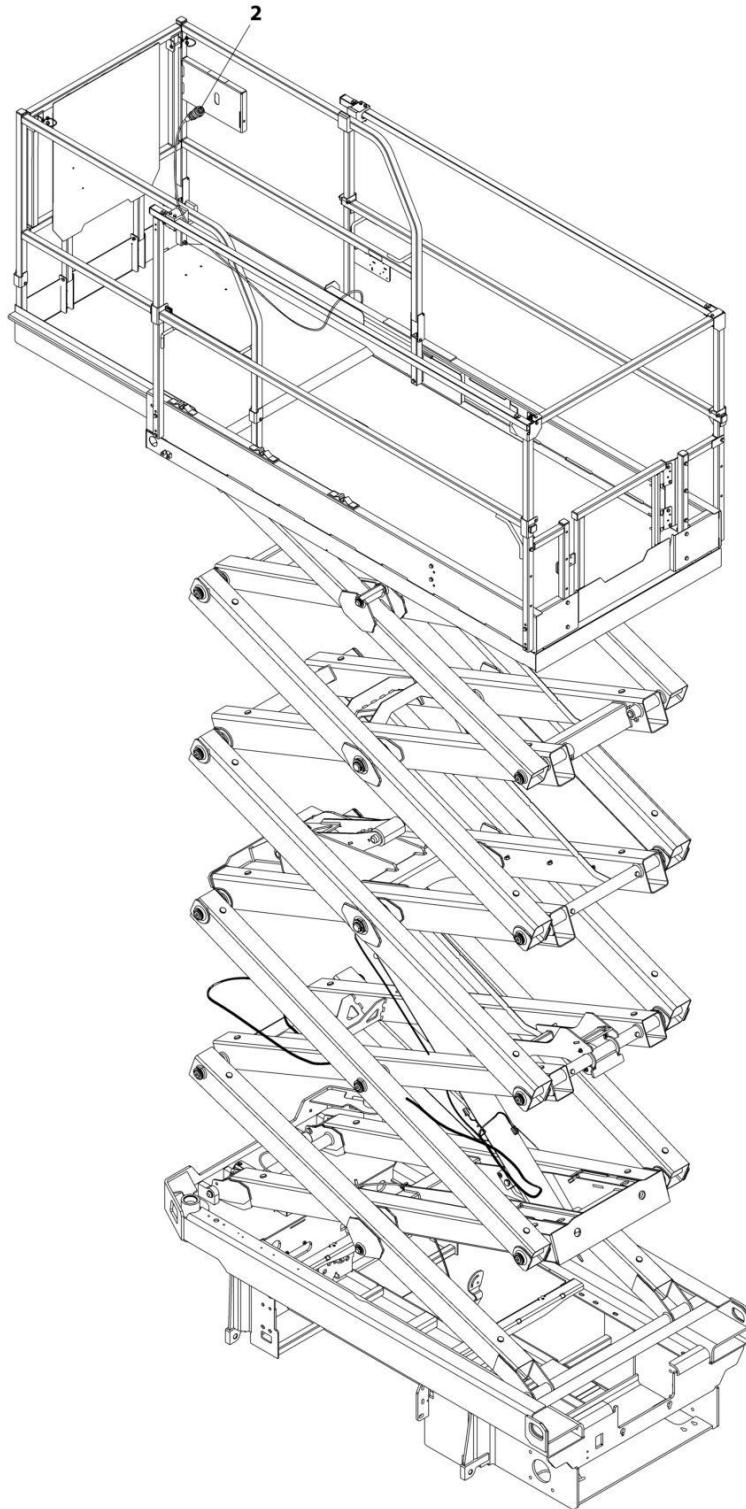
SECTION 6 - ELECTRICAL

**FIGURE 6-19. GROUND TO PLATFORM CABLE INSTALLATION - SCISSORS ARM CABLE ONLY
(EUROPEAN BUILT MACHINES)**

ITEM	PART NUMBER	QTY	DESCRIPTION	REV
	1001253807	Ref	GROUND TO PLATFORM CABLE INSTALLATION - SCISSORS ARMS CABLE ONLY	A
1	4240017	AR	Tie-Strap (Not Shown)	
2	1001200811	1	Cable Assembly - Ground to Platform	
2	4460894	1	Plug, Male - 6 Position (To Platform Harness Item 2)	
2	4460465	4	Socket, Female	
2	4460944	2	Socket, Female	
2	4460899	1	Receptacle, Female - 6 Position (To Chassis Harness)	
2	4460464	4	Pin, Male	
2	4460943	2	Pin, Male	

SECTION 6 - ELECTRICAL

FIGURE 6-20. GROUND TO PLATFORM CABLE INSTALLATION - PLATFORM CABLE ONLY
(STRAIGHT CABLE) (EUROPEAN BUILT MACHINES)



ART_1001223650

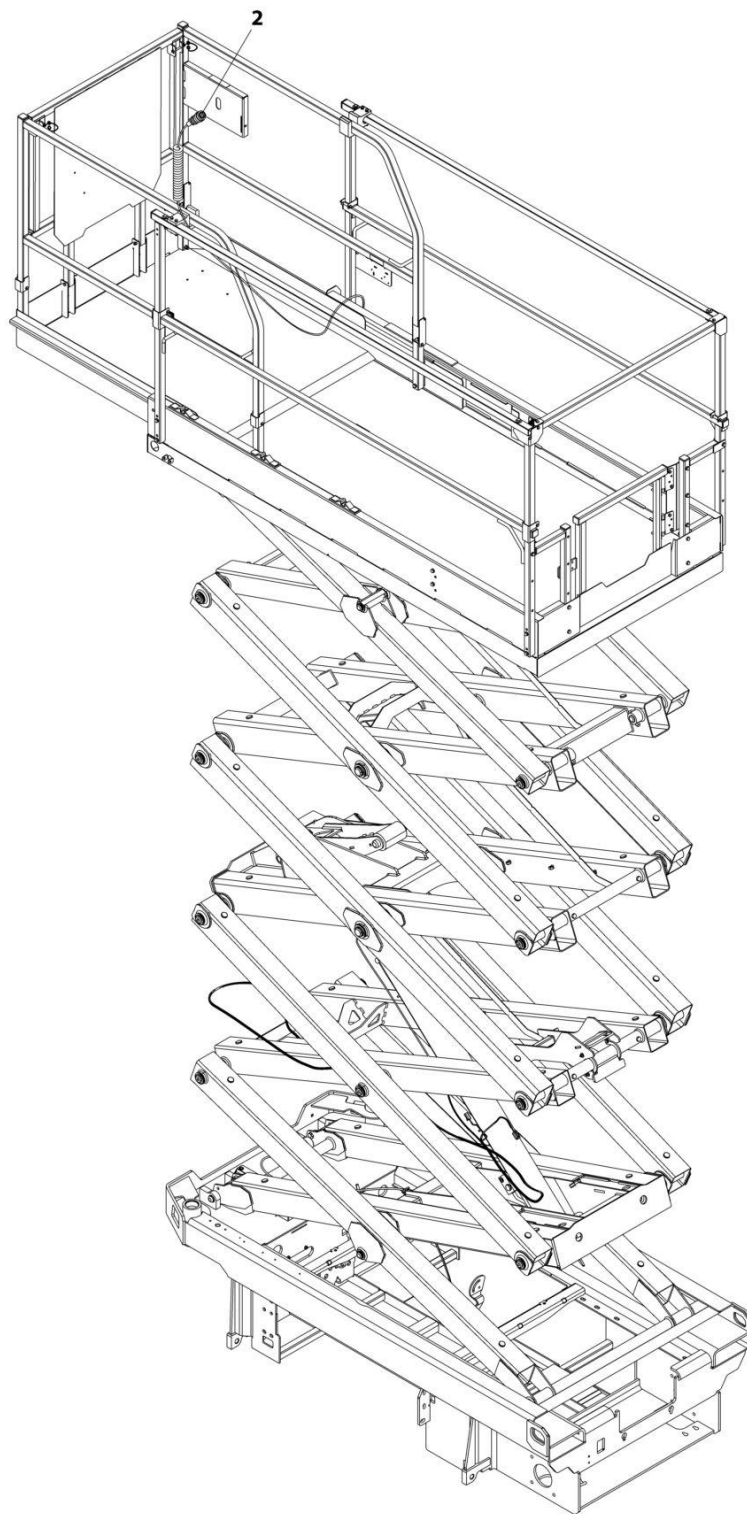
SECTION 6 - ELECTRICAL

**FIGURE 6-20. GROUND TO PLATFORM CABLE INSTALLATION - PLATFORM CABLE ONLY
(STRAIGHT CABLE) (EUROPEAN BUILT MACHINES)**

ITEM	PART NUMBER	QTY	DESCRIPTION	REV
	1001223650	Ref	GROUND TO PLATFORM CABLE INSTALLATION	A
1	4240017	AR	Tie-Strap (Not Shown)	
2	1001200812	1	Platform Harness	
2	4460899	1	Receptacle, Female - 6 position (To Platform/AC Cable Connector)	
2	4460464	4	Pin, Male	
2	4460943	2	Pin, Male	
2	4460754	1	Connector - 14 Position (To Console Box)	
2	4460465	8	Socket, Female	
2	4460466	6	Plug, Terminal	

SECTION 6 - ELECTRICAL

FIGURE 6-21. GROUND TO PLATFORM CABLE INSTALLATION - PLATFORM CABLE ONLY (COILED CABLE) (EUROPEAN BUILT MACHINES)



ART_1001223651

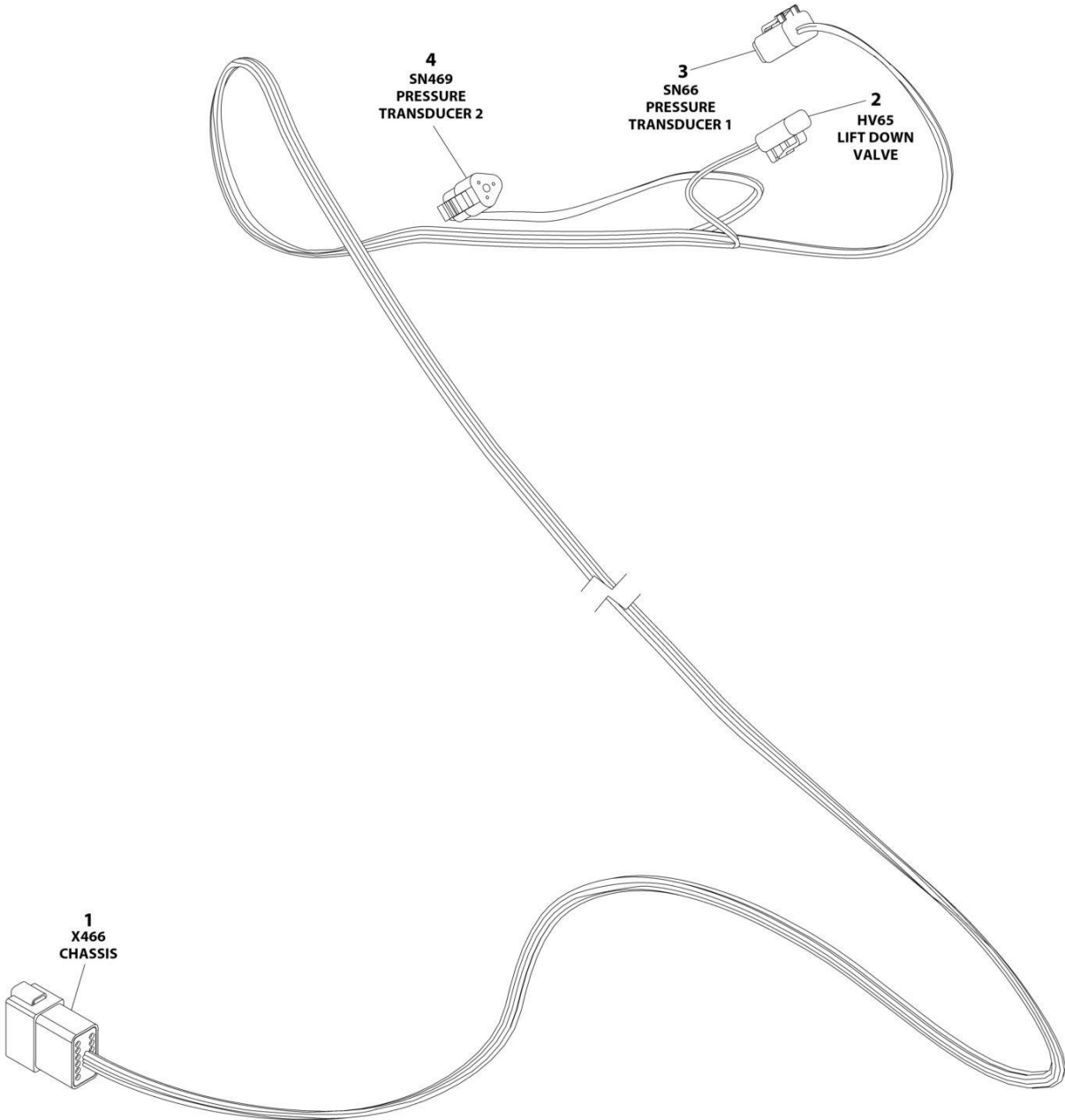
SECTION 6 - ELECTRICAL

FIGURE 6-21. GROUND TO PLATFORM CABLE INSTALLATION - PLATFORM CABLE ONLY (COILED CABLE) (EUROPEAN BUILT MACHINES)

ITEM	PART NUMBER	QTY	DESCRIPTION	REV
	1001223651	Ref	GROUND TO PLATFORM CABLE INSTALLATION	A
1	4240017	AR	Tie-Strap (Not Shown)	
2	1001202184	1	Platform Harness	
2	4460899	1	Receptacle, Female - 6 position (To Platform/AC Cable Connector)	
2	4460464	4	Pin, Male	
2	4460943	2	Pin, Male	
2	4460754	1	Connector - 14 Position (To Console Box)	
2	4460465	8	Socket, Female	
2	4460466	6	Plug, Terminal	

SECTION 6 - ELECTRICAL

FIGURE 6-22. LIFT DOWN HARNESS



ART_1001222687_B

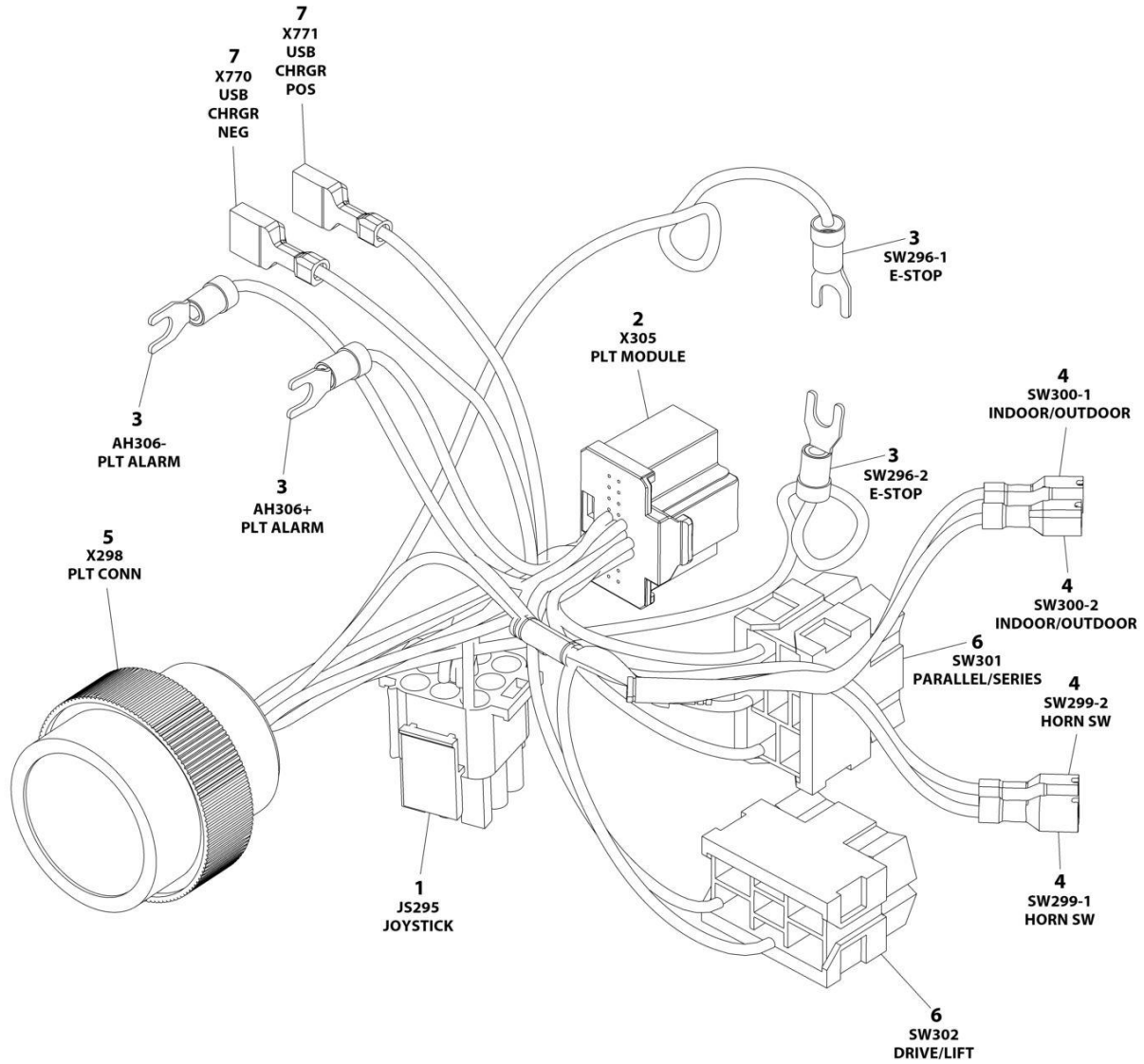
SECTION 6 - ELECTRICAL

FIGURE 6-22. LIFT DOWN HARNESS

ITEM	PART NUMBER	QTY	DESCRIPTION	REV
	1001222687	Ref	LIFT DOWN HARNESS - WITH LSS	B
1	4460970	1	Receptacle, Female - 12 Position	
1	4460464	9	Pin, Male	
1	4460466	3	Plug, Terminal	
2	4460891	1	Plug, Male - 4 Position	
2	4460465	2	Socket, Female	
3	4460884	1	Plug, Male - 4 Position	
3	4460465	4	Socket, Female	
4	4460539	1	Plug, Male - 3 Position	
4	4460465	3	Socket, Female	

SECTION 6 - ELECTRICAL

FIGURE 6-23. PLATFORM BOX HARNESS



ART_1001200819

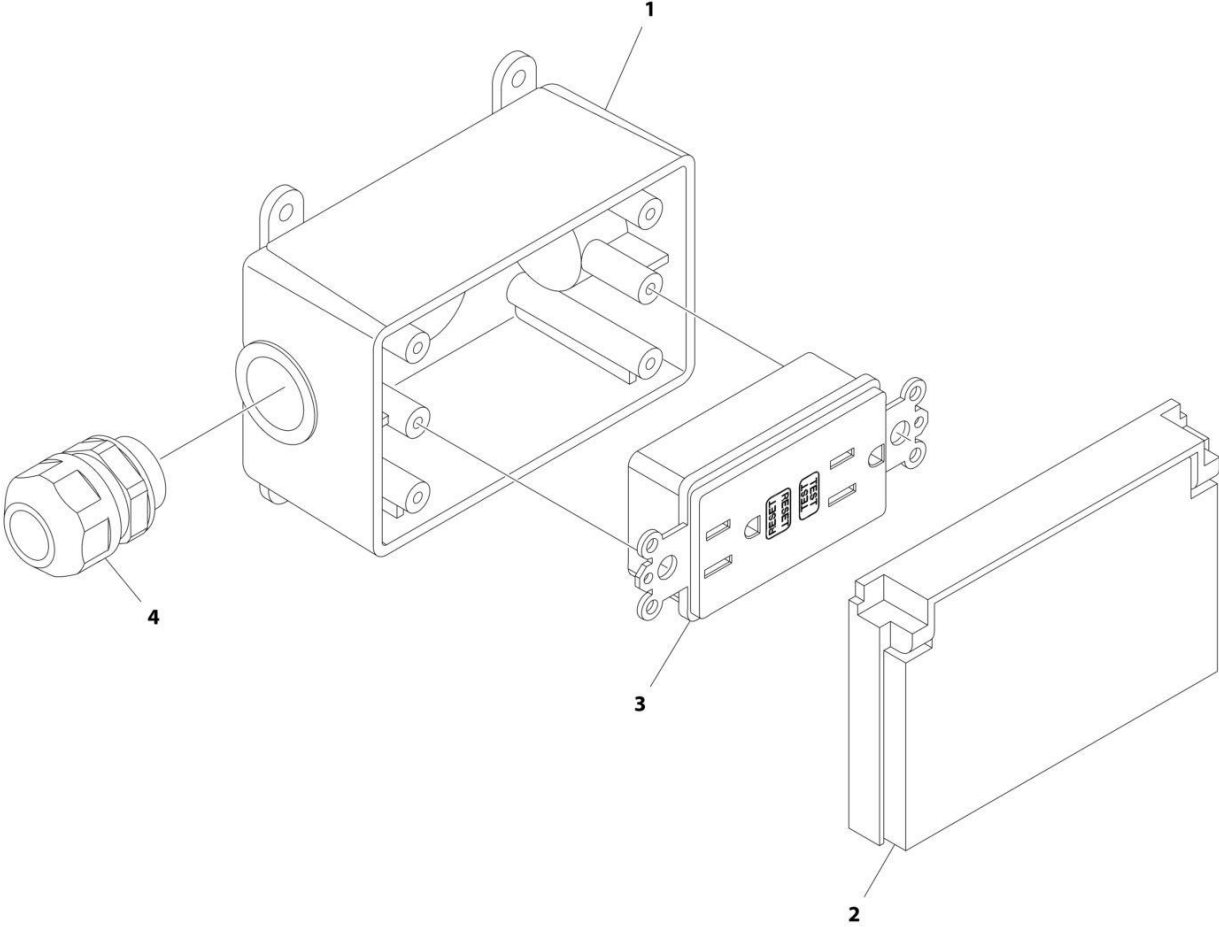
SECTION 6 - ELECTRICAL

FIGURE 6-23. PLATFORM BOX HARNESS

ITEM	PART NUMBER	QTY	DESCRIPTION	REV
	1001200819	Ref	PLATFORM CONTROL BOX HARNESS	E
1	4460265	1	Plug, Male - 9 Position	
1	4460267	6	Pin, Male	
2	1001212036	1	Connector - 20 Position	
2	1001212035	16	Terminal	
3	4460183	4	Terminal, Fork	
4	1001201885	4	Terminal with Cover	
5	4461016	1	Connector - 14 Position	
5	4460464	8	Pin, Male	
5	4460466	6	Plug, Terminal	
6	4460418	2	Connector - 6 Position	
6	1001159186	5	Terminal	
7	1001194421	2	Terminal	

SECTION 6 - ELECTRICAL

FIGURE 6-24. RECEPTACLE BOX KIT - 110V GFI



ART_2902431

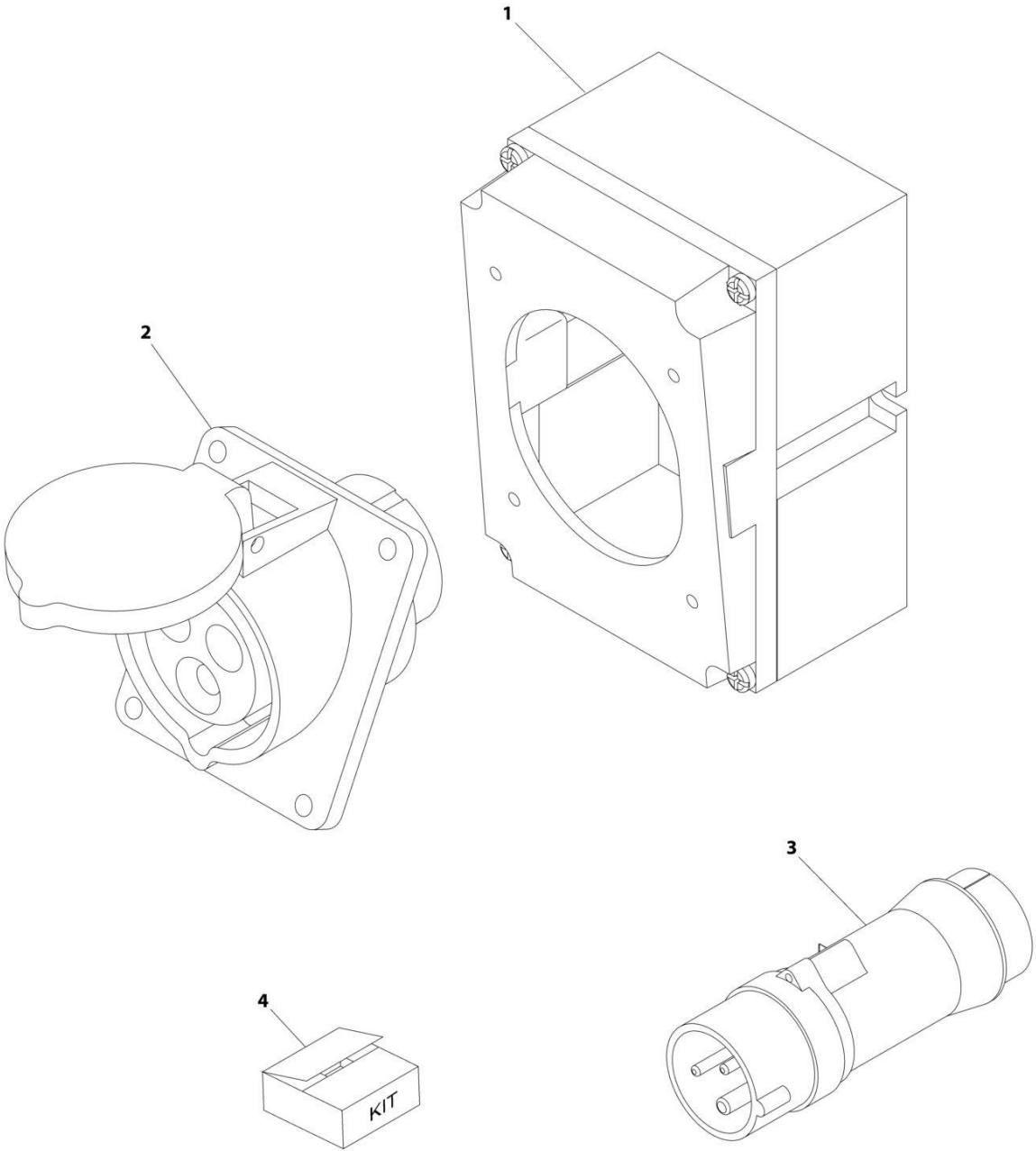
SECTION 6 - ELECTRICAL

FIGURE 6-24. RECEPTACLE BOX KIT - 110V GFI

ITEM	PART NUMBER	QTY	DESCRIPTION	REV
	2902431	Ref	RECEPTACLE BOX KIT - 110V GFI	D
1	0861731	1	Box, Receptacle	
2	1671207	1	Cover, Receptacle	
3	4460346	1	Receptacle	
4	4460662	1	Connector, Strain Relief	

SECTION 6 - ELECTRICAL

FIGURE 6-25. RECEPTACLE BOX KIT - 110V IEC YELLOW (CE SPEC)



ART_0275216

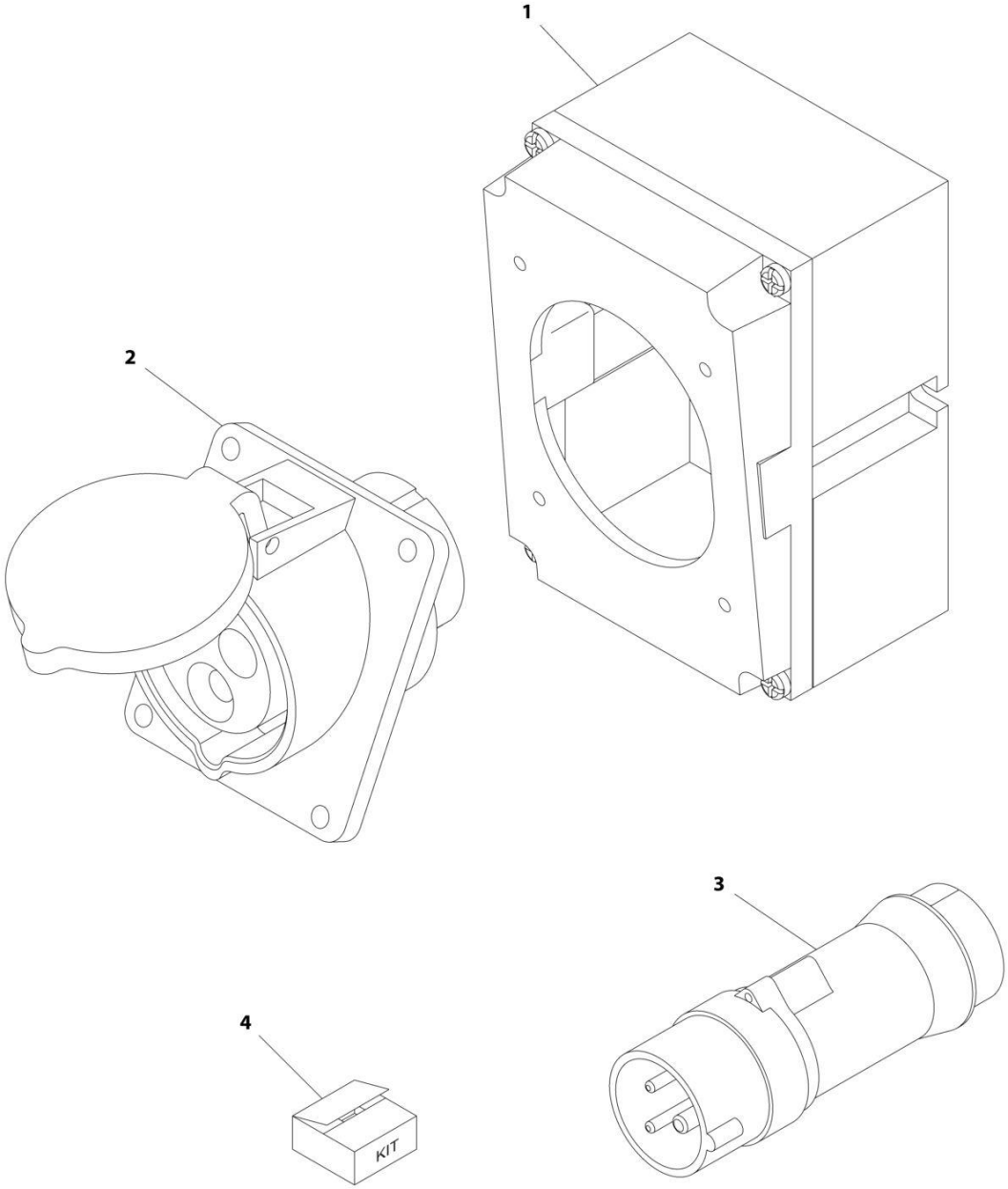
SECTION 6 - ELECTRICAL

FIGURE 6-25. RECEPTACLE BOX KIT - 110V IEC YELLOW (CE SPEC)

ITEM	PART NUMBER	QTY	DESCRIPTION	REV
	0275216	Ref	RECEPTACLE BOX KIT - 110V IEC YELLOW	B
1	0861781	1	Box, Switch	
2	4461198	1	Receptacle	
3	4461196	1	Plug, Male	
4	1001100341	1	Plug and Socket Kit (Includes Items 1-3 and Female Plug p/n 4461197)	

SECTION 6 - ELECTRICAL

FIGURE 6-26. RECEPTACLE BOX KIT - 220V IEC BLUE (CE SPEC)



ART_0275217

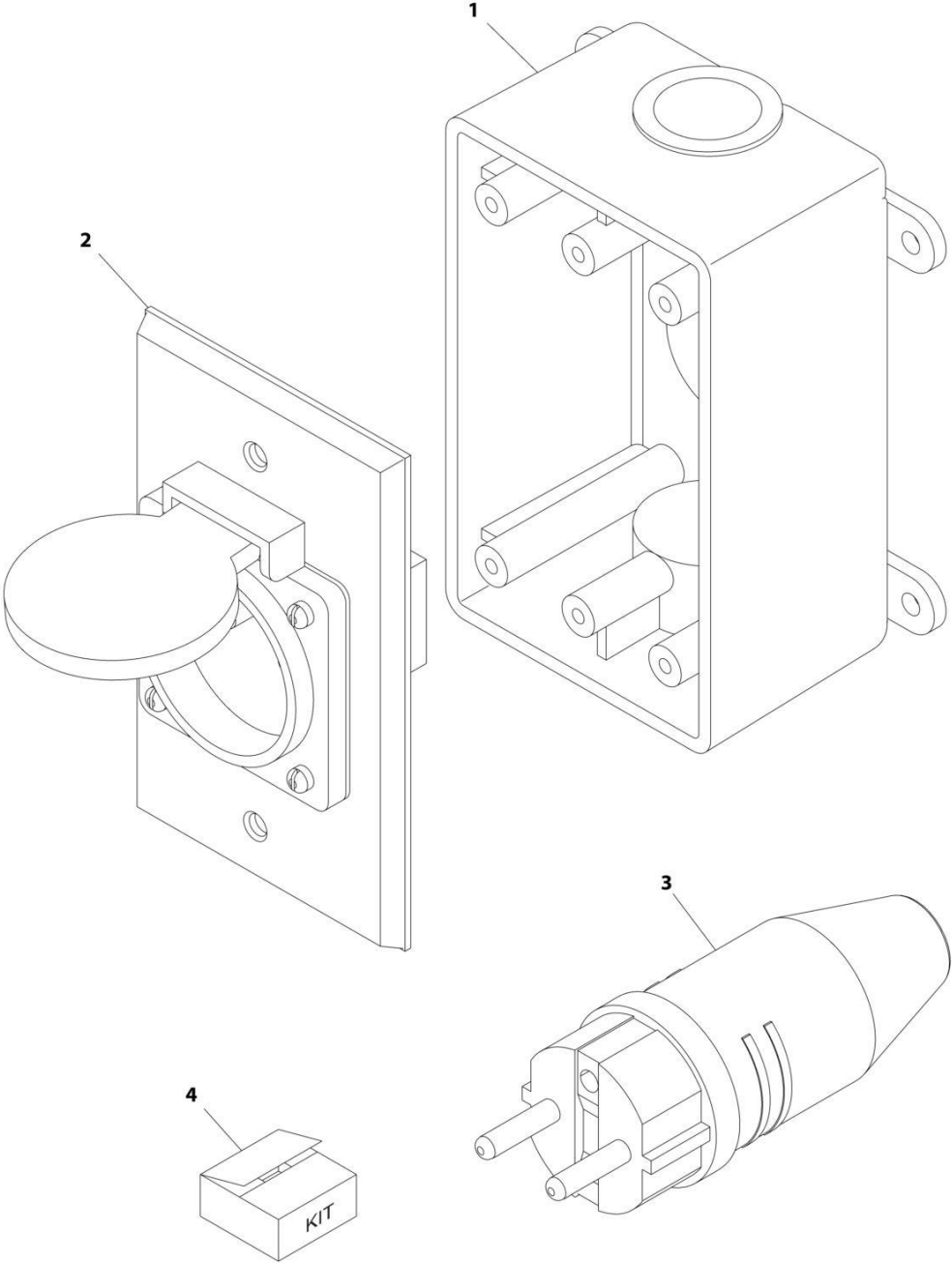
SECTION 6 - ELECTRICAL

FIGURE 6-26. RECEPTACLE BOX KIT - 220V IEC BLUE (CE SPEC)

ITEM	PART NUMBER	QTY	DESCRIPTION	REV
	0275217	Ref	RECEPTACLE BOX KIT - 220V IEC BLUE	B
1	0861781	1	Box, Switch	
2	4461201	1	Receptacle	
3	4461199	1	Plug, Male	
4	1001100342	1	Plug and Socket Kit (Includes Items 1-3 and Female Plug p/n 4461200)	

SECTION 6 - ELECTRICAL

FIGURE 6-27. RECEPTACLE BOX KIT - 220V CEE7 POST GROUND (CE SPEC)



ART_0275452-C

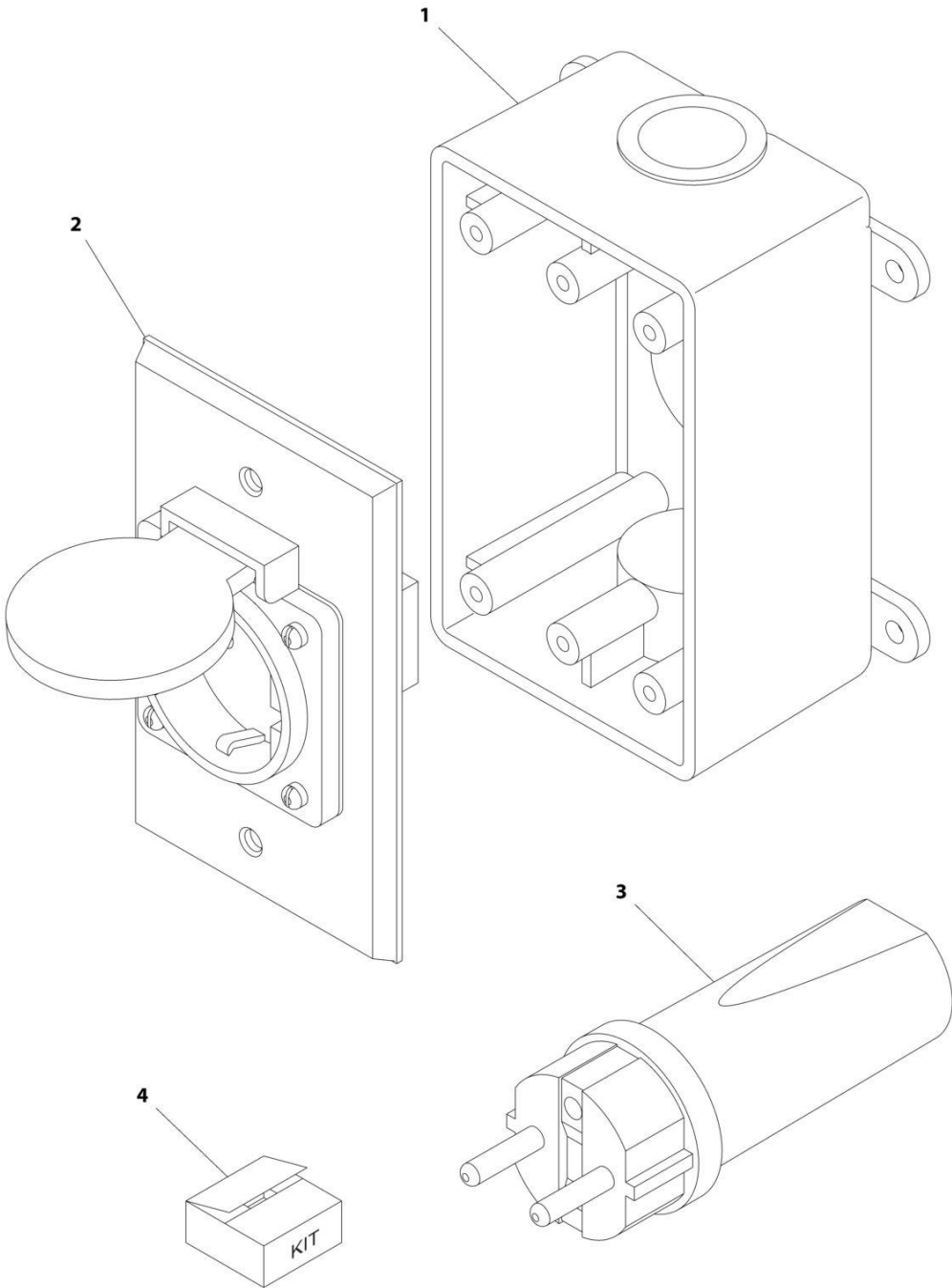
SECTION 6 - ELECTRICAL

FIGURE 6-27. RECEPTACLE BOX KIT - 220V CEE7 POST GROUND (CE SPEC)

ITEM	PART NUMBER	QTY	DESCRIPTION	REV
	0275452	Ref	RECEPTACLE BOX KIT - 220V CEE7 POST GROUND 2IN X 4IN BOX	C
1	0861731	1	Box, Switch	
2	4461244	1	Receptacle	
3	4461205	1	Plug, Male	
4	1001100345	1	Plug and Socket Kit (Includes Items 1-3 and Female Plug p/n 4461203)	

SECTION 6 - ELECTRICAL

FIGURE 6-28. RECEPTACLE BOX KIT - 220V CEE7 SIDE GROUND (CE SPEC)



ART_0275453

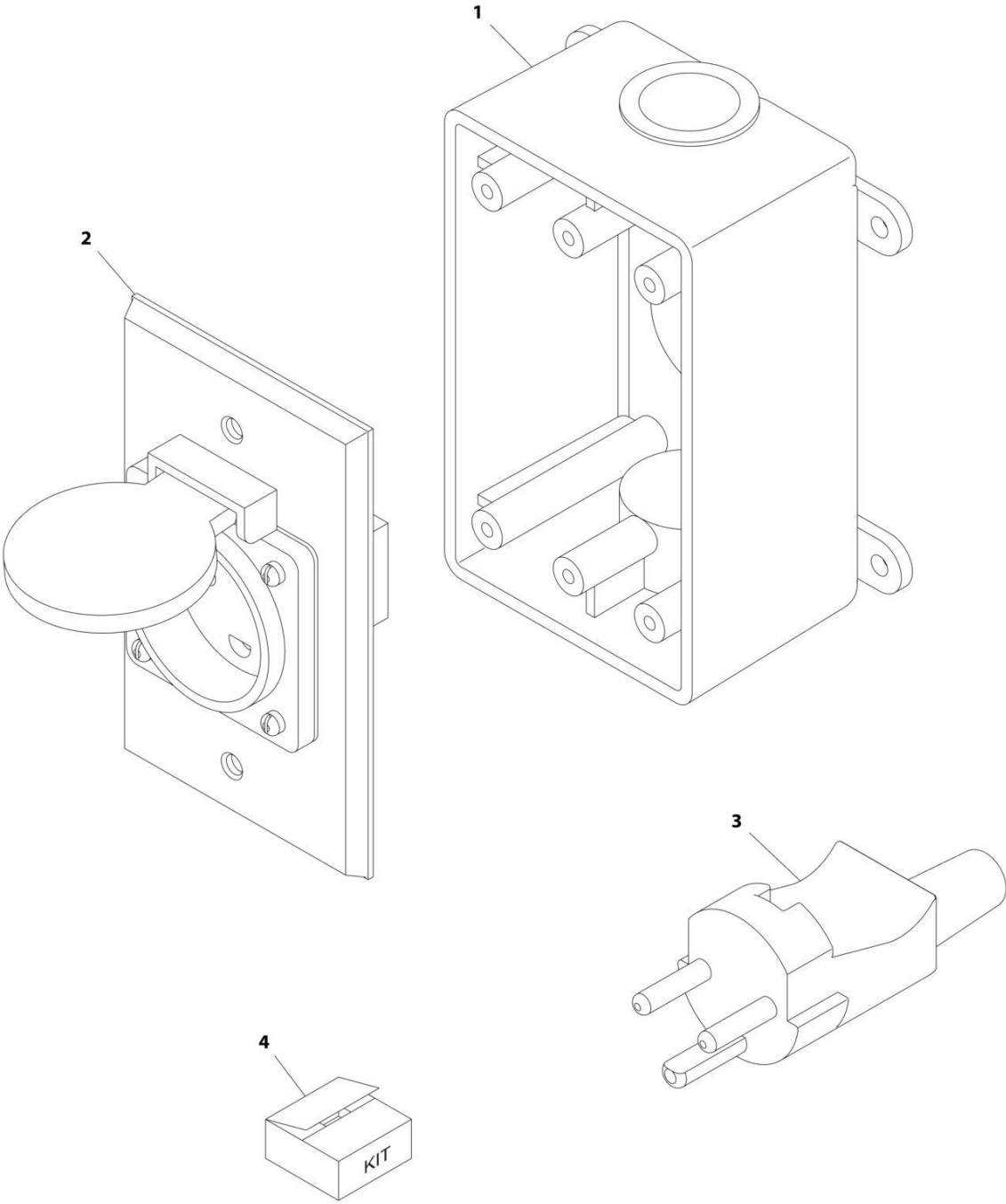
SECTION 6 - ELECTRICAL

FIGURE 6-28. RECEPTACLE BOX KIT - 220V CEE7 SIDE GROUND (CE SPEC)

ITEM	PART NUMBER	QTY	DESCRIPTION	REV
	0275453	Ref	RECEPTACLE BOX KIT - 220V CEE7 SIDE GROUND	B
1	0861731	1	Box, Switch	
2	4461245	1	Receptacle	
3	4461205	1	Plug, Male	
4	1001100347	1	Plug and Socket Kit (Includes Items 1-3 and Female Plug p/n 4461206)	

SECTION 6 - ELECTRICAL

FIGURE 6-29. RECEPTACLE BOX KIT - 220V AFSINT 107 (CE SPEC)



ART_0275454

SECTION 6 - ELECTRICAL

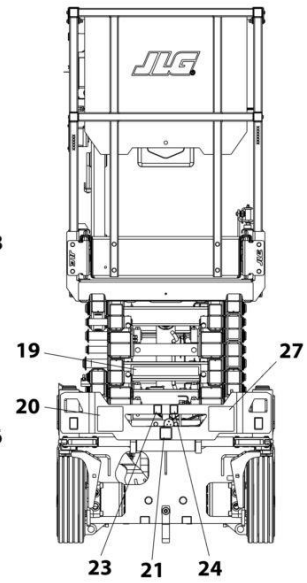
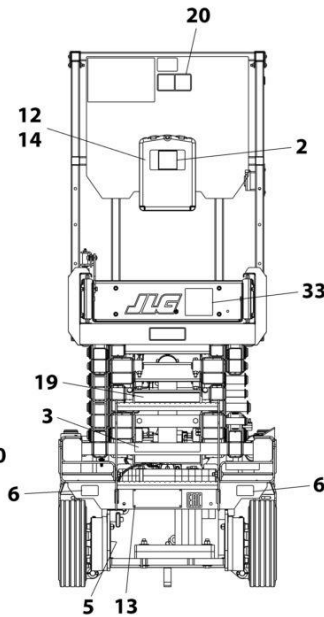
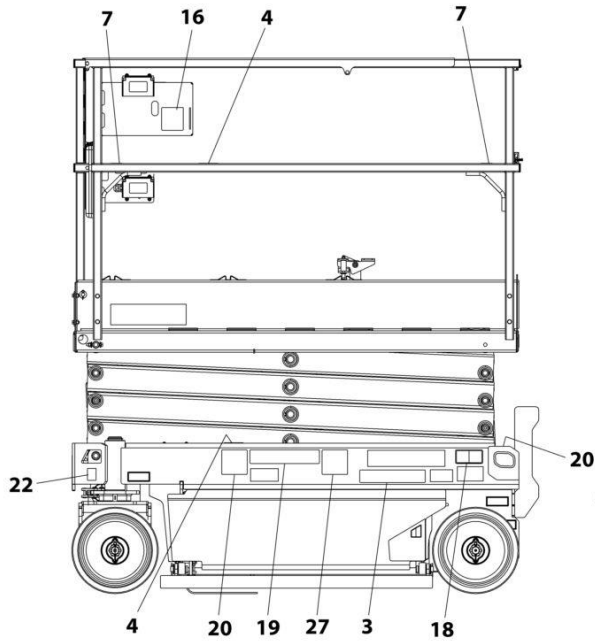
FIGURE 6-29. RECEPTACLE BOX KIT - 220V AFSINT 107 (CE SPEC)

ITEM	PART NUMBER	QTY	DESCRIPTION	REV
	0275454	Ref	RECEPTACLE BOX KIT - 220V AFSINT 107	B
1	0861731	1	Box, Switch	
2	4461246	1	Receptacle	
3	4461249	1	Plug, Male	
4	1001100346	1	Plug and Socket Kit (Includes Items 1-3 and Female Plug p/n 4461250)	

SECTION 7 - DECALS

SECTION 7 - DECALS

FIGURE 7-1. DECAL INSTALLATION - ANSI SPECS (ENGLISH LANGUAGE)

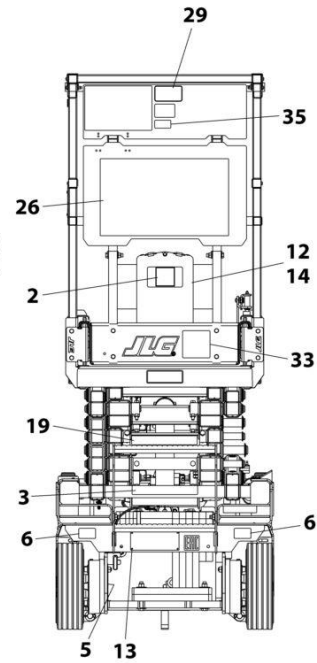
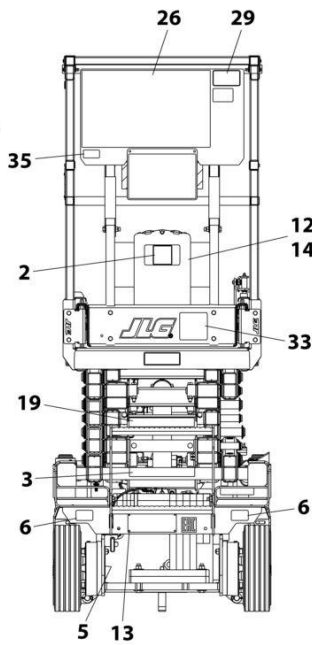
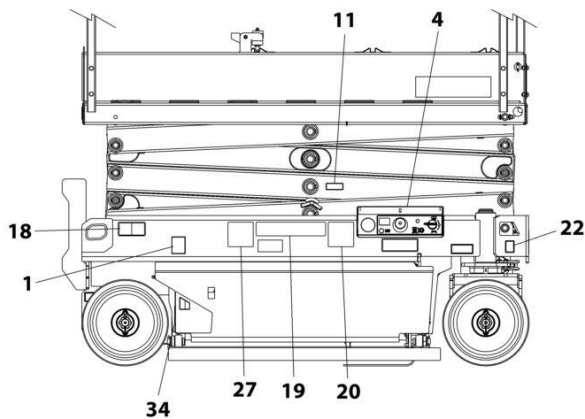


REAR VIEW - FIXED RAILS
(LADDER AND PLATFORM BOX
REMOVED FOR CLARITY)

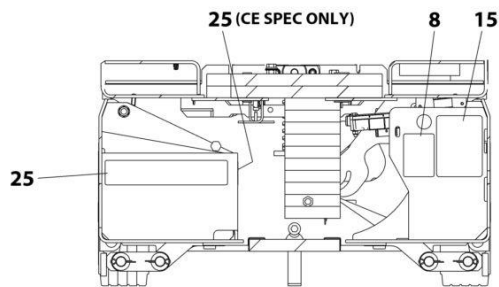
FRONT VIEW

NOTE: ITEMS SHOWN MAY NOT BE REQUIRED FOR ALL SPECS. REFER TO PARTS LISTS FOR USAGE.

NOTE: ADDITIONAL DECALS CALLED OUT ON DECAL INSTALLATION - OPTIONS.



REAR VIEW - FOLD-DOWN RAILS
(LADDER AND PLATFORM BOX REMOVED FOR CLARITY)



DETAIL OF COMPONENTS
INSIDE FRAME TRAYS

ART_1001209907_E

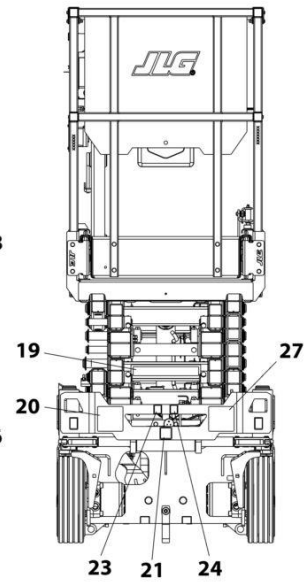
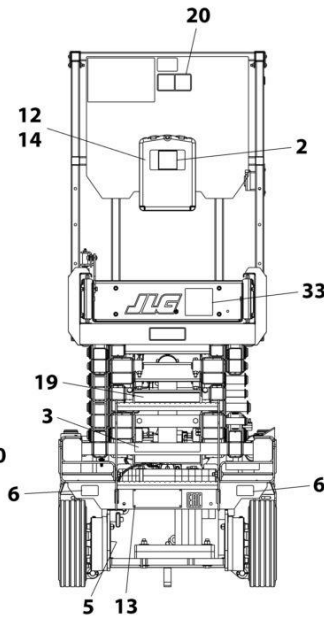
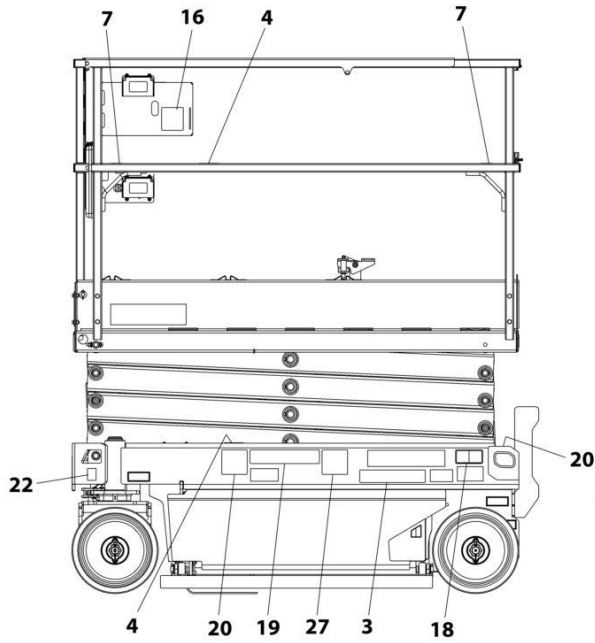
SECTION 7 - DECALS

FIGURE 7-1. DECAL INSTALLATION - ANSI SPECS (ENGLISH LANGUAGE)

ITEM	PART NUMBER	QTY	DESCRIPTION	REV
	1001209907	Ref	DECAL INSTALLATION	E
	1001257773	Ref	DECAL CHART DRAWING	G
1	1701504	1	Decal - Hydraulic Oil	
2	1701640	1	Decal - Manual	
3	1703813	2	Decal - Warning Battery Ventilation	
4	1703819	4	Decal - Direction Arrow	
5	1703822	1	Decal - Manual Descent Instruction	
6	1704016	2	Decal - Fork Lift	
7	1704277	2	Decal - Lanyard Attach	
8	1704412	1	Decal - Hydraulic Oil	
11	1001220430	1	Decal - Safety Prop	
12	2080040	3	Fastener	
13	2080057	4	Fastener	
14	8990147	1	Holder, Manual	
15	1001131270	1	Decal - Patent	
16	1001132359	1	Decal - Control Box Locate	
18	1001162864	2	Decal - Lift Up/Tie Down	
19	1001211777	4	Decal - Crushing Hazard	
20	1001211779	4	Decal - Electrocution	
21	1001212290	1	Decal - Tie Down	
22	1001212291	2	Decal - Lifting Lug	
23	1001212292	1	Decal - No Lifting	
24	1001212293	1	Decal - No Forklift	
25	1001146794	1	Decal - Battery/Charger Service	
26	1703816	1	Decal - Danger/Warning	
29	1001231801	1	Decal - Prop 65 Warning	
34	1001223055	1	Decal - Yearly Inspection	
35	1001228370	1	Decal - ICES	

SECTION 7 - DECALS

FIGURE 7-2. DECAL INSTALLATION - AUSTRALIAN & JAPANESE SPECS (ENGLISH LANGUAGE)

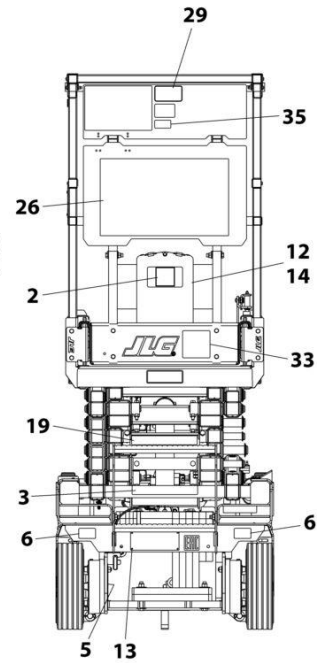
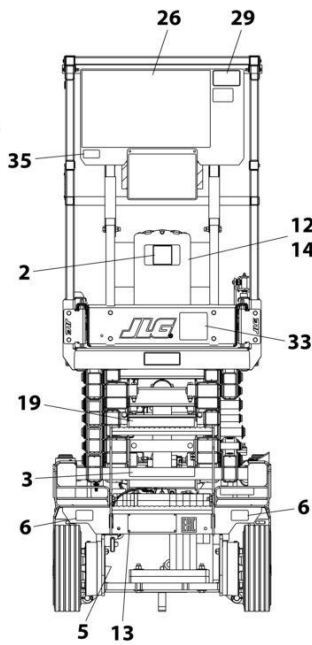
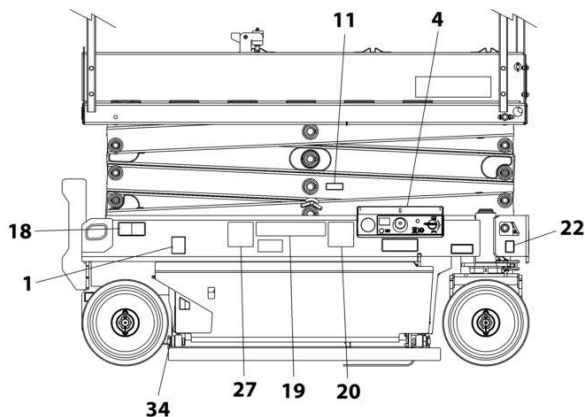


REAR VIEW - FIXED RAILS
(LADDER AND PLATFORM BOX
REMOVED FOR CLARITY)

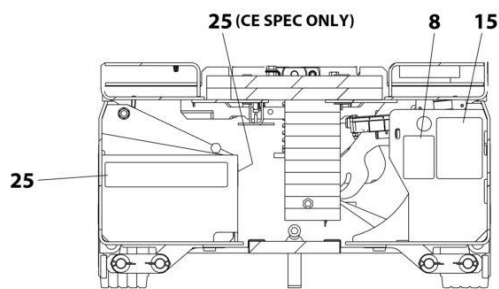
FRONT VIEW

NOTE: ITEMS SHOWN MAY NOT BE REQUIRED FOR ALL SPECS. REFER TO PARTS LISTS FOR USAGE.

NOTE: ADDITIONAL DECALS CALLED OUT ON DECAL INSTALLATION - OPTIONS.



REAR VIEW - FOLD-DOWN RAILS
(LADDER AND PLATFORM BOX REMOVED FOR CLARITY)



DETAIL OF COMPONENTS
INSIDE FRAME TRAYS

ART_1001209914_D

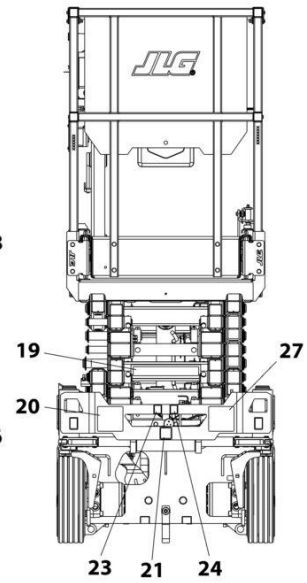
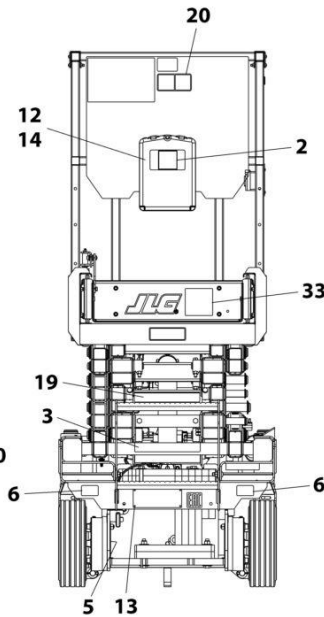
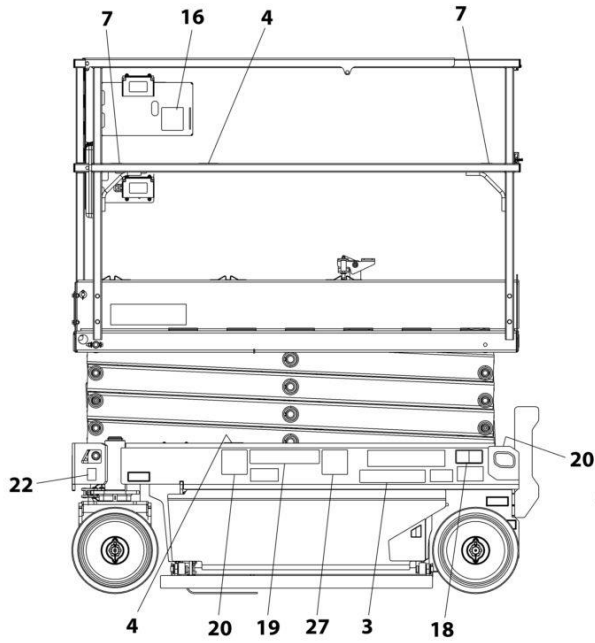
SECTION 7 - DECALS

FIGURE 7-2. DECAL INSTALLATION - AUSTRALIAN & JAPANESE SPECS (ENGLISH LANGUAGE)

ITEM	PART NUMBER	QTY	DESCRIPTION	REV
	1001209914	Ref	DECAL INSTALLATION	D
	1001257773	Ref	DECAL CHART DRAWING	G
1	1701504	1	Decal - Hydraulic Oil	
2	1701640	1	Decal - Manual	
3	1705670	2	Decal - Fire Hazard	
4	1703819	4	Decal - Direction Arrow	
5	1703822	1	Decal - Manual Descent Instruction	
6	1704016	2	Decal - Fork Lift	
7	1704277	2	Decal - Lanyard Attach	
8	1704412	1	Decal - Hydraulic Oil	
11	1001220430	1	Decal - Safety Prop	
12	2080040	3	Fastener	
13	2080057	4	Fastener	
14	8990147	1	Holder, Manual	
16	1001132359	1	Decal - Control Box Locate	
18	1001162864	2	Decal - Lift Up/Tie Down	
19	1001219172	4	Decal - Crushing	
20	1001219171	5	Decal - Electrocutation	
21	1001212290	1	Decal - Tie Down	
22	1001212291	2	Decal - Lifting Lug	
23	1001212292	1	Decal - No Lifting	
24	1001212293	1	Decal - No Forklift	
25	1001146794	1	Decal - Battery/Charger Service	

SECTION 7 - DECALS

FIGURE 7-3. DECAL INSTALLATION - BRAZIL SPECS (PORTUGUESE/SPANISH LANGUAGES)

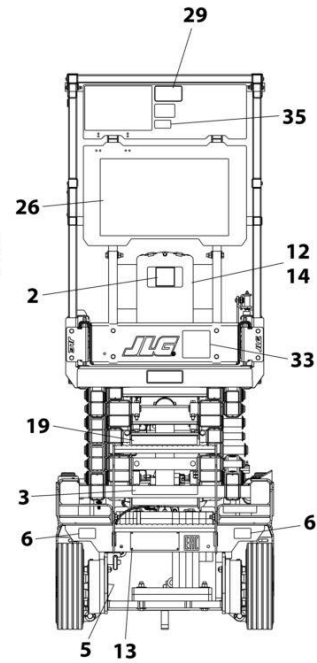
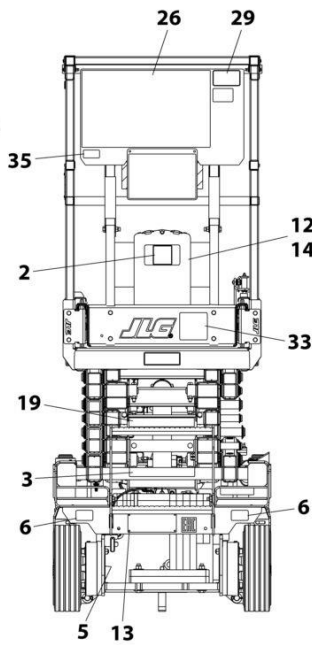
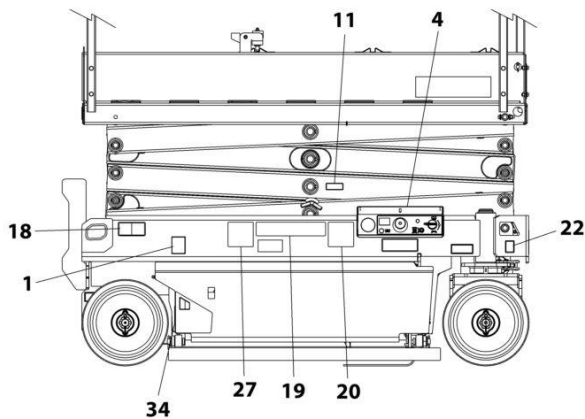


REAR VIEW - FIXED RAILS
(LADDER AND PLATFORM BOX
REMOVED FOR CLARITY)

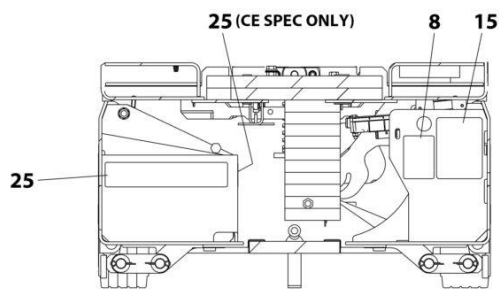
FRONT VIEW

NOTE: ITEMS SHOWN MAY NOT BE REQUIRED FOR ALL SPECS. REFER TO PARTS LISTS FOR USAGE.

NOTE: ADDITIONAL DECALS CALLED OUT ON DECAL INSTALLATION - OPTIONS.



REAR VIEW - FOLD-DOWN RAILS
(LADDER AND PLATFORM BOX REMOVED FOR CLARITY)



DETAIL OF COMPONENTS
INSIDE FRAME TRAYS

ART_1001209910_C

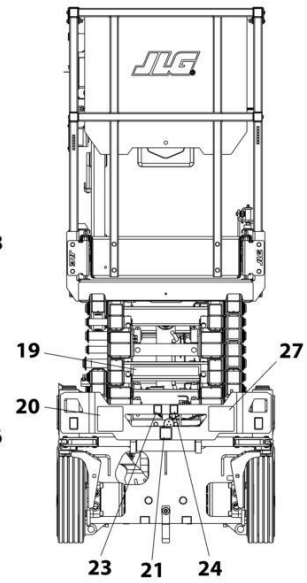
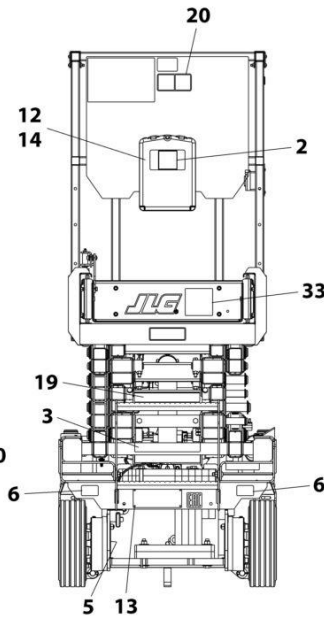
SECTION 7 - DECALS

FIGURE 7-3. DECAL INSTALLATION - BRAZIL SPECS (PORTUGUESE/SPANISH LANGUAGES)

ITEM	PART NUMBER	QTY	DESCRIPTION	REV
	1001209910	Ref	DECAL INSTALLATION	C
	1001257773	Ref	DECAL CHART DRAWING	G
1	1701504	1	Decal - Hydraulic Oil	
2	1701640	1	Decal - Manual	
3	1704341	2	Decal - Warning Battery Ventilation	
4	1703819	4	Decal - Direction Arrow	
5	1703822	1	Decal - Manual Descent Instruction	
6	1704016	2	Decal - Fork Lift	
7	1704277	2	Decal - Lanyard Attach	
8	1704412	1	Decal - Hydraulic Oil	
11	1001220430	1	Decal - Safety Prop	
12	2080040	3	Fastener	
13	2080057	4	Fastener	
14	8990147	1	Holder, Manual	
16	1001132359	1	Decal - Control Box Locate	
18	1001162864	2	Decal - Lift Up/Tie Down	
19	1001216650	4	Decal - Crushing Hazard	
20	1001215748	4	Decal - Danger Electrocution	
21	1001212290	1	Decal - Tie Down	
22	1001212291	2	Decal - Lifting Lug	
23	1001212292	1	Decal - No Lifting	
24	1001212293	1	Decal - No Forklift	
25	1001146794	1	Decal - Battery/Charger Service	
26	1704699	1	Decal - Danger/Warning	
27	1001216648	4	Decal - Danger Electrocution	
34	1001224052	1	Decal - Yearly Inspection	

SECTION 7 - DECALS

FIGURE 7-4. DECAL INSTALLATION - CE SPECS (ENGLISH LANGUAGE)

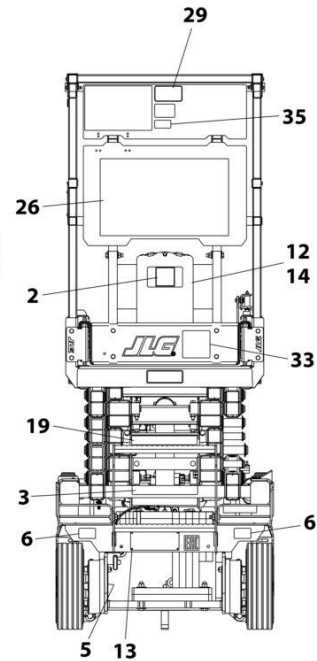
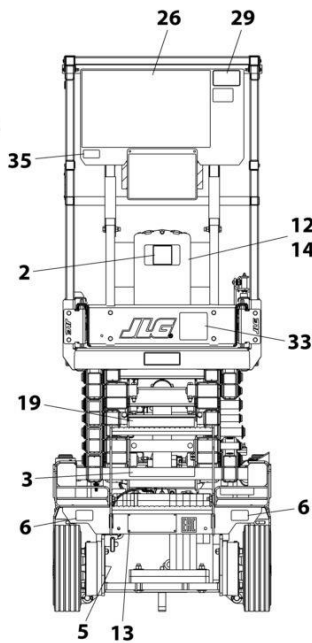
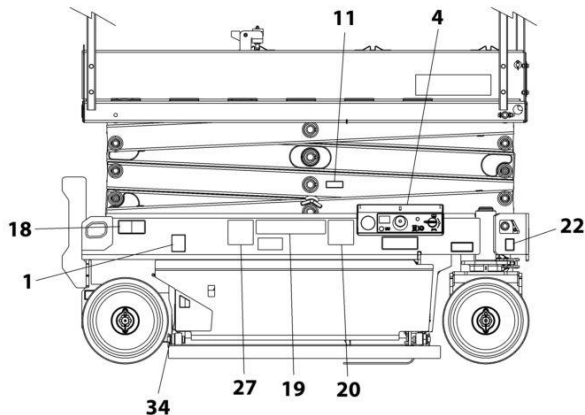


REAR VIEW - FIXED RAILS
(LADDER AND PLATFORM BOX
REMOVED FOR CLARITY)

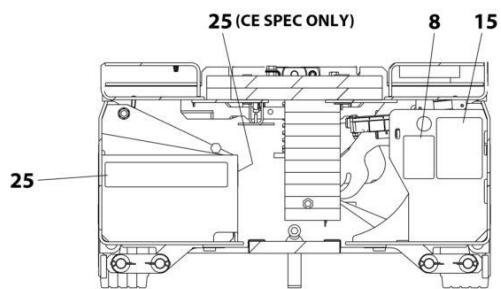
FRONT VIEW

NOTE: ITEMS SHOWN MAY NOT BE REQUIRED FOR ALL SPECS. REFER TO PARTS LISTS FOR USAGE.

NOTE: ADDITIONAL DECALS CALLED OUT ON DECAL INSTALLATION - OPTIONS.



REAR VIEW - FOLD-DOWN RAILS
(LADDER AND PLATFORM BOX REMOVED FOR CLARITY)



DETAIL OF COMPONENTS
INSIDE FRAME TRAYS

ART_1001209913_D

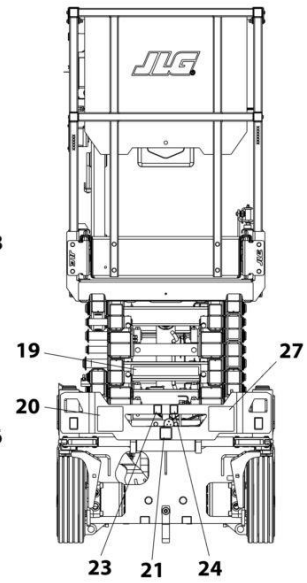
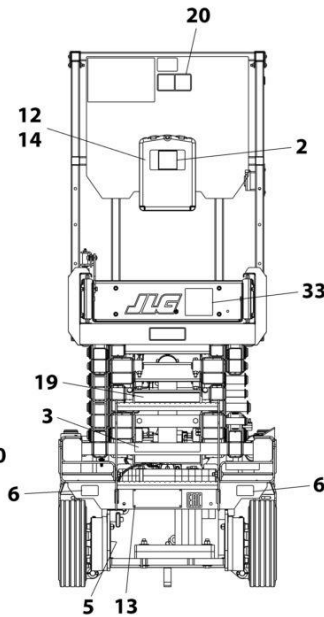
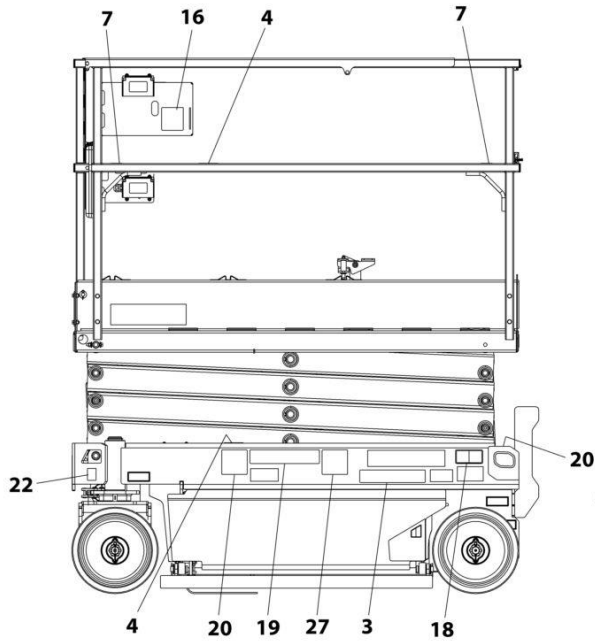
SECTION 7 - DECALS

FIGURE 7-4. DECAL INSTALLATION - CE SPECS (ENGLISH LANGUAGE)

ITEM	PART NUMBER	QTY	DESCRIPTION	REV
	1001209913	Ref	DECAL INSTALLATION	D
	1001257773	Ref	DECAL CHART DRAWING	G
1	1701504	1	Decal - Hydraulic Oil	
2	1701640	1	Decal - Manual	
3	1704340	2	Decal - Warning Battery Ventilation	
4	1703819	4	Decal - Direction Arrow	
5	1703822	1	Decal - Manual Descent Instruction	
6	1704016	2	Decal - Fork Lift	
7	1704277	2	Decal - Lanyard Attach	
8	1704412	1	Decal - Hydraulic Oil	
11	1001220430	1	Decal - Safety Prop	
12	2080040	3	Fastener	
13	2080057	4	Fastener	
14	8990147	1	Holder, Manual	
16	1001132359	1	Decal - Control Box Locate	
18	1001162864	2	Decal - Lift Up/Tie Down	
19	1001215755	4	Decal - Crushing	
20	1001211779	4	Decal - Electrocutation	
21	1001212290	1	Decal - Tie Down	
22	1001212291	2	Decal - Lifting Lug	
23	1001212292	1	Decal - No Lifting	
24	1001212293	1	Decal - No Forklift	
25	1001146794	1	Decal - Battery/Charger Service	
26	1704684	1	Decal - Danger/Warning	
27	1001215749	4	Decal - Danger Electrocutation	
34	1001223971	1	Decal - Yearly Inspection	
35	1001228370	1	Decal - ICES	

SECTION 7 - DECALS

FIGURE 7-5. DECAL INSTALLATION - CHINA SPECS (ENGLISH/CHINESE LANGUAGES)

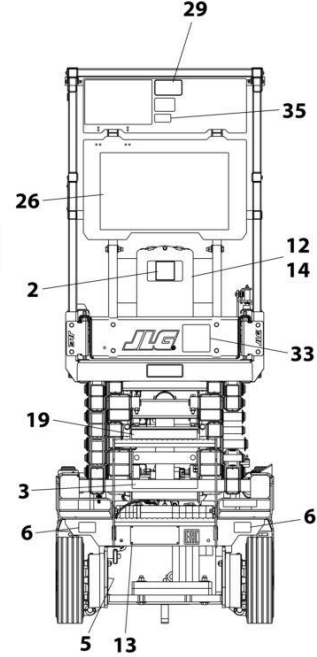
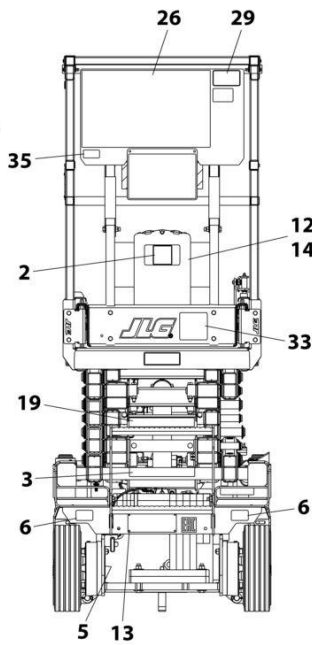
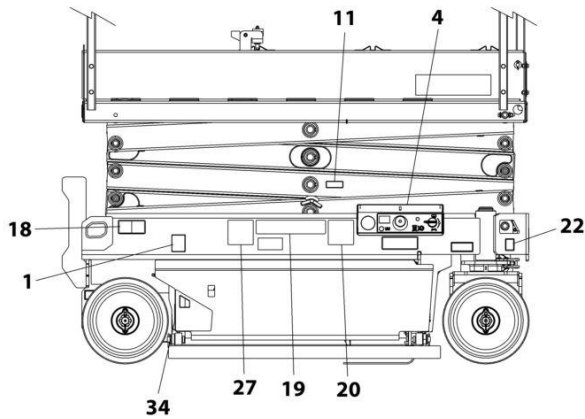


REAR VIEW - FIXED RAILS
(LADDER AND PLATFORM BOX
REMOVED FOR CLARITY)

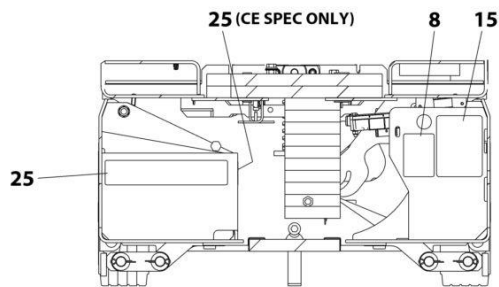
FRONT VIEW

NOTE: ITEMS SHOWN MAY NOT BE REQUIRED FOR ALL SPECS. REFER TO PARTS LISTS FOR USAGE.

NOTE: ADDITIONAL DECALS CALLED OUT ON DECAL INSTALLATION - OPTIONS.



REAR VIEW - FOLD-DOWN RAILS
(LADDER AND PLATFORM BOX REMOVED FOR CLARITY)



DETAIL OF COMPONENTS
INSIDE FRAME TRAYS

ART_1001209909_E

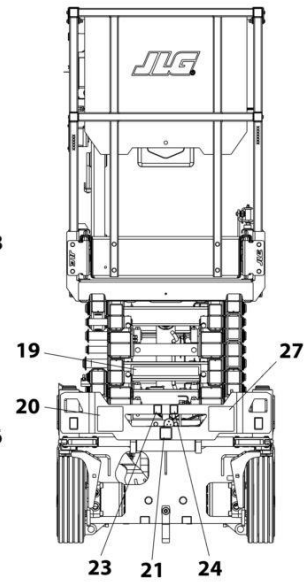
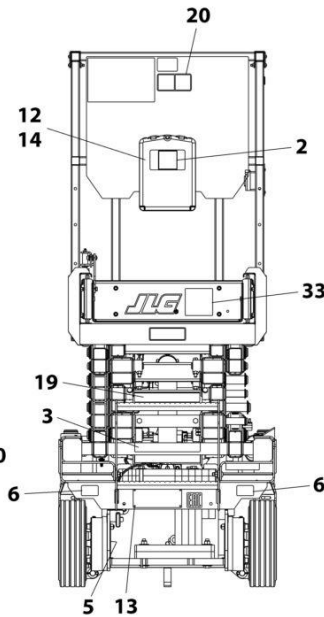
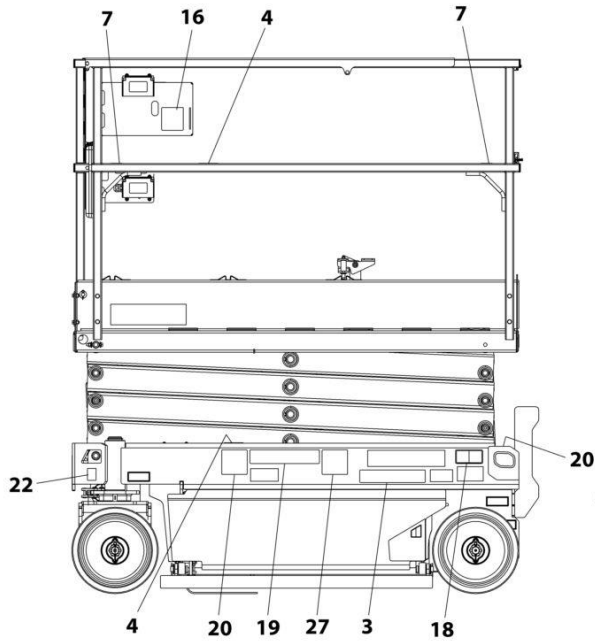
SECTION 7 - DECALS

FIGURE 7-5. DECAL INSTALLATION - CHINA SPECS (ENGLISH/CHINESE LANGUAGES)

ITEM	PART NUMBER	QTY	DESCRIPTION	REV
	1001209909	Ref	DECAL INSTALLATION	E
	1001257773	Ref	DECAL CHART DRAWING	G
1	1701504	1	Decal - Hydraulic Oil	
2	1701640	1	Decal - Manual	
3	1704344	2	Decal - Warning Battery Ventilation	
4	1703819	4	Decal - Direction Arrow	
5	1703822	1	Decal - Manual Descent Instruction	
6	1704016	2	Decal - Fork Lift	
7	1704277	2	Decal - Lanyard Attach	
8	1704412	1	Decal - Hydraulic Oil	
11	1001220430	1	Decal - Safety Prop	
12	2080040	5	Fastener	
13	2080057	4	Fastener	
14	8990147	1	Holder, Manual	
16	1001132359	1	Decal - Control Box Locate	
18	1001162864	2	Decal - Lift Up/Tie Down	
19	1001215752	4	Decal - Crushing Hazard	
20	1001211779	4	Decal - Electrocutation	
21	1001212290	1	Decal - Tie Down	
22	1001212291	2	Decal - Lifting Lug	
23	1001212292	1	Decal - No Lifting	
24	1001212293	1	Decal - No Forklift	
25	1001146794	1	Decal - Battery/Charger Service	
26	1705195	1	Decal - Danger/Warning	
27	1001215747	4	Decal - Danger Electrocutation	
33	1001244298	2	Decal - Wechat	
34	1001224051	1	Decal - Yearly Inspection	

SECTION 7 - DECALS

FIGURE 7-6. DECAL INSTALLATION - CSA SPECS (ENGLISH/FRENCH LANGUAGES)

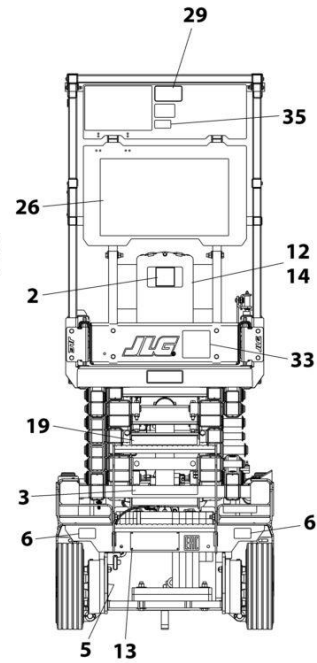
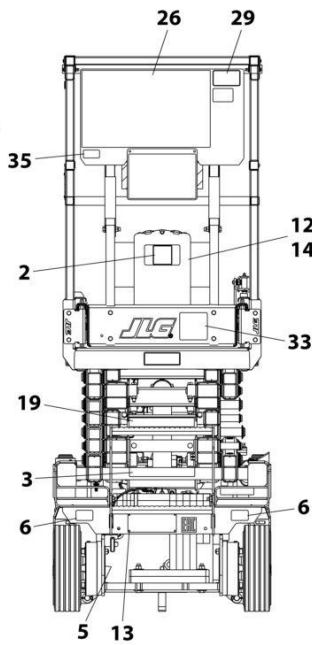
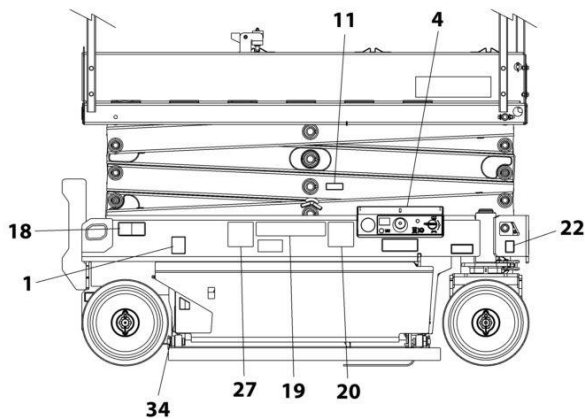


REAR VIEW - FIXED RAILS
(LADDER AND PLATFORM BOX
REMOVED FOR CLARITY)

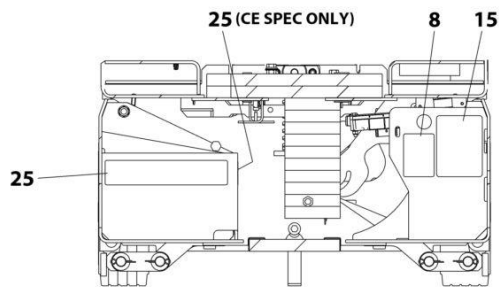
FRONT VIEW

NOTE: ITEMS SHOWN MAY NOT BE REQUIRED FOR ALL SPECS. REFER TO PARTS LISTS FOR USAGE.

NOTE: ADDITIONAL DECALS CALLED OUT ON DECAL INSTALLATION - OPTIONS.



REAR VIEW - FOLD-DOWN RAILS
(LADDER AND PLATFORM BOX REMOVED FOR CLARITY)



DETAIL OF COMPONENTS
INSIDE FRAME TRAYS

ART_1001219265_C

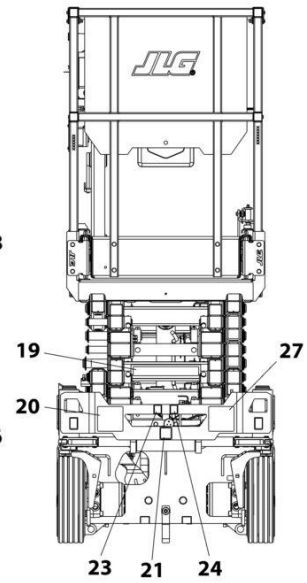
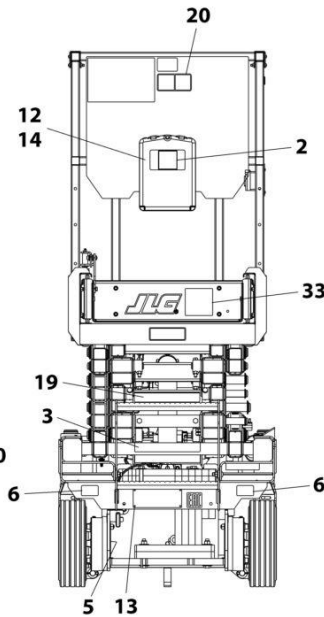
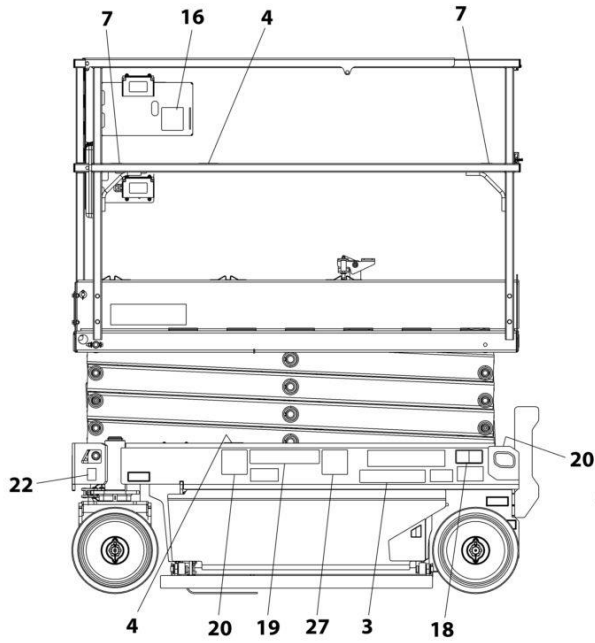
SECTION 7 - DECALS

FIGURE 7-6. DECAL INSTALLATION - CSA SPECS (ENGLISH/FRENCH LANGUAGES)

ITEM	PART NUMBER	QTY	DESCRIPTION	REV
	1001219265	Ref	DECAL INSTALLATION	C
	1001257773	Ref	DECAL CHART DRAWING	G
1	1701504	1	Decal - Hydraulic Oil	
2	1701640	1	Decal - Manual	
3	1704340	2	Decal - Warning Battery Ventilation	
4	1703819	4	Decal - Direction Arrow	
5	1703822	1	Decal - Manual Descent Instruction	
6	1704016	2	Decal - Fork Lift	
7	1704277	2	Decal - Lanyard Attach	
8	1704412	1	Decal - Hydraulic Oil	
11	1001220430	1	Decal - Safety Prop	
12	2080040	5	Fastener	
13	2080057	4	Fastener	
14	8990147	1	Holder, Manual	
15	1001131270	1	Decal - Patent	
16	1001132359	1	Decal - Control Box Locate	
18	1001162864	2	Decal - Lift Up/Tie Down	
19	1001215755	4	Decal - Crushing Hazard	
20	1001211779	4	Decal - Electrocution	
21	1001212290	1	Decal - Tie Down	
22	1001212291	2	Decal - Lifting Lug	
23	1001212292	1	Decal - No Lifting	
24	1001212293	1	Decal - No Forklift	
25	1001146794	1	Decal - Battery/Charger Service	
26	1704684	1	Decal - Danger/Warning	
27	1001215749	4	Decal - Danger Electrocution	
34	1001223971	1	Decal - Yearly Inspection	
35	1001228370	1	Decal - ICES	

SECTION 7 - DECALS

FIGURE 7-7. DECAL INSTALLATION - KOREAN SPECS (ENGLISH/KOREAN LANGUAGES)

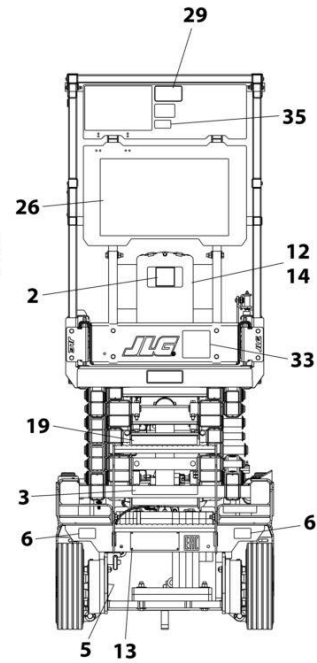
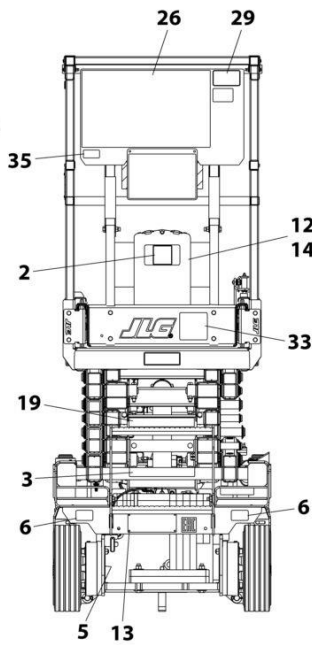
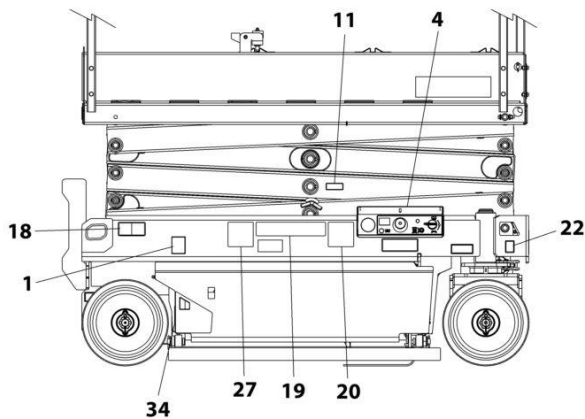


REAR VIEW - FIXED RAILS
(LADDER AND PLATFORM BOX
REMOVED FOR CLARITY)

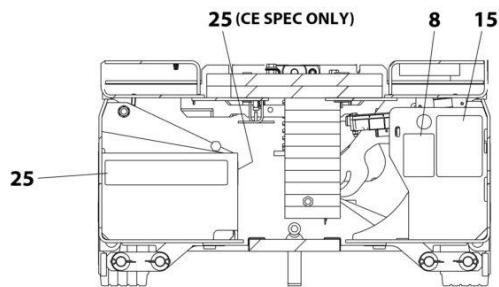
FRONT VIEW

NOTE: ITEMS SHOWN MAY NOT BE REQUIRED FOR ALL SPECS. REFER TO PARTS LISTS FOR USAGE.

NOTE: ADDITIONAL DECALS CALLED OUT ON DECAL INSTALLATION - OPTIONS.



REAR VIEW - FOLD-DOWN RAILS
(LADDER AND PLATFORM BOX REMOVED FOR CLARITY)



DETAIL OF COMPONENTS
INSIDE FRAME TRAYS

ART_1001209908_C

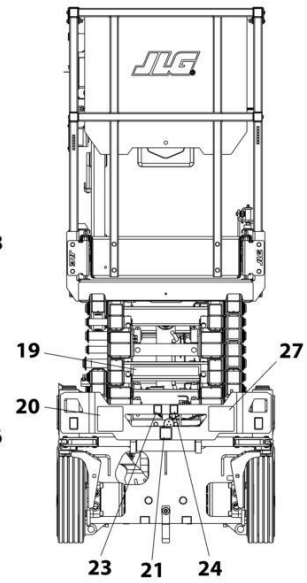
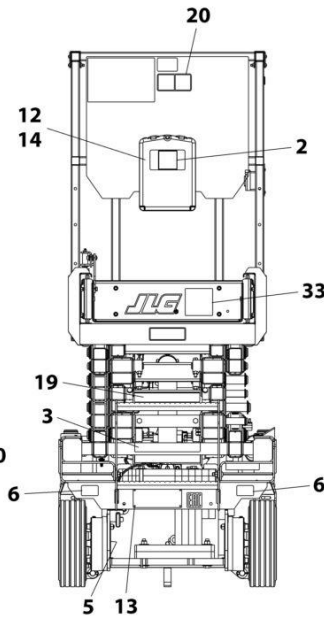
SECTION 7 - DECALS

FIGURE 7-7. DECAL INSTALLATION - KOREAN SPECS (ENGLISH/KOREAN LANGUAGES)

ITEM	PART NUMBER	QTY	DESCRIPTION	REV
	1001209908	Ref	DECAL INSTALLATION	C
	1001257773	Ref	DECAL CHART DRAWING	G
1	1701504	1	Decal - Hydraulic Oil	
2	1701640	1	Decal - Manual	
3	1707022	2	Decal - Warning Battery Ventilation	
4	1703819	4	Decal - Direction Arrow	
5	1703822	1	Decal - Manual Descent Instruction	
6	1704016	2	Decal - Fork Lift	
7	1704277	2	Decal - Lanyard Attach	
8	1704412	1	Decal - Hydraulic Oil	
11	1001220430	1	Decal - Safety Prop	
12	2080040	3	Fastener	
13	2080057	4	Fastener	
14	8990147	1	Holder, Manual	
16	1001132359	1	Decal - Control Box Locate	
18	1001162864	2	Decal - Lift Up/Tie Down	
19	1001215751	4	Decal - Crushing Hazard	
20	1001211779	4	Decal - Electrocution	
21	1001212290	1	Decal - Tie Down	
22	1001212291	2	Decal - Lifting Lug	
23	1001212292	1	Decal - No Lifting	
24	1001212293	1	Decal - No Forklift	
25	1001146794	1	Decal - Battery/Charger Service	
26	1001162115	1	Decal - Danger/Warning	
27	1001215750	4	Decal - Danger Electrocution	
28	1001224048	1	Decal - Yearly Inspection	

SECTION 7 - DECALS

FIGURE 7-8. DECAL INSTALLATION - LATIN AMERICAN SPECS (ENGLISH/SPANISH LANGUAGES)

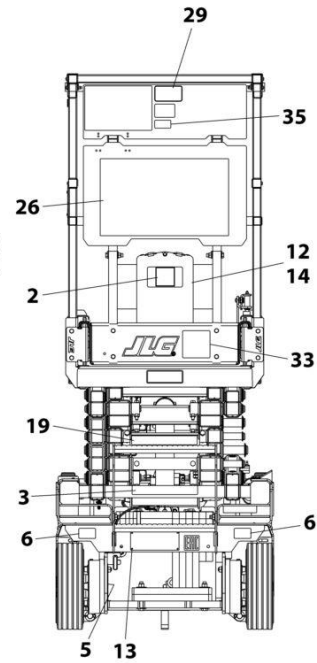
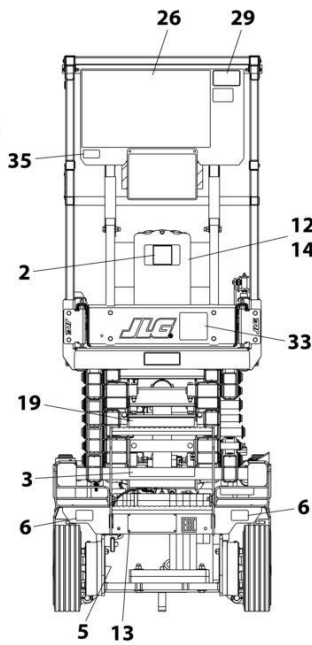
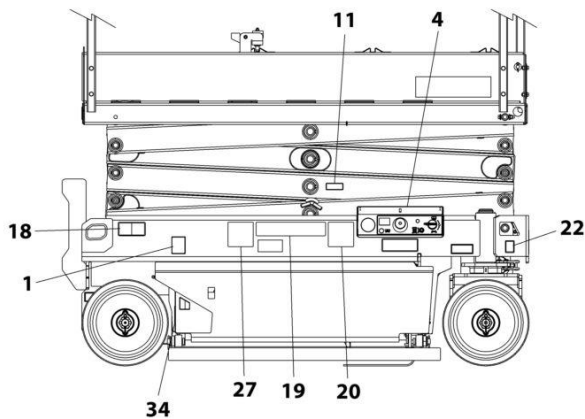


REAR VIEW - FIXED RAILS
(LADDER AND PLATFORM BOX
REMOVED FOR CLARITY)

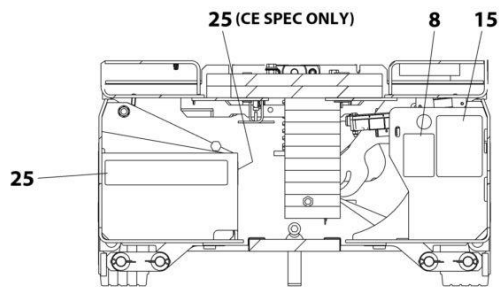
FRONT VIEW

NOTE: ITEMS SHOWN MAY NOT BE REQUIRED FOR ALL SPECS. REFER TO PARTS LISTS FOR USAGE.

NOTE: ADDITIONAL DECALS CALLED OUT ON DECAL INSTALLATION - OPTIONS.



REAR VIEW - FOLD-DOWN RAILS
(LADDER AND PLATFORM BOX REMOVED FOR CLARITY)



DETAIL OF COMPONENTS
INSIDE FRAME TRAYS

ART_1001209911_C

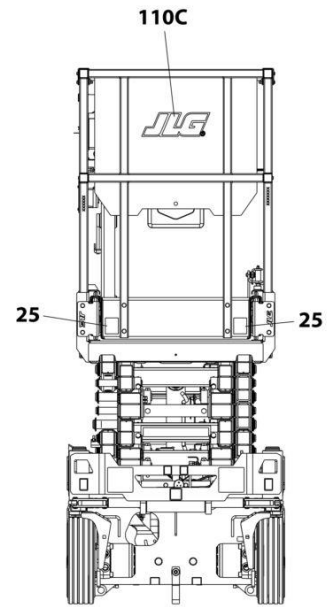
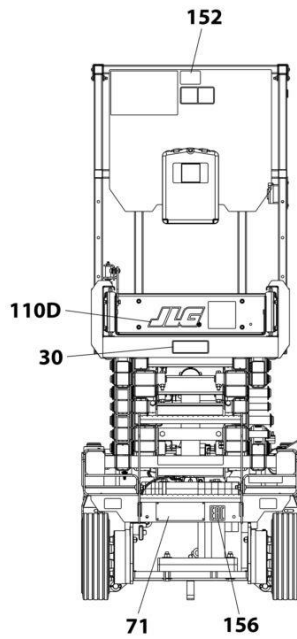
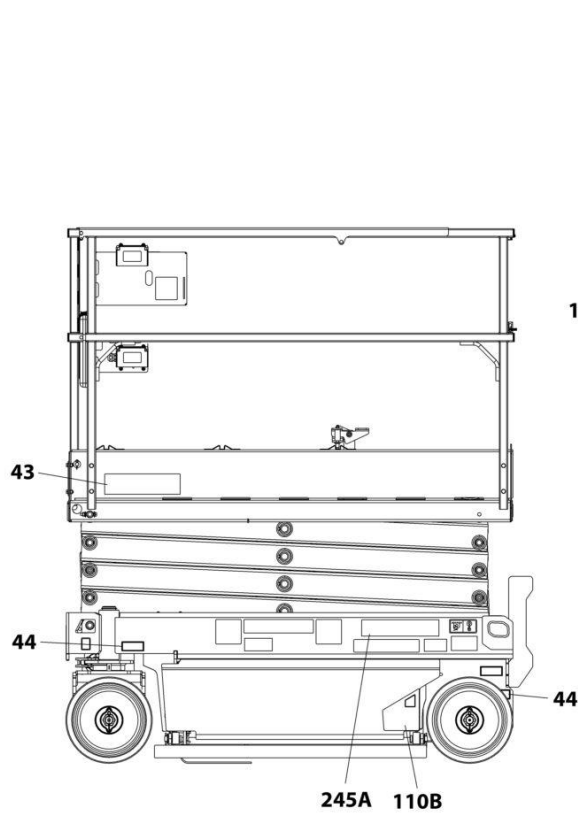
SECTION 7 - DECALS

FIGURE 7-8. DECAL INSTALLATION - LATIN AMERICAN SPECS (ENGLISH/SPANISH LANGUAGES)

ITEM	PART NUMBER	QTY	DESCRIPTION	REV
	1001209911	Ref	DECAL INSTALLATION	C
	1001257773	Ref	DECAL CHART DRAWING	G
1	1701504	1	Decal - Hydraulic Oil	
2	1701640	1	Decal - Manual	
3	1704339	2	Decal - Warning Battery Ventilation	
4	1703819	4	Decal - Direction Arrow	
5	1703822	1	Decal - Manual Descent Instruction	
6	1704016	2	Decal - Fork Lift	
7	1704277	2	Decal - Lanyard Attach	
8	1704412	1	Decal - Hydraulic Oil	
11	1001220430	1	Decal - Safety Prop	
12	2080040	3	Fastener	
13	2080057	4	Fastener	
14	8990147	1	Holder, Manual	
16	1001132359	1	Decal - Control Box Locate	
18	1001162864	2	Decal - Lift Up/Tie Down	
19	1001215754	4	Decal - Crushing Hazard	
20	1001211779	4	Decal - Electrocution	
21	1001212290	1	Decal - Tie Down	
22	1001212291	2	Decal - Lifting Lug	
23	1001212292	1	Decal - No Lifting	
24	1001212293	1	Decal - No Forklift	
25	1001146794	1	Decal - Battery/Charger Service	
26	1704691	1	Decal - Danger/Warning	
27	1001215748	4	Decal - Danger Electrocution	
34	1001224049	1	Decal - Yearly Inspection	

SECTION 7 - DECALS

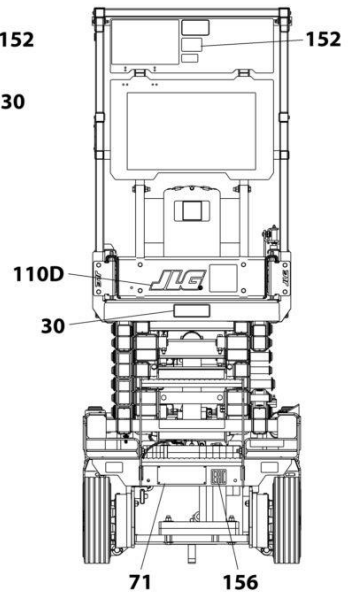
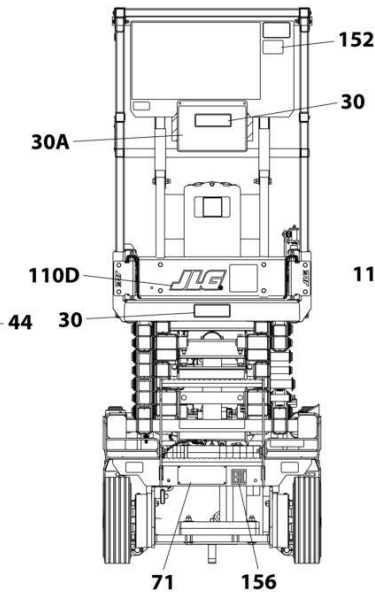
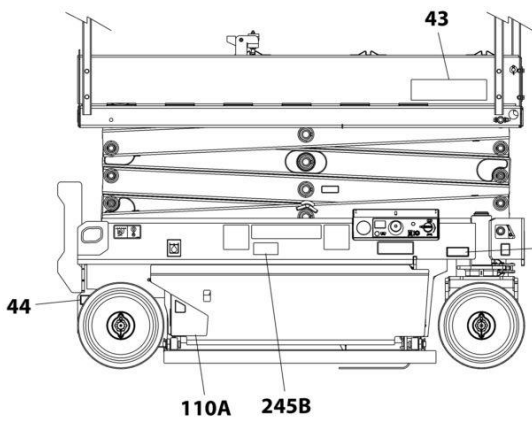
FIGURE 7-9. DECAL INSTALLATION - OPTIONS



REAR VIEW - FIXED RAILS
(LADDER AND PLATFORM BOX
REMOVED FOR CLARITY)

FRONT VIEW

NOTE: ITEMS SHOWN MAY NOT BE REQUIRED
FOR ALL SPECS. REFER TO PARTS LISTS FOR USAGE.



REAR VIEW - FOLD-DOWN RAILS
(LADDER AND PLATFORM BOX REMOVED FOR CLARITY)

ART_DECAL_OPTIONS

SECTION 7 - DECALS

FIGURE 7-9. DECAL INSTALLATION - OPTIONS

ITEM	PART NUMBER	QTY	DESCRIPTION	REV
		Ref	DECAL INSTALLATION - OPTIONS	
	1001257773	Ref	DECAL CHART DRAWING	C
25	1001209906	Ref	Corner Stripes Installation	
25	4420051	2.5 ft /75cm	Tape, Safety	
30		Ref	Decal - Capacity Options	
		Ref	ES1932i:	
30	1001256174	1	Decal - Capacity (507LB/230KG) (All Specs Except Australian Specs)	
30	1001258900	Ref	Decal - Capacity with Plate (ANSI Export, CSA and Korean Specs)	
30	1001225496	1	Decal - Capacity (507LB/230KG) (ANSI Export, CSA and Korean Specs)	
30A	1001216865	1	Plate, Mounting (507LB/230KG) (ANSI Export, CSA and Korean Specs)	
		Ref	ES1932:	
30	1001256176	1	Decal - Capacity (507LB/230KG) (All Specs Except Japanese & Korean Specs)	
30	1001265048	1	Decal - Capacity (507LB/230KG) (Japanese & Korean MOL70 Specs)	
30	1001258822	Ref	Decal - Capacity with Plate (ANSI Export, CSA and Korean Specs)	
30	1001256176	1	Decal - Capacity (507LB/230KG) (ANSI Export, CSA and Korean Specs)	
30A	1001216865	1	Plate, Mounting (507LB/230KG) (ANSI Export, CSA and Korean Specs)	
43		Ref	Decal - Model Designation Options:	
43	1001258320	2	Decal - Model Designation (ES1932i)	
43	1001257177	2	Decal - Model Designation (ES1932)	
44		Ref	Decal - Maximum Tire Load Options:	
44	1705647	4	Decal - Maximum Tire Load (ES1932i)	
44	1705648	4	Decal - Maximum Tire Load (ES1932)	
71	See Note	NSS	Decal - Manufacturers Serial Number (Note: Not Available for Purchase)	
110	1001258754	Ref	JLG Decals Installation	A
110A	1001258322	1	Decal - JLG	
110B	1001258321	1	Decal - JLG	
110C	1001256675	1	Decal - JLG	
110D	1001256676	1	Decal - JLG	
152		Ref	Decal - No Pipe Racks Allowed Options	
152	1001092071	1	Decal - No Pipe Racks Allowed (English) (ANSI, ANSI Export and China Specs)	
152	1001092497	1	Decal - No Pipe Racks Allowed (English) (CE & Japanese Specs))	
152	1001120623	1	Decal - No Pipe Racks Allowed (Spanish/ Portuguese) (Brazil Specs)	
152	1001120622	1	Decal - No Pipe Racks Allowed (English/Chinese) (China Specs)	
152	1001092580	1	Decal - No Pipe Racks Allowed (English/French) (CSA Specs)	
152	1001120621	1	Decal - No Pipe Racks Allowed (English/Korean) (Korean Specs)	
152	1001120629	1	Decal - No Pipe Racks Allowed (English/Spanish) (Latin American Specs)	
156	1001173703	1	Decal - EAC (Russian/C IS Specs)	
245	1001236984	Ref	Clearsky Decals Installation	B

SECTION 7 - DECALS

ITEM	PART NUMBER	QTY	DESCRIPTION	REV
245A	1001116208	1	Decal - Clearsky	
245B	1001120989	1	Decal - Radio Frequency	

SECTION 8 - RECOMMENDED SERVICE PARTS STOCK

SECTION 8 - RECOMMENDED SERVICE PARTS STOCK

SECTION 8 - RECOMMENDED SERVICE PARTS STOCK

FIGURE 8-1. RECOMMENDED SERVICE PARTS STOCK

ITEM	PART NUMBER	QTY	DESCRIPTION	REV
		Ref	Note: The following list will service one machine (built to current production per date on the front cover) with emergency repair parts which can be installed in the field. Parts from the list should be replaced when inventory is depleted to keep service parts stock supplied. For further information, contact your JLG dealer or the JLG Industries Parts Department.	
		Ref	STANDARD PARTS	
	3740150	1	Relay	
	4360328	1	Switch, Toggle	
	4360387	1	Switch, Push Button	
	4360469	1	Switch, Key (All Specs except CE Specs)	
	2860030	1	Key, Replacement	
	4360475	1	Switch, Emergency Stop	
	1600402	1	Controller, Drive/Steer	
	4360345	1	Switch, Toggle	
	1001226749	1	Switch, Push Button	
	8229242	2	Fuse 5Amp	
	8229234	2	Fuse 10 Amp	
	8229244	2	Fuse 15Amp	
		Ref	VARIABLE PARTS	
	1001203871	1	Switch, Roller	
	1001186466	1	Sensor, Tilt	
	1001200629	1	Module, Control	
	1001256876	1	Module, System	
	1001228112	1	Module, Platform	
	1001146963	1	Sensor, Angle	
	1001243528	1	Magnet, Latch (Machines with Standard Fold-Down or Quik-Access Rails)	
	3080007	1	Magnet, Latch (Machines with Quik-Fold Rails)	
	1001226277	1	Switch, Overhead Protection (Korean Specs)	
	1001181045	1	Breaker 30mAmp/16Amp (CE Specs Machines)	
	1001189171	1	Breaker 30mAmp (CE Specs Machines)	
	1001189172	1	Breaker 16Amp Double (CE Specs Machines)	

SECTION 9 - SPECIAL OPTIONS

SECTION 9 - SPECIAL OPTIONS

FIGURE 9-1. SPECIAL OPTIONS

ITEM	PART NUMBER	QTY	DESCRIPTION	REV
		Ref	Note: This list is to accommodate machines ordered with special equipment. Options may not be applicable to all models. For more specific parts information contact the JLG Parts Department.	
		Ref	SPECIAL OPTIONS	
	1001248689	Ref	Access Control Add-on Kit (Dealer Installed)	
	1001249639	Ref	Anti-Vandalism Package Add-on Kit (Dealer Installed)	
	1001255597	Ref	Battery Charger (Can) Add-on Kit (Dealer Installed)	
	1001249229	Ref	Beacon Single Light Add-on Kit (Dealer Installed)	
	1001249326	Ref	Beacon Dual Light Add-on Kit (Dealer Installed)	
	1001263358	Ref	Cleanguard Leak Containment Installation	
		Ref	ClearSky Installation (Factory Installed) Options:	
	1001229107	Ref	ClearSky Installation - 3-Wire (ANSI & CSA Specs)	
	1001233237	Ref	ClearSky Installation - 3-Wire (ANSI Export & CE Specs)	
	1001251144	Ref	ClearSky Installation - Canbus (ANSI & CSA Specs)	
	1001251145	Ref	ClearSky Installation - Canbus (ANSI Export & CE Specs)	
	1001251146	Ref	ClearSky Installation - Canbus (Australian Specs)	
		Ref	ClearSky Add-on Kit (Dealer Installed)	
	1001237256	NLA	ClearSky Add-on Kit - Canbus (Dealer Installed) (Use PN 1001265376) (ANSI, ANSI Export & CSA Specs)	
	1001265376	Ref	ClearSky Add-on Kit - Canbus (Dealer Installed) (ANSI, ANSI Export & CSA Specs)	
	1001237257	Ref	ClearSky Add-on Kit - Canbus (Dealer Installed) (ANSI Export & CE Specs)	
	1001248502	Ref	ClearSky Add-on Kit - Canbus (Dealer Installed) (Australian Specs)	
	1001248503	Ref	ClearSky Add-on Kit (Dealer Installed) (China Specs)	
		Ref	Decal Options:	
	1001258633	Ref	Decals Installation - Panel (ES1932 ANSI Specs Only)	
	1001251532	Ref	Drive Motor Covers installation	
		Ref	Electrical Connector Kits	
	1001148902	Ref	Amp/Tyco Electrical Connector Kit	
	1001148903	Ref	Deutsch DT Electrical Connector Kit	
	1001148904	Ref	Deutsch HD Electrical Connector Kit	
	1001148905	Ref	Packard Electrical Connector Kit	
	1001148906	Ref	Various Electrical Connector Kit	
	1001217667	Ref	Fire Extinguisher Installation	
	1001208061	Ref	Footswitch Installation (ANSI Export & Japanese Specs Only)	
	1001241486	Ref	Footswitch Installation Add-on Kit (Dealer Installed)	
	1001223243	Ref	Ground to Platform Cable Installation - Without Platform Coil Cable (Korean Spec Machines with Overhead Protection)	
	1001223244	Ref	Ground to Platform Cable Installation - With Platform Coil Cable (Korean Spec Machines with Overhead Protection)	
	1001220933	Ref	Height Restrictor Switch Installation	
	1001262059	Ref	Invertor Add-on Kit (Dealer Installed)	
	1001250532	Ref	Mobile Control Add-on Kit (Dealer Installed)	
	1001239115	Ref	Platform Box Cover Kit (Dealer Installed)	
	1001225790	Ref	Platform Extension Deployment Handles Add-on Kit (Dealer Installed)	
	1001262557	Ref	Platform Self Closing Gate Add-on Kit (Dealer Installed)	
	1001262558	Ref	Platform Self Closing Gate Add-on Kit (Dealer Installed)	

SECTION 9 - SPECIAL OPTIONS

ITEM	PART NUMBER	QTY	DESCRIPTION	REV
	1001269798	Ref	Rail (Quick Access) Add-on Kit (Dealer Installed)	S
	1001224583	Ref	Service Kits List	
	1001255883	Ref	SkySense Installation - Level 1 (Factory Installed)	
	1001254721	Ref	SkySense Add-on Kit - Level 1 (Dealer Installed)	
		Ref	Tools for Service	
	2901443	1	Analyzer Kit	
	1001232474	1	Benchtop Harness	
	8896941	1	Wire Stripper	
	7002821	1	Wire Crimper (To install wire ends to wires)	
	7002823	1	Pin/Socket Extractor - Universal (To Remove Pins/Sockets from Connectors)	
	4460467	1	Extractor - 16-18 Gauge (For Removal Pins/Sockets from Deutsch Connectors)	
	4460510	1	Extractor - 12-14 Gauge (For Removal of Pins/Sockets from Deutsch Connectors)	
	7002822	1	Screwdriver, Potentiometer (To Adjust Drive Controllers)	
	7016654	1	Screwdriver, Magnetic	
	7004275	1	Seal Installation Tool - 1in	
	7004276	1	Seal Installation Tool - 1-1/2in	
	7002826	1	Seal Installation Tool - 2in	
	1001269646	Ref	Tool Tray Add-on Kit (Dealer Installed)	

PART NUMBER INDEX

SECTION 9 - SPECIAL OPTIONS

0100011.....13, 19, 25, 27, 65, 71, 73, 105, 113	0861880..... 157	1001146794 203, 205, 207, 209, 211, 213, 215, 217	1001203453.....57
0100048.....71	0962292..... 135	1001146963 96, 222	1001203457.....57
0100051.....81, 83, 85, 87	1001047064..... 121, 123	1001148902 224	1001203630..... 173
0140030..... 121, 123	1001091102... 25, 51, 53, 71, 75	1001148903 224	1001203631.....177
0140043.....71, 75	1001092071 219	1001148904 224	1001203869.....25
0275216..... 143, 191	1001092497 219	1001148905 224	1001203870.....25
0275217..... 145, 193	1001092580 219	1001148906 224	1001203871..... 25, 222
0275452..... 147, 195	1001096138 165	1001151629 161	1001203872.....25
0275453..... 149, 197	1001100341 191	1001152483 159	1001203973.....99
0275454..... 151, 199	1001100342 193	1001153785 13	1001203974.....99
0440259..... 13, 137	1001100345 195	1001154378 115	1001203975.....99
0440263.....25	1001100346 199	1001157547 89	1001203976.....99
0440264.....99	1001100347 197	1001159186 89, 187	1001204087.....96
0440265.....99	1001101540 89	1001162115 215	1001204311.....96
0480100..... 131	1001102258.... 141, 143, 145, 147, 149, 151, 153, 155	1001162864 203, 205, 207, 209, 211, 213, 215, 217	1001204312.....96
0630183.....105	1001102349 21	1001162886 161	1001204495.....55
0630580.....23	1001102351 21	1001162887 161	1001204621.....99
0630587..... 71, 75, 89	1001102353 21	1001163340 161	1001204781.....96
0630613.....57, 101	1001102354 21	1001173703 219	1001204994.....96
0641416.....109	1001102489... 29, 31, 33, 35, 41, 43, 45, 47, 49	1001176626 123	1001205345.....96
0641514.....131	1001103012 162	1001181045 157, 222	1001205409..... 161
0681609.....13	1001103471 37, 39	1001182806 55	1001205410..... 161
0700412.....71, 75	1001112112 85	1001186466 27, 222	1001205411..... 161
0700610..... 113	1001114467 23	1001187587 109, 113, 115, 131	1001205412..... 161
0700612....25, 27, 59, 61, 71, 73	1001116208 220	1001187781 71, 75	1001205422..... 105
0700614....29, 31, 33, 35, 37, 39, 41, 43, 45, 47, 49	1001116733 165	1001187816 153	1001205423..... 105
0700616.....127	1001116812 77	1001188116 153	1001205424..... 105
0700617.....71, 73	1001118274 77	1001189171 159, 222	1001205430..... 105
0700620.....96	1001118812 77	1001189172 159, 222	1001205598..... 47, 49
0700621.....117	1001120204.... 143, 145, 147, 149, 151	1001192401 77, 162	1001205751..... 13
0700812.....113	1001120205..... 157, 159	1001194421 162, 187	1001206207..... 107
0700814.....37, 39	1001120621 219	1001197396 13	1001206217..... 107
0700815.....25	1001120622 219	1001197457 162	1001206222..... 107
0700817.....91	1001120623 219	1001198935 96, 135	1001206224..... 107
0700818....107, 109, 113, 115, 117	1001120629 219	1001199189 131	1001206225..... 107, 115
0700819.....119	1001120989 220	1001200561 ... 29, 33, 37	1001206226..... 107, 109, 113, 115
0700823.....25	1001125483 89	1001200629 .. 71, 73, 222	1001206228..... 107
0700835..... 121, 123	1001125677 77, 162	1001200631 71, 73	1001206487.....96
0701014.....61	1001130220... 29, 31, 33, 35, 37, 39, 41, 43, 45, 47, 49, 59, 61, 71, 73, 121, 123	1001200632 79	1001206995.....45
0701015.....91, 96	1001130590 71, 73	1001200811 167, 171, 173, 177, 179	1001207009....29, 31, 33, 35, 37, 39, 41, 43
0701019.....101, 127	1001131270 203, 213	1001200812 167, 169, 181	1001207293.....79
0701021.....96	1001132358 121, 123	1001200819 121, 123, 187	1001207494..... 71, 73
0701024.....101	1001132359.... 203, 205, 207, 209, 211, 213, 215, 217	1001201087 167	1001207806..... 107
0711219.....19	1001132361..... 121, 123	1001201129 171	1001207807..... 115
0760408.... 141, 143, 145, 147, 149, 151, 153	1001134280 37, 39	1001201355 96, 99	1001207970....33, 35, 43, 45
0760608.... 109, 115, 129	1001134289 97	1001201707 53	1001207973.....49
0760610....45, 71, 73, 89, 96, 119, 121, 123, 129	1001134821 119	1001201885 161, 187	1001207974....29, 31, 37, 39, 47
0760612....29, 31, 33, 35, 37, 39, 41, 43, 55, 97	1001136757 89	1001202184 173, 175, 183	1001208061.....224
0760618.....109	1001137655 89	1001202987 25	1001208073.....115
0760810.....105	1001137675 105	1001202988 25	1001208852..... 105
0760812.....77, 105	1001142173 89	1001202994 25	1001208930..... 141
0760827.....19	1001142174 89	1001202999 25	1001208931..... 155
0761008.....65	1001143009 89	1001203443 96	1001208938..... 153
0761012.....13, 65	1001143010 89	1001203444 96	1001209482..... 147, 149, 159
0761019.....109, 115	1001144147 77	1001203445 96	1001209596..... 121, 123
0761217.....91	1001144295 162	1001203446 96	1001209682..... 71, 73
0861731.... 189, 195, 197, 199	1001144296 162	1001203447 96	1001209776..... 143, 145, 151, 157
0861781..... 191, 193		1001203448 96	1001209906.....219

SECTION 9 - SPECIAL OPTIONS

1001209910	207	1001217164.....	157, 159	1001229107.....	224	1001251233	91
1001209911	217	1001217667.....	224	1001229441.....	131	1001251234	91
1001209913	209	1001217842.....	165	1001229469.....	131	1001251235	91
1001209914	205	1001217843.....	165	1001229792.....	91	1001251242	91
1001210064	105	1001218285.....	121, 123	1001230839.....	169, 175	1001251383	109
1001210079	77	1001218307.....	25	1001230932.....	169	1001251388	109
1001210302	107, 113, 115	1001218573.....	91	1001230933.....	175	1001251436	25
1001210401	85	1001219171.....	205	1001231268.....	96	1001251437	25
1001210440	89	1001219172.....	205	1001231801.....	203	1001251532	224
1001210442	115	1001219265.....	213	1001232474.....	225	1001253039	61
1001210443	115	1001220216.....	127	1001233237.....	224	1001253153	97
1001210444	115	1001220409.....	119	1001234395.....	109	1001253280	143, 145, 147, 149, 151
1001210444	115	1001220410.....	119	1001235104.....	96	1001253359	61
1001210445	115	1001220430.....	203, 205, 207, 209, 211, 213, 215, 217	1001235536.....	129	1001253807	179
1001210446	109, 115	1001220570.....	13, 137	1001235559.....	71, 73	1001253952 ...	31, 35, 39, 41, 43
1001210447	115	1001220893.....	121, 123	1001235863.....	129	1001254027 ...	31, 35, 39, 41, 43, 77
1001210458	115	1001220933.....	224	1001235924.....	129	1001254028 ...	31, 35, 39, 41, 43
1001210586	107, 113, 115	1001220995.....	119	1001236129.....	105		
1001210605	89	1001221244.....	127	1001236139.....	29, 31, 33, 35, 37, 39, 41, 43, 45, 47, 49		
1001210878	89	1001221275.....	127	1001236507.....	129	1001254636	147
1001210879	89	1001221276.....	127	1001236984.....	219	1001254637	149
1001210881	89	1001221475.....	105	1001237212.....	162	1001254638	151
1001210882	89	1001221476.....	105	1001237256.....	224	1001254639	143
1001210963	107, 109, 113, 115	1001221949.....	41	1001237257.....	224	1001254640	145
1001211777	203	1001222587.....	117	1001238392.....	77	1001254721	225
1001211779	203, 209, 211, 213, 215, 217	1001222687.....	96, 185	1001239115.....	224	1001254825	109
1001212035	187	1001222914.....	127	1001239224.....	51, 53	1001254903	67
1001212036	187	1001223055.....	203	1001239661.....	51, 53	1001255417	113
1001212068	25	1001223243.....	224	1001241486.....	224	1001255420	113
1001212290	203, 205, 207, 209, 211, 213, 215, 217	1001223244.....	224	1001241604.....	99	1001255421	113
1001212291	203, 205, 207, 209, 211, 213, 215, 217	1001223262.....	177	1001241605.....	99	1001255428	113
1001212292	203, 205, 207, 209, 211, 213, 215, 217	1001223263.....	171	1001242539.....	51, 53	1001255430	113
1001212293	203, 205, 207, 209, 211, 213, 215, 217	1001223650.....	181	1001242697.....	51	1001255442	113
1001213554	99	1001223651.....	183	1001243232.....	81, 83, 85, 87	1001255457	113
1001213886	121	1001223971.....	209, 213	1001243233.....	81, 83, 85, 87	1001255470	113
1001214217	27	1001224048.....	215	1001243528.....	109, 222	1001255491	113
1001214347	87	1001224049.....	217	1001244298.....	211	1001255505	113
1001214526	25	1001224051.....	211	1001247862.....	53	1001255555	91
1001214810	91	1001224052.....	207	1001248502.....	224	1001255597	224
1001215747	211	1001224468.....	127	1001248503.....	224	1001255883	225
1001215748	207, 217	1001224583.....	225	1001248502.....	224	1001255885	71, 73
1001215749	209, 213	1001224604.....	101	1001248612.....	23	1001255932	71
1001215750	215	1001224608.....	101	1001248612.....	23	1001255933	71, 75, 161
1001215751	215	1001224614.....	101	1001248689.....	224	1001255934	71, 75, 165
1001215752	211	1001224620.....	101	1001248773.....	77	1001256129	13
1001215754	217	1001224622.....	101	1001249082.....	109	1001256130	19
1001215755	209, 213	1001224623.....	101	1001249096.....	109	1001256174	219
1001215762	71, 73	1001225164.....	96, 97	1001249107.....	109	1001256176	219
1001215953	25	1001225496.....	219	1001249109.....	109	1001256288	65
1001216180	81	1001225790.....	224	1001249110.....	110	1001256323	81
1001216648	207	1001226277.....	127, 222	1001249111.....	109	1001256324	83
1001216650	207	1001226423.....	19	1001249112.....	110	1001256325	85
1001216823	117	1001226487.....	13	1001249114.....	109	1001256326	87
1001216865	219	1001226749.....	121, 123, 222	1001249229.....	224	1001256327 ...	81, 83, 85, 87
1001217043	105	1001226791.....	97	1001249326.....	224	1001256328 ...	81, 83, 85, 87
1001217059	27	1001227219.....	37, 39	1001249639.....	224	1001256329 ...	81, 83, 85, 87
		1001227267.....	37, 39	1001249668.....	85, 87	1001256330	65
		1001227966.....	59, 61	1001250162.....	13	1001256471	109
		1001228112.....	121, 123, 222	1001250378.....	25	1001256503	37, 39
		1001228184.....	127	1001250431.....	59	1001256631	33
		1001228370.....	203, 209, 213	1001250532.....	224	1001256632	29
		1001228406.....	91	1001251144.....	224	1001256633	49
				1001251145.....	224		
				1001251146.....	224		
				1001251232.....	91		

SECTION 9 - SPECIAL OPTIONS

1001256634.....47	1001264310 81, 83, 87	2600281 ... 107, 109, 113,	3760387.....96
1001256635.....45	1001265048 219	115	3820019.....117
100125663737	1001265376 224	2780266 19, 21	3820032..... 109
1001256638 35, 43	1001268506 71, 73	2860030 71, 73, 222	3841143.....91, 96
1001256639.....31	1001269646 225	2901443 225	3860111.... 107, 109, 113,
1001256640.....41	1001269798 225	2902431 141, 189	115
100125664139	1001274484 65, 69	2940129 113	3900381.....37, 39
100125664229, 31, 33,	1001274559 71, 73	3080007 ... 107, 113, 115,	3910804.....71, 73
35, 37, 39, 41, 43	1060379 131	222	3990010.....162
100125664345, 47, 49	1060908 157, 159	3252507 ... 145, 147, 149,	4010310.....51, 53
1001256657 113	1060998 81, 83, 85, 87	151, 153, 155	4010408.....119
1001256675 109, 219	1061034 96	3290305 51, 53	4010608.... 107, 109, 113,
1001256676219	1062255 77	3290405 ... 25, 71, 75, 89,	115
1001256741 13, 16	1321293 ... 29, 31, 33, 35,	96, 113, 119, 121, 123,	4010610.... 143, 145, 147,
100125674489	41, 43, 45, 47, 49, 89	141, 143, 145, 147,	149, 151
100125674689	1321752 19	149, 151, 153	4010616.... 107, 113, 115
1001256876...71, 73, 222	1380132 117	3290501 109	4010617.....115
100125693665	1380153 13	3290505 37, 39	4010618.... 107, 109, 113,
100125712189	1600402 ... 121, 123, 125,	3290506 113	115
100125713871, 73	222	3290601 27	4031506.....113
1001257177219	1671207 189	3290605 ... 13, 19, 29, 31,	4031509..... 121, 123
1001257773203, 205,	1701504 ... 203, 205, 207,	33, 35, 37, 39, 41, 43,	4031511.....25
207, 209, 211, 213,	209, 211, 213, 215, 217	45, 47, 49, 55, 71, 73,	4031512.....96
215, 217, 219	1701640 ... 203, 205, 207,	75, 89, 96, 105, 109,	4031707.....47, 49
1001257890 109	209, 211, 213, 215, 217	113, 143, 145, 147,	4031708....27, 47, 49, 71
1001258320219	1702010 129	149, 151	4031709..... 73
1001258321219	1702155 81, 83, 85, 87	3290606 ... 107, 109, 113,	4060803.59, 61, 121, 123
1001258322219	1703464 141, 143	115, 117, 119, 127, 129	4060906..... 121, 123
100125835677	1703813 203	3290801 25	4071095..... 109
1001258411 110	1703816 203	3290805 ... 19, 25, 37, 39,	4160078.....96
1001258427 13	1703819 ... 121, 123, 203,	91, 105	4160202.....25
1001258428 13	205, 207, 209, 211,	3290806 ... 107, 109, 113,	4160214.....91
100125849883	213, 215, 217	115, 117, 119, 121, 123	4220309..... 109
1001258528 109	1703822 ... 203, 205, 207,	3291005 .61, 65, 91, 101,	4240017....29, 31, 33, 35,
1001258617 109	209, 211, 213, 215, 217	105	37, 39, 41, 43, 45, 47,
1001258618 109	1704016 ... 203, 205, 207,	3291006 57, 101, 109,	49, 71, 73, 75, 81, 83,
1001258620 109	209, 211, 213, 215, 217	115, 127	85, 87, 89, 96, 127,
1001258633224	1704260 121, 123	3291007 91, 96	141, 143, 145, 147,
100125869177	1704277 ... 203, 205, 207,	3291201 91	149, 151, 153, 155,
1001258704 109	209, 211, 213, 215, 217	3300423 21	167, 169, 171, 173,
1001258752 121	1704339 217	3311502 105	175, 177, 179, 181, 183
1001258753 123	1704340 209, 213	3311505 131	4240018.....53, 65
1001258754219	1704341 207	3321402 96	4240032.....77
1001258822219	1704344 211	3331211 19	4240147.....25
1001258867 121	1704412 ... 203, 205, 207,	3340962 96, 113	4240165.....129
1001258868 123	209, 211, 213, 215, 217	3421854 131	4360328.....71, 73, 222
1001258900219	1704684 209, 213	3422219 109, 115	4360336.....89
100125895565	1704691 217	3423037 13	4360345.... 121, 123, 222
100125895665	1704699 207	3423243 91	4360387.....71, 73, 222
1001258957 123	1705195 211	3423278 121, 123	4360469.....71, 73, 222
1001259015 13, 19	1705647 219	3430636 25	436047571, 73, 121, 123,
100125901781, 83, 85,	1705648 219	3430814 105	222
87	1705670 205	3430816 105	4420037.....129
1001259102 113	1706679 71, 73	3431212 25	4420051.....219
1001259105 113	1707022 215	3431218 25	4420062.... 107, 109, 113,
1001259106 113	2080040 ... 105, 107, 109,	3450302 25	115, 121, 123, 131
1001259107 113	113, 115, 203, 205,	3450303 91	4460042.....161
100126098573	207, 209, 211, 213,	3450403 105	4460115.....161
100126098675	215, 217	3450406 21	4460138.....141
1001261040 109	2080043 109	3450505 25	4460183..... 161, 187
1001261149 113	2080057 ... 203, 205, 207,	3520072 ... 101, 107, 109,	4460226.....161
1001262059224	209, 211, 213, 215, 217	113, 115	4460227....29, 31, 33, 35,
1001262557224	2221116 96	3574505 129	37, 39, 41, 43, 161
1001262558224	2400060 161	3740150 ..71, 75, 89, 222	4460234.....127
1001262655 121, 123	2420172 71, 73	3760115 96	4460247.....161
1001262656 121	2560088 117	3760170 96, 131	4460256.....161
1001263358224	2560190 117	3760217 13	4460259..... 161, 162

SECTION 9 - SPECIAL OPTIONS

4460260 161, 162	4460943 77, 165, 167, 169, 171, 173, 175, 177, 179, 181, 183	4812500.....25	70007205 16
4460265 187	4460944 77, 161, 167, 169, 171, 173, 175, 177, 179	4831600.....37, 39	70007206 16
4460267 187	4460956 157	4846757 13	70007207 16
4460315 141, 153	4460957 157	4891600.....13	70007490 16
4460320 161	4460965 161	4923328.....81, 83, 85, 87	70007491 16
4460346 189	4460968 153	4923602.....19	70007492 16
4460418 89, 161, 187	4460970 185	5241000.....105	70007493 16
4460419 161	4461016 187	5241200.....19	70007494 16
4460424 ... 29, 31, 33, 35, 37, 39, 41, 43	4461023 161	7000082.....125	70007495 16
4460464 ... 55, 77, 89, 96, 127, 162, 165, 167, 169, 171, 173, 175, 177, 179, 181, 183, 185, 187	4461196 191	7000084.....125	70007496 16
4460465 . 51, 53, 77, 127, 161, 162, 167, 169, 171, 173, 175, 177, 179, 181, 183, 185	4461198 191	70000191.....16	70007588 67, 69
4460466 77, 89, 127, 161, 162, 167, 169, 171, 173, 175, 177, 181, 183, 185, 187	4461199 193	70000683.....125	70007589 67, 69
4460467 225	4461201 193	70000684.....125	70007590 67, 69
4460496 121, 123	4461205 195, 197	70000685.....125	70007613 67, 69
4460497 121, 123	4461244 195	70000686.....125	70007614 67, 69
4460510 225	4461245 197	70001250.....125	70007615 67, 69
4460536 127	4461246 199	70001251.....125	70007616 67, 69
4460539 ... 162, 171, 177, 185	4461249 199	70001252.....125	70007631 16
4460662 ... 147, 149, 151, 189	4461257 143, 145	70001253.....125	70007673 16
4460670 165	4461258 143, 145	70001739.....16	70007706 67, 69
4460722 89	4711400 16	70001878.....96	70007759 16
4460754 ... 167, 169, 171, 173, 175, 177, 181, 183	4711700 121, 123	70002410.....135	70023370 135
4460761 161	4711800 105	70003650.....125	7002821 225
4460871 165	4740438 96	70003734.....67, 69	7002822 225
4460877 161	4740468 21	70004231.....135	7002823 225
4460884 77, 161, 185	4740531 96	70004232.....135	7002826 225
4460891 51, 53, 127, 161, 162, 171, 177, 185	4751500 131	70004233.....135	7004275 225
4460894 ... 161, 167, 169, 171, 173, 175, 177, 179	4811400 89, 96, 113, 119, 121, 123, 141, 143, 145, 147, 149, 151, 153	70004241.....137	7004276 225
4460897 55, 89, 162, 165, 171, 177	4811700 ... 55, 71, 73, 75, 89, 96, 107, 109, 113, 115, 119, 121, 123, 129, 143, 145, 147, 149, 151	70005790.....135	7016654 225
4460899 96, 167, 169, 171, 173, 175, 177, 179, 181, 183	4811702 ... 13, 19, 25, 27, 29, 31, 33, 35, 37, 39, 41, 43, 45, 47, 49, 59, 61, 97, 117	70005791.....135	7020175.71, 73, 121, 123
4460905 165	4811900 . 19, 25, 77, 105, 107, 109, 113, 115, 117, 121, 123	70005792.....135	7020176.71, 73, 121, 123
4460932 77, 165	4811902 ... 25, 37, 39, 91, 119	70005793.....135	7020218 96
4460933 77, 161	4812000 ... 13, 25, 65, 91, 96, 101, 105, 109, 115, 127	70005794.....135	7024747 16
	4812002 .. 57, 61, 91, 105	70005795.....135	7024748 16
		70005796.....135	7024756 16
		70005797.....135	7024786 16
		70005798.....137	7027365 125
		70005800.....137	7027367 125
		70005803.....137	7027765 125
		70005805.....137	7027766 125
		70006143.....137	8229234 165, 222
		70007123.....67, 69	8229242 161, 222
		70007191.....16	8229244 161, 222
		70007193.....16	8750015 19
		70007195.....16	8896941 225
		70007196.....16	8990147 ... 203, 205, 207, 209, 211, 213, 215, 217
		70007199.....16	
		70007200.....16	
		70007201.....16	
		70007202.....16	
		70007203.....16	
		70007204.....16	



Corporate Office
JLG Industries, Inc.
1 JLG Drive
McConnellsburg, PA 17233-9533 USA
☎ **(717) 485-5161 (Corporate)**
☎ **(877) 554-5438 (Customer Support)**
📠 **(717) 485-6417**

Visit our website for JLG Worldwide Locations.
www.jlg.com



OSHKOSH™