



Illustrated Parts Manual

Models

600S

600SJ

660SJ

PRIOR TO
SN 0300068000

P/N
3120720

September 14, 2018 - Rev AP

ANSI



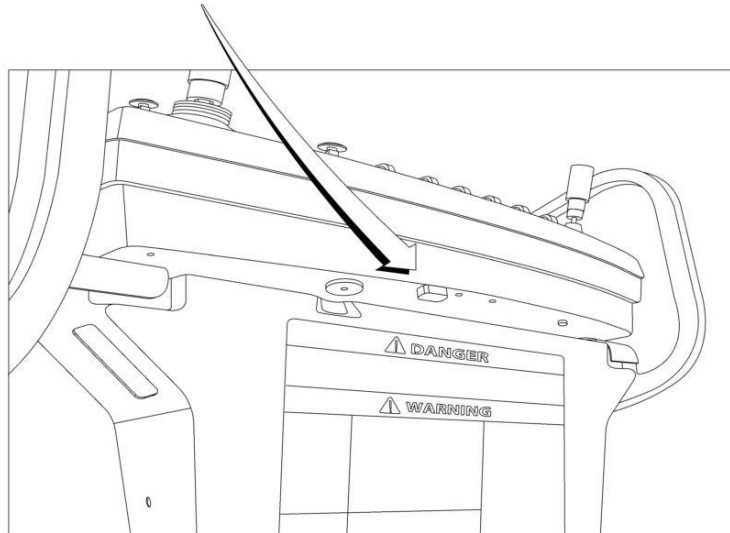
An Oshkosh Corporation Company

REVISION LOG

NOTES:

ADE SYSTEM

Most 600S, 600SJ and 660SJ machines from SN 0300061927 incorporate the ADE System, but no clean SN break exist. The following machine serial numbers prior to SN 0300061927 also utilize the ADE System: 0300058993, 0300058998, 0300059222, 0300059223, 0300059275, 0300059281, 0300059315, 0300059319, 0300059352, 0300059358, 0300059631, 0300059769, 0300060253, 0300060254, 0300060286, 0300060642, 0300060645, 0300061120, 0300061257, 0300061402, 0300061440, 0300061491, 0300061833, 0300061840, 0300061875 and 0300061878. A machine that incorporates ADE System can be outwardly identified by the analyzer connection at the base of the platform console box.



MANUAL REVISION LOG:

February, 1996 - A - Original Issue Of Manual

January, 1998 - B - Revised (Manual edited to 0010512 Revision 43)

December, 1998 - C - Revised (Manual edited to 0010512 Revision 53)

June 25, 1999 - D - Revised (Manual edited to 0010512 Revision 59)

July 14, 1999 - E - Updated Pages (4-3 & 4-4)

October 18, 1999 - F - Updated Pages (2-13, 8-2 & 8-6)

February 18, 2000 - G - Revised (Manual edited to 0010512 Revision 66)

April 25, 2001 - H - Revised (Manual edited to 0010512 Revision 76)

(Manual edited to 0010574 Revision 3 ADE System)

February 20, 2002 - I - Revised (Manual edited to 0010574 Revision 9)

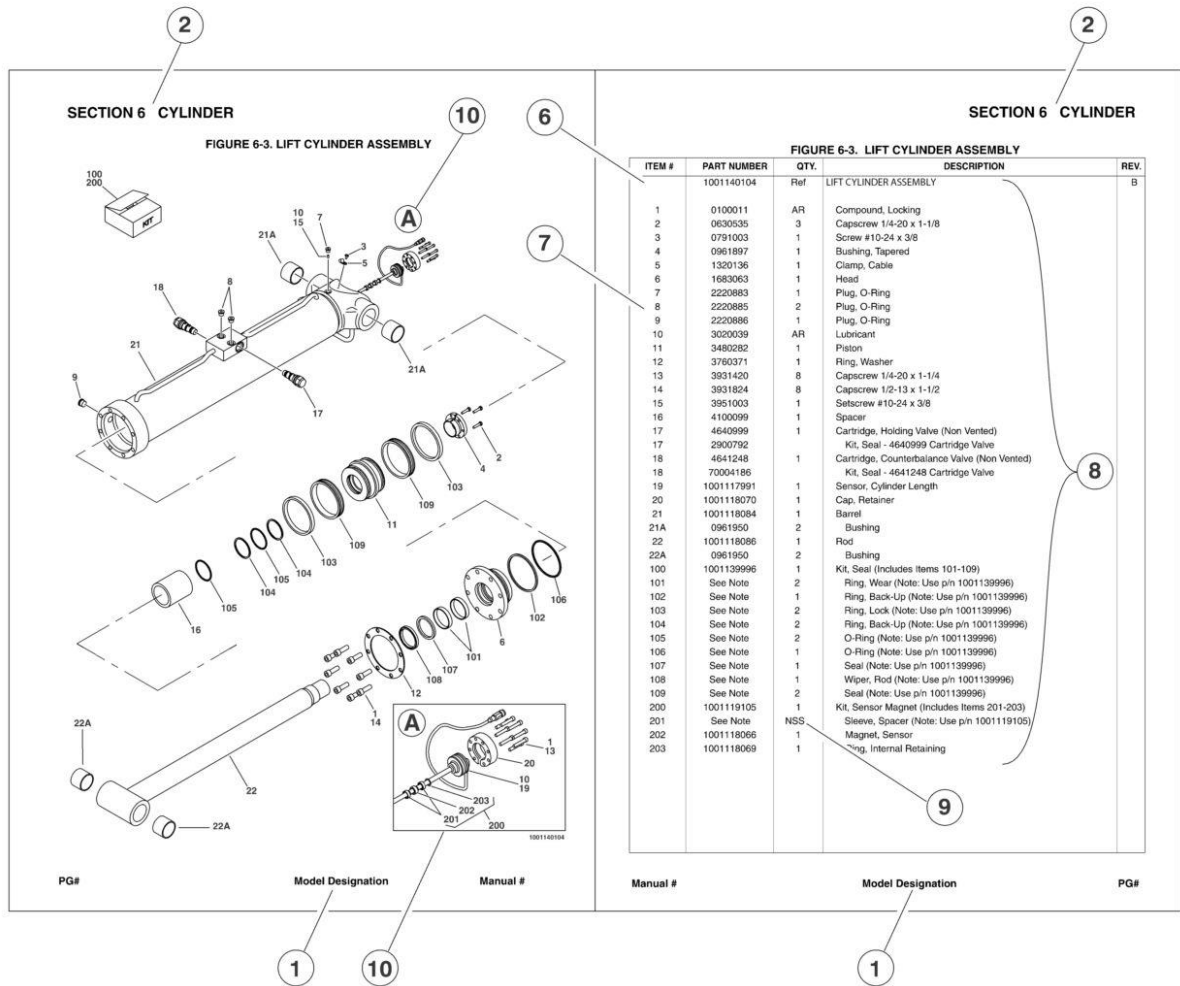
May 24, 2002 - J - Revised (Manual edited to 0010574 Revision 18)

November 30, 2002 - K - Added "Prior to SN 0300068000" to Front Cover. Refer to Parts Manual 3121178 for Machines Built SN 0300068000 to Present.

REVISION LOG

January 17, 2003 - L - Revised Manual
May 1, 2003 - M - Revised Manual
December 9, 2003 - N - Revised Manual
January 20, 2005 - O - Revised Manual
May 27, 2005 - P - Revised Manual
November 10, 2005 - Q - Revised Manual
May 18, 2006 - R - Revised Manual
August 9, 2006 - S - Revised Manual
January 12, 2007 - T - Revised Manual
May 15, 2007 - U - Revised Manual
September 18, 2007 - V - Revised Manual
June 15, 2008 - W - Revised Manual
December 1, 2008 - X - Revised Manual
April 15, 2009 - Y - Revised Manual
October 15, 2009 - Z - Revised Manual
May 24, 2010 - AA - Revised Manual
March 15, 2011 - AB - Revised Manual
June 10, 2011 - AC - Revised Manual
September 14, 2011 - AD - Revised Manual
January 6, 2012 - AE - Revised Manual
April 20, 2012 - AF - Revised Manual
July 27, 2012 - AG - Revised Manual
November 8, 2012 - AH - Revised Manual
March 15, 2013 - AI - Revised Manual
June 14, 2013 - AJ - Revised Manual
September 30, 2013 - AK - Revised Manual
February 28, 2014 - AL - Revised Manual
October 30, 2015 - AM - Revised Manual (Revision 4)
March 14, 2017 - AN - Revised Manual
January 31, 2018 - AO - Revised Manual
September 14, 2018 - AP - Revised Manual

GENERAL INFORMATION



1) MACHINE IDENTIFICATION

Machines are identified by model and in some cases a combination of models, serial number (SN) or regional standard (i.e ANSI, CE, CSA). Components may also be identified by SN or manufacturer. Common components that may be identified by these characteristics are engines and hydraulic components.

2) PARTS MANUAL ORGANIZATION

Product information in this manual is organized under section titles. Frame, Cylinder, Hydraulic and Electrical are a few examples. Each section is organized by figure and page number. The information within the Figure is then organized by item number, part number, description and corresponding illustration (s).

3) TABLE OF CONTENTS

A table of contents is found toward the beginning of the manual. Figure number, description and page number are provided for quick reference to the page containing the related information.

4) RECOMMENDED SPARE PARTS

The Recommended Spare Parts, located near the end of the manual, reference most frequently used maintenance parts.

5) PART NUMBER INDEX

A numerical index listing all part numbers and the corresponding page number(s) appears at the back of the manual.

GENERAL INFORMATION

6) NON-SERVICED PARTS

In some instances, it is necessary to display non-serviced parts, assemblies or installations. In the case of assemblies and installations there will be a Ref in the Qty column. In case of parts that are not available for service within assemblies or components, there will be a NSS (Not Sold Separately) or NLA (No Longer Available) listed in the Qty. column of the manual.

7) PARTS LIST ITEM NUMBERS

Numbers shown in the item# column correspond to numbers used in the associated illustration (s). Item numbers which are missing from the sequence in the parts list are not used on that page

8) INDENTED PARTS DESCRIPTION

An indented part description is included in the item under which it is indented.

9) ABB REVIATION AND SYMBOLS

AC.....	.. Alternating Current	LCD	Liquid Crystal Display
ADE.....	..Advanced Design Electronics	LED	Light Emitting Diodes
ANSIAmerican National Standards Institute	LH.....	.. Left Hand
AR.....	..As Required	LSSLoad Sensing System
ASSY	Assembly	M(m).....	.. Metric/Meter
AUX.....	..Auxiliary	MM (mm)Milimeter
AWG.....	..American WireGauge	mA.....	.. Milliamps
B/M.....	.. Bill of Material	NLA.....	..No Longer Available
CE.....	..European Conformity	NPT National Pipe T threads
CCWCounter Clockwise	NSSNot Sold Separately
cm.....	..Centimeter	OD.....	..Outside Diameter
CW.....	..Clockwise	OR B.....	.. O-Ring Bos s
CSA.....	..Canadian Standards Association	OR F S.....	.. O-Ring Face Seal
CYL.....	..Cylinder	OZ (oz).....	..Ounces
DIA.....	..Diameter	PGPage
DC.....	..Direct Current	P/N.....	..Part Number
EMS	Emergency Stop	qt.....	..Quarts
ENGEngine	QTY.....	..Quantity
FT (ft).....	..Feet	REFReference
GA(Ga).....	..Gauge	REVRevision Level
HYDHydraulic	RH.....	.. Right Hand
Hz.....	..Hertz	SAE.....	.. Society of Automotive Engineers
ID.....	..Inside Diameter	SN.....	..Serial Number
in.....	..inches	SPEC(S).....	..Specifications
ISOInternational Organization for Standards	T/T.....	..Turntable
JIC.....	..Joint Industry Council	UGMUniversal Ground Module
KGKilogram	V.....	.. Volts
L.....	..Liter	W.....	.. Watts
LB.....	..Pounds	#.....	.. Number

10) ILLUSTRATION REFERENCE LETTERS

When necessary, illustrations may contain reference letters that are intended to track information (i. e. hoses, harnesses) from one point to another or to track visual enlargement of components to show details that may be located in another area on the illustration.

Note: Due to continuous product improvements, JLG Industries, Inc. reserves the right to make specification changes without prior notification. Contact JLG Industries, Inc. for updated information.

TABLE OF CONTENTS

SECTION 1 - FRAME.....	9
FIGURE 1-1. 2WD FRONT AXLE AND STEERING INSTALLATIONS.....	10
FIGURE 1-2. 4WD FRONT AXLE AND STEERING INSTALLATIONS.....	14
FIGURE 1-3. 4WS REAR STEERING INSTALLATIONS.....	18
FIGURE 1-4. TIRE AND WHEEL DRIVE INSTALLATIONS.....	22
FIGURE 1-5. DRIVE HUB ASSEMBLY (Prior to SN 0300064395).....	26
FIGURE 1-6. DRIVE HUB ASSEMBLY (SN 0300064395 through 0300068000).....	30
FIGURE 1-7. DRIVE BRAKE ASSEMBLY.....	32
FIGURE 1-8. DRIVE MOTOR ASSEMBLY - REXROTH.....	36
FIGURE 1-9. DRIVE VALVES AND SHIELDS INSTALLATION (FRAME MOUNTED).....	38
FIGURE 1-10. TOW PACKAGE INSTALLATION (OPTIONAL).....	40
SECTION 2 - TURNTABLE.....	43
FIGURE 2-1. CONTROL VALVES INSTALLATIONS.....	44
FIGURE 2-2. MAIN CONTROL VALVE ASSEMBLY.....	48
FIGURE 2-3. ACCESSORY VALVE ASSEMBLY.....	52
FIGURE 2-4. SWING DRIVE, TURNTABLE BEARING AND LOCK INSTALLATIONS.....	54
FIGURE 2-5. SWING HUB ASSEMBLY.....	56
FIGURE 2-6. SWING BRAKE ASSEMBLY.....	58
FIGURE 2-7. SWING MOTOR ASSEMBLIES.....	62
FIGURE 2-8. CONTINENTAL ENGINE INSTALLATION.....	66
FIGURE 2-9. GENERATOR INSTALLATION - CONTINENTAL ENGINE (OPTIONAL).....	72
FIGURE 2-10. DEUTZ ENGINE INSTALLATION (Prior to SN 0300030041).....	76
FIGURE 2-11. DEUTZ ENGINE INSTALLATION - WITH NOISE REDUCTION (SN 0300030041 through 0300068000).....	82
FIGURE 2-12. GENERATOR INSTALLATION - DEUTZ MACHINES (OPTIONAL).....	90
FIGURE 2-13. 7500W SKYPOWER GENERATOR INSTALLATION - DEUTZ MACHINES (ANSI AND CSA SPECS).....	94
FIGURE 2-14. FORD ENGINE INSTALLATIONS - LRG423 (Prior to SN 0300037116).....	100
FIGURE 2-15. FORD ENGINE INSTALLATIONS - LRG425 WITH CARBURETOR (SN 0300037117 through 0300068000).....	108
FIGURE 2-16. FORD ENGINE INSTALLATIONS - LRG425 WITH EFI (SN 0300048907 through 0300068000).....	116
FIGURE 2-17. DUAL FUEL INSTALLATIONS (FORD MACHINE WITH CARBURETOR) (OPTIONAL).....	122
FIGURE 2-18. DUAL FUEL INSTALLATIONS (FORD MACHINE OPTION) (SN 0300048907 through 0300068000).....	124
FIGURE 2-19. GENERATOR INSTALLATION - FORD MACHINES (OPTIONAL).....	126
FIGURE 2-20. ISUZU ENGINE INSTALLATION - 4JB1 (SN 0300057373 through 0300068000).....	130
FIGURE 2-21. PISTON PUMP ASSEMBLY.....	134
FIGURE 2-22. GEAR PUMP ASSEMBLY.....	138
FIGURE 2-23. TANK INSTALLATIONS.....	140
FIGURE 2-24. ROTARY COUPLING INSTALLATION.....	144
FIGURE 2-25. GROUND CONTROL BOX ASSEMBLY (Prior to SN 0300061926).....	146
FIGURE 2-26. GROUND CONTROL BOX ASSEMBLY (ADE SYSTEM) (SN 0300061927 through 0300068000).....	152
FIGURE 2-27. ELECTRICAL OPTIONS INSTALLATION (TURNTABLE MOUNTED).....	156
FIGURE 2-28. ENGINE TRAY JACK INSTALLATION (OPTIONAL).....	160
FIGURE 2-29. HOODS AND LIFTING PLATE INSTALLATIONS - WITHOUT NOISE REDUCTION (Prior to SN 0300027943).....	162
FIGURE 2-30. HOODS AND LIFTING PLATE INSTALLATIONS - WITH NOISE REDUCTION (SN 0300027943 through 0300068000).....	166
SECTION 3 - BOOM.....	171
FIGURE 3-1. BOOM INSTALLATIONS - 600S.....	172
FIGURE 3-2. BOOM INSTALLATIONS - 600SJ & 660SJ.....	176
FIGURE 3-3. MAIN BOOM ASSEMBLIES.....	182
FIGURE 3-4. ROTATOR ASSEMBLIES (FRONT ENTRY PLATFORM).....	186
FIGURE 3-5. ROTATOR ASSEMBLIES (SIDE ENTRY PLATFORM).....	190
FIGURE 3-6. POWER TRACK INSTALLATIONS - PLASTIC TRACK (Prior to SN 0300060842).....	192
FIGURE 3-7. POWER TRACK INSTALLATIONS - STEEL TRACK (SN 0300060842 through 0300068000).....	196
SECTION 4 - PLATFORM.....	199
FIGURE 4-1. PLATFORM COMPONENTS INSTALLATION (FRONT ENTRY).....	200
FIGURE 4-2. PLATFORM COMPONENTS INSTALLATION (SIDE ENTRY).....	204
FIGURE 4-3. PLATFORM CONSOLE ASSEMBLY (Prior to SN 0300061927).....	208
FIGURE 4-4. PLATFORM CONSOLE ASSEMBLY (ADE SYSTEM) (SN 0300061927 through 0300068000).....	214
FIGURE 4-5. CONTROLLER ASSEMBLY (SWING AND LIFT) (ORIGINAL EQUIPMENT) (Prior to SN 0300039654).....	220
FIGURE 4-6. CONTROLLER ASSEMBLY (SWING AND LIFT) (SERVICE REPLACEMENT) (SN 0300039654 through 0300061926).....	224

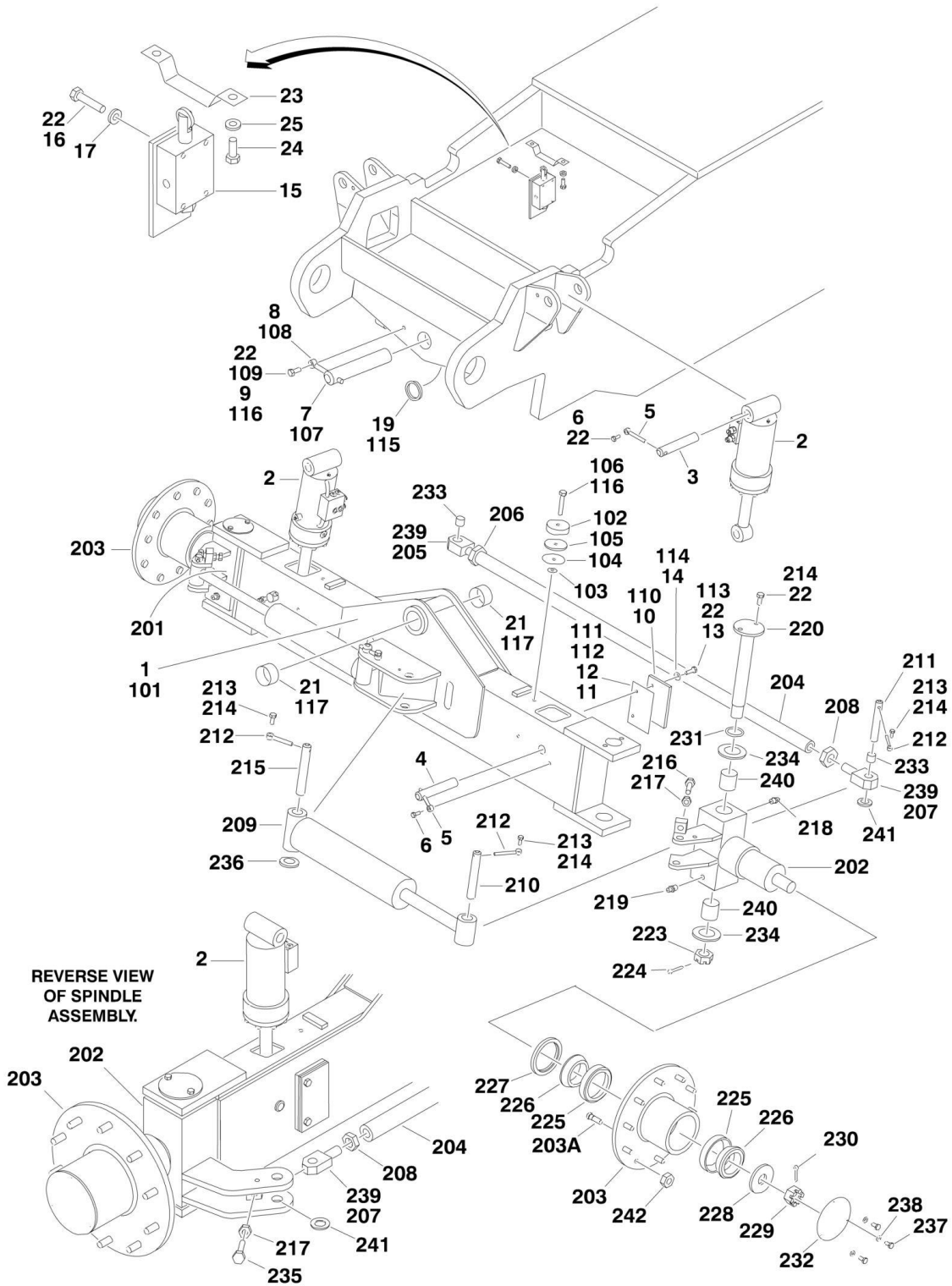
TABLE OF CONTENTS

FIGURE 4-7. CONTROLLER ASSEMBLY (SWING AND LIFT) (ADE SYSTEM) (ORIGINAL EQUIPMENT) (SN 0300061927 through 0300068000)	226
FIGURE 4-8. CONTROLLER ASSEMBLY (LIFT AND SWING) (SERVICE REPLACEMENT) (SN 0300061927 through 0300068000)	228
FIGURE 4-9. CONTROLLER ASSEMBLY (LIFT AND SWING) (SERVICE REPLACEMENT) (SN 0300061927 through 0300068000)	230
FIGURE 4-10. CONTROLLER ASSEMBLY (DRIVE AND STEER) (ORIGINAL EQUIPMENT) (Prior to SN 0300039654)	234
FIGURE 4-11. CONTROLLER ASSEMBLY (DRIVE AND STEER) (SERVICE REPLACEMENT) (SN 0300039654 through 0300061926)	238
FIGURE 4-12. CONTROLLER ASSEMBLY (DRIVE AND STEER) (ADE SYSTEM) (ORIGINAL EQUIPMENT) (SN 0300061927 through 0300068000)	240
FIGURE 4-13. CONTROLLER ASSEMBLY (DRIVE AND STEER) (SERVICE REPLACEMENT) (SN 0300061927 through 0300068000)	242
FIGURE 4-14. CONTROLLER ASSEMBLY (DRIVE AND STEER) (SERVICE REPLACEMENT) (SN 0300061927 through 0300068000)	244
FIGURE 4-15. SOFT TOUCH SYSTEM INSTALLATION (OPTIONAL)	246
FIGURE 4-16. SKYWELDER INSTALLATION (60HZ)	250
FIGURE 4-17. WELDER ASSEMBLY	252
SECTION 5 - CYLINDER	255
FIGURE 5-1. AXLE LOCKOUT CYLINDER ASSEMBLY	256
FIGURE 5-2. LEVEL CYLINDER ASSEMBLY (PLATFORM SLAVE) - 600S (ORIGINAL EQUIPMENT)	258
FIGURE 5-3. LEVEL CYLINDER ASSEMBLY (PLATFORM SLAVE) - 600S (SERVICE REPLACEMENT)	260
FIGURE 5-4. LEVEL CYLINDER ASSEMBLY (PLATFORM SLAVE) - 600S (SERVICE REPLACEMENT)	262
FIGURE 5-5. LEVEL CYLINDER ASSEMBLY (PLATFORM SLAVE) - 600SJ & 660SJ (ORIGINAL EQUIPMENT)	264
FIGURE 5-6. LEVEL CYLINDER ASSEMBLY (PLATFORM SLAVE) - 600SJ & 660SJ (SERVICE REPLACEMENT)	268
FIGURE 5-7. LEVEL CYLINDER ASSEMBLY (PLATFORM SLAVE) - 600SJ & 660SJ (SERVICE REPLACEMENT)	270
FIGURE 5-8. LIFT CYLINDER ASSEMBLY - (BOOM)	272
FIGURE 5-9. LIFT CYLINDER ASSEMBLY (JIB) - 600SJ & 660SJ	274
FIGURE 5-10. MASTER CYLINDER ASSEMBLY (ORIGINAL EQUIPMENT)	276
FIGURE 5-11. MASTER CYLINDER ASSEMBLY - 600S (SERVICE REPLACEMENT)	280
FIGURE 5-12. MASTER CYLINDER ASSEMBLY - 600SJ/660SJ (SERVICE REPLACEMENT)	282
FIGURE 5-13. STEER CYLINDER ASSEMBLY	284
FIGURE 5-14. TELESCOPE CYLINDER ASSEMBLY	286
FIGURE 5-15. CYLINDER BELLOWS INSTALLATIONS (OPTIONAL)	288
SECTION 6 - HYDRAULIC	291
FIGURE 6-1. HYDRAULIC DIAGRAM - DRIVE AND STEER (2WD/2WS)	292
FIGURE 6-2. HYDRAULIC DIAGRAM - DRIVE AND STEER (4WD/2WS)	294
FIGURE 6-3. HYDRAULIC DIAGRAM - OSCILLATING AXLE	298
FIGURE 6-4. HYDRAULIC DIAGRAM - STANDARD	300
FIGURE 6-5. HYDRAULIC DIAGRAM LIST	304
SECTION 7 - ELECTRICAL	305
FIGURE 7-1. ELECTRICAL DIAGRAM LIST	306
FIGURE 7-2. HARNESS COMPONENTS INSTALLATION (Prior to SN 0300061927)	310
FIGURE 7-3. HARNESS COMPONENTS INSTALLATION (ADE SYSTEM) (SN 0300061927 through 0300063909)	322
FIGURE 7-4. HARNESS COMPONENTS INSTALLATION (ADE SYSTEM) (SN 0300064499 through 0300068000)	330
SECTION 8 - DECALS	339
FIGURE 8-1. DECALS INSTALLATION - STANDARD	340
FIGURE 8-2. DECAL INSTALLATION - COUNTRY SPEC	344
SECTION 9 - RECOMMENDED SERVICE PARTS STOCK	349
FIGURE 9-1. MODELS 600S/600SJ/660SJ STANDARD PARTS	350
FIGURE 9-2. MODELS 600S/600SJ/660SJ VARIABLE PARTS	352
SECTION 10 - SPECIAL OPTIONS	353
FIGURE 10-1. SPECIAL OPTIONS	354
PART NUMBER INDEX	359

SECTION 1 - FRAME

SECTION 1 - FRAME

FIGURE 1-1. 2WD FRONT AXLE AND STEERING INSTALLATIONS



SECTION 1 - FRAME

FIGURE 1-1. 2WD FRONT AXLE AND STEERING INSTALLATIONS

ITEM	PART NUMBER	QTY	DESCRIPTION	REV
		Ref	AXLE INSTALLATIONS - OSCILLATING	
	0254817	Ref	ANSI Machines (Prior to SN 0300041810)	8
	0256394	Ref	ANSI Machines (SN 0300041810 through 0300068000)	5
	0256394	Ref	CSA Machines	5
1	4844777	1	Axle Weldment	
2	1683078	2	Lockout Cylinder Assembly (See CYLINDER SECTION for Breakdown)	
3	3422333	2	Pin, Pivot	
4	3422332	2	Pin, Cylinder	
5	3841143	4	Keeper, Pin	
6	0641608	4	Bolt 3/8in-16NC x 1in	
7		Ref	Pin, Axle Pivot Options:	
7	3422325	NLA	Pin, Axle Pivot ANSI Machines (Use p/n 3422591) (Prior to SN 0300041810)	
7	3422591	1	Pin, Axle Pivot ANSI Machines (SN 0300041810 through 0300068000)	
7	3422591	1	Pin, Axle Pivot CSA Machines	
8	3841258	1	Keeper, Pin	
9	0642012	1	Bolt 5/8in-11NC x 1-1/2in	
10	3538047	2	Plate, Wear	
11	4070878	AR	Shim 1/16in	
12	4070879	AR	Shim 1/8in	
13	0641612	4	Bolt 3/8in-16NC x 1-1/2in	
14	4711600	4	Flatwasher 3/8in Thin	
15	4640871	1	Valve, Cam	
15	7012693	1	Seal Kit - 4640871 Valve	
15	7002840	1	Pin Removal Tool	
16	0641414	4	Bolt 1/4in-20NC x 1-3/4in	
17	4711400	4	Flatwasher 1/4in Thin	
19	4740158	1	Thrustwasher	
21	0961950	2	Bushing	
22	0100011	AR	Compound, Locking	
23	1100086	1	Cam	
24	0641814	2	Bolt 1/2in-13NC x 1-3/4in	
25	4751800	AR	Flatwasher 1/2in Regular	
		Ref	AXLE INSTALLATIONS - FIXED	
	0254845	Ref	Axle Installations - Fixed ANSI Machines (Prior to SN 0300041810)	5
	0256621	Ref	Axle Installations - Fixed ANSI Machines (SN 0300041810 through 0300068000)	4
	0256621	Ref	Axle Installations - Fixed CSA Machines	4
101	4844777	1	Axle Weldment	
102	3539877	2	Plate, Stop	
103	3539878	2	Plate, Stop	
104	4070944	AR	Shim (.06)	
105	4070945	AR	Shim (.25)	
106		Ref	Hardware Options:	
106	0641820	2	Hardware Bolt 1/2in-13NC x 2-1/2in (Prior to SN 0300038047)	
106	3931840	2	Hardware Screw 1/2in-13NC x 2-1/2in (SN 0300038047 through 0300068000)	
107		Ref	Pin, Pivot Options:	

SECTION 1 - FRAME

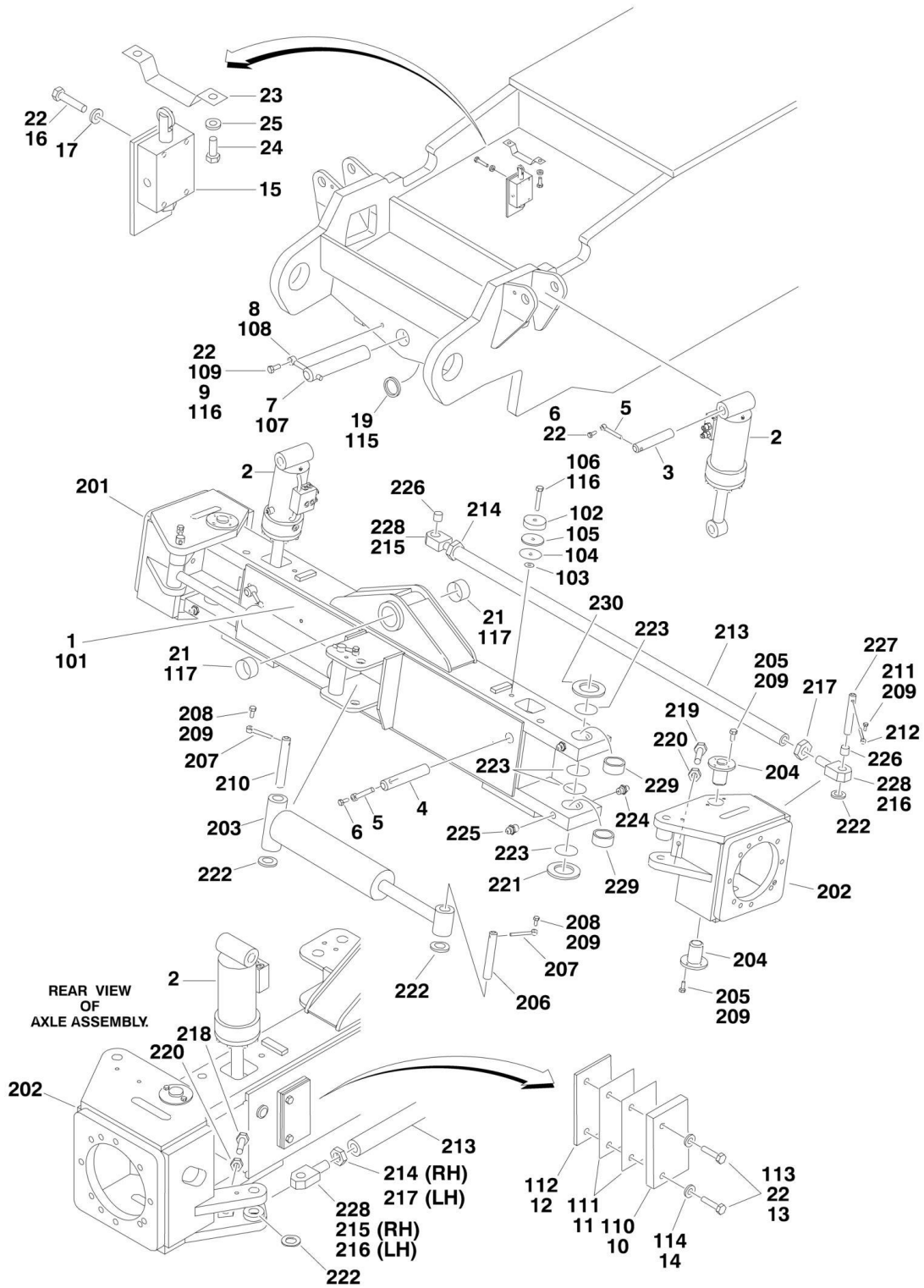
ITEM	PART NUMBER	QTY	DESCRIPTION	REV
107	3422325	NLA	Pin, Pivot ANSI Machines (Use p/n 3422591) (Prior to SN 0300041810)	
107	3422591	1	Pin, Pivot ANSI Machines (SN 0300041810 through 0300068000)	
107	3422591	1	Pin, Pivot CSA Machines	
108	3841258	1	Keeper, Pin	
109	0642012	1	Bolt 5/8in-11NC x 1-1/2in	
110	3538047	2	Plate, Wear	
111	4070878	AR	Shim 1/16in	
112	4070879	AR	Shim 1/8in	
113	0641608	4	Bolt 3/8in-16NC x 1in	
114	4711600	4	Flatwasher 3/8in Thin	
115	4740158	1	Thrustwasher	
116	0100019	AR	Compound, Locking	
117	0961950	2	Bushing	
		Ref	STEERING INSTALLATIONS	
	0254944	Ref	Steering Installations (Prior to SN 0300034646)	7-E
	0257732	Ref	Steering Installations (SN 0300034646 through 0300068000)	2-A
201		Ref	Spindle - Right Side Options:	
201	4130312	1	Spindle - Right Side (Prior to SN 0300034646)	
201	4130353	1	Spindle - Right Side (SN 0300034646 through 0300068000)	
202		Ref	Spindle - Left Side Options:	
202	4130311	1	Spindle - Left Side (Prior to SN 0300034646)	
202	4130354	1	Spindle - Left Side (SN 0300034646 through 0300068000)	
203	2780188	2	Hub	
203A	0630078	20	Stud, Wheel (10 Per Hub)	
204	3841236	1	Tie-Rod	
205	0561138	1	End, Tie-Rod (Right Side/RH Threads)	
206	3323002	1	Nut, Jam 1-1/4in-12NF (RH Threads)	
207	0561139	1	End, Tie-Rod (Left Side/LH Threads)	
208	3300229	1	Nut, Jam 1-1/4in-12NF (LH Threads)	
209	1683208	2	Steer Cylinder Assembly (See CYLINDER SECTION for Breakdown)	
210	3422351	2	Pin, Steer Cylinder	
211	3422352	2	Pin, Tie-Rod	
212	3841143	6	Shaft, Keeper	
213	0641608	6	Bolt 3/8in-16NC x 1in	
214	0100011	AR	Compound, Locking	
215	3422326	2	Pin, Steer Cylinder	
216	0682014	2	Bolt 5/8in-11NC x 1-3/4in (Grade 8)	
217	3312002	4	Nut, Jam 5/8in-11NC	
218	2160002	2	Fitting, Grease (Prior to SN 0300034646)	
219	4640812	2	Valve Relief (Prior to SN 0300034646)	
220	3422335	2	Kingpin	
222	0681610	4	Bolt 3/8in-16NC x 1-1/4in (Grade 8)	
223	3324203	2	Nut, Slotted 2in-4 1/2NF	
224	3451012	2	Pin, Cotter 5/8in x 3in	
225	0440171	4	Cup, Bearing - Inner	
226	0440170	4	Cone, Bearing - Inner	
227	3960343	2	Seal, Grease	
228	4740283	2	Flatwasher, Hardened	
229	3323403	2	Nut, Slotted 1-1/2in-6NF	

SECTION 1 - FRAME

ITEM	PART NUMBER	QTY	DESCRIPTION	REV
230	3451010	2	Pin, Cotter 5/8in x 2-1/2in	
231	3780187	4	O-Ring	
232	1120304	2	Cap, Hub	
233	0961977	2	Bearing	
234		Ref	Thrustwasher Options:	
234	4740314	4	Thrustwasher (Prior to SN 0300034646)	
234	4740463	2	Thrustwasher (Top) (SN 0300034646 through 0300068000)	
234	4740256	2	Thrustwasher (Bottom) (SN 0300034646 through 0300068000)	
235	0682012	2	Bolt 5/8in-11NC x 1-1/2in (Grade 8)	
236		Ref	Thrustwasher Options:	
236	0440091	4	Thrustwasher (Prior to SN 0300035329)	
236	4740111	4	Thrustwasher (SN 0300035329 through 0300068000)	
237	0721003	6	Bolt #10-24NC x 3/8in	
238	4761000	6	Lockwasher #10	
239	0100063	AR	Loctite RC609	
240		Ref	Bushing, Bronze Options:	
240	0961883	4	Bushing, Bronze (Prior to SN 0300034646)	
240	0962036	4	Bushing, Bronze (SN 0300034646 through 0300068000)	
241	4740067	2	Thrustwasher	
242	3300007	20	Lugnut (10 per wheel)	

SECTION 1 - FRAME

FIGURE 1-2. 4WD FRONT AXLE AND STEERING INSTALLATIONS



SECTION 1 - FRAME

FIGURE 1-2. 4WD FRONT AXLE AND STEERING INSTALLATIONS

ITEM	PART NUMBER	QTY	DESCRIPTION	REV
		Ref	AXLE INSTALLATIONS - OSCILLATING	
	0254818	Ref	ANSI Machines (Prior to SN 0300038047)	6
	0257747	Ref	ANSI Machines (SN 0300038047 through 0300041809)	5
	0257749	Ref	ANSI Machines (SN 0300041810 through 0300061703)	5
	0256396	Ref	CSA Machines (Prior to SN 0300038047)	1
	0257749	Ref	CSA Machines (SN 0300038047 through 0300061703)	5
	0271003	Ref	ANSI/CSA Machines (SN 0300061704 through 0300068000)	B
1		Ref	Axle Weldment Options:	
1	4844690	1	Axle Weldment (Prior to SN 0300038047)	
1	4845588	1	Axle Weldment (SN 0300038047 through 0300061703)	
1	4846288	1	Axle Weldment (SN 0300061704 through 0300068000)	
2	1683078	2	Lockout Cylinder Assembly (See CYLINDER SECTION for Breakdown)	
3	3422333	2	Pin, Pivot	
4		Ref	Pin, Cylinder Options:	
4	3422332	2	Pin, Cylinder (Prior to SN 0300061704)	
4	3422904	2	Pin, Cylinder (SN 0300061704 through 0300068000)	
5	3841143	4	Keeper, Pin	
6	0641608	4	Bolt 3/8in-16NC x 1in	
7		Ref	Pin, Axle Pivot Options:	
7	3422325	NLA	Pin, Axle Pivot ANSI Machines (Use p/n 3422591) (Prior to SN 0300041810)	
7	3422591	1	Pin, Axle Pivot ANSI Machines (SN 0300041810 through 0300068000)	
7	3422591	1	Pin, Axle Pivot CSA Machines	
8	3841258	1	Keeper, Pin	
9	0642012	1	Bolt 5/8in-11NC x 1-1/2in	
10	3538047	2	Plate, Wear (Prior to SN 0300061704)	
11	4070878	AR	Shim 1/16in	
12	4070879	AR	Shim 1/8in	
13	0641608	4	Bolt 3/8in-16NC x 1in	
14	4711600	4	Flatwasher 3/8in Thin	
15	4640871	1	Valve, Cam	
15	7012693	1	Seal Kit - 4640871 Valve	
15	7002840	1	Pin Removal Tool	
16	0641414	4	Bolt 1/4in-20NC x 1-3/4in	
17	4711400	4	Flatwasher 1/4in Thin	
19	4740158	1	Thrustwasher	
21	0961950	2	Bushing	
22	0100011	AR	Compound, Locking	
23	1100086	1	Cam	
24	0641814	2	Bolt 1/2in-13NC x 1-3/4in	
25		Ref	Flatwasher 1/2in Options:	
25	4751800	AR	Flatwasher 1/2in (Regular) (Prior to SN 0300061704)	
25	4711800	AR	Flatwasher 1/2in (Thin) (SN 0300061704 through 0300068000)	
		Ref	AXLE INSTALLATIONS - FIXED	
	0254846	Ref	ANSI Machines (Prior to SN 0300038047)	2
	0257748	Ref	ANSI Machines (SN 0300038047 through 0300041809)	3
	0257750	Ref	ANSI Machines (SN 0300041810 through 0300061703)	3
	0256620	Ref	CSA Machines (Prior to SN 0300038047)	2

SECTION 1 - FRAME

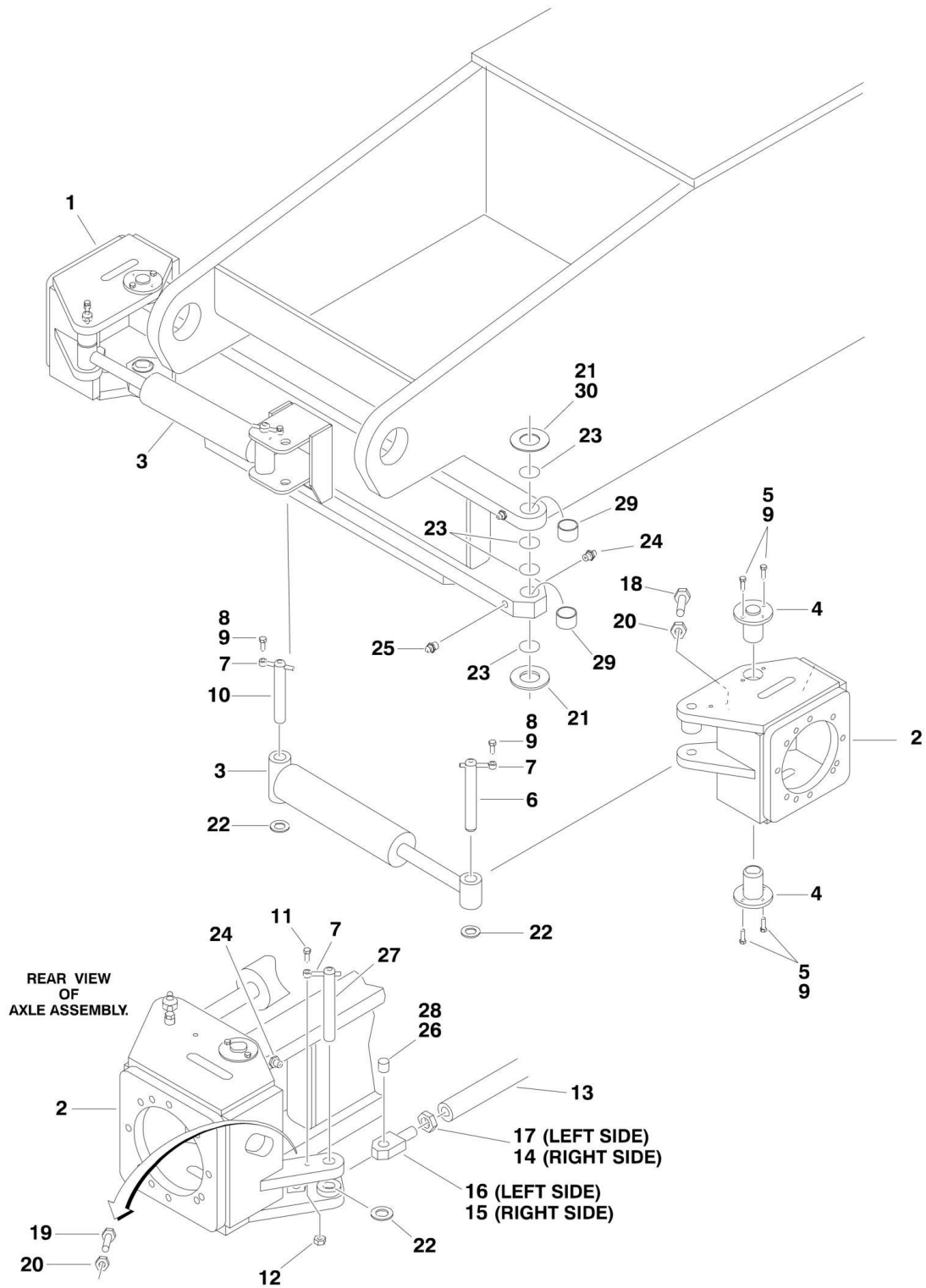
ITEM	PART NUMBER	QTY	DESCRIPTION	REV
	0257750	Ref	CSA Machines (SN 0300038047 through 0300061703)	3
	0271004	Ref	ANSI/CSA Machines (SN 0300061704 through 0300068000)	A
101		Ref	Axle Weldment Options:	
101	4844777	1	Axle Weldment (Prior to SN 0300061704)	
101	4846288	1	Axle Weldment (SN 0300061704 through 0300068000)	
102	3539877	2	Plate, Stop	
103	3539878	2	Plate, Stop	
104	4070944	AR	Shim (.06)	
105	4070945	AR	Shim (.25)	
106		Ref	Hardware Options:	
106	0641820	2	Hardware Bolt 1/2in-13NC x 2-1/2in (Prior to SN 0300038047)	
106	3931840	2	Hardware Screw 1/2in-13NC x 2-1/2in (SN 0300038047 through 0300068000)	
107		Ref	Pin, Pivot Options:	
107	3422325	NLA	Pin, Pivot ANSI Machines (Use p/n 3422591) (Prior to SN 0300041810)	
107	3422591	1	Pin, Pivot ANSI Machines (SN 0300041810 through 0300068000)	
107	3422591	1	Pin, Pivot CSA Machines	
108	3841258	1	Keeper, Pin	
109	0642012	1	Bolt 5/8in-11NC x 1-1/2in	
110	3538047	2	Plate, Wear (Prior to SN 0300061704)	
111	4070878	AR	Shim 1/16in	
112	4070879	AR	Shim 1/8in	
113	0641608	4	Bolt 3/8in-16NC x 1in	
114	4711600	4	Flatwasher 3/8in Thin	
115	4740158	1	Thrustwasher	
116	0100019	AR	Compound, Locking	
117	0961950	2	Bushing	
		Ref	STEERING INSTALLATIONS	
	0254942	Ref	Steering Installations (Prior to SN 0300038047)	5-D
	0257731	Ref	Steering Installations (SN 0300038047 through 0300061703)	3
	0270868	Ref	Steering Installations (SN 0300061704 through 0300068000)	A
201		Ref	Spindle - Right Side Options:	
201	4130308	1	Spindle - Right Side (Prior to SN 0300061704)	
201	4130381	1	Spindle - Right Side (SN 0300061704 through 0300068000)	
202		Ref	Spindle - Left Side Options:	
202	4130309	1	Spindle - Left Side (Prior to SN 0300061704)	
202	4130382	1	Spindle - Left Side (SN 0300061704 through 0300068000)	
203	1683208	2	Steer Cylinder Assembly (See CYLINDER SECTION for Breakdown)	
204		Ref	Kingpin Options:	
204	3422330	4	Kingpin (Prior to SN 0300047411)	
204	3422753	4	Kingpin (SN 0300047411 through 0300068000)	
205	0681610	8	Bolt 3/8in-16NC x 1-1/4in (Grade 8)	
206		Ref	Pin, Steer Cylinder Options:	
206	3422327	2	Pin, Steer Cylinder (Prior to SN 0300061704)	
206	3422902	2	Pin, Steer Cylinder (SN 0300061704 through 0300068000)	
207	3841143	6	Shaft, Keeper	
208	0641608	4	Bolt 3/8in-16NC x 1in	
209	0100011	AR	Compound, Locking	
210	3422326	2	Pin, Steer Cylinder	

SECTION 1 - FRAME

ITEM	PART NUMBER	QTY	DESCRIPTION	REV
211	0641612	2	Bolt 3/8in-16NC x 1-1/2in	
212	3311605	2	Locknut 3/8in-16NC (Prior to SN 0300061704)	
213		Ref	Tie-Rod Options:	
213	3841234	1	Tie-Rod (Prior to SN 0300061704)	
213	3841510	1	Tie-Rod (SN 0300061704 through 0300068000)	
214	3323002	1	Nut, Jam 1-1/4in-12NF (RH Threads) (Prior to SN 0300061704)	
215	0561138	1	End, Tie-Rod (Right Side/RH Threads) (Prior to SN 0300061704)	
216	0561139	1	End, Tie-Rod (Left Side/LH Threads) (Prior to SN 0300061704)	
217	3300229	1	Nut, Jam 1-1/4in-12NF (LH Threads) (Prior to SN 0300061704)	
218	0682014	2	Bolt 5/8in-11NC x 1-3/4in (Grade 8) (Prior to SN 0300061704)	
219	0682016	2	Bolt 5/8in-11NC x 2in (Grade 8) (Prior to SN 0300061704)	
220	3312002	4	Nut, Jam 5/8in-11NC (Prior to SN 0300061704)	
221		Ref	Thrustwasher Options:	
221	4740391	2	Thrustwasher (Prior to SN 0300038047)	
221	4740463	2	Thrustwasher (SN 0300038047 through 0300068000)	
222	4740111	6	Thrustwasher	
223	3780187	8	O-Ring (Prior to SN 0300038047)	
224	4640812	4	Valve Relief (Prior to SN 0300038047)	
225	2160002	4	Fitting, Grease (Prior to SN 0300038047)	
226	0961977	2	Bearing	
227		Ref	Pin Options:	
227	3422328	2	Pin (Prior to SN 0300061704)	
227	3422903	2	Pin (SN 0300061704 through 0300068000)	
228	0100063	AR	Loctite RC609 (Prior to SN 0300061704)	
229		Ref	Bushing Options:	
229	0961850	4	Bushing (Prior to SN 0300038047)	
229	0962131	4	Bushing (SN 0300038047 through 0300068000)	
230		Ref	Thrustwasher Options:	
230	4740449	2	Thrustwasher (Prior to SN 0300038047)	
230	4740256	2	Thrustwasher (SN 0300038047 through 0300068000)	

SECTION 1 - FRAME

FIGURE 1-3. 4WS REAR STEERING INSTALLATIONS



SECTION 1 - FRAME

FIGURE 1-3. 4WS REAR STEERING INSTALLATIONS

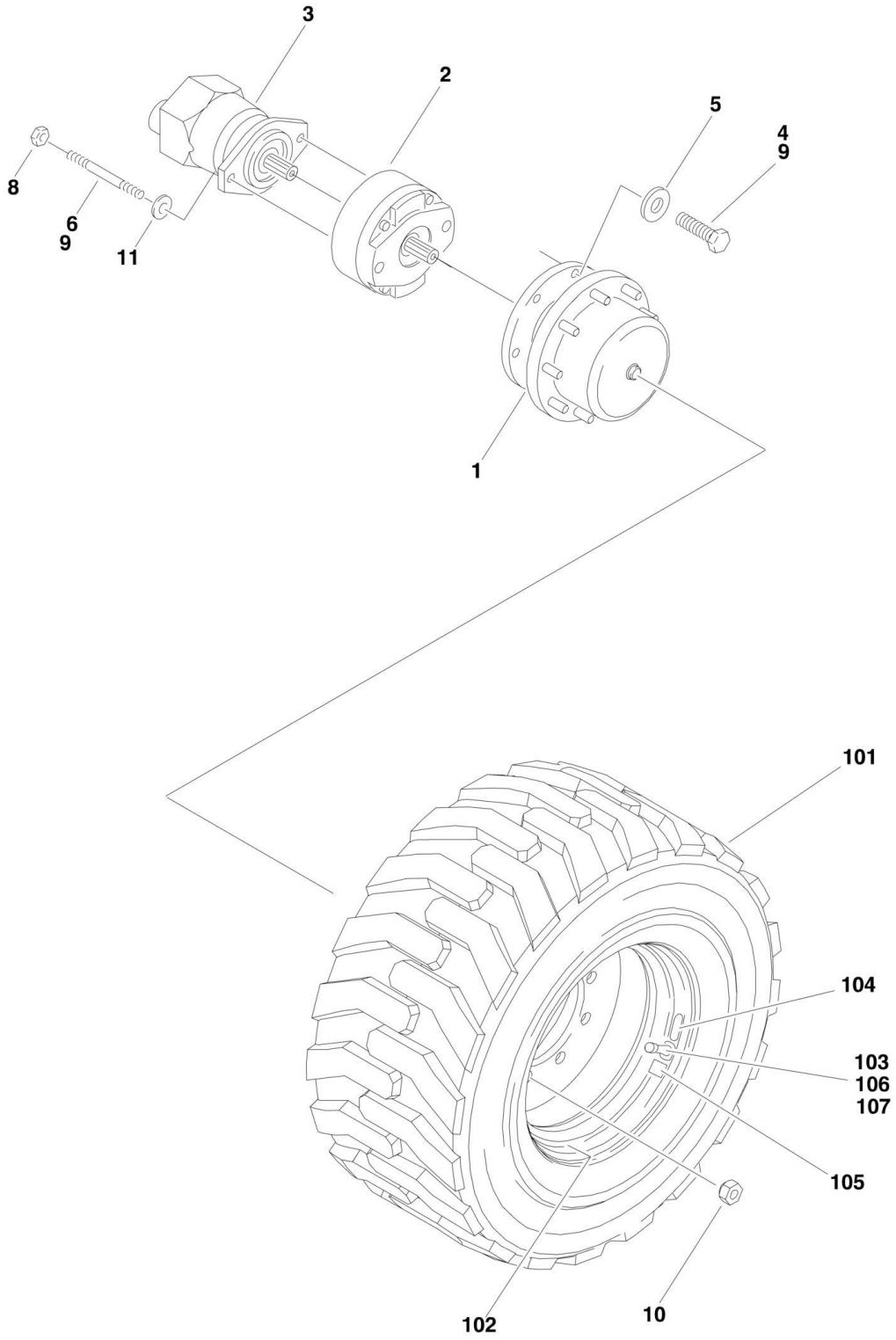
ITEM	PART NUMBER	QTY	DESCRIPTION	REV
		Ref	4WS REAR STEERING INSTALLATIONS OPTIONS:	
	0254945	Ref	4WS Installation - 2WD Machines (Prior to SN 0300038047)	1
	0257744	Ref	4WS Installation - 2WD Machines (SN 0300038047 through 0300068000)	2
	0254943	Ref	4WS Installation - 4WD Machines (Prior to SN 0300038047)	1
	0257743	Ref	4WS Installation - 4WD Machines (SN 0300038047 through 0300061703)	1
	0271005	Ref	4WS Installation - 4WD Machines (SN 0300061704 through 0300068000)	1
		Ref	STEERING INSTALLATIONS	
	0254942	Ref	Steering Installations (Prior to SN 0300038047)	5-D
	0257731	Ref	Steering Installations (SN 0300038047 through 0300061703)	3
	0270868	Ref	Steering Installations (SN 0300061704 through 0300068000)	A
1		Ref	Spindle - Right Side Options:	
1	4130308	1	Spindle - Right Side (Prior to SN 0300061704)	
1	4130381	1	Spindle - Right Side (SN 0300061704 through 0300068000)	
2		Ref	Spindle - Left Side Options:	
2	4130309	1	Spindle - Left Side (Prior to SN 0300061704)	
2	4130382	1	Spindle - Left Side (SN 0300061704 through 0300068000)	
3	1683208	2	Steer Cylinder Assembly (See CYLINDER SECTION for Breakdown)	
4		Ref	Kingpin Options:	
4	3422330	4	Kingpin (Prior to SN 0300047411)	
4	3422753	4	Kingpin (SN 0300047411 through 0300068000)	
5	0681610	8	Bolt 3/8in-16NC x 1-1/4in (Grade 8)	
6		Ref	Pin, Steer Cylinder Options:	
6	3422327	2	Pin, Steer Cylinder (Prior to SN 0300061704)	
6	3422902	2	Pin, Steer Cylinder (SN 0300061704 through 0300068000)	
7	3841143	6	Shaft, Keeper	
8	0641608	4	Bolt 3/8in-16NC x 1in	
9	0100011	AR	Compound, Locking	
10	3422326	2	Pin, Steer Cylinder	
11	0641612	2	Bolt 3/8in-16NC x 1-1/2in	
12	3311605	2	Locknut 3/8in-16NC (Prior to SN 0300061704)	
13		Ref	Tie-Rod Options:	
13	3841234	1	Tie-Rod (Prior to SN 0300061704)	
13	3841510	1	Tie-Rod (SN 0300061704 through 0300068000)	
14	3323002	1	Nut, Jam 1-1/4in-12NF (RH Threads) (Prior to SN 0300061704)	
15	0561138	1	End, Tie-Rod (Right Side/RH Threads) (Prior to SN 0300061704)	
16	0561139	1	End, Tie-Rod (Left Side/LH Threads) (Prior to SN 0300061704)	
17	3300229	1	Nut, Jam 1-1/4in-12NF (LH Threads) (Prior to SN 0300061704)	
18	0682014	2	Bolt 5/8in-11NC x 1-3/4in (Grade 8) (Prior to SN 0300061704)	
19	0682016	2	Bolt 5/8in-11NC x 2in (Grade 8) (Prior to SN 0300061704)	
20	3312002	4	Nut, Jam 5/8in-11NC (Prior to SN 0300061704)	
21		Ref	Thrustwasher Options:	
21	4740391	2	Thrustwasher (Prior to SN 0300038047)	
21	4740463	2	Thrustwasher (SN 0300038047 through 0300068000)	
22	4740111	6	Thrustwasher	
23	3780187	8	O-Ring (Prior to SN 0300038047)	
24	4640812	4	Valve Relief (Prior to SN 0300038047)	

SECTION 1 - FRAME

ITEM	PART NUMBER	QTY	DESCRIPTION	REV
25	2160002	4	Fitting, Grease (Prior to SN 0300038047)	
26	0961977	2	Bearing	
27		Ref	Pin Options:	
27	3422328	2	Pin (Prior to SN 0300061704)	
27	3422903	2	Pin (SN 0300061704 through 0300068000)	
28	0100063	AR	Loctite RC609 (Prior to SN 0300061704)	
29		Ref	Bushing Options:	
29	0961850	4	Bushing (Prior to SN 0300038047)	
29	0962131	4	Bushing (SN 0300038047 through 0300068000)	
30		Ref	Thrustwasher Options:	
30	4740449	2	Thrustwasher (Prior to SN 0300038047)	
30	4740256	2	Thrustwasher (SN 0300038047 through 0300068000)	

SECTION 1 - FRAME

FIGURE 1-4. TIRE AND WHEEL DRIVE INSTALLATIONS



SECTION 1 - FRAME

FIGURE 1-4. TIRE AND WHEEL DRIVE INSTALLATIONS

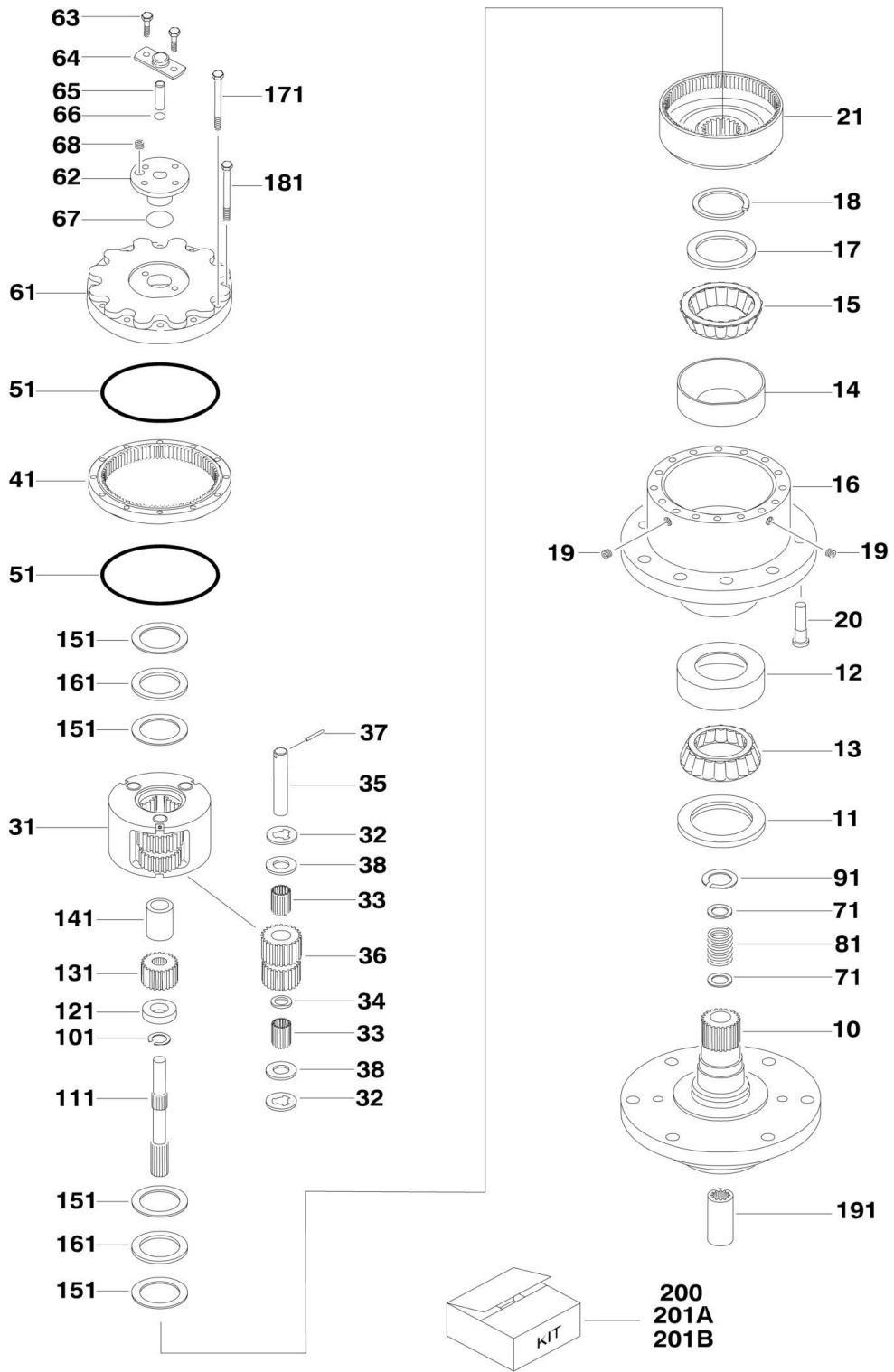
ITEM	PART NUMBER	QTY	DESCRIPTION	REV
		Ref	WHEEL DRIVE INSTALLATIONS OPTIONS:	
	0254975	Ref	Wheel Drive Installations 2WD, 2WS/4WS (Prior to SN 0300056536)	5
	0270121	Ref	Wheel Drive Installations 2WD, 2WS/4WS (SN 0300056536 through 0300068000)	3
	0254976	Ref	Wheel Drive Installations 4WD, 2WS/4WS (Prior to SN 0300056536)	7
	0270120	Ref	Wheel Drive Installations 4WD, 2WS/4WS (SN 0300056536 through 0300068000)	3
1		Ref	Drive Hub Assembly Options:	
1		Ref	2WD, 2WS/4WS Options:	
1	2780114	2	Drive Hub Assembly 2WD, 2WS/4WS (See DRIVE HUB ASSEMBLY for Breakdown) (Prior to SN 0300064395)	
1	2780261	2	Drive Hub Assembly 2WD, 2WS/4WS (See DRIVE HUB ASSEMBLY for Breakdown) (SN 0300064395 through 0300068000)	
1		Ref	4WD, 2WS/4WS Options:	
1	2780136	4	Drive Hub Assembly 4WD, 2WS/4WS (See DRIVE HUB ASSEMBLY for Breakdown) (Prior to SN 0300064395)	
1	2780261	4	Drive Hub Assembly 4WD, 2WS/4WS (See DRIVE HUB ASSEMBLY for Breakdown) (SN 0300064395 through 0300068000)	
2		Ref	Drive Brake Assembly Options: (See DRIVE BRAKE ASSEMBLY for Breakdown)	
2	0920084	NLA	Drive Brake Assembly (Use p/n 0920110) (Prior to SN 0300033476)	
2	0920110	AR	Drive Brake Assembly (SN 0300033476 through 0300056535)	
2	0920117	NLA	Drive Brake Assembly (Use p/n 0920119) (SN 0300056536 through 0300068000)	
2	7000731	2	Gasket (Located between Hub/Brake/Motor - Not Shown)	
3	3160204	AR	Drive Motor Assembly (See DRIVE MOTOR ASSEMBLY - REXROTH for Breakdown)	
		Ref	Note: Adjustment required when replacing complete motor - See Service Manual for adjustment.	
4	0682016	AR	Bolt 5/8in-11NC x 2in (Grade 8)	
5		Ref	Flatwasher 5/8in Options:	
5	4712000	AR	Flatwasher 5/8in (Thin) (Prior to SN 0300037066)	
5	4892000	AR	Flatwasher 5/8in (Hardened) (SN 0300037066 through 0300068000)	
6		Ref	Stud Options:	
6	4300092	AR	Stud 1/2in-13NC x 5-1/2in	
6	4300097	AR	Stud 1/2in-13NC x 5-1/8in	
8	3311801	AR	Nut 1/2in - 13 NC	
9	0100011	AR	Compound, Locking	
10	3300007	20	Nut, Wheel	
11	4891800	AR	Flatwasher 1/2in Hardened	
		Ref	TIRE AND WHEEL INSTALLATIONS OPTIONS:	
	0255299	Ref	Tire and Wheel Installations Pneumatic - Denman Tires (Prior to SN 0300033658)	1
	0257875	Ref	Tire and Wheel Installations Pneumatic - Galaxy Tires (SN 0300033658 through 0300064779)	1
	0271618	Ref	Tire and Wheel Installations Pneumatic - OTR Tires (SN 0300064780 through 0300068000)	1
	0272297	Ref	Tire and Wheel Installations Pneumatic with Sealant - OTR	1

SECTION 1 - FRAME

ITEM	PART NUMBER	QTY	DESCRIPTION	REV
	0255302	Ref	Tires (SN 0300068874 through 0300068000) Tire and Wheel Installations Foam-Filled - Denman Tires (Prior to SN 0300033703)	1
	0257874	Ref	Tire and Wheel Installations Foam-Filled - Galaxy Tires (SN 0300033703 through 0300064779)	1
	0271619	Ref	Tire and Wheel Installations Foam-Filled - OTR Tires (SN 0300064780 through 0300068000)	1
		Ref	Note: Recommend using Galaxy Tires in place of Denman.	
		Ref	Tire and Wheel Assembly Options: (See Items 101-107 for Breakdown)	
		Ref	Pneumatic (Prior to SN 0300033658)	
	0255298	2	Denman Tire (Left Side)	4-D
	0255297	2	Denman Tire (Right Side)	4-D
		Ref	Pneumatic (SN 0300033658 through 0300064779)	
	0257865	2	Galaxy Tire (Left Side)	1-A
	0257864	2	Galaxy Tire (Right Side)	1-A
		Ref	Pneumatic (SN 0300064780 through 0300068000)	
	0271614	2	OTR Tire (Left Side)	A
	0271615	2	OTR Tire (Right Side)	A
		Ref	Pneumatic (SN 0300066874 through 0300068000)	
	0272317	2	With Sealant - OTR Tire (Left Side)	A
	0272318	2	With Sealant - OTR Tire (Right Side)	A
		Ref	Foam-Filled (Prior to SN 0300033703)	
	0255301	2	Denman Tire (Left Side)	3-B
	0255300	2	Denman Tire (Right Side)	3-B
		Ref	Foam-Filled (SN 0300033703 through 0300064779)	
	0257867	2	Galaxy Tire (Left Side)	1-A
	0257866	2	Galaxy Tire (Right Side)	1-A
		Ref	Foam-Filled (SN 0300064780 through 0300068000)	
	0271616	2	OTR Tire (Left Side)	A
	0271617	2	OTR Tire (Right Side)	A
		Ref	Note: Assemblies may require ballast/foam filling to manufacturer's specifications prior to installing on a machine. Refer to Operation and Safety or Service and Maintenance Manuals. Purchase individual tire and/or rim only if able to foam fill tire and wheel assembly, otherwise, purchase complete assembly.	
101		Ref	Tire 15 x 19.5 (1 Per Assembly)	
101	4520142	NLA	Denman Tire (Use p/n 4520200 & 1703504)	
101	4520258	AR	Galaxy Tire (p/n was 4520200) (Prior to SN 0300064780)	
101	4520258	AR	OTR Tire (SN 0300064780 through 0300068000)	
102	4860148	AR	Rim, Wheel (1 Per Assembly)	
103	4640113	AR	Valve, Air (1 Per Assembly)	
104		Ref	Decal Options:	
104	1701643	AR	Decal 70psi (Denman Tires)	
104	1702701	AR	Decal 95psi (Galaxy/OTR Tires)	
105	1705364	AR	Decal - Tire Sealant (With Sealant Only)	
106	1300019	AR	Chemical, Tire Sealant (Green) (With Sealant Only)	
107	1120552	AR	Cap, Valve Stem (Green) (With Sealant Only)	
	0256196	Ref	WHEEL COVER INSTALLATION (OPTIONAL) (NOT SHOWN)	2/-
201	1670776	4	Cover, Wheel	
202	0641550	20	Bolt 5/16in - 18NC x 6-1/4in	
203	0100011	AR	Compound, Locking	

SECTION 1 - FRAME

FIGURE 1-5. DRIVE HUB ASSEMBLY (Prior to SN 0300064395)



SECTION 1 - FRAME

FIGURE 1-5. DRIVE HUB ASSEMBLY (Prior to SN 0300064395)

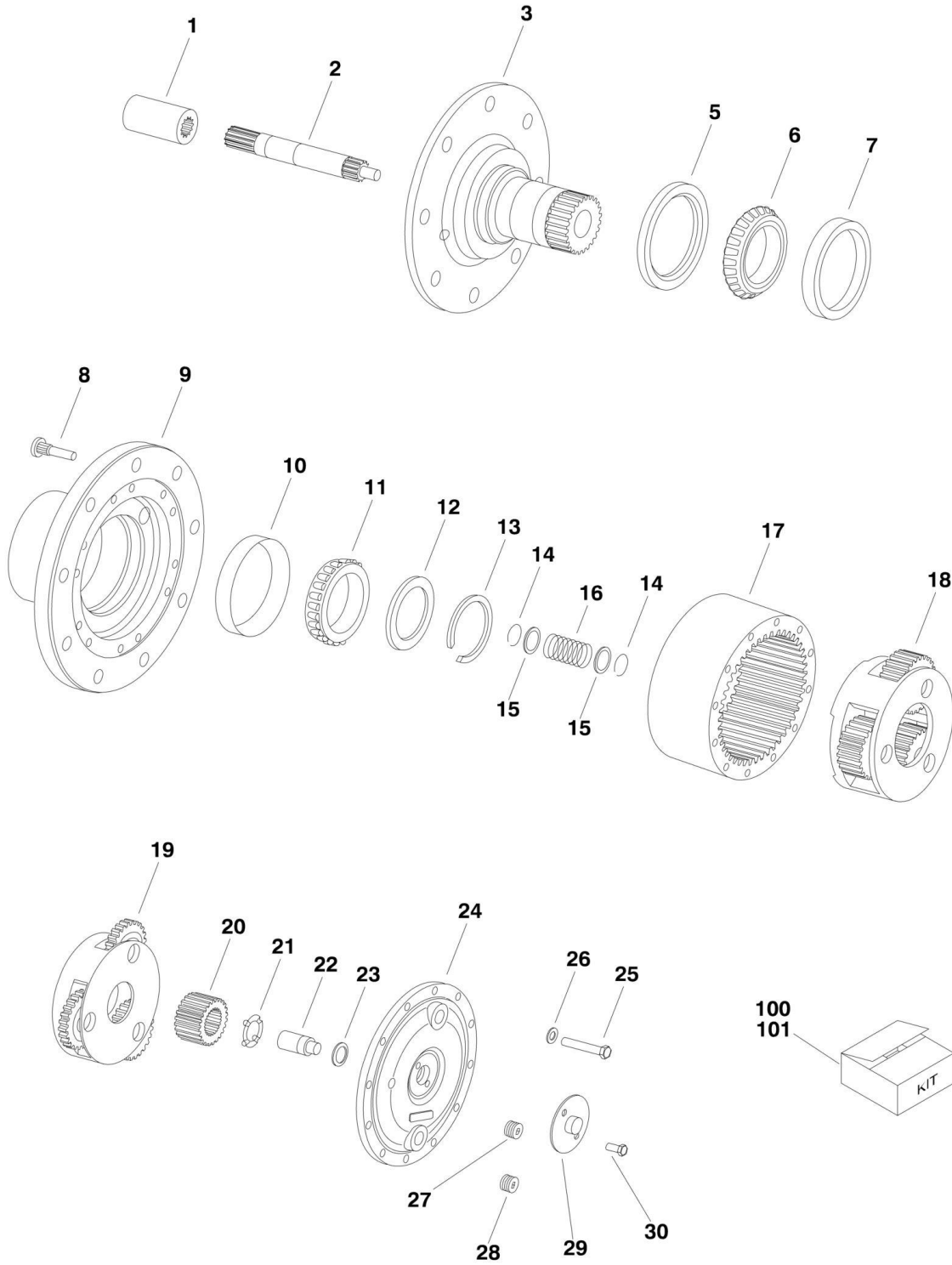
ITEM	PART NUMBER	QTY	DESCRIPTION	REV
	2780114	Ref	DRIVE HUB ASSEMBLY (2WD) (43:1 RATIO)	A
	2780136	Ref	DRIVE HUB ASSEMBLY (4WD) (53.58:1 RATIO)	A
10		Ref	Hub Spindle Assemblies	
10		Ref	Spindle Options:	
10	7001937	1	Spindle 2780114 Hub	
10	7007644	1	Spindle 2780136 Hub	
11	See Note	NSS	Seal (Note: Use Item 200 or 201A)	
12	7000272	1	Cup, Bearing	
13	7000273	1	Cone, Bearing	
14	7000274	1	Cup, Bearing	
15	7000275	1	Cone, Bearing	
16	7000276	1	Hub	
17	See Note	NSS	Spacer (Note: Use Item 200 or 201A)	
18	See Note	NSS	Ring, Retaining (Note: Use Item 200 or 201A)	
19	7001928	2	Plug, Pipe	
20	7000265	10	Stud, Wheel	
21	7001917	1	Internal Gear	
		Ref	Carrier Assembly Options:	
	7001918	Ref	Carrier Assembly 2780114 Hub	
	7007694	Ref	Carrier Assembly 2780136 Hub	
31	7001900	1	Carrier	
32	See Note	NSS	Thrustwasher (Note: Use Item 201B)	
33	7001902	84	Roller, Needle	
34	See Note	NSS	Spacer (Note: Use Item 201B)	
35	7001904	3	Shaft, Pinion	
36	See Note	NSS	Gear, Cluster (Note: Use Item 201B)	
37	7001906	3	Rollpin	
38	See Note	NSS	Thrustwasher (Note: Use Item 201B)	
41	7000279	1	Ring, Gear	
51	See Note	NSS	O-Ring (Note: Use Item 200 or 201A)	
	7000218	Ref	Cover Assembly	
61	7000280	1	Cover	
62	See Note	NSS	Cap, Cover (Note: Use Item 201A)	
63	7000220	4	Bolt 1/4in-20NC x 3/4in	
64	See Note	NSS	Cap, Disconnect (Note: Use Item 201A)	
65	See Note	NSS	Rod, Disconnect (Note: Use Item 201A)	
66	See Note	NSS	O-Ring (Note: Use Item 201A)	
67	See Note	NSS	O-Ring (Note: Use Item 201A)	
68	7000243	1	Plug	
71	7000282	2	Washer	
81	7000283	1	Spring	
91	7000284	1	Ring, Retaining	
101	7000285	1	Ring, Retaining	
111		Ref	Shaft, Input Options:	
111	7000222	1	Shaft, Input 2780114 Hub	
111	7007649	1	Shaft, Input 2780136 Hub	
121		Ref	Thrust Spacer Options:	
121	7000286	1	Thrust Spacer 2780114 Hub	
121	7000293	1	Thrust Spacer 2780136 Hub	
131		Ref	Gear, Input Options:	

SECTION 1 - FRAME

ITEM	PART NUMBER	QTY	DESCRIPTION	REV
131	7000221	1	Gear, Input 2780114 Hub	
131	7001940	1	Gear, Input 2780136 Hub	
141		Ref	Thrust Spacer Options:	
141	Not Required	0	Thrust Spacer 2780114 Hub	
141	7000295	1	Thrust Spacer 2780136 Hub	
151	7000287	4	Thrustwasher	
161	7000288	2	Bearing, Thrust	
171	7000289	8	Bolt 3/8in-16NC x 2-1/2in (Grade 8)	
181	7000225	4	Bolt, Shoulder	
191	7000290	1	Coupling	
200	2900202	1	Seal Kit (Includes Items 11, 17, 18 & 51)	
201		Ref	Repair Kits Options:	
201A	2900138	1	Disconnect and Seal Kit (Includes Items 11, 17, 18, 51, 62 & 64-67)	
201B	7001927	1	Cluster Gear Kit (Includes Items 32, 34, 36, 37 & 38)	

SECTION 1 - FRAME

FIGURE 1-6. DRIVE HUB ASSEMBLY (SN 0300064395 through 0300068000)



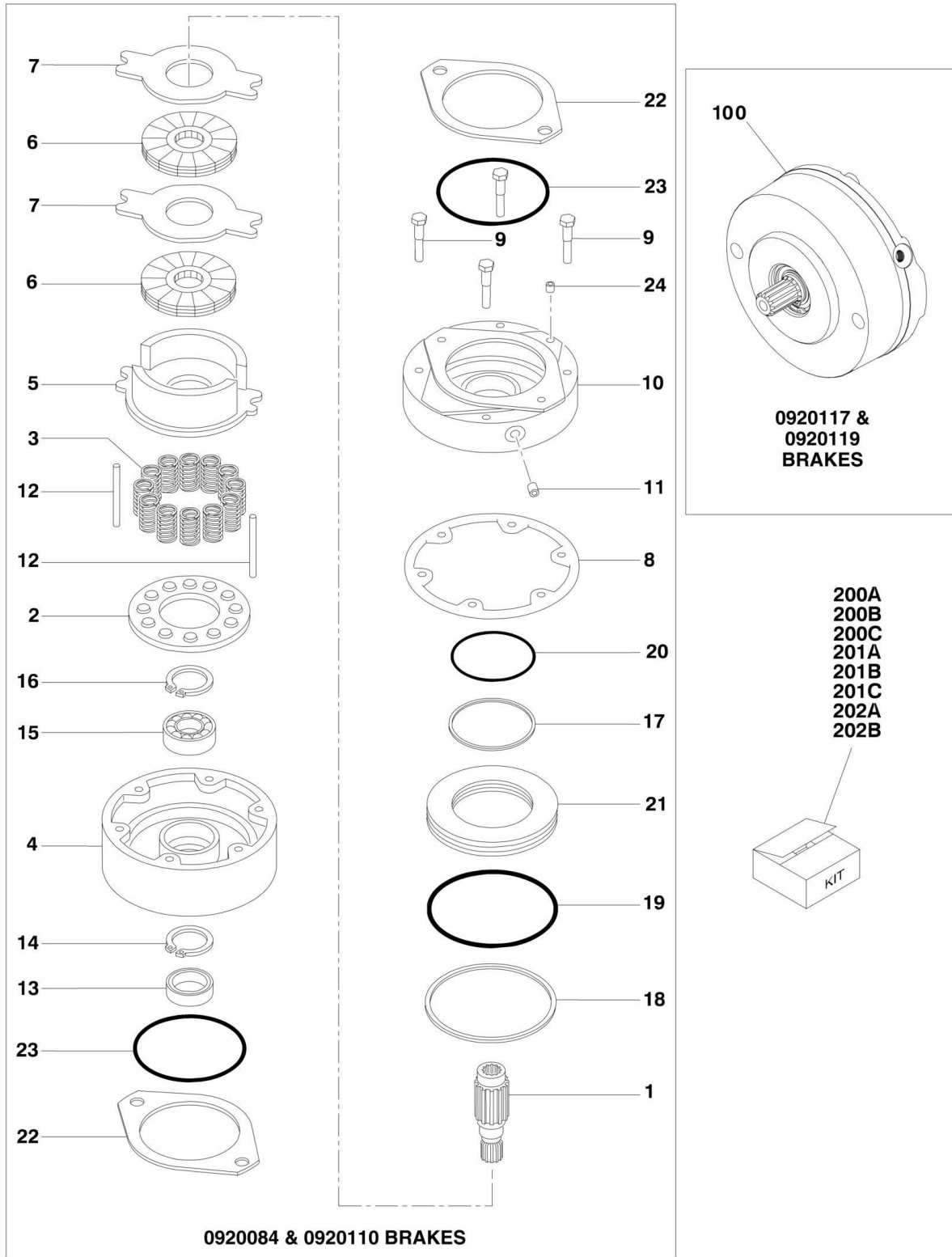
SECTION 1 - FRAME

FIGURE 1-6. DRIVE HUB ASSEMBLY (SN 0300064395 through 0300068000)

ITEM	PART NUMBER	QTY	DESCRIPTION	REV
	2780261	Ref	DRIVE HUB ASSEMBLY	A
1	7014700	1	Coupling - 13 Teeth	
2	7014701	1	Shaft, Input - 13 Teeth	
3	7014731	1	Spindle	
5	7014703	1	Seal, Oil	
6	7014704	1	Cone, Bearing	
7	7014705	1	Cup, Bearing	
8	7014737	10	Bolt, Wheel	
9	7014734	1	Hub	
10	7014707	1	Cup, Bearing	
11	7014708	1	Cone, Bearing	
12	7001711	1	Thrustwasher	
13	7014709	1	Ring, Retaining Kit (Kit Includes Qty 6 Retaining Rings)	
14	7014711	2	Ring, Retaining	
15	7014712	2	Thrustwasher	
16	7014710	1	Spring	
17	7014732	1	Gear, Ring	
18	7014736	1	Secondary Carrier Assembly	
19	7014735	1	Primary Carrier Assembly	
20	7014733	1	Gear, Sun - 15 Teeth	
21	7014722	1	Thrustwasher	
22	7014717	1	Plunger, Disengage	
23	7014718	1	O -Ring	
24	7014719	1	Cover, Hub	
25	7014721	12	Bolt	
26	7014720	12	Flatwasher	
27	7014725	1	Plug, Magnetic	
28	7014726	1	Plug, Pipe	
29	7014723	1	Cover, Disengage	
30	7014724	2	Bolt	
100	7014730	1	Seal Kit (Includes Items 5 & 13)	
101	7014729	1	Bearing and Seal Kit (Includes Items 5, 6, 7, 10, 11 & 13)	

SECTION 1 - FRAME

FIGURE 1-7. DRIVE BRAKE ASSEMBLY



SECTION 1 - FRAME

FIGURE 1-7. DRIVE BRAKE ASSEMBLY

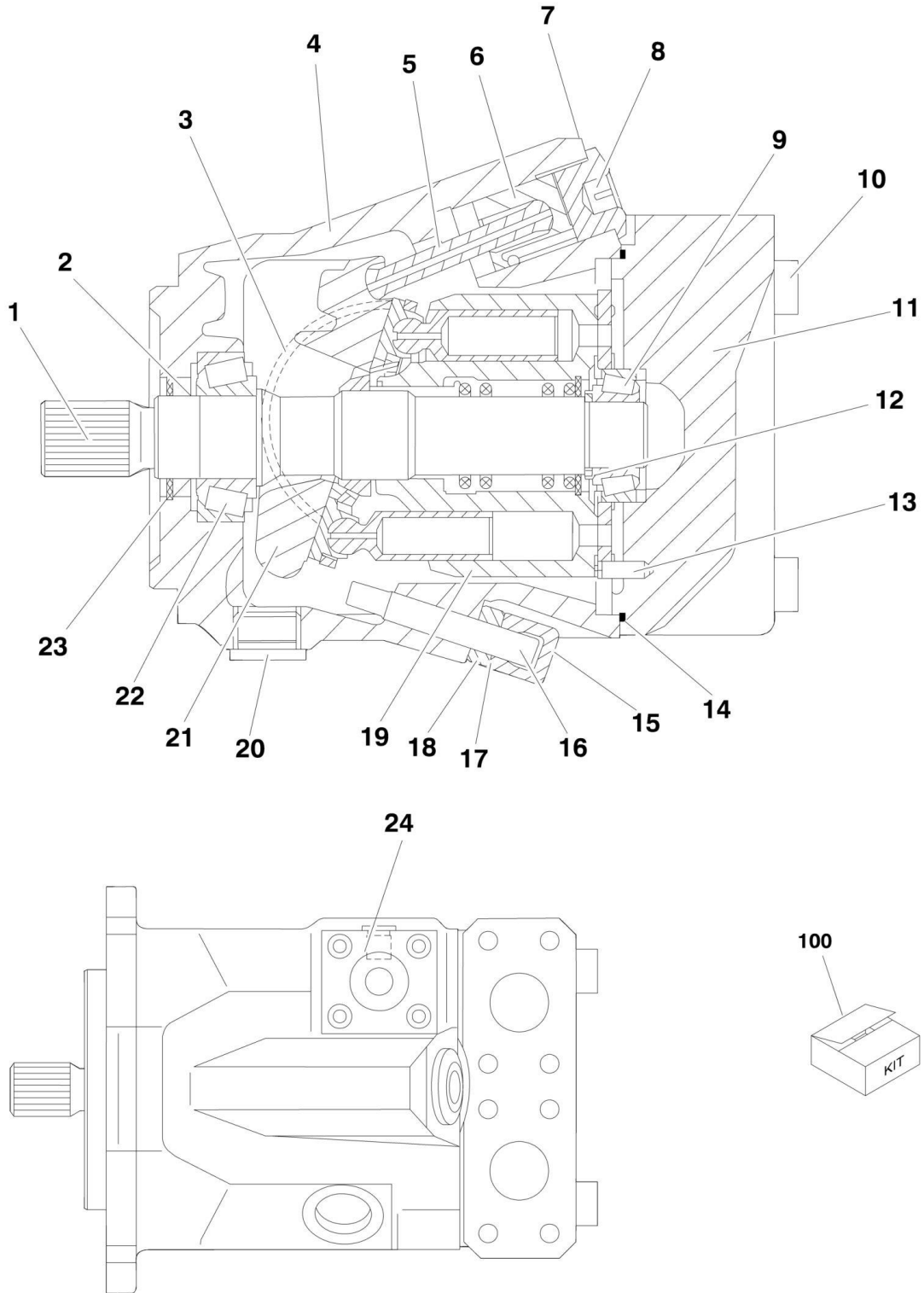
ITEM	PART NUMBER	QTY	DESCRIPTION	REV
		Ref	DRIVE BRAKE ASSEMBLY OPTIONS:	
	0920084	Ref	Drive Brake Assembly (Original Equipment) (Prior to SN 0300033476)	A
	0920110	Ref	Drive Brake Assembly (Service Replacement) (Prior to SN 0300033476)	B
	0920110	Ref	Drive Brake Assembly (Original Equipment) (SN 0300033476 through 0300056535)	B
1	7011712	1	Shaft	
2		Ref	Guide, Spring Options:	
2	7011717	1	Guide, Spring 0920084 Brake (Prior to SN 0300033476)	
2	7018606	1	Guide, Spring 0920110 Brake (SN 0300033476 through 0300056535)	
3		Ref	Spring Options:	
3	7007979	6	Spring 0920084 Brake (Inner) (Prior to SN 0300033476)	
3	7007980	6	Spring 0920084 Brake (Outer) (Prior to SN 0300033476)	
3	7007970	6	Spring 0920110 Brake (Red) (SN 0300033476 through 0300056535)	
3	7018602	3	Spring 0920110 Brake (Blue) (SN 0300033476 through 0300056535)	
4		Ref	Housing Options:	
4	7011713	1	Housing 0920084 Brake (Prior to SN 0300033476)	
4	7018605	1	Housing 0920110 Brake (SN 0300033476 through 0300056535)	
5		Ref	Return Plate and Separator Assembly Options:	
5	See Note	NSS	Return, Plate - 0920084 Brake (Note: Use Item 201A or 201B) (Prior to SN 0300033476)	
5	7011715	2	Separator Assembly - 0920084 Brake (Prior to SN 0300033476)	
5	7011714	4	Pin	
5	7007983	2	Separator	
5	See Note	NSS	Return Plate and Separator - 0920110 Brake (Note: Use Item 201A or 201B) (SN 0300033476 through 0300056535)	
6	See Note	NSS	Rotor (Note: Use Item 201A or 201B)	
7	See Note	NSS	Stator (Note: Use Item 201A or 201B)	
8	See Note	NSS	Seal, Case (Note: Use Item 200A, 200B, 201A or 201B)	
9		Ref	Bolt, Washer Head Options:	
9	7007985	4	Bolt, Washer Head 0920084 Brake (Prior to SN 0300033476)	
9	7018607	4	Bolt, Washer Head 0920110 Brake (SN 0300033476 through 0300056535)	
10	7007986	1	Cover	
11		Ref	Hardware Options:	
11	7000796	1	Screw, Bleeder (Prior to SN 0300033906)	
11	7018609	1	Plug, Pipe (SN 0300033906 through 0300056536)	
12	7007987	2	Pin, Dowel	
13	See Note	NSS	Seal, Oil (Note: Use Item 200A or 200B)	
14	7011716	1	Ring, Retaining	
15	See Note	NSS	Bearing (Note: Use Item 200B)	
16	7007977	1	Ring, Retaining	
17	See Note	NSS	Ring, Back-up (Note: Use Item 200A)	
18	See Note	NSS	Ring, Back-up (Note: Use Item 200A)	
19	See Note	NSS	O-Ring (Note: Use Item 200A)	
20	See Note	NSS	O-Ring (Note: Use Item 200A)	

SECTION 1 - FRAME

ITEM	PART NUMBER	QTY	DESCRIPTION	REV
21		Ref	Piston Options:	
21	7007923	1	Piston 0920084 Brake (Prior to SN 0300033476)	
21	7018603	1	Piston 0920110 Brake (SN 0300033476 through 0300056535)	
22	7007933	2	Gasket	
23	See Note	NSS	O-Ring (Note: Use Item 200A, 200B, 201A or 201B)	
24	7007924	1	Plug, Pipe	
100		Ref	DRIVE BRAKE ASSEMBLY (SN 0300056536 through 0300068000)	
100	0920117	Ref	Drive Brake Assembly (Original Equipment)	B
100	0920119	Ref	Drive Brake Assembly (Service Replacement)	
100	7000731	2	Gasket (Located Between Hub, Motor and Brake - Not Shown)	
		Ref	Note: Other than Gasket, Item 202B Repair Kit is the only item available.	
		Ref	KIT OPTIONS	
200		Ref	Seal Kit Options:	
200A	2900766	1	Seal Kit - 0920084 & 0920110 Brake (Includes Items 8, 13, 17, 18, 19, 20, 22 & 23) (Prior to SN 0300056536)	
200B	2900768	1	Seal Kit - 0920084 & 0920110 Brake (Includes Items 8, 13, 15, 22 & 23) (Prior to SN 0300056536)	
200C	7018612	1	Seal Kit - 0920117 & 0920119 Brake (SN 0300056536 through 0300068000)	
201		Ref	Lining Kit Options:	
201A	2900767	1	Lining Kit - 0920084 Brake (Includes Items 5, 6, 7, 8, 22 & 23) (Prior to SN 0300033476)	
201B	7018608	1	Lining Kit - 0920110 Brake (Includes Items 5, 6, 7, 8, 22 & 23) (SN 0300033476 through 0300056535)	
201C	7018612	1	Lining Kit - 0920117 & 0920119 Brake (SN 0300056536 through 0300068000)	
202		Ref	Repair Kits	
202A	See Note	NSS	Repair Kit - 0920084 & 0920110 Brake (Note: Not Available for Purchase) (Prior to SN 0300056536)	
202B	7018612	1	Repair Kit - 0920117 & 0920119 Brake (SN 0300056536 through 0300068000)	

SECTION 1 - FRAME

FIGURE 1-8. DRIVE MOTOR ASSEMBLY - REXROTH



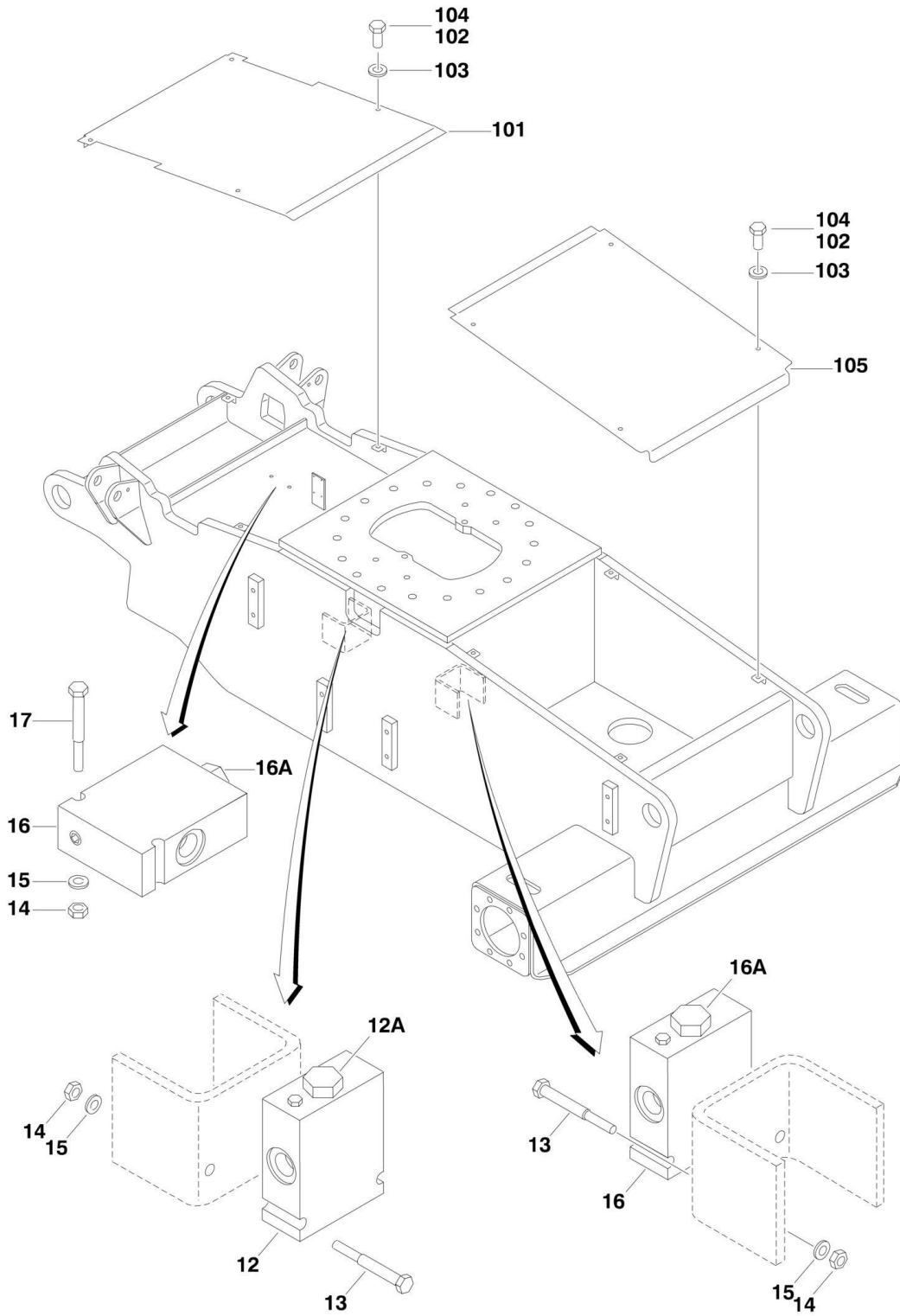
SECTION 1 - FRAME

FIGURE 1-8. DRIVE MOTOR ASSEMBLY - REXROTH

ITEM	PART NUMBER	QTY	DESCRIPTION	REV
	3160204	Ref	DRIVE MOTOR ASSEMBLY	A
1	7012701	1	Shaft - 13 Teeth	
2	See Note	NSS	Seal, Shaft (Note: Use Item 100)	
3	7012702	2	Bearing, Cradle	
4	See Note	NSS	Housing (Note: Not Available - Purchase Complete Drive Motor Assembly)	
5	7012703	1	Rod, Piston	
6	7012704	1	Piston, Stroking	
7	See Note	NSS	O-Ring (Note: Use Item 100)	
8	7012705	1	Nut, Adapter	
9	7012706	1	Bearing, Roller	
10	7012707	4	Bolt, Metric Socket Head M12 x 65	
11	7012708	1	Block, Port	
12	7012709	1	Shim	
13	7012710	1	Pin, Dowel M6 x 18	
14	See Note	NSS	O-Ring (Note: Use Item 100)	
15	7012711	1	Nut, Cap M10 x 1	
16	7012712	1	Screw, Adjusting	
17	See Note	NSS	O-Ring (Note: Use Item 100)	
18	7012713	1	Nut, Jam M10 x 1	
19	7012716	1	Rotary Group Assembly	
20	See Note	NSS	Plug (Note: Not Available - Purchase Locally)	
21	7024036	1	Plate, Swash	
22	7012714	1	Bearing, Roller	
23	7012715	1	V-Ring	
24	7012700	1	Control Plate Assembly	
100	2900788	1	Seal Kit (Includes Items 2, 7, 14, 17 and O-Rings under Item 24)	

SECTION 1 - FRAME

FIGURE 1-9. DRIVE VALVES AND SHIELDS INSTALLATION (FRAME MOUNTED)



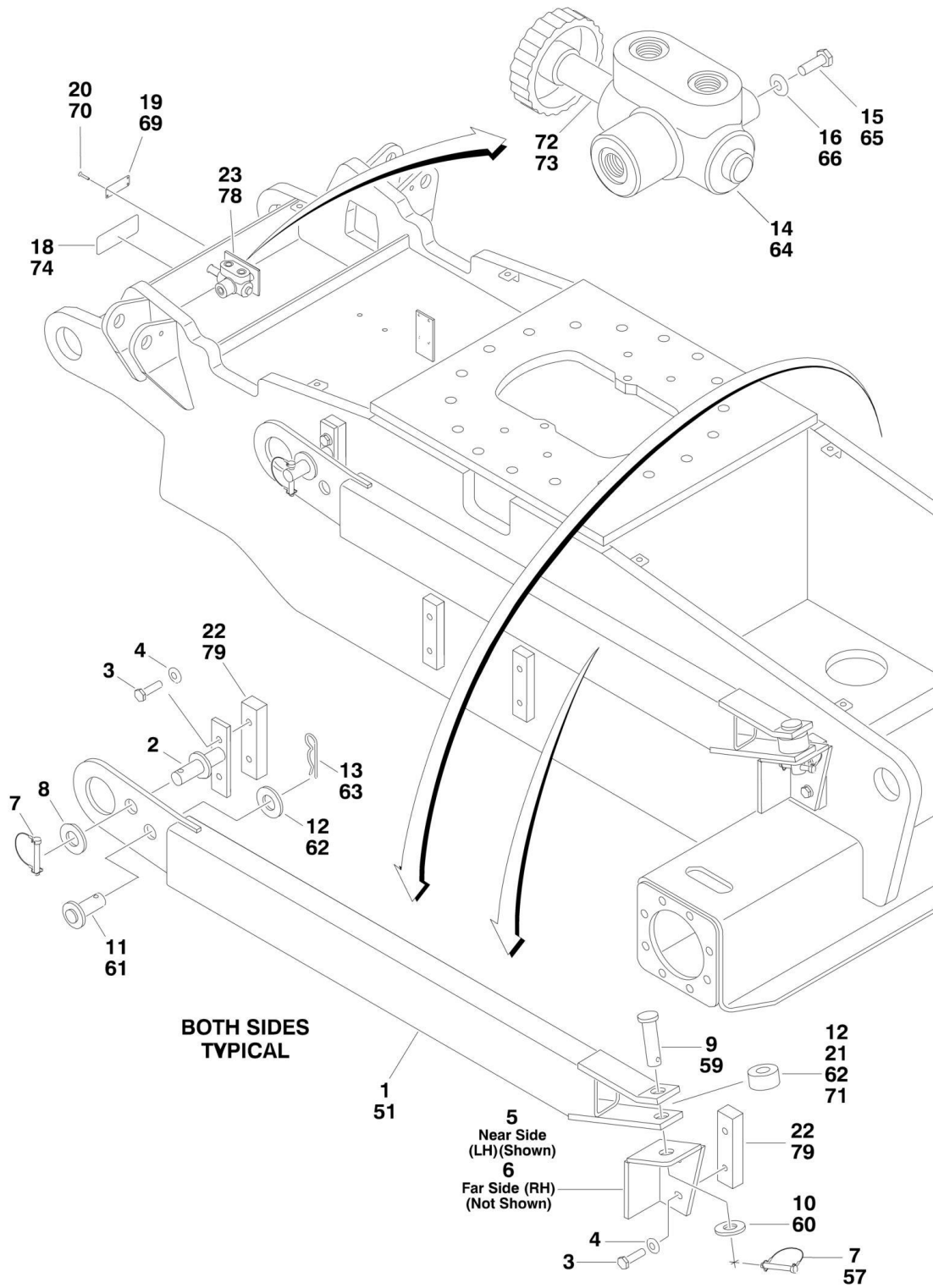
SECTION 1 - FRAME

FIGURE 1-9. DRIVE VALVES AND SHIELDS INSTALLATION (FRAME MOUNTED)

ITEM	PART NUMBER	QTY	DESCRIPTION	REV
		Ref	DRIVE VALVES INSTALLATION OPTIONS:	
	0254975	Ref	Drive Valves Installation 2WD (Prior to SN 0300056536)	5
	0270121	Ref	Drive Valves Installation 2WD (SN 0300056536 through 0300068000)	3
	0254976	Ref	Drive Valves Installation 4WD (Prior to SN 0300056536)	7
	0270120	Ref	Drive Valves Installation 4WD (SN 0300056536 through 0300068000)	3
12	4640923	1	Valve, Flow Divider	
12A	7017442	1	Cartridge, Flow Divider	
12A	7012980	1	Seal Kit - 7017442 Cartridge	
12A	7012993	1	Plug, Orifice	
13	0641522	AR	Bolt 5/16in-18NC x 2-5/8in	
14	3311505	AR	Locknut 5/16in-18NC	
15	4751500	AR	Flatwasher 5/16in Regular	
16		Ref	Flow Divider Valve Assembly Options:	
16	Not Required	0	Flow Divider Valve Assembly 2WD	
16	4640937	2	Flow Divider Valve Assembly 4WD	
16A	7021657	2	Cartridge (1 Per Valve)	
16A	7012980	2	Seal Kit - 7021657 Cartridge (1 Per Valve)	
16A	7012994	1	Plug, Orifice	
17	0641520	AR	Bolt 5/16in-18NC x 2-1/2in	
18	4060808	3.5 ft /1.06m	Shield, Flex Trim (Not Shown) (SN 0300067816 through 0300068000)	
		Ref	FRAME SHIELDS INSTALLATION OPTIONS:	
	0254856	Ref	Frame Shields Installation 2WS	-
	0254857	Ref	Frame Shields Installation 4WS	-
101	4060870	1	Shield, Frame - Front	
102	0641608	AR	Bolt, 3/8in -16NC x 1in	
103	4751600	AR	Flatwasher, 3/8in Regular	
104	0100011	AR	Compound, Locking	
105		Ref	Shield, Frame - Rear	
105	Not Required	0	Shield, Frame - Rear 2WS	
105	4060874	1	Shield, Frame - Rear 4WS	

SECTION 1 - FRAME

FIGURE 1-10. TOW PACKAGE INSTALLATION (OPTIONAL)



SECTION 1 - FRAME

FIGURE 1-10. TOW PACKAGE INSTALLATION (OPTIONAL)

ITEM	PART NUMBER	QTY	DESCRIPTION	REV
		Ref	TOW PACKAGE INSTALLATION - 2WS OPTIONS:	
	0255363	Ref	Tow Package Installation - 2WS Standard Machines	6
	0259424	Ref	Tow Package Installation - 2WS CSA Machines	1
1	4845281	2	Tow Bar Weldment	
2	4845283	2	Bracket, Tow Bar Storage (Front)	
3	0641608	8	Bolt 3/8in-16NC x 1in	
4	4711600	8	Flatwasher 3/8in Thin	
5	4845282	1	Bracket, Tow Bar Storage (Rear Left Side)	
6	4845286	1	Bracket, Tow Bar Storage (Rear Right Side)	
7	3421453	4	Snap-Pin	
8	4712600	1	Flatwasher 1in Thin	
9	3422552	2	Pin, Tow Bar	
10	4713400	2	Flatwasher 1-1/2in Thin	
11	3422553	1	Pin, Tow Bar	
12	4713000	2	Flatwasher 1-1/4in Thin	
13	3420592	2	Hairpin	
14	4640261	1	Valve, Tow	
15	0641505	2	Bolt 5/16in-18NC x 5/8in	
16	4711500	2	Flatwasher 5/16in Thin	
18		Ref	Decal Options:	
18	1702968	1	Decal Standard Machines	
18	1704273	1	Decal CSA Machines	
19		Ref	Nameplate Options:	
19	3250872	1	Nameplate Standard Machines	
19	1704272	1	Nameplate CSA Machines	
20		Ref	Rivet Options:	
20	3820001	4	Rivet Standard Machines	
20	Not Required	4	Rivet CSA Machines	
21	4566971	2	Spacer, Tube	
22	0362519	4	Bar, Tow Clamp (SN 0300039820 through 0300068000)	
23	3539662	1	Plate, Valve Mount (SN 0300039820 through 0300068000)	
		Ref	TOW PACKAGE INSTALLATION - 4WS (OPTIONAL)	
	0258886	Ref	Tow Package Installation - 4WS Standard Machines	3-B
	0259425	Ref	Tow Package Installation - 4WS CSA Machines	1-A
51	4845281	2	Tow Bar Weldment	
52 to 56	Not Required	0	Not Required	
57	3421453	2	Snap-Pin	
58	Not Required	0	Not Required	
59	3422552	2	Pin, Tow Bar	
60	4713400	2	Flatwasher 1-1/4in Thin	
61	3422553	1	Pin, Tow Bar	
62	4713000	2	Flatwasher 1-1/4in Thin	
63	3420592	1	Hairpin	
64	4640261	1	Valve, Tow	
65	0641505	2	Bolt 5/16in-18NC x 5/8in	
66	4711500	2	Flatwasher 5/16in Thin	
68	Not Required	0	Not Required	
69		Ref	Nameplate Options:	
69	3250872	1	Nameplate Standard Machines	
69	1704272	1	Nameplate CSA Machines	

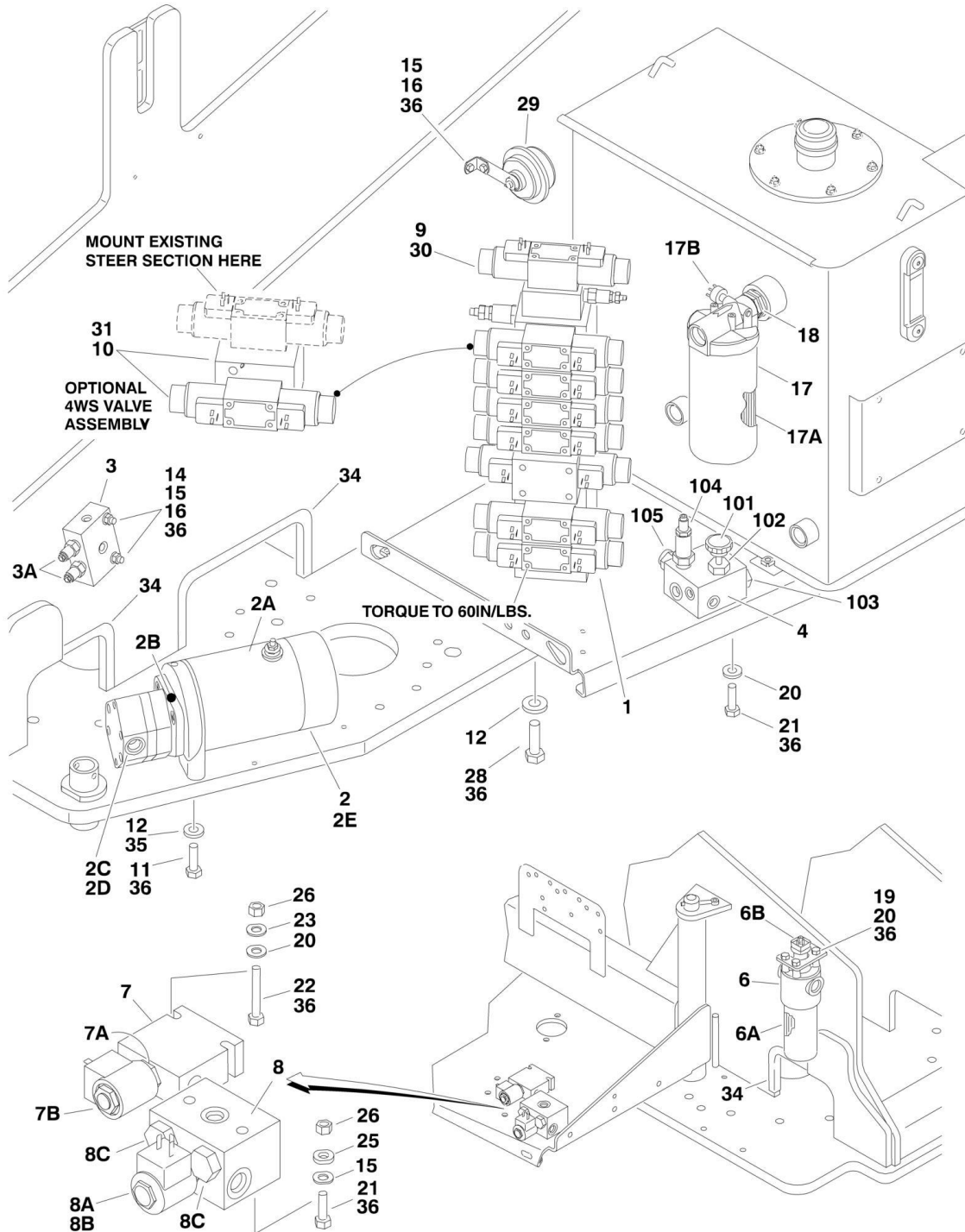
SECTION 1 - FRAME

ITEM	PART NUMBER	QTY	DESCRIPTION	REV
70		Ref	Rivet Options:	
70	3820001	4	Rivet Standard Machines	
70	Not Required	1	Rivet CSA Machines	
71		Ref	Spacer, Tube Options:	
71	4567172	2	Spacer, Tube (Prior to SN 0300042668)	
71	4566971	2	Spacer, Tube (SN 0300042668 through 0300068000)	
72		Ref	Rod, Extension Options:	
72	3841329	1	Rod, Extension Standard Machines	
72	3841322	1	Rod, Extension CSA Machines	
73	4761600	1	Lockwasher 5/16in	
74		Ref	Decal Options:	
74	1703403	1	Decal Standard Machines	
74	1704276	1	Decal CSA Machines	
75	1703404	2	Decal, Match Arrow (Not Shown)	
76	1703444	1	Decal (Not Shown)	
77		Ref	Decal (Not Shown) Options:	
77	1703450	1	Decal Standard Machines	
77	1704274	1	Decal CSA Machines	
78	3539662	1	Plate, Valve Mount	
79	0362519	4	Bar (Standard Machines) (SN 0300046459 through 0300068000)	

SECTION 2 - TURNTABLE

SECTION 2 - TURNTABLE

FIGURE 2-1. CONTROL VALVES INSTALLATIONS



SECTION 2 - TURNTABLE

FIGURE 2-1. CONTROL VALVES INSTALLATIONS

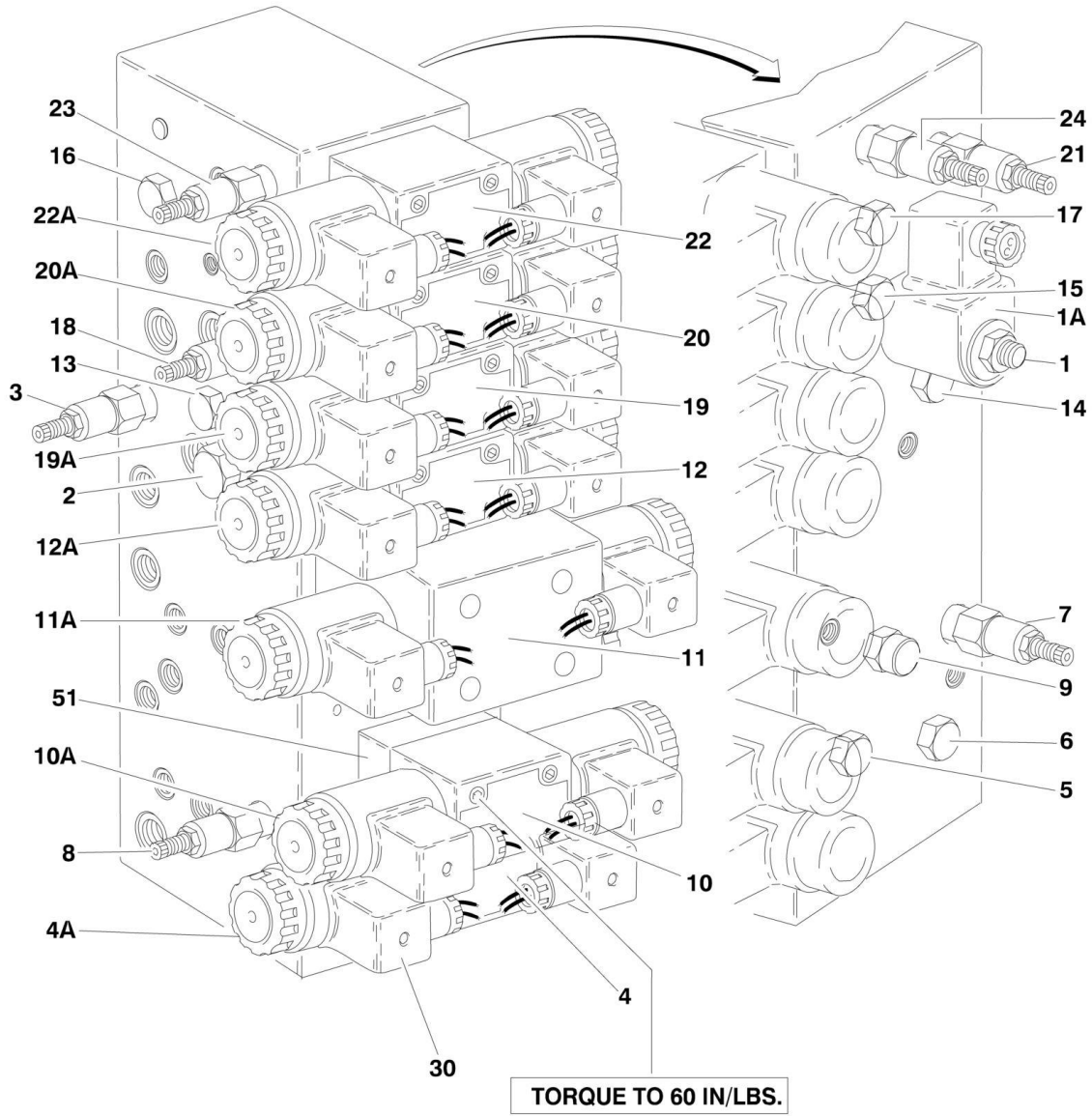
ITEM	PART NUMBER	QTY	DESCRIPTION	REV
		Ref	VALVES INSTALLATIONS	
	0255315	Ref	Valves Installations 600S (2WS)	10
	0255446	Ref	Valves Installations 600S (4WS)	9
	0255445	Ref	Valves Installations 600SJ (2WS) & 660SJ (2WS)	11
	0255447	Ref	Valves Installations 600SJ (4WS) & 660SJ (4WS)	9
1		Ref	Main Control Valve Assembly Options (See MAIN CONTROL VALVE ASSEMBLY for Breakdown):	
1	4640919	NLA	Main Control Valve Assembly (Use p/n 4641096) (Prior to SN 0300041265)	
1	4641096	1	Main Control Valve Assembly (SN 0300041265 through 0300068000)	
2	3600243	1	Auxiliary Pump Assembly	
2A	7013755	1	Replacement Motor	
2A	7013799	1	Brush Kit - 7013755	
2B	7013711	1	Coupling	
2C	7013796	1	Replacement Pump	
2C	See Note	1	Seal Kit (Note: Not Available - Purchase Individual Pieces)	
2C	7016700	1	Seal, Oil	
2C	7016701	1	O-Ring	
2C	7016702	1	O-Ring	
2D	7022203	4	Bolt (Pump to Bracket)	
2E	7016744	2	Bolt (Motor to Bracket)	
3	4640908	1	Counterbalance Valve Assembly	
3A	7011328	2	Cartridge, Counterbalance	
3A	2900770	2	Seal, Kit - 7011328 Cartridge	
4	4640931	1	Manual Descent Valve Assembly (See Items 101-105 for Breakdown)	
6	2120146	1	Hydraulic Pressure Filter Assembly	
6A	2120150	1	Element, Filter	
6B	7016312	1	Indicator, Clogged	
7	4640907	1	Valve Assembly (Brake)	
7A	7012941	1	Cartridge without Coil	
7A	7012907	1	Seal Kit - 7012941 Cartridge	
7B	7012944	1	Coil	
8	4640906	1	Valve Assembly (Two Speed)	
8A	7012974	1	Cartridge with Coil	
8A	7012907	1	Seal Kit - 7012974 Cartridge	
8B	7012944	1	Coil	
8C	See Note	NSS	Cartridge, Check (Note: Use Item 8)	
8C	7012972	1	Seal Kit	
9		Ref	Valve Kit (Articulating Jib) Options:	
9	Not Required	0	Valve Kit (Articulating Jib) 600S	
9	4640921	1	Valve Kit (Articulating Jib) (600SJ & 660SJ) (See ACCESSORY VALVE ASSEMBLY for Breakdown)	
10		Ref	Valve Kit (4WS) Options:	
10	Not Required	0	Valve Kit without (4WS)	
10	4640922	1	Valve Kit with (4WS)	
10	7012774	1	Control Valve Assembly	
10	7018912	2	Nut, Coil	
10	7012772	2	Coil	
10	7024014	2	Pipe, Pole	

SECTION 2 - TURNTABLE

ITEM	PART NUMBER	QTY	DESCRIPTION	REV
10	7012773	1	Seal Kit - 7012774 Control Valve	
10	7017420	2	Valve, Cartridge	
10	7012998	2	Seal Kit - 7017420 Cartridge	
11	0641613	2	Bolt 3/8in-16NC x 1-5/8in	
12	4711600	5	Flatwasher 3/8in Thin	
14	4891800	2	Flatwasher 1/2in Hardened	
15	4711500	5	Flatwasher 5/16in Thin	
16	3311501	3	Nut 5/16in-18NC	
17	2120145	1	Return Filter Assembly	
17A	2120149	1	Element, Filter	
17B	7016313	1	Indicator Switch, Clogged	
18	2220893	1	Fitting, Adapter	
19	0651406	4	Bolt 1/4in-28NF x 3/4in	
20	4711400	11	Flatwasher 1/4in Thin	
21	0651406	3	Bolt 1/4in-28NF x 3/4in	
22	0641416	2	Bolt 1/4in-20NC x 2in	
23	4891400	4	Flatwasher 1/4in Hardened	
24	0641508	2	Bolt 5/16in-18NC x 1in	
25	4891500	2	Flatwasher 5/16in Hardened	
26	3311405	2	Locknut 1/4in-20NC	
28	0641608	3	Bolt 3/8in-16NC x 1in	
29	0140001	1	Horn	
30		Ref	Harness Assembly (Jib Control) Options (Not Shown - See ELECTRICAL SECTION for Breakdown):	
30	Not Required	0	Harness Assembly (Jib Control) 600S	
30	4921771	1	Harness Assembly (Jib Control) (600SJ & 660SJ) (Prior to SN 0300035129)	
30	4921927	1	Harness Assembly (Jib Control) (600SJ & 660SJ) (SN 0300035129 through 0300068000)	
31		Ref	Harness Assembly (4WS Control) Options: (Not Shown - See ELECTRICAL SECTION for Breakdown):	
31	Not Required	0	Harness Assembly without (4WS)	
31	4921772	1	Harness Assembly with (4WS) (Prior to SN 0300035129)	
31	4921928	1	Harness Assembly with (4WS) (SN 0300035129 through 0300068000)	
34	4060918	40 in/10m	Flex-Trim	
35	4891600	4	Flatwasher 3/8in Hardened (Prior to SN 0300038808)	
36	0100011	AR	Compound, Locking	
	4640931	Ref	MANUAL DESCENT VALVE ASSEMBLY	
101	7012961	1	Knob	
102	7012954	1	Cartridge, Needle Valve	
102	7012953	1	Seal Kit - 7012954 Valve	
103	7012975	1	Cartridge, Check Valve	
103	7012540	1	Seal Kit - 7012975 Valve	
104	7012976	1	Cartridge, Relief Valve	
104	7012971	1	Seal Kit - 7012971 Valve	
105	7012977	1	Cartridge, Pilot Valve	
105	7012918	1	Seal Kit - 7012977 Valve	

SECTION 2 - TURNTABLE

FIGURE 2-2. MAIN CONTROL VALVE ASSEMBLY



SECTION 2 - TURNTABLE

FIGURE 2-2. MAIN CONTROL VALVE ASSEMBLY

ITEM	PART NUMBER	QTY	DESCRIPTION	REV
		Ref	MAIN CONTROL VALVE ASSEMBLY	
	4640919	Ref	Main Control Valve Assembly (Prior to SN 0300041265)	C
	4641096	Ref	Main Control Valve Assembly (SN 0300041265 through 0300068000)	A
1	7017410	1	Cartridge, without Coil	
1	7012967	1	Seal Kit - 7017410 Cartridge	
1A	7012944	1	Coil	
2	7017411	1	Cartridge, Pressure Sensing (Use with Valve p/n 4640919)	
2	7012518	1	Seal Kit	
2	7017464	1	Cartridge, Pressure Sensing (Use with Valve p/n 4641096)	
2	7012518	1	Seal Kit	
3	7017418	1	Cartridge (Main Relief) (Use with Valve p/n 4640919)	
3	7012998	1	Seal Kit	
3	7012912	1	Cartridge (Main Relief) (Use with Valve p/n 4641096)	
3	7012998	1	Seal Kit	
4	70001976	1	Control Valve Assembly (Platform Level) (was p/n 7012770)	
4	7012773	1	Seal Kit	
4A	7012772	2	Coil	
5	7012914	1	Cartridge, Check Valve	
5	7012918	1	Seal Kit - 7012914 Cartridge	
6	7012914	1	Cartridge, Check Valve	
6	7012918	1	Seal Kit - 7012914 Cartridge	
7	7017428	1	Cartridge, Relief Valve (Use with Valve p/n 4640919)	
7	7012998	1	Seal Kit - 7017428 Cartridge	
7	7012912	1	Cartridge, Relief Valve (Use with Valve p/n 4641096)	
7	7012998	1	Seal Kit - 7012912 Cartridge	
8	7017427	1	Cartridge, Relief Valve (Use with Valve p/n 4640919)	
8	7010541	1	Seal Kit - 7017427 Cartridge	
8	7012912	1	Cartridge, Relief Valve (Use with Valve p/n 4641096)	
8	7012998	1	Seal Kit - 7012912 Cartridge	
9	7012989	1	Cartridge, Flow Control	
9	7012953	1	Seal Kit - 7012989 Cartridge	
10	70001976	1	Control Valve Assembly (Platform Rotate) (was p/n 7012770)	
10	7012773	1	Seal Kit	
10	7018986	4	Capscrew #10 x 3-1/2	
10A	7012772	2	Coil	
11	70000579	1	Control Valve Assembly (Upper Tele) (was p/n 7012766)	
		Ref	Note: Refer to Vendor P/N on Valve Nameplate before ordering Parts. P/N 7012766 is RR00567495 or R900567495. P/N 70000579 is R900930080.	
11		Ref	Seal Kit Options:	
11	7012769	1	Seal Kit 7012766 Valve	
11	70000583	1	Seal Kit 70000579 Valve	
11	7018951	4	Capscrew 1/4 x 1-1/2	
11A		Ref	Coil Options:	
11A	7012772	1	Coil 7012766 Valve (was p/n 7012768)	
11A	70000582	1	Coil 70000579 Valve	
11A		Ref	Nut, Coil Options:	
11A	7018912	1	Nut, Coil 7012766 Valve	
11A	70000580	1	Nut, Coil 70000579 Valve	

SECTION 2 - TURNTABLE

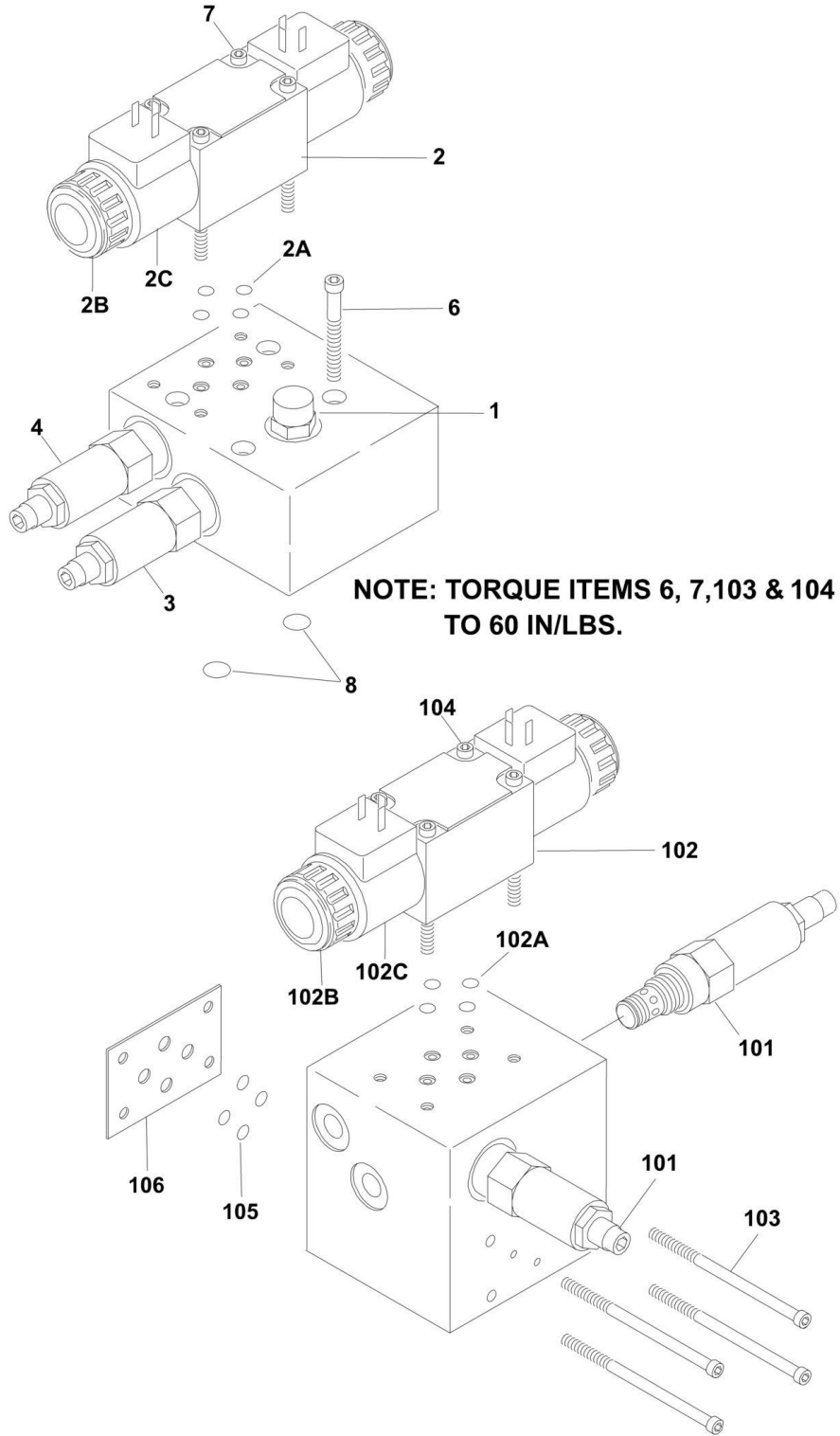
ITEM	PART NUMBER	QTY	DESCRIPTION	REV
12	7012775	1	Control Valve Assembly (Flow Control)	
12	7012773	1	Seal Kit	
12	7018942	4	Capscrew #10 x 2	
12A	7012772	2	Coil	
12A	7018912	2	Nut	
12A	7024015	2	Pipe, Pole	
13	7010542	1	Cartridge, Shuttle	
13	7010543	1	Seal Kit - 7010542 Cartridge	
14	7010542	1	Cartridge, Shuttle	
14	7010543	1	Seal Kit - 7010542 Cartridge	
15	7010542	1	Cartridge, Shuttle	
15	7010543	1	Seal Kit - 7010542 Cartridge	
16	7010542	1	Cartridge, Shuttle	
16	7010543	1	Seal Kit - 7010542 Cartridge	
17	7010542	1	Cartridge, Shuttle	
17	7010543	1	Seal Kit - 7010542 Cartridge	
18	7017420	1	Cartridge, Relief Valve (Use with Valve p/n 4640919)	
18	7012998	1	Seal Kit - 7017420 Cartridge	
18	7012912	1	Cartridge, Relief Valve (Use with Valve p/n 4641096)	
18	7012998	1	Seal Kit - 7012912 Cartridge	
19	7012775	1	Control Valve Assembly (Upper Lift)	
19	7012773	1	Seal Kit	
19	7018942	4	Capscrew #10 x 2	
19A	7012772	2	Coil	
19A	7018912	2	Nut	
19A	7024015	2	Pipe, Pole	
20	7012775	1	Control Valve Assembly (Swing)	
20	7012773	1	Seal Kit	
20	7018942	4	Capscrew #10 x 2	
20A	7012772	2	Coil	
20A	7018912	2	Nut	
20A	7024015	2	Pipe, Pole	
21	7017423	1	Cartridge, Relief Valve (Use with Valve p/n 4640919)	
21	7012998	1	Seal Kit - 7017423 Cartridge	
21	7012912	1	Cartridge, Relief Valve (Use with Valve p/n 4641096)	
21	7012998	1	Seal Kit - 7012912 Cartridge	
22	7012774	1	Control Valve Assembly (Steer)	
22	7012773	1	Seal Kit	
22	7018942	4	Capscrew #10 x 2	
22A	7012772	2	Coil	
22A	7018912	2	Nut	
22A	7024014	2	Pipe, Pole	
23	7017428	1	Cartridge, Relief Valve (Use with Valve p/n 4640919)	
23	7012998	1	Seal Kit - 7017428 Cartridge	
23	7012912	1	Cartridge, Relief Valve (Use with Valve p/n 4641096)	
23	7012998	1	Seal Kit - 7012912 Cartridge	
24	7017428	1	Cartridge, Relief Valve (Use with Valve p/n 4640919)	
24	7012998	1	Seal Kit - 7017428 Cartridge	
24	7012912	1	Cartridge, Relief Valve (Use with Valve p/n 4641096)	
24	7012998	1	Seal Kit - 7012912 Cartridge	
30	4460499	15	Connector, Din with Diode (Part of Valve Harness)	

SECTION 2 - TURNTABLE

ITEM	PART NUMBER	QTY	DESCRIPTION	REV
51	2901763 7021310	Ref 1	ROTATE SANDWICH VALVE KIT Block, Valve	A

SECTION 2 - TURNTABLE

FIGURE 2-3. ACCESSORY VALVE ASSEMBLY



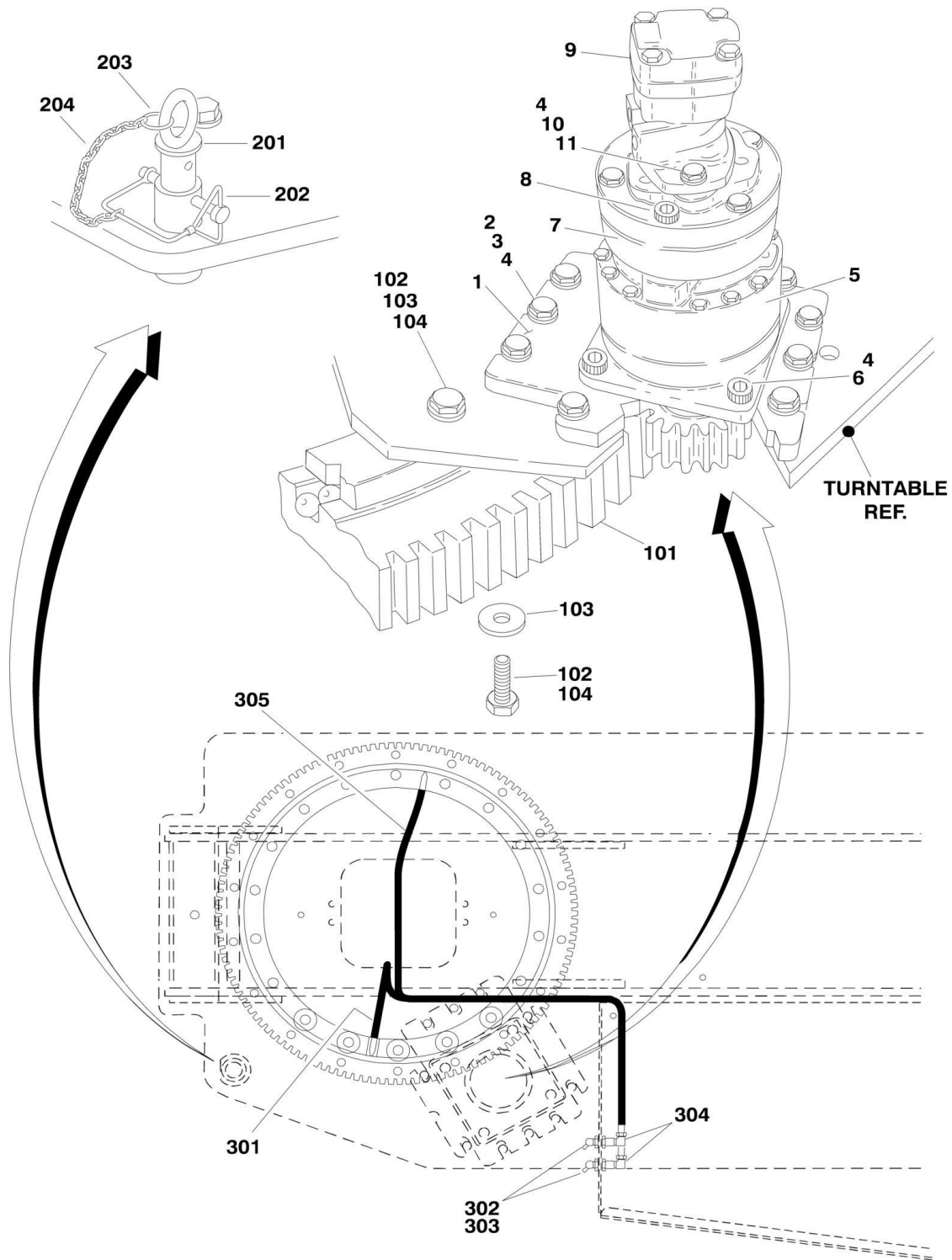
SECTION 2 - TURNTABLE

FIGURE 2-3. ACCESSORY VALVE ASSEMBLY

ITEM	PART NUMBER	QTY	DESCRIPTION	REV
		Ref	ACCESSORY VALVE ASSEMBLIES	
	4640921	Ref	ARTICULATING JIB VALVE ASSEMBLY	D
1	7012965	1	Cartridge, Flow Control	
1	7012953	1	Seal Kit - 7012965 Cartridge	
2	70001976	1	Directional Control Valve Assembly (was p/n 7012770)	
2	7012773	1	Seal Kit	
2A	7018945	4	O-Ring	
2B	7018912	2	Nut	
2C	7012772	2	Coil	
3	7017421	1	Cartridge, Relief	
3	7012998	1	Seal Kit - 7017421 Cartridge	
4	7017422	1	Cartridge, Relief	
4	7012998	1	Seal Kit - 7017422 Cartridge	
5	4460499	2	Connector, DIN with Diode (Not Shown - Part of Valve Harness)	
6	7012777	4	Capscrew, Socket Head 5/16in-18NC x 2-1/4in (Used to Mount Valve Assembly)	
7	7018942	4	Capscrew, Socket Head #10-24NC x 2in	
8	7012776	2	O-Ring (Used to Mount Main Valve)	
	4640922	Ref	4WS VALVE ASSEMBLY	B
101	7017420	1	Cartridge, Relief	
101	7012998	1	Seal Kit - 7017420 Cartridge	
102	7012774	1	Directional Control Valve Assembly	
102	7012773	1	Seal Kit	
102A	7018945	4	O-Ring	
102B	7018912	2	Nut	
102C	7012772	2	Coil	
103	7018946	4	Capscrew, Socket Head #10-24NC x 5in (Used to Mount Main Valve)	
104	7018942	4	Capscrew, Socket Head #10-24NC x 2in	
105	7018948	4	O-Ring (Used to Mount Main Valve)	
106	7018947	1	Plate, O-Ring	

SECTION 2 - TURNTABLE

FIGURE 2-4. SWING DRIVE, TURNTABLE BEARING AND LOCK INSTALLATIONS



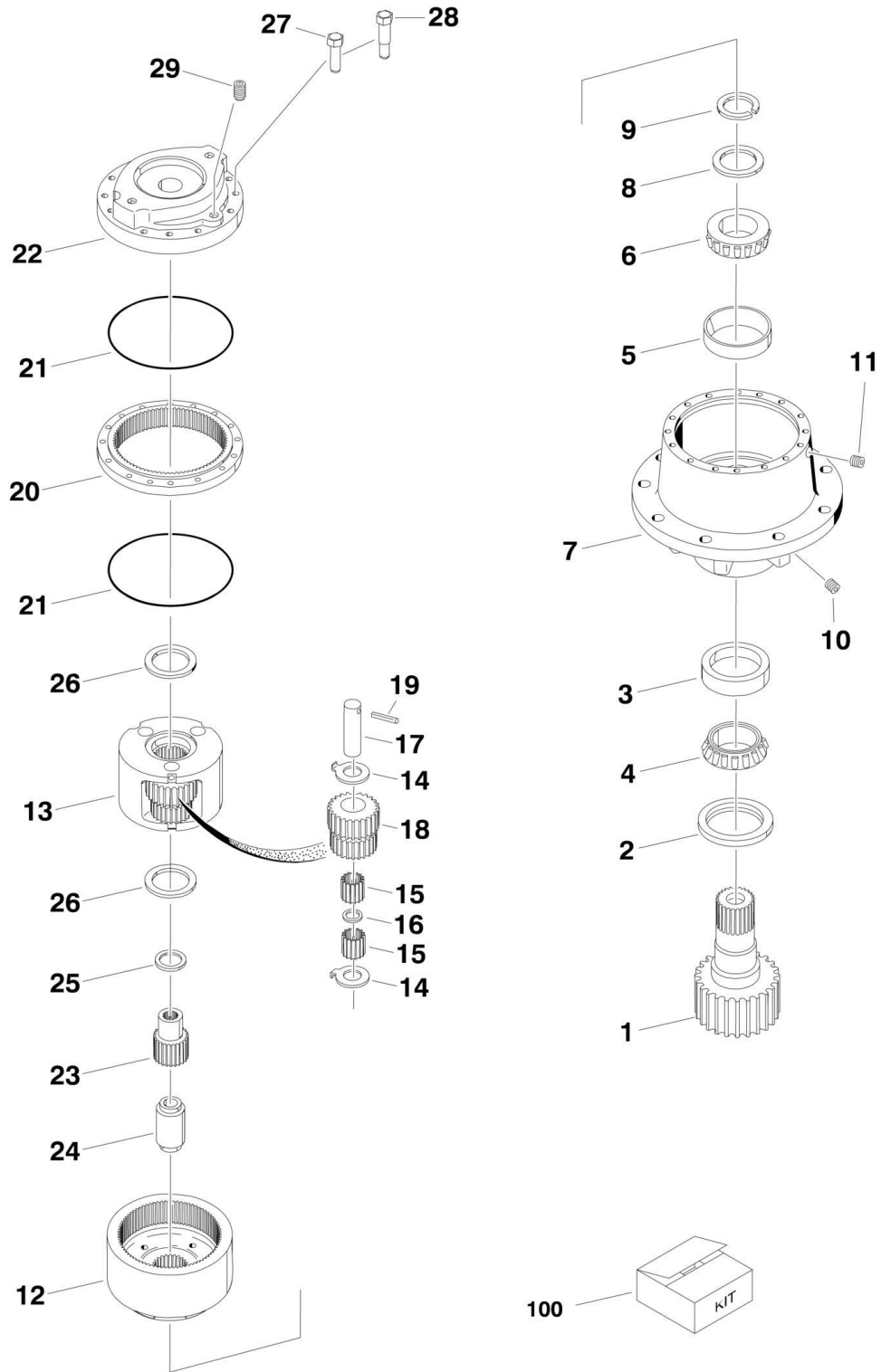
SECTION 2 - TURNTABLE

FIGURE 2-4. SWING DRIVE, TURNTABLE BEARING AND LOCK INSTALLATIONS

ITEM	PART NUMBER	QTY	DESCRIPTION	REV
		Ref	SWING DRIVE INSTALLATIONS	
	0255025	Ref	Swing Drive Installations (Prior to SN 0300064566)	3-B
	0270329	Ref	Swing Drive Installations (SN 0300064566 through 0300068000)	A
1	3537318	1	Plate, Swing Drive Mounting	
2	0642018	10	Bolt 5/8in-11NC x 2-1/4in	
3	4892000	10	Flatwasher 5/8in Hardened	
4	0100011	AR	Compound, Locking	
5	2780205	1	Hub Assembly (See SWING HUB ASSEMBLY for Breakdown)	
6	3932224	4	Bolt 1/2in-13NC x 1-1/2in	
7		Ref	Brake Assembly Options (See SWING BRAKE ASSEMBLY for Breakdown):	
7	0920083	NLA	Brake Assembly (Use p/n 0920109) (Prior to SN 0300033476)	
7	0920109	1	Brake Assembly (SN 0300033476 through 0300064565)	
7	0920119	1	Brake Assembly (SN 0300064566 through 0300068000)	
8	3931860	2	Bolt Socket Head 1/2in-13NC x 3-3/4in (Prior to SN 0300064566)	
9		Ref	Motor Assembly Options (See SWING MOTOR ASSEMBLIES for Breakdown):	
9	3160200	1	White Roller Stator Motor (Prior to SN 0300064566)	
9	3160273	NLA	White Roller Stator Motor (Use p/n 1001110169) (SN 0300064566 through 0300068000)	
9	1001110169	1	Parker Motor (Service Replacement) (SN 0300064566 through 0300068000)	
		Ref	Note: For Machines SN 0300064566 through 0300068000, either p/n may be used as a replacement.	
10		Ref	Bolt Options:	
10	0641811	2	Bolt 1/2in-13NC x 1-3/8in (Prior to SN 0300064566)	
10	0681836	2	Bolt 1/2in-13NC x 4-1/2in (SN 0300064566 through 0300068000)	
11	4891800	2	Flatwasher 1/2in Hardened	
	0254798	Ref	TURNTABLE BEARING INSTALLATION	A
101	0440207	1	Bearing, Turntable	
102	0682016	36	Bolt 5/8in-11NC x 2in (Grade 8)	
103	4892000	36	Flatwasher 5/8in Hardened	
104	0100019	AR	Compound, Locking	
	0239585	Ref	TURNTABLE LOCK INSTALLATION	B
201	3421627	1	Pin	
202	3421565	1	Pin, Snap	
203	3760170	2	Ring, Quick Release	
204	1260017	9 in/23cm	Chain	
	0255316	Ref	REMOTE BEARING LUBE INSTALLATION	2
301	2751095	1	Hose, Grease	
302	2180344	2	Fitting, Bulkhead	
303	2160003	2	Fitting, Grease 45	
304	2220063	2	Fitting, 90	
305	2751032	1	Hose, Grease	

SECTION 2 - TURNTABLE

FIGURE 2-5. SWING HUB ASSEMBLY



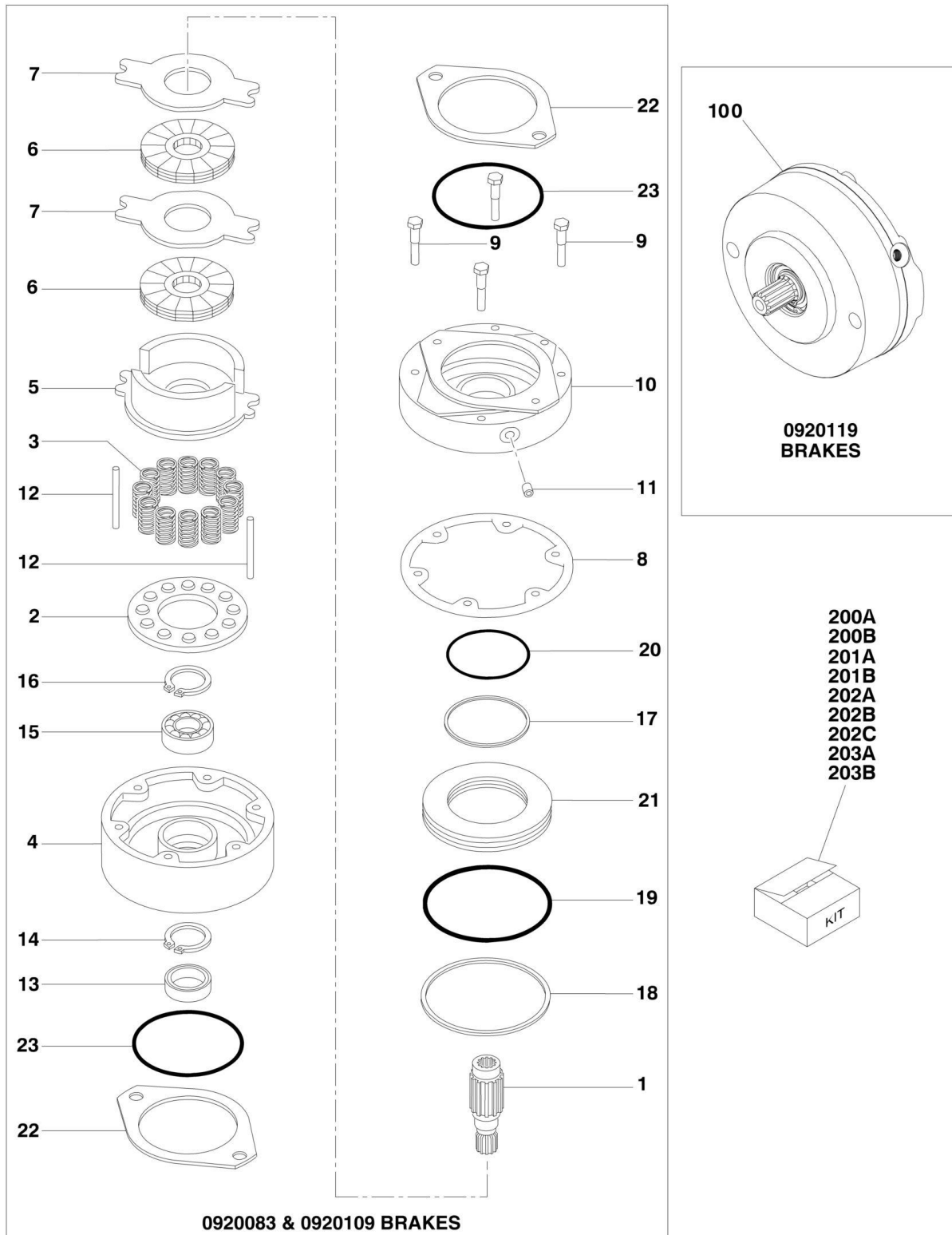
SECTION 2 - TURNTABLE

FIGURE 2-5. SWING HUB ASSEMBLY

ITEM	PART NUMBER	QTY	DESCRIPTION	REV
	2780205	Ref	SWING HUB ASSEMBLY	-
		Ref	Housing Assembly	
1	7010492	1	Shaft, Output	
2	7000228	1	Seal, Lip (Note: Use Item 100)	
3	7000255	1	Cup, Bearing	
4	7000256	1	Cone, Bearing	
5	7000257	1	Cup, Bearing	
6	7000258	1	Cone, Bearing	
7	7017089	1	Housing	
8	7007633	1	Thrustwasher	
9	7000229	1	Ring, Retaining (Note: Use Item 100)	
10	7010494	2	Pipe, Plug	
11	7001928	2	Pipe, Plug	
12	7000246	2	Gear, In O-Ring	
		Ref	Carrier Assembly	
13	7001931	1	Carrier	
14	7001985	6	Thrustwasher, Tanged	
15	7001909	96	Bearing, Needle	
16	7000263	3	Spacer, Thrust	
17	7001911	3	Shaft, Planet	
18	7001987	3	Gear, Cluster	
19	7010474	3	Rollpin	
20	7001988	1	Ring Gear	
21	7000230	1	O-Ring (Black) (Note: Use Item 100)	
21	7017070	1	O-Ring (White) (Note: Use Item 100)	
22	7000209	1	Cover, Input	
23	7010488	1	Gear, Sun	
24	7000269	1	Spacer, Input	
25	7000270	1	Thrustwasher	
26	7000253	2	Thrustwasher (Note: Use Item 100)	
27	7000217	8	Bolt	
28	7000214	4	Bolt, Shoulder	
29	2200222	1	Pipe, Plug	
100	7024100	1	Seal Kit (Includes Items 2, 9, 21 & 26)	

SECTION 2 - TURNTABLE

FIGURE 2-6. SWING BRAKE ASSEMBLY



SECTION 2 - TURNTABLE

FIGURE 2-6. SWING BRAKE ASSEMBLY

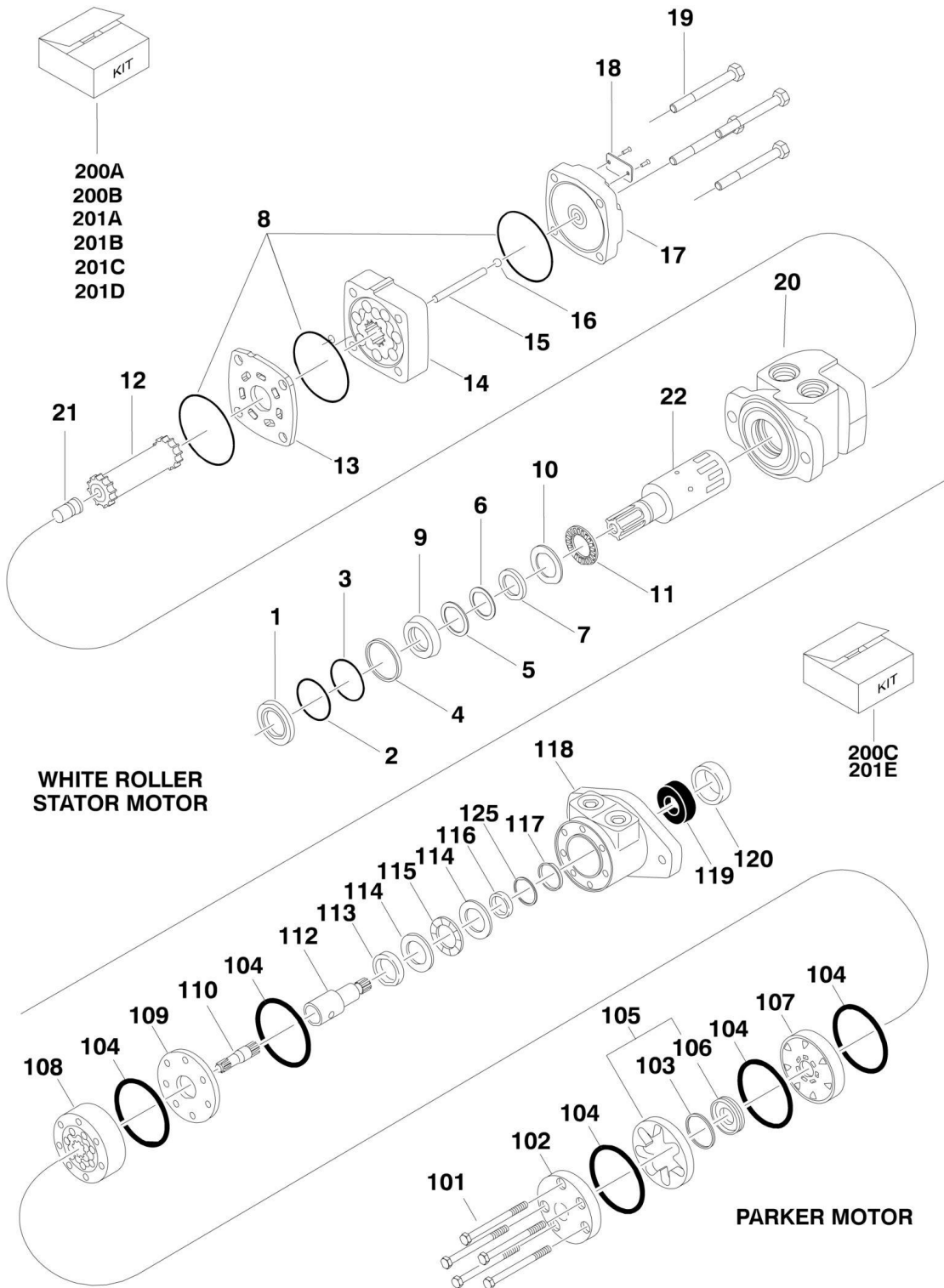
ITEM	PART NUMBER	QTY	DESCRIPTION	REV
		Ref	SWING BRAKE ASSEMBLY OPTIONS:	
	0920083	Ref	Swing Brake Assembly (Prior to SN 0300033476)	A
	0920109	Ref	Swing Brake Assembly (SN 0300033476 through 0300064565)	B
1	7011720	1	Shaft	
2		Ref	Guide, Spring Options:	
2	7011717	1	Guide, Spring 0920083 Brake (Prior to SN 0300033476)	
2	7018606	1	Guide, Spring 0920109 Brake (SN 0300033476 through 0300064565)	
3		Ref	Spring Options:	
3	7007979	6	Spring 0920083 Brake (Inner) (Prior to SN 0300033476)	
3	7007980	6	Spring 0920083 Brake (Outer) (Prior to SN 0300033476)	
3	7007970	6	Spring 0920109 Brake (Red) (SN 0300033476 through 0300064565)	
3	7018602	3	Spring 0920109 Brake (Blue) (SN 0300033476 through 0300064565)	
4		Ref	Housing Options:	
4	7011713	1	Housing 0920083 Brake (Prior to SN 0300033476)	
4	7018605	1	Housing 0920109 Brake (SN 0300033476 through 0300064565)	
5		Ref	Return Plate and Separator Assembly Options:	
5	2900767	1	Plate, Return - 0920083 Brake (Prior to SN 0300033476)	
5	7011715	2	Separator Assembly - 0920083 Brake (Prior to SN 0300033476)	
5	7011714	4	Pin	
5	7007983	2	Separator	
5	7018608	1	Plate, Return/Separator - 0920109 Brake (SN 0300033476 through 0300064565)	
6	See Note	NSS	Rotor (Note: Use Item 200A, 201A, 202A, 202B or 203B)	
7	See Note	NSS	Stator (Note: Use Item 200A, 201A, 202A, 202B or 203B)	
8	See Note	NSS	Seal, Oil (Note: Use Item 200A, 201A, 202A, 202B or 203B)	
9		Ref	Bolt, Washer Head Options:	
9	7007985	4	Bolt, Washer Head 0920083 Brake (Prior to SN 0300033476)	
9	7018607	4	Bolt, Washer Head 0920109 Brake (SN 0300033476 through 0300064565)	
10	7011719	1	Cover	
11		Ref	Hardware Options:	
11	7007914	1	Screw, Bleeder (Prior to SN 0300033906)	
11	7018609	1	Plug, Pipe (SN 0300033906 through 0300064566)	
12	7007987	2	Pin, Dowel	
13	See Note	NSS	Seal, Oil (Note: Use Item 200A, 201A or 203B)	
14	7011716	1	Ring, Retaining	
15	See Note	NSS	Bearing (Note: Use Item 201A or 203B)	
16	7007977	1	Ring, Retaining	
17	See Note	NSS	Ring, Back-up (Note: Use Item 200A or 203B)	
18	See Note	NSS	Ring, Back-up (Note: Use Item 200A or 203B)	
19	See Note	NSS	O-Ring (Note: Use Item 200A or 203B)	
20	See Note	NSS	O-Ring (Note: Use Item 200A or 203B)	
21		Ref	Piston Options:	
21	7007923	1	Piston 0920083 Brake (Prior to SN 0300033476)	
21	7018603	1	Piston 0920109 Brake (SN 0300033476 through 0300064565)	
22	7007934	2	Gasket	

SECTION 2 - TURNTABLE

ITEM	PART NUMBER	QTY	DESCRIPTION	REV
23	See Note	NSS	O-Ring (Note: Use Item 200A, 201A, 202A, 202B or 203B)	B
100	0920119	Ref	SWING BRAKE ASSEMBLY (SN 0300064566 through 0300068000)	
100	7007933	2	Gasket, Mounting Face	
100	7007990	2	O-Ring, Mounting Face	
		Ref	Note: Other than Gasket and O-Ring, Item 203B Repair Kit is only part available.	
		Ref	KIT OPTIONS	
200		Ref	Seal Kit Options:	
200A	2900766	1	Seal Kit - 0920083 & 0920109 Brakes (Includes Items 8, 13, 17, 18, 19, 20, 22 & 23) (Prior to SN 0300064566)	
200B	7018612	1	Seal Kit - 0920119 Brake (SN 0300064566 through 0300068000)	
201		Ref	Bearing Kit Options:	
201A	2900768	1	Bearing Kit - 0920083 & 0920109 Brakes (Includes Items 8, 13, 14, 15, 16, 22 & 23) (Prior to SN 0300064566)	
201B	7018612	1	Bearing Kit - 0920119 Brake (SN 0300064566 through 0300068000)	
202		Ref	Lining Kit Options:	
202A	2900767	1	Lining Kit - 0920083 Brake (Includes Items 5 Return Plate, 6, 7, 8, 22 & 23) (Prior to SN 0300033476)	
202B	7018608	1	Lining Kit - 0920109 Brake (Includes Items 5 Return/Separator Plate, 6, 7, 8, 22 & 23) (SN 0300033476 through 0300064565)	
202C	7018612	1	Lining Kit - 0920119 Brake (SN 0300064566 through 0300068000)	
203		Ref	Repair Kit Options:	
203A	See Note	NSS	Repair Kit - 0920083 & 0920109 Brakes (Note: Not Available - Purchase Individual Items) (Prior to SN 0300064566)	
203B	7018612	1	Repair Kit - 0920119 Brake (SN 0300064566 through 0300068000)	

SECTION 2 - TURNTABLE

FIGURE 2-7. SWING MOTOR ASSEMBLIES



SECTION 2 - TURNTABLE

FIGURE 2-7. SWING MOTOR ASSEMBLIES

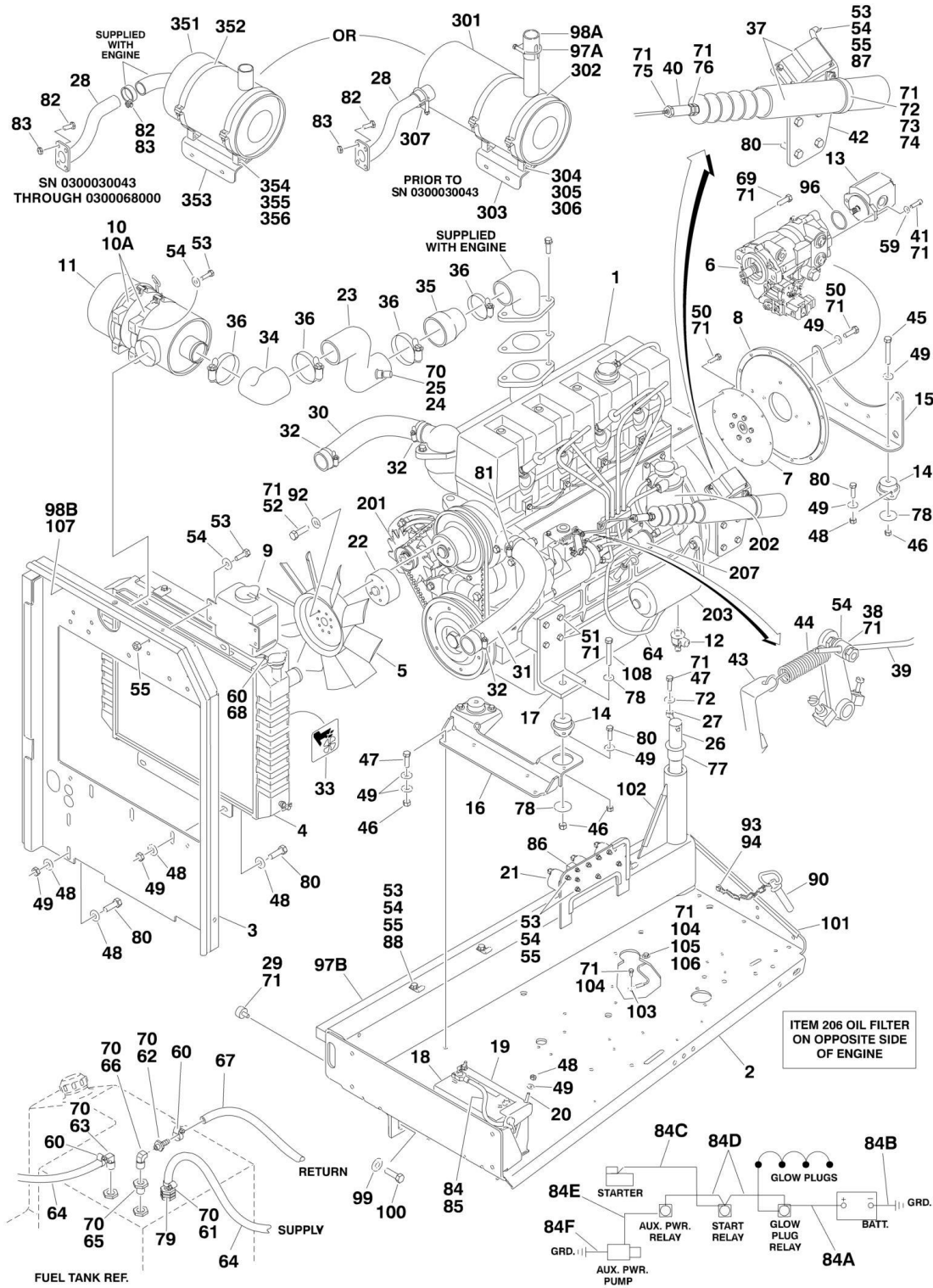
ITEM	PART NUMBER	QTY	DESCRIPTION	REV
		Ref	Note: Original Equipment may have been replaced with Service Replacement swing motor. Identify brand before ordering parts.	
		Ref	SWING MOTOR ASSEMBLY OPTIONS:	
	3160200	Ref	White Roller Stator Motor (Prior to SN 0300064566)	C
	3160273	Ref	White Roller Stator Motor (Original Equipment) (SN 0300064566 through 0300068000)	B
1	See Note	NSS	Seal, Dust (Note: Use Item 200A)	
2	See Note	NSS	Ring, Split Wire (Note: Use Item 200A)	
3	See Note	NSS	Shim, Metal Back-up (Note: Use Item 200A)	
4	See Note	NSS	Seal, High Pressure (Note: Use Item 200A)	
5	See Note	NSS	Shim, Metal Back-up (Note: Use Item 200A)	
6	See Note	NSS	Seal, Teflon Back-up (Note: Use Item 200A)	
7	See Note	NSS	Seal, Shaft (Note: Use Item 200A)	
8	See Note	NSS	Seal, Body (Note: Use Item 200A)	
9	See Note	NSS	Carrier, Seal (Note: Use Item 200B)	
10	See Note	NSS	Thrustwasher (Note: Use Item 200B)	
11		Ref	Bearing, Thrust Options:	
11	7005842	1	Bearing, Thrust 3160200 Motor (Prior to SN 0300064566)	
11	7016422	1	Bearing, Thrust 3160273 Motor (SN 0300064566 through 0300068000)	
12	7005889	1	Link, Drive	
13		Ref	Plate, Wear Options:	
13	7005845	1	Plate, Wear 3160200 Motor (Prior to SN 0300064566)	
13	7016423	1	Plate, Wear 3160273 Motor (SN 0300064566 through 0300068000)	
14	7005890	1	Rotor Assembly	
15	7005891	1	Pin, Drive Link	
16	See Note	NSS	Ball (Note: Use Item 201A or 201B)	
17	See Note	NSS	Cover, End (Note: Use Item 201A or 201B)	
18	See Note	NLA	Tag, I.D. (Note: Not Available to Purchase)	
19	7005892	4	Bolt	
20		Ref	Housing Options:	
20	7005841	1	Housing 3160200 Motor (Prior to SN 0300064566)	
20	7016425	1	Housing 3160273 Motor (SN 0300064566 through 0300068000)	
21	7005893	1	Plug, Cooling	
22		Ref	Shaft Options:	
22	7005894	1	Shaft 3160200 Motor (Prior to SN 0300064566)	
22	7016426	1	Shaft 3160273 Motor (SN 0300064566 through 0300068000)	
	1001110169	Ref	SWING MOTOR ASSEMBLY (PARKER)(SERVICE REPLACEMENT)	A
101	70002243	5	Bolt	
102	7004035	1	Cover, End	
103	See Note	NSS	Seal, Commutator (Note: Use Item 200C)	
104	See Note	NSS	Seal, Ring (Note: Use Item 200C)	
105	7024453	1	Commutator and Ring Assembly	
106	7024453	1	Ring	
107	7024379	1	Manifold	
108	70002208	1	Rotor Set	
109	7024380	1	Plate, Wear	

SECTION 2 - TURNTABLE

ITEM	PART NUMBER	QTY	DESCRIPTION	REV
110	83304150	1	Link, Drive	
112	7024395	1	Shaft, Coupling	
113	7024381	1	Bushing, Bronze	
114	7004043	2	Thrustwasher	
115	7004044	1	Bearing, Thrust	
116	See Note	NSS	Seal, Inner (Note: Use Item 200C)	
117	See Note	NSS	Washer, Back-up (Note: Use Item 200C)	
118	1001110169	1	Housing (Note: Not Available - Purchase Complete Swing Motor Assembly)	
119	7024390	1	Bearing	
120	See Note	NSS	Seal (Note: Use Item 200C)	
125	See Note	NSS	Washer, Back-up (Note: Use Item 200C)	
		Ref	SEAL AND REPAIR KITS	
200		Ref	Seal Kit Options:	
200		Ref	White Roller Stator Options:	
200A	7005881	1	Seal Kit (Includes Items 1-8)	
200B	7005882	1	Seal Carrier Kit (Includes Items 9 & 10)	
200		Ref	Parker Options:	
200C	7024389	1	Seal Kit (Includes Items 103, 104, 116, 117, 120 & 125)	
201		Ref	Repair Kit Options:	
201		Ref	White Roller Stator Options:	
201A	7005848	1	End Cover Kit - 3160200 Motor (Includes Items 16 & 17) (Prior to SN 0300064566)	
201B	7016424	1	End Cover Kit - 3160327 Motor (Includes Items 16 & 17) (SN 0300064566 through 0300068000)	
201C	7005895	1	Housing/Shaft Kit - 3160200 Motor (Includes Items 20-22) (Prior to SN 0300064566)	
201D	7016427	1	Housing/Shaft Kit - 3160327 Motor (Includes Items 20-22) (SN 0300064566 through 0300068000)	
201E	See Note	AR	Parker Options (Note: Not Available - Purchase Individual Components)	

SECTION 2 - TURNTABLE

FIGURE 2-8. CONTINENTAL ENGINE INSTALLATION



SECTION 2 - TURNTABLE

FIGURE 2-8. CONTINENTAL ENGINE INSTALLATION

ITEM	PART NUMBER	QTY	DESCRIPTION	REV
		Ref	CONTINENTAL ENGINE INSTALLATIONS	
	0255327	Ref	Continental Engine Installations (Prior to SN 0300030043)	4-C
	0256754	Ref	Continental Engine Installations (SN 0300030043 through 0300068000)	1-B
1	2000131	1	Engine - Continental TMD-27 Diesel	
2		Ref	Tray Engine Options:	
2	4844961	1	Tray Engine (Prior to SN 0300030043)	
2	4845404	1	Tray Engine (SN 0300030043 through 0300068000)	
3		Ref	Plate, Radiator Mounting Options:	
3	3538724	1	Plate, Radiator Mounting (Prior to SN 0300030043)	
3	3539872	1	Plate, Radiator Mounting (SN 0300030043 through 0300068000)	
4	3620030	1	Radiator	
5	2060025	1	Fan	
6		Ref	Piston Pump Assembly Options (See PISTON PUMP ASSEMBLY for Breakdown):	
6	3600164	1	Piston Pump Assembly 13 Tooth Pump (Prior to SN 0300030043)	
6	3600260	1	Piston Pump Assembly 15 Tooth Pump (SN 0300030043 through 0300068000)	
7		Ref	Coupling, Pump Options:	
7	1660183	1	Coupling, Pump 13 Tooth Pump (Prior to SN 0300030043)	
7	1660233	1	Coupling, Pump 15 Tooth Pump (SN 0300030043 through 0300068000)	
8	0080181	1	Plate, Pump Adaptor	
9	1580011	1	Container, Coolant Overflow	
10		Ref	Air Cleaner Assembly Options:	
10	1340056	1	Air Cleaner Assembly (Prior to SN 0300030043)	
10	1340060	1	Air Cleaner Assembly (SN 0300030043 through 0300068000)	
10A	7012664	1	Element, Air Cleaner	
11	0340041	2	Band, Mounting	
12	4640952	1	Valve, Oil Drain	
13	3600242	1	Gear Pump Assembly (See GEAR PUMP ASSEMBLY for Breakdown)	
14		Ref	Mount, Rubber Engine Options:	
14	3200378	4	Mount, Rubber Engine Front and Rear (Prior to SN 0300030043)	
14	3200378	2	Mount, Rubber Engine Rear (SN 0300030043 through 0300068000)	
14	3200362	2	Mount, Rubber Engine Front (SN 0300030043 through 0300068000)	
15	3537287	1	Bracket, Engine Mounting - Rear	
16	3537691	1	Bracket, Engine Mounting - Front	
17	3537290	2	Support, Engine	
18	0400075	1	Battery	
19	0181727	1	Hold-Down, Battery	
20	0630498	2	Rod, Hold-Down	
21	3740067	3	Relay	
22	0080215	1	Spacer, Fan	
23		Ref	Tube, Air Intake Options:	
23	4845059	1	Tube, Air Intake (Prior to SN 0300030043)	
23	4845453	1	Tube, Air Intake (SN 0300030043 through 0300068000)	

SECTION 2 - TURNTABLE

ITEM	PART NUMBER	QTY	DESCRIPTION	REV
24	4360392	1	Switch, Restriction Indicator	
25	2180798	1	Fitting	
26	3422446	1	Pin, Pivot	
27	3841143	1	Keeper, Pin	
28		Ref	Tube, Exhaust Options:	
28	4845157	1	Tube, Exhaust (Prior to SN 0300030043)	
28	4847072	1	Tube, Exhaust (SN 0300030043 through 0300068000)	
29	0940070	1	Bumper, Rubber	
30	2720395	1	Hose, Oil Cooler - Top	
31	2720396	1	Hose, Oil Cooler - Bottom	
32	1320012	3	Clamp, Hose	
33		Ref	Nameplate - Fan Caution Options:	
33	3250914	2	Nameplate - Fan Caution (Prior to SN 0300030043)	
33	1703162	2	Nameplate - Fan Caution (SN 0300030043 through 0300068000)	
34	0080201	1	Elbow, Rubber	
35	0080216	1	Reducer, Rubber	
36	1320016	4	Clamp, Hose	
37	0060033	NLA	Actuator Assembly (Use p/n 2910000) (See ELECTRICAL SECTION for Breakdown)	
38	1660220	1	Swivel	
39	3841288	1	Rod, Throttle	
40	1660222	1	Coupling, Throttle	
41	3931620	2	Bolt, Socket Head 3/8in-16NC x 1-1/4in	
42	3539139	1	Plate, Actuator Mounting	
43	0902159	1	Bracket, Spring	
44	4160138	1	Spring	
45	0641818	4	Bolt 1/2in-13NC x 2-1/4in	
46	3311608	4	Locknut 1/2in-13NC	
47	0641610	6	Bolt 3/8in-16NC x 1-1/4in	
48	3311605	22	Locknut 3/8in-16NC x 1-1/4in	
49	4751600	56	Flatwasher 3/8in Regular	
50	0681606	6	Bolt 3/8in-16NC x 3/4in (Grade 8)	
51	0701414	8	Bolt M14 x 30mm	
52	0700819	4	Bolt M8 x 55mm	
53	0641406	20	Bolt 1/4in-20NC x 3/4in	
54	4751400	35	Flatwasher 1/4in Regular	
55	3311405	17	Locknut 1/4in-20NC	
56	0721004	2	Bolt #10-24NC x 1/2in	
57	3321001	2	Nut #10-24NC	
58	4751000	10	Flatwasher #10 Regular	
59	4891600	2	Flatwasher 3/8in Hardened	
60	1320022	8	Clamp, Hose	
61	2220273	2	Fitting, Reducer	
62	2180536	1	Fitting, Straight	
63	2220313	1	Fitting, 90	
64	2750532	21.5 ft /6.5m	Hose 3/8in	
65	2220250	1	Fitting, Reducer	
66	2220459	1	Fitting, 90	
67	2720271	15 ft/4.6m	Hose 3/16in	
68	2720058	6 in/15cm	Hose 5/16in	

SECTION 2 - TURNTABLE

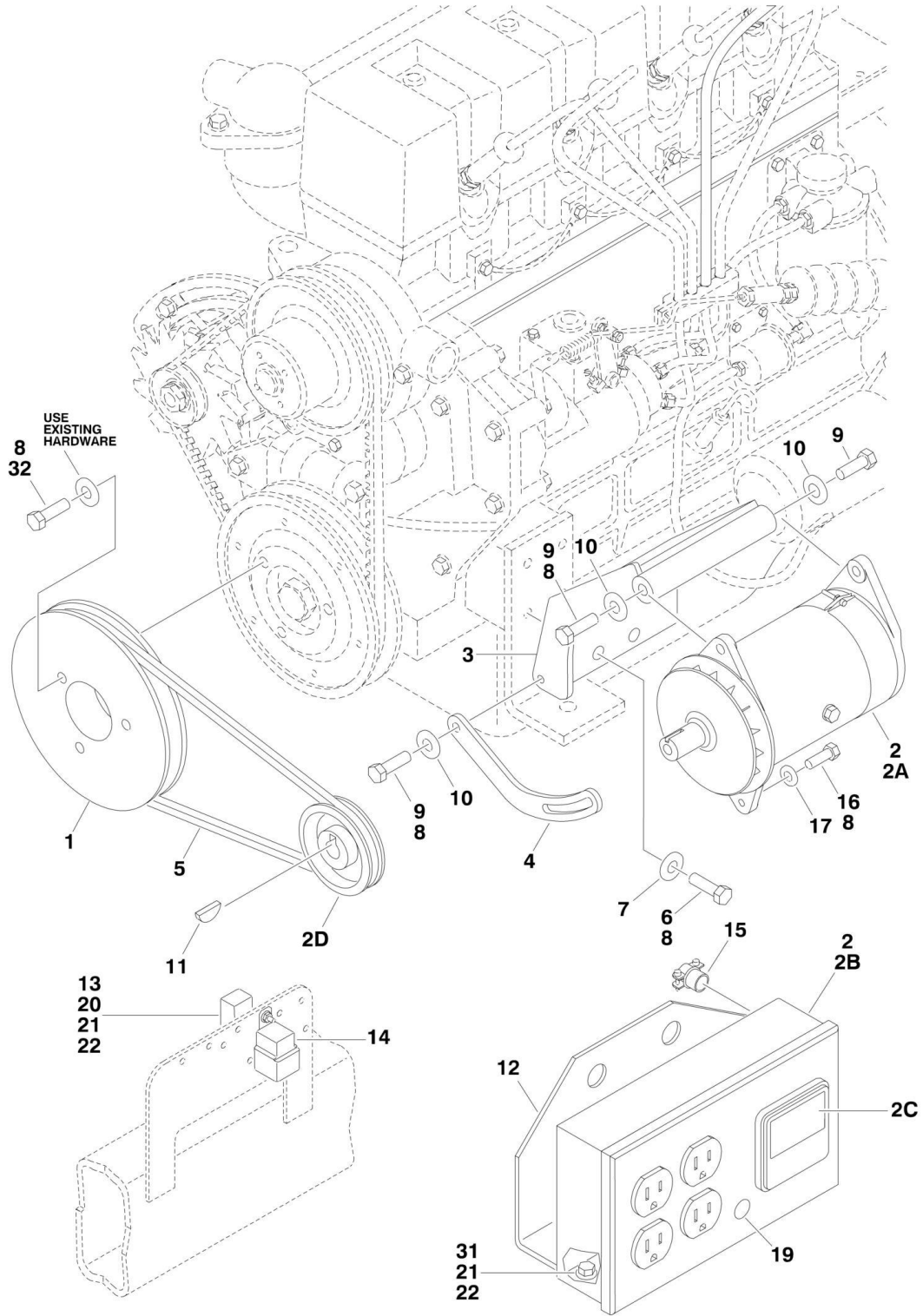
ITEM	PART NUMBER	QTY	DESCRIPTION	REV
69	0641812	2	Bolt 1/2in-13NC x 1-1/2in	
70	0100020	AR	Sealant, Thread	
71	0100011	AR	Compound, Locking	
72	4740442	1	Washer, Bellville	
73	3900217	1	Bolt, Socket Head Shoulder	
74	0962031	1	Bushing, Flanged	
75	3321402	1	Nut, Jam 1/4in-28NF	
76	3321602	1	Nut, Jam 3/8in-24NF	
77	0961986	2	Bushing, Flanged	
78	4740274	4	Washer, Snubbing	
79	2220720	1	Fitting, Barbed	
80	0641608	20	Bolt 3/8in-16NC x 1in	
81	1320031	1	Clamp, Hose	
82	0641712	2	Bolt 7/16in-14NC x 1-1/2in	
83	3311705	2	Locknut 7/16in-14NC	
84	2901363	1	Battery Cable Kit	
84A	7016800	1	Cable, Battery (Red)	
84B	7016809	1	Cable, Battery (Black)	
84C	7016810	1	Cable (Red)	
84D	7016811	1	Cable (Red)	
84E	7016806	1	Cable (Red)	
84F	7016805	1	Cable (Black Only) (Prior to SN 0300025556)	
85	4460611	1	Terminal, Battery Jumper Post	
86	4360294	1	Breaker, Circuit - 30Amp	
87	1320222	1	J-Clip 3/8in Only (Prior to SN 0300025556)	
88	1320223	9	J-Clip 1/2in	
89	0700605	1	Bolt, Metric	
90	3422532	1	Pin, Hitch	
91	0641612	12	Bolt 3/8in-16NC x 1-1/2in	
92	4831900	4	Lockwasher M8	
93	0641407	1	Bolt 1/4in-20NC x 7/8in	
94	4711400	1	Flatwasher 1/4in Thin	
95	1701505	1	Decal - Diesel (Not Shown - Located on Hood)	
96	3790152	1	O-Ring	
97		Ref	Optional Parts:	
97A	4566986	1	Tube, Adapter (Prior to SN 0300030043)	
97B	3960468	1	Seal (SN 0300030043 through 0300068000)	
98		Ref	Optional Parts:	
98A	1320019	1	Clamp, Exhaust (Prior to SN 0300030043)	
98B	3960468	1	Seal (SN 0300030043 through 0300068000)	
99	0642010	1	Bolt 5/8in-11NC x 1-1/4in	
100	4752000	1	Flatwasher 5/8in Regular	
101	4060805	7 in/18cm	Flex-Trim 1/4in	
102	4060804	16 in /40cm	Flex-Trim 3/16in	
103	1060637	1	Lanyard	
104	0641808	2	Bolt 1/2in-13NC x 1in	
105	3311801	1	Nut 1/2in-13NC	
106	4751800	1	Flatwasher 1/2in Regular	
107	3960389	3 ft/.9m	Seal (SN 0300030043 through 0300068000)	
108	0641826	2	Bolt 1/2in-13NC x 3-1/4in	
	2000131	Ref	ENGINE COMPONENTS	

SECTION 2 - TURNTABLE

ITEM	PART NUMBER	QTY	DESCRIPTION	REV
201	7016329	1	Alternator	
202	7016324	1	Filter, Fuel	
203	7016325	1	Starter	
204	7016326	1	Switch, Water Temperature (Not Shown)	
205	7016327	1	Switch, Low Oil Pressure (Not Shown)	
206	7016340	1	Filter, Oil	
207	7020073	1	Pump, Fuel	
208	7023677	4	Glow Plug (Not Shown)	
		Ref	MUFFLER INSTALLATIONS (Prior to SN 0300030043)	
	0255873	Ref	Standard Equipment (Spark Arresting)	-
	0255874	Ref	Optional Equipment (Purifier)	-
301		Ref	Muffler Options:	
301	3220097	1	Spark Arresting	
301	3220099	1	Purifier	
302	0340041	2	Clamp, Band	
303	0902216	1	Bracket	
304	0641508	4	Bolt 5/16in-18NC x 1in	
305	4711500	8	Flatwasher 5/16in Thin	
306	3311505	4	Locknut 5/16in-18NC	
307	1320019	1	Clamp, Exhaust	
		Ref	MUFFLER INSTALLATION S (SN 0300030043 through 0300068000)	
	0256687	Ref	Standard Equipment (Spark Arresting)	-
	0256688	Ref	Optional Equipment (Purifier)	-
351		Ref	Muffler Options:	
351	3220105	1	Spark Arresting	
351	3220107	1	Purifier	
352	0340046	2	Clamp, Band	
353	0902310	1	Bracket	
354	0641508	4	Bolt 5/16in-18NC x 1in	
355	4711500	8	Flatwasher 5/16in Thin	
356	3311505	4	Locknut 5/16in-18NC	
357	4567073	1	Tube, Exhaust	

SECTION 2 - TURNTABLE

FIGURE 2-9. GENERATOR INSTALLATION - CONTINENTAL ENGINE (OPTIONAL)



SECTION 2 - TURNTABLE

FIGURE 2-9. GENERATOR INSTALLATION - CONTINENTAL ENGINE (OPTIONAL)

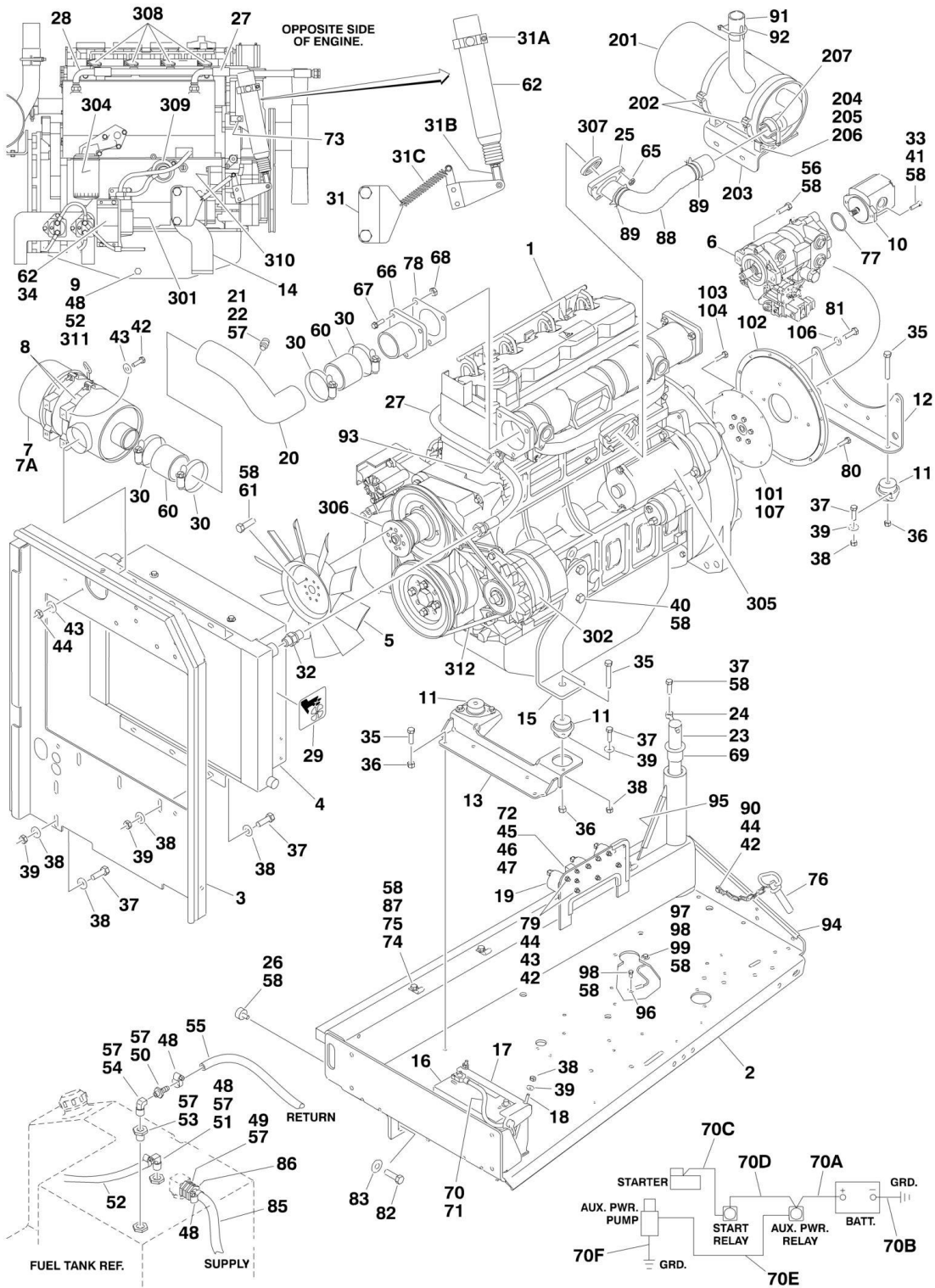
ITEM	PART NUMBER	QTY	DESCRIPTION	REV
		Ref	GENERATOR INSTALLATIONS	
		Ref	Note: Number Colored Wiring Starts SN 0300035129 through 0300068000.	
	0255395	Ref	110 Volt Generator (Prior to 0300035129)	4/C
	0257852	Ref	110 Volt Generator (SN 0300035129 through 0300068000)	1/A
	0256895	Ref	220 Volt Generator (Prior to 0300035129)	-/-
	0257855	Ref	220 Volt Generator (SN 0300035129 through 0300068000)	2/A
1	3580255	1	Pulley	
2		Ref	Generator and Control Box Assembly Options:	
2	2460011	1	Generator and Control Box Assembly 110V Generator	
2	2460013	NLA	Generator and Control Box Assembly 220V Generator (Use p/n 2460056)	
2A		Ref	Replacement Generator Options:	
2A	7012558	1	Replacement Generator 110V Replacement Generator	
2A	1001100321	1	Replacement Generator 220V Replacement Generator	
2A	7020193	1	Cable, Generator (Generator to Control Box)	
2A		Ref	Armature Options:	
2A	7026199	1	Armature 110V Generator	
2A	70000123	1	Armature 220V Generator	
2A	7020108	4	Brush	
2A	7020109	4	Holder, Brush	
2A	7012513	4	Cap, Brush Holder	
2A	7012514	1	Fan	
2A	7020110	1	Bell, Front	
2A	7020111	1	Bell Rear	
2A	7020190	2	Bearing	
2B		Ref	Control Box Options:	
2B	7003657	1	110V Control Box	
2B	70002235	1	220V Control Box with Toggle Switch	
2B	70000127	1	220V Control Box without Toggle Switch	
		Ref	Note: Replacement 110V control box comes with (2) standard receptacle p/n 4460190. Optional industrial twist lock receptacle p/n 4460027 must be ordered separately.	
2B		Ref	Breaker, Circuit Options:	
2B	4360542	1	Breaker 110V	
2B	70000126	1	Breaker 220V	
2B		Ref	Receptacle Options:	
2B	4460190	AR	Receptacle, Standard 110V	
2B	4460027	AR	Receptacle, Twistlock 110V	
2B	70000124	AR	Receptacle, Double 220V	
2B	70000125	AR	Receptacle, Single 220V	
2B	2920162	1	Lamp	
2B	7020191	1	Switch, Toggle	
2B	3520028	1	Plug, Hole	
2C		Ref	Voltmeter Options:	
2C	2420203	1	Voltmeter 110V (was p/n 7010699)	
2C	7020192	1	Voltmeter 220V	
2D	3580134	1	Pulley	
2D	7027887	1	Key, Woodruff	
3	4845181	1	Bracket, Generator Mounting	

SECTION 2 - TURNTABLE

ITEM	PART NUMBER	QTY	DESCRIPTION	REV
4	0200530	1	Arm, Adjusting	
5	0480050	1	V-Belt	
6	0701417	4	Bolt, Metric M14 x 45mm	
7	4751900	4	Flatwasher 9/16in	
8	0100011	AR	Compound, Locking	
9	0681612	3	Bolt 3/8in-16NC x 1-1/2in (Grade 8)	
10	4751600	5	Flatwasher 3/8in	
11	2860012	1	Key, Woodruff	
12	3539504	1	Plate, Mounting	
13	4360294	1	Breaker, Circuit 30Amp	
14	3740080	1	Relay, Bosch	
15	4460023	1	Connector, Strain Relief	
16	0641508	1	Bolt 5/16in-18NC x 1in	
17	4751500	1	Flatwasher 5/16in Regular	
19	3520028	1	Plug, Hole	
20	0721006	2	Bolt #10-24NC x 3/4in	
21	3311005	4	Locknut #10-24NC	
22	4751000	9	Flatwasher #10 Regular	
25	4360336	1	Switch, Toggle (Not Shown - Located at Platform)	
26	4740397	1	Bushing (Not Shown - Located at Platform)	
27	4060802	1	Guard, Switch (Not Shown - Located at Platform)	
29	2820031	4 in/10cm	Heat Shrink (Not Shown - Located at Platform)	
30	3251102	1	Decal - On/Off (Not Shown - Located at Platform)	
31	0721004	2	Bolt #10-24NC x 1/2in	
32	0701015	3	Capscrew 10mm x 35mm	

SECTION 2 - TURNTABLE

FIGURE 2-10. DEUTZ ENGINE INSTALLATION (Prior to SN 0300030041)



SECTION 2 - TURNTABLE

FIGURE 2-10. DEUTZ ENGINE INSTALLATION (Prior to SN 0300030041)

ITEM	PART NUMBER	QTY	DESCRIPTION	REV
	0255326	Ref	DEUTZ ENGINE INSTALLATION	11-J
1	2000132	1	Engine - Deutz F4M1011F Diesel	
		Ref	Note: SN 0300029082 & SN 0300029682 built with engine p/n 2000146.	
2	4844961	1	Tray Engine	
3	3538724	1	Plate, Radiator Mounting	
4	3620033	1	Cooler, Oil	
5	2060025	1	Fan	
6	3600164	1	Piston Pump Assembly (See PISTON PUMP ASSEMBLY for Breakdown)	
7	1340056	1	Air Cleaner Assembly	
7A	7012664	1	Element, Air Cleaner	
8	0340041	2	Band, Mounting	
9	4640751	1	Valve, Oil Drain	
10	3600242	1	Gear Pump Assembly (See GEAR PUMP ASSEMBLY for Breakdown)	
11	3200378	4	Mount, Rubber Engine	
12	3537420	1	Bracket, Engine Mounting - Rear	
13	3537691	1	Bracket, Engine Mounting - Front	
14	3537416	1	Support, Engine - Right	
15	3537417	1	Support, Engine - Left	
16	0400075	1	Battery	
17	0181727	1	Hold-Down, Battery	
18	0630498	2	Rod, Hold-Down	
19	3740067	2	Relay	
20	4845080	1	Tube, Air Intake	
21	4360392	1	Switch, Restrictor Indicator	
22	2180798	1	Fitting	
23	3422446	1	Pin, Pivot	
24	3841143	1	Keeper, Pin	
25	4844623	1	Tube, Exhaust	
26	0940070	1	Bumper, Rubber	
27	2720397	1	Hose, Oil Cooler - Left (36in)	
28	2720398	1	Hose, Oil Cooler - Right (30in)	
29		Ref	Nameplate - Fan Caution Options:	
29	3250914	2	Nameplate - Fan Caution (Prior to SN 0300027660)	
29	1703162	2	Nameplate - Fan Caution (SN 0300027660 through 0300030041)	
30	1320016	4	Clamp, Hose	
31	2901392	1	Throttle Mounting Kit	
31A	7008833	1	Bracket, Throttle	
31B	7008835	1	Coupling, Ball Joint	
31C		Ref	Spring Options:	
31C	7008836	1	Spring (Addco Version)	
31C	7027250	1	Spring (Deutz Version)	
31D	7023340	AR	Screw, Shoulder 3/8in x 3/8in (Not Shown)	
32	2220451	2	Fitting, Straight	
33	3931620	2	Bolt, Socket Head 3/8in-16NC x 1-1/4in	
34	0902243	1	Bracket, Control Module Mounting	
35	0641816	4	Bolt 1/2in-13NC x 2in	

SECTION 2 - TURNTABLE

ITEM	PART NUMBER	QTY	DESCRIPTION	REV
36	3311805	4	Locknut 1/2in-13NC	
37	0641610	21	Bolt 3/8in-16NC x 1-1/4in	
38	3311605	22	Locknut 3/8in-16NC	
39	4751600	44	Flatwasher 3/8in Regular	
40	0701414	4	Bolt M14 x 30mm	
41	4891600	2	Flatwasher 3/8in Hardened	
42	0641406	12	Bolt 1/4in-20NC x 3/4in	
43	4751400	20	Flatwasher 1/4in Regular	
44	3311405	13	Locknut 1/4in-20NC	
45	0721004	2	Bolt #10-24NC x 5/8in	
46	3311005	2	Locknut #10-24NC	
47	4751000	2	Flatwasher #10 Regular	
48	1320022	6	Clamp, Hose	
49	2220273	2	Fitting, Reducer	
50	2180536	1	Fitting, Straight	
51	2220313	1	Fitting,90	
52	2750532	6 ft/1.83m	Hose 3/8in	
53	2220250	1	Fitting, Reducer	
54	2220459	1	Fitting, 90	
55	2720271	15 ft/4.6m	Hose 3/16in	
56	0641812	4	Bolt 1/2in-13NC x 1-1/2in	
57	0100020	AR	Sealant, Thread	
58	0100011	AR	Compound, Locking	
60	2720351	6 in/15cm	Coupling, Rubber Intake	
61	0700810	4	Bolt M8 x 20mm	
62	0060033	NLA	Actuator Assembly (Use p/n 2910000) (See ELECTRICAL SECTION for Breakdown)	
65	3290801	3	Nut M8	
66	0080177	1	Air Intake Adapter Weldment	
67	0641510	3	Bolt 5/16in-18NC x 1-1/4in	
68	3311505	3	Locknut 5/16in-18NC	
69	0961986	2	Bushing, Flanged	
70	2901358	1	Battery Cable Kit	
70A	7016800	1	Cable, Battery (Red)	
70B	7016812	1	Cable, Battery (Black)	
70C	7016802	1	Cable (Red)	
70D	7016803	1	Cable (Red)	
70E	7016804	1	Cable (Red)	
70F	7016805	1	Cable (Black) (Prior to SN 0300025556)	
71	4460611	1	Terminal, Battery Jumper Post	
72	4360294	1	Breaker, Circuit - 30Amp	
73	1320222	1	J-Clip 3/8in	
74	1320223	3	J-Clip 1/2in	
75	0641606	3	Bolt 3/8in-16NC x 3/4in	
76	3422532	1	Pin, Hitch	
77	3790152	1	O-Ring	
78	3960407	1	Gasket	
79	4791400	4	Starwasher 1/4in	
80	0701012	4	Bolt M10 x 25mm	
81	0701015	4	Bolt M10 x 35mm	
82	0642010	1	Bolt 5/8in-11NC x 1-1/4in	
83	4752000	1	Flatwasher 5/8in Regular	

SECTION 2 - TURNTABLE

ITEM	PART NUMBER	QTY	DESCRIPTION	REV
84	1701505	1	Decal - Diesel (Not Shown - Located on Hood)	
85	2720058	16 ft/4.9m	Hose	
86	2220794	1	Fitting, Barbed	
87	4711600	3	Flatwasher 3/8in Thin	
88	4100025	19 in /49cm	Sleeve, Fiberglass	
89	4920385	2 ft/60cm	Wire	
90	4711400	1	Flatwasher 1/4in Thin	
91	4566986	1	Tube, Adapter	
92	1320019	1	Clamp, Exhaust	
93	1320060	1	Clamp, Hose	
94	4060805	7 in/18cm	Flex-Trim 1/4in (SN 0300025556 through 0300030041)	
95	4060804	16 in /40cm	Flex-Trim 3/16in (SN 0300025556 through 0300030041)	
96	1060637	1	Lanyard (SN 0300025556 through 0300030041)	
97	0641808	2	Bolt 1/2in-13NC x 1in (SN 0300025556 through 0300030041)	
98	3311801	1	Nut 1/2in-13NC (SN 0300025556 through 0300030041)	
99	4751800	1	Flatwasher 1/2in Regular (SN 0300025556 through 0300030041)	
	0256191	Ref	PUMP COUPLING INSTALLATION	-
101		Ref	Coupling, Hayes Options:	
101	1660184	1	Coupling, Hayes 13 Tooth Pump (Originally Equipped)	
101	1660234	1	Coupling, Hayes 15 Tooth Pump (Option for field replacement)	
102	0080163	1	Plate, Pump Adapter	
103	0700810	6	Bolt M8 x 20mm	
104	4831900	6	Lockwasher M8	
106	4832000	8	Lockwasher M10	
107	3020021	AR	Grease, Coupling	
		Ref	MUFFLER INSTALLATIONS	
	0255875	Ref	Standard Equipment	-
	0255876	Ref	Optional Purifier	-
201		Ref	Muffler Options:	
201	3220100	1	Standard Spark Arresting	
201	3220101	1	Optional Catalytic Purifier	
202	0340041	2	Band, Clamp	
203	0902217	1	Bracket	
204	0641508	4	Bolt 5/16in-18NC x 1in	
205	4711500	8	Flatwasher 5/16in Thin	
206	3311505	4	Locknut 5/16in-18NC	
207	1320019	1	Clamp, Exhaust	
	2000132	Ref	ENGINE COMPONENTS	
301		Ref	Fuel Filter/Water Separator options:	
301	7016328	1	Element, Filter (Thumbscrew Mounted)	
301	7020023	1	Element, Filter (Spin-On) (was p/n 7012598)	
302	7000663	1	Alternator (was p/n 7016329, 7020436 & 7020410)	
302	70002234	1	Bracket, Adjustable Mounting Strap	
303	7016330	1	Switch, Oil Pressure (Not Shown)	
304	7016331	1	Filter, Oil	
305	7016332	1	Starter	
306	70000787	1	Support, Fan	
307	7000699	1	Gasket, Exhaust (Doughnut) (Fits Between Pipe Flange and Manifold)	
308		Ref	Pump, Fuel Injector Options:	

SECTION 2 - TURNTABLE

ITEM	PART NUMBER	QTY	DESCRIPTION	REV
		Ref	Note: Customer must supply Engine Serial Number before ordering.	
308	7012599	4	Pump, Fuel Injector Option 1	
308	7020427	4	Pump, Fuel Injector Option 2	
309		Ref	Pump, Fuel Supply Lift Options:	
		Ref	Note: Customer must supply Engine Serial Number before ordering.	
309	7012698	1	Pump, Fuel Supply Lift Option 1	
309	7024413	1	Pump, Fuel Supply Lift Option 2 (was p/n 7020428)	
309	7020411	1	Gasket, Fuel Supply Lift Pump	
309	7016309	1	Washer, Copper	
309	7020419	1	Hose, Fuel Return (Not Shown)	
310	7019607	1	Solenoid, Fuel Shutdown	
311	7020404	1	Ring, Sealing - Oil Drain	
312	7020408	1	V-Belt	
313	7020418	1	Dipstick (Not Shown)	
314	7020431	1	Gasket, Head (Not Shown)	
315	See Note	NLA	Flywheel/Ring Gear Assembly (Not Shown) (Note: Not Available for Purchase)	
315	7020477	1	Ring Gear Only (Not Shown)	
316	7024565	1	Sensor, Speed (Not Shown)	
317	7027250	1	Spring, Actuator (Not Shown)	

SECTION 2 - TURNTABLE

FIGURE 2-11. DEUTZ ENGINE INSTALLATION - WITH NOISE REDUCTION (SN 0300030041 through 0300068000)

ITEM	PART NUMBER	QTY	DESCRIPTION	REV
		Ref	DEUTZ ENGINE INSTALLATIONS	
	0256753	Ref	Engine Assembly and Installation (Standard) (SN 0300030041 through 0300061926)	6-G
	0270763	Ref	Engine Assembly and Installation - ADE System (SN 0300061927 through 0300068000)	8-G
	0257702	Ref	Engine Assembly and Installation (UL)	8-D
1		Ref	Engine - Deutz F4M1011F Diesel Options:	
1	2000146	1	Engine - Deutz F4M1011F Diesel Standard Machines	
1	2000146	1	Engine - Deutz F4M1011F Diesel UL Machines	
1	2000173	1	Engine - Deutz F4M1011F Diesel ADE System (SN 0300030041 through 0300065607)	
1	2000189	1	Engine - Deutz F4M1011F Diesel ADE System (SN 0300065608 through 0300068000)	
2	4845404	1	Tray Engine	
3		Ref	Plate, Radiator Mounting Options:	
3	3539872	1	Plate, Radiator Mounting Standard/ADE System Machines	
3	3571421	1	Plate, Radiator Mounting UL Machines (SN 0300039457 through 0300068000)	
4	3620033	1	Cooler, Oil	
5	2060025	1	Fan	
6	3600260	1	Piston Pump Assembly (See PISTON PUMP ASSEMBLY for Breakdown)	
7		Ref	Air Cleaner Assembly Options:	
7	1340060	1	Air Cleaner Assembly Standard/ADE System Machines	
7A	7012664	1	Air Cleaner Assembly Element	
7A	1340050	1	Air Cleaner Assembly UL Machines (SN 0300039457 through 0300068000)	
7A	7010638	1	Air Cleaner Assembly Element	
8	0340041	2	Band, Mounting	
9	4640751	1	Valve, Oil Drain	
10	3600242	1	Gear Pump Assembly (See GEAR PUMP ASSEMBLY for Breakdown)	
11	3200378	2	Mount, Rubber Engine (Rear)	
12	3537420	1	Bracket, Engine Mounting - Rear	
13	3539971	1	Bracket, Engine Mounting - Front	
14	3537416	1	Support, Engine - Right	
15		Ref	Support, Engine - Left Options:	
15	3537417	1	Support, Engine - Left (SN 0300030041 through 0300064394)	
15	4846479	1	Support, Engine - Left (SN 0300064395 through 0300068274)	
15	4846566	1	Support, Engine - Left (SN 0300068275 through 0300068000)	
16	0400075	1	Battery	
17	0181727	1	Hold-Down, Battery	
18	0630498	2	Rod, Hold-Down	
19	3740067	2	Relay	
20		Ref	Tee, Air Intake Tube Options:	
20	4567112	1	Tee, Air Intake Tube (Standard) (Prior to SN 0300042668)	
20	4845080	1	Weldment, Air Intake Tube (UL Machines)	
21	4360392	1	Switch, Restrictor Indicator	
22	2180798	1	Fitting	
23	3422446	1	Pin, Pivot	

SECTION 2 - TURNTABLE

ITEM	PART NUMBER	QTY	DESCRIPTION	REV
24	3841143	1	Keeper, Pin	
25	3960389	5 ft/1.5m	Seal	
26	0940070	1	Bumper, Rubber	
27		Ref	Hose, Oil Cooler - Left Options:	
27	2720397	1	Hose 36in (SN 0300030041 through 0300034756)	
27	2720398	1	Hose 30in (SN 0300034757 through 0300068000)	
28	2720398	1	Hose, Oil Cooler - Right (30in)	
29	1703162	2	Nameplate - Fan Caution	
30	1320016	4	Clamp, Hose	
31	2901392	1	Throttle Mounting Kit (SN 0300030041 through 0300061926)	
31A	7008833	1	Bracket, Throttle (SN 0300030041 through 0300061926)	
31B	7008835	1	Coupling, Ball Joint (SN 0300030041 through 0300061926)	
31C		Ref	Spring Options: (SN 0300030041 through 0300061926)	
31C	7008836	1	Spring (Addco Version)	
31C	7027250	1	Spring (Deutz Version)	
31D	7023340	AR	Screw, Shoulder 3/8in x 3/8in (Not Shown) (SN 0300030041 through 0300061926)	
32	2220451	2	Fitting, Straight	
33	3931620	2	Capscrew, Socket Head 3/8in-16NC x 1-1/4in	
34		Ref	Bracket, Control Module Mounting Options:	
34	0902243	1	Bracket, Control Module Mounting (SN 0300030041 through 0300044123)	
34	0902511	1	Bracket, Control Module Mounting (SN 0300044124 through 0300061927)	
35	0641818	2	Bolt 1/2in-13NC x 2-1/4in	
36	3311805	4	Locknut 1/2in-13NC	
37	0641610	AR	Bolt 3/8in-16NC x 1-1/4in	
38	3311605	AR	Locknut 3/8in-16NC	
39	4751600	AR	Flatwasher 3/8in Regular	
40	0701414	AR	Bolt 1/4in-20NC x 3/4in	
41	4891600	2	Flatwasher 3/8in Hardened	
42	0641407	13	Bolt 1/4in-20NC x 7/8in	
43	4751400	20	Flatwasher 1/4in Regular	
44	3311405	13	Locknut 1/4in-20NC	
45	0721005	2	Bolt #10-24NC x 5/8in (SN 0300030041 through 0300061926)	
46	3321005	2	Locknut #10-24NC (SN 0300030041 through 0300061926)	
47	4751000	2	Flatwasher #10 Regular (SN 0300030041 through 0300061926)	
48	1320022	6	Clamp, Hose	
49	2220273	2	Fitting, Reducer	
50	2180536	1	Fitting, Straight	
51	2220313	1	Fitting, 90	
52	2750532	6 ft/1.83m	Hose 3/8in	
53	2220250	1	Fitting, Reducer	
54	2220459	1	Fitting, 90	
55	2720271	15 ft/4.6m	Hose 3/16in	
56	0641812	4	Bolt 1/2in-13NC x 1-1/2in	
57	0100020	AR	Sealant, Thread	
58	0100011	AR	Compound, Locking	
60		Ref	Coupling, Rubber Intake Options:	
60	2720351	6 in/15cm	Coupling, Rubber Intake (SN 0300030041 through 0300067978)	
60	2720449	2	Coupling, Rubber Intake (SN 0300067979 through	

SECTION 2 - TURNTABLE

ITEM	PART NUMBER	QTY	DESCRIPTION	REV
			0300068000)	
61	0700808	4	Bolt M8 x 16mm	
62	0060033	NLA	Actuator Assembly (Use p/n 2910000) (See ELECTRICAL SECTION for Breakdown) (SN 0300030041 through 0300061926)	
63	0641508	AR	Bolt 5/16in-18NC x 1-1/4in	
64	3900272	3	Screw 5/16in-18NC x 1-3/4in (SN 0300030041 through 0300061926)	
65	2720434	1	Elbow, Rubber	
66	4845395	1	Air Intake Adapter Weldment	
67	0641510	3	Bolt 5/16in-18NC x 1-1/4in	
68	3311505	7	Locknut 5/16in-18NC	
69	0961986	2	Bushing, Flanged	
70	2901358	1	Battery Cable Kit (Standard/ADE System Machines)	
70A	7016800	1	Cable, Battery (Red)	
70B	7016812	1	Cable, Battery (Black)	
70C	7016802	1	Cable (Red)	
70D	7016803	1	Cable (Red)	
70E	7016804	1	Cable (Red)	
70F	Not Required	0	Not Required	
70	2901540	1	Battery Cable Kit (UL Machines Only)	
70A	7016826	1	Cable, Battery (Red)	
70B	7016812	1	Cable, Battery (Black)	
70C	7016845	1	Cable (Red)	
70D	7016815	1	Cable (Red)	
70E	7016816	1	Cable (Red)	
70F	7016827	1	Cable (Red)	
71	4460611	1	Terminal, Battery Jumper Post	
72	4360294	1	Breaker, Circuit - 30Amp (SN 0300030041 through 0300061926)	
73	1320222	1	J-Clip 3/8in	
74	1320223	3	J-Clip 1/2in	
75	0641606	3	Bolt 3/8in-16NC x 3/4in	
76		Ref	Pin, Hitch Options:	
76	3422532	1	Pin, Hitch Standard/ADE System Machines	
76	3422533	1	Pin, Hitch UL Machines	
77	3790152	1	O-Ring	
78	3960407	1	Gasket	
79	4791400	4	Starwasher 1/4in	
80	0701012	4	Bolt M10 x 25mm	
81	0701015	4	Bolt M10 x 35mm	
82	0642010	1	Bolt 5/8in-11NC x 1-1/4in	
83	4752000	1	Flatwasher 5/8in Regular	
84	1701505	1	Decal - Diesel (Not Shown - Located on Hood)	
85	2720058	16 ft/4.9m	Hose	
86	2220794	1	Fitting, Barbed	
87	4711600	3	Flatwasher 3/8in Thin	
88	1320031	2	Clamp (SN 0300030041 through 0300042667)	
89	3200362	2	Mount, Rubber Engine (Front)	
90	4711400	1	Flatwasher 1/4in Thin	
91	3960468	1	Seal, Foam Gasket	
92	3960469	1	Seal, Foam Gasket	

SECTION 2 - TURNTABLE

ITEM	PART NUMBER	QTY	DESCRIPTION	REV
93	1320060	1	Clamp, Hose (SN 0300030041 through 0300034757)	
94	4060805	2.9 ft /0.88m	Flex-Trim 1/4in	
95	4060804	16 in /40cm	Flex-Trim 3/16in (SN 0300030041 through 0300067816)	
96	1060637	1	Lanyard	
97	0641808	2	Bolt 1/2in-13NC x 1in	
98	3311801	1	Nut 1/2in-13NC	
99	4751800	AR	Flatwasher 1/2in Regular	
100	3380429	1	Panel, Rubber	
101	3539957	2	Plate, Hold Down	
102	1320131	2	Clamp (SN 0300030041 through 0300042667)	
103		Ref	Tuning Tube Weldment Options:	
103	4845394	1	Tuning Tube Weldment (SN 0300030041 through 0300042667)	
103	4567815	1	Tuning Tube Weldment (SN 0300042668 through 0300068000)	
104	2720423	1	Hose (Prior to SN 0300042668)	
105	0641826	2	Bolt 1/2in-13NC x 3-1/4in	
106	4740274	4	Washer, Snubbing	
107	3570238	1	Plate, Switch Mounting (UL Machines Only)	
108	2180703	1	Fitting, 90 (UL Machines Only)	
109	2221023	1	Fitting, Union (UL Machines Only)	
110		Ref	Hose (UL Machines Only) Options:	
110	2720339	NLA	Hose (UL Machines Only) (Use p/n 2720058) (SN 0300030041 through 0300064779)	
110	2720058	1.66 ft /0.6m	Hose (UL Machines Only) (SN 0300064780 through 0300068000)	
111	2221028	1	Fitting, Union (UL Machines Only)	
112	4360256	1	Switch, Battery Disconnect (UL Machines Only)	
113	1703476	1	Decal, Battery Disconnect (UL Machines Only)	
114	4567576	1	Spacer, Tube (UL Machines Only)	
115	4567404	1	Tubing, Fuel (UL Machines Only)	
116	4567403	1	Tubing, Fuel (UL Machines Only)	
117	4567574	1	Tubing, Fuel (UL Machines Only)	
118	4567580	1	Tubing, Fuel (UL Machines Only)	
119	4567581	1	Tubing, Fuel (UL Machines Only)	
120	4567573	1	Tubing, Fuel (UL Machines Only)	
121	1320245	5	Clamp (UL Machines Only)	
122	1320244	5	Clamp (UL Machines Only)	
123	3931408	5	Bolt 1/4in-20NC x 1/2in (UL Machines Only)	
124	0902417	1	Bracket, Alternator (UL Machines Only)	
125	0160020	1	Alternator (UL) 72Amp (UL Machines Only)	
126	3580259	1	Pulley, Alternator (UL Machines Only)	
127	4751500	1	Flatwasher 5/16in Regular (UL Machines Only)	
128	3100076	1	Manifold, Exhaust (UL Machines Only)	
129	4567428	1	Tube, Exhaust (UL Machines Only)	
130	0700812	3	Bolt M8 x 25mm (UL Machines Only)	
131	4831900	3	Lockwasher M8 (UL Machines Only)	
132	4711900	6	Flatwasher 9/16in Thin	
		Ref	MUFFLER INSTALLATIONS	
	0256689	Ref	Standard Equipment (Spark Arresting)	-
	0256690	Ref	Optional Equipment (Catalytic)	-

SECTION 2 - TURNTABLE

ITEM	PART NUMBER	QTY	DESCRIPTION	REV
201		Ref	Muffler Options:	
201	3220103	1	Spark Arresting	
201	3220104	1	Catalytic	
201		Ref	Muffler Components:	
201		Ref	Clamp Options:	
201	1320176	1	Saddle Clamp Used on Spark Arresting	
201	70001017	1	Band Clamp Used on Catalytic	
201	7024398	1	Tube, Exhaust	
201	7024560	1	Plug, Brass	
	0258568	Ref	MUFFLER INSTALLATION - UL	2
251	3220113	1	Muffler, Spark Arrestor	
252	3570754	1	Plate, Muffler Mount	
253	4845799	1	Weldment, Exhaust Tube	
254	3900232	5	Bolt, Button Head 3/8in-16NC x 1-1/4in	
255	4751600	5	Flatwasher 3/8in Regular	
256	3311601	5	Nut 3/8in-16NC	
257	0100011	AR	Compound, Locking	
258	0902472	1	Bracket	
259	4567429	1	Tube, Exhaust	
260	4567430	1	Tube, Exhaust	
261	4567431	1	Tube, Exhaust	
262	3220111	1	Spark Arrestor	
263	0340046	2	Band, Muffler	
264	0641507	4	Bolt 5/16in-18NC x 7/8in	
265	4711500	8	Flatwasher 5/16in Thin	
266	3311505	4	Locknut 5/16in-18NC	
267	4100025	3.5 ft /1.06m	Sleeve	
	2000146	Ref	ENGINE COMPONENTS (UL AND NON-ADE MACHINES)	
351		Ref	Fuel Filter/Water Separator options:	
351	7016328	1	Element, Filter (Thumbscrew Mounted) (was p/n 7016639)	
351	7020023	1	Element, Filter (Spin-On) (was p/n 7012598)	
352	7000663	1	Alternator (was p/n 7016329, 7020436 & 7020410)	
353	7016330	1	Switch, Oil Pressure (Not Shown)	
353	7020025	1	Switch, Oil Temperature (Not Shown)	
354	7016331	1	Filter, Oil (was p/n 7016641)	
354	See Note	1	Head, Oil Filter (Note: Not Available for Purchase)	
354	70002813	1	Seal, Oil Filter Head to Engine Block	
355	7016332	1	Starter	
356	7016640	1	Dipstick Kit - Engine Oil (Not Shown)	
356	70001002	1	Tube, Dipstick (Not Shown)	
357	7020025	1	Switch, Engine Temperature (Not Shown)	
358	7020414	1	V-Belt	
359	7019607	1	Throttle Shutdown (was p/n 7016359)	
360		Ref	Pump, Fuel Injector Options:	
		Ref	Note: Customer must supply Engine Serial Number before ordering.	
360	7012599	4	Pump, Fuel Injector Option 1	
360	7020022	4	Pump, Fuel Injector Option 2	
360	7020427	4	Pump, Fuel Injector Option 3	
360	7026522	4	Injector, Fuel (Includes Nozzle Element) (Not Shown)	
360	7020425	4	Nozzle (Not Shown)	

SECTION 2 - TURNTABLE

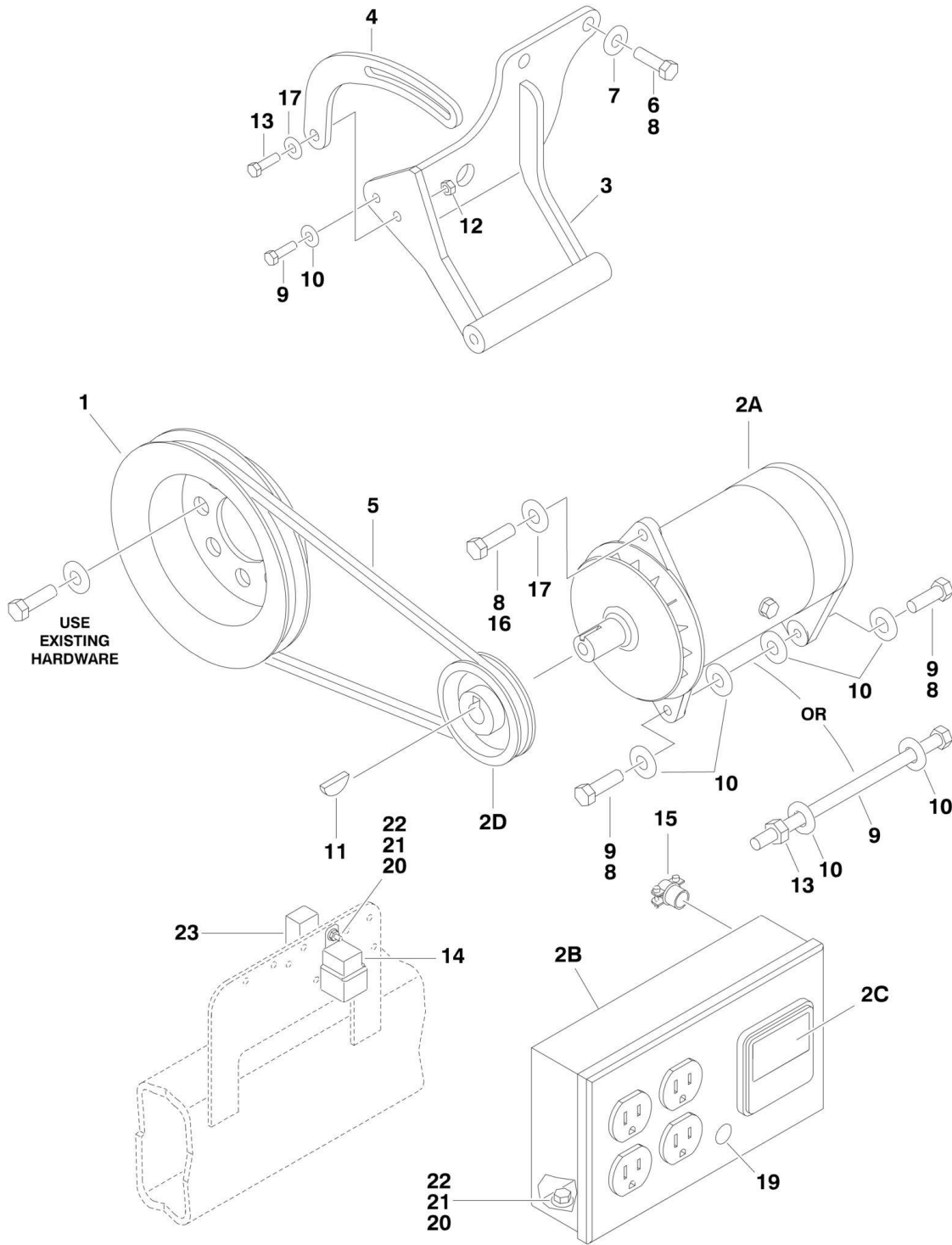
ITEM	PART NUMBER	QTY	DESCRIPTION	REV
361	7020463	1	Fuel, Pump Supply	
361	7020411	1	Gasket, Lift Pump	
361	7020419	1	Hose, Fuel Return	
362	7020431	1	Gasket, Valve Cover (Not Shown)	
363	7020027	1	Flywheel/Ring Gear Assembly (Not Shown)	
363	7020477	1	Ring Gear Only (Not Shown)	
364	7020404	1	Ring, Sealing - Oil Drain	
365		Ref	Gasket, Cylinder Head Options (Not Shown):	
365	70001681	1	Gasket, Cylinder Head 1 Notch	
365	70002411	1	Gasket, Cylinder Head 2 Notches	
365	70002530	1	Gasket, Cylinder Head 3 Notches	
366	7000699	1	Gasket, Exhaust (Doughnut) (Fits Between Pipe Flange and Manifold - Not Shown)	
367	7020404	1	Washer, Oil Drain Plug (Not Shown)	
368	7027250	1	Spring, Actuator (Not Shown)	
369	7020471	4	Gasket, Exhaust Manifold to Engine Block (Not Shown)	
370	7020465	1	Cap, Oil Fill (Not Shown)	
		Ref	ENGINE COMPONENTS (ADE MACHINES)	
	2000173	Ref	Engine Components (SN 0300061927 through 0300065607)	
	2000189	Ref	Engine Components (SN 0300065608 through 0300068000)	
451	7016328	1	Filter, Fuel	
451	70001423	1	Bracket, Fuel Filter	
452	7000663	1	Alternator (Non-UL) (was p/n 7020410)	
452	7020464	1	Regulator, Voltage	
452	70003556	1	Pulley, Alternator (Non-UL Machines)	
452	70002234	1	Bracket, Adjustable	
453	7020461	1	Switch, Oil Pressure (Not Shown)	
454	7016331	1	Filter, Oil	
455		Ref	Starter Options:	
455	7016332	1	Starter 2000173 Engine (SN 0300061927 through 0300065607)	
455	7020479	1	Starter 2000189 Engine (SN 0300065508 through 0300068000)	
455	7026608	1	Relay, Starter	
455	7026608	1	Relay, Starter 2000189 Engine (SN 0300065508 through 0300068000)	
455	70001498	1	Shield, Starter	
456		Ref	Dipstick Oil Level Options (Not Shown):	
456	7020418	1	Dipstick Oil Level 2000173 Engine (SN 0300061927 through 0300065607)	
456	7026631	1	Dipstick Oil Level 2000189 Engine (SN 0300065508 through 0300068000)	
456		Ref	Tube, Dipstick Options (Not Shown):	
456	See Note	1	Tube, Dipstick 2000173 Engine (Note: Not Available for Purchase) (SN 0300061927 through 0300065607)	
456	70001002	1	Tube, Dipstick 2000189 Engine (SN 0300065508 through 0300068000)	
456	7020487	1	O-Ring, Dipstick Options (Not Shown):	
457	7020168	1	Switch, Engine Temperature (Not Shown)	
457	7020480	1	Ring Seal, Engine Temperature Switch (Not Shown)	
458	7020408	1	V-Belt	
459	7020458	1	Actuator, Throttle	
459	7027276	1	Spring, Actuator (was p/n 7026607)	

SECTION 2 - TURNTABLE

ITEM	PART NUMBER	QTY	DESCRIPTION	REV
460	7024318	4	Fuel, Injection Pump (was p/n 7020462)	
460	7026522	4	Injector, Fuel (Includes Nozzle Element) (Not Shown)	
461	7020463	1	Fuel, Pump Supply (was p/n 7024413)	
461	7020411	1	Gasket, Lift Pump	
462	7020449	4	Gasket, Intake Manifold (Not Shown)	
463	7020471	4	Gasket, Exhaust Manifold to Engine Block (Not Shown)	
463	70002200	AR	Stud	
464	70001423	1	Head, Fuel Filter	
465		Ref	Flywheel/Ring Gear Assembly Options (Not Shown):	
465	7020027	1	Flywheel/Ring Gear Assembly 2000173 Engine (SN 0300061927 through 0300065607)	
465	See Note	1	Flywheel/Ring Gear Assembly 2000189 Engine (Note: Not Available for Purchase) (SN 0300065508 through 0300068000)	
465		Ref	Ring Gear Only Options (Not Shown):	
465	See Note	1	Ring Gear 2000173 Engine (Note: Not Available for Purchase) (SN 0300061927 through 0300065607)	
465	7024579	1	Ring Gear 2000189 Engine (SN 0300065508 through 0300068000)	
466	7020431	1	Gasket, Valve Cover (Not Shown)	
467	7020459	1	Thermostat (Not Shown)	
468	7020460	AR	Spring, Compression (Not Shown)	
469	7020465	2	Cap, Filler (Not Shown)	
470	7024565	1	Sensor, Speed (was p/n 7020481) (Not Shown)	
471		Ref	Connector, Plug-in Options (Plug into Various Sensors - Oil, Temperature and Pressure - Not Shown):	
471	See Note	1	Connector, Plug-in 2000173 Engine (Note: Not Available for Purchase) (SN 0300061927 through 0300065607)	
471	7020488	1	Connector, Plug-in 2000189 Engine (SN 0300065508 through 0300068000)	
472	7020474	1	Pump, Oil Lube (Not Shown)	
472	7020468	1	Ring Seal Oil Pump Options (Not Shown):	
473		Ref	Gasket, Head Options (Not Shown):	
473	70001681	1	Gasket, Head 1 Notch Gasket	
473	70002411	1	Gasket, Head 2 Notch Gasket	
473	70002530	1	Gasket, Head 3 Notches	
	0256847	Ref	PUMP COUPLING INSTALLATION	
501	1660234	1	Coupling, Hayes	
502	0080163	1	Plate, Pump Adapter	
503	0700810	6	Bolt 8mm x 20mm	
504	4831900	6	Lockwasher 8mm	
506	4832000	8	Lockwasher 10mm	
507	3020021	AR	Grease, Coupling	

SECTION 2 - TURNTABLE

FIGURE 2-12. GENERATOR INSTALLATION - DEUTZ MACHINES (OPTIONAL)



SECTION 2 - TURNTABLE

FIGURE 2-12. GENERATOR INSTALLATION - DEUTZ MACHINES (OPTIONAL)

ITEM	PART NUMBER	QTY	DESCRIPTION	REV
		Ref	GENERATOR INSTALLATION OPTIONS:	
		Ref	Generator Installation (Prior to SN 0300035129)	
	0255396	Ref	110V Generator	3
	0257160	Ref	220V Generator	2
		Ref	Generator Installation (SN 0300035129 through 0300061926)	
	0257853	Ref	110V Generator	3
	0257857	Ref	220V Generator	4
		Ref	Generator Installation (SN 0300061927 through 0300063908)	
	0270801	Ref	110V Generator - ADE System	1
	0270810	Ref	220V Generator - ADE System	1
		Ref	Generator Installation (SN 0300063909 through 0300068042)	
	0271544	Ref	110V Generator - ADE System	3
	0271547	Ref	220V Generator - ADE System	4
		Ref	Generator Installation (SN 0300068043 through 0300068000)	
	0272480	Ref	110V Generator - ADE System	1
	0272481	Ref	220V Generator - ADE System	1
		Ref	Note: Refer to SPECIAL OPTIONS SECTION for Generator 7500W 60Hz Installation	
1	3580158	1	Pulley	
2		Ref	Generator and Control Box Assembly Options:	
2	2460011	1	Generator and Control Box Assembly 110Volt Assembly (Prior to SN 0300064963)	I
2	2460032	1	Generator and Control Box Assembly 110Volt Assembly (SN 0300064963 through 0300068000)	C
2	2460013	1	Generator and Control Box Assembly 220Volt Assembly (Prior to SN 0300064963)	B
2	2460034	1	Generator and Control Box Assembly 220Volt Assembly (SN 0300064963 through 0300066745)	B
2	2460013	1	Generator and Control Box Assembly 220Volt Assembly (SN 0300066746 through 0300068000)	B
2A		Ref	Replacement Generator Options:	
2A	7012558	1	110V Replacement Generator	
2A	1001100321	1	220V Replacement Generator	
2A	7020193	1	Cable, Generator (Generator to Control Box)	
2A		Ref	Armature Options:	
2A	7026199	1	Armature 110V Generator	
2A	70000123	1	Armature 220V Generator	
2A	7020108	4	Brush	
2A	7020109	4	Holder, Brush	
2A	7012513	4	Cap, Brush Holder	
2A	7012514	1	Fan	
2A	7020110	1	Bell, Front	
2A	7020111	1	Bell Rear	
2A	7020190	2	Bearing	
2B		Ref	Control Box Options:	
2B	7003657	1	110V Control Box	
2B	70002235	1	220V Control Box	
		Ref	Note: Replacement 110V control box comes with (2) standard receptacle p/n 4460190. Optional industrial twist lock receptacle p/n 4460027 must be ordered separately.	
2B		Ref	Breaker, Circuit Options:	

SECTION 2 - TURNTABLE

ITEM	PART NUMBER	QTY	DESCRIPTION	REV
2B	4360542	1	Breaker 110V	
2B	70000126	1	Breaker 220V	
2B		Ref	Receptacle Options:	
2B	4460190	AR	Receptacle, Standard 110V	
2B	4460027	AR	Receptacle, Twistlock 110V	
2B	70000124	AR	Receptacle, Double 220V	
2B	70000125	AR	Receptacle, Single 220V	
2B	2920162	1	Lamp	
2B	7020191	1	Switch, Toggle	
2B	3520028	1	Plug, Hole	
2C		Ref	Voltmeter Options:	
2C	2420203	1	Voltmeter 110V (was p/n 7010699)	
2C	7020192	1	Voltmeter 220V	
2D		Ref	Pulley Options:	
2D	3580134	1	Pulley (Prior to SN 0300064963)	
2D	3580276	1	Pulley (SN 0300064963 through 0300068000)	
2D	7027887	1	Key, Woodruff	
3		Ref	Bracket, Generator Mounting Options:	
3	4845184	1	Bracket, Generator Mounting (Prior to SN 0300034200)	
3	4845531	1	Bracket, Generator Mounting (SN 0300034200 through 0300064395)	
4		Ref	Arm, Adjusting Options:	
4	0200530	1	Arm, Adjusting (Prior to SN 0300064395)	
4	0200741	1	Arm, Adjusting (SN 0300064395 through 0300068042)	
4	0200742	1	Arm, Adjusting (SN 0300068043 through 0300068000)	
5		Ref	V-Belt Options:	
5	0480050	1	V-Belt (Prior to SN 0300064395)	
5	0480119	1	V-Belt (SN 0300064395 through 0300064962)	
5	0480111	1	V-Belt (SN 0300064963 through 0300066745)	
5	0480119	1	V-Belt (SN 0300066746 through 0300068042)	
5	0480111	1	V-Belt (SN 0300068043 through 0300068000)	
6	0711414	2	Bolt 14mm x 30mm (Prior to SN 0300064395)	
7		Ref	Hardware Options:	
7	4751900	2	Flatwasher 9/16in Regular (Prior to SN 0300064395)	
7	0641610	1	Bolt 3/8in-16NC x 1-1/4in (SN 0300064395 through 0300068000)	
8	0100011	AR	Compound, Locking	
9		Ref	Bolt Options:	
9	0681612	3	Bolt 3/8in-16NC x 1-1/2in (Prior to SN 0300064395)	
9	0641772	1	Bolt 7/16in-14NC x 9in (SN 0300064395 through 0300068000)	
10	4751600	6	Flatwasher 3/8in Regular	
11	2860012	1	Key, Woodruff	
12	3311605	1	Locknut 3/8in-16NC	
13		Ref	Hardware Options:	
13	0700819	1	Bolt 8mm x 55mm (Prior to SN 0300064395)	
13	3311705	1	Locknut 7/16in-14NC (SN 0300064395 through 0300068000)	
14	3740080	1	Relay	
15	4460023	1	Connector, Strain Relief	
16	0641508	1	Bolt 5/16in-18NC x 1in	
17	4751500	AR	Flatwasher 5/16in Regular	
19	3520028	1	Plug, Hole	

SECTION 2 - TURNTABLE

ITEM	PART NUMBER	QTY	DESCRIPTION	REV
20	0721006	4	Bolt #10-24NC x 3/4in	
21	3311005	4	Locknut #10-24NC	
22	4751000	9	Flatwasher #10	
23	4360294	1	Breaker, Circuit - 30Amp	
25	4360336	1	Switch, Toggle (Not Shown - Located at Platform)	
26	4740397	1	Bushing (Not Shown - Located at Platform)	
27	4060802	1	Guard, Switch (Not Shown - Located at Platform)	
29	2820031	4 in/10cm	Heat Shrink (Not Shown - Located at Platform)	
30	3251102	1	Decal (Not Shown - Located at Platform)	

SECTION 2 - TURNTABLE

FIGURE 2-13. 7500W SKYPOWER GENERATOR INSTALLATION - DEUTZ MACHINES (ANSI AND CSA SPECS)

ITEM	PART NUMBER	QTY	DESCRIPTION	REV
	0272255	Ref	7500W SKYPOWER GENERATOR INSTALLATION	L
		Ref	Note: See ELECTRICAL SECTION for Boom Cable Components.	
1	0100011	AR	Compound, Locking	
2		Ref	Electrical Diagram (Not Shown) (See Items 301-304 For Breakdown):	
3	3252764	1	Nameplate	
4	3910606	8	Screw #6 x 3/8	
5	0641516	3	Bolt 5/16 x 2	
6	4751500	1	Flatwasher 5/16in	
7		Ref	Nut Options:	
7	3311505	3	Locknut 5/16	
7	3311508	3	Nut 5/16	
8	4460958	1	Receptacle, Female Twist-Lock	
9	4360336	1	Switch, Toggle	
10	4060802	1	Guard, Switch	
11	3960422	2	Gasket	
12		Ref	Cover, Receptacle Options:	
12	4060700	1	Cover, Side Hinged	
12	1001110873	1	Cover, Top Hinged	
13		Ref	Cover, Receptacle Options:	
13	4061043	1	Cover, Side Hinged	
13	1001110872	1	Cover, Top Hinged	
14	4460346	1	Receptacle	
15	0861542	1	Junction Box Assembly (See Items 101-127 for Breakdown)	
17	0641508	4	Bolt 5/16 x 1	
18	0860038	2	Box, Switch	
19	2460048	1	Generator Assembly	
19	70001100	1	Rotor (Includes p/n 70001384 & 70000863) (Not Shown)	
19	70001384	1	Bearing, Ball Radial (Not Shown)	
19	70000863	1	Fan (Not Shown)	
19	70002088	1	Stator (Not Shown)	
19	70002297	1	Stud	
19	7024484	1	Brushholder Assembly with Brushes (Not Shown) (Use p/n 70003631)	
19A	7024561	1	Key (Use p/n 70004171)	
19B	70001966	1	Bearing, Ball Radial (Located in Belt Tensioner Endbell)	
19B	70003708	1	Ring, Internal Retaining (Located in Belt Tensioner Endbell)	
19B	70003709	1	Ring, External Retaining (Located in Belt Tensioner Endbell)	
19C	70001953	1	Endbell, Belt Tensioner	
19D	70001385	1	Endbell, Brush Block (Use p/n 70004169)	
19E	70002290	1	Shroud (Use p/n 70004169)	
19E	7027799	1	Block, Connector 6 Position (Not Shown)	
19E	70002460	6	Nut, Brass (Attaches p/n 7027799 to Cover) (Not Shown)	
19E	7024485	1	Breaker, Circuit 30Amp (Not Shown)	
19E	7024486	1	Boot, Breaker (Use p/n 70001696) (Not Shown)	
19E	7026597	1	Connector, W/Leads (Not Shown)	
19E	7026188	1	Clamp, Cable (Not Shown)	
19E	70002255	1	Plate, End Panel (Use p/n 70001974)	

SECTION 2 - TURNTABLE

ITEM	PART NUMBER	QTY	DESCRIPTION	REV
19E	70001974	1	Decal - Terminal Connections	
19F	70001973	1	Decal - Warning Moving Parts	
20	0641808	AR	Bolt 1/2 x 1	
22	0902888	1	Bracket, Box Mounting	
23	4711800	AR	Flatwasher 1/2in Narrow	
24	4711400	AR	Flatwasher 1/4in Narrow	
25	0641404	AR	Bolt 1/4 x 1/2	
26	4061049	1	Shield	
27	4751400	2	Flatwasher 1/4in Wide	
28	1320318	AR	Clamp	
29	4240018	AR	Tie-Strap (Not Shown)	
30	4791400	2	Starwasher 1/4in	
32	3740080	2	Relay	
33	0100019	AR	Compound, Locking	
34	4460051	1	Connector, Strain Relief	
35	4460071	1	Connector, Strain Relief	
36	0480129	1	Belt, Drive	
37	4032015	4	Bolt, Metric M10 x 55mm	
38	4300157	1	Stud	
39	3311801	1	Nut 1/2	
40	0100062	1	Loctite #RC680	
41	2820031	1	Insulator	
42	0962520	1	Bushing, Split Taper	
43	0641618	1	Bolt 3/8 x 2-1/4	
44	70001975	1	Tensioner, Belt (Use p/n 3580317)	
45	3580318	1	Pulley	
46	3580320	1	Pulley	
47	4711600	1	Flatwasher 3/8in Narrow	
48	4922925	1	Harness, Generator	
49	7024487	1	Control Box Assembly (Use p/n 0861538)	
49	7024488	1	Card, Circuit - Generator Power	
49	See Note	1	Fuse (Note: Not Available - Purchase Locally)	
49	7024489	1	Card, Circuit - Control	
49	70000619	1	Harness, Circuit Card	
50	0771415	1	Bolt M14 x 35mm	
51	4460315	4	Terminal	
52	0100020	AR	Pipe Sealant	
	0861542	Ref	JUNCTION BOX ASSEMBLY	C
101	0861541	1	Box, Junction	
102	1060494	2 ft/ 0.6m	Cable, ELECTRICAL 12/3	
103	1060708	2.5 ft/ 0.76m	Cable, Electrical 10/3	
104	1705376	1	Decal - Wiring Schematic	
105	3300396	1	Cover, Fuse	
106	3310601	2	Nut #6	
107	1060343	1.5 ft/ 0.46m	Cable, Electrical 10/4	
109	3910610	2	Bolt #6 x 5/8	
110	4360070	1	Circuit Breaker - 15 Amp	
116	4460425	2	Strain Relief, Terminal	
117	4460426	2	Connector, Strain Relief	
121	4750600	4	Flatwasher, #6 Wide	

SECTION 2 - TURNTABLE

ITEM	PART NUMBER	QTY	DESCRIPTION	REV
122	4760600	2	Lockwasher #6	
125	1671092	1	Cover	
126	4460963	1	Connector	
128		Ref	Terminal Block Assembly Options (See Items 401-410 For Breakdown):	
128	NPN	1	Gray Terminal Block Assembly	
128	1001121340	1	Tan Terminal Block Assembly	
	0272435	Ref	DECAL INSTALLATION	A
201	1705460	2	Decal - SkyPower	
202	1705374	1	Decal - 240V - 60Hz	
203	1705375	1	Decal - 240V - 3 Phase	
204	1705387	3	Decal, Hazardous Voltage	
	4933264	Ref	ELECTRICAL DIAGRAM COMPONENTS	C
301	4922757	1	Generator Harness	3-C
301A	4460374	2	Plug, Sealed Relay	
301A	4460375	1	Terminal	
301B	4460967	1	Plug, Male - 3 Position	
301B	4460465	3	Socket, Female	
301C	2400060	1	Fuseholder (Not Shown)	
301C	2400064	1	Fuse - 5 Amp (Not Shown)	
304	4922641	1	Switch Harness	
		Ref	TERMINAL BLOCK ASSEMBLY	
	NPN	Ref	Gray Terminal Block Assembly (Complete Assembly Not Available - Purchase Individual Components)	
	1001121340	Ref	Tan Terminal Block Assembly	A
401		Ref	Marker Strip #1 Options:	
401	4460411	2	Gray Terminal Block Assembly	
401	70002818	2	Tan Terminal Block Assembly	
402		Ref	Marker Strip #2 Options:	
402	4460412	4	Gray Terminal Block Assembly	
402	70002819	4	Tan Terminal Block Assembly	
403		Ref	Marker Strip #3 Options:	
403	4460413	2	Gray Terminal Block Assembly	
403	70002820	1	Tan Terminal Block Assembly	
404		Ref	Marker Strip #4 Options:	
404	4460414	2	Gray Terminal Block Assembly	
404	70002821	2	Tan Terminal Block Assembly	
405		Ref	Marker Strip #5 Options:	
405	4460415	4	Gray Terminal Block Assembly	
405	70002822	4	Tan Terminal Block Assembly	
406		Ref	Terminal, End Barrier Options:	
406	4460956	1	Gray Terminal Block Assembly	
406	70002823	1	Tan Terminal Block Assembly	
407		Ref	Terminal, End Stop Options:	
407	4460607	2	Gray Terminal Block Assembly	
407	70002824	2	Tan Terminal Block Assembly	
408		Ref	Terminal, Block Options:	
408	4460957	7	Gray Terminal Block Assembly	
408	70002825	7	Tan Terminal Block Assembly	
409		Ref	Terminal, Cross Connector Jumper Options:	
409	4461001	2	Gray Terminal Block Assembly	
409	70002826	2	Tan Terminal Block Assembly	

SECTION 2 - TURNTABLE

ITEM	PART NUMBER	QTY	DESCRIPTION	REV
410	3640986	1	Rail, Relay	

SECTION 2 - TURNTABLE

FIGURE 2-14. FORD ENGINE INSTALLATIONS - LRG423 (Prior to SN 0300037116)

ITEM	PART NUMBER	QTY	DESCRIPTION	REV
		Ref	ENGINE ASSEMBLIES	
	0255628	Ref	Standard Gas Machines Built (Prior to SN 0300029318)	8
	0256809	Ref	Standard Gas Machines Built (SN 0300029318 through 0300037116)	3
	0255629	Ref	Dual Fuel Machines Built (Prior to SN 0300029318)	8
	0256810	Ref	Dual Fuel Machines Built (SN 0300029318 through 0300037116)	3
1		Ref	Engine - Ford LRG-423 Options:	
1	2000126	1	Engine - Ford LRG-423 (Prior to SN 0300029318)	
1	2000149	1	Engine - Ford LRG-423 (SN 0300029318 through 0300037116)	
2		Ref	Piston Pump Assembly Options (See PISTON PUMP ASSEMBLY for Breakdown):	
2	3600164	NLA	Piston Pump Assembly (Use p/n 3600260) (Prior to SN 0300029318)	
2	3600260	1	Piston Pump Assembly (SN 0300029318 through 0300068000)	
3	3600242	1	Gear Pump Assembly (See GEAR PUMP ASSEMBLY for Breakdown)	
4		Ref	Mount, Engine - Front Options:	
4A	3200377	1	Mount, Engine - Front (Prior to SN 0300029318)	
4B	3539972	1	Mount, Engine - Front (SN 0300029318 through 0300037116)	
5	4566605	1	Tube, Spacer	
6	2500005	1	Actuator, Precision Governor	
7	0902088	1	Bracket, Precision Governor	
8	3841255	1	Rod, Throttle	
9	1660157	2	Coupling, Ball joint	
10	0902087	1	Bracket, Fuel Pump Mounting (Prior to SN 0300029083)	
11	4360037	1	Switch, Oil Pressure	
12	2220273	1	Fitting, Reducer	
13	4300056	1	Stud, Carburetor	
14		Ref	Valve, Oil Drain Options:	
14	4640750	1	Valve, Oil Drain 14mm (Prior to SN 0300027347)	
14	4640989	1	Valve, Oil Drain 12mm (SN 0300027347 through 0300037116)	
15	2750532	6 in/21cm	Hose	
16	1320022	3	Clamp	
17	2720058	18 in /46cm	Hose, Fuel Line - 5/16in I.D. (Prior to SN 0300029083)	
18	2180536	1	Fitting, Barbed	
19	0701022	2	Bolt 10mm-1.5 x 70mm	
20	0701014	2	Bolt 10mm-1.5 x 30mm	
21	0700810	3	Bolt 8mm-1.25 x 20mm	
22	0641810	2	Bolt 1/2in-13NC x 1-1/4in	
23	3931620	2	Capscrew, Socket Head 3/8in-16NC x 1-1/4in	
24	0641408	4	Bolt 1/4in-20NC x 1in	
25	3311405	5	Locknut 1/4in-20NC	
26	0641404	2	Bolt 1/4in-20NC x 1/2in (Prior to SN 0300029083)	
27	3321401	2	Nut 1/4in-28NF	
28	0100011	AR	Compound, Locking	
29	0100020	AR	Sealant, Pipe	
30	2220315	1	Fitting, Barbed (Prior to SN 0300029083)	

SECTION 2 - TURNTABLE

ITEM	PART NUMBER	QTY	DESCRIPTION	REV
31	4791400	2	Starwasher, 1/4in External (Prior to SN 0300029083)	
32	4360065	1	Switch, Oil Pressure	
33	4564281	1	Tube, Dipstick	
34	2420109	1	Dipstick	
35	2220994	1	Fitting, Cross	
36	4791600	2	Starwasher, 3/8in External (Prior to SN 0300029083)	
37	0701015	1	Bolt M10 x 35mm (Prior to SN 0300029083)	
38	2220437	1	Fitting, Reducer	
39	4360405	1	Switch, Oil Pressure	
40	3790152	1	O-Ring	
41	4891600	2	Flatwasher 3/8in Hardened	
42	4360157	1	Switch, Water Temperature	
43	2220250	1	Fitting, Reducer	
44	1320223	2	Clamp, J-Clip 1/2in (Not Shown) (SN 0300029318 through 0300037116)	
45	1320222	1	Clamp, J-Clip 3/8in (Not Shown) (SN 0300029318 through 0300037116)	
46	4360455	1	Switch, Temperature 150	
		Ref	ENGINE INSTALLATIONS	
	0255325	Ref	Standard Gas Machines Built (Prior to SN 0300029318)	8
	0256752	Ref	Standard Gas Machines Built (SN 0300029318 through 0300037116)	3
	0255328	Ref	Dual Fuel Machines Built (Prior to SN 0300029318)	8
	0256755	Ref	Dual Fuel Machines Built (SN 0300029318 through 0300037116)	3
102	3538724	1	Mount, Radiator	
103	0400075	1	Battery	
104	0181727	1	Tie-Down	
105	0630498	2	Bolt, Tie-Down	
106	3620032	1	Radiator	
107	3538873	1	Bracket, Controller	
108	0080091	1	Choke Adapter	
109	3740067	1	Relay, Auxiliary Power Relay	
110	3740080	2	Relay, Bosch Relay	
111	0080214	1	Adapter, Fan Spacer	
112	2060025	1	Fan, Suction	
113	1580011	1	Container, Coolant Overflow Container	
114	2720058	1	Hose, Radiator Overflow	
115	4845035	1	Tube, Air Cleaner	
116	3200362	4	Mount, Rubber	
117	1600211	1	Controller, Governor	
118		Ref	Hose, Lower Radiator (Lower) Options:	
118	2720393	1	Hose, Lower Radiator (Lower) (Prior to SN 0300029318)	
118	2720435	1	Hose, Lower Radiator (Lower) (SN 0300029318 through 0300037116)	
119	4360392	1	Switch, Restriction Indicator Switch	
120	2220720	1	Fitting, Barbed	
121		Ref	Decal - Fan Blade Options:	
121	3250914	NLA	Decal - Fan Blade (Use p/n 1703162) (Prior to SN 0300027660)	
121	1703162	2	Decal - Fan Blade (SN 0300027660 through 0300037116)	
122		Ref	Plate, Engine Mount (Front) Options:	
122	3537288	1	Plate, Engine Mount (Front) (Prior to SN 0300029318)	

SECTION 2 - TURNTABLE

ITEM	PART NUMBER	QTY	DESCRIPTION	REV
122	3570103	1	Plate, Engine Mount (Front) (SN 0300029318 through 0300037116)	
123		Ref	Tray, Engine Options:	
123	4844971	1	Tray, Engine (Prior to SN 0300029318)	
123	4845404	1	Tray, Engine (SN 0300029318 through 0300037116)	
124	3422446	1	Pin, Pivot	
125	3841143	1	Pin, Keeper	
126	2750532	5 ft/1.5m	Hose	
127	1320070	2	Clamp, Hose (Prior to SN 0300025814)	
128	1320060	1	Clamp, Hose - 0.625	
129	1320012	4	Clamp, Hose, Radiator	
130	1320022	11	Clamp, Hose	
131	0641828	AR	Bolt 1/2in-13NC x 3-1/2in	
132	4751800	AR	Flatwasher 1/2in Regular	
133	3311805	AR	Hex Nut 1/2in - 13UNC	
134	0641610	AR	Bolt 3/8in-16NC x 1-1/4in	
135	0641608	AR	Bolt 3/8in-16NC x 1in	
136	4751600	AR	Flatwasher 3/8in Regular	
137	3311605	AR	Locknut 3/8in-16UNC	
138	2200233	1	Plug, Pipe	
139	0641408	12	Bolt 1/4in-20NC x 1in	
140	0641406	10	Bolt 1/4in-20NC x 3/4in	
141	4751400	20	Flatwasher 1/4in Regular	
142	3311405	20	Locknut 1/4in x 20UNC	
143	0721014	2	Bolt #10-24NC x 1-3/4in	
144	4751000	4	Flatwasher #10 Regular	
145	3311005	4	Hex Nut #10-24NC	
146	0100011	AR	Compound, Locking	
148	2220270	1	Fitting, Barbed	
149	0100020	AR	Sealant, Pipe	
150	2180467	1	Fitting, 90 Barbed	
151	2720271	4.5 ft /1.4m	Vacuum Hose 3/16in	
152	0940070	1	Bumper, Rubber	
153		Ref	Tube, Exhaust Options:	
153A	4845152	1	Tube, Exhaust (Prior to SN 0300029318)	
153B	4567071	1	Tube, Exhaust (SN 0300029318 through 0300037116)	
154	0701012	4	Bolt 10m x 1.5 x 25 mm	
155	4832000	4	Lockwasher	
156		Ref	Air Cleaner Assembly Options:	
156	1340056	1	Air Cleaner Assembly (Prior to SN 0300029318)	
156	1340060	1	Air Cleaner Assembly (SN 0300029318 through 0300037116)	
156	7012664	1	Filter, Air Cleaner	
157		Ref	Band, Muffler/Air Cleaner Options:	
157	0340002	NLA	Band, Muffler/Air Cleaner (Use p/n 0340041) (Prior to SN 0300025814)	
157	0340041	2	Band, Muffler/Air Cleaner (SN 0300025814 through 0300037116)	
158	0080201	1	Fitting, 90 Reducing	
159	1320016	3	Clamp, Worm Gear	
160	4240032	5	Strap, Tie	
161		Ref	Hose, Radiator (Upper) Options:	

SECTION 2 - TURNTABLE

ITEM	PART NUMBER	QTY	DESCRIPTION	REV
161	2720394	1	Hose, Radiator (Upper) (Prior to SN 0300029318)	
161	2720436	1	Hose, Radiator (Upper) (SN 0300029318 through 0300037116)	
162	4240099	6	Strap, Tie	
163	4791600	AR	Starwasher 3/8in	
164	2180798	1	Fitting, Restriction Indicator	
165	2901362	1	Battery Cable Kit	
165A	7016800	1	Cable, Battery (Red)	
165B	7016807	1	Cable, Battery (Black)	
165C	7016808	1	Cable (Red)	
165D	7016804	1	Cable (Red)	
165E	7016805	1	Cable (Black) (Prior to SN 0300027360)	
166	4460611	1	Terminal, Battery Jumper Post	
167	2220250	1	Fitting, Reducer	
168	2220273	1	Fitting, Reducer	
169	2720058	15.3 ft /4.7m	Hose 5/16in	
170	0721004	2	Bolt #10-24NC x 1/2in	
171	4360294	1	Breaker, Circuit-30Amp	
172	1320222	AR	Clamp, "J" Clip 3/8in (Prior to SN 0300029083)	
173	1320223	AR	Clamp, "J" Clip 1/2in	
174	3422532	1	Pin, Hitch	
175	1320061	1	Clamp	
176	0642010	1	Bolt 5/8in-11NC x 1-1/4in	
177	4752000	1	Flatwasher 5/8in Regular	
178	0700819	4	Bolt M8 x 1.25 x 55mm	
179	4831900	4	Lockwasher M8	
180	0961986	2	Bearing, Flange	
181	2200221	1	Plug, Pipe	
182	1701542	1	Decal - Gasoline (Not Shown - Located Near Tank)	
183	2720160	18 in /46cm	Hose	
184	4562516	1	Tube	
185	1320032	1	Clamp, Hose	
186	4711400	1	Flatwasher, 1/4in Thin	
187	4566986	1	Tube (Prior to SN 0300030043)	
188	1320019	1	Clamp, Exhaust (Prior to SN 0300029318)	
189		Ref	Flex-Trim Options:	
189	4060805	16 in /41cm	Flex-Trim 1/4in (SN 0300025814 through 0300029317)	
189	4060806	16 in /41cm	Flex-Trim 5/16in (SN 0300029318 through 0300037116)	
190	4060804	19 in /49cm	Flex-Trim 3/16in (SN 0300025814 through 0300037116)	
191	1060637	1	Cable, Lanyard (SN 0300027103 through 0300037116)	
192	1641808	2	Bolt 1/2in-13NC x 1in (SN 0300027103 through 0300037116)	
193	3311801	1	Hex Nut 1/2in-13 NC (SN 0300027103 through 0300037116)	
194	3570104	1	Plate, Fuel Pump Mounting (SN 0300029083 through 0300037116)	
195	4567169	1	Tube, Fuel (SN 0300029083 through 0300037116)	
196	4791400	2	Starwasher 1/4in (SN 0300029083 through 0300037116)	
210	3380429	1	Panel, Rubber (SN 0300029318 through 0300037116)	
211	3960468	1	Seal, Foam Gasket (SN 0300029318 through 0300037116)	

SECTION 2 - TURNTABLE

ITEM	PART NUMBER	QTY	DESCRIPTION	REV
212	3960469	1	Seal, Foam Gasket (SN 0300029318 through 0300037116)	
213	0641508	3	Bolt 5/16in-18NC x 1in (SN 0300029318 through 0300037116)	
214	3311505	6	Locknut 5/16in-18NC (SN 0300029318 through 0300037116)	
215	3539957	AR	Plate, Support (SN 0300029318 through 0300037116)	
216	3960389	5 ft/15m	Seal (SN 0300029318 through 0300037116)	
217	4740274	4	Washer, Snubbing (SN 0300029318 through 0300037116)	
218		Ref	Bracket, Engine Mounting - Rear Options:	
218	3537288	1	Bracket, Engine Mounting - Rear (Prior to SN 0300029318)	
218	3570133	1	Bracket, Engine Mounting - Rear (SN 0300029318 through 0300037116)	
219	0641606	3	Bolt 3/8in-16NC x 3/4in (SN 0300030209 through 0300037116)	
220	4100025	18 in /46cm	Sleeve, Fiberglass (SN 0300030209 through 0300037116)	
221	1320060	1	Clamp, Hose (SN 0300030209 through 0300037116)	
222	4240099	2	Tie, Strap (SN 0300030209 through 0300037116)	
223	0641514	3	Bolt 5/16in-18NC x 1-3/4in (SN 0300030209 through 0300037116)	
		Ref	ENGINE COMPONENTS	
	2000126	Ref	Engine Components (Prior to SN 0300029318)	
	2000149	Ref	Engine Components (SN 0300029318 through 0300037116)	
301	7012680	1	Alternator	
302	7016600	1	Fuel Pump Assembly	
302	7000884	1	Solenoid, Fuel	
303	7016601	1	Filter, Fuel	
304	7012682	1	Harness, Engine Wiring (Not Shown) (was p/n 7019922)	
305	7012681	1	Module, Ignition	
306	7012679	1	Starter (was p/n 7000868)	
306	7025145	1	Solenoid, Start	
307	7021869	1	Filter, Oil (was p/n 7014501)	
308	7012690	1	Carburetor (Standard Gas and LP)	
308	7019933	1	Rebuilt Kit - Carburetor	
308	7023471	1	Float Assembly	
308	7024321	1	Gasket, Carburetor (Top)	
308	7000646	1	Gasket, Carburetor	
308	7016605	1	Choke, Automatic	
308	7012683	1	Spring	
309	7020120	1	Bell Housing	
309	7022180	1	Ring Gear	
309		Ref	Flywheel Housing and Coupling Kit	
309	1660218	1	Flywheel Housing and Coupling Kit - 13 Tooth Pump (2000126 Engine) (Prior to SN 0300029318)	
309A	1660249	1	Coupling - 13 Tooth Pump (2000126 Engine) (was p/n 7012656) (Prior to SN 0300029318)	
309	See Note	NLA	Flywheel Housing and Coupling Assembly - 15 Tooth Pump (Note: Not Available for Purchase) (2000149 Engine) (SN 0300029318 through 0300037116)	
309A	1660250	1	Coupling, Pump - 15 Tooth Pump (2000149 Engine) (was p/n 7016662) (SN 0300029318 through 0300037116)	
310	7022153	1	Water Pump Assembly (was p/n 7016638)	
312	70002307	1	Gasket, Exhaust (Manifold to Pipe)	
312	7022143	1	Gasket, Exhaust (Manifold to Head) (Not Shown)	
313	4360157	1	Switch, Water Temperature (Not Shown)	
314	7019921	1	Belt	

SECTION 2 - TURNTABLE

ITEM	PART NUMBER	QTY	DESCRIPTION	REV
314	7019929	1	Pulley, Idler (Tensioner Assembly)	
315	7025126	1	Manifold, Intake (Was p/n 7019923)	
316	7019924	1	Manifold, Exhaust (Not Shown)	
317	7019925	1	PCV Valve (Not Shown)	
318	7019930	1	Coil, Ignition	
318	7019931	1	Wire Set - Spark Plug	
318	7019932	4	Plug, Spark	
319	7022178	1	Sensor, Crankshaft (Not Shown)	
320	7022150	1	Belt, Timing	
321	7019976	1	Flywheel (Not Shown)	
		Ref	MUFFLER INSTALLATIONS (Prior to SN 0300029318)	
	0255864	Ref	Standard Spark Arresting	-
	0255865	Ref	Optional Catalytic	-
401		Ref	Muffler Options:	
401	3220097	1	Muffler Standard Spark Arresting	
401	3220098	1	Muffler Optional Catalytic	
402	0340041	2	Band	
403	0902212	1	Bracket, Muffler	
404	0641508	4	Bolt 5/16in-18NC x 1in	
405	4711500	8	Flatwasher 5/16in Thin	
406	3311505	4	Locknut 5/16in-18NC	
407	1320019	1	Clamp, Exhaust	
		Ref	MUFFLER INSTALLATIONS (SN 0300029318 through 0300037116)	
	0256685	Ref	Standard Spark Arresting	2
407	0256686	Ref	Optional Catalytic	-
451		Ref	Muffler Options:	
451	3220105	1	Muffler Standard Spark Arresting	
451	3220106	1	Muffler Optional Catalytic	
452	0340046	2	Band	
453	0902309	1	Bracket, Muffler	
454	0641507	4	Bolt 5/16in-18NC x 7/8in	
455	4711500	8	Flatwasher 5/16in Thin	
456	3311505	4	Locknut 5/16in-18NC	
457	4567073	1	Tube, Exhaust	

SECTION 2 - TURNTABLE

FIGURE 2-15. FORD ENGINE INSTALLATIONS - LRG425 WITH CARBURETOR (SN 0300037117 through 0300068000)

ITEM	PART NUMBER	QTY	DESCRIPTION	REV
	0257992	Ref	ENGINE ASSEMBLY	4
1		Ref	Engine - Ford LRG-425 Options:	
1	2000156	1	Engine - Ford LRG-425 (SN 0300037117 through 0300039819)	
1	2000160	1	Engine - Ford LRG-425 (SN 0300039820 through 0300068000)	
2		Ref	Piston Pump Assembly Options (See PISTON PUMP ASSEMBLY for Breakdown):	
2	3600164	NLA	Piston Pump Assembly (Use p/n 3600260) (SN 0300037117 through 0300029317)	
2	3600260	1	Piston Pump Assembly (SN 0300029318 through 0300068000)	
3	3600242	1	Gear Pump Assembly (See GEAR PUMP ASSEMBLY for Breakdown)	
4	3539972	1	Plate, Engine Mounting - Front	
5	4566605	1	Tube, Spacer	
6	2500005	1	Actuator, Precision Governor	
7	0902088	1	Bracket, Precision Governor	
8	3841255	1	Rod, Throttle	
9	1660157	2	Coupling, Ball joint	
10	2220437	1	Fitting, Reducer	
11	4360037	1	Switch, Oil Pressure	
12	2220273	1	Fitting, Reducer	
13	4300056	1	Stud, Carburetor	
14	4640989	1	Valve, Oil Drain	
15	2750532	6 in/21cm	Hose	
16	1320022	2	Clamp	
17	4360405	1	Switch, Oil Pressure	
18	2180536	1	Fitting, Barbed	
19	0701022	2	Bolt 10mm-1.5 x 70mm	
20	0701014	2	Bolt 10mm-1.5 x 30mm	
21	0700810	3	Bolt 8mm-1.25 x 20mm	
22	0641812	4	Bolt 1/2in-13NC x 1 1/2in	
23	3931620	2	Capscrew, Socket Head 3/8in-16NC x 1-1/4in	
24	0641408	4	Bolt 1/4in-20NC x 1in	
25	3311405	5	Locknut 1/4in-20NC	
26	2220250	1	Fitting, Reducer	
27	3321401	2	Nut 1/4in-28NF	
28	0100011	AR	Compound, Locking	
29	0100020	AR	Sealant, Pipe	
30	3790152	1	O-Ring	
31	4891600	2	Flatwasher 3/8in Hardened	
32	4360065	1	Switch, Oil Pressure	
33	4564281	1	Tube, Dipstick	
34	2420187	1	Dipstick	
35	2220994	1	Fitting, Cross	
36	4360157	1	Switch, Water Temperature	
37	4751000	2	Flatwasher #10 Regular	
38	4360455	1	Switch, Temperature	
39	1320223	3	Clamp, J-Clip 1/2in	
39	1320222	1	Clamp, J-Clip 3/8in	
		Ref	ENGINE INSTALLATIONS	

SECTION 2 - TURNTABLE

ITEM	PART NUMBER	QTY	DESCRIPTION	REV
	0257995	Ref	Standard Gas Machines (Prior to SN 0300048907)	5
	0258605	Ref	LP Gas Machines (UL)	4
	0257998	Ref	Dual Fuel Machines (Prior to SN 0300048907)	5
	0257727	Ref	Dual Fuel Machines (UL)	6
102		Ref	Mount, Radiator Options:	
102	3539872	1	Mount, Radiator Standard Machines	
102	3571421	1	Mount, Radiator UL Machines (SN 0300039457 through 0300068000)	
103	0400075	1	Battery	
104	0181727	1	Tie-Down	
105	0630498	2	Bolt, Tie-Down	
106	3620040	1	Radiator	
106	7019656	1	Cap, Radiator	
107	3538873	1	Bracket, Controller	
108	0080091	1	Choke Adapter	
109	3740067	1	Relay, Auxiliary Power Relay	
110	3740080	2	Relay, Bosch Relay	
111	0080214	1	Adapter, Fan Spacer	
112	2060025	1	Fan, Suction	
113	1580011	1	Container, Coolant Overflow Container	
115	4845035	1	Tube, Air Cleaner	
116	3200362	4	Mount, Rubber	
117	1600211	1	Controller, Governor	
118	2720435	1	Hose, Lower Radiator (Lower) (was p/n 7019927 & 7016376)	
119	4360392	1	Switch, Restriction Indicator Switch	
120	2220720	1	Fitting, Barbed	
121	1703162	2	Decal - Fan Blade	
122	3570103	1	Plate, Engine Mount (Front)	
123	4845404	1	Tray, Engine	
124	3422446	1	Pin, Pivot	
125	3841143	1	Pin, Keeper	
126	0840026	1	Boot, Electrical (UL Machines Only) (Not Shown)	
127	4791400	AR	Starwasher 1/4in	
128	1320060	2	Clamp, Hose - 0.625	
129	1320012	4	Clamp, Hose, Radiator	
130	1320022	AR	Clamp, Hose	
131	0641828	AR	Bolt 1/2in-13NC x 3-1/2in	
132	4751800	AR	Flatwasher 1/2in Regular	
133	3311805	AR	Hex Nut 1/2in - 13UNC	
134	0641610	AR	Bolt 3/8in-16NC x 1-1/4in	
135	0641608	AR	Bolt 3/8in-16NC x 1in	
136	4751600	AR	Flatwasher 3/8in Regular	
137	3311605	AR	Locknut 3/8in-16UNC	
138	0641508	3	Bolt 5/16in-18NC x 1in	
139	0641408	10	Bolt 1/4in-20NC x 1in	
140	0641406	AR	Bolt 1/4in-20NC x 3/4in	
141	3960468	1	Seal, Foam Gasket	
142	3960469	1	Seal, Foam Gasket	
143	0721006	2	Bolt #10-24NC x 3/4in	
144	4751000	AR	Flatwasher #10 Regular	
145	3311005	4	Hex Nut #10-24NC	
146	0100011	AR	Compound, Locking	

SECTION 2 - TURNTABLE

ITEM	PART NUMBER	QTY	DESCRIPTION	REV
147	3570104	1	Plate, Fuel Pump (Not Required on UL Machines with LP)	
148	1320017	4	Clamp	
149	4360265	1	Switch, Battery Disconnect (UL Machines Only)	
150	1703476	1	Decal, Battery Disconnect (UL Machines Only)	
151	2720271	4.5 ft /1.4m	Vacuum Hose 3/16in	
153	0641514	3	Bolt 5/16in-18NC x 1-3/4in	
158	3300505	6	Locknut 5/16in-18NC	
165	4240033	5	Strap, Tie	
166	4240099	3	Strap, Tie	
170	0940070	1	Bumper, Rubber	
171	4567071	1	Tube, Exhaust	
172	0701012	6	Bolt M10 x 25mm	
173	4832000	4	Lockwasher M10	
174		Ref	Air Cleaner Assembly Options:	
174	1340060	1	Air Cleaner Assembly Standard Machines	
174	7012664	1	Air Cleaner Assembly Element	
174	1340050	1	Air Cleaner Assembly UL Machines (SN 0300039457 through 0300068000)	
174	7010638	1	Air Cleaner Assembly Element	
175	0340041	2	Band, Mounting	
176	0080201	1	Elbow, Rubber	
177	1320016	3	Clamp	
178	2720436	1	Hose, Radiator (Upper) (was p/n 7019926 & 7016375)	
179	3380429	1	Panel, Rubber	
180	4751400	AR	Flatwasher 1/4in Regular	
181	3311405	AR	Locknut 1/4in-20NC	
183	4791600	4	Starwasher 3/8in	
184	2180798	1	Fitting, Restriction Indicator	
185	1703631	1	Decal, Caution LP Gas (UL Machines with Dual Fuel Only)	
186	3539957	2	Plate, Support	
187	0641507	1	Bolt 5/16in-18NC x 7/8in	
188	4751500	1	Flatwasher 5/16in Regular	
189	2901362	1	Battery Cable Kit	C
189A	7016800	1	Cable, Battery (Red)	
189B	7016807	1	Cable, Battery (Black)	
189C	7016808	1	Cable (Red)	
189D	7016804	1	Cable (Red)	
189E	Not Required	0	Not Required	
189	2901539	1	Battery Cable Kit (UL Machines Only)	A
189A	7016826	1	Cable, Battery (Red)	
189B	7016807	1	Cable, Battery (Black)	
189C	7016808	1	Cable (Red)	
189D	7016827	1	Cable (Red)	
189E	7016816	1	Cable (Black)	
190	4460611	1	Terminal, Battery Jumper Post	
191	2720058	AR	Hose 5/16in	
192	0721004	2	Bolt #10-24NC x 1/2in	
193	4360294	1	Breaker, Circuit-30Amp	
194	3960389	5 ft/15m	Seal	
195	1320223	4	Clamp, "J" Clip 1/2in	
196	3422532	1	Pin, Hitch	

SECTION 2 - TURNTABLE

ITEM	PART NUMBER	QTY	DESCRIPTION	REV
197	1701542	1	Decal - Gasoline (Not Shown - Located Near Tank) (Not Required on UL Machines with LP)	
200	0961986	2	Bearing, Flange	
201	0700819	4	Bolt M8 x 1.25 x 55mm	
202	4831900	4	Lockwasher M8	
203	0642010	1	Bolt 5/8in-11NC x 1-1/4in	
204	4752000	1	Flatwasher 5/8in Regular	
205	4711400	1	Flatwasher 1/4in Thin	
206	1060637	1	Cable, Lanyard	
207	4100025	1	Sleeve, Fiberglass	
209	4845612	1	Mount, Alternator (UL Machines Only)	
210	1641808	2	Bolt 1/2in-13NC x 1in	
211	3311801	1	Hex Nut 1/2in-13 UNC	
212	3790012	1	O-Ring (UL Machines with Dual Fuel Only)	
213	4360336	1	Switch (UL Machines with Dual Fuel Only)	
214	4060805	2.9 ft /0.88m	Flex-Trim	
215	4060804	19 in /49cm	Flex-Trim (Prior to SN 0300067816)	
217	4740274	4	Washer, Snubbing	
218	3570133	1	Bracket, Engine Mounting (Rear)	
219	0641606	3	Bolt 3/8in-16NC x 3/4in	
220	0181942	1	Angle, Alternator Mount (UL Machines Only) (Not Shown - Located on Opposite Side of Engine)	
221	0701010	1	Bolt M10 x 20mm (UL Machines Only) (Not Shown - Located on Opposite Side of Engine)	
222	0641624	1	Bolt 3/8in-16NC x 3in (UL Machines Only) (Not Shown Located on Opposite Side of Engine)	
223	0160020	1	Alternator 72Amp (UL Machines Only)	
224	3580260	1	Pulley (UL Machines Only)	
225	3570238	1	Plate, Switch Mounting (UL Machines Only)	
226	1320222	1	J-Clip 3/8in (Not Shown)	
227	4567404	1	Tubing Fuel 5/16in (UL Machines with Dual Fuel Only)	
228	4567403	1	Tubing Fuel 5/16in (UL Machines with Dual Fuel Only)	
229	4567215	1	Tubing Fuel 5/16in (UL Machines with Dual Fuel Only)	
230	2221023	1	Fitting (UL Machines with Dual Fuel Only)	
231	1320245	5	Clamp (UL Machines with Dual Fuel Only)	
232	3931408	4	Bolt 1/4in-20NC x 1/2in (UL Machines with Dual Fuel Only)	
248	2750532	5 ft/1.5m	Hose 3/8in	
249	2180467	1	Fitting, 90 Barbed	
250	2200233	1	Plug, Pipe	
251	2220273	1	Fitting, Reducer	
252	2220270	1	Fitting, Barbed	
253	2220315	2	Fitting, Barbed	
254	2220273	1	Fitting, Reducer (UL Machines Only)	
255	2720271	2.5 ft /0.8m	Hose	
256	2180703	1	Fitting, 90	
257	4567730	1	Tube, Fuel Line	
258	2120169	1	Filter, By-Pass	
259	4567580	1	Tube, Fuel Line (UL Machines Only)	
260	4567581	1	Tube, Fuel Line (UL Machines Only)	
261	4567731	1	Tube, Fuel Line (UL Machines Only)	

SECTION 2 - TURNTABLE

ITEM	PART NUMBER	QTY	DESCRIPTION	REV
262	1320244	4	Clamp (UL Machines Only)	
263	2221028	1	Fitting (UL Machines Only)	
		Ref	ENGINE COMPONENTS	
	2000156	Ref	Engine Components (SN 0300037117 through 0300039819)	
	2000160	Ref	Engine Components (SN 0300039820 through 0300068000)	
301	7000897	1	Alternator without Pulley and Regulator	
301	7019977	1	Alternator (Includes Regulator and Pulley)	
301	7019997	1	Regulator	
302		Ref	Fuel Pump Assembly Options:	
302	7019983	1	Pump (Airtex Brand)	
302	7016600	1	Pump (Facet Brand)	
303	7016601	1	Filter, Fuel	
304	7019980	1	Harness, Engine Wiring (Not Shown)	
305	7023687	1	Module, Ignition (was p/n 7019961)	
306	7012679	1	Starter	
307	7021869	1	Filter, Oil (was p/n 7014501)	
308	7019988	1	Carburetor (was p/n 7019974)	
308	7019933	1	Carburetor Repair Kit	
308	7027292	1	Float Assembly	
308	70000163	1	Needle, Spring Loaded	
308	7025122	1	Base, Carburetor	
308	70000646	1	Gasket, Carburetor (was p/n 7019975)	
308	7024321	1	Gasket, Carburetor (Top)	
308	7016605	1	Choke, Automatic	
308	7000884	1	Solenoid, Fuel	
309	1660250	1	Coupling, Pump (15 Tooth) (was p/n 7016662)	
309	7019976	1	Flywheel (Not Shown)	
309	7022180	1	Ring Gear (Not Shown)	
309	7020120	1	Bell Housing	
310	7022153	1	Water Pump Assembly	
310	7019985	1	Pulley, Water Pump	
310	7019982	1	Inlet, Water Pump (Not Shown)	
310	7022156	1	Thermostat Assembly (Not Shown)	
311	7022178	1	Sensor, Crank Shaft (Not Shown)	
312	70002307	1	Gasket, Exhaust (Manifold to Pipe)	
312	7022143	1	Gasket, Exhaust (Manifold to Head) (Not Shown)	
312	70219924	1	Manifold, Exhaust (Not Shown)	
313	7025125	1	Gasket, Intake Manifold	
314		Ref	Spark Plug Options (Not Shown):	
314	See Note	4	Spark Plug (2000156 Engine) (Note: Not Available for Purchase) (SN 0300037117 through 0300039819)	
314	7019932	4	Spark Plug (2000160 Engine) (SN 0300039820 through 0300068000)	
314		Ref	Wire Set, Spark Plug (Not Shown) Options:	
314	7022157	1	Wire Set, Spark Plug (Not Shown) (2000156 Engine) (SN 0300037117 through 0300039819)	
314	7019931	1	Wire Set, Spark Plug (Not Shown) (2000160 Engine) (SN 0300039820 through 0300068000)	
314	7019930	1	Coil, Ignition	
315	7027402	1	Belt, Drive (was p/n 7019979)	
315	7019978	1	Tensioner, Belt (Not Shown)	
316	7022151	1	Cap, Oil Fill	

SECTION 2 - TURNTABLE

ITEM	PART NUMBER	QTY	DESCRIPTION	REV
317	7022150	1	Belt, Timing	
318	70002567	1	Tensioner, Timing Belt	
		Ref	MUFFLER INSTALLATIONS	
	0258390	Ref	Standard Spark Arresting	1
	0258391	Ref	Optional Catalytic	1
	0258570	Ref	UL Machines	1
401		Ref	Muffler Options:	
401	3220113	1	Muffler Standard Spark Arresting	
401	3220114	1	Muffler Optional Catalytic	
402	0340046	2	Band	
403	0902309	1	Bracket, Muffler	
404	0641507	4	Bolt 5/16in-18NC x 7/8in	
405	4711500	8	Flatwasher 5/16in Thin	
406	3311505	4	Locknut 5/16in-18NC	
407	4567073	1	Tube, Exhaust	
408	4845667	1	Weldment, Exhaust Tube (UL Machines Only)	
409	3900232	5	Bolt, Button Head 3/8in-16NC x 1-1/4in (UL Machines Only)	
410	4751600	7	Flatwasher 3/8in Regular (UL Machines Only)	
411	3311601	5	Nut 3/8in-16NC (UL Machines Only)	
412	0902472	1	Bracket, Exhaust Support (UL Machines Only)	
413	3220111	1	Spark Arrestor (UL Machines Only)	

SECTION 2 - TURNTABLE

FIGURE 2-16. FORD ENGINE INSTALLATIONS - LRG425 WITH EFI (SN 0300048907 through 0300068000)

ITEM	PART NUMBER	QTY	DESCRIPTION	REV
		Ref	ENGINE ASSEMBLIES	
	0259759	Ref	Standard Gas Machines (SN 0300048907 through 0300061926)	1-A
	0270767	Ref	Standard Gas Machines (ADE System) (SN 0300061927 through 0300068000)	2-B
	0259760	Ref	Dual Fuel Machines (SN 0300048907 through 0300061926)	1-A
	0270765	Ref	Dual Fuel Machines (ADE System) (SN 0300061927 through 0300068000)	1-A
1		Ref	Engine - Ford LRG-425 Options:	
1	2000164	1	Engine - Ford LRG-425 Standard Gas Machines	
1	2000172	1	Engine - Ford LRG-425 Standard Gas Machines (ADE System)	
1	2000166	1	Engine - Ford LRG-425 Dual Fuel Machines	
1	2000174	1	Engine - Ford LRG-425 Dual Fuel Machines (ADE System)	
2	3600260	1	Piston Pump Assembly (See PISTON PUMP ASSEMBLY for Breakdown)	
3	3600242	1	Gear Pump Assembly (See GEAR PUMP ASSEMBLY for Breakdown)	
4	3539972	1	Plate, Engine Mounting - Front	
5	4566605	1	Tube, Spacer	
6	4640989	1	Valve, Oil Drain	
7	2750532	1 ft /30.5cm	Hose	
8	1320022	1	Clamp	
9	3571498	1	Plate, Module Mounting	
10	3790152	1	O-Ring	
11	0902539	1	Bracket, Fuel Filter/Pressure Regulator	
12	1320019	1	Clamp, Exhaust	
13	0701022	2	Bolt M10 x 70mm	
14	0701014	2	Bolt M10 x 30mm	
15	0700810	3	Bolt M8 x 20mm	
16	0641812	2	Bolt 1/2in-13NC x 1-1/2in	
17	0721014	2	Bolt #10-24NC x 1-3/4in	
18	0721006	3	Bolt #10-24NC x 3/4in	
19	4891600	2	Flatwasher 3/8in Hardened	
20	4751500	2	Flatwasher 5/16in Regular	
21	4751000	8	Flatwasher #10 Regular	
22	4761500	2	Lockwasher 5/16in	
23	3311005	5	Locknut #10-24NC	
24	0100011	AR	Compound, Locking	
25	0100020	AR	Sealant	
26	3931620	2	Screw 3/8in-16NC x 1-1/4in	
		Ref	ENGINE INSTALLATIONS	
	0259765	Ref	Standard Gas Machines (SN 0300048907 through 0300061926)	5-E
	0270766	Ref	Standard Gas Machines (ADE System) (SN 0300061927 through 0300068000)	4-D
	0259766	Ref	Dual Fuel Machines (SN 0300048907 through 0300061926)	6-C
	0270764	Ref	Dual Fuel Machines (ADE System) (SN 0300061927 through 0300068000)	5-F
102	3571692	1	Mount, Radiator	
103		Ref	Battery Options:	
103	0400075	1	Battery (Wet)	

SECTION 2 - TURNTABLE

ITEM	PART NUMBER	QTY	DESCRIPTION	REV
103	7016180	1	Battery (Dry)	
104	0181727	1	Battery Hold-Down	
105	0630498	2	Bolt, Tie-Down	
106	3620040	1	Radiator	
106	7019656	1	Cap, Radiator	
107		Ref	Controller, ECM Options:	
107	1600298	1	Controller, ECM Standard Gas Machines	
107	1600314	1	Controller, ECM ADE System Machines (was p/n 7023664)	
107	7023686	1	Update Kit - EPM Module	
108		Ref	Tube, Air Intake Options:	
108	4846011	1	Tube, Air Intake Standard Gas Machines	
108	4846046	1	Tube, Air Intake Dual Fuel Machines	
109	3740067	1	Relay (Auxiliary Power)	
110	3740080	1	Relay, Bosch (SN 0300048907 through 0300061926)	
111	0080214	1	Spacer, Fan	
112	2060025	1	Fan	
113	1580011	1	Tank, Coolant Recovery	
114	0641606	4	Bolt 3/8in-16NC x 3/4in	
115	3380429	1	Panel, Rubber	
116	3200362	4	Mount, Rubber	
117	3539957	2	Plate, Hold-Down	
118	2720435	1	Hose, Radiator - Bottom (was p/ns 7016376 & 7019927)	
119	4360392	1	Indicator, Clogged Filter	
120	2220430	1	Fitting, Reducer	
121	1703162	2	Decal - Fan Blade	
122	3570103	1	Plate, Engine Mount (Front)	
123	4845404	1	Tray Weldment	
124		Ref	Pin, Pivot Options:	
124	3422448	1	Pin, Pivot (SN 0300048907 through 0300052862)	
124	3422446	1	Pin, Pivot (SN 0300052863 through 0300068000)	
125	3841143	1	Pin, Keeper	
126	2750532	5 ft/1.52m	Hose	
127	2220805	1	Fitting, Barbed 90	
128	1320060	1	Clamp	
129	1320012	4	Clamp, Hose	
130	1320022	8	Clamp	
131	0641828	4	Bolt 1/2in-13NC x 3-1/2in	
132	4751800	1	Flatwasher 1/2in Regular	
133	3311805	4	Locknut 1/2in-13NC	
134	0641610	8	Bolt 3/8in-16NC x 1-1/4in	
135	0641608	16	Bolt 3/8in-16NC x 1in	
136	4751600	AR	Flatwasher 3/8in Regular	
137	3311605	31	Locknut 3/8in-16NC	
138	0641408	7	Bolt 1/4in-20NC x 1in	
139	0641406	6	Bolt 1/4in-20NC x 3/4in	
140	4751400	22	Flatwasher 1/4in Regular	
141	3311405	19	Locknut 1/4in-20NC	
142	4740274	4	Washer, Snubbing	
143	3960389	5 ft/1.52m	Seal	
144	0100011	AR	Compound, Locking	
145	2720472	1	Hose	

SECTION 2 - TURNTABLE

ITEM	PART NUMBER	QTY	DESCRIPTION	REV
146	0100020	AR	Sealant	
147	2180467	2	Fitting, Barbed 90	
148	0940070	1	Bumper, Rubber	
149		Ref	Tube, Exhaust Options:	
149	4567878	1	Tube, Exhaust Standard Gas Machines	
149	4567879	1	Tube, Exhaust ADE System Machines	
150	0701012	4	Bolt M10 x 25mm	
151	4832000	4	Lockwasher 10mm	
152	1340060	1	Air Cleaner Assembly	
152	7012664	1	Element, Air Cleaner	
153	0340041	2	Band, Air Cleaner	
154	0080201	1	Elbow, Rubber	
155	1320016	2	Clamp	
156	3311801	1	Nut 1/2in-13NC	
157	2720436	1	Hose, Radiator - Top (was p/n 7019926)	
158	0641808	2	Bolt 1/2in-13NC x 1in	
159	2180798	1	Fitting, Restrictor Indicator	
160	2901362	1	Battery Cable Kit	C
160A	7016800	1	Cable, Battery (Red)	
160B	7016807	1	Cable, Battery (Black)	
160C	7016808	1	Cable (Red)	
160D	7016804	1	Cable (Red)	
160E	Not Required	0	Not Required	
161	4460611	1	Terminal, Battery Jumper Post	
162	2220250	2	Fitting, Reducer	
163	3572414	1	Plate, Fuel Pump Mounting	
164	2720058	12 ft/3.7m	Hose, Fuel Line	
165	0701004	2	Bolt #10-24NC x 1/2in (SN 0300048907 through 0300061926)	
166	4360294	1	Breaker, Circuit (Prior to SN 0300061927)	
167	1320223	3	Clamp	
168	3422532	1	Pin, Hitch	
169	3570133	1	Plate, Engine Mount (Rear)	
170	0642010	1	Bolt 5/8in-11NC x 1-1/4in	
171	4752000	1	Flatwasher 5/8in Regular	
172	0700819	4	Bolt 8mm x 55mm	
173	4831900	4	Lockwasher 8mm	
174	0961986	2	Flange, Bearing	
175	1060637	1	Lanyard	
177	4060805	2.9 ft /0.88m	Flexible Trim 3/16in	
178	4060806	1.3 ft /0.40m	Flexible Trim 5/16in (SN 0300048907 through 0300067816)	
179	4711400	1	Flatwasher 1/4in Thin	
180	3960468	1	Seal, Foam 1-1/4in x 1-1/4in x 47-1/4in	
181	3960469	1	Seal, Foam 1-1/4in x 1-1/4in x 32in	
182	0641410	3	Bolt 1/4in-20NC x 1-1/4in	
183	4360336	1	Switch	
184	3790012	1	O-Ring	
191	0641508	3	Bolt 5/16in-18NC x 1in	
192	0641514	3	Bolt 5/16in-18NC x 1-3/4in	
193	3311505	6	Locknut 5/16in-18NC	
194	4568158	4	Standoff, 1/4in x 2in (SN 0300056936 through 0300068000)	

SECTION 2 - TURNTABLE

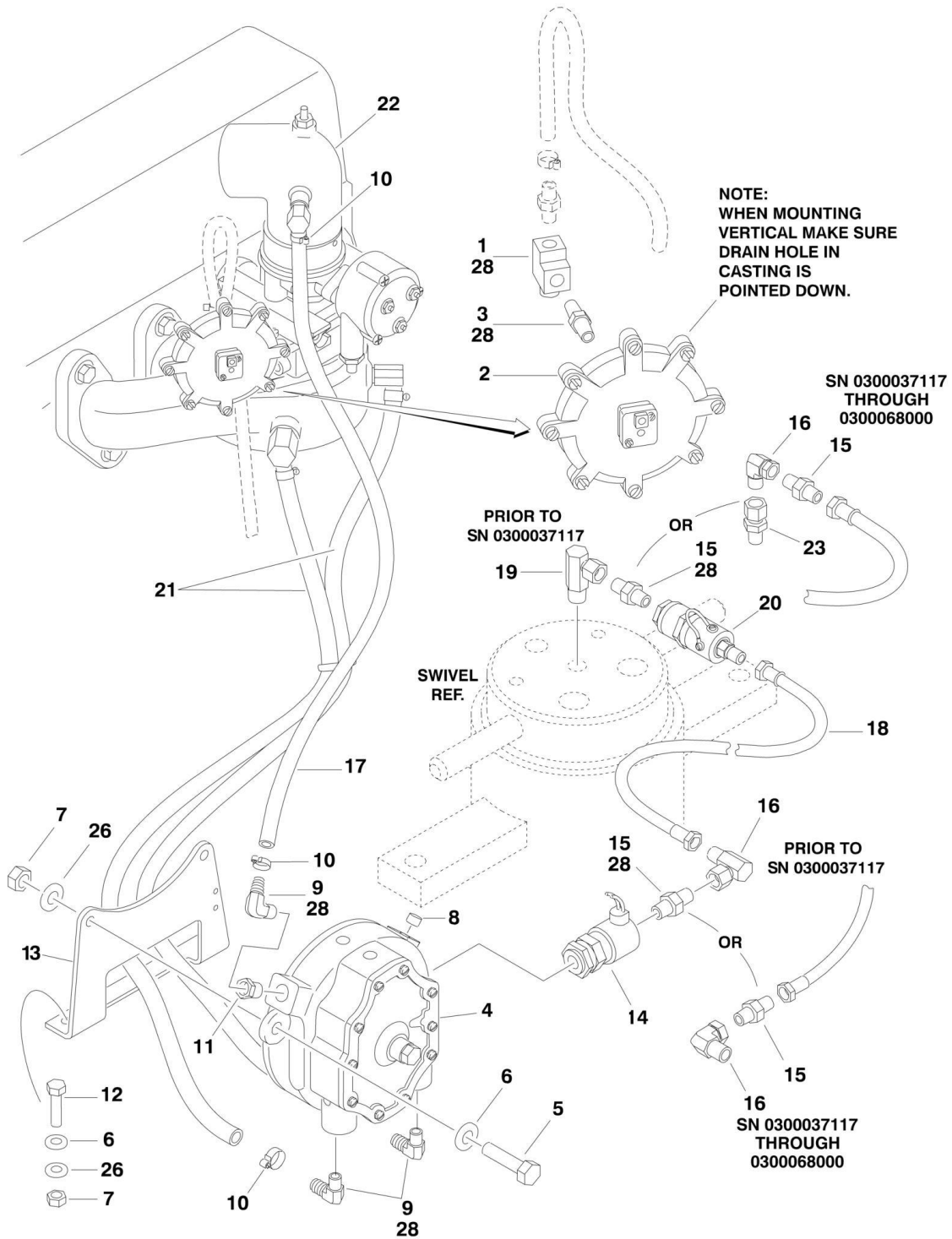
ITEM	PART NUMBER	QTY	DESCRIPTION	REV
195	0641424	4	Bolt 1/4in-20NC x 3in (SN 0300056936 through 0300068000)	
196	0902572	1	Bracket, LP Mounting (Dual Fuel Only) (SN 0300056936 through 0300068000)	
197	1320032	1	Clamp (SN 0300056936 through 0300068000)	
198	2220467	1	Fitting (SN 0300056936 through 0300068000)	
		Ref	ENGINE COMPONENTS	
	2000164	Ref	Standard Gas Machines (SN 0300048907 through 0300061926)	
	2000172	Ref	Standard Gas Machines (ADE System) (SN 0300061927 through 0300068000)	
	2000166	Ref	Dual Fuel Machines (SN 0300048907 through 0300061926)	
	2000174	Ref	Dual Fuel Machines (ADE System) (SN 0300061927 through 0300068000)	
301	3600377	1	Fuel Pump and Isolator Assembly (was p/n 7022133)	
301	7022134	1	Harness, Fuel Pump Wiring	
302	91083218	1	Filter, Fuel (was p/n 7022135)	
303	7019986	1	Starter (Not Shown)	
304	7019977	1	Alternator with Pulley and Regulator	
304	7000897	1	Alternator without Pulley and Regulator	
305		Ref	Actuator, Throttle Options:	
305	7022136	1	Actuator, Throttle (SN 0300048907 through 0300061926)	
305	7023655	1	Actuator, Throttle (SN 0300061927 through 0300068000)	
305	7023652	1	Plate, Actuator Adapter	
305	7023654	1	Gasket, Actuator to Adapter Plate	
305	7023653	2	Bolt (Adapter Plate to Intake Manifold)	
305	7023656	4	Bolt (Actuator to Adapter Plate)	
306	7019996	1	Sensor, Air Temperature (was p/n 7023661)	
306	7023662	1	Bracket, Air Temperature Sensor (Not Shown)	
307	7023663	1	Harness, ECM (was p/n 7022137)	
308	7022139	1	Sensor, MAP	
309	7019994	1	Sensor, EGR	
310	2420187	1	Dipstick (was p/n 7022140)	
310	4564281	1	Tube, Dipstick (was p/n 7022146)	
311		Ref	Horn, Rubber Air Options:	
311	2720341	1	Horn, Rubber Air (SN 0300048907 through 0300061926)	
311	7023658	1	Horn, Rubber Air (SN 0300061927 through 0300068000)	
312	7023637	1	Switch, Oil Pressure	
313	7021868	1	Filter, Oil (Was p/n 7022147, 7022173 & 7014501)	
314	1660250	1	Coupling, Pump (was p/n 7016662)	
314	7019976	1	Flywheel (Not Shown)	
314	7022180	1	Ring Gear (Not Shown)	
314	7020120	1	Housing, Flywheel	
315	7019993	1	Pressure Regulator and Filter Assembly (was p/n 7022163)	
316	70002307	1	Gasket, Exhaust (Manifold to Pipe)	
316	7022143	1	Gasket, Exhaust (Manifold to Head) (Not Shown)	
317	7022158	3	Connector	
318	7022159	2	Connector	
319	7022160	1	Connector	
320	7022161	2	Tube, Supply	
321	7022162	2	Clamp	
322	7022178	1	Sensor, Crank	
322	7022179	1	Sensor, Camshaft (Not Shown)	
323	7022142	1	Switch, Pressure (Black) (SN 0300048907 through 0300061926)	

SECTION 2 - TURNTABLE

ITEM	PART NUMBER	QTY	DESCRIPTION	REV
323	7023637	1	Switch, Shutdown (White) (SN 0300048907 through 0300061926)	
324	7019930	1	Coil, Ignition	
324	7022157	1	Ignition Wire Set	
324	7019932	4	Spark Plug (was p/n 7012595)	
325	7023613	3	Relay	
326	7023644	1	Hose, Water Pump (By-Pass)	
327	2720341	1	Hose, Air Outlet (was p/n 7022141)	
328	7019925	1	PCV Valve (Not Shown)	
329	7027402	1	Belt, Drive (was p/n 7019979)	
329	70002567	1	Tensioner, Belt	
330	7022145	1	Wire Assembly, TPS Adapter (Not Shown) (SN 0300048907 through 0300061926)	
330	7023657	1	Wire Assembly, TPS Adapter (Not Shown) (SN 0300061927 through 0300068000)	
331	7022149	1	Gasket Kit, Lower Manifold (Not Shown)	
331	7025124	1	Gasket Kit, Upper Manifold (was p/n 7022148) (Not Shown)	
331	7022144	1	Gasket, Upper Manifold Throttle (Not Shown)	
332	7022151	1	Cap, Oil Filler	
333	7022153	1	Pump, Water	
333	7022154	1	Gasket, Water Pump	
333	7022155	1	Sensor, Water Temperature (Not Shown)	
333	7022164	1	Sensor, High Coolant Temperature (2000166 Engine) (Not Shown)	
333	7027411	1	Unit, Water Sender (2000174 Engine) (Not Shown)	
333	7022156	1	Thermostat (Not Shown)	
334	7022150	1	Belt, Timing	
335	70002567	1	Tensioner, Timing Belt	
336	3124114	1	Service Manual, Ford EFI System Diagnostic (Not Shown)	
		Ref	MUFFLER INSTALLATIONS	
	0258390	Ref	Standard Spark Arresting	1
	0258391	Ref	Optional Catalytic	1
401		Ref	Muffler Options:	
401	3220113	1	Standard Spark Arresting	
401	3220114	1	Optional Catalytic	
401	70001017	1	Clamp	
402	0340046	2	Band	
403	0902309	1	Bracket, Muffler	
404	0641508	4	Bolt 5/16in-18NC x 1in	
405	4711500	8	Flatwasher 5/16in Thin	
406	3311505	4	Locknut 5/16in-18NC	
407	4567073	1	Tube, Exhaust	
407	70001017	1	Clamp	

SECTION 2 - TURNTABLE

FIGURE 2-17. DUAL FUEL INSTALLATIONS (FORD MACHINE WITH CARBURETOR) (OPTIONAL)



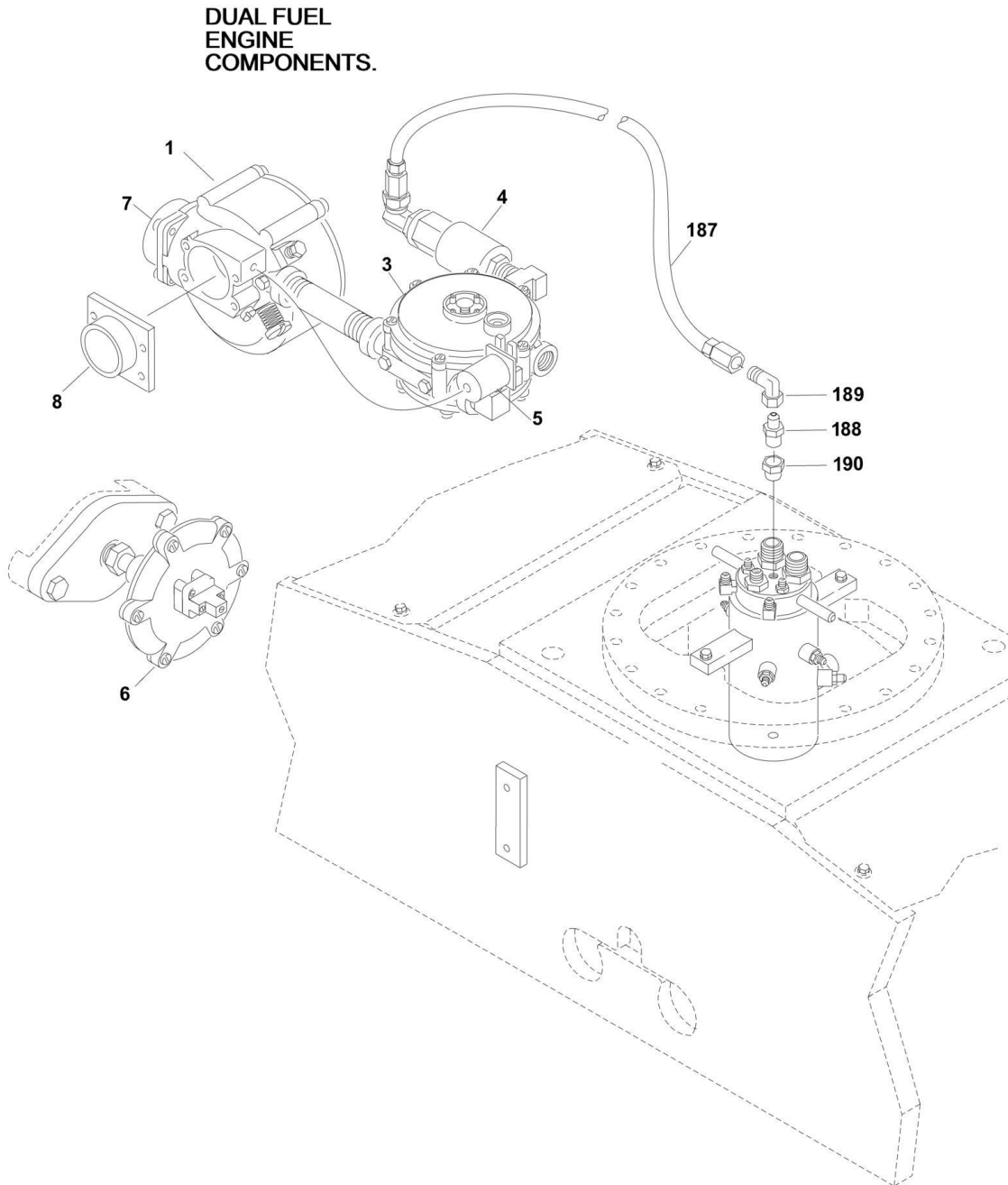
SECTION 2 - TURNTABLE

FIGURE 2-17. DUAL FUEL INSTALLATIONS (FORD MACHINE WITH CARBURETOR) (OPTIONAL)

ITEM	PART NUMBER	QTY	DESCRIPTION	REV
		Ref	DUAL FUEL INSTALLATION	
1	2180360	1	Fitting, Tee	
2	4360188	1	Switch, Vacuum	
3	2180104	1	Fitting, Nipple	
4	4700005	1	Vaporizer/Regulator	
4	7017515	1	Repair Kit - 4700005	
5	0641416	2	Bolt 1/4in-20NC x 2in	
6	4751400	8	Flatwasher 1/4in Regular	
7	3311405	4	Locknut 1/4in-20UNC	
8	2200204	1	Plug, Pipe	
9	2220675	3	Fitting, 90 Barbed	
10	1320017	4	Clamp	
11	2220251	1	Fitting, Reducer	
12	0641408	2	Bolt 1/4in-20NC x 1in	
13	0902132	1	Bracket, Vaporizer	
14	2120077	1	Filter Lock	
15	2180418	2	Fitting, LP	
16	2220064	2	Fitting, 90	
17	2720112	AR	Hose, Vapor	
18	2720392	1	Hose, LP (Prior to SN 0300037117)	
18	2720144	1	Hose (SN 0300037117 through 0300068000)	
19	2220082	1	Fitting, 90 (Prior to SN 0300037117)	
20	4640391	1	Valve, Fuel Lock (Prior to SN 0300037117)	
21	2720042	30 in /76cm	Hose	
22	0080124	1	Adapter, Carb	
23	2220005	1	Fitting, Reducer	
24		Ref	Decal-LPG (Not Shown - See Decal Installation) Options:	
24	1701543	2	Decal - LPG	
24	1703911	2	Decal - LPG (UL Machines with LP Only)	
25	1700818	2	Decal - Liquid Withdrawal System (Not Shown - See Decal Installation)	
26	4791400	4	Starwasher 1/4in	
27	4240099	AR	Strap, Tie (Not Shown)	
28	0100020	AR	Sealant, Pipe	
29	0721006	2	Bolt #10-24NC x 3/4in (Not Shown UL Machines Only)	
30	4751000	2	Flatwasher #10 Regular (Not Shown UL Machines Only)	
31	3311005	2	Locknut #10-24NC (Not Shown UL Machines Only)	
32	3570752	1	Plate, Shield (Not Shown UL Machines Only)	
33	1703909	1	Decal - GS/LPS (Not Shown UL Machines with LP Only)	

SECTION 2 - TURNTABLE

FIGURE 2-18. DUAL FUEL INSTALLATIONS (FORD MACHINE OPTION) (SN 0300048907 through 0300068000)



SECTION 2 - TURNTABLE

FIGURE 2-18. DUAL FUEL INSTALLATIONS (FORD MACHINE OPTION) (SN 0300048907 through 0300068000)

ITEM	PART NUMBER	QTY	DESCRIPTION	REV
	2000166	Ref	DUAL FUEL ENGINE COMPONENTS (Prior to SN 0300061927)	C
	2000174	Ref	DUAL FUEL ENGINE COMPONENTS (ADE SYSTEM) (SN 0300061927 through 0300068000)	B
	See Note	1	Dual Fuel Conversion Kit (Note: Includes hose, fittings, clamps and items indented below. For replacement hose, fittings and clamps supply locally) (Note: Not Available - See Your Ford Dealer)	
1	7022165	1	Mixer	
1	7022171	1	Repair Kit - 7022165 Mixer	
1	7023645	1	Gasket, Mixer	
3	7022167	1	Convertor	
3	7022170	1	Repair Kit - 7022167 Convertor	
4	7023680	1	Filter, LP Shut-Off (was p/n 7022169)	
4	7023679	1	Electrical Connector Kit (Includes (1) 2 Position Connector, 2 Pins and 2 Seals)	
5	7022168	1	Valve, Solenoid	
6	4360188	1	Switch, Vacuum	
7	7023603	1	Adaptor	
8	7022166	1	Adaptor	
	0259766	Ref	Dual Fuel Machines (Prior to SN 0300061927)	5-C
	0270764	Ref	Dual Fuel Machines (ADE System) (SN 0300061927 through 0300068000)	5-F
187	2720392	1	Hose	
188	2180418	1	Fitting, Straight	
189	2220064	1	Fitting, 90	
190		Ref	Fitting, Reducer Options:	
190	2221019	1	Fitting, Reducer (Prior to SN 0300061927)	
190	2220005	1	Fitting, Reducer (SN 0300061927 through 0300068000)	

SECTION 2 - TURNTABLE

FIGURE 2-19. GENERATOR INSTALLATION - FORD MACHINES (OPTIONAL)

ITEM	PART NUMBER	QTY	DESCRIPTION	REV
		Ref	GENERATOR INSTALLATION OPTIONS:	
		Ref	Generator Installation (Prior to SN 0300035129)	
	0255394	Ref	110V Generator	2
	0257159	Ref	220V Generator	-
		Ref	Generator Installation (SN 0300035129 through 0300061926)	
	0257851	Ref	110V Generator	2
	0257856	Ref	220V Generator	3
		Ref	Generator Installation (SN 0300061927 through 0300063908)	
	0270808	Ref	110V Generator - ADE System	1
	0270809	Ref	220V Generator - ADE System	1
		Ref	Generator Installation (SN 0300063909 through 0300068000)	
	0271545	Ref	110V Generator - ADE System	3
	0271546	Ref	220V Generator - ADE System	4
1	3580250	1	Pulley	
2		Ref	Generator and Control Box Assembly Options:	
2	2460011	1	Generator and Control Box Assembly 110Volt Assembly (Prior to SN 0300064963)	I
2	2460032	1	Generator and Control Box Assembly 110Volt Assembly (SN 0300064963 through 0300068000)	C
2	2460013	1	Generator and Control Box Assembly 220Volt Assembly (Prior to SN 0300064963)	B
2	2460034	1	Generator and Control Box Assembly 220Volt Assembly (SN 0300064963 through 0300066745)	B
2	2460013	1	Generator and Control Box Assembly 220Volt Assembly (SN 0300066746 through 0300068000)	B
2A		Ref	Replacement Generator Options:	
2A	7012558	1	110V Replacement Generator	
2A	1001100321	1	220V Replacement Generator	
		Ref	Note: Replacement Generators come standard with p/n 3580134 pulley. This pulley may not be correct for all applications. Refer to pulley options below.	
2A	7020193	1	Cable, Generator (Generator to Control Box)	
2A		Ref	Armature Options:	
2A	7026199	1	Armature 110V Generator	
2A	70000123	1	Armature 220V Generator	
2A	7020108	4	Brush	
2A	7020109	4	Holder, Brush	
2A	7012513	4	Cap, Brush Holder	
2A	7012514	1	Fan	
2A	7020110	1	Bell, Front	
2A	7020111	1	Bell Rear	
2A	7020190	2	Bearing	
2B		Ref	Control Box Options:	
2B	7003657	1	110V Control Box	
2B	70002235	1	220V Control Box	
		Ref	Note: Replacement 110V control box comes with (2) standard receptacle p/n 4460190. Optional industrial twist lock receptacle p/n 4460027 must be ordered separately.	
2B		Ref	Breaker, Circuit Options:	
2B	4360542	1	Breaker 110V	
2B	70000126	1	Breaker 220V	
2B		Ref	Receptacle Options:	

SECTION 2 - TURNTABLE

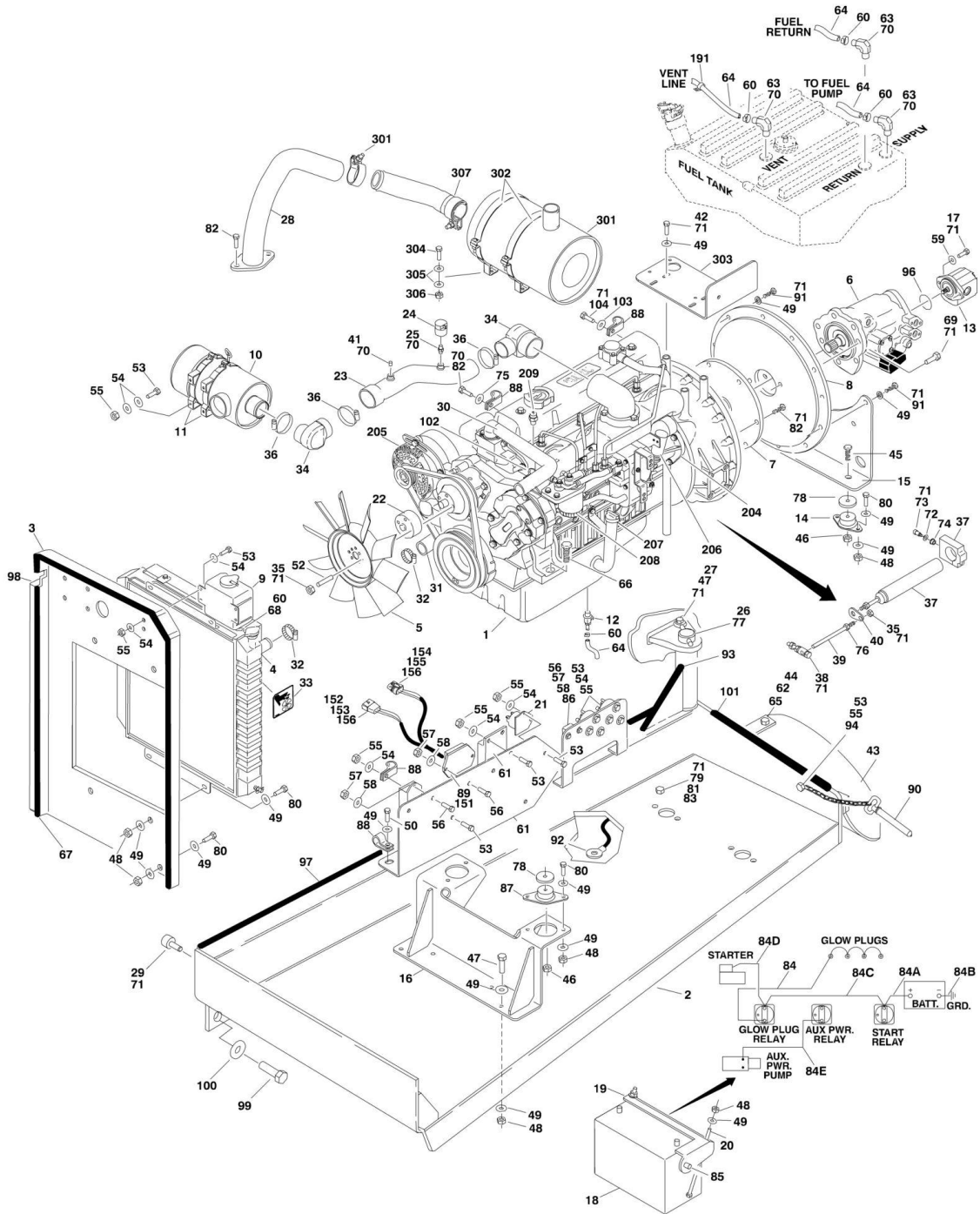
ITEM	PART NUMBER	QTY	DESCRIPTION	REV
2B	4460190	AR	Receptacle, Standard 110V	
2B	4460027	AR	Receptacle, Twistlock 110V	
2B	70000124	AR	Receptacle, Double 220V	
2B	70000125	AR	Receptacle, Single 220V	
2B	2920162	1	Lamp	
2B	7020191	1	Switch, Toggle	
2B	3520028	1	Plug, Hole	
2C		Ref	Voltmeter Options:	
2C	2420203	1	Voltmeter 110V (was p/n 7010699)	
2C	7020192	1	Voltmeter 220V	
2D		Ref	Pulley Options:	
2D	3580134	1	Pulley 110V (Prior to SN 0300064963)	
2D	3580276	1	Pulley 110V (SN 0300064963 through 0300068000)	
2D	3580134	1	Pulley 220V (Prior to SN 0300064963)	
2D	3580276	1	Pulley 220V (SN 0300064963 through 0300066745)	
2D	3580134	1	Pulley 220V (SN 0300066746 through 0300064963)	
2D	7027887	1	Key, Woodruff	
3		Ref	Bracket, Generator Mounting Options:	
3	0902210	1	Bracket, Generator Mounting (Prior to SN 0300063909)	
3	0902756	1	Bracket, Generator Mounting (SN 0300063909 through 0300068000)	
4	0200547	1	Arm, Adjusting	
5		Ref	V-Belt Options:	
5	0480050	1	V-Belt (Prior to SN 0300064963)	
5	0480111	1	V-Belt (SN 0300064963 through 0300066745)	
5	0480050	1	V-Belt (SN 0300066746 through 0300068000)	
6	0701015	2	Bolt 10mm-1.5 x 35mm	
7	4812000	2	Flatwasher 10mm	
8	0100011	AR	Compound, Locking	
9		Ref	Bolt Options:	
9	0681612	3	Bolt 3/8in-16NC x 1-1/2in (Grade 8) (Prior to SN 0300063909)	
9	0641772	1	Bolt 7/16in-14NC x 9in (SN 0300063909 through 0300068000)	
10	4751600	6	Flatwasher 3/8in Regular	
11	2860012	1	Key, Woodruff	
12	3311605	1	Locknut 3/8in-16NC	
13	4564417	1	Spacer, Tube	
15	4460023	1	Connector, Strain Relief	
16	0641508	1	Bolt 5/16in-18NC x 1in	
17	4751500	2	Flatwasher 5/16in Regular	
19	3520028	1	Plug, Hole	
20	0721006	4	Bolt #10-24NC x 3/4in	
21	3311005	4	Locknut #10-24NC	
22	4751000	9	Flatwasher #10 Regular	
23	4360294	1	Breaker, Circuit - 30Amp	
24	3740080	1	Relay, Bosch	
25	4360336	1	Switch, Toggle (Not Shown - Located at Platform)	
26	4740397	1	Bushing (Not Shown - Located at Platform)	
27	4060802	1	Guard, Switch (Not Shown - Located at Platform)	
29	2820031	4 in/10cm	Heat Shrink (Not Shown - Located at Platform)	
30	3251102	1	Decal (Not Shown - Located at Platform)	

SECTION 2 - TURNTABLE

ITEM	PART NUMBER	QTY	DESCRIPTION	REV
32	3311705	1	Locknut 7/16in-14NC Only (SN 0300063909 through 0300068000)	

SECTION 2 - TURNTABLE

FIGURE 2-20. ISUZU ENGINE INSTALLATION - 4JB1 (SN 0300057373 through 0300068000)



SECTION 2 - TURNTABLE

FIGURE 2-20. ISUZU ENGINE INSTALLATION - 4JB1 (SN 0300057373 through 0300068000)

ITEM	PART NUMBER	QTY	DESCRIPTION	REV
	0270016	Ref	ENGINE INSTALLATIONS	2-B
1	2000151	1	Engine - Isuzu 4JB1	
2	4845404	1	Tray Weldment	
3	3539872	1	Mount, Radiator	
4	3620040	1	Radiator	
4	7019656	1	Cap, Radiator	
5	2060025	1	Fan	
6	3600260	1	Piston Pump Assembly (See PISTON PUMP ASSEMBLY for Breakdown)	
7	1660239	1	Coupling	
8	0080181	1	Plate, Pump Adapter	
9	1580011	1	Tank, Coolant Recovery	
10	1340060	1	Air Cleaner Assembly	
10	7012664	1	Element, Air Cleaner	
11	0340041	2	Band, Air Cleaner	
12	4641019	1	Valve, Oil Drain	
13	3600242	1	Gear Pump Assembly (See GEAR PUMP ASSEMBLY for Breakdown)	
14	3200401	2	Plate, Engine Mount (Rear)	
15	3570283	1	Plate, Engine Mounting - Rear	
16	4845532	1	Plate Weldment, Engine Mounting - Front	
17	3931620	2	Screw 3/8in-16NC x 1-1/4in	
18		Ref	Battery Options:	
18	0400075	1	Battery (Wet)	
18	7016180	1	Battery (Dry)	
19	0181727	1	Battery Hold-Down	
20	0630498	2	Bolt, Tie-Down	
21	3740067	1	Relay (Auxiliary Power)	
22	0080230	1	Spacer, Fan	
23	4845035	1	Tube, Air Intake	
24	4360392	1	Indicator, Clogged Filter	
25	2180798	1	Fitting, Restrictor Indicator	
26	3422446	1	Pin, Pivot	
27	3841143	1	Pin, Keeper	
28	4845534	1	Weldment Tube, Exhaust	
29	0940070	1	Bumper, Rubber	
30	2720441	1	Hose, Radiator - Top	
31	2720442	1	Hose, Radiator - Bottom	
32	1320012	4	Clamp	
33	1703162	2	Decal - Fan Blade	
34	0080201	2	Elbow, Rubber	
35	3311401	4	Nut 1/4in-20NC	
36	1320016	4	Clamp	
37	0060033	1	Kit - Throttle Actuator	
38	1660220	1	Throttle Swivel	
39	3841516	1	Throttle Rod	
40	3572601	1	Plate, Throttle Rod Mount	
41	2200221	1	Fitting, Plug	
42	0701012	4	Bolt M10 x 25mm	
43	3380429	1	Panel, Rubber	

SECTION 2 - TURNTABLE

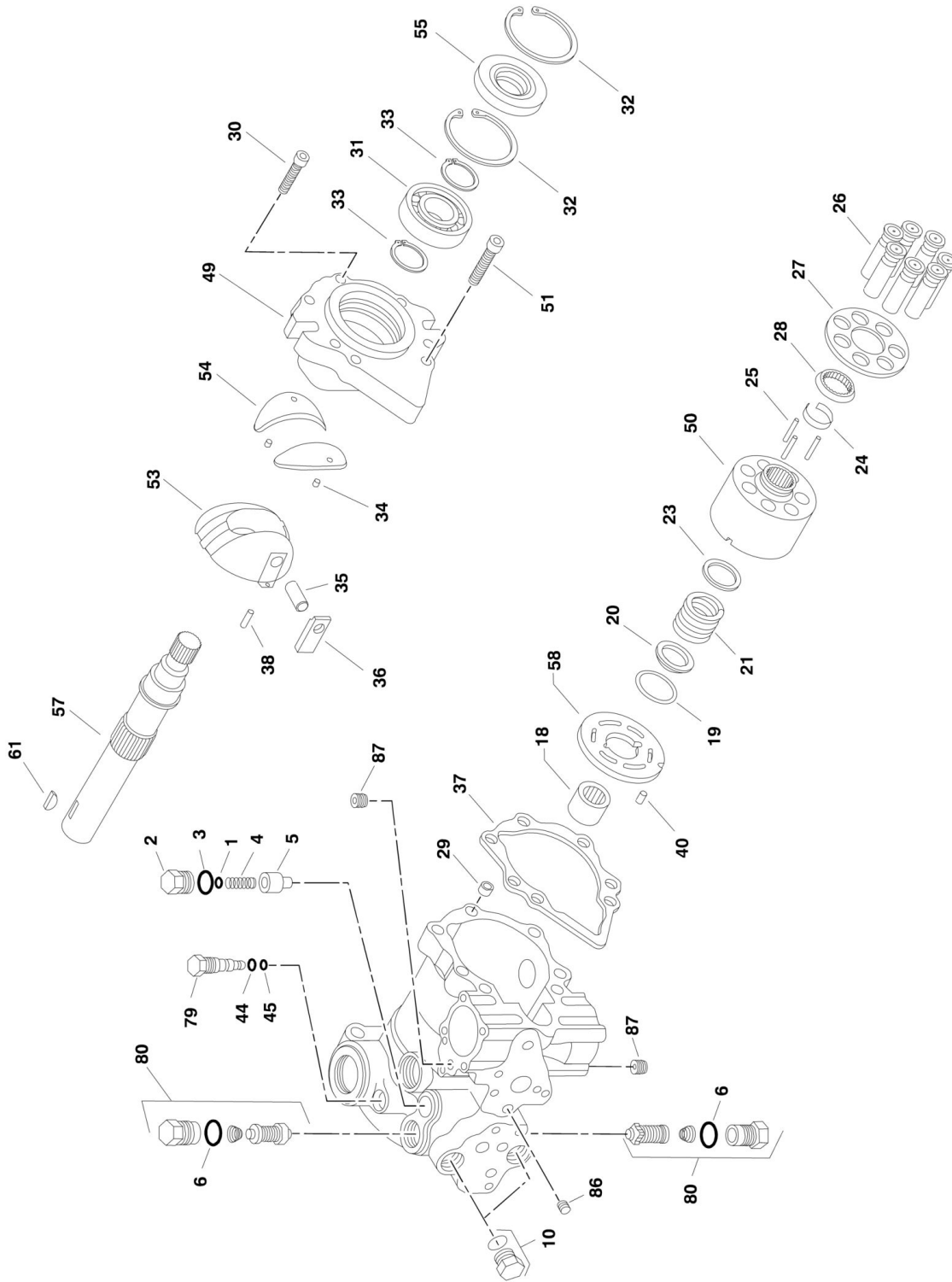
ITEM	PART NUMBER	QTY	DESCRIPTION	REV
44	3539957	2	Plate, Hold-Down	
45	0641818	2	Bolt 1/2in-13NC x 2-1/4in	
46	3311805	4	Locknut 1/2in-13NC	
47	0641610	5	Bolt 3/8in-16NC x 1-1/4in	
48	3311605	22	Locknut 3/8in-16NC	
49	4751600	63	Flatwasher 3/8in Regular	
50	0681606	3	Bolt 3/8in-16NC x 3/4in	
51	0641508	3	Bolt 5/16in-18NC x 1in	
52	4300148	4	Stud, Fan Mounting	
53	0641406	18	Bolt 1/4in-20NC x 3/4in	
54	4751400	31	Flatwasher 1/4in Regular	
55	3311405	19	Locknut 1/4in-20NC	
56	0721006	5	Bolt #10-24NC x 3/4in	
57	3311001	5	Nut #10-24NC	
58	4751000	5	Flatwasher #10 Regular	
59	4891600	2	Flatwasher 3/8in Hardened	
60	1320022	8	Clamp	
61	0902527	1	Bracket, Control Module Mounting	
62	3900272	3	Bolt 5/16in-18NC x 1-3/4in	
63	2220313	3	Fitting, Barbed 90	
64	2750532	31 ft/9.4m	Hose	
65	3311505	6	Locknut 5/16in-18NC	
66	0641828	2	Bolt 1/2in-13NC x 3-1/2in	
67	3960389	5 ft/1.52m	Seal	
68	2720058	12 ft/3.7m	Hose, Fuel Line	
69	0641812	2	Bolt 1/2in-13NC x 1-1/2in	
70	0100020	AR	Loctite #56747	
71	0100011	AR	Compound, Locking	
72	4740442	1	Washer, Belleville	
73	3900217	1	Screw, Shoulder	
74	0962031	1	Bushing, Flange	
75	4711600	1	Flatwasher 3/8in Thin	
76	3321602	1	Nut, Jam 3/8in-24NC	
77	0961986	2	Bushing, Flange	
78	4740274	4	Washer, Snubbing	
79	4751800	3	Flatwasher 1/2in Regular	
80	0641608	16	Bolt 3/8in-16NC x 1in	
81	3311801	1	Nut 1/2in-13NC	
82	0701011	11	Bolt M10 x 22mm	
83	0641808	2	Bolt 1/2in-13NC x 1in	
84	2901959	1	Battery Cable Kit	A
84A	7016800	1	Cable, Battery (Red)	
84B	7016831	1	Cable, Battery (Black)	
84C	7016811	1	Cable (Red)	
84D	7016802	1	Cable (Red)	
84E	7016804	1	Cable (Red)	
85	4460611	1	Terminal, Battery Jumper Post	
86	4360294	1	Breaker, Circuit	
87	3200362	2	Engine Mount (Front)	
88	1320223	12	Clamp	
90	3422532	1	Pin, Hitch	

SECTION 2 - TURNTABLE

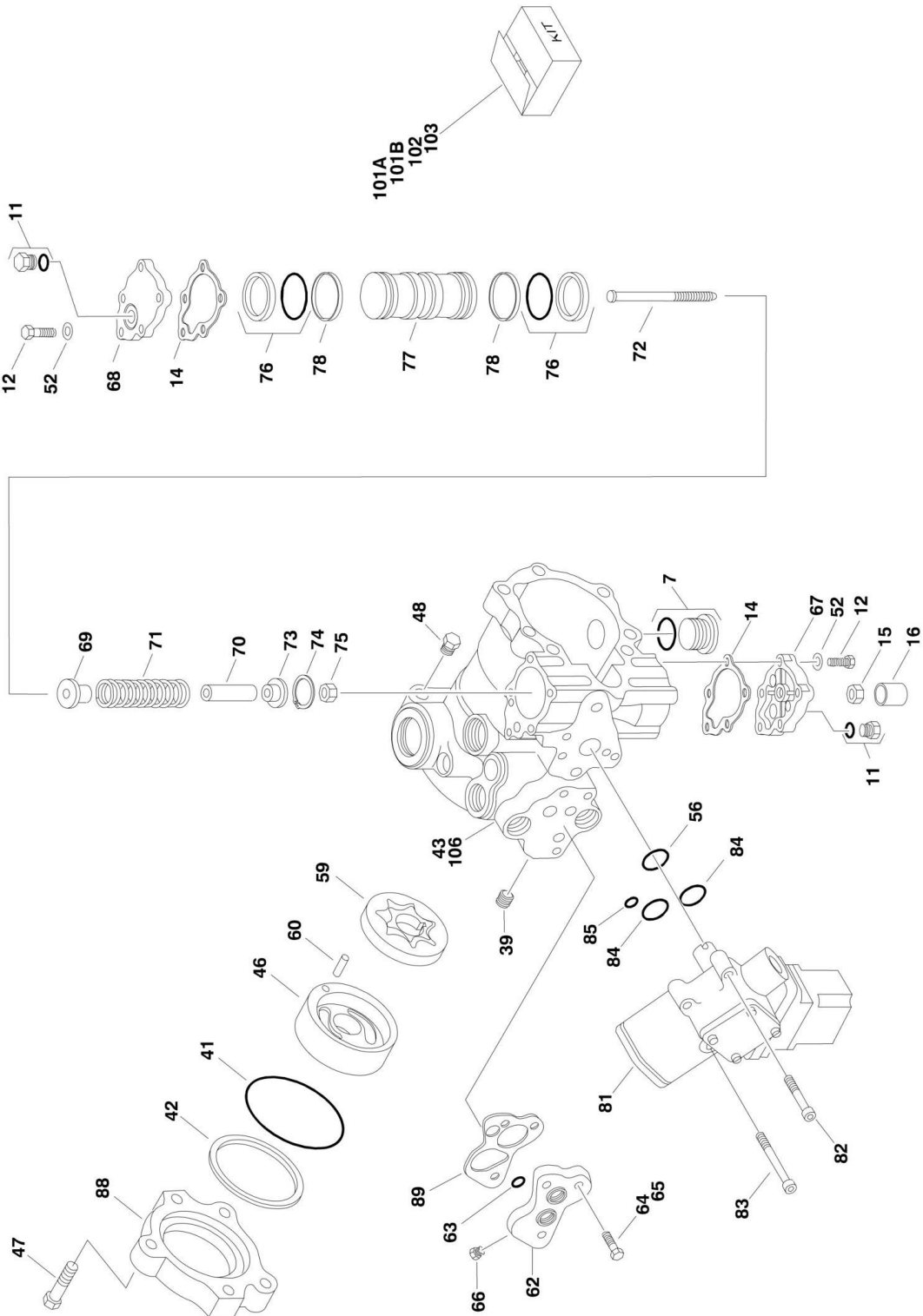
ITEM	PART NUMBER	QTY	DESCRIPTION	REV
91	0701015	12	Bolt M10 x 35mm	
92	1060637	1	Lanyard	
93	4060805	1 ft/0.3m	Flexible Trim 3/16in	
94	4711400	1	Flatwasher 1/4in Thin	
95	1701505	1	Decal - Diesel	
96	3790152	1	O-Ring	
97	3960468	1	Seal, Foam 1-1/4in x 1-1/4in x 47-1/4in	
98	3960469	1	Seal, Foam 1-1/4in x 1-1/4in x 32in	
99	0642010	1	Bolt 5/8in-11NC x 1-1/4in	
100	4752000	1	Flatwasher 5/8in Regular	
101	4060805	1.6 ft /0.49m	Flexible Trim 1/4in	
102	1320222	1	Clamp	
103	4711500	1	Flatwasher 5/16in Thin	
104	0700808	1	Bolt 8mm-1.25 x 16mm	
	0259198	Ref	TIMER MODULE PLUGS ASSEMBLY	2-B
151	3740126	1	Relay, Timer Module	
152	4460476	1	Housing - Receptacle	
153	4460475	3	Pin - Male	
154	4460459	1	Housing - Plug	
155	4460457	3	Socket - Female	
156	4460458	6	Seal	
		Ref	ENGINE COMPONENTS	
201	7022127	1	Switch, Oil Pressure (Not Shown)	
202	7022177	1	Solenoid, Engine Stop (Not Shown)	
203	7023634	1	Filter, Oil (Not Shown)	
204	7023635	1	Starter	
205	7023638	1	Alternator	
206	7023639	1	Solenoid, Shutdown 12Volt	
207	7023640	1	Gauge, Oil Level	
208	7023641	1	Filter, Fuel	
209	7023642	1	Switch, Water Pressure	
	0258932	Ref	MUFFLER INSTALLATION	1
301	3220113	1	Muffler - Spark Arresting	
302	0340046	2	Band	
303	3570288	1	Plate, Muffler Mount	
304	0641507	4	Bolt 5/16in-18NC x 1in	
305	4711500	8	Flatwasher 5/16in Thin	
306	3311505	4	Locknut 5/16in-18NC	
307	4567073	1	Tube, Exhaust	

SECTION 2 - TURNTABLE

FIGURE 2-21. PISTON PUMP ASSEMBLY



SECTION 2 - TURNTABLE



SECTION 2 - TURNTABLE

FIGURE 2-21. PISTON PUMP ASSEMBLY

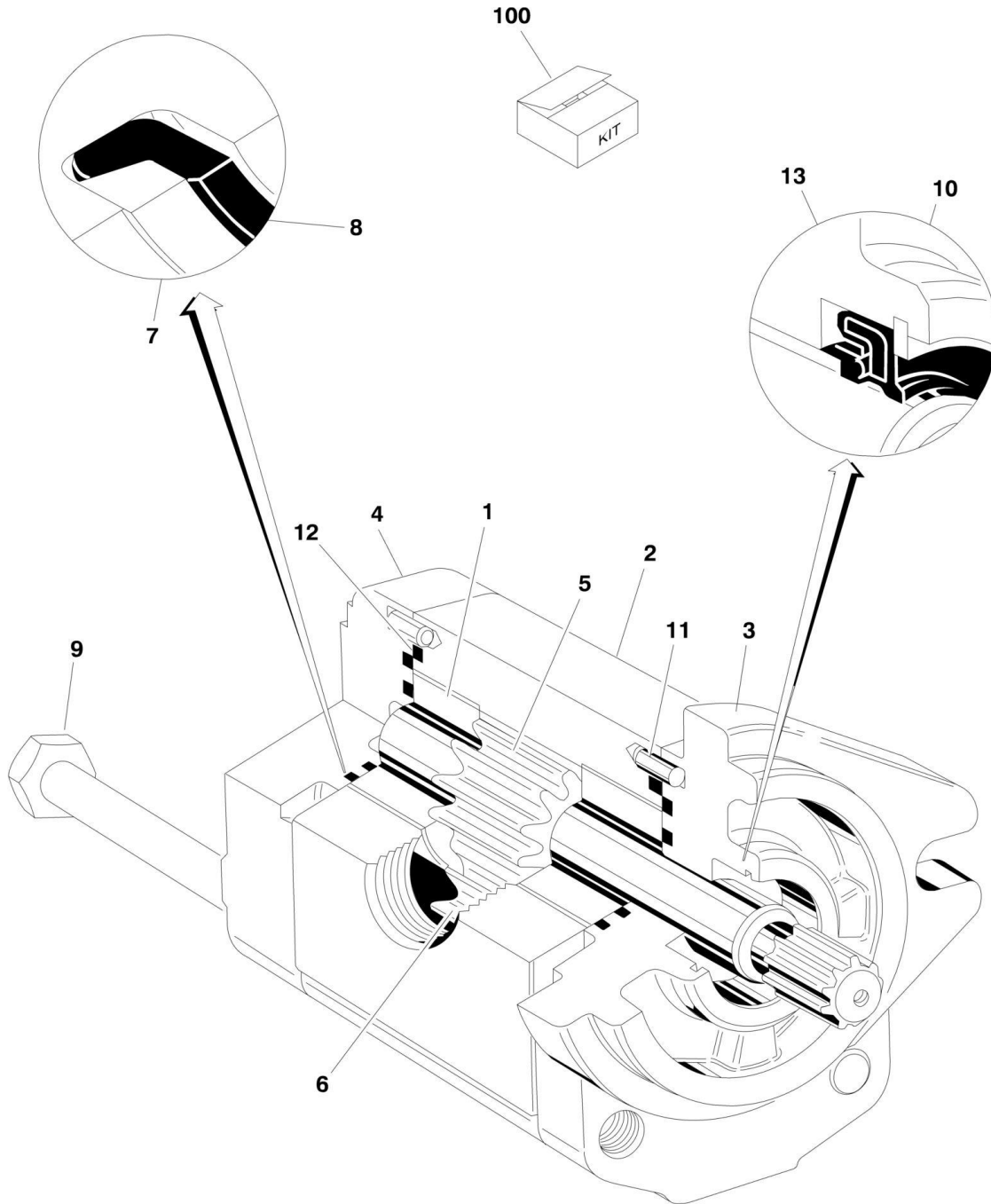
ITEM	PART NUMBER	QTY	DESCRIPTION	REV
		Ref	PISTON PUMP ASSEMBLIES	
	3600164	Ref	13 Tooth Pump Spline (Prior to SN 0300029318)	A
	3600260	Ref	15 Tooth Pump Spline (SN 0300029318 through 0300068000)	-
1	7007413	1	Shim Kit	
2	7007414	1	Plug	
3	See Note	NSS	O-Ring (Note: Use Item 101A)	
4	7007416	1	Spring, Relief Valve	
5	7007417	1	Valve, Relief	
6	See Note	NSS	O-Ring (Note: Use Item 101A)	
7	7007419	2	Plug	
10	7007420	2	Plug	
11	7007208	2	Plug	
12	7007421	10	Screw	
14	See Note	NSS	Gasket, Servo Cover (Note: Use Item 101A)	
15	7007423	1	Nut, Special	
16	7007424	1	Cover, Adjustment	
18	7007425	1	Bearing, Needle	
19	2900827	1	Ring, Retaining	
20	See Note	NSS	Washer (Note: Use Item 103)	
21	See Note	NSS	Spring (Note: Use Item 103)	
23	See Note	NSS	Washer (Note: Use Item 103)	
24	See Note	NSS	Retainer (Note: Use Item 103)	
25	See Note	NSS	Pin, Slipper Holddown (Note: Use Item 103)	
26	See Note	NSS	Piston Assembly (Note: Use Item 103)	
27	See Note	NSS	Retainer, Slipper (Note: Use Item 103)	
28	See Note	NSS	Guide, Retainer (Note: Use Item 103)	
29	7007435	1	Pin, Spring	
30	7007436	1	Screw, 12 Point Head	
31	7007437	1	Bearing, Ball	
32	7007438	2	Ring, Retainer	
33	7007439	2	Ring	
34	7007440	2	Pin, Spring	
35	7007441	1	Handle, Pin	
36	7007442	1	Sleeve, Bearing	
37	See Note	NSS	Gasket, Front Cover (Note: Use Item 103)	
38	7007444	1	Pin	
39	7007445	1	Plug, Expansion	
40	2900827	1	Pin	
41	See Note	1	O-Ring (Note: Use Item 101A or 102)	
42	See Note	1	Ring, Load Temper (Note: Use Item 101A or 102)	
43	7007449	1	Housing, Pump	
44	See Note	NSS	Ring, Back-up (Note: Use Item 101A)	
45	See Note	NSS	O-Ring (Note: Use Item 101A)	
46	2900826	1	Cover, Gerotor	
47	7007453	3	Bolt, Hex	
48	7007208	1	Plug	
49	7007454	1	Cover, Front	
50	2900827	1	Block, Cylinder	
51	7007456	6	Screw	
52	7001438	10	Washer	

SECTION 2 - TURNTABLE

ITEM	PART NUMBER	QTY	DESCRIPTION	REV
53	2900827	1	Swash Plate	
54	7007458	1	Journal, Bearing	
55	7007459	1	Seal, Lip	
56	See Note	NSS	O-Ring (Note: Use Item 101A or 103)	
57		Ref	Shaft, Main Pump Options:	
57	7007461	1	Shaft, Main Pump 13 Tooth Spline (Prior to SN 0300029318)	
57	7010121	1	Shaft, Main Pump 15 Tooth Spline (SN 0300029318 through 0300068000)	
58	7021214	1	Plate, Valve	
59	7007463	1	Gerotor Assembly	
60	See Note	NSS	Pin (Note: Use Item 102)	
61	See Note	NSS	Key, Woodruff (Note: Use Item 102)	
62	7007466	1	Adaptor, Remote Filtration (Without By-Pass)	
63	See Note	NSS	O-Ring (Note: Use Item 101A)	
64	7007468	2	Screw	
65	7007469	2	Screw	
66	7007470	1	Plug	
67	7007471	1	Cover, Servo (With Adjuster)	
67	7007490	2	Stop, Servo (Not Shown)	
67	7007491	2	Nut, Special (Not Shown)	
67	7007492	2	Ring, External (Not Shown)	
68	7007482	1	Cover, Servo (Without Adjuster)	
69	7007483	1	Guide, Spring	
70	7007484	1	Stop, Servo	
71	7007485	1	Spring	
72	7007486	1	Screw	
73	7007487	1	Guide, Spring	
74	7007488	1	Ring, Retaining	
75	7007499	1	Locknut	
76	See Note	2	Ring, Piston (Note: Use Item 101A or 101B)	
77	7007494	1	Piston, Servo	
78	See Note	2	O-Ring (Note: Use Item 101A or 101B)	
79	7007472	1	Valve, Bypass	
80	7010122	2	Valve, Pressure Relief (Includes Item 6) (was p/n 7007473)	
81	7007474	1	Control, Dual Oil-Filled	
81	7007496	1	Coil Assembly (Pilot)	
81	7007497	1	Plug (Pump)	
81	7007498	1	Plug (Valve Harness)	
82	7007478	2	Screw	
83	7001498	2	Screw	
84	See Note	NSS	O-Ring (Note: Use Item 101A)	
85	See Note	NSS	O-Ring (Note: Use Item 101A)	
86	7007475	1	Plug, Orifice/Screen (.156)	
87	7007477	2	Plug, Orifice (.37)	
88	7007476	1	Adapter, Auxiliary Pump	
89	7010120	1	Spacer/Gasket	
101		Ref	Seal Kit Options:	
101A	2900752	1	Seal Kit - Complete (Includes Items 3, 6, 14, 37, 41, 42, 44, 45, 55, 56, 63, 76, 78, 84 & 85)	
101B	7007412	1	Seal Kit - Servo Piston (Includes Items 76 & 78)	
102	2900826	1	Charge Pump Kit (Includes Items 41, 42, 46, 59, 60 & 61)	
103	2900827	1	Cylinder Block Kit (Includes Items 19-28, 40, 50, 53 & 58)	

SECTION 2 - TURNTABLE

FIGURE 2-22. GEAR PUMP ASSEMBLY



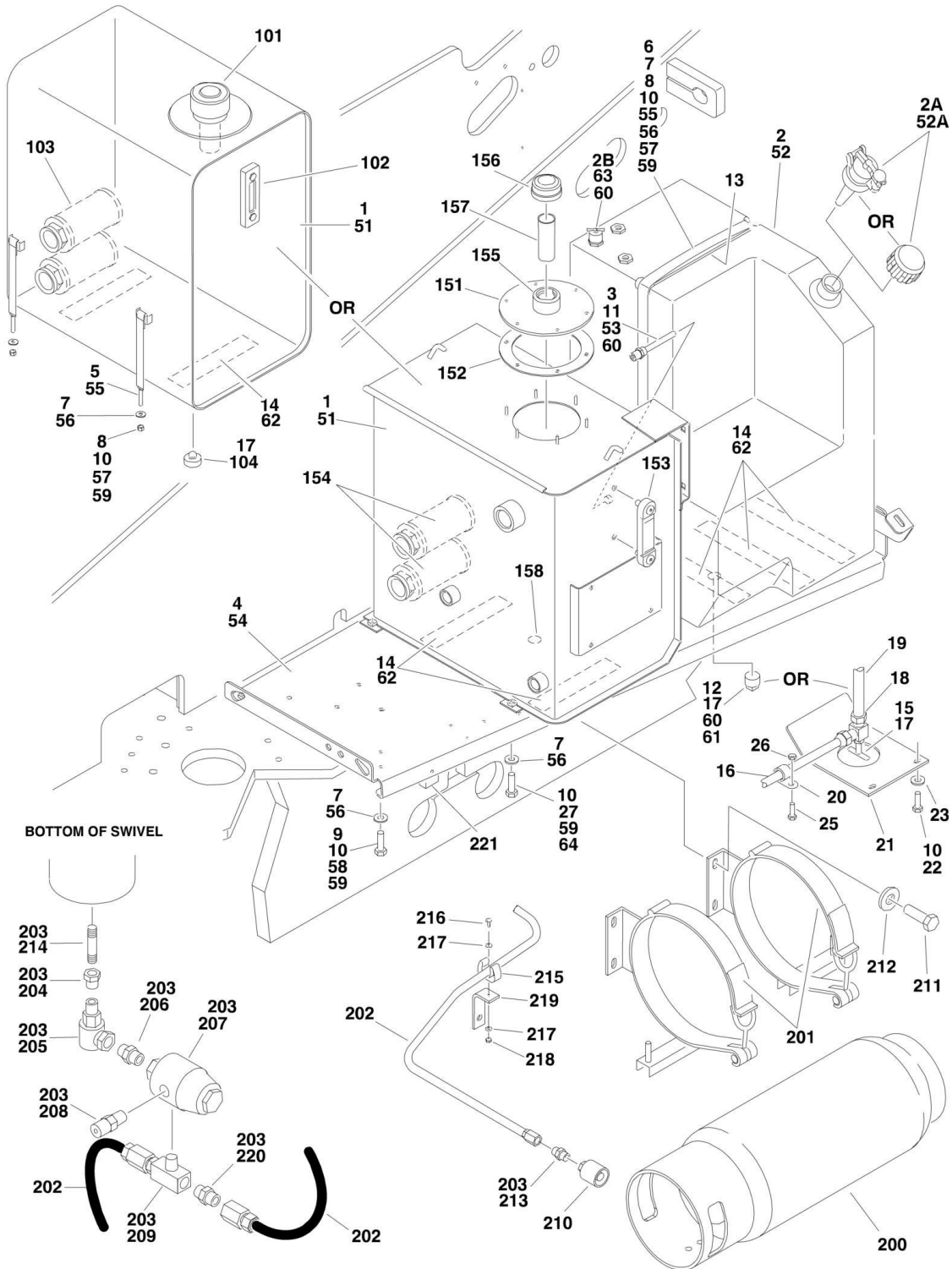
SECTION 2 - TURNTABLE

FIGURE 2-22. GEAR PUMP ASSEMBLY

ITEM	PART NUMBER	QTY	DESCRIPTION	REV
	3600242	Ref	GEAR PUMP ASSEMBLY	
1	7010105	2	Bearing/Bushing	
2	See Note	NSS	Housing (Note: Not Available - Purchase p/n 3600242 Complete Replacement)	
3	See Note	NSS	Flange (Note: Not Available - Purchase p/n 3600242 Complete Replacement)	
4	7010103	1	Cover	
5	7012987	1	Gear, Drive	
6	7012988	1	Gear, Idler	
7	7007489	2	Ring, Anti-Extrusion (Note: Use Item 100)	
8	7007489	2	Seal (Note: Use Item 100)	
9	See Note	NSS	Bolt (Note: Not Available for Purchase)	
10	7010104	1	Ring, Retaining	
11	See Note	NSS	Pin, Dowel (Note: Not Available for Purchase)	
12	7007489	2	Seal, O-Ring (Note: Use Item 100)	
13	7007489	1	Seal, Shaft (Note: Use Item 100)	
100	7007489	1	Seal Kit (Includes Items 7, 8, 12 & 13)	

SECTION 2 - TURNTABLE

FIGURE 2-23. TANK INSTALLATIONS



SECTION 2 - TURNTABLE

FIGURE 2-23. TANK INSTALLATIONS

ITEM	PART NUMBER	QTY	DESCRIPTION	REV
		Ref	TANKS INSTALLATION (STANDARD MACHINES)	
	0254849	Ref	Standard without Locking Fuel Tank	9
	0257340	Ref	Optional with Locking Fuel Tank (Gas/Dual Fuel Machines) (Prior to SN 0300048907)	2
	0270394	Ref	Fuel Tank (Gas/Dual Fuel Machines) (SN 0300048907 through 0300061926)	1
	0271250	Ref	Fuel Tank (Gas/Dual Fuel Machines - ADE System) (SN 0300061927 through 0300068000)	3
	0257483	Ref	Optional with Locking Fuel Tank (Diesel Machines) (Prior to SN 0300048907)	2
1		Ref	Hydraulic Tank Assembly Options:	
1	4400375	1	Tank, Hydraulic (See Items 101-104 for Breakdown)	
1	4400449	1	Tank, Hydraulic (See Items 151-158 for Breakdown)	
2		Ref	Tank, Fuel Options:	
2	4400376	1	Tank, Fuel (Prior to SN 0300030687)	
2	4400400	1	Tank, Fuel (SN 0300030687 through 0300068000)	
2A		Ref	Cap Options:	
2A	7016314	1	Standard Black Cap	
2A	1120484	1	Optional Red Cap - Gas/Dual Fuel Machines (Not Included with Tank)	
2A	1120487	1	Optional Blue Cap - Diesel Machines (Not Included with Tank)	
2B	7019658	1	Tube, Fuel Pick-up (with Fitting) (SN 0300030687 through 0300068000)	
3	4360436	1	Switch, Fuel Level	
4		Ref	Hydraulic Tray Weldment Options:	
4	See Note	1	Hydraulic Tray Weldment (Note: Recommend using p/n 4845393 in place of original p/n 3538759) (Prior to May 1996)	
4	4845393	1	Hydraulic Tray Weldment (May 1996 through 0300068000)	
5	4240112	4	Strap, Tank	
6	4240113	1	Strap, Tank	
7	4751600	12	Flatwasher 3/8in Regular	
8	3311601	AR	Nut 3/8in-16NC	
9	0641614	6	Bolt 3/8in-16NC x 1-3/4in	
10	0100011	AR	Compound, Locking	
11	0100079	AR	Sealant, Pipe	
12		Ref	Fitting Options:	
12	2200222	1	Fitting (Prior to SN 0300048907)	
12	2200233	1	Fitting (SN 0300048907 through 0300068000)	
13	4280295	25 in /44cm	Strip, Protective	
14	4420038	70 in /1.78m	Tape, Rubber	
		Ref	Note: Items 15-24 Used on Gas Machines SN 0300048907 through 0300068000 Only.	
15	4641022	1	Valve, Needle (SN 0300048907 through 0300068000)	
16	4568116	1	Tube, Fuel (SN 0300048907 through 0300068000)	
17	0100020	AR	Sealant (SN 0300048907 through 0300068000)	
18	0100062	AR	Retaining Compound #680 (SN 0300048907 through 0300068000)	
19	4568119	1	Tube, Fuel (SN 0300048907 through 0300068000)	
20	1320245	1	Clamp (SN 0300048907 through 0300068000)	
21	3572423	1	Plate, Valve, Needle (SN 0300048907 through 0300068000)	

SECTION 2 - TURNTABLE

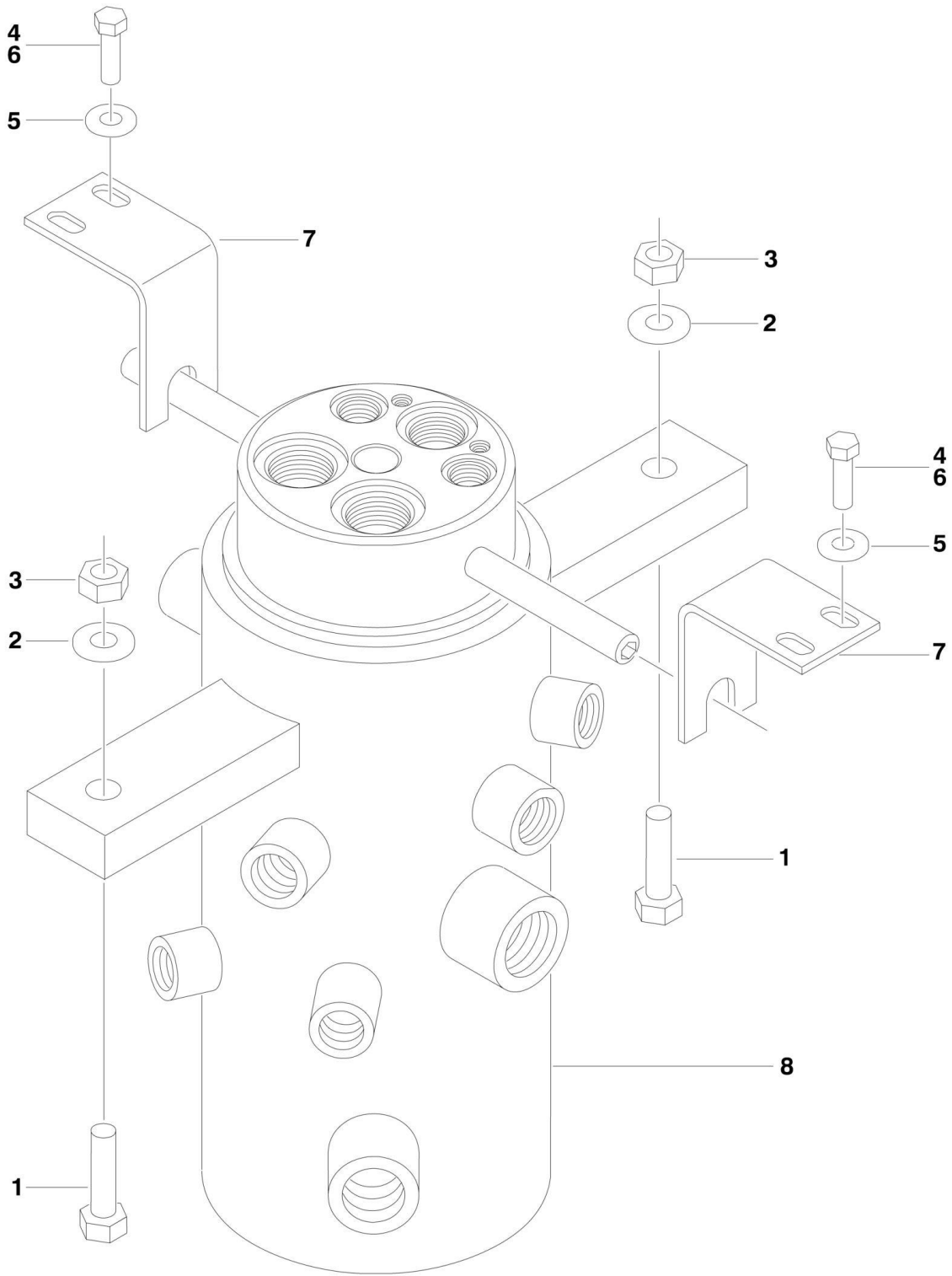
ITEM	PART NUMBER	QTY	DESCRIPTION	REV
22	0641508	2	Bolt 5/16in-18NC x 1in (SN 0300048907 through 0300068000)	
23	4711500	4	Flatwasher 5/16in Thin (SN 0300048907 through 0300068000)	
24	3311505	2	Locknut 5/16in-18NC (SN 0300048907 through 0300068000)	
25	0641412	1	Bolt 1/4in-20NC x 1-1/2in (SN 0300061927 through 0300068000)	
26	3311405	1	Locknut 1/4in-20NC x 1-1/2in (SN 0300061927 through 0300068000)	
27	0641608	4	Bolt 3/8in-16NC x 1in (SN 0300068130 through 0300068000)	
		Ref	TANKS INSTALLATION (UL MACHINES)	
	0257705	Ref	Gas/Diesel	3
	0258607	Ref	LP Gas Only	2
51		Ref	Hydraulic Tank Assembly Options:	
51	4400375	1	Tank, Hydraulic (See Items 101-104 for Breakdown)	
51	4400449	1	Tank, Hydraulic (See Items 151-158 for Breakdown)	
52	4400407	1	Tank, Fuel (Not Required on LP Gas Only Machines)	
52A	7016314	1	Cap, Black Fuel (Not Required on LP Gas Only Machines)	
53	4360436	1	Switch, Fuel Level (Not Required on LP Gas Only Machines)	
54	4845393	1	Weldment, Hydraulic Tray	
55	4240112	AR	Strap	
56	4751600	AR	Flatwasher 3/8in Regular	
57	3311601	AR	Nut 3/8in-16NC	
58	0641614	6	Bolt 3/8in-16NC x 1-3/4in	
59	0100011	AR	Compound, Locking	
60	0100020	AR	Sealant, Pipe	
61	2200222	1	Plug, Pipe (Not Required on LP Gas Only Machines)	
62	4420038	AR	Moulding	
63	4641022	1	Valve, Needle (Not Required on LP Gas Only Machines)	
64	0641608	4	Bolt 3/8in-16NC x 1in	
	4400375	Ref	HYDRAULIC TANK ASSEMBLY	F
101		Ref	Filler/Breather Assembly Options:	
101	7014803	1	Filler/Breather Assembly (Prior to June 1997)	
101	7014810	1	Filler/Breather Assembly (June 1997 through 0300068000)	
101	7014811	1	Cap, Breather (Fits Both 7014803 & 7014810)	
101	7014816	1	Screen	
102	7014802	1	Gauge, Sight	
103	7014801	1	Strainer 1-1/4inNPT	
104	7014813	1	Plug, Magnetic	
	4400449	Ref	HYDRAULIC TANK ASSEMBLY	A
151	7024439	1	Cover	
152	7024440	1	Gasket	
153	7024441	1	Gauge, Sight	
154	7024442	2	Strainer	
155	7024443	1	Filler Neck	
156	7024444	1	Cap, Vented	
157	7024445	1	Strainer	
158	7024446	1	Plug, Magnetic	
	0255524	Ref	LP TANK BRACKETS INSTALLATION	7
200	4400275	1	Tank, LP - 43.5lbs	
201	1320220	2	Clamp	
201	1320127	2	Clamp, Toggle (1 Per Clamp)	
202	2720144	2	Hose	
203	0100020	AR	Sealant, Pipe (Not Shown)	

SECTION 2 - TURNTABLE

ITEM	PART NUMBER	QTY	DESCRIPTION	REV
204	2221019	1	Fitting, Reducer	
205		Ref	Fitting, 90 Swivel Options:	
205	2180125	1	Fitting, 90 Swivel (Prior to SN 0300039820)	
205	2220599	1	Fitting, 90 Swivel (SN 0300039820 through 0300040158)	
205	2180125	1	Fitting, 90 Swivel (SN 0300040159 through 0300068000)	
206	2220261	1	Fitting, Nipple	
207	2180388	1	Fitting, Bulkhead	
208	2180389	1	Valve, Relief	
209		Ref	Fitting, Tee Options:	
209	2180800	1	Fitting, Tee (Prior to SN 0300041400)	
209	2220418	1	Fitting, Tee (SN 0300041400 through 0300068000)	
210	2180387	2	Fitting, Straight	
211	0641606	8	Bolt 3/8in-16NC x 3/4in	
212	4751600	8	Flatwasher 3/8in Regular	
213	2180418	2	Fitting, Connector	
214	2221018	1	Fitting, Nipple	
215	1320218	2	Clamp, Spring (SN 0300034410 through 0300068000)	
216	3910808	2	Screw, Round Head #8-32NC x 1/2in (SN 0300034410 through 0300068000)	
217	4750800	4	Flatwasher #8 Regular (SN 0300034410 through 0300068000)	
218	3310805	2	Locknut #8-32NC (SN 0300034410 through 0300068000)	
219	0181949	2	Angle, Support (SN 0300034410 through 0300068000)	
220	2221024	2	Fitting, Union Ball Check (SN 0300034410 through 0300068000)	
221	0362519	4	Bar (SN 0300034410 through 0300068000)	

SECTION 2 - TURNTABLE

FIGURE 2-24. ROTARY COUPLING INSTALLATION



SECTION 2 - TURNTABLE

FIGURE 2-24. ROTARY COUPLING INSTALLATION

ITEM	PART NUMBER	QTY	DESCRIPTION	REV
		Ref	ROTARY COUPLING INSTALLATIONS	
	0255262	Ref	Rotary Coupling Installations 2WS	5
	0255294	Ref	Rotary Coupling Installations 4WS	2
1	0641820	2	Bolt 1/2in-13NC x 2-1/2in	
2	4751800	4	Flatwasher 1/2in Regular	
3	3311805	2	Locknut 1/2in-13NC	
4	0641611	4	Bolt 3/8in-16NC x 1-3/8in	
5	4751600	4	Flatwasher 3/8in Regular	
6	0100011	AR	Compound, Locking	
7		Ref	Bracket	
7	0902109	NLA	Bracket (Use p/n 0902520) (Prior to SN 0300041296)	
7	0902520	2	Bracket (SN 0300041296 through 0300068000)	
8		Ref	Coupling, Rotary Options:	
8	1660219	1	Coupling, Rotary 2WS	
8	1660223	1	Coupling, Rotary 4WS	
8		Ref	Seal Kit Options:	
8	7013187	1	Seal Kit 2WS	
8	7016342	1	Seal Kit 4WS	

SECTION 2 - TURNTABLE

FIGURE 2-25. GROUND CONTROL BOX ASSEMBLY (Prior to SN 0300061926)

ITEM	PART NUMBER	QTY	DESCRIPTION	REV
		Ref	GROUND CONTROL BOX ASSEMBLIES	
		Ref	Continental Engine Options:	
	0861001	Ref	Continental Engine (600S) (Prior to SN 0300035129)	7-E
	0861129	Ref	Continental Engine (600S) (SN 0300035129 through 0300061926)	2-B
	0861004	Ref	Continental Engine (600SJ & 660SJ) (Prior to SN 0300035129)	8F
	0861130	Ref	Continental Engine (600SJ & 660SJ) (SN 0300035129 through 0300061926)	2-B
		Ref	Deutz Engine Options:	
	0861000	Ref	Deutz Engine (600S) (Prior to SN 0300035129)	10-G
	0861125	Ref	Deutz Engine (600S) (SN 0300035129 through 0300061926)	5
	0861003	Ref	Deutz Engine (600SJ & 660SJ) (Prior to SN 0300035129)	10-G
	0861126	Ref	Deutz Engine (600SJ & 660SJ) (SN 0300035129 through 0300061926)	5
		Ref	Deutz Engine - UL Options:	
	0861242	Ref	Deutz Engine (600S) (SN 0300039457 through 0300061926)	3-C
	0861243	Ref	Deutz Engine (600SJ & 660SJ) (SN 0300039457 through 0300061926)	3-C
		Ref	Ford Engine Options:	
	0860999	Ref	Ford Engine (600S) (Prior to SN 0300030947)	6-D
	0861100	Ref	Ford Engine (600S) (SN 0300030947 through 0300035128)	1-A
	0861123	Ref	Ford Engine (600S) (SN 0300035129 through 0300048906)	4-C
	0861002	Ref	Ford Engine (600SJ & 660SJ) (Prior to SN 0300030947)	7-E
	0861101	Ref	Ford Engine (600SJ & 660SJ) (SN 0300030947 through 0300035128)	2-B
	0861124	Ref	Ford Engine (600SJ & 660SJ) (SN 0300035129 through 0300048907)	4-C
		Ref	Ford Engine with EFI Options:	
	0861328	Ref	Ford Engine with EFI (600S) (SN 0300048907 through 0300061926)	3-C
	0861329	Ref	Ford Engine with EFI (600SJ & 660SJ) (SN 0300048907 through 0300061926)	3-C
		Ref	Ford Engine - UL Options:	
	0861230	Ref	Ford Engine - UL (600S) (SN 0300039457 through 0300061926)	3-C
	0861231	Ref	Ford Engine - UL (600SJ & 660SJ) (SN 0300039457 through 0300061926)	3-C
		Ref	Ford Engine - UL (LP Gas Only) Options:	
	0861249	Ref	Ford Engine - UL (LP Gas Only) (600S) (SN 0300039457 through 0300061926)	3-C
	0861250	Ref	Ford Engine - UL (LP Gas Only) (600SJ & 660SJ) (SN 0300039457 through 0300061926)	3-A
		Ref	Isuzu Engine Options:	
	0861382	Ref	Isuzu Engine (600S) (SN 0300057373 through 0300061926)	1
	0861383	Ref	Isuzu Engine (600SJ & 660SJ) (SN 0300057373 through 0300061926)	1
1		Ref	Box, Fiberglass Options:	
1	0860978	1	Box, Fiberglass (Prior to SN 0300035129)	
1	0861132	1	Box, Fiberglass (SN 0300035129 through 0300044644)	
1	0861303	1	Box, Fiberglass (SN 0300044645 through 0300061926)	
2		Ref	Switch, Emergency Stop Options:	
2	4360395	1	Switch, Emergency Stop (Prior to SN 0300036019)	

SECTION 2 - TURNTABLE

ITEM	PART NUMBER	QTY	DESCRIPTION	REV
2	4360289	1	Switch, Emergency Stop (SN 0300035129 through 0300044644)	
2	4360475	1	Switch, Emergency Stop (SN 0300044645 through 0300061926)	
2A		Ref	Cap Options:	
2A	7016315	1	Cap, Red (Used on Switch p/n 4360395)	
2A	7012611	1	Cap, Mushroom Head (Used on Switch p/n 4360289)	
2A	7012612	1	Boot (Used on Switch p/n 4360289)	
2A	7020175	1	Cap, Red (Used on Switch p/n 4360475)	
2A	7020176	1	Contact Block (Used on Switch p/n 4360475)	
3		Ref	Switch, Key Options:	
3	4360315	1	Switch, Key (Prior to SN 0300044645)	
3	4360469	1	Switch, Key (SN 0300044645 through 0300061926)	
3A		Ref	Key Replacement Options:	
3A	7012560	1 Set	Key Replacement (Used on Switch p/n 4360315) (Prior to SN 0300044645)	
3A	2860030	1 Set	Key Replacement (Used on Switch p/n 4360469) (SN 0300044645 through 0300061926)	
4		Ref	Decal - Faceplate Options:	
4	1702632	1	Decal - Faceplate (600S) (Prior to SN 0300035129)	
4	1703465	1	Decal - Faceplate (600S) (SN 0300035129 through 0300061926)	
4	1702536	1	Decal - Faceplate (600SJ & 660SJ) (Prior to SN 0300035129)	
4	1703466	1	Decal - Faceplate (600SJ & 660SJ) (SN 0300035129 through 0300061926)	
5		Ref	Engine Harness Assembly (See ELECTRICAL SECTION for Breakdown)	
5		Ref	Continental Engine Machines	
5	4921738	1	Continental Engine Machines (Prior to SN 0300035129)	
5	4921926	1	Continental Engine Machines (SN 0300035129 through 0300061926)	
5		Ref	Deutz Engine Machines	
5	4921737	1	Deutz Engine Machines (Prior to SN 0300035129)	
5	4921925	1	Deutz Engine Machines (SN 0300035129 through 0300061926)	
5		Ref	Deutz Engine Machines - UL	
5	4922185	1	Deutz Engine Machines - UL (SN 0300039457 through 0300061926)	
5		Ref	Ford Engine Machines	
5	4921736	1	Ford Engine Machines (Prior to SN 0300030947)	
5	4921970	1	Ford Engine Machines (SN 0300030947 through 0300035128)	
5	4921924	1	Ford Engine Machines (SN 0300035129 through 0300048907)	
5		Ref	Ford Engine with EFI Machines	
5	4922329	1	Ford Engine with EFI Machines (SN 0300048907 through 0300061926)	
5		Ref	Ford Engine Machines - UL	
5	4922166	1	Ford Engine Machines - UL (SN 0300039457 through 0300061926)	
5		Ref	Ford Engine Machines - UL (LP Gas Only)	
5	4922200	1	Ford Engine Machines - UL (LP Gas Only) (SN 0300039457 through 0300061926)	
5		Ref	Isuzu Engine Machines	

SECTION 2 - TURNTABLE

ITEM	PART NUMBER	QTY	DESCRIPTION	REV
5	4922380	1	Isuzu Engine Machines (SN 0300057373 through 0300061926)	
6		Ref	Valve Harness Assembly Options: (See ELECTRICAL SECTION for Breakdown)	
6	4921735	1	Valve Harness Assembly (Prior to SN 0300026233)	
6	4921849	1	Valve Harness Assembly (SN 0300026233 through 0300035128)	
6	4921923	1	Valve Harness Assembly (SN 0300035129 through 0300061926)	
6	4922164	1	Valve Harness Assembly (UL Machines Only) (SN 0300039457 through 0300061926)	
8	1840012	1	Duct, Wiring - 2in/5cm	
9	1840013	1	Duct, Cover - 2in/5cm	
10	1840014	1	Duct, Wiring - 3in/7.6cm	
11	1840015	1	Duct, Cover - 3in/7.6cm	
12	3910608	6	Screw #6-32NC x 1/2in	
13	3640970	1	Rail	
14	4460602	1	Barrier, Terminal	
15	4460601	10	Block, Terminal	
16	4460603	1	Bussbar - 10 Position (Requires being cut into (2) 5 position bussbars)	
17	4460631	AR	Marker, Terminal (Negative)	
18	4460600	AR	Block, Terminal	
19	4460628	AR	Marker, Terminal (1-50)	
20	4460607	1	Stop, Terminal	
21	4750600	12	Flatwasher #6 Regular	
22	3740112	1	Relay, Bosch	
23	4360314	AR	Switch, Toggle	
24		Ref	Switch, Contact Block Options:	
24	4360282	1	Switch, Contact Block (Prior to SN 0300044645)	
24	4360476	1	Switch, Contact Block (SN 0300044645 through 0300061926)	
25	2760105	1	Housing, Display Light	
26	4420038	4 in/10cm	Insulation, Adhesive Foam	
27	1702610	1	Decal - Ground Control Display	
28	4460526	1	Connector, Strain Relief	
29	4460428	3	Connector, Strain Relief	
30	4460426	1	Connector, Strain Relief	
31	4740444	AR	Washer, Special	
32	4060906	AR	Shield, Toggle Switch	
33	2420172	1	Gauge, Hourmeter	
34	0721005	AR	Screw #10-24NC x 5/8in	
35	3311001	AR	Nut #10-24NC	
36	4751000	AR	Flatwasher #10 Regular	
37		Ref	Screw Options:	
37	0721004	AR	Screw #10-24NC (Prior to SN 0300057373)	
37	3900268	AR	Screw #10-24NC x 1/2in (SN 0300057373 through 0300061926)	
38	3300205	4	Nut, Retainer	
39	0641506	4	Bolt 5/16in-18NC x 3/4in	
40	0100011	AR	Compound, Locking	
41	3539219	1	Plate, Reinforcement	
42	3740049	AR	Relay - SPDT	

SECTION 2 - TURNTABLE

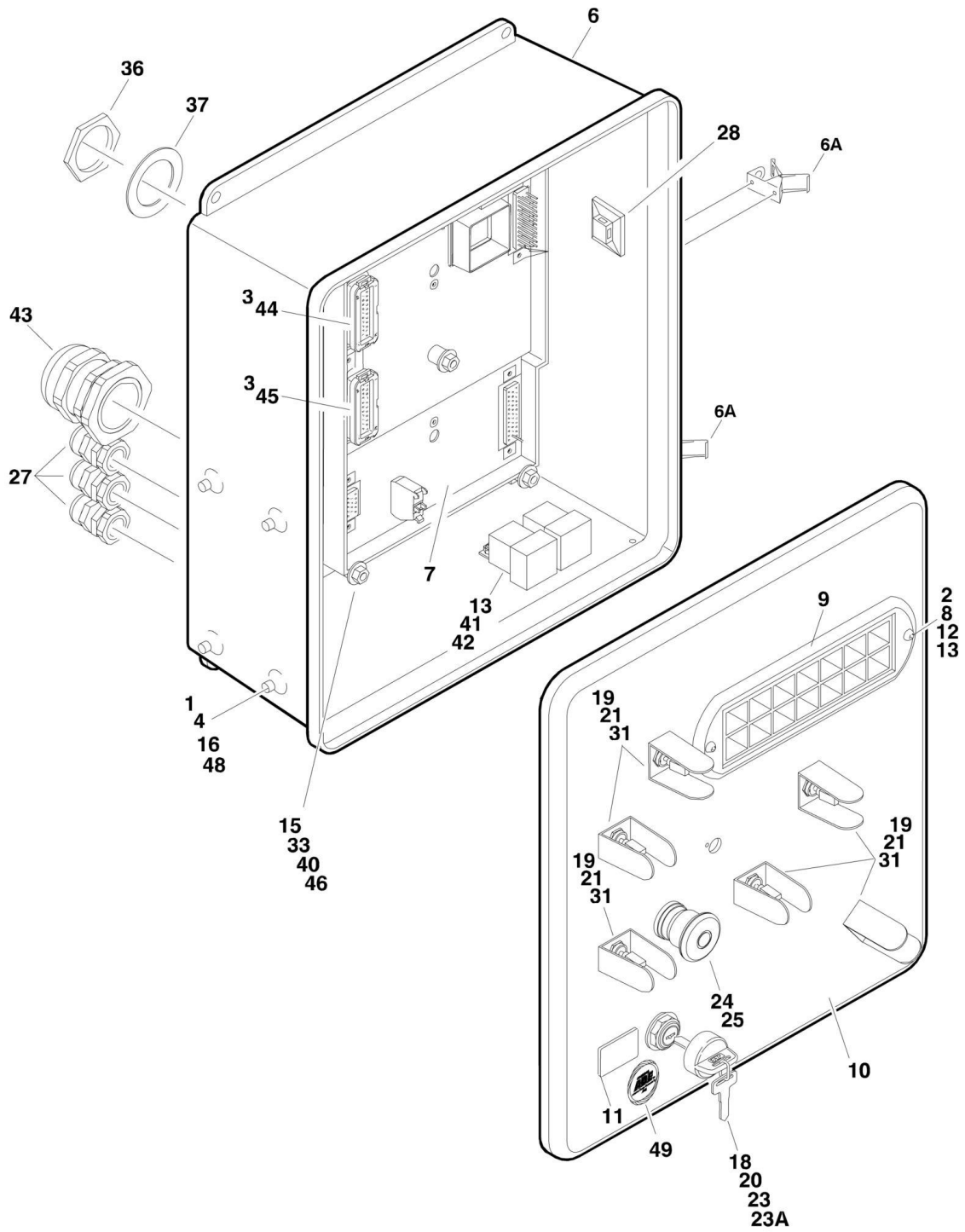
ITEM	PART NUMBER	QTY	DESCRIPTION	REV
43		Ref	Marker, Terminal (Ignition) Options:	
43	4460630	1	Marker, Terminal (Ignition) Standard	
43	4460759	1	Marker, Terminal (Ignition) UL	
44	4760600	6	Lockwasher #6	
45	3310601	6	Nut #6-32NC	
46	3700010	1	Reflector Only (Prior to SN 0300027331)	
48		Ref	Timer, Glow Plug Options:	
48	4360402	1	Timer, Glow Plug Continental Engines	
48	Not Required	0	Timer, Glow Plug Deutz, Isuzu and Ford Engines	
49		Ref	Socket, Relay Options:	
49	4120012	1	Socket, Relay Ford Engines	
49	Not Required	0	Socket, Relay Deutz, Isuzu and Continental Engines	
50		Ref	Relay Options:	
50	3740057	1	Relay Ford Engines	
50	Not Required	0	Relay Deutz, Continental, Isuzu and Ford Engines - UL	
51		Ref	Spring, Relay Options:	
51	3740066	1	Spring, Relay Ford Engines	
51	Not Required	0	Spring, Relay Deutz, Continental, Isuzu and Ford Engines - UL	
52	3300390	1	Nut with Weather Resistant Boot	
53	3520054	1	Plug, Hole (SN 0300028933 through 0300035128)	
54	1670829	1	Bezel (SN 0300035129 through 0300061926)	
55	0630518	2	Capscrew, Button Head (SN 0300035129 through 0300061926)	
56		Ref	Connector, Strain Relief Options:	
56	4460526	1	Connector, Strain Relief (Prior to SN 0300035129)	
56	4460711	1	Connector, Strain Relief (SN 0300035129 through 0300061926)	
57	3300408	AR	Locknut, Plastic Insert (SN 0300035129 through 0300061926)	
58	1703622	1	Decal - Service Manual Reference (SN 0300035129 through 0300061926)	
59	4460234	6	Base, Tie-Strap (SN 0300035129 through 0300061926)	
60	3740132	AR	Relay (UL Machines Only)	
61	2400057	6	Fuse, 15Amp (UL Machines Only)	
62	4460760	1	Terminal, Bridge Bar (UL Machines Only)	
63	4460758	6	Block, Terminal (UL Machines Only)	
64	3530168	3	Plug, Rubber (Not Shown) (SN 0300044645 through 0300061926)	
65	4070991	1	Shim (.125) (SN 0300044645 through 0300061926)	
66	4070987	1	Shim (.015) (SN 0300044645 through 0300061926)	
67	3910804	6	Screw #8-32NC x 1/4in (SN 0300044645 through 0300061926)	
68	3911024	1	Screw #10-24NC x 1-1/2in (SN 0300048907 through 0300061926)	
69		Ref	Timer, Relay Options (SN 0300048907 through 0300061926)	
69	3740113	1	Timer, Relay Ford Engines with EFI	
69	Not Required	0	Timer, Relay Ford, Deutz, Isuzu and Continental Engines	
70	4761000	1	Lockwasher #10 (SN 0300048907 through 0300061926)	
71		Ref	Hardware Options:	
71	4360387	1	Switch, Push Button (Ford Engines with EFI)	
71	3520026	1	Plug (Ford, Deutz, Isuzu and Continental Engines)	
72	0100009	AR	Adhesive (Not Shown)	
73		Ref	Plug Options:	

SECTION 2 - TURNTABLE

ITEM	PART NUMBER	QTY	DESCRIPTION	REV
73	Not Required	0	Ford Engines with EFI and Continental Engines	
73	3520174	5	Deutz and Isuzu Engines	

SECTION 2 - TURNTABLE

FIGURE 2-26. GROUND CONTROL BOX ASSEMBLY (ADE SYSTEM) (SN 0300061927 through 0300068000)



SECTION 2 - TURNTABLE

FIGURE 2-26. GROUND CONTROL BOX ASSEMBLY (ADE SYSTEM) (SN 0300061927 through 0300068000)

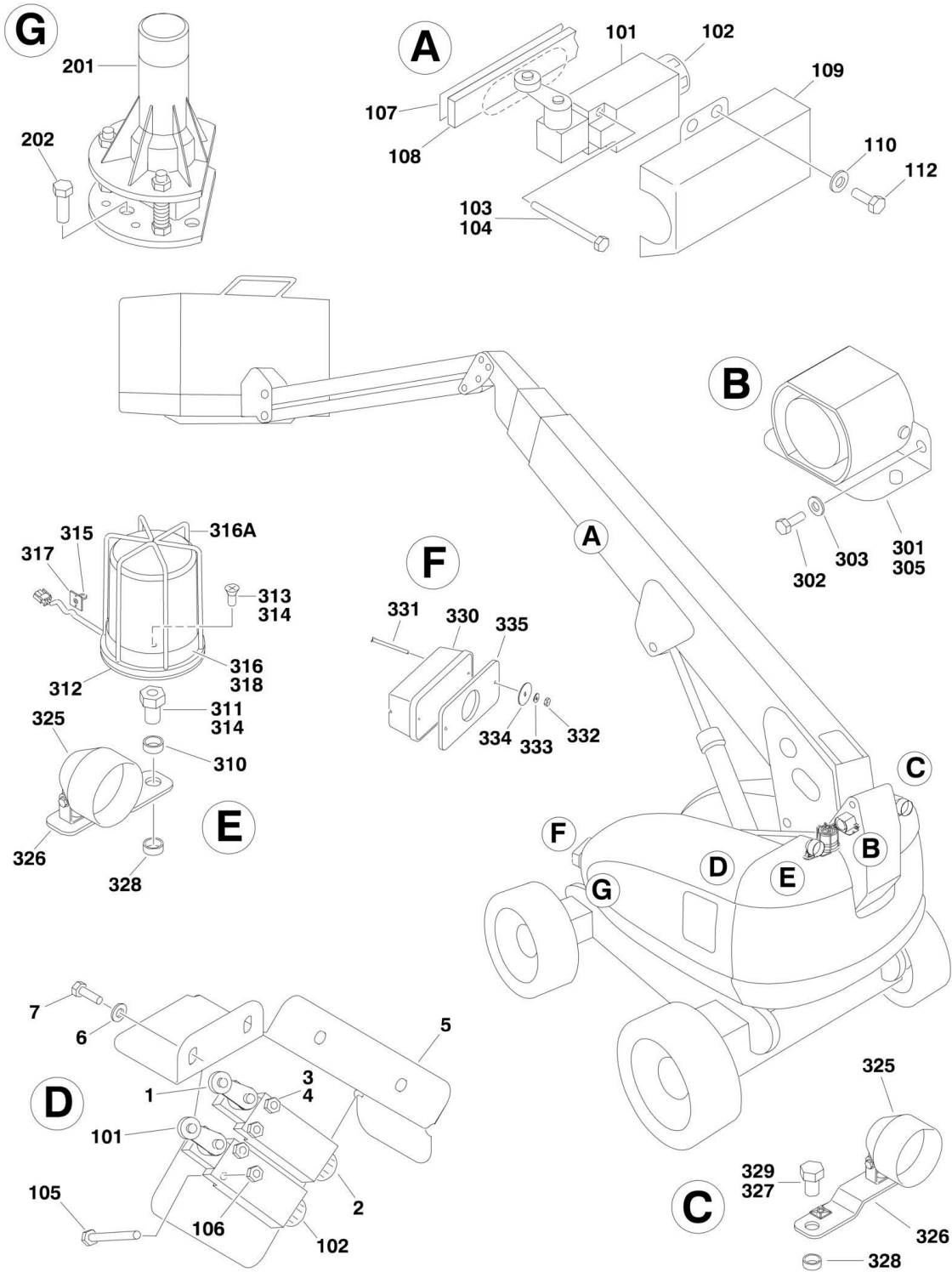
ITEM	PART NUMBER	QTY	DESCRIPTION	REV
		Ref	GROUND CONTROL BOX ASSEMBLIES	
		Ref	Deutz Engine Options:	
	0861394	Ref	Deutz Engine 600S (SN 0300061927 through 0300063908)	G
	0861480	Ref	Deutz Engine 600S (SN 0300063909 through 0300068000)	D
	0861395	Ref	Deutz Engine (600SJ & 660SJ) (SN 0300061927 through 0300063908)	G
	0861481	Ref	Deutz Engine (600SJ & 660SJ) (SN 0300063909 through 0300068000)	D
		Ref	Ford Engine with EFI Options:	
	0861390	Ref	Ford Engine with EFI 600S (SN 0300061927 through 0300063908)	F
	0861478	Ref	Ford Engine with EFI 600S (SN 0300063909 through 0300068000)	D
	0861391	Ref	Ford Engine with EFI (600SJ & 660SJ) (SN 0300061927 through 0300063908)	F
	0861479	Ref	Ford Engine with EFI (600SJ & 660SJ) (SN 0300063909 through 0300068000)	C
1	0100011	AR	Compound, Locking	
2	0630518	2	Capscrew, Button Head	
3	0100048	AR	Grease, Dielectric	
4	0641506	4	Bolt 5/16in-18NC x 3/4in	
6	0861389	1	Box, Fiberglass	
6A	7020246	2	Latch	
7		Ref	Module, Ground Control Options:	
		Ref	Note: Re-calibration Required when Replaced.	
7	1600312	1	Module, Ground Control (SN 0300061927 through 0300063908)	
7	1600327	NLA	Module, Ground Control (Use p/n 2915014) (SN 0300063909 through 0300068000)	
8	1670829	1	Bezel	
9	1702610	1	Decal - Ground Control Display	
10		Ref	Decal - Faceplate Options:	
10	1703465	1	Decal - Faceplate 600S	
10	1703466	1	Decal - Faceplate 600SJ/660SJ	
11	2420172	1	Gauge, Hourmeter	
12	2760105	1	Housing, Display Light	
13	3300408	AR	Locknut, Plastic Insert	
15	3311401	10	Nut 1/4in-20NC	
16	3539219	1	Plate, Reinforcement	
18	3910804	6	Screw #8-32NC x 1/4in	
19	4060906	6	Shield, Toggle Switch	
20		Ref	Shim Options:	
20	4070991	1	Shim (.125in) (SN 0300061927 through 0300063908)	
20	4070987	1	Shim (.015in) (SN 0300063909 through 0300068000)	
21	4360328	6	Switch, Toggle	
23	4360469	1	Switch, Key	
23A	2860030	1 Set	Key Replacement	
24	4360475	1	Switch, Emergency Stop	
25	4360476	1	Switch, Contact Block	
26	4460234	2	Tie, Wire (Not Shown)	

SECTION 2 - TURNTABLE

ITEM	PART NUMBER	QTY	DESCRIPTION	REV
27		Ref	Connector, Strain Relief Options:	
27	4460428	AR	Connector, Strain Relief (SN 0300061927 through 0300063908)	
27	4460426	AR	Connector, Strain Relief (SN 0300063909 through 0300068000)	
28	4460488	AR	Mounting Base, Terminal	
31	4740444	6	Washer, Special	
33	4751400	20	Flatwasher 1/4in Regular	
36	4460470	1	Nut, Terminal	
37	4460471	1	Lockwasher, Terminal	
40	0630548	5	Bolt	
41	3740049	AR	Relay	
42	3900268	AR	Screw, Flange #10 x 1/2in	
43	4460526	1	Connector, Strain Relief	
44	4460874	1	Connector, Natural	
45	4460875	1	Connector, Gray	
46	4761400	10	Lockwasher 1/4in	
47		Ref	Harness, Analyzer Cable Options (Not Shown):	
47	4922485	1	Harness, Analyzer Cable (SN 0300061927 through 0300063908)	
47	4922666	1	Harness, Analyzer Cable (SN 0300063909 through 0300068000)	
48	3300205	4	Nut, Retainer	
49	1705132	1	Decal - ADE (SN 0300068130 through 0300068000)	
50	3520035	1	Plug, Cap (Not Shown)	

SECTION 2 - TURNTABLE

FIGURE 2-27. ELECTRICAL OPTIONS INSTALLATION (TURNTABLE MOUNTED)



SECTION 2 - TURNTABLE

FIGURE 2-27. ELECTRICAL OPTIONS INSTALLATION (TURNTABLE MOUNTED)

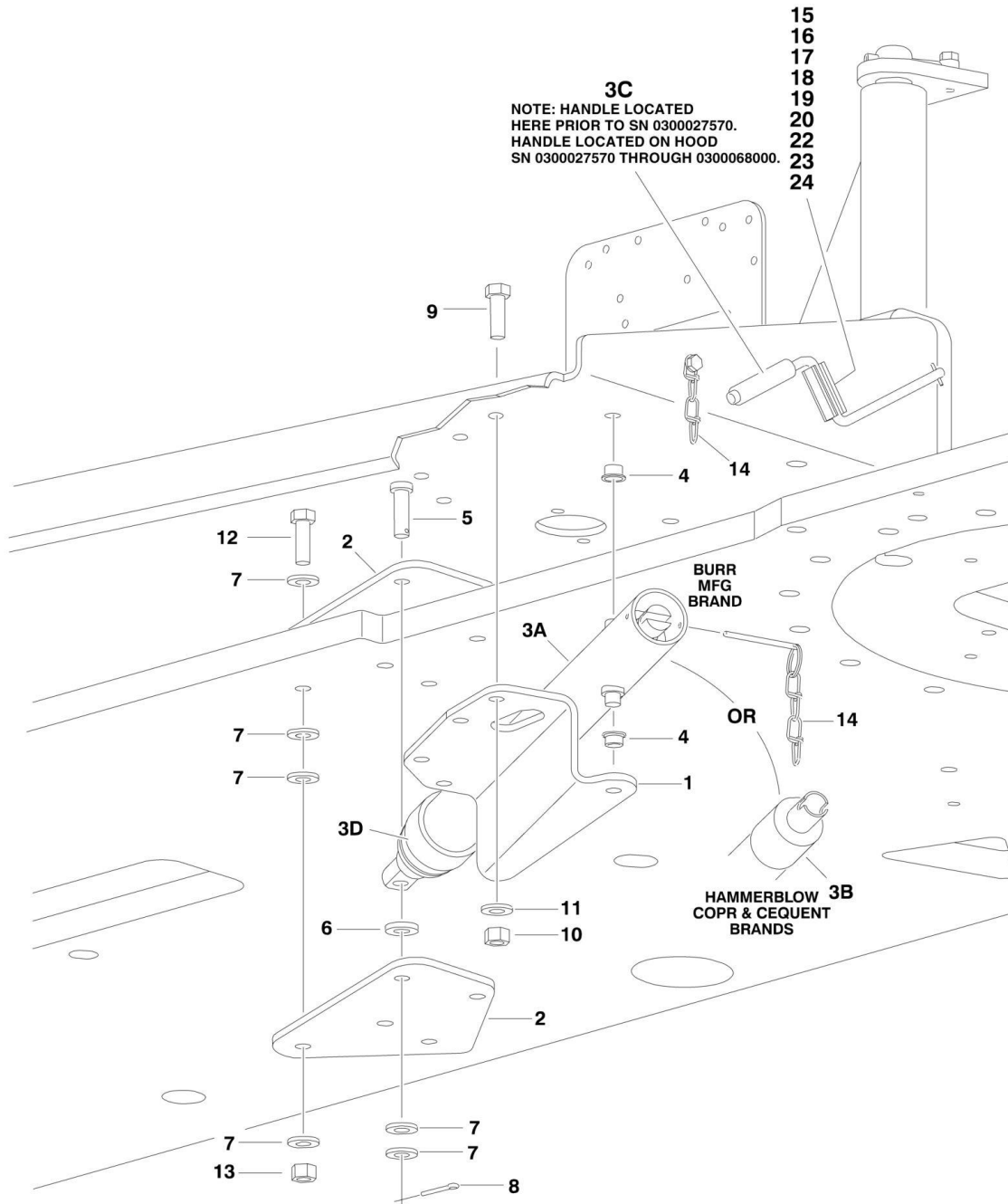
ITEM	PART NUMBER	QTY	DESCRIPTION	REV
		Ref	ELECTRICAL OPTIONS INSTALLATIONS (TURNTABLE MOUNTED)	
	0255335	Ref	Limit Switch Installation - Above Horizontal	4-E
1	4360322	1	Switch, Limit	
2	4460428	1	Connector, Strain Relief	
3	3930828	2	Capscrew, Socket Head #8-32NC x 1-3/4in	
4	3310805	2	Locknut #8-32NC	
5	1670818	1	Cover, Limit Switch (SN 0300027349 through 0300068000)	
6	4751400	4	Flatwasher 1/4in Regular (SN 0300027349 through 0300068000)	
7	3931408	4	Bolt 1/4in-20NC x 1in (SN 0300027349 through 0300068000)	
	0255698	Ref	Limit Switches Installation - Dual Capacity	4-D
101	4360322	2	Switch, Limit	
102	4460428	2	Connector, Strain Relief	
103	0100035	AR	Compound, Locking	
104	3930816	2	Capscrew, Socket Head #8-32NC x 1in	
105	3930828	2	Capscrew, Socket Head #8-32NC x 1-3/4in	
106	3310805	2	Locknut #8-32NC	
107	4420060	9 ft/2.7m	Tape, Double Sided	
108	0362528	1	Bar, Fiberglass	
109	1670824	1	Cover, Limit Switch (SN 0300027349 through 0300068000)	
110	4751400	4	Flatwasher 1/4in Regular (SN 0300027349 through 0300068000)	
112	0641403	4	Bolt 1/4in-20NC x 3/8in (SN 0300027349 through 0300068000)	
		Ref	Tilt Indicator Switch Installation	
	0256375	Ref	Standard (Prior to SN 0300061927)	1
	0271502	Ref	ADE System (SN 0300061927 through 0300068000)	1
201	4360417	1	Switch, Level Sensing	
202	0641406	2	Bolt 1/4in-20NC x 3/4in	
203	3311405	2	Locknut 1/4in-20NC	
		Ref	Alarms Installations	
	0255368	Ref	Alarms Installations (Colored Wiring) (Prior to SN 0300035129)	2
	0257886	Ref	Alarms Installations (Numbered Colored Wiring) (SN 0300035129 through 0300061926)	1
	0270833	Ref	Alarms Installations (ADE System) (SN 0300061927 through 0300068000)	1
301		Ref	Alarm/Harness Assembly Options:	
301	0255914	1	Alarm/Harness Assembly (Colored Wiring) (Prior to SN 0300035129)	
301	0257887	1	Alarm/Harness Assembly (Numbered Colored Wiring) (SN 0300035129 through 0300068000)	
302	0641406	2	Bolt 1/4in-20NC x 3/4in	
303	4711400	2	Flatwasher 1/4in Thin	
305	0100048	AR	Sealant, Silicone	
		Ref	STROBE LIGHT INSTALLATIONS (AMBER) (OPTIONAL)	
	0255393	Ref	Strobe Light Installations (Amber) (Colored Wiring) (Prior to SN 0300035129)	1
	0257885	Ref	Strobe Light Installations (Amber) (Numbered Colored Wiring) (SN 0300035129 through 0300061926)	2
	0270805	Ref	Strobe Light Installations (Amber) (ADE System) (SN 0300061927 through 0300068000)	1

SECTION 2 - TURNTABLE

ITEM	PART NUMBER	QTY	DESCRIPTION	REV
		Ref	Note: If machines is equipped with BLUE Strobe Light, See SPECIAL OPTIONS SECTION SkyGuard Kit.	
310	4220162	1	Spacer, Stop (Used with ECCO Model 6640 Only)	
311		Ref	Adapter Options:	
311	0630491	1	Adapter used with ECCO Model 6640	
311	0080241	1	Adapter used with ECCO Model 6650	
312	3539281	1	Plate, Mounting (Used with ECCO Model 6640 Only)	
313	0741606	1	Screw, Flathead Countersunk 3/8in-16NC x 3/4in (Used with ECCO Model 6640 Only)	
314	0100011	AR	Compound, Locking	
315	4240032	1	Wire-Tile	
316	0255917	NLA	Strobe Light/Guard/Harness Assembly (Use p/n 0272507) (Note: P/N 0272507 includes Items 311 & 316A)	
316		Ref	Bulb, Replacement Options:	
316	7016380	1	Bulb for ECCO Model 6640	
316	70001941	1	Bulb for ECCO Model 6650	
316A		Ref	Guard Options:	
316A	4060907	1	Guard used with ECCO Model 6640	
316A	2920215	1	Guard used with ECCO Model 6650	
317	4460234	1	Clamp	
318	0100048	AR	Sealant, Silicone	
		Ref	Lights Installations (Optional)	
	0255387	Ref	Lights Installations (Colored Wiring) (Prior to SN 0300035129)	2
	0257884	Ref	Lights Installations (Numbered Colored Wiring) (SN 0300035129 through 0300061926)	1
	0270802	Ref	Lights Installations (ADE System) (SN 0300061927 through 0300063908)	1
	0271552	Ref	Lights Installations (ADE System) (SN 0300063909 through 0300068000)	2
325	2920110	2	Headlight	
326	0902206	2	Bracket, Mounting	
327	0642612	1	Bolt 1in-8NC x 1-1/2in	
328	4220162	2	Spacer	
329	0100011	AR	Compound, Locking	
330	2920113	2	Taillight	
331	3911040	4	Screw, Machine #10-24NC x 2-1/2in	
332	3311005	4	Nut #10-24NC	
333	4751000	4	Flatwasher #10 Regular	
334	4740362	4	Washer, Fender	
335	3960461	2	Gasket	
337	4240032	21	Tie-Strap (Not Shown)	
338	4460234	21	Mount, Tie-Strap (Not Shown)	
339	4360336	1	Switch, Toggle (Not Shown - Located on Console)	
340	3790012	1	O-Ring (Not Shown - Located on Console)	
341	3820001	11	Rivet, Pop (Not Shown) (SN 0300065778 through 0300068000)	

SECTION 2 - TURNTABLE

FIGURE 2-28. ENGINE TRAY JACK INSTALLATION (OPTIONAL)



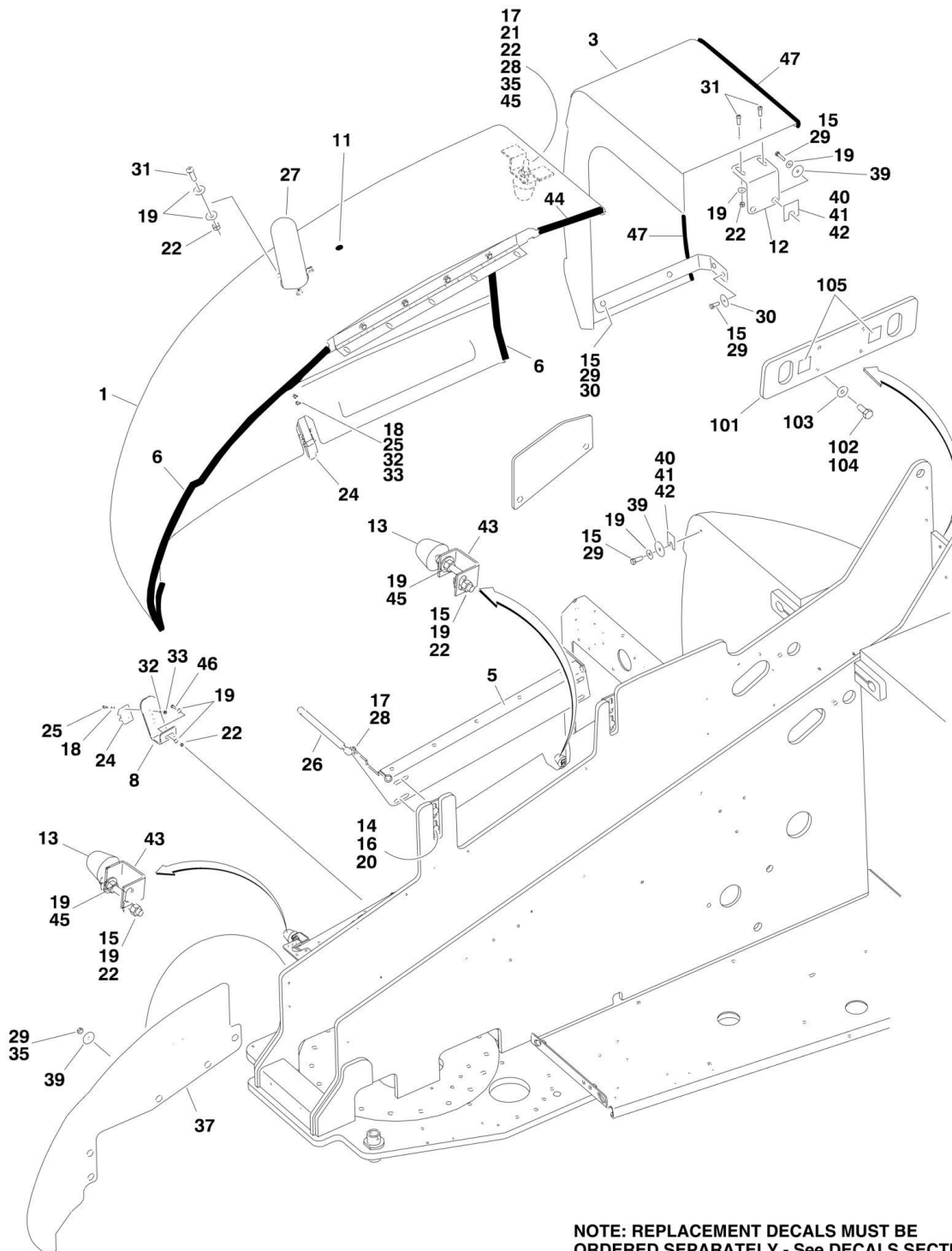
SECTION 2 - TURNTABLE

FIGURE 2-28. ENGINE TRAY JACK INSTALLATION (OPTIONAL)

ITEM	PART NUMBER	QTY	DESCRIPTION	REV
	0255881	Ref	ENGINE TRAY JACK INSTALLATION	2-D
1	3537445	1	Bracket	
2	3537446	2	Bracket	
3	2840016	1	Hydraulic Jack Assembly Options:	D
3A		Ref	Burr Manufacturing Brand	
3B		Ref	Hammerblow Corp Brand	
3C		Ref	Handle Options:	
3C	7016374	1	Burr Manufacturing Brand	
3C	7024598	1	Hammerblow Corp and Cequent Brands	
3D	7016322	1	Wiper (Burr Manufacturing Brand Only)	
4	0962051	2	Bushing, Flanged	
5	3430816	1	Pin, Clevis	
6	4891800	1	Flatwasher 1/2in Hardened	
7	4711800	6	Flatwasher 1/2in Thin	
8	3450404	1	Pin, Cotter 1/8in x 1in	
9	0641609	4	Bolt 3/8in-16NC x 1-1/8in	
10	3311605	4	Locknut 3/8in-16NC	
11	4891600	4	Flatwasher 3/8in Hardened	
12	0641818	4	Bolt 1/2in-13NC x 2-1/4in	
13	3311805	4	Locknut 1/2in-13NC	
14	3422530	1	Pin and Chain	
15	1380147	1	Clip, Spring	
16	3910610	2	Screw, Machine #6-32NC x 1-1/8in (Prior to SN 0300027570)	
17	3310601	2	Nut #6-32NC (Prior to SN 0300027570)	
18	4750600	2	Flatwasher #6 Regular (Prior to SN 0300027570)	
19	4751000	2	Flatwasher #10 Regular (Prior to SN 0300027570)	
20	0100011	AR	Compound, Locking (Prior to SN 0300027570)	
22	3910608	2	Screw #6-32NC x 1in (SN 0300027570 through 0300068000)	
23	3310601	2	Nut #6-32NC (SN 0300027658 through 0300068000)	
24	4770600	2	Starwasher #6 (SN 0300027658 through 0300068000)	

SECTION 2 - TURNTABLE

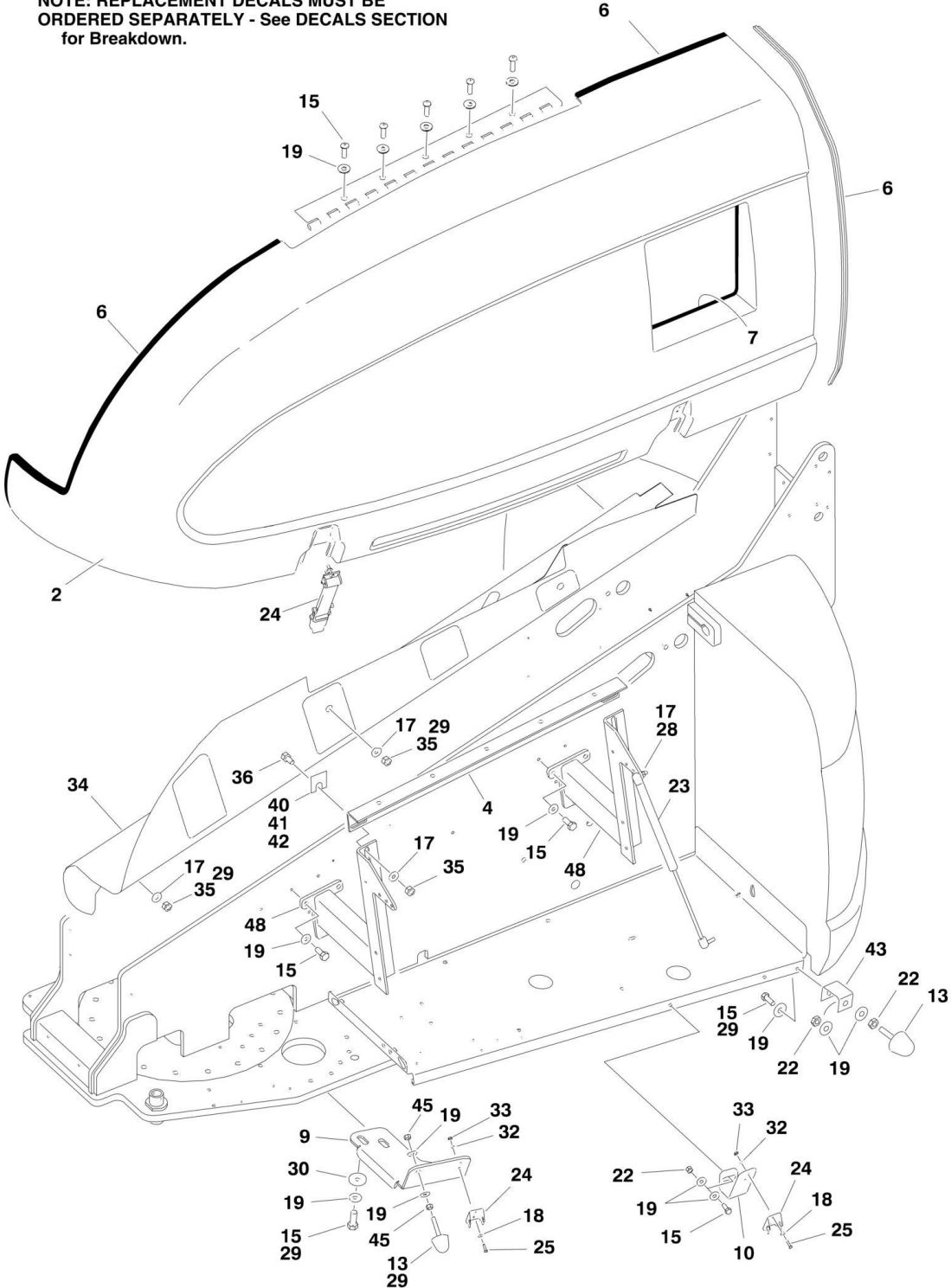
FIGURE 2-29. HOODS AND LIFTING PLATE INSTALLATIONS - WITHOUT NOISE REDUCTION (Prior to SN 0300027943)



NOTE: REPLACEMENT DECALS MUST BE ORDERED SEPARATELY - See DECALS SECTION for Breakdown.

SECTION 2 - TURNTABLE

NOTE: REPLACEMENT DECALS MUST BE ORDERED SEPARATELY - See DECALS SECTION for Breakdown.



SECTION 2 - TURNTABLE

FIGURE 2-29. HOODS AND LIFTING PLATE INSTALLATIONS - WITHOUT NOISE REDUCTION (Prior to SN 0300027943)

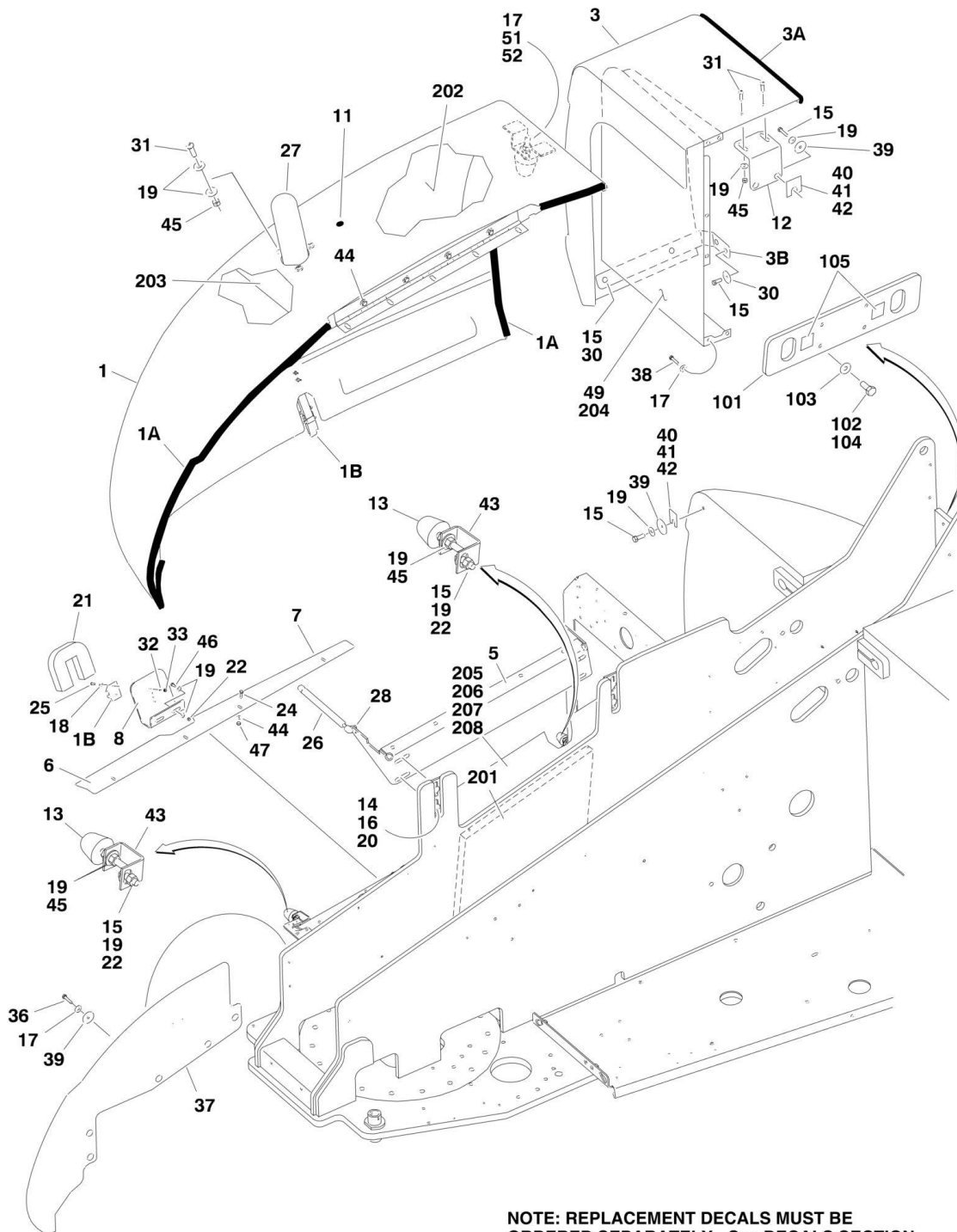
ITEM	PART NUMBER	QTY	DESCRIPTION	REV
		Ref	Note: Steel Hood Replacement Kits are available for machines built with Deutz engines. Purchase p/n 1001126286. No kits are available for machines built with Continental, Ford or Isuzu Engines.	
	0255296	Ref	HOODS INSTALLATION	11
1	2680420	1	Hood Assembly - Engine Side	
2	2680421	NLA	Hood Assembly - Tank Side (Use p/n 2680437)	
3	2680422	1	Hood Assembly- Engine Spacer	
4	0902138	NLA	Bracket, Hood Mounting (Use p/n 0902416)	
5	0902139	1	Bracket, Gas Spring	
6	3960462	72 ft /21.9m	Trim - Strip (Part of Items 1 & 2)	
7	3960447	55 in/1.4m	Trim - Strip (Part of Items 1 & 2)	
8	0902222	1	Bracket, Latch	
9	0902223	1	Bracket, Latch	
10	0902143	1	Bracket, Latch	
11	3520033	2	Plug, Hole	
12	0902161	1	Bracket, Hood Spacer Mounting	
13	0940071	5	Bumper	
14	0630507	6	Bolt, Carriage 1/2in-13NC x 1-1/4in	
15	0641608	26	Bolt 3/8in-16NC x 1in	
16	4740171	6	Flatwasher, Hardened	
17	4751500	AR	Flatwasher 5/16in Regular	
18	4751000	12	Flatwasher #10 Regular	
19	4751600	45	Flatwasher 3/8in Regular	
20	3311805	6	Locknut 1/2in-13NC	
21		Ref	Bumper Options: (Part of Item 1)	
21	0940049	NLA	Bumper (Use p/n 0940071) (Prior to SN 0300027329)	
21	0940071	1	Bumper (Trim to acquire proper fit) (SN 0300027329 through 0300027943)	
22	3311605	AR	Locknut 3/8in-16NC	
23	4160139	2	Spring, Gas (Tank Side)	
24	2940088	3	Latch (Part of Items 1 & 2)	
25	0721006	AR	Screw #10-24NC x 3/4in	
26	4160143	2	Spring, Gas (Engine Side)	
27	4845243	1	Outlet, Exhaust	
28	3311505	AR	Locknut 5/16in-18NC	
29	0100011	AR	Compound, Locking	
30	4740076	4	Washer, Fender	
31	3900232	5	Screw, Button Head 3/8in-16NC x 1-1/4in	
32	4761000	AR	Lockwasher #10	
33	3311001	AR	Nut #10-24NC	
34	1670771	1	Cover	
35	3311501	AR	Nut 5/16in-18NC	
36	0641512	2	Bolt 5/16in-18NC x 1-1/2in	
37	1670779	1	Cover, Side	
38	1670780	1	Cover, Side	
39	4740076	10	Washer, Fender	
40	4070410	AR	Shim 1/16in	
41	4070411	AR	Shim 1/8in	

SECTION 2 - TURNTABLE

ITEM	PART NUMBER	QTY	DESCRIPTION	REV
42	4070412	AR	Shim 3/16in	1-B
43	0902219	2	Bracket, Bumper	
44	3960464	13 ft/4m	Seal (Part of Items 1 & 2)	
45	3311601	14	Nut 3/8in-16NC	
46	0641612	1	Bolt 3/8in-16NC x 1-1/2in	
47	3960453	AR	Seal (Part of Item 3)	
48	4845356	2	Hood Mount Weldment	
	0256122	Ref	LIFTING PLATE INSTALLATION	
101	3539590	1	Plate, Lifting	
102	0682014	4	Bolt 5/8in-11NC x 1-3/4in (Grade 8)	
103	4892000	4	Flatwasher 5/8in Hardened	
104	0100019	AR	Compound, Locking	
105	1701500	2	Decal - Tie Down/Lift	

SECTION 2 - TURNTABLE

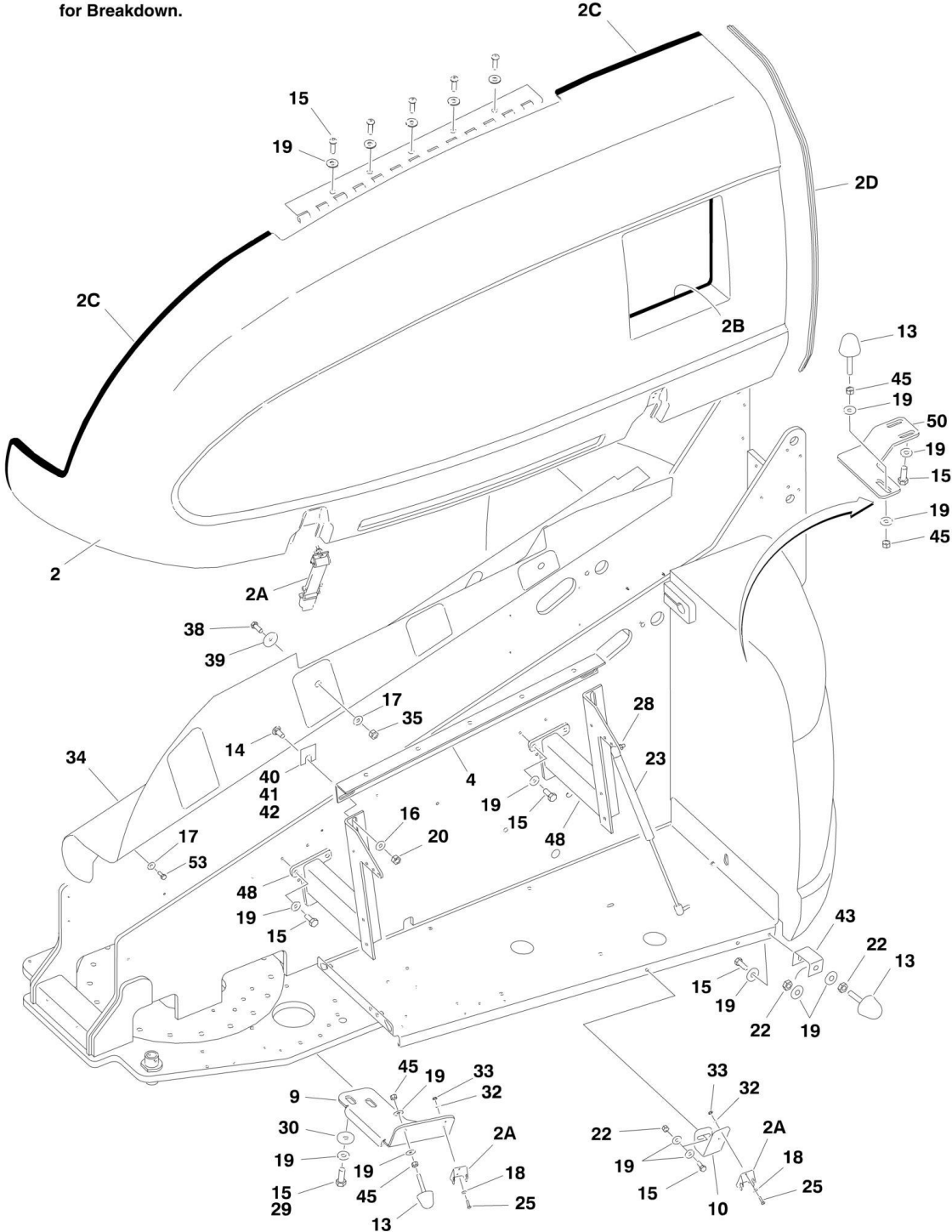
FIGURE 2-30. HOODS AND LIFTING PLATE INSTALLATIONS - WITH NOISE REDUCTION (SN 0300027943 through 0300068000)



NOTE: REPLACEMENT DECALS MUST BE ORDERED SEPARATELY - See DECALS SECTION for Breakdown.

SECTION 2 - TURNTABLE

NOTE: REPLACEMENT DECALS MUST BE ORDERED SEPARATELY - See DECALS SECTION for Breakdown.



SECTION 2 - TURNTABLE

FIGURE 2-30. HOODS AND LIFTING PLATE INSTALLATIONS - WITH NOISE REDUCTION (SN 0300027943 through 0300068000)

ITEM	PART NUMBER	QTY	DESCRIPTION	REV
		Ref	Note: Steel Hood Replacement Kits are available for machines built with Deutz engines. Purchase p/n 1001126286. No kits are available for machines built with Continental, Ford or Isuzu Engines.	
		Ref	HOODS INSTALLATIONS	
	0256830	Ref	Standard	7-G
	0258578	Ref	UL (SN 0300039457 through 0300068000)	3
	0270529	Ref	ISUZU (SN 0300057373 through 0300068000)	1-A
1		Ref	Hood Assembly - Engine Side Options:	
1	2680420	1	Hood Assembly - Engine Side Standard (Prior to SN 0300038047)	
1	2680449	1	Hood Assembly - Engine Side Standard (SN 0300038047 through 0300068000)	
1	2680443	1	Hood Assembly - Engine Side UL	
1	2600209	1	Hinge	
1A	3960464	65 in /1.67m	Seal	
1A	3960462	61 in /1.55m	Seal	
1B	2940088	1	Latch	
2		Ref	Hood Assembly - Tank Side Options:	
2	2680421	1	Hood Assembly - Tank Side Standard (Prior to SN 0300038047)	
2	2680448	1	Hood Assembly - Tank Side Standard (SN 0300038047 through 0300068000)	
2	2680437	1	Hood Assembly - Tank Side UL	
2	2600233	1	Hinge	
2A	2940088	2	Latch	
2B	3960438	53 in /1.35m	Seal	
2C	3960464	83 in /2.11m	Seal	
2D	3960462	55 in/1.4m	Seal	
3		Ref	Hood Assembly- Engine Spacer Options:	
3	2680435	1	Hood Assembly- Engine Spacer Standard (Prior to SN 0300038047)	
3	2680450	1	Hood Assembly- Engine Spacer Standard (SN 0300038047 through 0300068000)	
3	2680435	1	Hood Assembly- Engine Spacer UL	
3A	3960453	68 in /1.73m	Seal	
3B	7023366	1	Bracket	
4		Ref	Bracket, Hood Mounting Options:	
4	0902138	1	Bracket, Hood Mounting (Prior to SN 0300035860)	
4	0902416	1	Bracket, Hood Mounting (SN 0300035860 through 0300068000)	
5	0902351	1	Bracket, Hood Mounting	
6	3539934	1	Plate, Seal	
7	3960389	3.5 ft/1m	Seal	
8		Ref	Bracket, Latch Options:	
8	0902358	1	Bracket, Latch (Prior to SN 0300038808)	
8	0902491	1	Bracket, Latch (SN 0300038808 through 0300068000)	

SECTION 2 - TURNTABLE

ITEM	PART NUMBER	QTY	DESCRIPTION	REV
9	0902223	1	Bracket, Latch	
10	0902143	1	Bracket, Latch	
11	3520033	2	Plug, Hole	
12	0902161	1	Bracket, Hood Spacer Mounting	
13	0940071	5	Bumper	
14	0630507	6	Bolt, Carriage 1/2in-13NC x 1-1/4in	
15	0641608	AR	Bolt 3/8in-16NC x 1in	
16	4740171	6	Flatwasher, Hardened	
17	4751500	15	Flatwasher 5/16in Regular	
18	4751000	12	Flatwasher #10 Regular	
19	4751600	AR	Flatwasher 3/8in Regular	
20	3311805	6	Locknut 1/2in-13NC	
21	3960470	1	Seal	
22	3311605	5	Locknut 3/8in-16NC	
23	4160139	2	Spring, Gas (Tank Side)	
24	0641406	4	Bolt 1/4in-20NC x 3/4in	
25	0721006	6	Screw #10-24NC x 3/4in	
26	4160143	2	Spring, Gas (Engine Side)	
27		Ref	Outlet, Exhaust Options:	
27	4845411	1	Outlet, Exhaust Standard	
27	Not Required	0	Outlet, Exhaust UL	
27	4846257	1	Isuzu Engine	
28	3311505	4	Locknut 5/16in-18NC	
29	0100011	AR	Compound, Locking	
30	4740076	4	Washer, Fender	
31	3900232	5	Screw, Button Head 3/8in-16NC x 1-1/4in	
32	4761000	6	Lockwasher #10	
33	3311001	6	Nut #10-24NC	
34	1670771	1	Cover	
35	3311501	12	Nut 5/16in-18NC	
36	0641512	2	Bolt 5/16in-18NC x 1-1/2in	
37	1670779	1	Cover, Side	
38	0641506	6	Bolt 5/16in-18NC x 3/4in	
39	4740076	AR	Washer, Fender	
40	4070410	AR	Shim 1/16in	
41	4070411	AR	Shim 1/8in	
42	4070412	AR	Shim 3/16in	
43	0902219	2	Bracket, Bumper	
44	4751400	4	Flatwasher 1/4in Regular	
45	3311601	AR	Nut 3/8in-16NC	
46	0641609	2	Bolt 3/8in-16NC x 1-1/8in	
47	3311405	4	Locknut 1/4in-20NC	
48	4845356	2	Hood Mount Weldment	
49	3539979	1	Plate, Inlet Baffle	
50	0902384	1	Bracket, Hood Mount	
51	0940088	1	Hood, Bumper (SN 0300039820 through 0300068000)	
52	3321501	2	Nut 5/16in-24NF (SN 0300039820 through 0300068000)	
	0256122	Ref	LIFTING PLATE INSTALLATION	1-B
101	3539590	1	Plate, Lifting	
102	0682014	4	Bolt 5/8in-11NC x 1-3/4in (Grade 8)	
103	4892000	4	Flatwasher 5/8in Hardened	

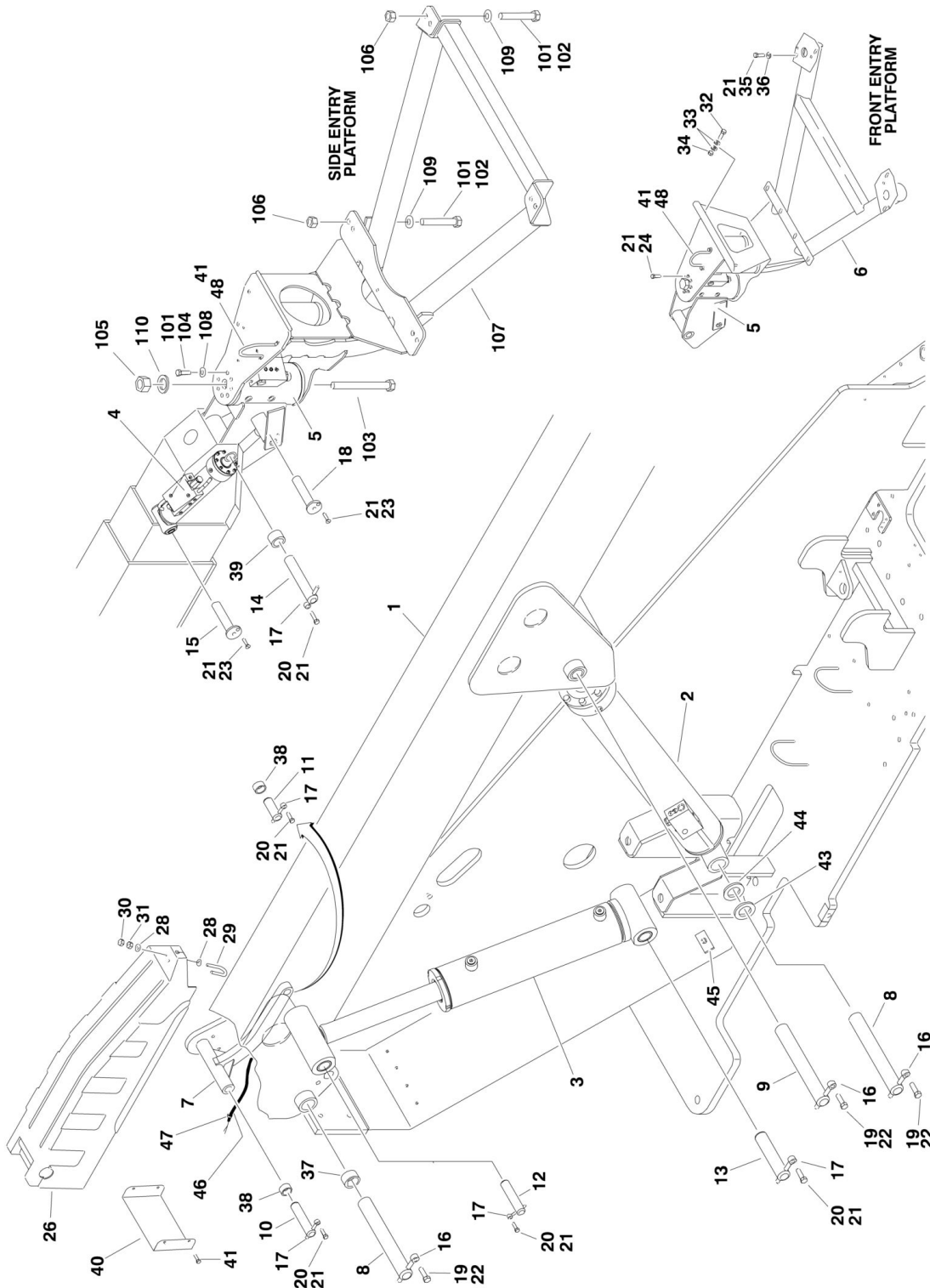
SECTION 2 - TURNTABLE

ITEM	PART NUMBER	QTY	DESCRIPTION	REV
104	0100019	AR	Compound, Locking	
105	1701500	2	Decal - Tie Down/Lift	
	0256823	Ref	NOISE REDUCTION INSTALLATION (DIESEL MACHINES)	-
201	2820078	1	Foam, Acoustical	
202	2820079	1	Foam, Acoustical	
203	2820080	1	Foam, Acoustical	
204	2820081	1	Foam, Acoustical	
205	3539955	1	Plate, Baffle	
206	0641506	2	Bolt 5/16in-18NC x 3/4in	
207	4751500	2	Flatwasher 5/16in Regular	
208	0100011	AR	Compound, Locking (Not Shown)	

SECTION 3 - BOOM

SECTION 3 - BOOM

FIGURE 3-1. BOOM INSTALLATIONS - 600S



SECTION 3 - BOOM

FIGURE 3-1. BOOM INSTALLATIONS - 600S

ITEM	PART NUMBER	QTY	DESCRIPTION	REV
		Ref	BOOM AND CYLINDERS INSTALLATION	
	0255223	Ref	ANSI Machines (Front Entry Platform Machines Built) (Prior to SN 0300041810)	12
	0256318	Ref	ANSI Machines (Front Entry Platform Machines Built) (SN 0300041810 through 0300067538)	6
	0256318	Ref	CSA Machines (Front Entry Platform Machines Built) (Prior to SN 0300068000)	6
	0272133	Ref	ANSI/CSA Machines (Side Entry Platform)	1
1	0801009	1	Boom Assembly - 600S (See MAIN BOOM ASSEMBLIES for Breakdown)	
2	1683275	1	Lift Cylinder Assembly (See CYLINDER SECTION for Breakdown)	
3	1683266	NLA	Master Cylinder Assembly (Use p/n 1001228002) (See CYLINDER SECTION for Breakdown) (Original Equipment)	
3	1001228002	1	Master Cylinder Assembly (See CYLINDER SECTION for Breakdown) (Service Replacement)	
4		Ref	Platform Level Cylinder Assembly Options: (See CYLINDER SECTION for Breakdown)	
4	1683271	1	Platform Level Cylinder Assembly (Original Equipment) (Prior to SN 0300024714)	
4	1683415	NLA	Platform Level Cylinder Assembly (Use p/n 1001228008) (Original Equipment) (SN 0300024714 through 0300068000)	
4	1001223512	NLA	Platform Level Cylinder Assembly (Use p/n 1001228008) (Service Replacement)	
4	1001228008	1	Platform Level Cylinder Assembly (Service Replacement)	
5		Ref	Rotator Assembly Options:	
5	0060034	NLA	Front Entry Platform (Use p/n 0060075) (See ROTATOR ASSEMBLIES (FRONT ENTRY PLATFORM) for Breakdown)	
5	0060067	1	Side Entry Platform (See ROTATOR ASSEMBLIES (SIDE ENTRY PLATFORM) for Breakdown)	
6		Ref	Support, Platform Options:	
6	4844790	1	Front Entry Platform	
6	See Note	1	Side Entry Platform (Note: See Items 101-110 for Breakdown)	
7	4844944	NLA	Link, Push (Use p/n 1001094043)	
8		Ref	Pin (Cylinder Pivot - T/T End and Boom Pivot) Options:	
8	3422433	NLA	Pin (Cylinder Pivot - T/T End and Boom Pivot) ANSI (Use p/n 3422564)	
8	3422564	2	Pin (Cylinder Pivot - T/T End and Boom Pivot) ANSI (SN 0300041810 through 0300068000)	
8	3422564	2	Pin (Cylinder Pivot - T/T End and Boom Pivot) CSA	
9		Ref	Pin (Lift Cylinder Pivot - Boom End) Options:	
9	3422437	NLA	Pin (Lift Cylinder Pivot - Boom End) ANSI (Use p/n 3422568) (Prior to SN 0300041810)	
9	3422568	1	Pin (Lift Cylinder Pivot - Boom End) ANSI (SN 0300041810 through 0300068000)	
9	3422568	1	Pin (Lift Cylinder Pivot - Boom End) CSA	
10		Ref	Pin (Link - T/T End) Options:	
10	3422435	NLA	Pin (Link - T/T End) ANSI (Use p/n 3422566) (Prior to SN 0300041810)	
10	3422566	1	Pin (Link - T/T End) ANSI (SN 0300041810 through 0300068000)	
10	3422566	1	Pin (Link - T/T End) CSA	
11		Ref	Pin (Link - Boom End) Options:	
11	3422418	NLA	Pin (Link - Boom End) ANSI (Use p/n 3422557) (Prior to SN	

SECTION 3 - BOOM

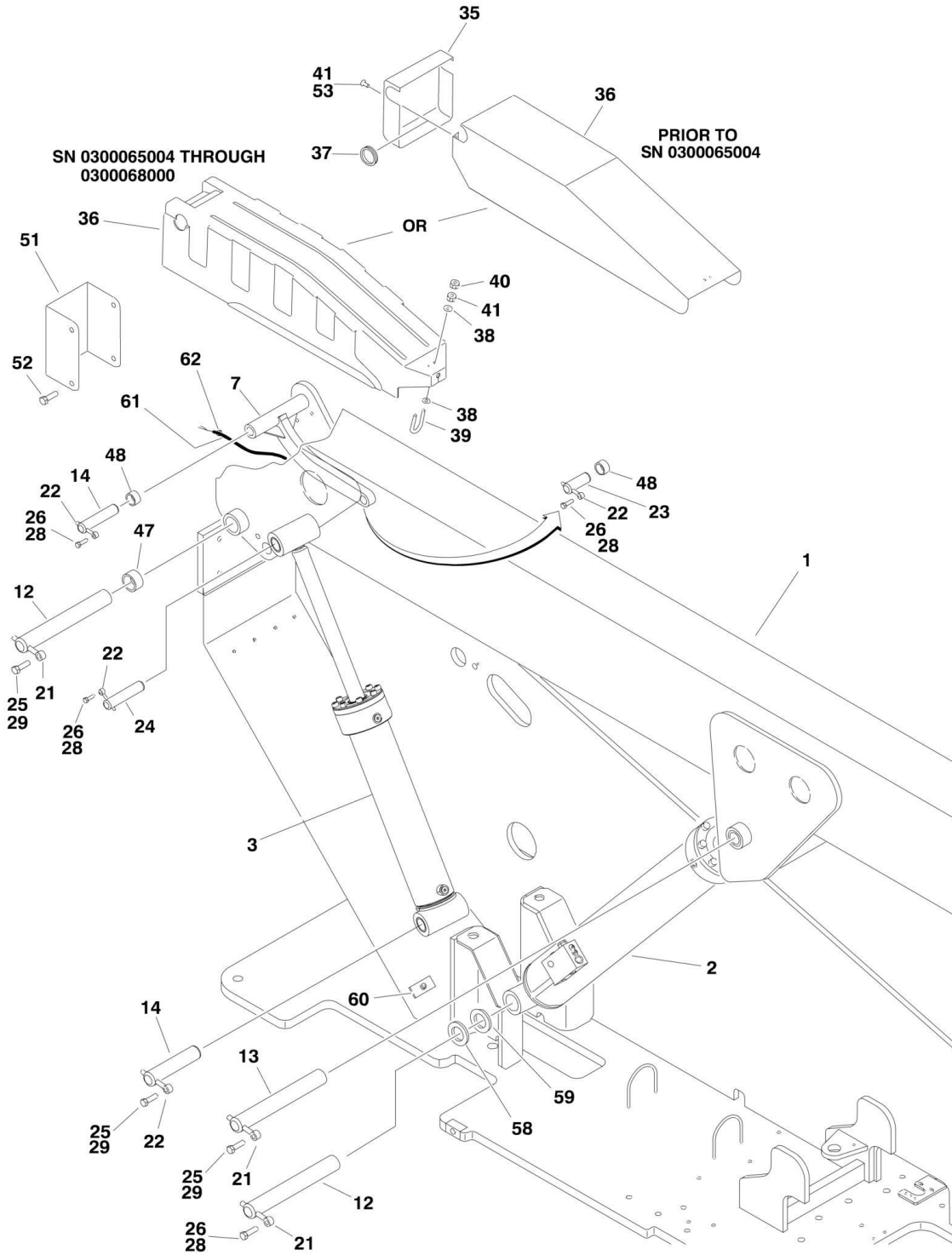
ITEM	PART NUMBER	QTY	DESCRIPTION	REV
			0300041810)	
11	3422557	1	Pin (Link - Boom End) ANSI (SN 0300041810 through 0300068000)	
11	3422557	1	Pin (Link - Boom End) CSA	
12		Ref	Pin (Master Cylinder - Boom End) Options:	
12	3422436	NLA	Pin (Master Cylinder - Boom End) ANSI (Use p/n 3422567) (Prior to SN 0300041810)	
12	3422567	1	Pin (Master Cylinder - Boom End) ANSI (SN 0300041810 through 0300068000)	
12	3422567	1	Pin (Master Cylinder - Boom End) CSA	
13		Ref	Pin (Master Cylinder - T/T End) Options:	
13	3422434	NLA	Pin (Master Cylinder - T/T End) ANSI (Use p/n 3422565) (Prior to SN 0300041810)	
13	3422565	1	Pin (Master Cylinder - T/T End) ANSI (SN 0300041810 through 0300068000)	
13	3422565	1	Pin (Master Cylinder - T/T End) CSA	
14		Ref	Pin (Rotator) Options:	
14	3422425	NLA	Pin (Rotator) ANSI (Use p/n 3422562) (Prior to SN 0300041810)	
14	3422562	1	Pin (Rotator) ANSI (SN 0300041810 through 0300068000)	
14	3422562	1	Pin (Rotator) CSA	
15		Ref	Pin (Level Cylinder - Boom End) Options:	
15	3422438	NLA	Pin (Level Cylinder - Boom End) ANSI (Use p/n 3422569) (Prior to SN 0300041810)	
15	3422569	1	Pin (Level Cylinder - Boom End) ANSI (SN 0300041810 through 0300068000)	
15	3422569	1	Pin (Level Cylinder - Boom End) CSA	
16	3841258	3	Keeper, Pin	
17	3841143	5	Keeper, Pin	
18		Ref	Pin (Level Cylinder - Rotator End) Options:	
18	3422489	NLA	Pin (Level Cylinder - Rotator End) ANSI (Use p/n 3422580) (Prior to SN 0300041810)	
18	3422580	1	Pin (Level Cylinder - Rotator End) ANSI (SN 0300041810 through 0300068000)	
18	3422580	1	Pin (Level Cylinder - Rotator End) CSA	
19	0642012	3	Bolt 5/8in-11NC x 1-1/2in	
20	0641608	5	Bolt 3/8in-16NC x 1in	
21	0100011	AR	Compound, Locking	
22	0100019	AR	Compound, Locking	
23	0741607	2	Screw, Countersunk 3/8in-16NC x 7/8in	
24	0641810	6	Bolt 1/2in-13NC x 2-1/2in (Prior to SN 0300067538)	
25	3539475	1	Cover, Boom End (Back) (Prior to SN 0300065004)	
26		Ref	Cover, Boom Options:	
26	3539476	1	Cover, Boom End (Top and Sides) (Prior to SN 0300065004)	
26	1671055	1	Cover (SN 0300065004 through 0300068000)	
27	0962057	2	Bushing (Prior to SN 0300065004)	
28		Ref	Hardware Options:	
28	3340800	1	Pad, Wear (Prior to SN 0300065004)	
28	4751400	4	Flatwasher 1/4in Regular (SN 0300065004 through 0300068000)	
29	0630458	1	U-Bolt	
30	3311402	4	Nut, Jam 1/4in-20NC	
31		Ref	Hardware Options:	
31	0641407	4	Bolt 1/4in-20NC x 7/8in (Prior to SN 0300065004)	

SECTION 3 - BOOM

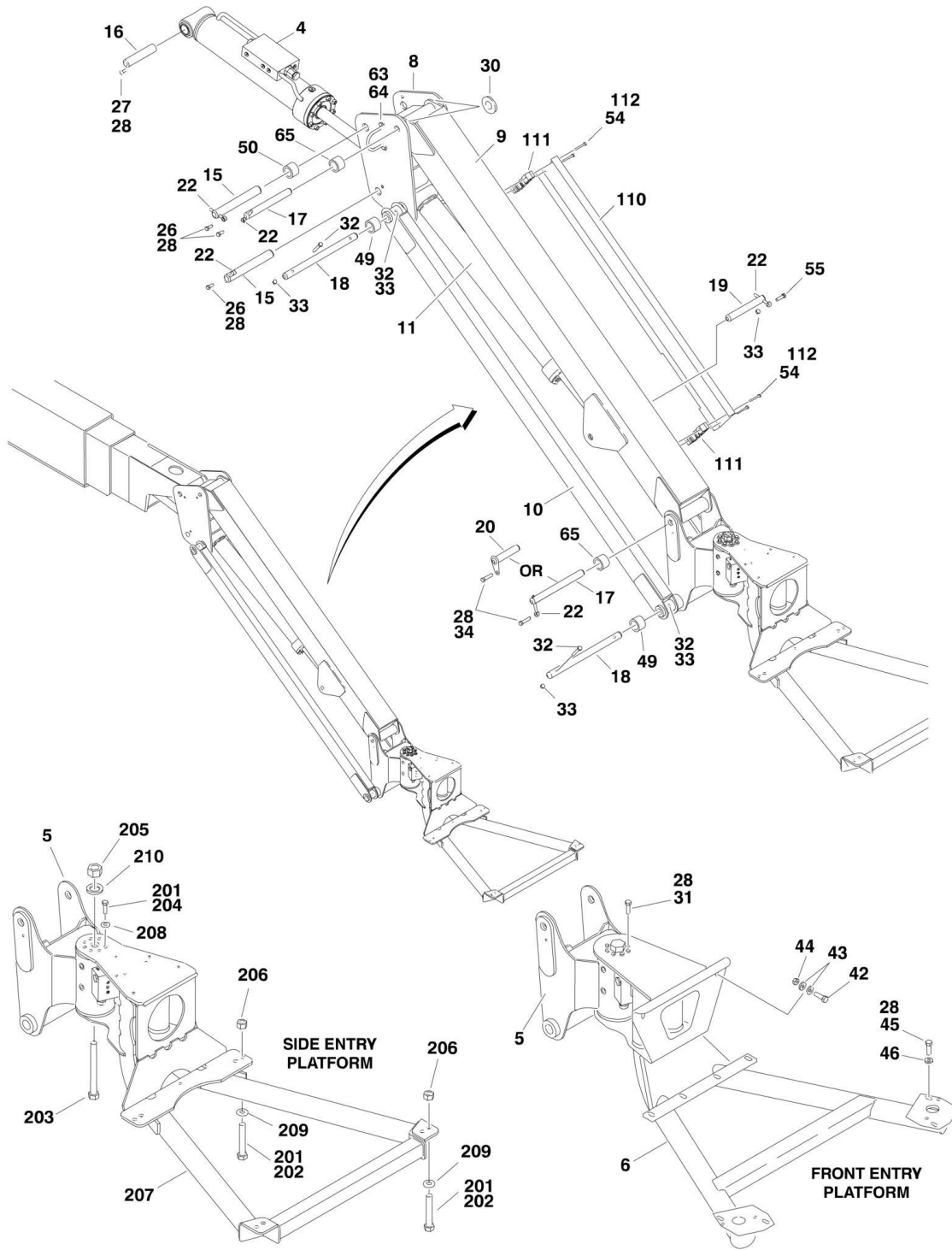
ITEM	PART NUMBER	QTY	DESCRIPTION	REV
31	3311401	2	Locknut 1/4in-20NC (SN 0300065004 through 0300068000)	
32	0641820	4	Bolt 1/2in-13NC x 2-1/2in (Front Entry Platform)	
33	4711800	8	Flatwasher 1/2in Thin (Front Entry Platform)	
34	3311805	4	Locknut 1/2in-13NC (Front Entry Platform)	
35	0681610	4	Bolt 3/8in-16NC x 1-1/4in (Grade 8) (Front Entry Platform)	
36	4711600	4	Flatwasher 3/8in Thin (Front Entry Platform)	
37	0961950	2	Bushing	
38	0962006	3	Bushing	
39	0961951	2	Bushing	
40	3539563	1	Cover	
41	0641604	6	Bolt 3/8in-16NC x 1/2in	
42	2080043	4	Rivnut (Prior to SN 0300065004)	
43	4740314	AR	Thrustwasher	
44	4740158	AR	Thrustwasher	
45	1320235	1	Clamp, Staff (SN 0300027200 through 0300068000)	
46	4100033	2 ft/.3m	Sleeve (SN 0300027200 through 0300068000)	
47	4240033	2	Tie-Strap (SN 0300027200 through 0300068000)	
48	3841340	1	Loop, Hose (SN 0300027200 through 0300068000)	
	0272070	Ref	SUPPORT INSTALLATIONS (SIDE ENTRY PLATFORM)	B
101	0100011	AR	Compound, Locking	
102	0641812	8	Bolt 1/2in-13NC x 1-1/2in	
103	0642682	1	Bolt 1in-8NC x 10-1/4in	
104	0681608	8	Bolt 3/8in-16NC x 1in (Grade 8)	
105	3272605	1	Locknut 1in-8NC	
106	3311805	8	Locknut 1/2in-13NC	
107	4846573	1	Support, Platform	
108	4891600	8	Flatwasher 3/8in Hardened	
109	4891800	8	Flatwasher 1/2in Hardened	
110	4892600	1	Flatwasher 1in Hardened	

SECTION 3 - BOOM

FIGURE 3-2. BOOM INSTALLATIONS - 600SJ & 660SJ



SECTION 3 - BOOM



SECTION 3 - BOOM

FIGURE 3-2. BOOM INSTALLATIONS - 600SJ & 660SJ

ITEM	PART NUMBER	QTY	DESCRIPTION	REV
		Ref	BOOM AND CYLINDERS INSTALLATIONS	
		Ref	ANSI Machines - Front Entry Platform	
	0255289	Ref	ANSI Machines - Front Entry Platform 600SJ (Prior to SN 0300041810)	13
	0256320	Ref	ANSI Machines - Front Entry Platform 600SJ (SN 0300041810 through 0300061926)	7
	0255224	Ref	ANSI Machines - Front Entry Platform 660SJ (Prior to SN 0300041810)	
	0256319	Ref	ANSI Machines - Front Entry Platform 660SJ (SN 0300041810 through 0300061926)	
		Ref	CSA Machines - Front Entry Platform	
	0256320	Ref	CSA Machines - Front Entry Platform 600SJ (Prior to SN 0300061927)	7
	0256319	Ref	CSA Machines - Front Entry Platform 660SJ (Prior to SN 0300061927)	6
		Ref	ANSI/CSA Machines - Front Entry Platform	
	0271320	Ref	ANSI/CSA Machines - Front Entry Platform 600SJ (SN 0300061927 through 0300068000)	3
	0271319	Ref	ANSI/CSA Machines - Front Entry Platform 660SJ (SN 0300061927 through 0300068000)	3
		Ref	ANSI/CSA Machines - Side Entry Platform	
	0272139	Ref	ANSI/CSA Machines - Side Entry Platform 600SJ	1
	0272137	Ref	ANSI/CSA Machines - Side Entry Platform 660SJ	1
1		Ref	Boom Assembly Options: (See MAIN BOOM ASSEMBLIES for Breakdown)	
1	0801035	1	Boom Assembly 600SJ	
1	0801010	1	Boom Assembly 660SJ	
2	1683275	1	Boom Lift Cylinder Assembly (See CYLINDER SECTION for Breakdown)	
3	1683263	NLA	Master Cylinder Assembly (Use p/n 1001228052) (See CYLINDER SECTION for Breakdown) (Original Equipment)	
3	1001228052	1	Master Cylinder Assembly (See CYLINDER SECTION for Breakdown) (Service Replacement)	
4		Ref	Platform Level Cylinder Assembly Options: (See CYLINDER SECTION for Breakdown)	
4	1683253	1	Platform Level Cylinder Assembly (Original Equipment) (Prior to SN 0300024714)	
4	1683418	NLA	Platform Level Cylinder Assembly (Use p/n 1001228051) (Original Equipment) (SN 0300024714 through 0300068000)	
4	1001223331	NLA	Platform Level Cylinder Assembly (Use p/n 1001228051) (Service Replacement)	
4	1001228051	1	Platform Level Cylinder Assembly (Service Replacement)	
5		Ref	Rotator Assembly Options:	
5	0060031	NLA	Front Entry Platform (See ROTATOR ASSEMBLIES (FRONT ENTRY PLATFORM) for Breakdown) (Use Kit p/n 1001103095 - includes p/n 0060074 actuator, attaching pin and hardware)	
5	0060066	1	Side Entry Platform (See ROTATOR ASSEMBLIES (SIDE ENTRY PLATFORM) for Breakdown)	
6		Ref	Support, Platform Options:	
6	4844790	1	Support, Platform Front Entry Platform	
6	See Note	1	Support, Platform Side Entry Platform (Note: See Items 201-210 for Breakdown)	
7	4844944	NLA	Link, Push (Use p/n 1001094043)	

SECTION 3 - BOOM

ITEM	PART NUMBER	QTY	DESCRIPTION	REV
8	4844815	1	Pivot	
9	4844816	1	Tube (Top)	
10	4844817	2	Tube (Bottom)	
11	1683258	1	Articulating Jib Lift Cylinder Assembly (See CYLINDER SECTION for Breakdown)	
12		Ref	Pin (Boom Pivot and Lift Cylinder Pivot - T/T End)	
12	3422433	NLA	ANSI (Use p/n 3422564) (Prior to SN 0300041810)	
12	3422564	2	ANSI (SN 0300041810 through 0300068000)	
12	3422564	2	CSA	
13		Ref	Pin (Boom Lift Cylinder - Boom End)	
13	3422437	NLA	ANSI (Use p/n 3422568) (Prior to SN 0300041810)	
13	3422568	1	ANSI (SN 0300041810 through 0300068000)	
13	3422568	1	CSA	
14		Ref	Pin (Link - T/T End and Master Cylinder - T/T End)	
14	3422435	NLA	ANSI (Use p/n 3422566) (Prior to SN 0300041810)	
14	3422566	2	ANSI (SN 0300041810 through 0300068000)	
14	3422566	2	CSA	
15		Ref	Pin (Articulating Jib Cylinder - Pivot End and Pivot - Boom End)	
15	3422422	NLA	ANSI (Use p/n 3422561) (Prior to SN 0300041810)	
15	3422561	2	ANSI (SN 0300041810 through 0300068000)	
15	3422561	2	CSA	
16		Ref	Pin (Articulating Jib Level Cylinder - Boom End)	
16	3422440	NLA	ANSI (Use p/n 3422583) (Prior to SN 0300041810)	
16	3422583	1	ANSI (SN 0300041810 through 0300068000)	
16	3422583	1	CSA	
17		Ref	Pin (Top Tube - Pivot End)	
17	3422419	NLA	ANSI (Use p/n 3422860) (Prior to SN 0300041810)	
17	3422558	NLA	ANSI (Use p/n 3422860) (SN 0300041810 through 0300053994)	
17	3422558	NLA	CSA (Use p/n 3422860)	
17	3422860	2	ANSI and CSA (SN 0300053995 through 0300068000)	
18		Ref	Pin (Bottom Tube - Both Ends)	
18	3422420	NLA	ANSI (Use p/n 3422861) (Prior to SN 0300041810)	
18	3422559	NLA	ANSI (Use p/n 3422861) (SN 0300041810 through 0300053994)	
18	3422559	NLA	CSA (Use p/n 3422861)	
18	3422861	2	ANSI and CSA (SN 0300053995 through 0300068000)	
19		Ref	Pin (Articulating Jib Lift Cylinder - Top Tube End)	
19	3422421	NLA	ANSI (Use p/n 3422867) (Prior to SN 0300041810)	
19	3422560	NLA	ANSI (Use p/n 3422867) (SN 0300041810 through 0300053994)	
19	3422560	NLA	CSA (Use p/n 3422867)	
19	3422867	1	ANSI and CSA (SN 0300053995 through 0300068000)	
20		Ref	Pin (Top Tube - Rotator End)	
20	3422432	NLA	ANSI (Use p/n 3422563) (Prior to SN 0300041810)	
20	3422563	1	ANSI (SN 0300041810 through 0300067538)	
20	3422563	1	CSA	
21	3841258	3	Keeper, Pin	
22	3841143	9	Keeper, Pin	
23		Ref	Pin (Link - Boom)	
23	3422418	NLA	ANSI (Use p/n 3422557) (Prior to SN 0300041810)	
23	3422557	1	ANSI (SN 0300041810 through 0300068000)	

SECTION 3 - BOOM

ITEM	PART NUMBER	QTY	DESCRIPTION	REV
23	3422557	1	CSA	
24		Ref	Pin (Master Cylinder - Boom End)	
24	3422445	NLA	ANSI (Use p/n 3422574) (Prior to SN 0300041810)	
24	3422574	1	ANSI (SN 0300041810 through 0300068000)	
24	3422574	1	CSA	
25	0642012	3	Bolt 5/8in-11NC x 1-1/2in	
26	0641608	7	Bolt 3/8in-16NC x 1in	
27	0741607	1	Screw, Countersunk 3/8in-16NC x 7/8in	
28	0100011	AR	Compound, Locking	
29	0100019	AR	Compound, Locking	
30	4740439	2	Thrustwasher	
31	0641810	6	Bolt 1/2in-13NC x 1-1/4in (Front Entry Platform)	
32	0641618	4	Bolt 3/8in-16NC x 2-1/4in	
33	3311605	5	Locknut 3/8in-16NC	
34	0641614	1	Bolt 3/8in-16NC x 1-3/4in	
35	3539475	1	Cover, Boom End (Back) (Prior to SN 0300065004)	
36		Ref	Cover, Boom Options:	
36	3539476	1	Cover, Boom End (Top and Sides) (Prior to SN 0300065004)	
36	1671055	1	Cover (SN 0300065004 through 0300068000)	
37	0962057	2	Bushing (Prior to SN 0300065004)	
38		Ref	Hardware Options:	
38	3340800	1	Pad, Wear (Prior to SN 0300065004)	
38	4751400	4	Flatwasher 1/4in Regular (SN 0300065004 through 0300068000)	
39	0630458	1	U-Bolt	
40	3311402	4	Nut, Jam 1/4in-20NC	
41		Ref	Hardware Options:	
41	0641407	4	Bolt 1/4in-20NC x 7/8in (Prior to SN 0300065004)	
41	3311402	2	Locknut 1/4in-20NC (SN 0300065004 through 0300068000)	
42	0641820	4	Bolt 1/2in-13NC x 2-1/2in (Front Entry Platform)	
43	4711800	8	Flatwasher 1/2in Thin (Front Entry Platform)	
44	3311805	4	Locknut 1/2in-13NC (Front Entry Platform)	
45	0681610	4	Bolt 3/8in-16NC x 1-1/4in (Grade 8) (Front Entry Platform)	
46	4711600	4	Flatwasher 3/8in Thin (Front Entry Platform)	
47	0961950	2	Bushing	
48	0962006	3	Bushing	
49	0961947	10	Bushing	
50	0961951	2	Bushing	
51	3539563	1	Cover	
52	0641604	4	Bolt 3/8in-16NC x 1/2in	
53	2080043	4	Rivnut (Prior to SN 0300065004)	
54	2080044	4	Rivnut	
55	0641611	1	Bolt 3/8in-16NC x 1-3/8in	
58	4740314	AR	Thrustwasher	
59	4740158	AR	Thrustwasher	
60	1320235	1	Clamp (SN 0300027200 through 0300068000)	
61	4100033	2 ft/.6m	Sleeve, Abrasion (SN 0300027200 through 0300068000)	
62	4240033	2	Tie-Strap (SN 0300027200 through 0300068000)	
63	3841340	1	Clamp, Loop (SN 0300027200 through 0300068000)	
64	0641606	2	Bolt 3/8in-16NC x 3/4in (SN 0300027200 through 0300068000)	
65		Ref	Bushing, Options:	

SECTION 3 - BOOM

ITEM	PART NUMBER	QTY	DESCRIPTION	REV
65	0961947	4	Bushing (Prior to SN 0300053995)	
65	0962335	4	Bushing (SN 0300053995 through 0300068000)	
		Ref	BOOM CABLES INSTALLATION	
	0255896	Ref	Boom Cables Installation 600SJ - 2WS (Prior to SN 0300061927)	7
	0270738	Ref	Boom Cables Installation 600SJ - 2WS (ADE System) (SN 0300061927 through 0300068000)	2
	0256939	Ref	Boom Cables Installation 600SJ - 4WS	3
	0255365	Ref	Boom Cables Installation 660SJ - 2WS (Prior to SN 0300061927)	8
	0270736	Ref	Boom Cables Installation 660SJ - 2WS (ADE System) (SN 0300061927 through 0300068000)	2
	0256936	Ref	Boom Cables Installation 660SJ - 4WS	2
110	1670769	1	Cover	
111	0561237	2	Clamp, Block	
112	0641416	4	Bolt 1/4in-20NC x 2in	
	0272070	Ref	SUPPORT INSTALLATIONS (SIDE ENTRY PLATFORM)	B
201	0100011	AR	Compound, Locking	
202	0641812	8	Bolt 1/2in-13NC x 1-1/2in	
203	0642682	1	Bolt 1in-8NC x 10-1/4in	
204	0681608	8	Bolt 3/8in-16NC x 1in (Grade 8)	
205	3272605	1	Locknut 1in-8NC	
206	3311805	8	Locknut 1/2in-13NC	
207	4846573	1	Support, Platform	
208	4891600	8	Flatwasher 3/8in Hardened	
209	4891800	8	Flatwasher 1/2in Hardened	
210	4892600	1	Flatwasher 1in Hardened	

SECTION 3 - BOOM

FIGURE 3-3. MAIN BOOM ASSEMBLIES

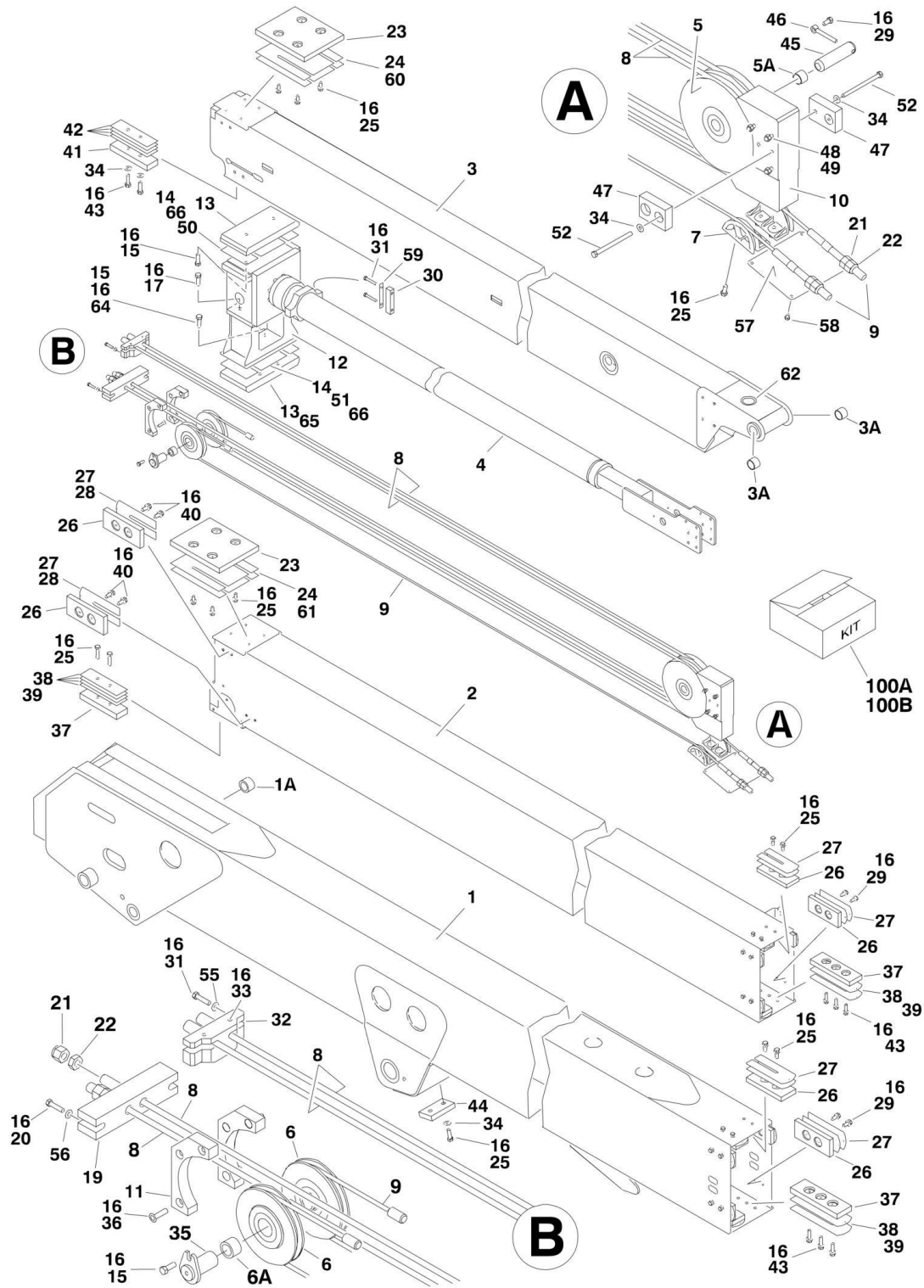


FIGURE 3-3. MAIN BOOM ASSEMBLIES

ITEM	PART NUMBER	QTY	DESCRIPTION	REV
		Ref	MAIN BOOM ASSEMBLY OPTIONS:	
	0801009	Ref	Main Boom Assembly Options 600S	21-N
	0801035	Ref	Main Boom Assembly Options 600SJ	17-J
	0801010	Ref	Main Boom Assembly Options 660SJ	19-L
1		Ref	Base Weldment Options:	
1	0801011	1	Base Weldment 600S (Prior to SN 0300043309)	
1	0801167	1	Base Weldment 600S (SN 0300043309 through 0300063250)	
1	0801011	1	Base Weldment 600S (SN 0300063251 through 0300068000)	
1	0801036	1	Base Weldment 600SJ	
1	0801011	1	Base Weldment 660SJ	
1A	0961950	2	Bushing	
2		Ref	Mid Weldment Options:	
2	0801012	1	Mid Weldment 600S & 660SJ	
2	0801037	1	Mid Weldment 600SJ	
3		Ref	Fly Weldment Options:	
3	0801065	1	Fly Weldment 600S	
3	0801038	1	Fly Weldment 600SJ	
3	0801014	1	Fly Weldment 660SJ	
3A	0961951	2	Bushing (600SJ & 660SJ Only)	
4		Ref	Telescope Cylinder Assembly Options: (See CYLINDER SECTION for Breakdown)	
4	1683248	1	Telescope Cylinder Assembly 600S & 660SJ (Prior to SN 0300034517)	
4	1683618	1	Telescope Cylinder Assembly 600S & 660SJ (SN 0300034517 through 0300068000)	
4	1683357	1	Telescope Cylinder Assembly 600SJ (Prior to SN 0300034517)	
4	1683620	1	Telescope Cylinder Assembly 600SJ (SN 0300034517 through 0300068000)	
5	3580241	1	Sheave Assembly (Extend)	2-B
5A	0961951	2	Bushing	
6	3580243	2	Sheave Assembly (Retract)	1-A
6A	0961951	2	Bushing (1 Per Sheave)	
7		Ref	Block, Sheave Options:	
7	3580244	2	Block, Sheave (Prior to SN 0300041810)	
7	1220078	2	Block, Sheave (SN 0300041810 through 0300068000)	
8		Ref	Cable (Extend) Options:	
8	3890005	2	Cable (Extend) 600S & 660SJ	
8	3890007	2	Cable (Extend) 600SJ	
9		Ref	Cable (Retract) Options:	
9	3890006	2	Cable (Retract) 600S & 660SJ	
9	3890008	2	Cable (Retract) 600SJ	
10	3580248	1	Guard, Sheave (Extend)	
11	3580249	2	Guard, Sheave (Retract)	
12		Ref	Support, Wear Pad Options:	
12	4845105	1	Support, Wear Pad (Prior to SN 0300038808)	
12	1220042	1	Support, Wear Pad (SN 0300038808 through 0300056364)	
12	4846319	1	Support, Wear Pad (SN 0300056365 through 0300068000)	
13		Ref	Pad, Wear Options:	
13	3340759	1	Pad, Wear (Prior to SN 0300038808)	
13	3340844	1	Pad, Wear (SN 0300038808 through 0300068000)	

SECTION 3 - BOOM

ITEM	PART NUMBER	QTY	DESCRIPTION	REV
14		Ref	Shim .05 Options:	
14	4070909	AR	Shim .05 (Prior to SN 0300038808)	
14	4070975	AR	Shim .05 (SN 0300038808 through 0300068000)	
15	0641608	AR	Bolt 3/8in-16NC x 1in	
16	0100011	AR	Compound, Locking	
17	0681612	4	Bolt 3/8in-16NC x 1-1/2in (Grade 8)	
19	0561184	1	Block, Cable	
20	0641824	2	Bolt 1/2in-13NC x 3in	
21	3312201	4	Nut 3/4in-10NC	
22	3300241	4	Locknut, Special 3/4in-10NC	
23	3340757	2	Pad, Wear	
24	4070896	4	Shim (.06) (Without Slide-In Slots)	
25	0641607	20	Bolt 3/8in-16NC x 7/8in	
26		Ref	Pad, Wear Options:	
26	3340756	20	Pad, Wear (Prior to SN 0300064395)	
26	3340881	20	Pad, Wear (SN 0300064395 through 0300068000)	
27	4070897	28	Shim (.05) (Without Slide-In Slots)	
28	4070898	24	Shim (.12) (Without Slide-In Slots)	
29	0641605	16	Bolt 3/8in-16NC x 5/8in	
30	0561185	2	Block	
31	0641618	6	Bolt 3/8in-16NC x 2-1/4in	
32	0561183	1	Block, Cable	
33	3951608	2	Setscrew 3/8in-16NC x 1in	
34	4711600	14	Flatwasher 3/8in Thin	
35	3422424	2	Pin (Retract Sheave)	
36	0741612	6	Screw, Countersunk 3/8in-16NC x 1-1/2in	
37		Ref	Pad, Wear Options:	
37	3340705	5	Pad, Wear (Prior to SN 0300064395)	
37	3340871	5	Pad, Wear (SN 0300064395 through 0300068000)	
38	4070863	12	Shim (.12)	
39	4070864	12	Shim (.05)	
40	0641613	8	Bolt 3/8in-16NC x 1-5/8in	
41	3340758	2	Pad, Wear	
42	4070895	8	Shim (.06)	
43	0641610	14	Bolt 3/8in-16NC x 1-1/4in	
44	0561076	1	Block	
45	3422417	2	Pin (Extend Sheave)	
46	3841143	1	Keeper, Pin	
47	3340755	2	Pad, Wear	
48	0641634	4	Bolt 3/8in-16NC x 4-1/4in	
49	3311605	4	Locknut 3/8in-16NC	
50		Ref	Shim (.12) Options:	
50	4070910	1	Shim (.12) (Prior to SN 0300038808)	
50	4070976	1	Shim (.12) (SN 0300038808 through 0300068000)	
51		Ref	Shim (.25) Options:	
51	4070911	1	Shim (.25) (Prior to SN 0300038808)	
51	4070977	1	Shim (.25) (SN 0300038808 through 0300056364)	
51	4071004	1	Shim (.25) (SN 0300056365 through 0300068000)	
52	0641640	2	Bolt 3/8in-16NC x 5in	
55	4891600	6	Flatwasher 3/8in Hardened	
56	4891800	2	Flatwasher 1/2in Hardened	

SECTION 3 - BOOM

ITEM	PART NUMBER	QTY	DESCRIPTION	REV
57	3539622	1	Plate, Cover	
58	0641403	4	Bolt 1/4in-20NC x 3/8in	
59	4070929	AR	Shim	
60	4070939	AR	Shim 16Ga (With Slide-In Slots)	
61	4070940	AR	Shim 16Ga (With Slide-In Slots)	
62	4060805	6 in/16cm	Flex-Trim (SN 0300027207 through 0300068000)	
63	1670836	8	Cover, Boom (Not Shown) (SN 0300027207 through 0300068000)	
64	0681608	4	Bolt 3/8in-16NC x 1in (SN 0300056365 through 0300068000)	
65		Ref	Pad, Wear Options:	
65	3340759	1	Pad, Wear (Prior to SN 0300038808)	
65	3340844	1	Pad, Wear (SN 0300038808 through 0300056364)	
65	3340900	1	Pad, Wear (SN 0300056365 through 0300068000)	
66	4071005	AR	Shim (SN 0300056365 through 0300068000)	
100		Ref	Kit, Wear Pad Support (Includes Items 12, 51, 64, 65 & 66)	
100A	See Note	1	Wear Pad Kit (Note: Not Available - Purchase Individual Items) (Prior to SN 0300056365)	
100B	2901986	1	Wear Pad Kit (SN 0300056365 through 0300068000)	

SECTION 3 - BOOM

FIGURE 3-4. ROTATOR ASSEMBLIES (FRONT ENTRY PLATFORM)

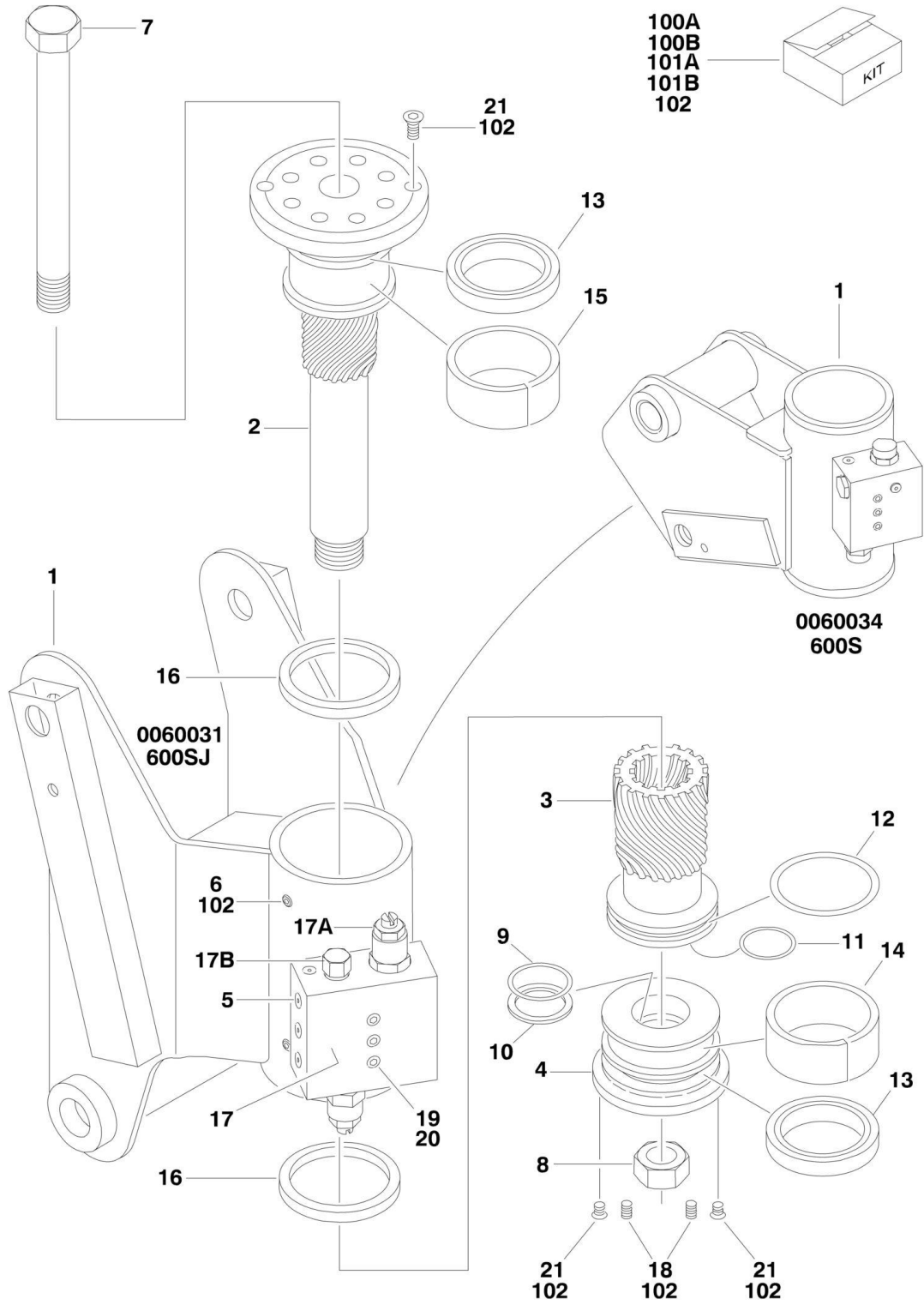


FIGURE 3-4. ROTATOR ASSEMBLIES (FRONT ENTRY PLATFORM)

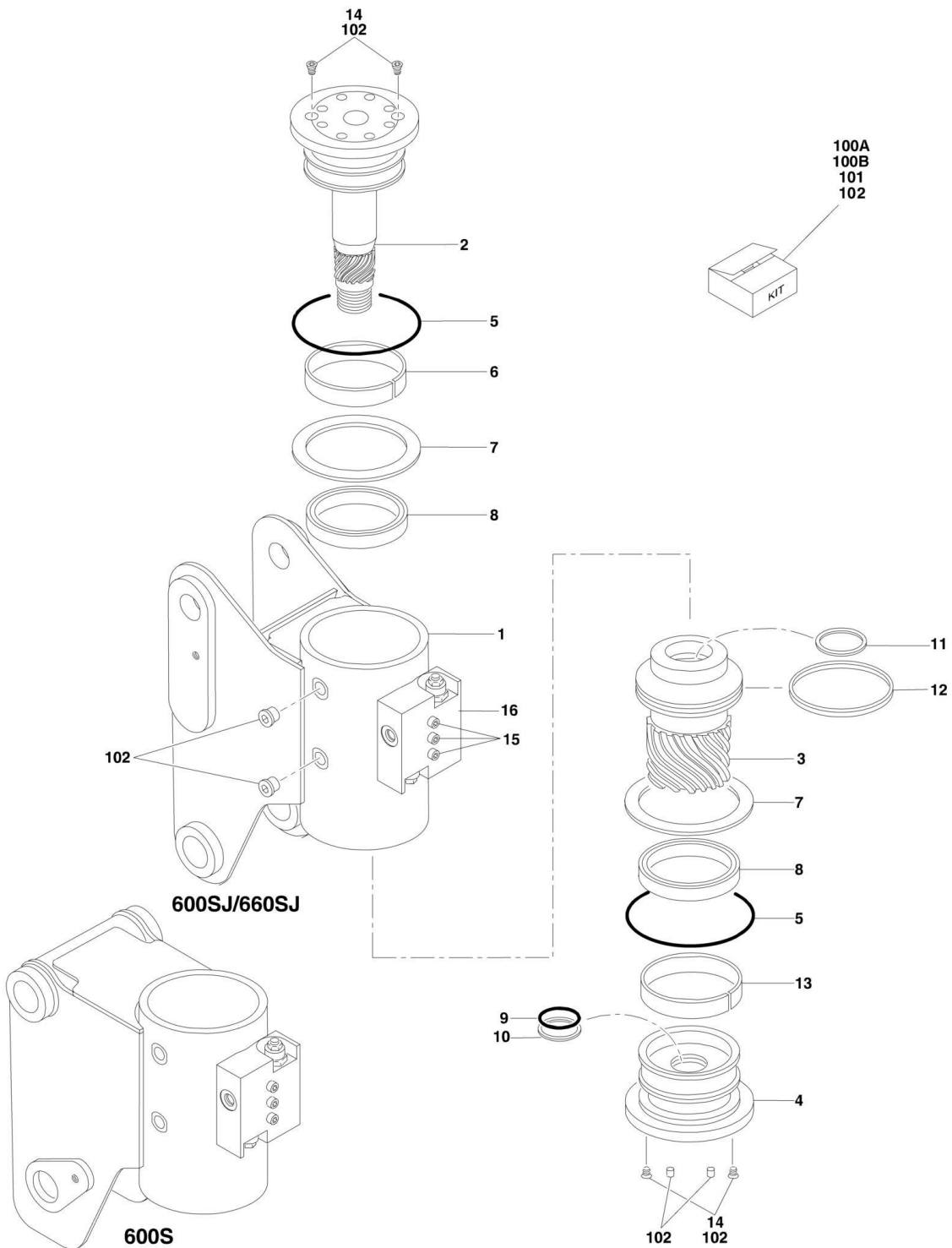
ITEM	PART NUMBER	QTY	DESCRIPTION	REV
		Ref	ROTATOR ASSEMBLIES	
		Ref	Note: Service replacement rotator uses spacer plate bolted on the top with 8 capscrews (Not shown - located at item 2). Original Equipment rotator does not use spacer plate.	
	0060034	Ref	Rotator Assemblies 600S (Original Equipment)	G
	0060075	Ref	Rotator Assemblies 600S (Service Replacement)	B
	0060031	Ref	Rotator Assemblies (600SJ & 660SJ) (Original Equipment)	H
	See Note	Ref	Rotator Assemblies (600SJ & 660SJ) (Service Replacement)	
		Ref	Note: For 600SJ & 660SJ, use service replacement rotator kit p/n 1001103095 (includes 0060074 actuator assembly, attaching pin and hardware).	
1	See Note	NSS	Housing/Ring Gear Assembly (Note: Not Available - Purchase Complete Rotator Assembly)	
2		Ref	Shaft Weldment Options:	
2	7017177	1	Shaft Weldment 0060034 & 0060031 Rotators (was p/n 7017117)	
2	7017162	1	Shaft Weldment 0060075 & 0060074 Rotators	
2	See Note	NSS	Plate, Spacer (Not Shown) (0060075 & 0060074 Rotators Only) (Note: Not Available for Purchase)	
3		Ref	Piston/Sleeve Options:	
3	7017115	1	Piston/Sleeve 0060034 & 0060031 Rotators	
3	7017163	1	Piston/Sleeve 0060075 & 0060074 Rotators	
4		Ref	Cap, End Options:	
4	7017174	1	Cap, End 0060034 Rotators	
4	7017174	1	Cap, End 0060031 Rotators (was p/n 7017116)	
4	7017164	1	Cap, End 0060075 & 0060074 Rotators	
5	See Note	6	Plug, Port (Note: Not Available - Purchase Locally)	
6	7017142	2	Plug	
7	7017102	1	Tie-Rod/Locknut Assembly (Prior to SN 0300039950)	
7	7017119	1	Bolt 1in-8NC x 11in (SN 0300039950 through 0300067538)	
8	3272605	AR	Locknut 1in-8NC (SN 0300039950 through 0300067538)	
9	See Note	NSS	Seal, Cap (Note: Use Item 100A or 100B)	
10	See Note	NSS	Ring, Back-up (Cap) (Note: Use Item 100A or 100B)	
11	See Note	NSS	Seal, Rod (Note: Use Item 100A or 100B)	
12	See Note	NSS	Seal, Piston (Note: Use Item 100A or 100B)	
13	See Note	NSS	Packing, Bearing (Note: Use Item 100A or 100B)	
14	See Note	NSS	Bearing, Cap (Note: Use Item 101A or 101B)	
15	See Note	NSS	Bearing, Shaft (Note: Use Item 101A or 101B)	
16	See Note	NSS	Thrustwasher (Note: Use Item 101A or 101B)	
17		Ref	Valve Assembly Options:	
17	7017183	1	Valve Assembly 0060034 & 0060031 Rotators (was p/n 7017101)	
17	7017183	1	Valve Assembly 0060075 & 0060074 Rotators	
17A		Ref	Cartridge, Valve Options:	
17A	7011331	2	Cartridge for Helac p/n 24736	
17A	7017193	2	Cartridge for Helac p/n 27600	
17A	2900770	2	Seal Kit - 7011331 Valve	
17A	See Note	NSS	Seal Kit - 7017193 Valve (Note: Purchase Complete Cartridge)	
17B		Ref	Cartridge, Valve Options:	
17B	7011332	2	Cartridge for Helac p/n 24736	
17B	See Note	NSS	Cartridge for Helac p/n 27600 (Not Shown - Located on Side	

SECTION 3 - BOOM

ITEM	PART NUMBER	QTY	DESCRIPTION	REV
17B	7011346	2	of Valve Block) (Note: Purchase Valve Assembly) Seal Kit - 7011332 Valve	
17B	See Note	NSS	Seal Kit - Valve Located on Side of Block (Note: Purchase Valve Assembly)	
18	7017142	2	Setscrew/Pin	
19	See Note	3	Capscrew 1/4in-20NC x 1-1/2 (Grade 8) (Note: Not Available - Purchase Locally)	
20	3790110	3	O-Ring (Located between Valve and Actuator Housing)	
21	70001697	4	Screw, Countersunk 1/4in-20NC x 3/8in Grade 8	
		Ref	KIT OPTIONS	
100		Ref	Seal Kit Options (Includes Items 9-13 & 102):	
100A	7017157	1	Seal Kit for 0060034 & 0060031 Rotators	
100B	7017158	1	Seal Kit for 0060075 & 0060074 Rotators	
101		Ref	Bearing Kit Options (Includes Items 14-16):	
101A	7017156	1	Bearing Kit for 0060034 & 0060031 Rotators (Original Equipment)	
101B	7017159	1	Bearing Kit for 0060075 & 0060074 Rotators (Service Replacement)	
102	7017142	1	Hardware Kit (Includes Items 6, 18 & 21) (Part of Item 100)	

SECTION 3 - BOOM

FIGURE 3-5. ROTATOR ASSEMBLIES (SIDE ENTRY PLATFORM)



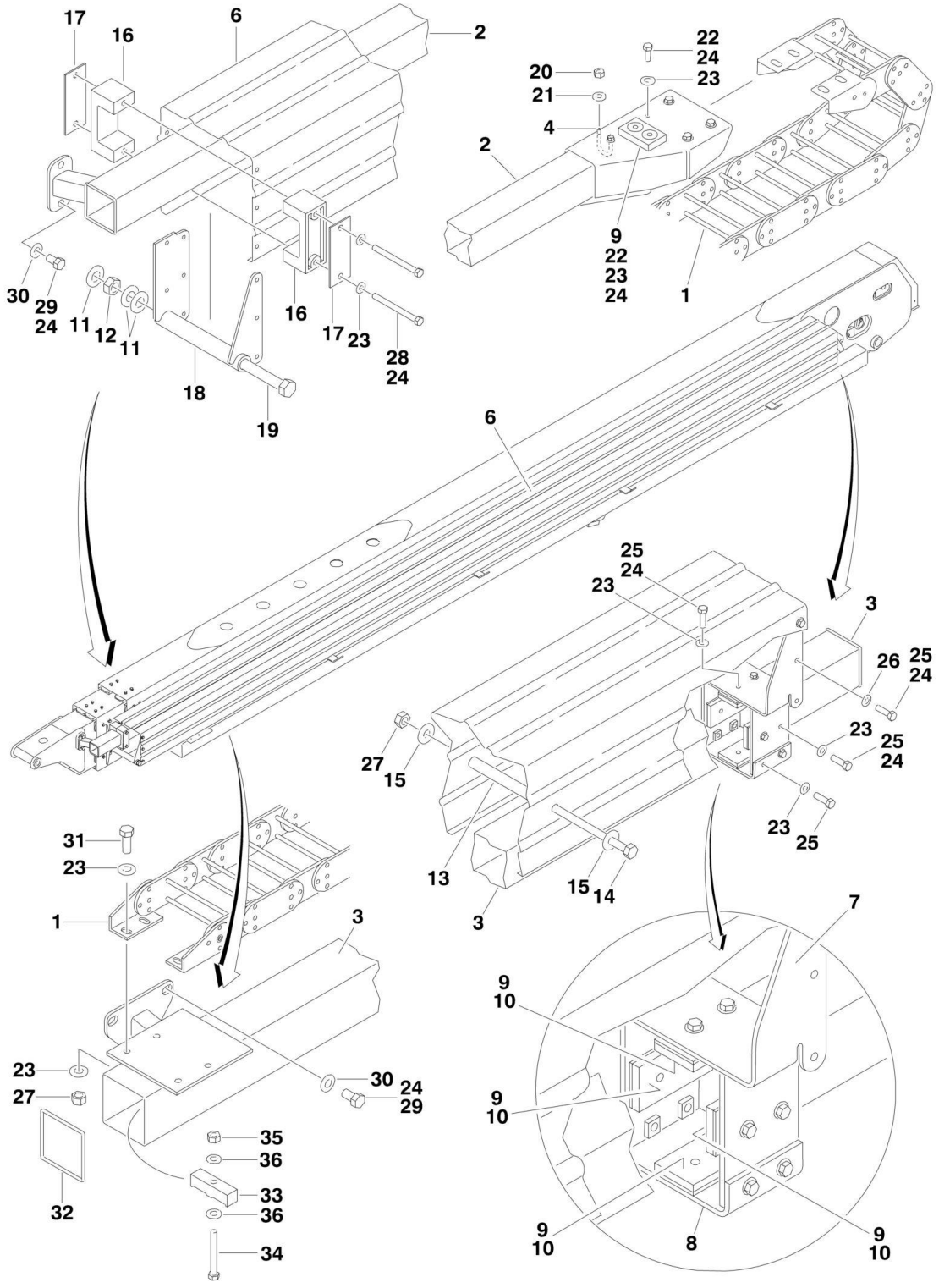
SECTION 3 - BOOM

FIGURE 3-5. ROTATOR ASSEMBLIES (SIDE ENTRY PLATFORM)

ITEM	PART NUMBER	QTY	DESCRIPTION	REV
		Ref	ROTATOR ASSEMBLIES	
	0060067	Ref	Rotator Assemblies 600S	A
	0060066	Ref	Rotator Assemblies (600SJ & 660SJ)	A
1	See Note	NSS	Housing/Ring Gear Assembly (Note: Not Available - Purchase Complete Rotator Assembly)	
2	7017162	1	Shaft Weldment	
2	7017195	2	Bushing, Shaft	
3	7017163	1	Piston/Sleeve Assembly	
4	7017164	1	Cap, End	
5	See Note	NSS	O-Ring (Note: Use Item 100A or 100B)	
6	7017159	1	Bearing, Shaft	
7	7017159	2	Thrustwasher	
8	See Note	NSS	Packing, Bearing (Note: Use Item 100A or 100B)	
9	See Note	NSS	Seal, Cap (Note: Use Item 100A or 100B)	
10	See Note	NSS	Ring, Back-up Cap (Note: Use Item 100A or 100B)	
11	See Note	NSS	Seal, Rod (Note: Use Item 100A or 100B)	
12	See Note	NSS	Seal, Piston (Note: Use Item 100A or 100B)	
13	7017159	1	Bearing, Cap	
14	70001697	4	Screw, Countersunk 1/4in-20NC x 3/8in Grade 8	
15	See Note	3	Capscrew 1/4in-20NC x 1-1/2 (Grade 8) (Note: Purchase Locally)	
16	7017183	1	Valve Assembly	
16	7017193	2	Cartridge, Valve	
16	See Note	NSS	Seal Kit - 7017193 Valve (Note: Purchase Complete Cartridge)	
16	See Note	NSS	Cartridge, Valve (Not Shown - Located on Side of Block) (Note: Purchase Valve Assembly)	
16	See Note	NSS	Seal Kit - Valve Located on Side of Block (Note: Purchase Valve Assembly)	
		Ref	KIT OPTIONS	
100		Ref	Seal Kit Options (Includes Items 5 & 8-12 & 102):	
100A	7017158	1	Seal Kit - Standard	
100B	70000342	1	Seal Kit - Low Temperature	
101	7017159	1	Bearing Kit (Includes Items 6, 7 & 13)	
102	See Note	1	Hardware Kit (Includes Items 14, 2 Setscrews/Pins and 2 Plugs) (Note: Use item 100)	

SECTION 3 - BOOM

FIGURE 3-6. POWER TRACK INSTALLATIONS - PLASTIC TRACK (Prior to SN 0300060842)



SECTION 3 - BOOM

FIGURE 3-6. POWER TRACK INSTALLATIONS - PLASTIC TRACK (Prior to SN 0300060842)

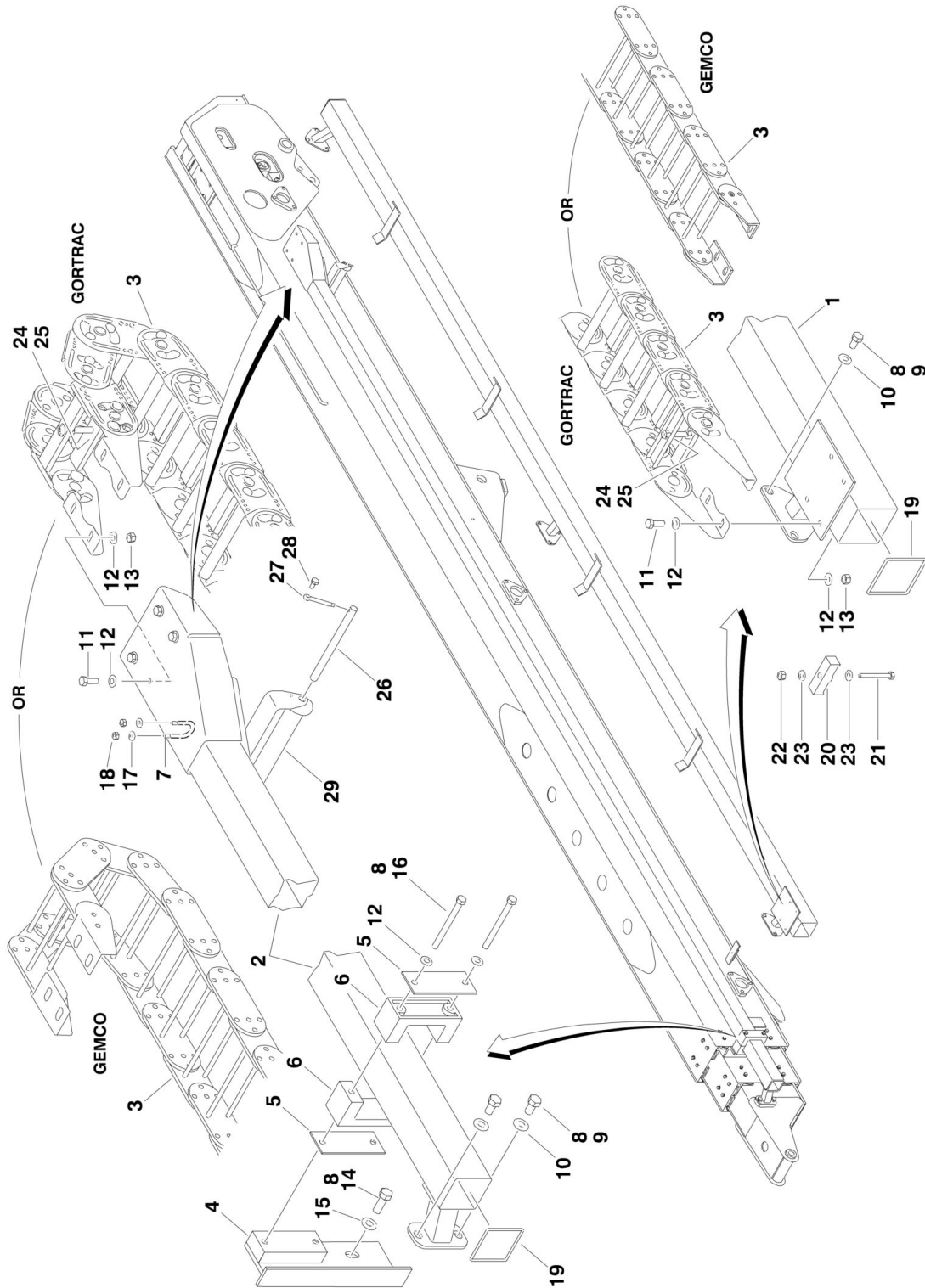
ITEM	PART NUMBER	QTY	DESCRIPTION	REV
		Ref	Note: Before ordering parts, check machines built prior to SN 0300060842 for either plastic or steel power track. Machines may have a conversion kit installed which replaces plastic power tracks to steel power tracks. If a machines has steel power tracks, refer to the POWER TRACK INSTALLATIONS - STEEL TRACK for replacement components. To replace the plastic power track with a steel power track, use Conversion Kit p/n 2902114 for 600S & 660SJ or p/n 2902115 for 600SJ.	
		Ref	-If a machines has steel power tracks, refer to the POWER TRACK INSTALLATIONS - STEEL TRACK for replacement components.	
		Ref	-To replace the plastic power track with a steel power track, use Conversion Kit p/n 2902114 for 600S & 660SJ or p/n 2902115 for 600SJ.	
		Ref	POWER TRACK INSTALLATIONS	
	0255293	Ref	Power Track Installations 600S & 660SJ (Optional on 600S Only) (Prior to SN 0300060842)	5-B
	0255303	Ref	Power Track Installations 600SJ (Prior to SN 0300060842)	4-B
1		Ref	Carrier Options:	
1	1180340	1	Carrier 600S & 660SJ	
1	7019300	83	Link	
1	7019301	1	Bracket, End	
1	7019303	1	Separator	
1	1180341	1	Carrier 600SJ	
1	7019300	83	Link	
1	7019302	1	Bracket, End	
1	7019303	1	Separator	
2		Ref	Tube, Push Options:	
2	4844968	1	Tube, Push 600S & 660SJ	
2	4844989	1	Tube, Push 600SJ	
3		Ref	Rail Options:	
3	4844963	1	Rail 600S & 660SJ	
3	4844990	1	Rail 600SJ	
4	0630458	1	U-Bolt	
6		Ref	Cover Options:	
6	1670749	1	Cover 600S & 660SJ	
6	1670750	1	Cover 600SJ	
7	4844966	1	Block, Slide	
8	3538749	1	Plate	
9	3340763	5	Pad, Wear	
10	4070904	6	Shim	
11	4712600	3	Flatwasher 1in Thin	
12	3312602	1	Nut, Jam 1in-8NC	
13	3841264	AR	Rod	
14	0641676	AR	Bolt 3/8in-16NC x 9-1/2in	
15	4740076	AR	Washer, Fender	
16	3340764	2	Pad, Wear	
17	3538758	2	Plate	
18	4844967	1	Support	
19	0630493	1	Bolt 1in-8NC x 12in	
20	3311405	2	Locknut 1/4in-20NC	
21	4711400	2	Flatwasher 1/4in Thin	

SECTION 3 - BOOM

ITEM	PART NUMBER	QTY	DESCRIPTION	REV
22	0641605	6	Bolt 3/8in-16NC x 5/8in	
23	4711600	22	Flatwasher 3/8in Thin	
24	0100011	AR	Compound, Locking	
25	0641606	16	Bolt 3/8in-16NC x 3/4in	
26	4751600	12	Flatwasher 3/8in Regular	
27	3311605	AR	Locknut 3/8in-16NC	
28	0641644	2	Bolt 3/8in-16NC x 5-1/2in	
29	0641807	8	Bolt 1/2in-13NC x 7/8in	
30	4711800	8	Flatwasher 1/2in Thin	
31	0641608	4	Bolt 3/8in-16NC x 1in	
32	4060804	4 ft/1.2m	Shield, Trim	
33	1320247	1	Clamp, Nylon (SN 0300037438 through 0300060842)	
34	0641522	1	Bolt 5/16in-18NC x 2-3/4in (SN 0300037438 through 0300060842)	
35	3311505	1	Locknut 5/16in-18NC (SN 0300037438 through 0300060842)	
36	4711500	2	Flatwasher 5/16in Thin (SN 0300037438 through 0300060842)	

SECTION 3 - BOOM

FIGURE 3-7. POWER TRACK INSTALLATIONS - STEEL TRACK (SN 0300060842 through 0300068000)



SECTION 3 - BOOM

FIGURE 3-7. POWER TRACK INSTALLATIONS - STEEL TRACK (SN 0300060842 through 0300068000)

ITEM	PART NUMBER	QTY	DESCRIPTION	REV
		Ref	POWER TRACK INSTALLATIONS	
	0257988	Ref	Power Track Installations 600S (Prior to SN 0300061927)	5-E
	0271243	Ref	Power Track Installations 600SJ (Prior to SN 0300061927)	1-E
	0271242	Ref	Power Track Installations 660SJ (Prior to SN 0300061927)	1-E
	0271372	Ref	Power Track Installations 600SJ (ADE System) (SN 0300061927 through 0300068000)	2
	0270804	Ref	Power Track Installations 600S/660SJ (ADE System) (SN 0300061927 through 0300068000)	3
1		Ref	Rail Options:	
1	4845819	1	Rail 600S/660SJ	
1	4846392	1	Rail 600SJ	
2		Ref	Tube Options:	
2	4845671	1	Tube 600S/660SJ	
2	4846391	1	Tube 600SJ	
3		Ref	Power Track Assembly Options:	
		Ref	Note: Various Power Tracks use on this model. Identify brand before ordering parts.	
3		Ref	Power Track Assembly 600S/660SJ	
3	1180345	NLA	Gemco Brand Power Track (Use p/n 1001099832)	
3	7016530	AR	Power Track Repair Section (Includes 18 Link Pin, 4 Radius Links, 2 Carrier Links, 1 Rod Carrier, 1 Spring Loaded Rod, 1 Carrier Weldment and 12 Bearing Plates)	
3	7006138	1	Power Track - Pin Kit (Includes 1 pin, 1 Retaining Ring and 4 Washers)	
3	1001099832	1	Gortrac Brand Power Track	
3	70002005	AR	Power Track - Section Repair Kit	
3	70002006	1	Power Track - Bracket Kit	
3	70004643	2	Clamp with Hardware	
3		Ref	Power Track Assembly 600SJ	
3	1180359	NLA	Gemco Brand Power Track (Use p/n 1001099839)	
3	7016530	AR	Power Track - Repair Section (Includes 18 Link Pin, 4 Radius Links, 2 Carrier Links, 1 Rod Carrier, 1 Spring Loaded Rod, 1 Carrier Weldment and 12 Bearing Plates)	
3	7006138	1	Power Track - Pin Kit (Includes 1 pin, 1 Retaining Ring and 4 Washers)	
3	1001099839	1	Gortrac Brand Power Track	
3	70002007	AR	Power Track - Section Repair Kit	
3	70002006	1	Power Track - Bracket Kit	
4	4845677	1	Bracket	
5	3538758	AR	Plate	
6	3340764	2	Pad, Wear	
7	0630458	1	U-Bolt	
8	0100011	AR	Compound, Locking	
9	0641807	11	Bolt 1/2in-13NC x 7/8in	
10	4711800	11	Flatwasher 1/2in Thin	
11	0641608	8	Bolt 3/8in-16NC x 1in	
12	4711600	18	Flatwasher 3/8in Thin	
13	3311605	8	Locknut 3/8in-16NC	
14	0642612	1	Bolt 1in-8NC x 1-1/2in	
15	4712600	1	Flatwasher 1in Thin	
16	0641648	2	Bolt 3/8in-16NC x 6in	

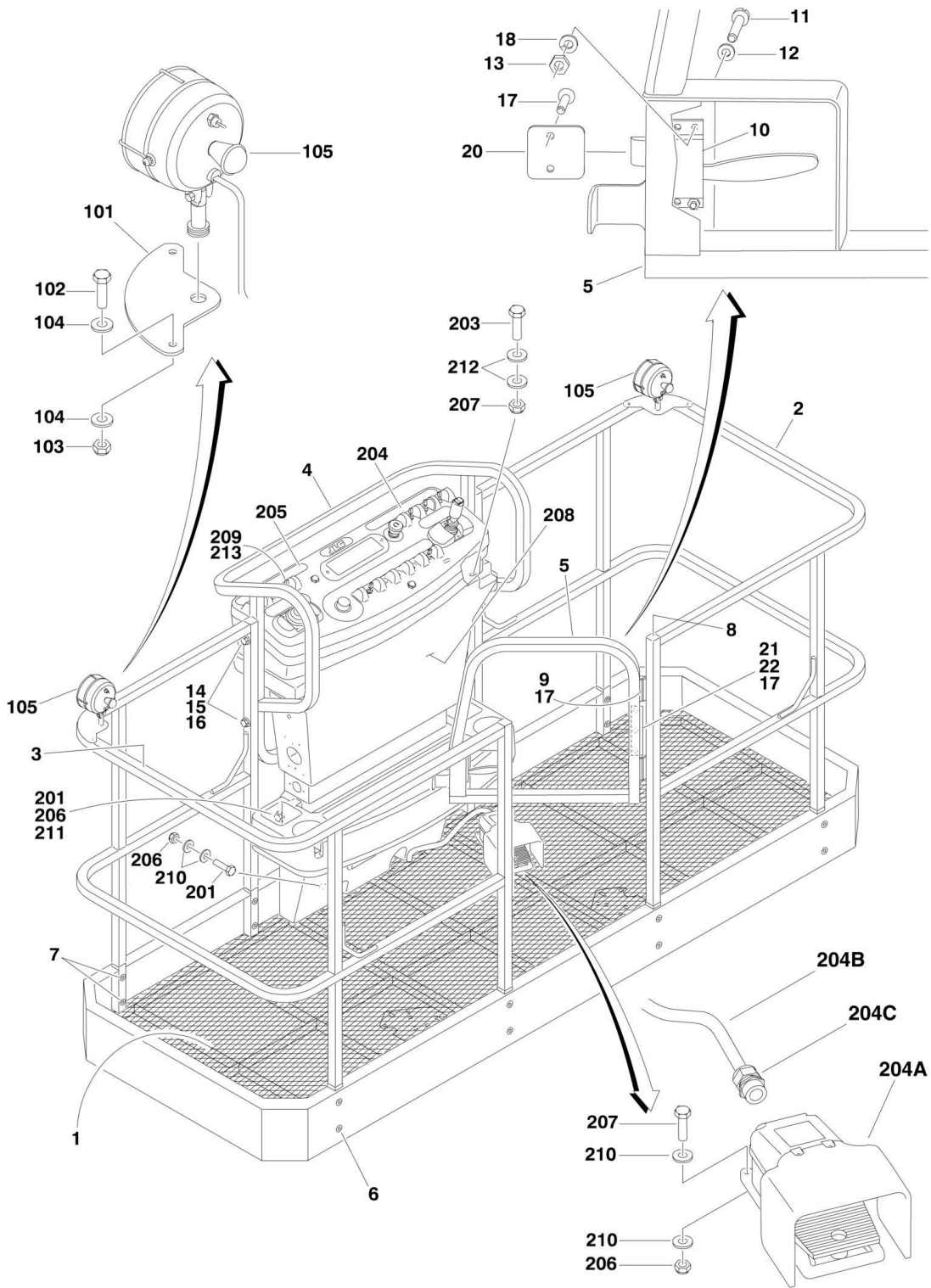
SECTION 3 - BOOM

ITEM	PART NUMBER	QTY	DESCRIPTION	REV
17	4711400	2	Flatwasher 1/4in Thin	
18	3311405	2	Locknut 1/4-20NC	
19	4060803	3 ft/0.9m	Shield, Trim	
20	1320247	1	Clamp, Nylon (SN 0300041861 through 0300068000)	
21	0641522	1	Bolt 5/16in-18NC x 2-3/4in (SN 0300041861 through 0300068000)	
22	3311505	1	Locknut 5/16in-18NC (SN 0300041861 through 0300068000)	
23	4711500	2	Flatwasher 5/16in Thin (SN 0300041861 through 0300068000)	
24	4070994	2	Shim (SN 0300047101 through 0300068000)	
25	4070995	2	Shim (SN 0300047101 through 0300068000)	
26	3841013	1	Roller, Rod (SN 0300060842 through 0300068000)	
27	3450806	1	Pin, Cotter (SN 0300060842 through 0300068000)	
28	0641404	1	Bolt 1/4in-20NC x 1/2in (SN 0300060842 through 0300068000)	
29	3860050	1	Roller (SN 0300060842 through 0300068000)	

SECTION 4 - PLATFORM

SECTION 4 - PLATFORM

FIGURE 4-1. PLATFORM COMPONENTS INSTALLATION (FRONT ENTRY)



SECTION 4 - PLATFORM

FIGURE 4-1. PLATFORM COMPONENTS INSTALLATION (FRONT ENTRY)

ITEM	PART NUMBER	QTY	DESCRIPTION	REV
		Ref	PLATFORM ASSEMBLIES:	
	3510760	Ref	4ft (1.2m) with Self-Closing Gate	3
	3510728	Ref	5ft (1.52m) with Self-Closing Gate	3
	3510497	Ref	6ft (1.83m) Standard	7
	3510542	Ref	6ft (1.83m) with Self-Closing Gate	3
	3510545	Ref	6ft (1.83m) With Mesh to Top Rail and Standard Gate	-
	3510565	Ref	6ft (1.83m) with Mesh to Top Rail and Self-Closing Gate	3
	3510488	Ref	8ft (2.44m) Standard	7
	3510543	Ref	8ft (2.44m) with Self-Closing Gate	3
	3510546	Ref	8ft (2.44m) With Mesh to Top Rail and Standard Gate	-
	3510566	Ref	8ft (2.44m) with Mesh to Top Rail and Self-Closing Gate	4
1		Ref	Floor 2 Options:	
1	4846253	1	Floor 2, 4ft Platform	
1	4846101	1	Floor 2, 5ft Platform	
1	4844954	1	Floor 2, 6ft Platform	
1	4844928	1	Floor 2, 8ft Platform	
2		Ref	Rail Weldment - Right Side Options:	
2	4846254	1	Rail Weldment - Right Side 4ft Platform Standard	
2	4846102	1	Rail Weldment - Right Side 5ft Platform Standard	
2	4844955	1	Rail Weldment - Right Side 6ft Platform Standard	
2	4845408	1	Rail Weldment - Right Side 6ft Platform with Mesh Top Rail	
2	4844924	1	Rail Weldment - Right Side 8ft Platform Standard	
2	4845412	1	Rail Weldment - Right Side 8ft Platform with Mesh Top Rail	
3		Ref	Rail Weldment - Left Side Options:	
3	4846255	1	Rail Weldment - Left Side 4ft Platform Standard	
3	4846103	1	Rail Weldment - Left Side 5ft Platform Standard	
3	4844956	1	Rail Weldment - Left Side 6ft Platform Standard	
3	4845409	1	Rail Weldment - Left Side 6ft Platform with Mesh Top Rail	
3	4844925	1	Rail Weldment - Left Side 8ft Platform Standard	
3	4845413	1	Rail Weldment - Left Side 8ft Platform with Mesh Top Rail	
4		Ref	Rail Weldment - Back Options:	
4	4844927	1	Rail Weldment - Back (Prior to SN 0300026233)	
4	4845328	1	Rail Weldment - Back (SN 0300026233 through 0300067889)	
5		Ref	Gate Options:	
5	4844926	1	Standard Gate (Prior to SN 0300026233)	
5	4845327	1	Standard Gate (SN 0300026233 through 0300068000)	
5	4845410	1	Standard Gate with Mesh Top Rail	
5	4845327	1	Self-Closing Gate (Prior to SN 0300027649)	
5	4845426	1	Self-Closing Gate (SN 0300027649 through 0300068000)	
5	4845469	1	Self-Closing Gate with Mesh Top Rail	
6	3900207	AR	Fastener	
		Ref	Note: P/N 3900207 Fastener may be replaced with P/N 0641416 Bolt, P/N 4751400 Flatwasher, P/N 3311405 Locknut and P/N 3300151 Acorn Type Nut. Acorn type nut is required to meet industry safety requirements.	
7	3300393	AR	Collar	
8	3520072	AR	Plug, Cap	
9		Ref	Hinge Options:	
9	2600216	2	Standard Gate	
9	2600219	2	Self-Closing Gate (Prior to SN 0300027649)	

SECTION 4 - PLATFORM

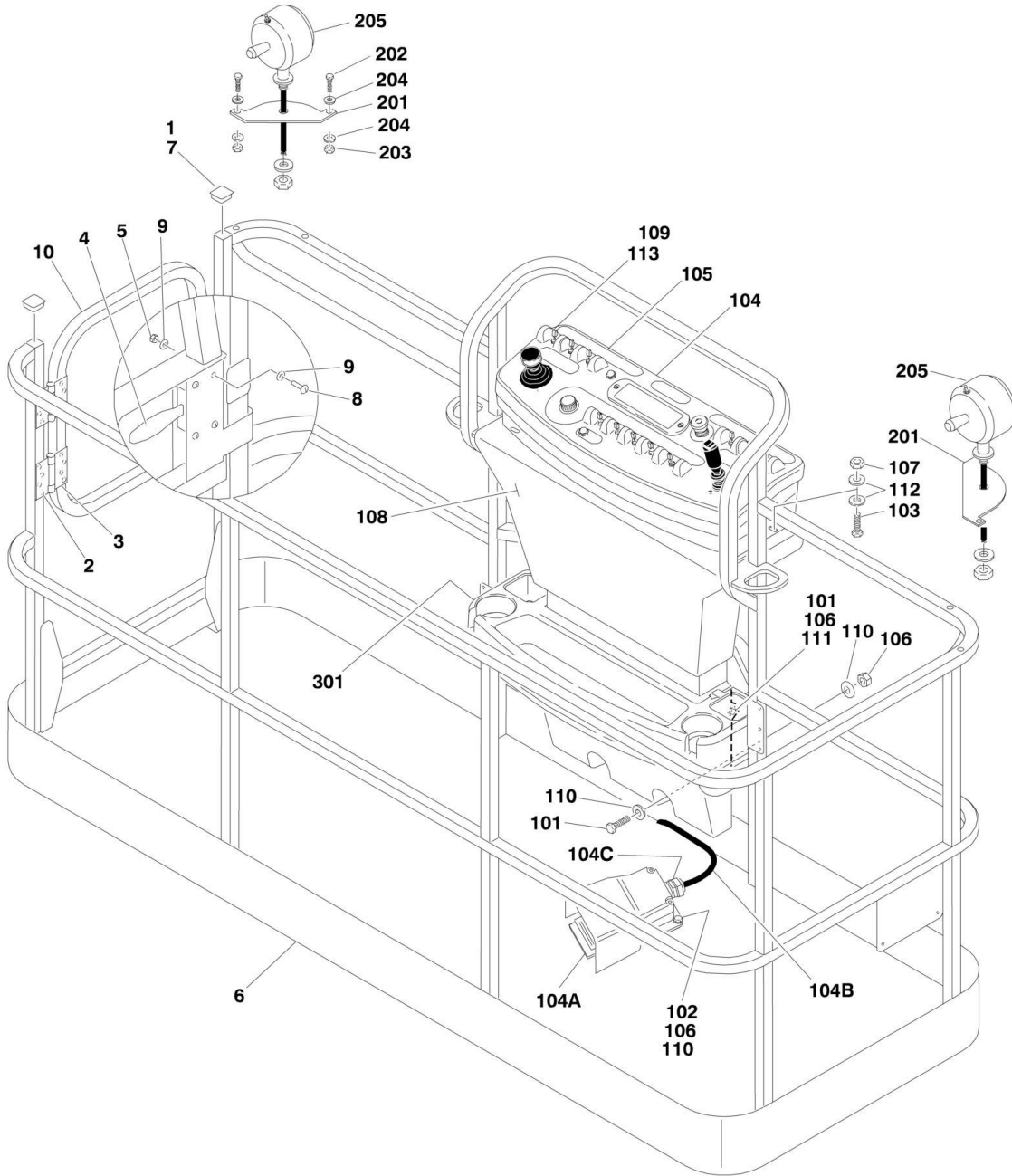
ITEM	PART NUMBER	QTY	DESCRIPTION	REV
9	2600287	2	Self-Closing Gate (SN 0300027649 through 0300068000)	
10	2940074	1	Latch	
11	3911008	4	Screw #10-24NC x 1/2in	
12	4751000	4	Flatwasher #10 Regular	
13	3311005	4	Locknut #10-24NC	
14	0641524	4	Bolt 5/16in-18NC x 3in	
15	3311505	4	Locknut 5/16in-18NC	
16	4751500	4	Flatwasher 5/16in Regular	
17	2080040	13	Fastener	
18	4761000	4	Lockwasher #10	
20	3539685	1	Plate, Latch	
21		Ref	Stop, Gate Options:	
21	4220164	1	Standard Gate (Prior to SN 0300026233)	
21	4220165	1	Standard Gate (SN 0300026233 through 0300067889)	
21	4220168	1	Self-Closing Gate (SN 0300027649 through 0300030833)	
21	4220165	1	Self-Closing Gate (SN 0300027649 & SN 0300030834 to SN 0300068000)	
22	4060803	6 ft/1.8m	Trim	
		Ref	WORKLIGHTS INSTALLATIONS (OPTIONAL)	
	0255392	Ref	Worklights Installations (Colored Wiring) (Prior to SN 0300035129)	2-B
	0258048	Ref	Worklights Installations (Numbered Colored Wiring) (SN 0300035129 through 0300061926)	2-F
	0270814	Ref	Worklights Installations (ADE System) (SN 0300061927 through 0300068000)	3-D
101	3536089	2	Plate, Mounting	
102	0641414	4	Bolt 1/4in-20NC x 1-3/4in	
103	3311405	4	Locknut 1/4in-20NC	
104	4711400	8	Flatwasher 1/4in Thin	
105	2920140	2	Worklight	
105	7016399	2	Bulb, Replacement (1 Per Worklight)	
106	4240099	10	Tie-Strap (Not Shown)	
107	2820035	9	Loom, Vinyl (Not Shown)	
109	4460598	1	Connector, Strain Relief (Not Shown - Located at Console Box)	
110		Ref	Wire Options: (Not Shown)	
110	4921028	AR	Wire, White/Brown 16 Ga (Prior to SN 0300035129)	
110	4920018	AR	Wire, Black 16 Ga (SN 0300035129 through 0300061926)	
		Ref	CONSOLE BOX INSTALLATIONS	
	0272298	Ref	Console Box Installaions 2WD	A
	0271940	Ref	Console Box Installaions 4WD	A
201	0641406	4	Bolt 1/4in-20NC x 3/4in	
202	0641408	3	Bolt 1/4in-20NC x 1in	
203	0641610	4	Bolt 3/8in-16NC x 1-1/4in	
204		Ref	Console Box and Footswitch Assembly (See PLATFORM CONSOLE ASSEMBLY AND PLATFORM CONSOLE ASSEMBLY for Breakdown)	
204A	0272970	Ref	Footswitch Assembly (Includes Footswitch and Items 204B & 204C)	
	Note	Ref	Note: Assembly p/n 0272970 may use either p/n 4360031 or p/n 1001117320. If Original Equipment was replaced as an "assembly," p/n 1001117320 may have been used as part of the Service Replacement. Identify component before ordering parts.	
204A		Ref	Footswitch Less Cable Options:	

SECTION 4 - PLATFORM

ITEM	PART NUMBER	QTY	DESCRIPTION	REV
204A	4360031	1	Original Equipment	
204A	1001117320	1	Service Replacement	
204A		Ref	Block, Contact Options (See Note Above):	
204A	7000625	2	Contact Block for 4360031 Footswitch	
204A	70003483	1	Contact Block for 1001117320 Footswitch	
204B	1060918	7 ft/2.14m	Cable, Electrical - 18/3	
204C	4460071	1	Connector, Strain Relief	
205	1702676	1	Decal - Horn	
206	3311405	7	Locknut 1/4in-20NC	
207	3311605	4	Locknut 3/8in-16NC	
208	3380434	1	Panel, Decal Mount	
209		Ref	Switch Options:	
209	4360336	1	Switch (2WD)	
209	4360331	1	Switch (4WD)	
210	4740362	7	Flatwasher 1/4in Fender	
211	4751400	4	Flatwasher 1/4in Regular	
212	4751600	8	Flatwasher 3/8in Regular	
213	3790012	1	O-Ring	

SECTION 4 - PLATFORM

FIGURE 4-2. PLATFORM COMPONENTS INSTALLATION (SIDE ENTRY)



SECTION 4 - PLATFORM

FIGURE 4-2. PLATFORM COMPONENTS INSTALLATION (SIDE ENTRY)

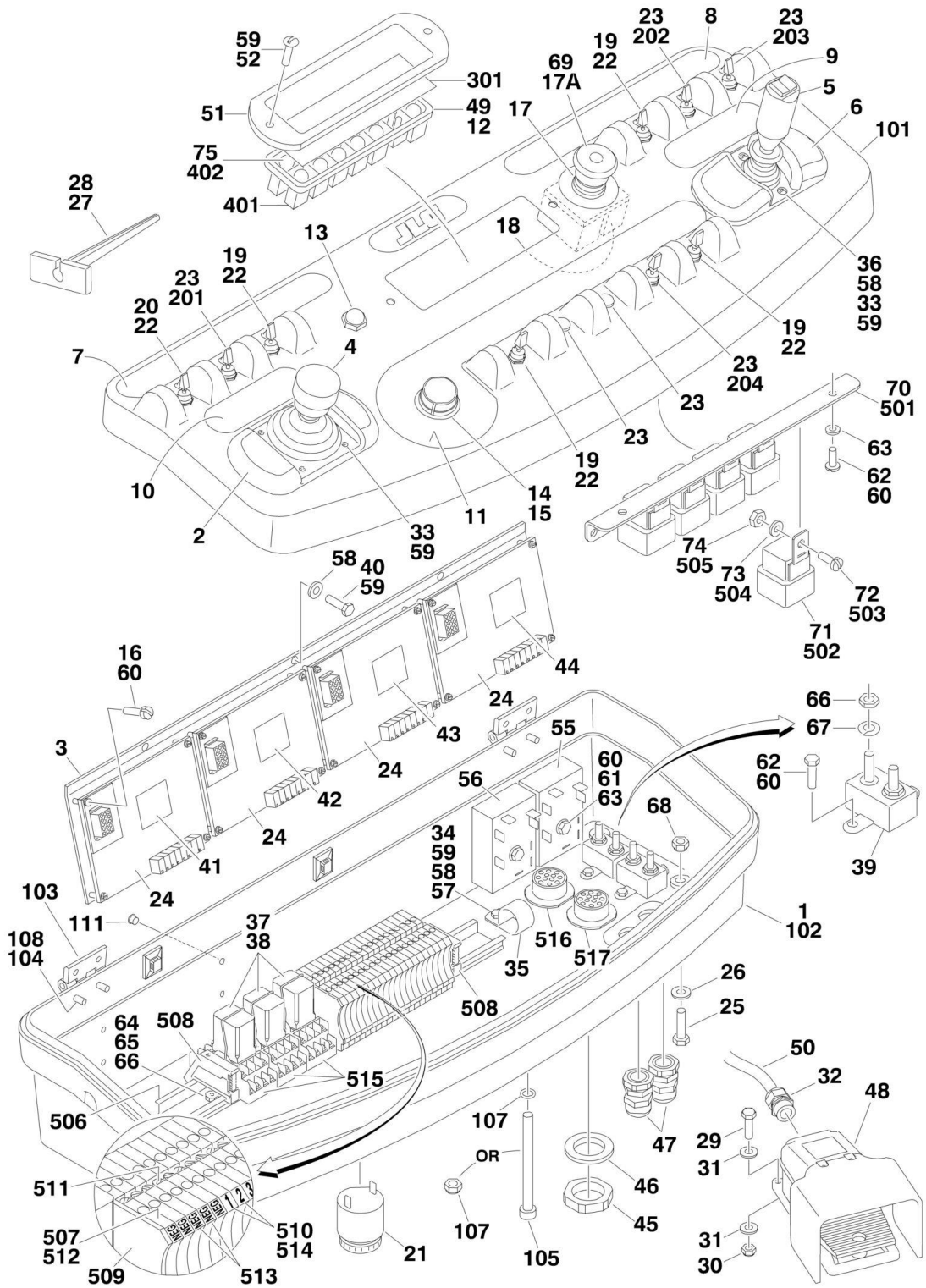
ITEM	PART NUMBER	QTY	DESCRIPTION	REV
		Ref	PLATFORM ASSEMBLIES:	
	3510822	Ref	8ft (2.44m) with No Mesh	A
		Ref	Note: Use p/n 1001144023 as replacement for p/n 3510822.	
	3510833	Ref	6ft (1.83m) with No Mesh	A
		Ref	Note: Use p/n 1001144024 as replacement for p/n 3510833.	
		Ref	Note: Original Equipment platform may have been replaced with Service Replacement platform. Identify platform before ordering parts.	
1	0100040	AR	Sealant, Adhesive	
2	2080040	16	Fastener, Huck	
3	2600281	2	Hinge, Self-Closing	
4	2940074	1	Latch	
5	3311001	4	Nut #10-24NC	
6	See Note	1	Platform Weldment (Note: Purchase Complete Platform Assembly)	
7	3520072	2	Cap-Plug	
8	3911008	4	Screw #10-24NC x 1in	
9	4751000	8	Flatwasher #10 Regular	
10	4846452	1	Gate Weldment	
10		Ref	Gate for Original Equipment Platform p/n 3510822 & 3510833	
10		Ref	Gate for Service Replacement Platform p/ns 1001144023 & 1001144024	
		Ref	CONSOLE BOX INSTALLATIONS	
	0272298	Ref	Console Box Installaions 2WD	A
	0271940	Ref	Console Box Installaions 4WD	A
101	0641406	4	Bolt 1/4in-20NC x 3/4in	
102	0641408	3	Bolt 1/4in-20NC x 1in	
103	0641610	4	Bolt 3/8in-16NC x 1-1/4in	
104		Ref	Platform Console Box Assembly (See PLATFORM CONSOLE ASSEMBLY AND PLATFORM CONSOLE ASSEMBLY (ADE SYSTEM) for Breakdown)	
104A	0272970	1	Footswitch Assembly (Includes Footswitch and Items 104B & 104C)	
		Ref	Note: Assembly p/n 0272970 may use either p/n 4360031 or p/n 1001117320. If Original Equipment was replaced as an "assembly," p/n 1001117320 may have been used as part of the Service Replacement. Identify component before ordering parts.	
104A		Ref	Footswitch Less Cable Options:	
104A	4360031	1	Original Equipment	
104A	1001117320	1	Service Replacement	
104A		Ref	Block, Contact Options (See Note Above):	
104A	7000625	2	Contact Block for 4360031 Footswitch	
104A	70003483	1	Contact Block for 1001117320 Footswitch	
104B	1060918	7 ft/2.14m	Cable, Electrical - 18/3	
104C	4460071	1	Connector, Strain Relief	
105	1702676	1	Decal - Horn	
106	3311405	7	Locknut 1/4in-20NC	
107	3311605	4	Locknut 3/8in-16NC	
108	3380434	1	Panel, Decal Mount	
109		Ref	Switch Options:	
109	4360336	1	Switch (2WD)	

SECTION 4 - PLATFORM

ITEM	PART NUMBER	QTY	DESCRIPTION	REV
109	4360331	1	Switch (4WD)	
110	4740362	7	Flatwasher 1/4in Fender	
111	4751400	4	Flatwasher 1/4in Regular	
112	4751600	8	Flatwasher 3/8in Regular	
113	3790012	1	O-Ring	
	0270814	Ref	WORKLIGHTS INSTALLATIONS (OPTIONAL)	3-D
201	3536089	2	Plate, Mounting	
202	0641414	4	Bolt 1/4in-20NC x 1-3/4in	
203	3311405	4	Locknut 1/4in-20NC	
204	4711400	8	Flatwasher 1/4in Thin	
205	2920140	2	Worklight	
205	7016399	2	Bulb, Replacement (1 Per Worklight)	
206	4240099	10	Tie-Strap (Not Shown)	
207	2820035	9	Loom, Vinyl (Not Shown)	
209	4460598	1	Connector, Strain Relief (Not Shown - Located at Console Box)	
		Ref	TRAY INSTALLATIONS (OPTIONAL)	
301	1580012	1	Tray, Storage (Center)	
302	1580013	1	Tray, Storage (Rail Mounted - Not Shown)	

SECTION 4 - PLATFORM

FIGURE 4-3. PLATFORM CONSOLE ASSEMBLY (Prior to SN 0300061927)



SECTION 4 - PLATFORM

FIGURE 4-3. PLATFORM CONSOLE ASSEMBLY (Prior to SN 0300061927)

ITEM	PART NUMBER	QTY	DESCRIPTION	REV
		Ref	CONSOLE BOX ASSEMBLIES	
	0861041	Ref	Console Box Assemblies (Colored Wiring) (Prior to SN 0300029430)	5-D
	0861082	Ref	Console Box Assemblies (Colored Wiring) (SN 0300029430 through 0300035128)	1-A
	0861133	Ref	Console Box Assemblies (Numbered Colored Wiring) (SN 0300035129 through 0300061927)	7-D
1	0860984	1	Box, Console Assembly (See Items 101-108 for Breakdown)	
2	4340678	1	Support, Hand	
3	3538819	1	Plate, Mounting	
4		Ref	Controller Assembly (Swing and Lift) Options:	
4	1600242	1	Controller Assembly (See CONTROLLER ASSEMBLY (SWING AND LIFT) for Breakdown) (Prior to SN 0300039654)	
4	1600284	1	Controller Assembly (See CONTROLLER ASSEMBLY (SWING AND LIFT) for Breakdown) (SN 0300039654 through 0300061927)	
5		Ref	Controller Assembly (Drive and Steer) Options:	
5	1600239	1	Controller Assembly (See CONTROLLER ASSEMBLY (DRIVE AND STEER) for Breakdown) (Prior to SN 0300039654)	
5	1600283	1	Controller Assembly (See Controller Assembly (Drive and Steer) for Breakdown) (SN 0300039654 through 0300061927)	
6	4340684	1	Support, Hand	
7	1702676	1	Decal (Horn/Drive Speed/Level)	
8	1702564	1	Decal (Stop)	
9	1702565	1	Decal (Drive and Steer)	
10	1702566	1	Decal (Lift and Swing)	
11	1702567	1	Decal (Speed/Lower Lift/Tele/Rotate/Jib)	
12	2760105	1	Housing, Display Light	
13	4360387	1	Switch, Pushbutton	
14	2560136	1	Knob, Speed Control	
15	4360407	1	Controller, Speed	
15	See Note	1	Gasket "Top Hat" (Included with Switch) (Note: Not Available - Purchase Complete Controller)	
15	70003784	1	Seal	
16	3910610	16	Screw #6-32NC x 5/8in	
17		Ref	Switch, Emergency Stop Options:	
17	4360395	1	Switch, Emergency Stop (Prior to SN 0300036019)	
17	4360289	1	Switch, Emergency Stop (SN 0300035129 through 0300044644)	
17	4360475	1	Switch, Emergency Stop (SN 0300044645 through 0300061927)	
17A		Ref	Cap Options:	
17A	7016315	1	Cap, Red (Used on Switch p/n 4360395)	
17A	7012611	1	Cap, Mushroom Head (Used on Switch p/n 4360289)	
17A	7012612	1	Boot (Used on Switch p/n 4360289)	
17A	7020175	1	Cap, Red (Used on Switch p/n 4360475)	
17A	7020176	1	Contact Block (Used on Switch p/n 4360475)	
18		Ref	Block, Contact Options:	
18	4360282	1	Block, Contact (Prior to SN 0300044645)	
18	4360476	1	Block, Contact (SN 0300044645 through 0300061927)	
19	4360314	6	Switch, Toggle	
20	4360331	1	Switch, Toggle	

SECTION 4 - PLATFORM

ITEM	PART NUMBER	QTY	DESCRIPTION	REV
21	0140026	1	Alarm	
22	3790012	7	O-Ring	
23	3520028	4	Plug, Hole (For switch call-outs at these locations, refer to options installation below)	
24	1600218	4	Card, Control	
24	7016346	4	Fuse - 5Amp (1Per Card)	
25		Ref	Bolt Options:	
25	0641606	4	Bolt 3/8in-16NC x 3/4in (Prior to SN 0300039778)	
25	0641610	4	Bolt 3/8in-16NC x 1-1/4in (SN 0300039778 through 0300061927)	
26	4751600	4	Flatwasher 3/8in Regular	
27	4460467	1	Tool, Pin Extraction (Blue 16-18 Gauge) (Not Shown)	
28	4460510	1	Tool, Pin Extraction (Yellow 12-14 Gauge) (Not Shown)	
29	0641408	3	Bolt 1/4in-20NC x 1in	
30	3311405	3	Locknut 1/4in-20NC	
31	4740362	3	Flatwasher 1/4in Fender	
32	4460071	1	Connector, Strain Relief	
33	0641404	8	Bolt 1/4in-20NC x 1/2in	
34	3311401	1	Nut 1/4in-20NC	
35	1320060	1	Clamp	
36	1320095	1	Clamp	
37	3740058	3	Relay - 4PDT	
38	3740063	3	Spring, Relay	
39	4360232	2	Breaker, Circuit - 15Amp	
40	0641406	3	Bolt 1/4in-20NC x 3/4in	
41	1703090	1	Decal - Control Card (Lift)	
42	1703091	1	Decal - Control Card (Swing)	
43	1703092	1	Decal - Control Card (Flow Control)	
44	1703093	1	Decal - Control Card (Drive)	
45	4460470	2	Nut, Conduit	
46	4460471	2	Washer	
47	4460428	2	Connector, Strain Relief	
48	See Note	Ref	Footswitch (Note: See PLATFORM COMPONENTS INSTALLATION for Service Parts)	
49	3700010	14	Deflector (Prior to SN 0300027331)	
51	1670829	1	Bezel	
52	0630464	2	Screw, Button Head #10-24NC x 1/2in	
55	3740113	1	Relay, Time Delay	
56	3740115	1	Relay, Time Delay	
57	0641406	1	Bolt 1/4in-20NC x 3/4in	
58	4751400	5	Flatwasher 1/4in Regular	
59	0100011	AR	Compound, Locking	
60	0100035	AR	Compound, Locking	
61	0721010	2	Screw, Machine #10-24NC x 1-1/4in	
62	0721003	4	Screw, Machine #10-24NC x 3/8in	
63	4751000	2	Flatwasher #10 Regular	
64	0721004	2	Bolt #10-32NF x 1/2in	
65	4711000	2	Flatwasher #10 Thin	
66	4761000	6	Lockwasher #10	
67	3311001	4	Nut #10-24NC	
68	3311605	4	Locknut 3/8in-16NC	
69	1704260	1	Decal - EMS (SN 0300044645 through 0300061927)	

SECTION 4 - PLATFORM

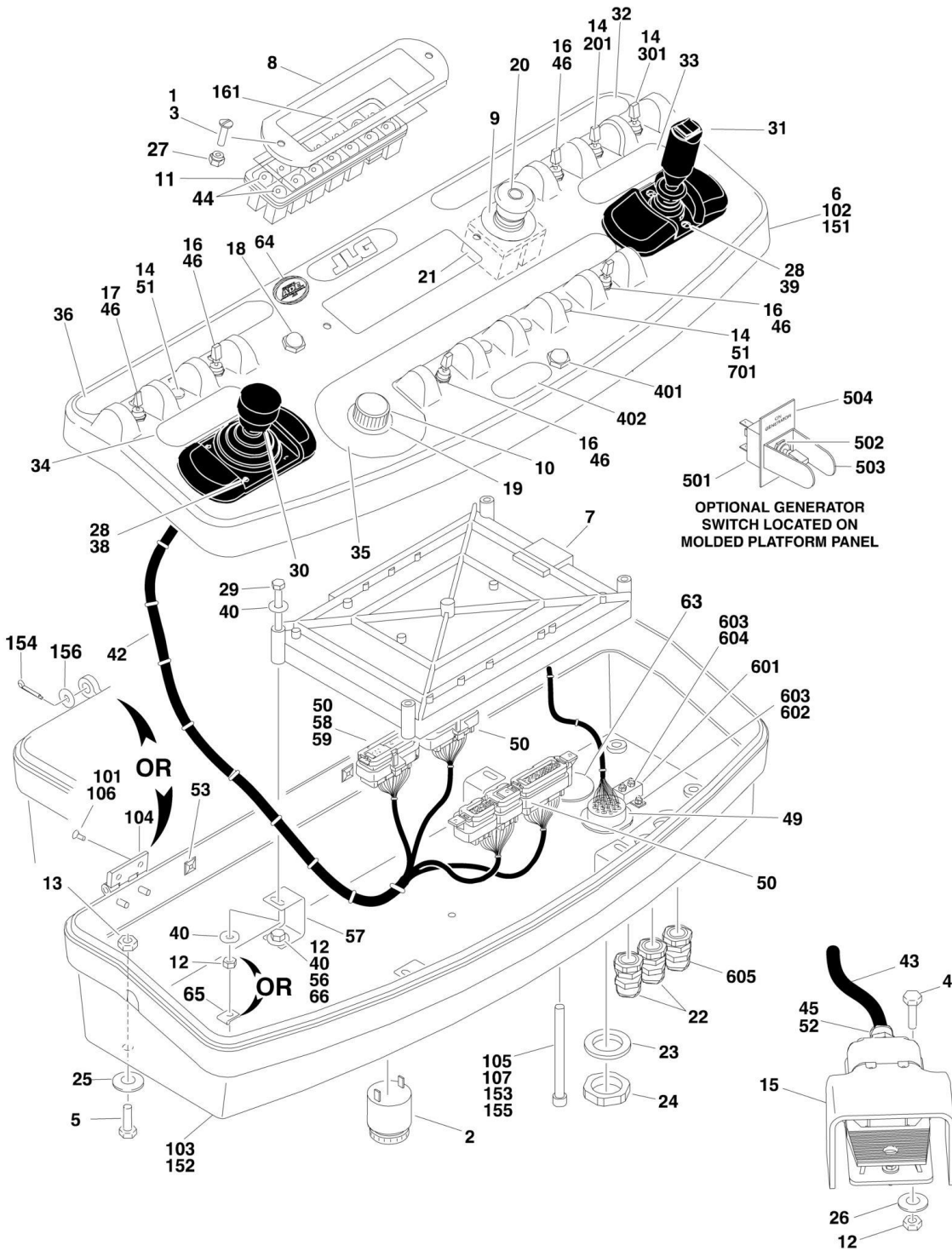
ITEM	PART NUMBER	QTY	DESCRIPTION	REV
70	3539275	1	Plate, Relay Mounting (SN 0300049954 through 0300061927)	6-E
71	3740049	5	Relay, Bosch (SN 0300049954 through 0300061927)	
72	0721003	5	Screw #10-24NC x 3/8in (SN 0300049954 through 0300061927)	
73	4751000	5	Flatwasher #10 Regular (SN 0300049954 through 0300061927)	
74	3311005	5	Locknut #10-24NC (SN 0300049954 through 0300061927)	
75	2920129	12	Bulb, Light (SN 0300049954 through 0300061927)	
	0860984	Ref	CONSOLE BOX ASSEMBLY	
101	See Note	NSS	Lid, Cast (Note: Use p/n 0860984)	
102	See Note	NSS	Bottom, Box (Note: Use p/n 0860984)	
103	2600211	2	Hinge	
104	3900224	8	Capscrew, Socket Head Countersunk 6mmx 16mm	
105	3931672	1	Capscrew, Socket Head 3/8in-16NC x 4-1/2in	
107		Ref	Fastener Options:	
107	3790109	NLA	O-Ring (Use p/n 3311601 Nut) (Prior to May 1996)	
107	3311601	1	Nut 3/8in-16NC	
108	0100011	AR	Compound, Locking	
111	3520173	4	Plug (SN 0300038808 through 0300061927)	
		Ref	CONSOLE BOX OPTIONS	
201		Ref	4WS Switch Option Components	
201	4360331	1	Switch, Toggle	
201	3790012	1	O-Ring	
202		Ref	Dual Switch Option Components	
202	4360336	1	Switch, Toggle	
202	3790012	1	O-Ring	
203		Ref	Lights Switch Option Components	
203	4360336	1	Switch, Toggle	
203	3790012	1	O-Ring	
204		Ref	Articulating Jib Switch Option Components	
204	4360314	1	Switch, Toggle	
204	3790012	1	O-Ring	
	0236631	Ref	LIGHT PANEL DECAL INSTALLATION	-
301	1702387	1	Decal - Light Panel Display	
		Ref	HARNES COMPONENTS	
401	4120035	7	Base, Light	
402	2920129	7	Bulb, Light	
		Ref	ELECTRICAL COMPONENTS INSTALLATIONS:	
	0861041	Ref	Electrical Components Installations (Colored Wiring) (Prior to SN 0300029430)	5-D
	0861082	Ref	Electrical Components Installations (Colored Wiring) (SN 0300029430 through 0300035128)	1-A
	4921991	Ref	Electrical Components Installations (Numbered Colored Wiring) (SN 0300035129 through 0300061927)	2-E
501	3539275	1	Plate, Relay Mounting (Prior to SN 0300049954)	
502	3740049	8	Relay, Bosch (Prior to SN 0300049954)	
503	0721003	8	Screw #10-24NC x 3/8in (Prior to SN 0300049954)	
504	4751000	8	Flatwasher #10 Regular (Prior to SN 0300049954)	
505	3311005	8	Locknut #10-24NC (Prior to SN 0300049954)	
506		Ref	Track Options:	
506	3640970	1	Track (Prior to SN 0300035129)	
506	3641182	1	Track (SN 0300035129 through 0300061927)	
507		Ref	Block, Terminal Options:	
507	4460600	10	Block, Terminal (Prior to SN 0300035129)	

SECTION 4 - PLATFORM

ITEM	PART NUMBER	QTY	DESCRIPTION	REV
507	4460601	10	Block, Terminal (SN 0300035129 through 0300061927)	
508	4460607	2	Stop, End	
509	4460602	1	Barrier, Terminal	
510	4460629	2	Marker, Terminal (6-15)	
511	4460603	1	Bar, Buss - 10 Position (Cut into [2] 5 Position Bars)	
512		Ref	Block, Terminal Options:	
512	4460600	10	Block, Terminal (Prior to SN 0300035129)	
512	4460601	10	Block, Terminal (SN 0300035129 through 0300061927)	
513	4460631	1	Marker, Terminal (Negative)	
514	4460632	1	Marker, Terminal (1-5)	
515	4120013	3	Socket, Relay	
516	4460613	1	Connector - 21 Position	
517	4460503	1	Connector - 31 Position	
519	4240032	20	Tie-Strap (Not Shown)	
520	4240018	10	Tie-Strap (Not Shown)	

SECTION 4 - PLATFORM

FIGURE 4-4. PLATFORM CONSOLE ASSEMBLY (ADE SYSTEM) (SN 0300061927 through 0300068000)



SECTION 4 - PLATFORM

FIGURE 4-4. PLATFORM CONSOLE ASSEMBLY (ADE SYSTEM) (SN 0300061927 through 0300068000)

ITEM	PART NUMBER	QTY	DESCRIPTION	REV
		Ref	CONSOLE BOX AND FOOTSWITCH ASSEMBLIES	
	0861388	Ref	Console Box and Footswitch Assemblies (SN 0300061927 through 0300063909)	F
	See Note	Ref	Console Box and Footswitch Assemblies (Note: SN 0300063910 through 0300064498 use either p/n 0861388 or p/n 0861477 platform console box. See Note in ELECTRICAL SECTION Harness Components if further identification is required.)	
	0861477	Ref	Console Box and Footswitch Assemblies (SN 0300063909 through 0300067724)	B
	See Note	Ref	Console Box and Footswitch Assemblies (Note: See Item 6 Note) (SN 0300067725 through 0300068964)	
	0861511	Ref	Console Box and Footswitch Assemblies (SN 0300068965 through 0300068000)	A
1	0100035	AR	Compound, Locking	
2	0140011	1	Alarm	
3	0630464	AR	Screw, Button Head #10-24NC x 1/2in	
4	0641408	3	Bolt 1/4in-20NC x 1in	
5	0641610	AR	Bolt 3/8in-16NC x 1-1/4in	
6		Ref	Box, Console Options:	
		Ref	Note: No exact SN break exists. SN 0300067725 through 0300068964 may use either box.	
6	0861414	1	Box, Console - Aluminum (See Items 101-108 for Breakdown)	
6	0861537	1	Box, Console - Dielectric Cast (See Items 151-156 for Breakdown)	
7	1600313	1	Controller, Module	
		Ref	Note: Re-calibration Required when Replaced.	
8	1670829	1	Bezel	
9	1704260	1	Decal - EMS	
10	2560136	1	Handle, Knob	
11	2760105	1	Housing, Display Light	
12	3311405	11	Locknut 1/4in-20NC	
13	3311605	4	Locknut 3/8in-16NC	
14	3520028	6	Plug, Hole 1/2in	
15	See Note	Ref	Footswitch (Note: See PLATFORM COMPONENTS INSTALLATION for Service Parts)	
16	4360328	4	Switch, Toggle	
17	4360331	1	Switch, Toggle	
18	4360387	1	Switch, Pushbutton	
19	4360407	1	Controller, Speed	
19	See Note	1	Gasket "Top Hat" (Included with Switch) (Note: Not Available - Purchase Complete Controller)	
19	70003784	1	Seal	
20	4360475	1	Switch, Emergency Stop	
20	7020175	1	Cap, Red	
20	7020176	1	Contact Block	
21	4360476	1	Block, Contact	
22	4460428	2	Connector, Strain Relief	
23	4460471	1	Lockwasher, Terminal	
24	4460470	1	Nut, Terminal	
25	4751600	4	Flatwasher 3/8in Regular	

SECTION 4 - PLATFORM

ITEM	PART NUMBER	QTY	DESCRIPTION	REV
26	4740362	AR	Flatwasher 1/4in Fender	
27	3300408	2	Insert, Nylon (SN 0300061927 through 0300067725)	
28	0641404	8	Bolt 1/4in-20NC x 1/2in	
29		Ref	Bolt Options:	
29	0641418	4	Bolt 1/4in-20NC x 2-1/4in (SN 0300061927 through 0300067724)	
29	0641416	4	Bolt 1/4in-20NC x 2in (SN 0300067725 through 0300068000)	
30	1600317	NLA	Controller Assembly (Swing and Lift) (See CONTROLLER ASSEMBLY (SWING AND LIFT) for Breakdown) (Use p/n 1001129555)	
31	1600318	NLA	Controller Assembly (Drive and Steer) (See CONTROLLER ASSEMBLY (DRIVE AND STEER) for Breakdown) (Use p/n 1001212415)	
32	1702564	1	Decal (Stop)	
33	1702565	1	Decal (Drive and Steer)	
34	1702566	1	Decal (Lift and Swing)	
35	1702567	1	Decal (Function Speed)	
36	1702676	1	Decal (Horn)	
38	4340678	1	Support, Hand	
39	4340684	1	Support, Hand	
40	4751400	16	Flatwasher 1/4in Regular	
41	4922666	1	Harness, Analyzer Cable (Not Shown) (See ELECTRICAL SECTION for Breakdown)	
42	4922639	1	Harness, Platform Box (See ELECTRICAL SECTION for Breakdown)	
43		Ref	Cable Options (See ELECTRICAL SECTION for Breakdown):	
43	1060330	AR	Cable 12/3 (Prior to SN 0300064499)	
43	1060918	AR	Cable 18/3 (SN 0300064499 through 0300068000)	
44	2920129	12	Bulb, Light	
45	4460071	1	Connector, Strain Relief	
46	3790012	5	O-Ring	
49	4460464	1	Terminal, Deutsch	
50		Ref	Terminal, Socket	
50	4460871	2	Terminal, Socket (SN 0300061927 through 0300067724)	
50	See Note	2	Terminal, Socket (Note: See Item 6 Note) (SN 0300067725 through 0300068964)	
50	4460226	2	Terminal, Socket (SN 0300068965 through 0300068000)	
51	0100009	AR	Sealant	
52	0100020	AR	Loctite #567	
53	4460488	1	Terminal, Mounting Base	
54	4460234	AR	Wire Tie (Not Shown)	
56		Ref	Bolt Options:	
56	0641406	4	Bolt 1/4in-20NC x 3/4in (SN 0300061927 through 0300067724)	
56	0641404	4	Bolt 1/4in-20NC x 1/2in (SN 0300067725 through 0300068000)	
57	0902751	4	Bracket, Card Support	
58	4460905	5	Connector, Amp Seal Plug	
59	0100048	AR	Grease, Dielectric	
60	4460226	2	Socket, Female (Not Shown - Used with Footswitch) (See ELECTRICAL SECTION for Location)	
61	4460708	2	Connector, Female - 15 Position (Not Shown - See ELECTRICAL SECTION for Location)	
62	4460905	5	Seal, Plug (Not Shown - Used with Footswitch) (See	

SECTION 4 - PLATFORM

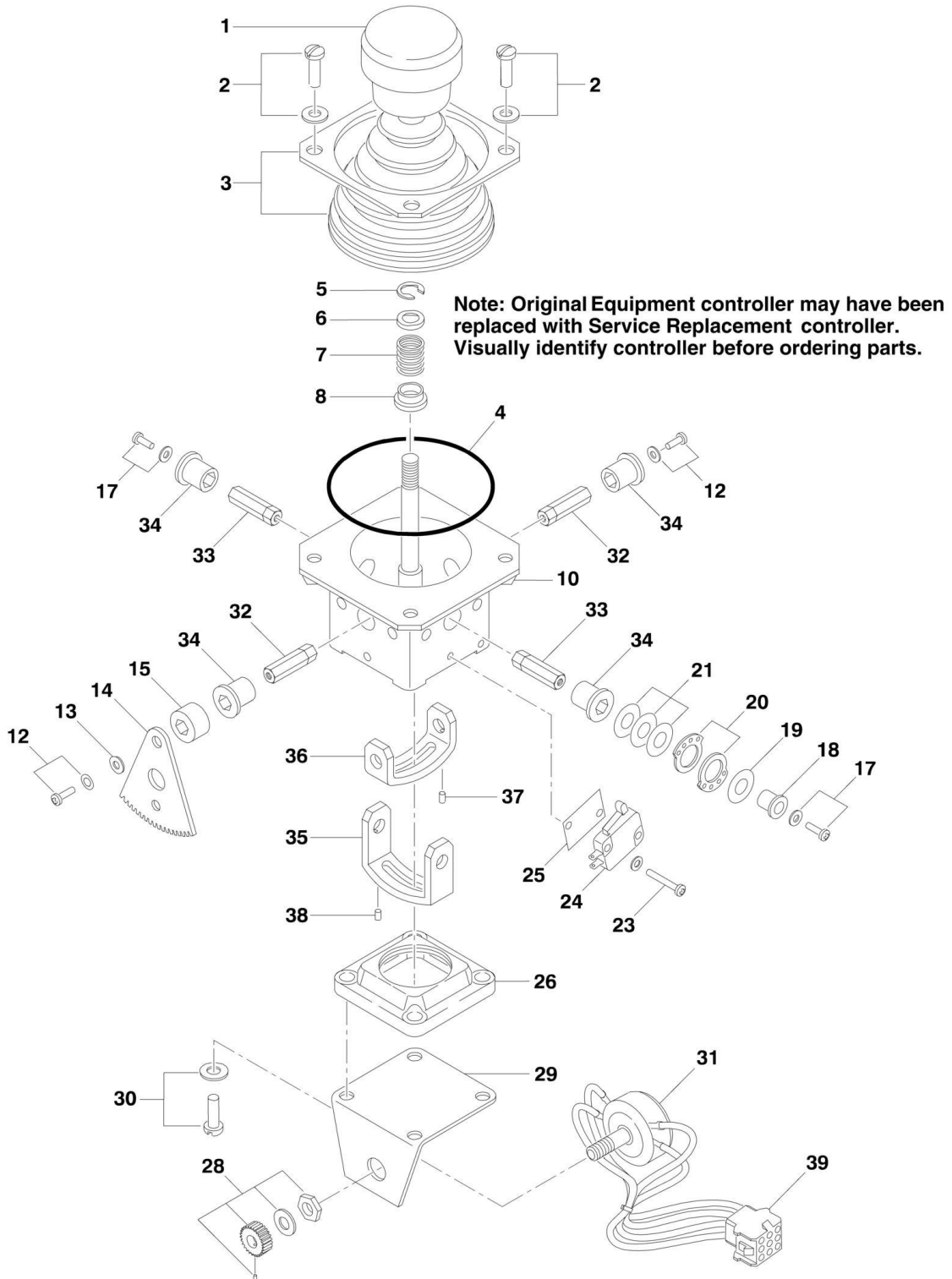
ITEM	PART NUMBER	QTY	DESCRIPTION	REV
			ELECTRICAL SECTION for Location)	
63	1671037	1	Cover (SN 0300067816 through 0300068000)	
64	1705132	1	Decal - ADE (SN 0300067816 through 0300068000)	
65	3300353	4	Nut, Tinnerman (SN 0300067816 through 0300068000)	
66	0100081	AR	Loctite #454 (SN 0300064398 through 0300068000)	
	0861414	Ref	CONSOLE BOX ASSEMBLY (Note: See Note Under Item 6 for Usage.)	C
101	0100011	AR	Compound, Locking	
102	See Note	1	Console Top (Note: Not Available - Purchase Complete Console Box Assembly)	
103	See Note	1	Console Bottom (Note: Not Available - Purchase Complete Console Box Assembly)	
104	2600211	2	Hinge	
105	3311601	1	Nut 3/8in-16NC	
106	3900224	8	Screw Countersunk	
107	3931672	1	Screw 3/8in-16NC x 4-1/2in	
108	3520174	3	Plug, Hole 3/16in (Not Shown) (Located on back of console box)	
	0861537	Ref	CONSOLE BOX ASSEMBLY (Note: See Note Under Item 6 for Usage.)	A
151	See Note	1	Console Top (Note: Not Available - Purchase Complete Console Box Assembly)	
152	See Note	1	Console Bottom (Note: Not Available - Purchase Complete Console Box Assembly)	
153	3311601	1	Nut 3/8in-16NC	
154	3450304	2	Pin, Cotter	
155	3931672	1	Screw 3/8in-16NC x 4-1/2in	
156	4711500	2	Flatwasher 5/16in Thin	
	0256631	Ref	LIGHT PANEL DECAL INSTALLATION	-
161	1702387	1	Decal - Display	
	0270764	Ref	DUAL FUEL SWITCH INSTALLATION	4
201	4360336	1	Switch, Toggle	
201	3790012	1	O-Ring	
		Ref	HEAD AND TAIL LIGHTS INSTALLATIONS (OPTIONAL)	
	0270802	Ref	Head and Tail Lights Installations (SN 0300061927 through 0300063908)	1
	0271552	Ref	Head and Tail Lights Installations (SN 0300063909 through 0300068000)	1
301	4360336	1	Switch, Toggle	
301	3790012	1	O-Ring	
		Ref	SOFT TOUCH SYSTEM INSTALLATION (OPTIONAL)	
		Ref	6FT PLATFORM	
	0270795	Ref	6ft Platform (SN 0300061927 through 0300063908)	1
	0271550	Ref	6ft Platform (SN 0300063909 through 0300068000)	1
		Ref	8FT PLATFORM	
	0270796	Ref	8ft Platform (SN 0300061927 through 0300063908)	1
	0271551	Ref	8ft Platform (SN 0300063909 through 0300068000)	1
401	4360387	1	Switch, Pushbutton	
402	1702938	1	Decal - Soft Touch Override	
		Ref	GENERATOR INSTALLATION (OPTIONAL)	
		Ref	Generator Installation (SN 0300061927 through 0300063908)	
	0270801	Ref	110V DEUTZ	1
	0270810	Ref	220V DEUTZ	1
	0270808	Ref	110V FORD	1

SECTION 4 - PLATFORM

ITEM	PART NUMBER	QTY	DESCRIPTION	REV
	0270809	Ref	220V FORD	1
		Ref	Generator Installation (SN 0300063909 through 0300068000)	
	0271544	Ref	110V DEUTZ	2
	0271547	Ref	220V DEUTZ	3
	0271545	Ref	110V FORD	3
	0271546	Ref	220V FORD	3
501	4360336	1	Switch, Toggle	
502	4740397	1	Bushing	
503	4060802	1	Guard, Switch	
504	3251102	1	Decal - Generator ON/OFF	
	0270814	Ref	PLATFORM WORKLIGHT INSTALLATION (OPTIONAL)	3
601	4360232	1	Breaker, Circuit - 15Amp	
602	0721003	2	Bolt #10-24NC x 3/8in	
603	4761000	4	Lockwasher #10	
604	3311001	2	Nut #10-24NC	
605	4460598	1	Connector, Strain Relief	
		Ref	JIB SWITCH INSTALLATION (600SJ & 660SJ ONLY)	
701	4360328	1	Switch, Toggle	
701	3790012	1	O-Ring	

SECTION 4 - PLATFORM

FIGURE 4-5. CONTROLLER ASSEMBLY (SWING AND LIFT) (ORIGINAL EQUIPMENT) (Prior to SN 0300039654)



SECTION 4 - PLATFORM

FIGURE 4-5. CONTROLLER ASSEMBLY (SWING AND LIFT) (ORIGINAL EQUIPMENT) (Prior to SN 0300039654)

ITEM	PART NUMBER	QTY	DESCRIPTION	REV
		Ref	Note: Original Equipment controller may have been replaced with Service Replacement controller. Visually identify controller before ordering parts.	
	1600242	Ref	CONTROLLER ASSEMBLY	A
		Ref	Note: Purchase Controller p/n 1600284 for Complete Controller Replacement.	
1	7003951	1	Knob, Handle	
2	See Note	4	Screw M14 x 25mm (Note: Not Available - Purchase Locally)	
2	See Note	4	Washer (Note: Not Available - Purchase Locally)	
3	7022813	1	Plate (was p/n 7003954)	
3	7022813	1	Boot (was p/n 7003955)	
4	7003956	1	O-Ring	
5	7003957	1	Ring, Retaining	
6	7003959	1	Retainer, Spring	
7	7003958	1	Spring, Return	
8	7003960	1	Bushing, Nylon Shaft	
10	1600284	1	Casting, Handle (Note: Not Available for Purchase)	
12	See Note	2/2	Screw M3 x.05/Starwasher M3 (Note: Not Available - Purchase Locally)	
13	See Note	2	Spacer (Note: Not Available for Purchase)	
14	7003977	2	Gear, Drive	
15	See Note	2	Bearing (Note: Not Available for Purchase)	
17	See Note	2	Screw M3 (Note: Not Available - Purchase Locally)	
17	See Note	2	Washer, Wavy (Note: Not Available for Purchase)	
18	7019193	2	Coupling, Cam	
19	See Note	2	Spacer, Cam (Note: Not Available for Purchase)	
20	See Note	4	Cam, 4 Hole (Note: Not Available for Purchase)	
21	See Note	6	Cam (Note: Not Available for Purchase)	
23	See Note	4/4	Screw/Washer (Note: Not Available - Purchase Locally)	
24	7003961	2	Micro-Switch	
25	See Note	2	Insulator (Note: Not Available for Purchase)	
26	1600284	1	Gate (Note: Not Available for Purchase)	
28	7003976	2	Gear	
28	See Note	2	Set screw (Note: Not Available - Purchase Locally)	
28	See Note	2	Spacer (Note: Not Available for Purchase)	
28	See Note	2	Nut (Note: Not Available for Purchase)	
29	1600284	1	Plate, Pot Mounting (Note: Not Available for Purchase)	
30	See Note	4/4	Screw M4 x 14/Washer M4 (Note: Not Available - Purchase Locally)	
31	7003974	2	Potentiometer	
32	7019192	1	Pin	
33	7019104	2	Pin	
34	7019111	2	Bushing	
35	7019122	1	Limiter, Gate - Outer	
36	7019123	1	Limiter, Gate - Inner	
37	See Note	1	Set screw (Note: Not Available - Purchase Locally)	
38	See Note	1	Set screw (Note: Not Available - Purchase Locally)	
39	4460266	1	Cap, Connector - 9 Pin	
39	4460268	8	Socket, Female	
39	4460265	1	Plug - 9 Pin (Part of Platform Wiring) (Not Shown)	

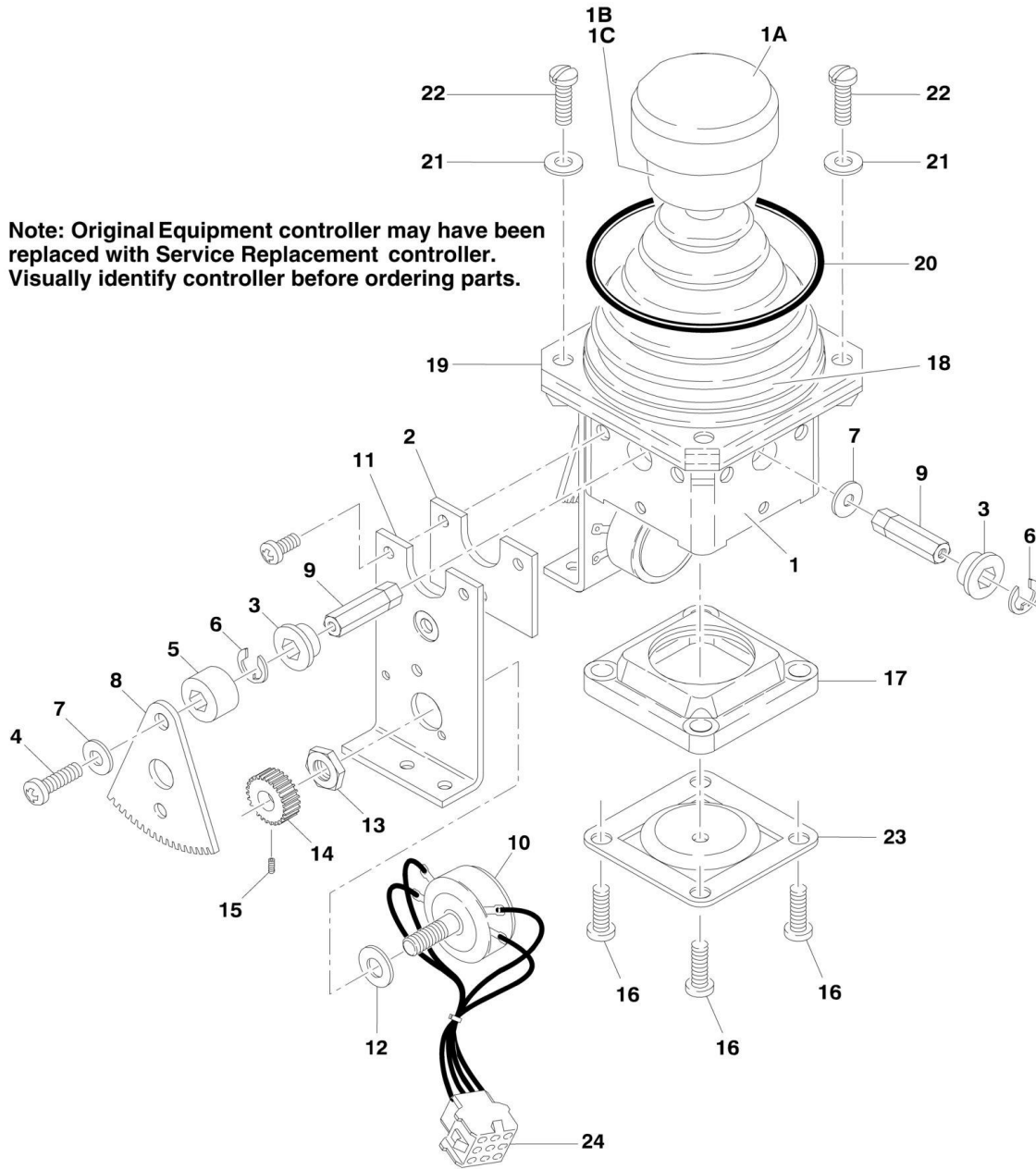
SECTION 4 - PLATFORM

ITEM	PART NUMBER	QTY	DESCRIPTION	REV
39	4460267	8	Pin, Male (Part of Platform Wiring) (Not Shown)	

SECTION 4 - PLATFORM

FIGURE 4-6. CONTROLLER ASSEMBLY (SWING AND LIFT) (SERVICE REPLACEMENT) (SN 0300039654 through 0300061926)

Note: Original Equipment controller may have been replaced with Service Replacement controller. Visually identify controller before ordering parts.



SECTION 4 - PLATFORM

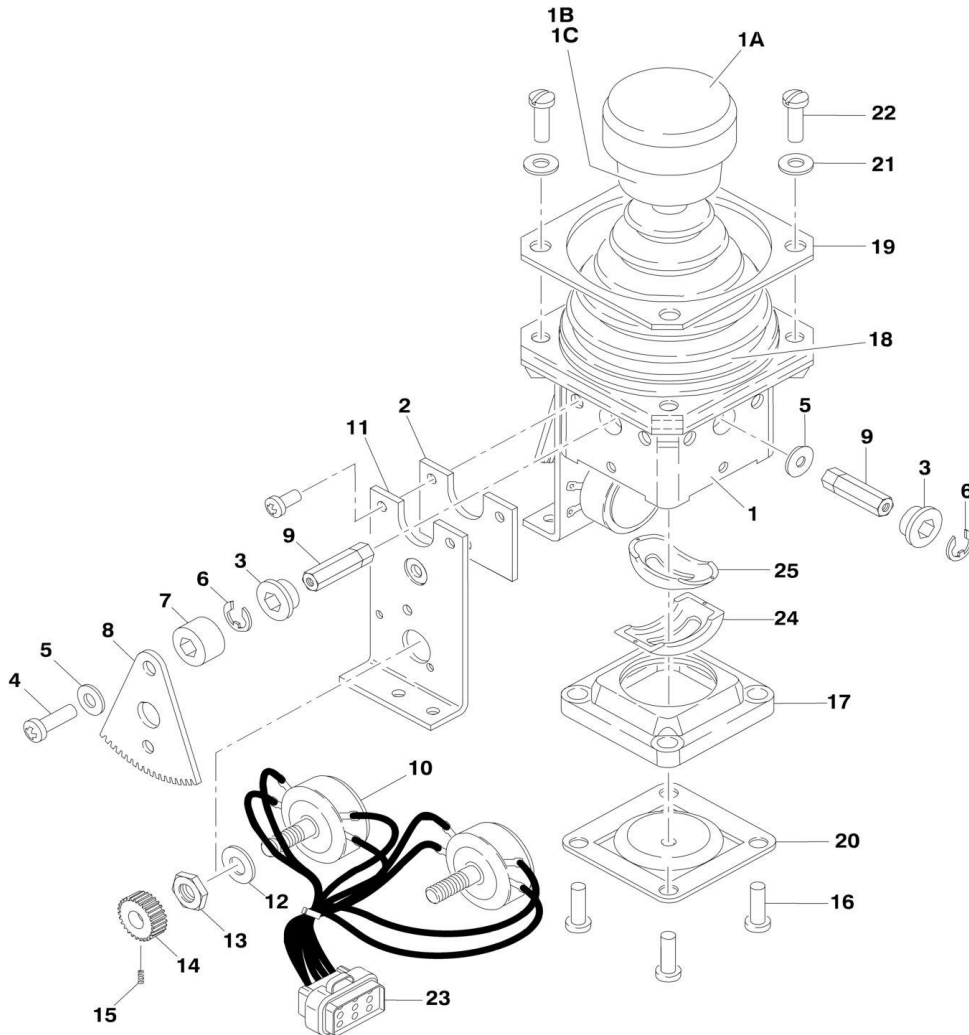
FIGURE 4-6. CONTROLLER ASSEMBLY (SWING AND LIFT) (SERVICE REPLACEMENT) (SN 0300039654 through 0300061926)

ITEM	PART NUMBER	QTY	DESCRIPTION	REV
		Ref	Note: Original Equipment controller may have been replaced with Service Replacement controller. Visually identify controller before ordering parts.	
	1600284	Ref	CONTROLLER ASSEMBLY	A
1	7019141	1	Mechanical Assembly (Includes Base, Handle Stem and Items 1A, 1B, 1C & 18)	
1A	7019197	1	Handle Cap and Rod	
1B	7003928	1	Spring	
1C	7022808	1	Cap, Lift	
2	7019171	2	Plate	
3	7019111	4	Bearing, Gear	
4	7019143	2	Screw	
5	7019144	2	Spacer, Cam	
6	7019145	4	E-Clip	
7	7019174	2	Spacer	
8	7003977	2	Gear, Drive	
9	7019147	4	Shaft	
10	7003974	2	Potentiometer	
11	7019142	2	Plate	
12	7003992	2	Washer	
13	7003993	2	Nut	
14	7003976	2	Gear, Slave	
15	7019149	2	Setscrew	
16	7003952	4	Screw	
17	7019150	1	Gate	
18	7022813	1	Boot (was p/n 7003955)	
19	7022813	1	Plate, Plastic (was p/n 7003954)	
20	7003956	1	Gasket	
21	7003953	4	Washer	
22	7019137	4	Screw	
23	1600284	1	Center, Detent (Note: Not Available for Purchase)	
24	4460266	1	Connector - 9 Pin	
24	4460268	8	Socket, Female	
24	4460265	1	Plug - 9 Pin (Part of Platform Wiring) (Not Shown)	
24	4460267	8	Pin, Male (Part of Platform Wiring) (Not Shown)	

SECTION 4 - PLATFORM

FIGURE 4-7. CONTROLLER ASSEMBLY (SWING AND LIFT) (ADE SYSTEM) (ORIGINAL EQUIPMENT)
(SN 0300061927 through 0300068000)

Note: Original Equipment controller may have been replaced with Service Replacement controller. Visually identify controller before ordering parts.



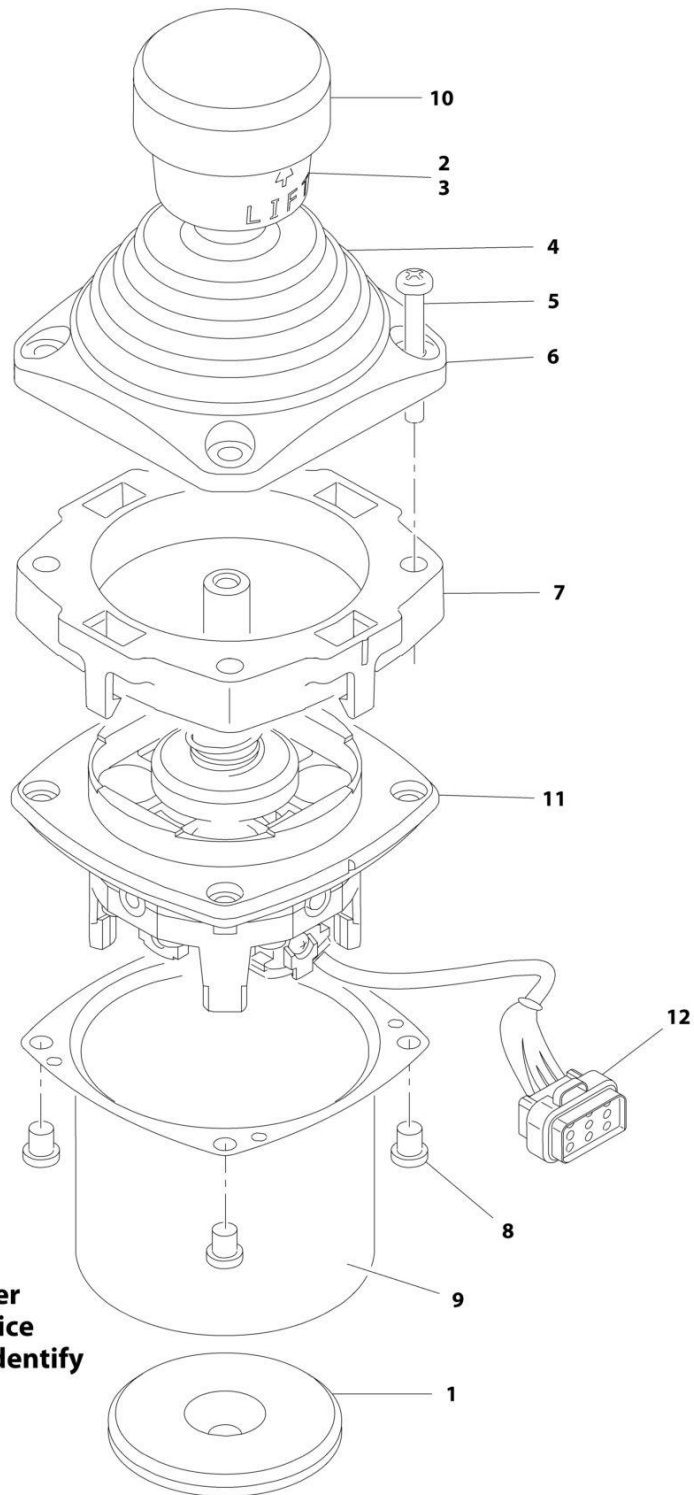
SECTION 4 - PLATFORM

**FIGURE 4-7. CONTROLLER ASSEMBLY (SWING AND LIFT) (ADE SYSTEM) (ORIGINAL EQUIPMENT)
(SN 0300061927 through 0300068000)**

ITEM	PART NUMBER	QTY	DESCRIPTION	REV
		Ref	Note: Original Equipment controller may have been replaced with Service Replacement controller. Visually identify controller before ordering parts.	
	1600317	Ref	CONTROLLER ASSEMBLY (ORIGINAL EQUIPMENT)	B
		Ref	Note: Purchase Controller Kit p/n 1001129555 for Complete Controller Replacement.	
1	7019141	1	Mechanical Assembly (Includes Base, Handle Stem and Items 1A, 1B, 1C & 18)	
1A	7019197	1	Handle Cap and Rod	
1B	7003928	1	Spring	
1C	7022808	1	Cap, Lift	
2	7019171	2	Plate	
3	7019111	4	Bearing, Gear	
4	7019143	2	Screw	
5	7019144	2	Spacer, Cam	
6	7019145	4	E-Clip	
7	7019174	2	Spacer	
8	7003977	2	Gear, Drive	
9		Ref	Shaft Options:	
9	7019147	2	Shaft, Short	
9	7019177	2	Shaft, Long	
10	7022818	2	Potentiometer	
11	7019142	2	Plate	
12	7003992	2	Washer	
13	7003993	2	Nut	
14	7003976	2	Gear, Slave	
15	7019149	2	Setscrew	
16	7022816	4	Screw	
17	7019150	1	Gate	
18	7022814	1	Boot	
19	7022815	1	Bezel	
20	See Note	NSS	Center, Detent (Note: Use p/n 1001129555)	
21	7003953	4	Washer	
22	7022817	4	Screw	
23	7022819	1	Plug, Male 8 Position (Natural)	
23	4460871	8	Socket, Female	
24	7019122	1	Gimble, Outer	
25	7019123	1	Gimble, Inner	

SECTION 4 - PLATFORM

FIGURE 4-8. CONTROLLER ASSEMBLY (LIFT AND SWING) (SERVICE REPLACEMENT) (SN 0300061927 through 0300068000)



Note: Original Equipment controller may have been replaced with Service Replacement controller. Visually identify controller before ordering parts.

ART_100118417

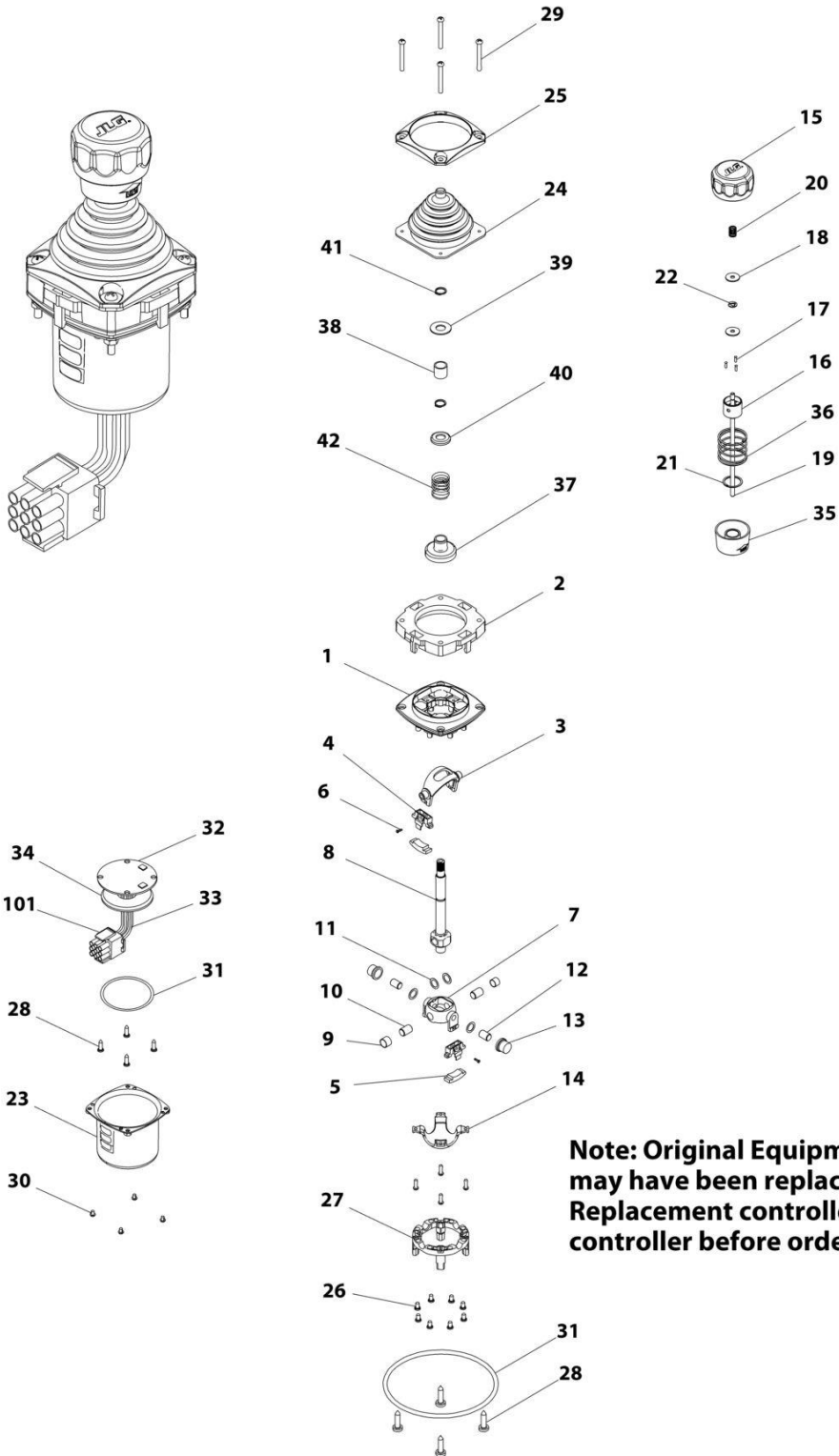
SECTION 4 - PLATFORM

FIGURE 4-8. CONTROLLER ASSEMBLY (LIFT AND SWING) (SERVICE REPLACEMENT) (SN 0300061927 through 0300068000)

ITEM	PART NUMBER	QTY	DESCRIPTION	REV
		Ref	Note: Original Equipment controller may have been replaced with Service Replacement controller. Visually Identify controller before ordering parts.	
	1001118417	Ref	CONTROLLER ASSEMBLY (LIFT AND SWING) (SERVICE REPLACEMENT)	A
		Ref	Note: Use p/n 1001129555 as Replacement.	
1	70002730	1	Gasket	
2	7003928	1	Spring	
3	7022808	1	Cap, Lift	
4	70002731	1	Boot	
5	70002732	4	Screw	
6	7022815	1	Bezel	
7	70002733	1	Adapter	
8	70002734	4	Screw	
9	70002735	1	Can, Enclosure	
10	70002906	1	Cap	
11	See Note	NSS	Mechanical Assembly (Note: Use p/n 1001129555)	
12	7022819	1	Connector - 8 Position	
12	4460871	6	Socket, Female	

SECTION 4 - PLATFORM

FIGURE 4-9. CONTROLLER ASSEMBLY (LIFT AND SWING) (SERVICE REPLACEMENT) (SN 0300061927 through 0300068000)



Note: Original Equipment controller may have been replaced with Service Replacement controller. Visually identify controller before ordering parts.

ART_1001166539

SECTION 4 - PLATFORM

FIGURE 4-9. CONTROLLER ASSEMBLY (LIFT AND SWING) (SERVICE REPLACEMENT) (SN 0300061927 through 0300068000)

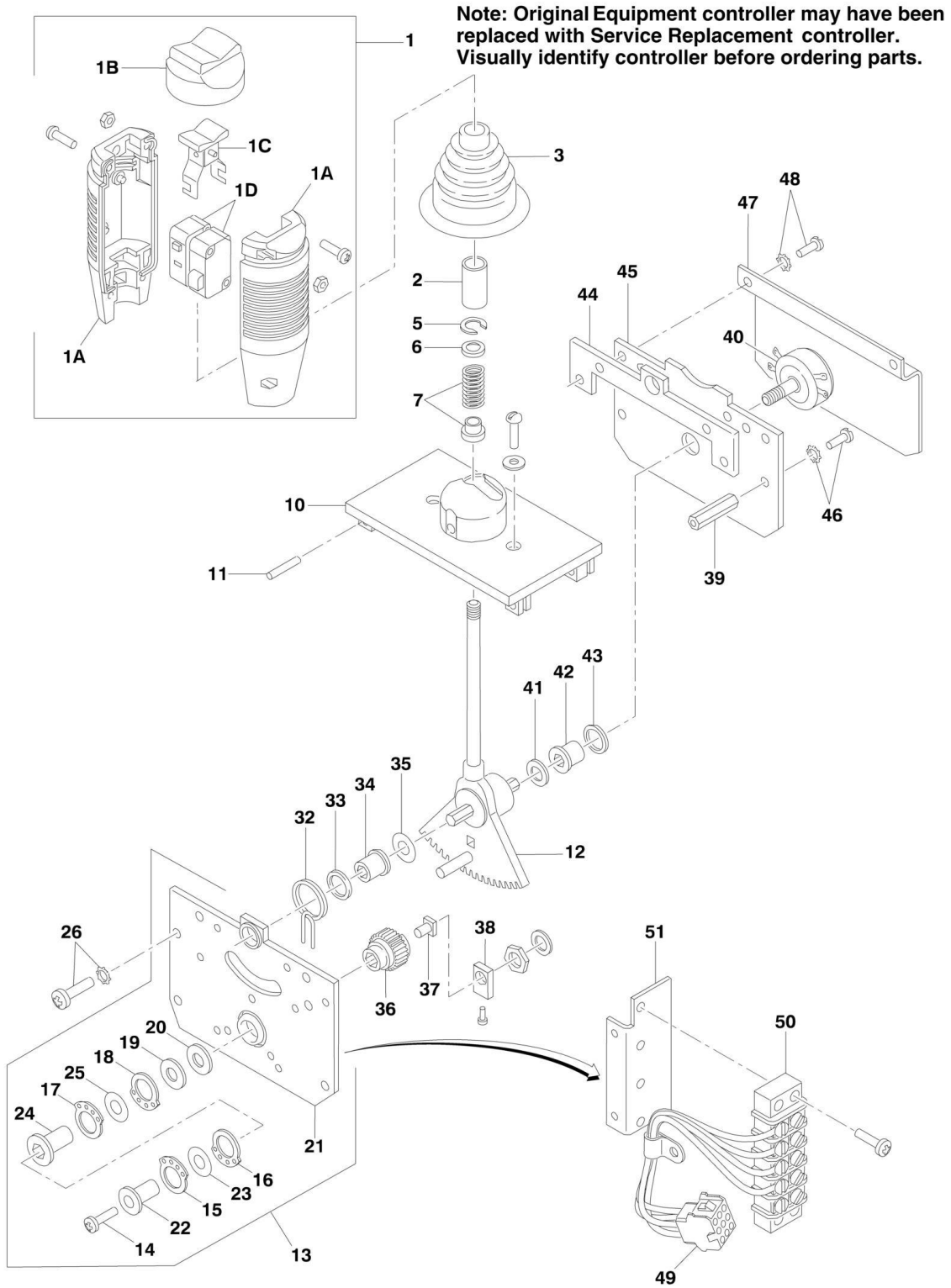
ITEM	PART NUMBER	QTY	DESCRIPTION	REV
		Ref	Note: Original Equipment controller may have been replaced with Service Replacement controller. Visually identify controller before ordering parts.	
	1001166539	Ref	CONTROLLER ASSEMBLY (LIFT AND SWING) (SERVICE REPLACEMENT)	A
		Ref	Note: Use p/n 1001129555 as Replacement.	
1	See Note	1	Main Cast Body (Note: Not Available - Purchase Complete Assembly)	
2	70004752	1	Adapter	
3	See Note	NSS	Pivot Arm, Plastic (Note: Not Available - Purchase Complete Assembly)	
4	See Note	NSS	Holder, Magnet (Note: Not Available - Purchase Complete Assembly)	
5	See Note	NSS	Arc, Magnet (Note: Not Available - Purchase Complete Assembly)	
6	See Note	NSS	Screw (Note: Not Available for Purchase)	
7	See Note	NSS	Pivot Arm, Cast (Note: Not Available - Purchase Complete Assembly)	
8	See Note	NSS	Shaft, Main (Note: Not Available - Purchase Complete Assembly)	
9	See Note	NSS	Bearing (Note: Not Available - Purchase Complete Assembly)	
10	See Note	NSS	Pin (Note: Not Available - Purchase Complete Assembly)	
11	See Note	NSS	Shim (Note: Not Available - Purchase Complete Assembly)	
12	See Note	NSS	Pin (Note: Not Available - Purchase Complete Assembly)	
13	See Note	NSS	Bearing (Note: Not Available - Purchase Complete Assembly)	
14	See Note	NSS	Dome, Centering (Note: Not Available - Purchase Complete Assembly)	
15	70004753	1	Cap	
16	70004754	1	Insert, Cap	
17	70004755	3	Pin	
18	70004756	2	Washer	
19	70004757	1	Pin, Centering	
20	70004758	1	Spring	
21	70004759	1	Ring, Retaining	
22	70004760	1	E-Ring	
23	70004761	1	Can, Enclosure	
24	70004762	1	Boot	
25	70004763	1	Bezel	
26	See Note	NSS	Screw (Note: Not Available for Purchase)	
27	See Note	NSS	Base Mounting (Note: Not Available - Purchase Complete Assembly)	
28	See Note	NSS	Screw (Note: Not Available for Purchase)	
29	70004764	4	Screw	
30	70004765	4	Screw	
31	70004766	1	O-Ring	
32	See Note	NSS	Plate (Note: Not Available - Purchase Complete Assembly)	
33	See Note	NSS	Harness (Note: Not Available - Purchase Complete Assembly)	
34	70004767	1	Gromment, Rubber	
35	70004768	1	Housing	
36	70004769	1	Spring	
37	70004770	1	Stopper	
38	70004771	1	Spacer	
39	70004772	1	Washer	

SECTION 4 - PLATFORM

ITEM	PART NUMBER	QTY	DESCRIPTION	REV
40	70004773	1	Disc	
41	70004774	2	Ring, Retaining	
42	70004775	1	Spring	
101	4460265	1	Connector - 9 Position	
101	4460226	6	Socket, Female	

SECTION 4 - PLATFORM

FIGURE 4-10. CONTROLLER ASSEMBLY (DRIVE AND STEER) (ORIGINAL EQUIPMENT) (Prior to SN 0300039654)



SECTION 4 - PLATFORM

FIGURE 4-10. CONTROLLER ASSEMBLY (DRIVE AND STEER) (ORIGINAL EQUIPMENT) (Prior to SN 0300039654)

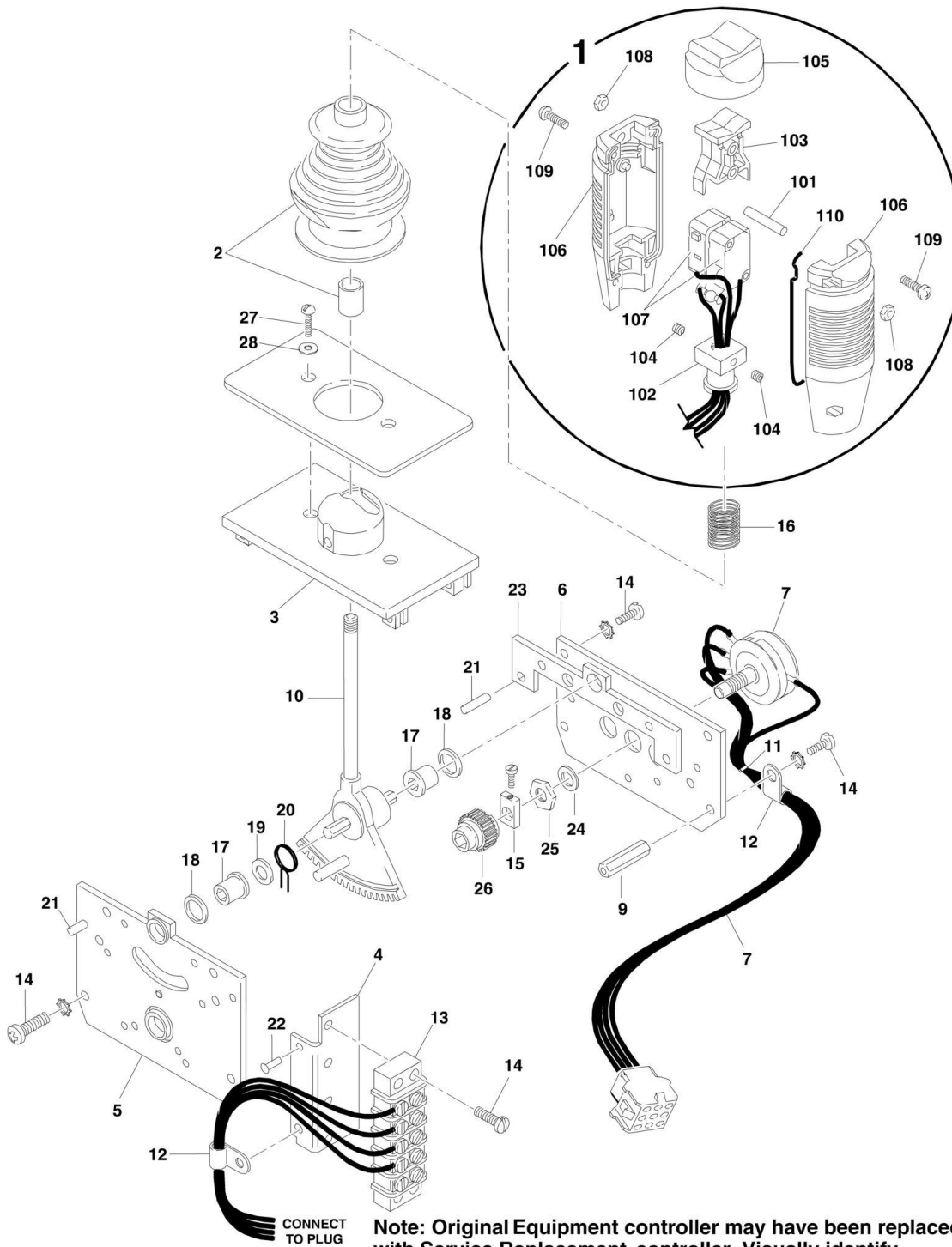
ITEM	PART NUMBER	QTY	DESCRIPTION	REV
		Ref	Note: Original Equipment controller may have been replaced with Service Replacement controller. Visually identify controller before ordering parts.	
	1600239	Ref	CONTROLLER ASSEMBLY (ORIGINAL EQUIPMENT)	C
		Ref	Note: Purchase Controller p/n 1600283 for Complete Controller Replacement.	
1	7003978	1	Handle Assembly	
1A	7003973	2	Half, Handle	
1B	7003972	1	Boot, Switch	
1C	7003981	1	Rocker	
1D	7003982	2	Switch, Micro	
2	7003984	1	Coupling	
3	7003966	1	Boot	
5	7003957	1	Ring, Retainer	
6	7003967	1	Flatwasher	
7	7003968	1	Detent, Assembly	
10	1600283	1	Plate, Base (Note: Not Available for Purchase)	
11	See Note	1	Pin (Note: Not Available for Purchase)	
12	7003963	1	Shaft/Gear Assembly	
13	1600283	1	Micro Cam Assembly (Includes Items 14-25) (Note: Not Available for Purchase)	
14	Not Serviced	1	Screw	
15	See Note	1	Cam, 4 Hole (Note: Not Available for Purchase)	
16	See Note	1	Cam, 4 Hole (Note: Not Available for Purchase)	
17	See Note	1	Cam, 4 Hole (Note: Not Available for Purchase)	
18	See Note	1	Cam, 4 Hole (Note: Not Available for Purchase)	
19	See Note	1	Spacer, Cam (Note: Not Available for Purchase)	
20	See Note	1	Spacer, Cam (Note: Not Available for Purchase)	
21	1600283	1	Plate, Cam - Left Side (Note: Not Available for Purchase)	
22	See Note	1	Coupling, Cam (Note: Not Available for Purchase)	
23	See Note	1	Spacer, Cam (Note: Not Available for Purchase)	
24	See Note	1	Coupling, Cam (Note: Not Available for Purchase)	
25	See Note	1	Spacer, Cam (Note: Not Available for Purchase)	
26	See Note	4	Screw (Note: Not Available - Purchase Locally)	
26	See Note	4	Washer (Note: Not Available - Purchase Locally)	
32	7003946	1	Spring, Return	
33	See Note	1	Spacer (Note: Not Available for Purchase)	
34	See Note	1	Bearing (Note: Not Available for Purchase)	
35	See Note	1	Washer, Cam Retainer (Note: Not Available for Purchase)	
36	See Note	1	Gear, Slave (Note: Not Available for Purchase)	
37	See Note	1	Nut/Cam Assembly (Note: Not Available for Purchase)	
38	See Note	1	Coupling, Potentiometer (Note: Not Available for Purchase)	
39	See Note	2	Stand-Off (Note: Not Available for Purchase)	
40	7003974	1	Potentiometer	
41	See Note	1	Washer, Cam Retainer (Note: Not Available for Purchase)	
42	See Note	1	Bearing (Note: Not Available for Purchase)	
43	See Note	1	Spacer (Note: Not Available for Purchase)	
44	1600283	1	Plate, Mounting (Note: Not Available for Purchase)	
45	1600283	1	Plate, Potentiometer (Note: Not Available for Purchase)	
46	See Note	2	Screw (Note: Not Available - Purchase Locally)	

SECTION 4 - PLATFORM

ITEM	PART NUMBER	QTY	DESCRIPTION	REV
46	See Note	2	Washer (Note: Not Available - Purchase Locally)	
47	1600283	1	Heat Shrink (Note: Not Available for Purchase)	
48	See Note	2	Screw (Note: Not Available - Purchase Locally)	
48	See Note	2	Washer (Note: Not Available - Purchase Locally)	
49	4460266	1	Connector, Amp (9Pin)	
49	4460268	7	Socket (Not Shown)	
49	4460265	1	Plug, Amp (9Pin) (Not Shown - Part of Harness)	
49	4460267	7	Pin (Not Shown - Part of Harness)	
50	7003886	1	Strip, Terminal - 3 Position	
50	See Note	1	Strip, Terminal - 5 Position (Note: Not Available for Purchase)	
51	7003985	1	Brace	

SECTION 4 - PLATFORM

FIGURE 4-11. CONTROLLER ASSEMBLY (DRIVE AND STEER) (SERVICE REPLACEMENT) (SN 0300039654 through 0300061926)



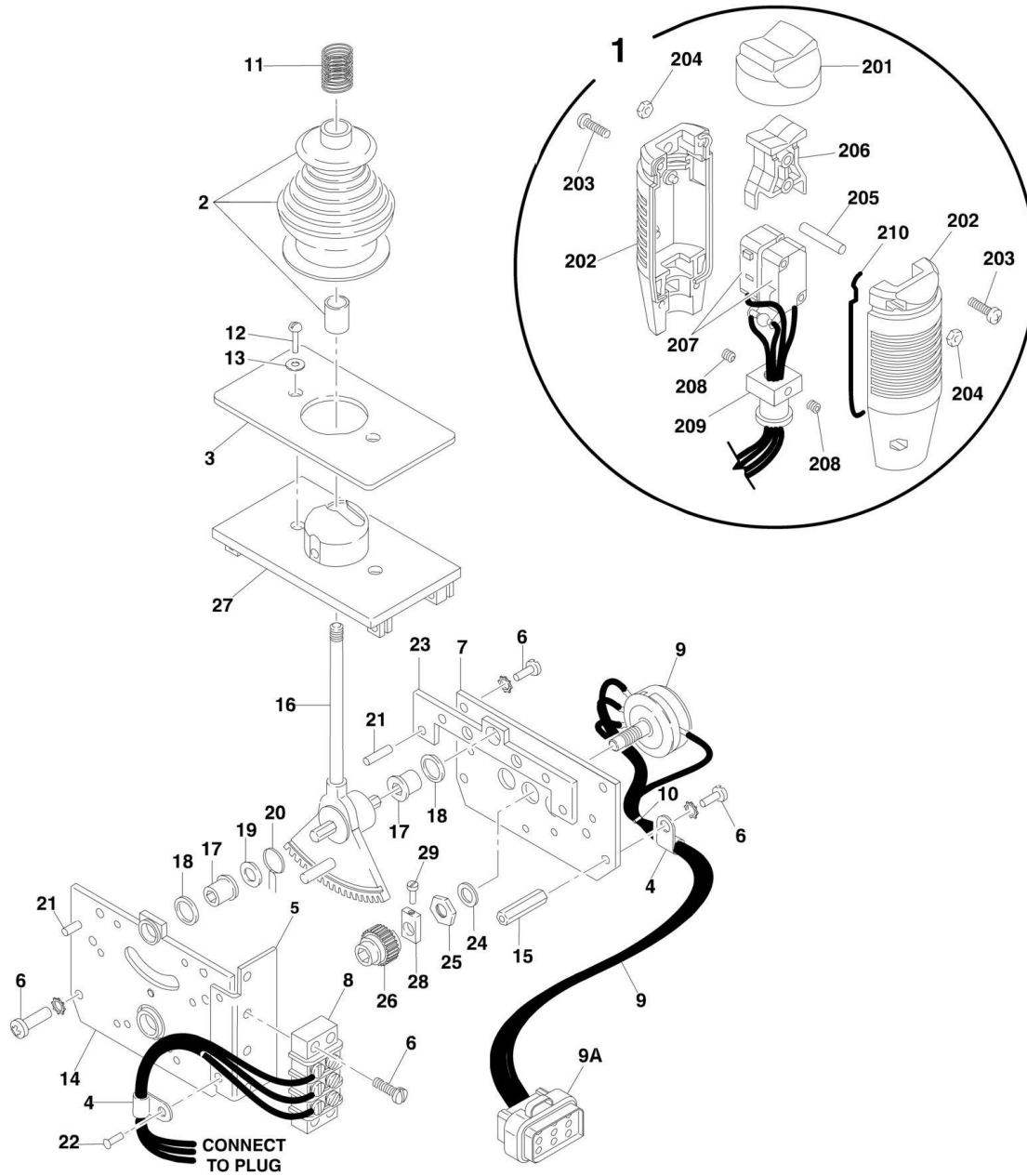
SECTION 4 - PLATFORM

FIGURE 4-11. CONTROLLER ASSEMBLY (DRIVE AND STEER) (SERVICE REPLACEMENT) (SN 0300039654 through 0300061926)

ITEM	PART NUMBER	QTY	DESCRIPTION	REV
		Ref	Note: Original Equipment controller may have been replaced with Service Replacement controller. Visually identify controller before ordering parts.	
	1600283	Ref	CONTROLLER ASSEMBLY	B
1	7022810	1	Handle Assembly (See Items 101-110 for Breakdown)	
2	7019161	1	Boot and Sleeve	
3	7019160	1	Cast Housing Assembly	
4	7019159	1	Bracket, Mounting	
5	7019158	1	Plate, Mounting (Left Side)	
6	7019157	1	Plate, Pot Mounting	
7	7019156	1	Electric Assembly	
9	7019115	2	Stand-Off	
10	7019155	1	Shaft 8mm	
11	7019151	AR	Tie-Strap	
12	7019154	2	Clamp, Wire	
13	7019153	1	Strip, Terminal - 5 Position	
14	7019117	8	Screw	
15	7019163	1	Potentiometer Coupling Assembly	
16	7019162	1	Spring	
17	7019111	2	Bearing	
18	7019110	2	Spacer, Head Gear	
19	7019112	1	Washer	
20	7003946	1	Spring, Return	
21	7019103	4	Pin	
22	See Note	1	Rivet (Note: Not Available - Purchase Locally)	
23	7019168	1	Plate, Mounting (Right Side)	
24	7003992	1	Washer	
25	7003993	1	Nut	
26	7003935	1	Gear, Slave	
27	7003969	2	Screw	
28	7003941	2	Washer	
	7022810	Ref	HANDLE ASSEMBLY	
101	7019164	1	Axle	
102	7019194	1	Coupling	
103	7019165	1	Rocker	
104	7003983	2	Setscrew	
105	7003972	1	Boot, Switch	
106	7003973	2	Half, Handle	
107	7019166	2	Switch, Micro	
108	7019167	4	Nut	
109	7003980	4	Screw	
110	7003989	2	Gasket	

SECTION 4 - PLATFORM

FIGURE 4-12. CONTROLLER ASSEMBLY (DRIVE AND STEER) (ADE SYSTEM) (ORIGINAL EQUIPMENT) (SN 0300061927 through 0300068000)



Note: Original Equipment controller may have been replaced with Service Replacement controller. Visually identify controller before ordering parts.

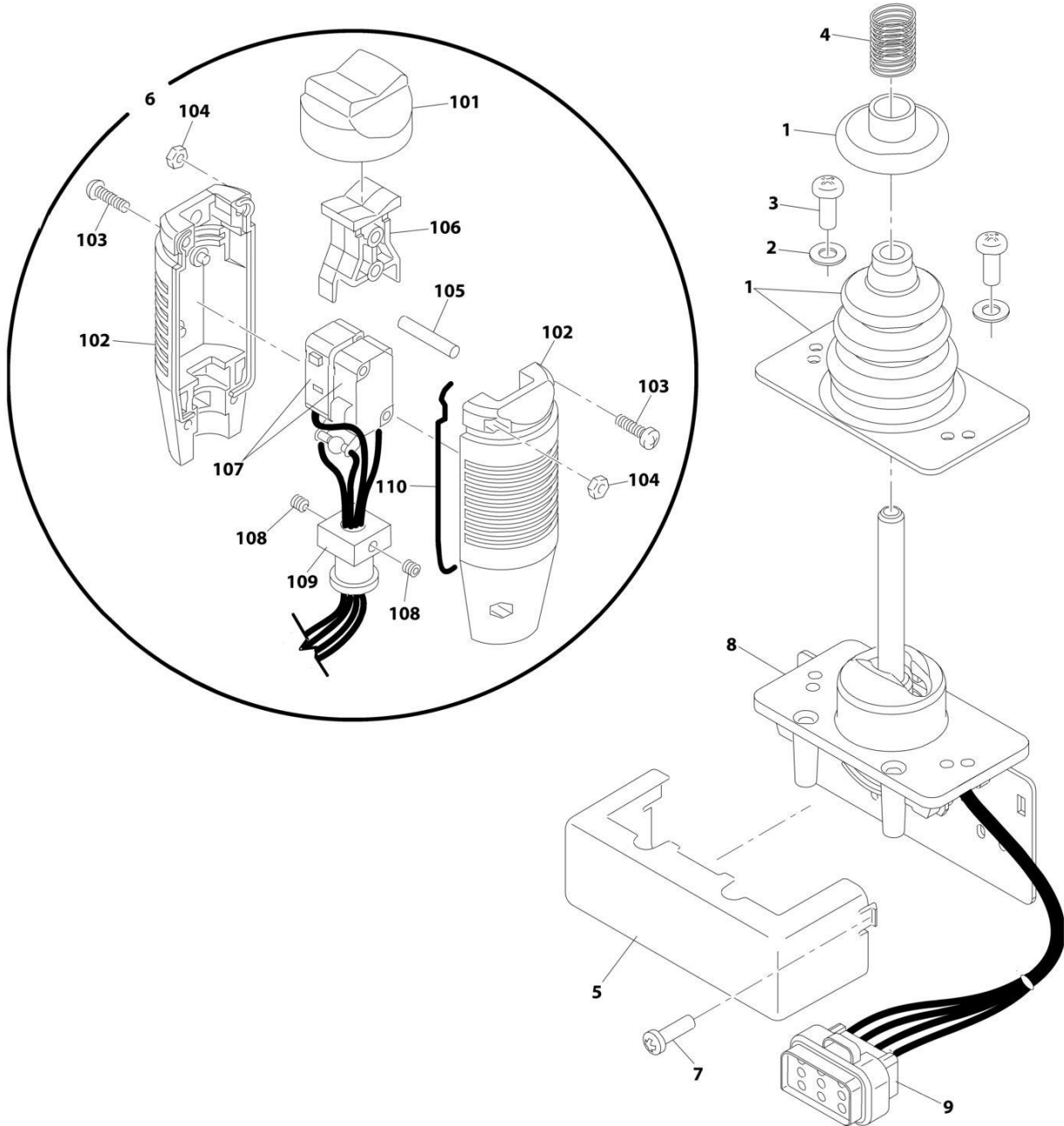
SECTION 4 - PLATFORM

FIGURE 4-12. CONTROLLER ASSEMBLY (DRIVE AND STEER) (ADE SYSTEM) (ORIGINAL EQUIPMENT) (SN 0300061927 through 0300068000)

ITEM	PART NUMBER	QTY	DESCRIPTION	REV
		Ref	Note: Original Equipment controller may have been replaced with Service Replacement controller. Visually identify controller before ordering parts.	
	1600318	Ref	CONTROLLER ASSEMBLY (ORIGINAL EQUIPMENT)	C
		Ref	Note: Use p/n 1001212415 as Replacement.	
1	7022812	1	Handle Assembly (See Items 201-210 for Breakdown)	
2	7019161	1	Boot and Sleeve	
3	7003933	1	Gasket	
4	7019154	2	Clamp, Wire	
5	7022823	1	Bracket, Mounting	
6	7003994	1	Screw	
7	7022822	1	Plate, Pot Mounting	
8	7003986	1	Strip, Terminal - 3 Position	
9	7022824	1	Electric Assembly	
9A	1001113961	1	Plug, Male - 8 Position (Black) (was p/n 7022825)	
9A	4460871	7	Socket, Female	
10	7019151	AR	Tie-Strap	
11	7019162	1	Spring	
12	7003969	2	Screw	
13	7003941	2	Washer	
14	See Note	NSS	Plate, Mounting (Left Side) (Note: Use p/n 1001166538)	
15	7019115	2	Stand-Off	
16	7019155	1	Shaft 8mm	
17	7019111	2	Bearing	
18	7019110	2	Spacer, Head Gear	
19	7019112	1	Washer	
20	7003946	1	Spring, Return	
21	7019103	4	Pin	
22	See Note	1	Rivet (Note: Not Available - Purchase Locally)	
23	7019168	1	Plate, Mounting (Right Side)	
24	7003992	1	Washer	
25	7003993	1	Nut	
26	7003935	1	Gear, Slave	
27	7019160	1	Plate, Base	
28	7019114	1	Coupling, Potentiometer	
29	See Note	1	Screw, Cup Point (Note: Not Available - Purchase Locally)	
	7022812	Ref	HANDLE ASSEMBLY	
201	7003972	1	Boot, Switch	
202	7003973	2	Half, Handle	
203	7003980	4	Screw	
204	7019167	4	Nut	
205	7019164	1	Axle	
206	7019165	1	Rocker	
207	7019196	1	Wiring Assembly	
207	7019166	2	Switch, Micro	
208	7003983	2	Setscrew	
209	7019194	1	Coupling	
210	7003989	2	Gasket	

SECTION 4 - PLATFORM

FIGURE 4-13. CONTROLLER ASSEMBLY (DRIVE AND STEER) (SERVICE REPLACEMENT) (SN 0300061927 through 0300068000)



Note: Original Equipment controller may have been replaced with Service Replacement controller. Visually identify controller before ordering parts.

ART_1001118416

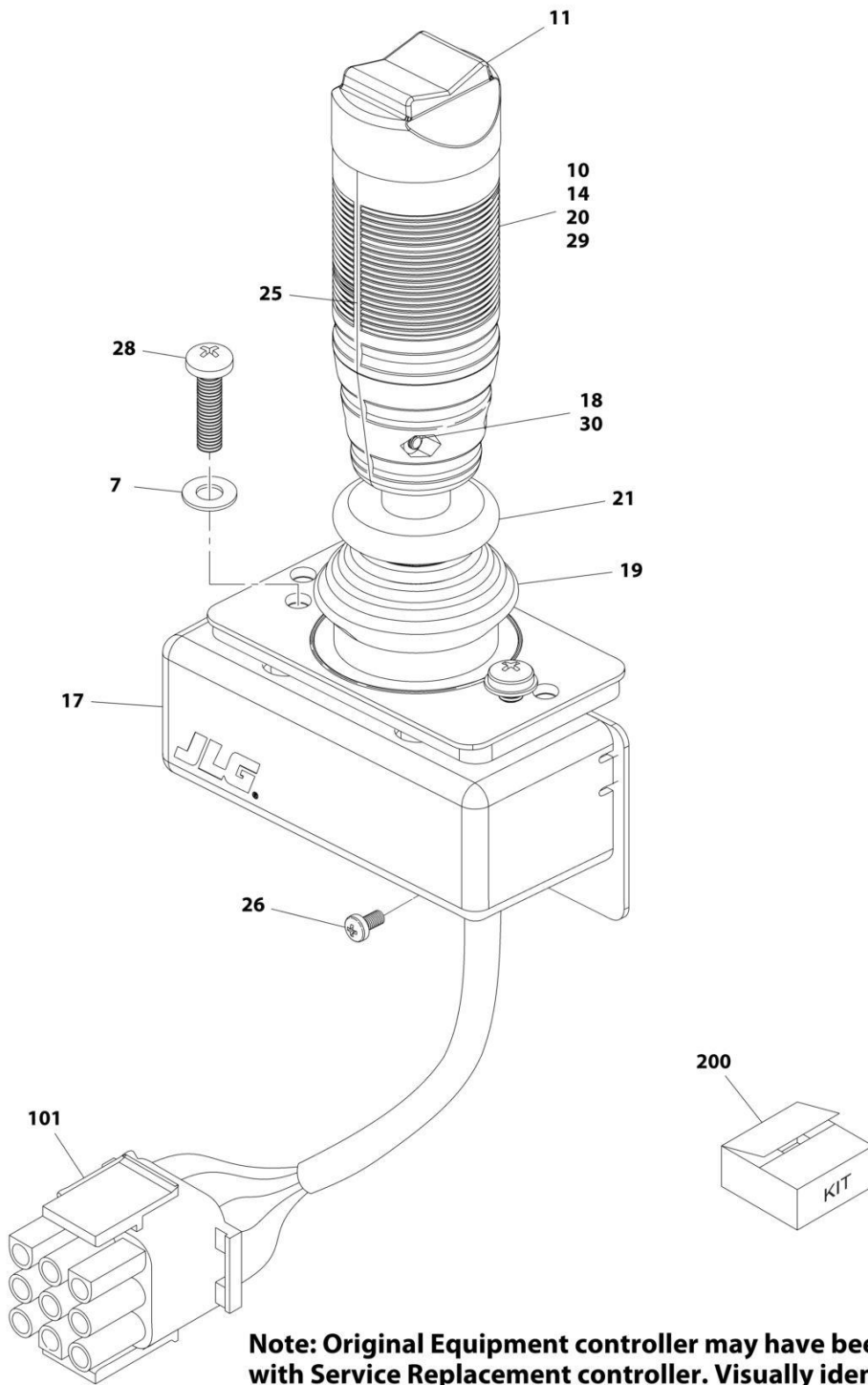
SECTION 4 - PLATFORM

FIGURE 4-13. CONTROLLER ASSEMBLY (DRIVE AND STEER) (SERVICE REPLACEMENT) (SN 0300061927 through 0300068000)

ITEM	PART NUMBER	QTY	DESCRIPTION	REV
		Ref	Note: Original Equipment controller may have been replaced with Service Replacement controller. Visually identify controller before ordering parts.	
	1001118416	Ref	CONTROLLER ASSEMBLY (DRIVE AND STEER) (SERVICE REPLACEMENT)	A
		Ref	Note: Use p/n 1001212415 as Replacement.	
1	70002724	1	Boot and Control Lock Assembly	
2	7003941	2	Washer	
3	70002725	2	Screw	
4	7019162	1	Spring	
5	70002726	1	Enclosure	
6	70002727	1	Handle Assembly (See Items 101-110 for Breakdown)	
7	70002728	1	Screw	
8	See Note	NSS	Mechanical Assembly (Note: Use p/n 1001166538)	
9	1001113961	1	Plug, Male - 8 Position (Black) (was p/n 7022825)	
9	4460871	7	Socket, Female	
	70002727	Ref	HANDLE ASSEMBLY	
101	7003972	1	Boot, Switch	
102	7003973	2	Half, Handle	
103	7003980	4	Screw	
104	7019167	4	Nut	
105	7019164	1	Axle	
106	7019165	1	Rocker	
107	70002729	1	Wiring Assembly	
107	7003982	2	Switch, Micro	
108	7003983	2	Setscrew	
109	7019194	1	Coupling	
110	7003989	2	Gasket	

SECTION 4 - PLATFORM

FIGURE 4-14. CONTROLLER ASSEMBLY (DRIVE AND STEER) (SERVICE REPLACEMENT) (SN 0300061927 through 0300068000)



Note: Original Equipment controller may have been replaced with Service Replacement controller. Visually identify controller before ordering parts.

ART_1001166538

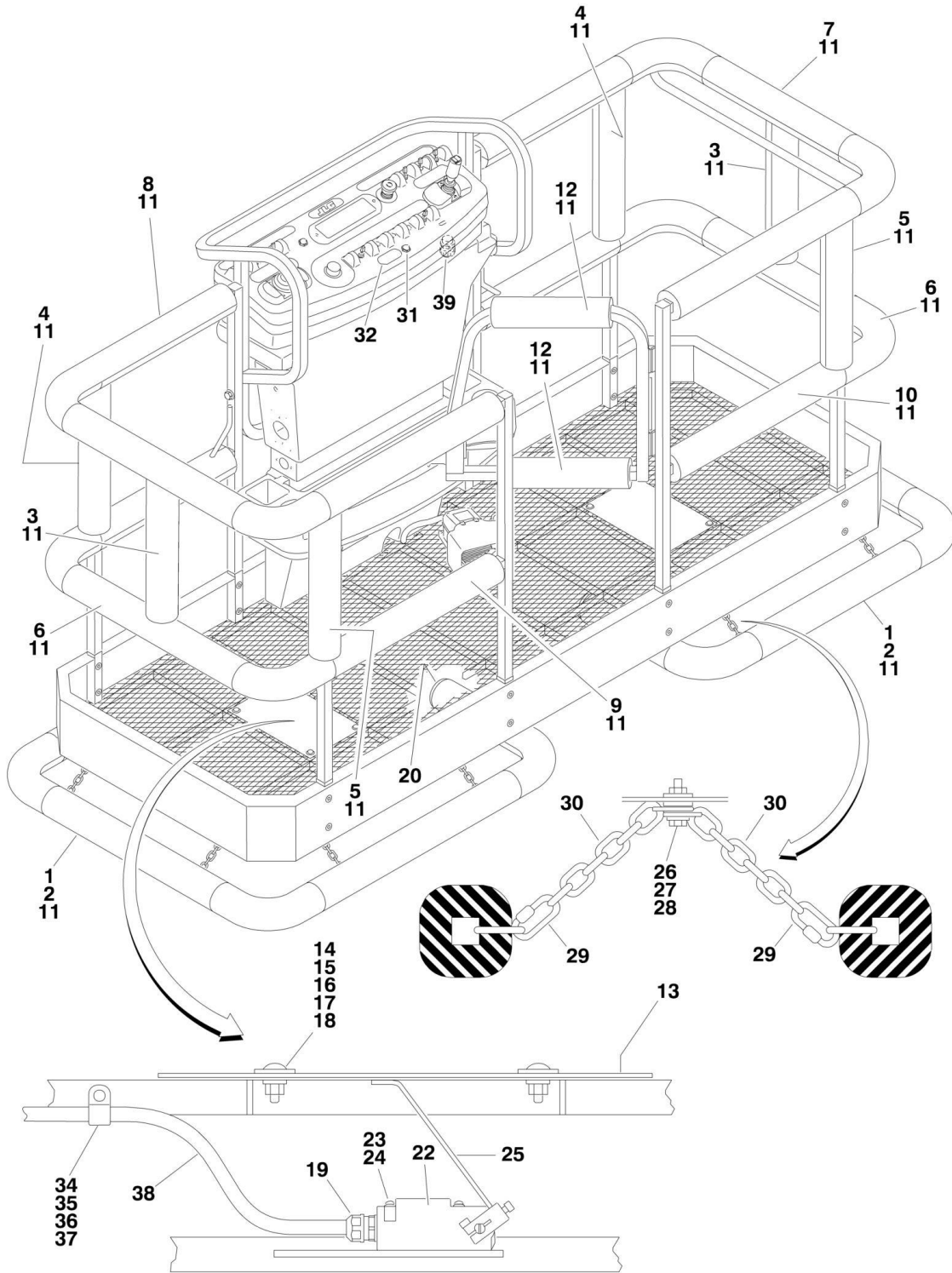
SECTION 4 - PLATFORM

FIGURE 4-14. CONTROLLER ASSEMBLY (DRIVE AND STEER) (SERVICE REPLACEMENT) (SN 0300061927 through 0300068000)

ITEM	PART NUMBER	QTY	DESCRIPTION	REV
		Ref	Note: Original Equipment controller may have been replaced with Service Replacement controller. Visually identify controller before ordering parts.	
	1001166538	Ref	CONTROLLER ASSEMBLY (DRIVE AND STEER) (SERVICE REPLACEMENT)	A
		Ref	Note: Use p/n 1001212415 as Replacement.	
7	70004738	2	Washer	
10	70004739	1	Roller	
11	70004740	1	Boot, Switch	
14	70004741	2	Half, Handle	
17	70004742	1	Enclosure	
18	70004743	4	Nut	
19	70004744	NLA	Boot, Controller (Note: Use Item 200)	
20	70004745	NLA	Tube, Locking (Note: Use Item 200)	
21	70004746	NLA	Disc, Locking (Note: Use Item 200)	
25	70004747	2	Seal, Rope	
26	70004748	1	Screw, M3 x 6	
28	70004749	2	Screw, M5 x 20	
29	70004750	1	Pin, Dowel	
30	70004751	4	Screw, M3 x 16	
101	4460265	1	Connector - 9 Position	
101	4460226	7	Socket, Female	
200	70005230	1	Boot Kit (Includes Items 19-21)	

SECTION 4 - PLATFORM

FIGURE 4-15. SOFT TOUCH SYSTEM INSTALLATION (OPTIONAL)



SECTION 4 - PLATFORM

FIGURE 4-15. SOFT TOUCH SYSTEM INSTALLATION (OPTIONAL)

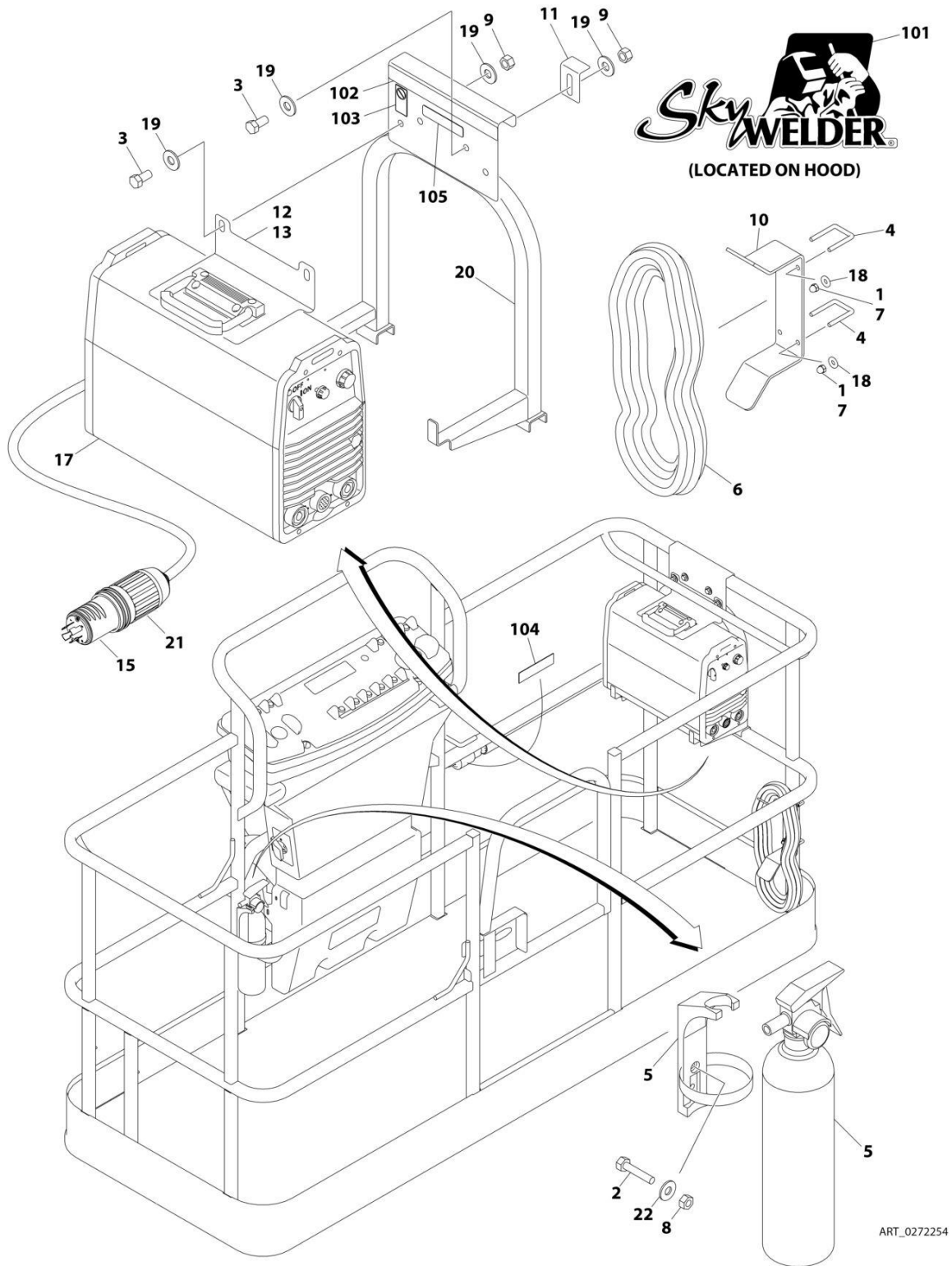
ITEM	PART NUMBER	QTY	DESCRIPTION	REV
		Ref	SOFT TOUCH SYSTEM INSTALLATIONS OPTIONS:	
		Ref	6ft/1.8m Platforms	
	0255885	Ref	6ft/1.8m Platforms (Prior to SN 0300035129)	3
	0257849	Ref	6ft/1.8m Platforms (SN 0300035129 through 0300061926)	1
		Ref	6ft/1.8m Platforms - ADE System	
	0270795	Ref	6ft/1.8m Platforms - ADE System (SN 0300061927 through 0300063908)	1
	0271550	Ref	6ft/1.8m Platforms - ADE System (SN 0300063909 through 0300068000)	1
		Ref	8ft/2.4m Platforms	
	0255886	Ref	8ft/2.4m Platforms (Prior to SN 0300035129)	3
	0257850	Ref	8ft/2.4m Platforms (SN 0300035129 through 0300061926)	1
		Ref	8ft/2.4m Platforms - ADE System	
	0270796	Ref	8ft/2.4m Platforms - ADE System (SN 0300061927 through 0300063908)	1
	0271551	Ref	8ft/2.4m Platforms - ADE System (SN 0300063909 through 0300068000)	1
1		Ref	Rail Weldment Options:	
1	4845308	2	Rail Weldment 6ft/1.8m Platforms	
1	4845309	2	Rail Weldment 8ft/2.4m Platforms	
2		Ref	Cover, Rail Options:	
2	1670804	2	Cover, Rail 6ft/1.8m Platforms	
2	1670803	2	Cover, Rail 8ft/2.4m Platforms	
3	1670787	2	Cover, End Post	
4	1670785	2	Cover, Front Right Post	
5	1670786	2	Cover, Front Left Post	
6	1670793	2	Cover, End Mid Rail	
7		Ref	Cover, Right End Top Options:	
7	1670798	1	Cover, Right End Top 6ft/1.8m Platforms	
7	1670796	1	Cover, Right End Top 8ft/2.4m Platforms	
8		Ref	Cover, Left End Top Options:	
8	1670797	1	Cover, Left End Top 6ft/1.8m Platforms	
8	1670795	1	Cover, Left End Top 8ft/2.4m Platforms	
9		Ref	Cover, Left End Mid Options:	
9	1670799	1	Cover, Left End Mid 6ft/1.8m Platforms	
9	1670789	1	Cover, Left End Mid 8ft/2.4m Platforms	
10		Ref	Cover, Right End Mid Options:	
10	1670801	1	Cover, Right End Mid 6ft/1.8m Platforms	
10	1670791	1	Cover, Right End Mid 8ft/2.4m Platforms	
11	0940038	70 ft /21.4m	Padding, Bumper	
12	1670788	2	Cover, Gate	
13	3539719	2	Plate, Switch Strike	
14	0630462	8	Bolt, Carriage	
15	4761500	8	Lockwasher 5/16in	
16	4751800	8	Flatwasher 1/2in Regular	
17	3311501	8	Nut 5/16in-18NC	
18	4751500	8	Flatwasher 5/16in Regular	
19	4460049	2	Connector, Strain Relief	
20	3530072	4	Plug, Cap	
22	4360057	2	Switch, Limit	

SECTION 4 - PLATFORM

ITEM	PART NUMBER	QTY	DESCRIPTION	REV
23	0731005	4	Bolt #10-32NC x 5/8in	
24	4751000	4	Lockwasher #10	
25	0200550	2	Arm, Switch	
26	0641612	8	Bolt 3/8in-16NC x 1-1/2in	
27	4751600	40	Flatwasher 3/8in Regular	
28	3311605	8	Locknut 3/8in-16NC	
29	3010088	16	Link, Quick	
30	1260136	10 ft/3m	Chain	
31	4360387	1	Switch, Push Button	
32	1702938	1	Decal - Soft Touch Override	
34	1320040	4	Clamp	
35	0641406	4	Bolt 1/4in-20NC x 3/4in	
36	4711400	8	Flatwasher 1/4in Thin	
37	3311405	4	Locknut 1/4in-20NC	
38		Ref	Cable Options:	
38	1060341	16 ft/4.9m	Cable, Electrical - 16/2 (Prior to SN 0300029105)	
38	1060330	16 ft/4.9m	Cable, Electrical - 16/3 (SN 0300029105 through 0300063908)	
38	1060341	16 ft/4.9m	Cable, Electrical - 16/2 (SN 0300063909 through 0300068000)	
39		Ref	Connector, Strain Relief Options:	
39	4460428	1	Connector, Strain Relief (Prior to SN 0300029105)	
39	4460425	1	Connector, Strain Relief (SN 0300029105 through 0300068000)	
100		Ref	Soft Touch Add-on Kit Options (Includes required components to add option to existing machines) (Not Shown):	
		Ref	Note: May not be available for all machines depending on existing options. Contact JLG Parts Dept before ordering.	
100	See Note	1	Soft Touch Add-on Kit 3ft x 6ft (.9m x 1.83m) Platform (Note: Not Available for Purchase) (Prior to SN 0300067763)	
100	1001121592	1	Soft Touch Add-on Kit 3ft x 6ft (.9m x 1.83m) Platform (SN 0300067763 through 0300069000)	
100	See Note	1	Soft Touch Add-on Kit 3ft x 8ft (.9m x 2.44m) Platform (Note: Not Available for Purchase) (Prior to SN 0300067763)	
100	1001121593	1	Soft Touch Add-on Kit 3ft x 6ft (.9m x 2.44m) Platform (SN 0300067763 through 0300069000)	

SECTION 4 - PLATFORM

FIGURE 4-16. SKYWELDER INSTALLATION (60HZ)



ART_0272254

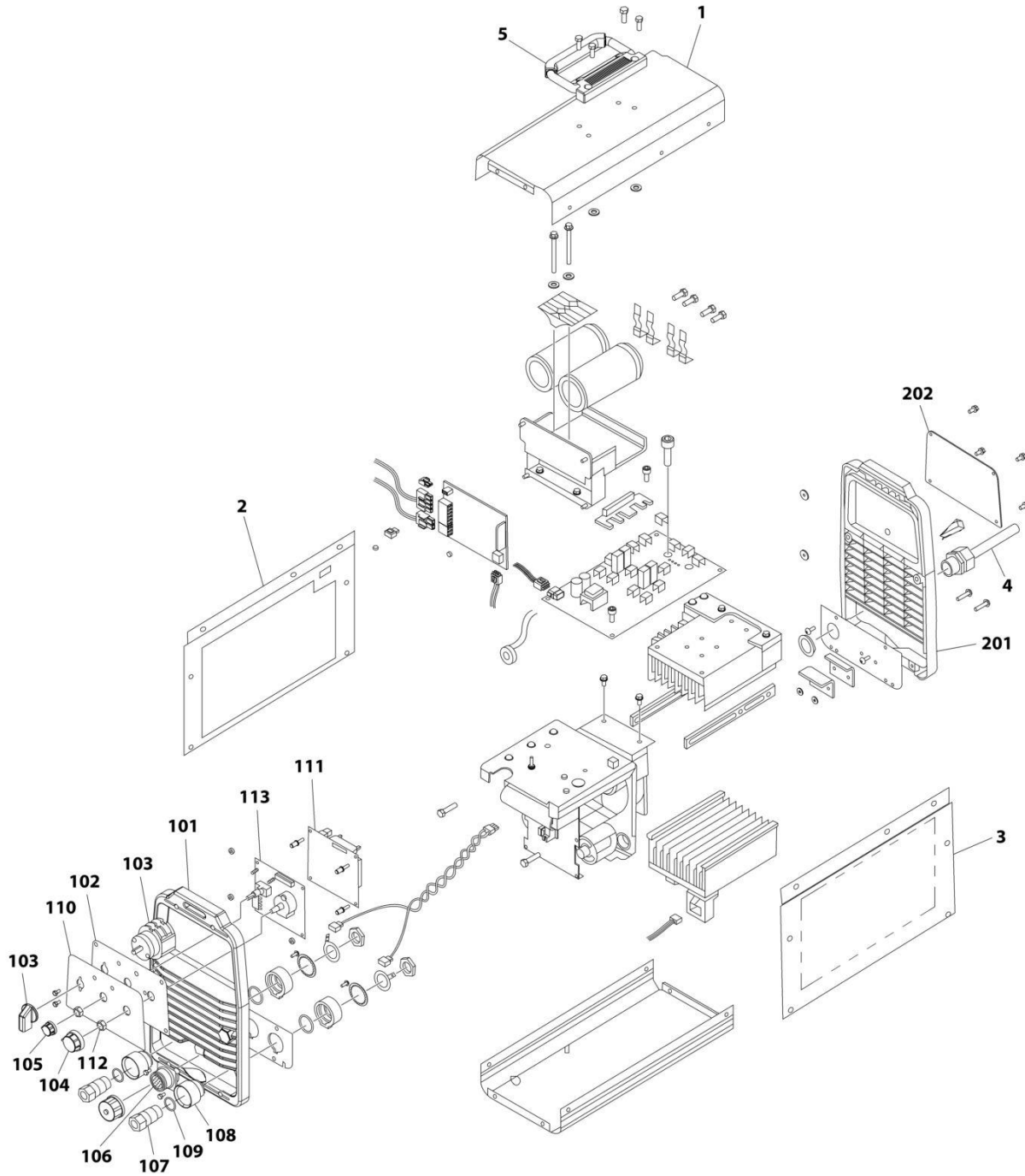
SECTION 4 - PLATFORM

FIGURE 4-16. SKYWELDER INSTALLATION (60HZ)

ITEM	PART NUMBER	QTY	DESCRIPTION	REV
	0272254	Ref	SKYWELDER INSTALLATION (60HZ)	I
		Ref	Note: USA Built Machines ANSI and CSA Specs Only.	
1	0100011	AR	Compound, Locking	
2	0630518	2	Screw #10 x 3/4	
3	0641606	4	Bolt 3/8 x 3/4	
4	1320302	2	U-Clamp	
5	2030010	1	Extinguisher, Fire	
6	2902217	1	Weld Leads Kit	
7	3300151	4	Nut 1/4	
8	3311005	2	Nut #10	
9	3311605	4	Nut 3/8	
10	3573400	1	Bracket	
11	3577121	2	Angle	
12	3573642	1	Plate	
13	4420037	AR	Tape	
14	4240099	AR	Tie-Strap (Not Shown)	
15	4460962	1	Plug, Male Twistlock	
17	4530028	1	Welder Assembly (See WELDER ASSEMBLY for Breakdown)	
18	4751400	4	Washer 1/4	
19	4751600	8	Washer 3/8	
20	4846627	1	Support	
21	1671093	1	Cover, Plug	
22	4751000	2	Washer #10	
	0272448	Ref	SKYWELDER DECAL INSTALLATION	B
101	1705355	2	Decal - SkyWelder	
102	1702868	1	Decal - No Hands	
103	1705305	1	Decal - Weld Lead	
104	1705375	1	Decal - 240V - 3 Phase - 60Hz	
105	1705466	NLA	Decal - Weight (Use p/n 1001228988)	
105	1001228988	1	Decal - Weight	

SECTION 4 - PLATFORM

FIGURE 4-17. WELDER ASSEMBLY



ART_4530028

SECTION 4 - PLATFORM

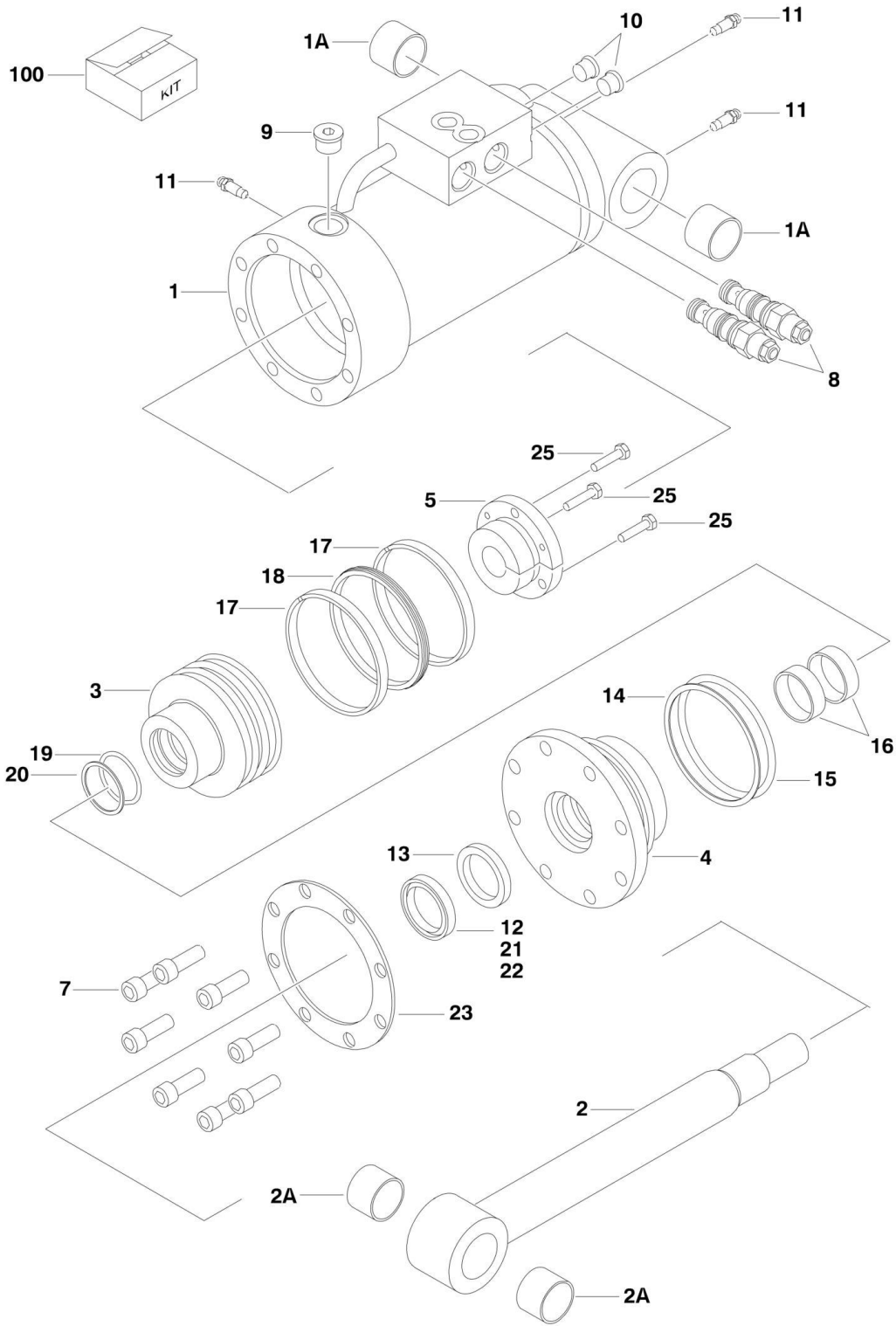
FIGURE 4-17. WELDER ASSEMBLY

ITEM	PART NUMBER	QTY	DESCRIPTION	REV
	4530028	Ref	WELDER ASSEMBLY	B
		Ref	Note: For Other Components, contact your Miller Welder Dealer.	
1	7027773	1	Cover, Top	
1	7027774	1	Decal - Static Precautionary Warning	
2	See Note	NSS	Panel, LH Side (Note: Part of Item 1. Purchase Item 1)	
3	See Note	NSS	Panel, RH Side (Note: Part of Item 1. Purchase Item 1)	
4	7024467	1	Cable, Power	
4	7027775	1	Decal - Electrical Shock Warning (Not Shown)	
5	7027776	1	Handle, Carrying	
101	7024462	1	Panel, Front	
102	7024463	1	Panel, Console	
103	7024469	1	Switch with Lead	
104	7024470	1	Knob	
105	7024471	1	Knob	
106	7024472	1	Receptacle with Leads and Plugs	
107	7024473	2	Receptacle, Twistlock Female	
108	7024474	2	Insulator	
109	7024475	2	O-Ring	
110	7027777	1	Nameplate	
111	7027779	1	Circuit Card Assembly (Process Control)	
112	7024478	2	Nut	
113	7027778	1	Circuit Card Assembly (Operator Interface)	
201	7024462	1	Panel, Rear	
202	7027780	1	Panel, Cover	

SECTION 5 - CYLINDER

SECTION 5 - CYLINDER

FIGURE 5-1. AXLE LOCKOUT CYLINDER ASSEMBLY



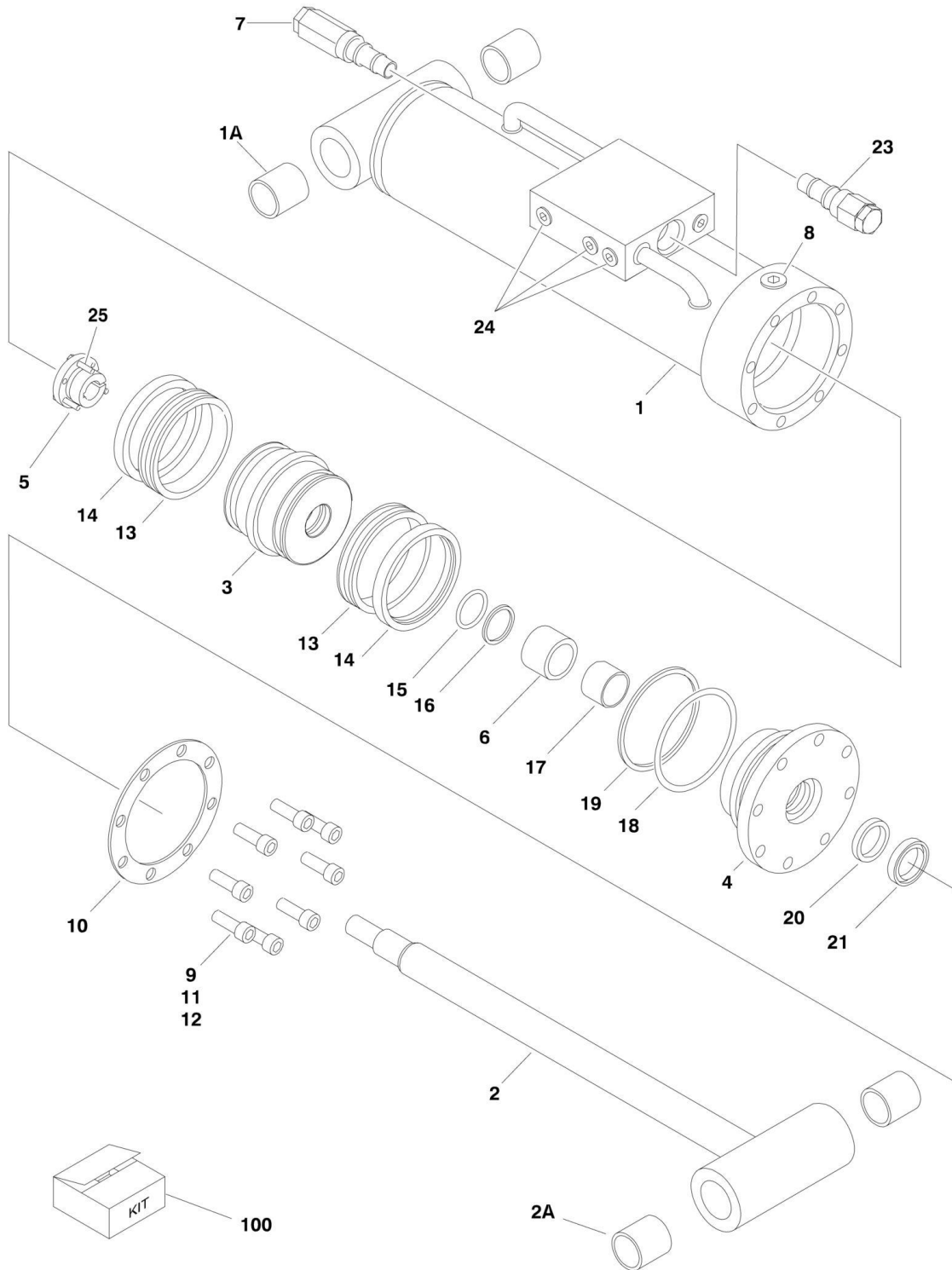
SECTION 5 - CYLINDER

FIGURE 5-1. AXLE LOCKOUT CYLINDER ASSEMBLY

ITEM	PART NUMBER	QTY	DESCRIPTION	REV
	1683078	Ref	AXLE LOCKOUT CYLINDER ASSEMBLY	G
1		Ref	Barrel Weldment Options:	
1	1683079	NLA	Barrel Weldment (Use p/n 1684191) (Prior to SN 0300056902)	
1	1683987	NLA	Barrel Weldment (Use p/n 1684191) (SN 0300056902 through 0300065397)	
1	1684191	1	Barrel Weldment (SN 0300065398 through 0300068000)	
1A	0962496	2	Bushing	
2		Ref	Rod Weldment Options:	
2	1683081	NLA	Rod Weldment (Use p/n 1683986) (Prior to SN 0300056902)	
2	1683986	1	Rod Weldment (SN 0300056902 through 0300068000)	
2A	0962496	2	Bushing	
3	3480176	1	Piston	
4	1683059	1	Head	
5	0961895	1	Bushing	
7	3931720	8	Bolt, Socket Head 7/16in-14NC x 1-1/4in	
8		Ref	Cartridge, Valve (Counterbalance) Options:	
8	4640525	2	Cartridge, Valve (Counterbalance) (Prior to SN 0300056902)	
8	4641162	2	Cartridge, Valve (Counterbalance) (SN 0300056902 through 0300068000)	
8	2900770	2	Seal Kit - 4640525/4641162 Valve (1 Per Assembly)	
9	2220886	1	Plug, O-Ring	
10	2220885	2	Plug, O-Ring	
11	4640858	3	Valve, Bleeder	
12	See Note	NSS	Wiper (Note: Use Item 100)	
13	See Note	NSS	Seal, Rod (Note: Use Item 100)	
14	See Note	NSS	O-Ring (Note: Use Item 100)	
15	See Note	NSS	Ring, Back-up (Note: Use Item 100)	
16	See Note	NSS	Ring, Wear (Note: Use Item 100)	
17	See Note	NSS	Ring, Wear (Note: Use Item 100)	
18	See Note	NSS	T-Seal (Note: Use Item 100)	
19	See Note	NSS	O-Ring (Note: Use Item 100)	
20	See Note	NSS	Ring, Back-up (Note: Use Item 100)	
21	0100011	AR	Compound, Locking	
22	0100038	AR	Primer, Locking	
23	3760367	1	Ring, Washer	
25	0630535	3	Screw, Socket Head 1/4in-20NC x 1-1/8in	
100	2901271	1	Seal Kit - 1683078 Cylinder (Includes Items 12-20)	

SECTION 5 - CYLINDER

FIGURE 5-2. LEVEL CYLINDER ASSEMBLY (PLATFORM SLAVE) - 600S (ORIGINAL EQUIPMENT)



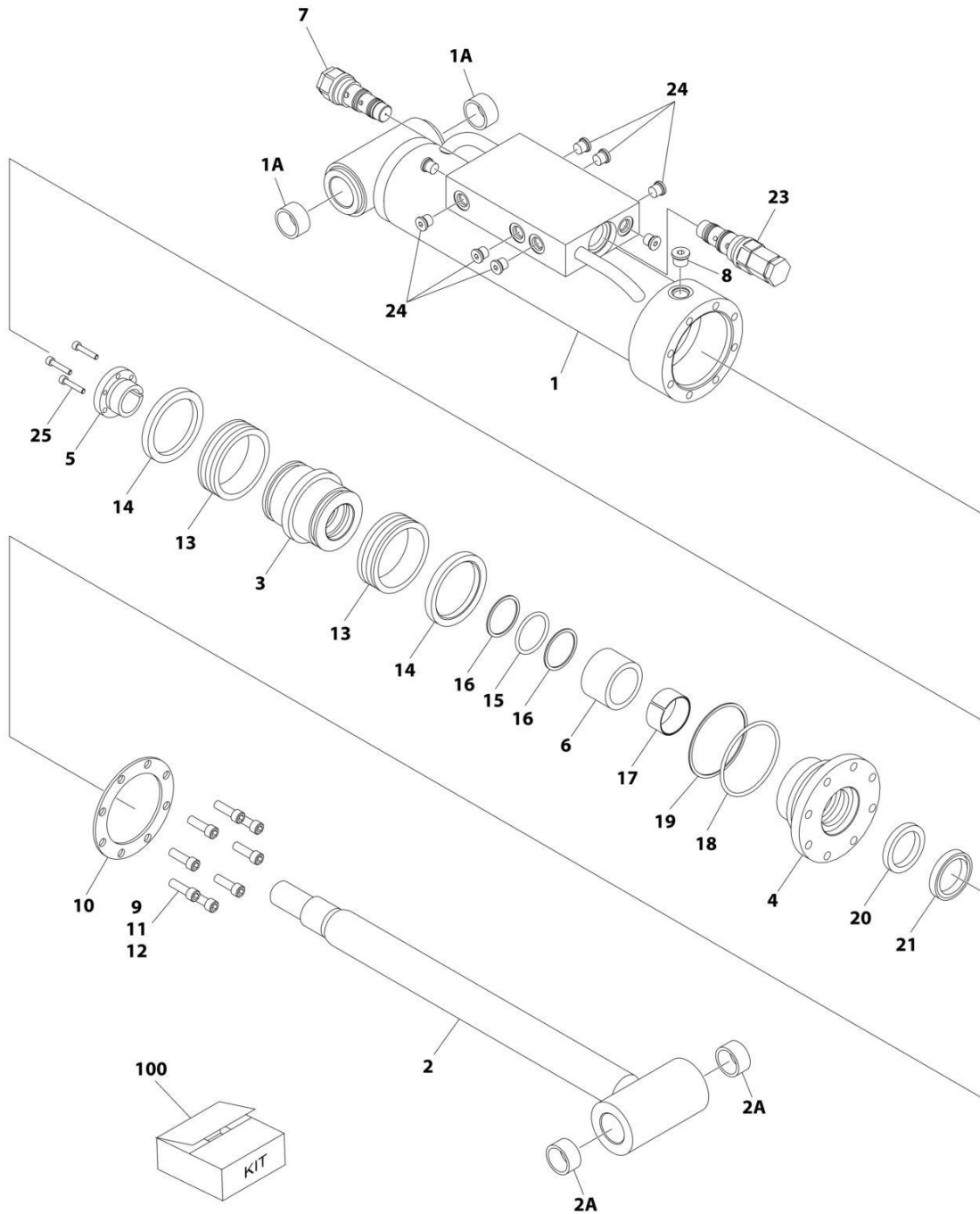
SECTION 5 - CYLINDER

FIGURE 5-2. LEVEL CYLINDER ASSEMBLY (PLATFORM SLAVE) - 600S (ORIGINAL EQUIPMENT)

ITEM	PART NUMBER	QTY	DESCRIPTION	REV
		Ref	LEVEL CYLINDER ASSEMBLY (PLATFORM SLAVE) - 600S	
	1683271	Ref	Level Cylinder Assembly (Platform Slave) - 600S (Original Equipment) (Prior to SN 0300024714)	1-A
	1683415	Ref	Level Cylinder Assembly (Platform Slave) - 600S (Original Equipment) (SN 0300024714 through 0300068000)	C
		Ref	Note: Original Cylinder May Have Been Replaced with Service Replacement. Identify PN Stamped on Cylinder Before Ordering Parts.	
1		Ref	Barrel Weldment Options:	
1	1683272	1	Barrel Weldment (Prior to SN 0300024714)	
1	1683416	1	Barrel Weldment (SN 0300024714 through 0300053551)	
1	1683977	1	Barrel Weldment (SN 0300053552 through 0300068000)	
1A	0961947	2	Bushing	
2		Ref	Rod Weldment Options:	
2	1683274	1	Rod Weldment (Prior to SN 0300053552)	
2	1683976	1	Rod Weldment (SN 0300053552 through 0300068000)	
2A	0961947	2	Bushing	
3	3480210	1	Piston	
4	1683053	1	Head	
5	0961893	1	Bushing, Tapered	
6	4566468	1	Spacer	
7	4640509	1	Cartridge, Valve	
7	2900792	1	Seal Kit - 4640509 Valve	
8	2220885	1	Plug, O-Ring	
9	3931516	8	Capscrew, Socket Head 5/16in-18NC x 1in	
10	3760368	1	Ring, Washer	
11	0100011	AR	Compound, Locking	
12	0100038	AR	Primer, Locking	
13	See Note	NSS	Seal (Note: Use Item 100)	
14	See Note	NSS	Ring, Lock (Note: Use Item 100)	
15	See Note	NSS	O-Ring (Note: Use Item 100)	
16	See Note	NSS	Ring, Back-up (Note: Use Item 100)	
17	See Note	NSS	Ring, Wear (Note: Use Item 100)	
18	See Note	NSS	O-Ring (Note: Use Item 100)	
19	See Note	NSS	Ring, Back-up (Note: Use Item 100)	
20	See Note	NSS	Seal, Rod (Note: Use Item 100)	
21	See Note	NSS	Wiper (Note: Use Item 100)	
23		Ref	Cartridge, Valve Options:	
23	4640509	1	Cartridge, Valve (Prior to SN 0300024714)	
23	4640932	1	Cartridge, Valve (SN 0300024714 through 0300068000)	
23		Ref	Seal Kit Options:	
23	2900792	1	Seal Kit 4640509 Valve (Prior to SN 0300024714)	
23	7011112	1	Seal Kit 4640932 Valve (SN 0300024714 through 0300068000)	
24		Ref	Plug, O-Ring Options:	
24	2220885	4	Plug, O-Ring (Prior to SN 0300024714)	
24	2220883	8	Plug, O-Ring (SN 0300024714 through 0300068000)	
25	0630534	3	Screw, Socket Head #10-24NC x 1in	
100	2901303	1	Seal Kit (Includes Items 13-21)	

SECTION 5 - CYLINDER

FIGURE 5-3. LEVEL CYLINDER ASSEMBLY (PLATFORM SLAVE) - 600S (SERVICE REPLACEMENT)



ART_1001223512

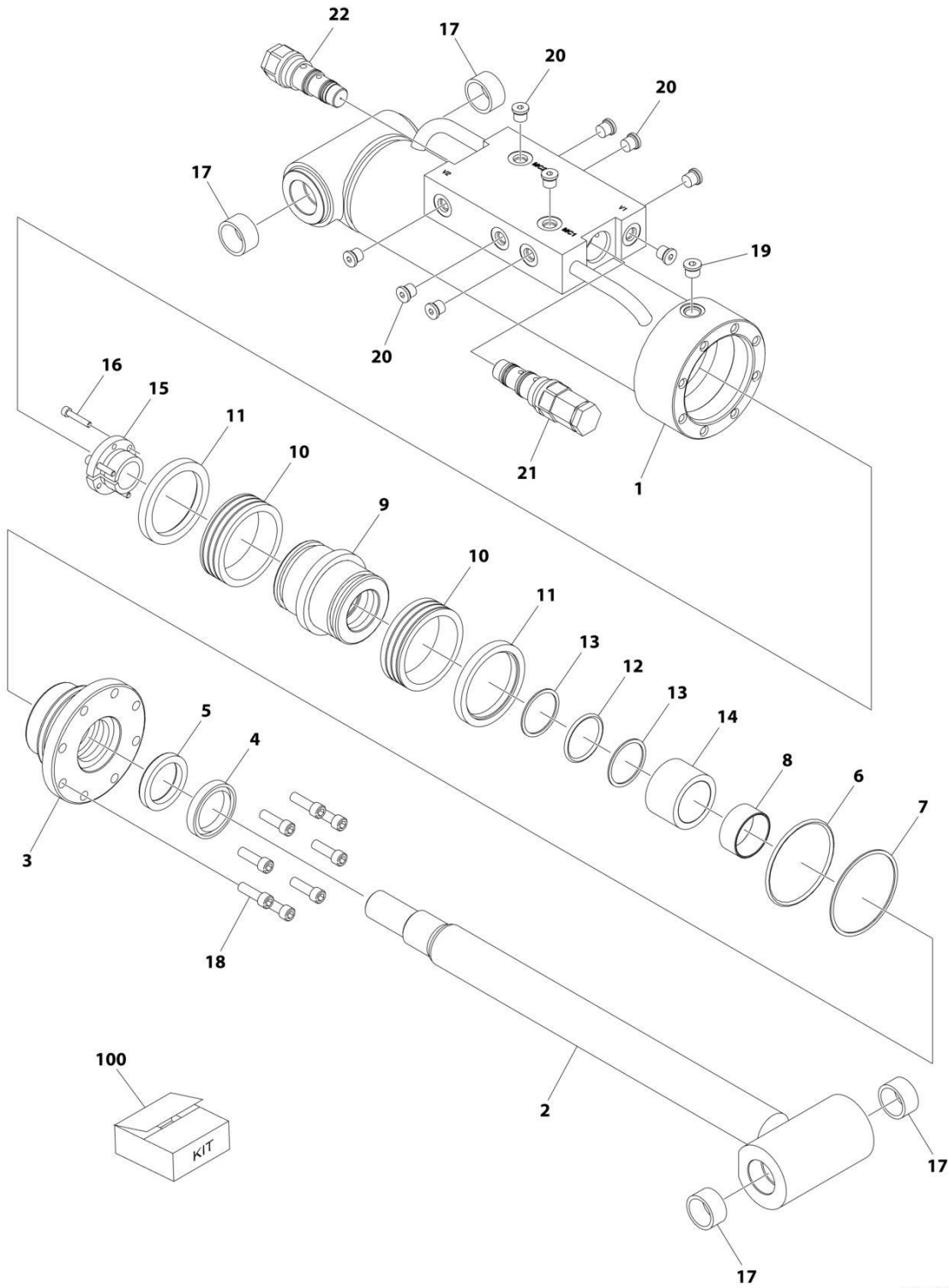
SECTION 5 - CYLINDER

FIGURE 5-3. LEVEL CYLINDER ASSEMBLY (PLATFORM SLAVE) - 600S (SERVICE REPLACEMENT)

ITEM	PART NUMBER	QTY	DESCRIPTION	REV
	1001223512	Ref	LEVEL CYLINDER ASSEMBLY (PLATFORM SLAVE) - 600S (SERVICE REPLACEMENT) Note: Original Cylinder May Have Been Replaced with Service Replacement. Identify PN Stamped on Cylinder Before Ordering Parts.	B
		Ref		
1	1001223511	1	Barrel Weldment	
1A	0961947	2	Bushing	
2	1683976	1	Rod Weldment	
2A	0961947	2	Bushing	
3	3480210	1	Piston	
4	1683053	1	Head	
5	0961893	1	Bushing, Tapered	
6	4566468	1	Spacer	
7	4640509	1	Cartridge, Valve	
7	2900792	1	Seal Kit 4640509 Valve	
8	2220885	1	Plug, O-Ring	
9	3931516	8	Capscrew 5/16 x 1	
10	3760368	1	Ring, Washer	
11	0100011	AR	Compound, Locking	
12	0100038	AR	Primer, Locking	
13	See Note	NSS	Seal (Note: Use Item 100)	
14	See Note	NSS	Ring, Lock (Note: Use Item 100)	
15	See Note	NSS	O-Ring (Note: Use Item 100)	
16	See Note	NSS	Ring, Back-up (Note: Use Item 100)	
17	See Note	NSS	Ring, Wear (Note: Use Item 100)	
18	See Note	NSS	O-Ring (Note: Use Item 100)	
19	See Note	NSS	Ring, Back-up (Note: Use Item 100)	
20	See Note	NSS	Seal, Rod (Note: Use Item 100)	
21	See Note	NSS	Wiper (Note: Use Item 100)	
23	4640932	1	Cartridge, Valve	
23	7011112	1	Seal Kit 4640932 Valve	
24	2220883	8	Plug, O-Ring	
25	0630534	3	Screw #10 x 1	
100	2901303	1	Seal Kit (Includes Items 13-21)	

SECTION 5 - CYLINDER

FIGURE 5-4. LEVEL CYLINDER ASSEMBLY (PLATFORM SLAVE) - 600S (SERVICE REPLACEMENT)



ART_1001228008

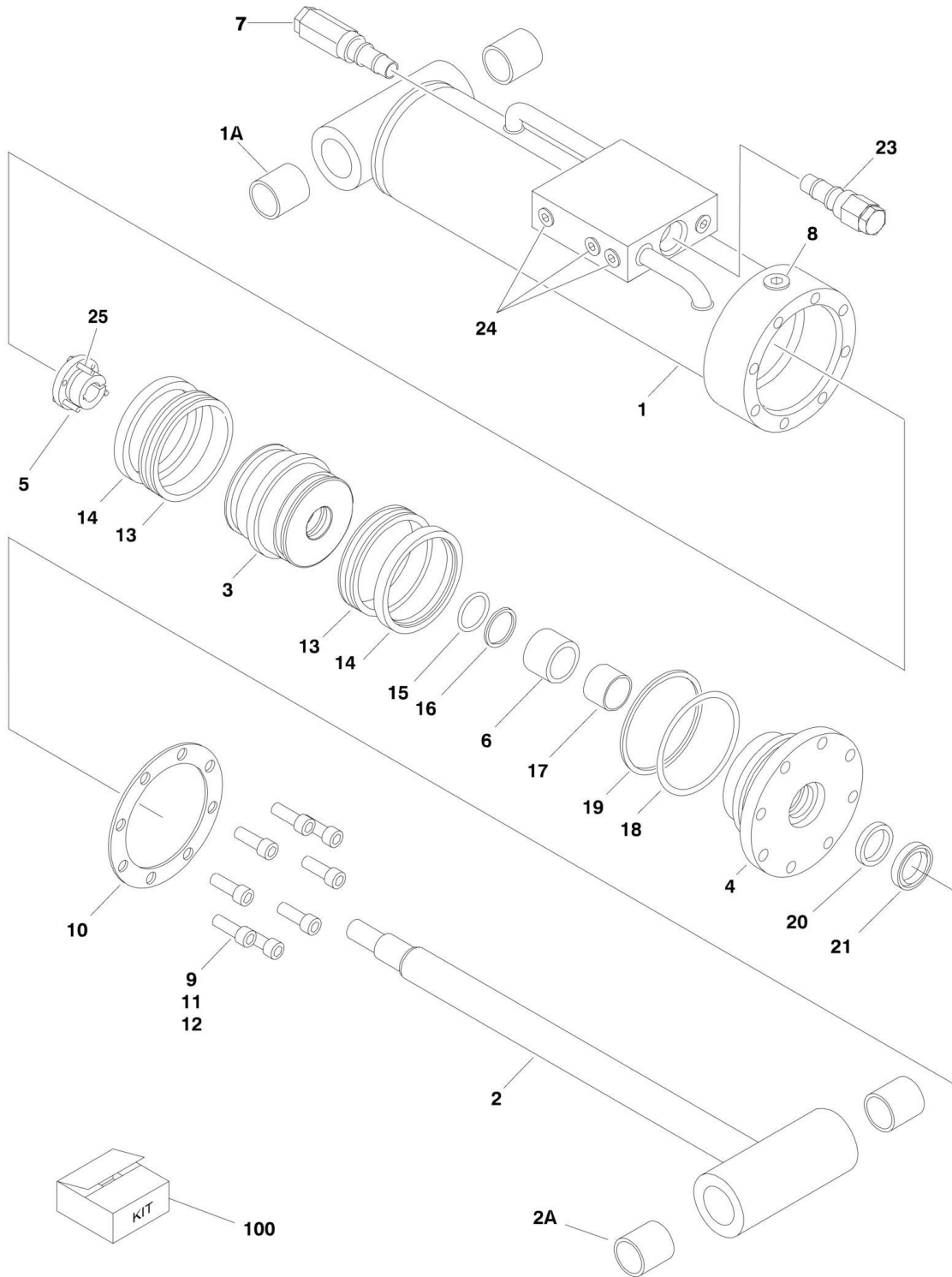
SECTION 5 - CYLINDER

FIGURE 5-4. LEVEL CYLINDER ASSEMBLY (PLATFORM SLAVE) - 600S (SERVICE REPLACEMENT)

ITEM	PART NUMBER	QTY	DESCRIPTION	REV
	1001228008	Ref	LEVEL CYLINDER ASSEMBLY - PLATFORM SLAVE	C
		Ref	Note: Original Cylinder may have been replaced with Service Replacement. Identify PN Stamped on Cylinder Before Ordering Parts.	
1	See Note	NSS	Barrel (Note: Use p/n 1001228008)	
2	70006648	1	Rod	
3	70006649	1	Head	
4	See Note	NSS	Wiper (Note: Use Item 100)	
5	See Note	NSS	Seal Rod (Note: Use Item 100)	
6	See Note	NSS	O-Ring (Note: Use Item 100)	
7	See Note	NSS	Ring, Back-up (Note: Use Item 100)	
8	See Note	NSS	Ring, Wear (Note: Use Item 100)	
9	70006650	1	Piston	
10	See Note	NSS	Seal (Note: Use Item 100)	
11	See Note	NSS	Ring, Lock (Note: Use Item 100)	
12	See Note	NSS	O-Ring (Note: Use Item 100)	
13	See Note	NSS	Ring, Back-up (Note: Use Item 100)	
14	70006651	1	Spacer	
15	0961893	1	Bushing, Tapered	
16	0630534	3	Bolt #10 x 1	
17	0961947	4	Bushing	
18	3931516	8	Capscrew, Socket Head	
19	2220885	AR	Plug, O-Ring	
20	2220883	10	Plug, O-Ring	
21	4640932	1	Cartridge, Valve	
21	7011112	1	Seal Kit - 4640932 Valve	
22	4640509	1	Cartridge, Valve	
22	2900792	1	Seal Kit - 4640509 Valve	
100	2901303	1	Seal Kit - 1001228008 Cylinder (Includes Items 4-8 & 10-13)	

SECTION 5 - CYLINDER

FIGURE 5-5. LEVEL CYLINDER ASSEMBLY (PLATFORM SLAVE) - 600SJ & 660SJ (ORIGINAL EQUIPMENT)



SECTION 5 - CYLINDER

FIGURE 5-5. LEVEL CYLINDER ASSEMBLY (PLATFORM SLAVE) - 600SJ & 660SJ (ORIGINAL EQUIPMENT)

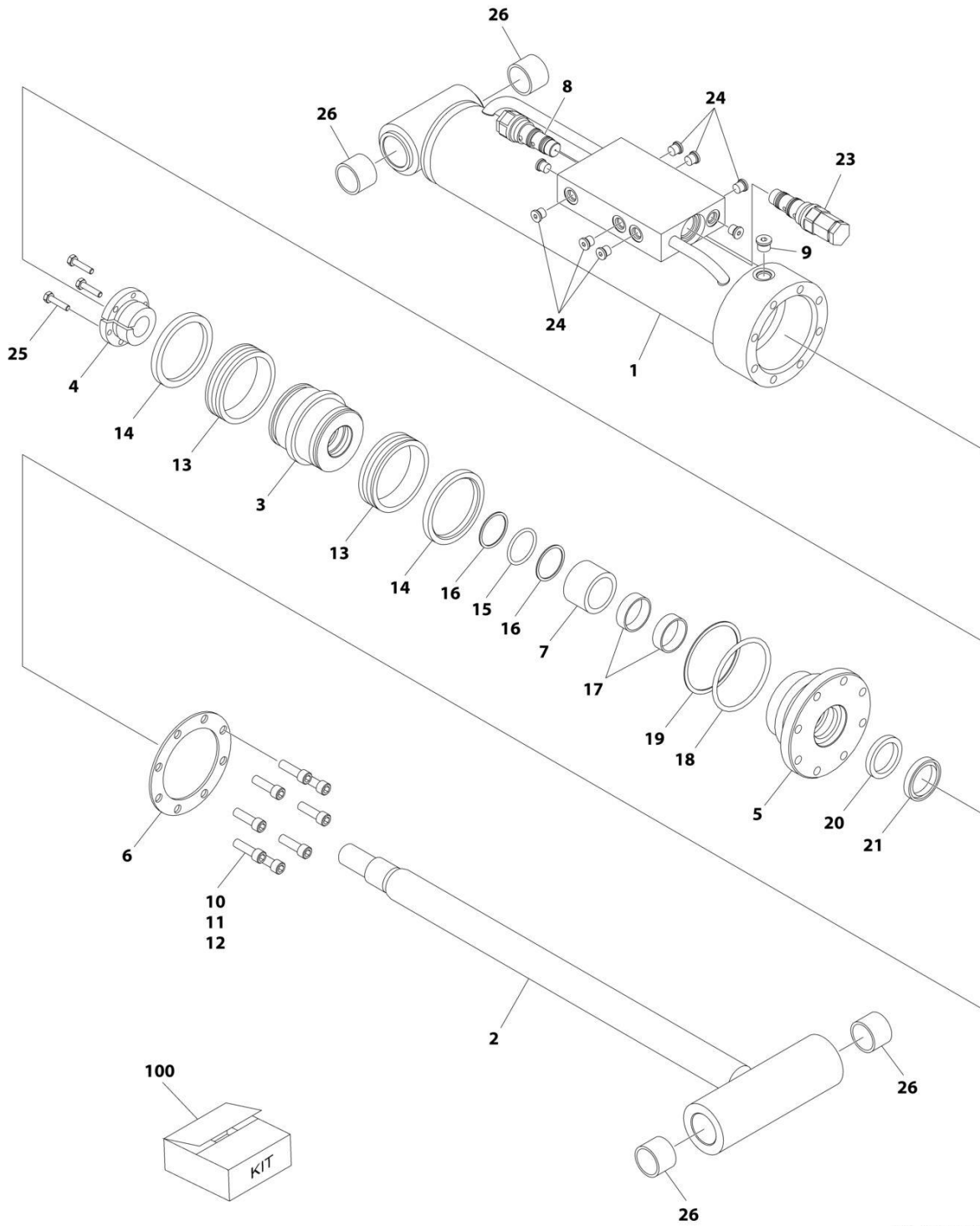
ITEM	PART NUMBER	QTY	DESCRIPTION	REV
		Ref	LEVEL CYLINDER ASSEMBLY (PLATFORM SLAVE) - 600SJ & 660SJ (ORIGINAL EQUIPMENT)	
	1683253	Ref	Level Cylinder Assembly (Platform Slave) - 600SJ & 660SJ (Prior to SN 0300024714)	1-B
	1683418	Ref	Level Cylinder Assembly (Platform Slave) - 600SJ & 660SJ (SN 0300024714 through 0300068000)	D
		Ref	Note: Original Cylinder May Have Been Replaced with Service Replacement. Identify PN Stamped on Cylinder Before Ordering Parts.	
1		Ref	Barrel Weldment Options:	
1	1683254	1	Barrel Weldment (Note: Includes Item 1A) (Prior to SN 0300024714)	
1	1683419	1	Barrel Weldment (Note: Includes Item 1A) (SN 0300024714 through 0300052686)	
1	1683952	1	Barrel Weldment (Note: Item 1A not included - Purchase Separately) (SN 0300052687 through 0300068000)	
1A	0961951	2	Bushing	
2		Ref	Rod Weldment Options:	
2	1683963	1	Rod Weldment (Note: Includes Item 2A)	
2	1683333	1	Rod Weldment (Note: Item 2A not included. Purchase PN 1683963)	
2A	0961951	2	Bushing	
3	3480188	1	Piston	
4	1683055	1	Head	
5	0961894	1	Bushing, Tapered	
6	4566468	1	Spacer	
7	4640509	1	Cartridge, Valve	
7	2900792	1	Seal Kit - 4640509 Valve	
8	2220885	1	Plug, O-Ring	
9	3931620	8	Capscrew, Socket Head 3/8in-16NC x 1-1/4in	
10	3760369	1	Ring, Washer	
11	0100011	AR	Compound, Locking	
12	0100038	AR	Primer, Locking	
13	See Note	NSS	Seal (Note: Use Item 100)	
14	See Note	NSS	Ring, Lock (Note: Use Item 100)	
15	See Note	NSS	O-Ring (Note: Use Item 100)	
16	See Note	NSS	Ring, Back-up (Note: Use Item 100)	
17	See Note	NSS	Ring, Wear (Note: Use Item 100)	
18	See Note	NSS	O-Ring (Note: Use Item 100)	
19	See Note	NSS	Ring, Back-up (Note: Use Item 100)	
20	See Note	NSS	Seal, Rod (Note: Use Item 100)	
21	See Note	NSS	Wiper (Note: Use Item 100)	
23		Ref	Cartridge, Valve Options:	
23	4640509	1	Cartridge, Valve (Prior to SN 0300024714)	
23	4640932	1	Cartridge, Valve (SN 0300024714 through 0300068000)	
23		Ref	Seal Kit Options:	
23	2900792	1	Seal Kit 4640509 Valve (Prior to SN 0300024714)	
23	7011112	1	Seal Kit 4640932 Valve (SN 0300024714 through 0300068000)	
24		Ref	Plug, O-Ring Options:	
24	2220885	4	Plug, O-Ring (Prior to SN 0300024714)	

SECTION 5 - CYLINDER

ITEM	PART NUMBER	QTY	DESCRIPTION	REV
24	2220883	8	Plug, O-Ring (SN 0300024714 through 0300068000)	
25	0630535	3	Screw, Socket Head 1/4in-20NC x 1-1/8in	
100	2901301	1	Seal Kit (Includes Items 13-21)	

SECTION 5 - CYLINDER

FIGURE 5-6. LEVEL CYLINDER ASSEMBLY (PLATFORM SLAVE) - 600SJ & 660SJ (SERVICE REPLACEMENT)



ART_1001223331

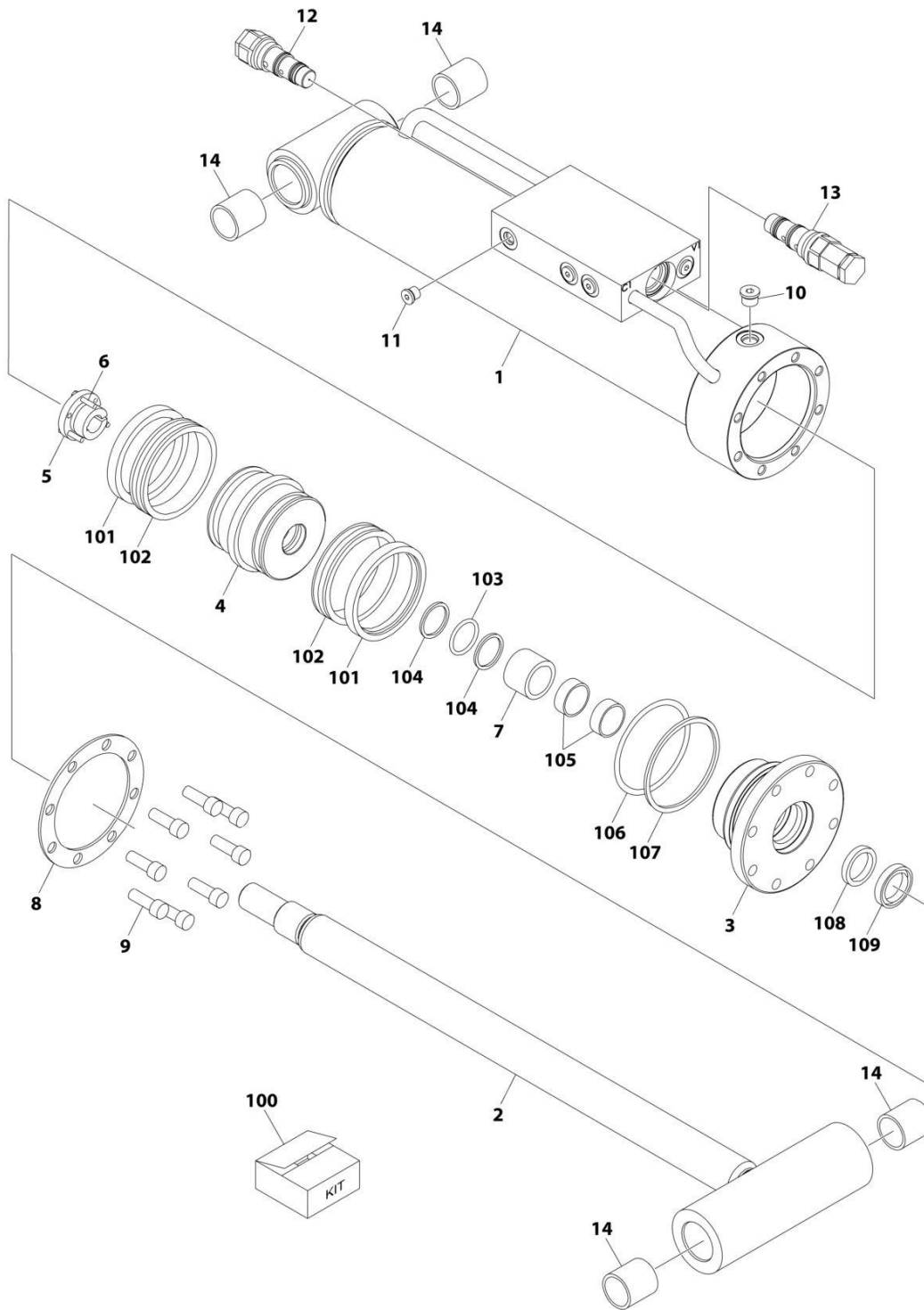
SECTION 5 - CYLINDER

FIGURE 5-6. LEVEL CYLINDER ASSEMBLY (PLATFORM SLAVE) - 600SJ & 660SJ (SERVICE REPLACEMENT)

ITEM	PART NUMBER	QTY	DESCRIPTION	REV
	1001223331	Ref	LEVEL CYLINDER ASSEMBLY (PLATFORM SLAVE) - 600SJ & 660SJ (SERVICE REPLACEMENT) Note: Original Cylinder May Have Been Replaced with Service Replacement. Identify PN Stamped on Cylinder Before Ordering Parts.	B
		Ref		
1	1001223332	1	Barrel Weldment	
2	1683963	1	Rod Weldment	
3	3480188	1	Piston	
4	0961894	1	Bushing, Tapered	
5	1683055	1	Head	
6	3760369	1	Ring, Washer	
7	4566468	1	Spacer	
8	4640509	1	Cartridge, Valve	
8	2900792	1	Seal Kit - 4640509 Valve	
9	2220885	1	Plug, O-Ring	
10	3931620	8	Capscrew 3/8 x 1-1/4	
11	0100011	AR	Compound, Locking	
12	0100038	AR	Primer, Locking	
13	See Note	NSS	Seal (Note: Use Item 100)	
14	See Note	NSS	Ring, Lock (Note: Use Item 100)	
15	See Note	NSS	O-Ring (Note: Use Item 100)	
16	See Note	NSS	Ring, Back-up (Note: Use Item 100)	
17	See Note	NSS	Ring, Wear (Note: Use Item 100)	
18	See Note	NSS	O-Ring (Note: Use Item 100)	
19	See Note	NSS	Ring, Back-up (Note: Use Item 100)	
20	See Note	NSS	Seal, Rod (Note: Use Item 100)	
21	See Note	NSS	Wiper (Note: Use Item 100)	
23	4640932	1	Cartridge, Valve	
23	7011112	1	Seal Kit 4640932 Valve	
24	2220883	8	Plug, O-Ring	
25	0630535	3	Screw #10 x 1	
26	0961951	4	Bushing	
100	2901303	1	Seal Kit (Includes Items 13-21)	

SECTION 5 - CYLINDER

FIGURE 5-7. LEVEL CYLINDER ASSEMBLY (PLATFORM SLAVE) - 600SJ & 660SJ (SERVICE REPLACEMENT)



ART_1001228051

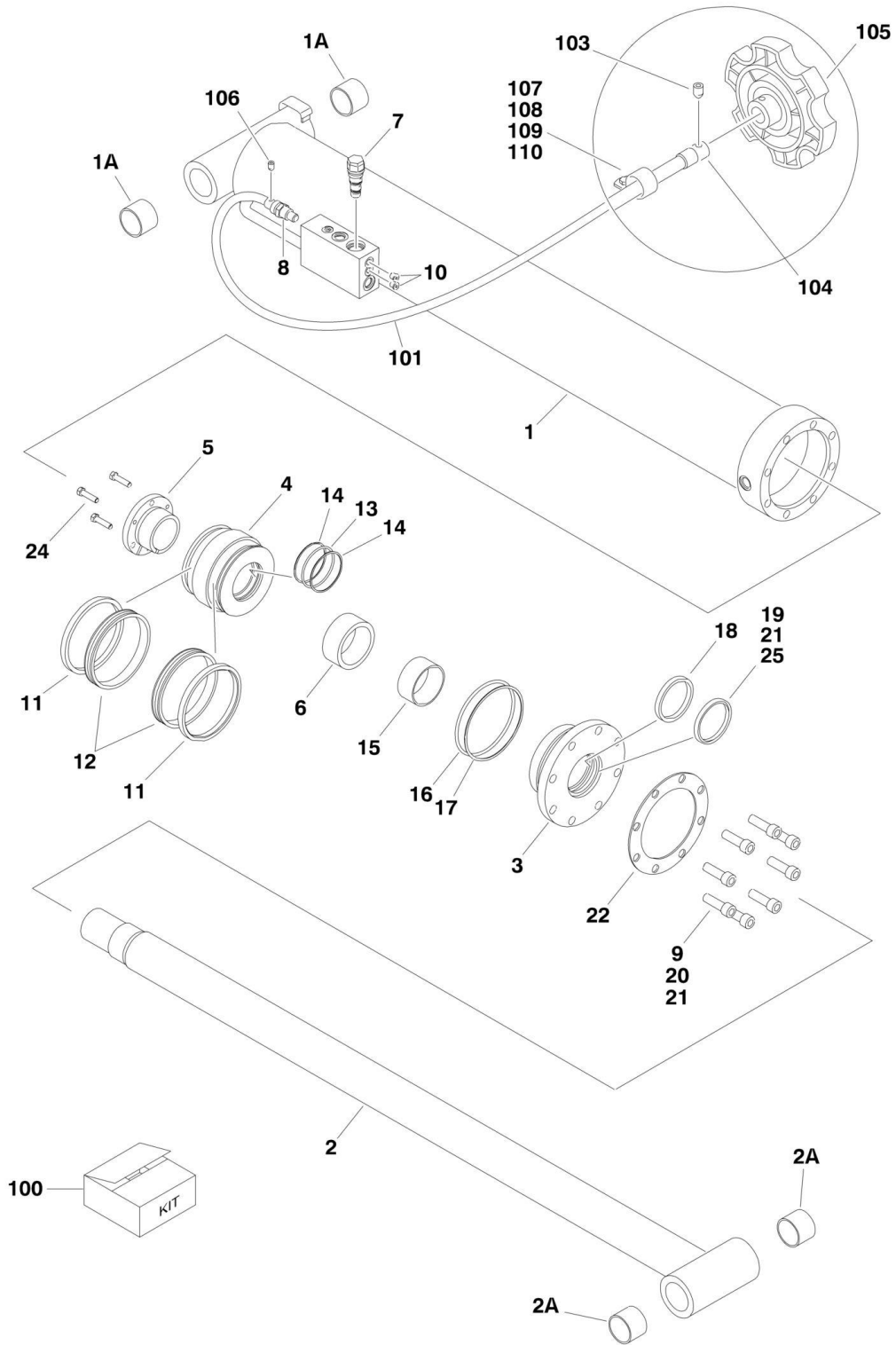
SECTION 5 - CYLINDER

FIGURE 5-7. LEVEL CYLINDER ASSEMBLY (PLATFORM SLAVE) - 600SJ & 660SJ (SERVICE REPLACEMENT)

ITEM	PART NUMBER	QTY	DESCRIPTION	REV
	1001228051	Ref	LEVEL CYLINDER ASSEMBLY	A
		Ref	Note: Original Cylinder May Have Been Replaced with Service Replacement. Identify PN Stamped on Cylinder Before Ordering Parts.	
1	See Note	NSS	Barrel (Note: Use p/n 1001228051)	
2	70006823	1	Rod	
3	70006446	1	Head	
4	70006445	1	Piston	
5	70006444	1	Bushing, Tapered	
6	0630535	3	Bolt 1/4 x 1-1/8	
7	70006443	1	Spacer	
8	70006822	1	Ring, Washer	
9	3931620	8	Capscrew 3/8 x 1-1/4	
10	2220885	1	Plug, O-Ring	
11	2220883	8	Plug, O-Ring	
12	4640509	1	Cartridge, Valve	
12	2900792	1	Seal Kit - 4640509 Valve	
13	4640932	1	Cartridge, Valve	
13	7011112	1	Seal Kit - 4640932 Valve	
14	0961951	4	Bushing	
100	1001138796	1	Seal Kit - 1001228051 Cylinder (Includes Items 101-109)	
101	See Note	NSS	Ring, Lock (Note: Use Item 100)	
102	See Note	NSS	Seal (Note: Use Item 100)	
103	See Note	NSS	O-Ring (Note: Use Item 100)	
104	See Note	NSS	Ring, Back-up (Note: Use Item 100)	
105	See Note	NSS	Ring, Wear (Note: Use Item 100)	
106	See Note	NSS	O-Ring (Note: Use Item 100)	
107	See Note	NSS	Ring, Back-up (Note: Use Item 100)	
108	See Note	NSS	Seal, Rod (Note: Use Item 100)	
109	See Note	NSS	Wiper (Note: Use Item 100)	

SECTION 5 - CYLINDER

FIGURE 5-8. LIFT CYLINDER ASSEMBLY - (BOOM)



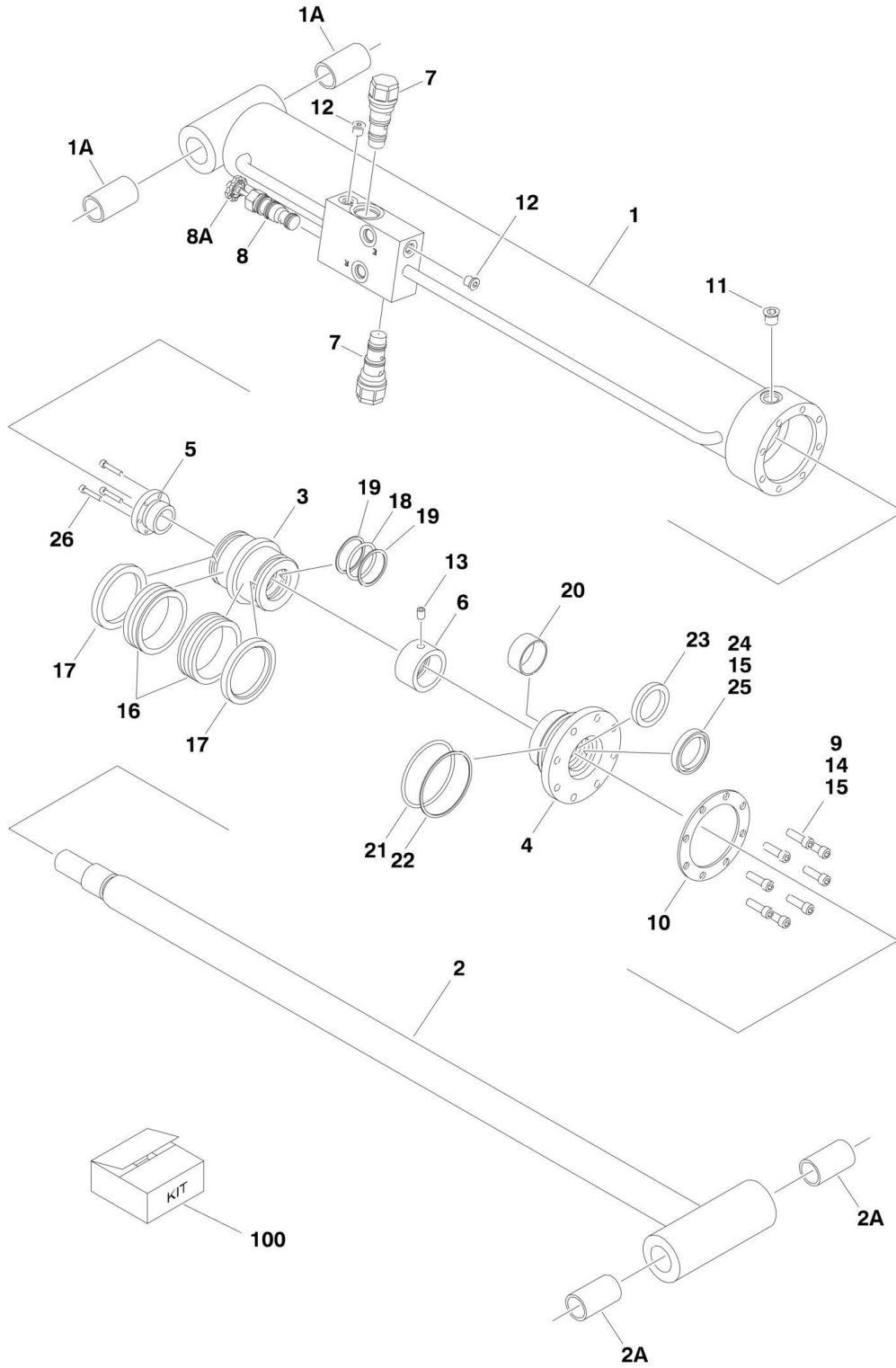
SECTION 5 - CYLINDER

FIGURE 5-8. LIFT CYLINDER ASSEMBLY - (BOOM)

ITEM	PART NUMBER	QTY	DESCRIPTION	REV
	1683275	Ref	LIFT CYLINDER ASSEMBLY - (BOOM)	G
1		Ref	Barrel Weldment Options:	
1	1683276	1	Barrel Weldment (Prior to SN 0300053547)	
1	1683955	NLA	Barrel Weldment (Use p/n 1001112467) (SN 0300053547 through 0300068000)	
1A	0961950	2	Bushing	
2		Ref	Rod Weldment Options:	
2	1683278	1	Rod Weldment (Prior to SN 0300053547)	
2	1683954	1	Rod Weldment (SN 0300053547 through 0300068000)	
2A	0961950	2	Bushing	
3	1683067	1	Head	
4	3480206	1	Piston	
5	0961898	1	Bushing, Tapered (Use item #24 in place of supplied bolts)	
6	4566501	1	Spacer, Tube	
7	4640509	1	Cartridge, Valve	
7	2900792	1	Seal Kit - 4640509 Valve	
8	4640799	1	Cartridge, Valve	
8	7010545	1	Seal Kit - 4640799 Valve	
9	3932032	8	Bolt, Socket Head 5/16in-11NC x 2in	
10	2220883	2	Plug, O-Ring	
11	See Note	NSS	Ring, Lock (Note: Use Item 100)	
12	See Note	NSS	Seal, Hydrolock (Note: Use Item 100)	
13	See Note	NSS	O-Ring (Note: Use Item 100)	
14	See Note	NSS	Ring, Back-up (Note: Use Item 100)	
15	See Note	NSS	Ring, Wear (Note: Use Item 100)	
16	See Note	NSS	O-Ring (Note: Use Item 100)	
17	See Note	NSS	Ring, Back-up (Note: Use Item 100)	
18	See Note	NSS	Seal, Rod (Note: Use Item 100)	
19	See Note	NSS	Wiper (Note: Use Item 100)	
20	0100011	AR	Compound, Locking	
21	0100038	AR	Primer, Locking	
22	3760372	1	Washer, Ring	
24	0630536	3	Screw, Socket Head 3/8in-16NC x 1-1/2in	
25	0100063	AR	Loctite, RC 609	
100	2901285	1	Seal Kit - 1683275 Cylinder (Includes Items 11-19)	
	0256212	Ref	MANUAL DESCENT INSTALLATION	3-B
101	1060617	1	Cable	
103	3900230	2	Setscrew #10-32NF x 3/8in	
104	0080220	1	Adapter	
105	2560144	1	Knob	
106	3950803	1	Setscrew #8-32NC x 3/8in	
107	1320070	1	Clamp (SN 0300036657 through 0300068000)	
108	0641408	1	Bolt 1/4in-20NC x 1in (SN 0300036657 through 0300068000)	
109		Ref	Nut Options:	
109	3311402	1	Nut, Jam 1/4in-20NC (SN 0300036657 through 0300043317)	
109	3311405	1	Locknut 1/4in-20NC (SN 0300043318 through 0300068000)	
110	4751400	2	Flatwasher 1/4in Regular (SN 0300036657 through 0300068000)	

SECTION 5 - CYLINDER

FIGURE 5-9. LIFT CYLINDER ASSEMBLY (JIB) - 600SJ & 660SJ



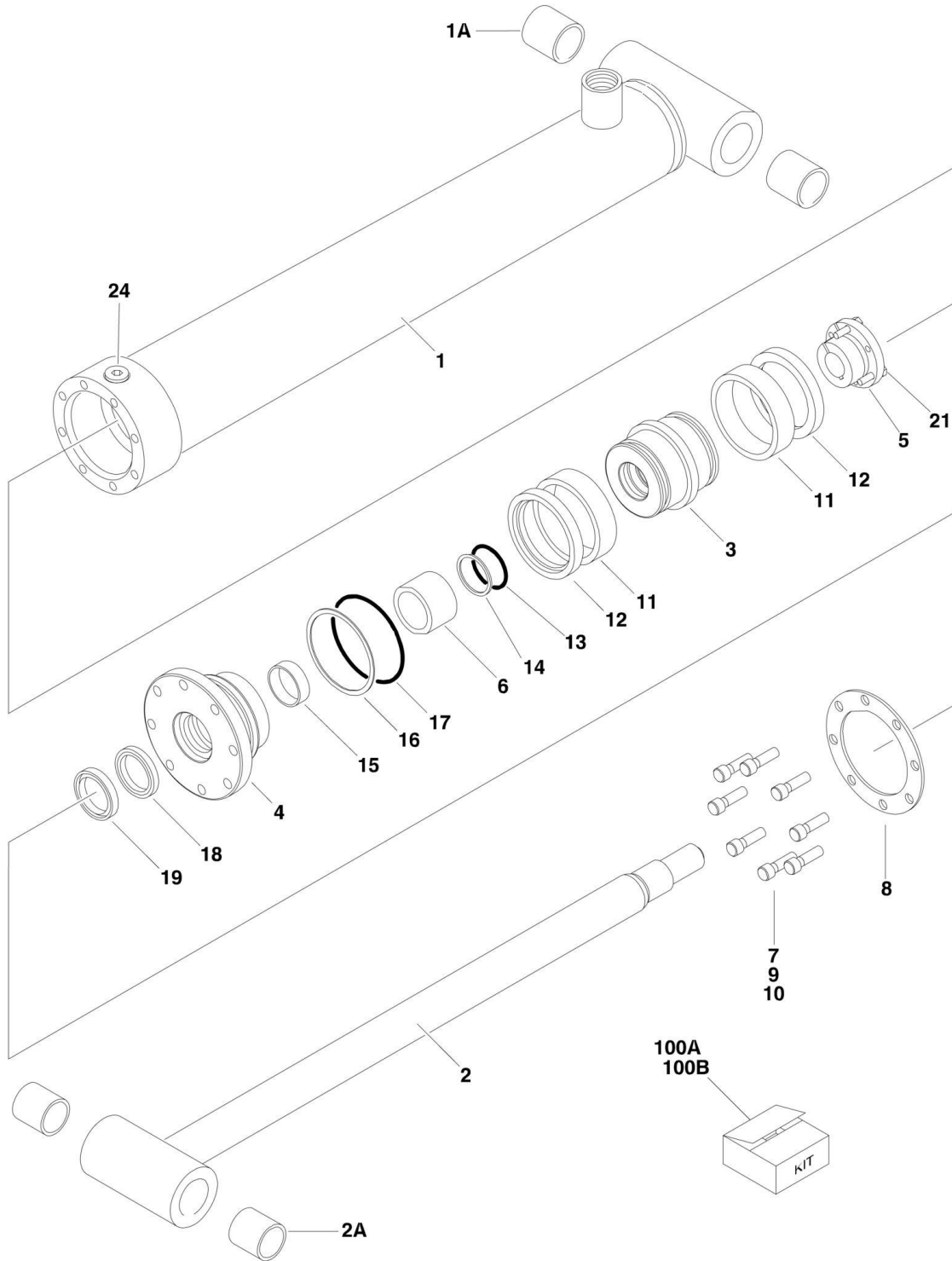
SECTION 5 - CYLINDER

FIGURE 5-9. LIFT CYLINDER ASSEMBLY (JIB) - 600SJ & 660SJ

ITEM	PART NUMBER	QTY	DESCRIPTION	REV
	1683258	Ref	LIFT CYLINDER ASSEMBLY (JIB) - 600SJ & 660SJ	C
1		Ref	Barrel Weldment Options:	
1	1683259	1	Barrel Weldment (Prior to SN 0300053547)	
1	1684092	1	Barrel Weldment (SN 0300053547 through 0300068000)	
1A		Ref	Bushing Options:	
1A	0961947	2	Bushing (Prior to SN 0300053995)	
1A	0962336	2	Bushing (SN 0300053995 through 0300068000)	
2		Ref	Rod Weldment Options:	
2	1683261	1	Rod Weldment (Prior to SN 0300053547)	
2	1684090	1	Rod Weldment (SN 0300053547 through 0300068000)	
2A		Ref	Bushing Options:	
2A	0961947	2	Bushing (Prior to SN 0300053995)	
2A	0962336	2	Bushing (SN 0300053995 through 0300068000)	
3	3480210	1	Piston	
4	1683053	1	Head	
5	0961893	1	Bushing, Tapered	
6	4566471	1	Spacer	
7	4640509	2	Cartridge, Valve	
7	2900792	2	Seal Kit - 4640509 Valve	
8	4640902	1	Cartridge, Valve	
8	7012953	1	Seal Kit - 4640902 Valve	
8A	7012961	1	Knob	
9	3931516	8	Capscrew, Socket Head 5/16in-18NC x 1in	
10	3760368	1	Ring, Washer	
11	2220885	1	Plug, O-Ring #6	
12	2220883	2	Plug, O-Ring #4	
13	3900141	1	Setscrew 1/4in-20NC x 3/8in	
14	0100011	AR	Compound, Locking	
15	0100038	AR	Primer, Locking	
16	See Note	NSS	Seal (Note: Use Item 100)	
17	See Note	NSS	Ring, Lock (Note: Use Item 100)	
18	See Note	NSS	O-Ring (Note: Use Item 100)	
19	See Note	NSS	Ring, Back-up (Note: Use Item 100)	
20	See Note	NSS	Ring, Wear (Note: Use Item 100)	
21	See Note	NSS	O-Ring (Note: Use Item 100)	
22	See Note	NSS	Ring, Back-up (Note: Use Item 100)	
23	See Note	NSS	Seal, Rod (Note: Use Item 100)	
24	See Note	NSS	Wiper (Note: Use Item 100)	
26	0630534	3	Screw, Socket Head #10-24NC x 1in	
100	2901303	1	Seal Kit - 1683258 Cylinder (Includes Items 16-24)	

SECTION 5 - CYLINDER

FIGURE 5-10. MASTER CYLINDER ASSEMBLY (ORIGINAL EQUIPMENT)



SECTION 5 - CYLINDER

FIGURE 5-10. MASTER CYLINDER ASSEMBLY (ORIGINAL EQUIPMENT)

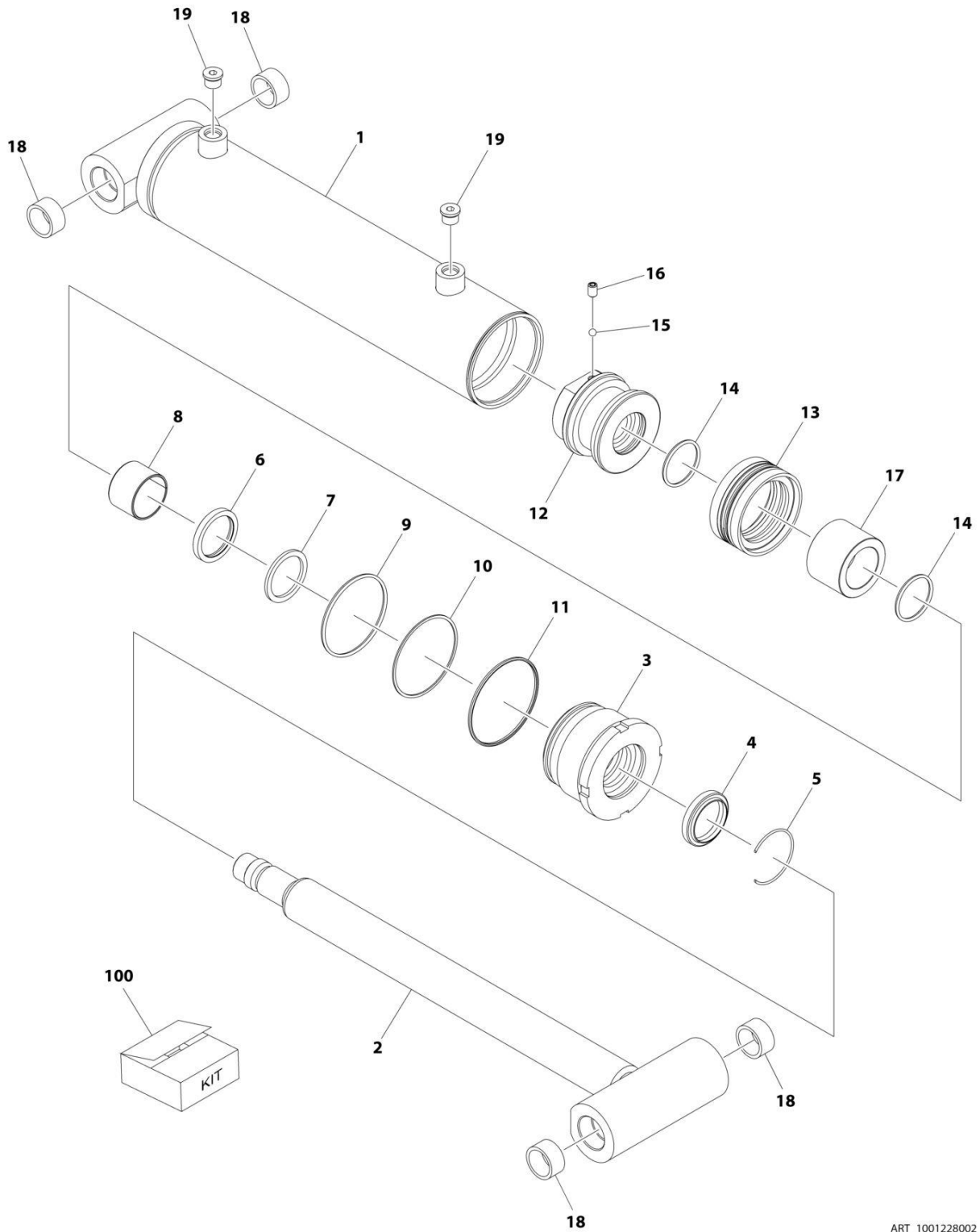
ITEM	PART NUMBER	QTY	DESCRIPTION	REV
	1683266	Ref	MASTER CYLINDER ASSEMBLY - 600S (ORIGINAL EQUIPMENT)	C
	1683263	Ref	MASTER CYLINDER ASSEMBLY - 600SJ/660SJ (ORIGINAL EQUIPMENT)	E
		Ref	Note: Original Cylinder May Have Been Replaced with Service Replacement. Identify PN Stamped on Cylinder Before Ordering Parts.	
1		Ref	Barrel Options:	
1	1683267	1	Barrel 600S (Note: Includes Item 1A) (Prior to SN 0300053552)	
1	1683972	1	Barrel 600S (Note: Includes Item 1A) (SN 0300053552 through 0300068000)	
1	1683264	1	Barrel 600SJ/660SJ (Note: Includes Item 1A) (Prior to SN 0300052687)	
1	1683949	1	Barrel 600SJ/660SJ (Note: Item 1A not included - Purchase Separately) (SN 0300052687 through 0300068000)	
1A		Ref	Bushing Options:	
1A	0961947	2	Bushing 600S - Bushing	
1A	0961951	2	Bushing 600SJ/660SJ - Bushing	
2		Ref	Rod Options:	
2	1683269	1	Rod 600S (Note: Includes Item 2A) (Prior to SN 0300053552)	
2	1683973	1	Rod 600S (Note: Includes Item 2A) (SN 0300053552 through 0300068000)	
2	1683256	1	Rod 600SJ/660SJ (Note: Includes Item 2A) (Prior to SN 0300052687)	
2	1683962	1	Rod 600SJ/660SJ (Note: Item 2A not included - Purchase Separately) (SN 0300052687 through 0300068000)	
2A		Ref	Bushing Options:	
2A	0961947	2	Bushing 600S	
2A	0961951	2	Bushing 600SJ/660SJ	
3		Ref	Piston Options:	
3	3480210	1	Piston 600S	
3	3480188	1	Piston 600SJ/660SJ	
4		Ref	Head Options:	
4	1683053	1	Head 600S	
4	1683055	1	Head 600SJ/660SJ	
5		Ref	Bushing, Tapered Options:	
5	0961893	1	Bushing, Tapered 600S	
5	0961894	1	Bushing, Tapered 600SJ/660SJ	
6	4566468	1	Spacer, Tube	
7		Ref	Capscrew Options:	
7	3931516	8	600S - Capscrew 5/16in-18NC x 1in	
7	3931620	8	600SJ/660SJ - Capscrew 3/8in-16NC x 1-1/4in	
8		Ref	Ring, Washer Options:	
8	3760368	1	Ring, Washer 600S	
8	3760369	1	Ring, Washer 600SJ/660SJ	
9	0100011	AR	Compound, Locking	
10	0100038	AR	Primer, Locking	
11	See Note	NSS	Seal (Note: Use Item 100A or 100B)	
12	See Note	NSS	Ring, Lock (Note: Use Item 100A or 100B)	
13	See Note	NSS	O-Ring (Note: Use Item 100A or 100B)	
14	See Note	NSS	Ring, Back-up (Note: Use Item 100A or 100B)	

SECTION 5 - CYLINDER

ITEM	PART NUMBER	QTY	DESCRIPTION	REV
15	See Note	NSS	Ring, Wear (Note: Use Item 100A or 100B)	
16	See Note	NSS	O-Ring (Note: Use Item 100A or 100B)	
17	See Note	NSS	Ring, Back-up (Note: Use Item 100A or 100B)	
18	See Note	NSS	Seal, Rod (Note: Use Item 100A or 100B)	
19	See Note	NSS	Wiper (Note: Use Item 100A or 100B)	
21		Ref	Screw Options:	
21	0630534	3	600S - Screw, Socket Head #10-24NC x 1in	
21	0630535	3	600SJ/660SJ - Screw, Socket Head 1/4in-20NC x 1-1/8in	
24	2220885	1	Fitting, Plug (600SJ/660SJ - 1683263 Cylinder Only)	
100		Ref	Seal Kit (Includes Items 11-19)	
100A	2901303	1	Seal Kit 600S	
100B	2901301	1	Seal Kit 600SJ/660SJ	

SECTION 5 - CYLINDER

FIGURE 5-11. MASTER CYLINDER ASSEMBLY - 600S (SERVICE REPLACEMENT)



ART_1001228002

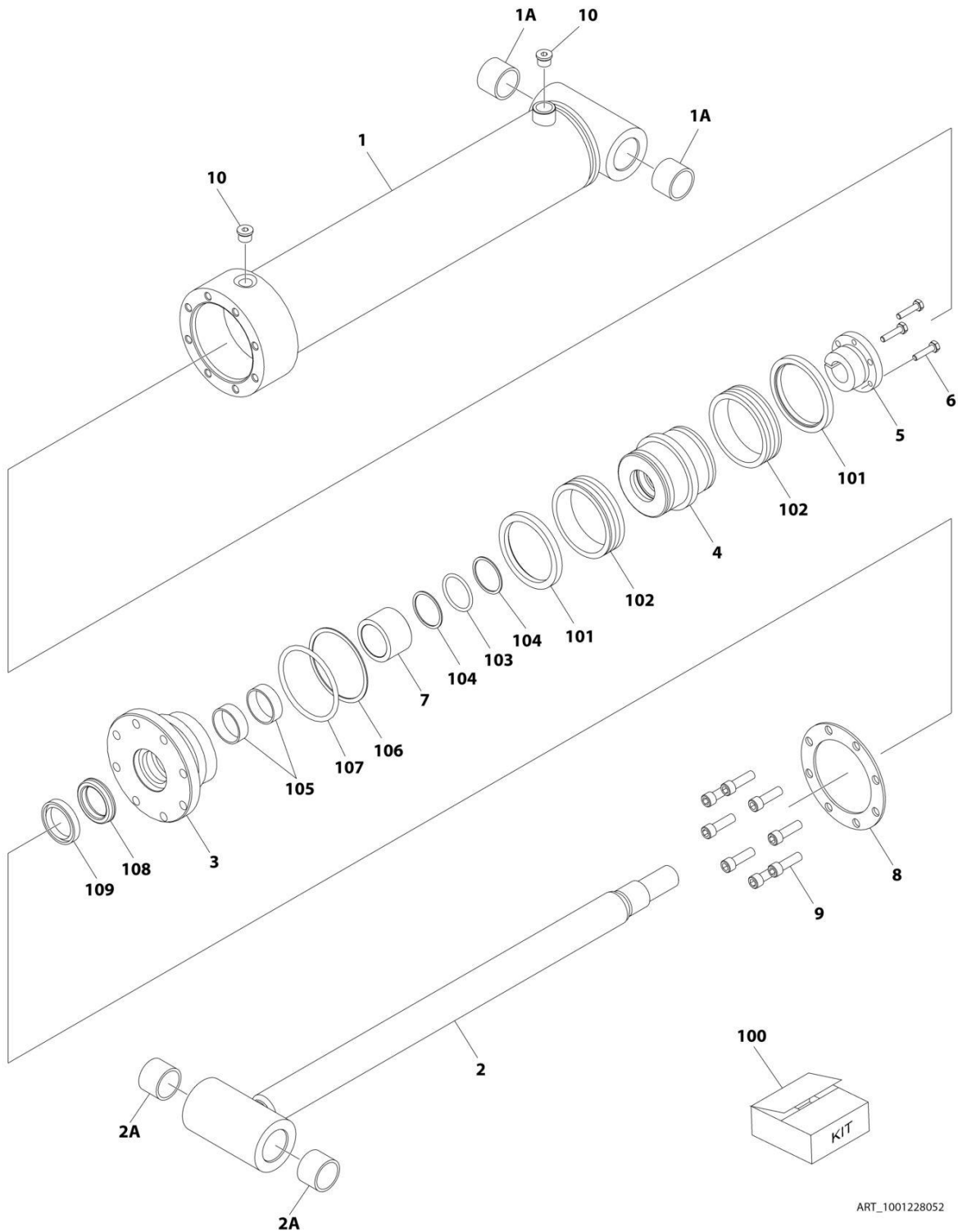
SECTION 5 - CYLINDER

FIGURE 5-11. MASTER CYLINDER ASSEMBLY - 600S (SERVICE REPLACEMENT)

ITEM	PART NUMBER	QTY	DESCRIPTION	REV
	1001228002	Ref	MASTER CYLINDER ASSEMBLY	B
		Ref	Note: Original Cylinder May Have Been Replaced with Service Replacement. Identify PN Stamped on Cylinder Before Ordering Parts.	
1	See Note	NSS	Barrel (Note: Not Available for Purchase)	
2	70006774	1	Rod	
3	70006599	1	Head	
4	See Note	NSS	Wiper Rod (Note: Use Item 100)	
5	70002373	1	Ring, Retaining	
6	See Note	NSS	Seal, Rod (Note: Use Item 100)	
7	See Note	NSS	Ring, Back-up (Note: Use Item 100)	
8	See Note	NSS	Ring, Wear (Note: Use Item 100)	
9	See Note	NSS	O-Ring (Note: Use Item 100)	
10	See Note	NSS	Ring, Back-up (Note: Use Item 100)	
11	See Note	NSS	O-Ring (Note: Use Item 100)	
12	70006597	1	Piston	
13	See Note	NSS	Seal Piston (Note: Use Item 100)	
14	See Note	NSS	O-Ring (Note: Use Item 100)	
15	70022564	1	Ball	
16	70006601	1	Setscrew	
17	70006775	1	Spacer	
18	0961947	4	Bushing	
19	70023371	2	Plug, O-Ring	
100	70006776	1	Seal Kit (Includes Items 4, 6-11, 13 & 14)	

SECTION 5 - CYLINDER

FIGURE 5-12. MASTER CYLINDER ASSEMBLY - 600SJ/660SJ (SERVICE REPAACEMENT)



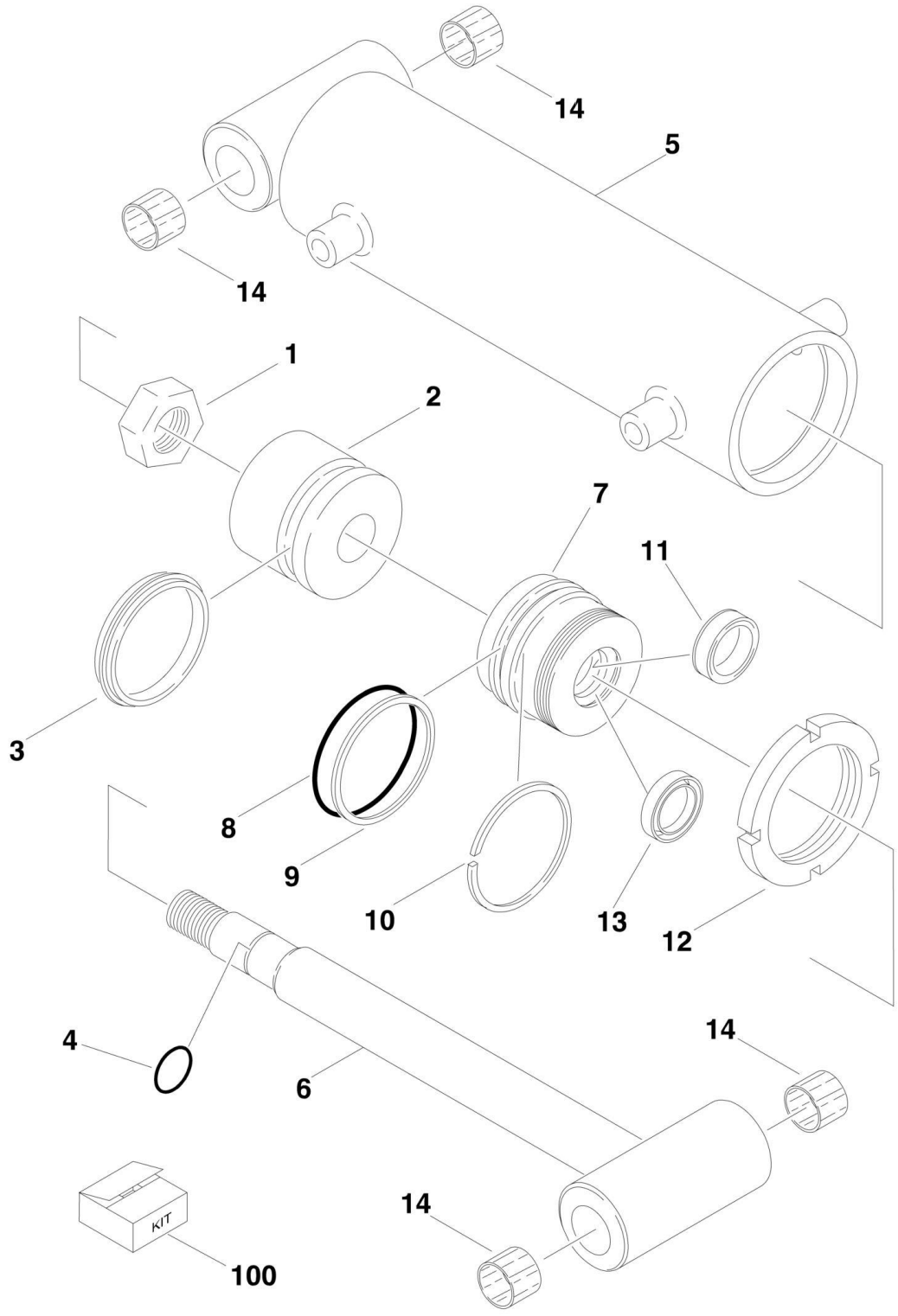
SECTION 5 - CYLINDER

FIGURE 5-12. MASTER CYLINDER ASSEMBLY - 600SJ/660SJ (SERVICE REPAACEMENT)

ITEM	PART NUMBER	QTY	DESCRIPTION	REV
	1001228052	Ref	MASTER CYLINDER ASSEMBLY - 600SJ/660SJ (SERVICE REPAACEMENT) Note: Original Cylinder May Have Been Replaced with Service Replacement. Identify PN Stamped on Cylinder Before Ordering Parts.	A
		Ref		
1	See Note	NSS	Barrel Weldment (Note: Not Available for Purchase)	
1A	0961951	2	Bushing	
2	70006447	1	Rod Weldment	
2A	0961951	2	Bushing	
3	70006446	1	Head	
4	70006445	1	Piston	
5	70006444	1	Bushing, Tapered	
6	0630535	3	Capscrew 1/4 x 1-1/8	
7	70006443	1	Spacer	
8	70006442	1	Ring, Washer	
9	3931620	8	Capscrew 3/8 x 1-1/4	
10	2220885	2	Plug, O-Ring	
100	1001138796	1	Seal Kit (Includes Items 12-21)	
101	See Note	1	Ring, Wear (Note: Use Item 100)	
102	See Note	1	Seal, Piston (Note: Use Item 100)	
103	See Note	1	O-Ring (Note: Use Item 100)	
104	See Note	1	Ring, Back-up (Note: Use Item 100)	
105	See Note	1	Ring, Wear (Note: Use Item 100)	
106	See Note	1	O-Ring (Note: Use Item 100)	
107	See Note	1	Ring, Back-up (Note: Use Item 100)	
108	See Note	1	Seal, Rod (Note: Use Item 100)	
109	See Note	1	Wiper, Rod (Note: Use Item 100)	

SECTION 5 - CYLINDER

FIGURE 5-13. STEER CYLINDER ASSEMBLY



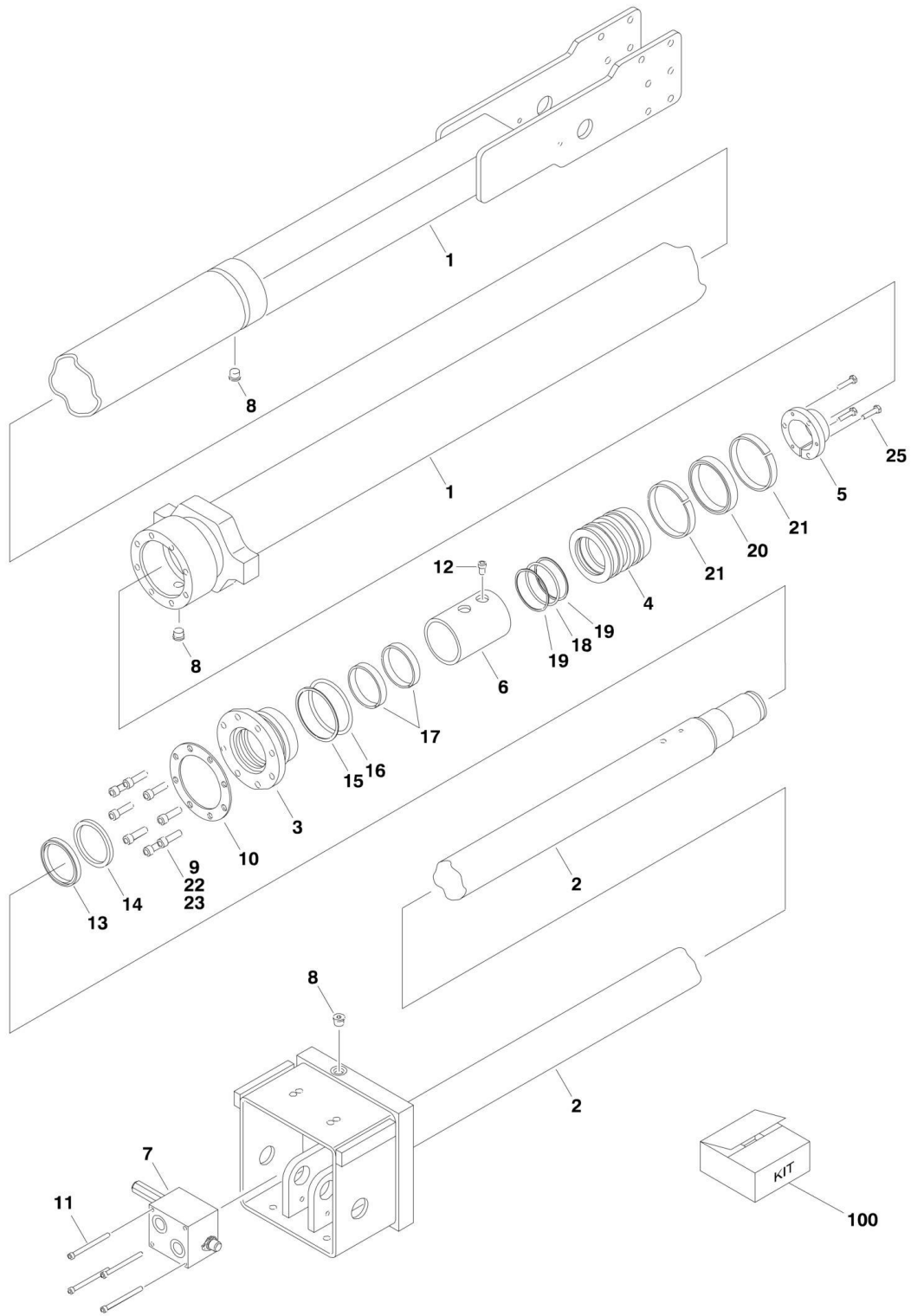
SECTION 5 - CYLINDER

FIGURE 5-13. STEER CYLINDER ASSEMBLY

ITEM	PART NUMBER	QTY	DESCRIPTION	REV
	1683208	Ref	STEER CYLINDER ASSEMBLY	C
1	7001626	1	Locknut	
2	7001627	1	Piston	
3	See Note	NSS	Seal (Note: Use Item 100)	
4	See Note	NSS	O-Ring (Note: Use Item 100)	
5	1683208	1	Barrel Weldment (Note: Not Available - Purchase Complete Steer Cylinder Assembly)	
6	7001633	1	Rod Weldment	
7	7001629	1	Head	
8	See Note	NSS	O-Ring (Note: Use Item 100)	
9	See Note	NSS	Ring, Back-up (Note: Use Item 100)	
10	See Note	NSS	Ring, Retainer (Note: Use Item 100)	
11	See Note	NSS	Seal, Lip (Note: Use Item 100)	
12	7001630	1	Nut, Spanner	
13	See Note	NSS	Wiper (Note: Use Item 100)	
14	0961977	4	Bushings	
100	7001625	1	Seal Kit (Includes Items 3, 4, 8-11 & 13)	

SECTION 5 - CYLINDER

FIGURE 5-14. TELESCOPE CYLINDER ASSEMBLY



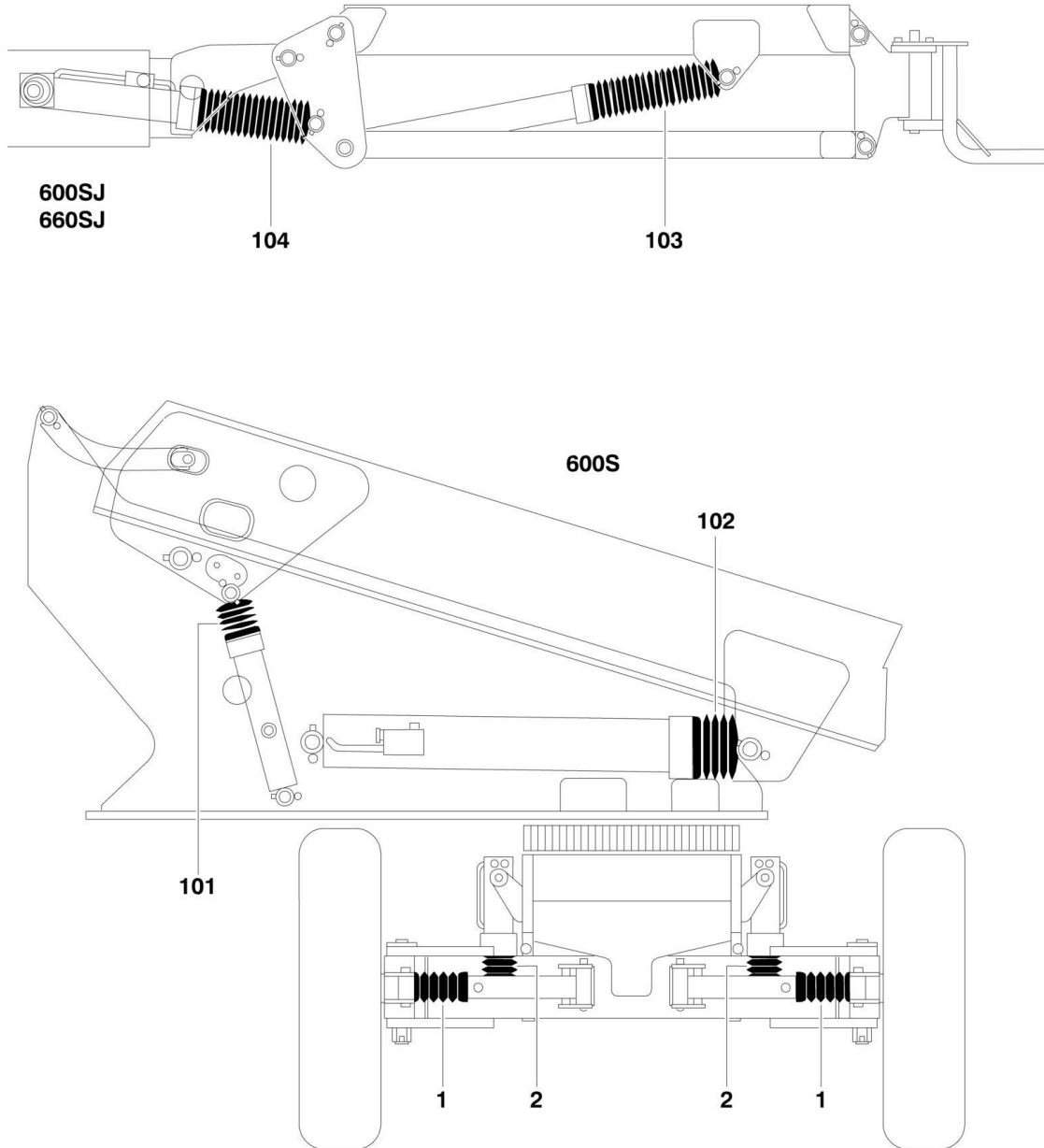
SECTION 5 - CYLINDER

FIGURE 5-14. TELESCOPE CYLINDER ASSEMBLY

ITEM	PART NUMBER	QTY	DESCRIPTION	REV
		Ref	TELESCOPE CYLINDER ASSEMBLY	
	1683248	Ref	Telescope Cylinder Assembly 600S & 660SJ (Prior to SN 0300034517)	2-G
	1683618	Ref	Telescope Cylinder Assembly 600S & 660SJ (SN 0300034517 through 0300068000)	3-D
	1683357	Ref	Telescope Cylinder Assembly 600SJ (Prior to SN 0300034517)	1-C
	1683620	Ref	Telescope Cylinder Assembly 600SJ (SN 0300034517 through 0300068000)	2-C
1		Ref	Barrel Options:	
1	1683249	1	Barrel 600S & 660SJ (Prior to SN 0300034517)	
1	1683619	1	Barrel 600S & 660SJ (SN 0300034517 through 0300068000)	
1	1683358	1	Barrel 600SJ (Prior to SN 0300034517)	
1	1683621	1	Barrel 600SJ (SN 0300034517 through 0300068000)	
2		Ref	Rod Options:	
2	1683250	1	Rod 600S & 660SJ	
2	1683359	1	Rod 600SJ	
3	1683057	1	Head	
4	3480205	1	Piston	
5	0961897	1	Bushing, Tapered	
6	4566644	1	Spacer, Tube	
7		Ref	Valve Assembly Options: (No serviceable parts - sold as assembly only)	
7	4640862	1	Valve Assembly (Prior to SN 0300034517)	
7	4641028	1	Valve Assembly (SN 0300034517 through 0300068000)	
7	7024397	2	O-Rings Between Valve Block and Cylinder	
8	2220885	6	Plug, O-Ring	
9	3931620	8	Capscrew 3/8in-16NC x 1-1/4in	
10	3760369	1	Ring, Washer	
11	3931448	4	Capscrew 1/4in-20NC x 3in	
12	3931508	1	Capscrew 5/16in-18NC x 1/2in	
13	See Note	NSS	Wiper (Note: Use Item 100)	
14	See Note	NSS	Seal, Rod (Note: Use Item 100)	
15	See Note	NSS	O-Ring (Note: Use Item 100)	
16	See Note	NSS	Ring, Back-up (Note: Use Item 100)	
17	See Note	NSS	Ring, Wear (Note: Use Item 100)	
18	See Note	NSS	O-Ring (Note: Use Item 100)	
19	See Note	NSS	Ring, Back-up (Note: Use Item 100)	
20	See Note	NSS	T-Seal (Note: Use Item 100)	
21	See Note	NSS	Ring, Wear (Note: Use Item 100)	
22	0100011	AR	Compound, Locking	
23	0100038	AR	Primer, Locking	
25	0630535	3	Bolt 1/4in-20NC x 1-1/8in	
100	2901284	1	Seal Kit (Includes Items 13-21)	

SECTION 5 - CYLINDER

FIGURE 5-15. CYLINDER BELLOWS INSTALLATIONS (OPTIONAL)



SECTION 5 - CYLINDER

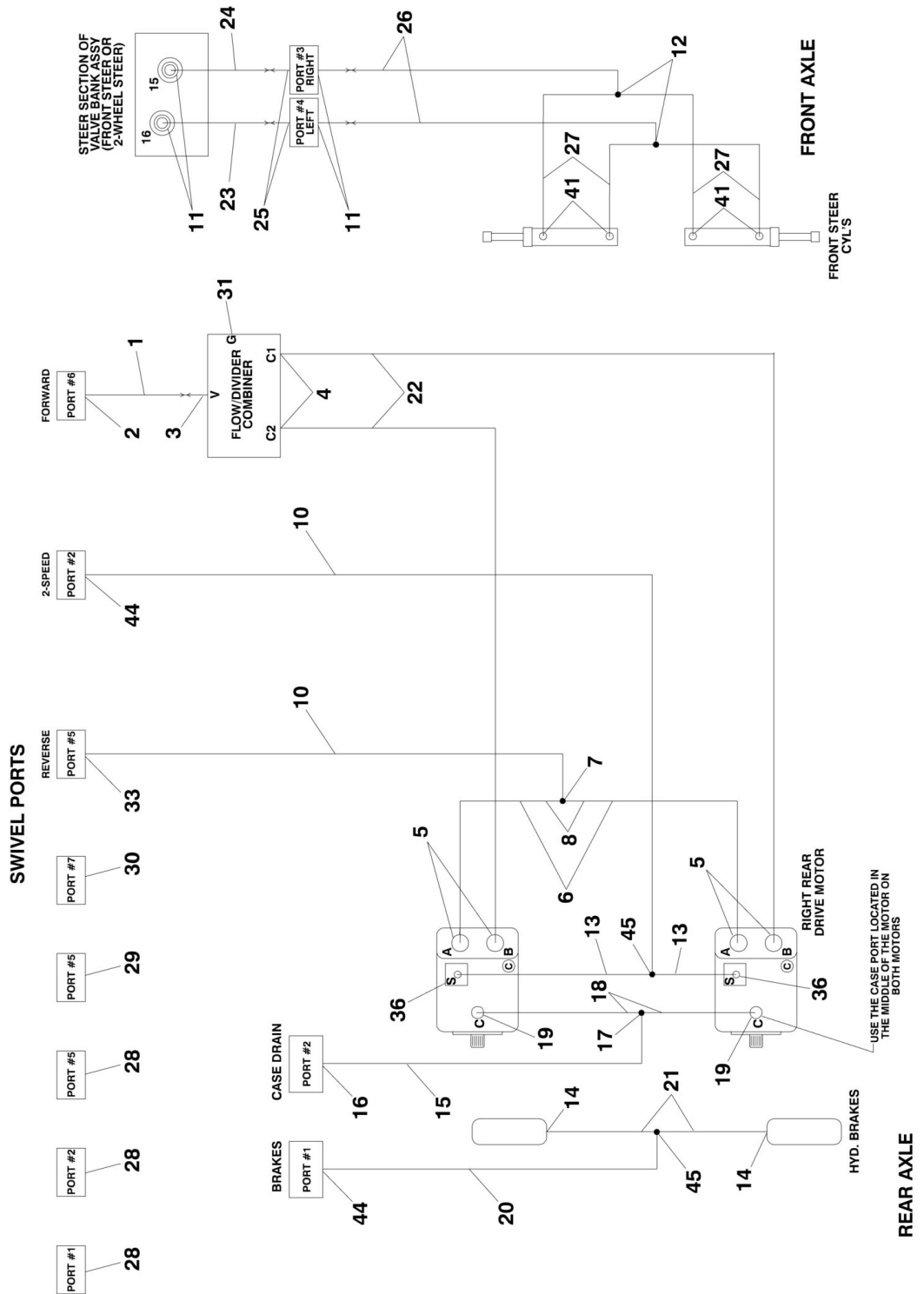
FIGURE 5-15. CYLINDER BELLOWS INSTALLATIONS (OPTIONAL)

ITEM	PART NUMBER	QTY	DESCRIPTION	REV
		Ref	BELLOWS INSTALLATION - FRAME	
	0255353	Ref	2WS with Oscillating Axle	
	0255354	Ref	2WS with Fixed Axle	
	0255355	Ref	4WS with Oscillating Axle	
	0255356	Ref	4WS with Fixed Axle	
1	0460150	AR	Bellows, Cylinder (1 Per Steer Cylinder)	
2	0460158	AR	Bellows, Cylinder (1 Per Lockout Cylinder)	
	0255929	Ref	BELLOWS INSTALLATION - BOOM (600S)	
101	0460152	1	Bellows, Cylinder (Master Cylinder)	
102	0460153	1	Bellows, Cylinder (Lift Cylinder)	
103	Not Required	0	Not Required	
104	0460152	1	Bellows, Cylinder (Platform Level Cylinder)	
	0255930	Ref	BELLOWS INSTALLATION - BOOM (600SJ & 660SJ)	
101	0460151	1	Bellows, Cylinder (Master Cylinder)	
102	0460153	1	Bellows, Cylinder (Lift Cylinder)	
103	0460161		Bellows, Cylinder (Articulating Jib Lift Cylinder)	
104	0460160	1	Bellows, Cylinder (Platform Level Cylinder)	

SECTION 6 - HYDRAULIC

SECTION 6 - HYDRAULIC

FIGURE 6-1. HYDRAULIC DIAGRAM - DRIVE AND STEER (2WD/2WS)



1282380 - REV. U

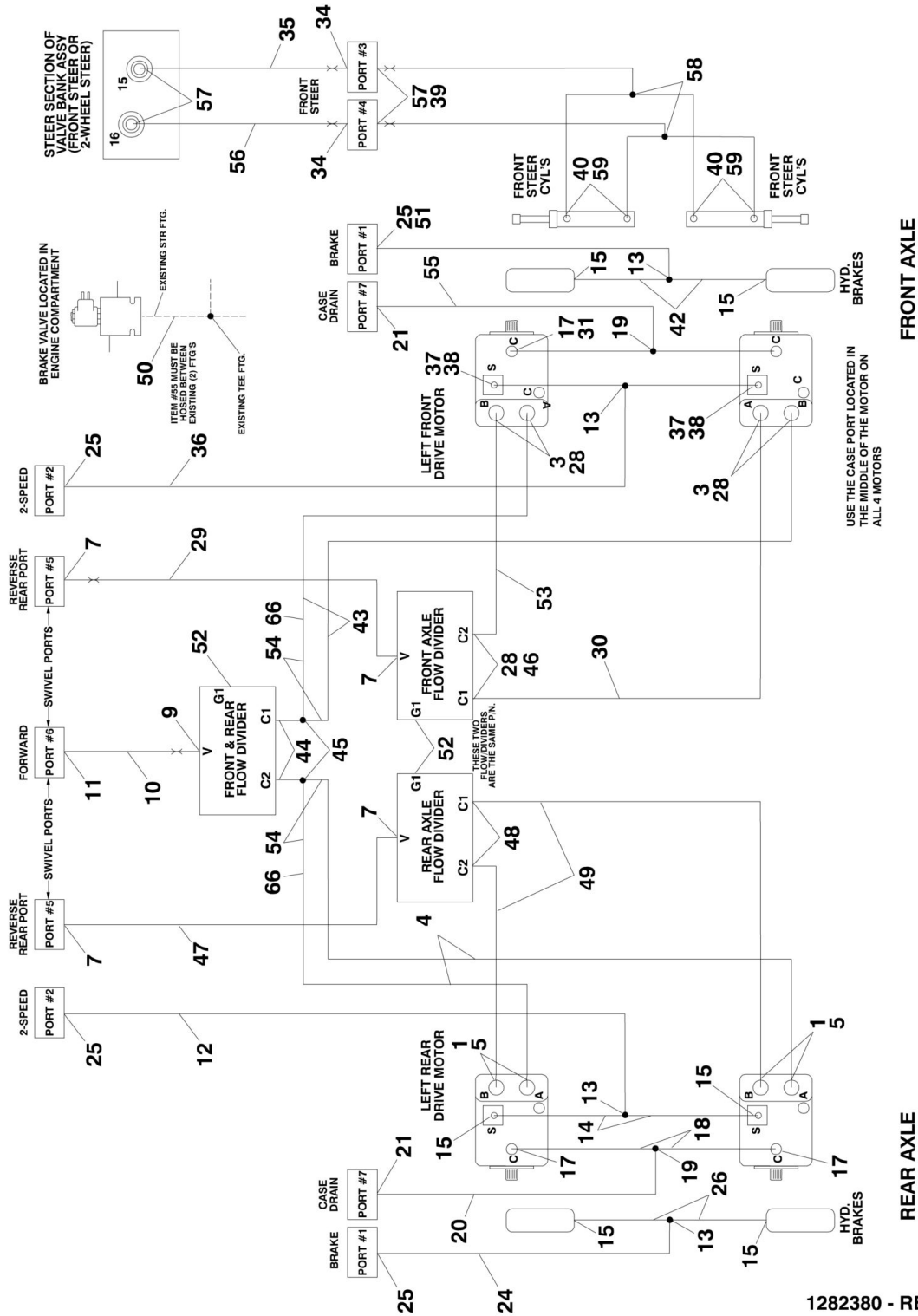
SECTION 6 - HYDRAULIC

FIGURE 6-1. HYDRAULIC DIAGRAM - DRIVE AND STEER (2WD/2WS)

ITEM	PART NUMBER	QTY	DESCRIPTION	REV
	2792184	Ref	HYDRAULIC DIAGRAM - DRIVE AND STEER (2WD/2WS)	3
1	2752322	1	Hose	
2	2220646	1	Fitting, 90	
3	2220377	2	Fitting, Straight	
4	2220568	2	Fitting, 45	
5	2220465	4	Fitting, Straight	
6	2752245	2	Hose	
7	2220363	1	Fitting, Tee	
8	2220710	2	Fitting, Reducer	
9	2752345	1	Hose	
10	2751016	1	Hose	
11	2220371	4	Fitting, Straight	
12	2220490	2	Fitting, Tee	
13	2751013	2	Hose	
14	2220466	1	Fitting, 90	
15	2752812	1	Hose	
16	2220375	1	Fitting, Straight	
17	2220362	1	Fitting, Tee	
18	2752807	2	Hose	
19	2220671	2	Fitting, 90	
20	2752584	1	Hose	
21	2752592	2	Hose	
22	2752258	2	Hose	
23	2752632	1	Hose	
24	2752478	1	Hose	
25	2220473	2	Fitting, 90	
26	2752462	2	Hose	
27	2752963	4	Hose	
28	2220237	3	Fitting, O-Ring Plug	
29	2220242	1	Fitting, O-Ring Plug	
30	2220240	1	Fitting, O-Ring Plug	
31	2220235	1	Fitting, O-Ring Plug	
33	2220365	1	Fitting, 45	
36	2220502	2	Fitting, 45	
41	2220473	4	Fitting, 90	
44	2220582	2	Fitting, Straight	
45	2220504	2	Fitting, Tee	

SECTION 6 - HYDRAULIC

FIGURE 6-2. HYDRAULIC DIAGRAM - DRIVE AND STEER (4WD/2WS)



1282380 - REV. U

SECTION 6 - HYDRAULIC

FIGURE 6-2. HYDRAULIC DIAGRAM - DRIVE AND STEER (4WD/2WS)

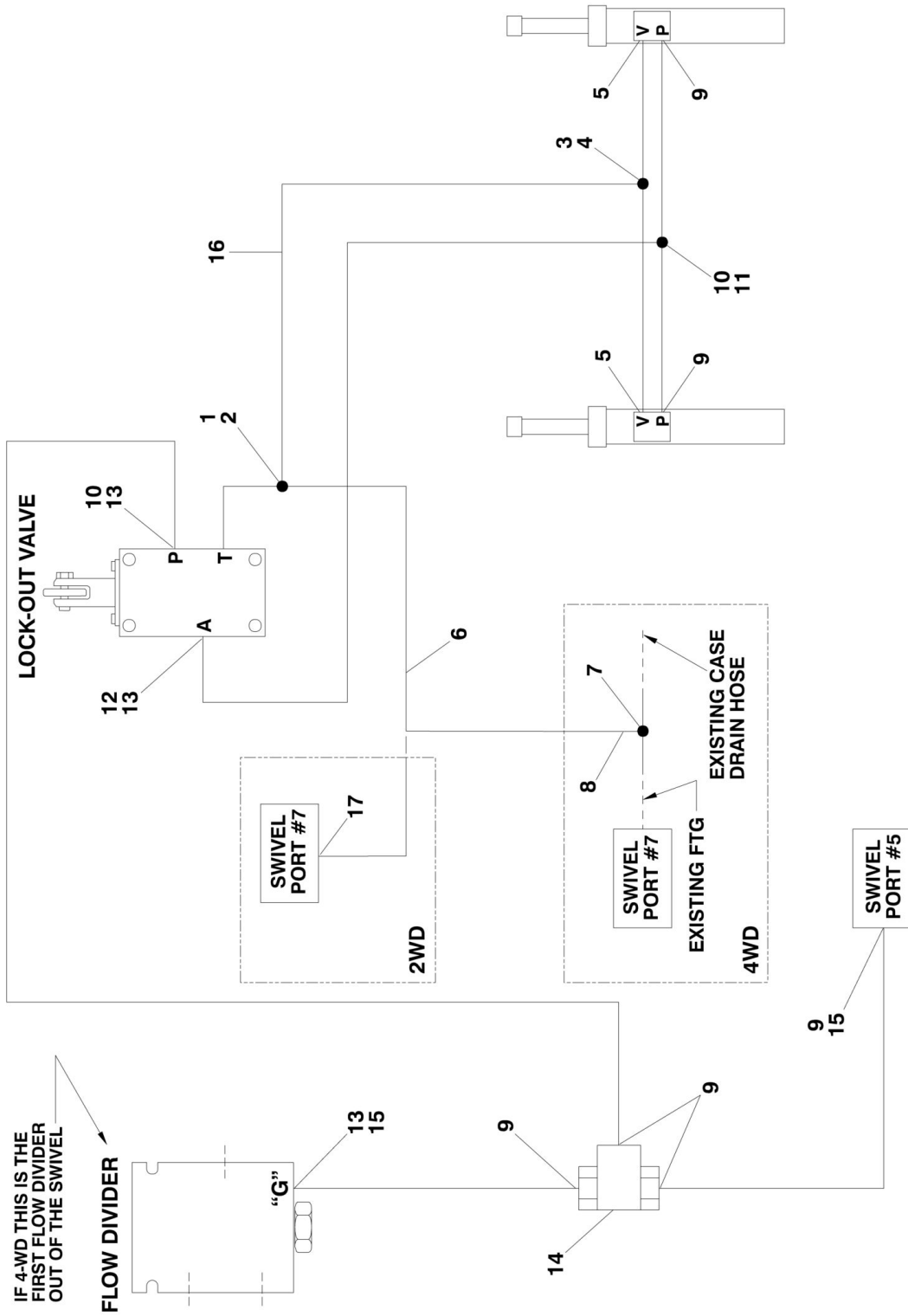
ITEM	PART NUMBER	QTY	DESCRIPTION	REV
	2792186	Ref	DRIVE HYDRAULIC DIAGRAM - 4WD/2WS	8
1	2220465	4	Fitting, 90	
3	2220500	4	Fitting, 45	
4	2752398	2	Hose	
5	2220622	4	Fitting, Reducer	
7	2220435	4	Fitting, Straight	
9	2220377	1	Fitting, Straight	
10	2752322	1	Hose	
11	2220646	1	Fitting, 90	
12	2751016	1	Hose	
13	2220504	4	Fitting, Tee	
14	2751013	2	Hose	
15	2220466	6	Fitting, 90	
17	2220671	4	Fitting, 90	
18	2752807	2	Hose	
19	2220362	2	Fitting, Tee	
20	2752812	1	Hose	
21	2220375	2	Fitting, Straight	
24	2752584	1	Hose	
25	2220582	4	Fitting, Straight	
26	2752592	2	Hose	
28	2220833	6	Fitting, Reducer	
29	2752256	1	Hose	
30	2752888	1	Hose	
31	2752898	2	Hose	
34	2220472	2	Fitting, 90	
35	2752478	1	Hose	
36	2751021	1	Hose	
37	2752918	2	Hose	
38	2220502	2	Fitting, 45	
39	2752462	2	Hose	
40	2752963	4	Hose	
42	2752909	2	Hose	
43	2752889	2	Hose	
44	2220550	2	Fitting, Reducer	
45	2220738	2	Fitting, Tee	
46	2220596	2	Fitting, 90	
47	2752249	1	Hose	
48	2220800	2	Fitting, Straight	
49	2752389	2	Hose	
50	2220914	1	Orifice (.043)	
51	2752443	1	Hose	
52	2220235	3	Plug #4	
53	2752893	1	Hose	
54	2220622	4	Fitting, Reducer	
55	2752810	1	Hose	
56	2752632	1	Hose	
57	2220582	4	Fitting, Straight	
58	2220363	1	Fitting, Tee	
59	2220472	2	Fitting, 90	

SECTION 6 - HYDRAULIC

ITEM	PART NUMBER	QTY	DESCRIPTION	REV
60 to 65	Not Required	0	Not Required	
66	2220386	2	Fitting, 90	

SECTION 6 - HYDRAULIC

FIGURE 6-3. HYDRAULIC DIAGRAM - OSCILLATING AXLE



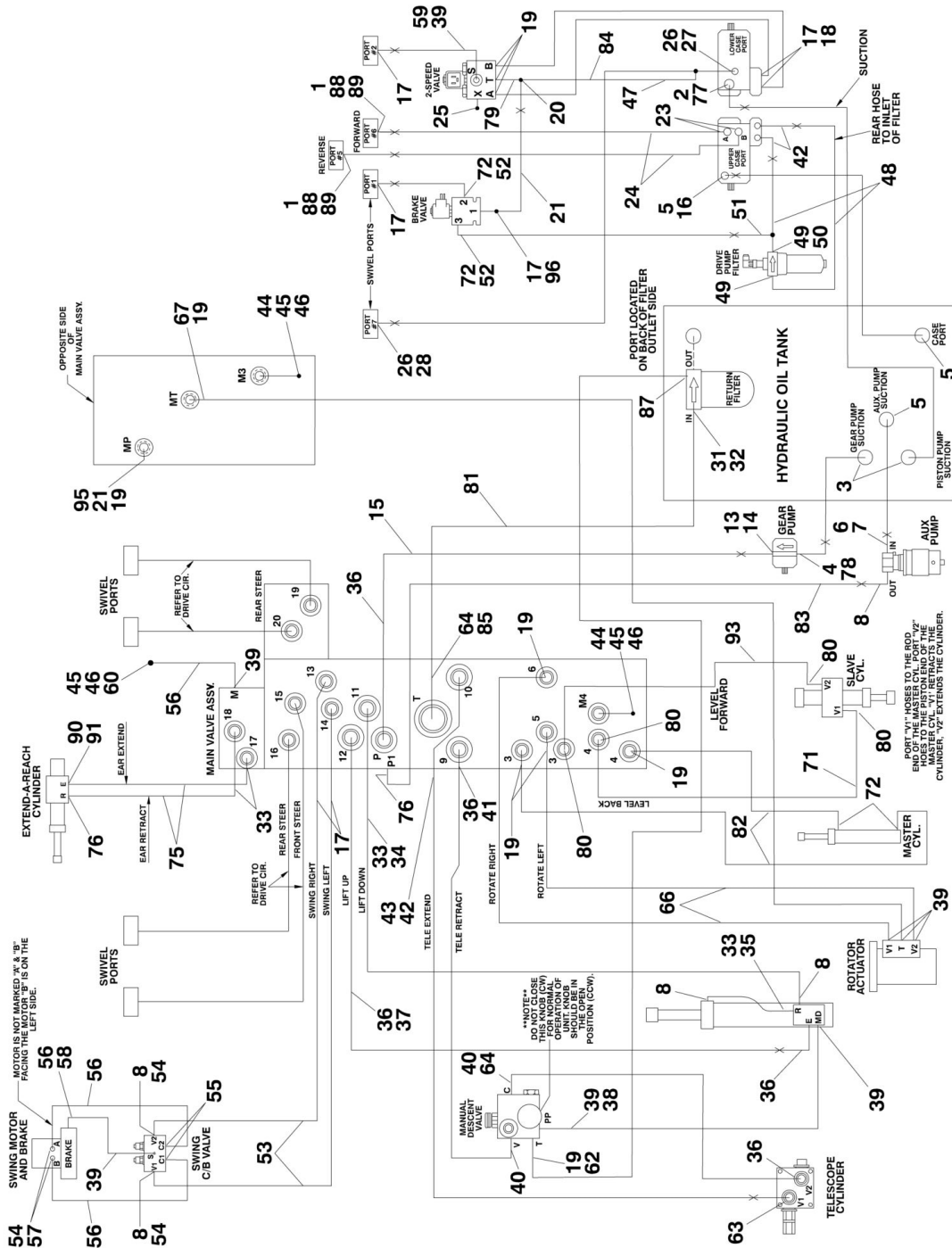
SECTION 6 - HYDRAULIC

FIGURE 6-3. HYDRAULIC DIAGRAM - OSCILLATING AXLE

ITEM	PART NUMBER	QTY	DESCRIPTION	REV
	2792204	Ref	AXLE LOCKOUT HYDRAULIC DIAGRAM - OSCILLATING AXLE	3
1	2220603	1	Fitting, Straight	
2	2220635	1	Fitting, Tee	
3	2752822	2	Hose	
4	2220490	1	Fitting, Tee	
5	2220371	2	Fitting, Straight	
6	2752823	1	Hose	
7	2220385	1	Fitting, Tee	
8	2220619	1	Fitting, Reducer	
9	2220582	6	Fitting, Straight	
10	2751397	3	Hose	
11	2220504	1	Fitting, Tee	
12	2751015	1	Hose	
13	2220415	3	Fitting, Straight	
14	4640939	1	Valve, Shuttle	
15	2751020	2	Hose	
16	2752824	1	Hose	
17	2220577	1	Fitting, Straight	

SECTION 6 - HYDRAULIC

FIGURE 6-4. HYDRAULIC DIAGRAM - STANDARD



1282380 - REV. U

SECTION 6 - HYDRAULIC

FIGURE 6-4. HYDRAULIC DIAGRAM - STANDARD

ITEM	PART NUMBER	QTY	DESCRIPTION	REV
		Ref	STANDARD HYDRAULIC DIAGRAM	
	2792179	Ref	Standard Hydraulic Diagram 600S	17
	2792181	Ref	Standard Hydraulic Diagram 600SJ	16
	2792180	Ref	Standard Hydraulic Diagram 660SJ	18
1	2220377	2	Fitting, Straight	
2	2752752	1	Hose	
3	2220380	2	Fitting, Straight	
4	2220376	1	Fitting, Straight	
5	2220578	3	Fitting, 90	
6	2752653	1	Hose	
7	2220408	1	Fitting, Straight	
8	2220628	5	Fitting, 90	
13	2220810	1	Fitting, Reducer	
14	4640744	1	Fitting, Check Valve	
15	2752504	1	Hose	
16	2752654	1	Hose	
17	2220582	7	Fitting, Straight	
18	2751427	2	Hose	
19	2220415	9	Fitting, Straight	
20	2220605	1	Fitting, Tee	
21	2752573	1	Hose	
22	2752594	1	Hose	
23	2220646	2	Fitting, 90	
24	2752340	2	Hose	
25	2220235	1	Fitting, Plug	
26	2220375	2	Fitting, Straight	
27	2220385	1	Fitting, Tee	
28	2752514	1	Hose	
31	2220921	1	Fitting, Reducer	
32	2220498	1	Fitting, 45	
33	2220372	AR	Fitting, Straight	
34	2752631	1	Hose	
35	2752632	1	Hose	
36	2220373	5	Fitting, Straight	
37	2752515	1	Hose	
38	2752587	1	Hose	
39	2220466	AR	Fitting, 90	
40	2220596	2	Fitting, 90	
41	2752516	1	Hose	
42	2220947	3	Fitting, Straight	
43	2752762	1	Hose	
44	2220873	AR	Fitting, Straight Nipple	
45	2220428	AR	Fitting, Quick Coupling	
46	2220429	AR	Fitting, Dust Cap	
47	2220618	1	Fitting, Reducer	
48	2752763	2	Hose	
49	2220906	2	Fitting, 90	
50	2220948	1	Fitting, Tee	
51	2220618	1	Fitting, Reducer	
52	2752580	1	Hose	

SECTION 6 - HYDRAULIC

ITEM	PART NUMBER	QTY	DESCRIPTION	REV
53	2752588	2	Hose	
54	2220609	4	Fitting, Reducer	
55	2220468	2	Fitting, Straight	
56		Ref	Hose Options:	
56	2752444	AR	Hose (Prior to SN 0300037634)	
56	2752981	AR	Hose (SN 0300037634 through 0300068000)	
57	2220497	2	Fitting, Straight	
58	2220502	1	Fitting, 45	
59	2751396	1	Hose	
60		Ref	Fitting, Straight Options:	
60	2220414	AR	Fitting, Straight 600S/660SJ	
60	2220414	AR	Fitting, Straight 600SJ (Prior to SN 0300058648)	
60	Not Required	AR	Fitting, Straight 600SJ (SN 0300058648 through 0300068000)	
61	2752433	1	Hose	
62	2220462	1	Fitting, 90	
63	2220950	1	Fitting, 45	
64	2752517	1	Hose	
65	2220974	1	Fitting, Long Straight	
66		Ref	Hose Options:	
66	2752598	2	Hose 600S & 600SJ	
66	2752596	2	Hose 660SJ	
67		Ref	Hose Options:	
67	2752599	1	Hose 600S & 600SJ	
67	2752597	1	Hose 660SJ	
71		Ref	Hose Options:	
71	2752633	AR	Hose 600S & 660SJ	
71	2751868	AR	Hose 600SJ	
72	2220472	4	Fitting, 90	
75		Ref	Hose Options:	
75	2752633	2	Hose 660SJ	
75	2753048	2	Hose 600SJ	
76	2220473	AR	Fitting, 90	
77	2220479	1	Fitting, Straight	
78	2752753	1	Hose	
79	2220909	1	Fitting, Restrictor	
80	2220603	4	Fitting, Straight	
81	2752783	1	Hose	
82	2752591	2	Hose	
83	2752643	1	Hose	
84	2752981	1	Hose	
85	2220409	1	Fitting, 45	
87	2220574	1	Fitting, Straight	
88	0100011	AR	Compound, Locking	
89	0100038	AR	Loctite, Primer	
90	2180724	1	Fitting, 90 (600SJ & 660SJ Only)	
91	2180380	1	Fitting, Pipe Plug (600SJ & 660SJ Only)	
92	1703533	1	Decal - Hose Tags (Not Shown)	
93	2753083	1	Hose (600SJ & 660SJ Only)	
94	4240018	7	Tie-Strap (Not Shown)	
95	2220873	1	Fitting, Nipple (SN 0300058648 through 0300068000)	
96	2220914	1	Fitting, Restrictor (SN 0300061073 through 0300068000)	

SECTION 6 - HYDRAULIC

FIGURE 6-5. HYDRAULIC DIAGRAM LIST

ITEM	PART NUMBER	QTY	DESCRIPTION	REV
		Ref	Note: Information on diagrams not shown is available from JLG Service/Parts Departments.	
		Ref	Drive and Steer Hydraulic Diagrams:	
	2792184	Ref	2WD/2WS Machines	
	2792185	Ref	2WD/4WS Machines	
	2792186	Ref	4WD/2WS Machines	
	2792187	Ref	4WD/4WS Machines	
	2792204	Ref	Axle Lockout Hydraulic Diagram	
		Ref	Oil Cooler Hydraulic Diagrams:	
	0256779	Ref	Continental Engine	
	1282668	Ref	Continental Engine	
	0256762	Ref	Deutz Engine	
	1282665	Ref	Deutz Engine	
	0256777	Ref	Ford Engine	
	1282663	Ref	Ford Engine	
		Ref	Standard Hydraulic Diagrams:	
	2792179	Ref	Standard Hydraulic Diagrams 600S	
	1282380	Ref	Standard Hydraulic Diagrams 600S	
	2792181	Ref	Standard Hydraulic Diagrams 600SJ	
	1282380	Ref	Standard Hydraulic Diagrams 600SJ	
	2792180	Ref	Standard Hydraulic Diagrams 660SJ	
	1282380	Ref	Standard Hydraulic Diagrams 660SJ	
	2792176	Ref	Standard Hydraulic Schematic	
		Ref	Tool Hydraulic Diagrams:	
	2792325	Ref	Tool Hydraulic Diagrams 600S	
	2792326	Ref	Tool Hydraulic Diagrams 600SJ	
	2792327	Ref	Tool Hydraulic Diagrams 660SJ	
		Ref	Tow Hydraulic Diagram	
	2792266	Ref	2WS	
	2792315	Ref	4WS	

SECTION 7 - ELECTRICAL

SECTION 7 - ELECTRICAL

FIGURE 7-1. ELECTRICAL DIAGRAM LIST

ITEM	PART NUMBER	QTY	DESCRIPTION	REV
		Ref	Note: SN 0300063910 to SN 0300064498 Use either p/n 0861388 or p/n 0861477 platform console box. See Note in ELECTRICAL SECTION Harness Components if further identification is required.	
		Ref	ALARM ELECTRICAL DIAGRAMS:	
	4932783	Ref	Alarm (Prior to SN 0300035129)	—/A
	1282474	Ref	Alarm (Prior to SN 0300035129)	—/A
	4932903	Ref	Motion Alarm (SN 0300035129 through 0300037116)	2-D
	1282685	Ref	Motion Alarm (SN 0300035129 through 0300037116)	2-D
	4933025	Ref	Motion Alarm (SN 0300037117 through 0300068000)	1-A
	1282937	Ref	Motion Alarm (SN 0300037117 through 0300068000)	1-A
	4932902	Ref	Travel Alarm (SN 0300035129 through 0300037116)	1-D
	1282685	Ref	Travel Alarm (SN 0300035129 through 0300037116)	1-D
	4933026	Ref	Travel Alarm (SN 0300037117 through 0300068000)	1-A
	1282937	Ref	Travel Alarm (SN 0300037117 through 0300068000)	1-A
		Ref	DRIVE CUT-OUT ELECTRICAL DIAGRAMS:	
	4932894	Ref	Above Elevation (Prior to SN 0300035129)	1/—
	1282672	Ref	Above Elevation (Prior to SN 0300035129)	1/—
	4932990	Ref	Above Elevation (SN 0300035129 through 0300068000)	2-B
	1282828	Ref	Above Elevation (SN 0300035129 through 0300068000)	2-B
	4932896	Ref	Above Elevation Tilt (Prior to SN 0300035129)	1/—
	1282672	Ref	Above Elevation Tilt (Prior to SN 0300035129)	1/—
	4932993	Ref	Above Elevation Tilt (SN 0300035129 through 0300068000)	2-B
	1282828	Ref	Above Elevation Tilt (SN 0300035129 through 0300068000)	2-B
	3640493	1	Rail, Mounting	
	4460607	2	Stop, Terminal	
	4120013	1	Socket, Relay	
	3740058	1	Relay 4PDT	
	3740063	1	Spring, Relay	
		Ref	ENGINE LOW OIL SHUTDOWN ELECTRICAL DIAGRAMS:	
	4932977	Ref	Engine Low Oil Shutdown Electrical Diagrams (Prior to SN 0300035129)	1-A
	4932986	Ref	Engine Low Oil Shutdown Electrical Diagrams (SN 0300035129 through 0300068000)	2-B
		Ref	GENERATOR ELECTRICAL DIAGRAMS:	
		Ref	110Volt	
	4932828	Ref	110Volt (Prior to SN 0300035129)	2-C
	4932915	Ref	110Volt (SN 0300035129 through 0300056088)	2-C
	4933150	Ref	110Volt (SN 0300056089 through 0300061926)	2-B
		Ref	110Volt (ADE SYSTEM)	
	4933158	Ref	110Volt (ADE SYSTEM) (SN 0300061927 through 0300063909)	1-A
	See Note at Top	Ref	110Volt (ADE SYSTEM) (SN 0300063910 through 0300064498)	
	4933215	Ref	110Volt (ADE SYSTEM) (SN 0300063910 through 0300068000)	1-A
		Ref	220 Volt	
	4932940	Ref	220 Volt (Prior to SN 0300035129)	-
	4932989	Ref	220 Volt (SN 0300035129 through 0300056088)	1-A
	4933149	Ref	220 Volt (SN 0300056089 through 0300061926)	2-B

SECTION 7 - ELECTRICAL

ITEM	PART NUMBER	QTY	DESCRIPTION	REV
		Ref	220 Volt (ADE SYSTEM)	
	4933162	Ref	220 Volt (ADE SYSTEM) (SN 0300061927 through 0300063909)	1-A
	See Note	Ref	220 Volt (ADE SYSTEM) (Note: See Note at Top) (SN 0300063910 through 0300064498)	
	4933216	Ref	220 Volt (ADE SYSTEM) (SN 0300064499 through 0300068000)	1-A
		Ref	GLOW PLUG DIAGRAMS:	
	4933175	Ref	Glow Plug Diagram (Prior to SN 0300061927)	B
	4922542	1	Harness	
	4933189	Ref	Glow Plug Diagram (ADE System) (SN 0300061927 through 0300063909)	A
	See Note	Ref	Glow Plug Diagram (ADE System) (Note: See Note at Top) (SN 0300063910 through 0300064498)	
	4933217	Ref	Glow Plug Diagram (ADE System) (SN 0300064499 through 0300068000)	B
		Ref	LIGHTS ELECTRICAL DIAGRAMS:	
	4932839	Ref	Headlight/Taillight (Prior to SN 0300035129)	1-A
	4932917	Ref	Headlight/Taillight (SN 0300035129 through 0300061926)	3-D
	4922095	1	Harness (Located in Platform Console Box)	
	3740049	1	Relay	
	4932917	Ref	Headlight/Taillight (ADE System) (SN 0300061927 through 0300063909)	3-D
	4922095	1	Harness (Located in Ground Console Box)	
	3740049	1	Relay	
	See Note	Ref	Headlight/Taillight (ADE System) (Note: See Note at Top) (SN 0300063910 through 0300064498)	
	4933219	Ref	Headlight/Taillight (ADE System) (SN 0300064499 through 0300068000)	1-B
	4922643	1	Harness (Located in Ground Console Box)	
	3740049	1	Relay	
		Ref	OIL COOLER ELECTRICAL DIAGRAMS:	
	0256779	Ref	Continental Engine	
	1282668	Ref	Continental Engine	
	0256762	Ref	Deutz Engine	
	1282665	Ref	Deutz Engine	
	0256777	Ref	Ford Engine	
	1282663	Ref	Ford Engine	
		Ref	PLATFORM ELECTRICAL DIAGRAMS:	
	4932848	Ref	Platform Electrical Diagrams (Prior to SN 0300029430)	
	4932914	Ref	Platform Electrical Diagrams (SN 0300029430 through 0300035128)	
	4932905	Ref	Platform Electrical Diagrams (SN 0300035129 through 0300061926)	
	4922509	Ref	Platform Electrical Diagrams ADE System (SN 0300061927 through 0300068000)	
		Ref	PLATFORM SOFT TOUCH SYSTEM ELECTRICAL DIAGRAMS:	
	4932815	Ref	Platform Soft Touch System Electrical Diagrams (Prior to SN 0300035129)	-
	4932980	Ref	Platform Soft Touch System Electrical Diagrams (SN 0300035129 through 0300061926)	2-C
	3740057	1	Relay (Located in Platform Console Box)	
	4120012	1	Socket, Relay (Located in Platform Console Box)	
	3740066	1	Spring, Relay (Located in Platform Console Box)	

SECTION 7 - ELECTRICAL

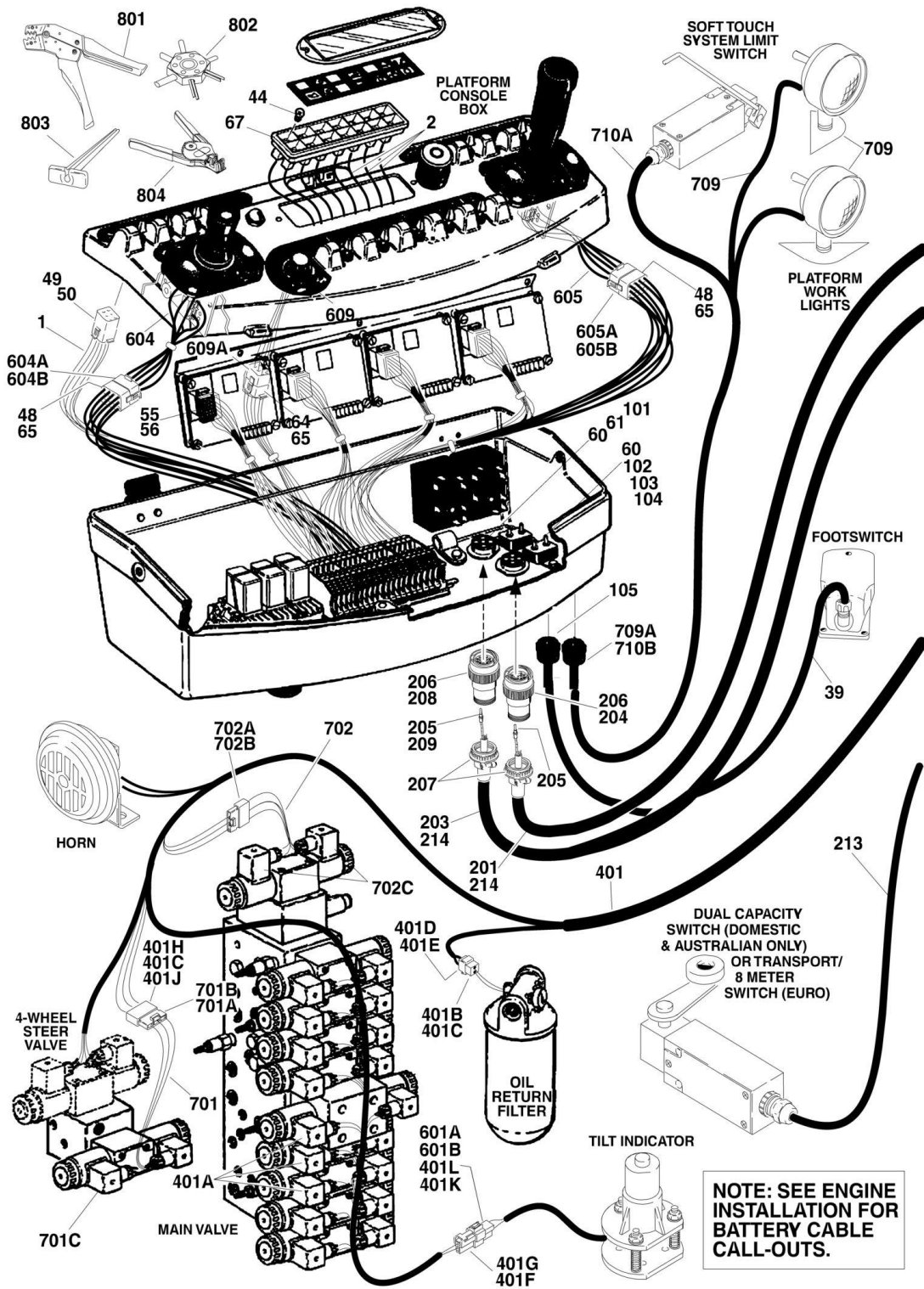
ITEM	PART NUMBER	QTY	DESCRIPTION	REV
	3740049	1	Relay (Located in Platform Console Box)	
	4460600	1	Block, Terminal (Located in Platform Console Box)	
		Ref	PLATFORM SOFT TOUCH SYSTEM ELECTRICAL DIAGRAMS: (ADE SYSTEM)	
	4933156	Ref	Platform Soft Touch System Electrical Diagrams (ADE System) (SN 0300061927 through 0300063909)	1-A
	See Note	Ref	Platform Soft Touch System Electrical Diagrams (ADE System) (Note: See Note at Top) (SN 0300063910 through 0300064498)	
	4933218	Ref	Platform Soft Touch System Electrical Diagrams (ADE System) (SN 0300064499 through 0300068000)	1-B
		Ref	PLATFORM WORKLIGHTS ELECTRICAL DIAGRAMS:	
	0255392	Ref	Platform Worklights Electrical Diagrams (Prior to SN 0300035129)	2-B
	0258048	Ref	Platform Worklights Electrical Diagrams (SN 0300035129 through 0300061926)	2-E
	0270814	Ref	Platform Worklights Electrical Diagrams ADE System (SN 0300061927 through 0300068000)	3-D
		Ref	POWER TOOL ELECTRICAL DIAGRAMS	
	4932971	Ref	Power Tool Electrical Diagrams (Prior to SN 0300066201)	2-A
	4933263	Ref	Power Tool Electrical Diagrams (SN 0300066201 through 0300068000)	1-B
		Ref	REMOTE CONTROL ELECTRICAL DIAGRAMS:	
	4932958	Ref	Remote Control Box	2-B
	4932959	Ref	Junction Box	3-B
		Ref	STANDARD ELECTRICAL DIAGRAMS:	
		Ref	Continental Engine Options:	
	4932796	Ref	Continental Engine (Prior to SN 0300035129)	7-F
	4932906	Ref	Continental Engine (SN 0300035129 through 0300068000)	4-C
		Ref	Deutz Engine Options:	
	4932795	Ref	Deutz Engine (Prior to SN 0300035129)	6-F
	4932910	Ref	Deutz Engine (SN 0300035129 through 0300061926)	6-F
		Ref	Deutz Engine (ADE System) Options:	
	4933169	Ref	Deutz Engine (ADE System) (SN 0300061927 through 0300063909)	5-G
	See Note	Ref	Deutz Engine (ADE System) (Note: See Note at Top) (SN 0300063910 through 0300064498)	
	4933222	Ref	Deutz Engine (ADE System) (SN 0300064499 through 0300068000)	2-B
	4933062	Ref	Deutz Engine - UL (SN 0300039457 through 0300068000)	2-D
		Ref	Ford Engine Options:	
	4932794	Ref	Ford Engine (Prior to SN 0300030947)	4-E
	4932961	Ref	Ford Engine (SN 0300030947 through 0300035128)	3-B
	4932908	Ref	Ford Engine (SN 0300035129 through 0300048906)	4-B
	4933113	Ref	Ford Engine (SN 0300048907 through 0300061926)	4-E
		Ref	Ford EFI Engine (ADE System) Options:	
	4933155	Ref	Ford EFI Engine (ADE System) (SN 0300061927 through 0300063909)	5-G
	See Note	Ref	Ford EFI Engine (ADE System) (Note: See Note at Top) (SN 0300063910 through 0300064498)	
	4933221	Ref	Ford EFI Engine (ADE System) (SN 0300064499 through 0300068000)	2-B
	4933054	Ref	Ford Engine - UL (SN 0300039457 through 0300068000)	2/E
	4933152	Ref	Isuzu Engine (SN 0300057373 through 0300068000)	1/A
		Ref	STANDARD ELECTRICAL SCHEMATICS:	

SECTION 7 - ELECTRICAL

ITEM	PART NUMBER	QTY	DESCRIPTION	REV
		Ref	Continental and Deutz Options:	
	1870039	Ref	Continental and Deutz (Prior to SN 0300035129)	E
	1870053	Ref	Continental and Deutz (SN 0300035129 through 0300061926)	E
	1870087	Ref	Deutz - UL (SN 0300039457 through 0300068000)	A
		Ref	Ford Options:	
	1870038	Ref	Ford (Prior to SN 0300035129)	D
	1870052	Ref	Ford (SN 0300035129 through 0300052735)	E
	1870075	Ref	Ford - UL (SN 0300039457 through 0300068000)	B
	1870089	Ref	Ford with LP Gas - UL (SN 0300039457 through 0300068000)	B
	1870113	Ref	Ford EFI (SN 0300052735 through 0300061927)	A
	1870131	Ref	Isuzu (SN 0300057373 through 0300068000)	B
	1870132	Ref	Deutz/Ford EFI (ADE System) (SN 0300061927 through 0300068000)	C
		Ref	STROBE LIGHT ELECTRICAL DIAGRAMS:	
	4932812	Ref	Strobe Light Electrical (Prior to SN 0300035129)	-
	1282474	Ref	Strobe Light Electrical (Prior to SN 0300035129)	-
	4932904	Ref	Strobe Light Electrical (SN 0300035129 through 0300036476)	2
	1282685	Ref	Strobe Light Electrical (SN 0300035129 through 0300036476)	D
	4933027	Ref	Strobe Light Electrical (SN 0300036477 through 0300061927)	1
	1282937	Ref	Strobe Light Electrical (SN 0300036477 through 0300061927)	A
	0270805	Ref	Strobe Light Electrical ADE System (SN 0300061927 through 0300068000)	1
	1283235	Ref	Strobe Light Electrical ADE System (SN 0300061927 through 0300068000)	B

SECTION 7 - ELECTRICAL

FIGURE 7-2. HARNESS COMPONENTS INSTALLATION (Prior to SN 0300061927)



SECTION 7 - ELECTRICAL

FIGURE 7-2. HARNESS COMPONENTS INSTALLATION (Prior to SN 0300061927)

ITEM	PART NUMBER	QTY	DESCRIPTION	REV
		Ref	HARNESS COMPONENTS INSTALLATION	
		Ref	PLATFORM BOX HARNESS ASSEMBLY	
	4932848	Ref	Platform Box Harness Assembly (Colored Wiring) (Prior to SN 0300029430)	1-E
	4932914	Ref	Platform Box Harness Assembly (Colored Wiring) (SN 0300029430 through 0300035128)	5-D
	4921991	Ref	Platform Box Harness Assembly (Numbered Colored Wiring) (SN 0300035129 through 0300061927)	2
	4932905	Ref	Platform Box Harness Assembly (Numbered Colored Wiring)	7
1	See Note	NSS	Harness, Switch (Made from individual Wires) (Note: Not Available for Purchase)	
2	See Note	NSS	Harness, Light Panel (Made from individual Wires) (Note: Not Available for Purchase)	
39		Ref	Cable, Electrical - 12/4 Options:	
39	1060012	7 ft/2.13m	Cable, Electrical - 12/4 (Prior to SN 0300060641)	
39	1060515	7 ft/2.13m	Cable, Electrical - 12/4 (SN 0300060641 through 0300061927)	
44	2920129	12	Bulb, Light	
48	4460265	2	Plug, Male - 9 Position	
49	4460418	8	Connector - 6 Position	
50	4460419	AR	Terminal, Female	
55		Ref	Connector - 15 Position Options:	
55	4460620	4	Connector - 15 Position (Prior to SN 0300035129)	
55	4460720	4	Connector - 15 Position (SN 0300035129 through 0300061927)	
56		Ref	Socket, Female Options:	
56	4460621	43	Socket, Female (Prior to SN 0300035129)	
56	4460721	43	Socket, Female (SN 0300035129 through 0300061927)	
60	4460464	40	Pin, Male (16 Gauge)	
61	4460508	4	Pin, Male (12 Gauge)	
62	3990001	13	Diode - 3Amp (Not Shown)	
64	4460225	1	Connector, Plug - 3 Position	
65	4460267	21	Pin, Male	
66	3990010	11	Diode - 6Amp (Not Shown)	
68	4120035	12	Base, Light	
		Ref	PLATFORM BOX ASSEMBLY COMPONENTS	
101	4460613	1	Receptacle - 21Pin	
102	4460503	1	Receptacle - 3 Pin	
103	4460470	2	Nut, Conduit	
104	4460471	2	Washer	
105	4460428	1	Connector, Strain Relief	
		Ref	BOOM CABLES INSTALLATION	
	0255364	Ref	Boom Cables Installation 600S - 2WS	8
	0256935	Ref	Boom Cables Installation 600S - 4WS	5
	0255896	Ref	Boom Cables Installation 600SJ - 2WS	8
	0256939	Ref	Boom Cables Installation 600SJ - 4WS	5
	0255365	Ref	Boom Cables Installation 660SJ - 2WS	9
	0256936	Ref	Boom Cables Installation 660SJ - 4WS	4
201	1060516	Ref	Cable, Electrical - 16/30 Options: (Does not Include Terminals)	
201	1060516	68.5 ft /20.9m	Cable, Electrical - 16/30 600S	

SECTION 7 - ELECTRICAL

ITEM	PART NUMBER	QTY	DESCRIPTION	REV
201	1060516	70 ft /21.3m	Cable, Electrical - 16/30 600SJ	
201	1060516	77 ft /23.5m	Cable, Electrical - 16/30 660SJ	
202	1060494	Ref	Cable, Electrical - 12/3 Options: (Does not Include Terminals)	
202	1060494	69.5 ft /21.2m	Cable, Electrical - 12/3 600S	
202	1060494	71 ft /21.6m	Cable, Electrical - 12/3 600SJ	
202	1060494	77 ft /23.5m	Cable, Electrical - 12/3 660SJ	
203		Ref	Cable, Electrical Options: (Does not Include Terminals)	
203	1060602	69.5 ft /21.2m	Cable, Electrical 600S - 2WS (12/4 & 16/4)	
203	1060603	69.5 ft /21.2m	Cable, Electrical 600S - 4WS (12/4 & 16/10)	
203	1060602	71 ft /21.6m	Cable, Electrical 600SJ - 2WS (12/4 & 16/4)	
203	1060603	71 ft /21.6m	Cable, Electrical 600SJ - 4WS (12/4 & 16/10)	
203	1060602	77 ft /23.5m	Cable, Electrical 660SJ - 2WS (12/4 & 16/4)	
203	1060603	77 ft /23.5m	Cable, Electrical 660SJ - 4WS (12/4 & 16/10)	
204	4460502	1	Connector - 31 Position	
205	4460465	AR	Socket, Female - #16	
206	4460466	14	Seal, Plug	
207	4460473	2	Clamp, Cable	
208	4460614	1	Plug, Connector (19 Pin)	
209	4460509	4	Socket, Female - #12	
213	1060016	Ref	Cable, Boom Length Options:	
213		Ref	Cable, Boom Length 600S - 2WS	
213	1060016	25.5 ft /9.1m	Cable, Boom Length 600S - 2WS (Prior to SN 0300053733)	
213	1060016	40.5 ft /12.1m	Cable, Boom Length 600S - 2WS (SN 0300053733 through 0300062049)	
213	1060016	55.5 ft /16.9m	Cable, Boom Length 600S - 2WS (SN 0300062050 through 0300061927)	
213		Ref	Cable, Boom Length 600S - 4WS	
213	1060016	25.5 ft /9.1m	Cable, Boom Length 600S - 4WS (Prior to SN 0300062050)	
213	1060016	55.5 ft /16.9m	Cable, Boom Length 600S - 4WS (SN 0300062050 through 0300061927)	
213		Ref	Cable, Boom Length 600SJ/660SJ - 2WS	
213	1060016	15 ft/4.5m	Cable, Boom Length 600SJ/660SJ - 2WS (SN 0300053733 through 0300061927)	
213	Not Required	0	Cable, Boom Length 600SJ/660SJ - 4WS	
214	4100026	10 ft/3m	Sleeve, Nylon (600S Only)	
		Ref	GROUND CONTROL BOX DIAGRAMS	
		Ref	Note: Numbered Wiring Starts with SN 0300035129	
		Ref	Continental Engine	
	4932796	Ref	Continental Engine (Prior to SN 0300035129)	7-F
	4932906	Ref	Continental Engine (SN 0300035129 through 0300061927)	4-C
		Ref	Deutz Engine	
	4932795	Ref	Deutz Engine (Prior to SN 0300035129)	6-F

SECTION 7 - ELECTRICAL

ITEM	PART NUMBER	QTY	DESCRIPTION	REV
	4932910	Ref	Deutz Engine (SN 0300035129 through 0300061927)	4-D
		Ref	Deutz Engine - UL	
	4933062	Ref	Deutz Engine - UL (SN 0300039457 through 0300061927)	1-B
		Ref	Ford Engine	
	4932794	Ref	Ford Engine (Prior to SN 0300030947)	4-C
	4932961	Ref	Ford Engine (SN 0300030947 through 0300035128)	3-B
	4932908	Ref	Ford Engine (SN 0300035129 through 0300048907)	4-B
		Ref	Ford EFI Engine	
	4933113	Ref	Ford EFI Engine (SN 0300048907 through 0300061927)	4-E
		Ref	Ford Engine - UL	
	4933054	Ref	Ford Engine - UL (SN 0300039457 through 0300061927)	1-B
		Ref	Isuzu Engine	
	4933152	Ref	Isuzu Engine (SN 0300057373 through 0300061927)	1-A
301		Ref	Harness, Switch Options:	
301	See Note	NSS	Harness, Switch (Made from Individual Wires) (Note: Not Available for Purchase) (Prior to SN 0300035129)	
301	4921993	AR	Harness, Switch (Includes Items 360 & 361) (SN 0300035129 through 0300061927)	3-C
301	4922167	AR	UL Machines (Includes Items 360 & 361) (SN 0300035129 through 0300061927)	1-A
302	4922145	Ref	Harness Assembly - Light Panel Options:	
302	See Note	NSS	Harness Assembly - Light Panel (Made from Individual Wires) (Note: Not Available for Purchase) (Prior to SN 0300035129)	
302	4922002	AR	Harness Assembly - Light Panel (SN 0300035129 through 0300061927)	
303		Ref	Sub-Harness - Start Options (Not Shown):	
303	See Note	NSS	Sub-Harness - Start (Made from Individual Wires) (Note: Not Available for Purchase) (Prior to SN 0300035129)	
303	4922007	AR	Continental Engine (SN 0300035129 through 0300061927)	2-B
303	4922008	AR	Deutz Engine (SN 0300035129 through 0300061927)	4-D
303	4922006	AR	Ford Engine (SN 0300035129 through 0300061927)	2-B
303	4922335	AR	Ford Engine with EFI (SN 0300035129 through 0300061927)	4-D
303	4922008	AR	Isuzu Engine (SN 0300057373 through 0300061927)	4-D
360	4460418	AR	Connector - 6 Position	
361	4460419	AR	Socket, Female	
372	4460508	4	Pin, Deutsch (Not Shown - Ford Only)	
384	3990010	AR	Diode 6Amp (Not Shown)	
386	4120035	AR	Base, Light	
386	4460634	AR	Insert, Terminal (Single Wire)	
386	4460635	AR	Insert, Terminal (Double Wire)	
387	2920129	AR	Bulb, Light	
388	3990001	7	Diode 3Amp (Not Shown)	
389	3730099	1	Resistor 750 Ohm (Not Shown)	
391		Ref	Resistor 500 Ohm (Not Shown - Located at Alternator Light)	
391	3730022	1	Resistor 500 Ohm (Prior to SN 0300036499)	
391	3730023	1	Resistor 500 Ohm (SN 0300036499 through 0300061927)	
392	4460267	6	Pin, Male	
393	4460268	6	Socket, Female	
394	4460224	1	Connector, Female	
395	4460225	1	Connector, Male	
		Ref	GROUND CONTROL BOX ASSEMBLY COMPONENTS	

SECTION 7 - ELECTRICAL

ITEM	PART NUMBER	QTY	DESCRIPTION	REV
		Ref	Note: Numbered Wiring Starts with SN 0300035129	
401		Ref	Valve Harness Assembly Options:	
401	4921735	1	Valve Harness Assembly (Prior to SN 0300026233)	3-D
401	4921849	1	Valve Harness Assembly (SN 0300026233 through 0300035128)	-/A
401	4921923	1	Valve Harness Assembly (SN 0300035129 through 0300061927)	3-E
401	4922164	1	UL (SN 0300039457 through 0300061927)	2-C
401A	4460499	19	DIN Connector with Diode	
401B	4460320	2	Plug, Male - 2 Position (Not Required on UL Machines)	
401C	4460267	AR	Pin, Male	
401D	4460424	1	Receptacle, Female - 2 Position (Not Required on UL Machines)	
401E	4460268	5	Socket, Female (Not Required on UL Machines)	
401F		Ref	Housing, Terminal - 6 Position Options:	
401F	4460539	1	Housing, Terminal - 6 Position (Prior to SN 0300026233)	
401F	4460225	1	Housing, Terminal - 6 Position (SN 0300026233 through 0300061927)	
401G	4460465	3	Socket, Female (Prior to SN 0300026233)	
401G	4460267	3	Pin, Male (SN 0300026233 through 0300061927)	
401H	4460326	1	Plug, Male - 3 Position	
401J	4460445	1	Connector, Female - 3 Position	
401K	4460536	1	Connector, Deutsch - 3 Position (Prior to SN 0300026233)	
401K	See Note	AR	Connector - 6 Position (SN 0300026233 through 0300061927)	
401L	4460464	3	Pin, Male (Prior to SN 0300026233)	
401L	See Note	AR	Pin (SN 0300026233 through 0300061927)	
		Ref	Note: SN 0300026233 through 0300068000, # 401K & 401L are no longer part of Valve Harness. See Tilt Indicator Harness.	
402		Ref	Engine Harness Assembly Options: (See Items 501-587 for Breakdown)	
402		Ref	Continental Engine	
402	4921738	1	Continental Engine (Prior to SN 0300035129)	4-D
402	4921926	1	Continental Engine (SN 0300035129 through 0300061927)	3-D
402		Ref	Deutz Engine	
402	4921737	1	Deutz Engine (Prior to SN 0300035129)	4-D
402	4921925	1	Deutz Engine (SN 0300035129 through 0300061927)	5-F
402		Ref	Ford Engine	
402	4921736	1	Ford Engine (Prior to SN 0300030947)	6-F
402	4921970	1	Ford Engine (SN 0300030947 through 0300035128)	1-A
402	4921924	1	Ford Engine (SN 0300035129 through 0300048906)	3-C
402	4922329	1	Ford Engine (SN 0300048907 through 0300061927)	5-E
402		Ref	Ford Engine - UL	
402	4922166	1	Ford Engine - UL (SN 0300039457 through 0300061927)	4-D
	4922077	Ref	ENGINE HARNESS ASSEMBLY - CONTINENTAL, DEUTZ AND FORD ENGINE OPTIONS:	
		Ref	Note: Numbered Wiring Starts with SN 0300035129	
		Ref	Engine Harness Assembly Continental	
	4921738	Ref	Engine Harness Assembly Continental (Prior to SN 0300035129)	4-E
	4921926	Ref	Engine Harness Assembly Continental (SN 0300035129 through 0300061927)	3-D
		Ref	Deutz	
	4921737	Ref	Engine Harness Assembly Deutz (Prior to SN 0300035129)	4-E

SECTION 7 - ELECTRICAL

ITEM	PART NUMBER	QTY	DESCRIPTION	REV
	4921925	Ref	Engine Harness Assembly Deutz (SN 0300035129 through 0300061927)	6-G
		Ref	Deutz (UL)	
	4922185	Ref	Engine Harness Assembly Deutz (UL) (SN 0300035129 through 0300061927)	2-C
		Ref	Ford	
	4921736	Ref	Engine Harness Assembly Ford (Prior to SN 0300030947)	4-F
	4921970	Ref	Engine Harness Assembly Ford (SN 0300030947 through 0300035128)	1-A
	4921924	Ref	Engine Harness Assembly Ford (SN 0300035129 through 0300048907)	3-C
		Ref	Ford EFI	
	4922329	Ref	Engine Harness Assembly Ford EFI (SN 0300048907 through 0300061927)	5-E
		Ref	Ford UL Machines	
	4922166	Ref	Engine Harness Assembly Ford UL Machines (SN 0300035129 through 0300061927)	4-D
		Ref	Isuzu Machines	
	4922380	Ref	Isuzu Machines (SN 0300057373 through 0300061927)	1-A
515	4460780	8	Seal, Terminal (Isuzu Engine Only)	
516	4460784	1	Housing, Terminal - 6 Position (Isuzu Engine Only)	
517	4460783	AR	Terminal, Spade (Isuzu Engine Only)	
520	4460850	3	Pin, Male (Isuzu Engine Only)	
521	4460465	12	Socket, Female - #16 (Isuzu Engine Only)	
522	4460836	1	Connector, Deutch - 12 Position (Isuzu Engine Only)	
523	4460837	1	Connector, Housing (Isuzu Engine Only)	
524	4460856	1	Connector, Glow Plug Sensor (Isuzu Engine Only)	
525	4460857	2	Terminal, Glow Plug Sensor (Isuzu Engine Only)	
528	4460268	12	Socket, Female (Continental and Deutz Only)	
529	4460267	12	Pin, Male (Continental and Deutz Only)	
534	4460790	5	Socket, Female (Isuzu Engine Only)	
535	4460424	AR	Receptacle, Female - 2 Position	
536	4460268	AR	Socket, Female	
537	4460320	AR	Connector, Female - 2 Position	
538	4460267	AR	Pin, Male	
539	4460499	AR	DIN Connector with Diode	
541	4460476	1	Housing (Isuzu Engine Only)	
545	4460445	1	Housing, Terminal - 3 Position (Continental and Deutz Only) (Prior to SN 0300044047)	
547	4460265	1	Plug, Male - 9 Position (Continental and Deutz Only)	
548	4460266	1	Connector, Female - 9 Position (Continental and Deutz Only)	
550	4460374	AR	Plug, Sealed (Ford Engine Only)	
551	4460375	AR	Terminal (Ford Engine Only)	
553	4460459	2	Housing (Isuzu Engine Only)	
554	4460608	AR	Seal, Terminal (Ford Engine Only)	
555	4460589	AR	Terminal (Ford Engine Only)	
556	4460590	AR	Housing - 4 Position (Ford Engine Only)	
557	4460591	AR	Lock, Terminal (Ford Engine Only)	
558	4460587	AR	Housing - 8 Position (Ford Engine Only)	
559	4460588	AR	Lock, Terminal (Ford Engine Only)	
560	4460582	3	Terminal (Ford Engine Only)	
561	4460580	1	Lock, Terminal (Ford Engine Only)	
562	4460579	1	Housing - 3 Position (Ford Engine Only)	

SECTION 7 - ELECTRICAL

ITEM	PART NUMBER	QTY	DESCRIPTION	REV
563	4460460	1	Connector, Male - 4 Position	
564	4460457	AR	Terminal, Female	
565	4460458	AR	Seal, Terminal	
567	4460713	1	Housing, Connector - 42 Position (Ford Engine Only)	
568	4460725	1	Lock, Wedge - Center (Ford Engine Only)	
569	4460726	2	Lock, Wedge - Side (Ford Engine Only)	
570	4460800	29	Plug, Hole (Ford Engine Only)	
571	4460799	9	Pin, Male (Ford Engine Only)	
572	2400061	2	Fuse (Ford Engine Only)	
573	2400060	2	Holder, Fuse (Ford Engine Only)	
574	4460449	1	DIN Connector without Diode	
575 to 577	Not Required	0	Not Required	
578	4460418	1	Connector, 6 Position (Ford Engine - UL Machines Only)	
579	4460419	6	Terminal, Female (Ford Engine - UL Machines Only)	
580	3990010	1	Diode, 6Amp (Ford Engine - UL Machines Only)	
581	4460777	1	Housing - 4 Position (Continental, Isuzu and Deutz Only) (SN 0300044047 through 0300061927)	
582	4460591	1	Terminal, Lock (Continental, Isuzu and Deutz Only) (SN 0300044047 through 0300061927)	
583	4460589	3	Socket (Continental, Isuzu and Deutz Only) (SN 0300044047 through 0300061927)	
584	4460608	3	Seal, Cable (Continental, Isuzu and Deutz Only) (SN 0300044047 through 0300061927)	
586	4460742	1	Connector, 2 Position (Ford Engine Only)	
587	See Note	1	Dual Fuel Shut-Off Filter Harness (Note: Not Available for Purchase)	
587	7023679	1	Electrical Connector Kit (Includes [1] 2 Position Connector, 2 Pins and 2 Seals)	
		Ref	STANDARD HARNESS COMPONENTS	
		Ref	Note: Numbered Wiring Starts with SN 0300035129	
601	See Note	1	Tilt Indicator Harness (Note: Not Available for Purchase)	
601A	See Note	AR	Pin (Note: Prior to SN 0300026233, # 601A & 601B are part of Valve Harness. See Valve Harness) (Prior to SN 0300026233)	
601A	4460268	6	Socket, Female (SN 0300026233 through 0300061927)	
601B	See Note	1	Plug (Note: Prior to SN 0300026233, # 601A & 601B are part of Valve Harness. See Valve Harness) (Prior to SN 0300026233)	
601B	4460224	1	Connector, Female - 6 Position (SN 0300026233 through 0300061927)	
		Ref	Note, # 601A & 601B are part of Valve Harness. See Valve Harness. (Prior to SN 0300026233)	
602	See Note	NSS	Throttle Actuator/Controller Harness (Continental, Isuzu and Deutz) (Note: Not Available for Purchase)	
602	0060033	NLA	Throttle Actuator and Controller Assembly (Use p/n 2910000)	
602	7008833	1	Mounting Clamp Kit (Not Shown)	
602	7008836	1	Spring, Retract (Not Shown)	
602A	See Note	NSS	Throttle Actuator and Harness (Use p/n 2910000)	
602A	7016336	1	Boot Kit	
602B	See Note	NSS	Pin, Male (Use p/n 2910000)	
602C	See Note	NSS	Connector, Male (Use p/n 2910000)	
602D	2910001	NLA	Controller and Harness (Use p/n 2910000)	
602E	See Note	NSS	Socket, Female (Use p/n 2910000)	
602F	See Note	NSS	Connector, Female (Use p/n 2910000)	
602G	See Note	NSS	Plug, Male - 4 Position (Use p/n 2910000)	
602G	4460693	4	Pin, Male	

SECTION 7 - ELECTRICAL

ITEM	PART NUMBER	QTY	DESCRIPTION	REV
602G	4460591	1	Clip	
602G	4460608	4	Seal, Terminal	
603	See Note	NSS	Pump Harness (Note: Not Available for Purchase)	
603A	7007497	1	Plug (Pump End)	
603B	7007498	1	Plug (Engine Harness End)	
604	See Note	NSS	Controller Harness Assembly (Lift and Swing) (Note: Purchase Controller)	
604A	4460266	1	Connector, Female - 9 Position	
604B	4460268	7	Socket, Female	
605	See Note	NSS	Controller Harness/Circuit Board Assembly (Drive and Steer) (Note: Purchase Controller)	
605A	4460266	1	Connector, Female - 9 Position	
605B	4460268	7	Socket, Female	
606	7012682	1	Ford Engine Harness (For replacement parts refer to Ford engine dealer (Ford Engine Machines)	
607	See Note	NSS	Ford Engine Harness (For replacement parts refer to Ford engine dealer (Ford EFI Engine Machines) (Note: Not Available for Purchase)	
608	0259198	1	Timer Module Assembly (Isuzu Engine Only)	2-B
608A	3740126	1	Relay, Timer Module	
608B	4460476	1	Housing, Receptacle	
608C	4460475	3	Pin, Male	
608D	4460459	1	Housing, Terminal	
608E	4460457	3	Socket, Female	
608F	4460458	6	Seal, Terminal	
609	See Note	1	Speed Controller Harness Assembly (Note: Not Available for Purchase)	
609A	4460224	1	Connector, Female - 6 Position	
609A	4460268	6	Socket, Female	
		Ref	OPTIONAL HARNESS COMPONENTS	
		Ref	Note: Numbered Wiring Starts with SN 0300035129	
701		Ref	4WS Valve Harness Options:	
701	4921772	1	4WS Valve Harness (Prior to SN 0300035129)	
701	4921928	1	4WS Valve Harness (SN 0300035129 through 0300061927)	
701A	4460268	3	Socket, Female	
701B	4460445	1	Connector, Female - 3 Position	
701C	4460499	2	Connector, DIN with Diode	
702		Ref	Jib Valve Harness Options: (600SJ & 660SJ Only)	
702	4921771	1	Jib Valve Harness (Prior to SN 0300035129)	
702	4921927	1	Jib Valve Harness (SN 0300035129 through 0300061927)	
702A	4460326	1	Plug, Male - 3 Position	
702B	4460267	3	Pin, Male	
702C	4460499	2	Connector, DIN with Diode	
703		Ref	Alarm Harness Options: (Includes Alarm)	
703	0255914	1	Alarm Harness (Prior to SN 0300035129)	
703	0257887	1	Alarm Harness (SN 0300035129 through 0300061927)	
703A	4460424	1	Plug, Male - 2 Position	
703B	4460268	2	Socket, Female	
704	0255917	1	Strobe Light Harness (Includes Strobe Light)	
704A	4460320	1	Connector, Female - 2 Position	
704B	4460267	2	Pin, Male	
705		Ref	AC to Platform Receptacle Components Options:	
705	0256113	Ref	AC to Platform Receptacle Components 110V GFI Receptacle	1-A

SECTION 7 - ELECTRICAL

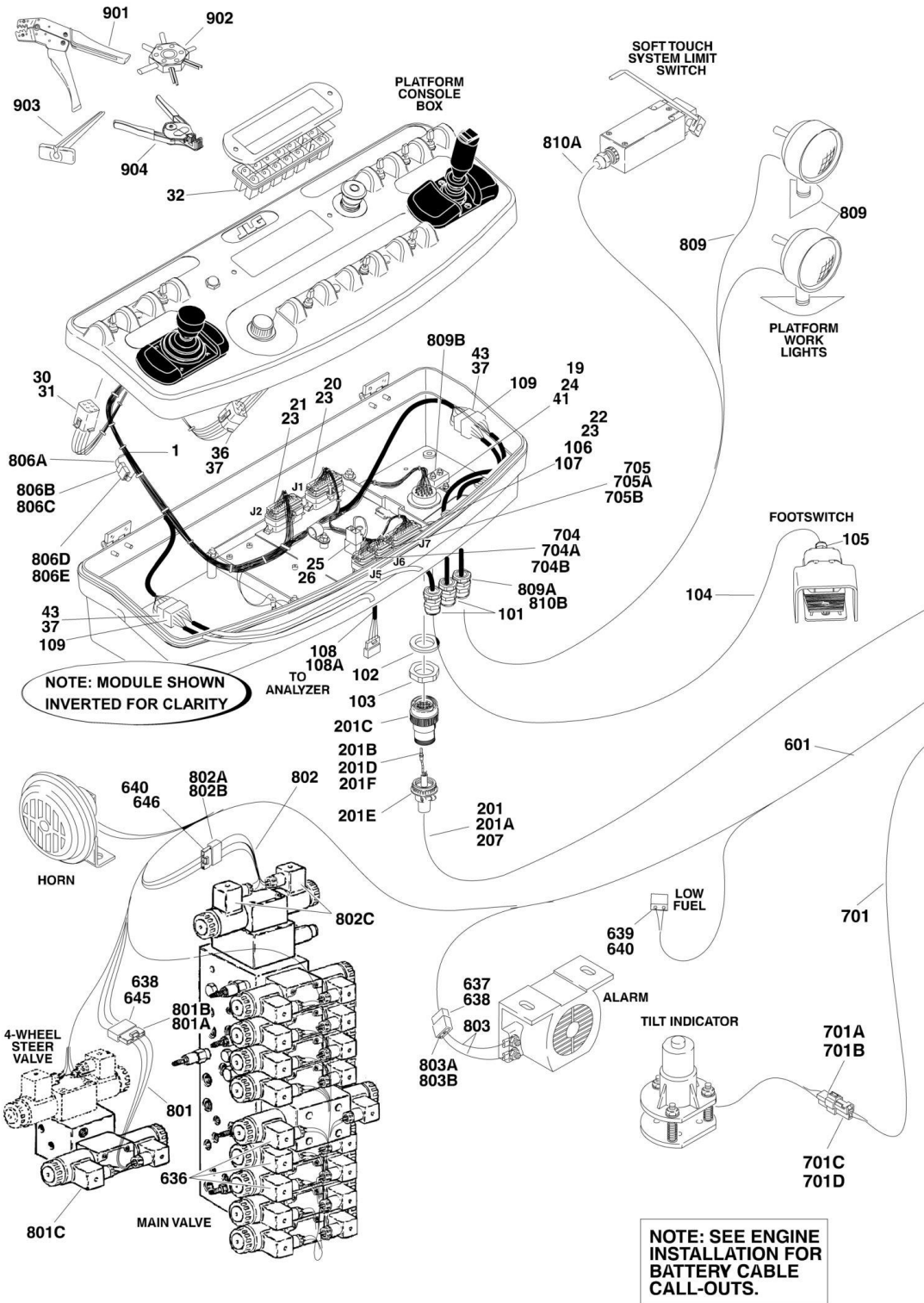
ITEM	PART NUMBER	QTY	DESCRIPTION	REV
705	0257175	Ref	AC to Platform Receptacle Components 220V GFI Receptacle	-/A
705A	0860038	1	Box, Switch	
705B		Ref	Receptacle Options:	
705B	4460346	1	Receptacle 110V GFI	
705B	4460125	1	Receptacle 220V GFI	
705C		Ref	Shield, Cover Options:	
705C	4060700	1	Shield, Cover 110V GFI	
705C	4060092	1	Shield, Cover 220V GFI	
705D		Ref	Plug, Male Options:	
705D	4460205	2	Plug, Male 110V GFI	
705D	4460233	2	Plug, Male 220V GFI	
705E		Ref	Connector, Female Options:	
705E	4460134	2	Connector, Female 110V GFI	
705E	4460701	2	Connector, Female 220V GFI	
705F		Ref	Harness-Receptacle Box to Boom Options:	
705F	4921801	1	Harness-Receptacle Box to Boom 110V	
705F	See Note	1	Harness-Receptacle Box to Boom 220V (Note: Not Available for Purchase)	
705F	1060494	18 in/47cm	Cable, Electrical - 12/3	
705G	4460205	1	Plug, Male (110V)	
705G	4460233	1	Plug, Male (220V)	
705H	0961127	1	Bushing, Snap (Not Shown)	
706		Ref	Generator Electrical Components	
706	4932828	Ref	110V (Prior to SN 0300035129)	2-C
706	4932915	Ref	110V (SN 0300035129 through 0300056088)	1-A
706	4933150	Ref	110V (SN 0300056089 through 0300061927)	2-B
706	4932940	Ref	220V (Prior to SN 0300035129)	1-A
706	4932989	Ref	220V (SN 0300035129 through 0300056088)	1-A
706	4933149	Ref	220V (SN 0300056089 through 0300061927)	2-B
706	3990010	1	Diode - 6Amp (Not Shown)	
706A		Ref	Harness - On/Off Switch Options: (Powermite Control Box to Ground Control Box)	
706A	4921828	1	Harness - On/Off Switch (Prior to SN 0300035129)	
706A	4921938	1	Harness - On/Off Switch (SN 0300035129 through 0300061927)	
706B	4460027	1	Receptacle, Electrical (Industrial) (110V)	
706B	4460125	1	Receptacle, Electrical (220V)	
706C	4460190	1	Receptacle, Electrical (Standard) (110V)	
706C	4460125	1	Receptacle, Electrical (220V)	
707	4921827	1	Generator to Rear of Boom Harness (110V)	
707	4921954	1	Generator to Rear of Boom Harness (220V)	
		Ref	Note: Harness used to connect AC at platform harness to generator receptacle to power platform receptacle.	
707	1060494	26 ft/8m	Cable, Electrical - 12/3	
707A	4460205	1	Plug, Male (110V)	
707A	4460233	1	Plug, Male (220V)	
707B	4460134	1	Receptacle, Female (110V)	
707B	4460701	1	Receptacle, Female (220V)	
708	See Note	1	Lights Harness (Note: Not Available for Purchase)	
708	3740049	1	Relay (Not Shown)	
708	1060341	37 ft /11.3m	Cable, Electrical - 16/2	

SECTION 7 - ELECTRICAL

ITEM	PART NUMBER	QTY	DESCRIPTION	REV
709	2920140	2	Platform Worklights Harness (Includes Light and Wire Only)	
709	2820035	9 ft/2.8m	Loom, Vinyl	
709A	4460598	1	Connector, Strain Relief	
709A	4460442	2	Terminal (Not Shown-Located in Platform Console)	
710	See Note	1	Soft Touch System Harness (Note: Not Available for Purchase)	
710A		Ref	Cable, Electrical Options:	
710A	1060330	16 ft/4.9m	Cable, Electrical - 16/2 (Prior to SN 0300029105)	
710A	1060341	16 ft/4.9m	Cable, Electrical - 16/3 (SN 0300029105 through 0300061927)	
710B		Ref	Connector, Strain Relief Options:	
710B	4460428	1	Connector, Strain Relief (Prior to SN 0300029105)	
710B	4460425	1	Connector, Strain Relief (SN 0300029105 through 0300068000)	
		Ref	TOOLS	
	4921850	1	Service Harness (For Setting Deutz Throttle Actuator)	
	4922012	1	Service Harness (For Setting Circuit Cards)	
801	7002821	1	Crimper (For Wire to Pin/Socket Connections)	
802	7002823	1	Extractor (For Removal of Pin/Socket from Connectors)	
803	4460467	1	Extractor, Pin (Blue 16-18 Gauge) (For Removal of Pin/Socket from Connectors)	
803	4460510	1	Extractor, Pin (Yellow 12-14 Gauge) (For Removal of Pin/Socket from Connectors)	
804	7002828	1	Stripper, Wire	

SECTION 7 - ELECTRICAL

FIGURE 7-3. HARNESS COMPONENTS INSTALLATION (ADE SYSTEM) (SN 0300061927 through 0300063909)



SECTION 7 - ELECTRICAL

FIGURE 7-3. HARNESS COMPONENTS INSTALLATION (ADE SYSTEM) (SN 0300061927 through 0300063909)

ITEM	PART NUMBER	QTY	DESCRIPTION	REV
		Ref	Note: SN 0300063910 through SN 0300064498 use either p/n 0861388 or p/n 0861477 platform console box. Determine appropriate console by the presence of (2) white 15 position connectors inside console box. If present, use HARNESS COMPONENTS INSTALLATION (ADE SYSTEM). If not present, use HARNESS COMPONENTS INSTALLATION (ADE SYSTEM).	
	4922509	Ref	PLATFORM BOX HARNESS ASSEMBLY	3-D
1	4922509	1	Harness, Console Box	
19	4460866	1	Connector - 19 Position	
20	4460874	1	Connector - 35 Position (Natural)	
21	4460875	1	Connector - 35 Position (Gray)	
22	4460873	1	Connector - 35 Position (Black)	
23	4460871	48	Socket, Female	
24	4460464	7	Pin, Male (16 Gauge)	
25	4460879	1	Terminal, Housing 2 Position	
26	4460887	2	Terminal, (12 Gauge)	
30	4460418	4	Connector - 6 Position	
31	4460419	12	Terminal, Female	
32	4120035	7	Base, Light	
36	4460225	1	Connector - 6 Position	
37	4460227	6	Pin, Male	
41	4460508	3	Pin, Male (12 Gauge)	
		Ref	PLATFORM BOX ASSEMBLY COMPONENTS	
101	4460428	2	Connector, Strain Relief	
102	4460470	1	Nut, Conduit	
103	4460471	1	Washer	
104	1060330	7 ft/2.1m	Cable, Electrical - 16/3	
105	4460071	1	Connector, Strain Relief	
106	4460226	2	Socket, Female	
107	4922485	1	Harness, Analyzer Cable (Not Shown - Located on bottom front of console box)	
107	4460871	4	Terminal, Socket	
107	4460761	1	Housing - 4 Position	
107	4460227	4	Pin	
		Ref	BOOM CABLES INSTALLATION	
	0270733	Ref	Boom Cables Installation 600S - 2WS	3
	0270738	Ref	Boom Cables Installation 600SJ - 2WS	2
	0270736	Ref	Boom Cables Installation 660SJ - 2WS	2
201		Ref	Harness, Main Boom Options:	
201	4922468	1	Harness, Main Boom 600S - 2WS	
201	4922466	1	Harness, Main Boom 600SJ - 2WS	
201	4922467	1	Harness, Main Boom 660SJ - 2WS	
201A	1060896	Ref	Cable Options:	
201A	1060896	67 ft /20.4m	Cable 600S - 2WS	
201A	1060896	69 ft/21m	Cable 600SJ - 2WS	
201A	1060896	75 ft /22.8m	Cable 660SJ - 2WS	
201B	4460465	22	Socket, Female - #16	
201C	4460865	1	Connector - 19 Position	

SECTION 7 - ELECTRICAL

ITEM	PART NUMBER	QTY	DESCRIPTION	REV
201D	4460509	8	Socket, Female - #12	
201E	4460473	1	Clamp, Cable	
201F	4460466	4	Seal, Plug	
202	1060494	Ref	Cable, Electrical - 12/3 Options: (Does not include plug ends)	
202	1060494	69.5 ft /21.8m	Cable, Electrical - 12/3 600S - 2WS	
202	1060494	71 ft /21.6m	Cable, Electrical - 12/3 600SJ - 2WS	
202	1060494	77 ft /23.5m	Cable, Electrical - 12/3 660SJ - 2WS	
202A	4460205	1	Plug, Male (110V)	
202B	4460134	1	Connector, Female (110V)	
203	1060680	Ref	Cable, Electrical - 18/2 Boom Length	
203	1060680	55.5 ft /16.9m	Cable, Electrical - 18/2 Boom Length 600S - 2WS	
203	1060680	15 ft/4.6m	Cable, Electrical - 18/2 Boom Length 600SJ/660SJ - 2WS	
207		Ref	Sleeve, Nylon Options:	
207	4100026	10 ft/3.0m	Sleeve, Nylon 600S - 2WS	
207	Not Required	0	Sleeve, Nylon 600SJ/660SJ - 2WS	
		Ref	GROUND CONTROL BOX DIAGRAMS	
	4933169	Ref	Deutz Engine	5-G
	4933155	Ref	Ford EFI Engine	5-G
301	2920129	6	Bulb, Light	
306	4460871	AR	Socket, Female	
307	2400065	1	Fuse, 30Amp (Not Shown)	
308	2400066	1	Fuse, Holder with Cover (Not Shown)	
	4922475	Ref	GROUND CONTROL HARNESS ASSEMBLY	5-F
434	4460419	21	Terminal, Female	
435	4460418	7	Connector - 6 Position	
438	4460871	34	Socket, Female	
439	4460876	1	Connector - 35 Position (Blue)	
442	4460464	7	Pin, Male (16 Gauge)	
443	4460866	1	Connector - 19 Position	
444	4460878	1	Housing, Terminal - 4 Position	
445	4460887	3	Terminal	
451	4120035	6	Base, Light	
454	4460508	3	Pin, Male (12 Gauge)	
455	4460873	1	Connector - 35 Position (Black)	
		Ref	ENGINE HARNESS ASSEMBLY	
	4922515	Ref	DEUTZ ENGINE	4-D
	4922514	Ref	FORD ENGINE - LRG425 with EFI	4-D
501		Ref	Harness, Assembly Options:	
501	4922515	1	Harness, Assembly Deutz Engine	
501	4922514	1	Harness, Assembly Ford Engine - LRG425 with EFI	
519	4460424	1	Receptacle, Female - 2 Position	
520	4460268	2	Socket, Female	
521	4460880	AR	DIN Connector without Diode	
528	4460582	3	Terminal (Ford Engine Only)	
529	4460580	1	Lock, Terminal (Ford Engine Only)	
530	4460579	1	Housing - 3 Position (Ford Engine Only)	
536	4460890	1	Housing - 2 Position (Deutz Engine Only)	
537	4460889	2	Terminal (Deutz Engine Only)	

SECTION 7 - ELECTRICAL

ITEM	PART NUMBER	QTY	DESCRIPTION	REV
538	4460460	1	Connector, Male - 4 Position	
539	4460457	AR	Terminal, Female	
540	4460458	AR	Seal, Terminal	
541	4460713	1	Connector, Housing 42 Position (LRG425 with EFI Only)	
542	4460725	1	Connector Wedge Lock, Center (LRG425 with EFI Only)	
543	4460726	2	Connector Wedge Lock, Side (LRG425 with EFI Only)	
544	4460800	29	Connector, Plug (LRG425 with EFI Only)	
545	4460799	7	Pin, Male (LRG425 with EFI Only)	
548	4460728	3	Pin, Male (LRG425 with EFI Only)	
550	2400061	2	Fuse (LRG425 with EFI Only)	
551	2400060	2	Holder, Fuse (LRG425 with EFI Only)	
554	4460742	1	Connector, Male - 2 Position (LRG425 with EFI Only)	
557	4460871	AR	Socket, Female	
	4922513	Ref	VALVE HARNESS ASSEMBLY	3-D
601	4922513	1	Harness, Assembly	
636	4460880	15	DIN Connector	
637	4460320	2	Connector, Female - 2 Position	
638	4460267	5	Pin, Male	
639	4460424	1	Connector, Male - 2 Position	
640	4460268	5	Pin, Female	
641	4460871	28	Socket, Female	
645	4460326	1	Connector, Male - 3 Position	
646	4460445	1	Connector, Female - 3 Position	
		Ref	STANDARD HARNESS COMPONENTS	
701	4922621	1	Tilt Indicator Harness	
701A	4460226	4	Pin	
701B	4460224	1	Connector, Female - 6 Position	
701C	4460227	4	Pin	
701D	4460225	1	Connector, Female - 6 Position	
701E	4460871	4	Socket, Female	
703	See Note	NSS	Pump Harness (Note: Not Available for Purchase)	
703A	7007497	1	Plug (Pump End)	
703B	7007498	1	Plug (Engine Harness End)	
704	See Note	NSS	Controller Harness Assembly (Lift and Swing) (Note: Purchase Controller)	
704A	7022819	1	Plug, Male - 8 Position (Natural)	
704B	4460871	8	Socket, Female	
705	See Note	NSS	Controller Harness/Circuit Board Assembly (Drive and Steer) (Note: Purchase Controller)	
705A	7022825	1	Plug, Male - 8 Position (Black)	
705B	4460871	7	Socket, Female	
706	See Note	NSS	Ford Engine Harness (For replacement parts refer to Ford engine dealer (Ford EFI Engine Machines) (Note: Not Available for Purchase)	
707	See Note	NSS	Dual Fuel Shut-Off Filter Harness (Note: Not Available for Purchase)	
707A	7023679	1	Electrical Connector Kit (Includes [1] 2 Position Connector, 2 Pins and 2 Seals)	
		Ref	OPTIONAL HARNESS COMPONENTS	
801	4921928	1	4WS Valve Harness	
801A	4460268	3	Socket, Female	
801B	4460445	1	Connector, Female - 3 Position	
801C	4460499	2	Connector, DIN with Diode	

SECTION 7 - ELECTRICAL

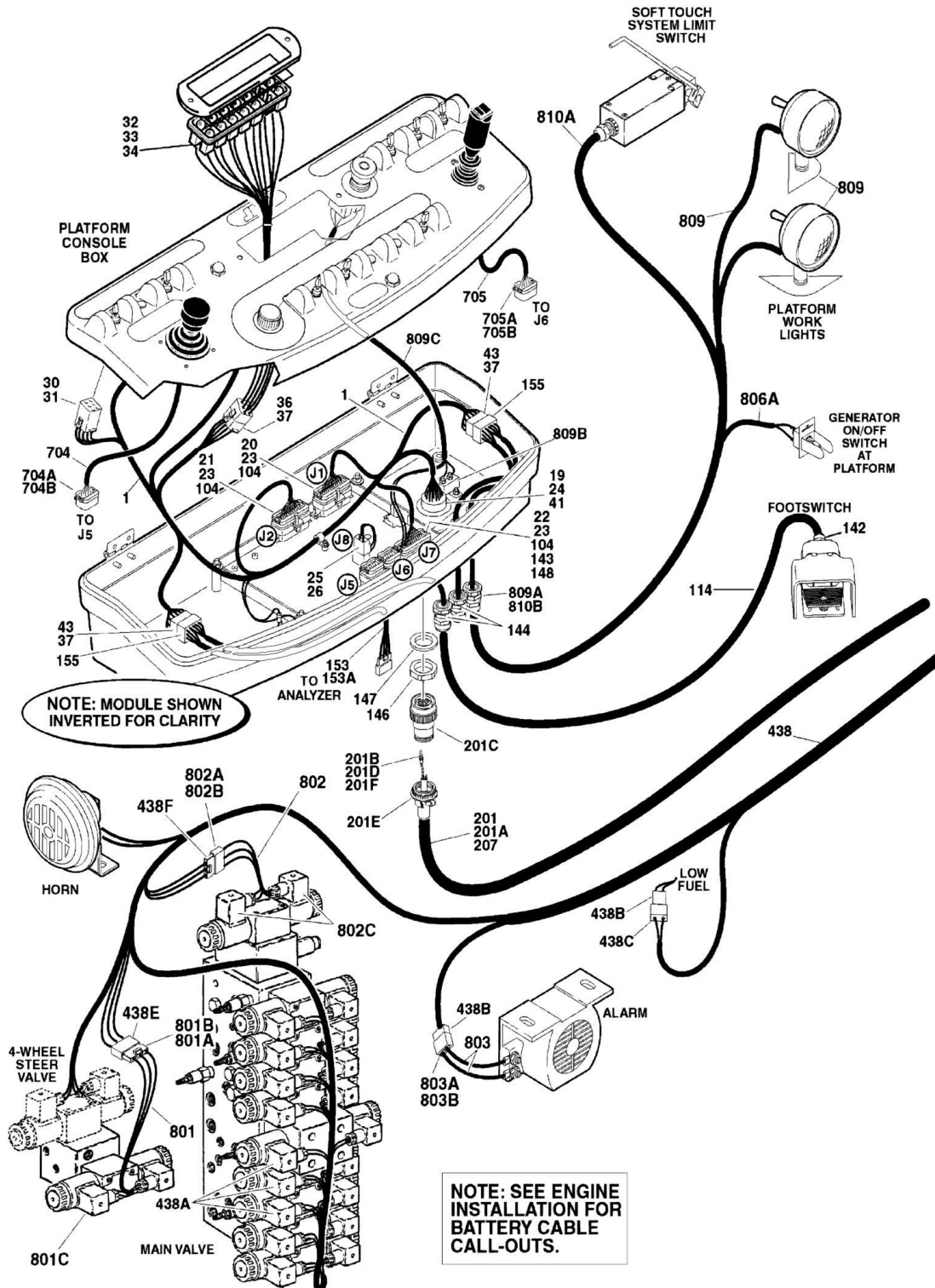
ITEM	PART NUMBER	QTY	DESCRIPTION	REV
802	4921927	1	Jib Valve Harness (600SJ & 660SJ Only)	
802A	4460326	1	Plug, Male - 3 Position	
802B	4460267	3	Pin, Male	
802C	4460499	2	Connector, DIN with Diode	
803	0257887	1	Alarm Harness (Includes Alarm)	
803A	4460424	1	Plug, Male - 2 Position	
803B	4460268	2	Socket, Female	
804	0255917	1	Strobe Light Harness (Includes Strobe Light)	
804A	4460320	1	Connector, Female - 2 Position	
804B	4460267	2	Pin, Male	
805		Ref	AC to Platform Receptacle Components Options:	
805	0256113	Ref	AC to Platform Receptacle Components 110V GFI Receptacle	1-A
805	0257175	Ref	AC to Platform Receptacle Components 220V Receptacle	-A
805A	0860038	1	Box, Switch	
805B		Ref	Receptacle Options:	
805B	4460346	1	Receptacle 110V GFI	
805B	4460125	1	Receptacle 220V	
805C		Ref	Shield, Cover Options:	
805C	4060700	1	Shield, Cover 110V GFI	
805C	4060092	1	Shield, Cover 220V	
805D		Ref	Plug, Male Options:	
805D	4460205	2	Plug, Male 110V GFI	
805D	4460233	2	Plug, Male 220V	
805E		Ref	Connector, Female Options:	
805E	4460134	2	Connector, Female 110V GFI	
805E	4460701	2	Connector, Female 220V	
805F		Ref	Harness-Receptacle Box to Boom Options:	
805F	4921801	1	Harness-Receptacle Box to Boom 110V	
805F	See Note	1	Harness-Receptacle Box to Boom 220V (Note: Not Available for Purchase)	
805F	1060494	18 in /47cm	Cable, Electrical - 12/3	
805G	4460071	1	Connector, Strain Relief	
806		Ref	Generator Electrical Components	
806	4933158	Ref	Generator Electrical Components 110V	1-A
806	4933162	Ref	Generator Electrical Components 220V	1-A
806	3990010	1	Diode - 6Amp (Not Shown)	
806A	4922483	1	Harness - On/Off Switch	
806B	4460320	1	Connector, Female - 2 Position	
806C	4460267	2	Pin, Male	
806D	4460424	1	Plug, Male - 2 Position	
806E	4460268	2	Socket, Female	
806F	4922482	1	Powermite Control Box to Relay	
806G	4460027	1	Receptacle, Electrical (Industrial) (110V)	
806G	4460125	1	Receptacle, Electrical (220V)	
806H	4460190	1	Receptacle, Electrical (Standard) (110V)	
806H	4460125	1	Receptacle, Electrical (220V)	
807	4921827	1	Generator to Rear of Boom Harness (110V)	
807	4921954	1	Generator to Rear of Boom Harness (220V)	
		Ref	Note: Harness used to connect AC at platform harness to generator receptacle to power platform receptacle.	
807	1060494	26 ft/8m	Cable, Electrical - 12/3	

SECTION 7 - ELECTRICAL

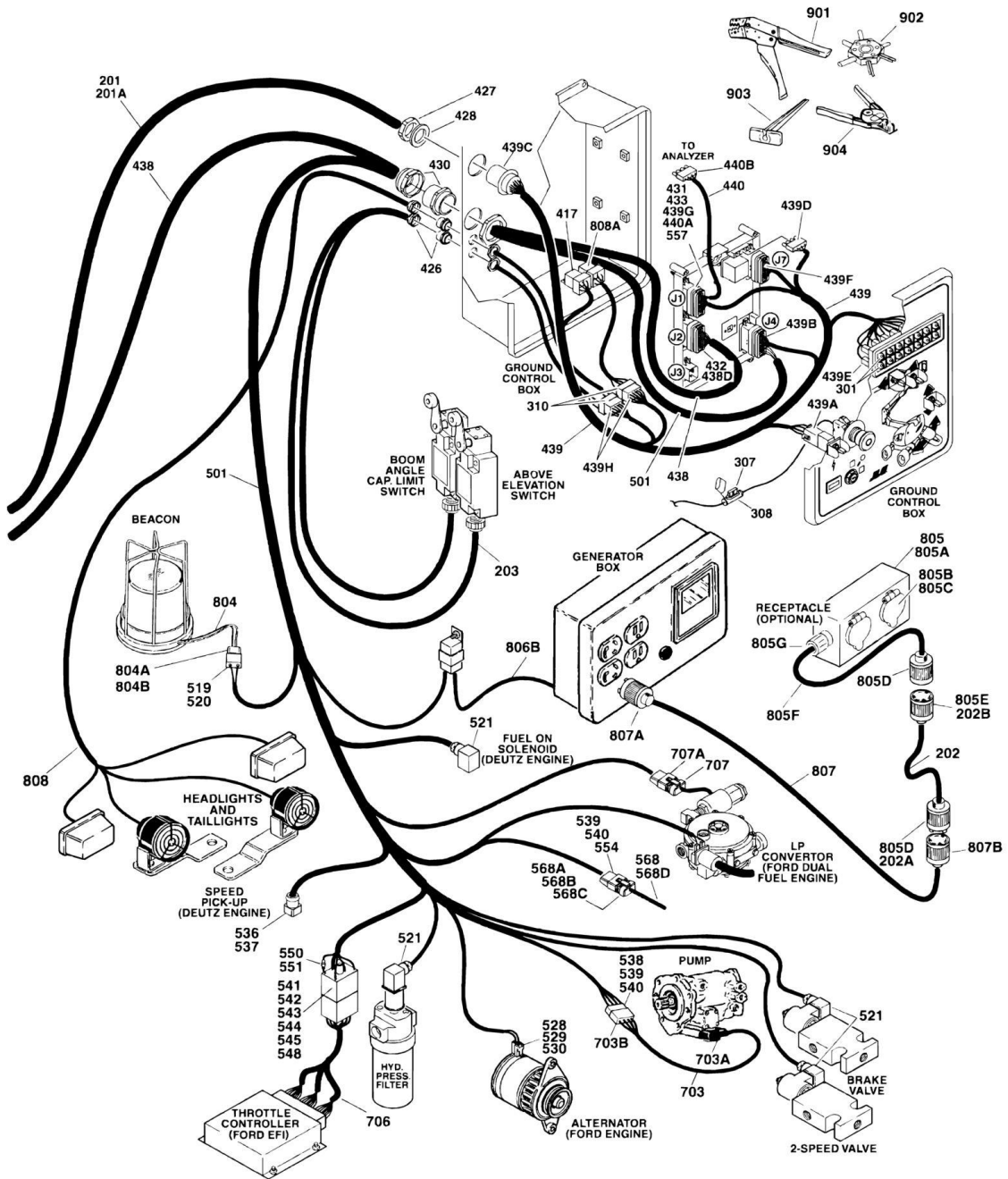
ITEM	PART NUMBER	QTY	DESCRIPTION	REV
807A	4460205	1	Plug, Male (110V)	
807A	4460233	1	Plug, Male (220V)	
807B	4460134	1	Receptacle, Female (110V)	
807B	4460701	1	Receptacle, Female (220V)	
808	See Note	1	Lights Harness (Note: Not Available for Purchase)	
808	1060341	37 ft /11.3m	Cable, Electrical - 16/2	
808A	3740049	1	Relay	
808B	4922484	1	Harness, Bag (Located at Ground Control Box) (Not Shown)	
809	2920140	2	Platform Worklights Harness (Includes Light and Wire Only)	
809	2820035	9 ft/2.8m	Loom, Vinyl	
809A	4460598	1	Connector, Strain Relief	
809B	4360232	1	Circuit Breaker, 15Amp	
810	See Note	1	Soft Touch System Harness (Note: Not Available for Purchase)	
810A	1060341	16 ft/4.9m	Cable, Electrical - 16/3	
810B	4460425	1	Connector, Strain Relief	
		Ref	TOOLS	
901	7002821	1	Crimper (For Wire to Pin/Socket Connections)	
902	7002823	1	Extractor (For Removal of Pin/Socket from Connectors)	
903	4460467	1	Extractor, Pin (Blue 16-18 Gauge) (For Removal of Pin/Socket from Connectors)	
903	4460510	1	Extractor, Pin (Yellow 12-14 Gauge) (For Removal of Pin/Socket from Connectors)	
904	7002828	1	Stripper, Wire	
905	2901443	1	Analyzer Kit (Not Shown)	

SECTION 7 - ELECTRICAL

FIGURE 7-4. HARNESS COMPONENTS INSTALLATION (ADE SYSTEM) (SN 0300064499 through 0300068000)



SECTION 7 - ELECTRICAL



SECTION 7 - ELECTRICAL

FIGURE 7-4. HARNESS COMPONENTS INSTALLATION (ADE SYSTEM) (SN 0300064499 through 0300068000)

ITEM	PART NUMBER	QTY	DESCRIPTION	REV
		Ref	Note: SN 0300063910 through 0300064498 use either p/n 0861388 or 0861477 platform console box. Determine appropriate console by the presence of (2) white 15 position connectors inside the console box. If present use this figure. If not present, use previous figure.	
	4922639	Ref	PLATFORM BOX HARNESS ASSEMBLY	2-A
1	4922639	1	Harness, Console Box	
19	4460866	1	Connector - 19 Position	
20	4460874	1	Connector - 35 Position (Natural)	
21	4460875	1	Connector - 35 Position (Gray)	
22	4460873	1	Connector - 35 Position (Black)	
23	4460871	70	Socket, Female	
24	4460464	7	Pin, Male (16 Gauge)	
25	4460879	1	Terminal, Housing 2 Position	
26	4460887	2	Terminal, (12 Gauge)	
30	4460418	8	Connector - 6 Position	
31	4460419	24	Terminal, Female	
32	4120035	12	Base, Light	
36	4460225	1	Connector - 6 Position	
37	4460227	28	Pin, Male	
41	4460508	3	Pin, Male (12 Gauge)	
43	4460434	2	Connector - 15 Position	
		Ref	PLATFORM BOX ASSEMBLY COMPONENTS	
104	0100048	AR	Grease, Dielectric	
114		Ref	Cable, Electrical - 18/3	
142	4460071	1	Connector, Strain Relief	
143	4460226	2	Socket, Female	
144	4460428	2	Connector, Strain Relief	
146	4460470	1	Nut, Terminal	
147	4460471	1	Lockwasher, Terminal	
148	4460905	5	Seal, Plug	
153	4922666	1	Harness, Analyzer Cable	1-A
153	4460226	4	Socket, Female (Not Shown - Located at J2)	
153A	4460761	1	Connector, Female - 4 Position	
153A	4460227	4	Pin, Male	
155	4460708	2	Terminal, 15 Pin Mate-N-Loc	
		Ref	BOOM CABLES INSTALLATION	
	0270733	Ref	Boom Cables Installation 600S - 2WS	3
	0270738	Ref	Boom Cables Installation 600SJ - 2WS	2
	0270736	Ref	Boom Cables Installation 660SJ - 2WS	2
	0272483	Ref	Boom Cables Installation 600S - 2WS (SkyPower) (7500W 60Hz)	1
	0272488	Ref	Boom Cables Installation 600SJ - 2WS (SkyPower) (7500W 60Hz)	1
	0272485	Ref	Boom Cables Installation 660SJ - 2WS (SkyPower) (7500W 60Hz)	1
201		Ref	Harness, Main Boom Options:	
201	4922468	1	Harness, Main Boom 600S - 2WS	
201	4922466	1	Harness, Main Boom 600SJ - 2WS	
201	4922467	1	Harness, Main Boom 660SJ - 2WS	

SECTION 7 - ELECTRICAL

ITEM	PART NUMBER	QTY	DESCRIPTION	REV
201A	1060896	Ref	Cable Options:	
201A	1060896	67 ft /20.4m	Cable 600S - 2WS	
201A	1060896	69 ft/21m	Cable 600SJ - 2WS	
201A	1060896	75 ft /22.8m	Cable 660SJ - 2WS	
201B	4460465	22	Socket, Female - #16	
201C	4460865	1	Connector - 19 Position	
201D	4460509	8	Socket, Female - #12	
201E	4460473	1	Clamp, Cable	
201F	4460466	4	Seal, Plug	
202		Ref	Cable, Electrical - 12/3 Options: (Does not include plug ends)	
202	1060494	69.5 ft /21.2m	Cable, Electrical - 12/3 600S - 2WS	
202	1060494	71 ft /21.6m	Cable, Electrical - 12/3 600SJ - 2WS	
202	1060494	77 ft /23.5m	Cable, Electrical - 12/3 660SJ - 2WS	
202	4922792	1	Cable, Electrical - 12/3 600S - 2WS (SkyPower) (7500W 60Hz)	
202	4922790	1	Cable, Electrical - 12/3 600SJ - 2WS (SkyPower) (7500W 60Hz)	
202	4922791	1	Cable, Electrical - 12/3 660SJ - 2WS (SkyPower) (7500W 60Hz)	
202A	4460205	1	Plug, Male (110V)	
202B	4460134	1	Connector, Female (110V)	
203	1060680	Ref	Cable, Electrical - 18/2 Boom Length	
203	1060680	55.5 ft /16.9m	Cable, Electrical - 18/2 Boom Length 600S - 2WS	
203	1060680	15 ft/4.6m	Cable, Electrical - 18/2 Boom Length 600SJ/660SJ - 2WS	
207		Ref	Sleeve, Nylon Options: (Not Shown)	
207	4100026	10 ft/3.0m	Sleeve, Nylon 600S - 2WS	
207	Not Required	0	Sleeve, Nylon 600SJ/660SJ - 2WS	
		Ref	GROUND CONTROL BOX DIAGRAMS	
	4933222	Ref	Deutz Engine	2-B
	4933221	Ref	Ford EFI Engine	2-B
301	2920129	6	Bulb, Light	
307	2400065	1	Fuse, 30Amp	
308	2400066	1	Fuse, Holder with Cover	
310	4460708	2	Receptacle, Female - 15 Position	
310	4460226	13	Socket, Female	
310	4922637	1	Harness, Jumper (Not Shown)	
310	4922636	1	Harness, Jumper (Not Shown)	
		Ref	GROUND CONTROL BOX COMPONENTS	
417	3740049	1	Relay	
426	4460426	2	Connector, Strain Relief	
427	4460470	1	Nut, Terminal	
428	4460471	1	Lockwasher, Terminal	
430	4460526	1	Connector, Strain Relief	
431	4460874	1	Connector (Natural)	
432	4460875	1	Connector (Gray)	
433	4460905	4	Connector, Amp Seal Plug	
437		Ref	Engine Harness Assembly (Not Shown - See 501-568 for Breakdown)	

SECTION 7 - ELECTRICAL

ITEM	PART NUMBER	QTY	DESCRIPTION	REV
437	4922515	1	Deutz Engine Machines	
437	4922514	1	Ford Engine Machines with EFI	
438	4922513	1	Valve Harness Assembly	3-D
438A	4460880	15	Connector, DIN	
438B	4460320	2	Connector, Female- 2 Position	
438B	4460267	5	Pin, Male	
438C	4460424	1	Connector, Male- 2 Position	
438C	4460268	5	Pin, Female	
438D	4460871	AR	Socket, Female	
438E	4460326	1	Connector, Male - 3 Position	
438E	4460267	7	Pin, Male	
438F	4460445	1	Connector, Female - 3 Position	
438F	4460268	5	Pin, Female	
439	4922648	1	Ground Control Box Harness Assembly	2-B
439A	4460418	7	Connector, Female- 6 Position	
439A	4460419	21	Socket, Female	
439B	4460876	1	Connector, 35- Position	
439B	4460871	AR	Socket, Female	
439B	4460905	2	Seal, Plug	
439C	4460866	1	Connector - 19 Position	
439C	4460464	7	Pin, Male Deutsch (16 Gauge)	
439D	4460878	1	Housing, Terminal- 4 Position	
439D	4460887	3	Terminal (12 Gauge)	
439E	4120035	6	Base, Light	
439E	4460634	7	Terminal (16 Gauge)	
439F	4460873	1	Connector, 35- Position (Black)	
439F	4460871	AR	Socket, Female	
439F	4460635	5	Terminal (12 Gauge)	
439G	4460871	AR	Socket, Female	
439H	4460434	2	Plug, Male 15- Position	
439H	4460227	AR	Pin	
439I	3990010	2	Diode - 6Amp (Not Shown)	
440	4922666	1	Cable, Analyzer	1-A
440A	4460226	4	Socket, Female	
440B	4460761	1	Connector, Female 4- Position	
440B	4460227	4	Pin, Male	
441		Ref	Ground Control Box Wiring Diagram (Not Shown - See Items 301-310 for Breakdown)	
441	4933222	1	Deutz Engine	
441	4933221	1	Ford Engine with EFI	
		Ref	ENGINE HARNESS ASSEMBLY	
	4922515	Ref	DEUTZ ENGINE	5-E
	4922514	Ref	FORD ENGINE - LRG425 with EFI	6-F
501		Ref	Harness, Assembly Options:	
501	4922515	1	Harness, Assembly Deutz Engine	
501	4922514	1	Harness, Assembly Ford Engine - LRG425 with EFI	
519	4460424	1	Receptacle, Female - 2 Position	
520	4460268	2	Socket, Female	
521	4460880	AR	DIN Connector without Diode	
528	4460582	3	Terminal (Ford Engine Only)	
529	4460580	1	Lock, Terminal (Ford Engine Only)	
530	4460579	1	Housing - 3 Position (Ford Engine Only)	

SECTION 7 - ELECTRICAL

ITEM	PART NUMBER	QTY	DESCRIPTION	REV
536	4460890	1	Housing - 2 Position (Deutz Engine Only)	
537	4460889	2	Terminal (Deutz Engine Only)	
538	4460460	1	Connector, Male - 4 Position	
539	4460457	AR	Terminal, Female	
540	4460458	AR	Seal, Terminal	
541	4460713	1	Connector, Housing 42 Position (LRG425 with EFI Only)	
542	4460725	1	Connector Wedge Lock, Center (LRG425 with EFI Only)	
543	4460726	2	Connector Wedge Lock, Side (LRG425 with EFI Only)	
544	4460800	29	Connector, Plug (LRG425 with EFI Only)	
545	4460799	7	Pin, Male (LRG425 with EFI Only)	
548	4460728	3	Pin, Male (LRG425 with EFI Only)	
550	2400061	2	Fuse (LRG425 with EFI Only)	
551	2400060	2	Holder, Fuse (LRG425 with EFI Only)	
554	4460742	1	Connector, Male - 2 Position (LRG425 with EFI Only)	
557	4460871	AR	Socket, Female	
567	2400065	1	Fuse, 30Amp (Ford Engine Only) (SN 0300073350 through 0300068000)	
568	3730120	1	Resistor Assembly (Ford Engine Only) (SN 0300073350 through 0300068000)	
568A	4460978	1	Receptacle, Male - 2 Position	
568B	4460979	2	Pin, Male	
568C	4460458	2	Seal, Terminal	
568D	3730121	1	Resistor	
	4922513	Ref	VALVE HARNESS ASSEMBLY	3-D
601	4922513	1	Harness, Assembly	
636	4460880	15	DIN Connector	
637	4460320	2	Connector, Female - 2 Position	
638	4460267	5	Pin, Male	
639	4460424	1	Connector, Male - 2 Position	
640	4460268	5	Pin, Female	
641	4460871	28	Socket, Female	
645	4460326	1	Connector, Male - 3 Position	
646	4460445	1	Connector, Female - 3 Position	
		Ref	STANDARD HARNESS COMPONENTS	
703	See Note	NSS	Pump Harness (Note: Not Available for Purchase)	
703A	7007497	1	Plug (Pump End)	
703B	7007498	1	Plug (Engine Harness End)	
704	See Note	NSS	Controller Harness Assembly (Lift and Swing) (Note: Purchase Controller)	
704A	7022819	1	Connector, Male - 9 Position	
704B	7022820	8	Socket, Female	
705	See Note	NSS	Controller Harness/Circuit Board Assembly (Drive and Steer) (Note: Purchase Controller)	
705A	7022825	1	Connector, Female - 9 Position	
705B	7022820	7	Socket, Female	
706	See Note	NSS	Ford Engine Harness (For replacement parts refer to Ford engine dealer (Ford EFI Engine Machines) (Note: Not Available for Purchase)	
707	See Note	1	Dual Fuel Shut-Off Filter Harness (Note: Not Available for Purchase)	
707A	7023679	1	Electrical Connector Kit (Includes [1] 2 Position Connector, 2 Pins and 2 Seals)	
		Ref	OPTIONAL HARNESS COMPONENTS	

SECTION 7 - ELECTRICAL

ITEM	PART NUMBER	QTY	DESCRIPTION	REV
801	4921928	1	4WS Valve Harness	
801A	4460268	3	Socket, Female	
801B	4460445	1	Connector, Female - 3 Position	
801C	4460499	2	Connector, DIN with Diode	
802	4921927	1	Jib Valve Harness (600SJ & 660SJ Only)	
802A	4460326	1	Plug, Male - 3 Position	
802B	4460267	3	Pin, Male	
802C	4460499	2	Connector, DIN with Diode	
803	0257887	1	Alarm Harness (Includes Alarm)	
803A	4460424	1	Plug, Male - 2 Position	
803B	4460268	2	Socket, Female	
804	0255917	1	Strobe Light Harness (Includes Strobe Light)	
804A	4460320	1	Connector, Female - 2 Position	
804B	4460267	2	Pin, Male	
805		Ref	AC to Platform Receptacle Components Options:	
805	0256113	Ref	110V GFI Receptacle	2
805	0257175	Ref	220V Receptacle	2
805A	0860038	1	Box, Switch	
805B		Ref	Receptacle Options:	
805B	4460346	1	Receptacle 110V GFI	
805B	4460125	1	Receptacle 220V	
805C		Ref	Shield, Cover Options:	
805C	4060700	1	Shield, Cover 110V GFI	
805C	4060092	1	Shield, Cover 220V	
805D		Ref	Plug, Male Options:	
805D	4460205	2	Plug, Male 110V GFI	
805D	4460233	2	Plug, Male 220V	
805E		Ref	Connector, Female Options:	
805E	4460134	2	Connector, Female 110V GFI (Prior to SN 0300065780)	
805E	4460701	2	Connector, Female 220V	
805F		Ref	Harness-Receptacle Box to Boom Options:	
805F	4921801	1	Harness-Receptacle Box to Boom 110V (Prior to SN 0300065780)	
805F	See Note	NSS	Harness-Receptacle Box to Boom 220V (Note: Not Available for Purchase)	
805F	1060494	18 in /47cm	Cable, Electrical - 12/3	
805G	4460071	1	Connector, Strain Relief	
806		Ref	Generator Electrical Components	
806	4933215	Ref	Generator Electrical Components 110V	1-A
806	4933216	Ref	Generator Electrical Components 220V	1-A
806	3990010	1	Diode - 6Amp (Not Shown)	
806A	4922641	1	Harness - On/Off Switch	
806B	4922482	1	Harness - Powermite Control Box to Relay	
807	4921827	1	Generator to Rear of Boom Harness (110V)	
807	4921954	1	Generator to Rear of Boom Harness (220V)	
		Ref	Note: Harness used to connect AC at platform harness to generator receptacle to power platform receptacle.	
807	1060494	26 ft/8m	Cable, Electrical - 12/3	
807A	4460205	1	Plug, Male (110V)	
807A	4460233	1	Plug, Male (220V)	
807B	4460134	1	Receptacle, Female (110V)	

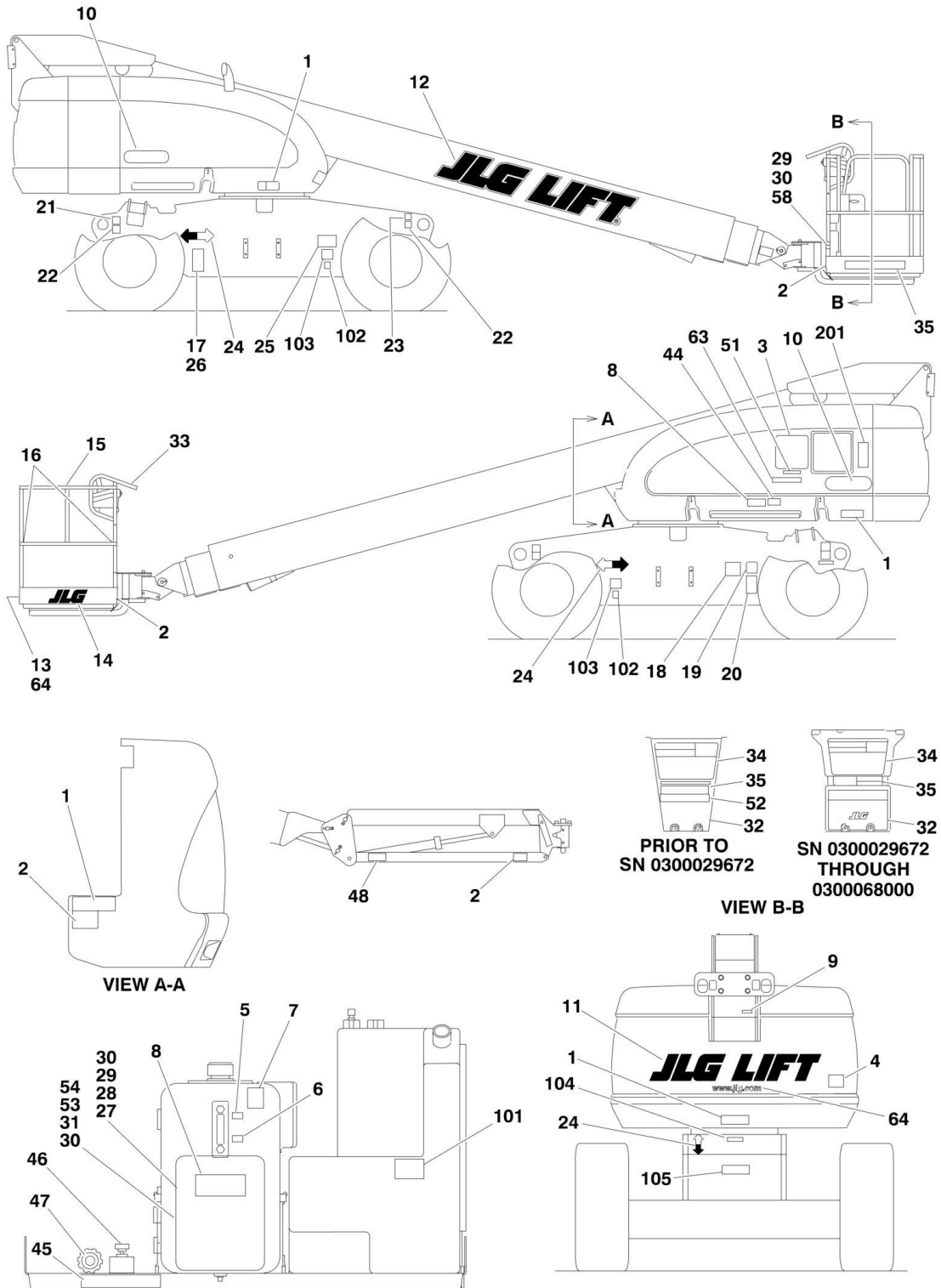
SECTION 7 - ELECTRICAL

ITEM	PART NUMBER	QTY	DESCRIPTION	REV
807B	4460701	1	Receptacle, Female (220V)	
808	See Note	1	Lights Harness (Note: Not Available for Purchase)	
808	1060341	37 ft /11.3m	Cable, Electrical - 16/2	
808A	3740049	1	Relay	
808B	4922643	1	Harness, Bag (Located at Ground Control Box) (Not Shown)	
809	2920140	2	Platform Worklights Harness (External) (Includes Light and Wire Only)	
809	2820035	9 ft/2.8m	Loom, Vinyl	
809A	4460598	1	Connector, Strain Relief	
809B	4360232	1	Circuit Breaker, 15Amp	
809C	4922498	1	Platform Worklights Harness (Internal)	
809D	4460871	3	Socket, Female	
810	See Note	1	Soft Touch System Harness (Note: Not Available for Purchase)	
810A	1060341	16 ft/4.9m	Cable, Electrical - 16/3	
810B	4460425	1	Connector, Strain Relief	
		Ref	TOOLS	
901	7002821	1	Crimper (For Wire to Pin/Socket Connections)	
902	7002823	1	Extractor (For Removal of Pin/Socket from Connectors)	
903	4460467	1	Extractor, Pin (Blue 16-18 Gauge) (For Removal of Pin/Socket from Connectors)	
903	4460510	1	Extractor, Pin (Yellow 12-14 Gauge) (For Removal of Pin/Socket from Connectors)	
904	7002828	1	Stripper, Wire	
905	2901443	1	Analyzer Kit (Not Shown)	

SECTION 8 - DECALS

SECTION 8 - DECALS

FIGURE 8-1. DECALS INSTALLATION - STANDARD



SECTION 8 - DECALS

FIGURE 8-1. DECALS INSTALLATION - STANDARD

ITEM	PART NUMBER	QTY	DESCRIPTION	REV
		Ref	STANDARD DECAL INSTALLATIONS	
	0271014	Ref	Decal - JLG	1
	0255329	Ref	Standard - 600S	11
	0255333	Ref	Standard - 600SJ	11
	0255331	Ref	Standard - 660SJ	11
	0259328	Ref	CSA - 600S (SN 0300044571 through 0300068000)	6
	0259329	Ref	CSA - 600SJ (SN 0300044571 through 0300068000)	6
	0259330	Ref	CSA - 660SJ (SN 0300044571 through 0300068000)	7
1		Ref	Decal - Danger/Electrocution Options:	
1	1702292	4	Decal - Danger/Electrocution Standard (Prior to SN 0300041296)	
1	1703805	4	Decal - Danger/Electrocution Standard (SN 0300041296 through 0300068000)	
1	1703936	4	Decal - Danger/Electrocution CSA	
2		Ref	Decal - Warning/Crushing Options:	
2	1702284	3	Decal - Warning/Crushing Standard (Prior to SN 0300041296)	
2	1703804	3	Decal - Warning/Crushing Standard (SN 0300041296 through 0300068000)	
2	1703948	3	Decal - Warning/Crushing CSA	
3		Ref	Decal - Danger/Warning Options:	
3	1702783	1	Decal - Danger/Warning Standard (Prior to SN 0300041296)	
3	1703798	1	Decal - Danger/Warning Standard (SN 0300041296 through 0300068000)	
3	1703930	1	Decal - Danger/Warning CSA	
4	3251813	1	Decal - USA	
5	1701502	1	Decal - High Oil Level	
6	1701503	1	Decal - Low Oil Level	
7	1701504	1	Decal - Hydraulic Oil	
8	1701509	2	Decal - Manual	
9		Ref	Nameplate Options:	
9	3251243	1	Nameplate 120V-60Hz	
9	3252507	1	Nameplate 220V-50/60Hz	
10		Ref	Decal - Model Options:	
10	1702815	2	Decal - Model 600S	
10	1702816	2	Decal - Model 600SJ	
10	1702817	2	Decal - Model 660SJ	
11	1702861	1	Decal - JLG Lift (8in)	
12	1702862	1	Decal - JLG Lift (12in)	
13	1702774	1	Decal - JLG Lift (3-1/2in)	
14	1702773	2	Decal - JLG (5in)	
15		Ref	Decal - No Hands Options:	
15	1702868	2	Decal - No Hands Standard	
15	1704000	2	Decal - No Hands CSA	
16		Ref	Decal - Attach Lanyard Here Options:	
16	1702612	4	Decal - Attach Lanyard Here Standard (Prior to SN 0300061066)	
16	1704277	4	Decal - Attach Lanyard Here Standard (SN 0300061066 through 0300068000)	
16	1704003	4	Decal - Attach Lanyard Here CSA (Prior to SN 0300061066)	
16	1704277	4	Decal - Attach Lanyard Here CSA (SN 0300061066 through 0300068000)	

SECTION 8 - DECALS

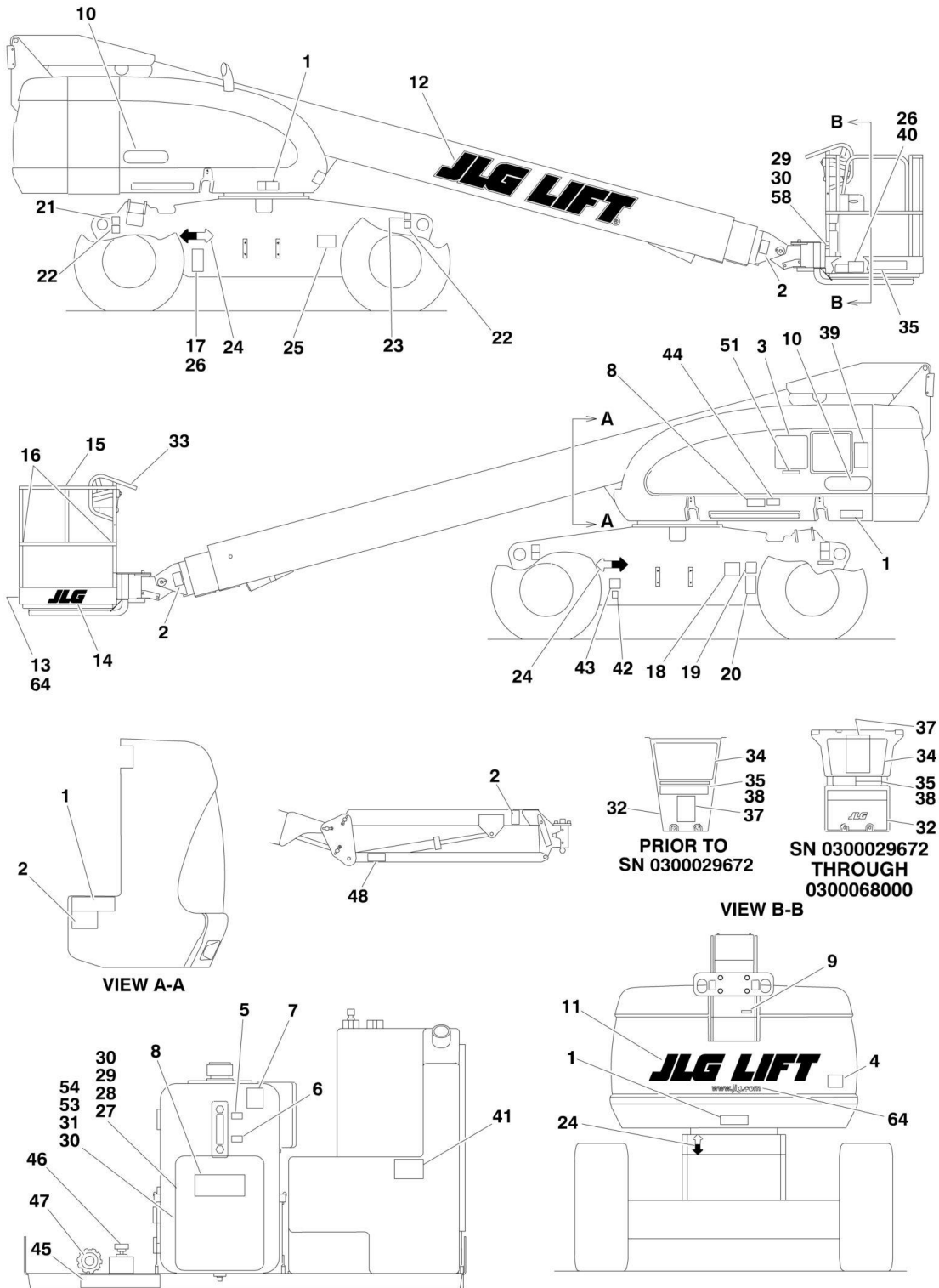
ITEM	PART NUMBER	QTY	DESCRIPTION	REV
17	See Note	NSS	Nameplate - Serial Number (Note: Not Available for Purchase)	
18		Ref	Decal - Inspection Options:	
18	1702153	1	Decal - Inspection Standard	
18	1704006	1	Decal - Inspection CSA	
19	See Note	NSS	Decal - Bar Code (Note: Not Available for Purchase)	
20	1700584	1	Decal - Patent	
21	1701499	2	Decal - No Tie Down /Lift	
22	1702300	4	Decal - Tie Down /Lift	
23	1701500	2	Decal - Tie Down /Lift	
24	1701529	4	Decal- Arrow	
25	1702282	1	Decal - Warning (Prior to SN 0300041296)	
26	3820001	4	Rivet	
27	0641408	4	Bolt 1/4in-20NC x 1in	
28	1060279	1	Cable, Lanyard	
29	3311405	7	Locknut 1/4in-20NC	
30	4751400	10	Flatwasher 1/4in	
31	0860520	1	Box, Manual Storage	
32		Ref	Panel, Pedestal Options:	
32	See Note	1	Metal (Note: Replace original p/n 3380423 with p/n 3380434) (Prior to SN 0300029672)	
32	3380434	1	Poly (SN 0300029672 through 0300068000)	
33		Ref	Decal - Legend Options:	
33	1702784	1	Decal - Legend Standard	
33	1702784	1	Decal - Legend CSA	
34		Ref	Decal - Danger/Warning Options:	
34	1702785	1	Decal - Danger/Warning Standard (Prior to SN 0300041296)	
34	1703797	1	Decal - Danger/Warning Standard (SN 0300041296 through 0300068000)	
34	1703924	1	Decal - Danger/Warning CSA	
35		Ref	Decal - 500lbs Max Capacity Options:	
35	1702786	2	Decal - 500lbs Max Capacity Standard - 600S (Prior to SN 0300029672)	
35	1703181	2	Decal - 500lbs Max Capacity Standard - 600S (SN 0300029672 through 0300068000)	
35	1701645	2	Decal - 500lbs Max Capacity Standard - (600SJ & 660SJ)	
35	1704099	2	Decal - 500lbs Max Capacity CSA (600S)	
35	1703996	2	Decal - 500lbs Max Capacity CSA (600SJ & 660SJ)	
44		Ref	Decal - Manual Descent Options:	
44	1702901	1	Decal - Manual Descent Standard	
44	1704116	1	Decal - Manual Descent CSA	
45		Ref	Decal - Manual Descent Options:	
45	1702902	1	Decal - Manual Descent Standard	
45	1704269	1	Decal - Manual Descent CSA	
46	1702903	1	Decal - Manual Descent	
47	1702904	1	Decal - Manual Descent	
48		Ref	Decal - Manual Descent Options:	
48	1702908	1	Decal - Manual Descent Standard	
48	1704270	1	Decal - Manual Descent CSA	
51		Ref	Decal - 500lbs Max Capacity Options:	
51	1702966	1	Decal - 500lbs Max Capacity Standard (600S)	
51	1702688	1	Decal - 500lbs Max Capacity Standard (600SJ & 660SJ)	
51	1704107	1	Decal - 500lbs Max Capacity CSA (600S)	

SECTION 8 - DECALS

ITEM	PART NUMBER	QTY	DESCRIPTION	REV
51	1702688	1	Decal - 500lbs Max Capacity CSA (600SJ & 660SJ)	
52		Ref	Decal - 500lbs Max Capacity Options:	
52	1702965	1	Decal - 500lbs Max Capacity (600S) (Prior to SN 0300029672)	
52	Not Required	1	Decal - 500lbs Max Capacity (600S) (SN 0300029672 through 0300068000)	
52	Not Required	1	Decal - 500lbs Max Capacity (600SJ & 660SJ)	
53	0641406	4	Bolt 1/4in-20NC x 3/4in	
54	0100011	AR	Compound, Locking	
58	0641414	2	Bolt 1/4in-20NC x 1-3/4in	
63	1703808	1	Decal - Legend (SN 0300041296 through 0300068000)	
64	1704885	2	Decal - Website (SN 0300057135 through 0300068000)	
		Ref	DECAL INSTALLATION (OPTIONAL PARTS)	
101		Ref	Decal - Fuel	
101	1701542	1	Ford Engine Machines	
101	1701505	1	Deutz and Isuzu Engine Machines	
102		Ref	Decal - LP Gas Options (Gas Machines Only):	
102	1701543	1	Decal - LP Gas ANSI Dual Fuel Machines	
102	1704271	1	Decal - LP Gas LP Gas Machines	
102	1703911	1	Decal - LP Gas UL Machines with LP Only	
103	1700818	1	Decal - LP Gas Liquid Withdrawal System (Dual Fuel Machines Only)	
104		Ref	Nameplate - Steer/Tow Selection (Machines with Tow Package Only) Options:	
104	3250872	1	Nameplate - Steer/Tow Selection Standard	
104	1704272	1	Nameplate - Steer/Tow Selection CSA	
105		Ref	Decal - Tow Instructions Options: (Machines with Tow Package Only)	
105	1702305	1	Decal - Tow Instructions Standard - 2WD	
105	1704273	1	Decal - Tow Instructions CSA - 2WD	
105	1703403	1	Decal - Tow Instructions Standard - 4WD	
105	1704276	1	Decal - Tow Instructions CSA - 4WD	
	0272341	Ref	DECAL INSTALLATION TIRE SEALANT	1
201	1705363	1	Decal - Tire Sealant Large	

SECTION 8 - DECALS

FIGURE 8-2. DECAL INSTALLATION - COUNTRY SPEC



SECTION 8 - DECALS

FIGURE 8-2. DECAL INSTALLATION - COUNTRY SPEC

ITEM	PART NUMBER	QTY	DESCRIPTION	REV
		Ref	DECAL INSTALLATIONS	
	0255330	Ref	Decal Installations 600S Common Parts	8
	0255334	Ref	Decal Installations 600SJ Common Parts	7
	0255332	Ref	Decal Installations 660SJ Common Parts	8
	0257493	Ref	Decal Installations 600S Brazilian Spec Parts	3
	0257494	Ref	Decal Installations (600SJ & 660SJ) Brazilian Spec Common Parts	3
	0256258	Ref	Decal Installations 600S Japanese Spec Parts	1
	0256575	Ref	Decal Installations (600SJ & 660SJ) Japanese Spec Common Parts	1
	0256673	Ref	Decal Installations 600S Latin American Spanish Spec Parts	10
	0256663	Ref	Decal Installations 600SJ Latin American Spanish Spec Parts	5
	0256672	Ref	Decal Installations 660SJ Latin American Spanish Spec Parts	6
1		Ref	Decal - Electrocution Options:	
1	Not Required	0	Decal Brazilian Spec and Japanese Spec	
1	1702585	4	Decal Latin American Spec	
2		Ref	Decal - Crushing Options:	
2	1701518	0	Decal Brazilian Spec and Japanese Spec	
2	1702583	3	Decal Latin American Spec	
3		Ref	Decal - Danger/Warning Options:	
3	Not Required	0	Decal Brazilian Spec and Japanese Spec	
3	1702971	1	Decal Latin American Spec	
4		Ref	Decal - USA Options:	
4	Not Required	0	Decal Brazilian Spec and Japanese Spec	
4	3251813	1	Decal Latin American Spec	
5	1701502	1	Decal - High Oil Level	
6	1701503	1	Decal - Low Oil Level	
7	1701504	1	Decal - Hydraulic Oil	
8	1701509	2	Decal - Manual	
9		Ref	Decal - AC to Platform Options:	
9	Not Required	0	Decal Brazilian Spec and Japanese Spec	
9	1703453	1	Decal Latin American Spec	
10		Ref	Decal - Model Designation Options:	
10	1702815	2	Decal - Model Designation 600S	
10	1702816	2	Decal - Model Designation 600SJ	
10	1702817	2	Decal - Model Designation 660SJ	
11	1702861	1	Decal - JLG Lift (8in)	
12	1702862	1	Decal - JLG Lift (12in)	
13	1702774	1	Decal - JLG Lift (3-1/2in)	
14	1702773	2	Decal - JLG (5in)	
15		Ref	Decal - No Hands Options:	
15	1703899	2	Decal Brazilian Spec (SN 0300037925 through 0300068000)	
15	Not Required	0	Decal Japanese Spec	
15	1702975	1	Decal - No Hands Latin American Spec	
16		Ref	Decal - Attach Lanyard Here Options:	
16	1703900	4	Decal Brazilian Spec (SN 0300037925 through 0300061065)	
16	1704277	4	Decal Latin American Spec (SN 0300061066 through 0300068000)	
16	Not Required	0	Decal Japanese Spec	
16	1702690	1	Decal Latin American Spec (Prior to SN 0300061066)	

SECTION 8 - DECALS

ITEM	PART NUMBER	QTY	DESCRIPTION	REV
16	1704277	1	Decal Latin American Spec (SN 0300061066 through 0300068000)	
17	See Note	NSS	Nameplate - Serial Number (Note: Not Available for Purchase)	
18		Ref	Decal - Inspection Options:	
18	See Note	0	Decal Brazilian Spec and Japanese Spec (Note: Not Available for Purchase)	
18	1702552	1	Decal Latin American Spec	
19	See Note	NSS	Decal - Bar Code (Note: Not Available for Purchase)	
20		Ref	Decal - Patent Options:	
20	1700584	1	Decal Brazilian Spec and Japanese Spec	
20	1702573	1	Decal Latin American Spec	
21	1701499	2	Decal - No Tie Down /Lift	
22	1702300	4	Decal - Tie Down /Lift	
23	1701500	2	Decal - Tie Down /Lift	
24	1701529	4	Decal- Arrow	
25		Ref	Decal - Warning Options:	
25	Not Required	0	Decal Brazilian Spec and Japanese Spec	
25	1702581	1	Decal Latin American Spec	
26	3820001	AR	Rivet	
27	0641408	1	Bolt 1/4in-20NC x 1in	
28	1060279	1	Cable, Lanyard	
29	3311405	7	Locknut 1/4in-20NC	
30	4751400	10	Flatwasher 1/4in	
31	0860520	1	Box, Manual Storage	
32		Ref	Panel, Pedestal Options:	
32	See Note	1	Metal (Note: Replace original p/n 3380423 with p/n 3380434) (Prior to SN 0300029672)	
32	3380434	1	Poly (SN 0300029672 through 0300068000)	
33		Ref	Decal - Legend Options:	
33	Not Required	0	Decal Brazilian Spec and Japanese Spec	
33	1702972	1	Decal Latin American Spec	
34		Ref	Decal - Danger/Warning Options:	
34	Not Required	0	Decal Brazilian Spec and Japanese Spec	
34	1702973	1	Decal Latin American Spec	
35		Ref	Decal - Maximum Capacity Options:	
35	Not Required	0	Decal Capacity Brazilian Spec and Japanese Spec	
35	1702974	2	Decal Latin American Spec - 600SJ/660SJ	
35	1702974	1	Decal Latin American Spec - 600S (Prior to SN 0300053547)	
35	1704100	2	Decal Latin American Spec - 600S (SN 0300053547 through 0300068000)	
37		Ref	Nameplate - Capacity Options:	
37	1703536	1	Nameplate Brazilian Spec	
37	1701924	1	Nameplate Japanese Spec	
37	Not Required	0	Nameplate Latin American Spec	
38		Ref	Nameplate - Caution Options:	
38	1703538	1	Nameplate Brazilian Spec	
38	1703188	1	Nameplate Japanese Spec	
38	Not Required	0	Nameplate Latin American Spec	
39		Ref	Nameplate - Caution Options:	
39	1703548	1	Nameplate Brazilian Spec	
39	1701923	1	Nameplate Japanese Spec	
39	Not Required	0	Nameplate Latin American Spec	

SECTION 8 - DECALS

ITEM	PART NUMBER	QTY	DESCRIPTION	REV
40		Ref	Decal - Footswitch Options:	
40	3252540	1	Decal Brazilian Spec	
40	3252220	1	Decal Japanese Spec	
40	3252489	1	Decal Latin American Spec	
41		Ref	Decal - Fuel Options:	
41	1701505	1	Decal Diesel	
41	1701542	1	Decal Gas	
42	1701543	1	Decal - LP Gas (Dual Fuel Machines Only)	
43		Ref	Decal - Liquid Withdrawal System Options: (Dual Fuel Machines Only)	
43	Not Required	0	Decal Brazilian Spec and Japanese Spec	
43	1702720	1	Decal Latin American Spec	
44		Ref	Decal - Manual Descent Options:	
44	1703543	1	Decal Brazilian Spec	
44	1703004	1	Decal Japanese Spec	
44	1702976	1	Decal Latin American Spec	
45		Ref	Decal - Manual Descent Options:	
45	1703542	1	Decal Brazilian Spec	
45	1703005	1	Decal Japanese Spec	
45	1702977	1	Decal Latin American Spec	
46	1702903	1	Decal - Manual Descent #1	
47	1702904	1	Decal - Manual Descent #2	
48		Ref	Decal - No Hands Options: (600SJ & 660SJ)	
48	1703541	1	Decal Brazilian Spec	
48	1703006	1	Decal Japanese Spec	
48	1702978	1	Decal Latin American Spec	
51		Ref	Decal - Capacity Options:	
51	Not Required	0	Decal Brazilian Spec and Japanese Spec	
51	1703097	1	Decal Latin American Spec (Prior to SN 0300053547)	
51	1704108	1	Decal Latin American Spec (SN 0300053547 through 0300068000)	
53	0641406	4	Bolt 1/4in-20NC x 3/4in	
54	0100011	AR	Compound, Locking	
58	0641414	2	Bolt 1/4in-20NC x 1-3/4in	
64	1704885	2	Decal - Website (SN 0300057135 through 0300068000)	

SECTION 9 - RECOMMENDED SERVICE PARTS STOCK

SECTION 9 - RECOMMENDED SERVICE PARTS STOCK

SECTION 9 - RECOMMENDED SERVICE PARTS STOCK

FIGURE 9-1. MODELS 600S/600SJ/660SJ STANDARD PARTS

ITEM	PART NUMBER	QTY	DESCRIPTION	REV
	Note	Ref	Note: The following list will service machines (built to current production per date on the front cover) with emergency repair parts which can be installed in the field. Parts from the list should be replaced when inventory is depleted to keep service parts stock supplied. For further information, contact your JLG dealer or the JLG Industries Parts Department.	
		Ref	STANDARD PARTS	
	7012944	1	Coil	
	2120150	4	Element Filter	
	7016312	1	Switch, Indicator	
	2120149	1	Element, Filter	
	7016313	1	Switch, Indicator	
	7012772	1	Coil	
	70000580	1	Coil	
	7012664	1 doz	Element, Air Cleaner	
	3740067	1	Relay	
	4360392	1	Switch, Indicator	
	4360294	1	Breaker, Circuit	
	7014811	1	Breather, Hydraulic Tank	
	4360328	1	Switch, Toggle	
	4360469	1	Switch, Key	
	2860030	1	Key, Replacement	
	4360475	1	Switch, Mushroom	
	3740049	1	Relay	
	4360331	1	Switch, Toggle	
	4360387	1	Switch, Push Button	
	4360336	1	Switch, Toggle	
	4360232	1	Breaker, Circuit	
	1001129555	1	Controller (Lift and Swing)	
	1001212415	1	Controller (Drive and Steer)	
	2400065	2	Fuse, 30Amp	
	3990010	2	Diode	

SECTION 9 - RECOMMENDED SERVICE PARTS STOCK

FIGURE 9-2. MODELS 600S/600SJ/660SJ VARIABLE PARTS

ITEM	PART NUMBER	QTY	DESCRIPTION	REV
	Note	Ref	Note: The following list will service machines (built to current production per date on the front cover) with emergency repair parts which can be installed in the field. Parts from the list should be replaced when inventory is depleted to keep service parts stock supplied. For further information, contact your JLG dealer or the JLG Industries Parts Department.	
		Ref	VARIABLE PARTS	
	7016324	1 doz	Filter, Fuel (Continental Engine Machines)	
	7016340	1 doz	Filter, Oil (Continental Engine Machines)	
	7016328	1 doz	Filter, Fuel (Deutz Engine Machines)	
	7016331	1 doz	Filter, Oil (Deutz Engine Machines)	
	7016601	1 doz	Filter, Fuel (Ford Engine Machines)	
	7022135	1 doz	Filter, Fuel (Ford Engine Machines)	
	7021869	1 doz	Filter, Oil (Ford Engine Machines)	
	7023641	1 doz	Filter, Fuel (Isuzu Engine Machines)	
	7023634	1 doz	Filter, Oil (Isuzu Engine Machines)	
	70002005	1	Powertrack Repair Section (Gortrac Brand)	
	7016530	2	Power Track - Repair Section (Gemco Brand)	
	7006138	24	Power Track - Pin Kit (Gemco Brand)	
	2940074	1	Latch	

SECTION 10 - SPECIAL OPTIONS

SECTION 10 - SPECIAL OPTIONS

FIGURE 10-1. SPECIAL OPTIONS

ITEM	PART NUMBER	QTY	DESCRIPTION	REV
	Note	Ref	Note: This list is to accommodate machines ordered with special equipment. Options may not be applicable to all models. For more specific parts information contact JLG Parts Department.	
		Ref	MISCELLANEOUS SPECIAL OPTIONS	
		Ref	Airline to Platform Installation Options:	
	0255388	Ref	Airline to Platform Installation 1/2in 600S & 600SJ	
	0255389	Ref	Airline to Platform Installation 1/2in 660SJ	
	0255400	Ref	Alternator Installation - Enclosed	
	0270723	Ref	Beacon Light Installation (On Platform)	
	0270425	Ref	Boom and Cylinders - 600S (Laser Cut/Pressure Fit)	
	0270449	Ref	Boom and Cylinders - 660SJ (Laser Cut/Pressure Fit) (Prior to SN 0300061927)	
	0271321	Ref	Boom and Cylinders - 660SJ (Laser Cut/Pressure Fit) (SN 0300061927 through 0300068000)	
		Ref	Note: For laser cut/pressure fit boom replacement parts see standard boom parts in BOOM SECTION.	
	0256273	Ref	Boom Wipers Installation (Brush Type)	
	0256789	Ref	Camera Mount Assembly	
		Ref	ClearSky Telematics Kit (Dealer Installed)	
	1001102841	Ref	ANSI Spec	
	1001102842	Ref	ANSI Export/CE/Japanese Specs	
	1001139132	Ref	Australian Spec	
	1001104985	Ref	CSA Spec	
		Ref	Note: Refer to ClearSky (Telematics) Manual p/n 3128499 for Service Parts.	
		Ref	Cold Weather Package Installation Options:	
	0256059	Ref	Cold Weather Package Installation Continental	
	0256060	Ref	Cold Weather Package Installation Deutz	
	0258927	Ref	Cold Weather Package Installation Deutz (With Glow/Plugs) (Prior to SN 0300061927)	
	0271326	Ref	Cold Weather Package Installation Deutz (With Glow/Plugs) (SN 0300061927 through 0300063908)	
	0271548	Ref	Cold Weather Package Installation Deutz (With Glow/Plugs) (SN 0300063909 through 0300068000)	
	0255386	Ref	Cold Weather Package Installation Ford	
		Ref	Container - Tray Storage Options:	
	1580012	1	Container - Tray Storage Center	
	1580013	1	Container - Tray Storage Rail	
		Ref	Decal Installations Options:	
	1702788	1	Decal - Biodegradable Hydraulic Fluid	
	1704174	1	Decal - Biodegradable Hydraulic Fluid (Synthetic)	
	0253550	Ref	Decal - CSA	
	0257195	Ref	Decal - Government Warranty	
	0256957	Ref	Decal - Lanyard Attach (GM K-1 Spec)	
	0256487	Ref	Decal - Prop 65 Warning (Diesel Machines) (California Spec)	
	0256488	Ref	Decal - Prop 65 Warning (Gasoline Machines) (California Spec)	
	0271107	Ref	Decal - Sunbelt	
	0270957	Ref	Decal - United Rentals	
		Ref	Decal Kits	
	2900967	Ref	Decal Kit - Complete (600S)	

SECTION 10 - SPECIAL OPTIONS

ITEM	PART NUMBER	QTY	DESCRIPTION	REV
	2900970	Ref	Decal Kit - Complete (660SJ)	
	2900937	Ref	Decal Kit - Country Spec (Brazil and Japanese Spec) (600S)	
	2910045	Ref	Decal Kit - Country Spec (Brazil Spec) (600SJ & 660SJ)	
	1001193633	Ref	Decal Kit - Machine	
	1001108718	Ref	Decal Kit - Platform (600S)	
	1001108725	Ref	Decal Kit - Platform (600SJ/660SJ)	
	1001119562	Ref	Decal Kit - Platform Console Box	
		Ref	Electrical Connector Kits	
	1001148902	Ref	Amp/Tyco Electrical Connector Kit	
	1001148903	Ref	Deutsch DT Electrical Connector Kit	
	1001148904	Ref	Deutsch HD Electrical Connector Kit	
	1001148905	Ref	Packard Electrical Connector Kit	
	1001148906	Ref	Various Electrical Connectors Kit	
	0258696	Ref	Engine Block Heater Installation (Ford Engine Machines)	
	0257157	Ref	Ether Start Installation (Deutz Engine Machines)	
		Ref	Filter Kits:	
		Ref	Combined Filter Kit (Hydraulic/Air and Fuel/Engine Oil)	
		Ref	Deutz Engines	
	2910931	1	With Noise Reduction (Prior to SN 0300064249)	
	2910464	NLA	Without Noise Reduction (Use p/n 1001114043) (Prior to SN 0300030041)	
	2910463	NLA	Without Noise Reduction (Use p/n 1001110993) (SN 0300030041 through 0300068000)	
		Ref	Ford Engines	
	1001114038	1	Ford LRG-423 (Prior to SN 0300037117)	
	2910462	1	Ford LRG-425 with Carb (SN 0300037117 through 0300048906)	
	2910460	NLA	Ford LRG-425 with EFI (Use p/n 1001114039) (SN 0300048907 through 0300068000)	
	2910924	NLA	Hydraulic/Air Filter (Use p/n 1001109692)	
	1001110133	1	Fuel/Engine Oil Filter (Deutz Engines Only)	
	4060959	Ref	Footswitch Shield (Note: Move Decal to Shield)	
	2902232	Ref	Glazier Tray Kit (9K Helac) (w/Platform)	
	1001101422	Ref	Glazier Tray Kit (w/o Platform)	
		Ref	Glow Plugs Installation (Deutz Engine Machines)	
	0258928	Ref	Glow Plugs Installation (Deutz Engine Machines) (Prior to SN 0300061927)	
	0271333	Ref	Glow Plugs Installation (Deutz Engine Machines) (SN 0300061927 through 0300068000)	
	2901691	Ref	Glow Plugs at Intake Kit (Deutz Engine Machines)	
		Ref	Hood (Steel) Replacement Kit	
	See Note	Ref	Continental, Ford and Isuzu Engine Machines (Note: Not Available for Purchase)	
	1001126286	Ref	Deutz Engine Machines	
		Ref	Hose Kits:	
	1001187491	Ref	Hose Kit - Boom (Upper) (600S)	
	1001187493	Ref	Hose Kit - Boom (Upper) (600SJ)	
	1001187497	Ref	Hose Kit - Boom (Upper) (660SJ)	
		Ref	Hostile Environment Add-On Kits	
	1001204925	Ref	Hostile Environment Add-On Kit (600S)	
	1001204926	Ref	Hostile Environment Add-On Kit (660SJ)	
	0255439	Ref	Intercom Communication System Installation	
	1001189615	Ref	Kingpin Removal Kit	

SECTION 10 - SPECIAL OPTIONS

ITEM	PART NUMBER	QTY	DESCRIPTION	REV
	1001148971	Ref	Lanyard (Bolt-On) Kit Installation	
	1001147699	Ref	Manual Storage Box Relocation Kit	
		Ref	Oil Cooler Installations	
	0256779	Ref	Continental Engine Machines	
	1282668	Ref	Continental Engine Machines	
	0256762	Ref	Deutz Engine Machines	
	1282665	Ref	Deutz Engine Machines	
	0256777	Ref	Ford Engine Machines (Prior to SN 0300067083)	
	1282663	Ref	Ford Engine Machines (Prior to SN 0300067083)	
	0272041	Ref	Ford Engine Machines (SN 0300067083 through 0300068000)	
	1283309	Ref	Ford Engine Machines (SN 0300067083 through 0300068000)	
		Ref	Oxy-Acetylene Lines to Platform Installation Options:	
	0255390	Ref	Oxy-Acetylene Lines to Platform Installation (600S & 600SJ)	
	0255391	Ref	Oxy-Acetylene Lines to Platform Installation 660SJ	
	0258703	Ref	Platform Console Cover Installation	
	1001205175	Ref	Platform Console Cover Add-On Kit	
		Ref	Platform Entry Kit (Side Entry Platforms Only)	
	1001142504	Ref	Kit, Replace Swing Gate with Drop Bar	
	1001142505	Ref	Kit, Replace Drop Bar with Swing Gate	
		Ref	Platform Huck Fasteners Replacement Hardware	
	0641416	AR	Bolt 1/4in-20NC x 2in	
	3311405	AR	Locknut 1/4in-20NC	
	4711400	AR	Flatwasher 1/4in	
	3300151	AR	Acorn Nut 1/4in-20NC	
		Ref	Platform Top Rail Extension Installations	
	0270511	Ref	Top Rail Extension Installation (6ft/1.83m)	
	0271771	Ref	Top Rail Extension Installation (8ft/2.44m)	
	2910073	Ref	Power Track Hose and Clamp Kit	
	1320247	1	Clamp, Nylon	
	0641522	1	Bolt 5/16in-18NC x 2-3/4in	
	3311505	1	Locknut 5/16in-18NC	
	4711500	2	Flatwasher 5/16in	
	2753084	1	Hose	
		Ref	SkyGuard Component Options:	
	1001149560	Ref	SkyGuard Complete Add-on Kit (Non-UGM Machines)	
	1001137672	Ref	SkyGuard Installtion Kit (Old Style Platform)	
	1001197016	Ref	SkyGuard Installtion Kit (New Style Platform)	
	1001137440	1	SkyGuard Sensor Harness	
	1001186431	2	Relay	
	1001143256	NLA	SkyGuard Blue Beacon Installation Kit (Use p/n 1001206311)	
	1001206311	Ref	SkyGuard Blue Beacon Installation Kit	
	1001116159	Ref	SkyPower Kit - 7500W Generator (Deutz Engines)	
	4400275	1	Tank Aluminum - LP (43.5lbs)	
	4400420	1	Tank Steel - LP (43.5lbs)	
	1001228357	Ref	Telematics Retrofit Harness Kit (Machines with UGM)	
	0272302	Ref	Tire Sealant Installation	
	0272312	Ref	Tire Sealant Decal Installation	
	2902203	1	Kit, Tire Sealant Decal	
		Ref	Tools for Service	
	7002840	1	Anti-Rotation Pin Removal Tool	
	8896941	1	Wire Stripper	

SECTION 10 - SPECIAL OPTIONS

ITEM	PART NUMBER	QTY	DESCRIPTION	REV
	7002821	1	Wire Crimper (To install wire ends to wires)	
	7002823	1	Pin/Socket Extractor - Universal (To Remove Pins/ Sockets from Connectors)	
	4460467	1	Extractor - 16-18 Gauge (For Removal of Pin/Sockets from Deutsch Connectors)	
	4460510	1	Extractor - 12-14 Gauge (For Removal of Pin/Sockets from Deutsch Connectors)	
	7002822	1	Screwdriver, Potentiometer (To Adjust Drive Controllers)	
	7016654	1	Screwdriver, Magnetic	
	7004275	1	Seal Installation Tool - 1in	
	7004276	1	Seal Installation Tool - 1-1/2in	
	7002826	1	Seal Installation Tool - 2in	
	7016655	1	Wire Rope Sheave Gauge	
	7016652	1	Huck Bolt FASTER (For Small Huck Bolts Only)	
	4921850	1	Throttle Service Harness	
	4922012	1	Rexroth Card Service Harness	
		Ref	Tool (Hydraulic) Installations Options:	
	0257415	Ref	Tool (Hydraulic) Installations 600S (Prior to SN 0300066201)	
	0272347	Ref	Tool (Hydraulic) Installations 600S (SN 0300066201 through 0300068000)	
	0257434	Ref	Tool (Hydraulic) Installations 600SJ (Prior to SN 0300066201)	
	0272348	Ref	Tool (Hydraulic) Installations 600SJ (SN 0300066201 through 0300068000)	
	0257435	Ref	Tool (Hydraulic) Installations 660SJ (Prior to SN 0300066201)	
	0272349	Ref	Tool (Hydraulic) Installations 660SJ (SN 0300066201 through 0300068000)	
	0257728	Ref	Tube Rack Installation	
	2915087	Ref	Turntable Bearing Kit	
	2910168	Ref	Wear Pad Kit (Prior to SN 0300038808)	
	2910169	Ref	Wear Pad Kit (SN 0300038808 through 0300068000)	
		Ref	Weld Leads to Platform Installation Options:	
	0255399	Ref	Weld Leads to Platform Installation (600S & 600SJ)	
	0255895	Ref	Weld Leads to Platform Installation 660SJ	
	0272254	Ref	Welder Installation (Stick 250A) (Refer to Accessories Book #3124242 for Service Parts)	
	2910172	Ref	Wire Rope Kit	

PART NUMBER INDEX

SECTION 10 - SPECIAL OPTIONS

0060031.....178, 187	0253550.....354	0255446.....45	0256935.....312
0060033..68, 78, 85, 131, 317	0254798.....55	0255447.....45	0256936.....181, 312
0060034.....173, 187	0254817.....11	0255524.....142	0256939.....181, 312
0060066.....178, 191	0254818.....15	0255628.....101	0256957.....354
0060067.....173, 191	0254845.....11	0255629.....101	0257157.....355
0060075.....187	0254846.....15	0255698.....157	0257159.....127
0080091.....102, 110	0254849.....141	0255864.....106	0257160.....91
0080124.....123	0254856.....39	0255865.....106	0257175....319, 327, 336
0080163.....79, 89	0254857.....39	0255873.....70	0257195.....354
0080177.....78	0254942.....16, 19	0255874.....70	0257340.....141
0080181.....67, 131	0254943.....19	0255875.....79	0257415.....357
0080201.....68, 103, 111, 119, 131	0254944.....12	0255876.....79	0257434.....357
0080214.....102, 110, 118	0254945.....19	0255881.....161	0257435.....357
0080215.....67	0254975.....23, 39	0255885.....247	0257483.....141
0080216.....68	0254976.....23, 39	0255886.....247	0257493.....345
0080220.....273	0255025.....55	0255895.....357	0257494.....345
0080230.....131	0255223.....173	0255896.....181, 312	0257702.....83
0080241.....158	0255224.....178	0255914.....157, 318	0257705.....142
0100009.....150, 216	0255262.....145	0255917...158, 318, 327, 336	0257727.....110
0100011....11, 12, 15, 16, 19, 23, 24, 39, 46, 55, 69, 74, 78, 84, 87, 92, 95, 101, 103, 109, 110, 117, 118, 128, 132, 141, 142, 145, 149, 153, 158, 161, 164, 169, 170, 174, 175, 180, 181, 184, 194, 197, 210, 211, 217, 251, 257, 259, 261, 265, 269, 273, 275, 277, 287, 302, 343, 347	0255289.....178	0255929.....289	0257728.....357
0100019....12, 16, 55, 96, 165, 170, 174, 180	0255293.....193	0255930.....289	0257731.....16, 19
0100020....69, 78, 84, 96, 101, 103, 109, 117, 119, 123, 132, 141, 142, 216	0255294.....145	0255930.....289	0257732.....12
0100035....157, 210, 215	0255296.....164	0256059.....354	0257743.....19
0100038....257, 259, 261, 265, 269, 273, 275, 277, 287, 302	0255297.....24	0256060.....354	0257744.....19
0100040.....205	0255298.....24	0256113....318, 327, 336	0257747.....15
0100048....153, 157, 158, 216, 332	0255299.....23	0256122.....165, 169	0257748.....15
0100062.....96, 141	0255300.....24	0256191.....79	0257749.....15
0100063...13, 17, 20, 273	0255301.....24	0256196.....24	0257750.....15, 16
0100079.....141	0255302.....24	0256212.....273	0257849.....247
0100081.....217	0255303.....193	0256258.....345	0257850.....247
0140001.....46	0255315.....45	0256273.....354	0257851.....127
0140011.....215	0255316.....55	0256318.....173	0257852.....73
0140026.....210	0255325.....102	0256319.....178	0257853.....91
0160020.....86, 112	0255326.....77	0256320.....178	0257855.....73
0181727..67, 77, 83, 102, 110, 118, 131	0255327.....67	0256375.....157	0257856.....127
0181942.....112	0255328.....102	0256394.....11	0257857.....91
0181949.....143	0255329.....341	0256396.....15	0257857.....91
0200530.....74, 92	0255330.....345	0256487.....354	0257864.....24
0200547.....128	0255331.....341	0256488.....354	0257865.....24
0200550.....248	0255332.....345	0256575.....345	0257866.....24
0200741.....92	0255333.....341	0256620.....15	0257867.....24
0200742.....92	0255334.....345	0256621.....11	0257874.....24
0236631.....211	0255335.....157	0256621.....11	0257875.....23
0239585.....55	0255353.....289	0256631.....217	0257875.....23
	0255354.....289	0256663.....345	0257884.....158
	0255355.....289	0256672.....345	0257885.....157
	0255356.....289	0256673.....345	0257886.....157
	0255363.....41	0256685.....106	0257887....157, 318, 327, 336
	0255364.....312	0256686.....106	0257988.....197
	0255365.....181, 312	0256687.....70	0257988.....197
	0255368.....157	0256688.....70	0257992.....109
	0255386.....354	0256689.....86	0257995.....110
	0255387.....158	0256690.....86	0257998.....110
	0255388.....354	0256752.....102	0258048.....202, 308
	0255389.....354	0256753.....83	0258390.....114, 121
	0255390.....356	0256754.....67	0258391.....114, 121
	0255391.....356	0256755.....102	0258568.....87
	0255392.....202, 308	0256762....304, 307, 356	0258568.....87
	0255393.....157	0256777....304, 307, 356	0258570.....114
	0255394.....127	0256779....304, 307, 356	0258578.....168
	0255395.....73	0256789.....354	0258605.....110
	0255396.....91	0256809.....101	0258607.....142
	0255399.....357	0256810.....101	0258696.....355
	0255400.....354	0256823.....170	0258703.....356
	0255439.....355	0256830.....168	0258886.....41
	0255445.....45	0256847.....89	0258927.....354
		0256895.....73	0258928.....355
			0258932.....133
			0259198.....133, 318

SECTION 10 - SPECIAL OPTIONS

0259328	341	0271617	24	0630491	158	0641612 ...	11, 17, 19, 69, 165, 248
0259329	341	0271618	23	0630493	193	0641613	46, 184
0259330	341	0271619	24	0630498	67, 77, 83, 102, 110, 118, 131	0641614	141, 142, 180
0259424	41	0271771	356	0630507	164, 169	0641618	96, 180, 184
0259425	41	0271940	202, 205	0630518	150, 153, 251	0641624	112
0259759	117	0272041	356	0630534	259, 261, 263, 275, 278	0641634	184
0259760	117	0272133	173	0630535	257, 266, 269, 271, 278, 283, 287	0641640	184
0259765	117	0272137	178	0630536	273	0641644	194
0259766	117, 125	0272139	178	0630548	154	0641648	197
0270016	131	0272254	251, 357	0641403	157, 185	0641676	193
0270120	23, 39	0272255	95	0641404	96, 101, 198, 210, 216	0641712	69
0270121	23, 39	0272297	23	0641406	68, 78, 103, 110, 118, 132, 157, 169, 202, 205, 210, 216, 248, 343, 347	0641772	92, 128
0270329	55	0272298	202, 205	0641407	69, 84, 174, 180	0641807	194, 197
0270394	141	0272302	356	0641408	101, 103, 109, 110, 118, 123, 202, 205, 210, 215, 273, 342, 346	0641808 ...	69, 79, 86, 96, 119, 132
0270425	354	0272312	356	0641410	119	0641810	101, 174, 180
0270449	354	0272317	24	0641412	142	0641811	55
0270511	356	0272318	24	0641414	11, 15, 202, 206, 343, 347	0641812	69, 78, 84, 109, 117, 132, 175, 181
0270529	168	0272341	343	0641416	46, 123, 181, 216, 356	0641814	11, 15
0270723	354	0272347	357	0641418	216	0641816	77
0270733	324, 332	0272348	357	0641424	120	0641818	68, 84, 132, 161
0270736	181, 324, 332	0272349	357	0641505	41	0641820	11, 16, 145, 175, 180
0270738	181, 324, 332	0272435	97	0641506	149, 153, 169, 170	0641824	184
0270763	83	0272448	251	0641507	87, 106, 111, 114, 133	0641826	69, 86
0270764	117, 125, 217	0272480	91	0641508	46, 70, 74, 79, 85, 92, 95, 105, 106, 110, 119, 121, 128, 132, 142	0641828 ...	103, 110, 118, 132
0270765	117	0272481	91	0641510	78, 85	0642010	69, 78, 85, 104, 112, 119, 133
0270766	117	0272483	332	0641512	164, 169	0642012 ...	11, 12, 15, 16, 174, 180
0270767	117	0272485	332	0641514	105, 111, 119	0642018	55
0270795	217, 247	0272488	332	0641516	95	0642612	158, 197
0270796	217, 247	0272970	202, 205	0641520	39	0642682	175, 181
0270801	91, 217	0340002	103	0641522	39, 194, 198, 356	0651406	46
0270802	158, 217	0340041 ...	67, 70, 77, 79, 83, 103, 106, 111, 119, 131	0641524	202	0681606	68, 132
0270804	197	0340046	70, 87, 106, 114, 121, 133	0641550	24	0681608	175, 181, 185
0270805	157, 309	0362519	41, 42, 143	0641604	175, 180	0681610	12, 16, 19, 175, 180
0270808	127, 217	0362528	157	0641605	184, 194	0681612	74, 92, 128, 184
0270809	127, 218	0400075	67, 77, 83, 102, 110, 117, 131	0641606	78, 85, 105, 112, 118, 143, 180, 194, 210, 251	0681836	55
0270810	91, 217	0440091	13	0641607	184	0682012	13
0270814 ...	202, 206, 218, 308	0440170	12	0641608	11, 12, 15, 16, 19, 39, 41, 46, 69, 103, 110, 118, 132, 142, 164, 169, 174, 180, 184, 194, 197	0682014	12, 17, 19, 165, 169
0270833	157	0440171	12	0641609	161, 169	0682016	17, 19, 23, 55
0270868	16, 19	0440207	55	0641610	68, 78, 84, 92, 103, 110, 118, 132, 184, 202, 205, 210, 215	0700605	69
0270957	354	0460150	289	0641611	145, 180	0700808	85, 133
0271003	15	0460151	289			0700810	78, 79, 89, 101, 109, 117
0271004	16	0460152	289			0700812	86
0271005	19	0460153	289			0700819	68, 92, 104, 112, 119
0271014	341	0460158	289			0701004	119
0271107	354	0460160	289			0701010	112
0271242	197	0460161	289			0701011	132
0271243	197	0480050	74, 92, 128			0701012	85, 103, 111, 119, 131
0271250	141	0480111	92, 128			0701014	101, 109, 117
0271319	178	0480119	92			0701015	74, 78, 85, 102, 128, 133
0271320	178	0480129	96			0701022	101, 109, 117
0271321	354	0561076	184			0701414	68, 78, 84
0271326	354	0561138	12, 17, 19			0701417	74
0271333	355	0561139	12, 17, 19			0711414	92
0271372	197	0561183	184				
0271502	157	0561184	184				
0271544	91, 218	0561185	184				
0271545	127, 218	0561237	181				
0271546	127, 218	0630078	12				
0271547	91, 218	0630458 ...	174, 180, 193, 197				
0271548	354	0630462	247				
0271550	217, 247	0630464	210, 215				
0271551	217, 247						
0271552	158, 217						
0271614	24						
0271615	24						
0271616	24						

SECTION 10 - SPECIAL OPTIONS

0721003..... 13, 210, 211, 218	0861477 215	0961950 ... 11, 12, 15, 16, 175, 180, 183, 273	1001204926..... 355
0721004..68, 74, 78, 104, 111, 149, 210	0861478 153	0961951 ... 175, 180, 183, 265, 269, 271, 277, 283	1001205175..... 356
0721005..... 84, 149	0861479 153	0961977 .. 13, 17, 20, 285	1001206311..... 356
072100674, 93, 110, 117, 123, 128, 132, 164, 169	0861480 153	0961986 .69, 78, 85, 104, 112, 119, 132	1001212415..... 350
0721010..... 210	0861481 153	0962006 175, 180	1001223331..... 178, 269
0721014..... 103, 117	0861511 215	0962031 69, 132	1001223332..... 269
0731005..... 248	0861537 215, 217	0962036 13	1001223511..... 261
0741606..... 158	0861541 96	0962051 161	1001223512..... 173, 261
0741607..... 174, 180	0861542 95, 96	0962057 174, 180	1001228002..... 173, 281
0741612..... 184	0902087 101	0962131 17, 20	1001228008..... 173, 263
0771415..... 96	0902088 101, 109	0962335 181	1001228051..... 178, 271
0801009..... 173, 183	0902109 145	0962336 275	1001228052..... 178, 283
0801010..... 178, 183	0902132 123	0962496 257	1001228357..... 356
0801011..... 183	0902138 164, 168	0962520 96	1001228988..... 251
0801012..... 183	0902139 164	1001099832 197	1060012..... 312
0801014..... 183	0902143 164, 169	1001099839 197	1060016..... 313
0801035..... 178, 183	0902159 68	1001100321 .. 73, 91, 127	1060279..... 342, 346
0801036..... 183	0902161 164, 169	1001101422 355	1060330.... 216, 248, 320, 324
0801037..... 183	0902206 158	1001102841 354	1060341.... 248, 319, 320, 328, 337
0801038..... 183	0902210 128	1001102842 354	1060343..... 96
0801065..... 183	0902212 106	1001104985 354	1060494..... 96, 313, 319, 325, 327, 333, 336
0801167..... 183	0902216 70	1001108718 355	1060515..... 312
0840026..... 110	0902217 79	1001108725 355	1060516..... 312, 313
0860038..... 95, 319, 327, 336	0902219 165, 169	1001110133 355	1060602..... 313
0860520..... 342, 346	0902222 164	1001110169 55, 63, 64	1060603..... 313
0860978..... 147	0902223 164, 169	1001110872 95	1060617..... 273
0860984..... 209, 211	0902243 77, 84	1001110873 95	1060637..69, 79, 86, 104, 112, 119, 133
0860999..... 147	0902309 106, 114, 121	1001113961 241, 243	1060680..... 325, 333
0861000..... 147	0902310 70	1001114038 355	1060708..... 96
0861001..... 147	0902351 168	1001116159 356	1060896..... 324, 333
0861002..... 147	0902358 168	1001117320 203, 205	1060918.... 203, 205, 216
0861003..... 147	0902384 169	1001118416 243	1100086..... 11, 15
0861004..... 147	0902416 168	1001118417 229	1120304..... 13
0861041..... 209, 211	0902417 86	1001119562 355	1120484..... 141
0861082..... 209, 211	0902472 87, 114	1001121340 97	1120487..... 141
0861100..... 147	0902491 168	1001121592 248	1120552..... 24
0861101..... 147	0902511 84	1001121593 248	1180340..... 193
0861123..... 147	0902520 145	1001126286 355	1180341..... 193
0861124..... 147	0902527 132	1001129555 350	1180345..... 197
0861125..... 147	0902539 117	1001137440 356	1180359..... 197
0861126..... 147	0902572 120	1001137672 356	1220042..... 183
0861129..... 147	0902751 216	1001138796 271, 283	1220078..... 183
0861130..... 147	0902756 128	1001139132 354	1260017..... 55
0861132..... 147	0902888 96	1001142504 356	1260136..... 248
0861133..... 209	0920083 55, 59	1001142505 356	1282380..... 304
0861230..... 147	0920084 23, 33	1001143256 356	1282474..... 306, 309
0861231..... 147	0920109 55, 59	1001147699 356	1282663.... 304, 307, 356
0861242..... 147	0920110 23, 33	1001148902 355	1282665.... 304, 307, 356
0861243..... 147	0920117 23, 34	1001148903 355	1282668.... 304, 307, 356
0861249..... 147	0920119 34, 55, 60	1001148904 355	1282672..... 306
0861250..... 147	0940038 247	1001148905 355	1282685..... 306, 309
0861303..... 147	0940049 164	1001148906 355	1282828..... 306
0861328..... 147	0940070 .68, 77, 84, 103, 111, 119, 131	1001148971 356	1282937..... 306, 309
0861329..... 147	0940071 164, 169	1001149560 356	1283235..... 309
0861382..... 147	0940088 169	1001166538 245	1283309..... 356
0861383..... 147	0961127 319	1001166539 231	1300019..... 24
0861388..... 215	0961850 17, 20	1001186431 356	1320012..... 68, 103, 110, 118, 131
0861389..... 153	0961883 13	1001187491 355	1320016..68, 77, 84, 103, 111, 119, 131
0861390..... 153	0961893 ... 259, 261, 263, 275, 277	1001187493 355	1320017..... 111, 123
0861391..... 153	0961894 265, 269, 277	1001187497 355	1320019..69, 70, 79, 104, 106, 117
0861394..... 153	0961895 257	1001189615 355	
0861395..... 153	0961897 287	1001193633 355	
0861414..... 215, 217	0961898 273	1001197016 356	
	0961947 ... 180, 181, 259, 261, 263, 275, 277, 281	1001204925 355	

SECTION 10 - SPECIAL OPTIONS

1320022 . 68, 78, 84, 101, 103, 109, 110, 117, 118, 132	1670776 24	1683620..... 183, 287	1702785 342
1320031 69, 85	1670779 164, 169	1683621..... 287	1702786 342
1320032 104, 120	1670780 164	1683949..... 277	1702788 354
1320040 248	1670785 247	1683952..... 265	1702815 341, 345
1320060 79, 86, 103, 105, 110, 118, 210	1670786 247	1683954..... 273	1702816 341, 345
1320061 104	1670787 247	1683955..... 273	1702817 341, 345
1320070 103, 273	1670788 247	1683962..... 277	1702861 341, 345
1320095 210	1670789 247	1683963..... 265, 269	1702862 341, 345
1320127 142	1670791 247	1683972..... 277	1702868 251, 341
1320131 86	1670793 247	1683973..... 277	1702901 342
1320176 87	1670795 247	1683976..... 259, 261	1702902 342
1320218 143	1670796 247	1683977..... 259	1702903 342, 347
1320220 142	1670797 247	1683986..... 257	1702904 342, 347
1320222 . 69, 78, 85, 102, 104, 109, 112, 133	1670798 247	1683987..... 257	1702908 342
1320223 . 69, 78, 85, 102, 104, 109, 111, 119, 132	1670799 247	1684090..... 275	1702938 217, 248
1320235 175, 180	1670801 247	1684092..... 275	1702965 343
1320244 86, 113	1670803 247	1684191..... 257	1702966 342
1320245 86, 112, 141	1670804 247	1700584..... 342, 346	1702968 41
1320247 ... 194, 198, 356	1670818 157	1700818..... 123, 343	1702971 345
1320302 251	1670824 157	1701499..... 342, 346	1702972 346
1320318 96	1670829 ... 150, 153, 210, 215	1701500.... 165, 170, 342, 346	1702973 346
1340050 83, 111	1670836 185	1701502..... 341, 345	1702974 345
1340056 67, 77, 103	1671037 217	1701503..... 341, 345	1702976 347
1340060 67, 83, 103, 111, 119, 131	1671055 174, 180	1701504..... 341, 345	1702977 347
1380147 161	1671092 97	1701505.. 69, 79, 85, 133, 343, 347	1702978 347
1580011 67, 102, 110, 118, 131	1671093 251	1701509..... 341, 345	1703004 347
1580012 206, 354	1683053 ... 259, 261, 275, 277	1701518..... 345	1703005 347
1580013 206, 354	1683055 ... 265, 269, 277	1701519..... 342, 346	1703006 347
1600211 102, 110	1683057 287	1701529..... 342, 346	1703090 210
1600218 210	1683059 257	1701542.... 104, 112, 343, 347	1703091 210
1600239 209, 235	1683067 273	1701543.... 123, 343, 347	1703092 210
1600242 209, 221	1683078 11, 15, 257	1701643..... 24	1703093 210
1600283 ... 209, 235, 236, 239	1683079 257	1701645..... 342	1703097 347
1600284 209, 221, 225	1683081 257	1701923..... 346	1703162 . 68, 77, 84, 102, 110, 118, 131
1600298 118	1683208 .. 12, 16, 19, 285	1701924..... 346	1703181 342
1600312 153	1683248 183, 287	1702153..... 342	1703188 346
1600313 215	1683249 287	1702282..... 342	1703403 42, 343
1600314 118	1683250 287	1702284..... 341	1703404 42
1600317 216, 227	1683253 178, 265	1702292..... 341	1703444 42
1600318 216, 241	1683254 265	1702300..... 342, 346	1703450 42
1600327 153	1683256 277	1702305..... 343	1703453 345
1641808 104, 112	1683258 179, 275	1702387 211, 217	1703465 148, 153
1660157 101, 109	1683259 275	1702536..... 148	1703466 148, 153
1660183 67	1683261 275	1702552..... 346	1703476 86, 111
1660184 79	1683263 178, 277	1702564..... 209, 216	1703533 302
1660218 105	1683264 277	1702565..... 209, 216	1703536 346
1660219 145	1683266 173, 277	1702566..... 209, 216	1703538 346
1660220 68, 131	1683267 277	1702567 209, 216	1703541 347
1660222 68	1683269 277	1702573..... 346	1703542 347
1660223 145	1683271 173, 259	1702581..... 346	1703543 347
1660233 67	1683272 259	1702583..... 345	1703548 346
1660234 79, 89	1683274 259	1702585..... 345	1703622 150
1660239 131	1683275 173, 178, 273	1702610..... 149, 153	1703631 111
1660249 105	1683276 273	1702612..... 341	1703797 342
1660250 105, 113, 120	1683278 273	1702632..... 148	1703798 341
1670749 193	1683333 265	1702676.... 203, 205, 209, 216	1703804 341
1670750 193	1683357 183, 287	1702688..... 342, 343	1703805 341
1670769 181	1683358 287	1702690..... 345	1703808 343
1670771 164, 169	1683359 287	1702701..... 24	1703899 345
	1683415 173, 259	1702720..... 347	1703900 345
	1683416 259	1702773..... 341, 345	1703909 123
	1683418 178, 265	1702774..... 341, 345	1703911 123, 343
	1683419 265	1702783..... 341	1703924 342
	1683618 183, 287	1702784..... 342	1703930 341
	1683619 287		1703936 341

SECTION 10 - SPECIAL OPTIONS

1703948.....341	2120145..... 46	2220451..... 77, 84	2400060.....97, 317, 326, 335
1703996.....342	2120146..... 45	2220459..... 68, 78, 84	2400061.....317, 326, 335
1704000.....341	2120149..... 46, 350	2220462..... 302	2400064..... 97
1704003.....341	2120150..... 45, 350	2220465..... 293, 295	2400065.....325, 333, 335, 350
1704006.....342	2120169..... 112	2220466... 293, 295, 301	2400066.....325, 333
1704099.....342	2160002..... 12, 17, 20	2220467..... 120	2420109.....102
1704100.....346	2160003..... 55	2220468..... 302	2420172.....149, 153
1704107.....342	2180104..... 123	2220472..... 295, 302	2420187..... 109, 120
1704108.....347	2180125..... 143	2220473..... 293, 302	2420203..... 73, 92, 128
1704116.....342	2180344..... 55	2220479..... 302	2460011..... 73, 91, 127
1704174.....354	2180360..... 123	2220490..... 293, 299	2460013..... 73, 91, 127
1704260.....210, 215	2180380..... 302	2220497..... 302	2460032..... 91, 127
1704269.....342	2180387..... 143	2220498..... 301	2460034..... 91, 127
1704270.....342	2180388..... 143	2220500..... 295	2460048..... 95
1704271.....343	2180389..... 143	2220502... 293, 295, 302	2500005..... 101, 109
1704272..... 41, 343	2180418... 123, 125, 143	2220504... 293, 295, 299	2560136.....209, 215
1704273..... 41, 343	2180467... 103, 112, 119	2220550..... 295	2560144.....273
1704274..... 42	2180536. 68, 78, 84, 101, 109	2220568..... 293	2600209.....168
1704276..... 42, 343		2220574..... 302	2600211.....211, 217
1704277... 341, 345, 346	2180703..... 86, 112	2220577..... 299	2600216.....201
1704885..... 343, 347	2180724..... 302	2220578..... 301	2600219.....201
1705132..... 154, 217	2180798. 68, 77, 83, 104, 111, 119, 131	2220582... 293, 295, 299, 301	2600233.....168
1705305.....251		2220596..... 295, 301	2600281.....205
1705355.....251	2180800..... 143	2220599..... 143	2600287.....202
1705363.....343	2200204..... 123	2220603..... 299, 302	2680420..... 164, 168
1705364..... 24	2200221..... 104, 131	2220605..... 301	2680421..... 164, 168
1705374..... 97	2200222..... 57, 141, 142	2220609..... 302	2680422..... 164
1705375..... 97, 251	2200233... 103, 112, 141	2220618..... 301	2680435.....168
1705376..... 96	2220005..... 123, 125	2220619..... 299	2680437.....168
1705387..... 97	2220063..... 55	2220622..... 295	2680443.....168
1705460..... 97	2220064..... 123, 125	2220628..... 301	2680448.....168
1705466.....251	2220082..... 123	2220635..... 299	2680449.....168
1840012..... 149	2220235... 293, 295, 301	2220646... 293, 295, 301	2680450.....168
1840013..... 149	2220237..... 293	2220671..... 293, 295	2720042..... 123
1840014..... 149	2220240..... 293	2220675..... 123	2720058... 68, 79, 85, 86, 101, 102, 104, 111, 119, 132
1840015..... 149	2220242..... 293	2220710..... 293	2720112..... 123
1870038.....309	2220250. 68, 78, 84, 102, 104, 109, 119	2220720..... 69, 102, 110	2720144..... 123, 142
1870039.....309		2220738..... 295	2720160.....104
1870052.....309	2220251..... 123	2220794..... 79, 85	2720271..68, 78, 84, 103, 111, 112
1870053.....309	2220261..... 143	2220800..... 295	2720339..... 86
1870075.....309	2220270..... 103, 112	2220805..... 118	2720341..... 120, 121
1870087.....309	2220273. 68, 78, 84, 101, 104, 109, 112	2220810..... 301	2720351..... 78, 84
1870089.....309		2220833..... 295	2720392..... 123, 125
1870113.....309	2220313...68, 78, 84, 132	2220873..... 301, 302	2720393.....102
1870131.....309	2220315..... 101, 112	2220883... 259, 261, 263, 266, 269, 271, 273, 275	2720394..... 104
1870132.....309	2220362..... 293, 295	2220885... 257, 259, 261, 263, 265, 269, 271, 275, 278, 283, 287	2720395.....68
2000126..... 101, 105	2220363..... 293, 295		2720396.....68
2000131..... 67, 69	2220365..... 293	2220886..... 257	2720397..... 77, 84
2000132..... 77, 79	2220371..... 293, 299	2220893..... 46	2720398..... 77, 84
2000146..... 83, 87	2220372..... 301	2220906..... 301	2720423..... 86
2000149..... 101, 105	2220373..... 301	2220909..... 302	2720434..... 85
2000151..... 131	2220375... 293, 295, 301	2220914..... 295, 302	2720435..... 102, 110, 118
2000156..... 109, 113	2220376..... 301	2220921..... 301	2720436.... 104, 111, 119
2000160..... 109, 113	2220377... 293, 295, 301	2220947..... 301	2720441.....131
2000164..... 117, 120	2220380..... 301	2220948..... 301	2720442.....131
2000166.... 117, 120, 125	2220385..... 299, 301	2220950..... 302	2720449..... 84
2000172..... 117, 120	2220386..... 296	2220974..... 302	2720472.....118
2000173..... 83, 88	2220408..... 301	2220994..... 102, 109	2750532..68, 78, 84, 101, 103, 109, 112, 117, 118, 132
2000174.... 117, 120, 125	2220409..... 302	2221018..... 143	2751013.....293, 295
2000189..... 83, 88	2220414..... 302	2221019..... 125, 143	2751015.....299
2030010.....251	2220415..... 299, 301	2221023..... 86, 112	
2060025..67, 77, 83, 102, 110, 118, 131	2220418..... 143	2221024..... 143	
2080040.....202, 205	2220428..... 301	2221028..... 86, 113	
2080043..... 175, 180	2220429..... 301	2400057..... 150	
2080044..... 180	2220430..... 118		
2120077..... 123	2220435..... 295		
	2220437..... 102, 109		

SECTION 10 - SPECIAL OPTIONS

2751016	293, 295	2753084	356	2910001	317	3300390	150
2751020	299	2760105	149, 153, 209, 215	2910045	355	3300393	201
2751021	295	2780114	23, 27	2910073	356	3300396	96
2751032	55	2780136	23, 27	2910168	357	3300408	150, 153, 216
2751095	55	2780188	12	2910169	357	3300505	111
2751396	302	2780205	55, 57	2910172	357	3310601	96, 150, 161
2751397	299	2780261	23, 31	2910460	355	3310805	143, 157
2751427	301	2792176	304	2910462	355	3311001	132, 149, 164, 169, 205, 210, 218
2752245	293	2792179	301, 304	2910463	355	3311005	74, 78, 93, 103, 110, 117, 123, 128, 158, 202, 211, 251
2752249	295	2792180	301, 304	2910464	355	3311401	131, 153, 175, 210
2752256	295	2792181	301, 304	2910924	355	3311402	174, 180, 273
2752258	293	2792184	293, 304	2910931	355	3311405	46, 68, 78, 84, 101, 103, 109, 111, 118, 123, 132, 142, 157, 169, 193, 198, 202, 203, 205, 206, 210, 215, 248, 273, 342, 346, 356
2752322	293, 295	2792185	304	2915087	357	3311501	46, 164, 169, 247
2752340	301	2792186	295, 304	2920110	158	3311505	39, 70, 78, 79, 85, 87, 95, 105, 106, 114, 119, 121, 132, 133, 142, 164, 169, 194, 198, 202, 356
2752345	293	2792187	304	2920113	158	3311508	95
2752389	295	2792204	299, 304	2920129	211, 216, 312, 314, 325, 333	3311601	87, 114, 141, 142, 165, 169, 211, 217
2752398	295	2792266	304	2920140	202, 206, 320, 328, 337	3311605	17, 19, 68, 78, 84, 92, 103, 110, 118, 128, 132, 161, 164, 169, 180, 184, 194, 197, 203, 205, 210, 215, 248, 251
2752433	302	2792315	304	2920162	73, 92, 128	3311608	68
2752443	295	2792325	304	2920215	158	3311705	69, 92, 129
2752444	302	2792326	304	2940074	202, 205, 352	3311801	23, 69, 79, 86, 96, 104, 112, 119, 132
2752462	293, 295	2792327	304	2940088	164, 168	3311805	78, 84, 103, 110, 118, 118, 132, 145, 161, 164, 169, 175, 180, 181
2752478	293, 295	2820031	74, 93, 96, 128	3010088	248	3312002	12, 17, 19
2752504	301	2820035	202, 206, 320, 328, 337	3020021	79, 89	3312201	184
2752514	301	2820078	170	3100076	86	3312602	193
2752515	301	2820079	170	3124114	121	3321001	68
2752516	301	2820080	170	3160200	55, 63	3321005	84
2752517	302	2820081	170	3160204	23, 37	3321401	101, 109
2752573	301	2840016	161	3160273	55, 63	3321402	69
2752580	301	2860012	74, 92, 128	3200362	67, 85, 102, 110, 118, 132	3321501	169
2752584	293, 295	2900138	28	3200377	101	3321602	69, 132
2752587	301	2900202	28	3200378	67, 77, 83	3323002	12, 17, 19
2752588	302	2900752	137	3200401	131	3323403	12
2752591	302	2900766	34, 60	3220097	70, 106	3324203	12
2752592	293, 295	2900767	34, 59, 60	3220098	106	3340705	184
2752594	301	2900768	34, 60	3220099	70	3340755	184
2752596	302	2900770	45, 187, 257	3220100	79	3340756	184
2752597	302	2900788	37	3220101	79	3340757	184
2752598	302	2900792	259, 261, 263, 265, 269, 271, 273, 275	3220103	87	3340758	184
2752599	302	2900826	136, 137	3220104	87	3340759	183, 185
2752631	301	2900827	136, 137	3220105	70, 106	3340763	193
2752632	293, 295, 301	2900872	355	3220106	106	3340764	193, 197
2752633	302	2900937	354	3220107	70	3340800	174, 180
2752643	302	2900967	355	3220111	87, 114	3340844	183, 185
2752653	301	2900970	355	3220113	87, 114, 121, 133		
2752654	301	2901271	257	3220114	114, 121		
2752752	301	2901284	287	3250872	41, 343		
2752753	302	2901285	273	3250914	68, 77, 102		
2752762	301	2901301	266, 278	3251102	74, 93, 128, 218		
2752763	301	2901303	259, 261, 263, 269, 275, 278	3251243	341		
2752783	302	2901358	78, 85	3251813	341, 345		
2752807	293, 295	2901362	104, 111, 119	3252220	347		
2752810	295	2901363	69	3252489	347		
2752812	293, 295	2901392	77, 84	3252507	341		
2752822	299	2901443	328, 337	3252540	347		
2752823	299	2901539	111	3252764	95		
2752824	299	2901540	85	3272605	175, 181, 187		
2752888	295	2901691	355	3290801	78		
2752889	295	2901763	51	3300007	13, 23		
2752893	295	2901959	132	3300151	251, 356		
2752898	295	2901986	185	3300205	149, 154		
2752909	295	2902203	356	3300229	12, 17, 19		
2752918	295	2902217	251	3300241	184		
2752963	293, 295	2902232	355	3300353	217		
2752981	302						
2753048	302						
2753083	302						

SECTION 10 - SPECIAL OPTIONS

3340871.....	184	3422861.....	179	3539662.....	41, 42	3740049.....	149, 154, 211,
3340881.....	184	3422867.....	179	3539685.....	202	307, 308, 319, 328,	
3340900.....	185	3422902.....	16, 19	3539719.....	247	333, 337, 350	
3380429.....	86, 104, 111,	3422903.....	17, 20	3539872.....	67, 83, 110, 131	3740057.....	150, 307
118, 131		3422904.....	15	3539877.....	11, 16	3740058.....	210, 306
3380434.....	203, 205, 342,	3430816.....	161	3539878.....	11, 16	3740063.....	210, 306
346		3450304.....	217	3539934.....	168	3740066.....	150, 307
3420592.....	41	3450404.....	161	3539955.....	170	3740067.....	67, 77, 83, 102,
3421453.....	41	3450806.....	198	3539957.....	86, 105, 111,	110, 118, 131, 350	
3421565.....	55	3451010.....	13	118, 132		3740080.....	74, 92, 96, 102,
3421627.....	55	3451012.....	12	3539971.....	83	110, 118, 128	
3422325.....	11, 12, 15, 16	3480176.....	257	3539972.....	101, 109, 117	3740112.....	149
3422326.....	12, 16, 19	3480188.....	265, 269, 277	3539979.....	169	3740113.....	150, 210
3422327.....	16, 19	3480205.....	287	3570103.....	103, 110, 118	3740115.....	210
3422328.....	17, 20	3480206.....	273	3570104.....	104, 111	3740126.....	133, 318
3422330.....	16, 19	3480210.....	259, 261, 275,	3570133.....	105, 112, 119	3740132.....	150
3422332.....	11, 15	277		3570238.....	86, 112	3760170.....	55
3422333.....	11, 15	3510488.....	201	3570283.....	131	3760367.....	257
3422335.....	12	3510497.....	201	3570288.....	133	3760368.....	259, 261, 275,
3422351.....	12	3510542.....	201	3570752.....	123	277	
3422352.....	12	3510543.....	201	3570754.....	87	3760369.....	265, 269, 277,
3422417.....	184	3510545.....	201	3571421.....	83, 110	287	
3422418.....	173, 179	3510546.....	201	3571498.....	117	3760372.....	273
3422419.....	179	3510565.....	201	3571692.....	117	3780187.....	13, 17, 19
3422420.....	179	3510566.....	201	3572414.....	119	3790012.....	112, 119, 158,
3422421.....	179	3510728.....	201	3572423.....	141	203, 206, 210, 211,	
3422422.....	179	3510760.....	201	3572601.....	131	216, 217, 218	
3422424.....	184	3510822.....	205	3573400.....	251	3790109.....	211
3422425.....	174	3510833.....	205	3573642.....	251	3790110.....	188
3422432.....	179	3520026.....	150	3577121.....	251	3790152.....	69, 78, 85, 102,
3422433.....	173, 179	3520028.....	73, 74, 92, 128,	3580134.....	73, 92, 128	109, 117, 133	
3422434.....	174	210, 215		3580158.....	91	3820001.....	41, 42, 158, 342,
3422435.....	173, 179	3520033.....	164, 169	3580241.....	183	346	
3422436.....	174	3520035.....	154	3580243.....	183	3841013.....	198
3422437.....	173, 179	3520054.....	150	3580244.....	183	3841143.....	11, 12, 15, 16,
3422438.....	174	3520072.....	201, 205	3580248.....	183	19, 68, 77, 84, 103,	
3422440.....	179	3520173.....	211	3580249.....	183	110, 118, 131, 174,	
3422445.....	180	3520174.....	151, 217	3580250.....	127	179, 184	
3422446.....	68, 77, 83, 103,	3530072.....	247	3580255.....	73	3841234.....	17, 19
110, 118, 131		3530168.....	150	3580259.....	86	3841236.....	12
3422448.....	118	3536089.....	202, 206	3580260.....	112	3841255.....	101, 109
3422489.....	174	3537287.....	67	3580276.....	92, 128	3841258.....	11, 12, 15, 16,
3422530.....	161	3537288.....	102, 105	3580318.....	96	174, 179	
3422532.....	69, 78, 85, 104,	3537290.....	67	3580320.....	96	3841264.....	193
111, 119, 132		3537318.....	55	3600164.....	67, 77, 101, 109,	3841288.....	68
3422533.....	85	3537416.....	77, 83	136		3841322.....	42
3422552.....	41	3537417.....	77, 83	3600242.....	67, 77, 83, 101,	3841329.....	42
3422553.....	41	3537420.....	77, 83	109, 117, 131, 139		3841340.....	175, 180
3422557.....	174, 179, 180	3537445.....	161	3600243.....	45	3841510.....	17, 19
3422558.....	179	3537446.....	161	3600260.....	67, 83, 101, 109,	3841516.....	131
3422559.....	179	3537691.....	67, 77	117, 131, 136		3860050.....	198
3422560.....	179	3538047.....	11, 12, 15, 16	3600377.....	120	3890005.....	183
3422561.....	179	3538724.....	67, 77, 102	3620030.....	67	3890006.....	183
3422562.....	174	3538749.....	193	3620032.....	102	3890007.....	183
3422563.....	179	3538758.....	193, 197	3620033.....	77, 83	3890008.....	183
3422564.....	173, 179	3538819.....	209	3620040.....	110, 118, 131	3900141.....	275
3422565.....	174	3538873.....	102, 110	3640493.....	306	3900207.....	201
3422566.....	173, 179	3539139.....	68	3640970.....	149, 211	3900217.....	69, 132
3422567.....	174	3539219.....	149, 153	3640986.....	98	3900224.....	211, 217
3422568.....	173, 179	3539275.....	211	3641182.....	211	3900230.....	273
3422569.....	174	3539281.....	158	3700010.....	150, 210	3900232.....	87, 114, 164,
3422574.....	180	3539475.....	174, 180	3730022.....	314	169	
3422580.....	174	3539476.....	174, 180	3730023.....	314	3900268.....	149, 154
3422583.....	179	3539504.....	74	3730099.....	314	3900272.....	85, 132
3422591.....	11, 12, 15, 16	3539563.....	175, 180	3730120.....	335	3910606.....	95
3422753.....	16, 19	3539590.....	165, 169	3730121.....	335	3910608.....	149, 161
3422860.....	179	3539622.....	185			3910610.....	96, 161, 209

SECTION 10 - SPECIAL OPTIONS

3910804 150, 153	4070864 184	4360157.....102, 105, 109	4460226... 216, 232, 245,
3910808 143	4070878 11, 12, 15, 16	4360188.....123, 125	324, 326, 332, 333, 334
3911008 202, 205	4070879 11, 12, 15, 16	4360232....210, 218, 328,	4460227 ... 324, 326, 332,
3911024 150	4070895 184	337, 350	334
3911040 158	4070896 184	4360256.....86	4460233 ... 319, 327, 328,
3930816 157	4070897 184	4360265.....111	336
3930828 157	4070898 184	4360282.....149, 209	4460234... 150, 153, 158,
3931408 86, 112, 157	4070904 193	4360289.....148, 209	216
3931448 287	4070909 184	4360294....69, 74, 78, 85,	4460265... 221, 225, 232,
3931508 287	4070910 184	93, 104, 111, 119, 128,	236, 245, 312, 316
3931516... 259, 261, 263,	4070911 184	132, 350	4460266... 221, 225, 236,
275, 277	4070929 185	4360314.... 149, 209, 211	316, 318
3931620 . 68, 77, 84, 101,	4070939 185	4360315.....148	4460267 ... 222, 225, 236,
109, 117, 131, 265,	4070940 185	4360322.....157	312, 314, 315, 316,
269, 271, 277, 283, 287	4070944 11, 16	4360328....153, 215, 218,	318, 326, 327, 334,
3931672 211, 217	4070945 11, 16	350	335, 336
3931720 257	4070975 184	4360331....203, 206, 209,	4460268 ... 221, 225, 236,
3931840 11, 16	4070976 184	211, 215, 350	314, 315, 316, 317,
3931860 55	4070977 184	4360336..74, 93, 95, 112,	318, 325, 326, 327,
3932032 273	4070987 150, 153	119, 128, 158, 203,	334, 335, 336
3932224 55	4070991 150, 153	205, 211, 217, 218, 350	4460315 96
3950803 273	4070994 198	4360387....150, 209, 215,	4460320... 315, 316, 318,
3951608 184	4070995 198	217, 248, 350	326, 327, 334, 335, 336
3960343 12	4071004 184	4360392..68, 77, 83, 102,	4460326 ... 315, 318, 326,
396038969, 84, 105, 111,	4071005 185	110, 118, 131, 350	327, 334, 335, 336
118, 132, 168	4100025 79, 87, 105, 112	4360395.....147, 209	4460346 95, 319, 327,
3960407 78, 85	4100026 ... 313, 325, 333	4360402.....150	336
3960422 95	4100033 175, 180	4360405.....102, 109	4460374 97, 316
3960438 168	4120012 150, 307	4360407.....209, 215	4460375 97, 316
3960447 164	4120013 212, 306	4360417.....157	4460411 97
3960453 165, 168	4120035 ... 211, 312, 314,	4360436.....141, 142	4460412 97
3960461 158	324, 325, 332, 334	4360455.....102, 109	4460413 97
3960462 164, 168	4130308 16, 19	4360469....148, 153, 350	4460414 97
3960464 165, 168	4130309 16, 19	4360475....148, 153, 209,	4460415 97
396046869, 85, 104, 110,	4130311 12	215, 350	4460418 ... 312, 314, 317,
119, 133	4130312 12	4360476....149, 153, 209,	324, 325, 332, 334
3960469 85, 105, 110,	4130353 12	215	4460419... 312, 314, 317,
119, 133	4130354 12	4360542.....73, 92, 127	324, 325, 332, 334
3960470 169	4130381 16, 19	4400275.....142, 356	4460424... 315, 316, 318,
3990001 312, 314	4130382 16, 19	4400375.....141, 142	325, 326, 327, 334,
3990010 ... 312, 314, 317,	4160138 68	4400376.....141	335, 336
319, 327, 334, 336, 350	4160139 164, 169	4400400.....141	4460425 96, 248, 320,
4032015 96	4160143 164, 169	4400407142	328, 337
4060092 ... 319, 327, 336	4220162 158	4400420.....356	4460426 96, 149, 154,
4060700 95, 319, 327,	4220164 202	4400449.....141, 142	333
336	4220165 202	4420037.....251	4460428 ... 149, 154, 157,
4060802 . 74, 93, 95, 128,	4220168 202	4420038....141, 142, 149	210, 215, 248, 312,
218	4240018 96, 212, 302	4420060.....157	320, 324, 332
4060803 198, 202	4240032 ... 103, 158, 212	4460023.....74, 92, 128	4460434 332, 334
4060804 . 69, 79, 86, 104,	4240033 ... 111, 175, 180	446002773, 92, 128, 319,	4460442 320
112, 194	4240099 ... 104, 105, 111,	327	4460445 ... 315, 316, 318,
4060805 . 69, 79, 86, 104,	123, 202, 206, 251	4460049.....247	326, 334, 335, 336
112, 119, 133, 185	4240112 141, 142	4460051.....96	4460449 317
4060806 104, 119	4240113 141	4460071.....96, 203, 205,	4460457 ... 133, 317, 318,
4060808 39	4280295 141	210, 216, 324, 327,	326, 335
4060870 39	4300056 101, 109	332, 336	4460458 ... 133, 317, 318,
4060874 39	4300092 23	4460125....319, 327, 336	326, 335
4060906 149, 153	4300097 23	4460134....319, 325, 327,	4460459 133, 316, 318
4060907 158	4300148 132	328, 333, 336	4460460 317, 326, 335
4060918 46	4300157 96	446019073, 92, 128, 319,	4460464 ... 216, 312, 315,
4060959 355	4340678 209, 216	327	324, 325, 332, 334
4061043 95	4340684 209, 216	4460205....319, 325, 327,	4460465 97, 313, 315,
4061049 96	4360031 203, 205	328, 333, 336	316, 324, 333
4070410 164, 169	4360037 101, 109	4460224....314, 317, 318,	4460466 313, 325, 333
4070411 164, 169	4360057 247	326	4460467 ... 210, 320, 328,
4070412 165, 169	4360065 102, 109	4460225....312, 314, 315,	337, 357
4070863 184	4360070 96	324, 326, 332	

SECTION 10 - SPECIAL OPTIONS

4460470.....154, 210, 215, 312, 324, 332, 333	4460761 324, 332, 334	4567404 86, 112	4712000.....23
4460471 154, 210, 215, 312, 324, 332, 333	4460777 317	4567428 86	4712600..... 41, 193, 197
4460473.....313, 325, 333	4460780 316	4567429 87	4713000.....41
4460475.....133, 318	4460783 316	4567430 87	4713400.....41
4460476.....133, 316, 318	4460784 316	4567431 87	4740067..... 13
4460488.....154, 216	4460790 316	4567573 86	4740076..... 164, 169, 193
446049950, 53, 315, 316, 318, 326, 327, 336	4460799 317, 326, 335	4567574 86	4740111..... 13, 17, 19
4460502.....313	4460800 317, 326, 335	4567576 86	4740158..... 11, 12, 15, 16, 175, 180
4460503.....212, 312	4460836 316	4567580 86, 112	4740171..... 164, 169
4460508.....312, 314, 324, 325, 332	4460837 316	4567581 86, 112	4740256..... 13, 17, 20
4460509.....313, 325, 333	4460850 316	4567730 112	474027469, 86, 105, 112, 118, 132
4460510.....210, 320, 328, 337, 357	4460856 316	4567731 112	4740283..... 12
4460526.... 149, 150, 154, 333	4460857 316	4567815 86	4740314..... 13, 175, 180
4460536.....315	4460865 324, 333	4567878 119	4740362..... 158, 203, 206, 210, 216
4460539.....315	4460866 ... 324, 325, 332, 334	4567879 119	4740391..... 17, 19
4460579.....316, 325, 334	4460871 ... 216, 227, 229, 241, 243, 324, 325, 326, 332, 334, 335, 337	4568116 141	4740397.74, 93, 128, 218
4460580.....316, 325, 334	4460873 ... 324, 325, 332, 334	4568119 141	4740439..... 180
4460582.....316, 325, 334	4460874 ... 154, 324, 332, 333	4568158 119	4740442..... 69, 132
4460587.....316	4460875 ... 154, 324, 332, 333	4640113 24	4740444..... 149, 154
4460588.....316	4460876 325, 334	4640261 41	4740449..... 17, 20
4460589.....316, 317	4460877 325, 334	4640391 123	4740463..... 13, 17, 19
4460590.....316	4460878 325, 334	4640509 ... 259, 261, 263, 265, 269, 271, 273, 275	4750600..... 96, 149, 161
4460591.....316, 317, 318	4460879 324, 332	4640744 301	4750800..... 143
4460598.... 202, 206, 218, 320, 328, 337	4460880 ... 325, 326, 334, 335	4640750 101	4751000.... 68, 74, 78, 84, 93, 103, 109, 110, 117, 123, 128, 132, 149, 158, 161, 164, 169, 202, 205, 210, 211, 248, 251
4460600.... 149, 211, 212, 308	4460887 ... 324, 325, 332, 334	4640751 77, 83	4751400.... 68, 78, 84, 96, 103, 111, 118, 123, 132, 154, 157, 169, 174, 180, 203, 206, 210, 216, 251, 273, 342, 346
4460601..... 149, 212	4460889 325, 335	4640799 273	4751500.... 39, 74, 86, 92, 95, 111, 117, 128, 164, 169, 170, 202, 247
4460602..... 149, 212	4460890 325, 335	4640812 12, 17, 19	4751600.... 39, 68, 74, 78, 84, 87, 92, 103, 110, 114, 118, 128, 132, 141, 142, 143, 145, 164, 169, 194, 203, 206, 210, 215, 248, 251
4460603..... 149, 212	4460905 ... 216, 332, 333, 334	4640858 257	4751800.... 11, 15, 69, 79, 86, 103, 110, 118, 132, 145, 247
4460607.....97, 149, 212, 306	4460956 97	4640862 287	4751900..... 74, 92
4460608.....316, 317, 318	4460957 97	4640871 11, 15	4752000..69, 78, 85, 104, 112, 119, 133
4460611..69, 78, 85, 104, 111, 119, 132	4460958 95	4640902 275	4760600..... 97, 150
4460613.....212, 312	4460962 251	4640906 45	4761000..... 13, 150, 164, 169, 202, 210, 218
4460614.....313	4460963 97	4640907 45	4761400..... 154
4460620.....312	4460967 97	4640908 45	4761500..... 117, 247
4460621.....312	4460978 335	4640919 45, 49	4770600..... 161
4460628..... 149	4460979 335	4640921 45, 53	4791400..78, 85, 96, 102, 104, 110, 123
4460629.....212	4461001 97	4640922 45, 53	4791600.... 102, 104, 111
4460630..... 150	4520142 24	4640923 39	4812000..... 128
4460631..... 149, 212	4520258 24	4640931 45, 46	4831900.... 69, 79, 86, 89, 104, 112, 119
4460632.....212	4530028 251, 253	4640932 ... 259, 261, 263, 265, 269, 271	
4460634.....314, 334	4562516 104	4640937 39	
4460635.....314, 334	4564281 102, 109, 120	4640939 299	
4460693.....317	4564417 128	4640952 67	
4460701 319, 327, 328, 336, 337	4566468 ... 259, 261, 265, 269, 277	4640989 101, 109, 117	
4460708....216, 332, 333	4566471 275	4641019 131	
4460711..... 150	4566501 273	4641022 141, 142	
4460713.....317, 326, 335	4566605 101, 109, 117	4641028 287	
4460720.....312	4566644 287	4641096 45, 49	
4460721.....312	4566971 41, 42	4641162 257	
4460725.....317, 326, 335	4566986 69, 79, 104	4700005 123	
4460726.....317, 326, 335	4567071 103, 111	4711000 210	
4460728.....326, 335	4567073 70, 106, 114, 121, 133	4711400 ... 11, 15, 46, 69, 79, 85, 96, 104, 112, 119, 133, 157, 193, 198, 202, 206, 248, 356	
4460742.....317, 326, 335	4567112 83	4711500 ... 41, 46, 70, 79, 87, 106, 114, 121, 133, 142, 194, 198, 217, 356	
4460758..... 150	4567169 104	4711600 ... 11, 12, 15, 16, 41, 46, 79, 85, 96, 132, 175, 180, 184, 194, 197	
4460759..... 150	4567172 42	4711800 15, 96, 161, 175, 180, 194, 197	
4460760..... 150	4567215 112	4711900 86	
	4567403 86, 112		

SECTION 10 - SPECIAL OPTIONS

483200079, 89, 103, 111, 119	4845819 197	4922167.....314	4933026..... 306
4844623 77	4846011 118	4922185.....148, 316	4933027..... 309
4844690 15	4846046 118	4922200.....148	4933054..... 308, 314
4844777 11, 16	4846101 201	4922329.....148, 315, 316	4933062..... 308, 314
4844790 173, 178	4846102 201	4922335.....314	4933113..... 308, 314
4844815 179	4846103 201	4922380.....149, 316	4933149..... 306, 319
4844816 179	4846253 201	4922466.....324, 332	4933150..... 306, 319
4844817 179	4846254 201	4922467.....324, 332	4933152..... 308, 314
4844924 201	4846255 201	4922468.....324, 332	4933155..... 308, 325
4844925 201	4846257 169	4922475.....325	4933156..... 308
4844926 201	4846288 15, 16	4922482.....327, 336	4933158..... 306, 327
4844927 201	4846319 183	4922483.....327	4933162..... 307, 327
4844928 201	4846391 197	4922484.....328	4933169..... 308, 325
4844944 173, 178	4846392 197	4922485.....154, 324	4933175..... 307
4844954 201	4846452 205	4922498.....337	4933189..... 307
4844955 201	4846479 83	4922509.....307, 324	4933215..... 306, 336
4844956 201	4846566 83	4922513.....326, 334, 335	4933216..... 307, 336
4844961 67, 77	4846573 175, 181	4922514.....325, 334	4933217..... 307
4844963 193	4846627 251	4922515.....325, 334	4933218..... 308
4844966 193	4847072 68	4922542.....307	4933219..... 307
4844967 193	4860148 24	4922621.....326	4933221..... 308, 333, 334
4844968 193	4891400 46	4922636.....333	4933222..... 308, 333, 334
4844971 103	4891500 46	4922637.....333	4933263..... 308
4844989 193	4891600 ... 46, 68, 78, 84, 102, 109, 117, 132, 161, 175, 181, 184	4922639.....216, 332	4933264..... 97
4844990 193	4891800 .23, 46, 55, 161, 175, 181, 184	4922641.....97, 336	70000123..... 73, 91, 127
4845035 102, 110, 131	4892000 23, 55, 165, 169	4922643.....307, 337	70000124..... 73, 92, 128
4845059 67	4892600 175, 181	4922648.....334	70000125..... 73, 92, 128
4845080 77, 83	4920018 202	4922666.....154, 216, 332, 334	70000126..... 73, 92, 127
4845105 183	4920385 79	4922757.....97	70000127..... 73
4845152 103	4921028 202	4922790.....333	70000163..... 113
4845157 68	4921735 149, 315	4922791.....333	70000342..... 191
4845181 73	4921736 148, 315, 316	4922792.....333	70000579..... 49
4845184 92	4921737 148, 315	4922792.....333	70000580..... 49, 350
4845243 164	4921738 148, 315	4922925.....96	70000582..... 49
4845281 41	4921771 46, 318	4932783.....306	70000583..... 49
4845282 41	4921772 46, 318	4932794.....308, 314	70000619..... 96
4845283 41	4921801 319, 327, 336	4932795.....308, 313	70000646..... 113
4845286 41	4921827 319, 327, 336	4932796.....308, 313	70000787..... 79
4845308 247	4921828 319	4932812.....309	70000863..... 95
4845309 247	4921849 149, 315	4932815.....307	70001002..... 87, 88
4845327 201	4921850 320, 357	4932828.....306, 319	70001017..... 87, 121
4845328 201	4921923 149, 315	4932839.....307	70001100..... 95
4845356 165, 169	4921924 148, 315, 316	4932848.....307, 312	70001384..... 95
4845393 141, 142	4921925 148, 315, 316	4932894.....306	70001385..... 95
4845394 86	4921926 148, 315	4932896.....306	70001423..... 88, 89
4845395 85	4921927 46, 318, 327, 336	4932902.....306	70001498..... 88
4845404 67, 83, 103, 110, 118, 131	4921928 46, 318, 326, 336	4932903.....306	70001681..... 88, 89
4845408 201	4921938 319	4932904.....309	70001697..... 188, 191
4845409 201	4921954 319, 327, 336	4932905.....307, 312	70001941..... 158
4845410 201	4921970 148, 315, 316	4932906.....308, 313	70001953..... 95
4845411 169	4921991 211, 312	4932908.....308, 314	70001966..... 95
4845412 201	4921993 314	4932910.....308, 314	70001973..... 96
4845413 201	4922002 314	4932914.....307, 312	70001974..... 96
4845426 201	4922006 314	4932915.....306, 319	70001975..... 96
4845453 67	4922007 314	4932917.....307	70001976..... 49, 53
4845469 201	4922008 314	4932940.....306, 319	70002005..... 197, 352
4845531 92	4922012 320, 357	4932958.....308	70002006..... 197
4845532 131	4922077 315	4932959.....308	70002007..... 197
4845534 131	4922095 307	4932961.....308, 314	70002088..... 95
4845588 15	4922145 314	4932971.....308	7000209..... 57
4845612 112	4922164 149, 315	4932977.....306	7000214..... 57
4845667 114	4922166 148, 315, 316	4932980.....307	7000217..... 57
4845671 197		4932986.....306	7000218..... 27
4845677 197		4932989.....306, 319	7000220..... 27
4845799 87		4932990.....306	70002200..... 89
		4932993.....306	70002208..... 63
		4933025.....306	7000221..... 28

SECTION 10 - SPECIAL OPTIONS

7000222.....27	7000293.....27	70006823.....271	7003976.....221, 225, 227
70002234.....79, 88	7000295.....28	7000699.....79, 88	7003977.....221, 225, 227
70002235.....73, 91, 127	70003483.....203, 205	7000731.....23, 34	7003978.....235
70002243.....63	70003556.....88	7000796.....33	7003980.....239, 241, 243
7000225.....28	70003708.....95	7000884.....105, 113	7003981.....235
70002255.....95	70003709.....95	7000897.....113, 120	7003982.....235, 243
7000228.....57	70003784.....209, 215	7001438.....136	7003983.....239, 241, 243
7000229.....57	70004643.....197	7001498.....137	7003984.....235
70002290.....95	70004738.....245	7001625.....285	7003985.....236
70002297.....95	70004739.....245	7001626.....285	7003986.....241
7000230.....57	70004740.....245	7001627.....285	7003989.....239, 241, 243
70002307...105, 113, 120	70004741.....245	7001629.....285	7003992...225, 227, 239,
70002373.....281	70004742.....245	7001630.....285	241
70002411.....88, 89	70004743.....245	7001633.....285	7003993...225, 227, 239,
7000243.....27	70004744.....245	7001711.....31	241
7000246.....57	70004745.....245	7001900.....27	7003994.....241
70002460.....95	70004746.....245	7001902.....27	7004035.....63
7000253.....57	70004747.....245	7001904.....27	7004043.....64
70002530.....88, 89	70004748.....245	7001906.....27	7004044.....64
7000255.....57	70004749.....245	7001909.....57	7004275.....357
7000256.....57	70004750.....245	7001911.....57	7004276.....357
70002567.....114, 121	70004751.....245	7001917.....27	7005841.....63
7000257.....57	70004752.....231	7001918.....27	7005842.....63
7000258.....57	70004753.....231	7001927.....28	7005845.....63
7000263.....57	70004754.....231	7001928.....27, 57	7005848.....64
7000265.....27	70004755.....231	7001931.....57	7005881.....64
7000269.....57	70004756.....231	7001937.....27	7005882.....64
7000270.....57	70004757.....231	7001940.....28	7005889.....63
7000272.....27	70004758.....231	7001985.....57	7005890.....63
70002724.....243	70004759.....231	7001987.....57	7005891.....63
70002725.....243	70004760.....231	7001988.....57	7005892.....63
70002726.....243	70004761.....231	70022564.....281	7005893.....63
70002727.....243	70004762.....231	70023371.....281	7005894.....63
70002728.....243	70004763.....231	7002821...320, 328, 337,	7005895.....64
70002729.....243	70004764.....231	357	7006138.....197, 352
7000273.....27	70004765.....231	7002822.....357	7007208.....136
70002730.....229	70004766.....231	7002823...320, 328, 337,	7007412.....137
70002731.....229	70004767.....231	357	7007413.....136
70002732.....229	70004768.....231	7002826.....357	7007414.....136
70002733.....229	70004769.....231	7002828...320, 328, 337	7007416.....136
70002734.....229	70004770.....231	7002840.....11, 15, 356	7007417.....136
70002735.....229	70004771.....231	7003657.....73, 91, 127	7007419.....136
7000274.....27	70004772.....231	7003886.....236	7007420.....136
7000275.....27	70004773.....232	7003928...225, 227, 229	7007421.....136
7000276.....27	70004774.....232	7003933.....241	7007423.....136
7000279.....27	70004775.....232	7003935.....239, 241	7007424.....136
7000280.....27	70005230.....245	7003941...239, 241, 243	7007425.....136
70002813.....87	7000625.....203, 205	7003946...235, 239, 241	7007435.....136
70002818.....97	70006442.....283	7003951.....221	7007436.....136
70002819.....97	70006443.....271, 283	7003952.....225	7007437.....136
7000282.....27	70006444.....271, 283	7003953.....225, 227	7007438.....136
70002820.....97	70006445.....271, 283	7003956.....221, 225	7007439.....136
70002821.....97	70006446.....271, 283	7003957.....221, 235	7007440.....136
70002822.....97	70006447.....283	7003958.....221	7007441.....136
70002823.....97	7000646.....105	7003959.....221	7007442.....136
70002824.....97	70006597.....281	7003960.....221	7007444.....136
70002825.....97	70006599.....281	7003961.....221	7007445.....136
70002826.....97	70006601.....281	7003963.....235	7007449.....136
7000283.....27	7000663.....79, 87, 88	7003966.....235	7007453.....136
7000284.....27	70006648.....263	7003967.....235	7007454.....136
7000285.....27	70006649.....263	7003968.....235	7007456.....136
7000286.....27	70006650.....263	7003969.....239, 241	7007458.....137
7000287.....28	70006651.....263	7003972...235, 239, 241,	7007459.....137
7000288.....28	70006774.....281	243	7007461.....137
7000289.....28	70006775.....281	7003973...235, 239, 241,	7007463.....137
7000290.....28	70006776.....281	243	7007466.....137
70002906.....229	70006822.....271	7003974...221, 225, 235	7007468.....137

SECTION 10 - SPECIAL OPTIONS

7007469.....	137	7011332.....	187	7012974.....	45	7016331...79, 87, 88, 352
7007470.....	137	7011346.....	188	7012975.....	46	7016332..... 79, 87, 88
7007471.....	137	7011712.....	33	7012976.....	46	7016336..... 317
7007472.....	137	7011713.....	33, 59	7012977.....	46	7016340..... 70, 352
7007474.....	137	7011714.....	33, 59	7012980.....	39	7016342..... 145
7007475.....	137	7011715.....	33, 59	7012987.....	139	7016346..... 210
7007476.....	137	7011716.....	33, 59	7012988.....	139	7016374..... 161
7007477.....	137	7011717.....	33, 59	7012989.....	49	7016380..... 158
7007478.....	137	7011719.....	59	7012993.....	39	7016399..... 202, 206
7007482.....	137	7011720.....	59	7012994.....	39	7016422..... 63
7007483.....	137	7012513.....	73, 91, 127	7012998.....	46, 49, 50, 53	7016423..... 63
7007484.....	137	7012514.....	73, 91, 127	7013187.....	145	7016424..... 64
7007485.....	137	7012518.....	49	7013711.....	45	7016425..... 63
7007486.....	137	7012540.....	46	7013755.....	45	7016426..... 63
7007487.....	137	7012558.....	73, 91, 127	7013796.....	45	7016427..... 64
7007488.....	137	7012560.....	148	7013799.....	45	7016530..... 197, 352
7007489.....	139	7012599.....	80, 87	7014700.....	31	7016600..... 105, 113
7007490.....	137	7012611.....	148, 209	7014701.....	31	7016601... 105, 113, 352
7007491.....	137	7012612.....	148, 209	7014703.....	31	7016605..... 105, 113
7007492.....	137	7012664.....	67, 77, 83, 103, 111, 119, 131, 350	7014704.....	31	7016640..... 87
7007494.....	137	7012679.....	105, 113	7014705.....	31	7016652..... 357
7007496.....	137	7012680.....	105	7014707.....	31	7016654..... 357
7007497... 137, 318, 326, 335		7012681.....	105	7014708.....	31	7016655..... 357
7007498... 137, 318, 326, 335		7012682.....	105, 318	7014709.....	31	7016700..... 45
7007499.....	137	7012683.....	105	7014710.....	31	7016701..... 45
7007633.....	57	7012689.....	105	7014711.....	31	7016702..... 45
7007644.....	27	7012690.....	105	7014712.....	31	7016744..... 45
7007649.....	27	7012693.....	11, 15	7014717.....	31	7016800. 69, 78, 85, 104, 111, 119, 132
7007694.....	27	7012698.....	80	7014718.....	31	7016802..... 78, 85, 132
7007914.....	59	7012700.....	37	7014719.....	31	7016803..... 78, 85
7007923.....	34, 59	7012701.....	37	7014720.....	31	7016804,78, 85, 104, 111, 119, 132
7007924.....	34	7012702.....	37	7014721.....	31	7016805..... 69, 78, 104
7007923.....	34, 59	7012703.....	37	7014722.....	31	7016806..... 69
7007924.....	34	7012704.....	37	7014723.....	31	7016807... 104, 111, 119
7007933.....	34, 60	7012705.....	37	7014724.....	31	7016808... 104, 111, 119
7007934.....	59	7012706.....	37	7014725.....	31	7016809..... 69
7007970.....	33, 59	7012707.....	37	7014726.....	31	7016810..... 69
7007977.....	33, 59	7012708.....	37	7014729.....	31	7016811..... 69, 132
7007979.....	33, 59	7012709.....	37	7014730.....	31	7016812..... 78, 85
7007980.....	33, 59	7012710.....	37	7014731.....	31	7016815..... 85
7007983.....	33, 59	7012711.....	37	7014732.....	31	7016816..... 85, 111
7007985.....	33, 59	7012712.....	37	7014733.....	31	7016826..... 85, 111
7007986.....	33	7012713.....	37	7014734.....	31	7016827..... 85, 111
7007987.....	33, 59	7012714.....	37	7014735.....	31	7016831..... 132
7007990.....	60	7012715.....	37	7014736.....	31	7016845..... 85
7008833.....	77, 84, 317	7012716.....	37	7014737.....	31	7017070..... 57
7008835.....	77, 84	7012769.....	49	7014801.....	142	7017089..... 57
7008836.....	77, 84, 317	7012772... 45, 49, 50, 53, 350		7014802.....	142	7017102..... 187
7010103.....	139	7012773... 46, 49, 50, 53		7014803.....	142	7017115..... 187
7010104.....	139	7012774..... 45, 50, 53		7014810.....	142, 350	7017119..... 187
7010105.....	139	7012775..... 50		7014811.....	142	7017142..... 187, 188
7010120.....	137	7012776..... 53		7014813.....	142	7017156..... 188
7010121.....	137	7012777..... 53		7014816.....	142	7017157..... 188
7010122.....	137	7012907..... 45		7016180.....	118, 131	7017158..... 188, 191
7010474.....	57	7012912..... 49, 50		7016309.....	80	7017159..... 188, 191
7010488.....	57	7012914..... 49		7016312.....	45, 350	7017162..... 187, 191
7010492.....	57	7012918..... 46, 49		7016313.....	46, 350	7017163..... 187, 191
7010494.....	57	7012941..... 45		7016314.....	141, 142	7017164..... 187, 191
7010541.....	49	7012944..... 45, 49, 350		7016315.....	148, 209	7017174..... 187
7010542.....	50	7012953... 46, 49, 53, 275		7016322.....	161	7017177..... 187
7010543.....	50	7012954..... 46		7016324.....	70, 352	7017183..... 187, 191
7010545.....	273	7012961..... 46, 275		7016325.....	70	7017193..... 187, 191
7010638.....	83, 111	7012965..... 53		7016326.....	70	7017195..... 191
7011112... 259, 261, 263, 265, 269, 271		7012967..... 49		7016327.....	70	7017410..... 49
7011328.....	45	7012971..... 46		7016328...79, 87, 88, 352		7017411..... 49
7011331.....	187	7012972..... 45		7016329.....	70	
				7016330.....	79, 87	

SECTION 10 - SPECIAL OPTIONS

7017418.....	49	7019193.....	221	7020468.....	89	7023603.....	125
7017420.....	46, 50, 53	7019194....	239, 241, 243	7020471.....	88, 89	7023613.....	121
7017421.....	53	7019196.....	241	7020474.....	89	7023634.....	133, 352
7017422.....	53	7019197.....	225, 227	7020477.....	80, 88	7023635.....	133
7017423.....	50	7019300.....	193	7020479.....	88	7023637.....	120, 121
7017427.....	49	7019301.....	193	7020480.....	88	7023638.....	133
7017428.....	49, 50	7019302.....	193	7020487.....	88	7023639.....	133
7017442.....	39	7019303.....	193	7020488.....	89	7023640.....	133
7017464.....	49	7019607.....	80, 87	7021214.....	137	7023641.....	133, 352
7017515.....	123	7019656....	110, 118, 131	7021310.....	51	7023642.....	133
7018602.....	33, 59	7019658.....	141	7021657.....	39	7023644.....	121
7018603.....	34, 59	7019921.....	105	7021868.....	120	7023645.....	125
7018605.....	33, 59	7019924.....	106	7021869....	105, 113, 352	7023652.....	120
7018606.....	33, 59	7019925.....	106, 121	70219924.....	113	7023653.....	120
7018607.....	33, 59	7019929.....	106	7022127.....	133	7023654.....	120
7018608.....	34, 59, 60	7019930....	106, 113, 121	7022134.....	120	7023655.....	120
7018609.....	33, 59	7019931.....	106, 113	7022135.....	352	7023656.....	120
7018612.....	34, 60	7019932....	106, 113, 121	7022136.....	120	7023657.....	121
7018912....	45, 49, 50, 53	7019933.....	105, 113	7022139.....	120	7023658.....	120
7018942.....	50, 53	7019976....	106, 113, 120	7022142.....	120	7023662.....	120
7018945.....	53	7019977.....	113, 120	7022143....	105, 113, 120	7023663.....	120
7018946.....	53	7019978.....	113	7022144.....	121	7023677.....	70
7018947.....	53	7019980.....	113	7022145.....	121	7023679....	125, 317, 326, 335
7018948.....	53	7019982.....	113	7022149.....	121	7023680.....	125
7018951.....	49	7019983.....	113	7022150....	106, 114, 121	7023686.....	118
7018986.....	49	7019985.....	113	7022151.....	113, 121	7023687.....	113
7019103.....	239, 241	7019986.....	120	7022153....	105, 113, 121	7024014.....	45, 50
7019104.....	221	7019988.....	113	7022154.....	121	7024015.....	50
7019110.....	239, 241	7019993.....	120	7022155.....	121	7024036.....	37
7019111....	221, 225, 227, 239, 241	7019994.....	120	7022156.....	113, 121	7024100.....	57
7019112.....	239, 241	7019996.....	120	7022157.....	113, 121	7024318.....	89
7019114.....	241	7019997.....	113	7022158.....	120	7024321.....	105, 113
7019115.....	239, 241	7020022.....	87	7022159.....	120	7024379.....	63
7019117.....	239	7020023.....	79, 87	7022160.....	120	7024380.....	63
7019122.....	221, 227	7020025.....	87	7022161.....	120	7024381.....	64
7019123.....	221, 227	7020027.....	88, 89	7022162.....	120	7024389.....	64
7019137.....	225	7020073.....	70	7022164.....	121	7024390.....	64
7019141.....	225, 227	7020108.....	73, 91, 127	7022165.....	125	7024395.....	64
7019142.....	225, 227	7020109.....	73, 91, 127	7022166.....	125	7024397.....	287
7019143.....	225, 227	7020110.....	73, 91, 127	7022167.....	125	7024398.....	87
7019144.....	225, 227	7020111.....	73, 91, 127	7022168.....	125	7024413.....	80
7019145.....	225, 227	7020120....	105, 113, 120	7022170.....	125	7024439.....	142
7019147.....	225, 227	7020168.....	88	7022171.....	125	7024440.....	142
7019149.....	225, 227	7020175....	148, 209, 215	7022177.....	133	7024441.....	142
7019150.....	225, 227	7020176....	148, 209, 215	7022178....	106, 113, 120	7024442.....	142
7019151.....	239, 241	7020190.....	73, 91, 127	7022179.....	120	7024443.....	142
7019153.....	239	7020191.....	73, 92, 128	7022180....	105, 113, 120	7024444.....	142
7019154.....	239, 241	7020192.....	73, 92, 128	7022203.....	45	7024445.....	142
7019155.....	239, 241	7020193.....	73, 91, 127	7022808....	225, 227, 229	7024446.....	142
7019156.....	239	7020246.....	153	7022810.....	239	7024453.....	63
7019157.....	239	7020404.....	80, 88	7022812.....	241	7024462.....	253
7019158.....	239	7020408.....	80, 88	7022813.....	221, 225	7024463.....	253
7019159.....	239	7020411.....	80, 88, 89	7022814.....	227	7024467.....	253
7019160.....	239, 241	7020414.....	87	7022815.....	227, 229	7024469.....	253
7019161.....	239, 241	7020418.....	80, 88	7022816.....	227	7024470.....	253
7019162....	239, 241, 243	7020419.....	80, 88	7022817.....	227	7024471.....	253
7019163.....	239	7020425.....	87	7022818.....	227	7024472.....	253
7019164....	239, 241, 243	7020427.....	80, 87	7022819....	227, 229, 326, 335	7024473.....	253
7019165....	239, 241, 243	7020431.....	80, 88, 89	7022820.....	335	7024474.....	253
7019166.....	239, 241	7020449.....	89	7022822.....	241	7024475.....	253
7019167....	239, 241, 243	7020458.....	88	7022823.....	241	7024478.....	253
7019168.....	239, 241	7020459.....	89	7022824.....	241	7024484.....	95
7019171.....	225, 227	7020460.....	89	7022825.....	326, 335	7024485.....	95
7019174.....	225, 227	7020461.....	88	7023340.....	77, 84	7024486.....	95
7019177.....	227	7020463.....	88, 89	7023366.....	168	7024487.....	96
7019192.....	221	7020464.....	88	7023471.....	105	7024488.....	96
		7020465.....	88, 89				

SECTION 10 - SPECIAL OPTIONS

7024489	96	7025126	106	7027276.....	88	7027778	253
7024560	87	7025145	105	7027292.....	113	7027779	253
7024561	95	7026188	95	7027402.....	113, 121	7027780	253
7024565	80, 89	7026199	73, 91, 127	7027411.....	121	7027799	95
7024579	89	7026522	87, 89	7027773.....	253	7027887	73, 92, 128
7024598	161	7026597	95	7027774.....	253	83304150	64
7025122	113	7026608	88	7027775.....	253	8896941	356
7025124	121	7026631	88	7027776.....	253	91083218	120
7025125	113	7027250	77, 80, 84, 88	7027777.....	253		



3120720



An Oshkosh Corporation Company

Corporate Office
JLG Industries, Inc.
1 JLG Drive
McConnellsburg, PA 17233-9533 USA
☎ (717) 485-5161 (Corporate)
☎ (877) 554-5438 (Customer Support)
☎ (717) 485-6417

Visit our website for JLG Worldwide Locations.
www.jlg.com