



Illustrated Parts Manual

Models **600S** **600SJ** **660SJ**

SN 0300087000
through 0300171769
SN B300000100
through B300000969

P/N
3121207

September 14, 2018 - Rev AE

ANSI

CE



An Oshkosh Corporation Company

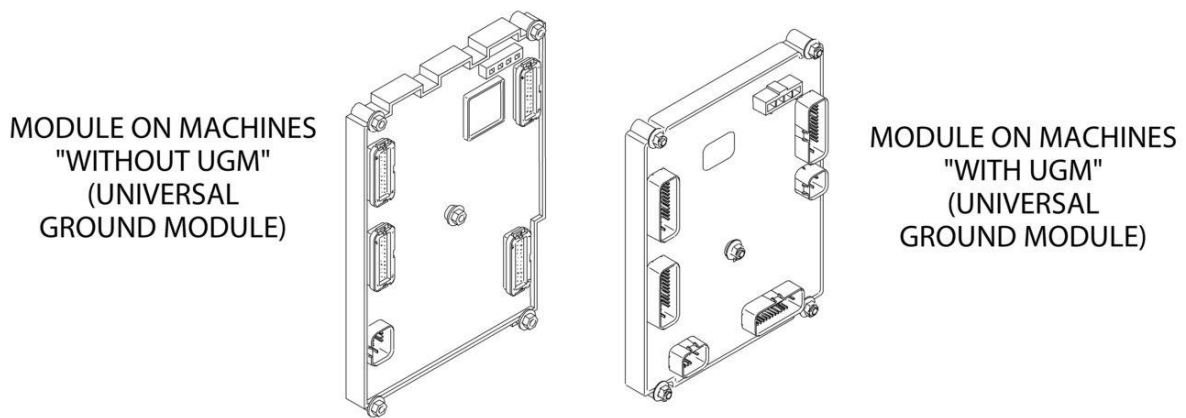
REVISION LOG

NOTES:

LOCATION OF MANUFACTURE

The 600S & 600SJ Boom Lifts are manufactured by JLG Industries in the following countries: USA and China. Refer to the Serial Number Tag to identify the country of manufacture. The country of manufacture may be determined by the Serial Number. Machines manufactured in the USA will have a serial number prefix of 03 (i.e. 03XXXXXXXX). Machines manufactured in the China will have a serial number prefix of B3 (i.e. B3XXXXXXXX).

GROUND MODULE IDENTIFICATION



NOTE: USA Built Machines with SNs 0300170082 & 0300170091 are also built to the same specs as USA Built Machines SN 0300171769 to Present - Use Parts Manual P/N 3121299.

NOTE: China Built Machines with SNs B300000869, B300000871 & B300000875 are also built to the same specs as China built Machine SN 0300000970 to Present - Use Parts Manual P/N 3121299.

MANUAL REVISION LOG:

June 10, 2005 - A - Original Issue Of Manual (Edited to 0010603 Revision 35)

December 9, 2005 - B - Revised (Edited to 0010603 Revision 45)

May 18, 2006 - C - Revised (Edited to 0010603 Revision 49)

August 10, 2006 - D - Revised (Edited to 0010603 Revision 52)

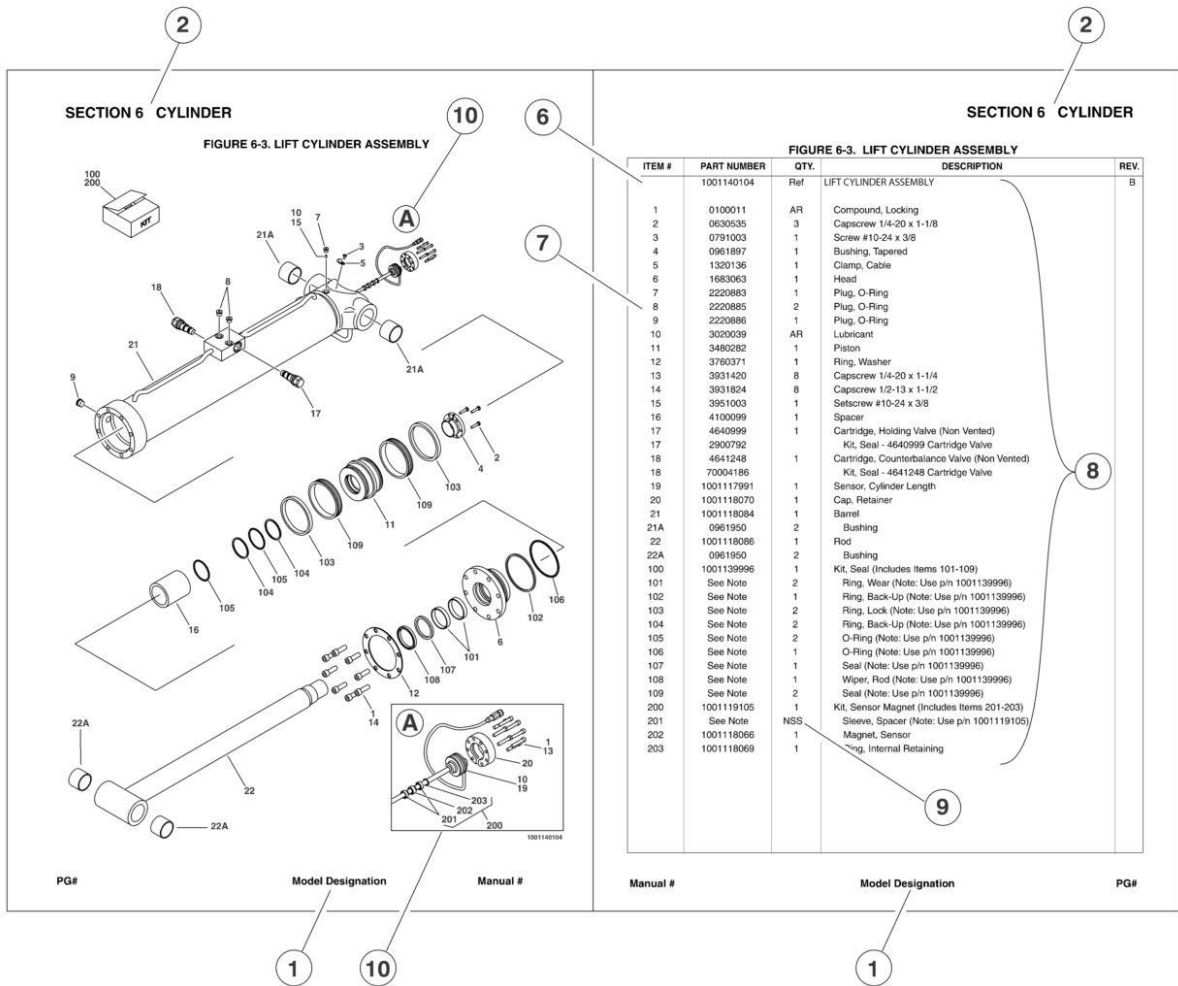
January 12, 2007 - E - Revised (Edited to 0010603 Revision 55)

May 15, 2007 - F - Revised (Edited to 0010603 Revision 57)

REVISION LOG

September 19, 2007 - G - Revised (Edited to 0010603 Revision 67)
January 15, 2008 - H - Revised (Edited to 0010603 Revision 69)
June 15, 2008 - I - Revised (Edited to 0010603 Revision 69)
December 1, 2008 - J - Revised (Edited to 0010603 Revision 69)
April 15, 2009 - K - Revised (Edited to 0010603 Revision 72)
October 15, 2009 - L - Revised (Edited to 0010603 Revision 94)
May 24, 2010 - M - Revised (Edited to 0010603 Revision 103)
September 1, 2010 - N - Revised (Manual edited to 0010603 Revision 106 & 0010721 Revision 3)
March 15, 2011 - O - Revised (Manual edited to 0010603 Revision 110 & 0010721 Revision 5)
June 10, 2011 - P - Revised (Manual edited to 0010603 Revision 111 & 0010721 Revision 5)
September 14, 2011 - Q - Revised (Manual edited to 0010603 Revision 112 & 0010721 Revision 6)
January 6, 2012 - R - Revised (Manual edited to 0010603 Revision B & 0010721 Revision B)
April 20, 2012 - S - Revised (Manual edited to 0010603 Revision D & 0010721 Revision C)
July 27, 2012 - T - Revised (Manual edited to 0010603 Revision D & 0010721 Revision D)
November 8, 2012 - U - Revised (Manual edited to 0010603 Revision D & 0010721 Revision D)
March 15, 2013 - V - Revised (Manual edited to 0010603 Revision D & 0010721 Revision K)
April 25, 2013 - W - Revised (Manual edited to 0010603 Revision D & 0010721 Revision K)
June 14, 2013 - X - Revised (Manual edited to 0010603 Revision D & 0010721 Revision M)
September 30, 2013 - Y - Revised (Manual edited to 0010603 Revision W & 0010721 Revision M)
February 28, 2014 - Z - Revised (Manual edited to 0010603 Revision W & 0010721 Revision M)
October 6, 2014 - AA - Revised (Manual edited to 0010603 Revision W & 0010721 Revision Q)
October 30, 2015 - AB - Revised Manual (Revision 4)
March 14, 2017 - AC - Revised Manual
February 28, 2018 - AD - Revised Manual
September 14, 2018 - AE - Revised Manual

GENERAL INFORMATION



1) MACHINE IDENTIFICATION

Machines are identified by model and in some cases a combination of models, serial number (SN) or regional standard (i.e ANSI, CE, CSA). Components may also be identified by SN or manufacturer. Common components that may be identified by these characteristics are engines and hydraulic components.

2) PARTS MANUAL ORGANIZATION

Product information in this manual is organized under section titles. Frame, Cylinder, Hydraulic and Electrical are a few examples. Each section is organized by figure and page number. The information within the Figure is then organized by item number, part number, description and corresponding illustration (s).

3) TABLE OF CONTENTS

A table of contents is found toward the beginning of the manual. Figure number, description and page number are provided for quick reference to the page containing the related information.

4) RECOMMENDED SPARE PARTS

The Recommended Spare Parts, located near the end of the manual, reference most frequently used maintenance parts.

5) PART NUMBER INDEX

A numerical index listing all part numbers and the corresponding page number(s) appears at the back of the manual.

GENERAL INFORMATION

6) NON-SERVICED PARTS

In some instances, it is necessary to display non-serviced parts, assemblies or installations. In the case of assemblies and installations there will be a Ref in the Qty column. In case of parts that are not available for service within assemblies or components, there will be a NSS (Not Sold Separately) or NLA (No Longer Available) listed in the Qty. column of the manual.

7) PARTS LIST ITEM NUMBERS

Numbers shown in the item# column correspond to numbers used in the associated illustration (s). Item numbers which are missing from the sequence in the parts list are not used on that page

8) INDENTED PARTS DESCRIPTION

An indented part description is included in the item under which it is indented.

9) ABB REVIATION AND SYMBOLS

AC.....	.. Alternating Current	LCD	Liquid Crystal Display
ADE.....	..Advanced Design Electronics	LED	Light Emitting Diodes
ANSIAmerican National Standards Institute	LH.....	.. Left Hand
AR.....	..As Required	LSSLoad Sensing System
ASSY	Assembly	M(m).....	.. Metric/Meter
AUX.....	..Auxiliary	MM (mm)Milimeter
AWG.....	..American WireGauge	mA.....	.. Milliamps
B/M.....	.. Bill of Material	NLA.....	..No Longer Available
CE.....	..European Conformity	NPT National Pipe T threads
CCWCounter Clockwise	NSSNot Sold Separately
cm.....	.. Centimeter	OD.....	..Outside Diameter
CW.....	..Clockwise	OR B.....	.. O-Ring Bos s
CSA.....	..Canadian Standards Association	OR F S.....	.. O-Ring Face Seal
CYL.....	..Cylinder	OZ (oz).....	..Ounces
DIA.....	..Diameter	PGPage
DC.....	..Direct Current	P/N.....	..Part Number
EMS	Emergency Stop	qt.....	..Quarts
ENGEngine	QTY.....	..Quantity
FT (ft).....	..Feet	REFReference
GA(Ga).....	..Gauge	REVRevision Level
HYDHydraulic	RH.....	.. Right Hand
Hz.....	..Hertz	SAE.....	.. Society of Automotive Engineers
ID.....	..Inside Diameter	SN.....	..Serial Number
in.....	.. inches	SPEC(S).....	..Specifications
ISOInternational Organization for Standards	T/T.....	..Turntable
JIC.....	..Joint Industry Council	UGMUniversal Ground Module
KGKilogram	V.....	.. Volts
L.....	..Liter	W.....	.. Watts
LB.....	..Pounds	#.....	.. Number

10) ILLUSTRATION REFERENCE LETTERS

When necessary, illustrations may contain reference letters that are intended to track information (i. e. hoses, harnesses) from one point to another or to track visual enlargement of components to show details that may be located in another area on the illustration.

Note: Due to continuous product improvements, JLG Industries, Inc. reserves the right to make specification changes without prior notification. Contact JLG Industries, Inc. for updated information.

TABLE OF CONTENTS

SECTION 1 - FRAME.....	11
FIGURE 1-1. 2WD FRONT AXLE AND STEERING INSTALLATION	12
FIGURE 1-2. 4WD FRONT AXLE AND STEERING INSTALLATION	16
FIGURE 1-3. 4WS REAR STEERING INSTALLATION.....	20
FIGURE 1-4. TIRE AND WHEEL DRIVE INSTALLATIONS.....	22
FIGURE 1-5. DRIVE HUB ASSEMBLY	26
FIGURE 1-6. DRIVE MOTOR ASSEMBLY (USA BUILT MACHINES) (SN 0300087000 through 0300098764).....	30
FIGURE 1-7. DRIVE MOTOR ASSEMBLY (USA BUILT MACHINES AND CHINA BUILT MACHINES) (SN 0300098765 through 0300171769, SN B300000100 through B300000969).....	32
FIGURE 1-8. DRIVE VALVES AND SHIELDS INSTALLATION (FRAME MOUNTED).....	34
FIGURE 1-9. TOW PACKAGE INSTALLATION (OPTIONAL)	38
SECTION 2 - TURNTABLE.....	41
FIGURE 2-1. CONTROL VALVES INSTALLATIONS.....	42
FIGURE 2-2. MAIN CONTROL VALVE ASSEMBLY.....	46
FIGURE 2-3. ACCESSORY VALVE ASSEMBLY.....	50
FIGURE 2-4. SWING DRIVE, TURNTABLE BEARING AND LOCK INSTALLATIONS.....	52
FIGURE 2-5. SWING HUB ASSEMBLY (USA BUILT MACHINES) (SN 0300087000 through 0300137441)	56
FIGURE 2-6. SWING MOTOR ASSEMBLY (WHITE ROLLER STATOR) (USA BUILT MACHINES) (ORIGINAL EQUIPMENT) (SN 0300087000 through 0300137441)	58
FIGURE 2-7. SWING MOTOR ASSEMBLY (PARKER) (USA BUILT MACHINES) (SERVICE REPLACEMENT) (SN 0300087000 through 0300137440)	60
FIGURE 2-8. SWING MOTOR/BRAKE/HUB ASSEMBLY (USA BUILT MACHINES AND CHINA BUILT MACHINES) (SN 0300137441 through 0300171769, SN B300000100 through B300000969)	62
FIGURE 2-9. CATERPILLAR ENGINE INSTALLATION (USA BUILT MACHINES) (SN 0300087000 through 0300140223).....	66
FIGURE 2-10. CATERPILLAR ENGINE INSTALLATION (USA BUILT MACHINES AND CHINA BUILT MACHINES) (SN 0300140223 through 0300171769, SN B300000100 through B300000969)	76
FIGURE 2-11. DEUTZ ENGINE INSTALLATION.....	84
FIGURE 2-12. FORD ENGINE INSTALLATION.....	96
FIGURE 2-13. GM ENGINE INSTALLATION (WITHOUT UGM).....	102
FIGURE 2-14. GM ENGINE INSTALLATION (WITH UGM)	108
FIGURE 2-15. PISTON PUMP ASSEMBLY	114
FIGURE 2-16. GEAR PUMP ASSEMBLY	120
FIGURE 2-17. TANK INSTALLATIONS.....	122
FIGURE 2-18. ROTARY COUPLING INSTALLATION	126
FIGURE 2-19. GROUND CONTROL BOX ASSEMBLY (WITHOUT UGM)	130
FIGURE 2-20. GROUND CONTROL BOX ASSEMBLY (WITH UGM)	134
FIGURE 2-21. ELECTRICAL OPTIONS INSTALLATION (TURNTABLE MOUNTED).....	138
FIGURE 2-22. ENGINE TRAY JACK INSTALLATION (OPTIONAL).....	142
FIGURE 2-23. HOODS (ABS) AND LIFTING PLATE INSTALLATIONS (USA BUILT MACHINES) (SN 0300087000 through 0300089988)	144
FIGURE 2-24. HOODS (ABS) AND LIFTING PLATE INSTALLATIONS (USA BUILT MACHINES) (SN 0300089988 through 0300171769)	148
FIGURE 2-25. HOODS (STEEL) AND LIFTING PLATE INSTALLATIONS.....	154
FIGURE 2-26. 2500W GENERATOR INSTALLATION - CATERPILLAR MACHINES (OPTIONAL).....	160
FIGURE 2-27. 2500W GENERATOR INSTALLATION - DEUTZ MACHINES (OPTIONAL)	164
FIGURE 2-28. 2500W GENERATOR INSTALLATION - FORD MACHINES (OPTIONAL)	168
FIGURE 2-29. 2500W GENERATOR INSTALLATION - GM MACHINES (OPTIONAL)	172
FIGURE 2-30. 7500W SKYPOWER GENERATOR INSTALLATION - CATERPILLAR AND DEUTZ ENGINES (OPTIONAL) ...	176
FIGURE 2-31. 7500W SKYPOWER GENERATOR INSTALLATION - FORD ENGINES (OPTIONAL)	184
FIGURE 2-32. 7500W SKYPOWER GENERATOR INSTALLATION - GM ENGINES (OPTIONAL).....	188
SECTION 3 - BOOM.....	193
FIGURE 3-1. BOOM INSTALLATION - 600S.....	194
FIGURE 3-2. BOOM INSTALLATION - 600SJ & 660SJ.....	198
FIGURE 3-3. MAIN BOOM ASSEMBLIES	204
FIGURE 3-4. ROTATOR ASSEMBLIES.....	210
FIGURE 3-5. POWER TRACK INSTALLATIONS.....	212
SECTION 4 - PLATFORM.....	215
FIGURE 4-1. PLATFORM COMPONENTS INSTALLATION	216
FIGURE 4-2. PLATFORM COMPONENTS INSTALLATION (FALL ARREST PLATFORM).....	222

TABLE OF CONTENTS

FIGURE 4-3. PLATFORM CONSOLE ASSEMBLY (USA BUILT MACHINES) (SN 0300087000 through 0300138728)	224
FIGURE 4-4. PLATFORM CONSOLE ASSEMBLY (USA BUILT MACHINES AND CHINA BUILT MACHINES) (SN 0300138729 through 0300171769, SN B300000100 through B300000969)	228
FIGURE 4-5. CONTROLLER ASSEMBLY (LIFT AND SWING)	232
FIGURE 4-6. CONTROLLER ASSEMBLY (LIFT AND SWING)	234
FIGURE 4-7. CONTROLLER ASSEMBLY (LIFT AND SWING)	236
FIGURE 4-8. CONTROLLER ASSEMBLY (DRIVE AND STEER)	240
FIGURE 4-9. CONTROLLER ASSEMBLY (DRIVE AND STEER)	244
FIGURE 4-10. CONTROLLER ASSEMBLY (DRIVE AND STEER)	246
FIGURE 4-11. SOFT TOUCH SYSTEM INSTALLATION (OPTIONAL)	248
FIGURE 4-12. PLATFORM BUMPER PADDING INSTALLATIONS (OPTIONAL)	252
FIGURE 4-13. SKYGLAZIER INSTALLATION	254
FIGURE 4-14. SKYWELDER INSTALLATION (50HZ)	258
FIGURE 4-15. SKYWELDER INSTALLATION (60HZ)	260
FIGURE 4-16. WELDER ASSEMBLY	262
FIGURE 4-17. SKYCUTTER INSTALLATION	264
FIGURE 4-18. SKYCUTTER INSTALLATION	266
FIGURE 4-19. PLASMA CUTTER ASSEMBLY	270
FIGURE 4-20. PLASMA CUTTER ASSEMBLY	272
FIGURE 4-21. PIPE RACKS INSTALLATION	274
FIGURE 4-22. SKYAIR AIR COMPRESSOR INSTALLATION	276
FIGURE 4-23. AIR COMPRESSOR ASSEMBLY	278
SECTION 5 - CYLINDER	281
FIGURE 5-1. AXLE LOCKOUT CYLINDER ASSEMBLY	282
FIGURE 5-2. LEVEL CYLINDER ASSEMBLY - PLATFORM SLAVE	284
FIGURE 5-3. LEVEL CYLINDER ASSEMBLY - PLATFORM SLAVE - 600S (SERVICE REPLACEMENT)	288
FIGURE 5-4. LEVEL CYLINDER ASSEMBLY - PLATFORM SLAVE - 600SJ & 660SJ (SERVICE REPLACEMENT)	290
FIGURE 5-5. LIFT CYLINDER ASSEMBLY - JIB - 600SJ & 660SJ (ORIGINAL EQUIPMENT)	292
FIGURE 5-6. LIFT CYLINDER ASSEMBLY (JIB) - 600SJ & 660SJ (SERVICE REPLACEMENT)	294
FIGURE 5-7. LIFT CYLINDER ASSEMBLY (JIB) - 600SJ & 660SJ (SERVICE REPLACEMENT)	296
FIGURE 5-8. LIFT CYLINDER ASSEMBLY - MAIN BOOM	298
FIGURE 5-9. MASTER CYLINDER ASSEMBLY	300
FIGURE 5-10. MASTER CYLINDER ASSEMBLY - 600S (SERVICE REPLACEMENT)	304
FIGURE 5-11. MASTER CYLINDER ASSEMBLY - 600SJ/660SJ (SERVICE REPLACEMENT)	306
FIGURE 5-12. STEER CYLINDER ASSEMBLY (USA BUILT MACHINES) (SN 0300087000 through 0300142634)	308
FIGURE 5-13. STEER CYLINDER ASSEMBLY (USA BUILT MACHINES AND CHINA BUILT MACHINES) (SN 0300142635 through 0300171769, SN B300000100 through B300000969)	310
FIGURE 5-14. TELESCOPE CYLINDER ASSEMBLIES	312
SECTION 6 - HYDRAULIC	315
FIGURE 6-1. HYDRAULIC DIAGRAM - DRIVE AND STEER (2WD/2WS)	316
FIGURE 6-2. HYDRAULIC DIAGRAM - DRIVE AND STEER (4WD/2WS)	318
FIGURE 6-3. HYDRAULIC DIAGRAM - OSCILLATING AXLE	322
FIGURE 6-4. HYDRAULIC DIAGRAM - STANDARD	324
FIGURE 6-5. HYDRAULIC DIAGRAM LIST	330
SECTION 7 - ELECTRICAL	331
FIGURE 7-1. ELECTRICAL DIAGRAM LIST	332
FIGURE 7-2. HARNESS COMPONENTS INSTALLATION (WITHOUT UGM)	334
FIGURE 7-3. HARNESS COMPONENTS INSTALLATION (WITH UGM)	352
FIGURE 7-4. AC CABLES INSTALLATION (CE GERMAN AND CE UK SPECS)	368
SECTION 8 - DECALS	371
FIGURE 8-1. DECAL INSTALLATION (ANSI SPEC) (USA BUILT MACHINES) (SN 0300087000 through 0300087911)	372
FIGURE 8-2. DECAL INSTALLATION (ANSI SPEC) (USA BUILT MACHINES AND CHINA BUILT MACHINES) (SN 0300087912 through 0300171769, SN B300000100 through B300000969)	376
FIGURE 8-3. DECAL INSTALLATION (COUNTRY SPEC) (USA BUILT MACHINES) (SN 0300087000 through 0300087911)	380
FIGURE 8-4. DECAL INSTALLATION (COUNTRY SPEC) (USA BUILT MACHINES AND CHINA BUILT MACHINES) (SN 0300087912 through 0300171769, SN B300000100 through B300000969)	386
FIGURE 8-5. DECAL INSTALLATION (AUSTRALIAN AND CE SPEC) (USA BUILT MACHINES) (SN 0300087000 through 0300087911)	394

TABLE OF CONTENTS

FIGURE 8-6. DECAL INSTALLATION (AUSTRALIAN AND CE SPEC) (USA BUILT MACHINES AND CHINA BUILT MACHINES) (SN 0300087912 through 0300171769, SN B300000100 through B300000969)	398
SECTION 9 - RECOMMENDED SERVICE PARTS STOCK	401
FIGURE 9-1. MODEL 600SJ/660SJ STANDARD PARTS	402
FIGURE 9-2. MODEL 600SJ/660SJ VARIABLE PARTS.....	404
SECTION 10 - SPECIAL OPTIONS.....	405
FIGURE 10-1. SPECIAL OPTIONS.....	406
PART NUMBER INDEX	413

SECTION 1 - FRAME

SECTION 1 - FRAME

FIGURE 1-1. 2WD FRONT AXLE AND STEERING INSTALLATION

ITEM	PART NUMBER	QTY	DESCRIPTION	REV
		Ref	Note: 2WD Only Available on USA Built Machines.	
		Ref	AXLE INSTALLATIONS - OSCILLATING	
	0273081	Ref	Without Tow Package	F
	0273379	Ref	With Tow Package	D
1	0100011	AR	Compound, Locking	
2	0641814	8	Bolt 1/2in-13NC x 1-3/4in	
3	0642012	1	Bolt 5/8in-11NC x 1-1/2in	
4	0961950	2	Bearing	
5		Ref	Lockout Cylinder Assembly Options (See CYLINDER SECTION for Breakdown):	
5	1684280	NLA	Lockout Cylinder Assembly (Use p/n 1001167359) (SN 0300087000 through 0300089728)	
5	1684465	2	Lockout Cylinder Assembly (SN 0300089729 through 0300171769)	
6	3422592	1	Pin, Pivot	
7	3841258	1	Keeper, Pin	
8	4740158	1	Thrustwasher	
9		Ref	Axle Weldment Options:	
9	4846814	1	Without Tow Package	
9	4846934	1	With Tow Package	
10	4891800	8	Flatwasher 1/2in Hardened	
12	0100038	AR	Primer, Locking	
	0273226	Ref	AXLE INSTALLATIONS - FIXED	B
101	0100011	AR	Compound, Locking	
102	0642012	1	Bolt 5/8in-11NC x 1-1/2in	
103	0961950	2	Bearing	
104	3422592	1	Pin, Pivot	
105	3539877	2	Plate, Stop	
106	3539878	2	Plate, Stop	
107	3841258	1	Keeper, Pin	
108	3931840	2	Screw 1/2in-13NC x 2-1/2in	
109	4070944	4	Shim (.06)	
110	4070945	4	Shim (.25)	
111	4740158	1	Thrustwasher	
112		Ref	Axle Weldment Options:	
112		Ref	Without Tow Package Options:	
112	4846814	1	Without Tow Package (SN 0300087000 through 0300166418)	
112	1001105321	1	Without Tow Package (SN 0300166419 through 0300171769)	
112	See Note	NLA	With Tow Package (Note: Not Available for Purchase)	
		Ref	STEERING INSTALLATIONS	
	0273150	Ref	Without Tow Package	C
	0273422	Ref	With Tow Package	B
201	0100011	AR	Compound, Locking	
202	0440170	4	Cone, Bearing	
203	0440171	4	Cup, Bearing	
204	0641608	4	Bolt 3/8in-16NC x 1in	
205	0641612	2	Bolt 3/8in-16NC x 1-1/2in	
206	0642012	2	Bolt 5/8in-11NC x 1-1/2in	
207	0721003	6	Bolt #10-24NC x 3/8in	
208	0961977	2	Bushing	

SECTION 1 - FRAME

ITEM	PART NUMBER	QTY	DESCRIPTION	REV
209	0962131	4	Bearing	
210	1120304	2	Cap, Hub	
211		Ref	Steer Cylinder Assembly Options (See CYLINDER SECTION for Breakdown):	
211	1683208	2	Steer Cylinder Assembly (SN 0300087000 through 0300142634)	
211	1001097242	NLA	Steer Cylinder Assembly (SN 0300142635 through 0300171769)	
211	1001129305	2	Steer Cylinder Assembly	
212	2780271	2	Hub	
212A	0630490	18	Stud, Wheel (9 Per Hub)	
213	3323403	2	Nut, Slotted 1-1/2in -12NF	
214	3422326	2	Pin, Steer Cylinder	
215	3422900	2	Kingpin	
216		Ref	Pin, Steer Cylinder Options:	
216	3422902	2	Machines without Tow Package	
216	3422902	1	Machines with Tow Package (Left Side without Tow Link)	
216	3422567	1	Machines with Tow Package (Right Side with Tow Link)	
217	3422903	2	Pin, Tie-Rod	
218	3841143	6	Shaft, Keeper	
219	3841258	2	Shaft, Keeper	
220	3841510	1	Tie-Rod	
221	3960343	2	Seal, Grease	
222	4130396	1	Spindle - Left Side	
223		Ref	Spindle - Right Side Options:	
223	4130397	2	Machines without Tow Package	
223	4130400	1	Machines with Tow Package	
224	4740111	6	Thrustwasher	
225	4740256	2	Thrustwasher	
226	4740283	2	Flatwasher, Hardened	
227	4740463	2	Thrustwasher	
228	4761000	6	Lockwasher #10	
229	3451010	2	Pin, Cotter 5/8in x 2-1/2in	
230	3300106	18	Lugnut (9 per Wheel)	

SECTION 1 - FRAME

FIGURE 1-2. 4WD FRONT AXLE AND STEERING INSTALLATION

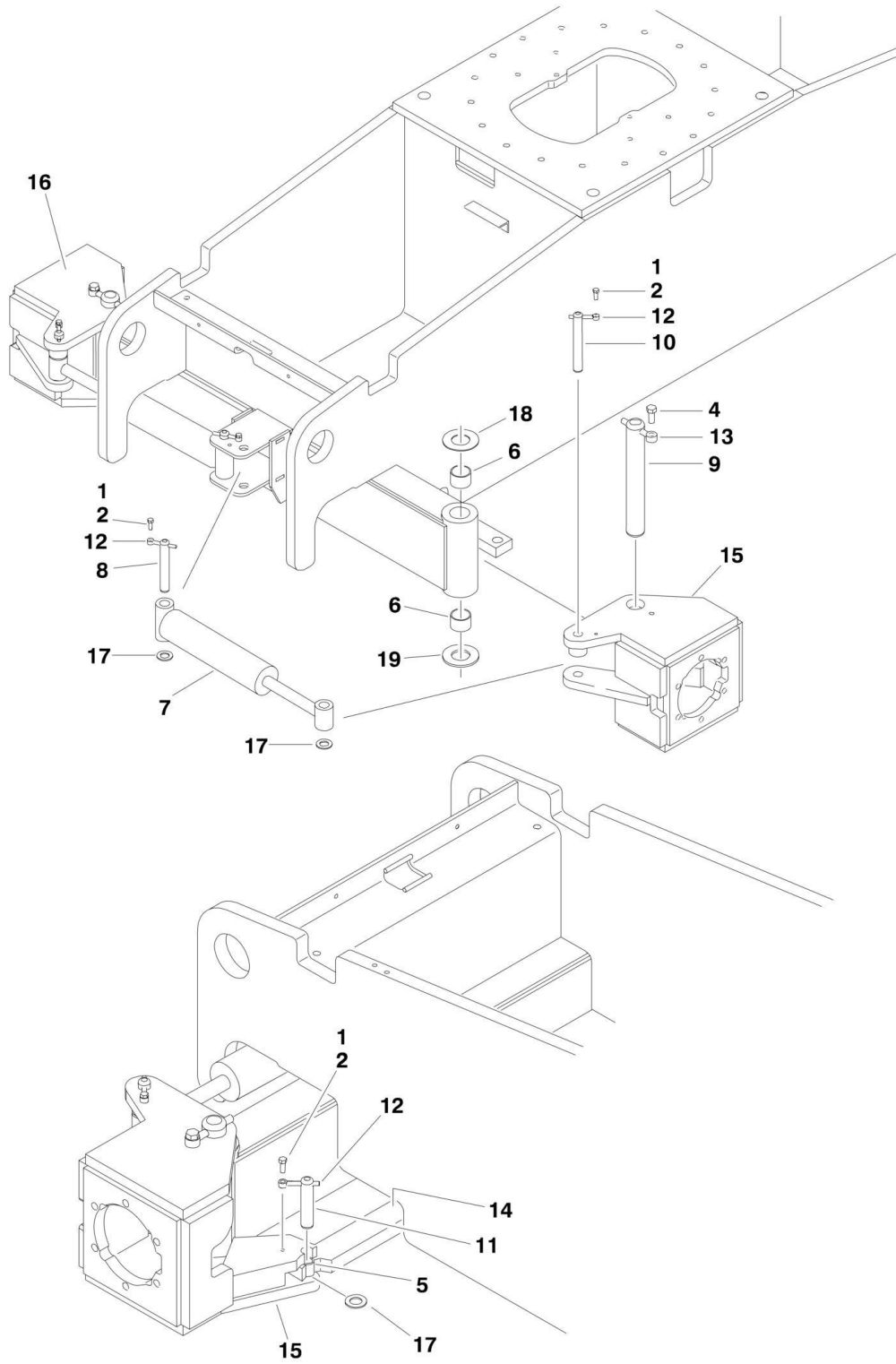
ITEM	PART NUMBER	QTY	DESCRIPTION	REV
		Ref	AXLE INSTALLATIONS - OSCILLATING	
	0273081	Ref	USA Built Machines without Tow Package	F
	1001113644	Ref	China Built Machines without Tow Package	B
	0273379	Ref	All Machines with Tow Package	D
1	0100011	AR	Compound, Locking	
2	0641814	8	Bolt 1/2in-13NC x 1-3/4in	
3	0642012	1	Bolt 5/8in-11NC x 1-1/2in	
4	0961950	2	Bearing	
5		Ref	Locknut Cylinder Assembly Options (See CYLINDER SECTION for Breakdown):	
5	1684280	NLA	USA Built Machines (Use p/n 1001167359) (SN 0300087000 through 0300089728)	
5	1684465	2	USA Built Machines (SN 0300089729 through 0300171769)	
5	1684465	2	China Built Machines (SN B300000100 through B300000969)	
6	3422592	1	Pin, Pivot	
7	3841258	1	Keeper, Pin	
8	4740158	1	Thrustwasher	
9		Ref	Axle Weldment Options:	
9	4846814	1	USA Built Machines without Tow Package	
9	1001113597	1	China Built Machines without Tow Package	
9	4846934	1	All Machines with Tow Package	
10	4891800	8	Flatwasher 1/2in Hardened	
12	0100038	AR	Primer, Locking	
	0273226	Ref	AXLE INSTALLATIONS - FIXED	A
		Ref	Note: Only Available on USA Built Machines.	
101	0100011	AR	Compound, Locking	
102	0642012	1	Bolt 5/8in-11NC x 1-1/2in	
103	0961950	2	Bearing	
104	3422592	1	Pin, Pivot	
105	3539877	2	Plate, Stop	
106	3539878	2	Plate, Stop	
107	3841258	1	Keeper, Pin	
108	3931840	2	Screw 1/2in-13NC x 2-1/2in	
109	4070944	4	Shim (.06)	
110	4070945	4	Shim (.25)	
111	4740158	1	Thrustwasher	
112		Ref	Axle Weldment Options:	
112	4846814	1	Without Tow Package	
112	See Note	NLA	With Tow Package (Note: Not Available for Purchase)	
		Ref	STEERING INSTALLATIONS	
	0273080	Ref	4WD & 2WS - USA Built Machines without Tow Package	G
	1001113653	Ref	4WD & 2WS - China Built Machines without Tow Package	D
	0273394	Ref	4WD & 2WS - All Machines with Tow Package	D
	0273357	Ref	4WD & 4WS - USA Machines without Tow Package	1
	1001121639	Ref	4WD & 4WS - China Built Machines without Tow Package	B
	0275230	Ref	4WD & 4WS - USA Built Machines with Tow Package	1
201	0100011	AR	Compound, Locking	
202	0641608	6	Bolt 3/8in-16NC x 1in	
204	0642012	2	Bolt 5/8in-11NC x 1-1/2in	
205	0961977	2	Bushing	

SECTION 1 - FRAME

ITEM	PART NUMBER	QTY	DESCRIPTION	REV
206	0962131	4	Bearing	
207		Ref	Steer Cylinder Assembly Options (See CYLINDER SECTION for Breakdown):	
207	1683208	2	USA Built Machines (SN 0300087000 through 0300142634)	
207	1001097242	2	USA Built Machines (SN 0300142635 through 0300171769)	
207	1001129305	2	USA Built Machines	
207	1001097242	2	China Built Machines (SN B300000100 through B300000969)	
207	1001129305	2	China Built Machines	
208	3422326	2	Pin, Steer Cylinder	
209	3422900	2	Kingpin	
210		Ref	Pin, Steer Cylinder Options:	
210	3422902	2	Machines without Tow Package	
210	3422902	1	Machines with Tow Package (Left Side without Tow Link)	
210	3422567	1	Machines with Tow Package (Right Side with Tow Link)	
211	3422903	2	Pin, Tie-Rod	
212	3841143	6	Shaft, Keeper	
213	3841258	2	Shaft, Keeper	
214		Ref	Tie-Rod Options:	
214	3841510	1	USA Built Machines	
214	1001113674	1	China Built Machines	
215		Ref	Spindle - Left Side Options:	
215		Ref	USA Built Machines	
215	4130394	NLA	Spindle - Left Side (Use p/n 1001099387) (SN 0300087000 through 0300163150)	
215	1001099387	1	Spindle - Left Side (SN 0300163151 through 0300171769)	
215		Ref	China Built Machines	
215	1001113560	NLA	Spindle - Left Side (Use p/n 1001133061) (SN 0300087000 through B300000723)	
215	1001133061	1	Spindle - Left Side (SN B300000724 through B300000969)	
216		Ref	Spindle - Right Side Options:	
216		Ref	USA Built Machines without Tow Package	
216	4130395	NLA	Spindle - Right Side (Use p/n 1001099196) (SN B300000100 through 0300163150)	
216	1001099196	1	Spindle - Right Side (SN 0300163151 through 0300171769)	
216		Ref	China Built Machines without Tow Package	
216	1001113575	NLA	Spindle - Right Side (Use p/n 1001113057) (SN B300000100 through B300000723)	
216	1001133057	1	Spindle - Right Side (SN B300000724 through B300000969)	
216	4130399	1	All Machines with Tow Package	
217	4740111	6	Thrustwasher	
218	4740256	2	Thrustwasher	
219	4740463	2	Thrustwasher	

SECTION 1 - FRAME

FIGURE 1-3. 4WS REAR STEERING INSTALLATION



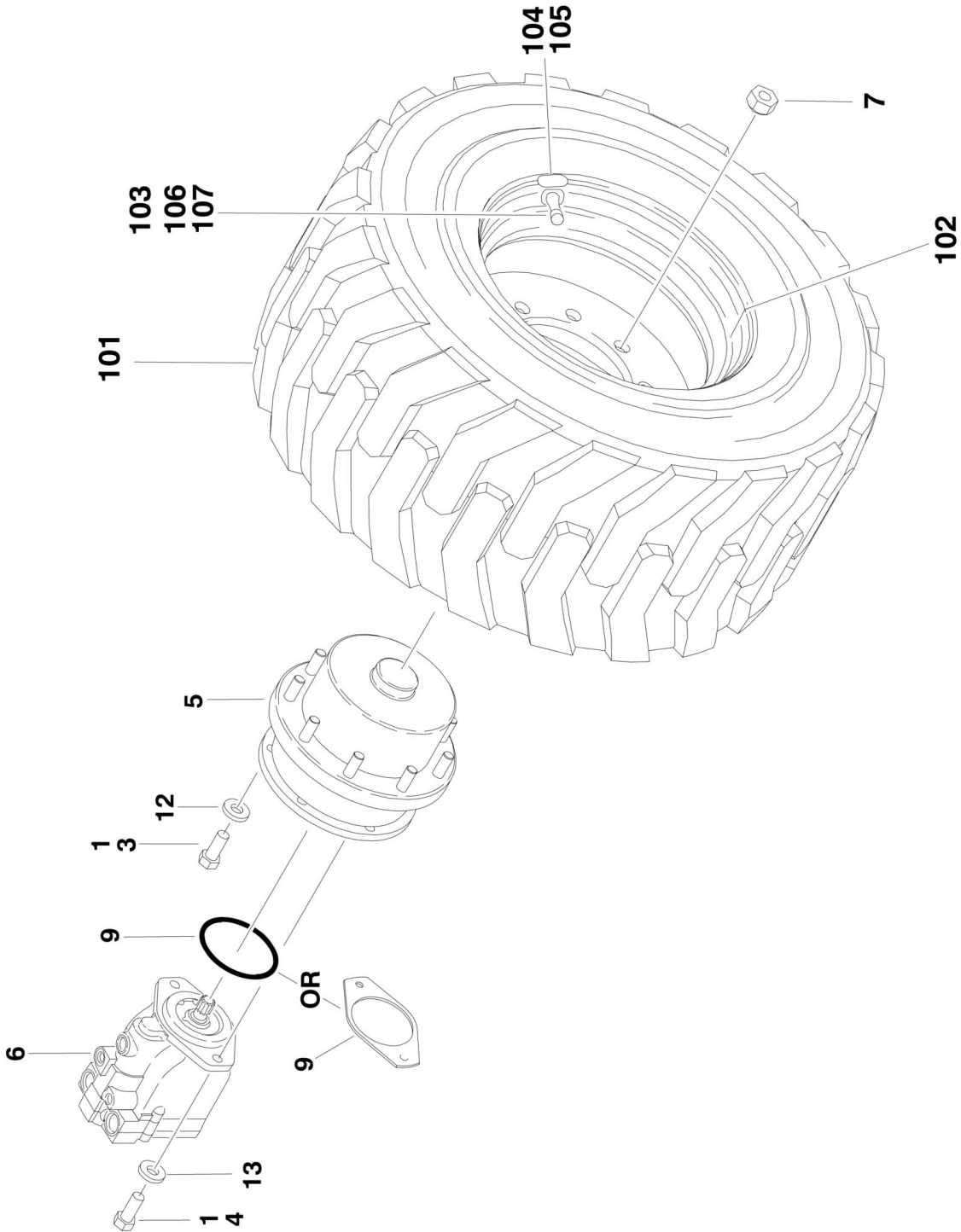
SECTION 1 - FRAME

FIGURE 1-3. 4WS REAR STEERING INSTALLATION

ITEM	PART NUMBER	QTY	DESCRIPTION	REV
		Ref	4WS REAR STEERING INSTALLATIONS	
	0273356	Ref	2WD & 4WS Installation - 2WD Machines	1
	0273357	Ref	4WD & 4WS - USA Machines without Tow Package	1
	1001121639	Ref	4WD & 4WS - China Built Machines without Tow Package	B
	0275230	Ref	4WD & 4WS - USA Built Machines with Tow Package	1
		Ref	STEERING INSTALLATION	
	0273080	Ref	USA Built Machines	G
	1001121639	Ref	China Built Machines	B
1	0100011	AR	Compound, Locking	
2	0641608	6	Bolt 3/8in-16NC x 1in	
4	0642012	2	Bolt 5/8in-11NC x 1-1/2in	
5	0961977	2	Bushing	
6	0962131	4	Bearing	
7		Ref	Steer Cylinder Assembly Options (See CYLINDER SECTION for Breakdown):	
7	1683208	2	USA Built Machines (SN 0300087000 through 0300142634)	
7	1001097242	2	USA Built Machines (SN 0300142635 through 0300171769)	
7	1001097242	2	China Built Machines (SN B300000100 through B300000969)	
8	3422326	2	Pin, Steer Cylinder	
9	3422900	2	Kingpin	
10	3422902	2	Pin, Steer Cylinder	
11	3422903	2	Pin, Tie-Rod	
12	3841143	6	Shaft, Keeper	
13	3841258	2	Shaft, Keeper	
14	3841510	1	Tie-Rod	
15		Ref	Spindle - Left Side Options:	
15		Ref	USA Built Machines	
15	4130394	NLA	Spindle - Left Side (Use p/n 1001099387) (SN 0300087000 through 0300163150)	
15	1001099387	1	Spindle - Left Side (SN 0300163151 through 0300171769)	
15		Ref	China Built Machines	
15	1001113560	NLA	Spindle - Left Side (Use p/n 1001133061) (SN 0300087000 through B300000667)	
15	1001133061	1	Spindle - Left Side (SN B300000668 through B300000969)	
16		Ref	Spindle - Right Side Options:	
16		Ref	USA Built Machines without Tow Package	
16	4130395	NLA	Spindle - Right Side (Use p/n 1001099196) (SN B300000100 through 0300163150)	
16	1001099196	1	Spindle - Right Side (SN 0300163151 through 0300171769)	
16		Ref	China Built Machines without Tow Package	
16	1001113575	NLA	Spindle - Right Side (Use p/n 1001133057) (SN B300000100 through B300000688)	
16	1001133057	1	Spindle - Right Side (SN B300000724 through B300000969)	
17	4740111	6	Thrustwasher	
18	4740256	2	Thrustwasher	
19	4740463	2	Thrustwasher	

SECTION 1 - FRAME

FIGURE 1-4. TIRE AND WHEEL DRIVE INSTALLATIONS



SECTION 1 - FRAME

FIGURE 1-4. TIRE AND WHEEL DRIVE INSTALLATIONS

ITEM	PART NUMBER	QTY	DESCRIPTION	REV
		Ref	WHEEL DRIVE INSTALLATIONS	
	0273049	Ref	Wheel Drive Installations 2WD/2WS	J
	0273367	Ref	Wheel Drive Installations 2WD/4WS	A
	0273048	Ref	Wheel Drive Installations 4WD/2WS	L
	0273366	Ref	Wheel Drive Installations 4WD/4WS	J
		Ref	Note: 2WD Qty Shown. For 4WD, Double Qty Shown.	
1	0100011	AR	Compound, Locking	
3	0681810	4	Bolt 1/2in-13NC x 1-1/4in (Grade 8)	
4	0682016	12	Bolt 5/8in-11NC x 2in (Grade 8)	
5	2780269	2	Drive Hub Assembly (See DRIVE HUB ASSEMBLY for Breakdown)	
6		Ref	Drive Motor Assembly Options	
6		Ref	USA Built Machines (See DRIVE MOTOR ASSEMBLY for Breakdown): (SN 0300087000 through 0300098764)	
6	3160299	NLA	2WD (Use p/n 3160349)	
6	3160300	NLA	4WD (Use p/n 3160350)	
6		Ref	USA Built Machines (See DRIVE MOTOR ASSEMBLY for Breakdown): (SN 0300098765 through 0300171769)	
6	3160349	2	2WD	
6	3160350	2	4WD	
6		Ref	China Built Machines (See DRIVE MOTOR ASSEMBLY for Breakdown): (SN B300000100 through B300000969)	
6	3160349	2	2WD	
6	3160350	2	4WD	
7	3300106	18	Nut, Wheel	
9		Ref	Hardware Options:	
9	3790045	1	O-Ring (SN 0300087000 through 0300102228)	
9	3960526	1	Gasket (SN 0300102229 through 0300171769)	
9	3960526	1	Gasket (SN B300000100 through B300000969)	
12	4891800	4	Flatwasher 1/2in Hardened	
13	4740393	12	Flatwasher 5/8in Hardened	
19	3020008	AR	Lubricant - 80W-90 (Not Shown)	
		Ref	TIRE AND WHEEL INSTALLATIONS OPTIONS	
		Ref	USA Built Machines: (SN 0300087000 through 0300138401)	
	0273001	Ref	Pneumatic - OTR Tires (Available on All Specs except Australian and CE Specs)	1
	0273242	Ref	Pneumatic with Sealant - OTR Tires (Available on ANSI and ANSI Export Specs Only)	1
	0274322	Ref	Pneumatic Turf/Sand - OTR Tires (Available on All Specs except Australian and CE Specs)	1
	0275860	Ref	Pneumatic Turf/Sand - Galaxy Tires (Available on ANSI and ANSI Export Specs Only)	1
	0273238	Ref	Foam-Filled - OTR Tires (Available on All Specs)	1
	0274152	Ref	Foam-Filled - OTR Tires (Non-Marking) (Available on All Specs)	1
		Ref	USA Built Machines: (SN 0300138402 through 0300171769)	
	1001101800	Ref	Pneumatic - OTR Tires (Available on All Specs except Australian and CE Specs)	C
	1001101802	Ref	Pneumatic with Sealant - OTR Tires (Available on ANSI and ANSI Export Specs Only)	C
	0274322	Ref	Pneumatic Turf/Sand - OTR Tires (Available on All Specs except Australian and CE Specs)	1

SECTION 1 - FRAME

ITEM	PART NUMBER	QTY	DESCRIPTION	REV
	0275860	Ref	Pneumatic Turf/Sand - Galaxy Tires (Available on ANSI and ANSI Export Specs Only)	1
	1001101801	Ref	Foam-Filled - OTR Tires (Available on All Specs)	C
	0274152	Ref	Foam-Filled - OTR Tires (Non-Marking) (Available on All Specs)	1
		Ref	China Built Machines: (SN B300000100 through B300000969)	
	1001101800	Ref	Pneumatic - OTR Tires (Available on All Specs except Australian and CE Specs)	C
	1001101801	Ref	Foam-Filled - OTR Tires (Available on All Specs)	C
		Ref	Tire and Wheel Assembly Options:	
		Ref	USA Built Machines: (SN 0300087000 through 0300138401)	
	0272993	2	Pneumatic - OTR Tire (Right Side)	C
	0272992	2	Pneumatic - OTR Tire (Left Side)	C
	0273244	2	Pneumatic with Sealant - OTR Tire (Right Side)	B
	0273243	2	Pneumatic with Sealant - OTR Tire (Left Side)	B
	4520357	4	Pneumatic Turf/Sand - OTR Tire	B
	4520674	4	Pneumatic Turf/Sand - Galaxy Tire	B
	0273240	2	Foam-Filled - OTR Tire (Right Side)	B
	0273239	2	Foam-Filled - OTR Tire (Left Side)	B
	4520340	2	Foam-Filled - OTR Tire (Non-Marking) (Right Side)	B
	4520339	2	Foam-Filled - OTR Tire (Non-Marking) (Left Side)	B
		Ref	USA Built Machines (SN 0300138402 through 0300171769)	
	1001097358	2	Pneumatic - OTR Tire (Right Side)	C
	1001097357	2	Pneumatic - OTR Tire (Left Side)	C
	1001097388	2	Pneumatic with Sealant - OTR Tire (Right Side)	C
	1001097387	2	Pneumatic with Sealant - OTR Tire (Left Side)	C
	4520357	4	Pneumatic Turf/Sand - OTR Tire	B
	4520674	4	Pneumatic Turf/Sand - Galaxy Tire	A
	1001097374	2	Foam-Filled - OTR Tire (Right Side)	D
	1001097373	2	Foam-Filled - OTR Tire (Left Side)	D
	4520340	2	Foam-Filled - OTR Tire (Non-Marking) (Right Side)	B
	4520339	2	Foam-Filled - OTR Tire (Non-Marking) (Left Side)	B
		Ref	China Built Machines (SN B300000100 through B300000969)	
	1001097358	2	Pneumatic - OTR Tire (Right Side)	C
	1001097357	2	Pneumatic - OTR Tire (Left Side)	C
	1001097374	2	Foam-Filled - OTR Tire (Right Side)	D
	1001097373	2	Foam-Filled - OTR Tire (Left Side)	D
		Ref	Note: Assemblies may require ballast/foam filling to manufacturer's specifications prior to installing on a machine. Refer to Operation and Safety or Service and Maintenance Manuals. Purchase individual tire and/ or rim only if able to foam fill tire and wheel assembly, otherwise, purchase complete assembly.	
101	4520258	4	Tire 15 x 19.5 (1 Per Assembly) (USA Built Machines) (SN 0300087000 through 0300138401)	
101	1001097351	4	Tire 39 x 15-22.5 (1 Per Assembly) (USA Built Machines) (SN 0300138402 through 0300171769)	
101	1001097351	4	Tire 39 x 15-22.5 (1 Per Assembly) (China Built Machines) (SN B300000100 through B300000969)	
101	4520356	4	Tire 18 x 625 - Turf/Sand (1 Per Assembly)	
101	4520256	4	Tire 41/18LL x 22.5 - Turf/Sand (1 Per Assembly)	
102	4860243	4	Rim, Wheel (1 Per Assembly) (USA Built Machines) (SN 0300087000 through 0300138401)	

SECTION 1 - FRAME

ITEM	PART NUMBER	QTY	DESCRIPTION	REV
102	1001097348	4	Rim, Wheel (1 Per Assembly) (USA Built Machines) (SN 0300138402 through 0300171769)	
102	1001097348	4	Rim, Wheel (1 Per Assembly) (China Built Machines) (SN B300000100 through B300000969)	
102	4520355	4	Rim, Wheel - Turf/Sand 24.5 x 15 (1 Per Assembly)	
102	4520672	4	Rim, Wheel - Turf/Sand 22.5 x 14 (1 Per Assembly)	
103	4640113	4	Valve, Air (1 Per Assembly)	
104	1702701	4	Decal - 95 PSI	
104	1706846	4	Decal - 75 PSI (Turf/Sand Tires 18 x 625 Only) (was Decal - 60 PSI p/n 1702137)	
104	1701643	4	Decal - 70 PSI (Turf/Sand Tires 41/18LL x 22.5 Only)	
105	1705364	AR	Decal - Tire Sealant (With Sealant Only)	
106	1300019	AR	Chemical, Tire Sealant (Green) (With Sealant Only)	
107	1120552	AR	Cap, Valve Stem (Green) (With Sealant Only)	

SECTION 1 - FRAME

FIGURE 1-5. DRIVE HUB ASSEMBLY

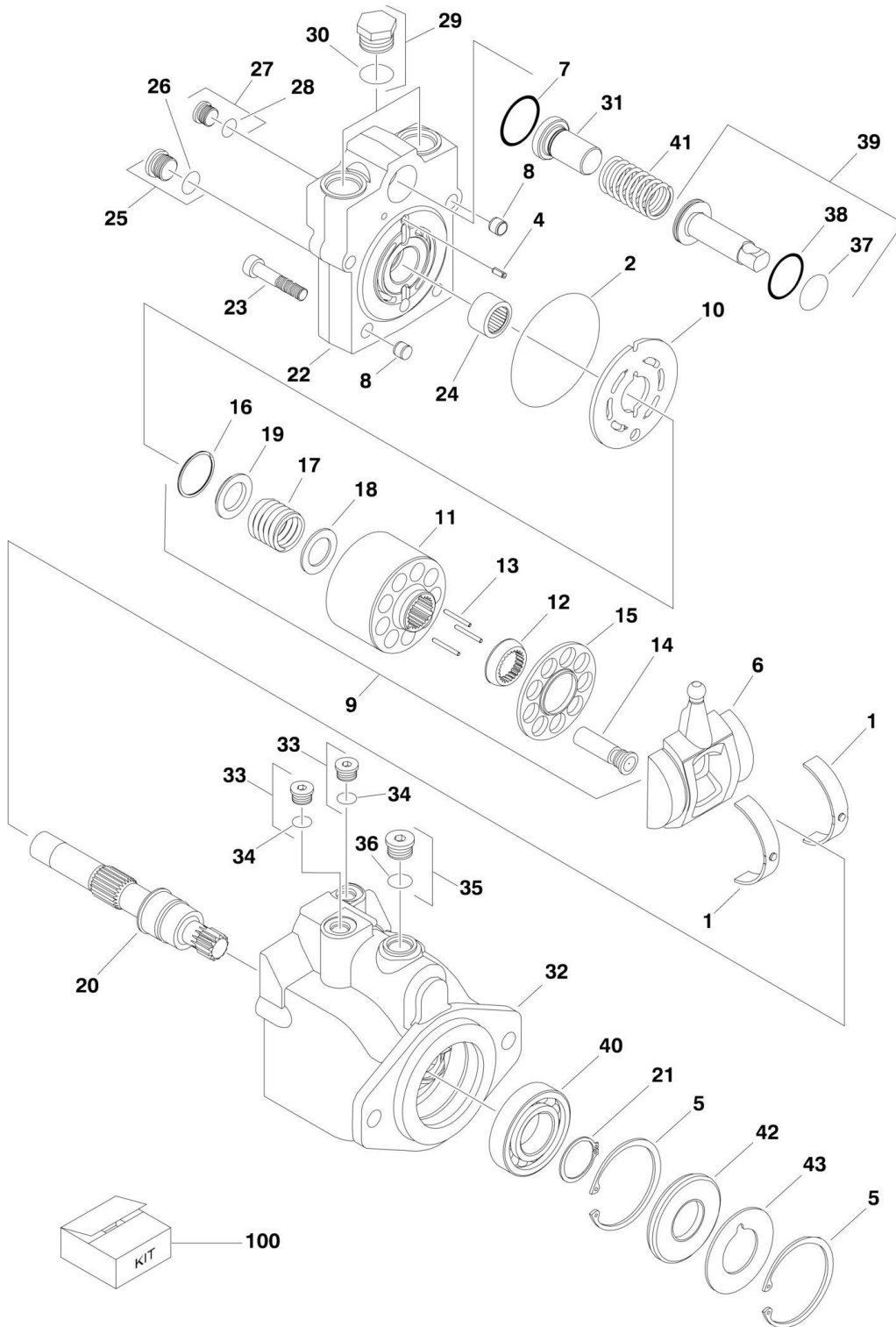
ITEM	PART NUMBER	QTY	DESCRIPTION	REV
	2780269	Ref	DRIVE HUB/BRAKE ASSEMBLY	E
1	See Note	NSS	Spindle/Housing Assembly (Note: Use p/n 2780269 Complete Replacement. See 1A-1M for Available Components)	
1A	7024729	1	Spindle	
1B	70001119	1	Seal	
1C	7024735	2	Bearing (Includes Cup and Cone)	
1D	2780269	1	Housing (Note: Not Available for Purchase)	
1E	7024730	1	Ring, Gear	
1F	See Note	NSS	Nut, Bearing (Note: Use Item 100A)	
1G	See Note	NSS	Setscrew 1/4in-28NF x 1/2in (Note: Use Item 100A,100B,101A or 101B)	
1H	7024732	9	Stud, Wheel	
1K	7024125	1	Ring, Retaining	
1L	7024124	1	Spring	
1M	7024129	1	Thrustwasher	
2	7024741	1	Thrustwasher	
3	See Note	NSS	Carrier Assembly (Note: Not Available for Purchase. See 3A-3F for Available Components)	
3A	7024725	1	Carrier	
3B	7024127	6	Thrustwasher	
3C	7024733	42	Bearing, Needle	
3E	7024724	3	Shaft, Planet	
3F	7024727	3	Gear, Planet	
4	See Note	NSS	Planet Gear Sub-Assembly (Note: Not Available for Purchase. See 4A-4H for Available Components)	
4B	7024740	12	Thrustwasher	
4C	7024734	84	Bearing, Needle	
4D	7024736	3	Spacer, Thrust	
4E	7024726	3	Shaft, Planet	
4F	7024728	3	Gear, Planet	
4G	7001913	6	Rollpin	
4H	7024742	1	Thrustwasher	
5	7017027	1	Ring, Retaining	
6	See Note	NSS	Cover Assembly (Note: Not Available for Purchase. See 6A-6G for Available Components)	
6A	7024731	1	Plate, Cover	
6B	7017093	1	Cap, Disengage	
6C	7000216	2	Bolt 1/2in-20NC x 1/2in	
6D	7024739	1	Pin, Dowel	
6E	7017095	1	O-Ring	
6F	7017072	2	Plug, Pipe	
6G	7024738	1	Ring, Retaining	
7	7024722	1	Coupling	
8	See Note	NSS	Brake, Input (Note: Not Available for Purchase. See 8A-8L for Available Components)	
8A	70000782	1	Piston, Brake	
8B	7024743	1	Plate, Pressure	
8C	See Note	NSS	Ring, Retaining (Note: Use Item 101A or 101B)	
8D	See Note	NSS	O-Ring (Note: Use Item 100B or 101A)	
8E	See Note	NSS	Ring, Back-up (Note: Use Item 100B or 101A)	
8F	See Note	NSS	O-Ring (Note: Use Item 100B or 101A)	

SECTION 1 - FRAME

ITEM	PART NUMBER	QTY	DESCRIPTION	REV
8H	See Note	NSS	Ring, Back-up (Note: Use Item 100B or 101A)	
8J	See Note	NSS	Rotor, Brake (Note: Use Item 101A)	
8K	See Note	NSS	Stator, Brake (Note: Use Item 101A)	
8L	See Note	NSS	Spring, Brake (Note: Use Item 101B)	
9	7024721	1	Shaft, Input	
11	7024723	1	Gear, Sun	
12	See Note	NSS	Plug (Note: Not Available - Purchase Locally)	
15	See Note	NSS	Plate, ID (Not Shown) (Note: Not Available for Purchase)	
16	7000281	4	Screw, Drive	
17	7024134	1	O-Ring	
18	See Note	NSS	O-Ring (Note: Use Item 100A)	
19	7017022	3	Screw, Countersunk 3/8in-16NC	
20	7024737	1	Ring, Retaining	
21	See Note	NSS	Plug (Note: Not Available - Purchase Locally)	
100		Ref	Seal Kit Options:	
100A	7024744	1	Hub Seal Kit (Includes Items 1B, 1F, 1G, 17, 18 & 19)	
100B	7024765	1	Brake Seal Kit (Includes Items 1G, 8C, 8D, 8E, 8F & 8H)	
101		Ref	Repair Kit Options:	
101A	7024764	1	Brake Lining Kit (Includes Items 1G, 8C, 8D, 8F, 8E, 8H, 8J & 8K)	
101B	7024766	1	Brake Spring Kit (Includes Items 1G, 8C & 8L)	

SECTION 1 - FRAME

FIGURE 1-6. DRIVE MOTOR ASSEMBLY (USA BUILT MACHINES) (SN 0300087000 through 0300098764)



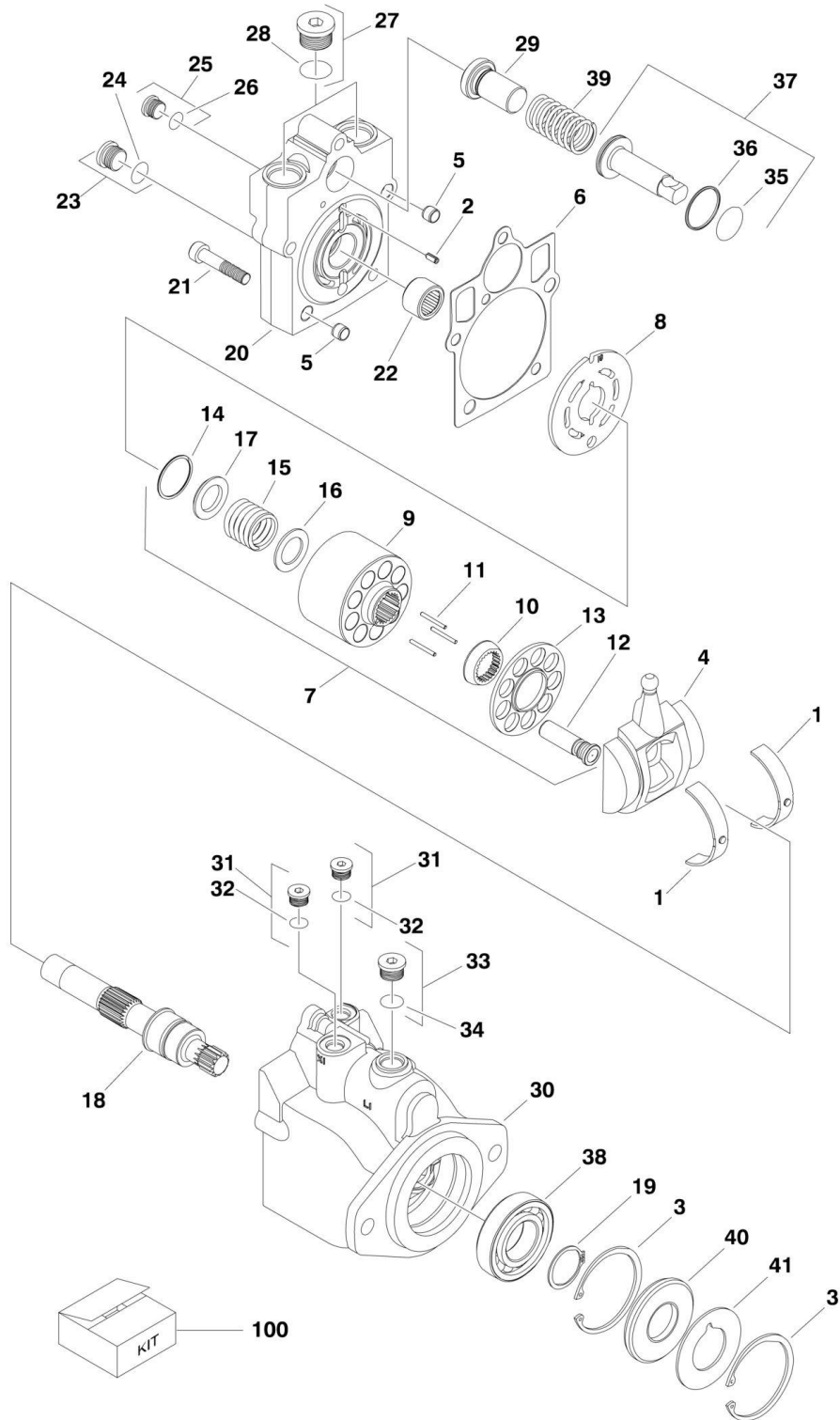
SECTION 1 - FRAME

FIGURE 1-6. DRIVE MOTOR ASSEMBLY (USA BUILT MACHINES) (SN 0300087000 through 0300098764)

ITEM	PART NUMBER	QTY	DESCRIPTION	REV
		Ref	DRIVE MOTOR ASSEMBLY	
	3160299	Ref	Drive Motor Assembly 2WD/2WS	E
	3160300	Ref	Drive Motor Assembly 2WD/4WS, 4WD/2WS & 4WD/4WS	E
1	7022302	2	Bearing, Journal	
2	See Note	NSS	O-Ring (Note: Use Item 100)	
3	See Note	NSS	O-Ring (Note: Use Item 100)	
4	7007446	1	Pin	
5	7007438	2	Ring, Retaining	
6	7024861	1	Swash Plate	
7	See Note	NSS	O-Ring (Note: Use Item 100)	
8	7007435	2	Pin	
9	7022320	1	Cylinder Block Kit (Includes Items 11-19)	
10	7024862	1	Plate, Valve	
11	7024863	1	Block, Cylinder	
12	7024864	1	Guide, Slipper Retainer	
13	7021275	3	Pin, Slipper Hold Down	
14	7024865	9	Piston Assembly	
15	7024866	1	Retainer, Slipper	
16	7022311	1	Ring, Retaining	
17	7024867	1	Spring	
18	7024868	1	Washer	
19	7022314	1	Retainer, Spring	
20	7023910	1	Shaft	
21	7007439	1	Ring, Retaining	
22	7024869	1	Cap, End - Axial	
23	7022368	4	Screw	
24	7021249	1	Bearing, Needle	
25	7022321	1	Plug (Includes Item 26)	
26	See Note	NSS	O-Ring (Note: Use Item 25 or 100)	
27	7022318	1	Plug (Includes Item 28)	
28	See Note	NSS	O-Ring (Note: Use Item 27 or 100)	
29	7027419	2	Plug (Includes Item 30)	
30	See Note	NSS	O-Ring (Note: Use Item 29 or 100)	
31		Ref	Seat, Spring Options:	
31	7024853	1	Seat, Spring 2WD/2WS	
31	7022372	1	Seat, Spring 2WD/4WS, 4WD/2WS & 4WD/4WS	
32	7022370	1	Housing	
33	7022318	2	Plug (Includes Item 34)	
34	See Note	NSS	O-Ring (Note: Use Item 33 or 100)	
35	7022321	1	Plug (Includes Item 36)	
36	See Note	NSS	O-Ring (Note: Use Item 35 or 100)	
37	See Note	NSS	O-Ring (Note: Use Item 100)	
38	See Note	NSS	Ring, Seal (Note: Use Item 100)	
39	7024871	1	Piston, Servo	
40	7007437	1	Bearing	
41	7022326	1	Spring	
42	See Note	NSS	Seal, Lip (Note: Use Item 100)	
43	7022371	1	Washer, Support	
100	7022328	1	Seal Kit (Includes Items 2, 3, 7, 26, 28, 30, 34, 36, 37, 38 & 42)	

SECTION 1 - FRAME

FIGURE 1-7. DRIVE MOTOR ASSEMBLY (USA BUILT MACHINES AND CHINA BUILT MACHINES) (SN 0300098765 through 0300171769, SN B300000100 through B300000969)



SECTION 1 - FRAME

FIGURE 1-7. DRIVE MOTOR ASSEMBLY (USA BUILT MACHINES AND CHINA BUILT MACHINES) (SN 0300098765 through 0300171769, SN B300000100 through B300000969)

ITEM	PART NUMBER	QTY	DESCRIPTION	REV
		Ref	DRIVE MOTOR ASSEMBLY	
	3160349	Ref	Drive Motor Assembly 2WD	B
	3160350	Ref	Drive Motor Assembly 4WD	B
1	7022302	2	Bearing, Journal	
2	7007446	1	Pin	
3	7007438	2	Ring, Retaining	
4	70000794	1	Swash Plate	
5	See Note	NSS	Pin (Note: Not Available for Purchase)	
6	See Note	NSS	Gasket (Note: Use Item 100)	
7	7027740	1	Cylinder Block Kit (Includes Items 9-17)	
8	7024862	1	Plate, Valve	
9	See Note	NSS	Block, Cylinder (Note: Use Item 7)	
10	See Note	NSS	Guide, Slipper Retainer (Note: Use Item 7)	
11	7021275	3	Pin, Slipper Hold Down	
12	7024865	9	Piston Assembly	
13	See Note	NSS	Retainer, Slipper (Note: Use Item 7)	
14	7022311	1	Ring, Retaining	
15	7024867	1	Spring	
16	7022313	1	Washer	
17	7022314	1	Retainer, Spring	
18	7023910	1	Shaft	
19	7007439	1	Ring, Retaining	
20	70000795	1	Cap, End - Axial	
21	7022368	5	Screw	
22	7021249	1	Bearing, Needle	
23	2220886	1	Plug (Includes Item 24)	
24	See Note	NSS	O-Ring (Note: Use Item 23 or 100)	
25	2220883	1	Plug (Includes Item 26)	
26	See Note	NSS	O-Ring (Note: Use Item 25 or 100)	
27	7027419	2	Plug (Includes Item 28)	
28	See Note	NSS	O-Ring (Note: Use Item 27 or 100)	
29		Ref	Seat, Spring Options:	
29	7024853	1	Seat, Spring 2WD/2WS	
29	7022372	1	Seat, Spring 2WD/4WS, 4WD/2WS & 4WD/4WS	
30	See Note	NSS	Housing (Note: Not Available - Purchase Complete Drive Motor Assembly)	
31	2220883	2	Plug (Items Item 32)	
32	See Note	NSS	O-Ring (Note: Use Item 31 or 100)	
33	2220886	1	Plug (Items Item 34)	
34	See Note	NSS	O-Ring (Note: Use Item 33 or 100)	
35	See Note	NSS	O-Ring (Note: Use Item 100)	
36	See Note	NSS	Ring, Seal (Note: Use Item 100)	
37	7024871	1	Piston, Servo	
38	7007437	1	Bearing	
39	7022326	1	Spring	
40	See Note	NSS	Seal, Lip (Note: Use Item 100)	
41	7022371	1	Washer, Support	
100	7022328	1	Seal Kit (Includes Items 6, 24, 26, 28, 32, 34, 35, 36 & 40)	

SECTION 1 - FRAME

FIGURE 1-8. DRIVE VALVES AND SHIELDS INSTALLATION (FRAME MOUNTED)

ITEM	PART NUMBER	QTY	DESCRIPTION	REV
		Ref	DRIVE VALVES INSTALLATION OPTIONS:	
	0273049	Ref	Drive Valves Installation 2WD/2WS	I
	0273367	Ref	Drive Valves Installation 2WD/4WS	A
	0273048	Ref	Drive Valves Installation 4WD/2WS	K
	0273366	Ref	Drive Valves Installation 4WD/4WS	I
2		Ref	Bolt 5/16in-18NC Options:	
2	0641532	2	4in Length (2WD)	
2	0641552	3	6-1/2in Length (4WD)	
8	3311505	AR	Locknut 5/16in-18NC	
10		Ref	Flow Divider Valve Assembly Options:	
10A		Ref	2WD (See Items 101-107 for Breakdown) Options:	
10A	4641409	NLA	USA Built Machines (Use p/n 1001100120) (SN 0300087000 through 0300140853)	
10A	1001100120	1	USA Built Machines (SN 0300140854 through 0300171769)	
10B	4641410	1	4WD (See Items 201-207 for Breakdown)	
10B	4641410	NLA	USA Built Machines (Use p/n 1001098503) (SN 0300087000 through 0300142840)	
10B	1001098503	1	USA Built Machines (SN 0300142841 through 0300171769)	
10B	1001098503	1	China Built Machines	
11	4711500	AR	Flatwasher 5/16in Thin	
14		Ref	Bar, Clamping	
14	Not Required	0	Bar, Clamping 2WD/2WS	
14	0363012	2	Bar, Clamping 2WD/2WS, 4WD/2WS & 4WD/4WS	
15	0641618	4	Bolt 3/8in-16NC x 2-1/4in	
16	3340911	4	Rubber, Clamp	
17	4751600	4	Flatwasher 3/8in Regular	
18	4060807	13 in /33cm	Flex-Trim (USA Built Machines) (Use p/n 4060808) (SN 0300129689 through 0300171769)	
18	4060807	13 in /33cm	Flex-Trim (China Built Machines) (Use p/n 4060808) (Including B300000100)	
		Ref	FLOW DIVIDER ASSEMBLIES (2WD)	
	4641409	Ref	USA Built Machines (SN 0300087000 through 0300140853)	B
	1001100120	Ref	USA Built Machines (SN 0300140854 through 0300171769)	A
101	7023933	1	Valve, Cartridge (Flow Divider)	
101	7021625	1	Seal Kit - Flow Divider Cartridge	
102	7024892	1	Valve, Cartridge (Check)	
102	7023936	1	Seal Kit - Check Cartridge	
103	7022397	2	Valve, Cartridge (Check)	
103	7022399	2	Seal Kit - Check Cartridge	
104	7023935	1	Valve, Cartridge (Check)	
104	7023936	1	Seal Kit - Check Cartridge	
105	70002063	1	Orifice (SN 0300140854 through 0300171769)	
106	7017406	4	Plug (SN 0300140854 through 0300171769)	
107	70000781	1	Lock Down Kit (SN 0300140854 through 0300171769)	
		Ref	FLOW DIVIDER ASSEMBLIES (4WD)	
	4641410	Ref	USA Built Machines (SN 0300087000 through 0300142840)	B
	1001098503	Ref	USA Built Machines (SN 0300142841 through 0300171769)	A
	1001098503	Ref	All China Built Machines	A
201	7023933	1	Valve, Cartridge (Flow Divider)	
201	7021625	1	Seal Kit - Flow Divider Cartridge	

SECTION 1 - FRAME

ITEM	PART NUMBER	QTY	DESCRIPTION	REV
202	7022397	6	Valve, Cartridge (Check) (Used with p/n 4641410)	
202	70003408	6	Valve, Cartridge (Check) (Used with p/n 1001098503)	
202	7022399	6	Seal Kit - Check Cartridge	
203	7023935	1	Valve, Cartridge (Check)	
203	7023936	1	Seal Kit - Check Cartridge	
204	7024892	1	Valve, Cartridge (Check)	
204	7023936	1	Seal Kit - Check Cartridge	
205	7023917	2	Valve, Cartridge (Flow Divider)	
205	7021625	2	Seal Kit - Flow Divider Cartridge	
206	70002063	1	Plug, Orifice	
207	70002064	2	Plug, Orifice	
		Ref	FRAME SHIELDS INSTALLATION	
	0273067	Ref	2WS	A
	0273362	Ref	4WS	A
301	0100011	AR	Compound, Locking	
302	0641607	AR	Bolt, 3/8in - 16NC x 7/8in	
303	4061058	1	Shield, Frame - Front	
304	4751600	AR	Flatwasher, 3/8in Regular	
305		Ref	Shield, Frame - Rear	
305	Not Required	0	2WS	
305	4061058	1	4WS	

SECTION 1 - FRAME

FIGURE 1-9. TOW PACKAGE INSTALLATION (OPTIONAL)

ITEM	PART NUMBER	QTY	DESCRIPTION	REV
		Ref	TOW PACKAGE INSTALLATION	
	0273422	Ref	Tow Package Installation 2WD	A
	0273394	Ref	Tow Package Installation 4WD	D
1	0100011	AR	Compound, Locking	
2	0641608	3	Bolt 3/8in-16NC x 1in	
4	0741607	4	Screw, Countersunk 3/8in-16NC x 7/8in	
7	0962292	2	Bearing	
8	0962348	1	Bearing	
10	3010125	1	Link, Steer	
11	3340966	2	Pad, Stop	
13	3422567	1	Pin	
14	3422813	1	Pin	
15	3422848	1	Pin	
19	3841143	3	Keeper, Pin	
22	4071059	2	Shim	
25	4740111	3	Thrustwasher	
26	4740155	2	Thrustwasher	
29	4846935	1	Bar, Pivot	
		Ref	TOW BAR INSTALLATION	
	0273398	Ref	ANSI Spec	B
	0273448	Ref	CSA Spec	A
	0275619	Ref	CE Spec	A
101	0100011	AR	Compound, Locking	
102	0270528	1	Bar Assembly (See Items 201-221 for Breakdown)	
103	0641516	2	Bolt 5/16in-18NC x 2in	
104		Ref	Decal - Crushing Options:	
104	1704578	2	ANSI/CSA Spec	
104	1706960	2	CE Spec	
105		Ref	Decal - Towing Instructions Options:	
105	1705090	1	ANSI Spec	
105	1705820	1	CSA Spec	
105	Not Required	0	CE Spec	
107		Ref	Nameplate - Steer/Tow Select Valve Options:	
107	3250872	1	ANSI Spec	
107	1704272	1	CSA Spec	
107	1706957	1	CE Spec	
108		Ref	Screw, Self-Tapping #6-32NF x 1/2in Options:	
108	3940604	4	ANSI/CSA Spec	
108	Not Required	0	CE Spec	
109	4420051	2 ft/.61m	Tape, Safety	
110	4640261	1	Valve, Select	
	0270528	Ref	TOW BAR ASSEMBLY	A
201	0100011	AR	Compound, Locking	
202	0362910	1	Pintle, Draw Eye	
203	0642010	4	Bolt 5/8in-11NC x 1-1/4in	
204	0721004	2	Screw, Hex Machine	
205	0741607	24	Screw, Countersunk 3/8in-16NC x 7/8in	
206	1060584	6	Cable, Lanyard	
207	3420372	2	Pin, Cotter	
208	3420447	1	Pin, Towing	

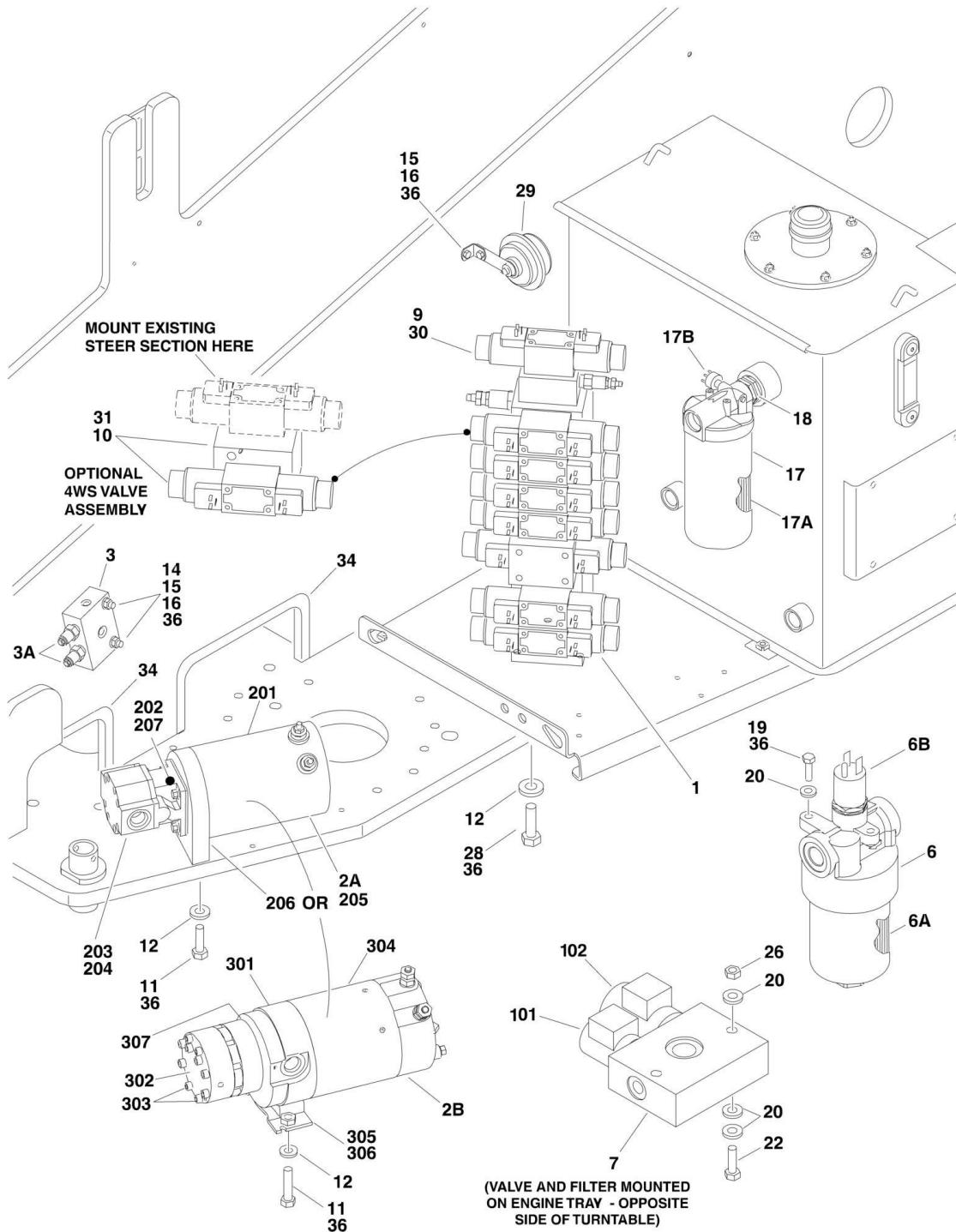
SECTION 1 - FRAME

ITEM	PART NUMBER	QTY	DESCRIPTION	REV
209	3421565	2	Pin, Snap	
210	3422841	2	Pin	
211	3422847	1	Pin	
212	3572009	2	Plate, Slide Stop	
213	3572010	2	Plate, Slide Stop	
214	3572011	2	Plate, Slide Stop	
215	3572012	2	Plate, Slide Stop	
216	3760170	8	Ring, Split	
217	4568133	1	Tube, Tow Bar	
218	4740036	1	Flatwasher	
219	4751000	2	Flatwasher #10 Regular	
220	4846295	1	Tow Bar Attach Weldment	
221	4846296	1	Pintle Attach Weldment	

SECTION 2 - TURNTABLE

SECTION 2 - TURNTABLE

FIGURE 2-1. CONTROL VALVES INSTALLATIONS



SECTION 2 - TURNTABLE

FIGURE 2-1. CONTROL VALVES INSTALLATIONS

ITEM	PART NUMBER	QTY	DESCRIPTION	REV
		Ref	VALVES INSTALLATIONS	
		Ref	USA Built Machines (SN 0300087000 through 0300166418)	
		Ref	China Built Machines (SN B300000100 through B300000699)	
	0274316	Ref	Valves Installations 600S (2WS)	B
	0274317	Ref	Valves Installations 600S (4WS)	B
	0274318	Ref	Valves Installations 600SJ (2WS) & 660SJ (2WS)	B
	0274319	Ref	Valves Installations 600SJ (4WS) & 660SJ (4WS)	B
		Ref	USA Built Machines (SN 0300166419 through 0300171769)	
		Ref	China Built Machines (SN B300000700 through B300000969)	
	1001145279	Ref	Valves Installations 600S (2WS)	A
	1001145280	Ref	Valves Installations 600S (4WS)	A
	1001145281	Ref	Valves Installations 600SJ (2WS) & 660SJ (2WS)	A
	1001145282	Ref	Valves Installations 600SJ (4WS) & 660SJ (4WS)	A
	1001143365	Ref	AUXILIARY PUMP INSTALLATION	A
1		Ref	Main Control Valve Assembly Options (See MAIN CONTROL VALVE ASSEMBLY for Breakdown):	
1	4641096	1	USA Built Machines (SN 0300087000 through 0300092879)	
1	4641451	1	USA Built Machines (SN 0300092880 through 0300101768)	
1	1001091303	1	USA Built Machines (SN 0300101769 through 0300171769)	
1	1001091303	1	China Built Machines (SN B300000100 through B300000969)	
2		Ref	Auxiliary Pump Assembly Options	
2A	3600365	1	USA Built Machines (See Items 201-207 for Breakdown) (SN 0300087000 through 0300166418)	
2A	3600365	1	China Built Machines (See Items 201-207 for Breakdown) (SN B300000100 through B300000699)	
2B	1001137458	1	USA Built Machines (See Items 301-307 for Breakdown) (SN 0300166419 through 0300171769)	
2B	1001137458	1	China Built Machines (See Items 301-307 for Breakdown) (SN B300000700 through B300000969)	
3	4640908	1	Counterbalance Valve Assembly (USA Built Machines) (SN 0300087000 through 0300137441)	
3A	7011328	2	Cartridge, Counterbalance	
3A	2900770	2	Seal, Kit - 7011328 Cartridge	
6	2120209	1	Hydraulic Pressure Filter Assembly	
6A	2120210	1	Element, Filter	
6B	7020020	1	Indicator, Clogged Filter	
6C	70000934	1	O-Ring, Filter Bowl (Not Shown)	
7		Ref	Valve Assembly (2 Speed/Brake) (See Items 101-103 for Breakdown)	
7	4641108	NLA	USA Built Machines (Use p/n 100109939) (SN 0300087000 through 0300139624)	
7	1001099391	1	USA Built Machines (SN 0300139625 through 0300171769)	
7	1001099391	1	China Built Machines (SN B300000100 through B300000969)	
9		Ref	Valve Kit (Articulating Jib) Options:	
9	Not Required	0	Valve Kit 600S	
9	4640921	1	Valve Kit 600SJ & 660SJ (See ACCESSORY VALVE ASSEMBLY for Breakdown)	
10		Ref	4WS Valve Kit Options:	
10	Not Required	0	2WS Machines	
10	4640922	1	4WS Machines (See ACCESSORY VALVE ASSEMBLY for	

SECTION 2 - TURNTABLE

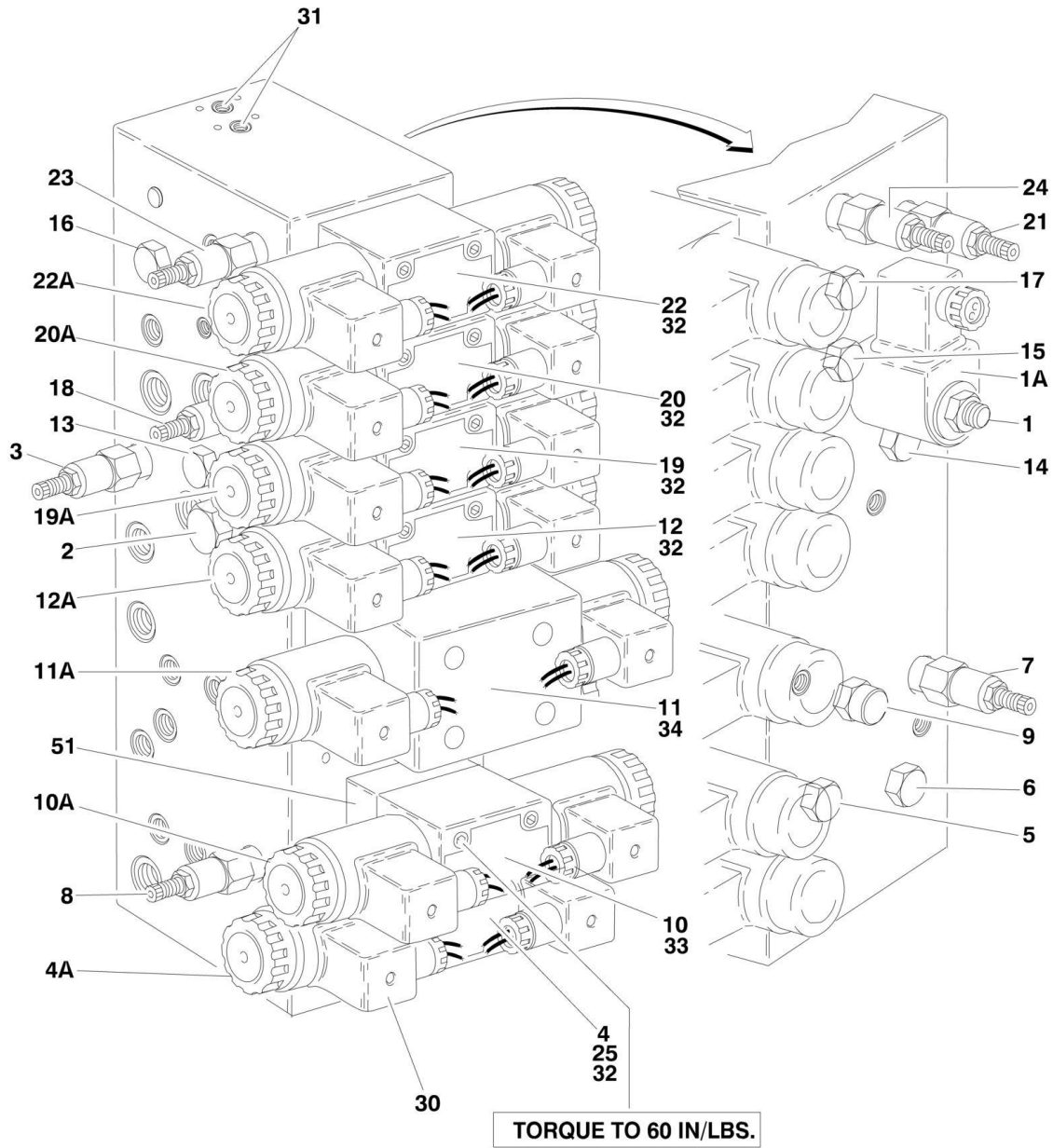
ITEM	PART NUMBER	QTY	DESCRIPTION	REV
			Breakdown)	
11	0641613	2	Bolt 3/8in-16NC x 1-5/8in	
12	4711600	5	Flatwasher 3/8in Thin	
14	4891800	AR	Flatwasher 1/2in Hardened (USA Built Machines) (SN 0300087000 through 0300137441)	
15	4711500	AR	Flatwasher 5/16in Thin	
16	3311501	AR	Nut 5/16in-18NC	
17	2120164	1	Return Filter Assembly	
17A	2120149	1	Element, Filter	
17B	7020021	1	Switch, Clog Indicator	
18	2220893	1	Fitting, Adapter (USA Built Machines) (SN 0300087000 through 0300166419)	
18	2220893	1	Fitting, Adapter (China Built Machines) (SN B300000100 through B300000700)	
19	0651406	3	Bolt 1/4in-28NF x 3/4in	
20	4711400	17	Flatwasher 1/4in Thin	
22	0641416	2	Bolt 1/4in-20NC x 2in	
26	3311405	2	Locknut 1/4in-20NC	
28	0641608	3	Bolt 3/8in-16NC x 1in	
29	0140001	1	Horn	
30		Ref	Harness Assembly (Jib Control) Options (Not Shown - See ELECTRICAL SECTION for Breakdown):	
30	Not Required	0	Harness Assembly 600S	
30	4921927	1	Harness Assembly 600SJ & 660SJ	
31		Ref	Harness Assembly (4WS Control) Options: (Not Shown - See ELECTRICAL SECTION for Breakdown):	
31	Not Required	0	2WS Machines	
31	4921928	1	4WS Machines	
34	4060918	40 in/10m	Flex-Trim	
36	0100011	AR	Compound, Locking	
		Ref	VALVE ASSEMBLY (DUAL SELECT BRAKE/2 SPEED)	
		Ref	Note: Original Equipment Valve may have been replaced with Service Replacement Valve. Identify p/n stamped on valve before ordering parts.	
	4641108	Ref	USA Built Machines (Original Equipment) (SN 0300087000 through 0300139624)	C
	1001099391	Ref	USA Built Machines (Service Replacement) (SN 0300139625 through 0300171769)	A
	1001099391	Ref	China Built Machines (SN B300000100 through B300000969)	A
101	7012941	1	Cartridge without Coil	
101	7010543	1	Seal Kit - 7012941 Cartridge	
101	7012944	1	Coil	
102	7012995	1	Cartridge without Coil	
102	7012518	1	Seal Kit - 7012995 Cartridge	
102	7012943	1	Coil	
103	70002209	1	Plug, Orifice (Use with Valve Assembly - 1001099391) (Not Shown - Access to orifice is through port T)	
	3600365	Ref	AUXILIARY PUMP INSTALLATION (USA Built Machines) (SN 0300087000 through 0300166418)	B
	3600365	Ref	AUXILIARY PUMP INSTALLATION (China Built Machines) (SN B300000100 through B300000699)	B
201	7004248	1	Replacement Motor without Endhead	
201	7004290	1	Replacement Motor with Endhead (was p/n 7011067)	
201	7011065	1	Brush Kit	

SECTION 2 - TURNTABLE

ITEM	PART NUMBER	QTY	DESCRIPTION	REV
202	7011063	1	Coupling	
203	7011064	1	Replacement Pump	
203	7011066	1	Seal Kit	
204	7011043	4	Bolt (Pump to Endhead)	
205	See Note	NSS	Bolt (Motor to Endhead) (Note: Not Available for Purchase)	
206	7011062	1	Endhead	
207	7011044	1	Gasket (Pump p/n 3600365/3600379)	
	1001137458	Ref	AUXILIARY PUMP ASSEMBLY (USA Built Machines) (SN 0300166419 through 0300171769)	A
	1001137458	Ref	AUXILIARY PUMP ASSEMBLY (China Built Machines) (SN B300000700 through B300000969)	A
301	70003995	1	Base	
302	70003996	1	Pump	
303	70003997	4	Screw 1/4in-20NC x 3in	
304	70003998	1	Motor	
305	70003999	1	Bracket	
306	70004000	2	Screw 3/8in-16NC x 1in	
	7026330	1	Seal, Shaft	A

SECTION 2 - TURNTABLE

FIGURE 2-2. MAIN CONTROL VALVE ASSEMBLY



SECTION 2 - TURNTABLE

FIGURE 2-2. MAIN CONTROL VALVE ASSEMBLY

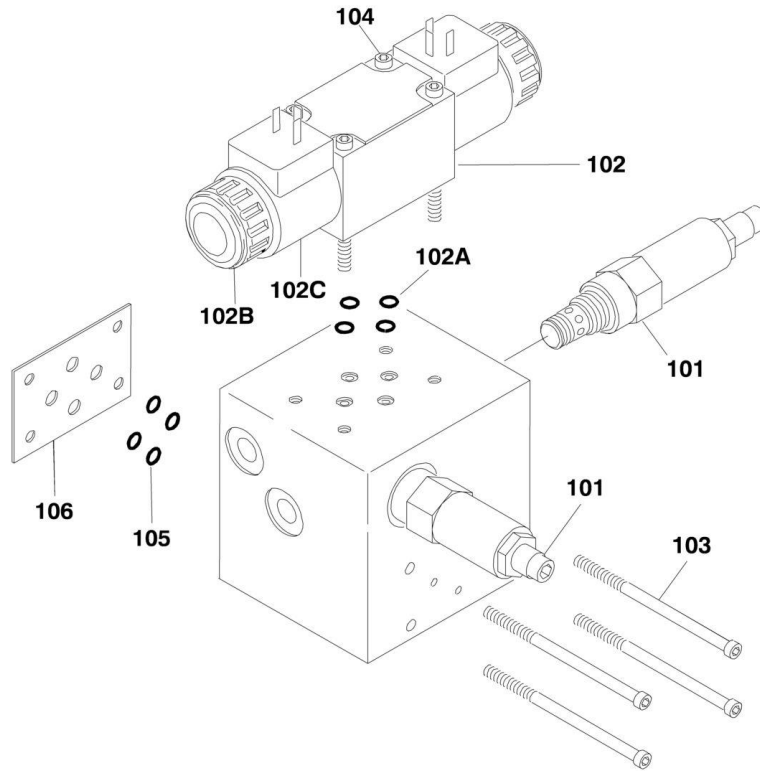
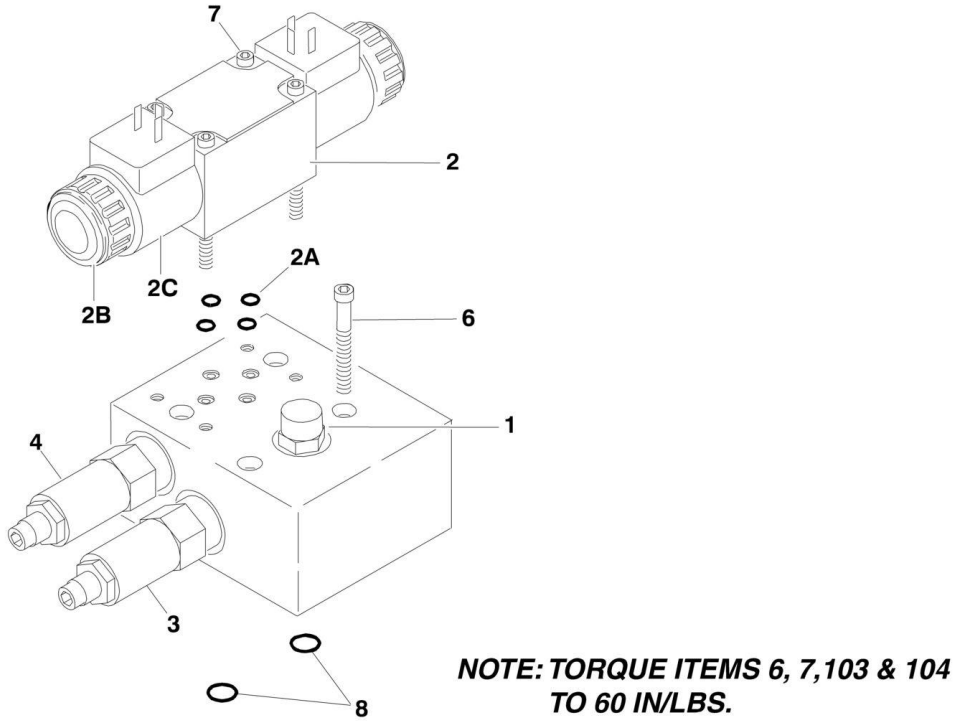
ITEM	PART NUMBER	QTY	DESCRIPTION	REV
		Ref	MAIN CONTROL VALVE ASSEMBLIES	
	4641096	Ref	USA Built Machines (SN 0300087000 through 0300092879)	C
	4641451	Ref	USA Built Machines (SN 0300092880 through 0300101768)	A
	1001091303	Ref	USA Built Machines (SN 0300101769 through 0300171769)	A
	1001091303	Ref	China Built Machines (SN B300000100 through B300000969)	A
1	7017410	1	Cartridge, Without Coil	
1	7012967	1	Seal Kit - 7017410 Cartridge	
1A	7012944	1	Coil	
2	7017464	1	Cartridge, Pressure Sensing	
2	7012518	1	Seal Kit	
3	7012912	1	Cartridge (Main Relief)	
3	7012998	1	Seal Kit	
4	70001976	1	Control Valve Assembly (Platform Level) (was p/n 7012770)	
4	7012773	1	Seal Kit	
4A	7018991	2	Coil	
4A	7018912	2	Nut, Coil	
5	7012914	1	Cartridge, Check Valve	
5	7012918	1	Seal Kit - 7012914 Cartridge	
6	7012914	1	Cartridge, Check Valve	
6	7012918	1	Seal Kit - 7012914 Cartridge	
7	7012912	1	Cartridge, Relief Valve (Platform Level Backward)	
7	7012998	1	Seal Kit - 7012912 Cartridge	
8	7012912	1	Cartridge, Relief Valve (Platform Level Forward)	
8	7012998	1	Seal Kit - 7012912 Cartridge	
9	7012989	1	Cartridge, Flow Control	
9	7012953	1	Seal Kit - 7012989 Cartridge	
10	70001976	1	Control Valve Assembly (Platform Rotate) (was p/n 7012770)	
10	7012773	1	Seal Kit	
10	7018986	4	Capscrew #10 x 3-1/2	
10A	7018991	2	Coil	
10A	7018912	2	Nut, Coil	
11		Ref	Control Valve Assembly Options (Upper Tele):	
11	70000579	1	4641096 Valve (was p/n 7012766)	
11	70000579	1	4641451 & 1001091303 Valves	
		Ref	Note: Refer to Vendor p/n on Valve Nameplate before ordering Parts. p/n 7012766 is RR00567495 or R900567495. p/n 70000579 is R900930080.	
11		Ref	Seal Kit Options:	
11	7012769	1	7012766 Valve	
11	70000583	1	70000579 Valve	
11	7018951	4	Capscrew 1/4 x 1-1/2	
11A		Ref	Coil Options:	
11A	7012772	1	7012766 Valve (was p/n 7012768)	
11A	70000582	1	70000579 Valve	
11A		Ref	Nut, Coil Options:	
11A	7018912	1	7012766 Valve	
11A	70000580	1	70000579 Valve	
12	7012775	1	Control Valve Assembly (Flow Control)	
12	7012773	1	Seal Kit	
12	7018942	4	Capscrew #10 x 2	

SECTION 2 - TURNTABLE

ITEM	PART NUMBER	QTY	DESCRIPTION	REV
12A	7012772	2	Coil	
12A	7018912	2	Nut, Coil	
12A	7024015	2	Pipe, Pole	
13	7010542	1	Cartridge, Shuttle	
13	7010543	1	Seal Kit - 7010542 Cartridge	
14	7010542	1	Cartridge, Shuttle	
14	7010543	1	Seal Kit - 7010542 Cartridge	
15	7010542	1	Cartridge, Shuttle	
15	7010543	1	Seal Kit - 7010542 Cartridge	
16	7010542	1	Cartridge, Shuttle	
16	7010543	1	Seal Kit - 7010542 Cartridge	
17	7010542	1	Cartridge, Shuttle	
17	7010543	1	Seal Kit - 7010542 Cartridge	
18	7012912	1	Cartridge, Relief Valve (Upper Lift Down)	
18	7012998	1	Seal Kit - 7012912 Cartridge	
19	7012775	1	Control Valve Assembly (Upper Lift)	
19	7012773	1	Seal Kit	
19	7018942	4	Capscrew #10 x 2	
19A	7012772	2	Coil	
19A	7018912	2	Nut, Coil	
19A	7024015	2	Pipe, Pole	
20	7012775	1	Control Valve Assembly (Swing)	
20	7012773	1	Seal Kit	
20	7018942	4	Capscrew #10 x 2	
20A	7012772	2	Coil	
20A	7018912	2	Nut, Coil	
20A	7024015	2	Pipe, Pole	
21	7012912	1	Cartridge, Relief Valve (Swing)	
21	7012998	1	Seal Kit - 7012912 Cartridge	
22	7012774	1	Control Valve Assembly (Steer)	
22	7012773	1	Seal Kit	
22	7018942	4	Capscrew #10 x 2	
22A	7012772	2	Coil	
22A	7018912	2	Nut, Coil	
22A	7024014	2	Pipe, Pole	
23	7012912	1	Cartridge, Relief Valve (Steer Left)	
23	7012998	1	Seal Kit - 7012912 Cartridge	
24	7012912	1	Cartridge, Relief Valve (Steer Right)	
24	7012998	1	Seal Kit - 7012912 Cartridge	
25	7018941	2	Orifice	
30	4460499	15	Connector, Din with Diode (Part of Valve Harness)	
31	2220885	2	Plug	
32	7018942	20	Capscrew 10-24x2	
33	7018986	4	Capscrew 10-24x3-1/2	
34	7018951	4	Capscrew 10-24x1-1/2	
	2901763	Ref	ROTATE SANDWICH VALVE KIT	A
51	7021310	1	Block, Valve	

SECTION 2 - TURNTABLE

FIGURE 2-3. ACCESSORY VALVE ASSEMBLY



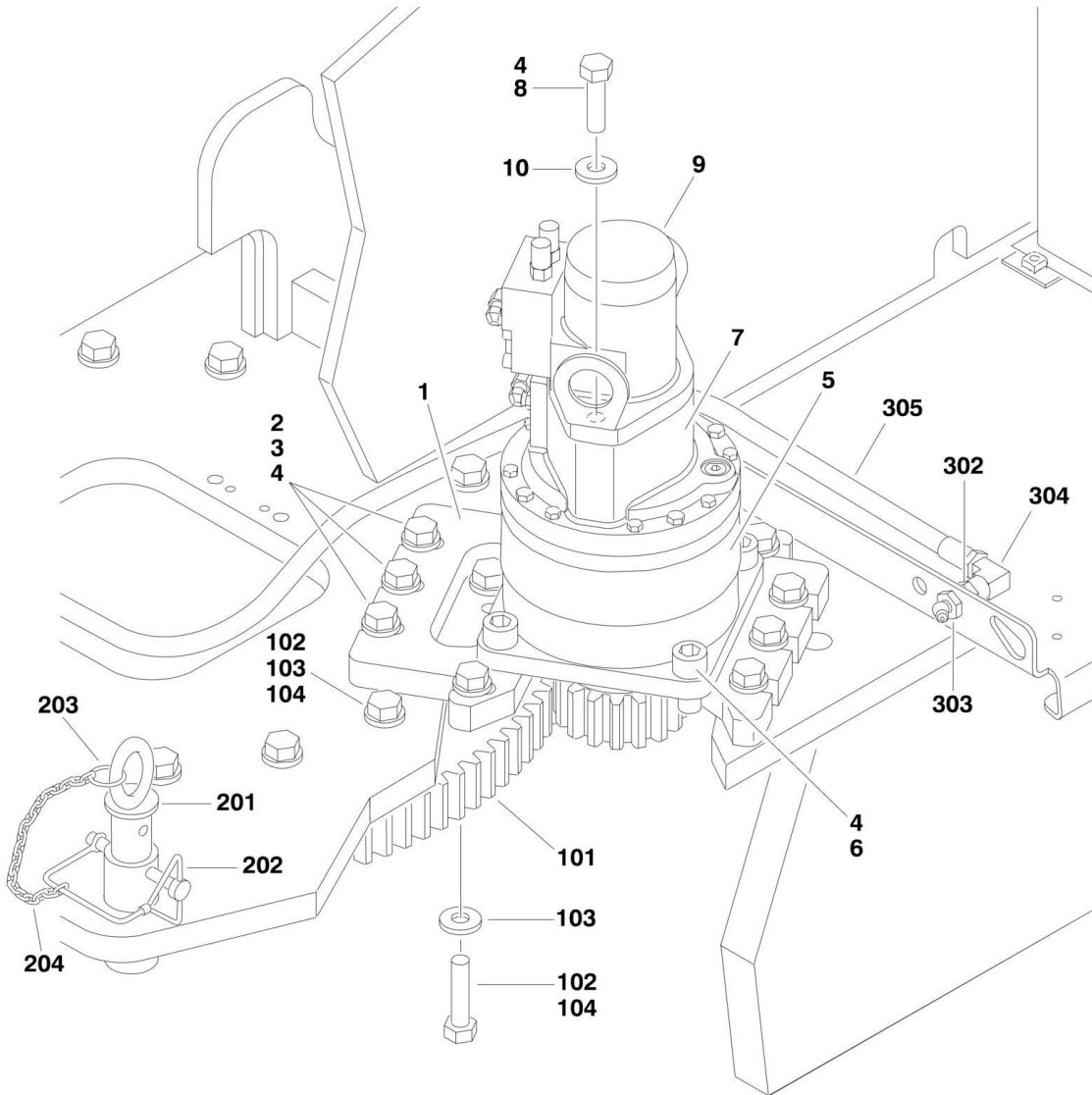
SECTION 2 - TURNTABLE

FIGURE 2-3. ACCESSORY VALVE ASSEMBLY

ITEM	PART NUMBER	QTY	DESCRIPTION	REV
		Ref	ACCESSORY VALVE ASSEMBLIES	
	4640921	Ref	ARTICULATING JIB VALVE ASSEMBLY	D
1	7012965	1	Cartridge, Flow Control	
1	7012953	1	Seal Kit - 7012965 Cartridge	
2	70001976	1	Directional Control Valve Assembly (was p/n 7012770)	
2	7012773	1	Seal Kit	
2A	7018945	4	O-Ring	
2B	7018912	2	Nut	
2C	7012772	2	Coil	
3	7017421	1	Cartridge, Relief	
3	7012998	1	Seal Kit - 7017421 Cartridge	
4	7017422	1	Cartridge, Relief	
4	7012998	1	Seal Kit - 7017422 Cartridge	
5	4460499	2	Connector, DIN with Diode (Not Shown - Part of Valve Harness)	
6	7012777	4	Capscrew, Socket Head 5/16in-18NC x 2-1/4in (Used to Mount Valve Assembly)	
7	7018942	4	Capscrew, Socket Head #10-24NC x 2in	
8	7012776	2	O-Ring (Used to Mount Main Valve)	
	4640922	Ref	4WS VALVE ASSEMBLY	B
101	7017420	1	Cartridge, Relief	
101	7012998	1	Seal Kit - 7017420 Cartridge	
102	7012774	1	Directional Control Valve Assembly	
102	7012773	1	Seal Kit	
102A	7018945	4	O-Ring	
102B	7018912	2	Nut	
102C	7012772	2	Coil	
103	7018946	4	Capscrew, Socket Head #10-24NC x 5in (Used to Mount Main Valve)	
104	7018942	4	Capscrew, Socket Head #10-24NC x 2in	
105	7018948	4	O-Ring (Used to Mount Main Valve)	
106	7018947	1	Plate, O-Ring	

SECTION 2 - TURNTABLE

FIGURE 2-4. SWING DRIVE, TURNTABLE BEARING AND LOCK INSTALLATIONS



SECTION 2 - TURNTABLE

FIGURE 2-4. SWING DRIVE, TURNTABLE BEARING AND LOCK INSTALLATIONS

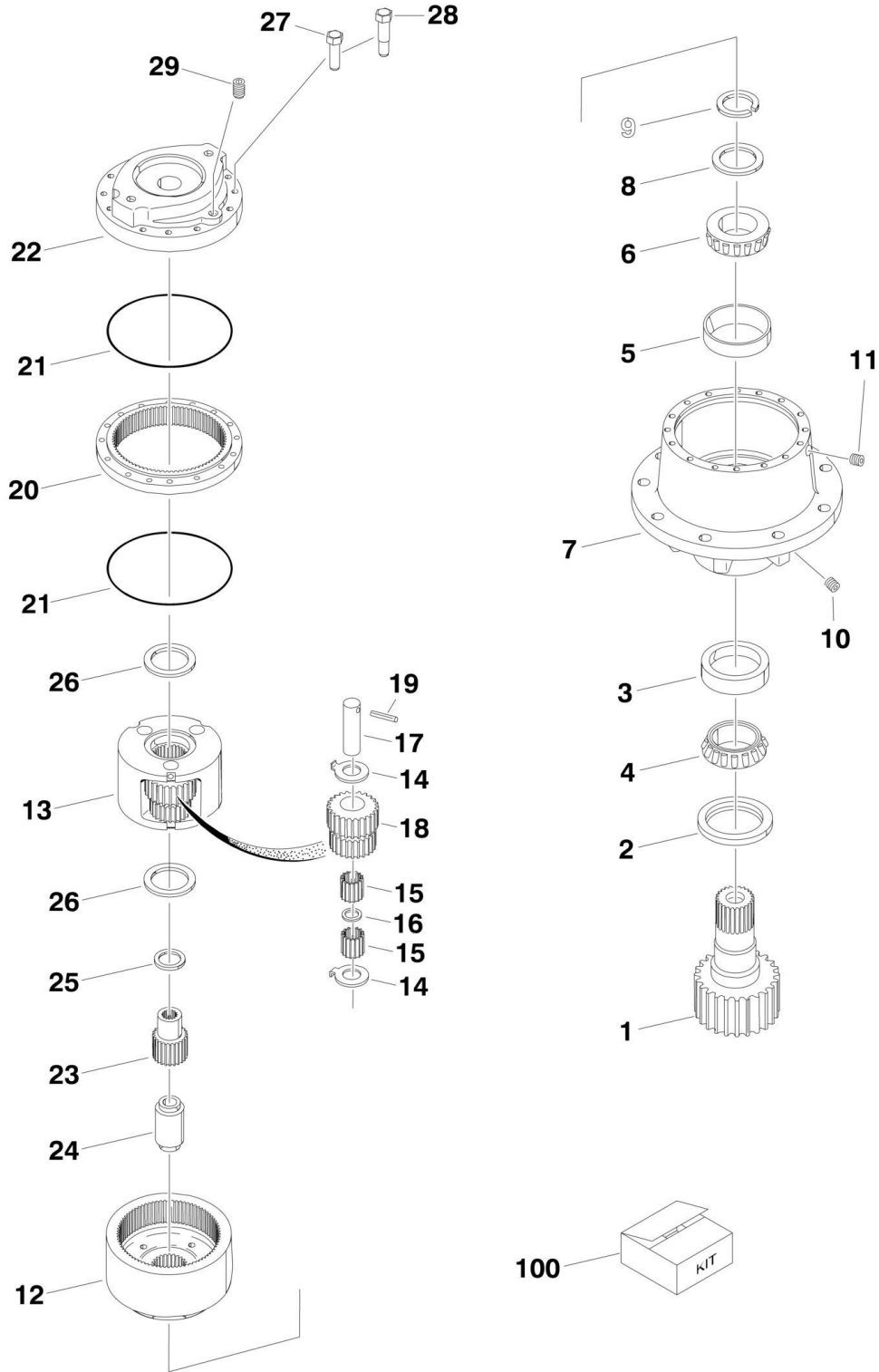
ITEM	PART NUMBER	QTY	DESCRIPTION	REV
		Ref	SWING DRIVE INSTALLATION	
	0270329	Ref	USA Built Machines (SN 0300087000 through 0300137440)	D
	1001094828	Ref	USA Built Machines (SN 0300137441 through 0300171769)	C
	1001094828	Ref	China Built Machines (SN B300000100 through B300000969)	C
1	3537318	1	Plate, Swing Drive Mounting	
2	0642018	10	Bolt 5/8in - 11NC x 2-1/4in	
3	4892000	10	Flatwasher 5/8in Hardened	
4	0100011	AR	Compound, Locking	
5		Ref	Swing Hub Assembly Options:	
5	2780205	1	USA Built Machines (See SWING HUB ASSEMBLY for Breakdown) (SN 0300087000 through 0300137440)	
5	See Note	1	USA Built Machines (See SWING MOTOR/BRAKE/HUB ASSEMBLY for Breakdown) (SN 0300137441 through 0300171769)	
5	See Note	1	China Built Machines (See SWING MOTOR/BRAKE/HUB ASSEMBLY for Breakdown) (SN B300000100 through B300000969)	
6	3932224	4	Capscrew 3/4in-10NC x 1-1/2in	
7		Ref	Brake, Swing Assembly Options:	
7	0920119	1	USA Built Machines (SN 0300087000 through 0300137440)	
7	7007933	2	Gasket, Mounting Face	
7	7007990	2	O-Ring, Mounting Face	
7	7018612	1	Repair Kit - 0920119 Brake	
		Ref	Note: Other than Gasket and O-Ring, Repair Kit is only part available.	
7	See Note	1	USA Built Machines (See SWING MOTOR/BRAKE/HUB ASSEMBLY for Breakdown) (SN 0300137441 through 0300171769)	
7	See Note	1	China Built Machines (See SWING MOTOR/BRAKE/HUB ASSEMBLY for Breakdown) (SN B300000100 through B300000969)	
8		Ref	Bolt Options:	
8	0681836	2	USA Built Machines (Bolt 1/2in -13NC x 4-1/2in) (SN 0300087000 through 0300137440)	
8	See Note	2	USA Built Machines (See SWING MOTOR/BRAKE/HUB ASSEMBLY for Breakdown) (SN 0300137441 through 0300171769)	
8	See Note	2	China Built Machines (See SWING MOTOR/BRAKE/HUB ASSEMBLY for Breakdown) (SN B300000100 through B300000969)	
9		Ref	Swing Motor Assembly Options:	
9		Ref	USA Built Machines (Note: Either p/n may be used as replacement) (SN 0300087000 through 0300137440)	
9	3160273	NLA	White Roller Stator Motor (Use p/n 1001110169) (See SWING MOTOR ASSEMBLY (WHITE ROLLER STATOR) for Breakdown)	
9	1001110169	1	Parker Motor (See SWING MOTOR ASSEMBLY (Parker) For Breakdown)	
9	See Note	1	USA Built Machines (See SWING MOTOR/BRAKE/HUB ASSEMBLY for Breakdown) (SN 0300137441 through 0300171769)	
9	See Note	1	China Built Machines (See SWING MOTOR/BRAKE/HUB ASSEMBLY for Breakdown) (SN B300000100 through B300000969)	
10		Ref	Flatwasher Options:	

SECTION 2 - TURNTABLE

ITEM	PART NUMBER	QTY	DESCRIPTION	REV
10	4891800	2	USA Built Machines (1/2in Hardened) (SN 0300087000 through 0300137440)	
10	See Note	2	USA Built Machines (See SWING MOTOR/BRAKE/HUB ASSEMBLY for Breakdown) (SN 0300137441 through 0300171769)	
10	See Note	2	China Built Machines (See SWING MOTOR/BRAKE/HUB ASSEMBLY for Breakdown) (SN B300000100 through B300000969)	
11	1001125492	1	Shim (Not Shown)	
	0254798	Ref	TURNTABLE BEARING INSTALLATION	2-B
101	0440207	1	Bearing, Turntable	
102	0682016	36	Bolt 5/8in - 11NC x 2in Grade 8	
103	4892000	36	Flatwasher 5/8in Hardened	
104	0100019	AR	Compound, Locking	
	0239585	Ref	TURNTABLE LOCK INSTALLATION	C
201	3421627	1	Pin	
202	3421565	1	Pin, Snap	
203	3760170	2	Ring, Quick Release	
204	1260017	9 in/23cm	Chain	
	0255316	Ref	REMOTE BEARING LUBE INSTALLATION	3
302	2180344	1	Fitting, Bulkhead	
303	2160003	1	Fitting, Grease 45	
304	2220063	1	Fitting, 90	
305	2751032	1	Hose, Grease	

SECTION 2 - TURNTABLE

FIGURE 2-5. SWING HUB ASSEMBLY (USA BUILT MACHINES) (SN 0300087000 through 0300137441)



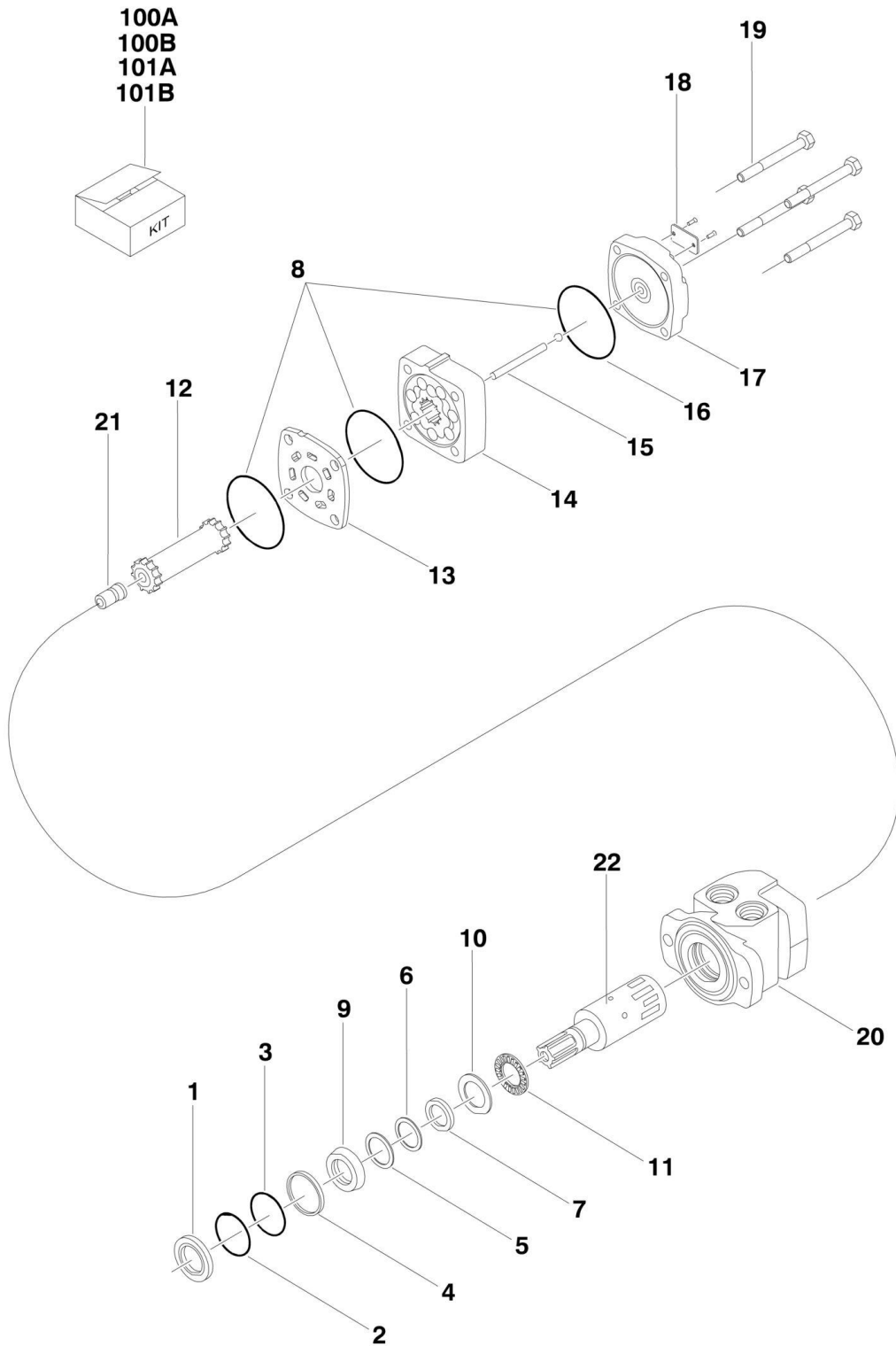
SECTION 2 - TURNTABLE

FIGURE 2-5. SWING HUB ASSEMBLY (USA BUILT MACHINES) (SN 0300087000 through 0300137441)

ITEM	PART NUMBER	QTY	DESCRIPTION	REV
	2780205	Ref	SWING HUB ASSEMBLY	-
		Ref	HOUSING ASSEMBLY	
1	7010492	1	Shaft, Output	
2	7000228	1	Seal, Lip	
3	7000255	1	Cup, Bearing	
4	7000256	1	Cone, Bearing	
5	7000257	1	Cup, Bearing	
6	7000258	1	Cone, Bearing	
7	7017089	1	Housing	
8	7007633	1	Thrustwasher	
9	7000229	1	Ring, Retaining	
10	7010494	2	Pipe, Plug	
11	7001928	2	Pipe, Plug	
12	7000246	2	Gear, In O-Ring	
		Ref	CARRIER ASSEMBLY	
13	7001931	1	Carrier	
14	7001985	6	Thrustwasher, Tanged	
15	7001909	96	Bearing, Needle	
16	7000263	3	Spacer, Thrust	
17	7001911	3	Shaft, Planet	
18	7001987	3	Gear, Cluster	
19	7010474	3	Rollpin	
20	7001988	1	Ring Gear	
21		Ref	O-Ring Options:	
21	7000230	1	O-Ring (Black)	
21	7017070	1	O-Ring (White)	
22	7000209	1	Cover, Input	
23	7010488	1	Gear, Sun	
24	7000269	1	Spacer, Input	
25	7000270	1	Thrustwasher	
26	7000253	2	Thrustwasher	
27	7000217	8	Bolt	
28	7000214	4	Bolt, Shoulder	
29	2200222	1	Pipe, Plug	
100	7024100	1	Seal Kit (Includes Items 2, 9, 21 & 26)	

SECTION 2 - TURNTABLE

FIGURE 2-6. SWING MOTOR ASSEMBLY (WHITE ROLLER STATOR) (USA BUILT MACHINES)
(ORIGINAL EQUIPMENT) (SN 0300087000 through 0300137441)



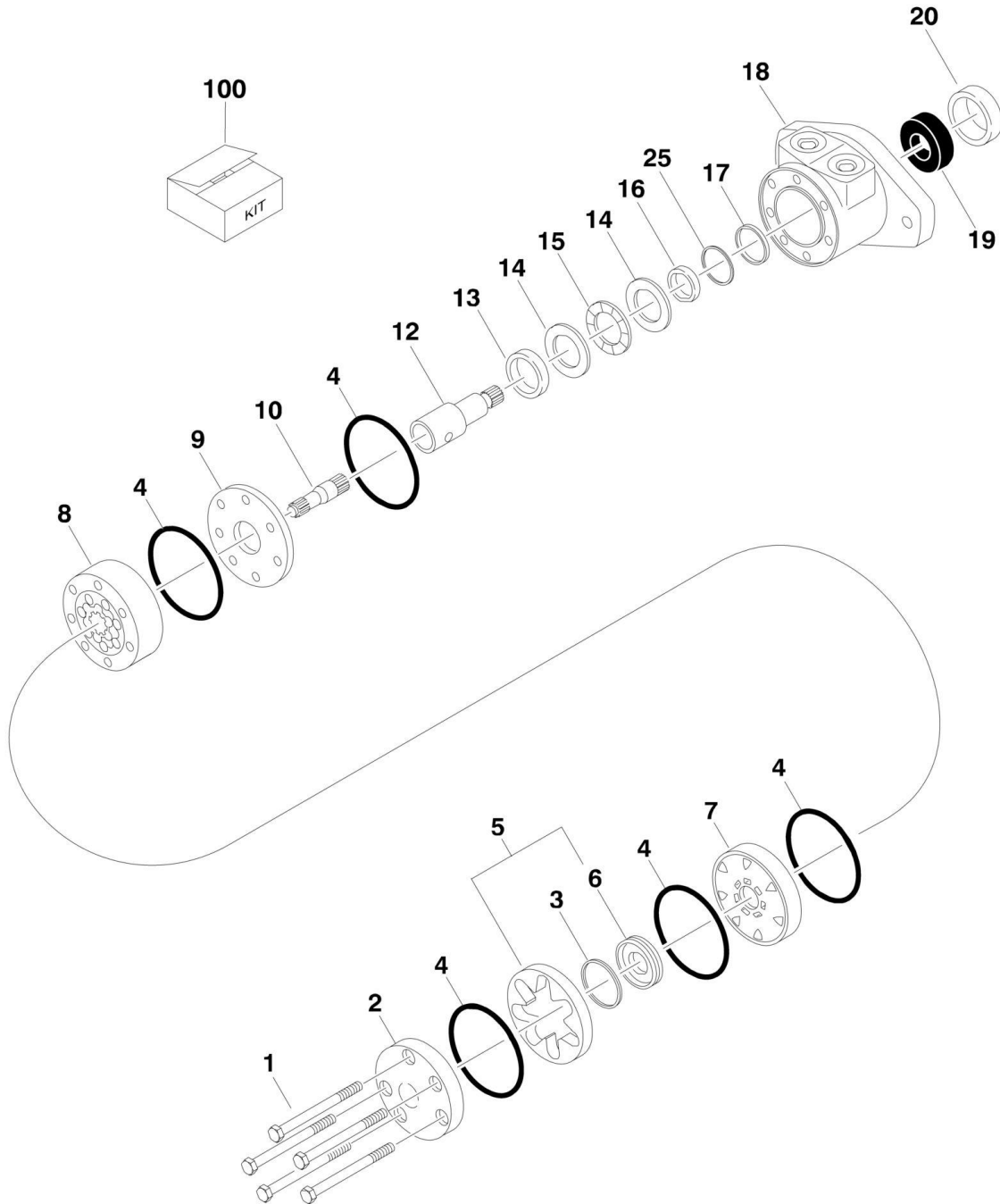
SECTION 2 - TURNTABLE

**FIGURE 2-6. SWING MOTOR ASSEMBLY (WHITE ROLLER STATOR) (USA BUILT MACHINES)
(ORIGINAL EQUIPMENT) (SN 0300087000 through 0300137441)**

ITEM	PART NUMBER	QTY	DESCRIPTION	REV
	3160273	Ref	SWING MOTOR ASSEMBLY (WHITE ROLLER STATOR) Note: Original Equipment motor p/n 3160273 may have been replaced with Service Replacement motor p/n 1001110169. Visually identify motor before ordering parts. Service Replacement motor shown on next illustration	C
		Ref		
1	See Note	NSS	Seal, Dust (Note: Use Item 100A)	
2	See Note	NSS	Ring, Split Wire (Note: Use Item 100A)	
3	See Note	NSS	Shim, Metal Back-up (Note: Use Item 100A)	
4	See Note	NSS	Seal, High Pressure (Note: Use Item 100A)	
5	See Note	NSS	Shim, Metal Back-up (Note: Use Item 100A)	
6	See Note	NSS	Seal, Teflon Back-up (Note: Use Item 100A)	
7	See Note	NSS	Seal, Shaft (Note: Use Item 100A)	
8	See Note	NSS	Seal, Body (Note: Use Item 100A)	
9	See Note	NSS	Carrier, Seal (Note: Use Item 100B)	
10	See Note	NSS	Trustwasher (Note: Use Item 100B)	
11	7016422	1	Bearing, Thrust	
12	7005889	1	Link, Drive	
13	7016423	1	Plate, Wear	
14	7005890	1	Rotor Assembly	
15	7005891	1	Pin, Drive Link	
16	See Note	NSS	Ball (Note: Use Item 101A)	
17	See Note	NSS	Cover, End (Note: Use Item 101A)	
18	See Note	NSS	Tag, I.D. (Note: Not Available for Purchase)	
19	7005892	4	Bolt	
20	7016425	1	Housing	
21	7005893	1	Plug, Cooling	
22	7016426	1	Shaft	
100		Ref	Seal Kit Options:	
100A	7005881	1	Seal Kit (Includes Items 1-8)	
100B	7005882	1	Seal Carrier Kit (Includes Items 9 & 10)	
101		Ref	Repair Kit Options:	
101A	7016424	1	End Cover Kit (Includes Items 16 & 17)	
101B	7016427	1	Housing/Shaft Kit (Includes Items 20-22)	

SECTION 2 - TURNTABLE

FIGURE 2-7. SWING MOTOR ASSEMBLY (PARKER) (USA BUILT MACHINES) (SERVICE REPLACEMENT) (SN 0300087000 through 0300137440)



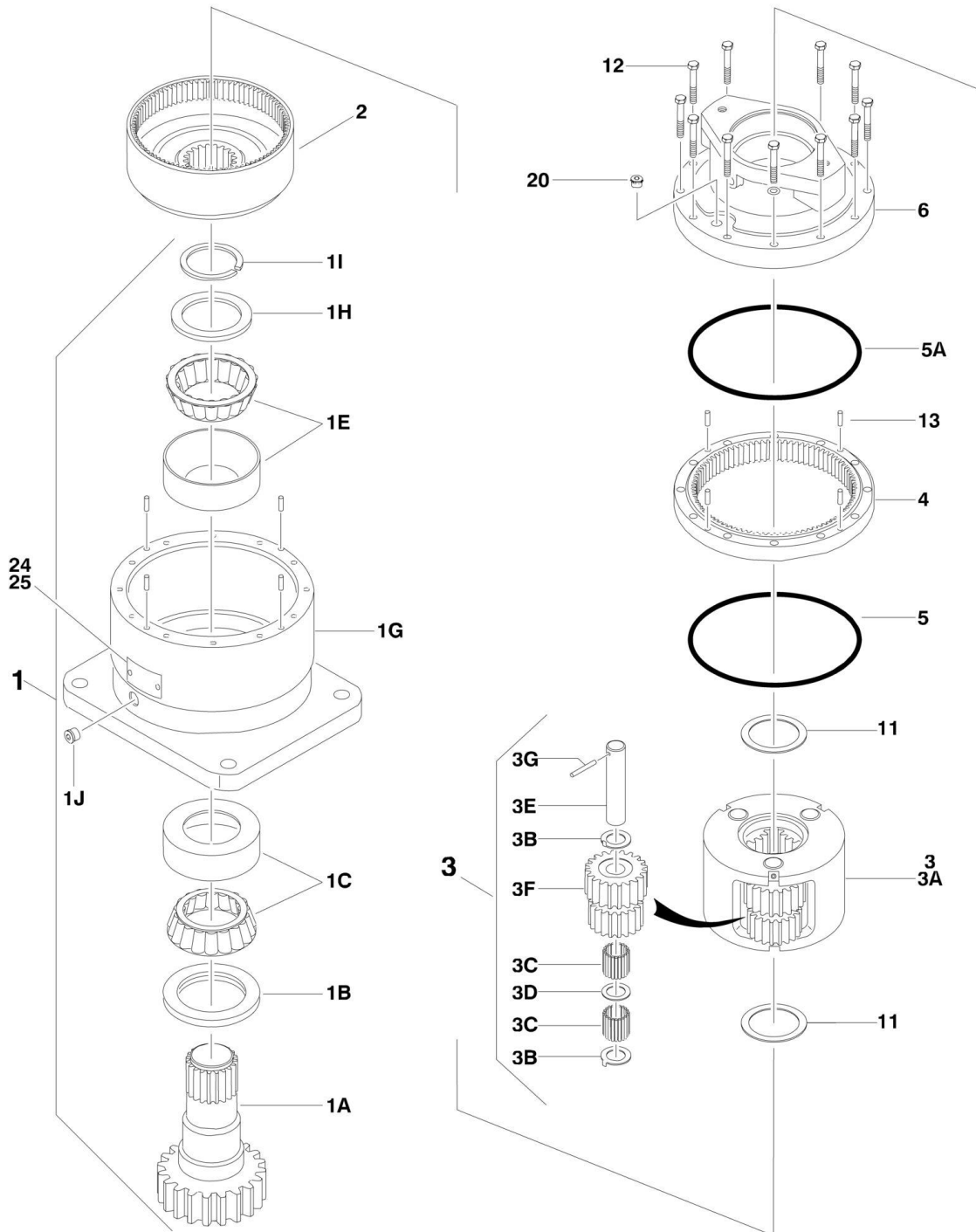
SECTION 2 - TURNTABLE

FIGURE 2-7. SWING MOTOR ASSEMBLY (PARKER) (USA BUILT MACHINES) (SERVICE REPLACEMENT) (SN 0300087000 through 0300137440)

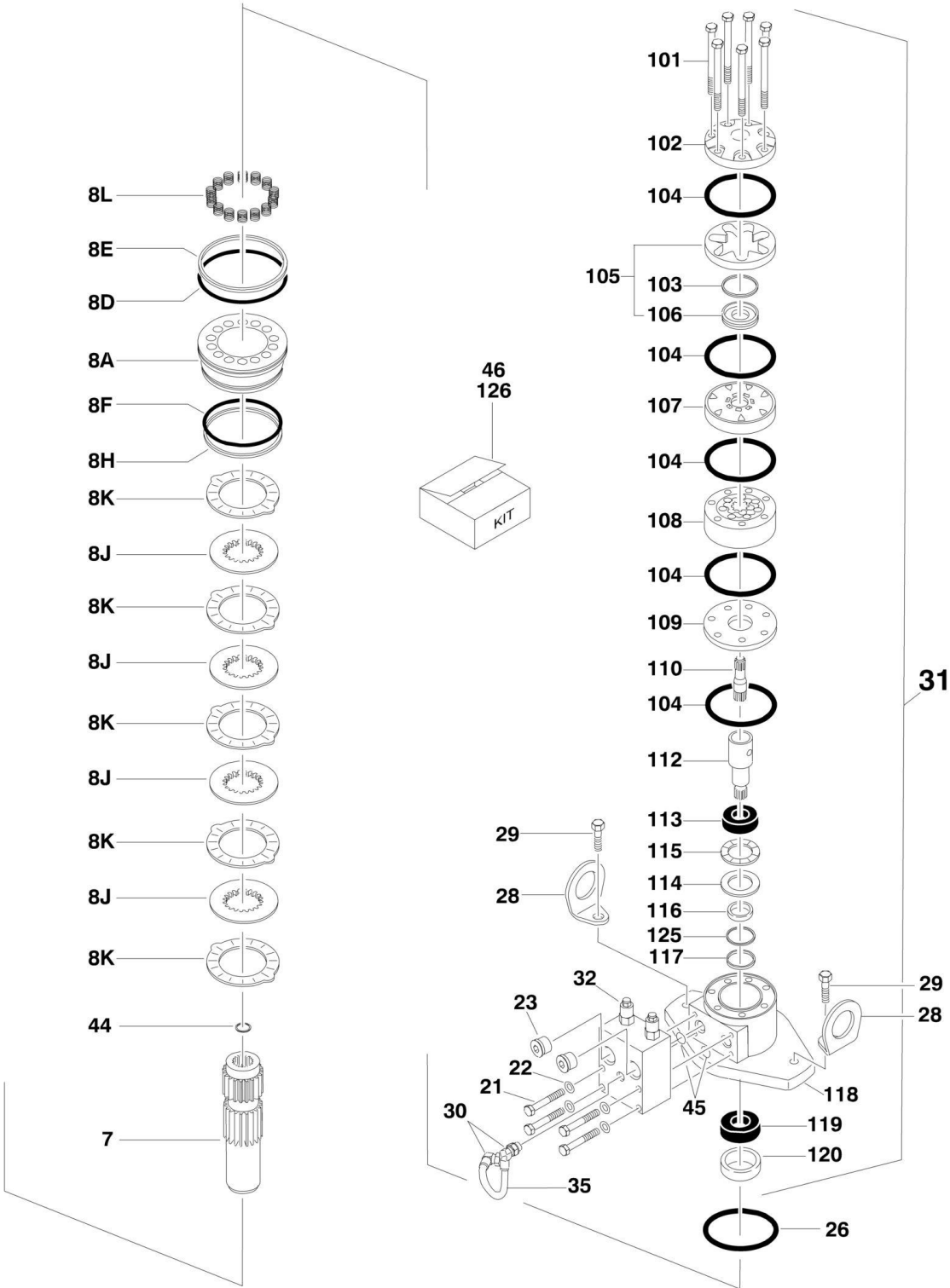
ITEM	PART NUMBER	QTY	DESCRIPTION	REV
	1001110169	Ref	SWING MOTOR ASSEMBLY (PARKER) Note: Original Equipment motor p/n 3160273 may have been replaced with Service Replacement motor p/n 1001110169. Visually identify motor before ordering parts. Service Replacement motor shown on next illustration	A
		Ref		
1	70002243	5	Bolt	
2	7004035	1	Cover, End	
3	See Note	NSS	Seal, Commutator (Note: Use Item 100)	
4	See Note	NSS	Seal, Ring (Note: Use Item 100)	
5	7024453	1	Commutator and Ring Assembly	
6	7024453	1	Ring	
7	7024379	1	Manifold	
8	70002208	1	Rotor Set	
9	7024380	1	Plate, Wear	
10	83304150	1	Link, Drive	
12	7024395	1	Shaft, Coupling	
13	7024381	1	Bushing, Bronze	
14	7004043	2	Thrustwasher	
15	7004044	1	Bearing, Thrust	
16	See Note	NSS	Seal, Inner (Note: Use Item 100)	
17	See Note	NSS	Washer, Back-up (Note: Use Item 100)	
18	See Note	NSS	Housing (Note: Not Available - Purchase Complete Motor)	
19	7024390	1	Bearing	
20	See Note	NSS	Seal (Note: Use Item 100)	
25	See Note	NSS	Washer, Back-up (Note: Use Item 100)	
100	7024389	1	Seal Kit (Includes Items 3, 4, 16, 17, 20 & 25)	

SECTION 2 - TURNTABLE

FIGURE 2-8. SWING MOTOR/BRAKE/HUB ASSEMBLY (USA BUILT MACHINES AND CHINA BUILT MACHINES) (SN 0300137441 through 0300171769, SN B300000100 through B300000969)



SECTION 2 - TURNTABLE



SECTION 2 - TURNTABLE

FIGURE 2-8. SWING MOTOR/BRAKE/HUB ASSEMBLY (USA BUILT MACHINES AND CHINA BUILT MACHINES) (SN 0300137441 through 0300171769, SN B300000100 through B300000969)

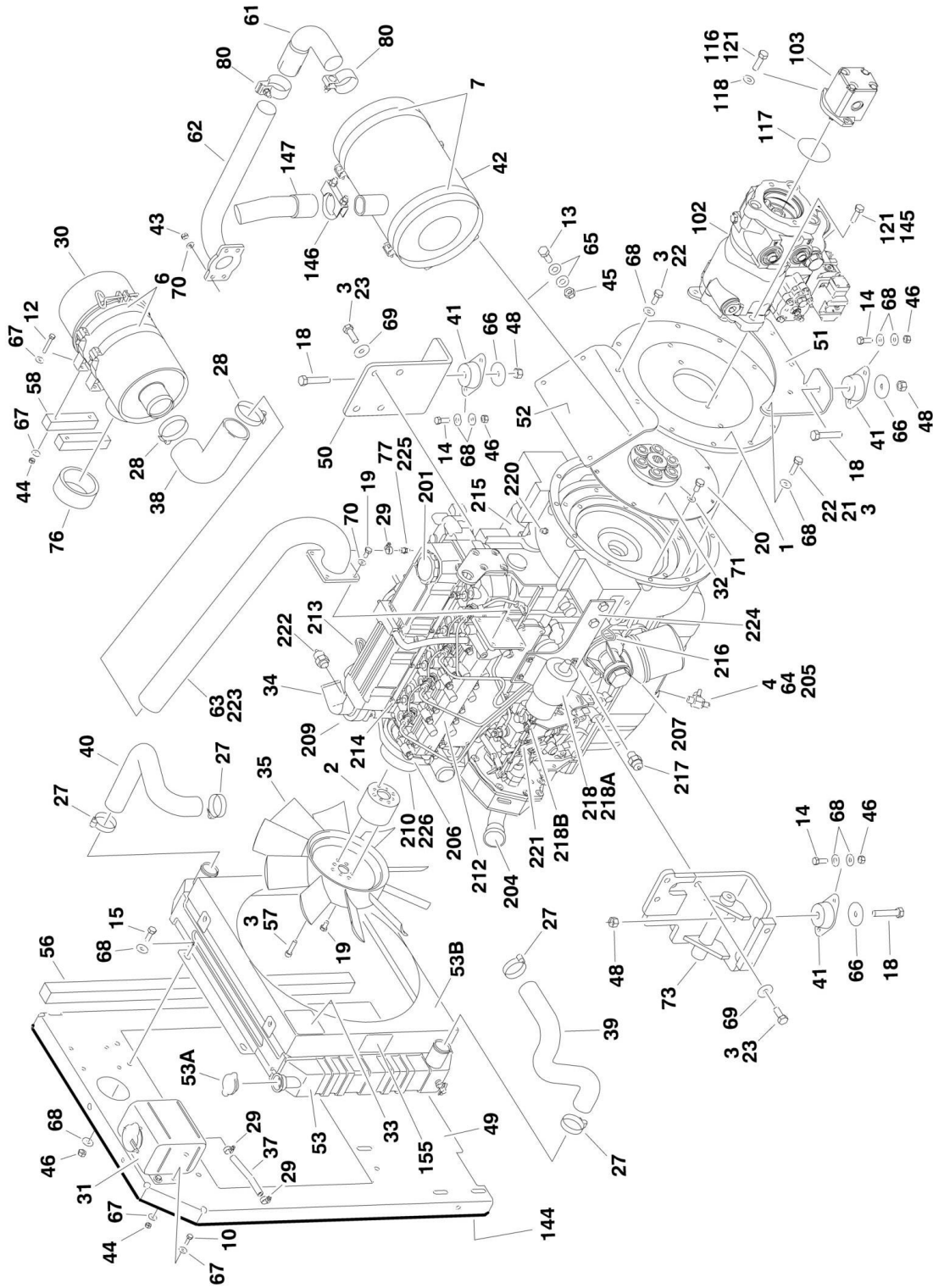
ITEM	PART NUMBER	QTY	DESCRIPTION	REV
	1001101061	Ref	SWING MOTOR/HUB ASSEMBLIES	A
1	See Note	NSS	Housing/Shaft Assembly (Note: Use p/n 1001101061 Complete Replacement. See 1A-1J for Available Components)	
1A	7010492	1	Shaft, Output	
1B	7000228	1	Seal, Lip	
1C	7000255	1	Bearing Kit (Includes Cup and Cone)	
1E	7000257	1	Bearing Kit (Includes Cup and Cone)	
1G	See Note	NSS	Housing (Note: Not Available - Purchase Complete Swing Motor/Hub Assembly)	
1H	7007633	1	Thrustwasher	
1I	7000229	1	Ring, Retaining	
1J	7017072	1	Plug, Pipe	
2	7000246	1	Gear, Internal	
3	80424002	1	Carrier Assembly	
3A	7001931	1	Carrier	
3B	7001985	6	Washer, Tanged	
3C	7001909	96	Bearing, Needle	
3D	7000263	3	Thrustwasher	
3E	7001911	3	Shaft, Planet	
3F	7001912	3	Gear, Cluster	
3G	7010474	3	Rollpin	
4	7000248	1	Gear, Ring	
5	7000230	1	O-Ring (Black)	
5A	7017070	1	O-Ring (White)	
6	See Note	NSS	Housing, Brake (Note: Not Available - Purchase Complete Swing Motor/Hub Assembly)	
7	70002065	1	Gear, Sun	
8	See Note	NSS	Brake Components (Note: Not Available for Purchase. See 8A-8L for Available Components)	
8A	70000782	1	Piston, Brake	
8D	70002070	1	O-Ring	
8E	70002071	1	Ring, Back-up	
8F	70002073	1	O-Ring	
8H	70002072	1	Ring, Back-up	
8J	70002067	4	Rotor, Brake	
8K	70002068	5	Stator, Brake	
8L	70002066	14	Spring, Brake	
11	7000253	2	Thrustwasher	
12	7000217	12	Bolt 5/16in-18NC x 2-1/4in (Grade 8)	
13	7017080	4	Pin, Dowel	
20	7017072	1	Plug, Pipe	
21	7024704	4	Bolt 5/16in-18NC x 2in (Grade 8)	
22	See Note	NSS	Lockwasher (Note: Not Available - Purchase Locally)	
23	7017023	2	Plug, Pipe	
24	See Note	NSS	Plate, ID (Note: Not Available for Purchase)	
25	7000281	2	Screw, Drive	
26	7024763	1	O-Ring	
28	See Note	NSS	Lug, Lifting (Note: Not Available for Purchase)	
29	70002069	2	Bolt 1/2in-13NC x 2in (Grade 8)	
30	7017085	2	Elbow	

SECTION 2 - TURNTABLE

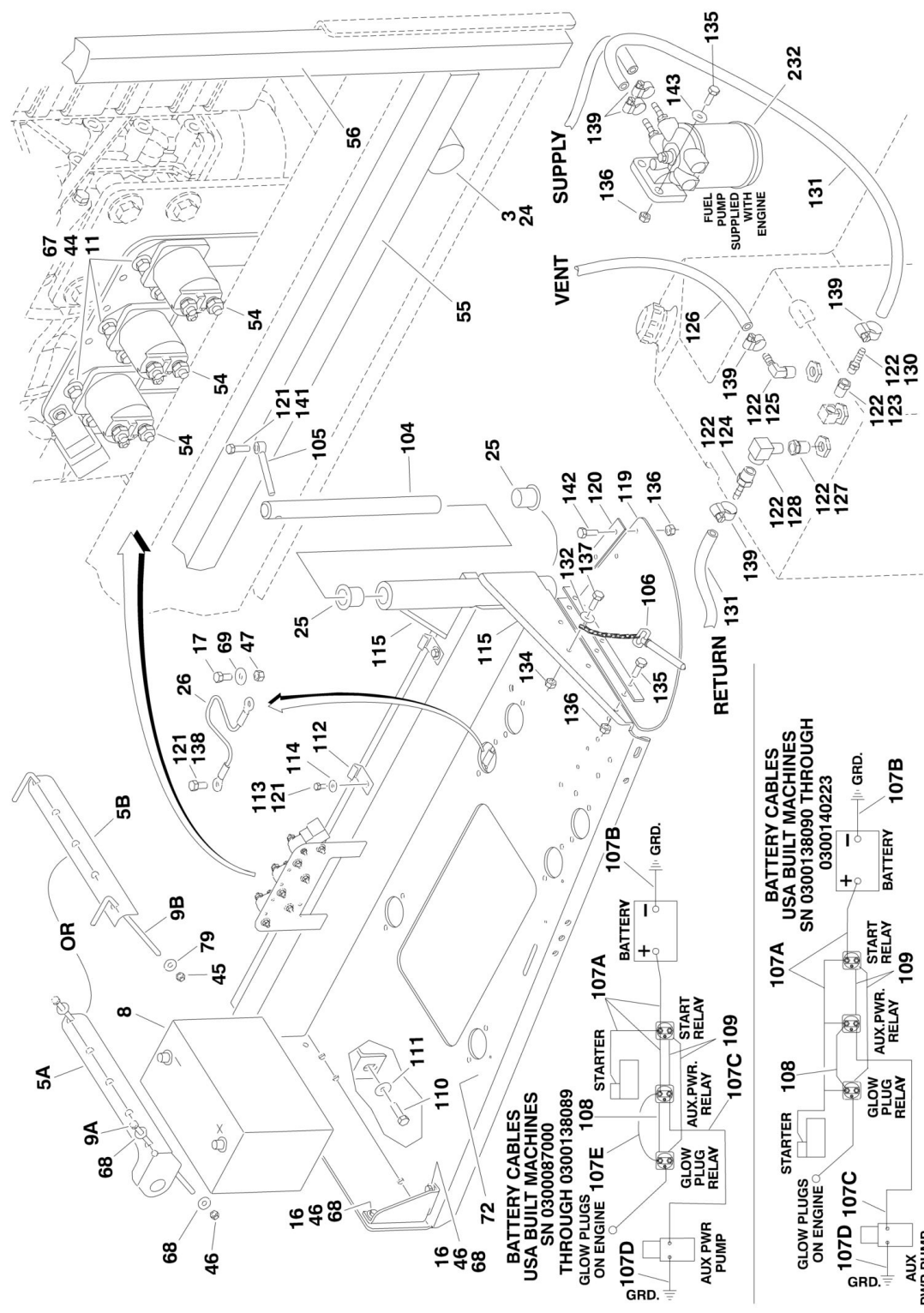
ITEM	PART NUMBER	QTY	DESCRIPTION	REV
31	70002075	1	Motor Assembly (See Items 101-121 for Breakdown)	
32	7024784	1	Valve (No Serviceable Parts)	
33	7017082	1	Plug, Pipe (Not Shown)	
35	70002074	1	Tube	
44	7017028	1	Ring, Retaining	
45	7000213	2	O-Ring	
46	7024100	1	Seal Kit - Swing Hub (Includes Items 1B, 5, 5A & 11)	
	70002075	Ref	MOTOR ASSEMBLY	
101	7024454	6	Bolt	
102	7004035	1	Cover, End	
103	See Note	NSS	Seal, Commutator (Note: Use Item 126)	
104	See Note	NSS	Seal, Ring (Note: Use Item 126)	
105	7024453	1	Commutator and Ring Assembly	
106	7024453	1	Ring	
107	7024379	1	Manifold	
108	7024455	1	Rotor Set	
109	7024380	1	Plate, Wear	
110	7024456	1	Link, Drive	
112	7024458	1	Shaft, Coupling	
113	7024381	1	Bushing, Bronze	
114	7004043	1	Thrustwasher	
115	7004044	1	Bearing, Thrust	
116	See Note	NSS	Seal, Inner (Note: Use Item 126)	
117	See Note	NSS	Washer, Back-up (Note: Use Item 126)	
118	See Note	NSS	Housing (Note: Not Available - Purchase Complete Motor Assembly)	
119	7024390	1	Bearing	
120	See Note	NSS	Seal, Inner (Note: Use Item 126)	
125	See Note	NSS	Washer, Back-up (Note: Use Item 126)	
126	7024396	1	Seal Kit, Motor (Includes Items 103, 104, 116, 117, 120 & 125)	

SECTION 2 - TURNTABLE

FIGURE 2-9. CATERPILLAR ENGINE INSTALLATION (USA BUILT MACHINES) (SN 0300087000 through 0300140223)



SECTION 2 - TURNTABLE



SECTION 2 - TURNTABLE

FIGURE 2-9. CATERPILLAR ENGINE INSTALLATION (USA BUILT MACHINES) (SN 0300087000 through 0300140222)

ITEM	PART NUMBER	QTY	DESCRIPTION	REV
		Ref	CATERPILLAR ENGINE ASSEMBLIES:	
		Ref	Caterpillar 3044 Tier III (SN 0300087000 through 0300134793)	
	0274491	Ref	Without Arctic Package	L
	0275256	Ref	With Arctic Package	I
		Ref	Caterpillar C3.4 Tier IVi (SN 03000134794 through 0300140223)	
	1001105993	Ref	Without Arctic Package	D
	1001106338	Ref	With Arctic Package	D
1	0080181	1	Adapter, Pump Mounting Plate	
2	0080243	1	Adapter, Fan Spacer	
3	0100011	AR	Compound, Locking	
4	0100020	AR	Sealant, Thread	
5		Ref	Hold-Down, Battery Options:	
5A	0181727	1	Hold-down, Battery (SN 0300087000 through 0300110250)	
5B	91401281	1	Hold-down, Battery (SN 0300110251 through 0300140223)	
6	0340041	2	Band, Mounting	
7	0340046	2	Band, Muffler	
8	0400075	1	Battery	
9		Ref	Hardware, Battery Hold-down Options:	
9A	0630498	2	Hardware, Battery Hold-down (Bolt) (SN 0300087000 through 0300110250)	
9B	1001093382	2	Hardware, Battery Hold-down (J-Hook) (SN 0300110251 through 0300140223)	
10	0641406	4	Bolt 1/4in-20NC x 3/4in	
11	0641407	6	Bolt 1/4in-20NC x 7/8in	
12	0701414	4	Bolt 1/4in-20NC x 3/4in	
13	0641507	4	Bolt 5/16in-18NC x 7/8in	
14	0641608	AR	Bolt 3/8in-16NC x 1in	
15	0641609	4	Bolt 3/8in-16NC x 1-1/8in	
16	0641610	4	Bolt 3/8in-16NC x 1-1/4in	
17	0641808	1	Bolt 1/2in-13NC x 1in	
18	0641820	4	Bolt 1/2in-13NC x 2-1/2in	
19	0700808	AR	Bolt M8 x 16mm	
20	0701010	8	Bolt M10 x 20mm	
21	0701012	4	Bolt M10 x 25mm	
22	0701015	8	Bolt M10 x 35mm	
23		Ref	Bolt Options:	
23	0701214	8	Bolt (Bolt M12 x 30mm) (SN 0300087000 through 0300098803)	
23	0711214	8	Bolt (Bolt M12 x 30mm) (SN 0300098804 through 0300111360)	
23		Ref	Bolt (SN 03000111361 through 0300140223)	
23	0711214	5	Bolt M12 x 30mm	
23	0771212	3	Bolt M12 x 25mm	
24	0940070	1	Bumper, Rubber	
25	0961986	2	Bearing, Flange	
26	1060637	1	Lanyard	
27	8405104	4	Clamp, Hose	
28	1320016	2	Clamp, Hose	
29	8405009	2	Clamp, Hose	
30	1340060	1	Air Cleaner Assembly	

SECTION 2 - TURNTABLE

ITEM	PART NUMBER	QTY	DESCRIPTION	REV
30	7012664	1	Element, Air Cleaner	
31	1580011	1	Container, Coolant Overflow	
32	1660239	1	Coupling, Pump	
33	1703162	2	Decal - Fan Blade	
34		Ref	Caterpillar Engine Assembly Options:	
34	2000194	NLA	Caterpillar Engine Assembly (Use p/n 1001109762) (SN 0300087000 through 0300104803)	
34	2000386	NLA	Caterpillar Engine Assembly (Use p/n 1001109762) (SN 0300104804 through 0300134793)	
34	1001100313	1	Caterpillar Engine Assembly (SN 0300134794 through 0300140223)	
35	2060025	1	Fan	
37	2720058	0.33 ft/0.1m	Hose	
38	2720434	1	Elbow, Rubber	
39	2720509	1	Hose, Radiator (Bottom)	
40		Ref	Hose, Radiator (Top) Options:	
40	2720510	1	Caterpillar 3044 Tier III (SN 0300087000 through 0300134793)	
40	1001107705	1	Caterpillar C3.4 Tier IVi (SN 0300134794 through 0300140223)	
41	3200406	4	Mount, Engine	
42		Ref	Muffler Options:	
42	3220113	1	Muffler, Spark Arresting (Standard)	
42	70001017	1	Clamp	
42	3220154	NLA	Muffler, Catalytic (Optional) (Use p/n 1001107116)	
42	70002705	1	Clamp	
42	70002706	1	Plug	
43	3290801	4	Nut m8 x 1.25	
44	3311405	14	Locknut 1/4in-20NC	
45		Ref	Locknut Options:	
45	3311505	AR	Locknut 5/16in-18NC	
45	88521205	AR	Locknut with Nylon Lock 5/16in-18NC	
46	3311605	AR	Locknut Options:	
47	3311801	1	Nut 1/2in-13NC	
48	3311805	4	Locknut 1/2in-13NC	
49	3539872	1	Plate, Radiator Mounting	
50	3574206	1	Plate, Motor Mount	
51	3574207	1	Plate, Engine Mount (Rear)	
52	3574208	1	Bracket, Muffler	
53	3620047	1	Radiator	
53A	7027412	1	Cap	
53B	70004182	1	Shroud, Fan	
54	3740067	3	Relay, Solenoid Assembly	
55	3960468	1	Seal, Foam Gasket	
56	3960469	1	Seal, Foam Gasket	
57	4031911	4	Bolt M8 x 35mm	
58	4220191	2	Block, Spacer	
61	4567073	1	Tube, Exhaust	
62	4568721	1	Exhaust Tube Weldment	
63	4569177	1	Tube, Air Intake Weldment (SN 0300087000 through 0300104804)	
64	1001105833	NLA	Valve, Oil Drain (Use p/n 4640750)	

SECTION 2 - TURNTABLE

ITEM	PART NUMBER	QTY	DESCRIPTION	REV
65	4711500	8	Flatwasher 5/16in Thin	
66	4740274	4	Washer, Snubbing	
67	4751400	28	Flatwasher 1/4in Regular	
68	4751600	AR	Flatwasher 3/8in Regular	
69		Ref	Flatwasher Options:	
69	4751800	8	Flatwasher 1/2in Regular (SN 0300087000 through 0300098803)	
69	4812100	8	Flatwasher M12 (SN 0300098804 through 0300140223)	
70	4811900	AR	Flatwasher M8	
71	4832000	8	Lockwasher M10	
72	4846790	1	Tray Engine	
73	4846805	1	Mount, Engine/Generator - Left	
74	4922737	1	Harness, Relay Ground (Not Shown) (SN 0300087000 through 0300134794)	
75	0721006	1	Bolt #10-24NC x 3/4in	
76	2720515	1	Seal, Air Cleaner	
77	2220767	1	Fitting	
79	4751500	2	Flatwasher 5/16in Regular	
80	70001017	2	Clamp	
		Ref	Note: Arctic Package Items 91-97 Not Shown - Used on Arctic Machines Only.	
91	1060626	1	Cord, 3-Way Extension (Located on Left Front of Engine)	
92	1320223	2	Clamp	
93	2300041	2.6 gal /9.96L	Coolant	
94	2580024	1	Heater, Battery (Located on Battery)	
95	2580055	1	Heater, Block (Located on Left Side of Engine)	
96	3020044	2.5 gal /9.4L	Oil, Motor 0W-40	
97	3980007	1	Seat, Battery (Located Under Battery)	
		Ref	CATERPILLAR ENGINE INSTALLATIONS	
		Ref	Caterpillar 3044 Tier III (SN 0300087000 through 0300134793)	
	0274492	Ref	2WD (Without Arctic Package)	3
	0274493	Ref	4WD (Without Arctic Package)	4
	0275342	Ref	4WD (With Arctic Package)	2
		Ref	Caterpillar C3.4 Tier IVi (SN 0300134794 through 0300140223)	
	1001107236	Ref	2WD (Without Arctic Package)	3-B
	1001107229	Ref	4WD (Without Arctic Package)	3-B
	1001107237	Ref	4WD (With Arctic Package)	3-B
102		Ref	Piston Pump Assembly Options (See PISTON PUMP ASSEMBLY for Breakdown):	
102	3600388	1	2WD Pump without Fittings	
102	3600394	1	2WD Pump with Fittings	
102	3600381	1	4WD Pump without Fittings	
102	3600396	1	4WD Pump with Fittings	
103		Ref	Gear Pump Assembly Options (See GEAR PUMP ASSEMBLY for Breakdown):	
103	3600242	1	Pump without Fittings	
103	3600395	1	Pump with Fittings	
104	3422446	1	Pin, Pivot	
105	3841143	1	Keeper, Pin	
106	3422532	1	Pin, Hitch	
107	2902296	1	Battery Cable Kit	

SECTION 2 - TURNTABLE

ITEM	PART NUMBER	QTY	DESCRIPTION	REV
		Ref	Note: 2902296 Rev A version is no longer available. Verify weather machine is equipped with 2 or 3 relays on the engine tray. If there are 3 relays, purchase latest revision of 2902296 kit. If there are 2 relays, purchase individual items as replacement.	
107A	1001116241	1	Cable, Battery (Red) (Machines with 2 Relays on Engine Tray) (was p/n 7027000)	
107A	1001116240	1	Cable, Battery (Red) (Machines with 3 Relays on Engine Tray) (was p/n 7027000)	
107B	7027004	1	Cable, Battery (Black)	
107C	7027002	1	Cable (Red)	
107D	7027003	1	Cable (Black)	
107E	7027001	1	Cable (Red) (No Longer Part of 2902296 Kit - Use) (SN 0300087000 through 0300138090)	
108	1060904	1	Cable, Battery	
109	4922737	1	Harness, Relay Ground	
110	0642010	1	Bolt 5/8in-11NC x 1-1/4in	
111	4752000	1	Flatwasher 5/8in Regular	
112	1320223	AR	J-Clip 1/2in	
113	0641606	3	Bolt 3/8in-16NC x 3/4in	
114	4711600	3	Flatwasher 3/8in Thin	
115	4060805	2 ft /0.7mm	Flex-Trim 1/4in	
116	3931620	2	Bolt 3/8in-16NC x 1-1/4in	
117	3790152	1	O-Ring	
118	4891600	2	Flatwasher 3/8in Hardened	
119	3380429	1	Panel, Rubber	
120	3539957	2	Plate, Support	
121	0100011	AR	Compound, Locking	
122	0100020	AR	Sealant, Thread	
123		Ref	Fitting, Reducer Options:	
123	2220273	2	Fitting, Reducer (SN 0300087000 through 0300134793)	
123	Item 130	2	Fitting, Reducer (SN 0300134794 through 0300140223)	
124		Ref	Fitting, Straight Options:	
124	2180536	2	Fitting, Straight (SN 0300087000 through 0300134793)	
124	2221176	2	Fitting, Straight (SN 0300134794 through 0300140223)	
125	2220313	1	Fitting, 90	
126	2750532	6 ft/1.8m	Hose 3/8in	
127		Ref	Fitting, Reducer Options:	
127	2220250	1	Fitting, Reducer (SN 0300087000 through 0300134793)	
127	Item 124	1	Fitting, Reducer (SN 0300134794 through 0300140223)	
128		Ref	Fitting, 90 Options:	
128	2220549	1	Fitting, 90 (SN 0300087000 through 0300093957)	
128	2220459	1	Fitting, 90 (SN 0300093958 through 0300134793)	
128	Item 124	1	Fitting, 90 (SN 0300134794 through 0300140223)	
129	2720271	15 ft/4.6m	Hose 3/16in	
130		Ref	Fitting, Barbed Options:	
130	2220794	1	Fitting, Barbed (SN 0300087000 through 0300134793)	
130	2180348	1	Fitting, Barbed (SN 0300134794 through 0300140223)	
131	2720058	16 ft/4.9m	Hose	
132	4751400	4	Flatwasher 1/4in Regular	
133	0641608	2	Bolt 3/8in-16NC x 1in	
134	3311405	1	Locknut 1/4in-20NC	

SECTION 2 - TURNTABLE

ITEM	PART NUMBER	QTY	DESCRIPTION	REV
135	0641507	5	Bolt 5/16in-18NC x 1-1/4in	
136	3311505	8	Locknut 5/16in-18NC	
137	0641407	1	Bolt 1/4in-20NC x 7/8in	
138	0641808	1	Bolt 1/2in-13NC x 1in	
139	1320022	7	Clamp, Hose	
140	1701505	1	Decal - Diesel (Not Shown - Located on Hood)	
141	0641610	1	Bolt 3/8in-16NC x 1-1/4in	
142	0641514	3	Bolt 5/16in-18NC x 1-3/4in	
143	4751500	3	Flatwasher 5/16in Regular	
144	3960389	5 ft/1.5m	Seal, Hood	
145	0641812	2	Bolt 1/2in-13NC x 1-3/4in	
146	1320176	1	Clamp (SN 0300093958 through 0300140223)	
147	3460544	1	Pipe, Exhaust (SN 0300093958 through 0300140223)	
		Ref	Note: Arctic Package Items 148 - 153 Not Shown - Used on Arctic Machines Only.	
148	1702943	1	Decal - Hydraulic Tank Heater	
149	2580050	1	Heater, Hydraulic Tank	
150	1702941	1	Decal - Battery Heater	
151	1702944	1	Decal - Heater Cord	
152	1702942	1	Decal - Engine Block Heater	
153	1060625	1	Cable, Immersion Heater	
155		Ref	Decal - Warning Explosion/Fire Options:	
155	1704972	1	ANSI Spec	
155	1706098	1	Australian and CE Spec	
155	1706059	1	Brazilian Spec	
155	1706060	1	Chinese Spec	
155	1706064	1	CSA Spec	
155	1706062	1	Japanese Spec	
155	1706061	1	Korean Spec	
155	1706063	1	Spanish Language	
		Ref	ENGINE COMPONENTS	
	2000194	Ref	Caterpillar 3044 Tier III (SN 0300087000 through 0300104803)	E
	2000386	Ref	Caterpillar 3044 Tier III (SN 0300104804 through 0300134793)	B
	1001100313	Ref	Caterpillar C3.4 Tier IVi (SN 0300134794 through 0300140223)	C
201	7026800	1	Cap Oil Filler	
202	7026802	1	Flywheel	
202	7026803	1	Gear, Flywheel	
203	7026804	1	Gasket (Not Shown - Between Flywheel Housing and Engine Block)	
203	7026805	1	Seal (Not Shown - Rear of Flywheel Housing)	
204	7026806	1	Cap, Filler	
204	7026807	1	Seal, Oil (Located in Front Housing)	
205	7026808	1	Plug, Oil Pan	
205	7026809	1	Gasket, Oil Plug	
206	7026810	1	V-Belt	
207	7026811	1	Filter, Oil	
207	7026812	1	O-Ring (Between Bolt and Oil Filter Bracket)	
207	7026813	1	O-Ring (Between Oil Filter Bracket and Engine Block)	
208	7026819	1	Engine Cooler Assembly (Not Shown)	
208	7026816	2	O-Ring (Between Cover and Cooler)	
208	7026817	4	O-Ring (Between Cover and Cooler)	
208	7026818	1	Gasket (Between Cover and Engine Block)	

SECTION 2 - TURNTABLE

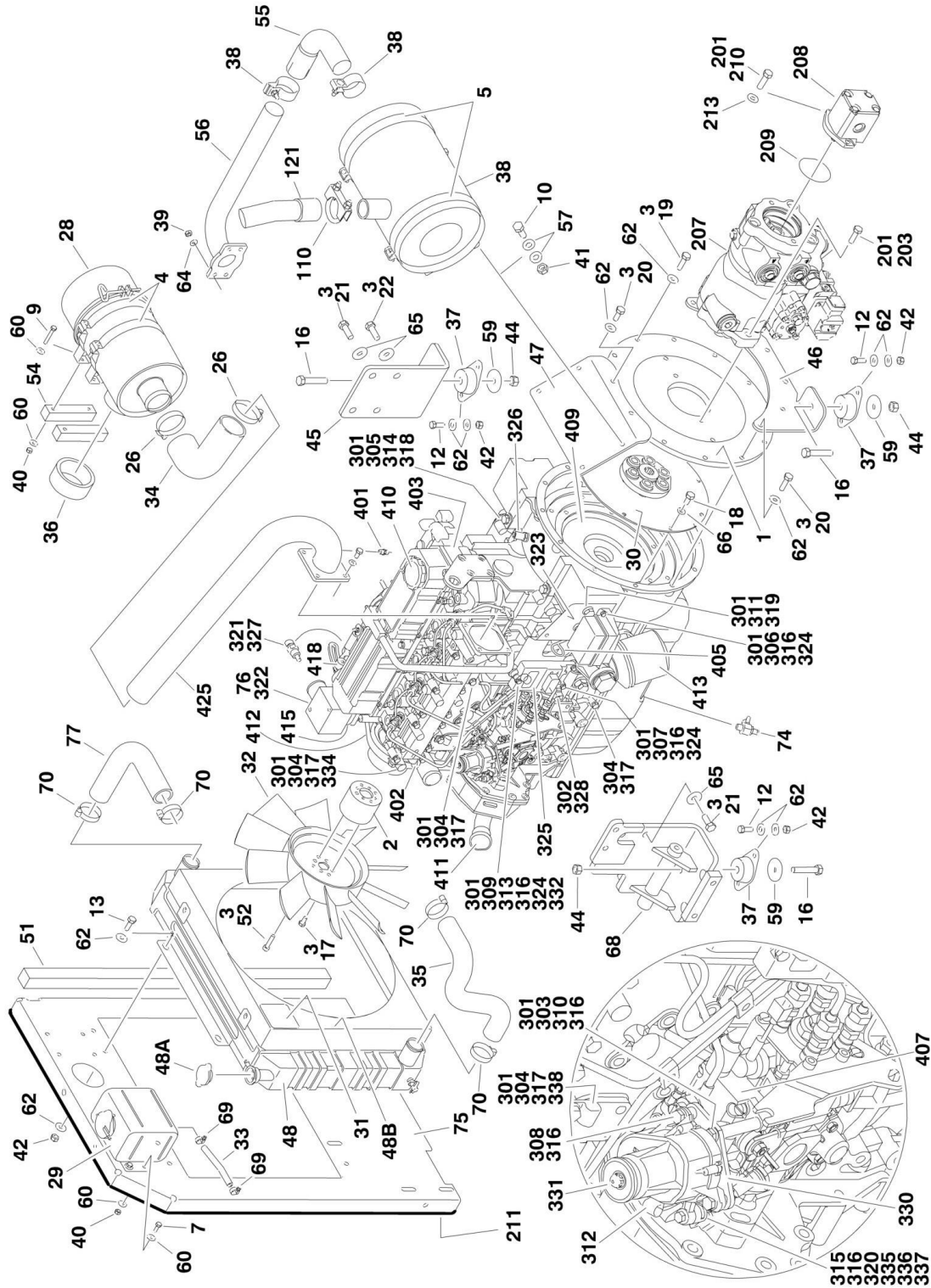
ITEM	PART NUMBER	QTY	DESCRIPTION	REV
209	7026822	1	Thermostat	
209	7026821	1	Gasket (Between Regulator and Thermostat Housing)	
209	7026820	1	Gasket (Between Regulator and Engine Head)	
210		Ref	Pump, Water Options:	
210		Ref	Caterpillar Engine p/n 2000194	
210	7026823	1	Caterpillar Engine SNs (Not Machine SN) (Prior to SN 3440833)	
210	70001120	1	Caterpillar Engine SNs (Not Machine SN) (SN 3440833 through B300000969)	
210	70001120	1	Caterpillar Engine p/ns 2000386 & 1001100313	
210	7026824	1	Gasket, Water Pump Cover (Use with p/n 7026823 Pump)	
210	7026825	1	Gasket, Water Pump (Use with p/n 7026823 Pump)	
210	70002765	1	Hose, By-Pass (Not Shown)	
211	7026826	1	Gasket, Exhaust Manifold	
211	7026827	1	Gasket, Exhaust	
211	70002852	4	Stud, Exhaust Manifold	
212	7026829	1	Gasket, Intake Manifold	
212	7026828	1	Gasket, Intake	
213	7026831	1	Alternator	
214	7026832	4	Plug, Glow	
215	7026833	1	Starter	
216		Ref	Dipstick Oil Level Options:	
216	7026834	1	Dipstick for 2000194 Engines	
216	7026888	1	Dipstick for 2000386 Engines	
216	70002844	1	Dipstick for 1001100313 Engines	
216	70002843	1	Seal, Dipstick Tube	
217	7026814	1	Relief Valve, Oil Pressure	
217	7026815	1	Gasket, Relief Valve	
217	1001097554	1	Sensor, Oil Pressure (Not Shown)	
218	1600361	1	Actuator/Linkage Assembly - Throttle	
218A	1600361	1	Actuator and Electrical Connector Kit (was p/n 7026842)	
218A	7026835	1	Connector, Actuator	
218B	7026843	1	Linkage Kit	
220	7026841	1	Sensor, Speed Sensor	
220	7026836	1	Connector, Speed Sensor	
221	70002849	1	Pump, Fuel Injection	
221	70002847	1	O-Ring, Fuel Injection Pump Flange	
221	70002848	1	Gasket, Fuel Injection Pump	
221	70002850	1	Solenoid, Fuel Shut-Off	
222	7026840	1	Sensor, Water Temperature	
222	7026882	1	Seal, Sensor	
223	4569371	1	Tube, Air Intake Weldment (2000386 & 1001100313 Engines)	
224	0902910	1	Mounting Bracket, Actuator (Use p/n 7026887)	
224	0903220	1	Mounting Bracket, Actuator (Use p/n 7026887)	
225	70001051	1	Valve, Air Intake Check	
226	70001742	1	Pulley, Water Pump	
227	2580055	1	Block Heater Kit (Not Shown) (was p/n 7026845)	
227	7026838	1	Gasket, Block Heater (Not Shown)	
227	70002841	1	Cord, Electrical (Not Shown)	
228	70002766	1	Head, Cylinder (Not Shown)	
228	7026801	1	Gasket, Valve Cover (Not Shown)	
228	70002764	1	Gasket, Rear Head (Not Shown)	

SECTION 2 - TURNTABLE

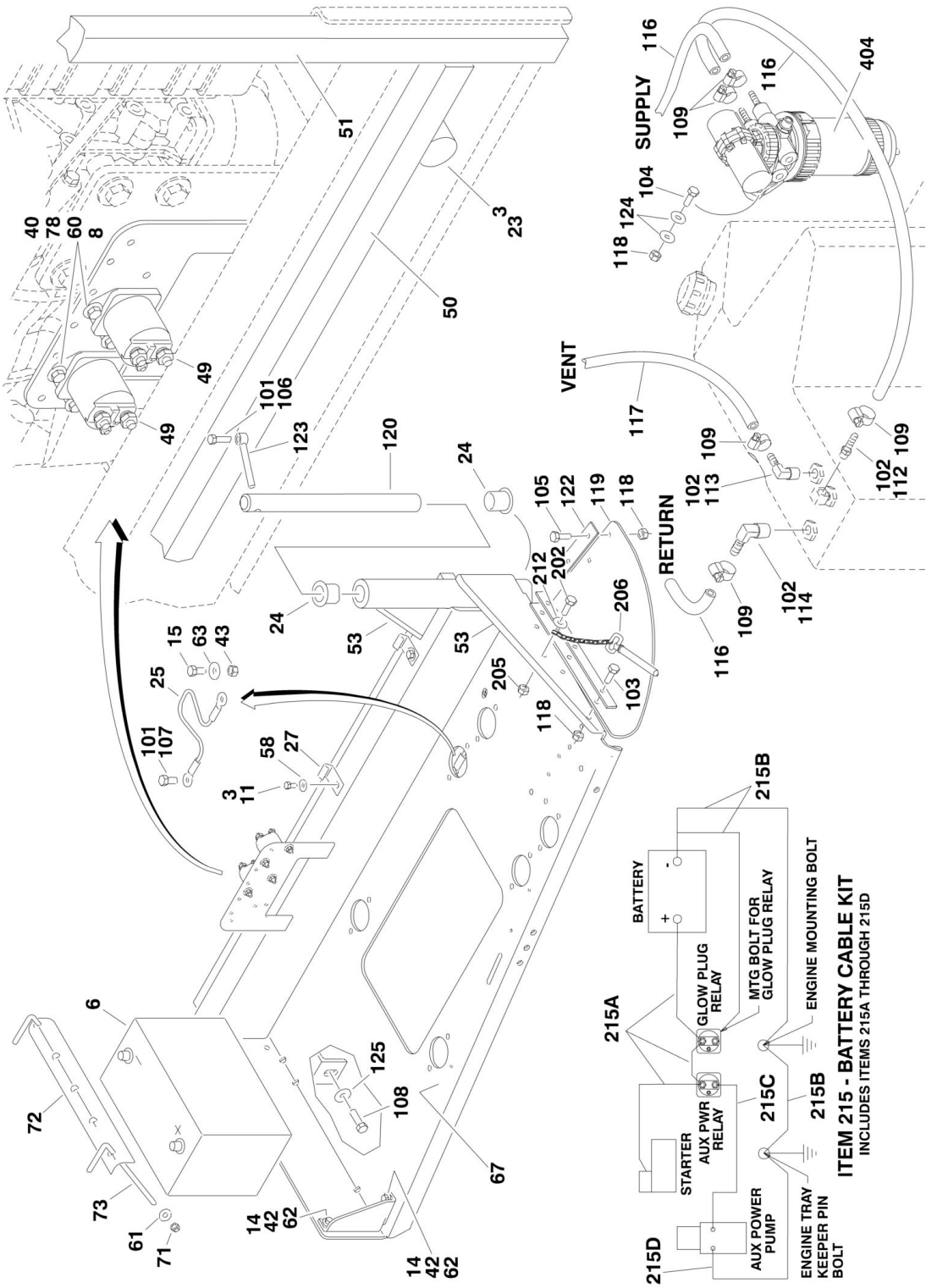
ITEM	PART NUMBER	QTY	DESCRIPTION	REV
228	70002767	1	Gasket, Head (Not Shown)	
228	70002761	AR	Bolt, Head (Not Shown)	
228	70002762	AR	Seat, Valve (Not Shown)	
229	70002845	1	Pump, Oil (Not Shown)	
229	70002846	1	O-Ring, Oil Pump (Not Shown)	
231	70002851	1	Gasket Kit - Complete (Not Shown)	
232	7026839	1	Pump, Fuel Supply	
232	70002763	1	Gasket, Fuel Line (Not Shown)	
232	7026830	1	Element, Fuel Filter	
232	70002834	1	Bowl, Water Collection	
232	70002835	1	Seal Kit - Water Separator	
232	70002833	1	Ring, Fuel Pump Retaining	

SECTION 2 - TURNTABLE

FIGURE 2-10. CATERPILLAR ENGINE INSTALLATION (USA BUILT MACHINES AND CHINA BUILT MACHINES) (SN 0300140223 through 0300171769, SN B300000100 through B300000969)



SECTION 2 - TURNTABLE



SECTION 2 - TURNTABLE

FIGURE 2-10. CATERPILLAR ENGINE INSTALLATION (USA BUILT MACHINES AND CHINA BUILT MACHINES) (SN 0300140223 through 0300171769, SN B300000100 through B300000969)

ITEM	PART NUMBER	QTY	DESCRIPTION	REV
	1001109065	Ref	CATERPILLAR TIER IVI ENGINE ASSEMBLIES	D
1	0080181	1	Adapter, Pump Mounting Plate	
2	0080243	1	Adapter, Fan Spacer	
3	0100011	AR	Compound, Locking	
4	0340041	2	Band, Mounting	
5	0340046	2	Band, Muffler	
6	0400075	1	Battery	
7	0641406	4	Bolt 1/4in-20NC x 3/4in	
8	0641407	4	Bolt 1/4in-20NC x 7/8in	
9	0701414	4	Bolt 1/4in-20NC x 3/4in	
10	0641507	4	Bolt 5/16in-18NC x 7/8in	
11	0641606	2	Bolt 3/8in-16NC x 3/4in	
12	0641608	8	Bolt 3/8in-16NC x 1in	
13	0641609	4	Bolt 3/8in-16NC x 1-1/8in	
14	0641610	4	Bolt 3/8in-16NC x 1-1/4in	
15	0641808	1	Bolt 1/2in-13NC x 1in	
16	0641820	4	Bolt 1/2in-13NC x 2-1/2in	
17	0700808	4	Bolt M8 x 16mm	
18	0701010	8	Bolt M10 x 20mm	
19	0701012	4	Bolt M10 x 25mm	
20	0701015	8	Bolt M10 x 35mm	
21	0711214	5	Bolt M12 x 30mm	
22	0771212	3	Bolt M12 x 25mm	
23	0940070	1	Bumper, Rubber	
24	0961986	2	Bearing, Flange	
25	1060637	1	Lanyard	
26	1320016	2	Clamp, Hose	
27	1320223	4	Clamp	
28	1340060	1	Air Cleaner Assembly	
28	7012664	1	Element, Air Cleaner	
29	1580011	1	Container, Coolant Overflow	
30	1660239	1	Coupling, Pump	
31	1703162	2	Decal - Fan Blade	
32	2060025	1	Fan	
33	2720058	0.33 ft /0.1m	Hose	
34	2720434	1	Elbow, Rubber	
35	2720509	1	Hose, Radiator (Bottom)	
36	2720515	1	Seal, Air Cleaner	
37	3200406	4	Mount, Engine	
38		Ref	Muffler Options:	
38	3220113	1	Muffler, Spark Arresting (Standard)	
38	70001017	1	Clamp (Used on p/n 3220113)	
38	1001107116	1	Muffler, Catalytic (Optional)	
38	70002705	1	Clamp	
38	70002706	1	Plug	
39	3290801	4	Nut M8	
40	3311405	12	Locknut 1/4in-20NC	
41	3311505	4	Locknut 5/16in-18NC	

SECTION 2 - TURNTABLE

ITEM	PART NUMBER	QTY	DESCRIPTION	REV
42	3311605	16	Locknut 3/8in-16NC	
43	3311801	1	Nut 1/2in-13NC	
44	3311805	4	Locknut 1/2in-13NC	
45	3574206	1	Plate, Motor Mount	
46	3574207	1	Plate, Engine Mount (Rear)	
47	3574208	1	Bracket, Muffler	
48	3620047	1	Radiator	
48A	7027412	1	Cap	
48B	70004182	1	Shroud, Fan	
49	3740067	2	Relay, Solenoid Assembly	
50	3960468	1	Seal, Foam Gasket	
51	3960469	1	Seal, Foam Gasket	
52	4031911	4	Bolt M8 x 35mm	
53	4060805	2 ft /0.7mm	Flex-Trim 1/4in	
54	4220191	2	Block, Spacer	
55	4567073	1	Tube, Exhaust	
56	4568721	1	Exhaust Tube Weldment	
57	4711500	8	Flatwasher 5/16in Thin	
58	4711600	2	Flatwasher 3/8in Thin	
59	4740274	4	Washer, Snubbing	
60	4751400	24	Flatwasher 1/4in Regular	
61	4751500	2	Flatwasher 5/16in Regular	
62	4751600	44	Flatwasher 3/8in Regular	
63	4751800	1	Flatwasher 1/2in Regular	
64	4811900	4	Flatwasher M8	
65	4812100	8	Flatwasher M12	
66	4832000	8	Lockwasher M10	
67	4846790	1	Tray Engine	
68	4846805	1	Mount, Engine/Generator - Left	
69	8405009	2	Clamp, Hose	
70	8405104	4	Clamp, Hose	
71	88521205	2	Locknut 5/16in-18NC	
72	91401281	1	Hold-down, Battery	
73	1001093382	2	Rod, Hold-Down	
74	1001105833	NLA	Valve, Oil Drain (Use p/n 4640750)	
74	0100020	AR	Sealant, Pipe	
75	1001109595	1	Plate, Radiator Mounting	
76	1001112077	1	Caterpillar Tier IVi Engine Assembly	
77	1001107705	1	Hose, Radiator (Top)	
78	4791400	4	Starwasher 1/4in	
		Ref	CATERPILLAR TIER IVi ENGINE INSTALLATIONS	
	1001110210	Ref	2WD Without Arctic Package	D
	1001110211	Ref	4WD Without Arctic Package	D
	1001110209	Ref	4WD With Arctic Package	D
101	0100011	AR	Compound, Locking	
102	0100020	AR	Sealant, Thread	
103	0641507	3	Bolt 5/16in-18NC x 7/8in	
104	0641510	2	Bolt 5/16in-18NC x 1-1/4in	
105	3900272	3	Bolt 5/16in-18NC x 1-3/4in	
106	0641610	1	Bolt 3/8in-16NC x 1-1/4in	
107	0641808	1	Bolt 1/2in-13NC x 1in	

SECTION 2 - TURNTABLE

ITEM	PART NUMBER	QTY	DESCRIPTION	REV
108	0642010	1	Bolt 5/8in-11NC x 1-1/4in	
109	1320022	7	Clamp, Hose	
110	1320176	1	Clamp	
111	1701505	1	Decal - Diesel (Not Shown - Located on Hood)	
112	2180348	1	Fitting	
113	2220313	1	Fitting,90	
114	2221176	1	Fitting	
115		Ref	Fluid, Anti-Freeze Options (Not Shown):	
115	2300004	2.6 gal /9.8L	Machines without Arctic Package	
115	2300041	2.6 gal /9.8L	Machines with Arctic Package	
116	2720058	30 ft/9.1m	Hose	
117	2750532	6 ft/1.8m	Hose 3/8in	
118	3311505	8	Locknut 5/16in-18NC	
119	3380429	1	Panel, Rubber	
120	3422446	1	Pin, Pivot	
121	3460544	1	Pipe, Exhaust	
122	3539957	2	Plate, Hold Down	
123	3841143	1	Keeper, Pin	
124	4751500	4	Flatwasher 5/16in Regular	
125	4752000	1	Flatwasher 5/8in Regular	
		Ref	Note: Arctic Package Items 127-130 Not Shown - Used on Arctic Machines Only.	
127	1060625	1	Cable, Immersion Heater	
128	1320223	1	J-Clip 1/2in	
129	1702943	1	Decal - Hydraulic Tank Heater (Located on bottom of Hydraulic Oil Tank)	
130	2580050	1	Heater, Hydraulic Tank	
		Ref	CATERPILLAR TIER IVi ENGINE WITH PUMPS ASSEMBLIES	
	1001110202	Ref	2WD Without Arctic Package	B
	1001110203	Ref	4WD Without Arctic Package	B
	1001110201	Ref	4WD With Arctic Package	B
201	0100011	AR	Compound, Locking	
202	0641407	1	Bolt 1/4in-20NC x 7/8in	
203	0641812	2	Bolt 1/2in-18NC x 1-3/4in	
204		Ref	Oil, Motor Options (Not Shown):	
204	3020016	2.5 gal /9.5L	Oil, Motor 15W-40 (Without Arctic Package)	
204	3020044	2.5 gal /9.5L	Oil, Motor 0W-40 (With Arctic Package)	
205	3311405	1	Locknut 1/4in-20NC	
206	3422532	1	Pin, Hitch	
207		Ref	Piston Pump Assembly Options (See PISTON PUMP ASSEMBLY for Breakdown):	
207	3600394	1	Piston Pump Assembly 2WD	
207	1001117799	1	Piston Pump Assembly 4WD	
208	3600395	1	Gear Pump Assembly (See Gear Pump Assembly for Breakdown)	
209	3790152	1	O-Ring	
210	3931620	2	Bolt 3/8in-16NC x 1-1/4in	
211	3960389	5 ft/1.5m	Seal, Hood	
212	4751400	1	Flatwasher 1/4in Regular	

SECTION 2 - TURNTABLE

ITEM	PART NUMBER	QTY	DESCRIPTION	REV
213	4891600	2	Flatwasher 3/8in Hardened	
215	1001112763	1	Battery Cable Kit	B
215A	7027028	1	Cable, Battery (Red)	
215B	7027029	1	Cable, Battery (Black)	
215C	7027002	1	Cable (Red)	
215D	7027033	1	Cable (Black)	
		Ref	Note: Arctic Package Items 216 - 226 Not Shown - Used on Arctic Machines Only.	
216	0641608	2	Bolt 3/8in-16NC x 1in	
217	1060626	1	Cord, 3-Way Extension (Located on Left Front of Engine)	
218	1320223	2	Clamp	
219	1702941	1	Decal - Battery Heater (Located on Battery Heater)	
220	1702942	1	Decal - Engine Block Heater (Located on Right Side of Engine)	
221	1702944	1	Decal - Heater Cord (Located on Left Front of Engine)	
222	2580024	1	Heater, Battery (Located on Battery)	
223	2580055	1	Heater, Block (Located on Left Side of Engine)	
224	3311605	2	Locknut 3/8in-16NC	
225	3980007	1	Seat, Battery (Located Under Battery)	
226	4751600	2	Flatwasher 3/8in Regular	
	1001112077	Ref	CATERPILLAR TIER IVI ENGINE WITH ECM ASSEMBLY	E
301	0100011	AR	Compound, Locking	
302	0100020	AR	Sealant, Thread	
303	0700620	1	Bolt M6 x 60mm	
304	0700808	5	Bolt M8 x 16mm	
305	0701010	2	Bolt M10 x 20mm	
306	0760606	2	Bolt M6 x 12mm	
307	0760610	2	Bolt M6 x 20mm	
308	0760612	NLA	Bolt M6 x 25mm (Use p/n 4031709)	
309	8303541	1	Screw M6 x 35mm	
310	0700616	2	Bolt M6 x 40mm	
311	0761210	2	Bolt M12 x 20mm	
312	8406009	1	Clamp, Cable	
313	1320224	1	Clamp, Cable	
314	8406105	2	Clip, Tube	
315	3290507	1	Locknut M5	
316	4811700	12	Flatwasher M6	
317	4811900	5	Flatwasher M8	
318	4812000	2	Flatwasher M10	
319	4812100	2	Flatwasher M12	
320	4811600	1	Flatwasher M5	
321	1001097553	1	Washer, Coolant Sensor	
322	1001109064	1	Caterpillar Tier IVi Engine Assembly	
323	1001112057	1	Bracket	
324	1001112059	5	Bumper	
325	1001112067	1	ECM	
326	1001112068	1	Sensor, Speed	
327	1001112069	1	Sensor, Temperature	
328	1001112070	1	Switch, Oil Pressure	
329	1001112071	1	Harness, Engine (Not Shown - See ELECTRICAL SECTION for Breakdown)	
330	1001112072	1	Bracket	
331	1001112073	1	Actuator	

SECTION 2 - TURNTABLE

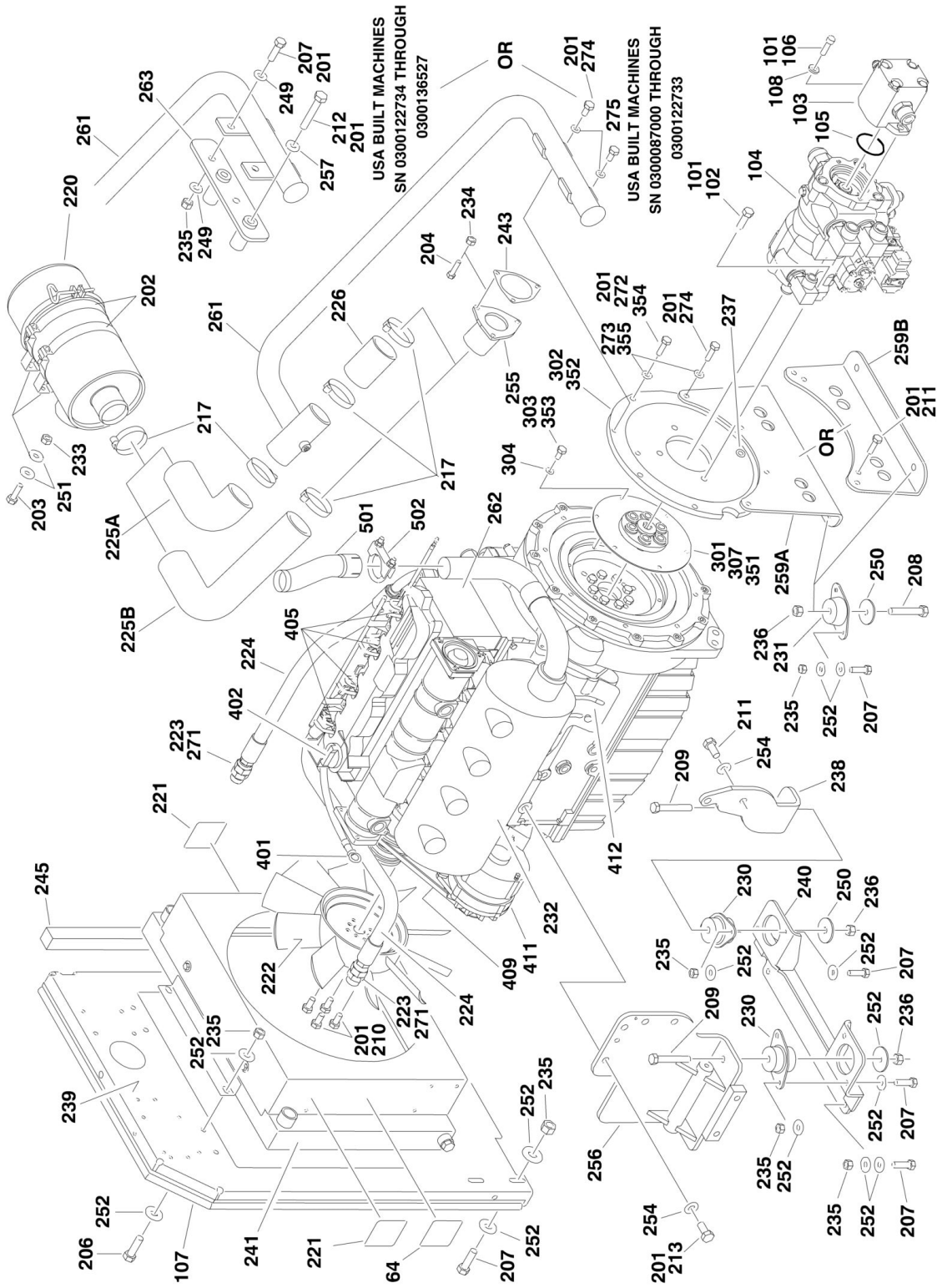
ITEM	PART NUMBER	QTY	DESCRIPTION	REV
331	1001112849	1	Linkage Assembly	
332	1001112570	1	Spacer	
334	1320263	1	Clamp, Cable	
335	1001112075	1	Bolt	
336	1001112592	1	Bearing	
337	1001116595	1	Spacer	
338	8406109	1	Clip, Tube	
	1001109064	Ref	ENGINE COMPONENTS	B
401	70001051	1	Valve, Crankcase Actuator Shut-Off	
402	70001120	1	Pump, Water	
402	70001742	1	Pulley, Water Pump	
402	70002765	1	Hose, By-Pass (Not Shown)	
403	See Note	NSS	Head, Cylinder (Note: Not Available for Purchase)	
403	7026801	1	Gasket, Valve Cover	
403	70002764	1	Gasket, Rear Head	
403	70002762	15	Seat, Valve	
403	70002761	17	Bolt, Head	
404	7026839	1	Pump, Fuel Supply	
404	7026830	1	Element, Fuel Filter	
404	70002834	1	Bowl, Water Collection	
404	70002835	1	Seal Kit - Water Separator	
404	70002833	1	Ring, Fuel Pump Retaining	
405	70002844	1	Dipstick Oil Level	
405	70002843	1	Seal, Dipstick Tube	
406	70002845	1	Pump, Oil (Not Shown)	
406	70002846	1	O-Ring, Oil Pump (Not Shown)	
407	70002849	1	Pump, Fuel Injection	
407	70002847	1	O-Ring, Fuel Injection Pump Flange	
407	70002848	1	Gasket, Fuel Injection Pump	
407	70002850	1	Solenoid, Fuel Shut-Off	
409	7026802	1	Flywheel	
409	7026803	1	Gear, Flywheel	
409	7026804	1	Gasket (Not Shown - Between Flywheel Housing and Engine Block)	
409	7026805	1	Seal, Rear Main (Not Shown - Rear of Flywheel Housing)	
409	7026807	1	Seal, Front Main (Located in Front Housing)	
410	7026800	1	Cap Oil Filler (Top of Valve Cover)	
411	7026806	1	Cap, Filler (Front Side of Engine)	
412	7026810	1	V-Belt	
413	7026811	1	Filter, Oil	
413	7026812	1	O-Ring (Between Bolt and Oil Filter Bracket)	
413	7026813	1	O-Ring (Between Oil Filter Bracket and Engine Block)	
414	7026819	1	Engine Cooler Assembly (Not Shown)	
414	7026816	2	O-Ring (Between Cover and Cooler)	
414	7026817	4	O-Ring (Between Cover and Cooler)	
415	7026822	1	Thermostat	
415	7026821	1	Gasket (Between Regulator and Thermostat Housing)	
415	7026820	1	Gasket (Between Regulator and Engine Head)	
416	7026814	1	Relief Valve, Oil Pressure (Not Shown)	
416	7026815	1	Gasket, Relief Valve	
417	See Note	NSS	Injector, Fuel (Not Shown) (Note: Not Available for Purchase)	
417	70002763	4	Gasket, Fuel Line (Not Shown)	

SECTION 2 - TURNTABLE

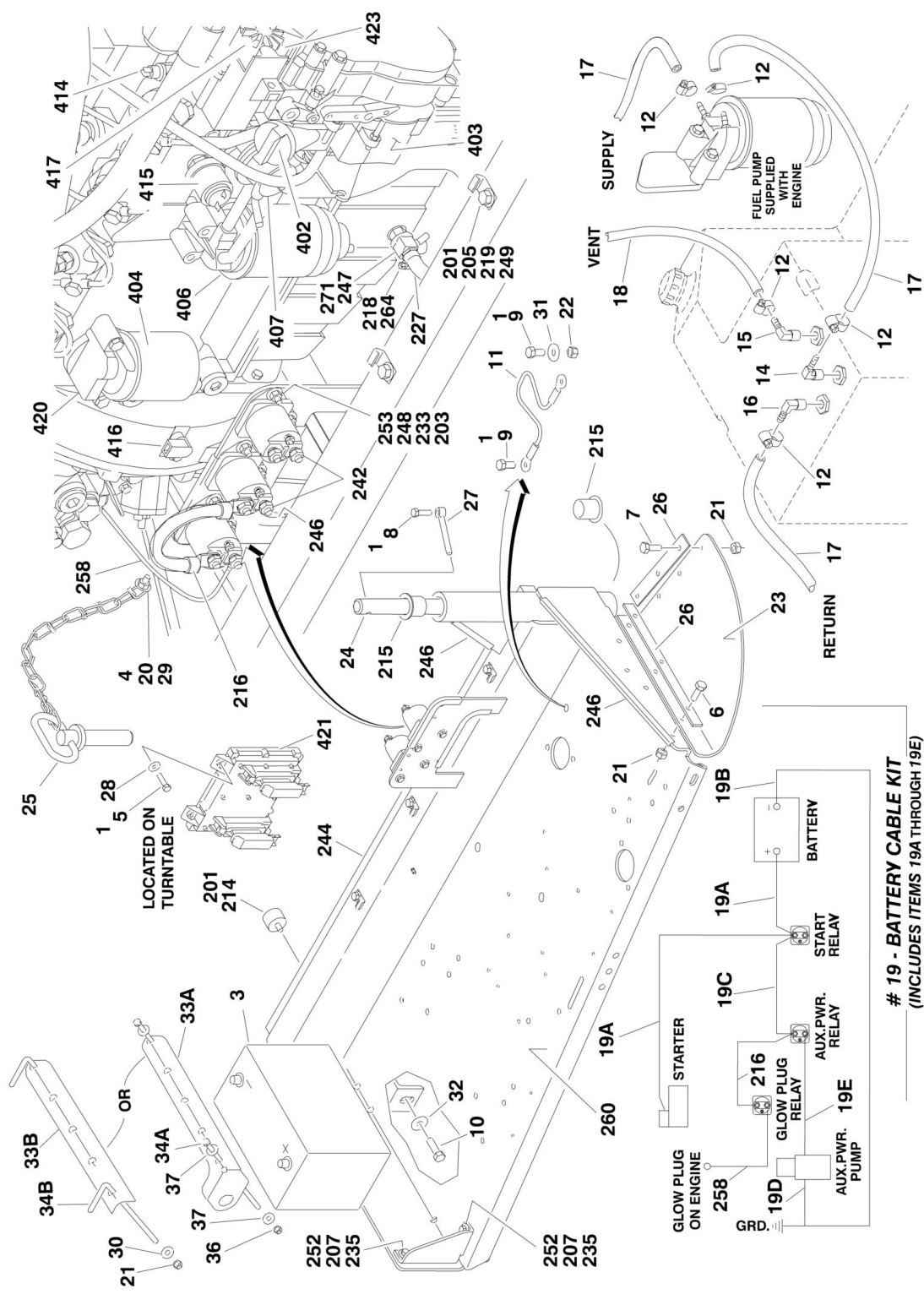
ITEM	PART NUMBER	QTY	DESCRIPTION	REV
418	7026831	1	Alternator	
419	7026832	1	Plug, Glow (Not Shown)	
420	7026833	1	Starter (Not Shown - Located on other side of engine)	
421	7026826	1	Gasket, Exhaust Manifold to Cylinder Head (Not Shown)	
421	7026827	1	Gasket, Exhaust Manifold to Exhaust Pipe (Not Shown)	
421	70002852	4	Stud, Exhaust Manifold (Not Shown)	
422	7026829	1	Gasket, Intake Manifold to Cylinder Head (Not Shown)	
422	7026828	1	Gasket, Intake Manifold to Intake Tube (Not Shown)	
423	7026808	1	Plug, Oil Pan (Not Shown)	
423	7026809	1	Gasket, Oil Plug	
424	70002851	1	Gasket Kit (Not Shown)	
425	4569371	1	Tube, Intake	

SECTION 2 - TURNTABLE

FIGURE 2-11. DEUTZ ENGINE INSTALLATION



SECTION 2 - TURNTABLE



SECTION 2 - TURNTABLE

FIGURE 2-11. DEUTZ ENGINE INSTALLATION

ITEM	PART NUMBER	QTY	DESCRIPTION	REV
		Ref	DEUTZ ENGINE INSTALLATIONS	
		Ref	2WD Without Arctic Package	
		Ref	USA Built Machines	
	0274298	Ref	Tier II Engines (SN 0300087000 through 0300126188)	G
	1001099216	Ref	Tier III/IVi Engines (SN 0300126189 through 0300169952)	E
	1001099216	Ref	Tier III/IVi Engines (All Specs except ANSI, CSA and Japanese Specs) (SN 0300169953 through 0300171769)	E
	1001137762	Ref	Tier IVi-Flex Engines (ANSI, CSA and Japanese Specs) (SN 0300169953 through 0300171769)	B
		Ref	4WD Without Arctic Package	
		Ref	USA Built Machines	
	0274297	Ref	Tier II Engines (SN 0300087000 through 0300126188)	H
	1001094104	Ref	Tier III/IVi Engines (SN 0300126189 through 0300169952)	E
	1001094104	Ref	Tier III/IVi Engines (All Specs except ANSI, CSA and Japanese Specs) (SN 0300169953 through 0300171769)	E
	1001137763	Ref	Tier IVi-Flex Engines (ANSI, CSA and Japanese Specs) (SN 0300169953 through 0300171769)	B
		Ref	China Built Machines	
	1001094104	Ref	Tier III/IVi Engines (SN B300000100 through B300000969)	E
		Ref	4WD With Arctic Package	
		Ref	USA Built Machines	
	0275343	Ref	Tier II Engines (SN 0300087000 through 0300126188)	E
	1001099215	Ref	Tier III/IVi Engines (SN 0300126189 through 0300169952)	E
	1001099215	Ref	Tier III/IVi Engines (All Specs except ANSI, CSA and Japanese Specs) (SN 0300169953 through 0300171769)	E
	1001137764	Ref	Tier IVi-Flex Engines (ANSI, CSA and Japanese Specs) (SN 0300169953 through 0300171769)	B
		Ref	China Built Machines	
	1001099215	Ref	Tier III/IVi Engines (SN B300000100 through B300000969)	E
1	0100011	AR	Compound, Locking	
2	0100020	AR	Sealant, Pipe (Not Shown)	
3	0400075	1	Battery	
4	0641407	1	Bolt 1/4in-20NC x 7/8in	
5	0641410	4	Bolt 1/4in-20NC x 1-1/4in	
6	0641508	3	Bolt 5/16in-18NC x 1in	
7	3900272	3	Bolt 5/16in-18NC x 1-3/4in	
8	0641610	1	Bolt 3/8in-16NC x 1-1/4in	
9	0641808	2	Bolt 1/2in-13NC x 1in	
10	0642010	1	Bolt 5/8in-11NC x 1-1/4in	
11	1060637	1	Cable, Lanyard	
12	1320022	AR	Clamp, Hose	
13	1701505	1	Decal - Diesel (Not Shown - Located on Hood)	
14	2180348	1	Fitting, Straight Barbed	
15	2220313	1	Fitting, 90	
16	2221176	1	Fitting, 90 Barbed	
17	2720058	26 ft/7.9m	Hose	
18	2750532	6 ft/1.8m	Hose	
19	2902296	1	Battery Cable Kit	B
		Ref	Note: 2902296 Rev A version is no longer available. Verify whether machine is equipped with 2 or 3 relays on the engine tray. If there are 3 relays, purchase latest revision of 2902296 kit. If there are 2 relays, purchase individual	

SECTION 2 - TURNTABLE

ITEM	PART NUMBER	QTY	DESCRIPTION	REV
			items as replacement.	
19A		Ref	Cable, Battery (Red)	
19A	1001116241	1	Machines with 2 Relays on Engine Tray (was p/n 7027000)	
19A	1001116240	1	Machines with 3 Relays on Engine Tray (was p/n 7027000)	
19B	7027004	1	Cable, Battery (Black)	
19C	7027001	1	Cable (Red) (No Longer Part of 2902296 Kit - Used on USA Built Machines) (SN 0300087000 through 0300138090)	
19D	7027003	1	Cable (Black)	
19E	7027002	1	Cable (Red)	
20	3311405	1	Locknut 1/4in-20NC	
21		Ref	Locknut Options:	
21	3311505	AR	Locknut 5/16in-18NC	
21	88521205	AR	Locknut with Nylon Lock 5/16in-18NC	
22	3311801	1	Nut 1/2in-13NC	
23	3380429	1	Panel, Rubber	
24	3422446	1	Pin, Pivot	
25	3422532	1	Pin, Hitch with Chain	
26	3539957	2	Plate, Hold-Down	
27	3841143	1	Pin, Keeper	
28	4711400	4	Flatwasher 1/4in Thin	
29	4751400	1	Flatwasher 1/4in Regular	
30	4751500	AR	Flatwasher 5/16in Regular	
31	4751800	1	Flatwasher 1/2in Regular	
32	4752000	1	Flatwasher 5/8in Regular	
33		Ref	Hold-Down, Battery Options:	
33A	0181727	1	USA Built Machines (SN 0300087000 through 0300110250)	
33B	91401281	1	USA Built Machines (SN 0300110251 through 0300171769)	
33B	91401281	1	China Built Machines (SN B300000100 through B300000969)	
34		Ref	Hardware, Battery Hold-down Options:	
34A	0630498	2	USA Built Machines(Bolt) (SN 0300087000 through 0300110250)	
34B	1001093382	2	USA Built Machines (J-Hook) (SN 0300110251 through 0300171769)	
34B	1001093382	2	China Built Machines (J Hook) (SN B300000100 through B300000969)	
36	3311605	AR	Locknut 3/8in-16NC	
36	88521205	AR	Locknut 5/16in-18NC	
37	4751600	AR	Flatwasher 3/8in Regular	
		Ref	Note: Arctic Package Items (Used on Arctic Machines Only) - Items 51-62 Not Shown.	
51	1060626	1	Cord, 3 Way Extension (Located on Left Front of Engine)	
52	1702941	1	Decal - Battery Heater (Located on Battery Heater)	
53	1702942	1	Decal - Engine Block Heater (Located on Right Side of Engine)	
54	1702943	1	Decal - Hyd Tank Heater (Located on bottom of Hyd Oil Tank)	
55	1702944	1	Decal - Heater Cord (Located on Left Front of Engine)	
56	2580024	1	Heater, Battery (Located on Battery)	
57	2580050	1	Heater, Hydraulic Tank (Located on Bottom of Hyd Oil Tank)	
58	3980007	1	Seat, Battery (Located on Battery)	
59	0641507	1	Bolt 5/16in-18NC x 7/8in	
60	0641608	1	Bolt 3/8in-16NC x 1in	
61	1060625	1	Cable, Immersion Heater (Located on bottom of Hyd Oil Tank)	

SECTION 2 - TURNTABLE

ITEM	PART NUMBER	QTY	DESCRIPTION	REV
62	1320223	2	Clamp	
64		Ref	Decal - Warning Explosion/Fire Options:	
64	1704972	1	ANSI Spec	
64	1706098	1	Australian and CE Spec	
64	1706059	1	Brazilian Spec	
64	1706060	1	Chinese Spec	
64	1706064	1	CSA Spec	
64	1706062	1	Japanese Spec	
64	1706061	1	Korean Spec	
64	1706063	1	Spanish Language	
		Ref	ENGINE AND PUMP ASSEMBLIES	
		Ref	2WD Without Arctic Package	
		Ref	USA Built Machines	
	2000281	Ref	Tier II Engines (SN 0300087000 through 0300126188)	D
	1001099217	Ref	Tier III/IVi Engines (SN 0300126189 through 0300169952)	E
	1001099217	Ref	Tier III/IVi Engines (All Specs except ANSI, CSA and Japanese Specs) (SN 0300169953 through 0300171769)	E
	1001137761	Ref	Tier IVi-Flex Engines (ANSI, CSA and Japanese Specs) (SN 0300169953 through 0300171769)	B
		Ref	4WD Without Arctic Package	
		Ref	USA Built Machines	
	2000280	Ref	Tier II Engines (SN 0300087000 through 0300126188)	E
	1001094103	Ref	Tier III/IVi Engines (SN 0300126189 through 0300169952)	G
	1001094103	Ref	Tier III/IVi Engines (All Specs except ANSI, CSA and Japanese Specs) (SN 0300169953 through 0300171769)	G
	1001137750	Ref	Tier IVi-Flex Engines (ANSI, CSA and Japanese Specs) (SN 0300169953 through 0300171769)	B
		Ref	China Built Machines	
	1001094103	Ref	Tier III/IVi Engines (SN B300000100 through B300000969)	E
		Ref	4WD With Arctic Package	
		Ref	USA Built Machines	
	2000366	Ref	Tier II Engines (SN 0300087000 through 0300126188)	C
	1001098475	Ref	Tier III/IVi Engines (SN 0300126189 through 0300169952)	F
	1001098475	Ref	Tier III/IVi Engines (All Specs except ANSI, CSA and Japanese Specs) (SN 0300169953 through 0300171769)	F
	1001137753	Ref	Tier IVi-Flex Engines (ANSI, CSA and Japanese Specs) (SN 0300169953 through 0300171769)	B
		Ref	China Built Machines	
	1001098475	Ref	Tier III/IVi Engines (SN B300000100 through B300000969)	F
101	0100011	AR	Compound, Locking	
102	0641812	2	Bolt 1/2in-13NC x 1-1/2in	
103	3600395	1	Gear Pump Assembly with Fittings (See GEAR PUMP ASSEMBLY for Breakdown)	
104		Ref	Piston Pump Assembly with Fittings Options (See PISTON PUMP ASSEMBLY for Breakdown):	
104	3600394	1	2WD	
104	3600396	1	4WD (USA Built Machines) (SN 0300087000 through 0300139335)	
104	1001117799	1	4WD (USA Built Machines) (SN 0300139336 through 0300171769)	
104	1001117799	1	4WD (China Built Machines) (SN B300000100 through B300000969)	
105	3790152	1	O-Ring	
106	3931620	2	Capscrew 3/8in-16NC x 1-1/4in	

SECTION 2 - TURNTABLE

ITEM	PART NUMBER	QTY	DESCRIPTION	REV
107	3960389	5 ft/1.5m	Seal	
108	4891600	2	Flatwasher 3/8in Hardened	
109	3020016	3.75 gal /14.19L	Oil, Motor (Not Shown)	
		Ref	ENGINE ASSEMBLIES	
		Ref	Machines Without Arctic Package	
		Ref	USA Built Machines	
	2000279	Ref	Tier II Engines (SN 0300087000 through 0300092725)	E
	2000342	Ref	Tier II Engines (SN 0300092726 through 0300126188)	B
	1001094102	Ref	Tier III/IVi Engines (SN 0300126189 through 0300169952)	I
	1001094102	Ref	Tier III/IVi Engines (All Specs except ANSI, CSA and Japanese Specs) (SN 0300169953 through 0300171769)	I
	1001137749	Ref	Tier IVi-Flex Engines (ANSI, CSA and Japanese Specs) (SN 0300169953 through 0300171769)	B
		Ref	China Built Machines	
	1001094102	Ref	Tier III/IVi Engines (SN B300000100 through B300000969)	I
		Ref	Machines With Arctic Package	
		Ref	USA Built Machines	
	2000365	Ref	Tier II Engines (SN 0300087000 through 0300126188)	B
	1001098476	Ref	Tier III/IVi Engines (SN 0300126189 through 0300169952)	I
	1001098476	Ref	Tier III/IVi Engines (All Specs except ANSI, CSA and Japanese Specs) (SN 0300169953 through 0300171769)	I
	1001137752	Ref	Tier IVi-Flex Engines (ANSI, CSA and Japanese Specs) (SN 0300169953 through 0300171769)	B
		Ref	China Built Machines	
	1001098476	Ref	Tier III/IVi Engines (SN B300000100 through B300000969)	I
	0256690	Ref	MUFFLER INSTALLATION - CATALYTIC	-
201	0100011	AR	Compound, Locking	
202	0340041	2	Band, Air Cleaner	
203	0641407	AR	Bolt 1/4in-20NC x 7/8in	
204	0641510	3	Bolt 5/16in-18NC x 1-1/4in	
205	0641606	3	Bolt 3/8in-16NC x 3/4in	
206		Ref	Bolt Options:	
206	0641610	AR	Bolt 3/8in-16NC x 1-1/4in	
206	0641609	AR	Bolt 3/8in-16NC x 1-1/8in	
207		Ref	Bolt Options:	
207	0641608	AR	Bolt 3/8in-16NC x 1in	
207	0641610	AR	Bolt 3/8in-16NC x 1-1/4in	
208	0641818	2	Bolt 1/2in-13NC x 2-1/4in	
209	0641826	2	Bolt 1/2in-13NC x 3-1/4in	
210	0700808	4	Bolt 8mm x 16mm	
211	0701414	AR	Bolt 14mm x 30mm	
212	0711025	AR	Bolt 10mm x 85mm (USA Built Machines) (SN 0300087000 through 0300136527)	
213	0711414	AR	Bolt 14mm x 30mm	
214	0940070	1	Bumper	
215	0961986	2	Bushing, Flanged	
216	1060904	1	Cable, Jumper (USA Built Machines) (SN 0300092726 through 0300171769)	
216	1060904	1	Cable, Jumper (China Built Machines) (SN B300000100 through B300000969)	
217	1320016	AR	Clamp	
218	1320022	1	Clamp, Hose (USA Built Machines) (SN 0300087000 through	

SECTION 2 - TURNTABLE

ITEM	PART NUMBER	QTY	DESCRIPTION	REV
			0300136527)	
219	1320223	4	J-Clip	
220	1340060	1	Air Cleaner Assembly Filter Element	
220	7012664	1	Element, Filter (Not Shown)	
221	1703162	2	Decal - Caution Fan Blade	
222	2060025	1	Fan	
223	2220451	2	Fitting, Straight	
224	2720398	2	Hose, Oil Cooler	
225		Ref	Elbow, Rubber Options:	
225A	2720434	1	Elbow USA Built Machines (SN 0300087000 through 0300136526)	
225B	1001091179	1	Elbow USA Built Machines (SN 0300136527 through 0300171769)	
225B	1001091179	1	Elbow China Built Machines (SN B300000100 through B300000969)	
226	2720449	1	Hose, Air Cleaner (USA Built Machines) (SN 0300087000 through 0300136527)	
227		Ref	Hose Options:	
227	2750532	1 ft/30cm	Hose - 3/8in	
227	1001091892	6 in/15cm	Hose - 5/8in	
229		Ref	Oil, Motor Options (Not Shown):	
229	3020016	3.75 gal /14.19L	Without Arctic Package	
229	3020044	3.75 gal /14.19L	With Arctic Package	
230	3200362	2	Mount, Motor	
231	3200406	2	Mount, Motor	
232		Ref	Muffler Options:	
232	3220103	1	Muffler, Spark Arresting (Standard)	
232	3220104	1	Muffler, Catalytic (Optional)	
232		Ref	Muffler Components:	
232		Ref	Clamp Options:	
232	1320176	1	Saddle Clamp Used on Spark Arresting	
232	70001017	1	Band Clamp Used on Catalytic	
232	7024398	1	Tube, Exhaust	
232	7024560	1	Plug, Brass	
233	3311405	AR	Locknut 1/4in-20NC	
234	3311505	3	Locknut 5/16in-18NC	
235	3311605	AR	Locknut 3/8in-16NC	
236	3311805	4	Locknut 1/2in-13NC	
237	3520054	2	Plug, Hole (SN 0300126189 through 0300171769)	
238	3537416	1	Plate, Engine Mounting (Front Right Side)	
239	3539872	1	Plate, Radiator Mounting	
240	3539971	1	Plate, Engine Mounting (Front Bottom)	
241	3620033	NLA	Radiator (Use p/n 1001150998)(USA Built Machine) (SN 0300087000 through 0300171410)	
241	1001150998	1	Radiator, (USA Built Machine) (SN 0300171411 through 0300171769)	
241	3620033	NLA	Radiator (Use p/n 1001150998) (China Built Machine) (SN B300000100 through B300000868)	
241	1001150998	1	Radiator, (China Built Machine) (SN B300000869 through B300000969)	
242	3740067	Ref	Relay Options:	
242	3740067	2	Relay USA Built Machines (SN 0300087000 through	

SECTION 2 - TURNTABLE

ITEM	PART NUMBER	QTY	DESCRIPTION	REV
242	3740067	3	0300092725) Relay USA Built Machines (SN 0300092726 through 0300171769)	
242	3740067	3	Relay China Built Machines (SN B300000100 through B300000969)	
243	3960407	1	Gasket, Air Intake	
244	3960468	1	Seal	
245	3960469	1	Seal	
246	4060805	37 in/1m	Flex-Trim	
247	1001104308	NLA	Valve, Oil Drain (Use p/n 4640751)	
248		Ref	Flatwasher Options:	
248	4751400	6	Flatwasher 1/4in Regular	
248	4711400	6	Flatwasher 1/4in Thin	
249	4711600	AR	Flatwasher 3/8in Thin	
250	4740274	4	Washer, Snubbing	
251	4751400	AR	Flatwasher 1/4in Regular	
252	4751600	AR	Flatwasher 3/8in Regular	
253	4791400	AR	Starwasher 1/4in	
254		Ref	Flatwasher Options:	
254	4711900	6	Flatwasher 9/16in Thin	
254	4812200	6	Flatwasher M14	
255	4845395	1	Adapter, Air Intake	
256	4846566	1	Plate, Engine Mounting (Front Left Side)	
257	4891600	AR	Flatwasher 3/8in Regular	
258	4923379	1	Harness, Glow Plug (USA Built Machines) (SN 0300092726 through 0300171769)	
258	4923379	1	Harness, Glow Plug (China Built Machines) (SN B300000100 through B300000969)	
259		Ref	Plate, Engine Mounting (Rear) Options:	
259A	3534978	1	Tier II Engines (USA Built Machines) (SN 0300087000 through 0300126188)	
259B	1001093943	1	Tier III Engines/Tier IVi-Flex Engines (USA Built Machines) (SN 0300126189 through 0300171769)	
259B	1001093943	1	Tier III & IVi Engines (China Built Machines) (SN B300000100 through B300000969)	
260		Ref	Tray, Engine Options:	
260	4845404	1	Tier II Engines (USA Built Machines) (SN 0300087000 through 0300126188)	
260	1001094321	1	Tier III Engines/Tier IVi-Flex Engines (USA Built Machines) (SN 0300126189 through 0300171769)	
260	1001094321	1	Tier III & IVi Engines (China Built Machines) (SN B300000100 through B300000969)	
261		Ref	Tube, Tuning	
261	4569171	1	Tier II Engines (USA Built Machines) (SN 0300087000 through 0300126188)	
261	1001094521	1	Tier III Engines (USA Built Machines) (SN 0300126189 through 0300136526)	
261	Not Required	0	Tier III & IVi Engines/Tier IVi-Flex Engines (USA Built Machines) (SN 0300136527 through 0300171769)	
261	Not Required	0	Tier III & IVi Engines (China Built Machines) (SN B300000100 through B300000969)	
262		Ref	Engine, Deutz - F4M2011 Options:	
262	2000274	1	USA Built Machines (Tier II) (SN 0300087000 through 0300092725)	
262	2000339	1	USA Built Machines (Tier II) (SN 0300092726 through	

SECTION 2 - TURNTABLE

ITEM	PART NUMBER	QTY	DESCRIPTION	REV
262	1001098211	1	0300126188) USA Built Machines (Tier III & IVi) (SN 0300126189 through 0300169952)	
262	1001098211	1	USA Built Machines All Specs except ANSI, CSA and Japanese Specs (Tier III & IVi) (SN 0300169953 through 0300171769)	
262	1001137748	1	USA Built Machines ANSI, CSA and Japanese Specs (Tier IVi-Flex) (SN 0300169953 through 0300171769)	
262	1001098211	1	China Built Machines (Tier III & IVi) (SN B300000100 through B300000969)	
263	1001098916	1	Support, Resonator (USA Built Machines) (SN 0300126189 through 0300136527)	
264	1320022	1	Clamp	
271	0100020	AR	Sealant, Pipe	
272	0701012	2	Bolt 10mm x 25mm (USA Built Machines) (SN 0300087000 through 0300126189)	
273	4711700	AR	Flatwasher 7/16in Thin (USA Built Machines) (SN 0300087000 through 0300126189)	
274	0701015	6	Bolt 10mm x 35mm (USA Built Machine) (SN 0300087000 through 0300126189)	
275	4751700	2	Flatwasher 7/16in Regular (USA Built Machines) (SN 0300087000 through 0300126189)	
		Ref	Note: Arctic Package Item 276 Not Shown - Used on Arctic Machines Only.	
276	2580062	1	Heater, Engine Block	
	0256847	Ref	PUMP COUPLING INSTALLATION - TIER II ENGINES (USA BUILT MACHINES) (SN 300087000 through 0300126188)	2
301	1660234	1	Coupling, Hayes	
302	0080163	1	Plate, Pump Adapter	
303	0700810	6	Bolt M8 x 20mm	
304	4831900	6	Lockwasher M8	
307	3020021	AR	Grease, Coupling (Not Shown)	
	2902065	Ref	PUMP COUPLING INSTALLATION - TIER III ENGINES/TIER IVI-FLEX ENGINES (USA BUILT MACHINES) (SN 0300126189 through 0300171769)	I
	2902065	Ref	PUMP COUPLING INSTALLATION - TIER III ENGINES/TIER IVI-FLEX ENGINES (CHINA BUILT MACHINES) (SN B300000100 through B300000969)	I
351	70000793	1	Coupling	
352	See Note	NSS	Plate, Pump Adapter (Not Shown) (Note: Use p/n 2902065)	
353	See Note	NSS	Bolt M10 x 20mm Grade 10.9 (Note: Not Available - Purchase Locally)	
354	See Note	NSS	Bolt M10 x 30mm Grade 10.9 (Note: Not Available - Purchase Locally)	
355	See Note	NSS	Flatwasher M10 (Note: Not Available - Purchase Locally)	
		Ref	ENGINE COMPONENTS	
		Ref	USA Built Machines	
	2000274	Ref	Tier II Engines (SN 0300087000 through 0300092725)	B
	2000339	Ref	Tier II Engines (SN 0300092726 through 0300126188)	B
	1001098211	Ref	Tier III & IVi Engines (SN 0300126189 through 0300169952)	B
	1001098211	Ref	Tier III & IVi Engines (All Specs except ANSI, CSA and Japanese Specs) (SN 0300169953 through 0300171769)	B
	1001137748	Ref	Tier IVi-Flex Engines (ANSI, CSA and Japanese Specs) (SN 0300169953 through 0300171769)	B
		Ref	China Built Machines	
	1001098211	Ref	Tier III & IVi Engines (SN B300000100 through B300000969)	C

SECTION 2 - TURNTABLE

ITEM	PART NUMBER	QTY	DESCRIPTION	REV
401	7026631	1	Dipstick	
401	7020487	1	Seal, Dipstick	
402	7020465	1	Cap, Filler	
403		Ref	Pump, Oil Lube Options:	
403	7020484	1	Pump for 2000274 & 2000339 Tier II Engines	
403	70001850	1	Pump for 1001098211 Tier III & 1001137748 Tier IVi-Flex Engines	
403	7020468	1	Seal Between Oil Pump and Engine Block (Not Shown)	
404	7016331	1	Filter, Oil	
405	70003478	4	Injector, Fuel	
405		Ref	Pump, Injector Options:	
405		Ref	Pump Options for 2000274 & 2000339 Tier II Engines	
405	7027246	4	Series A Injector	
405	7027608	4	Series B Injector	
405	7027609	4	Series C Injector	
405	7027610	4	Series D Injector	
405	7000663	4	Pump Options for 1001098211 Tier III & IVi & 1001137748 Tier IVi-Flex Engines	
405	70000912	4	Series A Injector	
405	70000913	4	Series B Injector	
405	70000914	4	Series C Injector	
405	70000915	4	Series D Injector	
405		Ref	Gasket Options (1 Per Injector):	
405	7020447	4	Gasket for 2000274 & 2000339 Tier II Engines	
405	See Note	NSS	Gasket for 1001098211 Tier III & IVi & 1001137748 Tier IVi-Flex Engines (Note: Not Available for Purchase)	
406	7016328	1	Filter, Fuel	
406	70001423	1	Bracket, Fuel Filter	
407		Ref	Pump Fuel Supply Options:	
407	70000916	1	Pump for 2000274 & 2000339 Tier II Engines (was p/n 7027238)	
407	70000916	1	Pump for 1001098211 Tier III & IVi & 1001137748 Tier IVi-Flex Engines	
407	70001435	1	Repair Kit for 70000916 Pump	
407	70000919	1	Hand Pump Used on 70000916 Pump	
407	70000918	1	Seal, Hand Pump Used on 70000916 Pump	
407		Ref	O-Seal Options Between Fuel Pump and Engine Block (Not Shown):	
407	7020411	1	O-Seal for 2000274 & 2000339 Tier II Engines	
407	70000917	1	O-Seal for 1001098211 Tier III & IVi & 1001137748 Tier IVi-Flex Engines	
408	7020449	4	Gasket, Intake Manifold (Not Shown)	
409	7020408	1	V-Belt	
410	7020471	4	Gasket, Exhaust Manifold to Engine Block (Not Shown)	
410	70002200	8	Stud (Not Shown)	
410	70003476	8	Nut (Not Shown)	
410	7020471	4	Gasket, Exhaust Manifold to Exhaust Muffler (Not Shown)	
411		Ref	Alternator Options:	
411	7000663	1	Alternator for 2000274 & 2000339 Tier II Engines (was p/n 7020410)	
411	7000663	1	Alternator for 1001098211 Tier III & IVi & 1001137748 Tier IVi-Flex Engines	
411		Ref	Regulator, Voltage Options (Not Shown):	

SECTION 2 - TURNTABLE

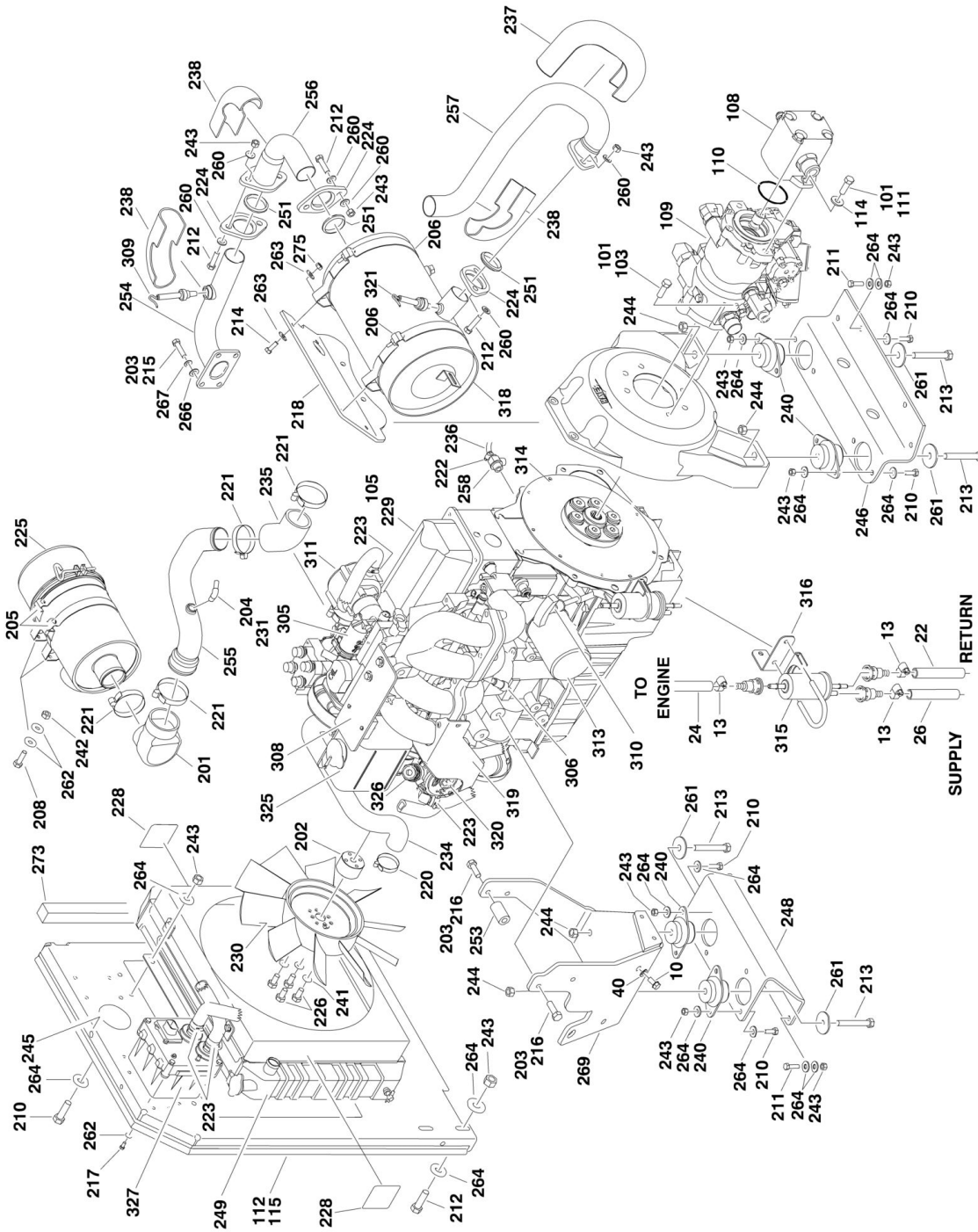
ITEM	PART NUMBER	QTY	DESCRIPTION	REV
411	7020464	1	Regulator for 2000274 & 2000339 Tier II Engines	
411	70001868	1	Regulator for 1001098211 Tier III & IVi & 1001137748 Tier IVi-Flex Engines	
411	70001866	1	Seal, Gasket for 7000663 Voltage Regulator (Not Shown)	
411	70002234	1	Bracket, Adjusting (Not Shown):	
412	7020479	1	Starter	
412	7026608	1	Relay	
412	70001498	1	Shield, Starter Heat	
413	See Note	NSS	Plug- In Connector (Not Shown) (Note: Not Available for Purchase)	
414	7027791	1	Transmitter, Temperature	
414	See Note	NSS	Ring, Sealing (Note: Not Available for Purchase)	
415	7027790	1	Sensor, Oil Pressure	
416	7024565	1	Sensor, Speed	
417	7027792	1	Actuator, Throttle	
417	7026607	2	Spring, Actuator (was p/n 7027276)	
418	7020459	1	Thermostat (Located at rear of engine block - Not Shown)	
418	7020460	1	Spring, Compression	
419		Ref	Flywheel Options (Not Shown):	
419	70000264	1	USA Built Machines (SN 0300087000 through 0300126188)	
419	70001870	1	USA Built Machines (SN 0300126189 through 0300171769)	
419	70001870	1	China Built Machines (SN B300000100 through B300000969)	
419	7024579	1	Ring Gear (Located on Flywheel - Not Shown)	
420	7027236	1	Sender, Temperature	
421	7027795	1	Module, Control (Note: Re-calibration Required when Replaced)	
421	7027796	1	Harness. EMR2 Module	
422	70000345	4	Plug, Glow (Not Shown - Use with p/n 2000339, 1001098211 & 1001137748 Engines Only)	
423		Ref	Solenoid, Start Options:	
423	7027239	1	Solenoid for 2000274 & 2000339 Tier II Engines	
423	See Note	NSS	Solenoid for 1001098211 Tier III & IVi & 1001137748 Tier IVi-Flex Engines (Note: Not Available for Purchase)	
424	70001847	1	Breather Valve (Not Shown - Located On Front Cover) (USA Built Machines) (SN 0300126189 through 0300171769)	
424	70001847	1	Breather Valve (Not Shown - Located On Front Cover) (China Built Machines) (SN B300000100 through B300000969)	
424	70001126	1	Seal, Breather Valve (USA Built Machines) (SN 0300126189 through 0300171769)	
424	70001126	1	Seal, Breather Valve (China Built Machines) (SN B300000100 through B300000969)	
425		Ref	Harness. Engine Options (Not Shown):	
425	7027794	1	USA Built Machines (SN 0300087000 through 0300126188)	
425	70001872	1	USA Built Machines (SN 0300126189 through 0300171769)	
425	70001872	1	China Built Machines (SN B300000100 through B300000969)	
425	7027793	1	Plug, Connector	
426		Ref	Gasket, Head Options (Not Shown):	
426		Ref	Gasket for 2000274 & 2000339 Tier II Engines	
426	70003001	1	Gasket - 1 Notch	
426	70003002	1	Gasket - 2 Notch	
426	70003003	1	Gasket - 3 Notch	
426	See Note	NSS	Gasket for 1001098211 Tier III & IVi & 1001137748 Tier IVi-	

SECTION 2 - TURNTABLE

ITEM	PART NUMBER	QTY	DESCRIPTION	REV
427	70003623	1	Flex Engines (Note: Not Available for Purchase) Kit, Timing Belt/Idler (Not Shown)	
	1001148678	Ref	EXHAUST EXTENSION INSTALLATION	B
501	1001145996	1	Pipe, Exhaust	
502	1320176	1	Clamp	

SECTION 2 - TURNTABLE

FIGURE 2-12. FORD ENGINE INSTALLATION



SECTION 2 - TURNTABLE

FIGURE 2-12. FORD ENGINE INSTALLATION

ITEM	PART NUMBER	QTY	DESCRIPTION	REV
		Ref	Note: Only Available on USA Built Machines.	
		Ref	ENGINE INSTALLATIONS	
	0274490	Ref	Engine Installations 2WD	C
	0274489	Ref	Engine Installations 4WD	C
1	0100011	AR	Compound, Locking	
2	0100020	AR	Sealant	
3	0100048	AR	Grease, Dielectric	
4	0181727	1	Angle, Battery Hold-Down	
5	0400075	1	Battery	
6	0630498	2	Bolt, Battery Hold-Down	
7	0641408	2	Bolt 1/4in-20NC x 1in	
8	0641606	1	Bolt 3/8in-16NC x 3/4in	
9	0641608	1	Bolt 3/8in-16NC x 1in	
10	0641808	2	Bolt 1/2in-13NC x 1in	
11	0642010	1	Bolt 5/8in-11NC x 1-1/4in	
12	1060637	1	Cable, Lanyard	
13	1320022	7	Clamp (Not Shown - Located on Turntable to clamp fuel line)	
14	1701542	1	Decal - Gas (Not Shown - Located on Hood)	
15	1701543	1	Decal - LP (Not Shown - Located on Frame)	
20	2220313	1	Fitting, 90	
21	2221176	1	Fitting, 90	
22	2720058	12 ft/3.7m	Hose, Fuel Line	
24	2720472	1	Hose, Fuel Line	
25	2720532	5 ft/1.5m	Hose, Fuel Line	
26	3311405	3	Locknut 1/4in-20NC	
27	3311605	2	Locknut 3/8in-16NC	
28	3311801	1	Nut 1/2in-13NC	
29	3422446	1	Pin	
30	3572414	1	Plate, Fuel Pump Mount	
32	3841143	1	Pin, Keeper	
34	4751400	3	Flatwasher 1/4in Regular	
35	4751600	5	Flatwasher 3/8in Regular	
36	4751800	1	Flatwasher 1/2in Regular	
37	4752000	1	Flatwasher 5/8in Regular	
38	0641508	3	Bolt 5/16in-18NC x 1in	
39	0641514	3	Bolt 5/16in-18NC x 1-3/4in	
40	2902297	1	Battery Cable Kit	A
40A	7027006	1	Cable, Battery (Red)	
40B	7027005	1	Cable, Battery (Black)	
40C	7027007	1	Cable (Red)	
40D	7027002	1	Cable (Red)	
40E	7027003	1	Cable (Black)	
41	3311505	6	Locknut 5/16in-18NC	
42	3380429	1	Panel, Rubber	
43	3539957	2	Plate	
44	0641406	1	Bolt 1/4in-20NC x 3/4in	
45	1320222	1	Clamp	
		Ref	ENGINE AND PUMP ASSEMBLIES	
	2000298	Ref	Engine and Pump Assemblies 2WD	B
	2000297	Ref	Engine and Pump Assemblies 4WD	B

SECTION 2 - TURNTABLE

ITEM	PART NUMBER	QTY	DESCRIPTION	REV
101	0100011	AR	Compound, Locking	
102	0641407	1	Bolt 1/4in-20NC x 7/8in	
103	0641812	2	Bolt 1/2in-13NC x 1-1/2in	
105	3020016	AR	Oil, Motor 15W-40	
106	3311405	1	Locknut 1/4in-20NC	
107	3422532	1	Pin, Hitch	
108		Ref	Piston Pump Assembly with Fittings Options (See PISTON PUMP ASSEMBLY for Breakdown):	
108	3600394	1	2WD	
108	3600396	1	4WD	
109	3600395	1	Gear Pump Assembly with Fittings (See GEAR PUMP ASSEMBLY for Breakdown)	
110	3790152	1	O-Ring	
111	3931620	2	Bolt 3/8in-16NC x 1-1/4in	
112	3960389	5 ft/1.5m	Seal	
113	4751400	1	Flatwasher 1/4in Regular	
114	4891600	2	Flatwasher 3/8in Hardened	
115	2300004	2.63 gal /9.96L	Fluid, Anti Freeze	
	2000296	Ref	ENGINE ASSEMBLY	C
201	0080201	1	Adapter 90 Elbow	
202	0080214	1	Adapter, Fan Spacer	
203	0100011	AR	Compound, Locking	
204	0100020	AR	Sealant, Pipe	
205	0340041	2	Band, Air Cleaner	
206	0340046	2	Band, Muffler	
207	0641406	2	Bolt 1/4in-20NC x 3/4in	
208	0641408	6	Bolt 1/4in-20NC x 1in	
209	0641414	4	Bolt 1/4in-20NC x 1-3/4in	
210	0641608	14	Bolt 3/8in-16NC x 1in	
211	0641610	10	Bolt 3/8in-16NC x 1-1/4in	
212	0641612	8	Bolt 3/8in-16NC x 1-1/2in	
213	0641828	4	Bolt 1/2in-13NC x 3-1/2in	
214	0641507	4	Bolt 5/16in-18NC x 7/8in	
215	0701012	4	Bolt 10mm x 25mm	
216	0701014	4	Bolt 10mm x 30mm	
217	0760606	4	Bolt 6mm x 12mm	
218	0903079	1	Bracket, Muffler	
219	0961986	2	Bushing, Flanged	
220	1320012	4	Clamp	
221	1320016	3	Clamp	
222	1320022	1	Clamp, Hose	
223	1320033	8	Clamp, Hose	
224	1321138	3	Plate, Exhaust Flange	
225	1340060	1	Air Cleaner Assembly Filter Element	
225	7012664	1	Element, Filter (Not Shown)	
226	0700819	4	Bolt 8mm x 55mm	
227	4920385	7 ft/2.1m	Wire, Safety (Not Shown)	
228	1703162	2	Decal - Caution Fan Blade	
229	2000272	1	Engine (See Items 301-327 for Engine Components)	
230	2060025	1	Fan	
231	2180467	1	Fitting	

SECTION 2 - TURNTABLE

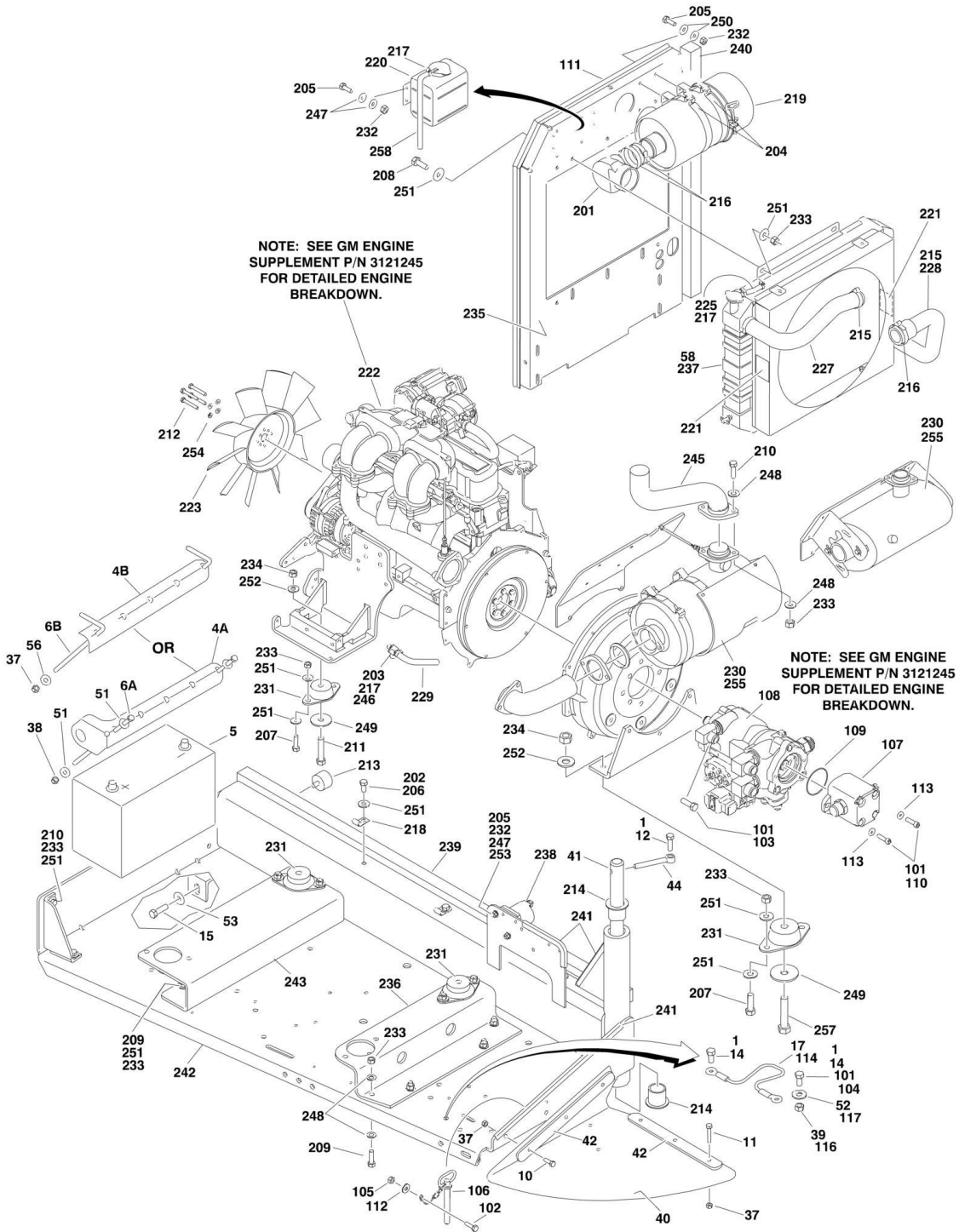
ITEM	PART NUMBER	QTY	DESCRIPTION	REV
233	2720435	1	Hose, Radiator (Bottom)	
234	2720436	1	Hose, Radiator (Upper)	
235	2720514	1	Hose, 45 Elbow	
236	2750532	6 in/15cm	Hose, Oil Drain	
237	2820172	1	Insulation, Exhaust (Shield)	
238	2820173	3	Insulation, Exhaust (Elbow)	
240	3200362	4	Mount, Motor	
241	4831900	4	Lockwasher M8	
242	3311405	12	Locknut 1/4in-20NC	
243	3311605	30	Locknut 3/8in-16NC	
244	3311805	4	Locknut 1/2in-13NC	
245	3539872	1	Plate, Radiator Mounting	
246	3572280	1	Plate, Engine Mount	
247	3574162	1	Plate, ECM/Relay Mount	
248	3574504	1	Plate, Engine Mount	
249	3620040	1	Radiator	
250	3740067	1	Relay	
251	3960591	3	Gasket, Exhaust	
253	4566605	1	Tube, Spacer	
254	4567879	1	Tube, Exhaust	
255	4569173	1	Tube, Intake	
256	4569083	1	Tube, Exhaust	
257	3460398	1	Pipe, Exhaust	
258	4640989	1	Valve, Oil Drain	
259	4711400	12	Flatwasher 1/4in Thin	
260	4711600	12	Flatwasher 3/8in Thin	
261	4740274	4	Washer, Snubbing	
262	4751400	14	Flatwasher 1/4in Regular	
263	4751500	8	Flatwasher 5/16in Regular	
264	4751600	51	Flatwasher 3/8in Regular	
266	4812000	4	Flatwasher M10	
267	4832000	4	Lockwasher M10	
268	4845404	1	Tray, Engine	
269	4846806	1	Plate, Engine Mounting	
270	0641606	1	Bolt 3/8in-16NC x 3/4in	
271	0940070	1	Bumper	
272	1320223	3	J-Clip	
273	3960469	1	Seal	
274	4060805	37 in/1m	Flex-Trim	
275	3311505	4	Locknut 5/16in-18NC	
276	3960468	1	Seal	
	2000272	Ref	ENGINE COMPONENTS	B
301	3600377	1	Fuel Pump and Isolator Assembly (was p/ns 7022133 & 7027407)	
301	7022134	1	Harness, Fuel Pump (Not Shown)	
302	91083218	1	Filter, Fuel (was p/n 7022135)	
303	7012679	1	Starter (was p/n 7027408)	
304	7019977	1	Alternator with Regulator and Pulley	
304	7000897	1	Alternator without Regulator and Pulley	
305	7023683	1	Actuator, Throttle	
305	7027404	1	Gasket, Actuator (Not Shown)	
306	7019996	1	Sensor, Air Temperature (was p/n 7023661)	

SECTION 2 - TURNTABLE

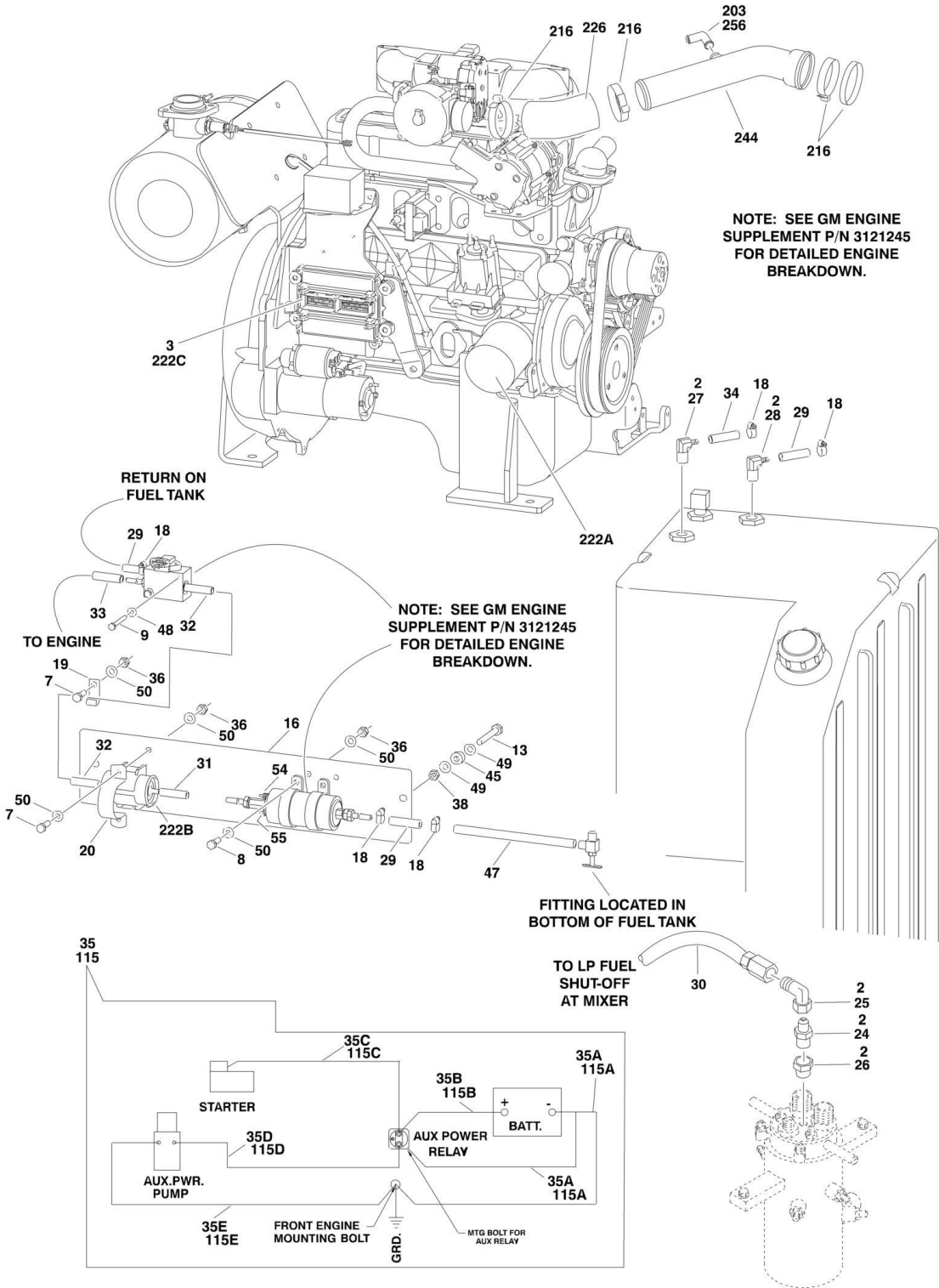
ITEM	PART NUMBER	QTY	DESCRIPTION	REV
307	7023681	1	Harness, Engine Control (was p/n 7027403) (Not Shown)	
308	7022139	1	Sensor, MAP	
309	7023682	1	Sensor, EGR	
310	2420187	1	Dipstick (was p/n 7022140)	
310	4564281	1	Tube, Dipstick	
311	7027400	1	Mixer Assembly	
313	7021868	1	Filter, Oil (was p/n 7022147, 7022173 & 7014501)	
314	1660250	1	Coupling, Pump	
314	7019976	1	Flywheel (Not Shown)	
314	7022180	1	Ring Gear (Not Shown)	
315	7019993	1	Pressure Regulator and Filter Assembly	
316	0902539	1	Bracket	
317	1600374	1	Module, EPM	
317	7027413	1	Harness, EPM Jumper	
318	3220134	1	Muffler	
319	0903010	1	Bracket, LP Regulator	
320	7023698	1	Regulator, LP	
321	7019994	1	Sensor, EGR (was p/n 7027406)	
322	70002307	1	Gasket, Exhaust (Manifold to Pipe)	
322	7022143	1	Gasket, Exhaust (Manifold to Cylinder Head) (was p/n (7027401) Not Shown)	
323	7027402	1	Belt, Drive	
324	7027405	4	Spark Plug (Not Shown)	
325	1580011	1	Bottle, Overflow	
326	7027409	1	LP Filter Shutoff with Leads	
327	7023699	1	Megajector	
327	7027410	1	Harness, Megajector	
327	70001690	1	Hose Kit - Megajector	
328	7019925	1	PCV Valve (Not Shown)	
329	7022155	1	Sensor, Water Temperature (Not Shown)	
330	7022150	1	Belt, Timing (Not Shown - Located Inside Front Cover)	
331	70002567		Tensioner, Belt	

SECTION 2 - TURNTABLE

FIGURE 2-13. GM ENGINE INSTALLATION (WITHOUT UGM)



SECTION 2 - TURNTABLE



SECTION 2 - TURNTABLE

FIGURE 2-13. GM ENGINE INSTALLATION (WITHOUT UGM)

ITEM	PART NUMBER	QTY	DESCRIPTION	REV
		Ref	Note: Only Available on USA Built Machines.	
		Ref	Note: For Module (with/without UGM) Identification, refer to Revision Log page A.	
		Ref	GM ENGINE INSTALLATIONS:	
	0275282	Ref	2WD (SN 0300087000 through 0300109244)	C
	1001091631	Ref	2WD (SN 0300109245 through 0300171769)	D
	0275266	Ref	4WD (SN 0300087000 through 0300109244)	D
	1001091630	Ref	4WD (SN 0300109245 through 0300171769)	D
1	0100011	AR	Compound, Locking	
2	0100020	AR	Sealant, Pipe	
3	0100048	AR	Grease, Dielectric	
4		Ref	Hold-Down, Battery Options:	
4A	0181727	1	Hold-down, Battery (SN 0300087000 through 0300110250)	
4B	91401281	1	Hold-down, Battery (SN 0300110251 through 0300171769)	
5	0400075	1	Battery (Wet)	
6		Ref	Bolt, Battery Hold-down Options:	
6A	0630498	2	Bolt, Battery Hold-down (SN 0300087000 through 0300110250)	
6B	1001093382	2	Bolt, Battery Hold-down (SN 0300110251 through 0300171769)	
7	0641406	3	Bolt 1/4in-20NC x 3/4in	
8	0641408	2	Bolt 1/4in-20NC x 1in	
9	0641416	2	Bolt 1/4in-20NC x 2in	
10	0641508	3	Bolt 5/16in-18NC x 1in	
11	0641514	3	Bolt 5/16in-18NC x 1-3/4in	
12	0641608	1	Bolt 3/8in-16NC x 1in	
13	0641612	2	Bolt 3/8in-16NC x 1-1/2in	
14	0641808	AR	Bolt 1/2in-13NC x 1in	
15	0642010	1	Bolt 5/8in-11NC x 1-1/4in	
16	0903510	1	Bracket, Fuel Pump Filter	
17	1060637	1	Cable, Lanyard (SN 0300087000 through 0300109245)	
18	1320022	AR	Clamp, Fuel Line	
19	1320222	1	Clamp	
20	1320323	1	Clamp	
21	1701542	1	Decal, Gas (Not Shown)	
22	1701543	1	Decal, LPG (Not Shown)	
24	2180418	1	Fitting, Straight	
25	2220005	1	Fitting, Straight	
26	2220064	1	Fitting, Adapter	
27	2220313	1	Fitting, 90 Barbed (SN 0300087000 through 0300109245)	
28	2221176	1	Fitting, 90	
29		Ref	Hose, Fuel Line Options:	
29	2720058	7 ft/2.1m	Hose, Fuel Line (SN 0300087000 through 0300109244)	
29	1001091587	7 ft/2.1m	Hose, Fuel Line (Use p/n 1001156819) (SN 0300109245 through 0300171769)	
30	2720392	1	Hose, LP	
31	2720566	NLA	Hose, High Pressure Fuel Line (6in/15cm Length) (Use p/n 1001156823)	
32	2720567	NLA	Hose, High Pressure Fuel Line (4ft/1.2m Length) (Use p/n 1001156824)	
33	2720580	NLA	Hose (Use p/n 1001156825)	

SECTION 2 - TURNTABLE

ITEM	PART NUMBER	QTY	DESCRIPTION	REV
34	2750532	5 ft/1.5m	Hose (SN 0300087000 through 0300109245)	
35	2902531	1	Battery Cable Kit (SN 0300087000 through 0300109245)	B
35A	7016822	1	Cable (Battery - to Ground)	
35B	7027015	1	Cable (Battery + to Auxiliary Relay)	
35C	7027016	1	Cable (Auxiliary Relay to Starter)	
35D	7027017	1	Cable (Auxiliary Relay to Auxiliary Pump)	
35E	7027003	1	Cable (Auxiliary Pump to Ground)	
36	3311405	5	Locknut 1/4in-20NC	
37		Ref	Locknut Options:	
37	3311505	AR	Locknut 5/16in-18NC	
37	88521205	AR	Locknut with Nylon Lock 5/16in-18NC	
38	3311605	AR	Locknut 3/8in-16NC	
39	3311805	1	Locknut 1/2in-13NC (SN 0300087000 through 0300109245)	
40	3380429	1	Panel, Rubber	
41	3422446	1	Pin	
42	3539957	2	Plate, Hold Down	
43	3790012	1	O-Ring (Not Shown - Located in Console Box)	
44	3841143	1	Keeper	
45	4071122	2	Shim	
46	4360336	1	Switch, Toggle (Not Shown - Located in Console Box)	
47	4569385	1	Tube, Fuel Line	
48	4711400	2	Flatwasher 1/4in Thin	
49	4711600	4	Flatwasher 3/8in Thin	
50	4751400	9	Flatwasher 1/4in Regular	
51	4751600	4	Flatwasher 3/8in Regular (SN 0300087000 through 0300110250)	
52	4751800	1	Flatwasher 1/2in Regular (SN 0300087000 through 0300109245)	
53	4752000	1	Flatwasher 5/8in Regular	
54	3290405	1	Locknut M4 x 0.7	
55	3290505	1	Locknut M5 x 0.8	
56	4751500	2	Flatwasher 5/16in Regular (SN 0300110251 through 0300171769)	
58	2300004	2.63 gal /9.96L	Coolant	
		Ref	GM ENGINE AND PUMP SUB-ASSEMBLY	
	2000374	Ref	2WD (SN 0300087000 through 0300109244)	C
	1001091635	Ref	2WD (SN 0300109245 through 0300171769)	E
	2000373	Ref	4WD (SN 0300087000 through 0300109244)	C
	1001091634	Ref	4WD (SN 0300109245 through 0300171769)	D
101	0100011	AR	Compound, Locking	
102	0641407	1	Bolt 1/4in-20NC x 7/8in	
103	0641812	2	Bolt 1/2in-13NC x 1-1/2in	
104	0641808	1	Bolt 1/2in-13NC x 1in (SN 0300109245 through 0300171769)	
105	3311405	1	Locknut 1/4in-20NC	
106	3422532	1	Pin, Hitch	
107	3600395	1	Gear Pump Assembly with Fittings (See GEAR PUMP ASSEMBLY for Breakdown)	
108		Ref	Piston Pump Assembly with Fittings Options (See PISTON PUMP ASSEMBLY for Breakdown):	
108	3600394	1	2WD	
108	3600396	1	4WD	
109	3790152	1	O-Ring	

SECTION 2 - TURNTABLE

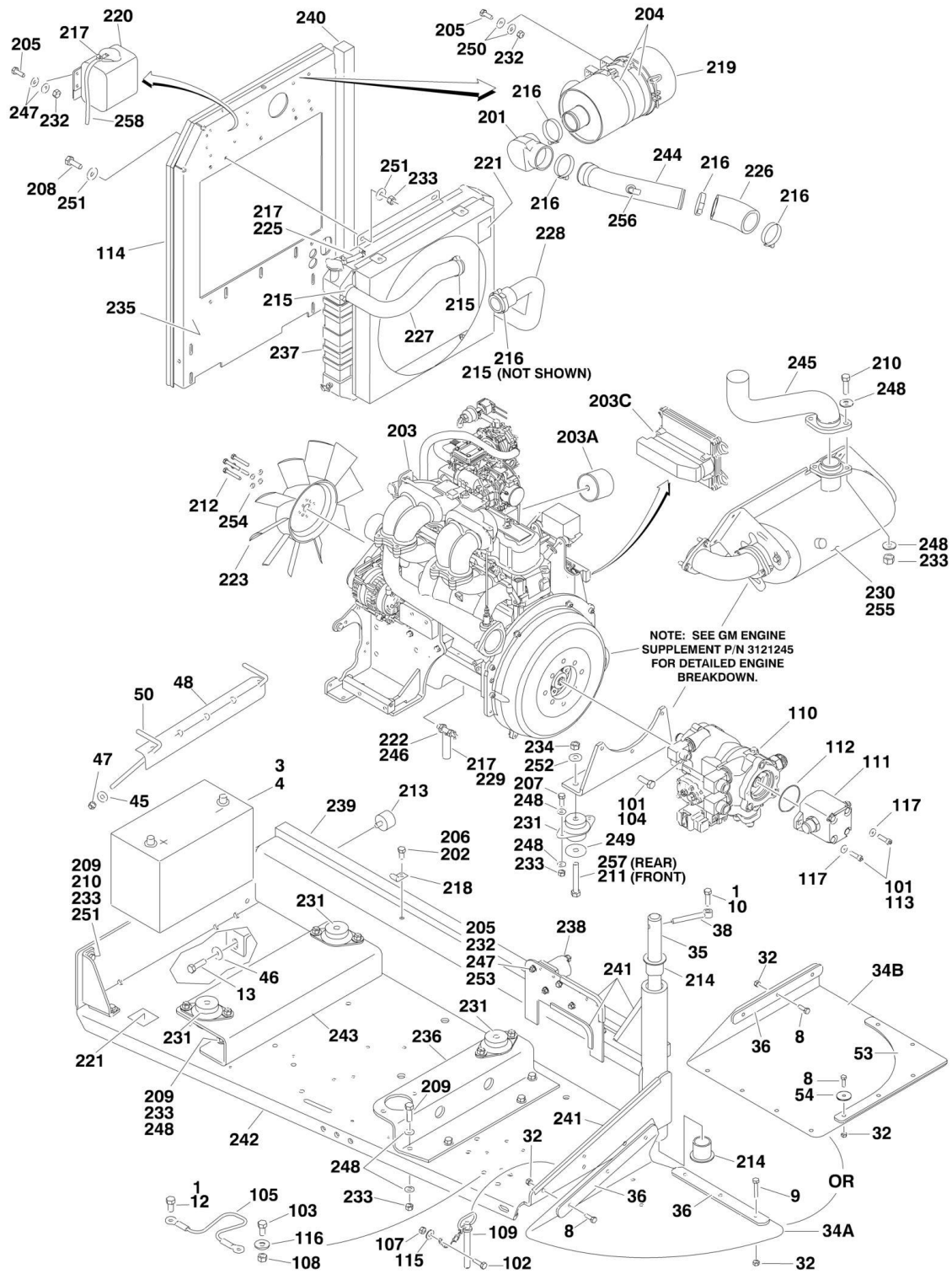
ITEM	PART NUMBER	QTY	DESCRIPTION	REV
110	3931620	2	Bolt 3/8in-16NC x 1-1/4in	
111	3960389	1	Seal	
112	4751400	1	Flatwasher 1/4in Regular	
113	4891600	2	Flatwasher 3/8in Hardened	
114	1060637	1	Cable, Lanyard (SN 0300109245 through 0300171769)	
115	2902531	1	Battery Cable Kit (SN 0300087000 through 0300109245)	B
115A	7016822	1	Cable (Battery - to Ground)	
115B	7027015	1	Cable (Battery + to Auxiliary Relay)	
115C	7027016	1	Cable (Auxiliary Relay to Starter)	
115D	7027017	1	Cable (Auxiliary Relay to Auxiliary Pump)	
115E	7027003	1	Cable (Auxiliary Pump to Ground)	
116	3311805	1	Locknut 1/2in-13NC (SN 0300109245 through 0300171769)	
117	4751800	1	Flatwasher 1/2in Regular (SN 0300109245 through 0300171769)	
		Ref	GM ENGINE ASSEMBLY	
	2000375	Ref	GM Engine Assembly (SN 0300087000 through 0300109244)	E
	1001091632	Ref	GM Engine Assembly (SN 0300109245 through 0300171769)	E
201	0080201	1	Fitting, 90	
202	0100011	AR	Compound, Locking	
203	0100020	AR	Sealant	
204	0340041	2	Band, Mounting	
205	0641406	10	Bolt 1/4in-20NC x 3/4in	
206	0641606	3	Bolt 3/8in-16NC x 3/4in	
207	0641608	8	Bolt 3/8in-16NC x 1in	
208	0641609	4	Bolt 3/8in-16NC x 1-1/8in	
209	0641610	10	Bolt 3/8in-16NC x 1-1/4in	
210	0641612	4	Bolt 3/8in-16NC x 1-1/2in	
211	0641828	2	Bolt 1/2in-13NC x 3-1/2in	
212	0700810	4	Bolt M8 x 20mm	
213	0940070	1	Bumper	
214	0961986	2	Bearing, Flanged	
215	1320012	3	Clamp	
216	1320016	5	Clamp	
217	1320022	AR	Clamp	
218	1320223	3	Clamp	
219	1340060	1	Air Cleaner Assembly	
219	7012664	1	Element, Air Cleaner	
220	1580011	1	Container, Coolant Overflow	
221	1703162	2	Decal - Caution Fan	
222		Ref	Engine, GM 3.0L Options:	
222	2000354	1	Engine, GM 3.0L (SN 0300087000 through 0300109244)	
222	1001091583	1	Engine, GM 3.0L (SN 0300109245 through 0300171769)	
222A	7027965	1	Filter, Oil	
222B	7027972	1	Filter, Fuel	
222C	7027994	1	Module, Control (ECU)	
222D	7027996	4	Plug, Spark (Not Shown)	
223	2060025	1	Fan	
225	2720058	4 in/10cm	Hose	
226	2720514	1	Hose	
227	2720563	1	Hose, Radiator (Top)	
228	2720564	1	Hose, Radiator (Bottom)	
229		Ref	Hose Options:	

SECTION 2 - TURNTABLE

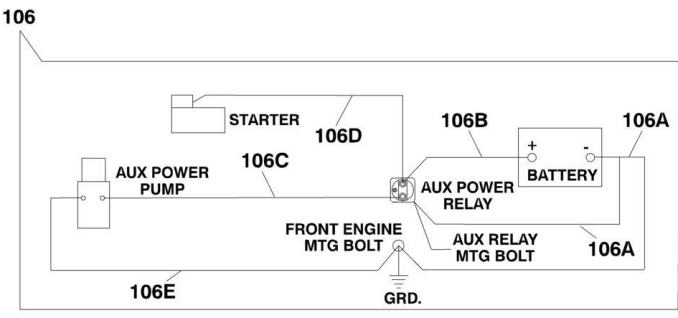
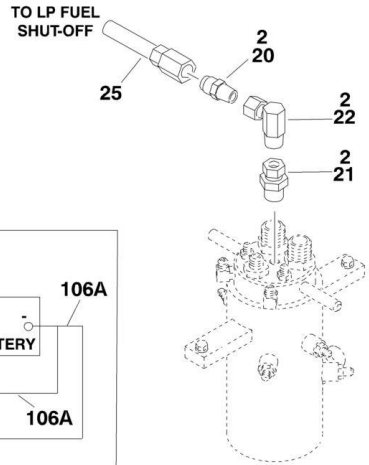
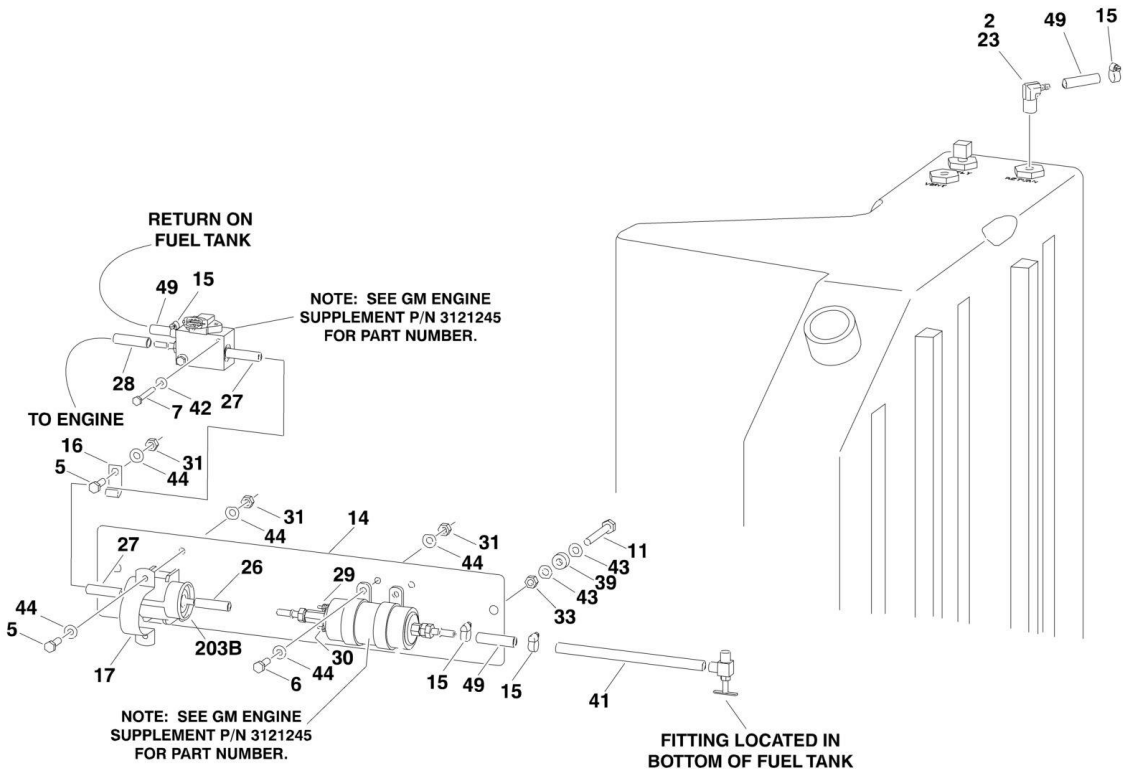
ITEM	PART NUMBER	QTY	DESCRIPTION	REV
229	2750532	1 ft/30cm	Hose - 3/8in	
229	1001091892	6 in/15cm	Hose - 5/8in	
230		Ref	Muffler, Insulation Options:	
230	2820180	1	Muffler, Insulation (SN 0300087000 through 0300109244)	
230	1001091794	1	Muffler, Insulation (SN 0300109245 through 0300171769)	
231	3200362	4	Mount, Engine	
232	3311405	10	Locknut 1/4in-20NC	
233	3311605	26	Locknut 3/8in-16NC	
234	3311805	4	Locknut 1/2in-13NC	
235	3539872	1	Plate, Radiator Mounting	
236	3572280	1	Plate, Engine Mount	
237	3620040	1	Radiator	
237	7019656	1	Cap, Radiator	
238	3740067	1	Relay	
239	3960468	1	Seal	
240	3960469	1	Seal	
241	4060805	3 ft/0.9m	Seal	
242	4341239	1	Tray, Engine	
243	4341241	1	Mount, Engine (Front)	
244	4569342	1	Tube, Intake	
245	4569394	1	Pipe, Exhaust	
246		Ref	Valve, Oil Drain Options:	
246	4640952	1	Valve, Oil Drain (SN 0300087000 through 0300136526)	
246	1001105872	NLA	Valve, Oil Drain (Use p/n 4640952) (SN 0300136527 through 0300171769)	
247	4711400	12	Flatwasher 1/4in Thin	
248	4711600	12	Flatwasher 3/8in Thin	
249	4740274	4	Flatwasher, Snubbing	
250	4751400	8	Flatwasher 1/4in Regular	
251	4751600	43	Flatwasher 3/8in Regular	
252	4751800	2	Flatwasher 1/2in Regular	
253	4791400	2	Starwasher 1/4in	
254	4831900	4	Lockwasher M8	
255	4920385	10 ft/3m	Wire, Safety	
256	2180877	1	Fitting, 90 (SN 0300095114 through 0300171769)	
257	0641826	2	Bolt 1/2in-13NC x 3-1/4in	
258	2720271	18 in /36cm	Hose	

SECTION 2 - TURNTABLE

FIGURE 2-14. GM ENGINE INSTALLATION (WITH UGM)



SECTION 2 - TURNTABLE



SECTION 2 - TURNTABLE

FIGURE 2-14. GM ENGINE INSTALLATION (WITH UGM)

ITEM	PART NUMBER	QTY	DESCRIPTION	REV
		Ref	Note: Only Available on USA Built Machines.	
		Ref	Note: For Module (with/without UGM) Identification, refer to Revision Log page A.	
		Ref	GM ENGINE INSTALLATIONS:	
	1001114644	Ref	GM Engine Installations 2WD	D
	1001114646	Ref	GM Engine Installations 4WD	D
1	0100011	AR	Compound, Locking	
2	0100020	AR	Sealant, Pipe	
3	0100048	AR	Grease, Dielectric	
4	0400075	1	Battery (Wet)	
5	0641406	3	Bolt 1/4in-20NC x 3/4in	
6	0641408	2	Bolt 1/4in-20NC x 1in	
7	0641416	2	Bolt 1/4in-20NC x 2in	
8	0641508	6	Bolt 5/16in-18NC x 1in	
9	0641514	NLA	Capscrew 5/16in-18NC x 1-3/4in	
10	0641608	1	Bolt 3/8in-16NC x 1in	
11	0641612	2	Bolt 3/8in-16NC x 1-1/2in	
12	0641808	1	Bolt 1/2in-13NC x 1in	
13	0642010	1	Bolt 5/8in-11NC x 1-1/4in	
14	0903510	1	Bracket, Fuel Pump Filter	
15	1320022	4	Clamp, Fuel Line	
16	1320222	1	Clamp	
17	1320323	1	Clamp	
18	1701542	1	Decal, Gas (Not Shown)	
19	1701543	1	Decal, LPG (Not Shown)	
20	2180418	1	Fitting, Straight	
21	2220005	1	Fitting, Straight	
22	2220064	1	Fitting, Adapter	
23	2221176	1	Fitting, 90	
24	2300004	2.7 gal /10.2L	Coolant (Not Shown)	
25	2720392	1	Hose, LP	
26	2720566	NLA	Hose, High Pressure Fuel Line (6in/15cm Length) (Use p/n 1001156823)	
27	2720567	NLA	Hose, High Pressure Fuel Line (4ft/1.2m Length) (Use p/n 1001156824)	
28	2720580	NLA	Hose (Use p/n 100156825)	
29	3290405	1	Locknut M4 x 0.7	
30	3290505	1	Locknut M5 x 0.8	
31	3311405	5	Locknut 1/4in-20NC	
32	3311505	8	Locknut 5/16in-18NC	
33	3311605	2	Locknut 3/8in-16NC	
34		Ref	Panel, Rubber Options:	
34A	3380429	1	Panel (SN 0300087000 through 0300143245)	
34B	1001121891	1	Panel (SN 0300143246 through 0300171769)	
35	3422446	1	Pin	
36	3539957	AR	Plate, Hold Down	
37	3790012	1	O-Ring (Not Shown - Located in Console Box)	
38	3841143	1	Keeper	
39	4071122	2	Shim	

SECTION 2 - TURNTABLE

ITEM	PART NUMBER	QTY	DESCRIPTION	REV
40	4360336	1	Switch, Toggle (Not Shown - Located in Console Box)	
41	4569385	1	Tube, Fuel Line	
42	4711400	2	Flatwasher 1/4in Thin	
43	4711600	4	Flatwasher 3/8in Thin	
44	4751400	9	Flatwasher 1/4in Regular	
45	4751500	2	Flatwasher 5/16in Regular	
46	4752000	1	Flatwasher 5/8in Regular	
47	88521205	2	Locknut with Nylon Lock 5/16in-18NC	
48	91401281	1	Hold-down, Battery	
49	1001091587	7 ft/2.1m	Hose, Fuel Line (Use p/n 1001156819)	
50	1001093382	2	Bolt, Battery Hold-down	
53	1001123000	1	Bracket, Baffle Support (SN 0300143246 through 0300171769)	
54	4740508	3	Flatwasher, Special (SN 0300143246 through 0300171769)	
		Ref	GM ENGINE AND PUMP SUB-ASSEMBLY	
	1001114643	Ref	GM Engine and Pump Sub-Assembly 2WD	D
	1001114645	Ref	GM Engine and Pump Sub-Assembly 4WD	D
101	0100011	AR	Compound, Locking	
102	0641407	1	Bolt 1/4in-20NC x 7/8in	
103	0641808	1	Bolt 1/2in-13NC x 1in	
104	0641812	2	Bolt 1/2in-13NC x 1-1/2in	
105	1060637	1	Cable, Lanyard	
106	2902531	1	Battery Cable Kit	B
106A	7016822	1	Cable (Battery - to Ground)	
106B	7027015	1	Cable (Battery + to Auxiliary Relay)	
106C	7027016	1	Cable (Relay to Auxiliary Pump)	
106D	7027017	1	Cable (Relay to Starter)	
106E	7027003	1	Cable (Relay to Auxiliary Pump)	
107	3311405	1	Locknut 1/4in-20NC	
108	3311805	1	Locknut 1/2in-13NC	
109	3422532	1	Pin, Hitch	
110		Ref	Piston Pump Assembly with Fittings Options (See PISTON PUMP ASSEMBLY for Breakdown):	
110	3600394	1	2WD	
110	1001117799	1	4WD	
111	3600395	1	Gear Pump Assembly with Fittings (See GEAR PUMP ASSEMBLY for Breakdown)	
112	3790012	1	O-Ring	
113	3931620	2	Bolt 3/8in-16NC x 1-1/4in	
114	3960389	5 ft/1.5m	Seal	
115	4751400	1	Flatwasher 1/4in Regular	
116	4751800	1	Flatwasher 1/2in Regular	
117	4891600	2	Flatwasher 3/8in Hardened	
119	1001115930	4.5 qt /4.3L	Oil, Engine (Not Shown)	
	1001114632	Ref	GM ENGINE ASSEMBLY	D
201	0080201	2	Fitting, 90	
202	0100011	AR	Compound, Locking	
203	1001114595	1	Engine, GM 3.0L (See GM Engine Supplement p/n 3121245 for Breakdown of Additional Components)	
203	70000164	4	Plug, Spark (Not Shown)	
203A	7027965	1	Filter, Oil	
203B	7027972	1	Filter, Fuel	

SECTION 2 - TURNTABLE

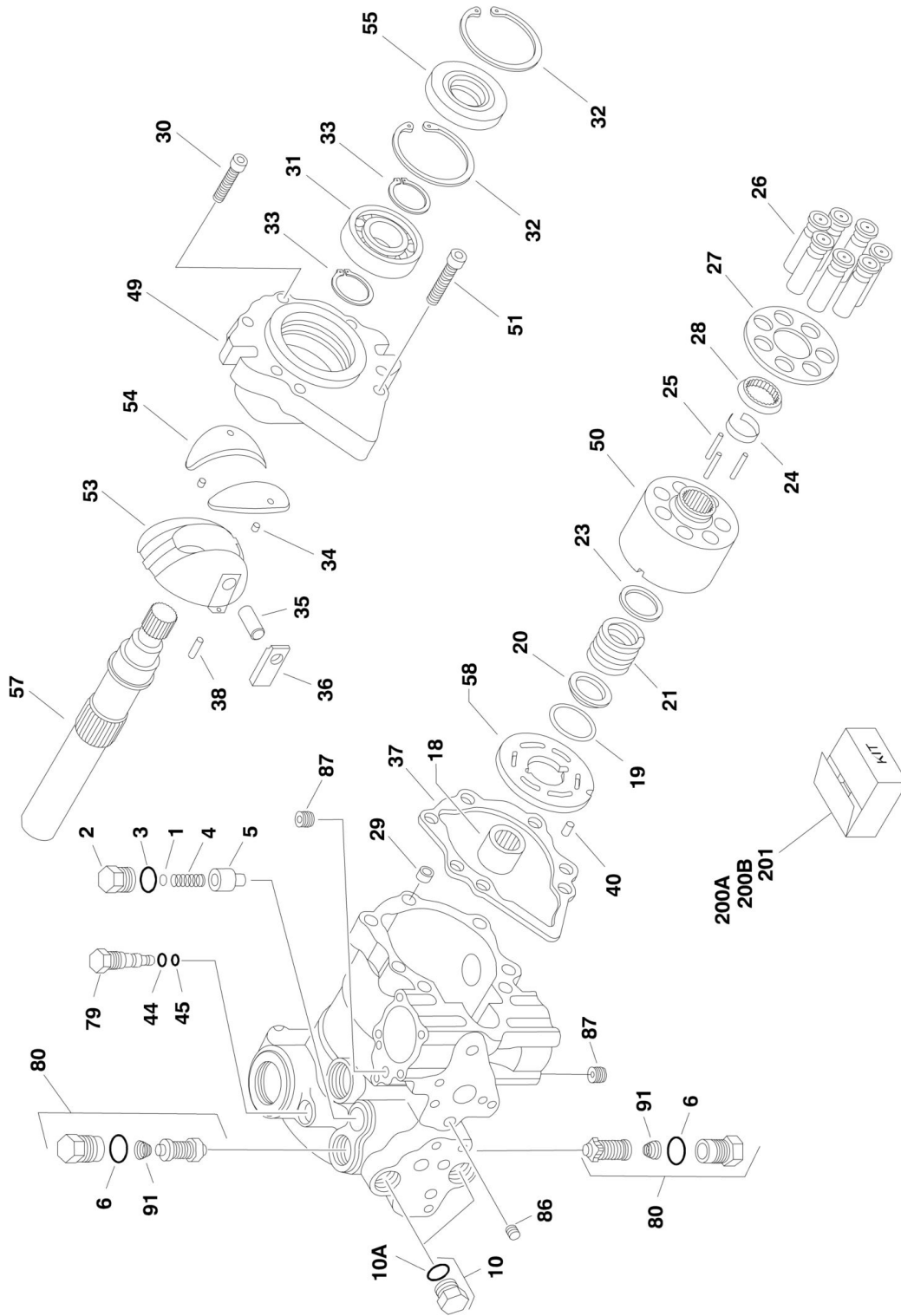
ITEM	PART NUMBER	QTY	DESCRIPTION	REV
203C	70002895	1	Module, Control (ECU)	
204	0340041	2	Band, Mounting	
205	0641406	10	Bolt 1/4in-20NC x 3/4in	
206	0641606	4	Bolt 3/8in-16NC x 3/4in	
207	0641608	9	Bolt 3/8in-16NC x 1in	
208	0641609	4	Bolt 3/8in-16NC x 1-1/8in	
209	0641610	10	Bolt 3/8in-16NC x 1-1/4in	
210	0641612	4	Bolt 3/8in-16NC x 1-1/2in	
211	0641828	2	Bolt 1/2in-13NC x 3-1/2in	
212	0700810	4	Bolt M8 x 20mm	
213	0940070	1	Bumper	
214	0961986	2	Bearing, Flanged	
215	1320012	3	Clamp	
216	1320016	5	Clamp	
217	1320022	4	Clamp	
218	1320223	3	Clamp	
219	1340060	1	Air Cleaner Assembly	
219	7012664	1	Element, Air Cleaner	
220	1580011	1	Container, Coolant Overflow	
221	1703162	2	Decal - Caution Fan	
222	0100020	AR	Sealant	
223	2060025	1	Fan	
225	2720058	1 ft/0.3m	Hose	
226	1001116544	1	Duct, Elbow	
227	2720563	1	Hose, Radiator (Top)	
228	2720564	1	Hose, Radiator (Bottom)	
229	2750532	1 ft/0.3m	Hose	
230	1001091794	1	Insulation, Muffler	
231	3200362	4	Mount, Engine	
232	3311405	10	Locknut 1/4in-20NC	
233	3311605	26	Locknut 3/8in-16NC	
234	3311805	4	Locknut 1/2in-13NC	
235	3539872	1	Plate, Radiator Mount	
236	3572280	1	Plate, Engine Mount	
237	3620040	1	Radiator	
237	7019656	1	Cap, Radiator	
238	3740067	1	Relay	
239	3960468	1	Seal	
240	3960469	1	Seal	
241	4060805	3 ft/0.9m	Seal	
242	4341239	1	Tray, Engine	
243	4341241	1	Mount, Engine (Front)	
244	1001116545	1	Tube, Intake	
245	4569394	1	Tube, Exhaust	
246	4640952	1	Valve, Oil Drain	
247	4711400	12	Flatwasher 1/4in Thin	
248	4711600	36	Flatwasher 3/8in Thin	
249	4740274	4	Flatwasher, Snubbing	
250	4751400	8	Flatwasher 1/4in Regular	
251	4751600	16	Flatwasher 3/8in Regular	
252	4751800	4	Flatwasher 1/2in Regular	

SECTION 2 - TURNTABLE

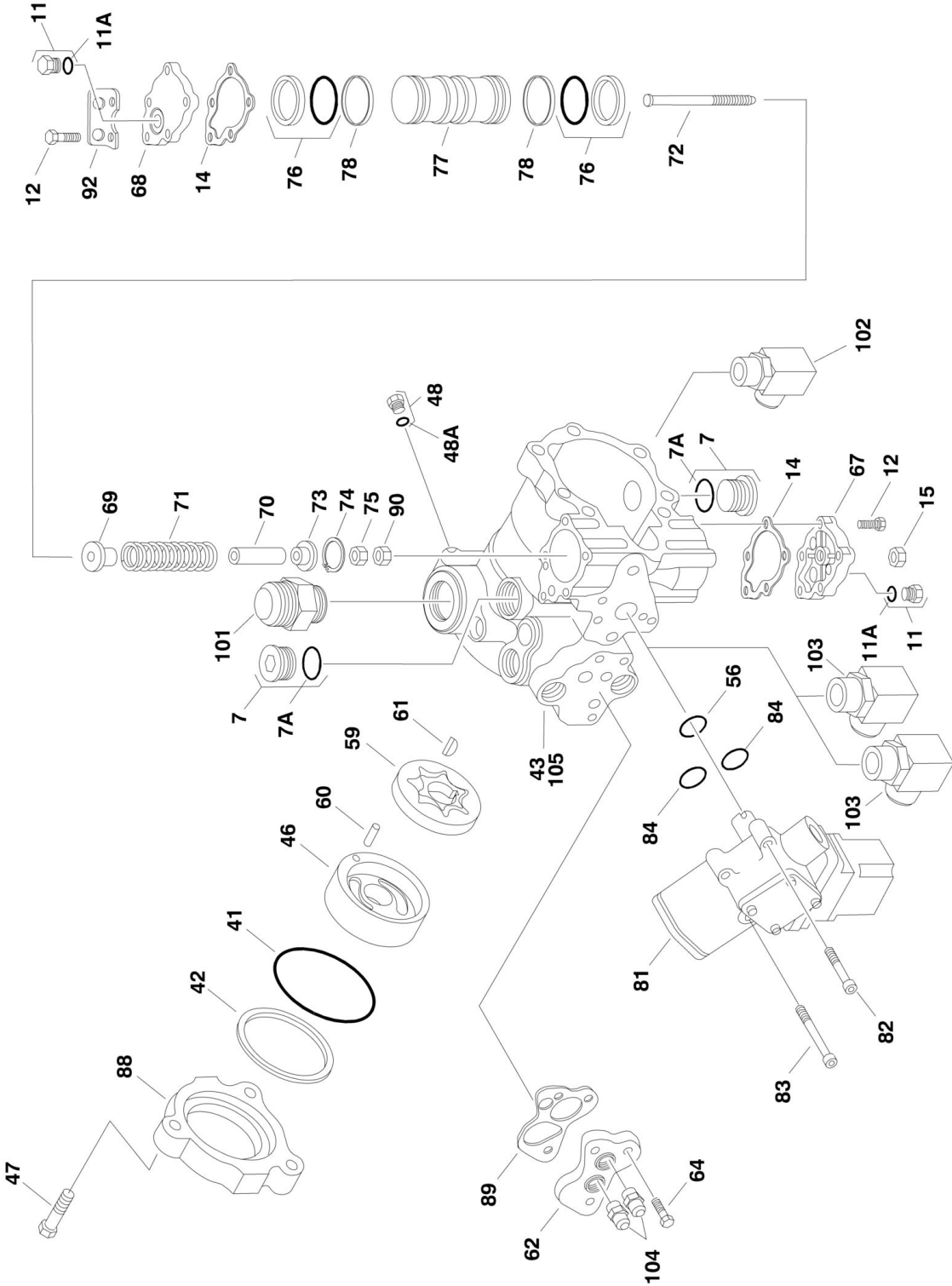
ITEM	PART NUMBER	QTY	DESCRIPTION	REV
253	4791400	2	Starwasher 1/4in	
254	4831900	4	Lockwasher M8	
255	4920385	10 ft/3m	Wire, Safety	
256	2180877	1	Fitting 90	
257	0641826	2	Bolt 1/2in-13NC x 3-1/4in	
258	2720271	18 in /46cm	Hose	

SECTION 2 - TURNTABLE

FIGURE 2-15. PISTON PUMP ASSEMBLY



SECTION 2 - TURNTABLE



SECTION 2 - TURNTABLE

FIGURE 2-15. PISTON PUMP ASSEMBLY

ITEM	PART NUMBER	QTY	DESCRIPTION	REV
		Ref	PISTON PUMP ASSEMBLY	
	3600388	Ref	Piston Pump Assembly 2WD	A
	3600381	Ref	Piston Pump Assembly 4WD	A
1	7007413	1	Shim Kit	
2	7024874	1	Plug (Pump Assembly p/n 3600388) (2WD)	
2	7007414	1	Plug (Pump Assembly p/n 3600381) (4WD)	
3	See Note	NSS	O-Ring (Note: Use Item 200A)	
4	7021200	1	Spring, Relief Valve	
5	7007417	1	Valve, Relief	
6	See Note	NSS	O-Ring (Note: Use Item 200A)	
7	7007419	2	Plug	
7A	7007418	2	O-Ring	
10	7007470	2	Plug	
10A	7021256	2	O-Ring	
11	7007470	2	Plug	
11A	7021256	2	O-Ring	
12	7021223	10	Screw	
14	See Note	NSS	Gasket, Servo Cover (Note: Use Item 200A)	
15	7007423	1	Nut, Special	
18	7007425	1	Bearing, Needle	
19	See Note	NSS	Ring, Retaining (Note: Use Item 201)	
20	See Note	NSS	Washer (Note: Use Item 201)	
21	See Note	NSS	Spring (Note: Use Item 201)	
23	See Note	NSS	Washer (Note: Use Item 201)	
24	See Note	NSS	Retainer (Note: Use Item 201)	
25	See Note	NSS	Pin, Slipper Holddown (Note: Use Item 201)	
26	See Note	NSS	Piston Assembly (Note: Use Item 201)	
27	See Note	NSS	Retainer, Slipper (Note: Use Item 201)	
28	See Note	NSS	Guide, Retainer (Note: Use Item 201)	
29	7007435	1	Pin, Spring	
30	7021202	1	Screw	
31	7007437	1	Bearing, Ball	
32	7007438	2	Ring, Retainer	
33	7007439	2	Ring	
34	7021203	2	Pin, Spring	
35	7007441	1	Handle, Pin	
36	7007442	1	Sleeve, Bearing	
37	See Note	NSS	Gasket, Front Cover (Note: Use Item 200A)	
38	7007444	1	Pin	
40	7007446	1	Pin	
41	See Note	NSS	O-Ring (Note: Use Item 200A)	
42	See Note	NSS	Ring, Load Temper (Note: Use Item 200A)	
43	7023977	1	Housing, Pump	
44	See Note	NSS	Ring, Back-up (Note: Use Item 200A)	
45	See Note	NSS	O-Ring (Note: Use Item 200A)	
46	7007452	1	Cover, Gerotor	
47	7007453	3	Bolt, Hex	
48	7007208	1	Plug	
48A	7007207	1	O-Ring	
49	7024875	1	Cover, Front (Pump Assembly p/n 3600388) (2WD)	

SECTION 2 - TURNTABLE

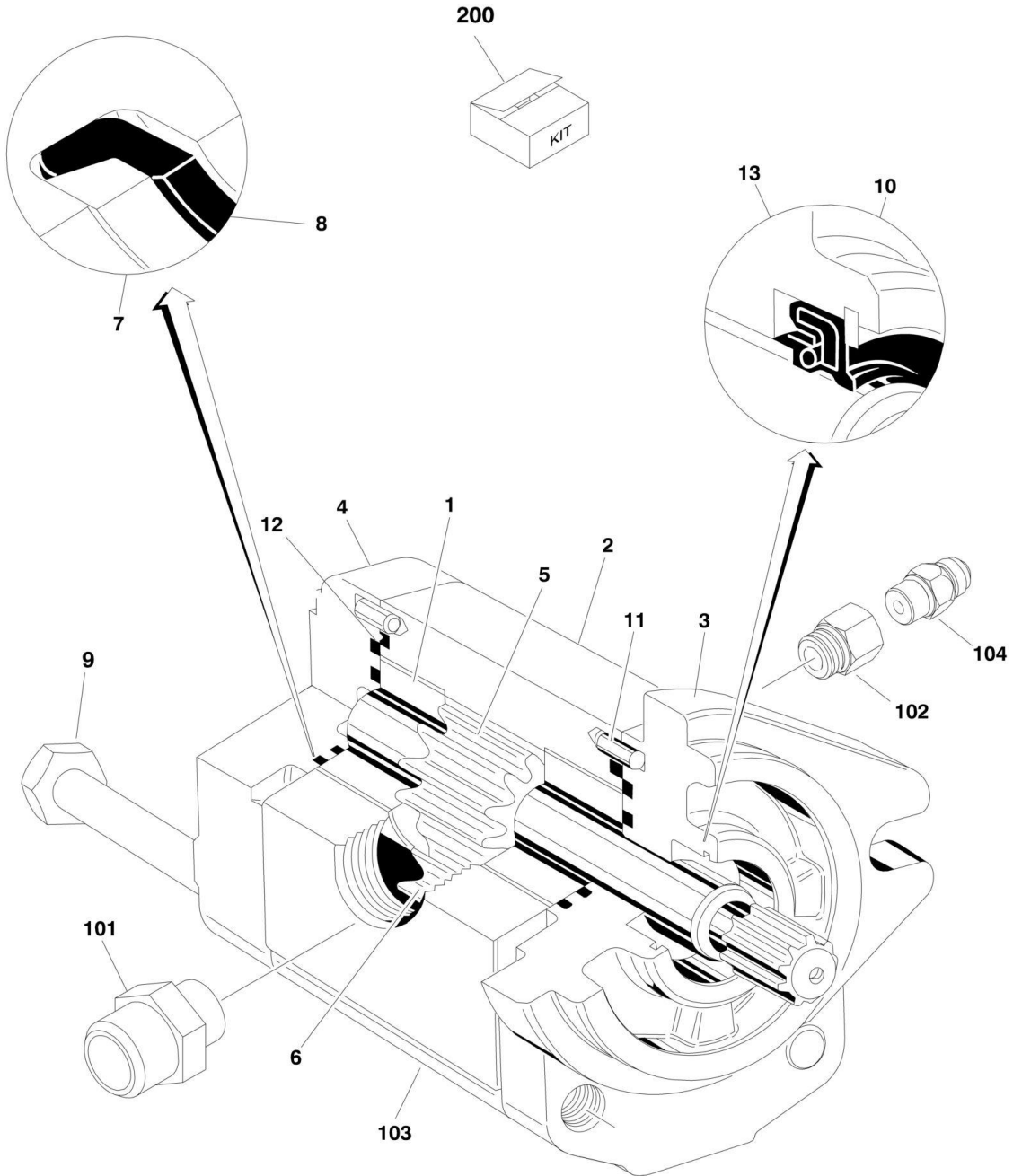
ITEM	PART NUMBER	QTY	DESCRIPTION	REV
49	7007454	1	Cover, Front (Pump Assembly p/n 3600381) (4WD)	
50	See Note	NSS	Block, Cylinder (Note: Use Item 201)	
51	7021207	6	Screw	
53	7007457	1	Swash Plate	
54	7021210	1	Journal, Bearing (Pump Assembly p/n 3600388) (2WD)	
54	7021212	1	Journal, Bearing (Pump Assembly p/n 3600381) (4WD)	
55	7007459	1	Seal, Lip	
56	See Note	NSS	O-Ring (Note: Use Item 200A)	
57	7010121	1	Shaft, Main Pump	
58	7021214	1	Plate, Valve	
59	7007463	1	Gerotor Assembly	
60	7007464	1	Pin	
61	7007465	1	Key, Woodruff	
62	7007466	1	Adaptor, Remote Filtration (Without By-Pass)	
64	7021218	3	Screw	
67	7021220	1	Cover, Servo (Without Adjuster)	
68	7021219	1	Cover, Servo (Without Adjuster)	
69	7023979	1	Guide, Spring	
70	7007484	1	Stop, Servo	
71	7007485	1	Spring	
72	7021221	1	Screw	
73	7007487	1	Guide, Spring	
74	7007488	1	Ring, Retaining	
75	7021222	1	Locknut	
76	See Note	2	Ring, Piston (Note: Use Item 200A or 200B)	
77	7007494	1	Piston, Servo	
78	See Note	2	O-Ring (Note: Use Item 200A or 200B)	
79	7024877	1	Valve, Bypass (Pump Assembly p/n 3600388) (2WD)	
79	7007472	1	Valve, Bypass (Pump Assembly p/n 3600381) (4WD)	
80	7010122	2	Valve, Pressure Relief (Includes Item 6) (Pump Assembly p/n 3600388) (2WD)	
80	7024851	2	Valve, Pressure Relief (Includes Item 6) (Pump Assembly p/n 3600381) (4WD)	
81	7007474	1	Control, Dual Oil-Filled	
81	7007496	1	Coil Assembly (Pilot)	
81	7007497	1	Plug (Pump)	
81	7007498	1	Plug (Valve Harness)	
82	7001498	2	Screw	
83	7007478	2	Screw	
84	7001433	2	O-Ring	
86	7007475	1	Plug, Orifice/Screen (.156)	
87	7007477	2	Plug, Orifice (.37)	
88	7007476	1	Adapter, Auxiliary Pump	
89	7021217	1	Spacer/Gasket	
90	7021206	1	Nut	
91	7024800	2	Spring	
92	7021201	1	Bracket, Lifting	
		Ref	PISTON PUMP AND FITTING ASSEMBLIES	
	3600394	Ref	Piston Pump and Fitting Assemblies 2WD	D
	3600396	Ref	4WD (USA Built Machines) (SN 0300087000 through 0300139335)	C
	1001117799	Ref	4WD (USA Built Machines) (SN 0300139336 through	A

SECTION 2 - TURNTABLE

ITEM	PART NUMBER	QTY	DESCRIPTION	REV
	1001117799	Ref	0300171769) 4WD (China Built Machines) (SN B300000100 through B300000969)	A
101	2220377	1	Fitting, Straight	
101	2220479	1	Fitting, Straight	
102	2220578	1	Fitting, 90	
103	2220646	2	Fitting, 90	
104	2220947	2	Fitting, Straight	
105		Ref	Pump Options (Includes Items 1-92)	
105	3600388	1	Pump 2WD	
105	3600381	1	Pump 4WD	
		Ref	KIT OPTIONS:	
200		Ref	Seal Kit Options:	
200A	7021232	1	Seal Kit - Complete (Includes Items 3, 6, 14, 37, 41, 42, 44, 45, 55, 56, 76, 78, 84 & 89)	
200B	7007412	1	Seal Kit - Servo Piston (Includes Items 76 & 78)	
201	7010116	1	Cylinder Block Kit (Includes Items 19-28 & 50)	

SECTION 2 - TURNTABLE

FIGURE 2-16. GEAR PUMP ASSEMBLY



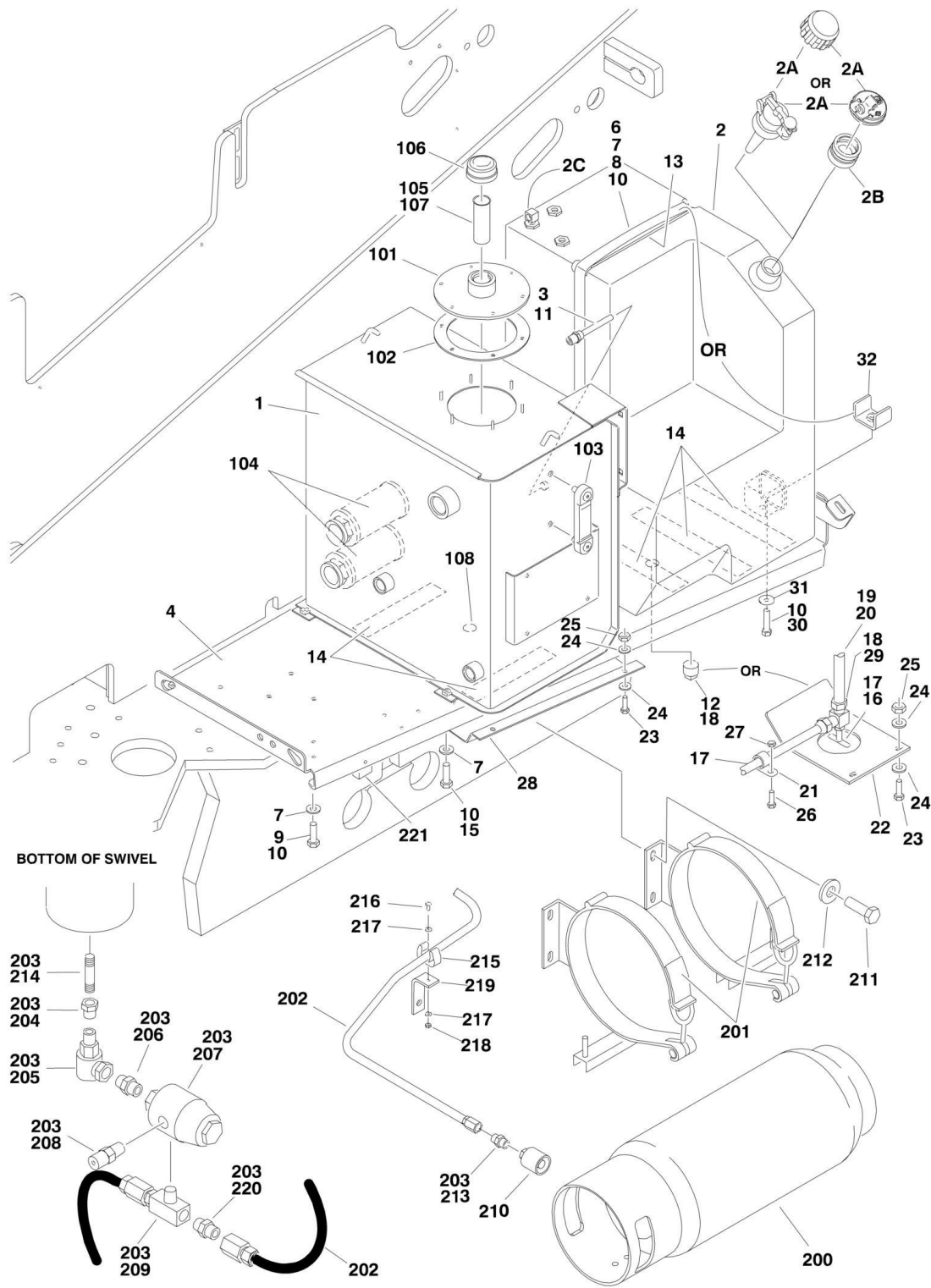
SECTION 2 - TURNTABLE

FIGURE 2-16. GEAR PUMP ASSEMBLY

ITEM	PART NUMBER	QTY	DESCRIPTION	REV
	3600242	Ref	GEAR PUMP ASSEMBLY	
1	7010105	2	Bearing/Bushing	
2	See Note	NSS	Housing (Note: Use p/n 3600242 Complete Replacement)	
3	See Note	NSS	Flange (Note: Use p/n 3600242 Complete Replacement)	
4	7010103	1	Cover	
5	7012987	1	Gear, Drive	
6	7012988	1	Gear, Idler	
7	See Note	NSS	Ring, Anti-Extrusion (Note: Use Item 200)	
8	See Note	NSS	Seal (Note: Use Item 200)	
9	See Note	NSS	Bolt (Note: Not Available for Purchase)	
10	7010104	1	Ring, Retaining	
11	See Note	NSS	Pin, Dowel (Note: Not Available for Purchase)	
12	See Note	NSS	Seal, O-Ring (Note: Use Item 200)	
13	See Note	NSS	Seal, Shaft (Note: Use Item 200)	
	3600395	Ref	GEAR PUMP AND FITTING ASSEMBLY	A
101	2220376	1	Fitting, Straight	
102	2220810	1	Fitting, Reducer	
103	3600242	1	Pump (Includes Items 1-13)	
104	4640744	1	Fitting, Check Valve	
		Ref	KIT OPTIONS	
200	7007489	1	Seal Kit (Includes Items 7, 8, 12 & 13)	

SECTION 2 - TURNTABLE

FIGURE 2-17. TANK INSTALLATIONS



SECTION 2 - TURNTABLE

FIGURE 2-17. TANK INSTALLATIONS

ITEM	PART NUMBER	QTY	DESCRIPTION	REV
		Ref	TANKS INSTALLATIONS	
	0254849	Ref	Diesel Machines	12-G
	0271250	Ref	Dual Fuel Machines (USA Built Machines) (SN 0300087000 through 0300140980)	I
	1001116341	Ref	Dual Fuel Machines (USA Built Machines) (SN 0300140981 through 0300171769)	A
1	4400449	1	Hydraulic Tank Assembly (See Items 101-108 for Breakdown)	
2		Ref	Tank, Fuel Options:	
2	4400400	1	Diesel Machines	
2	4400400	1	Dual Fuel Machines (USA Built Machines) (SN 0300087000 through 0300109244)	
2	1001091562	NLA	Dual Fuel Machines (USA Built Machines) (Use p/n 1001111514) (SN 0300109245 through 0300140980)	
2	1001111514	1	Dual Fuel Machines (SN 0300140981 through 0300171769)	
2A		Ref	Cap Options:	
2A		Ref	Diesel Machines	
2A	7016314	1	Standard Black Cap - Non-Locking	
2A	1120362	1	Optional Cap with Fuel Gauge (Not Included with Tank)	
2A	1120487	1	Optional Blue Cap (Not Included with Tank)	
2A		Ref	Dual Fuel Machines	
2A	7016314	1	Standard Black Cap (USA Built Machines) (SN 0300087000 through 0300109244)	
2A	70001103	1	Standard Black Cap (USA Built Machines) (SN 0300109245 through 0300140980)	
2A	70002715	1	Standard Black Cap (USA Built Machines) (SN 0300140981 through 0300171769)	
2A	1120484	1	Optional Red Cap - Ford Engine Machines Only (Not Included with Tank)	
2B	70002716	1	Adapter (USA Built Gas Machines) (SN 0300140001 through 0300171769)	
2C		Ref	Tube, Fuel Pick-up (With Fitting) Options:	
2C	7019658	1	Dual Fuel Engine Machines (USA Built Machines) (SN 0300087000 through 0300109244)	
2C	70004184	1	Dual Fuel Engine Machines (SN 0300109245 through 0300140980)	
2C	70004149	1	Dual Fuel Engine Machines (SN 0300140981 through 0300171769)	
2C	7019658	1	Diesel Engine Machines	
3	4360436	1	Switch, Fuel Level	
4		Ref	Hydraulic Tray Weldment Options:	
4	4845393	1	USA Built Machines (SN 0300087000 through 0300117083)	
4	1001091911	1	USA Built Machines (SN 0300117084 through 0300171769)	
4	1001091911	1	China Built Machines (SN B300000100 through B300000969)	
6	4240113	1	Strap, Tank	
7	4751600	AR	Flatwasher 3/8in Regular	
8	3311601	AR	Nut 3/8in-16NC	
9	0641614	6	Bolt 3/8in-16NC x 1-3/4in	
10	0100011	AR	Compound, Locking	
11	0100079	AR	Sealant, Pipe	
12	2200233	1	Plug (Diesel Machines Only)	
13	4280295	25 in /44cm	Strip, Protective	

SECTION 2 - TURNTABLE

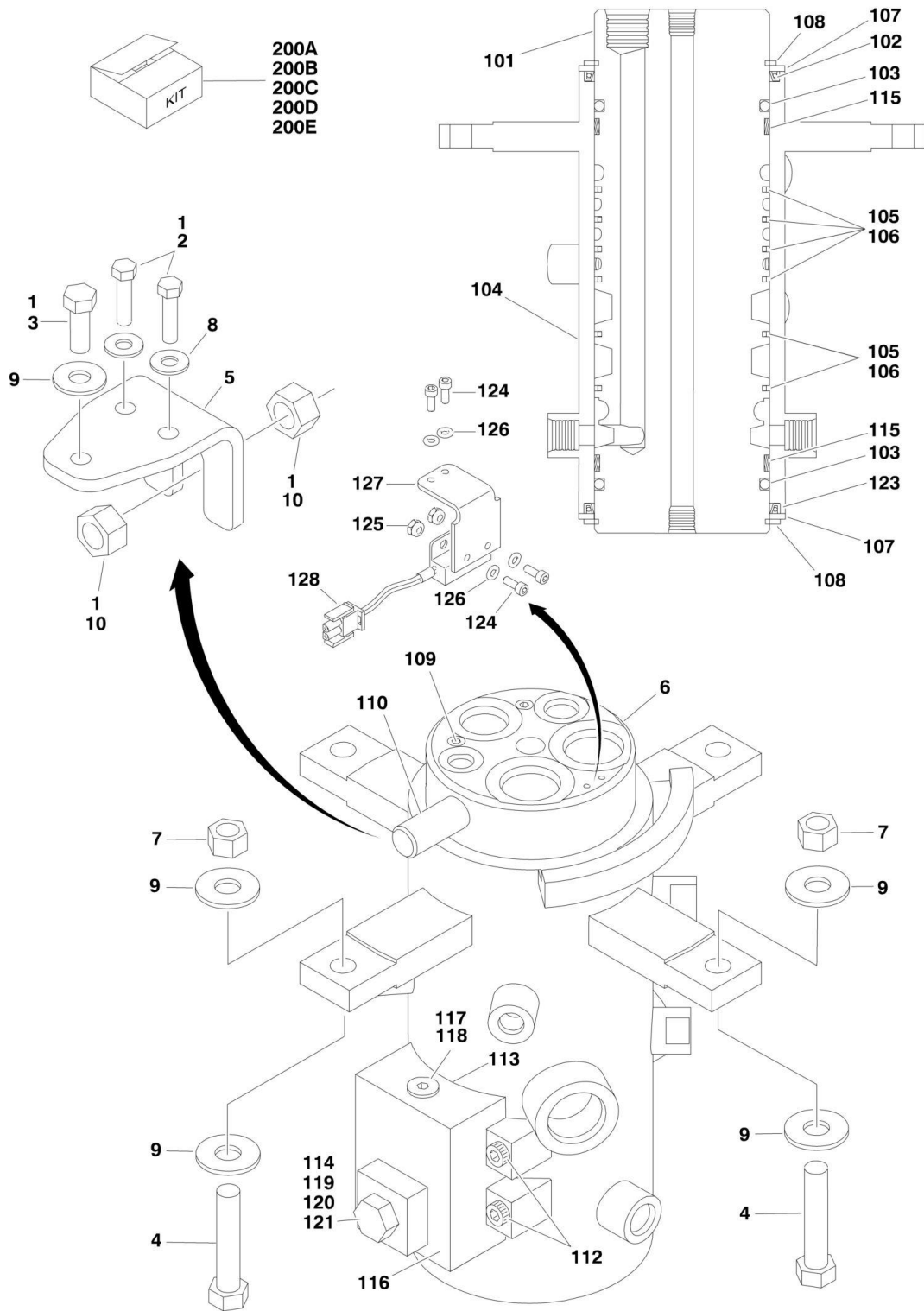
ITEM	PART NUMBER	QTY	DESCRIPTION	REV
14	4420038	70 in /1.78m	Tape, Rubber	
15	0641608	4	Bolt 3/8in-16NC x 1in	
		Ref	Note: Items 16-32 Used on Dual Fuel Machines Only	
16	4641022	1	Valve, Needle	
17	4568116	1	Tube, Fuel	
18	0100020	AR	Sealant	
19	0100062	AR	Retaining Compound #680	
20	4568119	1	Tube, Fuel	
21	1320245	1	Clamp	
22	3572423	1	Plate, Valve, Needle	
23	0641508	AR	Bolt 5/16in-18NC x 1in	
24	4711500	AR	Flatwasher 5/16in Thin	
25	3311505	AR	Locknut 5/16in-18NC	
26	0641412	1	Bolt 1/4in-20NC x 1-1/2in	
27	3311405		Locknut 1/4in-20NC	
28	3576755	1	Cover, Fuel Pump	
29	2221270	1	Fitting, Brass	
30	0641818	2	Bolt 1/2in-13NC x 2-1/4in (USA Built Machines) (SN 0300140981 through 0300171769)	
30	0641818	2	Bolt 1/2in-13NC x 2-1/4in (China Built Machines) (SN B30000100 through B300000969)	
31	4751800	2	Flatwasher 1/2in Regular (USA Built Machines) (SN 0300140981 through 0300171769)	
31	4751800	2	Flatwasher 1/2in Regular (China Built Machines) (SN B30000100 through B300000969)	
32	1001118133	2	Bracket (USA Built Machines) (SN 0300140981 through 0300171769)	
32	1001118133	2	Bracket (China Built Machines) (SN B30000100 through B300000969)	
	4400449	Ref	HYDRAULIC TANK ASSEMBLY	G
101	7024439	1	Cover	
102	7024440	1	Gasket	
103	7024441	1	Gauge, Sight	
104	7024442	2	Strainer	
105	7024443	1	Filler Neck	
106	7024444	1	Cap, Vented	
107	7024445	1	Strainer	
108	7024446	1	Plug, Magnetic	
	0255524	Ref	LP TANK BRACKETS INSTALLATION (USA BUILT MACHINES ONLY)	9-F
200		Ref	Tank, LP - 43.5 Lbs Options:	
200	4400275	1	Aluminum	
200	4400420	1	Steel	
201	1320220	2	Clamp	
201	1320127	2	Clamp, Toggle (1 Per Clamp)	
202	2720144	2	Hose	
203	0100020	AR	Sealant, Pipe	
204		Ref	Fitting, Reducer Options:	
204	2221019	1	Fitting, Reducer (SN 0300087000 through 0300136526)	
204	2221197	1	Fitting, Reducer (SN 0300136527 through 0300171769)	
205	2180125	1	Fitting, 90 Swivel	
206	2220261	AR	Fitting, Nipple	

SECTION 2 - TURNTABLE

ITEM	PART NUMBER	QTY	DESCRIPTION	REV
207	2180388	1	Fitting, Bulkhead	
208	2180389	1	Valve, Relief	
209	2220418	1	Fitting, Tee Options:	
210	2180387	2	Fitting, Straight	
211	0641606	8	Bolt 3/8in-16NC x 3/4in	
212	4751600	8	Flatwasher 3/8in Regular	
213	2180418	2	Fitting, Connector	
214	2221018	1	Fitting, Nipple (SN 0300087000 through 0300136527)	
215	1320218	2	Clamp, Spring	
216	3910808	2	Screw, Round Head #8-32NC x 1/2in	
217	4750800	4	Flatwasher #8 Regular	
218	3310805	2	Locknut #8-32NC	
219	0181949	2	Angle, Support	
220	2221024	2	Fitting, Union Ball Check	
221	0362519	4	Bar	

SECTION 2 - TURNTABLE

FIGURE 2-18. ROTARY COUPLING INSTALLATION



SECTION 2 - TURNTABLE

FIGURE 2-18. ROTARY COUPLING INSTALLATION

ITEM	PART NUMBER	QTY	DESCRIPTION	REV
		Ref	ROTARY COUPLING INSTALLATIONS	
		Ref	2WS - USA Built Machines:	
	0273052	Ref	Rotary Coupling Installations (SN 0300087000 through 0300138728)	G
	1001107498	Ref	Rotary Coupling Installations (SN 0300138729 through 0300171769)	A
		Ref	2WS - China Built Machines:	
	1001107498	Ref	Rotary Coupling Installations (SN B300000100 through B300000969)	A
		Ref	4WS - USA Built Machines:	
	0273161	Ref	Rotary Coupling Installations (SN 0300087000 through 0300138728)	G
	1001107499	Ref	Rotary Coupling Installations (SN 0300138729 through 0300171769)	A
		Ref	4WS - China Built Machines:	
	1001107499	Ref	Rotary Coupling Installations (SN B300000100 through B300000969)	A
1	0100011	AR	Compound, Locking	
2	0641612	2	Bolt 3/8in-16NC x 1-1/2in	
3	0641811	1	Bolt 1/2in-13NC x 1-3/8in	
4	0641820	2	Bolt 1/2in-13NC x 2-1/2in	
5	0903056	1	Bracket	
6		Ref	Coupling, Rotary Options (See Items 101-123 for Breakdown):	
6		Ref	2WS - USA Built Machines:	
6	1660257	NLA	Coupling, Rotary (Use p/n 1660303) (SN 0300087000 through 0300113929)	
6	1660303	1	Coupling, Rotary (SN 0300113930 through 0300138728)	
6	1001106974	1	Coupling, Rotary (SN 0300138729 through 0300171769)	
6		Ref	2WS - China Built Machines:	
6	1001106974	1	Coupling, Rotary (SN B300000100 through B300000969)	
6		Ref	4WS - USA Built Machines:	
6	1660258	NLA	Coupling, Rotary (Use p/n 1660304) (SN 0300087000 through 0300113929)	
6	1660304	1	Coupling, Rotary (SN 0300113930 through 0300138728)	
6	1001106975	1	Coupling, Rotary (SN 0300138729 through 0300171769)	
6		Ref	4WS - China Built Machines:	
6	1001106975	1	Coupling, Rotary (SN B300000100 through B300000969)	
7	3271805	2	Locknut 1/2in-13NC	
8	4751600	2	Flatwasher 3/8in Regular	
9	4751800	5	Flatwasher 1/2in Regular	
10	3322201	2	Nut 3/4in-16NC	
		Ref	ROTARY COUPLING ASSEMBLIES	
		Ref	2WS - USA Built Machines:	
	1660257	Ref	Rotary Coupling Assemblies (Use p/n 1660303) (SN 0300087000 through 0300113929)	D
	1660303	Ref	Rotary Coupling Assemblies (SN 0300113930 through 0300138728)	B
	1001106974	Ref	Rotary Coupling Assemblies (SN 0300138729 through 0300171769)	A
		Ref	2WS - China Built Machines:	
	1001106974	Ref	Rotary Coupling Assemblies (SN B300000100 through B300000969)	A

SECTION 2 - TURNTABLE

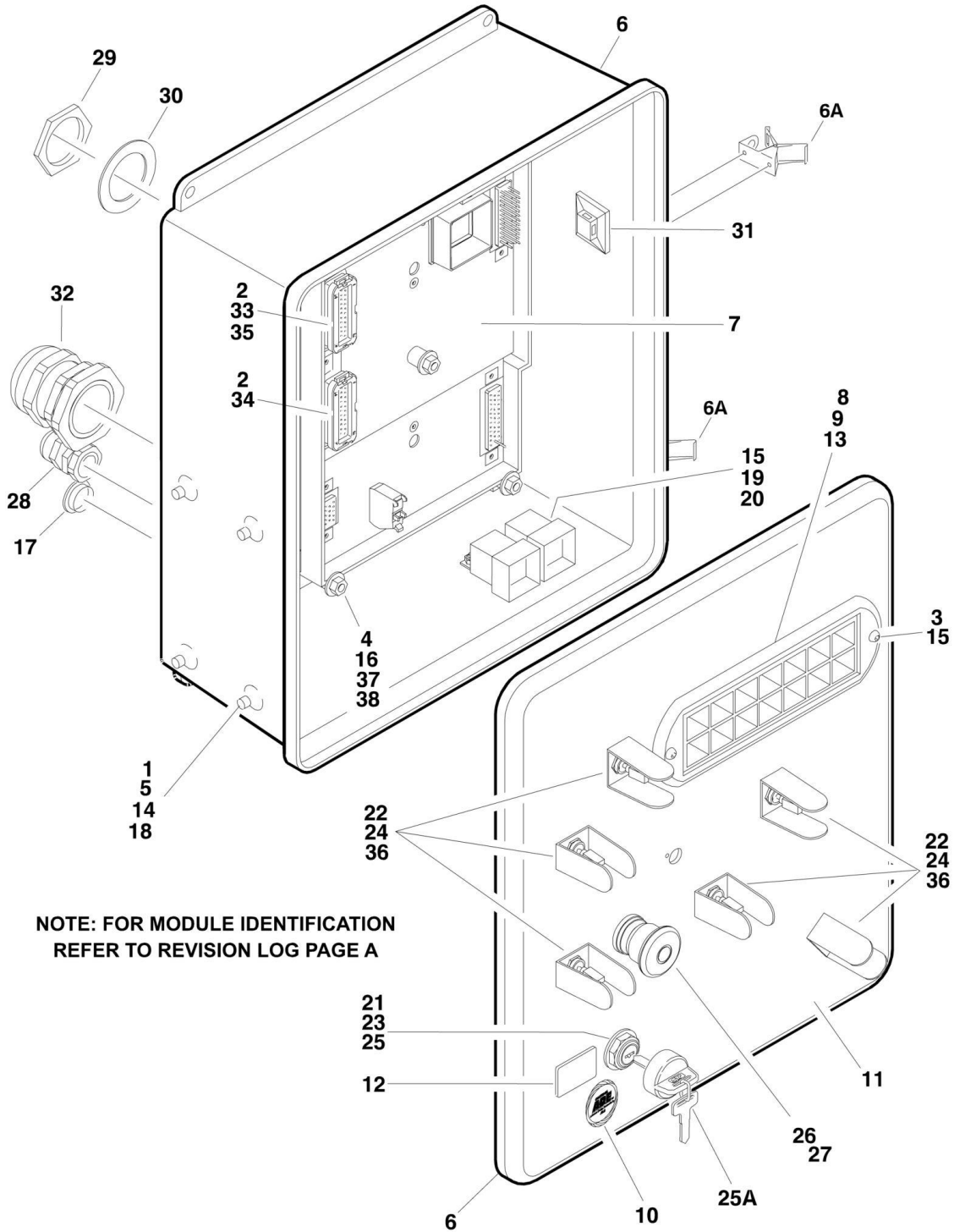
ITEM	PART NUMBER	QTY	DESCRIPTION	REV
		Ref	4WS - USA Built Machines:	
	1660258	Ref	Rotary Coupling Assemblies (SN 0300087000 through 0300113929)	D
	1660304	Ref	Rotary Coupling Assemblies (SN 0300113930 through 0300138728)	B
	1001106975	Ref	Rotary Coupling Assemblies (SN 0300138729 through 0300171769)	A
		Ref	4WS - China Built Machines:	
	1001106975	Ref	Rotary Coupling Assemblies (SN B300000100 through B300000969)	A
101	See Note	NSS	Body (Note: Not Available - Purchase Complete Rotary Coupling Assembly)	
102		Ref	Seal Options:	
102	7026189	1	2WS (P/N 1660257 Coupling)	
102	70001248	1	2WS (p/ns 1660303 & 1001106974 Coupling)	
102	See Note	1	4WS (Note: Use Item 200C, 200D or 200E)	
103	See Note	2	O-Ring (Note: Use Item 200A, 200B, 200C, 200D or 200E)	
104	See Note	NSS	Housing (Note: Not Available - Purchase Complete Rotary Coupling Assembly)	
105		Ref	Seal, Cap	
105	See Note	NSS	2WS (Note: Use Item 200A or 200B)	
105	See Note	NSS	4WS (Note: Use Item 200C, 200D or 200E)	
106		Ref	O-RING	
106	See Note	NSS	2WS (Note: Use Item 200A or 200B)	
106	See Note	NSS	4WS (Note: Use Item 200C, 200D or 200E)	
107		Ref	Ring Options:	
107	7026503	2	2WS	
107	7026511	2	4WS	
108		Ref	Ring, Retaining Options:	
108	7026504	Ref	Ring, Retaining 2WS	
108	7026504	2	Ring, Retaining 2WS (1660257 Coupling)	
108	7026504	1	Ring, Retaining 4WS (1660303 & 1001106974 Coupling)	
108	7013189	Ref	Ring, Retaining 4WS	
108	7013189	2	Ring, Retaining 4WS (1660258 Coupling)	
108	7013189	1	Ring, Retaining 4WS (1660304 & 1001106975 Coupling)	
109		Ref	Plug Options:	
109		Ref	2WS	
109	See Note	NSS	1660257 Coupling (Note: Not Available - Purchase Locally)	
109	80934561	2	1660303 & 1001106974 Coupling	
109		Ref	4WS	
109	See Note	NSS	1660258 Coupling (Note: Not Available - Purchase Locally)	
109	80934561	4	1660304 & 1001106975 Coupling	
110	See Note	NSS	Lug, Torque (Note: Not Available for Purchase)	
112	7026197	4	Bolt 5/16in-18NC x 1-1/4in	
113	See Note	NSS	O-Ring (Note: Use Item 200A, 200B, 200C, 200D or 200E)	
114	See Note	NSS	O-Ring (Note: Use Item 200A, 200B, 200C, 200D or 200E)	
115	See Note	NSS	Bearing (Note: Use Item 200A, 200B, 200C, 200D or 200E)	
116	7024404	1	Block Valve Assembly	
117	7026505	1	Plug	
118	7026506	1	Valve, Check	
119	7026507	1	Plug	
120		Ref	Plunger, Valve Options:	
120	7026508	1	1660257 & p/n 1660258 Couplings	

SECTION 2 - TURNTABLE

ITEM	PART NUMBER	QTY	DESCRIPTION	REV
120	7024404	1	1660303, 1660304, 1001106974 & 1001106975 Couplings	
121	7026509	1	Spring, Compression	
122	See Note	NSS	Protective Netting (Not Shown) (1660303, 1660304, 1001106974 & 1001106975 Couplings) (Note: Not Available for Purchase)	
123		Ref	Seal Options:	
123	7026189	1	1660257 COUPLINGS	
123	70001248	1	1660303 & 1001106974 Couplings	
123	See Note	NSS	1660258, 1660304 & 1001106975 Couplings (Note: Use Item 200C, 200D or 200E)	
124	See Note	NSS	Screw, Socket Head #10-24NC x 1/2in (Note: Not Available - Purchase Locally)	
125	See Note	NSS	Locknut #10-24NC (Note: Not Available - Purchase Locally)	
126	See Note	NSS	Flatwasher #10 Regular (Note: Not Available - Purchase Locally)	
127	70003454	1	Bracket, Switch Mounting	
128	4360517	1	Switch, Proximity	
		Ref	KIT OPTIONS	
200		Ref	Seal Kit Options:	
200A	7026510	1	1660257 Coupling (Includes Items 103, 105, 106, 113, 114 & 115. Items 102 & 123 must be purchased separately)	
200B	70001248	1	1660303 & 1001106974 Couplings (Includes Items 102, 103, 105, 106, 113, 114, 115 & 123)	
200C	7026512	1	1660258 Coupling (Includes Items 102, 103, 105, 106, 113, 114, 115 & 123)	
200D	70001249	1	1660304 Coupling (Includes Items 102, 103, 105, 106, 113, 114, 115 & 123)	
200E	70002212	1	1001106975 Coupling (Includes Items 102, 103, 105, 106, 113, 114, 115 & 123)	

SECTION 2 - TURNTABLE

FIGURE 2-19. GROUND CONTROL BOX ASSEMBLY (WITHOUT UGM)



SECTION 2 - TURNTABLE

FIGURE 2-19. GROUND CONTROL BOX ASSEMBLY (WITHOUT UGM)

ITEM	PART NUMBER	QTY	DESCRIPTION	REV
		Ref	Note: Only Available on USA Built Machines.	
		Ref	Note: For Module Identification (Non-UGM/UGM), refer to Revision Log page A.	
		Ref	GROUND CONTROL BOX ASSEMBLIES	
		Ref	Ground Control Box Assemblies 600S (SN 0300087000 through 0300099059)	
	0861696	Ref	Caterpillar Engine (ANSI and ANSI Export Specs)	B
	0861698	Ref	Caterpillar Engine (Australian and CE Specs)	B
	0861685	Ref	Deutz Engine (ANSI and ANSI Export Specs)	B
	0861687	Ref	Deutz Engine (Australian and CE Specs)	B
	0861694	Ref	Ford Engine (ANSI and ANSI Export Specs)	B
	0861788	Ref	GM Engine (ANSI and ANSI Export Specs)	B
		Ref	Ground Control Box Assemblies 600S (SN 0300099060 through 0300171769)	
	1810071	Ref	Caterpillar Engine (ANSI and ANSI Export Specs)	D
	1810072	Ref	Caterpillar Engine (Australian and CE Specs)	D
	1810069	Ref	Deutz Engine (ANSI and ANSI Export Specs)	C
	1810070	Ref	Deutz Engine (Australian and CE Specs)	C
	1810068	Ref	GM Engine (ANSI and ANSI Export Specs)	C
		Ref	Ground Control Box Assemblies 600SJ & 660SJ (SN 0300087000 through 0300099059)	
	0861697	Ref	Caterpillar Engine (ANSI and ANSI Export Specs)	B
	0861699	Ref	Caterpillar Engine (Australian and CE Specs)	B
	0861686	Ref	Deutz Engine (ANSI and ANSI Export Specs)	B
	0861688	Ref	Deutz Engine (Australian and CE Specs)	B
	0861695	Ref	Ford Engine (ANSI and ANSI Export Specs)	C
	0861789	Ref	GM Engine (ANSI and ANSI Export Specs)	B
		Ref	Ground Control Box Assemblies 600SJ & 660SJ (SN 0300099060 through 0300171769)	
	1810076	Ref	Caterpillar Engine (ANSI and ANSI Export Specs)	D
	1810077	Ref	Caterpillar Engine (Australian and CE Specs)	D
	1810074	Ref	Deutz Engine (ANSI and ANSI Export Specs)	C
	1810075	Ref	Deutz Engine (Australian and CE Specs)	C
	1810073	Ref	GM Engine (ANSI and ANSI Export Specs)	C
1	0100011	AR	Compound, Locking	
2	0100048	AR	Grease, Dielectric	
3	0630518	2	Capscrew, Button Head	
4	0630548	5	Bolt	
5	0641506	4	Bolt 5/16in-18NC x 3/4in	
6	0861389	1	Box, Fiberglass	
6A	7020246	2	Latch	
7		Ref	Module, Ground Control Options:	
		Ref	Note: Re-calibration Required when Replaced.	
7	1600364	1	Caterpillar and Ford Engines (SN 0300087000 through 0300099059)	
7	1600411	NLA	Caterpillar Engines (Use p/n 1001149676) (SN 0300099060 through 0300171769)	
7	1600411	NLA	Deutz and GM Engines (Use p/n 1001149676)	
7	2915014	1	Update Kit (Includes Module, Cables, Programming Instructions and CD Software) (Use with 1600364)	
8	1670829	1	Bezel	

SECTION 2 - TURNTABLE

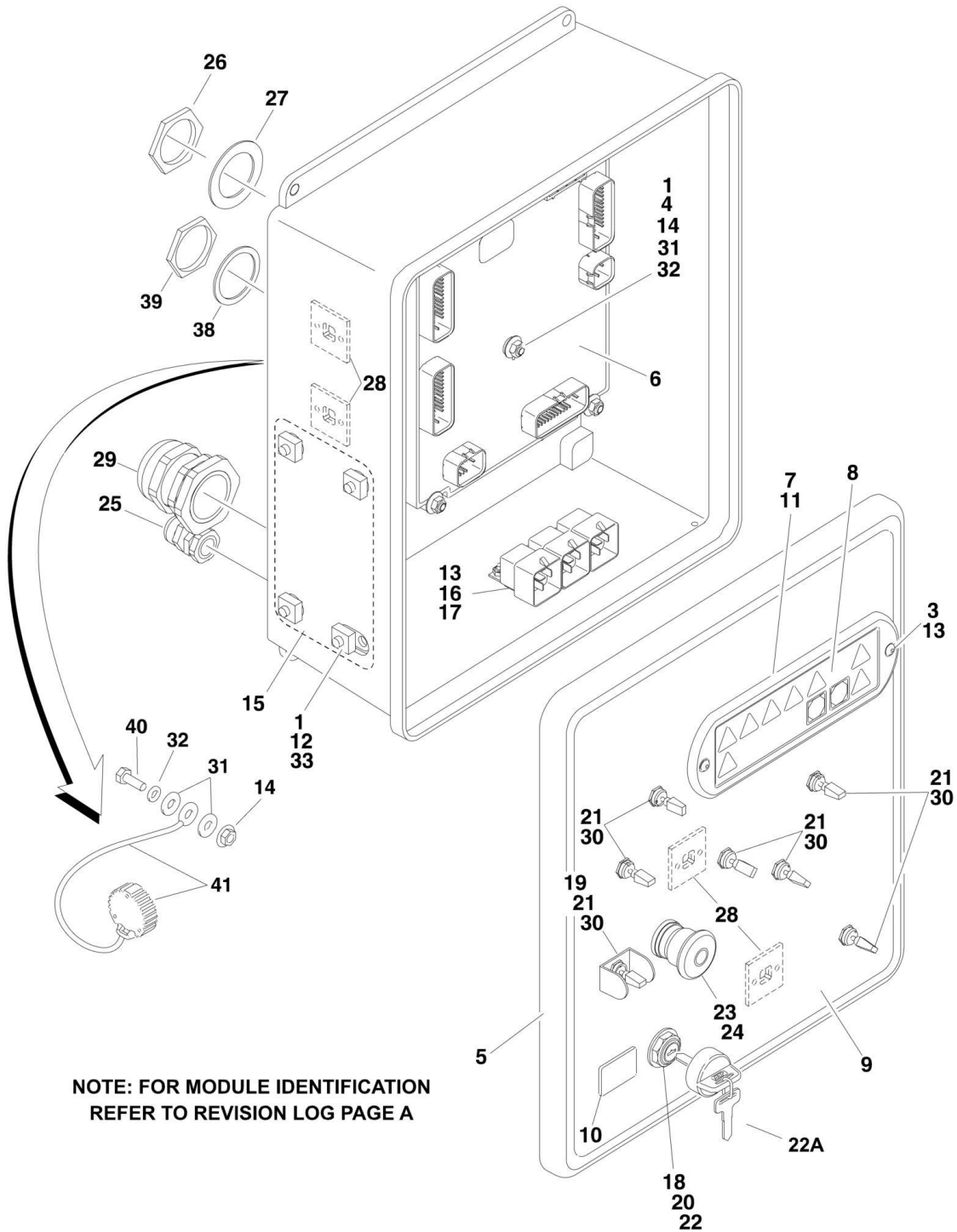
ITEM	PART NUMBER	QTY	DESCRIPTION	REV
9		Ref	Decal - Ground Control Display Options:	
9	1705753	1	Decal - Ground Control Display (SN 0300087000 through 0300099059)	
9	1706712	1	Decal - Ground Control Display (SN 0300099060 through 0300171769)	
10	1705132	1	Decal - ADE (SN 0300087000 through 0300099060)	
11		Ref	Decal - Faceplate Options:	
11		Ref	Decal - Faceplate 600S Options:	
11	1703465	1	Decal - Faceplate (SN 0300087000 through 0300099059)	
11	1706914	1	Decal - Faceplate (SN 0300099060 through 0300135020)	
11	1001102601	1	Decal - Faceplate (SN 0300135021 through 0300171769)	
11		Ref	Decal - Faceplate 600SJ/660SJ Options:	
11	1703466	1	Decal - Faceplate (SN 0300087000 through 0300099059)	
11	1706915	1	Decal - Faceplate (SN 0300099060 through 0300135020)	
11	1001102602	1	Decal - Faceplate (SN 0300135021 through 0300171769)	
12	2420172	1	Gauge, Hourmeter	
13	2760105	1	Housing, Display Light	
14	3300205	4	Nut, Retainer	
15	3300408	4	Locknut, Plastic Insert	
16	3311401	10	Nut 1/4in-20NC	
17	3520035	1	Plug, Cap	
18	3539219	1	Plate, Reinforcement	
19	3740049	Ref	Relay Options:	
19	3740049	3	Caterpillar Engines	
19	3740049	2	Deutz, Ford and GM Engines	
20	3900268	2	Screw, Flange #10 x 1/2in	
21	3910804	6	Screw #8-32NC x 1/4in	
22	4060906	Ref	Shield, Toggle Switch Options:	
22		Ref	Shield, Toggle Switch 600S (SN 0300087000 through 0300135021)	
22	4060906	7	Shield, Toggle Switch 600SJ & 660SJ (SN 0300087000 through 0300135020)	
22	4060906	1	All Models (SN 0300135021 through 0300171769)	
23	4070987	1	Shim (.015in)	
24	4360328	Ref	Switch, Toggle	
24	4360328	6	Switch, Toggle 600S	
24	4360328	7	Switch, Toggle 600SJ & 660SJ	
25		Ref	Switch, Key Options:	
25	4360469	1	ANSI and ANSI Export Specs	
25	4360470	1	Australian and CE Specs	
25A	2860030	1	Key Replacement	
26	4360475	1	Switch, Emergency Stop	
27	4360476	1	Switch, Contact Block	
28	4460426	1	Connector, Strain Relief	
29	4460470	1	Nut, Terminal	
30	4460471	1	Lockwasher, Terminal	
31	4460488	AR	Mounting Base, Terminal	
32	4460526	1	Connector, Strain Relief	
33	4460874	1	Connector (Natural)	
34	4460875	1	Connector (Gray)	
35	4460905	4	Connector, Amp Seal Plug	
36	4740444	Ref	Flatwasher, Special	

SECTION 2 - TURNTABLE

ITEM	PART NUMBER	QTY	DESCRIPTION	REV
36	4740444	6	Flatwasher, Special 600S	
36	4740444	7	Flatwasher, Special 600SJ & 660SJ	
37	4751400	20	Flatwasher 1/4in Regular	
38	4761400	15	Lockwasher 1/4in	
39	4923206	1	Valve Harness Assembly (Not Shown - See ELECTRICAL SECTION for Breakdown)	
40		Ref	Ground Control Box Harness Assembly (Not Shown - See ELECTRICAL SECTION for Breakdown)	
40	4923229	1	Caterpillar and Ford Engine (SN 0300087000 through 0300099060)	
40	4923213	1	Deutz and GM Engine (SN 0300087000 through 0300099059)	
40	4923577	1	Caterpillar, Deutz and GM Engine (SN 0300099060 through 0300137194)	
40	1001108126	1	Caterpillar, Deutz and GM Engine (SN 0300137195 through 0300171769)	
41		Ref	Engine Harness Assembly (Not Shown - See ELECTRICAL SECTION for Breakdown)	
41	4923227	1	Caterpillar Engine (SN 0300087000 through 0300099059)	
41	4923576	1	Caterpillar Engine (SN 0300099060 through 0300171769)	
41	4923212	1	Deutz Engine	
41	4923226	1	Ford Engine	
41	4923492	1	GM Engine	

SECTION 2 - TURNTABLE

FIGURE 2-20. GROUND CONTROL BOX ASSEMBLY (WITH UGM)



SECTION 2 - TURNTABLE

FIGURE 2-20. GROUND CONTROL BOX ASSEMBLY (WITH UGM)

ITEM	PART NUMBER	QTY	DESCRIPTION	REV
		Ref	Note: For Module Identification (Non-UGM/UGM), refer to Revision Log page A.	
		Ref	GROUND CONTROL BOX ASSEMBLIES	
		Ref	Ground Control Box Assemblies 600S:	
	1001110354	Ref	Caterpillar Engine (ANSI and ANSI Export Specs)	C
	1001110356	Ref	Caterpillar Engine (Australian Specs USA Built Machines) (SN 0300087000 through 0300149409)	C
	1001110356	Ref	Caterpillar Engine (Australian Specs China Built Machines) (SN B300000100 through B300000309)	C
	1001110354	Ref	Caterpillar Engine (Australian Specs USA Built Machines) (SN 0300149410 through 0300171769)	C
	1001110354	Ref	Caterpillar Engine (Australian Specs China Built Machines) (SN B300000310 through B300000969)	C
	1001110356	Ref	Caterpillar Engine (CE Specs)	C
	1001110349	Ref	Deutz Engine (ANSI and ANSI Export Specs)	C
	1001110352	Ref	Deutz Engine (Australian Specs USA Built Machines) (SN 0300087000 through 0300149409)	C
	1001110352	Ref	Deutz Engine (Australian Specs China Built Machines) (SN B300000100 through B300000309)	C
	1001110349	Ref	Deutz Engine (Australian Specs USA Built Machines) (SN 0300149410 through 0300171769)	C
	1001110349	Ref	Deutz Engine (Australian Specs China Built Machines) (SN B300000310 through B300000969)	C
	1001110352	Ref	Deutz Engine (CE Specs)	C
	1001110348	Ref	GM Engine (ANSI and ANSI Export Specs)	C
		Ref	Ground Control Box Assemblies 660SJ:	
	1001110355	Ref	Caterpillar Engine (ANSI and ANSI Export Specs)	C
	1001110357	Ref	Caterpillar Engine (Australian Specs USA Built Machines) (SN 0300087000 through 0300149409)	C
	1001110357	Ref	Caterpillar Engine (Australian Specs China Built Machines) (SN B300000100 through B300000309)	C
	1001110355	Ref	Caterpillar Engine (Australian Specs USA Built Machines) (SN 0300149410 through 0300171769)	C
	1001110355	Ref	Caterpillar Engine (Australian Specs China Built Machines) (SN B300000310 through B300000969)	C
	1001110357	Ref	Caterpillar Engine (CE Specs)	C
	1001110351	Ref	Deutz Engine (ANSI and ANSI Export Specs)	C
	1001110353	Ref	Deutz Engine (Australian Specs USA Built Machines) (SN 0300087000 through 0300149409)	C
	1001110353	Ref	Deutz Engine (Australian Specs China Built Machines) (SN B300000100 through B300000309)	C
	1001110351	Ref	Deutz Engine (Australian Specs USA Built Machines) (SN 0300149410 through 0300171769)	C
	1001110351	Ref	Deutz Engine (Australian Specs China Built Machines) (SN B300000310 through B300000969)	C
	1001110353	Ref	Deutz Engine (CE Specs)	C
	1001110350	Ref	GM Engine (ANSI and ANSI Export Specs)	C
1	0100011	AR	Compound, Locking	
2	0100048	AR	Grease, Dielectric	
3	0630518	2	Capscrew, Button Head	
4	0630548	5	Bolt	
5	1001111017	1	Box, Fiberglass	
5A	7020246	2	Latch	

SECTION 2 - TURNTABLE

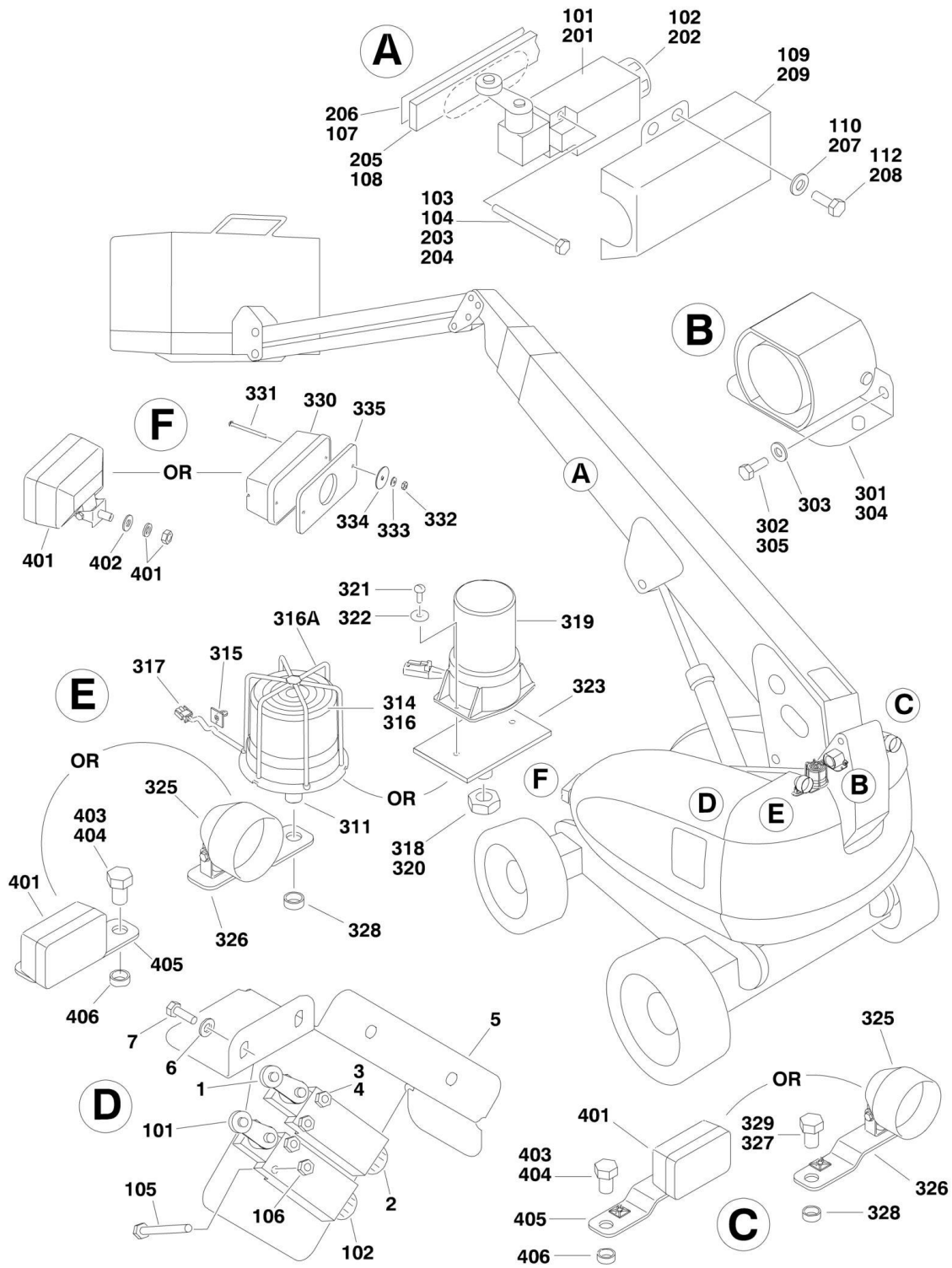
ITEM	PART NUMBER	QTY	DESCRIPTION	REV
6	1001103667	1	Module, Ground Control (Note: Re-calibration Required when Replaced)	
7	1670829	1	Bezel	
8	1706712	1	Decal - Ground Control Display	
9		Ref	Decal - Faceplate Options:	
9	1001102601	1	Decal - Faceplate 600S	
9	1001102602	1	Decal - Faceplate 660SJ	
10	2420172	1	Gauge, Hourmeter	
11	2760105	1	Housing, Display Light	
12	3300205	4	Nut, Retainer	
13	3300408	4	Locknut, Plastic Insert	
14	77143013	11	Nut 1/4in-20NC, Whiz Lock	
15	3539219	1	Plate, Reinforcement	
16	3740049	Ref	Relay Options:	
16	3740049	3	Relay Caterpillar Engines	
16	3740049	2	Relay Deutz, Ford and GM Engines	
17	3900268	AR	Screw, Flange #10 x 1/2in	
18	3910804	6	Screw #8-32NC x 1/4in	
19	4060906	1	Shield, Toggle Switch	
20		Ref	Shim Options:	
20	4070987	1	Shim (.125in)	
20	1001151393	1	Shim (.063in)	
21	4360328	Ref	Switch, Toggle	
21	4360328	6	Switch, Toggle 600S	
21	4360328	7	Switch, Toggle 660SJ	
22		Ref	Switch, Key Options:	
22	4360469	1	ANSI and ANSI Export Specs	
22	4360470	1	Australian Specs USA Built Machines (SN 0300087000 through 0300149409)	
22	4360470	1	Australian Specs China Built Machines (SN B300000100 through B300000309)	
22	4360469	1	Australian Specs USA Built Machines (SN 0300149410 through 0300171769)	
22	4360469	1	Australian Specs China Built Machines (SN B300000310 through B300000969)	
22	4360470	1	CE Specs	
22A	2860030	1	Key Replacement	
23	4360475	1	Switch, Emergency Stop	
24	4360476	1	Switch, Contact Block	
25	4460426	1	Terminal, Strain Relief	
26	4460470	1	Nut, Terminal	
27	4460471	1	Lockwasher, Terminal	
28	4460488	6	Mounting Base, Terminal	
29	4460526	1	Connector, Strain Relief	
30	4740444	AR	Washer, Special	
31	4751400	12	Flatwasher 1/4in Regular	
32	4761400	6	Lockwasher 1/4in	
33	0641506	4	Bolt 5/16in-18NC x 3/4in	
34	4923206	1	Harness, Valve (See ELECTRICAL SECTION for Breakdown) (Not Shown)	
35		Ref	Harness, Engine (See ELECTRICAL SECTION for Breakdown) (Not Shown)	
35	1001110362	1	Caterpillar Engine	

SECTION 2 - TURNTABLE

ITEM	PART NUMBER	QTY	DESCRIPTION	REV
35	1001110361	1	Deutz Engine	
35	1001110359	1	GM Engine	
36	1001108602	1	Harness, Ground Control Box (See ELECTRICAL SECTION for Breakdown) (Not Shown)	
38	4460496	1	Lockwasher, Terminal	
39	4460497	1	Nut, Terminal	
40	0641407	1	Bolt 1/4in-20NC x 7/8in	
41	1001106736	1	Cap, Dust	

SECTION 2 - TURNTABLE

FIGURE 2-21. ELECTRICAL OPTIONS INSTALLATION (TURNTABLE MOUNTED)



SECTION 2 - TURNTABLE

FIGURE 2-21. ELECTRICAL OPTIONS INSTALLATION (TURNTABLE MOUNTED)

ITEM	PART NUMBER	QTY	DESCRIPTION	REV
	0255335	Ref	LIMIT SWITCH INSTALLATION - ABOVE HORIZONTAL (ALL SPECS EXCEPT CE SPEC)	G
1	4360578	1	Switch, Limit	
2	4460968	1	Connector, Strain Relief	
3		Ref	Capscrew Options:	
3	3931028	2	Capscrew, Socket Head #8-32NC x 1-3/4in	
3	3930828	2	Capscrew, Socket Head #10-24NC x 1-3/4in	
4		Ref	Locknut Options:	
4	3310805	2	Locknut #8-32NC	
4	3311005	2	Locknut #10-24NC	
5	1670818	1	Cover, Limit Switch	
6	4751400	4	Flatwasher 1/4in Regular	
7	3931408	4	Capscrew 1/4in-20NC x 1in	
	0255698	Ref	LIMIT SWITCHES INSTALLATION - DUAL CAPACITY (600S ALL SPECS EXCEPT CE AND LATIN AMERICAN SPECS)	7-D
101	4360578	1	Switch, Limit	
102	4460968	2	Connector, Strain Relief	
103	0100035	AR	Compound, Locking	
104	3930816	2	Capscrew, Socket Head #8-32NC x 1in	
105	3930828	2	Capscrew, Socket Head #8-32NC x 1-3/4in	
106	3310805	2	Locknut #8-32NC	
107	4420054	9 ft/2.7m	Tape, Double Sided	
108		Ref	Bar, Fiberglass Options:	
108	0362528	NLA	USA Built Machines (Use p/n 1001106479) (SN 0300087000 through 0300138728)	
108	1001106479	1	USA Built Machines (SN 0300138729 through 0300171769)	
108	1001106479	1	China Built Machines (SN B300000100 through B300000969)	
109	1670824	1	Cover, Limit Switch	
110	4751400	4	Flatwasher 1/4in Regular	
112	0641403	4	Bolt 1/4in-20NC x 3/8in	
		Ref	TRANSPORT SWITCH INSTALLATION (CE SPEC)	
	0256305	Ref	Transport Switch Installation 600S & 660SJ	6
	0256306	Ref	Transport Switch Installation 600SJ	6
		Ref	Note: Only Available on USA Built Machines.	
201	4360578	1	Switch, Limit	
202	4460968	1	Connector, Strain Relief	
203	3930828	2	Capscrew, Socket Head #8-32NC x 1-3/4in	
204	3310805	2	Locknut #8-32NC	
205		Ref	Bar, Fiberglass Options:	
205	0362609	NLA	Bar, Fiberglass 600S & 660SJ (Use p/n 1001106481) (SN 0300087000 through 0300138728)	
205	1001106481	1	Bar, Fiberglass 600S & 660SJ (SN 0300138729 through 0300171769)	
205	0362610	NLA	Bar, Fiberglass 600SJ (Use p/n 1001106482) (SN 0300087000 through 0300138728)	
205	1001106482	1	Bar, Fiberglass 600SJ (SN 0300138729 through 0300171769)	
206	4420060	AR	Tape, Double-Sided	
207	4751400	4	Flatwasher 1/4in Regular	
208	0641403	4	Bolt 1/4in-20NC x 3/8in	
209	3380535	1	Cover, Limit Switch	
	0270833	Ref	ALARM INSTALLATIONS	C

SECTION 2 - TURNTABLE

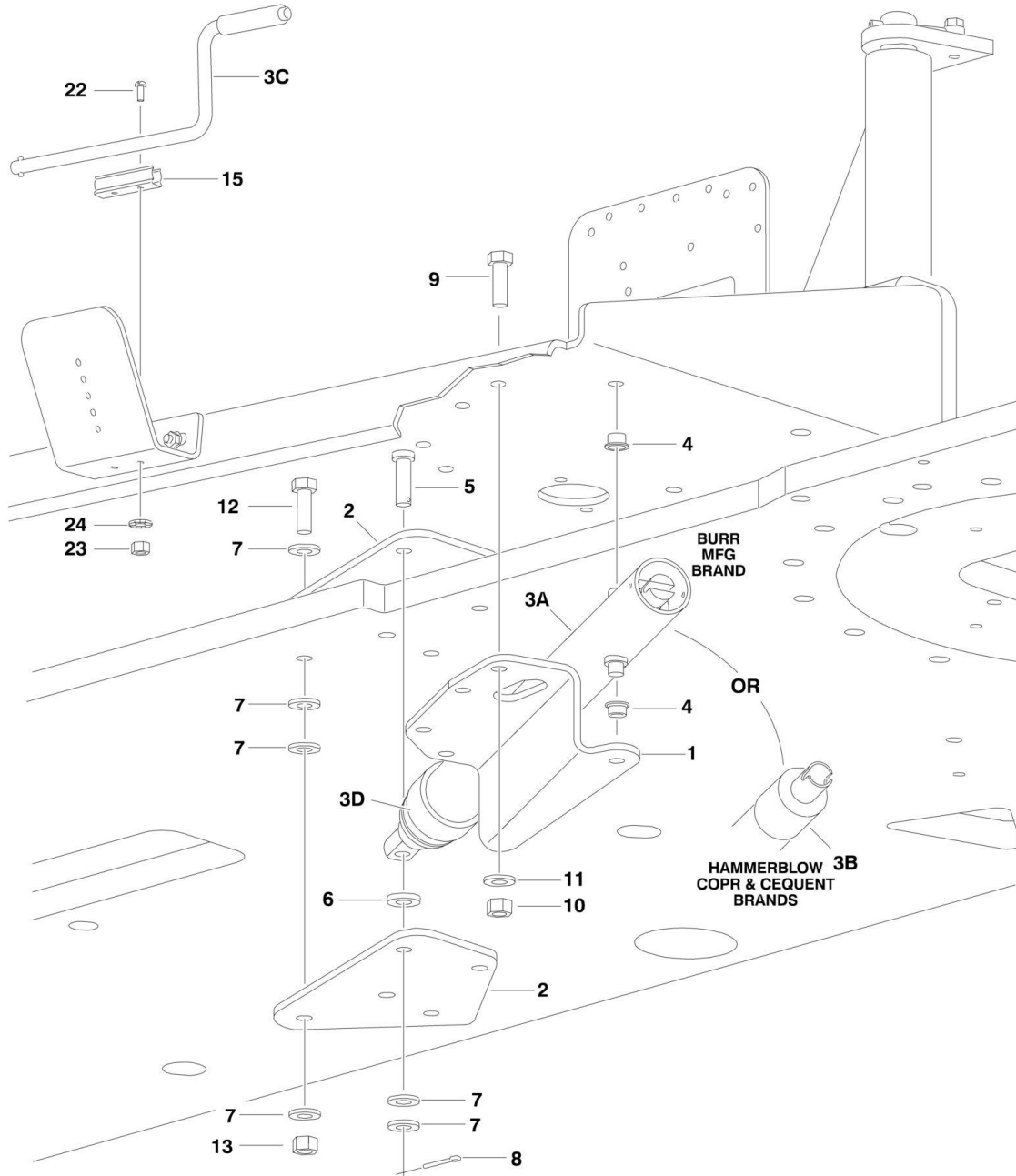
ITEM	PART NUMBER	QTY	DESCRIPTION	REV
301	0257887	1	Alarm/Harness Assembly	
301	0140032	1	Alarm	
301	2820035	6 in/15cm	Loom	
301	4460424	1	Plug	
301	4460268	2	Socket	
302	0641406	2	Bolt 1/4in-20NC x 3/4in	
303	4711400	2	Flatwasher 1/4in Thin	
304	0100048	AR	Sealant, Silicone	
305	0100011	AR	Compound, Locking	
	0270805	Ref	STROBE LIGHT INSTALLATION (AMBER) (OPTIONAL) (USA BUILT MACHINES) (SN 0300087000 through 0300169422)	D
	0270805	Ref	STROBE LIGHT INSTALLATION (AMBER) (OPTIONAL) (CHINA BUILT MACHINES) (SN B300000100 through B300000969)	D
		Ref	Note: If machines is equipped with BLUE Strobe Light, see SPECIAL OPTIONS SECTION SkyGuard Kit.	
311		Ref	Adapter Options:	
311	0630491	1	Adapter used with ECCO Model 6640	
311	0080241	1	Adapter used with ECCO Model 6650	
314	0100011	AR	Compound, Locking	
314	0100048	AR	Sealant, Silicone	
315	4240032	1	Wire-Tile	
316	0272507	1	Strobe Light/Guard/Harness Assembly (Includes Items 311 & 316A)	
316		Ref	Bulb, Replacement Options:	
316	7016380	1	Bulb for ECCO Model 6640	
316	70001941	1	Bulb for ECCO Model 6650	
316A		Ref	Guard Options:	
316A	4060907	1	Guard used with ECCO Model 6640	
316A	2920215	1	Guard used with ECCO Model 6650	
317	4460234	1	Clamp	
	1001149955	Ref	STROBE LIGHT INSTALLATION (AMBER) (OPTIONAL) (USA BUILT MACHINES) (SN 0300169423 through 0300171769)	B
	1001150406	Ref	STROBE LIGHT INSTALLATION (AMBER)	A
		Ref	Note: If machines is equipped with BLUE Strobe Light, see SPECIAL OPTIONS SECTION SkyGuard Kit.	
318	0100035	AR	Compound, Locking	
319	2920161	1	Strobe Light/Harness Assembly	
319	7016319	1	Bulb	
319	7016372	1	Lens	
320	3312602	1	Nut, Jam 1in-8NC	
321	3900085	2	Screw #10-32 x 1/2in	
322	4751000	2	Flatwasher 1/4in Thin	
323	1001149994	1	Mount Strobe	
324	1001149818	1	Harness, Strobe Light (Not Shown - See ELECTRICAL SECTION for Breakdown)	
	0271552	Ref	LIGHTS INSTALLATIONS (OPTIONAL)	C
325	2920110	2	Headlight	
326	0902206	2	Bracket, Mounting	
327	0642612	1	Bolt 1in-8NC x 1-1/2in	
328	4220162	2	Spacer	
329	0100011	AR	Compound, Locking	
330	2920113	2	Taillight	
331	3911040	4	Screw, Machine #10-24NC x 2-1/2in	

SECTION 2 - TURNTABLE

ITEM	PART NUMBER	QTY	DESCRIPTION	REV
332	3311005	4	Nut #10-24NC	
333	4751000	4	Flatwasher #10 Regular	
334	4740362	4	Washer, Fender	
335	3960461	2	Gasket	
337	4240032	AR	Tie-Strap (Not Shown)	
338	4460234	AR	Mount, Tie-Strap (Not Shown)	
339		Ref	Switch Options (Not Shown - Located on Console):	
339	4360336	1	Toggle Switch	
339	4360522	1	Push Button Switch	
340	3790012	1	O-Ring (Not Shown - Located on Console) (Use with #339 Toggle Switch)	
341	3820001	11	Rivet, Pop (Not Shown) (USA Built Machines) (SN 0300087000 through 0300136518)	
342	1705170	1	Decal - Lights (Not Shown - Located on Console) (USA Built Machines) (SN 0300136519 through 0300171769)	
342	1705170	1	Decal - Lights (Not Shown - Located on Console) (China Built Machines) (SN B300000100 through B300000969)	
	0274210	Ref	CHASSIS ILLUMINATION LIGHT INSTALLATION	B
401	2920157	4	Lamp, Worklight	
402	4740546	4	Washer, Rubber	
403	0100011	AR	Compound, Locking	
404	0642612	2	Bolt 1in-8NC x 1-1/2in	
405	0902206	2	Bracket, Light Mounting	
406	4220162	2	Spacer	
408	3790012	1	O-Ring (Not Shown - Located at Platform Console Box) (SN 0300087000 through 0300136519)	
409		Ref	Switch Options (Not Shown - Located on Console):	
409	4360336	1	Toggle Switch	
409	4360522	1	Push Button Switch	
410	4240032	AR	Strap, Tie (Not Shown)	
411	4460234	AR	Mount, Cable (Not Shown)	
412	3820001	11	Rivet, Pop (Not Shown) (USA Built Machines) (SN 0300087000 through 0300136518)	
413	1705170	1	Decal - Lights (Not Shown - Located on Console) (USA Built Machines) (SN 0300136519 through 0300171769)	
413	1705170	1	Decal - Lights (Not Shown - Located on Console) (China Built Machines) (SN B300000100 through B300000969)	

SECTION 2 - TURNTABLE

FIGURE 2-22. ENGINE TRAY JACK INSTALLATION (OPTIONAL)



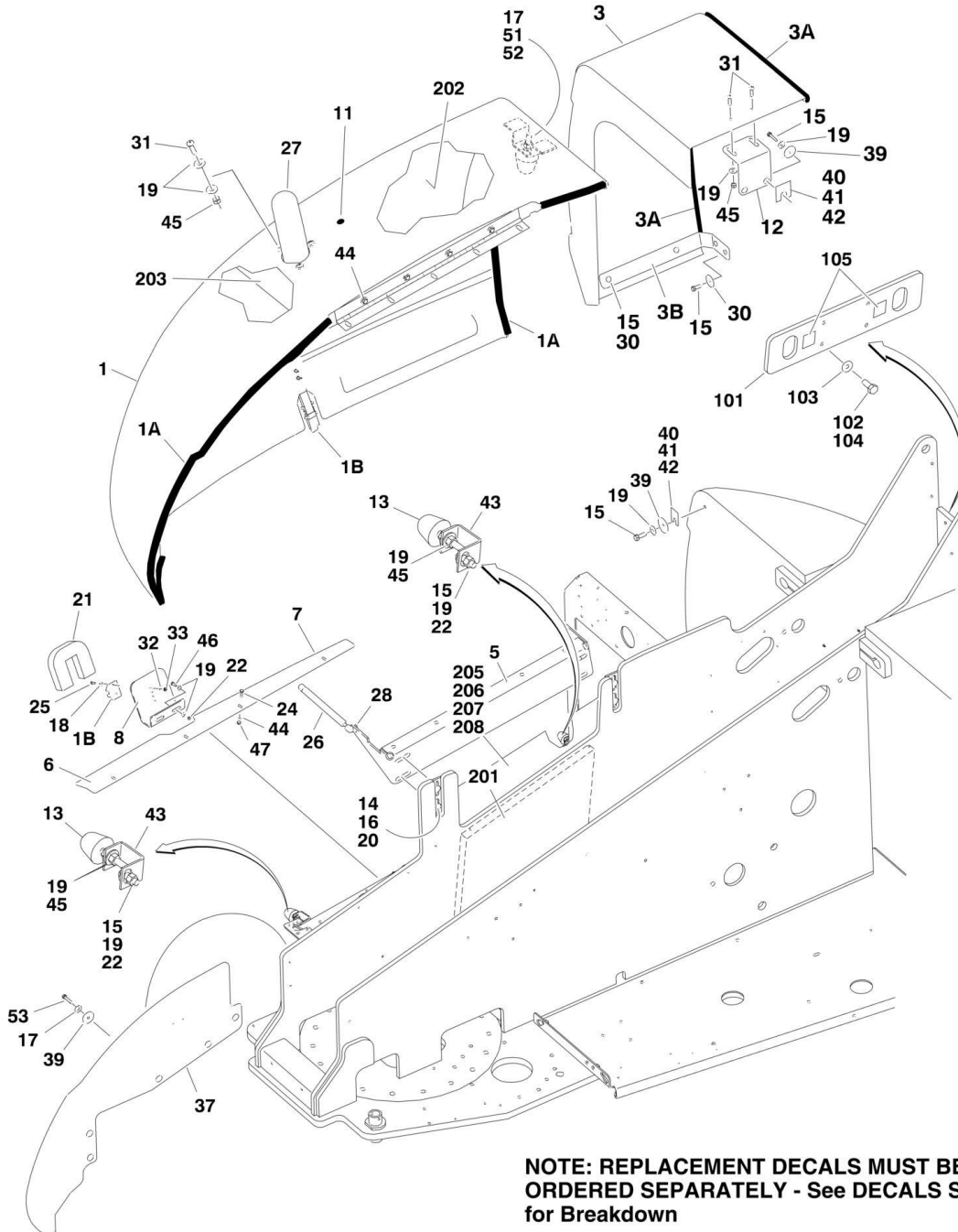
SECTION 2 - TURNTABLE

FIGURE 2-22. ENGINE TRAY JACK INSTALLATION (OPTIONAL)

ITEM	PART NUMBER	QTY	DESCRIPTION	REV
	0255881	Ref	ENGINE TRAY JACK INSTALLATION	3-G
1	3537445	1	Bracket	
2	3537446	2	Bracket	
3	2840016	1	Hydraulic Jack Assembly Options:	F
3A	2840016	1	Burr Manufacturing Brand	
3B	2840016	1	Hammerblow Corp and Cequent Brands	
3C		Ref	Handle Options:	
3C	7016374	1	Burr Manufacturing Brand	
3C	7024598	1	Hammerblow Corp and Cequent Brands	
3D	7016322	1	Wiper (Burr Manufacturing Brand Only)	
4	0962051	2	Bushing, Flanged	
5	3430816	1	Pin, Clevis	
6	4891800	1	Flatwasher 1/2in Hardened	
7	4711800	6	Flatwasher 1/2in Thin	
8	3450404	1	Pin, Cotter 1/8in x 1in	
9	0641609	4	Bolt 3/8in-16NC x 1-1/8in	
10	3311605	4	Locknut 3/8in-16NC	
11	4891600	4	Flatwasher 3/8in Hardened	
12	0641818	4	Bolt 1/2in-13NC x 2-1/4in	
13	3311805	4	Locknut 1/2in-13NC	
15	1380147	1	Clip, Spring	
22	3910608	2	Screw #6-32NC x 1in	
23	3310601	2	Nut #6-32NC	
24	4770600	2	Starwasher #6	

SECTION 2 - TURNTABLE

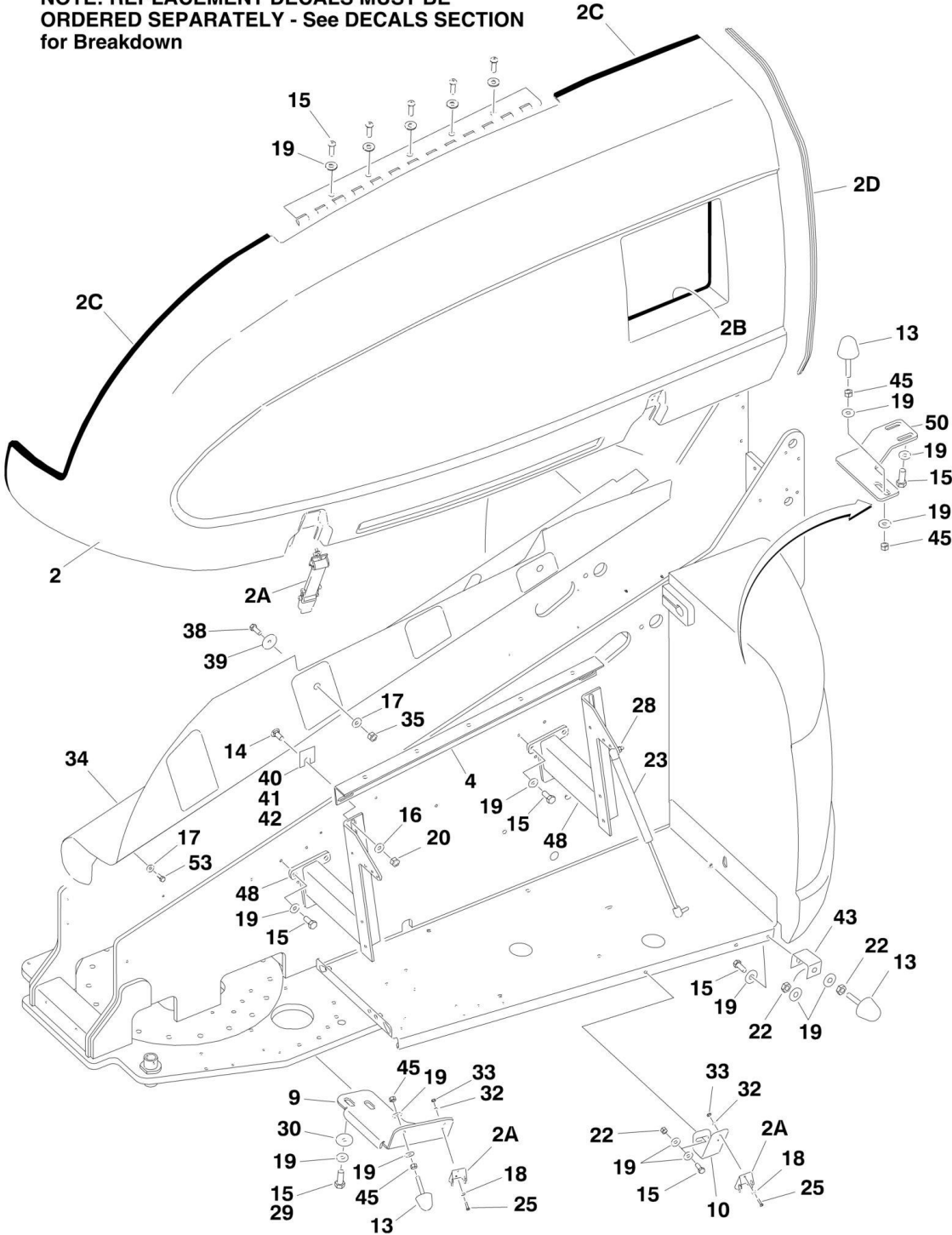
FIGURE 2-23. HOODS (ABS) AND LIFTING PLATE INSTALLATIONS (USA BUILT MACHINES) (SN 0300087000 through 0300089988)



NOTE: REPLACEMENT DECALS MUST BE ORDERED SEPARATELY - See DECALS SECTION for Breakdown

SECTION 2 - TURNTABLE

NOTE: REPLACEMENT DECALS MUST BE ORDERED SEPARATELY - See DECALS SECTION for Breakdown



SECTION 2 - TURNTABLE

FIGURE 2-23. HOODS (ABS) AND LIFTING PLATE INSTALLATIONS (USA BUILT MACHINES) (SN 0300087000 through 0300089987)

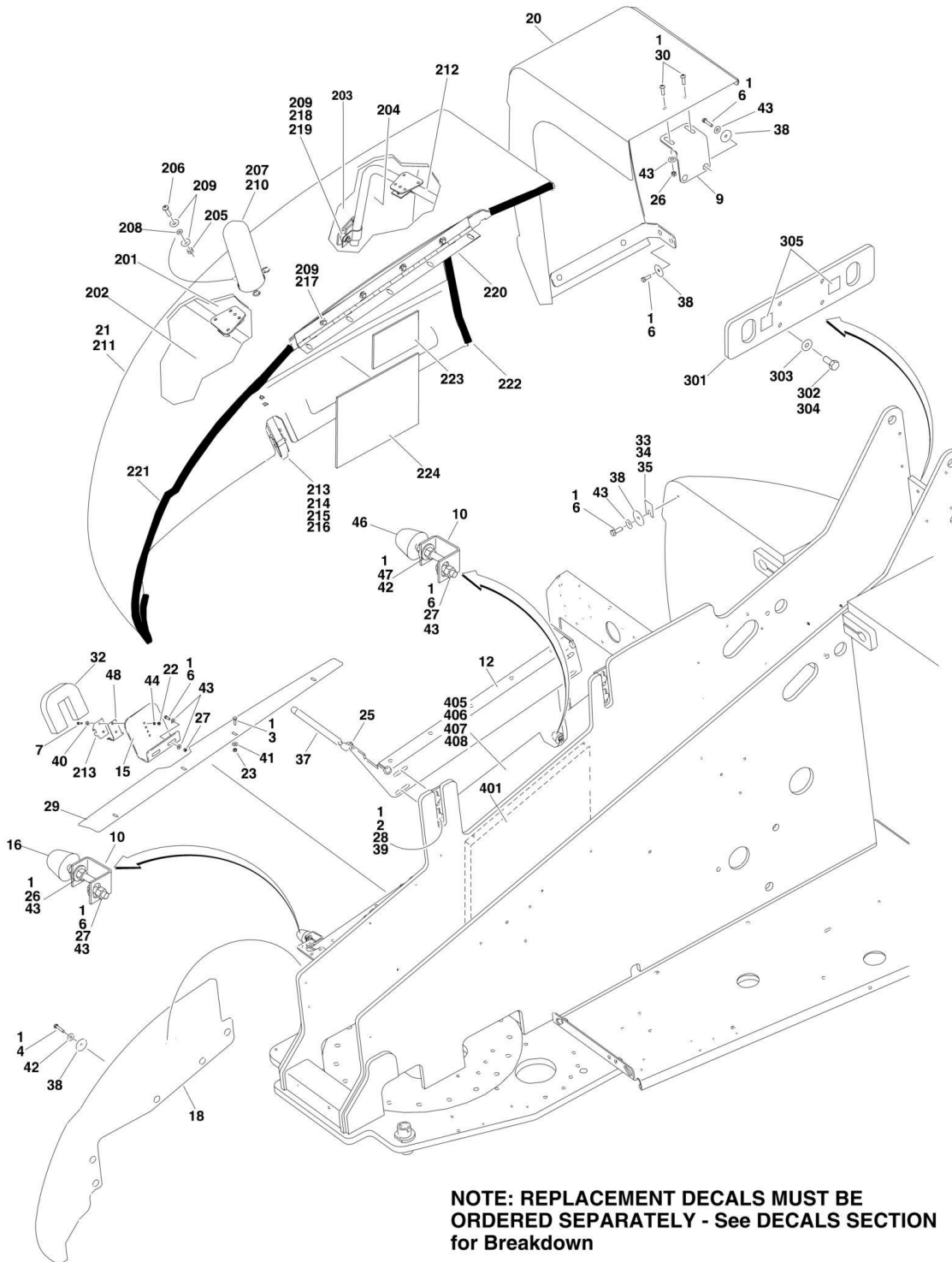
ITEM	PART NUMBER	QTY	DESCRIPTION	REV
		Ref	NOTE: Steel Hood Replacement Kits are available for machines built with Deutz engines (Purchase p/n 1001126286) and Caterpillar/GM engines (Purchase p/n 1001126287). No kits are available for machines built with Ford Engines.	
1	0256830 2680449	Ref 1	HOODS INSTALLATIONS Hood Assembly - Engine Side	11-J
		Ref	Note: Replacement Decals must be Purchased Separately - See DECALS SECTION.	
1	2600209		Hinge	
1A	3960464	65 in /1.67m	Seal	
1A	3960462	61 in /1.55m	Seal	
1B	2940088	1	Latch	
2	2680448	1	Hood Assembly - Tank Side	
		Ref	Note: Replacement Decals must be Purchased Separately - See DECALS SECTION.	
2	2600233		Hinge	
2A	2940088	2	Latch	
2B	3960438	53 in /1.35m	Seal	
2C	3960464	83 in /2.11m	Seal	
2D	3960462	55 in/1.4m	Seal	
3	2680450	1	Hood Assembly- Engine Spacer	
		Ref	Note: Replacement Decals must be Purchased Separately - See DECALS SECTION.	
3A	3960453	68 in /1.73m	Seal	
3B	7023366	1	Bracket	
4	0902416	1	Bracket, Hood Mounting	
5	0902351	1	Bracket, Hood Mounting	
6	3539934	1	Plate, Seal	
7	3960389	3.5 ft/1m	Seal	
8	0902491	1	Bracket, Latch	
9	0902223	1	Bracket, Latch	
10	0902143	1	Bracket, Latch	
11	3520033	2	Plug, Hole	
12	0902161	1	Bracket, Hood Spacer Mounting	
13	0940071	5	Bumper	
14	0630507	6	Bolt, Carriage 1/2in-13NC x 1-1/4in	
15	0641608	AR	Bolt 3/8in-16NC x 1in	
16	4740171	6	Flatwasher, Hardened	
17	4751500	9	Flatwasher 5/16in Regular	
18	4751000	12	Flatwasher #10 Regular	
19	4751600	AR	Flatwasher 3/8in Regular	
20	3311805	6	Locknut 1/2in-13NC	
21	3960470	1	Seal	
22	3311605	5	Locknut 3/8in-16NC	
23	4160139	2	Spring, Gas (Tank Side)	
24	0641406	4	Bolt 1/4in-20NC x 3/4in	

SECTION 2 - TURNTABLE

ITEM	PART NUMBER	QTY	DESCRIPTION	REV
25	0721006	6	Screw #10-24NC x 3/4in	
26	4160143	2	Spring, Gas (Engine Side)	
27	4845411	1	Outlet, Exhaust	
28	3311505	4	Locknut 5/16in-18NC	
29	0100011	AR	Compound, Locking	
30	4740076	4	Washer, Fender	
31	3900232	5	Screw, Button Head 3/8in-16NC x 1-1/4in	
32	4761000	6	Lockwasher #10	
33	3311001	6	Nut #10-24NC	
34	1670771	1	Cover	
35	3311501	AR	Nut 5/16in-18NC	
36	0641512	2	Bolt 5/16in-18NC x 1-1/2in	
37	1670779	1	Cover, Side	
38	0641506	AR	Bolt 5/16in-18NC x 3/4in	
39	4740076	AR	Washer, Fender	
40	4070410	AR	Shim 1/16in	
41	4070411	AR	Shim 1/8in	
42	4070412	AR	Shim 3/16in	
43	0902219	2	Bracket, Bumper	
44	4751400	4	Flatwasher 1/4in Regular	
45	3311601	AR	Nut 3/8in-16NC	
46	0641609	2	Bolt 3/8in-16NC x 1-1/8in	
47	3311405	4	Locknut 1/4in-20NC	
48	4845356	2	Hood Mount Weldment	
50	0902384	1	Bracket, Hood Mount	
51	0940088	1	Hood, Bumper	
52	3321501	2	Nut 5/16in-24NF	
53	0641506	10	Bolt 5/16in-18NC x 3/4in	
	0256122	Ref	LIFTING PLATE INSTALLATION	1-B
101	3539590	1	Plate, Lifting	
102	0682014	4	Bolt 5/8in-11NC x 1-3/4in (Grade 8)	
103	4892000	4	Flatwasher 5/8in Hardened	
104	0100019	AR	Compound, Locking	
105	1701500	2	Decal - Tie Down/Lift	
	0256823	Ref	NOISE REDUCTION INSTALLATION (DIESEL MACHINES)	2
201	2820078	1	Foam, Acoustical	
202	2820079	1	Foam, Acoustical	
203	2820119	1	Foam, Acoustical	
205	3539955	1	Plate, Baffle	
206	0641506	2	Bolt 5/16in-18NC x 3/4in	
207	4751500	2	Flatwasher 5/16in Regular	
208	0100011	AR	Compound, Locking	

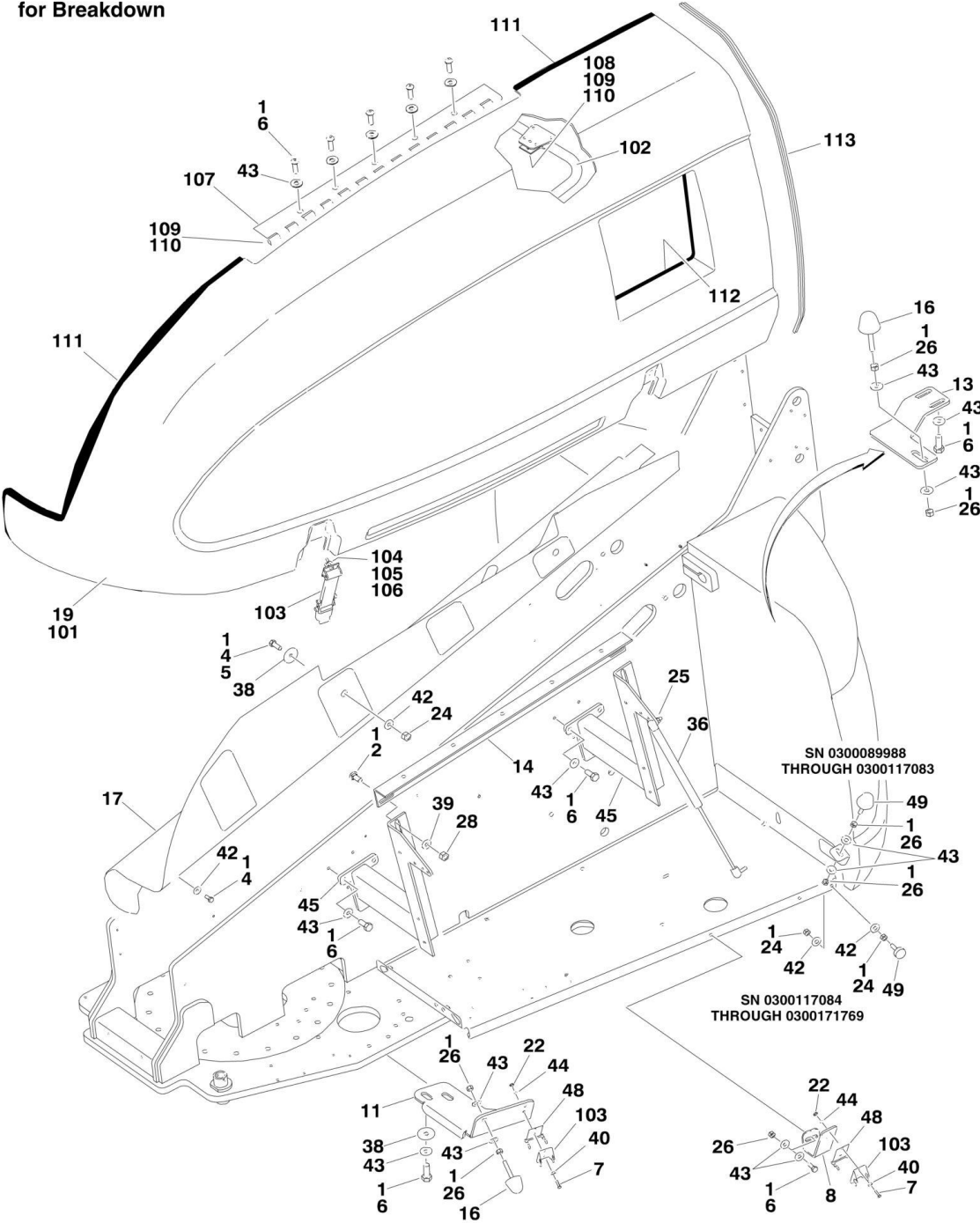
SECTION 2 - TURNTABLE

FIGURE 2-24. HOODS (ABS) AND LIFTING PLATE INSTALLATIONS (USA BUILT MACHINES) (SN 0300089988 through 0300171769)



SECTION 2 - TURNTABLE

NOTE: REPLACEMENT DECALS MUST BE ORDERED SEPARATELY - See DECALS SECTION for Breakdown



SECTION 2 - TURNTABLE

FIGURE 2-24. HOODS (ABS) AND LIFTING PLATE INSTALLATIONS (USA BUILT MACHINES) (SN 0300089988 through 0300171769)

ITEM	PART NUMBER	QTY	DESCRIPTION	REV
		Ref	Note: Only Available on USA Built Machines.	
		Ref	Note: Steel Hood Replacement Kits are available for machines built with Deutz engines (Purchase p/n 1001126286) and Caterpillar/GM engines (Purchase p/n 1001126287). No kits are available for machines built with Ford Engines.	
		Ref	HOODS INSTALLATIONS	
	0274751	Ref	Caterpillar and Deutz Engines	H
	0274755	Ref	Ford Engines	C
	0275285	Ref	GM Engines	G
1	0100011	AR	Compound, Locking	
2	0630507	6	Bolt, Carriage 1/2in-13NC x 1-1/4in	
3	0641406	4	Bolt 1/4in-20NC x 3/4in	
4	0641506	AR	Bolt 5/16in-18NC x 3/4in	
5	0641512	2	Bolt 5/16in-18NC x 1-1/2in (SN 0300089988 through 0300051120)	
6	0641608	AR	Bolt 3/8in-16NC x 1in	
7	0721006	6	Bolt #10-24NC x 3/4in	
8	0902143	1	Bracket	
9	0902161	1	Bracket, Hood Spacer	
10	0902219	2	Bracket, Bumper	
11	0902223	1	Bracket, Latch	
12	0902351	1	Bracket, Hood Mount	
13		Ref	Bracket, Hood Mount Options:	
13	0902384	1	Caterpillar and Deutz Engines (SN 0300089988 through 0300138402)	
13	0902384	1	Ford and GM Engines	
14	0902416	1	Bracket, Hood Mount	
15	0902491	1	Bracket, Hood Latch	
16	0940071	AR	Bumper	
17	1670771	1	Cover	
18	1670779	1	Cover, Engine/Turntable	
19	1671228	1	Hood Assembly - Tank Side (See Items 101-113 For Breakdown)	
20	1671233	1	Hood, Engine Spacer	
21		Ref	Hood Assembly - Engine Side Options (See Items 201-224 For Breakdown)	
21	1671247	1	Caterpillar and Deutz Engines	
21	1671227	1	Ford Engines	
21	1671312	1	GM Engines	
22	3311001	6	Nut #10-24NC	
23	3311405	4	Locknut 1/4in-20NC	
24	3311501	AR	Nut 5/16in-18NC	
25	3311505	3	Locknut 5/16in-18NC	
26	3311601	AR	Nut 3/8in-16NC	
27	3311605	5	Locknut 3/8in-16NC	
28	3311805	6	Locknut 1/2in-13NC	
29	3571712	1	Plate, Seal	
30	3900232	2	Screw, Button Head 3/8in-16NC x 1-1/4in	
31	3960389	3.5 ft /1.1m	Seal	
32	3960470	1	Seal	

SECTION 2 - TURNTABLE

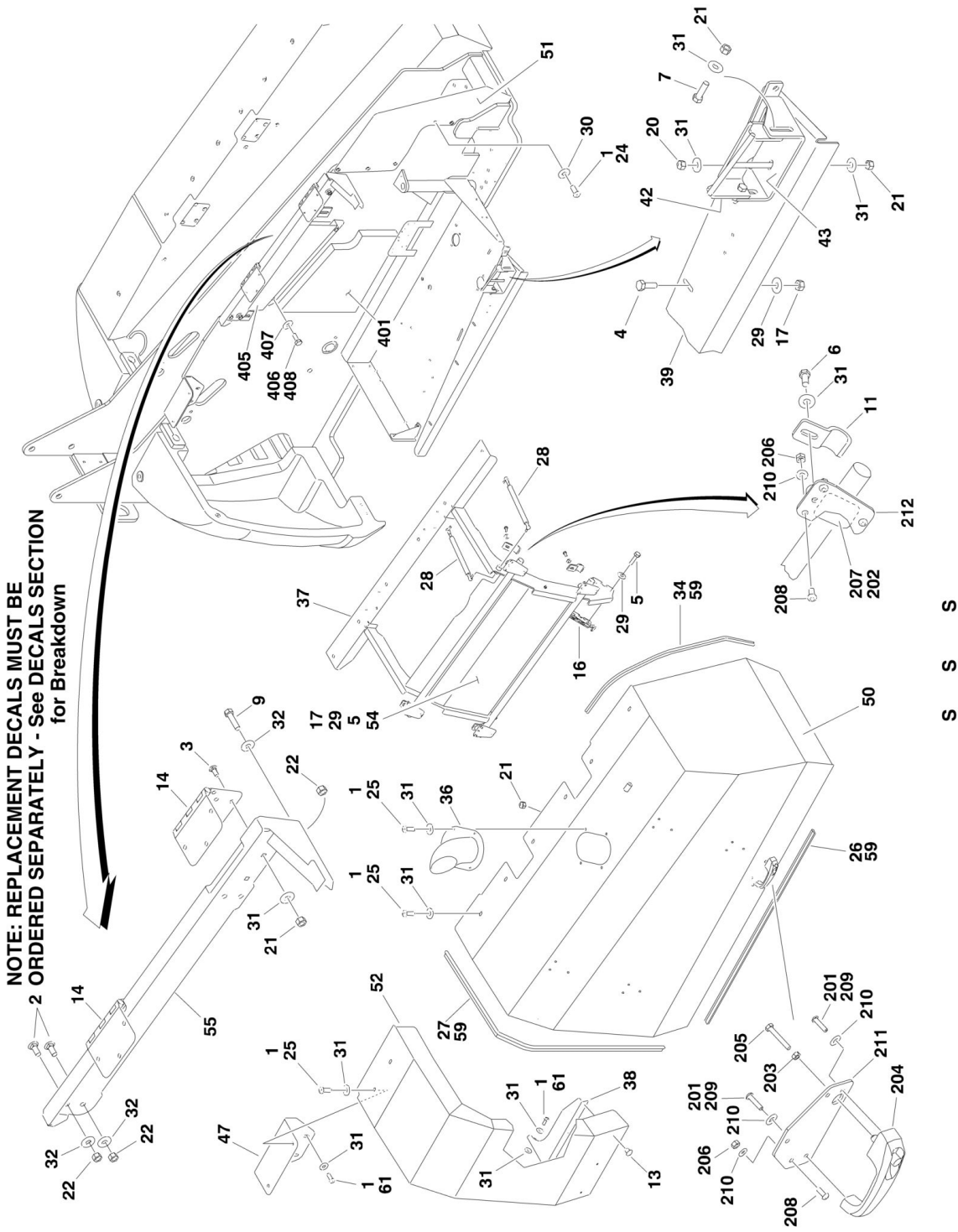
ITEM	PART NUMBER	QTY	DESCRIPTION	REV
33	4070410	AR	Shim 1/16in	
34	4070411	AR	Shim 1/8in	
35	4070412	AR	Shim 3/16in	
36	4160139	2	Spring, Gas (Tank Side)	
37	4160143	1	Spring, Gas (Engine Side)	
38	4740076	AR	Washer, Fender	
39	4740171	6	Flatwasher, Hardened	
40	4751000	6	Flatwasher #10 Regular	
41	4751400	4	Flatwasher 1/4in Regular	
42	4751500	AR	Flatwasher 5/16in Regular	
43	4751600	AR	Flatwasher 3/8in Regular	
44	4761000	6	Lockwasher #10	
45	4845356	2	Hood Mount Weldment	
46	0940088	1	Bumper	
47	3321501	2	Nut 5/16in-24NF (SN 030091753 through 0300171769)	
48	2940188	3	Latch, Spring Clip (SN 030099060 through 0300171769)	
49		Ref	Hardware Options:	
49	0940071	1	Bumper (SN 0300089988 through 0300117083)	
49	0940049	1	Stopper, Hood (SN 0300117084 through 0300171769)	
	1671228	Ref	HOOD ASSEMBLY - TANK SIDE	A
101	1671231	1	Shell, Tank Side	
102	1671232	1	Frame, Tank Side	
103	2940088	2	Latch	
104	0721008	4	Bolt #10-24NC x 1in	
105	4751000	4	Flatwasher #10 Regular	
106	3311001	4	Nut #10-24NC	
107	2600233	1	Hinge	
108	1321384	4	Hold Down	
109	0641606	9	Bolt 3/8in-16NC x 3/4in	
110	4751600	9	Flatwasher 3/8in Regular	
111	3960464	7 ft/2.1m	Seal	
112	3960438	5 ft/1.5m	Seal	
113	3960462	4.5 ft /1.4m	Seal	
		Ref	HOOD ASSEMBLY - ENGINE SIDE	
	1671247	Ref	Caterpillar and Deutz Engines	D
	1671227	Ref	Ford Engines	B
	1671312	Ref	GM Engines	H
201		Ref	Foam, Acoustical Options:	
201	2820080	1	Caterpillar and Deutz Engines (SN 0300089988 through 0300124420)	
201	1001101391	1	Caterpillar and Deutz Engines (SN 0300124421 through 0300171769)	
201	1001101323	1	GM Engines (SN 0300124421 through 0300171769)	
202		Ref	Insulation, Rear Options:	
202	2820233	1	Caterpillar and Deutz Engines	
202	1001101324	1	GM Engines (SN 0300136961 through 0300171769)	
203	2820234	1	Insulation, Center (Caterpillar and Deutz Engines Only)	
204	2820235	1	Insulation, Rear (Caterpillar and Deutz Engines Only)	
205	3311605	3	Locknut 3/8in-16NC	
206	3900232	3	Screw, Button Head 3/8in-16NC x 1-1/4in	
207		Ref	Gasket, Heat Options:	

SECTION 2 - TURNTABLE

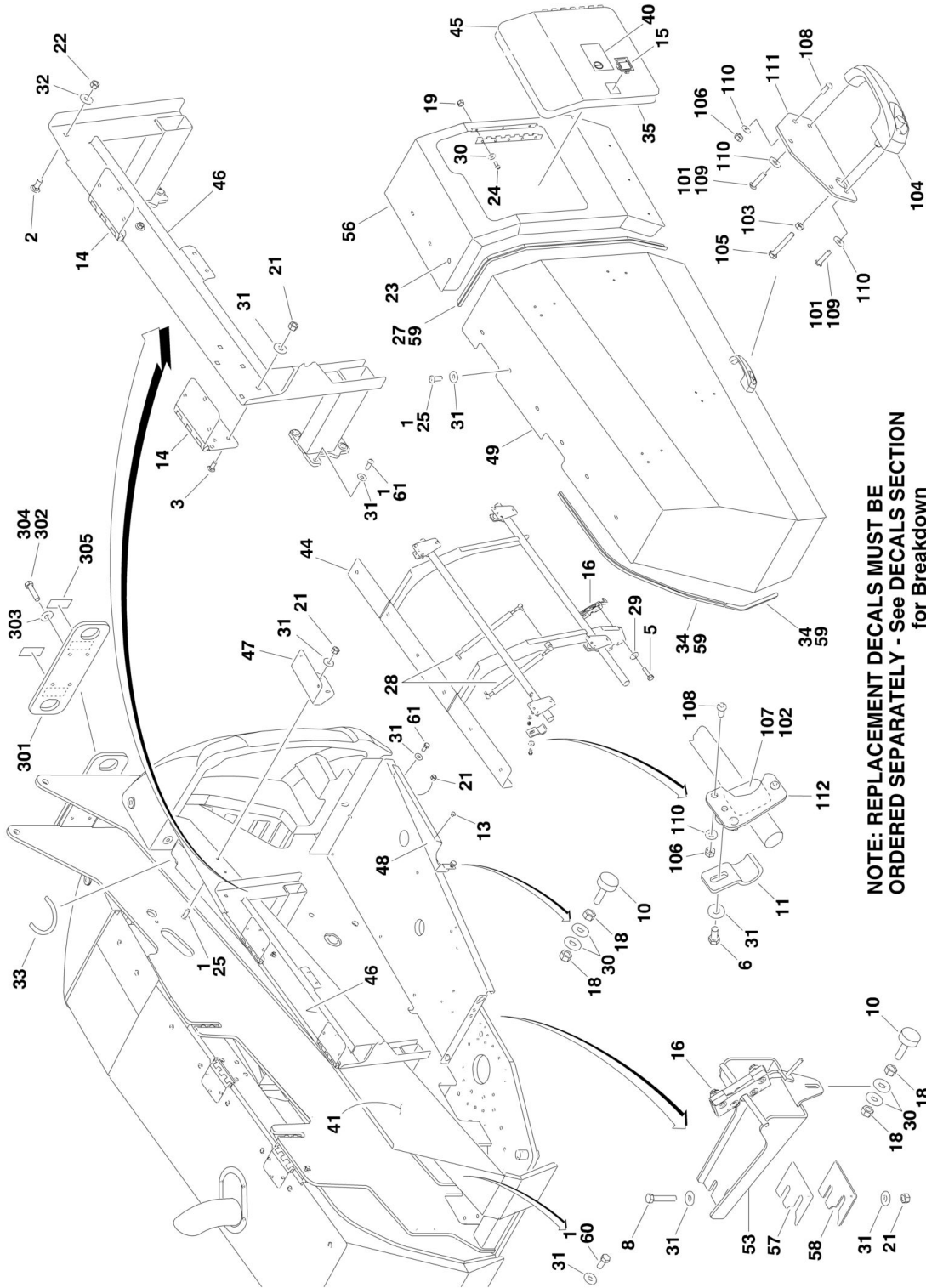
ITEM	PART NUMBER	QTY	DESCRIPTION	REV
207	4061010	1	Caterpillar and Deutz Engine (SN 0300089988 through 0300124420)	
207	1001101392	1	Caterpillar and Deutz Engine (SN 0300124421 through 0300171769)	
207	4061010	1	Ford and GM Engine Machines (SN 0300089988 through 0300124421)	
208	4740500	3	Washer, Special	
209	4751600	AR	Flatwasher 3/8in Regular	
210		Ref	Exhaust Stack Options:	
210	4845411	1	Caterpillar and Deutz Engines	
210	3460399	1	Ford Engines	
210	3460552	1	GM Engines	
211	1671229	NLA	Shell, Engines Side (Note: Use Item 21)	
212	1671230	1	Frame, Engine Side	
213	2940088	1	Latch	
214	0721008	2	Bolt #10-24NC x 1in	
215	4751000	2	Flatwasher #10 Regular	
216	3311001	2	Nut #10-24NC	
217	0641608	AR	Bolt 3/8in-16NC x 1in	
218	1321384	4	Hold Down	
219	0641606	4	Bolt 3/8in-16NC x 3/4in	
220	2600209	1	Hinge	
221	3960464	5.5 ft /1.7m	Seal	
222	3960462	5.1 ft /1.6m	Seal	
223	2820176	NLA	Insulation, Heat Options (Ford and GM Engines) (Use p/n 1001101323) (SN 0300092152 through 0300134794)	
224	2820153	1	Insulation, Heat Shield (GM Engines Only) (SN 0300089988 through 0300134794)	
250		Ref	Hood Kit (Engine Side) Options (Not Shown):	
		Ref	Note: Replacement Decals must be Purchased Separately - See DECALS SECTION.	
250	1001097961	1	Caterpillar and Deutz Engine Machines (Includes Items 201-204, 207, 208 & 211)	B
250	1001097960	1	GM Engine Machines (Includes Items 207, 202, 208 & 211)	B
	0256122	Ref	LIFTING PLATE INSTALLATION	1-B
301	3539590	1	Plate, Lifting	
302	0682014	4	Bolt 5/8in-11NC x 1-3/4in Grade 8	
303	4892000	4	Flatwasher 5/8in Hardened	
304	0100019	AR	Compound, Locking	
305	1701500	2	Decal - Tie Down/Lift	
	0256823	Ref	NOISE REDUCTION INSTALLATION (DIESEL MACHINES)	3
401	2820078	1	Foam, Acoustical	
405	3539955	1	Plate, Baffle	
406	0641506	2	Bolt 5/16in-18NC x 3/4in	
407	4751500	2	Flatwasher 5/16in Regular	
408	0100011	AR	Compound, Locking	

SECTION 2 - TURNTABLE

FIGURE 2-25. HOODS (STEEL) AND LIFTING PLATE INSTALLATIONS



SECTION 2 - TURNTABLE



NOTE: REPLACEMENT DECALS MUST BE ORDERED SEPARATELY - See DECALS SECTION for Breakdown

SECTION 2 - TURNTABLE

FIGURE 2-25. HOODS (STEEL) AND LIFTING PLATE INSTALLATIONS

ITEM	PART NUMBER	QTY	DESCRIPTION	REV
		Ref	HOODS INSTALLATIONS	
	1001118718	Ref	Caterpillar Engines	D
	1001117429	Ref	GM Engines	E
	1001117429	Ref	Deutz Engines (SN 0300087000 through 0300166770)	E
	1001148678	Ref	Deutz Engines (SN 0300166771 through 0300171769)	C
1	0100011	AR	Compound, Locking	
2	0630507	4	Bolt, Carriage 1/2in-13NC x 1-1/4in	
3	0630485	19	Bolt, Carriage	
4	0641406	4	Bolt 1/4in-20NC x 3/4in	
5	0641408	AR	Bolt 1/4in-20NC x 1in	
6	0641607	8	Bolt 3/8in-16NC x 7/8in	
7	0641610	2	Bolt 3/8in-16NC x 1-1/4in	
7	0641611	2	Bolt 3/8in-16NC x 1-3/8in	
8	0641616	2	Bolt 3/8in-16NC x 2in	
9	0641818	1	Bolt 1/2in-13NC x 2-1/4in	
10	0940049	2	Stopper, Hood	
11	1321384	8	Clamp, Hood	
12	1701505	1	Decal - Diesel Fuel (SN 0300087000 through 0300143696)	
13	2080040	6	Fastener, Huck	
14	2600280	4	Hinge, Offset	
15	2940045	1	Latch, Paddle	
16	2940173	2	Latch, Rotary	
17	3311405	AR	Locknut 1/4in-20NC	
18	3311501	4	Nut 5/16in-18NC	
19	3300364	3	Nut, Tinnerman 5/16in-18NC	
20	3311601	1	Nut 3/8in-16NC	
21	3311605	46	Locknut 3/8in-16NC	
22	3311805	5	Locknut 1/2in-13NC	
23	3520030	1	Plug, Hole	
24	3900210	8	Screw, Button Head 5/16in-18 x 3/4in	
25	3900316	34	Screw, Button Head 3/8in-16NC x 1in	
26	3960389	50 in/1.3m	Seal	
27	3960462	9.5 ft /2.9m	Seal	
28	4160194	4	Spring, Gas	
29	4751400	AR	Flatwasher 1/4in Regular	
30	4751500	17	Flatwasher 5/16in Regular	
31	4751600	89	Flatwasher 3/8in Regular	
32	4740171	6	Flatwasher 1/2in Hardened	
33	90206194	10 in /24cm	Trim-Lok	
34	1001110166	8 ft/2.5m	Seal	
35	1001113047	77 in/2m	Seal	
36	1001116456	NLA	Pipe, Exhaust (Use p/n 1001116457)	
37	1001116562	1	Support	
38	1001117234	1	Bracket, Hood	
39	1001117249	1	Plate, Seal	
40	1001117307	1	Decal - Emergency Stop	
41	1001117430	1	Trough, Powertrack	
42	1001117523	1	Bracket, Striker Plate	

SECTION 2 - TURNTABLE

ITEM	PART NUMBER	QTY	DESCRIPTION	REV
43	1001117525	1	Bracket, Striker Plate	
44	1001117543	1	Support	
45	1001117598	1	Door	
46	1001117612	1	Mount, Hood	
47	1001118264	2	Bracket, Hood Mounting	
48	1001118550	1	Bracket, Hood Support	
49	1001118715	1	Hood Assembly - Tank Side (See Items 101-112 for Breakdown)	
		Ref	Note: Replacement Decals must be Purchased Separately - See DECALS SECTION.	
50	1001118716	1	Hood Assembly - Engine Side (See Items 201-212 for Breakdown)	
		Ref	Note: Customer must transfer Item 54 Heat Shield to Hood Assembly before putting machine back in service.	
		Ref	Note: Replacement Decals must be Purchased Separately - See DECALS SECTION.	
51	1001118735	1	Plate, Filler	
52	1001119283	1	Hood, Fixed Engine Side	
		Ref	Note: Replacement Decals must be Purchased Separately - See DECALS SECTION.	
53	1001125097	1	Bracket, Striker	
54		Ref	Shield, Heat	
54	Not Required	0	Caterpillar Engines	
54	1001120508	1	Deutz and GM Engines	
55	1001121059	1	Bracket, Hinge Support	
56	1001121061	1	Hood, Fixed Tank Side	
		Ref	Note: Replacement Decals must be Purchased Separately - See DECALS SECTION.	
57	1001121118	AR	Shim 3mm	
58	1001121119	AR	Shim 1.5mm	
59	0100081	AR	Adhesive	
60	0641506	5	Bolt 5/16in-18NC x 3/4in	
61	0641608	14	Bolt 3/8in-16NC x 1in	
	1001118715	Ref	HOOD TANK SIDE	E
101	0100011	AR	Compound, Locking	
102	0100081	AR	Adhesive	
103	0700616	1	Bolt M6 x 40mm	
104	2560187	1	Handle, Push Button	
105	3290601	1	Nut M6	
106	3311505	15	Locknut 5/16in-18NC	
107	3340877	4	Pad	
108	3900210	15	Screw, Button Head 5/16in-18NC x 3/4in	
109	3900363	2	Screw, Button Head M6 x 25mm	
110	4711500	17	Flatwasher 5/16in Thin	
111	1001116290	1	Plate, Latch Mounting	
112	1001116292	4	Mount, Clamp	
	1001118716	Ref	HOOD ENGINE SIDE	D
201	0100011	AR	Compound, Locking	
202	0100081	AR	Adhesive	
203	0700616	1	Bolt M6 x 40mm	
204	2560187	1	Handle, Push Button	
205	3290601	1	Nut M6	
206	3311505	15	Locknut 5/16in-18NC	
207	3340877	4	Pad	

SECTION 2 - TURNTABLE

ITEM	PART NUMBER	QTY	DESCRIPTION	REV
208	3900210	15	Screw, Button Head 5/16in-18NC x 3/4in	
209	3900363	2	Screw, Button Head M6 x 25mm	
210	4711500	17	Flatwasher 5/16in Thin	
211	1001116290	1	Plate, Latch Mounting	
212	1001116292	4	Mount, Clamp	
	0256122	Ref	LIFTING PLATE INSTALLATION	1-B
301	3539590	1	Plate, Lifting	
302	0682014	4	Bolt 5/8in-11NC x 1-3/4in (Grade 8)	
303	4892000	4	Flatwasher, Hardened 5/8in	
304	0100019	AR	Compound, Locking	
305	1701500	2	Decal - Tie Down/Lift	
	0256823	Ref	NOISE REDUCTION INSTALLATION (DIESEL MACHINES)	3
401	2820078	1	Foam, Acoustical	
405	3539955	1	Plate, Baffle	
406	0641506	2	Bolt 5/16in-18NC x 3/4in	
407	4751500	2	Flatwasher 5/16in Regular	
408	0100011	AR	Compound, Locking	

SECTION 2 - TURNTABLE

FIGURE 2-26. 2500W GENERATOR INSTALLATION - CATERPILLAR MACHINES (OPTIONAL)

ITEM	PART NUMBER	QTY	DESCRIPTION	REV
		Ref	GENERATOR INSTALLATION OPTIONS:	
		Ref	USA Built Machines (SN 0300087000 through 0300132802)	
	0274081	Ref	110V/60Hz	1-A
	1001102547	Ref	110V/50HZ	B
	0274087	Ref	220V/50Hz	1-A
		Ref	USA Built Machines (SN 0300132803 through 0300140359)	
	0274081	Ref	110V/60Hz	1-A
	1001102547	Ref	110V/50HZ	B
	1001102548	Ref	220V/50HZ	B
		Ref	USA Built Machines (SN 0300140360 through 0300171769)	
	1001115404	Ref	110V/60Hz	A
	1001115413	Ref	110V/50HZ	B
	1001115414	Ref	220V/50Hz	A
		Ref	CHINA Built Machines (SN B300000100 through B300000969)	
	1001115404	Ref	110V/60Hz	A
	1001115414	Ref	220V/50Hz	A
1	3580322	1	Pulley	
2		Ref	Generator and Control Box Assembly Options:	
2	2460055	1	110V/60Hz	
2	2460057	1	110V/50Hz USA Built Machines (SN 0300087000 through 0300132802)	
2	See Note	NSS	110V/50Hz USA Built Machines (Note: Not Available for Purchase) (SN 0300132803 through 0300171769)	
2	2460056	1	220V/50Hz USA Built Machines (SN 0300087000 through 0300132802)	
2	See Note	NSS	220V/50Hz USA Built Machines (Note: Not Available for Purchase) (SN 0300132803 through 0300171769)	
2	See Note	NSS	220V/50Hz China Built Machines (Note: Not Available for Purchase) (SN B300000100 through B300000969)	
2A	7012558	1	Generator Only - 110V/60Hz	
2A	2460049	1	Generator Only - 110V/50Hz (was p/n 7019679 & 70000129)	
2A	1001100321	1	Generator Only - 220V/50Hz (was p/n 7019679 & 70000128)	
		Ref	Note: Replacement Generator come standard with p/n 3580134 pulley. This pulley may not be correct for all applications. Refer to pulley options below.	
2A		Ref	Armature with Slip Rings Options:	
2A	7026199	1	Armature with Slip Rings - 110V/60Hz	
2A	70000122	1	Armature with Slip Rings - 110V/50Hz	
2A	70000123	1	Armature with Slip Rings - 220V/50Hz	
2A	7012513	4	Cap, Brush Holder	
2A	7020108	4	Brush	
2A	7020109	4	Holder, Brush	
2A	7012514	1	Fan	
2A	7020110	1	Bell, Front	
2A	7020111	1	Bell, Rear	
2A	7020190	2	Bearing	
2B	7019680	1	Box, Control - 110V/60Hz (was p/n 7003657)	
2B	7019680	1	Box, Control - 110V/50Hz (USA Built Machines Only) (was p/n 7003657) (SN 0300087000 through 0300132803)	
2B	70000127	1	Box, Control - 220V/50Hz (was p/n 7019680) (USA Built Machines Only) (SN 0300087000 through 0300132803)	
2B		Ref	Receptacle Options:	

SECTION 2 - TURNTABLE

ITEM	PART NUMBER	QTY	DESCRIPTION	REV
2B	4460190	1	Receptacle, Standard (110V Only)	
2B	4460027	1	Receptacle, Twistlock (110V Only)	
2B	70000124	1	Receptacle, Double (220V/50Hz Only)	
2B	70000125	1	Receptacle, Single (220V/50Hz Only)	
2B		Ref	Breaker, Circuit Options:	
2B	7020194	1	110V Breaker, Circuit	
2B	70000126	1	220V Breaker, Circuit	
2B	3520028	1	Plug, Hole	
2C		Ref	Voltmeter Options:	
2C	2420203	1	Voltmeter - 110V (was p/n 7010699)	
2C	7020192	1	Voltmeter - 220V	
2D		Ref	Pulley Options:	
2D	3580276	1	Pulley - 60Hz	
2D	3580134	1	Pulley - 50Hz	
2D	7027887	1	Key, Woodruff	
3	0700816	4	Bolt 8mm x 40mm	
4	4751900	4	Flatwasher 9/16in Regular	
5	0200819	1	Arm, Adjusting	
6		Ref	V-Belt Options:	
6	0480121	1	60Hz	
6	0480120	1	50Hz	
7	0641610	1	Bolt 3/8in-16NC x 1-1/4in	
8	0100011	AR	Compound, Locking	
9	0641772	1	Bolt 7/16in-14NC x 9in	
10	4751600	6	Flatwasher 3/8in Regular	
11		Ref	Plate, Box Mounting Options:	
11A	3574684	1	Plate with Control Box	
11B	1001102644	1	Plate with Junction Box	
12	0761210	2	Bolt M12 x 20mm	
13	0962563	1	Bushing, Spacer	
14	3311605	1	Locknut 3/8in-16NC	
15	3311705	1	Locknut 7/16in-14NC	
16	3740080	1	Relay	
18	0641508	1	Bolt 5/16in-18NC x 1in	
19	4751500	1	Flatwasher 5/16in Regular	
20	4031608	2	Capscrew M5 x 20mm	
21	4240018	AR	Tie-Strap (Not Shown)	
22	0721006	3	Bolt #10-24NC x 3/4in	
23	3311005	3	Locknut #10-24NC	
24	4751000	6	Flatwasher #10 Regular	
25	4360336	1	Switch, Toggle (Not Shown - Located at Platform)	
26	4740397	1	Washer, Spacer (Not Shown - Located at Platform)	
27	4060802	1	Guard, Switch (Not Shown - Located at Platform)	
28		Ref	Decal - Voltage Options (Not Shown - Located at Platform):	
28	See Note	NSS	110V/60Hz (Note: Not Available for Purchase)	
28	1705325	1	110V/50Hz	
28	3252507	1	220V/50Hz	
29	2820031	4 in/10cm	Heat Shrink (Not Shown - Located at Platform)	
30	3251102	1	Decal (Not Shown - Located at Platform)	
32		Ref	Light, Red Options:	
32	1001100233	1	110V/50Hz	

SECTION 2 - TURNTABLE

ITEM	PART NUMBER	QTY	DESCRIPTION	REV
32	1001100234	1	220V/50Hz	
33	0962449	1	Bushing	
34	3290505	2	Locknut M5	
35	4811600	2	Flatwasher M5	
36	4812100	2	Flatwasher M12	
37	1001099869	1	Junction Box Assembly	
38	4460968	3	Connector, Strain Relief	

SECTION 2 - TURNTABLE

FIGURE 2-27. 2500W GENERATOR INSTALLATION - DEUTZ MACHINES (OPTIONAL)

ITEM	PART NUMBER	QTY	DESCRIPTION	REV
		Ref	GENERATOR INSTALLATIONS	
		Ref	USA Built Machines: (SN 0300087000 through 0300139049)	
	0274082	Ref	110V/60Hz (Available on all Specs except CE Spec)	3-C
	0274090	Ref	110V/50Hz (Available on ANSI Export, Australian and CE Specs) (SN 0300087000 through 0300133734)	1-A
	0273045	Ref	110V/50Hz (Available on CE Spec - UK Only) (SN 0300087000 through 0300133734)	1-A
	0273085	Ref	110V/50Hz (Available on CE Spec - Germany Only) (SN 0300087000 through 0300133734)	1-A
	1001100308	Ref	110V/50Hz (Available on ANSI Export, Australian and CE Specs) (SN 0300133734 through 0300139050)	D
	0274086	Ref	220V/50Hz (Available on ANSI Export, Australian and CE Specs) (SN 0300087000 through 0300133734)	1-A
	1001099868	Ref	220V/50Hz (Available on ANSI Export, Australian and CE Specs) (SN 0300133734 through 0300139050)	D
		Ref	USA Built Machines: (SN 0300139050 through 0300171769)	
	1001115405	Ref	110V/60Hz (Available on all Specs except CE Spec)	A
	1001115410	Ref	110V/50Hz (Available on ANSI Export, Australian and CE Specs)	A
	1001115409	Ref	220V/50Hz (Available on ANSI Export, Australian and CE Specs)	A
		Ref	China Built Machines: (SN B300000100 through B300000969)	
	1001115405	Ref	110V/60Hz (Available on all Specs except CE Spec)	A
	1001115409	Ref	220V/50Hz (Available on ANSI Export, Australian and CE Specs)	A
		Ref	Note : See SPECIAL OPTIONS Section for Machines with 4000W Generator	
1	3580158	1	Pulley	
2		Ref	Generator Component Options:	
2	2460055	1	110V/60Hz Generator and Control Box Assembly (0274082 Installation)	
2	2460057	1	110V/50Hz Generator and Control Box Assembly (0274090 Installation)	
2	2460049	1	110V/50Hz Generator Only (1001099869, 1001115410, 0273045 & 0273085 Installations which Uses Junction Box or Switch Box)	
2	2460056	1	220V/50Hz Generator and Control Box Assembly (0274086 Installation)	
2	1001100321	1	220V/50Hz Generator Only (1001100308 & 1001115409 Installations which Uses Junction Box)	
2A	7012558	1	Generator Only - 110V/60Hz	
2A	2460049	1	Generator Only - 110V/50Hz (was p/n 7019679 & 70000129)	
2A	1001100321	1	Generator Only - 220V/50Hz (was p/n 7019679 & 70000128)	
		Ref	Note: Replacement Generator come standard with p/n 3580134 pulley. This pulley may not be correct for all applications. Refer to pulley options below.	
2A		Ref	Armature with Slip Rings Options:	
2A	7026199	1	Armature with Slip Rings - 110V/60Hz	
2A	70000122	1	Armature with Slip Rings - 110V/50Hz	
2A	70000123	1	Armature with Slip Rings - 220V/50Hz	
2A	7012513	4	Cap, Brush Holder	
2A	7020108	4	Brush	
2A	7020109	4	Holder, Brush	

SECTION 2 - TURNTABLE

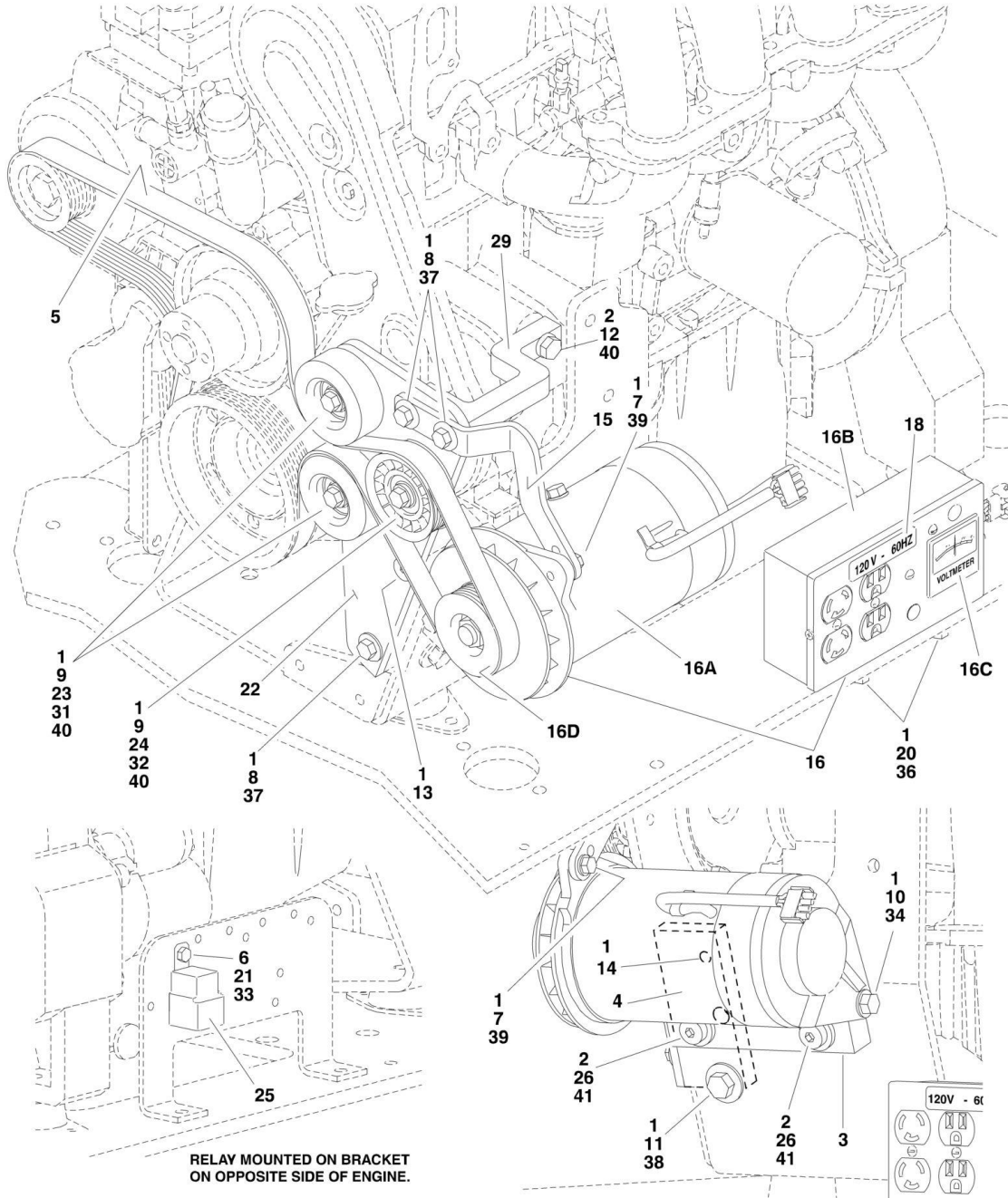
ITEM	PART NUMBER	QTY	DESCRIPTION	REV
2A	7012514	1	Fan	
2A	7020110	1	Bell, Front	
2A	7020111	1	Bell, Rear	
2A	7020190	2	Bearing	
2B	7019680	1	Box, Control - 110V/60Hz & 110V/50Hz (0274082 & 0274090 Installations Only) (was p/n 7003657)	
2B	70000127	1	Box, Control - 220V/50Hz (0274086 Installation Only) (was p/n 7019680)	
2B		Ref	Receptacle Options:	
2B	4460190	1	Receptacle, Standard (110V Only)	
2B	4460027	1	Receptacle, Twistlock (110V Only)	
2B	70000124	1	Receptacle, Double (220V/50Hz Only)	
2B	70000125	1	Receptacle, Single (220V/50Hz Only)	
2B		Ref	Breaker, Circuit Options:	
2B	7020194	1	110V Breaker, Circuit	
2B	70000126	1	220V Breaker, Circuit	
2B	3520028	1	Plug, Hole	
2C		Ref	Voltmeter Options:	
2C	2420203	1	Voltmeter - 110V (was p/n 7010699)	
2C	7020192	1	Voltmeter - 220V	
2D		Ref	Pulley Options:	
2D	3580276	1	Pulley - 60Hz	
2D	3580134	1	Pulley - 50Hz	
2D	7027887	1	Key, Woodruff	
3		Ref	Decal Options:	
3	3251243	1	120V 60Hz	
3	1705325	1	120V 50Hz	
3	Not Required	0	220V/50Hz	
4		Ref	Arm, Adjusting Options:	
4	0200742	1	All Installations except 0273045 & 0273085	
4	0200741	1	0273045 & 0273085 Installations Only	
5		Ref	V-Belt Options:	
5	0480121	1	All Installations except 0273045 & 0273085	
5	0480120	1	0273045 & 0273085 Installations Only	
6	0641404	1	Bolt 1/4in-20NC x 1/2in	
7	0641610	1	Bolt 3/8in-16NC x 1-1/4in	
8	0100011	AR	Compound, Locking	
9	0641772	1	Bolt 7/16in-14NC x 9in	
10	4751600	6	Flatwasher 3/8in Regular	
11	2860012	1	Key, Woodruff	
12	3311605	1	Locknut 3/8in-16NC	
13	3311705	1	Locknut 7/16in-14NC	
14	3740080	1	Relay	
15	3290505	1	Locknut M5	
16	0641508	1	Bolt 5/16in-18NC x 1in	
17	4751500	AR	Flatwasher 5/16in Regular	
18	4031608	1	Capscrew M5 x 20mm	
19	4811600	1	Flatwasher M5	
20	0721006	AR	Bolt #10-24NC x 3/4in	
21	3311005	AR	Locknut #10-24NC	
22	4751000	9	Flatwasher #10 Regular	
23	4460968	3	Bushing, Strain Relief (10011099868, 1001100308, 1001115410)	

SECTION 2 - TURNTABLE

ITEM	PART NUMBER	QTY	DESCRIPTION	REV
			Installations Only)	
24	4420060	AR	Tape, Double Sided	
25	4360336	1	Switch, Toggle (Not Shown - Located at Platform)	
26	4740397	1	Bushing (Not Shown - Located at Platform)	
27	4060802	1	Guard, Switch (Not Shown - Located at Platform)	
28		Ref	Decal - Voltage Options (Not Shown - Located at Platform):	
28	See Note	NSS	110V/60Hz (Note: Not Available for Purchase)	
28	1705325	1	110V/50Hz	
28	3252507	1	220V/50Hz	
29	2820031	4 in/10cm	Heat Shrink (Not Shown - Located at Platform)	
30		Ref	Decal, Generator ON/OFF Options (Not Shown - Located at Platform):	
30	3251102	1	All Installations except 0273045 & 0273085	
30	1705728	1	0273045 & 0273085 Installations Only	
31	4070585	AR	Shim .010in	
32	1001099869	1	Box, Junction (10011099868, 1001100308, 1001115409 & 1001115410 Installations Only)	
33	0962449	1	Bushing, Silicone (10011099868, 1001100308, 1001115409 & 1001115410 Installations Only)	
34		Ref	Light, Red Options:	
34	1001100234	1	10011099868 & 1001115409 Installations Only (USA Built Machines) (SN 0300087000 through 0300139049)	
34	1001100233	1	1001100308 & 1001115410 Installations Only (USA Built Machines) (SN 0300139050 through 0300171769)	
34	1001100233	1	1001100308 & 1001115410 Installations Only (China Built Machines) (SN B300000100 through B300000969)	
35	1705715	1	Decal - 115VAC (0273045 & 0273085 Installations Only)	
36	1705714	1	Decal - Danger (0273045 & 0273085 Installations Only)	
37	4360294	1	Breaker, Circuit - 30Amp (0273045 & 0273085 Installations Only)	
	2902085	1	Installation Kit - Powermite Generator (Includes Generator Mounting Bracket, p/n 0480121 Belt and Mounting Hardware)	
		Ref	GENERATOR CONTROL BOX ASSEMBLY (0273045 & 0273085 INSTALLATIONS ONLY)	
	0861599	Ref	UK Spec	A
	0861607	Ref	German Spec	A
101	0861602	1	Box, Control	
102	1060461	20 ft/6m	Cable Electrical 12/3	
103	2420203	1	Voltmeter	
104	2920162	1	Lamp	
105		Ref	Breaker Circuit Options:	
105	4360541	1	Breaker Circuit (UK Spec)	
105	4360540	1	Residual Current Device (German Spec)	
106	4360542	1	Breaker Circuit 20Amp	
107	4460968	2	Connector, Strain Relief	
108		Ref	Plug Options:	
108A	4460991	1	Plug, Female (UK Spec)	
108B	4460999	1	Plug, Terminal (German Spec)	
109	4922912	1	Harness	
110	0721005	2	Screw #10-24NC x 5/8in	
111	3311001	2	Nut #10-24NC	

SECTION 2 - TURNTABLE

FIGURE 2-28. 2500W GENERATOR INSTALLATION - FORD MACHINES (OPTIONAL)



SECTION 2 - TURNTABLE

FIGURE 2-28. 2500W GENERATOR INSTALLATION - FORD MACHINES (OPTIONAL)

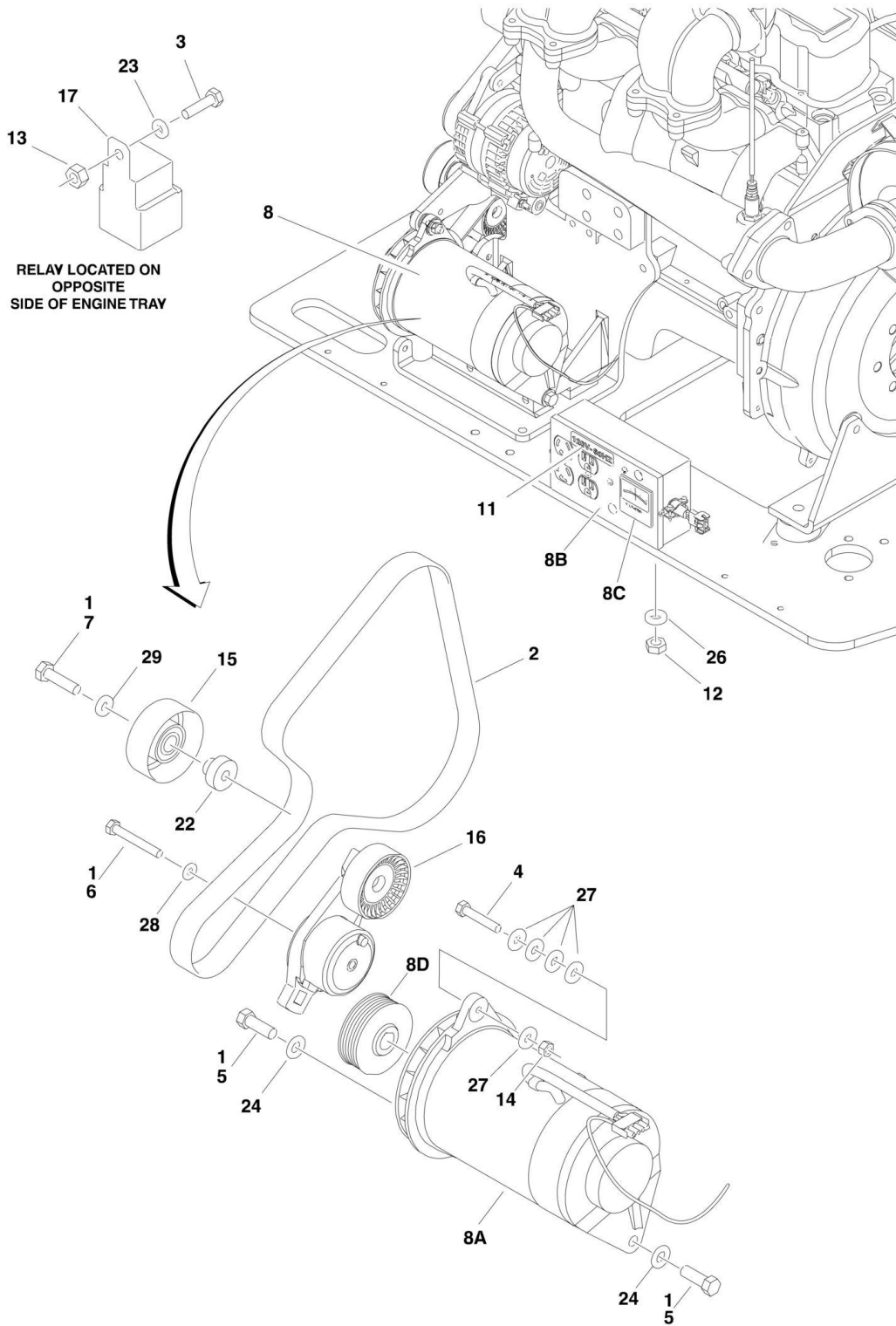
ITEM	PART NUMBER	QTY	DESCRIPTION	REV
		Ref	Note: Only Available on USA Built Machines.	
		Ref	GENERATOR INSTALLATION OPTIONS:	
	0273507	Ref	110V/60Hz	C
	0273511	Ref	220V/50Hz	D
1	0100011	AR	Compound, Locking	
2	0100019	AR	Compound, Locking	
3	0363082	1	Bar, Generator Adjuster	
4	0363097	1	Bar, Pulley Mounting	
5	0480135	1	V-Belt	
6	0641405	1	Bolt 1/4in-20NC x 5/8in	
7	0641508	1	Bolt 5/16in-18NC x 1in	
8	0641611	3	Bolt 3/8in-16NC x 1-3/8in	
9	0641612	3	Bolt 3/8in-16NC x 1-1/2in	
10	0641718	2	Bolt 7/16in-14NC x 2-1/4in	
11	0641810	1	Bolt 1/2in-13NC x 1-1/4in	
12	0701015	1	Bolt 10mm x 35mm	
13	0741606	1	Screw, Countersunk 3/8in-16NC x 3/4in	
14	0741808	1	Screw, Countersunk 1/2in-13NC x 1in	
15	0902952	1	Bracket, Generator Mounting	
16		Ref	Generator and Control Box Assembly Options:	
16	2460051	1	110Volt Assembly	
16	2460052	1	220Volt Assembly	
16A		Ref	Generator Only Options:	
16A	7012558	1	110V/60Hz Assembly	
16A	1001100321	1	220V/50Hz Assembly (Was p/n 70000128)	
		Ref	Note: Replacement Generators come standard with p/n 3580134 pulley. This pulley may not be correct for all applications. Refer to pulley options below.	
16A		Ref	Armature with Slip Rings Options:	
16A	7026199	1	Armature with Slip Rings - 110V/60Hz	
16A	70000123	1	Armature with Slip Rings - 220V/50Hz	
16A	7020109	4	Holder, Brush	
16A	7020108	4	Brush	
16A	7012513	4	Cap, Brush Holder	
16A	7012514	1	Fan	
16A	7020110	1	Bell, Front	
16A	7020111	1	Bell, Rear	
16A	7020190	2	Bearing	
16B		Ref	Box, Control Options:	
16B	7019680	1	Box, Control - 110V/60Hz (was p/n 7003657)	
16B	70000127	1	Box, Control - 220V/50Hz	
16B		Ref	Receptacle Options:	
16B	4460190	1	Receptacle, Standard (110V Only)	
16B	4460027	1	Receptacle, Twistlock (110V Only)	
16B	70000124	1	Receptacle, Double (220V/50Hz Only)	
16B	70000125	1	Receptacle, Single (220V/50Hz Only)	
16B		Ref	Breaker, Circuit Options:	
16B	7020194	1	110V Breaker, Circuit	
16B	70000126	1	220V Breaker, Circuit	
16B	3520028	1	Plug, Hole	

SECTION 2 - TURNTABLE

ITEM	PART NUMBER	QTY	DESCRIPTION	REV
16C		Ref	Voltmeter Options:	
16C	2420203	1	110V Voltmeter (was p/n 7010699)	
16C	7020192	1	220V Voltmeter	
16D		Ref	Pulley Options:	
16D	3580324	1	110Volt Assembly	
16D	3580325	1	220Volt Assembly	
16D	7027887	1	Key, Woodruff	
17	2820031	AR	Heat Shrink (Not Shown - Located at Platform)	
18		Ref	Decal	
18	1702590	1	110V Generator	
18	3251243	1	220V Generator	
19		Ref	Nameplate Options (Not Shown - Located at Platform):	
19	3252764	1	110V Generator	
19	3251102	1	220V Generator	
20	3311005	2	Locknut #10-24NC	
21	3311405	1	Locknut 1/4in-20NC	
22	3574225	1	Plate, Pulley Mounting	
23	3580312	2	Pulley, Idler	
24	3580313	1	Pulley, Grooved Idler	
25	3740080	1	Relay, Bosch	
26	3900322	2	Screw, Shoulder	
27	4060802	1	Guard, Switch (Not Shown - Located at Platform)	
28	4240018	AR	Tie-Strap	
29	4340738	1	Support, Idler Pulley	
30	4360336	1	Switch, Toggle (Not Shown - Located at Platform)	
31	4568734	2	Spacer, Tube (Idler Pulley Non-Grooved)	
32	4568735	1	Spacer, Tube (Idler Pulley Grooved)	
33	4711400	1	Flatwasher 1/4in Thin	
34	4711700	2	Flatwasher 7/16in Thin	
35	4740397	1	Spacer	
36	4751000	2	Flatwasher #10 Regular	
37	4751600	3	Flatwasher 3/8in Regular	
38	4751800	1	Flatwasher 1/2in Regular	
39	4891500	1	Flatwasher 5/16in Hardened	
40	4891600	4	Flatwasher 3/8in Hardened	
41	4892000	2	Flatwasher 5/8in Hardened	

SECTION 2 - TURNTABLE

FIGURE 2-29. 2500W GENERATOR INSTALLATION - GM MACHINES (OPTIONAL)



SECTION 2 - TURNTABLE

FIGURE 2-29. 2500W GENERATOR INSTALLATION - GM MACHINES (OPTIONAL)

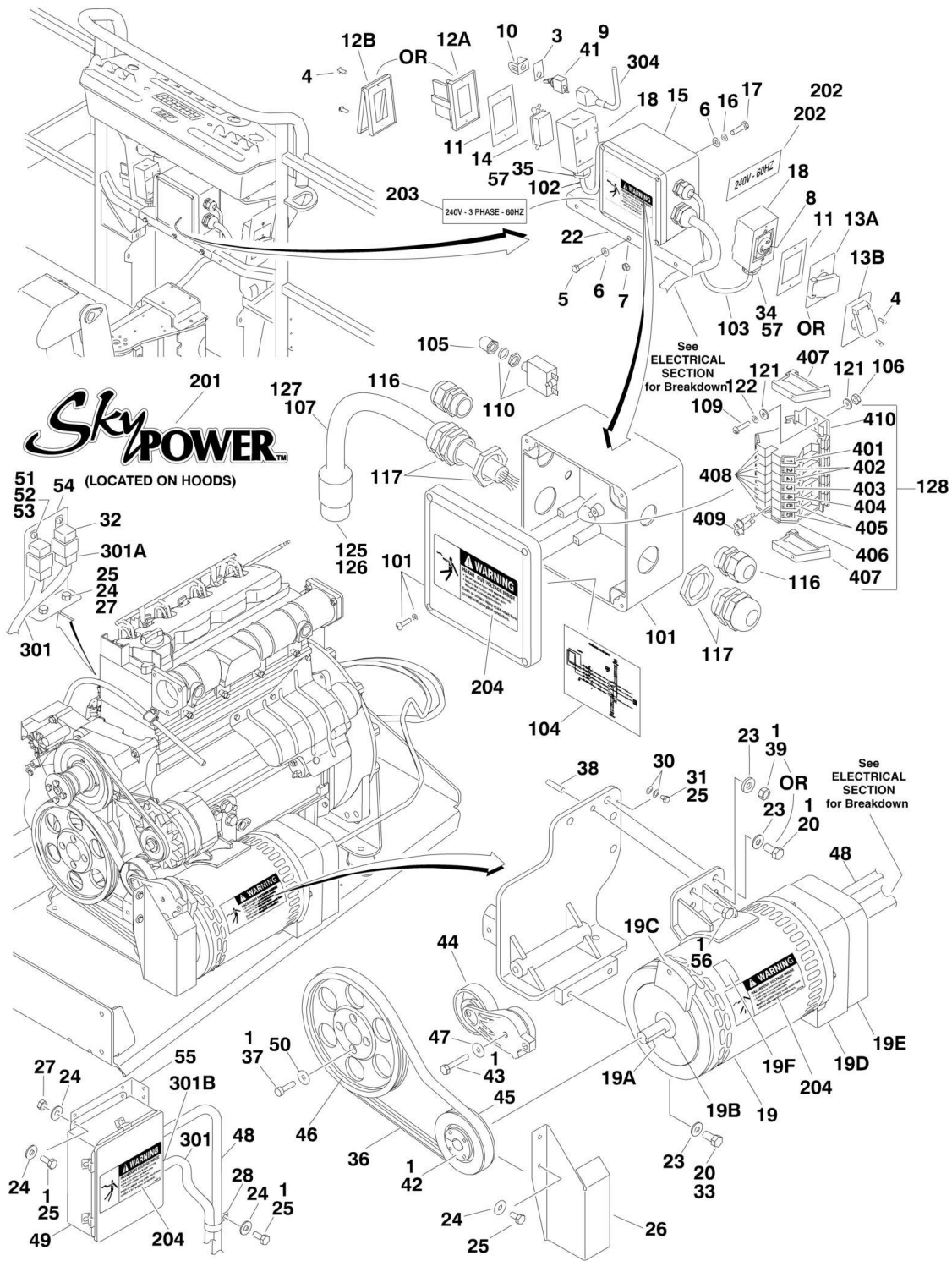
ITEM	PART NUMBER	QTY	DESCRIPTION	REV
		Ref	Note: Only Available on USA Built Machines.	
		Ref	GENERATOR INSTALLATION OPTIONS:	
	0275039	Ref	110V Generator	E
	See Note	Ref	220V Generator (Note: Not Available for Purchase)	
		Ref	Note: Refer to Sky Power Accessories Manual p/n 3124242 for the Miller 7500W Generator.	
1	0100011	AR	Compound, Locking	
2	0480142	1	V-Belt	
3	0641405	1	Bolt 1/4in-20NC x 5/8in	
4		Ref	Bolt Options:	
4	0641514	1	Bolt 5/16in-18NC x 1-3/4in (SN 0300087000 through 0300094704)	
4	0641510	1	Bolt 5/16in-18NC x 1-1/4in (SN 0300094705 through 0300171769)	
5	0641710	2	Bolt 7/16in-14NC x 1-1/4in	
6	0700820	1	Bolt 8mm x 60mm	
7	0701016	1	Bolt 10mm x 340mm	
8		Ref	Generator and Control Box Assembly Options:	
8	2460051	1	110Volt Assembly	
8	2460052	1	220Volt Assembly	
8A		Ref	Generator Options:	
8A	7012558	1	110Volt Assembly	
8A	1001100321	1	220Volt Assembly (Was p/n 70000128)	
		Ref	Note: Replacement Generators come standard with p/n 3580134 pulley. This pulley may not be correct for all applications. Refer to pulley options below.	
8A		Ref	Armature with Slip Rings Options:	
8A	7026199	1	Armature with Slip Rings - 110V/60Hz	
8A	70000123	1	Armature with Slip Rings - 220V/50Hz	
8A	7020109	4	Holder, Brush	
8A	7020108	4	Brush	
8A	7012513	4	Cap, Brush Holder	
8A	7012514	1	Fan	
8A	7020110	1	Bell, Front	
8A	7020111	1	Bell, Rear	
8A	7020190	2	Bearing	
8B		Ref	Box, Control Options:	
8B	7019680	1	Box, Control - 110V/60Hz (was p/n 7003657)	
8B	70000127	1	Box, Control - 220V/50Hz	
8B		Ref	Breaker, Circuit Options:	
8B	7020194	1	110V Breaker, Circuit	
8B	70000126	1	220V Breaker, Circuit	
8B	70000124	1	Receptacle, Double (220V/50Hz Only)	
8B	70000125	1	Receptacle, Single (220V/50Hz Only)	
8B	3520028	1	Plug, Hole	
8C		Ref	Voltmeter Options:	
8C	2420203	1	110V Voltmeter (was p/n 7010699)	
8C	7020192	1	220V Voltmeter	
8D		Ref	Pulley Options:	
8D	3580324	1	110Volt Assembly	
8D	3580325	1	220Volt Assembly	

SECTION 2 - TURNTABLE

ITEM	PART NUMBER	QTY	DESCRIPTION	REV
8D	7027887	1	Key, Woodruff	
9	2820031	AR	Heat Shrink (Not Shown - Located at Platform)	
10	33251102	1	Nameplate - Generator (Not Shown - Located at Platform)	
11		Ref	Decal	
11	3251243	1	110 Volt Generator	
11	1702590	1	220 Volt Generator	
12	3311005	2	Locknut # 10-24NC	
13	3311405	1	Locknut 1/4in-20NC	
14	3311505	1	Locknut 5/16in-18NC (SN 0300087000 through 0300094705)	
15	3580312	1	Pulley, Idler	
16	3580348	1	Tensioner, Belt	
17	3740080	1	Relay, Bosch	
18	4060802	1	Guard, Switch (Not Shown - Located at Platform)	
19	4240018	AR	Tie-Strap (Not Shown)	
20	4360336	1	Switch, Toggle (Not Shown - Located at Platform)	
21	4460906	3	Terminal (Not Shown)	
22	4568735	1	Spacer, Tube (Idler Pulley Grooved)	
23	4711400	1	Flatwasher 1/4in Thin	
24	4711700	2	Flatwasher 7/16in Thin	
25	4740397	1	Spacer (Not Shown - Located at Platform)	
26	4751000	2	Flatwasher #10 Regular	
27	4751500	AR	Flatwasher 5/16in Regular	
28	4811900	1	Flatwasher M8	
29	4891600	1	Flatwasher 3/8in Hardened	

SECTION 2 - TURNTABLE

FIGURE 2-30. 7500W SKYPOWER GENERATOR INSTALLATION - CATERPILLAR AND DEUTZ ENGINES (OPTIONAL)



SECTION 2 - TURNTABLE

FIGURE 2-30. 7500W SKYPOWER GENERATOR INSTALLATION - CATERPILLAR AND DEUTZ ENGINES (OPTIONAL)

ITEM	PART NUMBER	QTY	DESCRIPTION	REV
		Ref	7500W SKYPOWER GENERATOR INSTALLATION	
		Ref	USA Built Machines: (SN 0300087000 through 0300139049)	
	0273540	Ref	60Hz and Caterpillar Engine	J
	0273541	Ref	50Hz and Caterpillar Engine	I
	0272255	Ref	60Hz and Deutz Engine	L
	0272640	Ref	60Hz and Deutz Engine (Brazilian Spec Only)	H
	0272492	Ref	50Hz and Deutz Engine	J
		Ref	USA Built Machines (SN 0300139050 through 0300171769)	
	1001115398	Ref	60Hz and Caterpillar Engine	C
	1001115400	Ref	50Hz and Caterpillar Engine	C
	1001115387	Ref	60Hz and Deutz Engine	B
	1001115393	Ref	60Hz and Deutz Engine (Brazilian Spec Only)	B
	1001115389	Ref	50Hz and Deutz Engine	B
		Ref	China Built Machines (SN B300000100 through B300000969)	
	1001115398	Ref	60Hz and Caterpillar Engine	C
	1001115400	Ref	50Hz and Caterpillar Engine	C
	1001115387	Ref	60Hz and Deutz Engine	B
	1001115389	Ref	50Hz and Deutz Engine	B
		Ref	Note: See ELECTRICAL SECTION for Boom Cable Installation.	
		Ref	Note : See SPECIAL OPTIONS Section for Machines with 4000W Generator	
1	0100011	AR	Compound, Locking	
3	3252764	1	Nameplate	
4	3910606	8	Screw #6-32NC x 3/8in	
5	0641516	3	Bolt 5/16in-18NC x 2in	
6	4711500	AR	Flatwasher 5/16in Thin	
7		Ref	Nut Options:	
7	3311505	3	Locknut 5/16in-18NC (Standard)	
7	3311508	3	Locknut 5/16in-18NC (Serrated Flange)	
8		Ref	Receptacle, Female Twist-Lock Options (220-240V Single):	
8	4460958	1	60Hz	
8	See Note	NLA	50Hz (Note: Not Available - Purchase Locally)	
9	4360336	1	Switch, Toggle	
10	4060802	1	Guard, Switch	
11		Ref	Gasket Options:	
11	3960422	2	60Hz	
11	See Note	NLA	50Hz (Note: Not Available - Purchase Locally)	
12		Ref	Cover, Receptacle Options:	
12	See Note	NLA	50Hz (Note: Not Available - Purchase Locally)	
12A	4060700	1	60HZ - Cover Side Hinged	
12B	1001110873	1	60HZ - Cover Top Hinged	
13		Ref	Cover, Receptacle Options:	
13	See Note	NLA	50Hz (Note: Not Available - Purchase Locally)	
13A	4061043	1	60HZ - Cover Side Hinged	
13B	1001110872	1	60HZ - Cover Top Hinged	
14		Ref	Receptacle, Female Options (110-120V):	
14	4460346	1	60Hz	
14	See Note	NLA	50Hz (Note: Not Available - Purchase Locally)	

SECTION 2 - TURNTABLE

ITEM	PART NUMBER	QTY	DESCRIPTION	REV
14	4460315	2	Terminal, Spade (60HZ Machines Only)	
15		Ref	Junction Box Assembly Options (See Items 101-126 for Breakdown):	
15	0861542	1	60Hz Spec (SN 0300087000 through 0300171769)	
15	0861542	1	60Hz Spec (SN B300000100 through B300000866)	
15	1001157592	1	60Hz Spec (Not Shown) (SN B300000867 through B300000969)	
15	0861567	1	50Hz Spec (SN 0300087000 through 0300171769)	
15	0861567	1	50Hz Spec (SN B300000100 through B300000866)	
15	1001157525	1	50Hz Spec (Not Shown) (SN B300000867 through B300000969)	
16	4761500	AR	Lockwasher 5/16in	
17		Ref	Bolt Options:	
17	0641505	4	Bolt 5/16in-18NC x 5/8in	
17	0641508	4	Bolt 5/16in-18NC x 1in	
18		Ref	Box, Switch Options:	
18	0860038	2	60Hz Spec	
18	See Note	NLA	50Hz Spec (Note: Not Available - Purchase Locally)	
19		Ref	Generator Assembly Options:	
19	2460050	1	Caterpillar Engine	
19	2460048	1	Deutz Engine	
19	70001100	1	Rotor (Includes p/n 70001384 & 70000863) (Not Shown)	
19	70001384	1	Bearing, Ball Radial (Not Shown)	
19	70000863	1	Fan (Not Shown)	
19		Ref	Stator Options (Not Shown):	
19	70001969	1	2460050 Generator	
19	70002088	1	2460048 Generator	
19	70002297	1	Stud	
19	70003631	1	Brushholder Assembly (Not Shown) (was p/n 7024484)	
19A	70004171	1	Key (was p/n 7024561)	
19B	70001966	1	Bearing, Ball Radial (Located in Belt Tensioner Endbell)	
19C	70001953	1	Endbell, Belt Tensioner	
19D		Ref	Endbell, Brush Block Options (was p/n 70001385):	
19D	70004170	1	Caterpillar Engine Machines	
19D	70004169	1	Deutz Engine Machines	
19E		Ref	Shroud Options:	
19E	70004170	1	Caterpillar Engine (was p/ns 70001970 & 70001971)	
19E	70004169	1	Deutz Engine (was p/n 70002290)	
19E	7027799	1	Block, Connector 6 Position (Not Shown)	
19E	70002460	1	Nut, Brass (Attaches p/n 7027799 to Cover) (Not Shown)	
19E	7024485	1	Breaker, Circuit 30Amp (Not Shown)	
19E	70001696	1	Boot, Breaker (was p/n 7024486 - Not Shown)	
19E	7026597	1	Connector, with Leads (Not Shown)	
19E	7026626	1	Housing Plug and Pins (Not Shown)	
19E	7026188	1	Clamp, Cable (Not Shown)	
19E	70003708	1	Retaining Ring Internal (Not Shown)	
19E	70003709	1	Retaining Ring External (Not Shown)	
19E		Ref	Plate, End Panel Options:	
19E	70004170	1	Caterpillar Engine (was p/n 70001972)	
19E	70004169	1	Deutz Engine (was p/n 70002255)	
19E	70001974	1	Decal - Terminal Connections	
19F	70001973	1	Decal - Warning Moving Parts	

SECTION 2 - TURNTABLE

ITEM	PART NUMBER	QTY	DESCRIPTION	REV
20		Ref	Bolt 1/2in-13NC Options:	
20	0641808	4	Caterpillar Engine	
20	0641808	2	Deutz Engine	
22	0902888	1	Bracket, Box Mounting	
23		Ref	Flatwasher 1/2in Options:	
23	4711800	AR	Thin	
23	4891800	AR	Hardened	
24		Ref	Flatwasher 1/4in Options:	
24	4711400	AR	Flatwasher 1/4in Thin	
24	4751400	AR	Flatwasher 1/4in Regular	
24	4761400	AR	Lockwasher 1/4in	
25		Ref	Bolt Options:	
25	0641404	AR	Bolt 1/4in-20NC x 1/2in	
25	0641405	AR	Bolt 1/4in-20NC x 5/8in	
25	0641408	AR	Bolt 1/4in-20NC x 1in	
26		Ref	Shield Options:	
26	Not Required	0	Caterpillar Engine (USA Built Machines) (SN 0300087000 through 030014393)	
26	Not Required	0	Caterpillar Engine (China Built Machines) (Prior to SN B300000231)	
26	100118599	1	Caterpillar Engine (USA Built Machines) (Not Shown) (SN 0300143937 through 0300168215)	
26	100118599	1	Caterpillar Engine (China Built Machines) (Not Shown) (SN B300000231 through B300000735)	
26	4061049	1	Deutz Engine (Shown) (USA Built Machines) (SN 0300143937 through 0300171769)	
26	4061049	1	Deutz Engine (Shown) (China Built Machines) (SN B300000100 through B300000762)	
27	3311405	AR	Nut 1/4in-20NC	
28	1320224	NLA	Clamp (Use p/n 1320318)	
29	4240018	AR	Tie-Strap (Not Shown)	
30	4791400	2	Starwasher 1/4in	
31	0641403	AR	Bolt 1/4in-20NC x 3/8in	
32	3740080	1	Relay	
33	0100019	AR	Compound, Locking	
34		Ref	Connector, Strain Relief Options:	
34	4460051	1	60Hz	
34	See Note	NLA	50Hz (Note: Not Available - Purchase Locally)	
35		Ref	Connector, Strain Relief	
35	4460071	1	60Hz	
35	See Note	NLA	50Hz (Note: Not Available - Purchase Locally)	
36		Ref	Belt, Drive Options:	
36	0480129	1	60Hz Generators:	
36		Ref	50Hz Generators:	
36	0480125	1	Caterpillar Engine	
36	0480126	1	Deutz Engine	
37		Ref	Bolt Options:	
37	0700815	4	Caterpillar Engine (Bolt M8 x 35mm)	
37	4032015	4	Deutz Engine (Capscrew M10 x 55mm)	
38	4300157	1	Stud	
39	3311801	1	Nut 1/2in-13NC	
40	0100062	1	Loctite (Not Shown)	
41	2820031	1	Insulator	

SECTION 2 - TURNTABLE

ITEM	PART NUMBER	QTY	DESCRIPTION	REV
42	0962520	1	Bushing, Split Taper (Was p/n 7024562)	
43		Ref	Bolt 3/8in-16NC Options:	
43	3931632	1	Capscrew, Socket Head 3/8in-16NC x 2in	
43	0641618	1	Bolt, Hex Head 3/8in-16NC x 2-1/4in	
44	3580317	1	Tensioner, Belt (Was p/n 7024482)	
45		Ref	Pulley Options:	
45	3580318	1	60Hz Generator (Was p/n 7024563)	
45	3580319	1	50Hz Generator (Was p/n 7026187)	
46		Ref	Pulley Options:	
46	3580321	1	Caterpillar Engine	
46	3580320	1	Deutz Engine	
47	4711600	AR	Flatwasher 3/8in Thin	
48	4922925	1	Harness, Generator	
49		Ref	CONTROL BOX ASSEMBLY OPTIONS:	
49	0861538	1	60Hz Generator (Was p/n 7024487)	
49	0861572	1	50Hz Generator (Was p/n 7024487)	
49	7024488	1	Card, Circuit - Generator Power	
49	See Note	NLA	Fuse (Note: Not Available - Purchase Locally)	
49	70000619	1	Harness, Control Box (Internal)	
49	7024489	1	Card, Circuit - Control	
		Ref	Note: Same Circuit Card (p/n 7024489) is used for both 60Hz & 50Hz. When replacing card, rocker switch on card must be set for required application.	
50	4811900	AR	Flatwasher M8	
51	0721004	2	Screw, Machine #10-24NC 1/2in	
52	4751000	4	Flatwasher #10 Regular	
53	3311005	2	Locknut #10-24NC	
54	Not Required	0	Bracket, Relay Mounting	
55	Not Required	0	Bracket, Control Box Mounting	
56	0771415	AR	Bolt M14 x 35mm	
57	0100020	AR	Sealant, Pipe	
		Ref	JUNCTION BOX ASSEMBLY	
	0861542	Ref	60HZ SPECS	D
	0861567	Ref	50Hz Specs	B
101	0861541	1	Box, Junction	
102		Ref	Cable, Electrical 12/3	
102	1060494	2 ft/.6m	60Hz Spec	
102	See Note	2 ft/.6m	50Hz Spec (Note: Not Available - Purchase Locally)	
103		Ref	Cable, Electrical 10/3	
103	1060708	2.5 ft /0.76m	60Hz Spec	
103	See Note	2.5 ft/0.76m	50Hz Spec (Note: Not Available - Purchase Locally)	
104	1705376	1	Decal - Wiring Schematic	
105	3300396	1	Cover, Fuse	
106	3310601	2	Nut 6-32NC	
107	1060343	1.5 ft /0.46m	Cable, Electrical 10/4 (60Hz Spec Only)	
108	3641533	1	Rail, Relay	
109	3910610	2	Bolt 6-32NC x 5/8in	
110	4360070	1	Circuit Breaker - 15Amp	
116	4460425	2	Connector, Strain Relief	

SECTION 2 - TURNTABLE

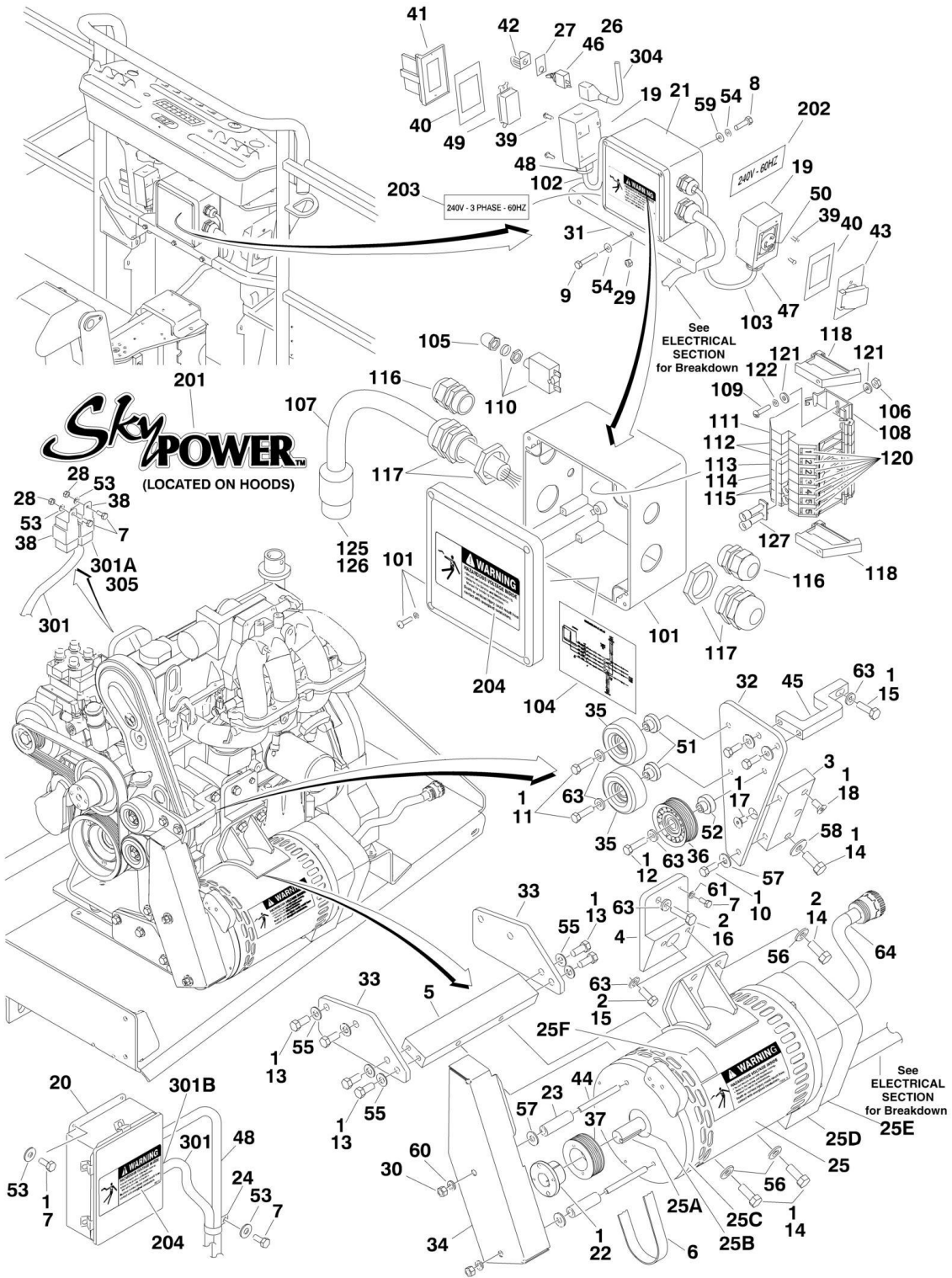
ITEM	PART NUMBER	QTY	DESCRIPTION	REV
117	4460426	2	Connector, Strain Relief	
121	4750600	4	Flatwasher, #6 Regular	
122	4760600	2	Lockwasher #6	
125	1671092	1	Cover (60Hz Spec Only)	
126	4460963	1	Connector (60Hz Spec Only)	
127	3520189	1	Plug (50Hz Spec Only)	
128		Ref	Terminal Block Assembly Options (See Items 401-410 for Breakdown):	
128	NPN	1	Gray Terminal Block Assembly	
128	1001121340	1	Tan Terminal Block Assembly	
		Ref	DECAL INSTALLATION	
	0272435	Ref	60Hz Specs	B
	0272589	Ref	50Hz Specs	A
201	1705460	2	Decal - SkyPower	
202	1705374	1	Decal - 240V - 60Hz (60Hz Spec Only)	
203		Ref	Decal - 240V - 3 Phase Options:	
203	1705375	1	60Hz Spec	
203	1705461	1	50Hz Spec	
204		Ref	Decal, Hazardous Voltage Options:	
204	1705387	3	60Hz Spec	
204	1705489	3	50Hz Spec	
		Ref	ELECTRICAL DIAGRAM COMPONENTS	
	4933264	Ref	USA Built Machines (SN 0300087000 through 0300139049)	C
	1001112586	Ref	USA Built Machines (SN 0300139050 through 0300171769)	A
	1001112586	Ref	China Built Machines (SN B300000100 through B300000969)	A
301		Ref	Generator Harness Options:	
301	4922757	1	Generator Harness (SN 0300087000 through 0300139049)	3-C
301	1001112587	1	Generator Harness (SN 0300139050 through 0300171769)	A
301	1001112587	1	China Built Machines (SN B300000100 through B300000969)	A
301A	4460374	2	Plug, Sealed Relay	
301A	4460375	7	Terminal	
301B	4460967	1	Plug, Male - 3 Position	
301B	4460465	3	Socket, Female	
301C	2400060	1	Fuseholder (Not Shown)	
301C	2400064	1	Fuse - 5Amp (Not Shown)	
304	4922641	1	Switch Harness	
		Ref	TERMINAL BLOCK ASSEMBLY	
	NPN	Ref	Gray Terminal Block Assembly (Complete Assembly Not Available - Purchase Individual Components)	
	1001121340	Ref	Tan Terminal Block Assembly	A
401		Ref	Marker Strip #1 Options:	
401	4460411	2	Gray Terminal Block Assembly	
401	70002818	2	Tan Terminal Block Assembly	
402		Ref	Marker Strip #2 Options:	
402	4460412	4	Gray Terminal Block Assembly	
402	70002819	4	Tan Terminal Block Assembly	
403		Ref	Marker Strip #3 Options:	
403	4460413	2	Gray Terminal Block Assembly	
403	70002820	2	Tan Terminal Block Assembly	
404		Ref	Marker Strip #4 Options:	
404	4460414	2	Gray Terminal Block Assembly	
404	70002821	2	Tan Terminal Block Assembly	

SECTION 2 - TURNTABLE

ITEM	PART NUMBER	QTY	DESCRIPTION	REV
405		Ref	Marker Strip #5 Options:	
405	4460415	4	Gray Terminal Block Assembly	
405	70002822	4	Tan Terminal Block Assembly	
406		Ref	Terminal, End Barrier Options:	
406	4460956	1	Gray Terminal Block Assembly	
406	70002823	1	Tan Terminal Block Assembly	
407		Ref	Terminal, End Block Options:	
407	4460607	2	Gray Terminal Block Assembly	
407	70002824	2	Tan Terminal Block Assembly	
408		Ref	Terminal, Block Options:	
408	4460957	7	Gray Terminal Block Assembly	
408	70002825	7	Tan Terminal Block Assembly	
409		Ref	Terminal, Cross Connector Jumper Options:	
409	4461001	2	Gray Terminal Block Assembly	
409	70002826	2	Tan Terminal Block Assembly	
410	3641533	1	Rail, Relay	

SECTION 2 - TURNTABLE

FIGURE 2-31. 7500W SKYPOWER GENERATOR INSTALLATION - FORD ENGINES (OPTIONAL)



SECTION 2 - TURNTABLE

FIGURE 2-31. 7500W SKYPOWER GENERATOR INSTALLATION - FORD ENGINES (OPTIONAL)

ITEM	PART NUMBER	QTY	DESCRIPTION	REV
		Ref	Note: Only Available on USA Built Machines.	
	0272817	Ref	7500W SKYPOWER GENERATOR INSTALLATION	H
		Ref	Note: See ELECTRICAL SECTION for Boom Cable Installation.	
1	0100011	AR	Compound, Locking	
2	0100019	AR	Compound, Locking	
3	0363097	1	Bar, Pulley Mount	
4	0363201	1	Bar, Generator Mount (Top)	
5	0363202	1	Bar, Generator Mount (Bottom)	
6	0480130	1	Belt, Generator	
7	0641405	8	Bolt 1/4in-20NC x 5/8in	
8	0641505	4	Bolt 5/16in-18NC x 5/8in	
9	0641516	3	Bolt 5/16in-18NC x 2in	
10	0641608	3	Bolt 3/8in-16NC x 1in	
11	0641611	2	Bolt 3/8in-16NC x 1-3/8in	
12	0641612	1	Bolt 3/8in-16NC x 1-1/2in	
13	0641708	8	Bolt 7/16in-14NC x 1in	
14	0641810	5	Bolt 1/2in-13NC x 1-1/4in	
15	0701015	2	Bolt M10 x 35mm	
16	0701016	1	Bolt M10 x 40mm	
17	0741606	1	Screw, Flathead Countersunk 3/8in-16NC x 3/4in	
18	0741808	1	Screw, Flathead Countersunk 1/2in-13NC x 1in	
19	0860038	2	Box, Switch	
20	0861538	1	Control Box Assembly (Was p/n 7024487):	
20	7024488	1	Card, Circuit - Generator Power	
20	See Note	NSS	Fuse (Note: Not Available - Purchase Locally)	
20	7024489	1	Card, Circuit - Control (Includes Harness)	
20	70000619	1	Harness, Control Box (Internal)	
21	0861542	1	Junction Box Assembly (See Items 201-222 for Breakdown)	
22	0962520	1	Bushing, Split Taper	
23	0962521	2	Spacer, Tube	
24	1320224	1	Clamp	
25	2460048	1	Generator Assembly	
25	70001100	1	Rotor (Includes p/n 70001384 & 70000863) (Not Shown)	
25	70001384	1	Bearing, Ball Radial (Not Shown)	
25	70000863	1	Fan (Not Shown)	
25	70002088	1	Stator Options (Not Shown):	
25	70002297	1	Stud	
25	70003631	1	Brushholder Assembly (Not Shown) (was p/n 7024484)	
25A	70004171	1	Key (was p/n 7024561)	
25B	70001966	1	Bearing, Ball Radial (Located in Belt Tensioner Endbell)	
25C	70001953	1	Endbell, Belt Tensioner	
25D	70004169	1	Endbell, Brush Block (was p/n 70001385)	
25E	70004169	1	Shroud (was p/n 70002290)	
25E	7027799	1	Block, Connector 6 Position (Not Shown)	
25E	70002460	1	Nut, Brass (Attaches p/n 7027799 to Cover) (Not Shown)	
25E	7024485	1	Breaker, Circuit 30Amp (Not Shown)	
25E	70001696	1	Boot, Breaker (was p/n 7024486 - Not Shown)	
25E	7026597	1	Connector, with Leads (Not Shown)	
25E	7026626	1	Housing Plug and Pins (Not Shown)	
25E	7026188	1	Clamp, Cable (Not Shown)	

SECTION 2 - TURNTABLE

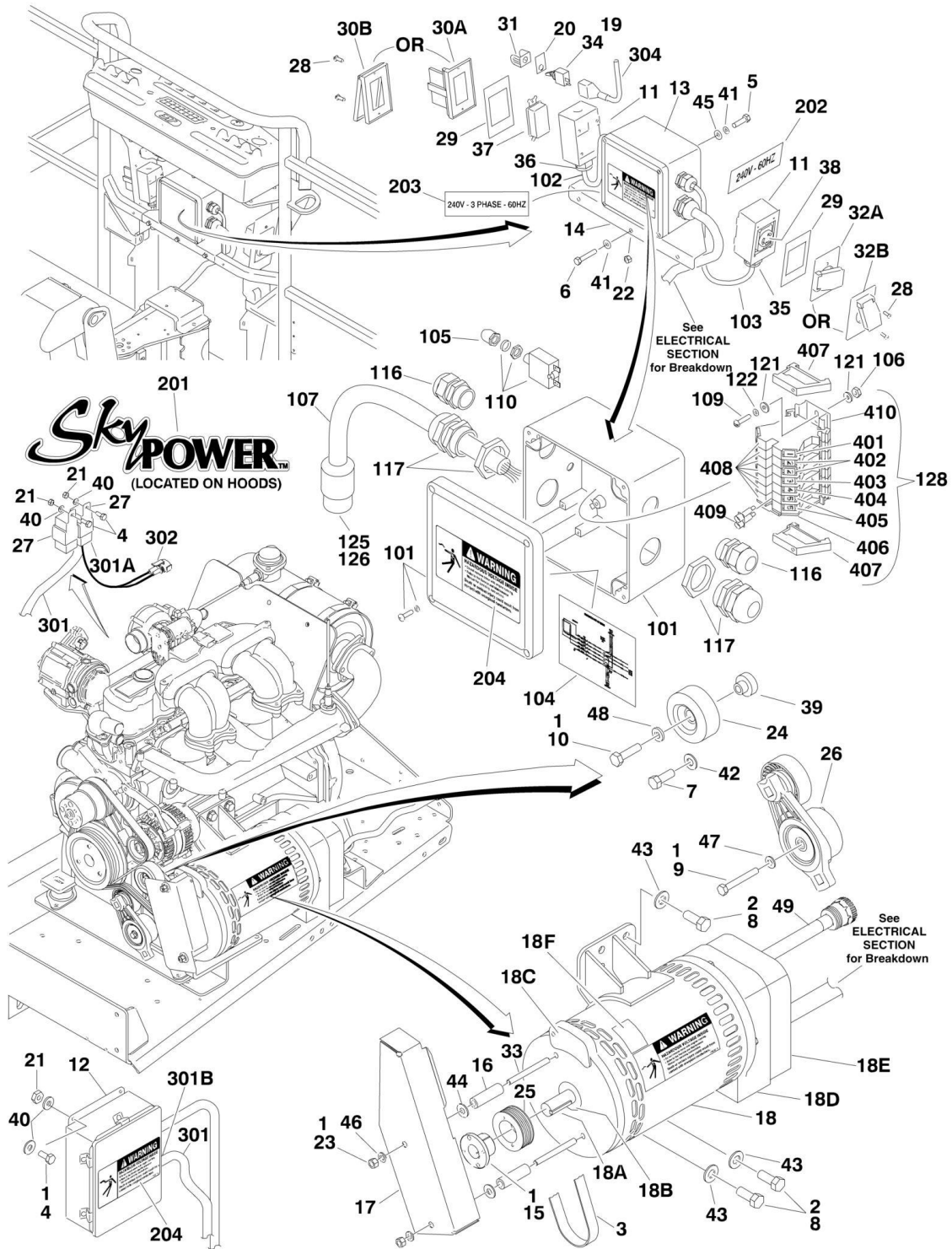
ITEM	PART NUMBER	QTY	DESCRIPTION	REV
25E	70004169	1	Plate, End Panel (was p/n 70002255)	
25E	70001974	1	Decal - Terminal Connections	
25F	70001973	1	Decal - Warning Moving Parts	
26	2820031	1	Insulator	
27	3252764	1	Nameplate	
28	3311405	6	Locknut 1/4in-20NC	
29	3311505	3	Locknut 5/16in-18NC	
30	3311601	2	Nut 3/8in-16NC	
31	0902888	1	Bracket, Box Mounting	
32	3574225	1	Plate, Pulley Mounting	
33	3574229	2	Plate, Gusset Generator Mounting	
34	3574262	1	Plate, Shield	
35	3580312	2	Pulley, Idler	
36	3580313	1	Pulley, Idler Grooved	
37	3580314	1	Pulley, Drive Grooved	
38	3740080	2	Relay	
39	3910606	8	Screw #6-32NC x 3/8in	
40	3960422	2	Gasket	
41		Ref	Cover, Receptacle Options:	
41	4060700	1	Cover, Receptacle (SN 0300087000 through 0300138240)	
41	1001110873	1	Cover, Receptacle (SN 0300138241 through 0300171769)	
42	4060802	1	Guard, Switch	
43		Ref	Cover, Receptacle Options:	
43	4061043	1	Cover, Receptacle (SN 0300087000 through 0300138240)	
43	1001110872	1	Cover, Receptacle (SN 0300138241 through B300000969)	
44	4300111	2	Stud, Chain Assembly	
45	4340738	1	Support, Idler Pulley Mount	
46	4360336	1	Switch, Toggle	
47	4460051	1	Connector, Strain Relief	
48	4460071	1	Connector, Strain Relief	
49	4460346	1	Receptacle	
50	4460958	1	Receptacle, Female Twist-Lock	
51	4568734	2	Tube, Spacer Pulley	
52	4568735	1	Tube, Spacer Pulley Grooved	
53	4711400	11	Flatwasher 1/4in Thin	
54	4711500	10	Flatwasher 5/16in Thin	
55	4711700	8	Flatwasher 7/16in Thin	
56	4711800	4	Flatwasher 1/2in Thin	
57	4751600	5	Flatwasher 3/8in Regular	
58	4751800	1	Flatwasher 1/2in Regular	
59	4761500	4	Lockwasher 5/16in	
60	4761600	2	Lockwasher 3/8in	
61	4791400	1	Starwasher 1/4in	
63	4891600	6	Flatwasher 3/8in Hardened	
64	4922925	1	Harness, Generator	
	0861542	Ref	JUNCTION BOX ASSEMBLY	C
101	0861541	1	Box, Junction	
102	1060494	2 ft/.6m	Cable, Electrical 12/3	
103	1060708	2.5 ft /0.76m	Cable, Electrical 10/3	
104	1705376	1	Decal - Wiring Schematic	
105	3300396	1	Cover, Fuse	

SECTION 2 - TURNTABLE

ITEM	PART NUMBER	QTY	DESCRIPTION	REV
106	3310601	2	Nut 6-32NC	
107	1060343	1.5 ft /0.46m	Cable, Electrical 10/4	
108	3641533	1	Rail, Relay	
109	3910610	2	Bolt 6-32NC x 5/8in	
110	4360070	1	Circuit Breaker - 15Amp	
111	4460411	2	Marker Strip #1	
112	4460412	4	Marker Strip #2	
113	4460413	2	Marker Strip #3	
114	4460414	2	Marker Strip #4	
115	4460415	4	Marker Strip #5	
116	4460425	2	Strain Relief, Terminal	
117	4460426	2	Connector, Strain Relief	
118	4460607	2	Terminal, End Stop	
119	4460956	1	Terminal, Block End	
120	4460957	7	Terminal, Block	
121	4750600	4	Flatwasher, #6 Regular	
122	4760600	2	Lockwasher #6	
125	1671092	1	Cover	
126	4460963	1	Connector	
127	4461001	2	Cross Connector - 2 Position	
	0272435	Ref	DECAL INSTALLATION	A
201	1705460	2	Decal - SkyPower	
202	1705374	1	Decal - 240V - 60Hz	
203	1705375	1	Decal - 240V - 3 Phase	
204	1705387	3	Decal, Hazardous Voltage	
	4933283	Ref	ELECTRICAL DIAGRAM COMPONENTS	1-A 2-B
301	4922905	1	Generator Harness	
301A	4460374	2	Plug, Sealed Relay	
301A	4460375	7	Terminal	
301B	4460967	1	Plug, Male - 3 Position	
301B	4460465	3	Socket, Female	
301C	2400060	2	Fuseholder (Not Shown)	
301C	2400064	2	Fuse - 5Amp (Not Shown)	
304	4922641	1	Switch Harness	
305	4460375	1	Terminal	

SECTION 2 - TURNTABLE

FIGURE 2-32. 7500W SKYPOWER GENERATOR INSTALLATION - GM ENGINES (OPTIONAL)



SECTION 2 - TURNTABLE

FIGURE 2-32. 7500W SKYPOWER GENERATOR INSTALLATION - GM ENGINES (OPTIONAL)

ITEM	PART NUMBER	QTY	DESCRIPTION	REV
		Ref	Note: Only Available on USA Built Machines.	
	0275257	Ref	7500W SKYPOWER GENERATOR INSTALLATION	F
		Ref	Note: See ELECTRICAL SECTION for Boom Cable Installation.	
1	0100011	AR	Compound, Locking	
2	0100019	AR	Compound, Locking	
3	0480142	1	Belt, Generator	
4	0641405	6	Bolt 1/4in-20NC x 5/8in	
5	0641505	4	Bolt 5/16in-18NC x 5/8in	
6	0641516	3	Bolt 5/16in-18NC x 2in	
7	0641608	AR	Bolt 3/8in-16NC x 1in	
8		Ref	Bolt Options:	
8	0641810	4	Bolt 1/2in-13NC x 1-1/4in	
8	0641808	4	Bolt 1/2in-13NC x 1in	
9	0700820	1	Bolt M8 x 60mm	
10	0701016	1	Bolt M10 x 40mm	
11	0860038	2	Box, Switch	
12	0861538	1	Control Box Assembly	
12	7024488	1	Card, Circuit - Generator Power	
12	See Note	NSS	Fuse (Note: Not Available - Purchase Locally)	
12	7024489	1	Card, Circuit - Control	
12	70000619	1	Harness, Control Box (Internal)	
13	0861542	1	Junction Box Assembly (See Items 101-127 for Breakdown)	
14	0902888	1	Bracket, Box Mounting	
15	0962520	1	Bushing, Split Taper	
16	0962521	2	Spacer, Tube (SN 0300087000 through 0300171769)	
17	1671311	1	Cover, Generator Belt (SN 0300087000 through 0300171769)	
18	2460048	1	Generator Assembly	
18	70001100	1	Rotor (Includes p/n 70001384 & 70000863) (Not Shown)	
18	70001384	1	Bearing, Ball Radial (Not Shown)	
18	70000863	1	Fan (Not Shown)	
18	70002088	1	Stator Options (Not Shown):	
18	70002297	1	Stud	
18	70003631	1	Brushholder Assembly (Not Shown) (was p/n 7024484)	
18A	70004171	1	Key (was p/n 7024561)	
18B	70001966	1	Bearing, Ball Radial (Located in Belt Tensioner Endbell)	
18C	70001953	1	Endbell, Belt Tensioner	
18D	70004169	1	Endbell, Brush Block (was p/n 70001385)	
18E	70004169	1	Shroud (was p/n 70002290)	
18E	7027799	1	Block, Connector 6 Position (Not Shown)	
18E	70002460	1	Nut, Brass (Attaches p/n 7027799 to Cover) (Not Shown)	
18E	7024485	1	Breaker, Circuit 30Amp (Not Shown)	
18E	70001696	1	Boot, Breaker (was p/n 7024486 - Not Shown)	
18E	7026597	1	Connector, with Leads (Not Shown)	
18E	7026626	1	Housing Plug and Pins (Not Shown)	
18E	7026188	1	Clamp, Cable (Not Shown)	
18E	70004169	1	Plate, End Panel (was p/n 70002255)	
18E	70001974	1	Decal - Terminal Connections	
18F	70001973	1	Decal - Warning Moving Parts	
19	2820031	1	Insulator	
20	3252764	1	Nameplate	

SECTION 2 - TURNTABLE

ITEM	PART NUMBER	QTY	DESCRIPTION	REV
21	3311405	6	Locknut 1/4in-20NC	
22	3311505	3	Locknut 5/16in-18NC	
23	3311601	2	Nut 3/8in-16NC (SN 0300087000 through 0300171769)	
24	3580312	2	Pulley, Idler	
25	3580314	1	Pulley, Drive Grooved	
26	3580348	1	Tensioner, Belt with Pulley	
27	3740080	2	Relay	
28	3910606	8	Screw #6-32NC x 3/8in	
29	3960422	2	Gasket	
30		Ref	Cover, Receptacle Options:	
30A	4060700	1	Cover, Side Hinged	
30B	1001110873	1	Cover, Top Hinged	
31	4060802	1	Guard, Switch	
32		Ref	Cover, Receptacle Options:	
32A	4061043	1	Cover, Side Hinged	
32B	1001110872	1	Cover, Top Hinged	
33	4300111	2	Stud, Chain Assembly (SN 0300087000 through 0300171769)	
34	4360336	1	Switch, Toggle	
35	4460051	1	Connector, Strain Relief	
36	4460071	1	Connector, Strain Relief	
37	4460346	1	Receptacle	
38	4460958	1	Receptacle, Female Twist-Lock	
39	4568735	1	Tube, Spacer Pulley Grooved	
40	4711400	10	Flatwasher 1/4in Thin	
41	4711500	10	Flatwasher 5/16in Thin	
42	4711600	AR	Flatwasher 3/8in Thin	
43	4711800	4	Flatwasher 1/2in Thin	
44	4751600	2	Flatwasher 3/8in Regular (SN 0300087000 through 0300171769)	
45	4761500	4	Lockwasher 5/16in	
46	4761600	2	Lockwasher 3/8in (SN 0300087000 through 0300171769)	
47	4811900	1	Flatwasher M8	
48	4891600	1	Flatwasher 3/8in Hardened	
49	4922925	1	Harness, Generator	
	0861542	Ref	JUNCTION BOX ASSEMBLY	D
101	0861541	1	Box, Junction	
102	1060494	2 ft/.6m	Cable, Electrical 12/3	
103	1060708	2.5 ft /0.76m	Cable, Electrical 10/3	
104	1705376	1	Decal - Wiring Schematic	
105	3300396	1	Cover, Fuse	
106	3310601	2	Nut 6-32NC	
107	1060343	1.5 ft /0.46m	Cable, Electrical 10/4	
108	3641533	1	Rail, Relay	
109	3910610	2	Bolt 6-32NC x 5/8in	
110	4360070	1	Circuit Breaker - 15Amp	
116	4460425	2	Strain Relief, Terminal	
117	4460426	2	Connector, Strain Relief	
121	4750600	4	Flatwasher, #6 Regular	
122	4760600	2	Lockwasher #6	
125	1671092	1	Cover	
126	4460963	1	Connector	

SECTION 2 - TURNTABLE

ITEM	PART NUMBER	QTY	DESCRIPTION	REV
128		Ref	Terminal Block Assembly Options (See Items 401-410 for Breakdown):	
128	NPN	1	Gray Terminal Block Assembly	
128	1001121340	1	Tan Terminal Block Assembly	
	0272435	Ref	DECAL INSTALLATION	A
201	1705460	2	Decal - SkyPower	
202	1705374	1	Decal - 240V - 60Hz	
203	1705375	1	Decal - 240V - 3 Phase	
204	1705387	3	Decal, Hazardous Voltage	
	4933349	Ref	ELECTRICAL DIAGRAM COMPONENTS	A
301	4923420	1	Generator Harness	A
301A	4460374	2	Plug, Sealed Relay	
301A	4460375	8	Terminal	
301B	4460967	1	Plug, Male - 3 Position	
301B	4460465	3	Socket, Female	
301C	2400060	2	Fuseholder (Not Shown)	
301C	2400064	2	Fuse - 5Amp (Not Shown)	
302	4460742	1	Connector - 2 Position	
302	4460743	2	Socket, Female	
302	4460458	2	Seal	
304	4922641	1	Switch Harness	
		Ref	TERMINAL BLOCK ASSEMBLY	
	NPN	Ref	Gray Terminal Block Assembly (Complete Assembly Not Available - Purchase Individual Components)	
	1001121340	Ref	Tan Terminal Block Assembly	A
401		Ref	Marker Strip #1 Options:	
401	4460411	2	Gray Terminal Block Assembly	
401	70002818	2	Tan Terminal Block Assembly	
402		Ref	Marker Strip #2 Options:	
402	4460412	4	Gray Terminal Block Assembly	
402	70002819	4	Tan Terminal Block Assembly	
403		Ref	Marker Strip #3 Options:	
403	4460413	2	Gray Terminal Block Assembly	
403	70002820	2	Tan Terminal Block Assembly	
404		Ref	Marker Strip #4 Options:	
404	4460414	2	Gray Terminal Block Assembly	
404	70002821	2	Tan Terminal Block Assembly	
405		Ref	Marker Strip #5 Options:	
405	4460415	4	Gray Terminal Block Assembly	
405	70002822	4	Tan Terminal Block Assembly	
406		Ref	Terminal, End Barrier Options:	
406	4460956	1	Gray Terminal Block Assembly	
406	70002823	1	Tan Terminal Block Assembly	
407		Ref	Terminal, End Block Options:	
407	4460607	2	Gray Terminal Block Assembly	
407	70002824	2	Tan Terminal Block Assembly	
408		Ref	Terminal, Block Options:	
408	4460957	7	Gray Terminal Block Assembly	
408	70002825	7	Tan Terminal Block Assembly	
409		Ref	Terminal, Cross Connector Jumper Options:	
409	4461001	2	Gray Terminal Block Assembly	
409	70002826	2	Tan Terminal Block Assembly	

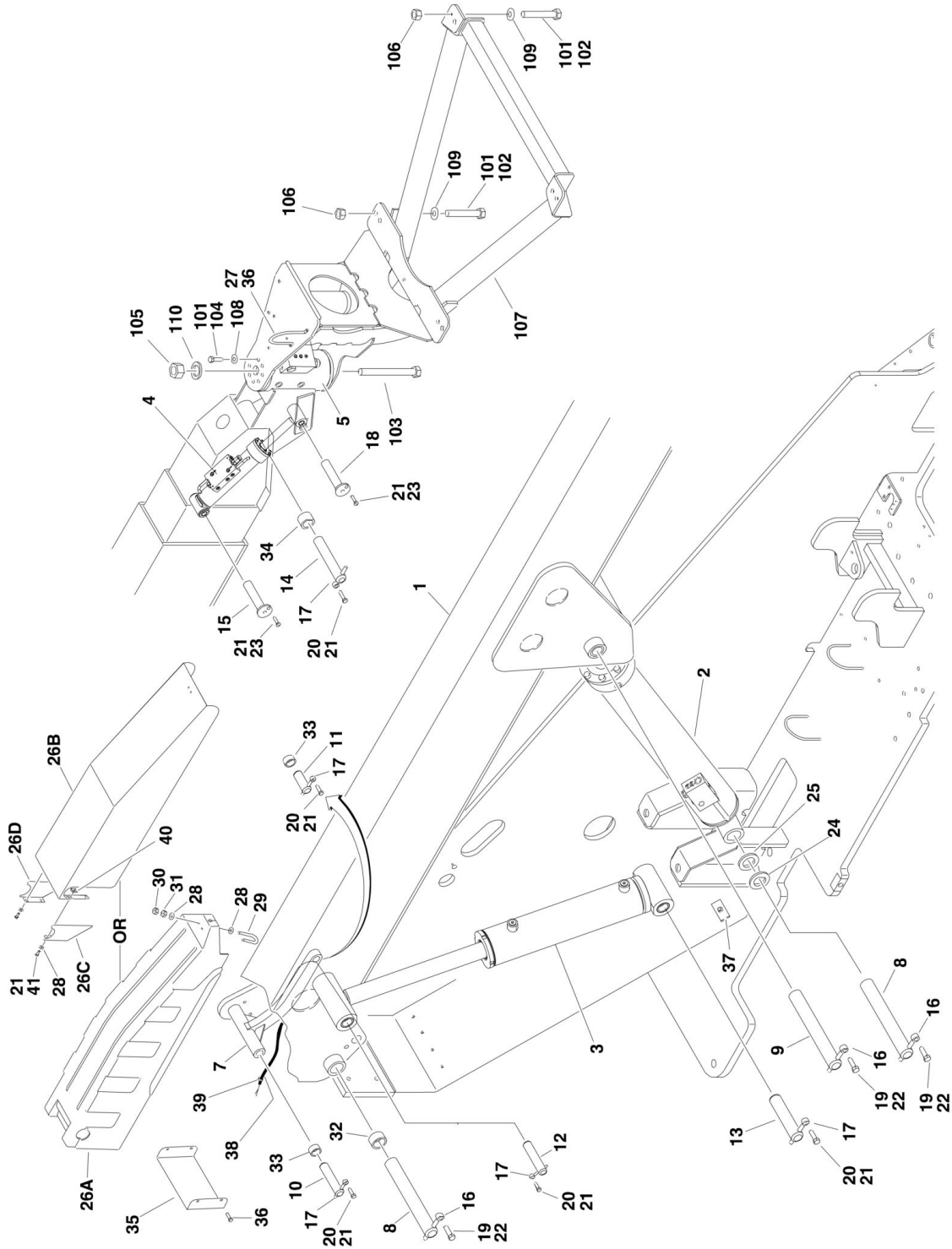
SECTION 2 - TURNTABLE

ITEM	PART NUMBER	QTY	DESCRIPTION	REV
410	3641533	1	Rail, Relay	

SECTION 3 - BOOM

SECTION 3 - BOOM

FIGURE 3-1. BOOM INSTALLATION - 600S



SECTION 3 - BOOM

FIGURE 3-1. BOOM INSTALLATION - 600S

ITEM	PART NUMBER	QTY	DESCRIPTION	REV
		Ref	BOOM AND CYLINDERS INSTALLATION	
		Ref	USA Built Machines (SN 0300087000 through 0300137550)	
	0273369	Ref	ANSI and ANSI Export Specs	3
	0272132	Ref	Australian and CE Specs	6
	1001108341	Ref	USA Built Machines (SN 0300137551 through 0300171769)	F
	1001121410	Ref	USA Built Machines with Shipyard Package	E
	1001108341	Ref	China Built Machines (SN B300000100 through B300000969)	F
1	See Note	1	Boom Assembly (See MAIN BOOM ASSEMBLIES for Breakdown)	
2		Ref	Boom Lift Cylinder Assembly Options (See CYLINDER SECTION for Breakdown):	
2	1683666	NLA	USA Built Machines (Use p/n 1001112468) (SN 0300087000 through 0300138401)	
2	1001112468	1	USA Built Machines (SN 0300138402 through 0300171769)	
2	1001112468	1	China Built Machines (SN B300000100 through B300000969)	
3		Ref	Master Cylinder Assembly Options (See CYLINDER SECTION for Breakdown):	
3	1683266	1	USA Built Machines (Use p/n 1001228002) (Original Equipment) (SN 0300087000 through 0300096978)	
3	1001228002	1	USA Built Machines (Service Replacement)	
3	1684414	1	USA Built Machines (SN 0300096979 through 0300171769)	
3	1684414	1	China Built Machines (SN B300000100 through B300000816)	
3	1001140593	1	China Built Machines (SN B300000817 through B300000858)	
3	1684414	1	China Built Machines (SN B300000859 through B300000969)	
4		Ref	Platform Level Cylinder Assembly Options (See CYLINDER SECTION for Breakdown)	
4	1683415	NLA	USA Built Machines (Use p/n 1001228008) (Original Equipment)	
4	1001223512	NLA	USA Built Machines (Use p/n 1001228008) (Service Replacement)	
4	1001228008	1	USA Built Machines (Service Replacement)	
4	1683415	1	China Built Machines (SN B300000100 through B300000816)	
4	1001140591	1	China Built Machines (SN B300000817 through B300000858)	
4	1683415	NLA	China Built Machines (Use p/n 1001228008) (SN B300000859 through B300000969)	
4	1001223512	NLA	China Built Machines (Use p/n 1001228008) (Service Replacement)	
4	1001228008	1	China Built Machines (Service Replacement)	
5	0060067	NLA	Rotator Assembly (Use p/n 1001181057) (See ROTATOR ASSEMBLIES for Breakdown)	
7	4844944	NLA	Link, Push (Use p/n 1001094043)	
8	3422564	2	Pin (Cylinder Pivot - T/T End and Boom Pivot)	
9		Ref	Pin (Lift Cylinder Pivot - Boom End) Options:	
9	3422568	1	USA Built Machines (SN 0300087000 through 0300096978)	
9	3423184	1	USA Built Machines (SN 0300096979 through 0300171769)	
9	3423184	1	China Built Machines (SN B300000100 through B300000969)	
10	3422566	1	Pin (Link - T/T End)	
11	3422557	1	Pin (Link - Boom End)	
12		Ref	Pin (Master Cylinder - Boom End) Options:	
12	3422567	1	USA Built Machines (SN 0300087000 through 0300096978)	
12	3422563	1	USA Built Machines (SN 0300096979 through 0300171769)	
12	3422563	1	China Built Machines (SN B300000100 through B300000969)	

SECTION 3 - BOOM

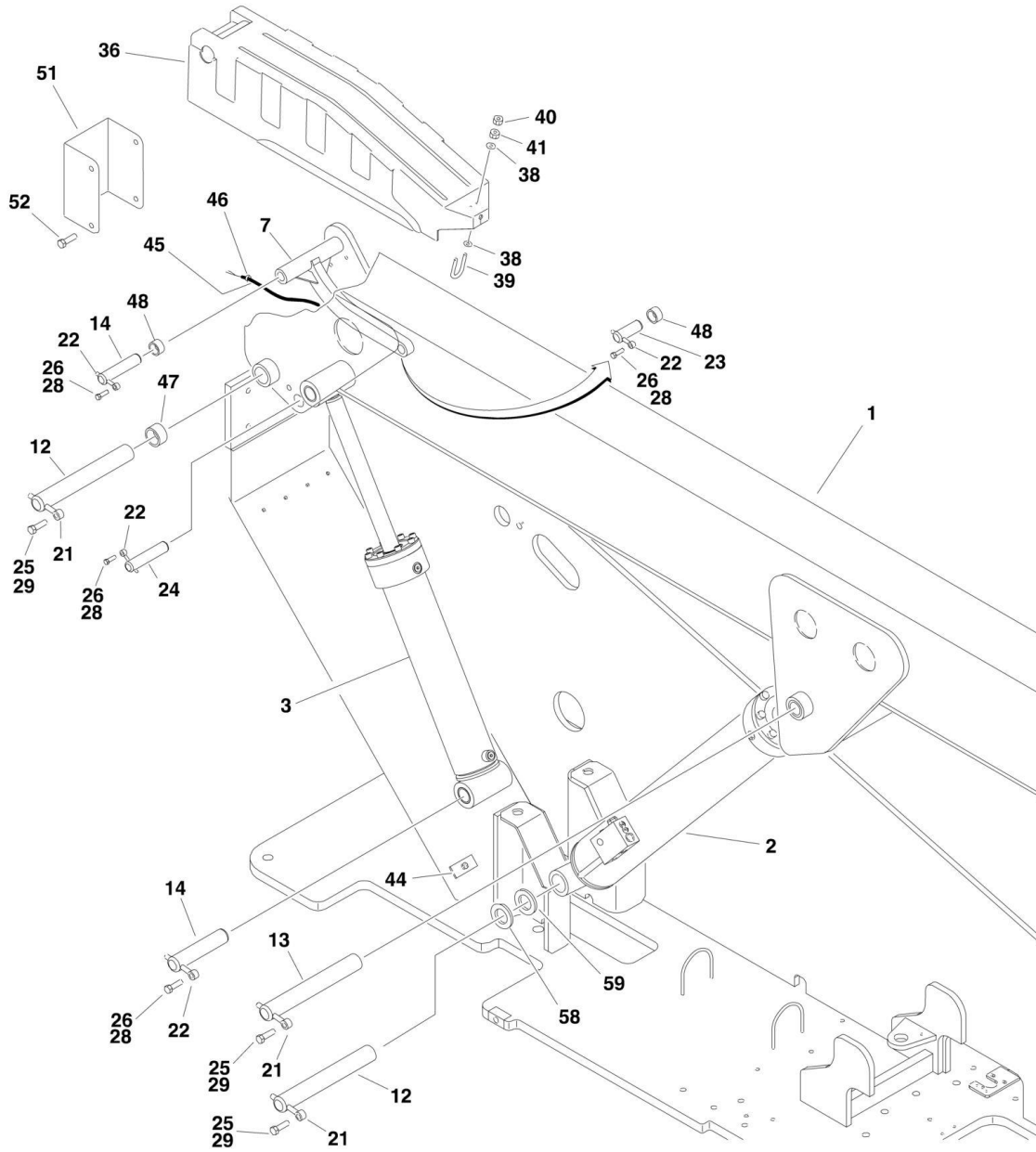
ITEM	PART NUMBER	QTY	DESCRIPTION	REV
13	3422565	1	Pin (Master Cylinder - T/T End)	
14	3422562	1	Pin (Rotator)	
15	3422569	1	Pin (Level Cylinder - Boom End)	
16	3841258	3	Keeper, Pin	
17	3841143	5	Keeper, Pin	
18	3422580	1	Pin (Level Cylinder - Rotator End)	
19	0642012	3	Bolt 5/8in-11NC x 1-1/2in	
20	0641608	5	Bolt 3/8in-16NC x 1in	
21	0100011	AR	Compound, Locking	
22	0100019	AR	Compound, Locking	
23	0741607	2	Screw, Countersunk 3/8in-16NC x 7/8in	
24	4740314	AR	Thrustwasher	
25	4740158	AR	Thrustwasher	
26		Ref	Cover, Boom Options:	
26A	1671055	NLA	Cover, Black Poly (Use p/n 1001148925)	
26B	1001122472	1	Cover, Steel (Machines with Shipyard Package Only)	
26C	1001127195	1	Bracket, LH Cover (Machines with Shipyard Package Only)	
26D	1001127196	1	Bracket, RH Cover (Machines with Shipyard Package Only)	
27	3841340	1	Loop, Hose	
28	4751400	4	Flatwasher 1/4in Regular (China Built Machines) (SN B300000100 through B300000778)	
29	0630458	1	U-Bolt (China Built Machines) (SN B300000100 through B300000778)	
30	3311402	4	Nut, Jam 1/4in-20NC (China Built Machines) (SN B300000100 through B300000778)	
31	3311405	2	Locknut 1/4in-20NC (China Built Machines) (SN B300000100 through B300000778)	
32	0961950	2	Bushing	
33	0962006	3	Bushing	
34	0961951	2	Bushing	
35	3539563	1	Cover (China Built Machines) (SN B300000100 through B300000778)	
36	0641604	AR	Bolt 3/8in-16NC x 1/2in	
37	1320235	1	Clamp, Stauff	
38	4100033	2 ft/.3m	Sleeve	
39	4240033	2	Tie-Strap	
40	3300454	4	Nut, Special	
41	0641406	4	Bolt 1/4in-20NC x 3/4in	
		Ref	SUPPORT INSTALLATIONS (SIDE ENTRY PLATFORM)	
	0272070	Ref	Machines without Load Sensing and without SkyGlazier.	D
	See Note	Ref	Machines without Load Sensing and with SkyGlazier (Note: Refer to JLG Supplement p/n 3124242 for Components)	
	See Note	Ref	Machines with Load Sensing and without SkyGlazier (Note: Refer to JLG Supplement p/n 3124287 for Components)	
	See Note	Ref	Machines with Load Sensing and with SkyGlazier (Note: Refer to JLG Supplement p/n 3124287 for Components)	
101	0100011	AR	Compound, Locking	
102	0641812	8	Bolt 1/2in-13NC x 1-1/2in	
103	0642684	1	Bolt 1in-8NC x 10-1/2in	
104	0681608	8	Bolt 3/8in-16NC x 1in (Grade 8)	
105	3272605	1	Locknut 1in-8NC	
106	3311805	8	Locknut 1/2in-13NC	
107	4846573	1	Support, Platform	

SECTION 3 - BOOM

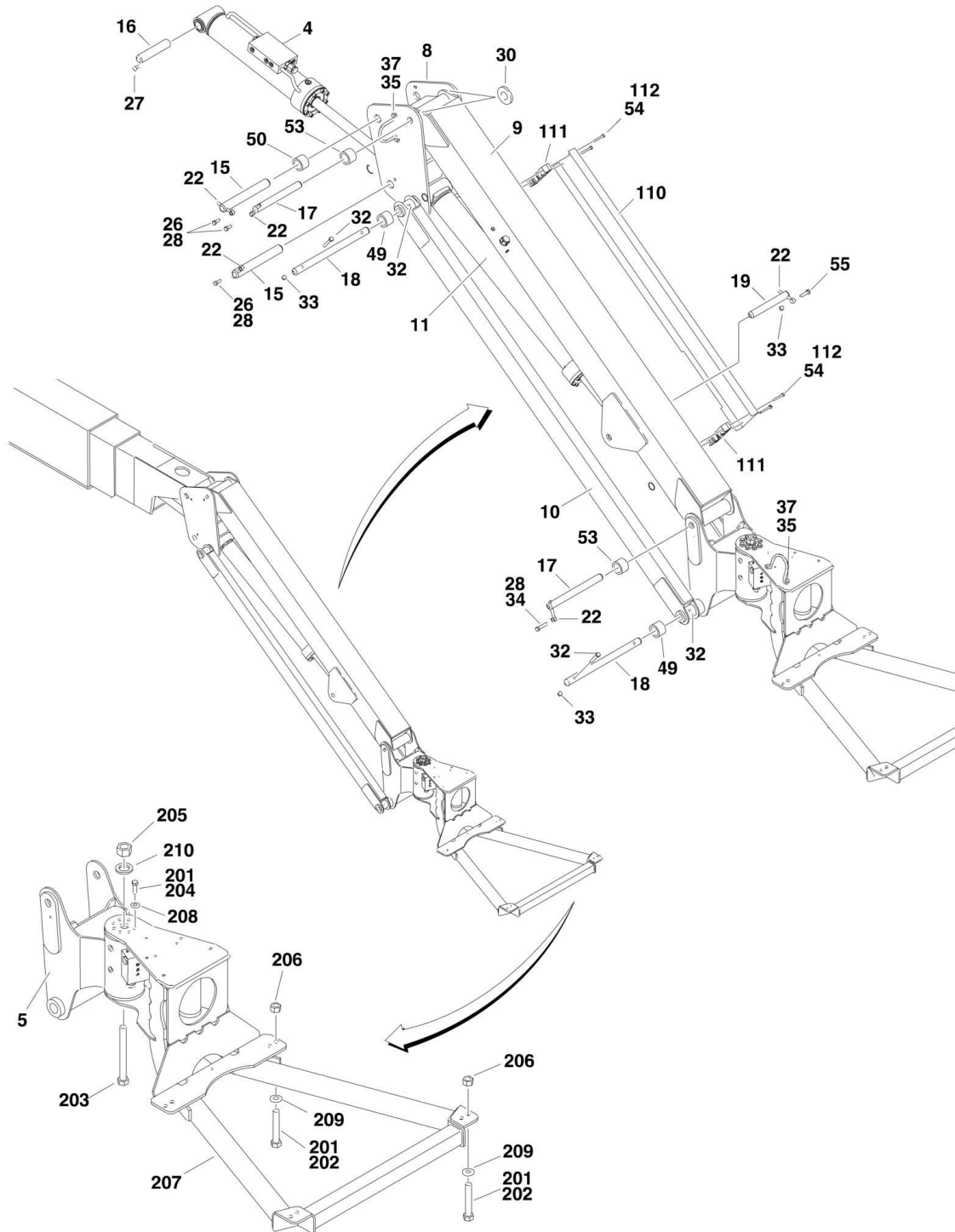
ITEM	PART NUMBER	QTY	DESCRIPTION	REV
108	4891600	8	Flatwasher 3/8in Hardened	
109	4891800	8	Flatwasher 1/2in Hardened	
110	4892600	1	Flatwasher 1in Hardened	

SECTION 3 - BOOM

FIGURE 3-2. BOOM INSTALLATION - 600SJ & 660SJ



SECTION 3 - BOOM



SECTION 3 - BOOM

FIGURE 3-2. BOOM INSTALLATION - 600SJ & 660SJ

ITEM	PART NUMBER	QTY	DESCRIPTION	REV
		Ref	BOOM AND CYLINDERS INSTALLATIONS - 600SJ & 660SJ	
		Ref	USA Built Machines (SN 0300087000 through 0300137550)	
	0272139	Ref	Boom and Cylinders Installations 600SJ ANSI and ANSI Export Specs	7
	0272134	Ref	Boom and Cylinders Installations 600SJ Australian and CE Specs	8
	0272137	Ref	Boom and Cylinders Installations 660SJ ANSI and ANSI Export Specs	7
	0272130	Ref	Boom and Cylinders Installations 660SJ Australian and CE Specs	8
	1001108342	Ref	USA Built Machines (SN 0300137551 through 0300171769)	C
	1001115359 AND 1001115357 AND 1001113429	Ref	China Built Machines (SN B300000100 through B300000969)	D-D-D
1	See Note	1	Boom Assembly (See MAIN BOOM ASSEMBLIES for Breakdown)	
2		Ref	Boom Lift Cylinder Assembly Options (See CYLINDER SECTION for Breakdown):	
2	1683666	NLA	USA Built Machines (Use p/n 1001112468) (SN 0300087000 through 0300138401)	
2	1001112468	1	USA Built Machines (SN 0300138402 through 0300171769)	
2	1001112468	1	China Built Machines (SN B300000100 through B300000969)	
3		Ref	Master Cylinder Assembly Options (See CYLINDER SECTION for Breakdown):	
3	1683263	NLA	USA Built Machines (Use p/n 1001228052) (Original Equipment) (SN 0300087000 through 0300096978)	
3	1001228052	1	USA Built Machines (Service Replacement)	
3	1684413	NLA	USA Built Machines (SN 0300096979 through 0300171769)	
3	1684413	NLA	China Built Machines (SN B300000100 through B300000969)	
4	1683418	NLA	Platform Level Cylinder Assembly (Use p/n 1001228051) (Original Equipment) (See CYLINDER SECTION for Breakdown)	
4	1001223331	NLA	Platform Level Cylinder Assembly (Use p/n 1001228051) (Service Replacement) (See CYLINDER SECTION for Breakdown)	
4	1001228051	NLA	Platform Level Cylinder Assembly (Service Replacement) (See CYLINDER SECTION for Breakdown)	
5	0060066	NLA	Rotator Assembly (Use p/n 1001178269) (See ROTATOR ASSEMBLIES for Breakdown)	
7	4844944	NLA	Link, Push (Use p/n 1001094043)	
8		Ref	Pivot Options:	
8	4844815	1	USA Built Machines	
8	1001113423	1	China Built Machines	
9		Ref	Tube, Top Jib Options:	
9	4844816	1	USA Built Machines	
9	1001113386	1	China Built Machines	
10		Ref	Tube, Bottom Jib Options:	
10	4844817	2	USA Built Machines	
10	1001113407	2	China Built Machines	
11	1683609	NLA	Jib Lift Cylinder Assembly (Use p/n 1001228012) (See CYLINDER SECTION for Breakdown) (Original Equipment)	
11	1001228012	NLA	Jib Lift Cylinder Assembly (Use p/n 1001248012) (See CYLINDER SECTION for Breakdown) (Service Replacement)	
11	1001248012	1	Jib Lift Cylinder Assembly (See CYLINDER SECTION for Breakdown) (Service Replacement)	

SECTION 3 - BOOM

ITEM	PART NUMBER	QTY	DESCRIPTION	REV
12	3422564	2	Pin (Boom Pivot and Lift Cylinder Pivot - T/T End)	
13		Ref	Pin (Boom Lift Cylinder - Boom End) Options:	
13	3422568	1	USA Built Machines (SN 0300087000 through 0300096978)	
13	3423184	1	USA Built Machines (SN 0300096979 through 0300171769)	
14	3422566	2	Pin (Link - T/T End and Master Cylinder - T/T End)	
15	3422561	2	Pin (Jib Cylinder - Pivot End and Pivot - Boom End)	
16	3422583	1	Pin (Jib Level Cylinder - Boom End)	
17	3422860	2	Pin (Top Tube - Pivot End)	
18	3422861	2	Pin (Bottom Tube - Both Ends)	
19	3422867	1	Pin (Jib Lift Cylinder - Top Tube End)	
21	3841258	3	Keeper, Pin	
22	3841143	9	Keeper, Pin	
23	3422557	1	Pin (Link - Boom)	
24		Ref	Pin (Master Cylinder - Boom End) Options:	
24	3422574	1	USA Built Machines (SN 0300087000 through 0300096978)	
24	3422790	1	USA Built Machines (SN 0300096979 through 0300171769)	
24	3422790	1	China Built Machines (SN B300000100 through B300000969)	
25	0642012	3	Bolt 5/8in-11NC x 1-1/2in	
26	0641608	7	Bolt 3/8in-16NC x 1in	
27	0741607	1	Screw, Countersunk 3/8in-16NC x 7/8in	
28	0100011	AR	Compound, Locking	
29	0100019	AR	Compound, Locking	
30	4740439	2	Thrustwasher	
32	0641618	4	Bolt 3/8in-16NC x 2-1/4in	
33	3311605	5	Locknut 3/8in-16NC	
34		Ref	Bolt Options:	
34	0641614	1	Bolt 3/8in-16NC x 1-3/4in	
34	0641610	1	Bolt 3/8in-16NC x 1-1/4in	
35	3841340	Ref	Clamp, Loop Options:	
35	3841340	1	USA Built Machines (SN 0300137551 through 0300156719)	
35	3841340	1	China Built Machines (SN B300000100 through B300000541)	
35	3841340	2	USA Built Machines (SN 0300156720 through 0300171769)	
35	3841340	2	China Built Machines (SN B300000542 through B300000969)	
36	1671055	1	Cover, Boom	
37	0641606	AR	Bolt 3/8in-16NC x 3/4in	
38	4751400	4	Flatwasher 1/4in Regular	
39	0630458	1	U-Bolt	
40	3311402	4	Nut, Jam 1/4in-20NC	
41	3311405	2	Locknut 1/4in-20NC	
44	1320235	1	Clamp, Stauff	
45	4100033	2 ft/.6m	Sleeve, Abrasion	
46	4240033	2	Tie-Strap	
47	0961950	2	Bushing	
48	0962006	3	Bushing	
49	0961947	6	Bushing	
50	0961951	2	Bushing	
51	3539563	1	Cover	
52	0641604	4	Bolt 3/8in-16NC x 1/2in	
53	0962335	4	Bushing	
54	2080044	4	Rivnut	
55	0641611	1	Bolt 3/8in-16NC x 1-3/8in	

SECTION 3 - BOOM

ITEM	PART NUMBER	QTY	DESCRIPTION	REV
56	4360328	1	Switch, Toggle (Not Shown - Located at Platform Console Box)	
57	3790012	1	O-Ring (Not Shown - Used with Item 56)	
58	4740314	AR	Thrustwasher	
59	4740158	AR	Thrustwasher	
61	3520034	4	Plug, Nylon Hole (Not Shown)	
		Ref	BOOM CABLES INSTALLATION	
110	1670769	1	Cover	
111	0561237	2	Clamp, Block	
112	0641416	4	Bolt 1/4in-20NC x 2in	
		Ref	SUPPORT INSTALLATIONS (SIDE ENTRY PLATFORM)	
	0272070	Ref	USA Built Machines without Load Sensing and without SkyGlazier.	C
	1001115098	Ref	China Built Machines without Load Sensing and without SkyGlazier.	A
	See Note	Ref	Machines without Load Sensing and with SkyGlazier (Note: For Replacement Parts, Contact JLG Customer Service and Request Manual p/n 3124242)	
	See Note	Ref	Machines with Load Sensing and without SkyGlazier (Note: For Replacement Parts, Contact JLG Customer Service and Request Manual p/n 3124287)	
	See Note	Ref	Machines with Load Sensing and with SkyGlazier (Note: For Replacement Parts, Contact JLG Customer Service and Request Manual p/n 3124287)	
201	0100011	AR	Compound, Locking	
202	0641812	8	Bolt 1/2in-13NC x 1-1/2in	
203	0642684	1	Bolt 1in-8NC x 10-1/2in	
204	0681608	8	Bolt 3/8in-16NC x 1in (Grade 8)	
205	3272605	1	Locknut 1in-8NC	
206	3311805	8	Locknut 1/2in-13NC	
207		Ref	Support, Platform Options:	
207	4846573	1	USA Built Machines without Load Sensing and without SkyGlazier	
207	1001113465	1	China Built Machines without Load Sensing and without SkyGlazier	
207	See Notes Above	1	All Machines with Load Sensing and/or SkyGlazier Options	
208	4891600	8	Flatwasher 3/8in Hardened	
209	4891800	8	Flatwasher 1/2in Hardened	
210	4892600	1	Flatwasher 1in Hardened	

SECTION 3 - BOOM

FIGURE 3-3. MAIN BOOM ASSEMBLIES

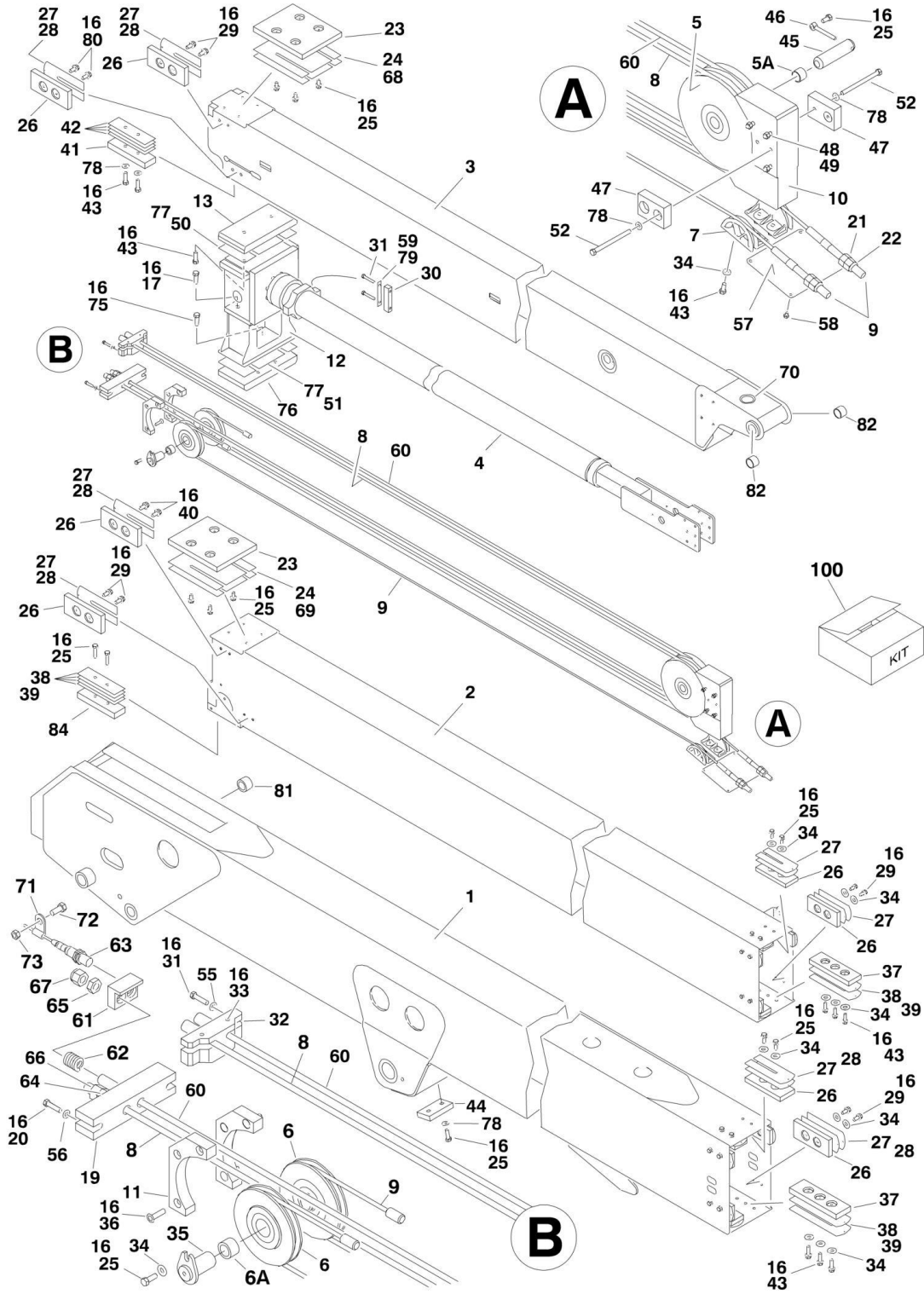


FIGURE 3-3. MAIN BOOM ASSEMBLIES

ITEM	PART NUMBER	QTY	DESCRIPTION	REV
		Ref	MAIN BOOM ASSEMBLY OPTIONS:	
		Ref	ANSI and ANSI Export Specs (USA Built Machines):	
	0801381	Ref	Main Boom Assembly 600S (SN 0300087000 through 0300096978)	4-D
	0801471	Ref	Main Boom Assembly 600S (SN 0300096979 through 0300171769)	H
	0801389	Ref	Main Boom Assembly 600SJ (SN 0300087000 through 0300096978)	4-D
	0801480	Ref	Main Boom Assembly 600SJ (SN 0300096979 through 0300171769)	E
	0801388	Ref	Main Boom Assembly 660SJ (SN 0300087000 through 0300096978)	4-D
	0801475	Ref	Main Boom Assembly 660SJ (SN 0300096979 through 0300171769)	H
		Ref	ANSI and ANSI Export Specs (China Built Machines):	
	0801471	Ref	Main Boom Assembly 600S (SN B300000100 through B300000214)	H
	1001127285	Ref	Main Boom Assembly 600S (SN B300000215 through B300000969)	C
	0801475	Ref	Main Boom Assembly 660SJ (SN 0300096979 through B300000214)	H
	1001126509	Ref	Main Boom Assembly 660SJ (SN B300000215 through B300000969)	C
		Ref	Australian and CE Specs (USA Built Machines):	
	0801383	Ref	Main Boom Assembly 600S (SN 0300087000 through 0300096978)	4-D
	0801472	Ref	Main Boom Assembly 600S (SN 0300096979 through 0300171769)	H
	0801387	Ref	Main Boom Assembly 600SJ (SN 0300087000 through 0300096978)	4-D
	0801474	Ref	Main Boom Assembly 600SJ (SN 0300096979 through 0300171769)	G
	0801386	Ref	Main Boom Assembly 660SJ (SN 0300087000 through 0300096978)	4-D
	0801473	Ref	Main Boom Assembly 660SJ (SN 0300096979 through 0300171769)	G
		Ref	Australian and CE Specs (China Built Machines):	
	0801472	Ref	Main Boom Assembly 600S (SN B300000100 through B300000214)	H
	1001126597	Ref	Main Boom Assembly 600S (SN B300000215 through B300000969)	C
	0801473	Ref	Main Boom Assembly 660SJ (SN 0300096979 through B30000214)	G
	1001126596	Ref	Main Boom Assembly 660SJ (SN B300000215 through B300000969)	C
1		Ref	Base Weldment Options:	
1		Ref	USA Built Machines:	
1	0801011	1	Base Weldment 600S & 660SJ (SN 0300087000 through 0300096978)	
1	0801396	1	Base Weldment 600S & 660SJ (SN 0300096979 through 0300171769)	
1	0801036	1	Base Weldment 600SJ (SN 0300087000 through 0300096978)	
1	0801467	1	Base Weldment 600SJ (SN 0300096979 through 0300171769)	

SECTION 3 - BOOM

ITEM	PART NUMBER	QTY	DESCRIPTION	REV
1		Ref	China Built Machines:	
1	0801396	1	Base Weldment (SN B300000100 through B300000214)	
1	1001125631	1	Base Weldment (SN B300000215 through B300000239)	
1	0801396	1	Base Weldment (SN B300000240 through B300000969)	
2		Ref	Mid Weldment Options:	
2		Ref	USA Built Machines:	
2	0801372	NLA	Mid Weldment 600S & 660SJ (Use p/n 0801524) (SN 0300087000 through 0300100775)	
2	0801524	1	Mid Weldment 600S & 660SJ (SN 0300100776 through 0300171769)	
2	0801373	NLA	Mid Weldment 600SJ (Use p/n 0801525) (SN 0300087000 through 0300100775)	
2	0801525	1	Mid Weldment 600SJ (SN 0300100776 through 0300171769)	
2		Ref	China Built Machines:	
2	0801524	1	Mid Weldment (SN B300000100 through B300000214)	
2	1001126126	1	Mid Weldment (SN B300000215 through B300000239)	
2	0801524	1	Mid Weldment (SN B300000240 through B300000969)	
3		Ref	Fly Weldment Options:	
3		Ref	USA Built Machines:	
3	0801065	1	Fly Weldment 600S (SN 0300087000 through 0300096978)	
3	0801498	1	Fly Weldment 600S (SN 0300096979 through 0300171769)	
3	0801038	1	Fly Weldment 600SJ (SN 0300087000 through 0300096978)	
3	0801615	1	Fly Weldment 600SJ (SN 0300096979 through 0300171769)	
3	0801014	1	Fly Weldment 660SJ (SN 0300087000 through 0300096978)	
3	0801504	1	Fly Weldment 660SJ (SN 0300096979 through 0300171769)	
3		Ref	China Built Machines:	
3	0801498	1	Fly Weldment 600S (SN B300000100 through B300000214)	
3	1001126145	1	Fly Weldment 600S (SN B300000215 through B300000239)	
3	0801498	1	Fly Weldment 600S (SN B300000240 through B300000969)	
3	0801504	1	Fly Weldment 660SJ (SN B300000100 through B300000214)	
3	1001126154	1	Fly Weldment 660SJ (SN B300000215 through B300000239)	
3	0801504	1	Fly Weldment 660SJ (SN B300000240 through B300000969)	
4		Ref	Telescope Cylinder Assembly Options (See CYLINDER SECTION for Breakdown):	
4	1683618	1	Telescope Cylinder Assembly 600S & 660SJ	
4	1683620	1	Telescope Cylinder Assembly 600SJ	
5	3580241	1	Sheave Assembly (Extend)	2-B
5A	0961951	2	Bushing	
6	3580243	2	Sheave Assembly (Retract)	1-A
6A	0961951	2	Bushing (1 Per Sheave)	
7	1220078	2	Block, Sheave	
8		Ref	Cable (Extend) Options:	
8	3890005	1	Cable 600S & 660SJ (ANSI and ANSI Export Specs)	
8	3890010	1	Cable 600S & 660SJ (Australian and CE Specs)	

SECTION 3 - BOOM

ITEM	PART NUMBER	QTY	DESCRIPTION	REV
8	3890007	1	Cable 600SJ (ANSI and ANSI Export Specs)	
8	3890011	1	Cable 600SJ (Australian and CE Specs)	
9		Ref	Cable (Retract) Options:	
9	3890006	2	Cable 600S & 660SJ	
9	3890008	2	Cable 600SJ	
10	3580248	1	Guard, Sheave (Extend)	
11	3580249	2	Guard, Sheave (Retract)	
12	4846319	1	Support, Wear Pad	
13	3340844	1	Pad, Wear	
16	0100011	AR	Compound, Locking	
17	0681610	4	Bolt 3/8in-16NC x 1-1/4in (Grade 8)	
19		Ref	Block, Cable Options:	
19	0561184	1	ANSI and ANSI Export Specs	
19	0561245	1	Australian and CE Specs	
20	0641824	2	Bolt 1/2in-13NC x 3in	
21	3312201	2	Nut 3/4in-10NC	
22	3300241	2	Locknut, Special 3/4in-10NC	
23	3340757	2	Pad, Wear	
24	4070896	4	Shim (.06) (Without Slide-In Slots)	
25	0641607	NLA	Bolt 3/8in-16NC x 7/8in (Use p/n 0811607)	
26		Ref	Pad, Wear Options:	
26	3340881	20	USA Built Machines (SN 0300087000 through 0300168792)	
26	3340881	20	China Built Machines (SN B300000100 through B300000741)	
26	1001148652	20	USA Built Machines (SN 0300168793 through 0300171769)	
26	1001148652	20	China Built Machines (SN B300000742 through B300000969)	
27	4070897	28	Shim (.05)	
28	4070898	24	Shim (.12)	
29	0641606	NLA	Bolt 3/8in-16NC x 3/4in (Use p/n 0811606)	
30	0561185	2	Block	
31	0641616	6	Bolt 3/8in-16NC x 2in	
32	0561183	1	Block, Cable	
33	3951608	2	Setscrew 3/8in-16NC x 1in	
34	4711600	AR	Flatwasher 3/8in Thin	
35	3422424	2	Pin (Retract Sheave)	
36	0741612	6	Screw, Countersunk 3/8in-16NC x 1-1/2in	
37	3340871	4	Pad, Wear	
38	4070863	AR	Shim (.12)	
39	4070864	AR	Shim (.05)	
40	0641613	AR	Bolt 3/8in-16NC x 1-5/8in	
41		Ref	Pad, Wear Options:	
41	3340758	2	USA Built Machines (SN 0300087000 through 0300168792)	
41	3340758	2	China Built Machines (SN B300000100 through B300000741)	
41	1001148650	2	USA Built Machines (SN 0300168793 through 0300171769)	
41	1001148650	2	China Built Machines (SN B300000742 through B300000969)	
42	4070895	8	Shim (.06)	
43	0641608	NLA	Bolt 3/8in-16NC x 1in (Use p/n 0811608)	
44	0561076	1	Block	
45	3422417	2	Pin (Extend Sheave)	

SECTION 3 - BOOM

ITEM	PART NUMBER	QTY	DESCRIPTION	REV
46	3841143	1	Keeper, Pin	
47		Ref	Pad, Wear Options:	
47	3340755	2	USA Built Machines (SN 0300087000 through 0300168792)	
47	3340755	2	China Built Machines (SN B300000100 through B300000741)	
47	1001148651	2	USA Built Machine (SN 0300168793 through 0300171769)	
47	1001148651	2	China Built Machines (SN B300000742 through B300000969)	
48	0641634	4	Bolt 3/8in-16NC x 4-1/4in	
49	3311605	4	Locknut 3/8in-16NC	
50	4070976	1	Shim (.12)	
51	4071004	1	Shim (.25)	
52	0641638	2	Bolt 3/8in-16NC x 4-3/4in	
55	4891600	6	Flatwasher 3/8in Hardened	
56	4891800	2	Flatwasher 1/2in Hardened	
57	3539622	1	Plate, Cover	
58	0641403	4	Bolt 1/4in-20NC x 3/8in	
59	4070929	AR	Shim	
60		Ref	Cable (Extend) Options:	
60	3890005	1	Cable 600S & 660SJ (ANSI and ANSI Export Specs)	
60	3890009	1	Cable 600S & 660SJ (Australian and CE Specs)	
60	3890007	1	Cable 600SJ (ANSI and ANSI Export Specs)	
60	3890012	1	Cable 600SJ (Australian and CE Specs)	
61	0561508	1	Plate, Spring Mounting (Australian and CE Specs Only)	
62	4160149	1	Spring (Australian and CE Specs Only)	
63	4360506	1	Switch, Proximity (Australian and CE Specs Only)	
64		Ref	Nut Options:	
64	3300241	1	Locknut, Special 3/4in-10NC (ANSI and ANSI Export Specs)	
64	3300399	NLA	Nut, Jam 7/8in-9NC (Australian and CE Specs) (Use p/n 3272401)	
65		Ref	Nut Options	
65	3300241	1	Locknut, Special 3/4in-10NC (ANSI and ANSI Export Specs)	
65	3300400	NLA	Nut, Jam 5/8in-11NC (Australian and CE Specs) (Use p/n 3272001)	
66		Ref	Locknut Options:	
66	3312201	1	Nut 3/4in-10NC (ANSI and ANSI Export Specs)	
66	3300242	1	Locknut 7/8in-9NC (Australian and CE Specs)	
67		Ref	Locknut Options:	
67	3312201	1	Nut 3/4in-10NC (ANSI and ANSI Export Specs)	
67	3300240	1	Locknut 5/8in-11NC (Australian and CE Specs)	
68	4070939	AR	Shim 16Ga (With Slide-In Slots)	
69	4070940	AR	Shim 16Ga (With Slide-In Slots)	
70	4060805	6 in/16cm	Flex-Trim	
71	1320244	1	Clamp (Australian and CE Specs Only)	
72	0641406	1	Bolt 1/4in-20NC x 3/4in (Australian and CE Specs Only)	
73	3311401	NLA	Locknut 1/4in-20NC (Australian and CE Specs Only) (Use p/n 3311405)	
74	1670836	8	Cover, Boom (Not Shown) (USA Built Machines) (SN 0300087000 through 0300134293)	
75	0681608	4	Bolt 3/8in-16NC x 1in	
76	3340900	1	Pad, Wear	
77	4071005	AR	Shim	
78	4751600	12	Flatwasher 3/8in Regular	

SECTION 3 - BOOM

ITEM	PART NUMBER	QTY	DESCRIPTION	REV
79	4071007	AR	Shim	
80	0641614	NLA	Bolt 3/8in-16NC x 1-3/4in (Use p/n 0811614)	
81	0961950	2	Bushing	
82	0961951	2	Bushing (600SJ & 660SJ Only)	
83	3020039	AR	Lubricant (Not Shown)	
84		Ref	Pad, Wear Options;	
84	3340871	1	USA Built Machines (SN 0300087000 through 0300168792)	
84	3340871	1	China Built Machines (SN B300000100 through B300000741)	
84	1001148653	1	USA Built Machines (SN 0300168793 through 0300171769)	
84	1001148653	1	China Built Machines (SN B300000742 through B300000969)	
100	2901986	1	Kit, Wear Pad Support (Includes Items 12, 51, 75, 76 & 77)	

SECTION 3 - BOOM

FIGURE 3-4. ROTATOR ASSEMBLIES

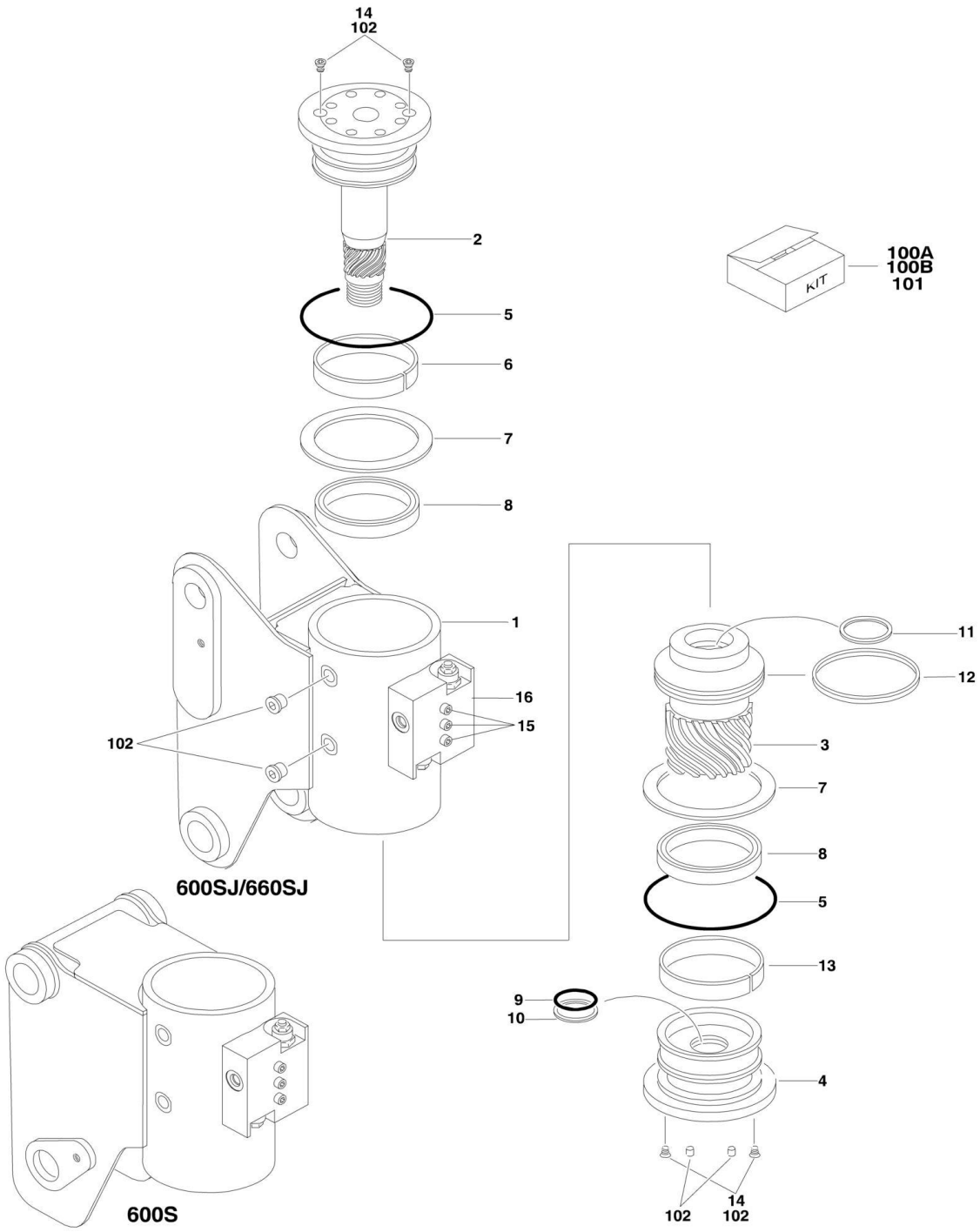


FIGURE 3-4. ROTATOR ASSEMBLIES

ITEM	PART NUMBER	QTY	DESCRIPTION	REV
		Ref	ROTATOR ASSEMBLIES	
	0060067	Ref	Rotator Assemblies 600S (Original Equipment)	B
	1001181057	Ref	Rotator Assemblies 600S (Service Replacement)	A
	0060066	Ref	Rotator Assemblies 600SJ & 660SJ (Original Equipment)	D
	1001178269	Ref	Rotator Assemblies 600SJ & 660SJ (Service Replacement)	A
1	See Note	NSS	Housing/Ring Gear Assembly (Note: Not Available - Purchase Complete Rotator Assembly)	
2	7017162	1	Shaft Weldment	
2	7017195	2	Bushing, Shaft	
3	7017163	1	Piston/Sleeve Assembly	
4	7017164	1	Cap, End	
5	See Note	NSS	O-Ring (Note: Use Item 100A or 100B)	
6	See Note	NSS	Bearing, Shaft (Note: Use Item 101)	
7	See Note	NSS	Thrustwasher (Note: Use Item 101)	
8	See Note	NSS	Packing, Bearing (Note: Use Item 100A or 100B)	
9	See Note	NSS	Seal, Cap (Note: Use Item 100A or 100B)	
10	See Note	NSS	Ring, Back-up Cap (Note: Use Item 100A or 100B)	
11	See Note	NSS	Seal, Rod (Note: Use Item 100A or 100B)	
12	See Note	NSS	Seal, Piston (Note: Use Item 100A or 100B)	
13	See Note	NSS	Bearing, Cap (Note: Use Item 101)	
14	70001697	4	Screw, Countersunk 1/4in-20NC x 3/8in (Grade 8)	
15	See Note	NSS	Capscrew 1/4in-20NC x 1-1/2 (Grade 8) (Note: Not Available for Purchase)	
16	7017183	1	Valve Assembly	
16	7017193	1	Cartridge, Valve	
16	See Note	NSS	Seal Kit - 7017193 Valve (Note: Use p/n 7017193)	
16	See Note	NSS	Cartridge, Valve (Not Shown - Located on Side of Block) (Note: Use p/n 7017183)	
16	See Note	NSS	Seal Kit - Valve Located on Side of Block (Note: Use p/n 7017183)	
		Ref	KIT OPTIONS	
100		Ref	Seal Kit Options (Includes Items 5, 8-12 & 102):	
100A	7017158	1	Seal Kit - Standard (0060066/0060067 Assemblies)	
100B	70000342	1	Seal Kit - Low Temperature (1001178269/1001181057 Assemblies)	
101	7017159		Bearing Kit (Includes Items 6, 7 & 13)	
102	7017142	1	Hardware Kit (Includes Items 14, 2 Setscrews & 2 Plugs)	

SECTION 3 - BOOM

FIGURE 3-5. POWER TRACK INSTALLATIONS

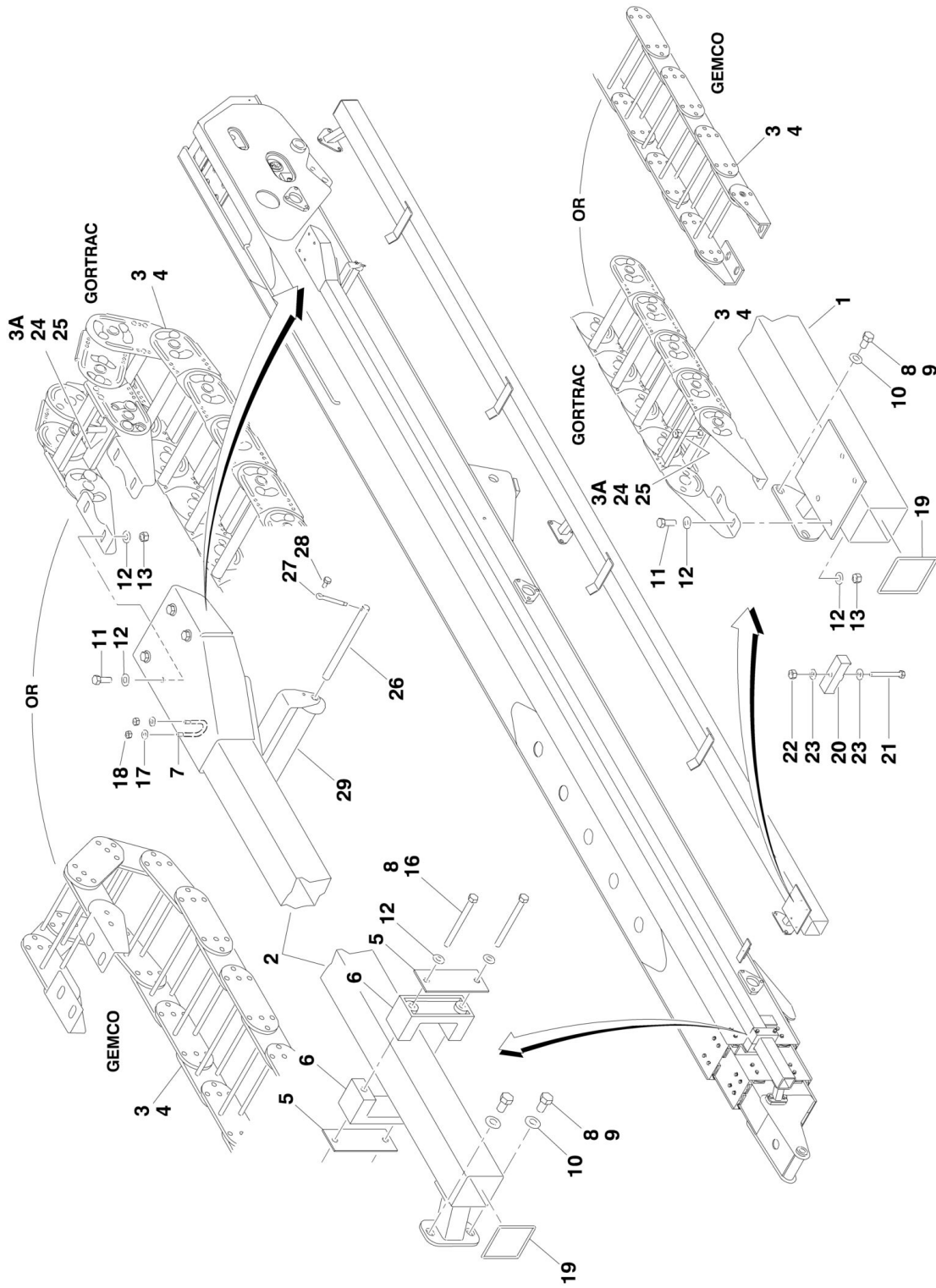


FIGURE 3-5. POWER TRACK INSTALLATIONS

ITEM	PART NUMBER	QTY	DESCRIPTION	REV
		Ref	POWER TRACK INSTALLATIONS	
	0270804	Ref	Power Track Installations 600S/660SJ USA Built Machines	5
	1001115236	Ref	Power Track Installations 600S/660SJ China Built Machines	A
	0271372	Ref	Power Track Installations 600SJ	4
1		Ref	Support, Power Track Options:	
1	4845819	1	Support, Power Track 600S/660SJ USA Built Machines	
1	1001114668	1	Support, Power Track 600S/660SJ China Built Machines	
1	4846392	1	Support, Power Track 600SJ	
2		Ref	Tube, Push Options:	
2	4845671	1	Tube, Push 600S/660SJ USA Built Machines	
2	1001114816	1	Tube, Push 600S/660SJ China Built Machines	
2	4846391	1	Tube, Push 600SJ	
3	1180345	NLA	Power Track Assembly 600S/660SJ (USA Built Machines) (Use p/n 1001099832) (SN 0300087000 through 0300134960)	
3	1001099832	1	Power Track Assembly 600S/660SJ (USA Built Machines) (SN 0300134961 through 0300171769)	
3	1001099832	1	Power Track Assembly 600S/660SJ (China Built Machines) (SN B300000100 through B300000969)	
3		Ref	Note: Use Detail on Illustration to identify power track brand, before ordering replacement parts.	
3		Ref	Gemco Replacement Parts (600S/660SJ):	
3	7016530	AR	Repair Section (Includes 18 Link Pin, 4 Radius Links, 2 Carrier Links, 1 Rod Carrier, 1 Spring Loaded Rod, 1 Carrier Weldment & 12 Bearing Plates)	
3	7006143	2	Feet Mounting (Kit Includes 1 LH, 1 RH and 2 Spacers)	
3	7006138	AR	Pin Kit (Includes 1 Pin, 1 Retaining Ring & 4 Washers)	
3		Ref	Gortrac Replacement Parts (600S/660SJ):	
3	70002005	AR	Repair Section	
3	70002006	1	Mounting Bracket Kit	
3A	70004643	2	Clamp with Hardware	
4	1180359	NLA	Power Track Assembly 600SJ (USA Built Machines) (Use p/n 1001099839) (SN 0300087000 through 0300134960)	
4	1001099839	1	Power Track Assembly 600SJ (USA Built Machines) (SN 0300134961 through 0300171769)	
4	1001099839	1	Power Track Assembly 600SJ (China Built Machines) (SN B300000100 through B300000969)	
4		Ref	Note: Use Detail on Illustration to identify power track brand, before ordering replacement parts.	
4		Ref	Gemco Replacement Parts (600SJ):	
4	7016530	AR	Repair Section (Includes 18 Link Pin, 4 Radius Links, 2 Carrier Links, 1 Rod Carrier, 1 Spring Loaded Rod, 1 Carrier Weldment & 12 Bearing Plates)	
4	7006143	2	Feet Mounting (Kit Includes 1 LH, 1 RH and 2 Spacers)	
4	7006138	AR	Pin Kit (Includes 1 Pin, 1 Retaining Ring & 4 Washers)	
4		Ref	Gortrac Replacement Parts (600SJ):	
4	70002007	AR	Repair Section	
4	70002006	1	Mounting Bracket Kit	
5	3538758	AR	Plate	
6	3340764	2	Pad, Wear	
7	0630458	1	U-Bolt	
8	0100011	AR	Compound, Locking	
9	0641807	11	Bolt 1/2in-13NC x 7/8in	

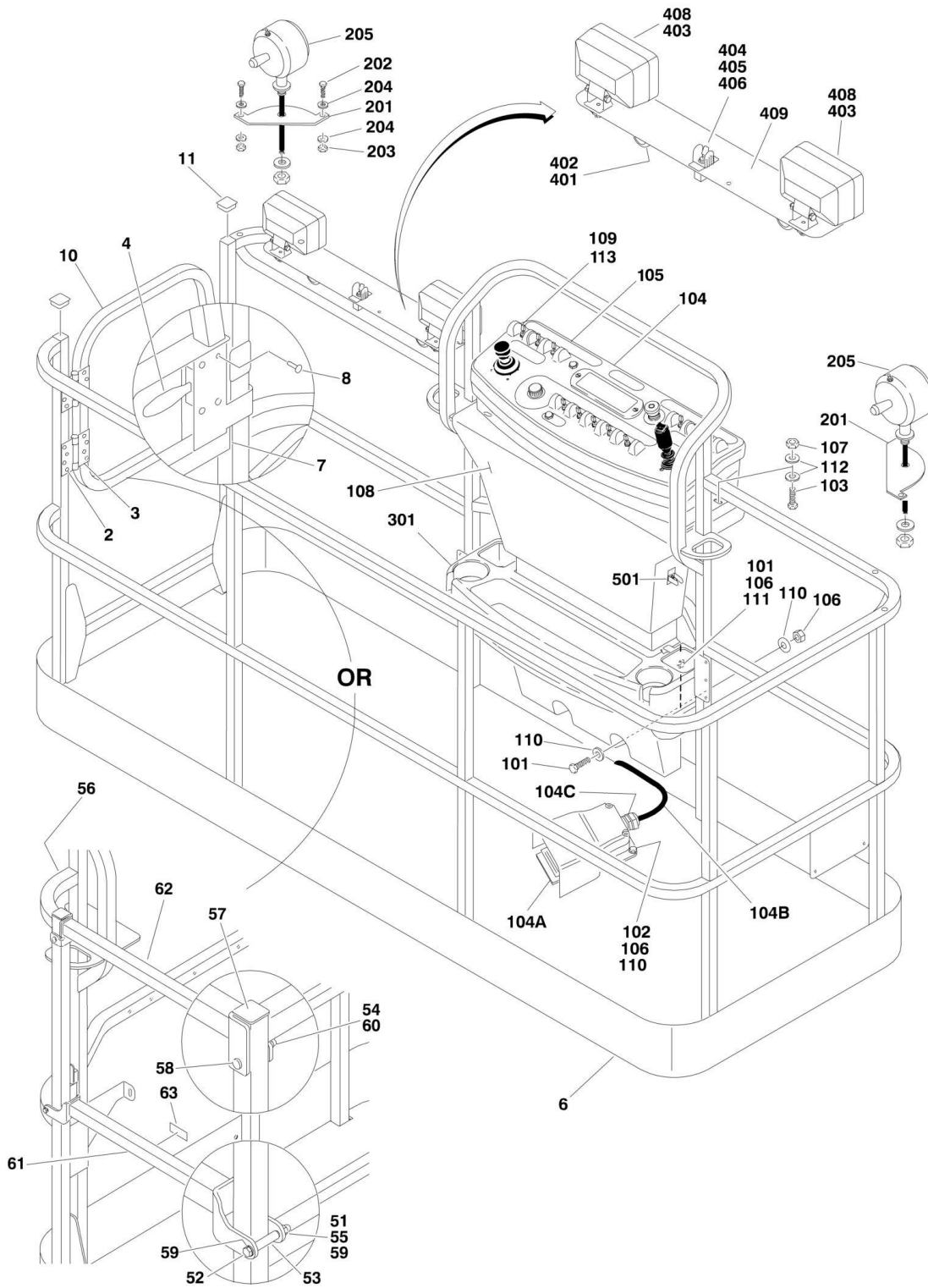
SECTION 3 - BOOM

ITEM	PART NUMBER	QTY	DESCRIPTION	REV
10	4711800	11	Flatwasher 1/2in Thin	
11	0641608	8	Bolt 3/8in-16NC x 1in	
12	4711600	18	Flatwasher 3/8in Thin	
13	3311605	8	Locknut 3/8in-16NC	
16		Ref	Bolt 3/8in-16NC Options:	
16	0641644	2	Bolt 3/8in-16NC x 5-1/2in	
16	0641648	2	Bolt 3/8in-16NC x 6in	
17	4711400	2	Flatwasher 1/4in Thin	
18	3311405	2	Locknut 1/4in-20NC	
19	4060803	AR	Shield, Trim	
20	1320247	1	Clamp, Nylon	
21	0641522	1	Bolt 5/16in-18NC x 2-3/4in	
22	3311505	1	Locknut 5/16in-18NC	
23	4711500	2	Flatwasher 5/16in Thin	
24	4070994	2	Shim	
25	4070995	2	Shim	
25	0100081	AR	Adhesive	
26	3841013	1	Roller, Rod	
27	3450806	1	Pin, Cotter	
28	0641404	1	Bolt 1/4in-20NC x 1/2in	
29	3860050	1	Roller	

SECTION 4 - PLATFORM

SECTION 4 - PLATFORM

FIGURE 4-1. PLATFORM COMPONENTS INSTALLATION



SECTION 4 - PLATFORM

FIGURE 4-1. PLATFORM COMPONENTS INSTALLATION

ITEM	PART NUMBER	QTY	DESCRIPTION	REV
		Ref	PLATFORM ASSEMBLY WITH GATE:	
		Ref	USA Built Machines:	
	3510830	Ref	Platform 30in x 4ft (76cm x 1.22m) (Use p/n 1001144027) (SN 0300087000 through 0300168214)	B-M
	1001144027	Ref	Platform 30in x 4ft (76cm x 1.22m) (SN 0300168215 through 0300171769)	B
	3510831	Ref	Platform 30in x 5ft (76cm x 1.52m) with No Mesh (Use p/n 1001144026) (SN 0300087000 through 0300168214)	B-L
	1001144026	Ref	Platform 30in x 5ft (76cm x 1.52m) with No Mesh (SN 0300168215 through 0300171769)	B
	3510833	Ref	Platform 36in x 6ft (91.5cm x 1.83m) with No Mesh (Use p/n 1001144024) (SN 0300087000 through 0300168214)	B-I
	1001144024	Ref	Platform 36in x 6ft (91.5cm x 1.83m) with No Mesh (SN 0300168215 through 0300171769)	B
	3510822	Ref	Platform 36in x 8ft (91.5cm x 2.44m) with No Mesh (Use p/n 1001144023) (SN 0300087000 through 0300168214)	B-J
	1001144023	Ref	Platform 36in x 8ft (91.5cm x 2.44m) with No Mesh (SN 0300168215 through 0300171769)	B
		Ref	China Built Machines:	
	1001114335	Ref	36in x 72in (0.9m x 1.83m) with No Mesh (Use p/n 1001146180) (SN B300000100 through B300000667)	B-D
	1001146180	Ref	36in x 72in (0.9m x 1.83m) with No Mesh (SN B300000668 through B300000969)	B
	1001114391	Ref	36in x 96in (0.9m x 2.44m) with No Mesh (Use p/n 1001146179) (SN B300000100 through B300000667)	B-D
	1001146179	Ref	36in x 96in (0.9m x 2.44m) with No Mesh (SN B300000668 through B300000969)	B
		Ref	Note: Original Equipment platform may have been replaced with Service Replacement platform. Identify platform before ordering parts.	
		Ref	Note: For Platforms with Mesh to the Top Rail, customer must order Platforms and Mesh separately. See SPECIAL OPTIONS SECTION for Mesh Installations.	
		Ref	Note: Replacement Decals Must Be Ordered Separately - See DECALS SECTION.	
		Ref	Note: When replacing 8ft/2.44m platform with Soft Touch option, new Soft Touch Rail p/n 4846673 must be purchased to accommodate limit switch locations.	
		Ref	Note: When replacing platform on machines with SkyCutter option, new bracket p/n 1001145405 must be purchased to accommodate SkyCutter components.	
2	2080040	16	Fastener, Huck	
3	2600281	2	Hinge, Self-Closing	
4	2940074	1	Latch	
6	See Note	NSS	Platform Weldment (Note: Purchase Complete Platform Assembly)	
7		Ref	Cap-Plug Options:	
7	3520072	1	USA Built Machines	
7		Ref	China Built Machines	
7	3520072	1	Cap-Plug (SN B300000100 through B300000667)	
7	1001152037	1	Cap-Plug (SN B300000668 through B300000969)	
8	3820020	4	Rivet	
10		Ref	Gate Weldment Options:	
10		Ref	USA Built Machines	

SECTION 4 - PLATFORM

ITEM	PART NUMBER	QTY	DESCRIPTION	REV
10	4846452	1	Gate for Platform p/ns 3510822, 3510830, 3510831, 3510833	
10	1001144629	1	Gate for Platform p/ns 1001144023, 1001144024, 1001144026, 1001144027	
10		Ref	China Built Machines	
10	1001114341	1	Gate for Platform p/ns 1001114335, 1001114391	
10	1001144629	1	Gate for Platform p/ns 1001146180, 1001146179	
11		Ref	Cap-Plug Options:	
11	3520198	1	USA Built Machines	
11		Ref	China Built Machines	
11	3520198	1	Cap-Plug (SN B300000100 through B300000667)	
11	1001145781	1	Cap-Plug (SN B300000668 through B300000969)	
		Ref	PLATFORM ASSEMBLY WITH DROP-BAR	
		Ref	USA Built Machines:	
	1001138431	Ref	Platform 30in x 4ft (76cm x 1.22m) with No Mesh) (Use p/n 1001144018) (SN 0300087000 through 0300168214)	B-B
	1001144018	Ref	Platform 30in x 4ft (76cm x 1.22m) with No Mesh) (SN 0300168215 through 0300171769)	B
	1001138432	Ref	Platform 30in x 5ft (76cm x 1.52m) with No Mesh) (Use p/n 1001144019) (SN 0300087000 through 0300168214)	B-B
	1001144019	Ref	Platform 30in x 5ft (76cm x 1.52m) with No Mesh) (SN 0300168215 through 0300171769)	B
	1001138434	Ref	Platform 36in x 6ft (91.5cm x 1.83m) with No Mesh) (Use p/n 1001144021) (SN 0300087000 through 0300168214)	B-B
	1001144021	Ref	Platform 36in x 6ft (91.5cm x 1.83m) with No Mesh) (SN 0300168215 through 0300171769)	B
	1001128598	Ref	Platform 36in x 6ft (91.5cm x 1.83m) with Mesh to Mid Rail and Dropbar (Not Shown)	B
	1001128479	Ref	Platform 36in x 6ft (91.5cm x 1.83m) with Mesh to Mid Rail Dropbar and Platform Bumpers (Not Shown)	B
	1001138430	Ref	Platform 36in x 8ft (91.5cm x 2.44m) with No Mesh) (Use p/n 1001144022) (SN 0300087000 through 0300168214)	B-B
	1001144022	Ref	Platform 36in x 8ft (91.5cm x 2.44m) with No Mesh) (SN 0300168215 through 0300171769)	B
		Ref	China Built Machines:	
	1001139373	Ref	Platform 36in x 6ft (91.5cm x 1.83m) with No Mesh) (Use p/n 1001146182) (SN B300000100 through B300000667)	B-B
	1001146182	Ref	Platform 36in x 6ft (91.5cm x 1.83m) with No Mesh) (SN B300000668 through B300000969)	B
	1001139374	Ref	Platform 36in x 8ft (91.5cm x 2.44m) with No Mesh) (Use p/n 1001146181) (SN B300000100 through B300000667)	B-B
	1001146181	Ref	Platform 36in x 8ft (91.5cm x 2.44m) with No Mesh) (SN B300000668 through B300000969)	A
		Ref	Note: Original Equipment platform may have been replaced with Service Replacement platform. Identify platform before ordering parts.	
		Ref	Note: Replacement Decals Must Be Ordered Separately - See DECALS SECTION.	
		Ref	Note: When replacing 8ft/2.44m platform with Soft Touch option, new Soft Touch Rail p/n 4846673 must be purchased to accommodate limit switch locations.	
		Ref	Note: When replacing platform on machines with SkyCutter option, new bracket p/n 1001145405 must be purchased to accommodate SkyCutter components.	
51	0100011	AR	Compound, Locking	
52	0641418	2	Bolt 1/4in-20NC x 2-1/4in	

SECTION 4 - PLATFORM

ITEM	PART NUMBER	QTY	DESCRIPTION	REV
53	0961845	2	Bushing	
54	3290606	2	Nut M6	
55	3300151	2	Nut, Acorn	
56	See Note	NSS	Platform Weldment (Note: Purchase Platform Assembly)	
57		Ref	Cap-Plug Options:	
57	3520198	2	USA Built Machines	
57		Ref	China Built Machines	
57	3520198	2	Cap-Plug (SN B300000100 through B300000667)	
57	1001145781	2	Cap-Plug (SN B300000668 through B300000969)	
58	4010618	2	Screw M6 x 50mm	
59	4711400	4	Flatwasher 1/4in Thin	
60	4811700	2	Flatwasher M6	
61		Ref	Bar, Drop Options:	
61	1001138494	1	Drop Bar (Machines without Shipyard Package)	
61	1001111346	1	Drop Bar (Machines with Shipyard Package) (Not Shown)	
62	1001138514	1	Rail (Top)	
63	1001140429	1	Decal - Drop-Bar	
		Ref	CONSOLE BOX INSTALLATIONS	
		Ref	All Specs except CE UK Spec and CE German Spec	
	0271940	Ref	USA Built Machines (SN 0300087000 through 0300138728)	B
	1001108791	Ref	USA Built Machines without UGM (SN 0300138729 through 0300171769)	A
	1001114447	Ref	USA Built Machines with UGM (Use p/n 1001145896) (SN 0300138729 through 0300171769)	A-D
	1001114447	Ref	China Built Machines (Use p/n 1001145896) (SN B300000100 through B300000969)	C
		Ref	CE UK Spec and CE German Spec Only	
	0273058	Ref	USA Built Machines (SN 0300087000 through 0300138728)	B
	1001108792	Ref	USA Built Machines without UGM (SN 0300138729 through 0300171769)	A
	1001114447	Ref	USA Built Machines with UGM (Use p/n 1001145896) (SN 0300138729 through 0300171769)	A-D
101	0641406	4	Bolt 1/4in-20NC x 3/4in	
102	0641408	3	Bolt 1/4in-20NC x 1in	
103	0641610	4	Bolt 3/8in-16NC x 1-1/4in	
104		Ref	Platform Console Box Assembly Options:	
104		Ref	Platform Console Box Assembly (See PLATFORM CONSOLE ASSEMBLY for Breakdown) (SN 0300087000 through 0300138728)	
104	0861511	1	Without UGM	
104		Ref	Platform Console Box Assembly (USA Built Machines) (See PLATFORM CONSOLE ASSEMBLY for Breakdown) (SN 0300138729 through 0300171769)	
104		Ref	Platform Console Box Assembly (China Built Machines) (See PLATFORM CONSOLE ASSEMBLY for Breakdown) (SN B300000100 through B300000969)	
104	1001108790	1	Without UGM	
104	1001114449	NLA	With UGM (USA Built Machines) (Use p/n 1001145895)	
104	1001114449	NLA	With UGM (China Built Machines) (Use p/n 1001145895)	
104A		Ref	Footswitch Assembly Options (Includes Footswitch and Items 104B & 104C):	
104A	0272970	1	USA Built Machines (SN 0300087000 through 0300167682)	B
104A	0272970	1	China Built Machines (SN B300000100 through	B

SECTION 4 - PLATFORM

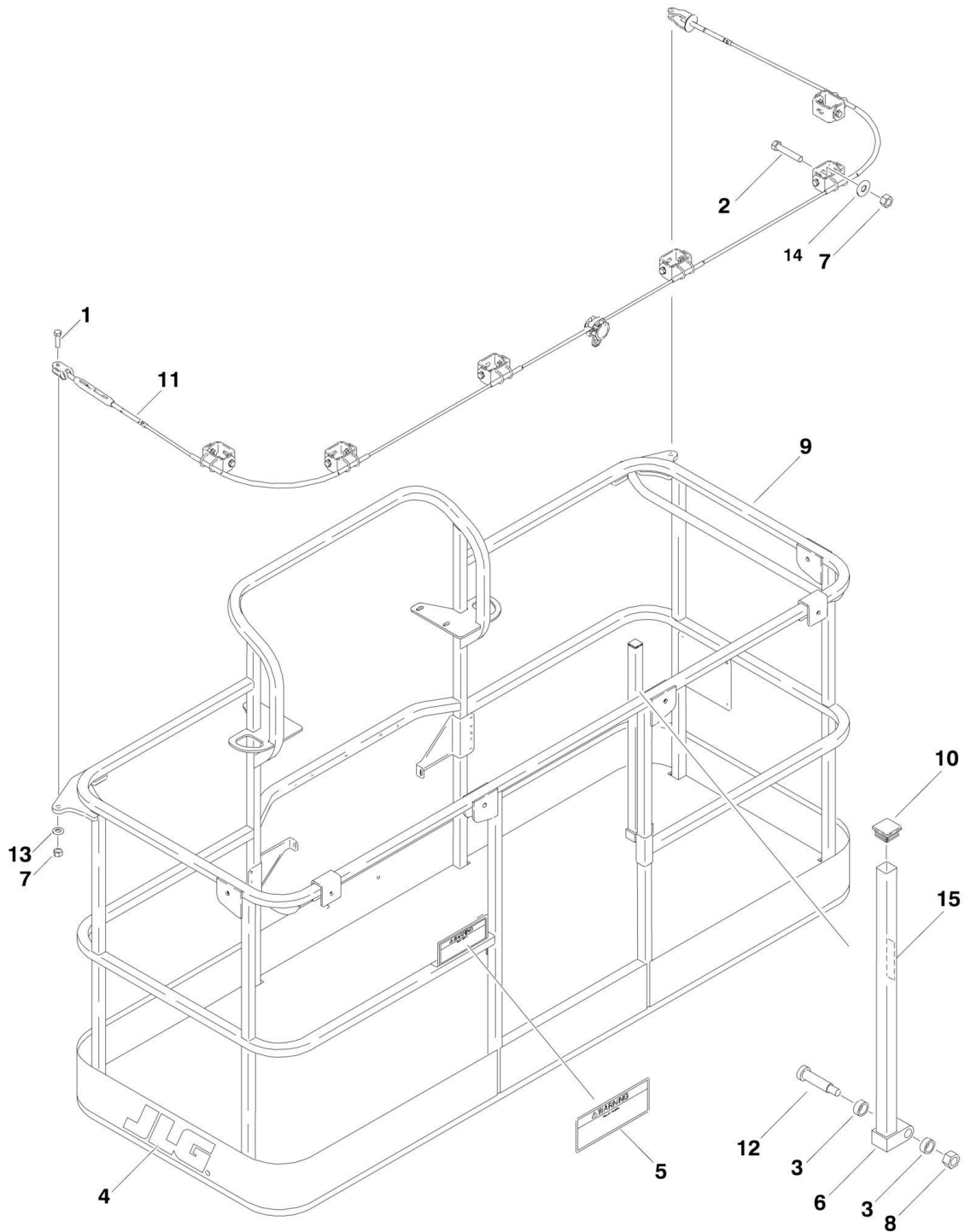
ITEM	PART NUMBER	QTY	DESCRIPTION	REV
104A	1001117174	1	B300000969) USA Built Machines (SN 0300167683 through 0300171769)	B
		Ref	Note: Assembly p/n 0272970 may use either p/n 4360031 or p/n 1001117320. If Original Equipment on machines was replaced as an "assembly," p/n 1001117320 may have been used as part of the Service Replacement. Identify component before ordering parts. (SN 0300087000 through 0300143938)	
104A		Ref	Footswitch Options:	
104A	4360031	1	Footswitch (USA Built Machines) (Original Equipment) (SN 0300087000 through 0300143937)	
104A	4360031	1	Footswitch (China Built Machines) (Prior to SN B300000232)	
104A	7000625	2	Block for 4360031 Footswitch	
104A	1001117320	1	Footswitch (USA Built Machines) (Service Replacement) (SN 0300143938 through 0300167682)	
104A	1001117320	1	Footswitch (China Built Machines) (Service Replacement) (SN B300000232 through B300000969)	
104A	70003483	1	Block for 1001117320 Footswitch	
104A	1001117172	1	Footswitch (USA Built Machines) (SN 0300167683 through 0300171769)	
104A	70002902	1	Block, Contact for 1001117172 Footswitch	
104A	70002903	1	Gasket for 1001117172 Footswitch	
104A	70002905	1	Cover for 1001117172 Footswitch	
104A	70002904	1	Bolt Replacement Kit for 1001117172 Footswitch	
104B	1060918	7 ft/2.14m	Cable, Electrical - 18/3	
104C	4460071	1	Connector, Strain Relief	
105	1702676	1	Decal - Horn	
106	3311405	7	Locknut 1/4in-20NC	
107	3311605	4	Locknut 3/8in-16NC	
108		Ref	Panel, Decal Mount Options:	
108	3380434	1	All Specs except CE UK Spec and CE German Spec (Without UGM)	
108	3380476	1	CE UK Spec and CE German Spec Only (Without UGM)	
108	3380434	1	All Specs (With UGM)	
109	4360331	1	Switch, Toggle	
110	4740362	7	Flatwasher 1/4in Fender	
111	4751400	4	Flatwasher 1/4in Regular	
112	4751600	8	Flatwasher 3/8in Regular	
113	3790012	1	O-Ring	
		Ref	WORKLIGHTS INSTALLATIONS (OPTIONAL)	
	0273486	Ref	Worklights Installations 600S	D
	0273490	Ref	Worklights Installations 600SJ	D
	0273491	Ref	Worklights Installations 660SJ	D
201	3536089	2	Plate, Mounting	
202		Ref	Hardware Options:	
202	0641414	4	Bolt 1/4in-20NC x 1-3/4in (SN 0300087000 through 0300112345)	
202	2080040	4	Huck Fastener (SN 0300112346 through 0300171769)	
203	3311405	4	Locknut 1/4in-20NC (SN 0300087000 through 0300112346)	
204	4711400	8	Flatwasher 1/4in Thin (SN 0300087000 through 0300112346)	
205	2920140	2	Worklight	
205	7016399	2	Bulb, Replacement (1 Per Worklight)	

SECTION 4 - PLATFORM

ITEM	PART NUMBER	QTY	DESCRIPTION	REV
206	4240099	10	Tie-Strap (Not Shown)	
207	2820035	9 ft/2.7m	Loom, Vinyl (Not Shown)	
209	4460426	1	Connector, Strain Relief (Not Shown - Located at Console Box)	
		Ref	TRAY INSTALLATIONS (OPTIONAL)	
301	1580012	1	Tray, Storage (Center)	
302	1580013	1	Tray, Storage (Rail Mounted - Not Shown)	
		Ref	FLOODLIGHT INSTALLATION (OPTIONAL)	
	0274209	Ref	Floodlight Installation 600S & 600SJ	A
	1001093274	Ref	Floodlight Installation 660SJ	A
401	0641518	2	Bolt 5/16in-18NC x 2-1/4in	
402	2560173	2	Handle	
403	2920157	2	Lamp, Work Light	
404	3250585	1	Nameplate - Light On	
405	4060802	1	Guard, Switch	
406	4360336	1	Switch, Toggle	
407	4420037	1	Tape, Insulation (Not Shown)	
408	4751800	2	Flatwasher 1/2in Regular	
409	4846561	1	Mount, Light	
410		Ref	Harness 12/3 Options (Not Shown):	
410	4922888	1	Harness 12/3, 600S & 600SJ	
410	4922964	1	Harness 12/3, 660SJ	
		Ref	2500W GENERATOR INSTALLATION (OPTIONAL)	
501	4360336	1	Switch, Toggle	
501	4740397	1	Bushing	
501	4060802	1	Guard, Switch	
501	3251102	1	Decal - Generator On/Off	

SECTION 4 - PLATFORM

FIGURE 4-2. PLATFORM COMPONENTS INSTALLATION (FALL ARREST PLATFORM)



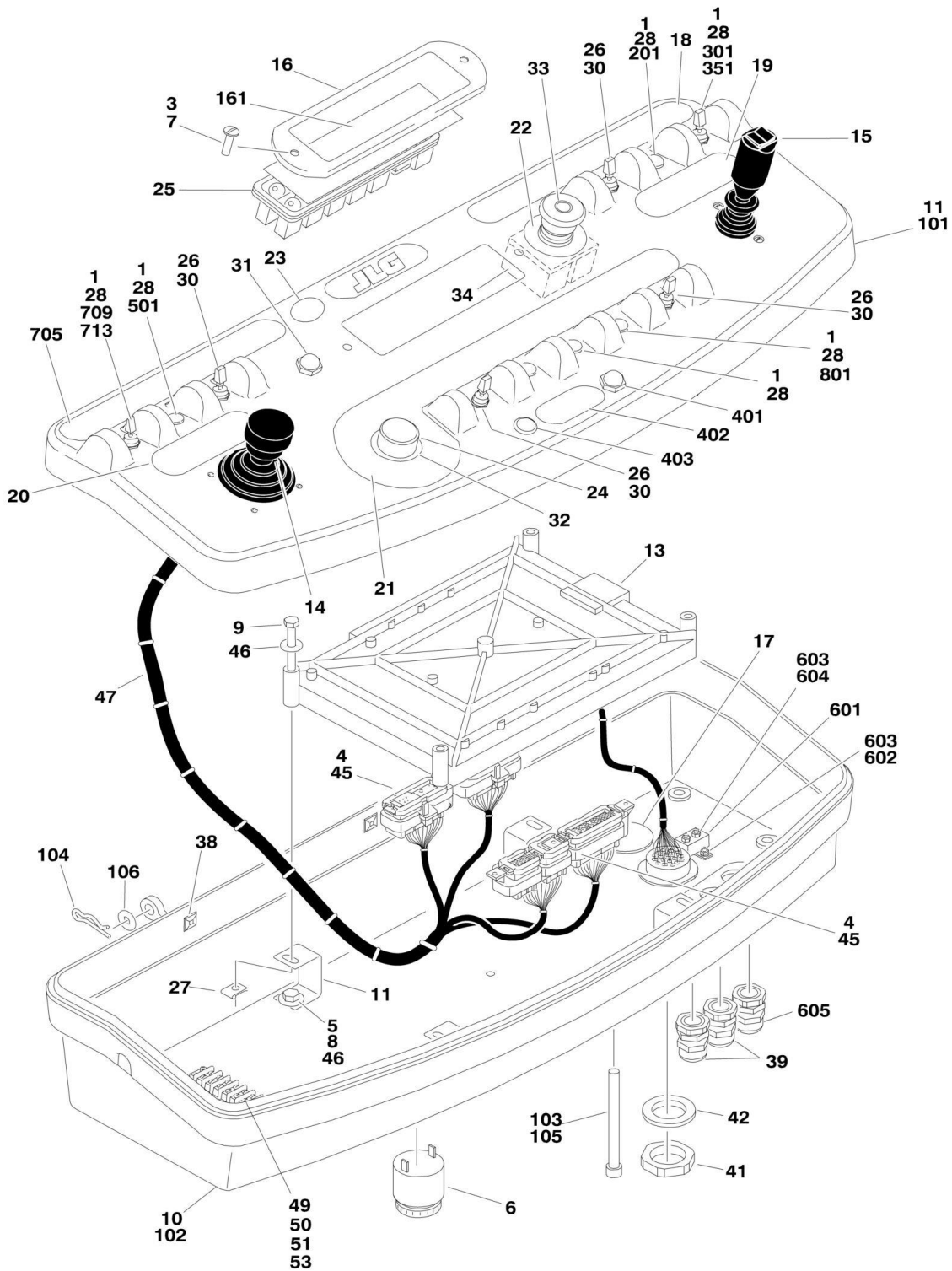
SECTION 4 - PLATFORM

FIGURE 4-2. PLATFORM COMPONENTS INSTALLATION (FALL ARREST PLATFORM)

ITEM	PART NUMBER	QTY	DESCRIPTION	REV
		Ref	Note: Only Available on USA Built Machines Only	
		Ref	PLATFORM ASSEMBLY (FALL ARREST)	
	3510884	Ref	ANSI Spec (3ft x 6ft)	D
	3510868	Ref	ANSI Spec (3ft x 8ft)	E
	3510877	Ref	Australian Specs	D
		Ref	Note: Fall Arrest Not Available on CE Spec Platform Assembly.	
1	0681814	2	Bolt 1/2in-13NC x 1-3/4in (Grade 8)	
2	0681822	6	Bolt 1/2in-13NC x 2-3/4in (Grade 8)	
3	0962270	2	Bearing, Oilite	
4	1702773	1	Decal - JLG	
5		Ref	Decal - Safety Options:	
5	1705014	1	ANSI Spec	
5	1706501	1	Australian and CE Specs	
6	2410014	1	Gate Weldment	
7	3271805	8	Locknut 1/2in-13NC (Grade 8)	
8	3311605	1	Locknut 3/8in-16NC	
9	See Note	NSS	Platform Weldment (Note: Purchase Platform Assembly)	
10	3520072	1	Cap-Plug	
11		Ref	Cable, Fall Arrest Options:	
11	1060919	1	ANSI Spec (3ft x 6ft)	
11	3890040	1	ANSI Spec (3ft x 8ft)	
11	3890040	1	Australian and CE Specs	
12	3900054	1	Bolt 1/2in-13NC x 1-3/4in	
13	4711800	2	Flatwasher 1/2in Thin	
14	4751800	6	Flatwasher 1/2in Regular	
15		Ref	Decal - Drop Bar Options:	
15	1706385	1	ANSI Spec	
15	1706493	1	Australian and CE Specs	

SECTION 4 - PLATFORM

FIGURE 4-3. PLATFORM CONSOLE ASSEMBLY (USA BUILT MACHINES) (SN 0300087000 through 0300138728)



SECTION 4 - PLATFORM

FIGURE 4-3. PLATFORM CONSOLE ASSEMBLY (USA BUILT MACHINES) (SN 0300087000 through 0300138728)

ITEM	PART NUMBER	QTY	DESCRIPTION	REV
	0861511	Ref	CONSOLE BOX AND FOOTSWITCH ASSEMBLIES	J
1	0100009	AR	Sealant	
3	0100035	AR	Compound, Locking	
4	0100048	AR	Grease, Dielectric	
5	0100081	AR	Loctite #454	
6	0140011	1	Alarm	
7	0630464	2	Screw, Button Head #10-24NC x 1/2in	
8	0641404	4	Bolt 1/4in-20NC x 1/2in	
9	0641414	4	Bolt 1/4in-20NC x 1-3/4in	
10	0861537	1	Box, Console (See Items 201-206 for Breakdown)	
11	0902751	4	Bracket, Module Support	
13	1600375	1	Controller, Module (Re-calibration Required when Replaced)	
14	1600317	NLA	Controller Assembly (Lift and Swing) (See CONTROLLER ASSEMBLY (LIFT AND SWING) for Breakdown) (Use p/n 1001129555)	
15	1600318	NLA	Controller Assembly (Drive and Steer) (See CONTROLLER ASSEMBLY (DRIVE AND STEER) for Breakdown) (Use p/n 1001212415)	
16	1670829	1	Bezel	
17	1671037	NLA	Cover (Use p/n 1001110434)	
18		Ref	Decal (Stop) Options:	
18	1704997	1	Decal (SN 0300087000 through 0300136518)	
18	1001107527	1	Decal (SN 0300136519 through 0300138729)	
19	1702565	1	Decal (Drive and Steer)	
20	1702566	1	Decal (Lift and Swing)	
21	1702567	1	Decal (Function Speed)	
22	1704260	1	Decal - EMS	
23	1705132	1	Decal - ADE	
24	2560136	1	Handle, Knob	
25	2760105	1	Housing, Display Light	
26	3790012	4	O-Ring	
27	3300353	4	Nut, Tinnerman	
28	3520054	6	Plug, Hole 1/2in	
30	4360328	4	Switch, Toggle	
31	4360387	1	Switch, Pushbutton	
32	4360407	1	Controller, Speed	
32	See Note	NSS	Gasket "Top Hat" (Included with Switch) (Note: Not Available - Purchase Complete Controller)	
32	70003784	1	Seal	
33	4360475	1	Switch, Emergency Stop	
33	7020175	1	Cap, Red	
33	7020176	1	Contact Block	
34	4360476	1	Block, Contact	
38	4460234	AR	Terminal, Wire Tie Mounting	
39	4460428	2	Connector, Strain Relief	
41	4460470	1	Nut, Terminal	
42	4460471	1	Lockwasher, Terminal	
44	4460708	2	Connector, Female - 15 Position (Not Shown - See ELECTRICAL SECTION for Location)	
45	4460905	5	Connector, Amp Seal Plug	

SECTION 4 - PLATFORM

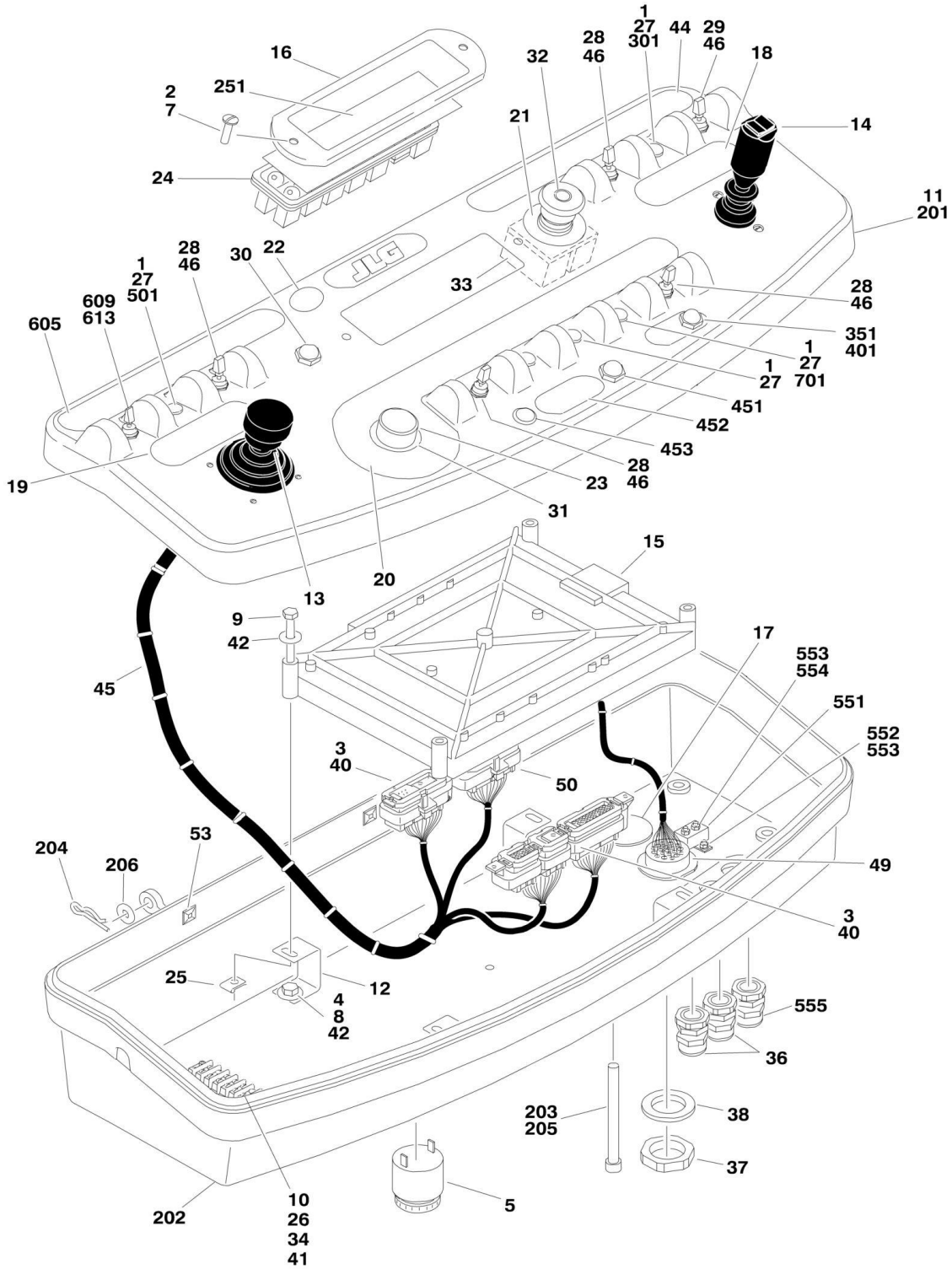
ITEM	PART NUMBER	QTY	DESCRIPTION	REV
46	4751400	8	Flatwasher 1/4in Regular	
47		Ref	Harness, Platform Box (See ELECTRICAL SECTION for Breakdown)	
47	4922639	1	Harness, Platform Box (SN 0300087000 through 0300136518)	
47	1001107753	1	Harness, Platform Box (SN 0300136519 through 0300138729)	
48	4922666	1	Harness, Analyzer Cable (Not Shown - See ELECTRICAL SECTION for Breakdown)	
49	0721006	2	Screw #10-24NC x 3/4in	
50	3311005	2	Locknut #10-24NC	
51	4460007	1	Bar, Buss	
53	4751000	2	Flatwasher #10 Regular	
	0861537	Ref	CONSOLE BOX ASSEMBLY	E
101	See Note	NSS	Console Top (Note: Not Available - Purchase Complete Console Box Assembly)	
102	See Note	NSS	Console Bottom (Note: Not Available - Purchase Complete Console Box Assembly)	
103	3311601	1	Nut 3/8in-16NC	
104		Ref	Hardware Options:	
104	3420156	2	Pin, Cotter (SN 0300087000 through 0300088139)	
104	3470003	2	Pin, Hair (SN 0300088140 through 0300138729)	
105	0630568	1	Screw 3/8in-16NC x 4-1/2in	
106	4711500	2	Flatwasher 5/16in Thin	
		Ref	LIGHT PANEL DECAL INSTALLATION	
	0256631	Ref	ANSI and CSA Specs	2
	0256633	Ref	ANSI Export, Australian, Brazilian, Japanese and Latin America Specs	2
	0256632	Ref	CE, ANSI Export, Australian and Japanese Specs	2
161		Ref	Decal - Display Options:	
161	1702387	1	ANSI and CSA Specs	
161	1703085	1	ANSI Export, Australian, Brazilian, Japanese and Latin America Specs	
161	1703084	1	CE, ANSI Export, Australian and Japanese Specs	
	0270764	Ref	DUAL FUEL SWITCH INSTALLATION (FORD ENGINES ONLY)	4
201	4360336	1	Switch, Toggle	
201	3790012	1	O-Ring	
	0271552	Ref	HEAD AND TAIL LIGHTS INSTALLATIONS (OPTIONAL)	C
301		Ref	Switch Options (Not Shown - Located on Console):	
301	4360336	1	Switch, Toggle (SN 0300087000 through 0300136518)	
301	4360522	1	Switch, Push Button (SN 0300136519 through 0300138729)	
301	3790012	1	O-Ring (Not Shown - Located on Console Only) (SN 0300087000 through 0300136519)	
	0274210	Ref	CHASSIS ILLUMINATION LIGHT INSTALLATION	B
351		Ref	Switch Options (Not Shown - Located on Console):	
351	4360336	1	Switch, Toggle (SN 0300087000 through 0300136518)	
351	4360522	1	Switch, Push Button (SN 0300136519 through 0300138729)	
351	3790012	1	O-Ring (Not Shown - Located on Console Only) (SN 0300087000 through 0300136519)	
		Ref	SOFT TOUCH SYSTEM INSTALLATION (OPTIONAL)	
	0273824	Ref	6ft Platforms	A
	0274927	Ref	6ft Platforms with Fall Arrest (SN 0300087000 through 0300136518)	A
	1001108256	Ref	6ft Platforms with Fall Arrest (SN 0300136519 through 0300138729)	A
	0272427	Ref	8ft Platform	C

SECTION 4 - PLATFORM

ITEM	PART NUMBER	QTY	DESCRIPTION	REV
	0273706	Ref	8ft Platforms with Fall Arrest	A
401	4360387	1	Switch, Pushbutton	
402	1702938	1	Decal - Soft Touch Override	
403	2920028	1	Light, Indicator	
403	2920029	1	Bulb, Light	
	0258945	Ref	4WS COMPONENTS INSTALLATION	A
501	4360331	1	Switch, Toggle	
501	3790012	1	O-Ring	
		Ref	PLATFORM WORKLIGHT INSTALLATION (OPTIONAL)	
	0273486	Ref	Platform Worklight Installation 600S	C
	0273490	Ref	Platform Worklight Installation 600SJ	C
	0273491	Ref	Platform Worklight Installation 660SJ	C
601	4360232	1	Breaker, Circuit - 15Amp	
602	0721003	2	Bolt #10-24NC x 3/8in	
603	4761000	4	Lockwasher #10	
604	3311001	2	Nut #10-24NC	
605	4460426	1	Connector, Strain Relief	
	0271940	Ref	CONSOLE BOX INSTALLATIONS	B
705	1702676	1	Decal - Horn	
709	4360331	1	Switch, Toggle	
713	3790012	1	O-Ring	
		Ref	JIB SWITCH INSTALLATION (600SJ & 660SJ ONLY)	
801	4360328	1	Switch, Toggle	
801	3790012	1	O-Ring	

SECTION 4 - PLATFORM

FIGURE 4-4. PLATFORM CONSOLE ASSEMBLY (USA BUILT MACHINES AND CHINA BUILT MACHINES) (SN 0300138729 through 0300171769, SN B300000100 through B300000969)



SECTION 4 - PLATFORM

FIGURE 4-4. PLATFORM CONSOLE ASSEMBLY (USA BUILT MACHINES AND CHINA BUILT MACHINES) (SN 0300138729 through 0300171769, SN B300000100 through B300000969)

ITEM	PART NUMBER	QTY	DESCRIPTION	REV
		Ref	Note: Machines "Without UGM" are ALL USA Built Machines.	
		Ref	Note: Platform Console Module is different based on the Ground Control Module (i.e. with UGM or without UGM). For Ground Module identification, see Revision Log Page A.	
		Ref	CONSOLE BOX AND FOOTSWITCH ASSEMBLIES	
	1001108790	Ref	Without UGM	C
	1001114449	Ref	With UGM (USA Built Machines) (use p/n 1001145895)	B-F
	1001114449	Ref	With UGM (China Built Machines) (Use p/n 1001145895)	B-F
1	0100009	AR	Sealant	
2	0100035	AR	Compound, Locking	
3	0100048	AR	Grease, Dielectric	
4	0100081	AR	Loctite #454	
5	0140011	1	Alarm	
7	0630464	2	Screw, Button Head #10-24NC x 1/2in	
8	0641404	4	Bolt 1/4in-20NC x 1/2in	
9	0641414	4	Bolt 1/4in-20NC x 1 3/4in	
10	0721006	2	Screw #10-24NC x 3/4in	
11	0861537	1	Box, Console (See Items 201-206 for Breakdown)	
12	0902751	4	Bracket, Module Support	
13		Ref	Controller Assembly (Lift and Swing) Options (See CONTROLLER ASSEMBLY (LIFT AND SWING) for Breakdown)	
13	1600317	NLA	Controller USA Built Machine (Use p/n 1001129555) (SN 0300087000 through 0300146163)	
13	1001118417	NLA	Controller USA Built Machines (Use p/n 100112955) (SN 0300146164 through 0300171769)	
13	1600317	NLA	Controller China Built Machines (Use p/n 1001129555) (SN B300000100 through B300000270)	
13	1001118417	NLA	Controller China Built Machines (Use p/n 1001129555) (SN B300000271 through B300000969)	
14		Ref	Controller Assembly (Drive and Steer) Options (See CONTROLLER ASSEMBLY (DRIVE AND STEER) for Breakdown):	
14	1600318	NLA	Controller USA Built Machines (Use p/n 1001212415) (SN 0300087000 through 0300146163)	
14	1001118416	NLA	Controller USA Built Machines (Use p/n 1001212415) (SN 0300146164 through 0300171769)	
14	1600318	NLA	Controller China Built Machines (Use p/n 1001212415) (SN B300000100 through B300000270)	
14	1001118416	NLA	Controller China Built Machines (Use p/n 1001212415) (SN B300000271 through B300000969)	
15		Ref	Controller, Module Options:	
		Ref	Note: Re-calibration Required when Replaced.	
15	1600375	1	Without UGM	
15	1001106355	1	With UGM	
16	1670829	1	Bezel	
17	1671037	NLA	Cover (Use p/n 1001110434)	
18	1702565	1	Decal (Drive and Steer)	
19	1702566	1	Decal (Lift and Swing)	
20	1702567	1	Decal (Function Speed)	
21	1704260	1	Decal (EMS)	
22	1705132	1	Decal (ADE)	

SECTION 4 - PLATFORM

ITEM	PART NUMBER	QTY	DESCRIPTION	REV
23	2560136	1	Handle, Knob	
24	2760105	1	Housing, Display Light	
24	2920129	12	Bulb, Light	
25	3300353	4	Nut, Tinnerman	
26	3311005	2	Locknut #10-24NC	
27	3520054	5	Plug, Hole 1/2in	
28	4360328	4	Switch, Toggle	
29	4360330	1	Switch, Toggle	
30	4360387	1	Switch, Pushbutton	
31	4360407	1	Controller, Speed	
31	See Note	NSS	Gasket "Top Hat" (Included with Switch) (Note: Not Available - Purchase Complete Controller)	
31	70003784	1	Seal	
32	4360475	1	Switch, Emergency Stop	
32	7020175	1	Cap, Red	
32	7020176	1	Contact Block	
33	4360476	1	Block, Contact	
34	4460007	1	Bar, Buss	
35	4460234	3	Mount, Wire Tie (Not Shown - Used on bottom of Console Lid)	
36	4460428	2	Connector, Strain Relief	
37	4460470	1	Nut, Strain Relief	
38	4460471	1	Lockwasher, Strain Relief	
39	4460708	2	Connector, Female - 15 Position (Not Shown - Used on Console Box End of Footswitch Cable and Analyzer Harness)	
40	4460905	AR	Connector, Amp Seal Plug	
41	4751000	2	Flatwasher #10 Regular	
42	4751400	8	Flatwasher 1/4in Regular	
43	4922666	1	Harness, Analyzer Cable (Not Shown - See ELECTRICAL SECTION for Breakdown)	
44	1001107677	NLA	Decal (Stop) (Use p/n 1001131168)	
45	1001107753	1	Harness, Platform Box (See ELECTRICAL SECTION for Breakdown)	
46	3790012	5	O-Ring	
		Ref	Decal Kit - Console Box Options:	
	1001119562	1	ANSI Spec (Includes Items 18-22, 44 & 251)	
	See Note	NSS	All Other Specs (Note: Not Available for Purchase)	
	0861537	Ref	CONSOLE BOX ASSEMBLY	G
201	See Note	NSS	Console Top (Note: Not Available - Purchase Complete Console Box Assembly)	
202	See Note	NSS	Console Bottom (Note: Not Available - Purchase Complete Console Box Assembly)	
203	3311601	1	Nut 3/8in-16NC	
204	3470003	2	Pin, Hair	
205	0630568	1	Screw 3/8in-16NC x 4-1/2in	
206	4711500	2	Flatwasher 5/16in Thin	
		Ref	LIGHT PANEL DECAL INSTALLATION	
	1001108763	Ref	ANSI, ANSI Export, CSA, Brazilian, Japanese and Latin America Specs	B
	1001108764	Ref	CE, ANSI Export, Australian and Japanese Specs	A
251		Ref	Decal - Display Options:	
251	1001107927	1	ANSI, ANSI Export, CSA, Brazilian, Japanese and Latin America Specs (USA Built Machines) (SN 0300138729 through 0300142585)	

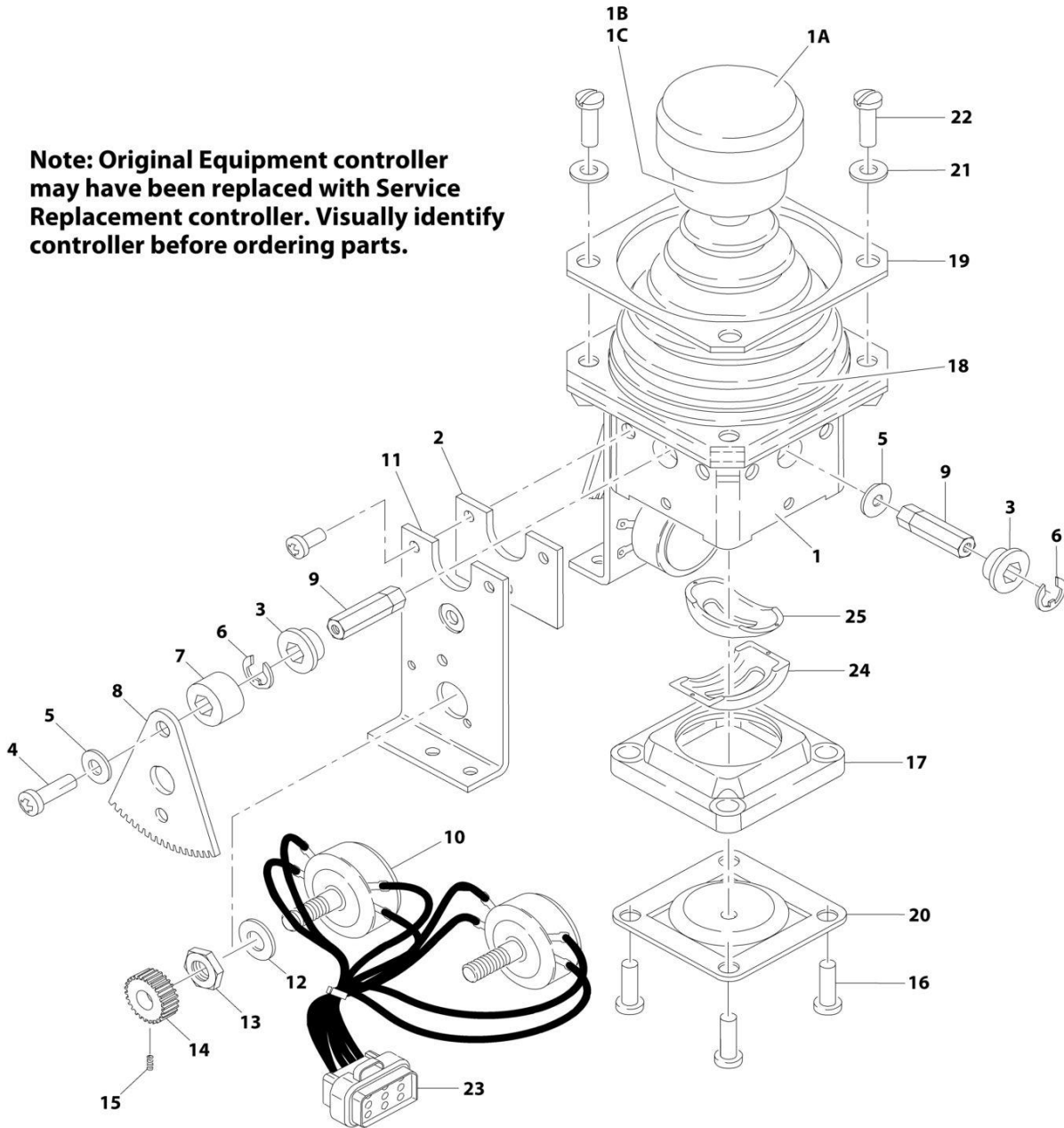
SECTION 4 - PLATFORM

ITEM	PART NUMBER	QTY	DESCRIPTION	REV
251	1001121657	1	ANSI, ANSI Export, CSA, Brazilian, Japanese and Latin America Specs (USA Built Machines) (SN 0300142586 through 0300171769)	
251	1001121657	1	ANSI, ANSI Export, CSA, Brazilian, Japanese and Latin America Specs (China Built Machines) (SN B300000100 through B300000969)	
251	1001107926	1	CE, ANSI Export, Australian and Japanese Specs	
		Ref	DUAL FUEL SWITCH INSTALLATION	
301	4360336	1	Switch, Toggle	
301	3790012	1	O-Ring	
	0271552	Ref	HEAD AND TAIL LIGHTS INSTALLATIONS (OPTIONAL)	C
351	4360522	1	Switch, Toggle (Not Shown - Located on Console)	
	0274210	Ref	CHASSIS ILLUMINATION LIGHT INSTALLATION	B
401	4360522	1	Switch, Toggle (Not Shown - Located on Console)	
		Ref	SOFT TOUCH SYSTEM INSTALLATION (OPTIONAL)	
	0273824	Ref	6ft Platforms	B
	1001108256	Ref	6ft Platforms with Fall Arrest	A
	0272427	Ref	8ft Platforms	E
	0273706	Ref	8ft Platforms with Fall Arrest	B
451	4360387	1	Switch, Pushbutton	
452	1702938	1	Decal - Soft Touch Override	
453	2920028	1	Light, Indicator	
453	2920029	1	Bulb, Light	
		Ref	4WS COMPONENTS INSTALLATION	
	0273357	Ref	USA Built Machines	1
	0258945	Ref	China Built Machines	A
501	4360331	1	Switch, Toggle	
501	3790012	1	O-Ring	
		Ref	PLATFORM WORKLIGHT INSTALLATION (OPTIONAL)	
	0273486	Ref	Platform Worklight Installation 600S	C
	0273490	Ref	Platform Worklight Installation 600SJ	C
	0273491	Ref	Platform Worklight Installation 660SJ	C
551	4360232	1	Breaker, Circuit - 15Amp	
552	0721003	2	Bolt #10-24NC x 3/8in	
553	4761000	4	Lockwasher #10	
554	3311001	2	Nut #10-24NC	
555	4460426	1	Connector, Strain Relief	
		Ref	CONSOLE BOX INSTALLATIONS	
	1001108791	Ref	All Specs except CE UK Spec and CE German Spec (Without UGM)	A
	1001108792	Ref	CE UK Spec and CE German Spec Only (Without UGM)	A
	1001114447	Ref	All Specs (With UGM) (USA Built Machines) (Use p/n 1001145896)	A-D
	1001114447	Ref	All Specs (With UGM) (China Built Machines)	D
605	1702676	1	Decal - Horn	
609	4360331	1	Switch, Toggle	
613	3790012	1	O-Ring	
		Ref	JIB SWITCH INSTALLATION (600SJ & 660SJ ONLY)	
701	4360328	1	Switch, Toggle	
701	3790012	1	O-Ring	

SECTION 4 - PLATFORM

FIGURE 4-5. CONTROLLER ASSEMBLY (LIFT AND SWING)

Note: Original Equipment controller may have been replaced with Service Replacement controller. Visually identify controller before ordering parts.



ART_1600317

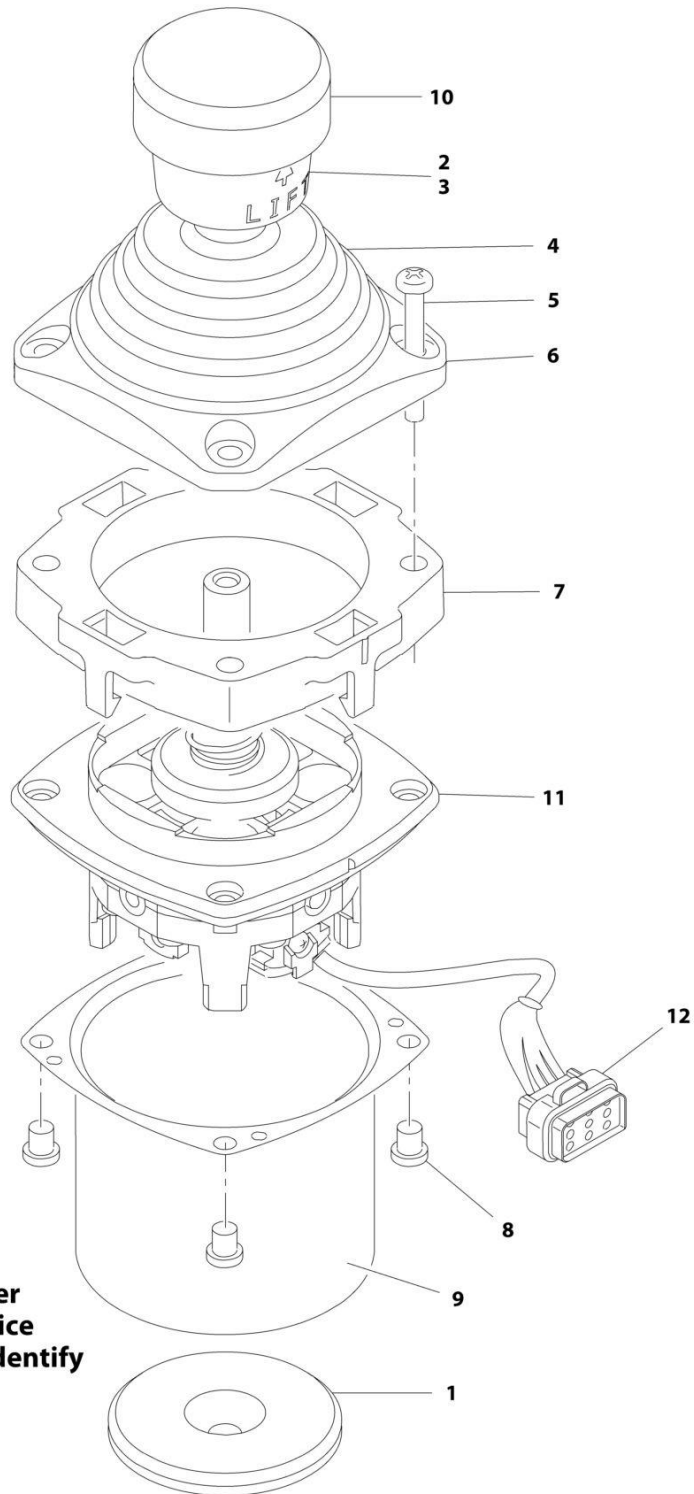
SECTION 4 - PLATFORM

FIGURE 4-5. CONTROLLER ASSEMBLY (LIFT AND SWING)

ITEM	PART NUMBER	QTY	DESCRIPTION	REV
		Ref	Note: Original Equipment controller may have been replaced with Service Replacement controller. Visually identify controller before ordering parts.	
		Ref	CONTROLLER ASSEMBLIES	
	1600317	Ref	Controller Assembly (USA Built Machines) (SN 0300087000 through 0300146162)	C
	1600317	Ref	Controller Assembly (China Built Machines) (SN B300000100 through B300000270)	C
		Ref	Note: Use p/n 1001129555 Kit as Replacement.	
1	7019141	1	Mechanical Assembly (Includes Base, Handle Stem and Items 1A, 1B, 1C & 18)	
1A	7019197	1	Handle Cap and Rod	
1B	7003928	1	Spring	
1C	7022808	1	Cap, Lift	
2	7019171	2	Plate	
3	7019111	4	Bearing, Gear	
4	7019143	2	Screw	
5	7019144	2	Spacer, Cam	
6	7019145	4	E-Clip	
7	7019174	2	Spacer	
8	7003977	2	Gear, Drive	
9		Ref	Shaft Options:	
9	7019147	2	Shaft, Short	
9	7019177	2	Shaft, Long	
10	7022818	2	Potentiometer	
11	7019142	2	Plate	
12	7003992	2	Washer	
13	7003993	2	Nut	
14	7003976	2	Gear, Slave	
15	7019149	2	Setscrew	
16	7022816	4	Screw	
17	7019150	1	Gate	
18	7022814	1	Boot	
19	7022815	1	Bezel	
20	See Note	NSS	Center, Detent (Note: Use p/n 1001129555)	
21	7003953	4	Washer	
22	7022817	4	Screw	
23	7022819	1	Plug, Male 8 Position (Natural)	
23	4460871	8	Socket, Female	
24	7019122	1	Gimble, Outer	
25	7019123	1	Gimble, Inner	

SECTION 4 - PLATFORM

FIGURE 4-6. CONTROLLER ASSEMBLY (LIFT AND SWING)



Note: Original Equipment controller may have been replaced with Service Replacement controller. Visually identify controller before ordering parts.

ART_100118417

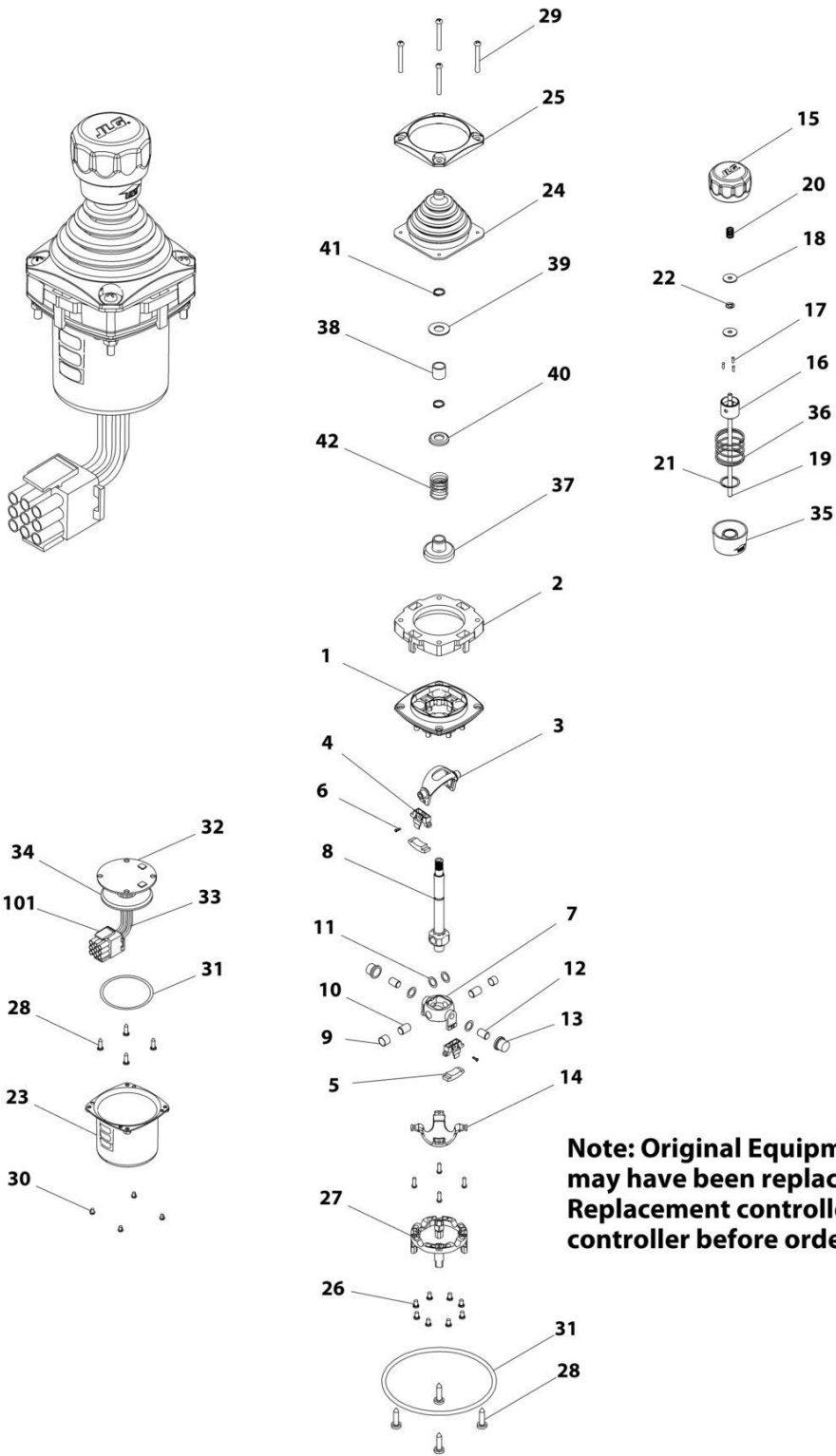
SECTION 4 - PLATFORM

FIGURE 4-6. CONTROLLER ASSEMBLY (LIFT AND SWING)

ITEM	PART NUMBER	QTY	DESCRIPTION	REV
		Ref	Note: Original Equipment controller may have been replaced with Service Replacement controller. Visually Identify controller before ordering parts.	
	1001118417	Ref	CONTROLLER ASSEMBLY (LIFT AND SWING) (SN 0300146164 through 0300171769)	A
	1001118417	Ref	CONTROLLER ASSEMBLY (LIFT AND SWING) (SN B300000271 through B300000969)	E
		Ref	Note: Use p/n 1001129555 as Replacement.	
1	70002730	1	Gasket	
2	7003928	1	Spring	
3	7022808	1	Cap, Lift	
4	70002731	1	Boot	
5	70002732	4	Screw	
6	7022815	1	Bezel	
7	70002733	1	Adapter	
8	70002734	4	Screw	
9	70002735	1	Can, Enclosure	
10	70002906	1	Cap	
11	See Note	NSS	Mechanical Assembly (Note: Use p/n 1001129555)	
12	7022819	1	Connector - 8 Position	
12	4460871	6	Socket, Female	

SECTION 4 - PLATFORM

FIGURE 4-7. CONTROLLER ASSEMBLY (LIFT AND SWING)



ART_1001166539

SECTION 4 - PLATFORM

FIGURE 4-7. CONTROLLER ASSEMBLY (LIFT AND SWING)

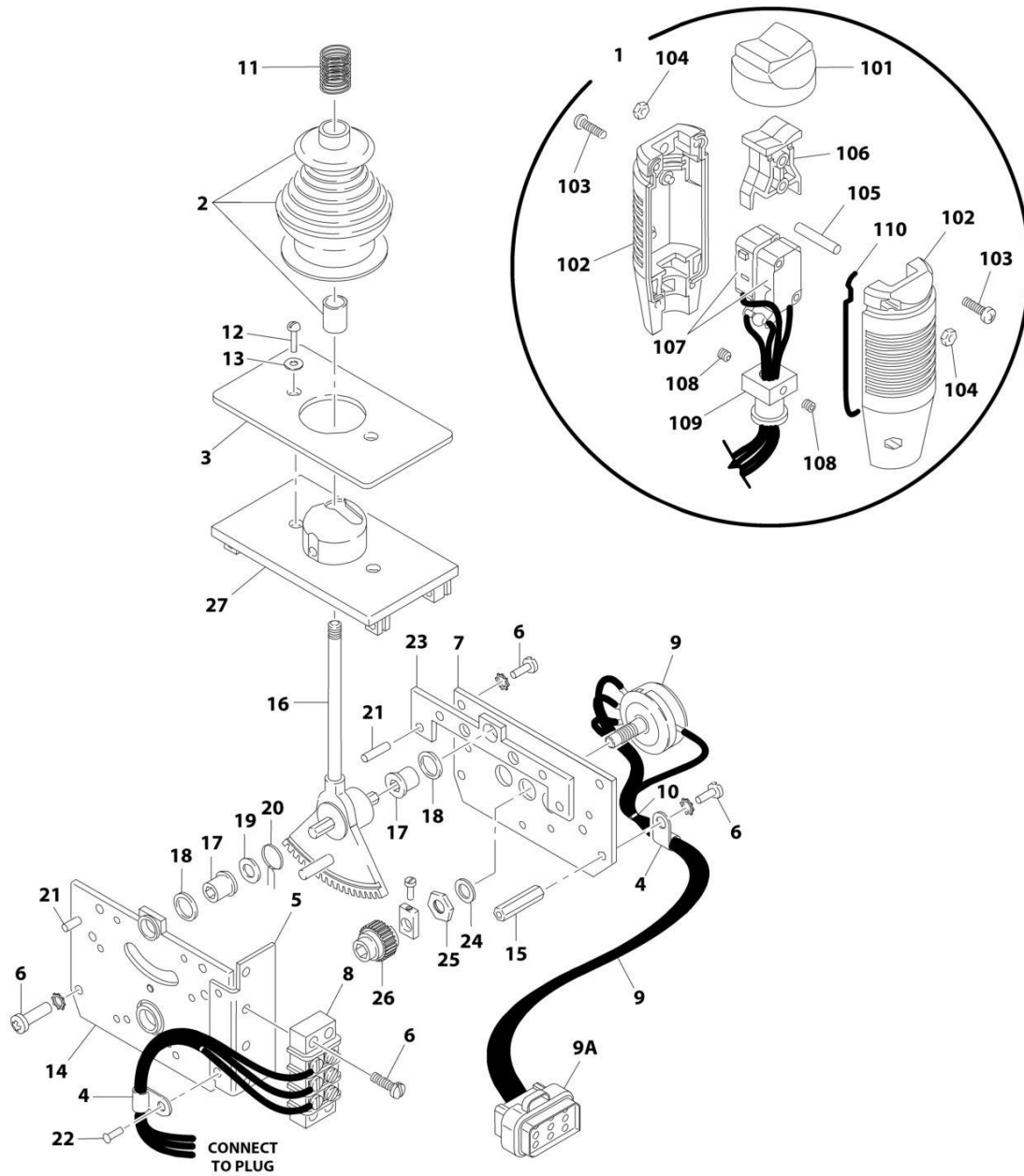
ITEM	PART NUMBER	QTY	DESCRIPTION	REV
		Ref	Note: Original Equipment controller may have been replaced with Service Replacement controller. Visually identify controller before ordering parts.	
	1001166539	Ref	CONTROLLER ASSEMBLY (LIFT AND SWING) (SERVICE REPLACEMENT)	D
		Ref	Note: Use p/n 1001129555 as Replacement.	
1	See Note	1	Main Cast Body (Note: Not Available - Purchase Complete Assembly)	
2	70004752	1	Adapter	
3	See Note	NSS	Pivot Arm, Plastic (Note: Not Available - Purchase Complete Assembly)	
4	See Note	NSS	Holder, Magnet (Note: Not Available - Purchase Complete Assembly)	
5	See Note	NSS	Arc, Magnet (Note: Not Available - Purchase Complete Assembly)	
6	See Note	NSS	Screw (Note: Not Available for Purchase)	
7	See Note	NSS	Pivot Arm, Cast (Note: Not Available - Purchase Complete Assembly)	
8	See Note	NSS	Shaft, Main (Note: Not Available - Purchase Complete Assembly)	
9	See Note	NSS	Bearing (Note: Not Available - Purchase Complete Assembly)	
10	See Note	NSS	Pin (Note: Not Available - Purchase Complete Assembly)	
11	See Note	NSS	Shim (Note: Not Available - Purchase Complete Assembly)	
12	See Note	NSS	Pin (Note: Not Available - Purchase Complete Assembly)	
13	See Note	NSS	Bearing (Note: Not Available - Purchase Complete Assembly)	
14	See Note	NSS	Dome, Centering (Note: Not Available - Purchase Complete Assembly)	
15	70004753	1	Cap	
16	70004754	1	Insert, Cap	
17	70004755	3	Pin	
18	70004756	2	Washer	
19	70004757	1	Pin, Centering	
20	70004758	1	Spring	
21	70004759	1	Ring, Retaining	
22	70004760	1	E-Ring	
23	70004761	1	Can, Enclosure	
24	70004762	1	Boot	
25	70004763	1	Bezel	
26	See Note	NSS	Screw (Note: Not Available for Purchase)	
27	See Note	NSS	Base Mounting (Note: Not Available - Purchase Complete Assembly)	
28	See Note	NSS	Screw (Note: Not Available for Purchase)	
29	70004764	4	Screw	
30	70004765	4	Screw	
31	70004766	1	O-Ring	
32	See Note	NSS	Plate (Note: Not Available - Purchase Complete Assembly)	
33	See Note	NSS	Harness (Note: Not Available - Purchase Complete Assembly)	
34	70004767	1	Grommet, Rubber	
35	70004768	1	Housing	
36	70004769	1	Spring	
37	70004770	1	Stopper	
38	70004771	1	Spacer	
39	70004772	1	Washer	
40	70004773	1	Disc	

SECTION 4 - PLATFORM

ITEM	PART NUMBER	QTY	DESCRIPTION	REV
41	70004774	2	Ring, Retaining	
42	70004775	1	Spring	
101	4460265	1	Connector - 9 Position	
101	4460226	6	Socket, Female	

SECTION 4 - PLATFORM

FIGURE 4-8. CONTROLLER ASSEMBLY (DRIVE AND STEER)



Note: Original Equipment controller may have been replaced with Service Replacement controller. Visually identify controller before ordering parts.

ART_1600318

SECTION 4 - PLATFORM

FIGURE 4-8. CONTROLLER ASSEMBLY (DRIVE AND STEER)

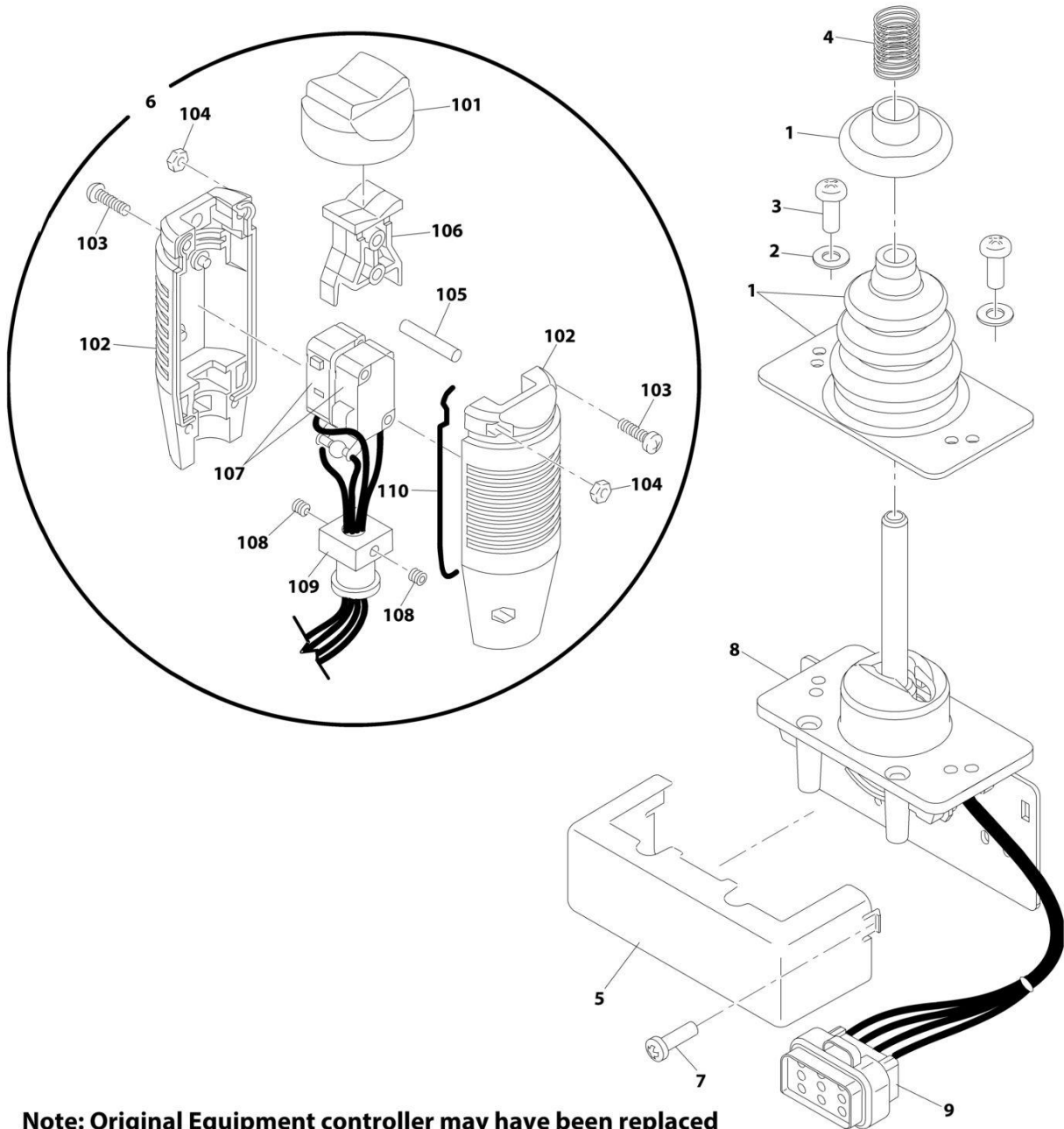
ITEM	PART NUMBER	QTY	DESCRIPTION	REV
		Ref	Note: Original Equipment controller may have been replaced with Service Replacement controller. Visually identify controller before ordering parts.	
		Ref	CONTROLLER ASSEMBLIES	
	1600318	Ref	Controller Assembly (USA Built Machines) (SN 0300087000 through 0300146162)	C
	1600318	Ref	Controller Assembly (China Built Machines) (SN B300000100 through B300000270)	C
		Ref	Note: Use p/n 1001212415 as Replacement.	
1	7022812	1	Handle Assembly (See Items 101-110 for Breakdown)	
2	7019161	1	Boot and Sleeve	
3	7003933	1	Gasket	
4	7019154	2	Clamp, Wire	
5	7022823	1	Bracket, Mounting	
6	7003994	1	Screw	
7	7022822	1	Plate, Pot Mounting	
8	7003986	1	Strip, Terminal - 3 Position	
9	7022824	1	Electric Assembly	
9A	1001113961	1	Plug, Male - 8 Position (Black) (was p/n 7022825)	
9A	4460871	7	Socket, Female	
10	7019151	AR	Tie-Strap	
11	7019162	1	Spring	
12	7003969	2	Screw	
13	7003941	2	Washer	
14	See Note	NSS	Plate, Mounting (Left Side) (Note: Use p/n 1001166538)	
15	7019115	2	Stand-Off	
16	7019155	1	Shaft 8mm	
17	7019111	2	Bearing	
18	7019110	2	Spacer, Head Gear	
19	7019112	1	Washer	
20	7003946	1	Spring, Return	
21	7019103	4	Pin	
22	See Note	NSS	Rivet (Note: Not Available - Purchase Locally)	
23	7019168	1	Plate, Mounting (Right Side)	
24	7003992	1	Washer	
25	7003993	1	Nut	
26	7003935	1	Gear, Slave	
27	7019160	1	Plate, Base	
28	7019114	1	Coupling, Potentiometer	
29	See Note	NSS	Cup Point Screw (Note: Not Available - Purchase Locally)	
		Ref	HANDLE ASSEMBLY	
101	7003972	1	Boot, Switch	
102	7003973	2	Half, Handle	
103	7003980	4	Screw	
104	7019167	4	Nut	
105	7019164	1	Axle	
106	7019165	1	Rocker	
107	See Note	NSS	Wiring for Controller Assembly p/n 1600318 (Note: Use p/n 1001166538)	
107	7019166	2	Switch, Micro	
108	7003983	2	Setscrew	

SECTION 4 - PLATFORM

ITEM	PART NUMBER	QTY	DESCRIPTION	REV
109	7019194	1	Coupling	
110	7003989	2	Gasket	

SECTION 4 - PLATFORM

FIGURE 4-9. CONTROLLER ASSEMBLY (DRIVE AND STEER)



Note: Original Equipment controller may have been replaced with Service Replacement controller. Visually identify controller before ordering parts.

ART_1001118416

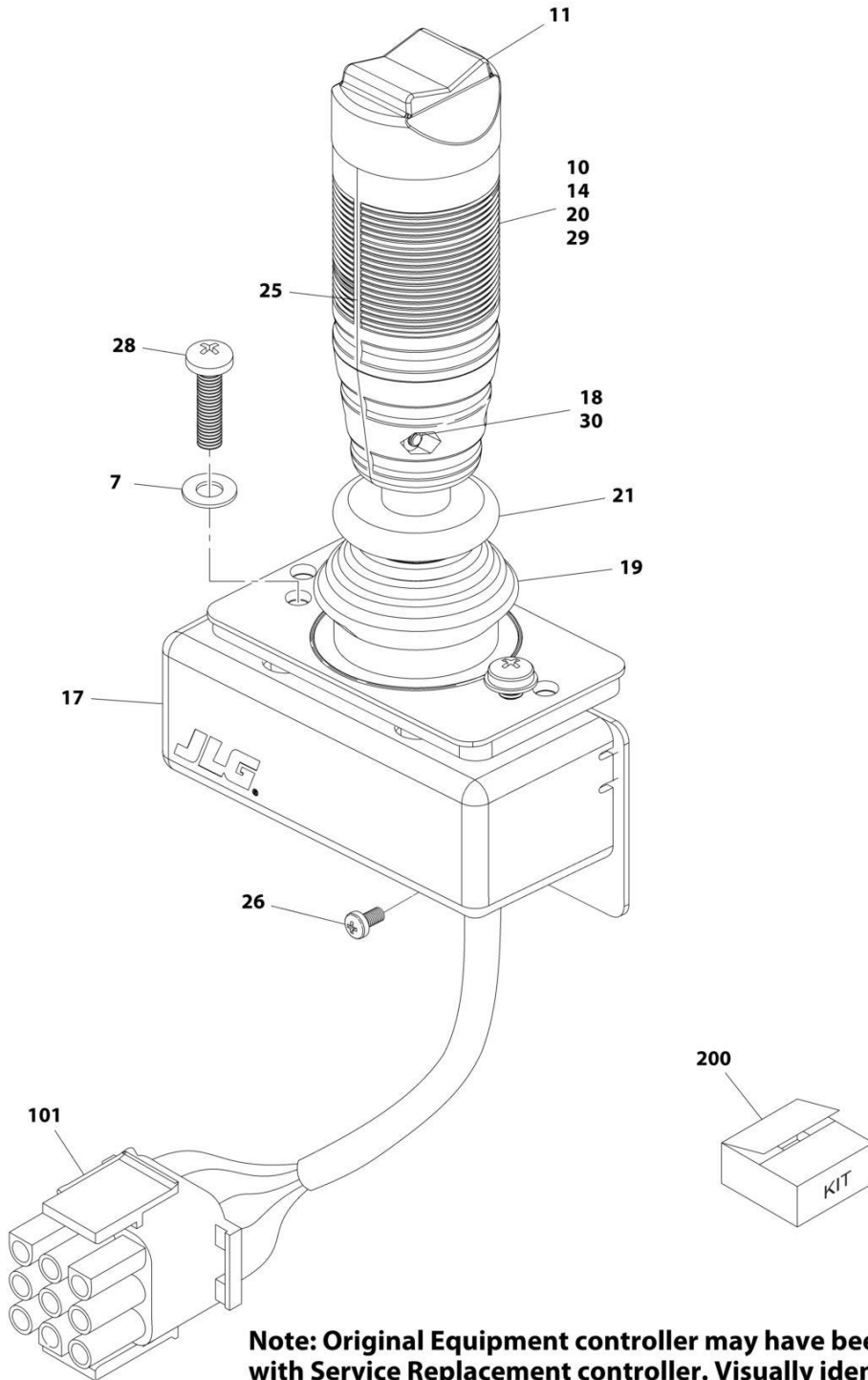
SECTION 4 - PLATFORM

FIGURE 4-9. CONTROLLER ASSEMBLY (DRIVE AND STEER)

ITEM	PART NUMBER	QTY	DESCRIPTION	REV
		Ref	Note: Original Equipment controller may have been replaced with Service Replacement controller. Visually identify controller before ordering parts.	
	1001118416	Ref	CONTROLLER ASSEMBLY (DRIVE AND STEER) (SN 0300146163 through 0300171769)	D
	1001118416	Ref	CONTROLLER ASSEMBLY (DRIVE AND STEER) (SN B300000271 through B300000969)	D
		Ref	Note: Use p/n 1001212415 as Replacement.	
1	70002724	1	Boot and Control Lock Assembly	
2	7003941	2	Washer	
3	70002725	2	Screw	
4	7019162	1	Spring	
5	70002726	1	Enclosure	
6	70002727	1	Handle Assembly (See Items 101-110 for Breakdown)	
7	70002728	1	Screw	
8	See Note	NSS	Mechanical Assembly (Note: Use p/n 1001166538)	
9	1001113961	1	Plug, Male - 8 Position (Black) (was p/n 7022825)	
9	4460871	7	Socket, Female	
	70002727	Ref	HANDLE ASSEMBLY	
101	7003972	1	Boot, Switch	
102	7003973	2	Half, Handle	
103	7003980	4	Screw	
104	7019167	4	Nut	
105	7019164	1	Axle	
106	7019165	1	Rocker	
107	70002729	1	Wiring Assembly	
107	7003982	2	Switch, Micro	
108	7003983	2	Set Screw	
109	7019194	1	Coupling	
110	7003989	2	Gasket	

SECTION 4 - PLATFORM

FIGURE 4-10. CONTROLLER ASSEMBLY (DRIVE AND STEER)



Note: Original Equipment controller may have been replaced with Service Replacement controller. Visually identify controller before ordering parts.

ART_1001166538

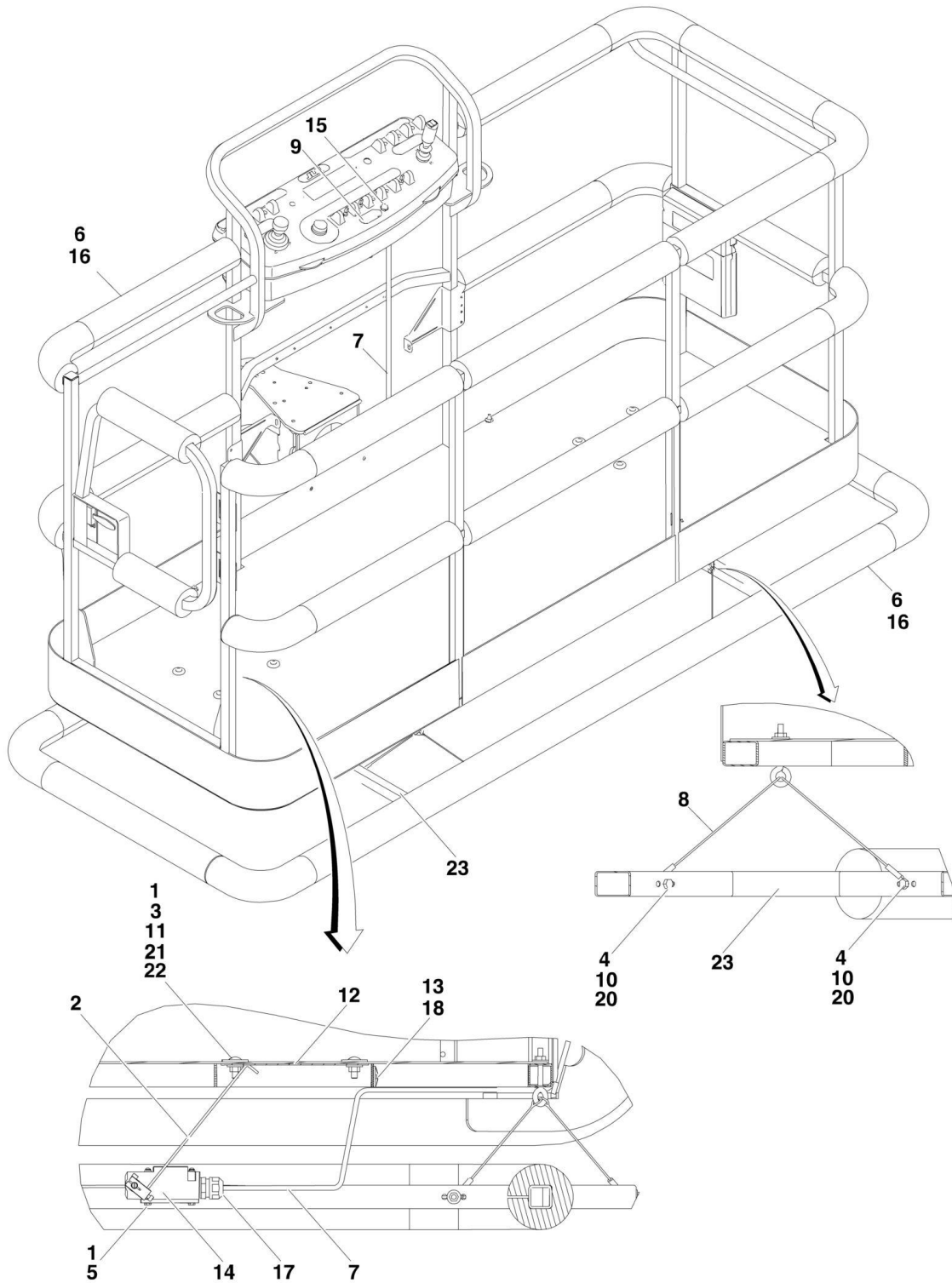
SECTION 4 - PLATFORM

FIGURE 4-10. CONTROLLER ASSEMBLY (DRIVE AND STEER)

ITEM	PART NUMBER	QTY	DESCRIPTION	REV
		Ref	Note: Original Equipment controller may have been replaced with Service Replacement controller. Visually identify controller before ordering parts.	
	1001166538	Ref	CONTROLLER ASSEMBLY (DRIVE AND STEER) (SERVICE REPLACEMENT)	F
		Ref	Note: Use p/n 1001212415 as Replacement.	
7	70004738	2	Washer	
10	70004739	1	Roller	
11	70004740	1	Boot, Switch	
14	70004741	2	Half, Handle	
17	70004742	1	Enclosure	
18	70004743	4	Nut	
19	70004744	NLA	Boot, Controller (Note: Use Item 200)	
20	70004745	NLA	Tube, Locking (Note: Use Item 200)	
21	70004746	NLA	Disc, Locking (Note: Use Item 200)	
25	70004747	2	Seal, Rope	
26	70004748	1	Screw, M3 x 6	
28	70004749	2	Screw, M5 x 20	
29	70004750	1	Pin, Dowel	
30	70004751	4	Screw, M3 x 16	
101	4460265	1	Connector - 9 Position	
101	4460226	7	Socket, Female	
200	70005230	1	Boot Kit (Includes Items 19-21)	

SECTION 4 - PLATFORM

FIGURE 4-11. SOFT TOUCH SYSTEM INSTALLATION (OPTIONAL)



SECTION 4 - PLATFORM

FIGURE 4-11. SOFT TOUCH SYSTEM INSTALLATION (OPTIONAL)

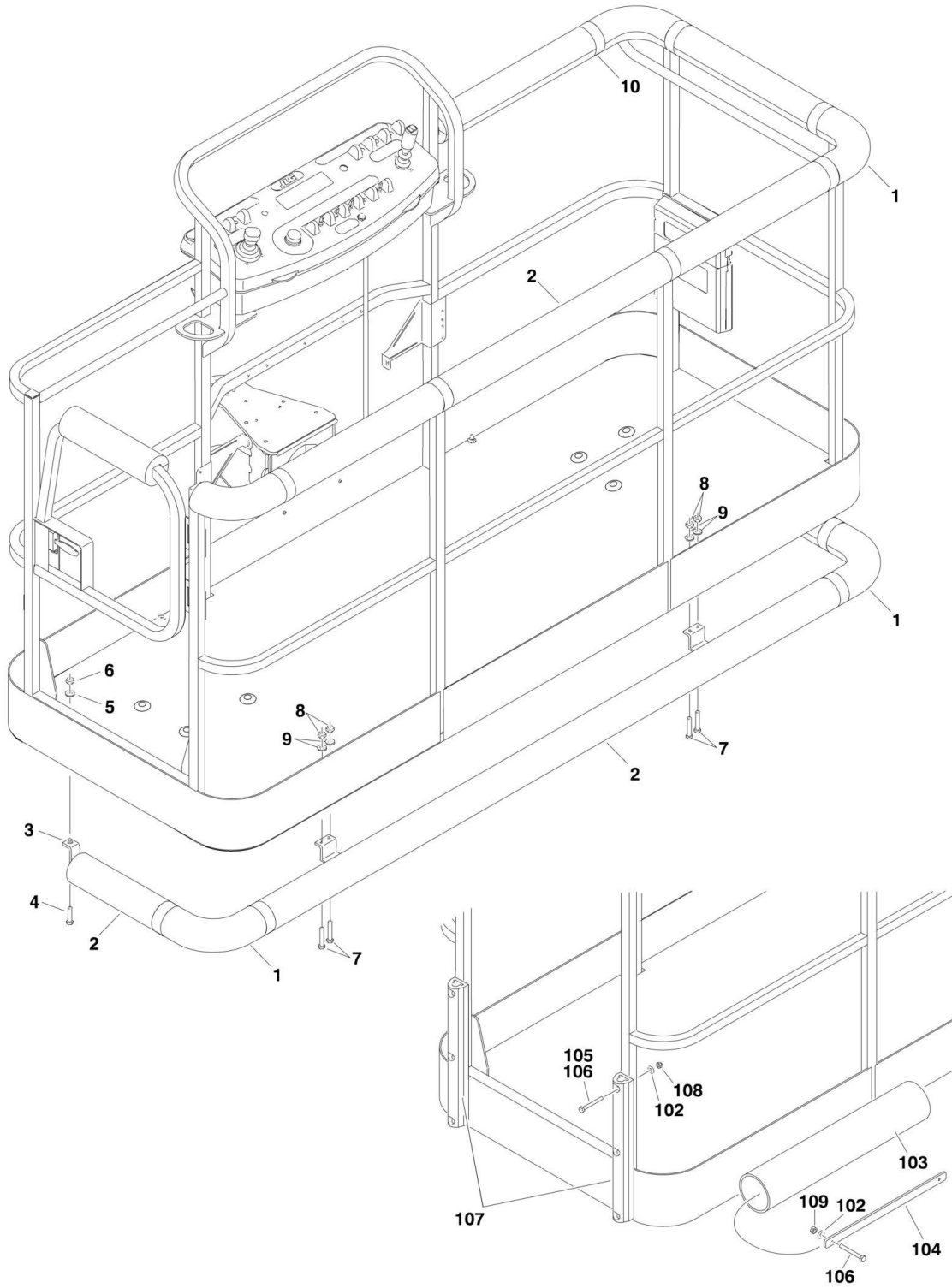
ITEM	PART NUMBER	QTY	DESCRIPTION	REV
		Ref	SOFT TOUCH SYSTEM INSTALLATIONS	
	0273824	Ref	6ft Platforms (Side Entry Platform)	A
	0272427	Ref	8ft Platforms (Side Entry Platform)	E
	0274927	Ref	6Ft/1.8m Platforms (Fall Arrest Platform) (USA Built Machines) (SN 0300087000 through 0300136518)	A
	1001108256	Ref	6Ft/1.8m Platforms (Fall Arrest Platform) (USA Built Machines) (SN 0300136519 through 0300171769)	A
	0273706	Ref	8Ft/2.4m Platforms (Fall Arrest Platform)	A
		Ref	Note: For Overhead Soft Touch, See SPECIAL OPTIONS SECTION.	
1	0100011	AR	Compound, Locking	
2	0200048	2	Arm, Switch	
3	0630462	8	Bolt, Carriage	
4	0641414	8	Bolt 1/4in-20NC x 1-3/4in	
5	0721005	4	Bolt #10-24NC x 5/8in	
6		Ref	Bumper Kits (Includes Corners and Enough Straight Material for One Platform)	
6	0940134	1	6ft Platforms (Side Entry Platform)	
6	0940103	1	8ft Platforms (Side Entry Platform)	
6	0940177	1	6Ft/1.8m Platforms (Fall Arrest Platform)	
6	0940133	1	8Ft/2.4m Platforms (Fall Arrest Platform)	
6	0940092	1	Bumper (Corner) Options:	
6	0940092	12	Standard Side Entry Platform	
6	0940092	8	Fall Arrest Platforms	
6	0940094	AR	Bumper	
7	1060341	Ref	Cable, Electrical - 16/2 Options:	
7	1060341	22 ft/6.7m	6ft Platform	
7	1060341	23 ft/7m	8ft Platform	
8	1060903	4	Wire Rope and Eyebolt Assembly	
9	1702938	1	Decal - Soft Touch Override	
10	3311401	8	Nut 1/4in-20NC	
11	3311501	8	Nut 5/16in-18NC	
12		Ref	Plate, Switch Strike Options:	
12	3575359	2	6ft Platform	
12	3574091	2	8ft Platform	
13	4240099	7	Tie-Strap	
14	4360057	2	Switch, Limit	
15	4360387	1	Switch, Push Button	
16	4420068	1	Tape, Adhesive	
17	4460049	2	Connector, Strain Relief	
18	4460234	7	Tie-Strap	
19	4460425	1	Connector, Strain Relief	
20	4751400	8	Flatwasher 1/4in Regular	
21	4751500	12	Flatwasher 5/16in Regular	
22	4751800	8	Flatwasher 1/2in Regular	
23		Ref	Rail, Soft Touch Options:	
23	3641569	1	6ft Platform	
23	4846673	1	8ft Platform	
100		Ref	Soft Touch Add-on Kit Options (Includes required components to add option to existing machines) (Not Shown):	
		Ref	Note: May not be available for all machines depending on	

SECTION 4 - PLATFORM

ITEM	PART NUMBER	QTY	DESCRIPTION	REV
			existing options. Contact JLG Parts Dept before ordering.	
100	1001121592	1	3ft x 6ft (.9m x 1.83m) Platform	
100	1001121593	1	3ft x 6ft (.9m x 2.44m) Platform	

SECTION 4 - PLATFORM

FIGURE 4-12. PLATFORM BUMPER PADDING INSTALLATIONS (OPTIONAL)



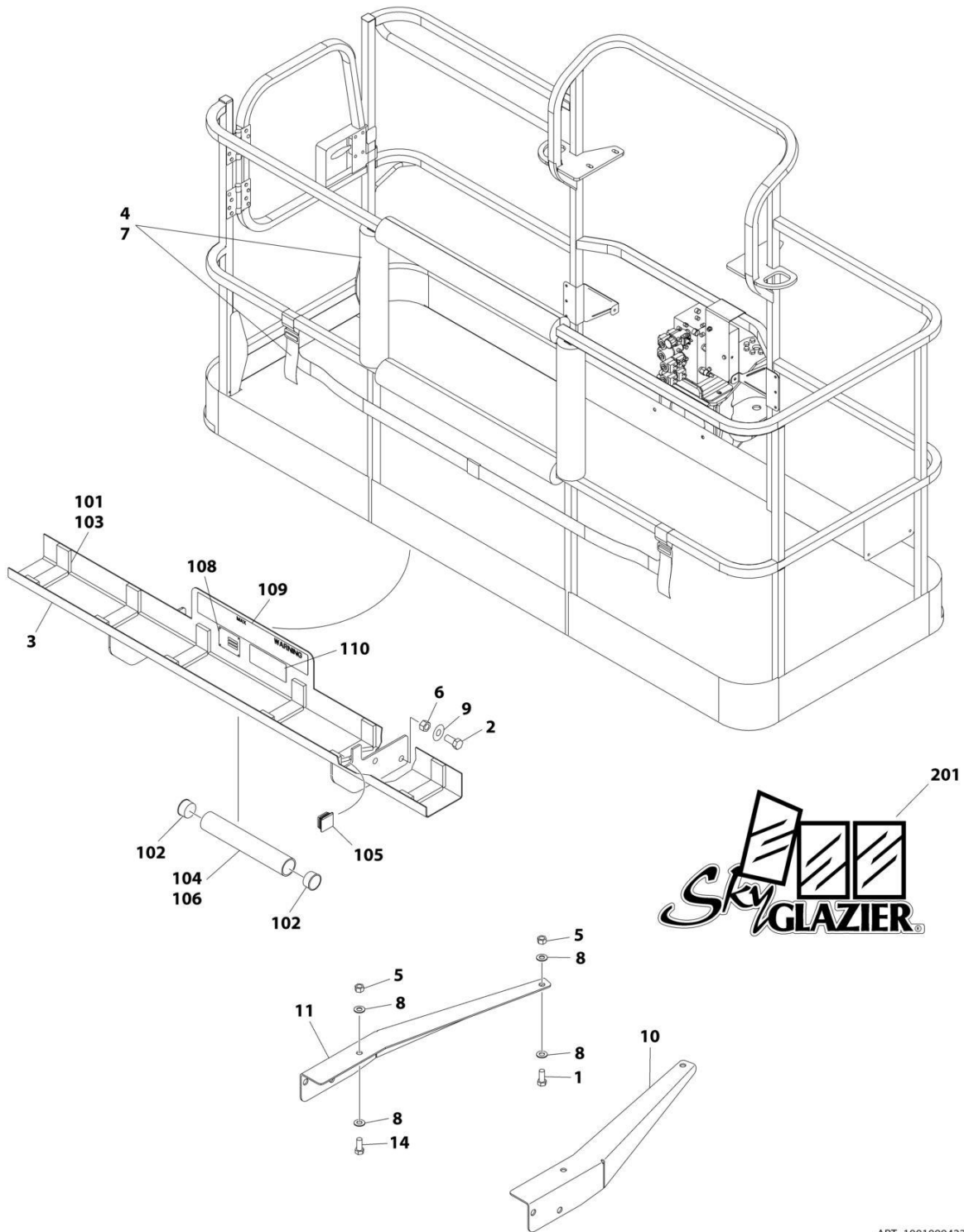
SECTION 4 - PLATFORM

FIGURE 4-12. PLATFORM BUMPER PADDING INSTALLATIONS (OPTIONAL)

ITEM	PART NUMBER	QTY	DESCRIPTION	REV
	0273542	Ref	PADDING INSTALLATION	A
1	0940092	4	Bumper, Pad (Corner)	
2	0940094	9 ft/2.7m	Bumper, Pad (Square Tubing)	
3	0940131	1	Bumper, Rail	
4	0641516	2	Bolt 5/16in-18NC x 2in	
5	4751500	2	Flatwasher 5/16in	
6	3311505	2	Locknut 5/16in-18NC	
7	0641813	4	Bolt 1/2in-13NC x 1-5/8in	
8	3311805	4	Locknut 1/2in-13NC	
9	4891800	4	Flatwasher 1/2in (Hardened)	
10	4420068	30 ft/9.1m	Tape	
	1001110982	Ref	BUMPER INSTALLATION	D
102	4711400	10	Flatwasher 1/4in Thin	
103	1001110979	3	Bumper	
104	1001110980	3	Clamp, Bumper	
105	0100011	AR	Compound, Locking	
106	0641418	10	Bolt 1/4in-20NC x 2-1/4in	
107	0940159	2	Bumper	
108	3300430	4	Nut, Acorn 1/4in-20NC	
109	3311405	6	Locknut 1/4in-20NC	

SECTION 4 - PLATFORM

FIGURE 4-13. SKYGLAZIER INSTALLATION



ART_1001099422

SECTION 4 - PLATFORM

FIGURE 4-13. SKYGLAZIER INSTALLATION

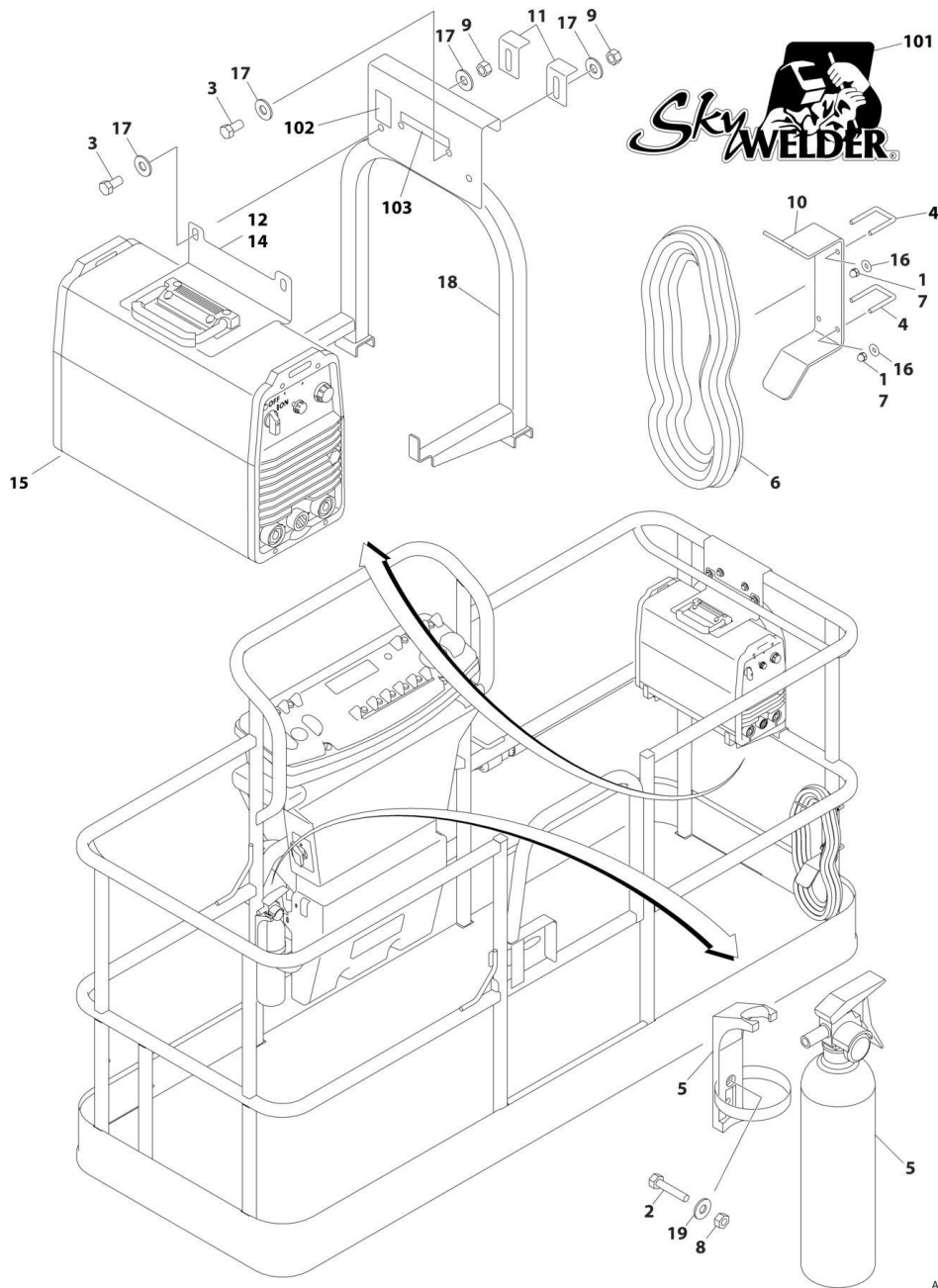
ITEM	PART NUMBER	QTY	DESCRIPTION	REV
	0272395	Ref	SKYGLAZIER INSTALLATION (ANSI AND CSA SPECS) (USA BUILT MACHINES) (SN 0300087000 through 0300124131)	3
	1001099376	Ref	SKYGLAZIER INSTALLATION (ANSI AND CSA SPECS) (USA BUILT MACHINES) (SN 0300124132 through 0300131101)	B
	1001101422	Ref	SKYGLAZIER INSTALLATION (ANSI AND CSA SPECS) (USA BUILT MACHINES) (SN 0300131102 through 0300171769)	C
	1001101422	Ref	SKYGLAZIER INSTALLATION (AUSTRALIAN SPECS WITHOUT LSS)	C
	1001102647	Ref	SKYGLAZIER INSTALLATION (AUSTRALIAN SPECS WITH LSS)	C
	0272955	Ref	SKYGLAZIER INSTALLATION (BRAZIL SPECS) (USA BUILT MACHINES) (SN 0300087000 through 0300124131)	3
	1001099422	Ref	SKYGLAZIER INSTALLATION (BRAZIL SPECS) (SN 0300124132 through 0300171769)	C
	0272387	Ref	SKYGLAZIER INSTALLATION (LATIN AMERICAN SPECS) (USA BUILT MACHINES) (SN 0300087000 through 0300124131)	3
	1001099421	Ref	SKYGLAZIER INSTALLATION (LATIN AMERICAN SPECS) (SN 0300124132 through 0300171769)	C
		Ref	Note: Only Available on 600S for Brazil and Latin American Specs. Available on 600S & 660SJ for ANSI, ANSI Export, Australian and CSA Specs.	
1	0642012	2	Bolt 5/8 x 1-1/2	
1	0642026	2	Bolt 5/8 x 3-1/4	
2	0642212	4	Bolt 3/4 x 1-1/2	
3	0272391	NLA	Tray Assembly (Use p/n 1001101421) (All Spec except Brazil and Latin American Specs) (See Items 101-110 for Breakdown) (SN 0300087000 through 0300131101)	
3	1001101421	1	Tray Assembly (All Spec except Brazil and Latin American Specs) (See Items 101-110 for Breakdown) (SN 0300131102 through 0300171769)	
3	0272951	1	Tray Assembly (Brazil Spec) (See Items 101-110 for Breakdown)	
3	0272948	1	Tray Assembly (Latin American Spec) (See Items 101-110 for Breakdown)	
4	2902212	1	Bumpers and Strap Kit	
4	0940102	1	Bumper Only	
4	4240149	1	Strap Only	
5	3312005	4	Nut 5/8	
5	1001149924	AR	Nut, Plastic 5/8	
6	3312205	4	Nut 3/4	
7	4420014	AR	Tape	
8	4712000	6	Washer 5/8	
9	4712200	8	Washer 3/4	
10	1001099366	1	Support	
11	1001099367	1	Support	
14	8310129	2	Bolt 5/8 x 2-1/2	
14	0642026	2	Bolt 5/8 x 3-1/4	
14	8310230	2	Bolt 5/8 x 4	
	0272391	Ref	TRAY ASSEMBLY (ALL SPECS EXCEPT BRAZIL AND LATIN AMERICAN SPECS) (SN 0300087000 through 0300131101)	3
	1001101421	Ref	TRAY ASSEMBLY (ALL SPECS EXCEPT BRAZIL AND LATIN AMERICAN SPECS) (SN 0300131102 through 0300171769)	E
	0272951	Ref	TRAY ASSEMBLY (BRAZIL SPECS)	E
	0272948	Ref	TRAY ASSEMBLY (LATIN AMERICAN SPECS)	E
101	0100081	AR	Adhesive	

SECTION 4 - PLATFORM

ITEM	PART NUMBER	QTY	DESCRIPTION	REV
102	1120555	2	Cap, Tube	
103	3340956	1	Pad Kit	
104	3460334	1	Tube	
105	3520071	2	Plug	
106	4420066	AR	Tape, Double Sided	
108	See Note	NSS	Nameplate - Serial Number (Note: Not Available for Purchase)	
109	1001163131	1	Decal - Glazier Capacity (All Specs except Brazil and Latin American Specs)	
109	1001163297	2	Decal - Glazier Capacity (Brazil Specs)	
109	1001163296	2	Decal - Glazier Capacity (Latin American Specs)	
110	1701509	2	Decal - Manual	
	0272418	Ref	SKYGLAZIER DECAL INSTALLATION	
201	1705358	2	Decal - SkyGlazier	

SECTION 4 - PLATFORM

FIGURE 4-14. SKYWELDER INSTALLATION (50HZ)



ART_0272521

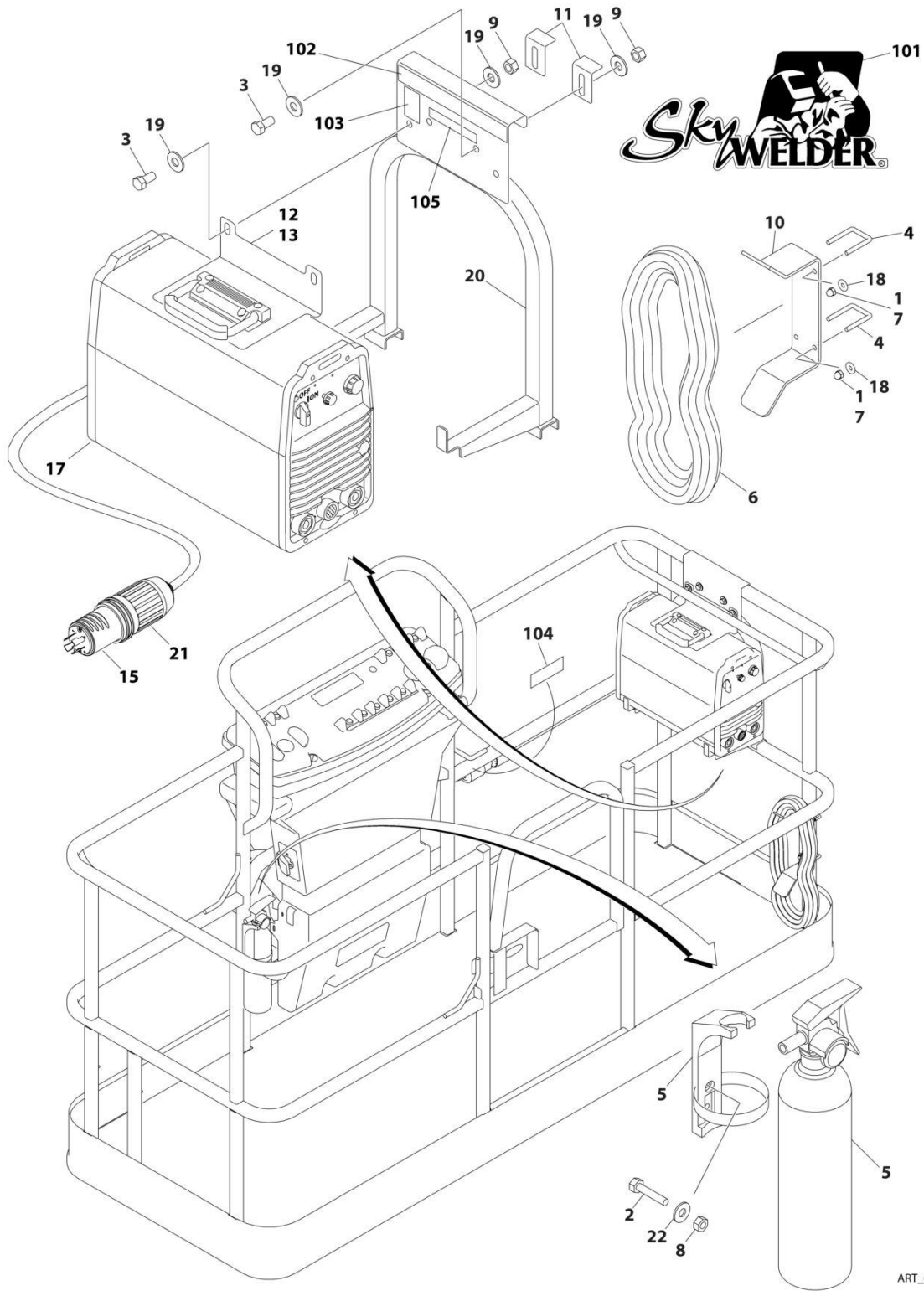
SECTION 4 - PLATFORM

FIGURE 4-14. SKYWELDER INSTALLATION (50HZ)

ITEM	PART NUMBER	QTY	DESCRIPTION	REV	
	0272521	Ref	SKYWELDER INSTALLATION (50HZ) Note: USA Built Machines ANSI Export, Australian, CE and Japanese Specs Only. Note: China Built Machines ANSI Export, Australian and China Spec Only	F	
		Ref			
		Ref			
1	0100011	AR	Compound, Locking		
2	0630518	2	Screw #10 x 3/4		
3	0641606	4	Bolt 3/8 x 3/4		
4	1320302	2	U-Clamp		
5	2030010	1	Extinguisher, Fire		
6	2902217	1	Weld Leads Kit		
7	3300151	4	Nut 1/4		
8	3311005	2	Nut #10		
9	3311605	4	Nut 3/8		
10	3573400	1	Bracket		
11	3577121	2	Angle		
12	3573642	1	Plate		
13	4240099	AR	Tie-Strap (Not Shown)		
14	4420037	AR	Tape		
15	4530028	1	Welder Assembly (See WELDER ASSEMBLY for Breakdown)		
16	4751400	4	Washer 1/4		
17	4751600	8	Washer 3/8		
18	4846627	1	Support		
19	4751000	2	Washer #10		
	0272588	Ref	SKYWELDER DECAL INSTALLATION	B	
101	1705355	2			Decal - SkyWelder
102	1705305	1			Decal - Weld Lead
103	1705466	NLA			Decal - Weight (Use p/n 1001228988)

SECTION 4 - PLATFORM

FIGURE 4-15. SKYWELDER INSTALLATION (60HZ)



ART_0272254

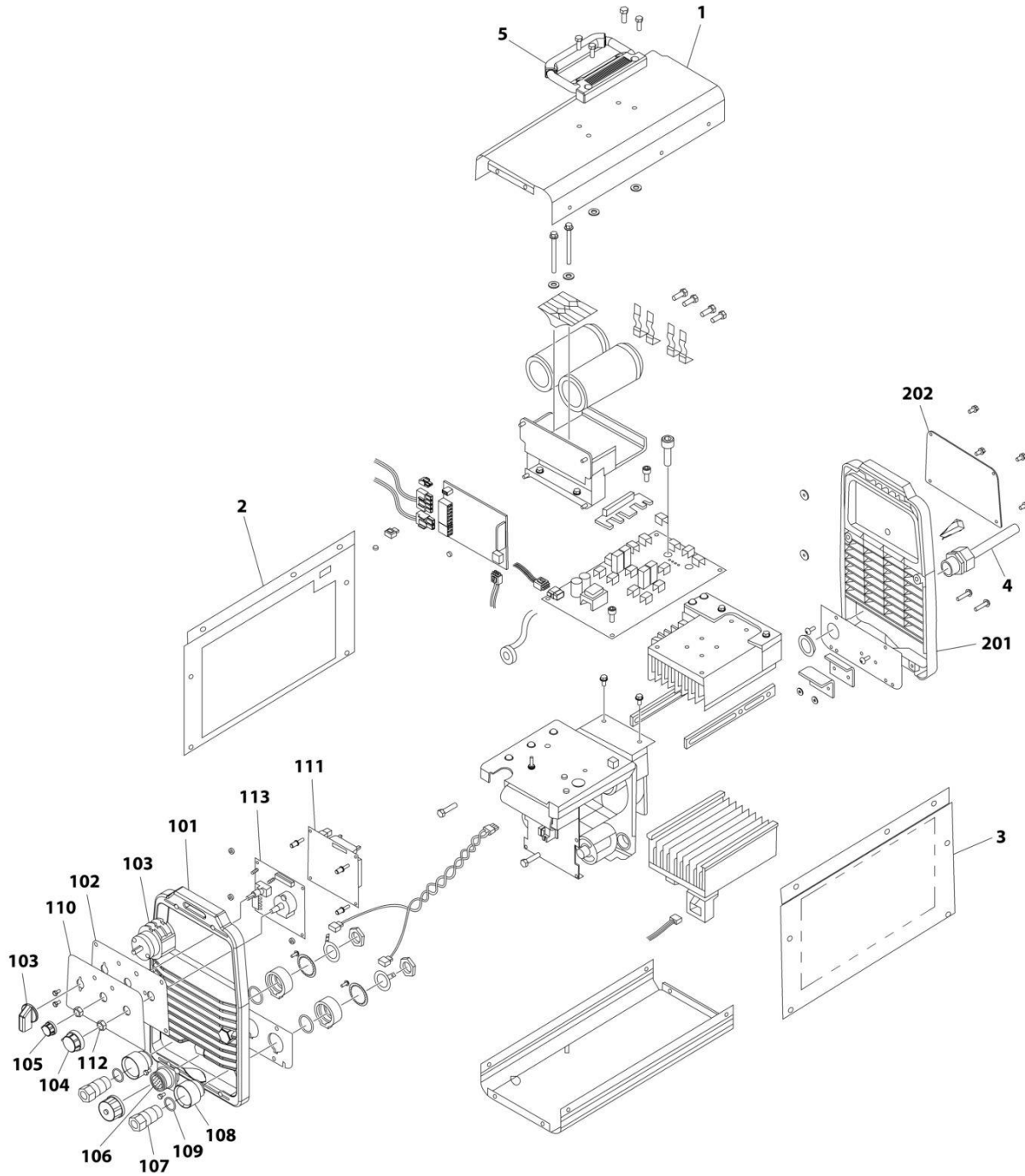
SECTION 4 - PLATFORM

FIGURE 4-15. SKYWELDER INSTALLATION (60HZ)

ITEM	PART NUMBER	QTY	DESCRIPTION	REV
	0272254	Ref	SKYWELDER INSTALLATION (60HZ)	I
		Ref	Note: USA Built Machines ANSI, ANSI Export and CSA Specs Only.	
		Ref	Note: China Built Machines ANSI Export and China Spec Only.	
1	0100011	AR	Compound, Locking	
2	0630518	2	Screw #10 x 3/4	
3	0641606	4	Bolt 3/8 x 3/4	
4	1320302	2	U-Clamp	
5	2030010	1	Extinguisher, Fire	
6	2902217	1	Weld Leads Kit	
7	3300151	4	Nut 1/4	
8	3311005	2	Nut #10	
9	3311605	4	Nut 3/8	
10	3573400	1	Bracket	
11	3577121	2	Angle	
12	3573642	1	Plate	
13	4420037	AR	Tape	
14	4240099	AR	Tie-Strap (Not Shown)	
15	4460962	1	Plug, Male Twistlock	
17	4530028	1	Welder Assembly (See WELDER ASSEMBLY for Breakdown)	
18	4751400	4	Washer 1/4	
19	4751600	8	Washer 3/8	
20	4846627	1	Support	
21	1671093	1	Cover, Plug	
22	4751000	2	Washer #10	
	0272448	Ref	SKYWELDER DECAL INSTALLATION	B
101	1705355	2	Decal - SkyWelder	
102	1702868	1	Decal - No Hands	
103	1705305	1	Decal - Weld Lead	
104	1705375	1	Decal - 240V - 3 Phase - 60Hz	
105	1705466	NLA	Decal - Weight (Use p/n 1001228988)	

SECTION 4 - PLATFORM

FIGURE 4-16. WELDER ASSEMBLY



ART_4530028

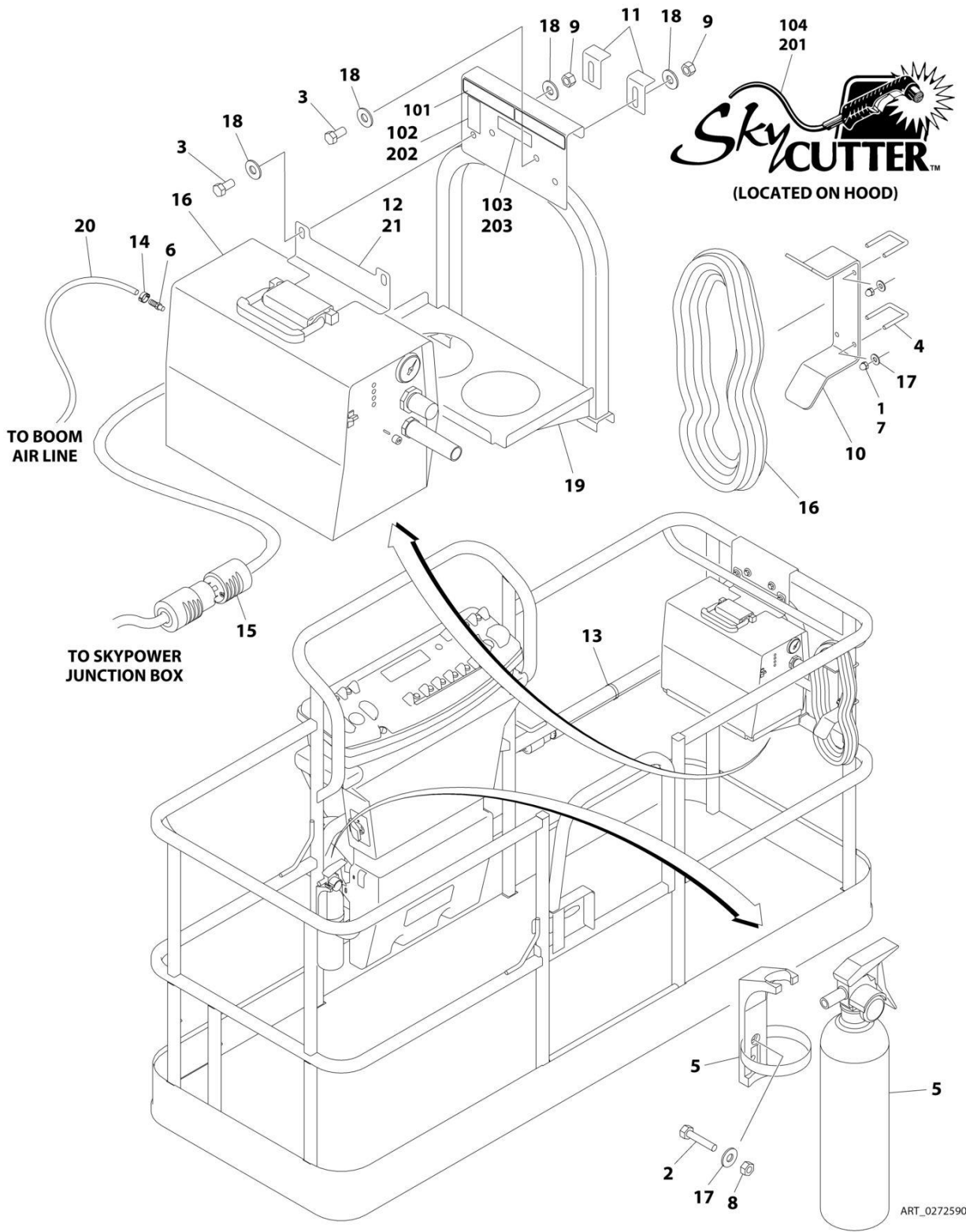
SECTION 4 - PLATFORM

FIGURE 4-16. WELDER ASSEMBLY

ITEM	PART NUMBER	QTY	DESCRIPTION	REV
	4530028	Ref	WELDER ASSEMBLY	B
		Ref	Note: For Other Components, contact your Miller Welder Dealer.	
1	7027773	1	Cover, Top	
1	7027774	1	Decal - Static Precautionary Warning	
2	See Note	NSS	Panel, LH Side (Note: Part of Item 1. Purchase Item 1)	
3	See Note	NSS	Panel, RH Side (Note: Part of Item 1. Purchase Item 1)	
4	7024467	1	Cable, Power	
4	7027775	1	Decal - Electrical Shock Warning (Not Shown)	
5	7027776	1	Handle, Carrying	
101	7024462	1	Panel, Front	
102	7024463	1	Panel, Console	
103	7024469	1	Switch with Lead	
104	7024470	1	Knob	
105	7024471	1	Knob	
106	7024472	1	Receptacle with Leads and Plugs	
107	7024473	2	Receptacle, Twistlock Female	
108	7024474	2	Insulator	
109	7024475	2	O-Ring	
110	7027777	1	Nameplate	
111	7027779	1	Circuit Card Assembly (Process Control)	
112	7024478	2	Nut	
113	7027778	1	Circuit Card Assembly (Operator Interface)	
201	7024462	1	Panel, Rear	
202	7027780	1	Panel, Cover	

SECTION 4 - PLATFORM

FIGURE 4-17. SKYCUTTER INSTALLATION



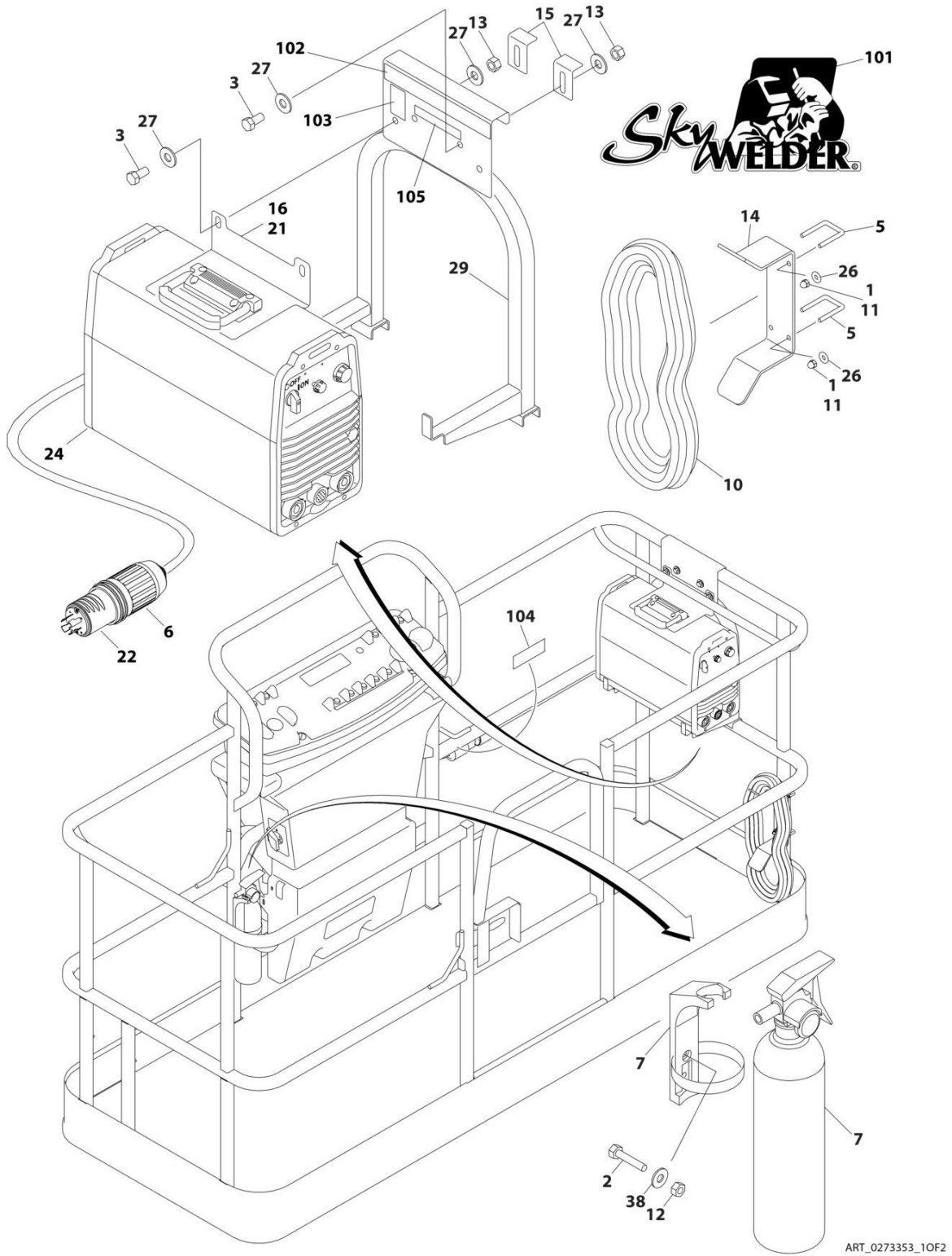
SECTION 4 - PLATFORM

FIGURE 4-17. SKYCUTTER INSTALLATION

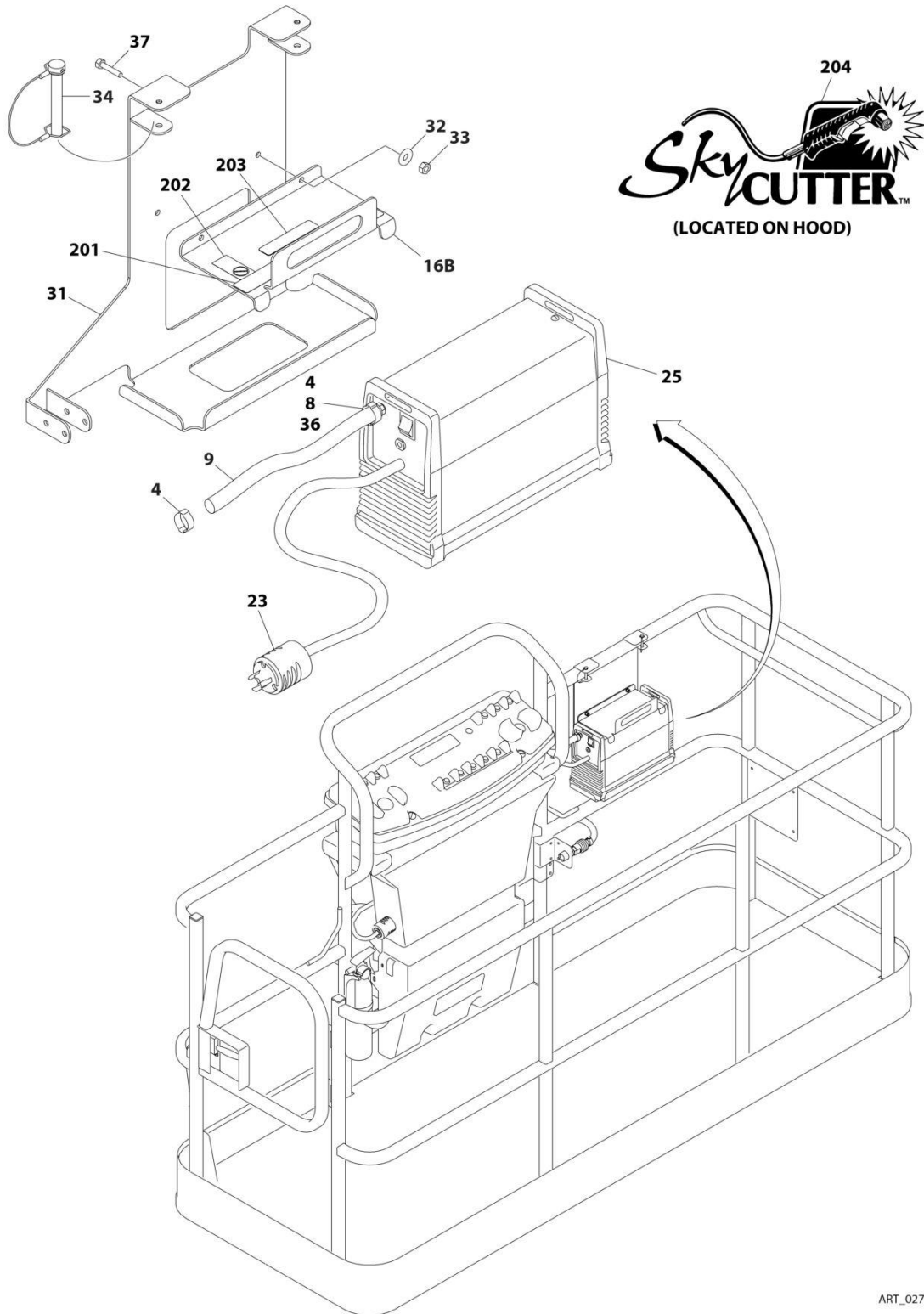
ITEM	PART NUMBER	QTY	DESCRIPTION	REV
		Ref	SKYCUTTER INSTALLATION	
	0272590	Ref	SkyCutter Installation - 60Hz Power Supply	D
	0272606	Ref	SkyCutter Installation - 50Hz Power Supply	D
		Ref	Note: When replacing platform on machines with SkyCutter option, new bracket p/n 1001145405 must be purchased to accommodate SkyCutter components.	
1	0100011	AR	Compound, Locking	
2	0641406	2	Bolt 1/4 x 3/4	
3	0641606	4	Bolt 3/8 x 3/4	
4	1320302	2	Clamp	
5	2030010	1	Extinguisher, Fire	
6	2180832	1	Fitting, NPT/Barbed	
7	3300151	4	Nut 1/4	
8	3311405	2	Nut 1/4	
9	3311605	4	Nut 3/8	
10	3573400	1	Bracket, Cable	
11	3573641	2	Plate, Clamp (Use p/n 3577121)	
12	3573643	1	Plate, Top Support	
13	4240099	AR	Tie, Wire	
14	1320177	2	Clamp, Hose	
15	4460971	1	Plug, Twistlock	
16	4530024	1	Plasma Cutter Assembly - 60Hz Power Supply (See PLASMA CUTTER ASSEMBLY for Breakdown)	
16	4530025	1	Plasma Cutter Assembly - 50Hz Power Supply (See PLASMA CUTTER ASSEMBLY for Breakdown)	
17	4751400	6	Washer 1/4	
18	4751600	8	Washer 3/8	
19	4846571	1	Support	
20	2720160	4 ft/1.2m	Hose	
21	4420037	AR	Tape, Insulation	
	0272599	Ref	SKYCUTTER DECAL INSTALLATION (ANSI, ANSI Export and CSA Specs)	A
101	1702868	1	Decal - No Hands (60Hz Power Supply Only)	
102	1705305	1	Decal - Weld Lead	
103	1705466	1	Decal - Weight	
104	1705490	2	Decal - SkyCutter	
	0272607	Ref	SKYCUTTER DECAL INSTALLATION (JAPANESE SPECS)	A
201	1705490	2	Decal - SkyCutter	
202	1705305	1	Decal - Weld Lead	
203	1705466	1	Decal - Weight	

SECTION 4 - PLATFORM

FIGURE 4-18. SKYCUTTER INSTALLATION



SECTION 4 - PLATFORM



ART_0273353_20F2

SECTION 4 - PLATFORM

FIGURE 4-18. SKYCUTTER INSTALLATION

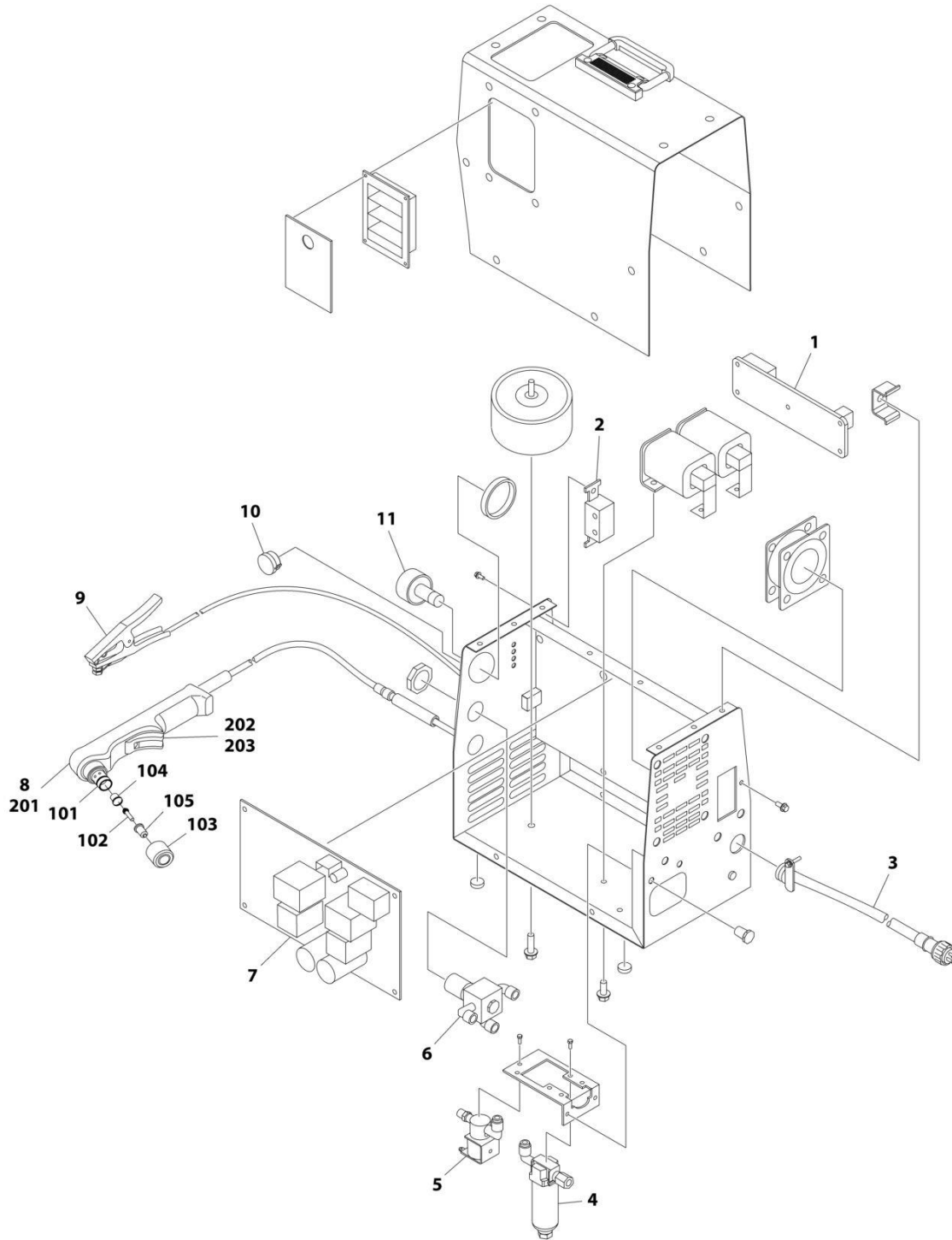
ITEM	PART NUMBER	QTY	DESCRIPTION	REV
		Ref	SKYCUTTER INSTALLATIONS	
	1001098149	Ref	50Hz/60Hz Power Supply	D
	0273353	Ref	60Hz SkyWelder/SkyCutter Combo	G
		Ref	Note: USA Built Machines ANSI, ANSI Export and CSA Spec Only.	
		Ref	Note: China Built Machines ANSI Export and China Specs Only.	
		Ref	Note: Not Available on 600S Shipyard Machines.	
1	0100011	AR	Compound, Locking	
2	0641406	2	Bolt 1/4 x 3/4	
2	0630518	2	Screw #10 x 3/4	
3	0641606	4	Bolt 3/8 x 3/4	
4	1320177	2	Clamp	
5	1320302	2	Clamp	
6	1671093	1	Cover, Plug (SkyWelder/SkyCutter Combo Only)	
7	2030010	1	Extinguisher, Fire	
8	2180832	1	Fitting, Barbed/NPT	
9		Ref	Hose Options:	
9	2720160	4.5 ft/ 1.37m	0273353 Installation	
9	2720160	3 ft/ 0.9m	1001098149 Installation	
10	2902217	1	Weld Leads Kit	
11	3300151	4	Nut 1/4	
12	3311405	2	Nut 1/4	
12	3311005	2	Nut #10	
13	3311605	4	Nut 3/8	
14	3573400	1	Bracket	
15	3573641	NLA	Angle (Use p/n 3577121)	
16		Ref	Plate Options:	
16A	3573642	1	0273353 Installation	
16B	3576799	1	1001098149 Installation	
20	4240099	AR	Tie-Strap (Not Shown)	
21	4420037	2.36 ft/ 0.71m	Tape	
22		Ref	Plug, Twist Lock Options:	
22	4460971	1	1001098149 Installation	
22	4460962	1	0273353 Installation	
23	4460971	1	Plug, Twist Lock	
24	4530028	1	Welder Assembly (See WELDER ASSEMBLY for Breakdown)	
25	1001098012	1	Plasma Cutter Assembly (See PLASMA CUTTER ASSEMBLY for Breakdown)	
26	4751400	4	Washer 1/4	
27	4751600	8	Washer 3/8	
29	4846627	1	Support	
31	4341301	1	Bracket (Use p/n 1001145405)	
32	4811700	2	Washer M6	
33	3290605	2	Nut M6	
34	3421453	3	Pin	
36	0100020	1	Sealant	
37	4010608	2	Screw M6 x 16	
38	4751400	2	Washer 1/4	

SECTION 4 - PLATFORM

ITEM	PART NUMBER	QTY	DESCRIPTION	REV
38	4751000	2	Washer #10	
	0272448	Ref	SKYWELDER DECAL INSTALLATION	
101	1705355	2	Decal - SkyWelder	
102	1702868	1	Decal - No Hands	
103	1705305	1	Decal - Weld Leads	
104	1705375	1	Decal - 240V - 3 Phase - 60Hz	
105	1705466	NLA	Decal - Weight (Use p/n 1001228988)	
	0272599	Ref	SKYCUTTER DECAL INSTALLATION	
201	1702868	1	Decal - No Hands	
202	1705305	1	Decal - Weld Leads	
203	1705466	NLA	Decal - Weight (Use p/n 1001228988)	
204	1705490	2	Decal - SkyCutter	

SECTION 4 - PLATFORM

FIGURE 4-19. PLASMA CUTTER ASSEMBLY



ART_4530024

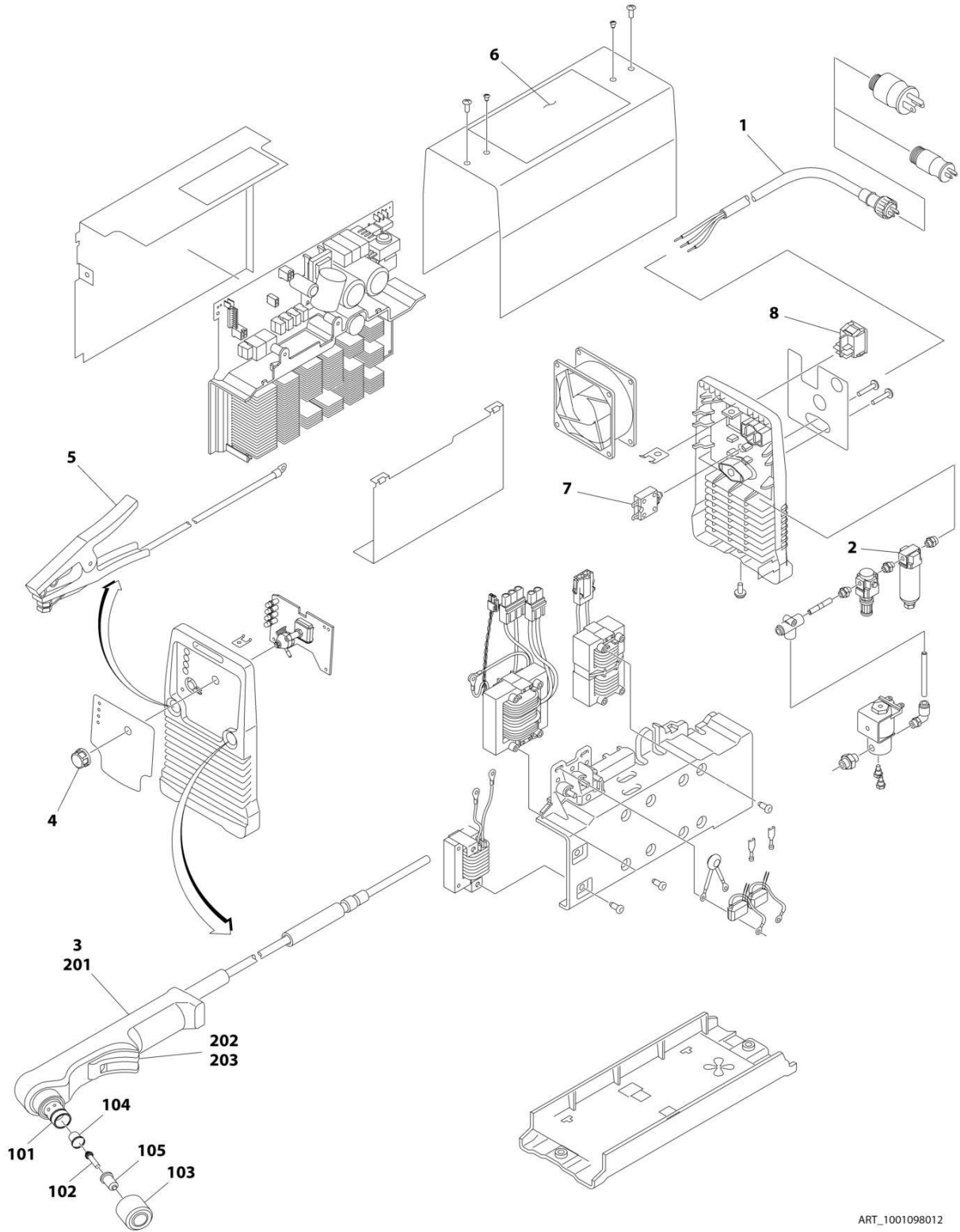
SECTION 4 - PLATFORM

FIGURE 4-19. PLASMA CUTTER ASSEMBLY

ITEM	PART NUMBER	QTY	DESCRIPTION	REV
		Ref	PLASMA CUTTER ASSEMBLY	
	4530024	Ref	Plasma Cutter Assembly - 60Hz Power Supply	D
	4530025	Ref	Plasma Cutter Assembly - 50Hz Power Supply	D
		Ref	Note: For other components see your Miller Welder Dealer.	
1	7024519	1	Circuit Card - 60Hz Power Supply	
1	7024538	1	Circuit Card - 50Hz Power Supply	
2	7024520	1	Switch	
3	7024521	10 ft/3m	Cable, Power - 60Hz Power Supply	
3	7024539	10 ft/3m	Cable, Power - 50Hz Power Supply	
4	7024522	1	Filter, Air	
5	7024523	1	Valve, Air - 60Hz Power Supply	
5	7024540	1	Valve, Air - 50Hz Power Supply	
6	7024524	1	Regulator, Air	
7	7024525	1	Circuit Card - 60Hz Power Supply	
7	7024541	1	Circuit Card - 50Hz Power Supply	
8	7024526	1	Torch Assembly (See Items 101-203 for Breakdown)	
9	7024527	1	Clamp	
10	7024528	1	Knob	
11	7024529	1	Gauge, Air	
	7024526	Ref	TORCH ASSEMBLY	
101	7024530	1	O-Ring	
102	7024531	1	Electrode	
103	7024532	1	Cup, Retaining	
104	7024533	1	Swirl Ring	
105	7024534	1	Tip	
201	7024535	1	Handle, Torch	
202	7024536	1	Switch	
203	7024537	1	Trigger	

SECTION 4 - PLATFORM

FIGURE 4-20. PLASMA CUTTER ASSEMBLY



ART_1001098012

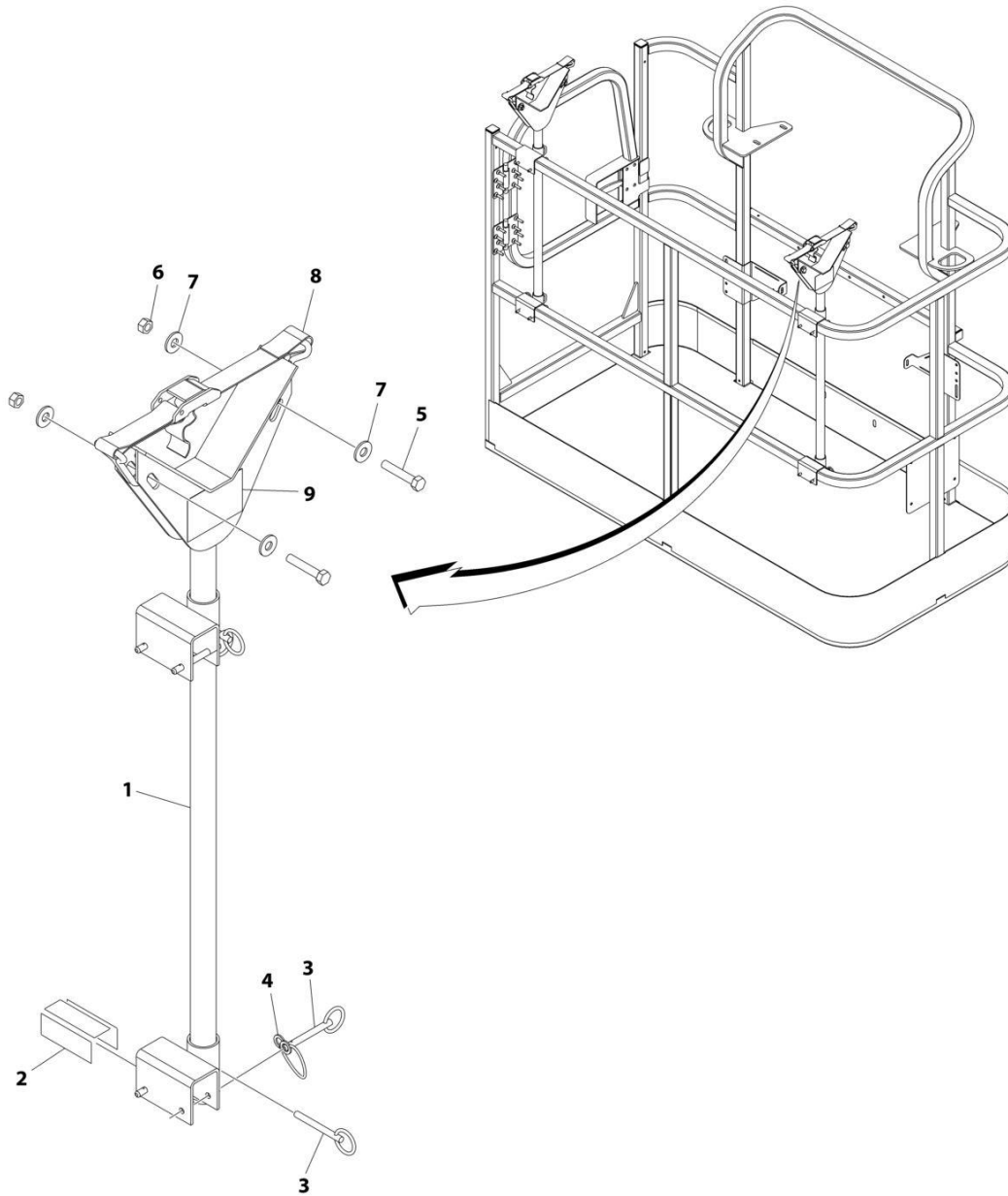
SECTION 4 - PLATFORM

FIGURE 4-20. PLASMA CUTTER ASSEMBLY

ITEM	PART NUMBER	QTY	DESCRIPTION	REV
	1001098012	Ref	PLASMA CUTTER ASSEMBLY	A
		Ref	Note: For Other Components, contact your Miller Welder Dealer.	
1	70001424	1	Cable, Power	
1	70001425	1	Decal - Voltage Warning	
2	70001427	1	Filter, Regulator	
3	70001428	1	Torch Assembly (See Items 101-203 for Breakdown)	
4	7024471	1	Knob	
5	70001429	1	Clamp with Cable	
6	70001430	1	Decal - Caution	
7	70001431	1	Breaker, Circuit	
8	70001432	1	Switch, Rocker	
	70001428	Ref	TORCH ASSEMBLY	
101	7024530	1	O-Ring	
102	7024531	1	Electrode	
103	7024532	1	Cup, Retaining	
104	7024533	1	Swirl Ring	
105	7024534	1	Tip	
201	7024535	1	Handle, Torch	
202	7024536	1	Switch	
203	7024537	1	Trigger	

SECTION 4 - PLATFORM

FIGURE 4-21. PIPE RACKS INSTALLATION



ART_0257728

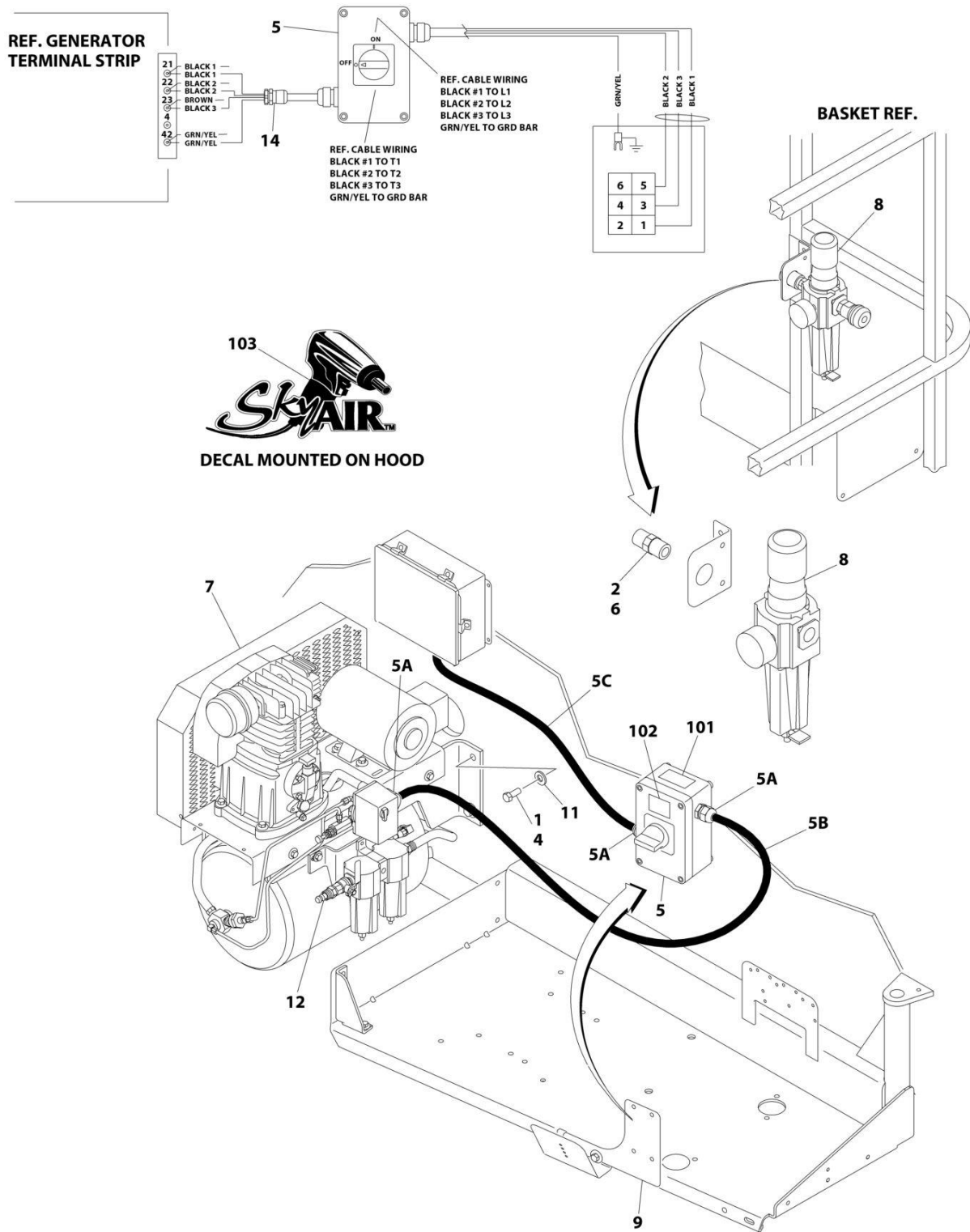
SECTION 4 - PLATFORM

FIGURE 4-21. PIPE RACKS INSTALLATION

ITEM	PART NUMBER	QTY	DESCRIPTION	REV
	0257728	Ref	PIPE RACK INSTALLATION (ANSI AND CSA SPECS)	2/C
	0274661	Ref	PIPE RACK INSTALLATION (AUSTRALIAN SPECS)	1/A
		Ref	Note: USA Built Machines ANSI, Australian and CSA Specs Only.	
1	4845582	2	Rack, Pipe	
2	4420062	AR	Tape	
3	3422661	10	Pin	
4	1060379	4	Lanyard	
5	0641514	4	Bolt 5/16 x 1-3/4	
6	3311505	4	Nut 5/16	
7	4751500	8	Washer 5/16	
8	0480100	2	Tie-Down	
9	1703683	2	Decal - Capacity (ANSI and CSA Specs)	
9	1706510	2	Decal - Capacity (Australian Specs)	

SECTION 4 - PLATFORM

FIGURE 4-22. SKYAIR AIR COMPRESSOR INSTALLATION



ART_0273450

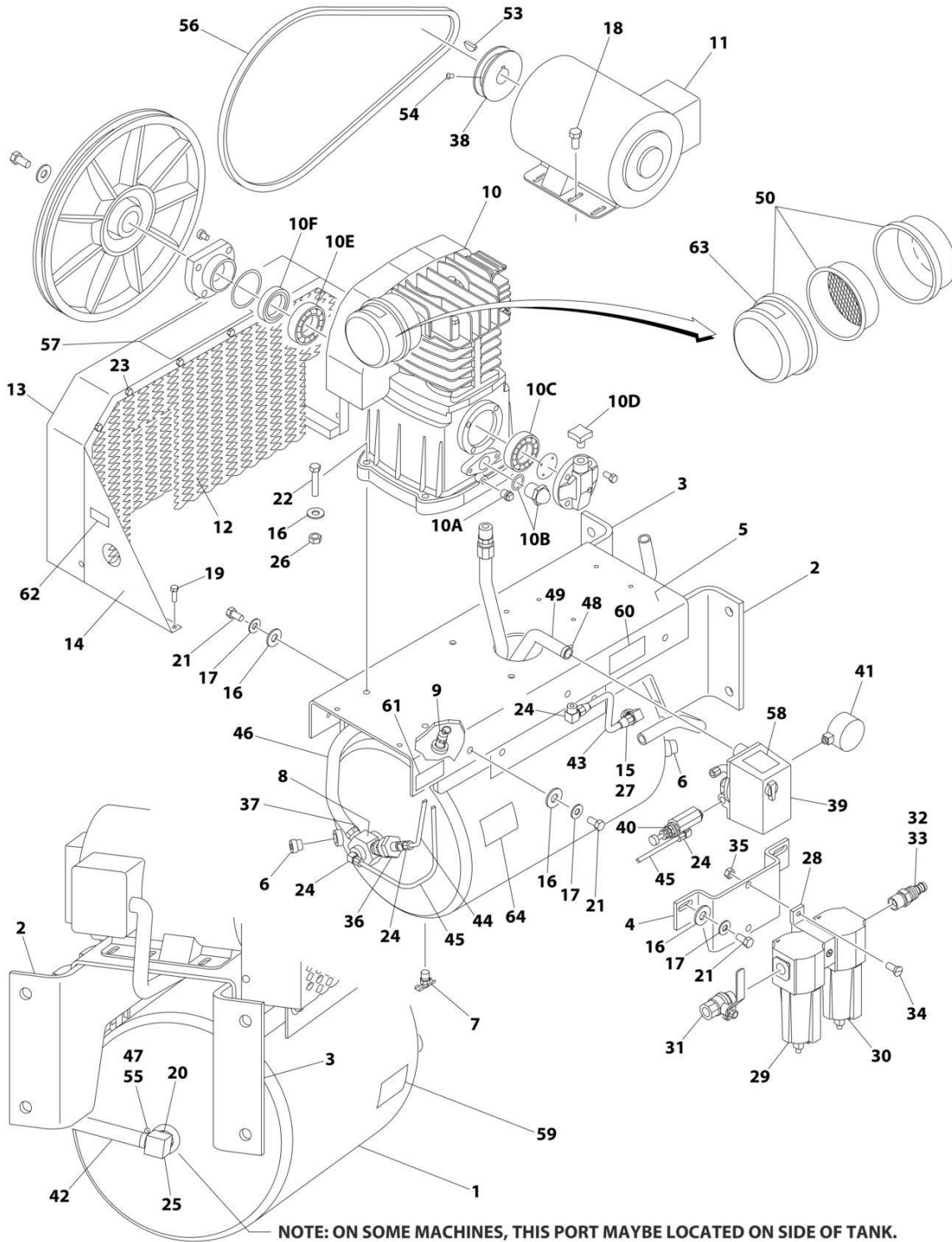
SECTION 4 - PLATFORM

FIGURE 4-22. SKYAIR AIR COMPRESSOR INSTALLATION

ITEM	PART NUMBER	QTY	DESCRIPTION	REV
	0273450	Ref	SKYAIR AIR COMPRESSOR INSTALLATION	D
		Ref	Note: ANSI, ANSI Export, China and CSA Specs Only.	
		Ref	Note: Not Available on 600S Shipyard Machines.	
		Ref	Note: Only Available on 60Hz Machines.	
1	0100019	AR	Compound, Locking	
2	0100020	AR	Sealant	
4	0641810	4	Bolt 1/2 x 1-1/4	
5	0861642	1	Control Box Assembly	
5A	4460633	3	Connector, Strain Relief	
5B	70002948	AR	Cable, Electrical - 12/4 (13ft/4m)	
5C	70002948	AR	Cable, Electrical - 12/4 (30in/76cm)	
6	2220252	1	Fitting, Adapter	
7	3600386	1	Compressor Assembly (See AIR COMPRESSOR ASSEMBLY for Breakdown)	
8	3720021	1	Filter/Regulator Assembly	
8	7027781	1	Service Kit (Includes Gaskets and Seals)	
8	7027782	1	Filter	
8	7027784	1	Gauge	
8	7027783	1	Valve, Drain	
9	4340747	1	Bracket, Control Box	
11	4751800	4	Washer 1/2	
12	2220750	1	Fitting	
14	4460428	1	Connector, Strain Relief	
	0273687	Ref	DECAL INSTALLATION	A
101	1705836	1	Decal - Hazard Voltage	
102	1705837	1	Decal - Air Compressor	
103	1705886	2	Decal - SkyAir	

SECTION 4 - PLATFORM

FIGURE 4-23. AIR COMPRESSOR ASSEMBLY



NOTE: ON SOME MACHINES, THIS PORT MAYBE LOCATED ON SIDE OF TANK.

ART_3600386

SECTION 4 - PLATFORM

FIGURE 4-23. AIR COMPRESSOR ASSEMBLY

ITEM	PART NUMBER	QTY	DESCRIPTION	REV
	3600386	Ref	AIR COMPRESSOR ASSEMBLY	B
1	7026632	1	Tank	
2	See Note	1	Bracket, Mounting (Note: Not Available for Purchase)	
3	See Note	1	Bracket, Mounting (Note: Not Available for Purchase)	
4	See Note	1	Bracket, Regulator Mounting (Note: Not Available for Purchase)	
5	See Note	1	Deck (Note: Not Available for Purchase)	
6	See Note	2	Plug (Note: Not Available for Purchase)	
7	7026633	1	Valve, Drain	
8	7026634	1	Valve, Check	
9	7026635	1	Valve, Safety	
10	7026636	1	Pump Assembly	
10	7026659	1	Gasket and Seal Kit	
10A	7026651	1	Plug, Oil Drain	
10B	7026652	1	Gauge, Oil Sight	
10C	7026653	1	Bearing	
10D	7026654	1	Cap, Oil Fill	
10E	7026655	1	Bearing	
10F	7026656	1	Seal	
11	7026637	1	Motor Assembly	
11	See Note	1	Brush Kit (Note: Not Available for Purchase)	
12	See Note	1	Screen, Inner (Note: Not Available for Purchase)	
13	See Note	1	Guard, Belt (Note: Not Available for Purchase)	
14	See Note	2	Support (Note: Not Available for Purchase)	
15	See Note	1	Bushing (Note: Not Available for Purchase)	
16	4751600	18	Washer 3/8	
17	4761600	10	Washer 3/8	
18	0641506	4	Bolt 5/16 x 3/4	
19	0641406	8	Bolt 1/4 x 3/4	
20	See Note	1	Bushing (Note: Not Available for Purchase)	
21	0641610	10	Bolt 3/8 x 1-1/4	
22	0641616	4	Bolt 3/8 x 2	
23	See Note	10	Bolt 1/4 x 1/2 (Note: Not Available for Purchase)	
24	See Note	4	Fitting (Note: Not Available for Purchase)	
25	See Note	1	Fitting, Barbed (Note: Not Available for Purchase)	
26	3311605	4	Nut 3/8	
27	See Note	1	Fitting, Compression (Note: Not Available for Purchase)	
28	See Note	1	Bracket, Mounting (Note: Not Available for Purchase)	
29	7026660	1	Filter, Oil Removal	
30	7026661	1	Filter, Water Removal	
31	70001663	1	Valve, Ball Shut-Off	
32	See Note	1	Bushing (Note: Not Available for Purchase)	
33	See Note	1	Fitting, Barbed (Note: Not Available for Purchase)	
34	See Note	2	Screw 1/4 x 1 (Note: Not Available for Purchase)	
35	3311405	2	Nut 1/4	
36	See Note	1	Unloader (Note: Not Available for Purchase)	
37	See Note	1	Fitting (Note: Not Available for Purchase)	
38	See Note	1	Pulley (Note: Not Available for Purchase)	
39	7026638	1	Switch, Pressure	
40	7026639	1	Valve, Pilot	
41	7026640	1	Gauge	

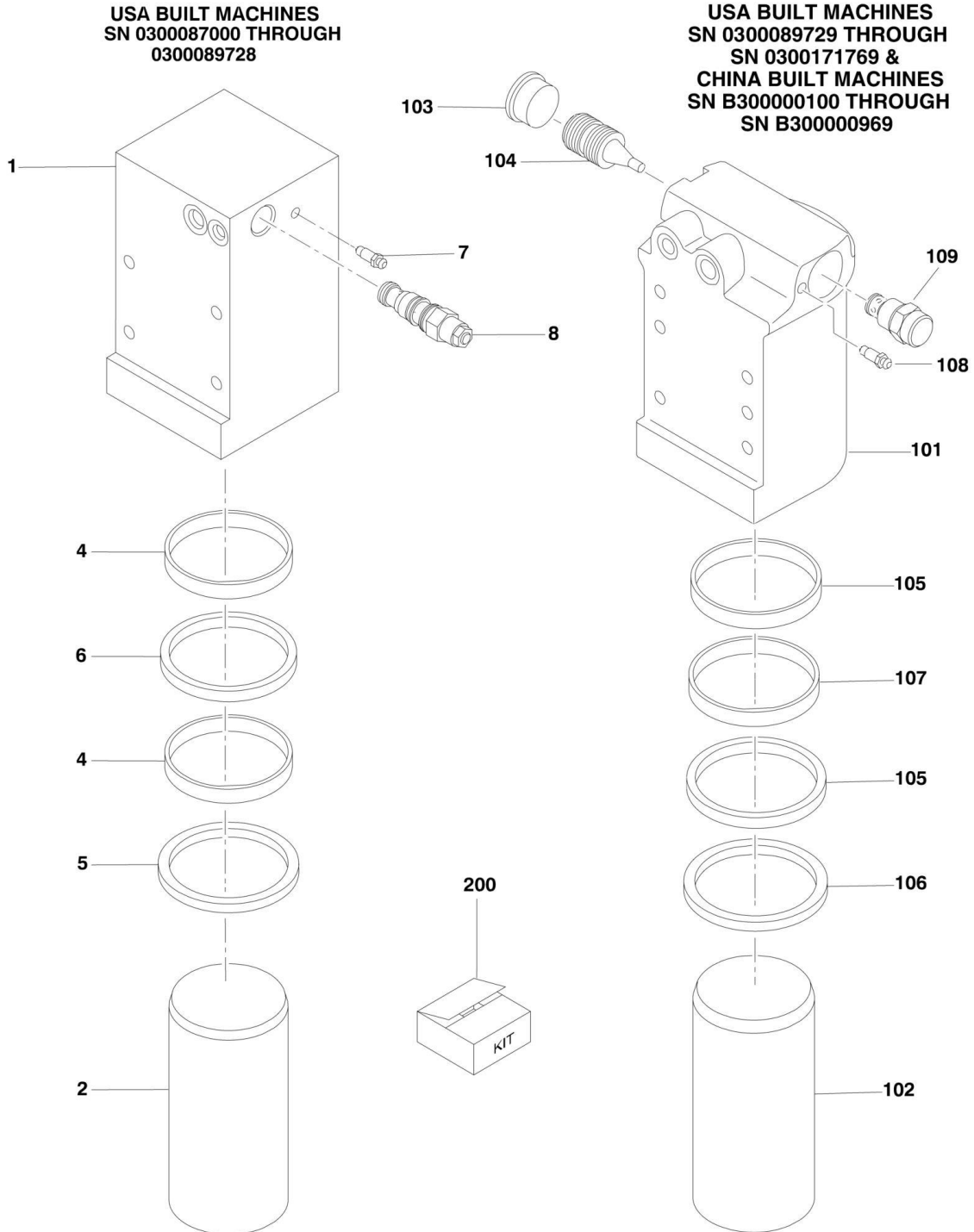
SECTION 4 - PLATFORM

ITEM	PART NUMBER	QTY	DESCRIPTION	REV
42	See Note	1	Hose (Note: Not Available for Purchase)	
43	See Note	1	Tube, Feed (Note: Not Available for Purchase)	
44	See Note	1	Tube (Note: Not Available for Purchase)	
45	See Note	1	Tube (Note: Not Available for Purchase)	
46	See Note	1	Aftercooler (Note: Not Available for Purchase)	
47	See Note	2	Clamp (Note: Not Available for Purchase)	
48	See Note	2	Clamp (Note: Not Available for Purchase)	
49	See Note	1	Harness, Wiring (Note: Not Available for Purchase)	
50	7026658	1	Filter Assembly	
50	7026641	1	Element, Filter	
51	See Note	23 oz	Oil, Compressor (Note: Not Available for Purchase) (Not Shown)	
52	0100020	AR	Sealant (Not Shown)	
53	See Note	1	Key (Note: Not Available for Purchase)	
54	See Note	2	Setscrew (Note: Not Available for Purchase)	
55	See Note	2	Cover, Clamp End (Note: Not Available for Purchase)	
56	7026642	1	Belt	
57	7026643	1	Decal - Unit Warning	
58	7026644	1	Decal - Pressure Switch Warning	
59	7026645	1	Decal - Drain Tank Warning	
60	7026646	1	Decal - Compressor Maintenance	
61	7026647	1	Decal - Initial Oil Fill	
62	7026648	1	Decal - Hot Surfaces Warning	
63	7026649	1	Decal - Paper Element Cleaning	
64	7026650	1	Decal - Dual Control	

SECTION 5 - CYLINDER

SECTION 5 - CYLINDER

FIGURE 5-1. AXLE LOCKOUT CYLINDER ASSEMBLY



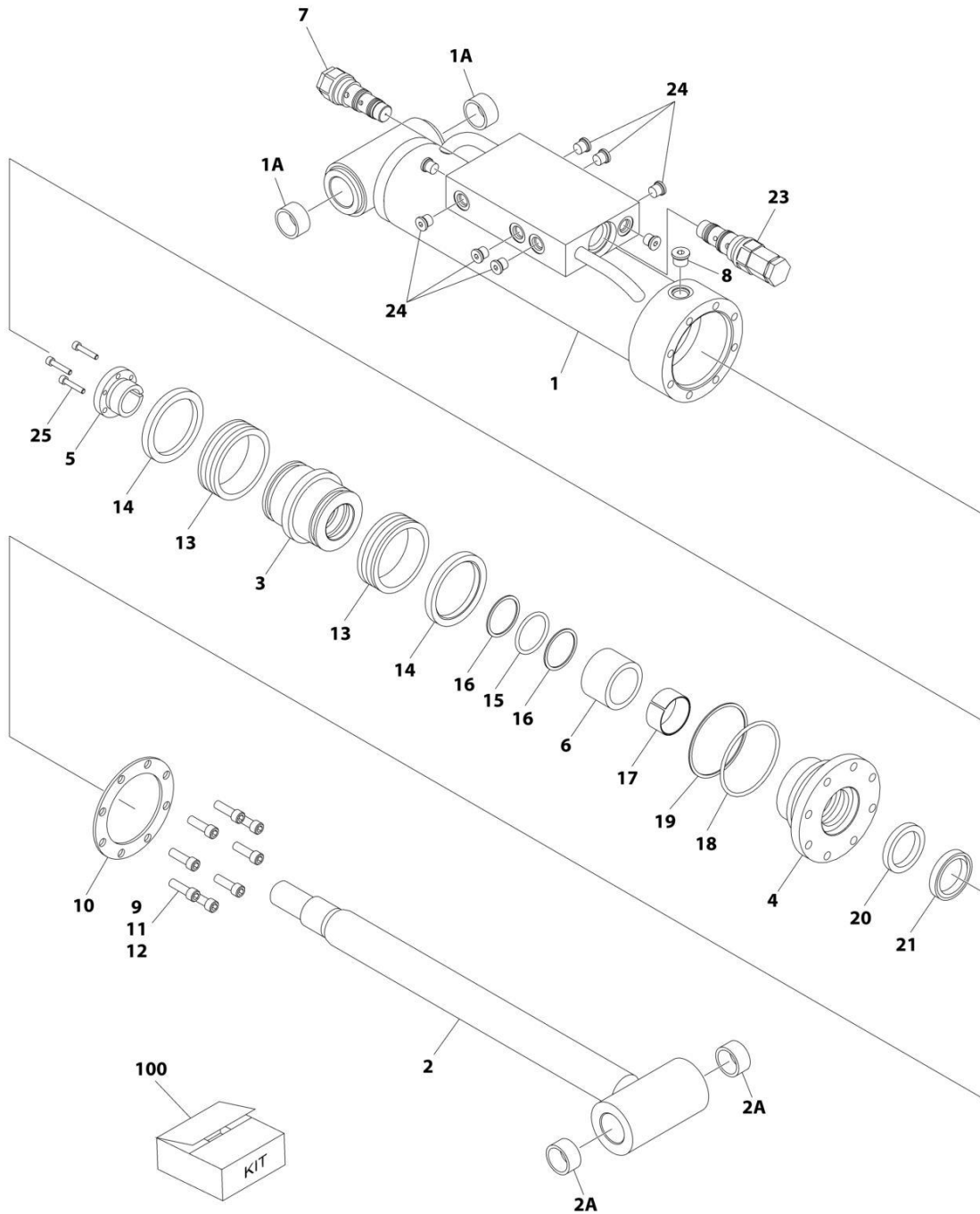
SECTION 5 - CYLINDER

FIGURE 5-1. AXLE LOCKOUT CYLINDER ASSEMBLY

ITEM	PART NUMBER	QTY	DESCRIPTION	REV
	1684280	Ref	AXLE LOCKOUT CYLINDER ASSEMBLY (USA BUILT MACHINES) (SN 0300087000 through 0300089728)	G
		Ref	Note: Service Kit p/n 1001167359 may have been installed as a Service Replacement. Kit uses p/n 1684465 Cylinder. In kit has been installed, Use Item 101-109 for Service	
1	1684289	1	Barrel	
2	1684290	1	Rod	
4	See Note	NSS	Ring, Wear (Note: Use Item 200)	
5	See Note	NSS	Wiper (Note: Use Item 200)	
6	See Note	NSS	Seal, Rod (Note: Use Item 200)	
7	4640476	1	Bleeder	
8	4641319	1	Cartridge, Valve	
8	7024879	1	Seal Kit - 4641319 Cartridge	
	1684465	Ref	AXLE LOCKOUT CYLINDER ASSEMBLY (USA BUILT MACHINES) (SN 0300089729 through 0300171769)	G
	1684465	Ref	AXLE LOCKOUT CYLINDER ASSEMBLY (CHINA BUILT MACHINES) (SN B300000100 through B300000969)	G
101	0370026	1	Barrel	
102	1684290	1	Rod	
103	2220890	1	Plug	
104	3480288	1	Piston, Pilot	
105	See Note	NSS	Ring, Wear (Note: Use Item 200)	
106	See Note	NSS	Wiper (Note: Use Item 200)	
107	See Note	NSS	Seal, Rod (Note: Use Item 200)	
108	4640858	1	Bleeder	
109	4641390	1	Cartridge, Valve	
109	7017496	1	Seal Kit - 4641390 Cartridge	
		Ref	SEAL KIT OPTIONS	
200	2902266	1	Seal Kit (Includes Items 4-6 or 105-107. Seals are the same)	

SECTION 5 - CYLINDER

FIGURE 5-2. LEVEL CYLINDER ASSEMBLY - PLATFORM SLAVE



ART_1001223512

SECTION 5 - CYLINDER

FIGURE 5-2. LEVEL CYLINDER ASSEMBLY - PLATFORM SLAVE

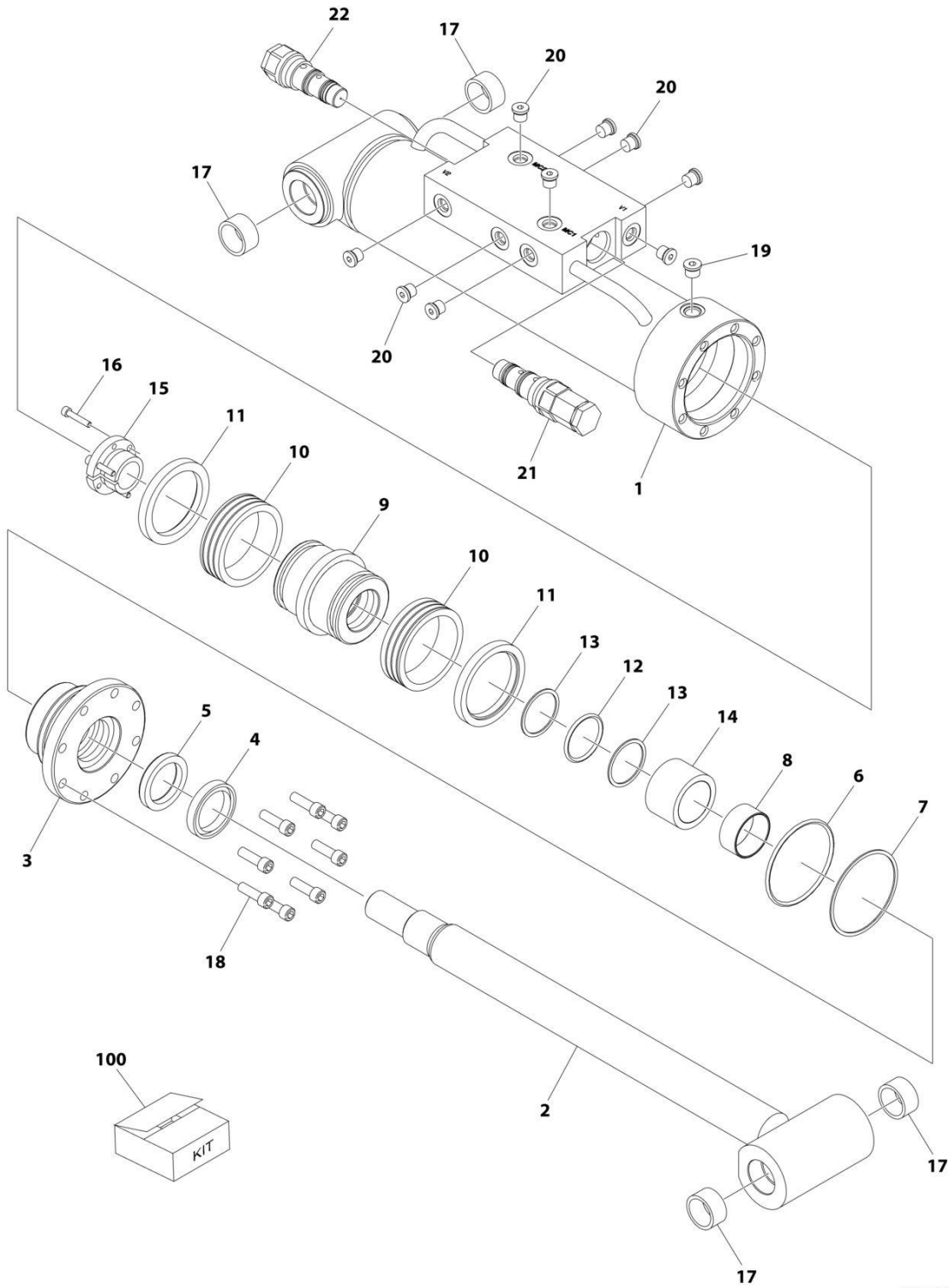
ITEM	PART NUMBER	QTY	DESCRIPTION	REV
	1683415	Ref	LEVEL CYLINDER ASSEMBLY - 600S (ORIGINAL EQUIPMENT)	G
	1001223512	Ref	LEVEL CYLINDER ASSEMBLY - 600S (SERVICE REPLACEMENT)	A
	1683418	Ref	LEVEL CYLINDER ASSEMBLY - 600SJ & 660SJ (ORIGINAL EQUIPMENT)	I
	1001223331	Ref	LEVEL CYLINDER ASSEMBLY - 600SJ & 660SJ (SERVICE REPLACEMENT)	A
		Ref	Note: 600S Only China Built Machines SN B300000817 to SN B300000859 use cylinder p/n 1001140591. For replacement components contact JLG Parts Dept	
		Ref	Note: Original Cylinder May Have Been Replaced with Service Replacement. Identify PN Stamped on Cylinder Before Ordering Parts.	
1		Ref	Barrel Weldment	
1	1683977	1	Barrel Weldment 600S (Note: Includes Item 1A)	
1	1001223511	1	Barrel Weldment 600S (1001223512 Cylinder) (Note: Includes Item 1A)	
1	1683952	1	Barrel Weldment 600SJ & 660SJ (Note: Item 1A not included - Purchase Separately)	
1	1001223332	1	Barrel Weldment 660SJ (1001223331 Cylinder) (Note: Item 1A not included - Purchase Separately)	
1A		Ref	Bushing Options:	
1A	0961947	2	Bushing 600S	
1A	0961951	2	Bushing 600SJ & 660SJ	
2		Ref	Rod Weldment Options:	
2	1683976	1	Rod Weldment 600S (Note: Includes Item 2A)	
2	1683963	1	Rod Weldment 600SJ & 660SJ (Note: Item 1A not included - Purchase Separately)	
2A		Ref	Bushing Options:	
2A	0961947	2	Bushing 600S	
2A	0961951	2	Bushing 600SJ & 660SJ	
3		Ref	Piston Options:	
3	3480210	1	Piston 600S	
3	3480188	1	Piston 600SJ & 660SJ	
4		Ref	Head Options:	
4	1683053	1	Head 600S	
4	1683055	1	Head 600SJ & 660SJ	
5		Ref	Bushing, Tapered (Includes Item 25) Options:	
5	0961893	1	Bushing, Tapered 600S	
5	0961894	1	Bushing, Tapered 600SJ & 660SJ	
6	4566468	1	Spacer	
7	4640509	1	Cartridge, Valve	
7	2900792	1	Seal Kit - 4640509 Valve	
8	2220885	1	Plug, O-Ring	
9		Ref	Capscrew, Socket Head Options:	
9	3931516	8	Capscrew, Socket Head 600S - Capscrew 5/16in-18NC x 1in	
9	3931620	8	Capscrew, Socket Head 600SJ & 660SJ - Capscrew 3/8in-16NC x 1-1/4in	
10		Ref	Ring, Washer Options:	
10	3760368	1	Ring, Washer 600S	
10	3760369	1	Ring, Washer 600SJ & 660SJ	
11	0100011	AR	Compound, Locking	

SECTION 5 - CYLINDER

ITEM	PART NUMBER	QTY	DESCRIPTION	REV
12	0100038	AR	Primer, Locking	
13	See Note	NSS	Seal (Note: Use Item 100A or 100B)	
14	See Note	NSS	Ring, Lock (Note: Use Item 100A or 100B)	
15	See Note	NSS	O-Ring (Note: Use Item 100A or 100B)	
16	See Note	NSS	Ring, Back-up (Note: Use Item 100A or 100B)	
17	See Note	NSS	Ring, Wear (Note: Use Item 100A or 100B)	
18	See Note	NSS	O-Ring (Note: Use Item 100A or 100B)	
19	See Note	NSS	Ring, Back-up (Note: Use Item 100A or 100B)	
20	See Note	NSS	Seal, Rod (Note: Use Item 100A or 100B)	
21	See Note	NSS	Wiper (Note: Use Item 100A or 100B)	
23	4640932	1	Cartridge, Valve	
23	7011112	1	Seal Kit - 4640932 Valve	
24	2220883	8	Plug, O-Ring	
25		Ref	Bolt Options:	
25	0630534	3	Bolt 600S - Bolt #10-24NC x 1in	
25	0630535	3	Bolt 600SJ & 660SJ - Bolt 1/4in-20NC x 1-1/8in	
100		Ref	Seal Kit Options (Includes Items 13-21):	
100A	2901303	1	Seal Kit 600S Seal Kit	
100B	2901301	1	Seal Kit 600SJ & 660SJ Seal Kit	

SECTION 5 - CYLINDER

FIGURE 5-3. LEVEL CYLINDER ASSEMBLY - PLATFORM SLAVE - 600S (SERVICE REPLACEMENT)



ART_1001228008

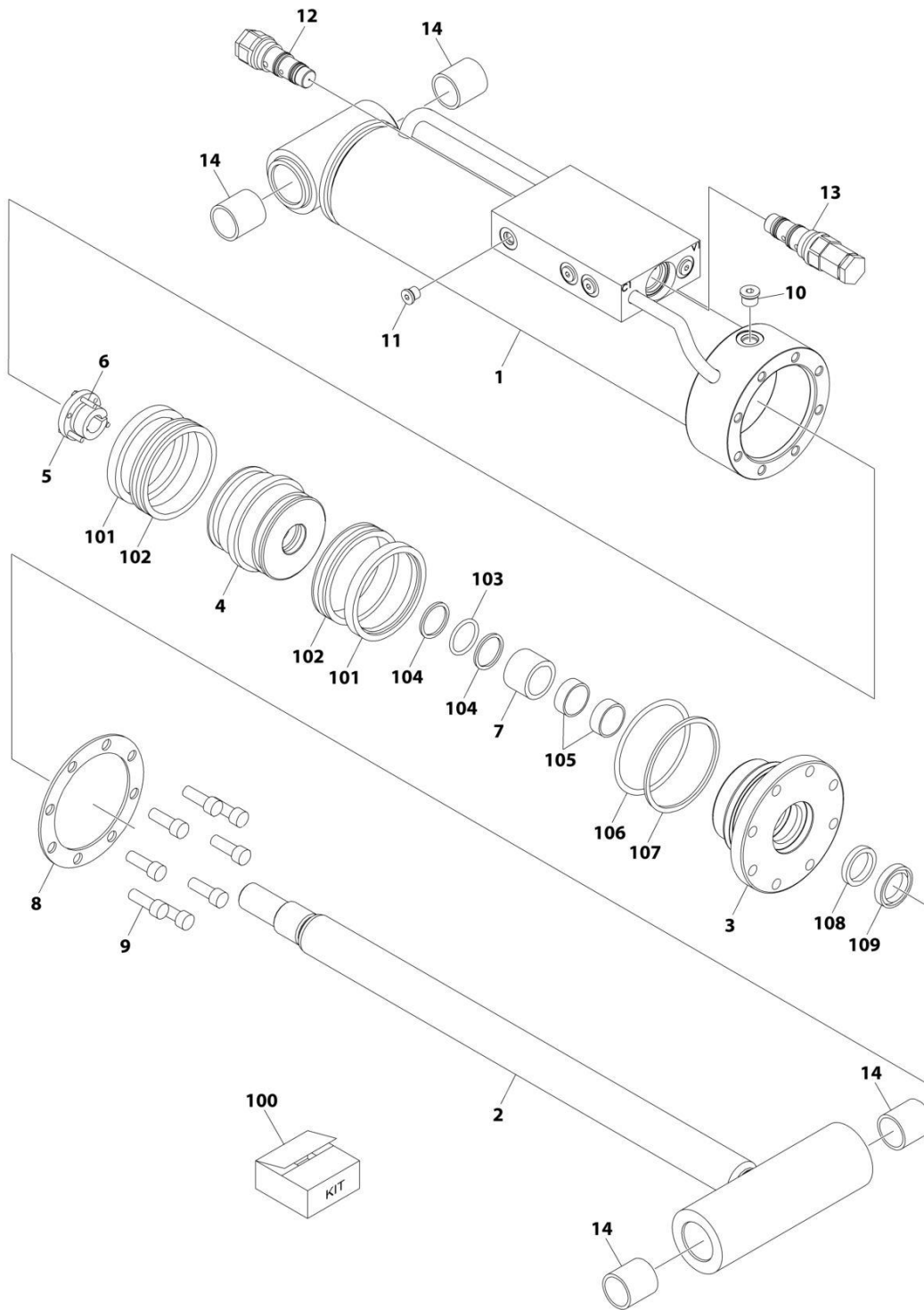
SECTION 5 - CYLINDER

FIGURE 5-3. LEVEL CYLINDER ASSEMBLY - PLATFORM SLAVE - 600S (SERVICE REPLACEMENT)

ITEM	PART NUMBER	QTY	DESCRIPTION	REV
	1001228008	Ref	LEVEL CYLINDER ASSEMBLY - PLATFORM SLAVE	C
		Ref	Note: Original Cylinder may have been replaced with Service Replacement. Identify PN Stamped on Cylinder Before Ordering Parts.	
1	See Note	NSS	Barrel (Note: Use p/n 1001228008)	
2	70006648	1	Rod	
3	70006649	1	Head	
4	See Note	NSS	Wiper (Note: Use Item 100)	
5	See Note	NSS	Seal Rod (Note: Use Item 100)	
6	See Note	NSS	O-Ring (Note: Use Item 100)	
7	See Note	NSS	Ring, Back-up (Note: Use Item 100)	
8	See Note	NSS	Ring, Wear (Note: Use Item 100)	
9	70006650	1	Piston	
10	See Note	NSS	Seal (Note: Use Item 100)	
11	See Note	NSS	Ring, Lock (Note: Use Item 100)	
12	See Note	NSS	O-Ring (Note: Use Item 100)	
13	See Note	NSS	Ring, Back-up (Note: Use Item 100)	
14	70006651	1	Spacer	
15	0961893	1	Bushing, Tapered	
16	0630534	3	Bolt #10 x 1	
17	0961947	4	Bushing	
18	3931516	8	Capscrew, Socket Head	
19	2220885	AR	Plug, O-Ring	
20	2220883	10	Plug, O-Ring	
21	4640932	1	Cartridge, Valve	
21	7011112	1	Seal Kit - 4640932 Valve	
22	4640509	1	Cartridge, Valve	
22	2900792	1	Seal Kit - 4640509 Valve	
100	2901303	1	Seal Kit - 1001228008 Cylinder (Includes Items 4-8 & 10-13)	

SECTION 5 - CYLINDER

FIGURE 5-4. LEVEL CYLINDER ASSEMBLY - PLATFORM SLAVE - 600SJ & 660SJ (SERVICE REPLACEMENT)



ART_1001228051

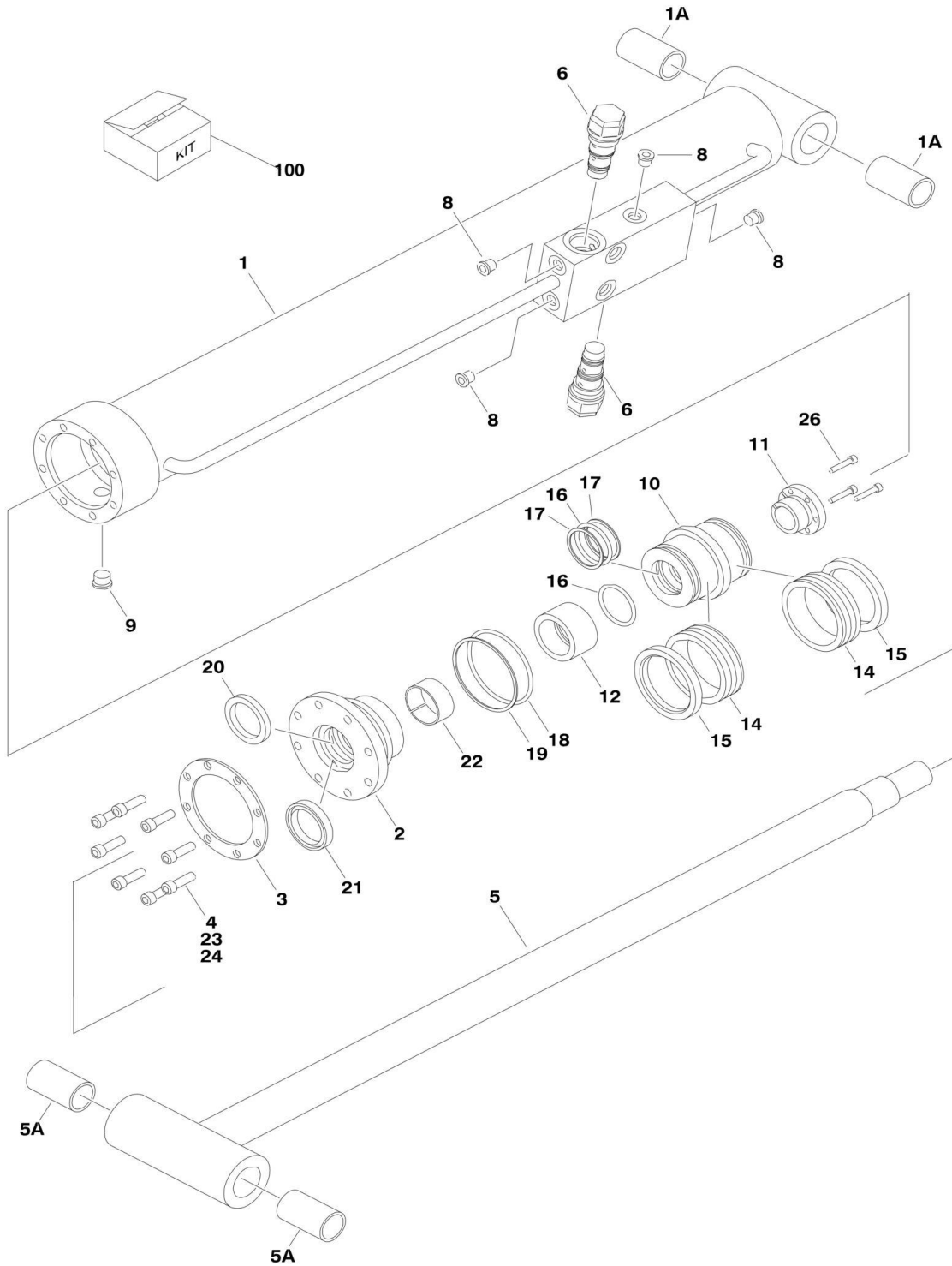
SECTION 5 - CYLINDER

FIGURE 5-4. LEVEL CYLINDER ASSEMBLY - PLATFORM SLAVE - 600SJ & 660SJ (SERVICE REPLACEMENT)

ITEM	PART NUMBER	QTY	DESCRIPTION	REV
	1001228051	Ref	LEVEL CYLINDER ASSEMBLY	A
		Ref	Note: Original Cylinder May Have Been Replaced with Service Replacement. Identify PN Stamped on Cylinder Before Ordering Parts.	
1	See Note	NSS	Barrel (Note: Use p/n 1001228051)	
2	70006823	1	Rod	
3	70006446	1	Head	
4	70006445	1	Piston	
5	70006444	1	Bushing, Tapered	
6	0630535	3	Bolt 1/4 x 1-1/8	
7	70006443	1	Spacer	
8	70006822	1	Ring, Washer	
9	3931620	8	Capscrew 3/8 x 1-1/4	
10	2220885	1	Plug, O-Ring	
11	2220883	8	Plug, O-Ring	
12	4640509	1	Cartridge, Valve	
12	2900792	1	Seal Kit - 4640509 Valve	
13	4640932	1	Cartridge, Valve	
13	7011112	1	Seal Kit - 4640932 Valve	
14	0961951	4	Bushing	
100	1001138796	1	Seal Kit - 1001228051 Cylinder (Includes Items 101-109)	
101	See Note	NSS	Ring, Lock (Note: Use Item 100)	
102	See Note	NSS	Seal (Note: Use Item 100)	
103	See Note	NSS	O-Ring (Note: Use Item 100)	
104	See Note	NSS	Ring, Back-up (Note: Use Item 100)	
105	See Note	NSS	Ring, Wear (Note: Use Item 100)	
106	See Note	NSS	O-Ring (Note: Use Item 100)	
107	See Note	NSS	Ring, Back-up (Note: Use Item 100)	
108	See Note	NSS	Seal, Rod (Note: Use Item 100)	
109	See Note	NSS	Wiper (Note: Use Item 100)	

SECTION 5 - CYLINDER

FIGURE 5-5. LIFT CYLINDER ASSEMBLY - JIB - 600SJ & 660SJ (ORIGINAL EQUIPMENT)



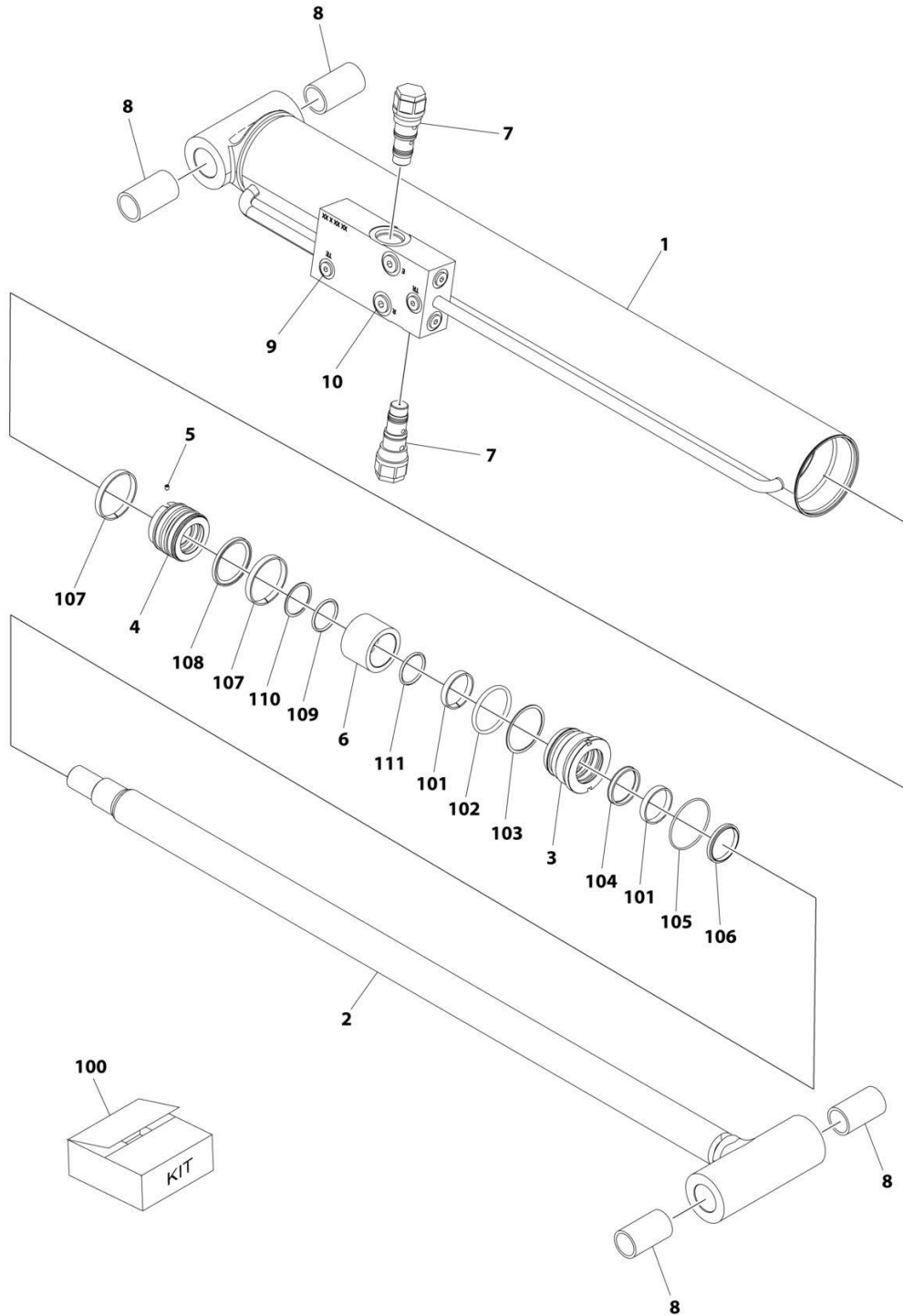
SECTION 5 - CYLINDER

FIGURE 5-5. LIFT CYLINDER ASSEMBLY - JIB - 600SJ & 660SJ (ORIGINAL EQUIPMENT)

ITEM	PART NUMBER	QTY	DESCRIPTION	REV
	1683609	Ref	JIB LIFT CYLINDER ASSEMBLY - 600SJ & 660SJ	K
1	1684089	1	Barrel	
1A	0962336	2	Bushing	
2	1683053	1	Head	
3	3760368	1	Ring, Washer	
4	3931516	8	Capscrew, Socket Head 5/16in-18NC x 1in	
5	1684090	1	Rod	
5A	0962336	2	Bushing	
6	4640509	2	Cartridge, Valve	
6	2900792	2	Seal Kit - 4640509 Valve	
8	2220883	2	Plug, O-Ring #4	
9	2220885	1	Plug, O-Ring #6	
10	3480210	1	Piston	
11	0961893	1	Bushing, Tapered	
12	4100100	1	Spacer, Tube	
14	See Note	NSS	Seal (Note: Use Item 100)	
15	See Note	NSS	Ring, Lock (Note: Use Item 100)	
16	See Note	NSS	O-Ring (Note: Use Item 100)	
17	See Note	NSS	Ring, Back-up (Note: Use Item 100)	
18	See Note	NSS	O-Ring (Note: Use Item 100)	
19	See Note	NSS	Ring, Back-up (Note: Use Item 100)	
20	See Note	NSS	Seal, Rod (Note: Use Item 100)	
21	See Note	NSS	Wiper (Note: Use Item 100)	
22	See Note	NSS	Ring, Wear (Note: Use Item 100)	
23	0100011	AR	Compound, Locking	
24	0100038	AR	Primer, Locking	
26	0630534	3	Bolt #10-24NC x 1in	
100	2901303	1	Seal Kit (Includes Items 14-22)	

SECTION 5 - CYLINDER

FIGURE 5-6. LIFT CYLINDER ASSEMBLY (JIB) - 600SJ & 660SJ (SERVICE REPLACEMENT)



ART_1001228012

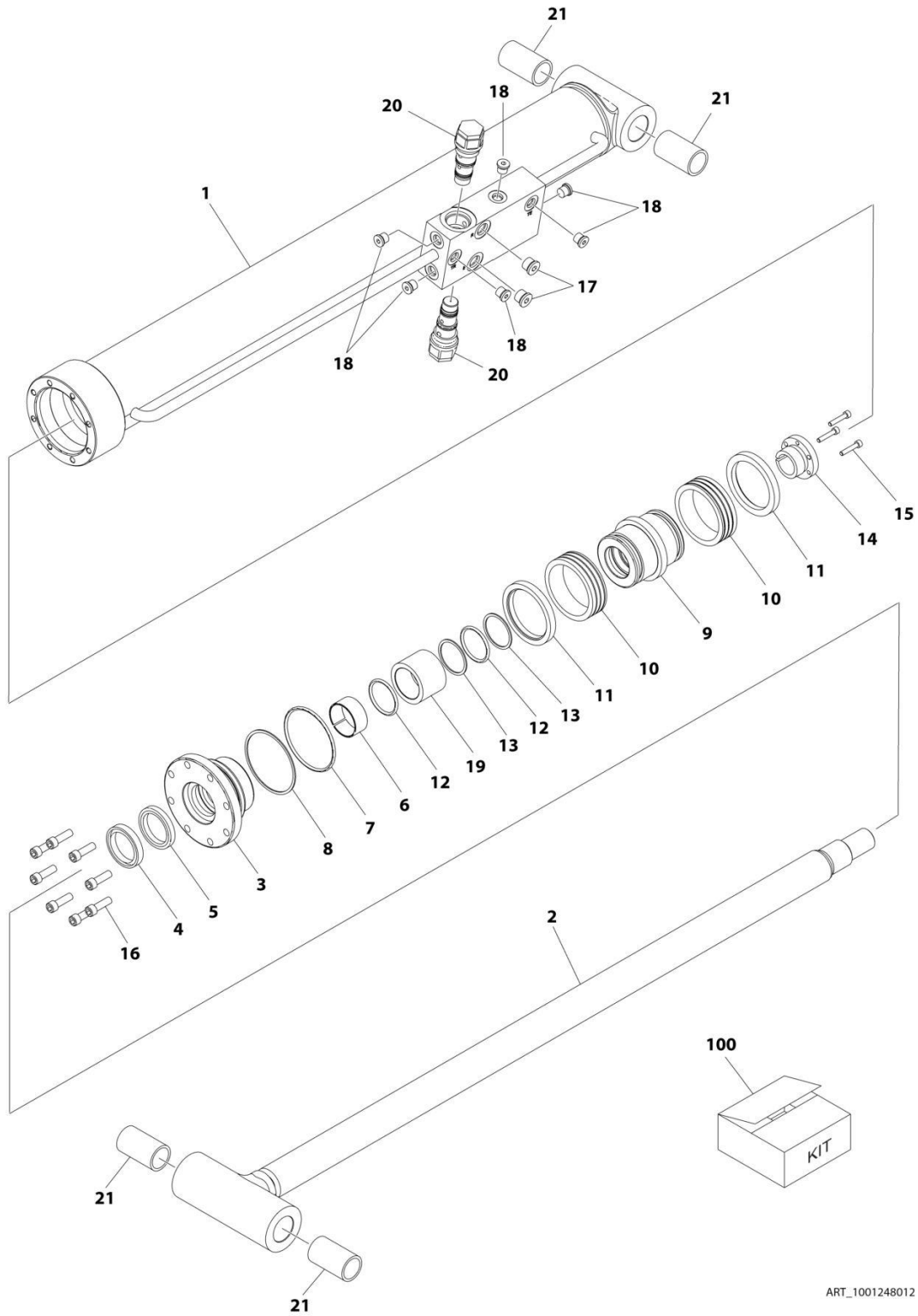
SECTION 5 - CYLINDER

FIGURE 5-6. LIFT CYLINDER ASSEMBLY (JIB) - 600SJ & 660SJ (SERVICE REPLACEMENT)

ITEM	PART NUMBER	QTY	DESCRIPTION	REV
	1001228012	Ref	LIFT CYLINDER ASSEMBLY - JIB	C
		Ref	Note: Original Cylinder May Have Been Replaced with Service Replacement. Identify PN Stamped on Cylinder Before Ordering Parts.	
1	See Note	NSS	Barrel (Note: Not Available for Purchase)	
2	70006572	1	Rod	
3	70006571	1	Head	
4	70006570	1	Piston	
5	70023915	1	Screw	
6	70006569	1	Spacer	
7	4640509	2	Cartridge, Valve	
7	2900792	2	Seal Kit - 4640509 Valve	
8	0962336	4	Bushing	
9	2220883	6	Plug, O-Ring	
10	2220885	2	Plug, O-Ring	
100	70006568	1	Seal Kit (Includes Items 101-111)	
101	See Note	NSS	Ring, Wear (Note: Use Item 100)	
102	See Note	NSS	O-Ring (Note: Use Item 100)	
103	See Note	NSS	Ring, Back-up (Note: Use Item 100)	
104	See Note	NSS	Seal, Rod (Note: Use Item 100)	
105	See Note	NSS	O-Ring (Note: Use Item 100)	
106	See Note	NSS	Wiper (Note: Use Item 100)	
107	See Note	NSS	Ring, Wear (Note: Use Item 100)	
108	See Note	NSS	Seal (Note: Use Item 100)	
109	See Note	NSS	O-Ring (Note: Use Item 100)	
110	See Note	NSS	Ring, Back-up (Note: Use Item 100)	
111	See Note	NSS	O-Ring (Note: Use Item 100)	

SECTION 5 - CYLINDER

FIGURE 5-7. LIFT CYLINDER ASSEMBLY (JIB) - 600SJ & 660SJ (SERVICE REPLACEMENT)



ART_1001248012

SECTION 5 - CYLINDER

FIGURE 5-7. LIFT CYLINDER ASSEMBLY (JIB) - 600SJ & 660SJ (SERVICE REPLACEMENT)

ITEM	PART NUMBER	QTY	DESCRIPTION	REV
	1001248012	Ref	LIFT CYLINDER ASSEMBLY - JIB	C
		Ref	Note: Original Cylinder May Have Been Replaced with Service Replacement. Identify PN Stamped on Cylinder Before Ordering Parts.	
1	See Note	NSS	Barrel (Note: Not Available for Purchase)	
2	70006734	1	Rod	
3	70006649	1	Head	
4	See Note	NSS	Wiper (Note: Use Item 100)	
5	See Note	NSS	Seal, Rod (Note: Use Item 100)	
6	See Note	NSS	Ring, Wear (Note: Use Item 100)	
7	See Note	NSS	O-Ring (Note: Use Item 100)	
8	See Note	NSS	Ring, Back-up (Note: Use Item 100)	
9	70006650	1	Piston	
10	See Note	NSS	Seal (Note: Use Item 100)	
11	See Note	NSS	Ring, Lock (Note: Use Item 100)	
12	See Note	NSS	O-Ring (Note: Use Item 100)	
13	See Note	NSS	Ring, Back-up (Note: Use Item 100)	
14	0961893	1	Bushing, Tapered	
15	0630534	3	Capscrew, Socket Head #10 x 1	
16	70006735	8	Capscrew 5/16	
17	2220885	2	Plug, O-Ring	
18	2220883	6	Plug, O-Ring	
19	70006736	1	Spacer	
20	4640509	2	Cartridge, Valve	
20	2900792	2	Seal Kit - 4640509 Valve	
21	0962336	4	Bushing	
100	1001138795	1	Seal Kit (Includes Items 4-8 & 10-13)	

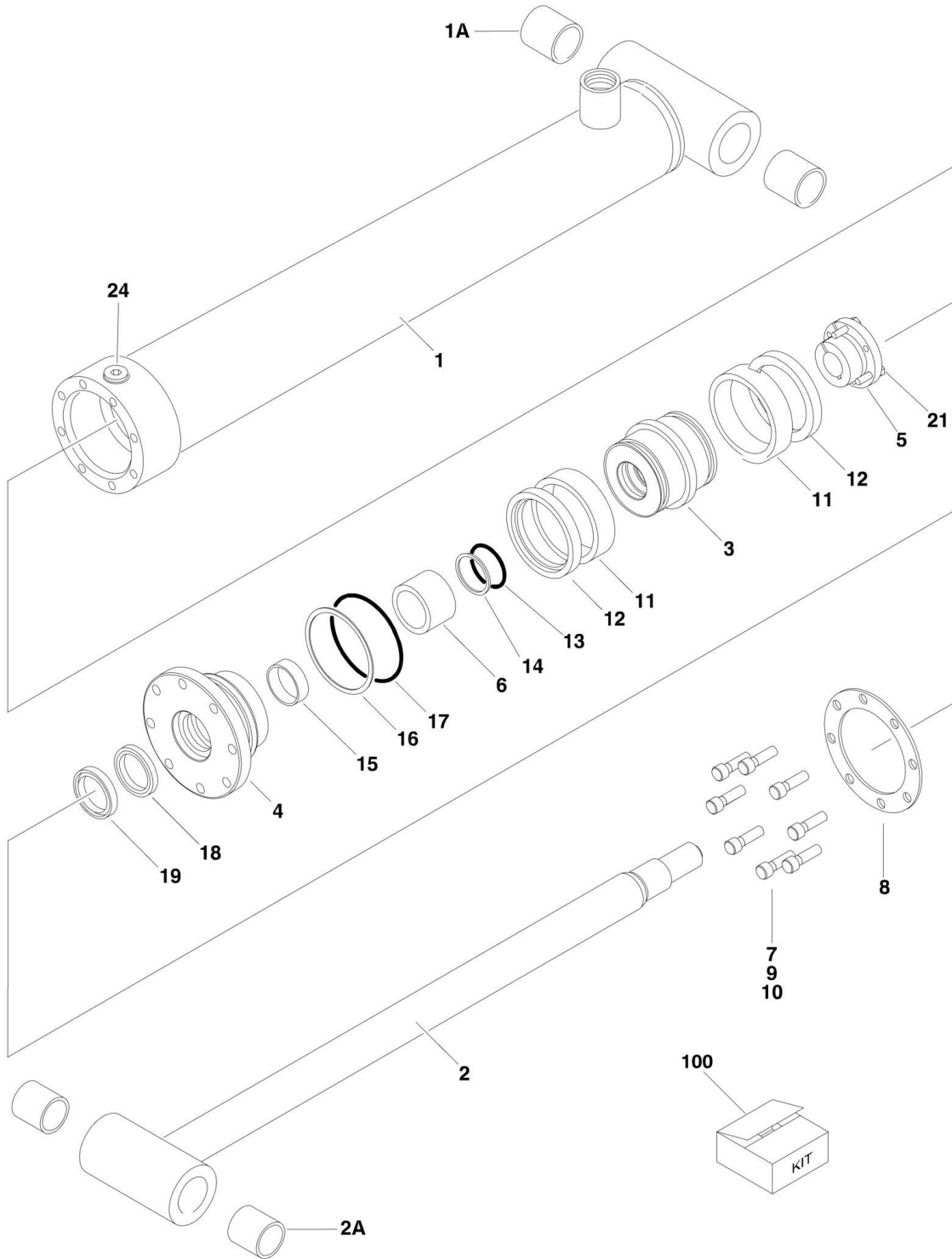
SECTION 5 - CYLINDER

FIGURE 5-8. LIFT CYLINDER ASSEMBLY - MAIN BOOM

ITEM	PART NUMBER	QTY	DESCRIPTION	REV
		Ref	Note: Original Equipment Cylinder may have been replaced with Service Replacement Cylinder. Identify p/n stamped on cylinder before ordering parts.	
	1683666	Ref	LIFT CYLINDER ASSEMBLY - MAIN BOOM OPTIONS: USA Built Machines (SN 0300087000 through 0300138401) USA Built Machines (SN 0300138402 through 0300171769) China Built Machines (SN B300000100 through B300000969) Note: For complete service replacement of p/n 1683666 order p/n 1001112468.	H
	1001112468	Ref		B
	1001112468	Ref		B
		Ref		
		Ref		
1		Ref	Barrel Weldment Options:	
1	1683955	NLA	USA Built Machines (Use p/n 1001112467) (SN 0300087000 through 0300138401)	
1	1001112467	1	USA Built Machines (SN 0300138402 through 0300171769)	
1	1001112467	1	China Built Machines (SN B300000100 through B300000969)	
1A	0961950	2	Bushing	
2	1683954	1	Rod Weldment	
2A	0961950	2	Bushing	
3	1683067	1	Head	
4	3480206	1	Piston	
5	0961898	1	Bushing, Tapered (Use Item #24 in place of supplied bolts)	
6	4566501	1	Spacer, Tube	
7	4640509	1	Cartridge, Valve	
7	2900792	1	Seal Kit - 4640509 Valve	
8	2220887	1	Plug, O-Ring	
9	3932032	8	Bolt, Socket Head 5/16in-11NC x 2in	
10	2220883	2	Plug, O-Ring	
11	See Note	NSS	Ring, Lock (Note: Use Item 100)	
12	See Note	NSS	Seal, Hydrolock (Note: Use Item 100)	
13	See Note	NSS	O-Ring (Note: Use Item 100)	
14	See Note	NSS	Ring, Back-up (Note: Use Item 100)	
15	See Note	NSS	Ring, Wear (Note: Use Item 100)	
16	See Note	NSS	O-Ring (Note: Use Item 100)	
17	See Note	NSS	Ring, Back-up (Note: Use Item 100)	
18	See Note	NSS	Seal, Rod (Note: Use Item 100)	
19	See Note	NSS	Wiper (Note: Use Item 100)	
20	0100011	AR	Compound, Locking	
21	0100038	AR	Primer, Locking	
22	3760372	1	Washer, Ring	
24	0630536	3	Screw, Socket Head 3/8in-16NC x 1-1/2in	
25	2220235	1	Plug, O-Ring	
26	0100063	AR	Loctite #609 (SN 0300087000 through 0300090183)	
100	2901285	1	Seal Kit - 1683666 & 1001112468 Cylinder (Includes Items 11-19)	

SECTION 5 - CYLINDER

FIGURE 5-9. MASTER CYLINDER ASSEMBLY



SECTION 5 - CYLINDER

FIGURE 5-9. MASTER CYLINDER ASSEMBLY

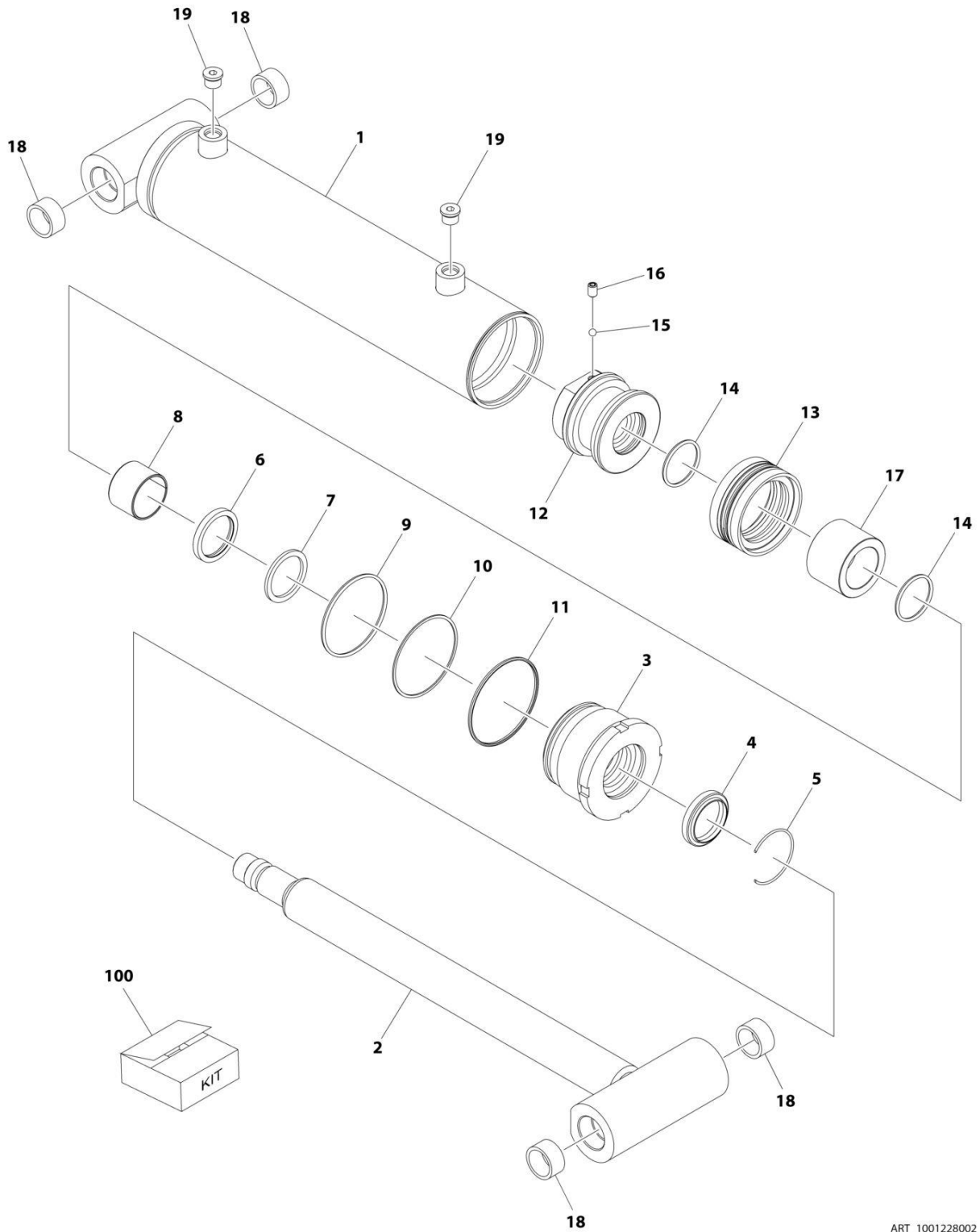
ITEM	PART NUMBER	QTY	DESCRIPTION	REV
		Ref	MASTER CYLINDER ASSEMBLY	
		Ref	Master Cylinder Assemblies 600S:	
	1683266	Ref	USA Built Machines (Original Equipment) (SN 0300087000 through 0300096978)	F
	1684414	Ref	USA Built Machines (SN 0300096979 through 0300171769)	E
	1684414	Ref	China Built Machines (SN B300000100 through B300000969)	E
		Ref	Note: 600S Only China Built Machines SN B300000817 to SN B300000859 use cylinder p/n 1001140593. For replacement components contact JLG Parts Dept	
		Ref	Master Cylinder Assemblies 600SJ/660SJ:	
	1683263	Ref	USA Built Machines (Original Equipment) (SN 0300087000 through 0300096978)	K
	1684413	Ref	USA Built Machines (Original Equipment) (SN 0300096979 through 0300171769)	I
	1684413	Ref	China Built Machines (Original Equipment) (SN B300000100 through B300000969)	I
1		Ref	Barrel Options:	
1	1683972	1	Barrel 600S (Note: Includes Item 1A)	
1	1683949	1	Barrel 600SJ/660SJ (Note: Item 1A not included - Purchase Separately)	
1A		Ref	Bushing Options:	
1A	0961947	2	Bushing 600S Bushing	
1A	0961951	2	Bushing 600SJ/660SJ Bushing	
2		Ref	Rod Options:	
2		Ref	Rod 600S Rod (Note: Includes Item 2A):	
2	1683973	1	USA Built Machines (SN 0300087000 through 0300096978)	
2	3850020	1	USA Built Machines (SN 0300096979 through 0300171769)	
2	3850020	1	China Built Machines (SN B300000100 through B300000969)	
2		Ref	Rod 600SJ/660SJ (Note: Item 2A not included - Purchase Separately):	
2	1683962	1	USA Built Machines (SN 0300087000 through 0300096978)	
2	3850019	NLA	USA Built Machines (Use p/n 1683963) (SN 0300096979 through 0300131101)	
2	1683963	1	USA Built Machines (SN 0300131102 through 0300171769)	
2	1683963	1	China Built Machines (SN B300000100 through B300000969)	
2A		Ref	Bushing Options:	
2A	0961947	2	Bushing 600S Bushing	
2A	0961951	2	Bushing 600SJ/660SJ Bushing	
3		Ref	Piston Options:	
3	3480210	1	Piston 600S	
3	3480188	1	Piston 600SJ/660SJ	
4		Ref	Head Options:	
4	1683053	1	Head 600S	
4	1683055	1	Head 600SJ/660SJ	
5		Ref	Bushing, Tapered Options:	
5	0961893	1	Bushing, Tapered 600S	
5	0961894	1	Bushing, Tapered 600SJ/660SJ	
6	4566468	1	Spacer, Tube	
7		Ref	Capscrew Options:	
7	3931516	8	Capscrew 600S - Capscrew 5/16in-18NC x 1in	

SECTION 5 - CYLINDER

ITEM	PART NUMBER	QTY	DESCRIPTION	REV
7	3931620	8	Capscrew 600SJ/660SJ - Capscrew 3/8in-16NC x 1-1/4in	
8		Ref	Ring, Washer Options:	
8	3760368	1	Ring, Washer 600S	
8	3760369	1	Ring, Washer 600SJ/660SJ	
9	0100011	AR	Compound, Locking	
10	0100038	AR	Primer, Locking	
11	See Note	NSS	Seal (Note: Use Item 100A or 100B)	
12	See Note	NSS	Ring, Lock (Note: Use Item 100A or 100B)	
13	See Note	NSS	O-Ring (Note: Use Item 100A or 100B)	
14	See Note	NSS	Ring, Back-up (Note: Use Item 100A or 100B)	
15	See Note	NSS	Ring, Wear (Note: Use Item 100A or 100B)	
16	See Note	NSS	O-Ring (Note: Use Item 100A or 100B)	
17	See Note	NSS	Ring, Back-up (Note: Use Item 100A or 100B)	
18	See Note	NSS	Seal, Rod (Note: Use Item 100A or 100B)	
19	See Note	NSS	Wiper (Note: Use Item 100A or 100B)	
21		Ref	Screw Options:	
21	0630534	3	Screw 600S - Screw, Socket Head #10-24NC x 1in	
21	0630535	3	Screw 600SJ/660SJ - Screw, Socket Head 1/4in-20NC x 1-1/8in	
24	2220885	1	Fitting, Plug (600SJ/660SJ - 1683263 Cylinder Only)	
100		Ref	Seal Kit (Includes Items 11-19)	
100A	2901303		Seal Kit 600S Seal Kit	
100B	2901301		Seal Kit 600SJ/660SJ Seal Kit	

SECTION 5 - CYLINDER

FIGURE 5-10. MASTER CYLINDER ASSEMBLY - 600S (SERVICE REPLACEMENT)



ART_1001228002

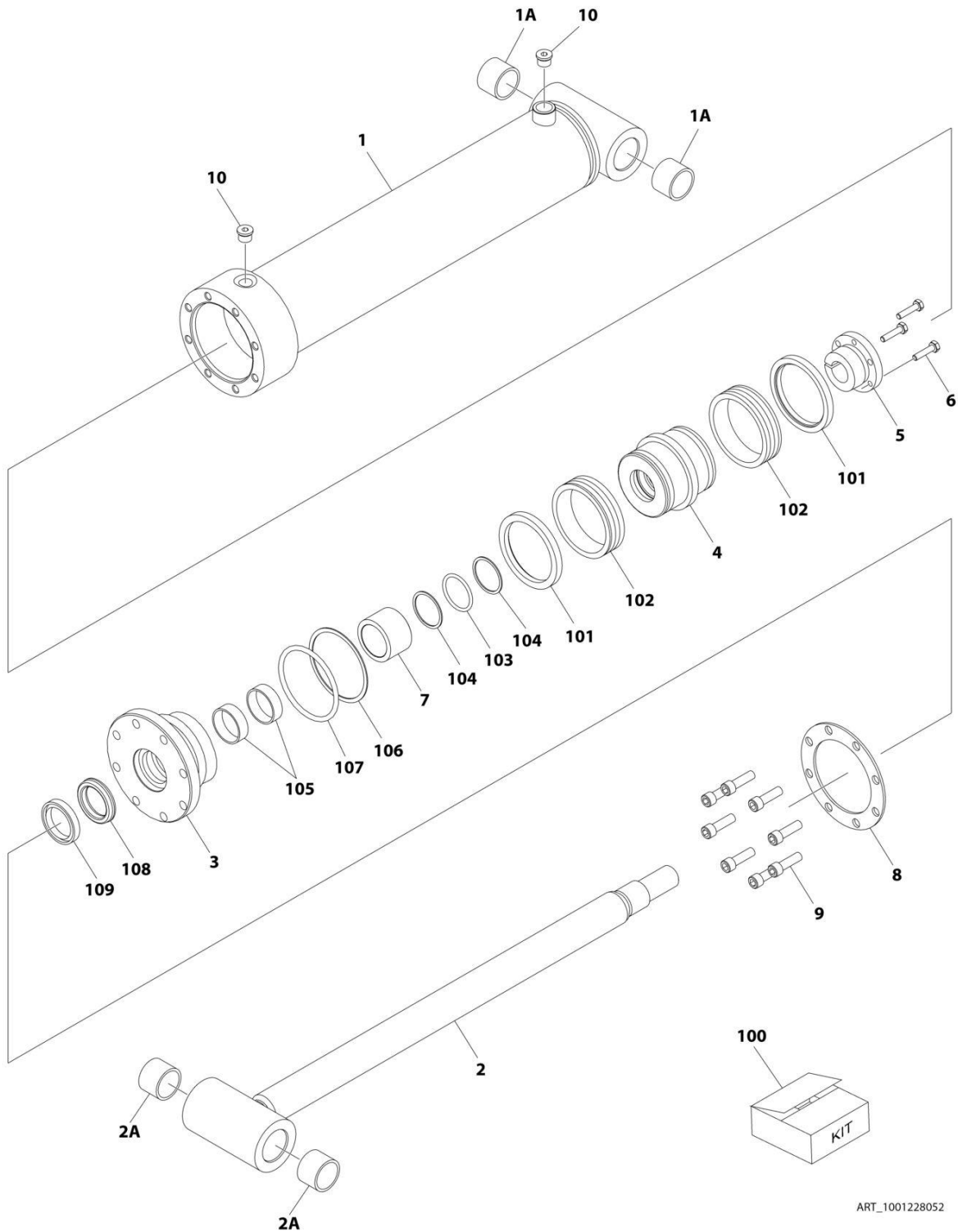
SECTION 5 - CYLINDER

FIGURE 5-10. MASTER CYLINDER ASSEMBLY - 600S (SERVICE REPLACEMENT)

ITEM	PART NUMBER	QTY	DESCRIPTION	REV
	1001228002	Ref	MASTER CYLINDER ASSEMBLY	B
		Ref	Note: Original Cylinder May Have Been Replaced with Service Replacement. Identify PN Stamped on Cylinder Before Ordering Parts.	
1	See Note	NSS	Barrel (Note: Not Available for Purchase)	
2	70006774	1	Rod	
3	70006599	1	Head	
4	See Note	NSS	Wiper Rod (Note: Use Item 100)	
5	70002373	1	Ring, Retaining	
6	See Note	NSS	Seal, Rod (Note: Use Item 100)	
7	See Note	NSS	Ring, Back-up (Note: Use Item 100)	
8	See Note	NSS	Ring, Wear (Note: Use Item 100)	
9	See Note	NSS	O-Ring (Note: Use Item 100)	
10	See Note	NSS	Ring, Back-up (Note: Use Item 100)	
11	See Note	NSS	O-Ring (Note: Use Item 100)	
12	70006597	1	Piston	
13	See Note	NSS	Seal Piston (Note: Use Item 100)	
14	See Note	NSS	O-Ring (Note: Use Item 100)	
15	70022564	1	Ball	
16	70006601	1	Setscrew	
17	70006775	1	Spacer	
18	0961947	4	Bushing	
19	70023371	2	Plug, O-Ring	
100	70006776	1	Seal Kit (Includes Items 4, 6-11, 13 & 14)	

SECTION 5 - CYLINDER

FIGURE 5-11. MASTER CYLINDER ASSEMBLY - 600SJ/660SJ (SERVICE REPAACEMENT)



ART_1001228052

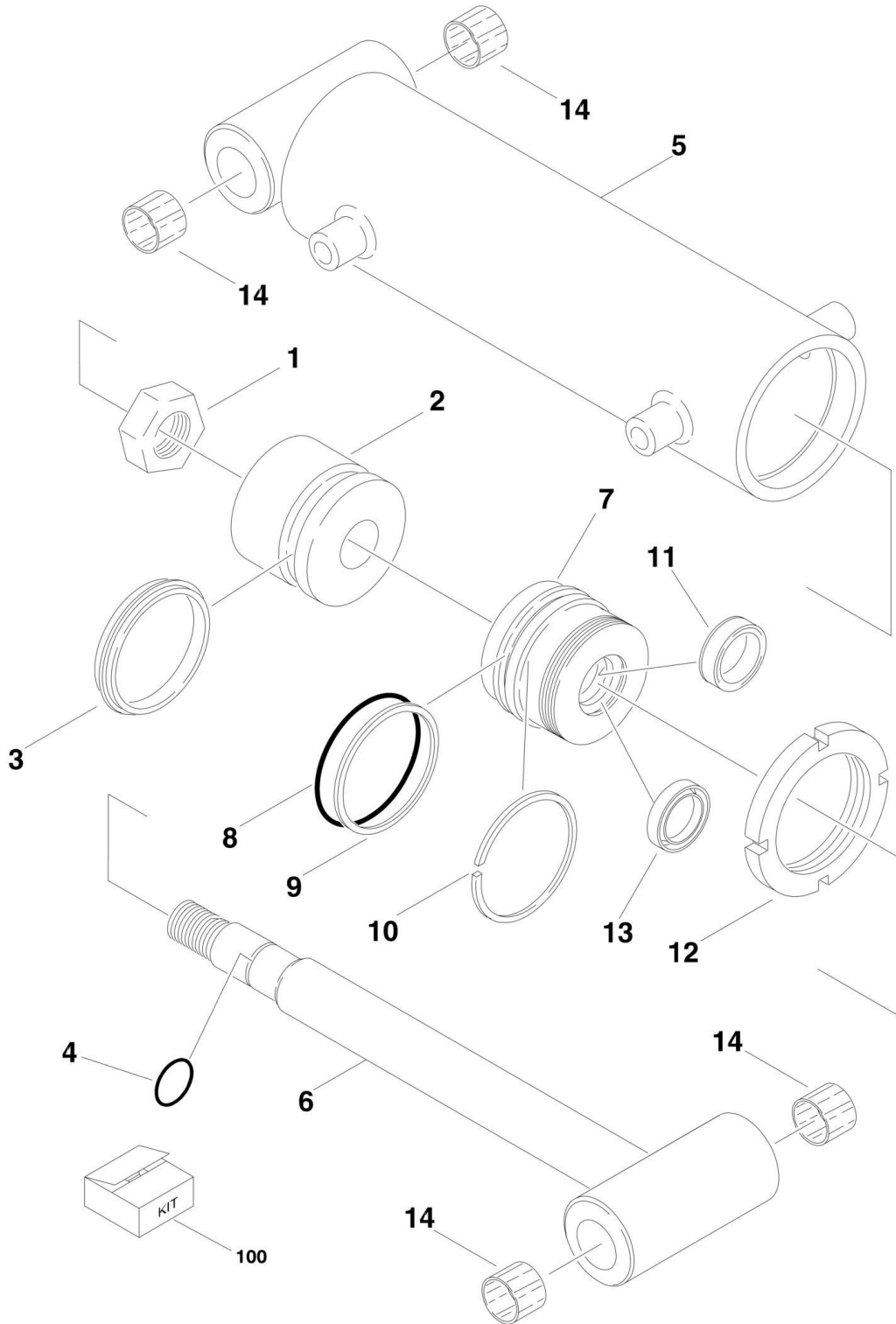
SECTION 5 - CYLINDER

FIGURE 5-11. MASTER CYLINDER ASSEMBLY - 600SJ/660SJ (SERVICE REPAACEMENT)

ITEM	PART NUMBER	QTY	DESCRIPTION	REV
	1001228052	Ref	MASTER CYLINDER ASSEMBLY - 600SJ/660SJ (SERVICE REPAACEMENT) Note: Original Cylinder May Have Been Replaced with Service Replacement. Identify PN Stamped on Cylinder Before Ordering Parts.	A
		Ref		
1	See Note	NSS	Barrel Weldment (Note: Not Available for Purchase)	
1A	0961951	2	Bushing	
2	70006447	1	Rod Weldment	
2A	0961951	2	Bushing	
3	70006446	1	Head	
4	70006445	1	Piston	
5	70006444	1	Bushing, Tapered	
6	0630535	3	Capscrew 1/4 x 1-1/8	
7	70006443	1	Spacer	
8	70006442	1	Ring, Washer	
9	3931620	8	Capscrew 3/8 x 1-1/4	
10	2220885	2	Plug, O-Ring	
100	1001138796	1	Seal Kit (Includes Items 12-21)	
101	See Note	NSS	Ring, Wear (Note: Use Item 100)	
102	See Note	NSS	Seal, Piston (Note: Use Item 100)	
103	See Note	NSS	O-Ring (Note: Use Item 100)	
104	See Note	NSS	Ring, Back-up (Note: Use Item 100)	
105	See Note	NSS	Ring, Wear (Note: Use Item 100)	
106	See Note	NSS	O-Ring (Note: Use Item 100)	
107	See Note	NSS	Ring, Back-up (Note: Use Item 100)	
108	See Note	NSS	Seal, Rod (Note: Use Item 100)	
109	See Note	NSS	Wiper, Rod (Note: Use Item 100)	

SECTION 5 - CYLINDER

FIGURE 5-12. STEER CYLINDER ASSEMBLY (USA BUILT MACHINES) (SN 0300087000 through 0300142634)



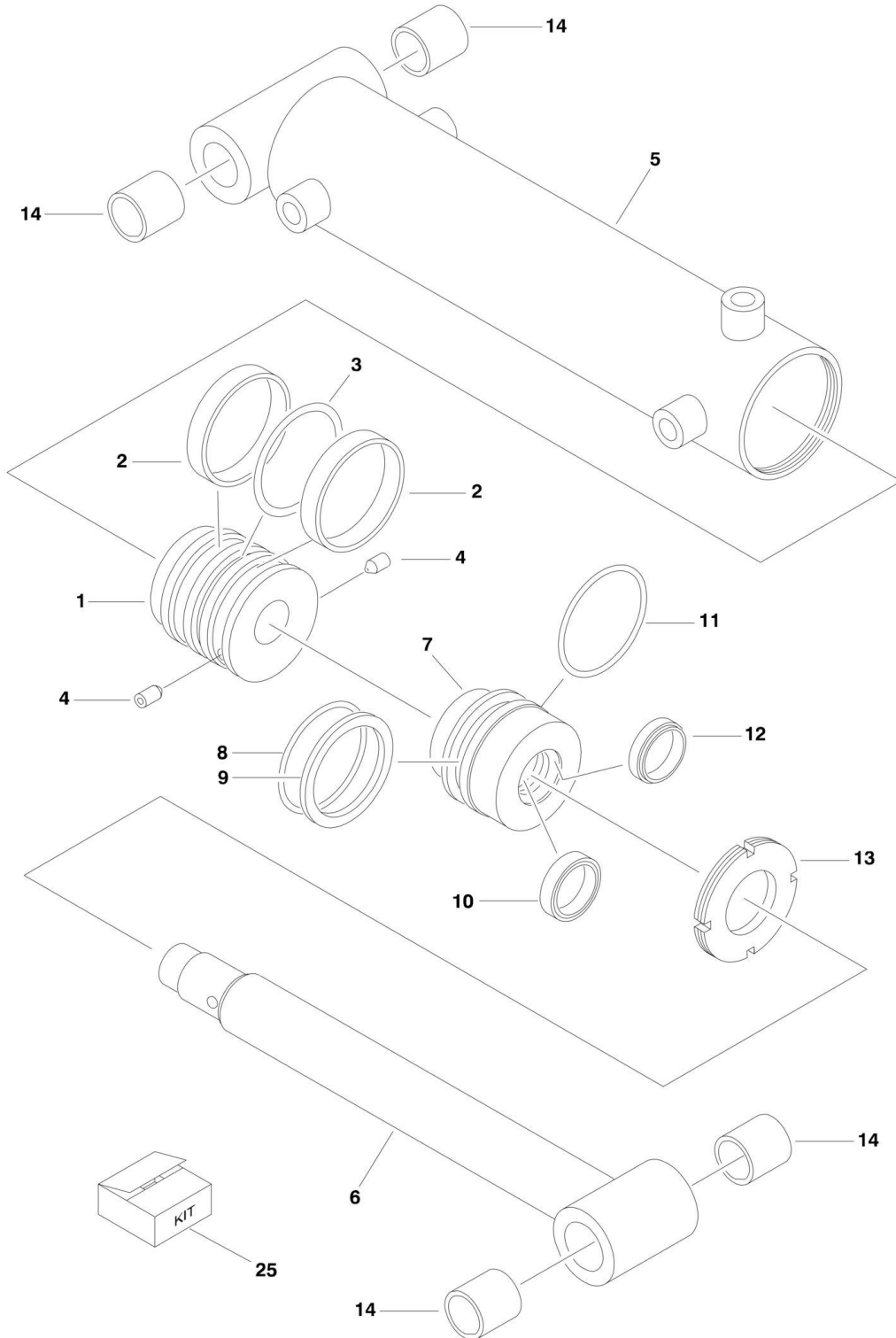
SECTION 5 - CYLINDER

FIGURE 5-12. STEER CYLINDER ASSEMBLY (USA BUILT MACHINES) (SN 0300087000 through 0300142634)

ITEM	PART NUMBER	QTY	DESCRIPTION	REV
	1683208	Ref	STEER CYLINDER ASSEMBLY	C
1	7001626	1	Locknut	
2	7001627	1	Piston	
3	See Note	NSS	Seal (Note: Use Item 100)	
4	See Note	NSS	O-Ring (Note: Use Item 100)	
5	See Note	NSS	Barrel Weldment (Note: Not Available - Purchase Complete Steer Cylinder Assembly)	
6	7001633	1	Rod Weldment	
7	7001629	1	Head	
8	See Note	NSS	O-Ring (Note: Use Item 100)	
9	See Note	NSS	Ring, Back-up (Note: Use Item 100)	
10	See Note	NSS	Ring, Retainer (Note: Use Item 100)	
11	See Note	NSS	Seal, Lip (Note: Use Item 100)	
12	7001630	1	Nut, Spanner	
13	See Note	NSS	Wiper (Note: Use Item 100)	
14	0961977	4	Bushings	
100	7001625	1	Seal Kit - 1683208 (Includes Items 3, 4, 8-11 & 13)	

SECTION 5 - CYLINDER

FIGURE 5-13. STEER CYLINDER ASSEMBLY (USA BUILT MACHINES AND CHINA BUILT MACHINES)
(SN 0300142635 through 0300171769, SN B300000100 through B300000969)



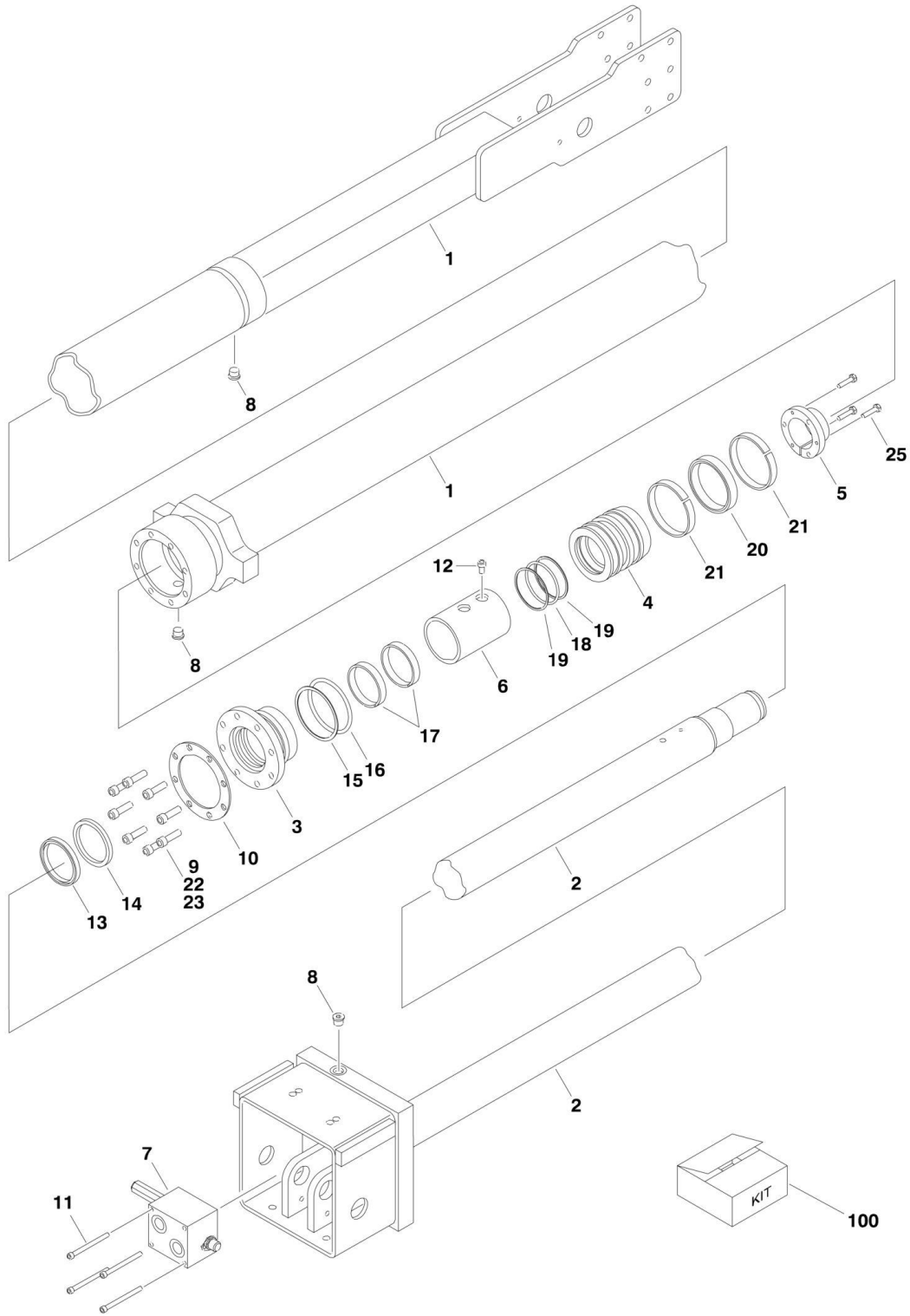
SECTION 5 - CYLINDER

**FIGURE 5-13. STEER CYLINDER ASSEMBLY (USA BUILT MACHINES AND CHINA BUILT MACHINES)
(SN 0300142635 through 0300171769, SN B300000100 through B300000969)**

ITEM	PART NUMBER	QTY	DESCRIPTION	REV
		Ref	STEER CYLINDER ASSEMBLIES	
		Ref	USA Built Machines (See STEER CYLINDER ASSEMBLY for Breakdown) (SN 0300087000 through 0300142634)	
	1001097242	Ref	USA Built Machines (SN 0300142635 through 0300171769)	A
	1001097242	Ref	China Built Machines (SN B300000100 through B300000969)	A
1	70002752	1	Piston	
1	0100011	AR	Compound, Locking	
1	0100038	AR	Primer, Locking	
2	See Note	NSS	Seal (Note: Use Item 25)	
3	See Note	NSS	O-Ring (Note: Use Item 25)	
4	70002745	2	Setscrew	
5	70002753	1	Barrel	
6	70002754	1	Rod	
7	70002755	1	Head	
8	See Note	NSS	O-Ring (Note: Use Item 25)	
9	See Note	NSS	Ring, Back-up (Note: Use Item 25)	
10	See Note	NSS	Seal (Note: Use Item 25)	
11	See Note	NSS	O-Ring (Note: Use Item 25)	
12	See Note	NSS	Wiper (Note: Use Item 25)	
13	70002756	1	Nut, Spanner	
13	0100011	AR	Compound, Locking	
13	0100038	AR	Primer, Locking	
14	0962356	4	Bushing	
25	70002757	1	Seal Kit (Includes Items 2, 3 & 8-12)	

SECTION 5 - CYLINDER

FIGURE 5-14. TELESCOPE CYLINDER ASSEMBLIES



SECTION 5 - CYLINDER

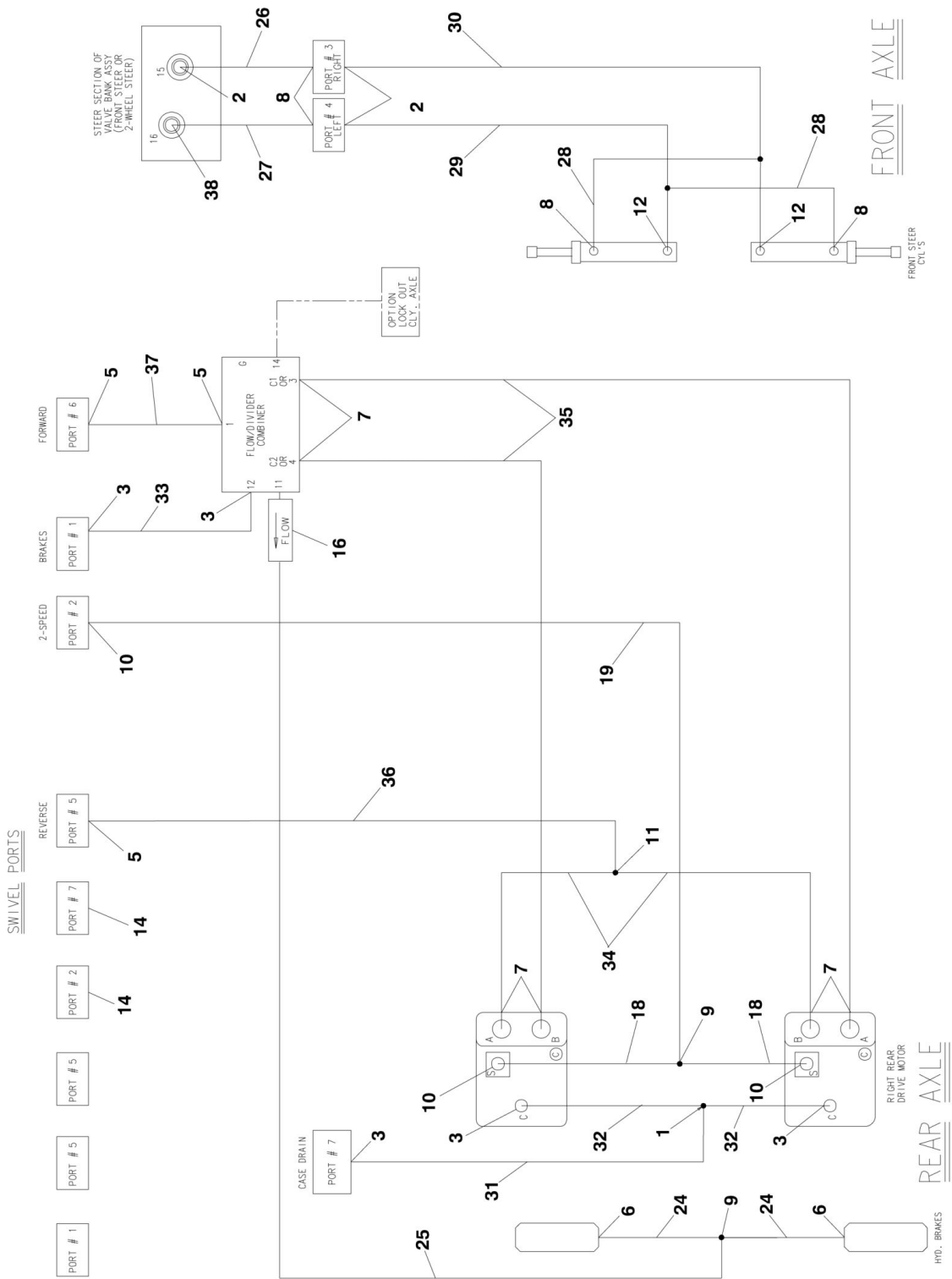
FIGURE 5-14. TELESCOPE CYLINDER ASSEMBLIES

ITEM	PART NUMBER	QTY	DESCRIPTION	REV
		Ref	TELESCOPE CYLINDER ASSEMBLIES	
	1683618	Ref	Telescope Cylinder Assemblies 600S & 660SJ	3-G
	1683620	Ref	Telescope Cylinder Assemblies 600SJ	F
1		Ref	Barrel Options:	
1	1683619	1	Barrel 600S & 660SJ	
1	1683621	1	Barrel 600SJ	
2		Ref	Rod Options:	
2	1683250	1	Rod 600S & 660SJ	
2	1683359	1	Rod 600SJ	
3	1683057	1	Head	
4	3480205	1	Piston	
5	0961897	1	Bushing, Tapered	
6	4566644	1	Spacer, Tube	
7	4641028	1	Valve Assembly (No serviceable parts - sold as assembly only)	
7	7024397	2	O-Rings Between Valve Block and Cylinder	
8	2220885	6	Plug, O-Ring	
9	3931620	8	Capscrew 3/8in-16NC x 1-1/4in	
10	3760369	1	Ring, Washer	
11	3931448	4	Capscrew 1/4in-20NC x 3in	
12	3931508	1	Capscrew 5/16in-18NC x 1/2in	
13	See Note	NSS	Wiper (Note: Use Item 100)	
14	See Note	NSS	Seal, Rod (Note: Use Item 100)	
15	See Note	NSS	O-Ring (Note: Use Item 100)	
16	See Note	NSS	Ring, Back-up (Note: Use Item 100)	
17	See Note	NSS	Ring, Wear (Note: Use Item 100)	
18	See Note	NSS	O-Ring (Note: Use Item 100)	
19	See Note	NSS	Ring, Back-up (Note: Use Item 100)	
20	See Note	NSS	T-Seal (Note: Use Item 100)	
21	See Note	NSS	Ring, Wear (Note: Use Item 100)	
22	0100011	AR	Compound, Locking	
23	0100038	AR	Primer, Locking	
25	0630535	3	Bolt 1/4in-20NC x 1-1/8in	
100	2901284	1	Seal Kit (Includes Items 13-21)	

SECTION 6 - HYDRAULIC

SECTION 6 - HYDRAULIC

FIGURE 6-1. HYDRAULIC DIAGRAM - DRIVE AND STEER (2WD/2WS)



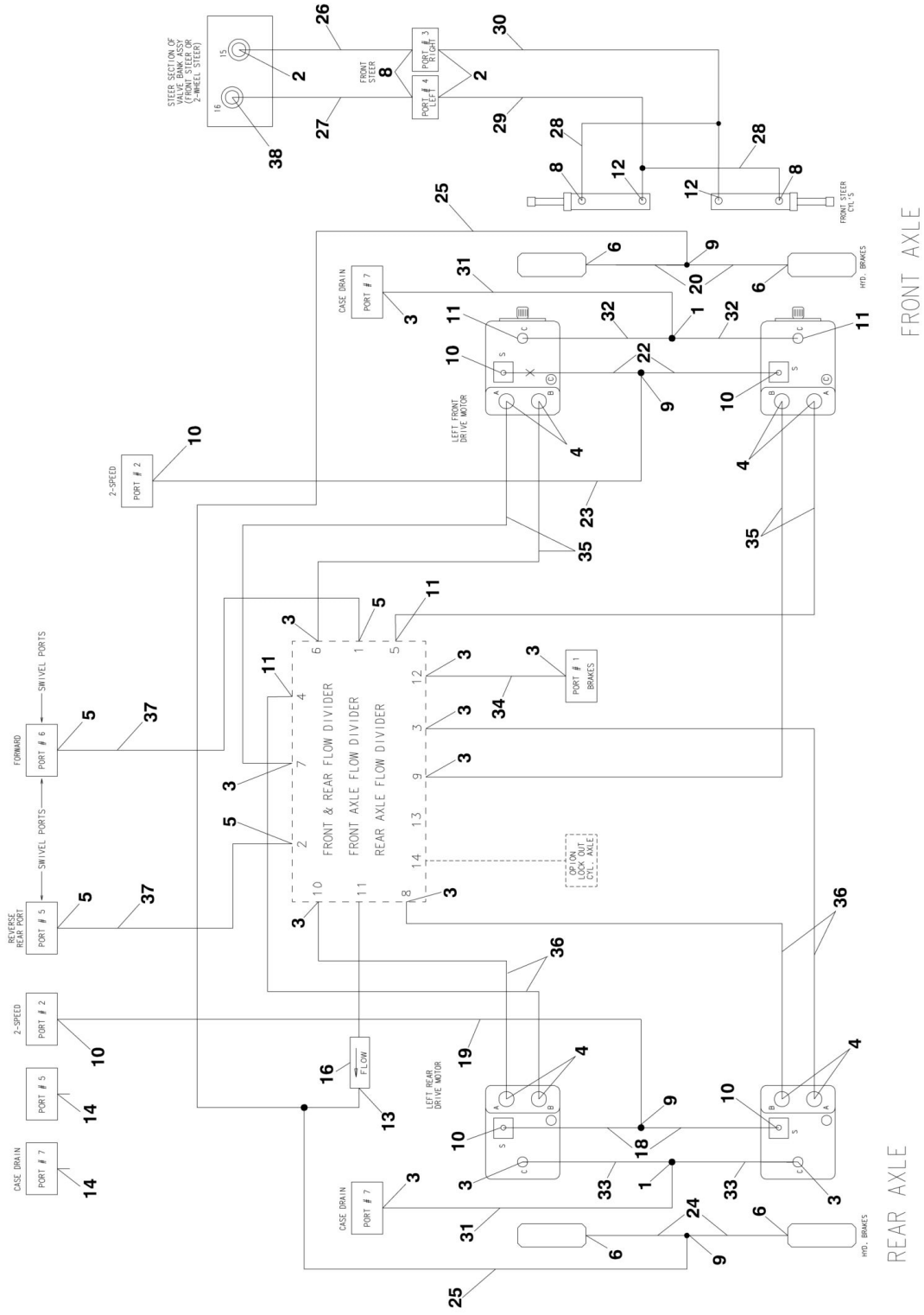
SECTION 6 - HYDRAULIC

FIGURE 6-1. HYDRAULIC DIAGRAM - DRIVE AND STEER (2WD/2WS)

ITEM	PART NUMBER	QTY	DESCRIPTION	REV
		Ref	Note: 2WD Only Available on USA Built Machines	
	2792616	Ref	DRIVE AND STEER HYDRAULIC DIAGRAM - 2WD/2WS	5-0
1	2220362	1	Fitting, Tee	
2	2220371	3	Fitting, Straight	
3	2220373	5	Fitting, Straight	
5	2220377	3	Fitting, Straight	
6	2220415	2	Fitting, Straight	
7	2220451	6	Fitting, Straight	
8	2220473	4	Fitting, 90	
9	2220504	2	Fitting, Tee	
10	2220582	3	Fitting, Straight	
11	2221170	1	Fitting, Tee	
12	2220606	2	Fitting, Tee	
14	2220307	2	Fitting, Plug	
16	4641307	1	Valve, Check	
18	2753925	2	Hose	
19	2753924	1	Hose	
24	2752592	2	Hose	
25	2752910	1	Hose	
26	2752478	1	Hose	
27	2752632	1	Hose	
28	2753397	2	Hose	
29	2752475	1	Hose	
30	2752611	1	Hose	
31	2752928	1	Hose	
32	2753929	2	Hose	
33	2752929	1	Hose	
34	2753969	2	Hose	
35	2753967	2	Hose	
36	2752341	1	Hose	
37	2753435	1	Hose	
38		Ref	Fitting, Straight Options:	
38	2220371	1	Fitting, Straight (SN 0300087000 through 0300104455)	
38	2220998	1	Fitting, Straight (SN 0300104456 through 0300171769)	

SECTION 6 - HYDRAULIC

FIGURE 6-2. HYDRAULIC DIAGRAM - DRIVE AND STEER (4WD/2WS)



SECTION 6 - HYDRAULIC

FIGURE 6-2. HYDRAULIC DIAGRAM - DRIVE AND STEER (4WD/2WS)

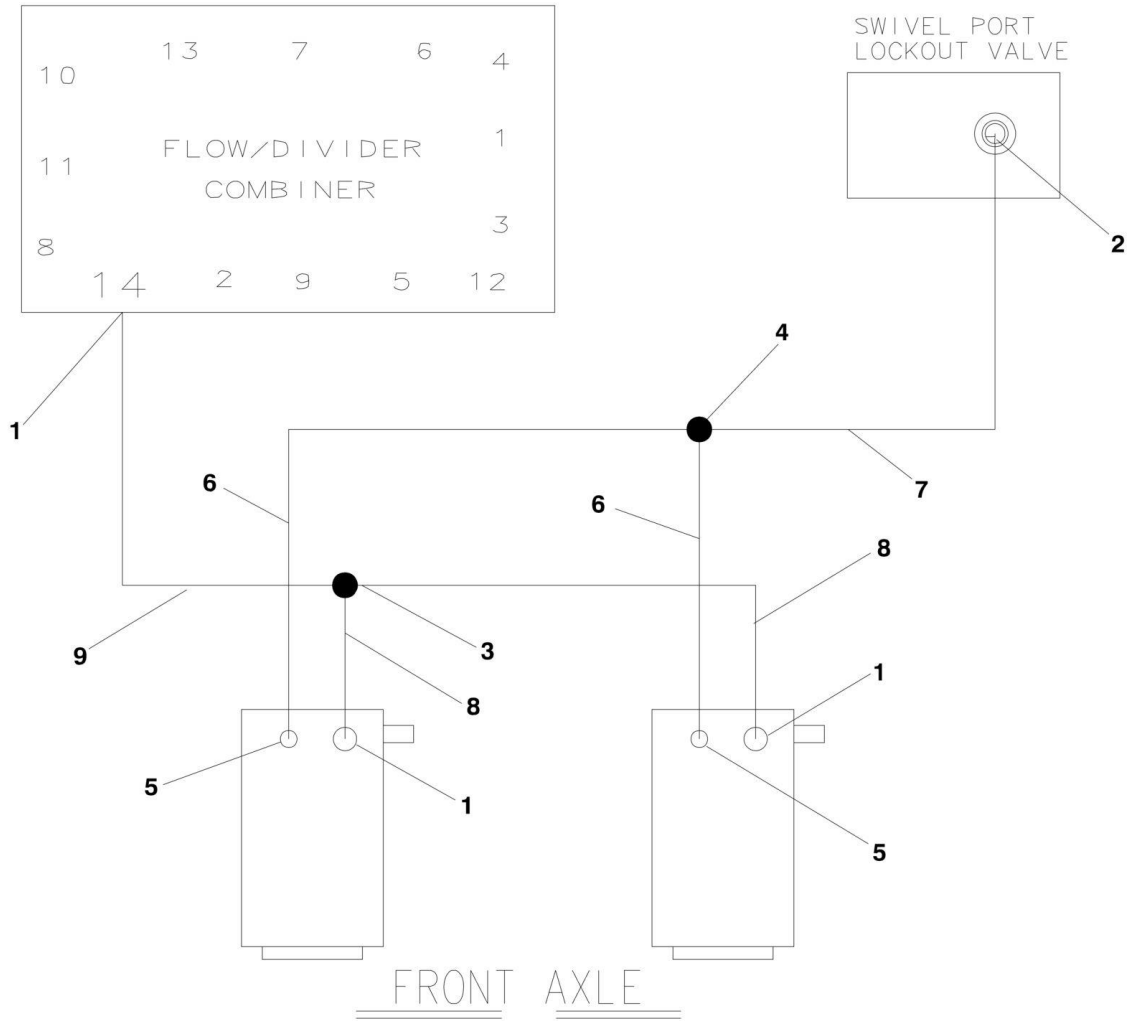
ITEM	PART NUMBER	QTY	DESCRIPTION	REV
		Ref	DRIVE AND STEER HYDRAULIC DIAGRAM - 4WD/2WS	
	2792607	Ref	USA Built Machines	B-O
	1001114074	Ref	China Built Machines	C
1	2220362	2	Fitting, Tee	
2	2220371	3	Fitting, Straight	
3	2220373	12	Fitting, Straight	
4	2220375	8	Fitting, Straight	
5	2220377	4	Fitting, Straight	
6	2220415	4	Fitting, Straight	
8	2220473	4	Fitting, 90	
9	2220504	4	Fitting, Tee	
10	2220582	6	Fitting, Straight	
11	2220596	4	Fitting, 90	
12	2220606	2	Fitting, Tee	
13	2220861	1	Fitting, Tee	
14	2220237	2	Plug	
16	4641284	1	Valve, Check	
18		Ref	Hose Options:	
18	2753925	2	USA Built Machines	
18	1001113864	2	China Built Machines	
19		Ref	Hose Options:	
19	2753924	1	USA Built Machines	
19	1001113862	1	China Built Machines	
20		Ref	Hose Options:	
20	2753926	2	USA Built Machines	
20	1001113866	2	China Built Machines	
22		Ref	Hose Options:	
22	2752574	2	USA Built Machines	
22	1001113805	2	China Built Machines	
23		Ref	Hose Options:	
23	2752977	1	USA Built Machines	
23	1001113838	1	China Built Machines	
24		Ref	Hose Options:	
24	2752592	2	USA Built Machines	
24	1001113809	2	China Built Machines	
25		Ref	Hose Options:	
25	2752910	1	USA Built Machines	
25	1001113890	1	China Built Machines	
26		Ref	Hose Options:	
26	2752478	1	USA Built Machines	
26	1001113794	1	China Built Machines	
27		Ref	Hose Options:	
27	2752632	1	USA Built Machines	
27	1001113838	1	China Built Machines	
28		Ref	Hose Options:	
28	2753397	2	USA Built Machines	
28	1001113854	2	China Built Machines	
29		Ref	Hose Options:	
29	2752475	1	USA Built Machines	
29	1001113793	1	China Built Machines	

SECTION 6 - HYDRAULIC

ITEM	PART NUMBER	QTY	DESCRIPTION	REV
30		Ref	Hose Options:	
30	2752611	1	USA Built Machines	
30	1001113818	1	China Built Machines	
31		Ref	Hose Options:	
31	2752928	2	USA Built Machines	
31	1001113835	2	China Built Machines	
32		Ref	Hose Options:	
32	2753928	2	USA Built Machines	
32	1001113868	2	China Built Machines	
33		Ref	Hose Options:	
33	2753929	2	USA Built Machines	
33	1001113878	2	China Built Machines	
34		Ref	Hose Options:	
34	2752929	1	USA Built Machines	
34	1001113836	1	China Built Machines	
35		Ref	Hose Options:	
35	2753931	4	USA Built Machines	
35	1001113895	4	China Built Machines	
36		Ref	Hose Options:	
36	2753930	4	USA Built Machines	
36	1001113894	4	China Built Machines	
37		Ref	Hose Options:	
37	2752331	2	USA Built Machines	
37	1001113898	2	China Built Machines	
38		Ref	Fitting, Straight Options:	
38	2220371	1	USA Built Machines (SN 0300087000 through 0300104455)	
38	2220998	1	USA Built Machines (SN 0300104456 through 0300171769)	
38	2220998	1	China Built Machines (SN B300000100 through B300000969)	

SECTION 6 - HYDRAULIC

FIGURE 6-3. HYDRAULIC DIAGRAM - OSCILLATING AXLE



SECTION 6 - HYDRAULIC

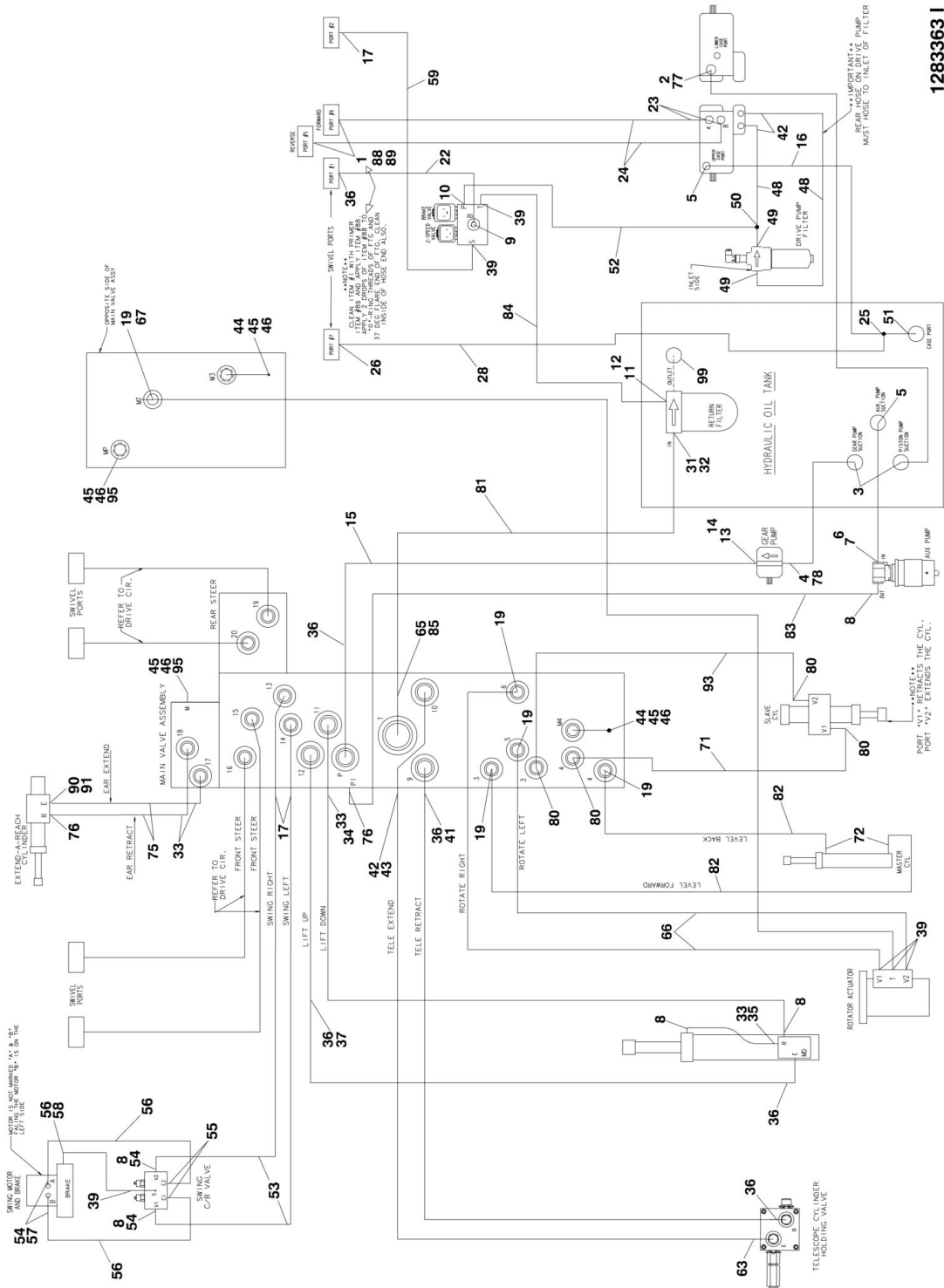
FIGURE 6-3. HYDRAULIC DIAGRAM - OSCILLATING AXLE

ITEM	PART NUMBER	QTY	DESCRIPTION	REV
		Ref	AXLE LOCKOUT HYDRAULIC DIAGRAM - OSCILLATING AXLE	
	2792612	Ref	USA Built Machines	1-O
	1001114075	Ref	China Built Machines	B
1	2220371	3	Fitting, Straight	
2	2220468	1	Fitting, Straight	
3	2220490	1	Fitting, Tee	
4	2220504	1	Fitting, Tee	
5	2220415	2	Fitting, Straight	
6		Ref	Hose Options:	
6	2751434	2	USA Built Machines	
6	1001113914	2	China Built Machines	
7		Ref	Hose Options:	
7	2751410	1	USA Built Machines	
7	1001113913	1	China Built Machines	
8		Ref	Hose Options:	
8	2753933	2	USA Built Machines	
8	1001113879	2	China Built Machines	
9		Ref	Hose Options:	
9	2752462	1	USA Built Machines	
9	1001113789	NLA	China Built Machines (Use p/n 2752462) (SN B300000100 through B300000883)	
9	2752462	1	China Built Machine (SN B300000884 through B300000969)	

SECTION 6 - HYDRAULIC

FIGURE 6-4. HYDRAULIC DIAGRAM - STANDARD

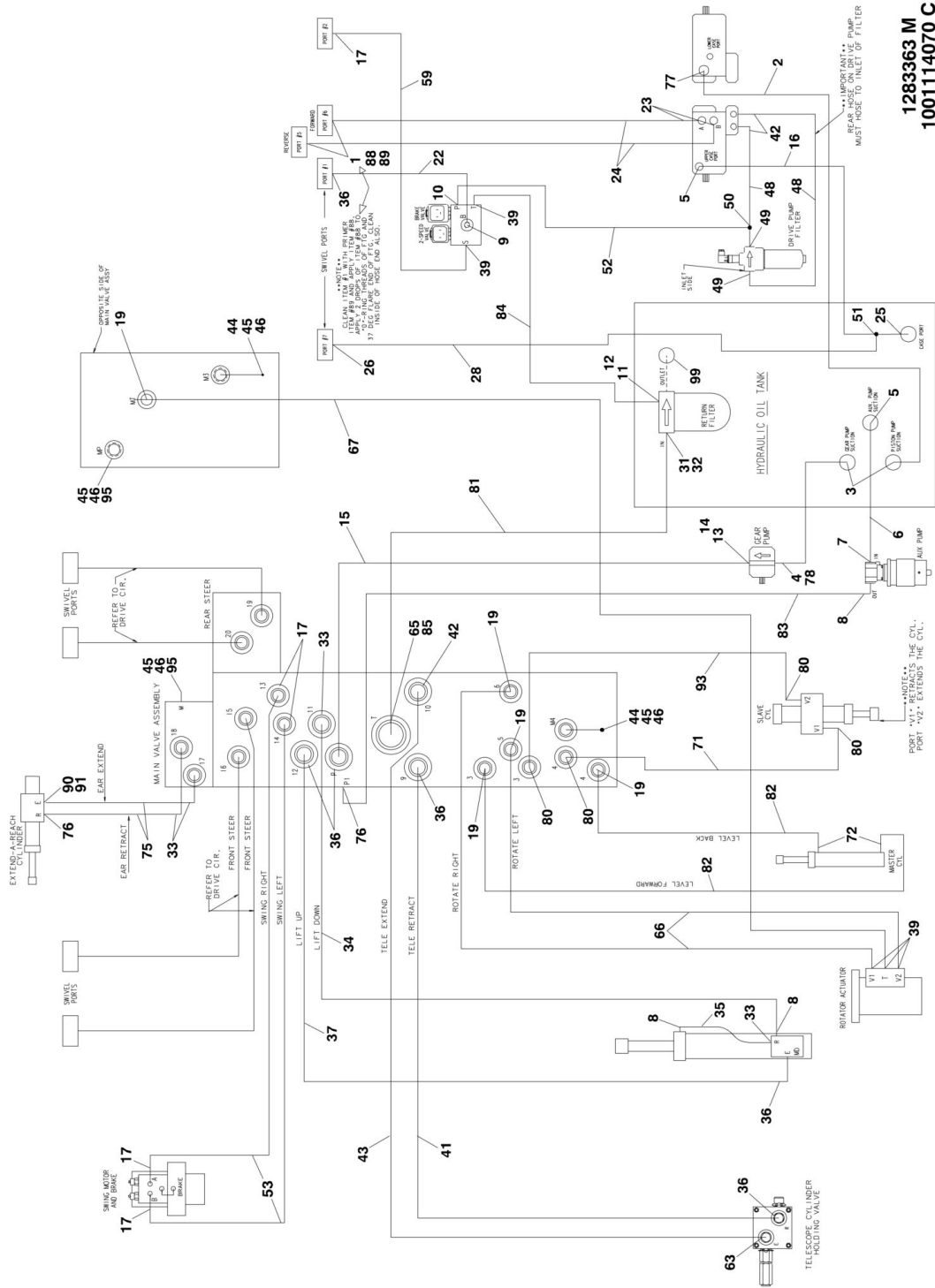
USA BUILT MACHINES SN 0300087000 THROUGH 0300137440



1283363 I

SECTION 6 - HYDRAULIC

USA BUILT MACHINES SN 0300137441 THROUGH 0300171769
 CHINA BUILT MACHINES SN B30000100 THROUGH B300000969



1283363 M
 1001114070 C

SECTION 6 - HYDRAULIC

FIGURE 6-4. HYDRAULIC DIAGRAM - STANDARD

ITEM	PART NUMBER	QTY	DESCRIPTION	REV
		Ref	STANDARD HYDRAULIC DIAGRAM	
		Ref	USA Built Machines	
	2792608	Ref	Standard Hydraulic Diagram 600S (SN 0300087000 through 0300166807)	B-O
	1001143450	Ref	Standard Hydraulic Diagram 600S (SN 0300166808 through 0300171769)	C
	2792614	Ref	Standard Hydraulic Diagram 600SJ	11-O
	2792613	Ref	Standard Hydraulic Diagram 660SJ (SN 0300087000 through 0300166807)	B-O
	1001143451	Ref	Standard Hydraulic Diagram 660SJ (SN 0300166808 through 0300171769)	C
		Ref	China Built Machines	
	1001114072	Ref	Standard Hydraulic Diagram 600S (SN B300000100 through B3000007699)	1-B
	1001143455	Ref	Standard Hydraulic Diagram 600S (SN B300000700 through B300000969)	B
	1001114073	Ref	Standard Hydraulic Diagram 660SJ (SN B300000100 through B300000699)	1-B
	1001143456	Ref	Standard Hydraulic Diagram 660SJ (SN B300000700 through B300000969)	B
1	2220377	2	Fitting, Straight	
2		Ref	Hose Options:	
2	2752752	1	USA Built Machines	
2	1001113905	1	China Built Machines	
3	2220380	2	Fitting, Straight	
4	2220376	1	Fitting, Straight (Part of Pump Assembly)	
5	2220578	AR	Fitting, 90	
6		Ref	Hose Options:	
6	2752653	1	USA Built Machines	
6	1001113832	1	China Built Machines	
7		Ref	Fitting, Straight Options:	
7	2220408	1	USA Built Machines (SN 0300087000 through 0300166807)	
7	2220408	1	China Built Machines (SN B300000100 through B300000699)	
7	2220593	1	USA Built Machines (SN 0300166808 through 0300171769)	
7	2220593	1	China Built Machines (SN B300000700 through B300000969)	
8	2220628	AR	Fitting, 90	
9	2220596	1	Fitting, 90	
10	2220474	1	Fitting, 90	
11	2220574	1	Fitting, 90	
12	0100020	AR	Sealant, Pipe	
13	2220810	1	Fitting, Reducer (Part of Pump Assembly)	
14	4640744	1	Fitting, Check Valve (Part of Pump Assembly)	
15		Ref	Hose Options:	
15	2752504	1	USA Built Machines	
15	1001113798	NLA	China Built Machines (Use p/n 2752504) (SN B300000100 through B300000883)	
15	2752504	1	China Built Machine (SN B300000884 through B300000969)	
16		Ref	Hose Options:	
16	2752654	1	USA Built Machines	
16	1001113907	1	China Built Machines	
17	2220582	AR	Fitting, Straight	
19	2220415	5	Fitting, Straight	

SECTION 6 - HYDRAULIC

ITEM	PART NUMBER	QTY	DESCRIPTION	REV
22		Ref	Hose Options:	
22	2752502	1	USA Built Machines	
22	1001113797	1	China Built Machines	
23	2220646	2	Fitting, 90 (Part of Pump Assembly)	
24		Ref	Hose Options:	
24	2752340	2	USA Built Machines	
24	1001113899	NLA	China Built Machines (Use p/n 2752340) (SN B300000100 through B300000883)	
24	2752340	2	China Built Machine (SN B300000884 through B300000969)	
25	2220407	1	Fitting, 90	
26	2220375	1	Fitting, Straight	
28		Ref	Hose Options:	
28	2753968	1	USA Built Machines	
28	1001113896	1	China Built Machines	
31	2220921	1	Fitting, Reducer	
32	2220498	1	Fitting, 45	
33	2220372	AR	Fitting, Straight	
34		Ref	Hose Options:	
34	2752631	1	USA Built Machines	
34	1001113821	1	China Built Machines	
35		Ref	Hose Options:	
35	2752632	1	USA Built Machines	
35	1001113822	1	China Built Machines	
36	2220373	6	Fitting, Straight	
37		Ref	Hose Options:	
37	2752515	1	USA Built Machines	
37	1001113801	NLA	China Built Machines (Use p/n 2752515) (SN B300000100 through B300000883)	
37	2752515	1	China Built Machine (SN B300000884 through B300000969)	
39	2220466	AR	Fitting, 90	
41		Ref	Hose Options:	
41	2751474	1	USA Built Machines	
41	1001113893	NLA	China Built Machines (Use p/n 2751474) (SN B300000100 through B300000883)	
41	2751474	1	China Built Machine (SN B300000884 through B300000969)	
42	2220947	AR	Fitting, Straight	
43		Ref	Hose Options:	
43	2752762	1	USA Built Machines	
43	1001113833	NLA	China Built Machines (Use p/n 2752762) (SN B300000100 through B300000883)	
43	2752762	1	China Built Machine (SN B300000884 through B300000969)	
44	2220873	2	Fitting, Straight Nipple	
45	2220428	AR	Fitting, Quick Coupling	
46	2220429	AR	Fitting, Dust Cap	
47	2220618	1	Fitting, Reducer (USA Built Machines) (SN 0300087000 through 0300166419)	
48		Ref	Hose Options:	
48	2752763	2	USA Built Machines	
48	1001113834	NLA	China Built Machines (Use p/n 2752763) (SN B300000100 through B300000883)	
48	2752763	2	China Built Machine (SN B300000884 through B300000969)	
49	2221042	2	Fitting, 90	
50	2220948	1	Fitting, Tee	

SECTION 6 - HYDRAULIC

ITEM	PART NUMBER	QTY	DESCRIPTION	REV
51	2220738	1	Fitting, Tee	
52		Ref	Hose Options:	
52	2753957	1	USA Built Machines	
52	1001113880	1	China Built Machines	
53		Ref	Hose Options:	
53	2752588	2	USA Built Machines (SN 0300087000 through 0300137440)	
53	2752437	2	USA Built Machines (SN 0300137441 through 0300171769)	
53	1001113807	2	China Built Machines (SN B300000100 through B300000969)	
54	2220609	AR	Fitting, Reducer (USA Built Machines) (SN 0300087000 through 0300137441)	
55	2220468	2	Fitting, Straight (USA Built Machines) (SN 0300087000 through 0300137441)	
56	2752981	3	Hose (USA Built Machines) (SN 0300087000 through 0300137441)	
57	2220497	2	Fitting, Straight (USA Built Machines) (SN 0300087000 through 0300137441)	
58	2220502	1	Fitting, 45 (USA Built Machines) (SN 0300087000 through 0300137441)	
59		Ref	Hose Options:	
59	2751396	1	USA Built Machines	
59	1001113912	1	China Built Machines	
63	2220950	1	Fitting, 45	
65	2220974	1	Fitting, Long Straight	
66		Ref	Hose Options:	
66	2752598	2	Hose 600S & 600SJ USA Built Machines	
66	1001113813	NLA	Hose 600S & 600SJ China Built Machines (Use p/n 2752598) (SN B300000100 through B300000883)	
66	2752598	2	Hose 600S & 600SJ China Built Machines (SN B300000884 through B300000969)	
66	2752596	2	Hose 660SJ USA Built Machines	
66	1001113811	NLA	Hose 660SJ China Built Machines (Use p/n 2752596) (SN B300000100 through B300000883)	
66	2752596	2	Hose 660SJ China Built Machines (SN B300000884 through B300000969)	
67		Ref	Hose Options:	
67	2752599	1	Hose 600S & 600SJ USA Built Machines	
67	1001113814	NLA	Hose 600S & 600SJ China Built Machines (Use p/n 2752599) (SN B300000100 through B300000883)	
67	2752599	1	Hose 600S & 600SJ China Built Machines (SN B300000884 through B300000969)	
67	2752597	1	Hose 660SJ USA Built Machines	
67	1001113812	NLA	Hose 660SJ China Built Machines (Use p/n 2752597) (SN B300000100 through B300000883)	
67	2752597	1	Hose 660SJ China Built Machines (SN B300000884 through B300000969)	
71		Ref	Hose Options:	
71	2752633	AR	Hose 600S & 660SJ USA Built Machines	
71	2751868	AR	Hose 600SJ USA Built Machines (SN 0300087000 through 0300087911)	
71	2753048	AR	Hose 600SJ USA Built Machines (SN 0300087912 through 0300171769)	
71	1001113823	NLA	Hose 600S/660SJ China Built Machines (Use p/n 2752633) (SN B300000100 through B300000883)	
71	2752633	AR	Hose 600S/660SJ China Built Machines (SN B300000884	

SECTION 6 - HYDRAULIC

ITEM	PART NUMBER	QTY	DESCRIPTION	REV
72	2220472	AR	through B300000969) Fitting, 90	
75		Ref	Hose Options:	
75	Not Required	0	Hose 600S	
75	2753048	2	Hose 600SJ USA Built Machines	
75	2752633	2	Hose 660SJ USA Built Machines	
75	1001113823	NLA	Hose 660SJ China Built Machines (Use p/n 2752633) (SN B300000100 through B300000883)	
75	2752633	2	Hose 660SJ China Built Machines (SN B300000884 through B300000969)	
76	2220473	AR	Fitting, 90	
77	2220479	1	Fitting, Straight (Part of Pump Assembly)	
78		Ref	Hose Options:	
78	2752753	1	USA Built Machines	
78	1001113906	NLA	China Built Machines (Use p/n 2752753) (SN B300000100 through B300000883)	
78	2752753	1	China Built Machines (SN B300000884 through B300000969)	
80	2220603	4	Fitting, Straight	
81		Ref	Hose Options:	
81	2752783	1	USA Built Machines	
81	1001113911	1	China Built Machines	
82		Ref	Hose Options:	
82	2752591	2	USA Built Machines	
82	1001113808	2	China Built Machines	
83		Ref	Hose Options:	
83	2752643	1	USA Built Machines	
83	1001113826	1	China Built Machines	
84		Ref	Hose Options:	
84	2753325	1	USA Built Machines	
84	1001113855	1	China Built Machines	
85	2220409	1	Fitting, 45	
88	0100011	AR	Compound, Locking	
89	0100038	AR	Loctite, 3 Primer	
90	2180724	1	Fitting, 90 (600SJ & 660SJ Only)	
91	2180380	1	Fitting, Pipe Plug (600SJ & 660SJ Only)	
92	1703533	2	Decal - Hose Tags (Not Shown)	
93		Ref	Hose Options:	
93	2752633	1	Hose 600S & 660SJ USA Built Machines	
93	1001113823	NLA	Hose 600S & 660SJ China Built Machines (Use p/n 2752633) (SN B300000100 through B300000883)	
93	2752633	1	Hose 600S & 660SJ China Built Machines (SN B300000884 through B300000969)	
93	2752633	1	Hose 600SJ USA Built Machines (SN 0300087000 through 0300087911)	
93	2753048	1	Hose 600SJ USA Built Machines (SN 0300087912 through 0300171769)	
94	4240018	7	Tie-Strap (Not Shown)	
95	2220873	1	Fitting, Nipple	
99	2220893	AR	Fitting, Adapter	

SECTION 6 - HYDRAULIC

FIGURE 6-5. HYDRAULIC DIAGRAM LIST

ITEM	PART NUMBER	QTY	DESCRIPTION	REV
		Ref	Note: Information on diagrams not shown is available from JLG Service/Parts Departments.	
		Ref	Drive and Steer Hydraulic Diagrams:	
	1283363	Ref	USA Built Machines:	
	2792616	Ref	2WD/2WS Machines	
	2792617	Ref	2WD/4WS Machines	
	2792607	Ref	4WD/2WS Machines	
	2792615	Ref	4WD/4WS Machines	
	2792749	Ref	4WD/2WS Machines (With Arctic Package)	
		Ref	China Built Machines:	
	1001114074	Ref	4WD/2WS Machines	
	1001114070	Ref	4WD/2WS Machines	
	2792749	Ref	4WD/2WS Machines (With Arctic Package)	
	1283363	Ref	4WD/2WS Machines (With Arctic Package)	
	2792615	Ref	4WD/4WS Machines (SN B300000100 through B300000630)	
	1283363	Ref	4WD/4WS Machines (SN B300000100 through B300000630)	
	1001138035	Ref	4WD/4WS Machines (SN B300000631 through B300000969)	
	1001114070	Ref	4WD/4WS Machines (SN B300000631 through B300000969)	
		Ref	Axle Lockout Hydraulic Diagram	
	2792612	Ref	USA Built Machines:	
	1283363	Ref	USA Built Machines:	
	1001114075	Ref	China Built Machines:	
	1001114070	Ref	China Built Machines:	
		Ref	Loop Flushing Hydraulic Diagram	
	2792660	Ref	Loop Flushing Hydraulic Diagram 2WD	
	2792659	Ref	Loop Flushing Hydraulic Diagram 4WD	
		Ref	Oil Cooler Hydraulic Diagrams	
		Ref	Deutz Engine Machines	
	0256762	Ref	USA Built Machines (SN 0300087000 through 0300137649)	
	1282665	Ref	USA Built Machines (SN 0300087000 through 0300137649)	
	1001108701	Ref	USA Built Machines (SN 0300137650 through 0300171769)	
	0272041	Ref	Ford/GM Engine Machines	
	1283309	Ref	Ford/GM Engine Machines	
		Ref	Standard Hydraulic Diagrams:	
	1283363	Ref	USA Built Machines:	
	2792608	Ref	Standard Hydraulic Diagrams 600S	
	2792614	Ref	Standard Hydraulic Diagrams 600SJ	
	2792613	Ref	Standard Hydraulic Diagrams 660SJ	
	1001114070	Ref	China Built Machines:	
	1001114072	Ref	Standard Hydraulic Diagrams 600S	
	1001114073	Ref	Standard Hydraulic Diagrams 660SJ	
	2792605	Ref	Standard Hydraulic Schematic	
		Ref	Tool Hydraulic Diagrams:	
	2792325	Ref	Tool Hydraulic Diagrams 600S	
	2792326	Ref	Tool Hydraulic Diagrams 600SJ	
	2792327	Ref	Tool Hydraulic Diagrams 660SJ	
	2792630	Ref	Tow Hydraulic Diagram	

SECTION 7 - ELECTRICAL

SECTION 7 - ELECTRICAL

FIGURE 7-1. ELECTRICAL DIAGRAM LIST

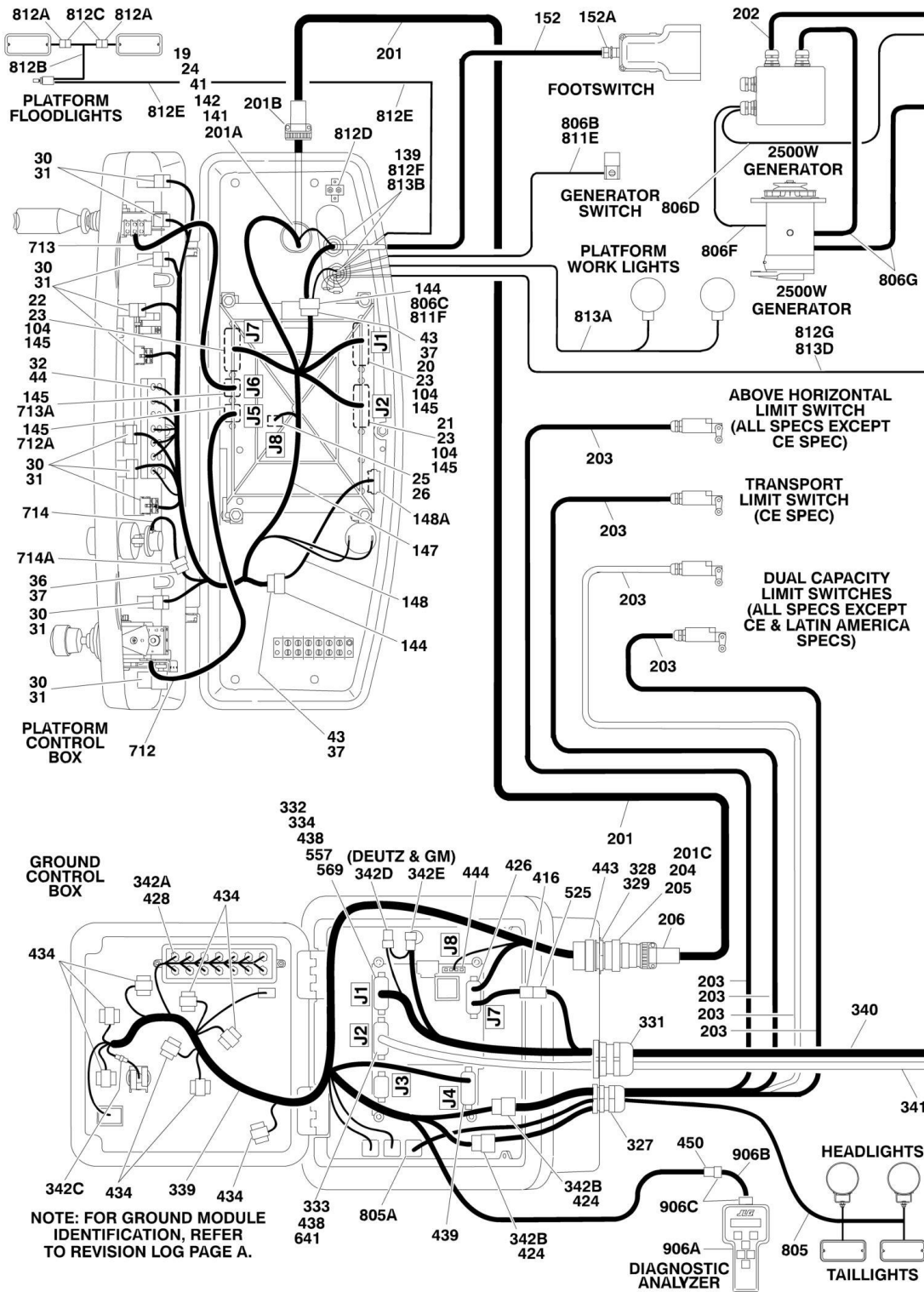
ITEM	PART NUMBER	QTY	DESCRIPTION	REV
		Ref	Note: Diagrams are available from the JLG Service Department. See Service and Maintenance Manual for Schematics.	
	4933217	Ref	ENGINE BLOCK HEATER ELECTRICAL DIAGRAM (FORD ENGINES)	
	1282571	Ref	ENGINE BLOCK HEATER ELECTRICAL DIAGRAM (FORD ENGINES)	
		Ref	COLD WEATHER PACKAGE ELECTRICAL DIAGRAM	
	0273575	Ref	Caterpillar Engines	
	1282571	Ref	Caterpillar Engines	
	0271912	Ref	Deutz Engines	
	1283264	Ref	Deutz Engines	
	0275262	Ref	GM Engines	
	1282571	Ref	GM Engines	
		Ref	GENERATOR ELECTRICAL DIAGRAMS	
		Ref	2500W Generator Options:	
	4933300	Ref	Caterpillar and Deutz Engine Machines with 60Hz Generators (USA Built Machines) (SN 0300087000 through 0300139049)	
	1001112588	Ref	Caterpillar and Deutz Engine Machines with 60Hz Generators (USA Built Machines) (SN 0300139050 through 0300171769)	
	1001112588	Ref	Caterpillar and Deutz Engine Machines with 60Hz Generators (China Built Machines) (SN B300000100 through B300000969)	
	4933300	Ref	Caterpillar and Deutz Engine Machines with 50Hz Generators except CE UK and CE Germany Specs (USA Built Machines) (SN 0300087000 through 0300133733)	
	4933287	Ref	CE UK Spec (USA Built Machines) (SN 0300087000 through 0300133733)	
	4933284	Ref	CE Germany Spec (USA Built Machines) (SN 0300087000 through 0300133733)	
	1001100027	Ref	Caterpillar and Deutz Engine Machines with 50Hz Generators (USA Built Machines) (SN 0300133734 through 0300139049)	
	1001112743	Ref	Caterpillar and Deutz Engine Machines with 50Hz Generators (USA Built Machines) (SN 0300139050 through 0300171769)	
	1001112743	Ref	Caterpillar and Deutz Engine Machines with 50Hz Generators (China Built Machines) (SN B300000100 through 0300171769)	
	4933300	Ref	Ford Engines	
	4933350	Ref	GM Engines	
		Ref	4000W Generator Options:	
	1001153025	Ref	ANSI Export & Japanese Specs	
	1001159648	Ref	Australian Spec	
		Ref	7500W Generator Options:	
	4933264	Ref	Caterpillar and Deutz Engines (USA Built Machines) (SN 0300087000 through 0300139049)	
	1001112586	Ref	Caterpillar and Deutz Engines (USA Built Machines) (SN 0300139050 through 0300171769)	
	1001112586	Ref	Caterpillar and Deutz Engines (China Built Machines) (SN B300000100 through B300000969)	

SECTION 7 - ELECTRICAL

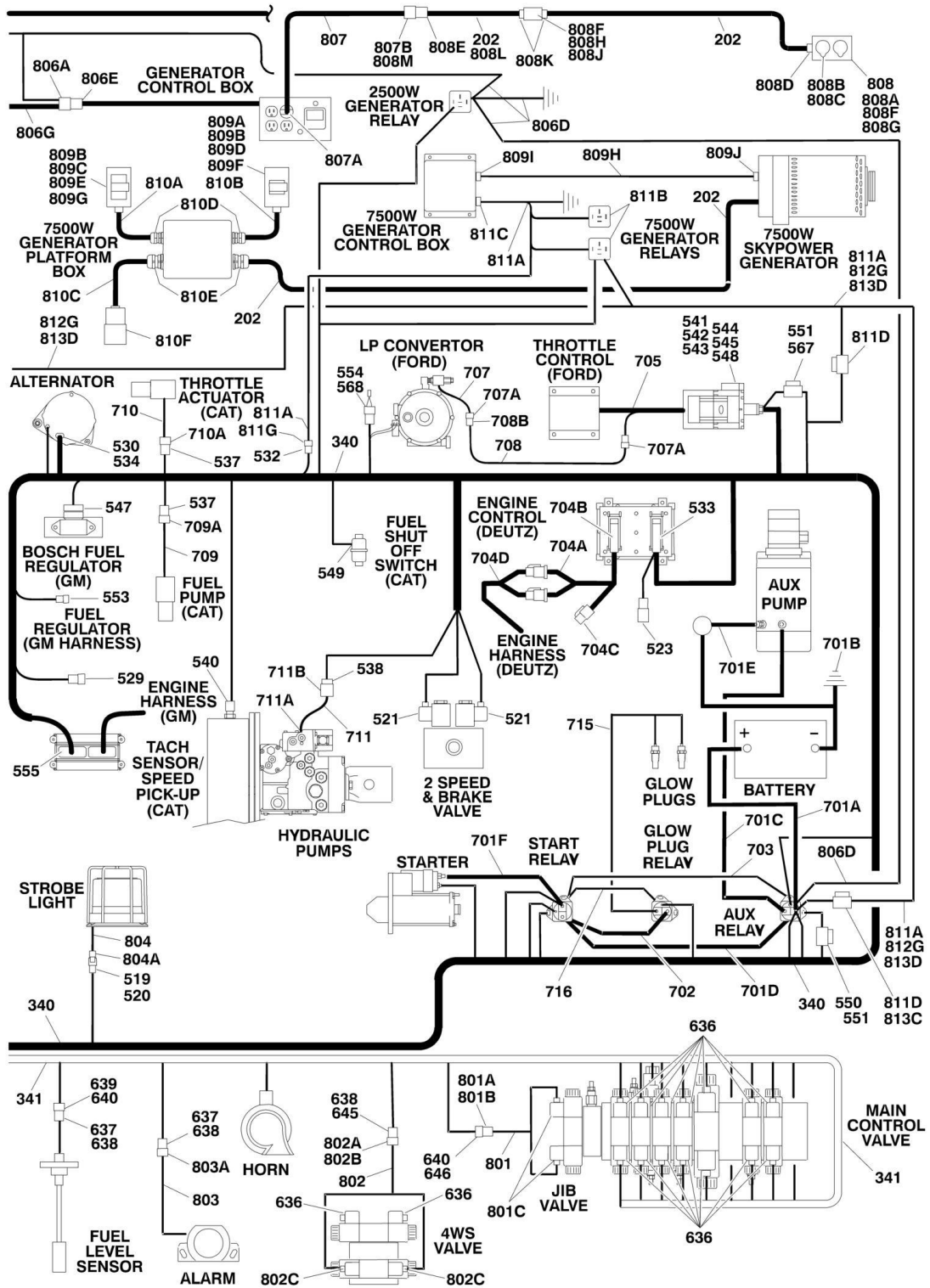
ITEM	PART NUMBER	QTY	DESCRIPTION	REV
	4933283	Ref	Ford Engines	
	4933349	Ref	GM Engines	
	4933217	Ref	GLOW PLUG DIAGRAM	
		Ref	LIGHTS ELECTRICAL DIAGRAM	
	4933219	Ref	Headlight/Taillight and Chassis Illumination Lights	
	4933313	Ref	Platform Floodlights	
	0273491	Ref	Platform Worklights	
	See Note	Ref	PLATFORM ELECTRICAL DIAGRAM (Note: Not Available for Purchase)	
	4933218	Ref	PLATFORM SOFT TOUCH SYSTEM ELECTRICAL DIAGRAM	
		Ref	STANDARD ELECTRICAL DIAGRAMS	
		Ref	Note: For Ground Module Identification, refer to Revision Log page A.	
		Ref	Note: All units "Without UGM" are USA Built Machines.	
		Ref	Without UGM:	
	4933328	Ref	Caterpillar Engine Machines (SN 0300087000 through 0300099059)	
	4933383	Ref	Caterpillar Engine Machines (SN 0300099060 through 0300171769)	
	4933318	Ref	Deutz Engine Machines (SN 0300087000 through 0300099059)	
	4933366	Ref	Deutz Engine Machines (SN 0300099060 through 0300171769)	
	4933327	Ref	Ford Engine Machines	
	4933355	Ref	GM Engine Machines (SN 0300087000 through 0300099059)	
	4933365	Ref	GM Engine Machines (SN 0300099060 through 0300171769)	
		Ref	With UGM:	
	1001110365	Ref	Caterpillar Engine Machines	
	1001110364	Ref	Deutz Engine Machines	
	1001110359	Ref	GM Engine Machines	
		Ref	STANDARD ELECTRICAL SCHEMATIC	
		Ref	USA Built Machines:	
	1870132	Ref	Caterpillar Engine Machines without UGM (SN 0300087000 through 0300099059)	
	1870215	Ref	Caterpillar Engine Machines without UGM (SN 0300099060 through 0300171769)	
	1001110345	Ref	Caterpillar Engine Machines with UGM	
	1870191	Ref	Deutz Engine Machines without UGM (SN 0300087000 through 0300099059)	
	1870215	Ref	Deutz Engine Machines without UGM (SN 0300099060 through 0300171769)	
	1001110345	Ref	Deutz Engine Machines with UGM	
	1870132	Ref	Ford Engine Machines	
	1870191	Ref	GM Engine Machines without UGM (SN 0300087000 through 0300099059)	
	1870215	Ref	GM Engine Machines without UGM (SN 0300099060 through 0300171769)	
	1001110345	Ref	GM Engine Machines with UGM	
	1001131992	Ref	GM Engine Schematic (Engine Schematic Only. p/n 1001110345 is for schematic for complete machine)	
	1001110345	Ref	China Built Machines	
	0270805	Ref	STROBE LIGHT ELECTRICAL DIAGRAM	
	1283235	Ref	STROBE LIGHT ELECTRICAL DIAGRAM	

SECTION 7 - ELECTRICAL

FIGURE 7-2. HARNESS COMPONENTS INSTALLATION (WITHOUT UGM)



SECTION 7 - ELECTRICAL



SECTION 7 - ELECTRICAL

FIGURE 7-2. HARNESS COMPONENTS INSTALLATION (WITHOUT UGM)

ITEM	PART NUMBER	QTY	DESCRIPTION	REV
		Ref	Note: For Ground Module Identification, Refer to Revision Log Page A	
		Ref	Note: All Units "Without UGM" are USA Built Machines.	
		Ref	PLATFORM BOX HARNESS ASSEMBLY	
	4922639	Ref	Platform Box Harness Assembly (SN 0300087000 through 0300136518)	8-I
	1001107753	Ref	Platform Box Harness Assembly (SN 0300136519 through 0300171769)	C
19	4460866	1	Connector - 19 Position	
20	4460874	1	Connector - 35 Position (Natural)	
21	4460875	1	Connector - 35 Position (Gray)	
22	4460873	1	Connector - 35 Position (Black)	
23	4460871	79	Socket, Female	
24	4460464	7	Pin, Male (16 Gauge)	
25	4460879	1	Terminal, Housing 2 Position	
26	4460887	2	Terminal, (12 Gauge)	
30	4460418	9	Connector - 6 Position	
31	4460419	27	Terminal, Female	
32	4120035	13	Base, Light	
36	4460225	1	Plug, Male- 6 Position	
37	4460227	6	Pin, Male	
41	4460508	3	Pin, Male (12 Gauge)	
43	4460434	2	Connector - 15 Position	
44	2920129	13	Lamp, Indicator	
		Ref	PLATFORM BOX ASSEMBLY COMPONENTS	
104	0100048	AR	Grease, Dielectric	
139	4460428	2	Connector, Strain Relief	
141	4460470	1	Nut, Terminal	
142	4460471	1	Lockwasher, Terminal	
144	4460708	2	Connector, Female - 15 Position	
145	4460905	5	Seal, Plug	
147		Ref	Harness, Platform Console Box Options (Includes Items 1-44):	
147	4922639	1	Harness, Platform Console Box (SN 0300087000 through 0300136518)	
147	1001107753	1	Harness, Platform Console Box (SN 0300136519 through 0300171769)	
148	4922666	1	Harness, Analyzer Cable	2-B
148	4460226	4	Socket, Female (Not Shown - Located at J2)	
148A	4460761	1	Connector, Female - 4 Position	
148A	4460227	4	Pin, Male	
152	See Note	NSS	Footswitch Harness (Note: Not Available for Purchase)	
152	1060918	8 ft/2.4m	Cable, Electrical - 18/3	
152A	4460071	1	Connector, Strain Relief	
		Ref	BOOM CABLES INSTALLATION	
		Ref	Note: See SPECIAL OPTIONS Section for Machines with 4000W generator.	
		Ref	Boom Cables Installation 600S:	
	0270733	Ref	ANSI, ANSI Export, Brazilian, CSA, Japanese Specs without 7500W Generator	5
	0270734	Ref	CE and Latin American Specs without 7500W Generator	6

SECTION 7 - ELECTRICAL

ITEM	PART NUMBER	QTY	DESCRIPTION	REV
	0272483	Ref	ANSI, ANSI Export, Australian, CSA Specs with 7500W Generator	3
	0272484	Ref	Brazilian, CE, Japanese, Latin American Specs with 7500W Generator	3
	0275924	Ref	ANSI, ANSI Export, CSA Specs without 7500W Generator and Arctic Package	2
	0275925	Ref	ANSI, ANSI Export, CSA Specs with 7500W Generator and Arctic Package	3
		Ref	Boom Cables Installation 600SJ:	
	0270738	Ref	ANSI, ANSI Export, Australian, Brazilian, CSA, Japanese, Latin American Specs without 7500W Generator	3
	0270737	Ref	CE Specs without 7500W Generator	3
	0272488	Ref	ANSI, ANSI Export, Australian, CSA, Latin American Specs with 7500W Generator	2
	0272487	Ref	Brazilian, CE, Japanese Specs with 7500W Generator	2
	0275926	Ref	ANSI, ANSI Export, CSA Specs without 7500W Generator and Arctic Package	1
	0275927	Ref	ANSI, ANSI Export, CSA Specs with 7500W Generator and Arctic Package	2
		Ref	Boom Cables Installation 660SJ:	3
	0270736	Ref	ANSI, ANSI Export, Australian, Brazilian, CSA, Japanese, Latin American Specs without 7500W Generator	3
	0270735	Ref	CE Specs without 7500W Generator	3
	0272485	Ref	ANSI, ANSI Export, Australian, CSA, Latin American Specs with 7500W Generator	2
	0272486	Ref	Brazilian, CE, Japanese Specs with 7500W Generator	2
	0275339	Ref	ANSI, ANSI Export, CSA Specs without 7500W Generator and Arctic Package	1
	0275831	Ref	ANSI, ANSI Export, CSA Specs with 7500W Generator and Arctic Package	2
201		Ref	Harness, Main Boom Options:	
201		Ref	Harness, Main Boom 600S:	
201	4922468	1	ANSI, ANSI Export, CE, CSA, Australian, Brazilian, Japanese, Latin American Spec (Harness - 600S)	
201	4923657	1	ANSI, ANSI Export, CSA Spec (With Arctic Package) (Harness - 600S)	
201		Ref	Harness, Main Boom 600SJ:	
201	4922466	1	ANSI, ANSI Export, Australian, CE, CSA, Brazilian, Japanese, Latin American Spec (Harness - 660SJ)	
201	4923653	1	ANSI, ANSI Export, CSA Spec (With Arctic Package) (Harness - 660SJ)	
201		Ref	Harness, Main Boom 660SJ:	
201	4922467	1	ANSI, ANSI Export, Australian, CE, CSA, Brazilian, Japanese, Latin American Spec (Harness - 660SJ)	
201	4923509	1	ANSI, ANSI Export, CSA Spec (With Arctic Package)(Harness - 660SJ)	
201	1060896	AR	Cable Options:	
201	1060896	67 ft /20.4m	Cable 600S	
201	1060896	69 ft/21m	Cable 600SJ	
201	1060896	75 ft/22.8	Cable 660SJ	
201	4923462	AR	Cable Options (With Arctic Package):	
201	4923462	67 ft /20.4m	Cable 600S	
	4923462	69.5 ft /21.8m	Cable 600SJ	

SECTION 7 - ELECTRICAL

ITEM	PART NUMBER	QTY	DESCRIPTION	REV
201	4923462	75 ft /22.8m	Cable 660SJ	
201A	4460465	11	Socket, Female - #16	
201A	4460865	1	Connector - 19 Position	
201A	4460509	4	Socket, Female - #12	
201A	4460466	4	Seal, Plug	
201B	4460473	1	Clamp, Cable	
201C	4460465	11	Socket, Female - #16	
201C	4460509	4	Socket, Female - #12	
202		Ref	Harness, Generator Options: (Does not include plug ends)	
202		Ref	Harness, Generator 600S without 7500W Generator	
202	4922889	AR	ANSI, ANSI Export, Australian, Brazilian, CSA, Japanese Specs (69.5ft/21.8m of 12/3 ANSI Spec Cable p/n 1060494)	
202	4922884	AR	CE and Latin American Specs (69.5ft/21.8m of 12/3 CE Spec Cable p/n 1060461)	
202	4923660	AR	ANSI, ANSI Export, CSA Specs (69.5ft/21.8m of 12/3 Cable p/n 4923463) (With Arctic Package)	
202	4922792	AR	600S with 7500W Generator (83ft/25.3m of 8/5 Cable p/n 1060945) (For Arctic Machines p/n was 4923658)	
202		Ref	600SJ without 7500W Generator	
202	4922887	AR	ANSI, ANSI Export, Australian, Brazilian, CSA, Japanese, Latin American Specs (71ft/21.6m of 12/3 ANSI Spec Cable p/n 1060494)	
202	4922885	AR	CE Specs (71ft/21.6m of 12/3 CE Spec Cable p/n 1060461)	
202	4923656	AR	ANSI, ANSI Export, CSA Specs (71ft/21.6m of 12/3 Cable p/n 4923463) (With Arctic Package)	
202	4922790	AR	Harness, Generator 600SJ with 7500W Generator (85ft/25.9m of 8/5 Cable p/n 1060945) (For Arctic Machines, p/n was 4923654)	
202		Ref	Harness, Generator 660SJ without 7500W Generator	
202	4922888	AR	ANSI, ANSI Export, Australian, Brazilian, CSA, Japanese, Latin American Specs (77ft/23.5m of 12/3 ANSI Spec Cable p/n 1060494)	
202	4922886	AR	CE Specs (77ft/23.5m of 12/3 CE Spec Cable p/n 1060461)	
202	4923510	AR	ANSI, ANSI Export, CSA Specs (77ft/23.5m of 12/3 Cable p/n 4923463) (With Arctic Package)	
202	4922791	AR	Harness, Generator 660SJ with 7500W Generator (90.5ft/27.6m of 8/5 Cable p/n 1060945) (For Arctic Machines p/n Was 4923630)	
203		Ref	Cable, Limit Switch Options:	
203		Ref	Cable, Limit Switch 600S:	
203	1061026	1	ANSI, ANSI Export, Australian, Brazilian, CE, CSA, Latin American, Japanese Specs (25.5ft/7.8m of 18/2 Cable p/n 1060680)	
203	4923659	1	ANSI, ANSI Export, CSA Spec (25.5ft/7.8m of 18/2 Cable p/n 4923466) (With Arctic Package)	
203	1061027	2	ANSI, ANSI Export, Australian, CSA, Brazilian, Japanese Specs (13.5ft/4.2m of 18/2 Cable p/n 1060680)	
203		Ref	Cable, Limit Switch 600SJ:	
203	1061026	1	Brazilian, CE, Japanese Specs (25.5ft/7.8m of 18/2 Cable p/n 1060680)	
203	1061027	1	ANSI, ANSI Export, Australian, Brazilian, CSA, Japanese, Latin American Specs (13.5ft/4.2m of 18/2 Cable p/n 1060680)	
203	4923655	1	ANSI, ANSI Export, CSA Spec (13.5ft/4.2m of 18/2 Cable p/n 4923466) (With Arctic Package)	

SECTION 7 - ELECTRICAL

ITEM	PART NUMBER	QTY	DESCRIPTION	REV
203		Ref	Cable, Limit Switch 660SJ:	
203	1061027	1	ANSI, ANSI Export, Australian, Brazilian, CSA, Latin American, Japanese Specs (13.5ft/4.2m of 18/2 Cable p/n 1060680)	
203	1061026	1	Brazilian, CE, Japanese Specs (25.5ft/7.8m of 18/2 Cable p/n 1060680)	
203	4923511	1	ANSI, ANSI Export, CSA Spec (13.5ft/4.2m of 18/2 Cable p/n 4923466) (With Arctic Package)	
204	4460865	1	Connector - 19 Position	
205	4460466	4	Seal, Plug	
206	4460473	1	Clamp, Cable	
207	4100026	AR	Sleeve, Nylon (Required on 600S Only - Not Shown)	
207	4100026	10 ft/3.0m	Sleeve, Nylon (SN 0300087000 through 0300137882)	
207	4100026	4 ft/1.2m	Sleeve, Nylon (SN 0300137883 through 0300171769)	
		Ref	GROUND CONTROL BOX COMPONENTS	
302	0100048	AR	Grease, Dielectric (Not Shown)	
327	4460426	2	Connector, Strain Relief	
328	4460470	1	Nut, Terminal	
329	4460471	1	Lockwasher, Terminal	
331	4460526	1	Connector, Strain Relief	
332	4460874	1	Connector (Natural)	
333	4460875	1	Connector (Gray)	
334	4460905	4	Connector, Amp Seal Plug	
339		Ref	Ground Control Box Harness Assembly Options (See Items 401-453 for Breakdown):	
339	4923229	1	Caterpillar and Ford Engine (SN 0300087000 through 0300099059)	
339	4923213	1	Deutz and GM Engine (SN 0300087000 through 0300099059)	
339	4923577	1	Caterpillar, Deutz and GM Engine (SN 0300099060 through 0300137194)	
339	1001108126	1	Caterpillar, Deutz and GM Engine (SN 0300137195 through 0300171769)	
340		Ref	Engine Harness Assembly (See 501 to 569 for Breakdown):	
340	4923227	1	Caterpillar Engine Machines (SN 0300087000 through 0300099059)	
340	4923576	1	Caterpillar Engine Machines (SN 0300099060 through 0300171769)	
340	3990001	1	Diode (SN 0300090378 through 0300171769)	
340	4923212	1	Deutz Engine Machines	
340	4923226	1	Ford Engine Machines	
340	4923492	1	GM Engine Machines	
341	4923206	1	Valve Harness Assembly (See 601 to 646 for Breakdown):	2-B
342		Ref	Ground Control Box Wiring Diagram (Not Shown)	
342	4933328	1	Caterpillar Engine (SN 0300087000 through 0300099059)	3-C
342	4933383	1	Caterpillar Engine (SN 0300099060 through 0300171769)	A
342	4933318	1	Deutz Engine (SN 0300087000 through 0300099059)	F
342	4933366	1	Deutz Engine (SN 0300099060 through 0300171769)	A
342	4933327	1	Ford Engine	2-B
342	4933355	1	GM Engine (SN 0300087000 through 0300099059)	D
342	4933365	1	GM Engine (SN 0300099060 through 0300171769)	A
342A	2920129	AR	Bulb, Light	
342B	4460708	AR	Receptacle, Female - 15 Position	
342B	4460226	AR	Socket, Female	
342B	4922637	1	Harness, Jumper (Not Shown)	

SECTION 7 - ELECTRICAL

ITEM	PART NUMBER	QTY	DESCRIPTION	REV
342B	4922636	1	Harness, Jumper (Not Shown) (SN 0300099060 through 0300171769)	
342C	2400065	1	Fuse, 30Amp	
342C	2400066	1	Fuse, Holder with Cover	
342D	4460894	1	Plug, Male - 6 Position (Deutz/GM Engines Only)	
342D	4460892	1	Receptacle, Female - 6 Position (Deutz/GM Engines Only)	
342E	4460539	1	Plug, Male - 3 Position (Caterpillar Only)	
342E	2902443	1	Receptacle Kit (Deutz Only)	
342E	4461071	8	Socket, Female	
342E	4461072	1	Receptacle	
342E	4461073	1	Cap, Dust	
342E	4461074	1	Shell, Black	
342F	4923591	1	Harness, Jumper (Not Shown - Located on Module J7-6 to J7-17 Caterpillar Only) (SN 0300099060 through 0300171769)	
		Ref	GROUND CONTROL HARNESS ASSEMBLY	
	4923229	Ref	Caterpillar and Ford Engines (SN 0300087000 through 0300099059)	2-B
	4923213	Ref	Deutz and GM Engines (SN 0300087000 through 0300099059)	E
	4923577	Ref	Caterpillar, Deutz and GM Engines (SN 0300099060 through 0300137194)	D
	1001108126	Ref	Caterpillar, Deutz and GM Engines (SN 0300137195 through 0300171769)	C
416	4460536	1	Connector, Female - 3 Position (Caterpillar/Deutz/GM Engines Only)	
416	4460943	3	Pin, Male (Caterpillar/Deutz/GM Engines Only)	
421	3990010	2	Diode - 6Amp (Not Shown)	
424	4460434	AR	Plug, Male 15 - Position Options:	
424	4460434	1	Ford Engines	
424	4460434	2	Caterpillar/Deutz/GM Engines	
424	4460227	AR	Pin	
426	4460873	1	Plug, Male - 35 Position (Black)	
426	4460871	AR	Socket, Female	
426	4460905	AR	Plug, Seal	
428	4120035	AR	Base, Light	
428	4460634	AR	Terminal (16 Gauge)	
428	4460635	AR	Terminal (12 Gauge)	
434	4460418	AR	Connector, Female - 6 Position	
434	4460419	AR	Socket, Female	
438	4460871	9	Socket, Female	
439	4460876	1	Plug, Male - 35 Position (Blue)	
439	4460871	AR	Socket, Female	
439	4460905	AR	Plug, Seal	
443	4460866	1	Connector - 19 Position	
443	4460464	10	Pin, Male (16 Gauge)	
443	4460508	3	Pin, Male (12 Gauge)	
444	4460878	1	Housing, Terminal - 4 Position	
444	4460887	3	Terminal (12 Gauge)	
450	4460761	1	Connector, Female 4 - Position	
450	4460227	4	Pin, Male	
		Ref	ENGINE HARNESS ASSEMBLIES	
	4923227	Ref	Caterpillar Engine Machines (SN 0300087000 through 0300099059)	3-C
	4923576	Ref	Caterpillar Engine Machines (SN 0300099060 through	D

SECTION 7 - ELECTRICAL

ITEM	PART NUMBER	QTY	DESCRIPTION	REV
			0300171769)	
	4923212	Ref	Deutz Engine Machines	F
	4923226	Ref	Ford Engine Machines	3-C
	4923492	Ref	GM Engine Machines	D
519	4460424	1	Receptacle, Female - 2 Position	
520	4460268	2	Socket, Female	
521	4460880	2	DIN Connector without Diode	
522	4460891	2	Connector, Male - 2 Position (Caterpillar Engine Only)	
522	4460465	7	Socket, Female	
523	4461070	1	Receptacle, Female with Resistor (3 Position) (Deutz Engines Only)	
523	4461095	1	Plug, Male - 3 Position (Deutz Engines Only)	
523	4460944	3	Socket, Female (Deutz Engines Only)	
525	4460539	1	Connector, Male - 3 Position (Deutz Engine Only)	
525	4460944	3	Socket, Female (Deutz Engine Only)	
530	4460582	3	Terminal (Ford Engine Only)	
530	4460580	1	Lock, Terminal (Ford Engine Only)	
530	4460579	1	Housing - 3 Position (Ford Engine Only)	
532	4461157	1	Receptacle, Female - 2 Position (GM Engine Only)	
532	4460979	2	Pin, Male (GM Engine Only)	
532	4460458	2	Seal, Terminal (GM Engine Only)	
533	4461052	1	Connector, Receptacle - 25 Position (Deutz Engine Only)	
533	4461005	5	Terminal (Gold) (Deutz Engine Only)	
533	4461006	5	Seal, Terminal (Deutz Engine Only)	
533	4461060	2	Terminal (Tin) (Deutz Engine Only)	
533	4461054	2	Seal, Terminal (Deutz Engine Only)	
533	4461053	1	Cover, Plug (Deutz Engine Only)	
534	4460996	1	Connector, Female - 3 Position (Caterpillar Engines Only)	
534	4460995	2	Terminal, Spade (Caterpillar Engines Only)	
537	4460891	2	Plug, Male - 2 Position (Caterpillar Engines Only)	
537	4460465	4	Socket, Female (Caterpillar Engines Only)	
538	4460460	1	Connector, Male - 4 Position	
538	4460457	AR	Terminal, Female	
538	4460458	AR	Seal, Terminal	
540	4460539	1	Plug, Male - 3 Position (Caterpillar Engines Only)	
540	4460465	3	Socket, Female (Caterpillar Engines Only)	
541	4460713	1	Connector, Housing 42 Position (Ford Engine Only)	
542	4460725	1	Connector Wedge Lock, Center (Ford Engine Only)	
543	4460726	2	Connector Wedge Lock, Side (Ford Engine Only)	
544	4460800	29	Connector, Plug (Ford Engine Only)	
545	4460799	7	Pin, Male (Ford Engine Only)	
547	4461121	1	Plug, Male - 4 Position (GM Engine Only)	
547	4461122	4	Socket, Female (GM Engine Only)	
547	4461123	4	Seal, Terminal (GM Engine Only)	
548	4460728	3	Pin, Male (Ford Engine Only)	
549	4460792	1	Plug, Male - 1 Position (Caterpillar Engines Only)	
549	4460339	3	Terminal (Caterpillar Engines Only)	
553	4461124	1	Receptacle, Female - 4 Position (GM Engine Only)	
553	4460693	4	Pin, Male (GM Engine Only)	
553	4460608	4	Seal, Terminal (GM Engine Only)	
553	4461161	1	Lock, Terminal (GM Engine Only)	
554	4460742	1	Plug, Male - 2 Position (Ford Engine Only)	

SECTION 7 - ELECTRICAL

ITEM	PART NUMBER	QTY	DESCRIPTION	REV
554	4460457	2	Terminal, Female (Ford Engine Only)	
554	4460458	2	Seal, Terminal (Ford Engine Only)	
555	4461109	1	Plug, Male - 16 Position (GM Engine Only)	
555	4461111	7	Pin, Male (GM Engine Only)	
555	4461113	AR	Seal, Terminal (GM Engine Only)	
555	4461222	9	Terminal, Cavity Plug (GM Engine Only)	
557	4460871	AR	Socket, Female	
567	2400065	1	Fuse, 30Amp (Ford Engine Only)	
568	3730120	1	Resistor Assembly (Ford Engine Only)	
568	4460978	1	Receptacle, Male - 2 Position	
568	4460979	2	Pin, Male	
568	4460458	2	Seal, Terminal	
568	3730121	1	Resistor	
569	4460226	2	Socket, Female (Deutz Engine Only) (SN 0300088140 through 0300171769)	
	4923206	Ref	VALVE HARNESS ASSEMBLY	2-B
636	4460880	15	DIN Connector	
637	4460320	2	Plug, Male - 2 Position	
638	4460267	5	Pin, Male	
639	4460424	1	Receptacle, Female - 2 Position	
640	4460268	5	Socket, Female	
641	4460871	28	Socket, Female	
645	4460326	1	Plug, Male - 3 Position	
646	4460445	1	Receptacle, Female - 3 Position	
		Ref	STANDARD HARNESS COMPONENTS	
701		Ref	Battery Cable Kit Options:	
701	2902296	1	Caterpillar and Deutz Engines Machines	C
701	2902297	1	Ford Engine Machines	
701	2902531	1	GM Engine Machines	A
701A		Ref	Cable, Battery (Red) Options:	
701A		Ref	Caterpillar and Deutz Engines Machines Options:	
701A	1001116241	1	Machines with 2 Relays on Engine Tray (was p/n 7027000)	
701A	1001116240	1	Machines with 3 Relays on Engine Tray (was p/n 7027000)	
701A	7027006	1	Ford Engine Machines	
701A	7027015	1	GM Engine Machines	
701B		Ref	Cable, Battery (Black) Options:	
701B	7027004	1	Caterpillar and Deutz Engines Machines	
701B	7027005	1	Ford Engine Machines	
701B	7016822	1	GM Engine Machines	
701C		Ref	Cable (Red) Options:	
701C	7027002	1	Caterpillar, Deutz and Ford Engines Machines	
701D		Ref	Cable (Red) Options:	
701D	7027001	1	Caterpillar and Deutz Engine Machines (SN 0300087000 through 0300138089)	
701D	See Note	NLA	Caterpillar and Deutz Engine Machines (SN 0300138090 through 0300171769)	
		Ref	Note: Incorporated in Item 701A SN 0300138090 to Present.	
701D	Not Required	0	Ford Engines Machines	
701D	7027017	1	GM Engines Machines	
701E	7027003	1	Cable (Black)	
701F		Ref	Cable, Battery (Red) Options:	

SECTION 7 - ELECTRICAL

ITEM	PART NUMBER	QTY	DESCRIPTION	REV
701F		Ref	Caterpillar and Deutz Engines Machines	
701F	1001116241	1	Machines with 2 Relays on Engine Tray (was p/n 7027000)	
701F	1001116240	1	Machines with 3 Relays on Engine Tray (was p/n 7027000)	
701F	7027007	1	Ford Engine Machines	
701F	7016822	1	GM Engine Machines	
702	1060904	1	Cable, Battery (Caterpillar Engine Machines Only)	
703	14922737	1	Harness, Relay Ground (Caterpillar Engine Machines Only)	
704		Ref	Deutz Engine Harness Components (Deutz Engine Machines Only)	
704A	7027796	1	Deutz Engine Harness	
704B	See Note	NSS	Receptacle, Female - 25 Position (Note: Not Available - Purchase Complete Harness)	
704C	7027793	1	Plug-In, Connector	
704D		Ref	Deutz Engine Harness Options (For other replacement parts refer to Deutz engine dealer):	
704D	7027794	1	Deutz Tier I and Tier II (SN 0300087000 through 0300126188)	
704D	70001872	1	Deutz Tier III (SN 0300126189 through 0300171769)	
705	7027403	1	Ford Engine Harness (For other replacement parts refer to Ford engine dealer)	
706	7027991	1	GM Engine Harness (Not Shown - For other replacement parts refer to GM industrial engine dealer)	
706	7027989	1	Connector - 10 Position (Not Shown)	
706	See Note	NSS	Box, Fuse Box (Not Shown) (Note: Part of Harness Not Available for Purchase)	
706	70002627	1	Cover, Fuse Box (Not Shown)	
706	70001950	2	Relay (Power and Fuel Pump) (Not Shown)	
706	70001951	1	Relay (Starter) (Not Shown)	
706	70001931	1	Fuse - 60Amp (Alternator) (Not Shown)	
706	See Note	NLA	Fuse - 20Amp (Not Shown) (Note: Not Available - Purchase Locally)	
706	See Note	NLA	Fuse - 15Amp (Not Shown) (Note: Not Available - Purchase Locally)	
706	See Note	NLA	Fuse - 10Amp (Not Shown) (Note: Not Available - Purchase Locally)	
706	See Note	NLA	Fuse - 5Amp (Not Shown) (Note: Not Available - Purchase Locally)	
707	See Note	NLA	Dual Fuel Shut-Off Filter Harness (Note: Not Available for Purchase)	
707A	7023679	1	Electrical Connector Kit (Includes [1] 2 Position Connector, 2 Pins & 2 Seals)	
708	4922968	1	Dual Fuel Shut-Off Filter Extension Harness (Not Shown)	
708A	4460742	1	Connector, Male - 2 Position	
708A	4460458	2	Seal, Terminal	
708B	4460978	1	Receptacle, Male - 2 Position	
708B	4460979	2	Pin, Male	
708B	4460458	2	Seal, Terminal	
709	See Note	NLA	Fuel Pump Harness (Caterpillar Engines Only) (Note: Not Available for Purchase)	
709	4460897	1	Receptacle, Female - 2 Position (Caterpillar Engines Only)	
709	4460464	2	Pin, Male (Caterpillar Engines Only)	
710	See Note	NLA	Throttle Actuator Harness (Caterpillar Engines Only) (Note: Not Available for Purchase)	
710	4460897	1	Receptacle, Female - 2 Position (Caterpillar Engines Only)	
710	4460464	2	Pin, Male (Caterpillar Engines Only)	

SECTION 7 - ELECTRICAL

ITEM	PART NUMBER	QTY	DESCRIPTION	REV
711	See Note	NSS	Pump Harness (Note: Not Available for Purchase)	
711A	7007497	1	Plug (Pump End)	
711B	7007498	1	Plug (Engine Harness End)	
712	See Note	NSS	Controller Harness Assembly (Lift and Swing) (Note: Purchase Complete Controller)	
712A	7022819	1	Plug, Male - 8 Position (Natural)	
712A	4460871	8	Socket, Female	
713	See Note	NSS	Controller Harness/Circuit Board Assembly (Drive and Steer) (Note: Purchase Complete Controller)	
713A	7022825	1	Plug, Male - 8 Position (Black)	
713A	4460871	7	Socket, Female	
714	See Note	NSS	Controller Harness (Speed Control) (Note: Purchase Complete Controller)	
714A	4460224	1	Receptacle, Female - 6 Position	
714A	4460226	6	Socket, Female	
715	4923379	1	Harness, Glow Plug (Deutz Engine Machines) (SN 0300092726 through 0300171769)	B
716	1060904	1	Cable, Jumper (Deutz Engine Machines) (SN 0300092726 through 0300171769)	
		Ref	OPTIONAL HARNESS COMPONENTS	
801A	4460326	1	Plug, Male - 3 Position	
801B	4460267	3	Pin, Male	
801C	4460499	2	Connector, DIN with Diode	
802	4921928	1	4WS Valve Harness	3
802A	4460268	3	Socket, Female	
802B	4460445	1	Connector, Female - 3 Position	
802C	4460499	2	Connector, DIN with Diode	
803	0257887	1	Alarm Harness (Includes Alarm)	
803	0140032	1	Alarm	
803	2820035	6 in/15cm	Loom	
803A	4460424	1	Plug, Male - 2 Position	
803B	4460268	2	Socket, Female	
804	0272507	1	Strobe Light Harness Options (Includes Strobe Light):	
804A	4460320	1	Connector, Female - 2 Position	
804B	4460267	2	Pin, Male	
805	See Note	NSS	Headlight and Taillight/Chassis Illumination Harness (Note: Not Available for Purchase)	
805	1060341	AR	Cable, Electrical 16/2 Options:	
805	1060341	37/11.3m	Headlights and Taillights	
805	1060341	40/12.2m	Chassis Illumination Lights	
805A	3740049	1	Relay	
805A	4460259	3	Terminal	
805A	4460260	4	Housing, Terminal	
805A	4460297	1	Terminal	
805A	4922643	1	Lights Harness for Ground Control Box	1-A
805A	4460226	2	Socket, Female	
806		Ref	2500W Generator Electrical Components Options:	
806	4933350	Ref	GM Engine Machines	1-A
806	4933300	Ref	Deutz and Caterpillar with 60Hz Generators	2-A
806	1001100027	Ref	Deutz and Caterpillar with 50Hz Generators	5-E
806A	4460321	1	Connector, Male - 4 Position	
806A	4460906	4	Socket, Female	
806B	4922641	1	Harness - On/Off Switch	

SECTION 7 - ELECTRICAL

ITEM	PART NUMBER	QTY	DESCRIPTION	REV
806C	4460226	2	Socket, Female	
806D		Ref	2500W Control Box to Relay Harness Options:	
806D	4922970	1	Caterpillar, Deutz and Ford Engines Machines	
806D	4923445	1	GM Engines Machines	
806E	4460961	1	Connector, Female - 4 Position	
806E	4460705	4	Pin, Male	
806F	1001100305	1	Ground Harness (50Hz Only)	C
806G	7020193	1	2500W Generator Power Cable	
807		Ref	Generator to Rear of Boom Harness Options:	
		Ref	Note: Harness used to connect AC at platform harness to generator receptacle to power platform receptacle.	
807	4921827	1	110V (ANSI, ANSI Export and Japanese Specs)	2
807	4921954	1	220V (ANSI and ANSI Export Specs)	2
807	4921956	1	110V/220V (Australian, CE, Latin America and Brazilian Specs)	-
807		Ref	Cable, Electrical - 12/3 Options:	
807	1060494	20 ft/6m	110V (ANSI, ANSI Export and Japanese Specs)	
807	1060494	26 ft/8m	220V (ANSI and ANSI Export Specs)	
807	1060461	20 ft/6m	110V/220V (Australian, CE, Latin America and Brazilian Specs)	
807A		Ref	Plug, Male Options:	
807A	4460205	1	110V (ANSI, ANSI Export and Japanese Specs)	
807A	4460233	1	220V (ANSI and ANSI Export Specs)	
807A	Not Required	0	110V/220V (Australian, CE, Latin American and Brazilian Specs) (Purchase Locally)	
807A	4460027	1	Receptacle, Twist Lock (110V Only)	
807B		Ref	Receptacle, Female Options:	
807B	4460134	1	110V (ANSI, ANSI Export and Japanese Specs)	
807B	4460701	1	220V (ANSI and ANSI Export Specs)	
807B	Not Required	0	110V/220V (Australian, Latin American and Brazilian Specs) (Purchase Locally)	
807B	See Note	NSS	110V/220V (CE Spec) (Note: See Item 808M)	
808		Ref	AC to Platform Receptacle Components Options:	
808	0256113	Ref	110V/60Hz GFI Receptacle (ANSI, ANSI Export and Japanese Specs)	5
808	0256201	Ref	110V/50Hz Receptacle (Plug and Receptacle Supplied Locally) (Australian, Brazilian, Latin America Specs)	4
808	0257175	Ref	220V Receptacle (ANSI and ANSI Export Specs)	4
808		Ref	CE Specs Options Only:	
808		Ref	Without Generator:	
808	0256201	Ref	110V/50Hz Receptacle (Plug and Receptacle Supplied Locally)	3
808	0273076	Ref	110V/50Hz Receptacle (See HARNESS COMPONENTS INSTALLATION (WITH UGM) for Components)	A
808	0273078	Ref	CE Germany Specs (See HARNESS COMPONENTS INSTALLATION (WITH UGM) for Components)	A
808	0275455	Ref	220V with CEE7 Post Ground Receptacle and Plug and Circuit Breaker (2x4 Box)	D
808	0275456	Ref	220V with CEE7 Side Ground Receptacle and Plug and Circuit Breaker (2x4 Box)	D
808	0275659	Ref	220V with AFSINT 107 Keyed Ground Receptacle and Plug and Circuit Breaker (2x4 Box)	D
808	0275235	Ref	110V with IEC Yellow Receptacle and Plug and Circuit Breaker	D
808	0275254	Ref	220V with IEC Blue Receptacle and Plug and Circuit Breaker	D

SECTION 7 - ELECTRICAL

ITEM	PART NUMBER	QTY	DESCRIPTION	REV
808	0275237	Ref	220V with CEE7 Post Ground Receptacle and Plug and Circuit Breaker (70mm x 70mm Box)	D
808	0275253	Ref	220V with CEE7 Side Ground Receptacle and Plug and Circuit Breaker (70mm x 70mm Box) (Use p/n 1001153312)	A-D
808		Ref	With Generator:	
808	1001100390	Ref	220V with CEE7 Post Ground Receptacle and Plug and Circuit Breaker (2x4 Box)	D
808	1001100391	Ref	220V with CEE7 Side Ground Receptacle and Plug and Circuit Breaker (2x4 Box)	D
808	1001100392	Ref	220V with AFSINT 107 Keyed Ground Receptacle and Plug and Circuit Breaker (2x4 Box)	C
808	1001100393	Ref	110V with IEC Yellow Receptacle and Plug and Circuit Breaker	C
808	1001100394	Ref	220V with IEC Blue Receptacle and Plug and Circuit Breaker	C
808	1001100395	Ref	220V with CEE7 Post Ground Receptacle and Plug and Circuit Breaker (70mm x 70mm Box)	C
808	1001100396	Ref	220V with CEE7 Side Ground Receptacle and Plug and Circuit Breaker (70mm x 70mm Box)	C
808A		Ref	Box, Switch Options:	
808A	0860038	1	0256113 & 0257175 Installations	
808A	Not Required	0	0256201 Installation (Purchase Locally)	
808A	0861731	1	0275455, 0275456, 0275659, 1001100390, 1001100391 & 1001100392 Installations	
808A	0861781	1	0275235, 0275254, 1001100393 & 1001100394 Installations	
808A	0861782	NLA	0275237, 0275253, 1001100395, 1001100396 & 1001153312 Installations (Note: Use p/n 1001100344 CEE7 Side Ground Service Kit or p/n 1001100343 CEE7 Post Ground Service Kit. Kit Include Box p/n 1001141967 & Items 808B, 808C, 808E & 808M)	
808A	1001141967	1	1001100343, 1001100344, 1001141970 & 1001141971 Kits	
808B		Ref	Receptacle Options:	
808B	4460346	1	0256113 Installation	
808B	4460125	1	0257175 Installation	
808B	Not Required	0	0256201 Installation (Purchase Locally)	
808B	4461244	1	0275455 & 1001100390 Installations	
808B	4461245	1	0275456 & 1001100391 Installations	
808B	4461246	1	0275659 & 1001100392 Installations	
808B	4461198	1	0275235 & 1001100393 Installations	
808B	4461201	1	0275254 & 1001100394 Installations	
808B	4461204	NLA	0275237 & 1001100395 Installations (Use p/n 1001100343)	
808B	4461207	NLA	0275253, 1001100396 & 1001153312 Installations (Use p/n 1001100344)	
808B	1001141968	1	1001100343 & 1001141971 Kits	
808B	1001141969	1	1001100344 & 1001141970 Kits	
808C		Ref	Shield, Cover Options:	
808C	4060700	1	0256113 Installation (SN 0300087000 through 0300138240)	
808C	1001110873	1	0256113 Installation (SN 0300138241 through 0300171769)	
808C	4060092	1	0257175 Installation	
808C	Not Required	0	0256201 Installation (Purchase Locally)	
808C	4461244	1	0275455 & 1001100390 Installations	

SECTION 7 - ELECTRICAL

ITEM	PART NUMBER	QTY	DESCRIPTION	REV
808C	4461245	1	0275456 & 1001100391 Installations	
808C	4461246	1	0275659 & 1001100392 Installations	
808C	4461198	1	0275235 & 1001100393 Installations	
808C	4461201	1	0275254 & 1001100394 Installations	
808C	4461207	NLA	0275237 & 1001100395 Installations (Use p/n 1001100343)	
808C	4461207	NLA	0275253, 1001100396 & 1001153312 Installations (Use p/n 1001100344)	
808C	1001141968	12	1001100343 & 1001141971 Kits	
808C	1001141969	1	1001100344 & 1001141970 Kits	
808D		Ref	Connector, Strain Relief Options:	
808D	4460071	1	0256113 & 0257175 Installations	
808D	Not Required	0	0256201 Installation (Purchase Locally)	
808D	4460968	1	0275455, 0275456, 0275659, 0275235, 0275254, 0275237, 0275253, 1001100390, 1001100391, 1001100392, 1001100393, 1001100394, 1001100395, 1001100396 & 1001153312 Installations	
808E		Ref	Plug, Male Options:	
808E	4460205	1	0256113 Installation	
808E	4460233	1	0257175 Installation	
808E	Not Available		0256201 Installation (Purchase Locally)	
808E	4461202	1	0275237, 0275455, 1001100390 & 1001100395 Installations & 1001100343 & 1001141971 Kits	
808E	4461205	1	0275453, 0275256, 1001100391 & 1001100396 Installations & 1001100344 & 1001141970 Kits	
808E	4461249	1	0275659 & 1001100392 Installations	
808E	4461196	1	0275235 & 1001100393 Installations	
808E	4461199	1	0275254 & 1001100394 Installations	
808F		Ref	Hardware Options:	
808F	0641405	AR	Bolt 1/4in - 20NC x 5/8in	
808F	0641407	AR	Bolt 1/4in - 20NC x 7/8in	
808F	0641410	AR	Bolt 1/4in - 20NC x 1-1/4in	
808F	0641416	AR	Bolt 1/4in - 20NC x 2in	
808F	0700408	AR	Screw M4 x 16mm	
808F	3290405	AR	Locknut M4	
808F	3311405	AR	Locknut 1/4in - 20NC	
808F	4711400	AR	Flatwasher 1/4in (Narrow)	
808F	4811400	AR	Flatwasher M4	
808F	1320149	AR	Clamp, Stauff	
808F	0100011	AR	Compound, Locking	
808G		Ref	Bracket, Receptacle Box Mounting Options:	
808G	Not Required	0	0256113, 0257175 & 0256201 Installations	
808G	0903484	1	0275455, 0275456, 0275659, 0275235, 0275254, 0275237, 0275253, 1001100390, 1001100391, 1001100392, 1001100393, 1001100394, 1001100395, 1001100396 & 1001153312 Installations	
808H		Ref	Bracket, Circuit Breaker Mounting Options:	
808H	Not Required	0	0256113, 0257175 & 0256201 Installations	
808H	0903611	1	0275455, 0275456, 0275659, 0275235, 0275254, 0275237, 0275253, 1001100390, 1001100391, 1001100392, 1001100393, 1001100394, 1001100395, 1001100396 & 1001153312 Installations	
808	1001154592	1	1001153312 Installation	
808J		Ref	Kit, Box and Breaker (Required Only on CE Spec	

SECTION 7 - ELECTRICAL

ITEM	PART NUMBER	QTY	DESCRIPTION	REV
808J	2902549	AR	Installations except 0256201 Installation): Without Generator	D
808J	1001096070	AR	With 110V Generator	D
808J	1001109554	AR	With 220V Generator	B
808J		Ref	Circuit Breaker Options:	
808J		Ref	Without Generator	
808J	2400093	NLA	Circuit Breaker, 16Amp/30mAmp Combination (Use p/n 1001181045) (SN 0300087000 through 0300136310)	
808J	1001109475	NLA	Circuit Breaker, 16Amp (Use p/n 1001181045 16Amp/30mAmp Combination) (SN 0300136311 through 0300171769)	
808J	1001109482	NLA	Circuit Breaker, 30mAmp (Use p/n 1001181045 16Amp/30mAmp Combination) (SN 0300136311 through 0300171769)	
808J		Ref	With 110V Generator	
808J	1001109475	NLA	Circuit Breaker, 16Amp (Use p/n 1001181045 16Amp/30mAmp Combination)	
808J	1001109482	NLA	Circuit Breaker, 30mAmp (Use p/n 1001181045 16Amp/30mAmp Combination)	
808J		Ref	With 220V Generator	
808J	1001109477	NLA	Circuit Breaker, 10Amp (Use p/n 1001181046 10Amp/30mAmp Combination)	
808J	1001109482	NLA	Circuit Breaker, 30mAmp (Use p/n 1001181046 10Amp/30mAmp Combination)	
808J	0861880	1	Breaker Box	
808J	4460956	1	Barrier, Terminal Block End	
808J	4460957	1	Block, Terminal	
808K		Ref	Connector, Strain Relief Options (Required Only on CE Spec Installations except 0256201 Installation):	
808K	4460633	2	M20 Thread	
808K	1001097150	2	M25 Thread	
808L	1060908	AR	Cable, Extension (Required Only on CE Spec Installations except 0256201 Installation)	
808L	1060908	6 ft/1.8m	Without Generator	
	1060908	12 ft 3.6m	With Generator	
808M		Ref	Receptacle, Female Options:	
808M	4461203	1	1001100390 & 1001100395 Installations & 1001100343 & 1001141971 Kits	
808M	4461206	1	1001100391 & 1001100396 Installations & 1001100344 & 1001141970 Kits	
808M	4461250	1	1001100392 Installation	
808M	4461197	1	1001100393 Installation	
808M	4461200	1	1001100394 Installation	
	0275452		Receptacle Box Kit (220V CEE7 Post Ground) (Includes Items 808A, 808B, 808C & 808E) (0275455 Installation)	1
	1001100345		Receptacle Box Kit (220V CEE7 Post Ground) (Includes Items 808A-808C, 808E & 808M) (1001100390 Installation)	2
	0275453		Receptacle Box Kit (220V CEE7 Side Ground) (Includes Items 808A, 808B, 808C & 808E) (0275456 Installation)	1
	1001100347		Receptacle Box Kit (220V CEE7 Side Ground) (Includes Items 808A-808C, 808E & 808M) (1001100391 Installation)	3
	0275454		Receptacle Box Kit (220V AFSINT 107 Keyed Ground) (Includes Items 808A, 808B, 808C & 808E) (0275659 Installation)	1
	1001100346		Receptacle Box Kit (220V AFSINT 107 Keyed Ground)	2

SECTION 7 - ELECTRICAL

ITEM	PART NUMBER	QTY	DESCRIPTION	REV
			(Includes Items 808A-808C, 808E & 808M) (1001100392 Installation)	
	0275216		Receptacle Box Kit (110V IEC Yellow) (Includes Items 808A, 808B, 808C & 808E) (0275235 Installation)	1
	1001100341		Receptacle Box Kit (110V IEC Yellow) (Includes Items 808A-808C, 808E & 808M) (1001100393 Installation)	2
	0275217		Receptacle Box Kit (220V IEC Blue) (Includes Items 808A, 808B, 808C & 808E) (0275254 Installation)	1
	1001100342		Receptacle Box Kit (220V IEC Blue) (Includes Items 808A-808C, 808E & 808M) (1001100394 Installation)	2
	0275218		Receptacle Box Kit (220V CEE7 Post Ground) (Includes Items 808A-808C, 808E & 808M) (0275237 Installation) (Use p/n 1001100343)	B-B
	1001100343		Receptacle Box Kit (220V CEE7 Post Ground) (Includes Items 808A-808C, 808E & 808M) (1001100395 Installation)	B
	0275219		Receptacle Box Kit (220V CEE7 Side Ground) (Includes Items 808A-808C, 808E & 808M) (0275253 & 1001153312 Installations) (Use p/n 100110344)	B-B
	1001100344		Receptacle Box Kit (220V CEE7 Side Ground) (Includes Items 808A-808C, 808E & 808ME) (1001100396 Installation)	B
809		Ref	7500W SkyPower Generator Installation	
809	0273540	Ref	60Hz and Caterpillar Engine	H
809	0273541	Ref	50Hz Spec and Caterpillar Engine	H
809	0272255	Ref	60Hz and Deutz Engine	I
809	0272640	Ref	60Hz and Deutz Engine (Brazilian Spec Only)	G
809	0272492	Ref	50Hz Spec and Deutz Engine	H
809	0272817	Ref	60Hz Spec and Ford Engine	H
809	0275257	Ref	60Hz Spec and GM Engine	E
		Ref	Note: SkyPower Generator is Standard On ANSI and CSA Specs. Optional on All Other Specs.	
		Ref	Note: See SPECIAL OPTIONS Section for Machines with 4000W generator.	
809A		Ref	Receptacle, Female Twist-Lock Options:	
809A	4460958	1	60Hz Spec	
809A	See Note	NLA	50Hz Spec (Note: Not Available - Purchase Locally)	
809B		Ref	Gasket Options:	
809B	3960422	2	60Hz Spec	
809B	See Note	NLA	50Hz Spec (Note: Not Available - Purchase Locally)	
809C		Ref	Cover, Receptacle Options:	
809C	4060700	1	60Hz Spec (SN 0300087000 through 0300138109)	
809C	1001110873	1	60Hz Spec (SN 0300138110 through 0300171769)	
809C	See Note	1	50Hz Spec (Note: Not Available - Purchase Locally)	
809D		Ref	Cover, Receptacle Options:	
809D	4061043	1	60Hz Spec (SN 0300087000 through 0300138109)	
809D	1001110872	1	60Hz Spec (SN 0300138110 through 0300171769)	
809D	See Note	NLA	50Hz Spec (Note: Not Available - Purchase Locally)	
809E		Ref	Receptacle Options:	
809E	4460346	1	60Hz Spec	
809E	See Note	1	50Hz Spec (Note: Not Available - Purchase Locally)	
809F	4460051	1	Connector, Strain Relief	
809G	4460071	1	Connector, Strain Relief	
809H	4922925	1	Harness, Generator	
809I	See Note	NLA	Plug, Male - 6 Position (Note: Not Available - Purchase Locally)	
809I	See Note	NLA	Socket, Female (Note: Not Available - Purchase Locally)	

SECTION 7 - ELECTRICAL

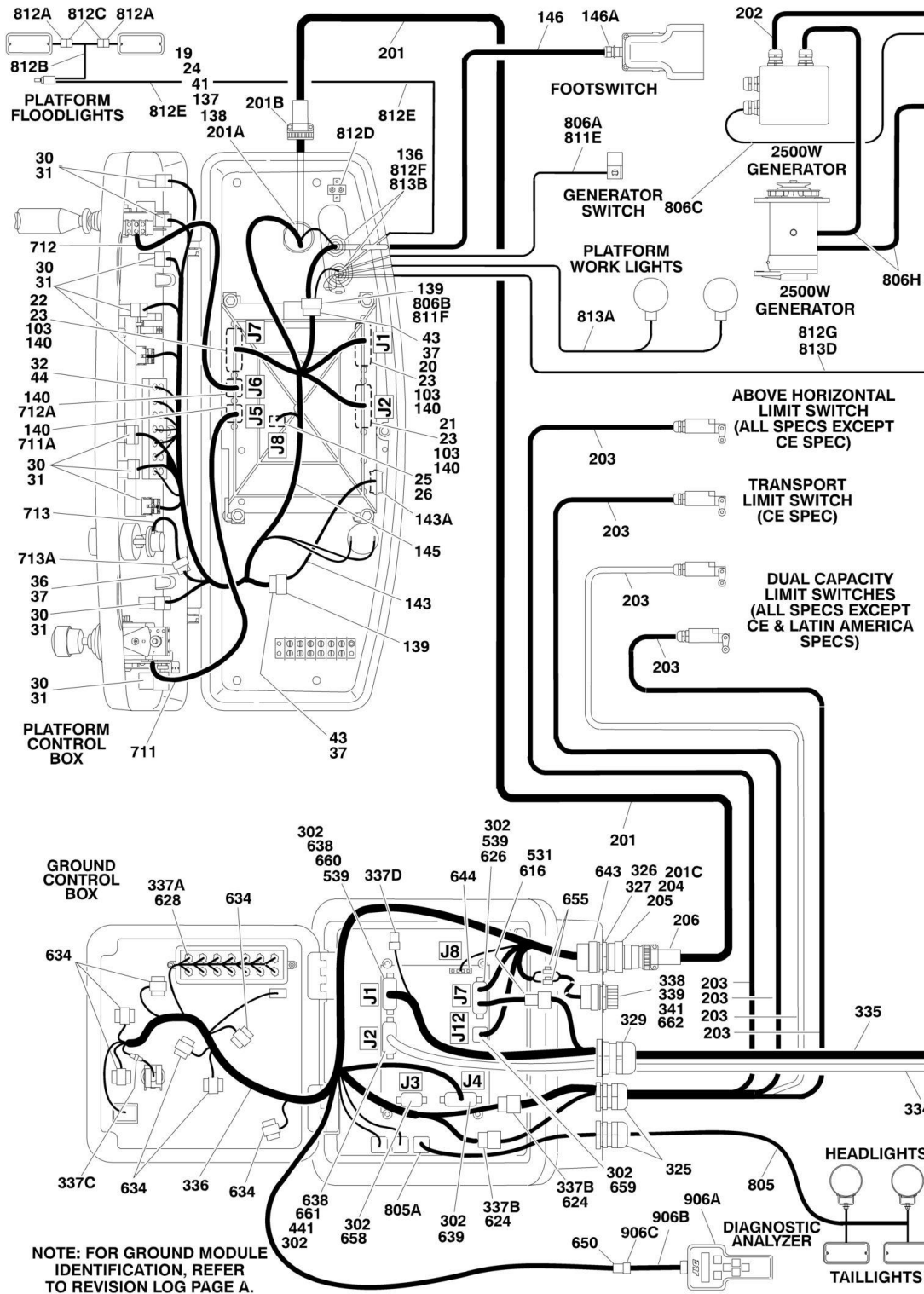
ITEM	PART NUMBER	QTY	DESCRIPTION	REV
809J	4460225	1	Plug, Male - 6 Position	
809J	4460226	6	Socket, Female	
810		Ref	7500W SkyPower Generator Junction Box Components	
810	0861542	Ref	60Hz Spec	C
810	0861567	Ref	50Hz Specs	B
		Ref	Note: See SPECIAL OPTIONS Section for Machines with 4000W generator.	
810A		Ref	Cable, Electrical 12/3	
810A	1060494	2 ft/.6m	60Hz Spec	
810A	See Note	2 ft/.6m	50Hz Spec (Note: Not Available - Purchase Locally)	
810B		Ref	Cable, Electrical 10/3	
810B	1060708	2.5 ft /0.76m	60Hz Spec	
810B	See Note	2.5 ft/0.76m	50Hz Spec (Note: Not Available - Purchase Locally)	
810C	1060343	1.5 ft /0.46m	Cable, Electrical 10/4 (60Hz Spec Only)	
810D	4460425	2	Connector, Strain Relief	
810E		Ref	Component Options:	
810E	4460426	2	Connector, Strain Relief (60Hz Spec Only)	
810E	4460426	1	Connector, Strain Relief (50Hz Spec Only)	
810E	3520189	1	Plug (50Hz Spec Only)	
810F	1671092	1	Cover (60Hz Spec Only)	
810F	4460963	1	Connector (60Hz Spec Only)	
811		Ref	7500W Generator Electrical Diagram Components	
811	4933264	Ref	Caterpillar and Deutz Engine Machines	C
811	4933283	Ref	Ford Engine Machines	2-B
811	4933349	Ref	GM Engine Machines	1-A
		Ref	Note: See SPECIAL OPTIONS Section for Machines with 4000W generator.	
811A		Ref	Generator Harness Options:	
811A	4922757	1	Caterpillar and Deutz Engine Machines	3-C
811A	4922905	1	Ford Engine Machines	1-A
811A	4923420	1	GM Engine Machines	A
811B	4460374	2	Plug, Sealed Relay	
811B	4460375	7	Terminal	
811C	4460967	1	Plug, Male - 3 Position	
811C	4460465	3	Socket, Female	
811D	2400060	AR	Fuseholder Options:	
811D		Ref	Caterpillar, Deutz and GM Engine Machines	
811D		Ref	Ford Engine Machines	
811D	2400064	AR	Fuse - 5Amp Options:	
811D		Ref	Caterpillar, Deutz and GM Engine Machines	
811D		Ref	Ford Engine Machines	
811E	4922641	1	Switch Harness	
811F	4460226	2	Socket, Female	
811G	4460742	1	Plug, Male - 2 Position (GM Engine Only)	
811G	4460743	2	Socket, Female (GM Engine Only)	
812	4933313	1	Floodlights Harness Components	1-A
812A	4460320	2	Plug, Male - 2 Position	
812A	4460227	4	Pin, Male	
812B	4922764	1	Floodlight Harness (Lights to Switch)	1-A

SECTION 7 - ELECTRICAL

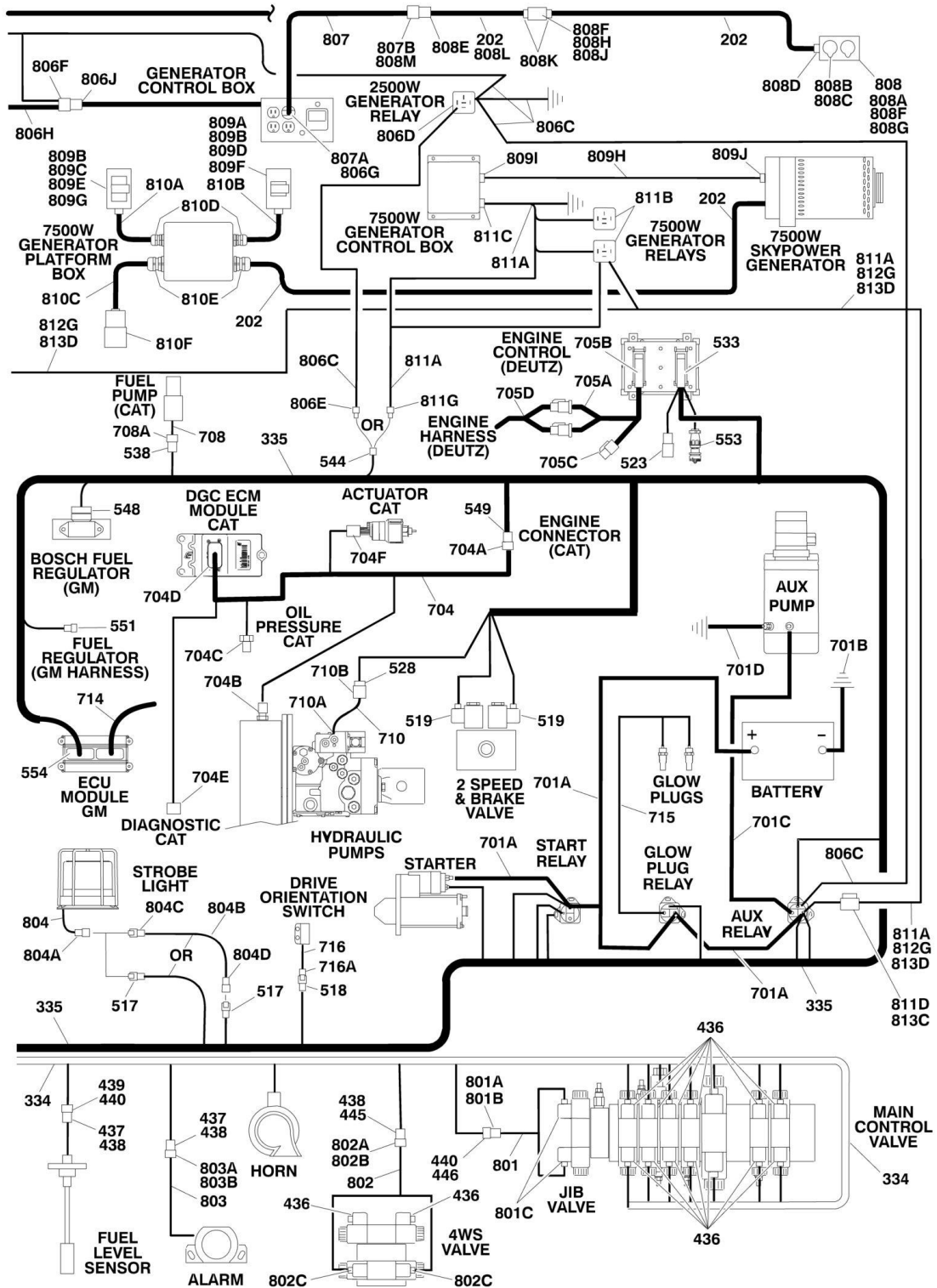
ITEM	PART NUMBER	QTY	DESCRIPTION	REV
812C	4460424	2	Connector, Female - 2 Position	
812C	4460226	4	Socket, Female	
812D	4360232	1	Circuit Breaker - 15Amp	
812E	1060977	1	Cord, 2 Wire Coiled (Console Box Circuit Breaker to Switch)	
812F	4460425	1	Connector, Strain Relief	
812G		Ref	Harness, Console Box to Aux Relay Options:	
812G	4922888	1	Harness, Console Box to Aux Relay 600S & 600SJ Harness (77ft/23.5m of 12/3 Cable p/n 1060494)	
812G	4922964	1	Harness, Console Box to Aux Relay 660SJ Harness (83ft/25.4m of 12/3 Cable p/n 1060494)	
813		Ref	Platform Worklights Components	
813A	2920140	2	Platform Worklights External Harness (Includes Light and Wire Only)	
813B	4460426	1	Connector, Strain Relief	
813C	2400070	1	Fuse	
813C	2400066	1	Holder, Fuse	
813D		Ref	Harness, Console Box to Aux Relay Options:	
813D	4922888	1	Harness, Console Box to Aux Relay 600S & 600SJ Harness (77ft/23.5m of 12/3 Cable p/n 1060494)	
813D	4922964	1	Harness, Console Box to Aux Relay 660SJ Harness (83ft/25.4m of 12/3 Cable p/n 1060494)	
		Ref	TOOLS	
901	7002821	1	Crimper (For Wire to Pin/Socket Connections) (Not Shown)	
902	7002823	1	Extractor (For Removal of Pin/Socket from Connectors) (Not Shown)	
903	4460467	1	Extractor, Pin (Blue 16-18 Gauge) (For Removal of Pin/Socket from Connectors) (Not Shown)	
904	4460510	1	Extractor, Pin (Yellow 12-14 Gauge) (For Removal of Pin/Socket from Connectors) (Not Shown)	
905	7002828	1	Stripper, Wire (Not Shown)	
906	2901443	1	Analyzer Kit (Not Shown)	
906A	1600244	1	Analyzer	
906B	1060633	1	Cable, Analyzer	1-A
906C	4460321	2	Plug, Male	
906C	4460226	8	Socket, Female	

SECTION 7 - ELECTRICAL

FIGURE 7-3. HARNESS COMPONENTS INSTALLATION (WITH UGM)



SECTION 7 - ELECTRICAL



SECTION 7 - ELECTRICAL

FIGURE 7-3. HARNESS COMPONENTS INSTALLATION (WITH UGM)

ITEM	PART NUMBER	QTY	DESCRIPTION	REV
		Ref	Note: For Ground Module Identification, Refer to Revision Log Page A	
	1001107753	Ref	PLATFORM BOX HARNESS ASSEMBLY	D
19	4460866	1	Terminal, 19 Pin Receptacle	
20	4460874	1	Connector - 35 Position (Natural)	
21	4460875	1	Connector - 35 Position (Gray)	
22	4460873	1	Connector - 35 Position (Black)	
23	4460871	79	Socket, Female	
24	4460464	7	Pin, Male (16 Gauge)	
25	4460879	1	Terminal, Housing 2 Position	
26	4460887	2	Terminal, (12 Gauge)	
30	4460418	9	Connector - 6 Position	
31	4460419	27	Terminal, Female	
32	4120035	13	Base, Light	
36	4460225	1	Plug, Male- 6 Position	
37	4460227	6	Pin, Male	
41	4460508	3	Pin, Male (12 Gauge)	
43	4460434	2	Connector - 15 Position	
44	2920129	13	Lamp, Indicator	
		Ref	PLATFORM BOX ASSEMBLY COMPONENTS	
103	0100048	AR	Grease, Dielectric	
136	4460428	2	Connector, Strain Relief	
137	4460470	1	Nut, Terminal	
138	4460471	1	Lockwasher, Terminal	
139	4460708	2	Connector, Female - 15 Position	
140	4460905	5	Seal, Plug	
143	4922666	1	Harness, Analyzer Cable	2-B
143	4460226	4	Socket, Female (Not Shown - Located at J2)	
143A	4460761	1	Connector, Female - 4 Position	
143A	4460227	4	Pin, Male	
145	1001107753	1	Harness, Platform Console Box Options (Includes Items 1-44):	
146	See Note	NSS	Footswitch Harness (Note: Not Available for Purchase)	
146	1060918	7 ft/2.1m	Cable, Electrical - 18/3	
146A	4460071	1	Connector, Strain Relief	
		Ref	BOOM CABLES INSTALLATION	
		Ref	Boom Cables Installation 600S:	
	0270733	Ref	ANSI, ANSI Export, Brazilian, CSA, Japanese Specs without 7500W Generator	5
	0270734	Ref	CE and Latin American Specs without 7500W Generator	6
	0272483	Ref	ANSI, ANSI Export, Australian, CSA Specs with 7500W Generator	3
	0272484	Ref	Brazilian, CE, Japanese, Latin American Specs with 7500W Generator	3
	0275924	Ref	ANSI, ANSI Export, CSA Specs without 7500W Generator and Arctic Package	2
	0275925	Ref	ANSI, ANSI Export, CSA Specs with 7500W Generator and Arctic Package	3
		Ref	Boom Cables Installation 660SJ:	3
	0270736	Ref	ANSI, ANSI Export, Australian, Brazilian, CSA, Japanese, Latin American Specs without 7500W Generator	3
	0270735	Ref	CE Specs without 7500W Generator	3

SECTION 7 - ELECTRICAL

ITEM	PART NUMBER	QTY	DESCRIPTION	REV
	0272485	Ref	ANSI, ANSI Export, Australian, CSA, Latin American Specs with 7500W Generator	2
	0272486	Ref	Brazilian, CE, Japanese Specs with 7500W Generator	2
	0275339	Ref	ANSI, ANSI Export, CSA Specs without 7500W Generator and Arctic Package	1
	0275831	Ref	ANSI, ANSI Export, CSA Specs with 7500W Generator and Arctic Package	2
201		Ref	Harness, Main Boom Options:	
201		Ref	Harness, Main Boom 600S:	
201	4922468	1	ANSI, ANSI Export, CE, CSA, Australian, Brazilian, Japanese, Latin American Spec	
201	4923657	1	ANSI, ANSI Export, CSA Spec (With Arctic Package)	
201		Ref	Harness, Main Boom 660SJ:	
201	4922467	1	ANSI, ANSI Export, Australian, CE, CSA, Brazilian, Japanese, Latin American Spec	
201	4923509	1	ANSI, ANSI Export, CSA Spec (With Arctic Package)	
201	1060896	AR	Cable Options:	
201	1060896	67 ft /20.4m	Cable 600S	
201	1060896	75 ft /22.8m	Cable 600SJ	
201	4923462	AR	Cable Options (With Arctic Package):	
201	4923462	67 ft /20.4m	Cable 600S	
201	4923462	75 ft /22.8m	Cable 660SJ	
201A	4460465	11	Socket, Female - #16	
201A	4460865	1	Plug, Connector (19 Pin)	
201A	4460509	4	Socket, Female - #12	
201A	4460466	4	Seal, Plug	
201B	4460473	1	Clamp, Cable	
201C	4460465	11	Socket, Female - #16	
201C	4460509	4	Socket, Female - #12	
202		Ref	Harness, Generator Options: (Does not include plug ends)	
202		Ref	Harness, Generator 600S without 7500W Generator	
202	4922889	AR	ANSI, ANSI Export, Australian, Brazilian, CSA, Japanese Specs (69.5ft/21.8m of 12/3 ANSI Spec Cable p/n 1060494)	
202	4922884	AR	CE and Latin American Specs (69.5ft/21.8m of 12/3 CE Spec Cable p/n 1060461)	
202	4923660	AR	ANSI, ANSI Export, CSA Specs (69.5ft/21.8m of 12/3 Cable p/n 4923463) (With Arctic Package)	
202	4922792	AR	Harness, Generator 600S with 7500W Generator (83ft/25.3m of 8/5 Cable p/n 1060945) (For Arctic Machines p/n was 4923658)	
202		Ref	Harness, Generator 660SJ without 7500W Generator	
202	4922888	AR	ANSI, ANSI Export, Australian, Brazilian, CSA, Japanese, Latin American Specs (77ft/23.5m of 12/3 ANSI Spec Cable p/n 1060494)	
202	4922886	AR	CE Specs (77ft/23.5m of 12/3 CE Spec Cable p/n 1060461)	
202	4923510	AR	ANSI, ANSI Export, CSA Specs (77ft/23.5m of 12/3 Cable p/n 4923463) (With Arctic Package)	
202	4922791	AR	Harness, Generator 660SJ with 7500W Generator (90.5ft/27.6m of 8/5 Cable p/n 1060945) (For Arctic Machines p/n was 4923630)	
203		Ref	Cable, Limit Switch Options:	

SECTION 7 - ELECTRICAL

ITEM	PART NUMBER	QTY	DESCRIPTION	REV
203		Ref	Cable, Limit Switch 600S:	
203	1061026	1	ANSI, ANSI Export, Australian, Brazilian, CE, CSA, Latin American, Japanese Specs (25.5ft/7.8m of 18/2 Cable p/n 1060680)	
203	4923659	1	ANSI, ANSI Export, CSA Spec (25.5ft/7.8m of 18/2 Cable p/n 4923466) (With Arctic Package)	
203	1061027	2	ANSI, ANSI Export, Australian, CSA, Brazilian, Japanese Specs (13.5ft/4.2m of 18/2 Cable p/n 1060680)	
203		Ref	Cable, Limit Switch 660SJ:	
203	1061027	1	ANSI, ANSI Export, Australian, Brazilian, CSA, Latin American, Japanese Specs (13.5ft/4.2m of 18/2 Cable p/n 1060680)	
203	1061026	1	Brazilian, CE, Japanese Specs (25.5ft/7.8m of 18/2 Cable p/n 1060680)	
203	4923511	1	ANSI, ANSI Export, CSA Spec (13.5ft/4.2m of 18/2 Cable p/n 4923466) (With Arctic Package)	
204	4460865	1	Plug, Connector (19 Pin)	
205	4460466	4	Seal, Plug	
206	4460473	1	Clamp, Cable	
207	4100026	Ref	Sleeve, Nylon (Required on 600S Only - Not Shown)	
207	4100026	10 ft/3.0m	USA Built Machines (SN 0300087000 through 0300137882)	
207	4100026	4 ft/1.2m	USA Built Machines (SN 0300137883 through 0300171769)	
207	4100026	4 ft/1.2m	China Built Machines (SN B300000100 through B300000969)	
		Ref	GROUND CONTROL BOX COMPONENTS	
302	0100048	AR	Grease, Dielectric	
325	4460426	2	Connector, Strain Relief	
326	4460470	1	Nut, Terminal	
327	4460471	1	Lockwasher, Terminal	
329	4460526	1	Connector, Strain Relief	
334	4923206	1	Valve Harness Assembly (See 401 to 446 for Breakdown)	C
335		Ref	Engine Harness Assembly (See 501 to 554 for Breakdown):	
335	1001110362	1	Caterpillar Engine Machines	
335	1001110361	1	Deutz Engine Machines	
335	1001110359	1	GM Engine Machines	
336	1001108602	1	Ground Control Box Harness Assembly (See Items 601-662 for Breakdown)	
337		Ref	Ground Control Box Wiring Diagram (Not Shown)	
337	1001110365	1	Caterpillar Engine	D
337	1001110364	1	Deutz Engine	D
337	1001110363	1	GM Engine	C
337A	2920129	AR	Bulb, Light	
337B	4460708	AR	Receptacle, Female - 15 Position	
337B	4460226	AR	Socket, Female	
337B	4922637	1	Harness, Jumper (Not Shown)	
337B	4922636	1	Harness, Jumper (Not Shown)	
337C	2400065	1	Fuse, 30Amp	
337C	2400066	1	Fuse, Holder with Cover	
337D	4460894	1	Plug, Male - 6 Position	
337D	4460892	1	Receptacle, Female - 6 Position	
338	4460496	1	Lockwasher, Terminal	
339	4460497	1	Nut, Terminal	
341	1001106736	1	Cap, Dust	
	4923206	Ref	VALVE HARNESS ASSEMBLY	2-B

SECTION 7 - ELECTRICAL

ITEM	PART NUMBER	QTY	DESCRIPTION	REV
436	4460880	15	DIN Connector	
437	4460320	2	Plug, Male - 2 Position	
438	4460267	5	Pin, Male	
439	4460424	1	Receptacle, Female - 2 Position	
440	4460268	5	Socket, Female	
441	4460871	28	Socket, Female	
445	4460326	1	Plug, Male - 3 Position	
446	4460445	1	Receptacle, Female - 3 Position	
		Ref	ENGINE HARNESS ASSEMBLIES	
	1001110362	Ref	Caterpillar Engine Machines	B
	1001110361	Ref	Deutz Engine Machines	A
	1001110359	Ref	GM Engine Machines	A
517	4460424	1	Receptacle, Female - 2 Position	
517	4460268	2	Socket, Female	
518	4460424	1	Receptacle, Female - 2 Position	
518	4460226	2	Socket, Female	
519	4460880	2	DIN Connector without Diode	
523	4461070	1	Receptacle, Female with Resistor (3 Position) (Deutz Engine Only)	
523	4461095	1	Plug, Male - 3 Position (Deutz Engine Only)	
523	4460944	3	Socket, Female (Deutz Engine Only)	
528	4460460	1	Connector, Male - 4 Position	
528	4460457	AR	Terminal, Female	
528	4460458	AR	Seal, Terminal	
531	4460539	1	Connector, Male - 3 Position	
531	4460944	3	Socket, Female	
533	4461052	1	Connector, Receptacle - 25 Position (Deutz Engine Only)	
533	4461005	5	Terminal (Gold) (Deutz Engine Only)	
533	4461006	5	Seal, Terminal (Deutz Engine Only)	
533	4461060	2	Terminal (Tin) (Deutz Engine Only)	
533	4461054	2	Seal, Terminal (Deutz Engine Only)	
533	4461053	1	Cover, Plug (Deutz Engine Only)	
533	4461008	AR	Plug, Hole (Deutz Engine Only)	
538	4460891	1	Plug, Male - 2 Position (Caterpillar Engines Only)	
538	4460465	2	Socket, Female (Caterpillar Engines Only)	
539	4460871	AR	Socket, Female	
544	4461157	1	Receptacle, Female - 2 Position	
544	4460979	2	Pin, Male	
544	4460458	2	Seal, Terminal	
548	4461121	1	Plug, Male - 4 Position (GM Engine Only)	
548	4461122	4	Socket, Female (GM Engine Only)	
548	4461123	4	Seal, Terminal (GM Engine Only)	
549	4460899	1	Connector - 6 Position (Caterpillar Engines Only)	
549	4460464	5	Pin, Male (Caterpillar Engines Only)	
549	4460466	1	Seal, Plug (Caterpillar Engines Only)	
551	4461124	1	Receptacle, Female - 4 Position (GM Engine Only)	
551	4460693	4	Pin, Male (GM Engine Only)	
551	4460608	4	Seal, Terminal (GM Engine Only)	
551	4461161	1	Lock, Terminal (GM Engine Only)	
553	2902443	1	Kit, Receptacle (Deutz Engine Only)	
553	4461071	8	Terminal, Female (Gold) (Deutz Engine Only)	
553	4461072	1	Connector, Flange Mount (Deutz Engine Only)	

SECTION 7 - ELECTRICAL

ITEM	PART NUMBER	QTY	DESCRIPTION	REV
553	4461073	1	Connector, Dust Cap (Deutz Engine Only)	
553	4461074	1	Connector, Shell (Deutz Engine Only)	
554	4461109	1	Plug, Male - 16 Position (GM Engine Only)	
554	4461111	7	Pin, Male (GM Engine Only)	
554	4461113	7	Seal, Terminal (GM Engine Only)	
554	4461222	9	Plug, Cavity (GM Engine Only)	
	1001108602	Ref	GROUND CONTROL HARNESS ASSEMBLY	C
616	4460536	1	Connector, Female - 3 Position (Caterpillar/Deutz/GM Engines Only)	
616	4460943	3	Pin, Male (Caterpillar/Deutz/GM Engines Only)	
621	3990010	2	Diode - 6Amp (Not Shown)	
624	4460434	2	Plug, Male 15 - Position	
624	4460227	AR	Pin	
626	4460873	1	Plug, Male - 35 Position (Black)	
626	4460871	AR	Socket, Female	
626	4460905	AR	Plug, Seal	
628	4120035	6	Base, Light	
628	4460634	7	Terminal (16 Gauge)	
628	4460635	5	Terminal (12 Gauge)	
634	4460418	AR	Connector, Female - 6 Position	
634	4460419	AR	Socket, Female	
638	4460871	9	Socket, Female	
639	4460876	1	Plug, Male - 35 Position (Blue)	
639	4460871	AR	Socket, Female	
639	4460905	AR	Plug, Seal	
643	4460866	1	Connector - 19 Pin	
643	4460464	10	Pin, Male (16 Gauge)	
643	4460508	3	Pin, Male (12 Gauge)	
644	4460878	1	Housing, Terminal - 4 Position	
644	4460887	3	Terminal (12 Gauge)	
650	4460761	1	Connector, Female 4 - Position	
650	4460227	4	Pin, Male	
655	8229242	2	Fuse 5A	
655	2400060	2	Holder, Fuse	
658	1001106339	1	Connector, Male - 14 Position	
658	4460871	2	Socket, Female	
658	4460905	AR	Plug, Seal	
659	1001106340	1	Connector, Male - 14 Position	
659	4460871	5	Socket, Female	
660	4460874	1	Connector, Natural	
660	4460871	10	Socket, Female	
660	4460905	AR	Plug, Seal	
661	4460875	1	Connector, Gray	
661	4460871	2	Socket, Female	
662	1001112612	1	Connector - 9 Position	
662	4460871	2	Socket, Female	
		Ref	STANDARD HARNESS COMPONENTS	
701		Ref	Battery Cable Kit Options:	
701	1001112763	1	Caterpillar Engines Machines (2 Relays on Engine Tray)	A
701	2902296	1	Deutz Engines Machines (3 Relays on Engine Tray)	C
701	2902531	1	GM Engine Machines	A
701A		Ref	Cable, Battery (Red) Options:	

SECTION 7 - ELECTRICAL

ITEM	PART NUMBER	QTY	DESCRIPTION	REV
701A	7027028	1	Caterpillar Engines Machines	
701A	1001116240	1	Deutz Engines Machines	
701A	7027015	1	GM Engine Machines	
701B		Ref	Cable, Battery (Black) Options:	
701B	7027029	1	Caterpillar Engines Machines	
701B	7027004	1	Deutz Engines Machines	
701B	7016822	1	GM Engine Machines	
701C	7027002	1	Cable (Red)	
701D		Ref	Cable (Black) Options:	
701D	7027033	1	Caterpillar Engines Machines	
701D	7027003	1	Deutz Engines Machines	
704	1001112071	1	Caterpillar Engine Harness Components (Caterpillar Engine Machines Only)	A
704	70004318	1	Fuse 5Amp (at Fuse Box F1)	
704	70004319	3	Fuse 10Amp (at Fuse Box F2, F3 & F4)	
704	70004316	1	Relay, Starter (at Fuse Box)	
704	70004317	2	Relay, Shut-Off and Glow Plug Control 25Amp (at Fuse Box)	
704A	4460894	1	Plug, Male - 6 Position	
704A	4460465	5	Socket, Female	
704A	4460466	1	Seal, Plug	
704B	4460891	1	Plug, Male - 2 Position	
704B	4460465	2	Socket, Female	
704C	4460891	1	Plug, Male - 2 Position	
704C	4460465	2	Socket, Female	
704D	70020808	1	Plug, Male - 23 Position	
704D	70020809	16	Socket, Female	
704E	See Note	NSS	Connector - 8 Position (Note: Not Available for Purchase)	
704F	See Note	NSS	Connector - 5 Position (Note: Not Available for Purchase)	
705	See Note	Ref	Deutz Engine Harness Components (Deutz Engine Machines Only) (Note: Not Available for Purchase. See 705A-705D for Available Components)	
705A	7027796	1	Deutz Engine Harness	
705B	See Note	NSS	Receptacle, Female - 25 Position (Note: Not Available - Purchase Complete Harness)	
705C	7027793	1	Plug-In, Connector	
705D	70001872	1	Deutz Engine Harness (For other replacement parts refer to Deutz engine dealer)	
708	See Note	NSS	Fuel Pump Harness (Caterpillar Engines Only) (Note: Not Available for Purchase)	
708A	4460897	1	Receptacle, Female - 2 Position (Caterpillar Engines Only)	
708A	4460464	2	Pin, Male (Caterpillar Engines Only)	
710	See Note	NSS	Pump Harness (Note: Not Available for Purchase)	
710A	7007497	1	Plug (Pump End)	
710B	7007498	1	Plug (Engine Harness End)	
711	See Note	NSS	Controller Harness Assembly (Lift and Swing) (Note: Purchase Complete Controller)	
711A	7022819	1	Plug, Male - 8 Position (Natural)	
711A	4460871	8	Socket, Female	
712	See Note	NSS	Controller Harness/Circuit Board Assembly (Drive and Steer) (Note: Purchase Complete Controller)	
712A	7022825	1	Plug, Male - 8 Position (Black)	
712A	4460871	7	Socket, Female	
713	See Note	NSS	Controller Harness (Speed Control) (Note: Purchase Complete)	

SECTION 7 - ELECTRICAL

ITEM	PART NUMBER	QTY	DESCRIPTION	REV
			Controller)	
713A	4460224	1	Receptacle, Female - 6 Position	
713A	4460226	6	Socket, Female	
714	See Note	AR	GM Engine Harness Components (GM Engine Machines Only) (Note: Not Available for Purchase)	
715	4923379	1	Harness, Glow Plugs (Deutz Engine Machines Only)	B
716	4360517	1	Switch, Proximity	
716A	4460320	1	Connector - 2 Position	
716A	4460227	2	Pin, Male	
		Ref	OPTIONAL HARNESS COMPONENTS	
801	4921927	1	Jib Valve Harness (660SJ Only)	3
801A	4460326	1	Plug, Male - 3 Position	
801B	4460267	3	Pin, Male	
801C	4460499	2	Connector, DIN with Diode	
802	4921928	1	4WS Valve Harness	3
802A	4460268	3	Socket, Female	
802B	4460445	1	Connector, Female - 3 Position	
802C	4460499	2	Connector, DIN with Diode	
803	0257887	1	Alarm Harness (Includes Alarm)	
803	0140032	1	Alarm	
803	2820035	6 in/15cm	Loom	
803A	4460424	1	Plug, Male - 2 Position	
803B	4460268	2	Socket, Female	
804		Ref	Strobe Light Harness Options (Includes Strobe Light):	B
804	0272507	1	USA Built Machines (SN 0300087000 through 0300169422)	
804	2920161	1	USA Built Machines (SN 0300169423 through 0300171769)	
804	0272507	1	China Built Machines (SN B300000100 through B300000969)	
804A	4460320	1	Connector, Female - 2 Position (0272507 Strobe Light)	
804A	4460267	2	Pin, Male (0272507 Strobe Light)	
804A	4460891	1	Plug, Male - 2 Position (2920161 Strobe Light)	
804A	4460465	2	Socket, Female (2920161 Strobe Light)	
804B	1001149818	1	Strobe Light Extension Harness (USA Built Machines Only) (SN 0300169423 through 0300171769)	
804C	4460897	1	Receptacle, Female - 2 Position	
804C	4460464	2	Pin, Male	
804D	4460320	2	Plug, Male - 2 Position	
804D	4460267	4	Pin, Male	
805	See Note	NSS	Headlight and Taillight/Chassis Illumination Harness (Note: Not Available for Purchase)	
805	1060341	AR	Cable, Electrical 16/2 Options:	
805	1060341	37 ft /11.3m	Headlights and Taillights	
805	1060341	40 ft /12.2m	Chassis Illumination Lights	
805A	3740049	1	Relay	
805A	4460259	3	Terminal	
805A	4460260	4	Housing, Terminal	
805A	4460297	1	Terminal	
805A	4922643	1	Lights Harness for Ground Control Box	1-A
805A	4460226	2	Socket, Female	
806		Ref	2500W Generator Electrical Components	
806	1001112743	AR	50Hz (Caterpillar and Deutz Engines)	B

SECTION 7 - ELECTRICAL

ITEM	PART NUMBER	QTY	DESCRIPTION	REV
806	1001112588	AR	60Hz (Caterpillar and Deutz Engines)	A
806	4933350	AR	60Hz (GM Engine)	B
806A	4922641	1	Harness - On/Off Switch	A
806B	4460226	2	Socket, Female	
806C		Ref	Harness, Powermite Control Box to Relay Options:	
806C	1001112589	1	Caterpillar and Deutz Engines	A
806C	4923445	1	GM Engine	A
806D	4460374	1	Connector, Seal Relay	
806D	4460705	4	Terminal	
806E	4460742	1	Connector, Male - 2 Position	
806E	4460743	2	Socket, Female	
806E	4460458	2	Seal	
806F	4460321	1	Connector, Male - 4 Position (60Hz Only)	
806F	4460906	4	Socket, Female (60Hz Only)	
806G	4460027	1	Receptacle, Twist Lock (110V Only)	
806H	7020193	1	Harness, Generator Power	
806J	4460961	1	Connector, Female - 4 Position	
806J	4460705	4	Pin, Male	
807		Ref	Generator to Rear of Boom Harness Options:	
		Ref	Note: Harness used to connect AC at platform harness to generator receptacle to power platform receptacle.	
807	4921827	1	110V (ANSI, ANSI Export, Latin America and Japanese Specs)	2
807	1060494	20 ft/6m	Cable, Electrical - 12/3	
807A	4460205	1	Plug, Male	
807A	4460027	1	Receptacle, Twist Lock (110V Only)	
807B	4460134	1	Receptacle, Female	
808		Ref	AC to Platform Receptacle Components Options:	
808	0256113	Ref	110V/60Hz GFI Receptacle (ANSI, ANSI Export and Japanese Specs)	B
808	0256201	Ref	110V/50Hz Receptacle (Plug and Receptacle Supplied Locally) (Australian, Brazilian, Latin America Specs)	B
808	0257175	Ref	220V Receptacle (ANSI and ANSI Export Specs)	B
808		Ref	CE Specs Options Only (CE Spec are USA Built Machines):	
808		Ref	Without Generator:	
808	0256201	Ref	110V/50Hz Receptacle (Plug and Receptacle Supplied Locally)	B
808	0273076	Ref	110V/50Hz Receptacle (See AC CABLES INSTALLATION (CE GERMAN AND CE UK SPECS) for Components)	A
808	0273078	Ref	CE Germany Specs (See AC CABLES INSTALLATION (CE GERMAN AND CE UK SPECS) for Components)	A
808	0275455	Ref	220V with CEE7 Post Ground Receptacle and Plug and Circuit Breaker (2x4 Box)	D
808	0275456	Ref	220V with CEE7 Side Ground Receptacle and Plug and Circuit Breaker (2x4 Box)	D
808	0275659	Ref	220V with AFSINT 107 Keyed Ground Receptacle and Plug and Circuit Breaker (2x4 Box)	D
808	0275235	Ref	110V with IEC Yellow Receptacle and Plug and Circuit Breaker	D
808	0275254	Ref	220V with IEC Blue Receptacle and Plug and Circuit Breaker	D
808	0275237	Ref	220V with CEE7 Post Ground Receptacle and Plug and Circuit Breaker (70mm x 70mm Box)	D
	0275253	Ref	220V with CEE7 Side Ground Receptacle and Plug and Circuit Breaker (70mm x 70mm Box) (Use p/n 1001153312)	A-D
808		Ref	With Generator:	

SECTION 7 - ELECTRICAL

ITEM	PART NUMBER	QTY	DESCRIPTION	REV
808	1001100390	Ref	220V with CEE7 Post Ground Receptacle and Plug and Circuit Breaker (2x4 Box)	D
808	1001100391	Ref	220V with CEE7 Side Ground Receptacle and Plug and Circuit Breaker (2x4 Box)	D
808	1001100392	Ref	220V with AFSINT 107 Keyed Ground Receptacle and Plug and Circuit Breaker (2x4 Box)	C
808	1001100393	Ref	110V with IEC Yellow Receptacle and Plug and Circuit Breaker	C
808	1001100394	Ref	220V with IEC Blue Receptacle and Plug and Circuit Breaker	C
808	1001100395	Ref	220V with CEE7 Post Ground Receptacle and Plug and Circuit Breaker (70mm x 70mm Box)	C
808	1001100396	Ref	220V with CEE7 Side Ground Receptacle and Plug and Circuit Breaker (70mm x 70mm Box)	C
808A		Ref	Box, Switch Options:	
808A	0860038	1	0256113 & 0257175 Installations	
808A	Not Required	0	0256201 Installation (Purchase Locally)	
808A	0861731	1	0275455, 0275456, 0275659, 1001100390, 1001100391 & 1001100392 Installations	
808A	0861781	1	0275235, 0275254, 1001100393 & 1001100394 Installations	
808A	0861782	NLA	0275237, 0275253, 1001100395, 1001100396 & 1001153312 Installations (Note: Use p/n 1001100344 CEE7 Side Ground Service Kit or p/n 1001100343 CEE7 Post Ground Service Kit. Kit include Box p/n 1001141967 & Items 808B, 808C, 808E & 808M)	
808A	1001141967	1	1001100343, 1001100344, 1001141970 & 1001141971 Kits	
808B		Ref	Receptacle Options:	
808B	4460346	1	0256113 Installation	
808B	4460125	1	0257175 Installation	
808B	Not Required	0	0256201 Installation (Purchase Locally)	
808B	4461244	1	0275455 & 1001100390 Installations	
808B	4461245	1	0275456 & 1001100391 Installations	
808B	4461246	1	0275659 & 1001100392 Installations	
808B	4461198	1	0275235 & 1001100393 Installations	
808B	4461201	1	0275254 & 1001100394 Installations	
808B	4461204	NLA	0275237 & 1001100395 Installations (Use p/n 100110343)	
808B	4461207	NLA	0275253, 1001100396 & 1001153312 Installations (Use p/n 1001100344)	
808B	1001141968	1	1001100343 & 1001141971 Kits	
808B	1001141969	1	1001100344 & 1001141970 Kits	
808C		Ref	Shield, Cover Options:	
808C	4060700	1	0256113 Installation (SN 0300087000 through 0300138240)	
808C	1001110873	1	0256113 Installation (SN 0300138241 through 0300171769)	
808C	4060092	1	0257175 Installation	
808C	Not Required	0	0256201 Installation (Purchase Locally)	
808C	4461244	1	0275455 & 1001100390 Installations	
808C	4461245	1	0275456 & 1001100391 Installations	
808C	4461246	1	0275659 & 1001100392 Installations	
808C	4461198	1	0275235 & 1001100393 Installations	
808C	4461201	1	0275254 & 1001100394 Installations	
808C	4461204	NLA	0275237 & 1001100395 Installations (Use p/n 1001100343)	

SECTION 7 - ELECTRICAL

ITEM	PART NUMBER	QTY	DESCRIPTION	REV
808C	4461207	NLA	0275253, 1001100396 & 1001153312 Installations (Use p/n 1001100344)	
808C	1001141968	1	1001100343 & 1001141971 Kits	
808C	1001141969	1	1001100344 & 1001141970 Kits	
808D		Ref	Connector, Strain Relief Options:	
808D	4460071	1	0256113 & 0257175 Installations	
808D	Not Required	0	0256201 Installation (Purchase Locally)	
808D	4460968	1	0275455, 0275456, 0275659, 0275235, 0275254, 0275237, 0275253, 1001100390, 1001100391, 1001100392, 1001100393, 1001100394, 1001100395, 1001100396 & 1001153312 Installations	
808E		Ref	Plug, Male Options:	
808E	4460205	1	0256113 Installation	
808E	4460233	1	0257175 Installation	
808E	See Note	NLA	0256201 Installation (Note: Not Available - Purchase Locally)	
808E	4461202	1	0275237, 0275455, 1001100390 & 1001100395 Installations & 1001100343 & 1001141971 Kits	
808E	4461205	1	0275453, 0275256, 1001100391 & 1001100396 Installations & 1001100344 & 1001141970 Kits	
808E	4461249	1	0275659 & 1001100392 Installations	
808E	4461196	1	0275235 & 1001100393 Installations	
808E	4461199	1	0275254 & 1001100394 Installations	
808F		Ref	Hardware Options:	
808F	0641405	AR	Bolt 1/4in - 20NC x 5/8in	
808F	0641407	AR	Bolt 1/4in - 20NC x 7/8in	
808F	0641410	AR	Bolt 1/4in - 20NC x 1-1/4in	
808F	0641416	AR	Bolt 1/4in - 20NC x 2in	
808F	0700408	AR	Screw M4 x 16mm	
808F	3290405	AR	Locknut M4	
808F	3311405	AR	Locknut 1/4in - 20NC	
808F	4711400	AR	Flatwasher 1/4in (Narrow)	
808F	4811400	AR	Flatwasher M4	
808F	1320149	AR	Clamp, Stauff	
808F	0100011	AR	Compound, Locking	
808G		Ref	Bracket, Receptacle Box Mounting Options:	
808G	Not Required	0	0256113, 0257175 & 0256201 Installations	
808G	0903484	1	0275455, 0275456, 0275659, 0275235, 0275254, 0275237, 0275253, 1001100390, 1001100391, 1001100392, 1001100393, 1001100394, 1001100395, 1001100396 & 1001153312 Installations	
808H		Ref	Bracket, Circuit Breaker Mounting Options:	
808H	Not Required	0	0256113, 0257175 & 0256201 Installations	
808H	0903611	1	0275455, 0275456, 0275659, 0275235, 0275254, 0275237, 0275253, 1001100390, 1001100391, 1001100392, 1001100393, 1001100394, 1001100395 & 1001100396 Installations	
808H	1001152486	1	1001153312 Installation	
808J		Ref	Kit, Box and Breaker (Required Only on CE Spec Installations except 0256201 Installation):	
808J	2902549	AR	Without Generator	D
808J	1001096070	AR	With 110V Generator	D
808J	1001109554	AR	With 220V Generator	B
808J		Ref	Circuit Breaker Options:	

SECTION 7 - ELECTRICAL

ITEM	PART NUMBER	QTY	DESCRIPTION	REV
808J		Ref	Without Generator	
808J	2400093	NLA	Circuit Breaker, 16Amp/30mAmp Combination (Use p/n 1001181045) (SN 0300087000 through 0300136310)	
808J	1001109475	NLA	Circuit Breaker, 16Amp (Use p/n 1001181045 16Amp/30mAmp Combination) (SN 0300136311 through 0300171769)	
808J	1001109482	NLA	Circuit Breaker, 30mAmp (Use p/n 1001181045 16Amp/30mAmp Combination) (SN 0300136311 through 0300171769)	
808J		Ref	With 110V Generator	
808J	1001109475	NLA	Circuit Breaker, 16Amp (Use p/n 1001181045 16Amp/30mAmp Combination)	
808J	1001109482	NLA	Circuit Breaker, 30mAmp (Use p/n 1001181045 16Amp/30mAmp Combination)	
808J		Ref	With 220V Generator	
808J	1001109477	NLA	Circuit Breaker, 10Amp (Use p/n 1001181046 10Amp/30mAmp Combination)	
808J	1001109482	NLA	Circuit Breaker, 30mAmp (Use p/n 1001181046 10Amp/30mAmp Combination)	
808J	0861880	1	Breaker Box	
808J	4460956	1	Barrier, Terminal Block End	
808J	4460957	1	Block, Terminal	
808K		Ref	Connector, Strain Relief Options (Required Only on CE Spec Installations except 0256201 Installation):	
808K	4460633	2	M20 Thread	
808K	1001097150	2	M25 Thread	
808L	1060908	AR	Cable, Extension (Required Only on CE Spec Installations except 0256201 Installation)	
808L	1060908	6 ft/1.8m	Without Generator	
808L	1060908	12 ft/3.6m	With Generator	
808M		Ref	Receptacle, Female Options:	
808M	4461203	1	1001100390 & 1001100395 Installations & 1001100343 & 1001141971 Kits	
808M	4461206	1	1001100391 & 1001100396 Installations & 1001100344 & 1001141970 Kits	
808M	4461250	1	1001100392 Installation	
808M	4461197	1	1001100393 Installation	
808M	4461200	1	1001100394 Installation	
	0275452	1	Receptacle Box Kit (220V CEE7 Post Ground) (Includes Items 808A, 808B, 808C & 808E) (0275455 Installation)	1
	1001100345	1	Receptacle Box Kit (220V CEE7 Post Ground) (Includes Items 808A-808C, 808E & 808M) (1001100390 Installation)	2
	0275453	1	Receptacle Box Kit (220V CEE7 Side Ground) (Includes Items 808A, 808B, 808C & 808E) (0275456 Installation)	1
	1001100347	1	Receptacle Box Kit (220V CEE7 Side Ground) (Includes Items 808A-808C, 808E & 808M) (1001100391 Installation)	3
	0275454	1	Receptacle Box Kit (220V AFSINT 107 Keyed Ground) (Includes Items 808A, 808B, 808C & 808E) (0275659 Installation)	1
	1001100346	1	Receptacle Box Kit (220V AFSINT 107 Keyed Ground) (Includes Items 808A-808C, 808E & 808M) (1001100392 Installation)	2
	0275216	1	Receptacle Box Kit (110V IEC Yellow) (Includes Items 808A, 808B, 808C & 808E) (0275235 Installation)	1
	1001100341	1	Receptacle Box Kit (110V IEC Yellow) (Includes Items 808A-808C, 808E & 808M) (1001100393 Installation)	2

SECTION 7 - ELECTRICAL

ITEM	PART NUMBER	QTY	DESCRIPTION	REV
	0275217	1	Receptacle Box Kit (220V IEC Blue) (Includes Items 808A, 808B, 808C & 808E) (0275254 Installation)	1
	1001100342	1	Receptacle Box Kit (220V IEC Blue) (Includes Items 808A-808C, 808E & 808M) (1001100394 Installation)	2
	0275218	NLA	Receptacle Box Kit (220V CEE7 Post Ground) (Includes Items 808A-808C, 808E & 808M) (0275237 Installation) (Use p/n 1001100343)	B
	1001091971	NLA	Receptacle Box Kit (220V CEE7 Post Ground) (Includes Items 808A-808C, 808E & 808M) (1001100395 Installation) (Use p/n 1001100343 Kit)	B
	0275219	NLA	Receptacle Box Kit (220V CEE7 Side Ground) (Includes Items 808A-808C, 808E & 808M) (0275253 & 1001153312 Installations) (Use p/n 1001100344)	B
	1001091970	NLA	Receptacle Box Kit (220V CEE7 Side Ground) (Includes Items 808A-808C, 808E & 808M) (1001100396 Installation) (Use p/n 1001100344 Kit)	B
809		Ref	7500W SkyPower Generator Installation	
809	1001115398	Ref	60Hz and Caterpillar Engine	A
809	1001115400	Ref	50Hz Spec and Caterpillar Engine	A
809	1001115387	Ref	60Hz and Deutz Engine	A
809	1001115393	Ref	60Hz and Deutz Engine (Brazilian Spec Only)	A
809	1001115389	Ref	50Hz and Deutz Engine	A
809	0275257	Ref	60Hz and GM Engine	E
		Ref	Note: SkyPower Generator is Standard On ANSI and CSA Specs. Optional on All Other Specs.	
809A		Ref	Receptacle, Female Twist-Lock Options:	
809A	4460958	1	60Hz Spec	
809A	See Note	NLA	50Hz Spec (Note: Not Available - Purchase Locally)	
809B		Ref	Gasket Options:	
809B	3960422	2	60Hz Spec	
809B	See Note	NLA	50Hz Spec (Note: Not Available - Purchase Locally)	
809C		Ref	Cover, Receptacle Options:	
809C	1001110873	1	60Hz Spec	
809C	See Note	1	50Hz Spec (Note: Not Available - Purchase Locally)	
809D		Ref	Cover, Receptacle Options:	
809D	1001110872	1	60Hz Spec	
809D	See Note	NLA	50Hz Spec (Note: Not Available - Purchase Locally)	
809E		Ref	Receptacle Options:	
809E	4460346	1	60Hz Spec	
809E	See Note	NLA	50Hz Spec (Note: Not Available - Purchase Locally)	
809F	4460051	1	Connector, Strain Relief	
809G	4460071	1	Connector, Strain Relief	
809H	4922925	1	Harness, Generator	
809I	See Note	NSS	Plug, Male - 6 Position (Note: Not Available for Purchase)	
809I	See Note	NSS	Socket, Female (Note: Not Available for Purchase)	
809J	4460225	1	Plug, Male - 6 Position	
809J	4460226	6	Socket, Female	
810		Ref	7500W SkyPower Generator Junction Box Components	
810	0861542	Ref	60Hz Spec	C
810	0861567	Ref	50Hz Specs	B
810A		Ref	Cable, Electrical 12/3	
810A	1060494	2 ft/.6m	60Hz Spec	
810A	See Note	2 ft/.6m	50Hz Spec (Note: Not Available - Purchase Locally)	
810B		Ref	Cable, Electrical 10/3	

SECTION 7 - ELECTRICAL

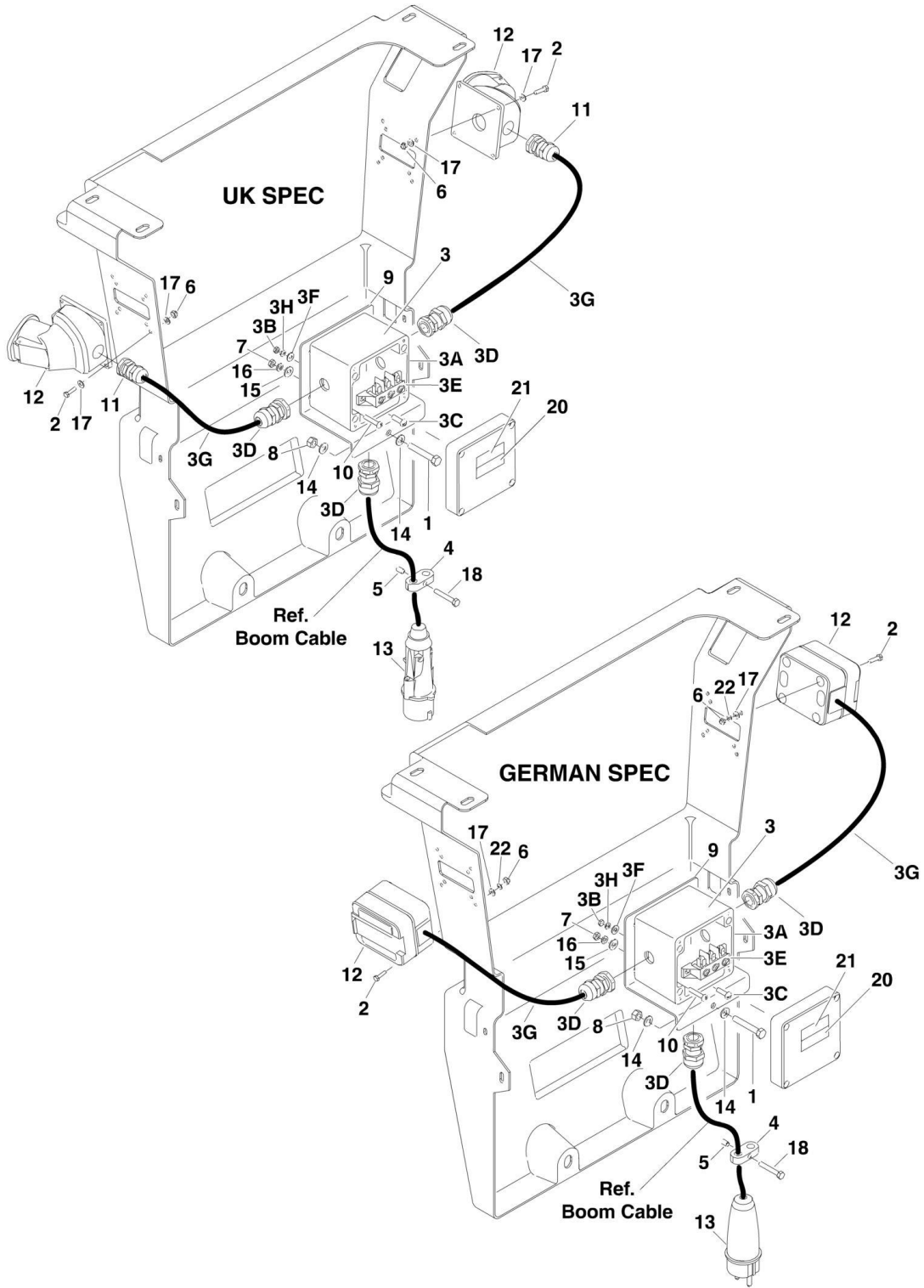
ITEM	PART NUMBER	QTY	DESCRIPTION	REV
810B	1060708	2.5 ft /0.76m	60Hz Spec	
810B	See Note	2.5 ft/0.76m	50Hz Spec (Note: Not Available - Purchase Locally)	
810C	1060343	1.5 ft /0.46m	Cable, Electrical 10/4 (60Hz Spec Only)	
810D	4460425	2	Connector, Strain Relief	
810E		Ref	Component Options:	
810E	4460426	2	Connector, Strain Relief (60Hz Spec Only)	
810E	4460426	1	Connector, Strain Relief (50Hz Spec Only)	
810E	3520189	1	Plug (50Hz Spec Only)	
810F	1671092	1	Cover (60Hz Spec Only)	
810F	4460963	1	Connector (60Hz Spec Only)	
811		Ref	7500W Generator Electrical Diagram Components	
811	1001112586	Ref	Caterpillar and Deutz Engine Machines	A
811	4933349	Ref	GM Engine Machines	1-A
811A		Ref	Generator Harness Options:	
811A	1001112587	1	Caterpillar and Deutz Engine Machines (USA Built Machines)	A
811A	1001152429	1	Caterpillar and Deutz Engine Machines (China Built Machines)	C
811A	4923420	1	GM Engine Machines	A
811B	4460374	2	Plug, Sealed Relay	
811B	4460375	7	Terminal	
811C	4460967	1	Plug, Male - 3 Position	
811C	4460465	3	Socket, Female	
811D	2400060	1	Fuseholder	
811D	2400064	1	Fuse - 5Amp	
811E	4922641	1	Switch Harness	
811F	4460226	2	Socket, Female	
811G	4460742	1	Plug, Male - 2 Position	
811G	4460743	2	Socket, Female	
812	4933313	1	Floodlights Harness Components	1-A
812A	4460320	2	Plug, Male - 2 Position	
812A	4460227	4	Pin, Male	
812B	4922764	1	Floodlight Harness (Lights to Switch)	1-A
812C	4460424	2	Connector, Female - 2 Position	
812C	4460226	4	Socket, Female	
812D	4360232	1	Circuit Breaker - 15Amp	
812E	1060977	1	Cord, 2 Wire Coiled (Console Box Circuit Breaker to Switch)	
812F	4460425	1	Connector, Strain Relief	
812G		Ref	Harness, Console Box to Aux Relay Options:	
812G	4922888	1	Harness, Console Box to Aux Relay 600S Harness (77ft/23.5m of 12/3 Cable P/N 1060494)	
812G	4922964	1	Harness, Console Box to Aux Relay 660SJ Harness (83ft/25.4m of 12/3 Cable P/N 1060494)	
813		Ref	Platform Worklights Components	
813A	2920140	2	Platform Worklights External Harness (Includes Light and Wire Only)	
813B	4460426	1	Connector, Strain Relief	
813C	2400070	1	Fuse	
813C	2400066	1	Holder, Fuse	
813D		Ref	Harness, Console Box to Aux Relay Options:	
813D	4922888	1	Harness, Console Box to Aux Relay 600S Harness (77ft/23.5m	

SECTION 7 - ELECTRICAL

ITEM	PART NUMBER	QTY	DESCRIPTION	REV
813D	4922964	1	of 12/3 Cable P/N 1060494) Harness, Console Box to Aux Relay 660SJ Harness (83ft/25.4m of 12/3 Cable P/N 1060494)	
		Ref	TOOLS	
901	7002821	1	Crimper (For Wire to Pin/Socket Connections) (Not Shown)	
902	7002823	1	Extractor (For Removal of Pin/Socket from Connectors) (Not Shown)	
903	4460467	1	Extractor, Pin (Blue 16-18 Gauge) (For Removal of Pin/Socket from Connectors) (Not Shown)	
904	4460510	1	Extractor, Pin (Yellow 12-14 Gauge) (For Removal of Pin/Socket from Connectors) (Not Shown)	
905	7002828	1	Stripper, Wire (Not Shown)	
906	2901443	1	Analyzer Kit (Not Shown)	
906A	1600244	1	Analyzer	
906B	1060633	1	Cable, Analyzer	1-A
906C	4460321	2	Plug, Male	
906C	4460226	8	Socket, Female	

SECTION 7 - ELECTRICAL

FIGURE 7-4. AC CABLES INSTALLATION (CE GERMAN AND CE UK SPECS)



SECTION 7 - ELECTRICAL

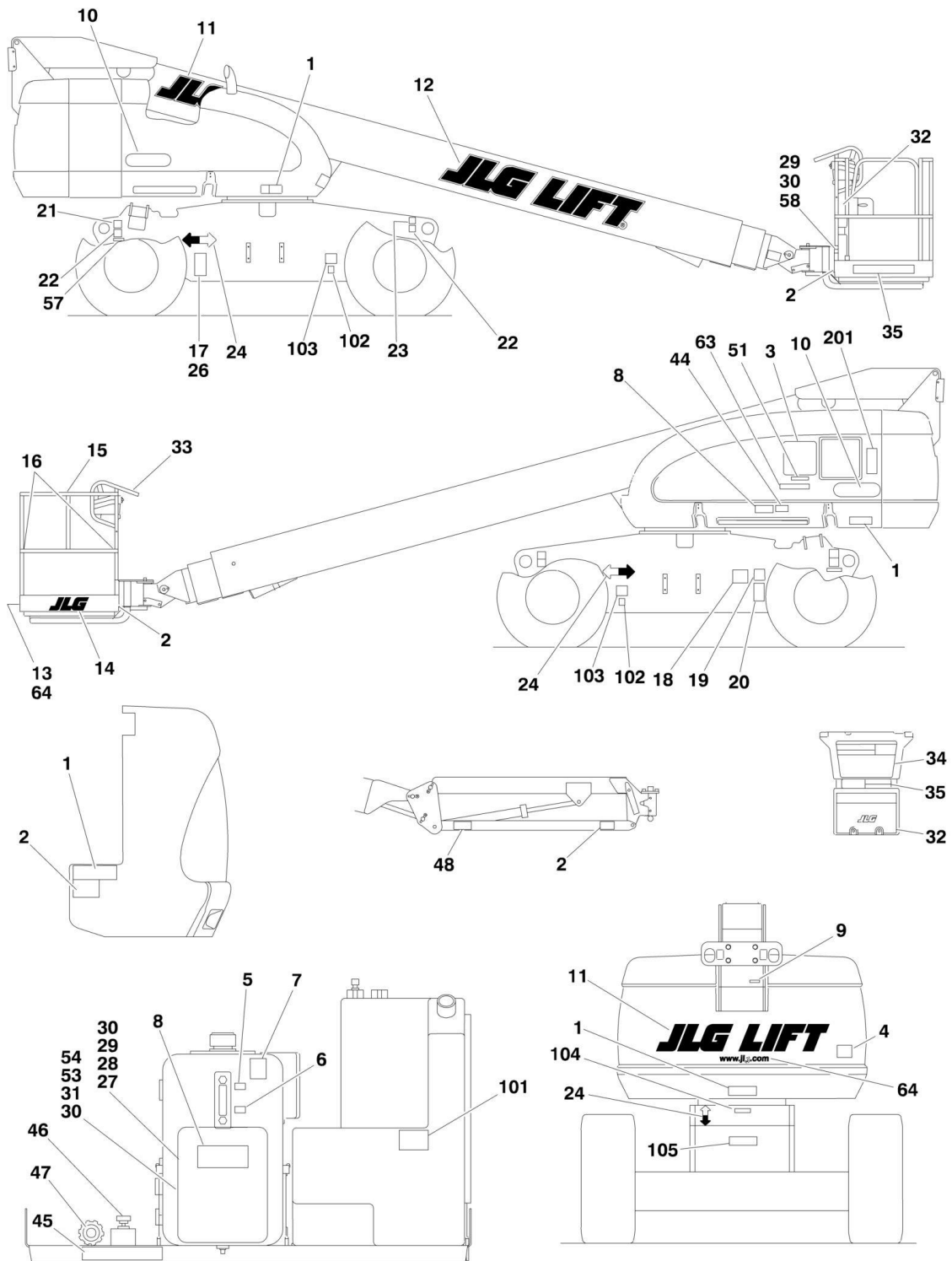
FIGURE 7-4. AC CABLES INSTALLATION (CE GERMAN AND CE UK SPECS)

ITEM	PART NUMBER	QTY	DESCRIPTION	REV
		Ref	Note: Available Only on USA Built Machines	
		Ref	AC CABLES INSTALLATIONS	
	0273076	Ref	UK Spec	B
	0273078	Ref	German Spec	B
1	0641516	1	Bolt 5/16in-18NC x 2in	
2		Ref	Bolt Options:	
2	0700408	8	Bolt (Metric) 4mm x 16mm (UK Spec)	
2	3910808	8	Bolt #8-32NC x 1/2in (German Spec)	
3	0861606	1	Junction Box Assembly	
3A	0861604	1	Box, Junction	
3B	3311001	2	Nut #10-24NC	
3C	3911010	2	Screw #10-24NC x 5/8in	
3D	4460968	3	Connector, Strain Relief	
3E	4460987	1	Terminal	
3F	4751000	2	Flatwasher #10 (Wide)	
3G	4922909	2	Harness	
3H	4761000	2	Lockwasher #10	
4	1320149	1	Clamp	
5		Ref	Hardware Options:	
5	2080046	1	Rivnut (SN 0300087000 through 0300117083)	
5	0100011	AR	Compound, Locking (SN 0300117084 through 0300171769)	
6		Ref	Nut Options:	
6	3290405	8	Locknut (Metric) 4mm x.7 (UK Spec)	
6	3310801	8	Nut #8-32NC (German Spec)	
7	3311001	4	Nut #10-24NC	
8	3311505	1	Locknut 5/16in-18NC	
9	3574443	1	Plate, Box Bracket	
10	3911016	4	Screw #10-24NC x 1in	
11	4460968	2	Connector, Strain Relief (UK Spec Only)	
12		Ref	Terminal Options:	
12	4460988	2	Plug, Female - UK Spec	
12	4460997	2	Receptacle - German Spec	
13		Ref	Plug Options:	
13	4460990	1	UK Spec	
13	4460998	1	German Spec	
14	4711500	2	Flatwasher 5/16in (Narrow)	
15	4751000	4	Flatwasher #10	
16	4761000	4	Lockwasher #10	
17		Ref	Flatwasher (Metric) 4mm	
17	4811400	16	Flatwasher (Metric) 4mm (UK Spec)	
17	4750800	8	Flatwasher #8 (Wide) (German Spec)	
18	0641410	1	Bolt 1/4in-20NC x 1-1/4in	
20	1705714	1	Decal - Danger	
21	1705715	1	Decal - 115V AC	
22	4760800	8	Lockwasher #8 (German Spec Only)	

SECTION 8 - DECALS

SECTION 8 - DECALS

FIGURE 8-1. DECAL INSTALLATION (ANSI SPEC) (USA BUILT MACHINES) (SN 0300087000 through 0300087911)



SECTION 8 - DECALS

FIGURE 8-1. DECAL INSTALLATION (ANSI SPEC) (USA BUILT MACHINES) (SN 0300087000 through 0300087911)

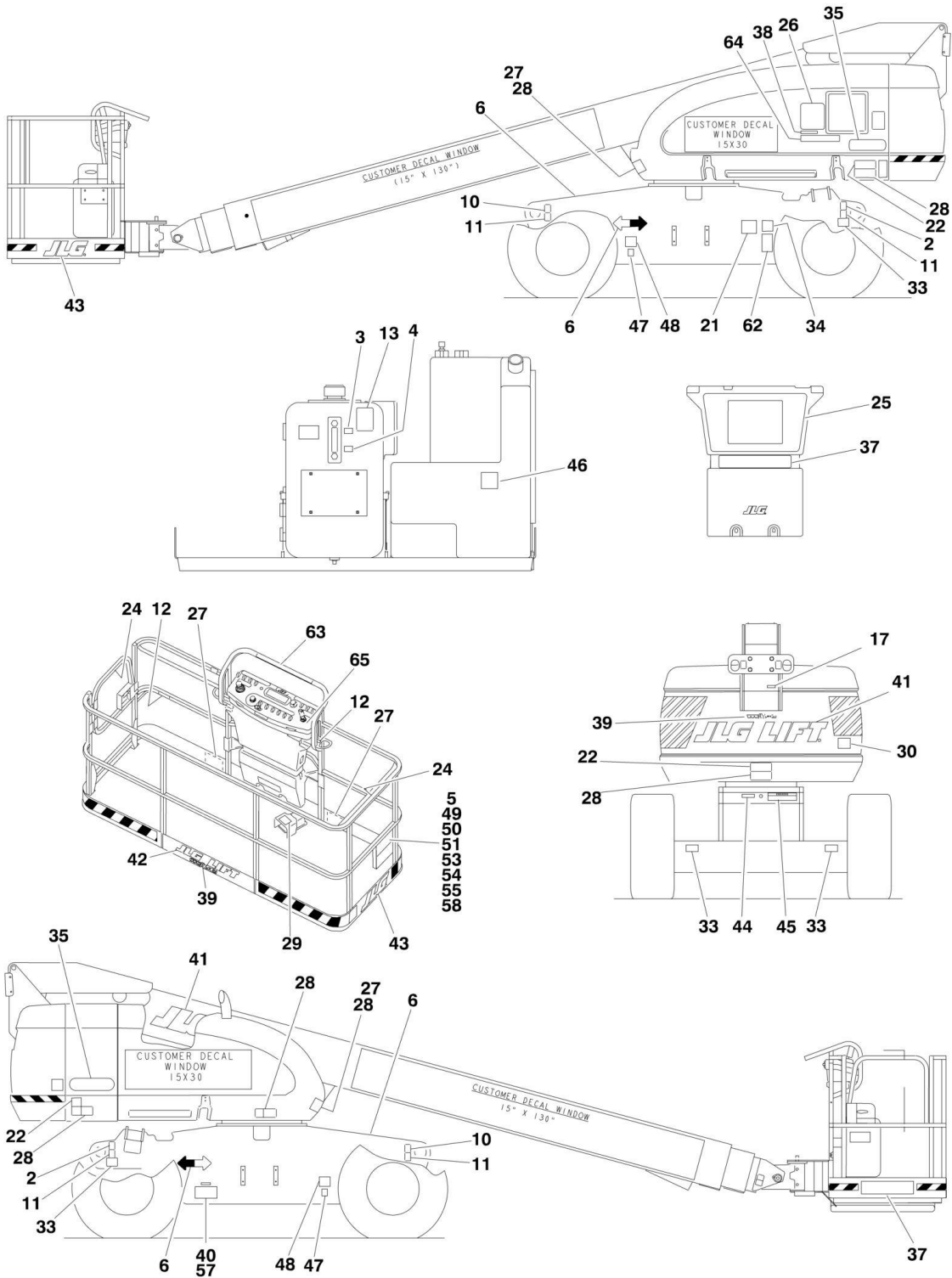
ITEM	PART NUMBER	QTY	DESCRIPTION	REV
		Ref	STANDARD DECAL INSTALLATIONS	
	0271014	Ref	Decal - JLG	3
	0255329	Ref	Standard Decal Installations 600S ANSI Spec	17
	0255333	Ref	Standard Decal Installations 600SJ ANSI Spec	17
	0255331	Ref	Standard Decal Installations 660SJ ANSI Spec	18
1	1703805	4	Decal - Danger/Electrocution	
2	1703804	AR	Decal - Warning/Crushing	
3	1703798	1	Decal - Danger/Warning	
4	3251813	1	Decal - USA	
5	1701502	1	Decal - High Oil Level	
6	1701503	1	Decal - Low Oil Level	
7	1701504	1	Decal - Hydraulic Oil	
8	1701509	1	Decal - Manual	
9		Ref	Nameplate Options:	
9	3251243	1	120V-60Hz	
9	3252507	1	220V-50/60Hz	
10		Ref	Decal - Model Options:	
10	1702815	2	Decal - Model 600S	
10	1702816	2	Decal - Model 600SJ	
10	1702817	2	Decal - Model 660SJ	
11	1702861	3	Decal - JLG Lift (8in)	
12	1702862	1	Decal - JLG Lift (12in)	
13	1702774	1	Decal - JLG Lift (3-1/2in)	
14	1702773	2	Decal - JLG (5in)	
15	1702868	2	Decal - No Hands	
16	1704277	AR	Decal - Attach Lanyard Here	
17	See Note	NSS	Nameplate - Serial Number (Note: Not Available for Purchase)	
18	1702153	1	Decal - Inspection	
19	See Note	NSS	Decal - Bar Code (Note: Not Available for Purchase)	
20	1700584	1	Decal - Patent	
21	1701499	2	Decal - No Tie Down /Lift	
22	1702300	4	Decal - Tie Down /Lift	
23	1701500	2	Decal - Tie Down /Lift	
24	1701529	4	Decal- Arrow	
26	3820001	4	Rivet	
27	0641408	4	Bolt 1/4in-20NC x 1in	
28	1060279	1	Cable, Lanyard	
29	3311405	AR	Locknut 1/4in-20NC	
30	4751400	AR	Flatwasher 1/4in	
31	0860520	1	Box, Manual Storage	
32	3380434	1	Panel, Pedestal	
33	1702784	1	Decal - Legend	
34	1703797	1	Decal - Danger/Warning	
35		Ref	Decal - 500LBS Max Capacity Options:	
35	1704096	2	Standard - 600S	
35	1701645	2	Standard - 600SJ & 660SJ	
44 to 48	Not Required	0	Not Required	
51		Ref	Decal - 500LBS Max Capacity Options:	
51	1702966	1	Standard (600S)	

SECTION 8 - DECALS

ITEM	PART NUMBER	QTY	DESCRIPTION	REV
51	1702688	1	Standard (600SJ & 660SJ)	
53	0641406	4	Bolt 1/4in-20NC x 3/4in	
54	0100011	AR	Compound, Locking	
57	1703470	4	Decal - Tire Load	
58	0641414	2	Bolt 1/4in-20NC x 1-3/4in	
63	1703808	1	Decal - Legend	
64	1704885	2	Decal - Website	
		Ref	DECAL INSTALLATION (OPTIONAL PARTS)	
101		Ref	Decal - Fuel	
101	1701542	1	Ford Engine Machines	
101	1701505	1	Deutz Engine Machines	
102	1701543	1	Decal - LP Gas (Dual Fuel and LP Only Machines)	
103	1700818	1	Decal - LP Gas Liquid Withdrawal System (Dual Fuel and LP Only Machines)	
104	3250872	1	Nameplate - Steer/Tow Selection (Machines with Tow Package Only)	
105		Ref	Decal - Tow Instructions Options: (Machines with Tow Package Only)	
105	1702305	1	Decal - Tow Instructions 2WD	
105	1703403	1	Decal - Tow Instructions 4WD	
	0272341	Ref	DECAL INSTALLATION TIRE SEALANT	
201	1705363	1	Decal - Tire Sealant Large	1

SECTION 8 - DECALS

FIGURE 8-2. DECAL INSTALLATION (ANSI SPEC) (USA BUILT MACHINES AND CHINA BUILT MACHINES) (SN 0300087912 through 0300171769, SN B300000100 through B300000969)



SECTION 8 - DECALS

FIGURE 8-2. DECAL INSTALLATION (ANSI SPEC) (USA BUILT MACHINES AND CHINA BUILT MACHINES) (SN 0300087912 through 0300171769, SN B300000100 through B300000969)

ITEM	PART NUMBER	QTY	DESCRIPTION	REV
		Ref	STANDARD DECAL INSTALLATIONS	
	0274093	Ref	Decal - JLG	2
	0273867	Ref	Standard Decal Installations 600S ANSI Spec	10
	0273868	Ref	Standard Decal Installations 600SJ ANSI Spec	7
	0273869	Ref	Standard Decal Installations 660SJ ANSI Spec	9
1	1001108923	1	Decal - EPA/Carb Fuel Spec (Diesel Machines USA Built Machines) (SN 0300134794 through 0300171769)	
1	1001108923	1	Decal - EPA/Carb Fuel Spec (Diesel Machines China Built Machines) (SN B300000100 through B300000969)	
2	1701499	2	Decal - No Tie Down /Lift	
3	1701502	1	Decal - High Oil Level (USA Built Machines) (SN 0300087912 through 0300133154)	
4	1701503	1	Decal - Low Oil Level (USA Built Machines) (SN 0300087912 through 0300133154)	
5	1701509	1	Decal - Manual	
6	1701529	4	Decal- Arrow	
10	1703811	2	Decal - Tie Down /Lift	
11	1703814	4	Decal - Tie Down	
12	1704277	3	Decal - Attach Lanyard Here	
13	1704412	1	Decal - Hydraulic Oil	
17		Ref	Nameplate Options:	
17	3251243	1	120V-60Hz	
17	3252507	1	220V-50/60Hz	
21	1702153	1	Decal - Inspection (USA Built Machines) (SN 0300087912 through 0300133154)	
22	1703953	4	Decal - Warning/Crushing	
24	1702868	2	Decal - No Hands	
25	1703797	1	Decal - Danger/Warning	
26	1705336	1	Decal - Warning Inspection	
27	1703804	4	Decal - Warning Crushing	
28	1703805	4	Decal - Danger Electrocution	
29	3252347	1	Nameplate - Footswitch	
30	3251813	1	Decal - USA	
33		Ref	Decal - Tire Load Options:	
33	1703470	4	Decal - Tire Load (600S)	
33	1703471	4	Decal - Tire Load (600SJ)	
33	1703472	4	Decal - Tire Load (660SJ)	
34	See Note	NSS	Decal - Bar Code (Note: Not Available for Purchase)	
35		Ref	Decal - Model Options:	
35	1702815	2	Decal - Model 600S	
35	1702816	2	Decal - Model 600SJ	
35	1702817	2	Decal - Model 660SJ	
37		Ref	Decal - Capacity Options:	
37		Ref	USA Built Machines:	
37		Ref	Decal - Capacity 600S	
37	1704096	2	Decal - Capacity (SN 0300087912 through 0300143325)	
37	1001121800	2	Decal - Capacity (SN 0300143326 through 0300171769)	
37		Ref	Decal - Capacity 600SJ & 660SJ	
37	1701645	2	Decal - Capacity (SN 0300087912 through 0300143325)	
37	1001121801	2	Decal - Capacity (SN 0300143326 through 0300171769)	

SECTION 8 - DECALS

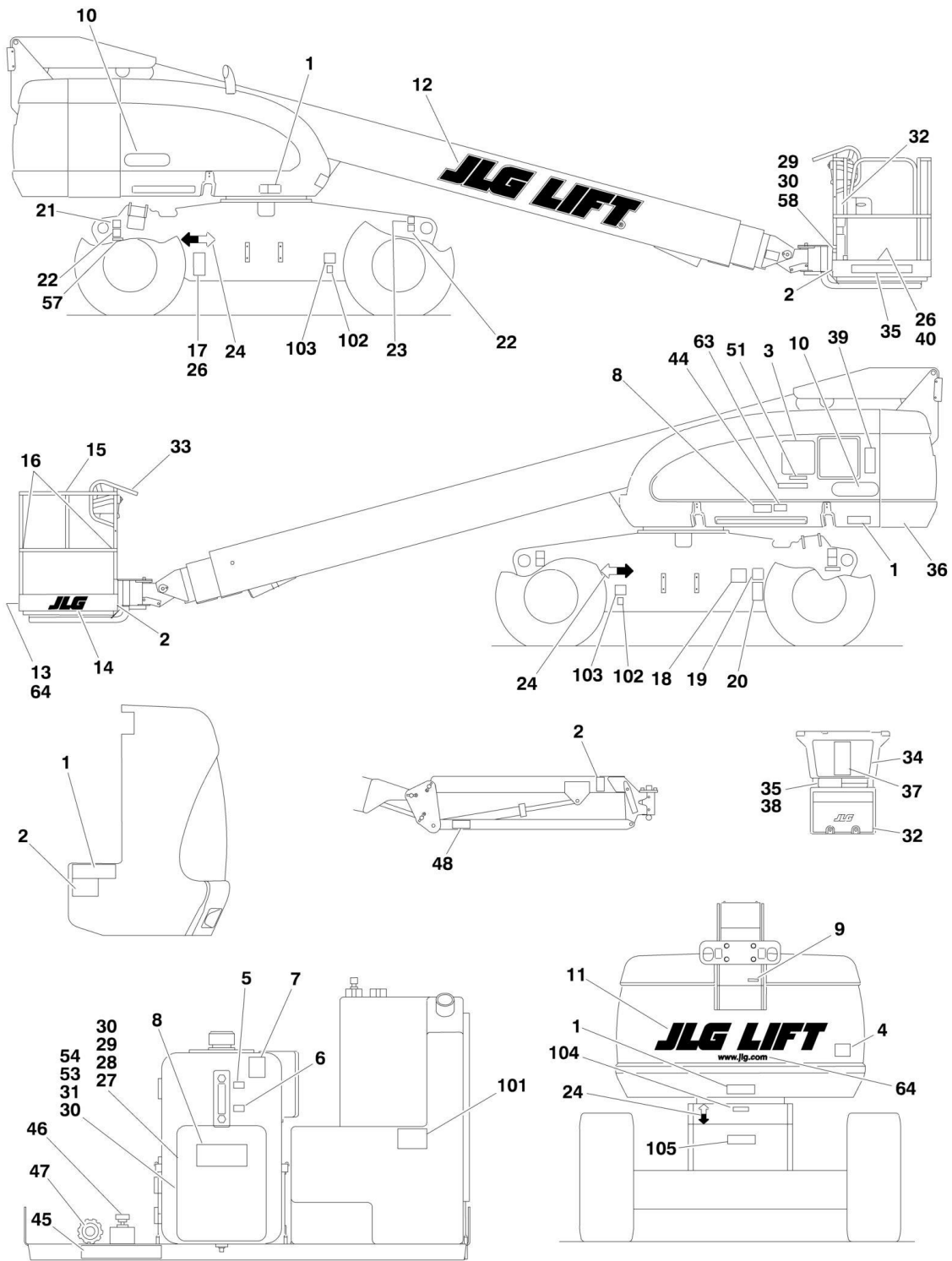
ITEM	PART NUMBER	QTY	DESCRIPTION	REV
37		Ref	China Built Machines:	
37		Ref	Decal - Capacity 600S	
37	1704096	2	Decal - Capacity (SN B300000100 through B300000188)	
37	1001121800	2	Decal - Capacity (SN B300000189 through B300000969)	
37		Ref	Decal - Capacity 600SJ & 660SJ	
37	1701645	2	Decal - Capacity (SN B300000100 through B300000188)	
37	1001121801	2	Decal - Capacity (SN B300000189 through B300000969)	
38		Ref	Decal - Capacity Options:	
38		Ref	USA Built Machines:	
38		Ref	Decal - Capacity 600S	
38	1704104	1	Decal - Capacity (SN 0300087912 through 0300099059)	
38	1707014	1	Decal - Capacity (SN 0300099060 through 0300143325)	
38	1001121813	1	Decal - Capacity (SN 0300143326 through 0300171769)	
38		Ref	Decal - Capacity 600SJ & 660SJ	
38	1702688	1	Decal - Capacity (SN 0300087912 through 0300099059)	
38	1707013	1	Decal - Capacity (SN 0300099060 through 0300143325)	
38	1001121814	1	Decal - Capacity (SN 0300143326 through 0300171769)	
38		Ref	China Built Machines	
38		Ref	Decal - Capacity 600S	
38	1707014	1	Decal - Capacity (SN B300000100 through B300000188)	
38	1001121813	1	Decal - Capacity (SN B300000189 through B300000969)	
38		Ref	Decal - Capacity 660SJ	
38	1707013	1	Decal - Capacity (SN B300000100 through B300000188)	
38	1001121814	1	Decal - Capacity (SN B300000189 through B300000969)	
39	1704885	2	Decal - Website	
40	See Note	NSS	Nameplate - Serial Number (Note: Not Available for Purchase)	
41	1702861	3	Decal - JLG Lift (8in)	
42	1702774	1	Decal - JLG Lift (3-1/2in)	
43	1702773	2	Decal - JLG Lift (5in)	
44	3250872	1	Nameplate - Steer/Tow Selection (Machines with Tow Package Only)	
45		Ref	Decal - Tow Instructions Options: (Machines with Tow Package Only)	
45	1702305	1	Decal - Tow Instructions 2WD	
45	1703403	1	Decal - Tow Instructions 4WD	
46		Ref	Decal - Fuel	
46	1701542	1	Ford and GM Engine Machines	
46	1701505	1	Caterpillar and Deutz Engine Machines	
47	1701543	2	Decal - LP Gas (Ford Engine Only)	
48		Ref	Decal - LP Gas Liquid Options (Gas Engine Only):	
48	1700818	2	English Language	
48	1704271	2	English and French Languages	
48	1702720	2	Spanish Language	
49	0100011	AR	Compound, Locking	
50	0641406	4	Bolt 1/4in-20NC x 3/4in	
51	0641408	1	Bolt 1/4in-20NC x 1in	
53	0860520	1	Box, Manual Storage	
54	1060279	1	Cable, Lanyard	
55	3311405	AR	Locknut 1/4in-20NC	
57	3820001	4	Rivet	
58	4751400	AR	Flatwasher 1/4in	
62		Ref	Decal - Patent Options:	

SECTION 8 - DECALS

ITEM	PART NUMBER	QTY	DESCRIPTION	REV
62	1700584	1	USA Built Machines (SN 0300087912 through 0300151357)	
62	1700584	1	China Built Machines (SN B300000100 through B300000357)	
62	1001131269	1	USA Built Machines (SN 0300151358 through 0300171769)	
62	1001131269	1	China Built Machines (SN B300000358 through B300000969)	
63		Ref	Decal - Legend Options:	
63	1702784	1	USA Built Machines (SN 0300087912 through 0300099059)	
63	1706931	1	USA Built Machines (SN 0300099060 through 0300138728)	
63	1001108493	1	USA Built Machines (SN 0300138729 through 0300171769)	
63	1001108493	1	China Built Machines (SN B300000100 through B300000969)	
64		Ref	Decal - Legend	
64	1703808	1	USA Built Machines (SN 0300087912 through 0300099059)	
64	1706941	1	USA Built Machines (SN 0300099060 through 0300171769)	
64	1706941	1	China Built Machines (SN B300000100 through B300000969)	
65	1705351	1	Decal - Drive/Steer Instructions (USA Built Machines) (SN 03000138729 through 0300171769)	
65	1705351	1	Decal - Drive/Steer Instructions (China Built Machines) (SN B300000100 through B300000969)	

SECTION 8 - DECALS

FIGURE 8-3. DECAL INSTALLATION (COUNTRY SPEC) (USA BUILT MACHINES) (SN 0300087000 through 0300087911)



SECTION 8 - DECALS

FIGURE 8-3. DECAL INSTALLATION (COUNTRY SPEC) (USA BUILT MACHINES) (SN 0300087000 through 0300087911)

ITEM	PART NUMBER	QTY	DESCRIPTION	REV
		Ref	DECAL INSTALLATIONS	
	0255330	Ref	Decal Installations 600S Common Decals	12
	0255334	Ref	Decal Installations 600SJ Common Decals	12
	0255332	Ref	Decal Installations 660SJ Common Decals	13
	0257493	Ref	Decal Installations 600S Brazilian Spec	5
	0257494	Ref	Decal Installations 600SJ & 660SJ Brazilian Spec	5
	0259328	Ref	Decal Installations 600S CSA Spec	11
	0259329	Ref	Decal Installations 600SJ CSA Spec	13
	0259330	Ref	Decal Installations 660SJ CSA Spec	13
	0273537	Ref	Decal Installations 660SJ English, Chinese Spec	3
	0273536	Ref	Decal Installations 600S English, Korean Spec	3
	0256258	Ref	Decal Installations 600S Japanese Spec	3
	0256575	Ref	Decal Installations 600SJ & 660SJ Japanese Spec	4
	0256673	Ref	Decal Installations 600S Latin American Spanish Spec	15
	0256663	Ref	Decal Installations 600SJ Latin American Spanish Spec	9
	0256672	Ref	Decal Installations 660SJ Latin American Spanish Spec	11
1		Ref	Decal - Electrocutation Options:	
1	Not Required	0	Brazilian Spec and Japanese Spec	
1	1703937	4	Chinese Spec	
1	1703936	4	CSA Spec	
1	1703939	4	Korean Spec	
1	1702585	4	Latin American Spec	
2		Ref	Decal - Crushing Options:	
2	1701518	5	Brazilian Spec and Japanese Spec	
2	1703949	3	Chinese Spec	
2	1703948	3	CSA Spec	
2	1703951	3	Korean Spec	
2	1702583	3	Latin American Spec	
3		Ref	Decal - Danger/Warning Options:	
3	Not Required	0	Brazilian Spec and Japanese Spec	
3	1703931	1	Chinese Spec	
3	1703930	1	CSA Spec	
3	1703933	1	Korean Spec	
3	1702971	1	Latin American Spec	
4		Ref	Decal - USA Options:	
4	Not Required	0	Brazilian, Chinese, Japanese Spec and Korean Spec	
4	3251813	1	CSA and Latin American Spec	
5	1701502	1	Decal - High Oil Level	
6	1701503	1	Decal - Low Oil Level	
7	1701504	1	Decal - Hydraulic Oil	
8	1701509	1	Decal - Manual	
9		Ref	Decal - AC to Platform Options:	
9	Not Required	0	Brazilian, Chinese, Japanese Spec and Korean Spec	
9	1703453	1	AC (Latin American Spec)	
9	3251243	1	120V-60Hz	
9	3252507	1	220V-50/60Hz	
10		Ref	Decal - Model Designation Options:	
10	1702815	2	Decal - Model Designation 600S	
10	1702816	2	Decal - Model Designation 600SJ	

SECTION 8 - DECALS

ITEM	PART NUMBER	QTY	DESCRIPTION	REV
10	1702817	2	Decal - Model Designation 660SJ	
11	1702861	1	Decal - JLG Lift (8in)	
12	1702862	1	Decal - JLG Lift (12in)	
13	1702774	1	Decal - JLG Lift (3-1/2in)	
14	1702773	2	Decal - JLG (5in)	
15		Ref	Decal - No Hands Options:	
15	1703899	2	Brazilian Spec	
15	1704000	2	CSA Spec	
15	Not Required	0	Chinese, Japanese Spec and Korean Spec	
15	1702975	1	Latin American Spec	
16		Ref	Decal - Attach Lanyard Here Options:	
16	1704277	AR	Brazilian, Chinese, CSA, Korean and Latin American Spec	
16	Not Required	0	Japanese Specs	
17	See Note	NSS	Nameplate - Serial Number (Note: Not Available for Purchase)	
18		Ref	Decal - Inspection Options:	
18	Not Required	0	Brazilian, Chinese, Japanese Spec and Korean Spec	
18	1704006	2	CSA Spec	
18	1702552	1	Latin American Spec	
19	See Note	NSS	Decal - Bar Code (Note: Not Available for Purchase)	
20		Ref	Decal - Patent Options:	
20	1700584	1	Brazilian, Chinese, Japanese Spec and Korean Spec	
20	1702573	1	Latin American Spec	
21	1701499	2	Decal - No Tie Down /Lift	
22	1702300	4	Decal - Tie Down /Lift	
23	1701500	2	Decal - Tie Down /Lift	
24	1701529	4	Decal- Arrow	
25		Ref	Decal - Warning Options:	
25	Not Required	0	Brazilian, Chinese, Japanese Spec and Korean Spec	
25	1702581	1	Latin American Spec	
26	3820001	AR	Rivet	
27	0641408	1	Bolt 1/4in-20NC x 1in	
28	1060279	1	Cable, Lanyard	
29	3311405	AR	Locknut 1/4in-20NC	
30	4751400	AR	Flatwasher 1/4in	
31	0860520	1	Box, Manual Storage	
32	3380434	1	Panel, Pedestal (SN 0300068000 through 0300076512)	
33		Ref	Decal - Legend Options:	
33	Not Required	0	Brazilian, Chinese, Japanese Spec and Korean Spec	
33	1702784	2	CSA Spec	
33	1702972	1	Latin American Spec	
34		Ref	Decal - Danger/Warning Options:	
34	Not Required	0	Brazilian Spec and Japanese Spec	
34	1703925	1	Chinese Spec	
34	1703924	2	CSA Spec	
34	1703927	1	Korean Spec	
34	1702973	1	Latin American Spec	
35		Ref	Decal - Maximum Capacity Options:	
35	Not Required	0	Brazilian Spec and Japanese Spec	
35	1703996	1	Chinese Spec - 660SJ	
35	1704099	2	CSA Spec - 600S	
35	1703996	2	CSA Spec - 600SJ/660SJ	

SECTION 8 - DECALS

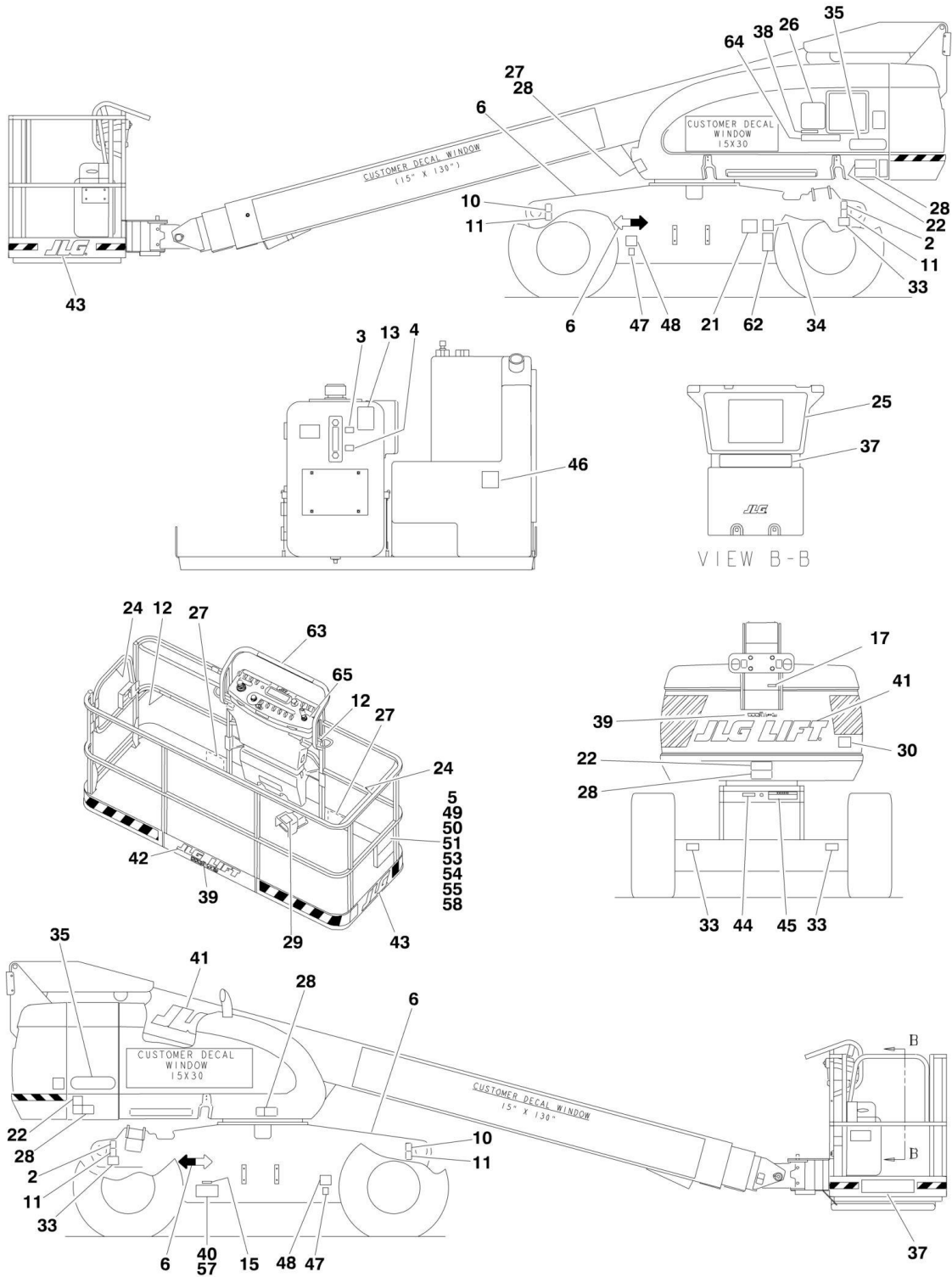
ITEM	PART NUMBER	QTY	DESCRIPTION	REV
35	1704103	1	Korean Spec - 600S	
35	1704100	2	Latin American Spec - 600S	
35	1702974	2	Latin American Spec - 600SJ/660SJ	
37		Ref	Nameplate - Capacity Options:	
37	1703536	1	Brazilian Spec	
37	1701924	1	Japanese Spec	
37	Not Required	0	Chinese, CSA, Korean and Latin American Spec	
38		Ref	Nameplate - Caution Options:	
38	1703538	1	Brazilian Spec	
38	1703188	1	Japanese Spec	
38	Not Required	0	Chinese, CSA, Korean and Latin American Spec	
39		Ref	Nameplate - Caution Options:	
39	1703548	1	Brazilian Spec	
39	1701923	1	Japanese Spec	
39	Not Required	0	Chinese, CSA, Korean and Latin American Spec	
40		Ref	Decal - Footswitch Options:	
40	3252540	1	Brazilian Spec	
40	1703982	1	Chinese Spec	
40	3252347	1	CSA Spec (Part of Footswitch)	
40	3252220	1	Japanese Spec	
40	1703981	1	Korean Spec	
40	3252489	1	Latin American Spec	
44 to 48	Not Required	0	Not Required	
51		Ref	Decal - Capacity Options:	
51	Not Required	0	Brazilian Spec and Japanese Spec	
51	1704112	1	Chinese Spec - 660SJ	
51	1704107	1	CSA Spec (600S)	
51	1704112	1	CSA Spec (600SJ & 660SJ)	
51	1704111	1	Korean Spec - 600S	
51	1704108	1	Latin American Spec	
53	0641406	4	Bolt 1/4in-20NC x 3/4in	
54	0100011	AR	Compound, Locking	
57		Ref	Decal - Tire Load Options:	
57	1703470	4	Brazilian, CSA, Spec and Latin American Spec	
57	1703472	4	Chinese Spec	
57	1703470	4	Korean Spec - 600S	
58	0641414	2	Bolt 1/4in-20NC x 1-3/4in	
63		Ref	Decal - Legend Options:	
63	Not Required	0	Brazilian, Chinese, Japanese, Korean and Latin American Specs	
63	1703808	1	CSA Spec	
64	1704885	2	Decal - Website	
		Ref	DECAL INSTALLATION (OPTIONAL PARTS)	
101		Ref	Decal - Fuel Options:	
101	1701505	1	Diesel	
101	1701542	1	Gas	
102	1701543	1	Decal - LP Gas (Dual Fuel Machines Only)	
103		Ref	Decal - Liquid Withdrawal System Options: (Dual Fuel Machines Only)	
103	Not Required	0	Brazilian Spec and Japanese Spec	
103	1700818	2	Chinese and Korean Spec	
103	1704271	2	CSA Spec	

SECTION 8 - DECALS

ITEM	PART NUMBER	QTY	DESCRIPTION	REV
103	1702720	2	Latin American Spec	
104		Ref	Nameplate - Steer/Tow Selection (Machines with Tow Package Only)	
104	Not Required	0	Brazilian, Chinese, Japanese, Korean and Latin American Spec	
104	1704272	1	CSA Spec	
105		Ref	Decal - Tow Instructions Options (Machines with Tow Package Only):	
105	Not Required	0	Brazilian, Chinese, Japanese, Korean and Latin American Spec	
105	1704273	1	CSA Spec 2WD	
105	1704276	1	CSA Spec 4WD	

SECTION 8 - DECALS

FIGURE 8-4. DECAL INSTALLATION (COUNTRY SPEC) (USA BUILT MACHINES AND CHINA BUILT MACHINES) (SN 0300087912 through 0300171769, SN B300000100 through B300000969)



SECTION 8 - DECALS

FIGURE 8-4. DECAL INSTALLATION (COUNTRY SPEC) (USA BUILT MACHINES AND CHINA BUILT MACHINES) (SN 0300087912 through 0300171769, SN B300000100 through B300000969)

ITEM	PART NUMBER	QTY	DESCRIPTION	REV
		Ref	STANDARD DECAL INSTALLATIONS	
	0274093	Ref	Decal - JLG	2
	0273885	Ref	Standard Decal Installations 600S Brazilian Spec	B
	0273886	Ref	Standard Decal Installations 600SJ Brazilian Spec	8
	0273887	Ref	Standard Decal Installations 660SJ Brazilian Spec	B
	0275099	Ref	Standard Decal Installations 600S Chinese Spec (Traditional)	10
	1001116839	Ref	Standard Decal Installations 600S Chinese Spec (Simplified)	4
	See Note	Ref	Standard Decal Installations 600SJ Chinese Spec (Note: Not Available for Purchase)	
	0273871	Ref	Standard Decal Installations 660SJ Chinese Spec (Traditional)	B
	1001117939	Ref	Standard Decal Installations 660SJ Chinese Spec (Simplified)	4
	0273872	Ref	Standard Decal Installations 600S CSA Spec	B
	0273873	Ref	Standard Decal Installations 600SJ CSA Spec	7
	0273874	Ref	Standard Decal Installations 660SJ CSA Spec	C
	0273888	Ref	Standard Decal Installations 600S Japanese Spec	B
	0273889	Ref	Standard Decal Installations 600SJ Japanese Spec	7
	0273890	Ref	Standard Decal Installations 660SJ Japanese Spec	B
	0273870	Ref	Standard Decal Installations 600S Korean Spec	B
	1001112941	Ref	Standard Decal Installations 600SJ Korean Spec	2
	0274925	Ref	Standard Decal Installations 660SJ Korean Spec	11
	0273882	Ref	Standard Decal Installations 600S Latin American Spec	B
	0273883	Ref	Standard Decal Installations 600SJ Latin American Spec	8
	0273884	Ref	Standard Decal Installations 660SJ Latin American Spec	B
2	1701499	2	Decal - No Tie Down /Lift	
3	1701502	1	Decal - High Oil Level (USA Built Machines) (SN 0300087912 through 0300133154)	
4	1701503	1	Decal - Low Oil Level (USA Built Machines) (SN 0300087912 through 0300133154)	
5	1701509	1	Decal - Manual	
6	1701529	4	Decal- Arrow	
10	1703811	2	Decal - Tie Down /Lift	
11	1703814	4	Decal - Tie Down	
12	1704277	3	Decal - Attach Lanyard Here	
13	1704412	1	Decal - Hydraulic Oil	
15		Ref	Decal - CSA Options:	
15	1705514	1	CSA Spec Only	
15	Not Required	0	All Other Specs	
17		Ref	Nameplate Options:	
17	3251243	1	120V-60Hz	
17	3252507	1	220V-50/60Hz	
21		Ref	Decal - Inspection Options:	
21		Ref	Brazilian Spec	
21	1705901	1	USA Built Machines (SN 0300087912 through 0300151358)	
21	1705901	1	China Built Machines (SN B300000100 through B300000358)	
21	Not Required	0	Chinese Spec	
21		Ref	CSA Spec Options:	
21	1704006	1	USA Built Machines (SN 0300087912 through 0300151358)	
21	1704006	1	China Built Machines (SN B300000100 through B300000358)	

SECTION 8 - DECALS

ITEM	PART NUMBER	QTY	DESCRIPTION	REV
21	Not Required	0	Japanese Spec	
21	Not Required	0	Korean Spec	
21		Ref	Latin American Spec Options	
21	1704007	1	USA Built Machines (SN 0300087912 through 0300151358)	
21	1704007	1	China Built Machines (SN B300000100 through B300000358)	
22		Ref	Decal - Warning/Crushing Options:	
22	1705903	4	Brazilian Spec	
22	1703943	4	Chinese Spec (Traditional)	
22	1001116845	4	Chinese Spec (Simplified)	
22	1703942	4	CSA Spec	
22	1703944	4	Japanese Spec	
22	1703945	4	Korean Spec	
22	1703941	4	Latin American Spec	
24		Ref	Decal - No Hands Options:	
24	1705967	2	Brazilian Spec	
24		Ref	Chinese Spec Options:	
24	1705968	1	USA Built Machines (SN 0300087912 through 0300140842)	
24	1001116846	1	USA Built Machines (SN 0300140843 through 0300171769)	
24	1001116846	1	China Built Machines (SN B300000100 through B300000969)	
24	1704000	2	CSA Spec	
24	Not Required	0	Japanese Spec	
24	1705969	2	Korean Spec	
24	1704001	2	Latin American Spec	
25		Ref	Decal - Danger/Warning Options:	
25	1705895	1	Brazilian Spec	
25	1703925	1	Chinese Spec (Traditional)	
25	1001116847	1	Chinese Spec (Simplified)	
25	1703924	1	CSA Spec	
25	1703926	1	Japanese Spec	
25	1703927	1	Korean Spec	
25	1703923	1	Latin American Spec	
26		Ref	Decal - Warning Inspection Options:	
26	1705896	1	Brazilian Spec	
26		Ref	Chinese Spec (Traditional)	
26	1705348	1	USA Built Machines (SN 0300087912 through 0300140842)	
26	1001116849	1	USA Built Machines (SN 0300140843 through 0300171769)	
26	1001116849	1	China Built Machines (SN B300000100 through B300000969)	
26	1001116848	1	Chinese Spec (Simplified)	
26	1705347	1	CSA Spec	
26	1705344	1	Japanese Spec	
26	1705345	1	Korean Spec	
26	1705917	1	Latin American Spec	
27		Ref	Decal - Warning Crushing Options:	
27	1705898	4	Brazilian Spec	
27	1703949	4	Chinese Spec (Traditional)	
27	1001116850	4	Chinese Spec (Simplified)	
27	1703948	4	CSA Spec	
27	1703950	4	Japanese Spec	
27	1703951	4	Korean Spec	

SECTION 8 - DECALS

ITEM	PART NUMBER	QTY	DESCRIPTION	REV
27	1703947	4	Latin American Spec	
28		Ref	Decal - Danger Electrocutation Options:	
28	1705897	4	Brazilian Spec	
28		Ref	Chinese Spec (Traditional)	
28	1703937	4	USA Built Machines (SN 0300087912 through 0300140842)	
28	1001116851	4	USA Built Machines (SN 0300140843 through 0300171769)	
28	1001116851	4	China Built Machines (SN B300000100 through B300000969)	
28	1703937	4	Chinese Spec (Simplified)	
28	1703936	4	CSA Spec	
28	1703938	4	Japanese Spec	
28	1703939	4	Korean Spec	
28	1703935	4	Latin American Spec	
29		Ref	Nameplate - Footswitch Options:	
29	1705902	1	Brazilian Spec	
29	1703982	1	Chinese Spec (Traditional)	
29	1001116852	1	Chinese Spec (Simplified)	
29	1703984	1	CSA Spec	
29	1703980	1	Japanese Spec	
29	1703981	1	Korean Spec	
29	1703983	1	Latin American Spec	
30		Ref	Decal - USA Options:	
30	3251813	1	All Specs except Korean and Japanese Specs (USA Built Machines)	
30	Not Required	0	All Specs (China Built Machines)	
30	3251813	1	Japanese Specs (USA Built Machines) (SN 0300087000 through 0300151357)	
30	Not Required	0	Japanese Specs (USA Built Machines) (SN 0300151358 through 0300171769)	
30	Not Required	0	Japanese Specs (All Chinese Built Machines)	
30	Not Required	0	Korean Specs	
33		Ref	Decal Kit - Tire Load Options:	
33	1703470	4	Decal - Tire Load (600S)	
33	1703471	4	Decal Kit - Tire Load Decal - Tire Load (600SJ)	
33	1703472	4	Decal - Tire Load (660SJ)	
34	See Note	NSS	Decal - Bar Code (Note: Not Available for Purchase)	
35		Ref	Decal - Model Options:	
35	1702815	2	Decal - Model 600S	
35	1702816	2	Decal - Model 600SJ	
35	1702817	2	Decal - Model 660SJ	
37		Ref	Decal - Capacity Options:	
37		Ref	Decal - Capacity 600S:	
37		Ref	USA Built Machines (SN 0300087912 through 0300143325)	
37		Ref	China Built Machines (SN B300000100 through B300000188)	
37	1706380	2	Brazilian Spec	
37	1704101	2	Chinese Spec (Traditional)	
37	1001116853	2	Chinese Spec (Simplified)	
37	1704099	2	CSA Spec	
37	1704102	2	Japanese Spec	
37	1704103	2	Korean Spec	
37	1704098	2	Latin American Spec	

SECTION 8 - DECALS

ITEM	PART NUMBER	QTY	DESCRIPTION	REV
37		Ref	USA Built Machines (SN 0300143326 through 0300171769)	
37		Ref	China Built Machines (SN B300000189 through B300000969)	
37	1001121806	2	Brazilian Spec	
37	1001121809	2	Chinese Spec (Traditional)	
37	1001121811	2	Chinese Spec (Simplified)	
37	1001121802	2	CSA Spec	
37	1001121807	2	Japanese Spec	
37	1001122200	2	Korean Spec	
37	1001121804	2	Latin American Spec	
37		Ref	Decal - Capacity 600SJ & 660SJ:	
37		Ref	USA Built Machines: (SN 0300087912 through 0300099059)	
37	1703996	2	Brazilian, Chinese, CSA, Japanese, Korean and Latin American Spec	
37		Ref	USA Built Machines (SN 0300099060 through 0300143325)	
37		Ref	China Built Machines (SN B300000100 through B300000969)	
37	1707057	2	Brazilian Spec	
37	1707060	2	Chinese Spec	
37	1707055	2	CSA Spec	
37	1707059	2	Japanese Spec	
37	1707058	2	Korean Spec	
37	1707056	2	Latin American Spec	
37		Ref	USA Built Machines (SN 0300143326 through 0300171769)	
37		Ref	China Built Machines (SN B300000189 through B300000969)	
37	1001121656	2	Brazilian Spec	
37	1001121810	2	Chinese Spec	
37	1001121803	2	CSA Spec	
37	1001121808	2	Japanese Spec	
37	1001121918	2	Korean Spec	
37	1001121805	2	Latin American Spec	
38		Ref	Decal - Capacity Options:	
38		Ref	Decal - Capacity 600S:	
38		Ref	USA Built Machines: (SN 0300087912 through 0300099059)	
38	1706381	1	Brazilian Spec	
38	1704109	1	Chinese Spec	
38	1704107	1	CSA Spec	
38	1704110	1	Japanese Spec	
38	1704111	1	Korean Spec	
38	1704106	1	Latin American Spec	
38		Ref	USA Built Machines (SN 0300099060 through 0300143325)	
38		Ref	China Built Machines (SN B300000100 through B300000188)	
38	1707051	1	Brazilian Spec	
38	1707045	1	Chinese Spec (Traditional)	
38	1001116854	1	Chinese Spec (Simplified)	
38	1707046	1	CSA Spec	
38	1707053	1	Japanese Spec	
38	1707043	1	Korean Spec	
38	1707048	1	Latin American Spec	
38		Ref	USA Built Machines (SN 0300143326 through 0300171769)	

SECTION 8 - DECALS

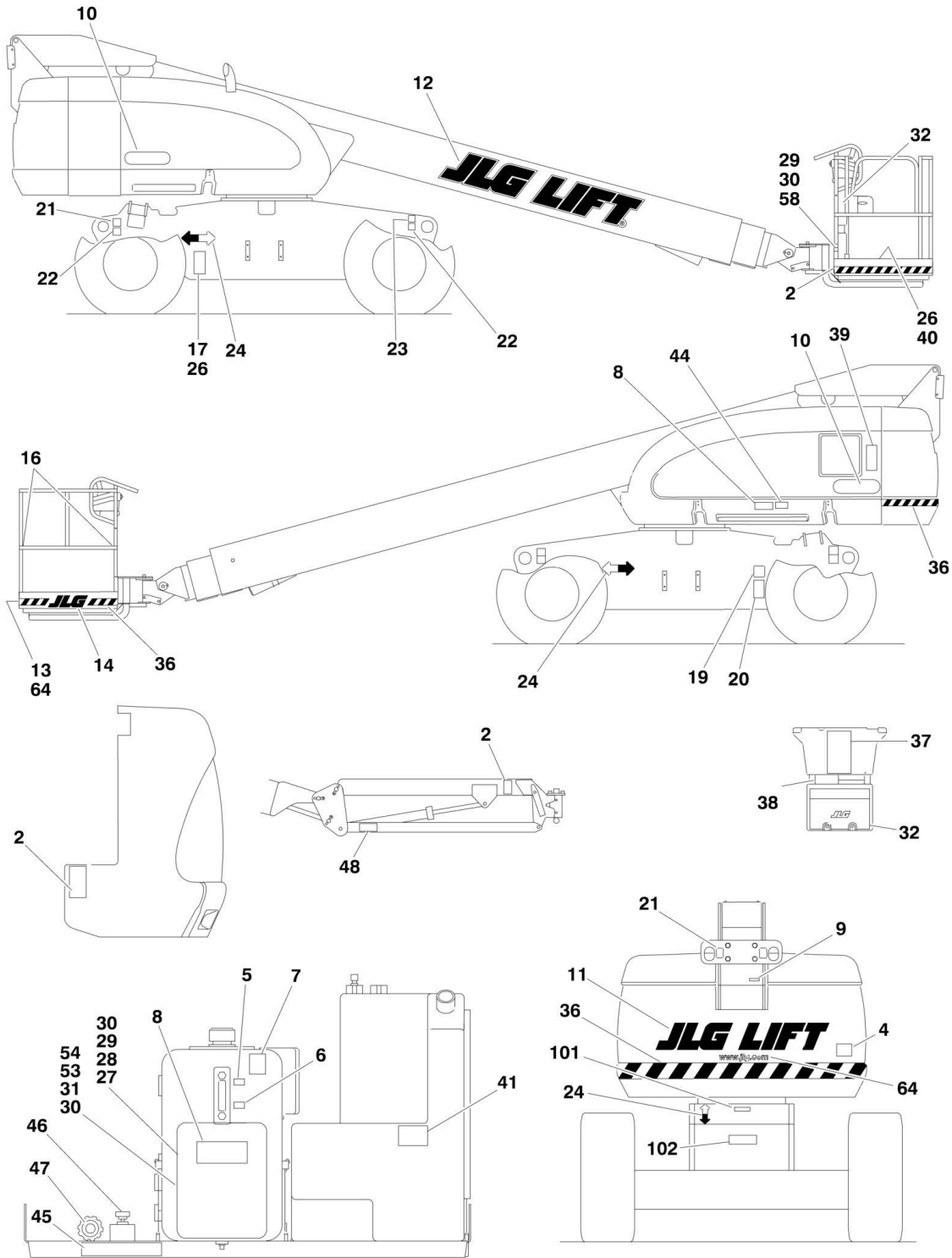
ITEM	PART NUMBER	QTY	DESCRIPTION	REV
38		Ref	China Built Machines (SN B300000189 through B300000969)	
38	1001121819	1	Brazilian Spec	
38	1001121822	1	Chinese Spec (Traditional)	
38	1001121824	1	Chinese Spec (Simplified)	
38	1001121815	1	CSA Spec	
38	1001121820	1	Japanese Spec	
38	1001122201	1	Korean Spec	
38	1001121817	1	Latin American Spec	
38		Ref	Decal - Capacity 600SJ & 660SJ:	
38		Ref	USA Built Machines: (SN 0300087912 through 0300099059)	
38	1704112	1	Brazilian, Chinese, CSA, Japanese, Korean and Latin American Spec	
38		Ref	USA Built Machines (SN 0300099060 through 0300143325)	
38		Ref	China Built Machines (SN B300000100 through B300000969)	
38	1707052	1	Brazilian Spec	
38	1707044	1	Chinese Spec	
38	1707047	1	CSA Spec	
38	1707054	1	Japanese Spec	
38	1707042	1	Korean Spec	
38	1707049	1	Latin American Spec	
38		Ref	USA Built Machines (SN 0300143326 through 0300171769)	
38		Ref	China Built Machines (SN B300000189 through B300000969)	
38	1001121655	1	Brazilian Spec	
38	1001121823	1	Chinese Spec	
38	1001121816	1	CSA Spec	
38	1001121821	1	Japanese Spec	
38	1001121921	1	Korean Spec	
38	1001121818	1	Latin American Spec	
39	1704885	AR	Decal - Website	
40	See Note	NSS	Nameplate - Serial Number (Note: Not Available for Purchase)	
41	1702861	3	Decal - JLG Lift (8in)	
42	1702774	1	Decal - JLG Lift (3-1/2in)	
43	1702773	2	Decal - JLG Lift (5in)	
44	3250872	1	Nameplate - Steer/Tow Selection (Machines with Tow Package Only)	
45		Ref	Decal - Tow Instructions Options (Machines with Tow Package Only)	
45	1702305	1	Decal - Tow Instructions 2WD	
45	1703403	1	Decal - Tow Instructions 4WD	
46		Ref	Decal - Fuel	
46	1701542	1	Ford and GM Engine Machines	
46	1701505	1	Caterpillar and Deutz Engine Machines	
47	1701543	2	Decal - LP Gas (Gas Engine Only)	
48		Ref	Decal - LP Gas Liquid Options (Gas Engine Only):	
48	1700818	2	English Language	
48	1704271	2	English and French Languages	
48	1702720	2	Spanish Language	
49	0100011	AR	Compound, Locking	
50	0641406	4	Bolt 1/4in-20NC x 3/4in	
51	0641408	1	Bolt 1/4in-20NC x 1in	

SECTION 8 - DECALS

ITEM	PART NUMBER	QTY	DESCRIPTION	REV
53	0860520	1	Box, Manual Storage	
54	1060279	1	Cable, Lanyard	
55	3311405	5	Locknut 1/4in-20NC	
57	3820001	4	Rivet	
58	4751400	10	Flatwasher 1/4in	
62		Ref	Decal - Patent Options:	
62	1700584	1	All Other Specs except CSA Spec and Latin American Spec (USA Built Machines) (SN 0300087912 through 0300143326)	
62	1700584	1	All Other Specs except CSA Spec and Latin American Spec (China Built Machines) (SN B300000100 through B300000189)	
62	1702573	1	Latin American Spec Only	
62		Ref	CSA Spec	
62	1700584	1	USA Built Machines (SN 0300087912 through 0300143325)	
62	1700584	1	China Built Machines (SN B300000100 through B300000189)	
62	1001131269	1	USA Built Machines (SN 0300143326 through 0300171769)	
62	1001131269	1	China Built Machines (SN B300000189 through B300000969)	
63		Ref	Decal - Legend Options:	
63	1702784	1	USA Built Machines (SN 0300087912 through 0300099059)	
63	1706931	1	USA Built Machines (SN 0300099060 through 0300138728)	
63	1001108493	1	USA Built Machines (SN 0300138729 through 0300171769)	
63	1001108493	1	China Built Machines (SN B300000100 through B300000969)	
64		Ref	Decal - Legend	
64	1703808	1	USA Built Machines (SN 0300087912 through 0300099059)	
64	1706941	1	USA Built Machines (SN 0300099060 through 0300171769)	
64	1706941	1	China Built Machines (SN B300000100 through B300000969)	
65		Ref	Decal - Drive/Steer Instructions Options (USA Built Machines) (SN 0300138729 through 0300171769)	
65		Ref	Decal - Drive/Steer Instructions Options (China Built Machines) (SN B300000100 through B300000969)	
65	1705905	1	Brazilian Spec	
65		Ref	Chinese Spec (Traditional)	
65	1705430	1	USA Built Machines (SN 0300087912 through 0300140842)	
65	1001116863	1	USA Built Machines (SN 0300140843 through 0300171769)	
65	1001116863	1	China Built Machines (SN B300000100 through B300000969)	
65	1705430	1	Chinese Spec (Simplified)	
65	1705429	1	CSA Spec	
65	1705426	1	Japanese Spec	
65	1705427	1	Korean Spec	
65	1705910	1	Latin American Spec	

SECTION 8 - DECALS

FIGURE 8-5. DECAL INSTALLATION (AUSTRALIAN AND CE SPEC) (USA BUILT MACHINES) (SN 0300087000 through 0300087911)



SECTION 8 - DECALS

FIGURE 8-5. DECAL INSTALLATION (AUSTRALIAN AND CE SPEC) (USA BUILT MACHINES) (SN 0300087000 through 0300087911)

ITEM	PART NUMBER	QTY	DESCRIPTION	REV
		Ref	STANDARD DECAL INSTALLATIONS	
	0271014	Ref	Decal - JLG	3
	0255330	Ref	Standard Decal Installations 600S Common Parts	11
	0255334	Ref	Standard Decal Installations 600SJ Common Parts	9
	0255332	Ref	Standard Decal Installations 660SJ Common Parts	12
	0256622	Ref	Standard Decal Installations 600S Australian Spec	9
	0256634	Ref	Standard Decal Installations 600SJ & 660SJ Australian Spec	9
	0256256	Ref	Standard Decal Installations 600S Dutch Spec	5
	0256573	Ref	Standard Decal Installations 600SJ & 660SJ Dutch Spec	5
	0256253	Ref	Standard Decal Installations 600S French Spec	6
	0256570	Ref	Standard Decal Installations 600SJ & 660SJ French Spec	6
	0256254	Ref	Standard Decal Installations 600S German Spec	5
	0256571	Ref	Standard Decal Installations 600SJ & 660SJ German Spec	5
	0256255	Ref	Standard Decal Installations 600S Italian Spec	6
	0256572	Ref	Standard Decal Installations 600SJ & 660SJ Italian Spec	6
	0273194	Ref	Standard Decal Installations 600S Norwegian Spec	3
	0256257	Ref	Standard Decal Installations 600S Spanish Spec	5
	0256574	Ref	Standard Decal Installations 600SJ & 660SJ Spanish Spec	5
	0256252	Ref	Standard Decal Installations 600S UK Spec	6
	0256569	Ref	Standard Decal Installations 600SJ & 660SJ UK Spec	6
	0257733	Ref	Warning Stripes Installation (CE Specs)	1
2	1701518	3	Decal - Crushing	
4		Ref	Decal Options:	
4	1705084	1	CE Spec	
4	Not Required	0	Australian Spec	
5	1701502	1	Decal - High Oil Level	
6	1701503	1	Decal - Low Oil Level	
7	1701504	1	Decal - Hydraulic Oil	
8	1701509	1	Decal - Manual	
9		Ref	Decal - 240/50HZ Options:	
9	Not Required	0	CE Spec	
9	3251242	1	Australian Spec	
10		Ref	Decal - Model Options:	
10	1702815	2	Decal - Model 600S	
10	1702816	2	Decal - Model 600SJ	
10	1702817	2	Decal - Model 660SJ	
11	1702861	3	Decal - JLG Lift (8in)	
12	1702862	1	Decal - JLG Lift (12in)	
13	1702774	1	Decal - JLG Lift (3-1/2in)	
14	1702773	2	Decal - JLG (5in)	
16		Ref	Decal - Attach Lanyard Here Options:	
16	Not Required	0	CE Spec	
16	1704277	4	Australian Spec	
17	See Note	NSS	Nameplate - Serial Number (Note: Not Available for Purchase)	
19	See Note	NSS	Decal - Bar Code (Note: Not Available for Purchase)	
20	1700584	1	Decal - Patent	
21	1701499	2	Decal - No Tie Down /Lift	
22	1702300	4	Decal - Tie Down /Lift	
23	1701500	2	Decal - Tie Down /Lift	

SECTION 8 - DECALS

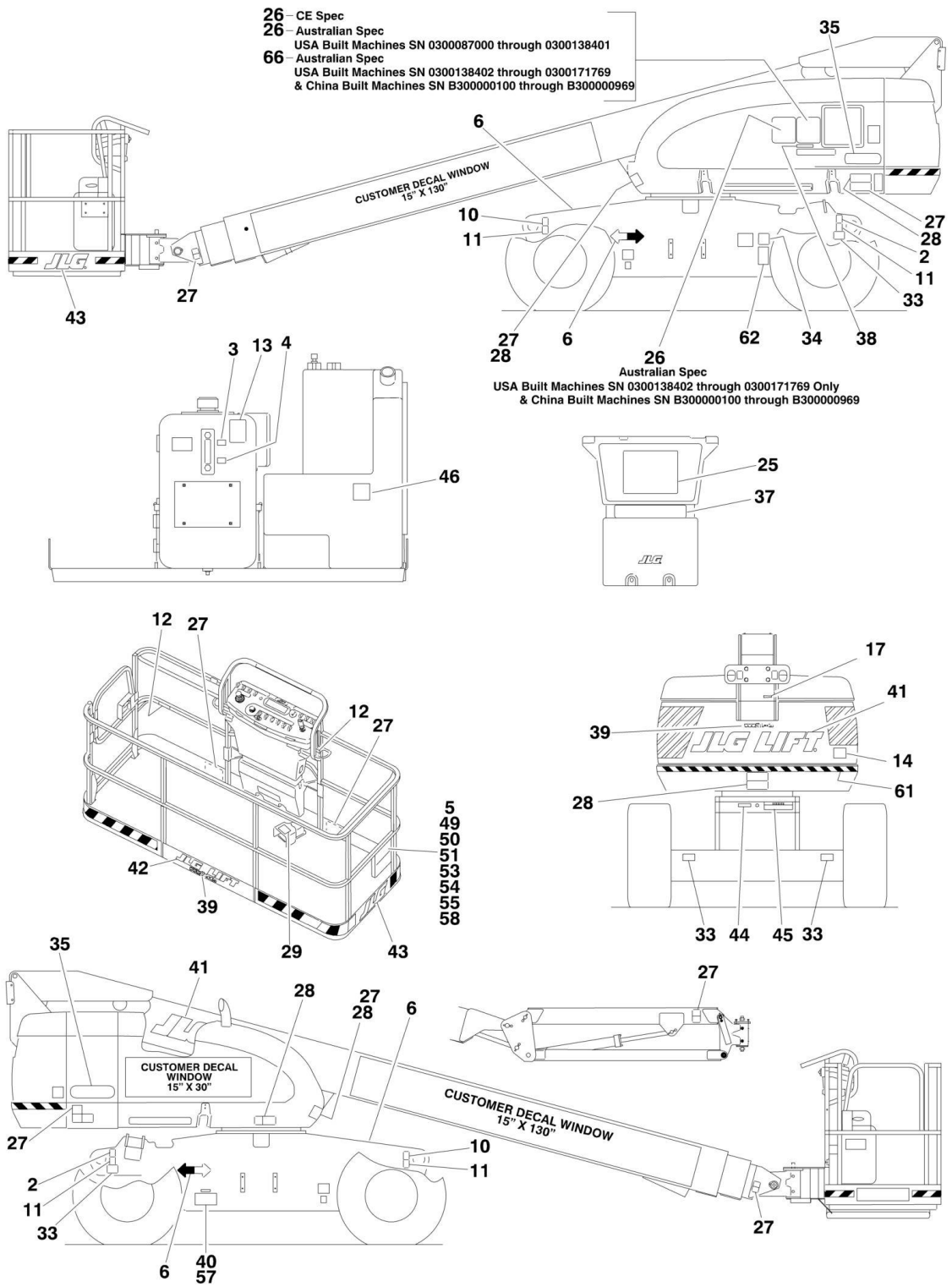
ITEM	PART NUMBER	QTY	DESCRIPTION	REV
24	1701529	4	Decal- Arrow	
26	3820001	4	Rivet	
27	0641408	1	Bolt 1/4in-20NC x 1in	
28	1060279	1	Cable, Lanyard	
29	3311405	AR	Locknut 1/4in-20NC	
30	4751400	AR	Flatwasher 1/4in	
31	0860520	1	Box, Manual Storage	
32	3380434	1	Panel, Pedestal	
36	4420051	17.4 ft /5.3m	Decal - Warning Stripes	
37		Ref	Nameplate - Capacity Options:	
37	1703992	1	Australian Spec	
37	1701596	1	Dutch Spec	
37	1690697	1	French Spec	
37	1690697	1	German Spec	
37	1690697	1	Italian Spec	
37	1690697	1	Norwegian Spec	
37	1690697	1	Spanish Spec	
37	1690697	1	UK Spec	
38		Ref	Nameplate - Caution Options:	
38	Not Required	0	Not Required	
38	1703186	1	Dutch Spec	
38	1703184	1	French Spec	
38	1703190	1	German Spec	
38	1703185	1	Italian Spec	
38	1705250	1	Norwegian Spec	
38	1703187	1	Spanish Spec	
38	1703183	1	UK Spec	
39		Ref	Nameplate - Caution Options:	
39	1691483	1	Australian Spec	
39	1701596	1	Dutch Spec	
39	1693289	1	French Spec	
39	1693291	1	German Spec	
39	1701602	1	Italian Spec	
39	1705232	1	Norwegian Spec	
39	1701798	1	Spanish Spec	
39	1691483	1	UK Spec	
40		Ref	Nameplate - Footswitch Options:	
40	3252347	1	Australian Spec	
40	1703518	1	Dutch Spec	
40	1693292	1	French Spec	
40	1693294	1	German Spec	
40	1701600	1	Italian Spec	
40	1705275	1	Norwegian Spec	
40	1701791	1	Spanish Spec	
40	3252347	1	UK Spec	
41	1701505	1	Decal - Fuel (Diesel)	
44 to 48	Not Required	0	Not Required	
53	0641406	4	Bolt 1/4in-20NC x 3/4in	
54	0100011	AR	Compound, Locking	
57		Ref	Decal - Wheel Load Options:	
57	1703470	4	Decal - Wheel Load 600S	

SECTION 8 - DECALS

ITEM	PART NUMBER	QTY	DESCRIPTION	REV
57	1703471	4	Decal - Wheel Load 600SJ	
57	1703472	4	Decal - Wheel Load 600SJ	
58	0641414	2	Bolt 1/4in-20NC x 1-3/4in	
64	1704885	2	Decal - Website	
		Ref	OPTIONAL DECALS	
101	3250872	1	Nameplate - Steer/Tow Selection (Machines with Tow Package Only)	
102		Ref	Decal - Tow Instructions Options: (Machines with Tow Package Only)	
102	1702305	1	2WD (Machines with Tow Package Only)	
102	1703403	1	4WD (Machines with Tow Package Only)	

SECTION 8 - DECALS

FIGURE 8-6. DECAL INSTALLATION (AUSTRALIAN AND CE SPEC) (USA BUILT MACHINES AND CHINA BUILT MACHINES) (SN 0300087912 through 0300171769, SN B300000100 through B300000969)



SECTION 8 - DECALS

FIGURE 8-6. DECAL INSTALLATION (AUSTRALIAN AND CE SPEC) (USA BUILT MACHINES AND CHINA BUILT MACHINES) (SN 0300087912 through 0300171769, SN B300000100 through B300000969)

ITEM	PART NUMBER	QTY	DESCRIPTION	REV
		Ref	STANDARD DECAL INSTALLATIONS	
	0274093	Ref	Decal - JLG	2
	0273875	Ref	Standard Decal Installations 600S (Australian Specs) (USA Built Machines) (SN 0300087912 through 0300138401)	C
	1001114385	Ref	Standard Decal Installations 600S (Australian Specs) (USA Built Machines) (SN 0300138402 through 0300171769)	B
	1001114385	Ref	Standard Decal Installations 600S (Australian Specs) (China Built Machines) (SN B300000100 through B300000969)	B
	0273875	Ref	Standard Decal Installations 600S (CE Specs)	B
	0273876	Ref	Standard Decal Installations 600SJ (Australian Specs) (USA Built Machines) (SN 0300087912 through 0300138401)	5
	1001114386	Ref	Standard Decal Installations 600SJ (Australian Specs) (USA Built Machines) (SN 0300138402 through 0300171769)	1
	0273876	Ref	Standard Decal Installations 600SJ (CE Specs)	4
	0273877	Ref	Standard Decal Installations 660SJ (Australian Specs) (USA Built Machines) (SN 0300087912 through 0300138401)	B
	1001114387	Ref	Standard Decal Installations 660SJ (Australian Specs) (USA Built Machines) (SN 0300138402 through 0300171769)	B
	1001114387	Ref	Standard Decal Installations 660SJ (Australian Specs) (China Built Machines) (SN B300000100 through B300000969)	B
	0273877	Ref	Standard Decal Installations 660SJ (CE Specs)	5
2	1701499	2	Decal - No Tie Down /Lift	
3	1701502	1	Decal - High Oil Level (USA Built Machines) (SN 0300087912 through 0300133154)	
4	1701503	1	Decal - Low Oil Level (USA Built Machines) (SN 0300087912 through 0300133154)	
5	1701509	1	Decal - Manual	
6	1701529	4	Decal- Arrow	
10	1703811	2	Decal - Tie Down /Lift	
11	1703814	4	Decal - Tie Down	
12	1704277	3	Decal - Attach Lanyard Here	
13	1704412	1	Decal - Hydraulic Oil	
14	1705084	1	Decal - Sound Power Level	
17		Ref	Nameplate Options:	
17	3251243	1	120V-60Hz	
17	3252507	1	220V-50/60Hz	
25	1705921	1	Decal - Tipping/Electrocution	
26	1705822	1	Decal - Electrocution/Safety Manual	
27	1701518	8	Decal - Warning Crushing	
28	1705961	5	Decal - Electrocution	
29	1705828	1	Nameplate - Footswitch	
30	3251813	1	Decal - USA (CE Spec Machines Built in USA Only) (Not Shown) (SN 0300151358 through 0300171769)	
33		Ref	Decal - Tire Load Options:	
33	1703470	4	Decal - Tire Load (600S)	
33	1703471	4	Decal - Tire Load (600SJ)	
33	1703472	4	Decal - Tire Load (660SJ)	
34	See Note	NSS	Decal - Bar Code (Note: Not Available for Purchase)	
35		Ref	Decal - Model Options:	
35	1702815	2	Decal - Model 600S	

SECTION 8 - DECALS

ITEM	PART NUMBER	QTY	DESCRIPTION	REV
35	1702816	2	Decal - Model 600SJ	
35	1702817	2	Decal - Model 660SJ	
37	1705978	1	Decal - Capacity	
38	1705978	1	Decal - Capacity	
39	1704885	AR	Decal - Website	
40	See Note	NSS	Nameplate - Serial Number (Note: Not Available for Purchase)	
41	1702861	3	Decal - JLG Lift (8in)	
42	1702774	1	Decal - JLG Lift (3-1/2in)	
43	1702773	2	Decal - JLG Lift (5in)	
44	3250872	1	Nameplate - Steer/Tow Selection (Machines with Tow Package Only)	
45		Ref	Decal - Tow Instructions Options (Machines with Tow Package Only)	
45	1702305	1	Decal - Tow Instructions 2WD	
45	1703403	1	Decal - Tow Instructions 4WD	
46		Ref	Decal - Fuel	
46	1701542	1	Ford and GM Engine Machines	
46	1701505	1	Caterpillar and Deutz Engine Machines	
49	0100011	AR	Compound, Locking	
50	0641406	4	Bolt 1/4in-20NC x 3/4in	
51	0641408	1	Bolt 1/4in-20NC x 1in	
53	0860520	1	Box, Manual Storage	
54	1060279	1	Cable, Lanyard	
55	3311405	5	Locknut 1/4in-20NC	
57	3820001	4	Rivet	
58	4751400	10	Flatwasher 1/4in	
61	4420051	18 ft/5.3m	Decal - Warning Stripe	
62		Ref	Decal - Patent Options	
62	1700584	1	USA Built Machines (SN 0300087912 through 0300143325)	
62	1700584	1	China Built Machines (SN B300000100 through B300000188)	
62	1001131269	1	USA Built Machines (SN 0300143326 through 0300161210)	
62	1001131269	1	China Built Machines (SN B300000189 through B300000631)	
66	1001112551	1	Decal - Emergency Controls (Australian Spec Only) (USA Built Machines) (SN 0300138402 through 0300171769)	
66	1001112551	1	Decal - Emergency Controls (Australian Spec Only) (China Built Machines) (SN B300000100 through B300000969)	

SECTION 9 - RECOMMENDED SERVICE PARTS STOCK

SECTION 9 - RECOMMENDED SERVICE PARTS STOCK

SECTION 9 - RECOMMENDED SERVICE PARTS STOCK

FIGURE 9-1. MODEL 600SJ/660SJ STANDARD PARTS

ITEM	PART NUMBER	QTY	DESCRIPTION	REV
	Note	Ref	Note: The following list will service one machine (built to current production per date on the front cover) with emergency repair parts which can be installed in the field. Parts from the list should be replaced when inventory is depleted to keep service parts stock supplied. For further information, contact your JLG dealer or the JLG Industries Parts Department.	
		Ref	STANDARD PARTS	
	2120210	4	Element Filter	
	2120149	4	Element, Filter	
	7020020	1	Switch, Indicator	
	7020021	1	Switch, Indicator	
	7012944	1	Coil	
	7012943	1	Coil	
	7018991	1	Coil	
	70000582	1	Coil	
	7012772	1	Coil	
	7012664	1 doz	Element, Air Cleaner	
	3740067	1	Relay	
	4360436	1	Switch, Fuel Level	
	7024444	1	Breather, Hydraulic Tank	
	3740049	1	Relay	
	4360328	1	Switch, Toggle	
	2860030	1	Key, Replacement	
	4360475	1	Switch, Mushroom	
	4360476	1	Switch, Contact Block	
	2940074	1	Latch	
	4360331	1	Switch, Toggle	
	4360407	1	Controller, Speed	
	4360330	1	Switch, Toggle	
	1001212415	1	Controller (Drive and Steer)	
	4360387	1	Switch, Push Button	
	1001129555	1	Controller (Lift and Swing)	
	2400065	2	Fuse, 30Amp	
	3990010	2	Diode	

SECTION 9 - RECOMMENDED SERVICE PARTS STOCK

FIGURE 9-2. MODEL 600SJ/660SJ VARIABLE PARTS

ITEM	PART NUMBER	QTY	DESCRIPTION	REV
	Note	Ref	Note: The following list will service one machine (built to current production per date on the front cover) with emergency repair parts which can be installed in the field. Parts from the list should be replaced when inventory is depleted to keep service parts stock supplied. For further information, contact your JLG dealer or the JLG Industries Parts Department.	
		Ref	VARIABLE PARTS	
	7026830	1 doz	Filter, Fuel (Caterpillar Engine Machines)	
	7026811	1 doz	Filter, Oil (Caterpillar Engine Machines)	
	1001112067	1	Module, Engine Control (Caterpillar Engine Machines)	
	7016328	1 doz	Filter, Fuel (Deutz Engine Machines)	
	7016331	1 doz	Filter, Oil (Deutz Engine Machines)	
	7026608	1	Relay (Deutz Engine Machines)	
	7027795	1	Module, Control (Deutz Engine Machines)	
	91083218	1 doz	Filter, Fuel (Ford Engine Machines)	
	7021868	1 doz	Filter, Oil (Ford Engine Machines)	
	1600374	1	Module, EPM (Ford Engine Machines)	
	7027972	1 doz	Filter, Fuel (GM Engine Machines)	
	7027965	1 doz	Filter, Oil (GM Engine Machines)	
	70002895	1	Module, ECU (GM Engine Machines)	
	4360517	1	Switch, Proximity	
	4360469	1	Switch, Key (ANSI, ANSI Export and Australian Specs)	
	4360470	1	Switch, Key (CE Specs)	
	1001103667	1	Module - ADE (Ground Control) (Caterpillar, Deutz and GM Engine)	
	4360578	1	Switch, Limit	
	3740080	1	Relay (Machines with Generator)	
	4360336	1	Switch, Toggle (Machines with Generator)	
	4360506	1	Switch, Proximity (Australian and CE Specs Only)	
	70002005	1	Powertrack Repair Section (600S)	
	70002007	1	Powertrack Repair Section (660SJ)	
	4360336	1	Switch, Toggle (Machines with Floodlights)	
	1600375	1	Module - ADE (Platform Control)	
	4360331	1	Switch, Toggle (Machines with 4WS Options)	
	4360336	1	Switch, Toggle (Machines with Dual Fuel)	
	4360522	1	Switch, Toggle (Machines with Headlights/Chassis Worklights)	
	4360070	1	Breaker, Circuit (Machines with SkyPower)	
	2400064	2	Fuse - 5 Amp (Machines with SkyPower)	
	4360232	1	Breaker, Circuit (Machines with Platform Floodlights)	
	4360057	1	Switch, Limit (Machines with Soft Touch Option)	
	2400070	2	Fuse (Machines with Platform Worklights)	

SECTION 10 - SPECIAL OPTIONS

SECTION 10 - SPECIAL OPTIONS

FIGURE 10-1. SPECIAL OPTIONS

ITEM	PART NUMBER	QTY	DESCRIPTION	REV
	Note	Ref	Note: This list is to accommodate machines ordered with special equipment. Options may not be applicable to all models. For more specific parts information contact JLG Parts Department.	
		Ref	MISCELLANEOUS SPECIAL OPTIONS	
	1340061	Ref	Air Cleaner Pre-Cleaner	
		Ref	Airline to Platform Installation Options:	
	0255388	Ref	1/2in 600S & 600SJ	
	0255389	Ref	1/2in 660SJ	
	1001093286	Ref	1/2in - 600S & 600SJ (Arctic Package Only)	
	0275341	Ref	1/2in - 660SJ (Arctic Package Only)	
	1001102674	Ref	Dual 1/2in 600S	
	0274219	Ref	Battery Disconnect Switch	
		Ref	Boom Wipers Installations	
	0256273	Ref	Bristle Brush Design	
	1001121605	Ref	Rubber Squeegee Design	
	0273834	Ref	Cable Installation - 600S (Fog Cannon)	
		Ref	Cable and Clamp Installation for 4000W Generator (China Built Machine Only)	
	1001153301	Ref	Cable and Clamp Installation for 4000W Generator - 60Hz (600S ANSI Export Spec Only)	
	1001153302	Ref	Cable and Clamp Installation for 4000W Generator - 60Hz (660SJ ANSI Export Spec Only)	
	0270733	Ref	Cable and Clamp Installation for 4000W Generator - 60Hz (600S ANSI Export, Australian & Japanese Specs)	
	0270736	Ref	Cable and Clamp Installation for 4000W Generator - 60Hz (660SJ ANSI Export, Australian & Japanese Specs)	
	1001220152	Ref	Cable Add-on Kit (4000W/60Hz Generator)	
		Ref	Cable Tray Carrier Installation (Australian Spec Only)	
	1001116419	Ref	30in Platform	
	1001116420	Ref	36in Platform	
	0256789	Ref	Camera Mount Assembly	
		Ref	ClearSky Telematics (Factory Installed)	
		Ref	Note: Refer to ClearSky (Telematics) Manual p/n 3128499 for Service Parts.	
		Ref	ADE Machines (ABS Hoods)	
	1001102841	Ref	ANSI Spec	
	1001102842	Ref	ANSI Export and Japanese Specs	
	1001104985	Ref	CSA Spec	
		Ref	ADE/UGM Machines (ABS Hoods)	
	1001112990	Ref	ANSI Spec	
	1001112991	Ref	ANSI Export and Japanese Specs	
	1001112992	Ref	CSA Spec	
		Ref	ADE/UGM Machines (Steel Hoods)	
	1001118963	Ref	ANSI SPEC	
	1001134103	Ref	Australian Specs	
	1001127087	Ref	Brazil and New Zealand Specs	
	1001118964	Ref	CSA SPEC	
		Ref	ClearSky Telematics Kit (Dealer Installed)	
		Ref	ANSI Spec	

SECTION 10 - SPECIAL OPTIONS

ITEM	PART NUMBER	QTY	DESCRIPTION	REV
	1001117251	Ref	Pre-UGM	
	1001119939	Ref	UGM	
		Ref	Australian Spec	
	1001139132	Ref	Pre-UGM	
	1001139151	Ref	UGM	
		Ref	CSA Spec	
	1001117258	Ref	Pre-UGM	
	1001119947	Ref	UGM	
		Ref	Cold Weather Package Installation Options:	
	0273575	Ref	Caterpillar Engine	
	0271912	Ref	Deutz	
	0255386	Ref	Ford	
	0275262	Ref	GM	
		Ref	Container - Tray Storage Options:	
	1580012	1	Center	
	1580013	1	Rail	
	1001093389	Ref	Cover, Fan	
	1001115918	Ref	Cribbing Installation	
		Ref	Cylinder Bellows Installations	
	0255929	Ref	Boom Bellows Installation (600S)	
	0255930	Ref	Boom Bellows Installation (600SJ & 660SJ)	
	0255354	Ref	Frame Bellows Installation (2WS)	
	0255356	Ref	Frame Bellows Installation (4WS)	
		Ref	Decal Installations Options:	
	1702788	1	Decal - Biodegradable Hydraulic Fluid Decal	
	1703479	1	Decal - Biodegradable Hydraulic Fluid (German Language)	
	1704174	1	Decal - Biodegradable (Synthetic) Hydraulic Fluid Decal	
	1704175	1	Decal - Biodegradable (Synthetic) Hydraulic Fluid (German Language)	
	1001154501	Ref	Decal - Boels Rentals	
	1001116251	Ref	Decal - ClearSky (ANSI Spec) (ABS Hoods)	
	1001116252	Ref	Decal - ClearSky (CSA Spec) (ABS Hoods)	
	1001120992	Ref	Decal - ClearSky (CSA Spec) (Steel Hoods)	
	0253550	Ref	Decal - CSA	
	0274455	Ref	Decal - FedEx (ANSI/CSA/CE Specs)	
	0257195	Ref	Decal - Government Warranty	
	0273246	Ref	Decal - Hertz (ANSI/CSA Specs) (SN 0300087000 through 0300147521)	
	1001128985	Ref	Decal - Hertz (ANSI/CSA Specs) (SN 0300147522 through 0300171769)	
	0274528	Ref	Decal - Head and Engquist Equipment (H&E) (ANSI Spec)	
	1001143076	Ref	Decal - Hewitt The Rental Store (English Language) (ANSI and CSA Specs)	
	1001143511	Ref	Decal - Hewitt The Rental Store (French Language) (ANSI and CSA Specs)	
	0256957	Ref	Decal - Lanyard Attach (GM K-1 Spec)	
	1001140624	Ref	Decal - Leavitt	
	0274243	Ref	Decal - National Equipment Services (NES) (ANSI/CSA Specs)	
	0270465	Ref	Decal - Nations Rent (ANSI/CSA Specs)	
		Ref	Decal - No Hands (Chinese Language) Options (Platform with Mesh to Top Rail):	
	1705968	Ref	Decal - No Hands (Chinese Language) (USA Built Machines) (SN 0300087000 through 0300140842)	

SECTION 10 - SPECIAL OPTIONS

ITEM	PART NUMBER	QTY	DESCRIPTION	REV
	1001116846	Ref	Decal - No Hands (Chinese Language) (USA Built Machines) (SN 0300140843 through 0300171769)	
	1001116846	Ref	Decal - No Hands (Chinese Language) (China Built Machines) (SN B300000100 through 0300171769)	
	1704000	Ref	Decal - No Hands (French Language) (Platform with Mesh to Top Rail)	
	1702868	Ref	Decal - No Hands (English Language) (Platform with Mesh to Top Rail)	
	1705969	Ref	Decal - No Hands Decal (Korean Language) (Platform with Mesh to Top Rail)	
	1705967	Ref	Decal - No Hands (Portugese Language) (Platform with Mesh to Top Rail)	
	1704001	Ref	Decal - No Hands (Spanish Language) (Platform with Mesh to Top Rail)	
	0256487	Ref	Decal - Prop 65 Warning (Diesel Machines) (California Spec)	
	0256488	Ref	Decal - Prop 65 Warning (Gasoline Machines) (California Spec)	
	1001095383	Ref	Decal - RSC (ANSI Spec)	
	0271107	Ref	Decal - Sunbelt (ANSI/CSA Specs)	
	1001151066	Ref	Decal - Titan Rentals (ANSI/CSA Specs)	
	0271893	Ref	Decal - United Rentals (ANSI/CSA Specs)	
	1001098291	Ref	Decal - UPS (ANSI/CSA Specs)	
	1001141470	Ref	Decal - Volvo Rents	
		Ref	Decal Kits Options:	
	2902307	Ref	Decal Kit - Country Spec (ANSI and ANSI Export)	
	2900974	Ref	Decal Kit - Country Spec (Australian) (SN 0300087000 through 0300087911)	
	2902329	Ref	Decal Kit - Country Spec (Australian) (SN 0300087912 through 0300171769)	
	2900937	Ref	Decal Kit - Country Spec (Brazil) (600S) (SN 0300087000 through 0300087911)	
	2910045	Ref	Decal Kit - Country Spec (Brazil) (660SJ) (SN 0300087000 through 0300087911)	
	2902312	Ref	Decal Kit - Country Spec (Brazil) (SN 0300087912 through 0300171769)	
	2900937	Ref	Decal Kit - Country Spec (CE) (600S) (SN 0300087000 through 0300087911)	
	2902329	Ref	Decal Kit - Country Spec (CE) (600S/660SJ) (SN 0300087912 through 0300171769)	
	2902322	Ref	Decal Kit - Country Spec (CSA)	
	1001116844	Ref	Decal Kit - Country Spec (Chinese - Simplified)	
	2902309	Ref	Decal Kit - Country Spec (Chinese - Traditional)	
	2900937	Ref	Decal Kit - Country Spec (Japanese) (600S) (SN 0300087000 through 0300087911)	
	2902308	Ref	Decal Kit - Country Spec (Japanese) (600S/660SJ) (SN 0300087912 through 0300171769)	
	2902310	Ref	Decal Kit - Country Spec (Korean)	
	2902311	Ref	Decal Kit - Country Spec (Latin America)	
	2900967	NLA	Decal Kit - Complete (Use p/n 1001193633 or 1001193634)	
	2902303	Ref	Decal Kit - Master (Common Decals)	
	1001193633	Ref	Decal Kit - Machine (SN 0300087000 through 0300087911)	
	1001193634	Ref	Decal Kit - Machine (SN 0300087912 through 0300171769)	
	1001108718	Ref	Decal Kit - Platform (600S)	
	1001238895	Ref	Decal Kit - Platform (600SJ/660SJ)	
	1001119562	Ref	Decal Kit - Platform Console Box	
	2902304	Ref	Decal Kit - Tire Load (600S)	

SECTION 10 - SPECIAL OPTIONS

ITEM	PART NUMBER	QTY	DESCRIPTION	REV
	2902305	Ref	Decal Kit - Tire Load (600SJ)	
	2902306	Ref	Decal Kit - Tire Load (660SJ)	
	2902394	Ref	Drive/Steer Cutout Kit	
	1001109259	Ref	Drive Orientation Kit - 660SJ, 2WS (Australian Spec Only)	
		Ref	Electrical Connector Kits	
	1001148902	Ref	Amp/Tyco Electrical Connector Kit	
	1001148903	Ref	Deutsch DT Electrical Connector Kit	
	1001148904	Ref	Deutsch HD Electrical Connector Kit	
	1001148905	Ref	Packard Electrical Connector Kit	
	1001148906	Ref	Various Electrical Connectors Kit	
		Ref	Engine Block Heater Installations:	
	2580055	Ref	Caterpillar Engine Machines	
	0274227	Ref	Deutz Engine Machines	
	0258696	Ref	Ford Engine Machines	
	0275261	Ref	GM Engine Machines	
	1001093389	Ref	Engine Fan Shield Installation	
	1001153289	Ref	Exhaust Pipe Extension (Deutz Tier IVi Engine and Steel Hoods Only)	
		Ref	Filter Kits:	
		Ref	Combined Filter Kit (Hydraulic/Air and Fuel/Engine Oil)	
	1001114123	NLA	Caterpillar Engines (Use p/n 1001110991)	
	1001114124	NLA	Caterpillar Engines (Use p/n 1001110991)	
	1001110990	1	Deutz Engines	
	1001114041	NLA	Ford LRG-425 Engines (Use p/n 1001114042)	
	1001114037	NLA	GM Engines (Use p/n 1001114127)	
	1001109692	1	Hydraulic/Air Filter	
	1001110133	1	Fuel/Engine Oil Filter (Deutz Engines Only)	
	1001125824	Ref	Fire Extinguisher Brackets Installation (Frame Mounted)	
	1001139099	Ref	Fire Extinguisher Installation (Platform Mounted)	
	1001121554	Ref	Fire Protection for Hoses and Cables	
	0274233	Ref	Fuel Filter Installation (Davco Filter)	
		Ref	Footswitch Shield (Note: Move Decal to Shield)	
	4060959	Ref	USA Built Machines (SN 0300087000 through 0300093957)	
	3380652	Ref	USA Built Machines (SN 0300093958 through 0300167682)	
	1001117294	Ref	USA Built Machines (SN 0300167683 through 0300171769)	
	1001175815	Ref	Generator 4000W/50Hz Add-on Kit (Deutz D2011)	
	1001213606	Ref	Generator 4000W/60Hz Add-on Kit (Deutz D2011)	
	2902232	Ref	Glazier Tray Kit (9K Helac) (w/Platform)	
	1001101422	Ref	Glazier Tray Kit (w/o Platform)	
	0271548	Ref	Glow Plugs Installation (Deutz Engine Machines) Options:	
	2901691	Ref	Kit, Intake Glow Plugs Installed In Intake (Deutz Engine Machines)	
		Ref	Hood (Steel) Replacement Kit	
	1001126287	Ref	Caterpillar and GM Engine Machines	
	1001126286	Ref	Deutz Engine Machines	
	Not Available	Ref	Ford Engines Machines	
		Ref	Hose Kit Options:	
	1001187491	Ref	Hose Kit - Upper Boom (600S)	
	1001187496	Ref	Hose Kit - Upper Boom (600SJ) (SN 0300087912 through 0300171769)	
	1001187498	Ref	Hose Kit - Upper Boom (660SJ)	
		Ref	Hostile (Extreme) Environment Options:	

SECTION 10 - SPECIAL OPTIONS

ITEM	PART NUMBER	QTY	DESCRIPTION	REV
	1001238927	Ref	Hostile (Extreme) Environment Installation (2WS) (600S)	
	1001238928	Ref	Hostile (Extreme) Environment Installation (4WS) (600S)	
	1001238929	Ref	Hostile (Extreme) Environment Installation (2WS) (660SJ)	
	1001238930	Ref	Hostile (Extreme) Environment Installation (4WS) (660SJ)	
	1001122603	Ref	Hostile (Extreme) Environment Installation (2WS) (600S Shipyard)	
	1001121411	Ref	Hostile (Extreme) Environment Installation (4WS) (600S Shipyard)	
	1001094475	Ref	Hourmeter for Generator Installation	
		Ref	Hydraulic Fluids Options:	
	2300014	Ref	Mobil 424	
	2300027	Ref	Mobil 224H Bio	
	2300029	Ref	Mobil EAL ISO 46 Bio	
	2300016	Ref	Mobil DTE 10 Excel 32	
	2300019	Ref	Quaker State Quintolubric 888-46 Fire Res	
	2300039	Ref	Exxon Univis HVI 26	
	1001189615	Ref	Kingpin Removal Kit	
	1001148971	Ref	Lanyard (Bolt-on) Kit Installation	
		Ref	Loop Flushing Installations (Requires Oil Cooler Installation)	
	0273741	Ref	Loop Flushing Installations 2WD	
	0273738	Ref	Loop Flushing Installations 4WD	
	1001147699	Ref	Manual Storage Box Relocation Kit	
		Ref	Oil Cooler Installations (Requires Loop Flushing Installation)	
		Ref	Deutz Engine Machines	
	0256762	Ref	USA Built Machines (SN 0300087000 through 0300137649)	
	1282665	Ref	USA Built Machines (SN 0300087000 through 0300137649)	
	1001108701	Ref	USA Built Machines (SN 0300137650 through 0300171769)	
	1001108701	Ref	China Built Machines (SN B300000100 through B300000969)	
	0272041	Ref	Ford and GM Engine Machines	
	1283309	1	Ford and GM Engine Machines	
		Ref	Platform Console Cover Installations	
	0258703	Ref	Flat Cover	
	1001110974	Ref	Curved Cover (All Specs except Chines and Korean Specs)	
	1001125229	Ref	Curved Cover (Korean Spec)	
	1001125230	Ref	Curved Cover (Chinese Spec)	
		Ref	Platform Entry Kit	
	1001142504	Ref	Kit, Replace Swing Gate with Drop Bar	
	1001142505	Ref	Kit, Replace Drop Bar with Swing Gate	
		Ref	Platform Huck Fasteners Replacement Hardware	
	0641416	AR	Bolt 1/4in-20NC x 2in	
	3311405	AR	Locknut 1/4in-20NC	
	4711400	AR	Flatwasher 1/4in	
	3300151	AR	Acorn Nut 1/4in-20NC	
		Ref	Platform Mesh to Mid Rail Installation (Side-Entry)	
	1001140318	Ref	30in x 48in Platform	
	1001140315	Ref	30in x 60in Platform	
	1001138772	Ref	30in x 72in Platform	
	1001138773	Ref	36in x 96in Platform	
		Ref	Platform Mesh to Top Rail Installation (Side-Entry)	
	0273147	Ref	30in x 48in Platform	
	0273146	Ref	30in x 60in Platform	
	0273148	Ref	30in x 72in Platform	

SECTION 10 - SPECIAL OPTIONS

ITEM	PART NUMBER	QTY	DESCRIPTION	REV
	0273149	Ref	36in x 72in Platform	
	0273145	Ref	36in x 96in Platform	
	1001149730	Ref	Platform Mid Rail Repair Kit	
		Ref	Platform Top Rail Extension (With Side Entry)	
	0272733	Ref	3ftx6ft Platforms	
	0272725	Ref	3ftx8ft Platforms	
	2910073	Ref	Power Track Hose and Clamp Kit	
	1320247	1	Clamp, Nylon	
	0641522	1	Bolt 5/16in-18NC x 2-3/4in	
	3311505	1	Locknut 5/16in-18NC	
	4711500	2	Flatwasher 5/16in	
	2753084	1	Hose	
	1001100151	Ref	Security Lock (Programmable) Installation	
	1001116159	Ref	Sky Power Kit, Deutz 7500W (600S/660SJ)	
		Ref	SkyGuard Component Options:	
	1001149560	Ref	SkyGuard Complete Add-on Kit (Non-UGM Machines)	
	1001143669	Ref	SkyGuard Complete Add-on Kit (UGM Machines)	
	1001137672	Ref	SkyGuard Platform Sensor Kit (UGM Machines) (Old Style Platform)	
	1001197016	Ref	SkyGuard Platform Sensor Kit (UGM Machines) (New Style Platform)	
	1001137440	1	SkyGuard Sensor Harness	
	1001186431	2	Relay	
	1001143256	NLA	SkyGuard Blue Beacon Kit (Use p/n 1001206311)	
	1001206311	Ref	SkyGuard Blue Beacon Kit	
	1001110926	Ref	Soft Touch (Overhead) Installation (Chinese/Korean Specs Only)	
		Ref	Strobe Light Installations (Amber)	
	1001152965	Ref	Platform Mounted	
	1001154231	Ref	Platform/Ground Mounted	
	1001228357	Ref	Telematics Retrofit Harness Kit	
	1001136698	Ref	Tiedown Lug Kit (600S & 660SJ Only)	
	0272302	Ref	Tire Sealant Installation	
	0272312	Ref	Tire Sealant Decal Installation	
	2902203	1	Kit, Tire Sealant Decal	
		Ref	Tools for Service	
	7002840	1	Anti-rotation Pin Removal Tool	
	8896941	1	Wire Stripper	
	7002821	1	Wire Crimper (To install wire ends to wires)	
	7002823	1	Pin/Socket Extractor - Universal (To Remove Pins/Sockets from Connectors)	
	4460467	1	Extractor - 16-18 Gauge (For Removal of Pin/Sockets from Deutsch Connectors)	
	4460510	1	Extractor - 12-14 Gauge (For Removal of Pin/Sockets from Deutsch Connectors)	
	7002822	1	Screwdriver, Potentiometer (To Adjust Drive Controllers)	
	7016654	1	Screwdriver, Magnetic	
	7004275	1	Seal Installation Tool - 1in	
	7004276	1	Seal Installation Tool - 1-1/2in	
	7002826	1	Seal Installation Tool - 2in	
	7016655	1	Wire Rope Sheave Gauge	
	7016652	1	Huck Bolt Faster (For Small Huck Bolts Only)	
	1001137005	1	Software Cable Kit	

SECTION 10 - SPECIAL OPTIONS

ITEM	PART NUMBER	QTY	DESCRIPTION	REV
		Ref	Tool (Hydraulic) Installations Options:	
	0272347	Ref	Tool (Hydraulic) Installations 600S	
	02723482348	Ref	Tool (Hydraulic) Installations 600SJ	
	0272349	Ref	Tool (Hydraulic) Installations 660SJ	
	2915087	Ref	Turntable Bearing Kit	
	0258918	Ref	Utility Rack Installation	
	1001238894	Ref	Wear Pad Kit (SN 0300087000 through 03000168792)	
	1001238896	Ref	Wear Pad Kit (SN 0300168793 through 03000171769)	
		Ref	Weld Leads to Platform Installation Options:	
	0255399	Ref	Weld Leads to Platform Installation 600S & 600SJ	
	0255895	Ref	Weld Leads to Platform Installation 660SJ	
	0273449	Ref	Wheel Cover Installation	
	2910172	Ref	Wire Rope Kit (ANSI Specs Only)	

PART NUMBER INDEX

SECTION 10 - SPECIAL OPTIONS

0060066.....200, 211	0255356.....407	0270734.....336, 354	0273045.....165
0060067.....195, 211	0255386.....407	0270735.....337, 354	0273048.....23, 35
0080163.....92	0255388.....406	0270736....337, 354, 406	0273049.....23, 35
0080181.....68, 78	0255389.....406	0270737.....337	0273052.....127
0080201.....99, 106, 111	0255399.....412	0270738.....337	0273058.....219
0080214.....99	0255524.....124	0270764.....226	0273067.....36
0080241.....140	0255698.....139	0270804.....213	0273076....345, 361, 369
0080243.....68, 78	0255881.....143	0270805.....140, 333	0273078....345, 361, 369
0100009.....225, 229	0255895.....412	0270833.....139	0273080.....17, 21
0100011....13, 17, 21, 23, 36, 39, 44, 53, 68, 71, 78, 79, 80, 81, 86, 88, 89, 98, 99, 104, 105, 106, 110, 111, 123, 127, 131, 135, 140, 141, 147, 150, 152, 156, 157, 158, 162, 166, 169, 173, 177, 185, 189, 196, 201, 202, 207, 213, 218, 249, 253, 259, 261, 265, 268, 285, 293, 299, 302, 311, 313, 329, 347, 363, 369, 374, 378, 383, 391, 396, 400	0255929.....407	0271014.....373, 395	0273081.....13, 17
0100019.....54, 147, 152, 158, 169, 179, 185, 189, 196, 201, 277	0255930.....407	0271107.....408	0273085.....165
0100020....68, 71, 79, 81, 86, 92, 98, 99, 104, 106, 110, 112, 124, 180, 268, 277, 280, 326	0256113.....345, 361	0271250.....123	0273145.....411
0100035....139, 140, 225, 229	0256122....147, 152, 158	0271372.....213	0273146.....410
0100038 13, 17, 286, 293, 299, 302, 311, 313, 329	0256201.....345, 361	0271548.....409	0273147.....410
0100048.....98, 104, 110, 131, 135, 140, 225, 229, 336, 339, 354, 356	0256252.....395	0271552....140, 226, 231	0273148.....410
0100062.....124, 179	0256253.....395	0271893.....408	0273149.....411
0100063.....299	0256254.....395	0271912.....332, 407	0273150.....13
0100079.....123	0256255.....395	0271940.....219, 227	0273161.....127
0100081....157, 214, 225, 229, 255	0256256.....395	0272041.....330, 410	0273194.....395
0140001.....44	0256257.....395	0272070.....196, 202	0273226.....13, 17
0140011.....225, 229	0256258.....381	0272130.....200	0273238.....23
0140032....140, 344, 360	0256273.....406	0272132.....195	0273239.....24
0181727...68, 87, 98, 104	0256305.....139	0272134.....200	0273240.....24
0181949.....125	0256306.....139	0272137.....200	0273242.....23
0200048.....249	0256487.....408	0272139.....200	0273243.....24
0200741.....166	0256488.....408	0272254.....261	0273244.....24
0200742.....166	0256569.....395	0272255.....177, 349	0273246.....407
0200819.....162	0256570.....395	0272302.....411	0273353.....268
0239585.....54	0256571.....395	0272312.....411	0273356.....21
0253550.....407	0256572.....395	0272341.....374	0273357.....17, 21, 231
0254798.....54	0256573.....395	0272347.....412	0273362.....36
0254849.....123	0256574.....395	02723482348.....412	0273366.....23, 35
0255316.....54	0256575.....381	0272349.....412	0273367.....23, 35
0255329.....373	0256622.....395	0272387.....255	0273369.....195
0255330.....381, 395	0256631.....226	0272391.....255	0273379.....13, 17
0255331.....373	0256632.....226	0272395.....255	0273394.....17, 39
0255332.....381, 395	0256633.....226	0272418.....256	0273398.....39
0255333.....373	0256634.....395	0272427....226, 231, 249	0273422.....13, 39
0255334.....381, 395	0256663.....381	0272435....181, 187, 191	0273448.....39
0255335.....139	0256672.....381	0272448.....261, 269	0273449.....412
0255354.....407	0256673.....381	0272483.....337, 354	0273450.....277
	0256690.....89	0272484.....337, 354	0273486....220, 227, 231
	0256762.....330, 410	0272485.....337, 355	0273490....220, 227, 231
	0256789.....406	0272486.....337, 355	0273491....220, 227, 231, 333
	0256823....147, 152, 158	0272487.....337	0273507.....169
	0256830.....146	0272488.....337	0273511.....169
	0256847.....92	0272492.....177, 349	0273536.....381
	0256957.....407	0272507....140, 344, 360	0273537.....381
	0257175.....345, 361	0272521.....259	0273540.....177, 349
	0257195.....407	0272588.....259	0273541.....177, 349
	0257493.....381	0272589.....181	0273542.....253
	0257494.....381	0272590.....265	0273575.....332, 407
	0257728.....275	0272599.....265, 269	0273687.....277
	0257733.....395	0272606.....265	0273706....227, 231, 249
	0257887....140, 344, 360	0272607.....265	0273738.....410
	0258696.....409	0272640.....177, 349	0273741.....410
	0258703.....410	0272725.....411	0273824....226, 231, 249
	0258918.....412	0272733.....411	0273834.....406
	0258945.....227, 231	0272817.....185, 349	0273867.....377
	0259328.....381	0272948.....255	0273868.....377
	0259329.....381	0272951.....255	0273869.....377
	0259330.....381	0272955.....255	0273870.....387
	0270329.....53	0272970.....219	0273871.....387
	0270465.....407	0272992.....24	0273872.....387
	0270528.....39	0272993.....24	0273873.....387
	0270733....336, 354, 406	0273001.....23	

SECTION 10 - SPECIAL OPTIONS

0273874.....	387	0275452.....	348, 364	0641404....	166, 179, 214,	0641634.....	208
0273875.....	399	0275453.....	348, 364	225, 229		0641638.....	208
0273876.....	399	0275454.....	348, 364	0641405....	169, 173, 179,	0641644.....	214
0273877.....	399	0275455.....	345, 361	185, 189, 347, 363		0641648.....	214
0273882.....	387	0275456.....	345, 361	0641406....	68, 78, 98, 99,	0641708.....	185
0273883.....	387	0275619.....	39	104, 106, 110, 112,		0641710.....	173
0273884.....	387	0275659.....	345, 361	140, 146, 150, 156,		0641718.....	169
0273885.....	387	0275831.....	337, 355	196, 208, 219, 265,		0641772.....	162, 166
0273886.....	387	0275860.....	23, 24	268, 279, 374, 378,		0641807.....	213
0273887.....	387	0275924.....	337, 354	383, 391, 396, 400		0641808... 68, 72, 78, 79,	
0273888.....	387	0275925.....	337, 354	0641407....	68, 72, 78, 80,	86, 98, 104, 105, 110,	
0273889.....	387	0275926.....	337	86, 89, 99, 105, 111,		111, 179, 189	
0273890.....	387	0275927.....	337	137, 347, 363		0641810... 169, 185, 189,	
0274081.....	161	0340041 ...	68, 78, 89, 99,	064140898, 99, 104, 110,		277	
0274082.....	165	106, 112		156, 179, 219, 373,		0641811.....	127
0274086.....	165	0340046.....	68, 78, 99	378, 382, 391, 396, 400		0641812... 72, 80, 88, 99,	
0274087.....	161	0362519.....	125	0641410.....	86, 347, 363,	105, 111, 196, 202	
0274090.....	165	0362528.....	139	369		0641813.....	253
0274093....	377, 387, 399	0362609.....	139	0641412.....	124	0641814.....	13, 17
0274152.....	23, 24	0362610.....	139	0641414.....	99, 220, 225,	0641818....	89, 124, 143,
0274209.....	221	0362910.....	39	229, 249, 374, 383, 397		156	
0274210....	141, 226, 231	0363012.....	35	0641416.....	44, 104, 110,	0641820.....	68, 78, 127
0274219.....	406	0363082.....	169	202, 347, 363, 410		0641824.....	207
0274227.....	409	0363097.....	169, 185	0641418.....	218, 253	0641826....	89, 107, 113
0274233.....	409	0363201.....	185	0641505....	178, 185, 189	0641828....	99, 106, 112
0274243.....	407	0363202.....	185	0641506....	131, 136, 147,	0642010... 39, 71, 80, 86,	
0274297.....	86	0370026.....	283	150, 152, 157, 158, 279		98, 104, 110	
0274298.....	86	0400075 ...	68, 78, 86, 98,	0641507....	68, 72, 78, 79,	0642012. 13, 17, 21, 196,	
0274316.....	43	104, 110		87, 99		201, 255	
0274317.....	43	0440170.....	13	064150886, 98, 104, 110,		0642018.....	53
0274318.....	43	0440171.....	13	124, 162, 166, 169, 178		0642026.....	255
0274319.....	43	0440207.....	54	0641510.....	79, 89, 173	0642212.....	255
0274322.....	23	0480100.....	275	0641512.....	147, 150	0642612.....	140, 141
0274455.....	407	0480120.....	162, 166	064151472, 98, 104, 110,		0642684.....	196, 202
0274489.....	98	0480121.....	162, 166	173, 275		0651406.....	44
0274490.....	98	0480125.....	179	0641516.....	39, 177, 185,	0681608....	196, 202, 208
0274491.....	68	0480126.....	179	189, 253, 369		0681610.....	207
0274492.....	70	0480129.....	179	0641518.....	221	0681810.....	23
0274493.....	70	0480130.....	185	0641522.....	214, 411	0681814.....	223
0274528.....	407	0480135.....	169	0641532.....	35	0681822.....	223
0274661.....	275	0480142.....	173, 189	0641552.....	35	0681836.....	53
0274751.....	150	0561076.....	207	0641604.....	196, 201	0682014....	147, 152, 158
0274755.....	150	0561183.....	207	0641606....	71, 78, 89, 98,	0682016.....	23, 54
0274925.....	387	0561184.....	207	100, 106, 112, 125,		0700408....	347, 363, 369
0274927.....	226, 249	0561185.....	207	151, 152, 201, 207,		0700616.....	81, 157
0275039.....	173	0561237.....	202	259, 261, 265, 268		0700620.....	81
0275099.....	387	0561245.....	207	0641607.....	36, 156, 207	0700808....	68, 78, 81, 89
0275216.....	349, 364	0561508.....	208	0641608....	13, 17, 21, 39,	0700810.....	92, 106, 112
0275217.....	349, 365	0630458 ...	196, 201, 213	44, 68, 71, 78, 81, 87,		0700815.....	179
0275218.....	349, 365	0630462.....	249	89, 98, 99, 104, 106,		0700816.....	162
0275219.....	349, 365	0630464.....	225, 229	110, 112, 124, 146,		0700819.....	99
0275230.....	17, 21	0630485.....	156	150, 152, 157, 185,		0700820.....	173, 189
0275235.....	345, 361	0630490.....	14	189, 196, 201, 207, 214		0701010.....	68, 78, 81
0275237.....	346, 361	0630491.....	140	0641609..	68, 78, 89, 106,	0701012....	68, 78, 92, 99
0275253.....	346, 361	0630498 ..	68, 87, 98, 104	112, 143, 147		0701014.....	99
0275254.....	345, 361	0630507 ...	146, 150, 156	0641610....	68, 72, 78, 79,	0701015. 68, 78, 92, 169,	
0275256.....	68	0630518 ...	131, 135, 259,	86, 89, 99, 106, 112,		185	
0275257....	189, 349, 365	261, 268		156, 162, 166, 201,		0701016....	173, 185, 189
0275261.....	409	0630534 ...	286, 289, 293,	219, 279		0701214.....	68
0275262.....	332, 407	297, 302		0641611....	156, 169, 185,	0701414.....	68, 78, 89
0275266.....	104	0630535 ...	286, 291, 302,	201		0711025.....	89
0275282.....	104	307, 313		0641612 13, 99, 104, 106,		0711214.....	68, 78
0275285.....	150	0630536.....	299	110, 112, 127, 169, 185		0711414.....	89
0275339.....	337, 355	0630548.....	131, 135	0641613.....	44, 207	0721003....	13, 227, 231
0275341.....	406	0630568.....	226, 230	0641614....	123, 201, 209	0721004.....	39, 180
0275342.....	70	0641403 ...	139, 179, 208	0641616....	156, 207, 279	0721005.....	167, 249
0275343.....	86			0641618.....	35, 180, 201		

SECTION 10 - SPECIAL OPTIONS

0721006.....70, 147, 150, 162, 166, 226, 229	0861697 131	0962348 39	1001099391..... 43, 44
0721008..... 151, 152	0861698 131	0962356 311	1001099421..... 255
0741606..... 169, 185	0861699 131	0962449 163, 167	1001099422..... 255
0741607..... 39, 196, 201	0861731 346, 362	0962520 180, 185, 189	1001099832..... 213
0741612..... 207	0861781 346, 362	0962521 185, 189	1001099839..... 213
0741808..... 169, 185	0861782 346, 362	0962563 162	1001099868..... 165
0760606..... 81, 99	0861788 131	1001091179 90	1001099869..... 163, 167
0760610..... 81	0861789 131	1001091303 43, 47	1001100027..... 332, 344
0760612..... 81	0861880 348, 364	1001091562 123	1001100120..... 35
0761210..... 81, 162	0902143 146, 150	1001091583 106	1001100151..... 411
0771212..... 68, 78	0902161 146, 150	1001091587 104, 111	1001100233..... 162, 167
0771415 180	0902206 140, 141	1001091630 104	1001100234..... 163, 167
0801011..... 205	0902219 147, 150	1001091631 104	1001100305..... 345
0801014..... 206	0902223 146, 150	1001091632 106	1001100308..... 165
0801036..... 205	0902351 146, 150	1001091634 105	1001100313..... 69, 72
0801038..... 206	0902384 147, 150	1001091635 105	1001100321..... 161, 165, 169, 173
0801065..... 206	0902416 146, 150	1001091794 107, 112	1001100341..... 349, 364
0801372..... 206	0902491 146, 150	1001091892 90, 107	1001100342..... 349, 365
0801373..... 206	0902539 101	1001091911 123	1001100343..... 349
0801381..... 205	0902751 225, 229	1001091970 365	1001100344..... 349
0801383..... 205	0902888 179, 186, 189	1001091971 365	1001100345..... 348, 364
0801386..... 205	0902910 73	1001093274 221	1001100346..... 348, 364
0801387..... 205	0902952 169	1001093286 406	1001100347..... 348, 364
0801388..... 205	0903010 101	1001093382 ... 68, 79, 87, 104, 111	1001100390..... 346, 362
0801389..... 205	0903056 127	1001093389 407, 409	1001100391..... 346, 362
0801396..... 205, 206	0903079 99	1001093389 407, 409	1001100392..... 346, 362
0801467..... 205	0903220 73	1001093943 91	1001100393..... 346, 362
0801471..... 205	0903484 347, 363	1001094102 89	1001100394..... 346, 362
0801472..... 205	0903510 104, 110	1001094103 88	1001100395..... 346, 362
0801473..... 205	0903611 347, 363	1001094104 86	1001100396..... 346, 362
0801474..... 205	0920119 53	1001094321 91	1001101061..... 64
0801475..... 205	0940049 151, 156	1001094475 410	1001101323..... 151
0801480..... 205	0940070 . 68, 78, 89, 100, 106, 112	1001094521 91	1001101324..... 151
0801498..... 206	0940071 146, 150, 151	1001094828 53	1001101391..... 151
0801504..... 206	0940088 147, 151	1001095383 408	1001101392..... 152
0801524..... 206	0940092 249, 253	1001096070 348, 363	1001101392..... 152
0801525..... 206	0940094 249, 253	1001097150 348, 364	1001101421..... 255
0801615..... 206	0940102 255	1001097242 ... 14, 18, 21, 311	1001101422..... 255, 409
0860038.... 178, 185, 189, 346, 362	0940103 249	1001097348 25	1001101800..... 23, 24
0860520.... 373, 378, 382, 392, 396, 400	0940131 253	1001097351 24	1001101801..... 24
0861389..... 131	0940133 249	1001097357 24	1001101802..... 23
0861511..... 219, 225	0940134 249	1001097358 24	1001102547..... 161
0861537 225, 226, 229, 230	0940159 253	1001097373 24	1001102548..... 161
0861538..... 180, 185, 189	0940177 249	1001097374 24	1001102601..... 132, 136
0861541..... 180, 186, 190	0961845 219	1001097387 24	1001102602..... 132, 136
0861542.... 178, 180, 185, 186, 189, 190, 350, 365	0961893 ... 285, 289, 293, 297, 301	1001097388 24	1001102644..... 162
0861567 178, 180, 350, 365	0961894 285, 301	1001097553 81	1001102647..... 255
0861572..... 180	0961897 313	1001097554 73	1001102674..... 406
0861599..... 167	0961898 299	1001097560 152	1001102841..... 406
0861602..... 167	0961898 299	1001097960 152	1001102842..... 406
0861604..... 369	0961947 ... 201, 285, 289, 301, 305	1001097961 152	1001103667..... 136, 404
0861606..... 369	0961950 13, 17, 196, 201, 209, 299	1001098012 268, 273	1001104308..... 91
0861607..... 167	0961951 ... 196, 201, 206, 209, 285, 291, 301, 307	1001098149 268	1001104985..... 406
0861642..... 277	0961977 ... 13, 17, 21, 309	1001098211 92	1001105321..... 13
0861685..... 131	0961986 ... 68, 78, 89, 99, 106, 112	1001098291 408	1001105833..... 69, 79
0861686..... 131	0962006 196, 201	1001098475 88	1001105872..... 107
0861687..... 131	0962051 143	1001098476 89	1001105993..... 68
0861688..... 131	0962131 14, 18, 21	1001098503 35	1001106338..... 68
0861694..... 131	0962270 223	1001098916 92	1001106339..... 358
0861695..... 131	0962292 39	1001099196 18, 21	1001106340..... 358
0861696..... 131	0962335 201	1001099215 86	1001106355..... 229
	0962336 293, 295, 297	1001099216 86	1001106479..... 139
		1001099217 88	1001106481..... 139
		1001099366 255	1001106482..... 139
		1001099367 255	1001106736..... 137, 356
		1001099376 255	1001106974..... 127
		1001099387 18, 21	1001106975..... 127, 128

SECTION 10 - SPECIAL OPTIONS

1001107116..... 78	1001110365..... 333, 356	1001113813..... 328	1001115398..... 177, 365
1001107229..... 70	1001110872..... 177, 186, 190, 349, 365	1001113814..... 328	1001115400..... 177, 365
1001107236..... 70	1001110873..... 177, 186, 190, 346, 349, 362, 365	1001113818..... 320	1001115404..... 161
1001107237..... 70	1001110926..... 411	1001113821..... 327	1001115405..... 165
1001107498..... 127	1001110974..... 410	1001113822..... 327	1001115409..... 165
1001107499..... 127	1001110979..... 253	1001113823..... 328, 329	1001115410..... 165
1001107527..... 225	1001110980..... 253	1001113826..... 329	1001115413..... 161
1001107677..... 230	1001110982..... 253	1001113832..... 326	1001115414..... 161
1001107705..... 69, 79	1001110990..... 409	1001113833..... 327	1001115918..... 407
1001107753..... 226, 230, 336, 354	1001111017..... 135	1001113834..... 327	1001115930..... 111
1001107926..... 231	1001111346..... 219	1001113835..... 320	1001116159..... 411
1001107927..... 230	1001111514..... 123	1001113836..... 320	1001116240..... 71, 87, 342, 343, 359
1001108126..... 133, 339, 340	1001112057..... 81	1001113838..... 319	1001116241..... 71, 87, 342, 343
1001108256..... 226, 231, 249	1001112059..... 81	1001113855..... 329	1001116251..... 407
1001108341..... 195	1001112067..... 81, 404	1001113862..... 319	1001116252..... 407
1001108342..... 200	1001112068..... 81	1001113864..... 319	1001116290..... 157, 158
1001108493..... 379, 392	1001112069..... 81	1001113866..... 319	1001116292..... 157, 158
1001108602..... 137, 356, 358	1001112070..... 81	1001113868..... 320	1001116341..... 123
1001108701..... 330, 410	1001112071..... 81, 359	1001113878..... 320	1001116419..... 406
1001108718..... 408	1001112072..... 81	1001113879..... 323	1001116420..... 406
1001108763..... 230	1001112073..... 81	1001113880..... 328	1001116456..... 156
1001108764..... 230	1001112075..... 82	1001113890..... 319	1001116544..... 112
1001108790..... 219, 229	1001112077..... 79, 81	1001113893..... 327	1001116545..... 112
1001108791..... 219, 231	1001112467..... 299	1001113894..... 320	1001116562..... 156
1001108792..... 219, 231	1001112468..... 195, 200, 299	1001113895..... 320	1001116562..... 156
1001108923..... 377	1001112551..... 400	1001113896..... 327	1001116595..... 82
1001109064..... 81, 82	1001112570..... 82	1001113898..... 320	1001116839..... 387
1001109065..... 78	1001112586..... 181, 332, 366	1001113899..... 327	1001116844..... 408
1001109259..... 409	1001112587..... 181, 366	1001113905..... 326	1001116845..... 388
1001109475..... 348, 364	1001112588..... 332, 361	1001113906..... 329	1001116846..... 388, 408
1001109477..... 348, 364	1001112589..... 361	1001113907..... 326	1001116847..... 388
1001109482..... 348, 364	1001112592..... 82	1001113911..... 329	1001116848..... 388
1001109554..... 348, 363	1001112612..... 358	1001113912..... 328	1001116849..... 388
1001109595..... 79	1001112743..... 332, 360	1001113913..... 323	1001116850..... 388
1001109692..... 409	1001112763..... 81, 358	1001113914..... 323	1001116851..... 389
1001110133..... 409	1001112849..... 82	1001113961..... 241, 245	1001116852..... 389
1001110166..... 156	1001112941..... 387	1001114037..... 409	1001116853..... 389
1001110169..... 53, 61	1001112990..... 406	1001114041..... 409	1001116854..... 390
1001110201..... 80	1001112991..... 406	1001114070..... 330	1001116863..... 392
1001110202..... 80	1001112992..... 406	1001114072..... 326, 330	1001117172..... 220
1001110203..... 80	1001113047..... 156	1001114073..... 326, 330	1001117174..... 220
1001110209..... 79	1001113386..... 200	1001114074..... 319, 330	1001117234..... 156
1001110210..... 79	1001113407..... 200	1001114075..... 323, 330	1001117249..... 156
1001110211..... 79	1001113423..... 200	1001114123..... 409	1001117251..... 407
1001110345..... 333	1001113465..... 202	1001114124..... 409	1001117258..... 407
1001110348..... 135	1001113560..... 18, 21	1001114335..... 217	1001117294..... 409
1001110349..... 135	1001113575..... 18, 21	1001114341..... 218	1001117307..... 156
1001110350..... 135	1001113597..... 17	1001114385..... 399	1001117320..... 220
1001110351..... 135	1001113644..... 17	1001114386..... 399	1001117429..... 156
1001110352..... 135	1001113653..... 17	1001114387..... 399	1001117430..... 156
1001110353..... 135	1001113674..... 18	1001114391..... 217	1001117523..... 156
1001110354..... 135	1001113789..... 323	1001114447..... 219, 231	1001117525..... 157
1001110355..... 135	1001113793..... 319	1001114449..... 219, 229	1001117543..... 157
1001110356..... 135	1001113794..... 327	1001114595..... 111	1001117598..... 157
1001110357..... 135	1001113797..... 326	1001114632..... 111	1001117612..... 157
1001110359..... 137, 333, 356, 357	1001113801..... 327	1001114643..... 111	1001117799..... 80, 88, 111, 117, 118
1001110361..... 137, 356, 357	1001113805..... 319	1001114644..... 110	1001117939..... 387
1001110362..... 136, 356, 357	1001113807..... 328	1001114645..... 111	1001118133..... 124
1001110363..... 356	1001113808..... 329	1001114646..... 110	1001118264..... 157
1001110364..... 333, 356	1001113809..... 319	1001114668..... 213	1001118416..... 229, 245
	1001113811..... 328	1001114816..... 213	1001118417..... 229, 235
	1001113812..... 328	1001115098..... 202	1001118550..... 157
		1001115236..... 213	1001118599..... 179
		1001115387..... 177, 365	1001118715..... 157
		1001115389..... 177, 365	1001118716..... 157
		1001115393..... 177, 365	

SECTION 10 - SPECIAL OPTIONS

1001118718.....	156	1001126287.....	409	1001143451.....	326	1001181057.....	211
1001118735.....	157	1001126509.....	205	1001143455.....	326	1001186431.....	411
1001118963.....	406	1001126596.....	205	1001143456.....	326	1001187491.....	409
1001118964.....	406	1001126597.....	205	1001143511.....	407	1001187496.....	409
1001119283.....	157	1001127087.....	406	1001143669.....	411	1001187498.....	409
1001119562.....	230, 408	1001127195.....	196	1001144018.....	218	1001189615.....	410
1001119939.....	407	1001127196.....	196	1001144019.....	218	1001193633.....	408
1001119947.....	407	1001127285.....	205	1001144021.....	218	1001193634.....	408
1001120508.....	157	1001128479.....	218	1001144022.....	218	1001197016.....	411
1001120992.....	407	1001128598.....	218	1001144023.....	217	1001206311.....	411
1001121059.....	157	1001128985.....	407	1001144024.....	217	1001212415.....	402
1001121061.....	157	1001129305.....	14, 18	1001144026.....	217	1001213606.....	409
1001121118.....	157	1001129555.....	402	1001144027.....	217	1001220152.....	406
1001121119.....	157	1001131269.....	379, 392, 400	1001144629.....	218	1001223331.....	200, 285
1001121340.....	181, 191	1001131992.....	333	1001145279.....	43	1001223332.....	285
1001121410.....	195	1001133057.....	18, 21	1001145280.....	43	1001223511.....	285
1001121411.....	410	1001133061.....	18, 21	1001145281.....	43	1001223512.....	195, 285
1001121554.....	409	1001134103.....	406	1001145282.....	43	1001228002.....	195, 305
1001121592.....	250	1001136698.....	411	1001145781.....	218, 219	1001228008.....	195, 289
1001121593.....	250	1001137005.....	411	1001145996.....	95	1001228012.....	200, 295
1001121605.....	406	1001137440.....	411	1001146179.....	217	1001228051.....	200, 291
1001121639.....	17, 21	1001137458.....	43, 45	1001146180.....	217	1001228052.....	200, 307
1001121655.....	391	1001137672.....	411	1001146181.....	218	1001228357.....	411
1001121656.....	390	1001137748.....	92	1001146182.....	218	1001238894.....	412
1001121657.....	231	1001137749.....	89	1001147699.....	410	1001238895.....	408
1001121800.....	377, 378	1001137750.....	88	1001148650.....	207	1001238896.....	412
1001121801.....	377, 378	1001137752.....	89	1001148651.....	208	1001238927.....	410
1001121802.....	390	1001137753.....	88	1001148652.....	207	1001238928.....	410
1001121803.....	390	1001137754.....	88	1001148653.....	209	1001238929.....	410
1001121804.....	390	1001137761.....	88	1001148678.....	95, 156	1001238930.....	410
1001121805.....	390	1001137762.....	86	1001148902.....	409	1001248012.....	200, 297
1001121806.....	390	1001137763.....	86	1001148903.....	409	1060279.....	373, 378, 382, 392, 396, 400
1001121807.....	390	1001137764.....	86	1001148904.....	409	1060341.....	249, 344, 360
1001121808.....	390	1001138035.....	330	1001148905.....	409	1060343.....	180, 187, 190, 350, 366
1001121809.....	390	1001138430.....	218	1001148906.....	409	1060379.....	275
1001121810.....	390	1001138431.....	218	1001148971.....	410	1060461.....	167, 345
1001121811.....	390	1001138432.....	218	1001149560.....	411	1060494.....	180, 186, 190, 345, 350, 361, 365
1001121813.....	378	1001138434.....	218	1001149730.....	411	1060584.....	39
1001121814.....	378	1001138494.....	219	1001149818.....	140, 360	1060625.....	72, 80, 87
1001121815.....	391	1001138514.....	219	1001149924.....	255	1060626.....	70, 81, 87
1001121816.....	391	1001138772.....	410	1001149955.....	140	1060633.....	351, 367
1001121817.....	391	1001138773.....	410	1001149994.....	140	1060637.....	68, 78, 86, 98, 104, 106, 111
1001121818.....	391	1001138795.....	297	1001150406.....	140	1060708.....	180, 186, 190, 350, 366
1001121819.....	391	1001138796.....	291, 307	1001150998.....	90	1060896.....	337, 355
1001121820.....	391	1001139099.....	409	1001151066.....	408	1060903.....	249
1001121821.....	391	1001139132.....	407	1001151098.....	408	1060904.....	71, 89, 343, 344
1001121822.....	391	1001139133.....	407	1001151393.....	136	1060908.....	348, 364
1001121823.....	391	1001139151.....	407	1001152037.....	217	1060918.....	220, 336, 354
1001121824.....	391	1001139373.....	218	1001152037.....	217	1060919.....	223
1001121891.....	110	1001139374.....	218	1001152429.....	366	1060977.....	351, 366
1001121918.....	390	1001140315.....	410	1001152486.....	363	1061026.....	338, 339, 356
1001121921.....	391	1001140318.....	410	1001152965.....	411	1061027.....	338, 339, 356
1001122200.....	390	1001140318.....	410	1001153025.....	332	1120304.....	14
1001122201.....	391	1001140429.....	219	1001153289.....	409	1120362.....	123
1001122472.....	196	1001140591.....	195	1001153301.....	406	1120484.....	123
1001122603.....	410	1001140593.....	195	1001153302.....	406	1120487.....	123
1001123000.....	111	1001140624.....	407	1001154231.....	411	1120552.....	25
1001125097.....	157	1001141470.....	408	1001154231.....	411	1120555.....	256
1001125229.....	410	1001141967.....	346, 362	1001154501.....	407	1180345.....	213
1001125230.....	410	1001141968.....	346, 347, 362, 363	1001154592.....	347	1180359.....	213
1001125492.....	54	1001141969.....	346, 347, 362, 363	1001157525.....	178	1220078.....	206
1001125631.....	206	1001142504.....	410	1001157592.....	178	1260017.....	54
1001125824.....	409	1001142505.....	410	1001159648.....	332		
1001126126.....	206	1001143076.....	407	1001163131.....	256		
1001126145.....	206	1001143256.....	411	1001163296.....	256		
1001126154.....	206	1001143365.....	43	1001163297.....	256		
1001126286.....	409	1001143450.....	326	1001166538.....	247		
				1001166539.....	237		
				1001175815.....	409		
				1001178269.....	211		

SECTION 10 - SPECIAL OPTIONS

1282571	332	1671037	225, 229	1701503.....	373, 377, 381,	1702972	382
1282665	330, 410	1671055	196, 201	387, 395, 399		1702973	382
1283235	333	1671092 ...	181, 187, 190,	1701504.....	373, 381, 395	1702974	383
1283264	332	350, 366		1701505..	72, 80, 86, 156,	1702975	382
1283309	330, 410	1671093	261, 268	374, 378, 383, 391,		1703084	226
1283363	330	1671227	150, 151	396, 400		1703085	226
1300019	25	1671228	150, 151	1701509....	256, 373, 377,	1703162... 69, 78, 90, 99,	
1320012	99, 106, 112	1671229	152	381, 387, 395, 399		106, 112	
1320016 ...	68, 78, 89, 99,	1671230	152	1701518.....	381, 395, 399	1703183	396
106, 112		1671231	151	1701529....	373, 377, 382,	1703184	396
1320022 ...	72, 80, 86, 89,	1671232	151	387, 396, 399		1703185	396
92, 98, 99, 104, 106,		1671233	150	1701542.....	98, 104, 110,	1703186	396
110, 112		1671247	150, 151	374, 378, 383, 391, 400		1703187	396
1320033	99	1671311	189	1701543.....	98, 104, 110,	1703188	383
1320127	124	1671312	150, 151	374, 378, 383, 391		1703190	396
1320149 ...	347, 363, 369	1683053 ...	285, 293, 301	1701596.....	396	1703403... 374, 378, 391,	
1320176 ...	72, 80, 90, 95	1683055	285, 301	1701600.....	396	397, 400	
1320177	265, 268	1683057	313	1701602.....	396	1703453	381
1320218	125	1683067	299	1701643.....	25	1703465	132
1320220	124	1683208 ..	14, 18, 21, 309	1701645.....	373, 377, 378	1703466	132
1320222	98, 104, 110	1683250	313	1701791.....	396	1703470 ... 374, 377, 383,	
1320223 ...	70, 71, 78, 80,	1683263	200, 301	1701798.....	396	389, 396, 399	
81, 88, 90, 100, 106,		1683266	195, 301	1701923.....	383	1703471 ... 377, 389, 397,	
112		1683359	313	1701924.....	383	399	
1320224	81, 179, 185	1683415	195, 285	1702153.....	373, 377	1703472 ... 377, 383, 389,	
1320235	196, 201	1683418	200, 285	1702300.....	373, 382, 395	397, 399	
1320244	208	1683609	200, 293	1702305....	374, 378, 391,	1703479	407
1320245	124	1683618	206, 313	397, 400		1703518	396
1320247	214, 411	1683619	313	1702387.....	226	1703533	329
1320263	82	1683620	206, 313	1702552.....	382	1703536	383
1320302 ...	259, 261, 265,	1683621	313	1702565.....	225, 229	1703538	383
268		1683666 ...	195, 200, 299	1702566.....	225, 229	1703548	383
1320323	104, 110	1683949	301	1702567.....	225, 229	1703683	275
1321138	99	1683952	285	1702573.....	382, 392	1703797	373, 377
1321384 ...	151, 152, 156	1683954	299	1702581.....	382	1703798	373
1340060 ...	68, 78, 90, 99,	1683955	299	1702583.....	381	1703804	373, 377
106, 112		1683962	301	1702585.....	381	1703805	373, 377
1340061	406	1683963	285, 301	1702590.....	170, 174	1703808 ... 374, 379, 383,	
1380147	143	1683972	301	1702676....	220, 227, 231	392	
14922737	343	1683973	301	1702688.....	374, 378	1703811	377, 387, 399
1580011 69, 78, 101, 106,		1683976	285	1702701.....	25	1703814	377, 387, 399
112		1683977	285	1702720....	378, 384, 391	1703899	382
1580012	221, 407	1684089	293	1702773....	223, 373, 378,	1703923	388
1580013	221, 407	1684090	293	382, 391, 395, 400		1703924	382, 388
1600244	351, 367	1684280	13, 17, 283	1702774....	373, 378, 382,	1703925	382, 388
1600317 ...	225, 229, 233	1684289	283	391, 395, 400		1703926	388
1600318 ...	225, 229, 241	1684290	283	1702784....	373, 379, 382,	1703927	382, 388
1600361	73	1684413	200, 301	392		1703930	381
1600364	131	1684414	195, 301	1702788.....	407	1703931	381
1600374	101, 404	1684465	13, 17, 283	1702815....	373, 377, 381,	1703933	381
1600375 ...	225, 229, 404	1690697	396	389, 395, 399		1703935	389
1600411	131	1691483	396	1702816....	373, 377, 381,	1703936	381, 389
1660234	92	1693289	396	389, 395, 400		1703937	381, 389
1660239	69, 78	1693291	396	1702817 ...	373, 377, 382,	1703938	389
1660250	101	1693292	396	389, 395, 400		1703939	381, 389
1660257	127	1693294	396	1702861....	373, 378, 382,	1703941	388
1660258	127, 128	1700584 ...	373, 379, 382,	391, 395, 400		1703942	388
1660303	127	392, 395, 400		1702862....	373, 382, 395	1703943	388
1660304	127, 128	1700818 ...	374, 378, 383,	1702868....	261, 265, 269,	1703944	388
1670769	202	391		373, 377, 408		1703945	388
1670771	147, 150	1701499 ...	373, 377, 382,	1702938....	227, 231, 249	1703947	389
1670779	147, 150	387, 395, 399		1702941.....	72, 81, 87	1703948	381, 388
1670818	139	1701500 ...	147, 152, 158,	1702942.....	72, 81, 87	1703949	381, 388
1670824	139	373, 382, 395		1702943.....	72, 80, 87	1703950	388
1670829 ...	131, 136, 225,	1701502 ...	373, 377, 381,	1702944.....	72, 81, 87	1703951	381, 388
229		387, 395, 399		1702966.....	373	1703953	377
1670836	208			1702971.....	381	1703980	389

SECTION 10 - SPECIAL OPTIONS

1703981.....	383, 389	1705427.....	392	1707051.....	390	2200233.....	123
1703982.....	383, 389	1705429.....	392	1707052.....	391	2220005.....	104, 110
1703983.....	389	1705430.....	392	1707053.....	390	2220063.....	54
1703984.....	389	1705460....	181, 187, 191	1707054.....	391	2220064.....	104, 110
1703992.....	396	1705461.....	181	1707055.....	390	2220235.....	299
1703996.....	382, 390	1705466...	259, 261, 265, 269	1707056.....	390	2220237.....	319
1704000.....	382, 388, 408	1705489.....	181	1707057.....	390	2220250.....	71
1704001.....	388, 408	1705490.....	265, 269	1707058.....	390	2220252.....	277
1704006.....	382, 387	1705514.....	387	1707059.....	390	2220261.....	124
1704007.....	388	1705714.....	167, 369	1707060.....	390	2220273.....	71
1704096.....	373, 377, 378	1705715.....	167, 369	1810068.....	131	2220307.....	317
1704098.....	389	1705728.....	167	1810069.....	131	2220313....	71, 80, 86, 98, 104
1704099.....	382, 389	1705753.....	132	1810070.....	131	2220362.....	317, 319
1704100.....	383	1705820.....	39	1810071.....	131	2220371....	317, 319, 320, 323
1704101.....	389	1705822.....	399	1810072.....	131	2220372.....	327
1704102.....	389	1705828.....	399	1810073.....	131	2220373....	317, 319, 327
1704103.....	383, 389	1705836.....	277	1810074.....	131	2220375.....	319, 327
1704104.....	378	1705837.....	277	1810075.....	131	2220376.....	121, 326
1704106.....	390	1705886.....	277	1810076.....	131	2220377....	118, 317, 319, 326
1704107.....	383, 390	1705886.....	277	1810077.....	131	2220380.....	326
1704108.....	383	1705895.....	388	1870132.....	333	2220407.....	327
1704109.....	390	1705896.....	388	1870191.....	333	2220408.....	326
1704110.....	390	1705897.....	389	1870215.....	333	2220409.....	329
1704111.....	383, 390	1705898.....	388	2000194.....	69, 72	2220415....	317, 319, 323, 326
1704112.....	383, 391	1705901.....	387	2000272.....	99, 100	2220418.....	125
1704174.....	407	1705902.....	389	2000274.....	91, 92	2220428.....	327
1704175.....	407	1705903.....	388	2000279.....	89	2220429.....	327
1704260.....	225, 229	1705905.....	392	2000280.....	88	2220451.....	90, 317
1704271....	378, 383, 391	1705910.....	392	2000281.....	88	2220459.....	71
1704272.....	39, 384	1705917.....	388	2000296.....	99	2220466.....	327
1704273.....	384	1705921.....	399	2000297.....	98	2220468.....	323, 328
1704276.....	384	1705961.....	399	2000298.....	98	2220472.....	329
1704277....	373, 377, 382, 387, 395, 399	1705967.....	388, 408	2000339.....	91, 92	2220473....	317, 319, 329
1704412....	377, 387, 399	1705968.....	388, 407	2000342.....	89	2220474.....	326
1704578.....	39	1705969.....	388, 408	2000354.....	106	2220479.....	118, 329
1704885....	374, 378, 383, 391, 397, 400	1705978.....	400	2000365.....	89	2220490.....	323
1704972.....	72, 88	1706059.....	72, 88	2000366.....	88	2220497.....	328
1704997.....	225	1706060.....	72, 88	2000373.....	105	2220498.....	327
1705014.....	223	1706061.....	72, 88	2000374.....	105	2220502.....	328
1705084.....	395, 399	1706062.....	72, 88	2000375.....	106	2220504....	317, 319, 323
1705090.....	39	1706063.....	72, 88	2000386.....	69, 72	2220549.....	71
1705132....	132, 225, 229	1706064.....	72, 88	2030010...	259, 261, 265, 268	2220574.....	326
1705170.....	141	1706098.....	72, 88	2060025...	69, 78, 90, 99, 106, 112	2220578.....	118, 326
1705232.....	396	1706380.....	389	2080040 ...	156, 217, 220	2220582....	317, 319, 326
1705250.....	396	1706381.....	390	2080044.....	201	2220593.....	326
1705275.....	396	1706385.....	223	2080046.....	369	2220596.....	319, 326
1705305....	259, 261, 265, 269	1706493.....	223	2120149.....	44, 402	2220603.....	329
1705325....	162, 166, 167	1706501.....	223	2120164.....	44	2220609.....	328
1705336.....	377	1706510.....	275	2120209.....	43	2220618.....	327
1705344.....	388	1706712.....	132, 136	2120210.....	43, 402	2220628.....	326
1705345.....	388	1706846.....	25	2160003.....	54	2220646.....	118, 327
1705347.....	388	1706914.....	132	2180125.....	124	2220738.....	328
1705348.....	388	1706915.....	132	2180344.....	54	2220750.....	277
1705351.....	379	1706931.....	379, 392	2180348.....	71, 80, 86	2220767.....	70
1705355....	259, 261, 269	1706941.....	379, 392	2180380.....	329	2220794.....	71
1705358.....	256	1706957.....	39	2180387.....	125	2220810.....	121, 326
1705363.....	374	1706960.....	39	2180388.....	125	2220861.....	319
1705364.....	25	1707013.....	378	2180389.....	125	2220873.....	327, 329
1705374....	181, 187, 191	1707014.....	378	2180418 ...	104, 110, 125	2220883....	33, 286, 289, 291, 293, 295, 297, 299
1705375....	181, 187, 191, 261, 269	1707042.....	391	2180467.....	99		
1705376....	180, 186, 190	1707043.....	390	2180536.....	71		
1705387....	181, 187, 191	1707044.....	391	2180724.....	329		
1705426.....	392	1707045.....	390	2180832.....	265, 268		
		1707046.....	390	2180877.....	107, 113		
		1707047.....	391	2200222.....	57		
		1707048.....	390				
		1707049.....	391				

SECTION 10 - SPECIAL OPTIONS

2220885	48, 285, 289, 291, 293, 295, 297, 302, 307, 313	2720058 ...	69, 71, 78, 80, 86, 98, 104, 106, 112	2753325.....	329	2901691	409
2220886	33	2720144	124	2753397.....	317, 319	2901763	48
2220887	299	2720160	265, 268	2753435.....	317	2901986	209
2220890	283	2720271	71, 107, 113	2753924.....	317, 319	2902065	92
2220893	44, 329	2720392	104, 110	2753925.....	317, 319	2902085	167
2220921	327	2720398	90	2753926.....	319	2902203	411
2220947	118, 327	2720434	69, 78, 90	2753928.....	320	2902212	255
2220948	327	2720435	100	2753929.....	317, 320	2902217 ...	259, 261, 268
2220950	328	2720436	100	2753930.....	320	2902232	409
2220974	328	2720449	90	2753931.....	320	2902266	283
2220998	317, 320	2720472	98	2753933.....	323	2902296.70,	86, 342, 358
2221018	125	2720509	69, 78	2753957.....	328	2902297	98, 342
2221019	124	2720510	69	2753967.....	317	2902303	408
2221024	125	2720514	100, 106	2753968.....	327	2902304	408
2221042	327	2720515	70, 78	2753969.....	317	2902305	409
2221170	317	2720532	98	2760105....	132, 136, 225, 230	2902306	409
2221176 ...	71, 80, 86, 98, 104, 110	2720563	106, 112	2780205.....	53, 57	2902307	408
2221197	124	2720564	106, 112	2780269.....	23, 27	2902308	408
2221270	124	2720566	104, 110	2780271.....	14	2902309	408
2300004 80,	99, 105, 110	2720567	104, 110	2792325.....	330	2902310	408
2300014	410	2720580	104, 110	2792326.....	330	2902311	408
2300016	410	2750532 ...	71, 80, 86, 90, 100, 105, 107, 112	2792327.....	330	2902312	408
2300019	410	2751032	54	2792605.....	330	2902329	408
2300027	410	2751396	328	2792607.....	319, 330	2902394	409
2300029	410	2751410	323	2792608.....	326, 330	2902443	340, 357
2300039	410	2751410	323	2792612.....	323, 330	2902531 ...	105, 106, 111, 342, 358
2300041	70, 80	2751434	323	2792613.....	326, 330	2902549	348, 363
2400060 ...	181, 187, 191, 350, 358, 366	2751474	327	2792614.....	326, 330	2910045	408
2400064 ...	181, 187, 191, 350, 366, 404	2751868	328	2792615.....	330	2910073	411
2400065 ...	340, 342, 356, 402	2752331	320	2792616.....	317, 330	2910172	412
2400066 ...	340, 351, 356, 366	2752340	327	2792617.....	330	2915014	131
2400070	351, 366, 404	2752341	317	2792630.....	330	2915087	412
2400093	348, 364	2752437	328	2792659.....	330	2920028	227, 231
2410014	223	2752462	323	2792660.....	330	2920029	227, 231
2420172	132, 136	2752475	317, 319	2792749.....	330	2920110	140
2420187	101	2752478	317, 319	2820031....	162, 167, 170, 174, 179, 186, 189	2920113	140
2420203 ...	162, 166, 167, 170, 173	2752502	327	2820035....	140, 221, 344, 360	2920129 ...	230, 336, 339, 354, 356
2460048	178, 185, 189	2752504	326	2820078....	147, 152, 158	2920140	220, 351, 366
2460049	161, 165	2752515	327	2820079.....	147	2920157	141, 221
2460050	178	2752574	319	2820080.....	151	2920161	140, 360
2460051	169, 173	2752588	328	2820119.....	147	2920162	167
2460052	169, 173	2752591	329	2820153.....	152	2920215	140
2460055	161, 165	2752592	317, 319	2820172.....	100	2940045	156
2460056	161, 165	2752596	328	2820173.....	100	2940074	217, 402
2460057	161, 165	2752597	328	2820176.....	152	2940088 ...	146, 151, 152
2560136	225, 230	2752598	328	2820180.....	107	2940173	156
2560173	221	2752599	328	2820233.....	151	2940188	151
2560187	157	2752611	317, 320	2820234.....	151	3010125	39
2580024	70, 81, 87	2752631	327	2820235.....	151	3020008	23
2580050	72, 80, 87	2752632 ...	317, 319, 327	2840016.....	143	3020016 ...	80, 89, 90, 99
2580055 ..	70, 73, 81, 409	2752633	328, 329	2860012.....	166	3020021	92
2580062	92	2752643	329	2860030....	132, 136, 402	3020039	209
2600209	146, 152	2752653	326	2900770.....	43	3020044	70, 80, 90
2600233	146, 151	2752654	326	2900792....	285, 289, 291, 293, 295, 297, 299	3160273	53, 59
2600280	156	2752752	326	2900937.....	408	3160299	23, 31
2600281	217	2752753	329	2900967.....	408	3160300	23, 31
2680448	146	2752762	327	2900974.....	408	3160349	23, 33
2680449	146	2752763	327	2901284.....	313	3160350	23, 33
2680450	146	2752783	329	2901285.....	299	3200362	90, 100, 107, 112
		2752910	317, 319	2901301.....	286, 302	3200406	69, 78, 90
		2752928	317, 320	2901303....	286, 289, 293, 302	3220103	90
		2752929	317, 320	2901443.....	351, 367	3220104	90
		2752977	319			3220113	69, 78
		2752981	328				
		2753048	328, 329				
		2753084	411				

SECTION 10 - SPECIAL OPTIONS

3220134.....101	3311501..... 44, 147, 150, 156, 249	3422562 196	3539590..... 147, 152, 158
3220154.....69	3311505... 35, 69, 72, 78, 80, 87, 90, 98, 100, 105, 110, 124, 147, 150, 157, 174, 177, 186, 190, 214, 253, 275, 369, 411	3422563 195	3539622.....208
3250585.....221	3311508 177	3422564 195, 201	3539872 69, 90, 100, 107, 112
3250872.....39, 374, 378, 391, 397, 400	3311601... 123, 147, 150, 156, 186, 190, 226, 230	3422565 196	3539877..... 13, 17
3251102....162, 167, 170, 221	3311605... 69, 79, 81, 87, 90, 98, 100, 105, 107, 110, 112, 143, 146, 150, 151, 156, 162, 166, 201, 208, 214, 220, 223, 259, 261, 265, 268, 279	3422566 195, 201	3539878..... 13, 17
3251242.....395	3311705 162, 166	3422567 .. 14, 18, 39, 195	3539934..... 146
3251243.... 166, 170, 174, 373, 377, 381, 387, 399	3311801... 69, 79, 87, 98, 179	3422568 195, 201	3539955..... 147, 152, 158
3251813.... 373, 377, 381, 389, 399	3311805 . 69, 79, 90, 100, 105, 106, 107, 111, 112, 143, 146, 150, 156, 196, 202, 253	3422569 196	3539957.... 71, 80, 87, 98, 105, 110
3252220.....383	3312005 255	3422574 201	3539971..... 90
3252347..... 377, 383, 396	3312201 207, 208	3422580 196	3571712..... 150
3252489.....383	3312205 255	3422583 201	3572009..... 40
3252507.... 162, 167, 373, 377, 381, 387, 399	3312602 140	3422592 13, 17	3572010..... 40
3252540.....383	3321501 147, 151	3422661 275	3572011..... 40
3252764.... 170, 177, 186, 189	3322201 127	3422790 201	3572012..... 40
3271805..... 127, 223	3323403 14	3422813 39	3572280.... 100, 107, 112
3272605..... 196, 202	33251102 174	3422841 40	3572414..... 98
3290405.... 105, 110, 347, 363, 369	3340755 208	3422847 40	3572423..... 124
3290505.... 105, 110, 163, 166	3340757 207	3422848 39	3573400.... 259, 261, 265, 268
3290507.....81	3340758 207	3422860 201	3573641..... 265, 268
3290601 157	3340764 213	3422861 201	3573642.... 259, 261, 268
3290605.....268	3340844 207	3422867 201	3573643..... 265
3290606.....219	3340871 207, 209	3422900 14, 18, 21	3574091..... 249
3290801 69, 78	3340877 157	3422902 14, 18, 21	3574162..... 100
3300106..... 14, 23	3340881 207	3422903 14, 18, 21	3574206.... 69, 79
3300151.... 219, 259, 261, 265, 268, 410	3340900 208	3423184 195, 201	3574207..... 69, 79
3300205..... 132, 136	3340911 35	3430816 143	3574208..... 69, 79
3300240.....208	3340956 256	3450404 143	3574225..... 170, 186
3300241.....207, 208	3340966 39	3450806 214	3574229..... 186
3300242.....208	3380429... 71, 80, 87, 98, 105, 110	3451010 14	3574262..... 186
3300353..... 225, 230	3380434... 220, 373, 382, 396	3460334 256	3574443..... 369
3300364..... 156	3380476 220	3460398 100	3574504..... 100
3300396.... 180, 186, 190	3380535 139	3460399 152	3574684..... 162
3300399..... 208	3380652 409	3460544 72, 80	3575359..... 249
3300400..... 208	3420156 226	3460552 152	3576755..... 124
3300408..... 132, 136	3420372 39	3470003 226, 230	3576799..... 268
3300430 253	3420447 39	3480188 285, 301	3577121..... 259, 261
3300454 196	3421453 268	3480205 313	3580134..... 162, 166
3310601.... 143, 180, 187, 190	3421565 40, 54	3480206 299	3580158..... 165
3310801 369	3421627 54	3480210 285, 293, 301	3580241..... 206
3310805..... 125, 139	3422326 14, 18, 21	3480288 283	3580243..... 206
3311001.... 147, 150, 151, 152, 167, 227, 231, 369	3422417 207	3510822 217	3580248..... 207
3311005.... 139, 141, 162, 166, 170, 174, 180, 226, 230, 259, 261, 268	3422424 207	3510830 217	3580249..... 207
3311401.... 132, 208, 249	3422446... 70, 80, 87, 98, 105, 110	3510831 217	3580276..... 162, 166
3311402..... 196, 201	3422532... 70, 80, 87, 99, 105, 111	3510833 217	3580312.... 170, 174, 186, 190
3311405.... 44, 69, 71, 78, 80, 87, 90, 98, 99, 100, 105, 107, 110, 111, 112, 124, 147, 150, 156, 170, 174, 179, 186, 190, 196, 201, 214, 220, 253, 265, 268, 279, 347, 363, 373, 378, 382, 392, 396, 400, 410	3422557 195, 201	3510868 223	3580313..... 170, 186
	3422561 201	3510877 223	3580314..... 186, 190
		3510884 223	3580317..... 180
		3520028 ... 162, 166, 169, 173	3580318..... 180
		3520030 156	3580319..... 180
		3520033 146	3580320..... 180
		3520034 202	3580321..... 180
		3520035 132	3580322..... 161
		3520054 90, 225, 230	3580324..... 170, 173
		3520071 256	3580325..... 170, 173
		3520072 217, 223	3580348..... 174, 190
		3520189 181, 350, 366	3600242..... 70, 121
		3520198 218, 219	3600365..... 43, 44
		3534978 91	3600377..... 100
		3536089 220	3600381..... 70, 116, 118
		3537318 53	3600386..... 277, 279
		3537416 90	3600388..... 70, 116, 118
		3537445 143	3600394.... 70, 80, 88, 99, 105, 111, 117
		3537446 143	
		3538758 213	
		3539219 132, 136	
		3539563 196, 201	

SECTION 10 - SPECIAL OPTIONS

3600395 ... 70, 80, 88, 99, 105, 111, 121	3911016 369	4070585.....167	4360336 ... 105, 111, 141, 162, 167, 170, 174, 177, 186, 190, 221, 226, 231, 404
3600396 . 70, 88, 99, 105, 117	3911040 140	4070863.....207	4360387 ... 225, 227, 230, 231, 249, 402
3620033 90	3930816 139	4070864.....207	4360407 225, 230, 402
3620040 100, 107, 112	3930828 139	4070895.....207	4360436 123, 402
3620047 69, 79	3931028 139	4070896.....207	4360469 132, 136, 404
3641533 ... 180, 182, 187, 190, 192	3931408 139	4070897.....207	4360470 132, 136, 404
3641569 249	3931448 313	4070898.....207	4360475 ... 132, 136, 225, 230, 402
3720021 277	3931508 313	4070929.....208	4360476 ... 132, 136, 225, 230, 402
3730120 342	3931516 ... 285, 289, 293, 301	4070939.....208	4360506 208, 404
3730121 342	3931620 ... 71, 80, 88, 99, 106, 111, 285, 291, 302, 307, 313	4070940.....208	4360517 129, 360, 404
3740049 ... 132, 136, 344, 360, 402	3931632 180	4070944..... 13, 17	4360522 ... 141, 226, 231, 404
3740067 ... 69, 79, 90, 91, 100, 107, 112, 402	3931840 13, 17	4070945..... 13, 17	4360540 167
3740080 ... 162, 166, 170, 174, 179, 186, 190, 404	3932032 299	4070976.....208	4360541 167
3760170 40, 54	3932224 53	4070987 132, 136	4360542 167
3760368 285, 293, 302	3940604 39	4070987 132, 136	4360578 139, 404
3760369 285, 302, 313	3951608 207	4070994.....214	4400275 124
3760372 299	3960343 14	4070995.....214	4400400 123
3790012 ... 105, 110, 111, 141, 202, 220, 225, 226, 227, 230, 231	3960389 ... 72, 80, 89, 99, 106, 111, 146, 150, 156	4071004.....208	4400420 124
3790045 23	3960407 91	4071005.....208	4400449 123, 124
3790152 ... 71, 80, 88, 99, 105	3960422 ... 177, 186, 190, 349, 365	4071007.....209	4420014 255
3820001 ... 141, 373, 378, 382, 392, 396, 400	3960438 146, 151	4071059..... 39	4420037 ... 221, 259, 261, 265, 268
3820020 217	3960453 146	4071122 105, 110	4420038 124
3841013 214	3960461 141	4100026..... 339, 356	4420051 39, 396, 400
3841143 ... 14, 18, 21, 39, 70, 80, 87, 98, 105, 110, 196, 201, 208	3960462 ... 146, 151, 152, 156	4100033..... 196, 201	4420054 139
3841258 ... 13, 14, 17, 18, 21, 196, 201	3960464 146, 151, 152	4100100.....293	4420060 139, 167
3841340 196, 201	3960468 . 69, 79, 91, 100, 107, 112	4120035.... 336, 340, 354, 358	4420062 275
3841510 14, 18, 21	3960469 . 69, 79, 91, 100, 107, 112	4130394 18, 21	4420066 256
3850019 301	3960470 146, 150	4130395..... 18, 21	4420068 249, 253
3850020 301	3960526 23	4130396..... 14	4460007 226, 230
3860050 214	3960591 100	4130397..... 14	4460027 ... 162, 166, 169, 345, 361
3890005 206, 208	3980007 70, 81, 87	4130399..... 18	4460049 249
3890006 207	3990001 339	4130400..... 14	4460051 ... 179, 186, 190, 349, 365
3890007 207, 208	3990010 ... 340, 358, 402	4160139..... 146, 151	4460071 ... 179, 186, 190, 220, 336, 347, 349, 354, 363, 365
3890008 207	4010608 268	4160143..... 147, 151	4460125 346, 362
3890009 208	4010618 219	4160149.....208	4460134 345, 361
3890010 206	4031608 162, 166	4160194..... 156	4460190 162, 166, 169
3890011 207	4031911 69, 79	4220162..... 140, 141	4460205 ... 345, 347, 361, 363
3890012 208	4032015 179	4220191..... 69, 79	4460224 344, 360
3890040 223	4060092 346, 362	4240018.... 162, 170, 174, 179, 329	4460225 ... 336, 350, 354, 365
3900054 223	4060700 ... 177, 186, 190, 346, 349, 362	4240032..... 140, 141	4460226 ... 238, 247, 336, 339, 342, 344, 345, 350, 351, 354, 356, 357, 360, 361, 365, 366, 367
3900085 140	4060802 ... 162, 167, 170, 174, 177, 186, 190, 221	4240033..... 196, 201	4460227 ... 336, 340, 350, 354, 358, 360, 366
3900210 156, 157, 158	4060803 214	4240099.... 221, 249, 259, 261, 265, 268	4460233 345, 347, 363
3900232 147, 150, 151	4060805 . 71, 79, 91, 100, 107, 112, 208	4240113..... 123	4460234 ... 140, 141, 225, 230, 249
3900268 132, 136	4060807 35	4240149.....255	4460259 344, 360
3900272 79, 86	4060906 132, 136	4280295..... 123	4460260 344, 360
3900316 156	4060907 140	4300111..... 186, 190	4460265 238, 247
3900322 170	4060918 44	4300157..... 179	
3900363 157, 158	4060959 409	4340738..... 170, 186	
3910606 177, 186, 190	4061010 152	4340747.....277	
3910608 143	4061043 ... 177, 186, 190, 349	4341239..... 107, 112	
3910610 180, 187, 190	4061049 179	4341241..... 107, 112	
3910804 132, 136	4061058 36	4341301.....268	
3910808 125, 369	4070410 147, 151	4360031.....220	
3911010 369	4070411 147, 151	4360057.....249, 404	
	4070412 147, 151	4360070.... 180, 187, 190, 404	
		4360232.... 227, 231, 351, 366, 404	
		4360294..... 167	
		4360328.... 132, 136, 202, 225, 227, 230, 231, 402	
		4360330.....230, 402	
		4360331.... 220, 227, 231, 402, 404	

SECTION 10 - SPECIAL OPTIONS

4460267342, 344, 357, 360	4460510 351, 367, 411	4460961 345, 361	4520355.....25
4460268.... 140, 341, 342, 344, 357, 360	4460526 ... 132, 136, 339, 356	4460962 261, 268	4520356.....24
4460297344, 360	4460536 340, 358	4460963 ... 181, 187, 190, 350, 366	4520357.....24
4460315178	4460539 340, 341, 357	4460967 ... 181, 187, 191, 350, 366	4520672.....25
4460320....342, 344, 350, 357, 360, 366	4460579 341	4460968 ... 139, 163, 166, 167, 347, 363, 369	4520674.....24
4460321....344, 351, 361, 367	4460580 341	4460971 265, 268	4530024.....265, 271
4460326....342, 344, 357, 360	4460582 341	4460978 342, 343	4530025.....265, 271
4460339341	4460607 182, 187, 191	4460979 ... 341, 342, 343, 357	4530028....259, 261, 263, 268
4460346.... 177, 186, 190, 346, 349, 362, 365	4460608 341, 357	4460987 369	4564281..... 101
4460374.... 181, 187, 191, 350, 361, 366	4460633 277, 348, 364	4460988 369	4566468..... 285, 301
4460375.... 181, 187, 191, 350, 366	4460634 340, 358	4460990 369	4566501.....299
4460411 181, 187, 191	4460635 340, 358	4460991 167	4566605.....100
4460412.... 181, 187, 191	4460693 341, 357	4460995 341	4566644.....313
4460413.... 181, 187, 191	4460701 345	4460996 341	4567073.....69, 79
4460414.... 181, 187, 191	4460705 345, 361	4460997 369	4567879.....100
4460415.... 182, 187, 191	4460708 ... 225, 230, 336, 339, 354, 356	4460998 369	4568116.....124
4460418....336, 340, 354, 358	4460713 341	4460999 167	4568119.....124
4460419.... 336, 340, 354, 358	4460725 341	4461001 182, 187, 191	4568133.....40
4460424 140, 341, 342, 344, 351, 357, 360, 366	4460726 341	4461005 341, 357	4568721.....69, 79
4460425.... 180, 187, 190, 249, 350, 351, 366	4460728 341	4461006 341, 357	4568734..... 170, 186
4460426.... 132, 136, 181, 187, 190, 221, 227, 231, 339, 350, 351, 356, 366	4460742 ... 191, 341, 343, 350, 361, 366	4461008 357	4568735.... 170, 174, 186, 190
4460428....225, 230, 277, 336, 354	4460743 ... 191, 350, 361, 366	4461052 341, 357	4569083.....100
4460434....336, 340, 354, 358	4460761 ... 336, 340, 354, 358	4461053 341, 357	4569171..... 91
4460445....342, 344, 357, 360	4460792 341	4461054 341, 357	4569173.....100
4460457341, 342, 357	4460799 341	4461060 341, 357	4569177.....69
4460458.... 191, 341, 342, 343, 357, 361	4460800 341	4461070 341, 357	4569342.....107
4460460.....341, 357	4460865 ... 338, 339, 355, 356	4461072 340, 357	4569371.....73, 83
4460464.... 336, 340, 343, 354, 357, 358, 359, 360	4460866 ... 336, 340, 354, 358	4461073 340, 358	4569385..... 105, 111
4460465.... 181, 187, 191, 338, 341, 350, 355, 357, 359, 360, 366	4460871 ... 233, 235, 241, 245, 336, 340, 342, 344, 354, 357, 358, 359	4461074 340, 358	4569394..... 107, 112
4460466....338, 339, 355, 356, 357, 359	4460873 ... 336, 340, 354, 358	4461095 341, 357	4640113.....25
4460467351, 367, 411	4460874 ... 132, 336, 339, 354, 358	4461109 342, 358	4640261.....39
4460470.... 132, 136, 225, 230, 336, 339, 354, 356	4460875 ... 132, 336, 339, 354, 358	4461111 342, 358	4640476.....283
4460471 132, 136, 225, 230, 336, 339, 354, 356	4460876 340, 358	4461113 342, 358	4640509....285, 289, 291, 293, 295, 297, 299
4460473.... 338, 339, 355, 356	4460877 340, 358	4461121 341, 357	4640744..... 121, 326
4460488 132, 136	4460879 336, 354	4461122 341, 357	4640858.....283
4460496..... 137, 356	4460880 341, 342, 357	4461123 341, 357	4640908.....43
4460497 137, 356	4460887 ... 336, 340, 354, 358	4461124 341, 357	4640921.....43, 51
4460499.48, 51, 344, 360	4460891 ... 341, 357, 359, 360	4461157 341, 357	4640922.....43, 51
4460508.... 336, 340, 354, 358	4460892 340, 356	4461161 341, 357	4640932....286, 289, 291
4460509.....338, 355	4460894 340, 356, 359	4461196 347, 363	4640989.....100
	4460897 ... 343, 359, 360	4461197 348, 364	4641022.....124
	4460899 357	4461198 346, 347, 362	4641028.....313
	4460905 ... 132, 225, 230, 336, 339, 340, 354, 358	4461199 347, 363	4641096.....43, 47
	4460906 174, 344, 361	4461200 348, 364	4641108.....43, 44
	4460943 340, 358	4461201 346, 347, 362	4641284.....319
	4460944 341, 357	4461202 347, 363	4641307.....317
	4460956 ... 182, 187, 191, 348, 364	4461203 348, 364	4641319.....283
	4460957 ... 182, 187, 191, 348, 364	4461204 346, 362	4641409.....35
	4460958 ... 177, 186, 190, 349, 365	4461205 347, 363	4641410.....35
		4461206 348, 364	4641451.....43, 47
		4461207 ... 346, 347, 362, 363	4711400..44, 87, 91, 100, 105, 107, 111, 112, 140, 170, 174, 179, 186, 190, 214, 219, 220, 253, 347, 363, 410
		4461222 342, 358	4711500....35, 44, 70, 79, 124, 157, 158, 177, 186, 190, 214, 226, 230, 369, 411
		4461244 346, 362	4711600....44, 71, 79, 91, 100, 105, 107, 111, 112, 180, 190, 207, 214
		4461245 346, 347, 362	
		4461246 346, 347, 362	
		4461249 347, 363	
		4461250 348, 364	
		4520256 24	
		4520258 24	
		4520339 24	
		4520340 24	

SECTION 10 - SPECIAL OPTIONS

4711700 92, 170, 174, 186	4761000 14, 147, 151, 227, 231, 369	4922466.....337	4933327 333, 339
4711800 ... 143, 179, 186, 190, 214, 223	4761400 133, 136, 179	4922467.....337, 355	4933328 333, 339
4711900 91	4761500 178, 186, 190	4922468.....337, 355	4933349 ... 191, 333, 350, 366
4712000 255	4761600 186, 190, 279	4922636.....340, 356	4933350 332, 344, 361
4712200 255	4770600 143	4922637.....339, 356	4933355 333, 339
4740036 40	4791400 79, 91, 107, 113, 179, 186	4922639.....226, 336	4933365 333, 339
4740076 147, 151	4811400 347, 363, 369	4922641 181, 187, 191, 344, 350, 361, 366	4933366 333, 339
4740111 14, 18, 21, 39	4811600 81, 163, 166	4922643.....344, 360	4933383 333, 339
4740155 39	4811700 81, 219, 268	4922666....226, 230, 336, 354	70000122 161, 165
4740158 13, 17, 196, 202	4811900 .70, 79, 81, 174, 180, 190	4922737.....70, 71	70000123. 161, 165, 169, 173
4740171 146, 151, 156	4812000 81, 100	4922757.....181, 350	70000124. 162, 166, 169, 173
4740256 14, 18, 21	4812100 .. 70, 79, 81, 163	4922764.....350, 366	70000125. 162, 166, 169, 173
4740274 .70, 79, 91, 100, 107, 112	4812200 91	4922790.....338	70000126. 162, 166, 169, 173
4740283 14	4831900 92, 100, 107, 113	4922791.....338, 355	70000127. 161, 166, 169, 173
4740314 196, 202	4832000 70, 79, 100	4922792.....338, 355	70000164..... 111
4740362 141, 220	4844815 200	4922884.....338, 355	70000264..... 94
4740393 23	4844816 200	4922885.....338	70000342 211
4740397 ... 162, 167, 170, 174, 221	4844817 200	4922886.....338, 355	70000345 94
4740439 201	4844944 195, 200	4922887 338	70000579 47
4740444 132, 133, 136	4845356 147, 151	4922888....221, 338, 351, 355, 366	70000580 47
4740463 14, 18, 21	4845393 123	4922889.....338, 355	70000582 47, 402
4740500 152	4845395 91	4922905.....187, 350	70000583 47
4740508 111	4845395 91	4922909.....369	70000619.. 180, 185, 189
4740546 141	4845404 91, 100	4922912.....167	70000781 35
4750600 181, 187, 190	4845411 147, 152	4922925....180, 186, 190, 349, 365	70000782 27, 64
4750800 125, 369	4845582 275	4922964....221, 351, 366, 367	70000793 92
4751000 40, 140, 141, 146, 151, 152, 162, 166, 170, 174, 180, 226, 230, 259, 261, 269, 369	4845582 213	4922968.....343	70000794 33
4751400 ... 70, 71, 79, 80, 87, 91, 98, 99, 100, 105, 106, 107, 111, 112, 133, 136, 139, 147, 151, 156, 179, 196, 201, 220, 226, 230, 249, 259, 261, 265, 268, 373, 378, 382, 392, 396, 400	4845819 213	4922970.....345	70000795 33
4751500 ... 70, 72, 79, 80, 87, 100, 105, 111, 146, 147, 151, 152, 156, 158, 162, 166, 174, 249, 253, 275	4846295 40	4923206....133, 136, 339, 342, 356	70000863 .. 178, 185, 189
4751600 ... 35, 36, 70, 79, 81, 87, 91, 98, 100, 105, 107, 112, 123, 125, 127, 146, 151, 152, 156, 162, 166, 170, 186, 190, 208, 220, 259, 261, 265, 268, 279	4846296 40	4923212.... 133, 339, 341	70000912 93
4751700 92	4846319 207	4923213.... 133, 339, 340	70000913 93
4751800 ... 70, 79, 87, 98, 105, 106, 107, 111, 112, 124, 127, 170, 186, 221, 223, 249, 277	4846391 213	4923226.... 133, 339, 341	70000914 93
4751900 162	4846392 213	4923227.... 133, 339, 340	70000915 93
4752000 ... 71, 80, 87, 98, 105, 111	4846452 218	4923229.... 133, 339, 340	70000916 93
4760600 181, 187, 190	4846561 221	4923379..... 91, 344, 360	70000917 93
4760800 369	4846566 91	4923420.... 191, 350, 366	70000918 93
	4846571 265	4923445.....345, 361	70000919 93
	4846573 196, 202	4923462....337, 338, 355	70000934 43
	4846627 259, 261, 268	4923492.... 133, 339, 341	70001017 .. 69, 70, 78, 90
	4846673 249	4923509.....337, 355	70001051 73, 82
	4846790 70, 79	4923510.....338, 355	70001100.. 178, 185, 189
	4846805 70, 79	4923511.....339, 356	70001103 123
	4846806 100	4923576.... 133, 339, 340	70001119 27
	4846814 13, 17	4923577 133, 339, 340	70001120 73, 82
	4846934 13, 17	4923591.....340	70001126 94
	4846935 39	4923653.....337	70001248 128, 129
	4860243 24	4923655.....338	70001249 129
	4891500 170	4923656.....338	70001384.. 178, 185, 189
	4891600 ... 71, 81, 89, 91, 99, 106, 111, 143, 170, 174, 186, 190, 197, 202, 208	4923657 337, 355	70001423 93
	4891800 ... 13, 17, 23, 44, 54, 143, 179, 197, 202, 208, 253	4923659.....338, 356	70001424 273
	4892000 53, 54, 147, 152, 158, 170	4923660.....338, 355	70001425 273
	4892600 197, 202	4933217 332, 333	70001427 273
	4920385 99, 107, 113	4933218.....333	70001428 273
	4921827 345, 361	4933219.....333	70001429 273
	4921927 44, 360	4933264.... 181, 332, 350	70001430 273
	4921928 44, 344, 360	4933283.... 187, 333, 350	70001431 273
	4921954 345	4933284.....332	70001432 273
	4921956 345	4933287.....332	70001435 93
		4933300.....332, 344	70001498 94
		4933313....333, 350, 366	70001663 279
		4933318.....333, 339	70001690 101

SECTION 10 - SPECIAL OPTIONS

70001696... 178, 185, 189	70002706..... 69, 78	70003483 220	70006445..... 291, 307
70001697..... 211	70002715 123	70003623 95	70006446..... 291, 307
70001742..... 73, 82	70002716 123	70003631 .. 178, 185, 189	70006447..... 307
70001847..... 94	70002724 245	70003708 178	70006568..... 295
70001850..... 93	70002725 245	70003709 178	70006569..... 295
70001866..... 94	70002726 245	70003784 225, 230	70006570..... 295
70001868..... 94	70002727 245	70003995 45	70006571..... 295
70001870..... 94	70002728 245	70003996 45	70006572..... 295
70001872... 94, 343, 359	70002729 245	70003997 45	70006597..... 305
70001931..... 343	70002730 235	70003998 45	70006599..... 305
70001941..... 140	70002731 235	70003999 45	70006601..... 305
70001950..... 343	70002732 235	70004000 45	7000663..... 93
70001951..... 343	70002733 235	70004149 123	70006648..... 289
70001953... 178, 185, 189	70002734 235	70004169 . 178, 185, 186,	70006649..... 289, 297
70001966... 178, 185, 189	70002735 235	189	70006650..... 289, 297
70001969..... 178	70002745 311	70004170 178	70006651..... 289
70001973... 178, 186, 189	70002752 311	70004171 .. 178, 185, 189	70006734..... 297
70001974... 178, 186, 189	70002753 311	70004182 69, 79	70006735..... 297
70001976..... 47, 51	70002754 311	70004184 123	70006736..... 297
70002005..... 213, 404	70002755 311	70004316 359	70006774..... 305
70002006..... 213	70002756 311	70004317 359	70006775..... 305
70002007..... 213, 404	70002757 311	70004318 359	70006776..... 305
70002063..... 35, 36	70002761 74, 82	70004319 359	70006822..... 291
70002064..... 36	70002762 74, 82	70004643 213	70006823..... 291
70002065..... 64	70002763 74, 82	70004738 247	7000897..... 100
70002066..... 64	70002764 73, 82	70004739 247	7001433..... 117
70002067..... 64	70002765 73, 82	70004740 247	7001498..... 117
70002068..... 64	70002766 73	70004741 247	7001625..... 309
70002069..... 64	70002767 74	70004742 247	7001626..... 309
70002070..... 64	7000281 28, 64	70004743 247	7001627..... 309
70002071..... 64	70002818 181, 191	70004744 247	7001629..... 309
70002072..... 64	70002819 181, 191	70004745 247	7001630..... 309
70002073..... 64	70002820 181, 191	70004746 247	7001633..... 309
70002074..... 65	70002821 181, 191	70004747 247	7001909..... 57, 64
70002075..... 65	70002822 182, 191	70004748 247	7001911..... 57, 64
70002088... 178, 185, 189	70002823 182, 191	70004749 247	7001912..... 64
7000209..... 57	70002824 182, 191	70004750 247	7001913..... 27
7000213..... 65	70002825 182, 191	70004751 247	7001928..... 57
7000214..... 57	70002826 182, 191	70004752 237	7001931..... 57, 64
7000216..... 27	70002833 74, 82	70004753 237	7001985..... 57, 64
7000217 57, 64	70002834 74, 82	70004754 237	7001987..... 57
70002200..... 93	70002835 74, 82	70004755 237	7001988..... 57
70002208..... 61	70002841 73	70004756 237	70020808..... 359
70002209..... 44	70002843 73, 82	70004757 237	70020809..... 359
70002212..... 129	70002844 73, 82	70004758 237	70022564..... 305
70002234..... 94	70002845 74, 82	70004759 237	70023371..... 305
70002243..... 61	70002846 74, 82	70004760 237	70023915..... 295
7000228..... 57, 64	70002847 73, 82	70004761 237	7002821..... 351, 367, 411
7000229..... 57, 64	70002848 73, 82	70004762 237	7002822..... 411
70002297... 178, 185, 189	70002849 73, 82	70004763 237	7002823..... 351, 367, 411
7000230..... 57, 64	70002850 73, 82	70004764 237	7002826..... 411
70002307..... 101	70002851 74, 83	70004765 237	7002828..... 351, 367
70002373..... 305	70002852 73, 83	70004766 237	7002840..... 411
7000246..... 57, 64	70002895 112, 404	70004767 237	7003928..... 233, 235
70002460... 178, 185, 189	70002902 220	70004768 237	7003933..... 241
7000248..... 64	70002903 220	70004769 237	7003935..... 241
7000253..... 57, 64	70002904 220	70004770 237	7003941..... 241, 245
7000255..... 57, 64	70002905 220	70004771 237	7003946..... 241
7000256..... 57	70002906 235	70004772 237	7003953..... 233
70002567..... 101	70002948 277	70004773 237	7003969..... 241
7000257..... 57, 64	70003001 94	70004774 238	7003972..... 241, 245
7000258..... 57	70003002 94	70004775 238	7003973..... 241, 245
70002627..... 343	70003003 94	70005230 247	7003976..... 233
7000263..... 57, 64	70003408 36	7000625 220	7003977..... 233
7000269..... 57	70003454 129	70006442 307	7003980..... 241, 245
7000270..... 57	70003476 93	70006443 291, 307	7003982..... 245
70002705..... 69, 78	70003478 93	70006444 291, 307	7003983..... 241, 245

SECTION 10 - SPECIAL OPTIONS

7003986	241	7010103	121	7016427	59	7019162	241, 245
7003989	242, 245	7010104	121	7016530	213	7019164	241, 245
7003992	233, 241	7010105	121	7016652	411	7019165	241, 245
7003993	233, 241	7010116	118	7016654	411	7019166	241
7003994	241	7010121	117	7016655	411	7019167	241, 245
7004035	61, 65	7010122	117	7016822	105, 106, 111, 342, 343, 359	7019168	241
7004043	61, 65	7010474	57, 64	7017022	28	7019171	233
7004044	61, 65	7010488	57	7017023	64	7019174	233
7004248	44	7010492	57, 64	7017027	27	7019177	233
7004275	411	7010494	57	7017028	65	7019194	242, 245
7004276	411	7010542	48	7017070	57, 64	7019197	233
7004290	44	7010543	44, 48	7017072	27, 64	7019656	107, 112
7005881	59	7011043	45	7017080	64	7019658	123
7005882	59	7011044	45	7017082	65	7019680	161, 166, 169, 173
7005889	59	7011062	45	7017085	64	7019925	101
7005890	59	7011063	45	7017089	57	7019976	101
7005891	59	7011064	45	7017093	27	7019977	100
7005892	59	7011065	44	7017095	27	7019993	101
7005893	59	7011066	45	7017142	211	7019994	101
7006138	213	7011112	286, 289, 291	7017158	211	7019996	100
7006143	213	7011328	43	7017159	211	7020020	43, 402
7007207	116	7012513	161, 165, 169, 173	7017162	211	7020021	44, 402
7007208	116	7012514	161, 166, 169, 173	7017163	211	7020108	161, 165, 169, 173
7007412	118	7012518	44, 47	7017164	211	7020109	161, 165, 169, 173
7007413	116	7012558	161, 165, 169, 173	7017183	211	7020110	161, 166, 169, 173
7007414	116	7012664	69, 78, 90, 99, 106, 112, 402	7017193	211	7020111	161, 166, 169, 173
7007417	116	7012679	100	7017195	211	7020117	225, 230
7007418	116	7012769	47	7017420	51	7020175	225, 230
7007419	116	7012772	47, 48, 51, 402	7017421	51	7020176	225, 230
7007423	116	7012773	47, 48, 51	7017422	51	7020190	161, 166, 169, 173
7007425	116	7012774	48, 51	7017464	47	7020192	162, 166, 170, 173
7007435	31, 116	7012775	47, 48	7017496	283	7020193	345, 361
7007437	31, 33, 116	7012776	51	7018612	53	7020194	162, 166, 169, 173
7007438	31, 33, 116	7012777	51	7018912	47, 48, 51	7020246	131, 135
7007439	31, 33, 116	7012912	47, 48	7018919	48	7020408	93
7007441	116	7012914	47	7018942	47, 48, 51	7020411	93
7007442	116	7012918	47	7018945	51	7020447	93
7007444	116	7012918	47	7018946	51	7020449	93
7007446	31, 33, 116	7012941	44	7018947	51	7020459	94
7007452	116	7012943	44, 402	7018948	51	7020460	94
7007453	116	7012944	44, 47, 402	7018951	47, 48	7020464	94
7007454	117	7012953	47, 51	7018986	47, 48	7020465	93
7007457	117	7012965	51	7018991	47, 402	7020468	93
7007459	117	7012967	47	7019103	241	7020471	93
7007463	117	7012987	121	7019110	241	7020479	94
7007464	117	7012988	121	7019111	233, 241	7020484	93
7007465	117	7012989	47	7019112	241	7020487	93
7007466	117	7012995	44	7019114	241	7021200	116
7007470	116	7012998	47, 48, 51	7019115	241	7021201	117
7007472	117	7013189	128	7019122	233	7021202	116
7007474	117	7016314	123	7019123	233	7021203	116
7007475	117	7016319	140	7019141	233	7021206	117
7007476	117	7016322	143	7019142	233	7021207	117
7007477	117	7016328	93, 404	7019143	233	7021210	117
7007478	117	7016331	93, 404	7019144	233	7021212	117
7007484	117	7016372	140	7019145	233	7021214	117
7007485	117	7016374	143	7019147	233	7021217	117
7007487	117	7016380	140	7019149	233	7021218	117
7007488	117	7016399	220	7019150	233	7021219	117
7007489	121	7016422	59	7019151	241	7021220	117
7007494	117	7016423	59	7019154	241		
7007496	117	7016424	59	7019155	241		
7007497	117, 344, 359	7016425	59	7019160	241		
7007498	117, 344, 359	7016426	59	7019161	241		
7007633	57, 64						
7007933	53						
7007990	53						

SECTION 10 - SPECIAL OPTIONS

7021221.....	117	7024380.....	61, 65	7024724.....	27	7026634.....	279
7021222.....	117	7024381.....	61, 65	7024725.....	27	7026635.....	279
7021223.....	116	7024389.....	61	7024726.....	27	7026636.....	279
7021232.....	118	7024390.....	61, 65	7024727.....	27	7026637.....	279
7021249.....	31, 33	7024395.....	61	7024728.....	27	7026638.....	279
7021256.....	116	7024396.....	65	7024729.....	27	7026639.....	279
7021275.....	31, 33	7024397.....	313	7024730.....	27	7026640.....	279
7021310.....	48	7024398.....	90	7024731.....	27	7026641.....	280
7021625.....	35, 36	7024404.....	128, 129	7024732.....	27	7026642.....	280
7021868.....	101, 404	7024439.....	124	7024733.....	27	7026643.....	280
7022134.....	100	7024440.....	124	7024734.....	27	7026644.....	280
7022139.....	101	7024441.....	124	7024735.....	27	7026645.....	280
7022143.....	101	7024442.....	124	7024736.....	27	7026646.....	280
7022150.....	101	7024443.....	124	7024737.....	28	7026647.....	280
7022155.....	101	7024444.....	124, 402	7024738.....	27	7026648.....	280
7022180.....	101	7024445.....	124	7024739.....	27	7026649.....	280
7022302.....	31, 33	7024446.....	124	7024740.....	27	7026650.....	280
7022311.....	31, 33	7024453.....	61, 65	7024741.....	27	7026651.....	279
7022313.....	33	7024454.....	65	7024742.....	27	7026652.....	279
7022314.....	31, 33	7024455.....	65	7024743.....	27	7026653.....	279
7022318.....	31	7024456.....	65	7024744.....	28	7026654.....	279
7022320.....	31	7024458.....	65	7024763.....	64	7026655.....	279
7022321.....	31	7024462.....	263	7024764.....	28	7026656.....	279
7022326.....	31, 33	7024463.....	263	7024765.....	28	7026658.....	280
7022328.....	31, 33	7024467.....	263	7024766.....	28	7026659.....	279
7022368.....	31, 33	7024469.....	263	7024784.....	65	7026660.....	279
7022370.....	31	7024470.....	263	7024800.....	117	7026661.....	279
7022371.....	31, 33	7024471.....	263, 273	7024851.....	117	7026800.....	72, 82
7022372.....	31, 33	7024472.....	263	7024853.....	31, 33	7026801.....	73, 82
7022397.....	35, 36	7024473.....	263	7024861.....	31	7026802.....	72, 82
7022399.....	35, 36	7024474.....	263	7024862.....	31, 33	7026803.....	72, 82
7022808.....	233, 235	7024475.....	263	7024863.....	31	7026804.....	72, 82
7022812.....	241	7024478.....	263	7024864.....	31	7026805.....	72, 82
7022814.....	233	7024485.....	178, 185, 189	7024865.....	31, 33	7026806.....	72, 82
7022815.....	233, 235	7024488.....	180, 185, 189	7024866.....	31	7026807.....	72, 82
7022816.....	233	7024489.....	180, 185, 189	7024867.....	31, 33	7026808.....	72, 83
7022817.....	233	7024519.....	271	7024868.....	31	7026809.....	72, 83
7022818.....	233	7024520.....	271	7024869.....	31	7026810.....	72, 82
7022819.....	233, 235, 344, 359	7024521.....	271	7024871.....	31, 33	7026811.....	72, 82, 404
7022822.....	241	7024522.....	271	7024874.....	116	7026812.....	72, 82
7022823.....	241	7024523.....	271	7024875.....	116	7026813.....	72, 82
7022824.....	241	7024524.....	271	7024877.....	117	7026814.....	73, 82
7022825.....	344, 359	7024525.....	271	7024879.....	283	7026815.....	73, 82
7023366.....	146	7024526.....	271	7024892.....	35, 36	7026816.....	72, 82
7023679.....	343	7024527.....	271	7026188.....	178, 185, 189	7026817.....	72, 82
7023681.....	101	7024528.....	271	7026189.....	128, 129	7026818.....	72
7023682.....	101	7024529.....	271	7026197.....	128	7026819.....	72, 82
7023683.....	100	7024530.....	271, 273	7026199.....	161, 165, 169, 173	7026820.....	73, 82
7023698.....	101	7024531.....	271, 273	7026330.....	45	7026821.....	73, 82
7023699.....	101	7024532.....	271, 273	7026503.....	128	7026822.....	73, 82
7023910.....	31, 33	7024533.....	271, 273	7026504.....	128	7026823.....	73
7023917.....	36	7024534.....	271, 273	7026505.....	128	7026824.....	73
7023933.....	35	7024535.....	271, 273	7026506.....	128	7026825.....	73
7023935.....	35, 36	7024536.....	271, 273	7026507.....	128	7026826.....	73, 83
7023936.....	35, 36	7024537.....	271, 273	7026508.....	128	7026827.....	73, 83
7023977.....	116	7024538.....	271	7026509.....	129	7026828.....	73, 83
7023979.....	117	7024539.....	271	7026510.....	129	7026829.....	73, 83
7024014.....	48	7024540.....	271	7026511.....	129	7026830.....	74, 82, 404
7024015.....	48	7024541.....	271	7026512.....	129	7026831.....	73, 83
7024100.....	57, 65	7024560.....	90	7026597.....	178, 185, 189	7026832.....	73, 83
7024124.....	27	7024565.....	94	7026607.....	94	7026833.....	73, 83
7024125.....	27	7024579.....	94	7026608.....	94, 404	7026834.....	73
7024127.....	27	7024598.....	143	7026626.....	178, 185, 189	7026835.....	73
7024129.....	27	7024704.....	64	7026631.....	93	7026836.....	73
7024134.....	28	7024721.....	28	7026632.....	279	7026838.....	73
7024379.....	61, 65	7024722.....	27	7026633.....	279	7026839.....	74, 82
		7024723.....	28			7026840.....	73

SECTION 10 - SPECIAL OPTIONS

7026841 73	7027239 94	7027779.....263	77143013 136
7026843 73	7027246 93	7027780.....263	80424002 64
7026882 73	7027400 101	7027781.....277	80934561 128
7026888 73	7027402 101	7027782.....277	8229242 358
7027001 71, 87, 342	7027403 343	7027783.....277	8303541 81
7027002 ... 71, 81, 87, 98, 342, 359	7027404 100	7027784.....277	8310129 255
7027003 . 71, 87, 98, 105, 106, 111, 342, 359	7027405 101	7027790.....94	8310230 255
7027004 71, 87, 342, 359	7027409 101	7027791.....94	83304150 61
7027005 98, 342	7027410 101	7027792.....94	8405009 68, 79
7027006 98, 342	7027412 69, 79	7027793.....94, 343, 359	8405104 68, 79
7027007 98, 343	7027413 101	7027794.....94, 343	8406009 81
7027015 ... 105, 106, 111, 342, 359	7027419 31, 33	7027795.....94, 404	8406105 81
7027016 105, 106, 111	7027608 93	7027796.....94, 343, 359	8406109 82
7027017 ... 105, 106, 111, 342	7027609 93	7027799.....178, 185, 189	8852120569, 79, 87, 105, 111
7027028 81, 359	7027610 93	7027887162, 166, 170, 174	8896941 411
7027029 81, 359	7027740 33	7027965.....106, 111, 404	90206194 156
7027033 81, 359	7027773 263	7027972.....106, 111, 404	91083218 100, 404
7027236 94	7027774 263	7027989.....343	9140128168, 79, 87, 104, 111
	7027775 263	7027991.....343	
	7027776 263	7027994106	
	7027777 263	7027996.....106	
	7027778 263		



3121207



An Oshkosh Corporation Company

Corporate Office
JLG Industries, Inc.
1 JLG Drive
McConnellsburg, PA 17233-9533 USA
☎ (717) 485-5161 (Corporate)
☎ (877) 554-5438 (Customer Support)
☎ (717) 485-6417

Visit our website for JLG Worldwide Locations.
www.jlg.com