



Illustrated Parts Manual

Models **600S** **660SJ**

SN 0300235168 to SN 0300272445*
SN B300002655 to SN B300005754*

* See Revision Log Page for exceptions

P/N
3121729
December 15, 2021 - Rev M

ANSI

CE



AS/NZS



An Oshkosh Corporation Company

REVISION LOG

NOTES:

NOTE: The 600S & 660SJ Boom Lifts are manufactured by JLG Industries in the following countries: USA and China. Refer to the Serial Number Tag to identify the country of manufacture. The country of manufacture may be determined by the Serial Number. Machines manufactured in the USA will have a serial number prefix of 03 (i.e. 03XXXXXXXXX). Machines manufactured in the China will have a serial number prefix of B3 (i.e. B3XXXXXXXXX).

NOTE :

List of SN exceptions:
B300005570

Use Parts Manual 3121729 for these SNs also:

0300224266, 0300224267, 0300224755-0300224758, 0300233720-0300233722,
0300234973-0300234975, B300002216, B300002217, B300002339, B300002382,
PARTS MANUAL REVISION LOG:

July 15, 2017 - A - Original Issue of Manual (Manual edited to 1001188600 Revision O)
August 31, 2017 - B - Revised Manual (Manual edited to 1001188600 Revision O)
October 31, 2017 - C - Revised Manual (Manual Edited to 1001188600 Revision T) (Revision 2)
January 20, 2018 - D - Revised Manual (Manual Edited to 1001188600 Revision U) (Revision 2)
April 24, 2018 - E - Revised Manual (Manual Edited to 1001188600 Revision X) (Revision 2)
July 31, 2018 - F - Revised Manual (Manual Edited to 1001188600 Revision X) (Revision 2)
October 12, 2018 - G - Revised Manual (Manual Edited to 1001188600 Revision AC) (Revision 2)
January 25, 2019 - H - Revised Manual (Manual Edited to 1001188600 Revision AC)
February 28, 2019 - I - Revised Manual (Manual Edited to 1001188600 Revision AC) (Revision 1)
April 22, 2020 - J - Revised Manual (Manual Edited to 1001188600 Revision AC) (Revision 1)
February 1, 2021 - K - Revised Manual (Manual Edited to 1001188600 Revision AC) (Revision 1)
October 1, 2021 - L - Revised Manual (Manual Edited to 1001188600 Revision AC) (Revision 1)
December 15, 2021 - M - Revised Manual (Manual Edited to 1001188600 Revision AC) (Revision 1)

GENERAL INFORMATION

ITEM #	PART NUMBER	QTY.	DESCRIPTION	REV.
	1001140104	Ref	LIFT CYLINDER ASSEMBLY	B
1	0100011	AR	Compound, Locking	
2	0630535	3	Capscrew 1/4-20 x 1-1/8	
3	0791003	1	Screw #10-24 x 3/8	
4	0961897	1	Bushing, Tapered	
5	1320136	1	Clamp, Cable	
6	1683063	1	Head	
7	2220883	1	Plug, O-Ring	
8	2220885	2	Plug, O-Ring	
9	2220886	1	Plug, O-Ring	
10	3020039	AR	Lubricant	
11	3480282	1	Piston	
12	3760371	1	Ring, Washer	
13	3931420	8	Capscrew 1/4-20 x 1-1/4	
14	3931824	8	Capscrew 1/2-13 x 1-1/2	
15	3951003	1	Setscrew #10-24 x 3/8	
16	4100099	1	Spacer	
17	4640999	1	Cartridge, Holding Valve (Non Vented)	
17	2900792		Kit, Seal - 4640999 Cartridge Valve	
18	4641248	1	Cartridge, Counterbalance Valve (Non Vented)	
18	70004186		Kit, Seal - 4641248 Cartridge Valve	
19	1001117991	1	Sensor, Cylinder Length	
20	1001118070	1	Cap, Retainer	
21	1001118084	1	Barrel	
21A	0961950	2	Bushing	
22	1001118086	1	Rod	
22A	0961950	2	Bushing	
200	1001139996	1	Kit, Seal (Includes Items 101-109)	
101	See Note	2	Ring, Wear (Note: Use p/n 1001139996)	
102	See Note	1	Ring, Back-Up (Note: Use p/n 1001139996)	
103	See Note	2	Ring, Lock (Note: Use p/n 1001139996)	
104	See Note	2	Ring, Back-Up (Note: Use p/n 1001139996)	
105	See Note	2	O-Ring (Note: Use p/n 1001139996)	
106	See Note	1	O-Ring (Note: Use p/n 1001139996)	
107	See Note	1	Seal (Note: Use p/n 1001139996)	
108	See Note	1	Wiper, Rod (Note: Use p/n 1001139996)	
109	See Note	2	Seal (Note: Use p/n 1001139996)	
200	1001119105	1	Kit, Sensor Magnet (Includes Items 201-203)	
201	See Note	NSS	Sleeve, Spacer (Note: Use p/n 1001119105)	
202	1001118066	1	Magnet, Sensor	
203	1001118069	1	Ring, Internal Retaining	

1) MACHINE IDENTIFICATION

Machines are identified by model and in some cases a combination of models, serial number (SN) or regional standard (i.e. ANSI, CE, CSA). Components may also be identified by SN or manufacturer. Common components that may be identified by these characteristics are engines and hydraulic components.

2) PARTS MANUAL ORGANIZATION

Product information in this manual is organized under section titles. Frame, Cylinder, Hydraulic and Electrical are a few examples. Each section is organized by figure and page number. The information within the Figure is then organized by item number, part number, description and corresponding illustration(s).

3) TABLE OF CONTENTS

A table of contents is found toward the beginning of the manual. Figure number, description and page number are provided for quick reference to the page containing the related information.

4) RECOMMENDED SPARE PARTS

The Recommended Spare Parts, located near the end of the manual, reference most frequently used maintenance parts.

5) PART NUMBER INDEX

A numerical index listing all part numbers and the corresponding page number(s) appears at the back of the manual.

GENERAL INFORMATION

6) NON-SERVICED PARTS

In some instances, it is necessary to display non-serviced parts, assemblies or installations. In the case of assemblies and installations there will be a Ref in the Qty column. In case of parts that are not available for service within assemblies or components, there will be a NSS (Not Sold Separately) or NLA (No Longer Available) listed in the Qty. column of the manual.

7) PARTS LIST ITEM NUMBERS

Numbers shown in the item# column correspond to numbers used in the associated illustration (s). Item numbers which are missing from the sequence in the parts list are not used on that page

8) INDENTED PARTS DESCRIPTION

An indented part description is included in the item under which it is indented.

9) ABB REVIATION AND SYMBOLS

AC.....	.. Alternating Current	LCD.....	.. Liquid Crystal Display
ADE.....	..Advanced Design Electronics	LED.....	.. Light Emitting Diodes
ANSI.....	..American National Standards Institute	LH.....	.. Left Hand
AR.....	..As Required	LSS.....	..Load Sensing System
ASSY.....	.. Assembly	M(m).....	.. Metric/Meter
AUX.....	..Auxiliary	MM (mm).....	..Milimeter
AWG.....	..American WireGauge	mA.....	.. Miliamps
B/M.....	.. Bill of Material	NLA.....	..No Longer Available
CE.....	..European Conformity	NPT.....	.. National Pipe Threads
CCW.....	..Counter Clockwise	NSS.....	..Not So Id Separately
cm.....	..Centimeter	OD.....	..Outside Diameter
CW.....	..Clockwise	ORB.....	.. O-Ring Boss
CSA.....	..Canadian Standards Association	ORFS.....	.. O-Ring Face Seal
CYL.....	..Cylinder	OZ (oz).....	..Ounces
DIA.....	..Diameter	PG.....	..Page
DC.....	..Direct Current	P/N.....	..Part Number
EMS.....	..Emergency Stop	qt.....	..Quarts
ENG.....	..Engine	QTY.....	..Quantity
FT(ft).....	..Feet	REF.....	..Reference
GA(Ga).....	..Gauge	REV.....	..Revision Level
HYD.....	..Hydraulic	RH.....	.. Right Hand
HZ.....	..Hertz	SAE.....	.. Society of Automotive Engineers
ID.....	..Inside Diameter	SN.....	..Serial Number
in.....	..inches	SPEC(S).....	..Specifications
ISO.....	..International Organization for Standards	T/T.....	..Turntable
JIC.....	..Joint Industry Council	UGM.....	..Universal Ground Module
KG.....	..Kilogram	V.....	..Volts
L.....	..Liter	W.....	..Watts
LB.....	..Pounds	#.....	..Number

10) ILLUSTRATION REFERENCE LETTERS

When necessary, illustrations may contain reference letters that are intended to track information (i. e. hoses, harnesses) from one point to another or to track visual enlargement of components to show details that may be located in another area on the illustration.

Note: Due to continuous product improvements, JLG Industries, Inc. reserves the right to make specification changes without prior notification. Contact JLG Industries, Inc. for updated information.

TABLE OF CONTENTS

SECTION 1 - FRAME.....	15
FIGURE 1-1. AXLE INSTALLATION - FRONT	16
FIGURE 1-2. AXLE INSTALLATION - REAR (4WS ONLY).....	18
FIGURE 1-3. STEER INSTALLATION - WITHOUT TOW PACKAGE	20
FIGURE 1-4. STEER INSTALLATION - WITH TOW PACKAGE.....	22
FIGURE 1-5. WHEEL DRIVE INSTALLATION - 4WD/2WS.....	24
FIGURE 1-6. WHEEL DRIVE INSTALLATION - 4WD/4WS.....	26
FIGURE 1-7. DRIVE HUB ASSEMBLY.....	28
FIGURE 1-8. DRIVE MOTOR ASSEMBLY.....	32
FIGURE 1-9. TRACTION VALVE ASSEMBLY.....	34
FIGURE 1-10. TIRE & WHEEL INSTALLATION - IN355-55 D625 PNEUMATIC (AVAILABLE ON ALL SPECS EXCEPT AUSTRALIAN, CE & CHINA SPECS)	36
FIGURE 1-11. TIRE & WHEEL INSTALLATION - IN355-55 D625 PNEUMATIC NON-MARKING (AVAILABLE ON ALL SPECS EXCEPT AUSTRALIAN, CE & CHINA SPECS).....	38
FIGURE 1-12. TIRE & WHEEL INSTALLATION - IN355-55 D625 PNEUMATIC WITH TIRE SEALANT (AVAILABLE ON ALL SPECS EXCEPT AUSTRALIAN, CE & CHINA SPECS).....	40
FIGURE 1-13. TIRE & WHEEL INSTALLATION - IN355-55 D625 FOAM FILLED (AVAILABLE ON ALL SPECS).....	42
FIGURE 1-14. TIRE & WHEEL INSTALLATION - IN355-55 D625 FOAM FILLED NON-MARKING (AVAILABLE ON ALL SPECS).....	44
FIGURE 1-15. TIRE & WHEEL INSTALLATION - 41-18LL X 22.5 PNEUMATIC TURF & SAND (AVAILABLE ON ALL SPECS EXCEPT AUSTRALIAN, CE & CHINA SPECS).....	46
FIGURE 1-16. TIRE & WHEEL INSTALLATION - 41-18LL X 22.5 FOAM FILLED TURF & SAND (AVAILABLE ON ALL SPECS EXCEPT AUSTRALIAN & CE SPECS).....	48
FIGURE 1-17. MATTRACKS INSTALLATION.....	50
FIGURE 1-18. FRAME COVERS INSTALLATION - 2WS.....	54
FIGURE 1-19. FRAME COVERS INSTALLATION - 4WS.....	56
FIGURE 1-20. TOW BAR INSTALLATION (OPTIONAL).....	58
SECTION 2 - TURNTABLE.....	61
FIGURE 2-1. VALVE INSTALLATION - 600S WITH 2WS.....	62
FIGURE 2-2. VALVE INSTALLATION - 600S WITH 4WS.....	64
FIGURE 2-3. VALVE INSTALLATION - 660SJ WITH 2WS.....	66
FIGURE 2-4. VALVE INSTALLATION - 660SJ WITH 4WS.....	68
FIGURE 2-5. MAIN VALVE ASSEMBLY - 2WS.....	70
FIGURE 2-6. MAIN VALVE ASSEMBLY - 4WS.....	74
FIGURE 2-7. AXLE VALVE ASSEMBLY.....	78
FIGURE 2-8. SWING DRIVE INSTALLATION.....	80
FIGURE 2-9. SWING MOTOR/HUB ASSEMBLY.....	82
FIGURE 2-10. TURNTABLE BEARING AND LUBE INSTALLATION	86
FIGURE 2-11. TURNTABLE LOCK INSTALLATION.....	88
FIGURE 2-12. ROTARY COUPLING INSTALLATION - 2WS.....	90
FIGURE 2-13. ROTARY COUPLING ASSEMBLY - 2WS.....	92
FIGURE 2-14. ROTARY COUPLING INSTALLATION - 4WS.....	94
FIGURE 2-15. TANKS INSTALLATION - DIESEL MACHINES (POLY FUEL TANK).....	96
FIGURE 2-16. TANKS INSTALLATION - DIESEL MACHINES (STEEL FUEL TANK).....	98
FIGURE 2-17. TANKS INSTALLATION - GAS MACHINES.....	100
FIGURE 2-18. HYDRAULIC TANK ASSEMBLY.....	102
FIGURE 2-19. BATTERY AND AUXILIARY PUMP INSTALLATION.....	104
FIGURE 2-20. BATTERY AND AUXILIARY PUMP W/DISCONNECT SWITCH INSTALLATION.....	106
FIGURE 2-21. ELECTRICAL COMPONENTS INSTALLATION - 600S WITH 2WS.....	108
FIGURE 2-22. ELECTRICAL COMPONENTS INSTALLATION - 600S WITH 4WS.....	110
FIGURE 2-23. ELECTRICAL COMPONENTS INSTALLATION - 660SJ WITH 2WS.....	112
FIGURE 2-24. ELECTRICAL COMPONENTS INSTALLATION - 660SJ WITH 4WS.....	114
FIGURE 2-25. GROUND CONTROL PANEL ASSEMBLY - 600S.....	116
FIGURE 2-26. GROUND CONTROL PANEL ASSEMBLY - 660SJ.....	118
FIGURE 2-27. KEYSWITCH INSTALLATION - 600S (ALL SPECS EXCEPT AUSTRALIAN AND CE SPECS).....	120
FIGURE 2-28. KEYSWITCH INSTALLATION - 600S (CE SPECS).....	122
FIGURE 2-29. KEYSWITCH INSTALLATION - 660SJ (ALL SPECS EXCEPT CE SPECS).....	124
FIGURE 2-30. KEYSWITCH INSTALLATION - 660SJ (CE SPECS).....	126
FIGURE 2-31. STROBE LIGHT INSTALLATION - AMBER (OPTIONAL).....	128
FIGURE 2-32. STROBE LIGHT INSTALLATION - BLUE (OPTIONAL) (SN 0300235168 through 0300259907, SN B30002655 through B300005754).....	130
FIGURE 2-33. STROBE LIGHT INSTALLATION - BLUE (OPTIONAL) (SN 0300259908 through 0300272445).....	132

TABLE OF CONTENTS

FIGURE 2-34. STROBE LIGHT INSTALLATION - RED (OPTIONAL) (SN 0300235168 through 0300259907, SN B30002655 through B300005754).....	134
FIGURE 2-35. STROBE LIGHT INSTALLATION - RED (OPTIONAL) (SN 0300259908 through 0300272445).....	136
FIGURE 2-36. HOODS INSTALLATIONS - ABS (DEUTZ D2.9L4 - 49HP ENGINE).....	138
FIGURE 2-37. HOODS INSTALLATIONS - ABS (DEUTZ D2011, DEUTZ TD2.9L4 - 67HP AND FORD ENGINES)	142
FIGURE 2-38. HOOD ASSEMBLY - TANK SIDE (ABS).....	146
FIGURE 2-39. HOOD ASSEMBLY - ENGINE SIDE (ABS).....	148
FIGURE 2-40. HOODS INSTALLATIONS - STEEL (DEUTZ D2.9L4 - 49HP ENGINE).....	150
FIGURE 2-41. HOODS INSTALLATIONS - STEEL (DEUTZ D2011, DEUTZ TD2.9L4 - 67HP AND FORD ENGINES)	154
FIGURE 2-42. HOOD ASSEMBLY - TANK SIDE (STEEL).....	158
FIGURE 2-43. HOOD ASSEMBLY - ENGINE SIDE (STEEL).....	160
FIGURE 2-44. COVERS INSTALLATION	162
FIGURE 2-45. WHITE NOISE ALARM INSTALLATION	164
SECTION 3 - ENGINE	167
FIGURE 3-1. DEUTZ D2011 ENGINE INSTALLATION - WITHOUT ARCTIC PACKAGE.....	168
FIGURE 3-2. DEUTZ D2011 ENGINE AND PUMPS SUB-ASSEMBLY - WITHOUT ARCTIC PACKAGE	172
FIGURE 3-3. DEUTZ D2011 ENGINE ASSEMBLY - WITHOUT ARCTIC PACKAGE	174
FIGURE 3-4. DEUTZ D2011 ENGINE INSTALLATION - WITH ARCTIC PACKAGE	178
FIGURE 3-5. DEUTZ D2011 ENGINE AND PUMPS SUB-ASSEMBLY - WITH ARCTIC PACKAGE	182
FIGURE 3-6. DEUTZ D2011 ENGINE ASSEMBLY - WITH ARCTIC PACKAGE	184
FIGURE 3-7. DEUTZ D2011 ENGINE COMPONENTS	188
FIGURE 3-8. DEUTZ D2011 (STAGE V) ENGINE INSTALLATION	192
FIGURE 3-9. DEUTZ D2011 (STAGE V) ENGINE AND PUMPS SUB-ASSEMBLY	194
FIGURE 3-10. DEUTZ D2011 (STAGE V) ENGINE ASSEMBLY	196
FIGURE 3-11. DEUTZ D2011 (STAGE V) ENGINE COMPONENTS	200
FIGURE 3-12. DEUTZ D2.9L4 - 49HP ENGINE INSTALLATION - WITHOUT ARCTIC PACKAGE.....	204
FIGURE 3-13. DEUTZ D2.9L4 - 49HP ENGINE AND PUMPS SUB-ASSEMBLY - WITHOUT ARCTIC PACKAGE	208
FIGURE 3-14. DEUTZ D2.9L4 - 49HP ENGINE ASSEMBLY - WITHOUT ARCTIC PACKAGE	210
FIGURE 3-15. DEUTZ D2.9L4 - 49HP ENGINE INSTALLATION - WITH ARCTIC PACKAGE	214
FIGURE 3-16. DEUTZ D2.9L4 - 49HP ENGINE AND PUMPS SUB-ASSEMBLY - WITH ARCTIC PACKAGE.....	218
FIGURE 3-17. DEUTZ D2.9L4 - 49HP ENGINE ASSEMBLY - WITH ARCTIC PACKAGE	220
FIGURE 3-18. DEUTZ D2.9L4 - 49HP ENGINE COMPONENTS.....	224
FIGURE 3-19. DEUTZ TD2.9L4 - 67HP ENGINE INSTALLATION - WITHOUT ARCTIC PACKAGE	228
FIGURE 3-20. DEUTZ TD2.9L4 - 67HP ENGINE AND PUMPS SUB-ASSEMBLY - WITHOUT ARCTIC PACKAGE.....	232
FIGURE 3-21. DEUTZ TD2.9L4 - 67HP ENGINE ASSEMBLY - WITHOUT ARCTIC PACKAGE.....	234
FIGURE 3-22. DEUTZ TD2.9L4 - 67HP ENGINE INSTALLATION - WITH ARCTIC PACKAGE	240
FIGURE 3-23. DEUTZ TD2.9L4 - 67HP ENGINE AND PUMPS SUB-ASSEMBLY - WITH ARCTIC PACKAGE	244
FIGURE 3-24. DEUTZ TD2.9L4 - 67HP ENGINE ASSEMBLY - WITH ARCTIC PACKAGE	246
FIGURE 3-25. DEUTZ TD2.9L4 - 67HP ENGINE COMPONENTS.....	252
FIGURE 3-26. BREATHER HEATER INSTALLATION - DEUTZ D2.9L4 - 49HP AND DEUTZ TD2.9L4 - 67HP ENGINES WITH ARCTIC PACKAGE.....	258
FIGURE 3-27. FORD ENGINE INSTALLATION - WITHOUT ARCTIC PACKAGE	260
FIGURE 3-28. FORD ENGINE AND PUMPS SUB-ASSEMBLY - WITHOUT ARCTIC PACKAGE	264
FIGURE 3-29. FORD ENGINE ASSEMBLY - WITHOUT ARCTIC PACKAGE	266
FIGURE 3-30. FORD ENGINE INSTALLATION - WITH ARCTIC PACKAGE.....	272
FIGURE 3-31. FORD ENGINE AND PUMPS SUB-ASSEMBLY - WITH ARCTIC PACKAGE	276
FIGURE 3-32. FORD ENGINE ASSEMBLY - WITH ARCTIC PACKAGE.....	278
FIGURE 3-33. FORD ENGINE PREP ASSEMBLY - PUMP COUPLING.....	284
FIGURE 3-34. FORD ENGINE COMPONENTS	286
FIGURE 3-35. PUMP COUPLING KIT (DEUTZ ENGINES).....	290
FIGURE 3-36. PISTON PUMP ASSEMBLY.....	292
FIGURE 3-37. FUEL FILTER INSTALLATION (POLY FUEL TANK)	296
FIGURE 3-38. FUEL FILTER INSTALLATION (STEEL FUEL TANK) (DEUTZ D2011 ENGINES).....	298
FIGURE 3-39. FUEL PUMP AND FILTER INSTALLATION (STEEL FUEL TANK) (DEUTZ D2.9L4 - 49HP AND DEUTZ TD2.9L4 - 67HP ENGINES).....	300
FIGURE 3-40. LP TANK AND BRACKETS INSTALLATION (FORD ENGINE)	302
FIGURE 3-41. MUFFLER INSTALLATION - SPARK ARRESTING (DEUTZ D2011 ENGINES) (OPTIONAL)	304
FIGURE 3-42. MUFFLER INSTALLATION - CATALYTIC (DEUTZ D2011 ENGINES) (OPTIONAL)	306
FIGURE 3-43. MUFFLER INSTALLATION - SPARK ARRESTING (FORD ENGINES) (OPTIONAL)	308
FIGURE 3-44. EXHAUST PIPE INSTALLATION (DEUTZ D2011 ENGINES)	310
FIGURE 3-45. ENGINE HOOD BAFFLES INSTALLATION - ABS HOODS (DEUTZ D2.9L4 - 49HP ENGINES).....	312
FIGURE 3-46. ENGINE HOOD BAFFLES INSTALLATION - ABS HOODS (DEUTZ D2011, DEUTZ TD2.9L4 - 67HP AND FORD ENGINES).....	314
FIGURE 3-47. ENGINE HOOD BAFFLES INSTALLATION - STEEL HOODS (DEUTZ D2.9L4 - 49HP ENGINES)	316

TABLE OF CONTENTS

FIGURE 3-48. ENGINE HOOD BAFFLES INSTALLATION - STEEL HOODS (DEUTZ D2011, DEUTZ TD2.9L4 - 67HP AND FORD ENGINES)	318
FIGURE 3-49. NOISE REDUCTION PACKAGE	320
FIGURE 3-50. TRAY JACK INSTALLATION (DEUTZ D2.9L4 - 49HP ENGINES).....	322
FIGURE 3-51. TRAY JACK INSTALLATION (DEUTZ D2011, DEUTZ TD2.9L4 - 67HP AND FORD ENGINES).....	324
FIGURE 3-52. MOTOR MOUNT INSTALLATION - WITHOUT GENERATOR (DEUTZ D2011 ENGINES).....	326
FIGURE 3-53. MOTOR MOUNT INSTALLATION - WITH GENERATOR (DEUTZ D2011 ENGINES)	328
FIGURE 3-54. MOTOR MOUNT INSTALLATION - WITHOUT GENERATOR (DEUTZ D2.9L4 - 49HP ENGINES).....	330
FIGURE 3-55. MOTOR MOUNT INSTALLATION - WITHOUT GENERATOR (DEUTZ TD2.9L4 - 67HP ENGINES).....	332
FIGURE 3-56. MOTOR MOUNT INSTALLATION - WITH GENERATOR (DEUTZ D2.9L4 - 49HP ENGINES)	334
FIGURE 3-57. MOTOR MOUNT INSTALLATION - WITH GENERATOR (DEUTZ TD2.9L4 - 67HP ENGINES).....	336
FIGURE 3-58. BELT WITHOUT GENERATOR INSTALLATION (FORD ENGINES).....	338
FIGURE 3-59. 2500W GENERATOR INSTALLATION - 220V/50HZ (DEUTZ D2011 ENGINES) (OPTIONAL)	340
FIGURE 3-60. 2500W GENERATOR INSTALLATION - 110V/60HZ (DEUTZ D2011 ENGINES) (OPTIONAL)	342
FIGURE 3-61. 2500W GENERATOR INSTALLATION - 110V/60HZ (DEUTZ D2.9L4 - 49HP ENGINES) (OPTIONAL)	344
FIGURE 3-62. 2500W GENERATOR INSTALLATION - 110V/60HZ (DEUTZ TD2.9L4 - 67HP ENGINES) (OPTIONAL).....	348
FIGURE 3-63. 2500W GENERATOR INSTALLATION - 110V/60HZ (FORD ENGINES) (OPTIONAL)	352
FIGURE 3-64. 4000W GENERATOR INSTALLATION - 220V/50HZ (DEUTZ D2011 ENGINES) (OPTIONAL)	354
FIGURE 3-65. 4000W GENERATOR INSTALLATION - 110V/60HZ (DEUTZ D2011 ENGINES) (OPTIONAL)	358
FIGURE 3-66. 4000W GENERATOR INSTALLATION - 110V/60HZ (DEUTZ D2.9L4 - 49HP ENGINES) (OPTIONAL)	362
FIGURE 3-67. 4000W GENERATOR INSTALLATION - 110V/60HZ (DEUTZ TD2.9L4 - 67HP ENGINES) (OPTIONAL).....	366
FIGURE 3-68. 7500W SKYPOWER GENERATOR INSTALLATION - 220V/50HZ (DEUTZ D2011 ENGINES) (OPTIONAL).....	370
FIGURE 3-69. 7500W SKYPOWER GENERATOR INSTALLATION - 110/60HZ (DEUTZ D2011 ENGINES) (OPTIONAL)	374
FIGURE 3-70. 7500W SKYPOWER GENERATOR INSTALLATION - 110V/60HZ (DEUTZ D2.9L4 - 49HP ENGINES) (OPTIONAL)	378
FIGURE 3-71. 7500W SKYPOWER GENERATOR INSTALLATION - 110V/60HZ (DEUTZ TD2.9L4 - 67HP ENGINES) (OPTIONAL)	382
FIGURE 3-72. 7500W SKYPOWER GENERATOR INSTALLATION - 110V/60HZ (FORD ENGINES) (OPTIONAL)	386
SECTION 4 - BOOM	389
FIGURE 4-1. BOOM INSTALLATION - 600S	390
FIGURE 4-2. BOOM INSTALLATION - 660SJ	394
FIGURE 4-3. BOOM ASSEMBLY - 600S	398
FIGURE 4-4. BOOM ASSEMBLY - 660SJ	402
FIGURE 4-5. JIB ASSEMBLY - 660SJ (USA BUILT MACHINES).....	406
FIGURE 4-6. JIB ASSEMBLY - 660SJ (CHINA BUILT MACHINES).....	408
FIGURE 4-7. PLATFORM ROTATOR ASSEMBLY - 600S	410
FIGURE 4-8. PLATFORM ROTATOR ASSEMBLY - 660SJ.....	412
FIGURE 4-9. POWER TRACK INSTALLATION	414
FIGURE 4-10. BOOM VALVES INSTALLATION - 600S WITH 2WS	416
FIGURE 4-11. BOOM VALVES INSTALLATION - 600S WITH 4WS	418
FIGURE 4-12. BOOM VALVES INSTALLATION - 660SJ WITH 2WS.....	420
FIGURE 4-13. BOOM VALVES INSTALLATION - 660SJ WITH 4WS.....	422
FIGURE 4-14. PLATFORM VALVE ASSEMBLY - 600S	424
FIGURE 4-15. PLATFORM VALVE ASSEMBLY - 660SJ	426
FIGURE 4-16. BOOM SENSORS INSTALLATION - 600S.....	428
FIGURE 4-17. BOOM SENSORS INSTALLATION - 660SJ.....	430
FIGURE 4-18. PLATFORM SUPPORT INSTALLATION - WITHOUT LSS (SN 0300235168 through 0300251320, SN B300002655 through B300003386).....	432
FIGURE 4-19. PLATFORM SUPPORT INSTALLATION - WITHOUT LSS (SN 0300251321 through 0300272445, SN B300003387 through B300005754).....	434
FIGURE 4-20. PLATFORM SUPPORT INSTALLATION - WITH LSS.....	436
SECTION 5 - PLATFORM.....	439
FIGURE 5-1. PLATFORM ASSEMBLY - 30IN X 3FT (76CM X .91M) - DROP BAR ENTRY	440
FIGURE 5-2. PLATFORM ASSEMBLY - 30IN X 4FT (76CM X 1.22M) WITH SWING GATE	442
FIGURE 5-3. PLATFORM ASSEMBLY - 30IN X 4FT (76CM X 1.22M) WITH DROP BAR	444
FIGURE 5-4. PLATFORM ASSEMBLY - 30IN X 5FT (76CM X 1.52M) WITH SWING GATE	446
FIGURE 5-5. PLATFORM ASSEMBLY - 30IN X 5FT (76CM X 1.52M) WITH DROP BAR	448
FIGURE 5-6. PLATFORM ASSEMBLY - 36IN X 6FT (91.5CM X 1.83M) WITH SWING GATE	450
FIGURE 5-7. PLATFORM ASSEMBLY - 36IN X 6FT (91.5CM X 1.83M) WITH DROP BAR	452
FIGURE 5-8. PLATFORM ASSEMBLY - 36IN X 6FT (91.5CM X 1.83M) WITH FALL ARREST (ANSI, ANSI EXPORT, CHINA AND CSA SPECS)	454
FIGURE 5-9. PLATFORM ASSEMBLY - 36IN X 6FT (91.5CM X 1.83M) TRI-ENTRY WITH SWING GATE	456
FIGURE 5-10. PLATFORM ASSEMBLY - 36IN X 6FT (91.5CM X 1.83M) TRI-ENTRY WITH DROP BAR	458

TABLE OF CONTENTS

FIGURE 5-11. PLATFORM ASSEMBLY - 36IN X 8FT (91.5CM X 2.44M) WITH SWING GATE	460
FIGURE 5-12. PLATFORM ASSEMBLY - 36IN X 8FT (91.5CM X 2.44M) WITH TRI-ENTRY (1 GATE/2 DROP BARS)	462
FIGURE 5-13. PLATFORM ASSEMBLY - 36IN X 8FT (91.5CM X 2.44M) WITH DROP BAR	464
FIGURE 5-14. PLATFORM ASSEMBLY - 36IN X 8FT (91.5CM X 2.44M) WITH TRI-ENTRY (3 DROP BARS)	466
FIGURE 5-15. PLATFORM ASSEMBLY - 36IN X 8FT (91.5CM X 2.44M) WITH FALL ARREST	468
FIGURE 5-16. TRAY ASSEMBLY	470
FIGURE 5-17. PLATFORM CONSOLE AND FOOTSWITCH INSTALLATION (SN 0300235168 through 0300259907, SN B30002655 through B300005754)	472
FIGURE 5-18. PLATFORM CONSOLE AND FOOTSWITCH INSTALLATION (SN 0300259908 through 0300272445)	474
FIGURE 5-19. CONSOLE BOX ASSEMBLY (SN 0300235168 through 0300259907, SN B30002655 through B300005754)	476
FIGURE 5-20. CONSOLE BOX ASSEMBLY (SN 0300259908 through 0300272445)	480
FIGURE 5-21. DECAL AND LIGHT PANEL INSTALLATION - 600S (ALL SPECS EXCEPT AUSTRALIAN AND CE SPECS)	484
FIGURE 5-22. DECAL AND LIGHT PANEL INSTALLATION - 600S (CE SPECS)	486
FIGURE 5-23. DECAL AND LIGHT PANEL INSTALLATION - 660SJ (ALL SPECS EXCEPT AUSTRALIAN AND CE SPECS)	488
FIGURE 5-24. DECAL AND LIGHT PANEL INSTALLATION - 660SJ (AUSTRALIAN AND CE SPECS)	490
FIGURE 5-25. STEER SWITCH INSTALLATION WITHOUT TOW PACKAGE (4WD/4WS MACHINES)	492
FIGURE 5-26. STEER SWITCH INSTALLATION WITH TOW PACKAGE (4WD/4WS MACHINES)	494
FIGURE 5-27. CONTROLLER ASSEMBLY (DRIVE AND STEER)	496
FIGURE 5-28. CONTROLLER ASSEMBLY (LIFT AND SWING)	498
FIGURE 5-29. FOOTSWITCH ASSEMBLY	502
FIGURE 5-30. SKYGUARD INSTALLATION (SN 0300235168 through 0300259907, SN B30002655 through B300005754)	504
FIGURE 5-31. SKYGUARD BAR INSTALLATION (SN 0300259908 through 0300272445)	506
FIGURE 5-32. CROSS RAIL INSTALLATION	508
FIGURE 5-33. SKYEYE INSTALLATION	510
FIGURE 5-34. SOFT TOUCH INSTALLATION - 6FT (1.83M) PLATFORM (OPTIONAL)	512
FIGURE 5-35. SOFT TOUCH INSTALLATION - 6FT (1.83M) FALL ARREST PLATFORM (600S) (OPTIONAL)	514
FIGURE 5-36. SOFT TOUCH INSTALLATION - 8FT (2.4M) PLATFORM (OPTIONAL)	516
FIGURE 5-37. SOFT TOUCH INSTALLATION - 8FT (2.4M) FALL ARREST PLATFORM (600S) (OPTIONAL)	518
FIGURE 5-38. SOFT TOUCH INSTALLATION - OVERHEAD (CHINESE AND KOREAN SPECS) (OPTIONAL)	520
FIGURE 5-39. SKYGLAZIER INSTALLATION - 600S & 660SJ (ANSI, AUSTRALIAN AND CSA SPECS)	522
FIGURE 5-40. SKYGLAZIER INSTALLATION - 600S (BRAZIL SPECS)	524
FIGURE 5-41. SKYGLAZIER INSTALLATION - 600S (LATIN AMERICAN SPECS)	526
FIGURE 5-42. SKYLINE INSTALLATION	528
FIGURE 5-43. SKYWELDER INSTALLATION (50HZ)	530
FIGURE 5-44. SKYWELDER INSTALLATION (60HZ)	532
FIGURE 5-45. SKYWELDER PREP PACKAGE (60HZ)	534
FIGURE 5-46. WELDER ASSEMBLY	536
FIGURE 5-47. PIPE RACK INSTALLATION (ANSI AND CSA SPECS)	538
FIGURE 5-48. PIPE RACK INSTALLATION (AUSTRALIAN SPECS)	540
FIGURE 5-49. FALL ARREST INSTALLATION (BOLT-ON EXTERNAL) (6FT/1.82M PLATFORM)	542
FIGURE 5-50. FALL ARREST INSTALLATION (BOLT-ON EXTERNAL) (6FT/1.82M TRI-ENTRY PLATFORM)	544
FIGURE 5-51. FALL ARREST INSTALLATION (BOLT-ON EXTERNAL) (8FT/2.4M PLATFORM)	546
 SECTION 6 - CYLINDER	 549
FIGURE 6-1. AXLE LOCKOUT CYLINDER ASSEMBLY	550
FIGURE 6-2. LEVEL CYLINDER ASSEMBLY - PLATFORM SLAVE (600S)	552
FIGURE 6-3. LEVEL CYLINDER ASSEMBLY - PLATFORM SLAVE (660SJ)	554
FIGURE 6-4. LIFT CYLINDER ASSEMBLY - BOOM	556
FIGURE 6-5. LIFT CYLINDER ASSEMBLY - JIB (660SJ) (ORIGINAL EQUIPMENT) (SN 0300235168 through 03000237971, SN B300002216 through B300002338)	558
FIGURE 6-6. LIFT CYLINDER ASSEMBLY - JIB (660SJ) (SERVICE REPLACEMENT) (SN 0300235168 through 03000237971, SN B300002216 through B300002338)	560
FIGURE 6-7. LIFT CYLINDER ASSEMBLY - JIB (660SJ) (SERVICE REPLACEMENT) (SN 0300235168 through 03000237971, SN B300002216 through B300002338)	562
FIGURE 6-8. LIFT CYLINDER ASSEMBLY - JIB (660SJ) (SN 0300237972 through 0300245222, SN B300002339 through B300005754)	564
FIGURE 6-9. LIFT CYLINDER ASSEMBLY - JIB (660SJ) (SN 0300237157 through 0300272445)	568
FIGURE 6-10. STEER CYLINDER ASSEMBLY	570
FIGURE 6-11. TELESCOPE CYLINDER ASSEMBLY (SN 0300235168 through 0300237156, SN B300002655 through B300002781)	572
FIGURE 6-12. TELESCOPE CYLINDER ASSEMBLY (SN 0300237157 through 0300250001, SN B300002782 through B300003104)	574
FIGURE 6-13. TELESCOPE CYLINDER ASSEMBLY (SN 0300250002 through 0300272445, SN B300003105 through B300005754)	576
 SECTION 7 - HYDRAULIC	 579

TABLE OF CONTENTS

FIGURE 7-1. DRIVE HYDRAULIC DIAGRAM (2WS WITHOUT ARCTIC PACKAGE)	580
FIGURE 7-2. DRIVE HYDRAULIC DIAGRAM (2WS WITH ARCTIC PACKAGE)	584
FIGURE 7-3. DRIVE HYDRAULIC DIAGRAM (4WS).....	588
FIGURE 7-4. STANDARD HYDRAULIC DIAGRAM (600S 2WS) (SN 0300235168 through 0300260918, SN B300002655 through B300005754).....	592
FIGURE 7-5. STANDARD HYDRAULIC DIAGRAM (600S 2WS) (SN 0300260919 through 0300272445).....	598
FIGURE 7-6. STANDARD HYDRAULIC DIAGRAM (600S 4WS) (SN 0300235168 through 0300260918, SN B300002655 through B300005754).....	604
FIGURE 7-7. STANDARD HYDRAULIC DIAGRAM (600S 4WS) (SN 0300260919 through 0300272445).....	610
FIGURE 7-8. STANDARD HYDRAULIC DIAGRAM (660SJ 2WS) (SN 0300235168 through 0300260918, SN B300002655 through B300005754).....	616
FIGURE 7-9. STANDARD HYDRAULIC DIAGRAM (660SJ 2WS) (SN 0300260919 through 0300272445).....	622
FIGURE 7-10. STANDARD HYDRAULIC DIAGRAM (660SJ 4WS) (SN 0300235168 through 0300260918, SN B300002655 through B300005754).....	628
FIGURE 7-11. STANDARD HYDRAULIC DIAGRAM (660SJ 4WS) (SN 0300260919 through 0300272445).....	634
FIGURE 7-12. HYDRAULIC DIAGRAM LIST	640
 SECTION 8 - ELECTRICAL	 641
FIGURE 8-1. 660SJ ELECTRICAL LAYOUT.....	642
FIGURE 8-2. AC BOX AT PLATFORM INSTALLATION - 110V (ALL SPECS EXCEPT AUSTRALIAN & CE SPECS).....	656
FIGURE 8-3. AC BOX AT PLATFORM INSTALLATION - 110V IEC YELLOW (CE SPECS WITHOUT 4000W/50HZ GENERATOR).....	658
FIGURE 8-4. AC BOX AT PLATFORM INSTALLATION - 110V IEC YELLOW (CE SPECS WITH 4000W/50HZ GENERATOR)	660
FIGURE 8-5. AC BOX AT PLATFORM INSTALLATION - 220V IEC BLUE (CE SPECS WITHOUT 4000W/50HZ GENERATOR)	662
FIGURE 8-6. AC BOX AT PLATFORM INSTALLATION - 220V IEC BLUE (CE SPECS WITH 4000W/50HZ GENERATOR)	664
FIGURE 8-7. AC BOX AT PLATFORM INSTALLATION - 220V CEE7 2IN X 4IN POST GROUND (CE SPECS WITHOUT 4000W/50HZ GENERATOR).....	666
FIGURE 8-8. AC BOX AT PLATFORM INSTALLATION - 220V CEE7 2IN X 4IN POST GROUND (CE SPECS WITH 4000W/50HZ GENERATOR).....	668
FIGURE 8-9. AC BOX AT PLATFORM INSTALLATION - 220V CEE7 2IN X 4IN SIDE GROUND (CE SPECS WITHOUT 4000W/50HZ GENERATOR).....	670
FIGURE 8-10. AC BOX AT PLATFORM INSTALLATION - 220V CEE7 2IN X 4IN SIDE GROUND (CE SPECS WITH 4000W/50HZ GENERATOR).....	672
FIGURE 8-11. AC BOX AT PLATFORM INSTALLATION - 220V AFSINT107 (CE SPECS WITHOUT 4000W/50HZ GENERATOR).....	674
FIGURE 8-12. AC BOX AT PLATFORM INSTALLATION - 220V AFSINT107 (CE SPECS WITH 4000W/50HZ GENERATOR).....	676
FIGURE 8-13. AC BOX AT PLATFORM INSTALLATION - 220V CUSTOMER SUPPLIED COMPONENTS (ANSI EXPORT, AUSTRALIAN, CE AND CHINA SPECS)	678
FIGURE 8-14. AC BOX AT PLATFORM INSTALLATION - 240V (WITH 4000W GENERATOR) (ALL SPECS EXCEPT AUSTRALIAN & CE SPECS).....	680
FIGURE 8-15. AC BOX AT PLATFORM INSTALLATION - 240V (WITH 7500W SKYPOWER GENERATOR) (ALL SPECS EXCEPT AUSTRALIAN & CE SPECS)	682
FIGURE 8-16. AC BREAKER BOX INSTALLATION - SINGLE DOUBLE POLE BREAKER	684
FIGURE 8-17. AC BREAKER BOX INSTALLATION - 3 BREAKERS	686
FIGURE 8-18. AC CABLES AND CLAMPS INSTALLATION - 600S WITHOUT GENERATOR (ANSI, CSA AND JAPANESE SPECS)	688
FIGURE 8-19. AC CABLES AND CLAMPS INSTALLATION - 600S WITHOUT GENERATOR (ANSI EXPORT, CE AND CHINA SPECS)	690
FIGURE 8-20. AC CABLES AND CLAMPS INSTALLATION - 600S WITH 2500W GENERATOR (ALL SPECS EXCEPT AUSTRALIAN AND CE SPECS)	692
FIGURE 8-21. AC CABLES AND CLAMPS INSTALLATION - 600S WITH 4000W/60HZ GENERATOR (ALL SPECS EXCEPT AUSTRALIAN, CE AND CHINA SPECS)	694
FIGURE 8-22. AC CABLES AND CLAMPS INSTALLATION - 600S WITH 4000W/50HZ GENERATOR (ANSI EXPORT, CE AND CHINA SPECS).....	696
FIGURE 8-23. AC CABLES AND CLAMPS INSTALLATION - 600S WITH 7500W SKYPOWER GENERATOR	698
FIGURE 8-24. AC CABLES AND CLAMPS INSTALLATION - 660SJ WITHOUT GENERATOR (ANSI, CSA AND JAPANESE SPECS)	700
FIGURE 8-25. AC CABLES AND CLAMPS INSTALLATION - 660SJ WITHOUT GENERATOR (ANSI EXPORT, AUSTRALIAN, CE AND CHINA SPECS).....	702
FIGURE 8-26. AC CABLES AND CLAMPS INSTALLATION - 660SJ WITH 2500W GENERATOR (ALL SPECS EXCEPT CE SPECS)	704
FIGURE 8-27. AC CABLES AND CLAMPS INSTALLATION - 660SJ WITH 4000W/60HZ GENERATOR (ALL SPECS EXCEPT AUSTRALIAN, CE AND CHINA SPECS)	706

TABLE OF CONTENTS

FIGURE 8-28. AC CABLES AND CLAMPS INSTALLATION - 660SJ WITH 4000W/50HZ GENERATOR (ANSI EXPORT, AUSTRALIAN AND CE SPECS).....	708
FIGURE 8-29. AC CABLES AND CLAMPS INSTALLATION - 660SJ WITH 7500W SKYPOWER GENERATOR.....	710
FIGURE 8-30. BATTERY DISCONNECT SWITCH INSTALLATION.....	712
FIGURE 8-31. BREAKER BOX KIT - SINGLE DOUBLE POLE BREAKER (WITHOUT 4000W/50HZ GENERATOR).....	714
FIGURE 8-32. BREAKER BOX KIT - SINGLE DOUBLE POLE BREAKER (WITH 4000W/50HZ GENERATOR).....	716
FIGURE 8-33. BREAKER BOX KIT - 3 BREAKERS (SN 0300235168 through 0300237156).....	718
FIGURE 8-34. BREAKER BOX KIT - 3 BREAKERS (SN 0300237157 through 0300272445).....	720
FIGURE 8-35. BOOM ANGLE SENSOR HARNESS.....	722
FIGURE 8-36. BOOM CABLE - LOWER.....	724
FIGURE 8-37. BOOM CABLE - UPPER (600S).....	726
FIGURE 8-38. BOOM CABLE - UPPER (660SJ).....	728
FIGURE 8-39. CAPACITY PROXIMITY HARNESS (SN 0300235168 through 0300257780, SN B300002655 through B300005754).....	730
FIGURE 8-40. CAPACITY PROXIMITY HARNESS (SN 0300257781 through 0300272445).....	732
FIGURE 8-41. CAPACITY PROXIMITY HARNESS (SN 0300257781 through 0300272445).....	734
FIGURE 8-42. ELECTRICAL COMPONENTS INSTALLATION - 600S WITH 2WS.....	736
FIGURE 8-43. ELECTRICAL COMPONENTS INSTALLATION - 600S WITH 4WS.....	738
FIGURE 8-44. ELECTRICAL COMPONENTS INSTALLATION - 660SJ WITH 2WS.....	740
FIGURE 8-45. ELECTRICAL COMPONENTS INSTALLATION - 660SJ WITH 4WS.....	742
FIGURE 8-46. ENGINE HARNESS - DEUTZ D2011 ENGINES.....	744
FIGURE 8-47. ENGINE HARNESS - DEUTZ TD2.9L4 - 67HP ENGINES (SN 0300235168 through 0300237156, SN B300002655 through B300002681).....	746
FIGURE 8-48. ENGINE HARNESS - DEUTZ D2.9L4 - 49HP AND DEUTZ TD2.9L4 - 67HP ENGINES (SN 0300237156 through 0300272445, SN B300002682 through B300005754).....	750
FIGURE 8-49. ENGINE HARNESS - FORD ENGINES.....	754
FIGURE 8-50. FUEL PUMP HARNESS - DEUTZ D2.9L4 - 49HP AND DEUTZ TD2.9L4 - 67HP ENGINES.....	756
FIGURE 8-51. GENERATOR HARNESS - 2500W.....	758
FIGURE 8-52. GENERATOR HARNESS - 4000W.....	760
FIGURE 8-53. GENERATOR HARNESS - 7500W SKYPOWER.....	762
FIGURE 8-54. GENERATOR RECEPTACLE BOX TO AC PLUG HARNESS (2500W GENERATOR) (SN 0300235168 through 0300255131, SN B300002655 through B300003965).....	764
FIGURE 8-55. GENERATOR TO ENGINE HARNESS - 7500W SKYPOWER GENERATOR (DEUTZ D2011 ONLY).....	766
FIGURE 8-56. GROUND CONTROL HARNESS.....	768
FIGURE 8-57. INTERFACE HARNESS - WITH 1 CELL LSS.....	770
FIGURE 8-58. LIFT CYLINDER HARNESS.....	772
FIGURE 8-59. MAIN VALVE HARNESS (2WS).....	774
FIGURE 8-60. MAIN VALVE HARNESS (4WS).....	776
FIGURE 8-61. PLATFORM CONSOLE HARNESS (SN 0300235168 through 0300259907, SN B30002655 through B300005754).....	778
FIGURE 8-62. PLATFORM CONSOLE HARNESS (SN 0300259908 through 0300272445).....	782
FIGURE 8-63. PLATFORM VALVE HARNESS (600S).....	784
FIGURE 8-64. PLATFORM VALVE HARNESS (660SJ).....	786
FIGURE 8-65. RECEPTACLE BOX KIT - 110V IEC YELLOW (CE SPEC).....	788
FIGURE 8-66. RECEPTACLE BOX KIT - 220V IEC BLUE (CE SPEC).....	790
FIGURE 8-67. RECEPTACLE BOX KIT - 220V CEE7 POST GROUND 2X4 BOX (CE SPEC).....	792
FIGURE 8-68. RECEPTACLE BOX KIT - 220V CEE7 SIDE GROUND (CE SPEC).....	794
FIGURE 8-69. RECEPTACLE BOX KIT - 220V AFSINT 107 (CE SPEC).....	796
FIGURE 8-70. SKYEYE INTERMEDIATE HARNESS.....	798
FIGURE 8-71. SKYEYE EMITTER HARNESS.....	800
FIGURE 8-72. SKYEYE RECEIVER HARNESS.....	802
FIGURE 8-73. SKYLINE HARNESS.....	804
FIGURE 8-74. STROBE LIGHT CONTROL HARNESS (BLUE LIGHT).....	806
FIGURE 8-75. TELE PROXIMITY HARNESS.....	808
FIGURE 8-76. TURNTABLE HARNESS.....	810
SECTION 9 - DECALS.....	813
FIGURE 9-1. DECAL INSTALLATION - 600S (ANSI SPECS - ENGLISH LANGUAGE).....	814
FIGURE 9-2. DECAL INSTALLATION - 600S (BRAZIL SPECS - PORTUGUESE/SPANISH LANGUAGES).....	816
FIGURE 9-3. DECAL INSTALLATION - 600S (CE SPECS - ENGLISH LANGUAGE).....	818
FIGURE 9-4. DECAL INSTALLATION - 600S (CHINESE SPECS - ENGLISH/SIMPLIFIED CHINESE LANGUAGES).....	820
FIGURE 9-5. DECAL INSTALLATION - 600S (CHINESE SPECS - ENGLISH/TRADITIONAL CHINESE LANGUAGES).....	822
FIGURE 9-6. DECAL INSTALLATION - 600S (CSA SPECS - ENGLISH/FRENCH LANGUAGES).....	824
FIGURE 9-7. DECAL INSTALLATION - 600S (JAPANESE SPECS - ENGLISH/JAPANESE LANGUAGES).....	826
FIGURE 9-8. DECAL INSTALLATION - 600S (KOREAN SPECS - ENGLISH/KOREAN LANGUAGES).....	828
FIGURE 9-9. DECAL INSTALLATION - 600S (LATIN AMERICAN SPECS - ENGLISH/SPANISH LANGUAGES).....	830

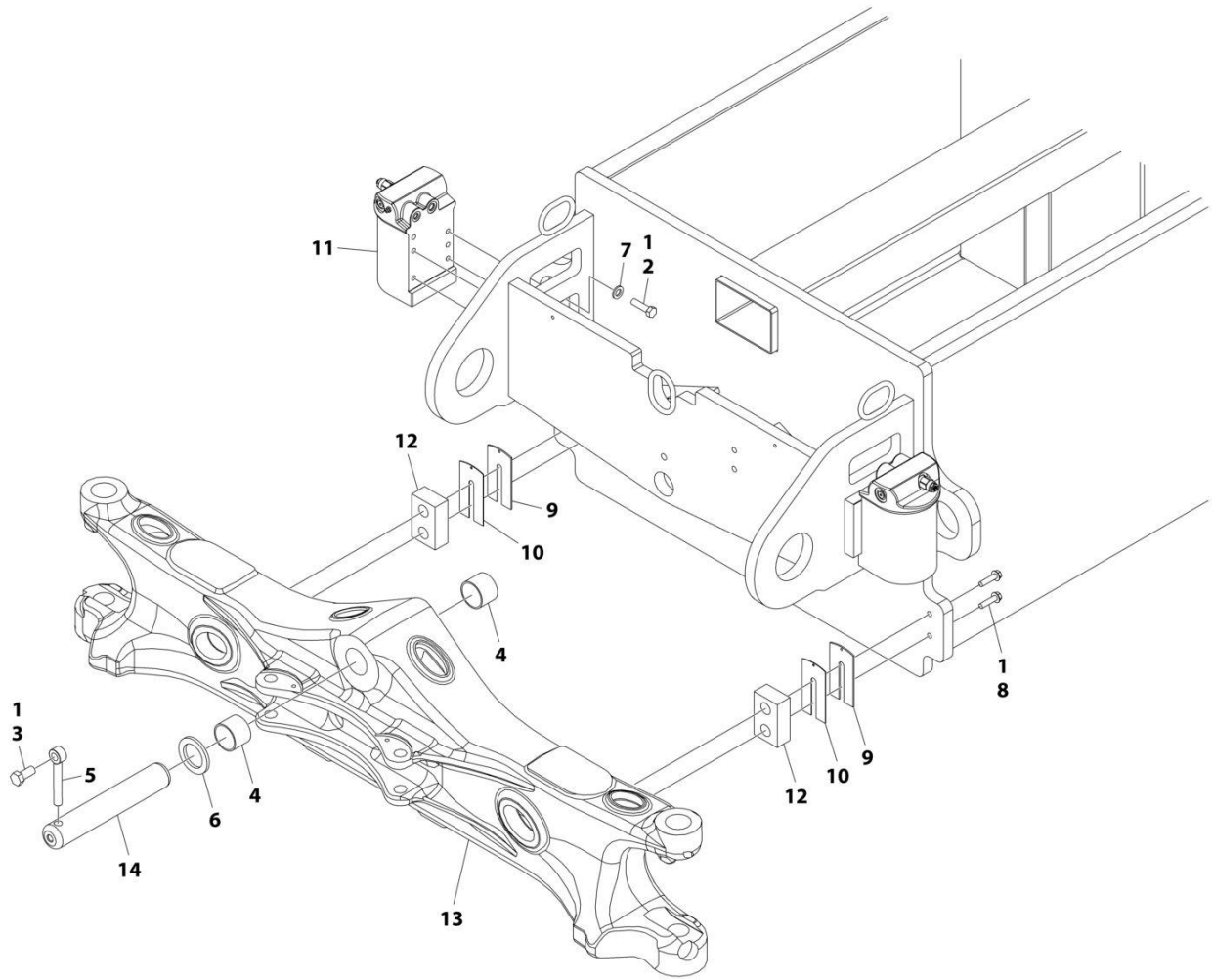
TABLE OF CONTENTS

FIGURE 9-10. DECAL INSTALLATION - 660SJ (ANSI SPECS - ENGLISH LANGUAGE).....	832
FIGURE 9-11. DECAL INSTALLATION - 660SJ (AUSTRALIAN SPECS - ENGLISH LANGUAGE).....	834
FIGURE 9-12. DECAL INSTALLATION - 660SJ (BRAZIL SPECS - PORTUGUESE/SPANISH LANGUAGES)	836
FIGURE 9-13. DECAL INSTALLATION - 660SJ (CE SPECS - ENGLISH LANGUAGE).....	838
FIGURE 9-14. DECAL INSTALLATION - 660SJ (CHINESE SPECS - ENGLISH/SIMPLIFIED CHINESE LANGUAGES)	840
FIGURE 9-15. DECAL INSTALLATION - 660SJ (CHINESE SPECS - ENGLISH/TRADITIONAL CHINESE LANGUAGES).....	842
FIGURE 9-16. DECAL INSTALLATION - 660SJ (CSA SPECS - ENGLISH/FRENCH LANGUAGES).....	844
FIGURE 9-17. DECAL INSTALLATION - 660SJ (JAPANESE SPECS - ENGLISH/JAPANESE LANGUAGES)	846
FIGURE 9-18. DECAL INSTALLATION - 660SJ (KOREAN SPECS - ENGLISH/KOREAN LANGUAGES).....	848
FIGURE 9-19. DECAL INSTALLATION - 660SJ (LATIN AMERICAN SPECS - ENGLISH/SPANISH LANGUAGES)	850
FIGURE 9-20. DECALS INSTALLATION - OPTIONS	852
FIGURE 9-21. DECAL INSTALLATION - TOW (ANSI SPECS)	856
FIGURE 9-22. DECAL INSTALLATION - TOW (CSA SPECS)	858
FIGURE 9-23. DECAL INSTALLATION - TOW (ANSI EXPORT & CE SPECS)	860
SECTION 10 - RECOMMENDED SERVICE PARTS STOCK.....	863
FIGURE 10-1. RECOMMENDED SERVICE PARTS STOCK	864
SECTION 11 - SPECIAL OPTIONS.....	867
FIGURE 11-1. SPECIAL OPTIONS.....	868
PART NUMBER INDEX.....	873

SECTION 1 - FRAME

SECTION 1 - FRAME

FIGURE 1-1. AXLE INSTALLATION - FRONT



ART_1001181774

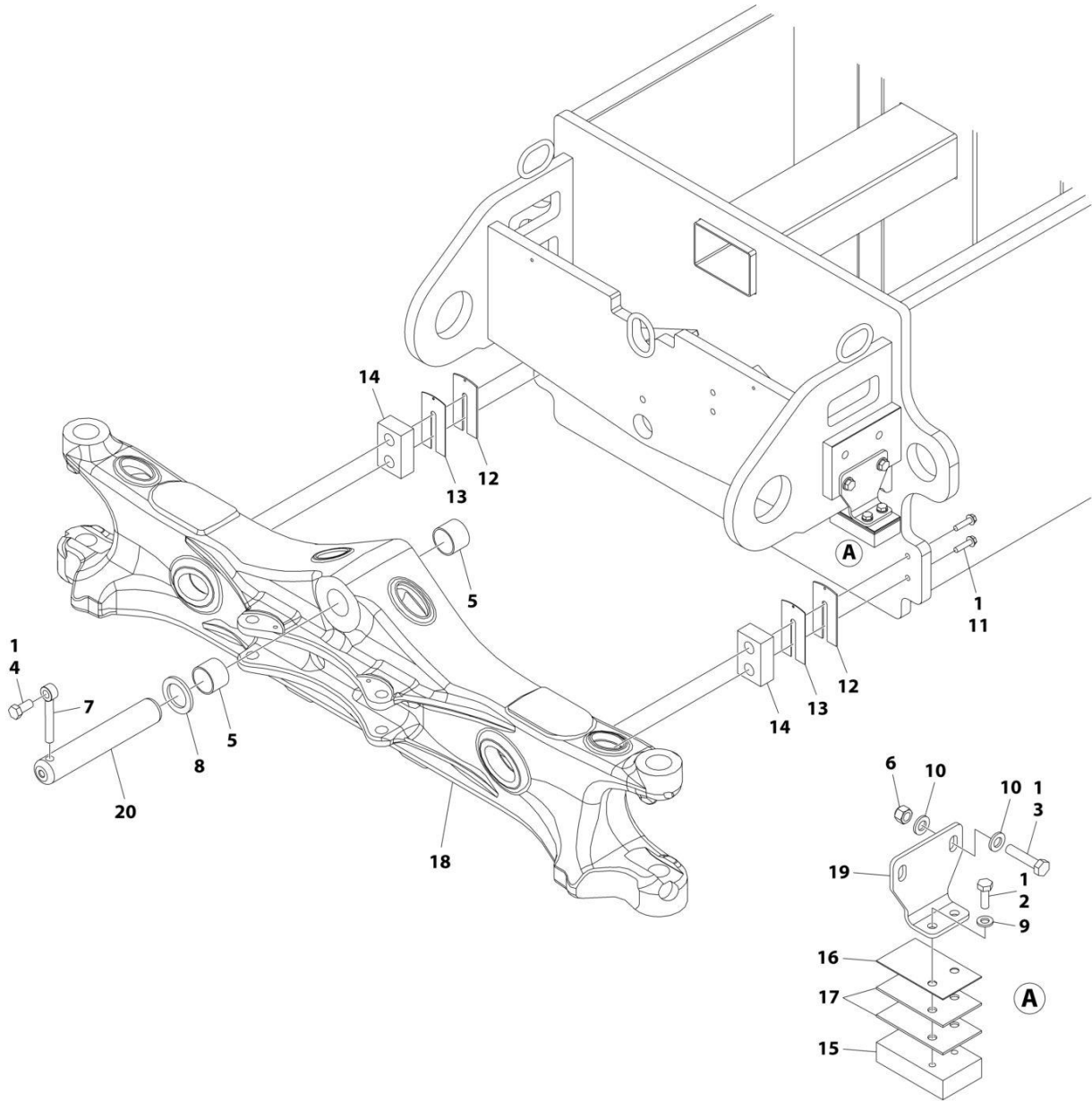
SECTION 1 - FRAME

FIGURE 1-1. AXLE INSTALLATION - FRONT

ITEM	PART NUMBER	QTY	DESCRIPTION	REV
	1001181774	Ref	AXLE INSTALLATION	B
1	0100011	AR	Compound, Locking	
2	0701217	8	Bolt M12 x 45	
3	0761615	1	Bolt M16 x 35	
4	0961950	2	Bearing	
5	3841258	1	Keeper, Pin	
6	4740158	1	Washer	
7	5241200	8	Washer M12	
8	5251016	4	Bolt M10 x 40	
9	1001150324	2	Shim (3mm)	
10	1001150326	2	Shim (1.2mm)	
11	1001219040	2	Axle Lockout Cylinder (See Separate Breakdown in CYLINDER SECTION)	
12	1001166563	2	Pad, Wear	
13	1001184209	1	Axle	
14	1001185030	1	Pin	

SECTION 1 - FRAME

FIGURE 1-2. AXLE INSTALLATION - REAR (4WS ONLY)



ART_1001181775

SECTION 1 - FRAME

FIGURE 1-2. AXLE INSTALLATION - REAR (4WS ONLY)

ITEM	PART NUMBER	QTY	DESCRIPTION	REV
	1001181775	Ref	AXLE INSTALLATION	A
	1001184691	Ref	AXLE INSTALLATION - REAR	D
1	0100011	AR	Compound, Locking	
2	0701014	4	Bolt M10 x 30	
3	0701219	4	Bolt M12 x 55	
4	0761615	1	Bolt M16 x 35	
5	0961950	2	Bearing	
6	3291205	4	Nut M12	
7	3841258	1	Keeper, Pin	
8	4740158	1	Washer	
9	5241000	4	Washer M10	
10	5241200	8	Washer M12	
11	5251016	4	Bolt M10 x 40	
12	1001150324	2	Shim (3mm)	
13	1001150326	2	Shim (1.2mm)	
14	1001166563	2	Pad, Wear	
15	1001209431	2	Block, Stop	
16	1001180315	2	Shim (1.5mm)	
17	1001180316	4	Shim (3mm)	
18	1001184209	1	Axle	
19	1001184216	2	Bracket	
20	1001185030	1	Pin	

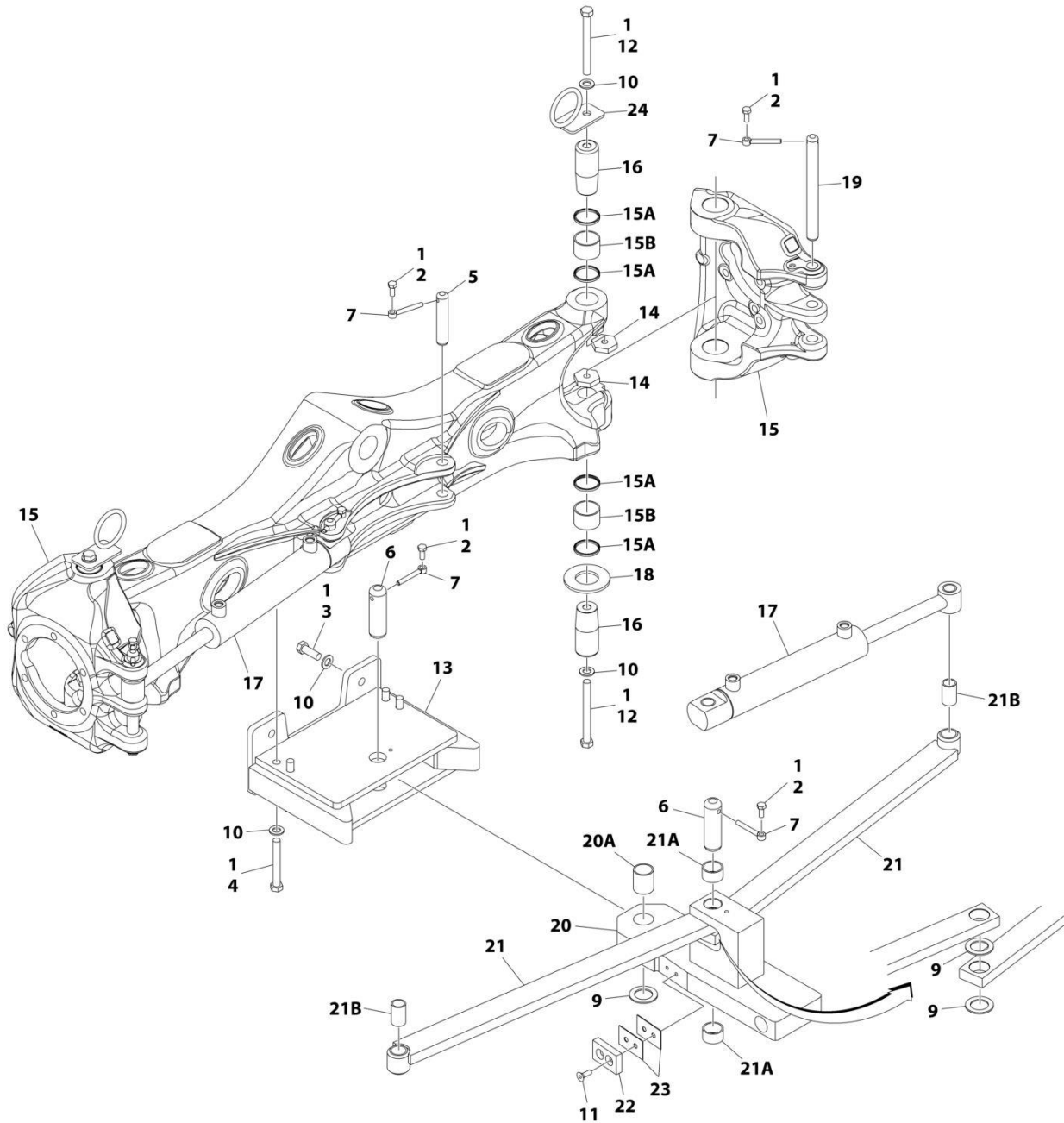
SECTION 1 - FRAME

FIGURE 1-3. STEER INSTALLATION - WITHOUT TOW PACKAGE

ITEM	PART NUMBER	QTY	DESCRIPTION	REV
	1001181770	Ref	STEER INSTALLATION	E
1	0100011	AR	Compound, Locking	
2	0701012	4	Bolt M10 x 25	
3	3422351	2	Pin	
4	3841143	4	Keeper, Pin	
6	5241600	4	Washer M16	
7	1001096456	4	Bolt M16 x 160	
8	1001176848	4	Nut M16	
9	1001181787	2	Knuckle	
9	1001181791	8	Seal (4 Per Assembly)	
9	1001182694	4	Bearing (2 Per Assembly)	
10	1001181790	4	Kingpin	
11	1001181792	2	Steer Cylinder Assembly (See Separate Breakdown in CYLINDER Section)	
12	1001181793	1	Tie-Rod	
12	1001182695	2	Bearing	
13	1001190194	2	Bearing	
14	1001182697	2	Pin	
15	1001196390	2	Bracket	

SECTION 1 - FRAME

FIGURE 1-4. STEER INSTALLATION - WITH TOW PACKAGE



ART_1001181772

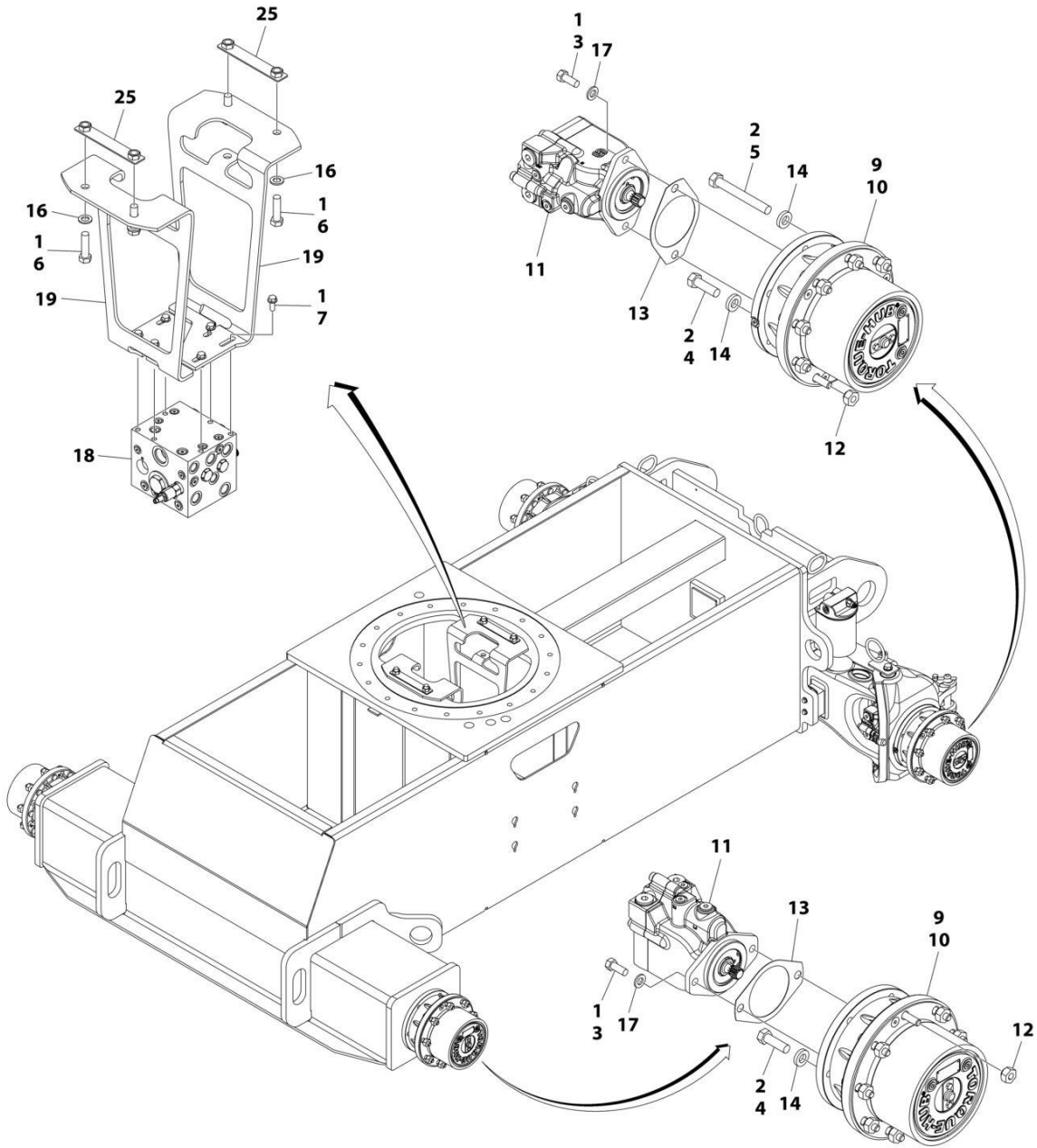
SECTION 1 - FRAME

FIGURE 1-4. STEER INSTALLATION - WITH TOW PACKAGE

ITEM	PART NUMBER	QTY	DESCRIPTION	REV
	1001181772	Ref	STEER INSTALLATION	E
1	0100011	AR	Compound, Locking	
2	0701012	6	Bolt M10 x 25	
3	0701617	2	Bolt M16 x 45	
4	0711629	4	Bolt M16 x 120	
5	3422351	2	Pin	
6	3422848	2	Pin	
7	3841143	6	Keeper, Pin	
9	4740155	3	Washer	
10	5241600	10	Washer M16	
11	8310614	4	Screw M10 x 30	
12	1001096456	4	Bolt M16 x 160	
13	1001163717	1	Bracket	
14	1001176848	4	Nut M16	
15	1001181787	2	Knuckle	
15A	1001181791	8	Seal (4 Per Assembly)	
15B	1001182694	4	Bearing (2 Per Assembly)	
16	1001181790	4	Kingpin	
17	1001181792	2	Steer Cylinder Assembly (See Separate Breakdown in CYLINDER Section)	
18	1001190194	2	Bearing	
19	1001182697	2	Pin	
20	1001188503	1	Link	
20A	0962348	1	Bearing	
21	1001184213	2	Link	
21A	0962181	2	Bushing 1-1/2in ID	
21B	1001182695	2	Bearing 1in ID	
22	1001185906	2	Block, Stop	
23	1001185907	4	Shim (1.5mm)	
24	1001196390	2	Bracket	

SECTION 1 - FRAME

FIGURE 1-5. WHEEL DRIVE INSTALLATION - 4WD/2WS



ART_1001186443

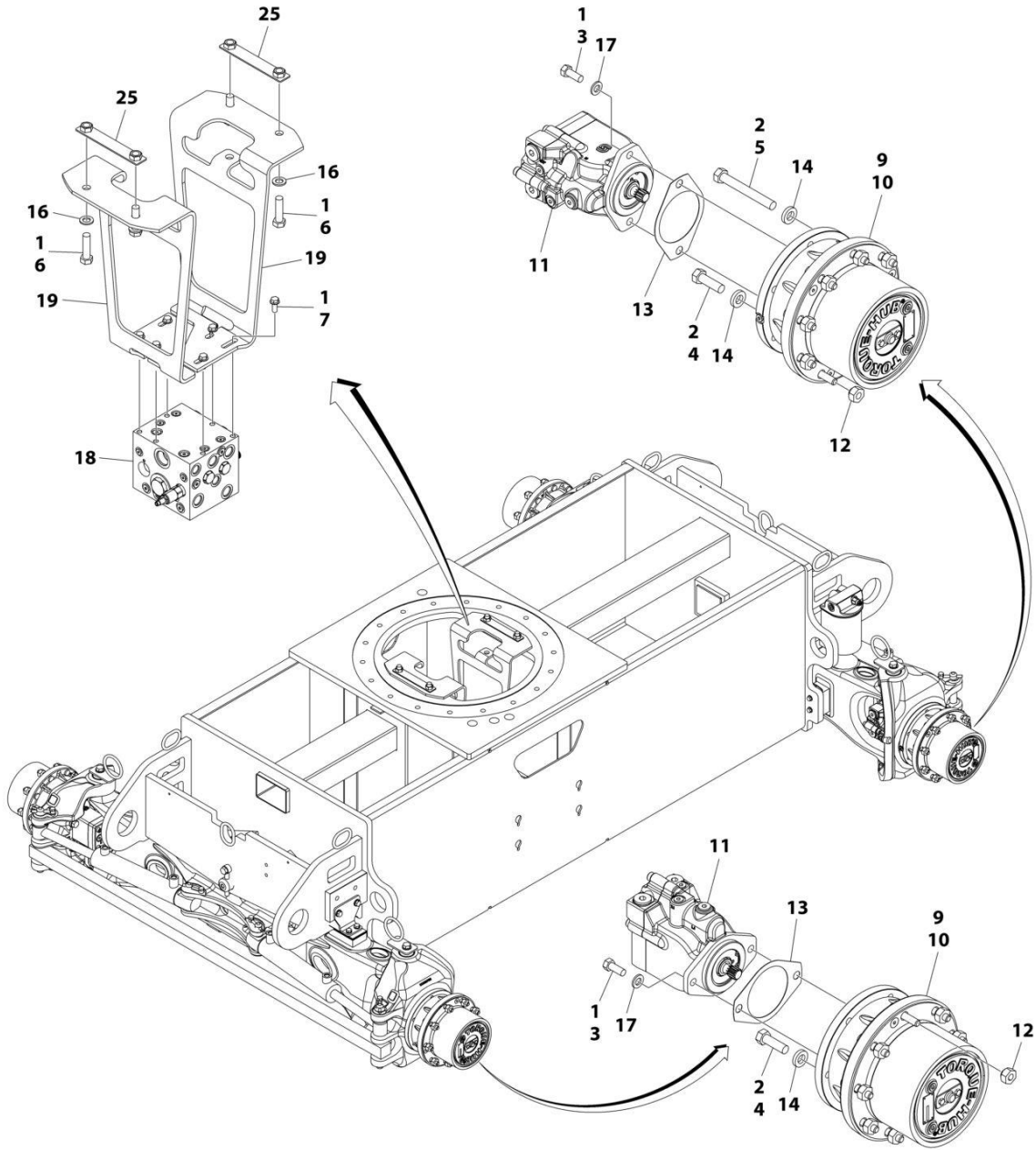
SECTION 1 - FRAME

FIGURE 1-5. WHEEL DRIVE INSTALLATION - 4WD/2WS

ITEM	PART NUMBER	QTY	DESCRIPTION	REV
	1001186443	Ref	WHEEL DRIVE INSTALLATION	F
1	0100011	AR	Compound, Locking	
2	0100019	AR	Compound, Locking	
3	0681810	8	Bolt 1/2 x 1-1/4	
4	0682016	20	Bolt 5/8 x 2	
5	0682040	4	Bolt 5/8 x 5	
6	0701620	4	Bolt M16 x 60	
7	5251012	6	Bolt M10 x 25	
9	2780269	4	Drive Hub Assembly (See Separate Breakdown in this Section)	
10	3020008	AR	Lubricant	
11	3160350	4	Drive Motor Assembly (See Separate Breakdown in this Section)	
12	3300106	36	Lugnut	
13	3960526	4	Gasket	
14	4740393	24	Washer	
16	4812300	4	Washer M16	
17	5241200	8	Washer M12	
18	1001187521	1	Traction Valve Assembly (See Separate Breakdown in this Section)	
19	1001191008	NLA	Bracket (Use p/n 1001232292) (SN 0300235168 through 0300234974)	
19	1001232292	2	Bracket (SN 0300234975 through 0300272445, SN B300002655 through B300005754, Excluding B300005570)	
25	1001198631	2	Bracket	

SECTION 1 - FRAME

FIGURE 1-6. WHEEL DRIVE INSTALLATION - 4WD/4WS



ART_1001188340

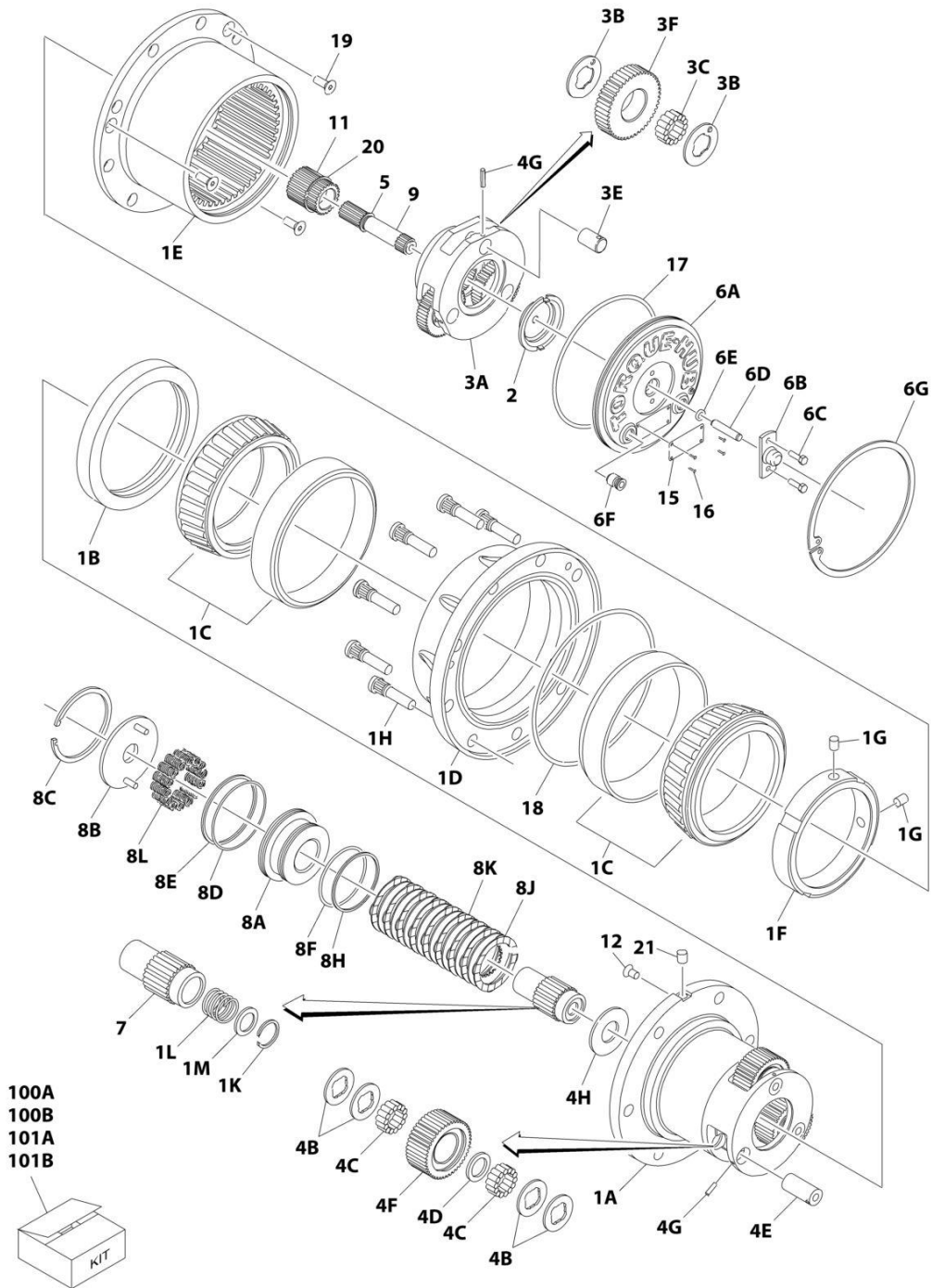
SECTION 1 - FRAME

FIGURE 1-6. WHEEL DRIVE INSTALLATION - 4WD/4WS

ITEM	PART NUMBER	QTY	DESCRIPTION	REV
	1001188340	Ref	WHEEL DRIVE INSTALLATION	G
1	0100011	AR	Compound, Locking	
2	0100019	AR	Compound, Locking	
3	0681810	8	Bolt 1/2 x 1-1/4	
4	0682016	16	Bolt 5/8 x 2	
5	0682040	8	Bolt 5/8 x 5	
6	0701620	4	Bolt M16 x 60	
7	5251012	6	Bolt M10 x 25	
9	2780269	4	Drive Hub Assembly (See Separate Breakdown in this Section)	
10	3020008	AR	Lubricant	
11	3160350	4	Drive Motor Assembly (See Separate Breakdown in this Section)	
12	3300106	36	Lugnut	
13	3960526	4	Gasket	
14	4740393	24	Washer	
16	4812300	4	Washer M16	
17	5241200	8	Washer M12	
18	1001187521	1	Traction Valve Assembly (See Separate Breakdown in this Section)	
19	1001191008	NLA	Bracket (Use p/n 1001232292) (SN 0300235168 through 0300234974)	
19	1001232292	2	Bracket (SN 0300234975 through 0300272445, SN B300002655 through B300005754, Excluding B300005570)	
25	1001198631	2	Bracket	

SECTION 1 - FRAME

FIGURE 1-7. DRIVE HUB ASSEMBLY



ART_2780269

SECTION 1 - FRAME

FIGURE 1-7. DRIVE HUB ASSEMBLY

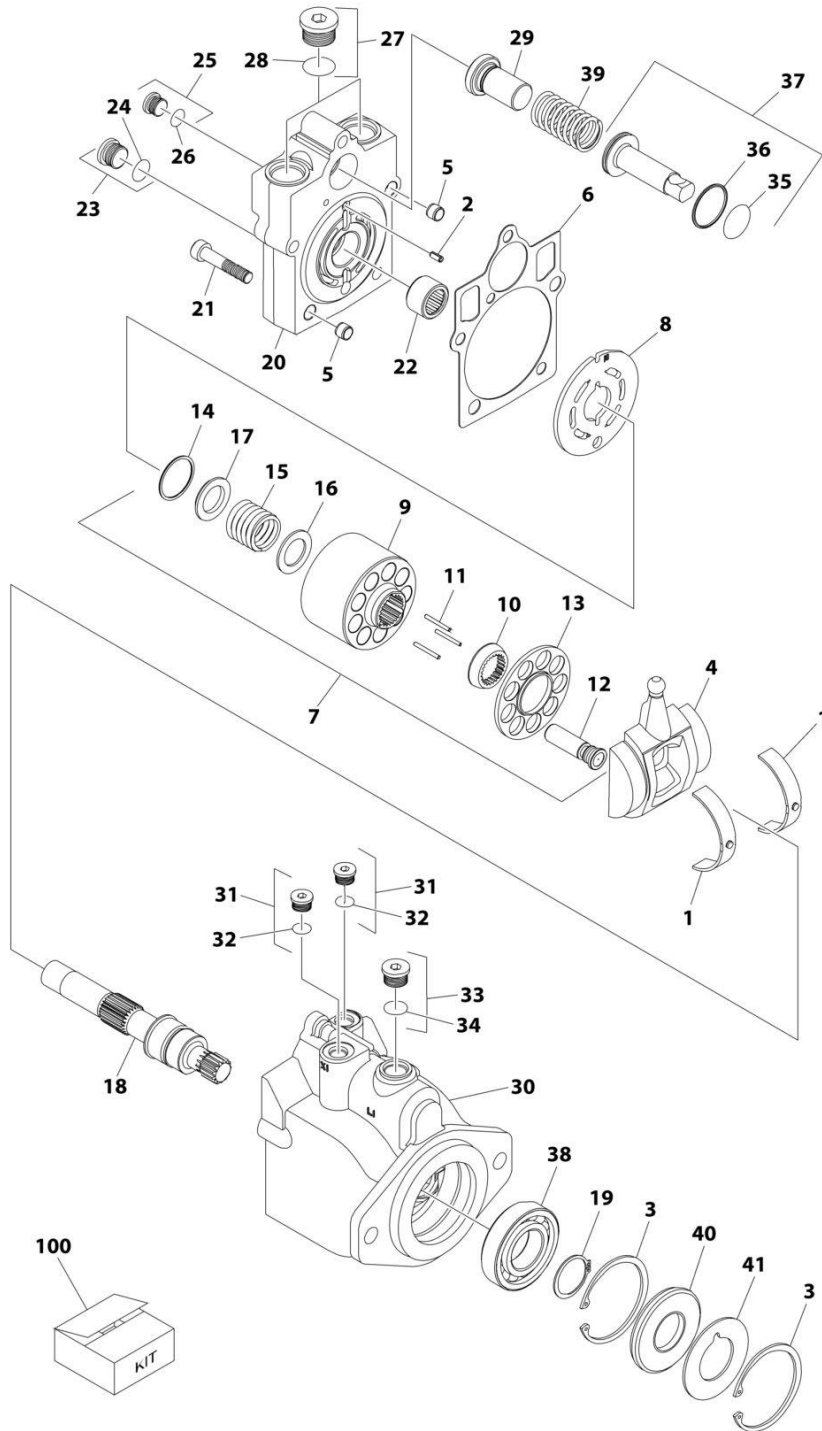
ITEM	PART NUMBER	QTY	DESCRIPTION	REV
	2780269	Ref	DRIVE HUB/BRAKE ASSEMBLY	E
1	See Note	NSS	Spindle/Housing Assembly (Note: Not Available - Purchase Individual Components)	
1A	7024729	1	Spindle	
1B	70001119	1	Seal, Lip	
1C	7024735	2	Bearing (Includes Cup and Cone)	
1D	2780269	1	Housing (Note: Not Available for Purchase)	
1E	7024730	1	Ring, Gear	
1F	7024744	1	Nut, Bearing	
1G	See Note	NSS	Setscrew 1/4 x 1/2 (Note: Use Item 26A, 26B, 27A or 27B)	
1H	7024732	9	Stud, Wheel	
1K	7024125	1	Ring, Retaining	
1L	7024124	1	Spring	
1M	7024129	1	Thrustwasher	
2	7024741	1	Thrustwasher	
3	See Note	NSS	Carrier Assembly (Note: Not Available - Purchase Individual Components)	
3A	7024725	1	Carrier	
3B	7024127	6	Thrustwasher	
3C	7024733	42	Bearing, Needle	
3E	7024724	3	Shaft, Planet	
3F	7024727	3	Gear, Planet	
4	See Note	NSS	Planet Gear Sub-Assembly (Note: Not Available - Purchase Individual Components)	
4B	7024740	12	Thrustwasher	
4C	7024734	84	Bearing, Needle	
4D	7024736	3	Spacer, Thrust	
4E	7024726	3	Shaft, Planet	
4F	7024728	3	Gear, Planet	
4G	7001913	6	Roll Pin	
4H	7024742	1	Thrustwasher	
5	7017027	1	Ring, Retaining	
6	See Note	NSS	Cover Assembly (Note: Not Available - Purchase Individual Components)	
6A	7024731	1	Plate, Cover	
6B	7017093	1	Cap, Disengage	
6C	7000216	2	Bolt 1/2in-20NC x 1/2in	
6D	7024739	1	Pin, Dowel	
6E	7017095	1	O-Ring	
6F	7017072	2	Plug, Pipe	
6G	7024738	1	Ring, Retaining	
7	7024722	1	Coupling	
8	See Note	NSS	Brake, Input (Note: Not Available - Purchase Individual Components)	
8A	70000782	1	Piston, Brake	
8B	7024743	1	Plate, Pressure	
8C	See Note	NSS	Ring, Retaining (Note: Use Item 26B, 27A or 27B)	
8D	See Note	NSS	O-Ring (Note: Use Item 26B or 27A)	
8E	See Note	NSS	Ring, Back-up (Note: Use Item 26B or 27A)	
8F	See Note	NSS	O-Ring (Note: Use Item 26B or 27A)	
8H	See Note	NSS	Ring, Back-up (Note: Use Item 26B or 27A)	

SECTION 1 - FRAME

ITEM	PART NUMBER	QTY	DESCRIPTION	REV
8J	See Note	NSS	Rotor, Brake (Note: Use Item 27A)	
8K	See Note	NSS	Stator, Brake (Note: Use Item 27A)	
8L	See Note	NSS	Spring, Brake (Note: Use Item 27B)	
9	7024721	1	Shaft, Input	
11	7024723	1	Gear, Sun	
12	See Note	NSS	Plug (Note: Not Available for Purchase)	
15	See Note	NSS	Plate, ID (Not Shown) (Note: Not Available for Purchase)	
16	7000281	4	Screw, Drive	
17	7024134	1	O-Ring	
18	See Note	NSS	O-Ring (Note: Use Item 26A)	
19	7017022	3	Screw, Countersunk 3/8in-16NC	
20	7024737	1	Ring, Retaining	
21	See Note	NSS	Plug (Note: Not Available - Purchase Locally)	
26		Ref	Seal Kit Options:	
26A	7024744	1	Hub Seal Kit (Includes Items 1B, 1F, 1G, 17, 18 & 19)	
26B	7024765	1	Brake Seal Kit (Includes Items 1G, 8C, 8D, 8E, 8F & 8H)	
27		Ref	Repair Kit Options:	
27A	7024764	1	Brake Lining Kit (Includes Items 1G, 8C, 8D, 8E, 8F, 8H, 8J & 8K)	
27B	7024766	1	Brake Spring Kit (Includes Items 1G, 8C & 8L)	

SECTION 1 - FRAME

FIGURE 1-8. DRIVE MOTOR ASSEMBLY



ART_3160350

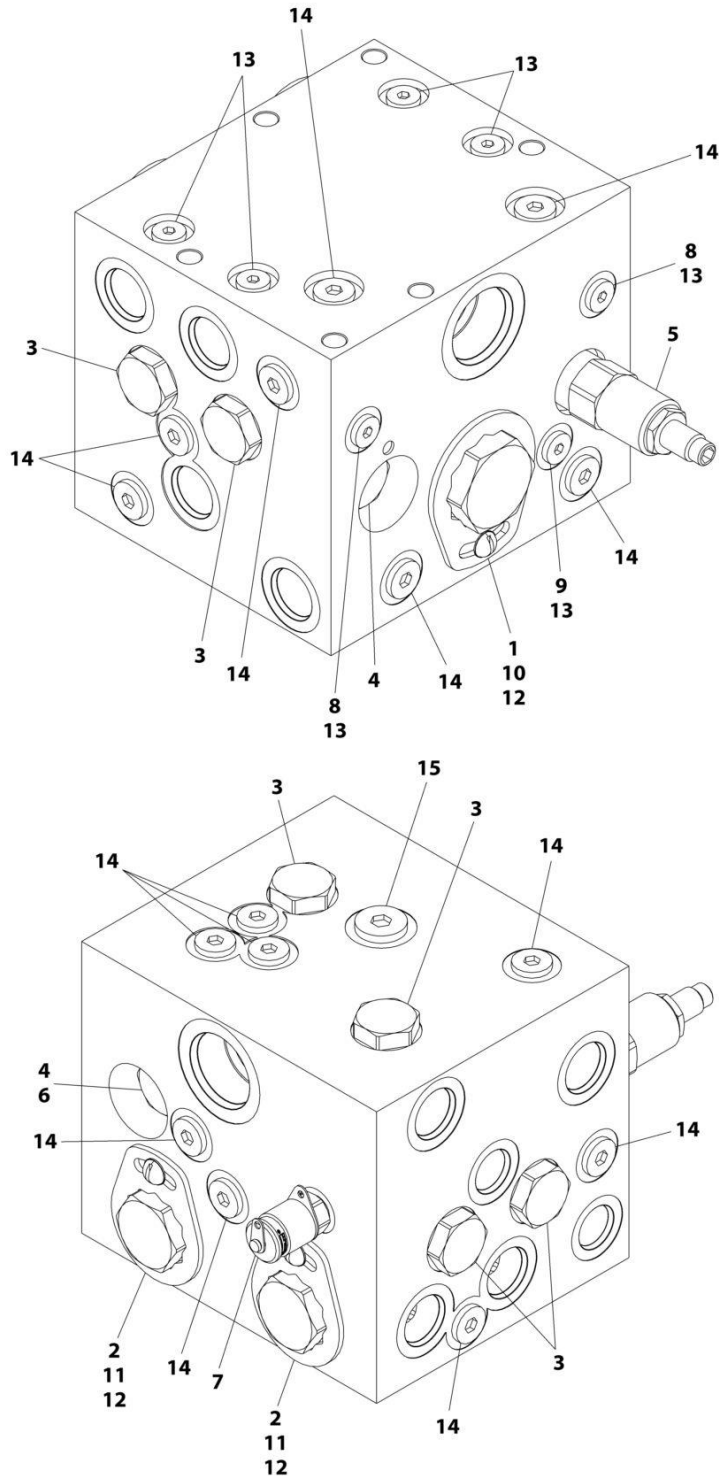
SECTION 1 - FRAME

FIGURE 1-8. DRIVE MOTOR ASSEMBLY

ITEM	PART NUMBER	QTY	DESCRIPTION	REV
	3160350	Ref	DRIVE MOTOR ASSEMBLY	D
1	7022302	2	Bearing, Journal	
2	7007446	1	Pin	
3	7007438	2	Ring, Retaining	
4	70000794	1	Swash Plate	
5	See Note	NSS	Pin (Note: Not Available for Purchase)	
6	See Note	NSS	Gasket (Note: Use Item 42)	
7	7027740	1	Cylinder Block Kit (Includes Items 9-17)	
8	7024862	1	Plate, Valve	
9	See Note	NSS	Block, Cylinder	
10	See Note	NSS	Guide, Slipper Retainer	
11	7021275	3	Pin, Slipper Hold Down	
12	7024865	9	Piston Assembly	
13	See Note	NSS	Retainer, Slipper	
14	7022311	1	Ring, Retaining	
15	7024867	1	Spring	
16	7022313	1	Washer	
17	7022314	1	Retainer, Spring	
18	7023910	1	Shaft	
19	7007439	1	Ring, Retaining	
20	70000795	1	Cap, End - Axial	
21	7022368	5	Screw	
22	7021249	1	Bearing, Needle	
23	2220886	1	Plug (Includes Item 24)	
24	See Note	NSS	O-Ring (Note: Use Item 23 or 42)	
25	2220883	1	Plug (Includes Item 26)	
26	See Note	NSS	O-Ring (Note: Use Item 25 or 42)	
27	7027419	2	Plug (Includes Item 28)	
28	See Note	NSS	O-Ring (Note: Use Item 27 or 42)	
29	7022372	1	Seat, Spring	
30	See Note	NSS	Housing (Note: Not Available - Purchase Complete Assembly)	
31	2220883	2	Plug (Includes Item 32)	
32	See Note	NSS	O-Ring (Note: Use Item 31 or 42)	
33	2220886	1	Plug (Includes Item 34)	
34	See Note	NSS	O-Ring (Note: Use Item 33 or 42)	
35	See Note	NSS	O-Ring (Note: Use Item 42)	
36	See Note	NSS	Ring, Seal (Note: Use Item 42)	
37	7024871	1	Piston, Servo	
38	7007437	1	Bearing	
39	7022326	1	Spring	
40	See Note	NSS	Seal, Lip (Note: Use Item 42)	
41	7022371	1	Washer, Support	
100	7022328	1	Seal Kit (Includes Items 6, 24, 26, 28, 32, 34, 35, 36 & 40)	

SECTION 1 - FRAME

FIGURE 1-9. TRACTION VALVE ASSEMBLY



ART_1001187521

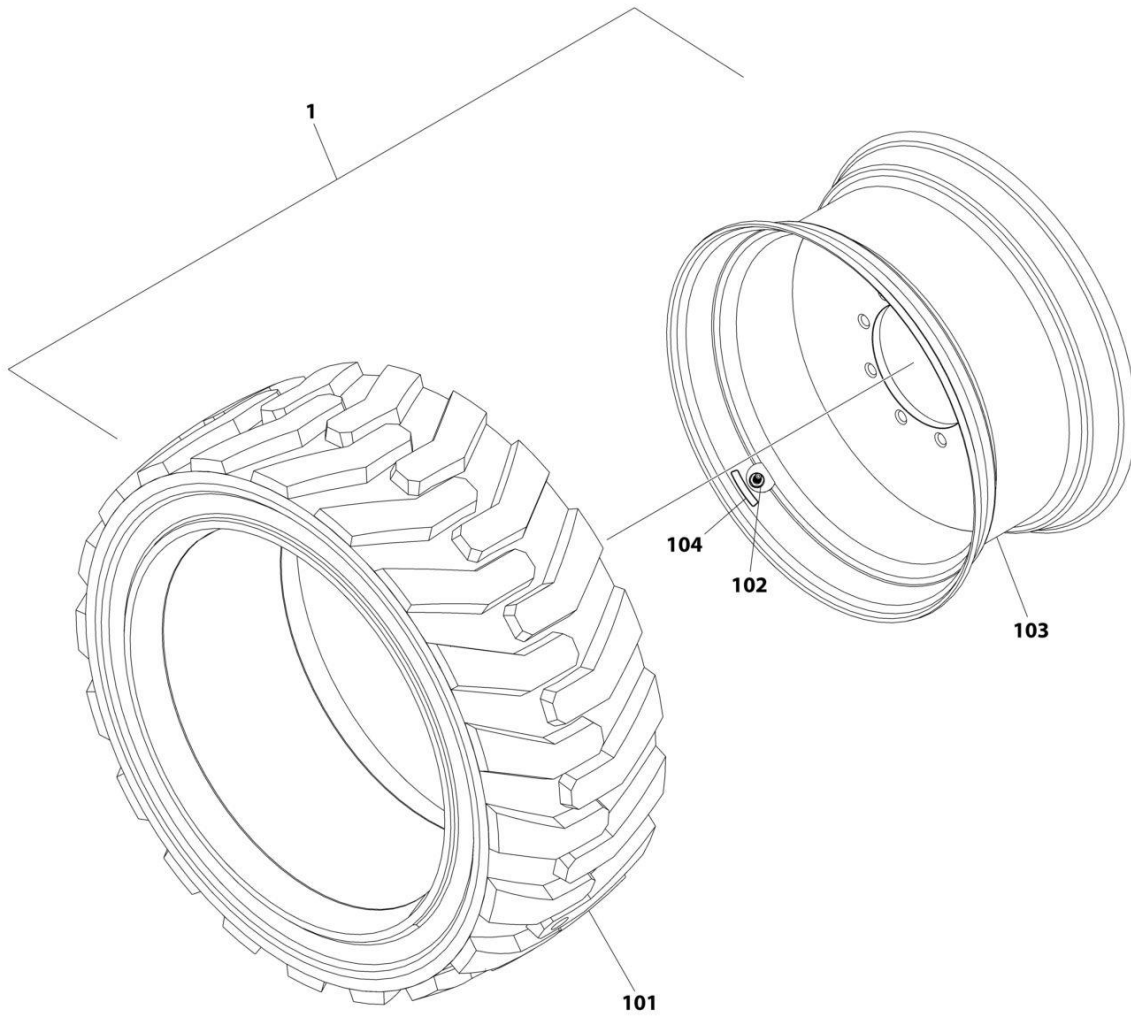
SECTION 1 - FRAME

FIGURE 1-9. TRACTION VALVE ASSEMBLY

ITEM	PART NUMBER	QTY	DESCRIPTION	REV
	1001187521	Ref	TRACTION VALVE ASSEMBLY	H
1	70005668	1	Valve, Flow Divider	
1	7021625	1	Seal Kit - 70005668 Valve	
2	70005669	2	Valve, Flow Divider	
2	70004577	2	Seal Kit - 70005669 Valve	
3	70026444	6	Valve, Check	
3	7022399	6	Seal Kit - 7022397 Valve	
4	70002390	2	Valve, Check	
4	7022399	2	Seal Kit - 70002390 Valve	
5	70007507	1	Valve, Relief	
5	7012998	1	Seal Kit - 70007507 Valve	
6	7024881	1	Piston	
7	2221086	1	Fitting, Test	
8	70003975	2	Orifice	
9	70002209	1	Orifice	
10	70000781	1	Lock Down Kit	
11	70002962	2	Lock Down Kit	
12	70004888	3	Screw	
13	2220883	7	Plug	
14	2220885	15	Plug	
15	2220886	1	Plug	

SECTION 1 - FRAME

FIGURE 1-10. TIRE & WHEEL INSTALLATION - IN355-55 D625 PNEUMATIC (AVAILABLE ON ALL SPECS EXCEPT AUSTRALIAN, CE & CHINA SPECS)



ART_1001223665

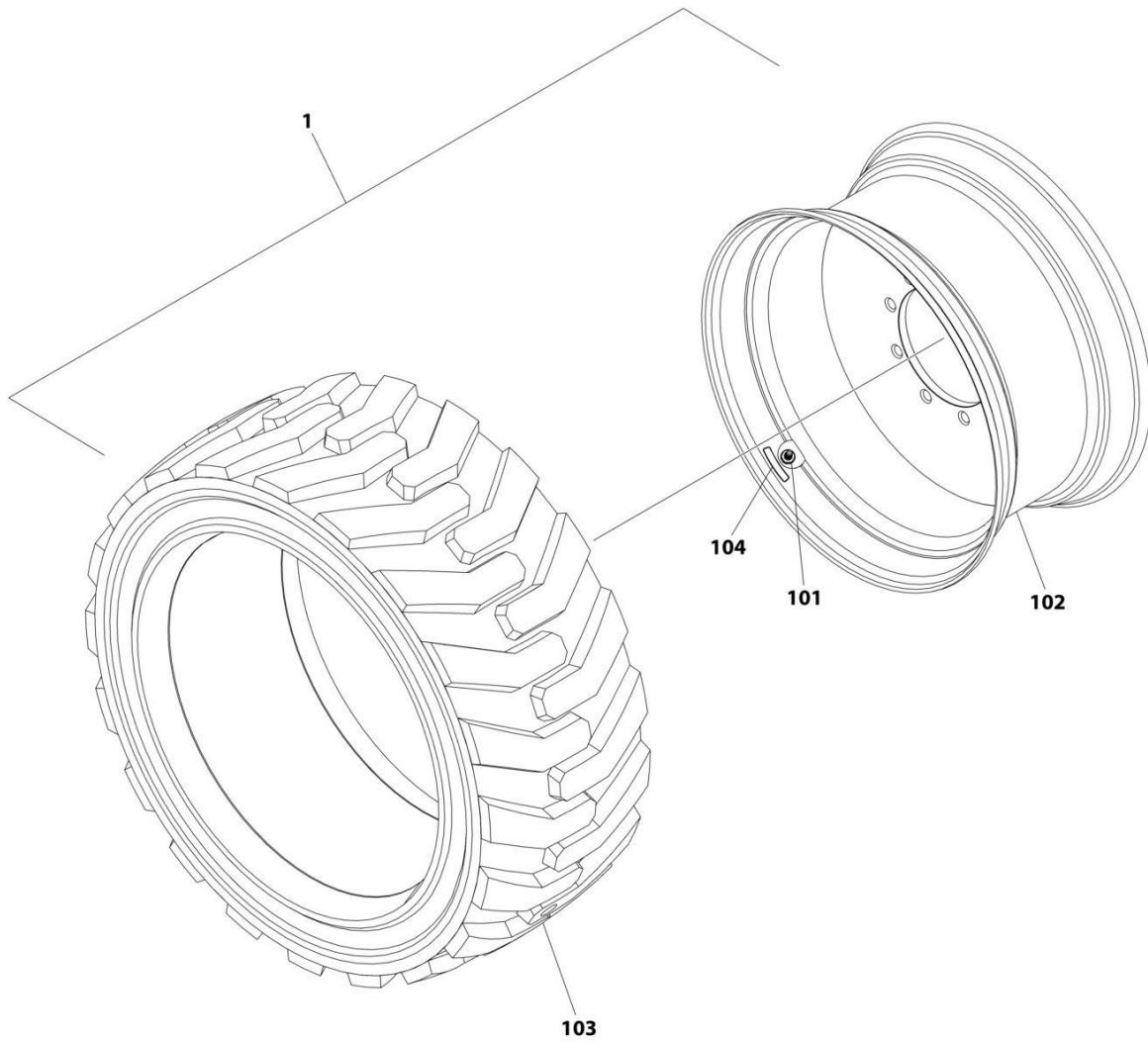
SECTION 1 - FRAME

FIGURE 1-10. TIRE & WHEEL INSTALLATION - IN355-55 D625 PNEUMATIC (AVAILABLE ON ALL SPECS EXCEPT AUSTRALIAN, CE & CHINA SPECS)

ITEM	PART NUMBER	QTY	DESCRIPTION	REV
	1001223665	Ref	TIRE & WHEEL INSTALLATION	A
1	1001223666	Ref	Tire and Wheel Assembly (LH Side)	B
1	1001223667	Ref	Tire and Wheel Assembly (RH Side)	B
101	4520288	4	Tire - IN355-55 D625	
102	4641122	4	Valve	
103	1001181797	4	Rim, Wheel	
104	1001223726	4	Decal - Tire Pressure	

SECTION 1 - FRAME

**FIGURE 1-11. TIRE & WHEEL INSTALLATION - IN355-55 D625 PNEUMATIC NON-MARKING
(AVAILABLE ON ALL SPECS EXCEPT AUSTRALIAN, CE & CHINA SPECS)**



ART_1001223668

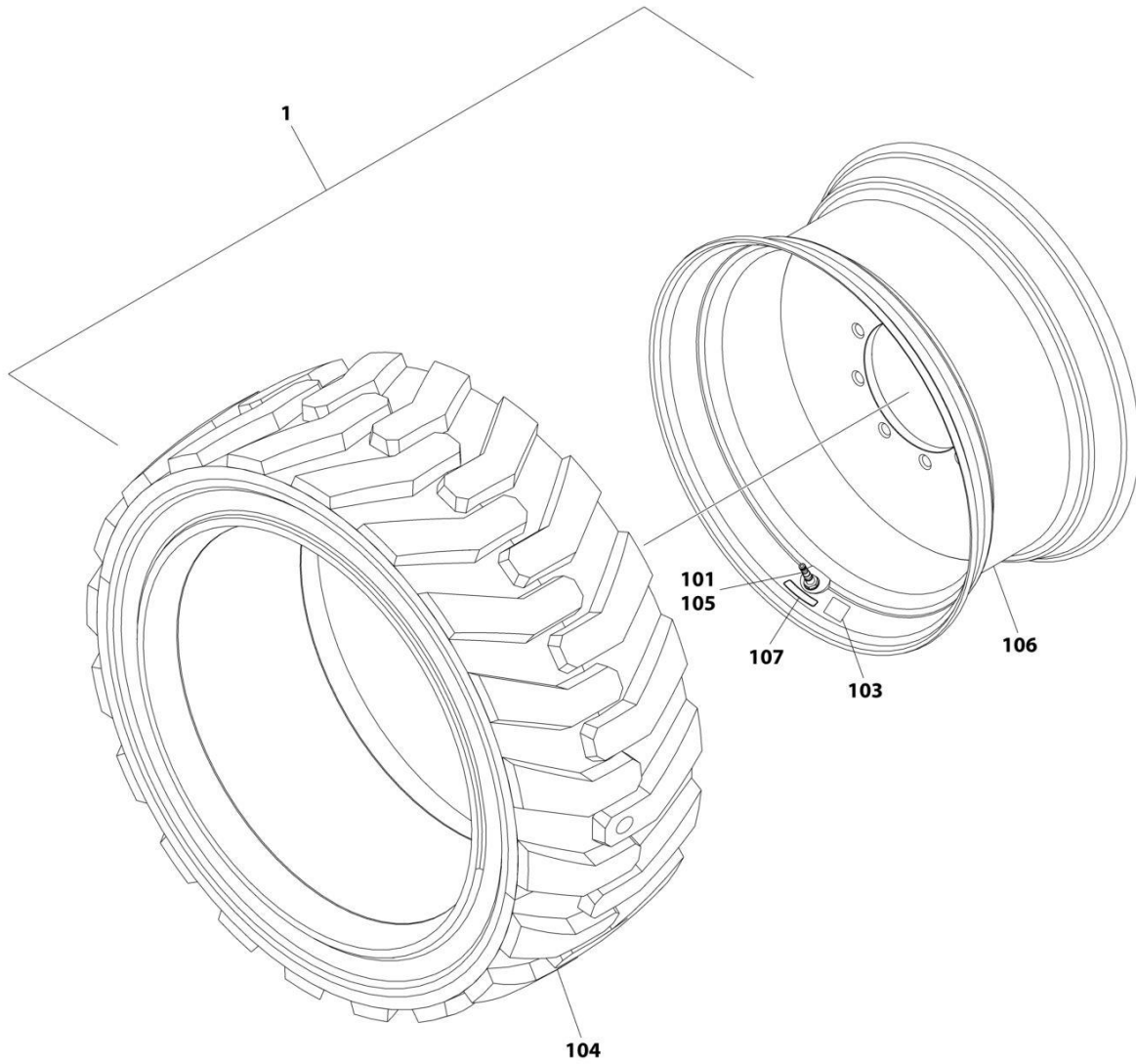
SECTION 1 - FRAME

**FIGURE 1-11. TIRE & WHEEL INSTALLATION - IN355-55 D625 PNEUMATIC NON-MARKING
(AVAILABLE ON ALL SPECS EXCEPT AUSTRALIAN, CE & CHINA SPECS)**

ITEM	PART NUMBER	QTY	DESCRIPTION	REV
	1001223668	Ref	TIRE & WHEEL INSTALLATION	A
1	1001223669	Ref	Tire and Wheel Assembly (LH Side)	B
1	1001223670	Ref	Tire and Wheel Assembly (RH Side)	B
101	4641122	4	Valve	
102	1001181797	4	Rim, Wheel	
103	1001184881	4	Tire - IN355-55 D625	
104	1001223726	4	Decal - Tire Pressure	

SECTION 1 - FRAME

FIGURE 1-12. TIRE & WHEEL INSTALLATION - IN355-55 D625 PNEUMATIC WITH TIRE SEALANT
(AVAILABLE ON ALL SPECS EXCEPT AUSTRALIAN, CE & CHINA SPECS)



ART_1001223751

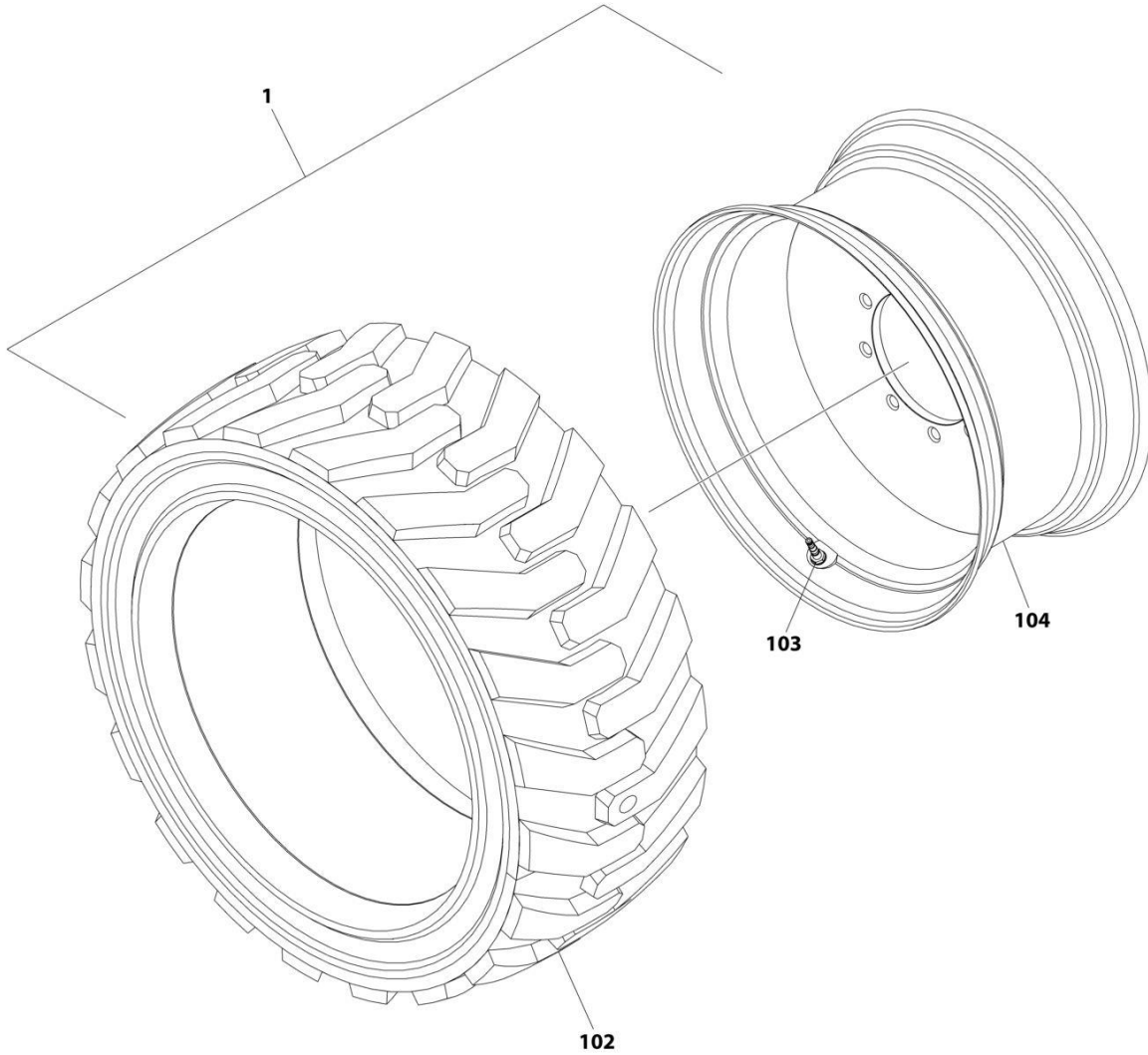
SECTION 1 - FRAME

**FIGURE 1-12. TIRE & WHEEL INSTALLATION - IN355-55 D625 PNEUMATIC WITH TIRE SEALANT
(AVAILABLE ON ALL SPECS EXCEPT AUSTRALIAN, CE & CHINA SPECS)**

ITEM	PART NUMBER	QTY	DESCRIPTION	REV
	1001223751	Ref	TIRE & WHEEL INSTALLATION	A
		Ref	Note: Not Available on Shipyard Machines.	
1	1001223752	2	Tire and Wheel Assembly (LH Side)	B
1	1001223753	2	Tire and Wheel Assembly (RH Side)	B
101	1120552	4	Cap, Valve Stem (Green)	
103	1705364	4	Decal - Tire Sealant	
104	4520288	4	Tire - IN355-55 D625	
105	4641122	4	Valve, Air	
106	1001181797	4	Rim, Wheel	
107	1001223726	4	Decal - Tire Pressure	

SECTION 1 - FRAME

FIGURE 1-13. TIRE & WHEEL INSTALLATION - IN355-55 D625 FOAM FILLED (AVAILABLE ON ALL SPECS)



ART_1001185596

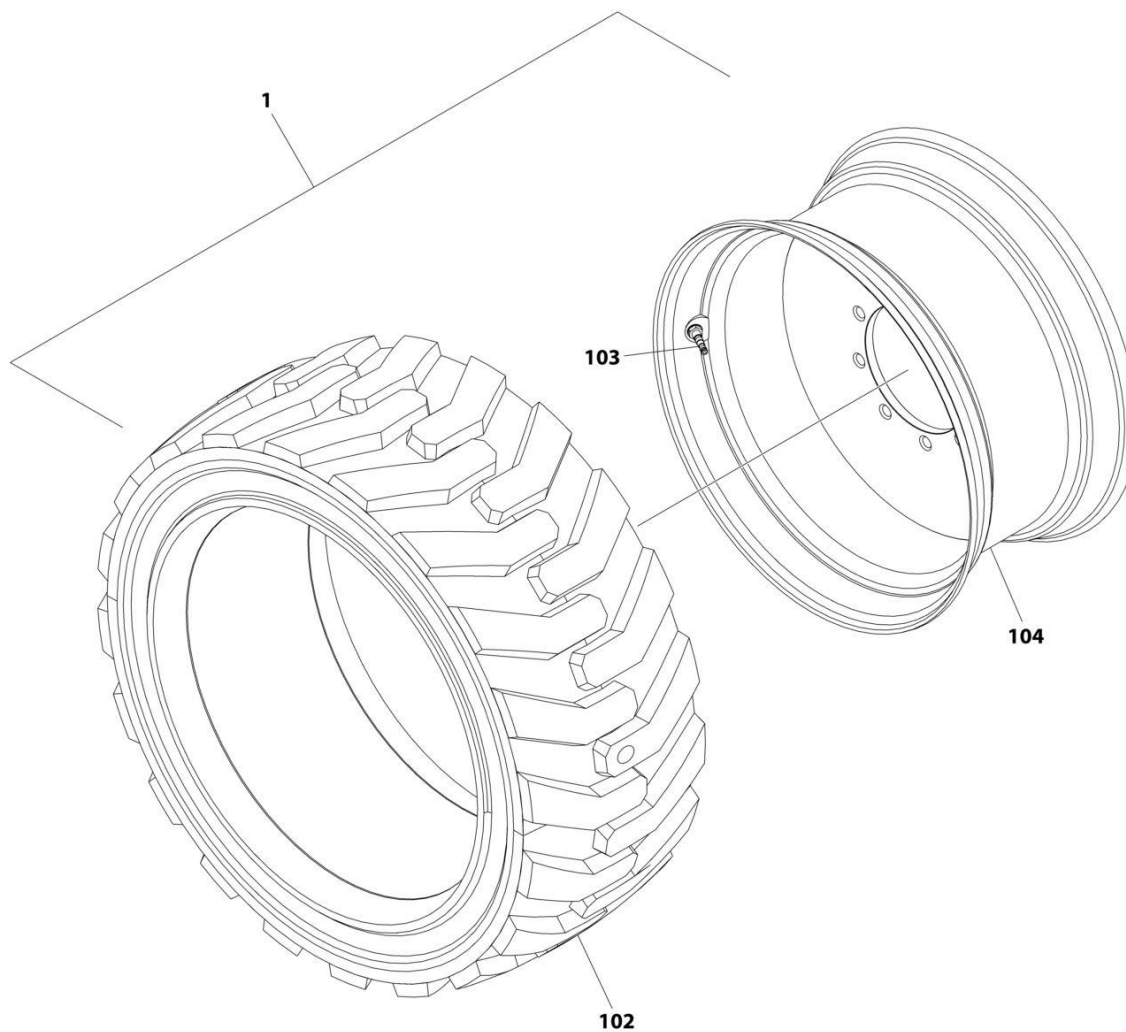
SECTION 1 - FRAME

FIGURE 1-13. TIRE & WHEEL INSTALLATION - IN355-55 D625 FOAM FILLED (AVAILABLE ON ALL SPECS)

ITEM	PART NUMBER	QTY	DESCRIPTION	REV
	1001185596	Ref	TIRE & WHEEL INSTALLATION	A
		Ref	Note: Assemblies may require ballast/foam filling to manufacturer's specifications prior to installing on a machine. Refer to Operation and Safety or Service and Maintenance Manuals.	
		Ref	Note: Purchase individual tire and/or rim only if able to foam fill tire and wheel assembly, otherwise, purchase complete assembly.	
1	1001181795	Ref	Tire and Wheel Assembly (LH Side)	D
1	1001181796	Ref	Tire and Wheel Assembly (RH Side)	D
102	4520288	4	Tire - IN355-55 D625	
103	4641122	4	Valve	
104	1001181797	4	Rim, Wheel	

SECTION 1 - FRAME

FIGURE 1-14. TIRE & WHEEL INSTALLATION - IN355-55 D625 FOAM FILLED NON-MARKING
(AVAILABLE ON ALL SPECS)



ART_1001185597

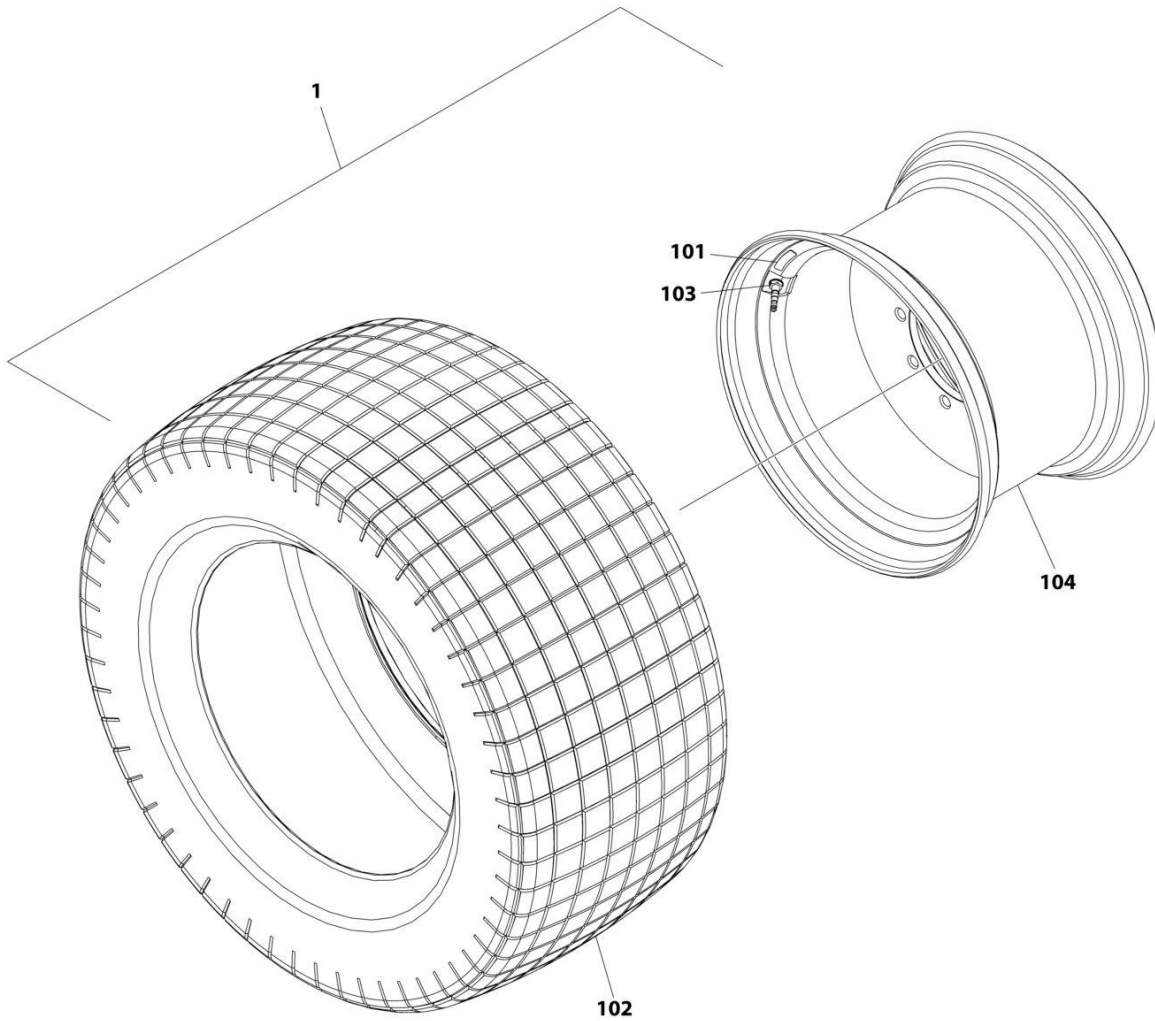
SECTION 1 - FRAME

**FIGURE 1-14. TIRE & WHEEL INSTALLATION - IN355-55 D625 FOAM FILLED NON-MARKING
(AVAILABLE ON ALL SPECS)**

ITEM	PART NUMBER	QTY	DESCRIPTION	REV
	1001185597	Ref	TIRE & WHEEL INSTALLATION	A
		Ref	Note: Assemblies may require ballast/foam filling to manufacturer's specifications prior to installing on a machine. Refer to Operation and Safety or Service and Maintenance Manuals.	
		Ref	Note: Purchase individual tire and/or rim only if able to foam fill tire and wheel assembly, otherwise, purchase complete assembly.	
1	1001184727	Ref	Tire and Wheel Assembly (RH Side)	E
1	1001184728	1	Tire and Wheel Assembly (LH Side)	E
102	1001184881	4	Tire - IN355-55 D625	
103	4641122	4	Valve	
104	1001181797	4	Rim, Wheel	

SECTION 1 - FRAME

FIGURE 1-15. TIRE & WHEEL INSTALLATION - 41-18LL X 22.5 PNEUMATIC TURF & SAND
(AVAILABLE ON ALL SPECS EXCEPT AUSTRALIAN, CE & CHINA SPECS)



ART_1001223671

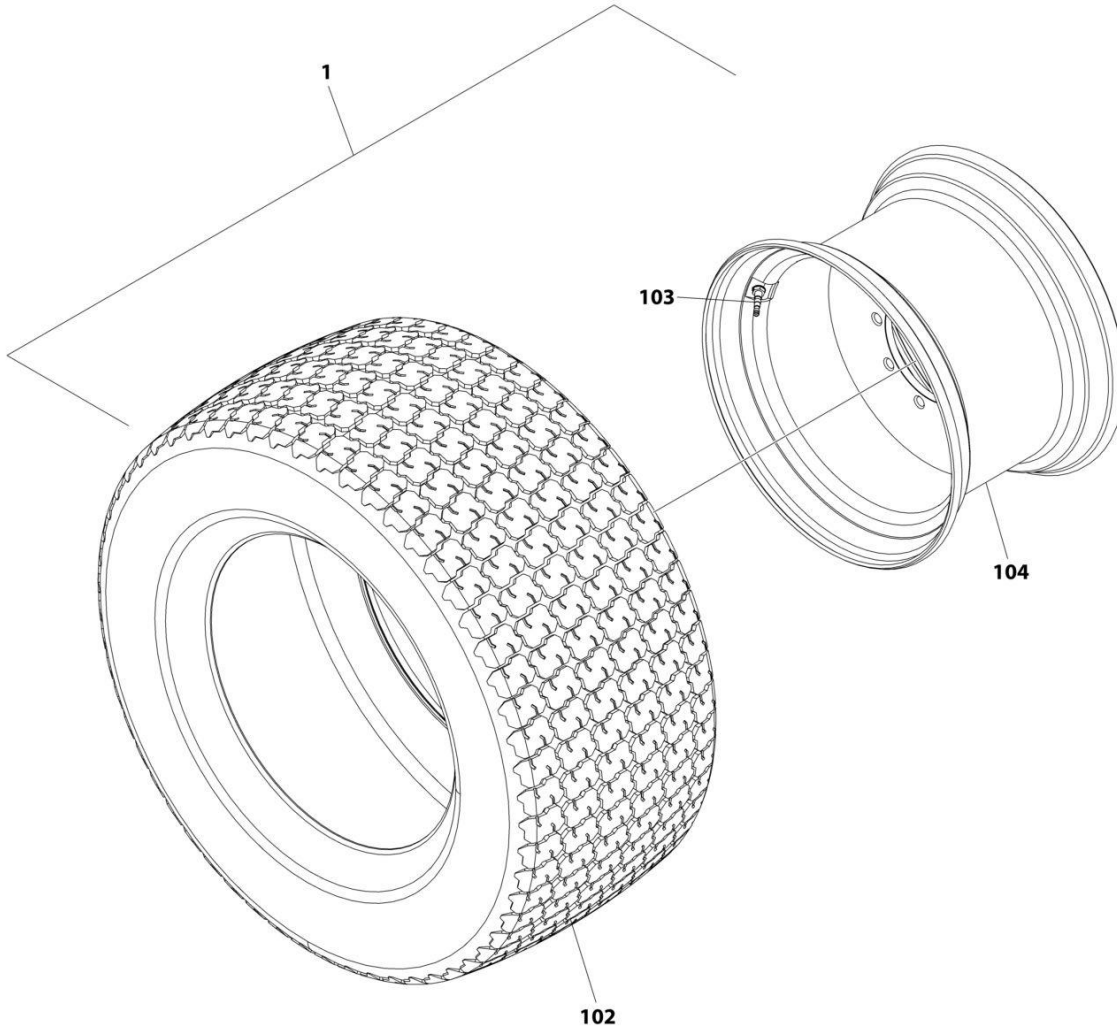
SECTION 1 - FRAME

**FIGURE 1-15. TIRE & WHEEL INSTALLATION - 41-18LL X 22.5 PNEUMATIC TURF & SAND
(AVAILABLE ON ALL SPECS EXCEPT AUSTRALIAN, CE & CHINA SPECS)**

ITEM	PART NUMBER	QTY	DESCRIPTION	REV
	1001223671	Ref	TIRE AND WHEEL INSTALLATION	A
		Ref	Note: Not Available on Shipyard Machines.	
		Ref	Note: Turf/Sand Tires Required Additional Chassis Counterweight. See SPECIAL OPTIONS SECTION Before Installing this Option.	
1	1001223672	Ref	Tire and Wheel Assembly - Turf and Sand	B
101	1701643	4	Decal - Tire Pressure	
102	4520256	4	Tire - 41-18LL x 22.5	
103	4641122	4	Valve	
104	1001208017	4	Rim, Wheel	

SECTION 1 - FRAME

FIGURE 1-16. TIRE & WHEEL INSTALLATION - 41-18LL X 22.5 FOAM FILLED TURF & SAND
(AVAILABLE ON ALL SPECS EXCEPT AUSTRALIAN & CE SPECS)



ART_1001216195

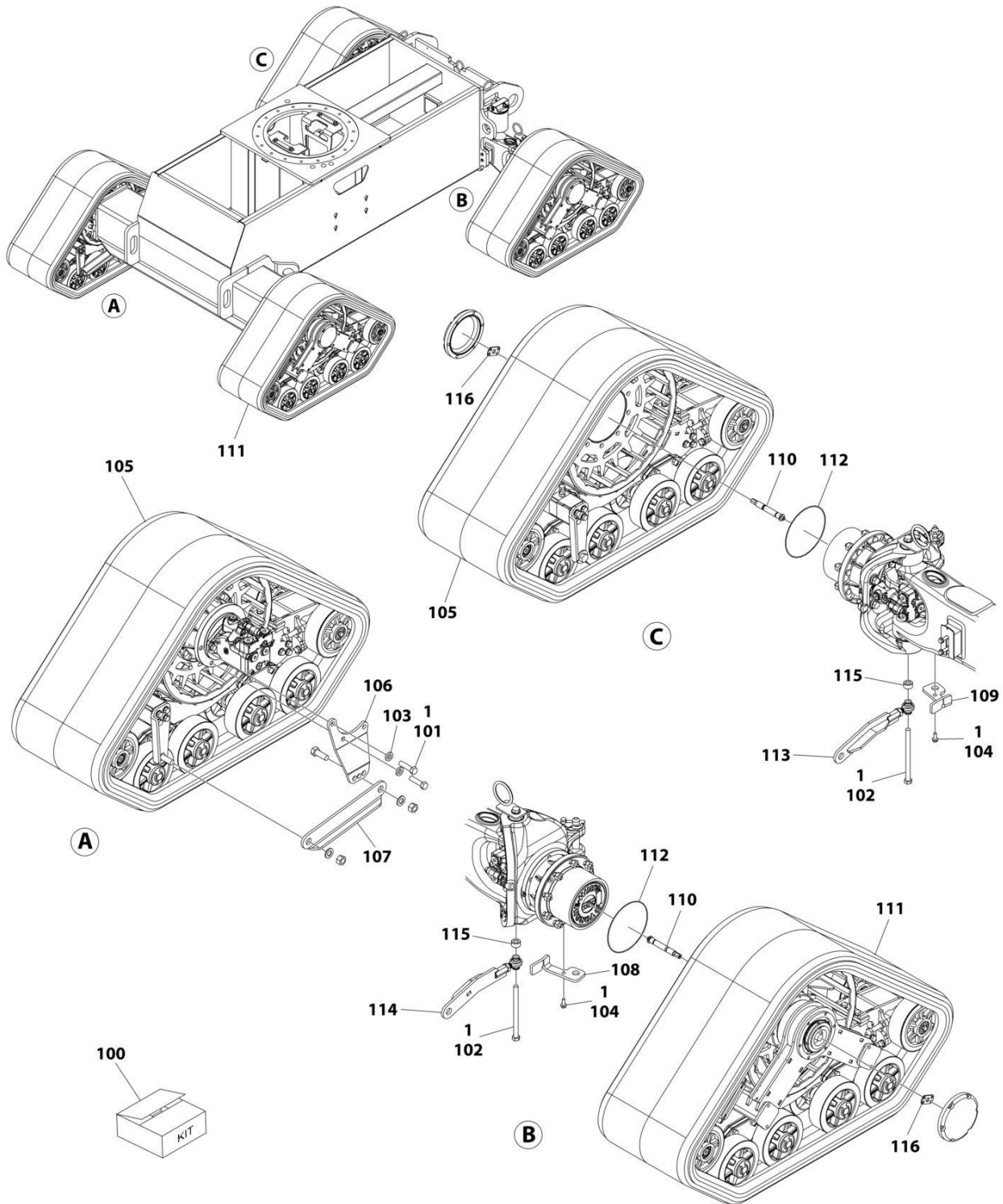
SECTION 1 - FRAME

**FIGURE 1-16. TIRE & WHEEL INSTALLATION - 41-18LL X 22.5 FOAM FILLED TURF & SAND
(AVAILABLE ON ALL SPECS EXCEPT AUSTRALIAN & CE SPECS)**

ITEM	PART NUMBER	QTY	DESCRIPTION	REV
	1001216195	Ref	TIRE & WHEEL INSTALLATION	A
		Ref	Note: Not Available on Shipyard Machines.	
		Ref	Note: Turf/Sand Tires Required Additional Chassis Counterweight. See SPECIAL OPTIONS SECTION Before Installing this Option.	
		Ref	Note: Assemblies may require ballast/foam filling to manufacturer's specifications prior to installing on a machine. Refer to Operation and Safety or Service and Maintenance Manuals.	
		Ref	Note: Purchase individual tire and/or rim only if able to foam fill tire and wheel assembly, otherwise, purchase complete assembly.	
1	1001216196	Ref	Tire and Wheel Assembly - Turf and Sand	C
102	4520256	4	Tire - 41-18LL x 22.5	
103	4641122	4	Valve	
104	1001208017	4	Rim, Wheel	

SECTION 1 - FRAME

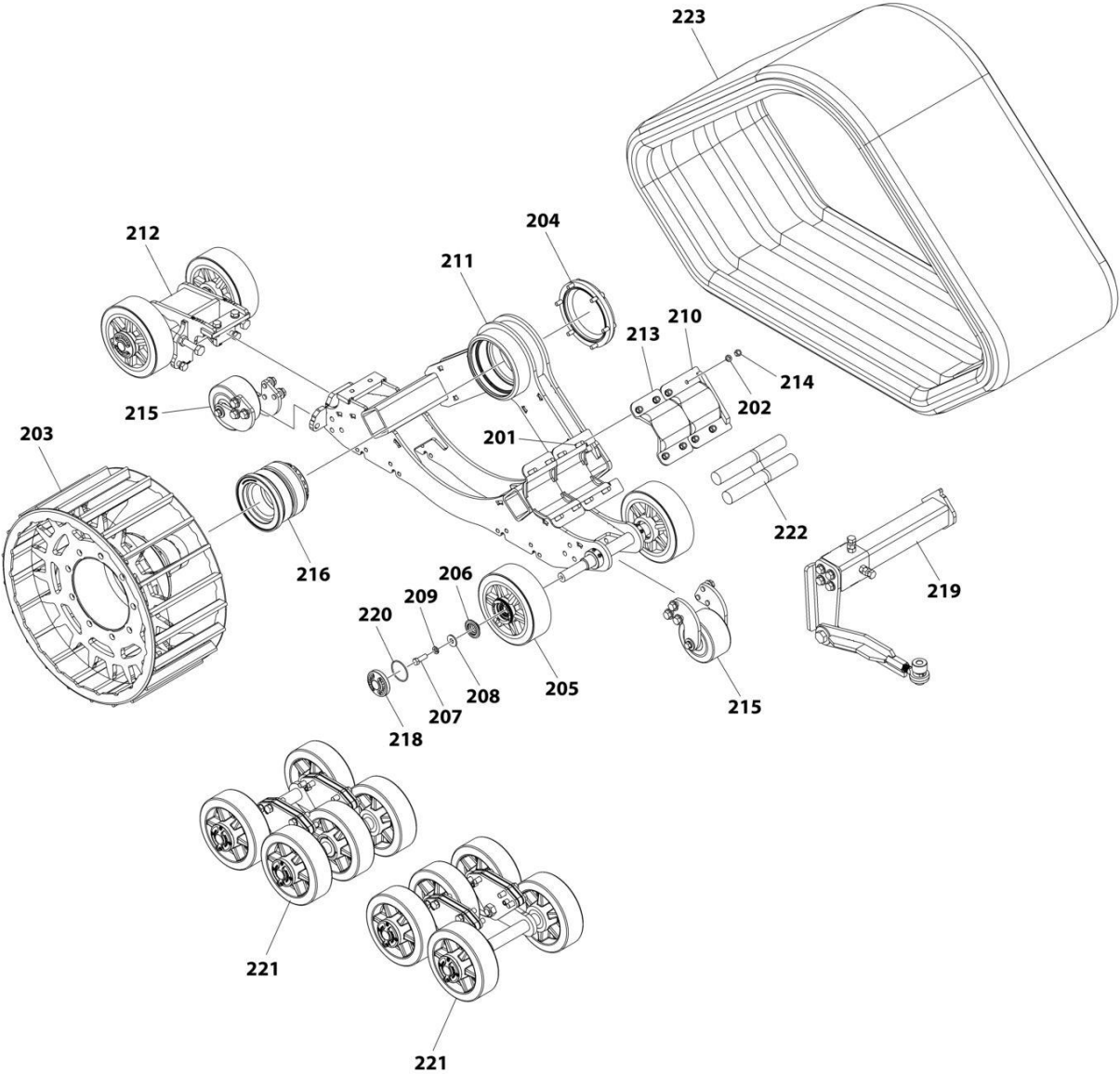
FIGURE 1-17. MATTRACKS INSTALLATION



ART_1001243431_10F2

SECTION 1 - FRAME

**RH SIDE FRONT
(LH SIDE TYPICAL)**



ART_1001243431_2OF2

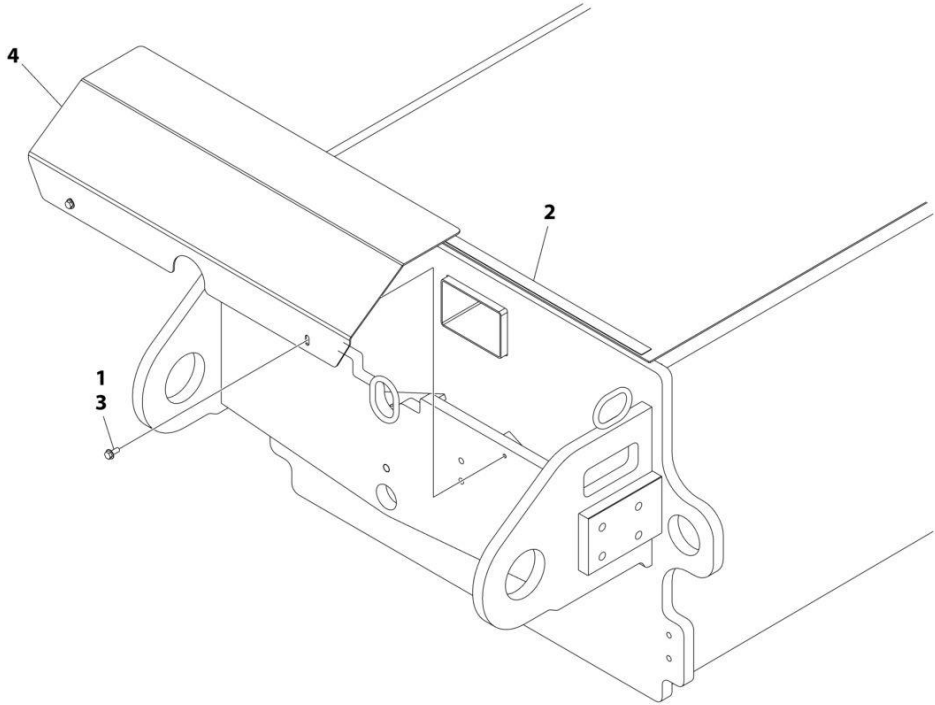
SECTION 1 - FRAME

FIGURE 1-17. MATTRACKS INSTALLATION

ITEM	PART NUMBER	QTY	DESCRIPTION	REV
	1001243431	Ref	MATTRACKS INSTALLATION	B
1	0100011	AR	Compound, Locking	
100	1001277880	1	Mattracks Kit	A
101	0682019	6	Bolt 5/8 x 2-3/8	
102	0701639	2	Bolt M16 x 220	
103	4740393	6	Washer	
104	5201012	2	Bolt M10 x 25	
105	1001231957	2	Track Assembly (LH) (See Items 201-223)	
106	1001238851	2	Plate, Hub	
107	1001238858	2	Plate	
108	1001239295	1	Plate, Stopper (RH)	
109	1001239296	1	Plate, Stopper (LH)	
110	1001242107	4	Pin	
111	1001242991	2	Track Assembly (RH) (See Items 201-223)	
112	1001248720	4	O-Ring	
113	1001253468	1	Link (LH)	
114	1001253469	1	Link (RH)	
115	1001253470	2	Sleeve	
116	1001278991	4	Plate	
	1001231957	Ref	TRACK ASSEMBLY (LH)	B
	1001242991	Ref	TRACK ASSEMBLY (RH)	B
		Ref	Note: Quantity Shown is for Quantity 1 Track Assembly.	
201	70007680	8	Screw 3/8 x 1-1/4	
202	70007681	8	Washer 3/8	
203	70007682	1	Spindle/Sprocket	
204	70007683	1	Spindle/Cap Assembly	
205	70007684	2	Wheel, 8 X 250	
206	70007685	2	Washer	
207	70007686	2	Bolt 7/16 x 1-1/4	
208	70007687	2	Washer 1/2	
209	70007688	2	Washer 7/16	
210	70007689	1	Clamp	
211	70007690	1	Frame (LH) (Not Shown)	
211	70007702	1	Frame (RH)	
212	70007691	1	Nose Assembly	
213	70007692	1	Clamp	
214	70007693	8	Nut 3/8	
215	70007694	2	Guide Wheel Assembly	
216	70007695	1	Bearing (1 Set)	
218	70007696	2	Cap, Wheel	
219	70007964	1	Torque/Slide Tube Arm Assembly (LH) (Not Shown)	
219	70007697	1	Torque/Slide Tube Arm Assembly (RH)	
220	70007698	2	O-Ring	
221	70007699	2	Rocker Assembly	
222	70007700	1	Cushions Assembly	
223	70007701	1	Track	

SECTION 1 - FRAME

FIGURE 1-18. FRAME COVERS INSTALLATION - 2WS



ART_1001187864

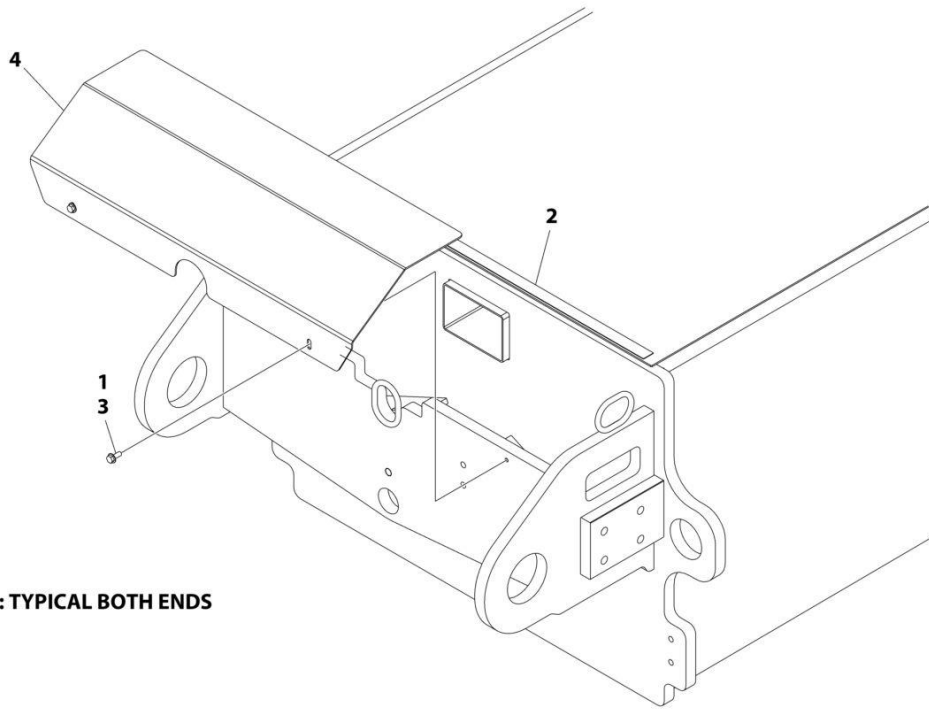
SECTION 1 - FRAME

FIGURE 1-18. FRAME COVERS INSTALLATION - 2WS

ITEM	PART NUMBER	QTY	DESCRIPTION	REV
	1001187864	Ref	FRAME COVERS INSTALLATION	B
1	0100011	AR	Compound, Locking	
2	4280296	32 in/ 80cm	Tape	
3	5250810	2	Bolt M8 x 20	
4	1001187870	1	Cover	

SECTION 1 - FRAME

FIGURE 1-19. FRAME COVERS INSTALLATION - 4WS



NOTE : TYPICAL BOTH ENDS

ART_1001187866

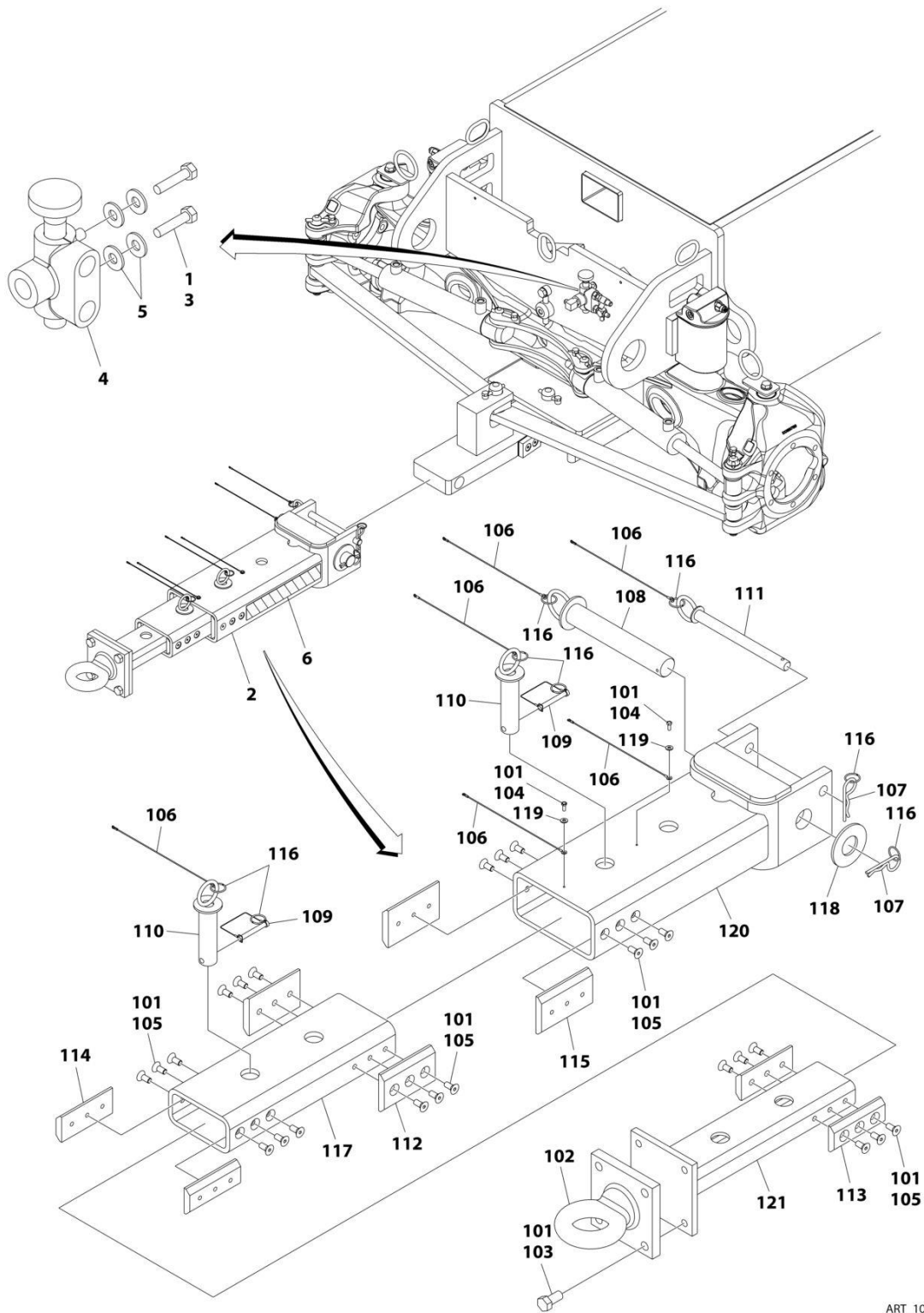
SECTION 1 - FRAME

FIGURE 1-19. FRAME COVERS INSTALLATION - 4WS

ITEM	PART NUMBER	QTY	DESCRIPTION	REV
	1001187866	Ref	FRAME COVERS INSTALLATION	B
	1001187864	Ref	FRAME COVERS INSTALLATION	B
1	0100011	AR	Compound, Locking	
2	4280296	64 in/ 160cm	Tape	
3	5250810	4	Bolt M8 x 20	
4	1001187870	2	Cover	

SECTION 1 - FRAME

FIGURE 1-20. TOW BAR INSTALLATION (OPTIONAL)



ART_1001188893

SECTION 1 - FRAME

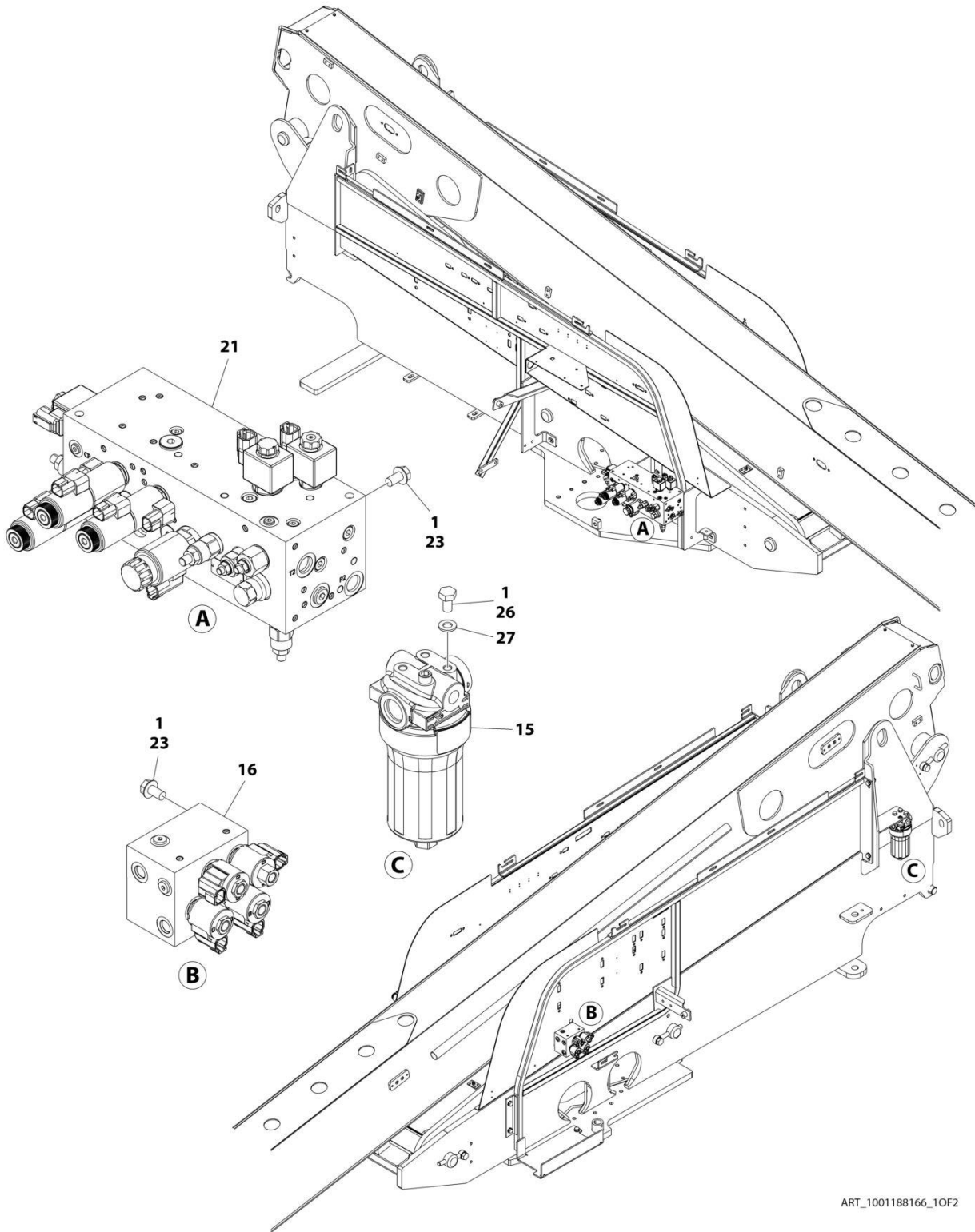
FIGURE 1-20. TOW BAR INSTALLATION (OPTIONAL)

ITEM	PART NUMBER	QTY	DESCRIPTION	REV
	1001188893	Ref	TOW BAR INSTALLATION	B
		Ref	MACHINES WITH SN STARTING WITH 03:	
	1001150571	Ref	ANSI Spec	D
	1001150570	Ref	CSA Spec	D
	1001150569	Ref	CE & UK CA Spec	A
		Ref	MACHINES WITH SN STARTING WITH B3:	
	1001150571	Ref	ANSI Export Spec	D
1	0100011	AR	Compound, Locking	
2	0270528	1	Tow Bar Assembly (See Items 101-121 for Breakdown)	
3	0641511	2	Bolt 5/6 x 1-3/8	
4	4640261	1	Valve, Select	
5	4751500	4	Washer 5/16	
6	4420051	2 ft/.61m	Tape, Safety	
	0270528	Ref	Tow Bar Assembly	B
101	0100011	AR	Compound, Locking	
102	0362910	1	Pintle, Draw Eye	
103	0642010	4	Bolt 5/8 x 1-1/4	
104	0721004	2	Screw	
105	0741607	24	Screw 3/8 x 7/8	
106	1060584	6	Lanyard	
107	3420372	2	Pin, Cotter	
108	3420447	1	Pin	
109	3421565	2	Snap - Pin	
110	3422841	2	Pin	
111	3422847	1	Pin	
112	3572009	2	Plate, Slide Stop	
113	3572010	2	Plate, Slide Stop	
114	3572011	2	Plate, Slide Stop	
115	3572012	2	Plate, Slide Stop	
116	3760170	8	Ring, Split	
117	4568133	1	Tube, Tow Bar	
118	4740036	1	Washer	
119	4751000	2	Washer #10	
120	4846295	1	Tube, Tow Bar Attach	
121	4846296	1	Tube, Pintle Attach	

SECTION 2 - TURNTABLE

SECTION 2 - TURNTABLE

FIGURE 2-1. VALVE INSTALLATION - 600S WITH 2WS



ART_1001188166_10F2

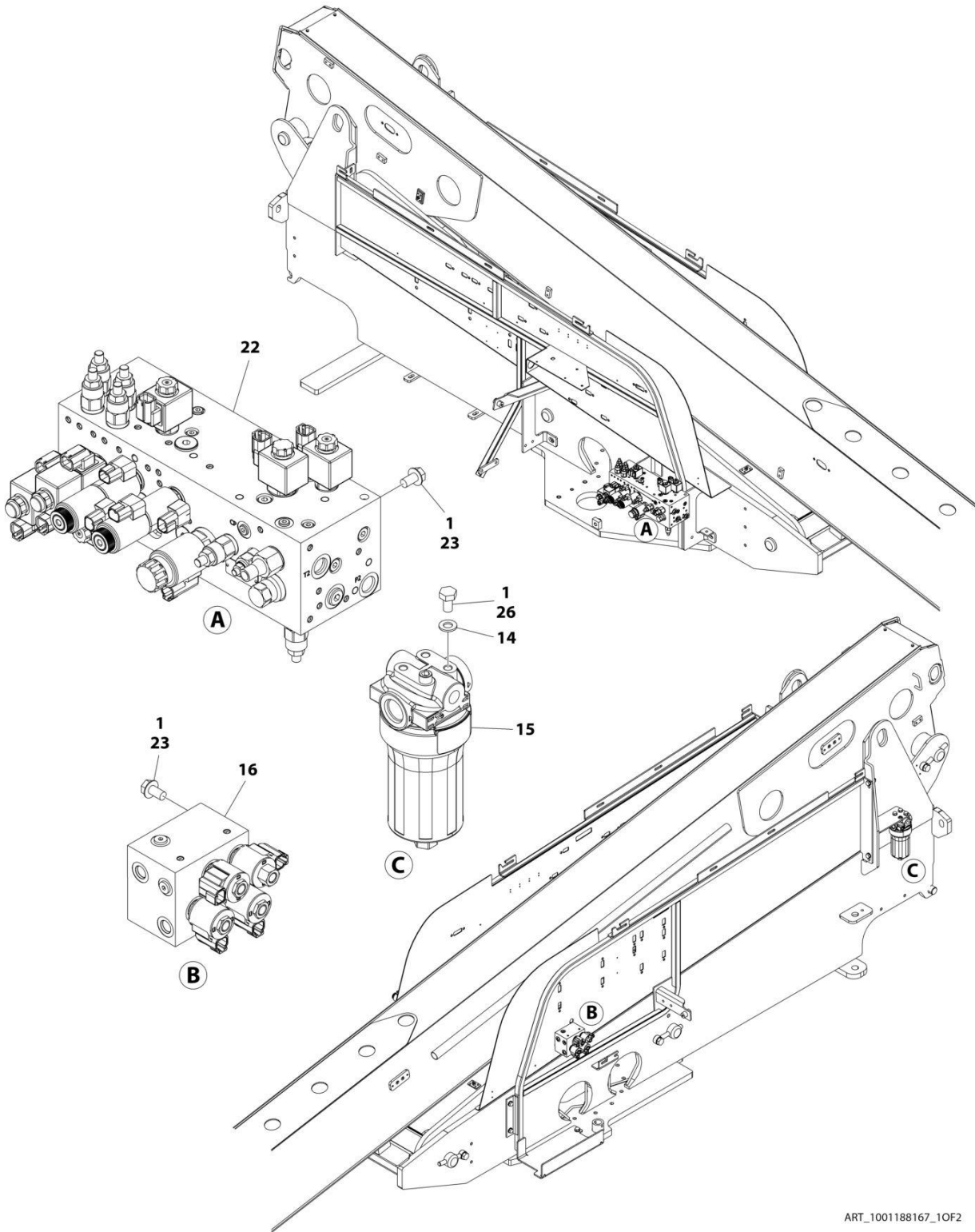
SECTION 2 - TURNTABLE

FIGURE 2-1. VALVE INSTALLATION - 600S WITH 2WS

ITEM	PART NUMBER	QTY	DESCRIPTION	REV
	1001188166	Ref	VALVE INSTALLATION	G
1	0100011	AR	Compound, Locking	
15	1001208874	1	Filter, Hydraulic	
15	70010383	1	Element, Filter	
16	1001162538	1	Axle Valve Assembly (See Separate Breakdown in this Section)	
21	1001190169	1	Main Valve Assembly (See Separate Breakdown in this Section)	
23	5251009	6	Bolt M10 x 18	
26	0761009	3	Bolt M10 x 18	
27	4812000	3	Washer M10	

SECTION 2 - TURNTABLE

FIGURE 2-2. VALVE INSTALLATION - 600S WITH 4WS



ART_1001188167_10F2

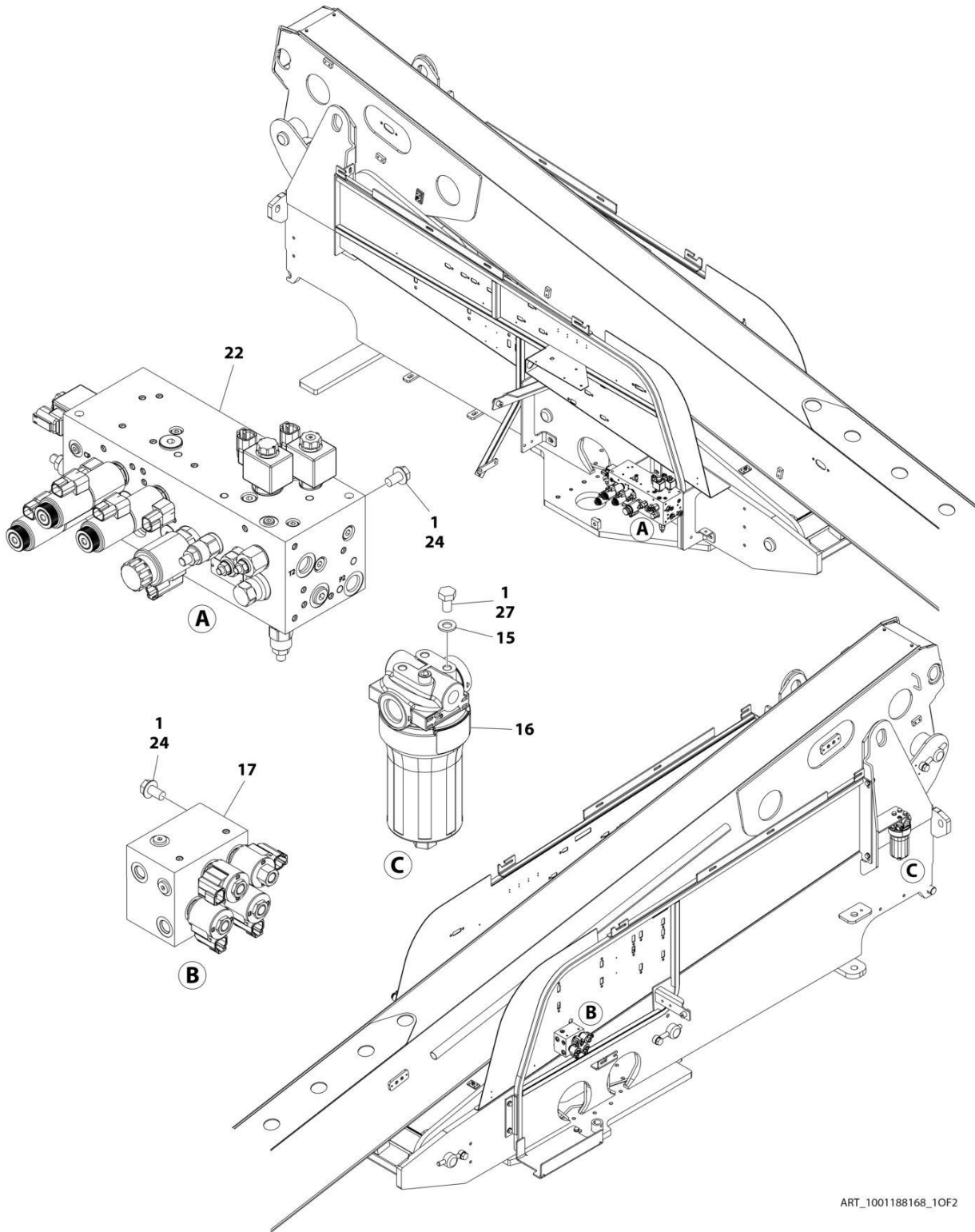
SECTION 2 - TURNTABLE

FIGURE 2-2. VALVE INSTALLATION - 600S WITH 4WS

ITEM	PART NUMBER	QTY	DESCRIPTION	REV
	1001188167	Ref	VALVE INSTALLATION	G
1	0100011	AR	Compound, Locking	
14	4812000	3	Washer M10	
15	1001208874	1	Filter, Hydraulic	
15	70010383	1	Element, Filter	
16	1001162538	1	Axle Valve Assembly (See Separate Breakdown in this Section)	
22	1001190326	1	Main Valve Assembly (See Separate Breakdown in this section)	
23	5251009	6	Bolt M10 x 18	
26	0761009	3	Bolt M10 x 18	

SECTION 2 - TURNTABLE

FIGURE 2-3. VALVE INSTALLATION - 660SJ WITH 2WS



ART_1001188168_10F2

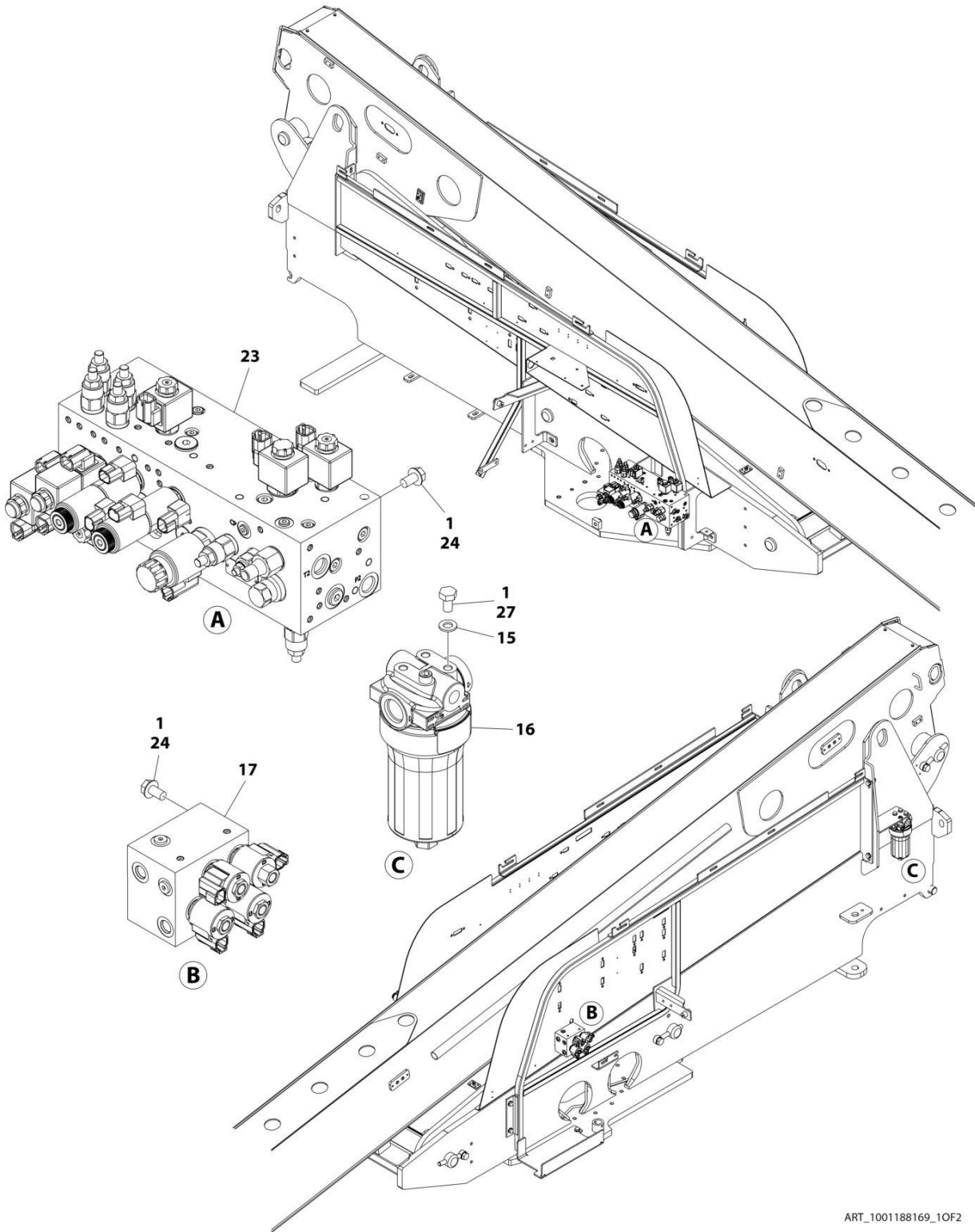
SECTION 2 - TURNTABLE

FIGURE 2-3. VALVE INSTALLATION - 660SJ WITH 2WS

ITEM	PART NUMBER	QTY	DESCRIPTION	REV
	1001188168	Ref	VALVE INSTALLATION	G
1	0100011	AR	Compound, Locking	
15	4812000	3	Washer M10	
16	1001208874	1	Filter, Hydraulic	
16	70010383	1	Element, Filter	
17	1001162538	1	Axle Valve Assembly (See Separate Breakdown in this Section)	
22	1001190169	1	Main Valve Assembly (See Separate Breakdown in this Section)	
24	5251009	6	Bolt M10 x 18	
27	0761009	3	Bolt M10 x 18	

SECTION 2 - TURNTABLE

FIGURE 2-4. VALVE INSTALLATION - 660SJ WITH 4WS



ART_1001188169_10F2

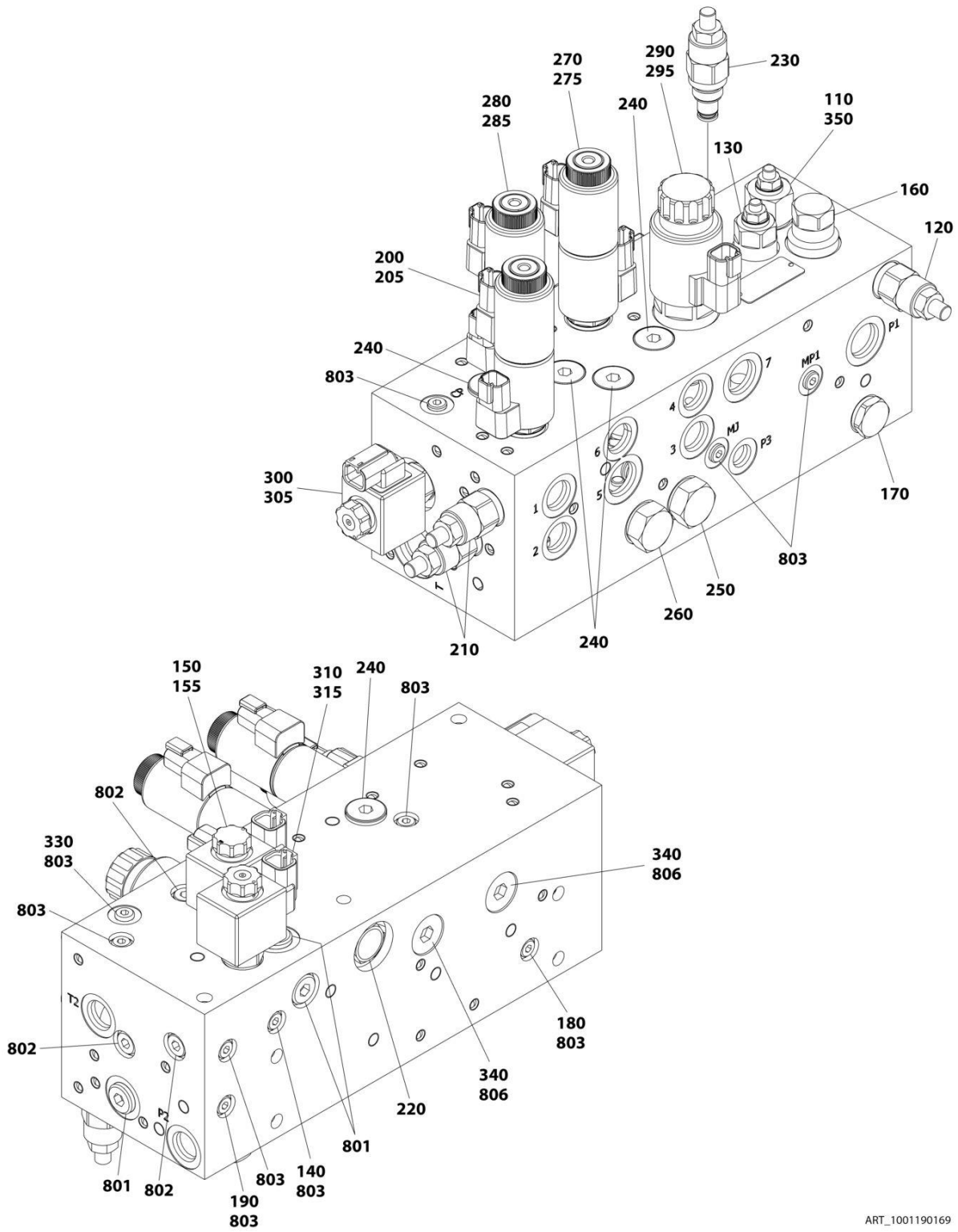
SECTION 2 - TURNTABLE

FIGURE 2-4. VALVE INSTALLATION - 660SJ WITH 4WS

ITEM	PART NUMBER	QTY	DESCRIPTION	REV
	1001188169	Ref	VALVE INSTALLATION	G
1	0100011	AR	Compound, Locking	
15	4812000	3	Washer M10	
16	1001208874	1	Filter, Hydraulic	
16	70010383	1	Element, Filter	
17	1001162538	1	Axle Valve Assembly (See Separate Breakdown in this Section)	
23	1001190326	1	Main Valve Assembly (See Separate Breakdown in this Section)	
24	5251009	6	Bolt M10 x 18	
27	0761009	3	Bolt M10 x 18	

SECTION 2 - TURNTABLE

FIGURE 2-5. MAIN VALVE ASSEMBLY - 2WS



ART_1001190169

SECTION 2 - TURNTABLE

FIGURE 2-5. MAIN VALVE ASSEMBLY - 2WS

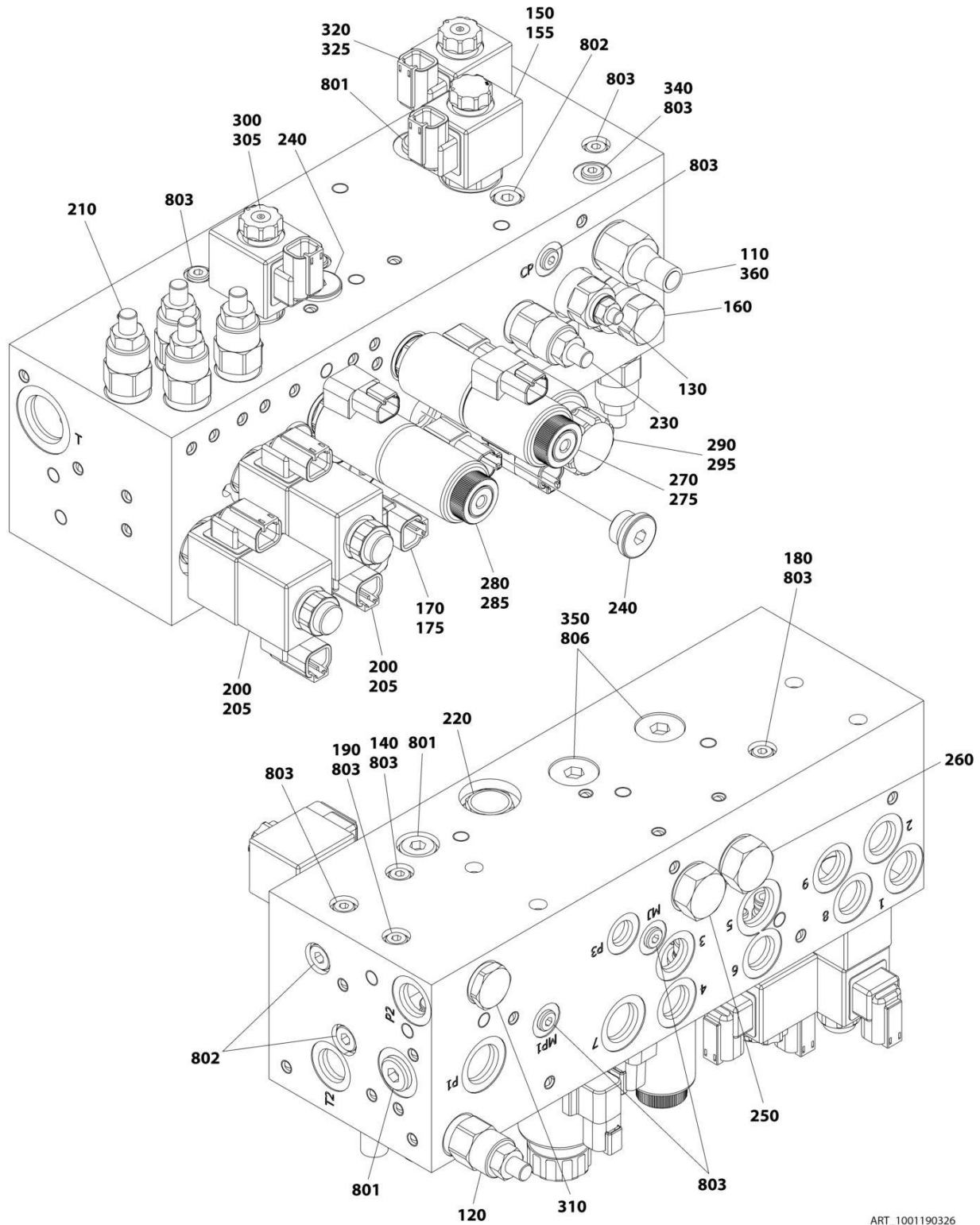
ITEM	PART NUMBER	QTY	DESCRIPTION	REV
	1001190169	Ref	MAIN VALVE ASSEMBLY	F
110	70006109	1	Valve, Flow/Pressure Control	
110	70004656	1	Seal Kit - 70006109 Valve	
120	70003019	1	Valve, Relief	
120	70004052	1	Seal Kit - 70003019 Valve	
130	70004607	1	Valve, Relief	
130	70004602	1	Seal Kit - 70004607 Valve	
140	70004668	1	Orifice	
150	70006111	1	Valve, Solenoid Without Coil	
150	70004584	1	Seal Kit - 70006111 Valve	
150	70004051	1	Coil Nut & Pole Tube O-Ring Kit	
155	70004653	1	Coil	
160	70006112	1	Valve, Load Sense	
160	70006113	1	Seal Kit - 70006112 Valve	
170	70005952	1	Valve, Check	
170	70004052	1	Seal Kit - 70005952 Valve	
180	7022527	1	Orifice 2mm	
190	7022527	1	Orifice 2mm	
200	70004659	1	Valve, Solenoid Without Coil (Steer)	
200	70004660	1	Seal Kit	
200	70004661	1	Nut, Coil	
200	70024457	1	O-Ring at Coil Nut	
200	70004662	1	O-Ring at Bottom of Pole Tube	
205	80434249	2	Coil	
210	70003019	2	Valve, Relief	
210	70004052	2	Seal Kit - 70003019 Valve	
220	70003027	1	Valve, Flow/Pressure Control	
220	70004052	1	Seal Kit - 70003027 Valve	
230	70003019	1	Valve, Relief	
230	70004052	1	Seal Kit - 70003019 Valve	
240	70023859	5	Valve, Relief	
240	70023860	5	Seal Kit - 70023859 Valve	
250	70006114	1	Valve, Pressure Compensator	
250	70004656	1	Seal Kit - 70006114 Valve	
260	70006114	1	Valve, Pressure Compensator	
260	70004656	1	Seal Kit - 70006114 Valve	
270	70006115	1	Valve, Solenoid Without Coil (Swing)	
270	70006116	1	Seal Kit - 70006115 Valve	
270	70004661	1	Nut, Coil	
270	70024457	1	O-Ring at Coil Nut	
270	70004662	1	O-Ring at Bottom of Pole Tube	
275	80434249	2	Coil	
280	70006117	1	Valve, Solenoid Without Coil (Tele)	
280	70006116	1	Seal Kit - 70006117 Valve	
280	70004661	1	Nut, Coil	
280	70024457	1	O-Ring at Coil Nut	
280	70004662	1	O-Ring at Bottom of Pole Tube	
285	80434249	2	Coil	
290	70004657	1	Valve, Solenoid (Lift)	
290	70004594	1	Seal Kit - 70004657 Valve	

SECTION 2 - TURNTABLE

ITEM	PART NUMBER	QTY	DESCRIPTION	REV
290	70004597	1	Nut, Coil	
290	70004596	1	O-Ring at Coil Nut	
295	70004595	1	Coil	
300	70004598	1	Valve, Solenoid (Lift)	
300	70004055	1	Seal Kit - 70004598 Valve	
300	70005947	1	Coil Nut & Pole Tube O-Ring Kit	
305	70004653	1	Coil	
310	70006118	1	Valve, Solenoid (Lift)	
310	70004052	1	Seal Kit - 70006118 Valve	
310	70004051	1	Coil Nut & Pole Tube O-Ring Kit	
315	70004653	1	Coil	
330	7023821	1	Orifice 0.8mm	
340	70006119	2	Valve, Check	
350	70006357	1	Orifice 4mm	
801	70002759	3	Plug	
802	70004617	3	Plug	
803	70002758	10	Plug	
806	70006120	2	Plug	

SECTION 2 - TURNTABLE

FIGURE 2-6. MAIN VALVE ASSEMBLY - 4WS



ART_1001190326

SECTION 2 - TURNTABLE

FIGURE 2-6. MAIN VALVE ASSEMBLY - 4WS

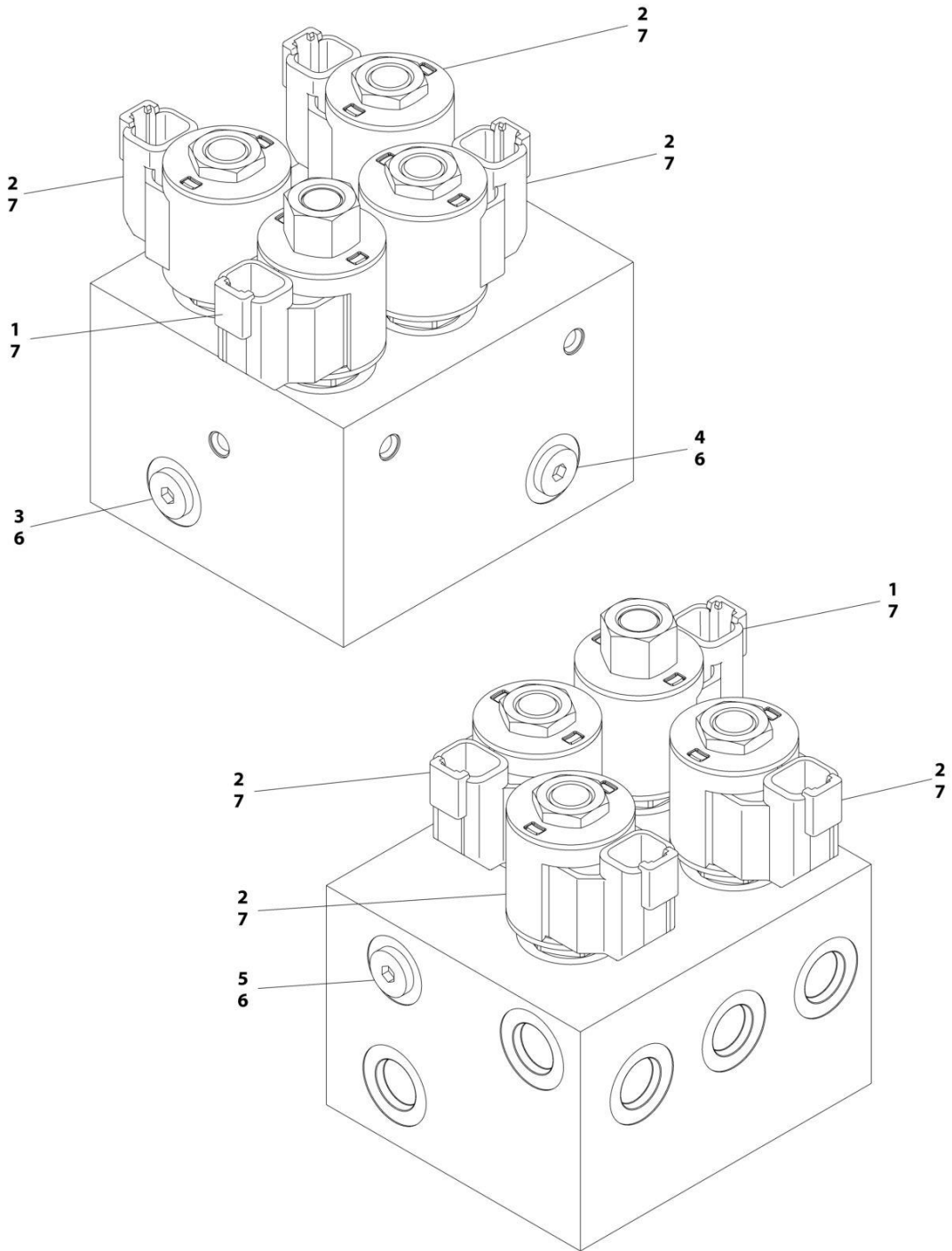
ITEM	PART NUMBER	QTY	DESCRIPTION	REV
	1001190326	Ref	MAIN VALVE ASSEMBLY	F
110	70006109	1	Valve, Flow/Pressure Control	
110	70004656	1	Seal Kit - 70006109 Valve	
120	70003019	1	Valve, Relief	
120	70004052	1	Seal Kit - 70003019 Valve	
130	70004607	1	Valve, Relief	
130	70004602	1	Seal Kit - 70004607 Valve	
140	70004668	1	Orifice	
150	70006111	1	Valve, Solenoid without Coil	
150	70004584	1	Seal Kit - 70006111 Valve	
150	70004051	1	Coil Nut & Pole Tube O-Ring Kit	
155	70004653	1	Coil	
160	70006112	1	Valve, Load Sense	
160	70006113	1	Seal Kit - 70006112 Valve	
170	70006128	1	Valve, Solenoid without Coil	
170	70004055	1	Seal Kit - 70006128 Valve	
170	70005947	1	Coil Nut & Pole Tube O-Ring Kit	
175	70004653	1	Coil	
180	7022527	1	Orifice 2mm	
190	7022527	1	Orifice 2mm	
200	70006124	2	Valve, Solenoid without Coil	
200	70004053	2	Seal Kit - 70006124 Valve	
200	70006123	2	Coil Nut & Pole Tube O-Ring Kit	
205	70004653	4	Coil	
210	70003019	4	Valve, Relief	
210	70004052	4	Seal Kit - 70003019 Valve	
220	70003027	1	Valve, Flow/Pressure Control	
220	70004052	1	Seal Kit - 70003027 Valve	
230	70003019	1	Valve, Relief	
230	70004052	1	Seal Kit - 70003019 Valve	
240	70023859	5	Valve, Relief	
240	70023860	5	Seal Kit - 70023859 Valve	
250	70006114	1	Valve, Pressure Compensator	
250	70004656	1	Seal Kit - 70006114 Valve	
260	70006114	1	Valve, Pressure Compensator	
260	70004656	1	Seal Kit - 70006114 Valve	
270	70006115	1	Valve, Solenoid without Coil (Swing)	
270	70006116	1	Seal Kit - 70006115 Valve	
270	70004661	1	Nut, Coil	
270	70024457	1	O-Ring at Coil Nut	
270	70004662	1	O-Ring at Bottom of Pole Tube	
275	80434249	2	Coil	
280	70006117	1	Valve, Solenoid without Coil (Tele)	
280	70006116	1	Seal Kit - 70006117 Valve	
280	70004661	1	Nut, Coil	
280	70024457	1	O-Ring at Coil Nut	
280	70004662	1	O-Ring at Bottom of Pole Tube	
285	80434249	2	Coil	
290	70004657	1	Valve, Solenoid (Lift)	
290	70004594	1	Seal Kit - 70004657 Valve	

SECTION 2 - TURNTABLE

ITEM	PART NUMBER	QTY	DESCRIPTION	REV
290	70004597	1	Nut, Coil	
290	70004596	1	O-Ring at Coil Nut	
295	70004595	1	Coil	
300	70004598	1	Valve, Solenoid (Lift)	
300	70004055	1	Seal Kit - 70004598 Valve	
300	70005947	1	Coil Nut & Pole Tube O-Ring Kit	
305	70004653	1	Coil	
310	70005952	1	Valve, Check	
310	70004052	1	Seal Kit - 70005952 Valve	
320	70006118	1	Valve, Solenoid (Lift)	
320	70004052	1	Seal Kit - 70006118 Valve	
320	70004051	1	Coil Nut & Pole Tube O-Ring Kit	
325	70004653	1	Coil	
340	7023821	1	Orifice .8mm	
350	70006119	2	Valve, Check	
360	70006357	1	Orifice 4mm	
801	70002759	3	Plug	
802	70004617	3	Plug	
803	70002758	11	Plug	
806	70006120	2	Plug	

SECTION 2 - TURNTABLE

FIGURE 2-7. AXLE VALVE ASSEMBLY



ART_1001162538

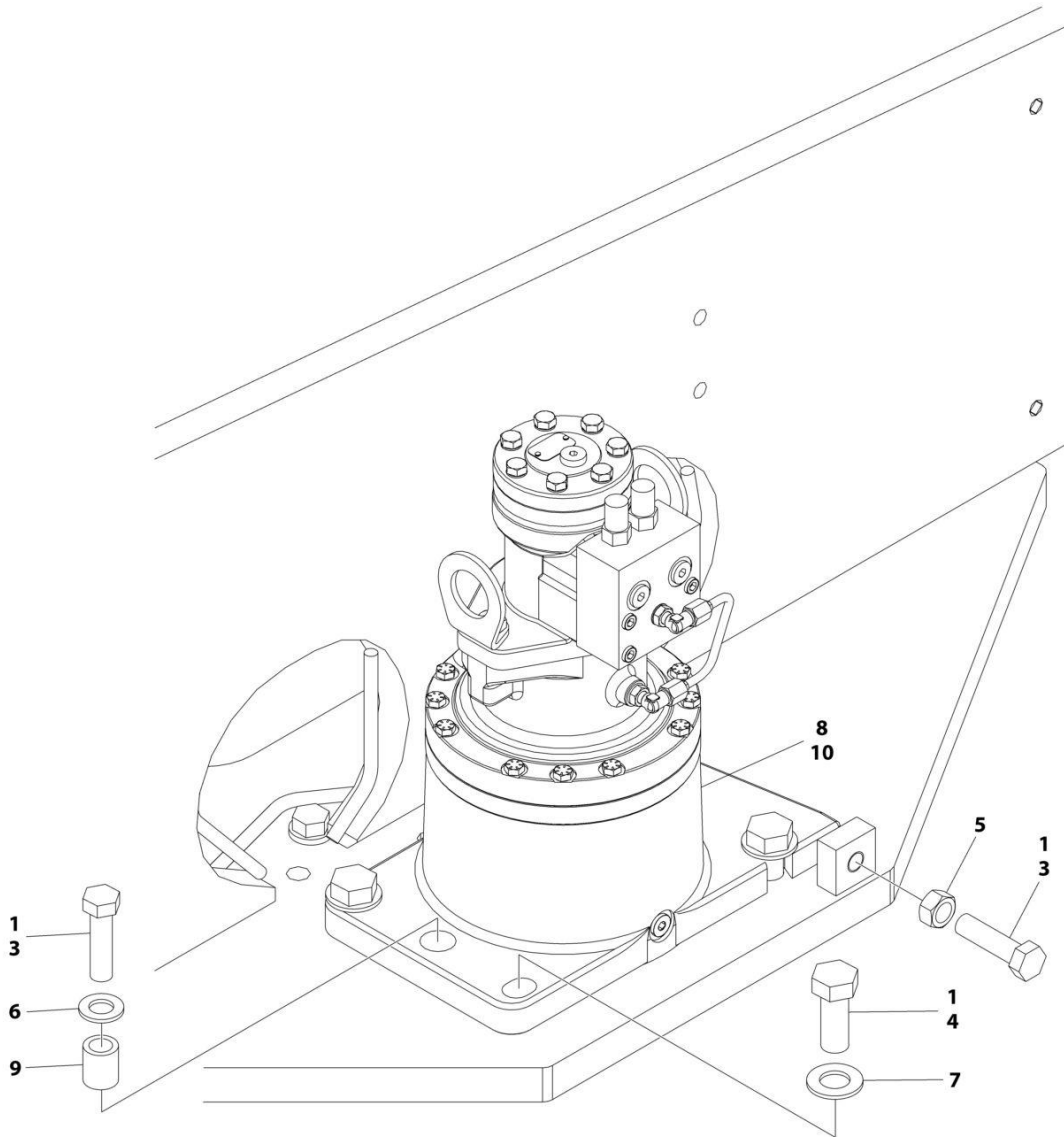
SECTION 2 - TURNTABLE

FIGURE 2-7. AXLE VALVE ASSEMBLY

ITEM	PART NUMBER	QTY	DESCRIPTION	REV
	1001162538	Ref	AXLE VALVE ASSEMBLY	D
1	7017410	1	Cartridge, Solenoid Valve Less Coil (Secondary Axle Release)	
1	7012967	1	Seal Kit - 7017410 Valve	
2	7012941	3	Cartridge, Solenoid Valve Less Coil (Brake Release, Primary Axle Release and 2 Speed)	
2	7010543	3	Seal Kit - 7012941 Valve	
3	70004883	1	Orifice	
4	70004884	1	Orifice	
5	70002063	1	Orifice	
6	2220883	3	Plug, O-Ring #4	
7	70002386	4	Coil	

SECTION 2 - TURNTABLE

FIGURE 2-8. SWING DRIVE INSTALLATION



ART_1001185842

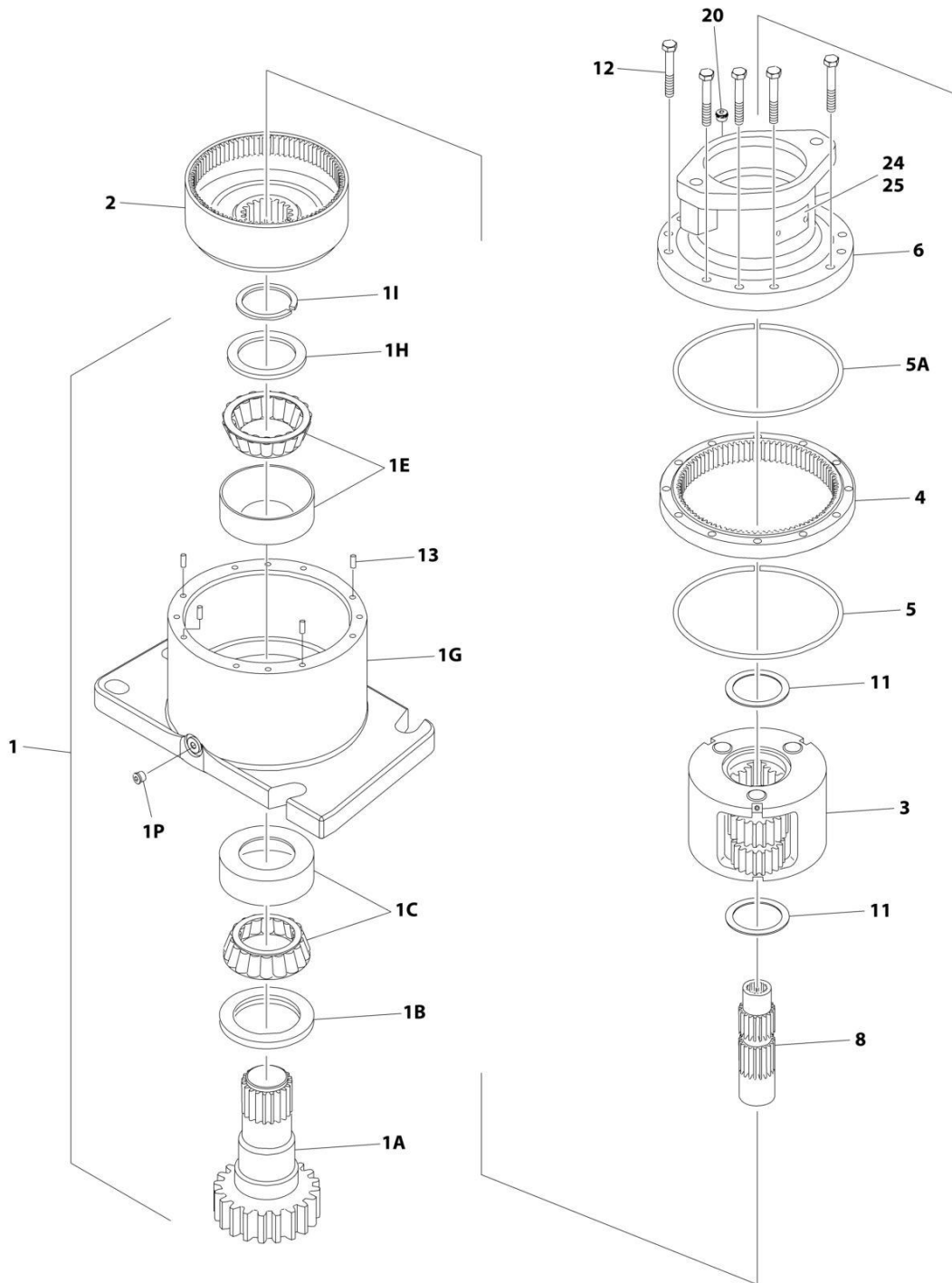
SECTION 2 - TURNTABLE

FIGURE 2-8. SWING DRIVE INSTALLATION

ITEM	PART NUMBER	QTY	DESCRIPTION	REV
	1001185842	Ref	SWING DRIVE INSTALLATION	B
1	0100019	AR	Compound, Locking	
3	0771620	2	Bolt M16 x 60	
4	0772018	4	Bolt M20 x 50	
5	3291601	1	Nut M16	
6	5241600	1	Washer M16	
7	5242000	4	Washer M20	
8	1001125492	1	Shim	
9	1001134543	1	Spacer	
10	1001187855	1	Swing Motor/Hub Assembly (See Separate Breakdown in this Section)	

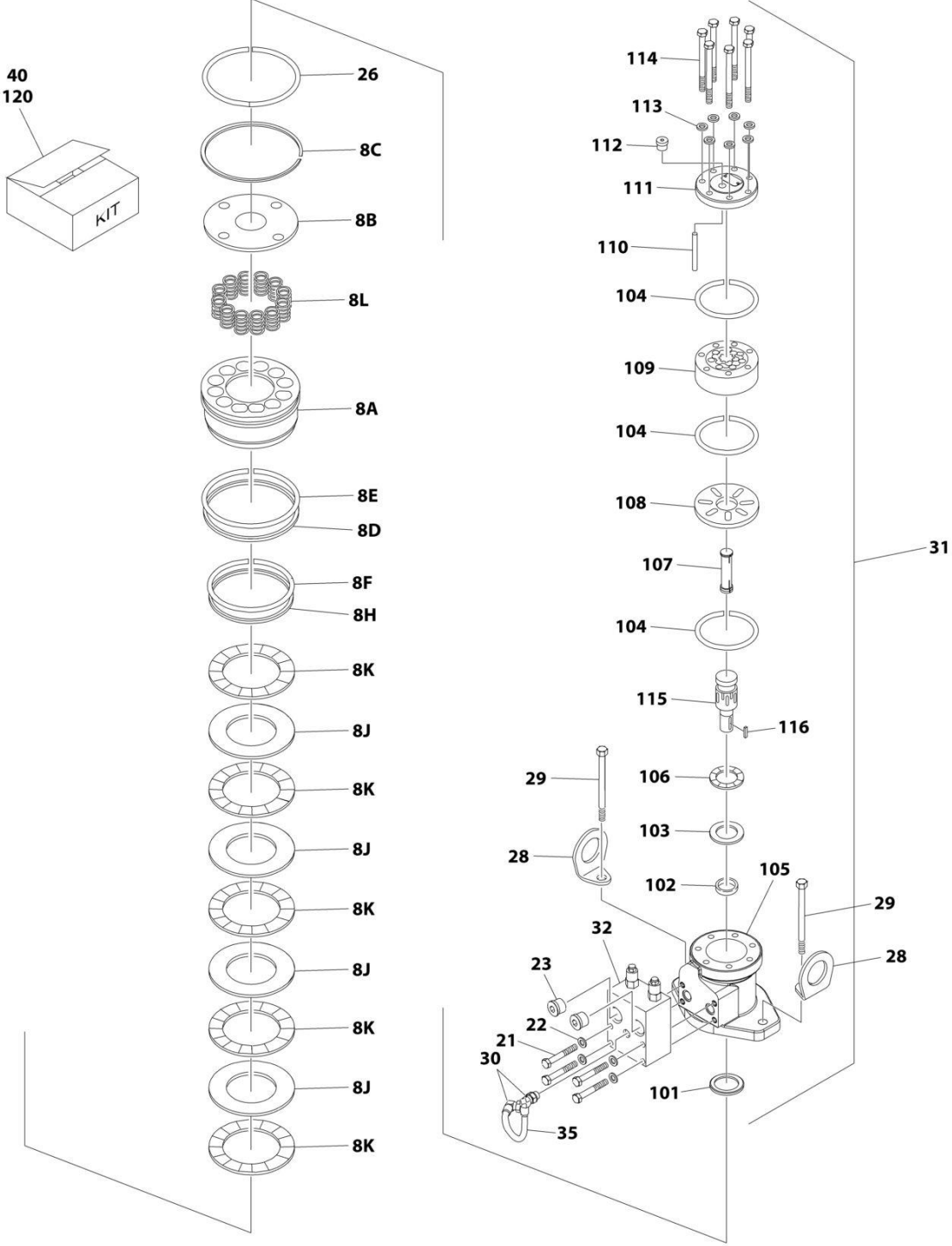
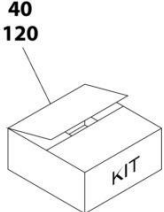
SECTION 2 - TURNTABLE

FIGURE 2-9. SWING MOTOR/HUB ASSEMBLY



ART_1001187855_1OF2

SECTION 2 - TURNTABLE



ART_1001187855_2OF2

SECTION 2 - TURNTABLE

FIGURE 2-9. SWING MOTOR/HUB ASSEMBLY

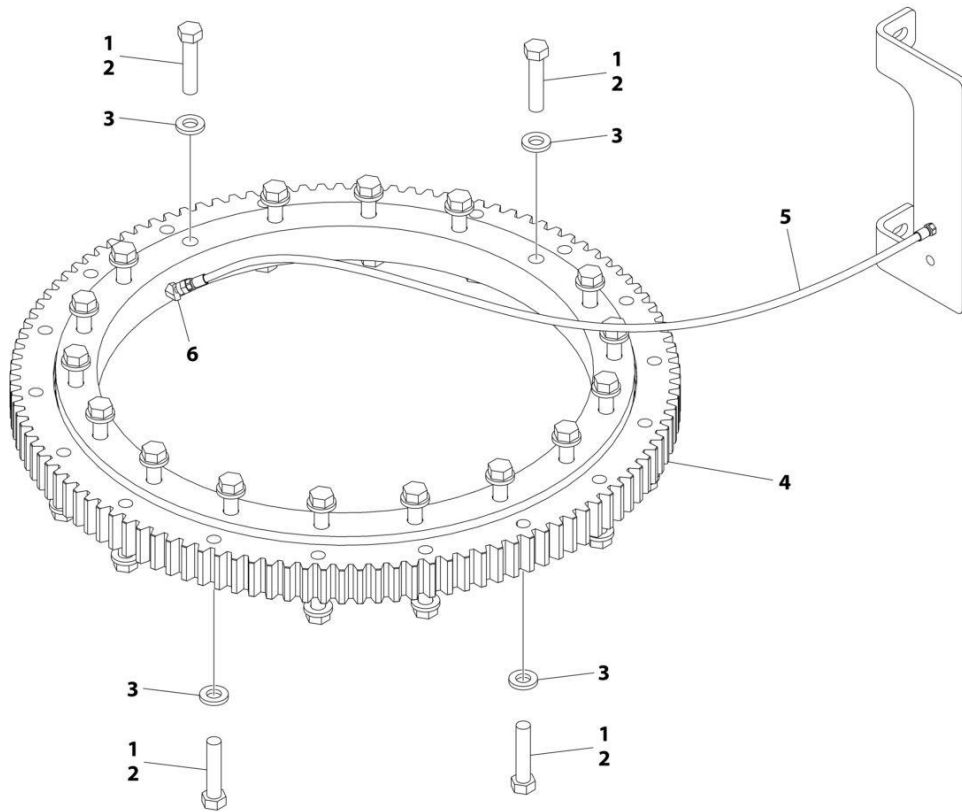
ITEM	PART NUMBER	QTY	DESCRIPTION	REV
	1001187855	Ref	SWING MOTOR/HUB ASSEMBLY	D
1	See Note	NSS	Housing/Shaft Assembly (Note: Not Available - Purchase Complete Swing Motor/Hub Assembly)	
1A	7010492	1	Shaft, Output	
1B	7000228	1	Seal, Lip	
1C	7000255	1	Bearing Kit (Includes Cup and Cone)	
1E	7000257	1	Bearing Kit (Includes Cup and Cone)	
1G	See Note	1	Housing (Note: Not Available for Purchase)	
1H	7007633	1	Thrustwasher	
1I	7000229	1	Ring, Retaining	
1P	7017072	1	Plug, Pipe	
2	7000246	1	Gear, Internal	
3	7000247	1	Carrier Assembly	
3A	7001931	1	Carrier	
3B	7001985	6	Washer, Tanged	
3C	7001909	96	Bearing, Needle	
3D	7000263	3	Thrustwasher	
3E	7001911	3	Shaft, Planet	
3F	7001912	3	Gear, Cluster	
3G	7010474	3	Roll Pin	
4	7000248	1	Gear, Ring	
5	7000230	1	O-Ring (Black)	
5A	7017070	1	O-Ring (White)	
6	See Note	NSS	Housing, Brake (Note: Not Available for Purchase)	
7	70005203	1	Gear, Sun	
8		Ref	Brake Components	
8A	70004037	1	Piston, Brake	
8B	7024743	1	Plate, Pressure	
8C	70004039	1	Ring, Retaining	
8D	70004041	1	O-Ring	
8E	70004044	1	Ring, Back-up	
8F	70004042	1	O-Ring	
8H	70004043	1	Ring, Back-up	
8J	See Note	NSS	Rotor, Brake (Note: Use p/n 70002085)	
8K	See Note	NSS	Stator, Brake (Note: Use p/n 70002085)	
8L	70002066	7	Spring, Brake	
11	7000253	2	Thrustwasher	
12	7000217	12	Bolt, 5/16 x 2-1/4 Grade 8	
13	7017080	4	Pin, Dowel	
20	7017072	1	Plug, Pipe	
21	7024704	4	Bolt 5/16 x 2 Grade 8	
22	70004045	4	Lockwasher	
23	7017023	2	Plug, Pipe	
24	See Note	NSS	Plate, ID (Note: Not Available for Purchase)	
25	See Note	NSS	Rivet	
26	7024763	1	O-Ring	
28	See Note	NSS	Lug, Lifting (Note: Not Available for Purchase)	
29	70004040	2	Bolt 1/2 x 1-1/2 Grade 8	
30	7017085	2	Elbow	
31	70006304	1	Motor Assembly (See Items 101-120 for Breakdown)	

SECTION 2 - TURNTABLE

ITEM	PART NUMBER	QTY	DESCRIPTION	REV
32	7024784	1	Valve (No Serviceable Parts)	
33	7017082	1	Plug, Pipe (Not Shown)	
35	70004047	1	Tube	
40	7024100	1	Seal Kit - Hub (Includes Items 1B, 1I, 5, 5A & 11)	
	70006304	Ref	Motor Assembly	
101	See Note	NSS	Seal, Dust (Note: Use Item 120)	
102	See Note	NSS	Seal, Shaft (Note: Use Item 120)	
103	See Note	NSS	Thrustwasher (Note: Use Item 120)	
104	See Note	NSS	Seal, Ring (Note: Use Item 120)	
105	See Note	NSS	Housing (Note: Purchase Complete Assembly)	
106	70006306	1	Bearing, Thrust	
107	7005889	1	Link, Drive	
108	70006307	1	Plate, Wear	
109	70006310	1	Rotor Set	
110	7005891	1	Pin	
111	70006308	1	Cover, End	
112	See Note	NSS	Plug (Note: Purchase Complete Assembly)	
113	70006309	1	Washer Kit (Includes 7 Washers)	
114	70006313	1	Bolt Kit (Includes 7 Bolts)	
115	See Note	NSS	Shaft (Note: Purchase Complete Assembly)	
116	See Note	NSS	Key (Note: Purchase Complete Assembly)	
120	70006305	1	Seal Kit - Motor (Includes Items 101-104)	

SECTION 2 - TURNTABLE

FIGURE 2-10. TURNTABLE BEARING AND LUBE INSTALLATION



ART_1001185709

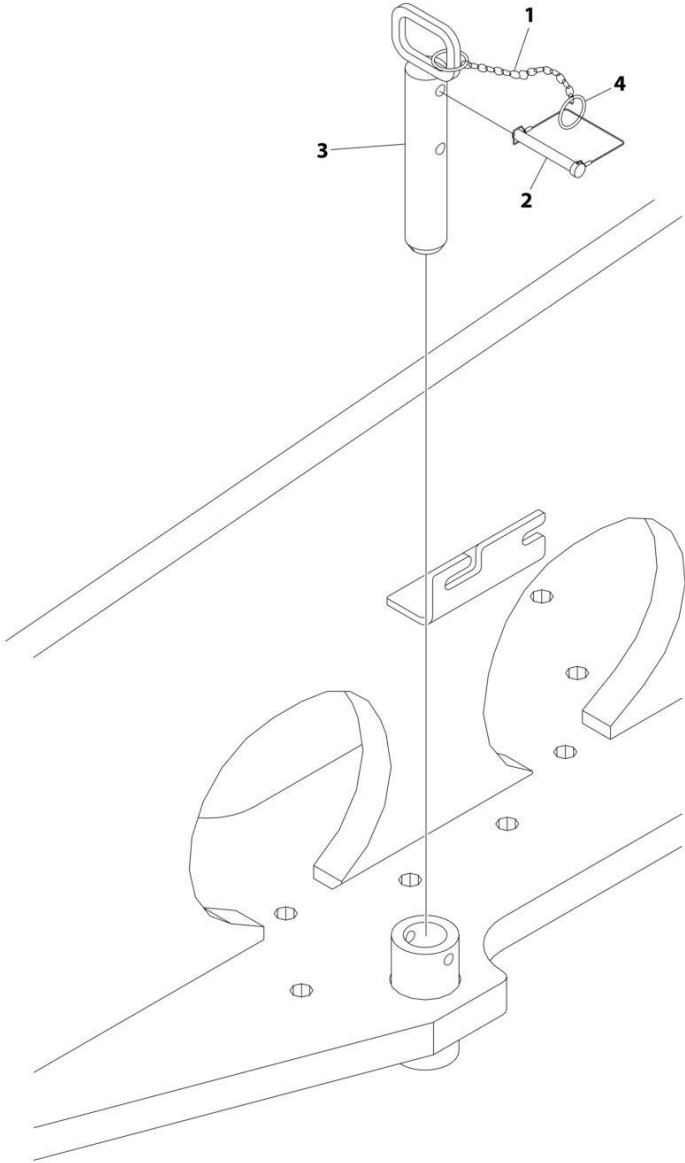
SECTION 2 - TURNTABLE

FIGURE 2-10. TURNTABLE BEARING AND LUBE INSTALLATION

ITEM	PART NUMBER	QTY	DESCRIPTION	REV
	1001185709	Ref	TURNTABLE BEARING AND LUBE INSTALLATION	D
1	0100019	AR	Compound, Locking	
2	0682023	36	Bolt 5/8 x 2-7/8	
3	4892000	36	Washer 5/8	
4	0440233	1	Bearing, Turntable	
5	1001188125	1	Hose	
6	2220124	1	Fitting, 45	

SECTION 2 - TURNTABLE

FIGURE 2-11. TURNTABLE LOCK INSTALLATION



ART_1001187022

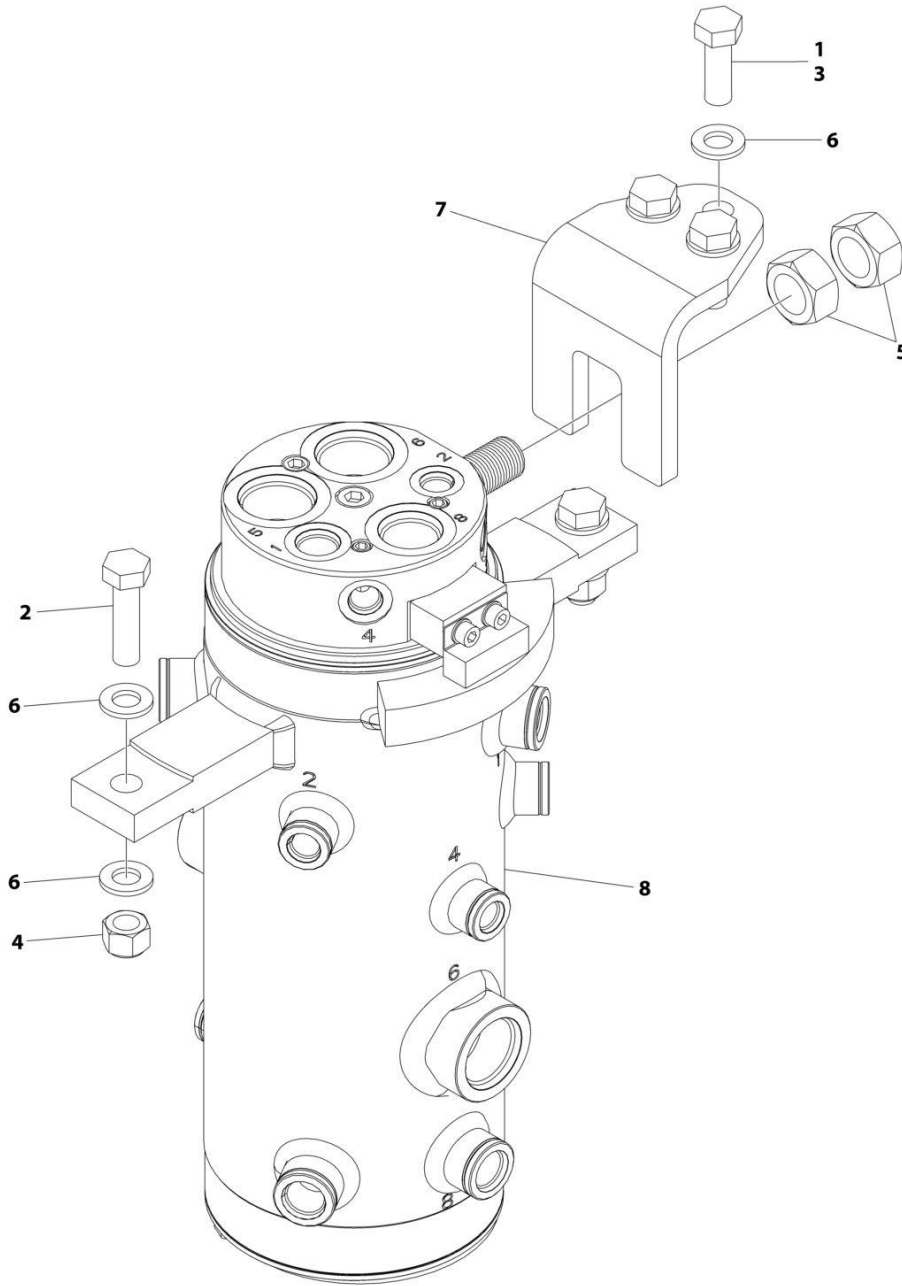
SECTION 2 - TURNTABLE

FIGURE 2-11. TURNTABLE LOCK INSTALLATION

ITEM	PART NUMBER	QTY	DESCRIPTION	REV
	1001187022	Ref	TURNTABLE LOCK INSTALLATION	B
1	1260017	9 in/23cm	Chain	
2	3421565	1	Snap-Pin	
3	3421627	NLA	Pin, Lock (Use p/n 1001169582) (SN 0300235168 through 0300255131, SN B300002655 through B300003487, Excluding B300005570)	
3	1001169582	1	Pin, Lock (SN 0300255132 through 0300272445, SN B300003488 through B300005754, Excluding B300005570)	
4	3760170	2	Ring	

SECTION 2 - TURNTABLE

FIGURE 2-12. ROTARY COUPLING INSTALLATION - 2WS



ART_1001188337

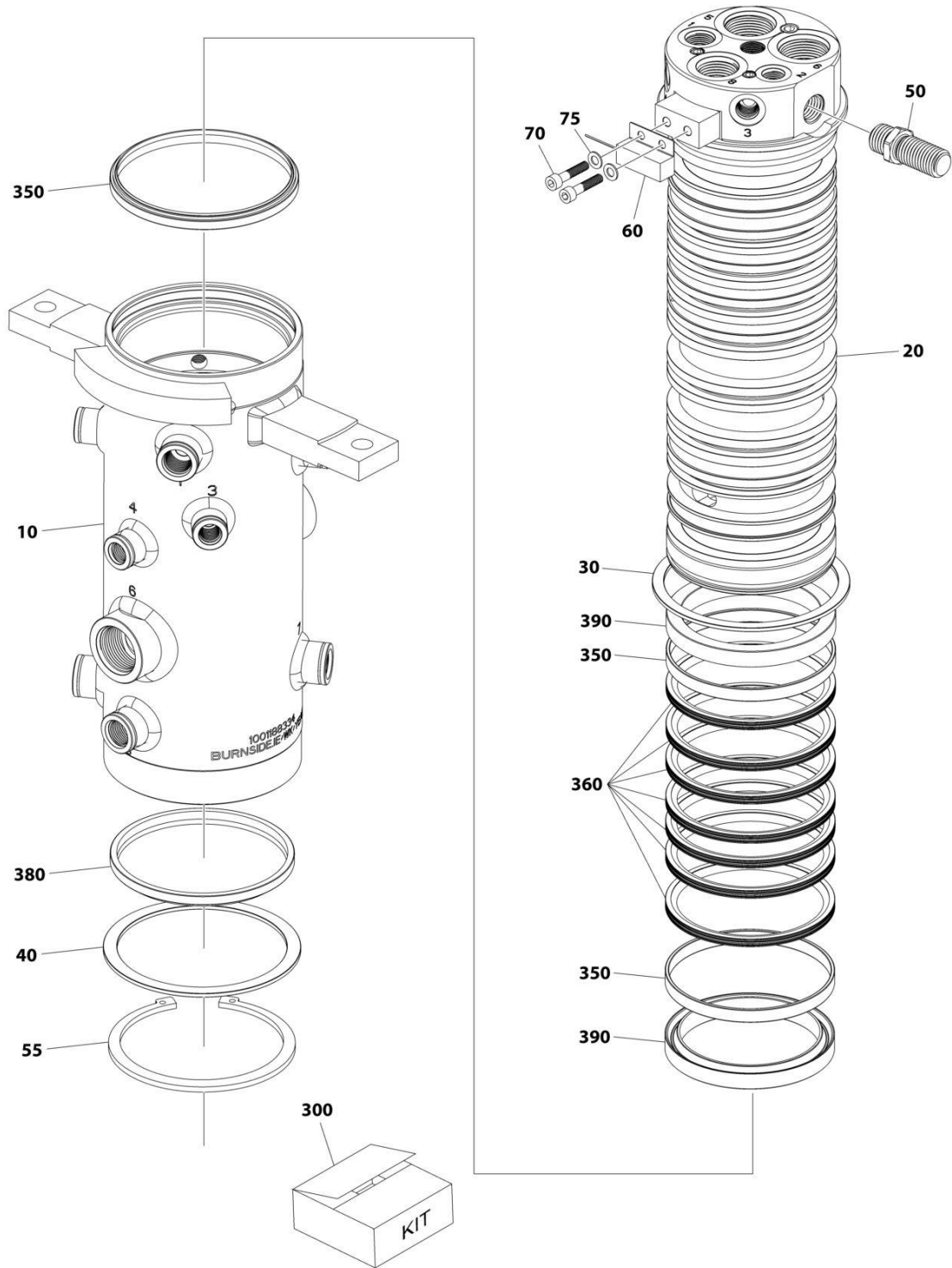
SECTION 2 - TURNTABLE

FIGURE 2-12. ROTARY COUPLING INSTALLATION - 2WS

ITEM	PART NUMBER	QTY	DESCRIPTION	REV
	1001188337	Ref	ROTARY COUPLING INSTALLATION	B
1	0100011	AR	Compound, Locking	
2	0701217	2	Bolt M12 x 45	
3	0761215	3	Bolt M12 x 35	
4	3291205	2	Nut M12	
5	3292001	2	Nut M20	
6	4812100	7	Washer M12	
7	1001187953	1	Mount	
8	1001188334	1	Rotary Coupling Assembly (See Separate Breakdown in this Section)	

SECTION 2 - TURNTABLE

FIGURE 2-13. ROTARY COUPLING ASSEMBLY - 2WS



ART_1001188334

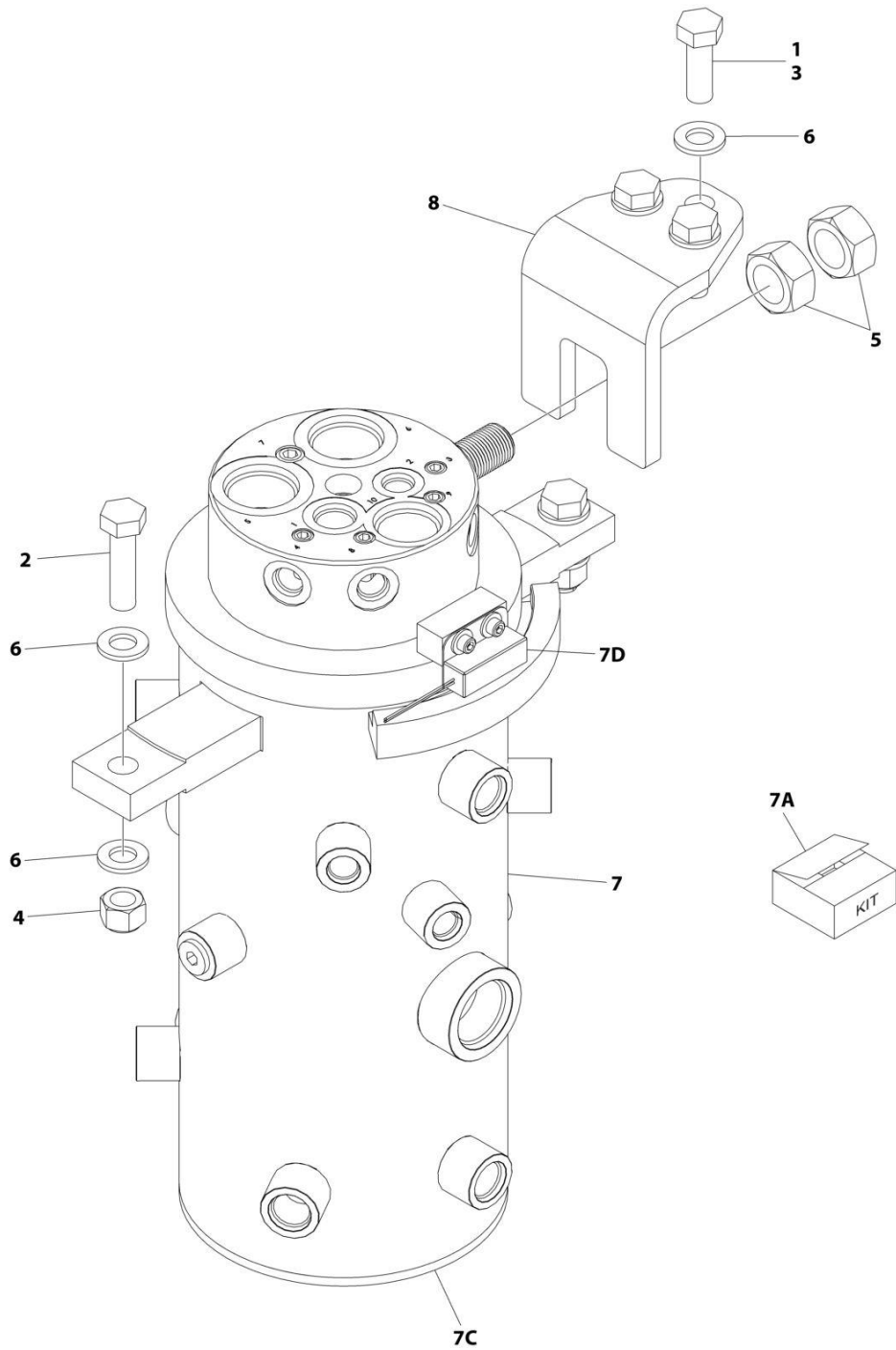
SECTION 2 - TURNTABLE

FIGURE 2-13. ROTARY COUPLING ASSEMBLY - 2WS

ITEM	PART NUMBER	QTY	DESCRIPTION	REV
	1001188334	Ref	ROTARY COUPLING ASSEMBLY	G
10	See Note	NSS	Housing (Note: Purchase Complete Assembly)	
20	See Note	NSS	Shaft (Note: Purchase Complete Assembly)	
30	70005710	1	Spacer	
40	70005711	1	Spacer	
50	70005712	1	Fitting	
55	70005713	1	Circlip	
60	4360517	1	Sensor	
60	4460320	1	Plug, Male - 2 Position	
60	4460227	2	Socket, Female	
70	70006537	2	Bolt	
75	70006538	2	Washer	
300	70005716	1	Seal Kit (Includes Items 350-390)	
350	See Note	NSS	Ring, Wear (Note: Use Item 300)	
360	See Note	NSS	Seal (Note: Use Item 300)	
370	See Note	NSS	Wiper (Note: Use Item 300) (Not Shown)	
380	See Note	NSS	Wiper (Note: Use Item 300)	
390	See Note	NSS	Seal, Rod (Note: Use Item 300)	

SECTION 2 - TURNTABLE

FIGURE 2-14. ROTARY COUPLING INSTALLATION - 4WS



ART_1001188336

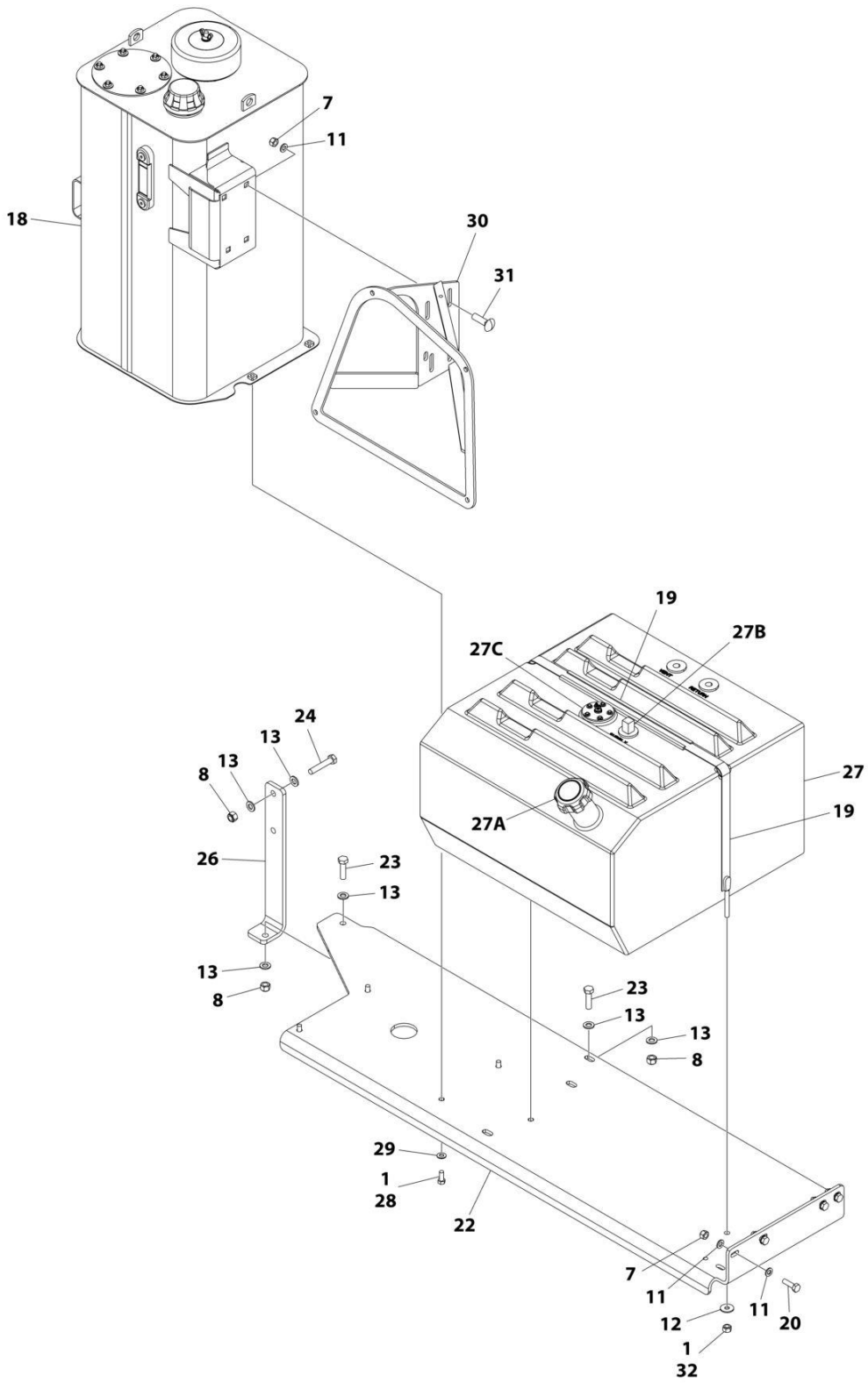
SECTION 2 - TURNTABLE

FIGURE 2-14. ROTARY COUPLING INSTALLATION - 4WS

ITEM	PART NUMBER	QTY	DESCRIPTION	REV
	1001188336	Ref	ROTARY COUPLING INSTALLATION	D
1	0100011	AR	Compound, Locking	
2	0701217	2	Bolt M12 x 45	
3	0761215	3	Bolt M12 x 35	
4	3291205	2	Nut M12	
5	3292001	2	Nut M20	
6	4812100	7	Washer M12	
7	1001187470	1	Coupling Assembly - 4WS	
7A	70005680	1	Seal Kit	
7B	70005681	2	Poly Seal (Not Shown)	
7C	7013189	1	Ring, Retaining	
7C	7026511	2	Ring	
7D	4360517	1	Sensor, Proximity	
7D	4460320	1	Plug, Male - 2 Position	
7D	4460227	2	Socket, Female	
8	1001187953	1	Mount	

SECTION 2 - TURNTABLE

FIGURE 2-15. TANKS INSTALLATION - DIESEL MACHINES (POLY FUEL TANK)



ART_1001188257

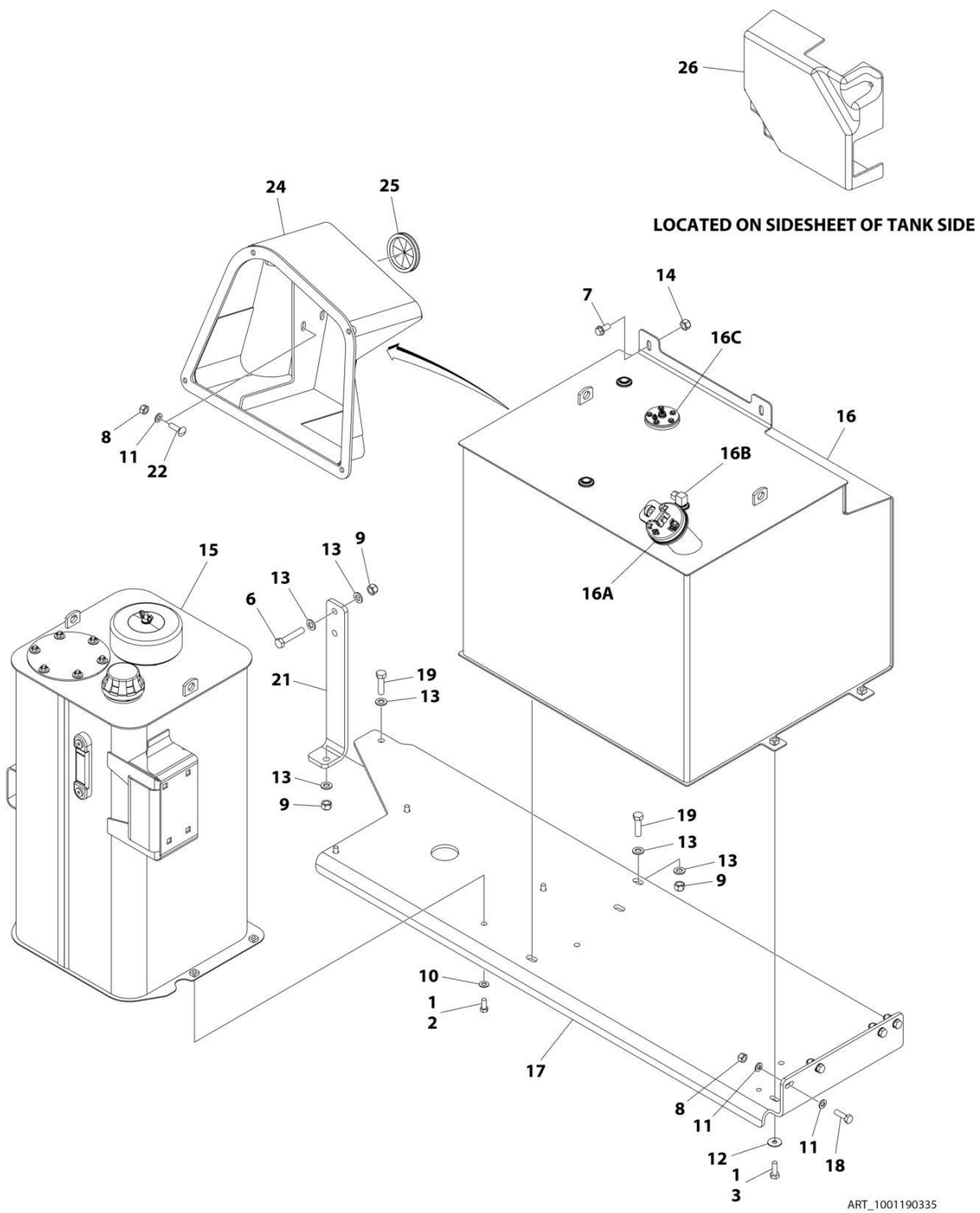
SECTION 2 - TURNTABLE

FIGURE 2-15. TANKS INSTALLATION - DIESEL MACHINES (POLY FUEL TANK)

ITEM	PART NUMBER	QTY	DESCRIPTION	REV
	1001188257	Ref	TANKS INSTALLATION	K
1	0100011	AR	Compound, Locking	
7	3291005	8	Nut M10	
8	3291205	4	Nut M12	
11	4812000	12	Washer M10	
12	4812002	2	Washer M10	
13	4812100	8	Washer M12	
18	1001178057	1	Hydraulic Tank Assembly (See Separate Breakdown in this Section)	
19	1001238954	1	Strap Assembly	
19	1001189119	1	Strap	
19	4280295	48 in/ 122cm	Strip, Protector	
20	0701015	4	Bolt M10 x 35	
22	1001199933	1	Tray	
23	0701217	2	Bolt M12 x 45	
24	0701221	2	Bolt M12 x 65	
26	1001199883	1	Support	
27	1001201325	1	Tank, Fuel	
27A	70004414	1	Cap, Fill	
27B	7020043	1	Tube, Pickup	
27C	1001148607	1	Sender, Fuel Level	
27C	0731005	5	Screw #10 x 5/8	
27C	4751000	5	Washer #10	
28	0641607	4	Bolt 3/8 x 7/8	
28	0641608	4	Bolt 3/8 x 1	
29	4711600	4	Washer 3/8	
30	1001213251	1	Support, Ground Control	
31	1001228406	4	Bolt M10 x 35	
31	0630613	4	Bolt M10 x 30	
32	3291005	2	Nut M10	
32	3291001	2	Nut M10	

SECTION 2 - TURNTABLE

FIGURE 2-16. TANKS INSTALLATION - DIESEL MACHINES (STEEL FUEL TANK)



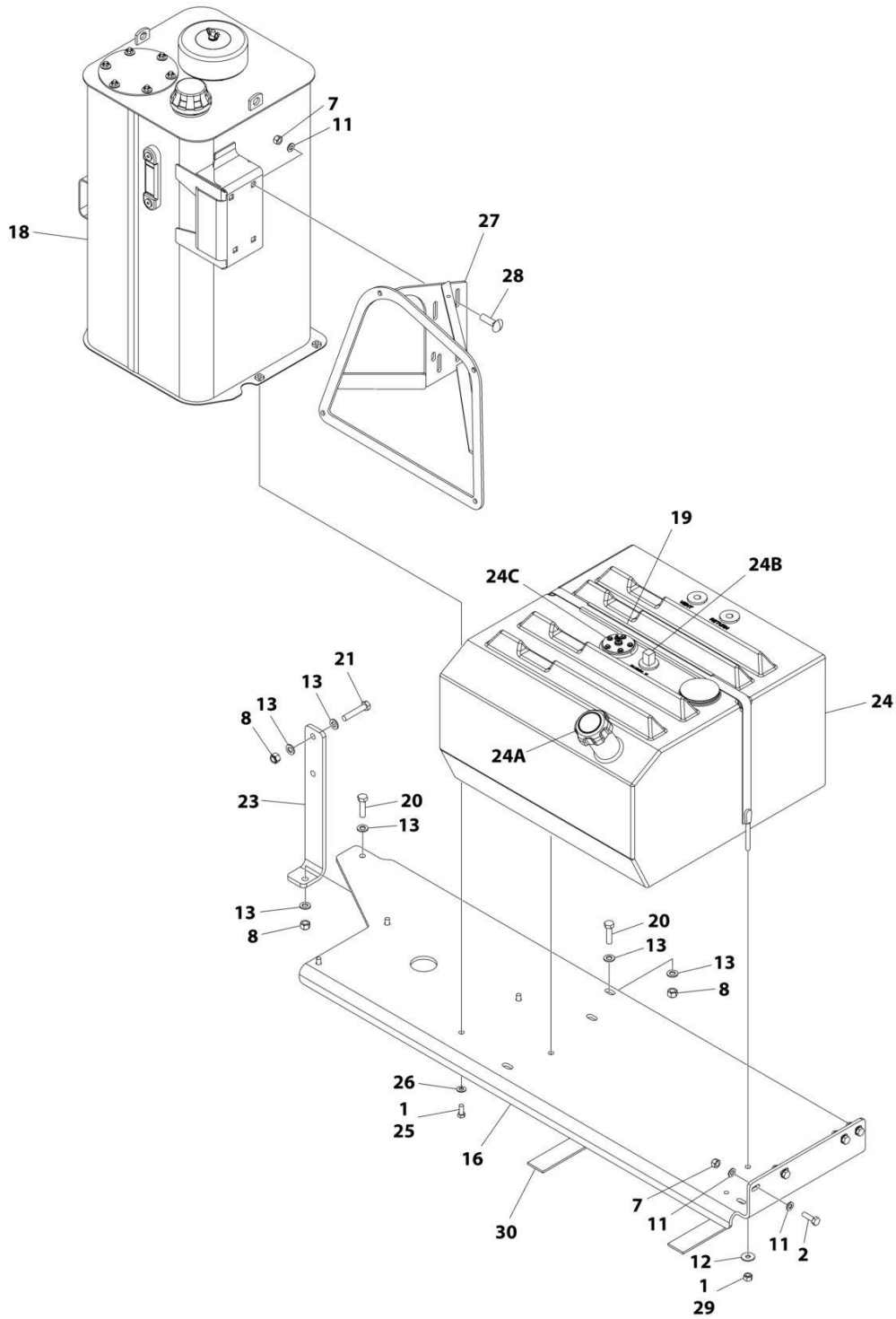
SECTION 2 - TURNTABLE

FIGURE 2-16. TANKS INSTALLATION - DIESEL MACHINES (STEEL FUEL TANK)

ITEM	PART NUMBER	QTY	DESCRIPTION	REV
	1001190335	Ref	TANKS INSTALLATION	I
1	0100011	AR	Compound, Locking	
2	0641607	4	Bolt 3/8 x 7/8	
2	0641608	4	Bolt 3/8 x 1	
3	0761014	4	Bolt M10 x 30	
6	0701221	2	Bolt M12 x 65	
7	5251012	2	Bolt M10 x 25	
8	3291005	8	Nut M10	
9	3291205	4	Nut M12	
10	4711600	4	Washer 3/8	
11	4812000	12	Washer M10	
12	4812002	4	Washer M10	
13	4812100	8	Washer M12	
14	1001118972	1	Nut, Tinnerman M10	
15	1001178057	1	Hydraulic Tank Assembly (See Separate Breakdown in this Section)	
16	1001189764	1	Tank, Fuel	
16A	1001080707	1	Cap, Fill	
16B	70006314	1	Tube, Pickup	
16C	1001189800	1	Sender, Fuel Level	
16C	0731005	5	Screw #10 x 5/8	
16C	4751000	5	Washer #10	
17	1001199933	1	Tray	
18	0701015	4	Bolt M10 x 35	
19	0701217	2	Bolt M12 x 45	
21	1001199883	1	Support	
22	1001228406	4	Bolt M10 x 35	
22	0630613	4	Bolt M10 x 30	
24	1001229572	1	Mount, Ground Control	
25	1001218676	1	Grommet	
26	1001218539	1	Cover	

SECTION 2 - TURNTABLE

FIGURE 2-17. TANKS INSTALLATION - GAS MACHINES



ART_1001189228

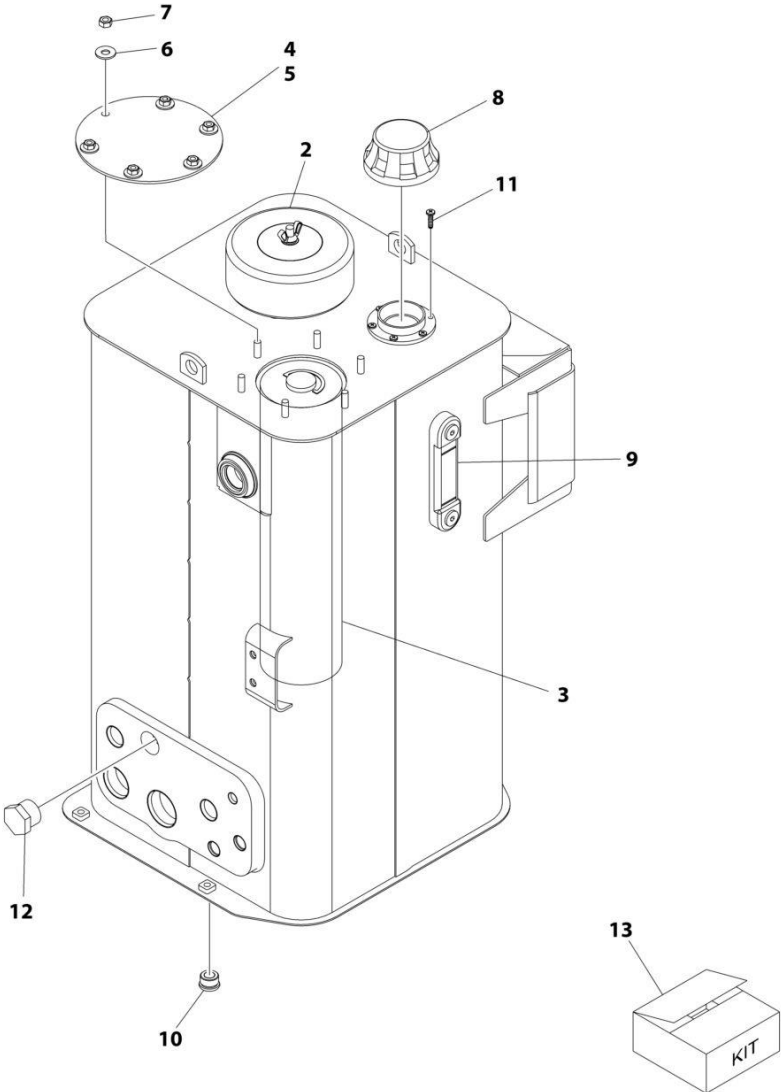
SECTION 2 - TURNTABLE

FIGURE 2-17. TANKS INSTALLATION - GAS MACHINES

ITEM	PART NUMBER	QTY	DESCRIPTION	REV
	1001189228	Ref	TANKS INSTALLATION	I
1	0100011	AR	Compound, Locking	
2	0701015	4	Bolt M10 x 35	
7	3291005	8	Nut M10	
8	3291205	4	Nut M12	
11	4812000	12	Washer M10	
12	4812002	2	Washer M10	
13	4812100	8	Washer M12	
16	1001199933	1	Tray	
18	1001178057	1	Hydraulic Tank Assembly (See Separate Breakdown in this Section)	
19	1001238954	1	Strap Assembly	
19	1001189119	1	Strap, Tank	
19	4280295	48 in/ 122cm	Strip, Protector	
20	0701217	2	Bolt M12 x 45	
21	0701221	2	Bolt M12 x 65	
23	1001199883	1	Support	
24	1001201326	1	Tank, Fuel	
24A	70001103	1	Cap, Fill	
24B	7020043	1	Tube, Pickup	
24C	1001148607	1	Sender, Fuel Level	
24C	0731005	5	Screw #10 x 5/8	
24C	4751000	5	Washer #10	
25	0641607	4	Bolt 3/8 x 7/8	
25	0641608	4	Bolt 3/8 x 1	
26	4711600	4	Washer 3/8	
27	1001213251	1	Support, Ground Control	
28	1001228406	4	Bolt M10 x 35	
28	0630613	4	Bolt M10 x 30	
29	3291005	2	Nut M10	
29	3291001	2	Nut M10	
30	4420038	30 in/ 76.2 cm	Tape, Rubatex	

SECTION 2 - TURNTABLE

FIGURE 2-18. HYDRAULIC TANK ASSEMBLY



ART_1001178057

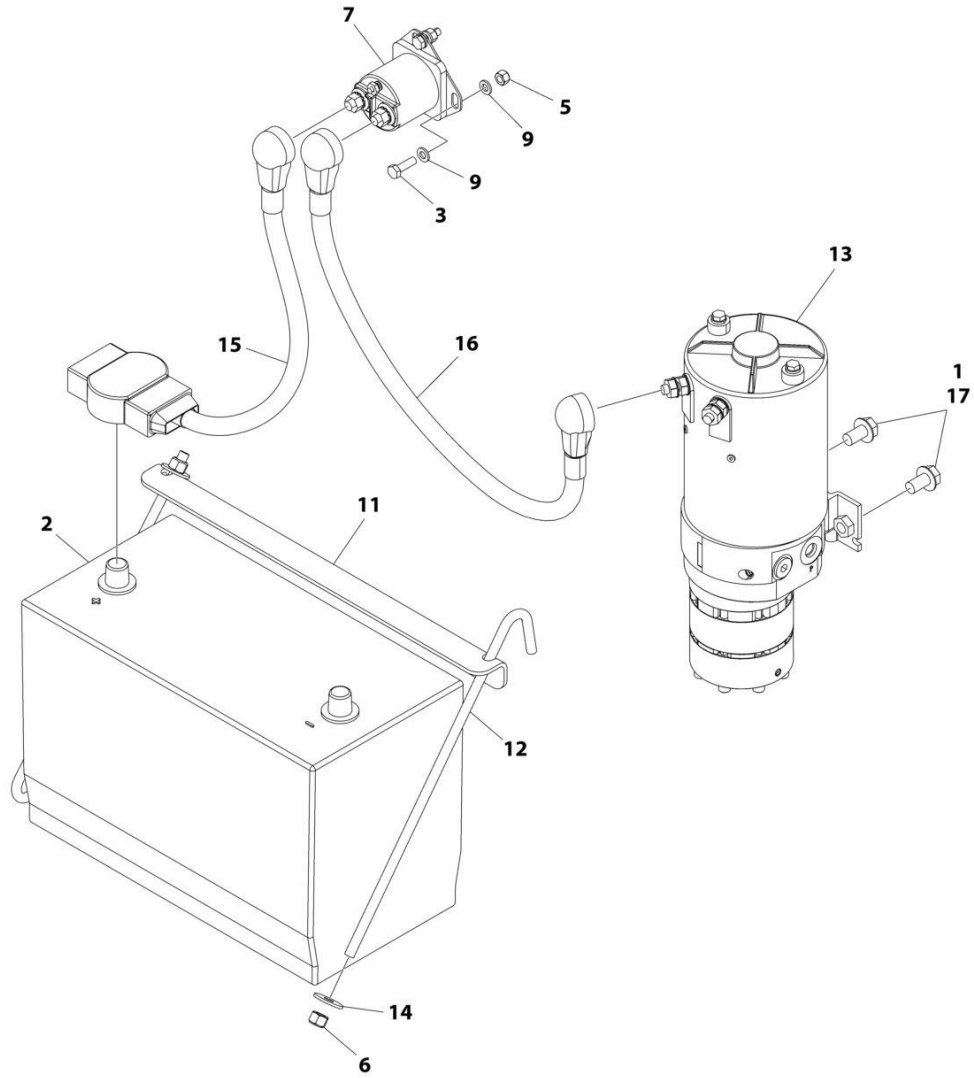
SECTION 2 - TURNTABLE

FIGURE 2-18. HYDRAULIC TANK ASSEMBLY

ITEM	PART NUMBER	QTY	DESCRIPTION	REV
	1001178057	Ref	HYDRAULIC TANK ASSEMBLY	D
2	70005708	1	Breather Assembly (Includes Breather, Element and Wingnut)	
2	See Note	NSS	Element, Breather (Note: Use p/n 70005708 or Item 13)	
3	See Note	NSS	Element, Hydraulic (Note: Use Item 13)	
4	70002839	1	Gasket	
5	See Note	NSS	Cover (Note: Not Available for Purchase)	
6	83304173	6	Washer 5/16	
7	70004199	6	Nut 5/16	
8	70002838	1	Cap, Fill	
9	7024441	1	Gauge, Level	
10	70002112	1	Plug	
11	70004795	6	Screw #10 x 3/4	
12	See Note	NSS	Plug (Note: Not Available - Purchase Locally)	
13	70002814	1	Hydraulic Tank Service Kit (Includes Items 2-4)	

SECTION 2 - TURNTABLE

FIGURE 2-19. BATTERY AND AUXILIARY PUMP INSTALLATION



ART_1001186346

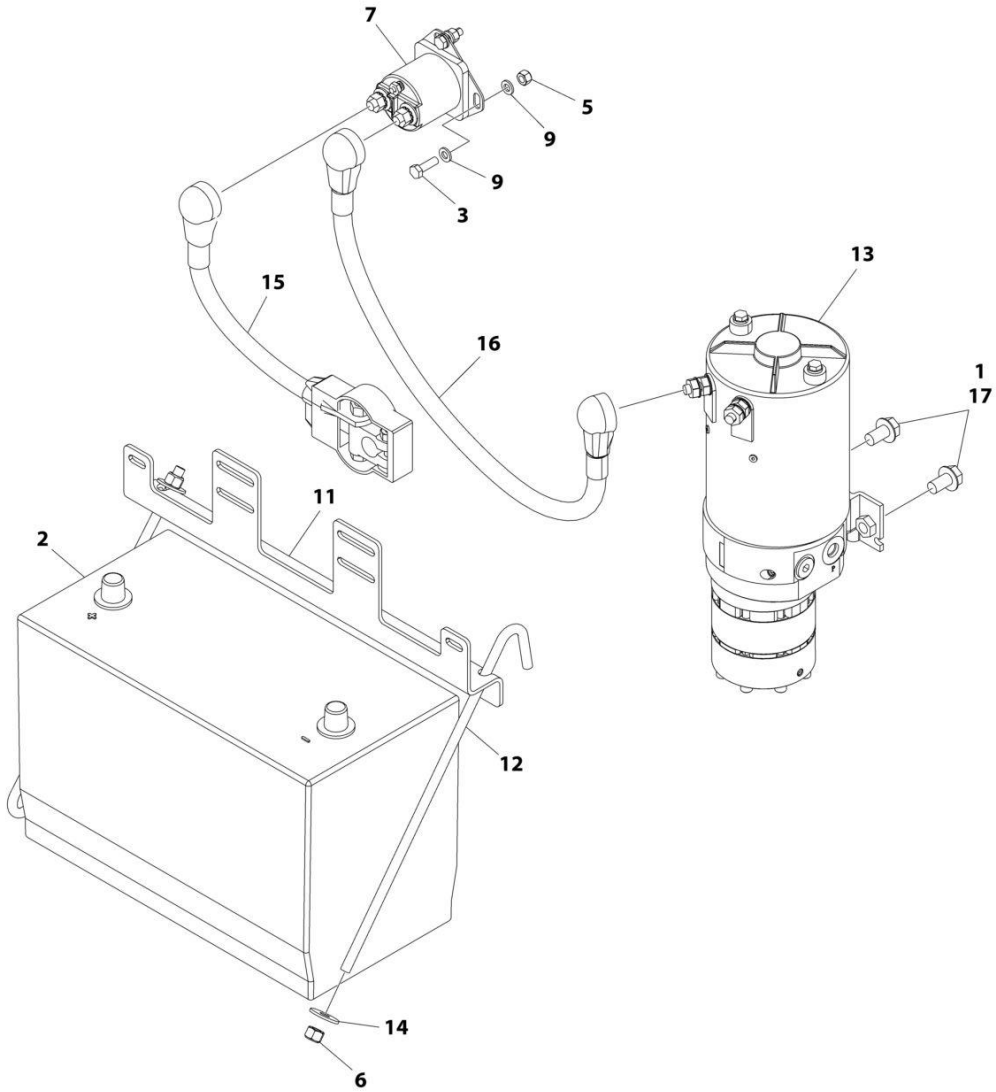
SECTION 2 - TURNTABLE

FIGURE 2-19. BATTERY AND AUXILIARY PUMP INSTALLATION

ITEM	PART NUMBER	QTY	DESCRIPTION	REV
	1001186346	Ref	BATTERY AND AUXILIARY PUMP INSTALLATION	G
1	0100011	AR	Compound, Locking	
2	0400075	1	Battery	
3	0700610	2	Bolt M6 x 20	
5	3290605	2	Nut M6	
6	3290805	2	Nut M8	
7	3740067	1	Relay	
9	4811700	4	Washer M6	
11	91401281	1	Bracket, Hold Down	
12	1001192012	2	J-Bolt	
13	1001187808	1	Auxiliary Pump/Motor Assembly (Note: Replacement Motor is only Service Component Available. For Other Components, Replace Complete Assembly.)	
13	70003998	1	Motor, Replacement	
14	4811902	2	Washer M8	
15	1001188664	1	Cable, Battery (+)	
16	1001188666	1	Cable, Aux Relay to Aux Pump	
17	5251009	2	Bolt M10 x 18	

SECTION 2 - TURNTABLE

FIGURE 2-20. BATTERY AND AUXILIARY PUMP W/DISCONNECT SWITCH INSTALLATION



ART_1001238663

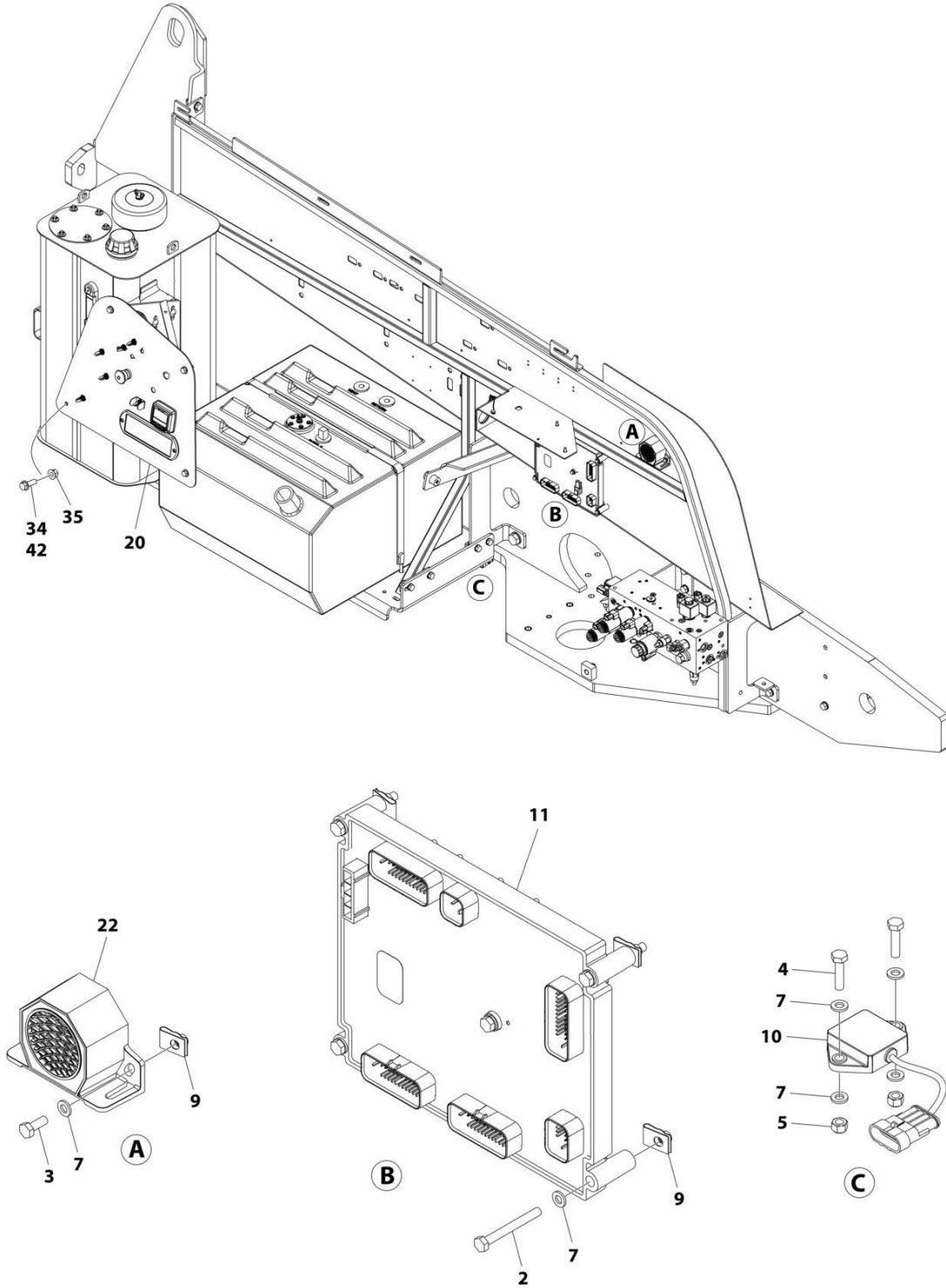
SECTION 2 - TURNTABLE

FIGURE 2-20. BATTERY AND AUXILIARY PUMP W/DISCONNECT SWITCH INSTALLATION

ITEM	PART NUMBER	QTY	DESCRIPTION	REV
	1001238663	Ref	BATTERY AND AUXILIARY PUMP W/DISCONNECT SWITCH INSTALLATION	B
1	0100011	AR	Compound, Locking	
2	0400075	1	Battery	
3	0700610	2	Bolt M6 x 20	
5	3290605	2	Nut M6	
6	3290805	2	Nut M8	
7	3740067	1	Relay	
9	4811700	4	Washer M6	
11	1001236303	1	Bracket, Hold Down	
12	1001192012	2	J-Bolt	
13	1001187808	1	Auxiliary Pump/Motor Assembly (Note: Replacement Motor is only Service Component Available. For Other Components, Replace Complete Assembly.)	
13	70003998	1	Motor, Replacement	
14	4811902	2	Washer M8	
15	1001188664	1	Cable, Battery (+)	
16	1001188666	1	Cable, Aux Relay to Aux Pump	
17	5251009	2	Bolt M10 x 18	

SECTION 2 - TURNTABLE

FIGURE 2-21. ELECTRICAL COMPONENTS INSTALLATION - 600S WITH 2WS



ART_1001191211_1OF2

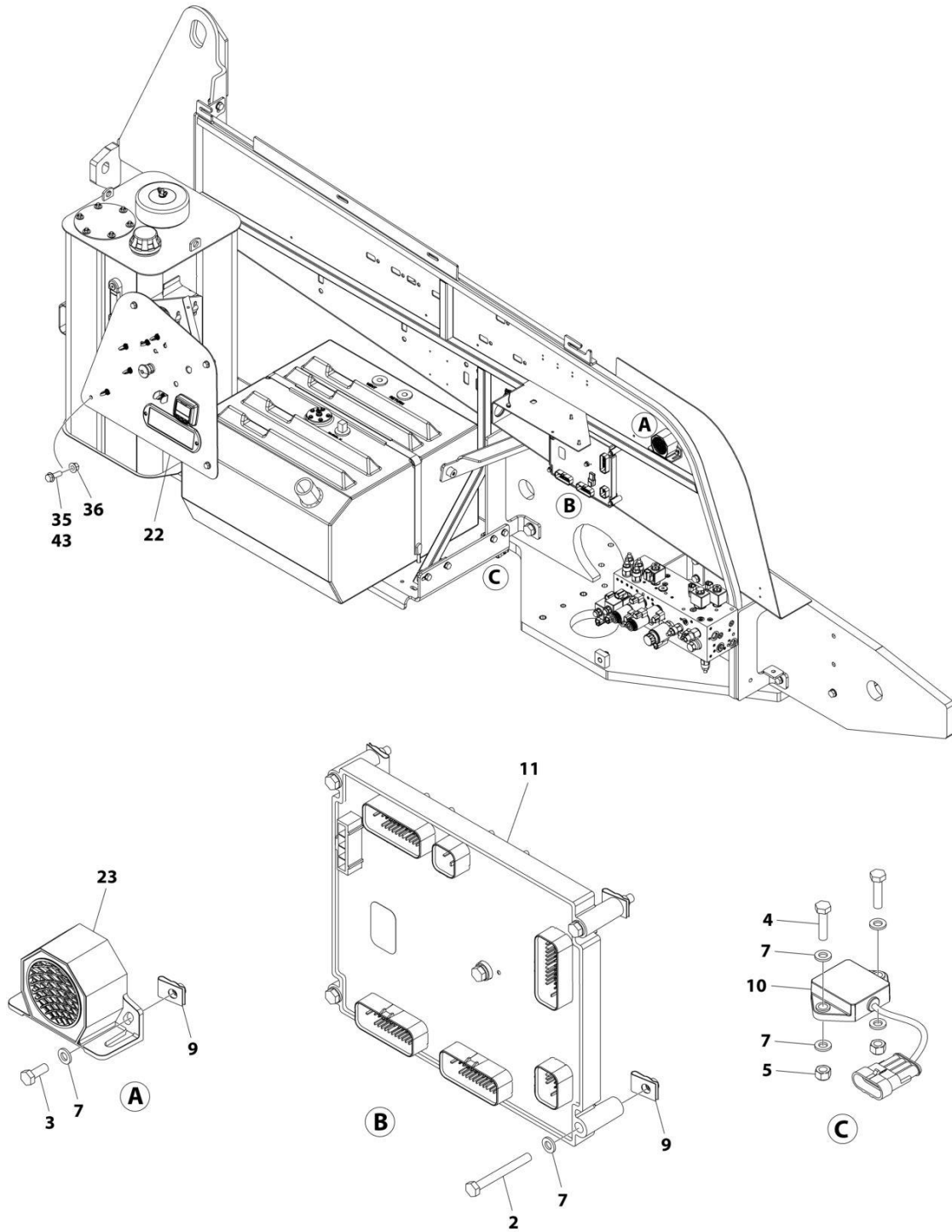
SECTION 2 - TURNTABLE

FIGURE 2-21. ELECTRICAL COMPONENTS INSTALLATION - 600S WITH 2WS

ITEM	PART NUMBER	QTY	DESCRIPTION	REV
	1001191211	Ref	ELECTRICAL COMPONENTS INSTALLATION	N
2	0700619	5	Bolt M6 x 55	
3	0700608	5	Bolt M6 x 16	
4	0760612	2	Bolt M6 x 25	
5	3290605	3	Nut M6	
7	4811700	15	Washer M6	
9	1001130220	7	Nut, Tinnerman M6	
10	1001181325	1	Sensor (SN 0300235168 through 0300237156, SN B300002655 through B300002654)	
10	1001219601	1	Sensor (SN 0300237157 through 0300272445, SN B300002655 through B300005754, Excluding B300005570)	
11	1001187200	1	Module, Ground Control (Note: Re-calibration Required when Replaced)	
20	1001192108	1	Ground Control Panel Assembly (See Separate Breakdown in this Section)	
22	0140043	1	Alarm	
34	5251014	4	Bolt M10 x 30	
35	5261018	4	Nut M10 Class 10	
35	5261000	4	Nut M10 Class 10	
42	0100011	AR	Compound, Locking (SN 0300237157 through 0300272445, SN B300002716 through B300005754, Excluding B300005570)	

SECTION 2 - TURNTABLE

FIGURE 2-22. ELECTRICAL COMPONENTS INSTALLATION - 600S WITH 4WS



ART_1001192990_10F2

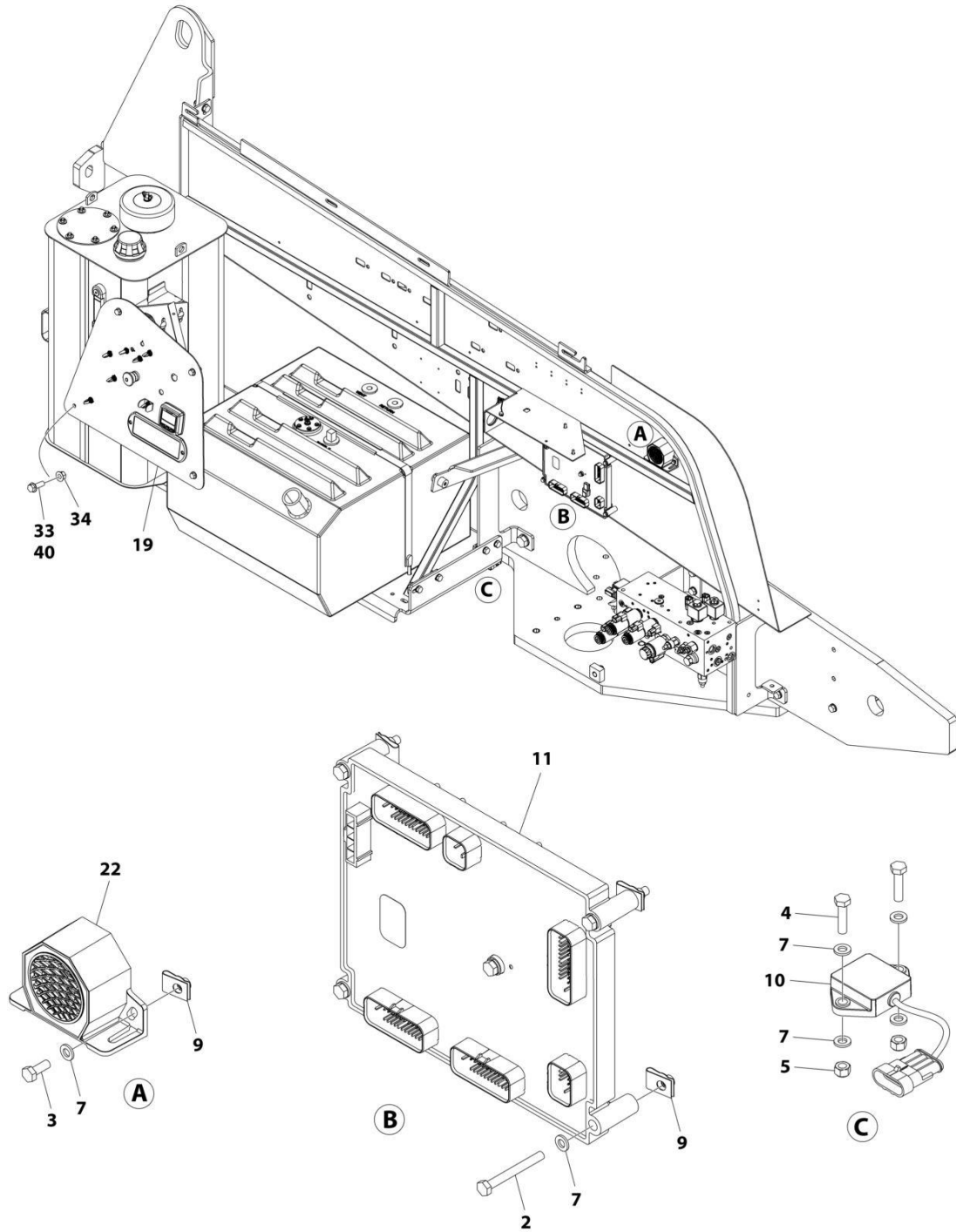
SECTION 2 - TURNTABLE

FIGURE 2-22. ELECTRICAL COMPONENTS INSTALLATION - 600S WITH 4WS

ITEM	PART NUMBER	QTY	DESCRIPTION	REV
	1001192990	Ref	ELECTRICAL COMPONENTS INSTALLATION	M
2	0700619	5	Bolt M6 x 55	
3	0700608	5	Bolt M6 x 16	
4	0760612	1	Bolt M6 x 25	
5	3290605	3	Nut M6	
7	4811700	16	Washer M6	
9	1001130220	7	Nut, Tinnerman M6	
10	1001181325	1	Sensor (SN 0300235168 through 0300237156, SN B300002655 through B300002654)	
10	1001219601	1	Sensor (SN 0300237157 through 0300272445, SN B300002655 through B300005754, Excluding B300005570)	
11	1001187200	1	Module, Ground Control (Note: Re-calibration Required when Replaced)	
22	1001192108	1	Ground Control Panel Assembly (See Separate Breakdown in this Section)	
23	0140043	1	Alarm	
35	5251014	4	Bolt M10 x 30	
36	5261018	4	Nut M10 Class 10	
36	5261000	4	Nut M10 Class 10	
43	0100011	AR	Compound, Locking (SN 0300237157 through 0300272445, SN B300002716 through B300005754, Excluding B300005570)	

SECTION 2 - TURNTABLE

FIGURE 2-23. ELECTRICAL COMPONENTS INSTALLATION - 660SJ WITH 2WS



ART_1001192989_10F2

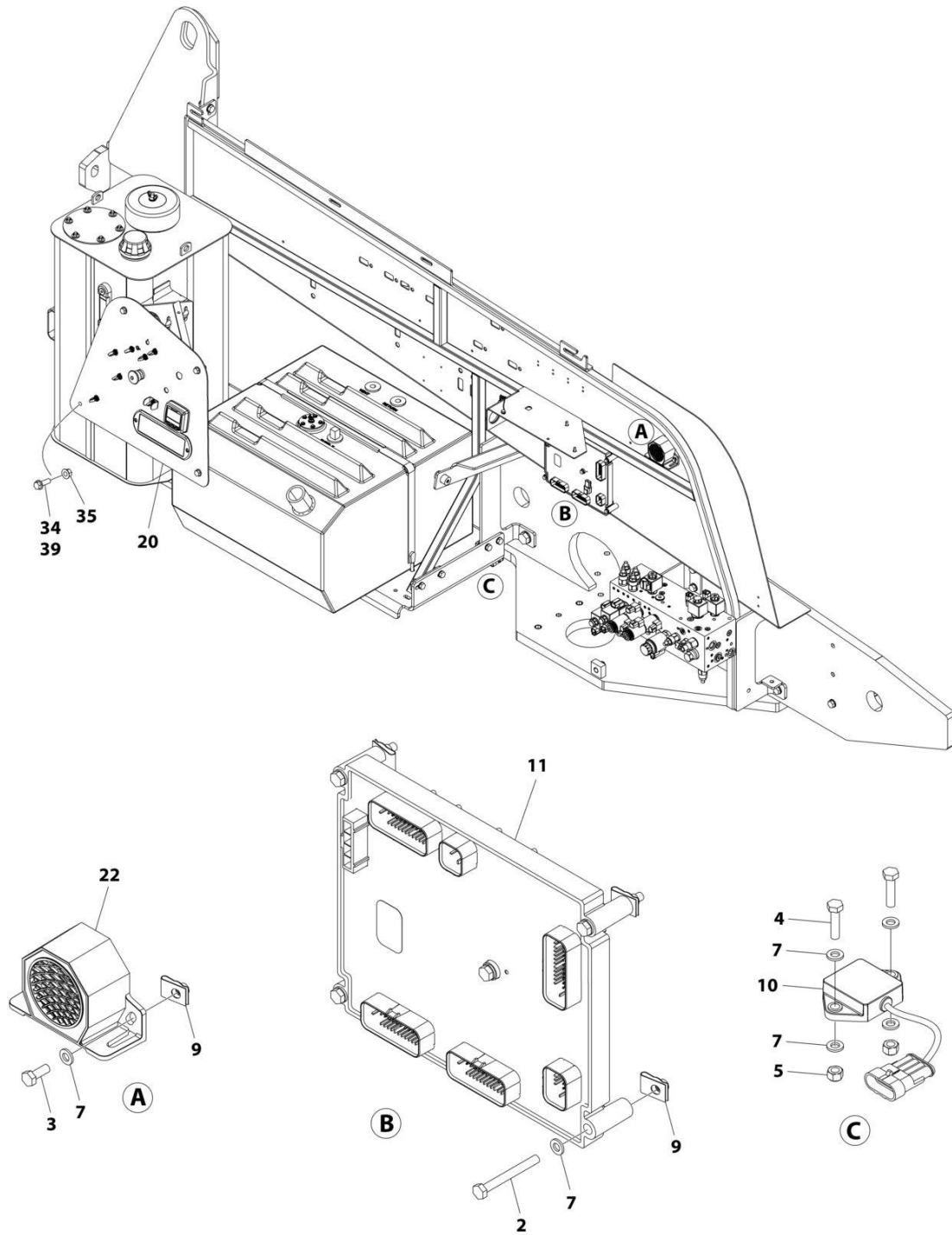
SECTION 2 - TURNTABLE

FIGURE 2-23. ELECTRICAL COMPONENTS INSTALLATION - 660SJ WITH 2WS

ITEM	PART NUMBER	QTY	DESCRIPTION	REV
	1001192989	Ref	ELECTRICAL COMPONENTS INSTALLATION	N
2	0700619	5	Bolt M6 x 55	
3	0700608	5	Bolt M6 x 16	
4	0760612	2	Bolt M6 x 25	
5	3290605	3	Nut M6	
7	4811700	16	Washer M6	
9	1001130220	7	Nut, Tinnerman M6	
10	1001181325	1	Sensor (SN 0300235168 through 0300237156, SN B300002655 through B300002654)	
10	1001219601	1	Sensor (SN 0300237157 through 0300272445, SN B300002655 through B300005754, Excluding B300005570)	
11	1001187200	1	Module, Ground Control (Note: Re-calibration Required when Replaced)	
19	1001191115	1	Ground Control Panel Assembly (See Separate Breakdown in this Section)	
22	0140043	1	Alarm	
33	5251014	4	Bolt M10 x 30	
34	5261018	4	Nut M10 Class 10	
34	5261000	4	Nut M10 Class 10	
40	0100011	AR	Compound, Locking (SN 0300237157 through 0300272445, SN B300002716 through B300005754, Excluding B300005570)	

SECTION 2 - TURNTABLE

FIGURE 2-24. ELECTRICAL COMPONENTS INSTALLATION - 660SJ WITH 4WS



ART_1001191210_10F2

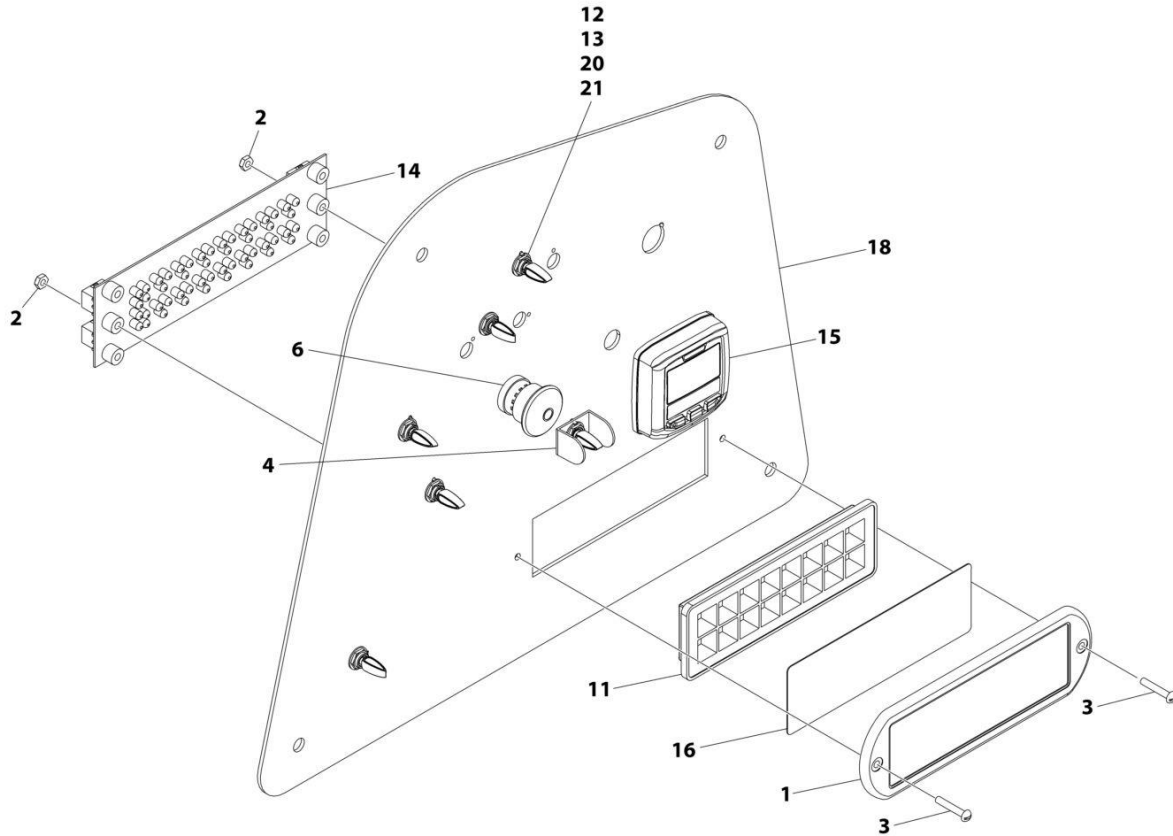
SECTION 2 - TURNTABLE

FIGURE 2-24. ELECTRICAL COMPONENTS INSTALLATION - 660SJ WITH 4WS

ITEM	PART NUMBER	QTY	DESCRIPTION	REV
	1001191210	Ref	ELECTRICAL COMPONENTS INSTALLATION	O
2	0700619	5	Bolt M6 x 55	
3	0700608	5	Bolt M6 x 16	
4	0760612	2	Bolt M6 x 25	
5	3290605	3	Nut M6	
7	4811700	15	Washer M6	
9	1001130220	7	Nut, Tinnerman M6	
10	1001181325	1	Sensor (SN 0300235168 through 0300237156, SN B300002655 through B300002654)	
10	1001219601	1	Sensor (SN 0300237157 through 0300272445, SN B300002655 through B300005754, Excluding B300005570)	
11	1001187200	1	Module, Ground Control (Note: Re-calibration Required when Replaced)	
20	1001191115	1	Ground Control Panel Assembly (See Separate Breakdown in this Section)	
22	0140043	1	Alarm	
34	5251014	4	Bolt M10 x 30	
35	5261018	4	Nut M10 Class 10	
35	5261000	4	Nut M10 Class 10	
39	0100011	AR	Compound, Locking (SN 0300237157 through 0300272445, SN B300002716 through B300005754, Excluding B300005570)	

SECTION 2 - TURNTABLE

FIGURE 2-25. GROUND CONTROL PANEL ASSEMBLY - 600S



ART_1001192108

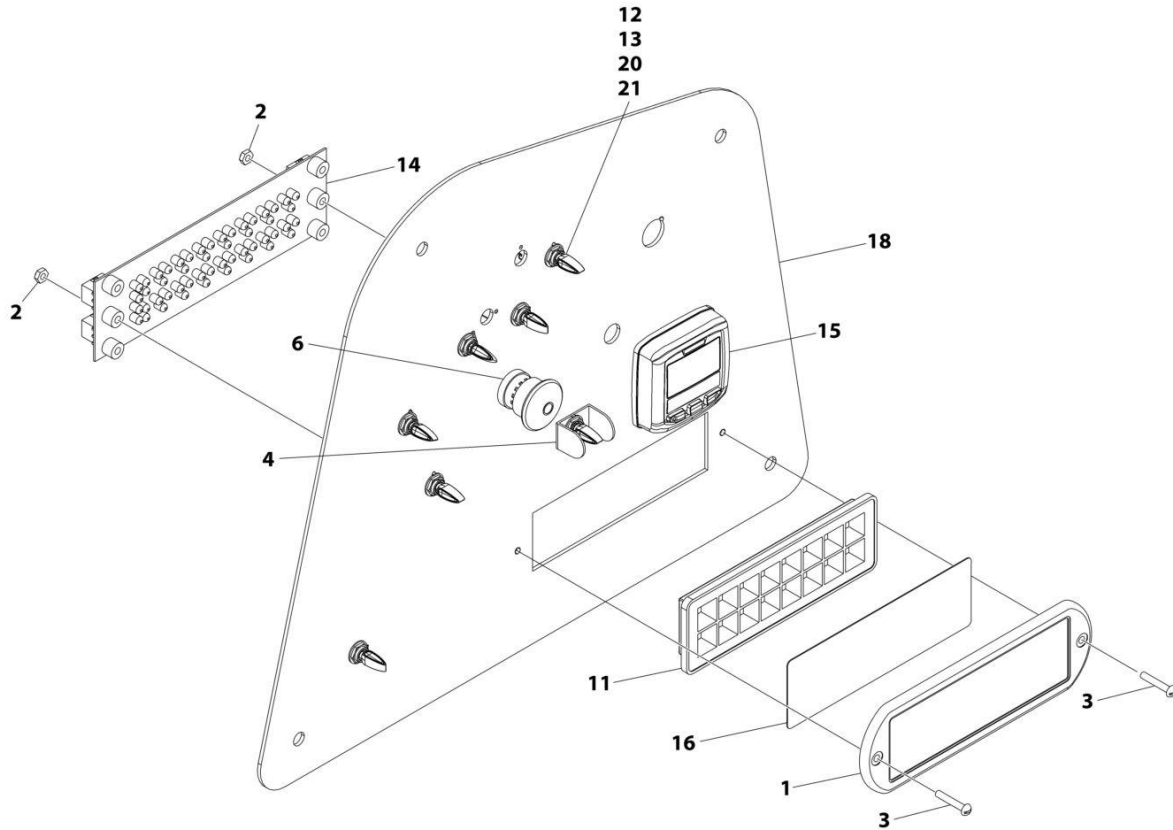
SECTION 2 - TURNTABLE

FIGURE 2-25. GROUND CONTROL PANEL ASSEMBLY - 600S

ITEM	PART NUMBER	QTY	DESCRIPTION	REV
	1001192108	Ref	GROUND CONTROL PANEL ASSEMBLY	D
1	1670829	1	Bezel	
2	3300408	2	Nut	
3	3911018	2	Screw #10 x 1-1/8	
4	4060906	1	Guard, Switch	
6	4360475	1	Switch, Emergency Stop	
6	7020175	1	Cap	
6	7020176	1	Block, Contact	
11	1001146220	1	Housing, Display	
12	1001155043	6	Washer	
13	1001155044	6	Nut 15/32	
14	1001170838	1	Panel, LED	
15	1001171482	1	Gauge	
16	1001173529	1	Decal - Display Panel	
18	1001191126	1	Plate	
20	4740397	6	Washer	
21	1001155045	6	Switch, Toggle	

SECTION 2 - TURNTABLE

FIGURE 2-26. GROUND CONTROL PANEL ASSEMBLY - 660SJ



ART_1001191115

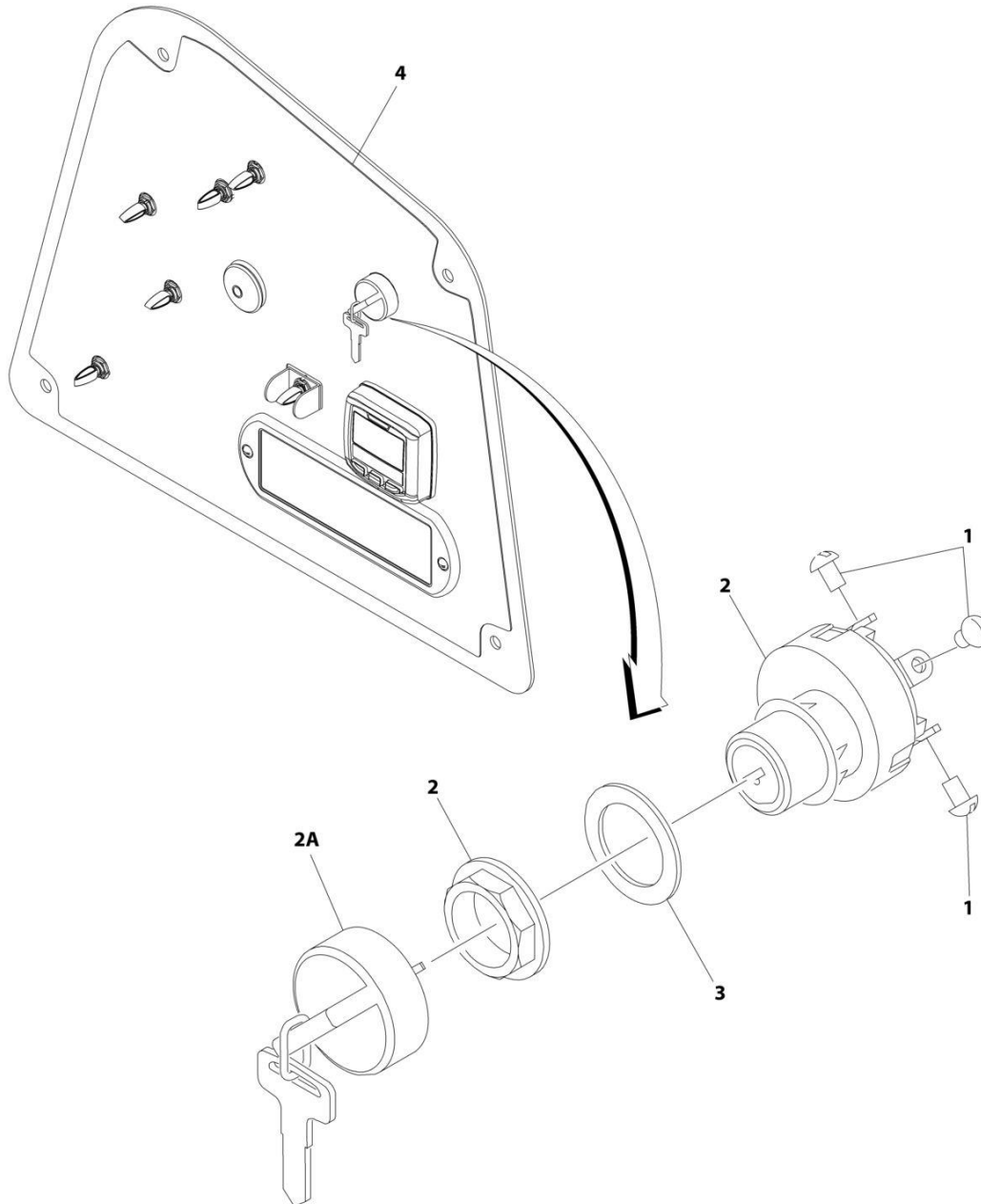
SECTION 2 - TURNTABLE

FIGURE 2-26. GROUND CONTROL PANEL ASSEMBLY - 660SJ

ITEM	PART NUMBER	QTY	DESCRIPTION	REV
	1001191115	Ref	GROUND CONTROL PANEL ASSEMBLY	D
1	1670829	1	Bezel	
2	3300408	2	Nut	
3	3911018	2	Screw #10 x 1-1/8	
4	4060906	1	Guard, Switch	
6	4360475	1	Switch, Emergency Stop	
6	7020175	1	Cap	
6	7020176	1	Block, Contact	
11	1001146220	1	Housing, Display	
12	1001155043	7	Washer	
13	1001155044	7	Nut 15/32	
14	1001170838	1	Panel, LED	
15	1001171482	1	Gauge	
16	1001173529	1	Decal - Display Panel	
18	1001191126	1	Plate	
20	4740397	7	Washer	
21	1001155045	7	Switch, Toggle	

SECTION 2 - TURNTABLE

FIGURE 2-27. KEYSWITCH INSTALLATION - 600S (ALL SPECS EXCEPT AUSTRALIAN AND CE SPECS)



ART_1001192086

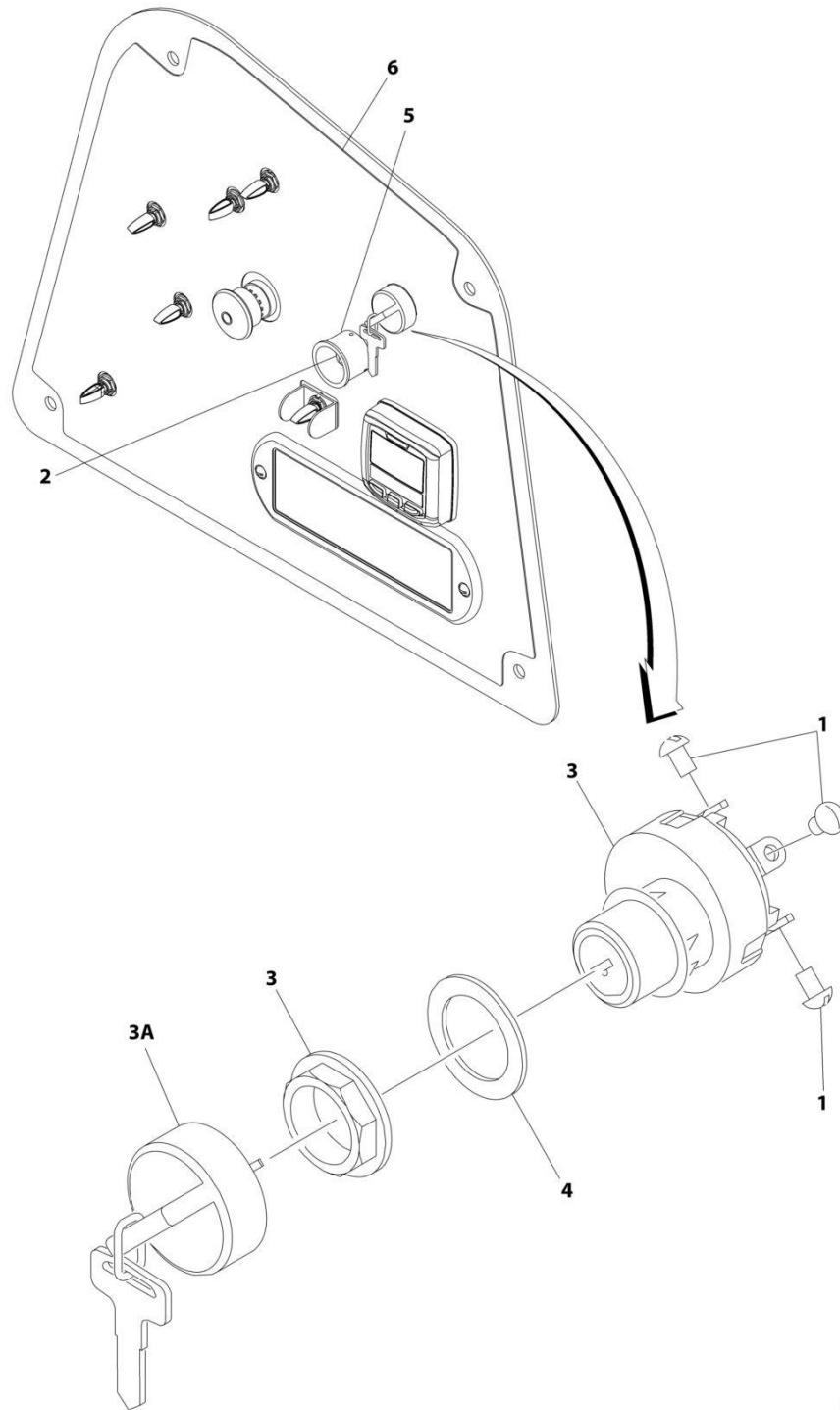
SECTION 2 - TURNTABLE

FIGURE 2-27. KEYSWITCH INSTALLATION - 600S (ALL SPECS EXCEPT AUSTRALIAN AND CE SPECS)

ITEM	PART NUMBER	QTY	DESCRIPTION	REV
	1001192086	Ref	KEYSWITCH INSTALLATION	B
1	3910804	6	Screw #8 x 1/4	
2	4360469	1	Switch, Key	
2A	2860030	1 Set	Key, Replacement	
3	1001151393	1	Shim	
4	1001192776	1	Decal - Ground Control Panel	

SECTION 2 - TURNTABLE

FIGURE 2-28. KEYSWITCH INSTALLATION - 600S (CE SPECS)



ART_1001192281

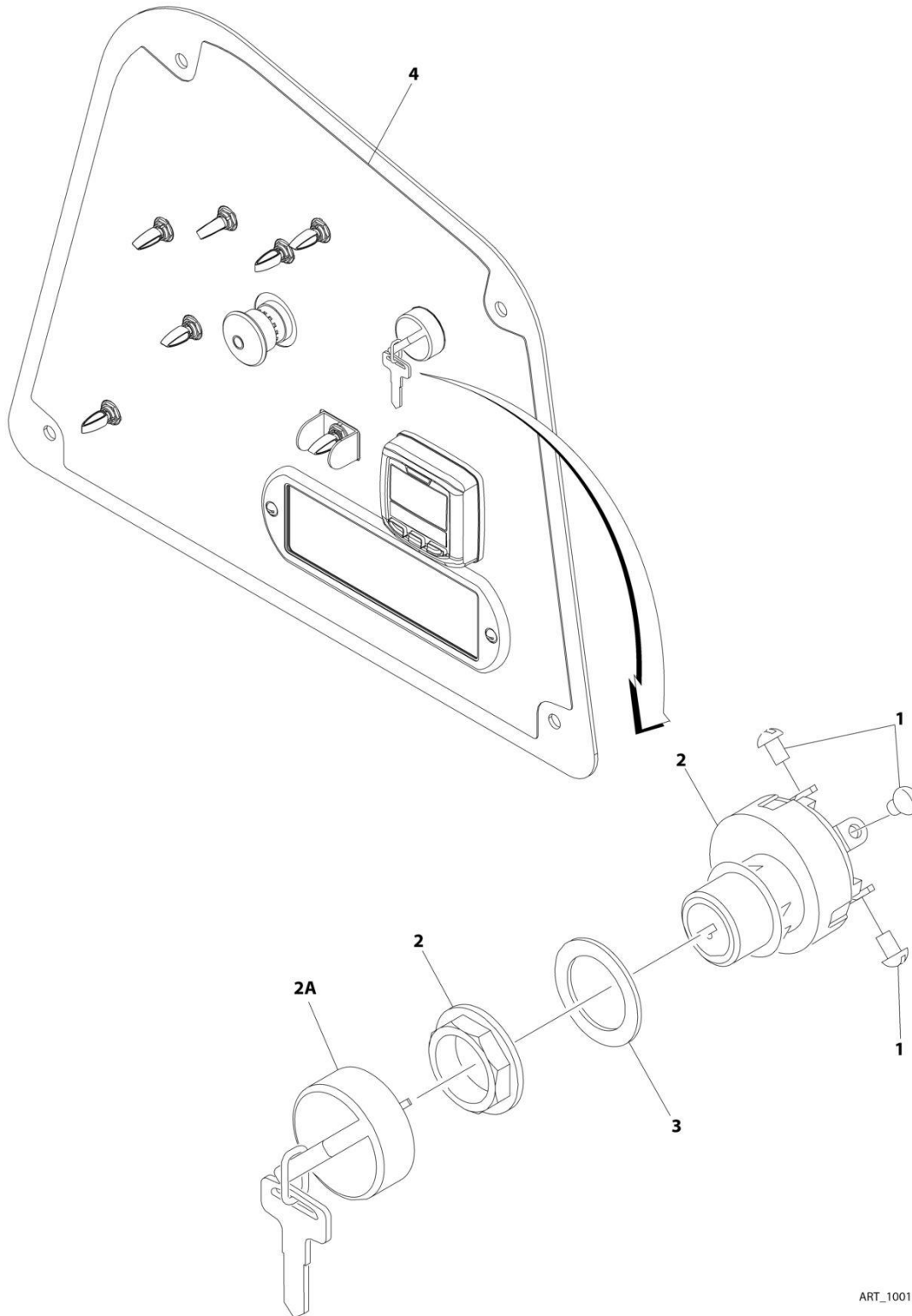
SECTION 2 - TURNTABLE

FIGURE 2-28. KEYSWITCH INSTALLATION - 600S (CE SPECS)

ITEM	PART NUMBER	QTY	DESCRIPTION	REV
	1001192281	Ref	KEYSWITCH INSTALLATION	B
1	3910804	6	Screw #8-32 x 1/4	
2	4360387	1	Switch, Push Button	
3	4360469	1	Switch, Key	
3A	2860030	1 Set	Key, Replacement	
4	1001151393	1	Shim	
5	1001176469	1	Shroud, Switch	
6	1001192264	1	Decal - Ground Control Panel	

SECTION 2 - TURNTABLE

FIGURE 2-29. KEYSWITCH INSTALLATION - 660SJ (ALL SPECS EXCEPT CE SPECS)



ART_1001192087

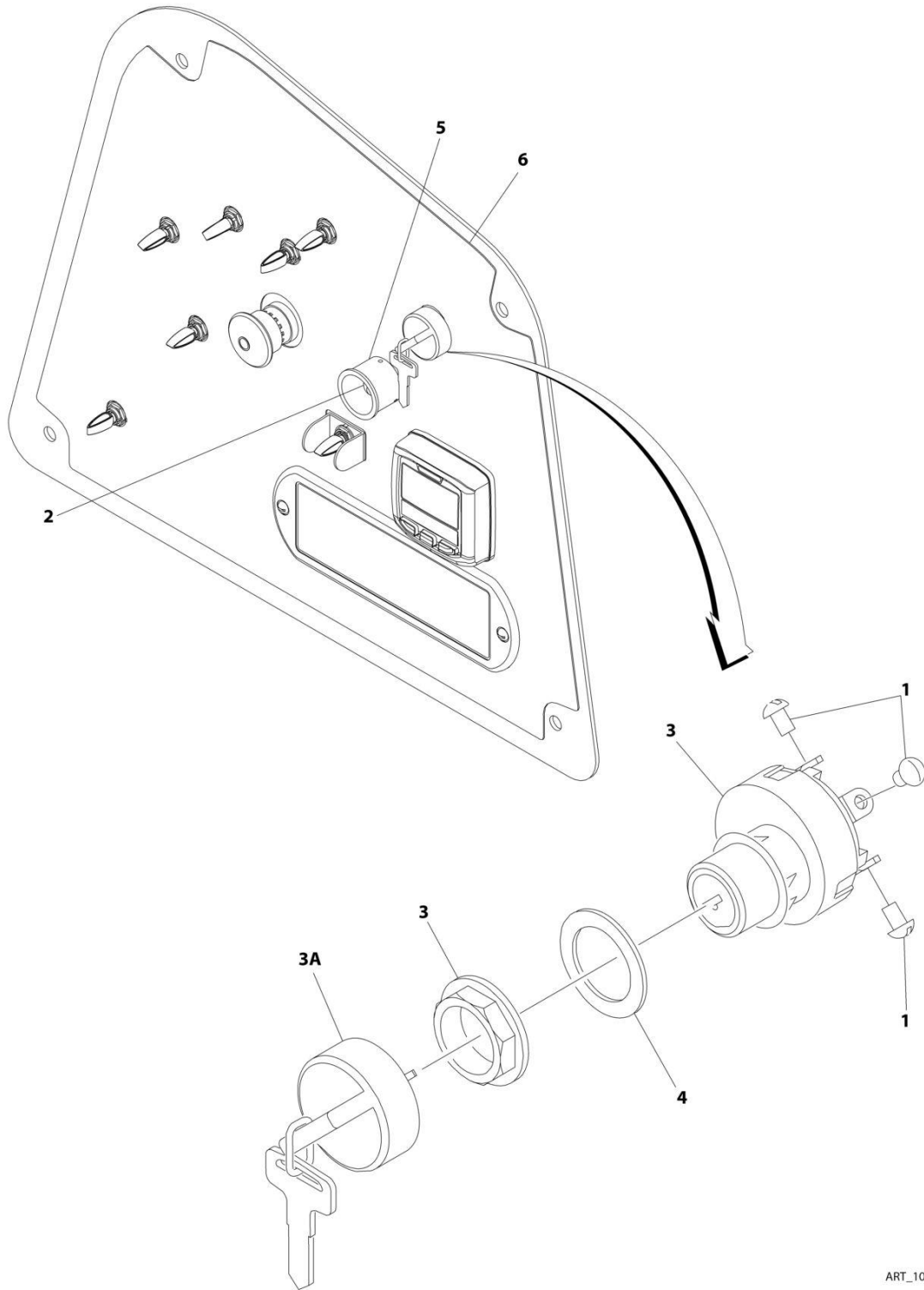
SECTION 2 - TURNTABLE

FIGURE 2-29. KEYSWITCH INSTALLATION - 660SJ (ALL SPECS EXCEPT CE SPECS)

ITEM	PART NUMBER	QTY	DESCRIPTION	REV
	1001192087	Ref	KEYSWITCH INSTALLATION	B
1	3910804	6	Screw #8 x 1/4	
2	4360469	1	Switch, Key	
2A	2860030	1 Set	Key, Replacement	
3	1001151393	1	Shim	
4	1001192775	1	Decal - Ground Control Panel	

SECTION 2 - TURNTABLE

FIGURE 2-30. KEYSWITCH INSTALLATION - 660SJ (CE SPECS)



ART_1001192282

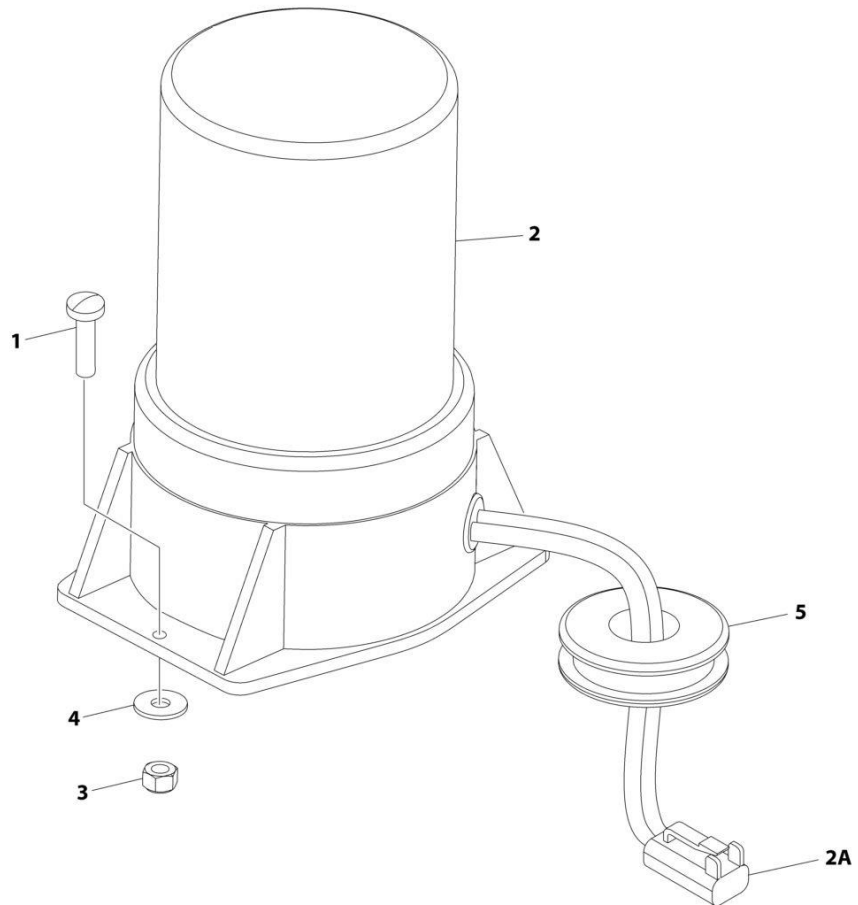
SECTION 2 - TURNTABLE

FIGURE 2-30. KEYSWITCH INSTALLATION - 660SJ (CE SPECS)

ITEM	PART NUMBER	QTY	DESCRIPTION	REV
	1001192282	Ref	KEYSWITCH INSTALLATION	B
1	3910804	6	Screw #8 x 1/4	
2	4360387	1	Switch, Push Button	
3	4360469	1	Switch, Key	
3A	2860030	1 Set	Key, Replacement	
4	1001151393	1	Shim	
5	1001176469	1	Shroud, Switch	
6	1001192088	1	Decal - Ground Control Panel	

SECTION 2 - TURNTABLE

FIGURE 2-31. STROBE LIGHT INSTALLATION - AMBER (OPTIONAL)



ART_1001191557

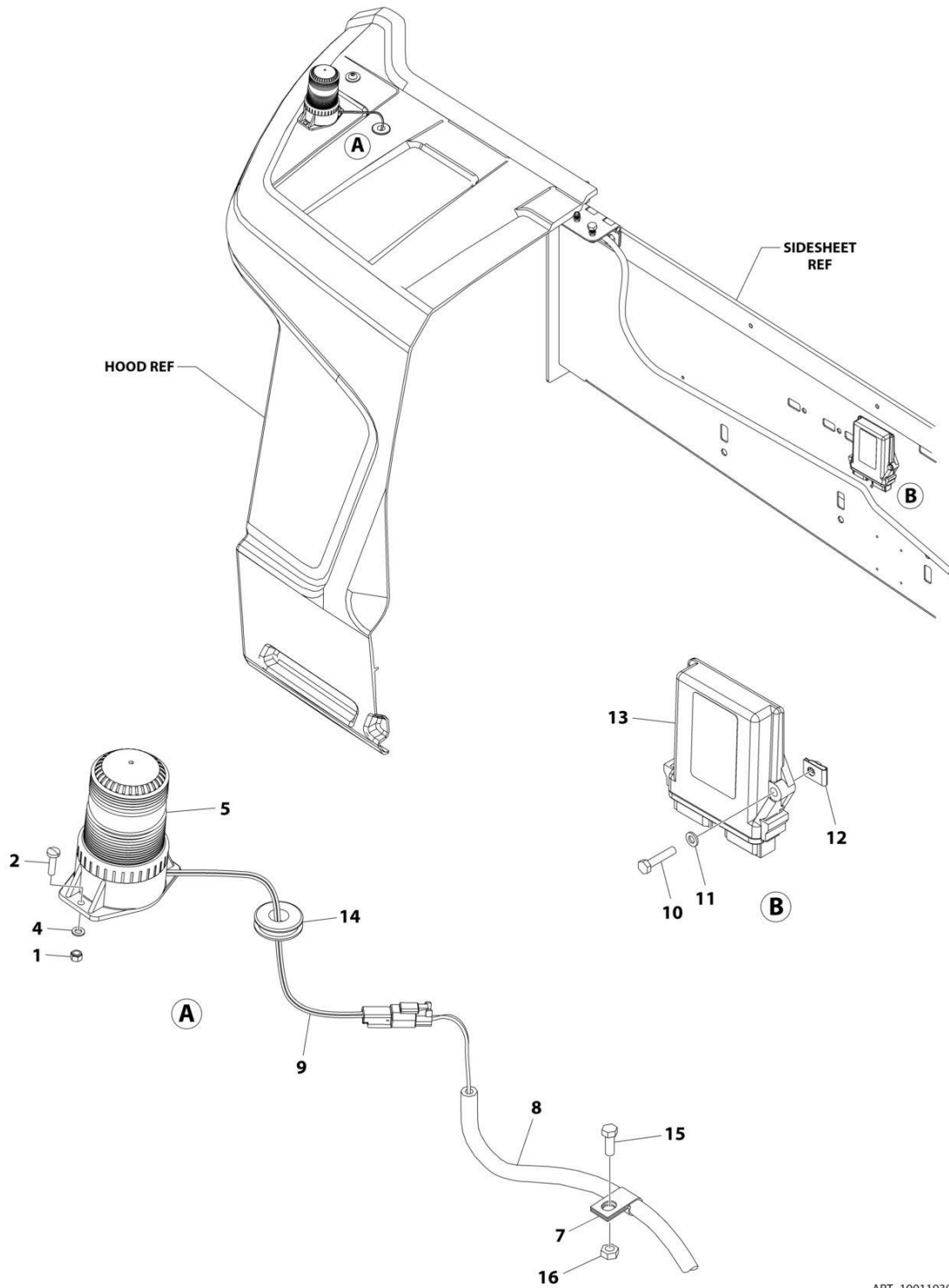
SECTION 2 - TURNTABLE

FIGURE 2-31. STROBE LIGHT INSTALLATION - AMBER (OPTIONAL)

ITEM	PART NUMBER	QTY	DESCRIPTION	REV
	1001191557	Ref	STROBE LIGHT INSTALLATION	D
1	4010510	2	Screw M5 x 20	
2	2920161	1	Light Strobe (Amber)	
2	7016319	1	Bulb	
2	7016372	1	Lens	
2A	4460891	1	Plug, Male - 2 Position	
2A	4460465	2	Socket, Female	
3	3290505	2	Nut M5	
4	4811600	2	Washer M5	
5	2540020	1	Grommet	
7	4240099	1	Tie-Strap (Not Shown)	

SECTION 2 - TURNTABLE

FIGURE 2-32. STROBE LIGHT INSTALLATION - BLUE (OPTIONAL) (SN 0300235168 through 0300259907, SN B30002655 through B300005754)



ART_1001193944

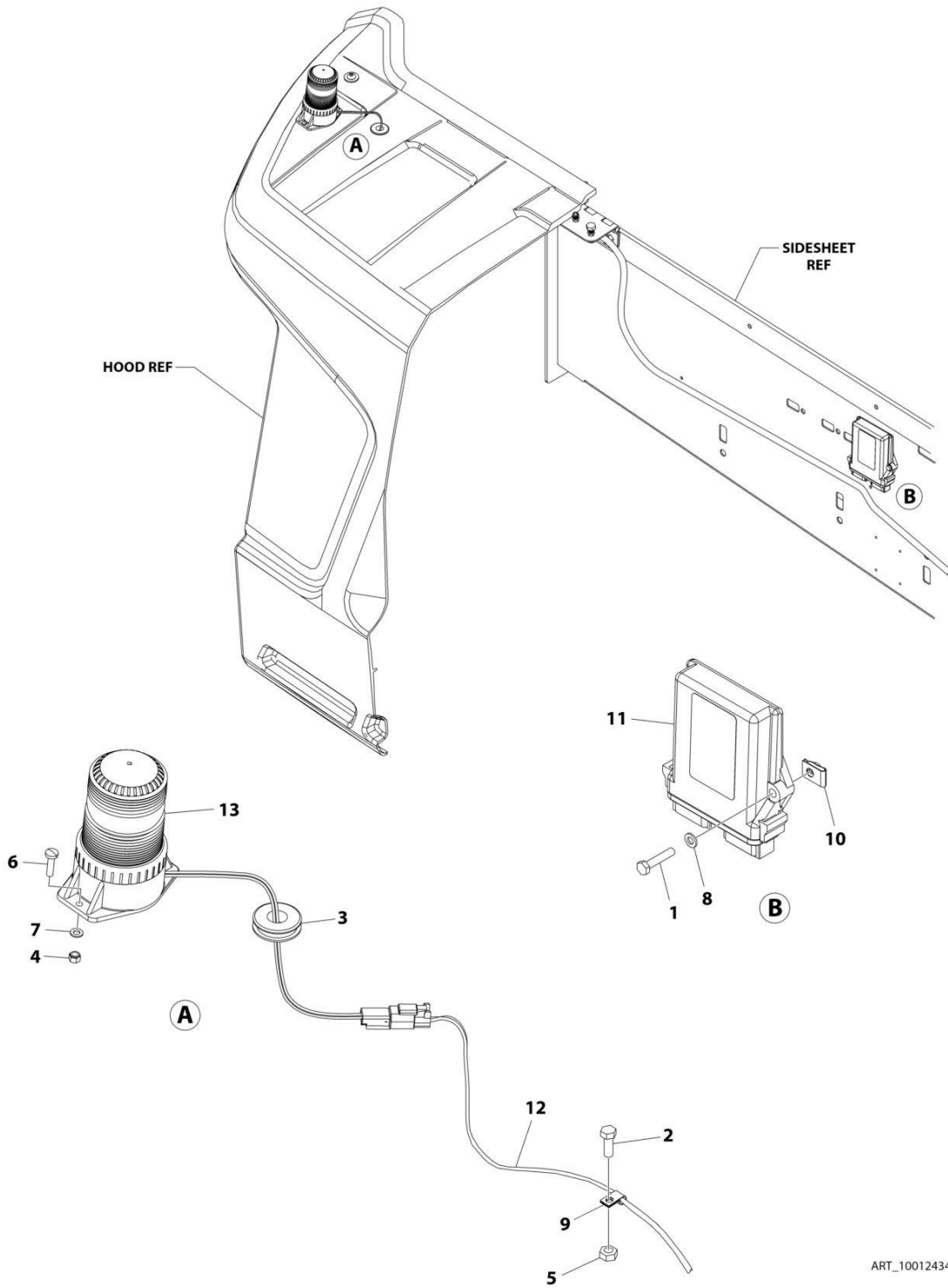
SECTION 2 - TURNTABLE

FIGURE 2-32. STROBE LIGHT INSTALLATION - BLUE (OPTIONAL) (SN 0300235168 through 0300259907, SN B30002655 through B300005754)

ITEM	PART NUMBER	QTY	DESCRIPTION	REV
	1001193944	Ref	STROBE LIGHT INSTALLATION	I
1	3290505	2	Nut M5	
2	4010510	2	Screw M5 x 20	
4	4811600	2	Washer M5	
5	1001200910	1	Light, Strobe (Blue)	
5	4460897	2	Receptacle, Female - 2 Position	
5	4460464	4	Pin, Male	
7	8406110	1	Clip	
8	1001142736	1	Strobe Light Control Harness (See Separate Breakdown in ELECTRICAL SECTION)	
9	1001196458	1	Strobe Light Extension Harness	
9	4460891	1	Plug, Male - 4 Position	
9	4460465	2	Socket, Female	
9	4460897	2	Receptacle, Female - 2 Position	
9	4460464	4	Pin, Male	
10	0760614	2	Bolt M6 x 30	
11	4811700	2	Washer M6	
12	1001130220	2	Nut, Tinnerman M6	
13	1001142683	1	Module, Beacon Control	
14	2540020	1	Grommet	
15	0761016	1	Bolt M10 x 40	
16	3291005	1	Nut M10	

SECTION 2 - TURNTABLE

FIGURE 2-33. STROBE LIGHT INSTALLATION - BLUE (OPTIONAL) (SN 0300259908 through 0300272445)



ART_1001243464

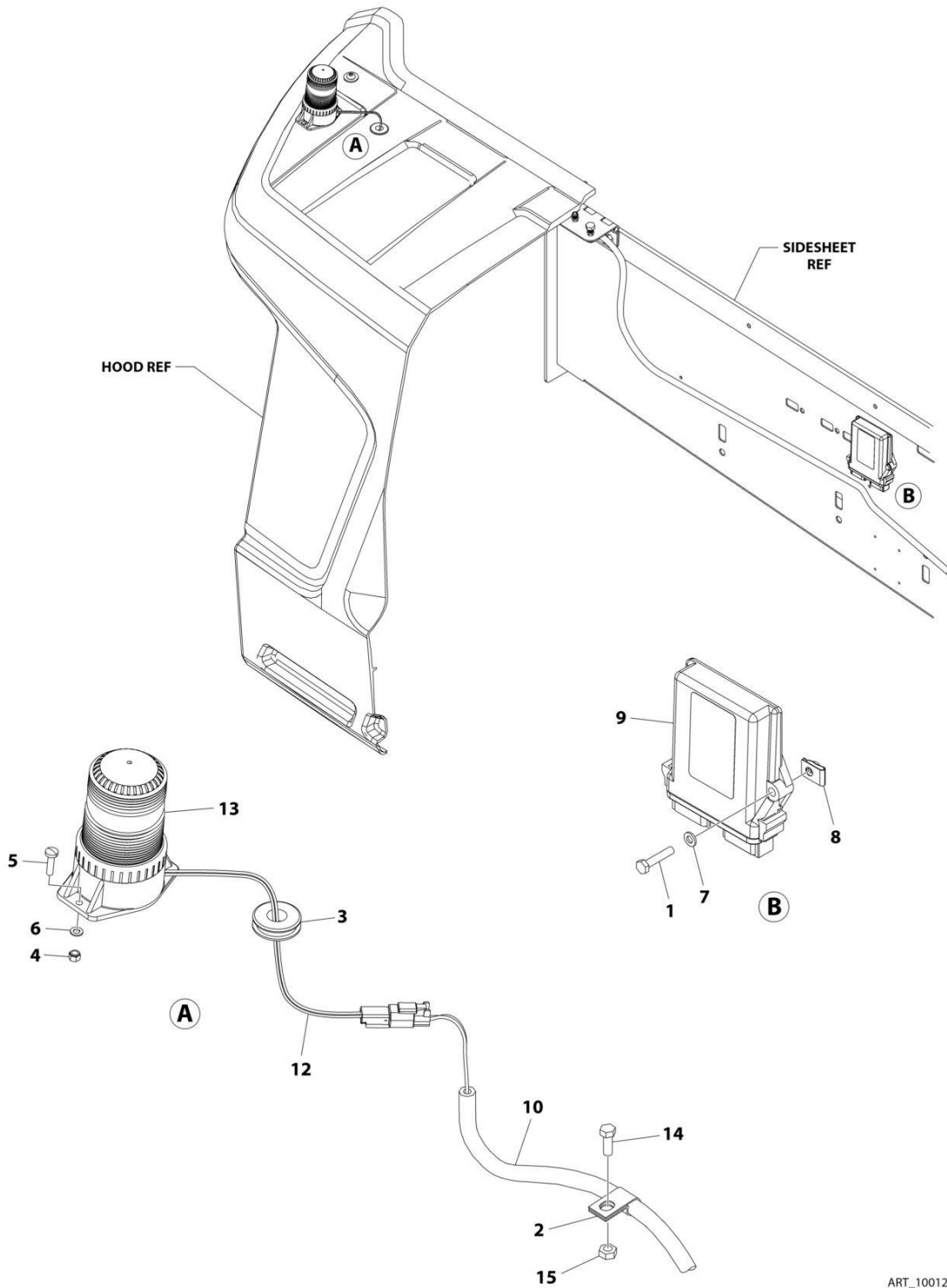
SECTION 2 - TURNTABLE

FIGURE 2-33. STROBE LIGHT INSTALLATION - BLUE (OPTIONAL) (SN 0300259908 through 0300272445)

ITEM	PART NUMBER	QTY	DESCRIPTION	REV
	1001243464	Ref	STROBE LIGHT INSTALLATION	A
1	0760614	2	Bolt M6 x 30	
2	0761016	1	Bolt M10 x 40	
3	2540020	1	Grommet	
4	3290505	2	Nut M5	
5	3291005	1	Nut M10	
6	4010510	2	Screw M5 x 20	
7	4811600	2	Washer M5	
8	4811700	2	Washer M6	
9	8406110	1	Clip	
10	1001130220	2	Nut, Tinnerman M6	
11	1001142683	1	Module, Beacon Control	
12	1001142736	1	Strobe Light Control Harness (See Separate Breakdown in ELECTRICAL SECTION)	
13	1001200910	1	Light, Strobe (Blue)	
13	4460897	2	Receptacle, Female - 2 Position	
13	4460464	4	Pin, Male	

SECTION 2 - TURNTABLE

FIGURE 2-34. STROBE LIGHT INSTALLATION - RED (OPTIONAL) (SN 0300235168 through 0300259907, SN B30002655 through B300005754)



ART_1001212192

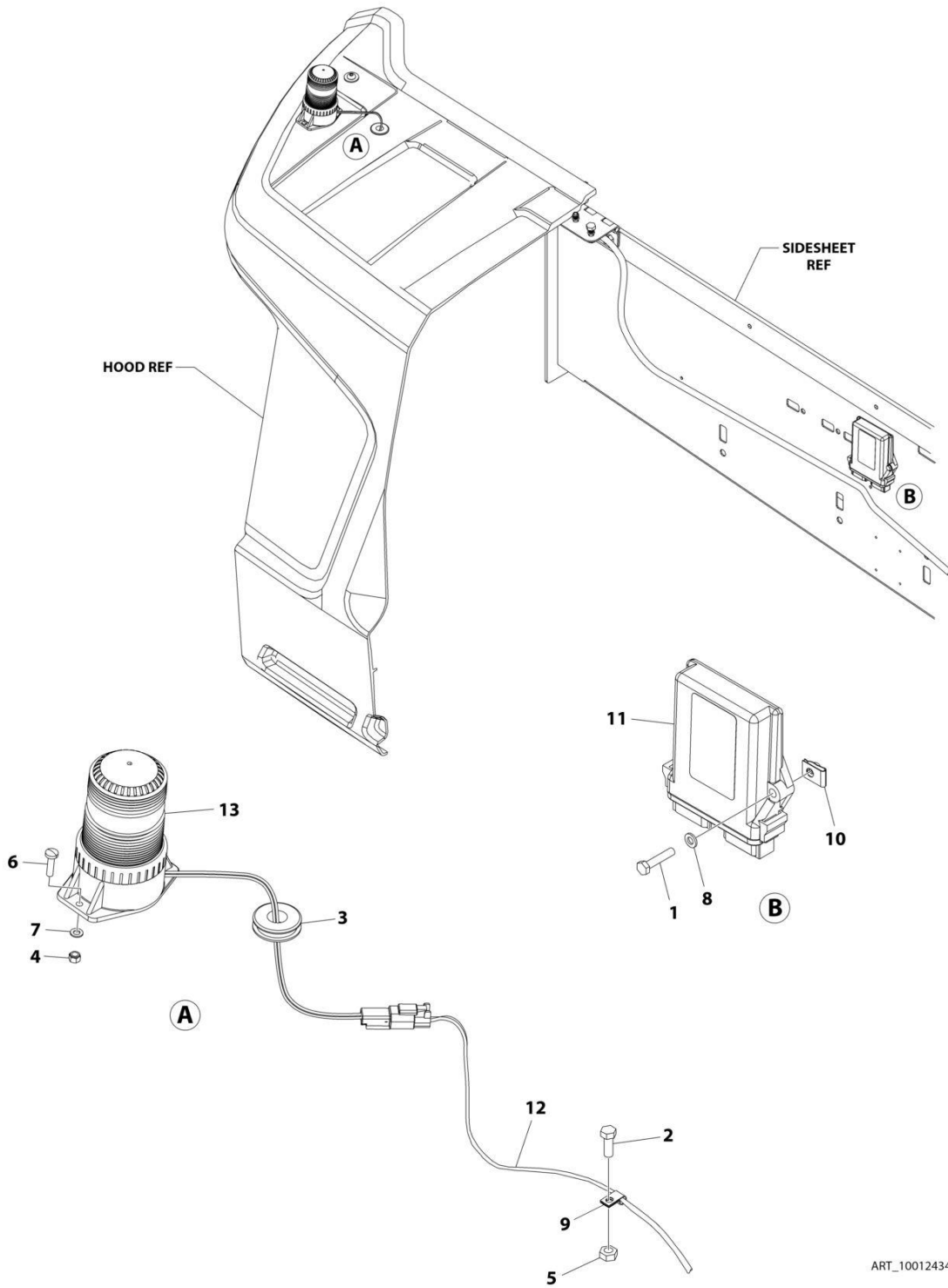
SECTION 2 - TURNTABLE

FIGURE 2-34. STROBE LIGHT INSTALLATION - RED (OPTIONAL) (SN 0300235168 through 0300259907, SN B30002655 through B300005754)

ITEM	PART NUMBER	QTY	DESCRIPTION	REV
	1001212192	Ref	STROBE LIGHT INSTALLATION	D
1	0760614	2	Bolt M6 x 30	
2	8406110	1	Clip	
3	2540020	1	Grommet	
4	3290505	2	Nut M5	
5	4010510	2	Screw M5 x 20	
6	4811600	2	Washer M5	
7	4811700	2	Washer M6	
8	1001130220	2	Nut, Tinnerman M6	
9	1001142683	1	Module, Beacon Control	
10	1001142736	1	Strobe Light Control Harness (See Separate Breakdown in ELECTRICAL SECTION)	
12	1001196458	1	Strobe Light Extension Harness	
12	4460891	1	Plug, Male - 4 Position	
12	4460465	2	Socket, Female	
12	4460897	2	Receptacle, Female - 2 Position	
12	4460464	4	Pin, Male	
13	1001207004	1	Light, Strobe (Red)	
13	4460897	2	Receptacle, Female - 2 Position	
13	4460464	4	Pin, Male	
14	0761016	1	Bolt M10 x 40	
15	3291005	1	Nut M10	

SECTION 2 - TURNTABLE

FIGURE 2-35. STROBE LIGHT INSTALLATION - RED (OPTIONAL) (SN 0300259908 through 0300272445)



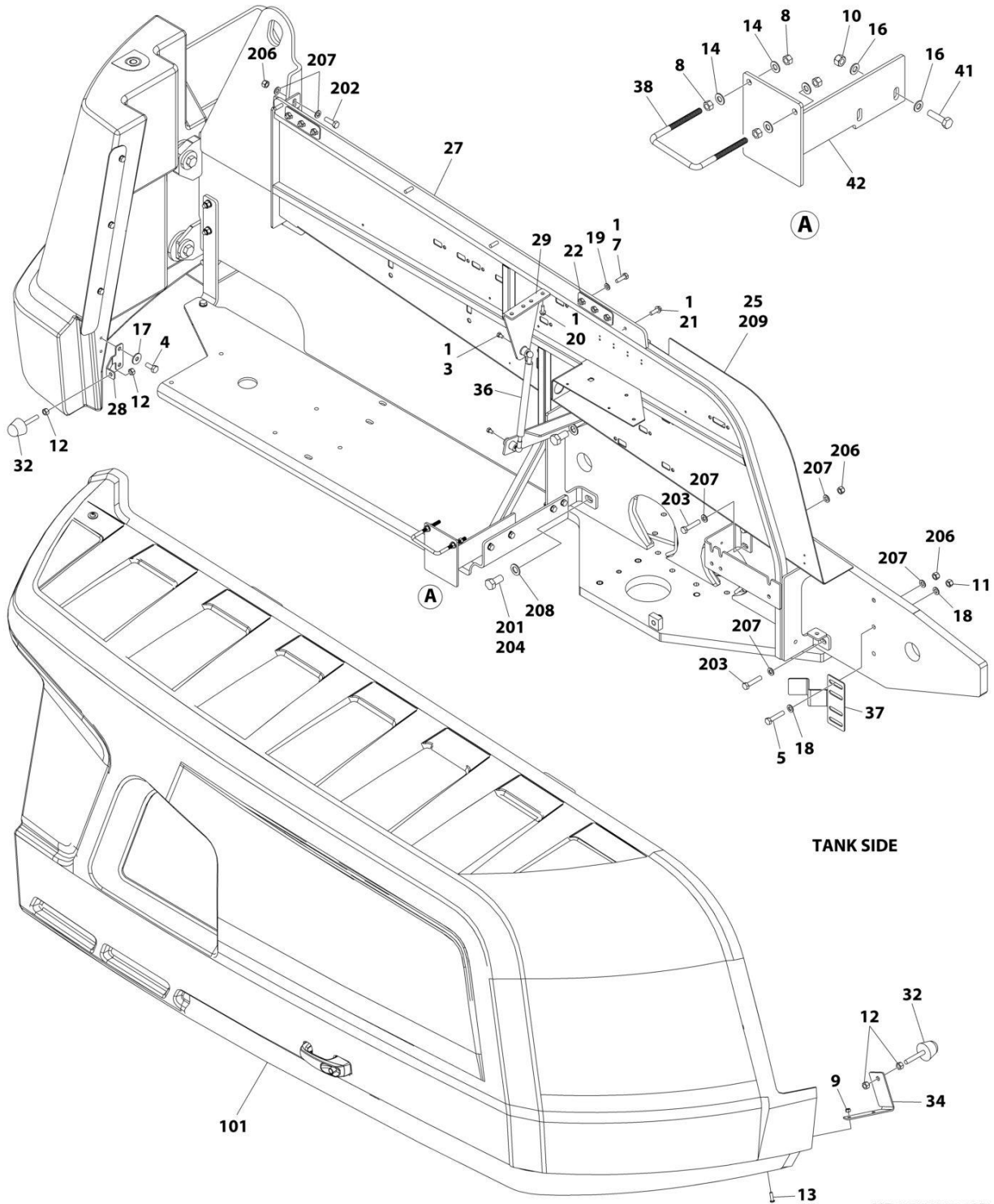
SECTION 2 - TURNTABLE

FIGURE 2-35. STROBE LIGHT INSTALLATION - RED (OPTIONAL) (SN 0300259908 through 0300272445)

ITEM	PART NUMBER	QTY	DESCRIPTION	REV
	1001243465	Ref	STROBE LIGHT INSTALLATION	A
1	0760614	2	Bolt M6 x 30	
2	0761016	1	Bolt M10 x 40	
3	2540020	1	Grommet	
4	3290505	2	Nut M5	
5	3291005	1	Nut M10	
6	4010510	2	Screw M5 x 20	
7	4811600	2	Washer M5	
8	4811700	2	Washer M6	
9	8406110	1	Clip	
10	1001130220	2	Nut, Tinnerman M6	
11	1001142683	1	Module, Beacon Control	
12	1001142736	1	Strobe Light Control Harness (See Separate Breakdown in ELECTRICAL SECTION)	
13	1001207004	1	Light, Strobe (Red)	
13	4460897	2	Receptacle, Female - 2 Position	
13	4460464	4	Pin, Male	

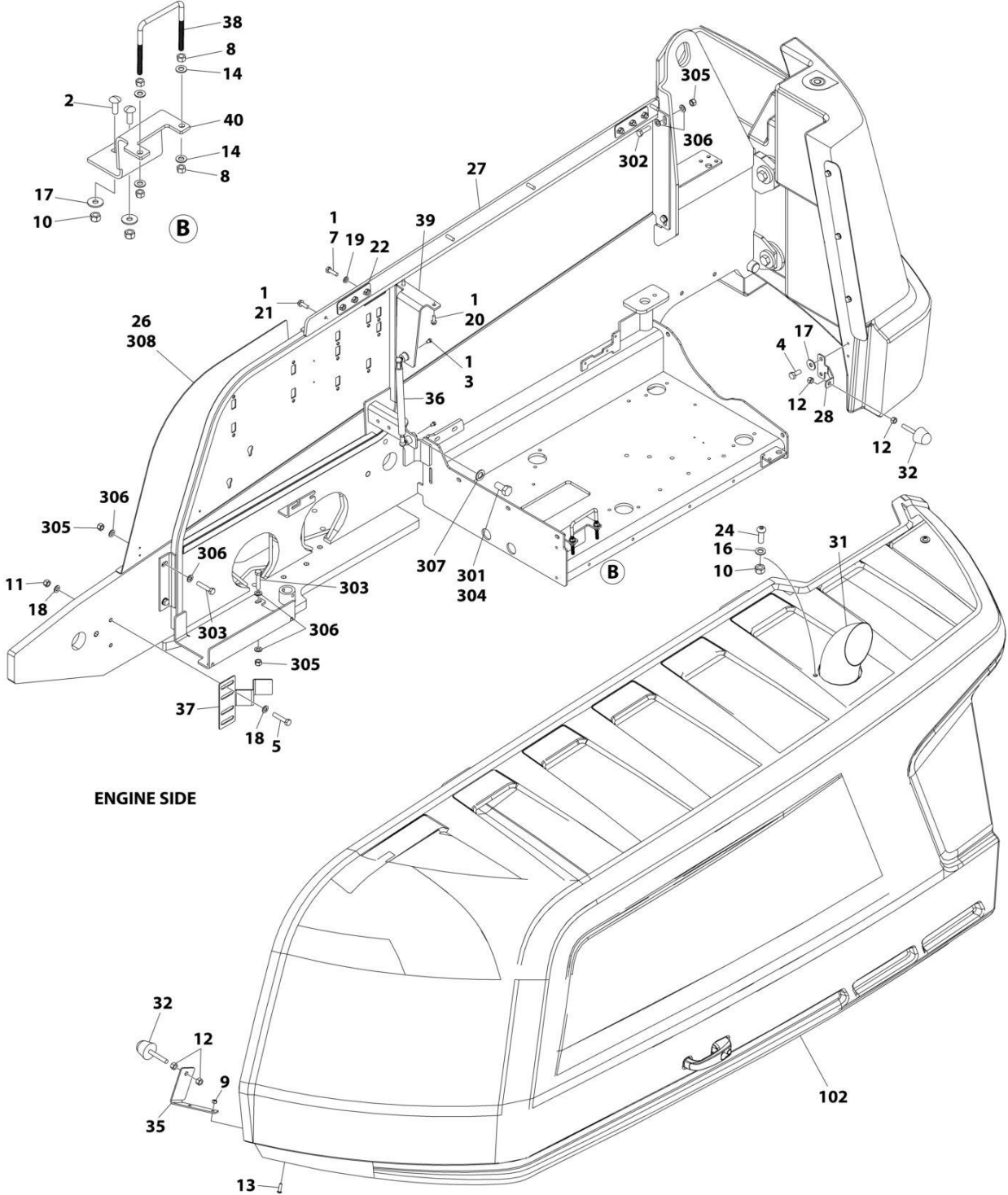
SECTION 2 - TURNTABLE

FIGURE 2-36. HOODS INSTALLATIONS - ABS (DEUTZ D2.9L4 - 49HP ENGINE)



ART_1001244902_10F2

SECTION 2 - TURNTABLE



ENGINE SIDE

ART_1001244902_20F2

SECTION 2 - TURNTABLE

FIGURE 2-36. HOODS INSTALLATIONS - ABS (DEUTZ D2.9L4 - 49HP ENGINE)

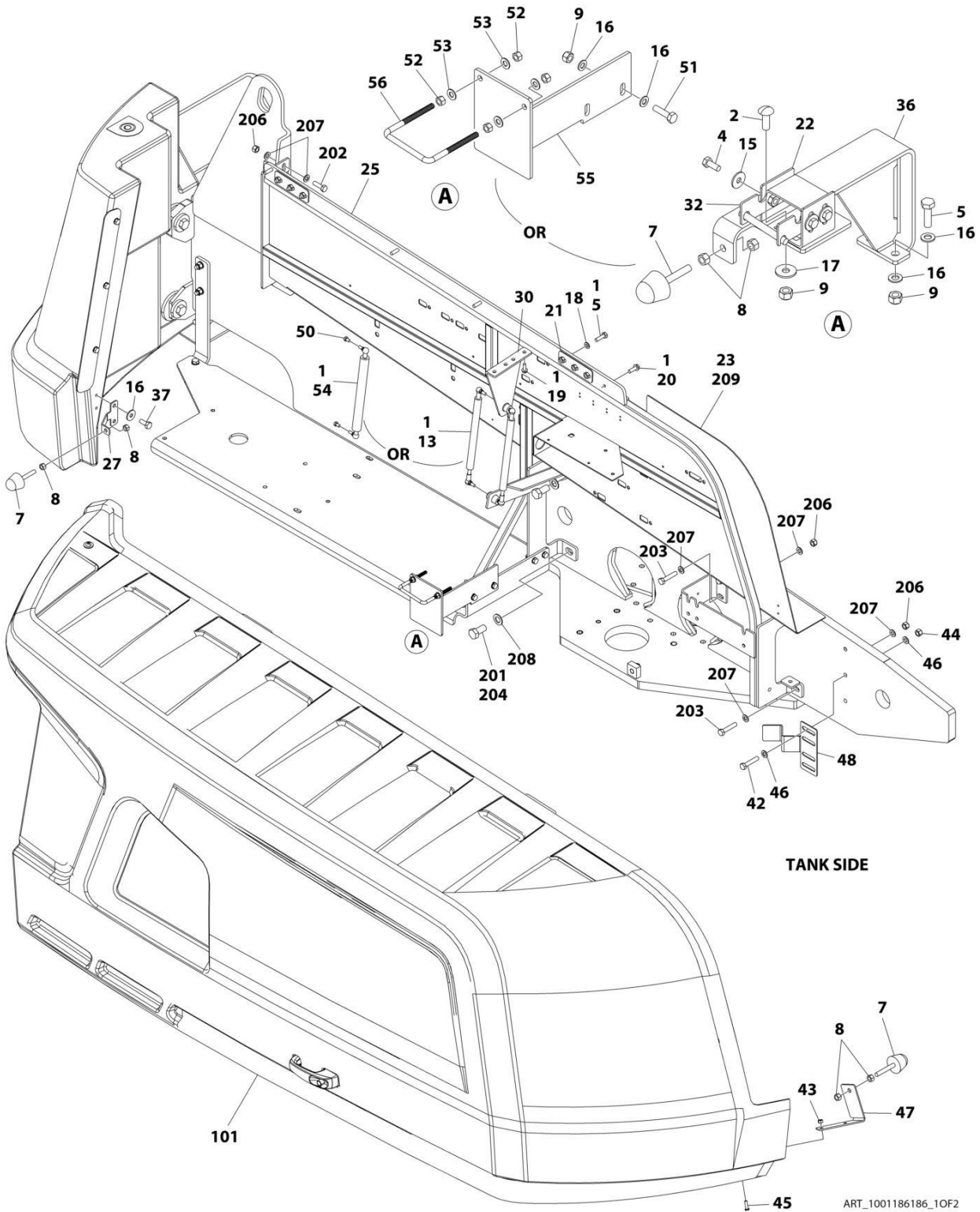
ITEM	PART NUMBER	QTY	DESCRIPTION	REV
	1001244902	Ref	HOODS INSTALLATIONS	B
1	0100011	AR	Compound, Locking	
2	0630613	2	Bolt M10 x 30	
3	0641504	4	Bolt 5/16 x 1/2	
4	0701012	2	Bolt M10 x 25	
5	0701220	2	Bolt M12 x 60	
7	0761015	12	Bolt M10 x 35	
8	3271601	8	Nut 3/8	
9	3290605	4	Nut M6	
10	3291005	6	Nut M10	
11	3291205	2	Nut M12	
12	3311601	8	Nut 3/8	
13	3900364	4	Screw M6 x 20	
14	4711600	8	Washer 3/8	
16	4812000	6	Washer M10	
17	4812002	4	Washer M10	
18	4812100	4	Washer M12	
19	5241000	12	Washer M10	
20	5250812	4	Bolt M8 x 25	
21	5251014	8	Bolt M10 x 30	
22	1001169046	4	Nut, Hinge	
24	1001174673	2	Screw M10 x 30	
25	1001187950	1	Side-Sheet Assembly - Tank Side (See Items 201-209 for Breakdown)	
26	1001187951	1	Side-Sheet Assembly - Engine Side (See Items 301-308 for Breakdown)	
27	1001189067	2	Mount	
28	1001190338	2	Bracket	
29	1001192841	1	Bracket	
31	1001193760	1	Pipe, Exhaust	
32	1001206314	4	Bumper	
34	1001213543	1	Bracket	
35	1001213744	1	Bracket	
36	1001213794	4	Spring, Gas	
37	1001231310	2	Bracket	
38	1001243414	2	Bolt, U-Bolt	
39	1001243654	1	Bracket	
40	1001244878	1	Bracket	
41	0701016	2	Bolt M10 x 40	
42	1001243171	1	Support	
100	1001227887	1	Hood Kit (Not Shown)	
101	1001195454	1	Hood Assembly - Tank Side (See Separate Breakdown in this Section)	
102	1001195455	1	Hood Assembly - Engine Side (See Separate Breakdown in this Section)	
	1001187950	Ref	SIDE-SHEET ASSEMBLY - TANK SIDE	C
201	0100011	AR	Compound, Locking	
202	0701216	2	Bolt M12 x 40	
203	0701220	4	Bolt M12 x 60	
204	0762016	2	Bolt M20 x 40	

SECTION 2 - TURNTABLE

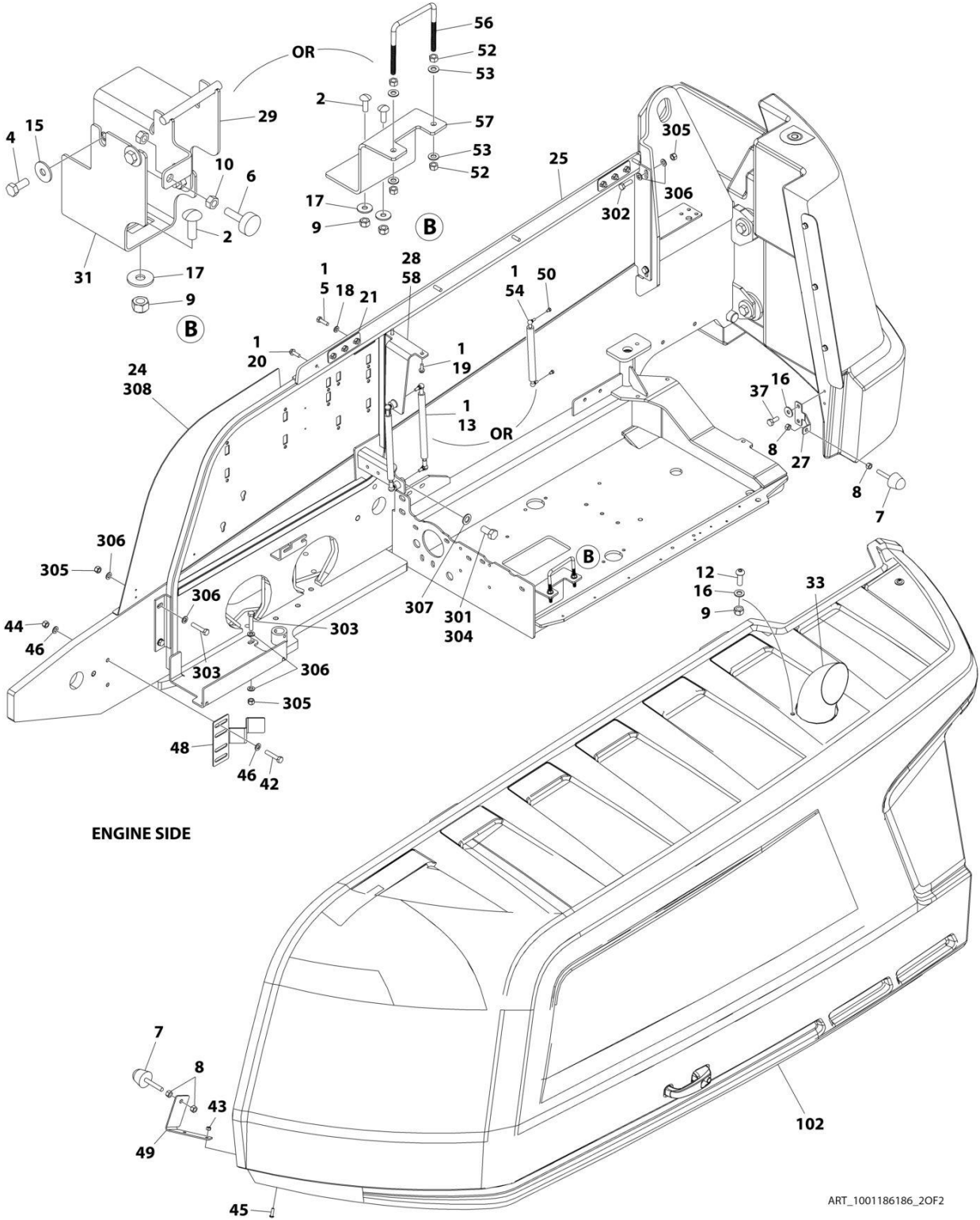
ITEM	PART NUMBER	QTY	DESCRIPTION	REV
206	3291205	6	Nut M12	B
207	4812100	12	Washer M12	
208	4812500	2	Washer M20	
209	1001188194	1	Side-Sheet, Tank Side	
	1001187951	Ref	SIDE-SHEET ASSEMBLY - ENGINE SIDE	
301	0100011	AR	Compound, Locking	
302	0701216	2	Bolt M12 x 40	
303	0701220	3	Bolt M12 x 60	
304	0762016	1	Bolt M20 x 40	
305	3291205	5	Nut M12	
306	4812100	10	Washer M12	
307	4812500	1	Washer M20	
308	1001188187	1	Side-Sheet, Engine Side	

SECTION 2 - TURNTABLE

FIGURE 2-37. HOODS INSTALLATIONS - ABS (DEUTZ D2011, DEUTZ TD2.9L4 - 67HP AND FORD ENGINES)



SECTION 2 - TURNTABLE



ENGINE SIDE

ART_1001186186_20F2

SECTION 2 - TURNTABLE

FIGURE 2-37. HOODS INSTALLATIONS - ABS (DEUTZ D2011, DEUTZ TD2.9L4 - 67HP AND FORD ENGINES)

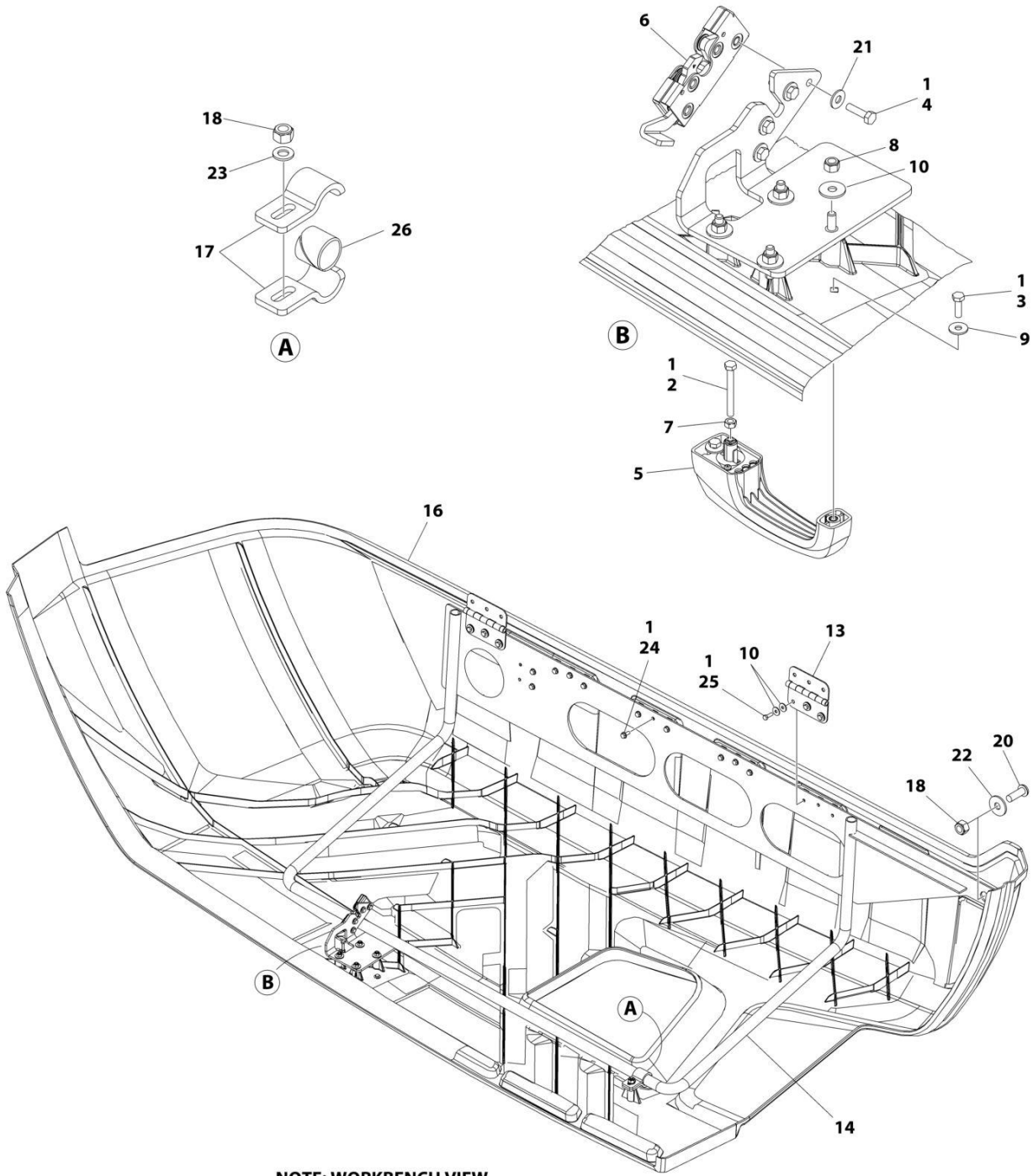
ITEM	PART NUMBER	QTY	DESCRIPTION	REV
	1001186186	Ref	HOODS INSTALLATIONS	G
1	0100011	AR	Compound, Locking	
2	0630613	AR	Bolt M10 x 30	
4	0760810	8	Bolt M8 x 20	
5	0761015	AR	Bolt M10 x 35	
6	0940049	1	Stopper (SN 0300235168 through 0300260918, SN B300002655 through B300005754, Excluding B300005570)	
7	1001206314	AR	Bumper	
8	3311601	AR	Nut 3/8	
9	3291005	AR	Nut M10	
10	3311501	2	Nut 5/16	
12	1001174673	2	Screw M10 x 30	
13	1001210762	4	Spring, Gas (SN 0300235168 through 0300260918, SN B300002655 through B300005754, Excluding B300005570)	
15	4811902	8	Washer M8	
16	4812000	6	Washer M10	
17	4812002	AR	Washer M10	
18	5241000	12	Washer M10	
19	5250812	4	Bolt M8 x 25	
20	5251014	8	Bolt M10 x 30	
21	1001169046	4	Nut, Hinge	
22	1001172615	1	Mount (SN 0300235168 through 0300260918, SN B300002655 through B300005754, Excluding B300005570)	
23	1001187950	1	Side-Sheet Assembly - Tank Side (See Items 201-209 for Breakdown)	
24	1001187951	1	Side-Sheet Assembly - Engine Side (See Items 301-308 for Breakdown)	
25	1001189067	2	Mount	
27	1001190338	2	Bracket	
28	1001190476	1	Bracket (SN 0300235168 through 0300260918, SN B300002655 through B300005754, Excluding B300005570)	
29	1001190756	1	Support (SN 0300235168 through 0300260918, SN B300002655 through B300005754, Excluding B300005570)	
30	1001192841	1	Bracket	
31	1001192842	1	Mount (SN 0300235168 through 0300260918, SN B300002655 through B300005754, Excluding B300005570)	
32	1001192843	1	Support (SN 0300235168 through 0300260918, SN B300002655 through B300005754, Excluding B300005570)	
33	1001193760	1	Pipe, Exhaust	
36	1001206880	1	Support (SN 0300235168 through 0300260918, SN B300002655 through B300005754, Excluding B300005570)	
37	0701012	2	Bolt M10 x 25	
42	0701220	2	Bolt M12 x 60	
43	3290605	4	Nut M6	
44	3291205	2	Nut M12	
45	3900364	4	Screw M6 x 20	
46	4812100	4	Washer M12	
47	1001213543	1	Bracket	
48	1001231310	2	Bracket	
49	1001213744	1	Bracket	
50	0641504	4	Bolt 5/16 x 1/2	

SECTION 2 - TURNTABLE

ITEM	PART NUMBER	QTY	DESCRIPTION	REV
51	0701016	2	Bolt M10 x 40	
52	3271601	8	Nut 3/8	
53	4711600	8	Washer 3/8	
54	1001213794	1	Spring, Gas (SN 0300260919 through 0300272445)	
55	1001243171	1	Support (SN 0300260919 through 0300272445)	
56	1001243414	2	Bolt, U-Bolt 3/8	
57	1001243522	1	Bracket (SN 0300260919 through 0300272445)	
58	1001243654	1	Bracket (SN 0300260919 through 0300272445)	
100	1001227887	1	Hood Kit (Not Shown)	
101	1001195454	1	Hood Assembly - Tank Side (See Separate Breakdown in this Section)	
102	1001195455	1	Hood Assembly - Engine Side (See Separate Breakdown in this Section)	
	1001187950	Ref	SIDE-SHEET ASSEMBLY - TANK SIDE	C
201	0100011	AR	Compound, Locking	
202	0701216	2	Bolt M12 x 40	
203	0701220	4	Bolt M12 x 60	
204	0762016	2	Bolt M20 x 40	
206	3291205	6	Nut M12	
207	4812100	12	Washer M12	
208	4812500	2	Washer M20	
209	1001188194	1	Side-Sheet, Tank Side	
	1001187951	Ref	SIDE-SHEET ASSEMBLY - ENGINE SIDE	B
301	0100011	AR	Compound, Locking	
302	0701216	2	Bolt M12 x 40	
303	0701220	3	Bolt M12 x 60	
304	0762016	1	Bolt M20 x 40	
305	3291205	5	Nut M12	
306	4812100	10	Washer M12	
307	4812500	1	Washer M20	
308	1001188187	1	Side-Sheet, Engine Side	

SECTION 2 - TURNTABLE

FIGURE 2-38. HOOD ASSEMBLY - TANK SIDE (ABS)



ART_1001195454

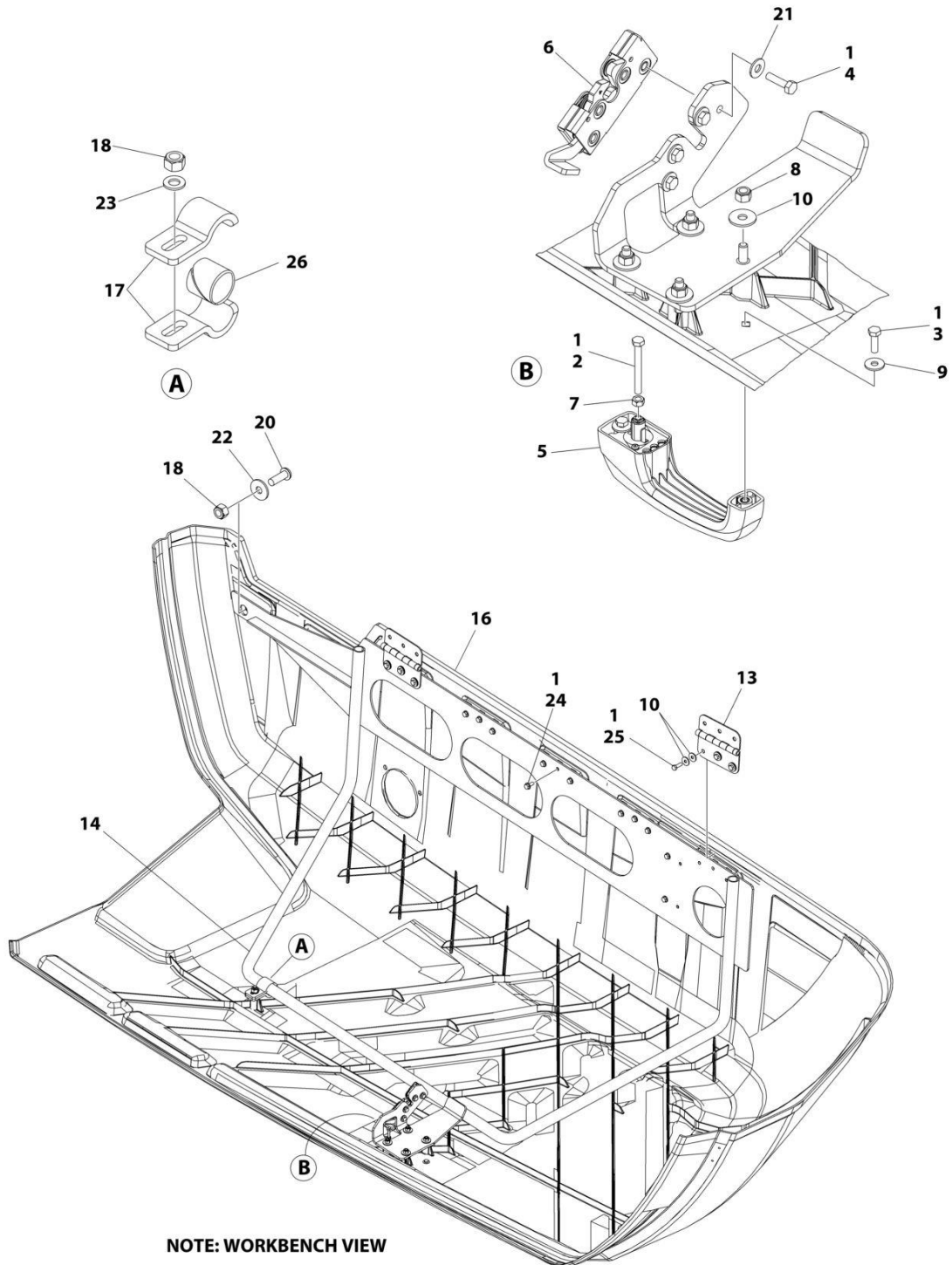
SECTION 2 - TURNTABLE

FIGURE 2-38. HOOD ASSEMBLY - TANK SIDE (ABS)

ITEM	PART NUMBER	QTY	DESCRIPTION	REV
	1001195454	Ref	HOOD ASSEMBLY	G
1	0100011	AR	Compound, Locking	
2	0700619	1	Bolt M6 x 55	
3	0760610	2	Bolt M6 x 20	
4	0641408	4	Bolt 1/4 x 1	
5	2560187	1	Handle, Push Button	
6	2940173	1	Latch, Rotary	
7	3290601	1	Nut M6	
8	3290805	4	Nut M8	
9	4811702	2	Washer M6	
10	4811902	16	Washer M8	
13	1001139384	2	Hinge	
14	1001204303	1	Support	
16	1001193168	1	Hood	
17	1321384	2	Clamp	
18	3291005	2	Nut M10	
20	1001174673	1	Screw M10 x 30	
21	4751400	4	Washer 1/4	
22	4812002	1	Washer M10	
23	4812000	1	Washer M10	
24	5250810	11	Bolt M8 x 20	
25	0760812	6	Bolt M8 x 25	
26	1001227367	1	Bearing	

SECTION 2 - TURNTABLE

FIGURE 2-39. HOOD ASSEMBLY - ENGINE SIDE (ABS)



ART_1001195455

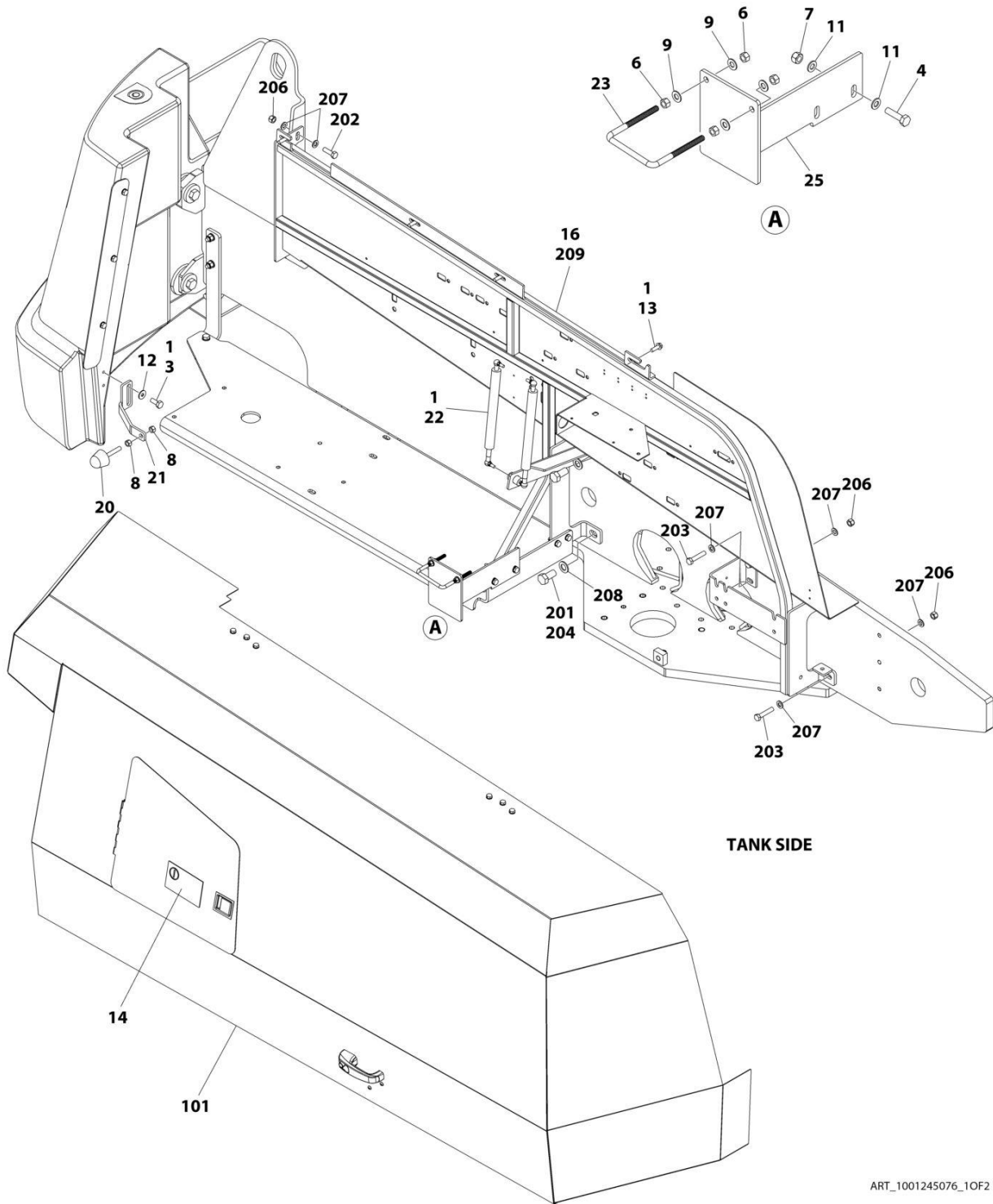
SECTION 2 - TURNTABLE

FIGURE 2-39. HOOD ASSEMBLY - ENGINE SIDE (ABS)

ITEM	PART NUMBER	QTY	DESCRIPTION	REV
	1001195455	Ref	HOOD ASSEMBLY	H
1	0100011	AR	Compound, Locking	
2	0700619	1	Bolt M6 x 55	
3	0760610	2	Bolt M6 x 20	
4	0641408	4	Bolt 1/4 x 1	
5	2560187	1	Handle, Push Button	
6	2940173	1	Latch, Rotary	
7	3290601	1	Nut M6	
8	3290805	4	Nut M8	
9	4811702	2	Washer M6	
10	4811902	16	Washer M8	
13	1001139384	2	Hinge	
14	1001204251	1	Support	
16	1001193169	1	Hood	
17	1321384	2	Clamp	
18	3291005	2	Nut M10	
20	1001174673	1	Screw M10 x 30	
21	4751400	4	Washer 1/4	
22	4812002	1	Washer M10	
23	4812000	1	Washer M10	
24	5250810	11	Bolt M8 x 20	
25	0760812	6	Bolt M8 x 25	
26	1001227367	1	Bearing	

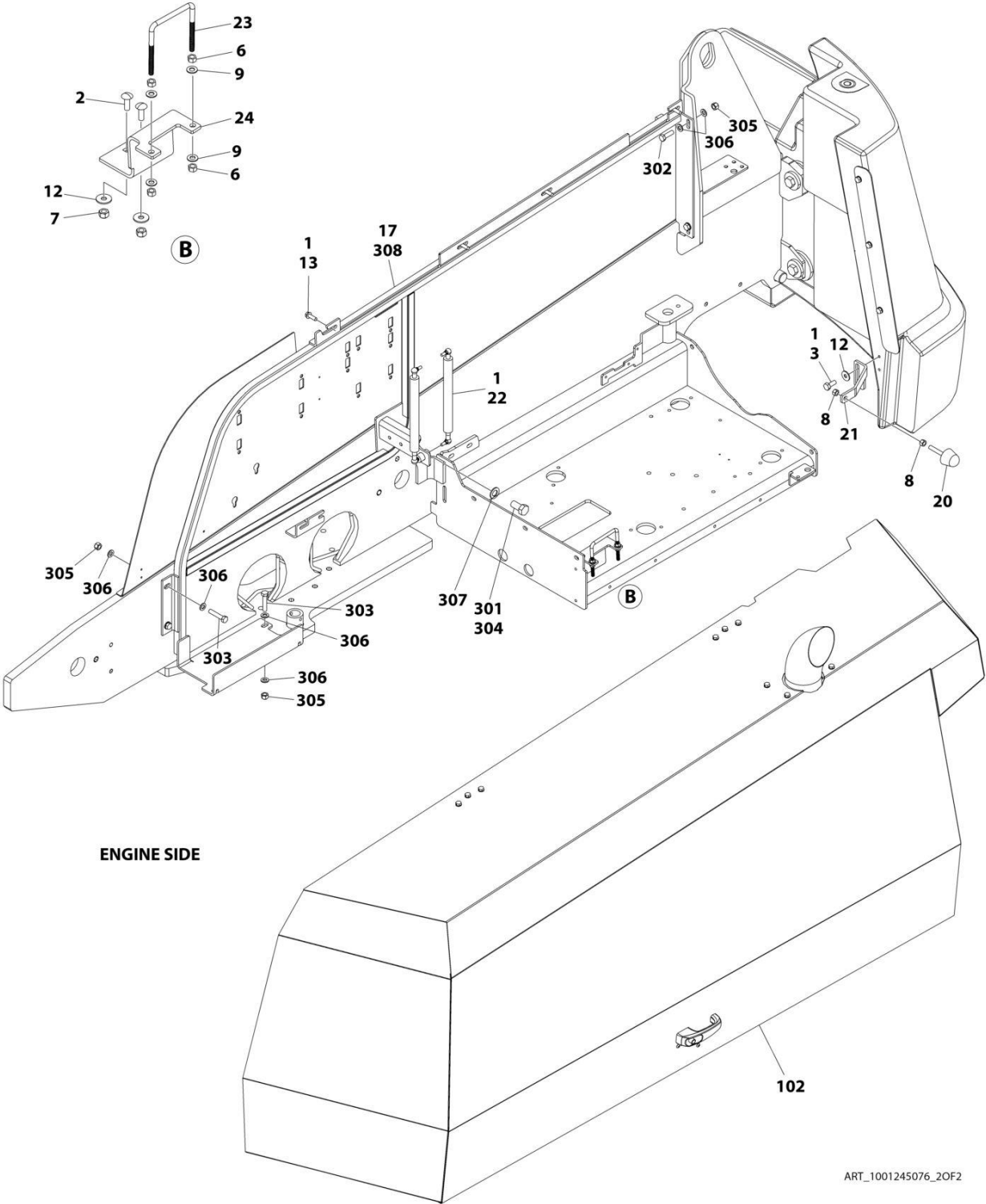
SECTION 2 - TURNTABLE

FIGURE 2-40. HOODS INSTALLATIONS - STEEL (DEUTZ D2.9L4 – 49HP ENGINE)



ART_1001245076_10F2

SECTION 2 - TURNTABLE



ENGINE SIDE

ART_1001245076_20F2

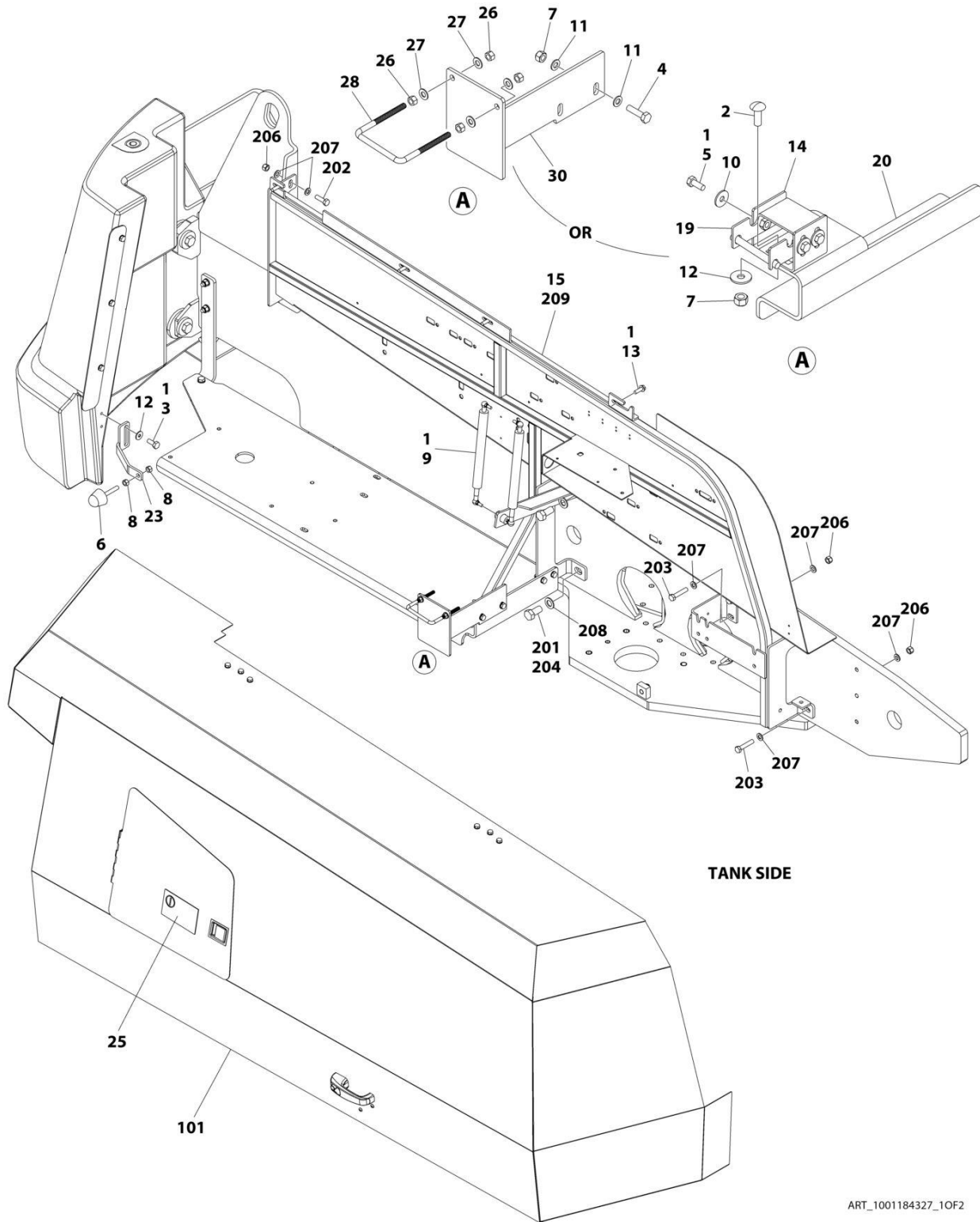
SECTION 2 - TURNTABLE

FIGURE 2-40. HOODS INSTALLATIONS - STEEL (DEUTZ D2.9L4 – 49HP ENGINE)

ITEM	PART NUMBER	QTY	DESCRIPTION	REV
	1001245076	Ref	HOODS INSTALLATIONS	B
1	0100011	AR	Compound, Locking	
2	0630613	2	Bolt M10 x 30	
3	0701012	4	Bolt M10 x 25	
4	0701016	2	Bolt M10 x 40	
6	3271601	8	Nut 3/8	
7	3291005	4	Nut M10	
8	3311601	4	Nut 3/8	
9	4711600	8	Washer 3/8	
11	4812000	4	Washer M10	
12	4812002	4	Washer M10	
13	5251014	8	Bolt M10 x 30	
14	1001117307	1	Decal - Emergency Stop	
16	1001187950	1	Side-Sheet Assembly - Tank Side (See Items 201-209 for Breakdown)	
17	1001187951	1	Side-Sheet Assembly - Engine Side (See Items 301-308 for Breakdown)	
20	1001206314	2	Bumper	
21	1001212333	2	Bracket	
22	1001219138	4	Spring, Gas	
23	1001243414	2	Bolt, U-Bolt	
24	1001244878	1	Bracket	
25	1001243171	1	Support	
100	1001227888	1	Hood Kit (Not Shown)	
101	1001211762	1	Hood Assembly - Tank Side (See Separate Breakdown in this Section)	
102	1001211774	1	Hood Assembly - Engine Side (See Separate Breakdown in this Section)	
	1001187950	Ref	SIDE-SHEET ASSEMBLY - TANK SIDE	C
201	0100011	AR	Compound, Locking	
202	0701216	2	Bolt M12 x 40	
203	0701220	4	Bolt M12 x 60	
204	0762016	2	Bolt M20 x 40	
206	3291205	6	Nut M12	
207	4812100	12	Washer M12	
208	4812500	2	Washer M20	
209	1001188194	1	Side-Sheet, Tank Side	
	1001187951	Ref	SIDE-SHEET ASSEMBLY - ENGINE SIDE	B
301	0100011	AR	Compound, Locking	
302	0701216	2	Bolt M12 x 40	
303	0701220	3	Bolt M12 x 60	
304	0762016	1	Bolt M20 x 40	
305	3291205	5	Nut M12	
306	4812100	10	Washer M12	
307	4812500	1	Washer M20	
308	1001188187	1	Side-Sheet, Engine Side	

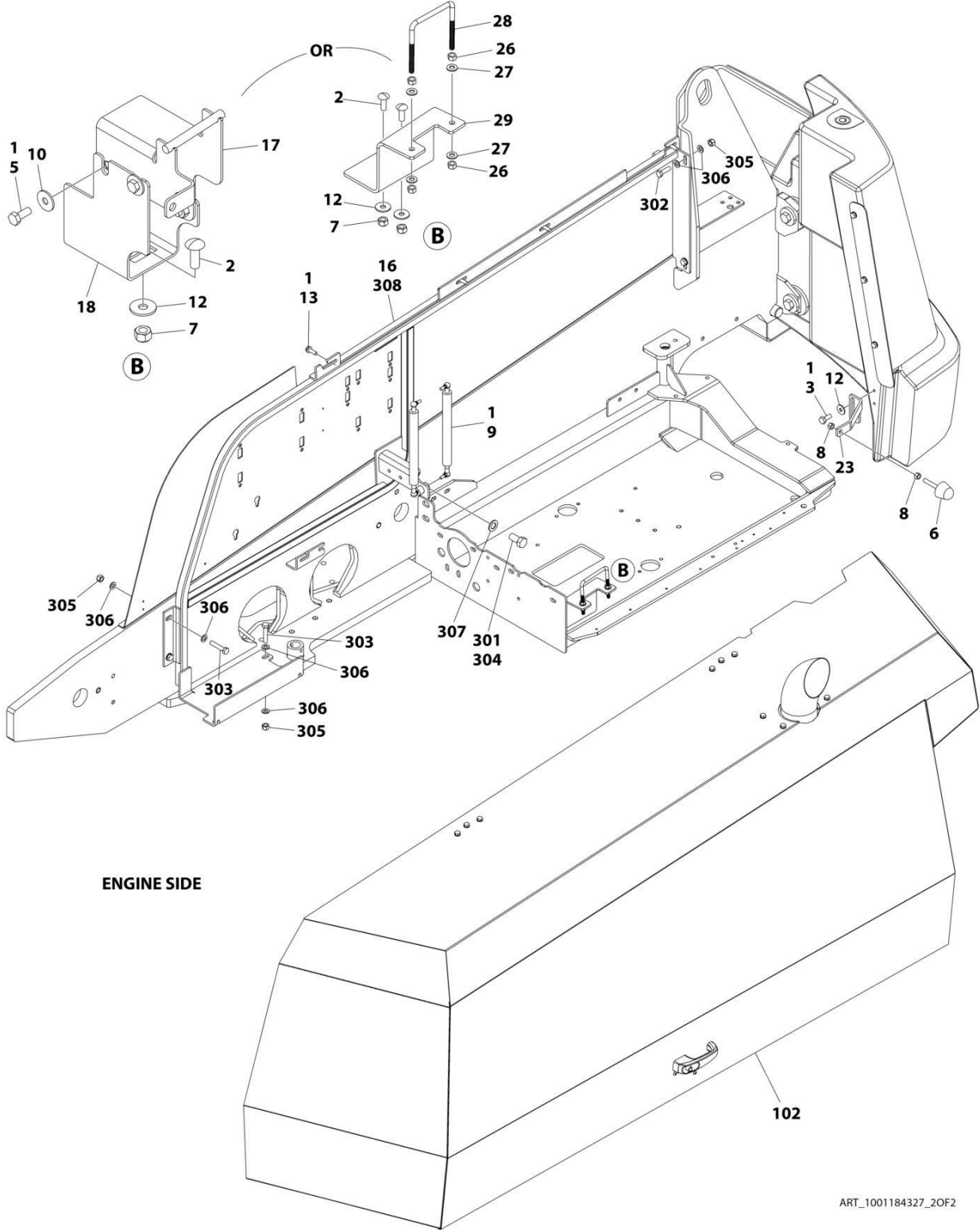
SECTION 2 - TURNTABLE

FIGURE 2-41. HOODS INSTALLATIONS - STEEL (DEUTZ D2011, DEUTZ TD2.9L4 – 67HP AND FORD ENGINES)



ART_1001184327_10F2

SECTION 2 - TURNTABLE



ART_1001184327_20F2

SECTION 2 - TURNTABLE

FIGURE 2-41. HOODS INSTALLATIONS - STEEL (DEUTZ D2011, DEUTZ TD2.9L4 – 67HP AND FORD ENGINES)

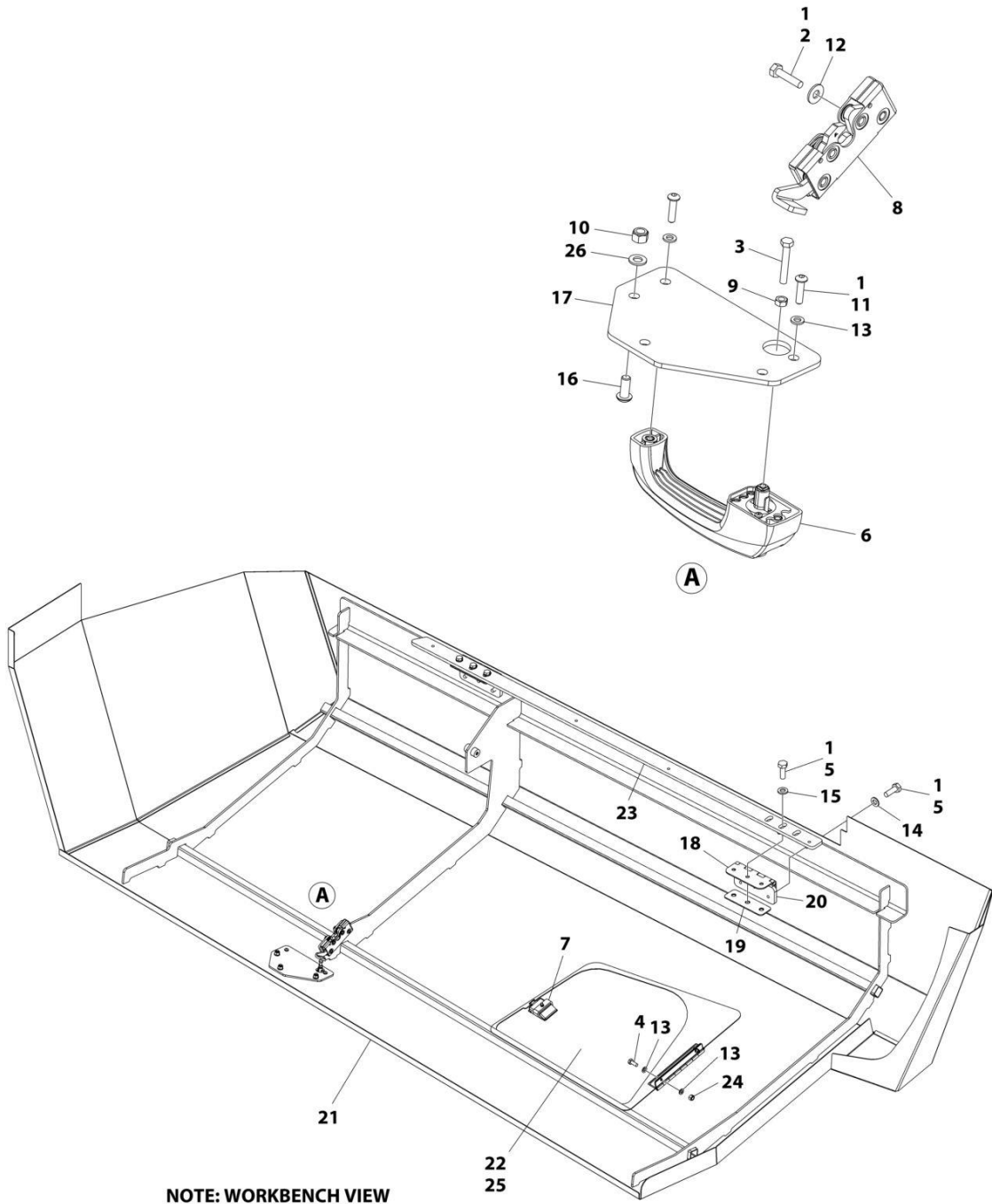
ITEM	PART NUMBER	QTY	DESCRIPTION	REV
	1001184327	Ref	HOODS INSTALLATIONS	K
1	0100011	AR	Compound, Locking	
2	0630613	AR	Bolt M10 x 30	
3	0701012	4	Bolt M10 x 25	
4	0701016	2	Bolt M10 x 40	
5	0760810	8	Bolt M8 x 20	
6	1001206314	2	Bumper	
7	3291005	AR	Nut M10	
8	3311601	4	Nut 3/8	
9	1001219138	4	Spring, Gas	
10	4811902	8	Washer M8	
11	4812000	4	Washer M10	
12	4812002	AR	Washer M10	
13	5251014	8	Bolt M10 x 30	
14	1001172615	1	Mount (SN 0300235168 through 0300260918, SN B300002655 through B300005754, Excluding B300005570)	
15	1001187950	1	Side-Sheet Assembly - Tank Side (See Items 201-209 for Breakdown)	
16	1001187951	1	Side-Sheet Assembly - Engine Side (See Items 301-308 for Breakdown)	
17	1001190756	1	Support (SN 0300235168 through 0300260918, SN B300002655 through B300005754, Excluding B300005570)	
18	1001192842	1	Mount (SN 0300235168 through 0300260918, SN B300002655 through B300005754, Excluding B300005570)	
19	1001192843	1	Support (SN 0300235168 through 0300260918, SN B300002655 through B300005754, Excluding B300005570)	
20	1001195535	1	Mount (SN 0300235168 through 0300260918, SN B300002655 through B300005754, Excluding B300005570)	
23	1001212333	2	Bracket	
25	1001117307	1	Decal - Emergency Stop	
26	3271601	8	Nut 3/8	
27	4711600	8	Washer 3/8	
28	1001243414	2	Bolt, U-Bolt 3/8	
29	1001243522	1	Bracket (SN 0300260919 through 0300272445)	
30	1001243171	1	Support (SN 0300260919 through 0300272445)	
100	1001227888	1	Hood Kit (Not Shown)	
101	1001211762	1	Hood Assembly - Tank Side (See Separate Breakdown in this Section)	
102	1001211774	1	Hood Assembly - Engine Side (See Separate Breakdown in this Section)	
	1001187950	Ref	SIDE-SHEET ASSEMBLY - TANK SIDE	C
201	0100011	AR	Compound, Locking	
202	0701216	2	Bolt M12 x 40	
203	0701220	4	Bolt M12 x 60	
204	0762016	2	Bolt M20 x 40	
206	3291205	6	Nut M12	
207	4812100	12	Washer M12	
208	4812500	2	Washer M20	
209	1001188194	1	Side-Sheet, Tank Side	
	1001187951	Ref	SIDE-SHEET ASSEMBLY - ENGINE SIDE	B
301	0100011	AR	Compound, Locking	

SECTION 2 - TURNTABLE

ITEM	PART NUMBER	QTY	DESCRIPTION	REV
302	0701216	2	Bolt M12 x 40	
303	0701220	3	Bolt M12 x 60	
304	0762016	1	Bolt M20 x 40	
305	3291205	5	Nut M12	
306	4812100	10	Washer M12	
307	4812500	1	Washer M20	
308	1001188187	1	Side-Sheet, Engine Side	

SECTION 2 - TURNTABLE

FIGURE 2-42. HOOD ASSEMBLY - TANK SIDE (STEEL)



ART_1001211762

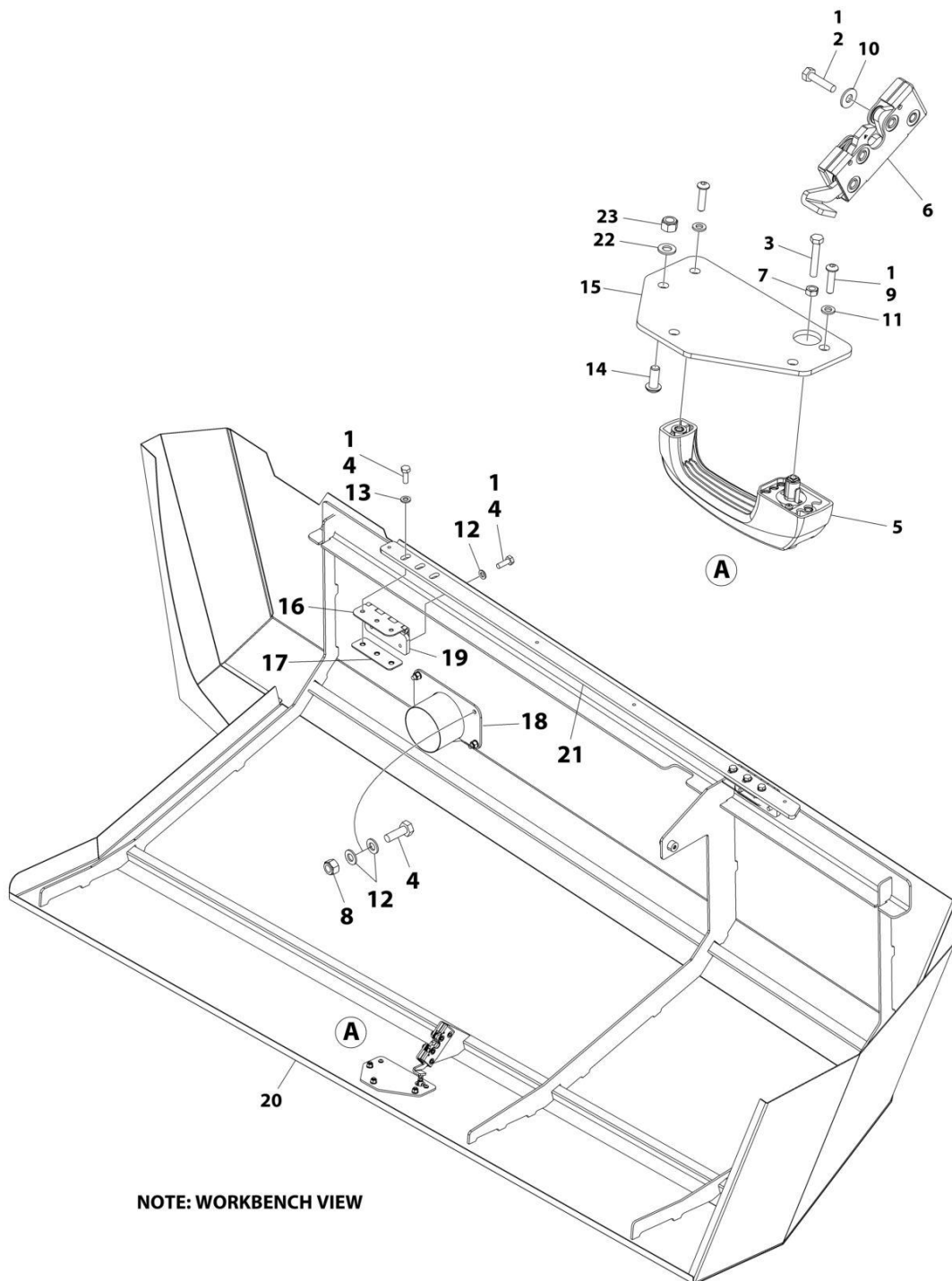
SECTION 2 - TURNTABLE

FIGURE 2-42. HOOD ASSEMBLY - TANK SIDE (STEEL)

ITEM	PART NUMBER	QTY	DESCRIPTION	REV
	1001211762	Ref	HOOD ASSEMBLY	J
1	0100011	AR	Compound, Locking	
2	0641409	4	Bolt 1/4 x 1-1/8	
3	0700616	1	Bolt M6 x 40	
4	0760608	2	Bolt M6 x 16	
5	0761014	12	Bolt M10 x 30	
6	2560187	1	Handle, Push Button	
7	2940045	1	Latch, Paddle	
8	2940173	1	Latch, Rotary	
9	3290601	1	Nut M6	
10	3290805	3	Nut M8	
11	3900363	2	Screw M6 x 25	
12	4751400	4	Washer 1/4	
13	4811700	6	Washer M6	
14	4812000	6	Washer M10	
15	5241000	6	Washer M10	
16	1001164726	3	Screw M8 x 20	
17	1001116290	1	Plate	
18	1001139384	2	Hinge	
19	1001169046	2	Nut, Hinge	
20	1001202333	2	Plate, Nut	
21	1001211752	1	Hood	
22	1001211760	1	Door	
23	1001211761	1	Plate	
24	3290605	2	Nut M6	
25	1001113047	78 in/ 2m	Seal	
26	4811900	3	Washer M8	

SECTION 2 - TURNTABLE

FIGURE 2-43. HOOD ASSEMBLY - ENGINE SIDE (STEEL)



NOTE: WORKBENCH VIEW

ART_1001211774

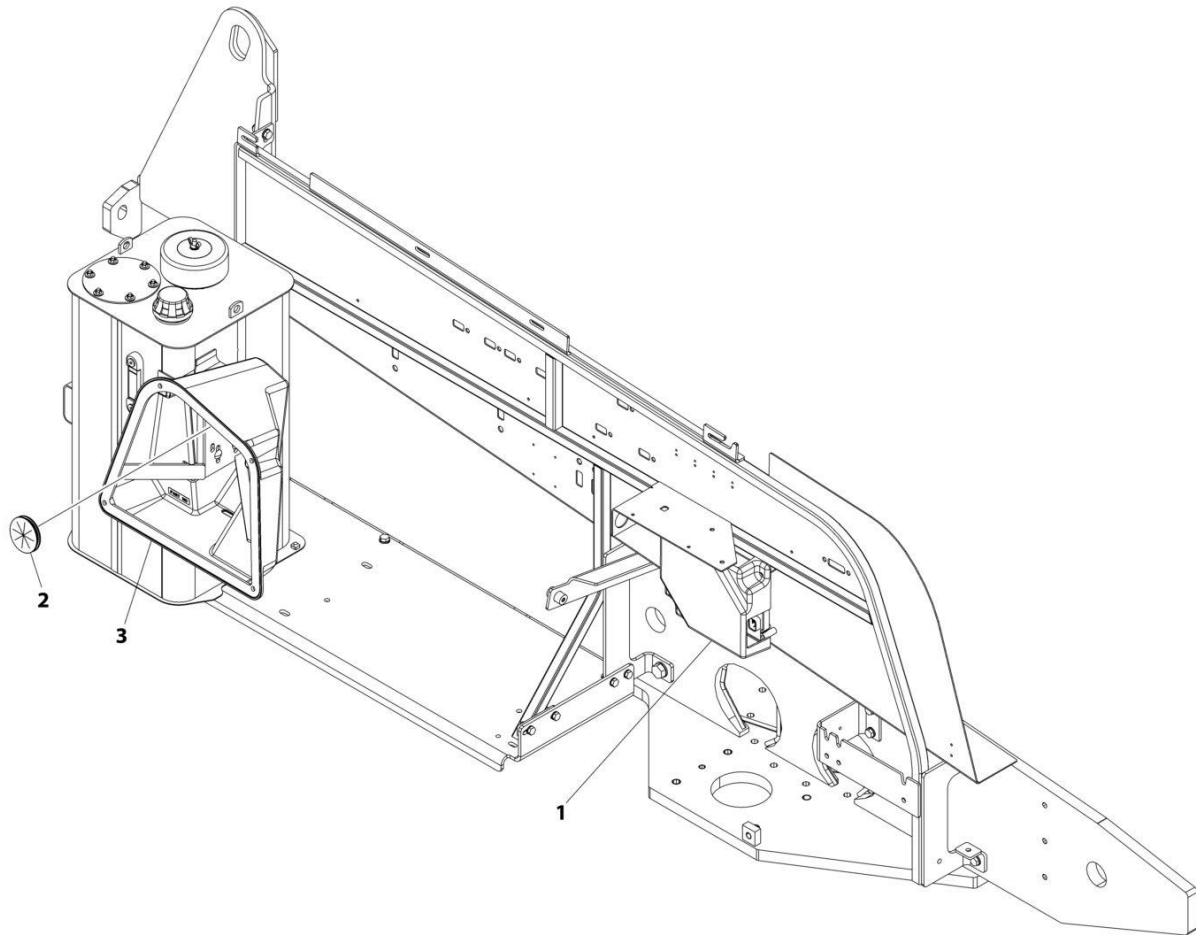
SECTION 2 - TURNTABLE

FIGURE 2-43. HOOD ASSEMBLY - ENGINE SIDE (STEEL)

ITEM	PART NUMBER	QTY	DESCRIPTION	REV
	1001211774	Ref	HOOD ASSEMBLY	J
1	0100011	AR	Compound, Locking	
2	0641409	4	Bolt 1/4 x 1-1/8	
3	0700615	1	Bolt M6 x 35	
4	0761014	16	Bolt M10 x 30	
5	2560187	1	Handle , Push Button	
6	2940173	1	Latch, Rotary	
7	3290601	1	Nut M6	
8	3291005	4	Nut M10	
9	3900363	2	Screw M6 x 25	
10	4751400	4	Washer 1/4	
11	4811700	2	Washer M6	
12	4812000	14	Washer M10	
13	5241000	6	Washer M10	
14	1001164726	3	Screw M8 x 20	
15	1001116290	1	Plate	
16	1001139384	2	Hinge	
17	1001169046	2	Nut, Hinge	
18	1001194888	1	Pipe, Exhaust	
19	1001202333	2	Plate, Nut	
20	1001211767	1	Hood	
21	1001211773	1	Plate	
22	4811900	3	Washer M8	
23	3290805	3	Nut M8	

SECTION 2 - TURNTABLE

FIGURE 2-44. COVERS INSTALLATION



ART_1001219128

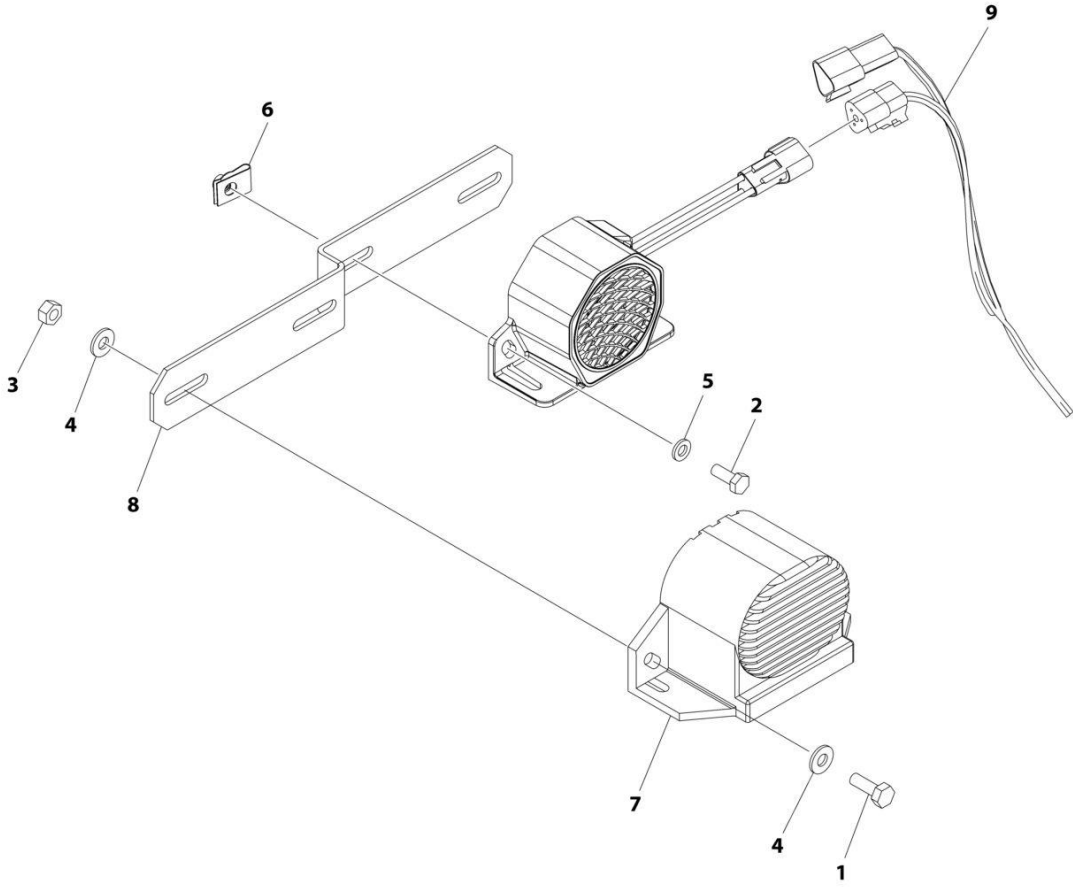
SECTION 2 - TURNTABLE

FIGURE 2-44. COVERS INSTALLATION

ITEM	PART NUMBER	QTY	DESCRIPTION	REV
	1001219128	Ref	COVERS INSTALLATION	A
1	1001218539	1	Cover, Controller	
2	1001218676	1	Grommet	
3	1001220638	1	Cover, Ground Control	

SECTION 2 - TURNTABLE

FIGURE 2-45. WHITE NOISE ALARM INSTALLATION



ART_1001247386

SECTION 2 - TURNTABLE

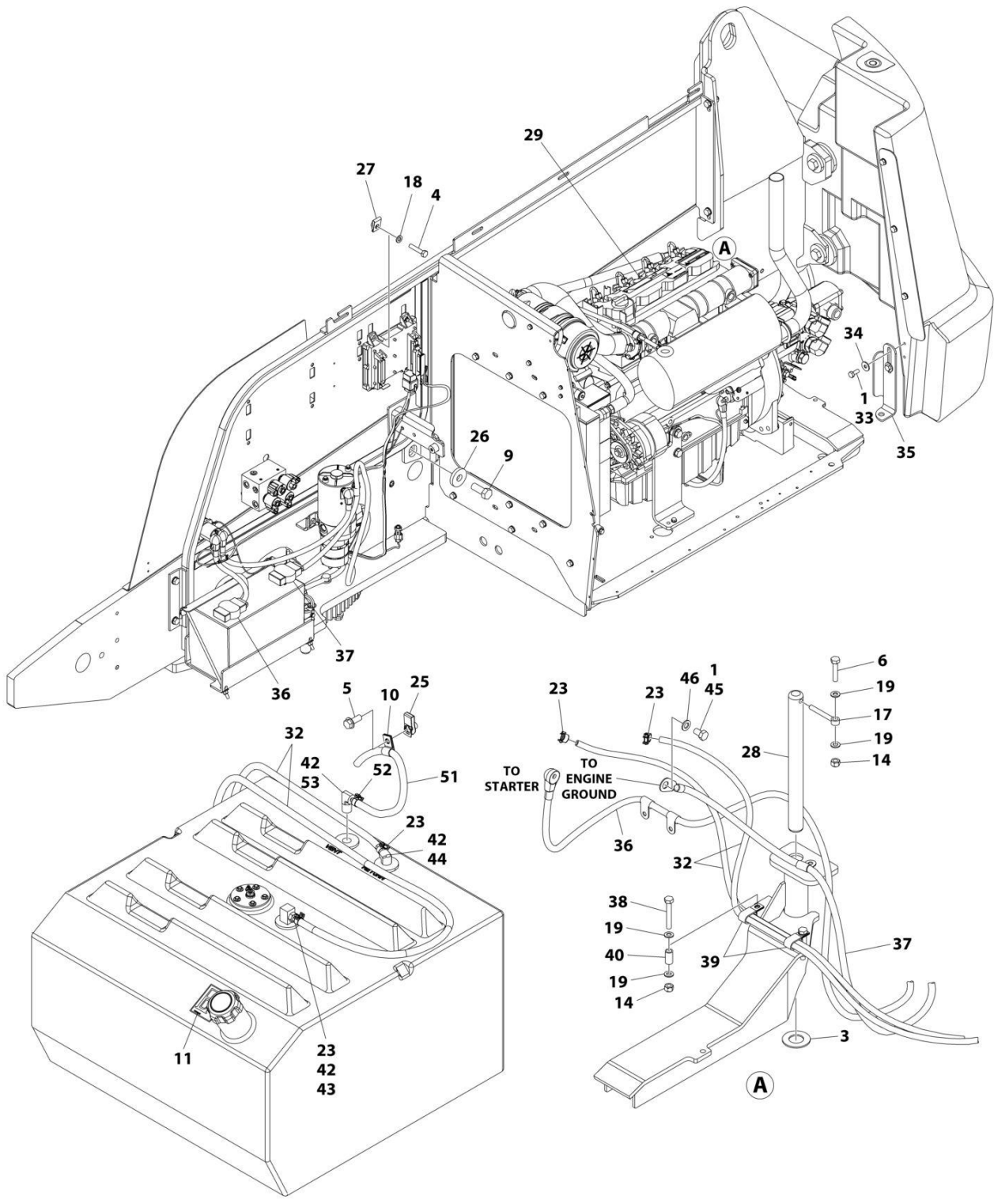
FIGURE 2-45. WHITE NOISE ALARM INSTALLATION

ITEM	PART NUMBER	QTY	DESCRIPTION	REV
	1001247386	Ref	WHITE NOISE ALARM INSTALLATION	A
1	0641406	2	Bolt 1/4 x 3/4	
2	0760608	2	Bolt M6 x 16	
3	3311405	2	Nut 1/4	
4	4711400	4	Washer 1/4	
5	4811700	2	Washer M6	
6	1001130220	2	Nut, Tinnerman M6	
7	1001182806	1	Alarm	
8	1001231711	1	Bracket	
9	1001243682	1	White Noise Alarm Harness (See Separate Breakdown in ELECTRICAL SECTION)	

SECTION 3 - ENGINE

SECTION 3 - ENGINE

FIGURE 3-1. DEUTZ D2011 ENGINE INSTALLATION - WITHOUT ARCTIC PACKAGE



ART_1001186808

SECTION 3 - ENGINE

FIGURE 3-1. DEUTZ D2011 ENGINE INSTALLATION - WITHOUT ARCTIC PACKAGE

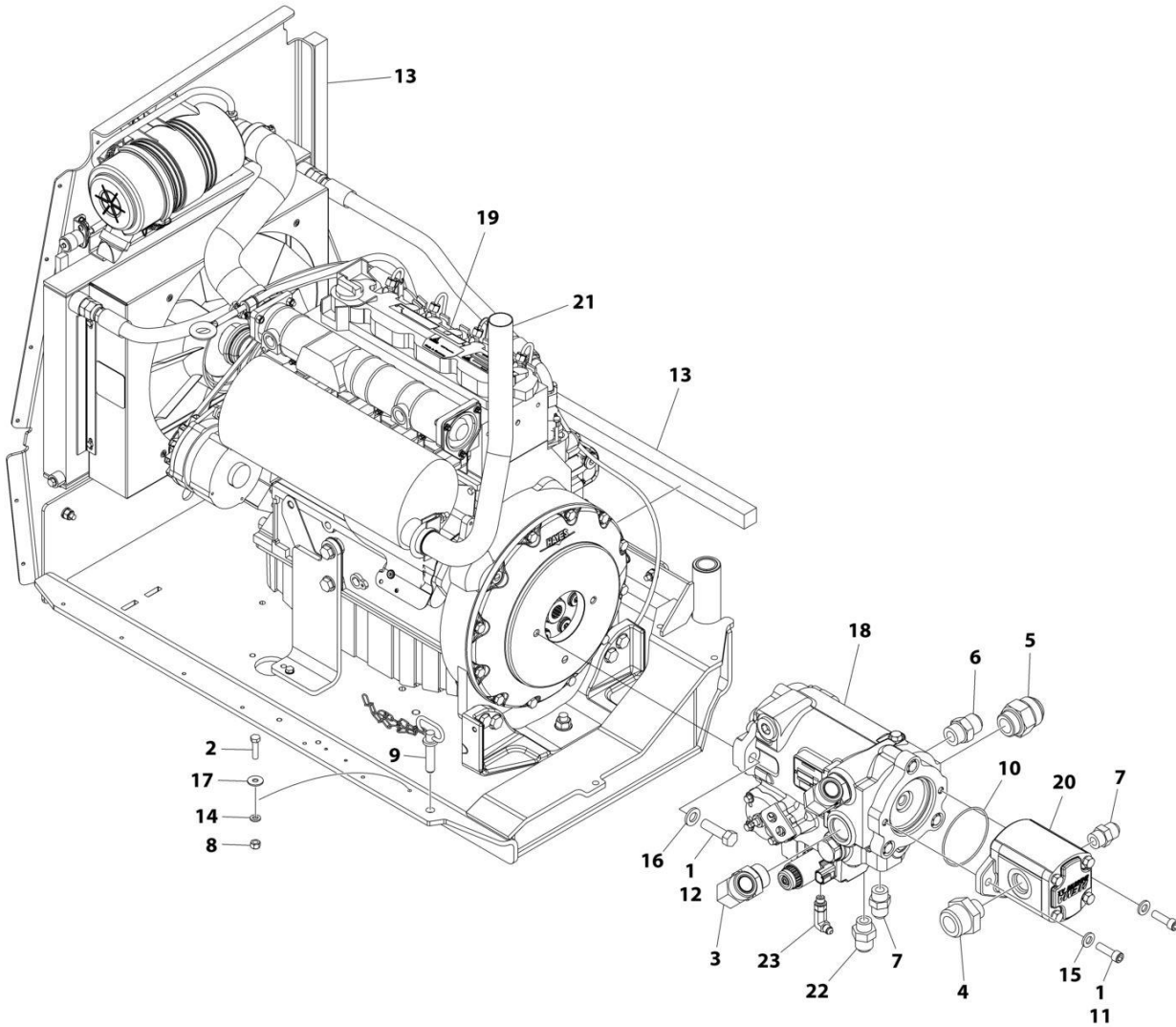
ITEM	PART NUMBER	QTY	DESCRIPTION	REV
	1001186808	Ref	DEUTZ D2011 ENGINE INSTALLATION	N
1	0100011	AR	Compound, Locking	
3	0440162	1	Bearing	
4	0700614	4	Bolt M6 x 30	
5	5251012	1	Bolt M10 x 25	
6	0711018	1	Bolt M10 x 50	
9	0772018	1	Bolt M20 x 50	
10	8406110	1	Clip (SN 0300235168 through 0300237156, SN B300002655 through B300002979)	
10	1320061	1	Clamp (SN 0300237157 through 0300272445, SN B300002980 through B300005754, Excluding B300005570)	
11	1701505	1	Decal - Diesel Fuel	
14	3291005	3	Nut M10	
17	3841143	1	Keeper, Pin	
18	4811700	4	Washer M6	
19	4812000	6	Washer M10	
23	1001174486	AR	Clamp	
25	1001118972	1	Nut, Tinnerman M10	
26	1001119051	1	Washer	
27	1001130220	4	Nut, Tinnerman M6	
28	1001155094	1	Pin	
29	1001186815	1	Deutz D2011 Engine and Pumps Sub-Assembly (See Separate Breakdown in this Section)	
32	2720058	288 in/ 7.3m	Hose, Fuel	
33	0701012	2	Bolt M10 x 70	
34	4812002	2	Washer M10	
35	1001196398	1	Bracket	
36	1001188667	1	Cable, Battery (+) to Aux Relay to Starter	
37	1001188670	1	Cable, Battery (-) to Aux Pump and Ground	
38	0701022	2	Bolt M10 x 70	
39	1001026127	2	Clamp	
40	1001200731	2	Tube	
41	4240099	6	Tie-Strap (Not Shown)	
42	0100020	AR	Sealant	
43	2180348	1	Fitting, Straight NPT x Barb	
44	2221176	AR	Fitting, 90 Barbed	
45	0761210	1	Bolt M12 x 20	
46	4812100	1	Washer M12	
47	1001192690	1	Hose (Case Drain) (Drive Pump Case Gauge Port to Tank) (Not Shown)	
48	1001203431	1	Hose (Case Drain) (Drive Pump Case Outlet Port to Tank) (Not Shown)	
49	1001203432	1	Hose (Function Suction) (Not Shown)	
50	1001203433	1	Hose (Drive Suction) (Not Shown)	
51	2720058	20 in/ 0.5m	Hose, Fuel (SN 0300235168 through 0300237156, SN B300002655 through B300002979)	
51	1001165035	20 in/ 0.5m	Hose (SN 0300237157 through 0300272445, SN B300002980 through B300005754, Excluding B300005570)	
52	1001174486	1	Clamp (SN 0300235168 through 0300237156, SN B300002655 through B300002979)	
52	1001136975	1	Clamp (SN 0300237157 through 0300272445, SN B300002980	

SECTION 3 - ENGINE

ITEM	PART NUMBER	QTY	DESCRIPTION	REV
53	2221176	1	through B300005754, Excluding B300005570) Fitting, 90 Barbed (SN 0300235168 through 0300237156, SN B300002655 through B300002979)	
53	2220313	1	Fitting, 90 NPTF/Barb (SN 0300237157 through 0300272445, SN B300002980 through B300005754, Excluding B300005570)	
100	1001235699	1	Battery Cable Kit (Includes Items 36 & 37) (Not Shown) (SN 0300237157 through 0300272445, SN B300002980 through B300005754, Excluding B300005570)	

SECTION 3 - ENGINE

FIGURE 3-2. DEUTZ D2011 ENGINE AND PUMPS SUB-ASSEMBLY - WITHOUT ARCTIC PACKAGE



ART_1001186815

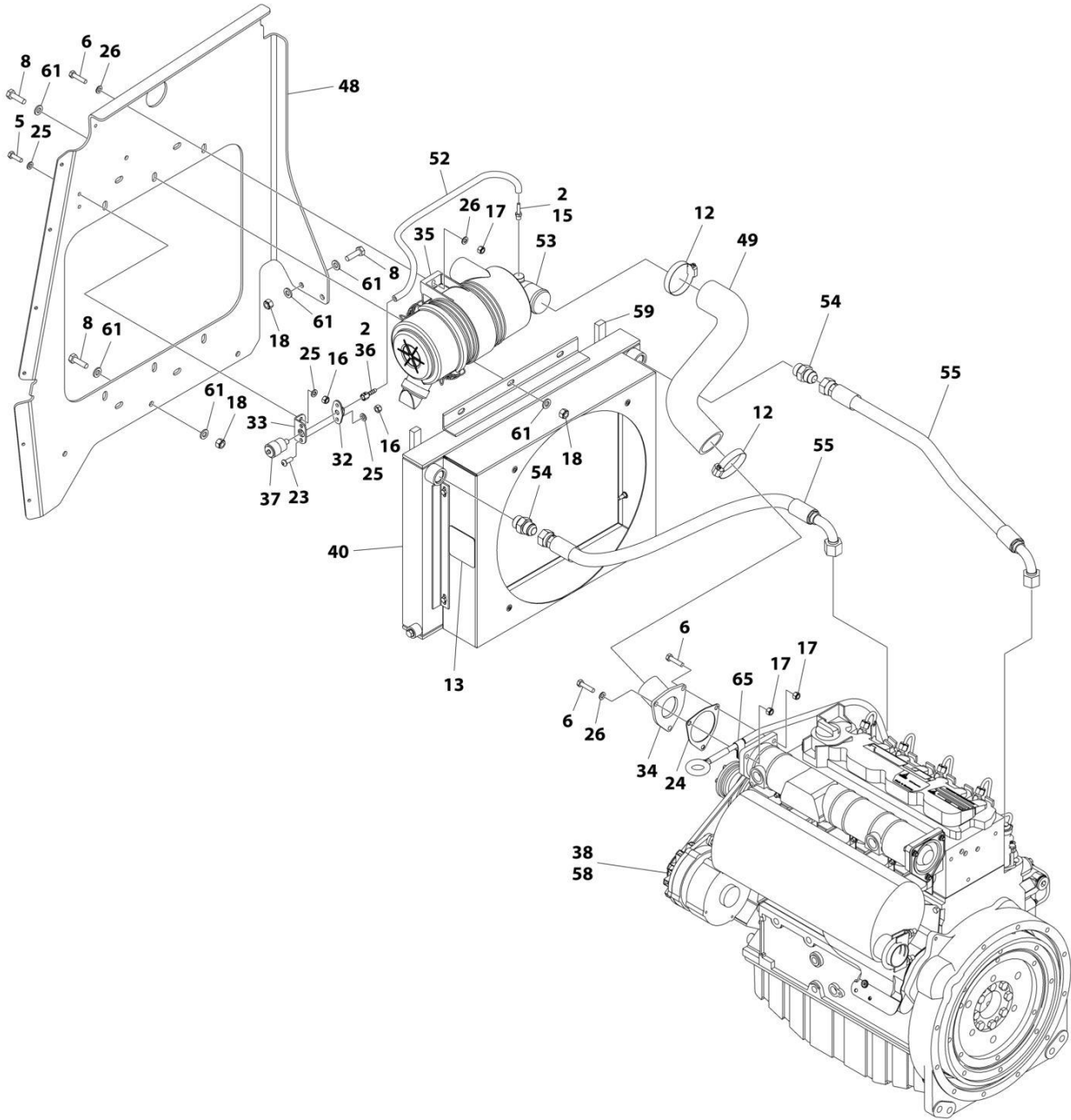
SECTION 3 - ENGINE

FIGURE 3-2. DEUTZ D2011 ENGINE AND PUMPS SUB-ASSEMBLY - WITHOUT ARCTIC PACKAGE

ITEM	PART NUMBER	QTY	DESCRIPTION	REV
	1001186815	Ref	DEUTZ D2011 ENGINE AND PUMPS SUB-ASSEMBLY	G
1	0100011	AR	Compound, Locking	
2	0760612	1	Bolt M6 x 25	
3	2131616	2	Fitting, 90 ORFS/ORB	
4	2220946	1	Fitting, Straight JIC/ORB	
5	2220479	1	Fitting, Straight JIC/ORB	
6	2220451	1	Fitting, Straight JIC/ORB	
7	2220947	2	Fitting, Straight JIC/ORB	
8	3290605	1	Nut M6	
9	3422532	1	Pin	
10	3790152	1	O-Ring	
11	3931620	2	Capscrew 3/8 x 1-1/4	
11	3931618	2	Capscrew 3/8 x 1-1/8	
12	0641814	2	Bolt 1/2 x 1-3/4	
13	3960469	2	Seal	
14	4811700	1	Washer M6	
15	5241000	2	Washer M10	
16	5241200	2	Washer M12	
17	4811702	1	Washer M6	
18	1001184930	1	Piston Pump Assembly (See Separate Breakdown in this Section)	
19	1001186816	1	Deutz D2011 Engine Assembly (See Separate Breakdown in this Section)	
20	1001190143	1	Gear Pump Assembly	
20	70006356	1	Seal Kit - 1001190143 Pump	
21	1001191273	1	Pipe, Exhaust (SN 0300235168 through 0300247539, SN B300002655 through B300002979)	
22	2220408	1	Fitting, Straight JIC/ORB	
23	2220940	1	Fitting, 90 JIC/ORB	

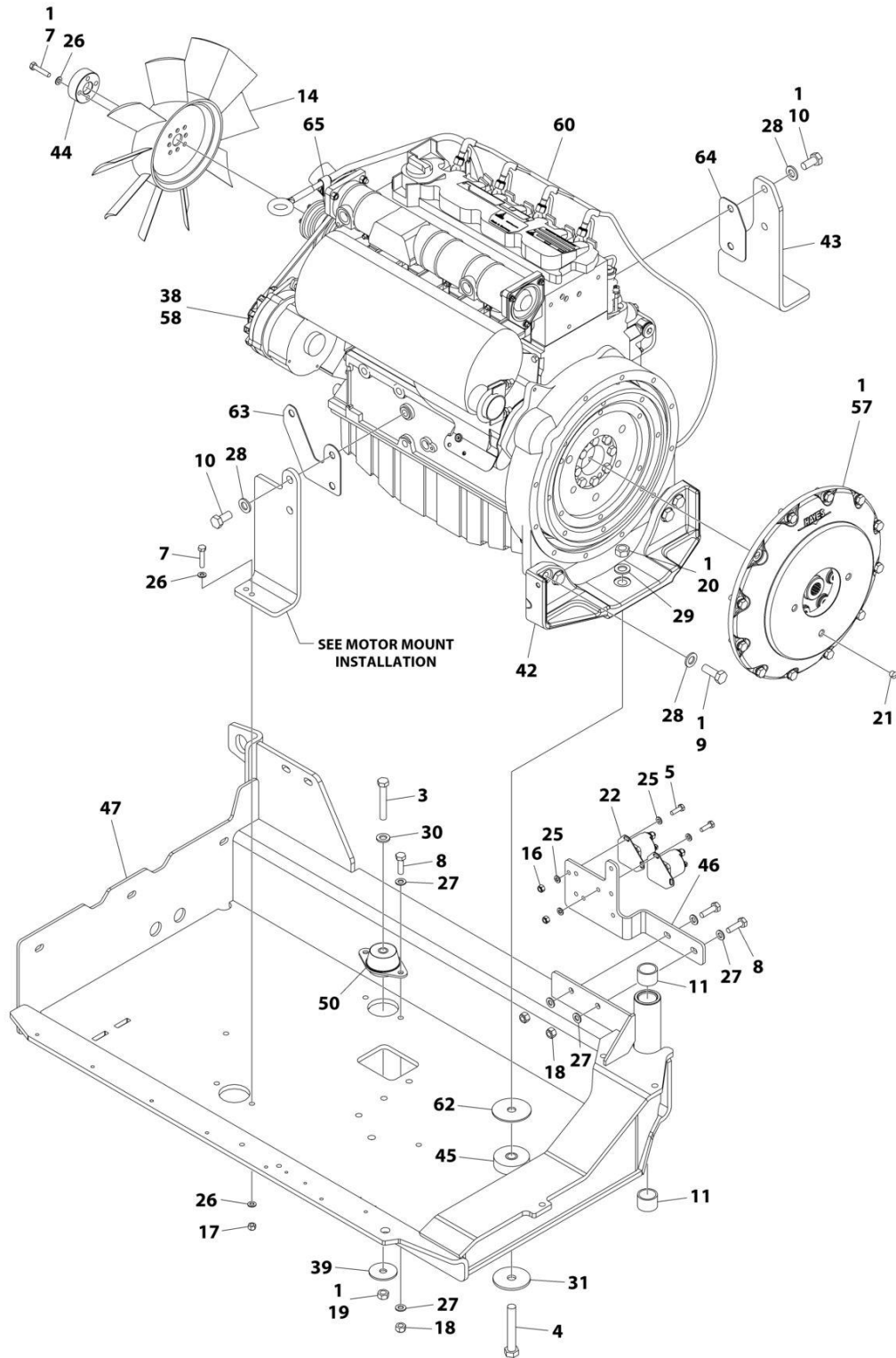
SECTION 3 - ENGINE

FIGURE 3-3. DEUTZ D2011 ENGINE ASSEMBLY - WITHOUT ARCTIC PACKAGE



ART_1001186816_10F2

SECTION 3 - ENGINE



ART_1001186816_20F2

SECTION 3 - ENGINE

FIGURE 3-3. DEUTZ D2011 ENGINE ASSEMBLY - WITHOUT ARCTIC PACKAGE

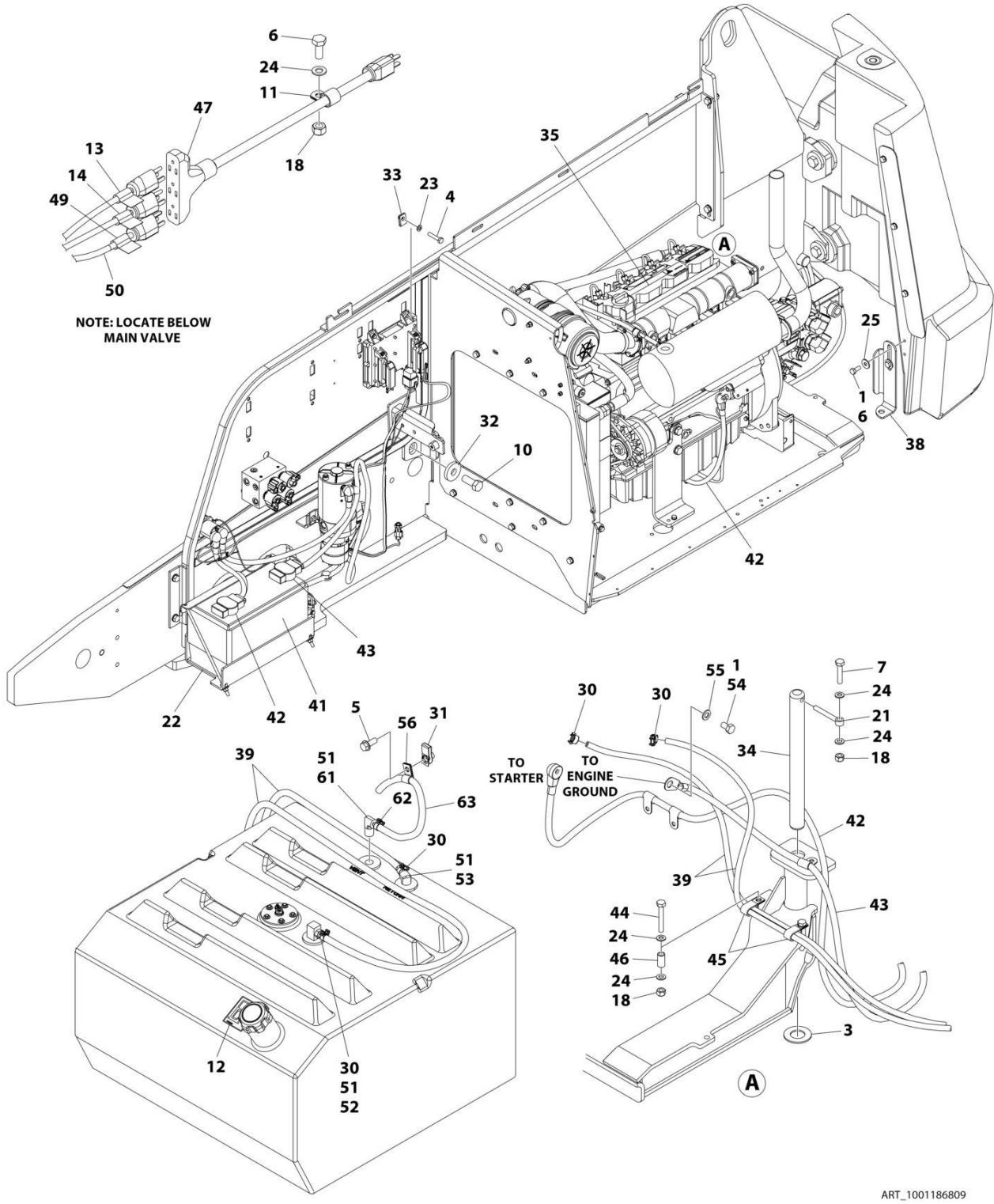
ITEM	PART NUMBER	QTY	DESCRIPTION	REV
	1001186816	Ref	DEUTZ D2011 ENGINE ASSEMBLY	T
1	0100011	AR	Compound, Locking	
2	0100020	AR	Sealant	
3	0711224	1	Bolt M12 x 80	
4	0711627	1	Bolt M16 x 100	
5	0760610	6	Bolt M6 x 20	
6	0760815	5	Bolt M8 x 35	
7	0760816	5	Bolt M8 x 40	
8	0761015	15	Bolt M10 x 35	
9	0771416	4	Bolt M14 x 40	
10	0771414	4	Bolt M14 x 30	
11	0961951	2	Bushing	
12	8405202	2	Clamp	
13	1703162	2	Decal - Fan Blade	
14	2060025	1	Fan	
15	2220315	1	Fitting, Straight Barbed	
16	3290605	8	Nut M6	
17	3290805	6	Nut M8	
18	3291005	15	Nut M10	
19	3331211	1	Nut M12	
20	3331611	1	Nut M16	
21	3520054	2	Plug	
22	3740067	2	Relay	
23	3900357	2	Screw M6 x 16	
24	3960407	1	Gasket, Air Intake Adapter	
25	4811700	14	Washer M6	
26	4811900	11	Washer M8	
27	4812000	8	Washer M10	
28	5241400	8	Washer M14	
29	4812300	1	Washer M16	
30	5241200	1	Washer M12	
31	7300435	1	Washer	
32	1001138173	1	Support	
33	1001138175	1	Bracket	
34	1001139819	1	Adapter	
35	1001141694	1	Clamp, Air Cleaner	
36	1001141995	1	Fitting, Straight NPT/Barbed	
37	1001143390	1	Indicator, Air Filter Service	
38	1001146368	1	Deutz D2011 Engine (See Separate Breakdown in this Section)	
39	1001168018	1	Washer	
40	1001187082	1	Radiator	
41	1001188236	1	Engine Harness - Deutz D2011 Engines (Not Shown) (See Separate Breakdown in ELECTRICAL SECTION)	
42	1001188535	1	Bracket, Engine - Rear	
43	1001189026	1	Bracket, Engine - Right	
44	1001189161	1	Adapter, Fan	
45	1001190164	1	Mount, Motor	
46	1001203885	1	Plate	
47	1001200435	1	Tray	
48	1001200791	NLA	Support, Radiator (Use p/n 1001236499) (SN 0300235168)	

SECTION 3 - ENGINE

ITEM	PART NUMBER	QTY	DESCRIPTION	REV
48	1001236499	1	through 0300237156, SN B300002655 through B300003104) Support, Radiator (SN 0300237157 through 0300272445, SN B300003105 through B300005754, Excluding B300005570)	
49	1001191271	1	Hose	
50	1001191610	1	Mount, Motor	
52	1001138248	21.7 in/ 0.6m	Tube	
53	1001165388	1	Filter, Air	
53	70003783	1	Element, Filter	
54	2220451	2	Fitting, Straight ORB/JIC	
55	2720398	2	Hose	
57	2902065	1	Pump Coupling Kit (See Separate Breakdown in this Section)	
58	3020016	AR	Oil, Motor 15W-40	
59	1001168166	2	Seal	
60	4923379	1	Glow Plug Harness (SN 0300235168 through 0300237156, SN B300002655 through B300003104)	
60	1001234396	1	Glow Plug Harness (SN 0300237157 through 0300272445, SN B300003105 through B300005754, Excluding B300005570)	
61	5241000	22	Washer M10	
62	1001197725	1	Spacer	
63	1001201843	1	Shim .079	
64	1001201844	1	Shim .079	
65	1320070	1	Clamp	

SECTION 3 - ENGINE

FIGURE 3-4. DEUTZ D2011 ENGINE INSTALLATION - WITH ARCTIC PACKAGE



ART_1001186809

SECTION 3 - ENGINE

FIGURE 3-4. DEUTZ D2011 ENGINE INSTALLATION - WITH ARCTIC PACKAGE

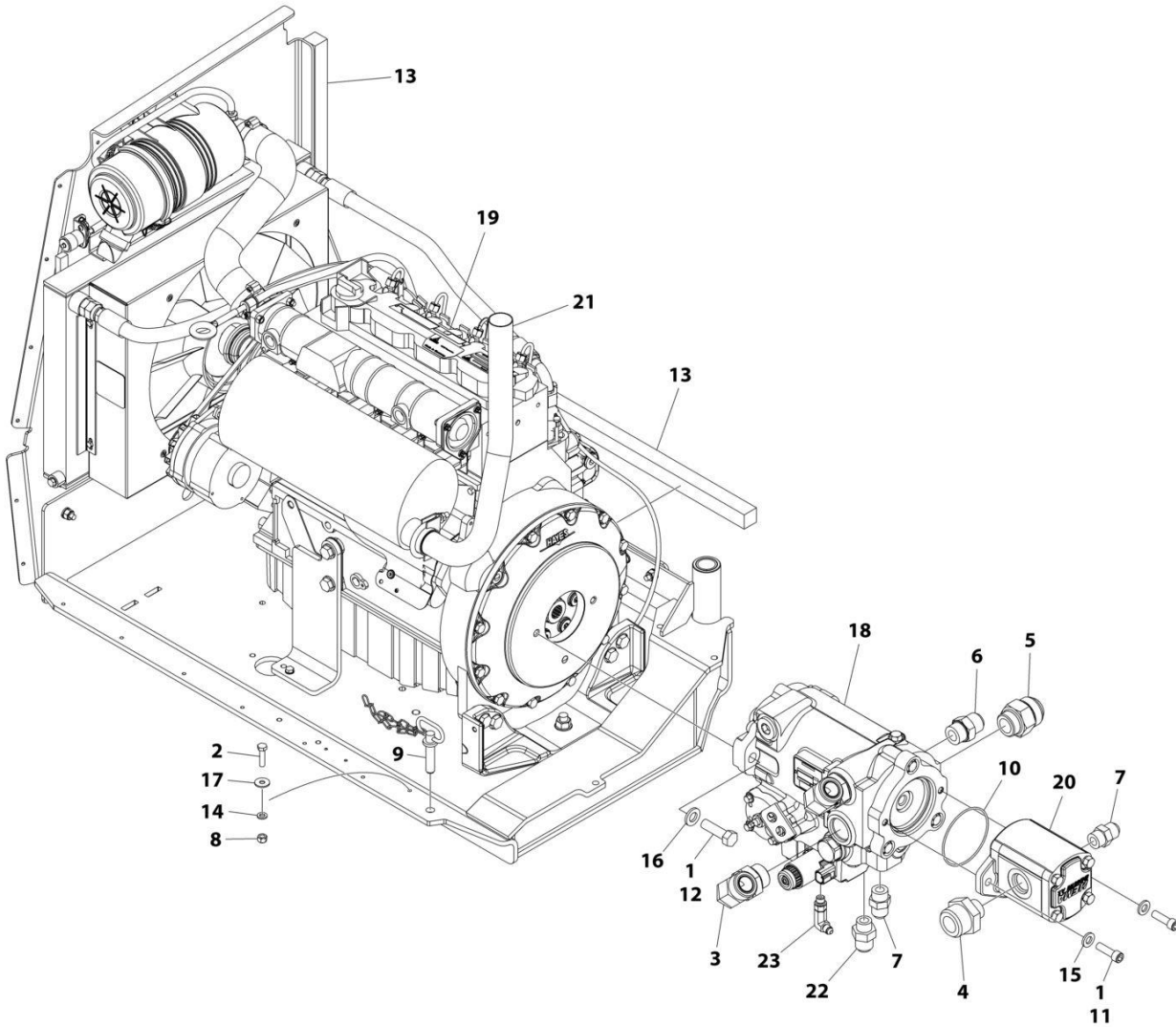
ITEM	PART NUMBER	QTY	DESCRIPTION	REV
	1001186809	Ref	DEUTZ D2011 ENGINE INSTALLATION	N
1	0100011	AR	Compound, Locking	
3	0440162	1	Bearing	
4	0700614	4	Bolt M6 x 30	
5	5251012	1	Bolt M10 x 25	
6	0701012	3	Bolt M10 x 25	
7	0711018	1	Bolt M10 x 50	
10	0772018	1	Bolt M20 x 50	
11	1320061	AR	Clamp	
12	1701505	1	Decal - Diesel Fuel	
13	1702941	1	Decal - Battery Heater	
14	1702943	1	Decal - Hydraulic Tank Heater	
17	1001188972	1	Heater, Immersion (Not Shown - Located on Hydraulic Tank)	
18	3291005	4	Nut M10	
21	3841143	1	Keeper, Pin	
22	3980007	1	Seal, Battery	
23	4811700	4	Washer M6	
24	4812000	7	Washer M10	
25	4812002	2	Washer M10	
30	1001174486	AR	Clamp	
31	1001118972	1	Nut, Tinnerman M10	
32	1001119051	1	Washer	
33	1001130220	4	Nut, Tinnerman M6	
34	1001155094	1	Pin	
35	1001186817	1	Deutz D2011 Engine and Pumps Sub-Assembly (See Separate Breakdown in this Section)	
38	1001196398	1	Bracket	
39	2720058	208 in/ 7.3m	Hose, Fuel	
41	2580024	1	Heater, Battery	
42	1001188667	1	Cable, Battery (+) to Aux Relay to Starter	
43	1001188670	1	Cable, Battery (-) to Aux Pump and Ground	
44	0701022	2	Bolt M10 x 70	
45	1001026127	2	Clamp	
46	1001200731	2	Tube	
47	1060626	1	Plug, 3 Way	
48	4240099	1	Tie-Strap (Not Shown)	
49	1702942	1	Decal - Engine Block Heater	
50	1001150918	1	Cable, Extension	
51	0100020	AR	Sealant	
52	2180348	1	Fitting, Straight NPT/Barbed	
53	2221176	AR	Fitting, 90 Barbed	
54	0761210	1	Bolt M12 x 20	
55	4812100	1	Washer M12	
56	8406110	1	Clip (SN 0300235168 through 0300237156, SN B300002655 through B300002979)	
57	1001192690	1	Hose (Case Drain) (Drive Pump Case Gauge Port to Tank) (Not Shown)	
58	1001203431	1	Hose (Case Drain) (Drive Pump Case Outlet Port to Tank) (Not Shown)	
59	1001203432	1	Hose (Function Suction) (Not Shown)	

SECTION 3 - ENGINE

ITEM	PART NUMBER	QTY	DESCRIPTION	REV
60	1001203433	1	Hose (Drive Suction) (Not Shown)	
61	2221176	1	Fitting, 90 Barbed (SN 0300235168 through 0300237156, SN B300002655 through B300002979)	
61	2220313	1	Fitting, 90 NPTF/Barb (SN 0300237157 through 0300272445, SN B300002980 through B300005754, Excluding B300005570)	
62	1001174486	1	Clamp (SN 0300235168 through 0300237156, SN B300002655 through B300002979)	
62	1001136975	1	Clamp (SN 0300237157 through 0300272445, SN B300002980 through B300005754, Excluding B300005570)	
63	2720058	20 in/ 0.5m	Hose, Fuel (SN 0300235168 through 0300237156, SN B300002655 through B300002979)	
63	1001165035	20 in/ 0.5m	Hose (SN 0300237157 through 0300272445, SN B300002980 through B300005754, Excluding B300005570)	
100	1001235699	1	Battery Cable Kit (Includes Items 42 & 43) (Not Shown) (SN 0300237157 through 0300272445, SN B300002980 through B300005754, Excluding B300005570)	

SECTION 3 - ENGINE

FIGURE 3-5. DEUTZ D2011 ENGINE AND PUMPS SUB-ASSEMBLY - WITH ARCTIC PACKAGE



ART_1001186817

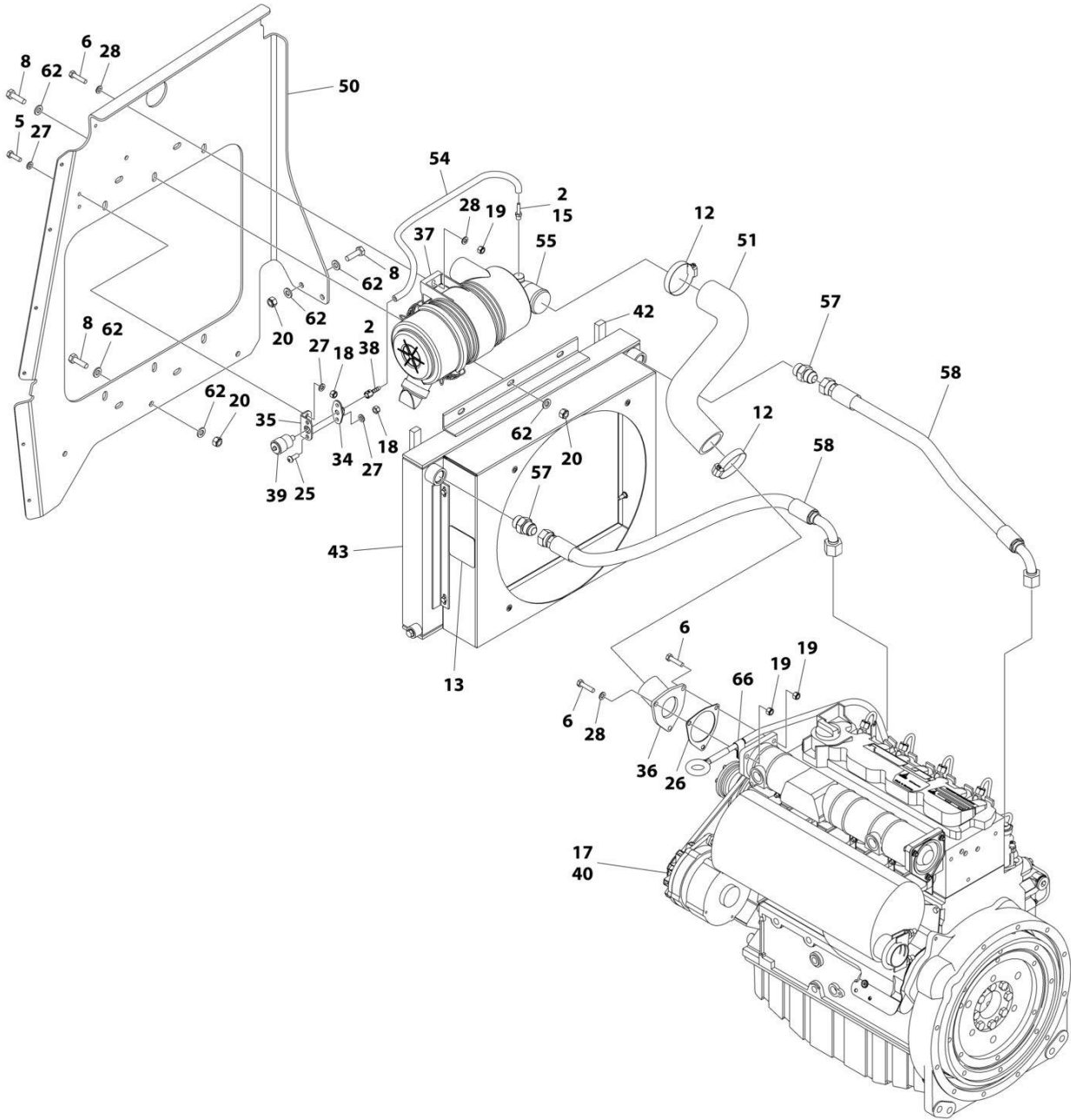
SECTION 3 - ENGINE

FIGURE 3-5. DEUTZ D2011 ENGINE AND PUMPS SUB-ASSEMBLY - WITH ARCTIC PACKAGE

ITEM	PART NUMBER	QTY	DESCRIPTION	REV
	1001186817	Ref	DEUTZ D2011 ENGINE AND PUMPS SUB-ASSEMBLY	G
1	0100011	AR	Compound, Locking	
2	0760612	1	Bolt M6 x 25	
3	2131616	2	Fitting, 90 ORFS/ORB	
4	2220946	1	Fitting, Straight JIC/ORB	
5	2220479	1	Fitting, Straight JIC/ORB	
6	2220451	1	Fitting, Straight JIC/ORB	
7	2220947	2	Fitting, Straight JIC/ORB	
8	3290605	1	Nut M6	
9	3422532	1	Pin	
10	3790152	1	O-Ring	
11	3931620	2	Capscrew 3/8 x 1-1/4	
11	3931618	2	Capscrew 3/8 x 1-1/8	
12	0641814	2	Bolt 1/2 x 1-3/4	
13	3960469	2	Seal	
14	4811700	1	Washer M6	
15	5241000	2	Washer M10	
16	5241200	2	Washer M12	
17	4811702	1	Washer M6	
18	1001184930	1	Piston Pump Assembly (See Separate Breakdown in this Section)	
19	1001186818	1	Deutz D2011 Engine Assembly (See Separate Breakdown in this Section)	
20	1001190143	1	Gear Pump Assembly	
20	70006356	1	Seal Kit - 1001190143 Pump	
21	1001191273	1	Pipe, Exhaust (SN 0300235168 through 0300247539, SN B300002655 through B300002979)	
22	2220408	1	Fitting, Straight JIC/ORB	
23	2220940	1	Fitting, 90 JIC/ORB	

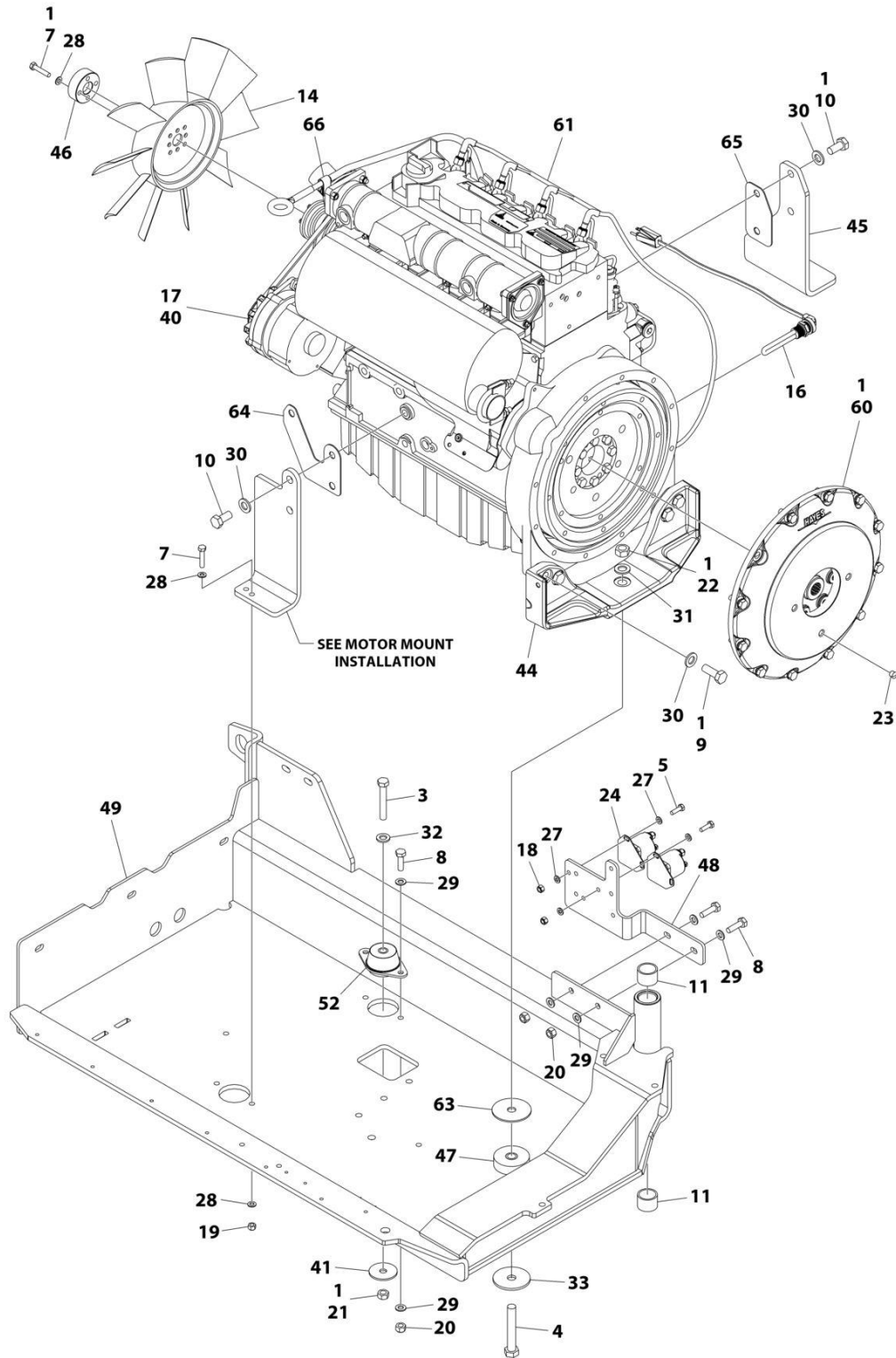
SECTION 3 - ENGINE

FIGURE 3-6. DEUTZ D2011 ENGINE ASSEMBLY - WITH ARCTIC PACKAGE



ART_1001186818_10F2

SECTION 3 - ENGINE



ART_1001186818_20F2

SECTION 3 - ENGINE

FIGURE 3-6. DEUTZ D2011 ENGINE ASSEMBLY - WITH ARCTIC PACKAGE

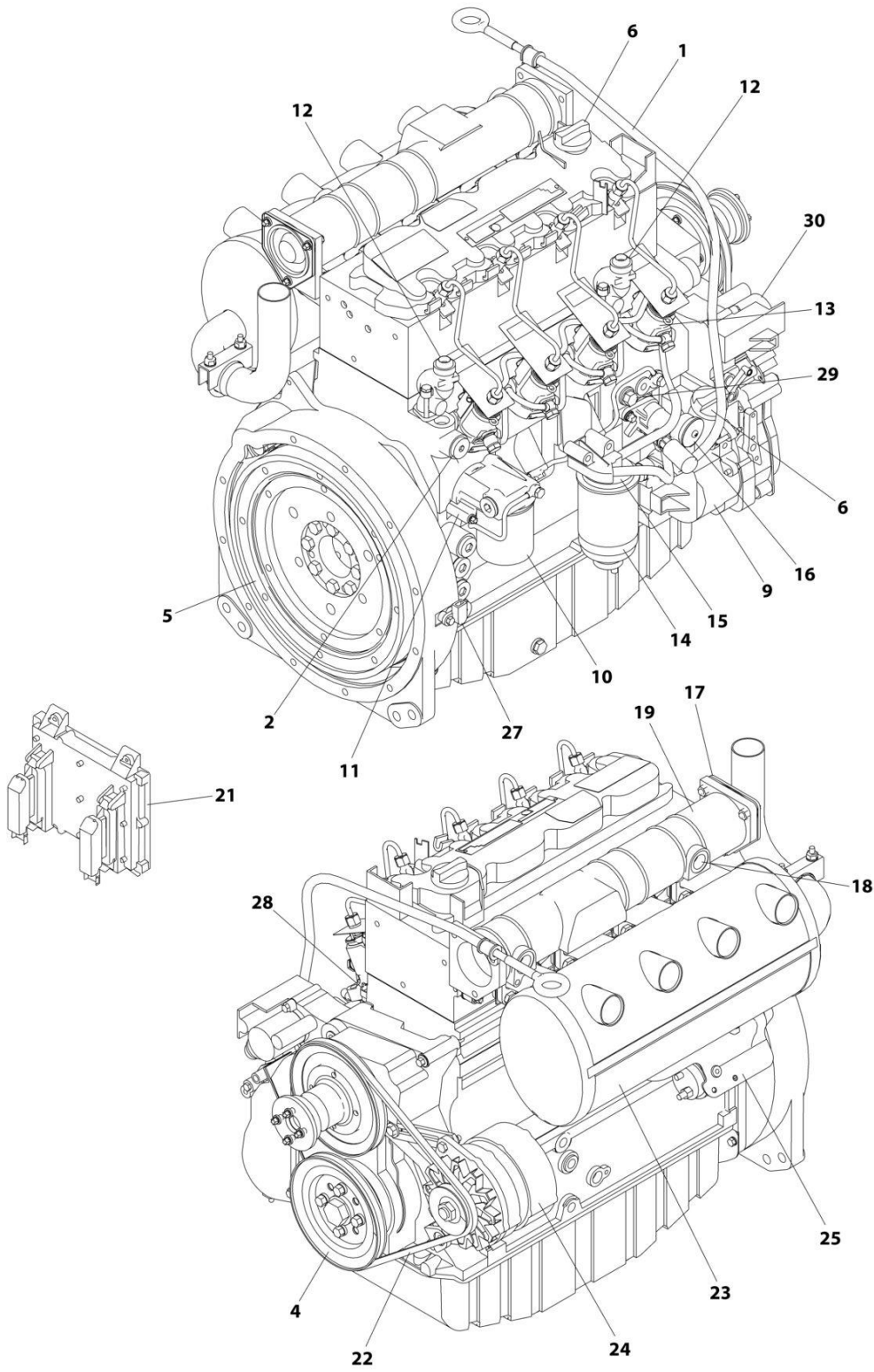
ITEM	PART NUMBER	QTY	DESCRIPTION	REV
	1001186818	Ref	DEUTZ D2011 ENGINE ASSEMBLY	S
1	0100011	AR	Compound, Locking	
2	0100020	AR	Sealant	
3	0711224	1	Bolt M12 x 80	
4	0711627	1	Bolt M16 x 100	
5	0760610	6	Bolt M6 x 20	
6	0760815	5	Bolt M8 x 35	
7	0760816	5	Bolt M8 x 40	
8	0761015	15	Bolt M10 x 35	
9	0771416	4	Bolt M14 x 40	
10	0771414	4	Bolt M14 x 30	
11	0961951	2	Bushing	
12	8405202	2	Clamp	
13	1703162	2	Decal - Fan Blade	
14	2060025	1	Fan	
15	2220315	1	Fitting, Straight Barbed	
16	2580062	1	Heater, Engine Block	
17	3020044	AR	Oil, Engine 0W-40	
18	3290605	8	Nut M6	
19	3290805	6	Nut M8	
20	3291005	15	Nut M10	
21	3331211	1	Nut M12	
22	3331611	1	Nut M16	
23	3520054	2	Plug	
24	3740067	2	Relay	
25	3900357	2	Screw M6 x 16	
26	3960407	1	Gasket, Air Intake Adapter	
27	4811700	14	Washer M6	
28	4811900	11	Washer M8	
29	4812000	8	Washer M10	
30	5241400	8	Washer M14	
31	4812300	1	Washer M16	
32	5241200	1	Washer M12	
33	7300435	1	Washer	
34	1001138173	1	Support	
35	1001138175	1	Bracket	
36	1001139819	1	Adapter	
37	1001141694	1	Clamp, Air Cleaner	
38	1001141995	1	Fitting, Straight NPT/Barbed	
39	1001143390	1	Indicator, Air Filter Service	
40	1001146368	1	Deutz D2011 Engine (See Separate Breakdown in this Section)	
41	1001168018	1	Washer	
42	1001168166	2	Seal	
43	1001187082	1	Radiator	
44	1001188535	1	Bracket, Engine - Rear	
45	1001189026	1	Bracket, Engine - Right	
46	1001189161	1	Adapter, Fan	
47	1001190164	1	Mount, Motor	
48	1001203885	1	Plate	
49	1001200435	1	Tray	

SECTION 3 - ENGINE

ITEM	PART NUMBER	QTY	DESCRIPTION	REV
50	1001200791	NLA	Support, Radiator (Use p/n 1001236499) (SN 0300235168 through 0300237156, SN B300002655 through B300003104)	
50	1001236499	1	Support, Radiator (SN 0300237157 through 0300272445, SN B300003105 through B300005754, Excluding B300005570)	
51	1001191271	1	Hose	
52	1001191610	1	Mount, Motor	
54	1001138248	21.7 in/ 0.6m	Tube	
55	1001165388	1	Filter, Air Cleaner	
55	70003783	1	Element, Filter	
56	1001188236	1	Engine Harness - Deutz D2011 Engines (Not Shown) (See Separate Breakdown in ELECTRICAL SECTION)	
57	2220451	2	Fitting, Straight ORB/JIC	
58	2720398	2	Hose	
60	2902065	1	Pump Coupling Kit (See Separate Breakdown in this Section)	
61	4923379	1	Glow Plug Harness (SN 0300235168 through 0300237156, SN B300002655 through B300005754, Excluding B300005570)	
61	1001234396	1	Glow Plug Harness (SN 0300237157 through 0300272445)	
62	5241000	22	Washer M10	
63	1001197725	1	Spacer	
64	1001201843	1	Shim .079	
65	1001201844	1	Shim .079	
66	1320070	1	Clamp	

SECTION 3 - ENGINE

FIGURE 3-7. DEUTZ D2011 ENGINE COMPONENTS



ART_1001146368

SECTION 3 - ENGINE

FIGURE 3-7. DEUTZ D2011 ENGINE COMPONENTS

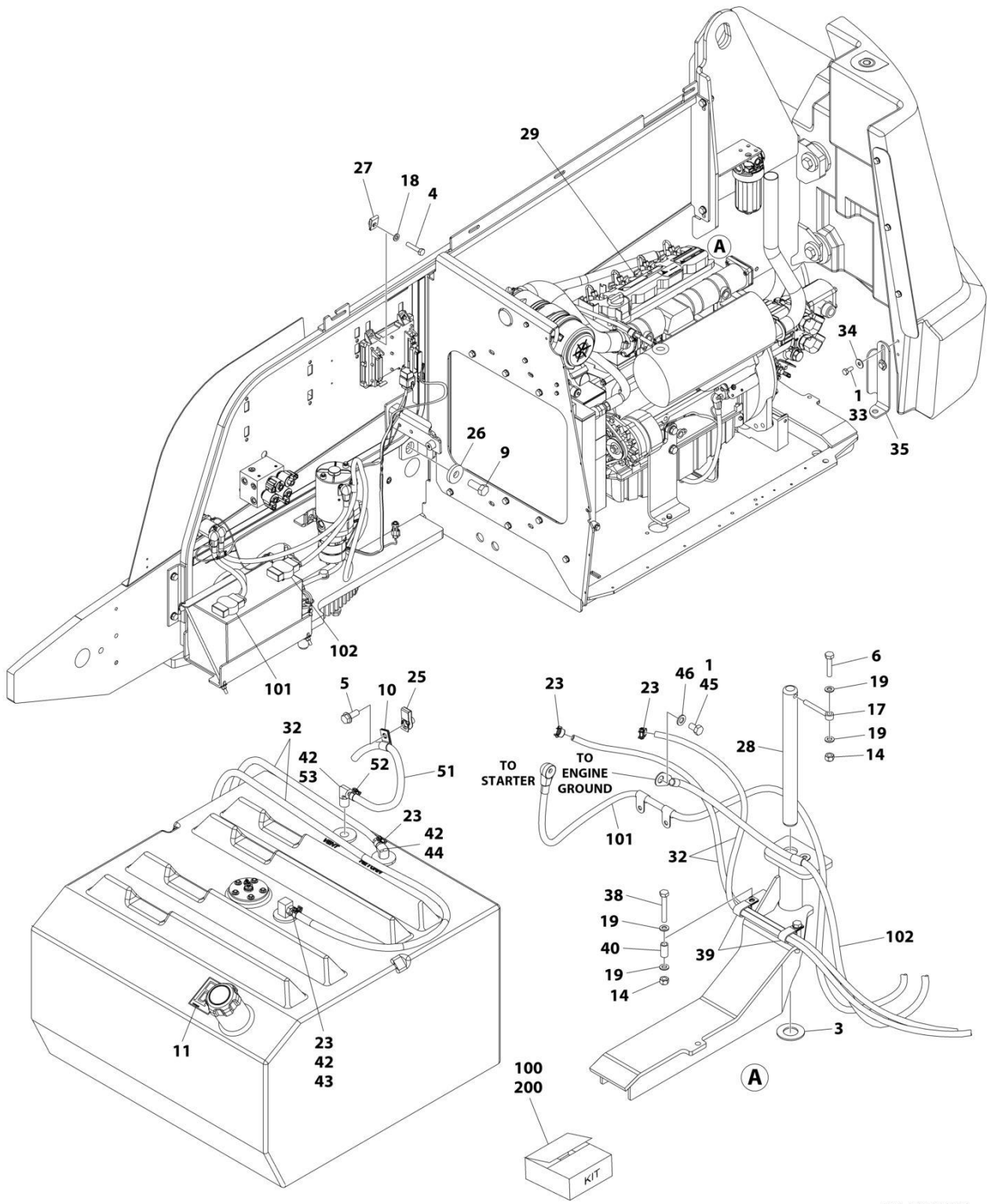
ITEM	PART NUMBER	QTY	DESCRIPTION	REV
	1001146368	Ref	DEUTZ D2011 ENGINE COMPONENTS	D
1	7026631	1	Dipstick	
1	7020487	1	O-Ring, Dipstick	
1	70001002	1	Tube, Dipstick	
1	7020403	1	Seal, Dipstick Tube	
2	70003475	1	Thermostat	
2	7020460	1	Spring, Compression	
3	70002718	1	Seal, Rear Main (Not Shown)	
4	70005479	1	Pulley	
5	70001870	1	Flywheel	
5	7024579	1	Ring Gear	
6	7020465	2	Cap, Filler	
7	70003456	1	Gasket, Head (Not Shown)	
7	70003457	1	Gasket, Head (Not Shown)	
7	70003003	1	Gasket, Head (Not Shown)	
8	7020431	1	Gasket, Valve Cover (Not Shown)	
9	70001850	1	Pump, Oil Lube	
9	7020468	1	Seal Between Oil Pump and Engine Block (Not Shown)	
10	7016331	1	Filter, Oil	
11	70003472	1	Bracket, Oil Filter (Includes Spring, Control Valve, Temperature Sensor, Seal and Plug)	
11	7027236	1	Sensor, Temperature	
11	70003473	1	Gasket, Oil Filter Bracket to Engine Block	
12	70004268	2	Fitting, Radiator Connector (Located Between Item 220 and Engine Block)	
12	70004269	2	Seal for Radiator Connector Fitting	
13	70003478	4	Injector, Fuel	
13	70003136	4	Seal	
13		Ref	Pump, Injector Options:	
13	70000912	1	Series A Injector	
13	70000913	4	Series B Injector	
13	70000914	1	Series C Injector	
13	70000915	1	Series D Injector	
14	7016328	1	Filter, Fuel	
15	70001423	1	Bracket, Fuel Filter	
16	70000916	1	Pump Fuel Supply	
16	70001435	1	Repair Kit for Pump	
16	70000919	1	Hand Pump	
16	70000918	1	Seal, Hand Pump	
16	70000917	1	O-Seal Between Fuel Pump and Engine Block (Not Shown)	
17	70003469	1	Flange	
17	70003468	1	O-Seal	
18	70025084	1	Plug	
19	70003470	1	Manifold, Intake	
19	70001871	4	Gasket, Intake Manifold to Engine Block (Not Shown)	
20	70001847	1	Breather Valve (Not Shown - Located on Front Cover)	
20	70001126	1	Seal, Breather Valve	
21	7027795	1	Module, Control	
22	7020408	1	V-Belt	
23	7000695	1	Muffler (Includes Saddle Clamp)	

SECTION 3 - ENGINE

ITEM	PART NUMBER	QTY	DESCRIPTION	REV
23	7020471	4	Gasket, Exhaust Manifold (Not Shown)	
23	70004270	8	Stud, Exhaust Manifold (Not Shown)	
24	70004056	1	Alternator	
24	70001868	1	Regulator, Voltage Options (Not Shown)	
24	70001866	1	Gasket for Voltage Regulator (Not Shown)	
24	70002234	1	Bracket, Adjusting (Not Shown)	
24	70000851	1	Bracket, Mounting (Not Shown)	
25	7020479	1	Starter	
25	70004058	1	Relay	
25	70001498	1	Shield, Starter Heat	
26	70004059	1	Plug- In Connector for Analyzer (Not Shown)	
26	7027796	1	Harness, Module to Engine Harness (Not Shown)	
26	70004060	1	Plug- In Connector on p/n 7027796 Harness (Not Shown)	
26	70001872	1	Harness, Engine (Not Shown)	
26	70004103	1	Harness, Alternator (Not Shown)	
26	70004271	1	Harness, Starter (Not Shown)	
27	70004272	1	Sensor, Speed	
27	70003932	1	Spacer	
28	7027791	1	Transmitter, Temperature	
29	7027790	1	Sensor, Oil Pressure	
30	7027792	1	Actuator, Throttle	
30	7027276	1	Spring, Actuator	
31	70000345	4	Plug, Glow (Not Shown)	
32	70004273	1	Set, Engine Gasket (Not Shown)	

SECTION 3 - ENGINE

FIGURE 3-8. DEUTZ D2011 (STAGE V) ENGINE INSTALLATION



ART_1001235469

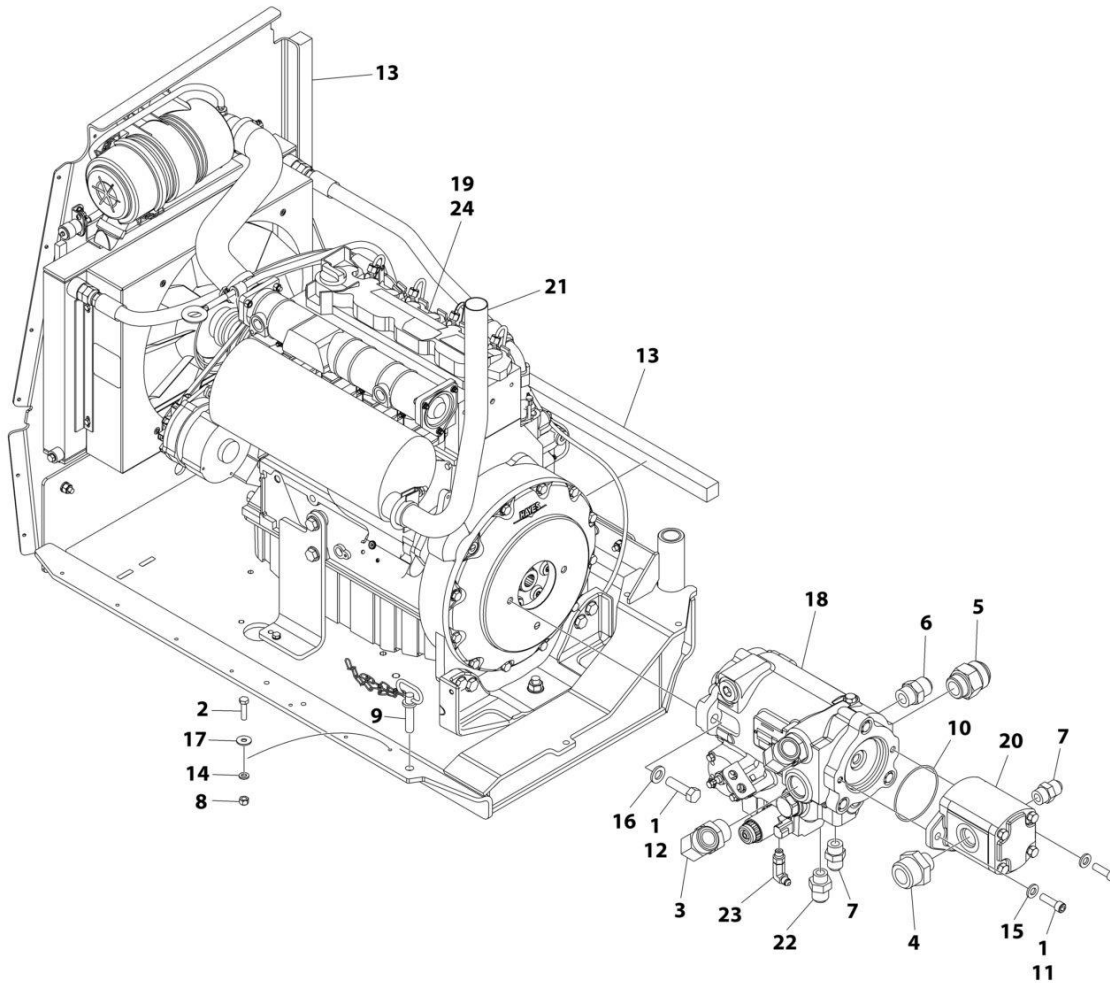
SECTION 3 - ENGINE

FIGURE 3-8. DEUTZ D2011 (STAGE V) ENGINE INSTALLATION

ITEM	PART NUMBER	QTY	DESCRIPTION	REV
	1001235469	Ref	DEUTZ D2011 (STAGE V) ENGINE INSTALLATION	D
1	0100011	AR	Compound, Locking	
3	0440162	1	Bearing	
4	0700614	4	Bolt M6 x 30	
5	5251012	1	Bolt M10 x 25	
6	0711018	1	Bolt M10 x 50	
9	0772018	1	Bolt M20 x 50	
10	8406110	1	Clip	
11	1701505	1	Decal - Diesel Fuel	
14	3291005	3	Nut M10	
17	3841143	1	Keeper, Pin	
18	4811700	4	Washer M6	
19	4812000	6	Washer M10	
23	1001174486	4	Clamp	
25	1001118972	1	Nut, Tinnerman M10	
26	1001119051	1	Washer	
27	1001130220	4	Nut, Tinnerman M6	
28	1001155094	1	Pin	
29	1001235470	1	Deutz D2011 (Stage V) Engine and Pumps Sub-Assembly (See Separate Breakdown in this Section)	
32	2720058	288 in/ 7.3m	Hose, Fuel	
33	0701012	2	Bolt M10 x 70	
34	4812002	2	Washer M10	
35	1001196398	1	Bracket	
38	0701022	2	Bolt M10 x 70	
39	1001026127	2	Clamp	
40	1001200731	2	Tube	
41	4240099	5	Tie-Strap (Not Shown)	
42	0100020	AR	Sealant	
43	2180348	1	Fitting, Straight NPT x Barb	
44	2221176	1	Fitting, 90 Barbed	
45	0761210	1	Bolt M12 x 20	
46	4812100	1	Washer M12	
51	1001165035	20 in/ 0.5m	Hose	
52	1001136975	1	Clamp	
53	2220313	1	Fitting, 90 NPTF/Barb	
100	1001235699	1	Battery Cable Kit	
101	1001188667	1	Cable, Battery (+) to Aux Relay to Starter	
102	1001188670	1	Cable, Battery (-) to Aux Pump and Ground	
200	1001269919	1	Hose Assembly Kit	
201	1001192690	1	Hose (Case Drain) (Drive Pump Case Gauge Port to Tank) (Not Shown)	
202	1001203431	1	Hose (Case Drain) (Drive Pump Case Outlet Port to Tank) (Not Shown)	
203	1001203432	1	Hose (Function Suction) (Not Shown)	
204	1001203433	1	Hose (Drive Suction) (Not Shown)	

SECTION 3 - ENGINE

FIGURE 3-9. DEUTZ D2011 (STAGE V) ENGINE AND PUMPS SUB-ASSEMBLY



ART_1001235470

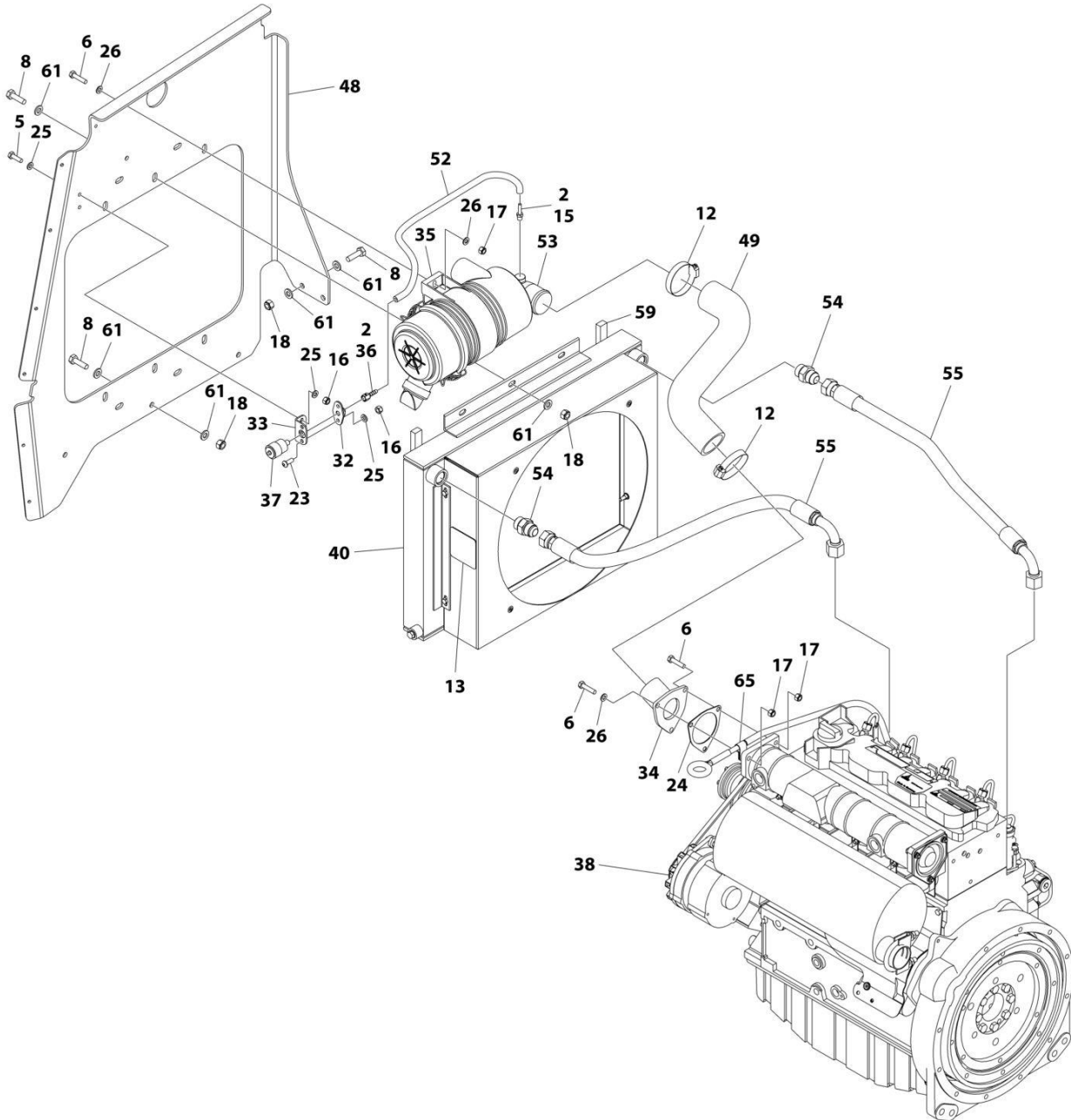
SECTION 3 - ENGINE

FIGURE 3-9. DEUTZ D2011 (STAGE V) ENGINE AND PUMPS SUB-ASSEMBLY

ITEM	PART NUMBER	QTY	DESCRIPTION	REV
	1001235470	Ref	DEUTZ D2011 (STAGE V) ENGINE AND PUMPS SUB-ASSEMBLY	C
1	0100011	AR	Compound, Locking	
2	0760612	1	Bolt M6 x 25	
3	2131616	2	Fitting, 90 ORFS/ORB	
4	2220946	1	Fitting, Straight JIC/ORB	
5	2220479	1	Fitting, Straight JIC/ORB	
6	2220451	1	Fitting, Straight JIC/ORB	
7	2220947	2	Fitting, Straight JIC/ORB	
8	3290605	1	Nut M6	
9	3422532	1	Pin	
10	3790152	1	O-Ring	
11	3931618	2	Capscrew 3/8 x 1-1/8	
12	0641814	2	Bolt 1/2 x 1-3/4	
13	3960469	2	Seal	
14	4811700	1	Washer M6	
15	5241000	2	Washer M10	
16	5241200	2	Washer M12	
17	4811702	1	Washer M6	
18	1001184930	1	Piston Pump Assembly (See Separate Breakdown in this Section)	
19	1001235471	1	Deutz D2011 (Stage V) Engine Assembly (See Separate Breakdown in this Section)	
20	1001190143	1	Gear Pump Assembly	
20	70006356	1	Seal Kit - 1001190143 Pump	
21	1001191273	1	Pipe, Exhaust (SN 0300235168 through 0300256594)	
22	2220408	1	Fitting, Straight JIC/ORB	
23	2220940	1	Fitting, 90 JIC/ORB	
24	1001235457	1	Deutz D2011 (Stage V) Engine Components (See Separate Breakdown in this Section) (SN 0300256595 through 0300272445)	

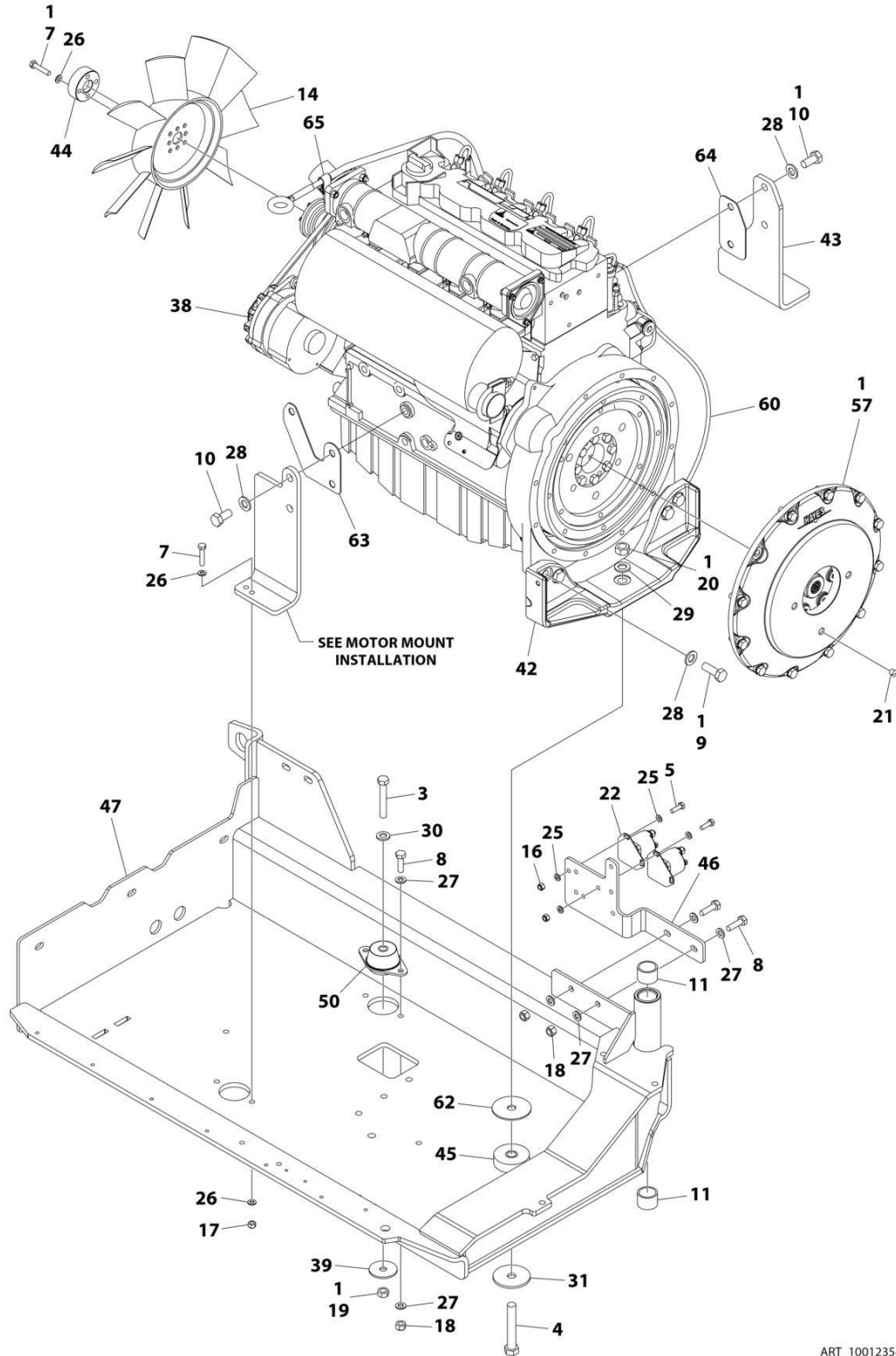
SECTION 3 - ENGINE

FIGURE 3-10. DEUTZ D2011 (STAGE V) ENGINE ASSEMBLY



ART_1001235471_D_10F2

SECTION 3 - ENGINE



ART_1001235471_D_20F2

SECTION 3 - ENGINE

FIGURE 3-10. DEUTZ D2011 (STAGE V) ENGINE ASSEMBLY

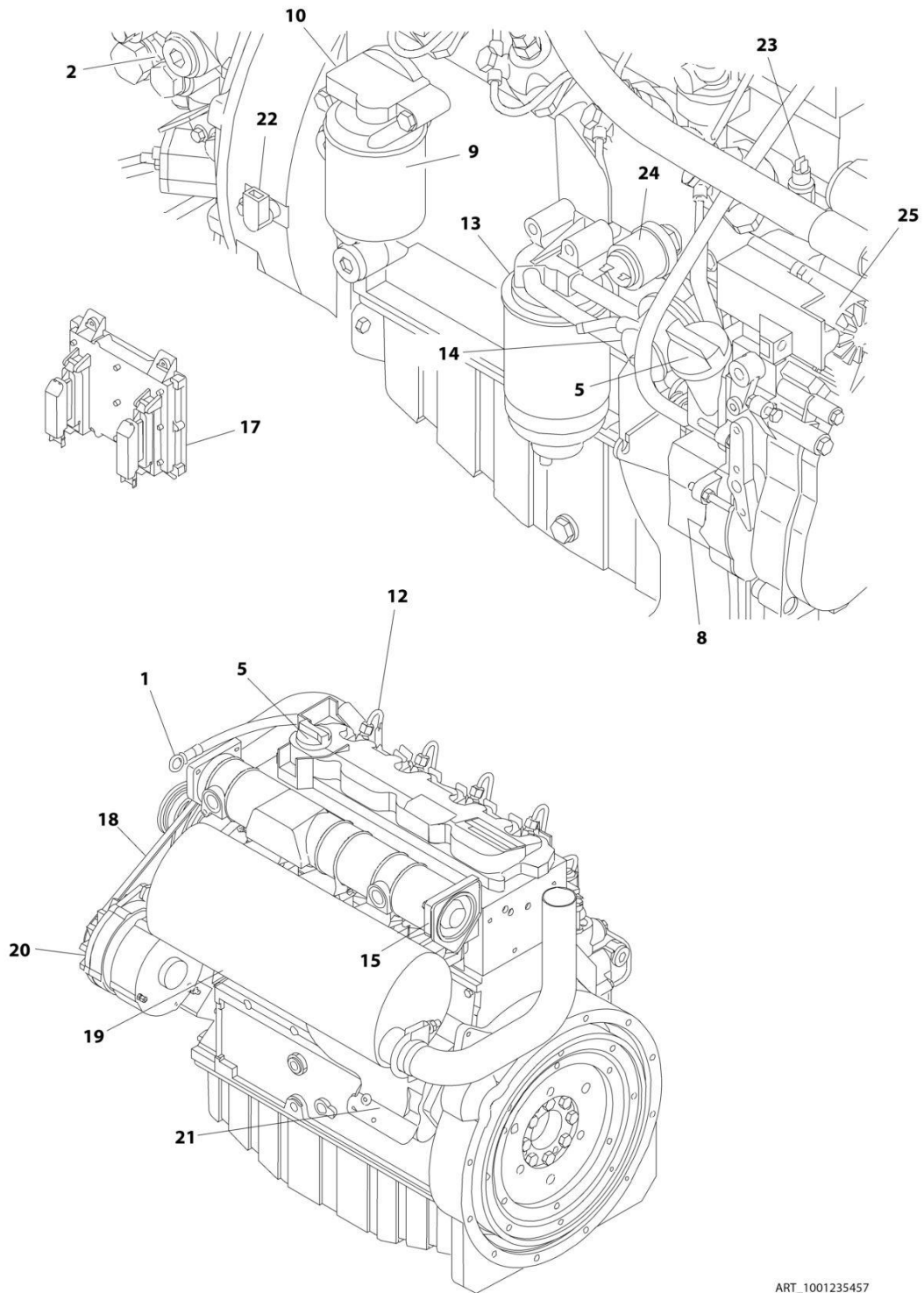
ITEM	PART NUMBER	QTY	DESCRIPTION	REV
	1001235471	Ref	DEUTZ D2011 (STAGE V) ENGINE ASSEMBLY	D
1	0100011	AR	Compound, Locking	
2	0100020	AR	Sealant	
3	0711224	1	Bolt M12 x 80	
4	0711627	1	Bolt M16 x 100	
5	0760610	6	Bolt M6 x 20	
6	0760815	5	Bolt M8 x 35	
7	0760816	5	Bolt M8 x 40	
8	0761015	15	Bolt M10 x 35	
9	0771416	4	Bolt M14 x 40	
10	0771414	4	Bolt M14 x 30	
11	0961951	2	Bushing	
12	8405202	2	Clamp	
13	1703162	2	Decal - Fan Blade	
14	2060025	1	Fan	
15	2220315	1	Fitting, Straight Barbed	
16	3290605	8	Nut M6	
17	3290805	6	Nut M8	
18	3291005	15	Nut M10	
19	3331211	1	Nut M12	
20	3331611	1	Nut M16	
21	3520054	2	Plug	
22	3740067	2	Relay	
23	3900357	2	Screw M6 x 16	
24	3960407	1	Gasket, Air Intake Adapter	
25	4811700	14	Washer M6	
26	4811900	11	Washer M8	
27	4812000	8	Washer M10	
28	5241400	8	Washer M14	
29	4812300	1	Washer M16	
30	5241200	1	Washer M12	
31	7300435	1	Washer	
32	1001138173	1	Support	
33	1001138175	1	Bracket	
34	1001139819	1	Adapter	
35	1001141694	1	Clamp, Air Cleaner	
36	1001141995	1	Fitting, Straight NPT/Barbed	
37	1001143390	1	Indicator, Air Filter Service	
38	1001235457	1	Deutz D2011 (Stage V) Engine Components (See Separate Breakdown in this Section)	
39	1001168018	1	Washer	
40	1001187082	1	Radiator	
41	1001188236	1	Engine Harness - Deutz D2011 Engines (Not Shown) (See Separate Breakdown in ELECTRICAL SECTION)	
42	1001188535	1	Bracket, Engine - Rear	
43	1001189026	1	Bracket, Engine - Right	
44	1001189161	1	Adapter, Fan	
45	1001190164	1	Mount, Motor	
46	1001203885	1	Plate	
47	1001200435	1	Tray	

SECTION 3 - ENGINE

ITEM	PART NUMBER	QTY	DESCRIPTION	REV
48	1001200791	1	Support, Radiator	
49	1001191271	1	Hose	
50	1001191610	1	Mount, Motor	
52	1001138248	21.7 in/ 0.6m	Tube	
53	1001165388	1	Filter, Air	
53	70003783	1	Element, Filter	
54	2220451	2	Fitting, Straight ORB/JIC	
55	2720398	2	Hose	
57	2902065	1	Pump Coupling Kit (See Separate Breakdown in this Section)	
59	1001168166	2	Seal	
60	1001234396	1	Glow Plug Harness	
61	5241000	22	Washer M10	
62	1001197725	1	Spacer	
63	1001201843	1	Shim .079	
64	1001201844	1	Shim .079	
65	1320070	1	Clamp	

SECTION 3 - ENGINE

FIGURE 3-11. DEUTZ D2011 (STAGE V) ENGINE COMPONENTS



ART_1001235457

SECTION 3 - ENGINE

FIGURE 3-11. DEUTZ D2011 (STAGE V) ENGINE COMPONENTS

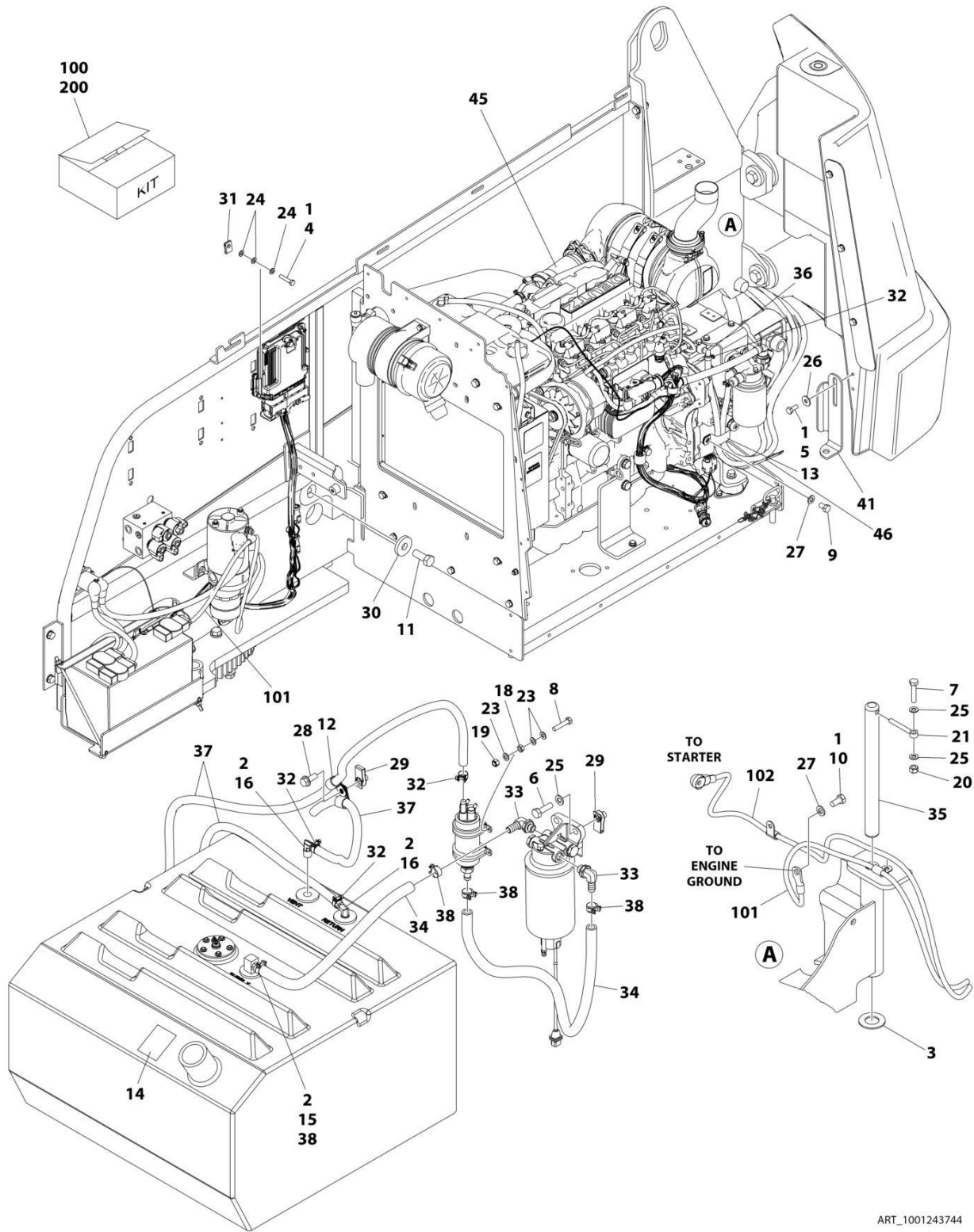
ITEM	PART NUMBER	QTY	DESCRIPTION	REV
	1001235457	Ref	DEUTZ D2011 (STAGE V) ENGINE COMPONENTS	B
1	7026631	1	Dipstick	
1	7020487	1	Seal, Dipstick	
1	70001002	1	Tube, Dipstick	
1	7020403	1	Seal, Dipstick Tube	
2	70003475	1	Thermostat	
3	70002718	1	Seal, Rear Main (Not Shown)	
4	70001870	1	Flywheel (Not Shown)	
4	7024579	1	Ring Gear (Located on Flywheel - Not Shown)	
5	7020465	2	Cap, Filler	
6		Ref	Gasket, Head Options (Not Shown):	
6	70003456	1	Gasket with 1 Notch	
6	70003457	1	Gasket with 2 Notches	
6	70003003	1	Gasket with 3 Notches	
6	7020431	1	Gasket, Valve Cover (Not Shown)	
6	70004273	1	Gasket Kit (Note: Does not include Head Gasket)	
7	70000800	1	Kit, Timing Belt/Idler (Not Shown)	
8	70001850	1	Pump, Oil Lube	
8	7020468	1	Seal Between Oil Pump and Engine Block (Not Shown)	
9	7016331	1	Filter, Oil	
10	70003472	1	Bracket, Oil Filter	
10	7027236	1	Sender, Temperature	
10	70003473	1	Gasket, Bracket to Engine Block	
11	70004268	2	Connector, Radiator Hose (Not Shown)	
11	70004269	2	Ring, Sealing (Not Shown)	
12	70003478	4	Injector, Fuel	
12	70003136	4	Seal	
12		Ref	Pump, Injector Options:	
12	70000912	Ref	Series A Injector	
12	70000913	4	Series B Injector	
12	70000914	4	Series C Injector	
12	70000915	4	Series D Injector	
12	70003464	4	O-Ring	
13	7016328	1	Filter, Fuel	
13	70001423	1	Bracket, Fuel Filter	
14	70000916	1	Pump Fuel Supply	
14	70001435	1	Repair Kit for 70000916 Pump	
14	70000919	1	Hand Pump	
14	70000918	1	Seal, Hand Pump	
14	70000917	1	O-Seal Between Fuel Pump and Engine Block	
15		Ref	Intake Manifold Components	
15	70003469	1	Flange, Blanking	
15	70003468	1	Seal (Flange to Air Intake Manifold)	
15	70001871	4	Gasket, Intake Manifold to Engine Block (Not Shown)	
15	70003470	8	Screw, Torx Head (Not Shown)	
16	70001847	1	Breather Valve (Not Shown - Located On Front Cover)	
16	70001126	1	Seal, Breather Valve	
17	7027795	1	Module, Control	
17		Ref	Left Module Connections:	
17	7027796	1	Cable, Interconnect (Module to 70001872 Cable)	

SECTION 3 - ENGINE

ITEM	PART NUMBER	QTY	DESCRIPTION	REV
17	70004060	1	Plug, Connector	
17	70001872	1	Cable, Harness	
17	70004103	1	Cable (Alternator to 70001872 Cable)	
17	70004271	1	Cable (Starter to 70001872 Cable)	
17		Ref	Right Module Connections:	
17	70004059	1	Plug, Diagnostic	
18	7020408	1	V-Belt	
19		Ref	Muffler Options:	
19	7000695	1	Standard Muffler (Supplied with Engine)	
19	See Note	1	Spark Arrester Muffler	
19	See Note	1	Catalytic Muffler	
19		Ref	Muffler Components:	
19	1320176	1	Clamp, Saddle	
19	70001017	1	Clamp	
19	7024560	1	Plug, Brass	
19	See Note	1	Pipe, Exhaust Standard Muffler (Note: Purchase Locally)	
19	7024398	1	Pipe, Exhaust	
19	7020471	4	Gasket, Exhaust Manifold to Engine Block	
19	70004270	8	Stud, Muffler	
20	70004056	1	Alternator	
20	70001868	1	Regulator, Voltage (Not Shown)	
20	70001866	1	Seal, Gasket for Voltage Regulator (Not Shown)	
20	70000851	1	Bracket, Mounting (Not Shown)	
20	70002234	1	Bracket, Adjusting (Not Shown)	
21	7020479	1	Starter	
21	70004058	1	Relay	
21	70001498	1	Shield, Starter Heat	
22	70004272	1	Sensor, Speed	
22	70003932	1	Spacer, Sensor	
23	7027791	1	Transmitter, Temperature	
24	7027790	1	Sensor, Oil Pressure	
25	7027792	1	Actuator, Throttle	
25	7027276	2	Spring, Actuator	
26	70000345	4	Plug, Glow (Not Shown)	
27	70005479	1	Pulley, Crankshaft (Not Shown)	

SECTION 3 - ENGINE

FIGURE 3-12. DEUTZ D2.9L4 - 49HP ENGINE INSTALLATION - WITHOUT ARCTIC PACKAGE



SECTION 3 - ENGINE

FIGURE 3-12. DEUTZ D2.9L4 - 49HP ENGINE INSTALLATION - WITHOUT ARCTIC PACKAGE

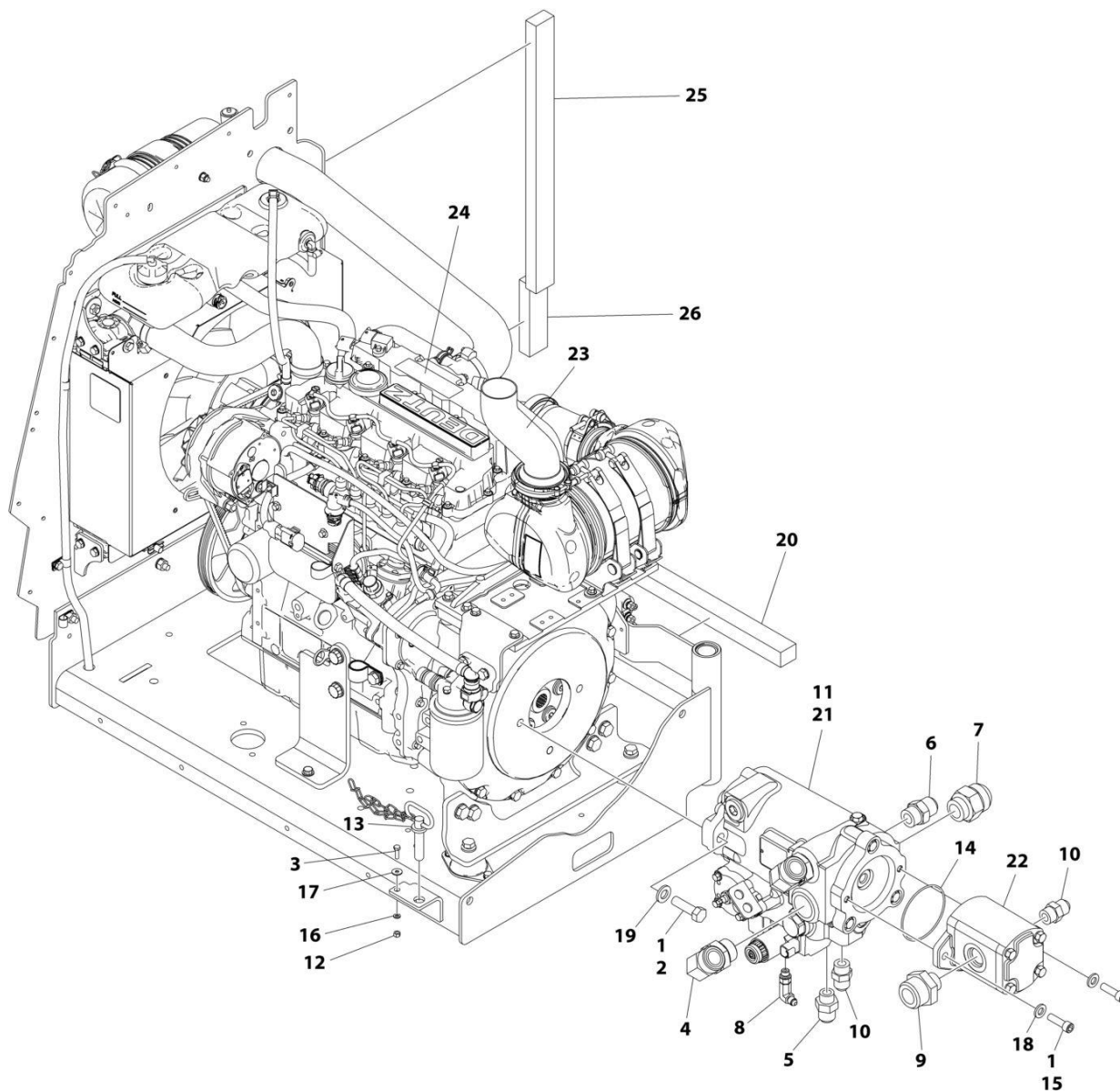
ITEM	PART NUMBER	QTY	DESCRIPTION	REV
	1001243744	Ref	DEUTZ D2.9L4 - 49HP ENGINE INSTALLATION	C
1	0100011	AR	Compound, Locking	
2	0100020	AR	Sealant	
3	0440162	1	Bearing	
4	0700614	4	Bolt M6 x 30	
5	0701012	2	Bolt M10 x 25	
6	0701015	2	Bolt M10 x 35	
7	0711018	1	Bolt M10 x 50	
8	0760512	4	Bolt M5 x 25	
9	0761210	1	Bolt M12 x 20	
10	0771212	1	Bolt M12 x 25	
11	0772018	1	Bolt M20 x 50	
12	1320061	2	Clamp	
13	1001195039	1	Clamp	
14	1701505	1	Decal - Diesel Fuel	
15	2180832	1	Fitting, Straight Barbed	
16	2220313	2	Fitting, 90 NPTF/Barb	
18	3290501	4	Nut M5	
19	3290505	4	Nut M5	
20	3291005	1	Nut M10	
21	3841143	1	Keeper, Pin	
22	4240099	7	Tie-Strap (Not Shown)	
23	4811600	12	Washer M5	
24	4811700	12	Washer M6	
25	4812000	4	Washer M10	
26	4812002	2	Washer M10	
27	4812100	2	Washer M12	
28	5251012	1	Bolt M10 x 25	
29	1001118972	3	Nut, Tinnerman M10	
30	1001119051	1	Washer	
31	1001130220	4	Nut, Tinnerman M6	
32	1001136975	5	Clamp	
33	1001142501	2	Fitting, 90 Barbed	
34	1001154405	34 in/ 86.4cm	Hose	
35	1001155094	1	Pin	
36	1001155823	1	Fitting, 90 Quick Connect	
37	1001165035	27 ft/ 8.3m	Hose	
38	1001175568	4	Clip	
39	1001190444	1	Fuel Pump Harness - Deutz D2.9L4 - 49HP and Deutz TD2.9L4 - 67HP Engines (Not Shown) (See Separate Breakdown in ELECTRICAL Section)	
41	1001196398	1	Bracket	
45	1001243743	1	Deutz D2.9L4 - 49HP Engine and Pump Sub-Assembly (See Separate Breakdown in this Section)	
46	4061032	1	Shield	
100	1001235532	1	Battery Cable Kit	
101	1001188668	1	Cable, Battery (-) to Aux Pump and Ground	
102	1001188669	1	Cable, Battery (+) to Aux Relay to Starter	
200	1001269919	1	Hose Assembly Kit	

SECTION 3 - ENGINE

ITEM	PART NUMBER	QTY	DESCRIPTION	REV
201	1001192690	1	Hose (Case Drain) (Drive Pump Case Gauge Port to Tank) (Not Shown)	
202	1001203431	1	Hose (Case Drain) (Drive Pump Case Outlet Port to Tank) (Not Shown)	
203	1001203432	1	Hose (Function Suction) (Not Shown)	
204	1001203433	1	Hose (Drive Suction) (Not Shown)	

SECTION 3 - ENGINE

FIGURE 3-13. DEUTZ D2.9L4 - 49HP ENGINE AND PUMPS SUB-ASSEMBLY - WITHOUT ARCTIC PACKAGE



ART_1001243743

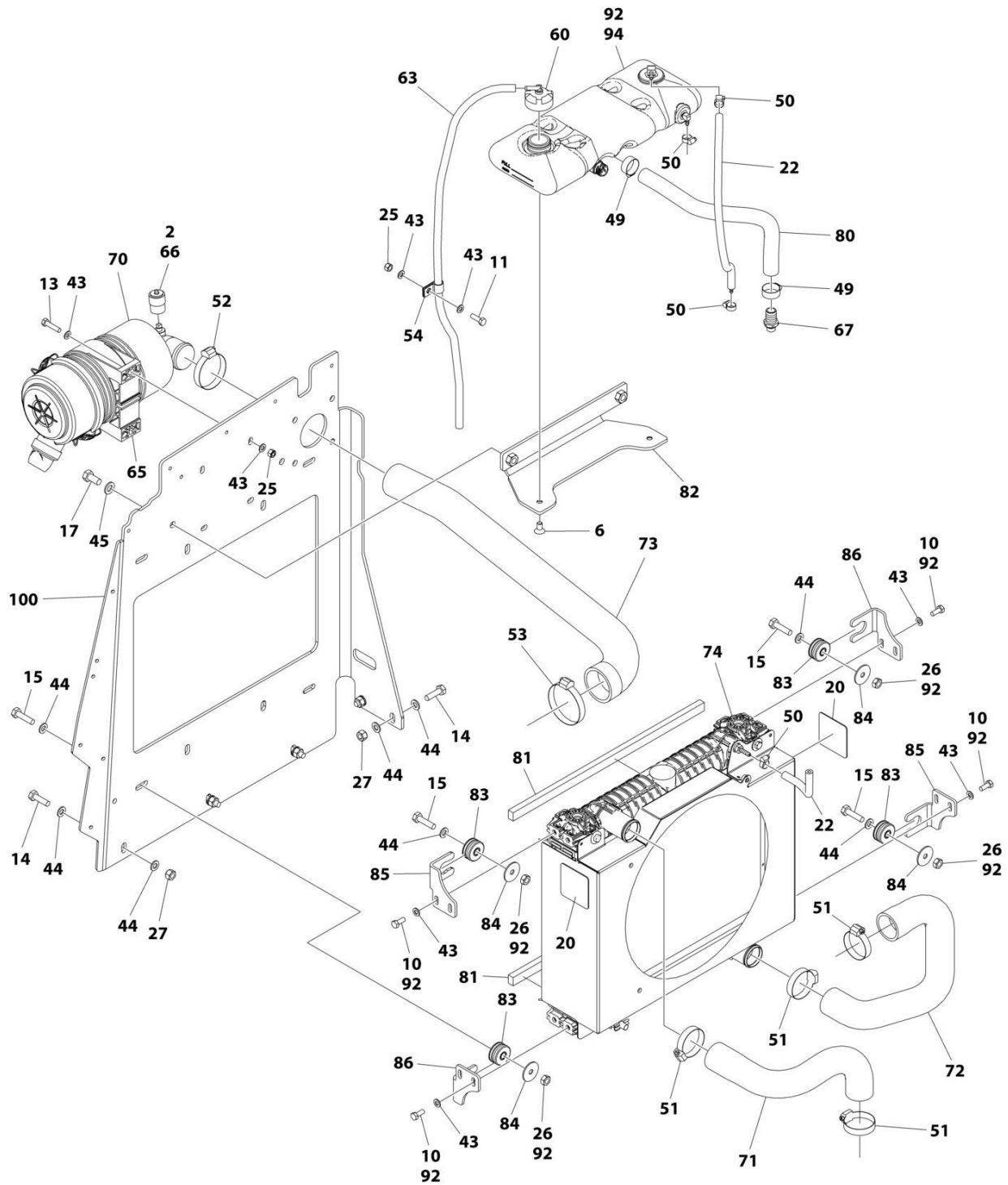
SECTION 3 - ENGINE

FIGURE 3-13. DEUTZ D2.9L4 - 49HP ENGINE AND PUMPS SUB-ASSEMBLY - WITHOUT ARCTIC PACKAGE

ITEM	PART NUMBER	QTY	DESCRIPTION	REV
	1001243743	Ref	DEUTZ D2.9L4 – 49HP ENGINE AND PUMPS SUB-ASSEMBLY	C
1	0100011	AR	Compound, Locking	
2	0641814	2	Bolt 1/2 x 1-3/4	
3	0760610	1	Bolt M6 x 20	
4	2131616	2	Fitting, 90 ORFS/ORB	
5	2220408	1	Fitting, Straight JIC/ORB	
6	2220451	1	Fitting, Straight JIC/ORB	
7	2220479	1	Fitting, Straight JIC/ORB	
8	2220940	1	Fitting, 90 JIC/ORB	
9	2220946	1	Fitting, Straight JIC/ORB	
10	2220947	2	Fitting, Straight JIC/ORB	
11	3020037	AR	Lube, Coupling Grease	
12	3290605	1	Nut M6	
13	3422532	1	Pin	
14	3790152	1	O-Ring	
15	3931618	2	Capscrew 3/8 x 1-1/8	
16	4811700	1	Washer M6	
17	4811702	1	Washer M6	
18	5241000	2	Washer M10	
19	5241200	2	Washer M12	
20	1001171953	1	Seal	
21	1001184930	1	Piston Pump Assembly (See Separate Breakdown in this Section)	
22	1001190143	1	Gear Pump Assembly	
22	70006356	1	Seal Kit - 1001190143 Pump	
23	1001241366	1	Pipe, Exhaust	
24	1001243742	1	Deutz D2.9L4 – 49HP Engine Assembly (See Separate Breakdown in this Section)	
25	1001254279	1	Seal	
26	1001244508	1	Seal	

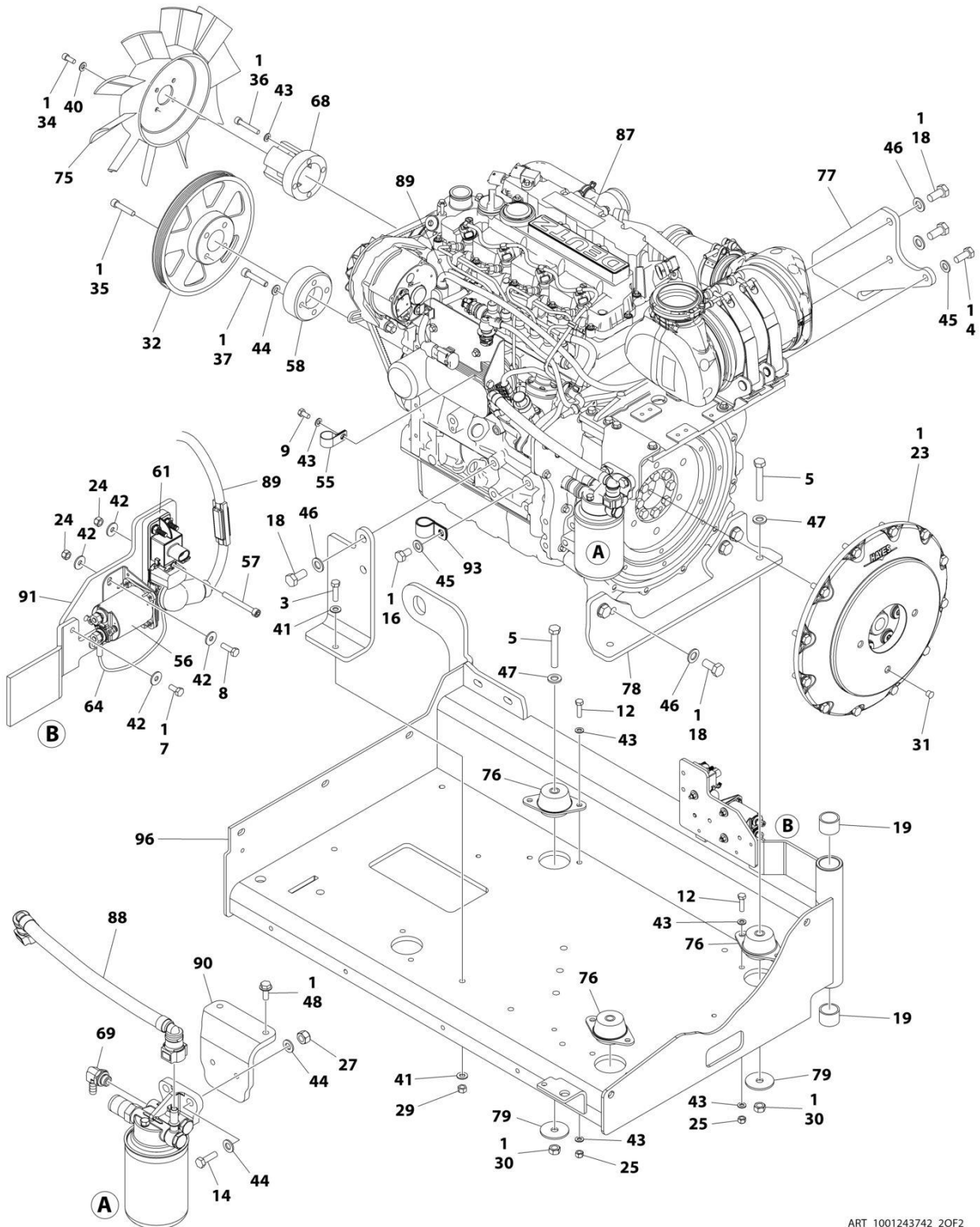
SECTION 3 - ENGINE

FIGURE 3-14. DEUTZ D2.9L4 - 49HP ENGINE ASSEMBLY - WITHOUT ARCTIC PACKAGE



ART_1001243742_10F2

SECTION 3 - ENGINE



ART_1001243742_20F2

SECTION 3 - ENGINE

FIGURE 3-14. DEUTZ D2.9L4 - 49HP ENGINE ASSEMBLY - WITHOUT ARCTIC PACKAGE

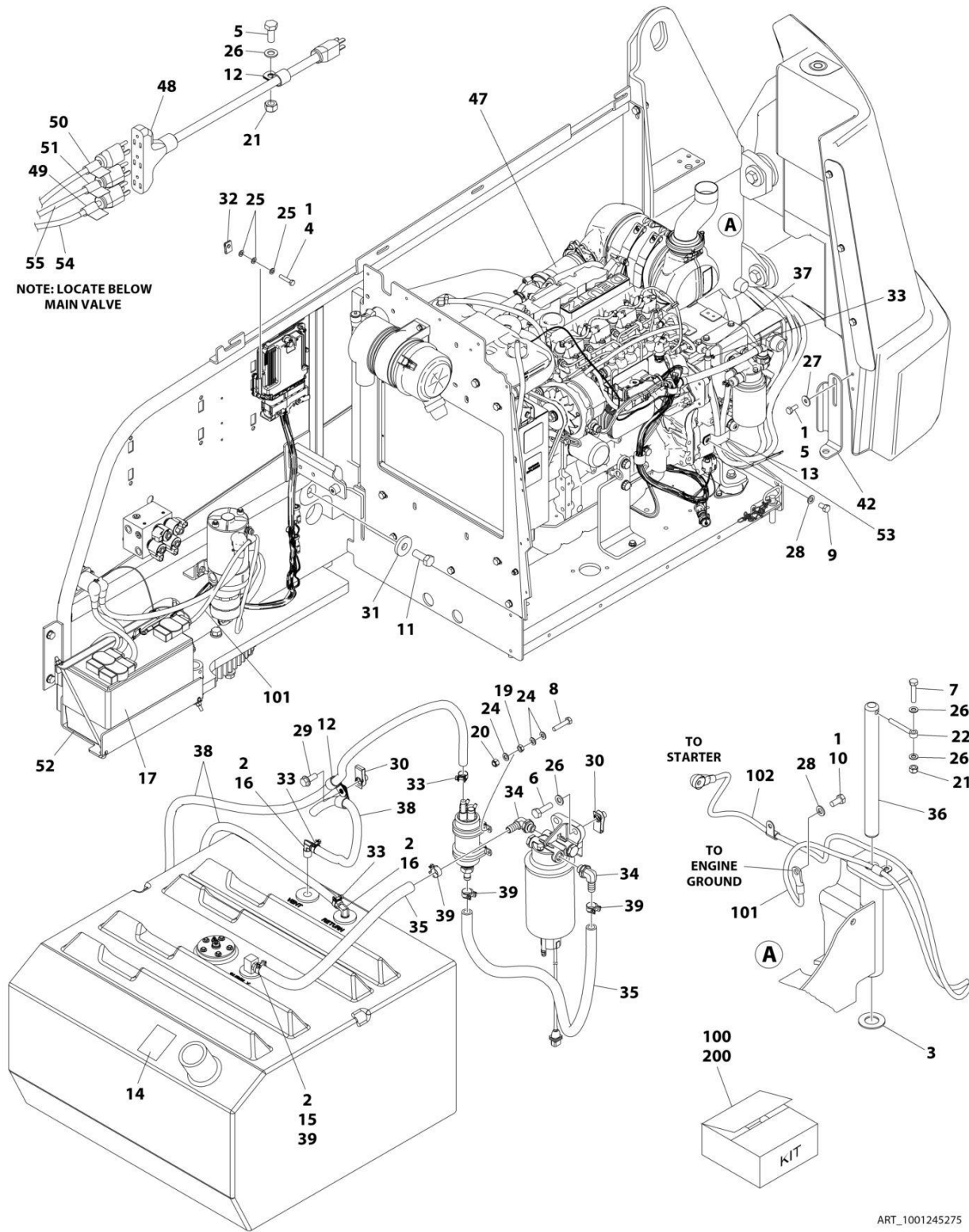
ITEM	PART NUMBER	QTY	DESCRIPTION	REV
	1001243742	Ref	DEUTZ D2.9L4 - 49HP ENGINE ASSEMBLY	D
1	0100011	AR	Compound, Locking	
2	0100020	AR	Sealant	
3	0641611	1	Bolt 3/8 x 1-3/8	
4	0711214	1	Bolt M12 x 30	
5	0711224	3	Bolt M12 x 80	
6	0741606	2	Screw 3/8 x 7/8	
7	0760607	3	Bolt M6 x 14	
8	0760610	2	Bolt M6 x 20	
9	0760808	1	Bolt M8 x 16	
10	0760810	8	Bolt M8 x 20	
11	0760812	1	Bolt M8 x 25	
12	0760814	AR	Bolt M8 x 30	
13	0760815	2	Bolt M8 x 35	
14	0761015	7	Bolt M10 x 35	
15	0761016	4	Bolt M10 x 40	
16	0761210	1	Bolt M12 x 20	
17	0761212	2	Bolt M12 x 25	
18	0771414	8	Bolt M14 x 30	
19	0961951	2	Bushing	
20	1703162	2	Decal - Fan Blade	
22	2720015	AR	Hose	
23	2902065	1	Pump Coupling Kit (See Separate Breakdown in this Section)	
24	3290605	3	Nut M6	
25	3290805	9	Nut M8	
26	3291001	4	Nut M10	
27	3291005	7	Nut M10	
29	3311601	1	Nut 3/8	
30	3331211	1	Nut M12	
31	3520054	1	Plug	
32	3580320	1	Pulley	
34	3931512	4	Capscrew 5/16 x 3/4	
35	3931628	4	Capscrew 3/8 x 1-3/4	
36	4031914	4	Capscrew M8 x 50	
37	4032014	4	Capscrew M10 x 50	
38	4240099	AR	Tie-Strap (Not Shown)	
40	4711500	4	Washer 5/16	
41	4711600	2	Washer 3/8	
42	4811702	8	Washer M6	
43	4811900	31	Washer M8	
44	4812000	22	Washer M10	
45	4812100	4	Washer M12	
46	4812200	8	Washer M14	
47	5241200	3	Washer M12	
48	5250810	2	Bolt M8 x 20	
49	8405007	2	Clamp	
50	8405009	4	Clamp	
51	8405104	4	Clamp	
52	8405202	1	Clamp	
53	8405204	1	Clamp	

SECTION 3 - ENGINE

ITEM	PART NUMBER	QTY	DESCRIPTION	REV
54	8406109	1	Clip	
55	8406201	1	Clip	
56	1001117308	1	Contactora	
57	1001118878	1	Bolt M6 x 55	
58	1001135679	1	Adapter	
60	1001136834	1	Cap, Tank	
61	1001138228	1	Relay	
63	1001138248	3.5 ft/ 1.067m	Tube	
64	1001141304	1	Harness, Glow Fuse	
65	1001141694	1	Clamp	
66	1001143390	1	Indicator, Air Filter Service	
67	1001143797	1	Fitting, Straight Barbed	
68	1001144116	1	Adapter	
69	1001152489	1	Fitting, 90 Barbed	
70	1001165388	1	Filter, Air Cleaner	
70	70003783	1	Element, Filter	
71	1001165405	1	Hose, Radiator (Top)	
72	1001165406	1	Hose, Radiator (Bottom)	
73	1001165721	1	Hose	
74	1001165722	1	Radiator	
75	1001165849	1	Fan	
76	1001166718	3	Isolator	
77	1001166921	1	Bracket, Engine - Right	
78	1001166924	1	Bracket, Engine - Rear	
79	1001168018	3	Washer	
80	1001168099	1	Hose	
81	1001168166	2	Seal	
82	1001168950	1	Bracket	
83	1001169054	4	Isolator	
84	1001169138	4	Pad, Snubbing	
85	1001169967	2	Bracket	
86	1001170035	2	Bracket	
87	1001170617	1	Deutz D2.9L4-49HP Engine (See Separate Breakdown in this Section)	
88	1001177359	1	Hose	
89	1001178788	1	Cable, Alternator Power	
90	1001178876	1	Mount, Fuel Filter	
91	1001179903	1	Bracket	
92	1001180620	AR	Adhesive	
93	1001191620	1	Clamp	
94	1001230635	1	Tank, Surge	
94	1001134488	1	Fitting, 90 Barbed	
94	1001138827	1	Sensor, Coolant Level	
94	1001140564	1	Fitting, 90 Barbed	
95	1001233895	1	Engine Harness - Deutz D2.9L4 - 49HP and Deutz TD2.9L4 - 67HP Engines (Not Shown) (See Separate Breakdown in ELECTRICAL Section)	
96	1001243656	1	Support, Engine Tray	
100	1001243850	1	Support, Radiator	

SECTION 3 - ENGINE

FIGURE 3-15. DEUTZ D2.9L4 - 49HP ENGINE INSTALLATION - WITH ARCTIC PACKAGE



SECTION 3 - ENGINE

FIGURE 3-15. DEUTZ D2.9L4 - 49HP ENGINE INSTALLATION - WITH ARCTIC PACKAGE

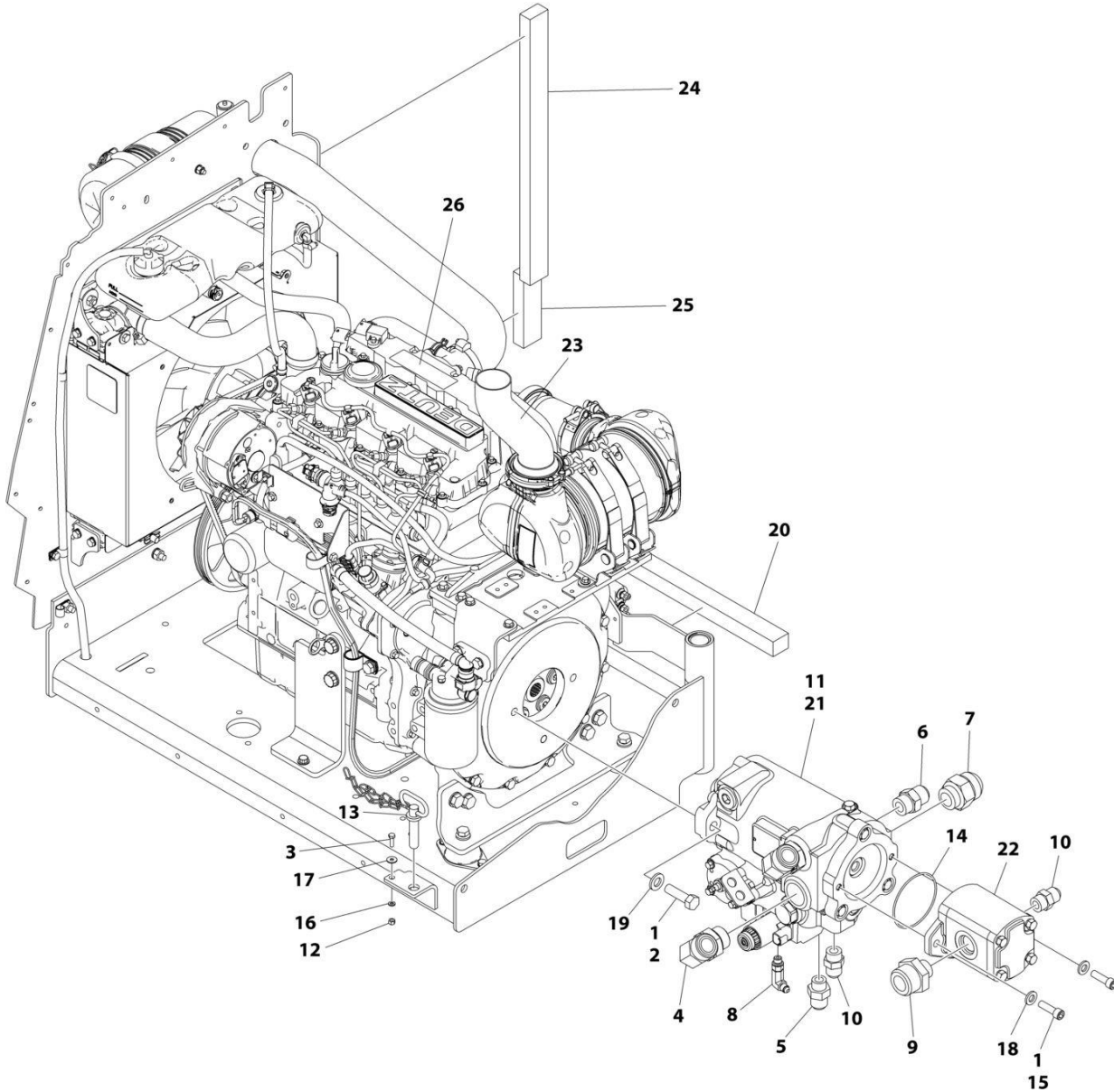
ITEM	PART NUMBER	QTY	DESCRIPTION	REV
	1001245275	Ref	DEUTZ D2.9L4 - 49HP ENGINE INSTALLATION	C
1	0100011	AR	Compound, Locking	
2	0100020	AR	Sealant	
3	0440162	1	Bearing	
4	0700614	4	Bolt M6 x 30	
5	0701012	3	Bolt M10 x 25	
6	0701015	2	Bolt M10 x 35	
7	0711018	1	Bolt M10 x 50	
8	0760512	4	Bolt M5 x 25	
9	0761210	1	Bolt M12 x 20	
10	0771212	1	Bolt M12 x 25	
11	0772018	1	Bolt M20 x 50	
12	1320061	3	Clamp	
13	1001195039	1	Clamp	
14	1701505	1	Decal - Diesel Fuel	
15	2180832	1	Fitting, Straight Barbed	
16	2220313	2	Fitting, 90 NPTF/Barb	
17	2580024	1	Heater, Battery	
19	3290501	4	Nut M5	
20	3290505	4	Nut M5	
21	3291005	2	Nut M10	
22	3841143	1	Keeper, Pin	
23	4240099	7	Tie-Strap (Not Shown)	
24	4811600	12	Washer M5	
25	4811700	12	Washer M6	
26	4812000	5	Washer M10	
27	4812002	2	Washer M10	
28	4812100	2	Washer M12	
29	5251012	1	Bolt M10 x 25	
30	1001118972	3	Nut, Tinnerman M10	
31	1001119051	1	Washer	
32	1001130220	4	Nut, Tinnerman M6	
33	1001136975	5	Clamp	
34	1001142501	2	Fitting, 90 Barbed	
35	1001154405	34 in/ 86.36cm	Hose	
36	1001155094	1	Pin	
37	1001155823	1	Fitting, 90 Quick Connect	
38	1001165035	27 ft/ 8.23m	Hose	
39	1001175568	4	Clip	
40	1001190444	1	Fuel Pump Harness - Deutz D2.9L4 – 49HP and Deutz TD2.9L4 – 67HP Engines (Not Shown) (See Separate Breakdown in ELECTRICAL Section)	
42	1001196398	1	Bracket	
46	1001233763	1	Deutz Breather Heater Installation (Not Shown) (See Separate Breakdown in this Section)	
46	4240099	AR	Tie-Strap	
46	1001196634	1	Fuse 2amp	
46	1001232842	1	Heater, Deutz Breather Kit	
46	2400060	1	Fuse, Holder	

SECTION 3 - ENGINE

ITEM	PART NUMBER	QTY	DESCRIPTION	REV
47	1001245274	1	Deutz D2.9L4 – 49HP Engine and Pump Sub-Assembly (See Separate Breakdown in this Section)	
48	1060626	1	Plug, 3 Way	
49	1702941	1	Decal - Battery Heater	
50	1702942	1	Decal - Engine Block Heater	
51	1702943	1	Decal - Hydraulic Tank Heater	
52	3980007	1	Seat, Battery	
53	4061032	1	Shield	
54	1001150918	1	Cable, Extension	
55	1001188972	1	Heater, Immersion	
100	1001235532	1	Battery Cable Kit	
101	1001188668	1	Cable, Battery (-) to Aux Pump and Ground	
102	1001188669	1	Cable, Battery (+) to Aux Relay to Starter	
200	1001269919	1	Hose Assembly Kit	
201	1001192690	1	Hose (Case Drain) (Drive Pump Case Gauge Port to Tank) (Not Shown)	
202	1001203431	1	Hose (Case Drain) (Drive Pump Case Outlet Port to Tank) (Not Shown)	
203	1001203432	1	Hose (Function Suction) (Not Shown)	
204	1001203433	1	Hose (Drive Suction) (Not Shown)	

SECTION 3 - ENGINE

FIGURE 3-16. DEUTZ D2.9L4 - 49HP ENGINE AND PUMPS SUB-ASSEMBLY - WITH ARCTIC PACKAGE



ART_1001245274

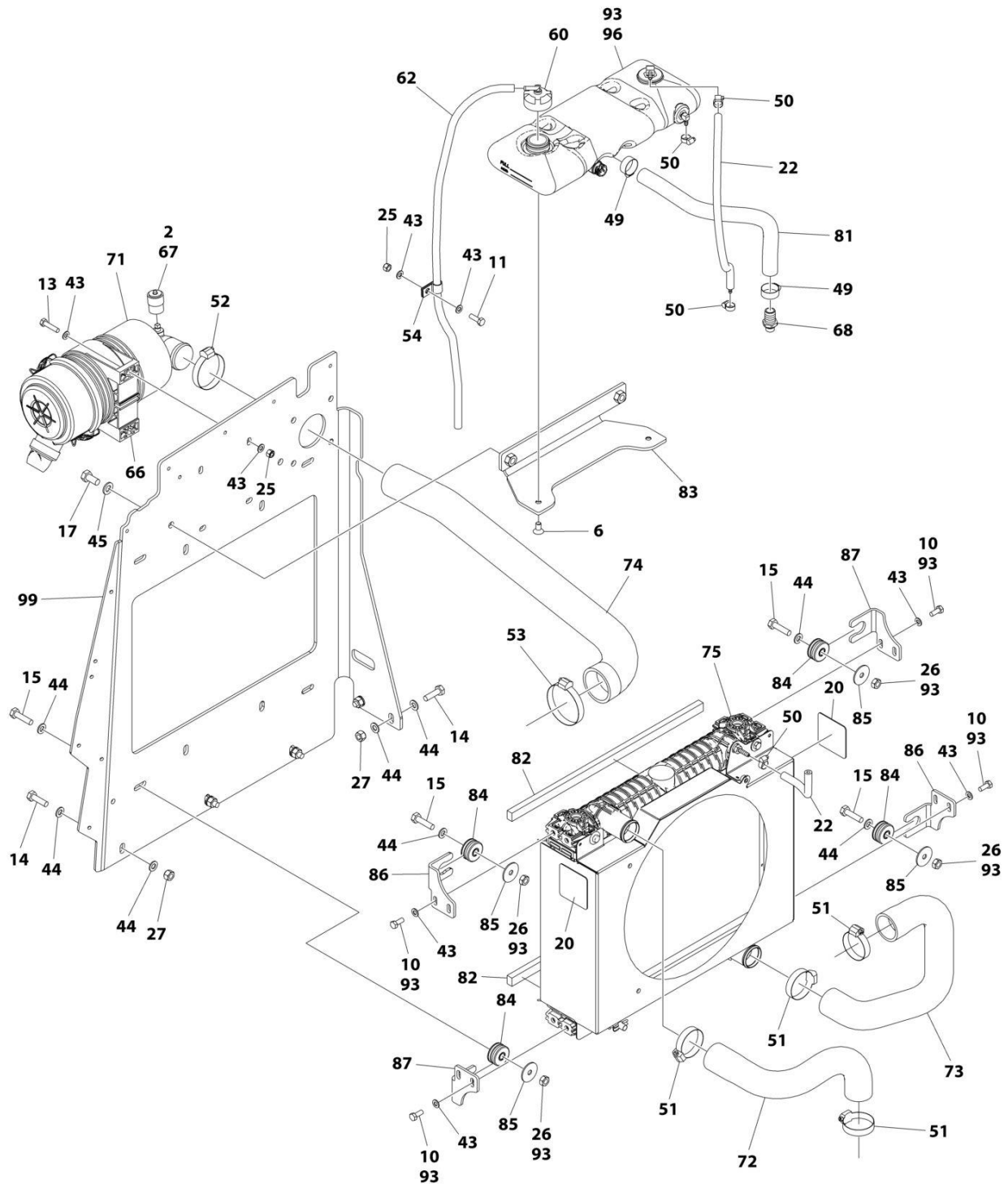
SECTION 3 - ENGINE

FIGURE 3-16. DEUTZ D2.9L4 - 49HP ENGINE AND PUMPS SUB-ASSEMBLY - WITH ARCTIC PACKAGE

ITEM	PART NUMBER	QTY	DESCRIPTION	REV
	1001245274	Ref	DEUTZ D2.9L4 – 49HP ENGINE AND PUMPS SUB-ASSEMBLY	C
1	0100011	AR	Compound, Locking	
2	0641814	2	Bolt 1/2 x 1-3/4	
3	0760610	1	Bolt M6 x 20	
4	2131616	2	Fitting, 90 ORFS/ORB	
5	2220408	1	Fitting, Straight JIC/ORB	
6	2220451	1	Fitting, Straight JIC/ORB	
7	2220479	1	Fitting, Straight JIC/ORB	
8	2220940	1	Fitting, 90 JIC/ORB	
9	2220946	1	Fitting, Straight JIC/ORB	
10	2220947	2	Fitting, Straight JIC/ORB	
11	3020037	AR	Lube, Coupling Grease	
12	3290605	1	Nut M6	
13	3422532	1	Pin	
14	3790152	1	O-Ring	
15	3931618	2	Capscrew 3/8 x 1-1/8	
16	4811700	1	Washer M6	
17	4811702	1	Washer M6	
18	5241000	2	Washer M10	
19	5241200	2	Washer M12	
20	1001171953	1	Seal	
21	1001184930	1	Piston Pump Assembly (See Separate Breakdown in this Section)	
22	1001190143	1	Gear Pump Assembly	
22	70006356	1	Seal Kit - 1001190143 Pump	
23	1001241366	1	Pipe, Exhaust	
24	1001254279	1	Seal	
25	1001244508	1	Seal	
26	1001245257	1	Deutz D2.9L4 – 49HP Engine Assembly (See Separate Breakdown in this Section)	

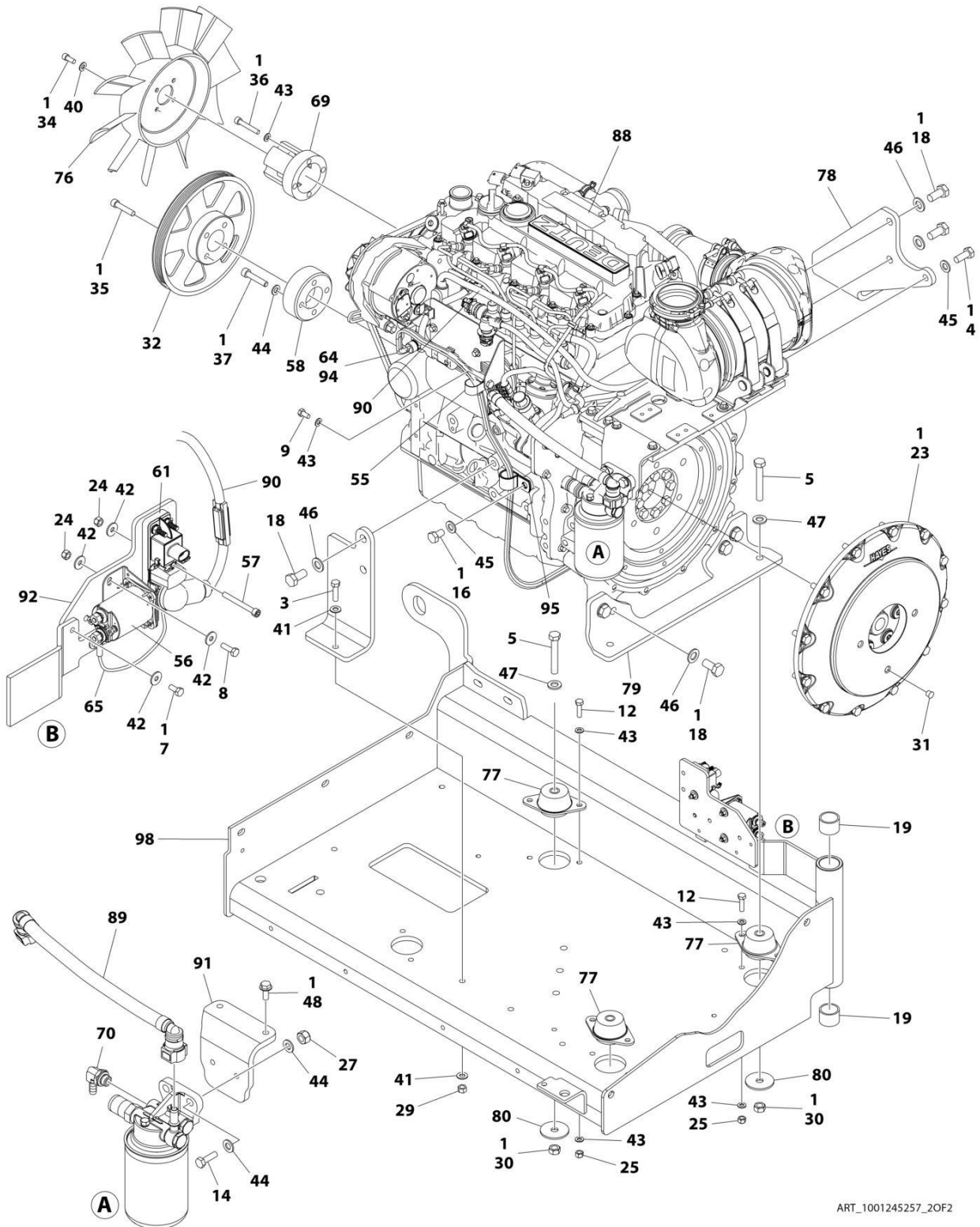
SECTION 3 - ENGINE

FIGURE 3-17. DEUTZ D2.9L4 - 49HP ENGINE ASSEMBLY - WITH ARCTIC PACKAGE



ART_1001245257_10F2

SECTION 3 - ENGINE



ART_1001245257_20F2

SECTION 3 - ENGINE

FIGURE 3-17. DEUTZ D2.9L4 - 49HP ENGINE ASSEMBLY - WITH ARCTIC PACKAGE

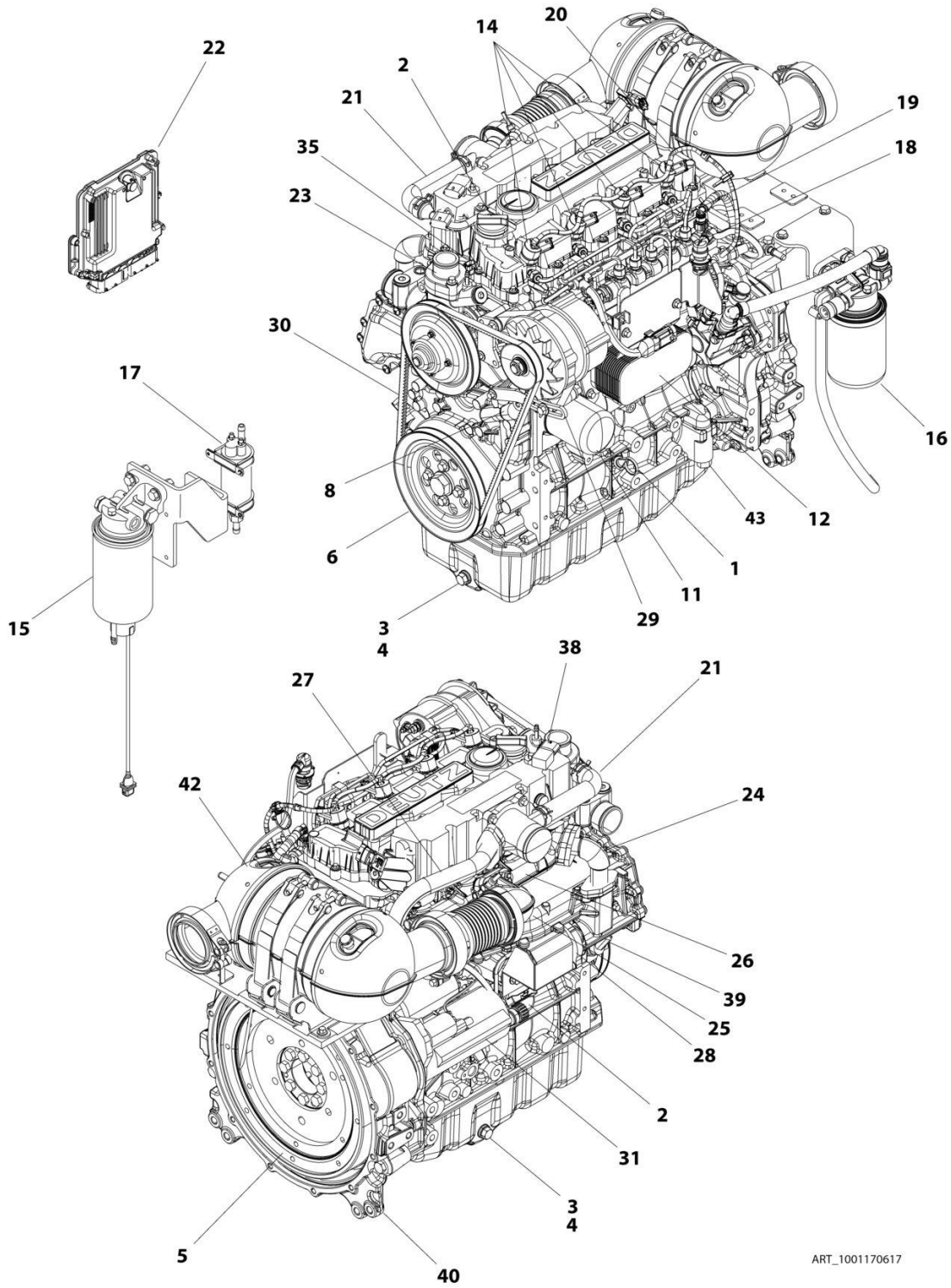
ITEM	PART NUMBER	QTY	DESCRIPTION	REV
	1001245257	Ref	DEUTZ D2.9L4 - 49HP ENGINE ASSEMBLY	D
1	0100011	AR	Compound, Locking	
2	0100020	AR	Sealant	
3	0641611	1	Bolt 3/8 x 1-3/8	
4	0711214	1	Bolt M12 x 30	
5	0711224	3	Bolt M12 x 80	
6	0741606	2	Screw 3/8 x 7/8	
7	0760607	3	Bolt M6 x 14	
8	0760610	2	Bolt M6 x 20	
9	0760808	1	Bolt M8 x 16	
10	0760810	8	Bolt M8 x 20	
11	0760812	1	Bolt M8 x 25	
12	0760814	AR	Bolt M8 x 30	
13	0760815	2	Bolt M8 x 35	
14	0761015	7	Bolt M10 x 35	
15	0761016	4	Bolt M10 x 40	
16	0761210	1	Bolt M12 x 20	
17	0761212	2	Bolt M12 x 25	
18	0771414	8	Bolt M14 x 30	
19	0961951	2	Bushing	
20	1703162	2	Decal - Fan Blade	
22	2720015	AR	Hose	
23	2902065	1	Pump Coupling Kit (See Separate Breakdown in this Section)	
24	3290605	3	Nut M6	
25	3290805	9	Nut M8	
26	3291001	4	Nut M10	
27	3291005	7	Nut M10	
29	3311601	1	Nut 3/8	
30	3331211	1	Nut M12	
31	3520054	1	Plug	
32	3580320	1	Pulley	
34	3931512	4	Capscrew 5/16 x 3/4	
35	3931628	4	Capscrew 3/8 x 1-3/4	
36	4031914	4	Capscrew M8 x 50	
37	4032014	4	Capscrew M10 x 50	
38	4240099	AR	Tie-Strap (Not Shown)	
40	4711500	4	Washer 5/16	
41	4711600	2	Washer 3/8	
42	4811702	8	Washer M6	
43	4811900	31	Washer M8	
44	4812000	22	Washer M10	
45	4812100	4	Washer M12	
46	4812200	8	Washer M14	
47	5241200	3	Washer M12	
48	5250810	2	Bolt M8 x 20	
49	8405007	2	Clamp	
50	8405009	4	Clamp	
51	8405104	4	Clamp	
52	8405202	1	Clamp	
53	8405204	1	Clamp	

SECTION 3 - ENGINE

ITEM	PART NUMBER	QTY	DESCRIPTION	REV
54	8406109	1	Clip	
55	8406201	1	Clip	
56	1001117308	1	Contactora	
57	1001118878	1	Bolt M6 x 55	
58	1001135679	1	Adapter	
60	1001136834	1	Cap, Tank	
61	1001138228	1	Relay	
62	1001138248	3.5 ft/ 1.067m	Tube	
64	1001140312	1	Heater, Engine Block	
65	1001141304	1	Harness, Glow Fuse	
66	1001141694	1	Clamp	
67	1001143390	1	Indicator, Air Filter Service	
68	1001143797	1	Fitting, Straight Barbed	
69	1001144116	1	Adapter	
70	1001152489	1	Fitting, 90 Barbed	
71	1001165388	1	Filter, Air Cleaner	
71	70003783	1	Element, Filter	
72	1001165405	1	Hose, Radiator (Top)	
73	1001165406	1	Hose, Radiator (Bottom)	
74	1001165721	1	Hose	
75	1001165722	1	Radiator	
76	1001165849	1	Fan	
77	1001166718	3	Isolator	
78	1001166921	1	Bracket, Engine - Right	
79	1001166924	1	Bracket, Engine - Rear	
80	1001168018	3	Washer	
81	1001168099	1	Hose	
82	1001168166	2	Seal	
83	1001168950	1	Bracket	
84	1001169054	4	Isolator	
85	1001169138	4	Pad, Snubbing	
86	1001169967	2	Bracket	
87	1001170035	2	Bracket	
88	1001170617	1	Deutz D2.9L4 - 49HP Engine (See Separate Breakdown in this Section)	
89	1001177359	1	Hose	
90	1001178788	1	Cable, Alternator Power	
91	1001178876	1	Mount, Fuel Filter	
92	1001179903	1	Bracket	
93	1001180620	AR	Adhesive	
94	1001181895	AR	Adhesive	
95	1001191620	1	Clamp	
96	1001230635	1	Tank, Surge	
96	1001134488	1	Fitting, 90 Barbed (Part of Item 58)	
96	1001138827	1	Sensor, Coolant Level (Part of Item 58)	
96	1001140564	1	Fitting, 90 Barbed	
97	1001233895	1	Engine Harness - Deutz D2.9L4 - 49HP and Deutz TD2.9L4 - 67HP Engines (Not Shown) (See Separate Breakdown in ELECTRICAL Section)	
98	1001243656	1	Support, Engine Tray	
99	1001243850	1	Support, Radiator	

SECTION 3 - ENGINE

FIGURE 3-18. DEUTZ D2.9L4 - 49HP ENGINE COMPONENTS



ART_1001170617

SECTION 3 - ENGINE

FIGURE 3-18. DEUTZ D2.9L4 - 49HP ENGINE COMPONENTS

ITEM	PART NUMBER	QTY	DESCRIPTION	REV
	1001170617	Ref	ENGINE COMPONENTS - DEUTZ D2.9L4 ENGINE	E
1	70024904	1	Dipstick	
1	70024905	1	O-Ring	
2	7020465	2	Cap, Filler	
3	70025088	2	Plug, Oil	
4	7020404	2	Ring, Sealing	
5	70001870	1	Flywheel	
5	7024579	1	Ring, Gear	
6	70025198	1	Pulley, Crank	
7	70024906	1	Gasket, Head (Not Shown)	
7	70025195	1	Gasket, Valve Cover (Not Shown)	
7	70005171	1	Gasket, Valve Cover (Not Shown)	
8	70025076	1	Valve	
8	70025091	1	Plug	
8	70025176	1	Spring	
8	70025082	1	Seal	
9	70004280	1	Seal, Crankshaft (Front) (Not Shown)	
9	70002718	1	Seal, Crankshaft (Rear) (Not Shown)	
10	70005172	1	Pump, Oil Lube (Not Shown)	
10	70025135	1	O-Ring (Not Shown)	
10	70005173	1	Gasket (Not Shown)	
11	7016331	1	Filter, Oil	
12	70004275	1	Cooler, Oil	
12	70024925	1	Gasket	
13	70025171	1	Pipe, Oil Suction (Not Shown)	
14	70004281	4	Injector, Fuel	
14	70025140	4	Washer, Sealing	
14	70025146	4	Clamp (Top of Injector)	
14	70025145	4	O-Ring	
14	70025154	4	Shoe, Clamping	
15	70024961	1	Bracket, Fuel Filter	
15	1001225430	1	Filter, Fuel	
15	70024513	1	Cable, Sensor	
15	70025239	1	Seal	
16	70025160	1	Bracket, Fuel Filter	
16	1001225431	1	Filter, Fuel	
16	70024504	1	Sensor, Pressure	
16	70024920	1	O-Ring	
16	70004513	2	Ring, Sealing	
17	70005174	NLA	Pump, Fuel (Use p/n 1001226098)	
17	70025144	2	Clamp	
18	70025151	1	Rail, Fuel	
18	70025235	1	Repair Kit	
18	70025240	1	O-Ring	
19	70025182	1	Line, Fuel (Cylinder 1 + 2)	
19	70025183	1	Line, Fuel (Cylinder 3 + 4)	
19	70025184	1	Line, Fuel (Fuel Rail to Pump)	
20	70024502	1	Fuel Return Pipe	
20	70025185	1	Hose, Fuel	
20	70025101	2	Clamp	

SECTION 3 - ENGINE

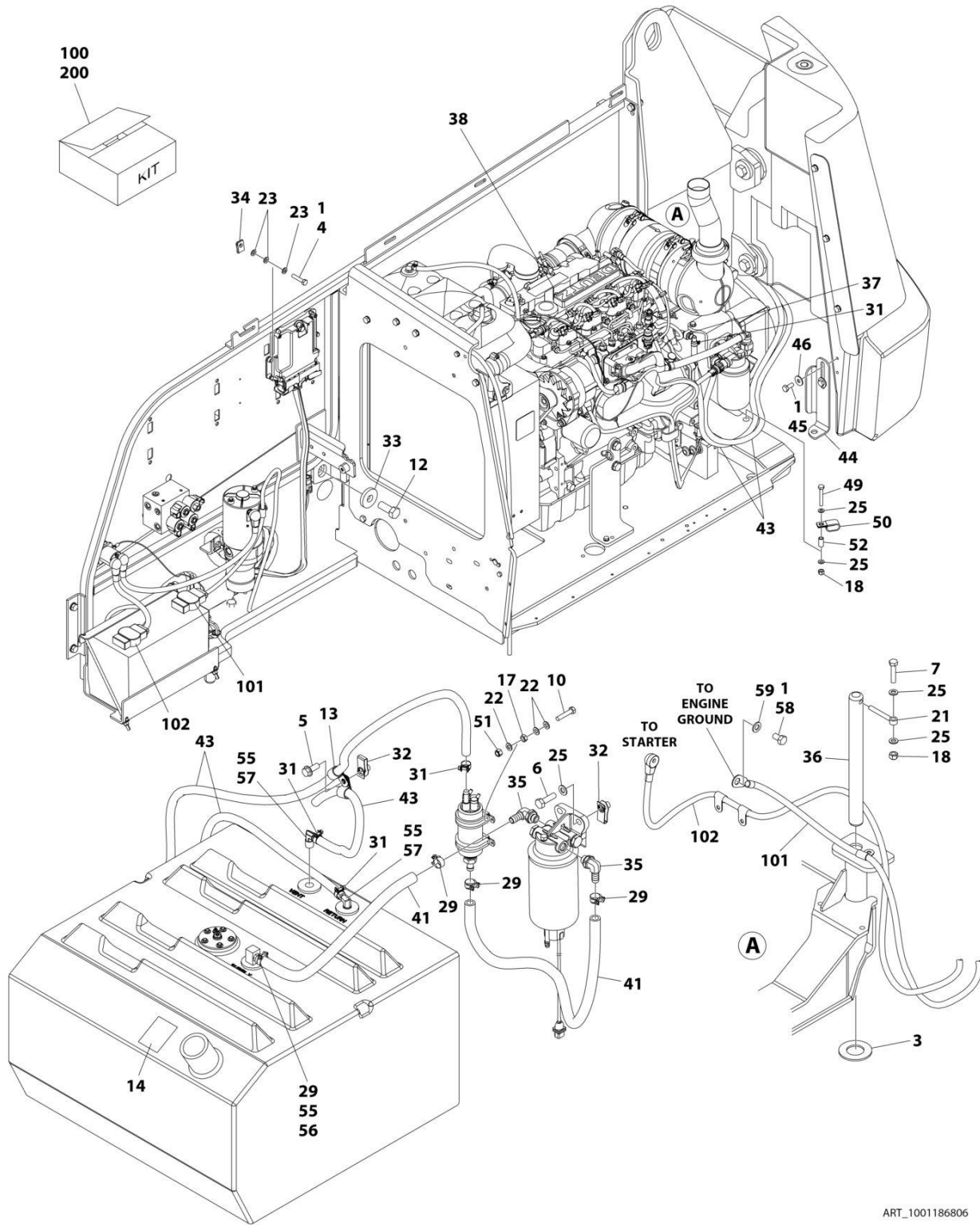
ITEM	PART NUMBER	QTY	DESCRIPTION	REV
20	70025109	2	Clamp	
20	70025115	1	Clamp, Pipe	
20	70025133	1	Hose	
20	70025148	1	Connector, Plug-in	
21	70005182	1	Elbow, Air Charger	
21	70005176	1	O-Ring	
21	70005177	1	Gasket	
21	70005180	1	Line, Breather	
21	70005181	1	O-Ring	
21	70005183	1	Line, Breather	
21	70025111	2	Clamp	
22	70025210	1	Module, ECU	
23	70024910	1	Pump, Water	
23	70025084	1	Plug	
23	7020492	1	O-Ring	
23	70025200	1	Seal	
23	70024473	1	Thermostat	
23	70005184	1	O-Ring (Thermostat)	
23	70025142	1	Cover, Thermostat	
23	70025159	1	Pulley, Water Pump	
24	70025177	1	Pipe	
24	70025179	1	Gasket	
25	70005185	1	Manifold	
25	70024912	1	Gasket	
26	70004282	1	Manifold, Exhaust	
26	70025164	1	Gasket, Exhaust Manifold	
27	70005186	1	Pipe	
27	70025179	1	Gasket (Two Hole)	
27	70025180	1	Gasket (Three Hole)	
28	70004283	1	Module, ERG	
28	70005188	1	Valve, Control	
28	70005189	1	O-Ring	
29	70024914	1	Alternator	
29	70025149	1	Regulator	
29	70025131	1	Fan	
29	70025150	1	Pulley	
29	70025191	1	Plate, Retaining	
29	70025201	1	Bracket, Alternator	
30	70024913	1	V-Belt	
31	70024915	1	Starter	
32	70025231	1	Harness, Glow Plug (Not Shown)	
32	70025233	1	Connector (Not Shown)	
33	70025221	1	Connector, Plug-In (Not Shown)	
33	70025781	1	Connector, Plug-In (Not Shown)	
33	70025779	1	Ring, Fastening (Not Shown)	
34	70004284	1	Harness, Engine (Not Shown)	
34	70025165	1	Plate, Retaining (Not Shown)	
34	70025216	1	Adapter (Not Shown)	
34	70025215	1	Bracket, Fixing (Not Shown)	
34	70025228	2	Bracket (Not Shown)	
34	70025226	1	Connector, Plug-In (Not Shown)	

SECTION 3 - ENGINE

ITEM	PART NUMBER	QTY	DESCRIPTION	REV
34	70025220	5	Connector, Plug-In (Not Shown)	
34	70025222	3	Connector, Plug-In (Not Shown)	
34	70025223	1	Connector, Plug-In (Not Shown)	
34	70025219	1	Connector, Plug-In (Not Shown)	
34	70025238	1	Connector, Plug-In (Not Shown)	
34	70025221	2	Connector, Plug-In (Not Shown)	
34	70025217	8	Clamp (Not Shown)	
34	70025213	2	Clip (Not Shown)	
34	70025209	1	Bracket (Not Shown)	
34	70025225	1	Support (Not Shown)	
34	70025218	3	Clamp (Not Shown)	
34	70025237	1	Connector, Plug-In (Not Shown)	
34	70025214	1	Cap (Not Shown)	
34	70025224	2	Clamp (Not Shown)	
34	70025166	1	Support, Harness (Not Shown)	
34	70025211	1	Plate, Retaining (Not Shown)	
34	70025189	1	Plate, Retaining (Not Shown)	
34	70025236	1	Support, Harness (Not Shown)	
35	70024918	1	Sender, Temperature	
36	70024504	1	Sensor, Pressure (Not Shown - Located Left Side Front)	
36	70024920	1	O-Ring (Not Shown)	
37	70024503	1	Sensor, Speed (Not Shown)	
37	70005191	1	O-Ring	
38	70024507	1	Sensor, Pressure	
38	70025120	1	Seal	
39	70024503	1	Sensor, Speed	
39	70024917	1	Seal	
40	70025192	1	Housing	
40	70025113	2	Pin	
41	70000345	4	Plug, Glow (Not Shown)	
42	70005446	1	Outlet, Muffler	
42	70025241	1	Clip	
42	70025242	2	Gasket	
42	70004504	1	Compensator	
42	70024512	1	Clamp	
42	70025877	1	Clamp	
43	70124530	1	Valve, Relief	
43	70025660	1	Plug	
43	70124538	1	Spring	
43	70104570	1	Seal	

SECTION 3 - ENGINE

FIGURE 3-19. DEUTZ TD2.9L4 - 67HP ENGINE INSTALLATION - WITHOUT ARCTIC PACKAGE



ART_1001186806

SECTION 3 - ENGINE

FIGURE 3-19. DEUTZ TD2.9L4 - 67HP ENGINE INSTALLATION - WITHOUT ARCTIC PACKAGE

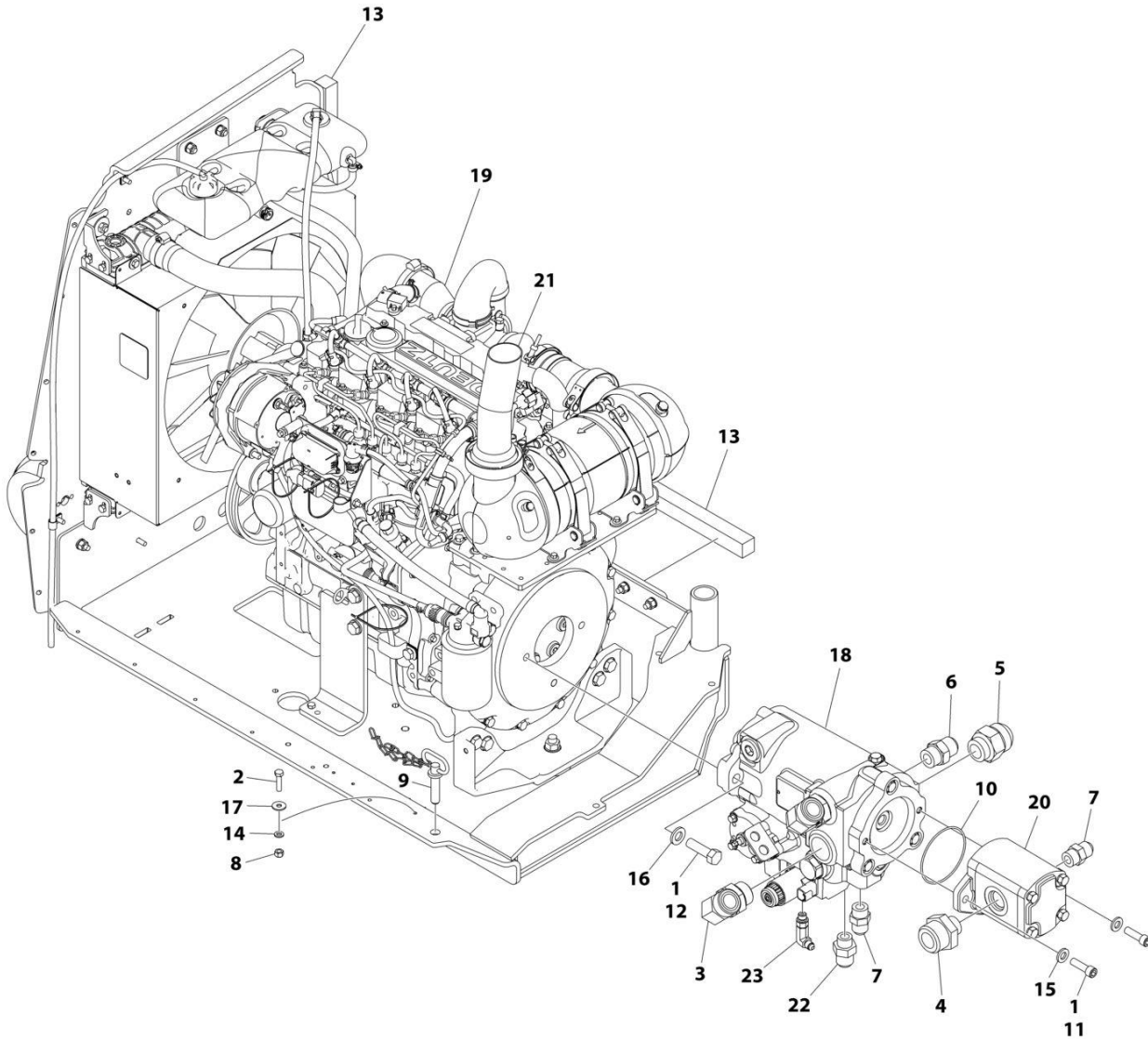
ITEM	PART NUMBER	QTY	DESCRIPTION	REV
	1001186806	Ref	DEUTZ TD2.9L4 - 67HP ENGINE INSTALLATION	0
1	0100011	AR	Compound, Locking	
3	0440162	1	Bearing	
4	0700614	4	Bolt M6 x 30	
5	5251012	1	Bolt M10 x 25	
6	0701015	2	Bolt M10 x 35	
7	0711018	1	Bolt M10 x 50	
10	0760512	4	Bolt M5 x 25	
12	0772018	1	Bolt M20 x 50	
13	1320061	2	Clamp	
14	1701505	1	Decal - Diesel Fuel	
17	3290501	4	Nut M5	
18	3291005	2	Nut M10	
21	3841143	1	Keeper, Pin	
22	4811600	12	Washer M5	
23	4811700	12	Washer M6	
25	4812000	6	Washer M10	
29	1001175568	4	Clip	
31	1001136975	5	Clamp	
32	1001118972	3	Nut, Tinnerman M10	
33	1001119051	1	Washer	
34	1001130220	4	Nut, Tinnerman M6	
35	1001142501	2	Fitting, 90 Barbed	
36	1001155094	1	Pin	
37	1001155823	1	Fitting, 90 Quick Connect	
38	1001186811	1	Deutz TD2.9L4 - 67HP Engine and Pump Sub-Assembly (See Separate Breakdown in this Section)	
41	1001154405	33 in/ 0.8cm	Hose	
43	1001165035	27 ft/ 8.2m	Hose	
44	1001196398	1	Bracket	
45	0701012	2	Bolt M10 x 25	
46	4812002	2	Washer M10	
49	0701022	1	Bolt M10 x 70	
50	1001026127	1	Clamp	
51	3290505	4	Nut M5	
52	1001200731	1	Tube	
53	4240099	7	Tie-Strap (Not Shown)	
54	1001190444	1	Fuel Pump Harness - Deutz TD2.9L4 - 67HP Engine (Not Shown) (See Separate Breakdown in ELECTRICAL SECTION)	
55	0100020	AR	Sealant	
56	2180832	1	Fitting, Straight Barbed	
57	2220313	2	Fitting, 90 NPTF/Barb	
58	0761210	1	Bolt M12 x 20	
59	4812100	1	Washer M12	
100	1001235532	1	Battery Cable Kit	
101	1001188668	1	Cable, Battery (-) to Aux Pump and Ground	
102	1001188669	1	Cable, Battery (+) to Aux Relay to Starter	
200	1001269919	1	Hose Assembly Kit	

SECTION 3 - ENGINE

ITEM	PART NUMBER	QTY	DESCRIPTION	REV
201	1001192690	1	Hose (Case Drain) (Drive Pump Case Gauge Port to Tank) (Not Shown)	
202	1001203431	1	Hose (Case Drain) (Drive Pump Case Outlet Port to Tank) (Not Shown)	
203	1001203432	1	Hose (Function Suction) (Not Shown)	
204	1001203433	1	Hose (Drive Suction) (Not Shown)	

SECTION 3 - ENGINE

FIGURE 3-20. DEUTZ TD2.9L4 - 67HP ENGINE AND PUMPS SUB-ASSEMBLY - WITHOUT ARCTIC PACKAGE



ART_1001186811

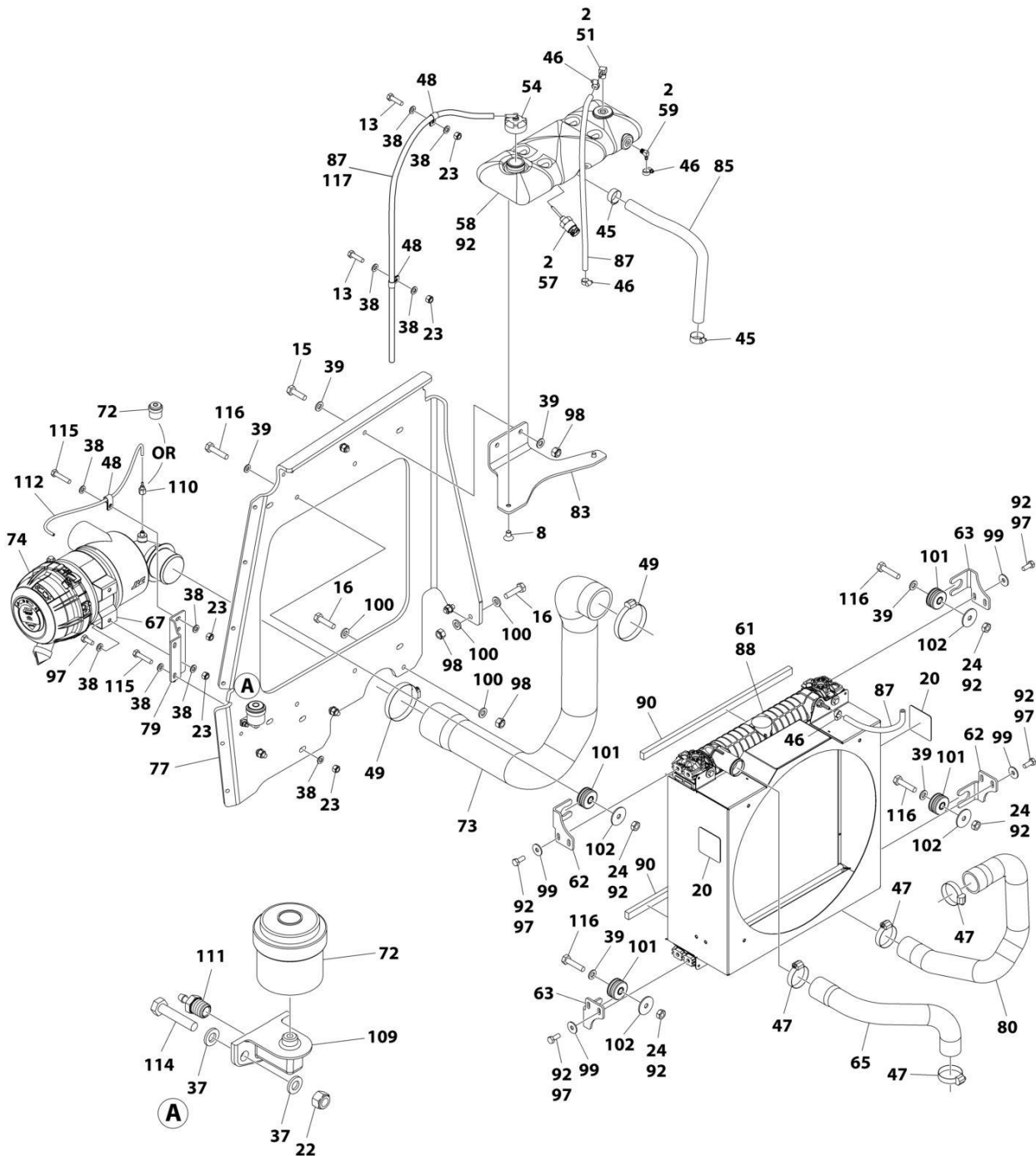
SECTION 3 - ENGINE

FIGURE 3-20. DEUTZ TD2.9L4 - 67HP ENGINE AND PUMPS SUB-ASSEMBLY - WITHOUT ARCTIC PACKAGE

ITEM	PART NUMBER	QTY	DESCRIPTION	REV
	1001186811	Ref	DEUTZ TD2.9L4 - 67HP ENGINE AND PUMPS SUB-ASSEMBLY	I
1	0100011	AR	Compound, Locking	
2	0760612	1	Bolt M6 x 25	
3	2131616	2	Fitting, 90 ORFS/ORB	
4	2220946	1	Fitting, Straight JIC/ORB	
5	2220479	1	Fitting, Straight JIC/ORB	
6	2220451	1	Fitting, Straight JIC/ORB	
7	2220947	2	Fitting, Straight JIC/ORB	
8	3290605	1	Nut M6	
9	3422532	1	Pin	
10	3790152	1	O-Ring	
11	3931620	2	Capscrew 3/8 x 1-1/4	
11	3931618	2	Capscrew 3/8 x 1-1/8	
12	0641814	2	Bolt 1/2 x 1-3/4	
13	3960469	1	Seal	
14	4811700	1	Washer M6	
15	5241000	2	Washer M10	
16	5241200	2	Washer M12	
17	4811702	1	Washer M6	
18	1001184930	1	Piston Pump Assembly (See Separate Breakdown in this Section)	
19	1001186812	1	Deutz TD2.9L4 - 67HP Engine Assembly (See Separate Breakdown in this Section)	
20	1001190143	1	Gear Pump Assembly	
20	70006356	1	Seal Kit - 1001190143 Pump	
21	1001211042	NLA	Pipe, Exhaust (Use p/n 1001239207) (SN 0300235168 through 0300254984)	
21	1001239207	1	Pipe, Exhaust (SN 0300254985 through 0300272445)	
22	2220408	1	Fitting, Straight JIC/ORB	
23	2220940	1	Fitting, 90 JIC/ORB	

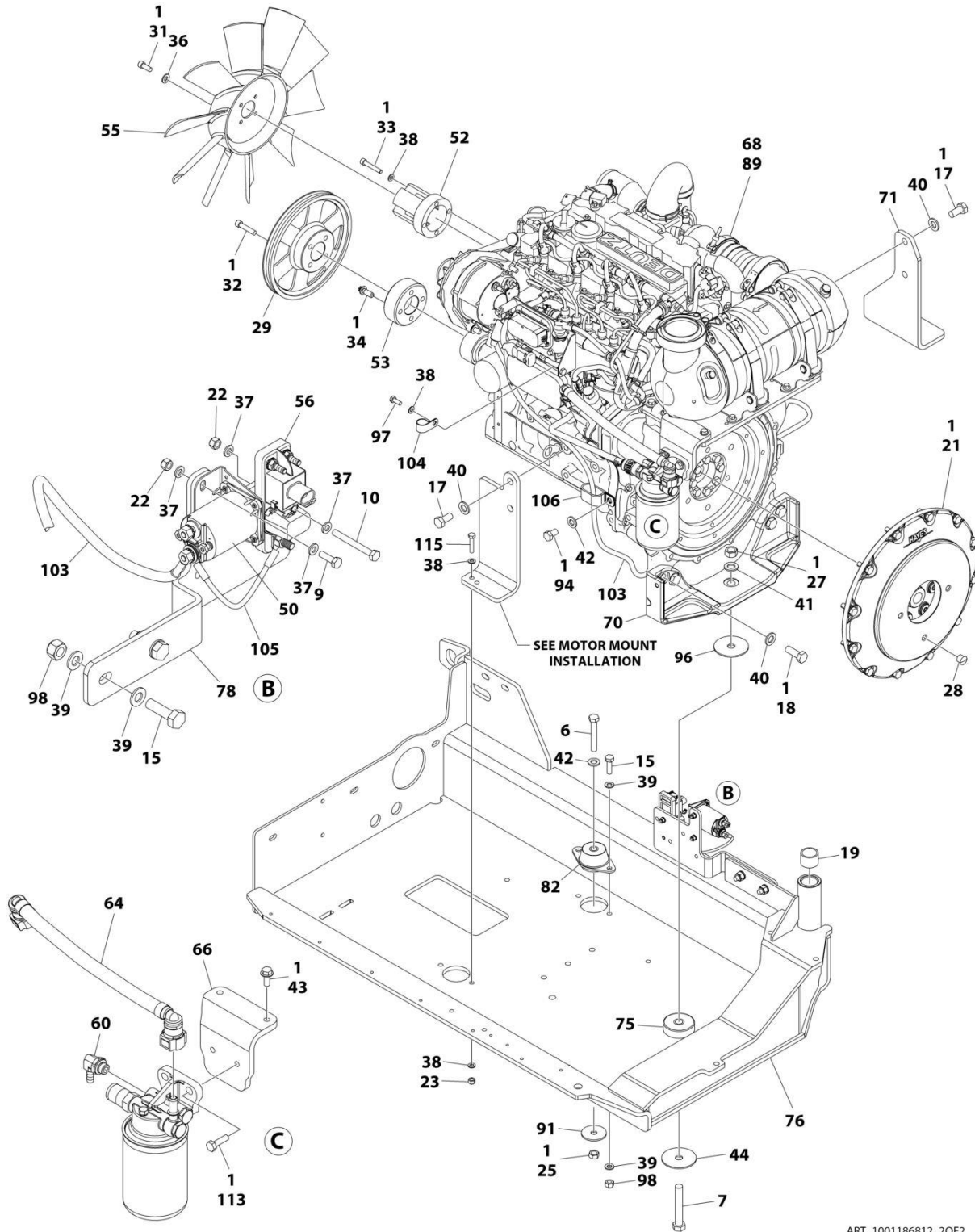
SECTION 3 - ENGINE

FIGURE 3-21. DEUTZ TD2.9L4 - 67HP ENGINE ASSEMBLY - WITHOUT ARCTIC PACKAGE



ART_1001186812_10F2

SECTION 3 - ENGINE



ART_1001186812_20F2

SECTION 3 - ENGINE

FIGURE 3-21. DEUTZ TD2.9L4 - 67HP ENGINE ASSEMBLY - WITHOUT ARCTIC PACKAGE

ITEM	PART NUMBER	QTY	DESCRIPTION	REV
	1001186812	Ref	DEUTZ TD2.9L4 - 67HP ENGINE ASSEMBLY	T
1	0100011	AR	Compound, Locking	
2	0100020	AR	Sealant	
6	0711224	1	Bolt M12 x 80	
7	0711627	1	Bolt M16 x 100	
8	0741605	2	Screw 3/8 x 5/8	
9	0760610	2	Bolt M6 x 20	
10	0760619	1	Bolt M6 x 55	
13	0760814	AR	Bolt M8 x 30	
15	0761015	6	Bolt M10 x 35	
16	0761016	5	Bolt M10 x 40	
17	0771414	4	Bolt M14 x 30	
18	0771416	4	Bolt M14 x 40	
19	0961951	2	Bushing	
20	1703162	2	Decal - Fan Blade	
21	2902065	1	Pump Coupling Kit (See Separate Breakdown in this Section)	
22	3290605	AR	Nut M6	
23	3290805	AR	Nut M8	
24	3291001	4	Nut M10	
25	3331211	1	Nut M12	
27	3331611	1	Nut M16	
28	3520054	1	Plug	
29	3580320	1	Pulley	
31	3931512	4	Capscrew 5/16 x 3/4	
32	3931628	4	Capscrew 3/8 x 1-3/4	
33	4031914	4	Capscrew M8 x 50	
34	4032014	4	Capscrew M10 x 50	
36	4711500	4	Washer 5/16	
37	4811700	AR	Washer M6	
38	4811900	AR	Washer M8	
39	4812000	20	Washer M10	
40	5241400	8	Washer M14	
41	4812300	1	Washer M16	
42	5241200	2	Washer M12	
43	5250810	2	Bolt M8 x 20	
44	7300435	1	Washer	
45	8405007	2	Clamp	
46	8405009	4	Clamp	
47	8405104	4	Clamp	
48	8406109	AR	Clip	
49	8410011	2	Clamp	
50	1001117308	1	Contactactor	
51	1001134488	1	Fitting, 90 Barbed (Part of Item 58)	
52	1001135138	1	Adapter, Fan	
53	1001135679	1	Adapter	
54	1001136834	1	Cap, Tank	
55	1001137276	1	Fan	
56	1001138228	1	Relay	
57	1001138827	1	Sensor, Coolant Level (Part of Item 58)	
58	1001140535	NLA	Tank, Surge (Use p/n 1001230635) (SN 0300235168 through	

SECTION 3 - ENGINE

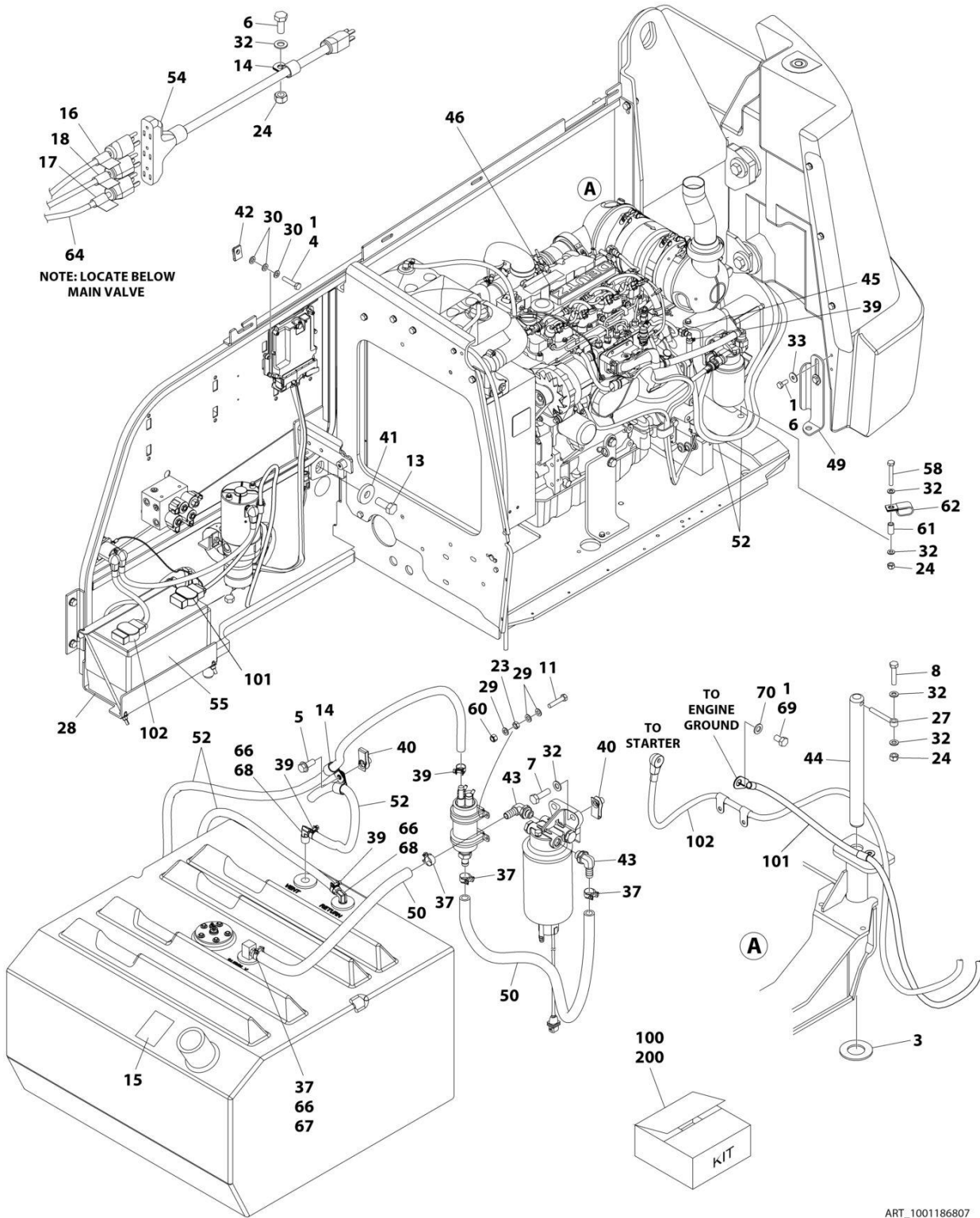
ITEM	PART NUMBER	QTY	DESCRIPTION	REV
			0300237156)	
58	1001230635	1	Tank, Surge (Include Items 51, 57 & 59) (SN 0300237157 through 0300272445)	
59	1001140564	1	Fitting, 90 Barbed (Part of Item 58)	
60	1001152489	1	Fitting, 90 Barbed	
61	1001167042	1	Radiator	
62	1001169967	2	Bracket	
63	1001170035	2	Bracket	
64	1001177359	1	Hose	
65	1001177844	1	Hose, Radiator (Top)	
66	1001227059	NLA	Mount (Use p/n 1001231805) (SN 0300235168 through 0300237156)	
66	1001231805	1	Mount (SN 0300237157 through 0300272445)	
67	1001186426	1	Clamp, Air Cleaner	
68	1001186902	1	Deutz TD2.9L4 - 67HP Engine (See Separate Breakdown in this Section)	
69	1001188237	NLA	Engine Harness - Deutz TD2.9L4 - 67HP Engines (Not Shown) (Use pn 1001233895) (See Separate Breakdown in ELECTRICAL Section) (SN 0300235168 through 0300237156)	
69	1001233895	1	Engine Harness - Deutz TD2.9L4 - 67HP Engines (Not Shown) (See Separate Breakdown in ELECTRICAL Section) (SN 0300237157 through 0300272445)	
70	1001188535	1	Bracket, Engine - Rear	
71	1001189026	1	Bracket, Engine - Right	
72	1001166716	1	Restriction, Indicator	
73	1001189913	1	Hose	
74	1001189979	1	Filter, Air	
74	70005008	1	Element, Filter	
75	1001190164	1	Mount, Motor	
76	1001200745	1	Tray	
77	1001229091	1	Support, Radiator	
78	1001203885	1	Plate	
79	1001190942	1	Support	
80	1001191025	1	Hose, Radiator (Bottom)	
82	1001191610	1	Mount, Motor	
83	1001192400	1	Bracket	
85	1001193049	1	Hose	
87	2720015	AR	Hose	
88	2300004	AR	Coolant	
89	1001136079	AR	Oil, Motor 15W-40	
90	1001168166	2	Seal	
91	1001168018	1	Washer	
92	1001180620	AR	Adhesive	
94	0761210	1	Bolt M12 x 20	
96	1001197725	1	Spacer	
97	0760810	11	Bolt M8 x 20	
98	3291005	11	Nut M10	
99	4811902	8	Washer M8	
100	5241000	10	Washer M10	
101	1001169054	4	Isolator	
102	1001169138	4	Pad, Snubbing	
103	1001190442	1	Harness, Alternator Power	
103	1001098764	1	Boot - Red	

SECTION 3 - ENGINE

ITEM	PART NUMBER	QTY	DESCRIPTION	REV
104	1320202	1	Clamp	
105	1001141304	1	Harness, Glow Fuse	
106	1001181899	1	Clamp	
108	4240099	1	Tie-Strap (Not Shown)	
109	1001223254	1	Bracket (SN 0300235168 through 0300254984)	
110	1001223255	1	Fitting, Straight FNPT (SN 0300235168 through 0300254984)	
111	1001223256	1	Fitting, Straight MNPT (SN 0300235168 through 0300254984)	
112	1001223257	24 in/.6m	Hose (SN 0300235168 through 0300254984)	
113	5251012	2	Bolt M10 x 25	
114	0760614	2	Bolt M6 x 30 (SN 0300235168 through 0300254984)	
115	0760816	3	Bolt M8 x 40	
116	0761017	4	Bolt M10 x 45	
117	1001138248	4 ft/1.25m	Tube (SN 0300254985 through 0300272445)	

SECTION 3 - ENGINE

FIGURE 3-22. DEUTZ TD2.9L4 - 67HP ENGINE INSTALLATION - WITH ARCTIC PACKAGE



SECTION 3 - ENGINE

FIGURE 3-22. DEUTZ TD2.9L4 - 67HP ENGINE INSTALLATION - WITH ARCTIC PACKAGE

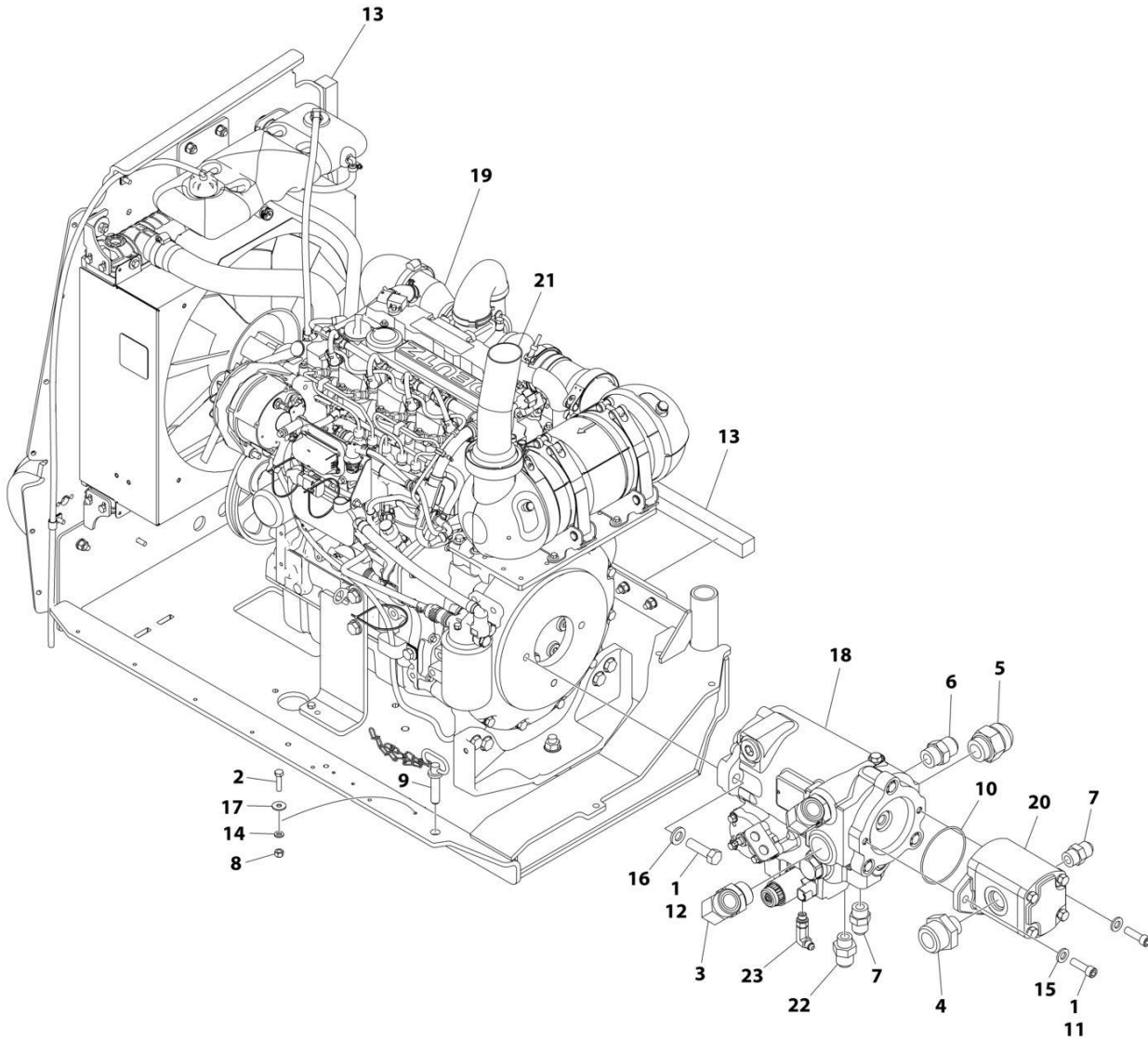
ITEM	PART NUMBER	QTY	DESCRIPTION	REV
	1001186807	Ref	DEUTZ TD2.9L4 - 67HP ENGINE INSTALLATION	O
1	0100011	AR	Compound, Locking	
3	0440162	1	Bearing	
4	0700614	4	Bolt M6 x 30	
5	5251012	1	Bolt M10 x 25	
6	0701012	3	Bolt M10 x 25	
7	0701015	2	Bolt M10 x 35	
8	0711018	1	Bolt M10 x 50	
11	0760512	4	Bolt M5 x 25	
13	0772018	1	Bolt M20 x 50	
14	1320061	3	Clamp	
15	1701505	1	Decal - Diesel Fuel	
16	1702941	1	Decal - Battery Heater	
17	1702942	1	Decal - Engine Block Heater	
18	1702943	1	Decal - Hydraulic Tank Heater	
22	1001188972	1	Heater, Immersion (Not Shown - Located on Hydraulic Tank)	
23	3290501	4	Nut M5	
24	3291005	3	Nut M10	
27	3841143	1	Keeper, Pin	
28	3980007	1	Seat, Battery	
29	4811600	12	Washer M5	
30	4811700	12	Washer M6	
32	4812000	7	Washer M10	
33	4812002	2	Washer M10	
37	1001175568	4	Clip	
39	1001136975	5	Clamp	
40	1001118972	3	Nut, Tinnerman M10	
41	1001119051	1	Washer	
42	1001130220	4	Nut, Tinnerman M6	
43	1001142501	2	Fitting, 90 Barbed	
44	1001155094	1	Pin	
45	1001155823	1	Fitting, 90 Quick Connect	
46	1001186813	1	Deutz TD2.9L4 - 67HP Engine and Pumps Sub-Assembly (See Separate Breakdown in this Section)	
49	1001196398	1	Bracket	
50	1001154405	33 in/ 0.8cm	Hose	
52	1001165035	27 ft/ 8.2m	Hose	
54	1060626	1	Plug, 3 Way	
55	2580024	1	Heater, Battery	
58	0701022	1	Bolt M10 x 70	
60	3290505	4	Nut M5	
61	1001200731	1	Tube	
62	1001026127	1	Clamp	
63	4240099	7	Tie-Strap (Not Shown)	
64	1001150918	1	Cable, Extension	
65	1001190444	1	Engine Harness - Deutz TD2.9L4 - 67HP Engines (Not Shown) (See Separate Breakdown in ELECTRICAL Section)	
66	0100020	AR	Sealant	

SECTION 3 - ENGINE

ITEM	PART NUMBER	QTY	DESCRIPTION	REV
67	2180832	1	Fitting, Straight Barbed	
68	2220313	2	Fitting, 90 NPTF/Barb	
69	0761210	1	Bolt M12 x 20	
70	4812100	1	Washer M12	
75	1001233763	1	Deutz Breather Heater Installation (Not Shown) (See Separate Breakdown in this Section)	
75	4240099	AR	Tie-Strap	
75	1001196634	1	Fuse 2amp	
75	1001232842	1	Heater, Deutz Breather Kit	
75	2400060	1	Fuse, Holder	
100	1001235532	1	Battery Cable Kit	
101	1001188668	1	Cable, Battery (-) to Aux Pump and Ground	
102	1001188669	1	Cable, Battery (+) to Aux Relay to Starter	
200	1001269919	1	Hose Assembly Kit	
201	1001192690	1	Hose (Case Drain) (Drive Pump Case Gauge Port to Tank) (Not Shown)	
202	1001203431	1	Hose (Case Drain) (Drive Pump Case Outlet Port to Tank) (Not Shown)	
203	1001203432	1	Hose (Function Suction) (Not Shown)	
204	1001203433	1	Hose (Drive Suction) (Not Shown)	

SECTION 3 - ENGINE

FIGURE 3-23. DEUTZ TD2.9L4 - 67HP ENGINE AND PUMPS SUB-ASSEMBLY - WITH ARCTIC PACKAGE



ART_1001186813

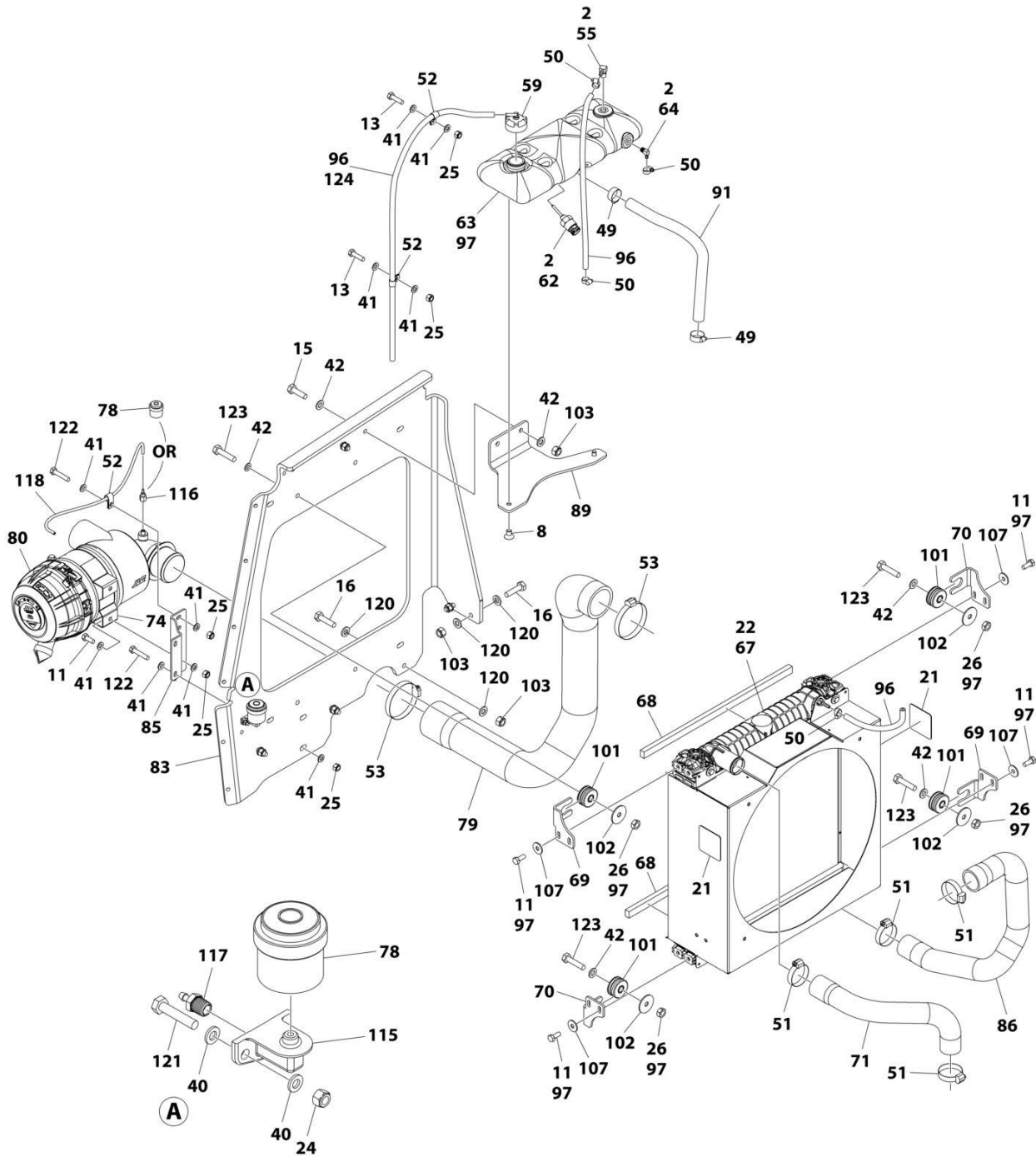
SECTION 3 - ENGINE

FIGURE 3-23. DEUTZ TD2.9L4 - 67HP ENGINE AND PUMPS SUB-ASSEMBLY - WITH ARCTIC PACKAGE

ITEM	PART NUMBER	QTY	DESCRIPTION	REV
	1001186813	Ref	DEUTZ TD2.9L4 - 67HP ENGINE AND PUMPS SUB-ASSEMBLY	I
1	0100011	AR	Compound, Locking	
2	0760612	1	Bolt M6 x 25	
3	2131616	2	Fitting, 90 ORFS/ORB	
4	2220946	1	Fitting, Straight JIC/ORB	
5	2220479	1	Fitting, Straight JIC/ORB	
6	2220451	1	Fitting, Straight JIC/ORB	
7	2220947	2	Fitting, Straight JIC/ORB	
8	3290605	1	Nut M6	
9	3422532	1	Pin	
10	3790152	1	O-Ring	
11	3931620	2	Capscrew 3/8 x 1-1/4	
11	3931618	2	Capscrew 3/8 x 1-1/8	
12	0641814	2	Bolt 1/2 x 1-3/4	
13	3960469	2	Seal	
14	4811700	1	Washer M6	
15	5241000	2	Washer M10	
16	5241200	2	Washer M12	
17	4811702	1	Washer M6	
18	1001184930	1	Piston Pump Assembly (See Separate Breakdown in this Section)	
19	1001186814	1	Deutz TD2.9L4 - 67HP Engine Assembly (See Separate Breakdown in this Section)	
20	1001190143	1	Gear Pump Assembly	
20	70006356	1	Seal Kit - 1001190143 Pump	
21	1001211042	NLA	Pipe, Exhaust (Use p/n 1001239207) (SN 0300235168 through 0300254984)	
21	1001239207	1	Pipe, Exhaust (SN 0300254985 through 0300272445)	
22	2220408	1	Fitting, Straight JIC/ORB	
23	2220940	1	Fitting, 90 JIC/ORB	

SECTION 3 - ENGINE

FIGURE 3-24. DEUTZ TD2.9L4 - 67HP ENGINE ASSEMBLY - WITH ARCTIC PACKAGE



ART_1001186814_10F2

SECTION 3 - ENGINE

FIGURE 3-24. DEUTZ TD2.9L4 - 67HP ENGINE ASSEMBLY - WITH ARCTIC PACKAGE

ITEM	PART NUMBER	QTY	DESCRIPTION	REV
	1001186814	Ref	DEUTZ TD2.9L4 - 67HP ENGINE ASSEMBLY	T
1	0100011	AR	Compound, Locking	
2	0100020	AR	Sealant	
6	0711224	1	Bolt M12 x 80	
7	0711627	1	Bolt M16 x 100	
8	0741605	2	Screw 3/8 x 5/8	
9	0760610	2	Bolt M6 x 20	
10	0760619	1	Bolt M6 x 55	
11	0760810	11	Bolt M8 x 20	
13	0760814	AR	Bolt M8 x 30	
15	0761015	6	Bolt M10 x 35	
16	0761016	5	Bolt M10 x 40	
17	0761210	1	Bolt M12 x 20	
18	0771414	4	Bolt M14 x 30	
19	0771416	4	Bolt M14 x 40	
20	0961951	2	Bushing	
21	1703162	2	Decal - Fan Blade	
22	2300041	AR	Coolant	
23	2902065	1	Pump Coupling Kit (See Separate Breakdown in this Section)	
24	3290605	AR	Nut M6	
25	3290805	AR	Nut M8	
26	3291001	4	Nut M10	
27	3331211	1	Nut M12	
29	3331611	1	Nut M16	
30	3520054	1	Plug	
31	3580320	1	Pulley	
33	3931512	4	Capscrew 5/16 x 3/4	
34	3931628	4	Capscrew 3/8 x 1-3/4	
35	4031914	4	Capscrew M8 x 50	
36	4032014	4	Capscrew M10 x 50	
39	4711500	4	Washer 5/16	
40	4811700	AR	Washer M6	
41	4811900	AR	Washer M8	
42	4812000	20	Washer M10	
44	5241400	8	Washer M14	
45	4812300	1	Washer M16	
46	5241200	2	Washer M12	
47	5250810	2	Bolt M8 x 20	
48	7300435	1	Washer	
49	8405007	2	Clamp	
50	8405009	4	Clamp	
51	8405104	4	Clamp	
52	8406109	AR	Clip	
53	8410011	2	Clamp	
54	1001117308	1	Contactactor	
55	1001134488	1	Fitting, 90 Barbed (Part of Item 63)	
56	1001135138	1	Adapter	
57	1001135679	1	Adapter	
58	1001136172	AR	Oil, Motor 5W-40	
59	1001136834	1	Cap, Tank	

SECTION 3 - ENGINE

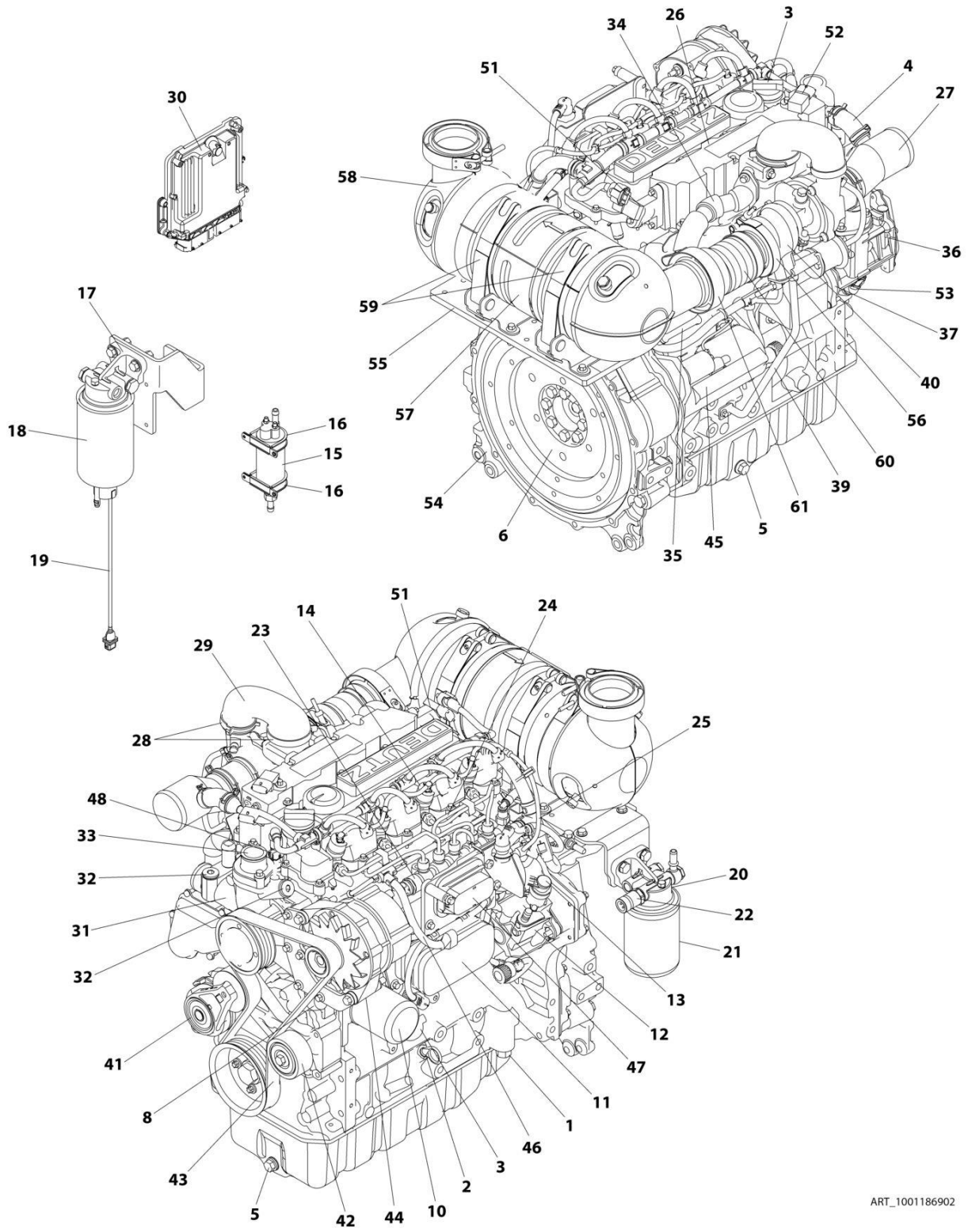
ITEM	PART NUMBER	QTY	DESCRIPTION	REV
60	1001137276	1	Fan	
61	1001138228	1	Relay	
62	1001138827	1	Sensor, Coolant Level (Part of Item 63)	
63	1001140535	NLA	Tank, Surge (Use p/n 1001230635) (SN 0300235168 through 0300237156)	
63	1001230635	1	Tank, Surge (Includes Items 55, 62 & 64) (SN 0300237157 through 0300272445)	
64	1001140564	1	Fitting, 90 Barbed (Part of Item 63)	
65	1001152489	1	Fitting, 90 Pipe/Barbed	
67	1001167042	1	Radiator	
68	1001168166	2	Seal	
69	1001169967	2	Bracket	
70	1001170035	2	Bracket	
71	1001177844	1	Hose, Radiator (Top)	
72	1001227059	NLA	Mount (Use p/n 1001231805) (SN 0300235168 through 0300237156)	
72	1001231805	1	Mount (SN 0300237157 through 0300272445)	
74	1001186426	1	Clamp, Air Cleaner	
75	1001186902	1	Deutz TD2.9L4 - 67HP Engine (See Separate Breakdown in this Section)	
76	1001188535	1	Bracket, Engine - Rear	
77	1001189026	1	Bracket, Engine - Right	
78	1001166716	1	Restriction, Indicator	
79	1001189913	1	Hose	
80	1001189979	1	Filter, Air	
80	70005008	1	Element, Filter	
81	1001190164	1	Mount, Motor	
82	1001200745	1	Tray	
83	1001229091	1	Support, Radiator	
84	1001203885	1	Plate	
85	1001190942	1	Support	
86	1001191025	1	Hose, Radiator (Bottom)	
88	1001191610	1	Mount, Motor	
89	1001192400	1	Bracket	
91	1001193049	1	Hose	
92	1001140312	1	Heater, Engine Block	
93	1001177359	1	Hose	
94	1001188237	NLA	Engine Harness - Deutz TD2.9L4 - 67HP Engines (Not Shown) (Use pn 1001233895) (See Separate Breakdown in ELECTRICAL SECTION) (SN 0300235168 through 0300237156)	
94	1001233895	1	Engine Harness - Deutz TD2.9L4 - 67HP Engines (Not Shown) (See Separate Breakdown in ELECTRICAL SECTION) (SN 0300237157 through 0300272445)	
96	2720015	AR	Hose	
97	1001180620	AR	Adhesive	
98	1001168018	1	Washer	
99	1001197725	1	Spacer	
101	1001169054	4	Isolator	
102	1001169138	4	Pad, Snubbing	
103	3291005	11	Nut M10	
107	4811902	8	Washer M8	
108	1001181895	AR	Adhesive	
109	1001190442	1	Harness, Alternator Power	

SECTION 3 - ENGINE

ITEM	PART NUMBER	QTY	DESCRIPTION	REV
109	1001098764	1	Boot - Red	
110	1320202	1	Clamp	
111	1001141304	1	Harness, Glow Fuse	
112	1001181899	1	Clamp	
114	4240099	1	Tie-Strap (Not Shown)	
115	1001223254	1	Bracket (SN 0300235168 through 0300254984)	
116	1001223255	1	Fitting, Straight FNPT (SN 0300235168 through 0300254984)	
117	1001223256	1	Fitting, Straight MNPT (SN 0300235168 through 0300254984)	
118	1001223257	24 in/.6m	Hose (SN 0300235168 through 0300254984)	
119	5251012	2	Bolt M10 x 25	
120	5241000	10	Washer M10	
121	0760614	2	Bolt M6 x 30 (SN 0300235168 through 0300254984)	
122	0760816	3	Bolt M8 x 40	
123	0761017	4	Bolt M10 x 45	
124	1001138248	4 ft/1.25m	Tube (SN 0300254985 through 0300272445)	

SECTION 3 - ENGINE

FIGURE 3-25. DEUTZ TD2.9L4 - 67HP ENGINE COMPONENTS



ART_1001186902

SECTION 3 - ENGINE

FIGURE 3-25. DEUTZ TD2.9L4 - 67HP ENGINE COMPONENTS

ITEM	PART NUMBER	QTY	DESCRIPTION	REV
	1001186902	Ref	DEUTZ TD2.9L4 - 67HP ENGINE COMPONENTS	D
1	70025660	1	Plug	
1	70006264	1	Valve, Plunger	
1	70006265	1	Spring	
1	70006266	1	Seal	
2	70024904	1	Dipstick	
2	70024905	2	Seal	
3	7020465	2	Cap, Fill	
4	70005920	1	Line, Breather	
4	70025111	2	Clamp	
5	70006941	2	Plug	
5	70005942	2	Seal	
6	70001870	1	Flywheel	
6	7024579	1	Ring Gear	
6	70025139	8	Bolt	
7		Ref	Gasket & Seal Options (Not Shown):	
7	70005938	1	Gasket Kit	
7	70024906	1	Gasket, Head	
7	70005922	1	Gasket, Valve Cover	
7	70028185	1	Gasket, Front Cover	
7	70004280	1	Seal, Front Main	
7	70002718	1	Seal, Rear Main	
8	70025091	1	Plug	
8	70025076	1	Valve, Plunger	
8	70025176	1	Spring	
8	70025082	1	Seal	
9	70005172	1	Pump, Lube (Not Shown - Located RH Rear)	
9	70025135	1	O-Seal	
9	70005173	1	Gasket	
10	7016331	1	Filter, Oil	
10	70025137	1	Bushing, Oil Filter	
11	70024494	1	Cooler, Oil	
11	70024925	1	Gasket, Oil Filter	
12	70024924	1	Pump, High Pressure	
12	70025152	1	Gasket (Spacer to Pump)	
12	70024488	1	Spacer	
12	70024517	1	Gasket (Spacer to Block)	
12	70004505	1	Valve, Overflow	
12	70004506	1	Gasket, Overflow	
12	70004507	1	Gasket, Overflow	
13	70004508	1	Valve, Volume Control	
13	70004509	1	O-Ring	
13	70004510	1	Gasket	
14	70025181	4	Injector	
14	70025140	4	Washer, Sealing	
14	70025146	4	Clamp	
14	70025145	4	O-Seal	
14	70025154	4	Shoe/Pad, Clamping	
15	1001226098	1	Pump, Fuel Supply (was p/n 70005174 & 70006144)	
16	70025144	2	Clip, Clamp	

SECTION 3 - ENGINE

ITEM	PART NUMBER	QTY	DESCRIPTION	REV
17	70024961	1	Fuel Filter Assembly	
18	70025153	1	Element, Filter	
19	70024513	1	Cable, Sensor	
19	70025239	1	Seal, Ring	
20	70025160	1	Fuel Filter Assembly	
20	70004513	2	Seal (at Hollow Bolt)	
21	70025161	1	Element, Filter	
22	70024504	1	Sensor, Pressure	
22	70024920	1	O-Seal	
23	70025151	1	Rail, Fuel	
23	70025235	1	Repair Kit - Fuel Rail	
23	70025240	1	O-Ring	
24	70025182	1	Tube, Fuel - Cylinders 1 & 2	
24	70025183	1	Tube, Fuel - Cylinders 3 & 4	
24	70025184	1	Tube, Fuel	
25	70024502	1	Pipe, Fuel Leakage	
25	70025185	1	Hose, Fuel	
25	70025158	1	Manifold	
25	70025109	2	Clamp, Spring	
25	70025115	1	Clamp	
25	70025133	1	Hose	
25	70025101	2	Clamp	
25	70025148	1	Connector, Plug-in	
26	70005923	1	Manifold, Charger Air	
26	70005177	1	Gasket, Charger Air Manifold	
26	70005924	1	Seal (Manifold to Elbow)	
26	70005925	1	Line, Breather (Not Shown)	
26	70005181	1	O-Seal (Breather to Manifold)	
27	70005926	1	Elbow	
27	70025112	2	Clamp	
27	70004501	1	Sleeve, Rubber	
28	70005927	1	Sleeve	
28	70025107	2	Clamp	
29	70005928	1	Elbow, Air Charge	
30	70025210	1	Module, ECU	
31	70024910	1	Pump, Coolant	
31	70025200	1	Ring, Sealing (Pump to Block)	
32	70025084	2	Plug	
32	7020492	2	Ring, Sealing	
33	70007603	1	Thermostat	
33	70005184	1	O-Seal (Thermostat to Housing)	
33	70005930	1	Housing, Thermostat	
33	70005931	1	O-Seal (Thermostat to Pump)	
33	70025124	2	Bolt	
34	70025178	1	Tube	
34	70025179	2	Gasket (at Either End of Tube)	
35	70025768	1	Valve, Shuttle	
35	70025180	1	Gasket	
35	70025174	1	Housing, Shuttle Valve	
35	70025175	1	Cap, Shuttle Valve	
36	70025203	1	Module, EGR	

SECTION 3 - ENGINE

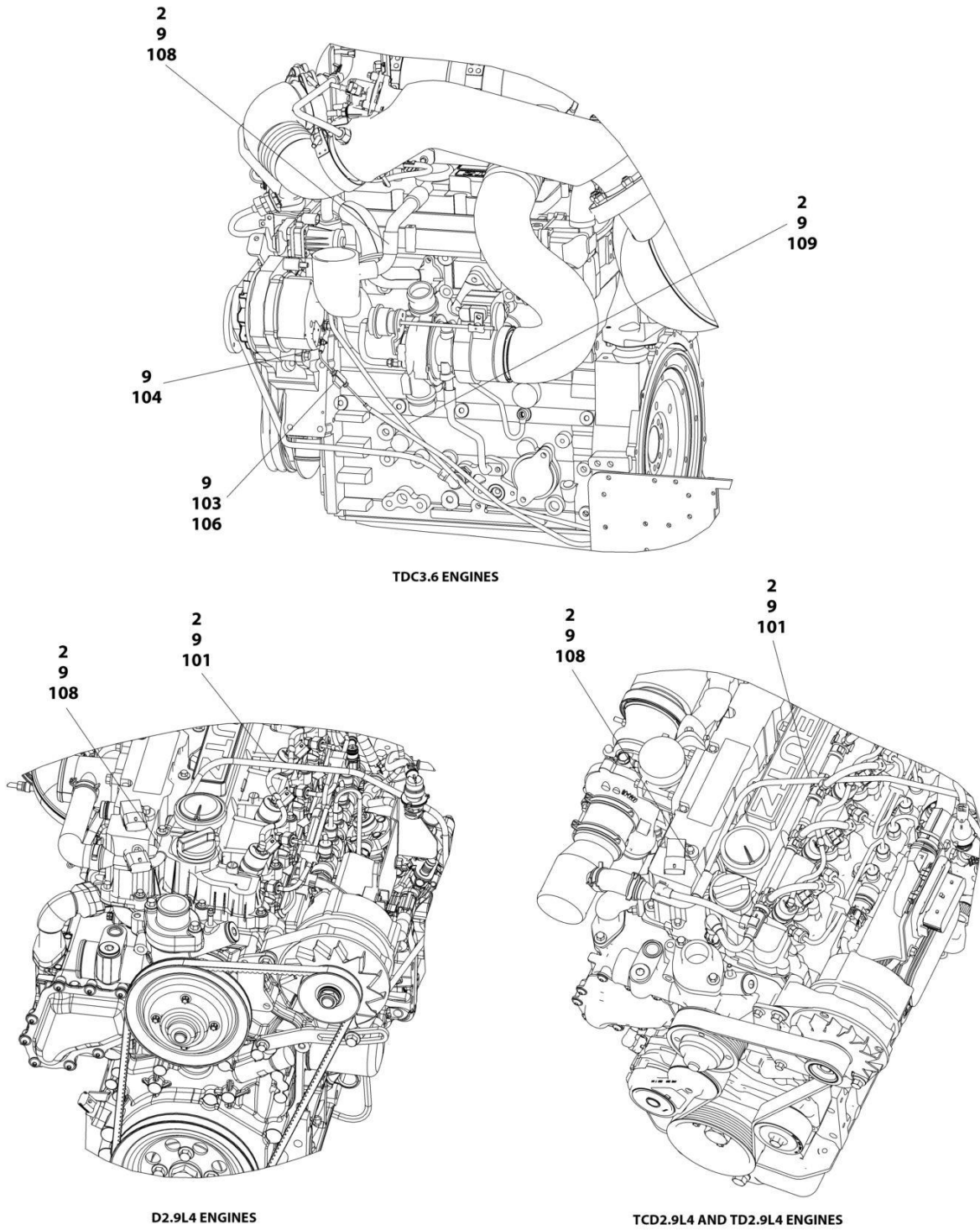
ITEM	PART NUMBER	QTY	DESCRIPTION	REV
36	70025155	1	Plug (Not Shown)	
37	70005188	1	Valve, EGR Control	
37	70005189	1	Seal (Valve to Module)	
38	70004282	1	Manifold, Exhaust (Not Shown)	
38	70025164	1	Gasket, Manifold to Head (Not Shown)	
38	70025130	8	Bolt, Manifold (Not Shown)	
38	70026995	1	Elbow, Exhaust (Not Shown)	
38	70025179	2	Gasket, Manifold to Elbow (Not Shown)	
39	70005932	1	Tube, Oil Return	
39	70025132	1	O-Seal	
40	70004276	1	Turbocharger	
40	70024509	1	Gasket (Turbocharger to Oil Return Tube Housing)	
40	70024912	1	Gasket (Turbocharger to Exhaust)	
41	70025477	1	Tensioner, Belt	
42	70024484	1	Roller, Idler	
43	70004277	1	Belt	
44	70025733	1	Pulley, Alternator	
44	70024914	1	Alternator	
44	70025149	1	Controller	
44	70025131	1	Fan	
45	70024915	1	Starter	
45	70005647	1	Switch, Solenoid	
45	70005648	1	Relay	
46	70000345	4	Glow Plug	
46	70025231	1	Harness, Glow Plug	
46	70025233	1	Connector, Plug-in	
47	70025077	1	Harness, Engine	
48	70024918	1	Sender, Temperature	
49	70024504	1	Sensor, Pressure (Not Shown - RH Front)	
49	70024920	1	O-Seal	
50	70026210	1	Sensor, Speed (Not Shown - Front)	
50	70005191	1	Ring, Seal	
51	70024507	1	Sensor, Pressure	
51	70025120	1	O-Seal	
51	70005933	1	Adapter	
51	70005934	1	O-Seal	
52	70024922	1	Sender, Temperature	
52	70025212	1	O-Seal	
53	70026210	1	Sensor, Speed (Not Shown - Front)	
53	70024917	1	O-Seal	
54	70025192	1	Housing	
55	70005935	1	Bracket	
56	70025877	1	Clip	
56	70025242	1	Gasket	
56	70025877	1	Clip	
56	70025242	1	Gasket	
57	70005937	1	Muffler, DOC	
58	70025246	1	Outlet, Muffler	
59	70025245	2	Clamp	
60	70004504	1	Compensator	
60	70025242	1	Gasket	

SECTION 3 - ENGINE

ITEM	PART NUMBER	QTY	DESCRIPTION	REV
60	70005527	1	Clip	
61	70025877	1	Clip	

SECTION 3 - ENGINE

FIGURE 3-26. BREATHER HEATER INSTALLATION - DEUTZ D2.9L4 - 49HP AND DEUTZ TD2.9L4 - 67HP ENGINES WITH ARCTIC PACKAGE



ART_1001233763

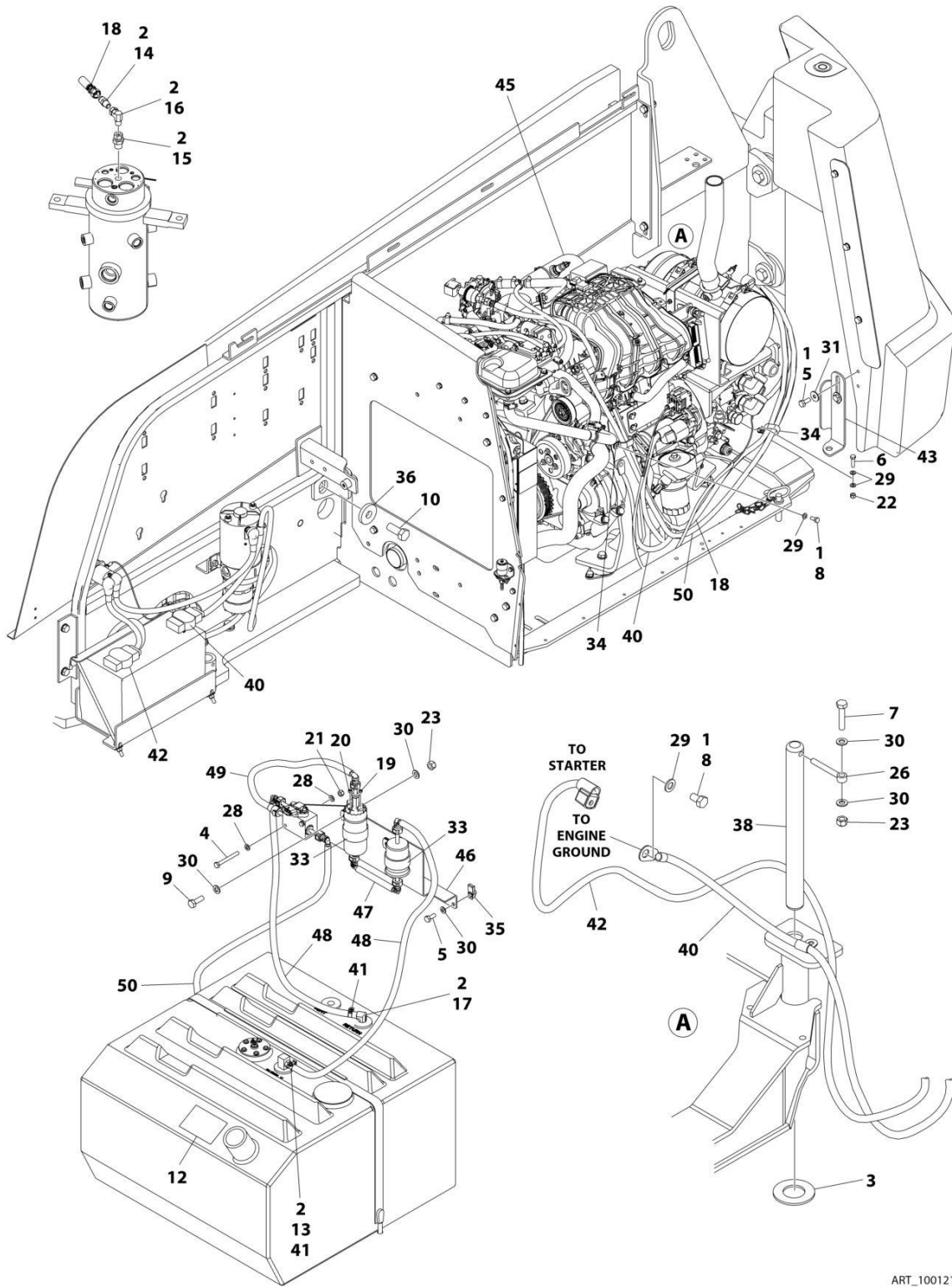
SECTION 3 - ENGINE

FIGURE 3-26. BREATHER HEATER INSTALLATION - DEUTZ D2.9L4 - 49HP AND DEUTZ TD2.9L4 - 67HP ENGINES WITH ARCTIC PACKAGE

ITEM	PART NUMBER	QTY	DESCRIPTION	REV
	1001233763	Ref	BREATHER HEATER INSTALLATION - DEUTZ ENGINES	D
2	4240099	AR	Tie-Strap	
9	1001243895	1	Breather Heater Harness	C
101	2820035	AR	Insulation	
103	2400060	1	Fuseholder with Cover	
104	4460043	1	Terminal, Ring	
105	4460722	1	Terminal, Ring (Not Shown)	
106	1001196634	1	Fuse - 2 Amp	
108	1001232842	1	Breather Heater Kit	

SECTION 3 - ENGINE

FIGURE 3-27. FORD ENGINE INSTALLATION - WITHOUT ARCTIC PACKAGE



ART_1001215608

SECTION 3 - ENGINE

FIGURE 3-27. FORD ENGINE INSTALLATION - WITHOUT ARCTIC PACKAGE

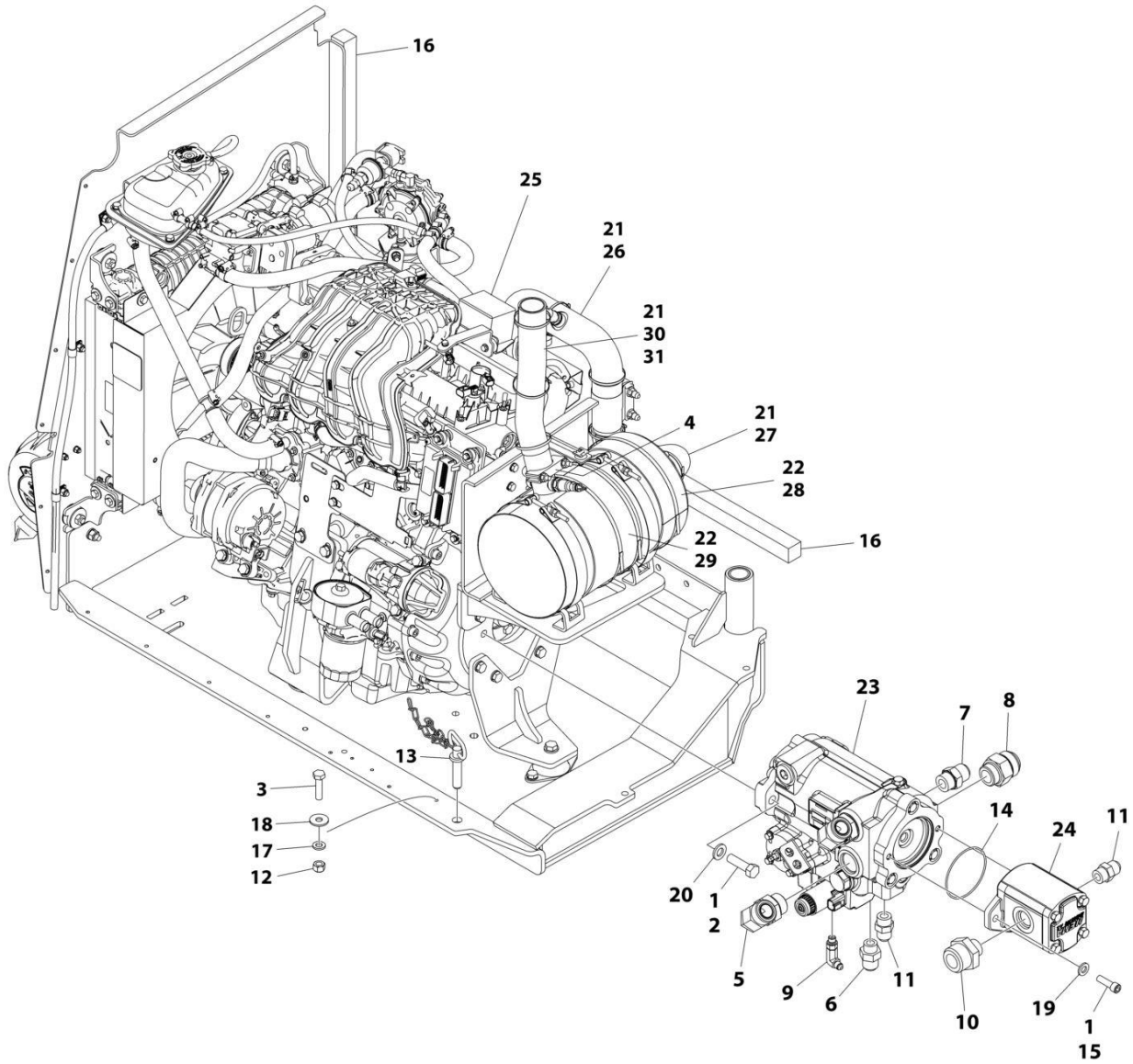
ITEM	PART NUMBER	QTY	DESCRIPTION	REV
	1001215608	Ref	FORD ENGINE INSTALLATION	G
1	0100011	AR	Compound, Locking	
2	0100020	AR	Sealant	
3	0440162	1	Bearing	
4	0700619	2	Bolt M6 x 55	
5	0701012	4	Bolt M10 x 25	
6	0760814	1	Bolt M8 x 30	
7	0711018	1	Bolt M10 x 50	
8	0760810	2	Bolt M8 x 20	
9	0761014	2	Bolt M10 x 30	
10	0772018	1	Bolt M20 x 50	
12	1701542	1	Decal - Gas	
13	2180348	1	Fitting, Straight NPT/BARB	
14	2180418	1	Fitting, Straight	
15	2220005	1	Fitting, Straight NPTM	
16	2220064	1	Fitting, Straight	
17	2221176	1	Fitting, 90	
18	1001222133	1	Hose	
19	3290405	1	Nut M4	
20	3290505	1	Nut M5	
21	3290605	2	Nut M6	
22	3290805	1	Nut M8	
23	3291005	3	Nut M10	
25	3790012	1	O-Ring (Not Shown - Located on Platform Console)	
26	3841143	1	Keeper, Pin	
27	4740397	1	Spacer (Not Shown - Located on Platform Console)	
28	4811700	4	Washer M6	
29	4811900	4	Washer M8	
30	4812000	8	Washer M10	
31	4812002	2	Washer M10	
33	85941018	2	Clamp	
34	1321283	2	Clamp	
35	1001118972	2	Nut, Tinnerman	
36	1001119051	1	Washer	
37	1001115044	1	Nut 15/32 (Not Shown - Located on Platform Console)	
38	1001155094	1	Pin	
39	1001161710	1	Switch, Toggle (Not Shown - Located on Platform Console)	
40	1001215220	1	Cable, Battery (-) to Aux Pump to Ground	
41	1001174486	2	Clamp	
42	1001215219	1	Cable, Battery (+) to Aux Ready to Starter	
43	1001196398	1	Bracket	
45	1001215610	1	Ford Engine and Pumps Sub-Assembly (See Separate Breakdown in this Section)	
46	1001219005	1	Bracket	
47	1001219015	1	Hose	
48	1001219021	2	Hose	
49	1001219022	1	Hose	
50	1001219024	1	Hose	
52	1001203432	1	Hose (Drive Suction) (Not Shown)	
53	1001221942	1	Hose (Function Suction) (Not Shown)	

SECTION 3 - ENGINE

ITEM	PART NUMBER	QTY	DESCRIPTION	REV
54	1001221943	1	Hose (Case Drain) (Drive Pump Case Outlet Port to Tank) (Not Shown)	
55	1001221944	1	Hose (Case Drain) (Drive Pump Case Gauge Port to Tank) (Not Shown)	
56	1701543	2	Decal - LPG (Not Shown - See DECALS INSTALLATION - OPTIONS for Locations)	
57	4240099	1	Tie-Strap (Not Shown)	
100	1001236136	1	Battery Cable Kit (Includes Items 40 & 42) (Not Shown)	

SECTION 3 - ENGINE

FIGURE 3-28. FORD ENGINE AND PUMPS SUB-ASSEMBLY - WITHOUT ARCTIC PACKAGE



ART_1001215610

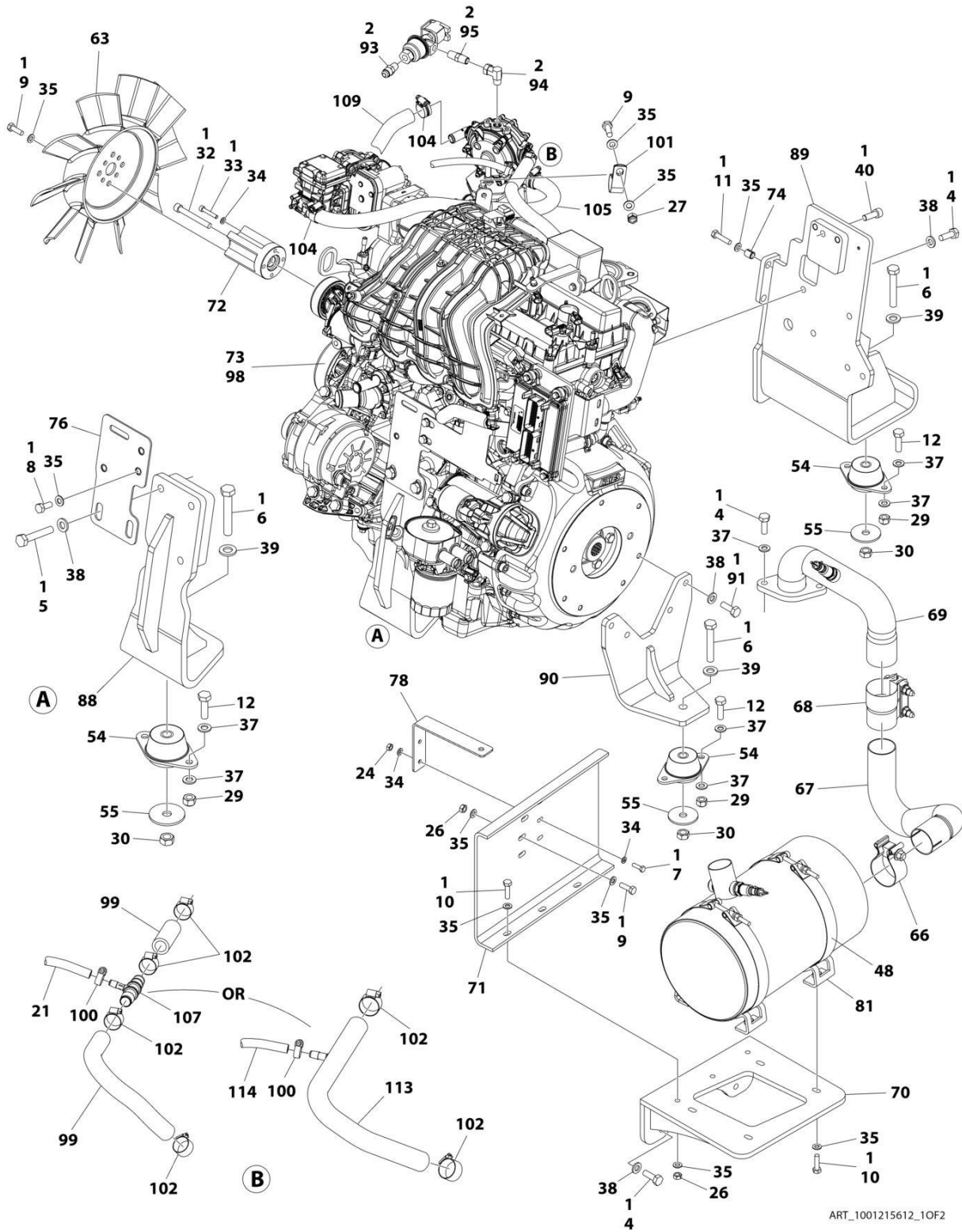
SECTION 3 - ENGINE

FIGURE 3-28. FORD ENGINE AND PUMPS SUB-ASSEMBLY - WITHOUT ARCTIC PACKAGE

ITEM	PART NUMBER	QTY	DESCRIPTION	REV
	1001215610	Ref	FORD ENGINE AND PUMPS SUB-ASSEMBLY	F
1	0100011	AR	Compound, Locking	
2	0641814	2	Bolt 1/2 x 1-3/4	
3	0760612	1	Bolt M6 x 25	
4	1001221397	1	Clamp	
5	2131616	2	Fitting, 90 ORFS/ORB	
6	2220408	1	Fitting, Straight JIC/ORB	
7	2220451	1	Fitting, Straight ORB/JIC	
8	2220479	1	Fitting, Straight JIC/ORB	
9	2220940	1	Fitting, 90 JIC/ORB	
10	2220946	1	Fitting, Straight JIC/ORB	
11	2220947	2	Fitting, Straight JIC/ORB	
12	3290605	1	Nut M6	
13	3422532	1	Pin	
14	3790152	1	O-Ring	
15	3931620	2	Capscrew 3/8 x 1-1/4	
15	3931618	2	Capscrew 3/8 x 1-1/8	
16	3960469	2	Seal	
17	4811700	1	Washer M6	
18	4811702	1	Washer M6	
19	5241000	2	Washer M10	
20	5241200	2	Washer M12	
21	1001100825	9	Strap	
22	1001221464	3	Strap	
23	1001184930	1	Piston Pump Assembly (See Separate Breakdown in this Section)	
24	1001190143	1	Gear Pump Assembly	
24	70006356	1	Seal Kit - 1001190143 Pump	
25	1001215612	1	Ford Engine Assembly (See Separate Breakdown in this Section)	
26	1001216532	1	Insulate, Exhaust	
27	1001216533	1	Insulate, Exhaust	
28	1001216534	1	Insulate, Muffler	
29	1001216535	1	Insulate, Muffler	
30	1001216947	1	Pipe, Exhaust	
31	1001217563	1	Insulate, Exhaust	

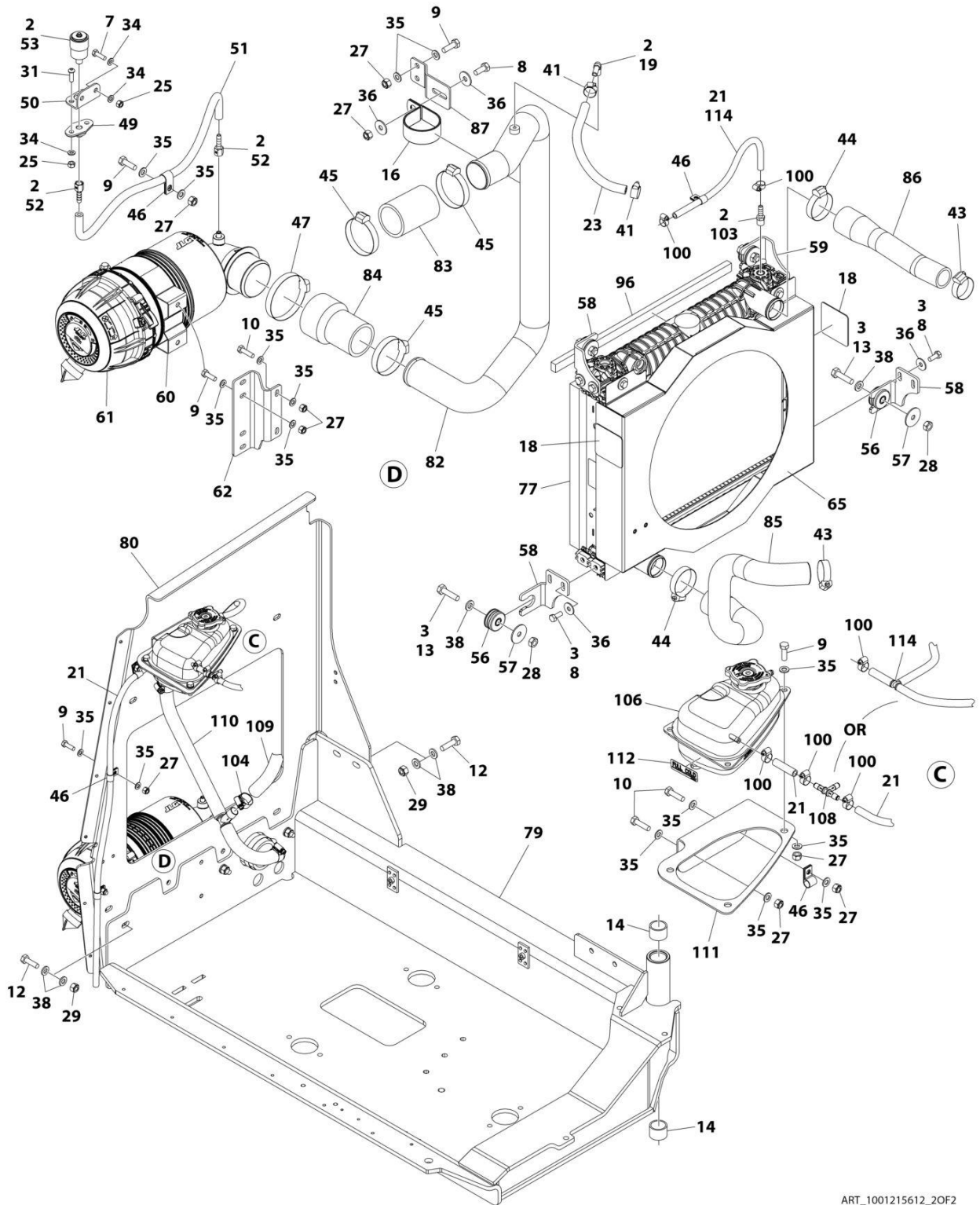
SECTION 3 - ENGINE

FIGURE 3-29. FORD ENGINE ASSEMBLY - WITHOUT ARCTIC PACKAGE



ART_1001215612_10F2

SECTION 3 - ENGINE



ART_1001215612_20F2

SECTION 3 - ENGINE

FIGURE 3-29. FORD ENGINE ASSEMBLY - WITHOUT ARCTIC PACKAGE

ITEM	PART NUMBER	QTY	DESCRIPTION	REV
	1001215612	Ref	FORD ENGINE ASSEMBLY	H
1	0100011	AR	Compound, Locking	
2	0100020	AR	Sealant	
3	1001180620	AR	Adhesive	
4	0711014	10	Bolt M10 x 30	
5	0711020	3	Bolt M10 x 60	
6	0711223	3	Bolt M12 x 75	
7	0760610	4	Bolt M6 x 20	
8	0760810	11	Bolt M8 x 20	
9	0760812	18	Bolt M8 x 25	
10	0760814	11	Bolt M8 x 30	
11	0760815	2	Bolt M8 x 35	
12	0761015	11	Bolt M10 x 35	
13	0761016	4	Bolt M10 x 40	
14	0961951	2	Bushing	
16	1320110	1	Clamp	
18	1703162	2	Decal - Fan Blade	
19	2180467	1	Fitting, Straight NPT/Barb	
21	2720058	AR	Hose, Fuel	
23	2720551	11 in/ 28cm	Hose (SN 0300235168 through 0300243994)	
23	1001165035	11 in/ 28cm	Hose (SN 0300243995 through 0300272445)	
24	3290601	2	Nut M6	
25	3290605	4	Nut M6	
26	3290801	5	Nut M8	
27	3290805	17	Nut M8	
28	3291001	4	Nut M10	
29	3291005	11	Nut M10	
30	3331211	3	Nut M12	
31	3900364	2	Capscrew M6 x 20	
32	3931648	1	Capscrew 3/8 x 3	
33	4031711	1	Capscrew M6 x 35	
34	4811700	14	Washer M6	
35	4811900	54	Washer M8	
36	4811902	10	Washer M8	
37	4812000	14	Washer M10	
38	5241000	29	Washer M10	
39	5241200	3	Washer M12	
40	5272010	1	Capscrew M10 x 30	
41	8405006	2	Clamp	
43	8405102	2	Clamp	
44	8405104	2	Clamp	
45	8405203	3	Clamp	
46	8406109	AR	Clip	
47	8410011	1	Clamp	
48	1001128901	2	Strap	
49	1001138173	1	Support	
50	1001138175	1	Bracket	
51	1001138248	23 in/.6m	Hose	

SECTION 3 - ENGINE

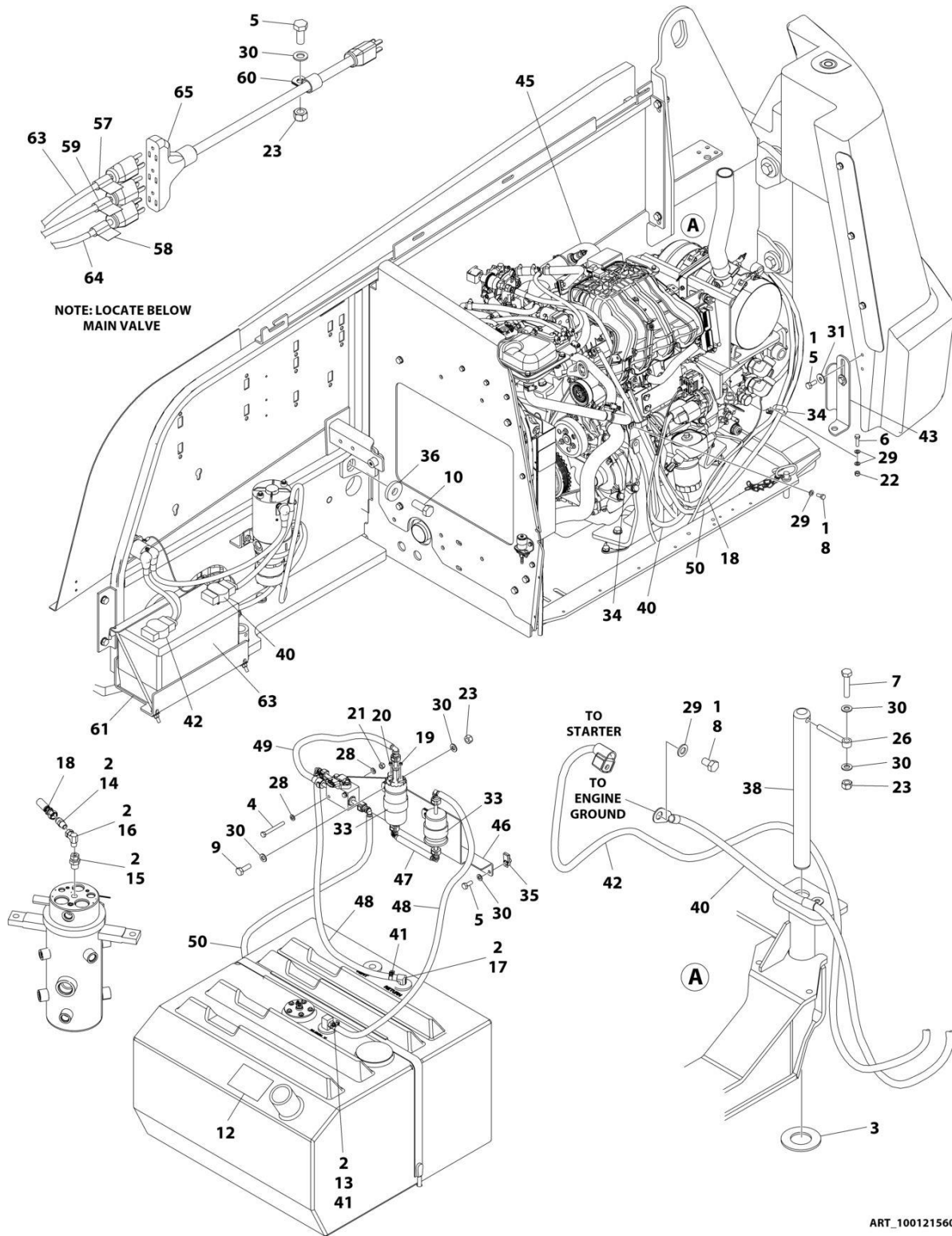
ITEM	PART NUMBER	QTY	DESCRIPTION	REV
52	1001141995	2	Fitting, Straight NPT/Barbed	
53	1001149639	1	Indicator, Restriction	
54	1001191610	3	Mount, Motor	
55	1001168018	3	Washer	
56	1001169054	4	Isolator	
57	1001169138	4	Pad, Snubbing	
58	1001169967	3	Bracket	
59	1001170035	1	Bracket	
60	1001186426	1	Clamp	
61	1001189979	1	Filter, Air	
61	70005008	1	Element, Filter	
62	1001190942	1	Support	
63	1001223042	1	Fan	
64	1001215218	1	Engine Harness - Ford Engines (Not Shown) (See Separate Breakdown in ELECTRICAL SECTION)	
65	1001223923	1	Radiator	
66	1001215681	1	Clamp	
67	1001215899	1	Pipe, Exhaust	
68	1001215974	1	Clamp	
69	1001216075	1	Pipe, Exhaust	
70	1001216086	1	Bracket	
71	1001216092	1	Shield, Heat	
72	1001216201	1	Adapter	
73	1001216910	1	Ford Engine Prep Assembly (See Separate Breakdown in this Section)	
74	1001216919	2	Sleeve	
76	1001222033	1	Plate	
77	1001217185	2	Seal	
78	1001217186	1	Support	
79	1001217450	1	Tray	
80	1001217453	1	Support, Radiator	
81	1001217543	2	Mount	
82	1001217593	1	Pipe, Air Intake	
83	1001217594	1	Pipe, Air Intake	
84	1001217595	1	Pipe, Air Intake	
85	1001217647	1	Hose, Radiator (Lower)	
86	1001217648	1	Hose, Radiator (Upper)	
87	1001218471	1	Bracket	
88	1001218559	1	Mount, Engine (RH Front)	
89	1001218565	1	Mount, Engine (LH Front)	
90	1001218575	1	Mount, Engine (Rear)	
91	0761014	4	Bolt M10 x 30	
92	1001187781	1	Tie-Strap (Not Shown)	
93	2180418	1	Fitting	
94	2220064	1	Fitting	
95	2220261	1	Fitting	
96	1001217183	2	Seal	
99	82033995	14 in/ 34cm	Heater Hose (SN 0300235168 through 0300243994)	
100	8405009	AR	Gear	
101	8406201	1	Clip	
102	8410009	AR	Clamp	

SECTION 3 - ENGINE

ITEM	PART NUMBER	QTY	DESCRIPTION	REV
103	8420231	1	Fitting, Barb	
104	1001173535	6	Clamp	
105	1001216531	25 in/ 63cm	Hose	
106	1001223584	1	Tank, Surge	
107	1001224431	1	Fitting, Tee (SN 0300235168 through 0300243994)	
108	1001224432	1	Fitting, Tee Barbed (SN 0300235168 through 0300243994)	
109	1001224486	1	Hose	
110	1001224489	1	Hose	
111	1001225442	1	Bracket	
112	1001225510	1	Decal - Full Cold, Surge Tank	
113	1001227666	1	Hose (SN 0300243995 through 0300272445)	
114	1001227667	1	Hose (SN 0300243995 through 0300272445)	

SECTION 3 - ENGINE

FIGURE 3-30. FORD ENGINE INSTALLATION - WITH ARCTIC PACKAGE



SECTION 3 - ENGINE

FIGURE 3-30. FORD ENGINE INSTALLATION - WITH ARCTIC PACKAGE

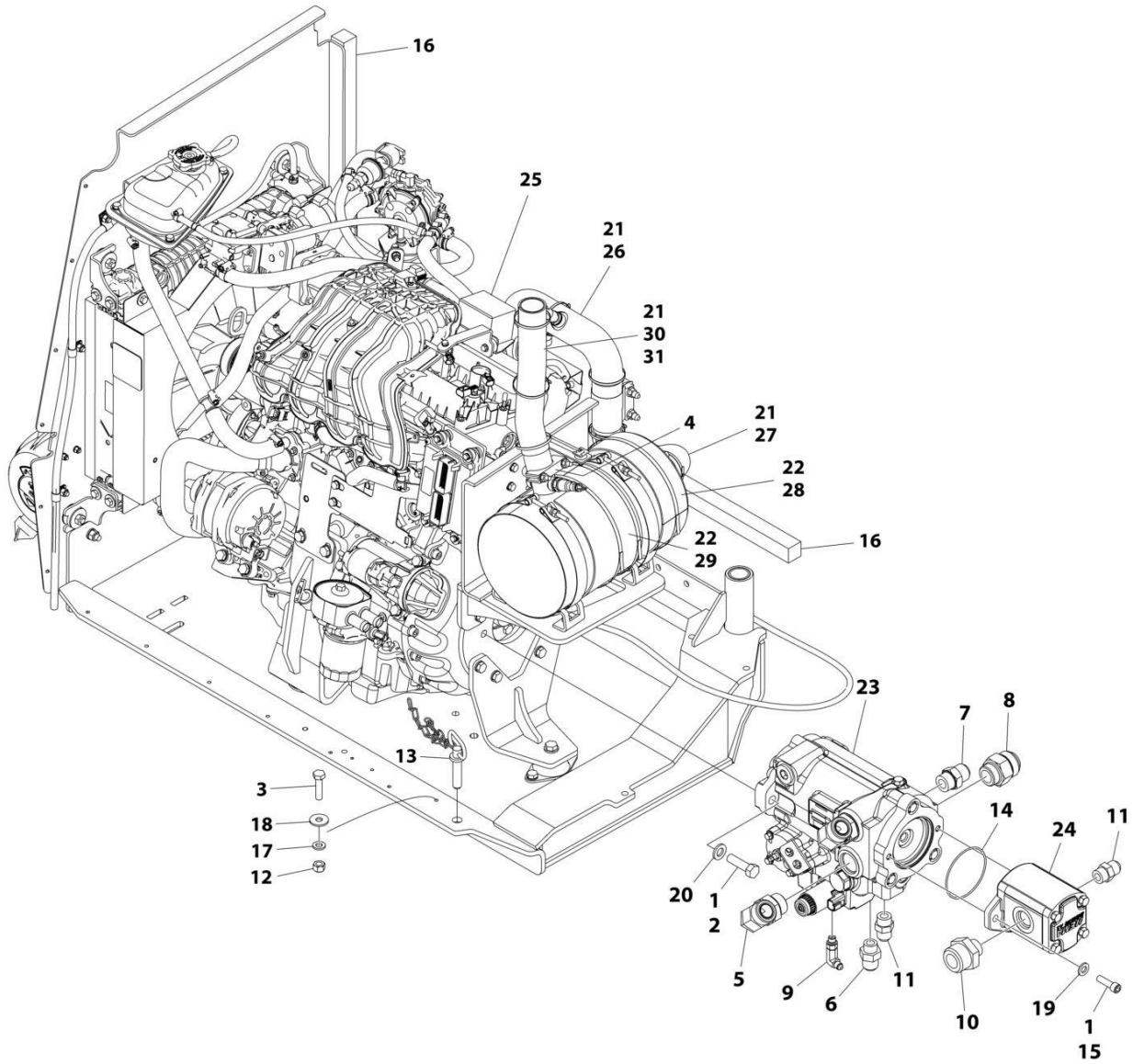
ITEM	PART NUMBER	QTY	DESCRIPTION	REV
	1001215609	Ref	FORD ENGINE INSTALLATION	E
1	0100011	AR	Compound, Locking	
2	0100020	AR	Sealant	
3	0440162	1	Bearing	
4	0700619	2	Bolt M6 x 55	
5	0701012	5	Bolt M10 x 25	
6	0760814	1	Bolt M8 x 30	
7	0711018	1	Bolt M10 x 50	
8	0760810	2	Bolt M8 x 20	
9	0761014	2	Bolt M10 x 30	
10	0772018	1	Bolt M20 x 50	
12	1701542	1	Decal - Gas	
13	2180348	1	Fitting, Straight NPT/BARB	
14	2180418	1	Fitting, Straight	
15	2220005	1	Fitting, Straight NPTM	
16	2220064	1	Fitting, Straight	
17	2221176	1	Fitting, 90	
18	1001222133	1	Hose	
19	3290405	1	Nut M4	
20	3290505	1	Nut M5	
21	3290605	2	Nut M6	
22	3290805	1	Nut M8	
23	3291005	4	Nut M10	
25	3790012	1	O-Ring (Not Shown - Located on Platform Console)	
26	3841143	1	Keeper, Pin	
27	4740397	1	Spacer (Not Shown - Located on Platform Console)	
28	4811700	4	Washer M6	
29	4811900	4	Washer M8	
30	4812000	9	Washer M10	
31	4812002	2	Washer M10	
33	85941018	2	Clamp	
34	1321283	2	Clamp	
35	1001118972	2	Nut, Tinnerman	
36	1001119051	1	Washer	
37	1001115044	1	Nut 15/32 (Not Shown - Located on Platform Console)	
38	1001155094	1	Pin	
39	1001161710	1	Switch, Toggle (Not Shown - Located on Platform Console)	
40	1001215220	1	Cable, Battery (-) to Aux Pump to Ground	
41	1001174486	2	Clamp	
42	1001215219	1	Cable, Battery (+) to Aux Ready to Starter	
43	1001196398	1	Bracket	
45	1001215611	1	Ford Engine and Pumps Sub-Assembly (See Separate Breakdown in this Section)	
46	1001219005	1	Bracket	
47	1001219015	1	Hose	
48	1001219021	2	Hose	
49	1001219022	1	Hose	
50	1001219024	1	Hose	
52	1001203432	1	Hose (Drive Suction) (Not Shown)	
53	1001221942	1	Hose (Function Suction) (Not Shown)	

SECTION 3 - ENGINE

ITEM	PART NUMBER	QTY	DESCRIPTION	REV
54	1001221943	1	Hose (Case Drain) (Drive Pump Case Outlet Port to Tank) (Not Shown)	
55	1001221944	1	Hose (Case Drain) (Drive Pump Case Gauge Port to Tank) (Not Shown)	
56	1701543	2	Decal - LPG (Not Shown - See DECALS INSTALLATION - OPTIONS for Locations)	
57	1702941	1	Decal - Battery Heater	
58	1702942	1	Decal - Engine Block Heater	
59	1702943	1	Decal - Hydraulic Tank Heater	
60	1320061	1	Clamp	
61	3980007	1	Seat, Battery	
62	1001188972	1	Heater, Immersion (Not Shown - Located on Hydraulic Tank)	
63	2580024	1	Heater, Battery	
64	4923174	1	Cable, Extension Cord (SN 0300235168 through 0300237156)	
64	1001150918	1	Cable, Extension Cord (SN 0300237157 through 0300272445)	
65	1060626	1	Plug, 3 Way	
66	4240099	AR	Tie-Strap (Not Shown)	
100	1001236136	1	Battery Cable Kit (Includes Items 40 & 42) (Not Shown) (SN 0300237157 through 0300272445)	

SECTION 3 - ENGINE

FIGURE 3-31. FORD ENGINE AND PUMPS SUB-ASSEMBLY - WITH ARCTIC PACKAGE



ART_1001215611

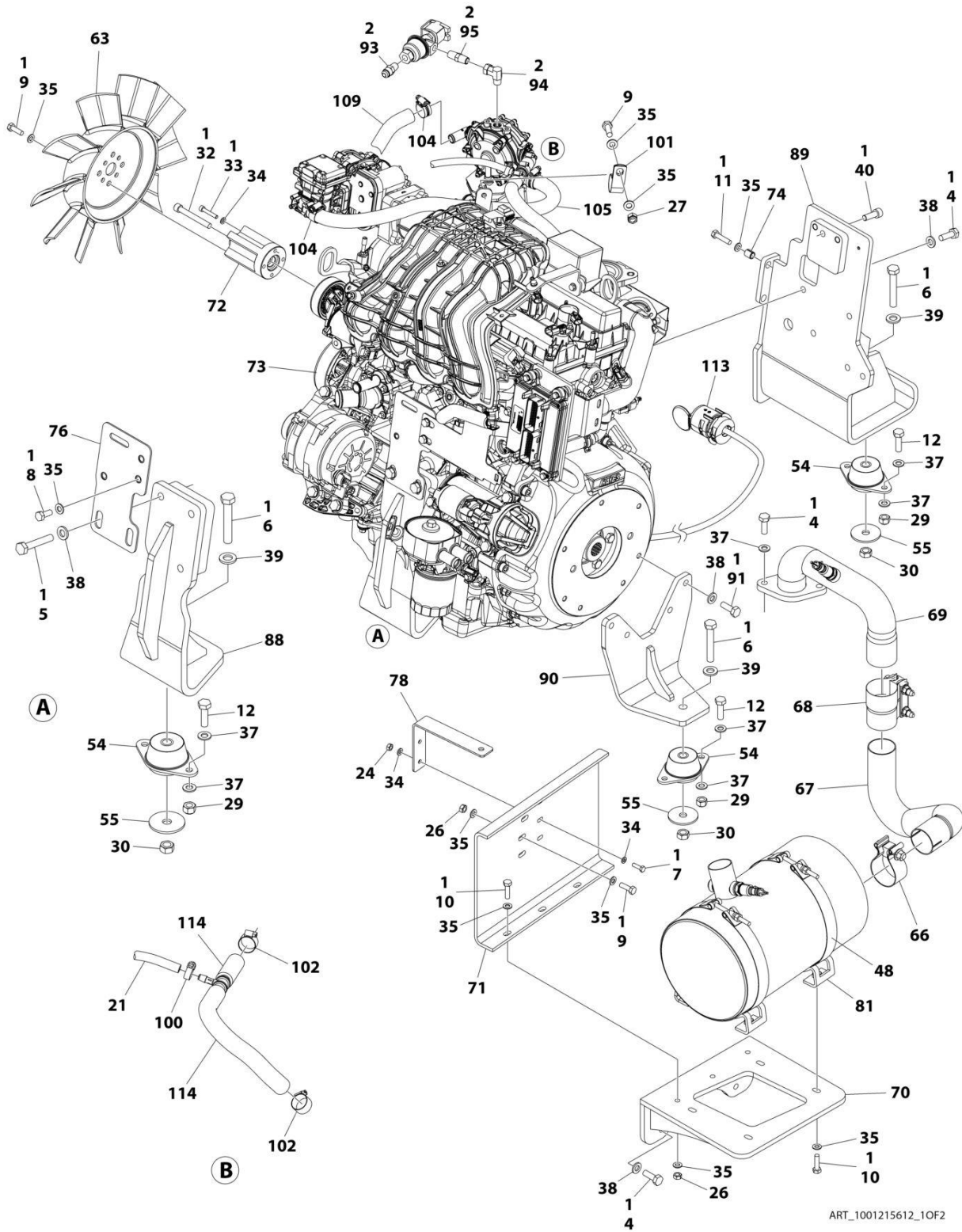
SECTION 3 - ENGINE

FIGURE 3-31. FORD ENGINE AND PUMPS SUB-ASSEMBLY - WITH ARCTIC PACKAGE

ITEM	PART NUMBER	QTY	DESCRIPTION	REV
	1001215611	Ref	FORD ENGINE AND PUMPS SUB-ASSEMBLY	C
1	0100011	AR	Compound, Locking	
2	0641814	2	Bolt 1/2 x 1-3/4	
3	0760612	1	Bolt M6 x 25	
4	1001221397	1	Clamp	
5	2131616	2	Fitting, 90 ORFS/ORB	
6	2220408	1	Fitting, Straight JIC/ORB	
7	2220451	1	Fitting, Straight ORB/JIC	
8	2220479	1	Fitting, Straight JIC/ORB	
9	2220940	1	Fitting, 90 JIC/ORB	
10	2220946	1	Fitting, Straight JIC/ORB	
11	2220947	2	Fitting, Straight JIC/ORB	
12	3290605	1	Nut M6	
13	3422532	1	Pin	
14	3790152	1	O-Ring	
15	3931620	2	Capscrew 3/8 x 1-1/4	
15	3931618	2	Capscrew 3/8 x 1-1/8	
16	3960469	2	Seal	
17	4811700	1	Washer M6	
18	4811702	1	Washer M6	
19	5241000	2	Washer M10	
20	5241200	2	Washer M12	
21	1001100825	9	Strap	
22	1001221464	3	Strap	
23	1001184930	1	Piston Pump Assembly (See Separate Breakdown in this Section)	
24	1001190143	1	Gear Pump Assembly	
24	70006356	1	Seal Kit - 1001190143 Pump	
25	1001215613	1	Ford Engine Assembly (See Separate Breakdown in this Section)	
26	1001216532	1	Insulate, Exhaust	
27	1001216533	1	Insulate, Exhaust	
28	1001216534	1	Insulate, Muffler	
29	1001216535	1	Insulate, Muffler	
30	1001216947	1	Pipe, Exhaust	
31	1001217563	1	Insulate, Exhaust	

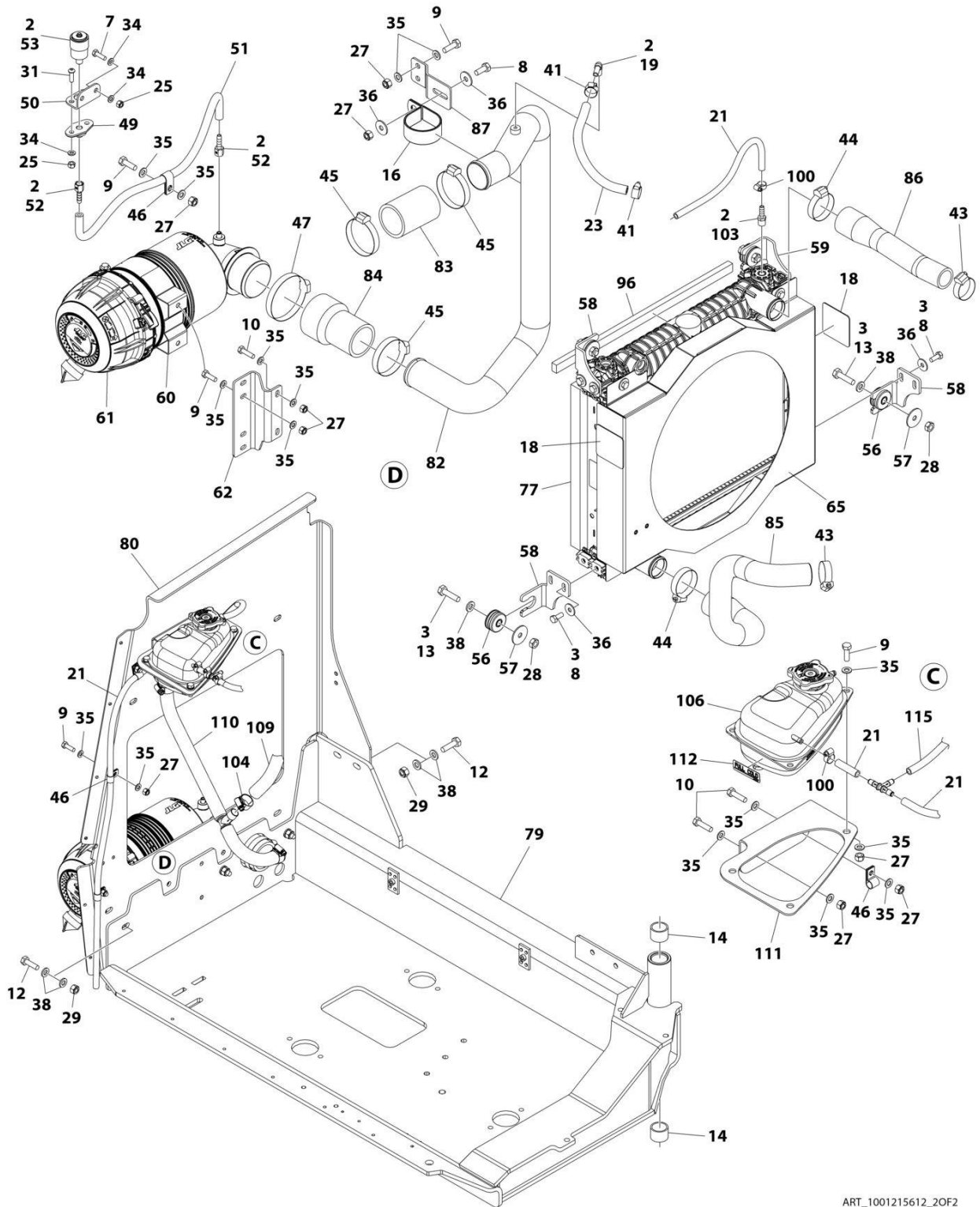
SECTION 3 - ENGINE

FIGURE 3-32. FORD ENGINE ASSEMBLY - WITH ARCTIC PACKAGE



ART_1001215612_10F2

SECTION 3 - ENGINE



ART_1001215612_20F2

SECTION 3 - ENGINE

FIGURE 3-32. FORD ENGINE ASSEMBLY - WITH ARCTIC PACKAGE

ITEM	PART NUMBER	QTY	DESCRIPTION	REV
	1001215613	Ref	FORD ENGINE ASSEMBLY	D
1	0100011	AR	Compound, Locking	
2	0100020	AR	Sealant	
3	1001180620	AR	Adhesive	
4	0711014	10	Bolt M10 x 30	
5	0711020	3	Bolt M10 x 60	
6	0711223	3	Bolt M12 x 75	
7	0760610	4	Bolt M6 x 20	
8	0760810	11	Bolt M8 x 20	
9	0760812	18	Bolt M8 x 25	
10	0760814	11	Bolt M8 x 30	
11	0760815	2	Bolt M8 x 35	
12	0761015	11	Bolt M10 x 35	
13	0761016	4	Bolt M10 x 40	
14	0961951	2	Bushing	
16	1320110	1	Clamp	
18	1703162	2	Decal - Fan Blade	
19	2180467	1	Fitting, Straight NPT/Barb	
21	2720058	95 in/2.5m	Hose, Fuel	
23	1001165035	1	Hose	
24	3290601	2	Nut M6	
25	3290605	4	Nut M6	
26	3290801	5	Nut M8	
27	3290805	17	Nut M8	
28	3291001	4	Nut M10	
29	3291005	11	Nut M10	
30	3331211	3	Nut M12	
31	3900364	2	Capscrew M6 x 20	
32	3931648	1	Capscrew 3/8 x 3	
33	4031711	4	Capscrew M6 x 35	
34	4811700	14	Washer M6	
35	4811900	54	Washer M8	
36	4811902	10	Washer M8	
37	4812000	14	Washer M10	
38	5241000	29	Washer M10	
39	5241200	3	Washer M12	
40	5272010	1	Capscrew M10 x 30	
41	8405006	2	Clamp	
43	8405102	2	Clamp	
44	8405104	2	Clamp	
45	8405203	3	8405203	
46	8406109	6	Clip	
47	8410011	1	Clamp	
48	1001128901	2	Strap	
49	1001138173	1	Support	
50	1001138175	1	Bracket	
51	1001138248	23 in/.6m	Hose	
52	1001141995	2	Fitting, Straight NPT/Barbed	
53	1001149639	1	Indicator, Restriction	
54	1001191610	3	Mount, Motor	

SECTION 3 - ENGINE

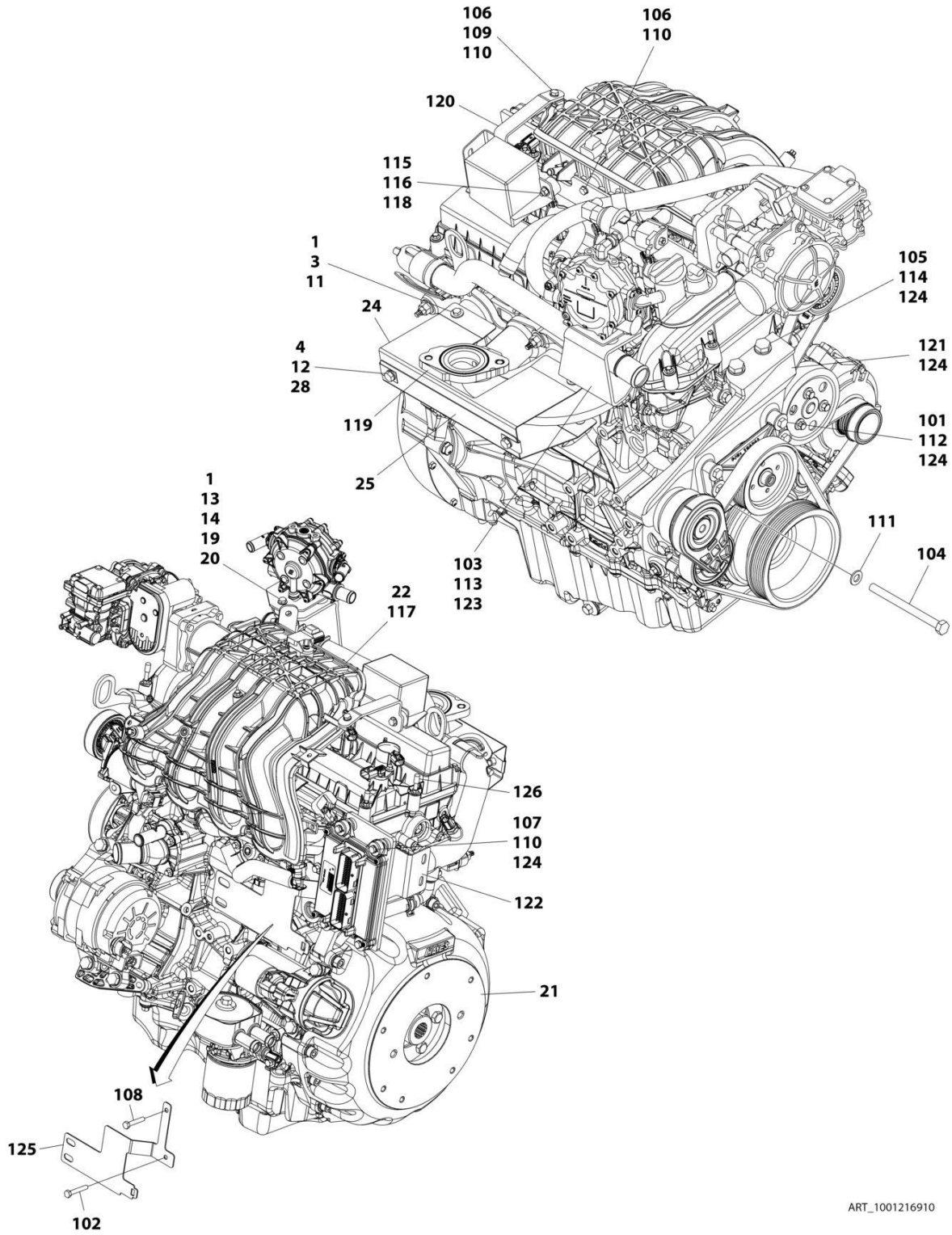
ITEM	PART NUMBER	QTY	DESCRIPTION	REV
55	1001168018	3	Washer	
56	1001169054	4	Isolator	
57	1001169138	4	Pad, Snubbing	
58	1001169967	3	Bracket	
59	1001170035	1	Bracket	
60	1001186426	1	Clamp	
61	1001189979	1	Filter, Air	
61	70005008	1	Element, Filter	
62	1001190942	1	Support	
63	1001223042	1	Fan	
64	1001215218	1	Engine Harness - Ford Engines (Not Shown) (See Separate Breakdown in ELECTRICAL SECTION)	
65	1001223923	1	Radiator	
66	1001215681	1	Clamp	
67	1001215899	1	Pipe, Exhaust	
68	1001215974	1	Clamp	
69	1001216075	1	Pipe, Exhaust	
70	1001216086	1	Bracket	
71	1001216092	1	Shield, Heat	
72	1001216201	1	Adapter	
73	1001216910	1	Ford Engine Prep Assembly (See Separate Breakdown in this Section)	
74	1001216919	2	Sleeve	
76	1001222033	1	Plate	
77	1001217185	2	Seal	
78	1001217186	1	Support	
79	1001217450	1	Tray	
80	1001217453	1	Support, Radiator	
81	1001217543	2	Mount	
82	1001217593	1	Pipe, Air Intake	
83	1001217594	1	Pipe, Air Intake	
84	1001217595	1	Pipe, Air Intake	
85	1001217647	1	Hose, Radiator (Lower)	
86	1001217648	1	Hose, Radiator (Upper)	
87	1001218471	1	Bracket	
88	1001218559	1	Mount, Engine (RH Front)	
89	1001218565	1	Mount, Engine (LH Front)	
90	1001218575	1	Mount, Engine (Rear)	
91	0761014	4	Bolt M10 x 30	
92	1001187781	1	Tie-Strap (Not Shown)	
93	2180418	1	Fitting	
94	2220064	1	Fitting	
95	2220261	1	Fitting	
96	1001217183	2	Seal	
100	8405009	3	Gear	
101	8406201	1	Clip	
102	8410009	2	Clamp	
103	8420231	1	Fitting, Barb	
104	1001173535	6	Clamp	
105	1001216531	25 in/ 63cm	Hose	
106	1001223584	1	Tank, Surge	

SECTION 3 - ENGINE

ITEM	PART NUMBER	QTY	DESCRIPTION	REV
109	1001224486	1	Hose	
110	1001224489	1	Hose	
111	1001225442	1	Bracket	
112	1001225510	1	Decal - Full Cold, Surge Tank	
113	1001216393	1	Heater, Block	
114	1001227666	1	Hose	
115	1001227667	1	Hose	

SECTION 3 - ENGINE

FIGURE 3-33. FORD ENGINE PREP ASSEMBLY - PUMP COUPLING



ART_1001216910

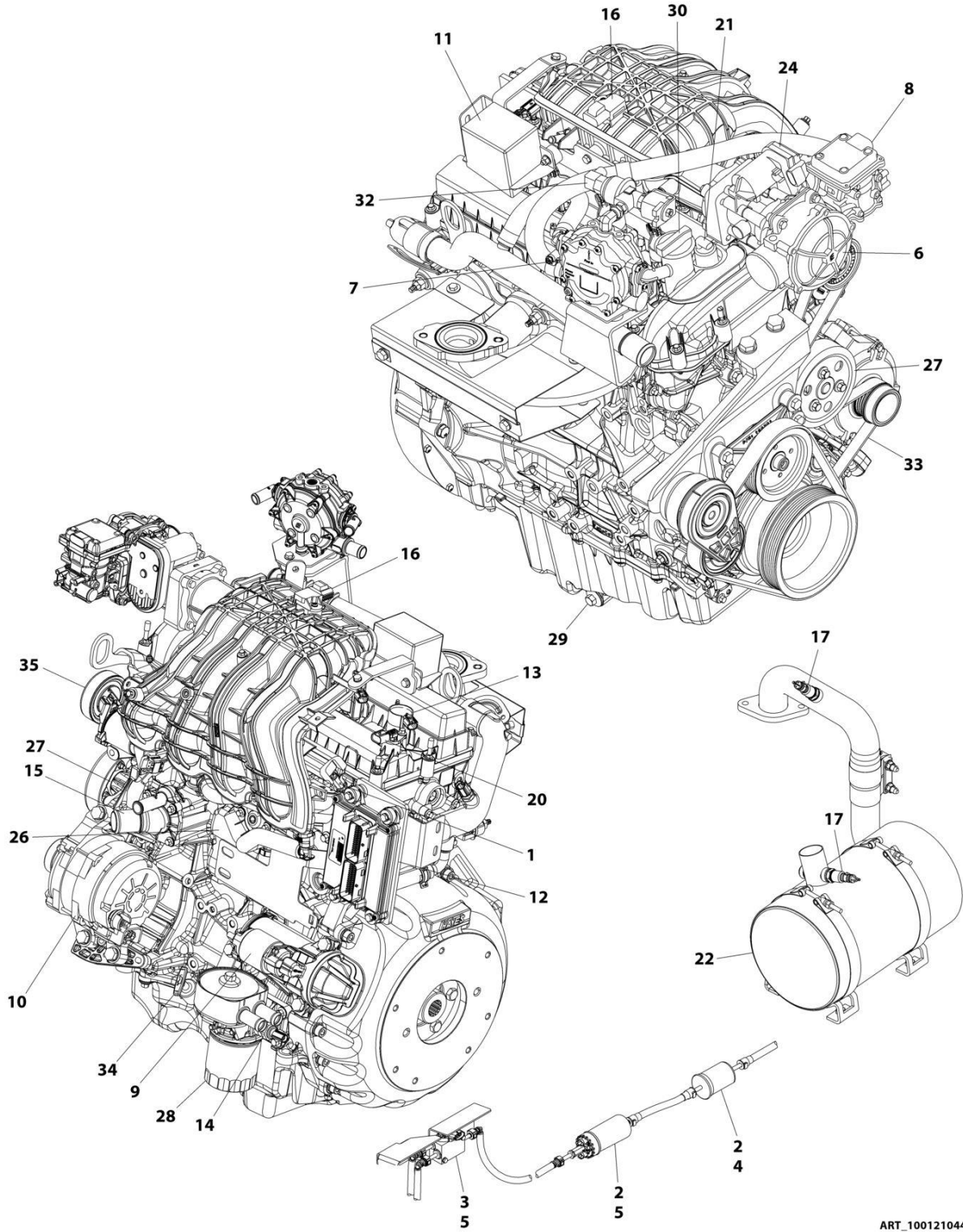
SECTION 3 - ENGINE

FIGURE 3-33. FORD ENGINE PREP ASSEMBLY - PUMP COUPLING

ITEM	PART NUMBER	QTY	DESCRIPTION	REV
	1001216910	Ref	FORD ENGINE PREP ASSEMBLY	F
1	0100011	AR	Compound, Locking	
3	0760605	4	Bolt M6 x 10	
4	0760807	2	Bolt M8 x 14	
11	4811702	4	Washer M6	
12	4811900	2	Washer M8	
13	5250605	3	Bolt M6 x 10	
14	5260600	1	Nut M6 Class 10	
19	1001211794	3	Mount, Isolator	
20	1001227769	1	Plate	
21	1001213810	1	Pump Coupling Kit	
21	70006134	1	Coupling	
21	70006135	1	Housing	
21	70006136	1	Hardware Kit	
22	1001216065	1	Ford Engine Assembly (See Items 101-126 for Breakdown)	
24	1001216768	1	Bracket	
25	1001216769	1	Bracket	
28	1001149160	2	Nut, Tinnerman M8	
	1001216065	Ref	FORD ENGINE PREP ASSEMBLY - BRACKETS/EXHAUST MANIFOLD	M
101	0700816	4	Bolt M8 x 40	
102	0700818	1	Bolt M8 x 50	
103	0701014	2	Bolt M10 x 30	
104	0710827	1	Bolt M8 x 100 Grade 10.9	
105	0711216	2	Bolt M12 x 40	
106	0760610	3	Bolt M6 x 20	
107	0760615	4	Bolt M6 x 35	
108	0760817	1	Bolt M8 x 45	
109	3290601	1	Nut M6	
110	4811700	8	Washer M6	
111	4811900	1	Washer M8	
112	4811902	4	Washer M8	
113	4812000	1	Washer M10	
114	4812100	2	Washer M12	
115	5250605	2	Bolt M6 x 10	
116	5260600	2	Nut M6 Class 10	
117	1001210448	1	Engine, Ford 2.5L (See Separate Breakdown in this Section)	
118	1001211794	2	Mount	
119	1001214827	1	Manifold, Exhaust	
120	1001215384	1	Bracket	
121	1001216071	1	Bracket	
122	1001216144	1	Support, Muffler	
123	1001227772	1	Mount, Vaporizer	
124	0100011	AR	Compound, Locking	
125	1001221545	1	Plate	
126	1001222641	6	Cap	

SECTION 3 - ENGINE

FIGURE 3-34. FORD ENGINE COMPONENTS



ART_1001210448

SECTION 3 - ENGINE

FIGURE 3-34. FORD ENGINE COMPONENTS

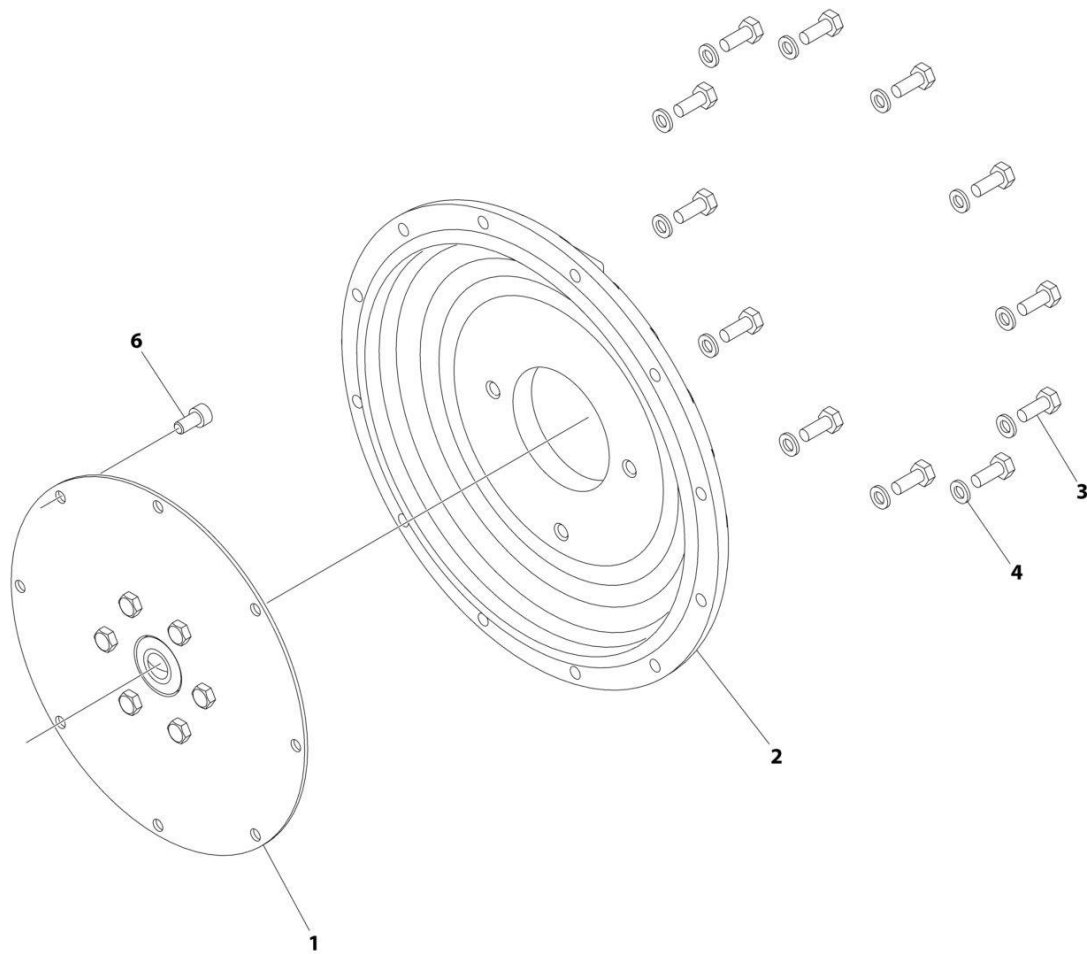
ITEM	PART NUMBER	QTY	DESCRIPTION	REV
	1001210448	Ref	FORD ENGINE COMPONENTS	H
1	70006145	4	Injector, Fuel	
1	70006147	1	Rail, Fuel	
2	70006150	1	Pump, Fuel	
2	70006154	1	Fitting M10	
3	70006151	1	Block, Fuel	
3	70006152	2	Fitting SAE6	
3	70006153	1	Fitting SAE3	
3	70006189	1	Harness, Fuel Block	
4	70006155	1	Filter, Fuel	
5	7022162	8	Clamp	
5	70006157	8	Clip, Fuel Quick Disconnect	
6	70006158	1	Mixer, LP	
6	70006168	1	Mixer Diaphragm Replacement Kit	
6	70006159	1	Adapter, Mixer to Governor	
6	70006160	1	O-Ring, Mixer to Adapter	
6	70006161	1	Seal, Mixer to Adapter	
7	70006162	1	Regulator, LP Vapor	
7	70006166	2	Fitting	
7	70006167	1	Fitting, Straight	
7	70006165	2	Isolator, Rubber	
8	70006163	1	Regulator, Direct Electronic Pressure	
8	70006164	1	Adapter, Fitting 90	
9	70006169	1	Starter	
9	70006233	1	Harness, Alternator/Starter	
10	70006170	1	Alternator	
11	70006173	1	Cover, Relay Box	
11	70006171	2	Relay (Fuel Pump & Power)	
11	70006172	1	Relay (Starter)	
11	70006175	1	Fuse - 20Amp (Starter)	
11	70006174	1	Decal - Relay Box Cover	
11	70006188	1	Harness, Engine	
11	70006165	2	Isolator, Rubber	
12	70006176	1	Module - Engine Control Unit (ECU/GCP)	
12	70006191	1	Software & Diagnostic Cable	
13	70006177	4	Coil and Boot Assembly	
13	70006178	4	Plug, Spark	
14	70006179	1	Switch, Oil Pressure	
15	70006180	1	Sensor, Knock	
16	70006181	1	Sensor, TMAP	
17	70006182	2	Sensor, O2	
18	70006183	1	Sensor, Coolant Temperature (Not Shown - Located Rear of Engine Block)	
19	70006184	1	Sensor, Crank Position (Not Shown - Located at Front RH Side of Block)	
20	70006185	1	Sensor, Cam Position	
21	70006186	1	Solenoid, Timing	
21	70006187	1	Grommet, Rubber	
22	70006194	1	Muffler	
22	70006195	1	Plug (Located at Muffler Outlet)	

SECTION 3 - ENGINE

ITEM	PART NUMBER	QTY	DESCRIPTION	REV
23		Ref	Gasket Options (Not Shown)	
23	70006196	1	Gasket, Exhaust Manifold to Head	
23	70006197	1	Gasket, Exhaust Manifold Outlet	
23	70006200	1	Gasket, Intake Manifold to Head	
23	70006219	1	Gasket Set - Camshaft Cover	
23	70006225	1	Gasket, Cylinder Head	
24	70006198	1	Governor	
24	7027404	1	Gasket, Governor Actuator	
24	70006199	1	Gasket, Governor to Intake Manifold Adapter	
25	70006203	1	Flywheel (Not Shown)	
26	70006205	1	Thermostat (Includes Housing)	
26	70006206	1	Gasket, Water Inlet	
27	70006207	1	Pump, Water	
27	70006208	1	O-Ring, Water Pump	
27	See Note	NSS	Pulley, Water Pump (Note: Not Available for Purchase at This Time)	
28	70006213	1	Filter, Oil	
29	70006215	1	Plug, Oil Drain	
29	70006217	1	Gasket, Oil Drain Plug	
30	70006221	1	Cap, Oil Fill	
31	70006232	1	Sensor, Crank (Not Shown)	
32	70006235	1	Valve, Lock-Off (Includes Filter)	
33	70006202	1	Belt	
34	70006236	1	Dipstick	
35	70007108	1	Belt Tensioner	

SECTION 3 - ENGINE

FIGURE 3-35. PUMP COUPLING KIT (DEUTZ ENGINES)



ART_2902065

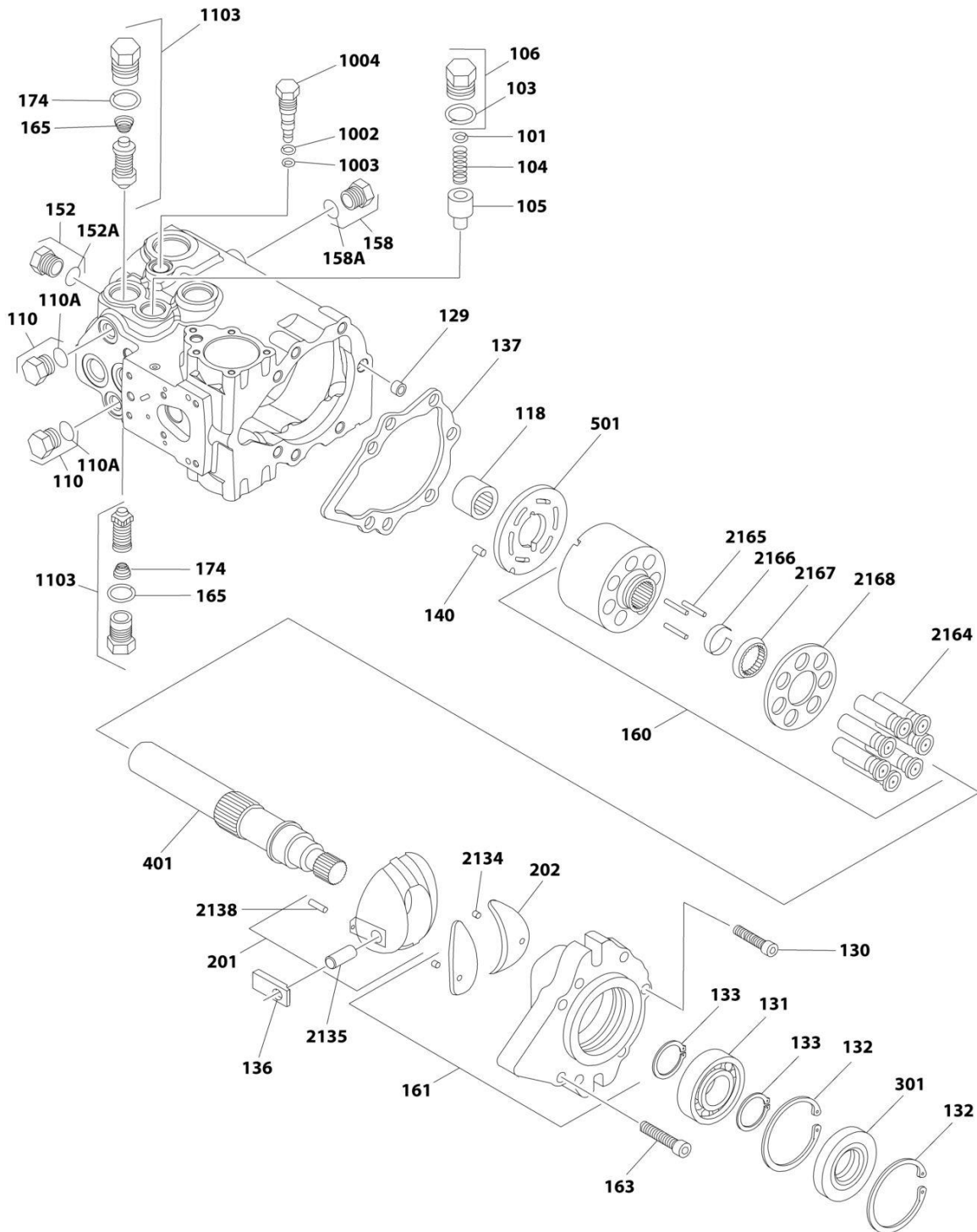
SECTION 3 - ENGINE

FIGURE 3-35. PUMP COUPLING KIT (DEUTZ ENGINES)

ITEM	PART NUMBER	QTY	DESCRIPTION	REV
	2902065	Ref	PUMP COUPLING KIT	L
1	70000793	1	Coupling, Hayes	
2	See Note	NSS	Plate, Pump Adapter (Note: Use p/n 2902065)	
3	See Note	NSS	Bolt M10 x 30 Grade 10.9 (Note: Use p/n 2902065)	
4	See Note	NSS	Washer M10 (Note: Use p/n 2902065)	
6	See Note	NSS	Bolt M10 x 20 Grade 10.9 (Note: Use p/n 2902065)	

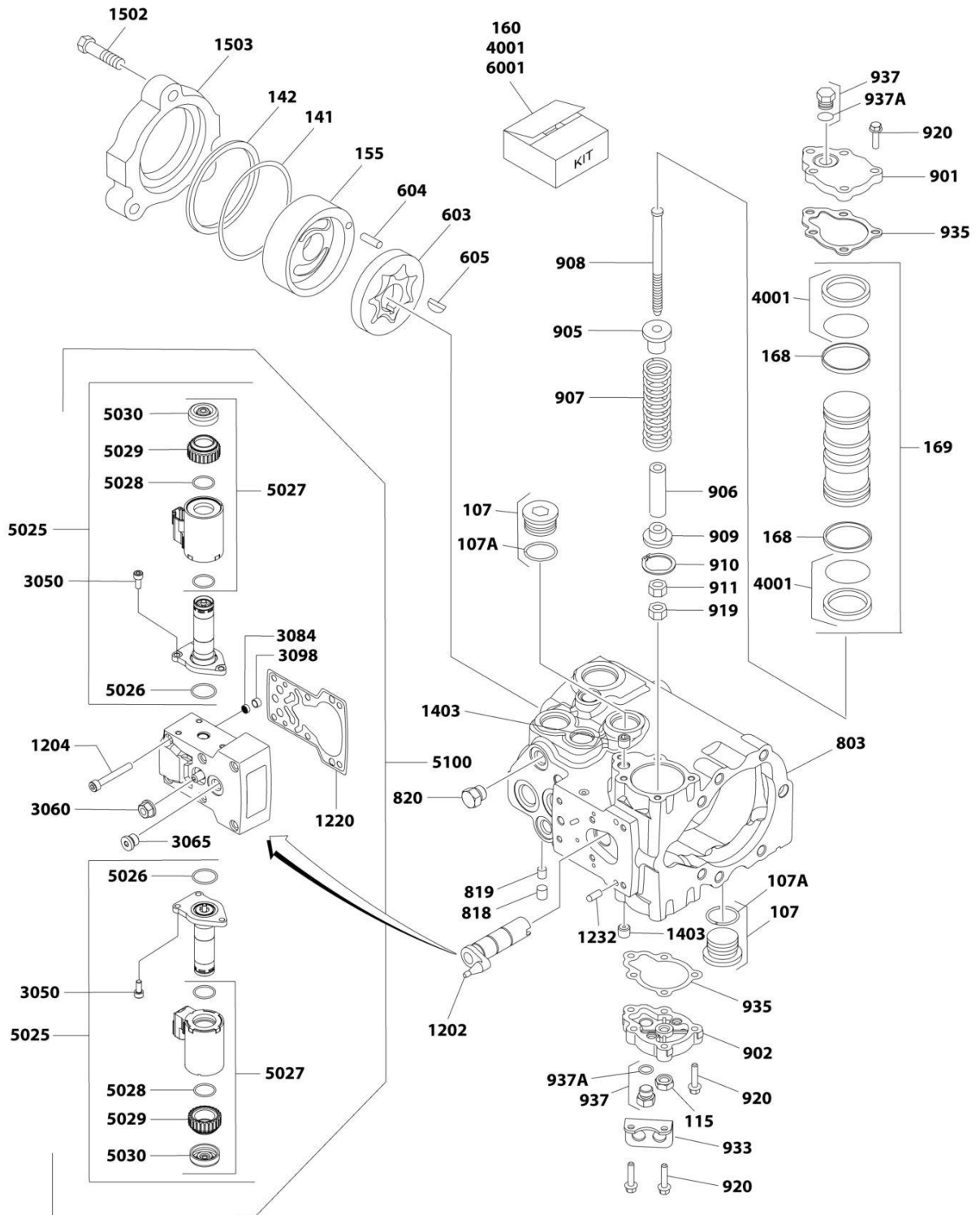
SECTION 3 - ENGINE

FIGURE 3-36. PISTON PUMP ASSEMBLY



ART_1001184930_10F2

SECTION 3 - ENGINE



ART_1001184930_20F2

SECTION 3 - ENGINE

FIGURE 3-36. PISTON PUMP ASSEMBLY

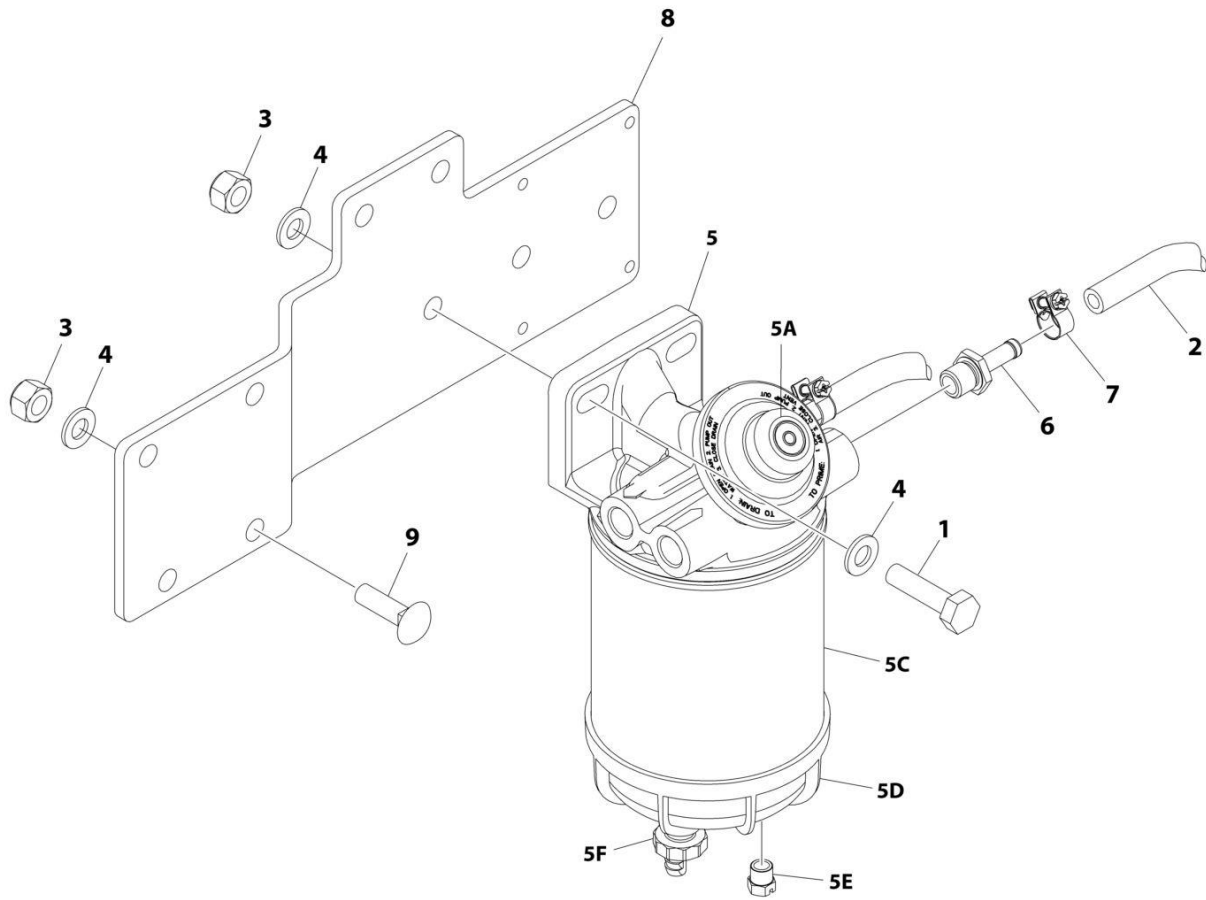
ITEM	PART NUMBER	QTY	DESCRIPTION	REV
	1001184930	Ref	PISTON PUMP ASSEMBLY	C
101	7007413	1	Shim Kit	
103	7007415	1	O-Ring (Part of Item 106)	
104	7021200	1	Spring, Relief Valve	
105	7007417	1	Valve, Relief	
106	7024874	2	Plug (Includes Item 103)	
107	7007419	2	Plug	
107A	7007418	2	O-Ring	
110	7007420	2	Plug	
110A	7021256	2	O-Ring	
115	7007423	1	Nut, Special	
118	7007425	1	Bearing, Needle	
129	7007435	1	Pin, Spring	
130	7021202	1	Screw	
131	70002176	1	Bearing, Ball	
132	7007438	2	Ring, Retainer	
133	7007439	2	Ring	
136	7007442	1	Sleeve, Bearing	
137	7007443	1	Gasket, Front Cover	
140	7007446	1	Pin	
141	7021233	1	O-Ring	
142	7007448	1	Ring, Load Temper	
152	7007420	1	Plug, Assembly	
152A	7021256	1	O-Ring	
155	70005466	1	Cover, Gerotor	
158	7007208	1	Plug	
158A	7007207	1	O-Ring	
160	7010116	1	Cylinder Block Kit (Includes Items 2164-2168)	
161	7024875	1	Cover Assembly - Front (Includes Items 202 & 2134)	
163	7021207	6	Screw	
165	70005467	2	Spring	
168	7021210	2	Bearing	
169	70005468	1	Servo Piston Assembly (Includes Items 168 & QB)	
174	7007418	2	O-Ring	
201	7007457	1	Swash Plate Assembly (Includes Items 2135 & 2138)	
202	7021212	1	Journal, Bearing	
301	7007459	1	Seal, Lip	
401	7010121	1	Shaft, Main Pump	
501	7021214	1	Plate, Valve	
603	7007463	1	Gerotor Assembly	
604	7007464	1	Pin	
605	7007465	1	Key, Woodruff	
803	See Note	NSS	Housing, Pump (Note: Use p/n 1001184930)	
818	70005469	1	Plug	
819	70005470	1	Plug	
820	70005469	1	Plug	
901	7021219	1	Cover, Servo (With Adjuster)	
902	7021220	1	Cover, Servo (Without Adjuster)	
905	7023979	1	Guide, Spring	
906	7007484	1	Stop, Servo	

SECTION 3 - ENGINE

ITEM	PART NUMBER	QTY	DESCRIPTION	REV
907	7007485	1	Spring	
908	7021221	1	Screw	
909	7007487	1	Guide, Spring	
910	7007488	1	Ring, Retaining	
911	7021222	1	Locknut	
919	7021206	1	Nut	
920	7021223	10	Screw	
933	7021201	1	Bracket, Lifting	
935	7007422	2	Gasket, Servo Cover	
937	7007420	2	Plug	
937A	7021256	2	O-Ring	
1002	7007450	1	Ring, Back-up	
1003	70005471	1	O-Ring	
1004	7024877	1	Valve, Bypass	
1103	7024851	2	Valve, Pressure Relief (Includes Items 165 & 174)	
1202	70005472	1	Sleeve	
1204	70002156	6	Screw	
1220	70002154	1	Gasket	
1232	70002157	2	Pin	
1403	7007477	2	Plug, Orifice	
1502	7007453	3	Bolt, Hex	
1503	7007476	1	Adapter, Auxiliary Pump	
2134	7021203	2	Pin, Spring	
2135	7007441	1	Handle, Pin	
2138	7007444	1	Pin	
2164	7010117	7	Piston Assembly	
2165	7007431	3	Pin, Slipper Holddown	
2166	7007430	1	Retainer	
2167	7007434	1	Guide, Retainer	
2168	7010119	1	Retainer, Slipper	
3050	70002150	6	Screw	
3060	7022301	1	Nut, Seal	
3065	70002151	1	Plug	
3084	70002134	1	Screen	
3098	70002153	1	Ring	
4001	7007412	1	Seal Kit - Servo Piston	
5025	70002147	2	Solenoid Assembly (Includes Items 5026-5030)	
5026	70002148	2	O-Ring	
5027	70002149	2	Coil Assembly (Includes Items 5028-5030)	
5028	70005474	2	O-Ring	
5029	70005475	2	Screw	
5030	70005476	2	Cap	
5100	70002146	1	EDC Assembly (Includes Items 1204, 1220, 3050-3098 & 5025-5030)	
6001	7021232	1	Seal Kit - Complete (Includes Items 103, 137, 141, 142, 168, 174, 301, 935, 1002, 1003, 4001 and Plug O-Ring)	

SECTION 3 - ENGINE

FIGURE 3-37. FUEL FILTER INSTALLATION (POLY FUEL TANK)



ART_1001224200

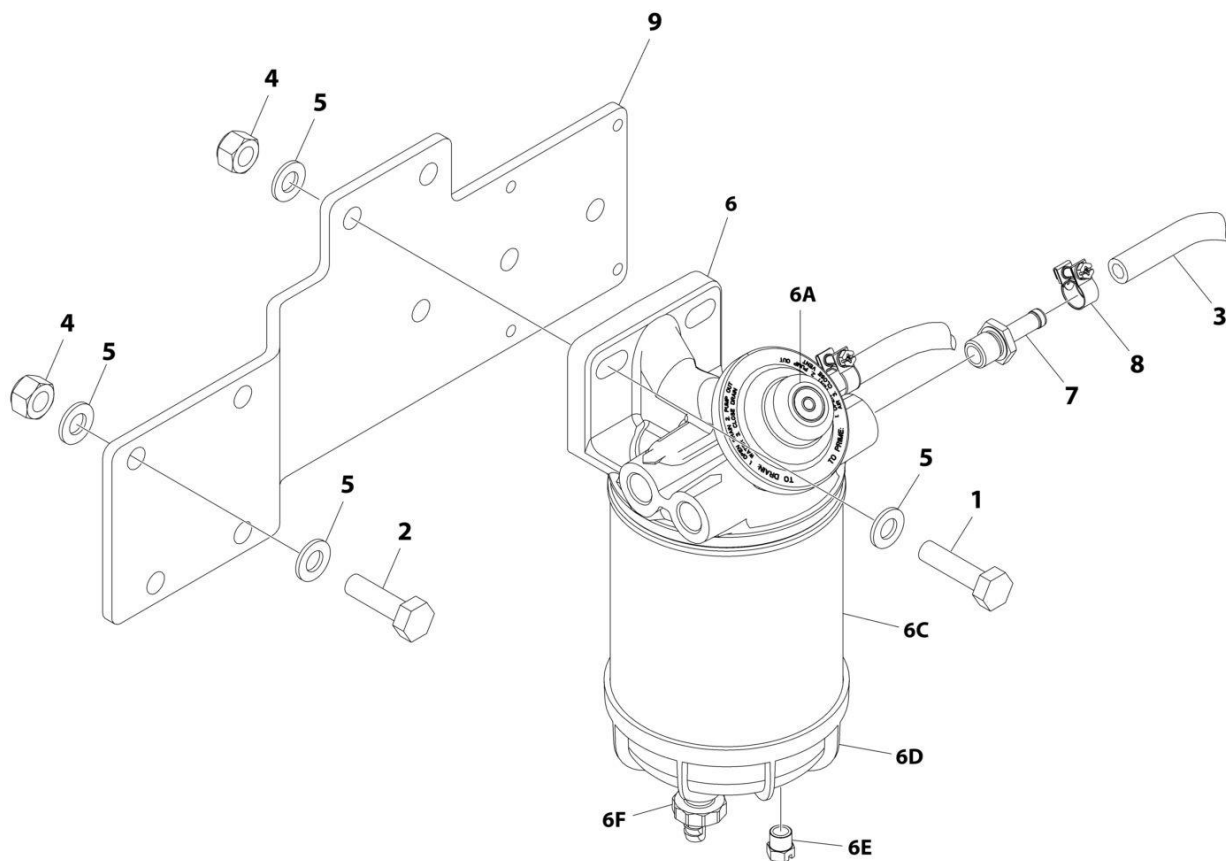
SECTION 3 - ENGINE

FIGURE 3-37. FUEL FILTER INSTALLATION (POLY FUEL TANK)

ITEM	PART NUMBER	QTY	DESCRIPTION	REV
	1001224200	Ref	FUEL FILTER INSTALLATION	B
1	0761016	2	Bolt M10 x 40	
2	2720058	46 in/1.2m	Hose, Fuel Line	
3	3291005	4	Nut M10	
4	4812000	6	Washer M10	
5	1001149452	1	Fuel Filter/Water Separator Assembly	
5A	See Note	NSS	Indicator, Restriction (Note: Use p/n 1001149452)	
5B	70004064	1	Bypass Valve Kit (Not Shown)	
5C	70004065	1	Gasket, Head to Element	
5C	70004066	1	Element, Filter	
5D	70004067	1	Gasket Element to Bowl	
5D	70004068	1	Bowl Kit (Includes Bowl, Element and Plug)	
5E	70004069	1	Plug	
5F	70004070	1	Drain	
6	1001149469	2	Fitting, Straight Barbed	
7	1001174486	2	Clamp	
8	1001224967	1	Bracket	
9	1001228406	2	Bolt M10 x 35	

SECTION 3 - ENGINE

FIGURE 3-38. FUEL FILTER INSTALLATION (STEEL FUEL TANK) (DEUTZ D2011 ENGINES)



ART_1001225054

SECTION 3 - ENGINE

FIGURE 3-38. FUEL FILTER INSTALLATION (STEEL FUEL TANK) (DEUTZ D2011 ENGINES)

ITEM	PART NUMBER	QTY	DESCRIPTION	REV
	1001225054	Ref	FUEL FILTER INSTALLATION	B
1	0761016	2	Bolt M10 x 40	
2	0761015	2	Bolt M10 x 35	
2	1001228406	2	Bolt M10 x 35	
3	2720058	32 in/ 80cm	Hose, Fuel Line	
4	3291005	4	Nut M10	
5	4812000	AR	Washer M10	
6	1001149452	1	Fuel Filter/Water Separator Assembly	
6A	See Note	NSS	Indicator, Restriction (Note: Use p/n 1001149452)	
6B	70004064	1	Bypass Valve Kit (Not Shown)	
6C	70004065	1	Gasket, Head to Element	
6C	70004066	1	Element, Filter	
6D	70004067	1	Gasket, Element to Bowl	
6D	70004068	1	Bowl Kit (Includes Bowl, Element and Plug)	
6E	70004069	1	Plug	
6F	70004070	1	Drain	
7	1001149469	2	Fitting, Straight Barbed	
8	1001174486	2	Clamp	
9	1001224967	1	Bracket	

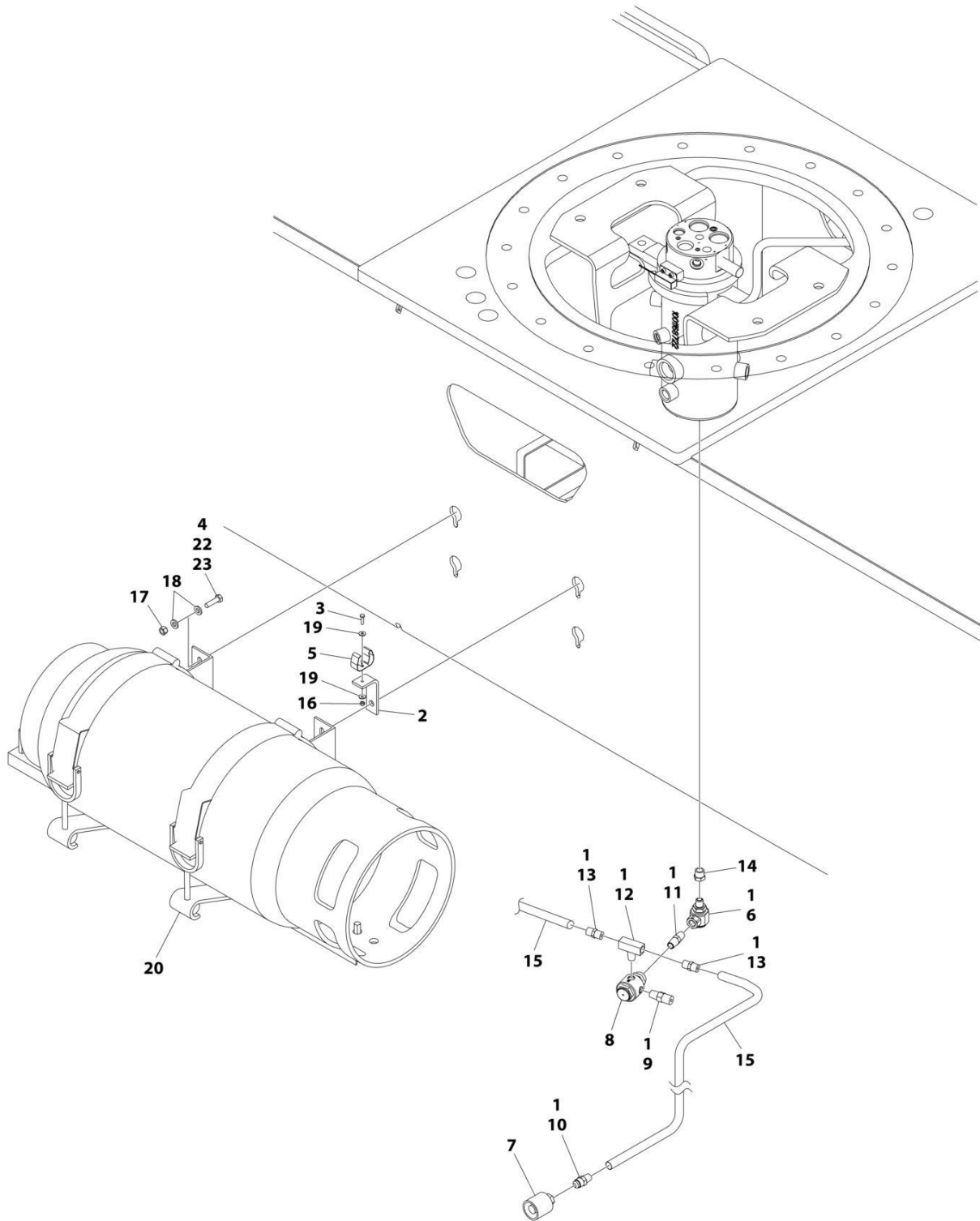
SECTION 3 - ENGINE

FIGURE 3-39. FUEL PUMP AND FILTER INSTALLATION (STEEL FUEL TANK) (DEUTZ D2.9L4 - 49HP AND DEUTZ TD2.9L4 - 67HP ENGINES)

ITEM	PART NUMBER	QTY	DESCRIPTION	REV
	1001204902	Ref	FUEL PUMP AND FILTER INSTALLATION	D
1	0760512	4	Bolt M5 x 25	
2	0761015	2	Bolt M10 x 35	
2	1001228406	2	Bolt M10 x 35	
3	3290505	4	Nut M5	
4	3291005	4	Nut M10	
5	4811600	8	Washer M5	
6	4812000	AR	Washer M10	
7	1001224967	1	Bracket	
8	0701016	2	Bolt M10 x 40	
9	1001154405	2.3 ft/ 70cm	Hose	
10	1001165035	2.5 ft/ 75cm	Hose	

SECTION 3 - ENGINE

FIGURE 3-40. LP TANK AND BRACKETS INSTALLATION (FORD ENGINE)



ART_1001185598

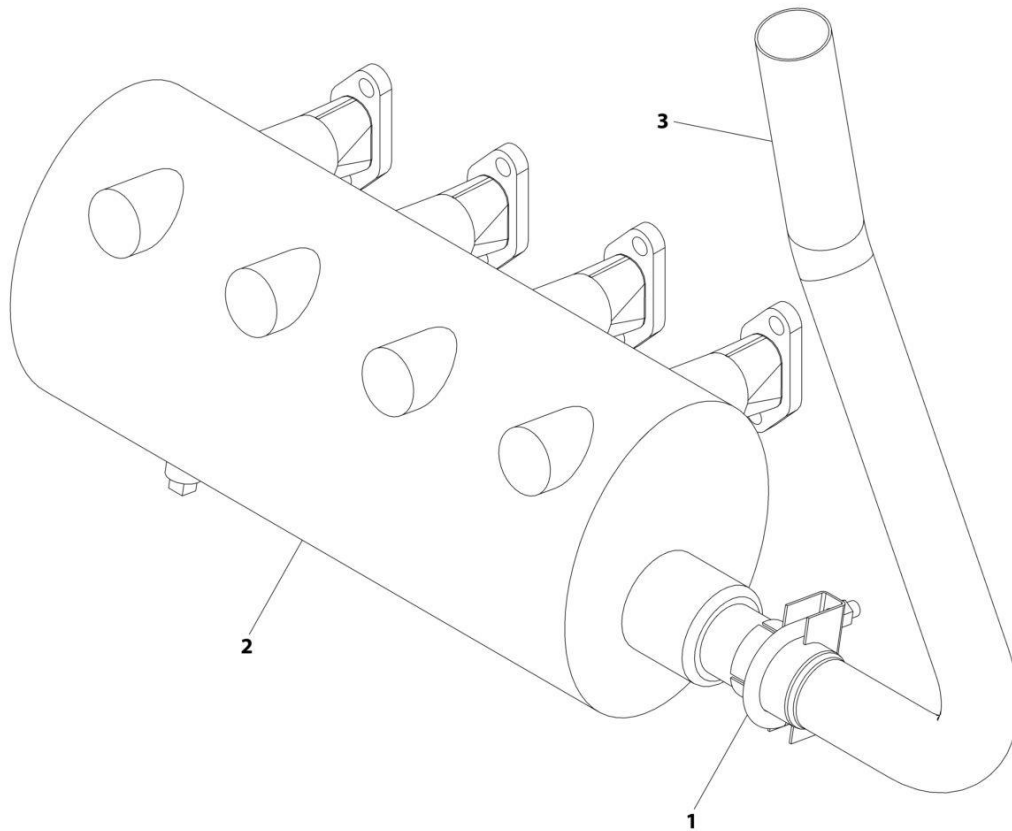
SECTION 3 - ENGINE

FIGURE 3-40. LP TANK AND BRACKETS INSTALLATION (FORD ENGINE)

ITEM	PART NUMBER	QTY	DESCRIPTION	REV
	1001185598	Ref	LP TANK AND BRACKETS INSTALLATION	D
1	0100020	AR	Sealant	
2	0181949	2	Angle	
3	0760408	2	Bolt M4 x 16	
4	0760816	8	Bolt M8 x 40	
5	1320218	2	Clamp	
6	1001247358	1	Fitting, 90	
7	2180387	2	Fitting, Tank Connector	
8	2180388	1	Fitting, Bulkhead	
9	2180389	1	Valve, Relief	
10	2180418	2	Fitting, Straight	
11	2220261	1	Fitting, Nipple	
12	2220418	1	Fitting, Tee	
13	2221024	2	Fitting, Ball Check	
14	2221197	1	Fitting, Straight	
15	2720144	2	Hose	
16	3290405	2	Nut M4	
17	3290805	8	Nut M8	
18	5240800	16	Washer M8	
19	1001091102	4	Washer M4	
20	1001184725	2	Clamp Kit	
20	1320127	2	Clamp, Toggle (1 Per Strap)	
21	4240018	2	Tie-Strap (Not Shown)	
22	0100011	AR	Compound, Locking	
23	0760814	8	Bolt M8 x 30	
100	4400275	2	Tank, LP	

SECTION 3 - ENGINE

FIGURE 3-41. MUFFLER INSTALLATION - SPARK ARRESTING (DEUTZ D2011 ENGINES)
(OPTIONAL)



ART_1001192284

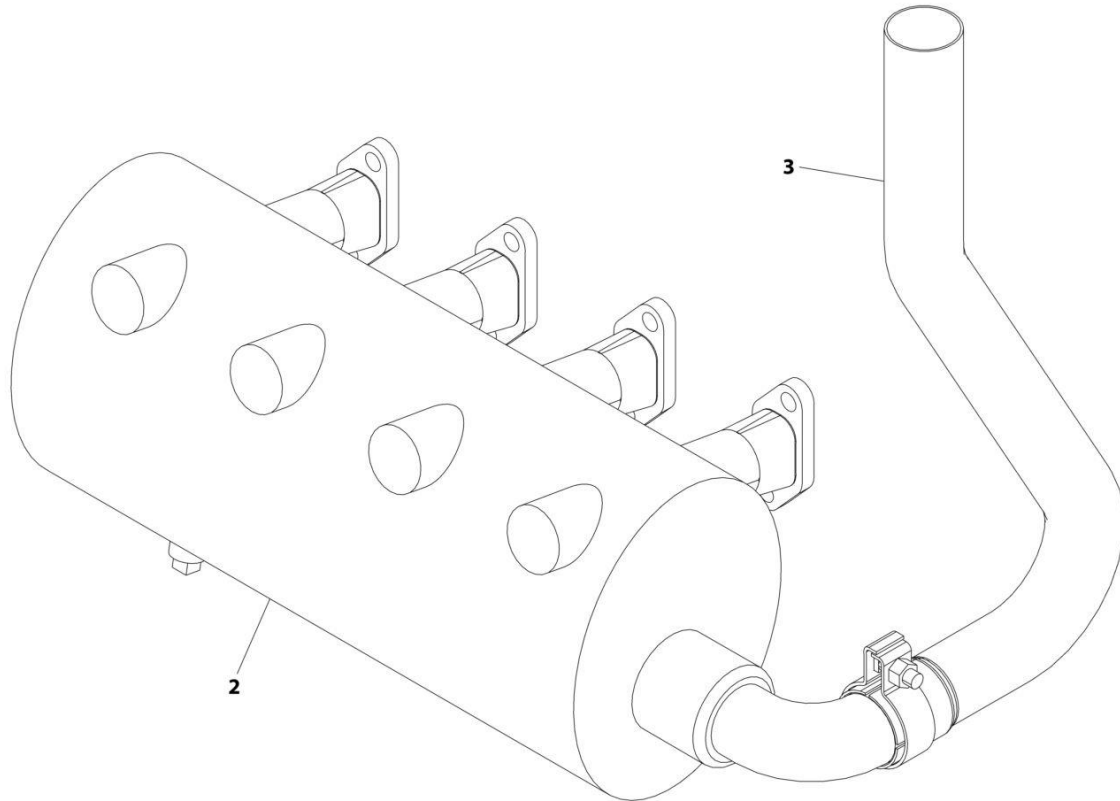
SECTION 3 - ENGINE

**FIGURE 3-41. MUFFLER INSTALLATION - SPARK ARRESTING (DEUTZ D2011 ENGINES)
(OPTIONAL)**

ITEM	PART NUMBER	QTY	DESCRIPTION	REV
	1001192284	Ref	MUFFLER INSTALLATION	B
1	1320176	1	Clamp	
2	1001191156	1	Muffler, Spark Arresting	
3	1001195763	1	Pipe, Exhaust	

SECTION 3 - ENGINE

FIGURE 3-42. MUFFLER INSTALLATION - CATALYTIC (DEUTZ D2011 ENGINES) (OPTIONAL)



ART_1001192285

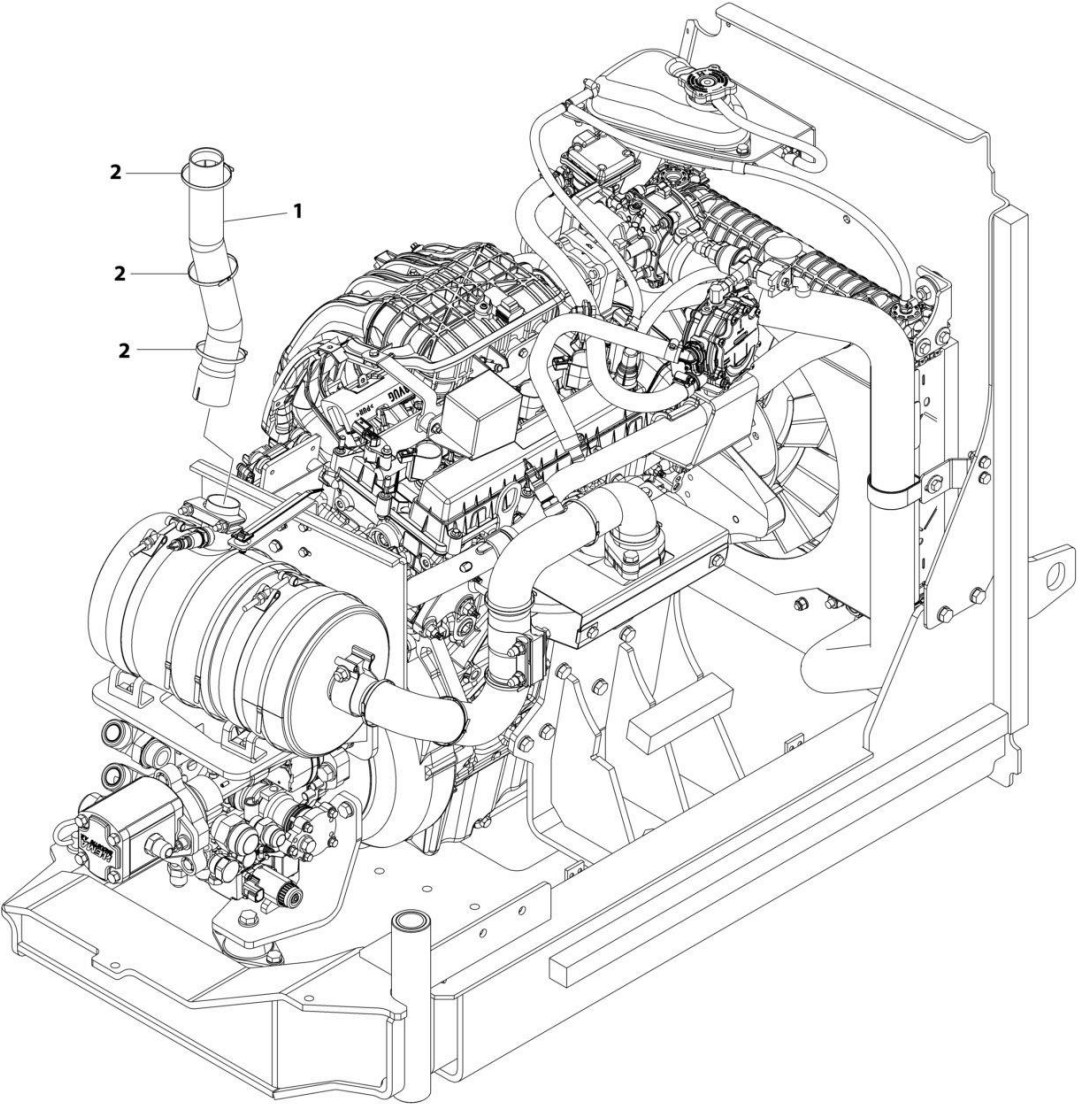
SECTION 3 - ENGINE

FIGURE 3-42. MUFFLER INSTALLATION - CATALYTIC (DEUTZ D2011 ENGINES) (OPTIONAL)

ITEM	PART NUMBER	QTY	DESCRIPTION	REV
	1001192285	Ref	MUFFLER INSTALLATION - CATALYTIC	B
2	3220104	1	Muffler, Catalytic	
3	1001236263	1	Pipe, Exhaust	

SECTION 3 - ENGINE

FIGURE 3-43. MUFFLER INSTALLATION - SPARK ARRESTING (FORD ENGINES) (OPTIONAL)



ART_1001217439

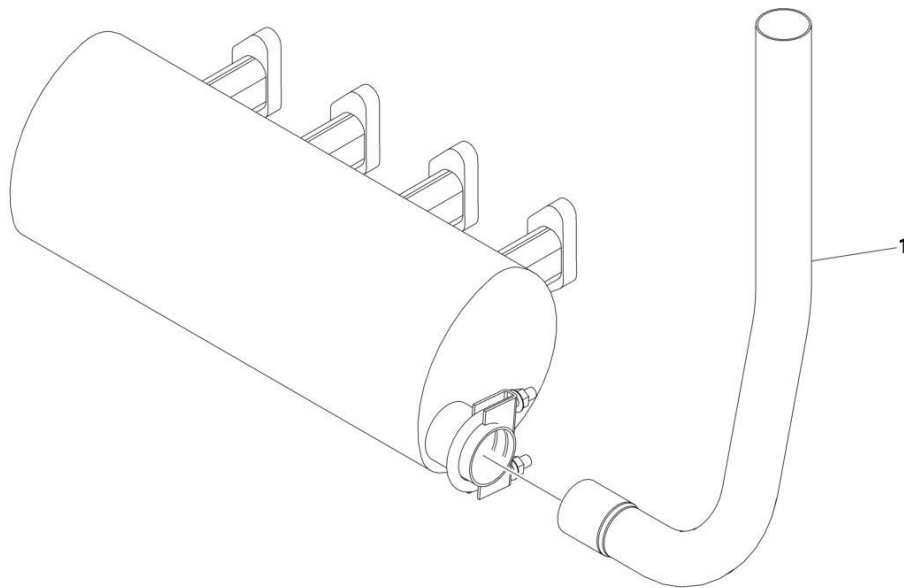
SECTION 3 - ENGINE

FIGURE 3-43. MUFFLER INSTALLATION - SPARK ARRESTING (FORD ENGINES) (OPTIONAL)

ITEM	PART NUMBER	QTY	DESCRIPTION	REV
	1001217439	Ref	MUFFLER INSTALLATION	A
1	1001216392	1	Pipe, Exhaust	
2	1001100825	3	Tie-Strap	

SECTION 3 - ENGINE

FIGURE 3-44. EXHAUST PIPE INSTALLATION (DEUTZ D2011 ENGINES)



ART_1001239563

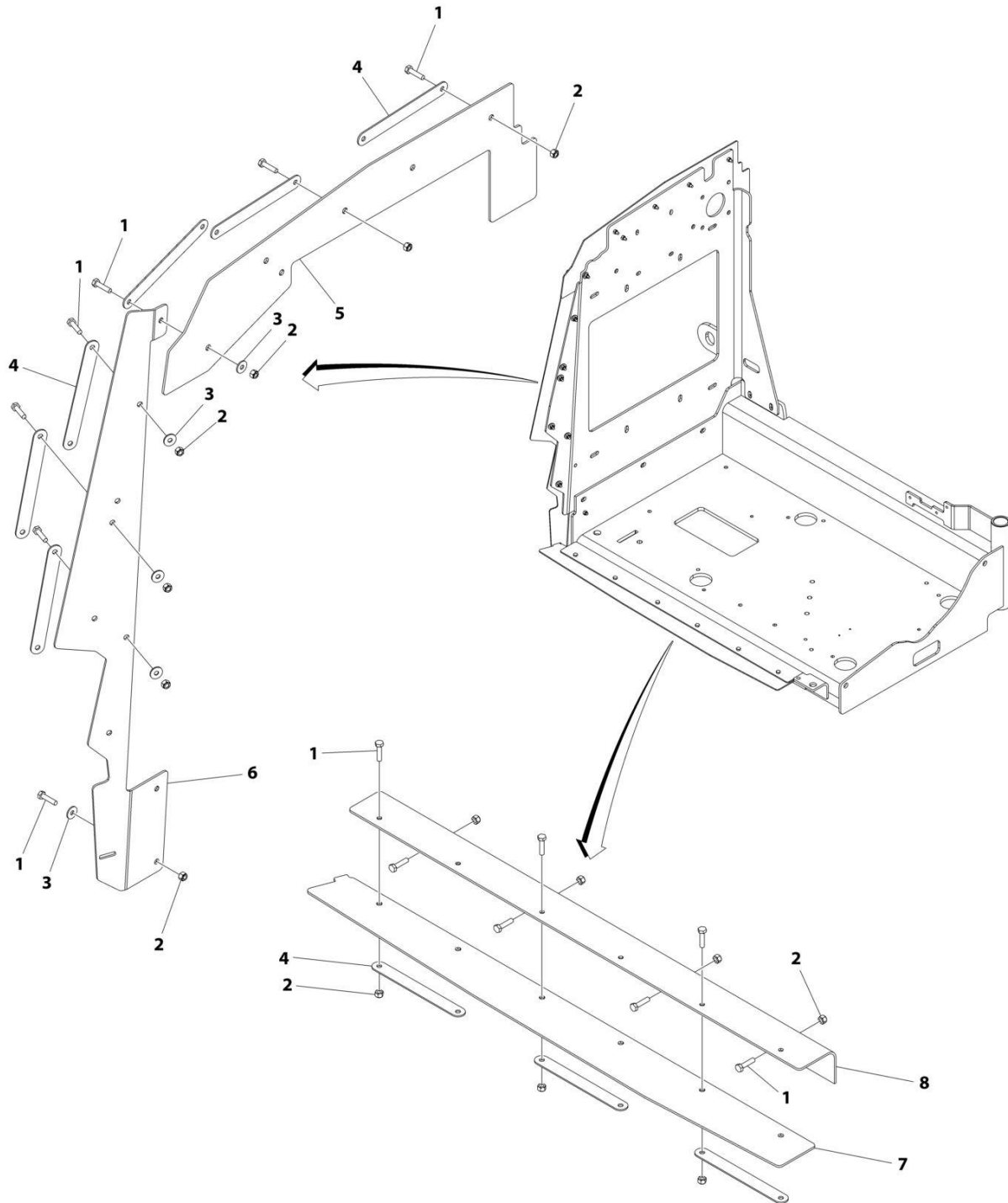
SECTION 3 - ENGINE

FIGURE 3-44. EXHAUST PIPE INSTALLATION (DEUTZ D2011 ENGINES)

ITEM	PART NUMBER	QTY	DESCRIPTION	REV
1	1001239563 1001191273	Ref 1	MUFFLER INSTALLATION Pipe, Exhaust	A

SECTION 3 - ENGINE

FIGURE 3-45. ENGINE HOOD Baffles INSTALLATION - ABS HOODS (DEUTZ D2.9L4 - 49HP ENGINES)



ART_1001244119

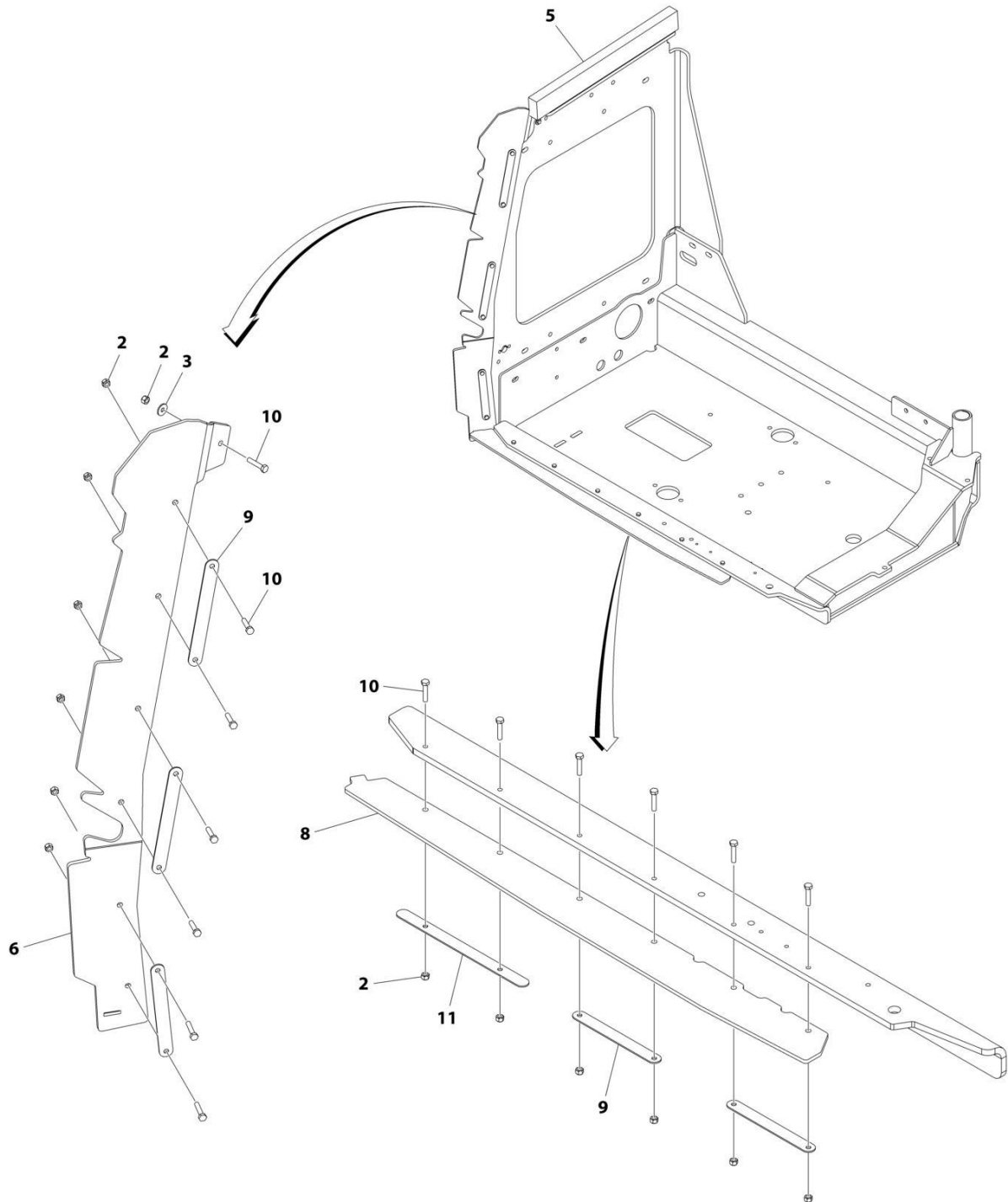
SECTION 3 - ENGINE

FIGURE 3-45. ENGINE HOOD BAFFLES INSTALLATION - ABS HOODS (DEUTZ D2.9L4 - 49HP ENGINES)

ITEM	PART NUMBER	QTY	DESCRIPTION	REV
	1001244119	Ref	ENGINE HOOD BAFFLES INSTALLATION	B
1	0760612	24	Bolt M6 x 25	
2	3290605	24	Nut M6	
3	4811702	30	Washer M6	
4	1001167164	9	Support	
5	1001244120	1	Seal	
6	1001244121	1	Seal	
7	1001244122	1	Seal	
8	1001244123	1	Plate	

SECTION 3 - ENGINE

FIGURE 3-46. ENGINE HOOD Baffles INSTALLATION - ABS HOODS (DEUTZ D2011, DEUTZ TD2.9L4 - 67HP AND FORD ENGINES)



ART_1001197268

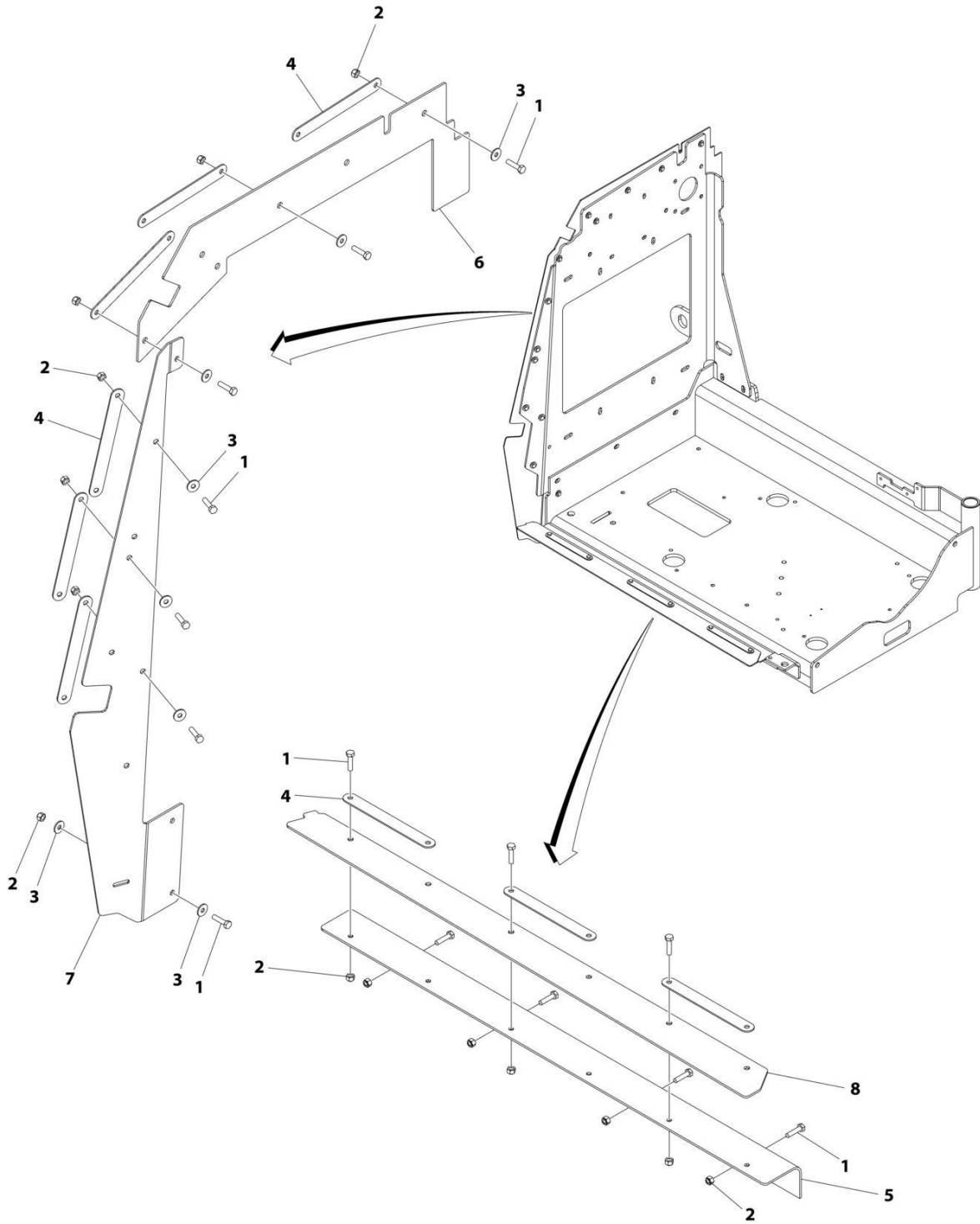
SECTION 3 - ENGINE

FIGURE 3-46. ENGINE HOOD BAFFLES INSTALLATION - ABS HOODS (DEUTZ D2011, DEUTZ TD2.9L4 - 67HP AND FORD ENGINES)

ITEM	PART NUMBER	QTY	DESCRIPTION	REV
	1001197268	Ref	ENGINE HOOD BAFFLES INSTALLATION	G
2	3290605	13	Nut M6	
3	4811702	8	Washer M6	
5	1001197389	1	Seal	
6	1001197386	1	Seal (600S SN 0300235168 through 0300237156, SN B300002655 through B300005754; Excluding B300005570)	
6	1001197386	1	Seal (660SJ SN 0300235168 through 0300237156, SN B300002655 through B300005754; Excluding B300005570)	
6	1001234370	1	Seal (600S SN 0300237157 through 0300272445)	
6	1001234370	1	Seal (660SJ SN 0300237157 through 0300272445)	
8	1001197388	1	Seal (600S SN 0300235168 through 0300237156, SN B300002655 through B300005754; Excluding B300005570)	
8	1001197388	1	Seal (660SJ SN 0300235168 through 0300237156, SN B300002655 through B300005754; Excluding B300005570)	
8	1001234371	1	Seal (600S SN 0300237157 through 0300272445)	
8	1001234371	1	Seal (660SJ SN 0300237157 through 0300272445)	
9	1001167164	5	Support	
10	0760614	13	Bolt M6 x 30	
11	1001233429	1	Support	

SECTION 3 - ENGINE

FIGURE 3-47. ENGINE HOOD Baffles INSTALLATION - STEEL HOODS (DEUTZ D2.9L4 - 49HP ENGINES)



ART_1001244464

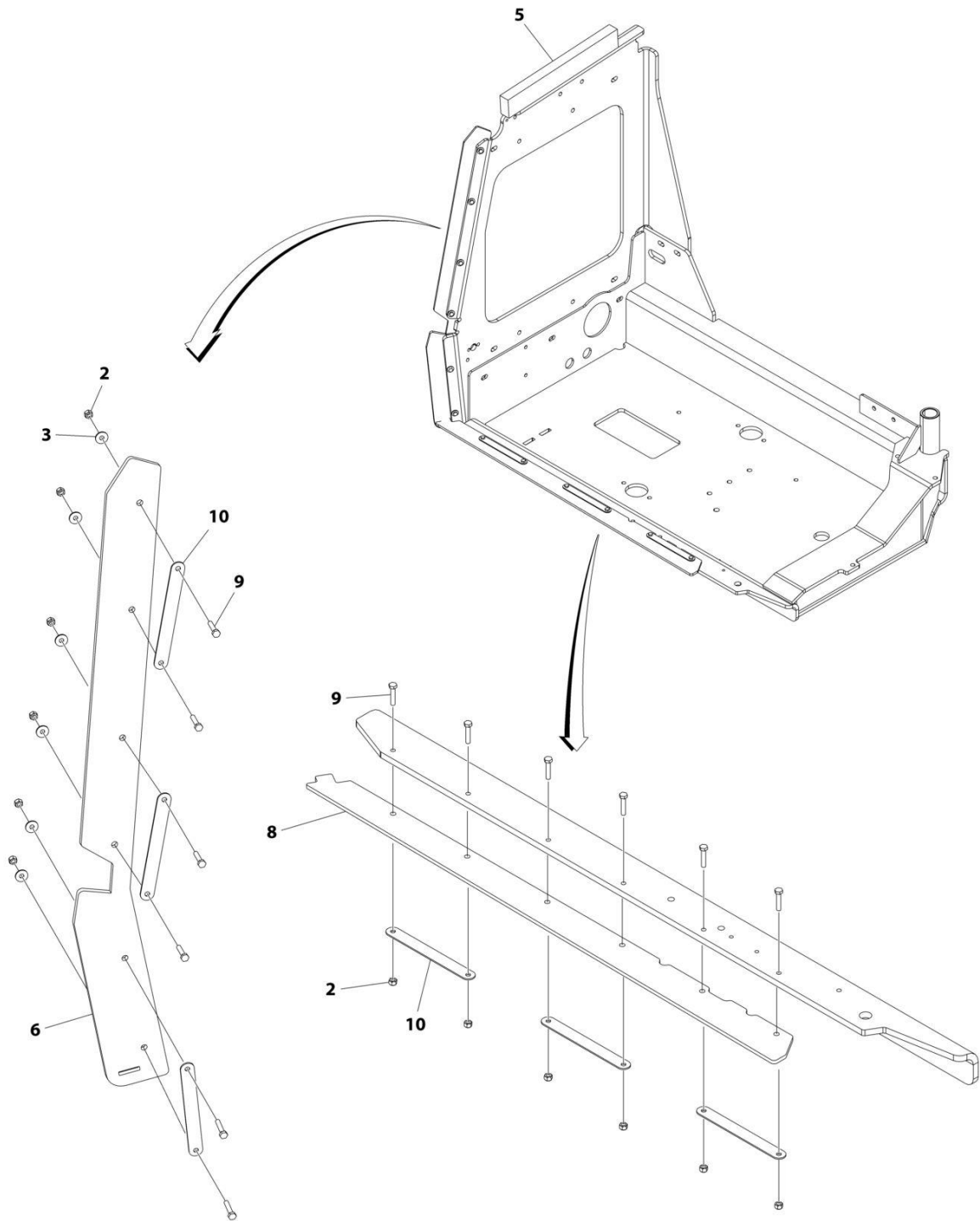
SECTION 3 - ENGINE

FIGURE 3-47. ENGINE HOOD BAFFLES INSTALLATION - STEEL HOODS (DEUTZ D2.9L4 - 49HP ENGINES)

ITEM	PART NUMBER	QTY	DESCRIPTION	REV
	1001244464	Ref	ENGINE HOOD BAFFLES INSTALLATION	B
1	0760612	24	Bolt M6 x 25	
2	3290605	24	Nut M6	
3	4811702	30	Washer M6	
4	1001167164	9	Support	
5	1001244123	1	Plate	
6	1001244468	1	Seal	
7	1001244469	1	Seal	
8	1001244470	1	Seal	

SECTION 3 - ENGINE

FIGURE 3-48. ENGINE HOOD Baffles INSTALLATION - STEEL HOODS (DEUTZ D2011, DEUTZ TD2.9L4 - 67HP AND FORD ENGINES)



ART_1001197269

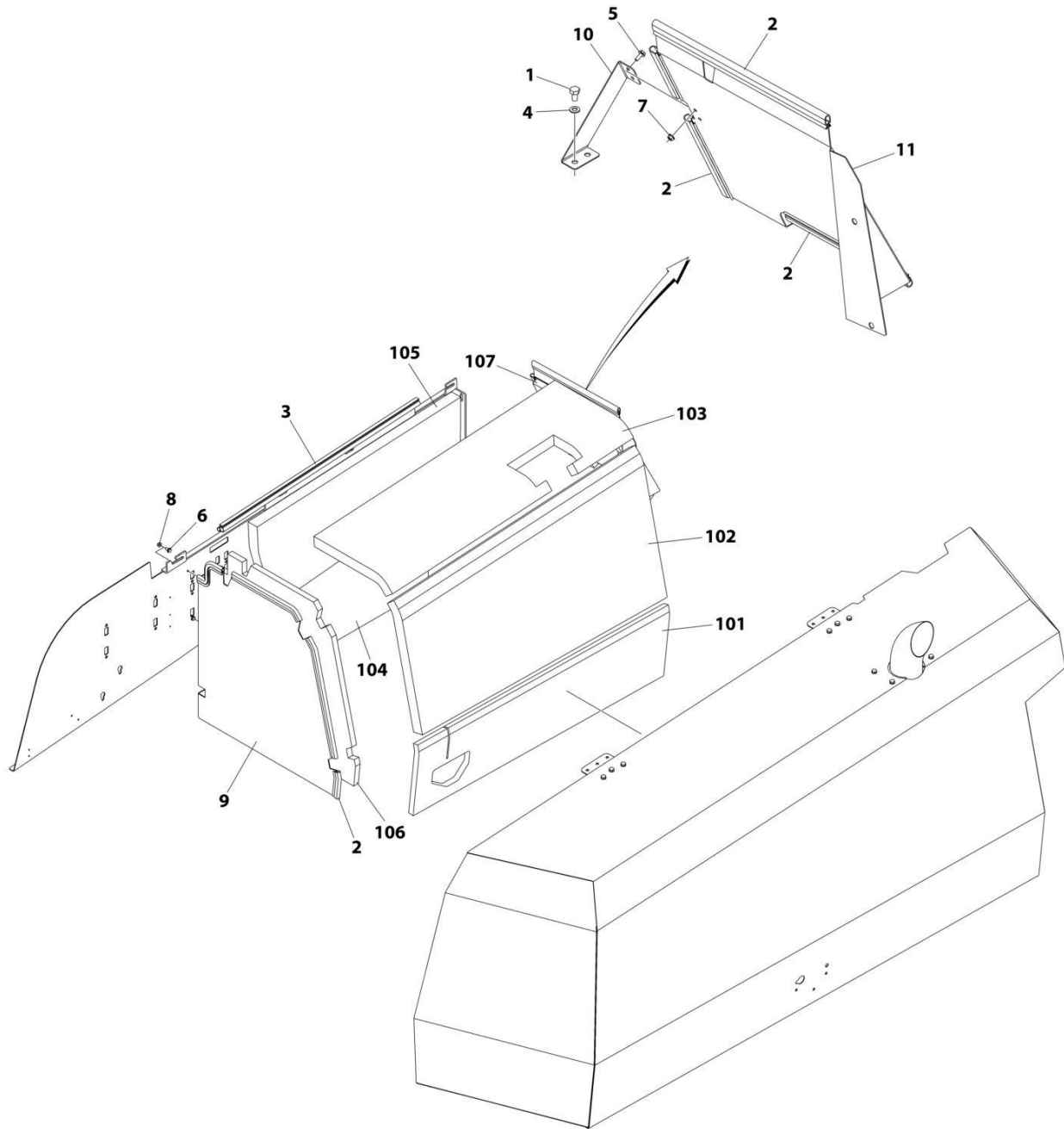
SECTION 3 - ENGINE

FIGURE 3-48. ENGINE HOOD BAFFLES INSTALLATION - STEEL HOODS (DEUTZ D2011, DEUTZ TD2.9L4 - 67HP AND FORD ENGINES)

ITEM	PART NUMBER	QTY	DESCRIPTION	REV
	1001197269	Ref	ENGINE HOOD BAFFLES INSTALLATION	F
2	3290605	AR	Nut M6	
3	4811702	AR	Washer M6	
5	1001197389	1	Seal (600S SN 0300235168 through 0300237156, SN B300002655 through B300005754; Excluding B300005570)	
5	1001197389	1	Seal (660SJ SN 0300235168 through 0300237156, SN B300002655 through B300005754; Excluding B300005570)	
5	1001234281	1	Seal (600S SN 0300237157 through 0300272445)	
5	1001234281	1	Seal (660SJ SN 0300237157 through 0300272445)	
6	1001197390	1	Seal (600S SN 0300235168 through 0300237156, SN B300002655 through B300005754; Excluding B300005570)	
6	1001197390	1	Seal (660SJ SN 0300235168 through 0300237156, SN B300002655 through B300005754; Excluding B300005570)	
6	1001234299	1	Seal (600S SN 0300237157 through 0300272445)	
6	1001234299	1	Seal (660SJ SN 0300237157 through 0300272445)	
8	1001197392	1	Seal (600S SN 0300235168 through 0300237156, SN B300002655 through B300005754; Excluding B300005570)	
8	1001197392	1	Seal (660SJ SN 0300235168 through 0300237156, SN B300002655 through B300005754; Excluding B300005570)	
8	1001234283	1	Seal (600S SN 0300237157 through 0300272445)	
8	1001234283	1	Seal (660SJ SN 0300237157 through 0300272445)	
9	0760614	AR	Bolt M6 x 30	
10	1001167164	6	Support	

SECTION 3 - ENGINE

FIGURE 3-49. NOISE REDUCTION PACKAGE



ART_1001234080

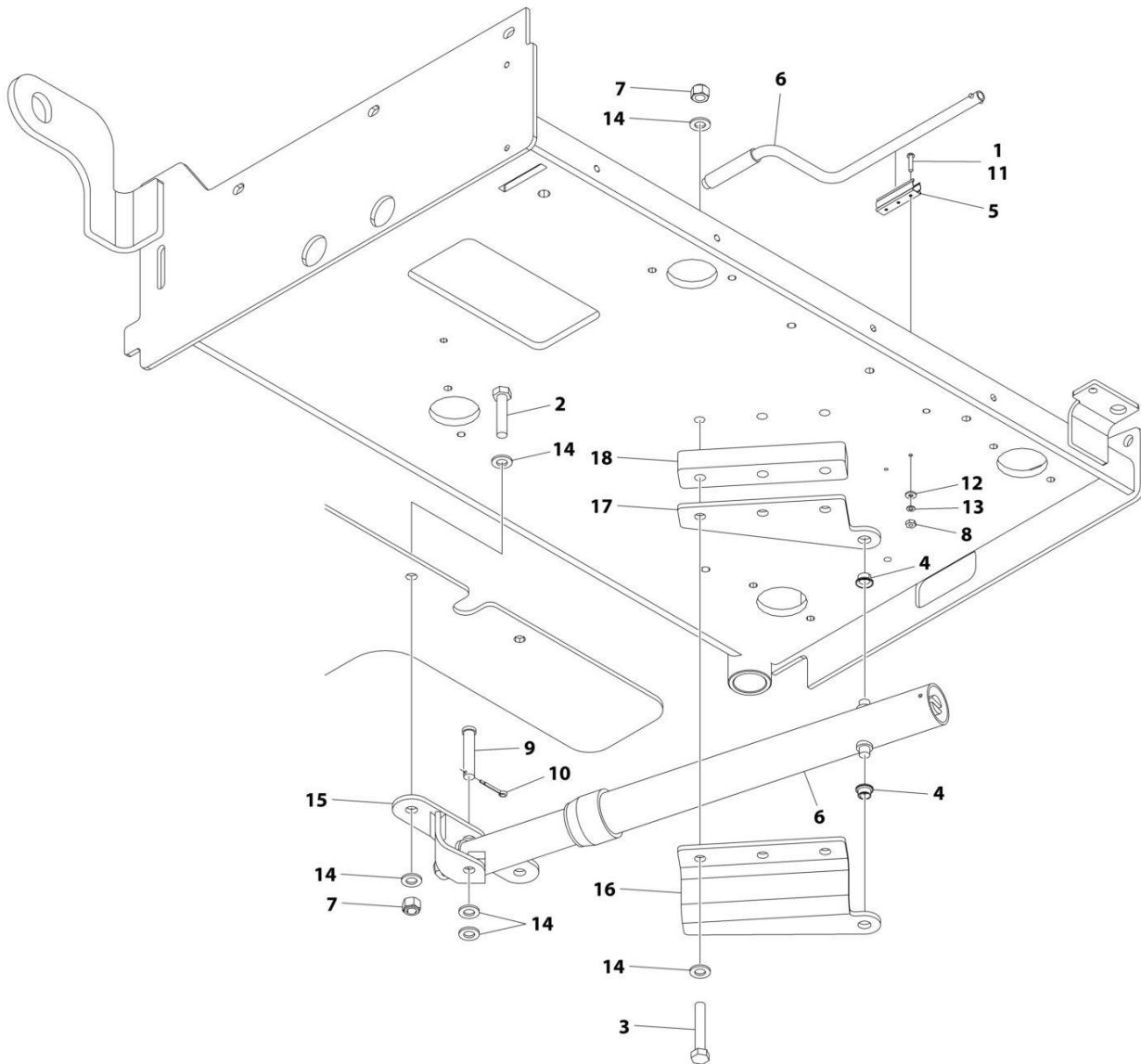
SECTION 3 - ENGINE

FIGURE 3-49. NOISE REDUCTION PACKAGE

ITEM	PART NUMBER	QTY	DESCRIPTION	REV
	1001234080	Ref	NOISE REDUCTION PACKAGE	B
1	0761009	2	Bolt M10 x 18	
2	3960389	8.2 ft/ 2.49m	Seal	
3	3960464	3.6 ft/ 1.10m	Seal	
4	4812000	2	Washer M10	
5	5250608	2	Bolt M6 x 16	
6	5250808	2	Bolt M8 x 16	
7	5260600	2	Nut M6	
8	5260800	2	Nut M8	
9	1001233947	1	Plate (SN 0300235168 through 0300257990, SN B300002655 through B300005754, Excluding B300005570)	
9	1001241729	1	Plate (SN 0300257991 through 0300272445)	
10	1001233948	1	Bracket	
11	1001233949	1	Plate	
100	1001237550	1	Sound Foam Insulate Kit (Includes Items 101-107)	B
101	1001233953	1	Insulate	
102	1001233954	1	Insulate	
103	1001233955	1	Insulate	
104	1001233966	1	Insulate	
105	1001233967	1	Insulate	
106	1001234269	1	Insulate	
107	1001234270	1	Insulate	

SECTION 3 - ENGINE

FIGURE 3-50. TRAY JACK INSTALLATION (DEUTZ D2.9L4 - 49HP ENGINES)



ART_1001244023

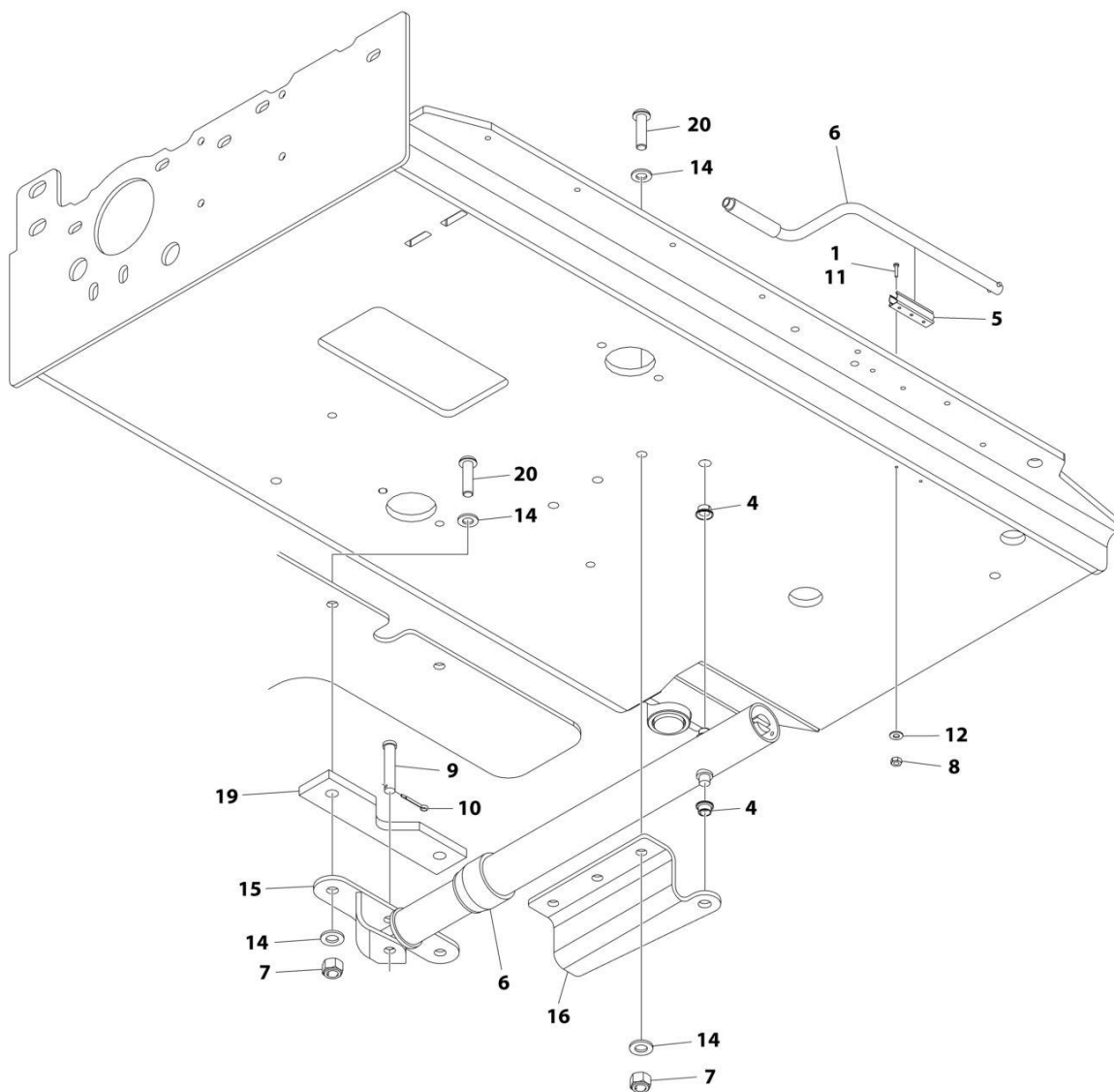
SECTION 3 - ENGINE

FIGURE 3-50. TRAY JACK INSTALLATION (DEUTZ D2.9L4 - 49HP ENGINES)

ITEM	PART NUMBER	QTY	DESCRIPTION	REV
	1001244023	Ref	TRAY JACK INSTALLATION	B
1	0100011	AR	Compound, Locking	
2	0701215	2	Bolt M12 x 35	
3	0701222	3	Bolt M12 x 70	
4	0962051	2	Bearing	
5	1380147	1	Clip	
6	2840016	1	Jack and Handle Assembly	
6	7024598	1	Handle	
7	3291205	5	Nut M12	
8	3310601	2	Nut #6	
9	3430820	1	Pin	
10	3450404	1	Pin	
11	3910610	2	Screw #6 x 5/8	
12	4750600	2	Washer #6	
13	4770600	2	Washer #6	
14	4812100	12	Washer M12	
15	1001166894	1	Support	
16	1001175073	1	Support	
17	1001175074	1	Support	
18	1001244025	1	Shim	

SECTION 3 - ENGINE

FIGURE 3-51. TRAY JACK INSTALLATION (DEUTZ D2011, DEUTZ TD2.9L4 - 67HP AND FORD ENGINES)



ART_1001186980

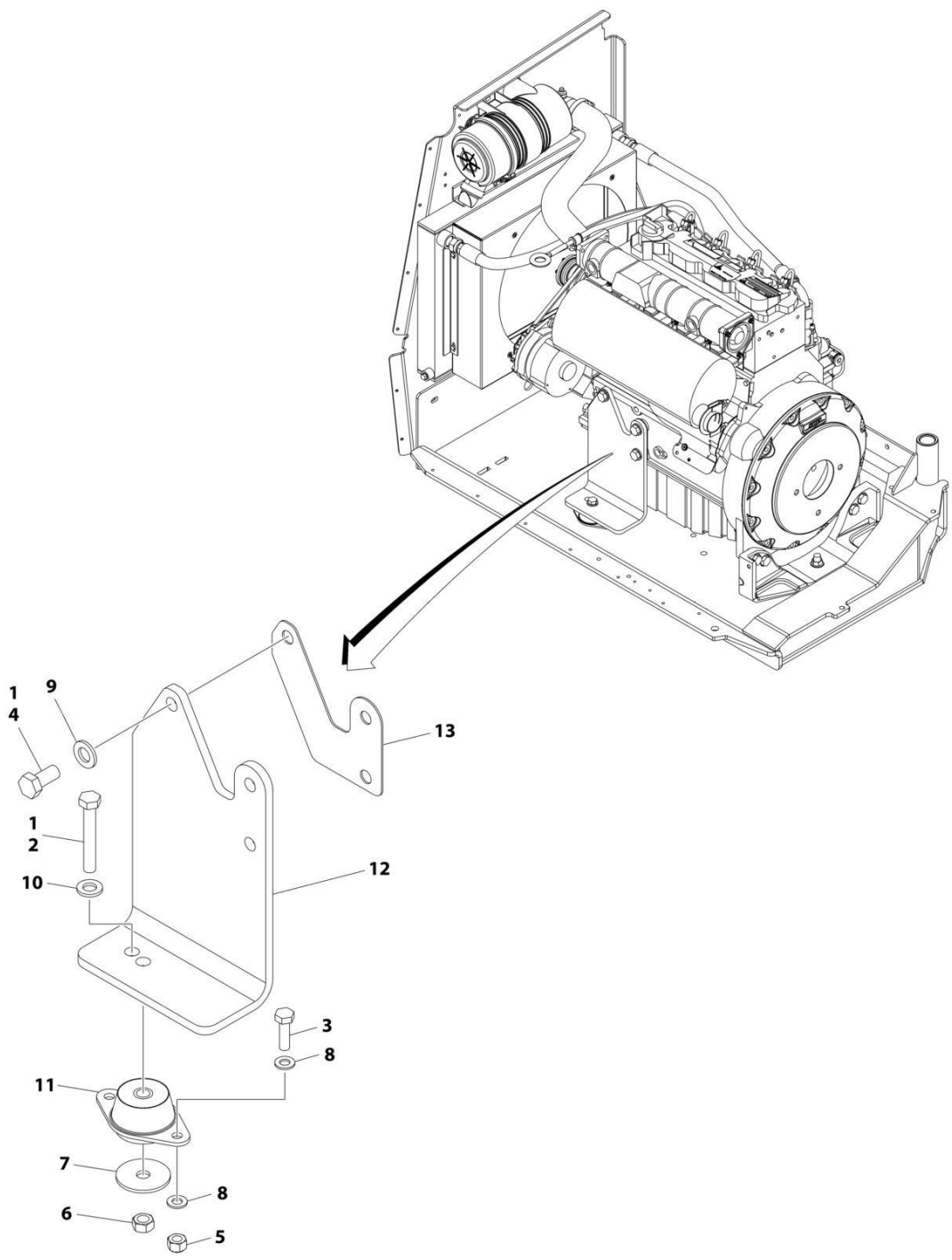
SECTION 3 - ENGINE

FIGURE 3-51. TRAY JACK INSTALLATION (DEUTZ D2011, DEUTZ TD2.9L4 - 67HP AND FORD ENGINES)

ITEM	PART NUMBER	QTY	DESCRIPTION	REV
	1001186980	Ref	TRAY JACK INSTALLATION	E
1	0100011	AR	Compound, Locking	
4	0962051	2	Bearing	
5	1380147	1	Clip	
6	2840016	1	Jack and Handle Assembly	
6	7024598	1	Handle	
7	3291205	5	Nut M12	
8	3290301	2	Nut M3	
9	3430820	1	Pin	
10	3450404	1	Pin (SN 0300235168 through 0300250001, SN B300002655 through B300003386, Excluding B300005570)	
10	1001236121	1	Pin (SN 0300250002 through 0300272445, SN B300003387 through B300005754, Excluding B300005570)	
11	4010308	2	Screw M3 x 16	
12	4811400	2	Washer M4	
14	4812100	10	Washer M12	
15	1001166894	1	Support	
16	1001175073	1	Support	
19	1001186981	1	Plate	
20	1001102978	5	Screw M12 x 45 Grade 10.9	

SECTION 3 - ENGINE

FIGURE 3-52. MOTOR MOUNT INSTALLATION - WITHOUT GENERATOR (DEUTZ D2011 ENGINES)



ART_1001192443

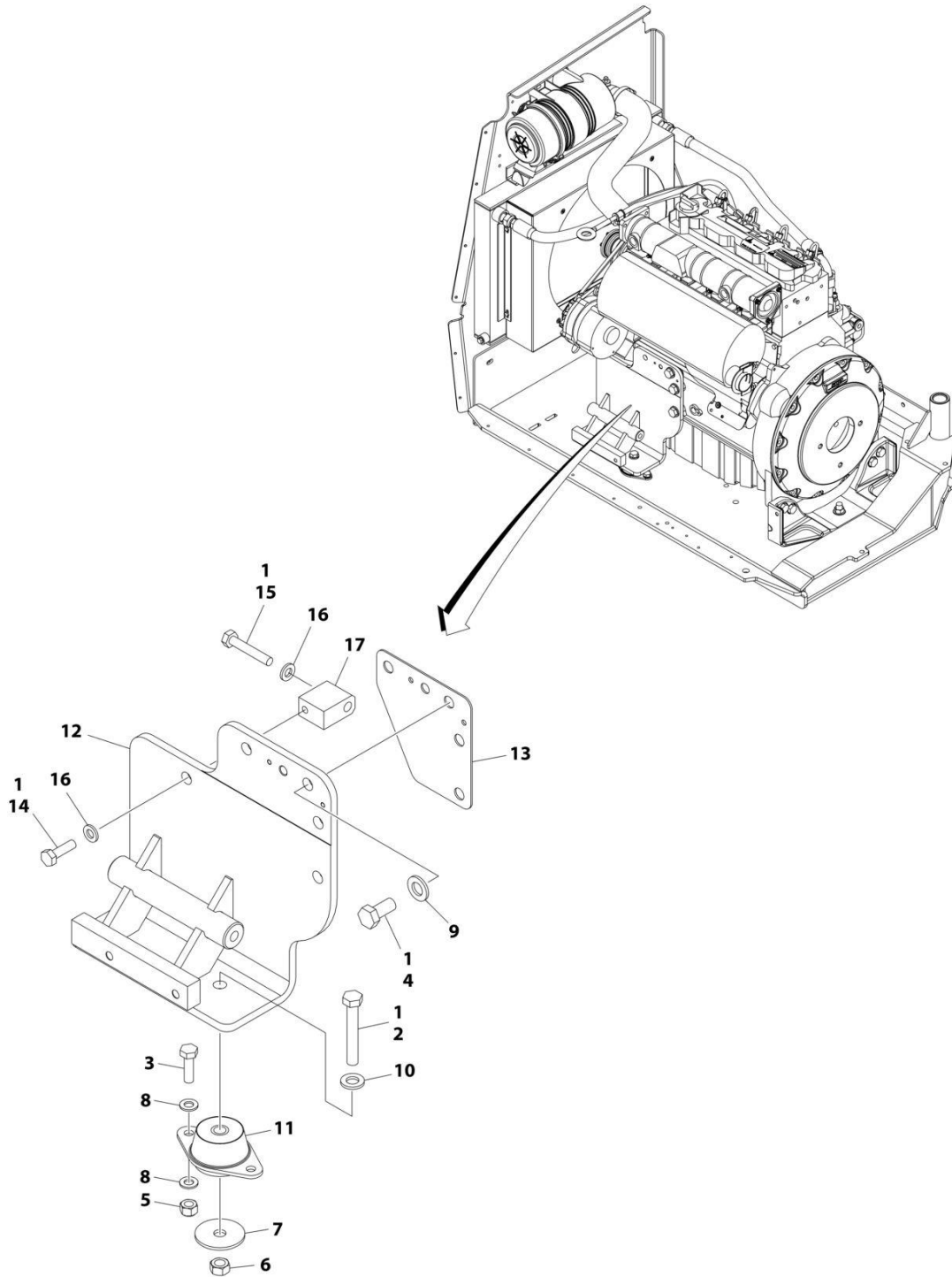
SECTION 3 - ENGINE

FIGURE 3-52. MOTOR MOUNT INSTALLATION - WITHOUT GENERATOR (DEUTZ D2011 ENGINES)

ITEM	PART NUMBER	QTY	DESCRIPTION	REV
	1001192443	Ref	MOTOR MOUNT INSTALLATION	D
1	0100011	AR	Compound, Locking	
2	0711224	1	Bolt M12 x 80	
3	0761015	2	Bolt M10 x 35	
4	0771414	3	Bolt M14 x 30	
5	3291005	2	Nut M10	
6	3331211	1	Nut M12	
7	1001168018	1	Washer	
8	4812000	4	Washer M10	
9	5241400	3	Washer M14	
10	5241200	1	Washer M12	
11	1001191610	1	Mount, Motor	
12	1001189227	1	Mount	
13	1001201843	1	Shim	

SECTION 3 - ENGINE

FIGURE 3-53. MOTOR MOUNT INSTALLATION - WITH GENERATOR (DEUTZ D2011 ENGINES)



ART_1001191856

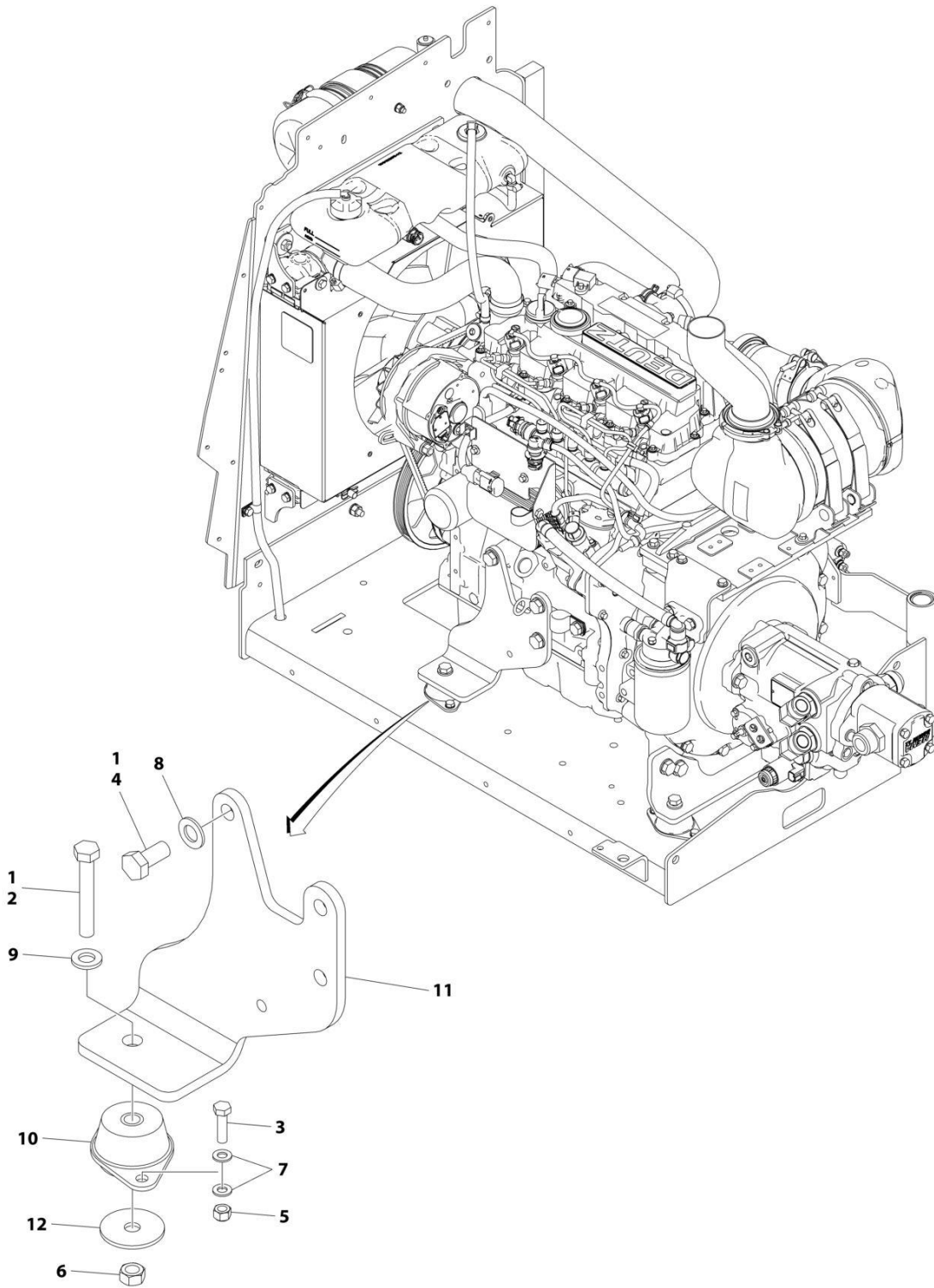
SECTION 3 - ENGINE

FIGURE 3-53. MOTOR MOUNT INSTALLATION - WITH GENERATOR (DEUTZ D2011 ENGINES)

ITEM	PART NUMBER	QTY	DESCRIPTION	REV
	1001191856	Ref	MOTOR MOUNT INSTALLATION	F
1	0100011	AR	Compound, Locking	
2	0711224	1	Bolt M12 x 80	
3	0761015	2	Bolt M10 x 35	
4	0771415	3	Bolt M14 x 35	
5	3291005	2	Nut M10	
6	3331211	1	Nut M12	
7	1001168018	1	Washer	
8	4812000	4	Washer M10	
9	5241400	3	Washer M14	
10	5241200	1	Washer M12	
11	1001191610	1	Mount, Engine	
12	1001239710	1	Bracket	
13	1001205957	1	Shim	
14	0711015	1	Bolt M10 x 35	
15	0711020	1	Bolt M10 x 60	
16	5241000	2	Washer M10	
17	1001239715	1	Block	

SECTION 3 - ENGINE

FIGURE 3-54. MOTOR MOUNT INSTALLATION - WITHOUT GENERATOR (DEUTZ D2.9L4 - 49HP ENGINES)



ART_1001244024

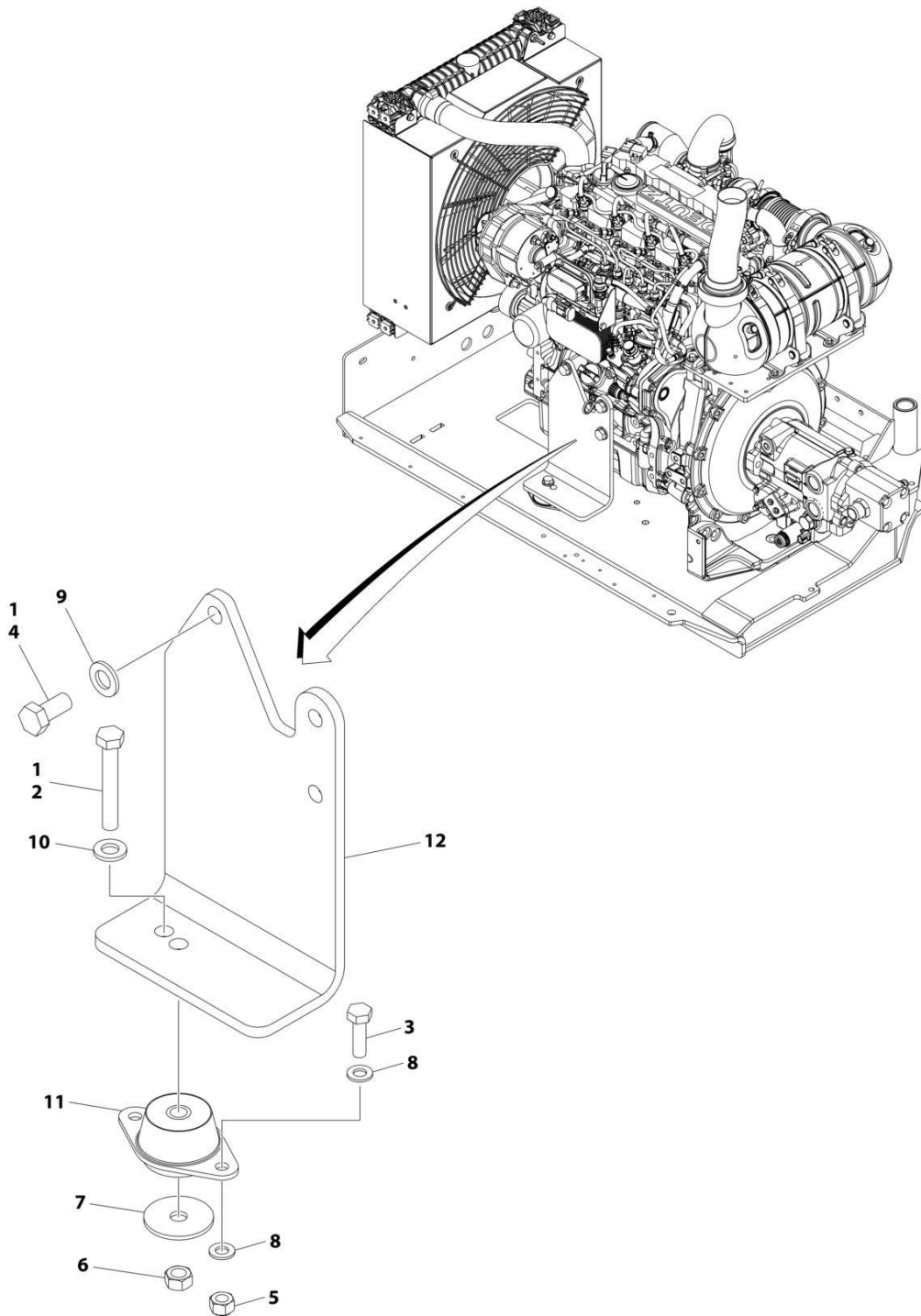
SECTION 3 - ENGINE

FIGURE 3-54. MOTOR MOUNT INSTALLATION - WITHOUT GENERATOR (DEUTZ D2.9L4 - 49HP ENGINES)

ITEM	PART NUMBER	QTY	DESCRIPTION	REV
	1001244024	Ref	MOTOR MOUNT INSTALLATION	A
1	0100011	AR	Compound, Locking	
2	0711224	1	Bolt M12 x 80	
3	0760814	2	Bolt M8 x 30	
4	0771414	3	Bolt M14 x 30	
5	3290805	2	Nut M8	
6	3331211	1	Nut M12	
7	4811900	4	Washer M8	
8	4812200	3	Washer M14	
9	5241200	1	Washer M12	
10	1001166718	1	Mount, Motor	
11	1001166922	1	Mount	
12	1001168018	1	Washer	

SECTION 3 - ENGINE

FIGURE 3-55. MOTOR MOUNT INSTALLATION - WITHOUT GENERATOR (DEUTZ TD2.9L4 - 67HP ENGINES)



ART_1001192442

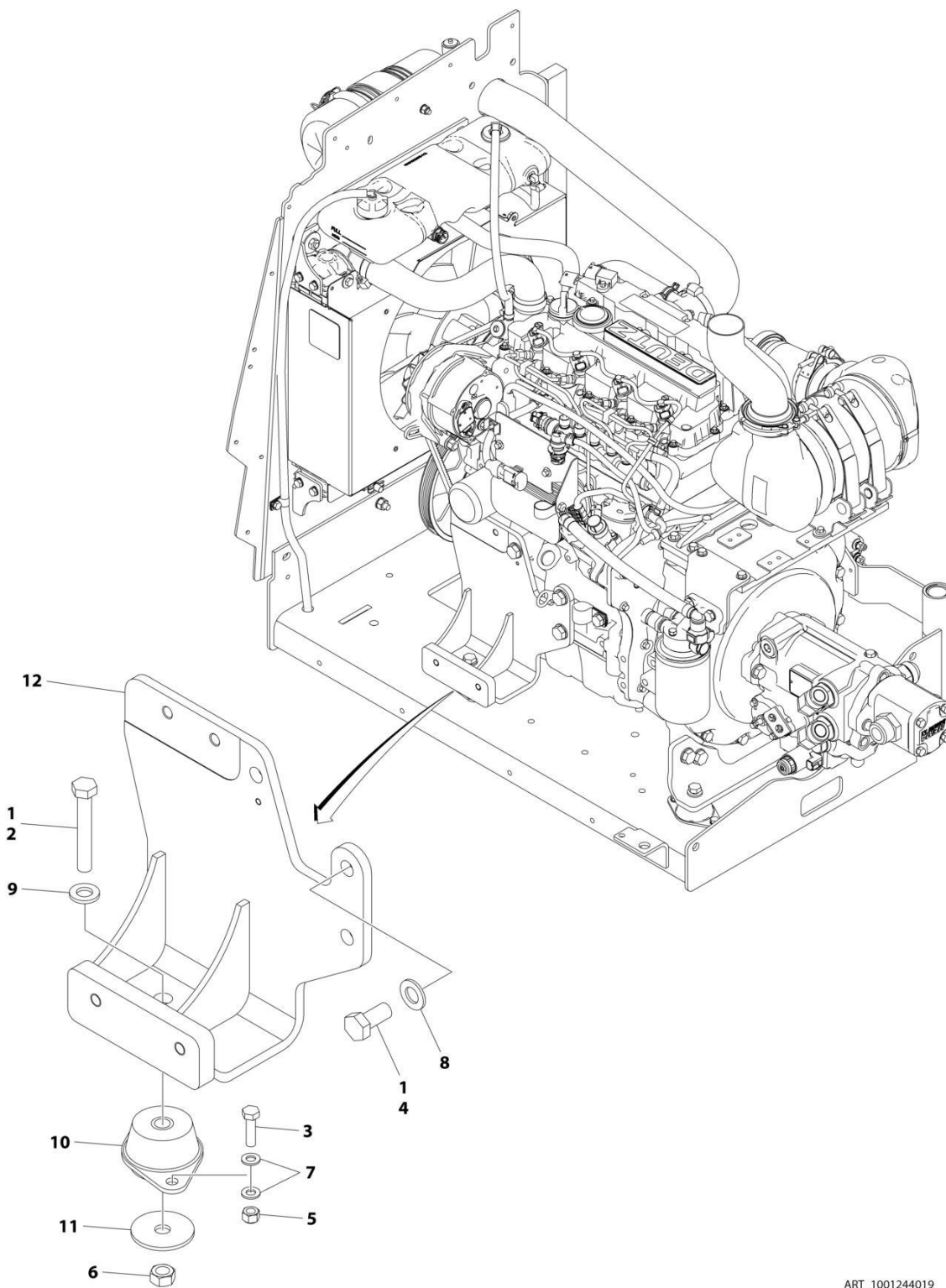
SECTION 3 - ENGINE

FIGURE 3-55. MOTOR MOUNT INSTALLATION - WITHOUT GENERATOR (DEUTZ TD2.9L4 - 67HP ENGINES)

ITEM	PART NUMBER	QTY	DESCRIPTION	REV
	1001192442	Ref	MOTOR MOUNT INSTALLATION	D
1	0100011	AR	Compound, Locking	
2	0711224	1	Bolt M12 x 80	
3	0761015	2	Bolt M10 x 35	
4	0771414	3	Bolt M14 x 30	
5	3291005	2	Nut M10	
6	3331211	1	Nut M12	
7	1001168018	1	Washer	
8	4812000	4	Washer M10	
9	5241400	3	Washer M14	
10	5241200	1	Washer M12	
11	1001191610	1	Mount, Motor	
12	1001189227	1	Mount	

SECTION 3 - ENGINE

FIGURE 3-56. MOTOR MOUNT INSTALLATION - WITH GENERATOR (DEUTZ D2.9L4 - 49HP ENGINES)



ART_1001244019

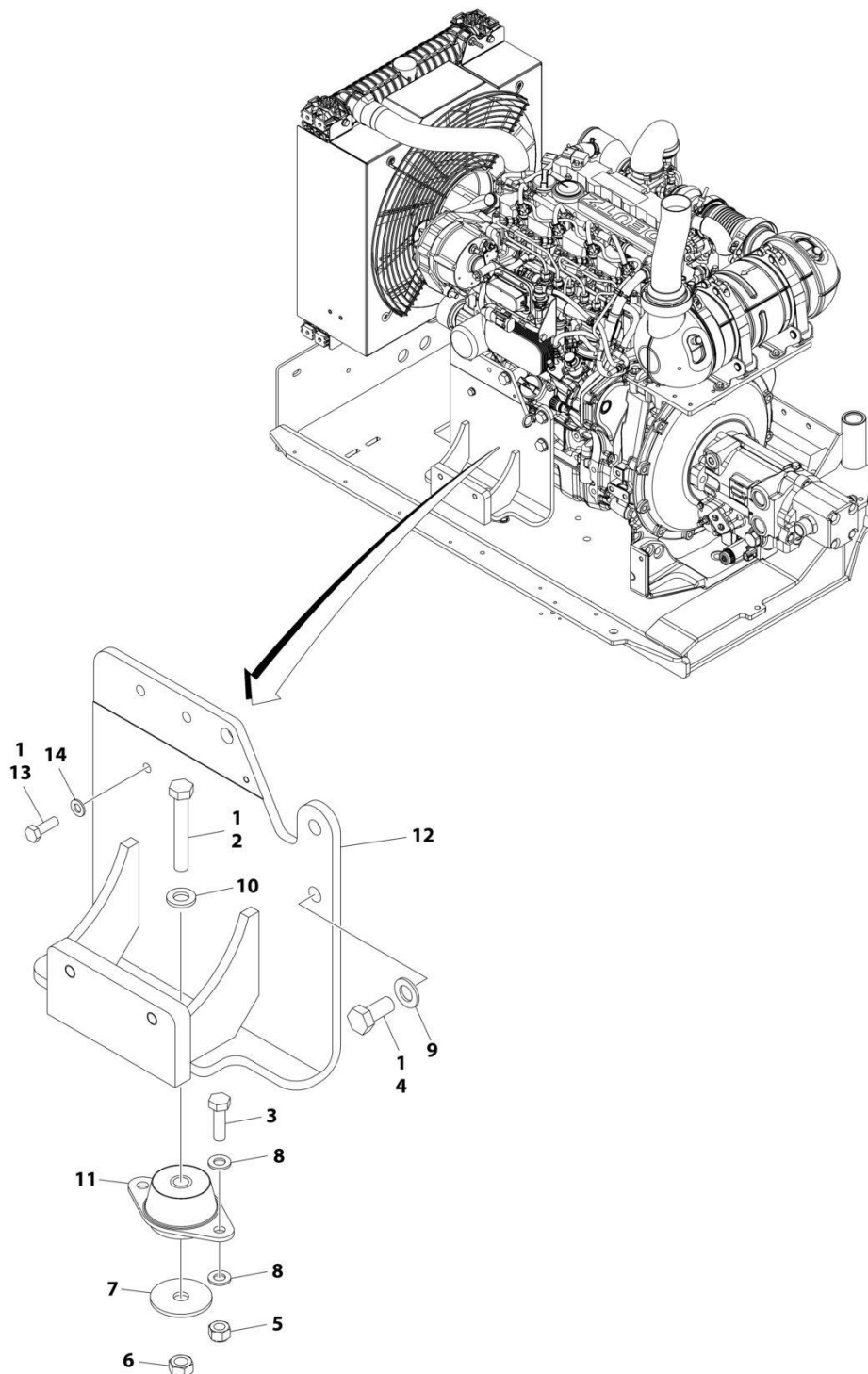
SECTION 3 - ENGINE

FIGURE 3-56. MOTOR MOUNT INSTALLATION - WITH GENERATOR (DEUTZ D2.9L4 - 49HP ENGINES)

ITEM	PART NUMBER	QTY	DESCRIPTION	REV
	1001244019	Ref	MOTOR MOUNT INSTALLATION	A
1	0100011	AR	Compound, Locking	
2	0711224	1	Bolt M12 x 80	
3	0760814	2	Bolt M8 x 30	
4	0771414	3	Bolt M14 x 30	
5	3290805	2	Nut M8	
6	3331211	1	Nut M12	
7	4811900	4	Washer M8	
8	4812200	3	Washer M14	
9	5241200	1	Washer M12	
10	1001166718	1	Mount, Motor	
11	1001168018	1	Washer	
12	1001168207	1	Mount	

SECTION 3 - ENGINE

FIGURE 3-57. MOTOR MOUNT INSTALLATION - WITH GENERATOR (DEUTZ TD2.9L4 - 67HP ENGINES)



ART_1001192008

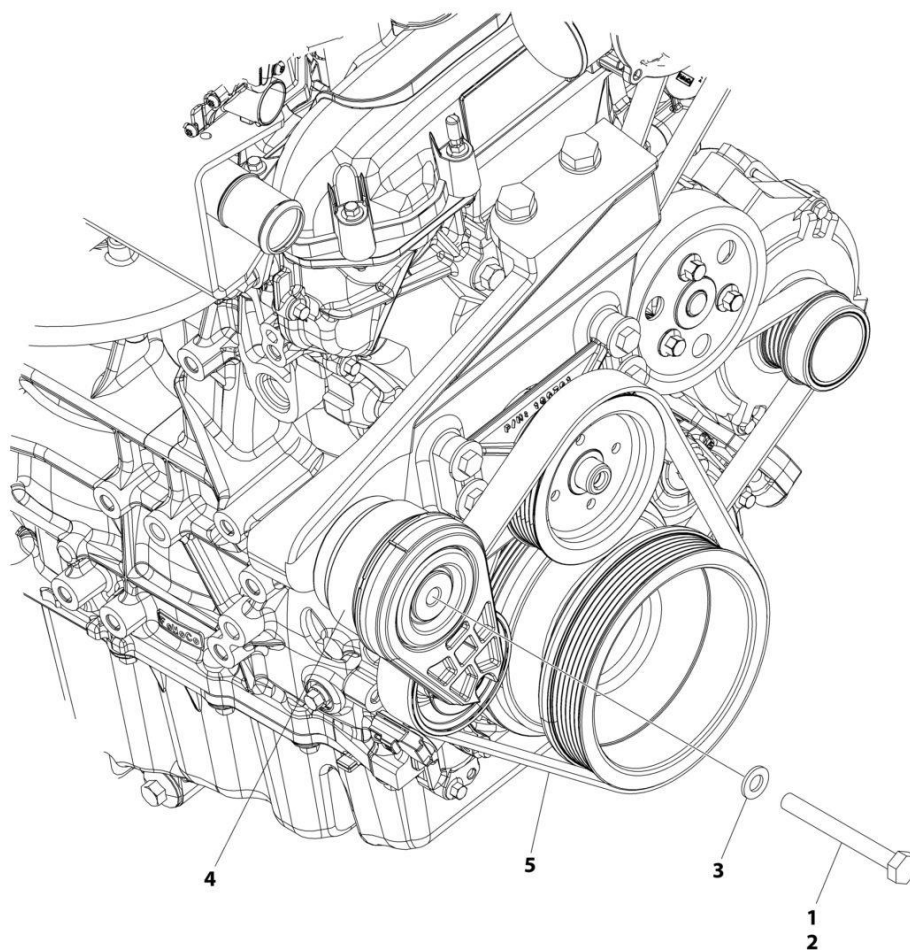
SECTION 3 - ENGINE

FIGURE 3-57. MOTOR MOUNT INSTALLATION - WITH GENERATOR (DEUTZ TD2.9L4 - 67HP ENGINES)

ITEM	PART NUMBER	QTY	DESCRIPTION	REV
	1001192008	Ref	MOTOR MOUNT INSTALLATION	F
1	0100011	AR	Compound, Locking	
2	0711224	1	Bolt M12 x 80	
3	0761015	2	Bolt M10 x 35	
4	0771415	3	Bolt M14 x 35	
5	3291005	2	Nut M10	
6	3331211	1	Nut M12	
7	1001168018	1	Washer	
8	4812000	4	Washer M10	
9	5241400	3	Washer M14	
10	5241200	1	Washer M12	
11	1001191610	1	Mount, Motor	
12	1001209016	1	Mount	
13	0770814	1	Bolt M8 x 30	
14	5240800	1	Washer M8	

SECTION 3 - ENGINE

FIGURE 3-58. BELT WITHOUT GENERATOR INSTALLATION (FORD ENGINES)



ART_1001220404

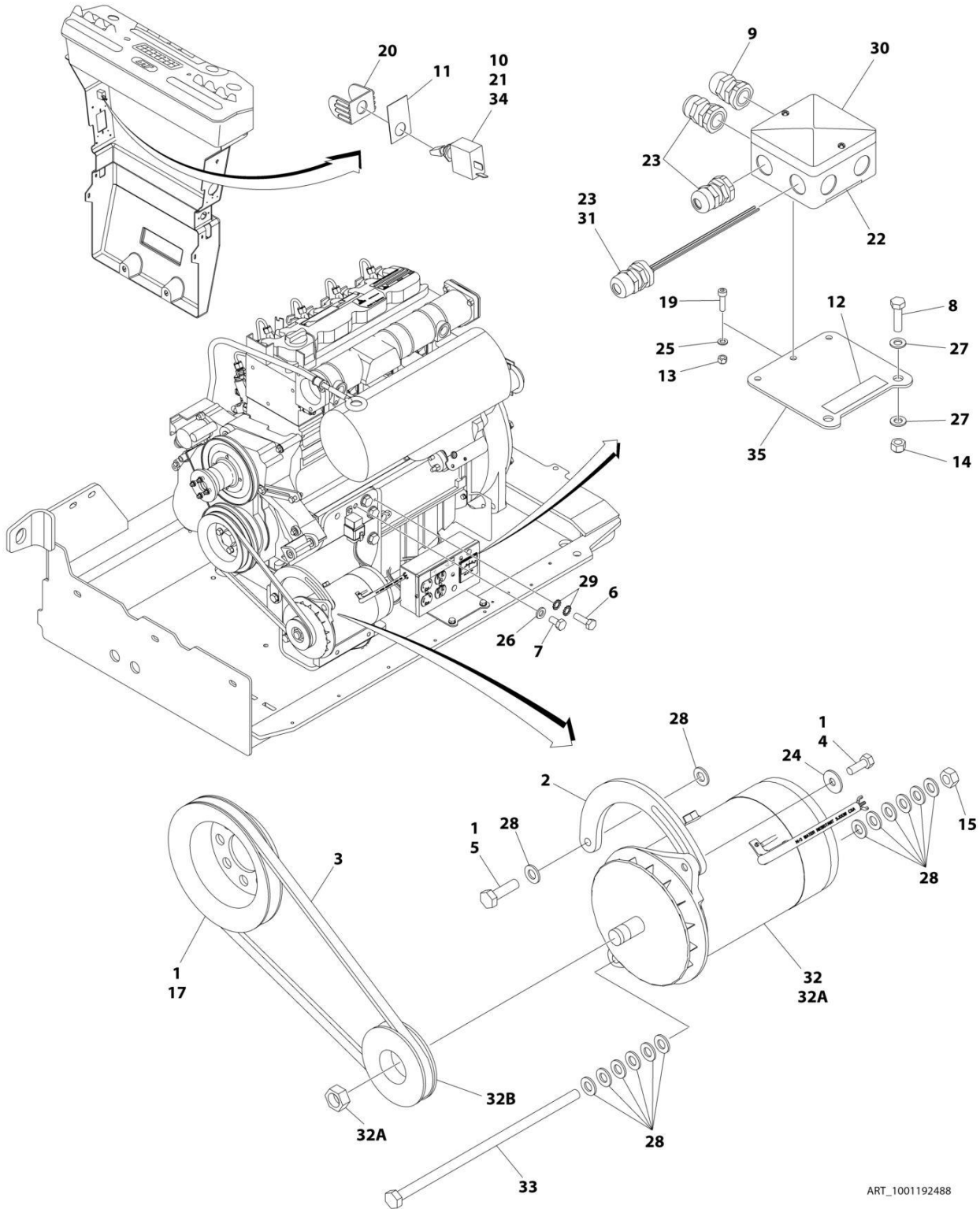
SECTION 3 - ENGINE

FIGURE 3-58. BELT WITHOUT GENERATOR INSTALLATION (FORD ENGINES)

ITEM	PART NUMBER	QTY	DESCRIPTION	REV
	1001220404	Ref	DRIVE BELT INSTALLATION	C
1	0100011	AR	Compound, Locking	
2	0701026	1	Bolt M10 x 90	
3	4812002	1	Washer M10	
4	1001216300	1	Pulley	
5	1001216619	1	V-Belt	

SECTION 3 - ENGINE

FIGURE 3-59. 2500W GENERATOR INSTALLATION - 220V/50HZ (DEUTZ D2011 ENGINES) (OPTIONAL)



ART_1001192488

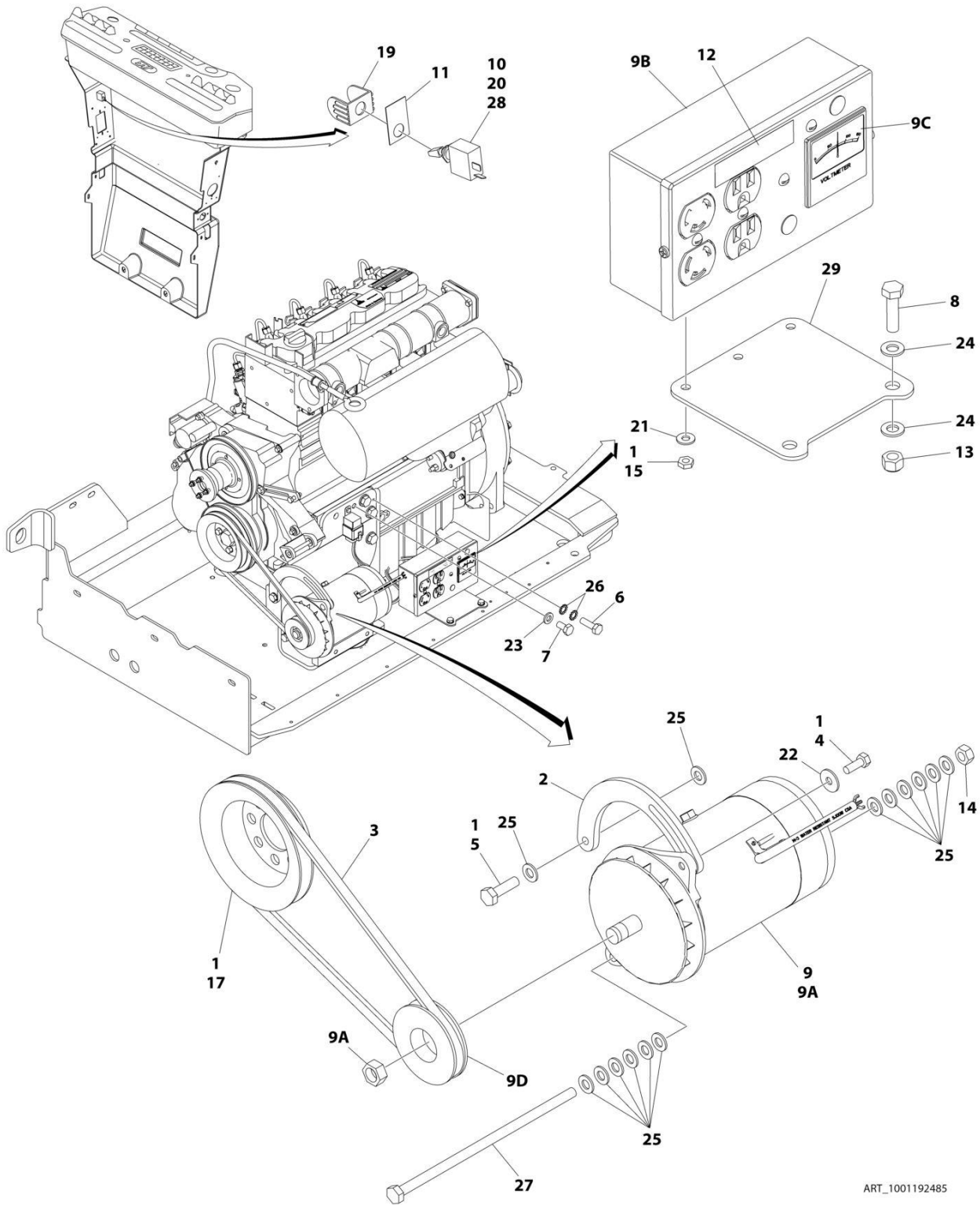
SECTION 3 - ENGINE

**FIGURE 3-59. 2500W GENERATOR INSTALLATION - 220V/50HZ (DEUTZ D2011 ENGINES)
(OPTIONAL)**

ITEM	PART NUMBER	QTY	DESCRIPTION	REV
	1001192488	Ref	2500W GENERATOR INSTALLATION	F
1	0100011	AR	Compound, Locking	
2	1001239716	1	Arm, Adjusting	
3	0480124	1	Belt, Generator	
4	0641508	1	Bolt 5/16 x 1	
5	0761012	1	Bolt M10 x 25	
6	0700610	1	Bolt M6 x 20	
7	0760606	1	Bolt M6 x 12	
8	0760814	2	Bolt M8 x 30	
9	0962449	1	Bushing	
10	2820031	AR	Heat Shrink	
11	3251102	1	Nameplate - Generator On/Off	
12	3252507	1	Decal - 220 Volt	
13	3290505	1	Nut M5	
14	3290805	2	Nut M8	
15	3291007	1	Nut M10	
17	3580158	1	Pulley	
19	4031608	1	Capscrew M5 x 20	
20	4060802	1	Guard, Switch	
21	4360336	1	Switch, Toggle	
22	4420060	1	Tape	
23	4460968	3	Connector, Strain Relief	
24	4811902	1	Washer M8	
25	4811600	1	Washer M5	
26	4811700	1	Washer M6	
27	4811900	4	Washer M8	
28	4812000	14	Washer M10	
29	4871700	2	Washer M6	
30	1001099869	1	Box, Junction	
31	1001100234	1	Lamp, Red	
32	1001100321	1	Generator Assembly	
32A		Ref	Note: Replacement Generators come standard with p/n 3580134 pulley. This pulley may not be correct for all applications. Refer to pulley options below.	
32A	70000123	1	Armature with Slip Rings	
32A	7012513	4	Cap, Brush Holder	
32A	7020108	4	Brush	
32A	7020109	4	Holder, Brush	
32A	7012514	1	Fan	
32A	7020110	1	Bell, Front	
32A	7020111	1	Bell, Rear	
32A	7020190	2	Bearing	
32B	3580134	1	Pulley	
32B	7027887	1	Key, Woodruff	
33	1001119280	1	Bolt M10 x 260	
34	4922641	1	Generator Switch Harness	
35	1001193167	1	Plate	
36	1001194114	1	Generator Harness - 2500W (Not Shown) (See Separate Breakdown in ELECTRICAL SECTION)	

SECTION 3 - ENGINE

FIGURE 3-60. 2500W GENERATOR INSTALLATION - 110V/60HZ (DEUTZ D2011 ENGINES) (OPTIONAL)



ART_1001192485

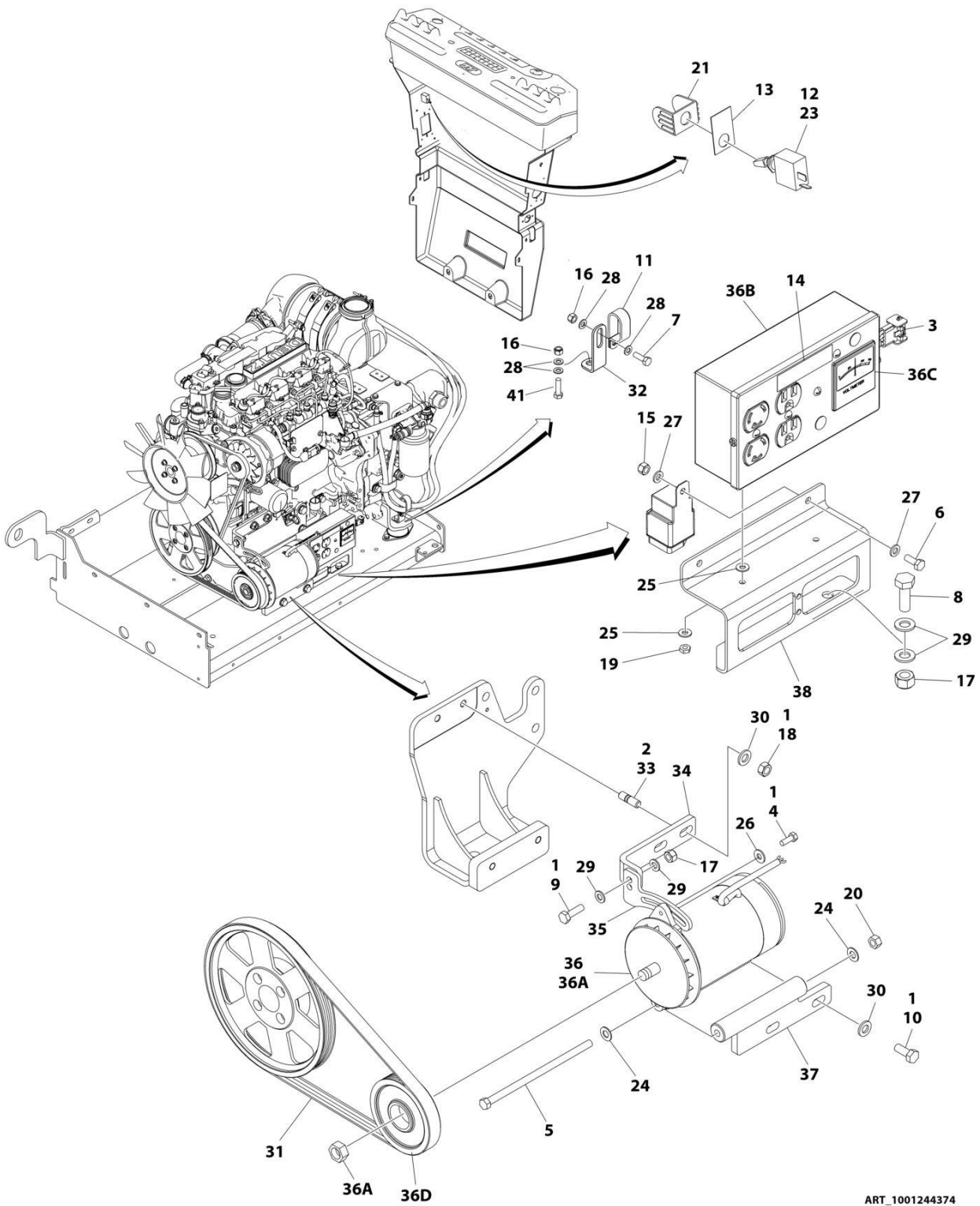
SECTION 3 - ENGINE

**FIGURE 3-60. 2500W GENERATOR INSTALLATION - 110V/60HZ (DEUTZ D2011 ENGINES)
(OPTIONAL)**

ITEM	PART NUMBER	QTY	DESCRIPTION	REV
	1001192485	Ref	2500W GENERATOR INSTALLATION	F
1	0100011	AR	Compound, Locking	
2	1001239716	1	Arm, Adjusting	
3	0480124	1	Belt	
4	0641508	1	Bolt 5/16 x 1	
5	0761012	1	Bolt M10 x 25	
6	0700610	1	Bolt M6 x 20	
7	0760606	1	Bolt M6 x 12	
8	0760814	2	Bolt M8 x 30	
9	2460055	1	Generator and Control Box Assembly	
9A	7012558	1	Generator, Replacement	
9A		Ref	Note: Replacement Generators come standard with p/n 3580134 pulley. This pulley may not be correct for all applications. Refer to pulley options below.	
9A	7012513	4	Cap, Brush Holder	
9A	7020108	4	Brush	
9A	7020109	4	Holder, Brush	
9A	7012514	1	Fan	
9A	7020190	2	Bearing	
9A	7020110	1	Bell, Front	
9A	7020111	1	Bell, Rear	
9B	7019680	1	Box, Control	
9B	4360542	1	Breaker, Circuit	
9B	4460190	AR	Receptacle, Standard	
9B	4460027	AR	Receptacle, Twistlock	
9C	2420203	1	Voltmeter	
9D	3580276	1	Pulley	
9D	7027887	1	Key, Woodruff	
10	2820031	AR	Heat Shrink	
11	3251102	1	Nameplate - Generator On/Off	
12	3251243	1	Decal - 120V-60Hz	
13	3290805	2	Nut M8	
14	3291007	1	Nut M10	
15	3311001	2	Nut #10	
17	3580158	1	Pulley	
19	4060802	1	Guard, Switch	
20	4360336	1	Switch, Toggle	
21	4751000	1	Washer #10	
22	4811902	1	Washer M8	
23	4811700	1	Washer M6	
24	4811900	4	Washer M8	
25	4812000	14	Washer M10	
26	4871700	2	Washer M6	
27	1001119280	1	Bolt M10 x 260	
28	4922641	1	Generator Switch Harness	
29	1001193167	1	Plate, Mounting	
30	1001194114	1	Generator Harness - 2500W (Not Shown) (See Separate Breakdown in ELECTRICAL SECTION)	

SECTION 3 - ENGINE

FIGURE 3-61. 2500W GENERATOR INSTALLATION - 110V/60HZ (DEUTZ D2.9L4 - 49HP ENGINES) (OPTIONAL)



ART_1001244374

SECTION 3 - ENGINE

**FIGURE 3-61. 2500W GENERATOR INSTALLATION - 110V/60HZ (DEUTZ D2.9L4 - 49HP ENGINES)
(OPTIONAL)**

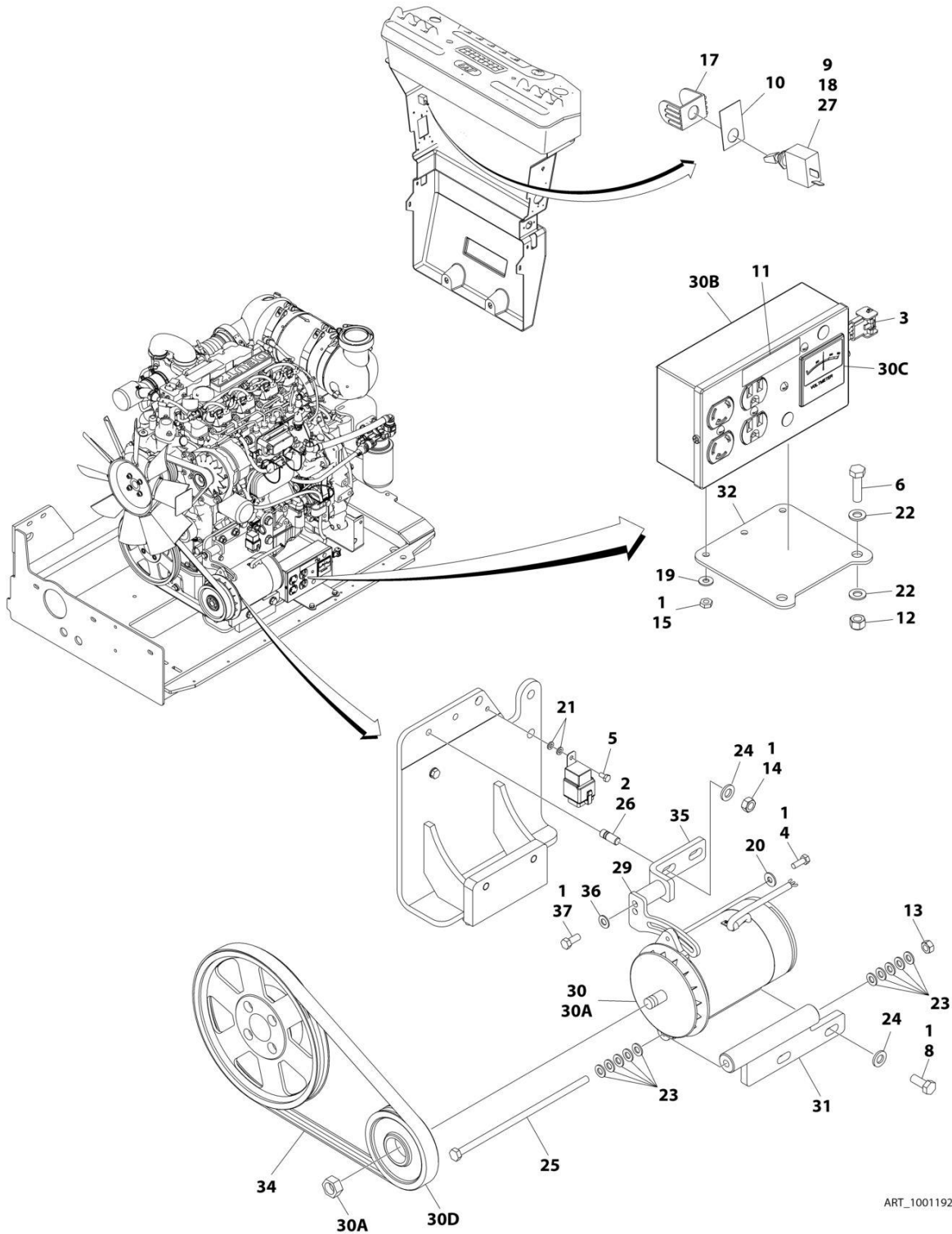
ITEM	PART NUMBER	QTY	DESCRIPTION	REV
	1001244374	Ref	2500W GENERATOR INSTALLATION	B
1	0100011	AR	Compound, Locking	
2	0100019	AR	Compound, Locking	
3	0100048	AR	Silicone	
4	0641507	1	Bolt 5/16 x 7/8	
5	0641772	1	Bolt 7/16 x 9	
6	0760608	1	Bolt M6 x 16	
7	0760812	1	Bolt M8 x 25	
8	0761014	2	Bolt M10 x 30	
9	0761015	1	Bolt M10 x 35	
10	0761214	2	Bolt M12 x 30	
11	1321716	1	Clamp	
12	2820031	AR	Heat Shrink	
13	3251102	1	Nameplate - Generator On/Off	
14	3251243	1	Decal - 120V-60Hz	
15	3290605	1	Nut M6	
16	3290805	2	Nut M8	
17	3291005	3	Nut M10	
18	3291201	2	Nut M12	
19	3311001	2	Nut #10	
20	3311705	1	Nut 7/16	
21	4060802	1	Guard, Switch	
22	4240099	AR	Tie-Strap (Not Shown)	
23	4360336	1	Switch, Toggle	
24	4711700	2	Washer 7/16	
25	4751000	4	Washer #10	
26	4751500	1	Washer 5/16	
27	4811700	2	Washer M6	
28	4811900	4	Washer M8	
29	4812000	6	Washer M10	
30	5241200	4	Washer M12	
31	1001148138	1	Belt	
32	1001223122	1	Bracket	
33	1001155041	2	Stud	
34	1001179836	1	Mount (Upper)	
35	1001179837	1	Arm, Adjusting	
36	1001180001	1	Generator and Control Box Assembly	
36A	7012558	1	Generator, Replacement	
36A		Ref	Note: Replacement Generators come standard with p/n 3580134 pulley. This Pulley may not be correct for all applications. Refer to Pulley options below.	
36A	7026199	1	Armature with Slip Rings	
36A	7012513	4	Cap, Brush Holder	
36A	7020108	4	Brush	
36A	7020109	4	Holder, Brush	
36A	7012514	1	Fan	
36A	7020110	1	Bell, Front	
36A	7020111	1	Bell, Rear	
36A	7020190	2	Bearing	

SECTION 3 - ENGINE

ITEM	PART NUMBER	QTY	DESCRIPTION	REV
36B	7019680	1	Box, Control	
36B		Ref	Receptacle Options:	
36B	4460190	1	Receptacle, Standard	
36B	4460027	1	Receptacle, Twistlock	
36B	4360542	1	Breaker, Circuit	
36B	3520028	1	Plug, Hole	
36C	2420203	1	Voltmeter	
36D	3580276	1	Pulley	
36D	7027887	1	Key, Woodruff	
37	1001181243	1	Mount (Lower)	
38	1001183477	1	Support	
40	1001194114	1	Generator Harness - 2500W (Not Shown) (See Separate Breakdown in ELECTRICAL SECTION)	
41	0760814	1	Bolt M8 x 30	

SECTION 3 - ENGINE

FIGURE 3-62. 2500W GENERATOR INSTALLATION - 110V/60HZ (DEUTZ TD2.9L4 - 67HP ENGINES) (OPTIONAL)



SECTION 3 - ENGINE

**FIGURE 3-62. 2500W GENERATOR INSTALLATION - 110V/60HZ (DEUTZ TD2.9L4 - 67HP ENGINES)
(OPTIONAL)**

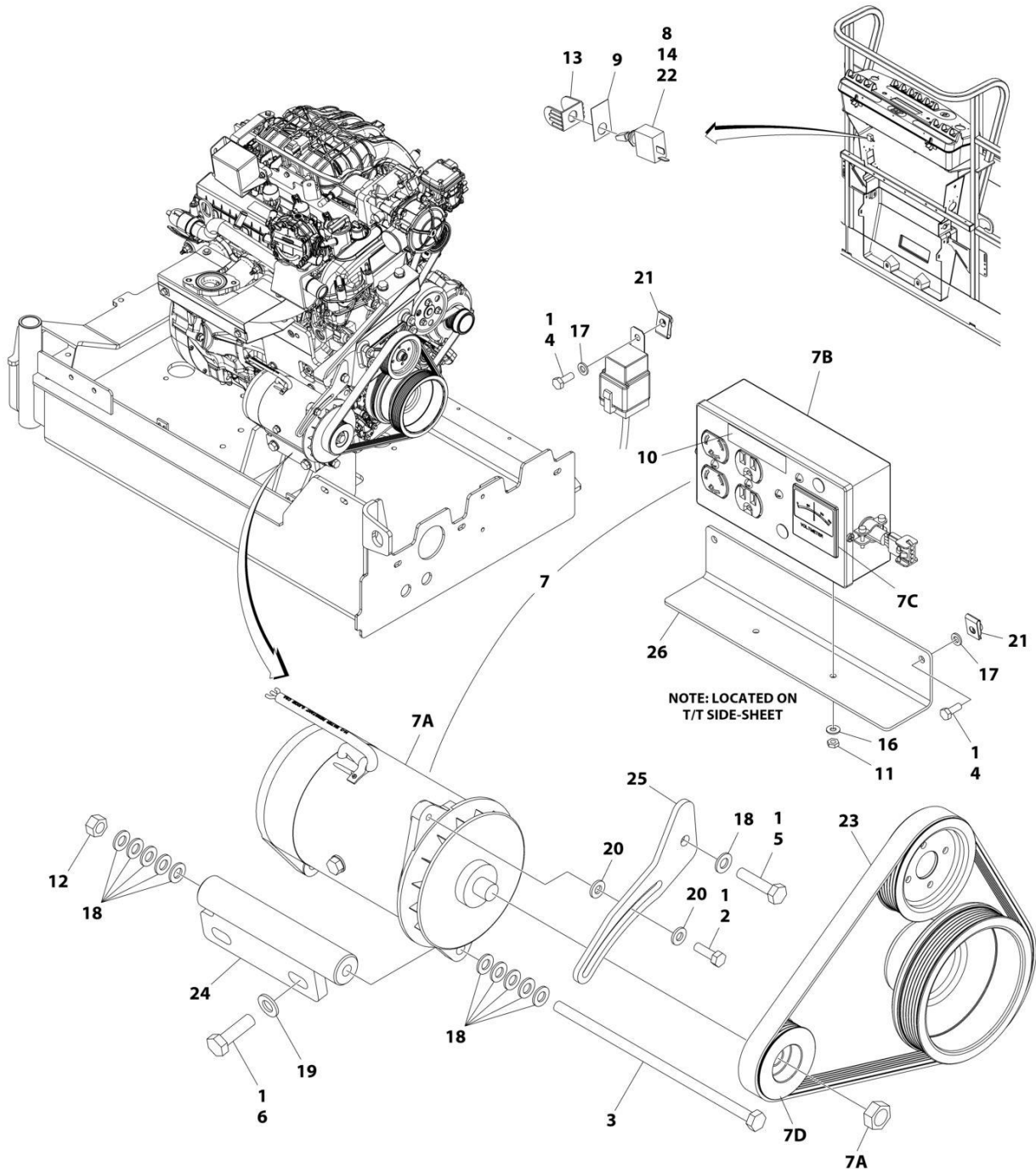
ITEM	PART NUMBER	QTY	DESCRIPTION	REV
	1001192280	Ref	2500W GENERATOR INSTALLATION	F
1	0100011	AR	Compound, Locking	
2	0100019	AR	Compound, Locking	
3	0100048	AR	Silicone	
4	0641507	1	Bolt 5/16 x 7/8	
5	0760606	1	Bolt M6 x 12	
6	0760814	2	Bolt M8 x 30	
8	0761214	2	Bolt M12 x 30	
9	2820031	AR	Heat Shrink	
10	3251102	1	Nameplate - Generator On/Off	
11	3251243	1	Decal - 120V-60Hz	
12	3290805	2	Nut M8	
13	3291007	1	Nut M10	
14	3291201	2	Nut M12	
15	3311001	2	Nut #10	
17	4060802	1	Guard, Switch	
18	4360336	1	Switch, Toggle	
19	4751000	2	Washer #10	
20	4751500	1	Washer 5/16	
21	4811700	2	Washer M6	
22	4811900	4	Washer M8	
23	4812000	10	Washer M10	
24	5241200	4	Washer M12	
25	1001119280	1	Bolt M10 x 260	
26	1001196382	2	Stud	
27	4922641	1	Generator Switch Harness	
29	1001179837	1	Arm, Adjusting	
30	1001180001	1	Generator and Control Box Assembly	
30A	7012558	1	Generator, Replacement	
30A		Ref	Note: Replacement Generators come standard with p/n 3580134 pulley. This Pulley may not be correct for all applications. Refer to Pulley options below.	
30A	7026199	1	Armature with Slip Rings	
30A	7012513	4	Cap, Brush Holder	
30A	7020108	4	Brush	
30A	7020109	4	Holder, Brush	
30A	7012514	1	Fan	
30A	7020110	1	Bell, Front	
30A	7020111	1	Bell, Rear	
30A	7020190	2	Bearing	
30B	7019680	1	Box, Control	
30B		Ref	Receptacle Options:	
30B	4460190	1	Receptacle, Standard	
30B	4460027	1	Receptacle, Twistlock	
30B	4360542	1	Breaker, Circuit	
30B	3520028	1	Plug, Hole	
30C	2420203	1	Voltmeter	
30D	3580276	1	Pulley	
30D	7027887	1	Key, Woodruff	

SECTION 3 - ENGINE

ITEM	PART NUMBER	QTY	DESCRIPTION	REV
31	1001181243	1	Mount (Lower)	
32	1001193167	1	Plate	
33	1001194114	1	Generator Harness - 2500W (Not Shown) (See Separate Breakdown in ELECTRICAL SECTION)	
34	1001148138	1	Belt	
35	1001216015	1	Mount (Upper)	
36	4711600	1	Washer 3/8	
37	0641607	1	Bolt 3/8 x 7/8	

SECTION 3 - ENGINE

FIGURE 3-63. 2500W GENERATOR INSTALLATION - 110V/60HZ (FORD ENGINES) (OPTIONAL)



ART_1001219853

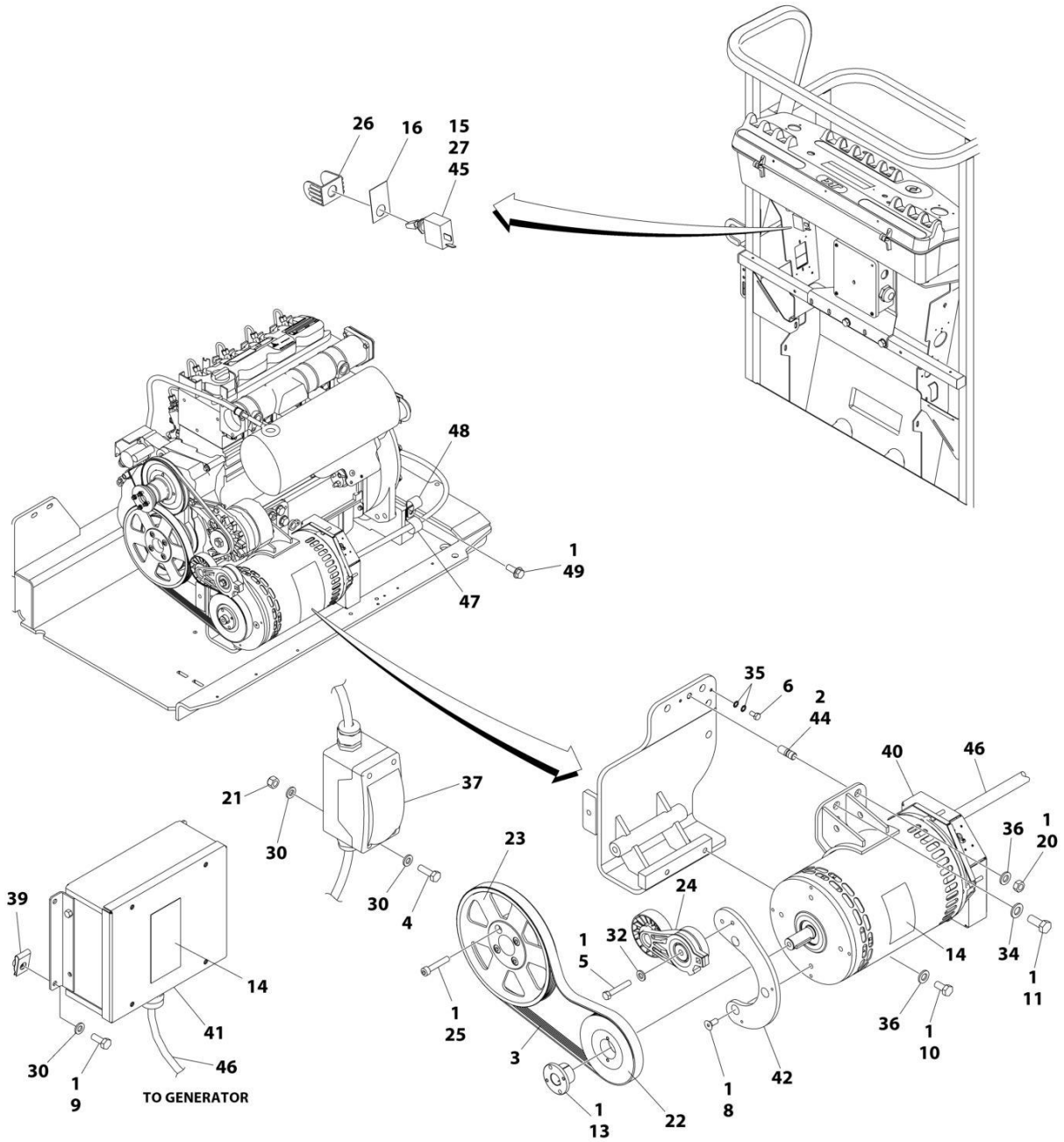
SECTION 3 - ENGINE

FIGURE 3-63. 2500W GENERATOR INSTALLATION - 110V/60HZ (FORD ENGINES) (OPTIONAL)

ITEM	PART NUMBER	QTY	DESCRIPTION	REV
	1001219853	Ref	2500W GENERATOR INSTALLATION	D
1	0100011	AR	Compound, Locking	
2	0641508	1	Bolt 5/16 x 1	
3	1001119280	1	Bolt M10 x 260	
4	0760608	3	Bolt M6 x 16	
5	0761016	1	Bolt M10 x 40	
6	0761216	2	Bolt M12 x 40	
7	2460051	1	Generator and Control Box Assembly	
7A	7012558	1	Generator, Replacement	
		Ref	Note: Replacement Generators come standard with p/n 3580134 pulley. This pulley may not be correct for all applications. Refer to pulley options below.	
7A	7026199	1	Armature with Slip Rings	
7A	7012513	4	Cap, Brush Holder	
7A	7020108	4	Brush	
7A	7020109	4	Holder, Brush	
7A	7012514	1	Fan	
7A	7020110	1	Bell, Front	
7A	7020111	1	Bell, Rear	
7A	7020190	2	Bearing	
7B	7019680	1	Box, Control	
7B		Ref	Receptacle Options:	
7B	4460190	1	Receptacle, Standard	
7B	4460027	1	Receptacle, Twistlock	
7B	4360542	1	Breaker, Circuit	
7B	3520028	1	Plug, Hole	
7C	2420203	1	Voltmeter	
7D	3580324	1	Pulley	
7D	7027887	1	Key, Woodruff	
8	2820031	AR	Heat Shrink	
9	3251102	1	Nameplate - Generator On/Off	
10	3251243	1	Decal - 120V-60Hz	
11	3311005	2	Nut #10	
12	3291007	1	Nut M10	
13	4060802	1	Guard, Switch	
14	4360336	1	Switch, Toggle	
16	4751000	2	Washer #10	
17	4811700	3	Washer M6	
18	4812000	11	Washer M10	
19	4812100	2	Washer M12	
20	4891500	2	Washer 5/16	
21	1001130220	3	Nut, Tinnerman M6	
22	4922641	1	Generator Switch Harness	
23	1001216391	1	Belt	
24	1001219630	1	Mount (Lower)	
25	1001219632	1	Arm, Adjusting	
26	1001220728	1	Bracket	
27	1001194114	1	Generator Harness - 2500W (Not Shown) (See Separate Breakdown in ELECTRICAL SECTION)	

SECTION 3 - ENGINE

FIGURE 3-64. 4000W GENERATOR INSTALLATION - 220V/50HZ (DEUTZ D2011 ENGINES) (OPTIONAL)



ART_1001192487

SECTION 3 - ENGINE

**FIGURE 3-64. 4000W GENERATOR INSTALLATION - 220V/50HZ (DEUTZ D2011 ENGINES)
(OPTIONAL)**

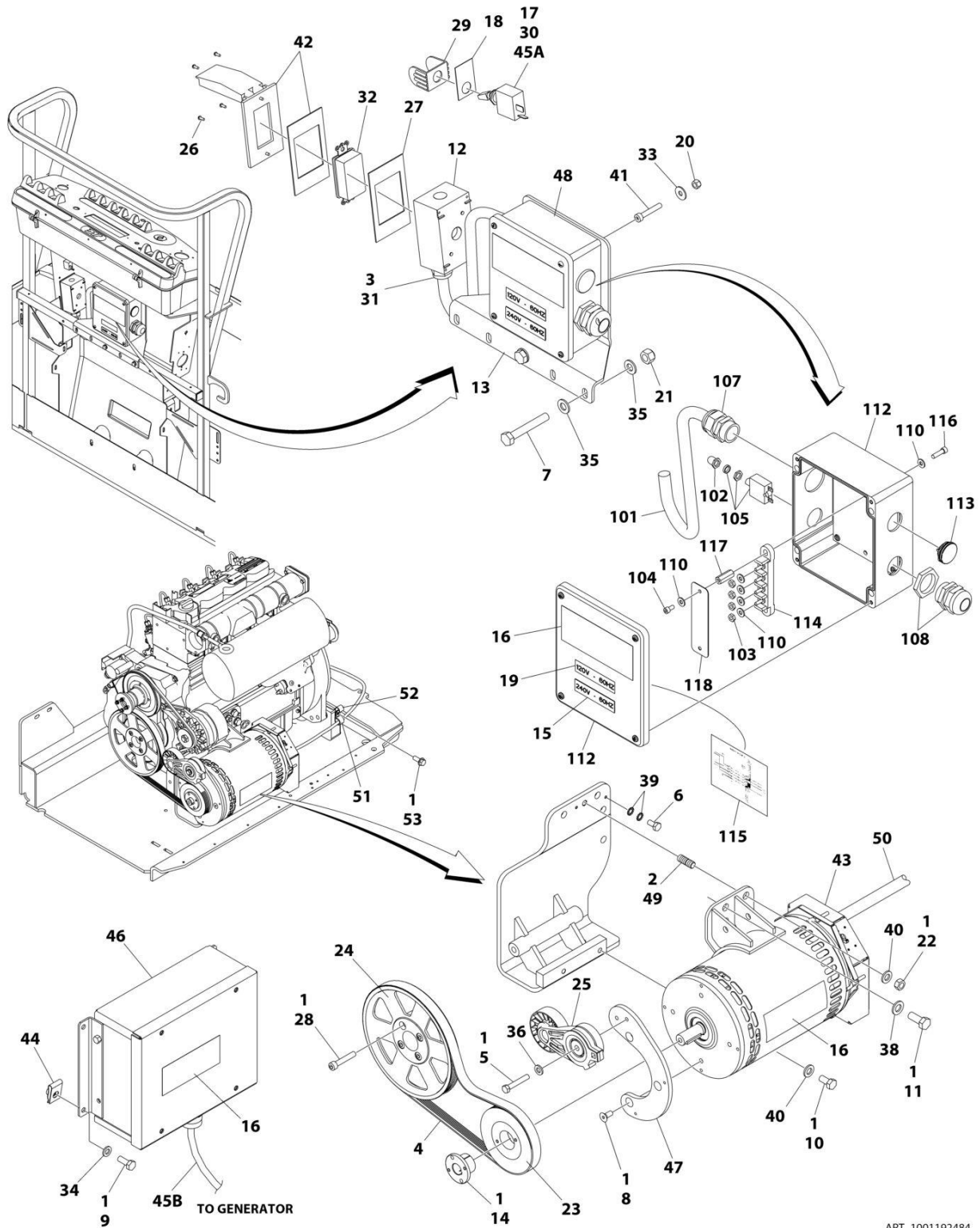
ITEM	PART NUMBER	QTY	DESCRIPTION	REV
	1001192487	Ref	4000W GENERATOR INSTALLATION	H
1	0100011	AR	Compound, Locking	
2	0100019	AR	Compound, Locking	
3	1001141814	1	Belt	
4	0760610	2	Bolt M6 x 20	
5	0641618	1	Bolt 3/8 x 2-1/4	
6	0760606	1	Bolt M6 x 12	
8	0741607	3	Screw 3/8 x 7/8	
9	0760608	4	Bolt M6 x 16	
10	0761212	2	Bolt M12 x 25	
11	0771415	1	Bolt 14 x 35	
13	0962520	1	Bushing, Split	
14	1705489	2	Decal - Hazardous Voltage	
15	2820031	AR	Heat Shrink	
16	3251102	1	Nameplate - Generator On/Off	
20	3291201	1	Nut M12	
21	3290605	2	Nut M6	
22	3580319	1	Pulley	
23	3580320	1	Pulley	
24	3580317	1	Tensioner, Belt	
25	4032015	4	Capscrew M10 x 55	
26	4060802	1	Guard, Switch	
27	4360336	1	Switch, Toggle	
30	4811700	8	Washer M6	
32	5241000	1	Washer M10	
34	5241400	1	Washer M14	
35	4871700	2	Washer M6	
36	5241200	3	Washer M12	
37	1001096070	1	Breaker Box Kit (See Separate Breakdown in ELECTRICAL SECTION)	
39	1001130220	4	Nut, Tinnerman M6	
40	1001138565	1	Generator Assembly (50Hz)	
40	70003709	1	Ring, Retaining (External)	
40	70003708	1	Ring, Retaining (Internal)	
40	70001966	1	Bearing	
40	70004092	1	Endbell (Shaft End)	
40	70004171	1	Key	
40	70004676	1	Rotor	
40	70004677	1	Stator	
40	70004678	1	Endbell (Rear)	
40	70004679	1	Cover, Endbell (Rear)	
40	70004680	1	Enclosure, Wiring	
40	70004681	1	Cover, Enclosure	
40	70004682	1	Switch, Reset (Located on Enclosure Cover)	
40	70004683	1	Connector, Strain Relief (Located on Enclosure Cover)	
41	1001138566	1	Box, Control	
41	70006552	1	Capacitor	
41	70006553	1	Relay	
42	1001139357	1	Mount	

SECTION 3 - ENGINE

ITEM	PART NUMBER	QTY	DESCRIPTION	REV
44	1001196382	1	Stud	
45	4922641	1	Generator Switch Harness	
46	1001152532	1	Generator Harness (See Separate Breakdown in ELECTRICAL SECTION)	
47	7274000040	1	Clamp	
48	1320061	1	Clamp	
49	5251012	1	Bolt M10 x 25	

SECTION 3 - ENGINE

FIGURE 3-65. 4000W GENERATOR INSTALLATION - 110V/60HZ (DEUTZ D2011 ENGINES) (OPTIONAL)



ART_1001192484

SECTION 3 - ENGINE

**FIGURE 3-65. 4000W GENERATOR INSTALLATION - 110V/60HZ (DEUTZ D2011 ENGINES)
(OPTIONAL)**

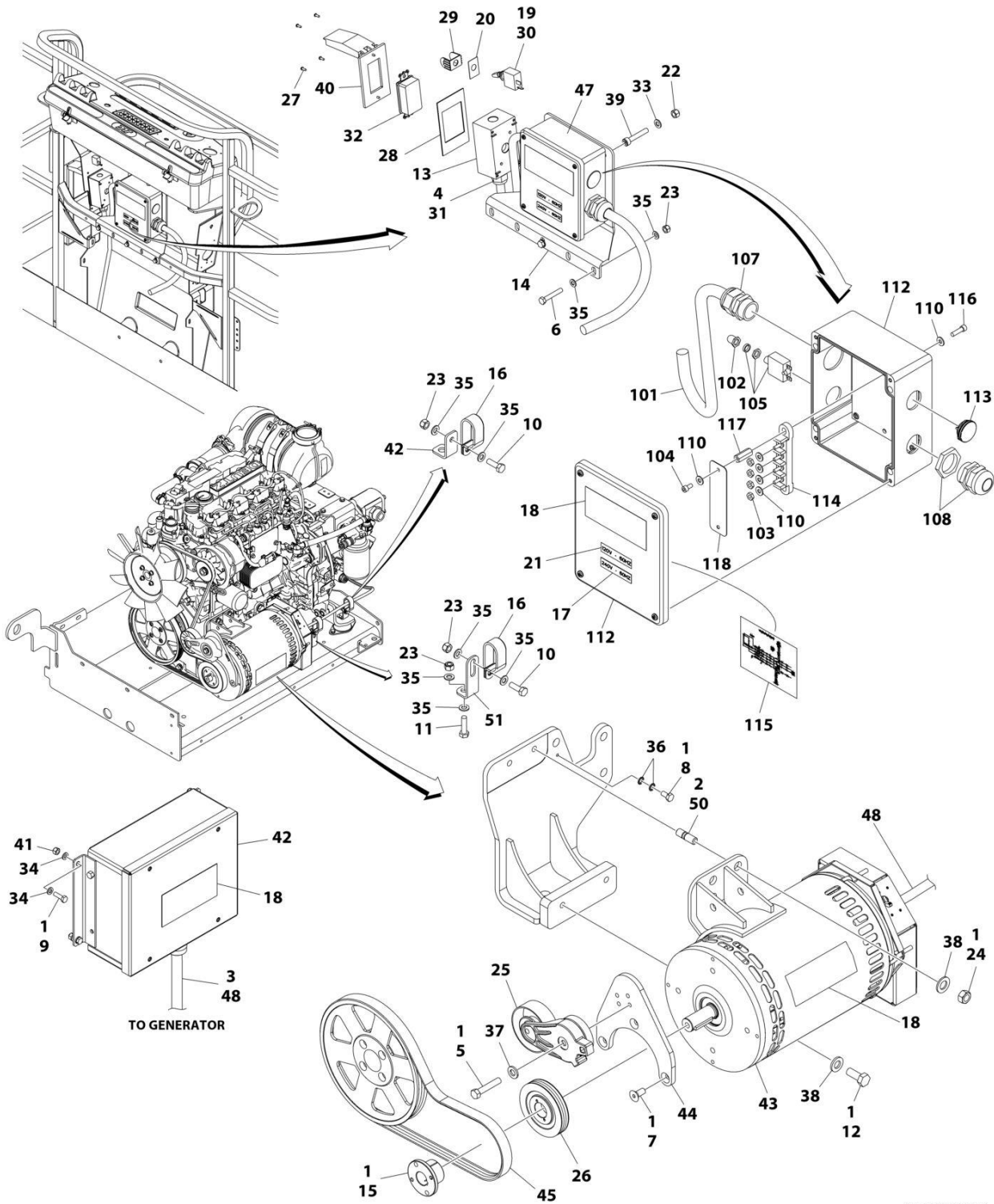
ITEM	PART NUMBER	QTY	DESCRIPTION	REV
	1001192484	Ref	4000W GENERATOR INSTALLATION	H
1	0100011	AR	Compound, Locking	
2	0100019	AR	Compound, Locking	
3	0100079	AR	Sealant	
4	1001136356	1	Belt	
5	0641618	1	Bolt 3/8 x 2-1/4	
6	0760606	1	Bolt M6 x 12	
7	0700819	1	Bolt M8 x 55	
8	0741607	3	Screw 3/8 x 7/8	
9	0760608	4	Bolt M6 x 16	
10	0761212	2	Bolt M12 x 25	
11	0771415	1	Bolt M14 x 35	
12	0860038	1	Box, Receptacle	
13	0902888	1	Bracket	
14	0962520	1	Bushing, Split	
15	1705374	1	Decal - 240V-60Hz	
16	1705387	3	Decal - Hazardous Voltage	
17	2820031	AR	Heat Shrink	
18	3251102	1	Nameplate - Generator On/Off	
19	3251243	1	Decal - 120V-60Hz	
20	3290505	4	Nut M5	
21	3290805	2	Nut M8	
22	3291201	1	Nut M12	
23	3580318	1	Pulley	
24	3580320	1	Pulley	
25	3580317	1	Tensioner, Belt	
26	3910606	4	Screw #6 x 3/8	
27	3960422	1	Gasket	
28	4032015	4	Capscrew M10 x 55	
29	4060802	1	Guard, Switch	
30	4360336	1	Switch, Toggle	
31	4460071	1	Connector, Strain Relief	
32	4460346	1	Receptacle	
33	4811602	4	Washer M5	
34	4811700	4	Washer M6	
35	4811900	4	Washer M8	
36	5241000	1	Washer M10	
38	5241400	1	Washer M14	
39	4871700	2	Washer M6	
40	5241200	3	Washer M12	
41	1001104029	4	Capscrew M5 x 30 Grade 12.9	
42	1001110873	1	Cover, Receptacle	
43	1001129858	1	Generator Assembly (60Hz)	
43	70003709	1	Ring, Retaining (External)	
43	70003708	1	Ring, Retaining (Internal)	
43	70001966	1	Bearing	
43	70004092	1	Endbell (Shaft End)	
43	70004171	1	Key	
43	70004676	1	Rotor	

SECTION 3 - ENGINE

ITEM	PART NUMBER	QTY	DESCRIPTION	REV
43	70004684	1	Stator	
43	70004678	1	Endbell (Rear)	
43	70004679	1	Cover, Endbell (Rear)	
43	70004680	1	Enclosure, Wiring	
43	70004685	1	Cover, Enclosure	
43	70004682	1	Switch, Reset (Located on Enclosure Cover)	
43	70004098	1	Connector, Strain Relief (Located on Enclosure Cover)	
44	1001130220	4	Nut, Tinnerman M6	
45A	4922641	1	Generator Switch Harness	
45B	1001153197	1	Generator to Engine Harness	
45B	4460967	1	Connector - 3 Position	
45B	4460465	2	Socket, Female	
46	1001138566	1	Box, Control	
46	70006552	1	Capacitor	
46	70006553	1	Relay	
47	1001139357	1	Mount	
48	1001152457	1	Junction Box Assembly (See Items 101-118 for Breakdown)	
49	1001196382	1	Stud	
50	1001152532	1	Generator Harness (See Separate Breakdown in ELECTRICAL SECTION)	
51	7274000040	1	Clamp	
52	1320061	1	Clamp	
53	5251012	1	Bolt M10 x 25	
	1001152457	Ref	JUNCTION BOX ASSEMBLY	
101	1001179154	2.5 ft/ 0.8m	Cable, Electrical - 12/3	
102	3300396	1	Cover, Breaker	
103	3311001	4	Nut #10	
104	3900300	2	Screw	
105	4360070	1	Breaker, Circuit - 15Amp	
107	4460425	1	Connector, Strain Relief (LH Side)	
108	4460426	1	Connector, Strain Relief (RH Side)	
110	4711000	8	Washer #10	
112	1001152456	1	Box, Junction	
113	1001152525	1	Plug	
114	1001152530	1	Terminal, Block	
115	1001153260	1	Decal - Wiring Diagram	
116	3900267	2	Screw	
117	1001158008	2	Stand-Off	
118	1001158363	1	Cover, Terminal Block	

SECTION 3 - ENGINE

FIGURE 3-66. 4000W GENERATOR INSTALLATION - 110V/60HZ (DEUTZ D2.9L4 - 49HP ENGINES) (OPTIONAL)



ART_1001244410

SECTION 3 - ENGINE

**FIGURE 3-66. 4000W GENERATOR INSTALLATION - 110V/60HZ (DEUTZ D2.9L4 - 49HP ENGINES)
(OPTIONAL)**

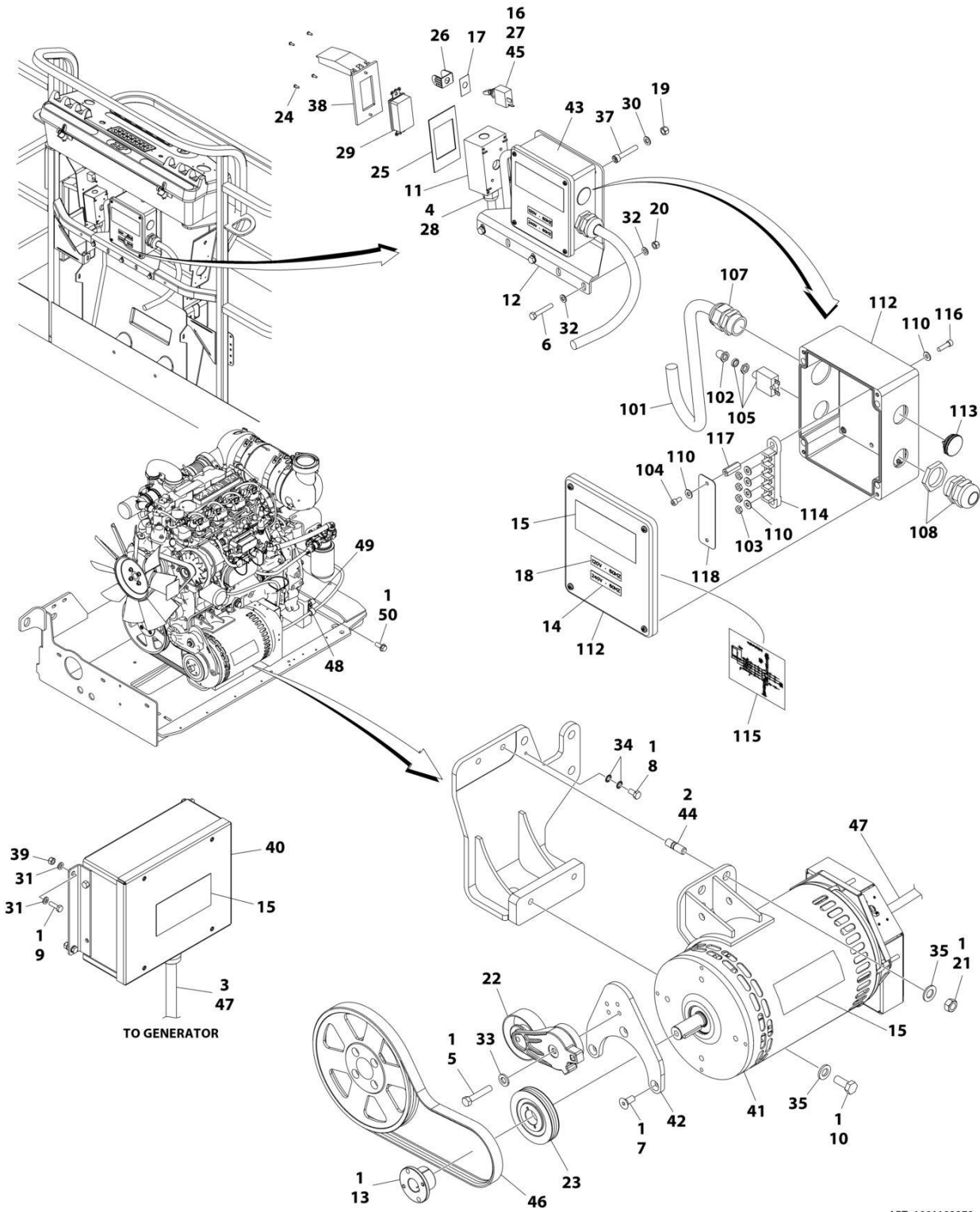
ITEM	PART NUMBER	QTY	DESCRIPTION	REV
	1001244410	Ref	4000W GENERATOR INSTALLATION	B
1	0100011	AR	Compound, Locking	
2	0100019	AR	Compound, Locking	
3	0100048	AR	Compound, Locking	
4	0100079	AR	Sealant	
5	0641616	1	Bolt 3/8 x 2	
6	0700819	2	Bolt M8 x 55	
7	0741607	3	Screw 3/8 x 7/8	
8	0760606	1	Bolt M6 x 12	
9	0760608	4	Bolt M6 x 16	
10	0760812	1	Bolt M8 x 25	
11	0760814	1	Bolt M8 x 30	
12	0761212	2	Bolt M12 x 25	
13	0860038	1	Box, Receptacle	
14	0902888	1	Bracket	
15	0962520	1	Bushing, Split	
16	1321716	1	Clamp	
17	1705374	1	Decal - 240V-60Hz	
18	1705387	3	Decal - Hazardous Voltage	
19	2820031	AR	Heat Shrink	
20	3251102	1	Nameplate - Generator On/Off	
21	3251243	1	Decal - 120V-60Hz	
22	3290505	4	Nut M5	
23	3290805	4	Nut M8	
24	3291201	2	Nut M12	
25	3580317	1	Tensioner, Belt	
26	3580318	1	Pulley	
27	3910606	4	Screw #6 x 3/8	
28	3960422	1	Gasket	
29	4060802	1	Guard, Switch	
30	4360336	1	Switch, Toggle	
31	4460071	1	Connector, Strain Relief	
32	4460346	1	Receptacle	
33	4811602	4	Washer M5	
34	4811700	4	Washer M6	
35	4811900	8	Washer M8	
36	4871700	2	Washer M6	
37	5241000	1	Washer M10	
38	5241200	4	Washer M12	
39	1001104029	4	Capscrew M5 x 30 Grade 12.9	
40	1001110873	1	Cover	
41	1001130220	4	Nut, Tinnerman M6	
42	1001138566	1	Box, Control	
42	70006552	1	Capacitor	
42	70006553	1	Relay	
43	1001140346	1	Generator Assembly (60Hz)	
43	70003709	1	Ring, Retaining (External)	
43	70003708	1	Ring, Retaining (Internal)	
43	70001966	1	Bearing	

SECTION 3 - ENGINE

ITEM	PART NUMBER	QTY	DESCRIPTION	REV
43	70004092	1	Endbell (Shaft End)	
43	70004099	1	Key	
43	70004676	1	Rotor	
43	70004687	1	Stator	
43	70004678	1	Endbell (Rear)	
43	70004679	1	Cover, Endbell (Rear)	
43	70004680	1	Enclosure, Wiring	
43	70004685	1	Cover, Enclosure	
43	70004682	1	Switch, Reset (Located on Enclosure Cover)	
43	70004098	1	Connector, Strain Relief (Located on Enclosure Cover)	
44	1001142643	1	Support	
45	1001142646	1	Belt	
47	1001152457	1	Junction Box Assembly (See Items 101-118 for Breakdown)	
48	1001152532	1	Generator Harness (See Separate Breakdown in ELECTRICAL SECTION)	
50	1001196382	2	Stud	
51	1001223122	1	Support	
	1001152457	Ref	JUNCTION BOX ASSEMBLY	
101	1001179154	2.5 ft/ 0.8m	Cable, Electrical - 12/3	
102	3300396	1	Cover, Breaker	
103	3311001	4	Nut #10	
104	3900300	2	Screw	
105	4360070	1	Breaker, Circuit - 15Amp	
107	4460425	1	Connector, Strain Relief (LH Side)	
108	4460426	1	Connector, Strain Relief (RH Side)	
110	4711000	8	Washer #10	
112	1001152456	1	Box, Junction	
113	1001152525	1	Plug	
114	1001152530	1	Terminal, Block	
115	1001153260	1	Decal - Wiring Diagram	
116	3900267	2	Screw	
117	1001158008	2	Stand-Off	
118	1001158363	1	Cover, Terminal Block	

SECTION 3 - ENGINE

FIGURE 3-67. 4000W GENERATOR INSTALLATION - 110V/60HZ (DEUTZ TD2.9L4 - 67HP ENGINES) (OPTIONAL)



ART_1001192279

SECTION 3 - ENGINE

**FIGURE 3-67. 4000W GENERATOR INSTALLATION - 110V/60HZ (DEUTZ TD2.9L4 - 67HP ENGINES)
(OPTIONAL)**

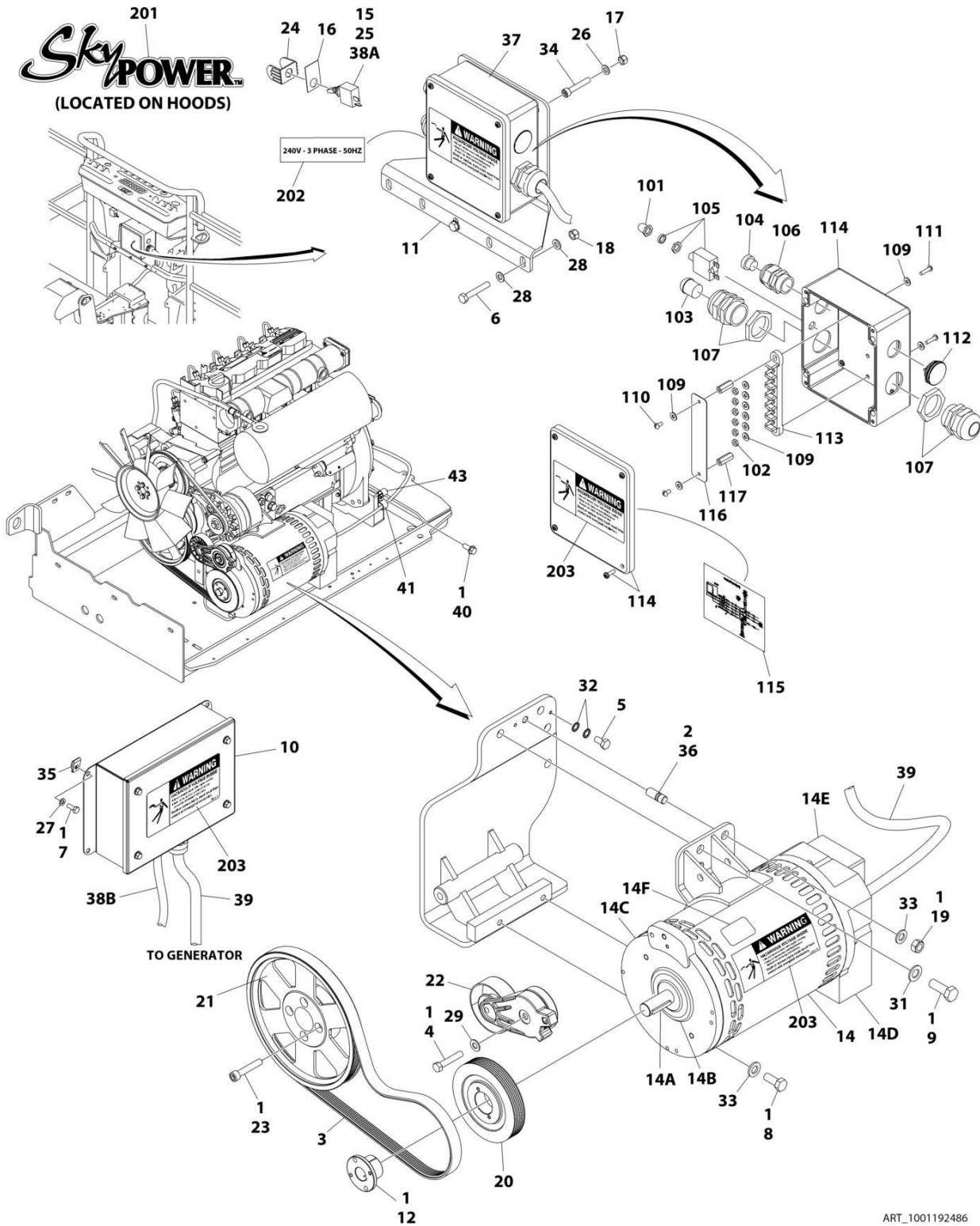
ITEM	PART NUMBER	QTY	DESCRIPTION	REV
	1001192279	Ref	4000W GENERATOR INSTALLATION	F
1	0100011	AR	Compound, Locking	
2	0100019	AR	Compound, Locking	
3	0100048	AR	Compound, Locking	
4	0100079	AR	Sealant	
5	0641616	1	Bolt 3/8 x 2	
6	0700819	2	Bolt M8 x 55	
7	0741607	3	Screw 3/8 x 7/8	
8	0760606	1	Bolt M6 x 12	
9	0760608	4	Bolt M6 x 16	
10	0761212	2	Bolt M12 x 25	
11	0860038	1	Box, Receptacle	
12	0902888	1	Bracket	
13	0962520	1	Bushing, Split	
14	1705374	1	Decal - 240V-60Hz	
15	1705387	3	Decal - Hazardous Voltage	
16	2820031	AR	Heat Shrink	
17	3251102	1	Nameplate - Generator On/Off	
18	3251243	1	Decal - 120V-60Hz	
19	3290505	4	Nut M5	
20	3290805	2	Nut M8	
21	3291201	2	Nut M12	
22	3580317	1	Tensioner, Belt	
23	3580318	1	Pulley	
24	3910606	4	Screw #6 x 3/8	
25	3960422	1	Gasket	
26	4060802	1	Guard, Switch	
27	4360336	1	Switch, Toggle	
28	4460071	1	Connector, Strain Relief	
29	4460346	1	Receptacle	
30	4811602	4	Washer M5	
31	4811700	4	Washer M6	
32	4811900	4	Washer M8	
33	5241000	1	Washer M10	
34	4871700	2	Washer M6	
35	5241200	4	Washer M12	
37	1001104029	4	Capscrew M5 x 30 Grade 12.9	
38	1001110873	1	Cover	
39	1001130220	4	Nut, Tinnerman M6	
40	1001138566	1	Box, Control	
40	70006552	1	Capacitor	
40	70006553	1	Relay	
41	1001140346	1	Generator Assembly (60Hz)	
41	70003709	1	Ring, Retaining (External)	
41	70003708	1	Ring, Retaining (Internal)	
41	70001966	1	Bearing	
41	70004092	1	Endbell (Shaft End)	
41	70004099	1	Key	
41	70004676	1	Rotor	

SECTION 3 - ENGINE

ITEM	PART NUMBER	QTY	DESCRIPTION	REV
41	70004687	1	Stator	
41	70004678	1	Endbell (Rear)	
41	70004679	1	Cover, Endbell (Rear)	
41	70004680	1	Enclosure, Wiring	
41	70004685	1	Cover, Enclosure	
41	70004682	1	Switch, Reset (Located on Enclosure Cover)	
41	70004098	1	Connector, Strain Relief (Located on Enclosure Cover)	
42	1001142643	1	Support	
43	1001152457	1	Junction Box Assembly (See Items 101-118 for Breakdown)	
44	1001196382	2	Stud	
45	4922641	1	Generator Switch Harness	
46	1001142646	1	Belt	
47	1001152532	1	Generator Harness (See Separate Breakdown in ELECTRICAL SECTION)	
48	7274000040	1	Clamp	
49	1320061	1	Clamp	
50	5251012	1	Bolt M10 x 25	
	1001152457	Ref	JUNCTION BOX ASSEMBLY	
101	1001179154	2.5 ft/ 0.8m	Cable, Electrical - 12/3	
102	3300396	1	Cover, Breaker	
103	3311001	4	Nut #10	
104	3900300	2	Screw	
105	4360070	1	Breaker, Circuit - 15Amp	
107	4460425	1	Connector, Strain Relief (LH Side)	
108	4460426	1	Connector, Strain Relief (RH Side)	
110	4711000	8	Washer #10	
112	1001152456	1	Box, Junction	
113	1001152525	1	Plug	
114	1001152530	1	Terminal, Block	
115	1001153260	1	Decal - Wiring Diagram	
116	3900267	2	Screw	
117	1001158008	2	Stand-Off	
118	1001158363	1	Cover, Terminal Block	

SECTION 3 - ENGINE

FIGURE 3-68. 7500W SKYPOWER GENERATOR INSTALLATION - 220V/50HZ (DEUTZ D2011 ENGINES) (OPTIONAL)



SECTION 3 - ENGINE

FIGURE 3-68. 7500W SKYPOWER GENERATOR INSTALLATION - 220V/50HZ (DEUTZ D2011 ENGINES) (OPTIONAL)

ITEM	PART NUMBER	QTY	DESCRIPTION	REV
	1001192486	Ref	7500W SKYPOWER GENERATOR INSTALLATION	I
1	0100011	AR	Compound, Locking	
2	0100019	AR	Compound, Locking	
3	1001141814	1	Belt	
4	0641618	1	Bolt 3/8 x 2-1/4	
5	0760606	1	Bolt M6 x 12	
6	0700819	2	Bolt M8 x 55	
7	0760608	4	Bolt M6 x 16	
8	0761212	2	Bolt M12 x 25	
9	0771415	1	Bolt M14 x 35	
10	0861572	1	Control Box Assembly	
10	7024488	1	Card, Circuit - Generator Power	
10	See Note	NSS	Fuse (Note: Not Available - Purchase Locally)	
10	7024489	1	Card, Circuit - Control	
10	70000619	1	Harness, Control Box (Internal)	
11	0902888	1	Bracket	
12	0962520	1	Bushing, Split	
14	2460048	1	Generator Assembly	
14	70001100	1	Rotor (Includes p/n 70001384 & 70000863) (Not Shown)	
14	70001384	1	Bearing, Ball Radial (Not Shown)	
14	70000863	1	Fan (Not Shown)	
14	70002088	1	Stator (Not Shown)	
14	70002297	1	Stud	
14	70003631	1	Brushholder Assembly (Not Shown)	
14A	70004171	1	Key	
14B	70001966	1	Bearing, Ball Radial (Located in Belt Tensioner Endbell)	
14B	70003708	1	Ring, Internal Retaining (Located in Belt Tensioner Endbell)	
14B	70003709	1	Ring, External Retaining (Located in Belt Tensioner Endbell)	
14C	70001953	1	Endbell, Belt Tensioner	
14D	70004169	1	Endbell, Brush Block	
14E	70004169	1	Shroud	
14E	See Note	NSS	Insulator, Endbell (Note: Not Available for Purchase)	
14E	7027799	1	Block, Connector 6 Position (Not Shown)	
14E	70002460	1	Nut, Brass (Attaches p/n 7027799 to Cover) (Not Shown)	
14E	7024485	1	Breaker, Circuit 30Amp (Not Shown)	
14E	70001696	1	Boot, Breaker (Not Shown)	
14E	7026626	1	Connector, 6 Position (Includes Seal) (Not Shown - Plugs into Item 39)	
14E	7026597	1	Connector, with Leads (Not Shown)	
14E	7026188	1	Clamp, Cable Options (Not Shown)	
14E	70004169	1	Plate, End Panel	
14E	70001974	1	Decal - Terminal Connections	
14F	70001973	1	Decal - Warning Moving Parts	
15	2820031	AR	Heat Shrink	
16	3252764	1	Nameplate - AC & Weld	
17	3290505	4	Nut M5	
18	3290805	2	Nut M8	
19	3291201	1	Nut M12	
20	3580319	1	Pulley	

SECTION 3 - ENGINE

ITEM	PART NUMBER	QTY	DESCRIPTION	REV
21	3580320	1	Pulley	
22	3580317	1	Tensioner, Belt	
23	4032015	4	Capscrew M10 x 55	
24	4060802	1	Guard, Switch	
25	4360336	1	Switch, Toggle	
26	4811602	4	Washer M5	
27	4811700	4	Washer M6	
28	4811900	4	Washer M8	
29	5241000	1	Washer M10	
31	5241400	1	Washer M14	
32	4871700	2	Washer M6	
33	5241200	3	Washer M12	
34	1001104029	4	Capscrew M5 x 30 Grade 12.9	
35	1001130220	4	Nut, Tinnerman M6	
36	1001196382	1	Stud	
37	1001157525	1	Junction Box Assembly (See Items 101-117 for Breakdown)	
38A	4922641	1	Generator Switch Harness	
38B	1001152429	1	Generator to Engine Harness (See Separate Breakdown in ELECTRICAL SECTION)	
39	4922925	1	Generator Harness (See Separate Breakdown in ELECTRICAL SECTION)	
40	5251012	1	Bolt M10 x 25	
41	7274000040	1	Clamp	
43	1320061	1	Clamp	
	1001157525	Ref	JUNCTION BOX ASSEMBLY	B
101	3300396	1	Cover, Fuse	
102	3311001	6	Nut #10	
103	3520189	1	Plug	
104	3520192	1	Plug	
105	4360070	1	Circuit Breaker - 15Amp	
106	4460425	1	Connector, Strain Relief	
107	4460426	2	Connector, Strain Relief	
109	4711000	10	Washer #10	
110	10702077	2	Screw #10 x 3/8	
111	10702082	2	Screw #10 x 3/4	
112	1001152525	1	Plug	
113	1001152520	1	Block, Terminal	
114	1001157521	1	Box, Junction	
115	1001157528	1	Decal - Wiring Schematic	
116	1001158007	1	Cover, PVC	
117	1001158008	2	Stand-Off	
	0272589	Ref	DECAL INSTALLATION	A
201	1705460	2	Decal - SkyPower	
202	1705461	1	Decal - 240V - 3 Phase - 50Hz	
203	1705489	3	Decal - Hazardous Voltage	

SECTION 3 - ENGINE

**FIGURE 3-69. 7500W SKYPOWER GENERATOR INSTALLATION - 110/60HZ (DEUTZ D2011 ENGINES)
(OPTIONAL)**

ITEM	PART NUMBER	QTY	DESCRIPTION	REV
	1001192483	Ref	7500W SKYPOWER GENERATOR INSTALLATION	I
1	0100011	AR	Compound, Locking	
2	0100019	AR	Compound, Locking	
3	0100079	AR	Sealant	
4	1001136356	1	Belt	
5	0641618	1	Bolt 3/8 x 2-1/4	
6	0760606	1	Bolt M6 x 12	
7	0700819	2	Bolt M8 x 55	
8	0760608	4	Bolt M6 x 16	
9	0761212	2	Bolt M12 x 25	
10	0771415	1	Bolt M14 x 35	
11	0860038	1	Box, Receptacle	
12	0861538	1	Control Box Assembly	
12	7024488	1	Card, Circuit - Generator Power	
12	See Note	NSS	Fuse (Note: Not Available - Purchase Locally)	
12	7024489	1	Card, Circuit - Control	
12	70000619	1	Harness, Control Box (Internal)	
13	0902888	1	Bracket	
14	0962520	1	Bushing, Split	
16	2460048	1	Generator Assembly	
16	70001100	1	Rotor (Includes p/n 70001384 & 70000863) (Not Shown)	
16	70001384	1	Bearing, Ball Radial (Not Shown)	
16	70000863	1	Fan (Not Shown)	
16	70002088	1	Stator (Not Shown)	
16	70002297	1	Stud	
16	70003631	1	Brushholder Assembly (Not Shown)	
16A	70004171	1	Key	
16B	70001966	1	Bearing, Ball Radial (Located in Belt Tensioner Endbell)	
16B	70003708	1	Ring, Internal Retaining (Located in Belt Tensioner Endbell)	
16B	70003709	1	Ring, External Retaining (Located in Belt Tensioner Endbell)	
16C	70001953	1	Endbell, Belt Tensioner	
16D	70004169	1	Endbell, Brush Block	
16E	70004169	1	Shroud	
16E	See Note	NSS	Insulator, Endbell (Note: Not Available for Purchase)	
16E	7027799	1	Block, Connector - 6 Position (Not Shown)	
16E	70002460	1	Nut, Brass (Attaches p/n 7027799 to Cover) (Not Shown)	
16E	7024485	1	Breaker, Circuit 30Amp (Not Shown)	
16E	70001696	1	Boot, Breaker (Not Shown)	
16E	7026626	1	Connector, 6 Position (Includes Seal) (Not Shown - Plugs into Item 39)	
16E	7026597	1	Connector, with Leads (Not Shown)	
16E	7026188	1	Clamp, Cable Options (Not Shown)	
16E	70004169	1	Plate, End Panel	
16E	70001974	1	Decal - Terminal Connections	
16F	70001973	1	Decal - Warning Moving Parts	
17	2820031	AR	Heat Shrink	
18	3252764	1	Nameplate - AC & Weld	
19	3290505	4	Nut M5	
20	3290805	2	Nut M8	

SECTION 3 - ENGINE

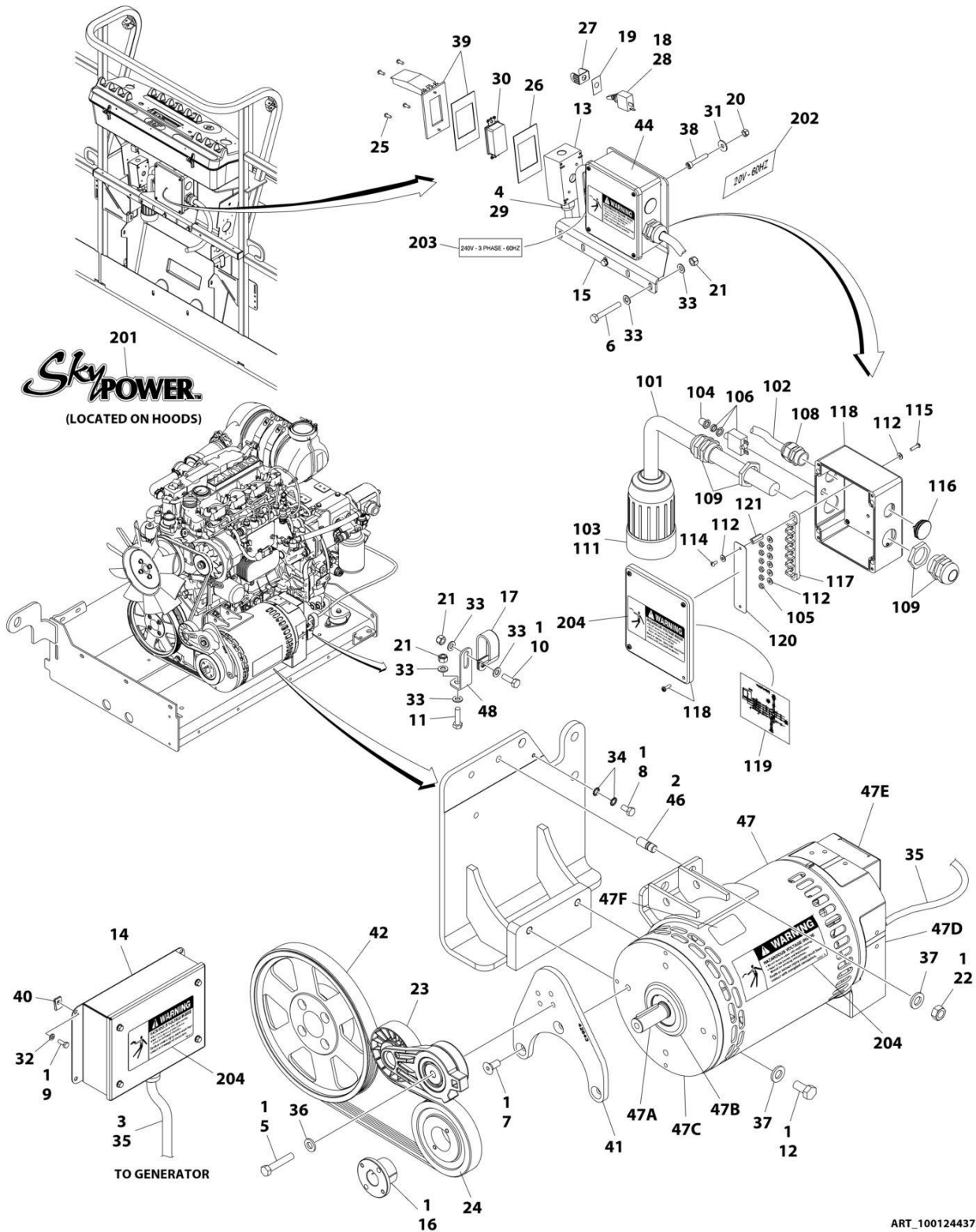
ITEM	PART NUMBER	QTY	DESCRIPTION	REV
21	3291201	1	Nut M12	
22	3580318	1	Pulley	
23	3580320	1	Pulley	
25	3910606	4	Screw #6 x 3/8	
26	3960422	1	Gasket	
27	4032015	4	Capscrew M10 x 55	
28	4060802	1	Guard, Switch	
29	4360336	1	Switch, Toggle	
30	4460071	1	Connector, Strain Relief	
31	4460346	1	Receptacle	
32	4811602	4	Washer M5	
33	4811700	4	Washer M6	
34	4811900	4	Washer M8	
35	5241000	1	Washer M10	
36	3580317	1	Tensioner, Belt	
37	5241400	1	Washer M14	
38	4871700	2	Washer M6	
39	5241200	3	Washer M12	
40	1001104029	4	Capscrew M5 x 30 Grade 12.9	
41	1001110873	1	Cover	
42	1001130220	4	Nut, Tinnerman M6	
43	1001196382	1	Stud	
44	1001157592	1	Junction Box Assembly (See Items 101-121 for Breakdown)	
45A	4922641	1	Generator Switch Harness	
45B	1001152429	1	Generator to Engine Harness (See Separate Breakdown in ELECTRICAL SECTION)	
46	4922925	1	Generator Harness (See Separate Breakdown in ELECTRICAL SECTION)	
47	7274000040	1	Clamp	
48	5251012	1	Bolt M10 x 25	
50	1320061	1	Clamp	
	1001157592	Ref	JUNCTION BOX ASSEMBLY	C
101	1060343	1.5 ft/ 0.5m	Cable, Electrical 10/4	
102	1001179154	2.5 ft/ 0.8m	Cable, Electrical 12/3	
103	1671092	1	Cover	
104	3300396	1	Cover, Fuse	
105	3311001	6	Nut #10	
106	4360070	1	Circuit Breaker - 15Amp	
108	4460425	1	Connector, Strain Relief	
109	4460426	2	Connector, Strain Relief	
111	4460963	1	Connector	
112	4711000	10	Washer #10	
114	10702077	2	Screw #10 x 3/8	
115	10702082	2	Screw #10 x 3/4	
116	1001152525	1	Plug	
117	1001157520	1	Block, Terminal	
118	1001157521	1	Box, Junction	
119	1001157528	1	Decal - Wiring Schematic	
120	1001158007	1	Cover, PVC	
121	1001158008	2	Stand-Off	

SECTION 3 - ENGINE

ITEM	PART NUMBER	QTY	DESCRIPTION	REV
	0272435	Ref	DECAL INSTALLATION	D
201	1705460	2	Decal - SkyPower	
202	3251243	1	Decal - 120V-60Hz	
203	1705375	1	Decal - 240V - 3 Phase - 60Hz	
204	1705387	3	Decal - Hazardous Voltage	

SECTION 3 - ENGINE

FIGURE 3-70. 7500W SKYPOWER GENERATOR INSTALLATION - 110V/60HZ (DEUTZ D2.9L4 - 49HP ENGINES) (OPTIONAL)



SECTION 3 - ENGINE

FIGURE 3-70. 7500W SKYPOWER GENERATOR INSTALLATION - 110V/60HZ (DEUTZ D2.9L4 - 49HP ENGINES) (OPTIONAL)

ITEM	PART NUMBER	QTY	DESCRIPTION	REV
	1001244375	Ref	7500W SKYPOWER GENERATOR INSTALLATION	B
1	0100011	AR	Compound, Locking	
2	0100019	AR	Compound, Locking	
3	0100048	AR	Compound Terminal	
4	0100079	AR	Sealant	
5	0641616	1	Bolt 3/8 x 2	
6	0700819	2	Bolt M8 x 55	
7	0741607	3	Screw 3/8 x 7/8	
8	0760606	1	Bolt M6 x 12	
9	0760608	4	Bolt M6 x 16	
10	0760812	1	Bolt M8 x 25	
11	0760814	1	Bolt M8 x 30	
12	0761212	2	Bolt M12 x 25	
13	0860038	1	Box, Receptacle	
14	0861538	1	Control Box Assembly	
14	7024488	1	Card, Circuit - Generator Power	
14	See Note	NSS	Fuse (Note: Not Available - Purchase Locally)	
14	7024489	1	Card, Circuit - Control	
14	70000619	1	Harness, Control Box (Internal)	
		Ref	Note: Same Circuit Card (P/N 7024489) is used for both 60Hz and 50Hz. When replacing card, rocker switch on card must be set for required application.	
15	0902888	1	Bracket	
16	0962520	1	Bushing, Split	
17	1321716	1	Clamp	
18	2820031	AR	Heat Shrink	
19	3252764	1	Nameplate - AC & Weld	
20	3290505	4	Nut M5	
21	3290805	4	Nut M8	
22	3291201	2	Nut M12	
23	3580317	1	Tensioner, Belt	
24	3580318	1	Pulley	
25	3910606	4	Screw #6 x 3/8	
26	3960422	1	Gasket	
27	4060802	1	Guard, Switch	
28	4360336	1	Switch, Toggle	
29	4460071	1	Connector, Strain Relief	
30	4460346	1	Receptacle	
31	4811602	4	Washer M5	
32	4811700	4	Washer M6	
33	4811900	8	Washer M8	
34	4871700	2	Washer M6	
35	4922925	1	Generator Harness (See Separate Breakdown in ELECTRICAL SECTION)	
36	5241000	1	Washer M10	
37	5241200	4	Washer M12	
38	1001104029	4	Capscrew M5 x 30 Grade 12.9	
39	1001110873	1	Cover	
40	1001130220	4	Nut, Tinnerman M6	

SECTION 3 - ENGINE

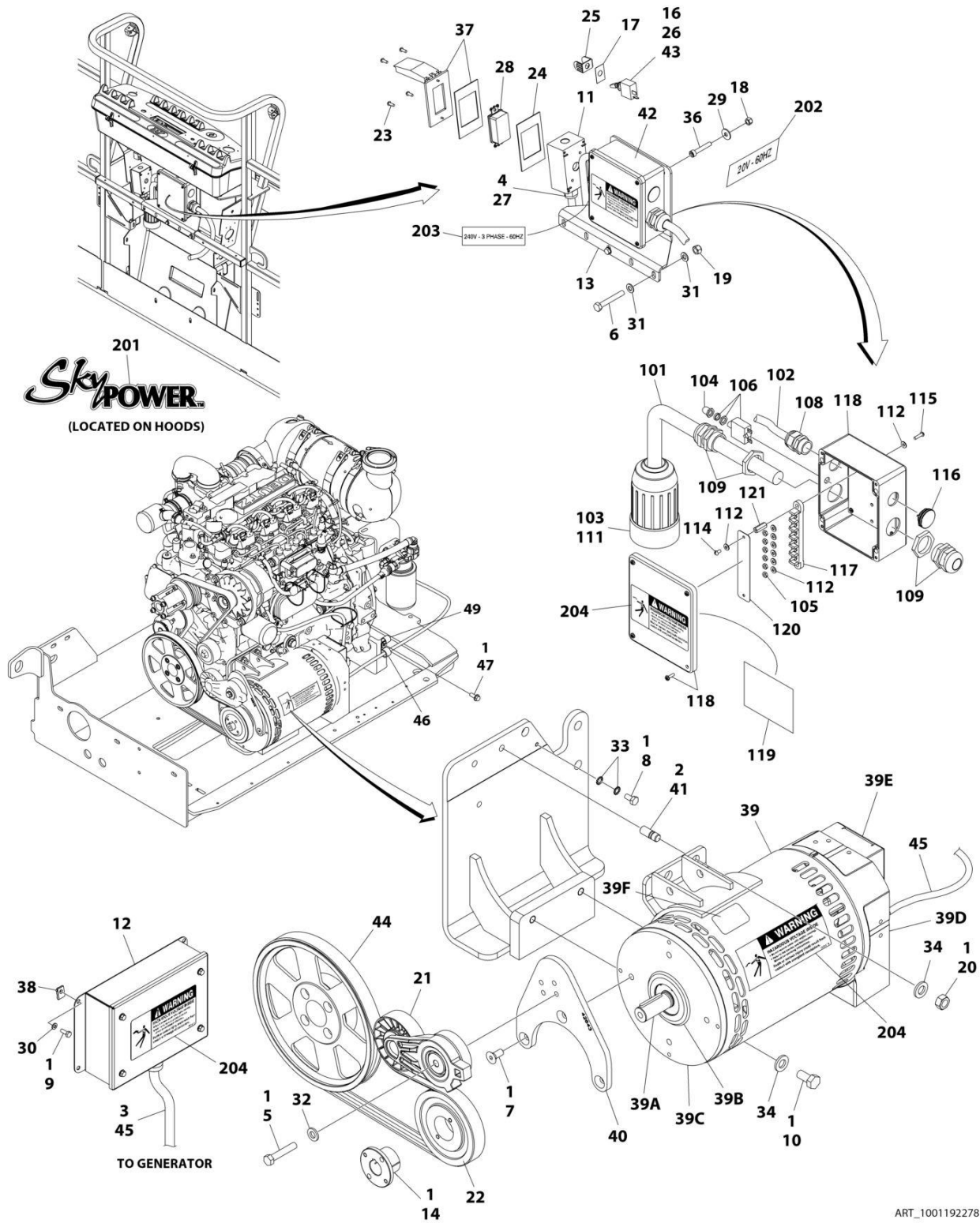
ITEM	PART NUMBER	QTY	DESCRIPTION	REV
41	1001142643	1	Support	
42	1001142646	1	Belt	
44	1001157592	1	Junction Box Assembly (See Items 101-121 for Breakdown)	
46	1001196382	2	Stud	
47	1001212223	1	Generator Assembly	
47	70001100	1	Rotor (Includes p/n 70001384 & 70000863) (Not Shown)	
47	70001384	1	Bearing, Ball Radial (Not Shown)	
47	70000863	1	Fan (Not Shown)	
47	70006093	1	Stator (Not Shown)	
47	70002297	1	Stud	
47	70003631	1	Brushholder Assembly (Not Shown) (was p/n 7024484)	
47A	70004099	1	Key	
47B	70001966	1	Bearing, Ball Radial (Located in Belt Tensioner Endbell)	
47B	70003708	1	Ring, Internal Retaining (Located in Belt Tensioner Endbell)	
47B	70003709	1	Ring, External Retaining (Located in Belt Tensioner Endbell)	
47C	70004092	1	Endbell, Belt Tensioner	
47D	70004094	1	Endbell, Brush Block	
47E	70006094	1	Shroud	
47E	70002291	1	Insulator, Endbell	
47E	7027799	1	Block, Connector - 6 Position (Not Shown)	
47E	70002460	1	Nut, Brass (Attaches p/n 7027799 to Cover) (Not Shown)	
47E	70006095	1	Breaker, Circuit 30Amp (Not Shown)	
47E	70006096	1	Boot, Breaker (Not Shown)	
47E	7026626	1	Connector, 6 Position (Includes Seal) (Not Shown - Plugs into Item 45)	
47E	7026597	1	Connector with Leads (Not Shown)	
47E	70004098	1	Clamp, Cable (Not Shown)	
47E	70006097	1	Plate, End Panel	
47E	70001974	1	Decal - Terminal Connections	
47F	70001973	1	Decal - Warning Moving Parts	
48	1001223122	1	Support	
	1001157592	Ref	JUNCTION BOX ASSEMBLY	C
101	1060343	1.5 ft/ 0.5m	Cable, Electrical 10/4	
102	1001179154	2.5 ft/ 76cm	Cable, Electrical 12/3	
103	1671092	1	Cover, Connector	
104	3300396	1	Cover, Fuse	
105	3311001	6	Nut #10	
106	4360070	1	Circuit Breaker - 15Amp	
108	4460425	1	Connector, Strain Relief	
109	4460426	2	Connector, Strain Relief	
111	4460963	1	Connector	
112	4711000	4	Washer #10	
114	10702077	2	Screw #10 x 3/8	
115	10702082	2	Screw #10 x 3/4	
116	1001152525	1	Plug	
117	1001157520	1	Block, Terminal	
118	1001157521	1	Box, Junction	
119	1001157528	1	Decal - Wiring Schematic	
120	1001158007	1	Cover, PVC	
121	1001158008	1	Stand-Off	

SECTION 3 - ENGINE

ITEM	PART NUMBER	QTY	DESCRIPTION	REV
	0272435	Ref	DECAL INSTALLATION	D
201	1705460	2	Decal - SkyPower	
202	3251243	1	Decal - 120V-60Hz	
203	1705375	1	Decal - 240V - 3 Phase - 60Hz	
204	1705387	3	Decal - Hazardous Voltage	

SECTION 3 - ENGINE

FIGURE 3-71. 7500W SKYPOWER GENERATOR INSTALLATION - 110V/60HZ (DEUTZ TD2.9L4 - 67HP ENGINES) (OPTIONAL)



ART_1001192278

SECTION 3 - ENGINE

FIGURE 3-71. 7500W SKYPOWER GENERATOR INSTALLATION - 110V/60HZ (DEUTZ TD2.9L4 - 67HP ENGINES) (OPTIONAL)

ITEM	PART NUMBER	QTY	DESCRIPTION	REV
	1001192278	Ref	7500W SKYPOWER GENERATOR INSTALLATION	G
1	0100011	AR	Compound, Locking	
2	0100019	AR	Compound, Locking	
3	0100048	AR	Compound Terminal	
4	0100079	AR	Sealant	
5	0641616	1	Bolt 3/8 x 2	
6	0700819	2	Bolt M8 x 55	
7	0741607	3	Screw 3/8 x 7/8	
8	0760606	1	Bolt M6 x 12	
9	0760608	4	Bolt M6 x 16	
10	0761212	2	Bolt M12 x 25	
11	0860038	1	Box, Receptacle	
12	0861538	1	Control Box Assembly	
12	7024488	1	Card, Circuit - Generator Power	
12	See Note	NSS	Fuse (Note: Not Available - Purchase Locally)	
12	7024489	1	Card, Circuit - Control	
12	70000619	1	Harness, Control Box (Internal)	
		Ref	Note: Same Circuit Card (P/N 7024489) is used for both 60Hz and 50Hz. When replacing card, rocker switch on card must be set for required application.	
13	0902888	1	Bracket	
14	0962520	1	Bushing, Split	
16	2820031	AR	Heat Shrink	
17	3252764	1	Nameplate - AC & Weld	
18	3290505	4	Nut M5	
19	3290805	2	Nut M8	
20	3291201	2	Nut M12	
21	3580317	1	Tensioner, Belt	
22	3580318	1	Pulley	
23	3910606	4	Screw #6 x 3/8	
24	3960422	1	Gasket	
25	4060802	1	Guard, Switch	
26	4360336	1	Switch, Toggle	
27	4460071	1	Connector, Strain Relief	
28	4460346	1	Receptacle	
29	4811602	4	Washer M5	
30	4811700	4	Washer M6	
31	4811900	4	Washer M8	
32	5241000	1	Washer M10	
33	4871700	2	Washer M6	
34	5241200	4	Washer M12	
36	1001104029	1	Capscrew M5 x 30 Grade 12.9	
37	1001110873	1	Cover	
38	1001130220	4	Nut, Tinnerman M6	
39	1001212223	1	Generator Assembly	
39	70001100	1	Rotor (Includes p/n 70001384 & 70000863) (Not Shown)	
39	70001384	1	Bearing, Ball Radial (Not Shown)	
39	70000863	1	Fan (Not Shown)	

SECTION 3 - ENGINE

ITEM	PART NUMBER	QTY	DESCRIPTION	REV
39	70006093	1	Stator (Not Shown)	
39	70002297	1	Stud	
39	70003631	1	Brushholder Assembly (Not Shown) (was p/n 7024484)	
39A	70004099	1	Key	
39B	70001966	1	Bearing, Ball Radial (Located in Belt Tensioner Endbell)	
39B	70003708	1	Ring, Internal Retaining (Located in Belt Tensioner Endbell)	
39B	70003709	1	Ring, External Retaining (Located in Belt Tensioner Endbell)	
39C	70004092	1	Endbell, Belt Tensioner	
39D	70004094	1	Endbell, Brush Block	
39E	70006094	1	Shroud	
39E	70002291	1	Insulator, Endbell	
39E	7027799	1	Block, Connector - 6 Position (Not Shown)	
39E	70002460	1	Nut, Brass (Attaches p/n 7027799 to Cover) (Not Shown)	
39E	70006095	1	Breaker, Circuit 30Amp (Not Shown)	
39E	70006096	1	Boot, Breaker (Not Shown)	
39E	7026626	1	Connector, 6 Position (Includes Seal) (Not Shown - Plugs into Item 45)	
39E	7026597	1	Connector with Leads (Not Shown)	
39E	70004098	1	Clamp, Cable (Not Shown)	
39E	70006097	1	Plate, End Panel	
39E	70001974	1	Decal - Terminal Connections	
39F	70001973	1	Decal - Warning Moving Parts	
40	1001142643	1	Support	
41	1001196382	2	Stud	
42	1001157592	1	Junction Box Assembly (See Items 101-121 for Breakdown)	
43	4922641	1	Generator Switch Harness	
44	1001142646	1	Belt	
45	4922925	1	Generator Harness (See Separate Breakdown in ELECTRICAL SECTION)	
46	7274000040	1	Clamp	
47	5251012	1	Bolt M10 x 25	
49	1320061	1	Clamp	
	1001157592	Ref	JUNCTION BOX ASSEMBLY	C
101	1060343	1.5 ft/ 0.5m	Cable, Electrical 10/4	
102	1001179154	2.5 ft/ 76cm	Cable, Electrical 12/3	
103	1671092	1	Cover, Connector	
104	3300396	1	Cover, Fuse	
105	3311001	6	Nut #10	
106	4360070	1	Circuit Breaker - 15Amp	
108	4460425	1	Connector, Strain Relief	
109	4460426	2	Connector, Strain Relief	
111	4460963	1	Connector	
112	4711000	4	Washer #10	
114	10702077	2	Screw #10 x 3/8	
115	10702082	2	Screw #10 x 3/4	
116	1001152525	1	Plug	
117	1001157520	1	Block, Terminal	
118	1001157521	1	Box, Junction	
119	1001157528	1	Decal - Wiring Schematic	
120	1001158007	1	Cover, PVC	

SECTION 3 - ENGINE

ITEM	PART NUMBER	QTY	DESCRIPTION	REV
121	1001158008	1	Stand-Off	D
	0272435	Ref	DECAL INSTALLATION	
201	1705460	2	Decal - SkyPower	
202	3251243	1	Decal - 120V-60Hz	
203	1705375	1	Decal - 240V - 3 Phase - 60Hz	
204	1705387	3	Decal - Hazardous Voltage	

SECTION 3 - ENGINE

**FIGURE 3-72. 7500W SKYPOWER GENERATOR INSTALLATION - 110V/60HZ (FORD ENGINES)
(OPTIONAL)**

ITEM	PART NUMBER	QTY	DESCRIPTION	REV
	1001219852	Ref	7500W SKYPOWER GENERATOR INSTALLATION	C
1	0100011	AR	Compound, Locking	
2	0100019	AR	Compound, Locking	
3	0100079	AR	Sealant	
4	0700819	2	Bolt M8 x 55	
5	0741607	3	Screw 3/8 x 7/8	
6	0760606	1	Bolt M6 x 12	
7	0760608	4	Bolt M6 x 16	
8	0761019	1	Bolt M10 x 55	
10	0860038	1	Box, Receptacle	
11	0861538	1	Control Box Assembly	
11	7024488	1	Card, Circuit - Generator Power	
11	See Note	NSS	Fuse (Note: Not Available - Purchase Locally)	
11	7024489	1	Card, Circuit - Control	
11	70000619	1	Harness, Control Box (Internal)	
12	0902888	1	Bracket	
13	0962520	1	Bushing, Split	
15	2820031	AR	Heat Shrink	
16	3252764	1	Nameplate - AC & Weld	
17	3290505	4	Nut M5	
18	3290805	2	Nut M8	
19	3291201	4	Nut M12	
20	3580314	1	Pulley	
21	3580317	1	Tensioner, Belt	
22	3910606	4	Screw #6 x 3/8	
23	3960422	1	Gasket	
24	4060802	1	Guard, Switch	
25	4360336	1	Switch, Toggle	
26	4460071	1	Connector, Strain Relief	
27	4460346	1	Receptacle	
28	4811602	4	Washer M5	
29	4811700	4	Washer M6	
30	4811900	4	Washer M8	
31	4871700	2	Washer M6	
32	4922925	1	Generator Harness (See Separate Breakdown in ELECTRICAL SECTION)	
33	5241000	1	Washer M10	
34	5241200	4	Washer M12	
35	1001104029	4	Capscrew M5 x 30 Grade 12.9	
36	1001110873	1	Cover	
37	1001130220	4	Nut, Tinnerman M6	
38	1001136104	1	Generator Assembly	
38	70003631	1	Brushholder Assembly (Not Shown) (was p/n 7024484)	
38	7024485	1	Breaker, Circuit 30Amp (Not Shown)	
38	70001696	1	Boot, Breaker (was p/n 7024486 - Not Shown)	
38	70001966	1	Bearing, Ball Radial (Located in Belt Tensioner Endbell - Not Shown)	
38	7027799	1	Block, Connector - 6 Position (Not Shown)	
38	70002460	6	Nut, Brass (Attaches p/n 7027799 to Cover) (Not Shown)	

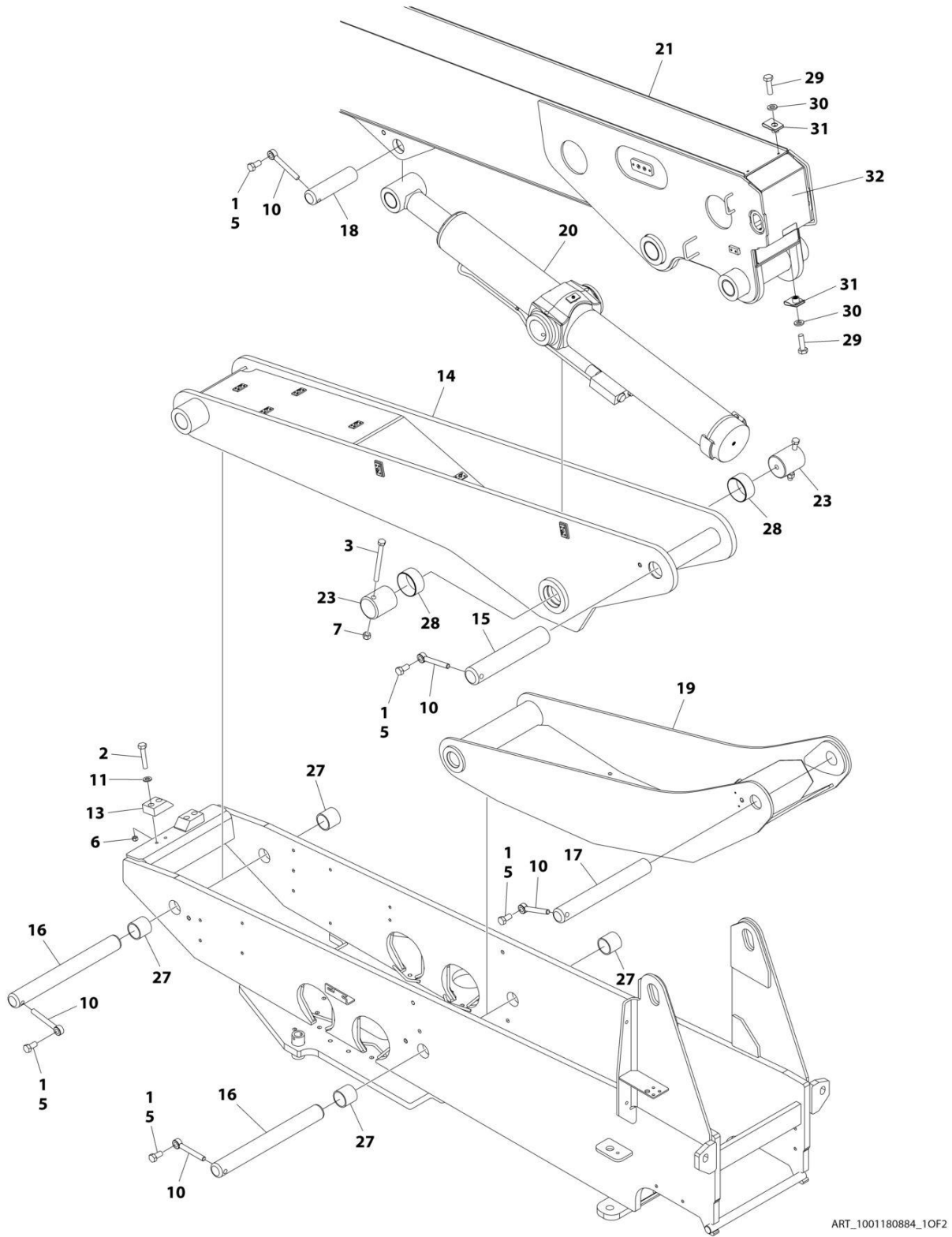
SECTION 3 - ENGINE

ITEM	PART NUMBER	QTY	DESCRIPTION	REV
38	7026188	1	Clamp, Cable (Not Shown)	
38	7026597	1	Connector, with Leads (Not Shown)	
38	7026626	1	Connector - 6 Position with Seal (Not Shown)	
38	70002088	1	Stator (Not Shown)	
38	70004169	1	Panel, End (Not Shown) (was p/n 70002255)	
38	70001974	1	Decal - Terminal Connections (Not Shown)	
38	70000863	1	Fan (Not Shown)	
38	70002297	4	Stud (Not Shown)	
38A	70004171	1	Key (was p/n 7024561)	
38A	70001100	1	Armature, Generator (Includes Radial Ball Bearing on End with Brushes and Fan)	
38A	70001384	1	Bearing, Ball Radial	
38B	70001966	1	Bearing, Radial Ball	
38B	70003708	1	Ring, Internal Retaining (Located in Belt Tensioner Endbell)	
38B	70003709	1	Ring, External Retaining (Located in Belt Tensioner Endbell)	
38C	70001973	1	Decal - Warning Moving Parts	
38D	70004169	1	Endbell, Brush Block (was p/n 70001385)	
38E	70001953	1	Endbell, Belt Tensioner	
38F	70004169	1	Endbell, Shroud Assembly (was p/n 70002290)	
39	1001157592	1	Junction Box Assembly (See Items 101-121 for Breakdown)	
40	4922641	1	Generator Switch Harness	
41	1001196382	4	Stud	
42	1001216390	1	Belt	
43	1001218930	1	Mount	
	1001157592	Ref	JUNCTION BOX ASSEMBLY	C
101	1060343	1.5 ft/ 0.5m	Cable, Electrical - 10/4	
102	1001179154	2.5 ft/ 0.8m	Cable, Electrical - 12/3	
103	1671092	1	Cover, Connector	
104	3300396	1	Cover, Fuse	
105	3311001	6	Nut #10	
106	4360070	1	Breaker, Circuit 15Amp	
107	4460425	1	Connector, Strain Relief	
108	4460426	2	Connector, Strain Relief	
111	4460963	1	Receptacle	
112	4711000	10	Washer #10	
114	10702077	2	Screw #10 x 3/8	
115	10702082	2	Screw #10 x 3/4	
116	1001152525	1	Plug, Hole	
117	1001157520	1	Block, Terminal Pole	
118	1001157521	1	Box, Junction	
119	1001157528	1	Decal - Box Junction	
120	1001158007	1	Cover	
121	1001158008	2	Stand-Off	
	0272435	Ref	DECAL INSTALLATION	D
201	1705460	2	Decal - SkyPower	
202	3251243	1	Decal - 120V/60Hz (Located on Opposite Side)	
203	1705375	1	Decal - 240V - 3 Phase	
204	1705387	3	Decal - Hazardous Voltage	

SECTION 4 - BOOM

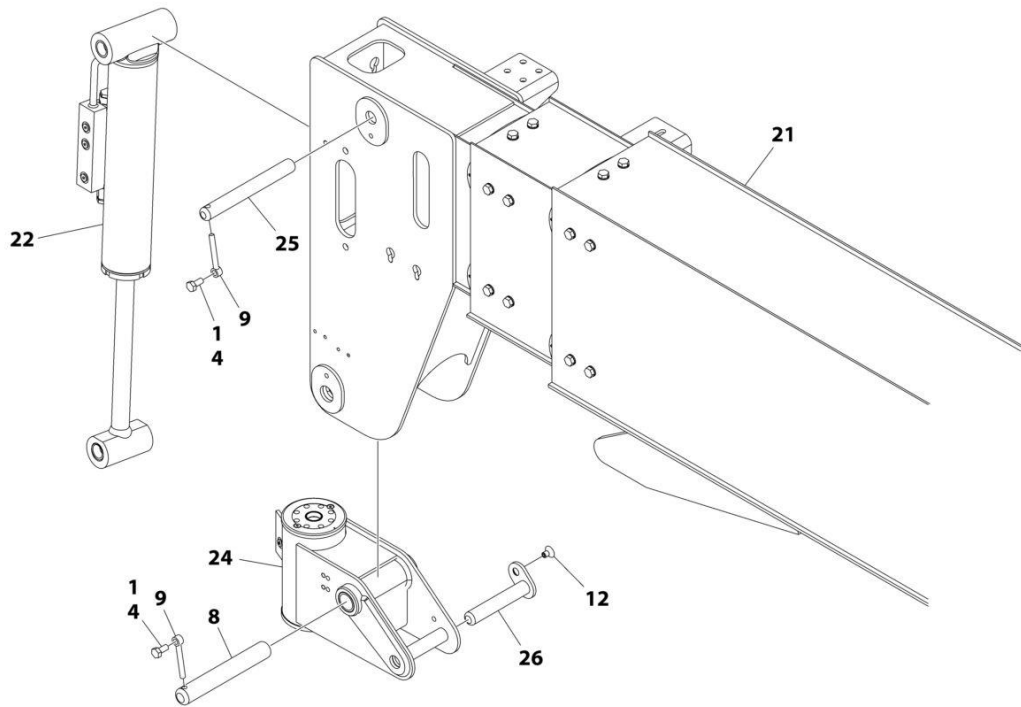
SECTION 4 - BOOM

FIGURE 4-1. BOOM INSTALLATION - 600S



ART_1001180884_1OF2

SECTION 4 - BOOM



ART_1001180884_2OF2

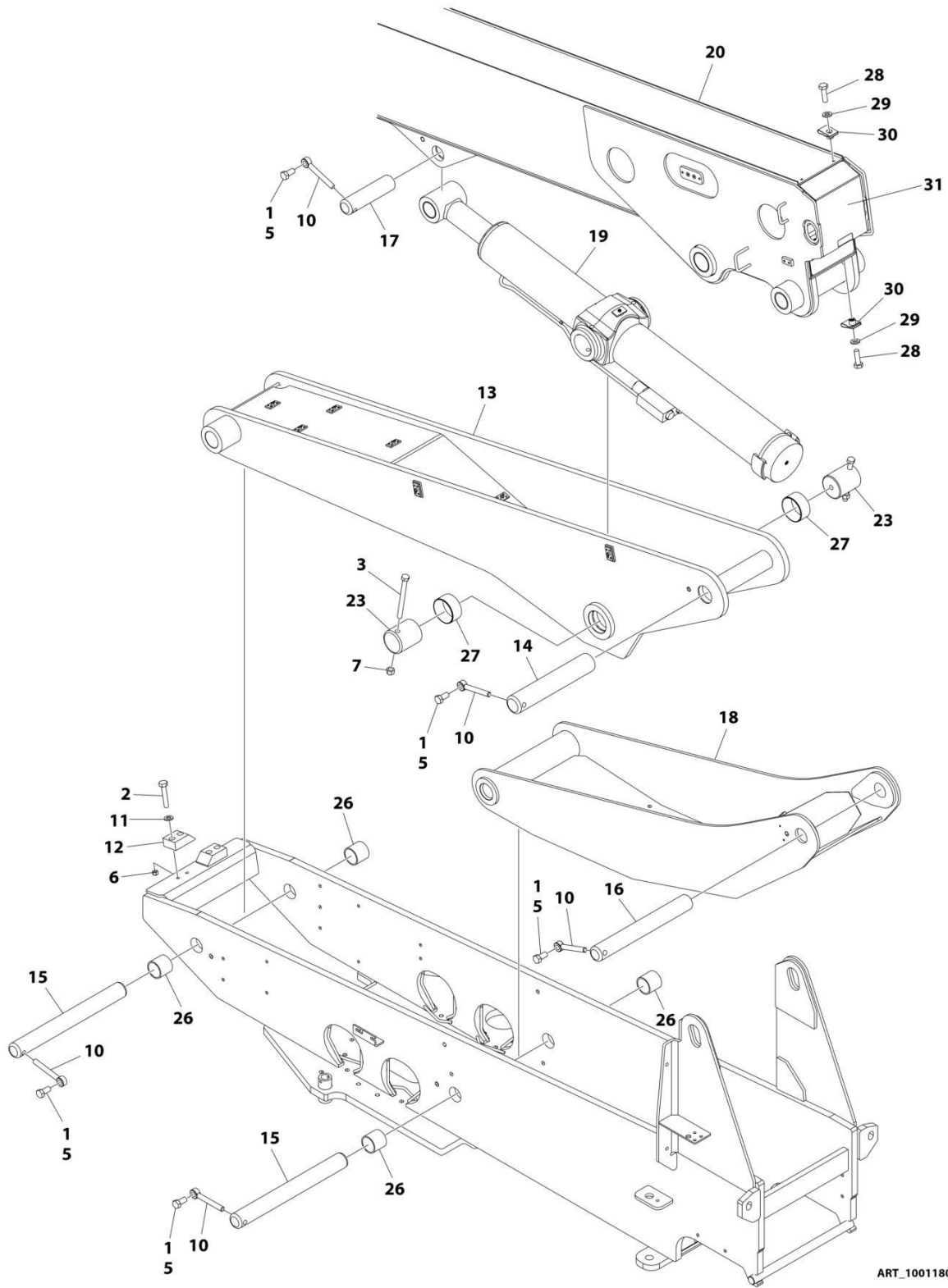
SECTION 4 - BOOM

FIGURE 4-1. BOOM INSTALLATION - 600S

ITEM	PART NUMBER	QTY	DESCRIPTION	REV
	1001180884	Ref	BOOM INSTALLATION	F
1	0100011	AR	Compound, Locking	
2	0701019	4	Bolt M10 x 55	
3	0711635	2	Bolt M16 x 180	
4	0761011	2	Bolt M10 x 22	
5	0762016	5	Bolt M20 x 40	
6	3291005	4	Nut M10	
7	3291605	2	Nut M16	
8	3422582	1	Pin	
9	3841143	2	Keeper, Pin	
10	3841287	5	Keeper, Pin	
11	4812000	4	Washer M10	
12	1001137032	1	Screw M10 x 16	
13	1001138459	2	Pad	
14	1001174231	1	Link	
15	1001174250	1	Pin	
16	1001174252	2	Pin	
17	1001174253	1	Pin	
18	1001174254	1	Pin	
19	1001174256	1	Link	
20	1001184500	1	Lift Cylinder Assembly (See Separate Breakdown in CYLINDER SECTION)	
21	1001180883	1	Boom Assembly (See Separate Breakdown in CYLINDER SECTION)	
22	1001184954	1	Level Cylinder Assembly - Platform Slave (See Separate Breakdown in CYLINDER SECTION)	
23	1001183926	2	Pin	
24	1001187348	1	Platform Rotator Assembly (See Separate Breakdown in this Section)	
25	1001192910	1	Pin	
26	1001192991	1	Pin	
27	0962423	4	Bearing	
28	1001174251	2	Bearing	
29	0760610	4	Bolt M6 x 20	
30	4811700	4	Washer M6	
31	1001130220	4	Nut, Tinnerman M6	
32	1001228177	1	Cover	

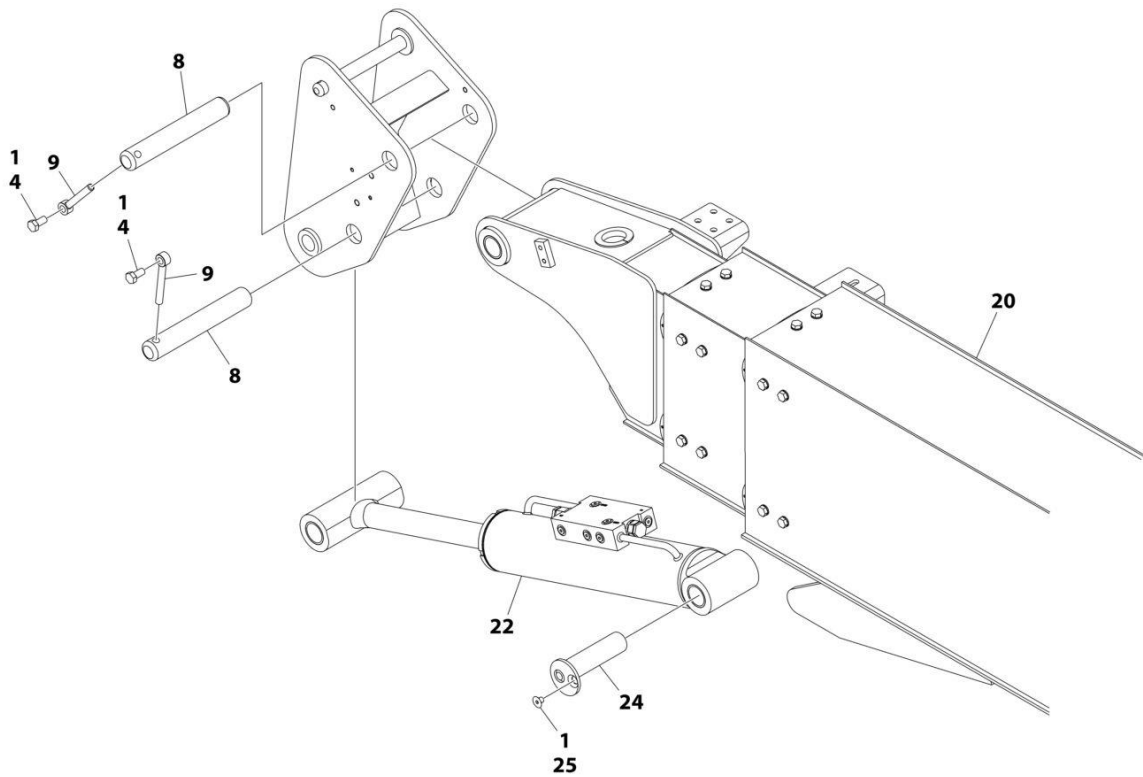
SECTION 4 - BOOM

FIGURE 4-2. BOOM INSTALLATION - 660SJ



ART_1001180885_10F2

SECTION 4 - BOOM



ART_1001180885_20F2

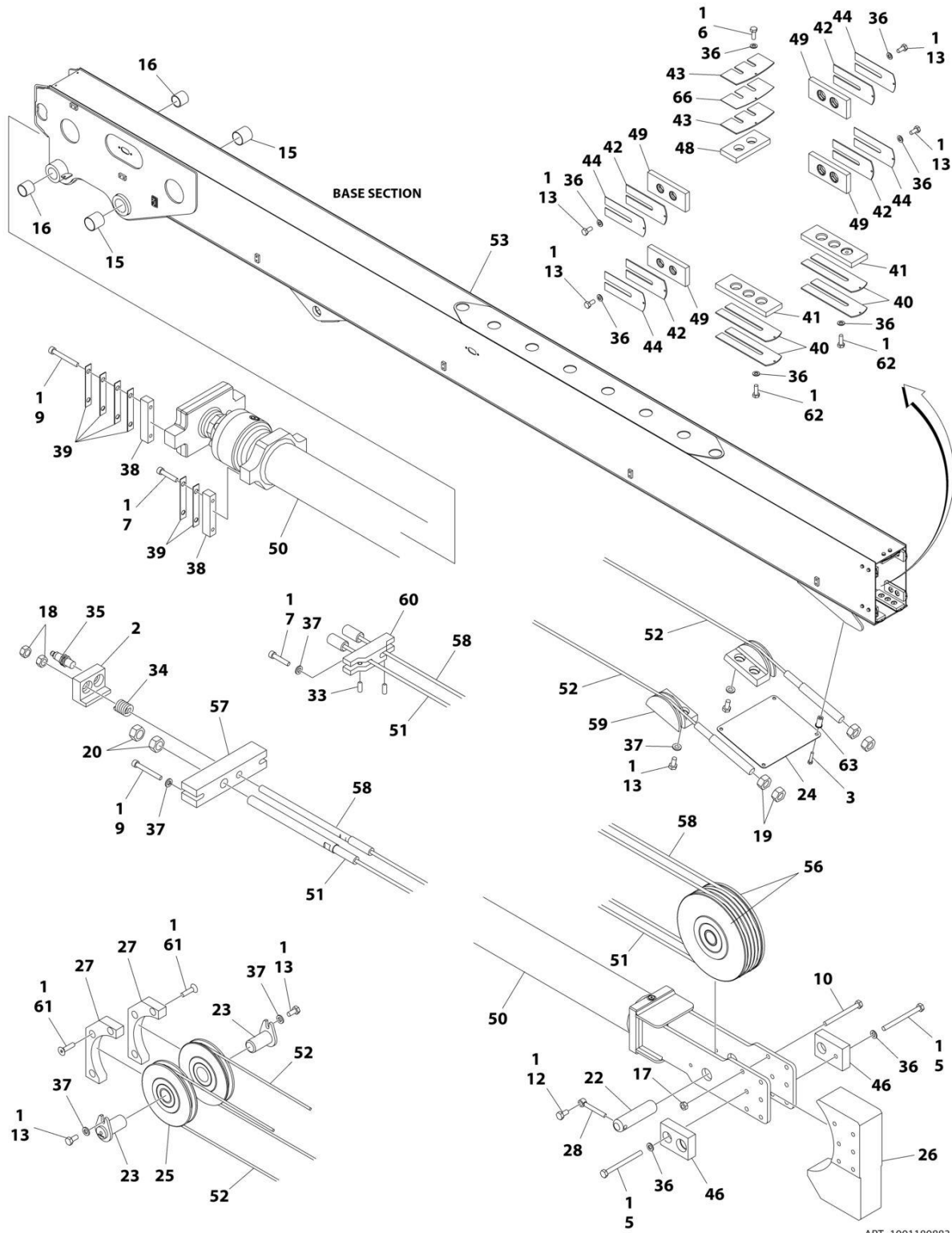
SECTION 4 - BOOM

FIGURE 4-2. BOOM INSTALLATION - 660SJ

ITEM	PART NUMBER	QTY	DESCRIPTION	REV
	1001180885	Ref	BOOM INSTALLATION	F
1	0100011	AR	Compound, Locking	
2	0701019	4	Bolt M10 x 55	
3	0711635	2	Bolt M16 x 180	
4	0761212	2	Bolt M12 x 25	
5	0762016	5	Bolt M20 x 40	
6	3291005	4	Nut M10	
7	3291605	2	Nut M16	
8	3422793	2	Pin	
9	3841203	2	Keeper, Pin	
10	3841287	5	Keeper, Pin	
11	4812000	4	Washer M10	
12	1001138459	2	Pad	
13	1001174231	1	Link	
14	1001174250	1	Pin	
15	1001174252	2	Pin	
16	1001174253	1	Pin	
17	1001174254	1	Pin	
18	1001174256	1	Link	
19	1001184500	1	Lift Cylinder Assembly (See Separate Breakdown in CYLINDER SECTION)	
20	1001176217	1	Boom Assembly (See Separate Breakdown in this Section)	
22	1001184957	1	Level Cylinder Assembly - Platform Slave (See Separate Breakdown in CYLINDER SECTION)	
23	1001183926	2	Pin	
24	1001192052	1	Pin	
25	1001192027	1	Screw M10 x 12	
26	0962423	4	Bearing	
27	1001174251	2	Bearing	
28	0760610	4	Bolt M6 x 20	
29	4811700	4	Washer M6	
30	1001130220	4	Nut - Tinnerman M6	
31	1001228177	1	Cover	

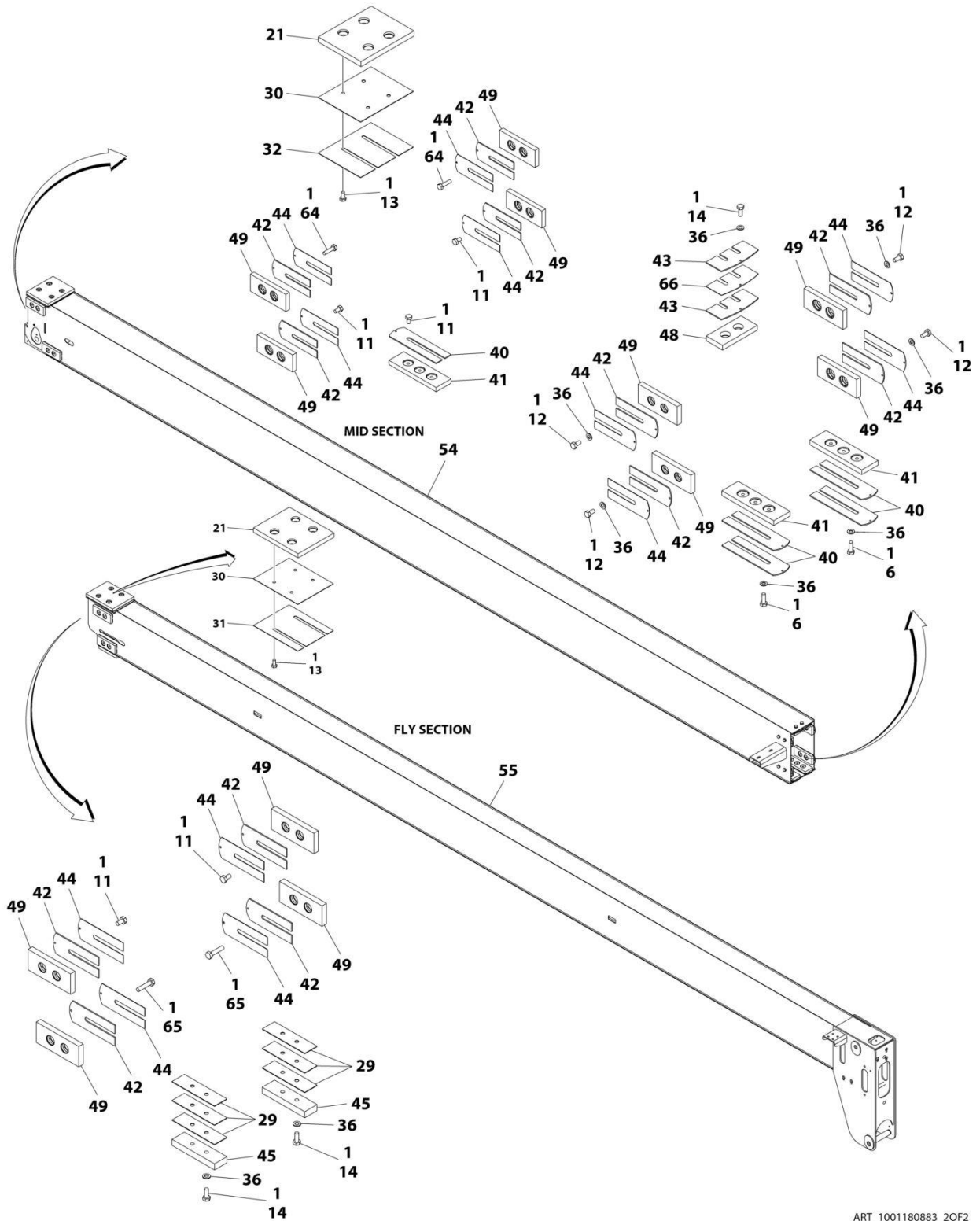
SECTION 4 - BOOM

FIGURE 4-3. BOOM ASSEMBLY - 600S



ART_1001180883_10F2

SECTION 4 - BOOM



ART_1001180883_20F2

SECTION 4 - BOOM

FIGURE 4-3. BOOM ASSEMBLY - 600S

ITEM	PART NUMBER	QTY	DESCRIPTION	REV
	1001180883	Ref	BOOM ASSEMBLY	L
1	0100011	AR	Compound, Locking	
2	0561508	1	Block	
3	0760614	4	Bolt M6 x 30	
5	0701029	2	Bolt M10 x 120	
6	0701013	8	Bolt M10 x 28	
7	4032014	6	Capscrew M10 x 50	
9	4032020	6	Capscrew M10 x 80	
10	0701028	4	Bolt M10 x 110	
11	0761009	10	Bolt M10 x 18	
12	0761010	9	Bolt M10 x 20	
13	0761011	22	Bolt M10 x 22	
14	0761012	6	Bolt M10 x 25	
15	0962033	2	Bushing	
16	0962423	2	Bearing	
17	3291001	4	Nut M10	
18	3291601	2	Nut M16	
19	3292001	4	Nut M20	
20	3292201	2	Nut M22	
21	1001191385	2	Pad, Wear	
22	3422417	1	Pin	
23	3422424	2	Pin	
24	3539622	1	Cover	
25	3580243	2	Sheave, Retract	
25	0961951	2	Bushing (1 Per Sheave)	
26	3580248	1	Guard, Sheave (Extend)	
27	3580249	1	Guard, Sheave (Retract)	
28	3841143	1	Keeper, Pin	
29	4070895	6	Shim 16Ga	
30	4070896	2	Shim .06	
31	4070939	1	Shim 16Ga	
32	4070940	1	Shim 16Ga	
33	4092009	2	Setscrew M10 x 25	
34	4160149	1	Spring	
35	1001214831	1	Switch, Proximity	
36	4812000	38	Washer M10	
37	5241000	10	Washer M10	
38	1001135488	4	Block	
39	1001136571	12	Shim 16Ga	
40	1001136575	9	Shim 11Ga	
41	1001136583	5	Pad, Wear	
42	1001136592	16	Shim 11Ga	
43	1001138436	4	Shim 11Ga	
44	1001143713	16	Shim 18Ga	
45	1001148650	2	Pad, Wear	
46	1001191384	2	Pad, Wear	
48	1001136587	2	Pad, Wear	
49	1001153398	16	Pad, Wear	
50	1001175850	NLA	Telescope Cylinder Assembly (Use p/n 1001251079) (See Separate Breakdown in CYLINDER SECTION) (SN 0300235168)	

SECTION 4 - BOOM

ITEM	PART NUMBER	QTY	DESCRIPTION	REV
50	1001228079	NLA	through 0300237156, SN B300002655 through B300002781, Excluding B300005570) Telescope Cylinder Assembly (Use p/n 1001251079) (See Separate Breakdown in CYLINDER SECTION) (SN 0300237157 through 0300250001, SN B300002782 through B300003104, Excluding B300005570)	
50	1001251079	1	Telescope Cylinder Assembly (See Separate Breakdown in CYLINDER SECTION) (SN 0300250002 through 0300272445, SN B300003105 through B300005754, Excluding B300005570)	
51	1001175998	1	Rope, Wire (Extend)	
52	1001175999	2	Rope, Wire (Retract)	
53	1001176208	1	Base, Boom	
54	1001176212	1	Mid, Boom	
55	1001180882	1	Fly, Boom	
56	1001184913	2	Sheave, Extend	
56	1001184918	2	Bushing (1 Per Sheave)	
56	1001184917	2	Sleeve, Bronze (1 Per Sheave)	
56	1001184915	2	Ring, Retaining (1 Per Sheave)	
57	1001186541	1	Block	
58	1001189859	1	Rope, Wire (Extend)	
59	1001191048	2	Sheave, Block	
60	1001191202	1	Block	
61	1001191205	6	Screw M10 x 40	
62	0761014	6	Bolt M10 x 30	
63	1001203719	4	Wellnut M6	
64	0761016	4	Bolt M10 x 40	
65	0761017	4	Bolt M10 x 45	
66	1001136590	2	Shim (SN 0300256595 through 0300272445, SN B300003683 through B300005754, Excluding B300005570)	

SECTION 4 - BOOM

FIGURE 4-4. BOOM ASSEMBLY - 660SJ

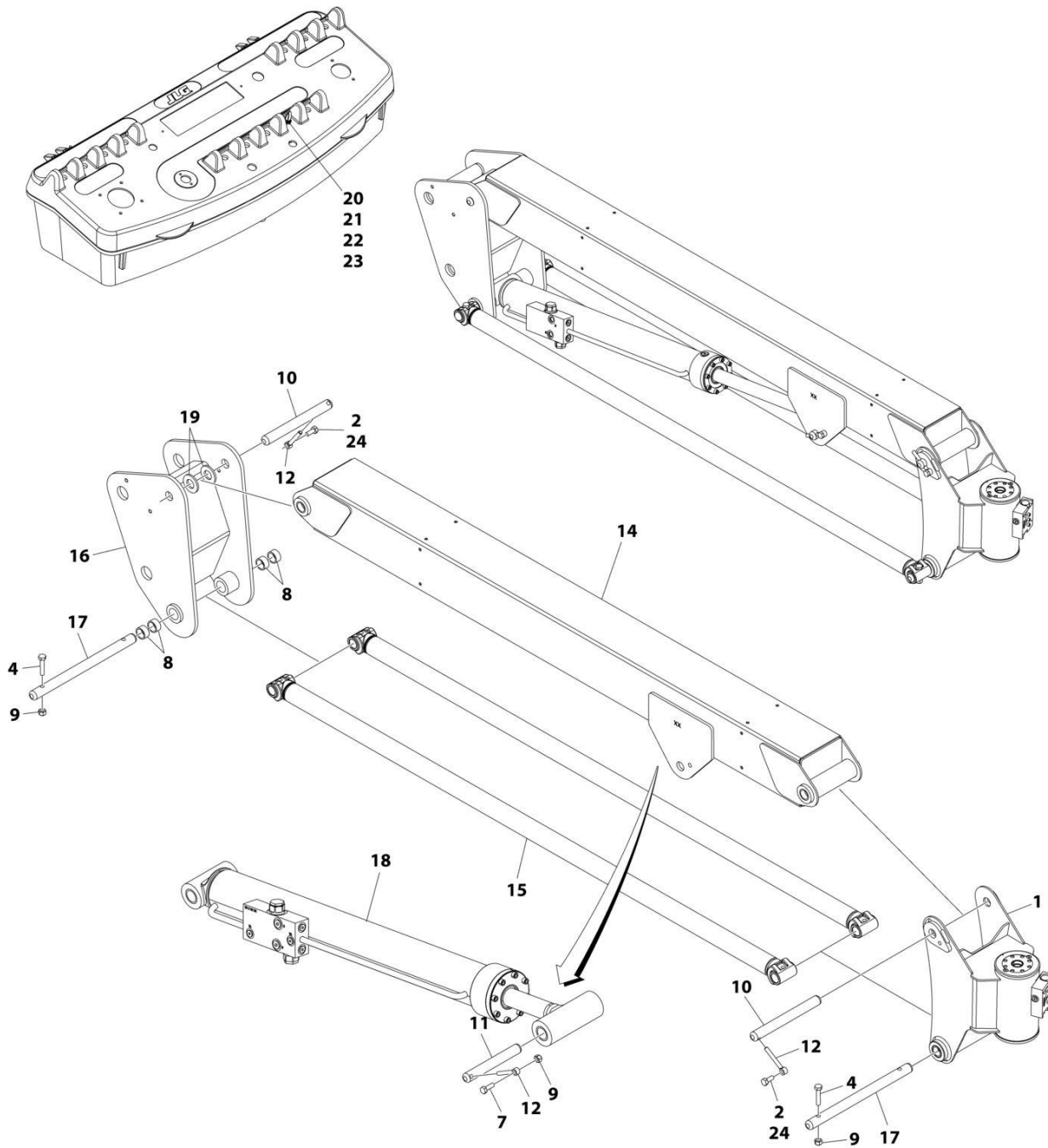
ITEM	PART NUMBER	QTY	DESCRIPTION	REV
	1001176217	Ref	BOOM ASSEMBLY	M
1	0100011	AR	Compound, Locking	
2	0561508	1	Block	
3	0760614	4	Bolt M6 x 30	
5	0701029	2	Bolt M10 x 120	
6	0701013	8	Bolt M10 x 28	
7	4032014	6	Capscrew M10 x 50	
9	4032020	6	Capscrew M10 x 80	
10	0701028	4	Bolt M10 x 110	
11	0761009	10	Bolt M10 x 18	
12	0761010	9	Bolt M10 x 20	
13	0761011	22	Bolt M10 x 22	
14	0761012	6	Bolt M10 x 25	
15	0961948	2	Bearing	
16	0962033	2	Bushing	
17	0962423	2	Bearing	
18	3291001	4	Nut M10	
19	3291601	2	Nut M16	
20	3292001	4	Nut M20	
21	3292201	2	Nut M22	
22	1001191385	2	Pad, Wear	
23	3422417	1	Pin	
24	3422424	2	Pin	
25	3539622	1	Cover	
25	0961951	2	Bushing (1 Per Sheave)	
26	3580243	2	Sheave, Retract	
27	3580248	1	Guard, Sheave (Extend)	
28	3580249	2	Guard, Sheave (Retract)	
29	3841143	1	Keeper, Pin	
30	4070895	6	Shim 16Ga	
31	4070896	2	Shim .06	
32	4070939	1	Shim 16Ga	
33	4070940	1	Shim 16Ga	
34	4092009	2	Setscrew M10 x 25	
35	4160149	1	Spring	
36	1001214831	1	Switch, Proximity	
37	4812000	38	Washer M10	
38	5241000	10	Washer M10	
39	1001135488	4	Block	
40	1001136571	12	Shim 16Ga	
41	1001136575	9	Shim 11Ga	
42	1001136583	5	Pad, Wear	
43	1001136592	16	Shim 11Ga	
44	1001138436	4	Shim 11Ga	
45	1001143713	16	Shim 18Ga	
46	1001148650	2	Pad, Wear	
47	1001191384	2	Pad, Wear	
49	1001136587	2	Pad, Wear	
50	1001153398	16	Pad, Wear	
51	1001175850	NLA	Telescope Cylinder Assembly (Use p/n 1001251079) (See	

SECTION 4 - BOOM

ITEM	PART NUMBER	QTY	DESCRIPTION	REV
51	1001228079	NLA	Separate Breakdown in CYLINDER SECTION) (SN 0300235168 through 0300237156, SN B300002655 through B300002781, Excluding B300005570) Telescope Cylinder Assembly (Use p/n 1001251079) (See Separate Breakdown in CYLINDER SECTION) (SN 0300237157 through 0300250001, SN B300002782 through B300003104, Excluding B300005570)	
51	1001251079	1	Telescope Cylinder Assembly (See Separate Breakdown in CYLINDER SECTION) (SN 0300250002 through 0300272445, SN B300003105 through B300005754, Excluding B300005570)	
52	1001175998	1	Rope, Wire (Extend)	
53	1001175999	2	Rope, Wire (Retract)	
54	1001176208	1	Base, Boom	
55	1001176212	1	Mid, Boom	
56	1001176216	1	Fly, Boom	
57	1001184913	2	Sheave, Extend	
57	1001184918	2	Bushing (1 per Sheave)	
57	1001184917	2	Sleeve, Bronze (1 per Sheave)	
57	1001184915	2	Ring, Retaining (1 per Sheave)	
58	1001186541	1	Block	
59	1001189859	1	Rope, Wire (Extend)	
60	1001191048	2	Sheave, Block	
61	1001191202	1	Block	
62	1001191205	6	Screw M10 x 40	
63	0761014	6	Bolt M10 x 30	
64	1001203719	4	Wellnut M6	
65	0761016	4	Bolt M10 x 40	
66	0761017	4	Bolt M10 x45	
67	4060805	6 in/ 16cm	Flex - Trim	
68	1001136590	2	Shim (SN 0300256595 through 0300272445, SN B300003683 through B300005754, Excluding B300005570)	

SECTION 4 - BOOM

FIGURE 4-5. JIB ASSEMBLY - 660SJ (USA BUILT MACHINES)



ART_1001182046

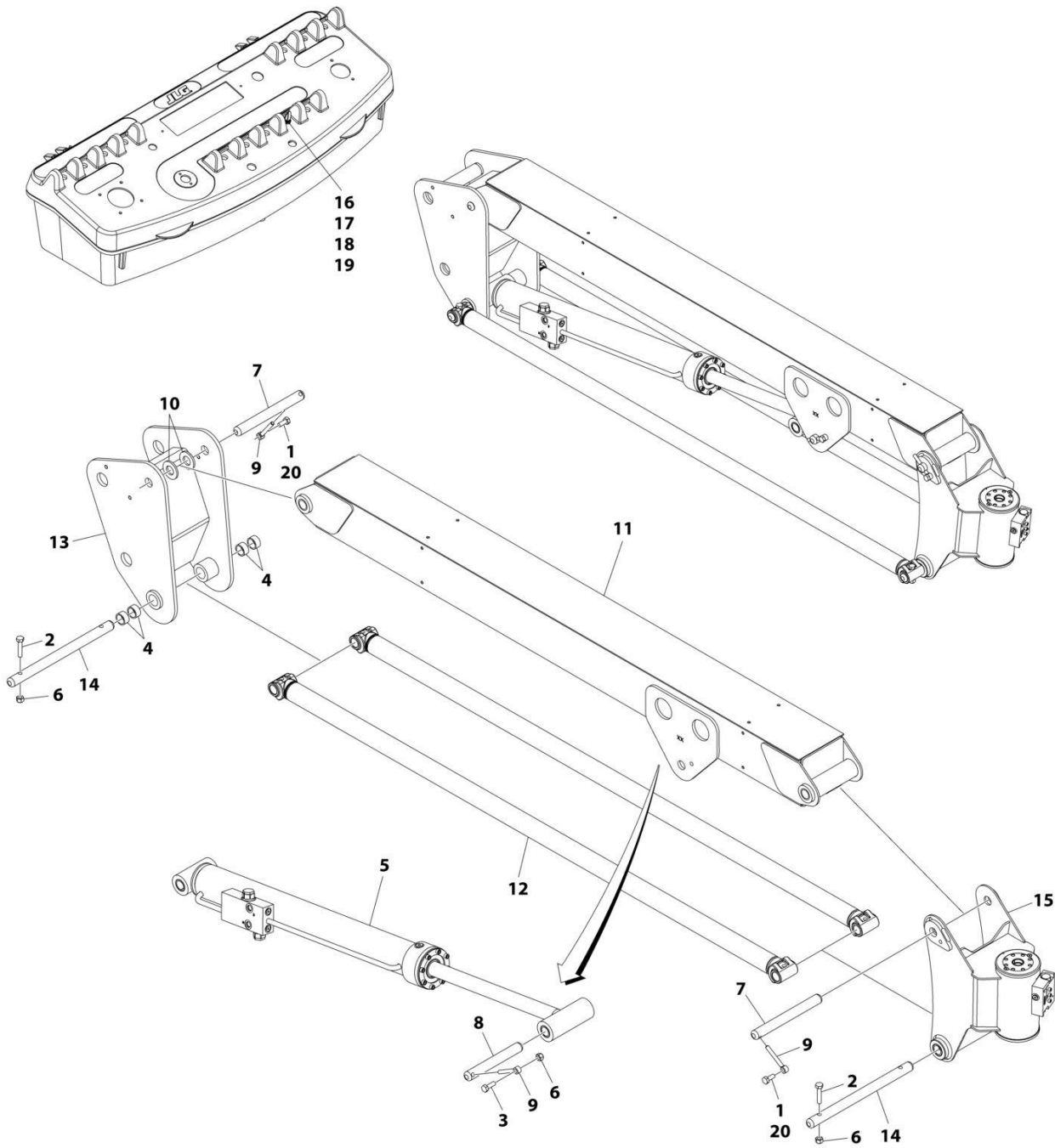
SECTION 4 - BOOM

FIGURE 4-5. JIB ASSEMBLY - 660SJ (USA BUILT MACHINES)

ITEM	PART NUMBER	QTY	DESCRIPTION	REV
	1001182046	Ref	JIB ASSEMBLY	G
1	1001190580	1	Platform Rotator Assembly (See Separate Breakdown in this Section)	
2	0100011	AR	Compound, Locking	
4	0701018	4	Bolt M10 x 50	
7	0761014	1	Bolt M10 x 30	
8	0961947	4	Bearing	
9	3291005	1	Nut M10	
10	3422860	2	Pin	
11	3422867	1	Pin	
12	3841143	3	Keeper, Pin	
14	4844816	1	Tube, JIB	
14	0962335	4	Bushing	
15	1001181960	2	Link	
16	1001181962	1	Pivot	
17	1001182064	2	Pin	
18	1683609	NLA	Lift Cylinder Assembly - JIB (Use p/n 1001248012) (See Separate Breakdown in CYLINDER SECTION) (Original Equipment) (SN 0300235168 through 0300237971)	
18	1001231956	1	Lift Cylinder Assembly - JIB (See Separate Breakdown in CYLINDER SECTION) (SN 0300237972 through 0300245222)	
18	1001228013	1	Lift Cylinder Assembly - JIB (See Separate Breakdown in CYLINDER SECTION) (SN 0300245223 through 0300272446)	
19	4740439	2	Washer	
20	3790012	1	O-Ring	
21	4740397	1	Spacer	
22	1001155044	1	Nut 15/32	
23	1001155045	1	Switch, Toggle	
24	0761012	2	Bolt M10 x 25	

SECTION 4 - BOOM

FIGURE 4-6. JIB ASSEMBLY - 660SJ (CHINA BUILT MACHINES)



ART_1001202531

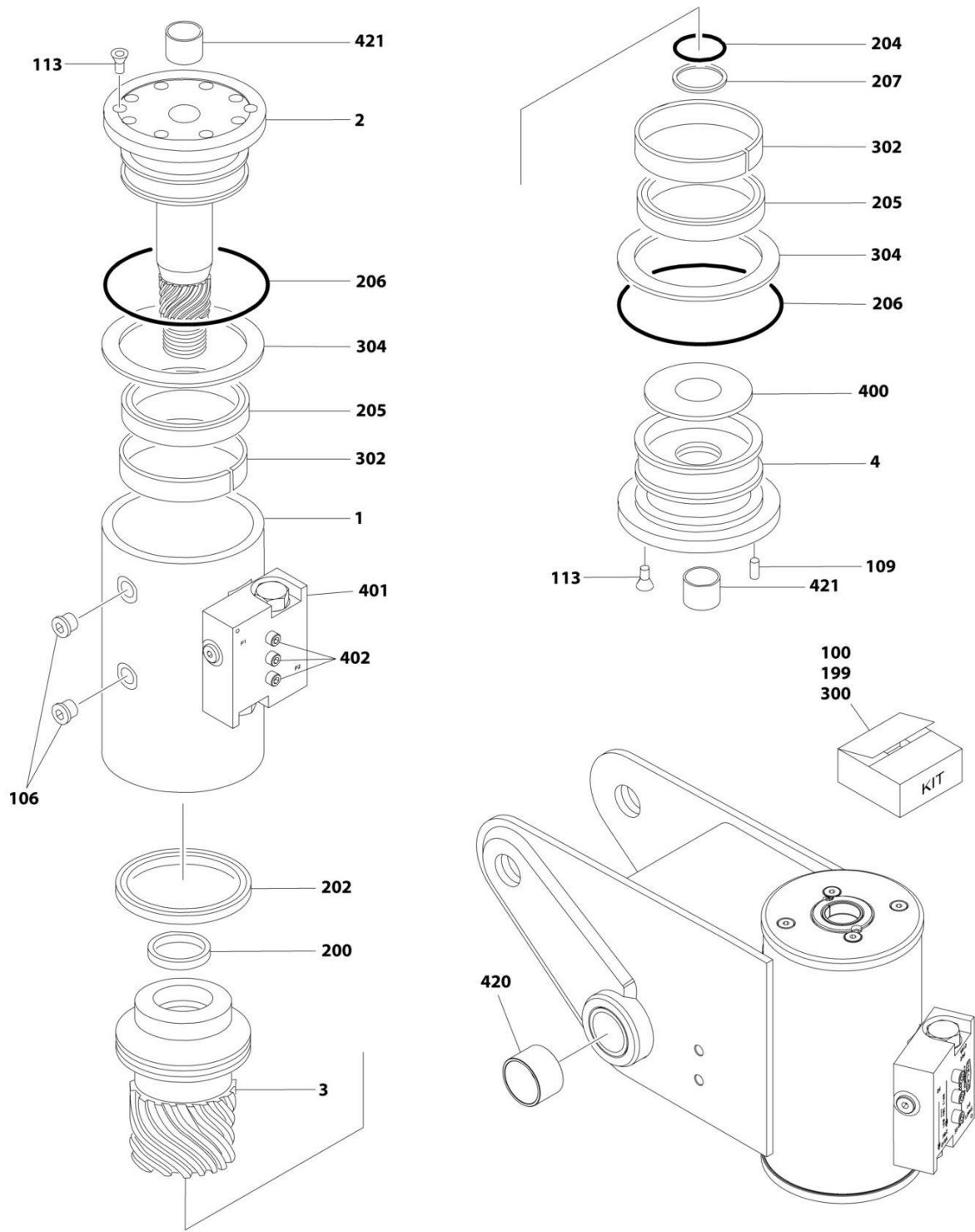
SECTION 4 - BOOM

FIGURE 4-6. JIB ASSEMBLY - 660SJ (CHINA BUILT MACHINES)

ITEM	PART NUMBER	QTY	DESCRIPTION	REV
	1001202531	Ref	JIB ASSEMBLY	F
1	0100011	AR	Compound, Locking	
2	0701018	4	Bolt M10 x 50	
3	0761014	1	Bolt M10 x 30	
4	0961947	4	Bearing	
5	1683609	NLA	Lift Cylinder Assembly - JIB (Use p/n 1001248012) (See Separate Breakdown in CYLINDER SECTION) (Original Equipment) (SN B300002216 through B300002338)	
5	1001231956	1	Lift Cylinder Assembly - JIB (See Separate Breakdown in CYLINDER SECTION) (SN B300002339 through B300005754, Excluding B300005570)	
6	3291005	5	Nut M10	
7	3422860	2	Pin	
8	3422867	1	Pin	
9	3841143	3	Keeper, Pin	
10	4740439	2	Washer	
11	1001113386	1	Tube, JIB	
11	0962355	4	Bushing	
12	1001181960	2	Link	
13	1001181962	1	Pivot	
14	1001182064	2	Pin	
15	1001190580	1	Platform Rotator Assembly (See Separate Breakdown in this Section)	
16	3790012	1	O-Ring	
17	4740397	1	Spacer	
18	1001155044	1	Nut 15/32	
19	1001155045	1	Switch, Toggle	
20	0761012	2	Bolt M10 x 25	

SECTION 4 - BOOM

FIGURE 4-7. PLATFORM ROTATOR ASSEMBLY - 600S



ART_1001187348

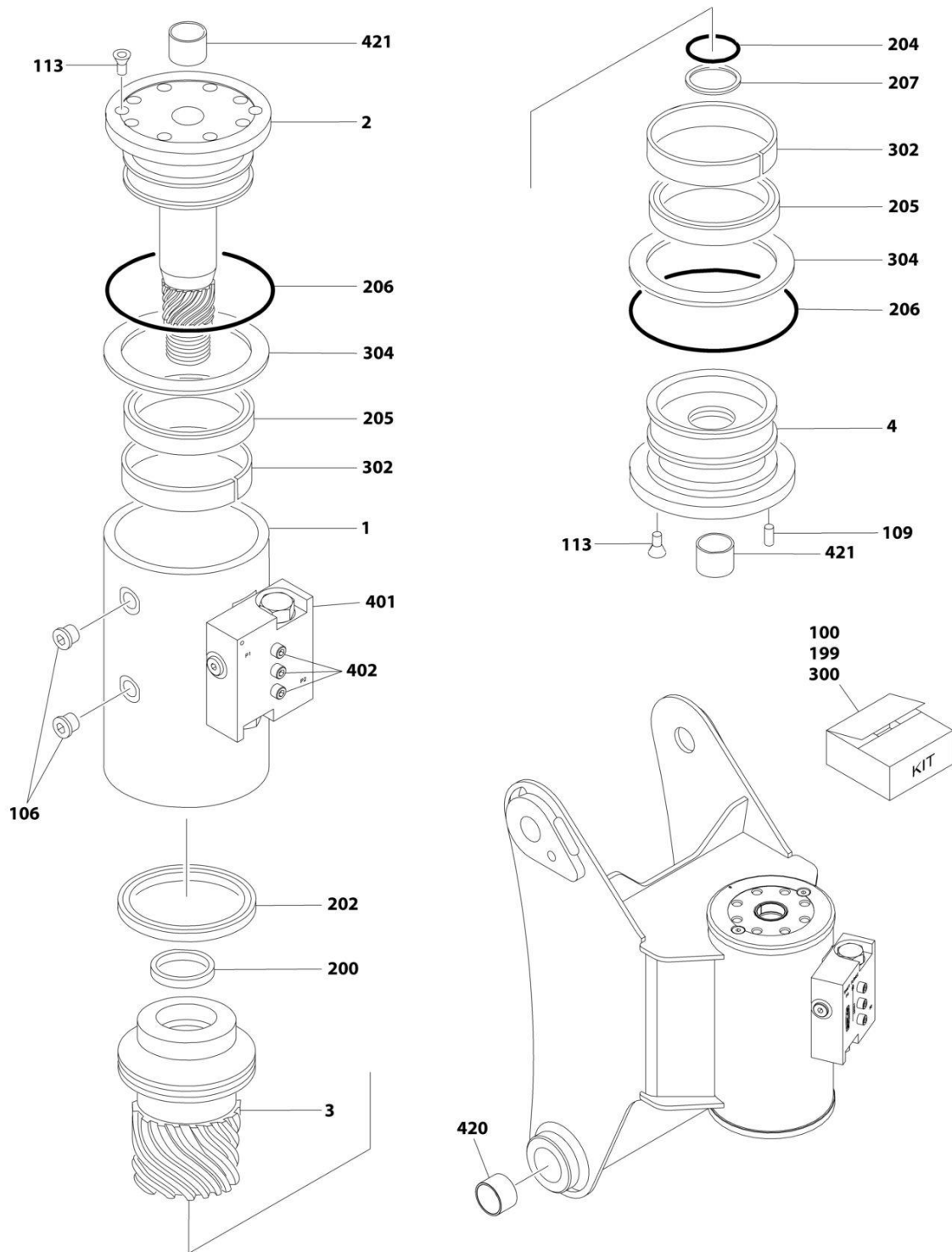
SECTION 4 - BOOM

FIGURE 4-7. PLATFORM ROTATOR ASSEMBLY - 600S

ITEM	PART NUMBER	QTY	DESCRIPTION	REV
	1001187348	Ref	PLATFORM ROTATOR ASSEMBLY	E
1	See Note	NSS	Housing/Ring Gear (Note: Purchase Complete Assembly)	
2	7017162	1	Shaft	
3	7017163	1	Piston	
4	7017164	1	Cap	
100	7017142	1	Hardware Kit (Includes Items 106-109)	
106	See Note	NSS	Plug (Note: Use Item 100)	
109	See Note	NSS	Pin, Dowel (Note: Use Item 100)	
113	70001697	6	Screw 1/4 x 3/8	
199	70000342	1	Seal Kit - Low Temperature (Includes Items 200-207)	
200	See Note	NSS	T-Seal (Note: Use Item 199)	
202	See Note	NSS	T-Seal (Note: Use Item 199)	
204	See Note	NSS	O-Ring (Note: Use Item 199)	
205	See Note	NSS	Seal (Note: Use Item 199)	
206	See Note	NSS	O-Ring (Note: Use Item 199)	
207	See Note	NSS	Ring, Back-up (Note: Use Item 199)	
300	7017159	1	Bearing Kit (Includes Items 302-304)	
302	See Note	NSS	Bearing (Note: Use Item 300)	
304	See Note	NSS	Washer, Thrust (Note: Use Item 300)	
400	70005671	1	Stop	
401	7017172	1	Valve, Control (Note: Sold as Assembly Only)	
401	7017192	2	Cartridge, Valve - Counterbalance (Seal Kit Not Available)	
401	See Note	1	Cartridge, Valve - Check (Seal Kit Not Available) (Note: Use p/n 7017172)	
402	See Note	1	Bolt 1/4 x 1-1/2 Grade 8 (Note: Purchase Locally)	
420	0961951	2	Bushing	
421	7017195	2	Bushing	

SECTION 4 - BOOM

FIGURE 4-8. PLATFORM ROTATOR ASSEMBLY - 660SJ



ART_1001190580

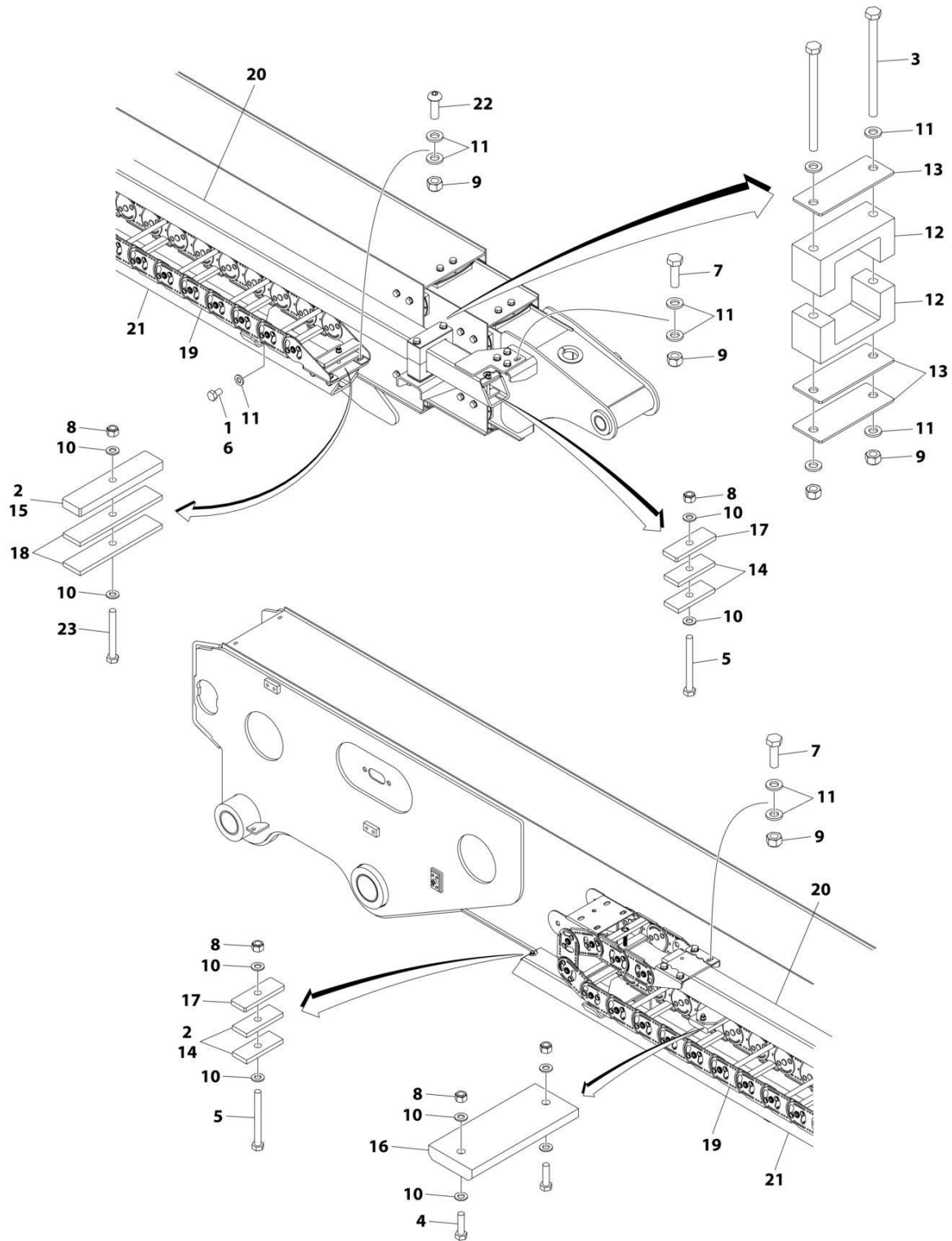
SECTION 4 - BOOM

FIGURE 4-8. PLATFORM ROTATOR ASSEMBLY - 660SJ

ITEM	PART NUMBER	QTY	DESCRIPTION	REV
	1001190580	Ref	PLATFORM ROTATOR ASSEMBLY	F
1	See Note	NSS	Housing/Ring Gear (Note: Purchase Complete Assembly)	
2	7017162	1	Shaft	
3	7017163	1	Piston	
4	7017164	1	Cap	
100	7017142	1	Hardware Kit (Includes Items 106-109)	
106	See Note	NSS	Plug (Note: Use Item 100)	
109	See Note	NSS	Pin, Dowel (Note: Use Item 100)	
113	70001697	6	Screw 1/4 x 3/8	
199	70000342	1	Seal Kit - Low Temperature (Includes Items 200-207)	
200	See Note	NSS	T-Seal (Note: Use Item 199)	
202	See Note	NSS	T-Seal (Note: Use Item 199)	
204	See Note	NSS	O-Ring (Note: Use Item 199)	
205	See Note	NSS	Seal (Note: Use Item 199)	
206	See Note	NSS	Ring, Back-up (Note: Use Item 199)	
207	See Note	NSS	Ring, Back-up (Note: Use Item 199)	
300	7017159	1	Bearing Kit (Includes Items 302-304)	
302	See Note	NSS	Bearing (Note: Use Item 300)	
304	See Note	NSS	Washer, Thrust (Note: Use Item 300)	
401	7017172	1	Valve, Control (Note: Sold as Assembly Only)	
401	7017192	2	Cartridge, Valve - Counterbalance (Seal Kit Not Available)	
401	See Note	1	Cartridge, Valve - Check (Seal Kit Not Available) (Note: Use p/n 7017172)	
402	See Note	NSS	Bolt 1/4 x 1-1/2 Grade 8 (Note: Purchase Locally)	
420	0961947	2	Bushing	
421	7017195	1	Bushing	

SECTION 4 - BOOM

FIGURE 4-9. POWER TRACK INSTALLATION



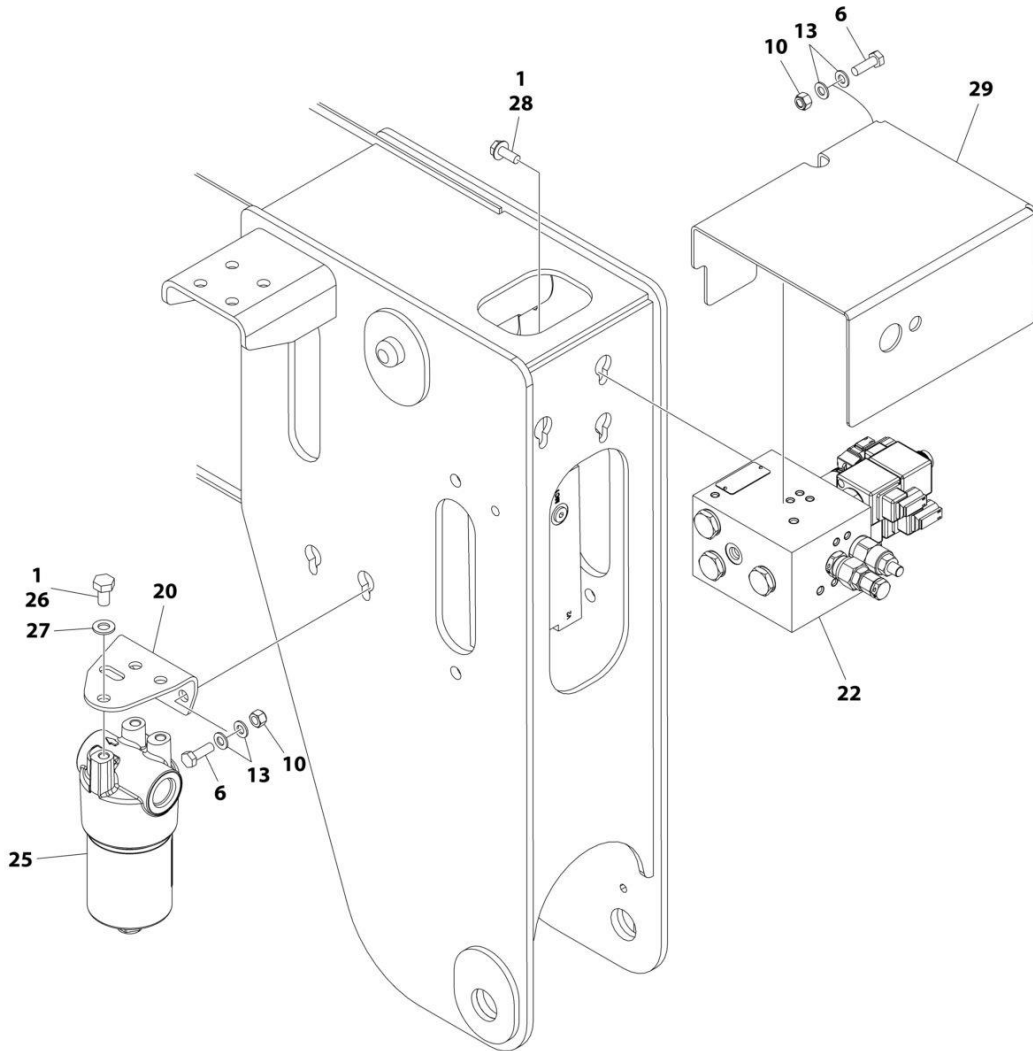
ART_1001174630

FIGURE 4-9. POWER TRACK INSTALLATION

ITEM	PART NUMBER	QTY	DESCRIPTION	REV
	1001174630	Ref	POWER TRACK INSTALLATION	F
1	0100011	AR	Compound, Locking	
2	0100081	AR	Adhesive	
3	0701032	2	Bolt M10 x 150	
4	0760814	2	Bolt M8 x 30	
5	0760824	2	Bolt M8 x 80	
6	0761009	8	Bolt M10 x 18	
7	0761015	8	Bolt M10 x 35	
8	3290805	5	Nut M8	
9	3291005	14	Nut M10	
10	4811900	10	Washer M8	
11	5241000	36	Washer M10	
12	1001136398	2	Pad	
13	1001136400	AR	Plate	
14	1001136402	4	Pad	
15	1001136461	1	Plate	
16	1001136469	NLA	Pad, Wear (Use p/n 3340787) (SN 0300235168 through 0300247539, SN B300002655 through B300002844, Excluding B300005570)	
16	3340787	1	Pad, Wear (SN 0300247540 through 0300272445, SN B300002845 through B300005754, Excluding B300005570)	
17	1001139078	2	Plate	
18	1001151192	2	Pad	
19	1001174631	1	Powertrack Assembly	
19	70005683	AR	Repair Section - Power Track	
19	70005684	1	Mounting Kit - Power Track (Includes Mounting Feet and Hardware)	
20	1001174632	1	Tube, Push	
21	1001174636	1	Support	
22	1001174673	4	Screw M10 x 30	
23	0760822	1	Bolt M8 x 70	

SECTION 4 - BOOM

FIGURE 4-10. BOOM VALVES INSTALLATION - 600S WITH 2WS



ART_100188166_20F2

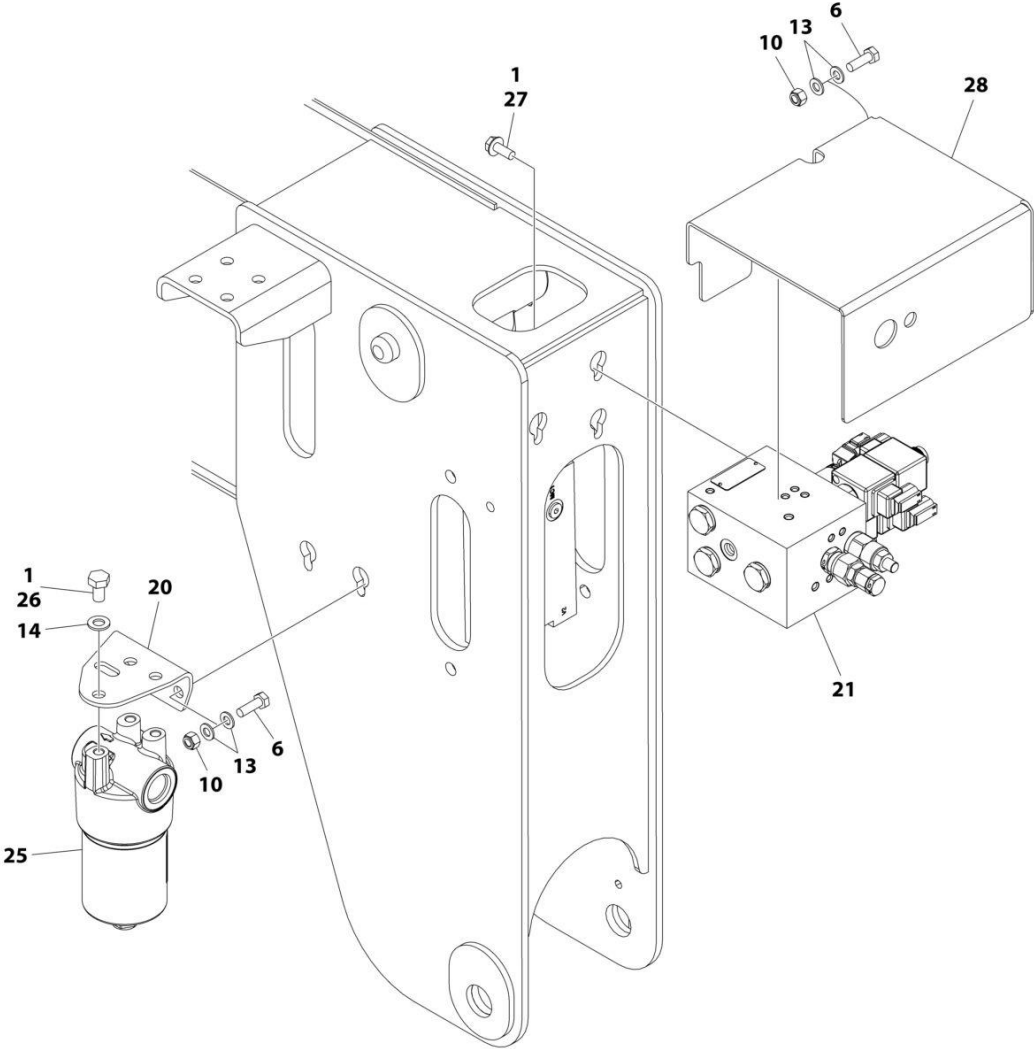
SECTION 4 - BOOM

FIGURE 4-10. BOOM VALVES INSTALLATION - 600S WITH 2WS

ITEM	PART NUMBER	QTY	DESCRIPTION	REV
	1001188166	Ref	BOOM VALVES INSTALLATION	G
1	0100011	AR	Compound, Locking	
6	0760812	AR	Bolt M8 x 25	
6	0760814	AR	Bolt M8 x 30	
10	3290805	3	Nut M8	
13	4811900	6	Washer M8	
20	1001188302	1	Plate	
22	1001190287	1	Platform Valve Assembly (See Separate Breakdown in this Section)	
25	1001201511	1	Filter, High Pressure	
25	70005335	1	Element, Filter	
25	70005682	1	Repair Kit (Includes Element O-Ring, Bowl O-Ring & Back-up Ring)	
26	0761009	3	Bolt M10 x 18	
27	4812000	3	Washer M10	
28	5250810	3	Bolt M8 x 20	
29	1001204529	1	Cover	

SECTION 4 - BOOM

FIGURE 4-11. BOOM VALVES INSTALLATION - 600S WITH 4WS



ERT_1001188167_20F2

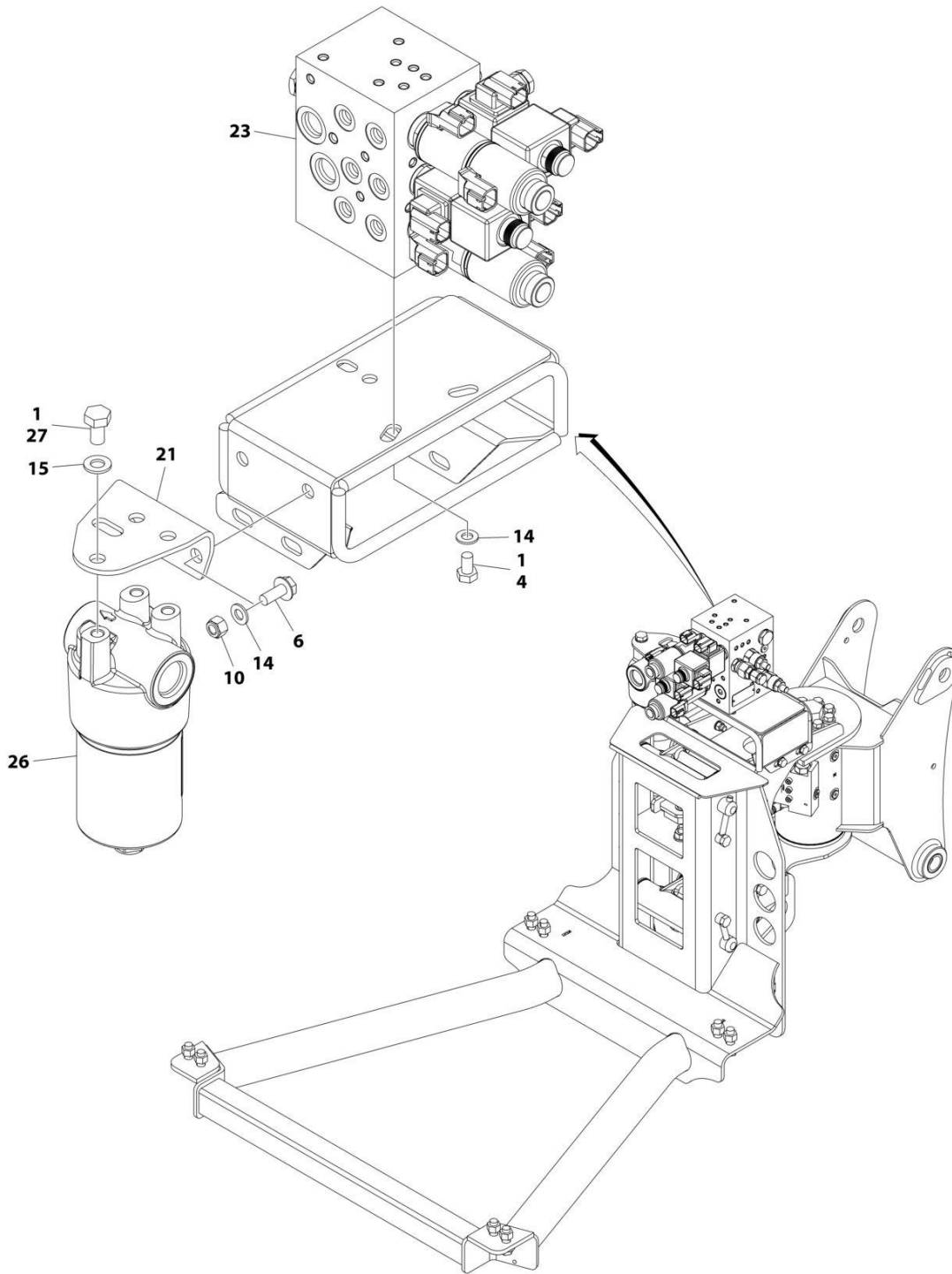
SECTION 4 - BOOM

FIGURE 4-11. BOOM VALVES INSTALLATION - 600S WITH 4WS

ITEM	PART NUMBER	QTY	DESCRIPTION	REV
	1001188167	Ref	BOOM VALVES INSTALLATION	G
1	0100011	AR	Compound, Locking	
6	0760812	AR	Bolt M8 x 25	
6	0760814	AR	Bolt M8 x 30	
10	3290805	3	Nut M8	
13	4811900	6	Washer M8	
14	4812000	3	Washer M10	
20	1001188302	1	Plate	
21	1001190287	1	Platform Valve Assembly (See Separate Breakdown in this Section)	
25	1001201511	1	Filter, High Pressure	
25	70005335	1	Element, Filter	
25	70005682	1	Repair Kit (Includes Element O-Ring, Bowl O-Ring & Back-up Ring)	
26	0761009	3	Bolt M10 x 18	
27	5250810	3	Bolt M8 x 20	
28	1001204529	1	Cover	

SECTION 4 - BOOM

FIGURE 4-12. BOOM VALVES INSTALLATION - 660SJ WITH 2WS



ART_1001188168_2OF2

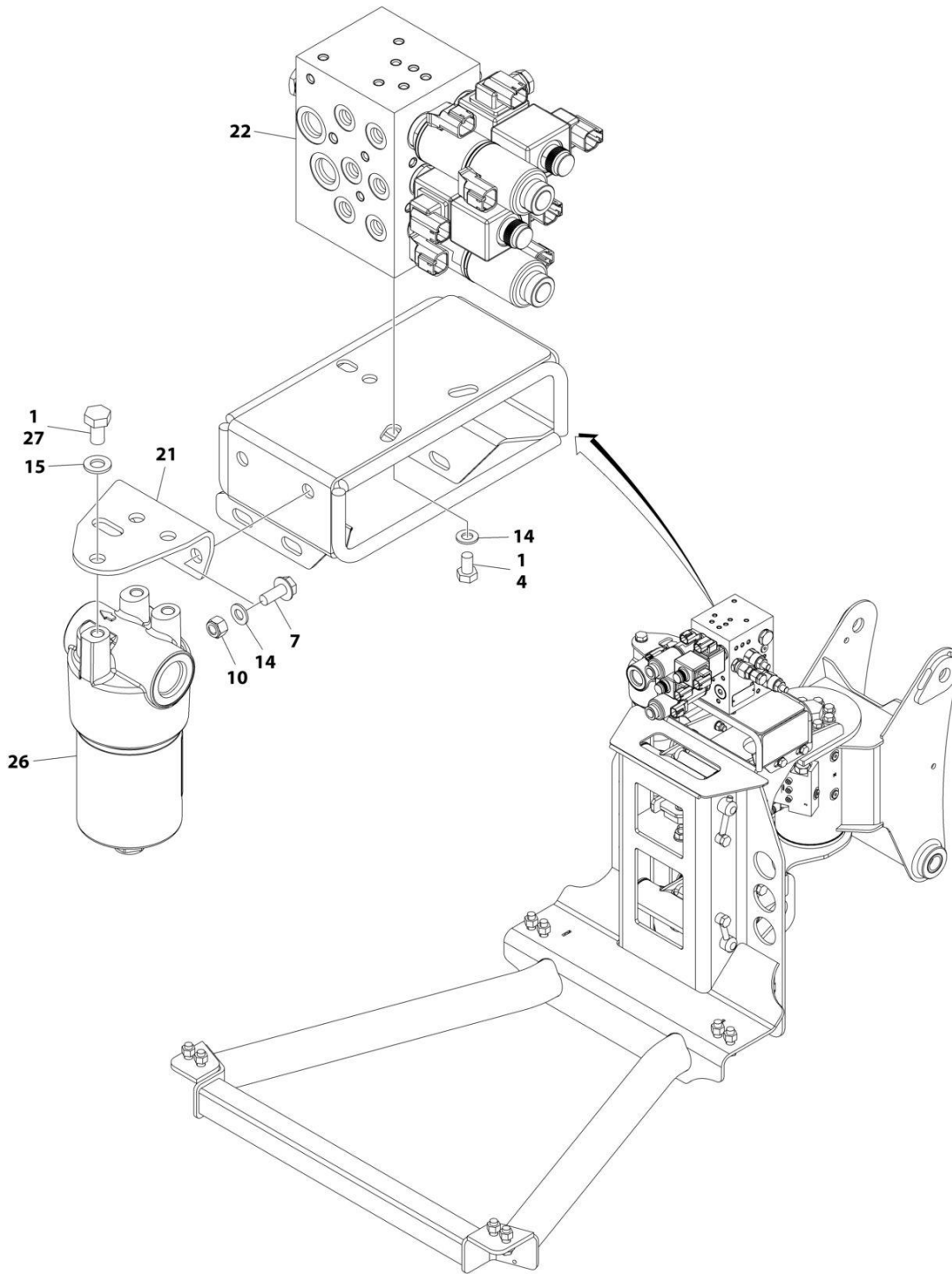
SECTION 4 - BOOM

FIGURE 4-12. BOOM VALVES INSTALLATION - 660SJ WITH 2WS

ITEM	PART NUMBER	QTY	DESCRIPTION	REV
	1001188168	Ref	BOOM VALVES INSTALLATION	G
1	0100011	AR	Compound, Locking	
4	0760807	3	Bolt M8 x 14	
6	5250810	2	Bolt M8 x 20	
10	3290805	2	Nut M8	
14	4811900	5	Washer M8	
15	4812000	3	Washer M10	
21	1001188302	1	Plate	
23	1001190286	1	Platform Valve Assembly (See Separate Breakdown in this Section)	
26	1001201511	1	Filter, High Pressure	
26	70005335	1	Element, Filter	
26	70005682	1	Repair Kit (Includes Element O-Ring, Bowl O-Ring & Back-up Ring)	
27	0761009	3	Bolt M10 x 18	

SECTION 4 - BOOM

FIGURE 4-13. BOOM VALVES INSTALLATION - 660SJ WITH 4WS



ART_1001188169_2OF2

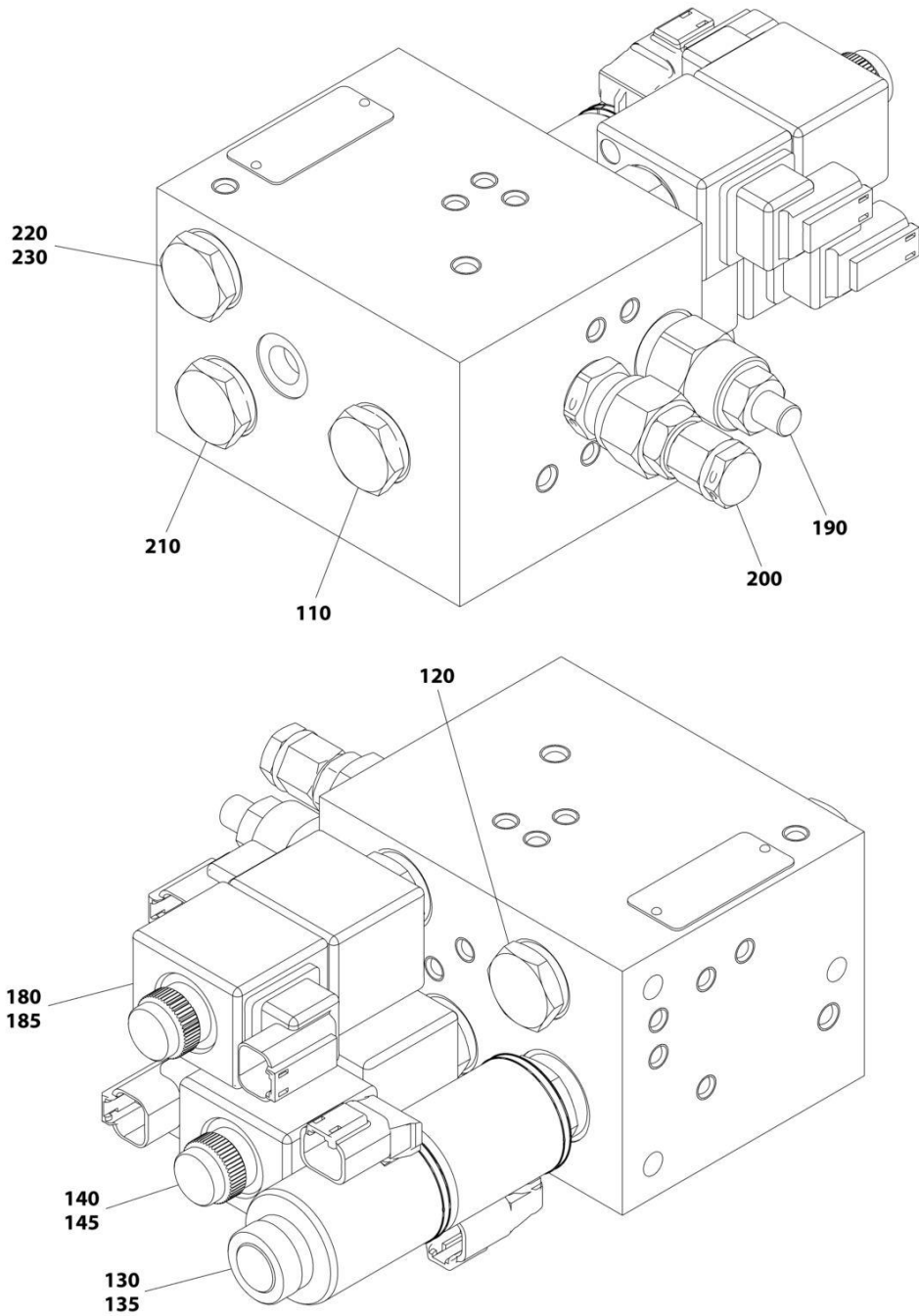
SECTION 4 - BOOM

FIGURE 4-13. BOOM VALVES INSTALLATION - 660SJ WITH 4WS

ITEM	PART NUMBER	QTY	DESCRIPTION	REV
	1001188169	Ref	BOOM VALVES INSTALLATION	G
1	0100011	AR	Compound, Locking	
4	0760807	3	Bolt M8 x 14	
7	5250810	2	Bolt M8 x 20	
10	3290805	2	Nut M8	
14	4811900	5	Washer M8	
15	4812000	3	Washer M10	
21	1001188302	1	Plate	
22	1001190286	1	Platform Valve Assembly (See Separate Breakdown in this Section)	
26	1001201511	1	Filter, High Pressure	
26	70005335	1	Element, Filter	
26	70005682	1	Repair Kit (Includes Element O-Ring, Bowl O-Ring & Back-up Ring)	
27	0761009	3	Bolt M10 x 18	

SECTION 4 - BOOM

FIGURE 4-14. PLATFORM VALVE ASSEMBLY - 600S



ART_1001190287

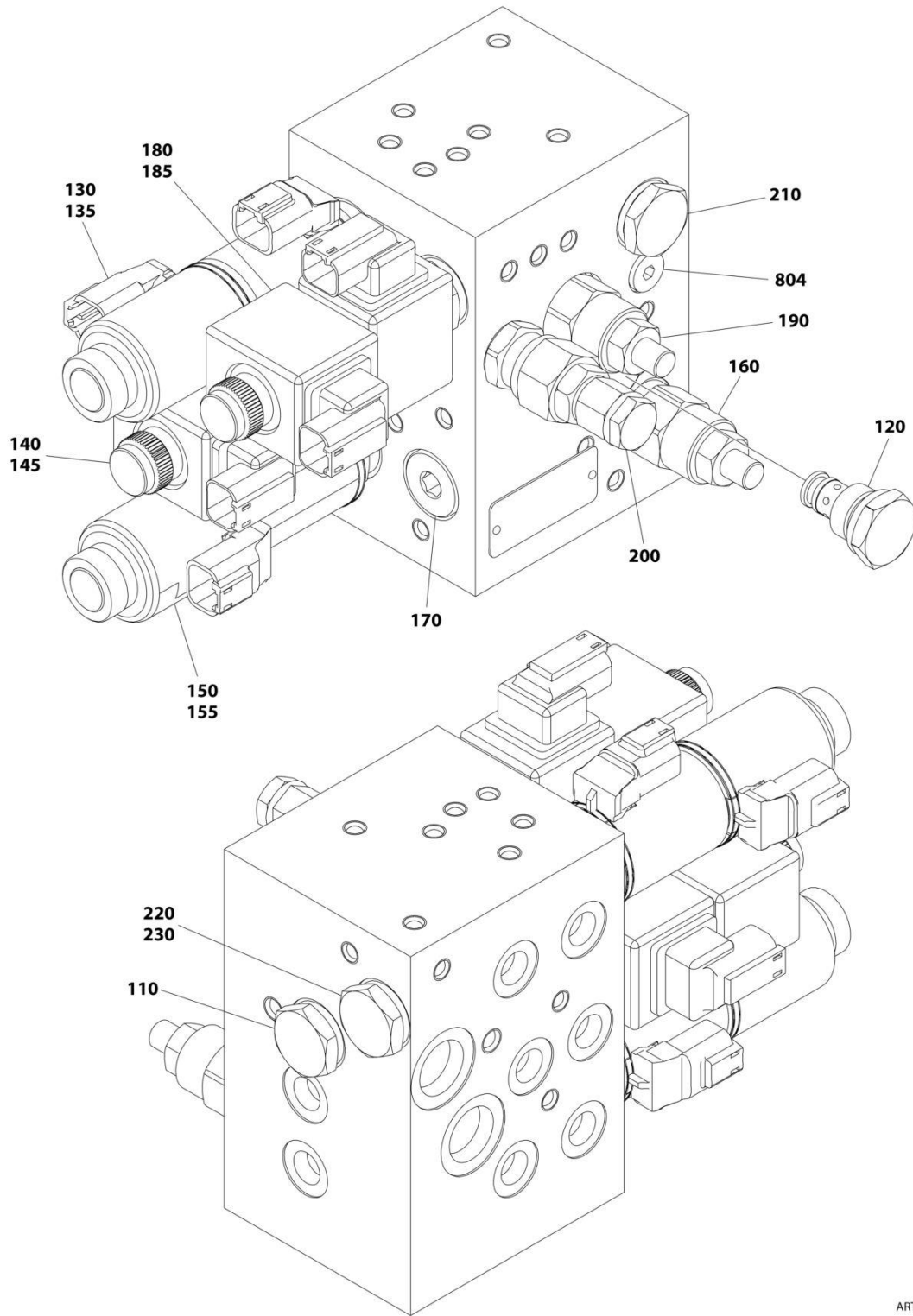
SECTION 4 - BOOM

FIGURE 4-14. PLATFORM VALVE ASSEMBLY - 600S

ITEM	PART NUMBER	QTY	DESCRIPTION	REV
	1001190287	Ref	PLATFORM VALVE ASSEMBLY	E
110	70005951	1	Valve, Check	
110	70004052	1	Seal Kit - 70005951 Valve	
120	70003027	1	Valve, Flow/Pressure Control	
120	70004052	1	Seal Kit - 70003027 Valve	
130	70006121	1	Valve, Solenoid (Platform Level)	
130	70006116	1	Seal Kit - 70006121 Valve	
135	70006122	2	Coil	
140	70005627	1	Valve, Solenoid (Platform Swing)	
140	70004053	1	Seal Kit - 70005627 Valve	
140	70006123	1	Coil Nut & Pole Tube O-Ring Kit	
145	70004653	2	Coil	
180	70006124	1	Valve, Solenoid	
180	70023862	1	Seal Kit - 70006124 Valve	
180	70006123	1	Coil Nut & Pole Tube O-Ring Kit	
185	70004653	2	Coil	
190	70003019	1	Valve, Relief	
190	70004052	1	Seal Kit - 70003019 Valve	
200	70006125	1	Valve, Relief	
200	70006126	1	Seal Kit - 70006125 Valve	
210	70005952	1	Valve, Check	
210	70004052	1	Seal Kit - 70005952 Valve	
220	7022524	1	Orifice 0.5mm	
230	70005952	1	Valve, Check	
230	70004052	1	Seal Kit - 70005952 Valve	

SECTION 4 - BOOM

FIGURE 4-15. PLATFORM VALVE ASSEMBLY - 660SJ



ART_1001190286

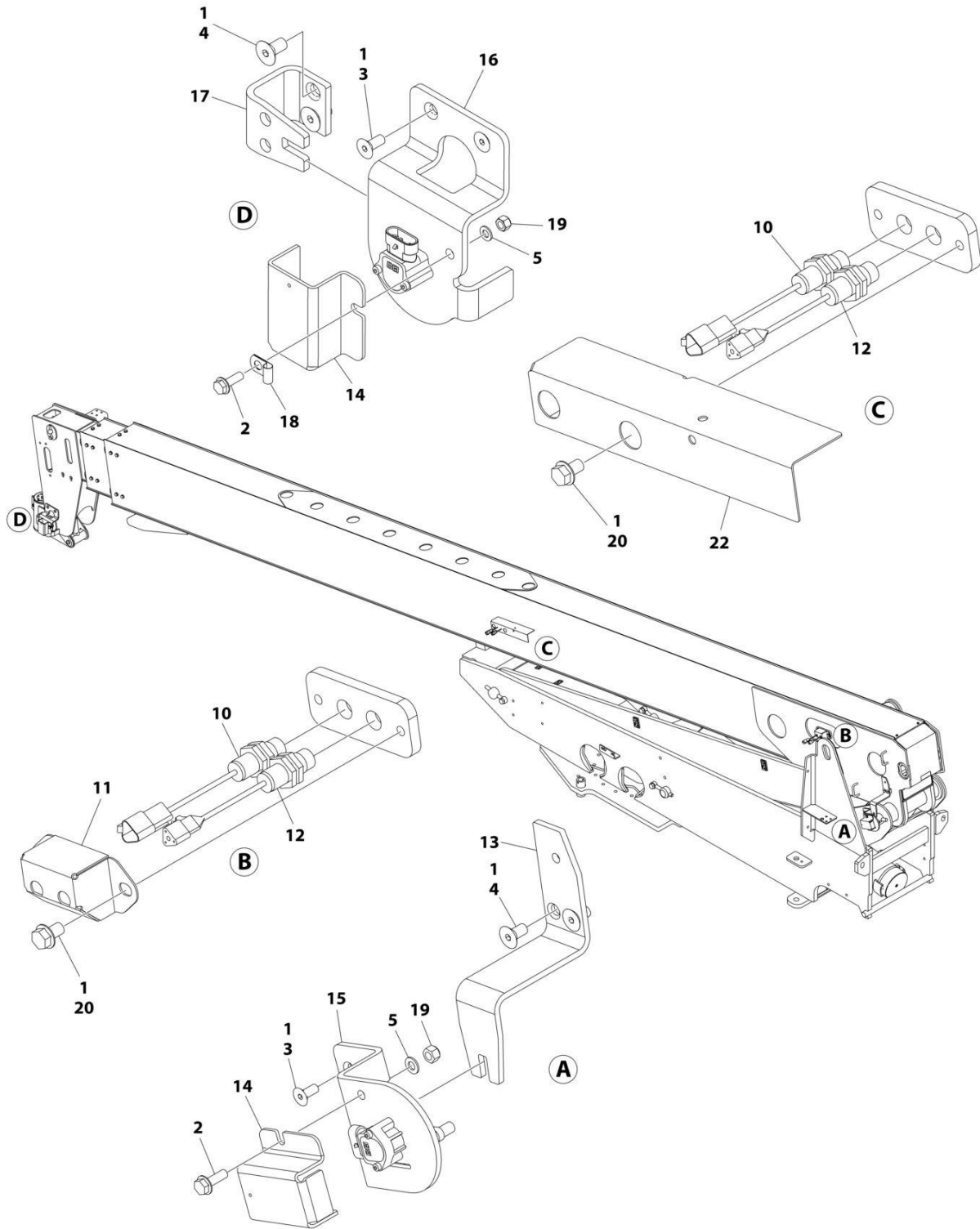
SECTION 4 - BOOM

FIGURE 4-15. PLATFORM VALVE ASSEMBLY - 660SJ

ITEM	PART NUMBER	QTY	DESCRIPTION	REV
	1001190286	Ref	PLATFORM VALVE ASSEMBLY	D
110	70005951	1	Valve, Check	
110	70004052	1	Seal Kit - 70005951 Valve	
120	70003027	1	Valve, Flow/Pressure Control	
120	70004052	1	Seal Kit - 70003027 Valve	
130	70006121	1	Valve, Solenoid (Platform Level)	
130	70006116	1	Seal Kit - 70006121 Valve	
135	70006122	2	Coil	
140	70005627	1	Valve, Solenoid (Platform Swing)	
140	70004053	1	Seal Kit - 70005627 Valve	
140	70006123	1	Coil Nut & Pole Tube O-Ring Kit	
145	70004653	2	Coil	
150	70006121	1	Valve, Solenoid (JIB Up/Down)	
150	70006116	1	Seal Kit - 70006121 Valve	
155	70006122	2	Coil	
160	70003019	1	Valve, Relief	
160	70004052	1	Seal Kit - 70003019 Valve	
170	70004613	1	Valve, Relief	
170	70023860	1	Seal Kit - 70004613 Valve	
180	70006124	1	Valve, Solenoid	
180	70023862	1	Seal Kit - 70006124 Valve	
180	70006123	1	Coil Nut & Pole Tube O-Ring Kit	
185	70004653	2	Coil	
190	70003019	1	Valve, Relief	
190	70004052	1	Seal Kit - 70003019 Valve	
200	70006125	1	Valve, Relief	
200	70006126	1	Seal Kit - 70006125 Valve	
210	70005952	1	Valve, Check	
210	70004052	1	Seal Kit - 70003019 Valve	
220	7022524	1	Orifice 0.5mm	
230	70005952	1	Valve, Check	
230	70004052	1	Seal Kit - 70005952 Valve	
804	70005200	1	Plug	

SECTION 4 - BOOM

FIGURE 4-16. BOOM SENSORS INSTALLATION - 600S



ART_1001187605

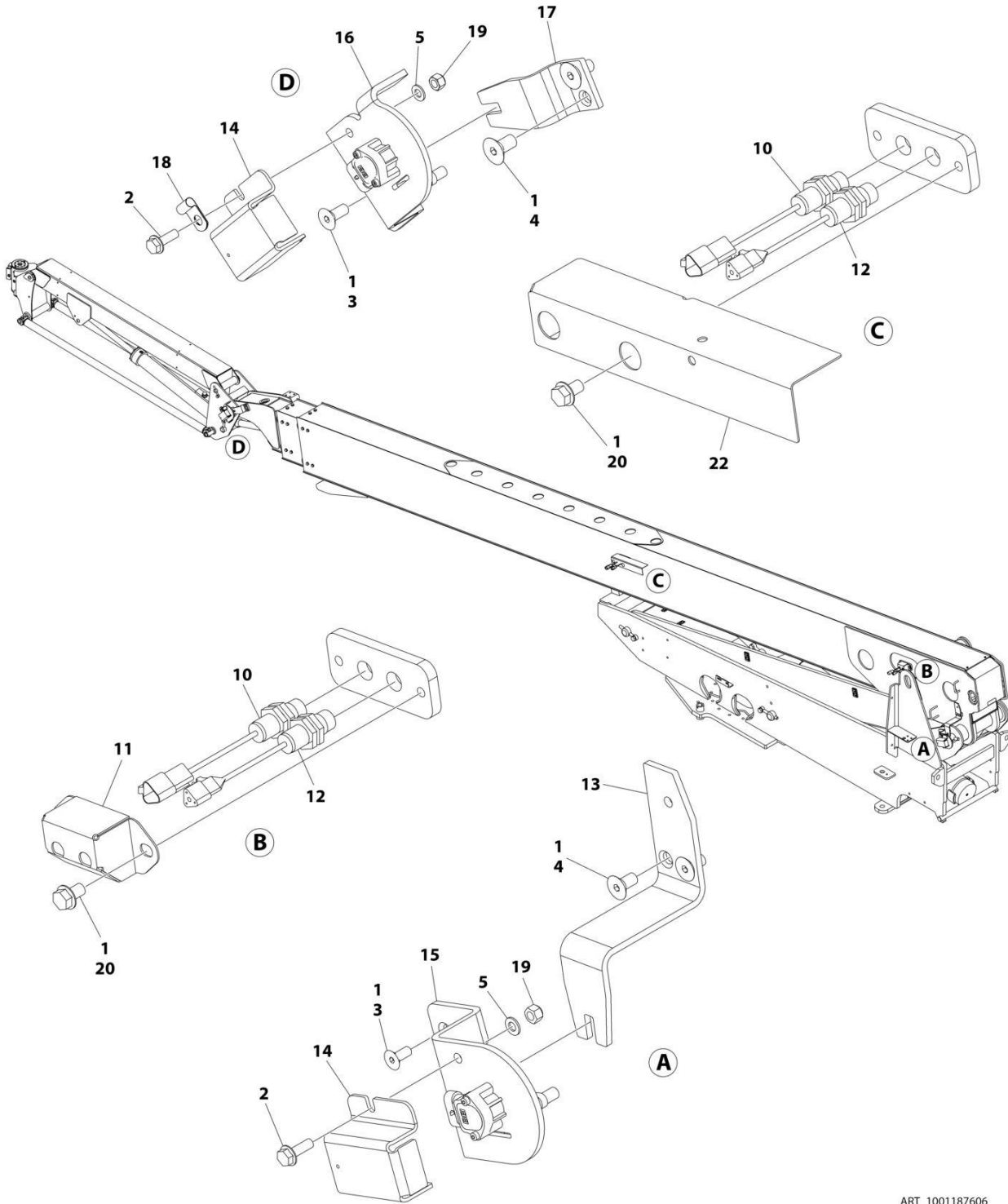
SECTION 4 - BOOM

FIGURE 4-16. BOOM SENSORS INSTALLATION - 600S

ITEM	PART NUMBER	QTY	DESCRIPTION	REV
	1001187605	Ref	BOOM SENSORS INSTALLATION	E
1	0100011	AR	Compound, Locking	
2	5250812	2	Bolt M8 x 25	
3	1001137125	4	Screw M8 x 20	
4	1001155441	4	Screw M10 x 20 Grade 10.9	
5	4811900	2	Washer M8	
10	1001170847	3	Sensor, Proximity	
11	1001204715	3	Bracket	
12	1001182570	3	Sensor, Proximity	
13	1001211585	1	Plate	
14	1001211588	2	Shield	
15	1001211577	1	Sensor (Lower)	
15	4010303	1	Screw Posi-drive M3 x 6	
15	1001204939	1	Sensor, Angle	
15	1001211580	1	Bracket	
15	1001211582	1	Link, Angle Sensor Arm	
16	1001211578	1	Sensor (Upper)	
16	4010303	1	Screw Posi-drive M3 x 6	
16	1001191020	1	Sensor, Angle	
16	1001211581	1	Bracket	
16	1001211583	1	Link, Angle Sensor Arm	
17	1001211586	1	Plate	
18	8406003	1	Clip	
19	3290805	2	Nut M8	
20	5251008	14	Bolt M10 x 16	
21	4240033	7	Tie-Strap (Not Shown)	
22	1001227792	1	Plate	

SECTION 4 - BOOM

FIGURE 4-17. BOOM SENSORS INSTALLATION - 660SJ



ART_1001187606

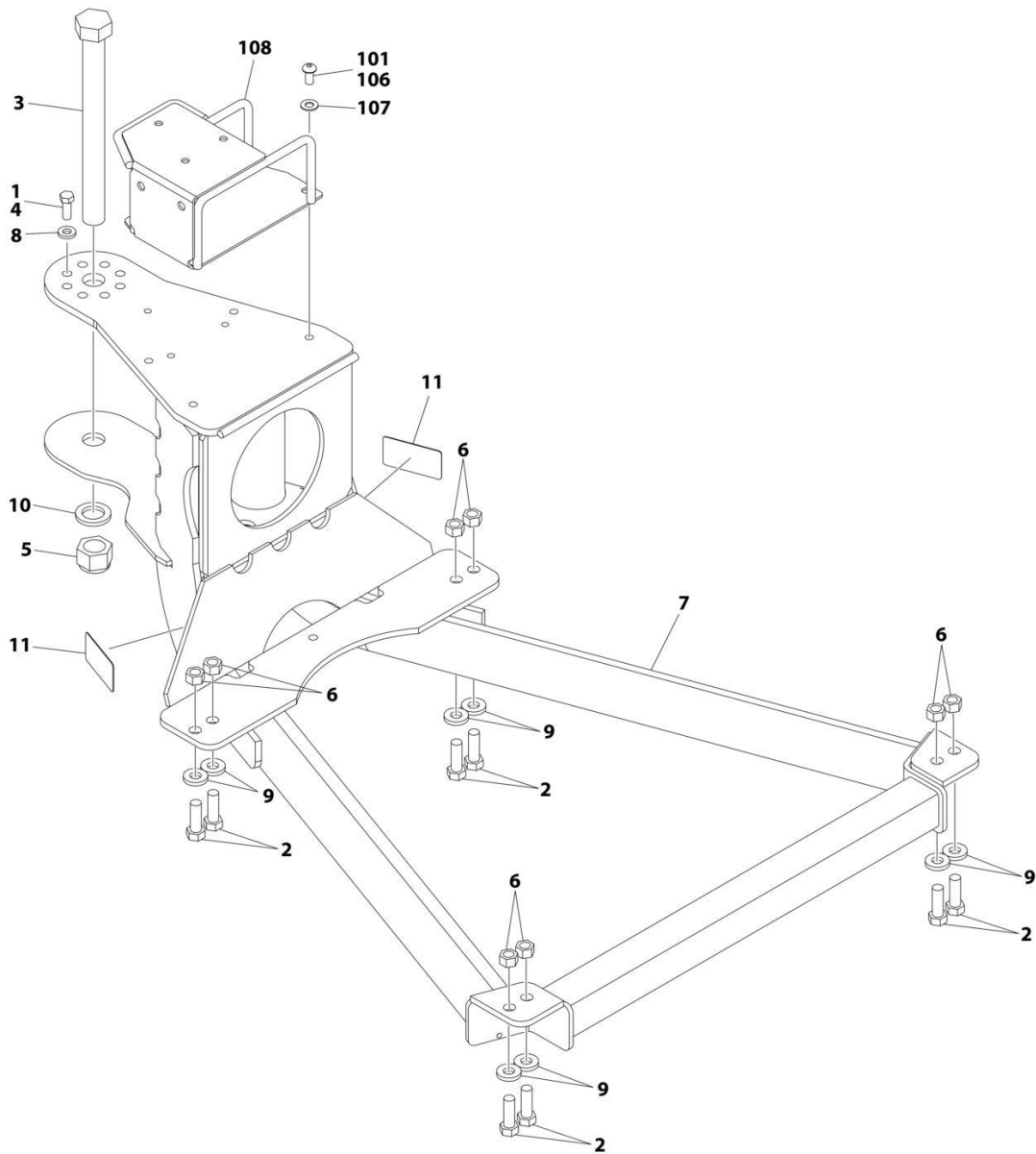
SECTION 4 - BOOM

FIGURE 4-17. BOOM SENSORS INSTALLATION - 660SJ

ITEM	PART NUMBER	QTY	DESCRIPTION	REV
	1001187606	Ref	BOOM SENSORS INSTALLATION	E
1	0100011	AR	Compound, Locking	
2	5250812	2	Bolt M8 x 25	
3	1001137125	4	Screw M8 x 20	
4	1001155441	4	Screw M10 x 20 Grade 10.9	
5	4811900	2	Washer M8	
10	1001170847	2	Sensor, Proximity	
11	1001204715	1	Bracket	
12	1001182570	2	Sensor, Proximity	
13	1001211585	1	Plate	
14	1001211588	2	Shield	
15	1001211577	1	Sensor (Lower)	
15	4010303	1	Screw Posi-drive M3 x 6	
15	1001204939	1	Sensor, Angle	
15	1001211580	1	Bracket	
15	1001211582	1	Link, Angle Sensor Arm	
16	1001211579	1	Sensor (Upper)	
16	4010303	1	Screw Posi-drive M3 x 6	
16	1001191020	1	Sensor, Angle	
16	1001211581	1	Bracket	
16	1001211584	1	Link, Angle Sensor Arm	
17	1001211587	1	Plate	
18	8406003	1	Clip	
19	3290805	2	Nut M8	
20	5251008	4	Bolt M10 x 16	
21	4240033	2	Tie-Strap (Not Shown)	
22	1001227792	1	Plate	

SECTION 4 - BOOM

FIGURE 4-18. PLATFORM SUPPORT INSTALLATION - WITHOUT LSS (SN 0300235168 through 0300251320, SN B300002655 through B300003386)



ART_0272070

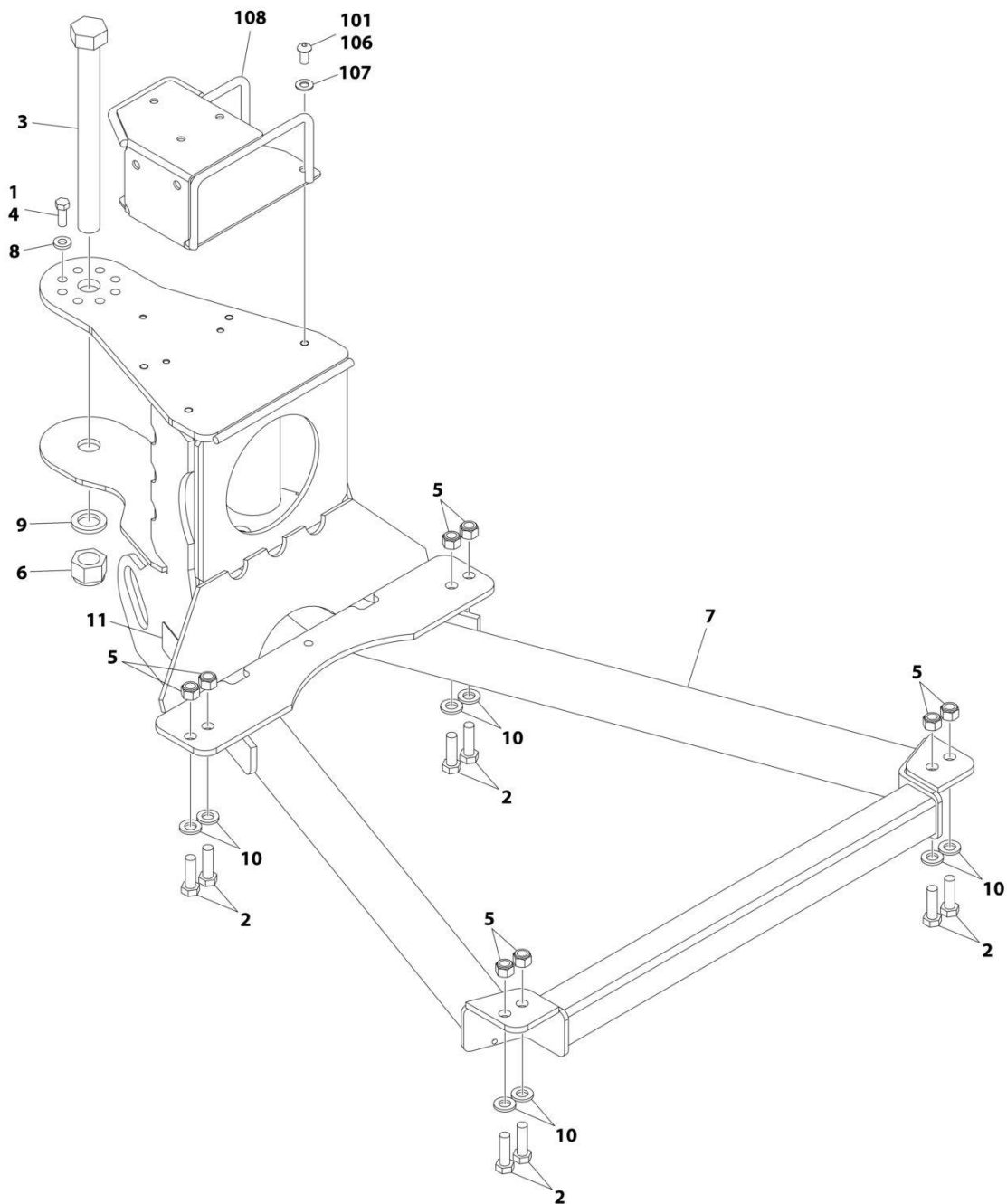
SECTION 4 - BOOM

FIGURE 4-18. PLATFORM SUPPORT INSTALLATION - WITHOUT LSS (SN 0300235168 through 0300251320, SN B300002655 through B300003386)

ITEM	PART NUMBER	QTY	DESCRIPTION	REV
	0272070	Ref	PLATFORM SUPPORT INSTALLATION	H
1	0100011	AR	Compound, Locking	
2	0641812	8	Bolt 1/2 x 1-1/2	
3	0642684	1	Bolt 1 x 10-1/2	
4	0681608	8	Bolt 3/8 x 1	
5	3300243	1	Nut 1	
6	3311805	8	Nut 1/2	
7	4846573	1	Support	
8	4891600	8	Washer 3/8	
9	4891800	8	Washer 1/2	
10	4892600	1	Washer 1	
11	1001216630	2	Decal - Tie Down/No Lift	
	1001202688	Ref	VALVE MOUNT INSTALLATION	C
101	0100011	AR	Compound, Locking	
106	3900283	4	Screw 3/8 x 3/4	
107	4711600	4	Washer 3/8	
108	1001206920	1	Mount, Valve	

SECTION 4 - BOOM

FIGURE 4-19. PLATFORM SUPPORT INSTALLATION - WITHOUT LSS (SN 0300251321 through 0300272445, SN B300003387 through B300005754)



ART_1001235513

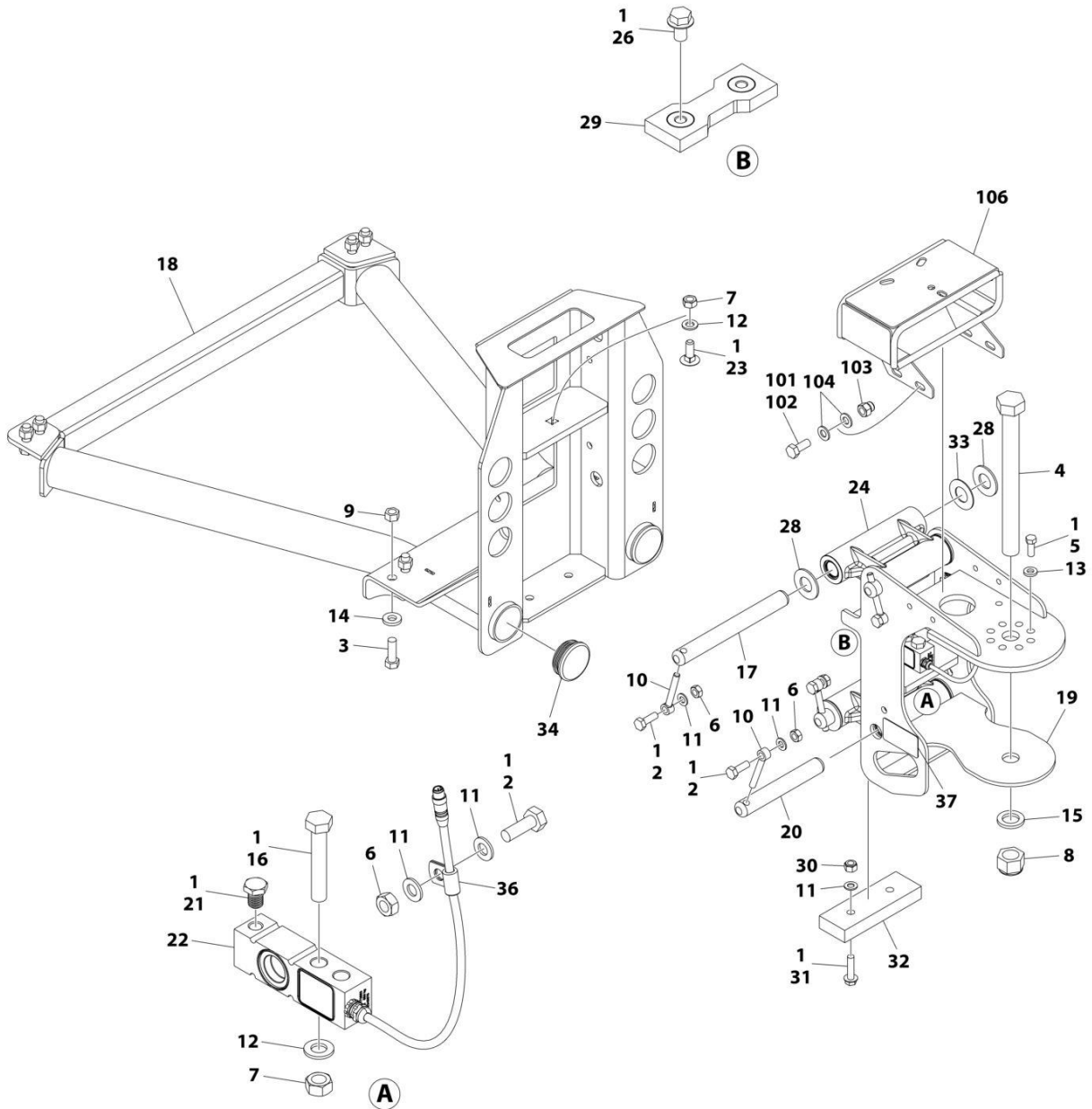
SECTION 4 - BOOM

FIGURE 4-19. PLATFORM SUPPORT INSTALLATION - WITHOUT LSS (SN 0300251321 through 0300272445, SN B300003387 through B300005754)

ITEM	PART NUMBER	QTY	DESCRIPTION	REV
	1001235513	1	PLATFORM SUPPORT INSTALLATION	A
1	0100011	AR	Compound, Locking	
2	0761216	8	Bolt M12 x 40	
3	0642684	1	Bolt 1 x 10-1/2	
4	0681608	8	Bolt 3/8 x 1	
5	3291205	8	Nut M12	
6	3300243	1	Nut 1	
7	4846573	1	Support	
8	4891600	8	Washer 3/8	
9	4892600	1	Washer 1	
10	5241200	8	Washer M12	
11	1001216630	2	Decal - Tie Down/No Lift	
	1001202688	1	VALVE MOUNT INSTALLATION	C
101	0100011	AR	Compound, Locking	
106	3900283	4	Screw 3/8 x 3/4	
107	4711600	4	Washer 3/8	
108	1001206920	1	Mount, Valve	

SECTION 4 - BOOM

FIGURE 4-20. PLATFORM SUPPORT INSTALLATION - WITH LSS



ART_1001167596

SECTION 4 - BOOM

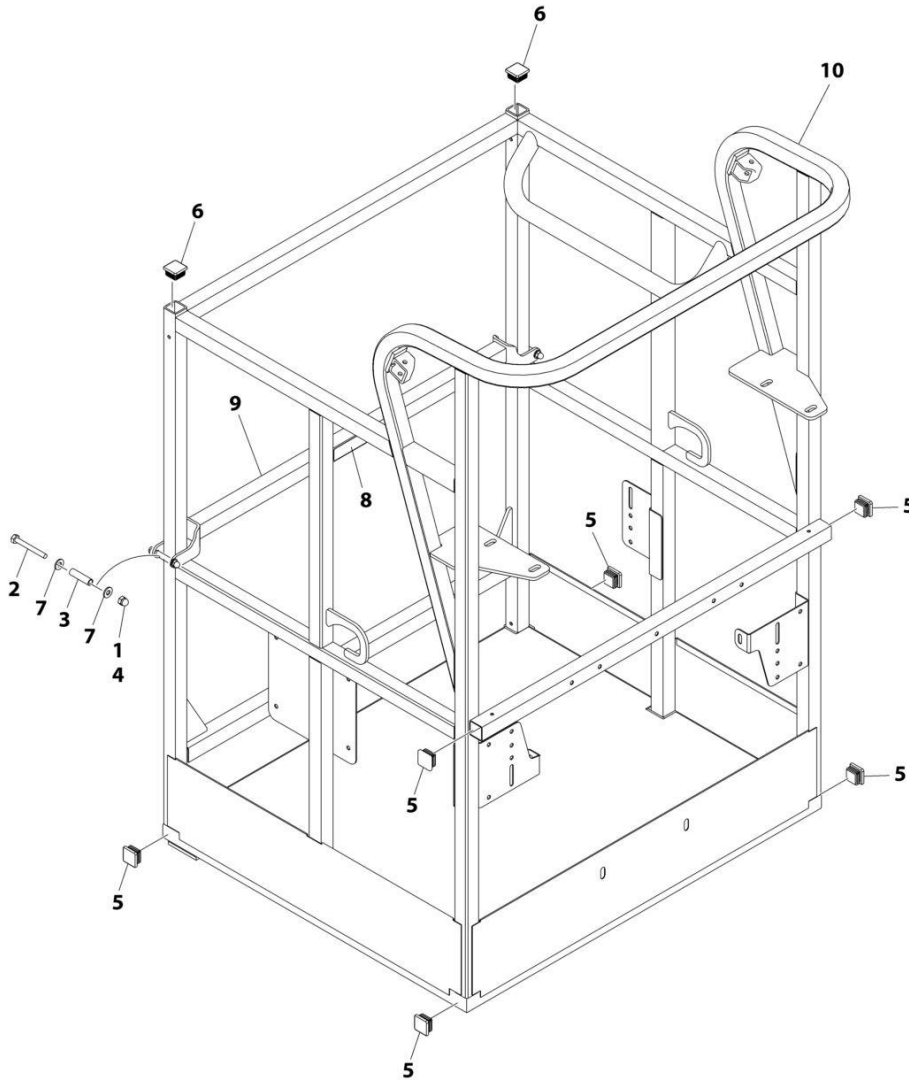
FIGURE 4-20. PLATFORM SUPPORT INSTALLATION - WITH LSS

ITEM	PART NUMBER	QTY	DESCRIPTION	REV
	1001167596	Ref	PLATFORM SUPPORT INSTALLATION	N
1	0100011	AR	Compound, Locking	
2	0761014	5	Bolt M10 x 30	
3	0761216	8	Bolt M12 x 40	
4	1001255133	1	Bolt 1 x 11	
5	0681608	8	Bolt 3/8 x 1	
6	3291001	5	Nut M10	
7	3291201	3	Nut M12	
8	1001174040	1	Nut 1	
9	3291205	8	Nut M12	
10	3841143	4	Keeper, Pin	
11	4812000	8	Washer M10	
12	4812100	3	Washer M12	
13	4891600	8	Washer 3/8	
14	5241200	8	Washer M12	
15	4892600001	1	Washer 1	
16	1001098828	2	Bolt M12 x 70 Grade 10.9	
17	1001167565	2	Pin	
18	1001200494	1	Support, Platform	
19	1001167567	1	Support, Rotator	
20	1001168402	2	Pin	
21	1001188622	1	Screw	
22	1001247468	1	Gauge, Load Sensing	
23	1001188844	1	Bolt M12 x 35	
24	1001201351	2	Link	
26	5251008	2	Bolt M10 x 16	
28	1001189002	8	Bearing	
29	1001190985	1	Pad, Wear	
30	3291005	2	Nut M10	
31	5251016	2	Bolt M10 x 40	
32	1001200491	1	Pad, Wear	
33	1001189001	4	Bearing	
34	1001204725	2	Plug	
36	91203039	1	Clamp	
37	1001216630	2	Decal - Tie Down/No Lift	
38	1001238421	Ref	Kit, Platform Leveling (Not Shown)	
	1001202687	Ref	VALVE MOUNT INSTALLATION	B
101	0100011	AR	Compound, Locking	
102	0760810	4	Bolt M8 x 20	
103	3290806	4	Nut M8	
104	4811900	8	Washer M8	
106	1001208994	1	Mount, Valve	

SECTION 5 - PLATFORM

SECTION 5 - PLATFORM

FIGURE 5-1. PLATFORM ASSEMBLY - 30IN X 3FT (76CM X .91M) - DROP BAR ENTRY



ART_1001228215

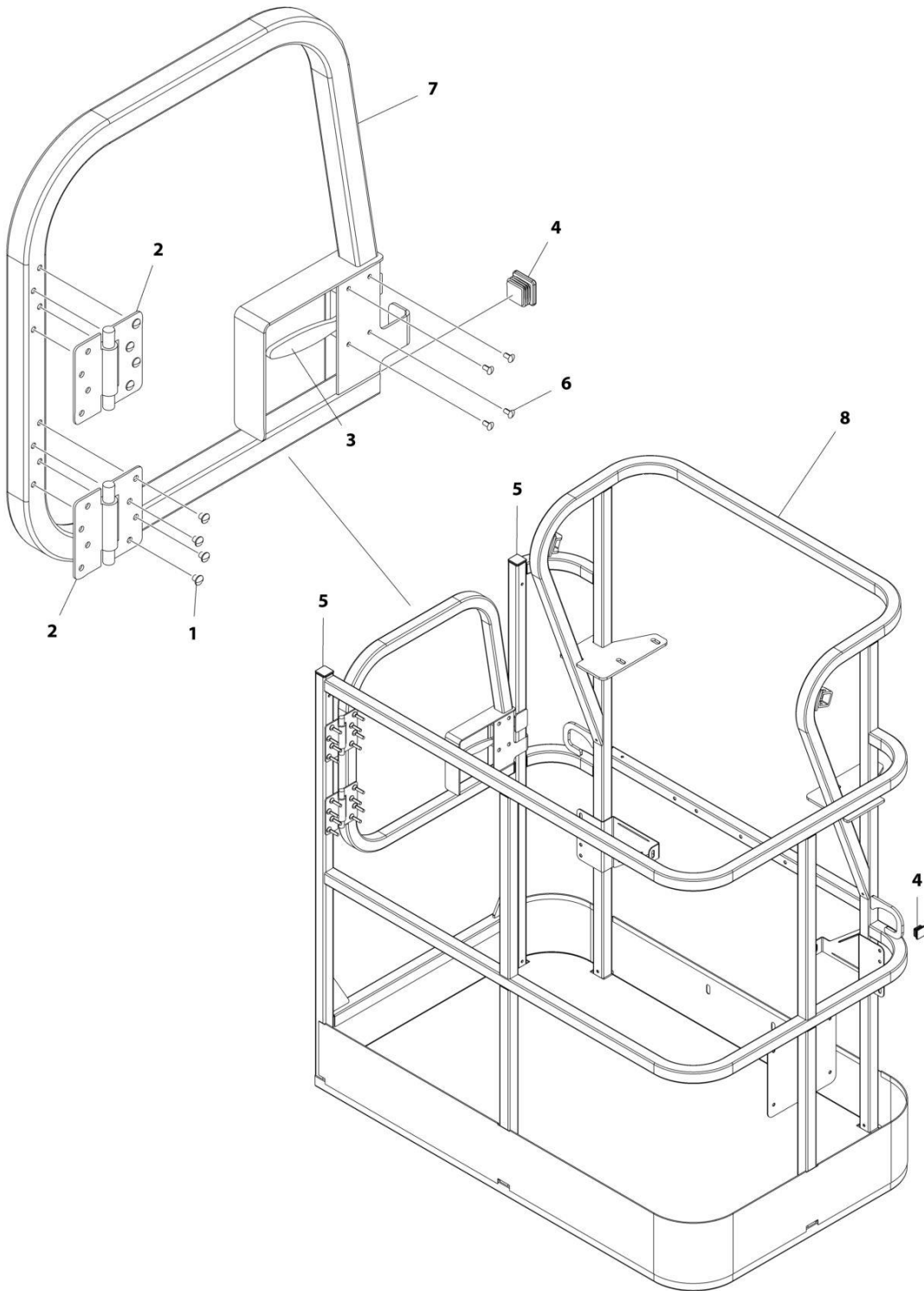
SECTION 5 - PLATFORM

FIGURE 5-1. PLATFORM ASSEMBLY - 30IN X 3FT (76CM X .91M) - DROP BAR ENTRY

ITEM	PART NUMBER	QTY	DESCRIPTION	REV
	1001228215	Ref	PLATFORM ASSEMBLY	A
	See Note	Ref	Note: Platform and Mesh must be ordered separately for Platforms with Mesh. See SPECIAL OPTIONS SECTION for Mesh Installations.	
	See Note	Ref	Note: Replacement Decals Must be Ordered Separately - See DECAL SECTION.	
1	0100011	AR	Compound, Locking	
2	0641418	2	Bolt 1/4 x 2-1/4	
3	0961845	2	Bushing	
4	3300151	2	Nut 1/4	
5	3520072	6	Cap, Plug	
6	3520198	2	Cap, Plug	
7	4711400	4	Washer 1/4	
8	1001140429	1	Decal - Drop Bar	
9	1001226872	1	Bar, Drop	
10	See Note	NSS	Platform (Note: Not Available - Purchase Platform Assembly)	

SECTION 5 - PLATFORM

FIGURE 5-2. PLATFORM ASSEMBLY - 30IN X 4FT (76CM X 1.22M) WITH SWING GATE



ART_1001186387

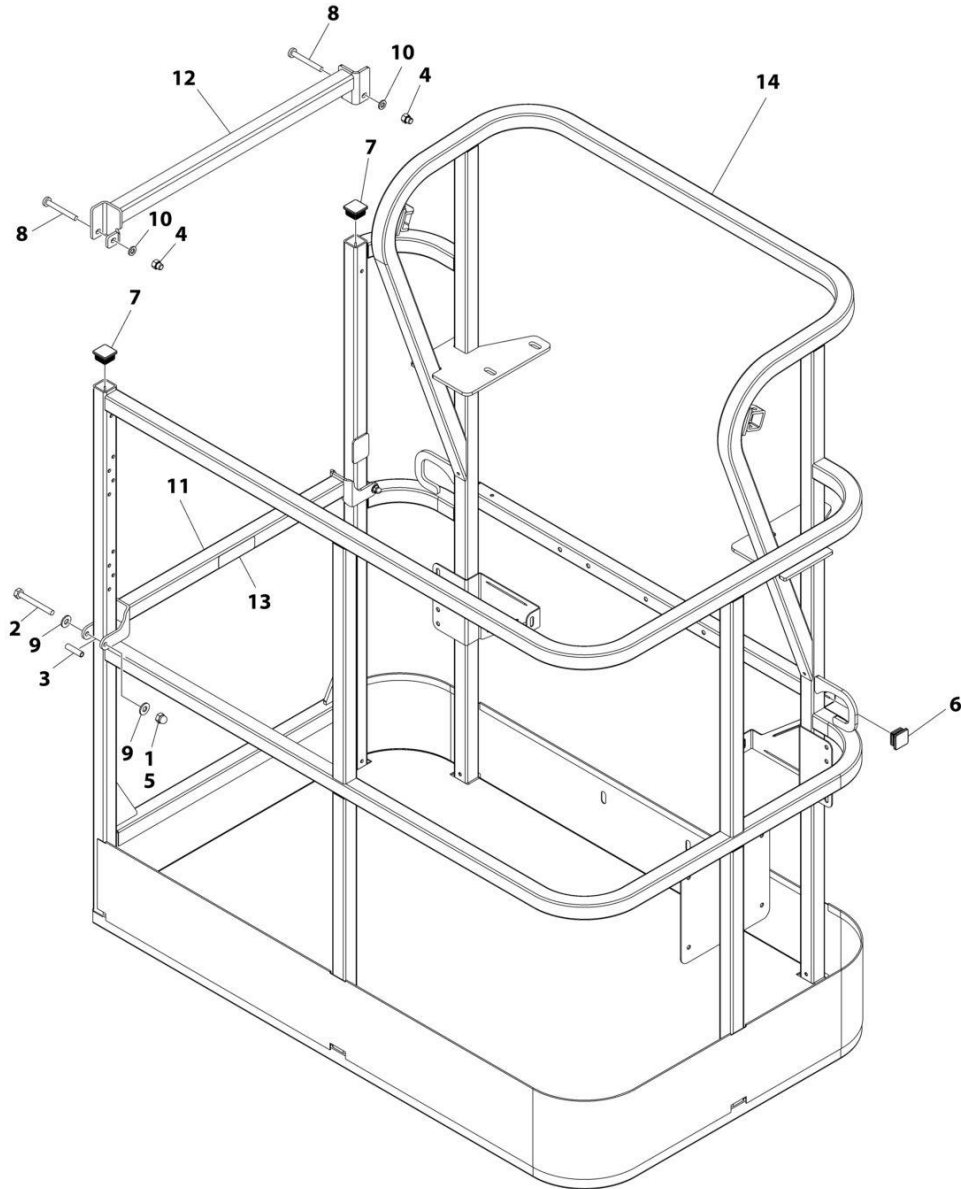
SECTION 5 - PLATFORM

FIGURE 5-2. PLATFORM ASSEMBLY - 30IN X 4FT (76CM X 1.22M) WITH SWING GATE

ITEM	PART NUMBER	QTY	DESCRIPTION	REV
	1001186387	Ref	PLATFORM ASSEMBLY	C
		Ref	Note: Platform and Mesh must be ordered separately for Platforms with Mesh. See SPECIAL OPTIONS SECTION for Mesh Installations.	
		Ref	Note: Replacement Decals Must be Ordered Separately - See DECALS SECTION.	
1	2080040	16	Fastener, Huck	
2	2600281	2	Hinge, Self-Closing	
3	2940074	1	Latch	
4	3520072	3	Plug	
5	3520198	2	Plug	
6	3820020	4	Rivet	
7	1001144629	1	Gate	
8	See Note	1	Platform (Note: Not Available - Purchase Platform Assembly)	

SECTION 5 - PLATFORM

FIGURE 5-3. PLATFORM ASSEMBLY - 30IN X 4FT (76CM X 1.22M) WITH DROP BAR



ART_1001186375

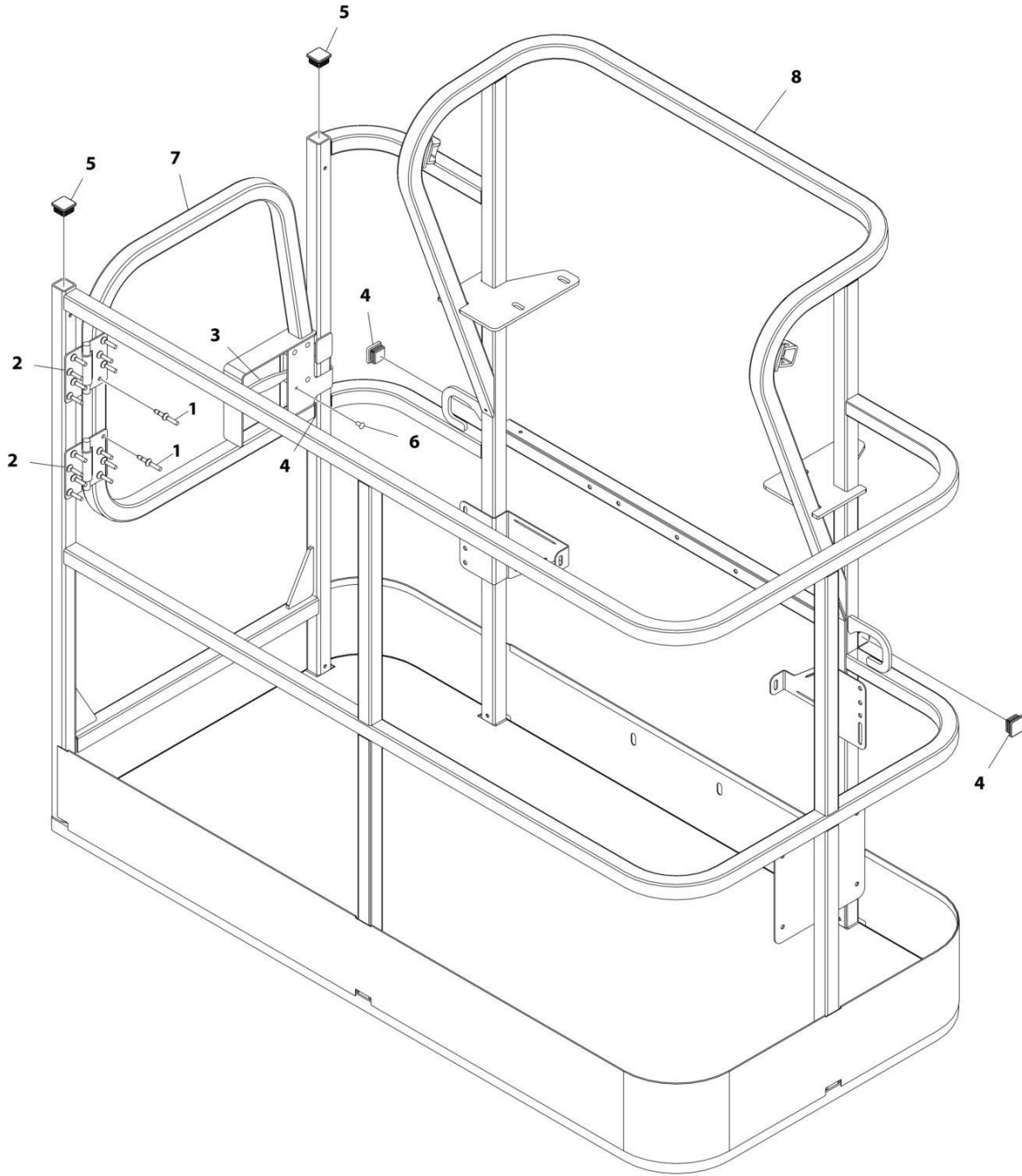
SECTION 5 - PLATFORM

FIGURE 5-3. PLATFORM ASSEMBLY - 30IN X 4FT (76CM X 1.22M) WITH DROP BAR

ITEM	PART NUMBER	QTY	DESCRIPTION	REV
	1001186375	Ref	PLATFORM ASSEMBLY	B
		Ref	Note: Platform and Mesh must be ordered separately for Platforms with Mesh. See SPECIAL OPTIONS SECTION for Mesh Installations.	
		Ref	Note: Replacement Decals Must be Ordered Separately - See DECALS SECTION.	
1	0100011	AR	Compound, Locking	
2	0641418	2	Bolt 1/4 x 2-1/4	
3	0961845	2	Bushing	
4	3290606	2	Nut M6	
5	3300151	2	Nut 1/4	
6	3520072	2	Plug	
7	3520198	2	Plug	
8	4010618	2	Screw M6 x 50	
9	4711400	4	Washer 1/4	
10	4811700	2	Washer M6	
11	1001138494	1	Bar, Drop	
12	1001138514	1	Rail - Top	
13	1001140429	1	Decal - Drop Bar	
14	See Note	1	Platform (Note: Not Available - Purchase Platform Assembly)	

SECTION 5 - PLATFORM

FIGURE 5-4. PLATFORM ASSEMBLY - 30IN X 5FT (76CM X 1.52M) WITH SWING GATE



ART_1001186386

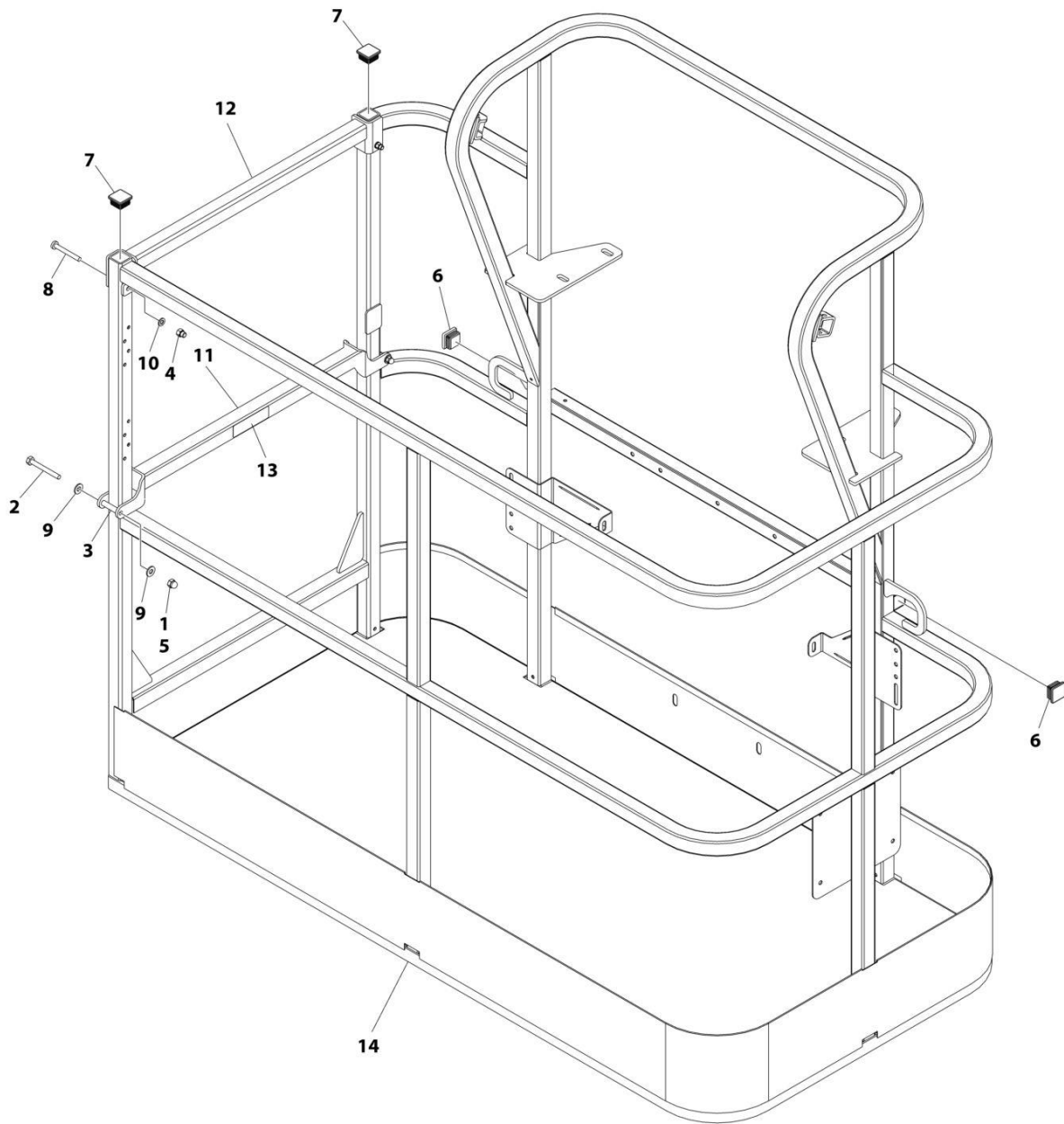
SECTION 5 - PLATFORM

FIGURE 5-4. PLATFORM ASSEMBLY - 30IN X 5FT (76CM X 1.52M) WITH SWING GATE

ITEM	PART NUMBER	QTY	DESCRIPTION	REV
	1001186386	Ref	PLATFORM ASSEMBLY	C
		Ref	Note: Platform and Mesh must be ordered separately for Platforms with Mesh. See SPECIAL OPTIONS SECTION for Mesh Installations.	
		Ref	Note: Replacement Decals Must be Ordered Separately - See DECALS SECTION.	
1	2080040	16	Fastener, Huck	
2	2600281	2	Hinge, Self-Closing	
3	2940074	1	Latch	
4	3520072	3	Plug	
5	3520198	2	Plug	
6	3820020	4	Rivet	
7	1001144629	1	Gate	
8	See Note	NSS	Platform (Note: Not Available - Purchase Platform Assembly)	

SECTION 5 - PLATFORM

FIGURE 5-5. PLATFORM ASSEMBLY - 30IN X 5FT (76CM X 1.52M) WITH DROP BAR



ART_1001186377

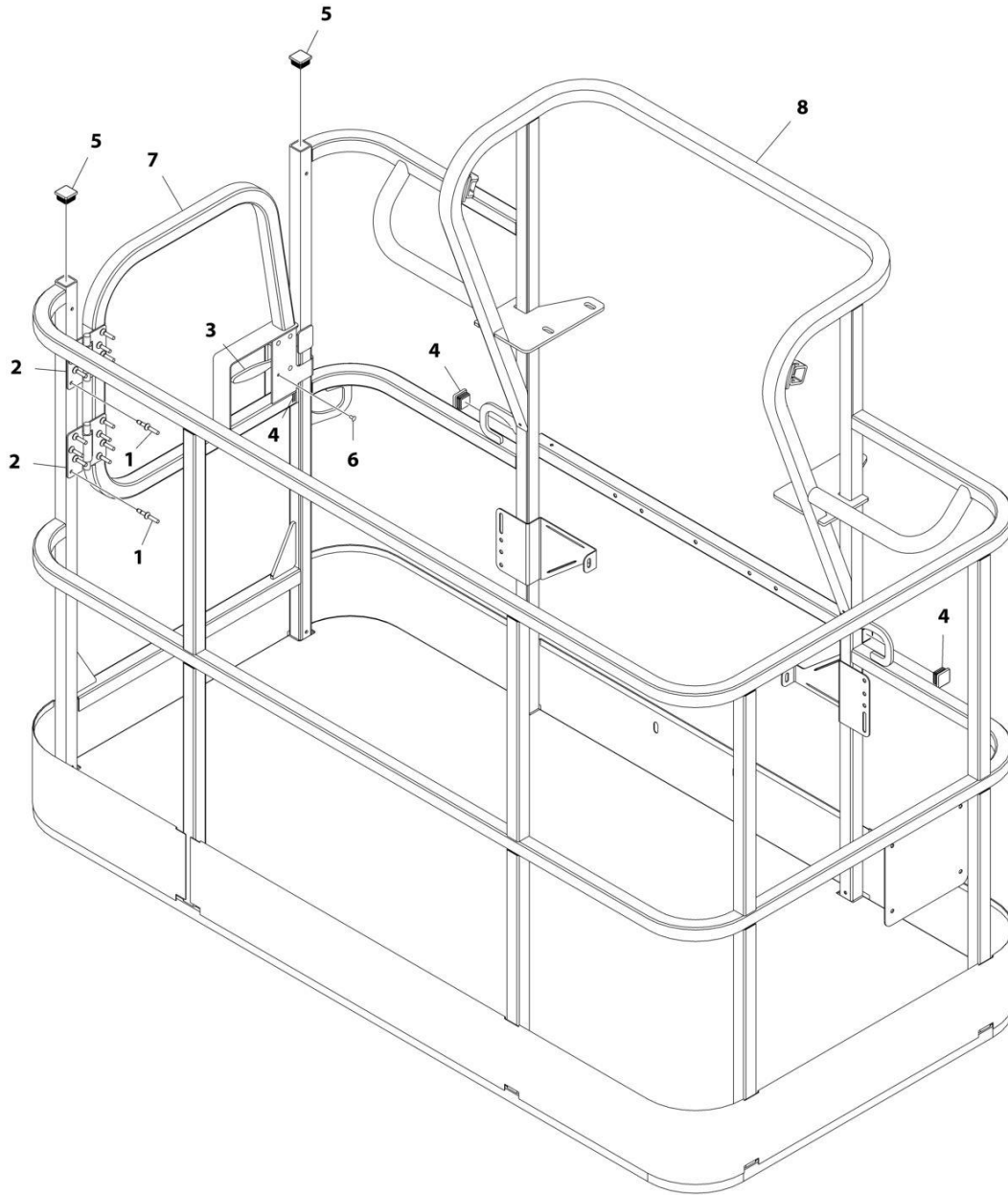
SECTION 5 - PLATFORM

FIGURE 5-5. PLATFORM ASSEMBLY - 30IN X 5FT (76CM X 1.52M) WITH DROP BAR

ITEM	PART NUMBER	QTY	DESCRIPTION	REV
	1001186377	Ref	PLATFORM ASSEMBLY	C
		Ref	Note: Platform and Mesh must be ordered separately for Platforms with Mesh. See SPECIAL OPTIONS SECTION for Mesh Installations.	
		Ref	Note: Replacement Decals Must be Ordered Separately - See DECALS SECTION.	
1	0100011	AR	Compound, Locking	
2	0641420	2	Bolt 1/4 x 2-1/2	
3	0961845	2	Bushing	
4	3290606	2	Nut M6	
5	3300151	2	Nut 1/4	
6	3520072	2	Plug	
7	3520198	2	Plug	
8	4010618	2	Screw M6 x 50	
9	4711400	4	Washer 1/4	
10	4811700	2	Washer M6	
11	1001138494	1	Bar, Drop	
12	1001138514	1	Rail (Top)	
13	1001140429	1	Decal - Drop Bar	
14	See Note	NSS	Platform (Note: Not Available - Purchase Platform Assembly)	

SECTION 5 - PLATFORM

FIGURE 5-6. PLATFORM ASSEMBLY - 36IN X 6FT (91.5CM X 1.83M) WITH SWING GATE



ART_1001186384

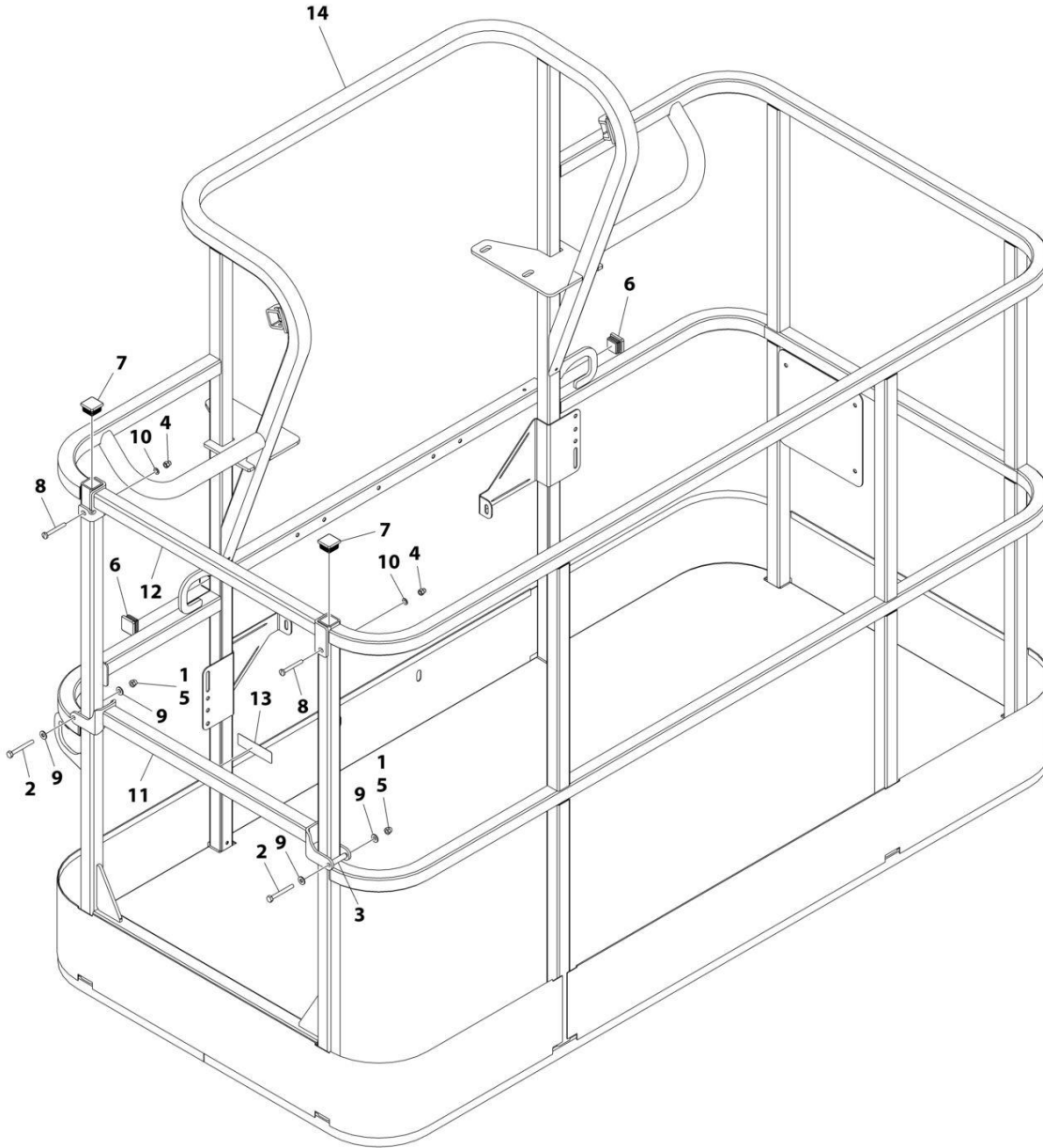
SECTION 5 - PLATFORM

FIGURE 5-6. PLATFORM ASSEMBLY - 36IN X 6FT (91.5CM X 1.83M) WITH SWING GATE

ITEM	PART NUMBER	QTY	DESCRIPTION	REV
	1001186384	Ref	PLATFORM ASSEMBLY - 36IN X 6FT (91.5CM X 1.83M) WITH SWING GATE	C
	See Note	Ref	Note: Platform and Mesh must be ordered separately for Platforms with Mesh. See SPECIAL OPTIONS SECTION for Mesh Installations.	
	See Note	Ref	Note: Replacement Decals Must be Ordered Separately - See DECALS SECTION.	
1	2080040	16	Fastener, Huck	
2	2600281	2	Hinge	
3	2940074	1	Latch	
4	3520072	3	Plug	
5	3520198	2	Plug	
6	3820020	4	Rivet	
7	1001144629	1	Gate	
8	See Note	NSS	Platform (Note: Not Available - Purchase Platform Assembly)	

SECTION 5 - PLATFORM

FIGURE 5-7. PLATFORM ASSEMBLY - 36IN X 6FT (91.5CM X 1.83M) WITH DROP BAR



ART_1001186379

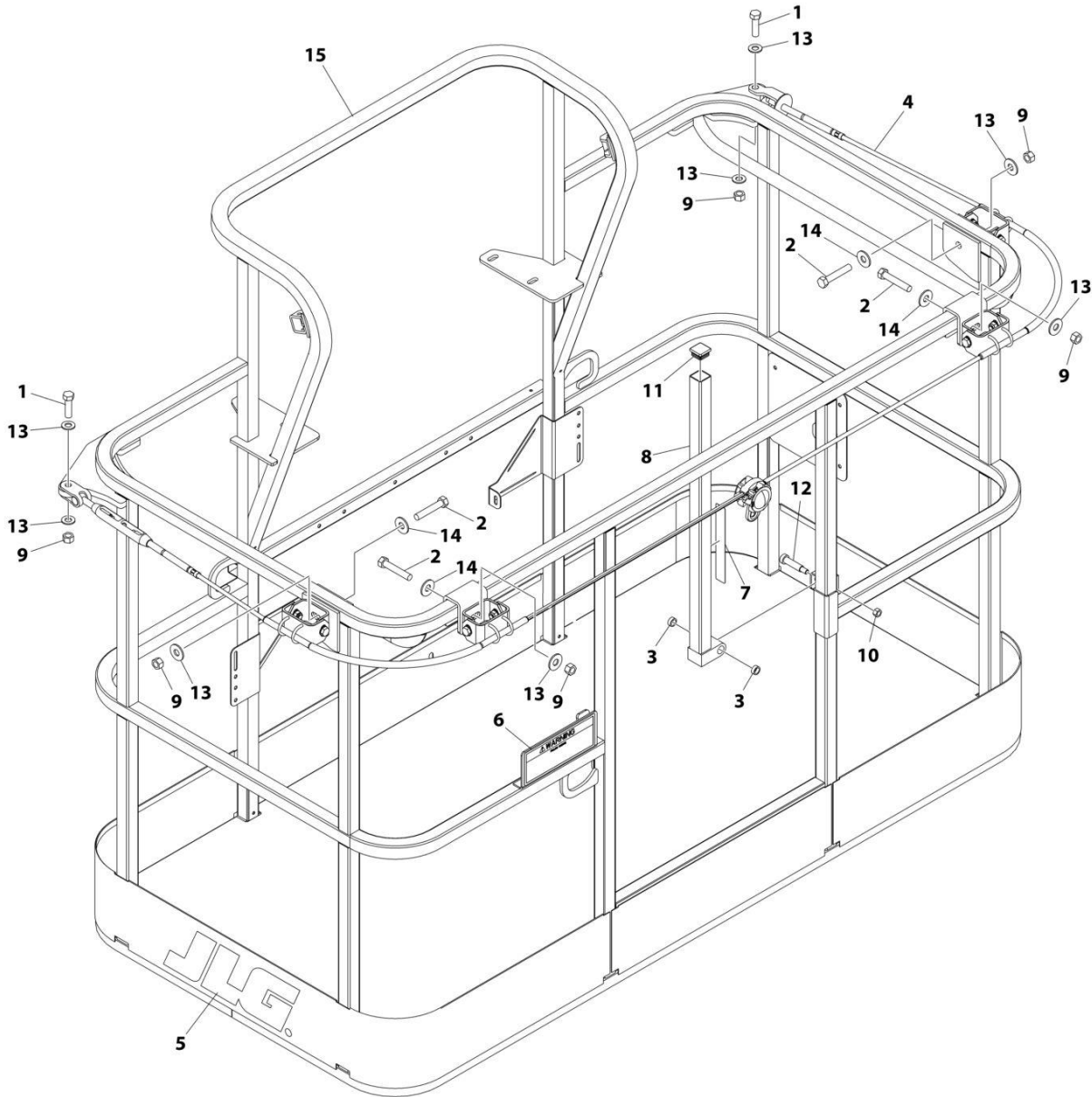
SECTION 5 - PLATFORM

FIGURE 5-7. PLATFORM ASSEMBLY - 36IN X 6FT (91.5CM X 1.83M) WITH DROP BAR

ITEM	PART NUMBER	QTY	DESCRIPTION	REV
	1001186379	Ref	PLATFORM ASSEMBLY - 36IN X 6FT (91.5CM X 1.83M) WITH DROP BAR	B
		Ref	Note: Platform and Mesh must be ordered separately for Platforms with Mesh. See SPECIAL OPTIONS SECTION for Mesh Installations.	
		Ref	Note: Replacement Decals Must be Ordered Separately - See DECALS SECTION.	
1	0100011	AR	Compound, Locking	
2	0641418	2	Bolt 1/4 x 2-1/4	
3	0961845	2	Bushing	
4	3290606	2	Nut M6	
5	3300151	2	Nut 1/4	
6	3520072	2	Plug	
7	3520198	2	Plug	
8	4010618	2	Screw M6 x 50	
9	4711400	4	Washer 1/4	
10	4811700	2	Washer M6	
11	1001138494	1	Bar, Drop	
12	1001138514	1	Rail (Top)	
13	1001140429	1	Decal - Drop Bar	
14	See Note	NSS	Platform (Note: Not Available - Purchase Platform Assembly)	

SECTION 5 - PLATFORM

FIGURE 5-8. PLATFORM ASSEMBLY - 36IN X 6FT (91.5CM X 1.83M) WITH FALL ARREST (ANSI, ANSI EXPORT, CHINA AND CSA SPECS)



ART_1001186333

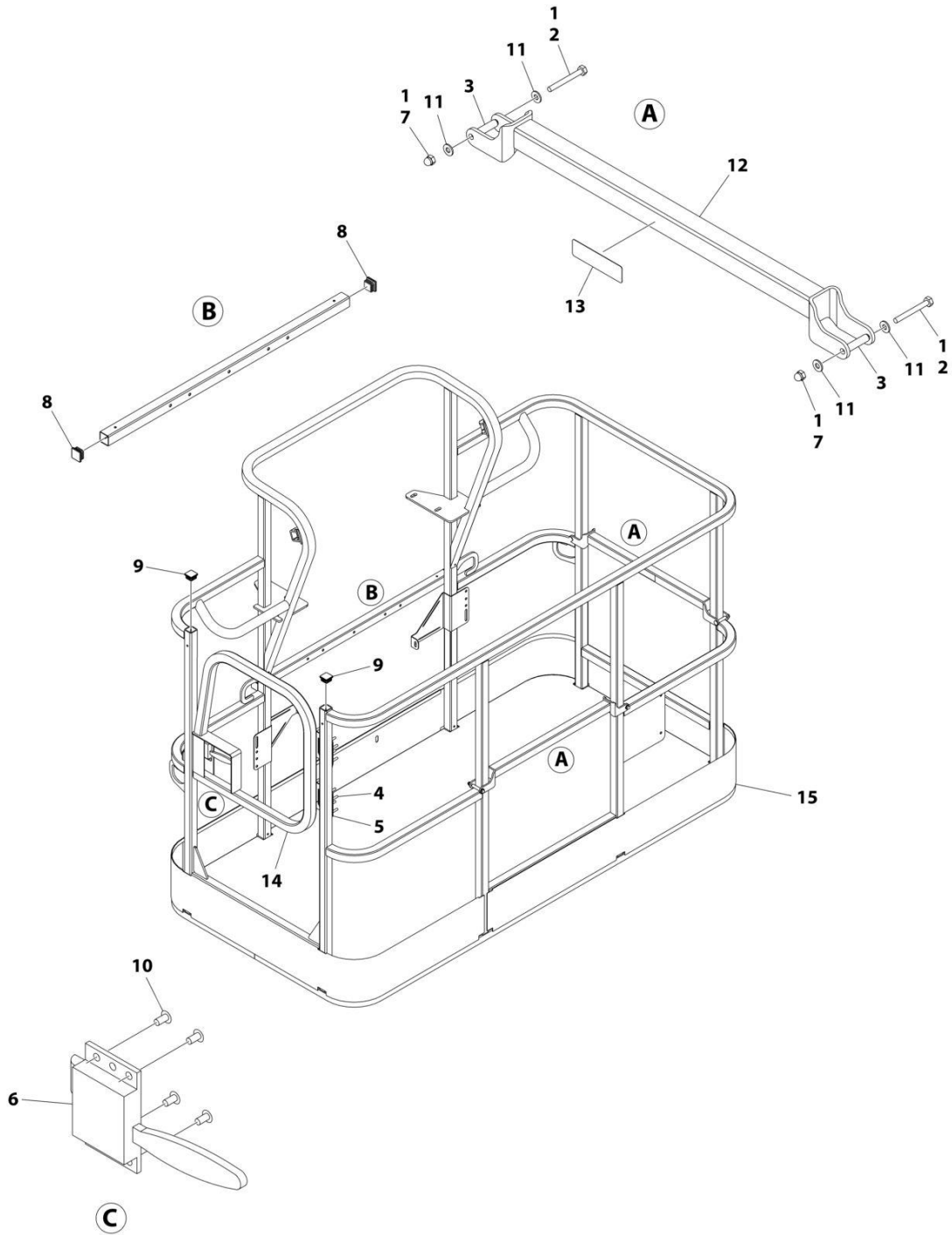
SECTION 5 - PLATFORM

FIGURE 5-8. PLATFORM ASSEMBLY - 36IN X 6FT (91.5CM X 1.83M) WITH FALL ARREST (ANSI, ANSI EXPORT, CHINA AND CSA SPECS)

ITEM	PART NUMBER	QTY	DESCRIPTION	REV
	1001186333	Ref	PLATFORM ASSEMBLY	C
		Ref	Note: Replacement Decals Must be Ordered Separately - See DECALS SECTION.	
1	0681814	2	Bolt 1/2 x 1-3/4 Grade 8	
2	0681822	4	Bolt 1/2 x 2-3/4 Grade 8	
3	0962270	2	Bearing	
4	1001203655	1	Cable	
5	1702773	1	Decal - JLG	
6	1705014	1	Decal - Safety	
7	1706385	1	Decal - Drop Bar	
8	2410014	1	Bar, Drop	
9	3271805	6	Nut 1/2 Grade 8	
10	3311605	1	Nut 3/8	
11	3520072	1	Plug	
12	3900054	1	Bolt 1/2 x 1-3/4	
13	4711800	8	Washer 1/2	
14	4751800	4	Washer 1/2	
15	See Note	NSS	Platform (Note: Not Available - Purchase Platform Assembly)	

SECTION 5 - PLATFORM

FIGURE 5-9. PLATFORM ASSEMBLY - 36IN X 6FT (91.5CM X 1.83M) TRI-ENTRY WITH SWING GATE



ART_1001228376

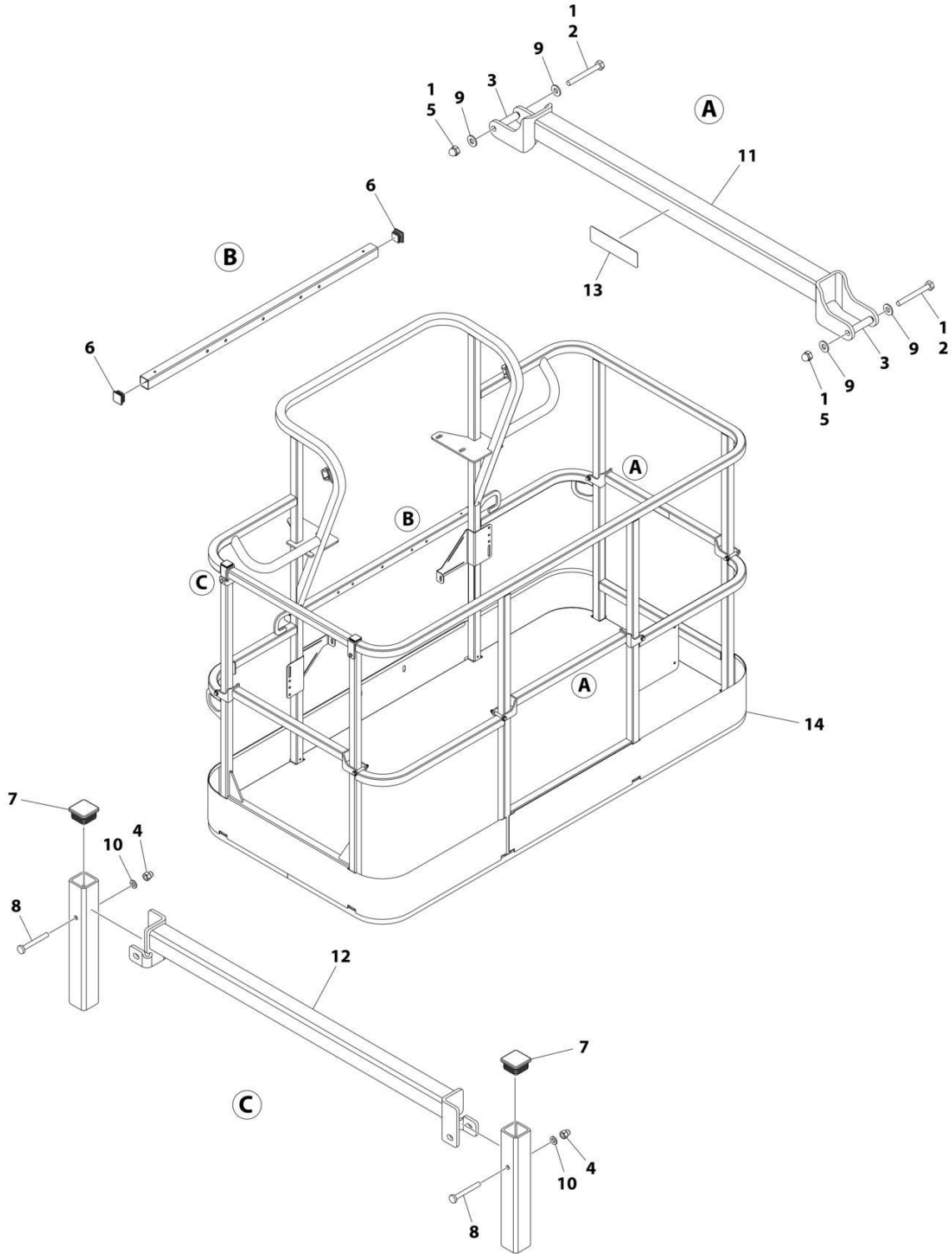
SECTION 5 - PLATFORM

FIGURE 5-9. PLATFORM ASSEMBLY - 36IN X 6FT (91.5CM X 1.83M) TRI-ENTRY WITH SWING GATE

ITEM	PART NUMBER	QTY	DESCRIPTION	REV
	1001228376	Ref	PLATFORM ASSEMBLY - 36IN x 6FT (91.5CM x 1.83M)	B
		Ref	Note: Platform and Mesh must be ordered separately for Platforms with Mesh. See SPECIAL OPTIONS SECTION for Mesh Installations.	
		Ref	Note: Replacement Decals Must be Ordered Separately - See DECAL SECTION.	
1	0100011	AR	Compound, Locking	
2	0641418	4	Bolt 1/4 x 2-1/4	
3	0961845	4	Bushing	
4	2080040	16	Fastener	
5	2600281	2	Hinge	
6	2940074	1	Latch	
7	3300151	4	Nut 1/4	
8	3520072	3	Plug	
9	3520198	2	Plug	
10	3820020	4	Rivet	
11	4711400	8	Washer 1/4	
12	1001138494	2	Bar, Drop	
13	1001140429	2	Decal - Drop Bar	
14	1001144629	1	Gate	
15	See Note	NSS	Platform (Note: Not Available - Purchase Platform Assembly)	

SECTION 5 - PLATFORM

FIGURE 5-10. PLATFORM ASSEMBLY - 36IN X 6FT (91.5CM X 1.83M) TRI-ENTRY WITH DROP BAR



ART_1001228377

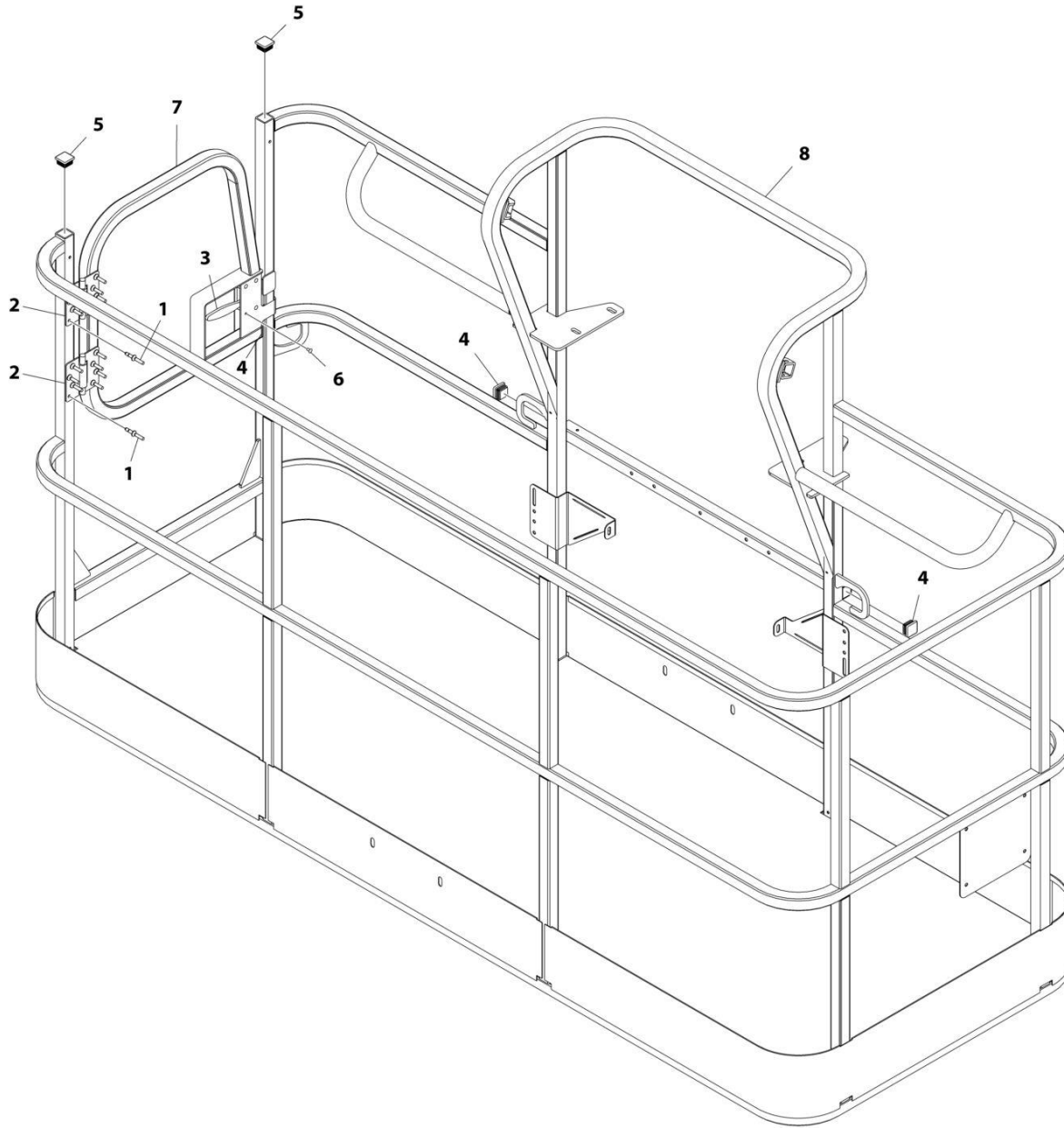
SECTION 5 - PLATFORM

FIGURE 5-10. PLATFORM ASSEMBLY - 36IN X 6FT (91.5CM X 1.83M) TRI-ENTRY WITH DROP BAR

ITEM	PART NUMBER	QTY	DESCRIPTION	REV
	1001228377	Ref	PLATFORM ASSEMBLY - 36IN x 6FT (91.5CM x 1.83M)	B
		Ref	Note: Platform and Mesh must be ordered separately for Platforms with Mesh. See SPECIAL OPTIONS SECTION for Mesh Installations.	
		Ref	Note: Replacement Decals Must be Ordered Separately - See DECAL SECTION.	
1	0100011	1	Compound, Locking	
2	0641418	6	Bolt 1/4 x 2-1/4	
3	0961845	6	Bushing	
4	3290606	2	Nut M6	
5	3300151	6	Nut 1/4	
6	3520072	2	Plug	
7	3520198	2	Plug	
8	4010618	2	Screw M6 x 50	
9	4711400	12	Washer 1/4	
10	4811700	2	Washer M6	
11	1001138494	3	Bar, Drop	
12	1001138514	1	Rail (Top)	
13	1001140429	3	Decal - Drop Bar	
14	See Note	NSS	Platform, Weldment (Note: Not Available - Purchase Platform Assembly)	

SECTION 5 - PLATFORM

FIGURE 5-11. PLATFORM ASSEMBLY - 36IN X 8FT (91.5CM X 2.44M) WITH SWING GATE



ART_1001186383

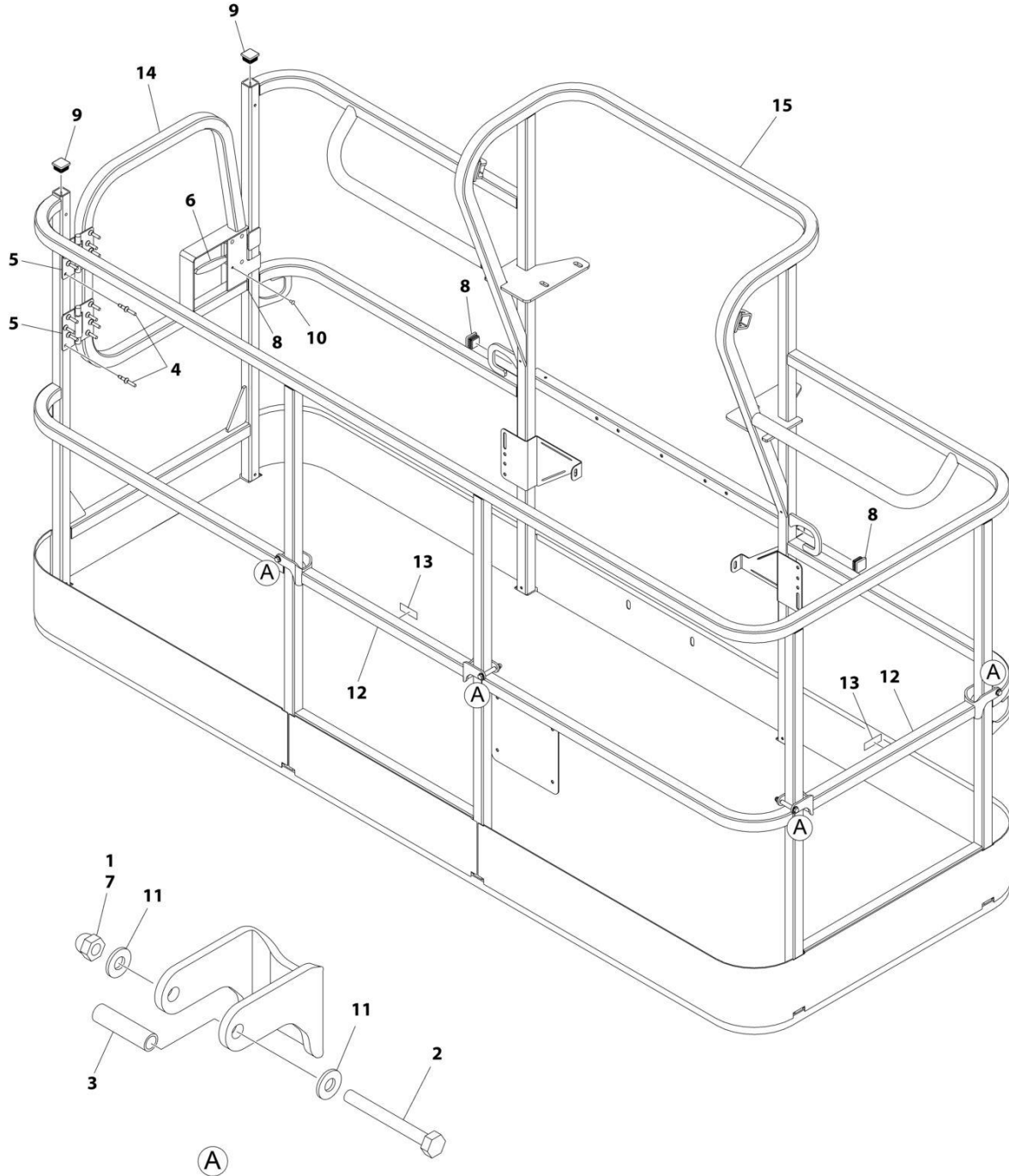
SECTION 5 - PLATFORM

FIGURE 5-11. PLATFORM ASSEMBLY - 36IN X 8FT (91.5CM X 2.44M) WITH SWING GATE

ITEM	PART NUMBER	QTY	DESCRIPTION	REV
	1001186383	Ref	PLATFORM ASSEMBLY - 36IN X 8FT (91.5CM X 2.44M) WITH SWING GATE	D
		Ref	Note: Platform and Mesh must be ordered separately for Platforms with Mesh. See SPECIAL OPTIONS SECTION for Mesh Installations.	
		Ref	Note: Replacement Decals Must be Ordered Separately - See DECALS SECTION.	
1	2080040	16	Fastener, Huck	
2	2600281	2	Hinge	
3	2940074	1	Latch	
4	3520072	3	Plug	
5	3520198	2	Plug	
6	3820020	4	Rivet	
7	1001144629	1	Gate	
8	See Note	NSS	Platform (Note: Not Available - Purchase Platform Assembly)	

SECTION 5 - PLATFORM

FIGURE 5-12. PLATFORM ASSEMBLY - 36IN X 8FT (91.5CM X 2.44M) WITH TRI-ENTRY (1 GATE/2 DROP BARS)



ART_1001228243

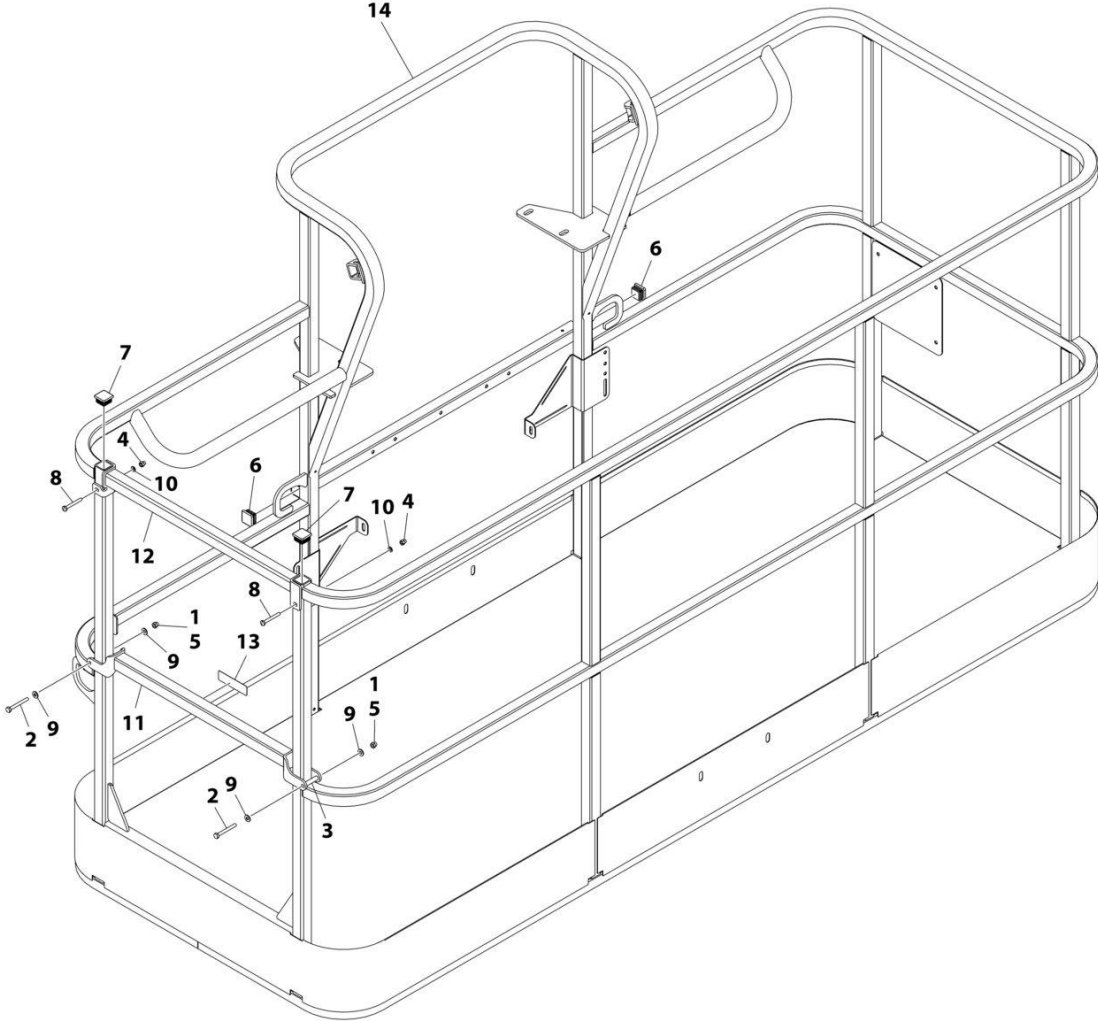
SECTION 5 - PLATFORM

FIGURE 5-12. PLATFORM ASSEMBLY - 36IN X 8FT (91.5CM X 2.44M) WITH TRI-ENTRY (1 GATE/2 DROP BARS)

ITEM	PART NUMBER	QTY	DESCRIPTION	REV
	1001228243	Ref	PLATFORM ASSEMBLY - 36IN X 8FT (91.5CM X 2.44M) WITH TRI-ENTRY	A
		Ref	Note: Platform and Mesh must be ordered separately for Platforms with Mesh. See SPECIAL OPTIONS SECTION for Mesh Installations.	
1	0100011	AR	Compound, Locking	
2	0641418	4	Bolt 1/4 x 2-1/4	
3	0961845	4	Bushing	
4	2080040	16	Fastener, Huck	
5	2600281	2	Hinge, Self-Closing	
6	2940074	1	Latch	
7	3300151	4	Nut 1/4	
8	3520072	3	Cap, Plug	
9	3520198	2	Cap, Plug	
10	3820020	4	Rivet	
11	4711400	8	Washer 1/4	
12	1001138494	2	Bar, Drop	
13	1001140429	2	Decal - Drop Bar	
14	1001144629	1	Gate, Weldment	
15	See Note	1	Platform (Note: Not Available - Purchase Platform Assembly)	

SECTION 5 - PLATFORM

FIGURE 5-13. PLATFORM ASSEMBLY - 36IN X 8FT (91.5CM X 2.44M) WITH DROP BAR



ART_1001186382

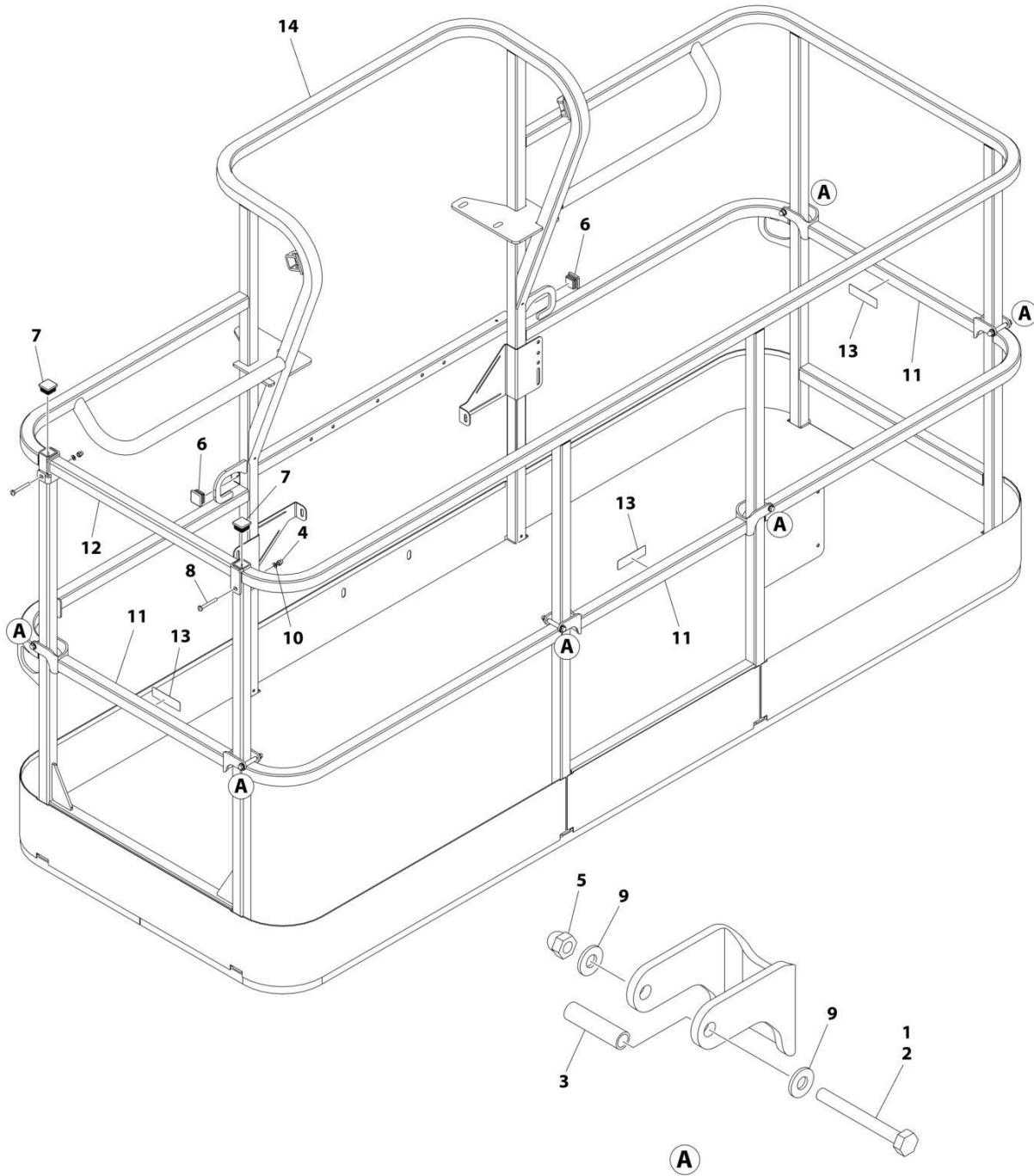
SECTION 5 - PLATFORM

FIGURE 5-13. PLATFORM ASSEMBLY - 36IN X 8FT (91.5CM X 2.44M) WITH DROP BAR

ITEM	PART NUMBER	QTY	DESCRIPTION	REV
	1001186382	Ref	PLATFORM ASSEMBLY - 36IN X 8FT (91.5CM X 2.44M) WITH DROP BAR	C
		Ref	Note: Platform and Mesh must be ordered separately for Platforms with Mesh. See SPECIAL OPTIONS SECTION for Mesh Installations.	
		Ref	Note: Replacement Decals Must be Ordered Separately - See DECALS SECTION.	
1	0100011	AR	Compound, Locking	
2	0641418	2	Bolt 1/4 x 2-1/4	
3	0961845	2	Bushing	
4	3290606	2	Nut M6	
5	3300151	2	Nut 1/4	
6	3520072	2	Plug	
7	3520198	2	Plug	
8	4010618	2	Screw M6 x 50	
9	4711400	4	Washer 1/4	
10	4811700	2	Washer M6	
11	1001138494	1	Bar, Drop	
12	1001138514	1	Rail (Top)	
13	1001140429	1	Decal - Drop Bar	
14	See Note	NSS	Platform (Note: Not Available - Purchase Platform Assembly)	

SECTION 5 - PLATFORM

FIGURE 5-14. PLATFORM ASSEMBLY - 36IN X 8FT (91.5CM X 2.44M) WITH TRI-ENTRY (3 DROP BARS)



ART_1001228375

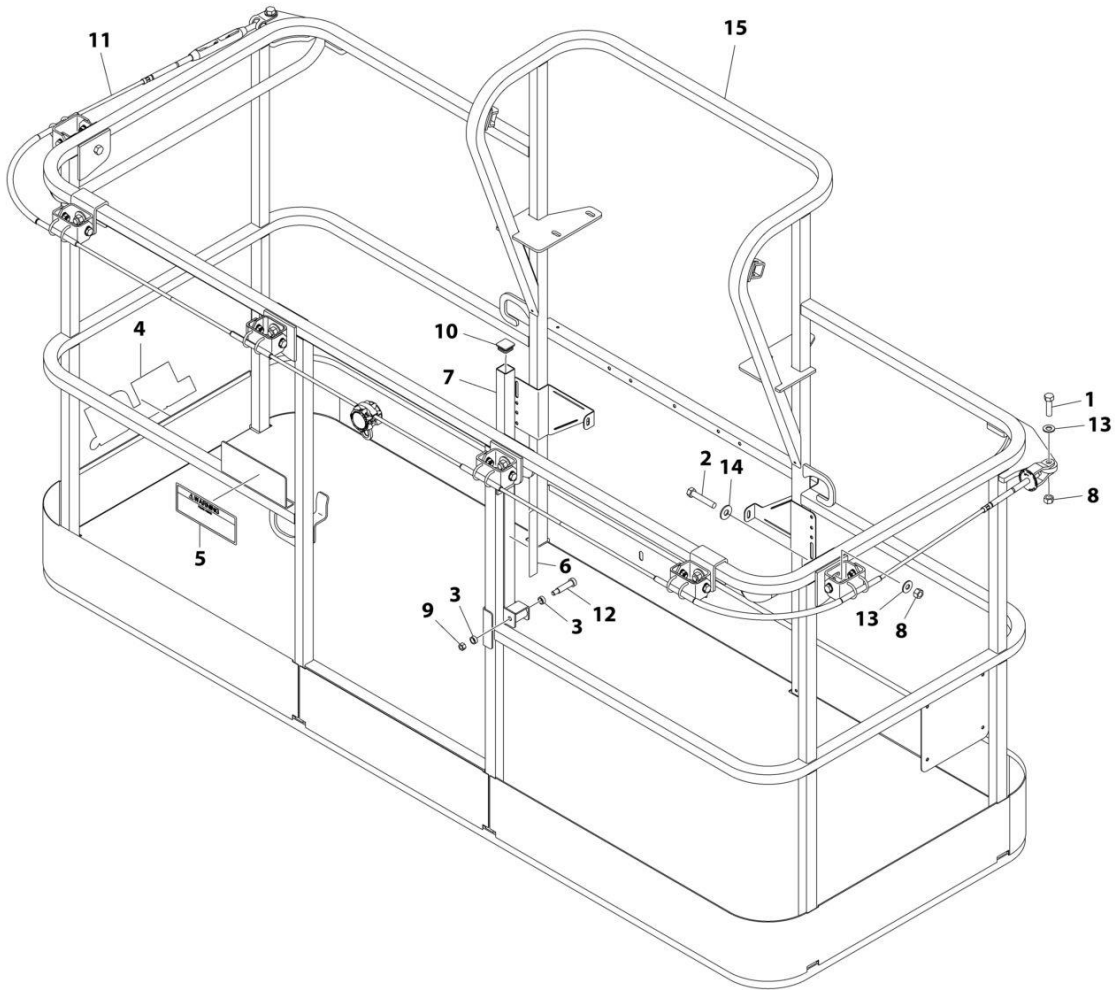
SECTION 5 - PLATFORM

FIGURE 5-14. PLATFORM ASSEMBLY - 36IN X 8FT (91.5CM X 2.44M) WITH TRI-ENTRY (3 DROP BARS)

ITEM	PART NUMBER	QTY	DESCRIPTION	REV
	1001228375	Ref	PLATFORM ASSEMBLY - 36IN X 8FT (91.5CM X 2.44M) WITH TRI-ENTRY	A
		Ref	Note: Platform and Mesh must be ordered separately for Platforms with Mesh. See SPECIAL OPTIONS SECTION for Mesh Installations.	
		Ref	Note: Replacement Decals Must be Ordered Separately - See DECAL SECTION.	
1	0100011	AR	Compound, Locking	
2	0641418	6	Bolt 1/4 x 2-1/4	
3	0961845	6	Bushing	
4	3290606	2	Nut M6 x 1	
5	3300151	6	Nut 1/4	
6	3520072	2	Cap, Plug	
7	3520198	2	Cap, Plug	
8	4010618	2	Screw M6 x 50	
9	4711400	12	Washer 1/4	
10	4811700	2	Washer M6	
11	1001138494	3	Bar, Drop	
12	1001138514	1	Rail (Top)	
13	1001140429	3	Decal - Drop Bar	
14	See Note	1	Platform (Note: Not Available - Purchase Platform Assembly)	

SECTION 5 - PLATFORM

FIGURE 5-15. PLATFORM ASSEMBLY - 36IN X 8FT (91.5CM X 2.44M) WITH FALL ARREST



ART_1001186334

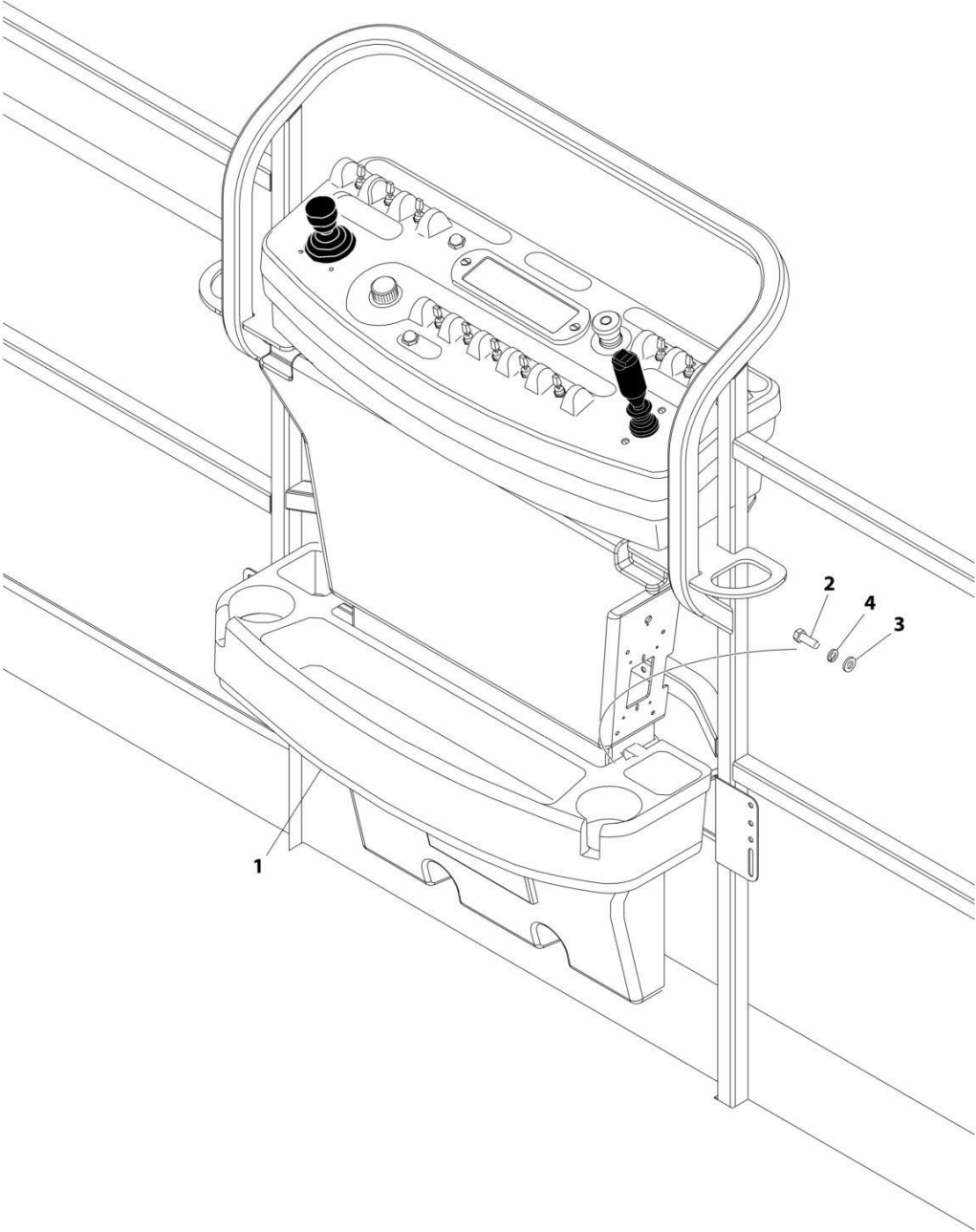
SECTION 5 - PLATFORM

FIGURE 5-15. PLATFORM ASSEMBLY - 36IN X 8FT (91.5CM X 2.44M) WITH FALL ARREST

ITEM	PART NUMBER	QTY	DESCRIPTION	REV
	1001186334	Ref	PLATFORM ASSEMBLY	D
		Ref	Note: Replacement Decals Must be Ordered Separately - See DECALS SECTION.	
1	0681814	2	Bolt 1/2 x 1-3/4 Grade 8	
2	0681822	6	Bolt 1/2 x 2-3/4 Grade 8	
3	0962270	2	Bearing	
4	1702773	1	Decal - JLG	
5	1705014	1	Decal - Safety	
6	1706385	1	Decal - Drop Bar	
7	2410014	1	Bar, Drop	
8	3271805	8	Nut 1/2 Grade 8	
9	3311605	1	Nut 3/8	
10	3520072	1	Plug	
11	1001203656	1	Cable	
12	3900054	1	Bolt 1/2 x 1-3/4	
13	4711800	2	Washer 1/2	
14	4751800	6	Washer 1/2	
15	See Note	NSS	Platform (Note: Purchase Platform Assembly)	

SECTION 5 - PLATFORM

FIGURE 5-16. TRAY ASSEMBLY



ART_1580012

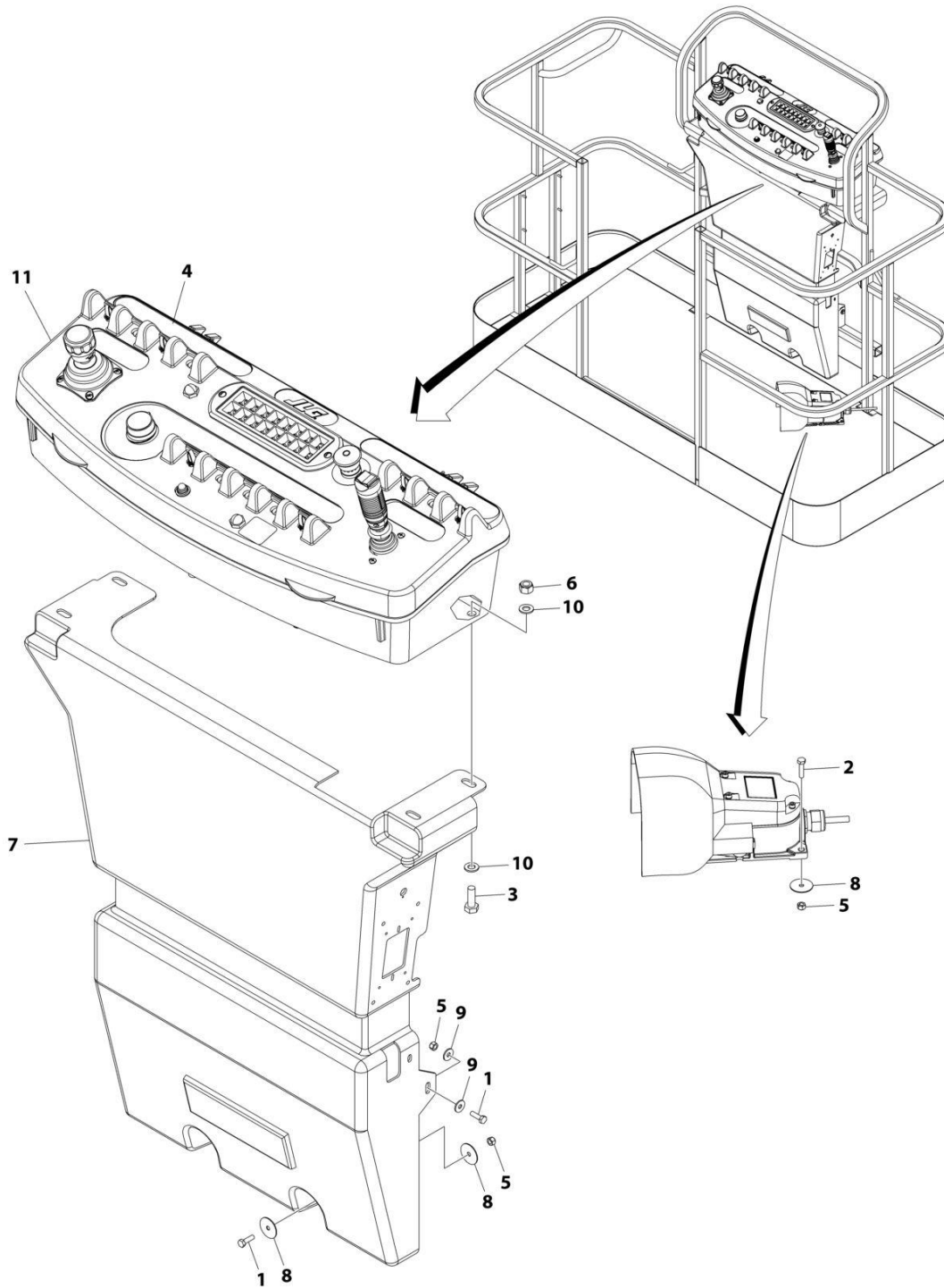
SECTION 5 - PLATFORM

FIGURE 5-16. TRAY ASSEMBLY

ITEM	PART NUMBER	QTY	DESCRIPTION	REV
	1580012	Ref	TRAY ASSEMBLY	C
1	See Note	NSS	Tray, Storage (Center) (Note: Purchase p/n 1580012)	
2	0641406	2	Bolt 1/4 x 3/4	
3	4751400	2	Washer 1/4	
4	4761400	2	Washer 1/4	

SECTION 5 - PLATFORM

FIGURE 5-17. PLATFORM CONSOLE AND FOOTSWITCH INSTALLATION (SN 0300235168 through 0300259907, SN B30002655 through B300005754)



ART_1001192466

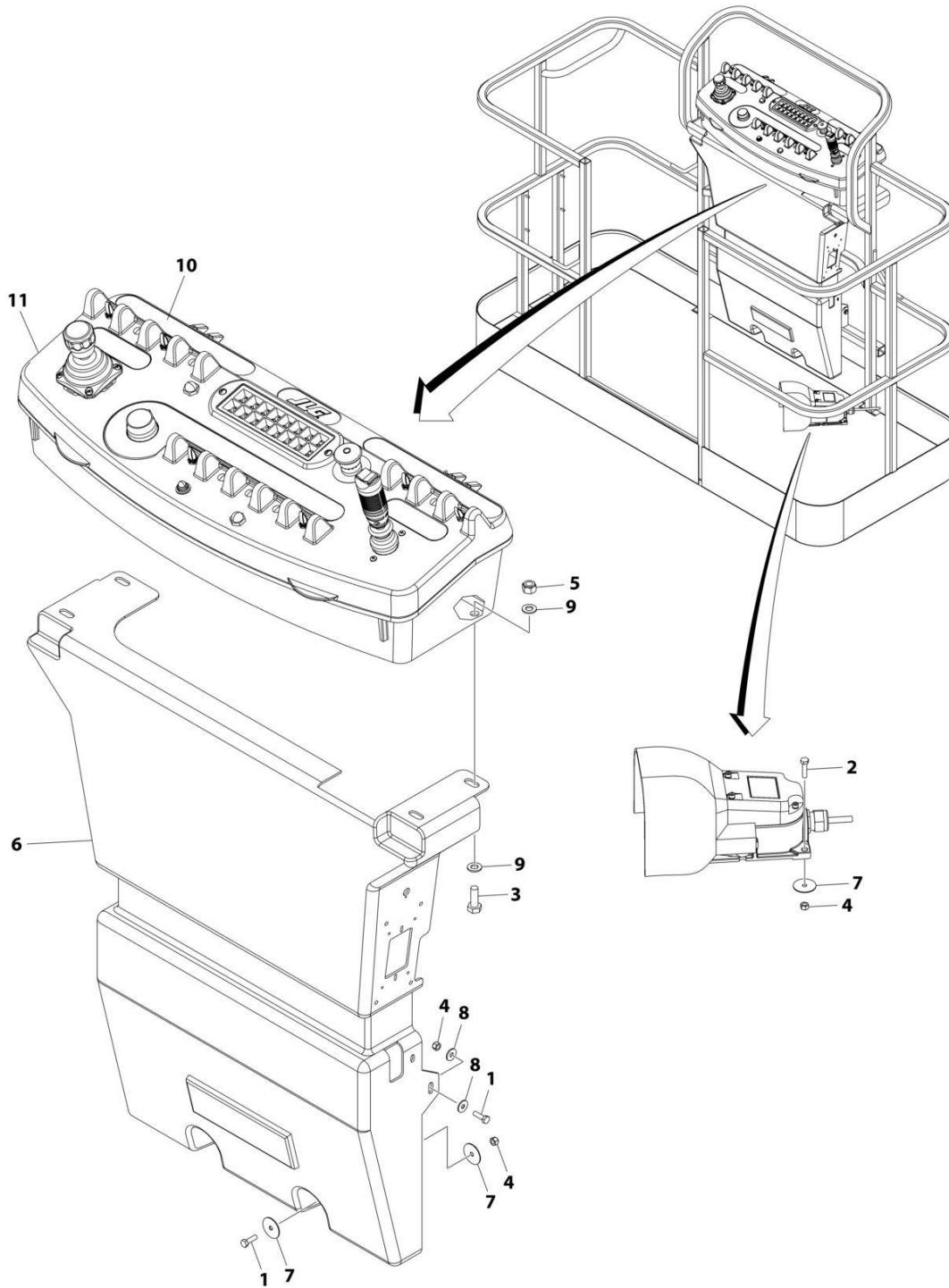
SECTION 5 - PLATFORM

FIGURE 5-17. PLATFORM CONSOLE AND FOOTSWITCH INSTALLATION (SN 0300235168 through 0300259907, SN B30002655 through B300005754)

ITEM	PART NUMBER	QTY	DESCRIPTION	REV
	1001192466	Ref	PLATFORM CONSOLE AND FOOTSWITCH INSTALLATION	C
1	0700610	4	Bolt M6 x 20	
2	0700612	3	Bolt M6 x 25	
3	0701014	4	Bolt M10 x 30	
4	1001184626	1	Decal - Horn	
5	3290605	7	Nut M6	
6	3291005	4	Nut M10	
7	3380434	1	Panel	
8	4740362	7	Washer	
9	4811702	4	Washer M6	
10	4812000	8	Washer M10	
11	1001202587	1	Platform Console Assembly (See Separate Breakdown in this Section)	

SECTION 5 - PLATFORM

FIGURE 5-18. PLATFORM CONSOLE AND FOOTSWITCH INSTALLATION (SN 0300259908 through 0300272445)



ART_1001243454

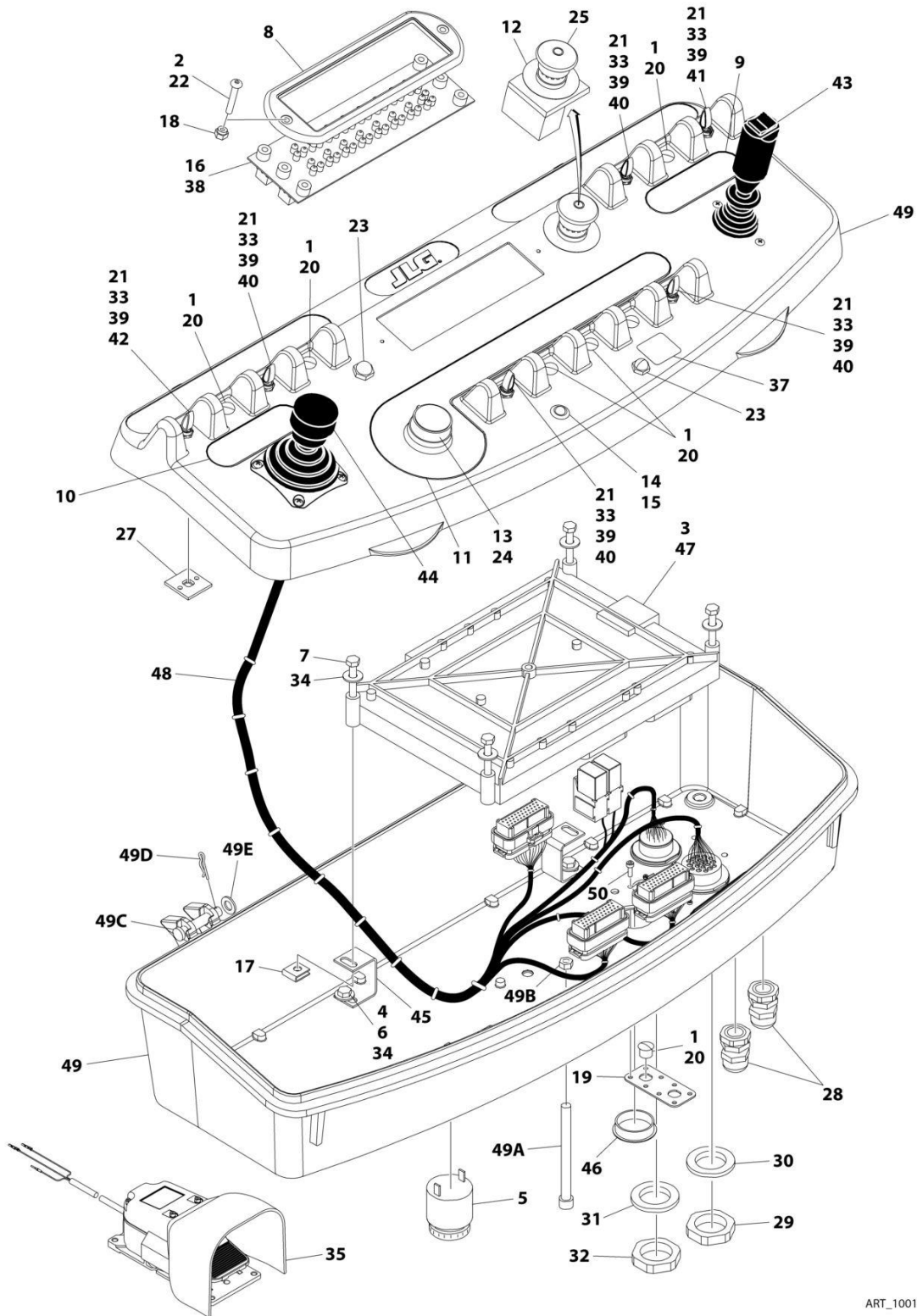
SECTION 5 - PLATFORM

FIGURE 5-18. PLATFORM CONSOLE AND FOOTSWITCH INSTALLATION (SN 0300259908 through 0300272445)

ITEM	PART NUMBER	QTY	DESCRIPTION	REV
	1001243454	Ref	PLATFORM CONSOLE AND FOOTSWITCH INSTALLATION	A
1	0700610	4	Bolt M6 x 20	
2	0700612	3	Bolt M6 x 25	
3	0701014	4	Bolt M10 x 30	
4	3290605	7	Nut M6	
5	3291005	4	Nut M10	
6	3380434	1	Panel	
7	4740362	7	Washer	
8	4811702	4	Washer M6	
9	4812000	8	Washer M10	
10	1001184626	1	Decal - Horn	
11	1001243459	1	Platform Console Assembly (See Separate Breakdown in this Section)	

SECTION 5 - PLATFORM

FIGURE 5-19. CONSOLE BOX ASSEMBLY (SN 0300235168 through 0300259907, SN B30002655 through B300005754)



ART_1001202587

SECTION 5 - PLATFORM

FIGURE 5-19. CONSOLE BOX ASSEMBLY (SN 0300235168 through 0300259907, SN B30002655 through B300005754)

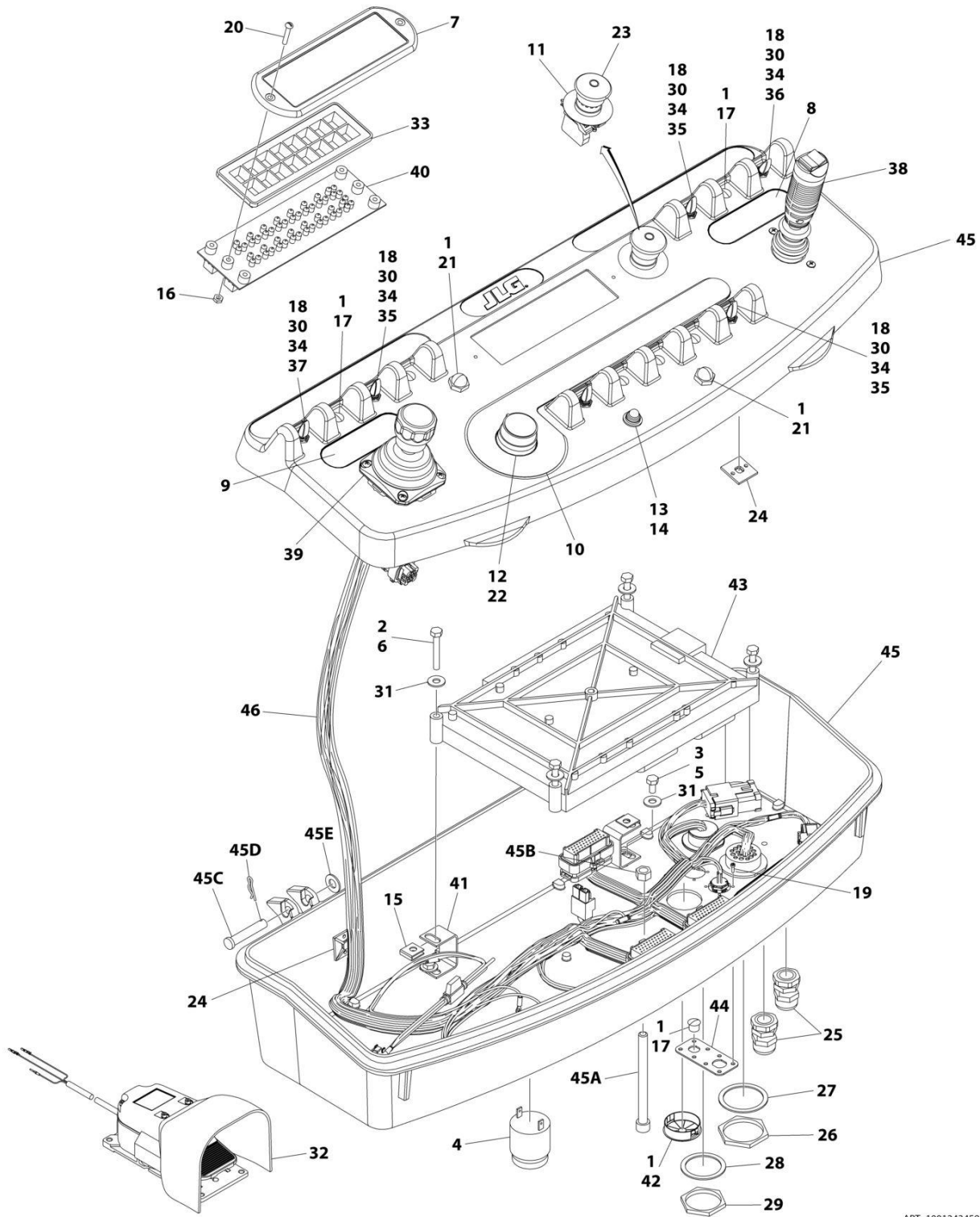
ITEM	PART NUMBER	QTY	DESCRIPTION	REV
	1001202587	Ref	CONSOLE BOX ASSEMBLY	G
1	0100009	AR	Sealant	
2	0100035	AR	Compound, Locking	
3	0100048	AR	Grease, Dielectric	
4	0100081	AR	Adhesive	
5	0140011	1	Alarm	
6	0641404	4	Bolt 1/4 x 1/2	
7	0641414	4	Bolt 1/4 x 1-3/4	
8	1670829	1	Bezel	
9	1702565	1	Decal - Drive and Steer	
10	1702566	1	Decal - Lift and Swing	
11	1702567	1	Decal - Function Speed	
12	1704260	1	Decal - Emergency Stop	
13	2560136	1	Handle, Knob	
14	2920028	1	Light, Indicator	
15	2920029	1	Bulb, Light	
16	1001170838	1	Gauge, LED	
17	3300353	4	Nut, Tinnerman	
18	3311005	2	Nut #10	
19	1001213882	1	Mount, Connector	
20	3520054	7	Plug	
21	3790012	6	O-Ring	
22	3911018	2	Screw #10 x 1-1/8	
23	4360387	2	Switch, Push Button	
24	4360407	1	Controller, Speed	
24	4460224	1	Receptacle, Female - 6 Position	
24	4460226	6	Socket, Female	
24	See Note	1	Gasket "Top Hat" (Included with Switch) (Note: Not Available - Purchase Complete Controller)	
24	70003784	1	Seal	
25	4360475	1	Switch, Emergency Stop	
25	7020175	1	Cap, Red	
25	7020176	1	Block, Contact	
27	4460234	3	Mount, Tie-Strap	
28	4460428	2	Connector, Strain Relief	
29	4460470	1	Nut, Terminal	
30	4460471	1	Washer, Terminal	
31	4460496	1	Washer, Terminal	
32	4460497	1	Nut, Terminal	
33	4740397	6	Washer	
34	4751400	8	Washer 1/4	
35	1001117174	1	Footswitch Assembly (See Separate Breakdown in this Section)	
37	1001144433	1	Decal - No Weight SkyGuard	
38	1001146220	1	Fixture, Light	
39	1001155044	6	Nut 15/32	
40	1001155045	5	Switch, Toggle	
41	1001159256	1	Switch, Toggle	
42	1001161709	1	Switch, Toggle	
43	1001166538	NLA	Controller Assembly (Drive and Steer) (Use p/n 1001212415) (See	

SECTION 5 - PLATFORM

ITEM	PART NUMBER	QTY	DESCRIPTION	REV
44	1001166539	NLA	Separate Breakdown in this Section) Controller Assembly (Lift and Swing) (Use p/n 10012129555) (See Separate Breakdown in this Section)	
45	1001172760	4	Bracket	
46	1001185281	1	Plug	
47	1001185726	1	Module, Platform (Note: Re-calibration Required when Replaced)	
48	1001196222	1	Platform Console Harness (See Separate Breakdown in ELECTRICAL SECTION)	
49	1001215228	1	Console Box Assembly	
49A	0630568	1	Capscrew 3/8 x 4-1/2	
49B	3311601	1	Nut 3/8	
49C	3430616	2	Pin	
49D	3470003	2	Hairpin	
49E	4711600	2	Washer 3/8	
50	3900349	8	Capscrew M2.5 x 8	

SECTION 5 - PLATFORM

FIGURE 5-20. CONSOLE BOX ASSEMBLY (SN 0300259908 through 0300272445)



ART_1001243459

SECTION 5 - PLATFORM

FIGURE 5-20. CONSOLE BOX ASSEMBLY (SN 0300259908 through 0300272445)

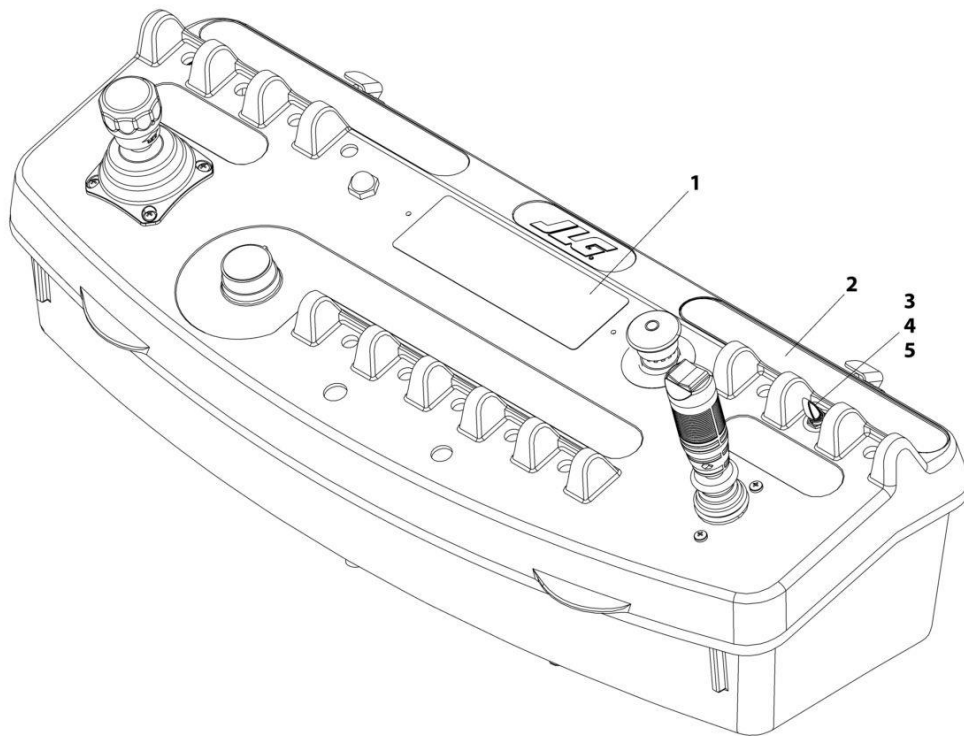
ITEM	PART NUMBER	QTY	DESCRIPTION	REV
	1001243459	Ref	CONSOLE BOX ASSEMBLY	A
1	0100009	AR	Sealant	
2	0100048	AR	Grease, Dielectric	
3	0100035	AR	Compound, Locking	
4	0140011	1	Alarm	
5	0641404	4	Bolt 1/4 x 1/2	
6	0641414	4	Bolt 1/4 x 1-3/4	
7	1670829	1	Bezel	
8	1702565	1	Decal - Drive and Steer	
9	1702566	1	Decal - Lift and Swing	
10	1702567	1	Decal - Function Speed	
11	1704260	1	Decal - Emergency Stop	
12	2560136	1	Handle, Knob	
13	2920028	1	Light, Indicator	
14	2920029	1	Bulb, Light	
15	3300353	4	Nut, Tinnerman	
16	3311005	2	Nut #10	
17	3520054	7	Plug	
18	3790012	6	O-Ring	
19	3900349	8	Capscrew M2.5 x 8	
20	3911018	2	Screw #10 x 1-1/8	
21	4360387	2	Switch, Push Button	
22	4360407	1	Controller, Speed	
22	4460224	1	Receptacle, Female - 6 Position	
22	4460226	6	Socket, Female	
22	See Note	1	Gasket "Top Hat" (Included with Switch) (Note: Not Available - Purchase Complete Controller)	
22	70003784	1	Seal	
23	4360475	1	Switch, Emergency Stop	
23	7020175	1	Cap, Red	
23	7020176	1	Block, Contact	
24	4460234	5	Mount, Tie-Strap	
25	4460428	2	Connector, Strain Relief	
26	4460470	1	Nut, Terminal	
27	4460471	1	Washer, Terminal	
28	4460496	1	Washer, Terminal	
29	4460497	1	Nut, Terminal	
30	4740397	6	Washer	
31	4751400	8	Washer 1/4	
32	1001117174	1	Footswitch Assembly (See Separate Breakdown in this Section)	
33	1001146220	1	Fixture, Light	
34	1001155044	6	Nut 15/32	
35	1001155045	5	Switch, Toggle	
36	1001159256	1	Switch, Toggle	
37	1001161709	1	Switch, Toggle	
38	1001166538	NLA	Controller Assembly (Drive and Steer) (Use p/n 1001212415) (See Separate Breakdown in this Section)	
39	1001166539	NLA	Controller Assembly (Lift and Swing) (Use p/n 10012129555) (See Separate Breakdown in this Section)	
40	1001170838	1	Gauge, LED	

SECTION 5 - PLATFORM

ITEM	PART NUMBER	QTY	DESCRIPTION	REV
41	1001172760	4	Bracket	
42	1001185281	1	Plug	
43	1001185726	1	Module, Platform (Note: Re-calibration Required when Replaced)	
44	1001213882	1	Mount, Connector	
45	1001215228	1	Console Box Assembly	
45A	0630568	1	Capscrew 3/8 x 4-1/2	
45B	3311601	1	Nut 3/8	
45C	3430616	2	Pin	
45D	3470003	2	Hairpin	
45E	4711600	2	Washer 3/8	
46	1001243261	1	Platform Console Harness (See Separate Breakdown in ELECTRICAL SECTION)	

SECTION 5 - PLATFORM

FIGURE 5-21. DECAL AND LIGHT PANEL INSTALLATION - 600S (ALL SPECS EXCEPT AUSTRALIAN AND CE SPECS)



ART_1001167963

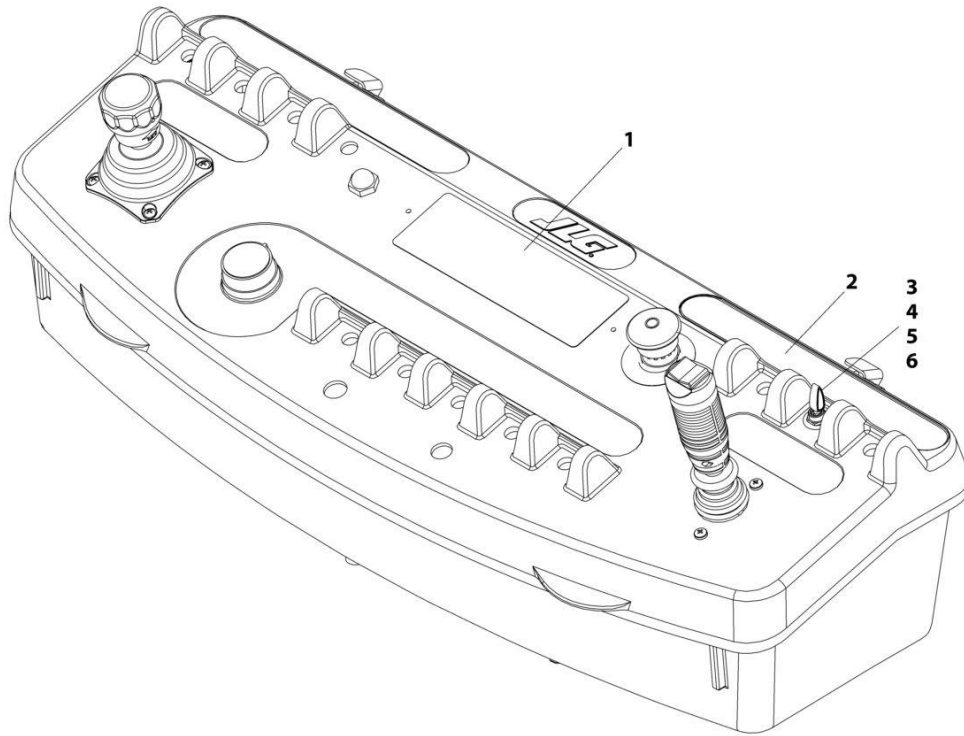
SECTION 5 - PLATFORM

FIGURE 5-21. DECAL AND LIGHT PANEL INSTALLATION - 600S (ALL SPECS EXCEPT AUSTRALIAN AND CE SPECS)

ITEM	PART NUMBER	QTY	DESCRIPTION	REV
	1001167963	Ref	DECAL AND LIGHT PANEL INSTALLATION	C
1	1001167962	1	Decal - Display	
2	1001195947	1	Decal - Stop and Aux Power	
3	3790012	1	O-Ring	
4	1001155044	1	Nut 15/32	
5	1001161710	1	Switch, Toggle	

SECTION 5 - PLATFORM

FIGURE 5-22. DECAL AND LIGHT PANEL INSTALLATION - 600S (CE SPECS)



ART_1001184620

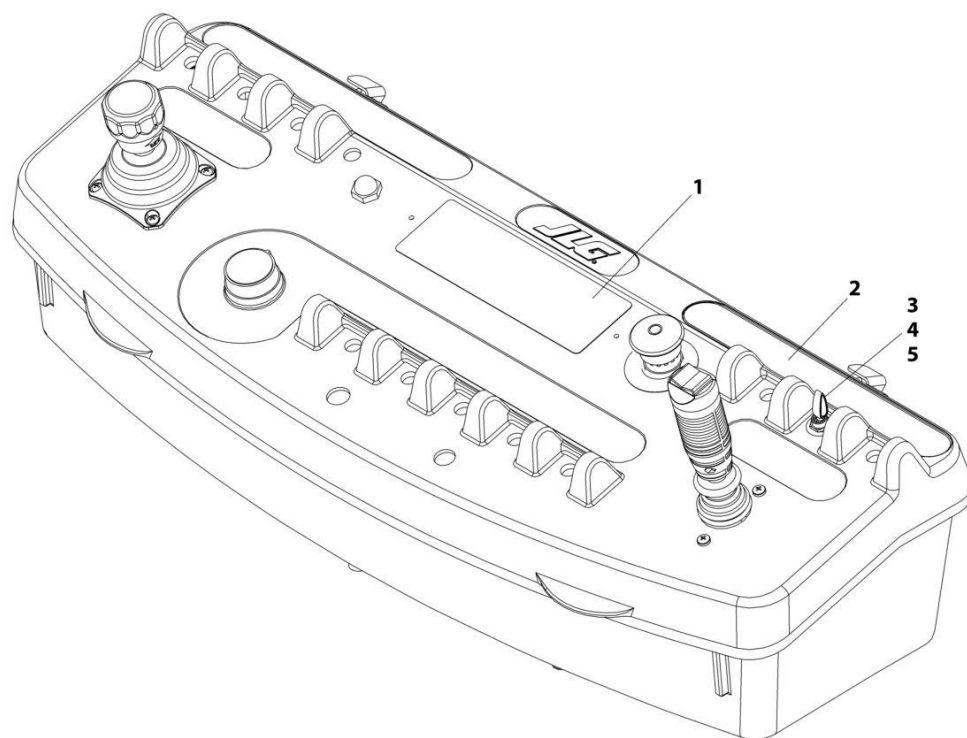
SECTION 5 - PLATFORM

FIGURE 5-22. DECAL AND LIGHT PANEL INSTALLATION - 600S (CE SPECS)

ITEM	PART NUMBER	QTY	DESCRIPTION	REV
	1001184620	Ref	DECAL AND LIGHT PANEL INSTALLATION	B
1	1001184621	1	Decal - Display	
2	1001184619	1	Decal - Stop and Aux Power	
3	3790012	1	O-Ring	
4	1001155044	1	Nut 15/32	
5	1001161710	1	Switch, Toggle	
6	4740397	1	Spacer	

SECTION 5 - PLATFORM

FIGURE 5-23. DECAL AND LIGHT PANEL INSTALLATION - 660SJ (ALL SPECS EXCEPT AUSTRALIAN AND CE SPECS)



ART_1001193238

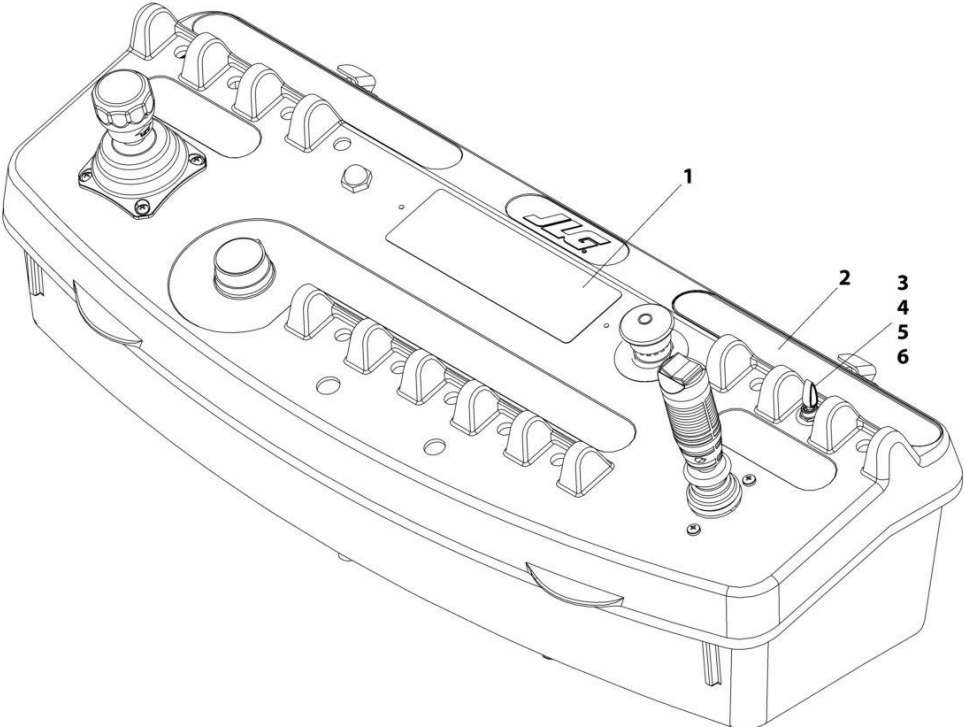
SECTION 5 - PLATFORM

FIGURE 5-23. DECAL AND LIGHT PANEL INSTALLATION - 660SJ (ALL SPECS EXCEPT AUSTRALIAN AND CE SPECS)

ITEM	PART NUMBER	QTY	DESCRIPTION	REV
	1001193238	Ref	DECAL AND LIGHT PANEL INSTALLATION	B
1	1001193756	1	Decal - Display	
2	1001207105	1	Decal - Stop and Aux Power	
3	3790012	1	O-Ring	
4	1001155044	1	Nut 15/32	
5	1001161710	1	Switch, Toggle	

SECTION 5 - PLATFORM

FIGURE 5-24. DECAL AND LIGHT PANEL INSTALLATION - 660SJ (AUSTRALIAN AND CE SPECS)



ART_1001193239

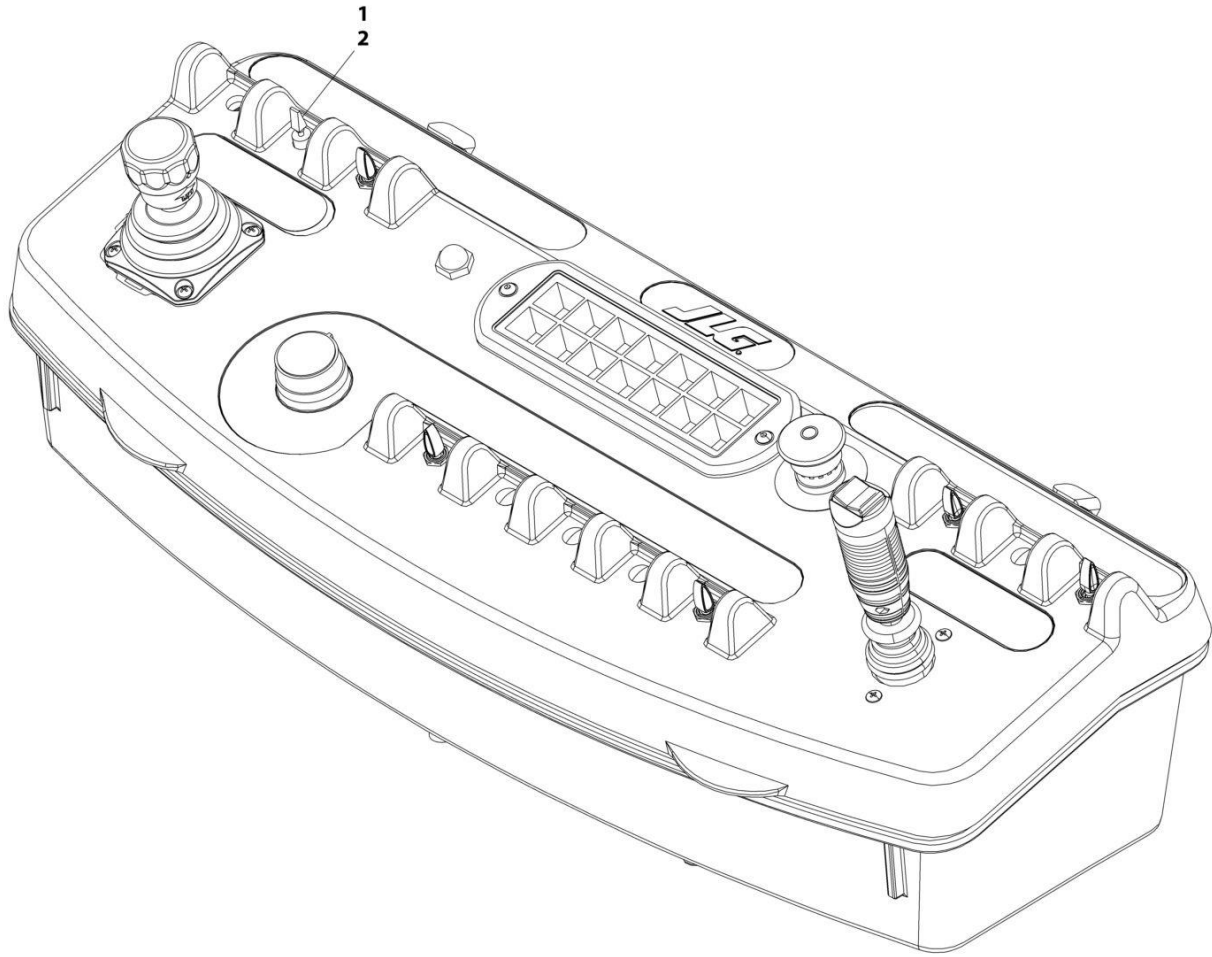
SECTION 5 - PLATFORM

FIGURE 5-24. DECAL AND LIGHT PANEL INSTALLATION - 660SJ (AUSTRALIAN AND CE SPECS)

ITEM	PART NUMBER	QTY	DESCRIPTION	REV
	1001193239	Ref	DECAL AND LIGHT PANEL INSTALLATION	B
1	1001193757	1	Decal - Display	
2	1001193758	1	Decal - Stop and Aux Power	
3	3790012	1	O-Ring	
4	1001155044	1	Nut 15/32	
5	1001161710	1	Switch, Toggle	
6	4740397	1	Washer	

SECTION 5 - PLATFORM

FIGURE 5-25. STEER SWITCH INSTALLATION WITHOUT TOW PACKAGE (4WD/4WS MACHINES)



ART_1001181771

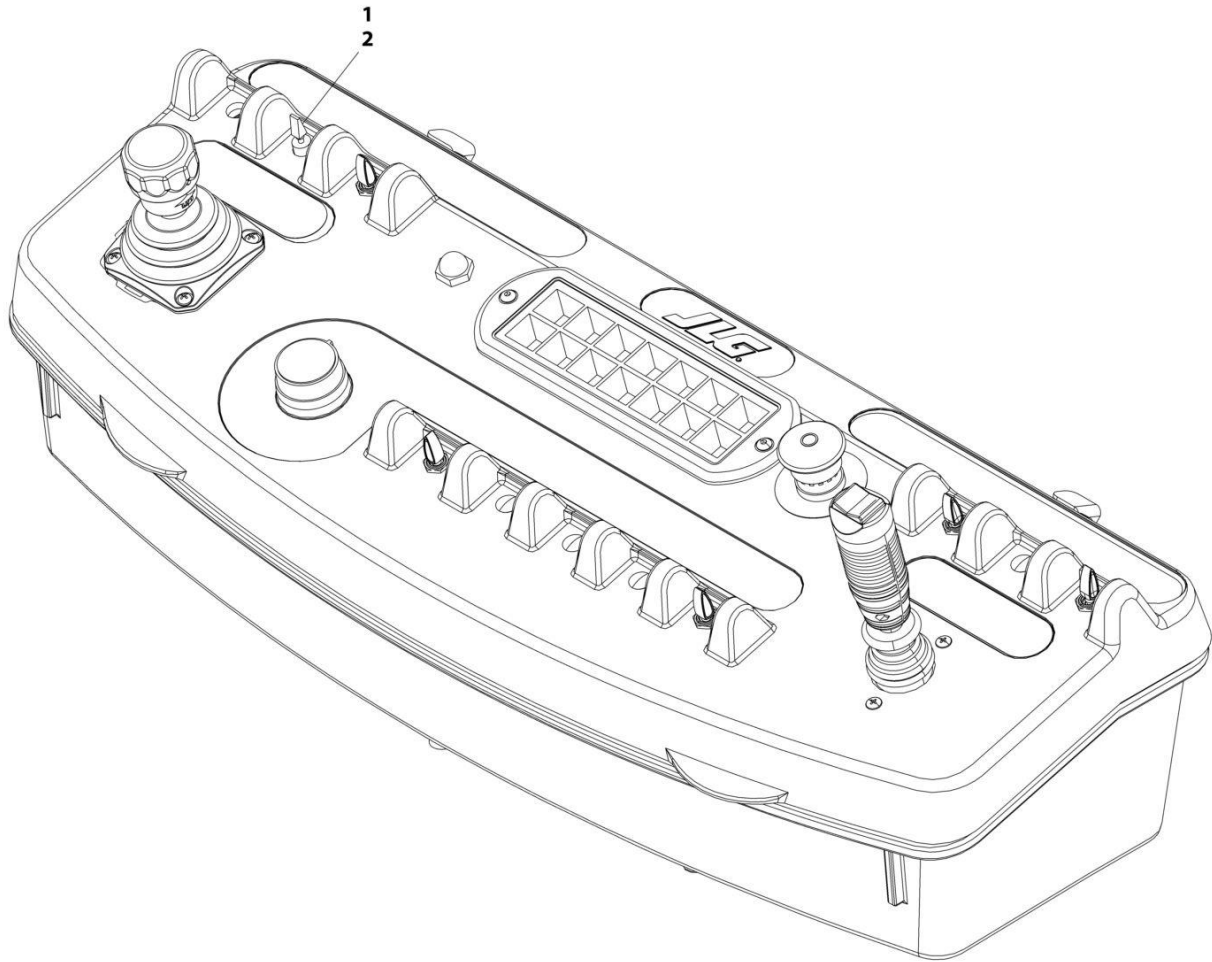
SECTION 5 - PLATFORM

FIGURE 5-25. STEER SWITCH INSTALLATION WITHOUT TOW PACKAGE (4WD/4WS MACHINES)

ITEM	PART NUMBER	QTY	DESCRIPTION	REV
	1001181771	Ref	STEER SWITCH INSTALLATION	B
1	3790012	1	O-Ring	
2	4360331	1	Switch, Toggle	

SECTION 5 - PLATFORM

FIGURE 5-26. STEER SWITCH INSTALLATION WITH TOW PACKAGE (4WD/4WS MACHINES)



ART_1001181773

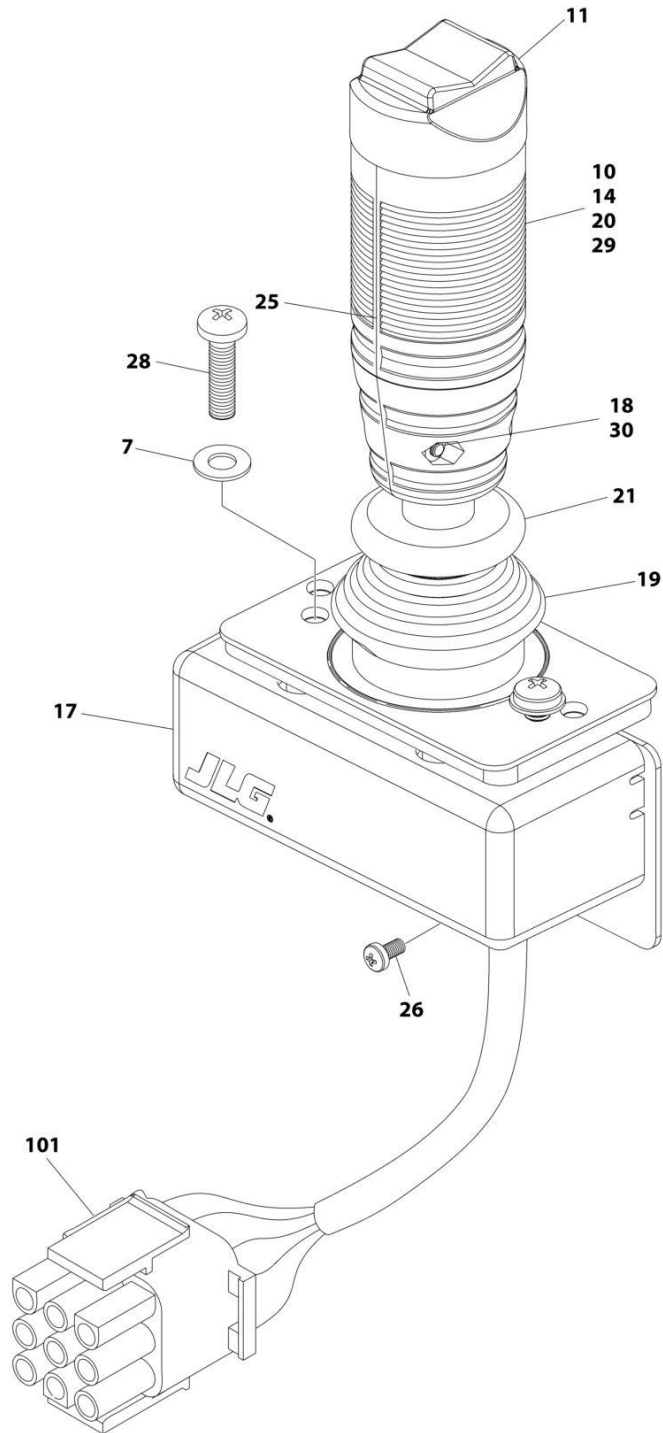
SECTION 5 - PLATFORM

FIGURE 5-26. STEER SWITCH INSTALLATION WITH TOW PACKAGE (4WD/4WS MACHINES)

ITEM	PART NUMBER	QTY	DESCRIPTION	REV
	1001181773	Ref	STEER SWITCH INSTALLATION	B
1	3790012	1	O-Ring	
2	4360331	1	Switch, Toggle	

SECTION 5 - PLATFORM

FIGURE 5-27. CONTROLLER ASSEMBLY (DRIVE AND STEER)



ART_1001166538

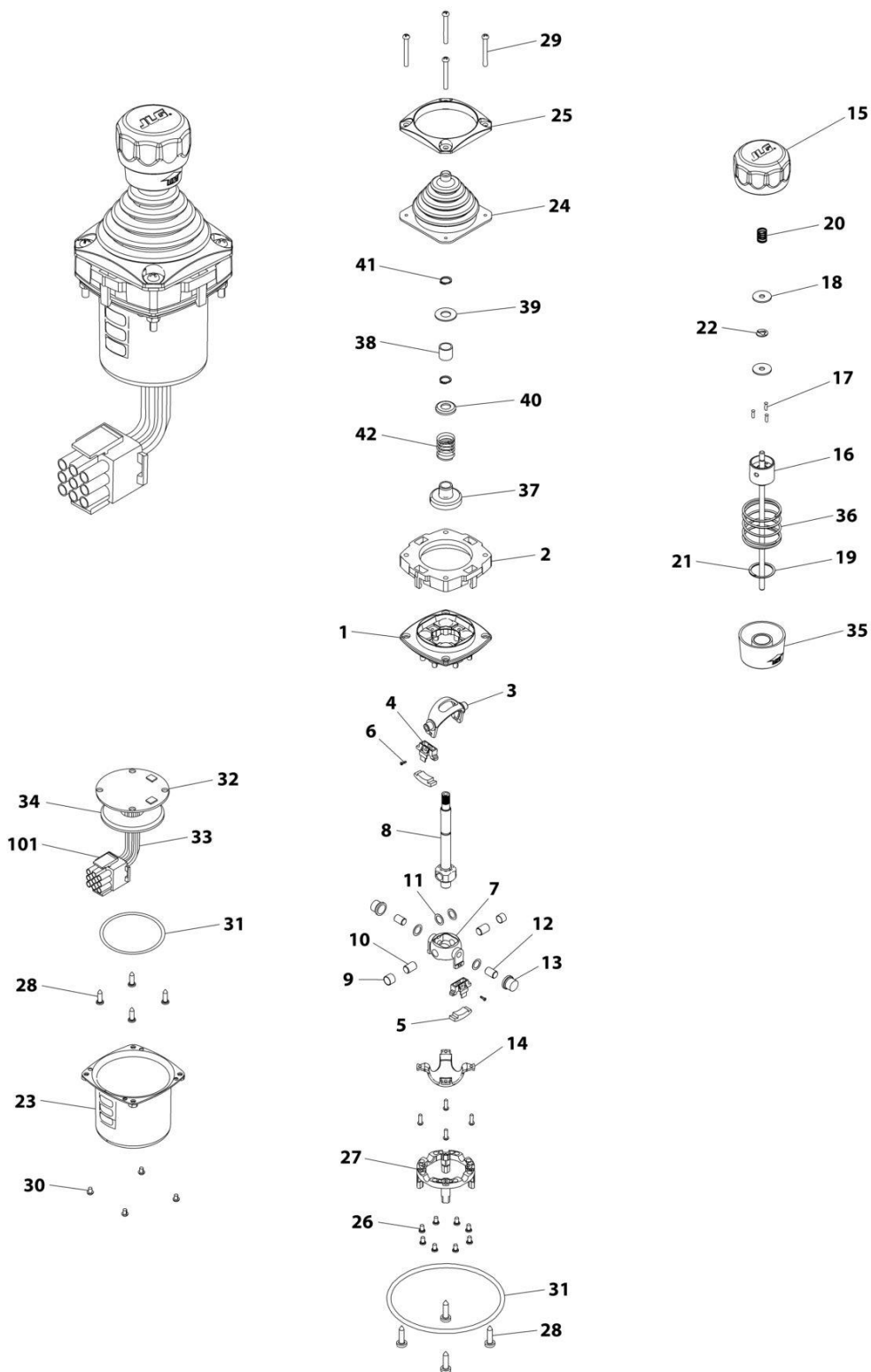
SECTION 5 - PLATFORM

FIGURE 5-27. CONTROLLER ASSEMBLY (DRIVE AND STEER)

ITEM	PART NUMBER	QTY	DESCRIPTION	REV
	1001166538	Ref	CONTROLLER ASSEMBLY - DRIVE AND STEER	G
		Ref	Note: For Replacement, Use p/n 1001212415.	
7	70004738	2	Washer	
10	70004739	1	Roller	
11	70004740	1	Boot, Switch	
14	70004741	2	Half, Handle	
17	70004742	1	Enclosure	
18	70004743	4	Nut	
19	70004744	NLA	Boot, Controller (Use p/n 70005230 Boot/Base Assembly)	
20	70004745	NLA	Tube, Locking (Use p/n 70005230 Boot/Base Assembly)	
21	70004746	NLA	Disc, Locking (Use p/n 70005230 Boot/Base Assembly)	
25	70004747	2	Seal, Rope	
26	70004748	1	Screw M3 x 6	
28	70004749	2	Screw M5 x 20	
29	70004750	1	Pin, Dowel	
30	70004751	4	Screw M3 x 16	
101	4460265	1	Connector - 9 Position	
101	4460226	7	Socket, Female	

SECTION 5 - PLATFORM

FIGURE 5-28. CONTROLLER ASSEMBLY (LIFT AND SWING)



ART_1001166539

SECTION 5 - PLATFORM

FIGURE 5-28. CONTROLLER ASSEMBLY (LIFT AND SWING)

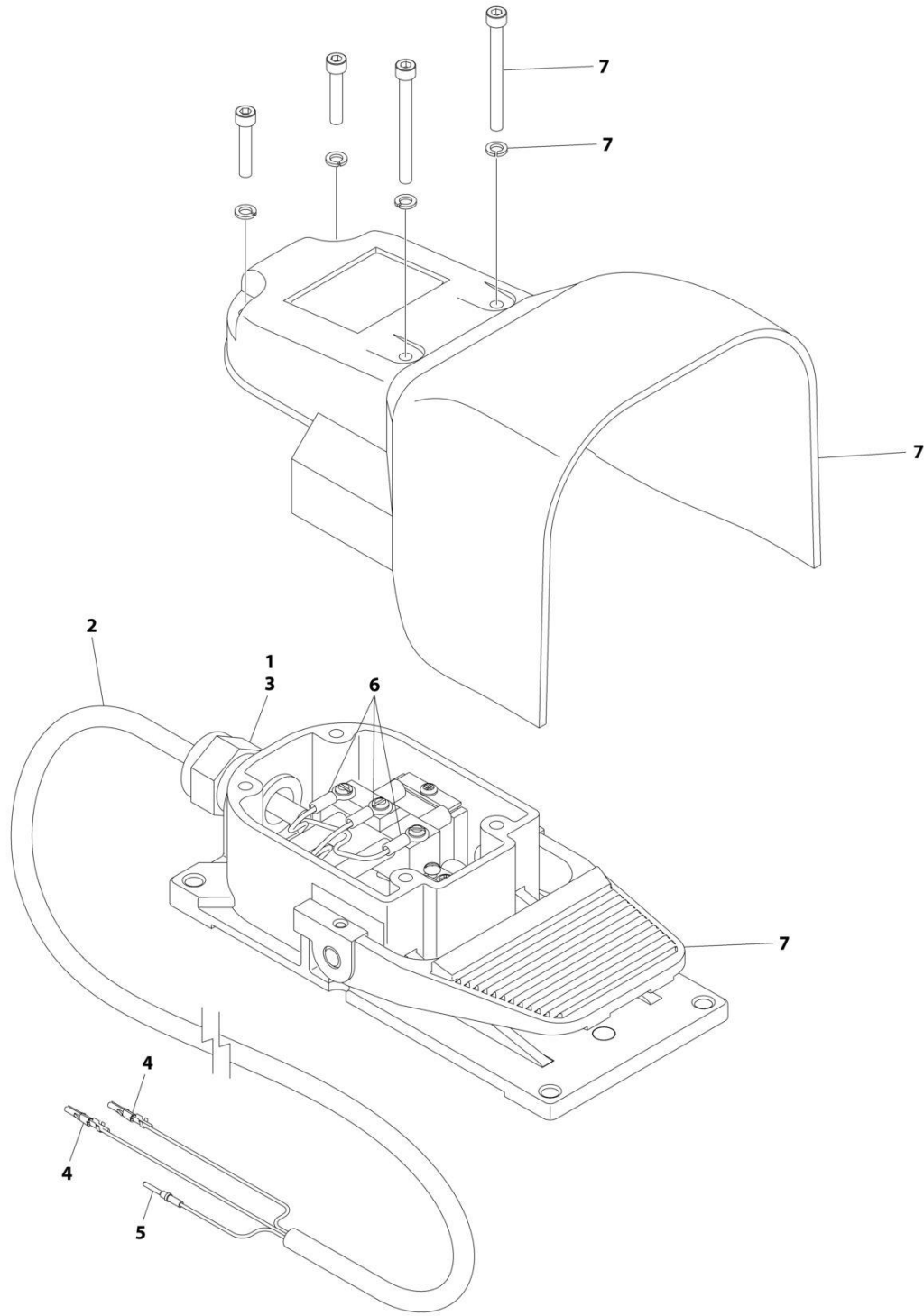
ITEM	PART NUMBER	QTY	DESCRIPTION	REV
	1001166539	Ref	CONTROLLER ASSEMBLY	E
		Ref	Note: Original Equipment Controller May Have Been Replaced with Service Replacement Controller. Visually Identify Controller Before Ordering Parts.	
		Ref	Note: For Replacement, Use p/n 1001129555	
1	See Note	NSS	Main Cast Body (Note: Not Available - Purchase Complete Assembly)	
2	70004752	1	Adapter	
3	See Note	NSS	Pivot Arm, Plastic (Note: Not Available - Purchase Complete Assembly)	
4	See Note	NSS	Holder, Magnet (Note: Not Available - Purchase Complete Assembly)	
5	See Note	NSS	Arc, Magnet (Note: Not Available - Purchase Complete Assembly)	
6	See Note	NSS	Screw (Note: Not Available for Purchase)	
7	See Note	NSS	Pivot Arm, Cast (Note: Not Available - Purchase Complete Assembly)	
8	See Note	NSS	Shaft, Main (Note: Not Available - Purchase Complete Assembly)	
9	See Note	NSS	Bearing (Note: Not Available - Purchase Complete Assembly)	
10	See Note	NSS	Pin (Note: Not Available - Purchase Complete Assembly)	
11	See Note	NSS	Shim (Note: Not Available - Purchase Complete Assembly)	
12	See Note	NSS	Pin (Note: Not Available - Purchase Complete Assembly)	
13	See Note	NSS	Bearing (Note: Not Available - Purchase Complete Assembly)	
14	See Note	NSS	Dome, Centering (Note: Not Available - Purchase Complete Assembly)	
15	70004753	1	Cap	
16	70004754	1	Insert, Cap	
17	70004755	3	Pin	
18	70004756	2	Washer	
19	70004757	1	Pin, Centering	
20	70004758	1	Spring	
21	70004759	1	Ring, Retaining	
22	70004760	1	E-Ring	
23	70004761	1	Can, Enclosure	
24	70004762	1	Boot	
25	70004763	1	Bezel	
26	See Note	NSS	Screw (Note: Not Available for Purchase)	
27	See Note	NSS	Base Mounting (Note: Not Available - Purchase Complete Assembly)	
28	See Note	NSS	Screw (Note: Not Available for Purchase)	
29	70004764	4	Screw	
30	70004765	4	Screw	
31	70004766	1	O-Ring	
32	See Note	NSS	Plate (Note: Not Available - Purchase Complete Assembly)	
33	See Note	NSS	Harness (Note: Not Available - Purchase Complete Assembly)	
34	70004767	1	Grommet, Rubber	
35	70004768	1	Housing	
36	70004769	1	Spring	
37	70004770	1	Stopper	
38	70004771	1	Spacer	
39	70004772	1	Washer	
40	70004773	1	Disc	

SECTION 5 - PLATFORM

ITEM	PART NUMBER	QTY	DESCRIPTION	REV
41	70004774	2	Ring, Retaining	
42	70004775	1	Spring	
101	4460265	1	Connector - 9 Position	
101	4460226	6	Socket, Female	

SECTION 5 - PLATFORM

FIGURE 5-29. FOOTSWITCH ASSEMBLY



ART_1001117174

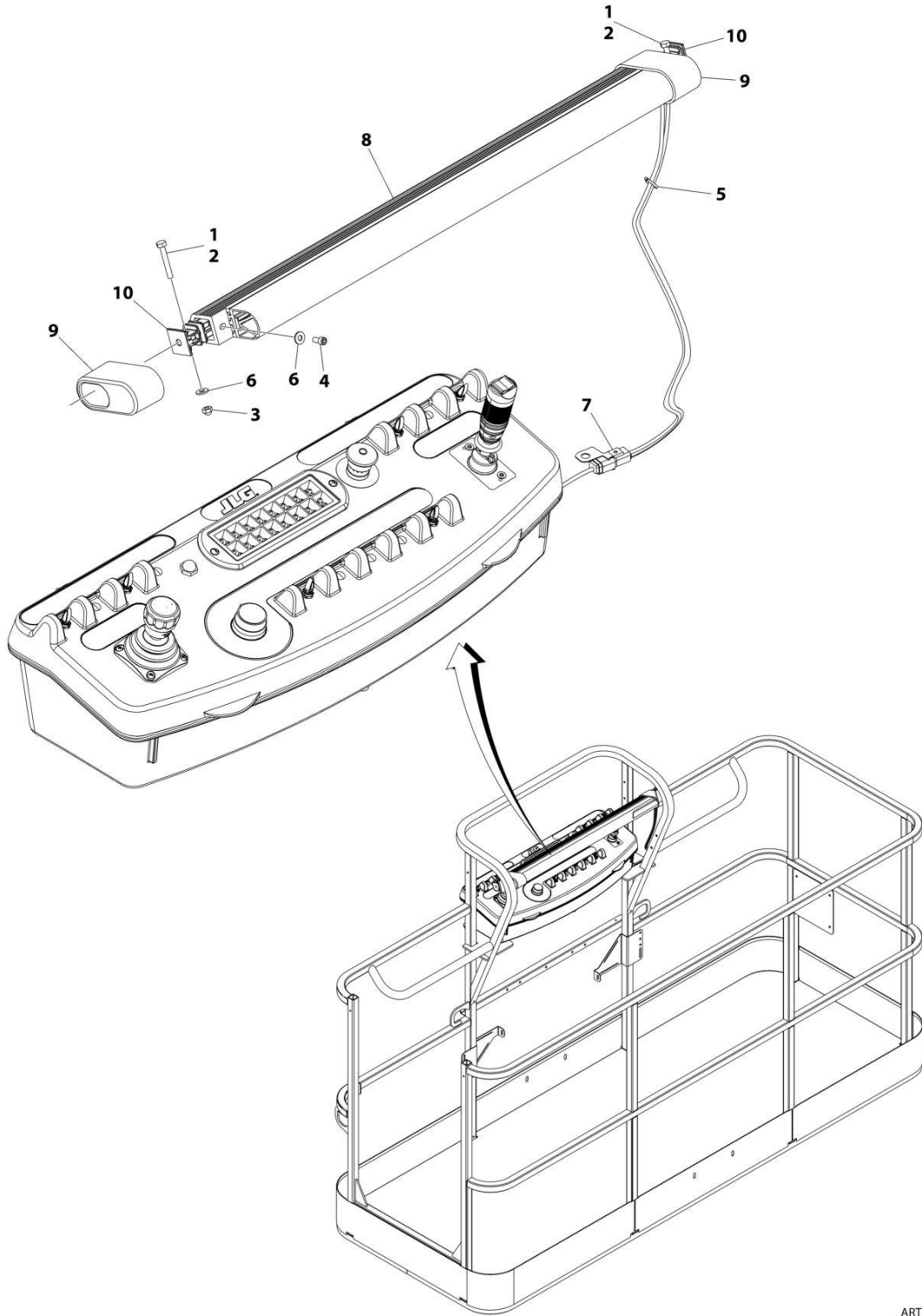
SECTION 5 - PLATFORM

FIGURE 5-29. FOOTSWITCH ASSEMBLY

ITEM	PART NUMBER	QTY	DESCRIPTION	REV
	1001117174	Ref	FOOTSWITCH ASSEMBLY	B
1	0100020	AR	Sealant	
2	1060918	7.5 ft/ 2.3m	Cable, Electrical - 18/3	
3	4460071	1	Connector, Strain Relief	
4	4460226	2	Socket, Female	
5	4460464	1	Pin, Male	
6	1001098122	3	Terminal	
7	1001117172	1	Footswitch	
7	70002902	1	Switch, 20Amp	
7	70002903	1	Gasket	
7	70002905	1	Cover	
7	70002904	1	Kit, Replacement Bolt	

SECTION 5 - PLATFORM

FIGURE 5-30. SKYGUARD INSTALLATION (SN 0300235168 through 0300259907, SN B30002655 through B300005754)



ART_1001187508

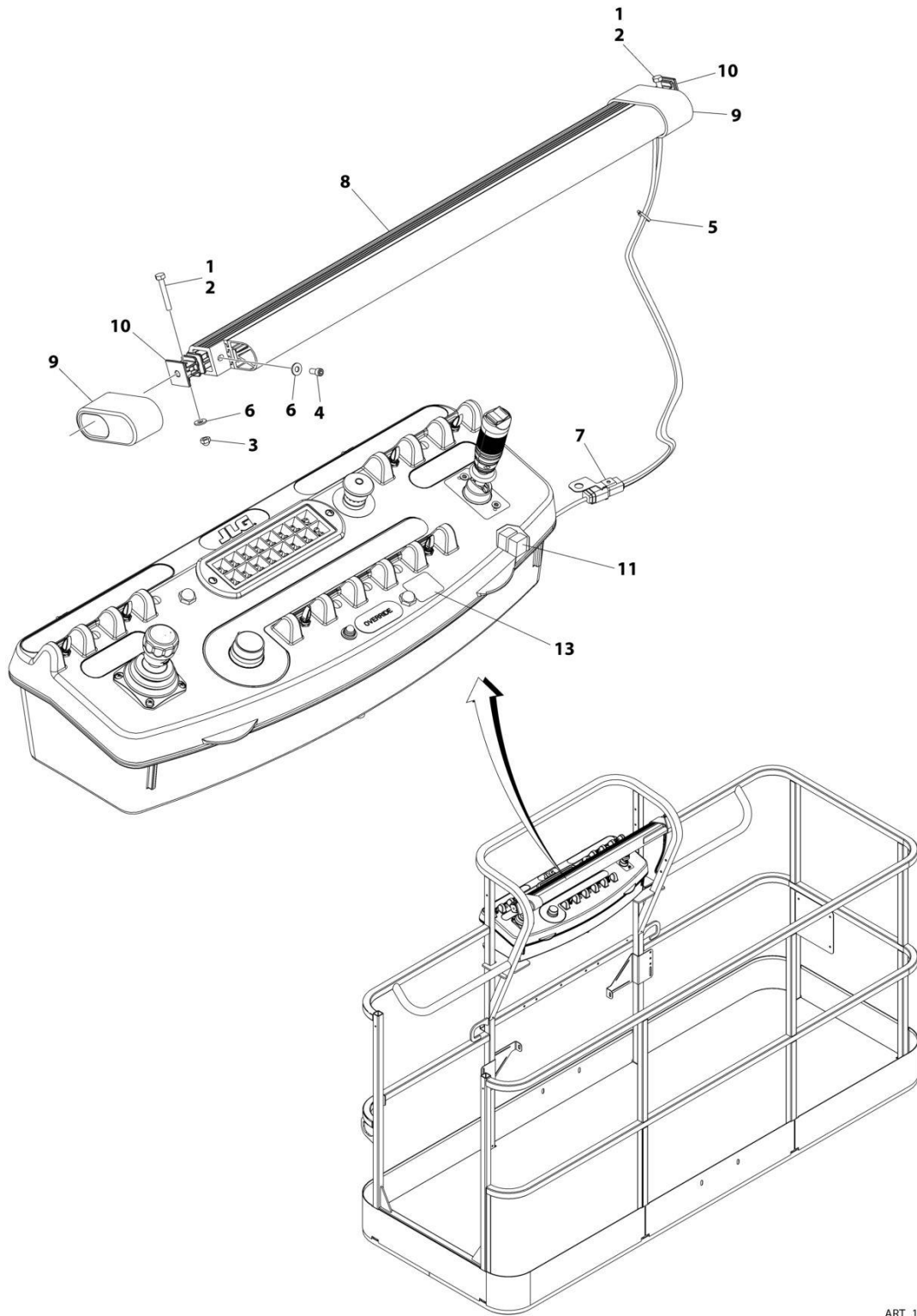
SECTION 5 - PLATFORM

FIGURE 5-30. SKYGUARD INSTALLATION (SN 0300235168 through 0300259907, SN B30002655 through B300005754)

ITEM	PART NUMBER	QTY	DESCRIPTION	REV
	1001187508	Ref	SKYGUARD INSTALLATION	D
1	0100011	AR	Compound, Locking	
2	0641414	2	Bolt 1/4 x 1-3/4	
3	3300430	2	Nut 1/4	
4	3931424	2	Capscrew 1/4 x 1-1/2	
4	3931408	2	Capscrew 1/4 x 1/2	
5	4240033	AR	Tie-Strap	
6	4711400	AR	Washer 1/4	
7	1001120328	1	Mount	
8	1001137673	1	SkyGuard Switch Assembly	
9	1001186517	2	Cover, Platform Sensor	
10	1001188889	2	Support, Block (SN 0300235168 through 0300237156, SN B300002655 through B300002764)	
10	1001209664	2	Support, Block (SN 0300237157 through 0300259907, SN B300002765 through B300005754)	

SECTION 5 - PLATFORM

FIGURE 5-31. SKYGUARD BAR INSTALLATION (SN 0300259908 through 0300272445)



ART_1001238495

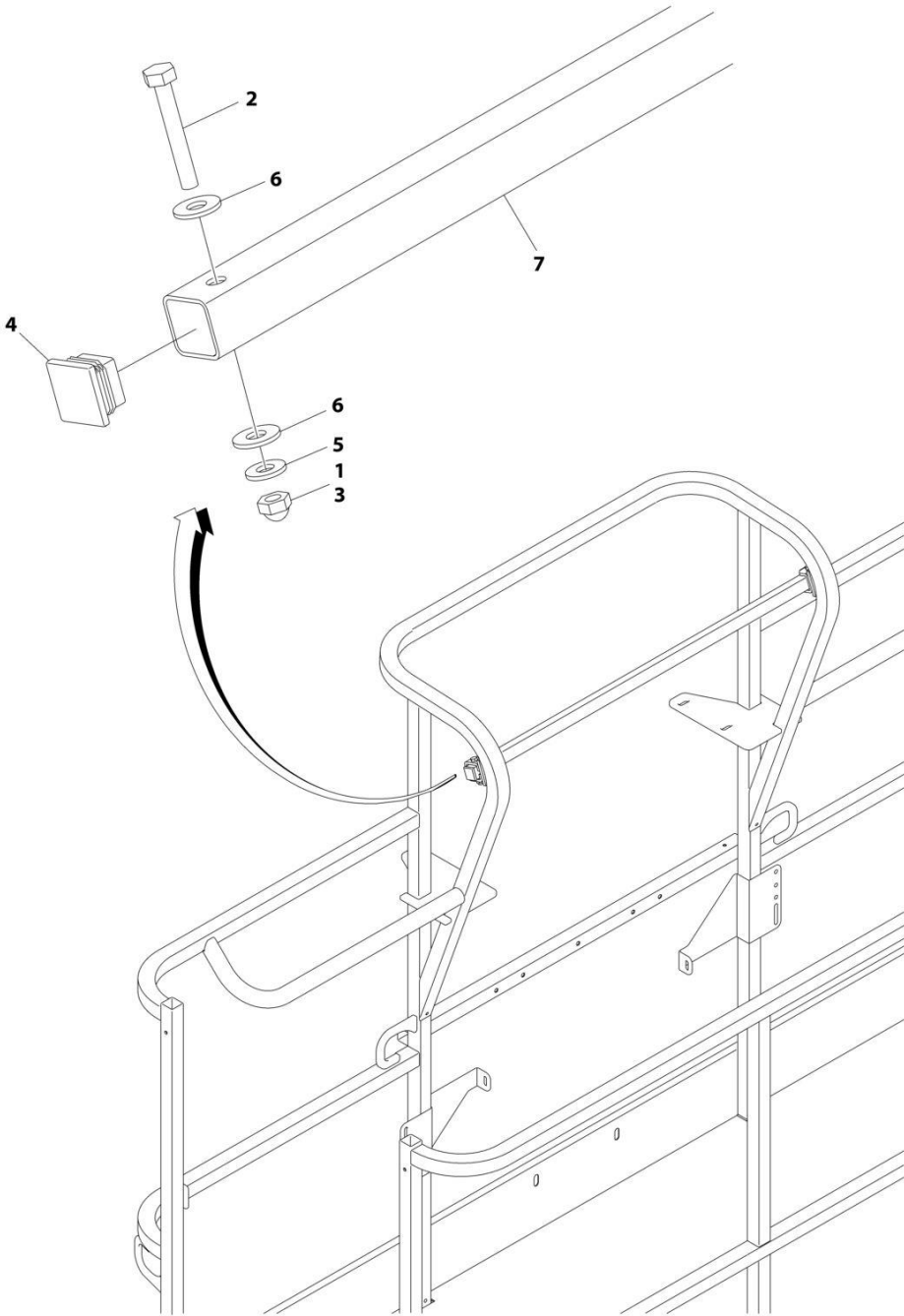
SECTION 5 - PLATFORM

FIGURE 5-31. SKYGUARD BAR INSTALLATION (SN 0300259908 through 0300272445)

ITEM	PART NUMBER	QTY	DESCRIPTION	REV
	1001238495	Ref	SKYGUARD BAR INSTALLATION	A
1	0100011	AR	Compound, Locking	
2	0641414	2	Bolt 1/4 x 1-3/4	
3	3300430	2	Nut 1/4	
4	3931408	2	Capscrew 1/4 x 1/2	
5	4240033	8	Tie-Strap	
6	4711400	6	Washer 1/4	
7	1001120328	1	Mount	
8	1001137673	1	SkyGuard Switch Assembly	
9	1001186517	2	Cover, Platform Sensor	
10	1001209664	2	Support, Block	
11	1001186431	2	Relay	
12	1001225580	1	Interface Harness Assembly (Not Shown - Located Inside Console Box) (See Separate Breakdown in ELECTRICAL Section)	
13	1001144433	1	Decal - No Weight SkyGuard	

SECTION 5 - PLATFORM

FIGURE 5-32. CROSS RAIL INSTALLATION



ART_1001182138

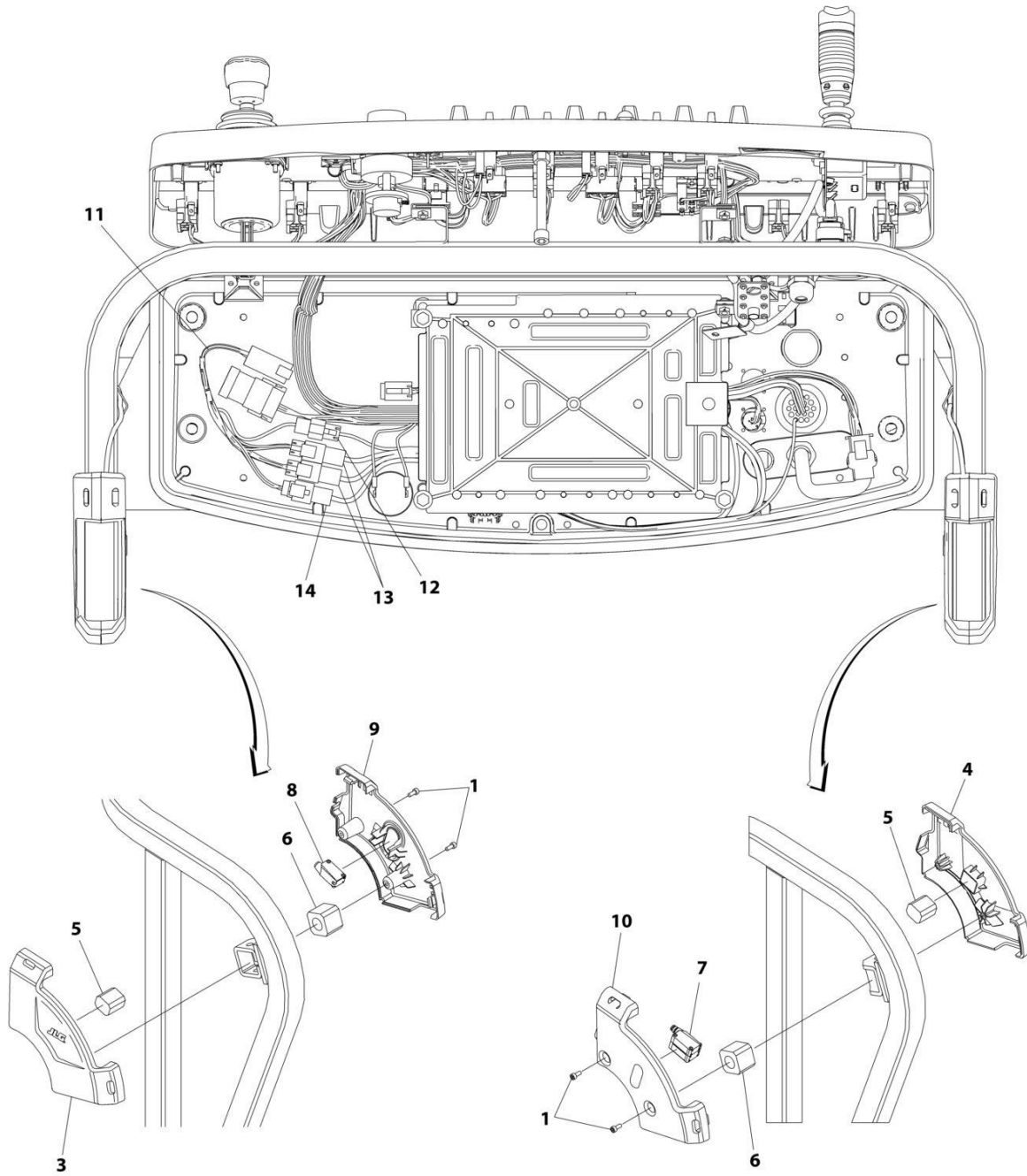
SECTION 5 - PLATFORM

FIGURE 5-32. CROSS RAIL INSTALLATION

ITEM	PART NUMBER	QTY	DESCRIPTION	REV
	1001182138	Ref	CROSS RAIL INSTALLATION	A
1	0100071	AR	Compound, Locking	
2	0641414	2	Bolt 1/4 x 1-3/4	
3	3300430	2	Nut 1/4	
4	3520182	2	Plug	
5	4711400	2	Washer 1/4	
6	4751400	4	Washer 1/4	
7	1001191708	1	Bar	

SECTION 5 - PLATFORM

FIGURE 5-33. SKYEYE INSTALLATION



ART_1001229341

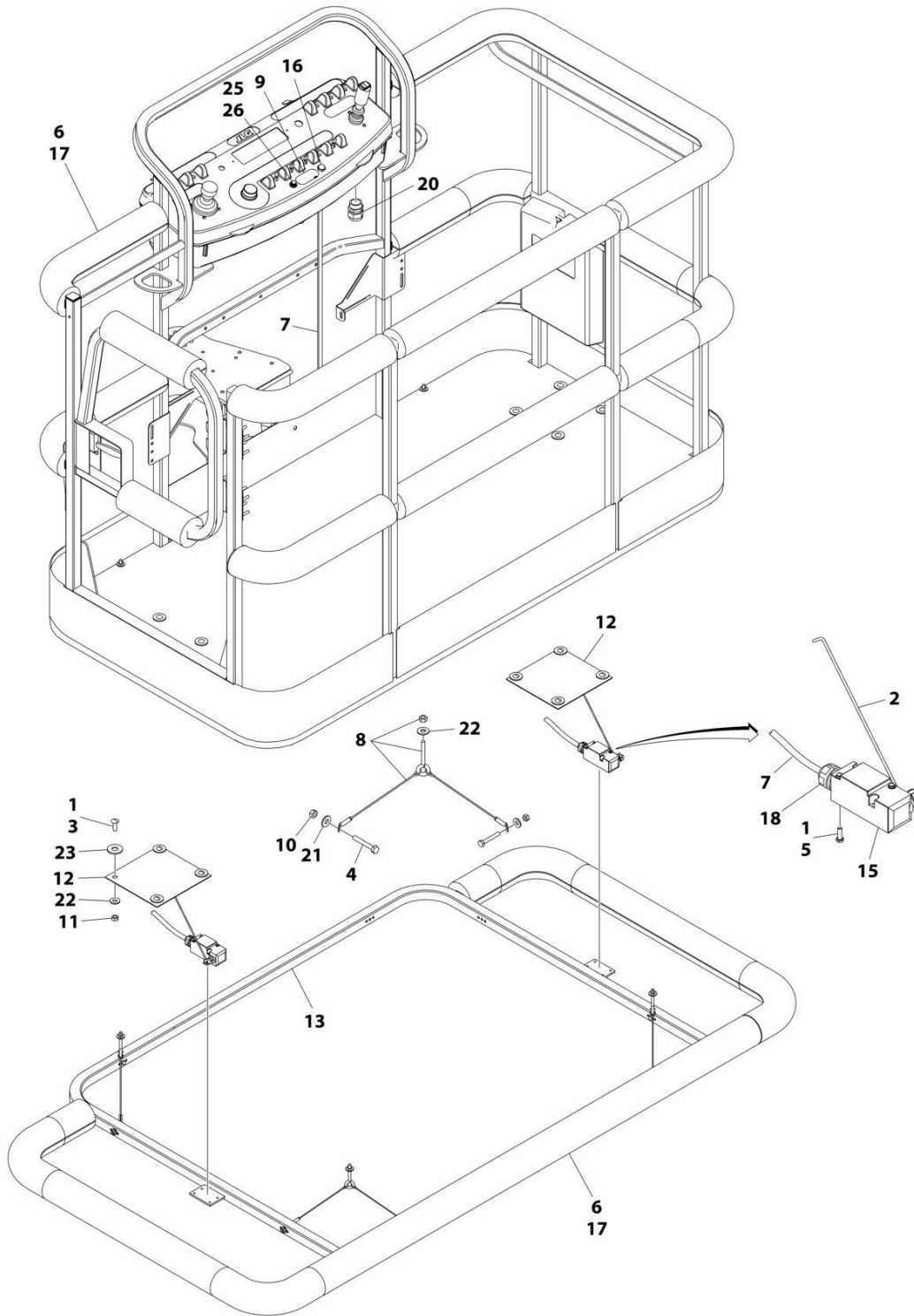
SECTION 5 - PLATFORM

FIGURE 5-33. SKYEYE INSTALLATION

ITEM	PART NUMBER	QTY	DESCRIPTION	REV
	1001229341	Ref	SKYEYE INSTALLATION	B
1	4031505	4	Bolt M4 x 10	
2	4240033	AR	Tie-Strap (Not Shown)	
3	1001227633	1	Housing, LH Outer	
4	1001227634	1	Housing, RH Outer	
5	1001227985	2	Shim	
6	1001227987	2	Shim	
7	1001228224	2	Sensor, Receiver	
8	1001228225	1	Sensor, Emitter	
9	1001232164	1	Housing, LH Inner	
10	1001232165	1	Housing, RH Inner	
11	1001237865	1	Harness, Skyeye Intermediate (See Separate Breakdown in ELECTRICAL Section)	
12	1001238319	NLA	Harness, Skyeye Drain Jumper	
12	1001187674	1	Plug, Male - 2 Position	
12	4460942	1	Terminal	
12	4460466	1	Plug, Terminal	
12	4460508	1	Pin, Male	
13	1001237863	2	Harness, Skyeye Receiver (See Separate Breakdown in ELECTRICAL Section)	
14	1001237864	1	Harness, Skyeye Emitter (See Separate Breakdown in ELECTRICAL Section)	

SECTION 5 - PLATFORM

FIGURE 5-34. SOFT TOUCH INSTALLATION - 6FT (1.83M) PLATFORM (OPTIONAL)



ART_0273824

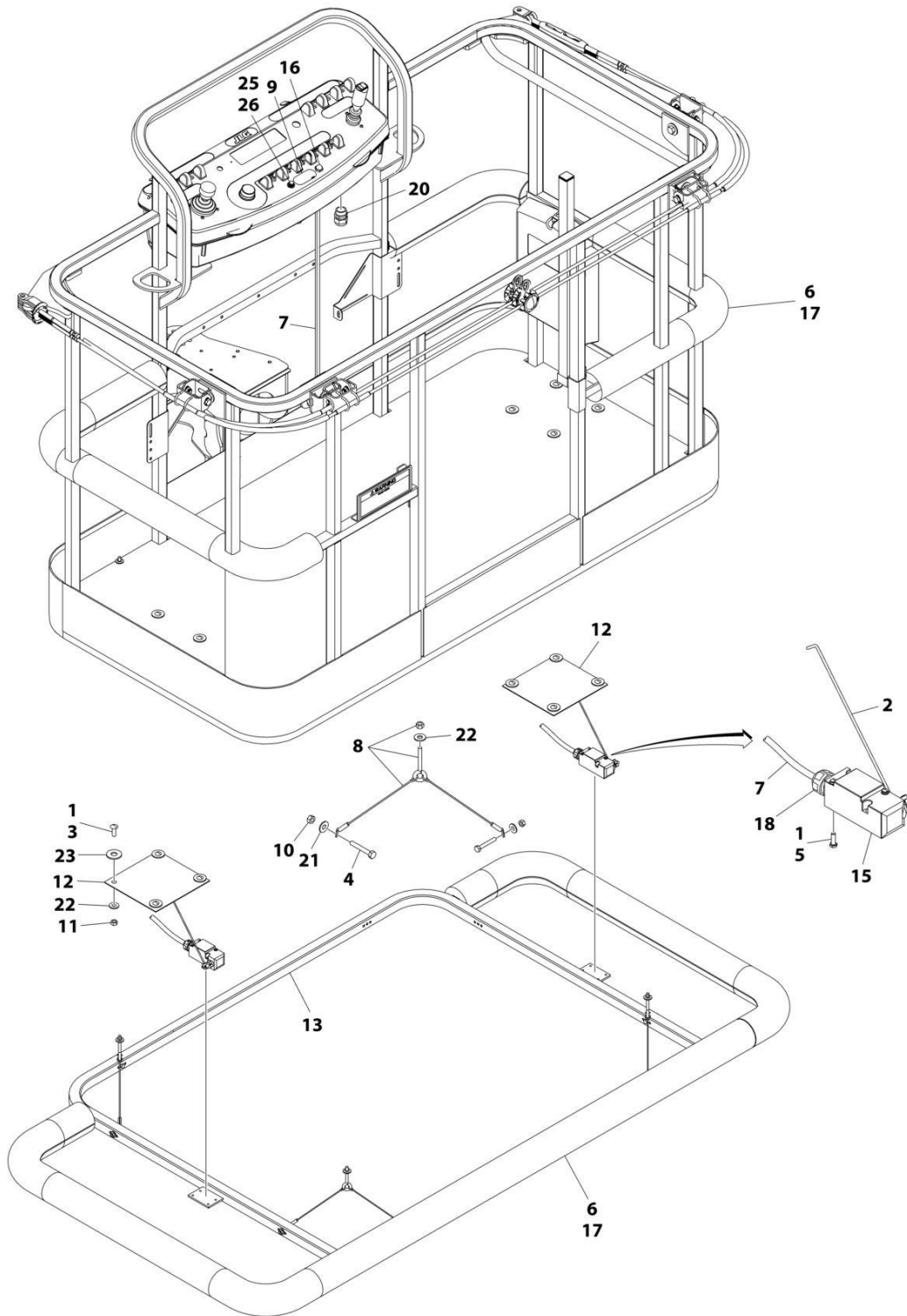
SECTION 5 - PLATFORM

FIGURE 5-34. SOFT TOUCH INSTALLATION - 6FT (1.83M) PLATFORM (OPTIONAL)

ITEM	PART NUMBER	QTY	DESCRIPTION	REV
	0273824	Ref	SOFT TOUCH SYSTEM INSTALLATION	D
1	0100011	AR	Compound, Locking	
2	0200048	2	Arm, Switch	
3	0630462	8	Bolt	
4	0641414	8	Bolt 1/4 x 1-3/4	
5	0731005	4	Bolt #10 x 5/8	
6	0940134	1	Bumper Kit (Includes Corners and Enough Straight Material for One Platform)	
6	0940092	AR	Bumper (Corner)	
6	0940094	AR	Bumper (12ft Length)	
7	1060341	23 ft/7m	Cable, Soft Touch - 16/2	
8	1060903	4	Wire Rope and Eyebolt Assembly	
9	1702938	1	Decal - Soft Touch Override	
10	3311401	8	Nut 1/4	
11	3311501	8	Nut 5/16	
12	3575359	2	Plate, Switch Strike	
13	3641569	1	Rail, Soft Touch	
14	4240099	7	Tie-Strap (Not Shown)	
15	4360057	2	Switch, Limit	
16	4360387	1	Switch, Push Button	
17	4420068	AR	Tape, Adhesive	
17	1001197017	AR	Tie-Strap	
18	4460049	2	Connector, Strain Relief	
19	4460234	7	Tie-Strap (Not Shown)	
20	4460425	1	Connector, Strain Relief	
21	4751400	8	Washer 1/4	
22	4751500	12	Washer 5/16	
23	4751800	8	Washer 1/2	
24	4933218	1	Wiring Diagram (Not Shown - Reference Only)	
25	2920028	1	Light, Indicator	
26	2920029	1	Bulb, Light	

SECTION 5 - PLATFORM

FIGURE 5-35. SOFT TOUCH INSTALLATION - 6FT (1.83M) FALL ARREST PLATFORM (600S) (OPTIONAL)



ART_1001108256

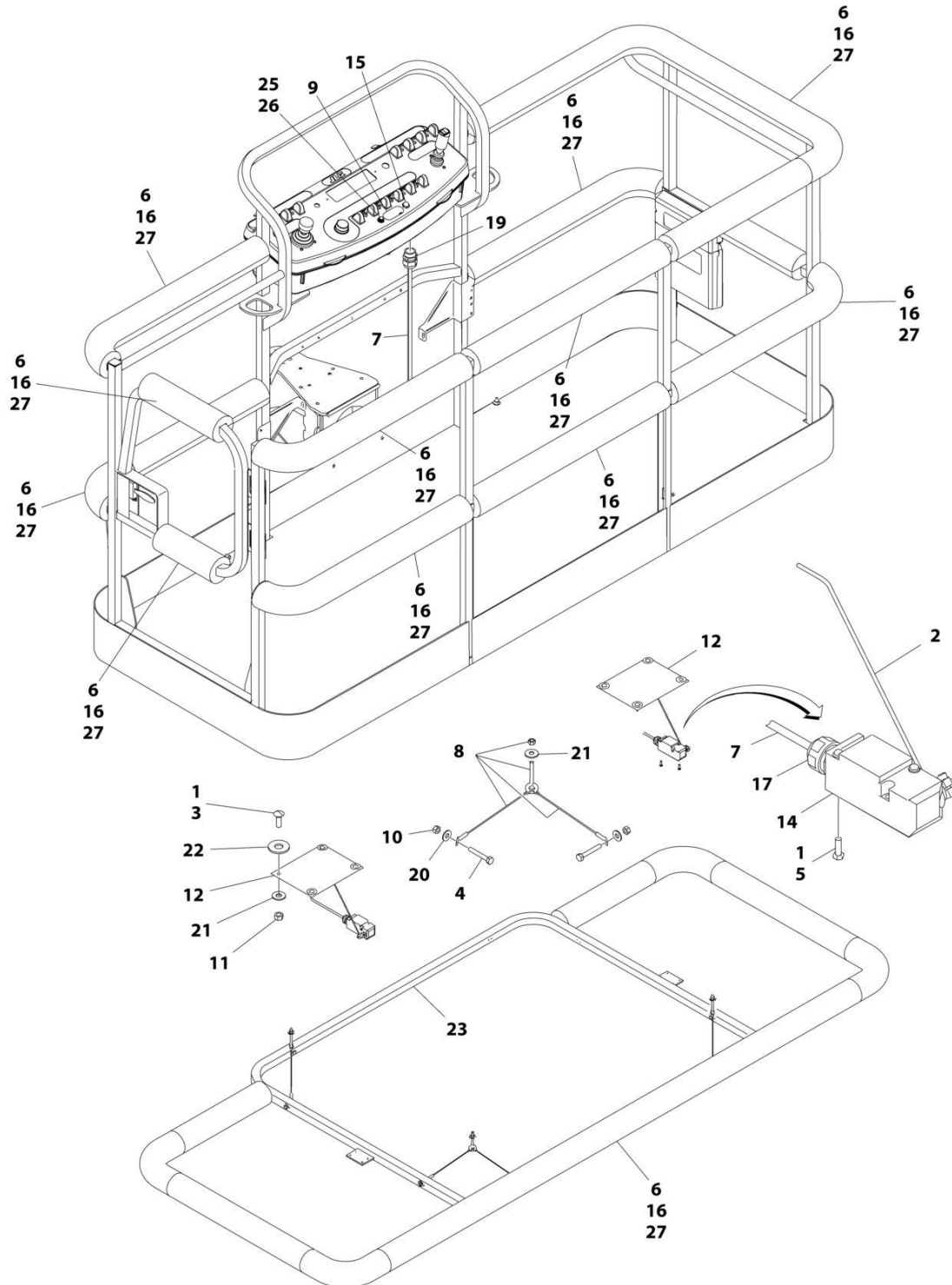
SECTION 5 - PLATFORM

**FIGURE 5-35. SOFT TOUCH INSTALLATION - 6FT (1.83M) FALL ARREST PLATFORM (600S)
(OPTIONAL)**

ITEM	PART NUMBER	QTY	DESCRIPTION	REV
	1001108256	Ref	SOFT TOUCH INSTALLATION	C
1	0100011	AR	Compound, Locking	
2	0200048	2	Arm, Switch	
3	0630462	8	Bolt	
4	0641414	8	Bolt 1/4 x 1-3/4	
5	0731005	4	Bolt #10 x 5/8	
6	0940177	1	Bumper Kit (Includes Corners and Enough Straight Material for One Platform)	
6	0940092	8	Bumper (Corner)	
6	0940094	AR	Bumper (12ft Length)	
7	1060341	23 ft/7m	Cable, Soft Touch - 16/2	
8	1060903	4	Wire Rope and Eyebolt Assembly	
9	1702938	1	Decal - Soft Touch Override	
10	3311401	8	Nut 1/4	
11	3311501	8	Nut 5/16	
12	3575359	2	Plate, Switch Strike	
13	3641569	1	Rail, Soft Touch	
14	4240099	7	Tie-Strap (Not Shown)	
15	4360057	2	Switch, Limit	
16	4360387	1	Switch, Push Button	
17	4420068	AR	Tape, Adhesive	
17	1001197017	AR	Tie-Strap	
18	4460049	2	Connector, Strain Relief	
19	4460234	7	Tie-Strap (Not Shown)	
20	4460425	1	Connector, Strain Relief	
21	4751400	8	Washer 1/4	
22	4751500	9	Washer 5/16	
23	4751800	8	Washer 1/2	
25	2920028	1	Light, Indicator	
26	2920029	1	Bulb, Light	

SECTION 5 - PLATFORM

FIGURE 5-36. SOFT TOUCH INSTALLATION - 8FT (2.4M) PLATFORM (OPTIONAL)



ART_0272427

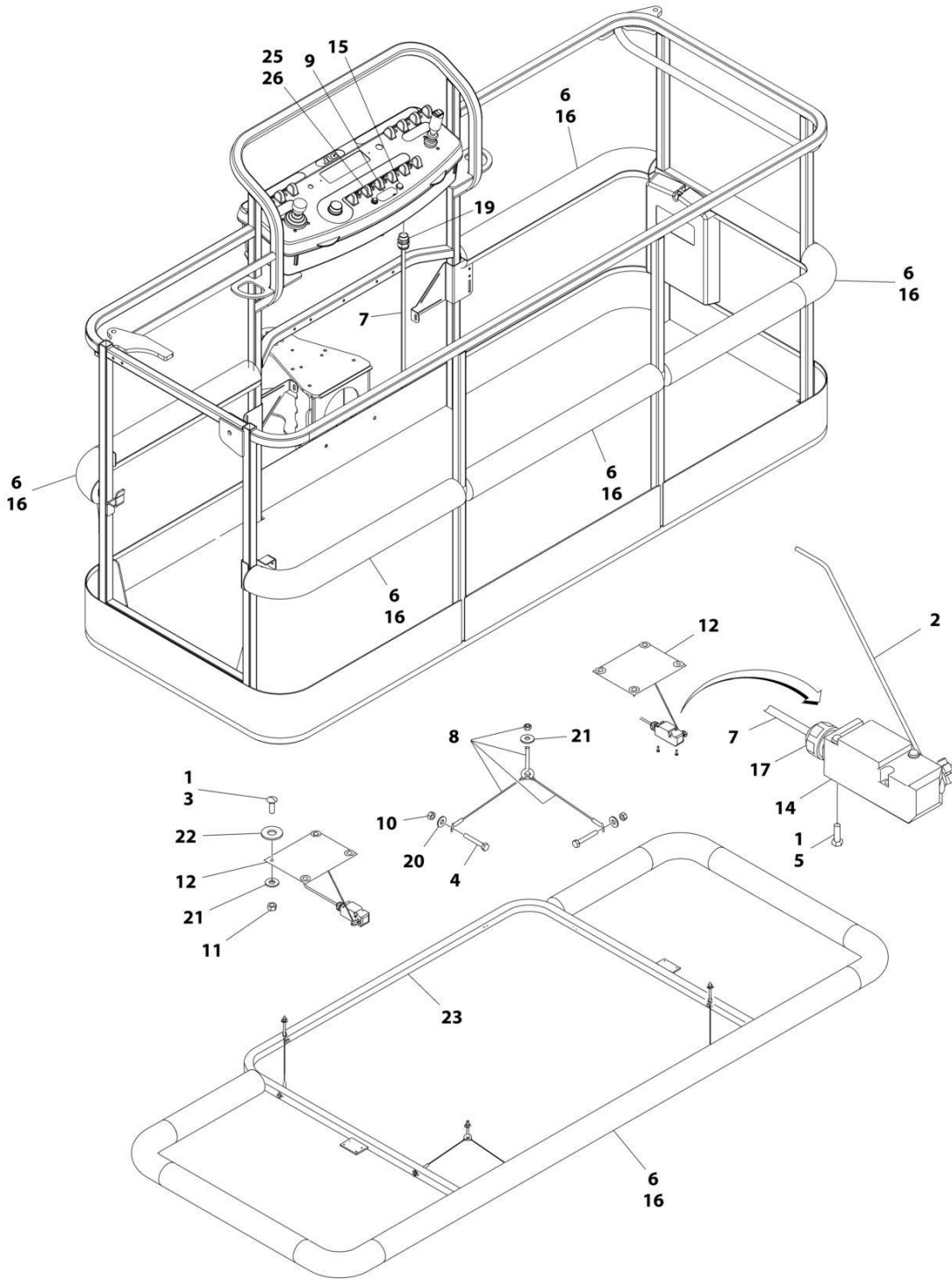
SECTION 5 - PLATFORM

FIGURE 5-36. SOFT TOUCH INSTALLATION - 8FT (2.4M) PLATFORM (OPTIONAL)

ITEM	PART NUMBER	QTY	DESCRIPTION	REV
	0272427	Ref	SOFT TOUCH SYSTEM INSTALLATION	G
1	0100011	AR	Compound, Locking	
2	0200048	2	Arm, Switch	
3	0630462	8	Bolt	
4	0641414	8	Bolt 1/4 x 1-3/4	
5	0721005	4	Bolt #10 x 5/8	
6	0940103	1	Bumper Kit (Includes Corners and Enough Straight Material for One Platform)	
6	0940092	12	Bumper (Corner)	
6	0940094	AR	Bumper (12ft Length)	
7	1060341	23 ft/7m	Cable, Electrical - 16/2	
8	1060903	4	Wire Rope and Eyebolt Assembly	
9	1702938	1	Decal - Soft Touch Override	
10	3311401	8	Nut 1/4	
11	3311501	8	Nut 5/16	
12	3574091	2	Plate, Switch Strike	
13	4240099	7	Tie-Strap (Not Shown)	
14	4360057	2	Switch, Limit	
15	4360387	1	Switch, Push Button	
16	4420068	AR	Tape, Adhesive	
16	1001197017	AR	Tie-Strap	
17	4460049	2	Connector, Strain Relief	
18	4460234	7	Tie-Strap (Not Shown)	
19	4460425	1	Connector, Strain Relief	
20	4751400	8	Washer 1/4	
21	4751500	12	Washer 5/16	
22	4751800	8	Washer 1/2	
23	4846673	1	Rail, Soft Touch	
24	4933218	1	Soft Touch Wiring Diagram (Not Shown - Reference Only)	
25	2920028	1	Light, Indicator	
26	2920029	1	Bulb, Light	

SECTION 5 - PLATFORM

FIGURE 5-37. SOFT TOUCH INSTALLATION - 8FT (2.4M) FALL ARREST PLATFORM (600S) (OPTIONAL)



ART_0273706

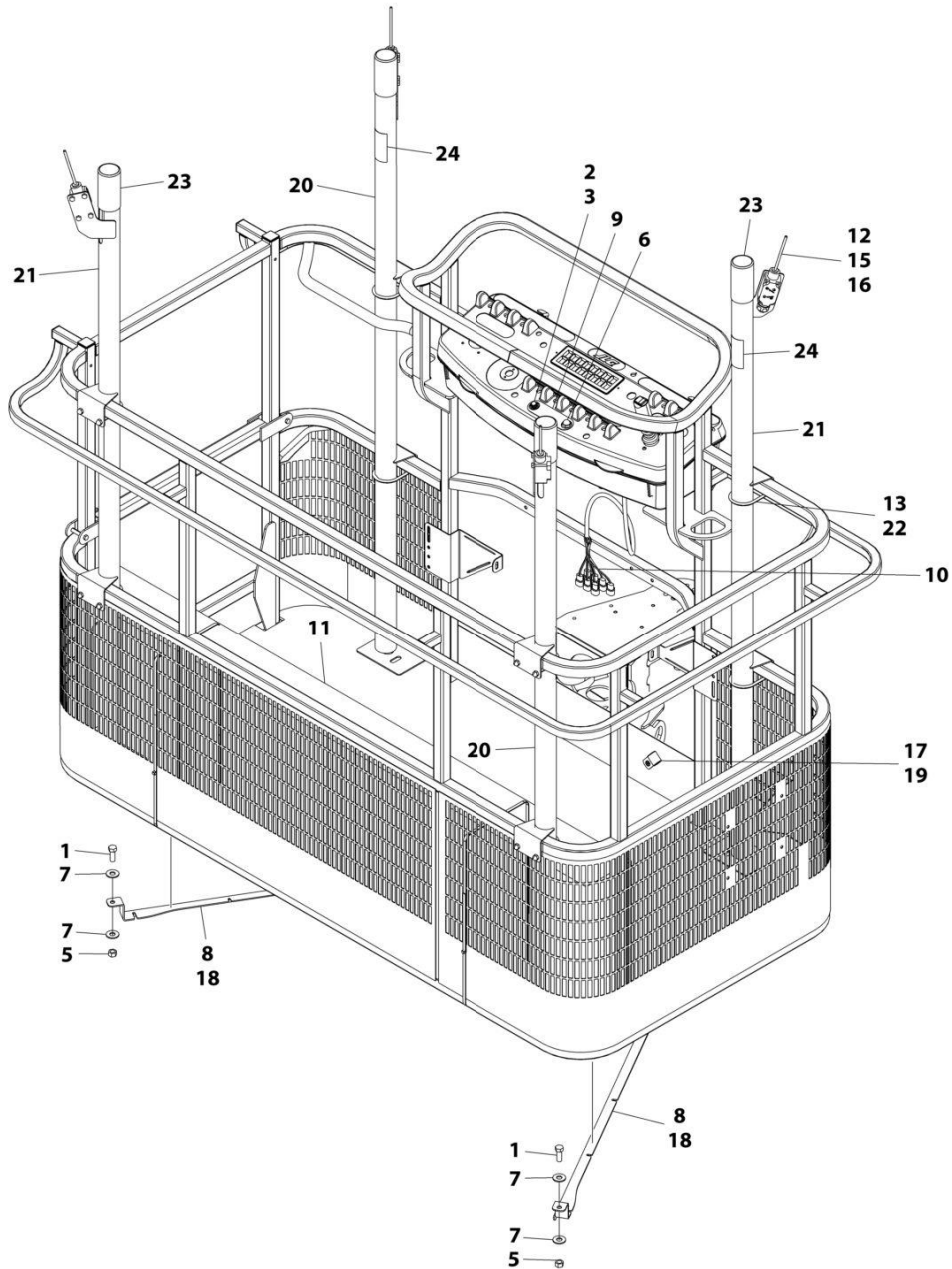
SECTION 5 - PLATFORM

**FIGURE 5-37. SOFT TOUCH INSTALLATION - 8FT (2.4M) FALL ARREST PLATFORM (600S)
(OPTIONAL)**

ITEM	PART NUMBER	QTY	DESCRIPTION	REV
	0273706	Ref	SOFT TOUCH INSTALLATION	D
1	0100011	AR	Compound, Locking	
2	0200048	2	Arm, Switch	
3	0630462	8	Bolt	
4	0641414	8	Bolt 1/4 x 1-3/4	
5	0721005	4	Bolt #10 x 5/8	
6	0940133	1	Bumper Kit (Includes Corners and Enough Straight Material for One Platform)	
6	0940092	8	Bumper (Corner)	
6	0940094	AR	Bumper (12ft Length)	
7	1060341	23 ft/7m	Cable, Soft Touch - 16/2	
8	1060903	4	Wire Rope and Eyebolt Assembly	
9	1702938	1	Decal - Soft Touch Override	
10	3311401	8	Nut 1/4	
11	3311501	8	Nut 5/16	
12	3574091	2	Plate, Switch Strike	
13	4240099	7	Tie-Strap (Not Shown)	
14	4360057	2	Switch, Limit	
15	4360387	1	Switch, Push Button	
16	4420068	AR	Tape, Adhesive	
16	1001197017	AR	Tie-Strap	
17	4460049	2	Connector, Strain Relief	
18	4460234	7	Tie-Strap (Not Shown)	
19	4460425	1	Connector, Strain Relief	
20	4751400	8	Washer 1/4	
21	4751500	12	Washer 5/16	
22	4751800	8	Washer 1/2	
23	4846673	1	Rail, Soft Touch	
25	2920028	1	Light, Indicator	
26	2920029	1	Bulb, Light	

SECTION 5 - PLATFORM

FIGURE 5-38. SOFT TOUCH INSTALLATION - OVERHEAD (CHINESE AND KOREAN SPECS) (OPTIONAL)



ART_1001110926

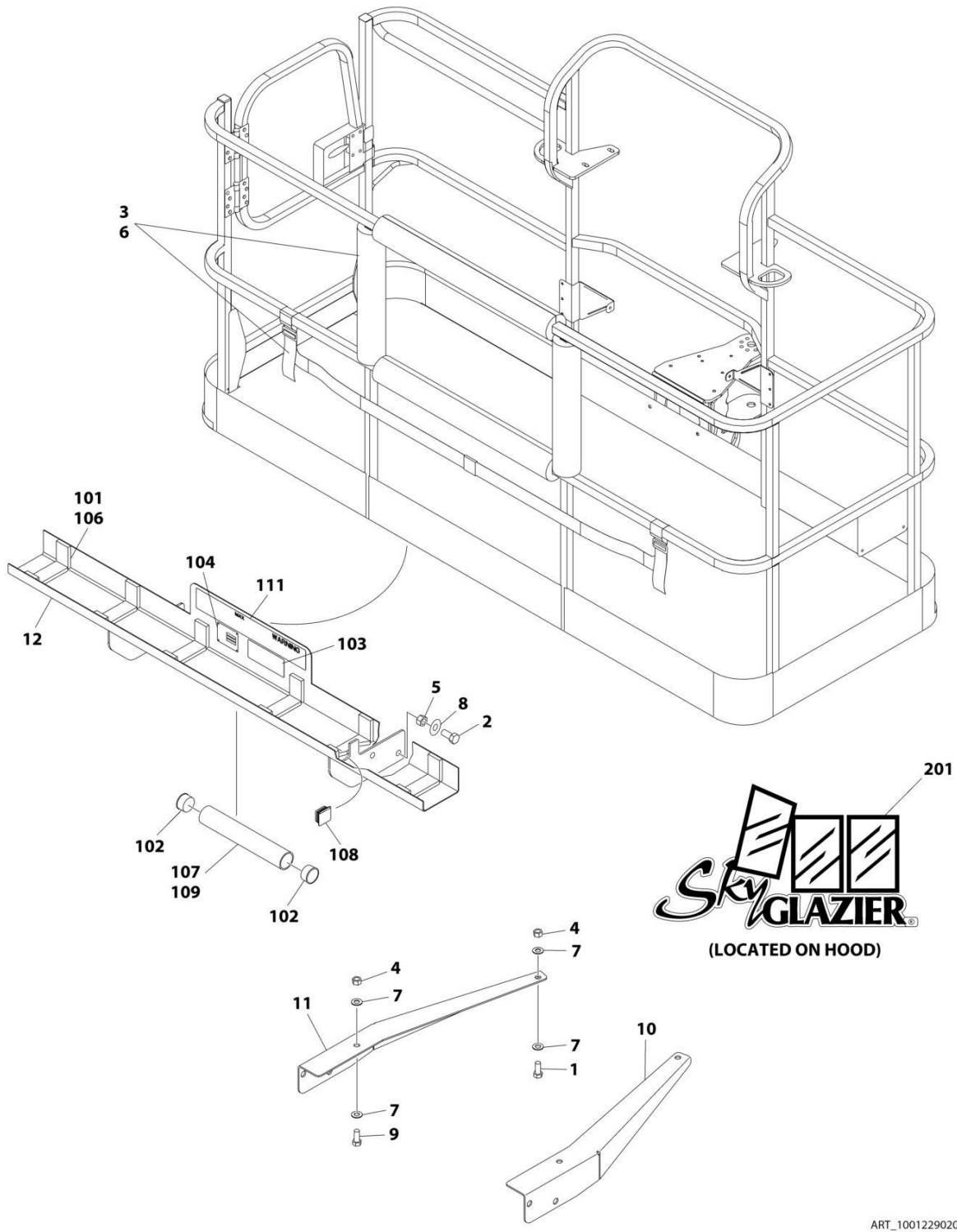
SECTION 5 - PLATFORM

**FIGURE 5-38. SOFT TOUCH INSTALLATION - OVERHEAD (CHINESE AND KOREAN SPECS)
(OPTIONAL)**

ITEM	PART NUMBER	QTY	DESCRIPTION	REV
	1001110926	Ref	SOFT TOUCH INSTALLATION	C
1	0641608	4	Bolt 3/8 x 1	
2	2920028	1	Light, Indicator	
3	2920029	1	Bulb, Light	
5	3311605	4	Nut 3/8	
6	4360387	1	Switch, Push Button	
7	4751600	8	Washer 3/8	
8	1001113643	2	Bracket	
9	1001113691	1	Decal - Soft Touch Override	
10	1001113857	1	Soft Touch Harness - Overhead	
10	4460897	4	Receptacle, Female - 2 Position	
10	4460464	8	Pin, Male	
11	1001113856	Ref	Overhead Soft Touch Kit	
12	0641405	16	Bolt 1/4 x 5/8	
13	3300356	16	Nut 5/16	
14	4240099	16	Tie, Wire (Not Shown)	
15	4360477	4	Switch, Proximity	
16	4460662	4	Connector, Strain Relief	
17	4711400	2	Washer 1/4	
18	1001090615	4	Grommet	
19	1001102858	2	Clamp	
20	1001110935	2	Tube	
21	1001113741	2	Tube	
22	1001113743	8	Bolt 5/16 x 3.65	
23	1001113774	4	Cap	
24	1001131802	4	Decal - Weight	

SECTION 5 - PLATFORM

FIGURE 5-39. SKYGLAZIER INSTALLATION - 600S & 660SJ (ANSI, AUSTRALIAN AND CSA SPECS)



ART_1001229020

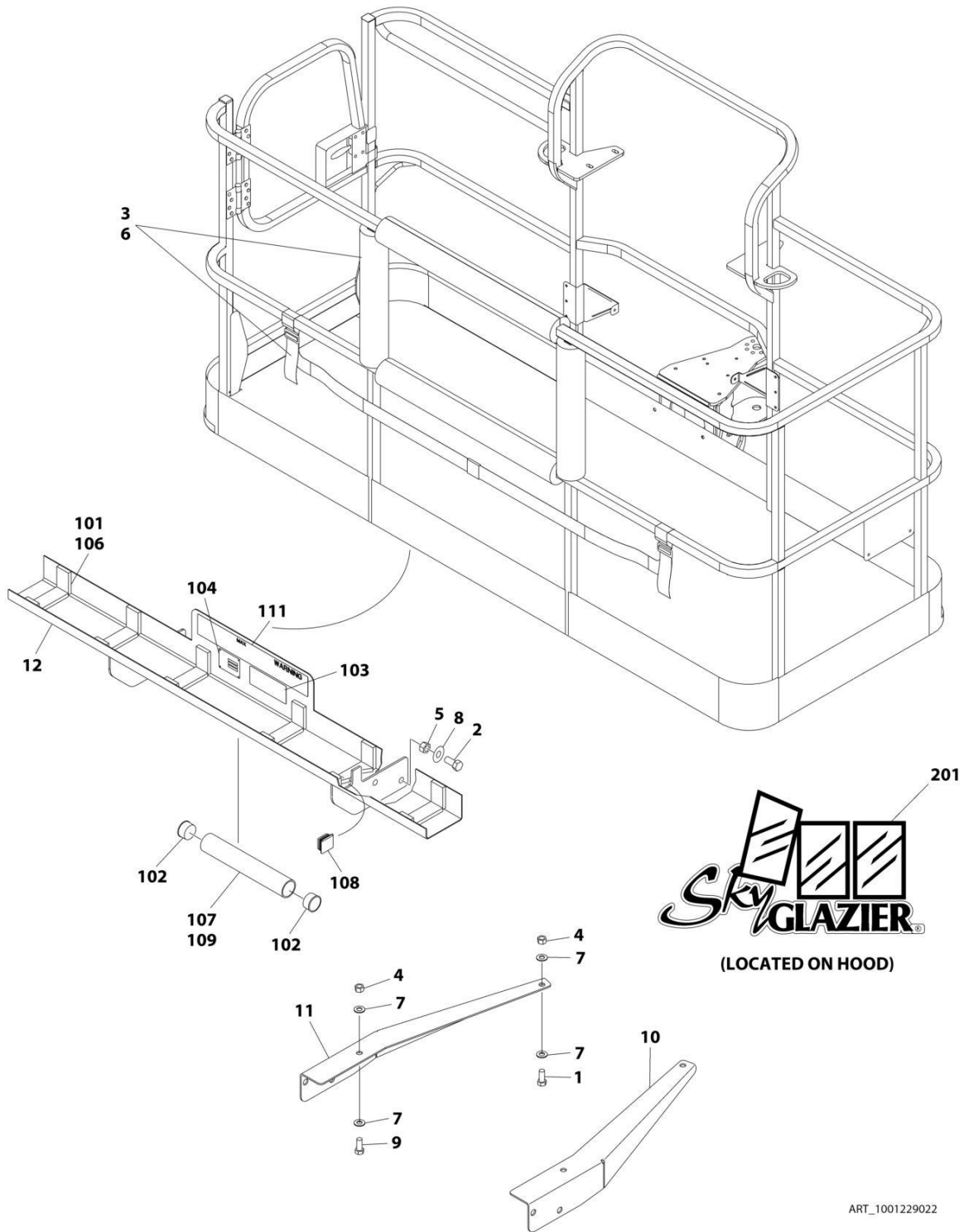
SECTION 5 - PLATFORM

FIGURE 5-39. SKYGLAZIER INSTALLATION - 600S & 660SJ (ANSI, AUSTRALIAN AND CSA SPECS)

ITEM	PART NUMBER	QTY	DESCRIPTION	REV
	1001229020	Ref	SKYGLAZIER INSTALLATION	A
1	0642012	2	Bolt 5/8 x 1-1/2	
2	0642212	4	Bolt 3/4 x 1-1/2	
3	2902212	1	Bumpers and Strap Kit	
3	0940102	1	Bumper Only	
3	4240149	1	Strap Only	
4	3312005	4	Nut 5/8	
5	3312205	4	Nut 3/4	
6	4420014	AR	Tape	
7	4712000	6	Washer 5/8	
8	4712200	8	Washer 3/4	
9	8310129	2	Bolt 3/4 x 2-1/2	
10	1001099366	1	Support	
11	1001099367	1	Support	
12	1001229082	1	Tray Assembly (See Items 101-111 for Breakdown)	
	1001229082	Ref	TRAY ASSEMBLY	B
101	0100081	AR	Adhesive	
102	1120555	2	Cap, Tube	
103	1701509	1	Decal - Manual	
104	See Note	NSS	Nameplate - Serial Number (Note: Not Available for Purchase)	
106	3340956	1	Pad Kit	
107	3460334	1	Tube	
108	3520071	2	Plug	
109	4420066	AR	Tape, Double Sided	
111	1001199035	2	Decal - Glazier Capacity	
	0272418	Ref	SKYGLAZIER DECAL INSTALLATION	4
201	1705358	2	Decal - SkyGlazier	

SECTION 5 - PLATFORM

FIGURE 5-40. SKYGLAZIER INSTALLATION - 600S (BRAZIL SPECS)



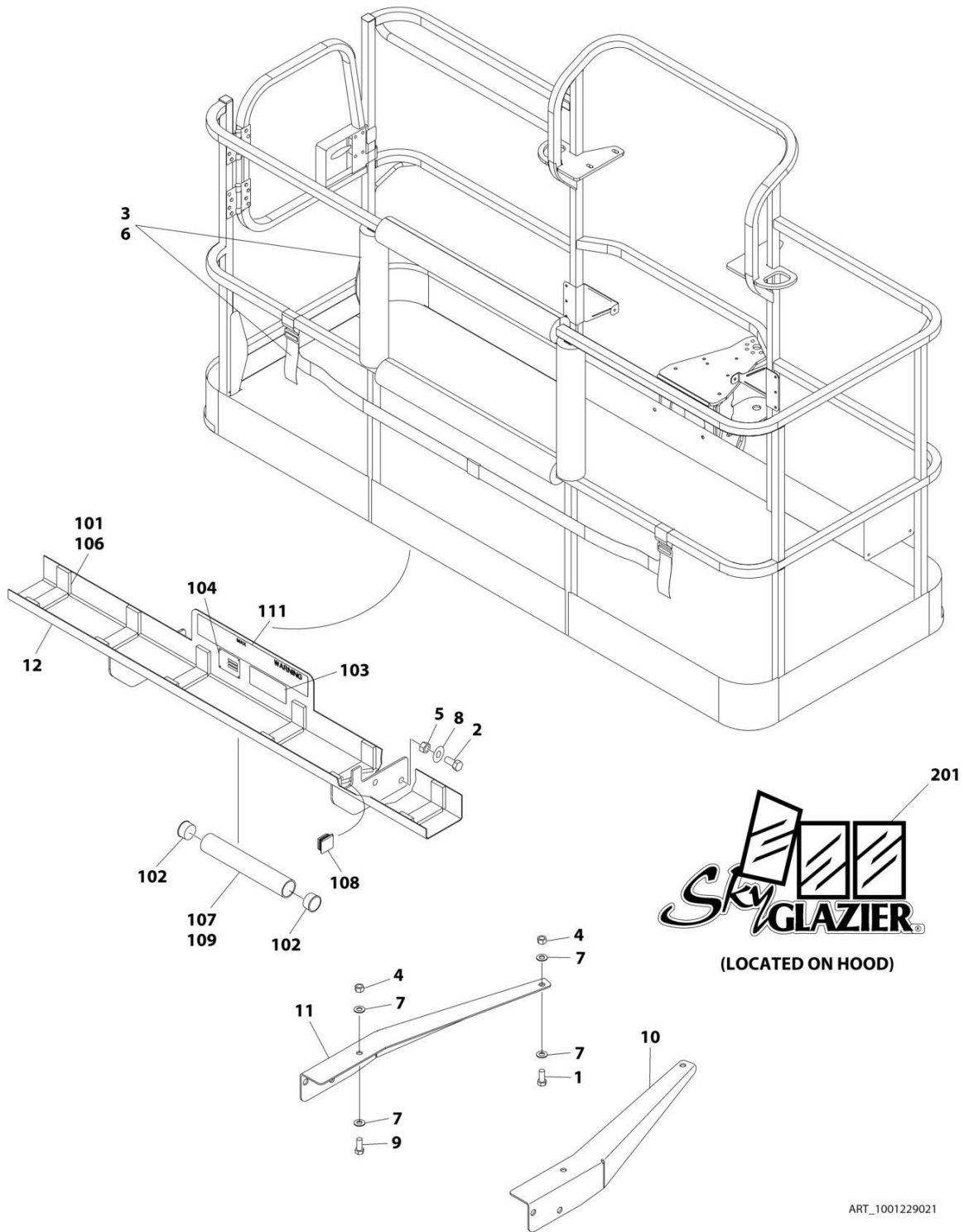
SECTION 5 - PLATFORM

FIGURE 5-40. SKYGLAZIER INSTALLATION - 600S (BRAZIL SPECS)

ITEM	PART NUMBER	QTY	DESCRIPTION	REV
	1001229022	Ref	SKYGLAZIER INSTALLATION	A
1	0642012	2	Bolt 5/8 x 1-1/2	
2	0642212	4	Bolt 3/4 x 1-1/2	
3	2902212	1	Bumpers and Strap Kit	
3	0940102	1	Bumper Only	
3	4240149	1	Strap Only	
4	3312005	4	Nut 5/8	
5	3312205	4	Nut 3/4	
6	4420014	AR	Tape	
7	4712000	6	Washer 5/8	
8	4712200	8	Washer 3/4	
9	8310129	2	Bolt 3/4 x 2-1/2	
10	1001099366	1	Support	
11	1001099367	1	Support	
12	1001229118	1	Tray Assembly (See Items 101-111 for Breakdown)	
	1001229118	Ref	TRAY ASSEMBLY	B
101	0100081	AR	Adhesive	
102	1120555	2	Cap, Tube	
103	1701509	1	Decal - Manual	
104	See Note	NSS	Nameplate - Serial Number (Note: Not Available for Purchase)	
106	3340956	1	Pad Kit	
107	3460334	1	Tube	
108	3520071	2	Plug	
109	4420066	AR	Tape, Double Sided	
111	1001229112	2	Decal - Glazier Capacity	
	0272418	Ref	SKYGLAZIER DECAL INSTALLATION	4
201	1705358	2	Decal - SkyGlazier	

SECTION 5 - PLATFORM

FIGURE 5-41. SKYGLAZIER INSTALLATION - 600S (LATIN AMERICAN SPECS)



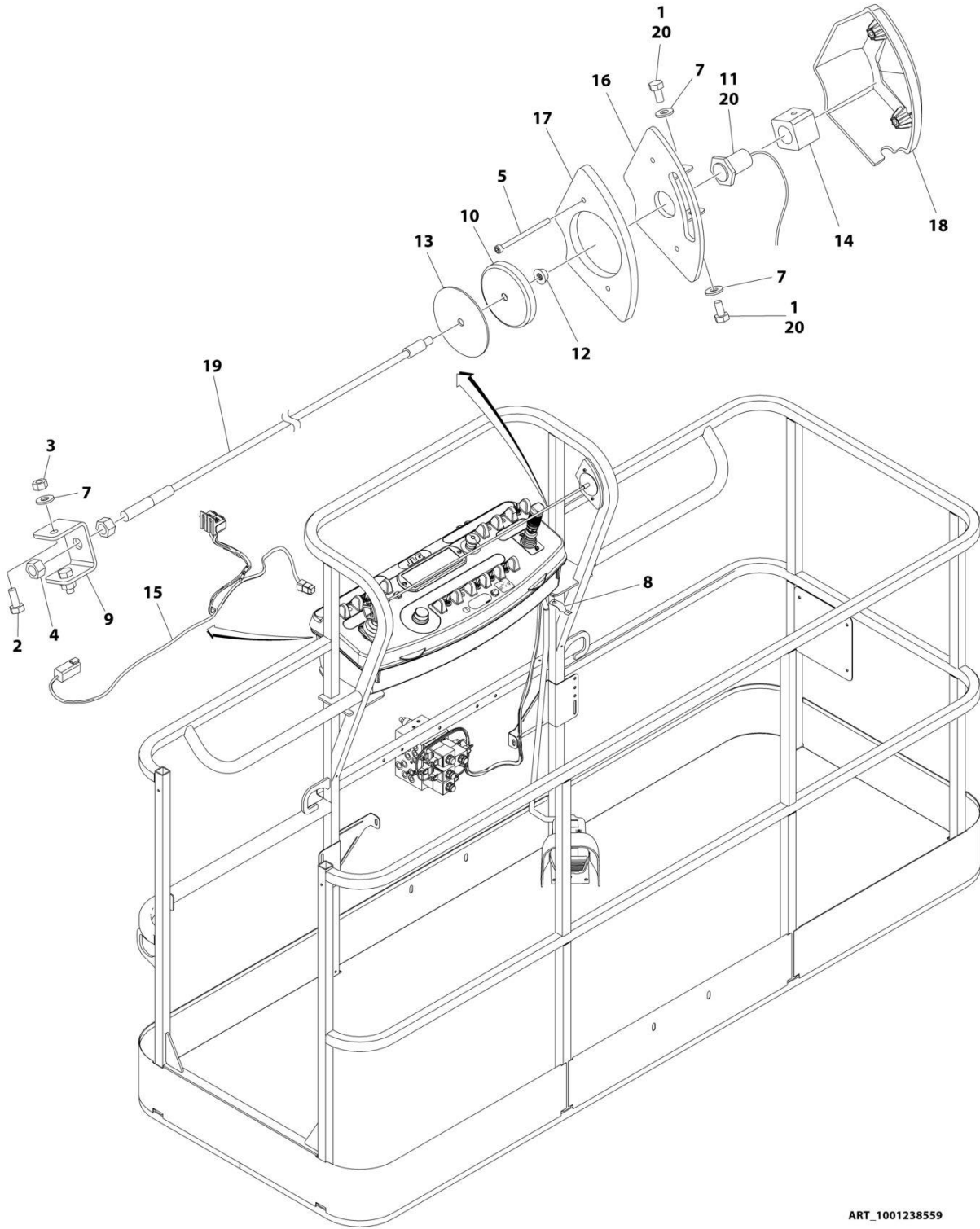
SECTION 5 - PLATFORM

FIGURE 5-41. SKYGLAZIER INSTALLATION - 600S (LATIN AMERICAN SPECS)

ITEM	PART NUMBER	QTY	DESCRIPTION	REV
	1001229021	Ref	SKYGLAZIER INSTALLATION	A
1	0642012	2	Bolt 5/8 x 1-1/2	
2	0642212	4	Bolt 3/4 x 1-1/2	
3	2902212	1	Bumpers and Strap Kit	
3	0940102	1	Bumper Only	
3	4240149	1	Strap Only	
4	3312005	4	Nut 5/8	
5	3312205	4	Nut 3/4	
6	4420014	AR	Tape	
7	4712000	6	Washer 5/8	
8	4712200	8	Washer 3/4	
9	8310129	2	Bolt 3/4 x 2-1/2	
10	1001099366	1	Support	
11	1001099367	1	Support	
12	1001229108	1	Tray Assembly (See Items 101-111 for Breakdown)	
	1001229108	Ref	TRAY ASSEMBLY	B
101	0100081	AR	Adhesive	
102	1120555	2	Cap, Tube	
103	1701509	1	Decal - Manual	
104	See Note	NSS	Nameplate - Serial Number (Note: Not Available for Purchase)	
106	3340956	1	Pad Kit	
107	3460334	1	Tube	
108	3520071	2	Plug	
109	4420066	AR	Tape, Double Sided	
111	1001229111	2	Decal - Glazier Capacity	
	0272418	Ref	SKYGLAZIER DECAL INSTALLATION	4
201	1705358	2	Decal - SkyGlazier	

SECTION 5 - PLATFORM

FIGURE 5-42. SKYLINE INSTALLATION



ART_1001238559

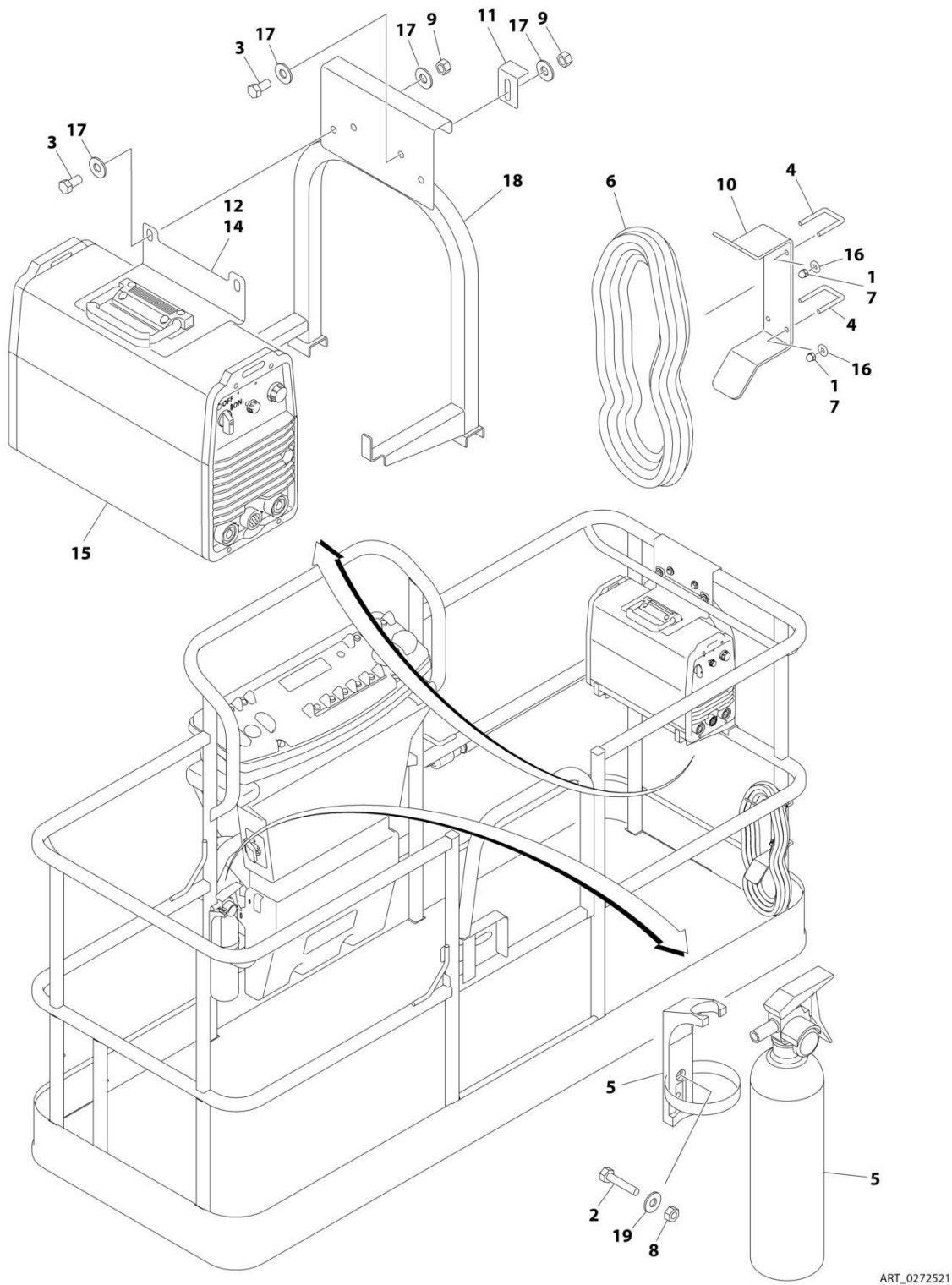
SECTION 5 - PLATFORM

FIGURE 5-42. SKYLINE INSTALLATION

ITEM	PART NUMBER	QTY	DESCRIPTION	REV
	1001238559	Ref	SKYLINE INSTALLATION	B
1	0641404	2	Bolt 1/4 x 1/2	
2	0641405	2	Bolt 1/4 x 5/8	
3	3311405	2	Nut 1/4	
4	3311601	2	Nut 3/8	
5	4031516	2	Capscrew M4 x 60	
6	4240033	AR	Tie-Strap (Not Shown)	
7	4711400	4	Washer 1/4	
8	1001120328	1	Mount	
9	1001232642	1	Bracket	
10	1001232650	1	Magnet	
11	1001232667	1	Sensor, Proximity	
12	1001235011	1	Nut	
13	1001235013	1	Washer	
14	1001236552	1	Block	
15	1001238418	1	Harness, Skyline (See Separate Breakdown in ELECTRICAL Section)	
16	1001238472	1	Mount	
17	1001238477	1	Housing, LH	
18	1001241965	1	Housing, RH	
19	1001238824	1	Rope	
20	0100011	AR	Compound, Locking	

SECTION 5 - PLATFORM

FIGURE 5-43. SKYWELDER INSTALLATION (50HZ)



ART_0272521

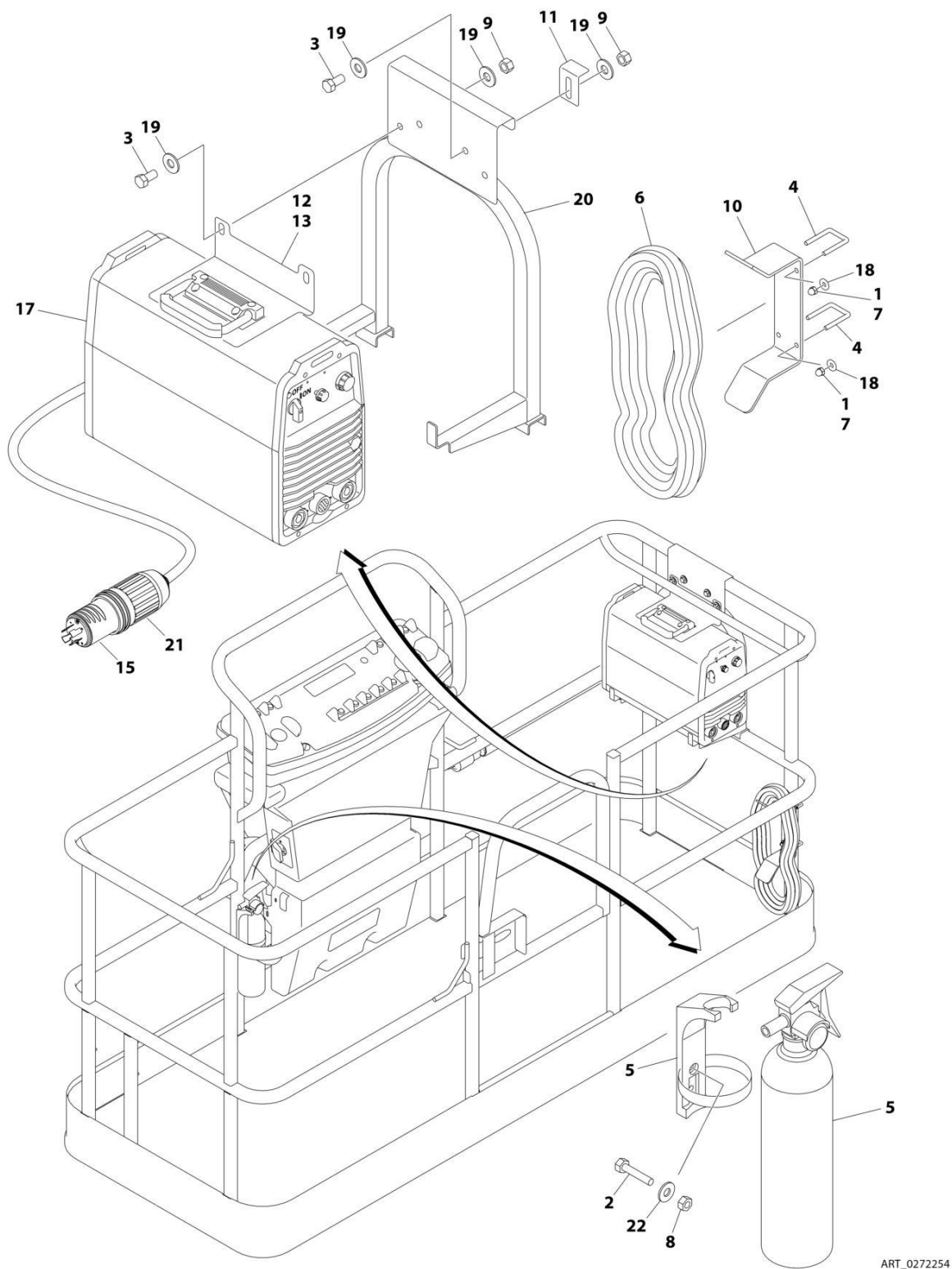
SECTION 5 - PLATFORM

FIGURE 5-43. SKYWELDER INSTALLATION (50HZ)

ITEM	PART NUMBER	QTY	DESCRIPTION	REV
	0272521	Ref	SKYWELDER INSTALLATION	F
1	0100011	AR	Compound, Locking	
2	0630518	2	Screw #10 x 3/4	
3	0641606	4	Bolt 3/8 x 3/4	
4	1320302	2	U-Clamp	
5	2030010	1	Extinguisher, Fire	
6	2902217	1	Weld Leads Kit	
7	3300151	4	Nut 1/4	
8	3311005	2	Nut #10	
9	3311605	4	Nut 3/8	
10	3573400	1	Bracket	
11	3577121	2	Angle	
12	3573642	1	Plate	
13	4240099	AR	Tie-Strap (Not Shown)	
14	4420037	AR	Tape	
15	4530028	1	Welder Assembly (See Separate Breakdown in this Section)	
16	4751400	4	Washer 1/4	
17	4751600	8	Washer 3/8	
18	4846627	1	Support	
19	4751000	2	Washer #10	

SECTION 5 - PLATFORM

FIGURE 5-44. SKYWELDER INSTALLATION (60HZ)



ART_0272254

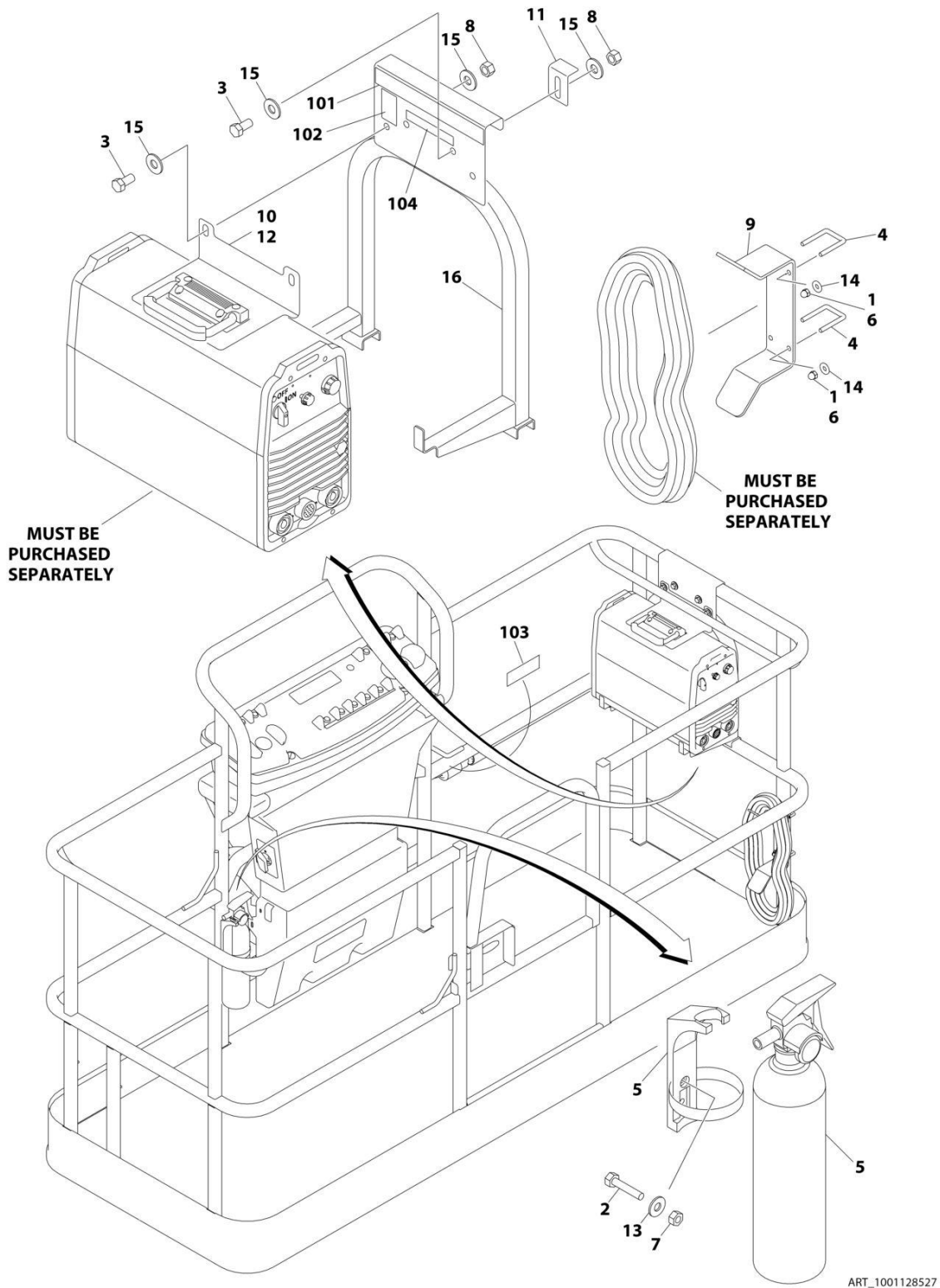
SECTION 5 - PLATFORM

FIGURE 5-44. SKYWELDER INSTALLATION (60HZ)

ITEM	PART NUMBER	QTY	DESCRIPTION	REV
	0272254	Ref	SKYWELDER INSTALLATION	I
1	0100011	AR	Compound, Locking	
2	0630518	2	Screw #10 x 3/4	
3	0641606	4	Bolt 3/8 x 3/4	
4	1320302	2	U-Clamp	
5	2030010	1	Extinguisher, Fire	
6	2902217	1	Weld Leads Kit	
7	3300151	4	Nut 1/4	
8	3311005	2	Nut #10	
9	3311605	4	Nut 3/8	
10	3573400	1	Bracket	
11	3577121	2	Angle	
12	3573642	1	Plate	
13	4420037	AR	Tape	
14	4240099	AR	Tie-Strap (Not Shown)	
15	4460962	1	Plug, Male Twistlock	
17	4530028	1	Welder Assembly (See Separate Breakdown in this Section)	
18	4751400	4	Washer 1/4	
19	4751600	8	Washer 3/8	
20	4846627	1	Support	
21	1671093	1	Cover, Plug	
22	4751000	2	Washer #10	

SECTION 5 - PLATFORM

FIGURE 5-45. SKYWELDER PREP PACKAGE (60HZ)



ART_1001128527

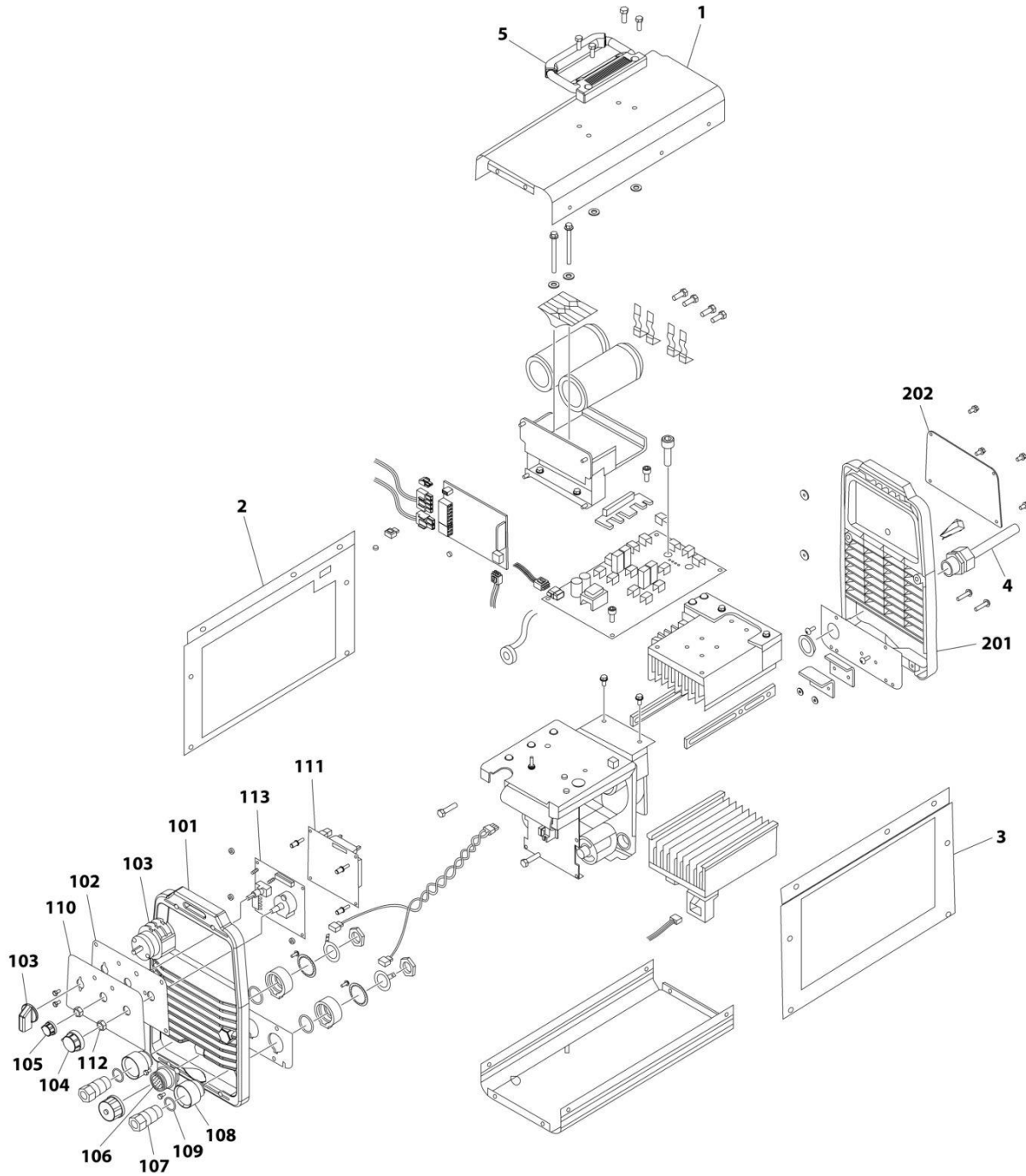
SECTION 5 - PLATFORM

FIGURE 5-45. SKYWELDER PREP PACKAGE (60HZ)

ITEM	PART NUMBER	QTY	DESCRIPTION	REV
	1001128527	Ref	SKYWELDER PREP PACKAGE (60HZ)	B
1	0100011	AR	Compound, Locking	
2	0630518	2	Screw #10 x 3/4	
3	0641606	4	Bolt 3/8 x 3/4	
4	1320302	2	U-Clamp	
5	2030010	1	Extinguisher, Fire	
6	3300151	4	Nut 1/4	
7	3311005	2	Nut #10	
8	3311605	4	Nut 3/8	
9	3573400	1	Bracket	
10	3573642	1	Plate	
11	3577121	2	Angle	
12	4420037	AR	Tape	
13	4751000	2	Washer #10	
14	4751400	4	Washer 1/4	
15	4751600	8	Washer 3/8	
16	4846627	1	Support	
	1001128556	Ref	SKYWELDER DECAL INSTALLATION	C
101	1702868	1	Decal - No Hands	
102	1705305	1	Decal - Weld Lead	
103	1705375	1	Decal - 240V - 3 Phase - 60Hz	
104	1001228988	1	Decal - Weight	

SECTION 5 - PLATFORM

FIGURE 5-46. WELDER ASSEMBLY



ART_4530028

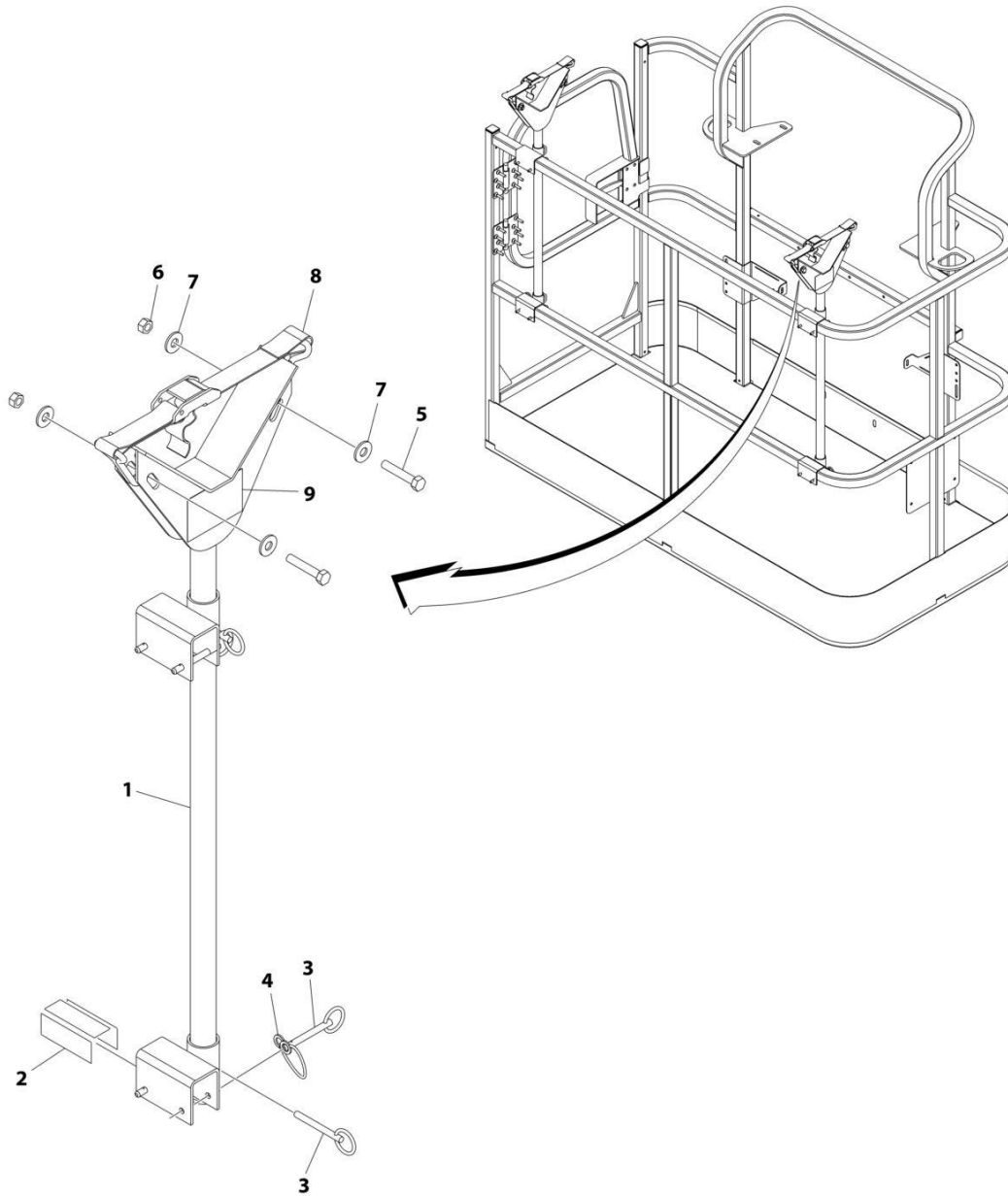
SECTION 5 - PLATFORM

FIGURE 5-46. WELDER ASSEMBLY

ITEM	PART NUMBER	QTY	DESCRIPTION	REV
	4530028	Ref	WELDER ASSEMBLY	B
		Ref	Note: For Other Components, contact your Miller Welder Dealer.	
1	7027773	1	Cover, Top	
1	7027774	1	Decal - Static Precautionary Warning	
2	See Note	NSS	Panel, LH Side (Note: Part of Item 1. Purchase Item 1)	
3	See Note	NSS	Panel, RH Side (Note: Part of Item 1. Purchase Item 1)	
4	7024467	1	Cable, Power	
4	7027775	1	Decal - Electrical Shock Warning (Not Shown)	
5	7027776	1	Handle, Carrying	
101	7024462	1	Panel, Front	
102	7024463	1	Panel, Console	
103	7024469	1	Switch with Lead	
104	7024470	1	Knob	
105	7024471	1	Knob	
106	7024472	1	Receptacle with Leads and Plugs	
107	7024473	2	Receptacle, Twistlock Female	
108	7024474	2	Insulator	
109	7024475	2	O-Ring	
110	7027777	1	Nameplate	
111	7027779	1	Circuit Card Assembly (Process Control)	
112	7024478	2	Nut	
113	7027778	1	Circuit Card Assembly (Operator Interface)	
201	7024462	1	Panel, Rear	
202	7027780	1	Panel, Cover	

SECTION 5 - PLATFORM

FIGURE 5-47. PIPE RACK INSTALLATION (ANSI AND CSA SPECS)



ART_0257728

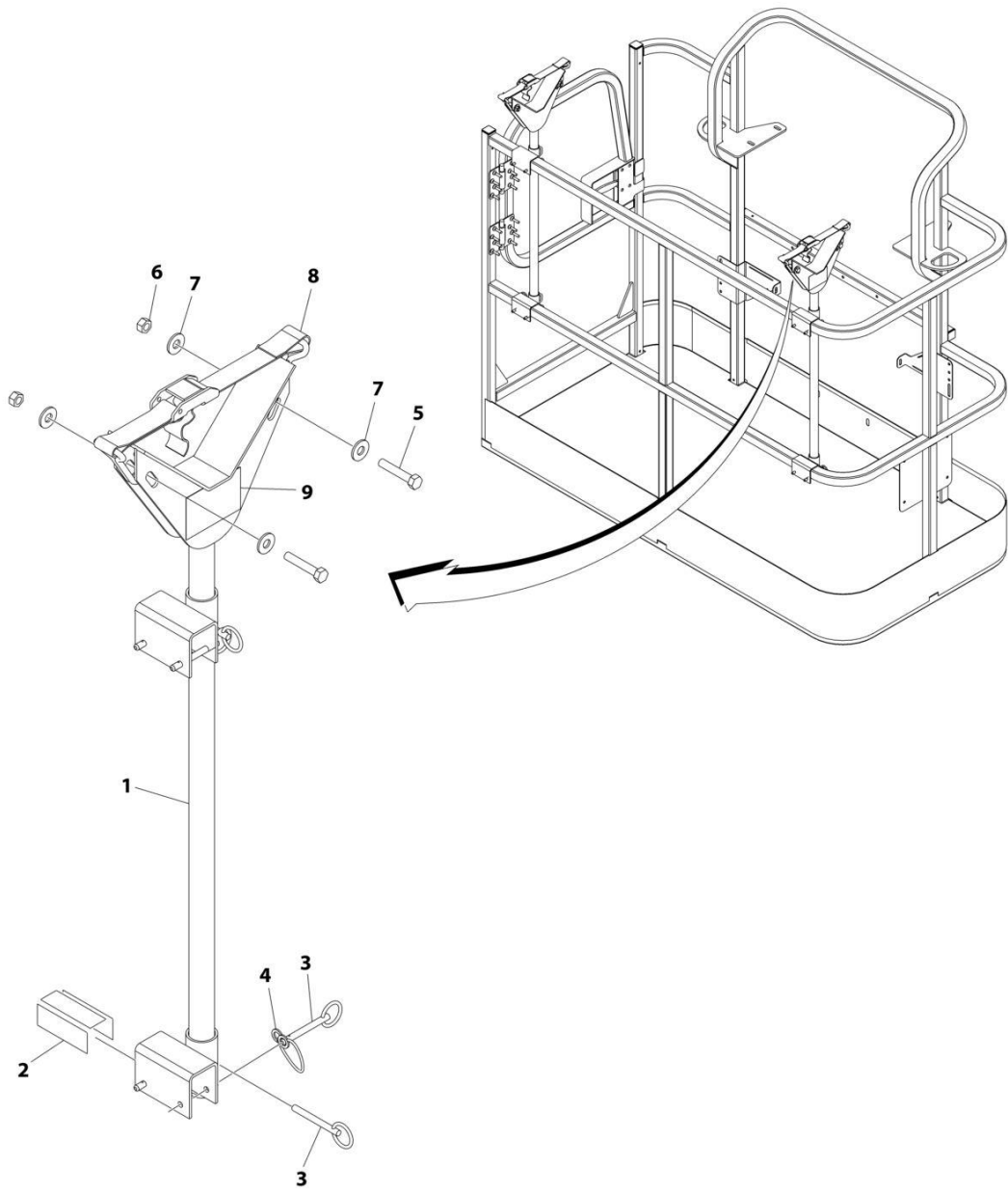
SECTION 5 - PLATFORM

FIGURE 5-47. PIPE RACK INSTALLATION (ANSI AND CSA SPECS)

ITEM	PART NUMBER	QTY	DESCRIPTION	REV
	0257728	Ref	PIPE RACK INSTALLATION	3/E
1	4845582	2	Rack, Pipe	
2	4420062	AR	Tape	
3	3422661	10	Pin	
4	1060379	4	Lanyard	
5	0641514	4	Bolt 5/16 x 1-3/4	
6	3311505	4	Nut 5/16	
7	4751500	8	Washer 5/16	
8	0480100	2	Tie-Down	
11	1001252946	2	Decal - Tube Rack Cap (1)	
12	1001252947	2	Decal - Tube Rack Cap (2)	

SECTION 5 - PLATFORM

FIGURE 5-48. PIPE RACK INSTALLATION (AUSTRALIAN SPECS)



ART_1001229019

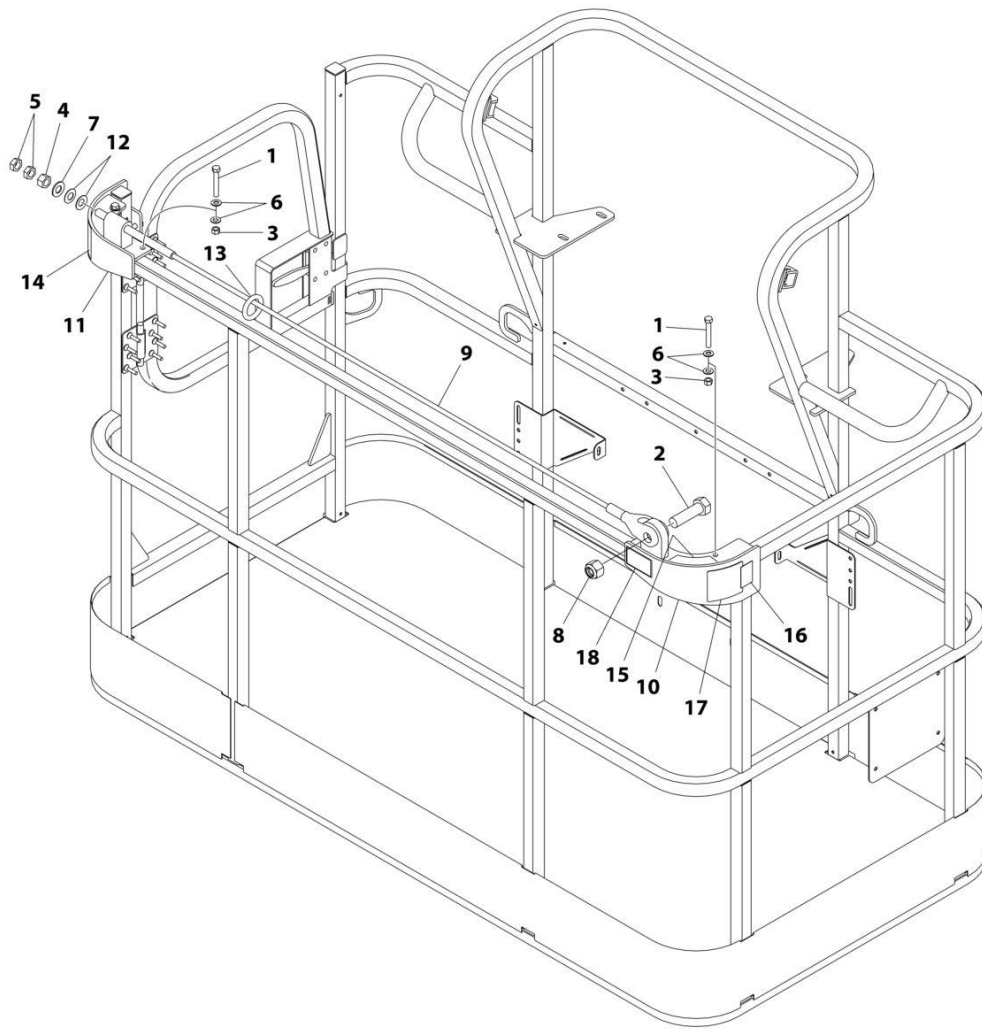
SECTION 5 - PLATFORM

FIGURE 5-48. PIPE RACK INSTALLATION (AUSTRALIAN SPECS)

ITEM	PART NUMBER	QTY	DESCRIPTION	REV
	1001229019	Ref	PIPE RACK INSTALLATION	A
1	4845582	2	Rack, Pipe	
2	4420062	AR	Tape	
3	3422661	10	Pin	
4	1060379	4	Lanyard	
5	0641514	4	Bolt 5/16 x 1-3/4	
6	3311505	4	Nut 5/16	
7	4751500	8	Washer 5/16	
8	0480100	2	Tie-Down	
9	1001229090	2	Decal - Capacity	

SECTION 5 - PLATFORM

FIGURE 5-49. FALL ARREST INSTALLATION (BOLT-ON EXTERNAL) (6FT/1.82M PLATFORM)



ART_1001236747

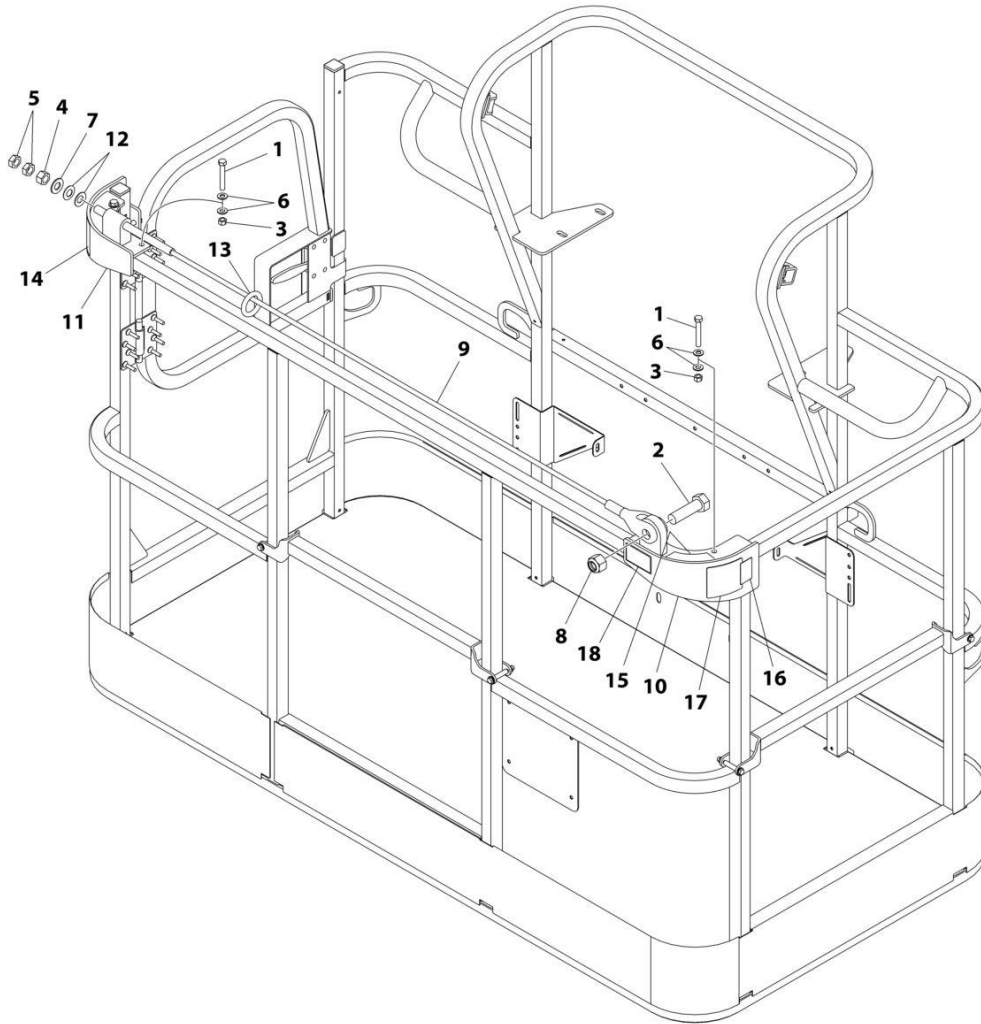
SECTION 5 - PLATFORM

FIGURE 5-49. FALL ARREST INSTALLATION (BOLT-ON EXTERNAL) (6FT/1.82M PLATFORM)

ITEM	PART NUMBER	QTY	DESCRIPTION	REV
	1001236747	Ref	FALL ARREST INSTALLATION (BOLT - ON) 6FT/1.82M PLATFORM	C
1	0681620	6	Bolt 3/8 x 2-1/2	
2	0682424	1	Bolt 7/8 x 3	
3	3271605	6	Nut 3/8	
4	3272001	1	Nut 5/8	
5	3312002	2	Nut 5/8	
6	4711600	12	Washer 3/8	
7	4712000	1	Washer 5/8	
8	88521214	1	Nut 7/8	
9	1001231950	1	Rope	
10	1001232010	1	Bracket (RH)	
11	1001232011	1	Bracket (LH)	
12	1001236891	2	Washer	
13	1001236895	1	Ring	
14	1001238263	1	Decal - Warning Falling Hazard	
15	1001252629	1	Decal - Weight	
16	1001248140	1	Decal - Bolt Fall Arrest Re-Cert	
17	1001248141	1	Decal - Inscription	

SECTION 5 - PLATFORM

FIGURE 5-50. FALL ARREST INSTALLATION (BOLT-ON EXTERNAL) (6FT/1.82M TRI-ENTRY PLATFORM)



ART_1001238463

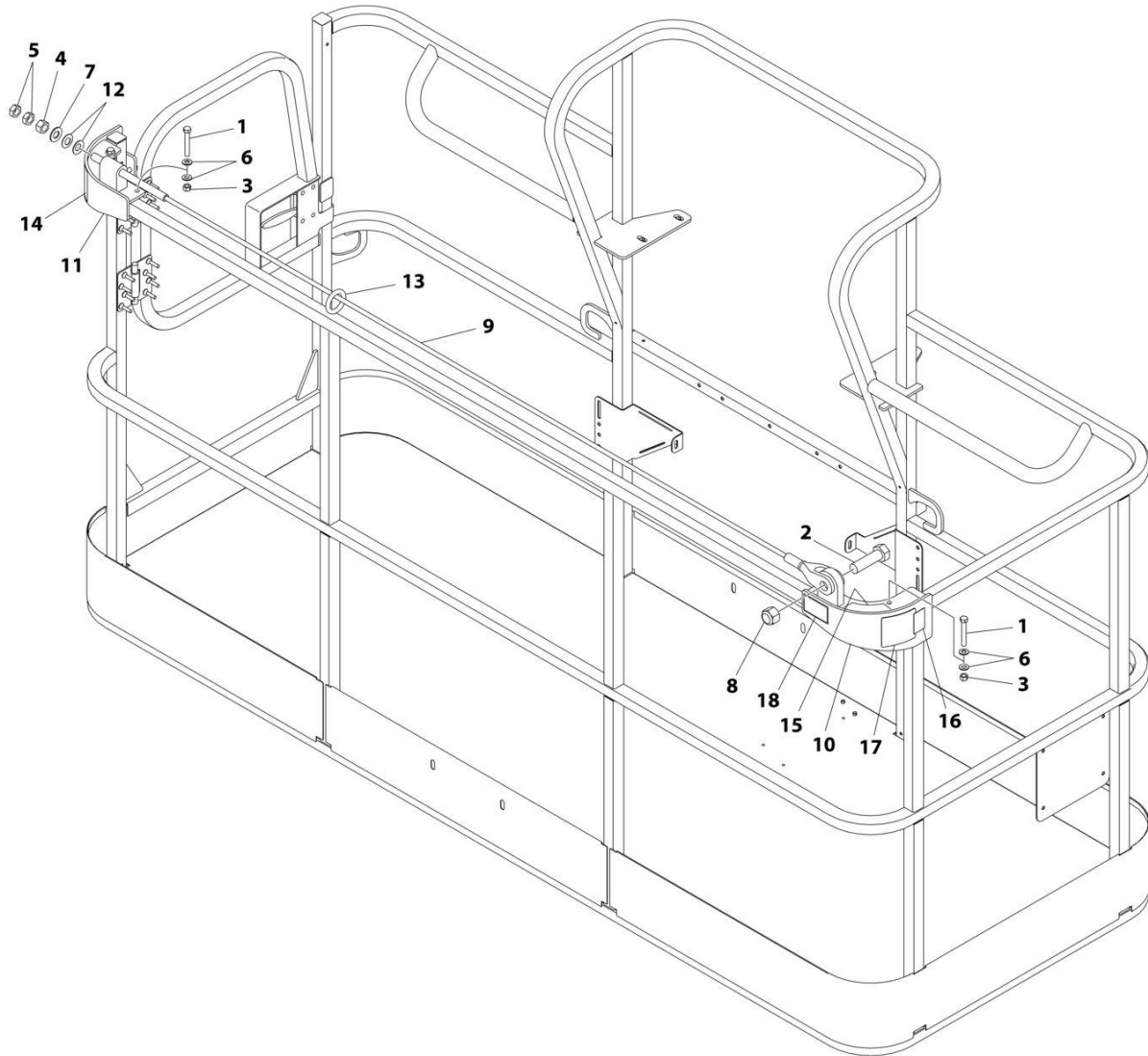
SECTION 5 - PLATFORM

FIGURE 5-50. FALL ARREST INSTALLATION (BOLT-ON EXTERNAL) (6FT/1.82M TRI-ENTRY PLATFORM)

ITEM	PART NUMBER	QTY	DESCRIPTION	REV
	1001238463	Ref	FALL ARREST INSTALLATION (BOLT - ON) 6FT/1.82M PLATFORM	C
1	0681620	6	Bolt 3/8 x 2-1/2	
2	0682424	1	Bolt 7/8 x 3	
3	3271605	6	Nut 3/8	
4	3272001	1	Nut 5/8	
5	3312002	2	Nut 5/8	
6	4711600	12	Washer 3/8	
7	4712000	1	Washer 5/8	
8	88521214	1	Nut 7/8	
9	1001231950	1	Rope	
10	1001232010	1	Bracket (RH)	
11	1001232011	1	Bracket (LH)	
12	1001236891	2	Washer	
13	1001236895	1	Ring	
14	1001238263	1	Decal - Warning Falling Hazard	
15	1001252629	1	Decal - Weight	
16	1001248140	1	Decal - Bolt Fall Arrest Re-Cert	
17	1001248141	1	Decal - Inscription	

SECTION 5 - PLATFORM

FIGURE 5-51. FALL ARREST INSTALLATION (BOLT-ON EXTERNAL) (8FT/2.4M PLATFORM)



ART_1001236746

SECTION 5 - PLATFORM

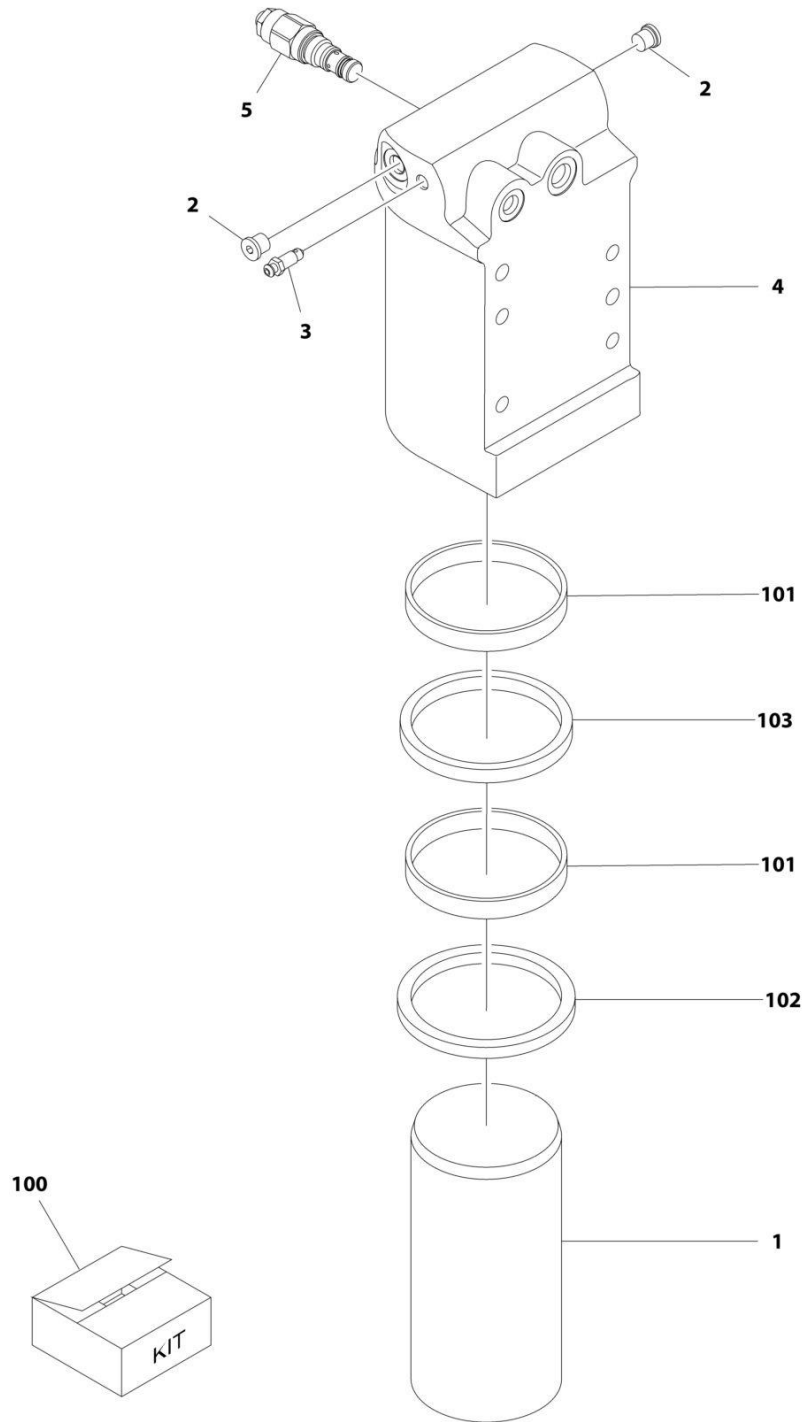
FIGURE 5-51. FALL ARREST INSTALLATION (BOLT-ON EXTERNAL) (8FT/2.4M PLATFORM)

ITEM	PART NUMBER	QTY	DESCRIPTION	REV
	1001236746	Ref	FALL ARREST INSTALLATION (BOLT - ON) 8FT/2.4M PLATFORM	C
1	0681620	6	Bolt 3/8 x 2-1/2	
2	0682424	1	Bolt 7/8 x 3	
3	3271605	6	Nut 3/8	
4	3272001	1	Nut 5/8	
5	3312002	2	Nut 5/8	
6	4711600	12	Washer 3/8	
7	4712000	1	Washer 5/8	
8	88521214	1	Nut 7/8	
9	1001231949	1	Rope	
10	1001232010	1	Bracket (RH)	
11	1001232011	1	Bracket (LH)	
12	1001236891	2	Washer	
13	1001236895	1	Ring	
14	1001238263	1	Decal - Warning Falling Hazard	
15	1001252629	1	Decal - Weight 23LBS/10.4KG	
16	1001248140	1	Decal - Bolt Fall Arrest Re-Cert	
17	1001248141	1	Decal - Inscription	

SECTION 6 - CYLINDER

SECTION 6 - CYLINDER

FIGURE 6-1. AXLE LOCKOUT CYLINDER ASSEMBLY



ART_1001219040

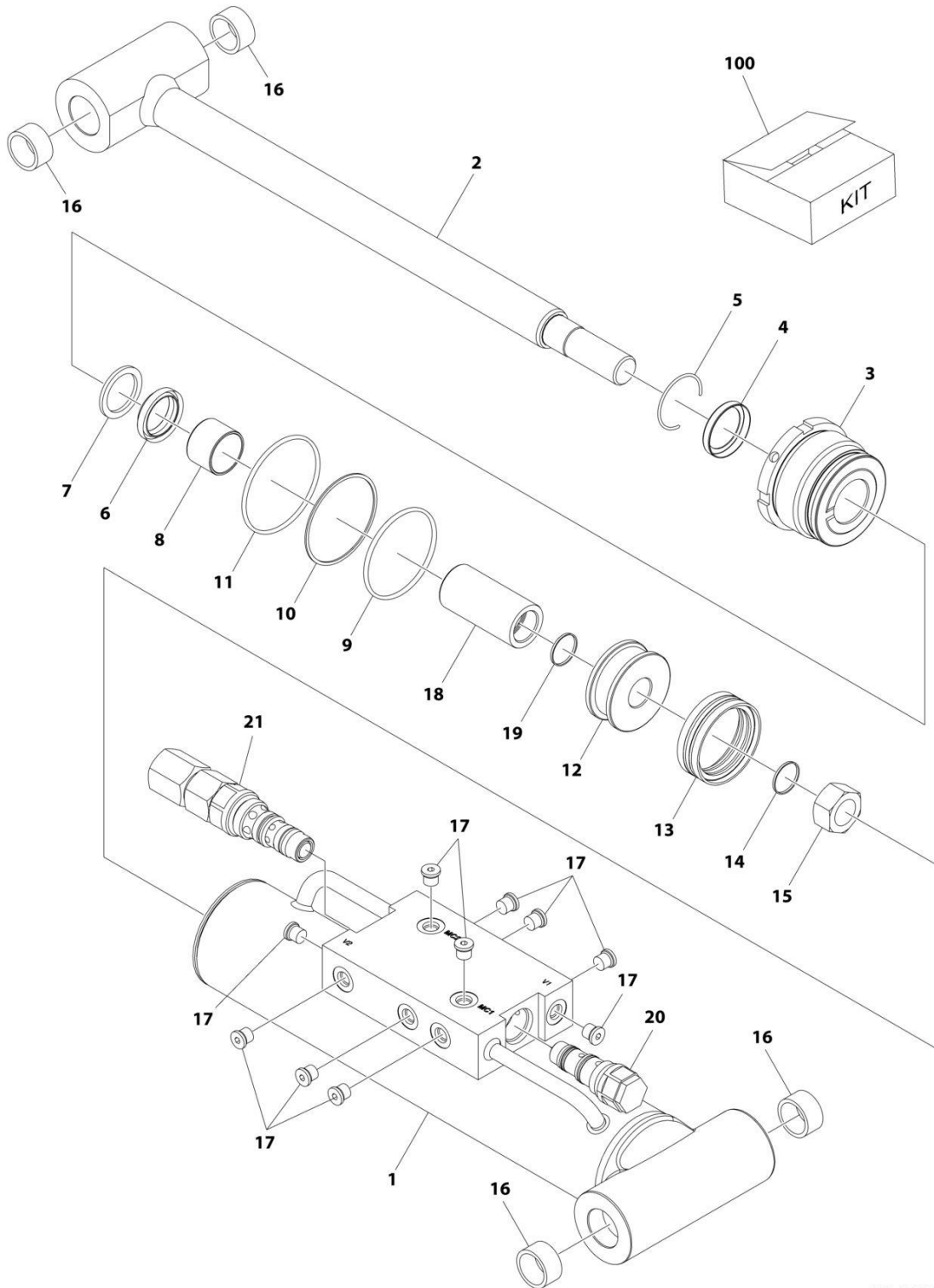
SECTION 6 - CYLINDER

FIGURE 6-1. AXLE LOCKOUT CYLINDER ASSMBLY

ITEM	PART NUMBER	QTY	DESCRIPTION	REV
	1001219040	Ref	AXLE LOCKOUT CYLINDER ASSEMBLY	A
1	1684290	1	Rod	
2	2220883	2	Plug #4	
3	4640858	1	Valve, Bleeder	
4	1001164817	1	Barrel	
5	1001218594	1	Cartridge, Valve	
5	70002842	1	Seal Kit - 1001218594 Valve	
100	2902266	1	Seal Kit - 1001219040 Cylinder (Includes Items 101-103)	
101	See Note	NSS	Ring, Wear	
102	See Note	NSS	Seal	
103	See Note	NSS	Wiper	

SECTION 6 - CYLINDER

FIGURE 6-2. LEVEL CYLINDER ASSEMBLY - PLATFORM SLAVE (600S)



ART_1001184954

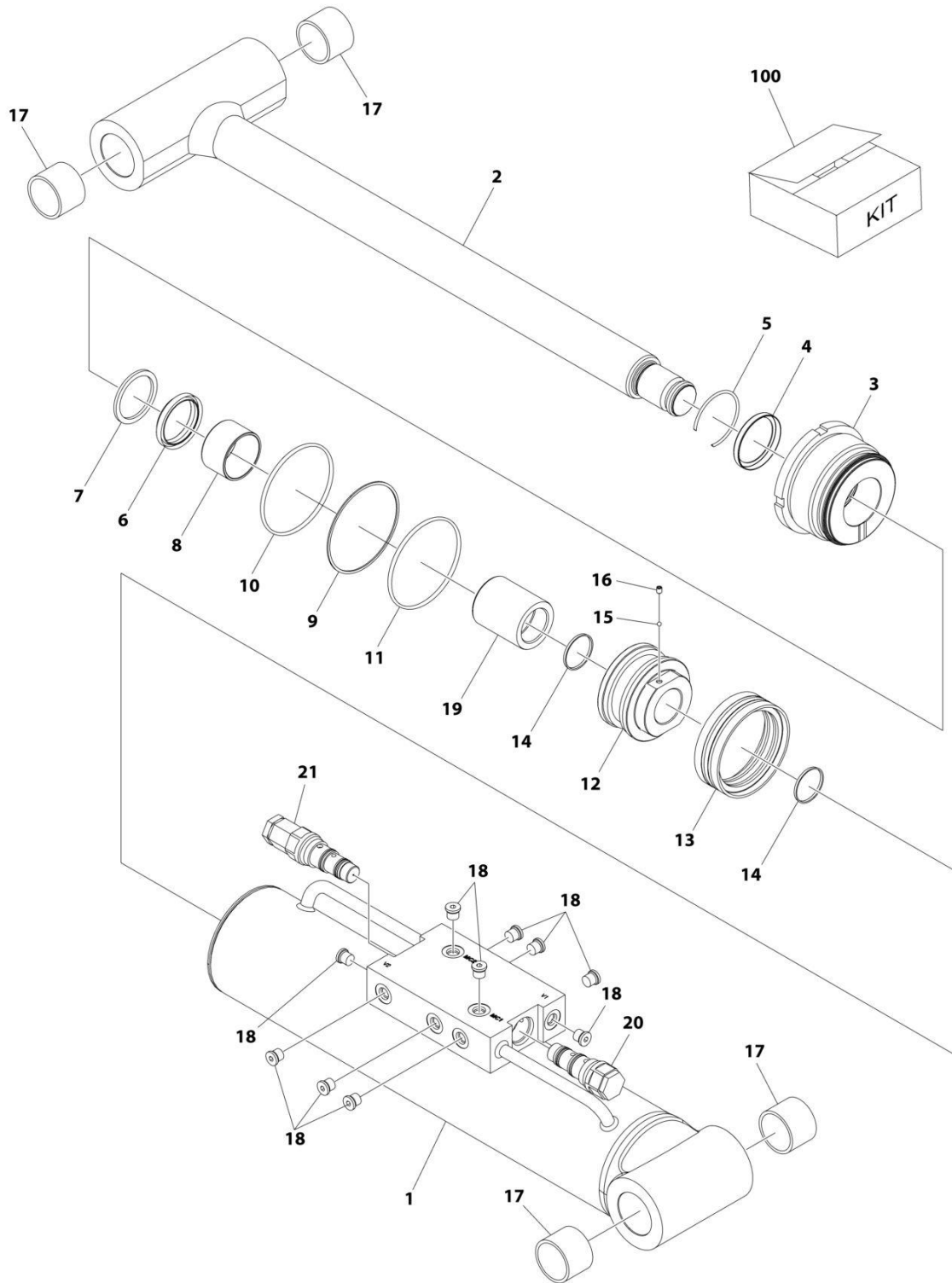
SECTION 6 - CYLINDER

FIGURE 6-2. LEVEL CYLINDER ASSEMBLY - PLATFORM SLAVE (600S)

ITEM	PART NUMBER	QTY	DESCRIPTION	REV
	1001184954	Ref	LEVEL CYLINDER ASSEMBLY	E
		Ref	Note: Original Cylinder may have been replaced with Service Replacement. Identify PN Stamped on Cylinder Before Ordering Parts.	
1	70005693	1	Barrel	
2	70005694	1	Rod	
3	70003085	1	Head	
4	See Note	NSS	Wiper (Note: Use Item 100)	
5	70002366	1	Ring, Retaining	
6	See Note	NSS	Seal, Rod (Note: Use Item 100)	
7	See Note	NSS	Ring, Back-up (Note: Use Item 100)	
8	70005695	1	Bearing	
9	See Note	NSS	O-Ring (Note: Use Item 100)	
10	See Note	NSS	Ring, Back-up (Note: Use Item 100)	
11	See Note	NSS	O-Ring (Note: Use Item 100)	
12	70002381	1	Piston	
13	See Note	NSS	Seal, Piston (Note: Use Item 100)	
14	See Note	NSS	O-Ring (Note: Use Item 100)	
15	70002335	1	Nut	
16	0961947	4	Bearing	
17	2220883	10	Plug	
18	70005696	1	Spacer	
19	See Note	NSS	O-Ring (Note: Use Item 100)	
20	4640999	1	Valve, Counterbalance	
20	2900792	1	Seal Kit - 4640999 Valve	
21	1001232117	1	Valve, Counterbalance	
21	7011112	1	Seal Kit - 1001232117 Valve	
100	70005697	1	Seal Kit - 1001184954 Cylinder (Includes Items 4, 6, 7, 9, 10, 11, 13, 14 & 19)	

SECTION 6 - CYLINDER

FIGURE 6-3. LEVEL CYLINDER ASSEMBLY - PLATFORM SLAVE (660SJ)



ART_1001184957

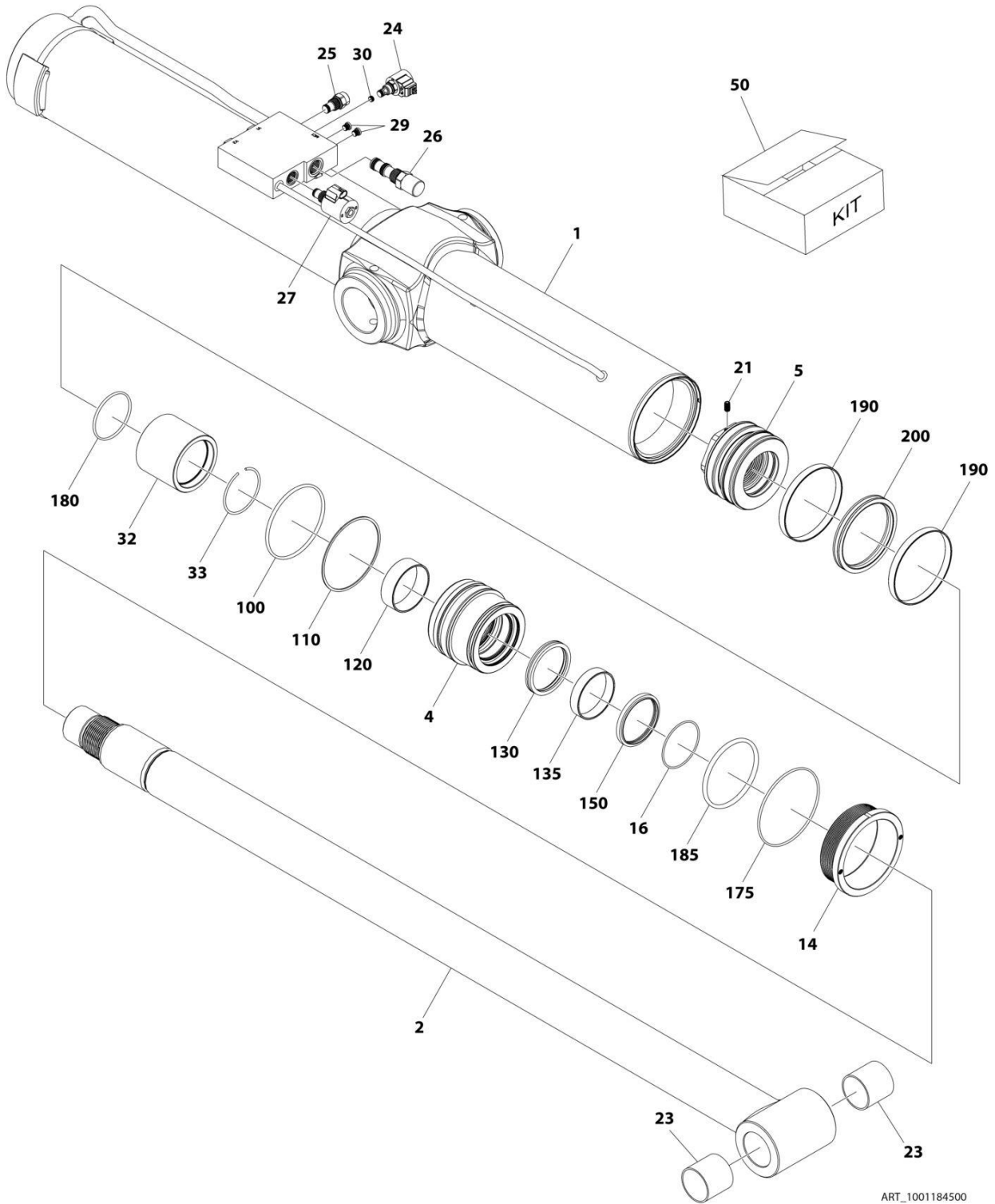
SECTION 6 - CYLINDER

FIGURE 6-3. LEVEL CYLINDER ASSEMBLY - PLATFORM SLAVE (660SJ)

ITEM	PART NUMBER	QTY	DESCRIPTION	REV
	1001184957	Ref	LEVEL CYLINDER ASSEMBLY	D
		Ref	Note: Original Cylinder may have been replaced with Service Replacement. Identify PN Stamped on Cylinder Before Ordering Parts.	
1	70005698	1	Barrel	
2	70005699	1	Rod	
3	70005700	1	Head	
4	See Note	NSS	Wiper (Note: Use Item 100)	
5	70002410	1	Ring, Retaining	
6	See Note	NSS	Seal, Rod (Note: Use Item 100)	
7	See Note	NSS	Ring, Back-up (Note: Use Item 100)	
8	70004237	1	Bearing	
9	See Note	NSS	O-Ring (Note: Use Item 100)	
10	See Note	NSS	Ring, Back-up (Note: Use Item 100)	
11	See Note	NSS	O-Ring (Note: Use Item 100)	
12	70005701	1	Piston	
13	See Note	NSS	Seal, Piston (Note: Use Item 100)	
14	See Note	NSS	O-Ring (Note: Use Item 100)	
15	70022564	1	Ball	
16	70023369	1	Setscrew	
17	0961948	4	Bearing	
18	2220883	10	Plug	
19	70005702	1	Spacer	
20	4640999	1	Valve, Counterbalance	
20	2900792	1	Seal Kit - 4640999 Valve	
21	4640932	1	Valve, Counterbalance	
21	7011112	1	Seal Kit - 4640932 Valve	
100	70005703	1	Seal Kit - 1001184957 Cylinder (Include Items 4, 6, 7, 9, 10, 11, 13 & 14)	

SECTION 6 - CYLINDER

FIGURE 6-4. LIFT CYLINDER ASSEMBLY - BOOM



ART_1001184500

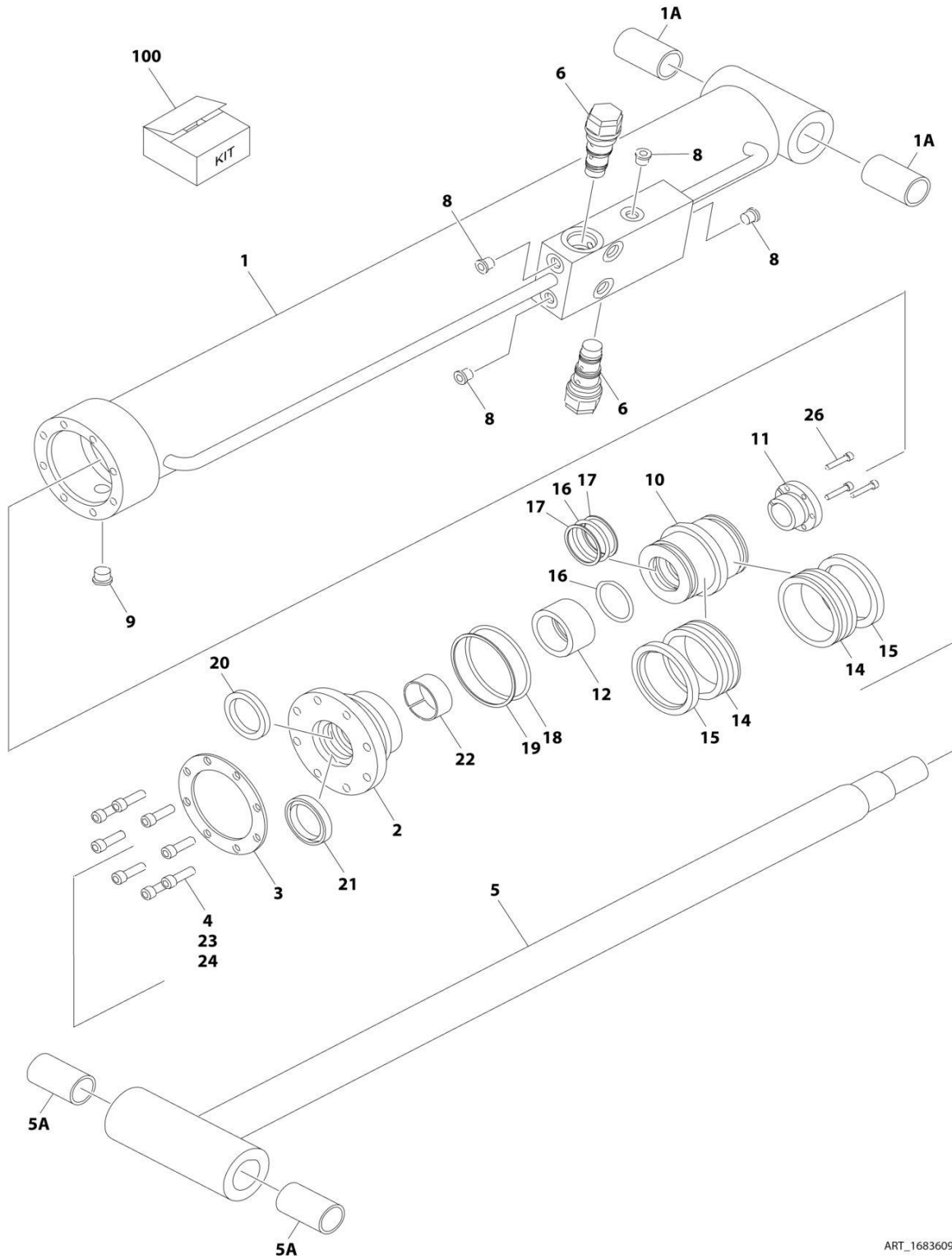
SECTION 6 - CYLINDER

FIGURE 6-4. LIFT CYLINDER ASSEMBLY - BOOM

ITEM	PART NUMBER	QTY	DESCRIPTION	REV
	1001184500	Ref	LIFT CYLINDER ASSEMBLY	J
		Ref	Note: Original Cylinder may have been replaced with Service Replacement. Identify PN Stamped on Cylinder Before Ordering Parts.	
1	70005570	1	Barrel	
2	70005571	1	Rod	
4	70005572	1	Head	
5	70025580	1	Head	
14	70026164	1	Collar, Locking	
16	70000699	1	Ring, Retaining	
21	70025582	1	Setscrew	
23	0962423	2	Bushing	
24	1001195382	1	Valve, Solenoid	
24	7017467	1	Cartridge Less Coil	
24	7012967	1	Seal Kit - 1001195382 & 7017467 Valves	
24	70005576	1	Coil	
25	4641390	1	Valve, Check	
25	7017496	1	Seal Kit - 4641930 Valve	
26	1001203628	1	Valve, Pressure Compensator	
26	7012925	1	Seal Kit - 1001203628 Valve	
27	1001218037	1	Valve, Solenoid	
27	70006003	1	Cartridge Less Coil	
27	70006005	1	Seal Kit - 1001218037 & 70006003 Valve	
27	70006004	1	Coil	
27	70006006	1	Coil Nut Kit	
29	70025619	2	Plug	
30	70006261	1	Orifice	
32	70006260	1	Spacer	
33	70005575	1	Wire, Retaining	
50	70005563	1	Seal Kit - 1001184500 Cylinder (Includes Items 100-200)	
100	See Note	NSS	O-Ring (Note: Use Item 50)	
110	See Note	NSS	Ring, Back-up (Note: Use Item 50)	
120	See Note	NSS	Ring, Bearing (Note: Use Item 50)	
130	See Note	NSS	Seal, Rod (Note: Use Item 50)	
135	See Note	NSS	Ring, Bearing (Note: Use Item 50)	
150	See Note	NSS	Wiper (Note: Use Item 50)	
175	See Note	NSS	O-Ring (Note: Use Item 50)	
180	See Note	NSS	O-Ring (Note: Use Item 50)	
185	See Note	NSS	O-Ring (Note: Use Item 50)	
190	See Note	NSS	Ring, Bearing (Note: Use Item 50)	
200	See Note	NSS	Seal, Piston (Note: Use Item 50)	

SECTION 6 - CYLINDER

FIGURE 6-5. LIFT CYLINDER ASSEMBLY - JIB (660SJ) (ORIGINAL EQUIPMENT) (SN 0300235168 through 03000237971, SN B300002216 through B300002338)



ART_1683609

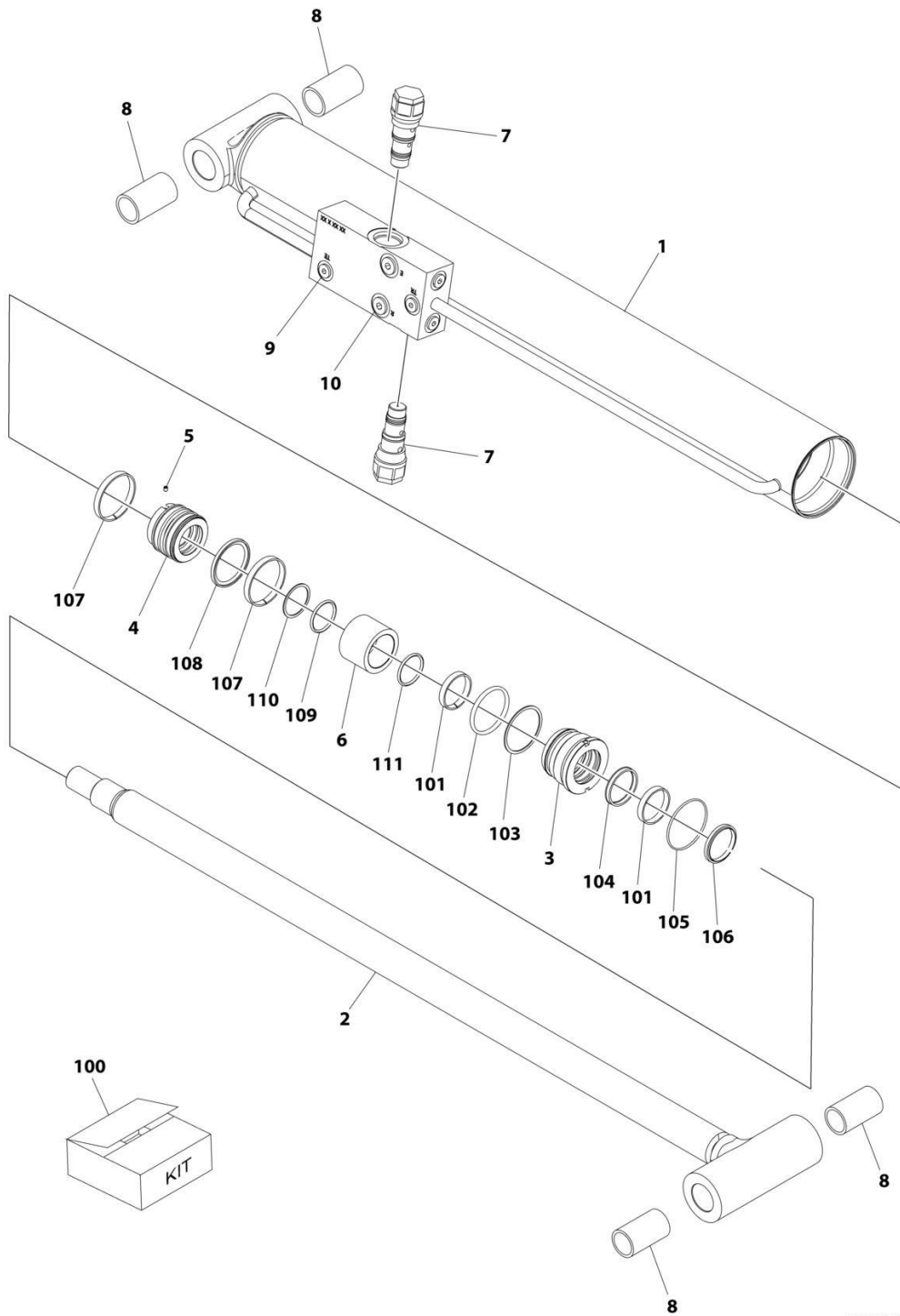
SECTION 6 - CYLINDER

FIGURE 6-5. LIFT CYLINDER ASSEMBLY - JIB (660SJ) (ORIGINAL EQUIPMENT) (SN 0300235168 through 03000237971, SN B300002216 through B300002338)

ITEM	PART NUMBER	QTY	DESCRIPTION	REV
	1683609	Ref	LIFT CYLINDER ASSEMBLY	L
		Ref	Note: Original Cylinder may have been replaced with Service Replacement. Identify PN Stamped on Cylinder Before Ordering Parts.	
1	1684089	1	Barrel	
1A	0962336	2	Bushing	
2	1683053	1	Head	
3	3760368	1	Ring, Washer	
4	3931516	8	Capscrew 5/16in-18NC x 1in	
5	1684090	1	Rod	
5A	0962336	2	Bushing	
6	4640509	2	Cartridge, Valve	
6	2900792	2	Seal Kit - 4640509 Valve	
8	2220883	2	Plug #4	
9	2220885	1	Plug #6	
10	3480210	1	Piston	
11	0961893	1	Bushing, Tapered	
12	4100100	1	Spacer, Tube	
14	See Note	NSS	Seal (Note: Use Item 100)	
15	See Note	NSS	Ring, Lock (Note: Use Item 100)	
16	See Note	NSS	O-Ring (Note: Use Item 100)	
17	See Note	NSS	Ring, Back-up (Note: Use Item 100)	
18	See Note	NSS	O-Ring (Note: Use Item 100)	
19	See Note	NSS	Ring, Back-up (Note: Use Item 100)	
20	See Note	NSS	Seal, Rod (Note: Use Item 100)	
21	See Note	NSS	Wiper (Note: Use Item 100)	
22	See Note	NSS	Ring, Wear (Note: Use Item 100)	
23	0100011	AR	Compound, Locking	
24	0100038	AR	Primer, Locking	
26	0630534	3	Bolt #10-24NC x 1in	
100	2901303	1	Seal Kit (Includes Items 14-22)	

SECTION 6 - CYLINDER

FIGURE 6-6. LIFT CYLINDER ASSEMBLY - JIB (660SJ) (SERVICE REPLACEMENT) (SN 0300235168 through 03000237971, SN B300002216 through B300002338)



ART_1001228012

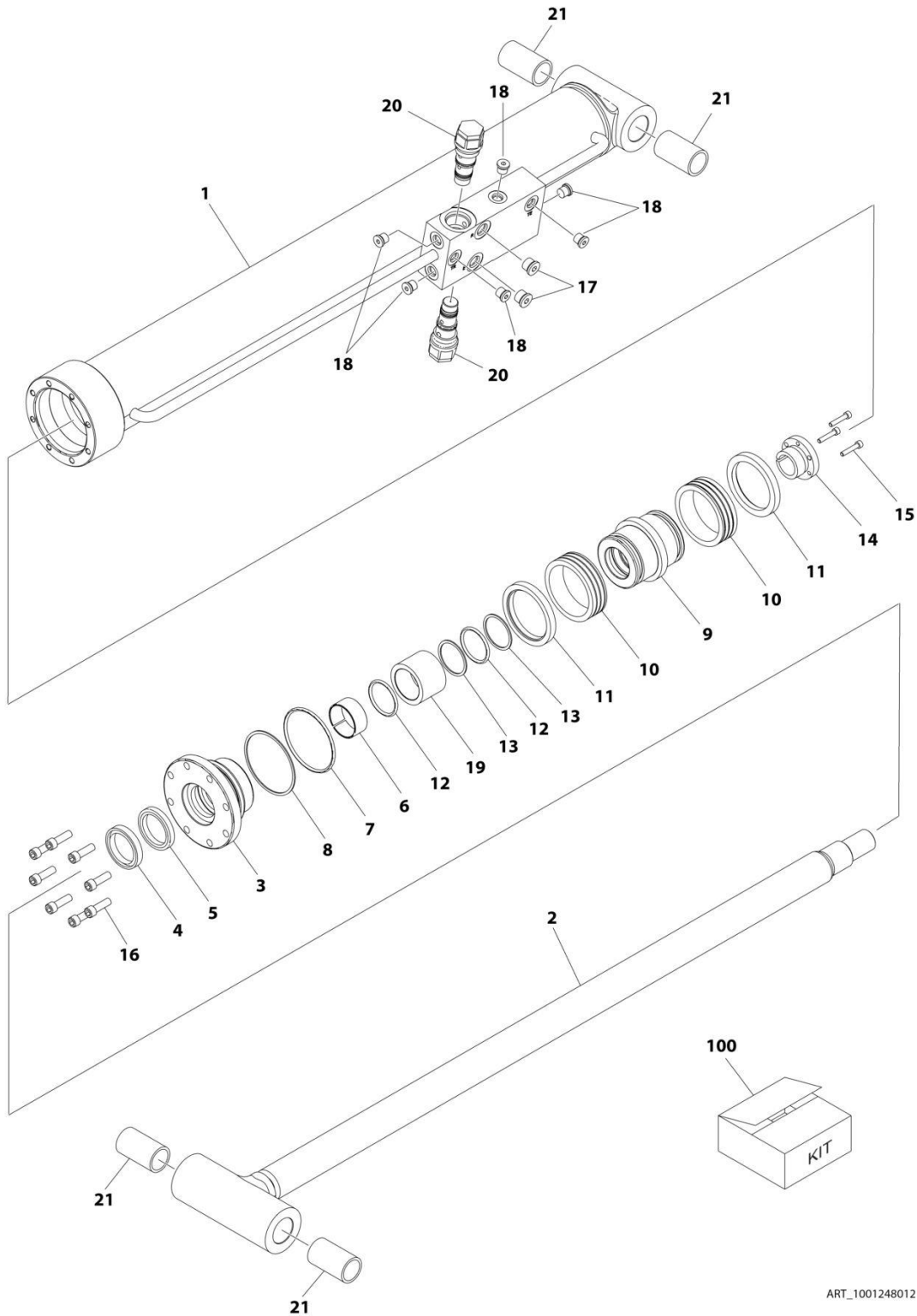
SECTION 6 - CYLINDER

FIGURE 6-6. LIFT CYLINDER ASSEMBLY - JIB (660SJ) (SERVICE REPLACEMENT) (SN 0300235168 through 03000237971, SN B300002216 through B300002338)

ITEM	PART NUMBER	QTY	DESCRIPTION	REV
	1001228012	Ref	LIFT CYLINDER ASSEMBLY - JIB	A
		Ref	Note: Original Cylinder May Have Been Replaced with Service Replacement. Identify PN Stamped on Cylinder Before Ordering Parts.	
1	See Note	NSS	Barrel (Note: Not Available for Purchase)	
2	70006572	1	Rod	
3	70006571	1	Head	
4	70006570	1	Piston	
5	70023915	1	Screw	
6	70006569	1	Spacer	
7	4640509	2	Cartridge, Valve	
7	2900792	2	Seal Kit - 4640509 Valve	
8	0962336	4	Bushing	
9	2220883	6	Plug, O-Ring	
10	2220885	2	Plug, O-Ring	
100	70006568	1	Seal Kit (Includes Items 101-111)	
101	See Note	NSS	Ring, Wear (Note: Use Item 100)	
102	See Note	NSS	O-Ring (Note: Use Item 100)	
103	See Note	NSS	Ring, Back-up (Note: Use Item 100)	
104	See Note	NSS	Seal, Rod (Note: Use Item 100)	
105	See Note	NSS	O-Ring (Note: Use Item 100)	
106	See Note	NSS	Wiper (Note: Use Item 100)	
107	See Note	NSS	Ring, Wear (Note: Use Item 100)	
108	See Note	NSS	Seal (Note: Use Item 100)	
109	See Note	NSS	O-Ring (Note: Use Item 100)	
110	See Note	NSS	Ring, Back-up (Note: Use Item 100)	
111	See Note	NSS	O-Ring (Note: Use Item 100)	

SECTION 6 - CYLINDER

FIGURE 6-7. LIFT CYLINDER ASSEMBLY - JIB (660SJ) (SERVICE REPLACEMENT) (SN 0300235168 through 03000237971, SN B300002216 through B300002338)



ART_1001248012

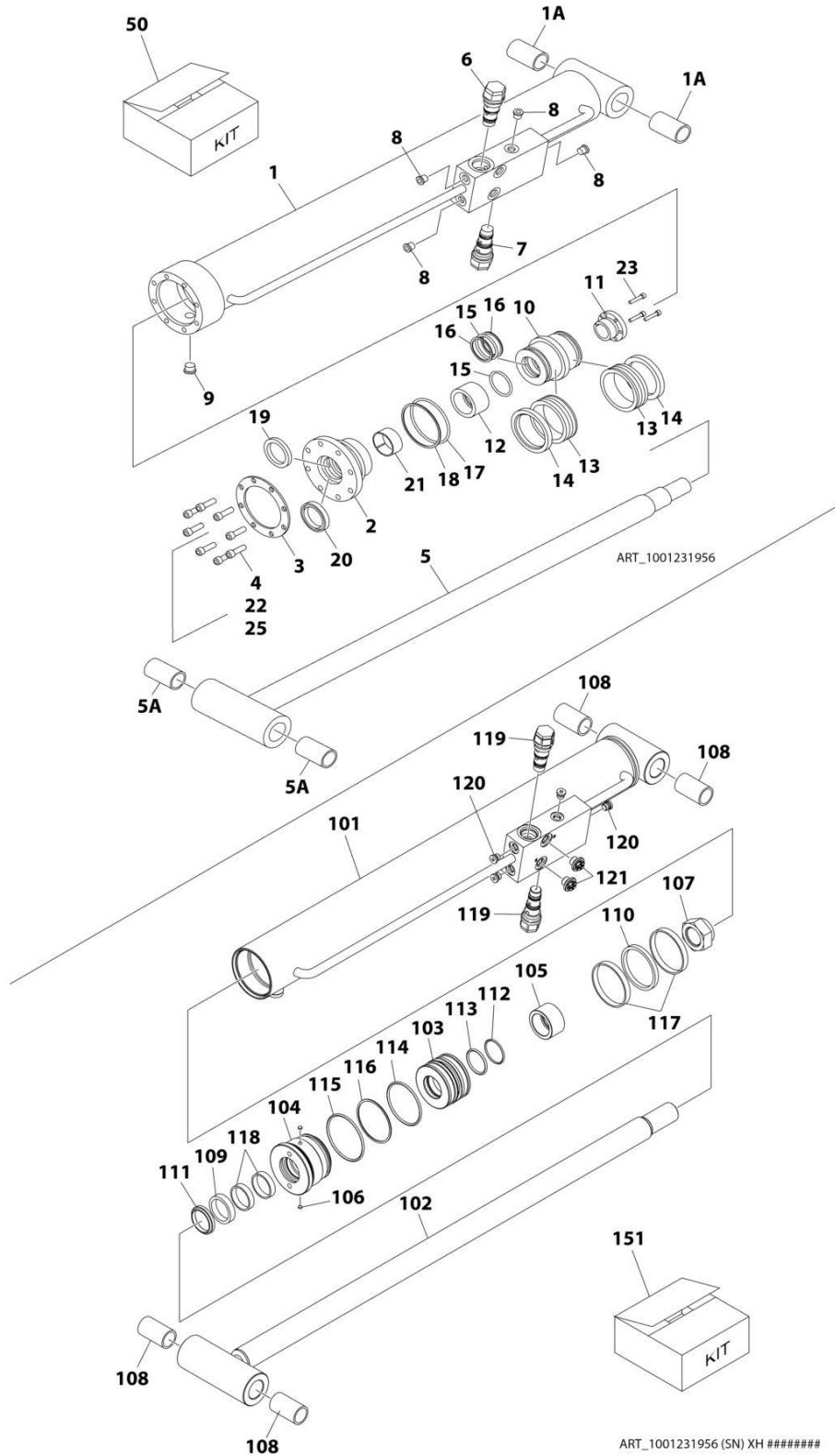
SECTION 6 - CYLINDER

FIGURE 6-7. LIFT CYLINDER ASSEMBLY - JIB (660SJ) (SERVICE REPLACEMENT) (SN 0300235168 through 03000237971, SN B300002216 through B300002338)

ITEM	PART NUMBER	QTY	DESCRIPTION	REV
	1001248012	Ref	LIFT CYLINDER ASSEMBLY - JIB	C
		Ref	Note: Original Cylinder May Have Been Replaced with Service Replacement. Identify PN Stamped on Cylinder Before Ordering Parts.	
1	See Note	NSS	Barrel (Note: Not Available for Purchase)	
2	70006734	1	Rod	
3	70006649	1	Head	
4	See Note	NSS	Wiper (Note: Use Item 100)	
5	See Note	NSS	Seal, Rod (Note: Use Item 100)	
6	See Note	NSS	Ring, Wear (Note: Use Item 100)	
7	See Note	NSS	O-Ring (Note: Use Item 100)	
8	See Note	NSS	Ring, Back-up (Note: Use Item 100)	
9	70006650	1	Piston	
10	See Note	NSS	Seal (Note: Use Item 100)	
11	See Note	NSS	Ring, Lock (Note: Use Item 100)	
12	See Note	NSS	O-Ring (Note: Use Item 100)	
13	See Note	NSS	Ring, Back-up (Note: Use Item 100)	
14	0961893	1	Bushing, Tapered	
15	0630534	3	Capscrew, Socket Head #10 x 1	
16	70006735	8	Capscrew 5/16	
17	2220885	2	Plug, O-Ring	
18	2220883	6	Plug, O-Ring	
19	70006736	1	Spacer	
20	4640509	2	Cartridge, Valve	
20	2900792	2	Seal Kit - 4640509 Valve	
21	0962336	4	Bushing	
100	1001138795	1	Seal Kit (Includes Items 4-8 & 10-13)	

SECTION 6 - CYLINDER

FIGURE 6-8. LIFT CYLINDER ASSEMBLY - JIB (660SJ) (SN 0300237972 through 0300245222, SN B300002339 through B300005754)



SECTION 6 - CYLINDER

FIGURE 6-8. LIFT CYLINDER ASSEMBLY - JIB (660SJ) (SN 0300237972 through 0300245222, SN B300002339 through B300005754)

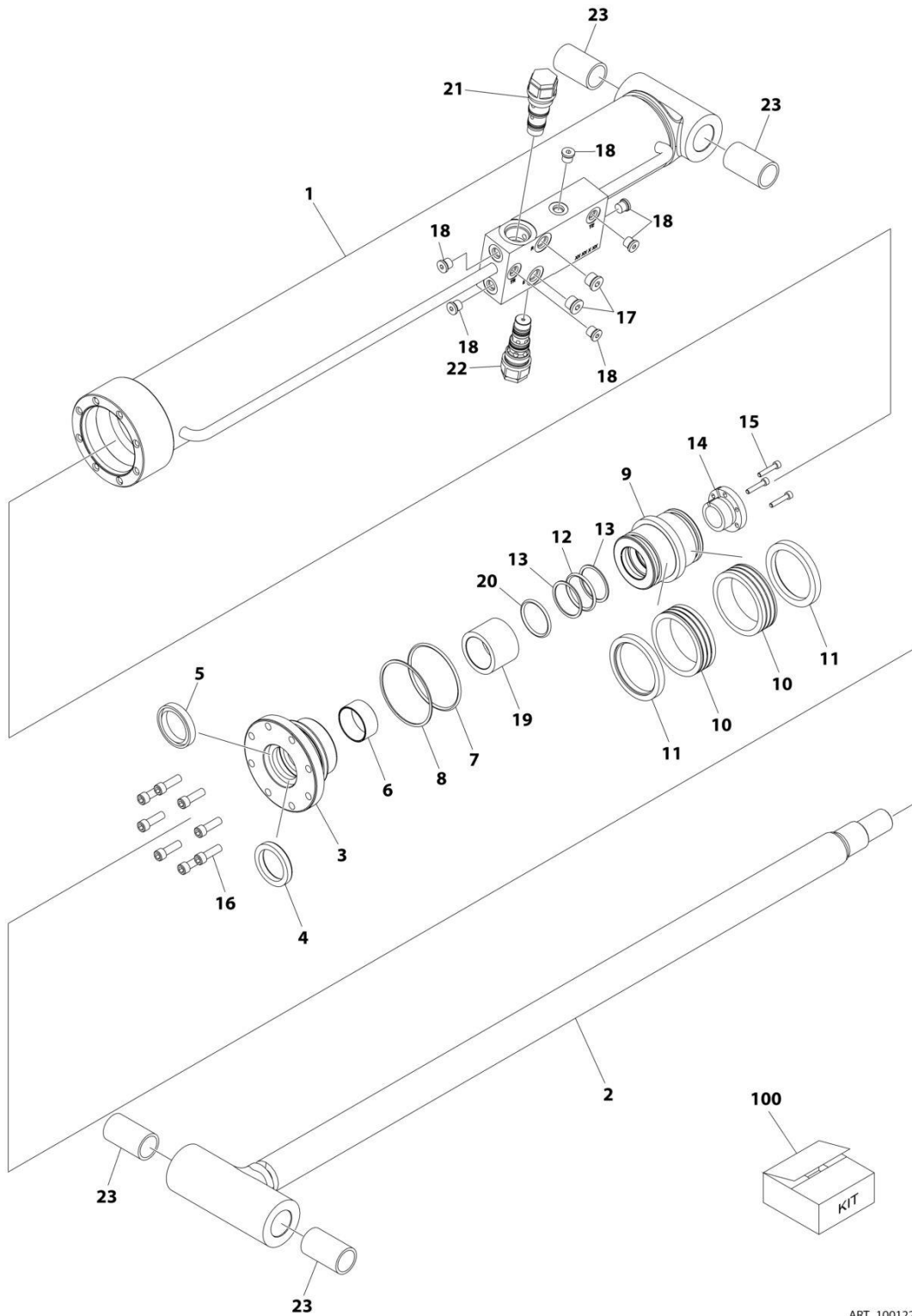
ITEM	PART NUMBER	QTY	DESCRIPTION	REV
	1001231956	Ref	LIFT CYLINDER ASSEMBLY (ALL EXCEPT CYLINDERS WITH SN START WITH XH)	C
		Ref	Note: If Cylinder is Stamped 1001231956 (SN) XH ##### Refer to Items 101-151 for Service Parts.	
		Ref	Note: Original Cylinder May Have Been Replaced with Service Replacement. Identify PN Stamped on Cylinder Before Ordering Parts.	
1	1684089	1	Barrel	
1A	0962336	2	Bushing	
2	1683053	1	Head	
3	3760368	1	Ring, Washer	
4	3931516	8	Capscrew 5/16 x 1	
5	1684090	1	Rod	
5A	0962336	2	Bushing	
6	4640509	1	Cartridge, Valve	
6	2900792	1	Seal Kit - 4640509 Valve	
7	1001231963	1	Cartridge, Valve	
7	70004186	1	Seal Kit - 1001231963 Valve	
8	2220883	4	Plug, O-Ring #4	
9	2220885	1	Plug, O-Ring #6	
10	3480210	1	Piston	
11	0961893	1	Bushing, Tapered	
12	4100100	1	Spacer, Tube	
13	See Note	NSS	Seal (Note: Use Item 50)	
14	See Note	NSS	Ring, Lock (Note: Use Item 50)	
15	See Note	NSS	O-Ring (Note: Use Item 50)	
16	See Note	NSS	Ring, Back-up (Note: Use Item 50)	
17	See Note	NSS	O-Ring (Note: Use Item 50)	
18	See Note	NSS	Ring, Back-up (Note: Use Item 50)	
19	See Note	NSS	Seal, Rod (Note: Use Item 50)	
20	See Note	NSS	Wiper (Note: Use Item 50)	
21	See Note	NSS	Ring, Wear (Note: Use Item 50)	
22	0100011	AR	Compound, Locking	
23	0630534	3	Bolt #10 x 1	
25	0100038	AR	Primer, Locking	
50	2901303	1	Seal Kit (Includes Items 13-21)	
	1001231956	Ref	LIFT CYLINDER ASSEMBLY (CYLINDERS STAMPED 1001231956 (SN) XH #####)	A
		Ref	Note: Original Cylinder May Have Been Replaced with Service Replacement. Identify PN Stamped on Cylinder Before Ordering Parts.	
101	See Note	1	Barrel (Note: Purchase Complete Assembly)	
102	70006930	1	Rod	
103	70006931	1	Piston	
104	70006932	1	Head	
105	70006933	1	Spacer, Tube	
106	70003636	1	Lock, Insert	
107	70006900	1	Nut	
108	0962336	1	Bushing	
109	See Note	1	Seal, Rod (Note: Use Item 151)	

SECTION 6 - CYLINDER

ITEM	PART NUMBER	QTY	DESCRIPTION	REV
110	See Note	1	Seal, Piston (Note: Use Item 151)	
111	See Note	1	Wiper (Note: Use Item 151)	
112	See Note	1	O-Ring (Note: Use Item 151)	
113	See Note	1	O-Ring (Note: Use Item 151)	
114	See Note	1	O-Ring (Note: Use Item 151)	
115	See Note	1	O-Ring (Note: Use Item 151)	
116	See Note	1	Ring, Back-up (Note: Use Item 151)	
117	See Note	1	Ring, Wear (Note: Use Item 151)	
118	See Note	1	Ring, Wear (Note: Use Item 151)	
119	4640509	1	Catridge, Valve	
119	2900792	1	Seal Kit - 4640509 Valve	
120	2220883	1	Plug	
121	2220885	1	Plug	
151	70006934	1	Seal Kit (Includes Item 109-118)	

SECTION 6 - CYLINDER

FIGURE 6-9. LIFT CYLINDER ASSEMBLY - JIB (660SJ) (SN 0300237157 through 0300272445)



ART_1001228013

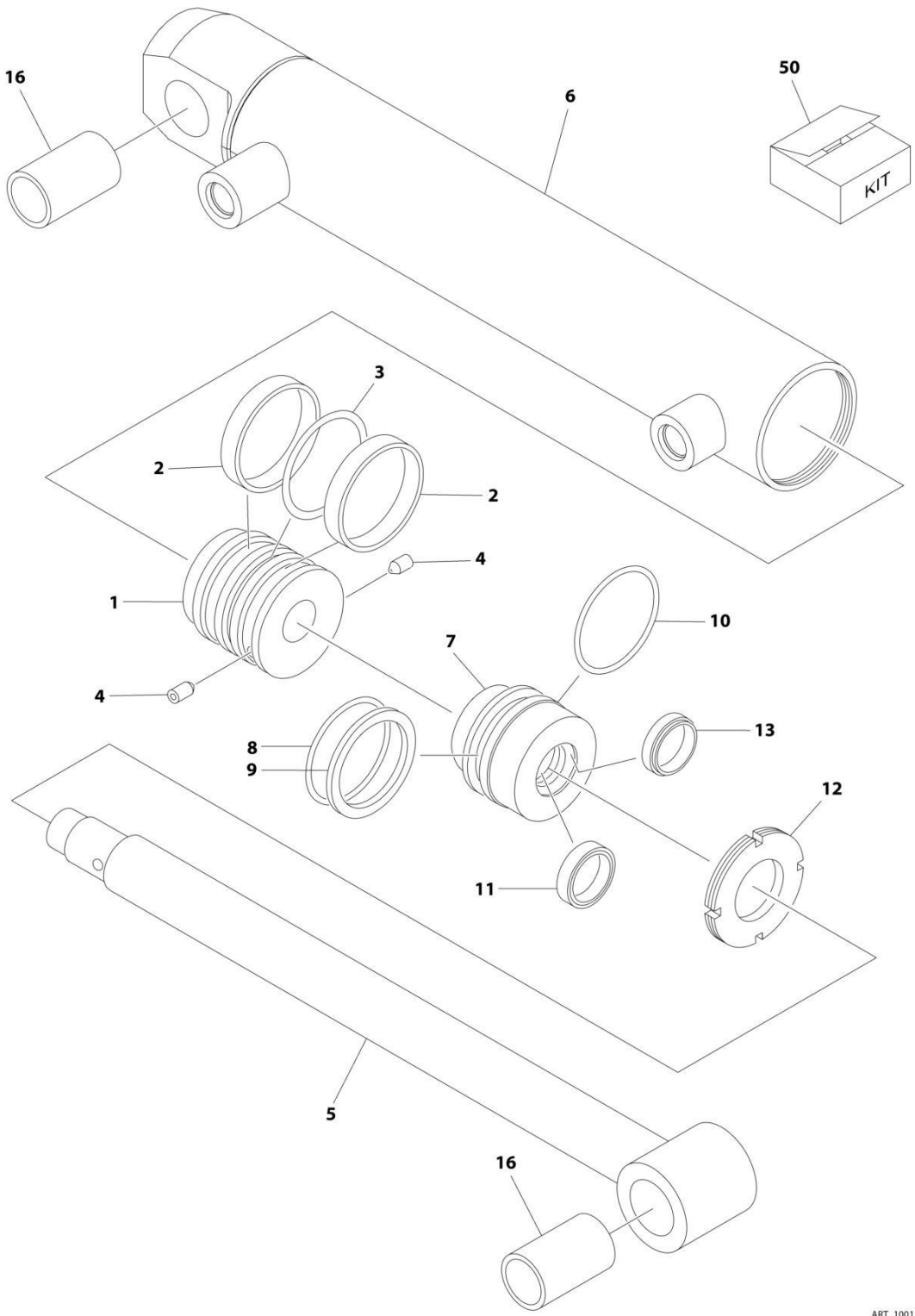
SECTION 6 - CYLINDER

FIGURE 6-9. LIFT CYLINDER ASSEMBLY - JIB (660SJ) (SN 0300237157 through 0300272445)

ITEM	PART NUMBER	QTY	DESCRIPTION	REV
	1001228013	Ref	LIFT CYLINDER ASSEMBLY	D
		Ref	Note: Original Cylinder May Have Been Replaced with Service Replacement. Identify PN Stamped on Cylinder Before Ordering Parts.	
1	See Note	NSS	Barrel (Note: Not Available for Purchase)	
2	70006734	1	Rod	
3	70006649	1	Head	
4	See Note	NSS	Wiper (Note: Use Item 100)	
5	See Note	NSS	Seal, Rod (Note: Use Item 100)	
6	See Note	NSS	Ring, Wear (Note: Use Item 100)	
7	See Note	NSS	O-Ring (Note: Use Item 100)	
8	See Note	NSS	Ring, Back-up (Note: Use Item 100)	
9	70006650	1	Piston	
10	See Note	NSS	Seal (Note: Use Item 100)	
11	See Note	NSS	Ring, Lock (Note: Use Item 100)	
12	See Note	NSS	O-Ring (Note: Use Item 100)	
13	See Note	NSS	Ring, Back-up (Note: Use Item 100)	
14	0961893	1	Bushing, Tapered	
15	0630534	3	Bolt #10-24NC x 1in	
16	70006735	8	Capscrew 5/16 x 1	
17	2220885	2	Plug, O-Ring #6	
18	2220883	6	Plug, O-Ring #4	
19	70006736	1	Spacer, Tube	
20	See Note	NSS	O-Ring (Note: Use Item 100)	
21	4640509	1	Cartridge, Valve	
21	2900792	1	Seal Kit - 4640509 Valve	
22	1001231963	1	Cartridge, Valve	
22	70004186	1	Seal Kit - 1001231963 Valve	
23	0962336	4	Bushing	
100	2901303	1	Seal Kit (Includes Items 4-8, 10-13 & 20)	

SECTION 6 - CYLINDER

FIGURE 6-10. STEER CYLINDER ASSEMBLY



ART_1001181792

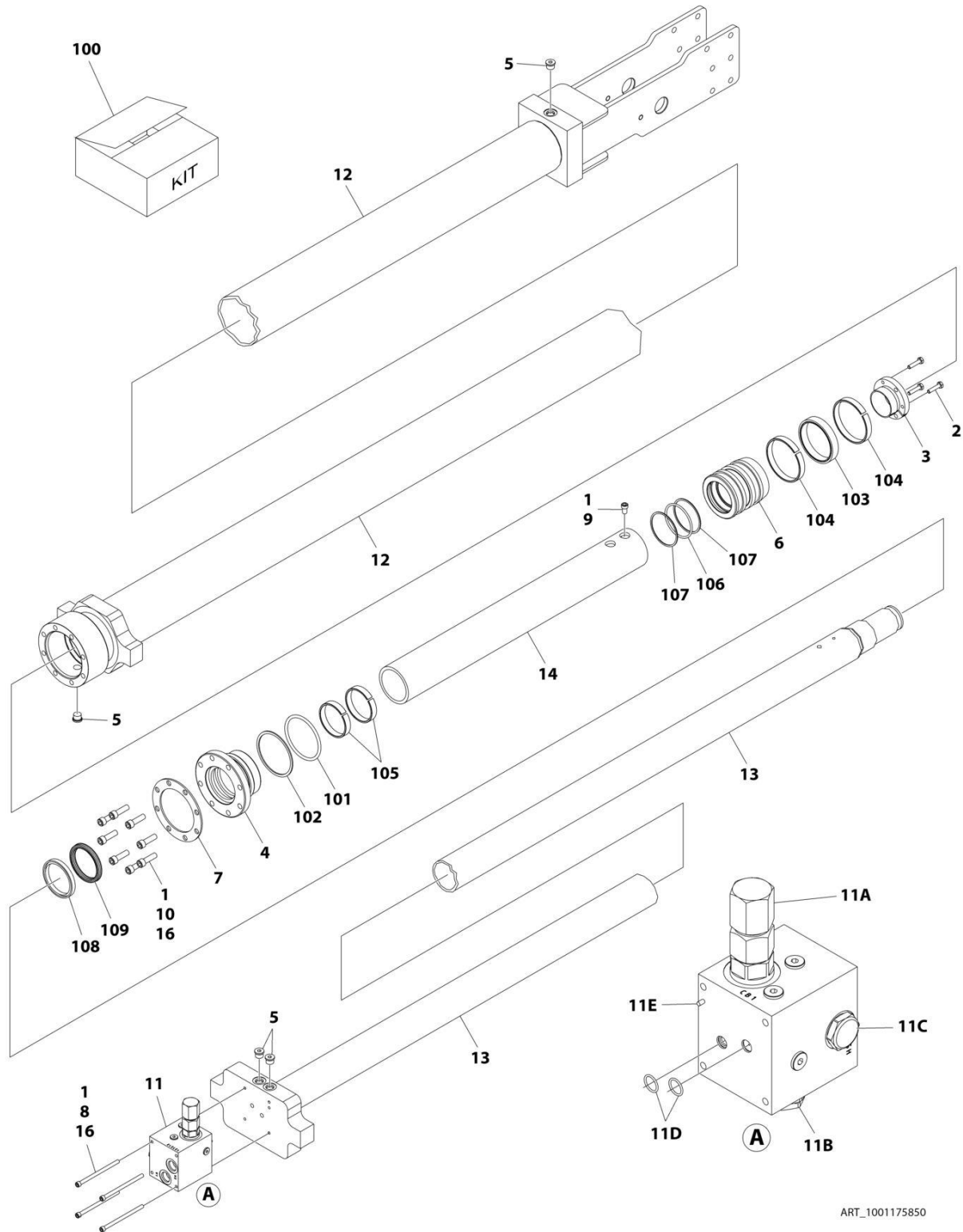
SECTION 6 - CYLINDER

FIGURE 6-10. STEER CYLINDER ASSEMBLY

ITEM	PART NUMBER	QTY	DESCRIPTION	REV
	1001181792	Ref	STEER CYLINDER ASSEMBLY	F
		Ref	Note: Original Cylinder may have been replaced with Service Replacement. Identify PN Stamped on Cylinder Before Ordering Parts.	
1	70006106	1	Piston	
2	See Note	NSS	Ring, Wear (Note: Use Item 50)	
3	See Note	NSS	Seal, Piston (Note: Use Item 50)	
4	70002745	2	Setscrew	
5	70006107	1	Rod	
6	See Note	NSS	Barrel	
7	70002755	1	Head	
8	See Note	1	O-Ring (Note: Use Item 50)	
9	See Note	NSS	Ring, Back-up (Note: Use Item 50)	
10	See Note	NSS	Ring (Note: Use Item 50)	
11	See Note	NSS	Seal, Rod (Note: Use Item 50)	
12	70002756	1	Nut, Spanner (Note: Use Item 50)	
13	See Note	NSS	Wiper (Note: Use Item 50)	
16	1001182695	2	Bearing	
50	70006108	1	Seal Kit - 1001181792 (Includes Items 2, 3, 8-11 & 13)	

SECTION 6 - CYLINDER

FIGURE 6-11. TELESCOPE CYLINDER ASSEMBLY (SN 0300235168 through 0300237156, SN B300002655 through B300002781)



ART_1001175850

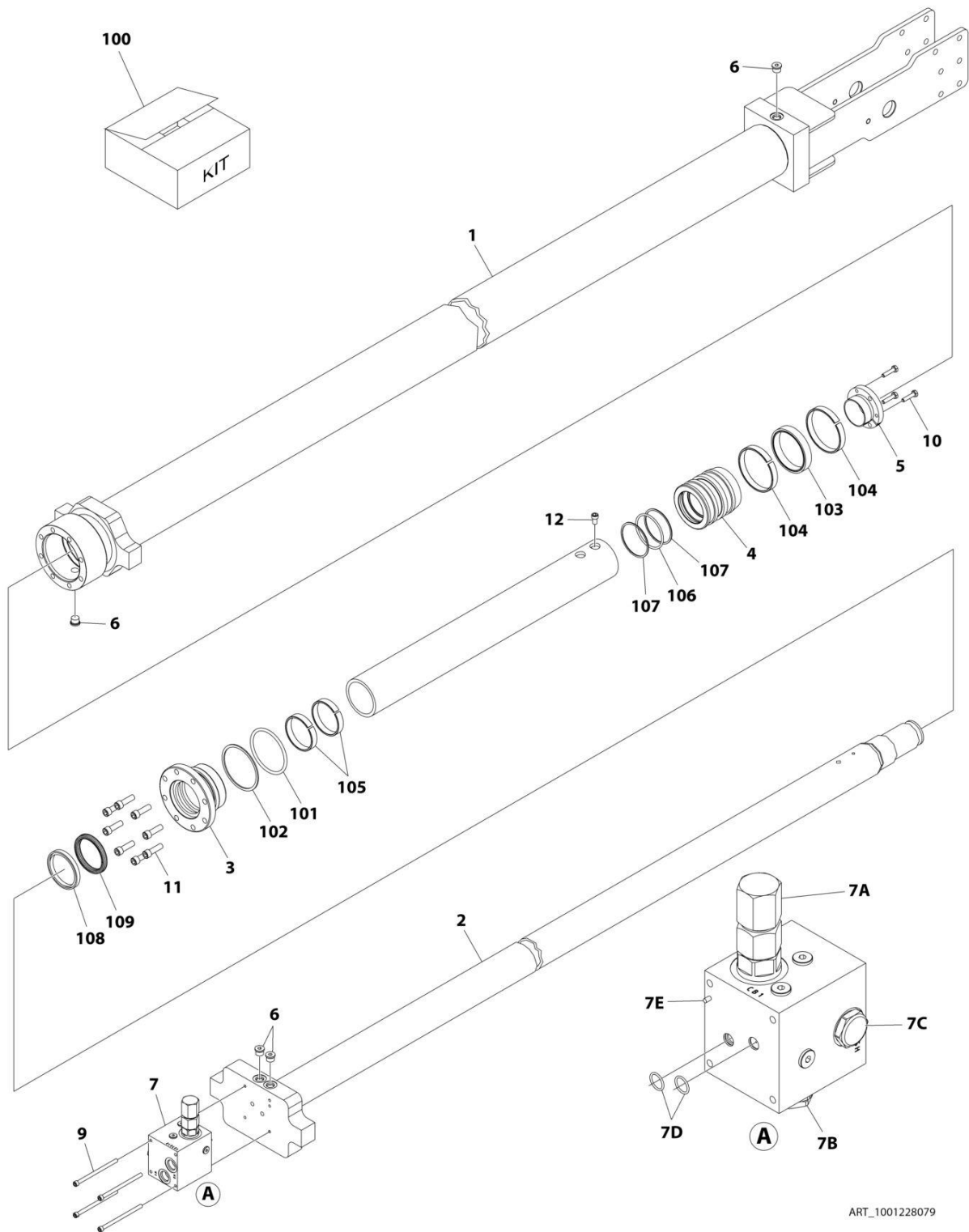
SECTION 6 - CYLINDER

FIGURE 6-11. TELESCOPE CYLINDER ASSEMBLY (SN 0300235168 through 0300237156, SN B300002655 through B300002781)

ITEM	PART NUMBER	QTY	DESCRIPTION	REV
	1001175850	Ref	TELESCOPE CYLINDER ASSEMBLY	E
		Ref	Note: Original Cylinder may have been replaced with Service Replacement. Identify PN Stamped on Cylinder Before Ordering Parts.	
1	0100011	AR	Compound, Locking	
2	0630535	3	Bolt 1/4 x 1-1/8	
3	0961897	1	Bushing, Tapered	
4	1683057	1	Head	
5	2220885	4	Plug #6	
6	3480205	1	Piston	
7	3760369	1	Ring, Washer	
8	3931464	4	Capscrew 1/4 x 4	
9	3931508	1	Capscrew 5/16 x 1/2	
10	3931620	8	Capscrew 3/8 x 1-1/4	
11	1001133245	1	Valve Assembly	
11A	70003926	1	Cartridge, Valve	
11A	70004186	1	Seal Kit - 70003926 Valve	
11B	70004155	1	Cartridge, Valve	
11B	70004186	1	Seal Kit - 70004155 Valve	
11C	70003928	1	Cartridge, Valve	
11C	70003929	1	Seal Kit - 70003928 Valve	
11D	70003982	1	Seal	
11E	70003930	1	Roll Pin	
12	1001175346	1	Barrel	
13	1001175852	1	Rod	
14	1001176339	1	Spacer	
16	0100038	AR	Primer	
100	1001177519	1	Seal Kit - 1001175850 (Includes Item 101-109)	
101	1001177520	NSS	O-Ring (Note: Use Item 100)	
102	1001177521	NSS	Ring, Back-up (Note: Use Item 100)	
103	1001177522	NSS	Seal (Note: Use Item 100)	
104	3960361	NSS	Ring, Wear (Note: Use Item 100)	
105	3760132	NSS	Ring, Wear (Note: Use Item 100)	
106	1001138915	NSS	O-Ring (Note: Use Item 100)	
107	3760356	NSS	Seal, Back-up (Note: Use Item 100)	
108	3960158	NSS	Wiper (Note: Use Item 100)	
109	1001215321	NSS	Seal, Rod (Note: Use Item 100)	

SECTION 6 - CYLINDER

FIGURE 6-12. TELESCOPE CYLINDER ASSEMBLY (SN 0300237157 through 0300250001, SN B300002782 through B300003104)



ART_1001228079

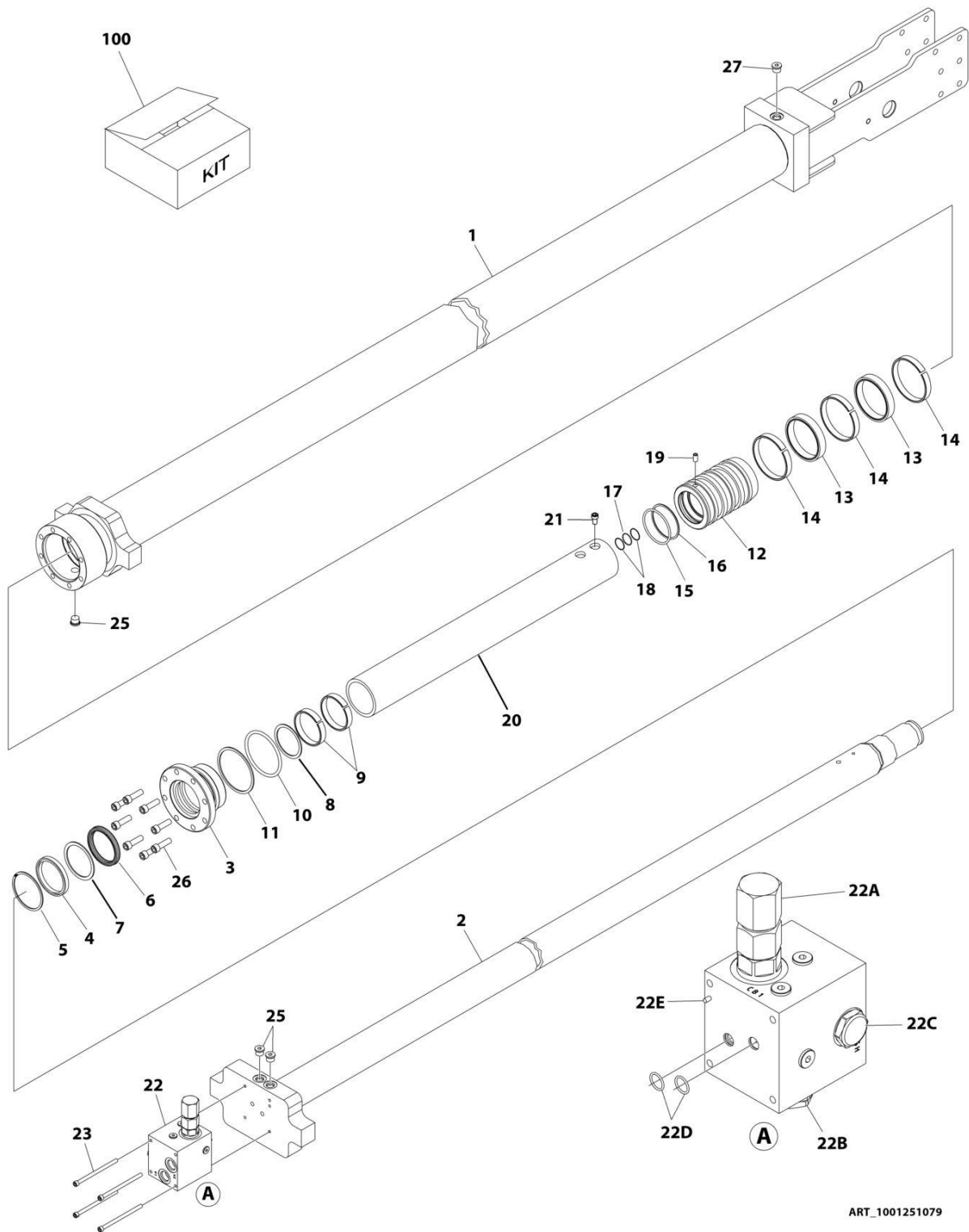
SECTION 6 - CYLINDER

FIGURE 6-12. TELESCOPE CYLINDER ASSEMBLY (SN 0300237157 through 0300250001, SN B300002782 through B300003104)

ITEM	PART NUMBER	QTY	DESCRIPTION	REV
	1001228079	Ref	TELESCOPE CYLINDER ASSEMBLY	B
		Ref	Note: Original Cylinder may have been replaced with Service Replacement. Identify PN Stamped on Cylinder Before Ordering Parts.	
1	See Note	NSS	Barrel (Note: Not Available for Purchase)	
2	70006441	1	Rod	
3	70006440	1	Head	
4	70006439	1	Piston	
5	70006438	1	Bushing, Tapered	
6	2220885	4	Plug #6	
7	1001133245	1	Valve Assembly	
7A	70003926	1	Cartridge, Valve	
7A	70004186	1	Seal Kit - 70003926 Valve	
7B	70004155	1	Cartridge, Valve	
7B	70004186	1	Seal Kit - 70004155 Valve	
7C	70003928	1	Cartridge, Valve	
7C	70003929	1	Seal Kit - 70003928 Valve	
7D	70003982	1	Seal	
7E	70003930	1	Roll Pin	
9	3931464	4	Capscrew 1/4 x 4	
10	0630535	3	Bolt 1/4 x 1-1/8	
11	3931620	8	Capscrew 3/8 x 1-1/4	
12	3931508	1	Capscrew 5/16 x 1/2	
100	1001177519	1	Seal Kit - 1001228079 (Includes Item 101-109)	
101	1001177520	NSS	O-Ring (Note: Use Item 100)	
102	1001177521	NSS	Ring, Back-up (Note: Use Item 100)	
103	1001177522	NSS	Seal (Note: Use Item 100)	
104	3960361	NSS	Ring, Wear (Note: Use Item 100)	
105	3760132	NSS	Ring, Wear (Note: Use Item 100)	
106	1001138915	NSS	O-Ring (Note: Use Item 100)	
107	3760356	NSS	Seal, Back-up (Note: Use Item 100)	
108	3960158	NSS	Wiper (Note: Use Item 100)	
109	1001215321	NSS	Seal, Rod (Note: Use Item 100)	

SECTION 6 - CYLINDER

FIGURE 6-13. TELESCOPE CYLINDER ASSEMBLY (SN 0300250002 through 0300272445, SN B300003105 through B300005754)



ART_1001251079

SECTION 6 - CYLINDER

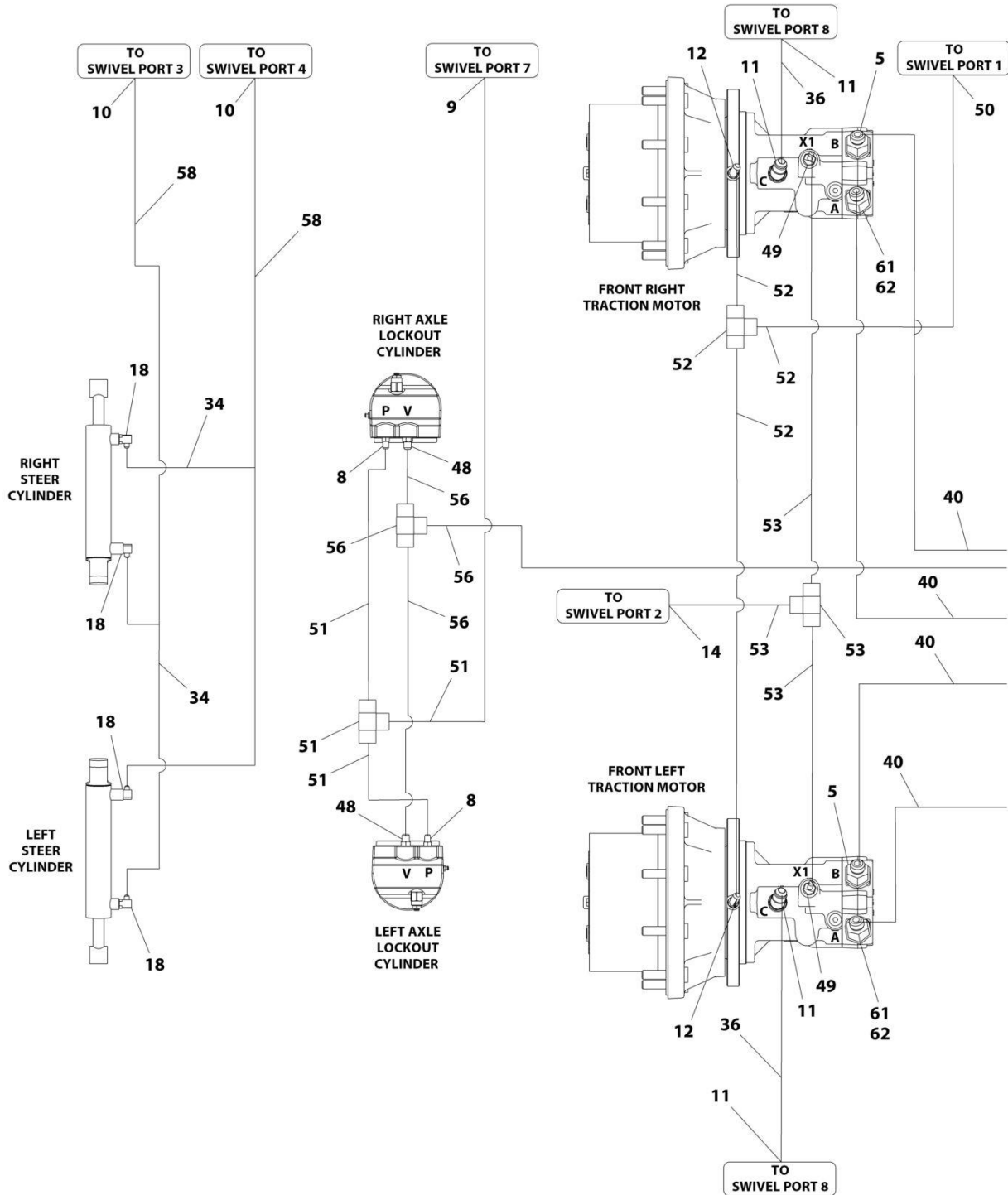
FIGURE 6-13. TELESCOPE CYLINDER ASSEMBLY (SN 0300250002 through 0300272445, SN B300003105 through B300005754)

ITEM	PART NUMBER	QTY	DESCRIPTION	REV
	1001251079	Ref	TELESCOPE CYLINDER ASSEMBLY	B
	See Note	Ref	Note: Original Cylinder may have been replaced with Service Replacement. Identify PN Stamped on Cylinder Before Ordering Parts.	
1	See Note	NSS	Barrel (Note: Use PN 1001251079)	
2	70006978	1	Rod	
3	70006979	1	Head	
4	See Note	NSS	Wiper (Note: Use Item 100)	
5	70050795	1	Ring, Retaining	
6	See Note	NSS	Seal, Rod (Note: Use Item 100)	
7	See Note	NSS	Ring, Back-up (Note: Use Item 100)	
8	See Note	NSS	Ring, Buffer (Note: Use Item 100)	
9	See Note	NSS	Ring, Wear (Note: Use Item 100)	
10	See Note	NSS	O-Ring (Note: Use Item 100)	
11	See Note	NSS	Ring, Back-up (Note: Use Item 100)	
12	70006980	1	Piston	
13	See Note	NSS	Seal, Piston (Note: Use Item 100)	
14	See Note	NSS	Ring, Wear (Note: Use Item 100)	
15	See Note	NSS	O-Ring (Note: Use Item 100)	
16	See Note	NSS	Ring, Back-up (Note: Use Item 100)	
17	See Note	NSS	O-Ring (Note: Use Item 100)	
18	See Note	NSS	Ring, Back-up (Note: Use Item 100)	
19	70005839	1	Setscrew M8 x 12	
20	70006981	1	Spacer	
21	70006731	1	Bolt M8 x 12	
22	1001133245	1	Valve Assembly	
22A	70003926	1	Cartridge, Valve	
22A	70004186	1	Seal Kit - 70003926 Valve	
22B	70004155	1	Cartridge, Valve	
22B	70004186	1	Seal Kit - 70004155 Valve	
22C	70003928	1	Cartridge, Valve	
22C	70003929	1	Seal Kit - 70003928 Valve	
22D	70003982	2	Seal	
22E	70003930	1	Roll Pin	
23	70005595	4	Bolt M6 x 100	
25	2220885	3	Plug 9/16	
26	70006982	8	Bolt M10 x 45	
27	2220883	1	Plug 7/16	
100	70006983	1	Seal Kit - 1001251079 Cylinder (Includes Items 4, 6-11 & 13-18)	

SECTION 7 - HYDRAULIC

SECTION 7 - HYDRAULIC

FIGURE 7-1. DRIVE HYDRAULIC DIAGRAM (2WS WITHOUT ARCTIC PACKAGE)



ART_1001188342_10F2

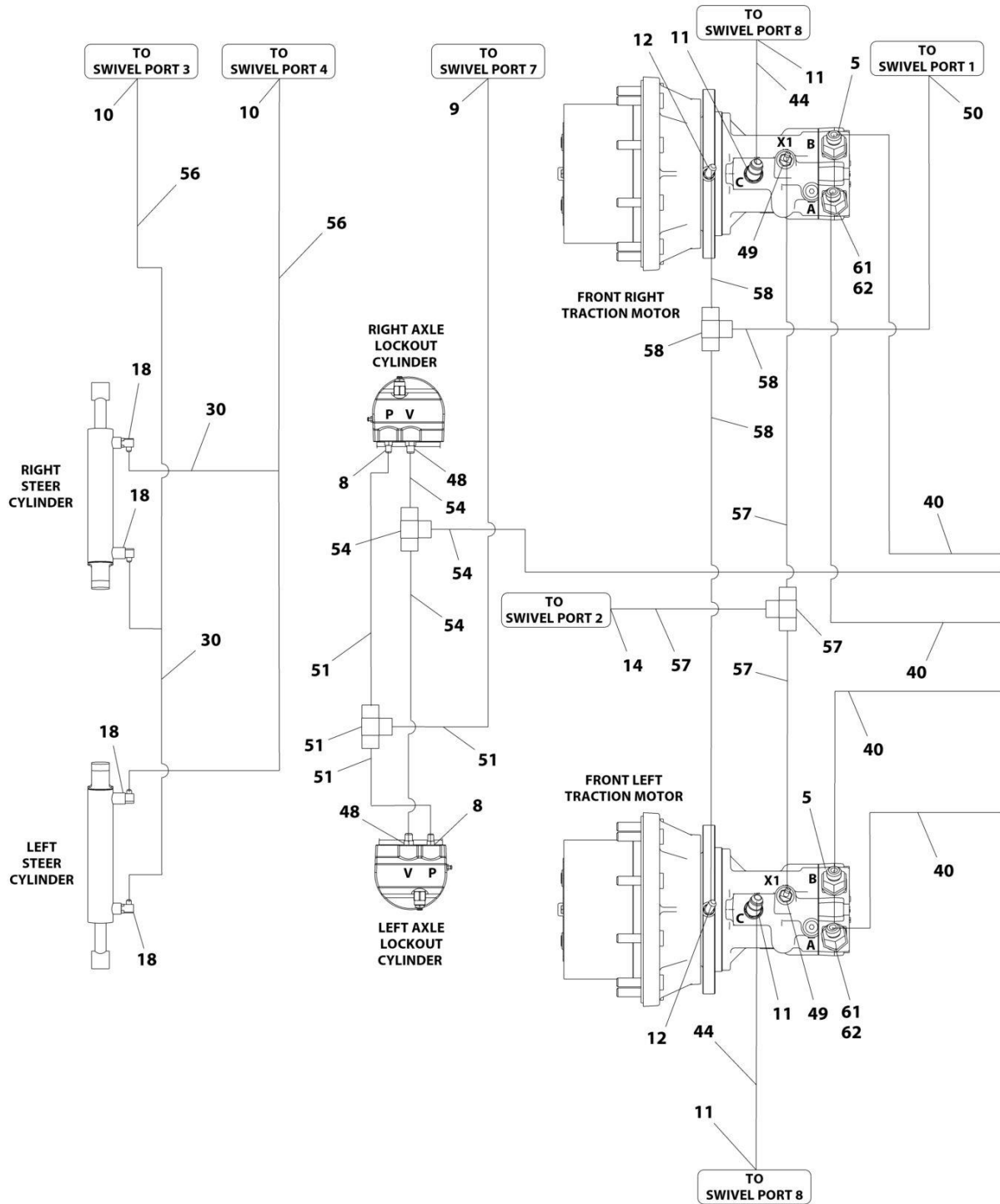
SECTION 7 - HYDRAULIC

FIGURE 7-1. DRIVE HYDRAULIC DIAGRAM (2WS WITHOUT ARCTIC PACKAGE)

ITEM	PART NUMBER	QTY	DESCRIPTION	REV
	1001188342	Ref	DRIVE HYDRAULIC DIAGRAM	F
1	2110810	8	Fitting, Straight ORFS/ORB	
2	2110812	4	Fitting, Straight ORFS/ORB	
3	2111216	2	Fitting, Straight ORFS/ORB	
4	2131216	2	Fitting, 90 ORFS/ORB	
5	2150812	2	Fitting, 45 ORFS/ORB	
6	2220372	1	Fitting, Straight JIC ORB	
7	2220373	2	Fitting, Straight JIC/ORB	
8	2220415	4	Fitting, Straight JIC/ORB	
9	2220468	1	Fitting, Straight JIC/ORB	
10	2220501	2	Fitting, 45 JIC/ORB	
11	2220500	4	Fitting, 45 JIC/ORB	
12	2220502	2	Fitting, 45 JIC/ORB	
14	2220472	2	Fitting, 90 JIC/ORB	
15	2220596	1	Fitting, 90 JIC/ORB	
16	2220602	1	Fitting, Tee JIC/ORB/JIC	
18	2220628	4	Fitting, 90 JIC/ORB	
23	4240018	21	Tie-Strap (Not Shown)	
34	1001187308	2	Hose	
36	1001187311	2	Hose	
37	1001187312	1	Hose	
40	1001187317	4	Hose	
41	1001187318	2	Hose	
45	1001188763	4	Hose	
48	2220371	2	Fitting, Straight JIC/ORB	
49	2221040	2	Fitting, 45 JIC/ORB	
50	1001197045	2	Fitting, 90 JIC/ORB	
51	1001199654	1	Hose	
52	1001199655	1	Hose	
53	1001199656	1	Hose	
54	1001199657	1	Hose	
55	1001199658	1	Hose	
56	1001199661	1	Hose	
57	1001199662	1	Hose	
58	1001200432	2	Hose	
59	4240033	2	Tie-Strap (Not Shown)	
60	2220582	2	Fitting, Straight JIC/ORB	
61	2150812	2	Fitting, 45 ORFS/ORB (SN 0300235168 through 0300236291)	
61	2150808	2	Fitting, 45 ORFS/ORB (SN 0300236292 through 0300272445, SN B300002655 through B300005754, Excluding B300005570)	
62	2220811	2	Fitting, Straight FORB/ORB (SN 0300236292 through 0300272445, SN B300002655 through B300005754, Excluding B300005570)	

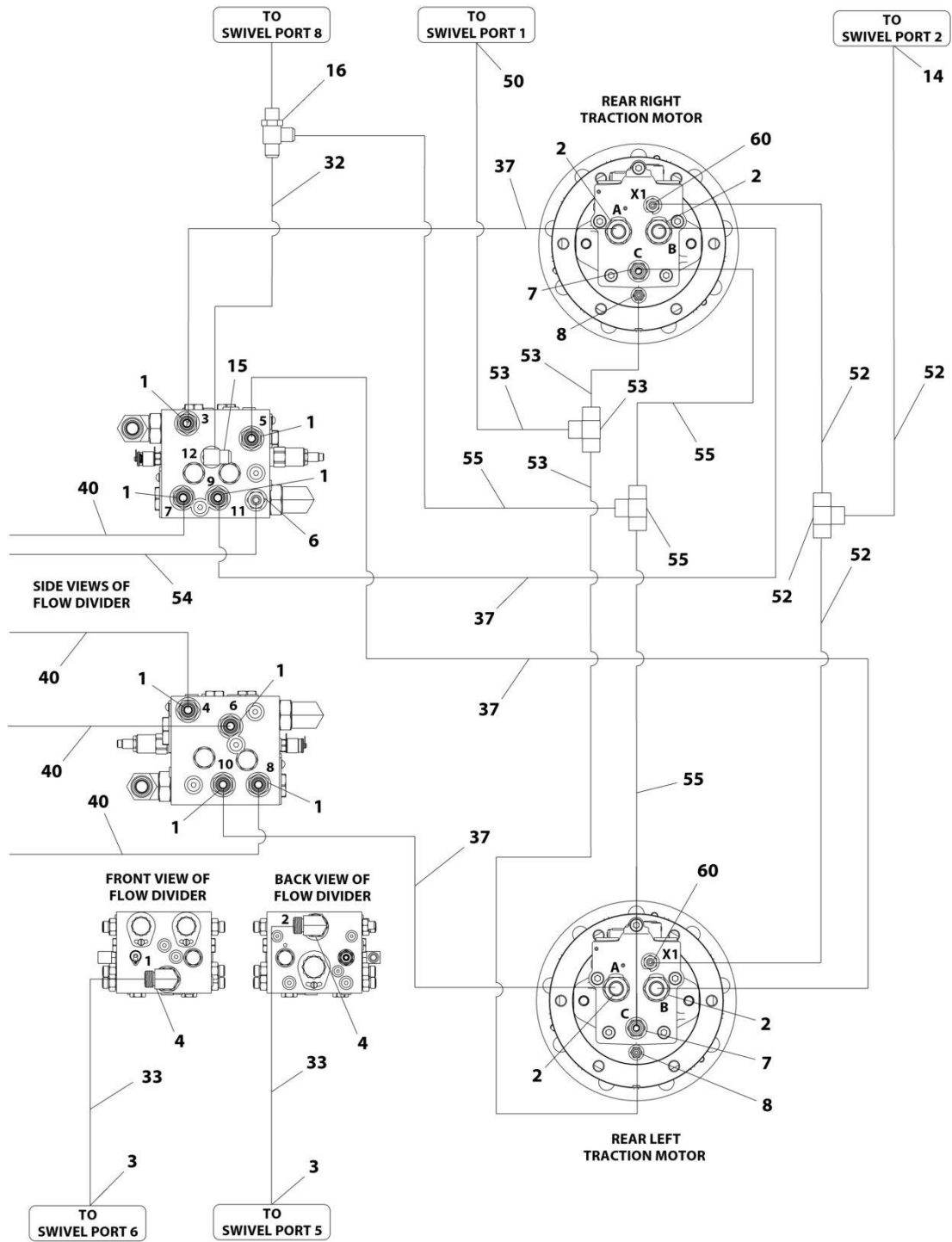
SECTION 7 - HYDRAULIC

FIGURE 7-2. DRIVE HYDRAULIC DIAGRAM (2WS WITH ARCTIC PACKAGE)



ART_1001192265_10F2

SECTION 7 - HYDRAULIC



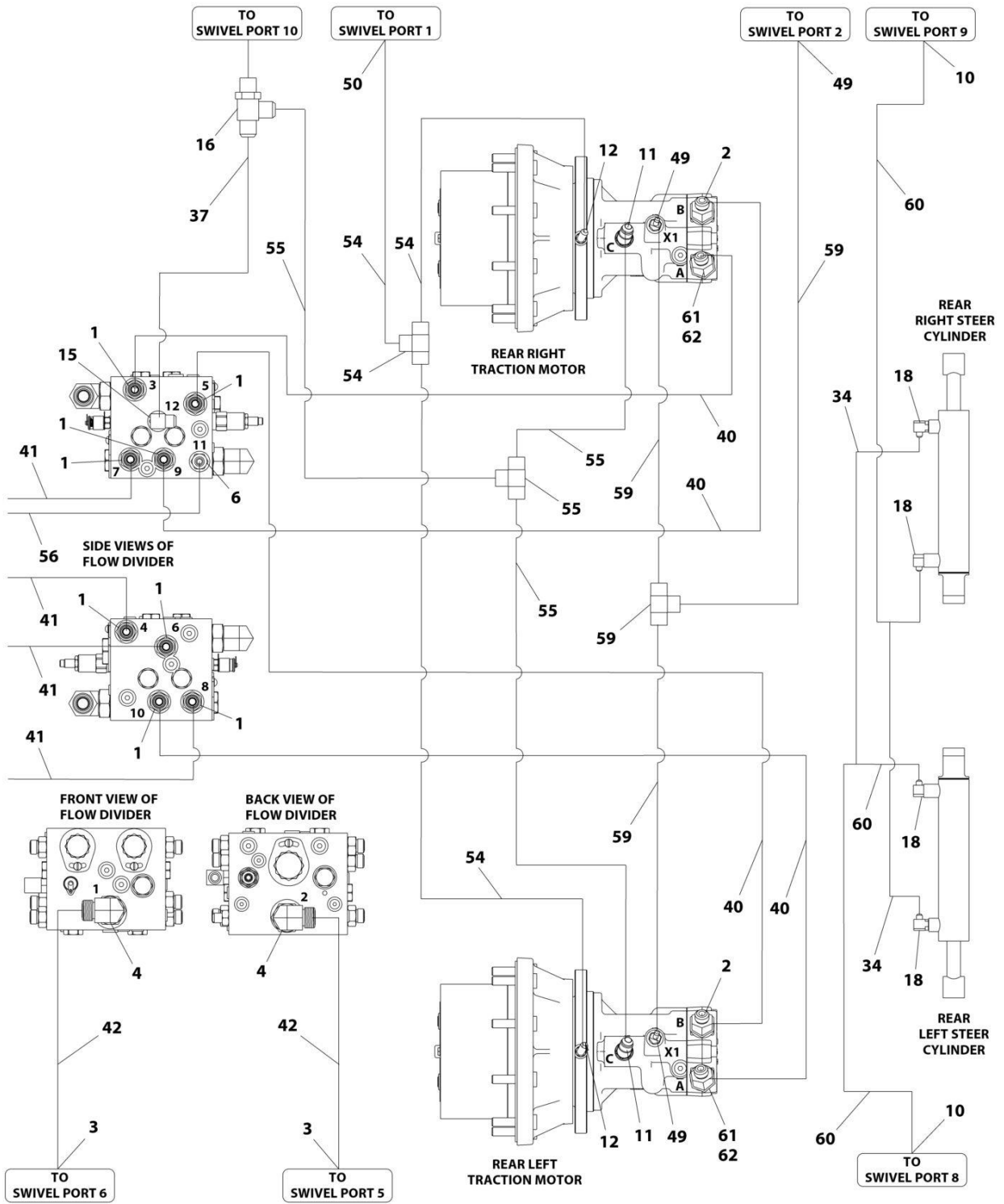
ART_1001192265_2OF2

SECTION 7 - HYDRAULIC

FIGURE 7-2. DRIVE HYDRAULIC DIAGRAM (2WS WITH ARCTIC PACKAGE)

ITEM	PART NUMBER	QTY	DESCRIPTION	REV
	1001192265	Ref	DRIVE HYDRAULIC DIAGRAM	E
1	2110810	8	Fitting, Straight ORFS/ORB	
2	2110812	4	Fitting, Straight ORFS/ORB	
3	2111216	2	Fitting, Straight ORFS/ORB	
4	2131216	2	Fitting, 90 ORFS/ORB	
5	2150812	2	Fitting, 45 ORFS/ORB	
6	2220372	1	Fitting, Straight JIC/ORB	
7	2220373	2	Fitting, Straight JIC/ORB	
8	2220415	4	Fitting, Straight JIC/ORB	
9	2220468	1	Fitting, Straight JIC/ORB	
10	2220501	2	Fitting, 45 JIC/ORB	
11	2220500	4	Fitting, 45 JIC/ORB	
12	2220502	2	Fitting, 45 JIC/ORB	
14	2220472	2	Fitting, 90 JIC/ORB	
15	2220596	1	Fitting, 90 JIC/ORB	
16	2220602	1	Fitting, Tee JIC/ORB/JIC	
18	2220628	4	Fitting, 90 JIC/ORB	
23	4240018	21	Tie-Strap (Not Shown)	
30	1001203853	2	Hose	
32	1001187312	1	Hose	
33	1001187318	2	Hose	
37	1001188763	4	Hose	
40	1001193611	4	Hose	
44	1001193610	2	Hose	
48	2220371	2	Fitting, Straight JIC/ORB	
49	2221040	2	Fitting, 45 JIC/ORB	
50	1001197045	2	Fitting, 90 JIC/ORB	
51	1001199654	1	Hose	
52	1001199657	1	Hose	
53	1001199658	1	Hose	
54	1001169661	1	Hose	
55	1001199662	1	Hose	
56	1001203854	2	Hose	
57	1001203859	1	Hose	
58	1001203860	1	Hose	
59	4240033	2	Tie-Strap (Not Shown)	
60	2220582	2	Fitting, Straight JIC/ORB	
61	2150812	2	Fitting, 45 ORFS/ORB (SN 0300235168 through 0300236291)	
61	2150808	2	Fitting, 45 ORFS/ORB (SN 0300236292 through 0300272445, SN B300002655 through B300005754, Excluding B300005570)	
62	2220811	2	Fitting, Straight FORB/ORB (SN 0300236292 through 0300272445, SN B300002655 through B300005754, Excluding B300005570)	

SECTION 7 - HYDRAULIC



ART_1001188343_20F2

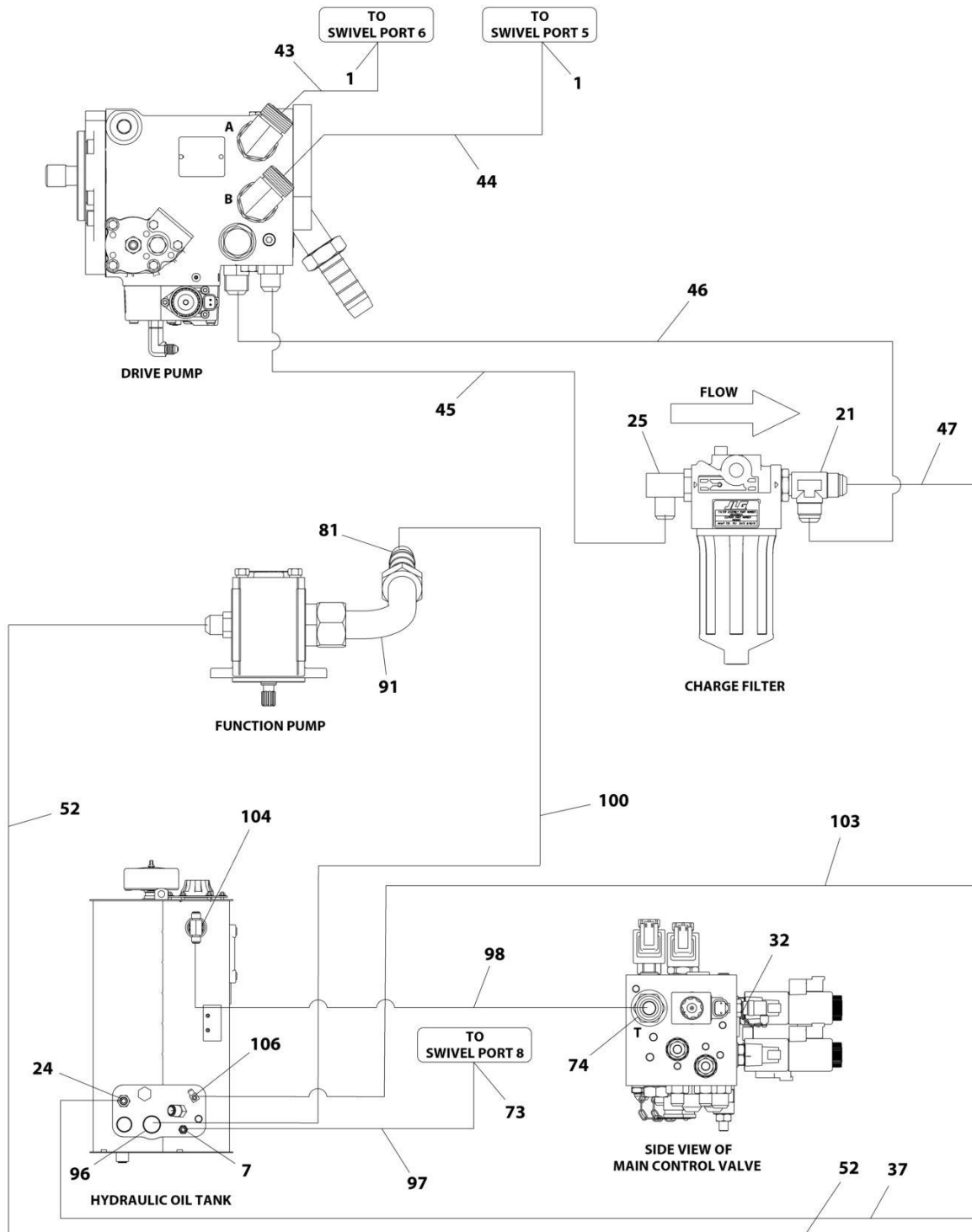
SECTION 7 - HYDRAULIC

FIGURE 7-3. DRIVE HYDRAULIC DIAGRAM (4WS)

ITEM	PART NUMBER	QTY	DESCRIPTION	REV
	1001188343	Ref	DRIVE HYDRAULIC DIAGRAM	F
1	2110810	8	Fitting, Straight ORFS/ORB	
2	2150812	4	Fitting, 45 ORFS/ORB	
3	2111216	2	Fitting, Straight ORFS/ORB	
4	2131216	2	Fitting, 90 ORFS/ORB	
6	2220372	1	Fitting, Straight JIC/ORB	
8	2220415	2	Fitting, Straight JIC/ORB	
9	2220468	1	Fitting, Straight JIC/ORB	
10	2220501	4	Fitting, 45 JIC/ORB	
11	2220500	6	Fitting, 45 JIC/ORB	
12	2220502	4	Fitting, 45 JIC/ORB	
15	2220596	1	Fitting, 90 JIC/ORB	
16	2220602	1	Fitting, Tee JIC/ORB/JIC	
18	2220628	8	Fitting, 90 JIC/ORB	
23	4240018	30	Tie-Strap (Not Shown)	
34	1001187308	4	Hose	
36	1001187311	2	Hose	
37	1001187312	1	Hose	
40	1001187316	4	Hose	
41	1001187317	4	Hose	
42	1001187318	2	Hose	
48	2220371	2	Fitting, Straight JIC/ORB	
49	2221040	6	Fitting, 45 JIC/ORB	
50	2221344	2	Fitting, 45 JIC/ORB	
51	1001199654	1	Hose	
52	1001199655	1	Hose	
53	1001199656	1	Hose	
54	1001199659	1	Hose	
55	1001199663	1	Hose	
56	1001199661	1	Hose	
57	1001200432	2	Hose	
58	4240033	4	Tie-Strap (Not Shown)	
59	1001199660	1	Hose	
60	1001200433	2	Hose	
61	2150812	4	Fitting, 45 ORFS/ORB (SN 0300235168 through 0300236291)	
61	2150808	4	Fitting, 45 ORFS/ORB (SN 0300236292 through 0300272445, SN B300002655 through B300005754, Excluding B300005570)	
62	2220811	4	Fitting, Straight FORB/ORB (SN 0300236292 through 0300272445, SN B300002655 through B300005754, Excluding B300005570)	

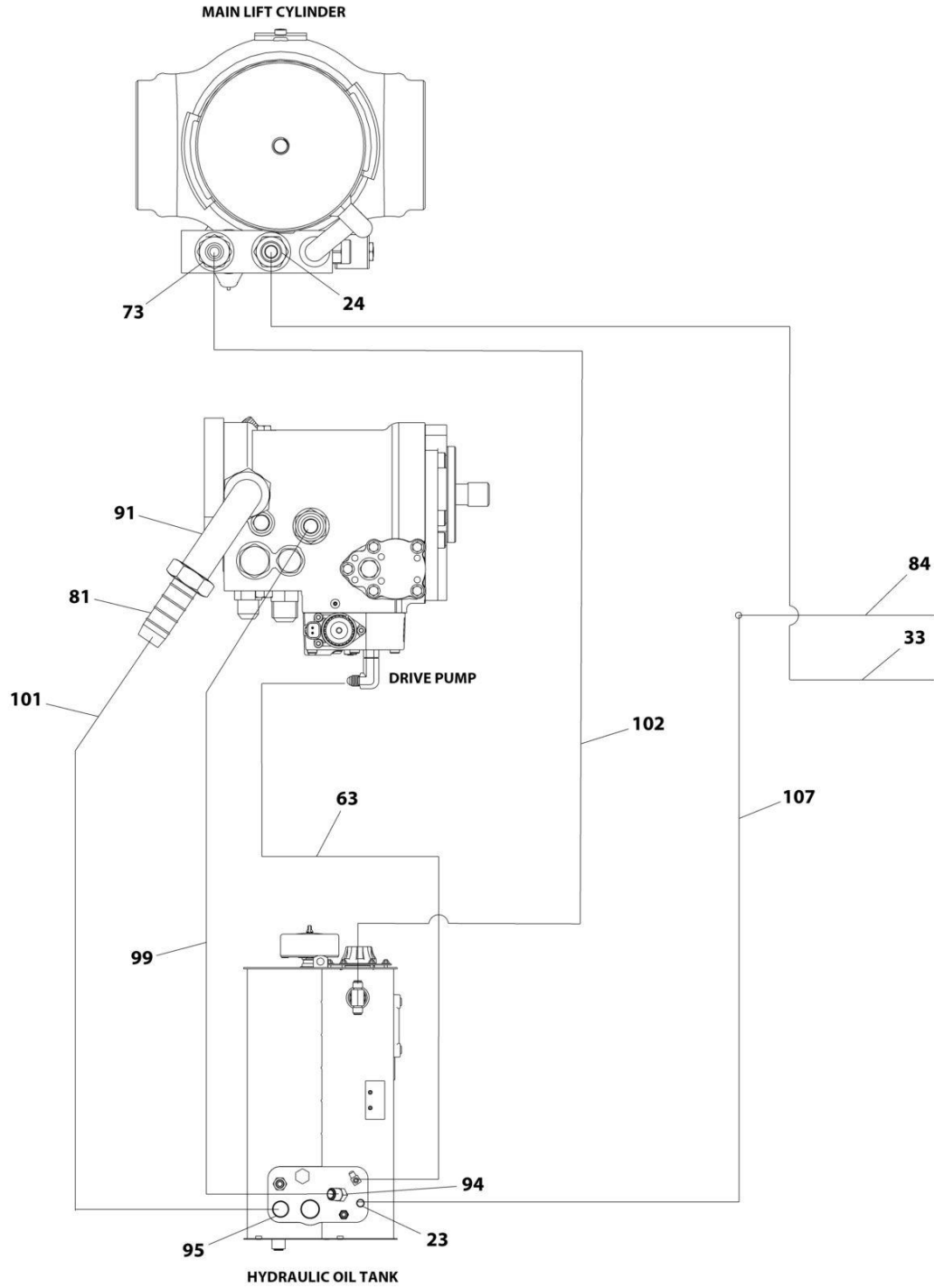
SECTION 7 - HYDRAULIC

FIGURE 7-4. STANDARD HYDRAULIC DIAGRAM (600S 2WS) (SN 0300235168 through 0300260918, SN B300002655 through B300005754)



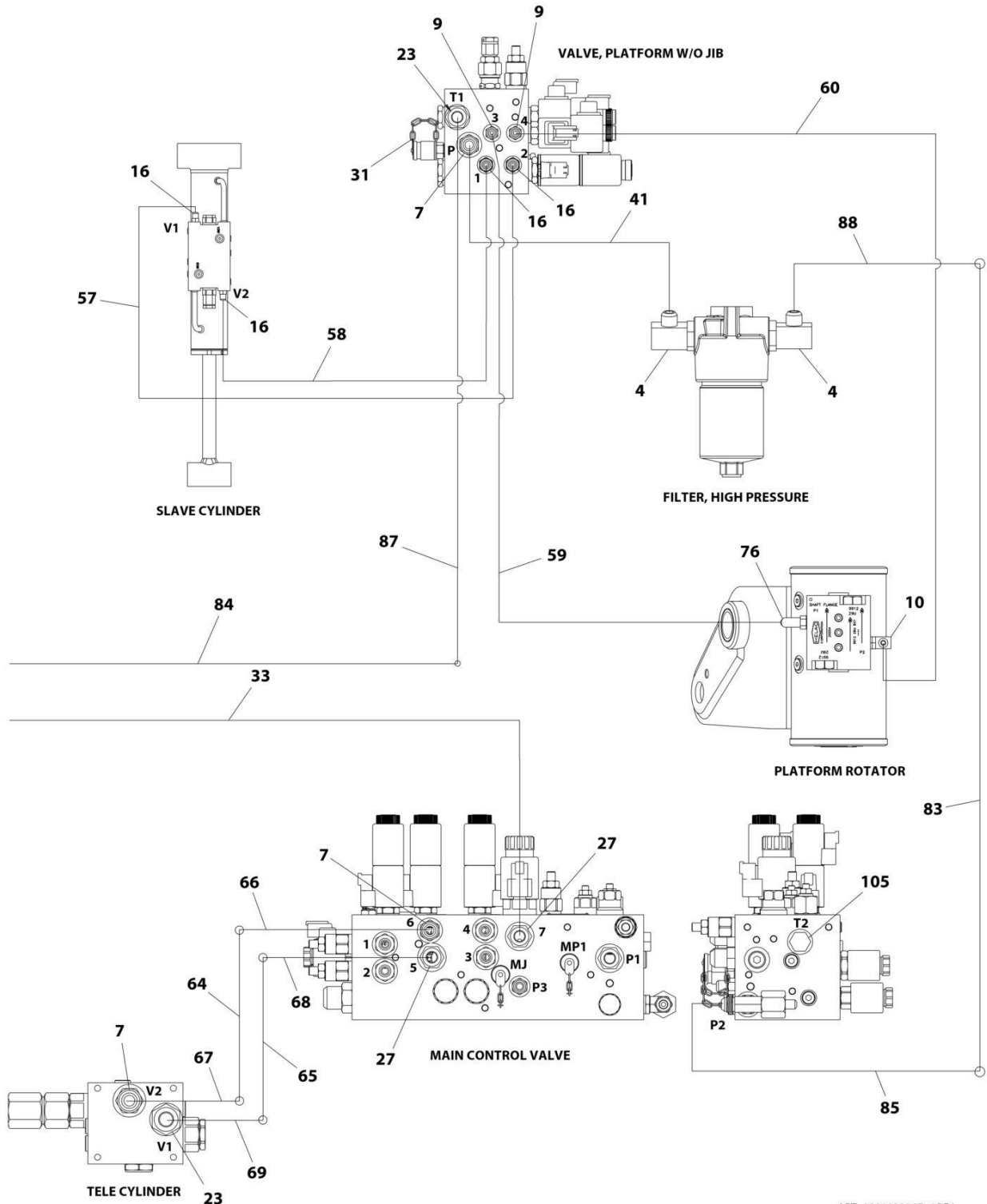
ART_1001193247_10F4

SECTION 7 - HYDRAULIC



ART_1001193247_30F4

SECTION 7 - HYDRAULIC



ART_1001193247_4OF4

SECTION 7 - HYDRAULIC

FIGURE 7-4. STANDARD HYDRAULIC DIAGRAM (600S 2WS) (SN 0300235168 through 0300260918, SN B300002655 through B300005754)

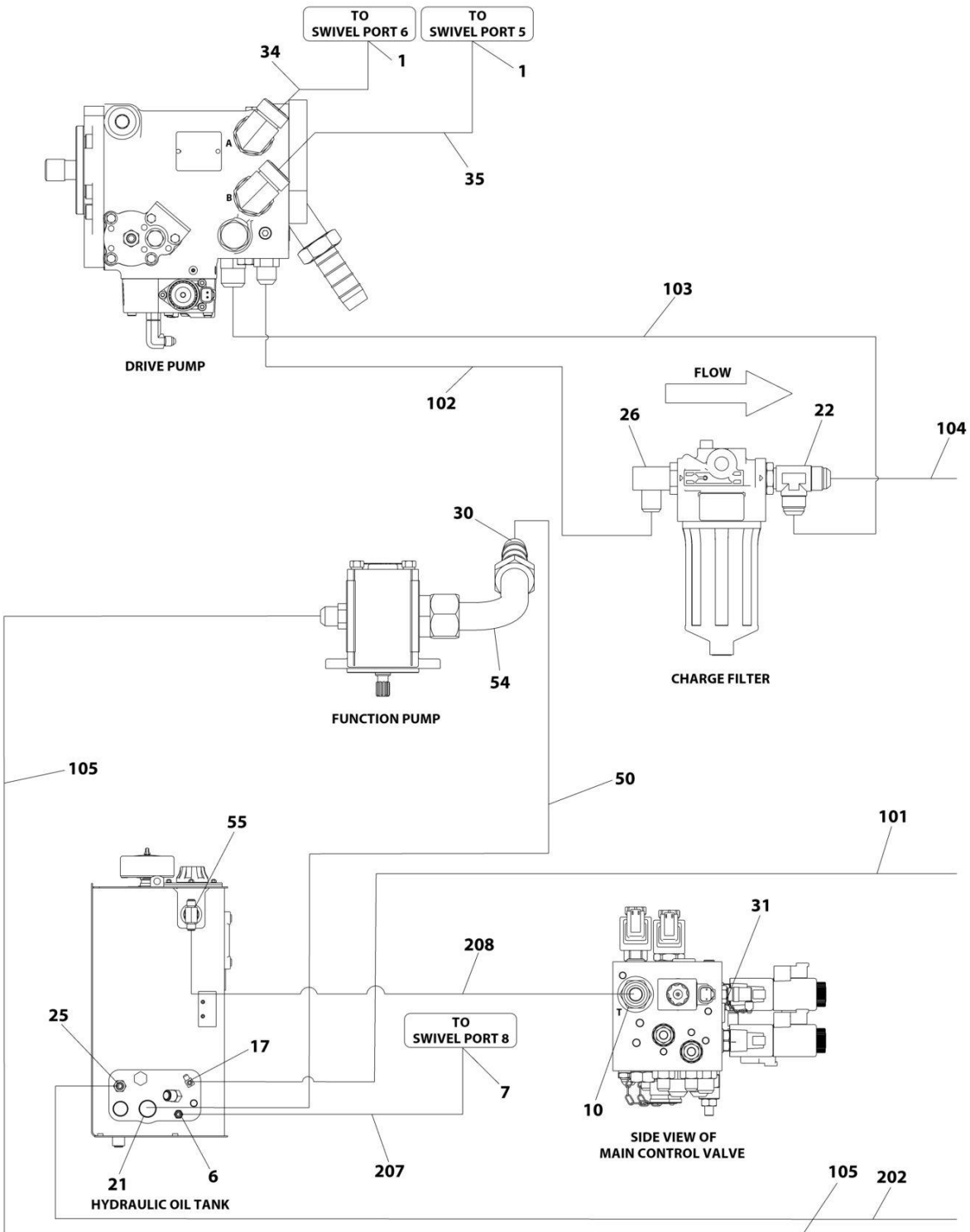
ITEM	PART NUMBER	QTY	DESCRIPTION	REV
	1001193247	Ref	STANDARD HYDRAULIC DIAGRAM	I
1	2111616	2	Fitting, Straight ORFS/ORB	
4	2220366	2	Fitting, 90 JIC/ORB	
5	2220371	5	Fitting, Straight JIC/ORB	
7	2220373	4	Fitting, Straight JIC/ORB	
9	2220415	3	Fitting, Straight JIC/ORB	
10	2220466	1	Fitting, 90 JIC/ORB	
11	2220468	2	Fitting, Straight JIC/ORB	
15	2220582	4	Fitting, Straight JIC/ORB	
16	2220603	4	Fitting, Straight JIC/ORB	
18	2220618	1	Fitting, Straight JIC/FSJIC	
21	2220738	1	Fitting, Tee JIC/ORB/JIC	
23	2220852	3	Fitting, Straight JIC/ORB	
24	2220865	2	Fitting, Straight JIC/ORB	
25	2220906	1	Fitting, 90 JIC/ORB	
27	2220947	4	Fitting, Straight JIC/ORB	
28	2220999	1	Fitting, Tee JIC/ORB/JIC	
31	2221086	3	Fitting, Test	
32	1001119455	1	Valve, Oil Sampling	
33	1001192641	1	Hose	
35	1001192651	1	Hose	
37	1001228226	1	Hose	
38	1001192654	1	Hose	
39	1001192655	1	Hose	
41	1001192658	1	Hose	
43	1001192661	1	Hose	
44	1001192663	1	Hose	
45	1001192667	1	Hose	
46	1001192669	1	Hose	
47	1001192673	1	Hose	
52	1001192679	1	Hose	
54	1001192681	1	Hose	
55	1001192682	1	Hose	
57	1001192684	1	Hose	
58	1001192685	1	Hose	
59	1001192686	1	Hose	
60	1001192687	1	Hose	
61	1001192688	1	Hose	
62	1001192689	1	Hose	
63	1001192690	1	Hose	
64	1001192693	1	Pipe	
65	1001192694	1	Pipe	
66	1001192695	1	Hose	
67	1001192696	1	Hose	
68	1001192698	1	Hose	
69	1001192699	1	Hose	
72	1001192758	1	Hose	
73	2220375	2	Fitting, Straight JIC/ORB	
74	2220451	1	Fitting, Straight JIC/ORB	

SECTION 7 - HYDRAULIC

ITEM	PART NUMBER	QTY	DESCRIPTION	REV
75	2220473	1	Fitting, 90 JIC/ORB	
76	2220502	1	Fitting, 45 JIC/ORB	
78	2220726	1	Fitting, 90 JIC/ORB	
81	80633030	2	Clamp	
83	1001201255	1	Pipe	
84	1001220903	1	Pipe	
85	1001203424	1	Hose	
87	1001220941	1	Hose	
88	1001204389	1	Hose	
91	1001205824	2	Fitting, 90 Barb	
92	2220775	1	Fitting, 90 JIC/ORB	
94	2220637	1	Fitting, 45 JIC/ORB	
95	2220380	1	Fitting, Straight JIC/ORB	
96	2220733	1	Fitting, Straight JIC/ORB	
97	1001203423	1	Hose	
98	1001203430	1	Hose	
99	1001203431	1	Hose	
100	1001203432	1	Hose	
101	1001203433	1	Hose	
102	1001204645	1	Hose	
103	1001214149	1	Hose	
104	1001214408	1	Fitting, Tee JIC/ORB/JIC	
105	2220238	1	Plug	
106	2220606	1	Fitting, Tee JIC/ORB/JIC	
107	1001220912	1	Hose	
108	2220372	4	Fitting, Straight JIC/ORB	

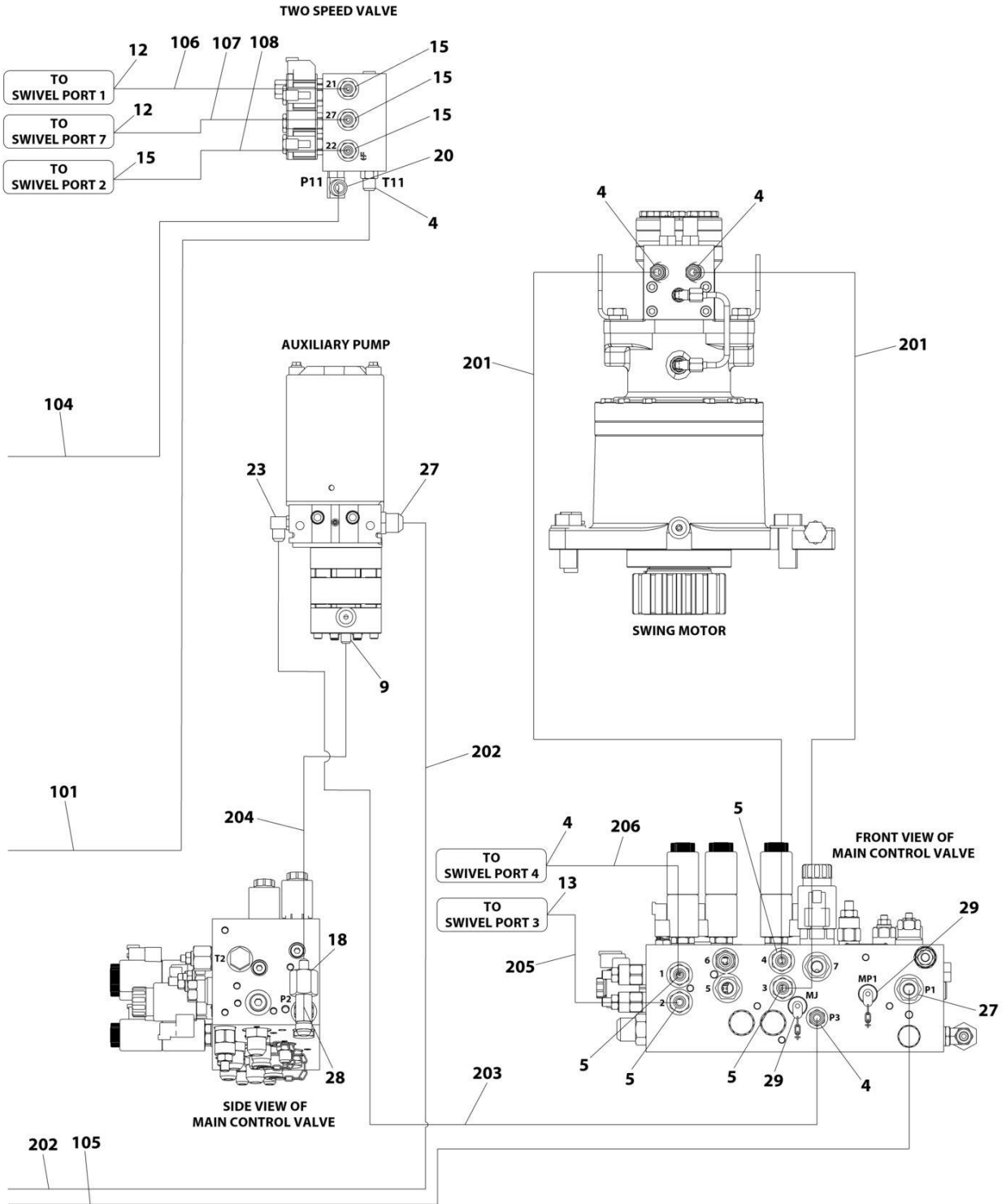
SECTION 7 - HYDRAULIC

FIGURE 7-5. STANDARD HYDRAULIC DIAGRAM (600S 2WS) (SN 0300260919 through 0300272445)



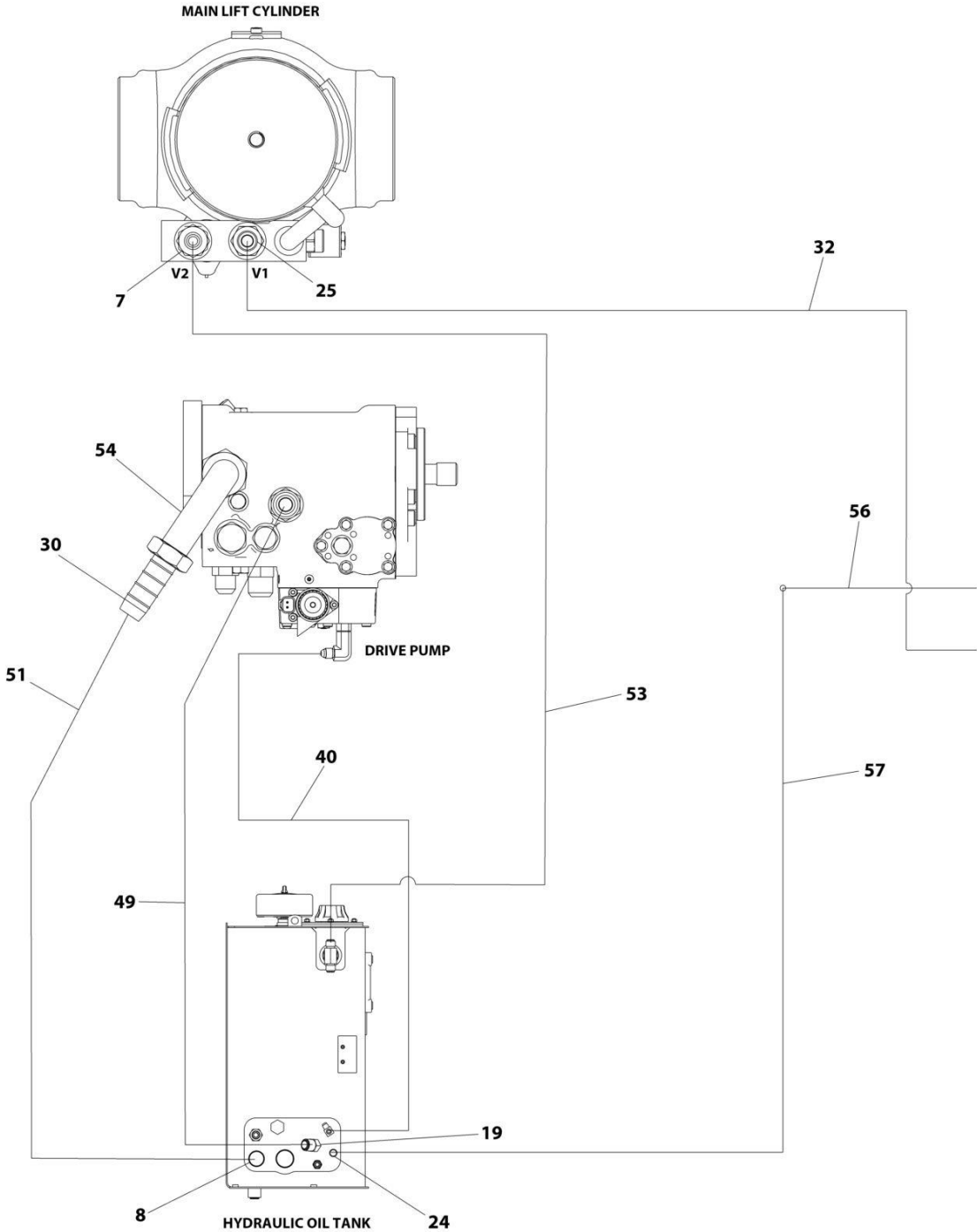
ART_1001247883_10F4

SECTION 7 - HYDRAULIC



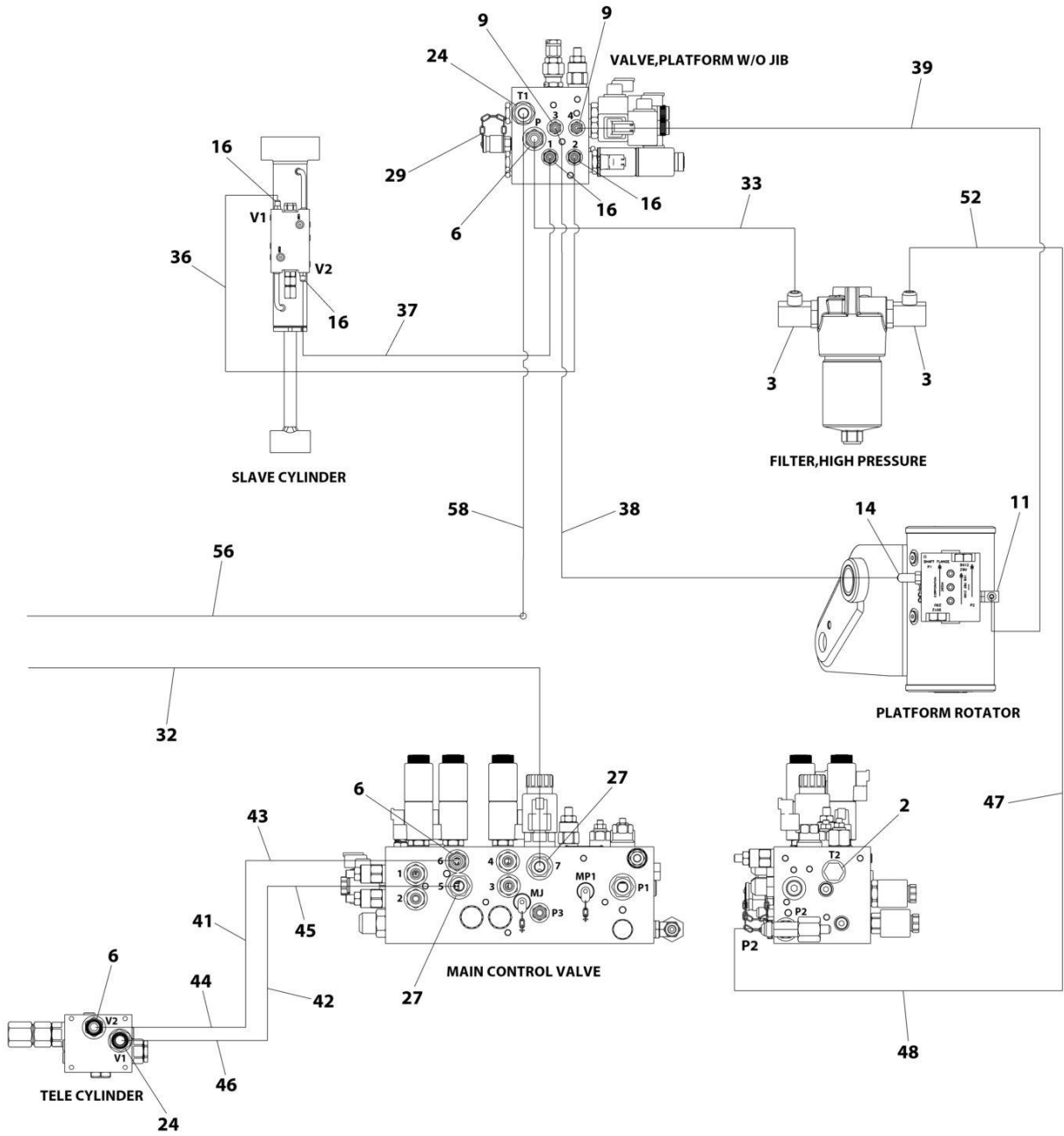
ART_1001247883_20F4

SECTION 7 - HYDRAULIC



ART_1001247883_3OF4

SECTION 7 - HYDRAULIC



ART_1001247883_4OF4

SECTION 7 - HYDRAULIC

FIGURE 7-5. STANDARD HYDRAULIC DIAGRAM (600S 2WS) (SN 0300260919 through 0300272445)

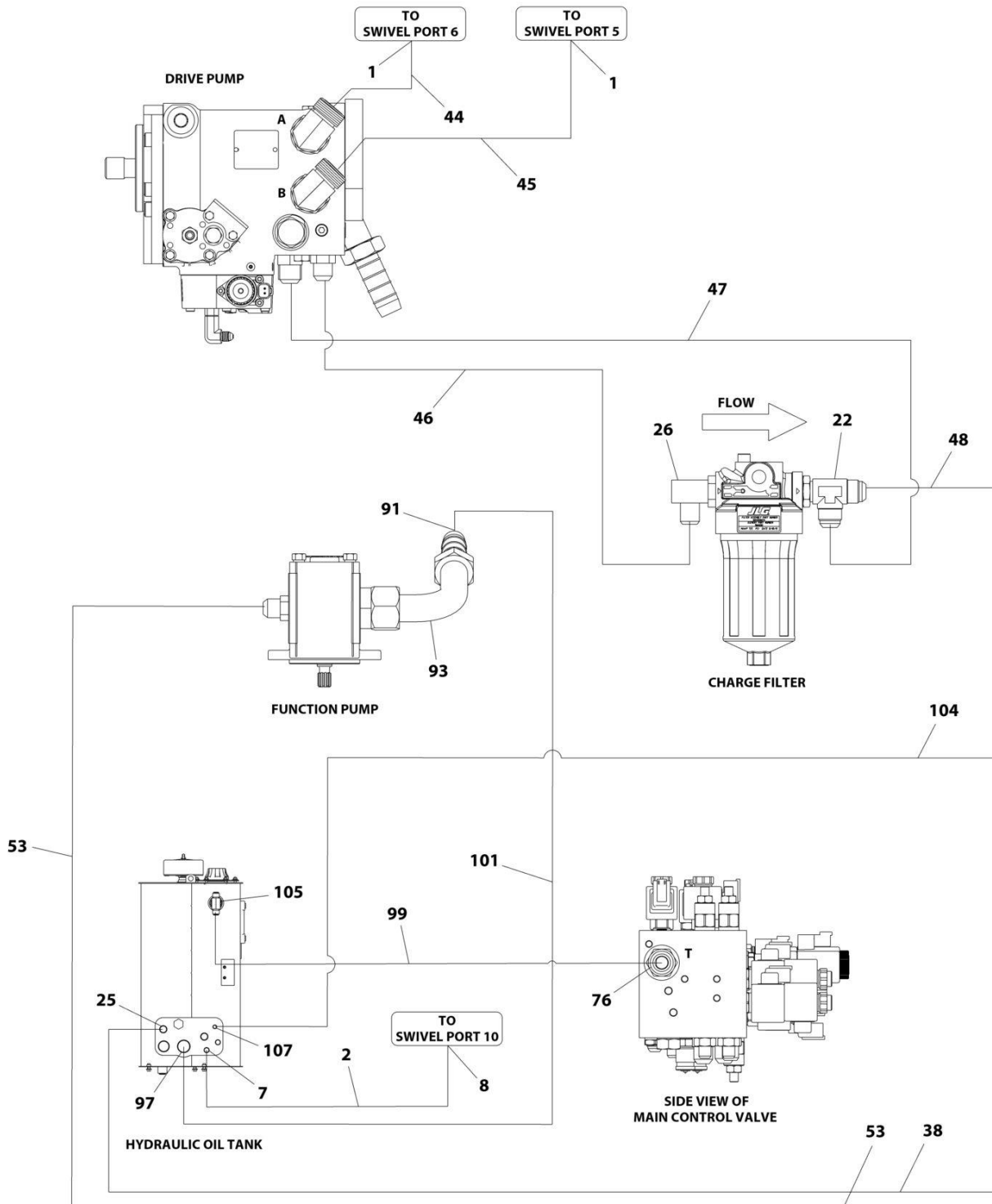
ITEM	PART NUMBER	QTY	DESCRIPTION	REV
	1001247883	Ref	STANDARD HYDRAULIC DIAGRAM	B
1	2111616	2	Fitting, Straight ORFS/ORB	
2	2220238	1	Plug	
3	2220366	2	Fitting, 90 JIC/ORB	
4	2220371	5	Fitting, Straight JIC/ORB	
5	2220372	4	Fitting, Straight JIC/ORB	
6	2220373	4	Fitting, Straight JIC/ORB	
7	2220375	2	Fitting, Straight JIC/ORB	
8	2220380	1	Fitting, Straight JIC/ORB	
9	2220415	3	Fitting, Straight JIC/ORB	
10	2220451	1	Fitting, Straight JIC/ORB	
11	2220466	1	Fitting, 90 JIC/ORB	
12	2220468	2	Fitting, Straight JIC/ORB	
13	2220473	1	Fitting, 90 JIC/ORB	
14	2220502	1	Fitting, 45 JIC/ORB	
15	2220582	4	Fitting, Straight JIC/ORB	
16	2220603	4	Fitting, Straight JIC/ORB	
17	2220606	1	Fitting, Tee JIC/ORB/JIC	
18	2220618	1	Fitting, Straight JIC/FSJIC	
19	2220637	1	Fitting, 45 JIC/ORB	
20	2220726	1	Fitting, 90 JIC/ORB	
21	2220733	1	Fitting, Straight JIC/ORB	
22	2220738	1	Fitting, Tee JIC/ORB/JIC	
23	2220775	1	Fitting, 90 JIC/ORB	
24	2220852	3	Fitting, Straight JIC/ORB	
25	2220865	2	Fitting, Straight JIC/ORB	
26	2220906	1	Fitting, 90 JIC/ORB	
27	2220947	4	Fitting, Straight JIC/ORB	
28	2220999	1	Fitting, Tee JIC/ORB/JIC	
29	2221086	3	Fitting, Test	
30	80633030	2	Clamp	
31	1001119455	1	Valve, Oil Sampling	
32	1001192641	1	Hose	
33	1001192658	1	Hose	
34	1001192661	1	Hose	
35	1001192663	1	Hose	
36	1001192684	1	Hose	
37	1001192685	1	Hose	
38	1001192686	1	Hose	
39	1001192687	1	Hose	
40	1001192690	1	Hose	
41	1001192693	1	Pipe	
42	1001192694	1	Pipe	
43	1001192695	1	Hose	
44	1001192696	1	Hose	
45	1001192698	1	Hose	
46	1001192699	1	Hose	
47	1001201255	1	Pipe	
48	1001203424	1	Hose	
49	1001203431	1	Hose	

SECTION 7 - HYDRAULIC

ITEM	PART NUMBER	QTY	DESCRIPTION	REV
50	1001203432	1	Hose	
51	1001203433	1	Hose	
52	1001204389	1	Hose	
53	1001204645	1	Hose	
54	1001205824	2	Fitting, 90 Barb	
55	1001214408	1	Fitting, Tee JIC/ORB/JIC	
56	1001220903	1	Pipe	
57	1001220912	1	Hose	
58	1001220941	1	Hose	
100	1001250981	1	Hose Kit - Engine Side (Not Shown - Includes Items 101-108)	
101	1001247865	1	Hose	
102	1001247871	1	Hose	
103	1001247872	1	Hose	
104	1001247873	1	Hose	
105	1001247875	1	Hose	
106	1001247878	1	Hose	
107	1001247879	1	Hose	
108	1001247994	1	Hose	
200	1001250982	1	Hose Kit - Tank Side (Not Shown - Includes Items 201-208)	
201	1001247866	1	Hose	
202	1001247867	1	Hose	
203	1001247868	1	Hose	
204	1001247869	1	Hose	
205	1001247876	1	Hose	
206	1001247877	1	Hose	
207	1001247881	1	Hose	
208	1001247882	1	Hose	

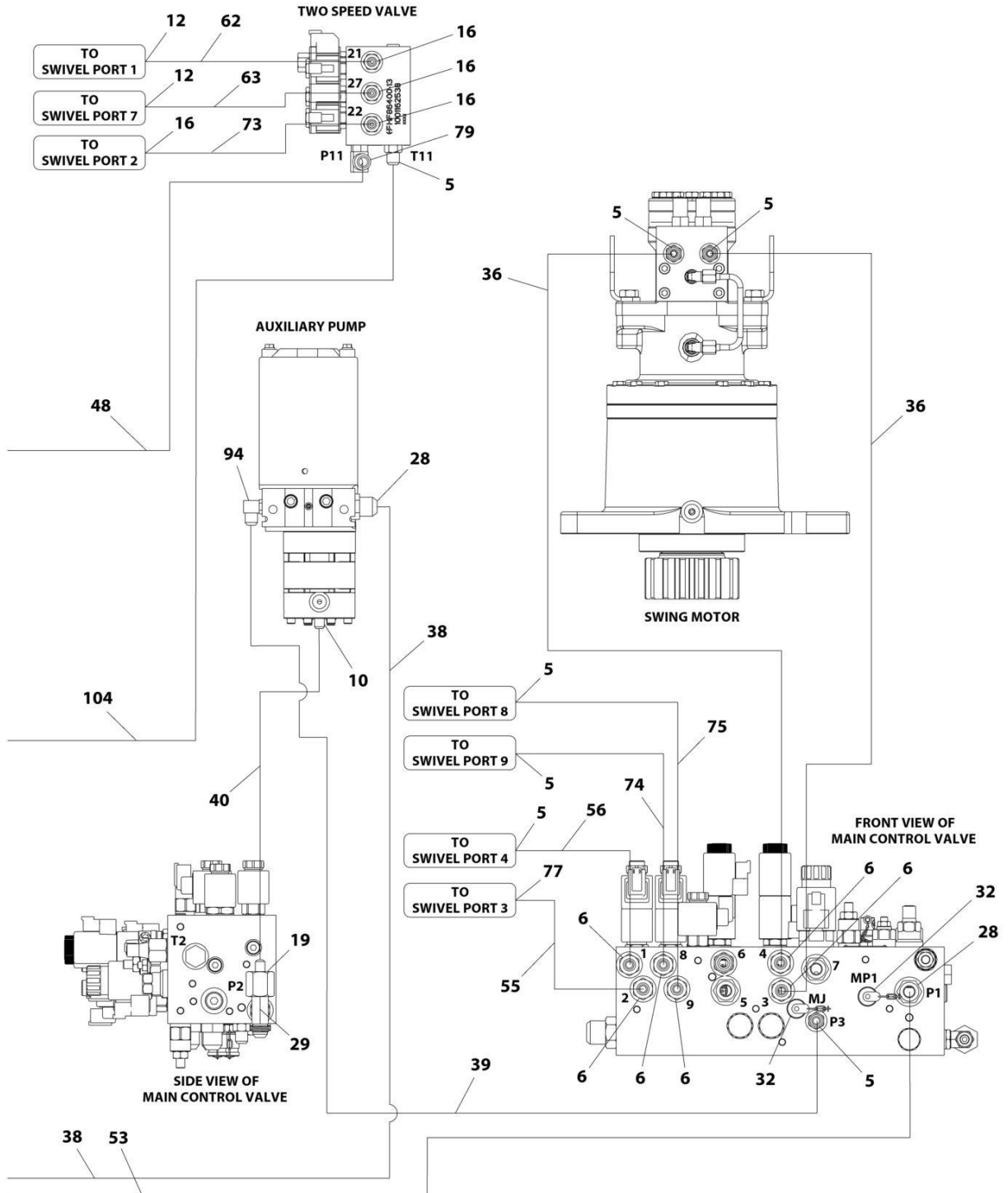
SECTION 7 - HYDRAULIC

FIGURE 7-6. STANDARD HYDRAULIC DIAGRAM (600S 4WS) (SN 0300235168 through 0300260918, SN B300002655 through B300005754)



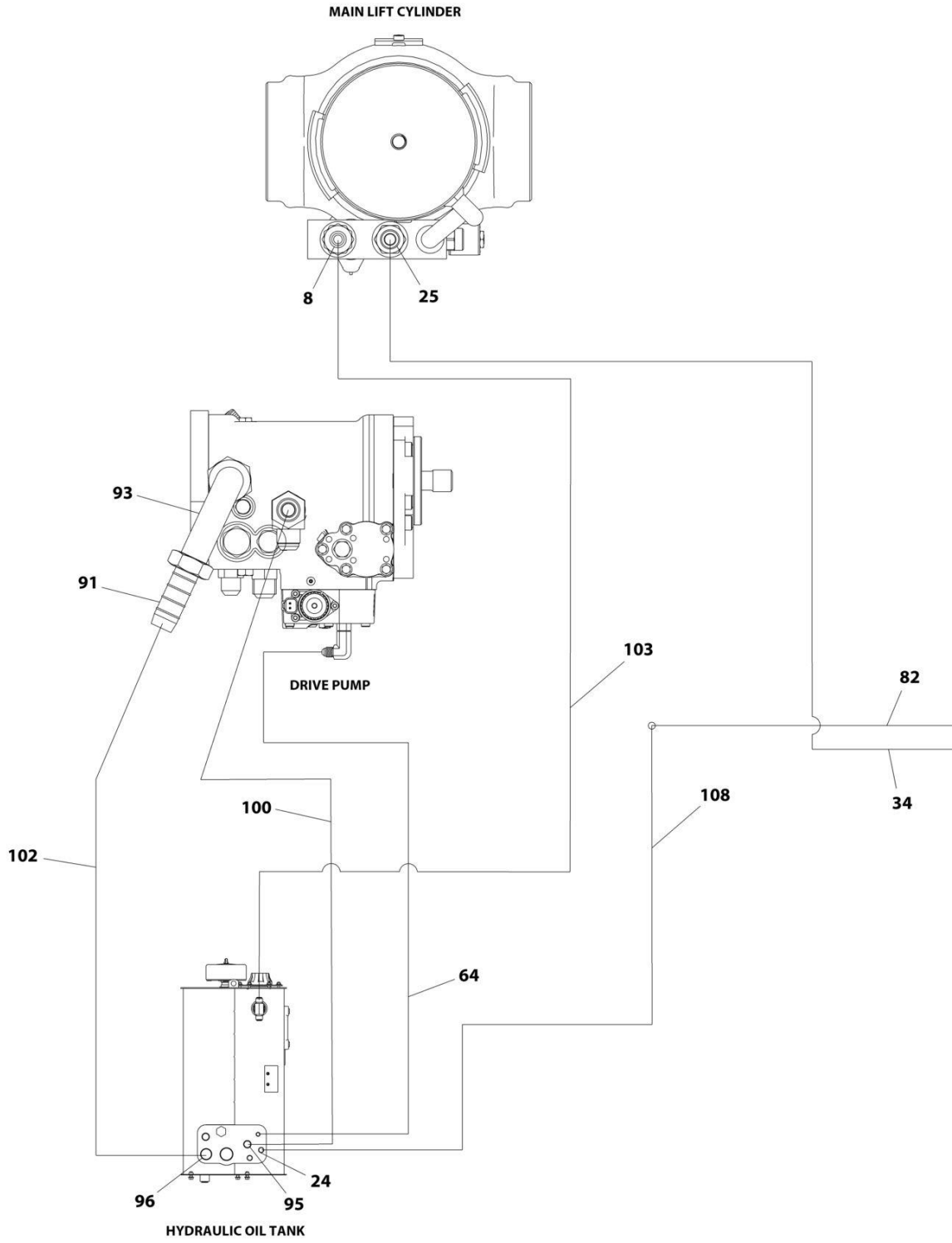
ART_1001194096_10F4

SECTION 7 - HYDRAULIC



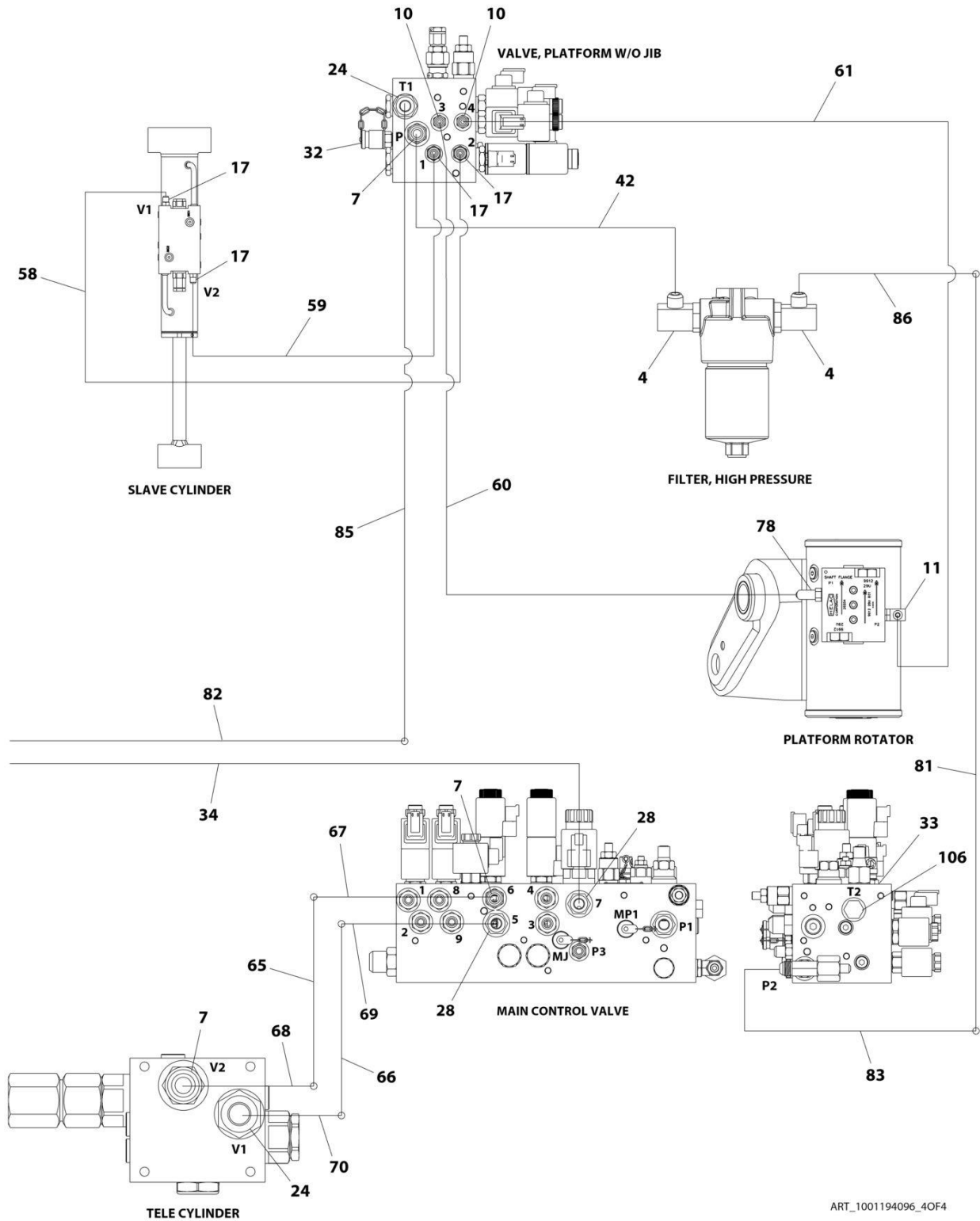
ART_1001194096_2OF4

SECTION 7 - HYDRAULIC



ART_1001194096_30F4

SECTION 7 - HYDRAULIC



ART_1001194096_4OF4

SECTION 7 - HYDRAULIC

FIGURE 7-6. STANDARD HYDRAULIC DIAGRAM (600S 4WS) (SN 0300235168 through 0300260918, SN B300002655 through B300005754)

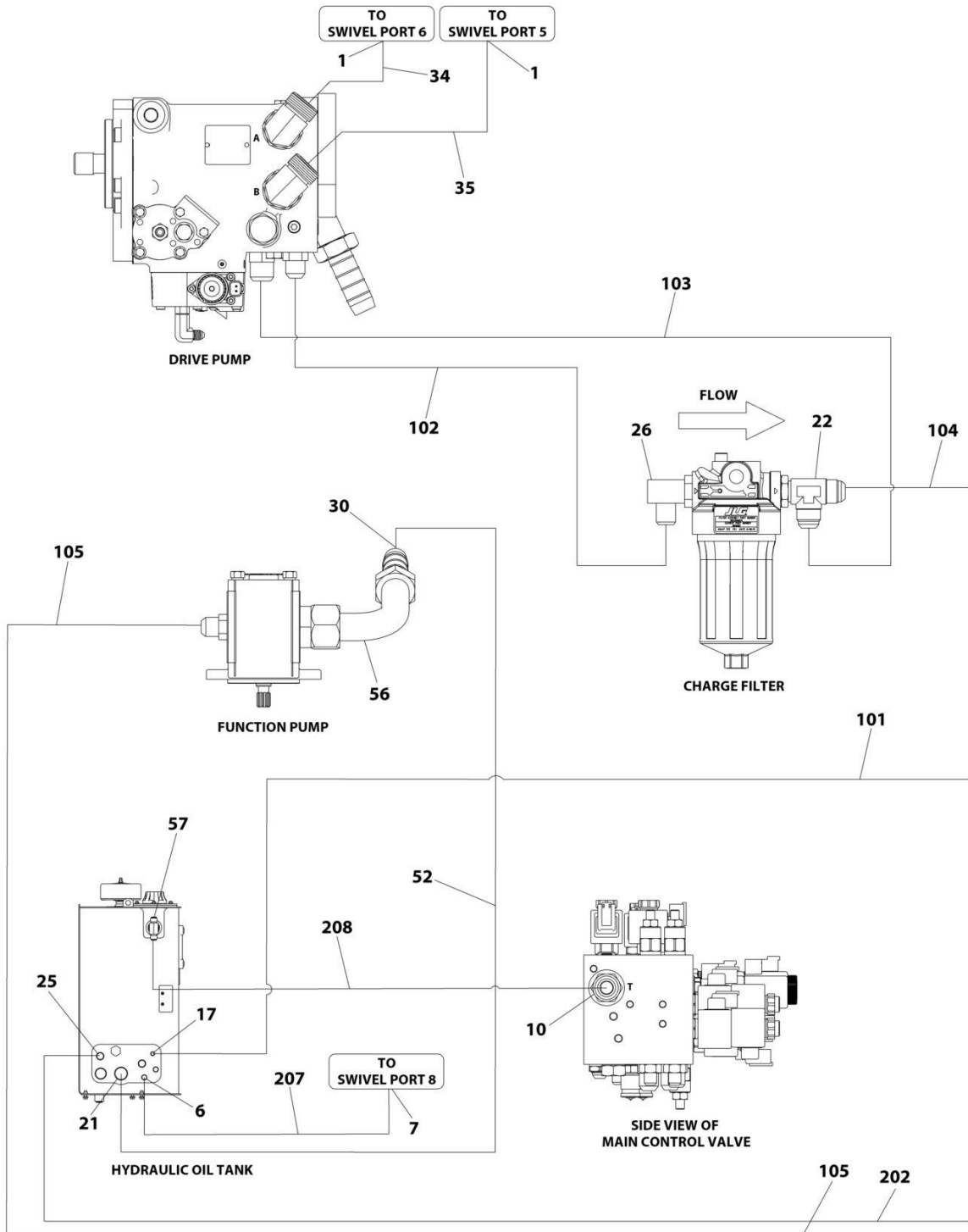
ITEM	PART NUMBER	QTY	DESCRIPTION	REV
	1001194096	Ref	STANDARD HYDRAULIC DIAGRAM	I
1	2111616	2	Fitting, Straight ORFS/ORB	
2	1001203423	1	Hose	
4	2220366	2	Fitting, 90 JIC/ORB	
5	2220371	7	Fitting, Straight JIC/ORB	
6	2220372	6	Fitting, Straight JIC/ORB	
7	2220373	4	Fitting, Straight JIC/ORB	
8	2220375	2	Fitting, Straight JIC/ORB	
10	2220415	3	Fitting, Straight JIC/ORB	
11	2220466	1	Fitting, 90 JIC/ORB	
12	2220468	2	Fitting, Straight JIC/ORB	
16	2220582	4	Fitting, Straight JIC/ORB	
17	2220603	4	Fitting, Straight JIC/ORB	
19	2220618	1	Fitting, Straight JIC/FSJIC	
22	2220738	1	Fitting, Tee JIC/ORB/JIC	
24	2220852	3	Fitting, Straight JIC/ORB	
25	2220865	2	Fitting, Straight JIC/ORB	
26	2220906	1	Fitting, 90 JIC/ORB	
28	2220947	4	Fitting, Straight JIC/ORB	
29	2220999	1	Fitting, Tee JIC/ORB/JIC	
32	2221086	3	Fitting, Test	
33	1001119455	1	Valve, Oil Sampling	
34	1001192641	1	Hose	
36	1001192651	2	Hose	
38	1001228226	1	Hose	
39	1001192654	1	Hose	
40	1001192655	1	Hose	
42	1001192658	1	Hose	
44	1001192661	1	Hose	
45	1001192663	1	Hose	
46	1001192667	1	Hose	
47	1001192669	1	Hose	
48	1001192673	1	Hose	
53	1001192679	1	Hose	
55	1001192681	1	Hose	
56	1001192682	1	Hose	
58	1001192684	1	Hose	
59	1001192685	1	Hose	
60	1001192686	1	Hose	
61	1001192687	1	Hose	
62	1001192688	1	Hose	
63	1001192689	1	Hose	
64	1001192690	1	Hose	
65	1001192693	1	Pipe	
66	1001192694	1	Pipe	
67	1001192695	1	Hose	
68	1001192696	1	Hose	
69	1001192698	1	Hose	
70	1001192699	1	Hose	

SECTION 7 - HYDRAULIC

ITEM	PART NUMBER	QTY	DESCRIPTION	REV
73	1001192758	1	Hose	
74	1001194329	1	Hose	
75	1001194330	1	Hose	
76	2220451	1	Fitting, Straight JIC/ORB	
77	2220473	1	Fitting, 90 JIC/ORB	
78	2220502	1	Fitting, 45 JIC/ORB	
79	2220726	1	Fitting, 90 JIC/ORB	
81	1001201255	1	Pipe	
82	1001220903	1	Pipe	
83	1001203424	1	Hose	
85	1001220941	1	Hose	
86	1001204389	1	Hose	
91	80633030	2	Clamp	
93	1001205824	2	Fitting, 90 Barb	
94	2220775	1	Fitting, 90 JIC/ORB	
95	2220637	1	Fitting, 45 JIC/ORB	
96	2220380	1	Fitting, Straight JIC/ORB	
97	2220733	1	Fitting, Straight JIC/ORB	
99	1001203430	1	Hose	
100	1001203431	1	Hose	
101	1001203432	1	Hose	
102	1001203433	1	Hose	
103	1001204645	1	Hose	
104	1001214149	1	Hose	
105	1001214408	1	Fitting, Tee JIC/ORB/JIC	
106	2220238	1	Plug	
107	2220606	1	Fitting, Tee JIC/ORB/JIC	
108	1001220912	1	Hose	

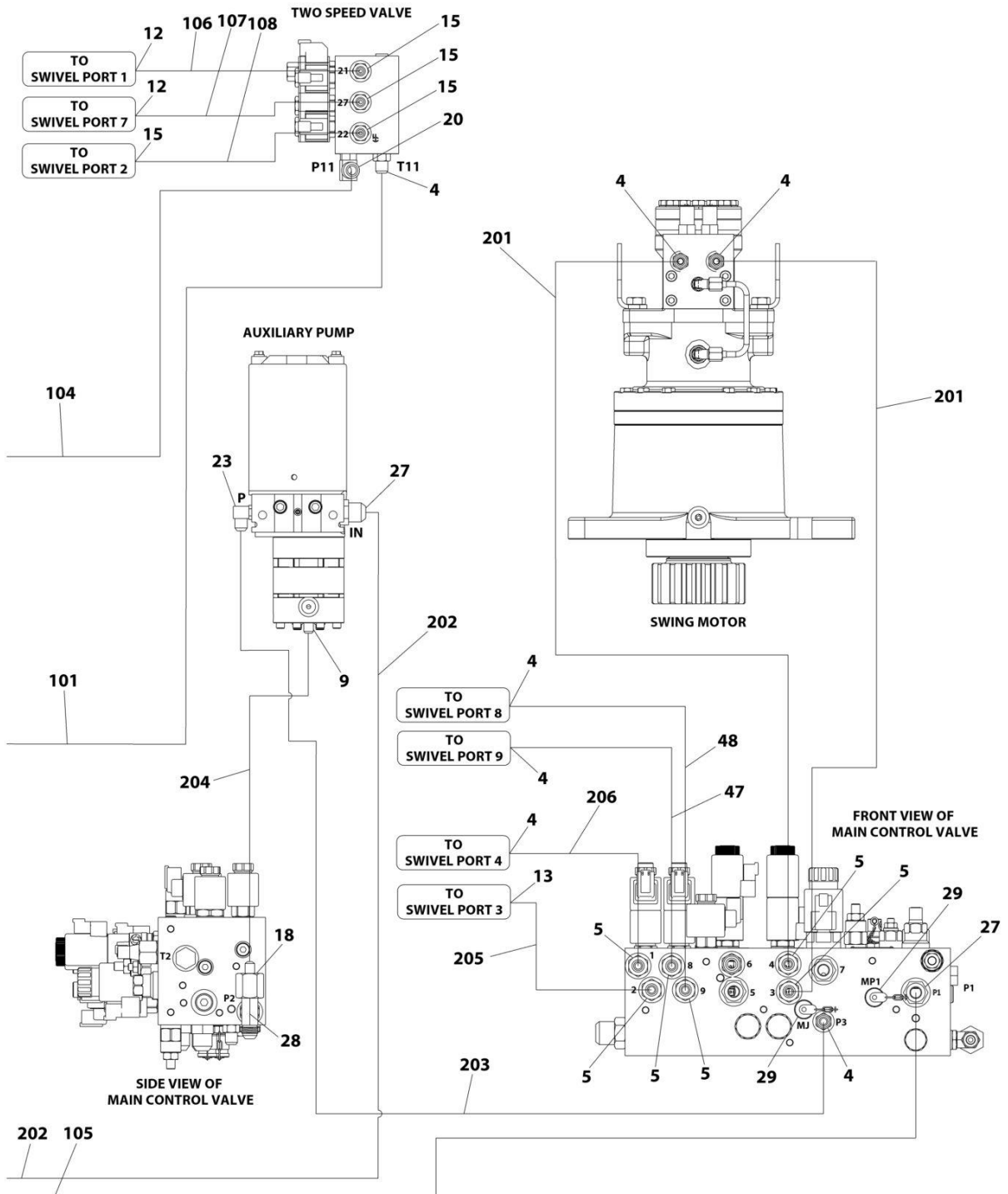
SECTION 7 - HYDRAULIC

FIGURE 7-7. STANDARD HYDRAULIC DIAGRAM (600S 4WS) (SN 0300260919 through 0300272445)



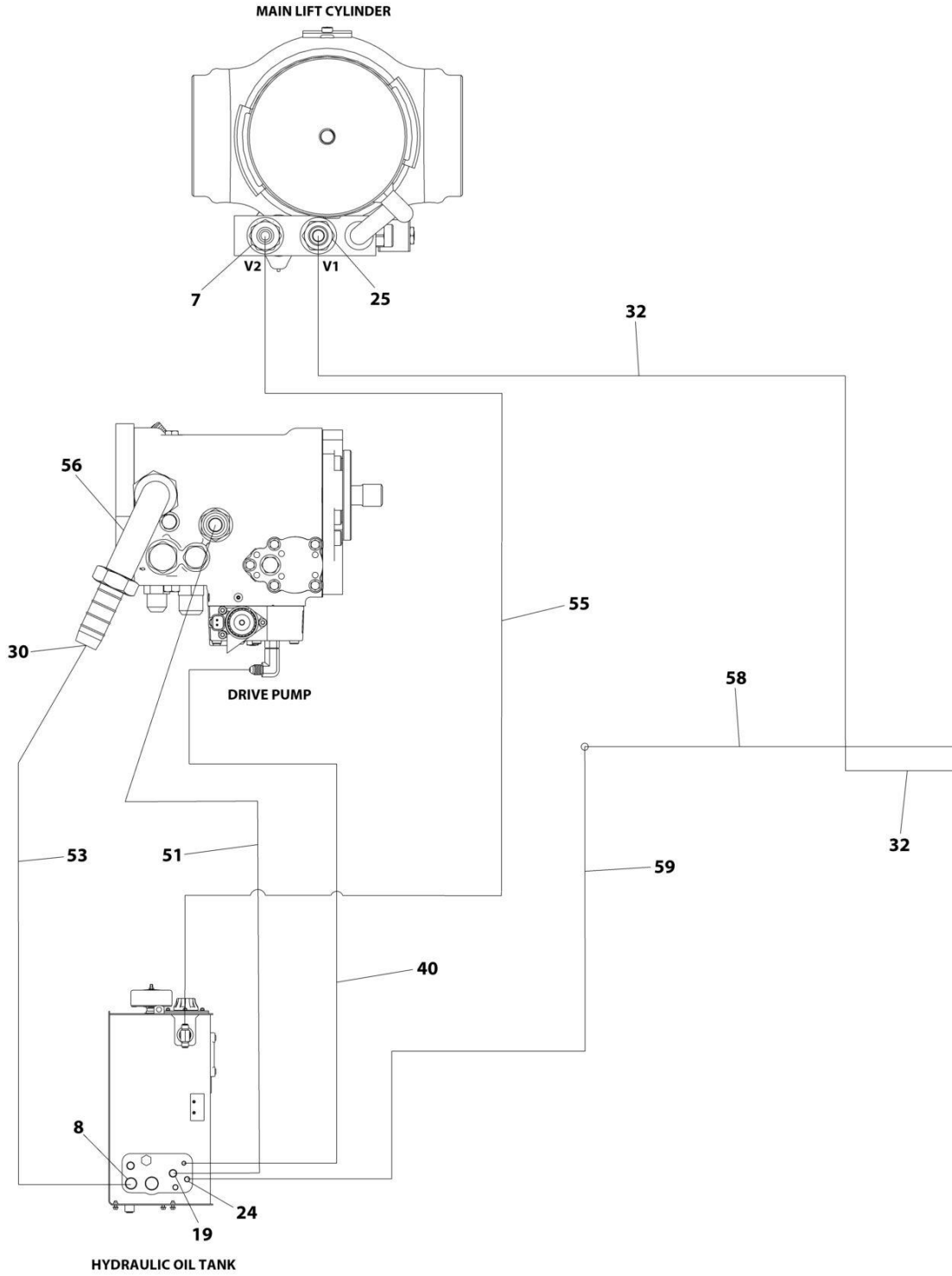
ART_1001247885_10F4

SECTION 7 - HYDRAULIC



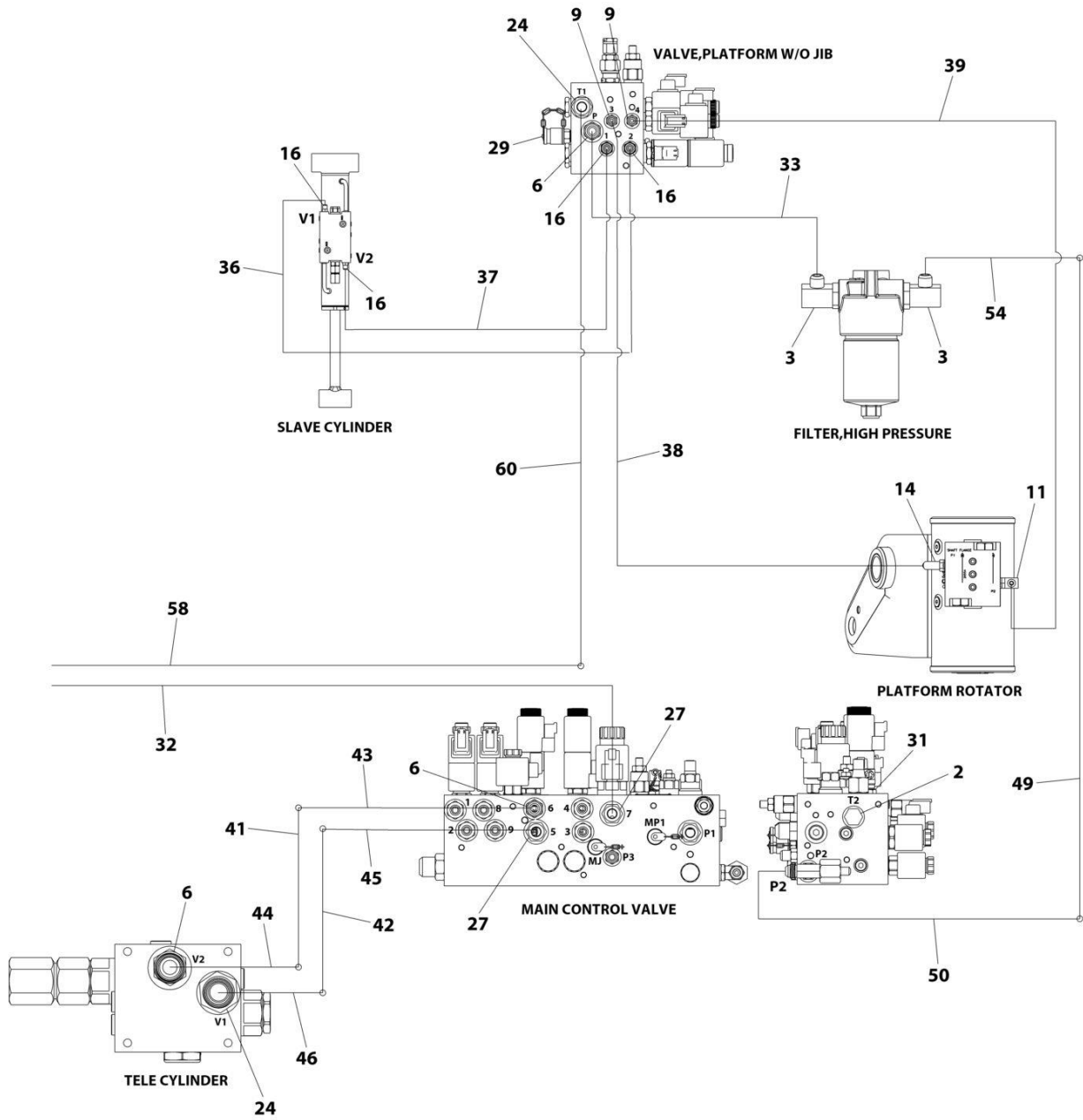
ART_1001247885_20F4

SECTION 7 - HYDRAULIC



ART_1001247885_3OF4

SECTION 7 - HYDRAULIC



ART_1001247885_4OF4

SECTION 7 - HYDRAULIC

FIGURE 7-7. STANDARD HYDRAULIC DIAGRAM (600S 4WS) (SN 0300260919 through 0300272445)

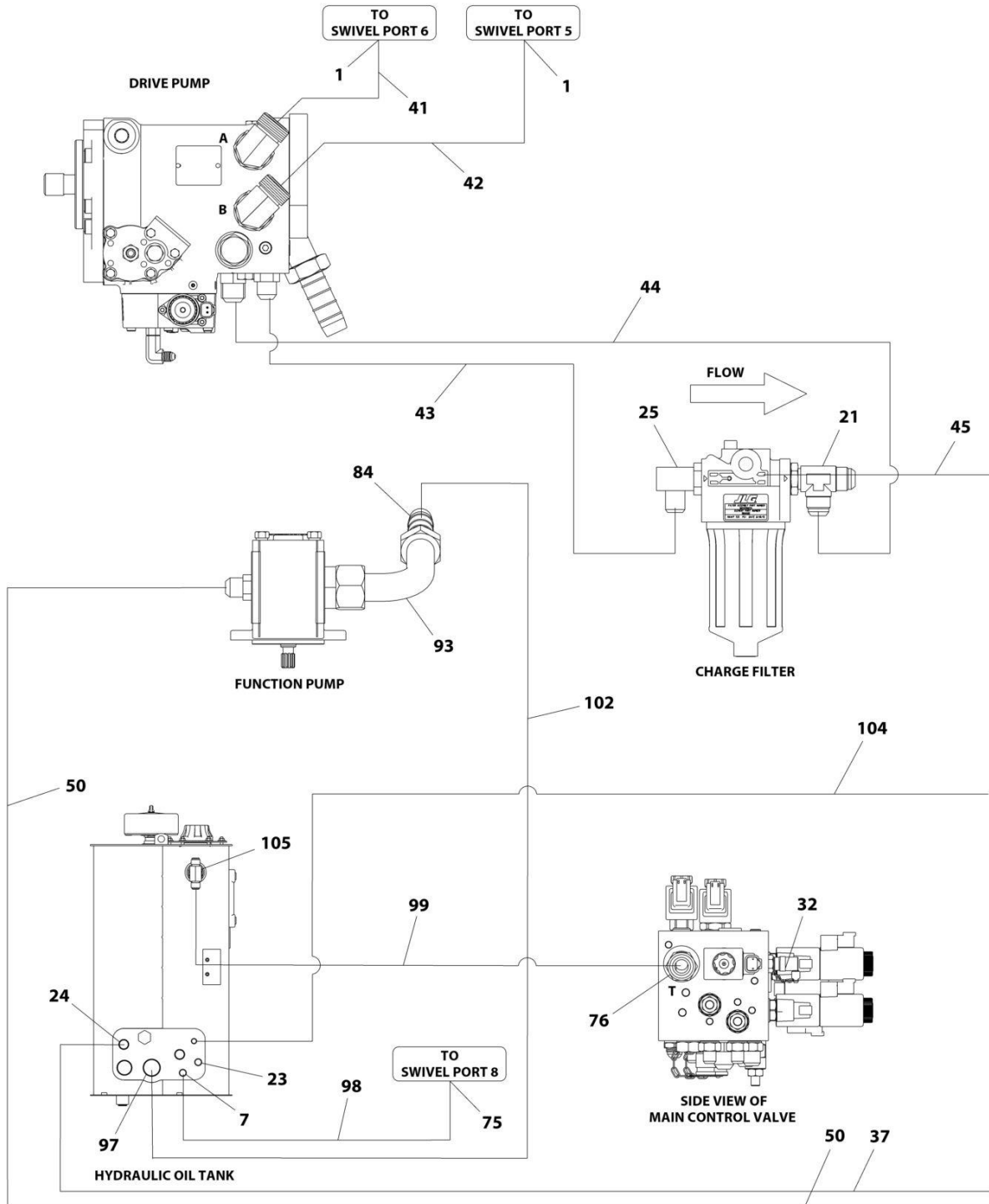
ITEM	PART NUMBER	QTY	DESCRIPTION	REV
	1001247885	Ref	STANDARD HYDRAULIC DIAGRAM	B
1	2111616	2	Fitting, Straight ORFS/ORB	
2	2220238	1	Plug	
3	2220366	2	Fitting, 90 JIC/ORB	
4	2220371	7	Fitting, Straight JIC/ORB	
5	2220372	6	Fitting, Straight JIC/ORB	
6	2220373	4	Fitting, Straight JIC/ORB	
7	2220375	2	Fitting, Straight JIC/ORB	
8	2220380	1	Fitting, Straight JIC/ORB	
9	2220415	3	Fitting, Straight JIC/ORB	
10	2220451	1	Fitting, Straight JIC/ORB	
11	2220466	1	Fitting, 90 JIC/ORB	
12	2220468	2	Fitting, Straight JIC/ORB	
13	2220473	1	Fitting, 90 JIC/ORB	
14	2220502	1	Fitting, 45 JIC/ORB	
15	2220582	4	Fitting, Straight JIC/ORB	
16	2220603	4	Fitting, Straight JIC/ORB	
17	2220606	1	Fitting, Tee JIC/ORB/JIC	
18	2220618	1	Fitting, Straight JIC/FSJIC	
19	2220637	1	Fitting, 45 JIC/ORB	
20	2220726	1	Fitting, 90 JIC/ORB	
21	2220733	1	Fitting, Straight JIC/ORB	
22	2220738	1	Fitting, Tee JIC/ORB/JIC	
23	2220775	1	Fitting, 90 JIC/ORB	
24	2220852	3	Fitting, Straight JIC/ORB	
25	2220865	2	Fitting, Straight JIC/ORB	
26	2220906	1	Fitting, 90 JIC/ORB	
27	2220947	4	Fitting, Straight JIC/ORB	
28	2220999	1	Fitting, Tee JIC/ORB/JIC	
29	2221086	3	Fitting, Test	
30	80633030	2	Clamp	
31	1001119455	1	Valve, Oil Sampling	
32	1001192641	1	Hose	
33	1001192658	1	Hose	
34	1001192661	1	Hose	
35	1001192663	1	Hose	
36	1001192684	1	Hose	
37	1001192685	1	Hose	
38	1001192686	1	Hose	
39	1001192687	1	Hose	
40	1001192690	1	Hose	
41	1001192693	1	Pipe	
42	1001192694	1	Pipe	
43	1001192695	1	Hose	
44	1001192696	1	Hose	
45	1001192698	1	Hose	
46	1001192699	1	Hose	
47	1001194329	1	Hose	
48	1001194330	1	Hose	
49	1001201255	1	Pipe	

SECTION 7 - HYDRAULIC

ITEM	PART NUMBER	QTY	DESCRIPTION	REV
50	1001203424	1	Hose	
51	1001203431	1	Hose	
52	1001203432	1	Hose	
53	1001203433	1	Hose	
54	1001204389	1	Hose	
55	1001204645	1	Hose	
56	1001205824	2	Fitting, 90 Barb	
57	1001214408	1	Fitting, Tee JIC/ORB/JIC	
58	1001220903	1	Pipe	
59	1001220912	1	Hose	
60	1001220941	1	Hose	
100	1001250981	1	Hose Kit - Engine Side (Not Shown - Includes Items 101-108)	
101	1001247865	1	Hose	
102	1001247871	1	Hose	
103	1001247872	1	Hose	
104	1001247873	1	Hose	
105	1001247875	1	Hose	
106	1001247878	1	Hose	
107	1001247879	1	Hose	
108	1001247994	1	Hose	
200	1001250982	1	Hose Kit - Tank Side (Not Shown - Includes Items 201-208)	
201	1001247866	2	Hose	
202	1001247867	1	Hose	
203	1001247868	1	Hose	
204	1001247869	1	Hose	
205	1001247876	1	Hose	
206	1001247877	1	Hose	
207	1001247881	1	Hose	
208	1001247882	1	Hose	

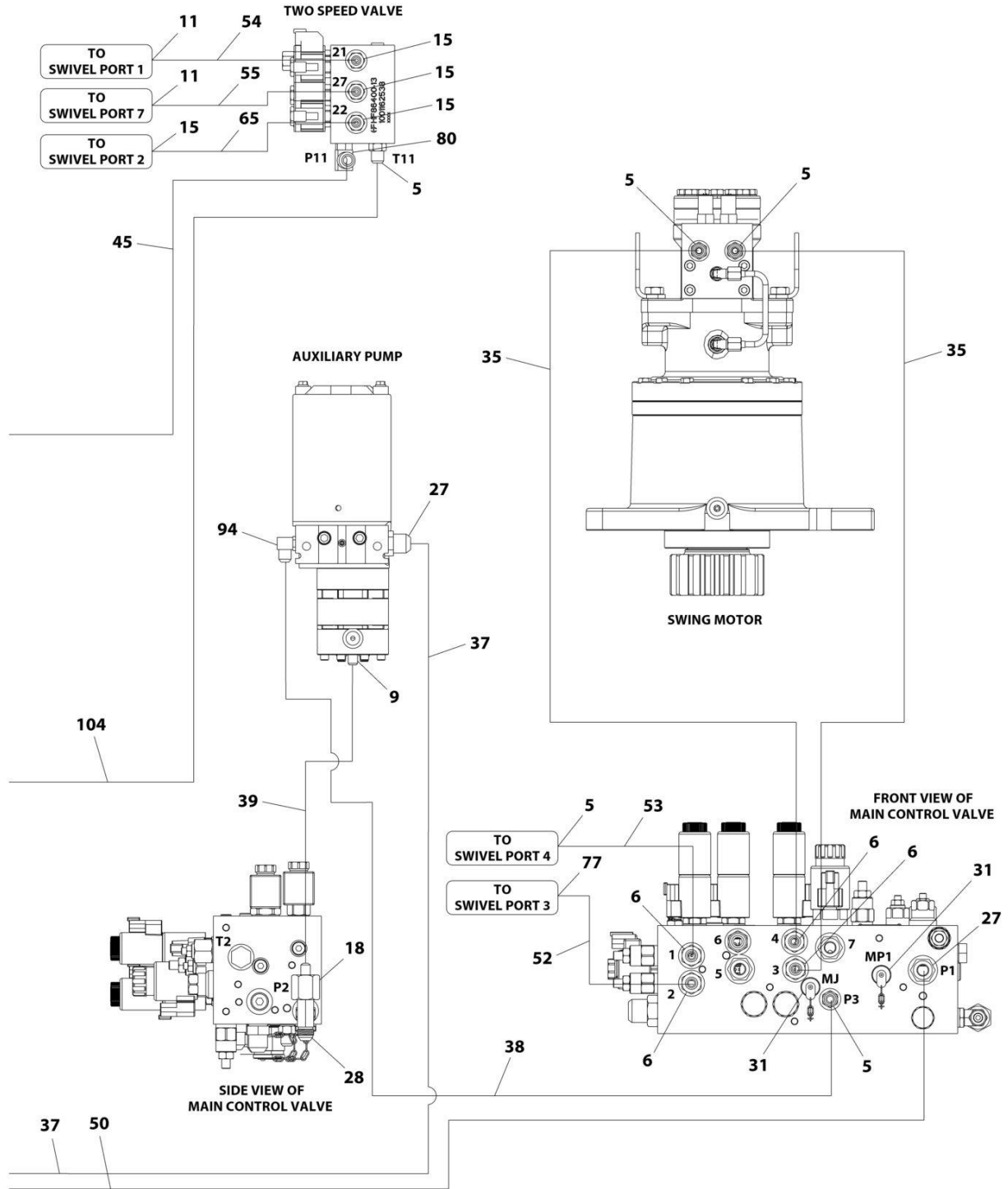
SECTION 7 - HYDRAULIC

FIGURE 7-8. STANDARD HYDRAULIC DIAGRAM (660SJ 2WS) (SN 0300235168 through 0300260918, SN B300002655 through B300005754)



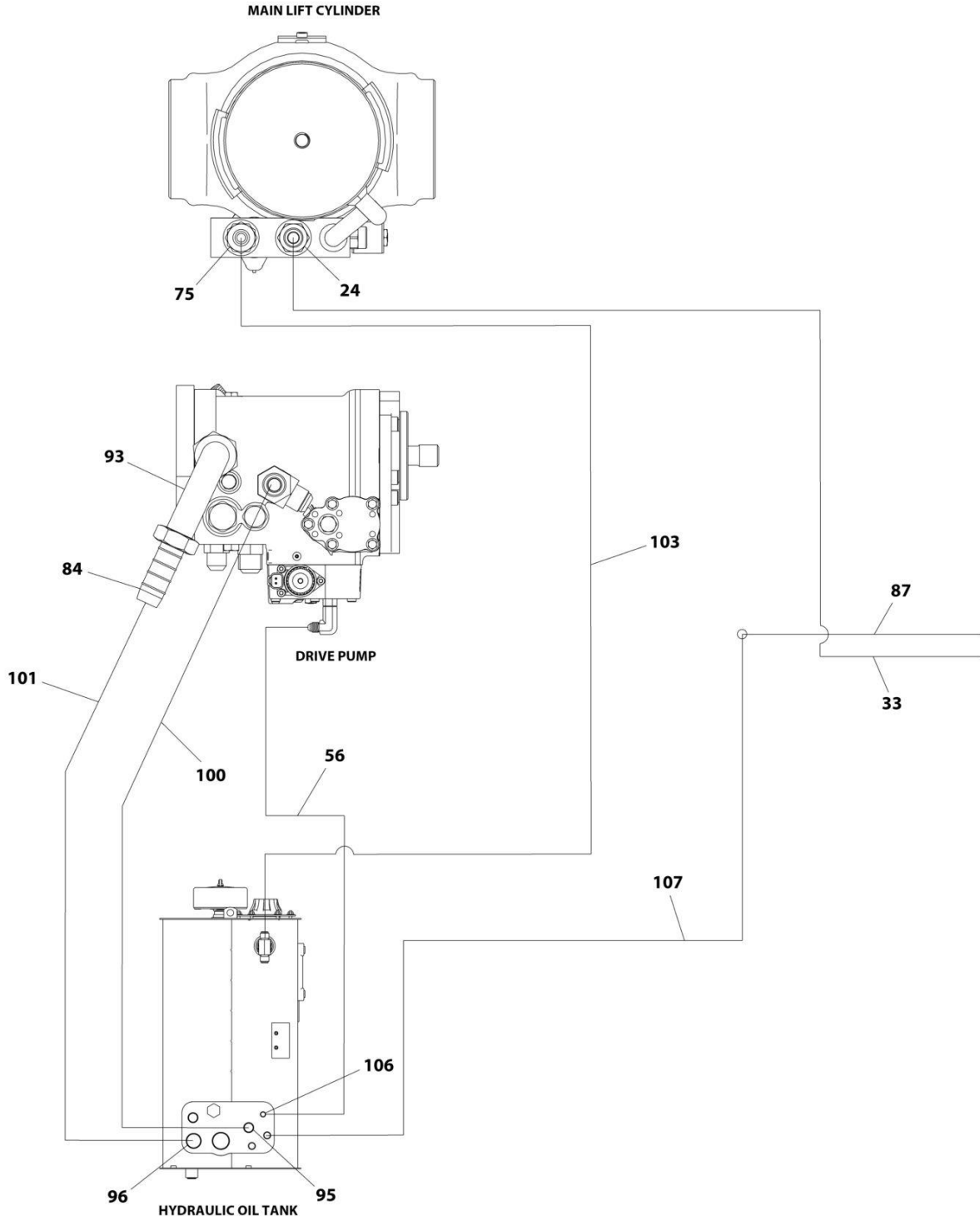
ART_1001193759_10F4

SECTION 7 - HYDRAULIC



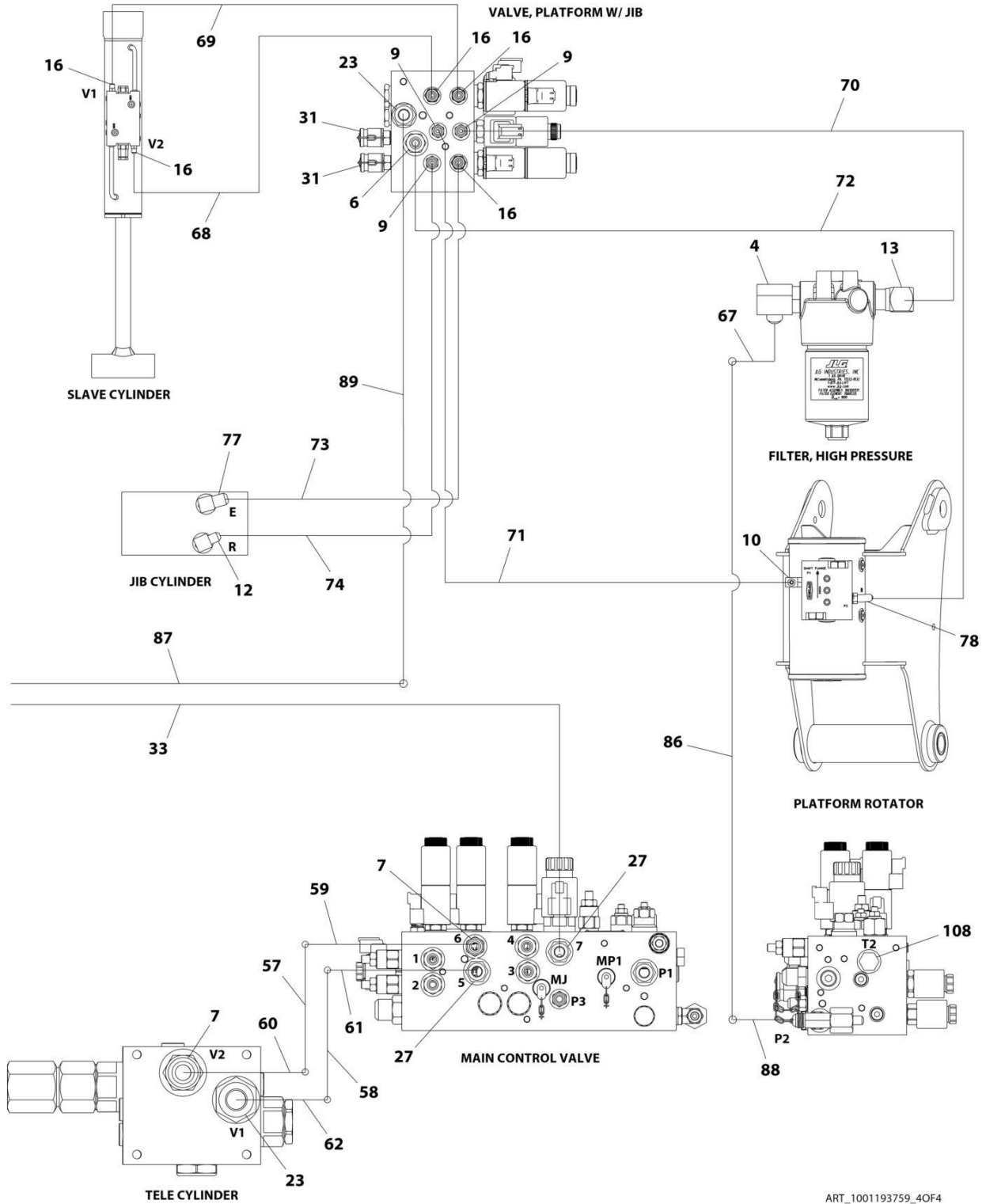
ART_1001193759_2OF4

SECTION 7 - HYDRAULIC



ART_1001193759_30F4

SECTION 7 - HYDRAULIC



SECTION 7 - HYDRAULIC

FIGURE 7-8. STANDARD HYDRAULIC DIAGRAM (660SJ 2WS) (SN 0300235168 through 0300260918, SN B300002655 through B300005754)

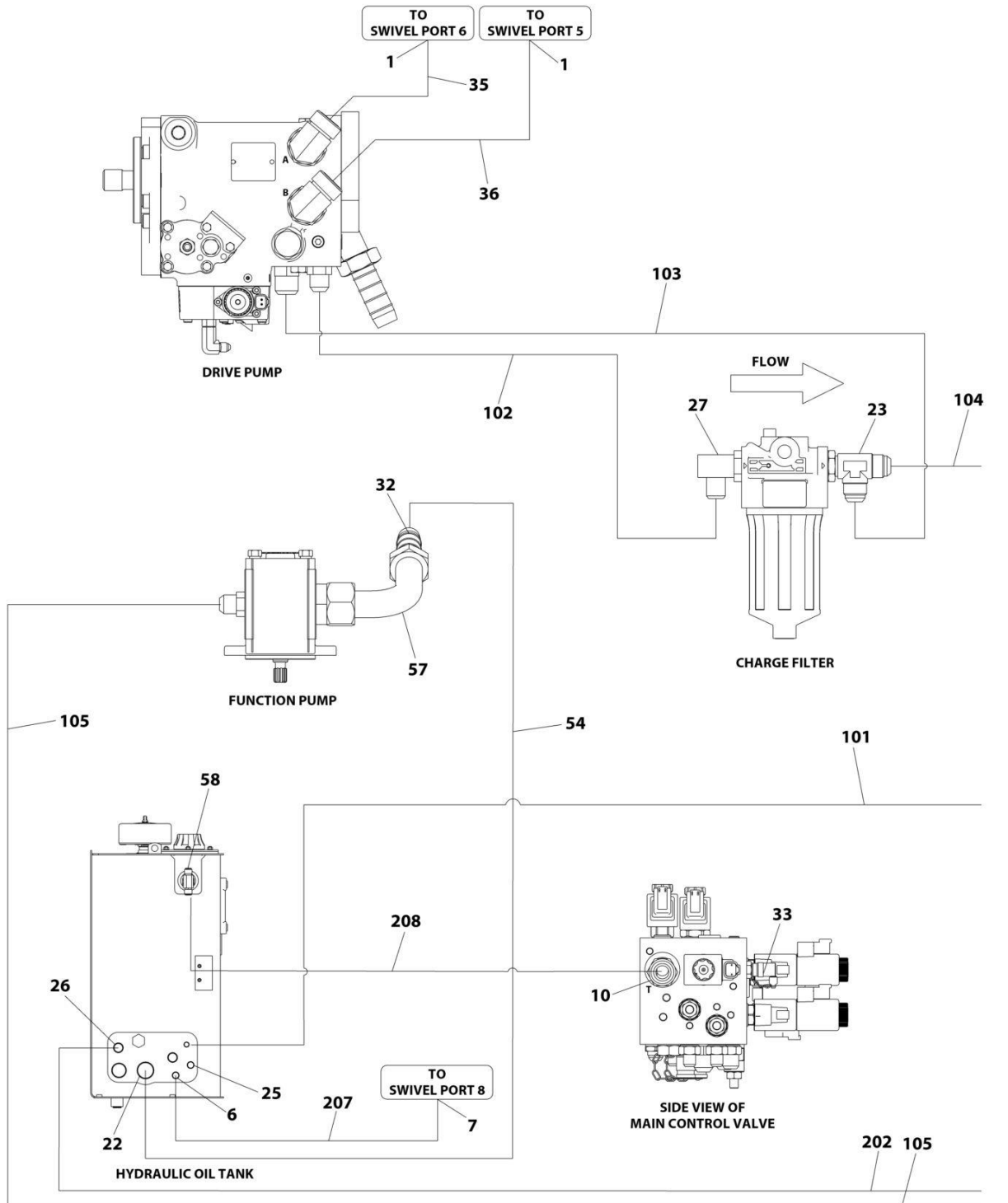
ITEM	PART NUMBER	QTY	DESCRIPTION	REV
	1001193759	Ref	STANDARD HYDRAULIC DIAGRAM	K
1	2111616	2	Fitting, Straight ORFS/ORB	
4	2220366	1	Fitting, 90 JIC/ORB	
5	2220371	5	Fitting, Straight JIC/ORB	
6	2220372	5	Fitting, Straight JIC/ORB	
7	2220373	3	Fitting, Straight JIC/ORB	
9	2220415	4	Fitting, Straight JIC/ORB	
10	2220466	1	Fitting, 90 JIC/ORB	
11	2220468	2	Fitting, Straight JIC/ORB	
12	2220472	1	Fitting, 90 JIC/ORB	
13	2221048	1	Fitting, 90 JIC/ORB	
15	2220582	4	Fitting, Straight JIC/ORB	
16	2220603	5	Fitting, Straight JIC/ORB	
18	2220618	1	Fitting, Straight JIC/FSJIC	
21	2220738	1	Fitting, Tee JIC/ORB/JIC	
23	2220852	3	Fitting, Straight JIC/ORB	
24	2220865	2	Fitting, Straight JIC/ORB	
25	2220906	1	Fitting, 90 JIC/ORB	
27	2220947	4	Fitting, Straight JIC/ORB	
28	2220999	1	Fitting, Tee JIC/ORB/JIC	
31	2221086	4	Fitting, Test	
32	1001119455	1	Valve, Oil Sampling	
33	1001192641	1	Hose	
35	1001192651	2	Hose	
37	1001228226	1	Hose	
38	1001192654	1	Hose	
39	1001192655	1	Hose	
41	1001192661	1	Hose	
42	1001192663	1	Hose	
43	1001192667	1	Hose	
44	1001192669	1	Hose	
45	1001192673	1	Hose	
50	1001192679	1	Hose	
52	1001192681	1	Hose	
53	1001192682	1	Hose	
54	1001192688	1	Hose	
55	1001192689	1	Hose	
56	1001192690	1	Hose	
57	1001192693	1	Pipe	
58	1001192694	1	Pipe	
59	1001192695	1	Hose	
60	1001192696	1	Hose	
61	1001192698	1	Hose	
62	1001192699	1	Hose	
65	1001192758	1	Hose	
67	1001203426	1	Hose	
68	1001193927	1	Hose	
69	1001193928	1	Hose	
70	1001193929	1	Hose	

SECTION 7 - HYDRAULIC

ITEM	PART NUMBER	QTY	DESCRIPTION	REV
71	1001193930	1	Hose	
72	1001222522	1	Hose	
73	1001193932	1	Hose	
74	1001193933	1	Hose	
75	2220375	2	Fitting, Straight JIC/ORB	
76	2220451	1	Fitting, Straight JIC/ORB	
77	2220473	2	Fitting, 90 JIC/ORB	
78	2220502	1	Fitting, 45 JIC/ORB	
80	2220726	1	Fitting, 90 JIC/ORB	
84	80633030	2	Clamp	
86	1001201255	1	Pipe	
87	1001220903	1	Pipe	
88	1001203424	1	Hose	
89	1001221016	1	Hose	
93	1001205824	2	Fitting, 90 Barb	
94	2220775	1	Fitting, 90 JIC/ORB	
95	2220637	1	Fitting, 45 JIC/ORB	
96	2220380	1	Fitting, Straight JIC/ORB	
97	2220733	1	Fitting, Straight JIC/ORB	
98	1001203423	1	Hose	
99	1001203430	1	Hose	
100	1001203431	1	Hose	
101	1001203433	1	Hose	
102	1001203432	1	Hose	
103	1001204645	1	Hose	
104	1001214149	1	Hose	
105	1001214408	1	Fitting, Tee JIC/ORB/JIC	
106	2220606	1	Fitting, Tee JIC/ORB/JIC	
107	1001220912	1	Hose	
108	2220238	1	Plug	

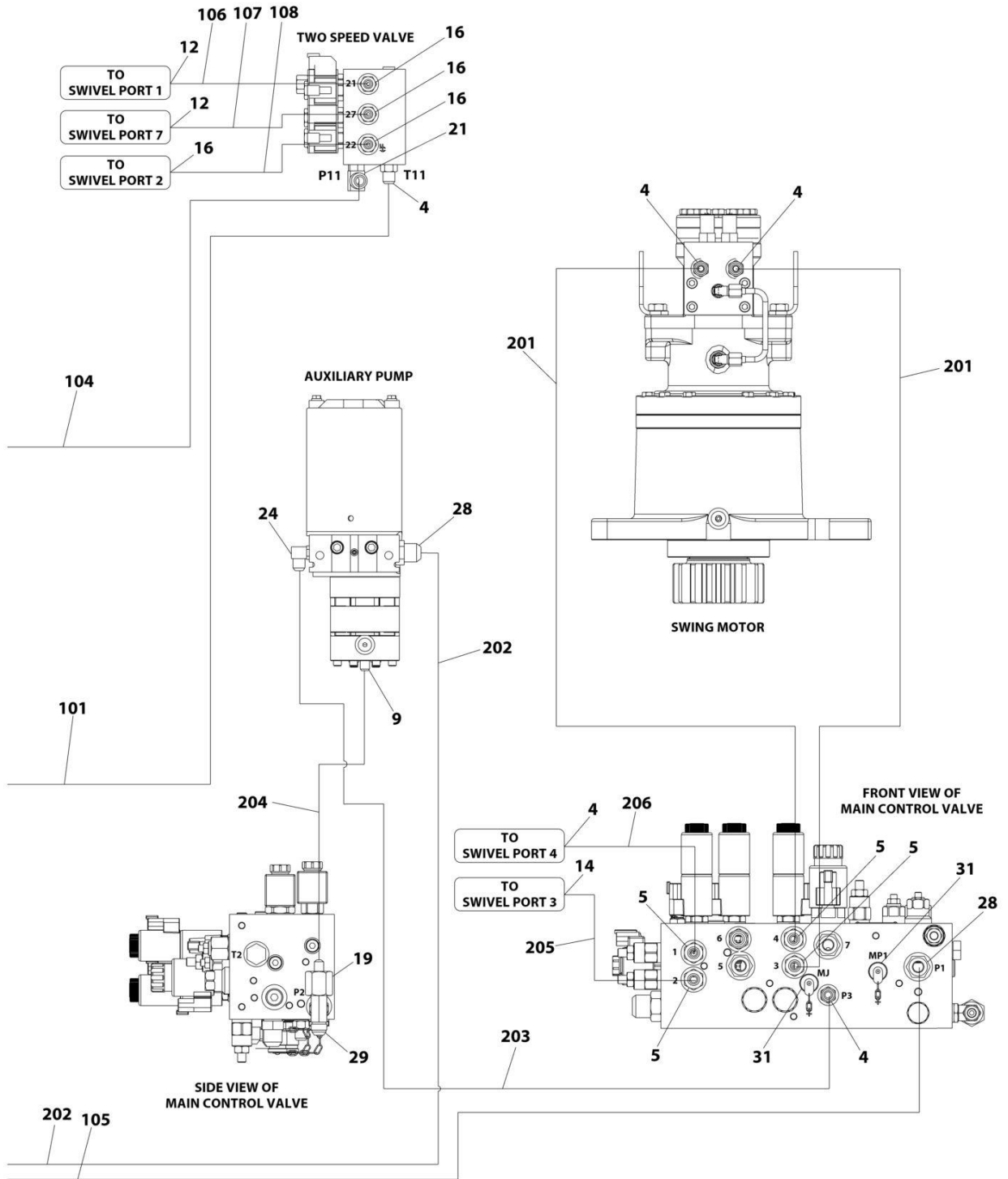
SECTION 7 - HYDRAULIC

FIGURE 7-9. STANDARD HYDRAULIC DIAGRAM (660SJ 2WS) (SN 0300260919 through 0300272445)



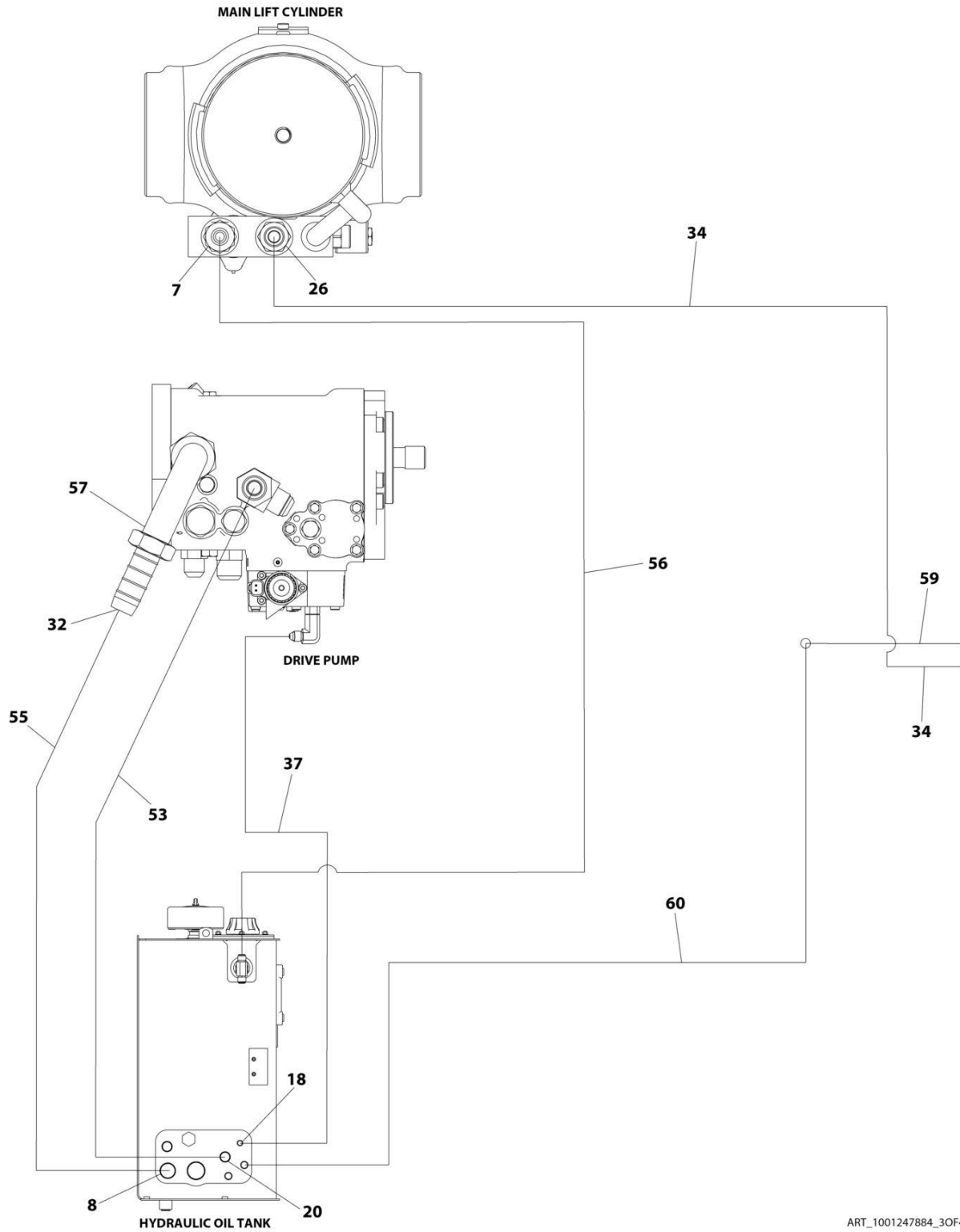
ART_1001247884_10F4

SECTION 7 - HYDRAULIC



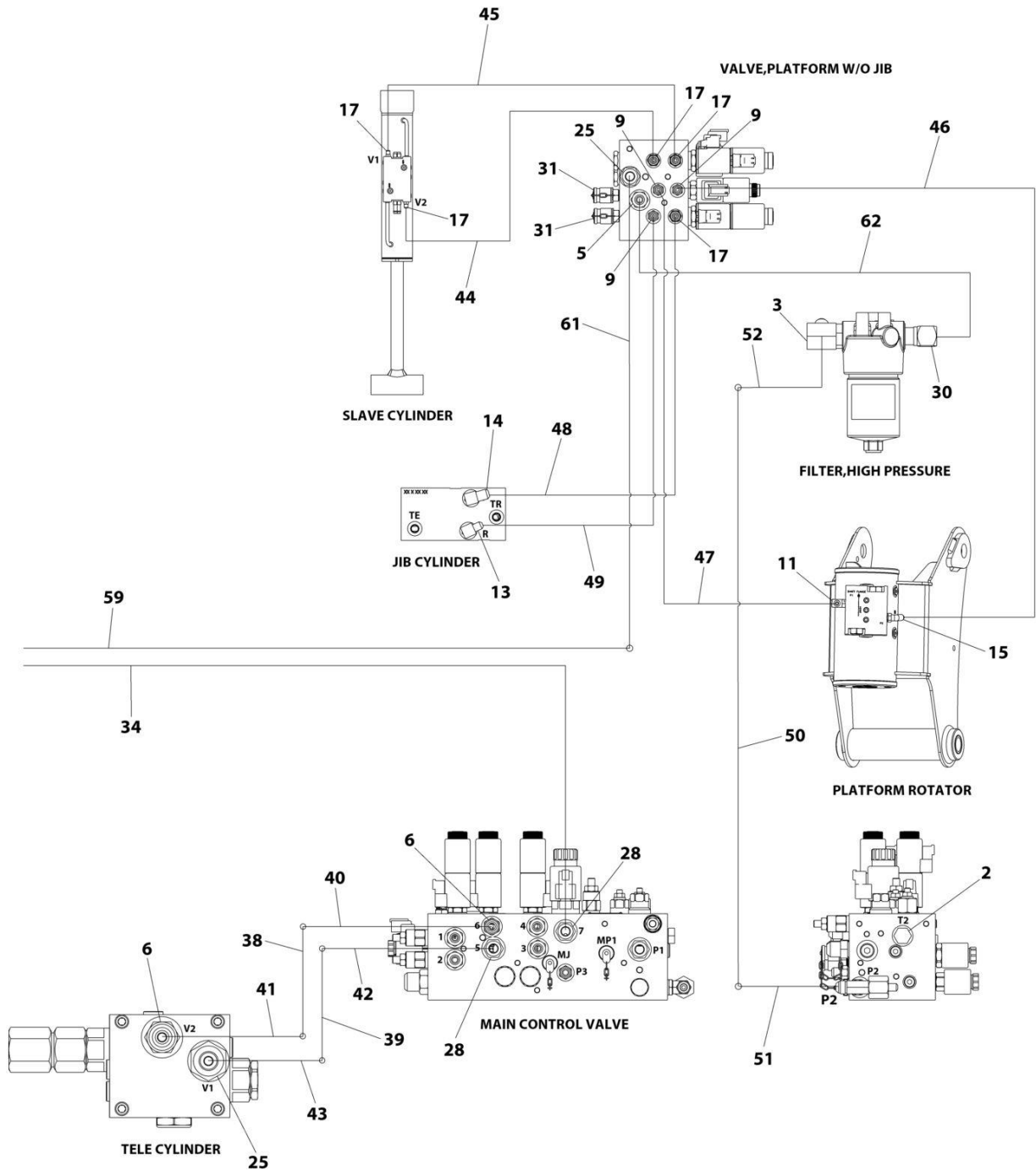
ART_1001247884_20F4

SECTION 7 - HYDRAULIC



ART_1001247884_30F4

SECTION 7 - HYDRAULIC



ART_1001247884_4OF4

SECTION 7 - HYDRAULIC

FIGURE 7-9. STANDARD HYDRAULIC DIAGRAM (660SJ 2WS) (SN 0300260919 through 0300272445)

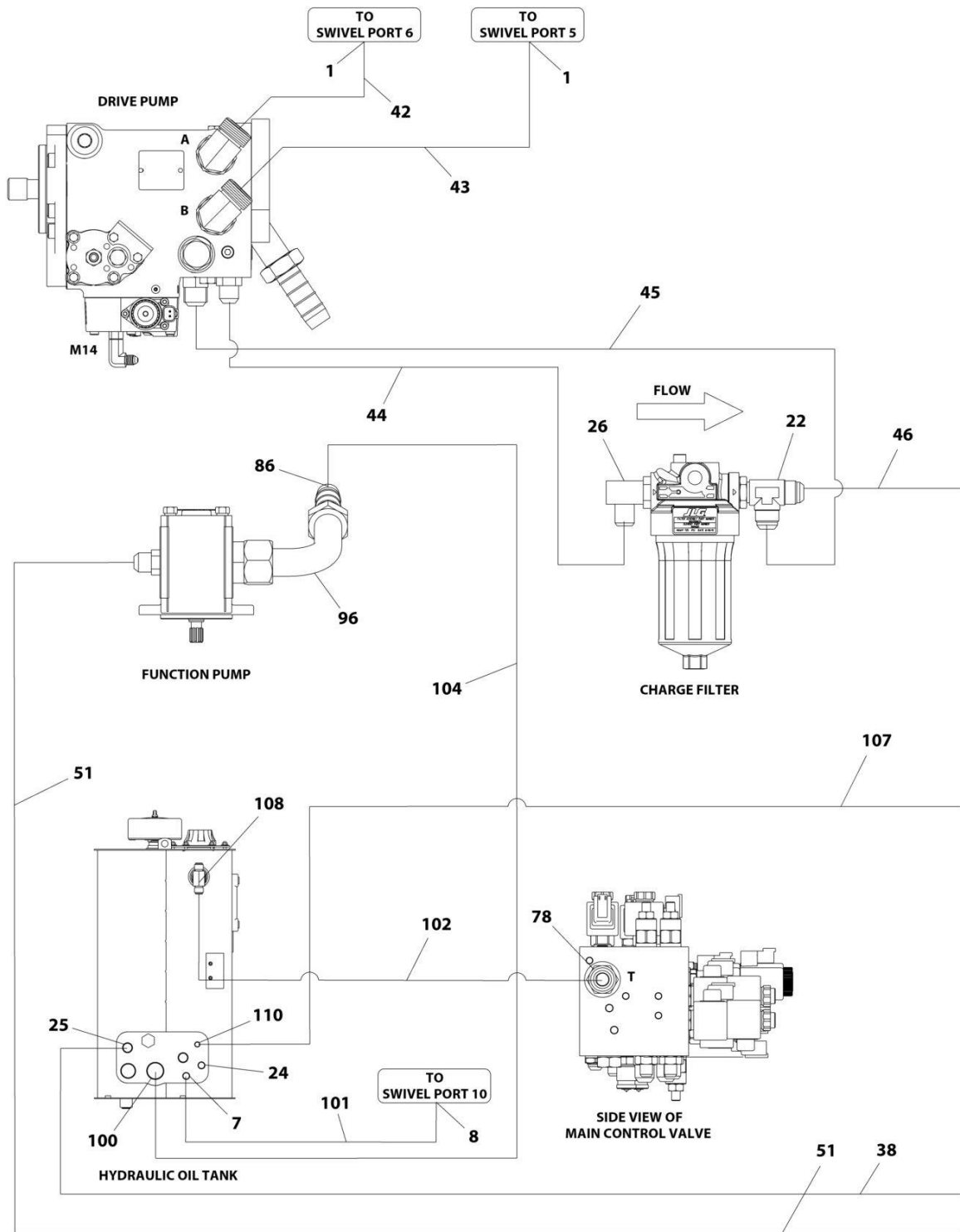
ITEM	PART NUMBER	QTY	DESCRIPTION	REV
	1001247884	Ref	STANDARD HYDRAULIC DIAGRAM	B
1	2111616	2	Fitting, Straight ORFS/ORB	
2	2220238	1	Plug	
3	2220366	1	Fitting, 90 JIC/ORB	
4	2220371	5	Fitting, Straight JIC/ORB	
5	2220372	5	Fitting, Straight JIC/ORB	
6	2220373	3	Fitting, Straight JIC/ORB	
7	2220375	2	Fitting, Straight JIC/ORB	
8	2220380	1	Fitting, Straight JIC/ORB	
9	2220415	4	Fitting, Straight JIC/ORB	
10	2220451	1	Fitting, Straight JIC/ORB	
11	2220466	1	Fitting, 90 JIC/ORB	
12	2220468	2	Fitting, Straight JIC/ORB	
13	2220472	1	Fitting, 90 JIC/ORB	
14	2220473	2	Fitting, 90 JIC/ORB	
15	2220502	1	Fitting, 45 JIC/ORB	
16	2220582	4	Fitting, Straight JIC/ORB	
17	2220603	5	Fitting, Straight JIC/ORB	
18	2220606	1	Fitting, Tee JIC/ORB/JIC	
19	2220618	1	Fitting, Straight JIC/FSJIC	
20	2220637	1	Fitting, 45 JIC/ORB	
21	2220726	1	Fitting, 90 JIC/ORB	
22	2220733	1	Fitting, Straight JIC/ORB	
23	2220738	1	Fitting, Tee JIC/ORB/JIC	
24	2220775	1	Fitting, 90 JIC/ORB	
25	2220852	3	Fitting, Straight JIC/ORB	
26	2220865	2	Fitting, Straight JIC/ORB	
27	2220906	1	Fitting, 90 JIC/ORB	
28	2220947	4	Fitting, Straight JIC/ORB	
29	2220999	1	Fitting, Tee JIC/ORB/JIC	
30	2221048	1	Fitting, 90 JIC/ORB	
31	2221086	4	Fitting, Test	
32	80633030	2	Clamp	
33	1001119455	1	Valve, Oil Sampling	
34	1001192641	1	Hose	
35	1001192661	1	Hose	
36	1001192663	1	Hose	
37	1001192690	1	Hose	
38	1001192693	1	Pipe	
39	1001192694	1	Pipe	
40	1001192695	1	Hose	
41	1001192696	1	Hose	
42	1001192698	1	Hose	
43	1001192699	1	Hose	
44	1001193927	1	Hose	
45	1001193928	1	Hose	
46	1001193929	1	Hose	
47	1001193930	1	Hose	
48	1001193932	1	Hose	
49	1001193933	1	Hose	

SECTION 7 - HYDRAULIC

ITEM	PART NUMBER	QTY	DESCRIPTION	REV
50	1001201255	1	Pipe	
51	1001203424	1	Hose	
52	1001203426	1	Hose	
53	1001203431	1	Hose	
54	1001203432	1	Hose	
55	1001203433	1	Hose	
56	1001204645	1	Hose	
57	1001205824	2	Fitting, 90 Barb	
58	1001214408	1	Fitting, Tee JIC/ORB/JIC	
59	1001220903	1	Pipe	
60	1001220912	1	Hose	
61	1001221016	1	Hose	
62	1001222522	1	Hose	
100	1001250981	1	Hose Kit - Engine Side (Not Shown - Includes Items 101-108)	
101	1001247865	1	Hose	
102	1001247871	1	Hose	
103	1001247872	1	Hose	
104	1001247873	1	Hose	
105	1001247875	1	Hose	
106	1001247878	1	Hose	
107	1001247879	1	Hose	
108	1001247994	1	Hose	
200	1001250982	1	Hose Kit - Tank Side (Not Shown - Includes Items 201-208)	
201	1001247866	2	Hose	
202	1001247867	1	Hose	
203	1001247868	1	Hose	
204	1001247869	1	Hose	
205	1001247876	1	Hose	
206	1001247877	1	Hose	
207	1001247881	1	Hose	
208	1001247882	1	Hose	

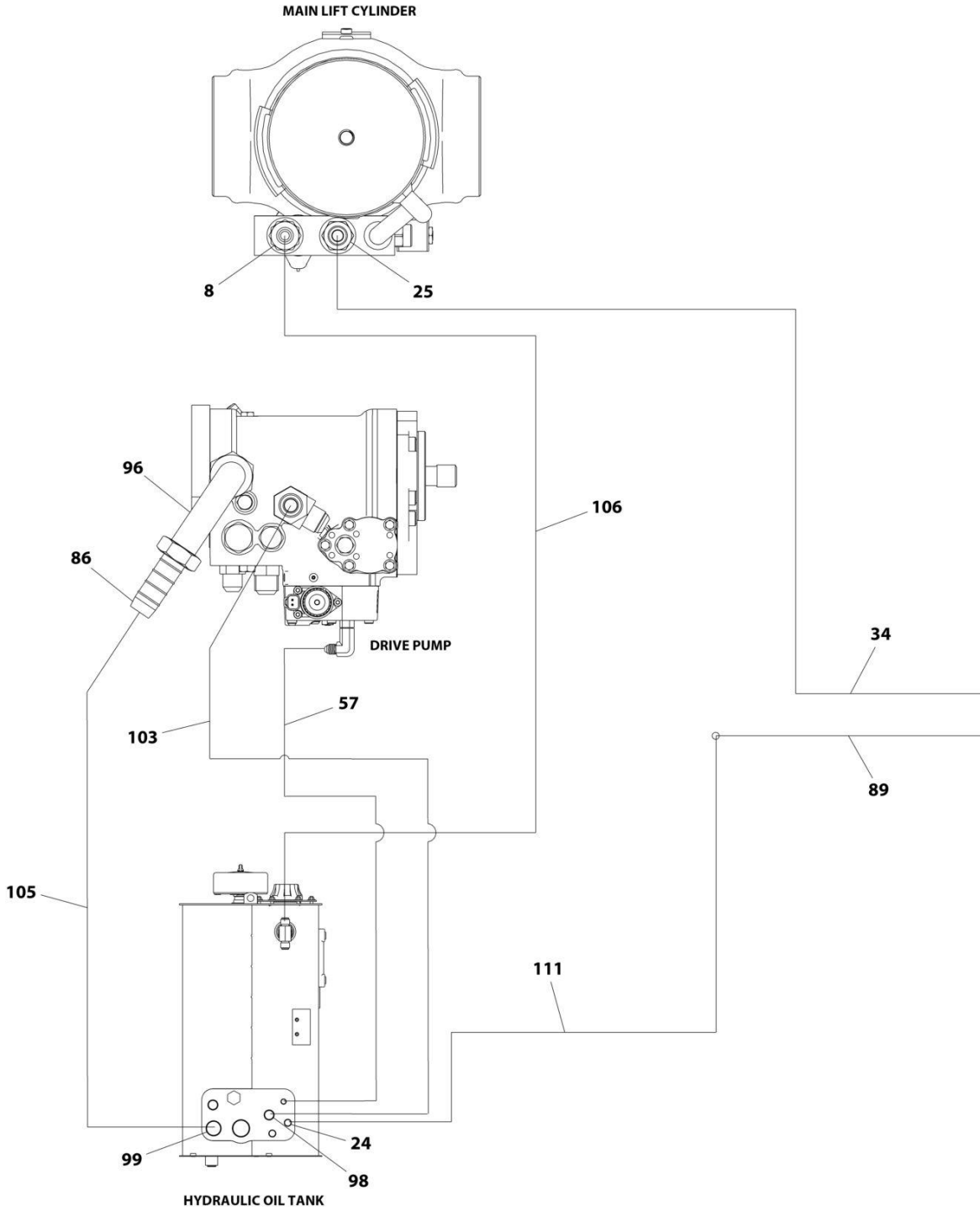
SECTION 7 - HYDRAULIC

FIGURE 7-10. STANDARD HYDRAULIC DIAGRAM (660SJ 4WS) (SN 0300235168 through 0300260918, SN B300002655 through B300005754)



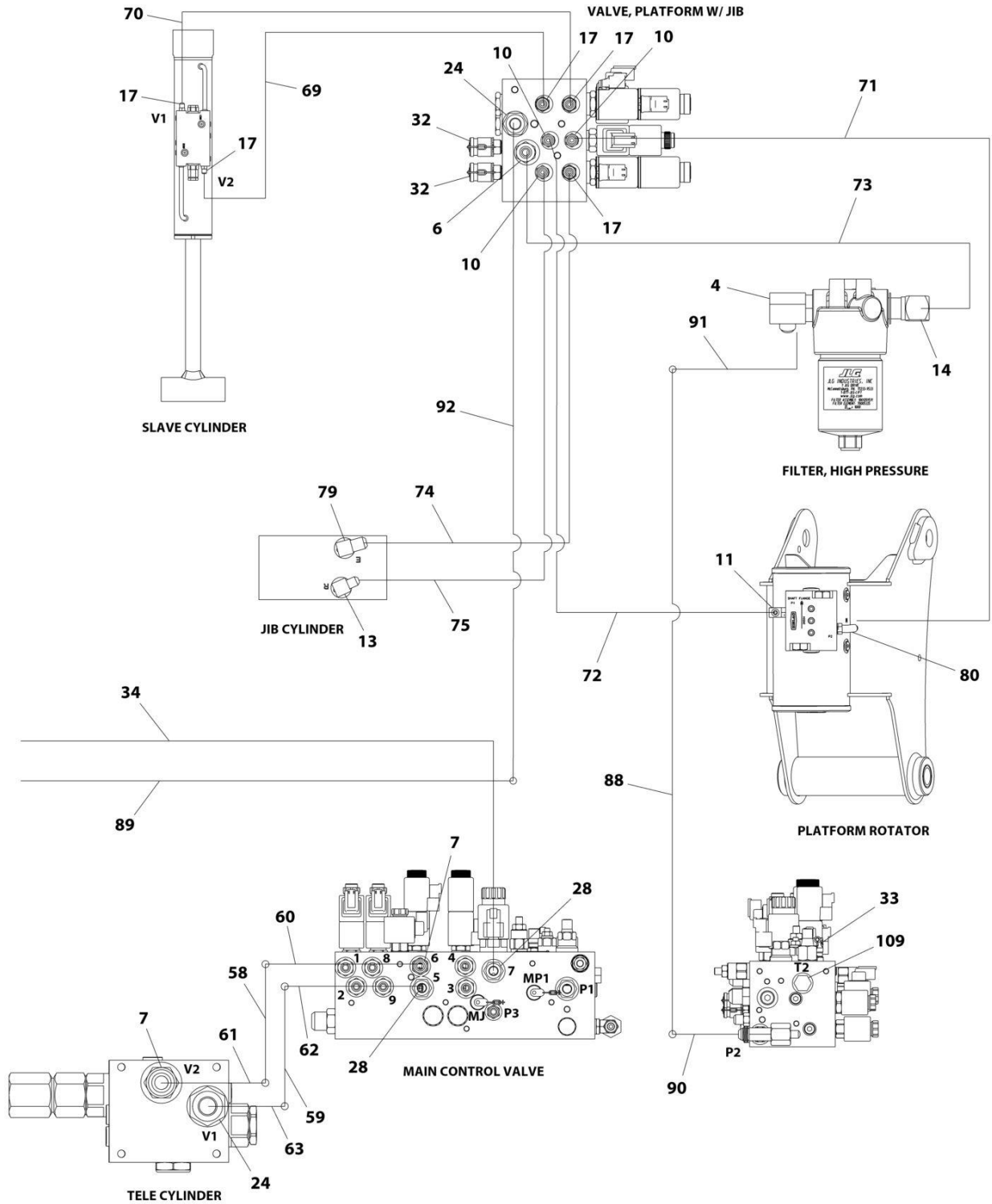
ART_1001194097_10F4

SECTION 7 - HYDRAULIC



ART_1001194097_30F4

SECTION 7 - HYDRAULIC



ART_1001194097_4OF4

SECTION 7 - HYDRAULIC

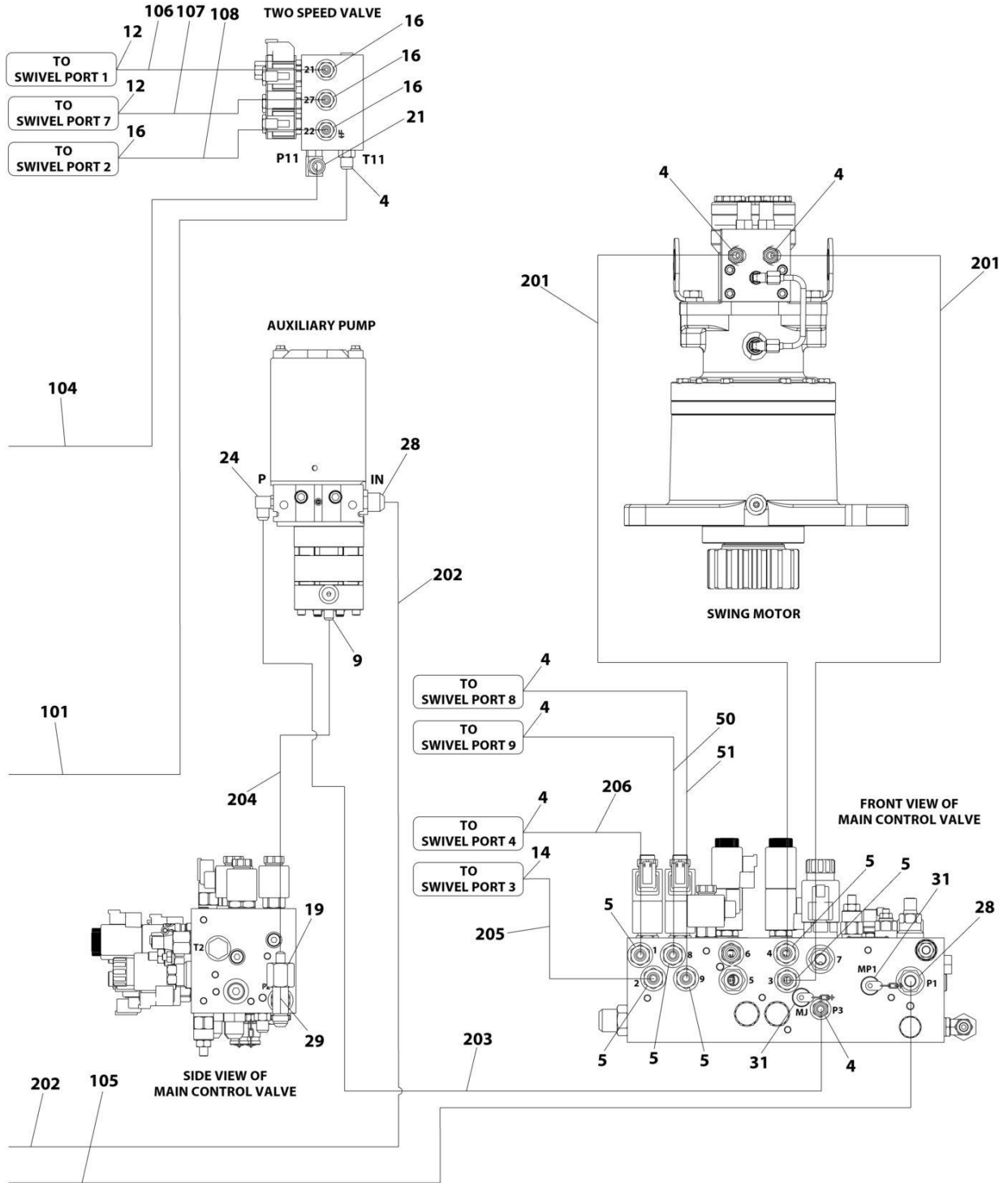
FIGURE 7-10. STANDARD HYDRAULIC DIAGRAM (660SJ 4WS) (SN 0300235168 through 0300260918, SN B300002655 through B300005754)

ITEM	PART NUMBER	QTY	DESCRIPTION	REV
	1001194097	Ref	STANDARD HYDRAULIC DIAGRAM	J
1	2111616	2	Fitting, Straight JIC/ORB	
4	2220366	1	Fitting, 90 JIC/ORB	
5	2220371	7	Fitting, Straight JIC/ORB	
6	2220372	7	Fitting, Straight JIC/ORB	
7	2220373	3	Fitting, Straight JIC/ORB	
8	2220375	2	Fitting, Straight JIC/ORB	
10	2220415	4	Fitting, Straight JIC/ORB	
11	2220466	1	Fitting, 90 JIC/ORB	
12	2220468	2	Fitting, Straight JIC/ORB	
13	2220472	1	Fitting, 90 JIC/ORB	
14	2221048	1	Fitting, 90 JIC/ORB	
16	2220582	4	Fitting, Straight JIC/ORB	
17	2220603	5	Fitting, Straight JIC/ORB	
19	2220618	1	Fitting, Straight JIC/FSJIC	
22	2220738	1	Fitting, Tee JIC/ORB/JIC	
24	2220852	3	Fitting, Straight JIC/ORB	
25	2220865	2	Fitting, Straight JIC/ORB	
26	2220906	1	Fitting, 90 JIC/ORB	
28	2220947	4	Fitting, Straight JIC/ORB	
29	2220999	1	Fitting, Tee JIC/ORB/JIC	
32	2221086	4	Fitting, Test	
33	1001119455	1	Valve, Oil Sampling	
34	1001192641	1	Hose	
36	1001192651	2	Hose	
38	1001228226	1	Hose	
39	1001192654	1	Hose	
40	1001192655	1	Hose	
42	1001192661	1	Hose	
43	1001192663	1	Hose	
44	1001192667	1	Hose	
45	1001192669	1	Hose	
46	1001192673	1	Hose	
51	1001192679	1	Hose	
53	1001192681	1	Hose	
54	1001192682	1	Hose	
55	1001192688	1	Hose	
56	1001192689	1	Hose	
57	1001192690	1	Hose	
58	1001192693	1	Pipe	
59	1001192694	1	Pipe	
60	1001192695	1	Hose	
61	1001192696	1	Hose	
62	1001192698	1	Hose	
63	1001192699	1	Hose	
66	1001192758	1	Hose	
69	1001193927	1	Hose	
70	1001193928	1	Hose	
71	1001193929	1	Hose	

SECTION 7 - HYDRAULIC

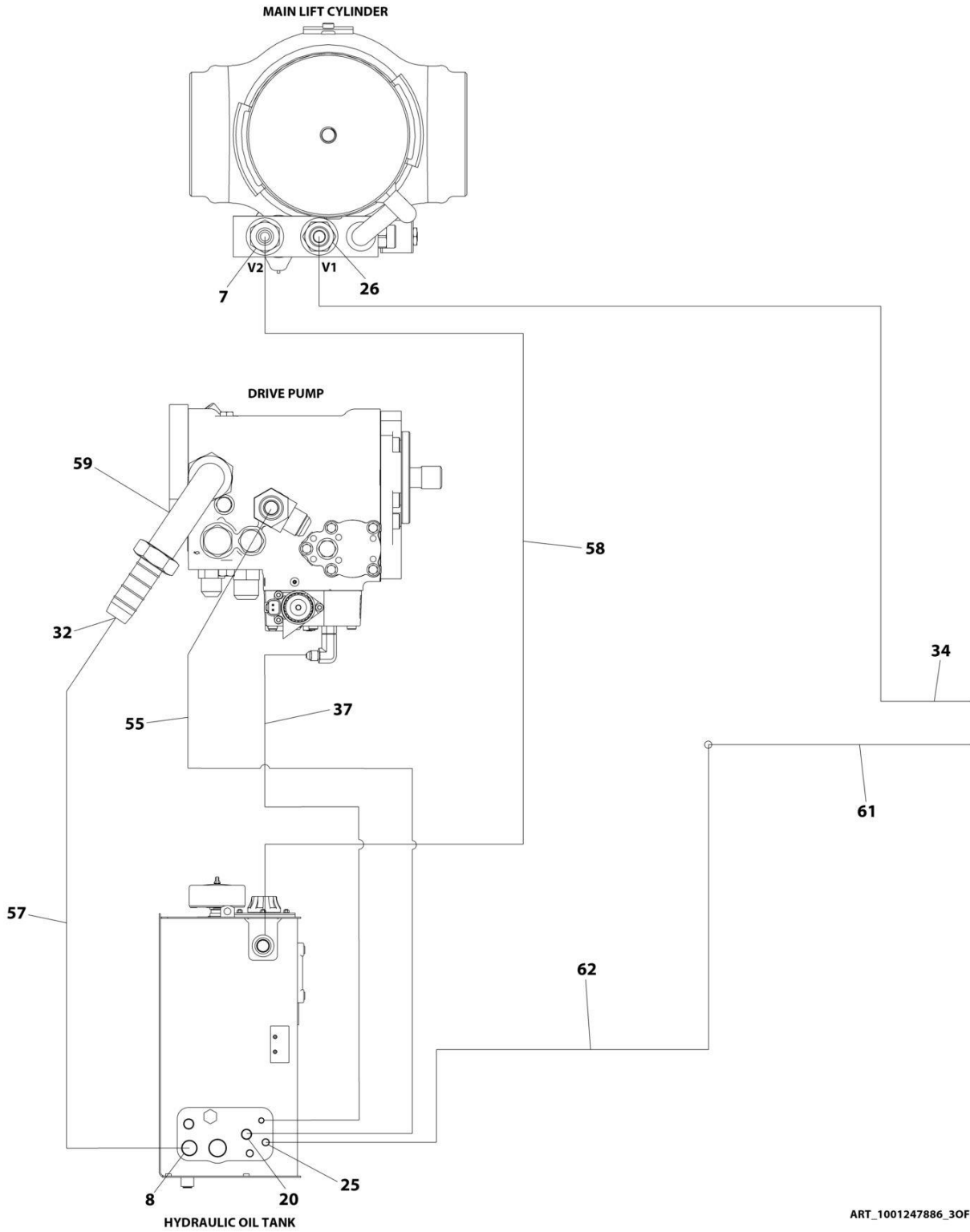
ITEM	PART NUMBER	QTY	DESCRIPTION	REV
72	1001193930	1	Hose	
73	1001222522	1	Hose	
74	1001193932	1	Hose	
75	1001193933	1	Hose	
76	1001194329	1	Hose	
77	1001194330	1	Hose	
78	2220451	1	Fitting, Straight JIC/ORB	
79	2220473	2	Fitting, 90 JIC/ORB	
80	2220502	1	Fitting, 45 JIC/ORB	
82	2220726	1	Fitting, 90 JIC/ORB	
86	80633030	2	Clamp	
88	1001201255	1	Pipe	
89	1001220903	1	Pipe	
90	1001203424	1	Hose	
91	1001203426	1	Hose	
92	1001221016	1	Hose	
96	1001205824	2	Fitting, 90 Barb	
97	2220775	1	Fitting, 90 JIC/ORB	
98	2220637	1	Fitting, 45 JIC/ORB	
99	2220380	1	Fitting, Straight JIC/ORB	
100	2220733	1	Fitting, Straight JIC/ORB	
101	1001203423	1	Hose	
102	1001203430	1	Hose	
103	1001203431	1	Hose	
104	1001203432	1	Hose	
105	1001203433	1	Hose	
106	1001204645	1	Hose	
107	1001214149	1	Hose	
108	1001214408	1	Fitting, Tee JIC/ORB/JIC	
109	2220238	1	Plug	
110	2220606	1	Fitting, Tee JIC/ORB/JIC	
111	1001220912	1	Hose	

SECTION 7 - HYDRAULIC



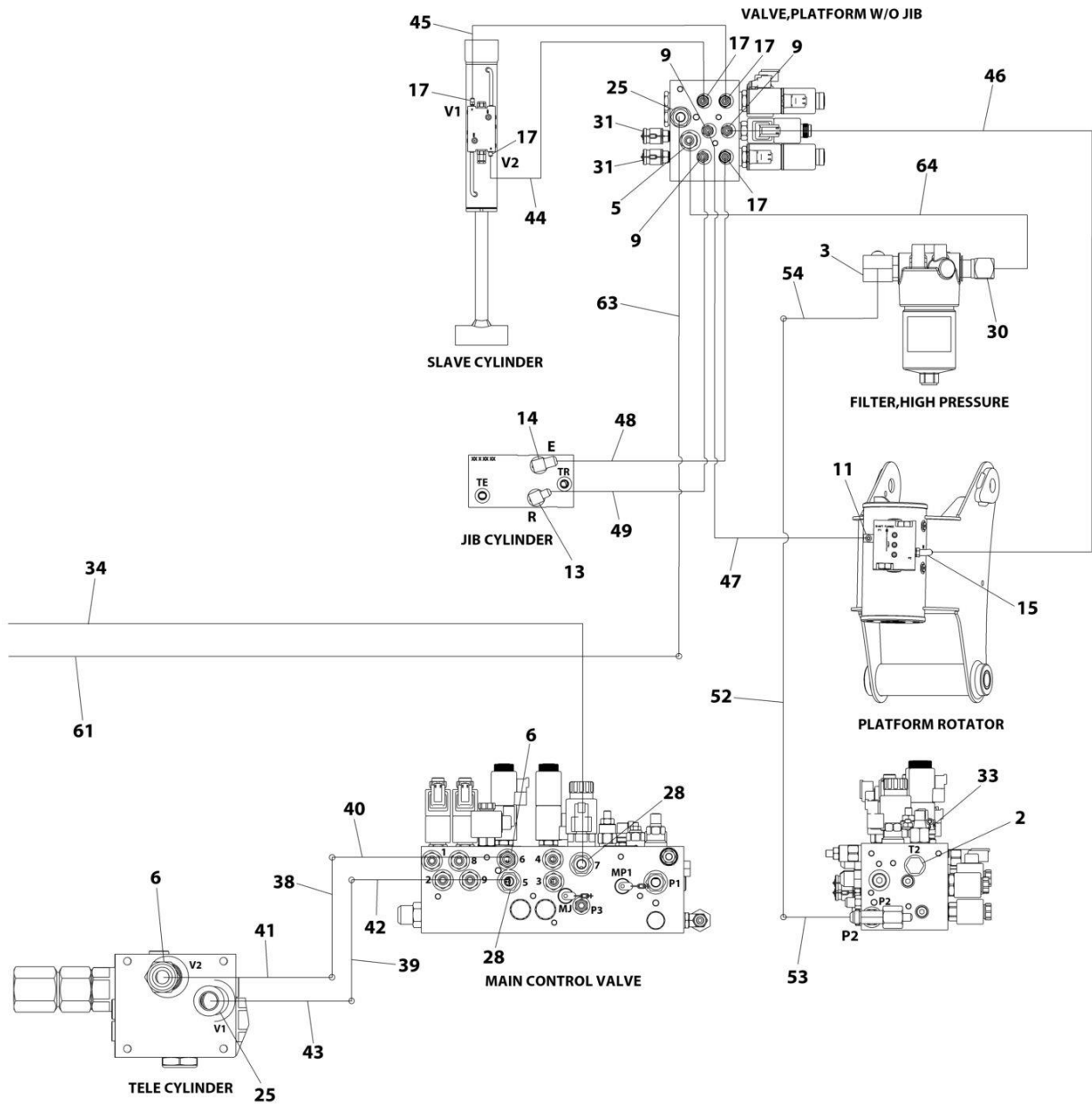
ART_1001247886_20F4

SECTION 7 - HYDRAULIC



ART_1001247886_30F4

SECTION 7 - HYDRAULIC



ART_1001247886_4OF4

SECTION 7 - HYDRAULIC

FIGURE 7-11. STANDARD HYDRAULIC DIAGRAM (660SJ 4WS) (SN 0300260919 through 0300272445)

ITEM	PART NUMBER	QTY	DESCRIPTION	REV
	1001247886	Ref	STANDARD HYDRAULIC DIAGRAM	B
1	2111616	2	Fitting, Straight ORFS/ORB	
2	2220238	1	Plug	
3	2220366	1	Fitting, 90 JIC/ORB	
4	2220371	7	Fitting, Straight JIC/ORB	
5	2220372	7	Fitting, Straight JIC/ORB	
6	2220373	3	Fitting, Straight JIC/ORB	
7	2220375	2	Fitting, Straight JIC/ORB	
8	2220380	1	Fitting, Straight JIC/ORB	
9	2220415	4	Fitting, Straight JIC/ORB	
10	2220451	1	Fitting, Straight JIC/ORB	
11	2220466	1	Fitting, 90 JIC/ORB	
12	2220468	2	Fitting, Straight JIC/ORB	
13	2220472	1	Fitting, 90 JIC/ORB	
14	2220473	2	Fitting, 90 JIC/ORB	
15	2220502	1	Fitting, 45 JIC/ORB	
16	2220582	4	Fitting, Straight JIC/ORB	
17	2220603	5	Fitting, Straight JIC/ORB	
18	2220606	1	Fitting, Tee JIC/ORB/JIC	
19	2220618	1	Fitting, Straight JIC/FSJIC	
20	2220637	1	Fitting, 45 JIC/ORB	
21	2220726	1	Fitting, 90 JIC/ORB	
22	2220733	1	Fitting, Straight JIC/ORB	
23	2220738	1	Fitting, Tee JIC/ORB/JIC	
24	2220775	1	Fitting, 90 JIC/ORB	
25	2220852	3	Fitting, Straight JIC/ORB	
26	2220865	2	Fitting, Straight JIC/ORB	
27	2220906	1	Fitting, 90 JIC/ORB	
28	2220947	4	Fitting, Straight JIC/ORB	
29	2220999	1	Fitting, Tee JIC/ORB/JIC	
30	2221048	1	Fitting, 90 JIC/ORB	
31	2221086	4	Fitting, Test	
32	80633030	2	Clamp	
33	1001119455	1	Valve, Oil Sampling	
34	1001192641	1	Hose	
35	1001192661	1	Hose	
36	1001192663	1	Hose	
37	1001192690	1	Hose	
38	1001192693	1	Pipe	
39	1001192694	1	Pipe	
40	1001192695	1	Hose	
41	1001192696	1	Hose	
42	1001192698	1	Hose	
43	1001192699	1	Hose	
44	1001193927	1	Hose	
45	1001193928	1	Hose	
46	1001193929	1	Hose	
47	1001193930	1	Hose	
48	1001193932	1	Hose	

SECTION 7 - HYDRAULIC

ITEM	PART NUMBER	QTY	DESCRIPTION	REV
49	1001193933	1	Hose	
50	1001194329	1	Hose	
51	1001194330	1	Hose	
52	1001201255	1	Pipe	
53	1001203424	1	Hose	
54	1001203426	1	Hose	
55	1001203431	1	Hose	
56	1001203432	1	Hose	
57	1001203433	1	Hose	
58	1001204645	1	Hose	
59	1001205824	2	Fitting, 90 Barb	
60	1001214408	1	Fitting, Tee JIC/ORB/JIC	
61	1001220903	1	Pipe	
62	1001220912	1	Hose	
63	1001221016	1	Hose	
64	1001222522	1	Hose	
100	1001250981	1	Hose Kit - Engine Side (Not Shown - Includes Items 101-108)	
101	1001247865	1	Hose	
102	1001247871	1	Hose	
103	1001247872	1	Hose	
104	1001247873	1	Hose	
105	1001247875	1	Hose	
106	1001247878	1	Hose	
107	1001247879	1	Hose	
108	1001247994	1	Hose	
200	1001250982	1	Hose Kit - Tank Side (Not Shown - Includes Items 201-208)	
201	1001247866	2	Hose	
202	1001247867	1	Hose	
203	1001247868	1	Hose	
204	1001247869	1	Hose	
205	1001247876	1	Hose	
206	1001247877	1	Hose	
207	1001247881	1	Hose	
208	1001247882	1	Hose	

SECTION 7 - HYDRAULIC

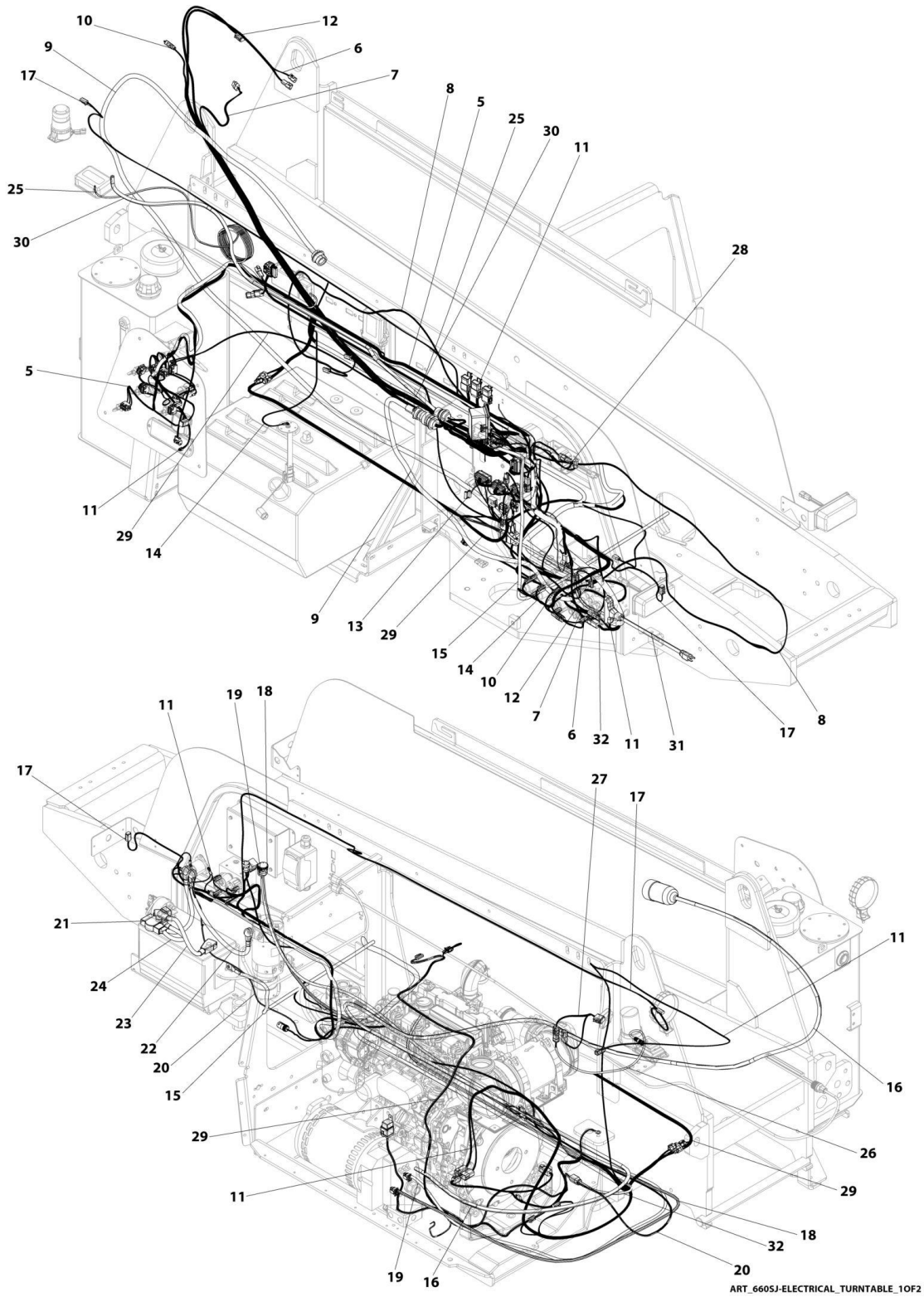
FIGURE 7-12. HYDRAULIC DIAGRAM LIST

ITEM	PART NUMBER	QTY	DESCRIPTION	REV
		Ref	HYDRAULIC DIAGRAM LIST	
		Ref	Note: Diagrams that are not shown are available from the JLG Service Department. See Service and Maintenance Manual for Schematics.	
		Ref	HYDRAULIC DIAGRAMS - DRIVE:	
	1001188342	Ref	Drive Hydraulic Diagram (2WS Without Arctic Package)	
	1001192265	Ref	Drive Hydraulic Diagram (2WS With Arctic Package)	
	1001188343	Ref	Drive Hydraulic Diagram (4WS)	
		Ref	HYDRAULIC DIAGRAM - STANDARD	
	1001193247	Ref	Standard Hydraulic Diagram (600S 2WS) (SN 0300235168 through 0300260918, SN B300002655 through B300005754, Excluding B300005570)	
	1001247883	Ref	Standard Hydraulic Diagram (600S 2WS) (SN 0300260919 through 0300272445)	
	1001194096	Ref	Standard Hydraulic Diagram (600S 4WS) (SN 0300235168 through 0300260918, SN B300002655 through B300005754, Excluding B300005570)	
	1001247885	Ref	Standard Hydraulic Diagram (600S 4WS) (SN 0300260919 through 0300272445)	
	1001193759	Ref	Standard Hydraulic Diagram (660SJ 2WS) (SN 0300235168 through 0300260918, SN B300002655 through B300005754, Excluding B300005570)	
	1001247884	Ref	Standard Hydraulic Diagram (660SJ 2WS) (SN 0300260919 through 0300272445)	
	1001194097	Ref	Standard Hydraulic Diagram (660SJ 4WS) (SN 0300235168 through 0300260918, SN B300002655 through B300005754, Excluding B300005570)	
	1001247886	Ref	Standard Hydraulic Diagram (660SJ 4WS) (SN 0300260919 through 0300272445)	
	1001188898	Ref	HYDRAULIC SCHEMATIC	

SECTION 8 - ELECTRICAL

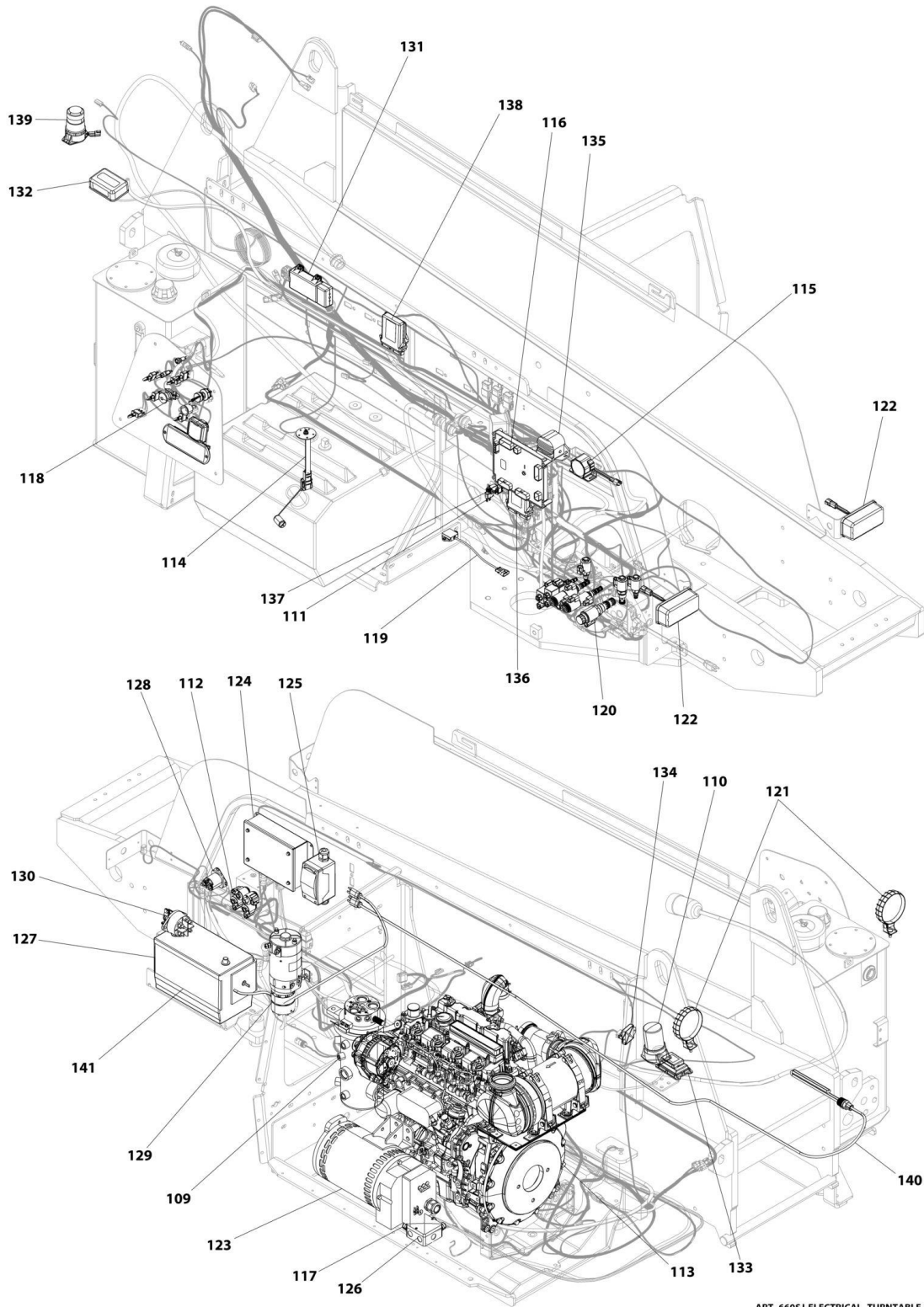
SECTION 8 - ELECTRICAL

FIGURE 8-1. 660SJ ELECTRICAL LAYOUT



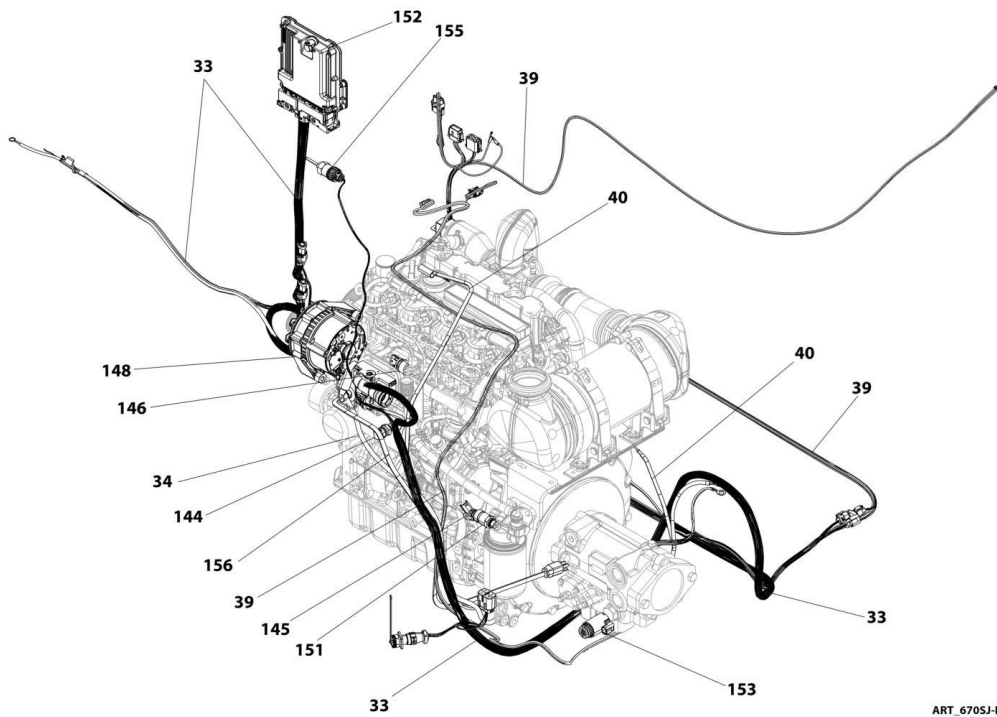
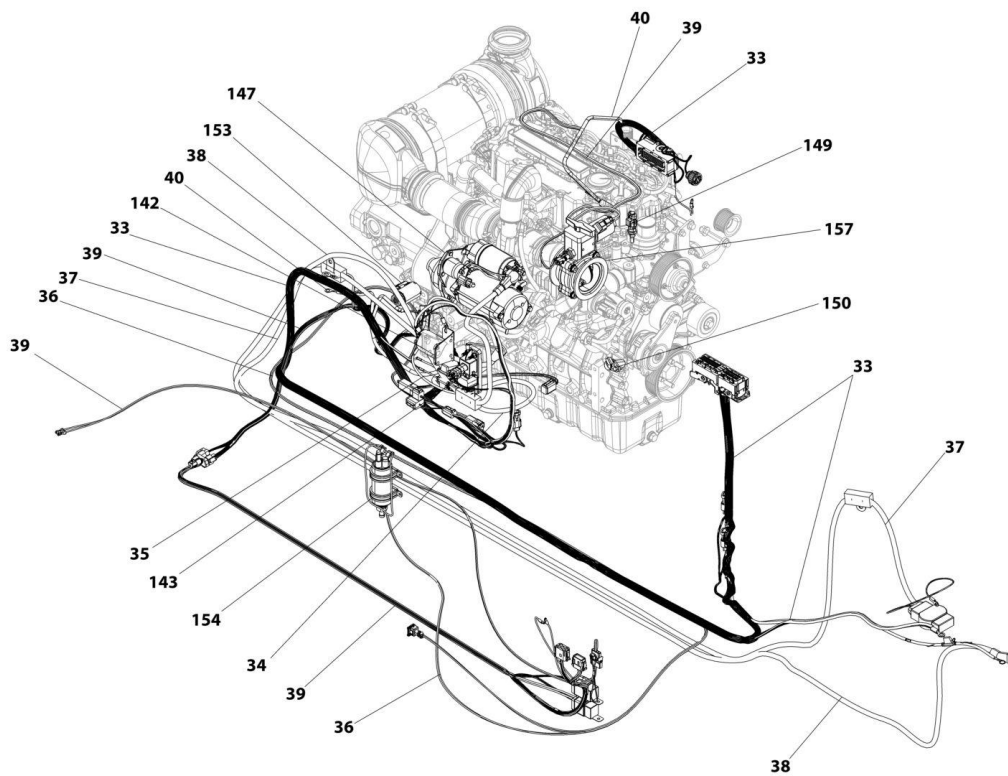
ART_660SJ-ELECTRICAL_TURNTABLE_1OF2

SECTION 8 - ELECTRICAL



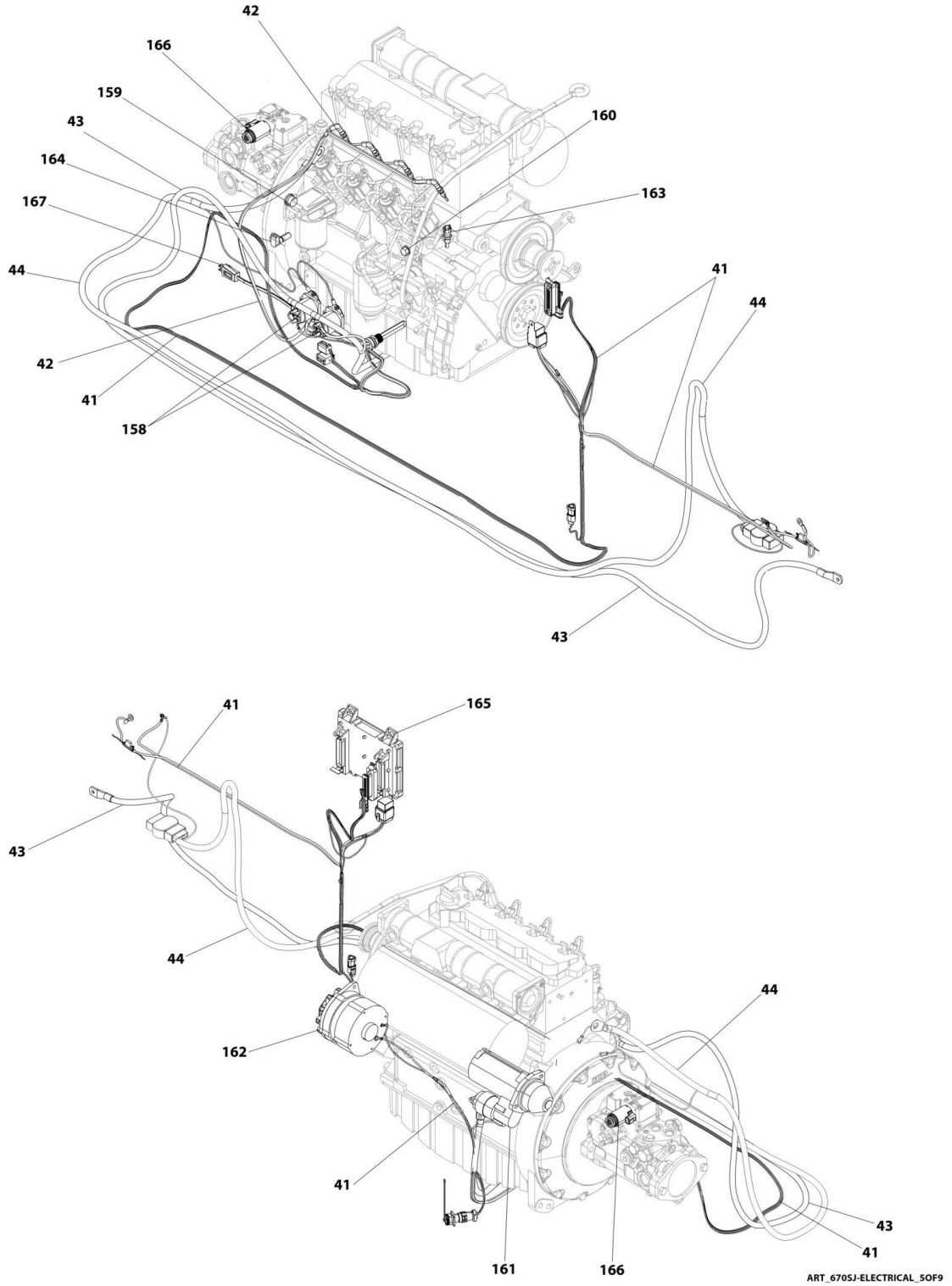
ART_660SJ-ELECTRICAL_TURNTABLE_20F2

SECTION 8 - ELECTRICAL

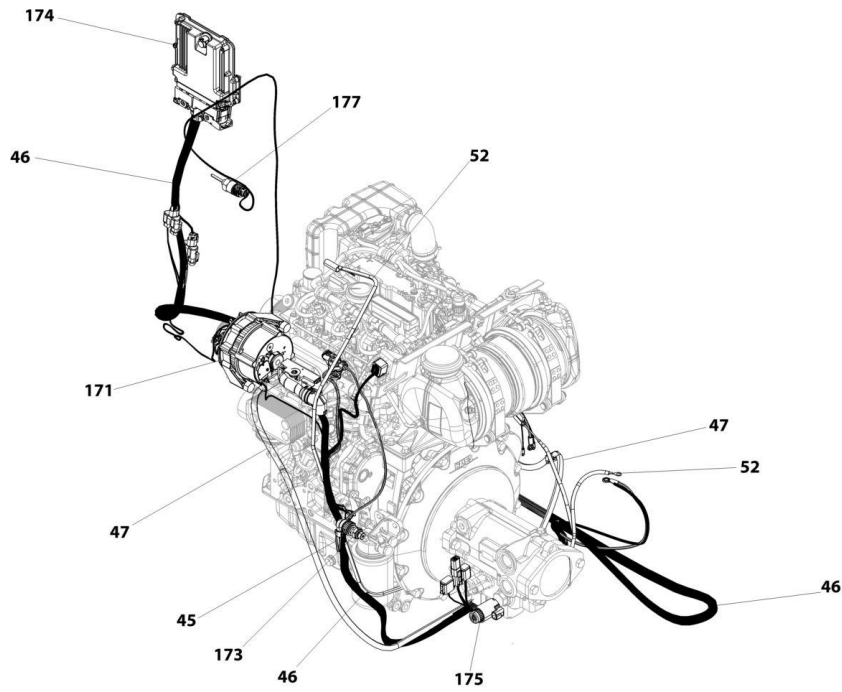
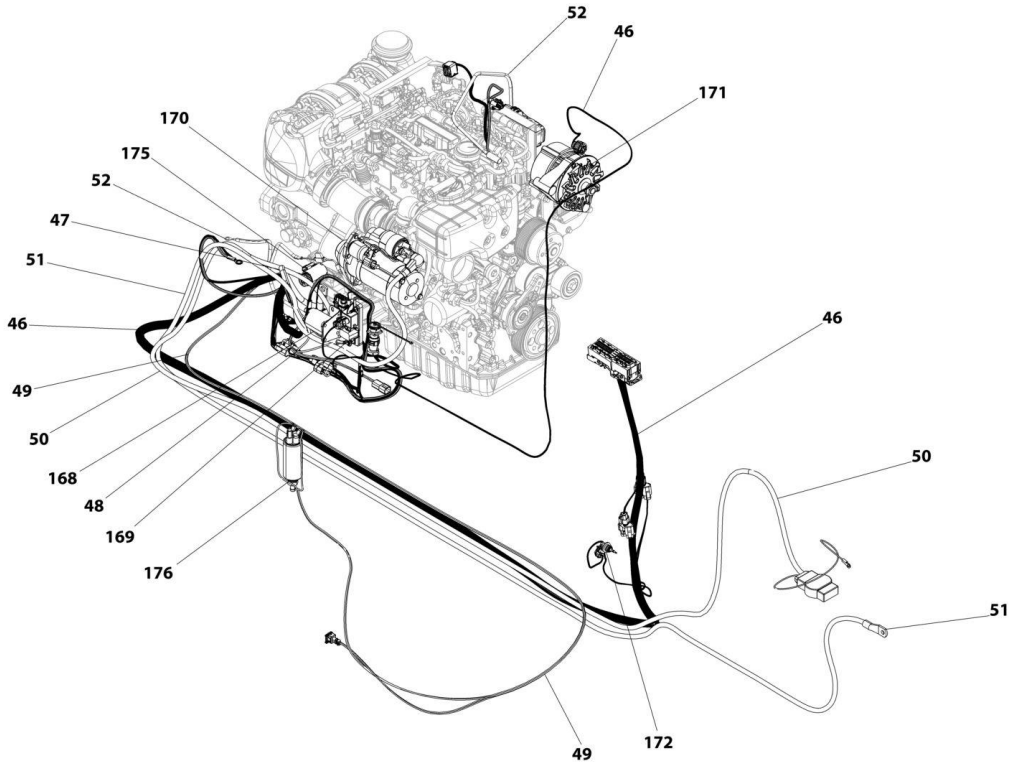


ART_6705J-ELECTRICAL_40F9

SECTION 8 - ELECTRICAL

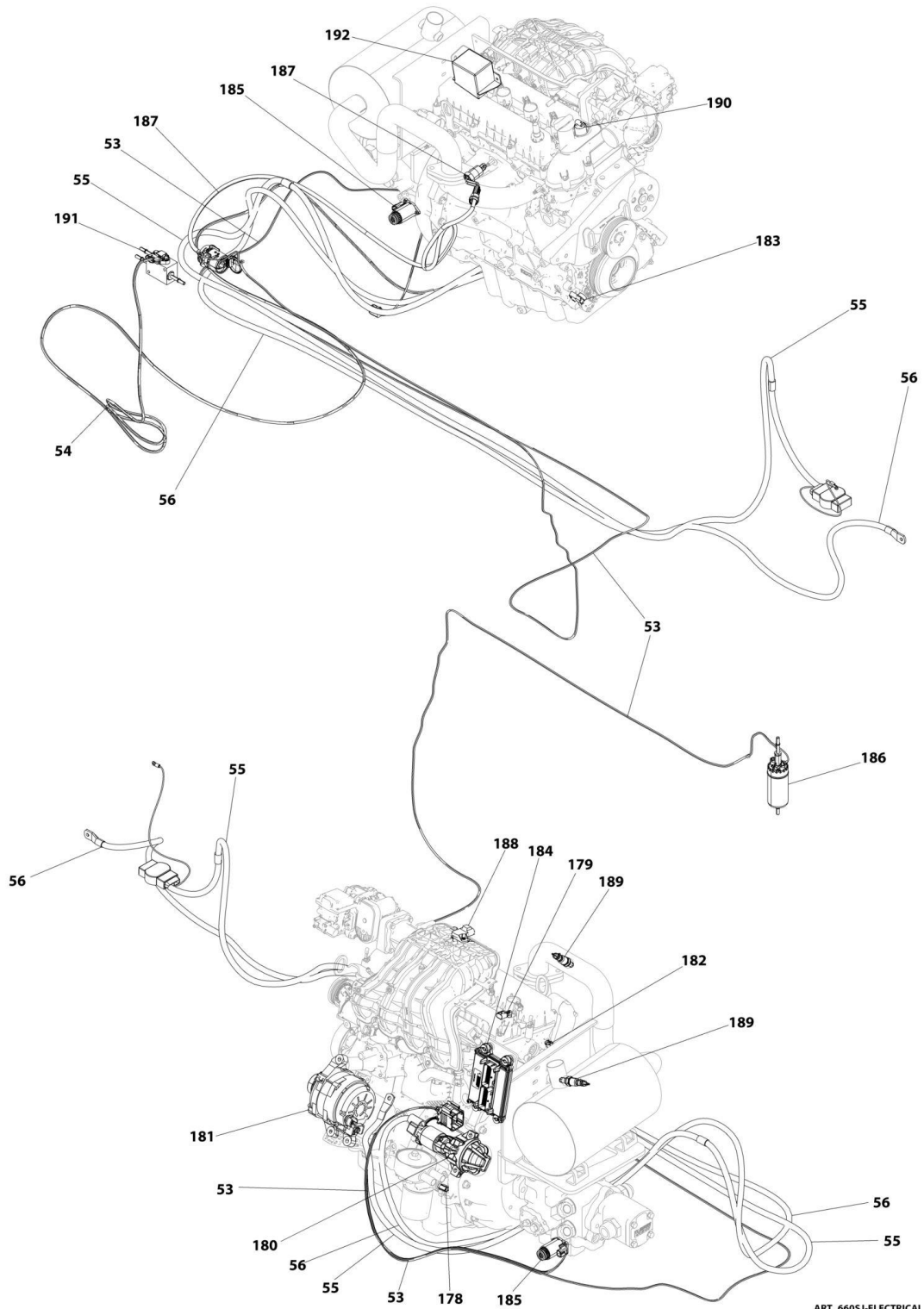


SECTION 8 - ELECTRICAL



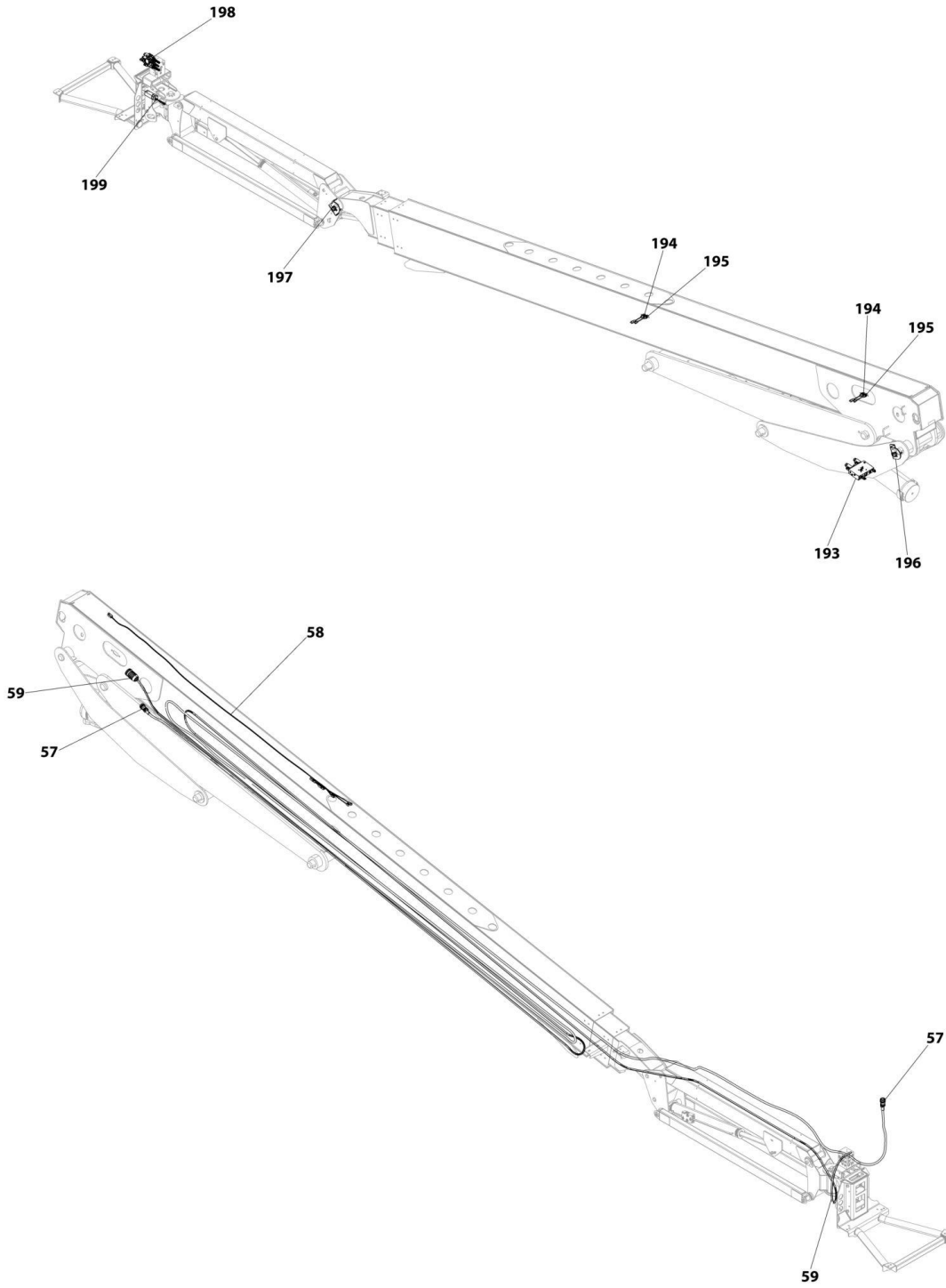
ART_6705J-ELECTRICAL_60F9

SECTION 8 - ELECTRICAL



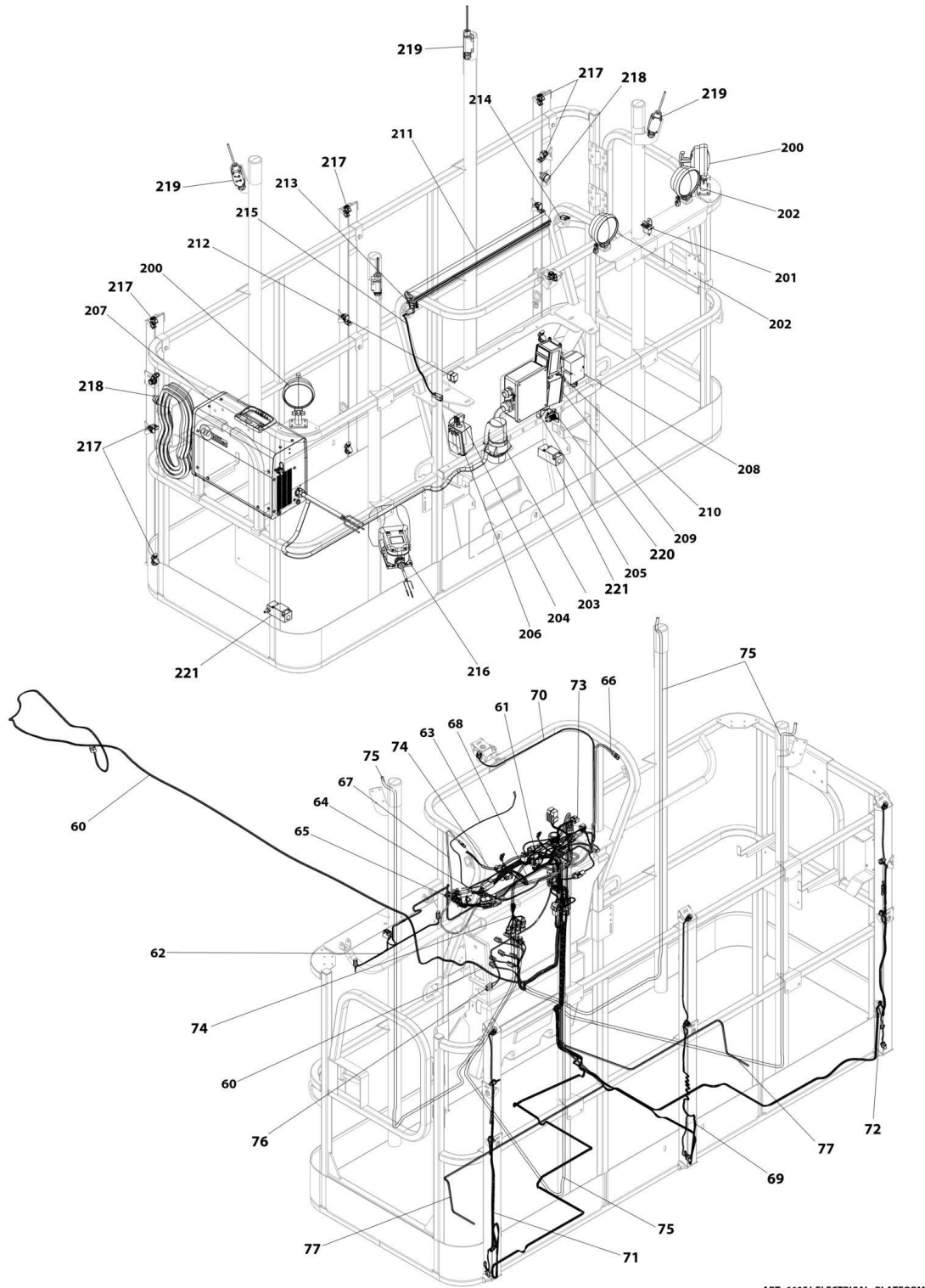
ART_6605J-ELECTRICAL_FORD_DF

SECTION 8 - ELECTRICAL



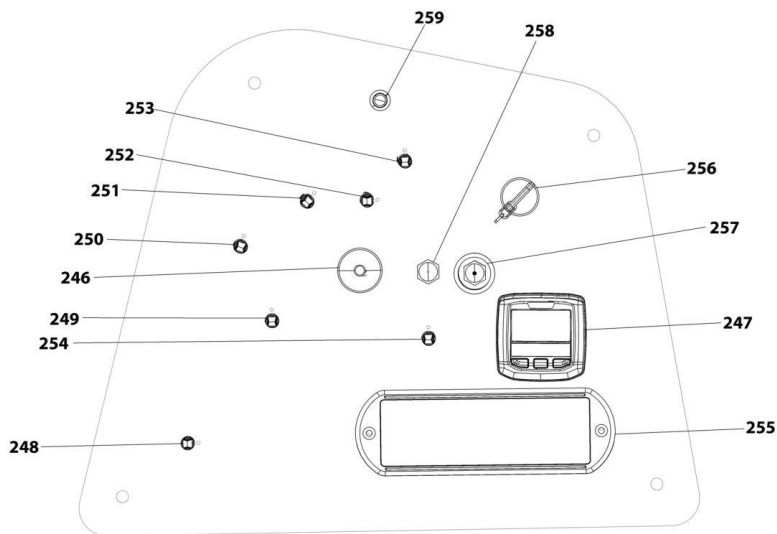
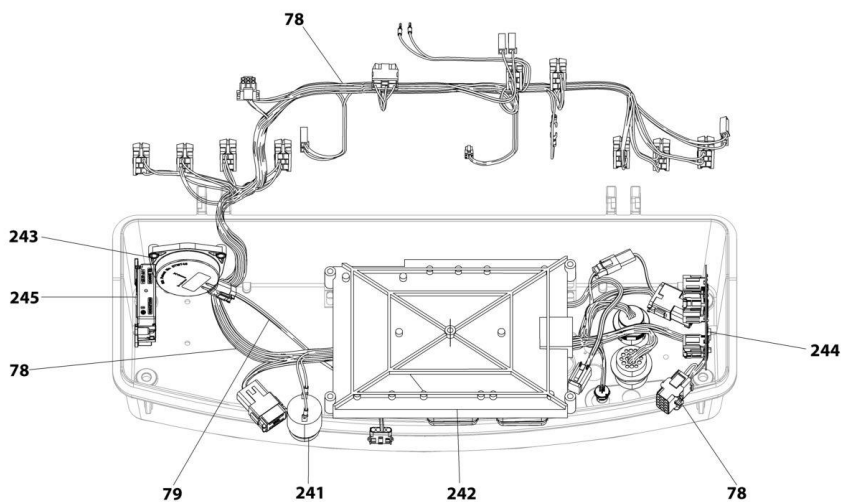
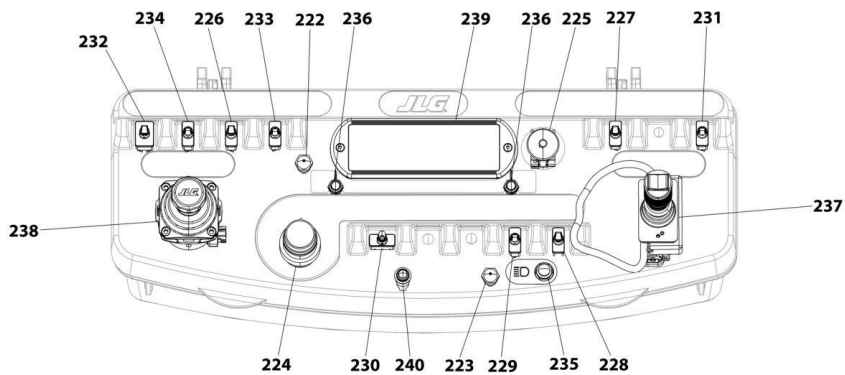
ART_660SJ-ELECTRICAL_BOOM

SECTION 8 - ELECTRICAL



ART_660SJ-ELECTRICAL_PLATFORM

SECTION 8 - ELECTRICAL



ART_660SJ-ELECTRICAL_CONTROLS

SECTION 8 - ELECTRICAL

FIGURE 8-1. 660SJ ELECTRICAL LAYOUT

ITEM	PART NUMBER	QTY	DESCRIPTION	REV
		Ref	HARNESS LIST	
		Ref	Note: This figure is for part identification only.	
5		Ref	Harness, Ground Control	
6		Ref	Harness, Tele Retract	
7		Ref	Harness, Boom Angle Sensor	
8		Ref	Harness, Lift Cylinder	
9		Ref	Cable, Boom (Lower)	
10		Ref	Harness, Boom Cable Service	
11		Ref	Harness, Turntable	
12		Ref	Harness, Capacity (Lower)	
13		Ref	Harness, Cribbing	
14		Ref	Harness, Main Valve	
15		Ref	Harness, Ground Module	
16		Ref	Cable, AC Ground to Platform	
17		Ref	Harness, Head and Tail Light	
18		Ref	Harness, 7500W Generator	
19		Ref	Harness, 4000W Generator	
20		Ref	Harness, 2500W Generator	
21		Ref	Cable, Battery (+) to Aux Relay	
22		Ref	Cable, Aux Relay to Aux Pump	
23		Ref	Cable, Battery (+) to Disconnect	
24		Ref	Cable, Battery (-) to Disconnect	
25		Ref	Harness, Clearsky	
26		Ref	Harness, Telematics	
27		Ref	Harness, Xirgo Jumper	
28		Ref	Harness, White Noise Alarm	
29		Ref	Harness, ASOV	
30		Ref	Harness, Strobe Light Control	
31		Ref	3-Way Plug	
32		Ref	Cable, Extension	
33		Ref	Harness, Engine	
34		Ref	Harness, Alternator Power	
35		Ref	Harness, Glow Plug Fuse	
36		Ref	Harness, Fuel Pump	
37		Ref	Cable, Battery (-) to Aux Pump to Ground	
38		Ref	Cable, Battery (+) to Relay to Starter	
39		Ref	Harness, ASOV	
40		Ref	Breather Tube Heater	
41		Ref	Harness, Engine	
42		Ref	Harness, Glow Plug Fuse	
43		Ref	Cable, Battery (+) to Relay to Starter	
44		Ref	Cable, Battery (-) to Aux Pump to Ground	
45		Ref	Harness, Fuel Filter	
46		Ref	Harness, Engine	
47		Ref	Harness, Alternator Power	
48		Ref	Harness, Glow Plug Fuse	
49		Ref	Harness, Fuel Pump	
50		Ref	Cable, Battery (-) to Aux Pump to Ground	
51		Ref	Cable, Battery (+) to Relay to Starter	
52		Ref	Breather Tube Heater	

SECTION 8 - ELECTRICAL

ITEM	PART NUMBER	QTY	DESCRIPTION	REV
53		Ref	Harness, Engine	
54		Ref	Harness, Fuel Pump	
55		Ref	Cable, Battery (-) to Aux Pump to Ground	
56		Ref	Cable, Battery (+) to Relay to Starter	
57		Ref	Cable, Boom (Upper)	
58		Ref	Harness, Capacity (Upper)	
59		Ref	Cable, AC Ground to Platform	
60		Ref	Harness, Platform Valve	
61		Ref	Harness, Platform Work Light	
62		Ref	Harness, Platform Flood Light	
63		Ref	Harness, Platform Strobe Light	
64		Ref	Harness, SkyGuard	
65		Ref	Harness, SkyEye Intermediate	
66		Ref	Harness, SkyEye Receiver	
67		Ref	Harness, SkyEye Emitter	
68		Ref	Harness, SkyLine	
69		Ref	Harness, SkySense Mid Tube	
70		Ref	Harness SkySense Overhead Sensor	
71		Ref	Harness, SkySense Left Tube	
72		Ref	Harness, SkySense Right Tube	
73		Ref	Harness, SkySense Main	
74		Ref	Harness, Soft Touch Overhead	
75		Ref	Cable, Soft Touch Overhead	
76		Ref	Harness, USB	
77		Ref	Cable, Soft Touch	
78		Ref	Harness, Platform Console	
79		Ref	Harness, Tilt Sensor	
		Ref	COMPONENT LIST	
109		Ref	Rotary Coupling	
110		Ref	Light, Strobe (Amber)	
111		Ref	Switch, Cribbing	
112		Ref	Solenoids, Axle Valve	
113		Ref	Engine	
114		Ref	Sensor, Fuel Level	
115		Ref	Alarm	
116		Ref	Module, Ground Control	
117		Ref	Llght, Generator	
118		Ref	Ground Control Panel	
119		Ref	Sensor, Tilt	
120		Ref	Solenoids, Main Control Valve	
121		Ref	Headlight	
122		Ref	Taillight	
123		Ref	Generator	
124		Ref	Box, Generator Control	
125		Ref	AC Breaker Box	
126		Ref	Generator Junction Box	
127		Ref	Battery	
128		Ref	Relay	
129		Ref	Auxiliary Pump/Motor	
130		Ref	Switch, Battery Disconnect	
131		Ref	Module, ClearSky Telematics CANBUS	

SECTION 8 - ELECTRICAL

ITEM	PART NUMBER	QTY	DESCRIPTION	REV
132		Ref	Antenna, ClearSky Telematics	
133		Ref	Module, ClearSky Telematics 3-Wire	
134		Ref	Voltage Regulator, ClearSky Telematics	
135		Ref	Alarm, White Noise	
136		Ref	Module, ASOV Control	
137		Ref	Switch, ASOV	
138		Ref	Module, Strobe Control	
139		Ref	Light, Strobe	
140		Ref	Heater, Immersion	
141		Ref	Heater, Battery	
142		Ref	Contactora	
143		Ref	Relay	
144		Ref	Sensor, Oil Pressure	
145		Ref	Sensor, Speed	
146		Ref	Sensor, Fuel Rail Pressure	
147		Ref	Starter	
148		Ref	Alternator	
149		Ref	Engine Coolant Temperature Sensor	
150		Ref	Sensor, Speed	
151		Ref	Sensor, Fuel Pressure	
152		Ref	Module, Engine Control	
153		Ref	Solenoids, Piston Pump	
154		Ref	Fuel Pump	
155		Ref	Sensor, Coolant Level	
156		Ref	Heater, Engine Block	
157		Ref	Air Shut Off Valve (ASOV)	
158		Ref	Relay	
159		Ref	Sensor, Temperature	
160		Ref	Sensor, Oil Pressure	
161		Ref	Starter	
162		Ref	Alternator	
163		Ref	Engine Coolant Temperature Sensor	
164		Ref	Sensor, Speed	
165		Ref	Module, Engine Control	
166		Ref	Solenoids, Gear Pump	
167		Ref	Heater, Engine Block	
168		Ref	Contactora	
169		Ref	Relay	
170		Ref	Starter	
171		Ref	Alternator	
172		Ref	Sensor, Ambient Air Temperature	
173		Ref	Sensor, Fuel Pressure	
174		Ref	Module, Engine Control	
175		Ref	Solenoids, Variable Pump	
176		Ref	Fuel Pump	
177		Ref	Sensor, Coolant Level	
178		Ref	Sensor, Oil Pressure	
179		Ref	Sensor, Speed	
180		Ref	Starter	
181		Ref	Alternator	
182		Ref	Engine Coolant Temperature Sensor	

SECTION 8 - ELECTRICAL

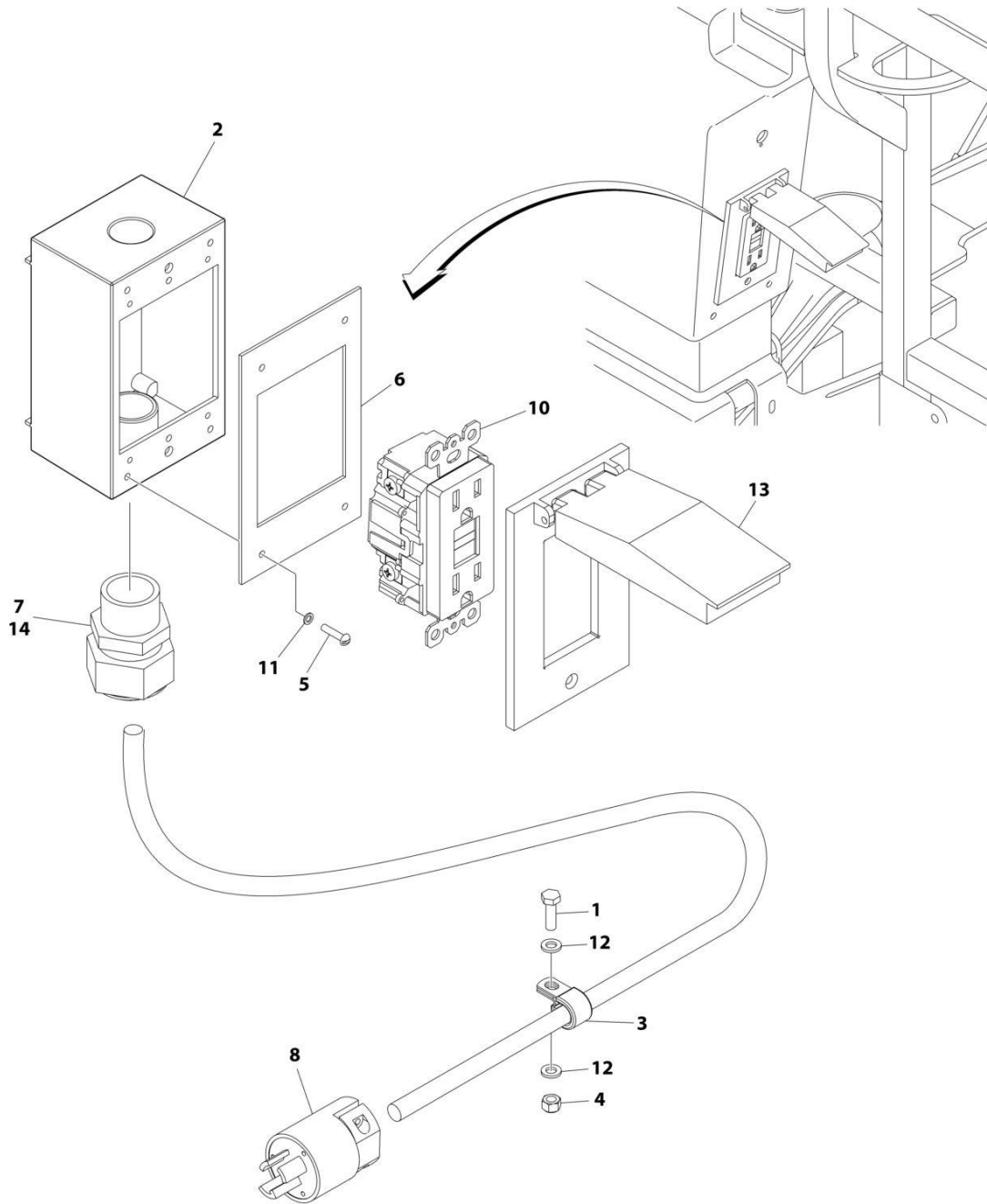
ITEM	PART NUMBER	QTY	DESCRIPTION	REV
183		Ref	Sensor, Speed	
184		Ref	Module, Engine Control	
185		Ref	Solenoids, Piston Pump	
186		Ref	Fuel Pump	
187		Ref	Heater, Engine Block	
188		Ref	Sensor, TMAP	
189		Ref	Sensor, O2	
190		Ref	Solenoid, Timing	
191		Ref	Fuel Block	
192		Ref	Fuse Box	
193		Ref	Solenoid, Lift Cylinder	
194		Ref	Sensor, Proximity	
195		Ref	Sensor, Proximity	
196		Ref	Sensor, Lower Angle	
197		Ref	Sensor, Upper Angle	
198		Ref	Solenoids, Platform Valve	
199		Ref	Cell, Load Sensing	
200		Ref	Platform Work Light	
201		Ref	Switch, Platform Flood Light	
202		Ref	Platform Flood Light	
203		Ref	Light, Platform Strobe	
204		Ref	Switch, Generator	
205		Ref	Junction Box	
206		Ref	AC Receptacle	
207		Ref	Welding Machine	
208		Ref	AC Receptacle	
209		Ref	AC Receptacle	
210		Ref	AC Receptacle/Breaker Box	
211		Ref	Switch, SkyGuard	
212		Ref	Relay	
213		Ref	Sensor, SkyEye Receiver	
214		Ref	Sensor, SkyEye Emitter	
215		Ref	Sensor, SkyLine Proximity	
216		Ref	Footswitch	
217		Ref	Sensor, SkySense	
218		Ref	Alarm	
219		Ref	Switch, Soft Touch	
220		Ref	USB Receptacle	
221		Ref	Switch, Soft Touch Limit	
222		Ref	Switch, Horn	
223		Ref	Switch, Soft Touch/SkyGuard/SkySense Override	
224		Ref	Switch, Function Speed Control	
225		Ref	Switch, Power/Emergency Stop	
226		Ref	Switch, Platform Leveling Override	
227		Ref	Switch, Start/Auxilliary Power	
228		Ref	Switch, Boom Telescope	
229		Ref	Switch, Jib Up/Down	
230		Ref	Switch, Platform Rotate	
231		Ref	Switch, Drive Orientation Override	
232		Ref	Switch, Drive Speed/ Torque Select	
233		Ref	Switch, Fuel Select	

SECTION 8 - ELECTRICAL

ITEM	PART NUMBER	QTY	DESCRIPTION	REV
234		Ref	Switch, Steer Select	
235		Ref	Switch, Lights	
236		Ref	Light, SkySense Indicator	
237		Ref	Controller, Drive/Steer	
238		Ref	Controller, Main Lift/Swing	
239		Ref	Display, Platform	
240		Ref	Light, Soft Touch/SkyGuard/SkySense Indicator	
241		Ref	Alarm	
242		Ref	Module, Platform	
243		Ref	Sensor, Tilt	
244		Ref	Module, SkySense Control	
245		Ref	Module, SkySense Sensor	
246		Ref	Switch, Emergency Stop	
247		Ref	Display, Ground	
248		Ref	Switch, Turntable Swing	
249		Ref	Switch, Boom Lift	
250		Ref	Switch, Boom Telescope	
251		Ref	Switch, Jib Up/Down	
252		Ref	Switch, Platform Rotate	
253		Ref	Switch, Platform Leveling Override	
254		Ref	Switch, Engine Start/ Auxiliary Power	
255		Ref	Indicator Panel	
256		Ref	Switch, Key	
257		Ref	Switch, Machine Safety System Override (MSSO)	
258		Ref	Switch, Diesel Particulate Filter (DPF)	
259		Ref	Light, ASOV	

SECTION 8 - ELECTRICAL

FIGURE 8-2. AC BOX AT PLATFORM INSTALLATION - 110V (ALL SPECS EXCEPT AUSTRALIAN & CE SPECS)



ART_1001190773

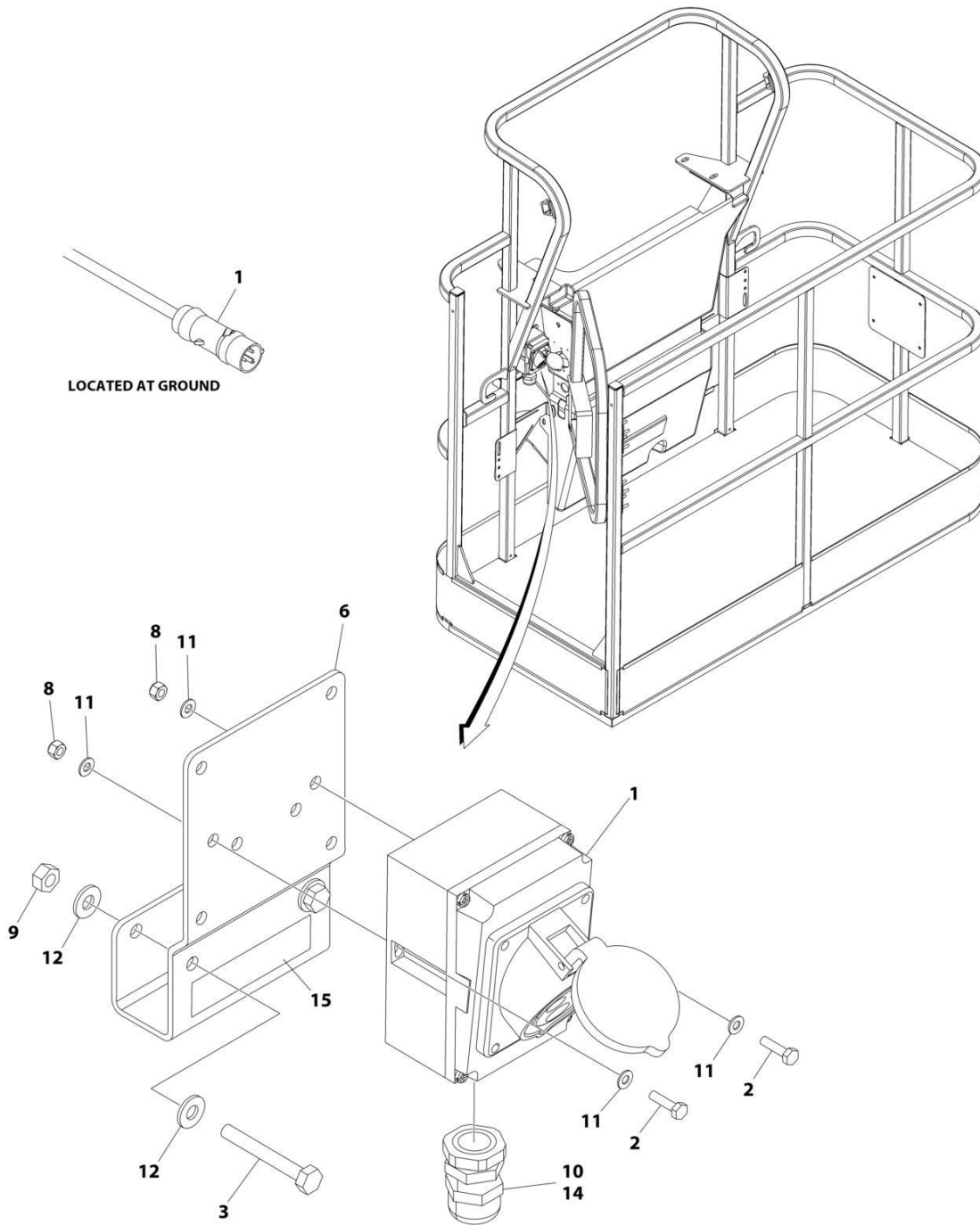
SECTION 8 - ELECTRICAL

FIGURE 8-2. AC BOX AT PLATFORM INSTALLATION - 110V (ALL SPECS EXCEPT AUSTRALIAN & CE SPECS)

ITEM	PART NUMBER	QTY	DESCRIPTION	REV
	1001190773	Ref	AC BOX AT PLATFORM INSTALLATION	C
1	0760610	1	Bolt M6 x 20	
2	0860038	1	Box, Switch	
3	1320041	1	Clamp	
4	3290605	1	Nut M6	
5	3910610	4	Screw #6 x 5/8	
6	3960422	1	Gasket	
7	4460071	1	Connector, Strain Relief	
8	4460205	1	Plug, Male	
9	4460315	1	Terminal, Spade (Not Shown)	
10	4460346	1	Receptacle	
11	4760600	4	Washer #6	
12	4811700	2	Washer M6	
13	1001110873	1	Shield, Cover	
14	0100079	AR	Sealant	

SECTION 8 - ELECTRICAL

FIGURE 8-3. AC BOX AT PLATFORM INSTALLATION - 110V IEC YELLOW (CE SPECS WITHOUT 4000W/50HZ GENERATOR)



ART_1001190493

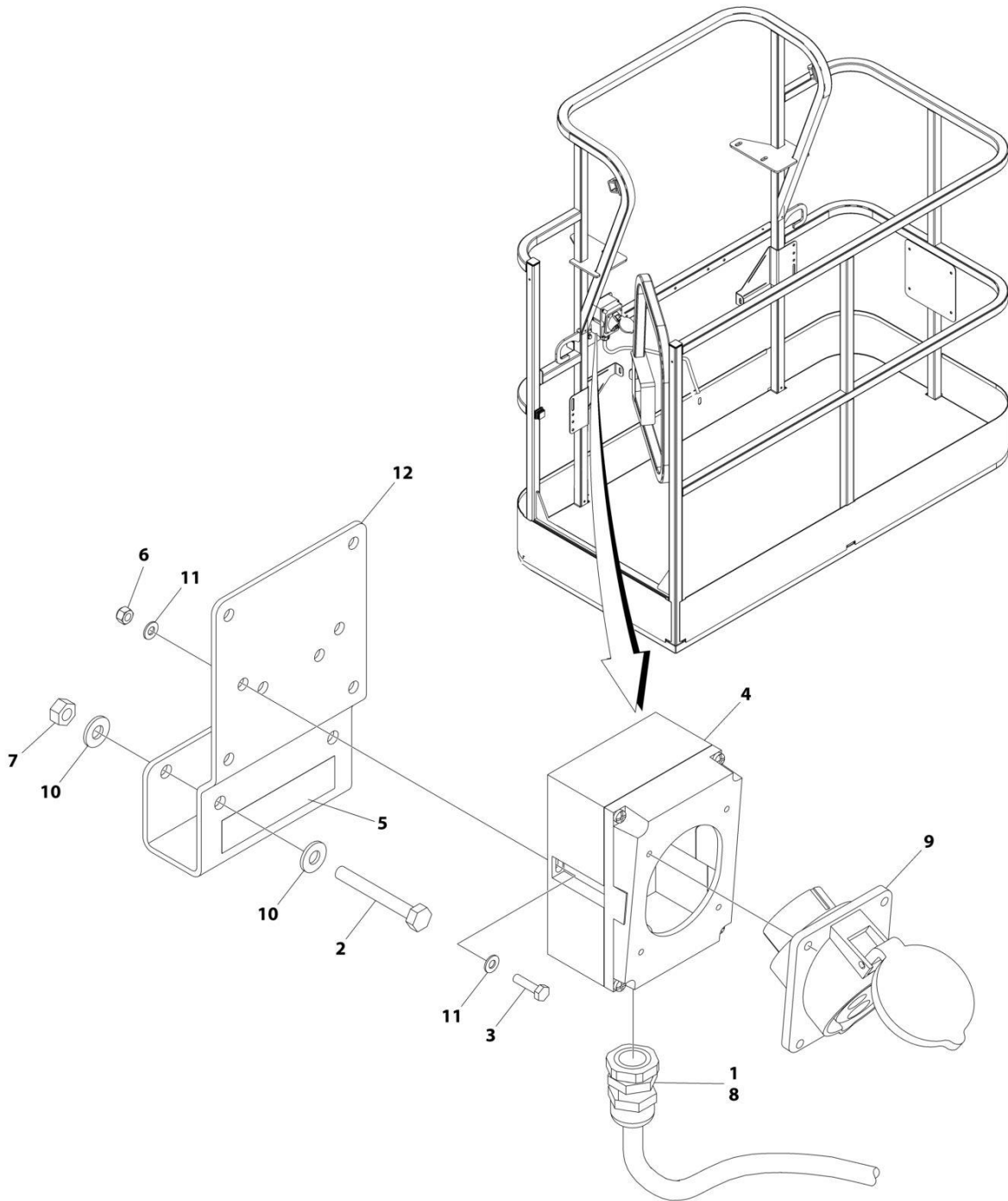
SECTION 8 - ELECTRICAL

FIGURE 8-3. AC BOX AT PLATFORM INSTALLATION - 110V IEC YELLOW (CE SPECS WITHOUT 4000W/50HZ GENERATOR)

ITEM	PART NUMBER	QTY	DESCRIPTION	REV
	1001190493	Ref	AC BOX AT PLATFORM INSTALLATION	C
1	0275216	1	Receptacle Box Kit - 110V IEC Yellow (See Separate Breakdown in this Section)	
2	0700408	2	Bolt M4 x 16	
3	0700618	2	Bolt M6 x 50	
6	1001193018	1	Bracket	
8	3290405	2	Nut M4	
9	3290605	2	Nut M6	
10	4460968	1	Connector, Strain Relief	
11	4811400	4	Washer M4	
12	4811700	4	Washer M6	
14	0100079	AR	Sealant	
15	1705325	1	Decal - 110V	

SECTION 8 - ELECTRICAL

FIGURE 8-4. AC BOX AT PLATFORM INSTALLATION - 110V IEC YELLOW (CE SPECS WITH 4000W/50HZ GENERATOR)



ART_1001194203

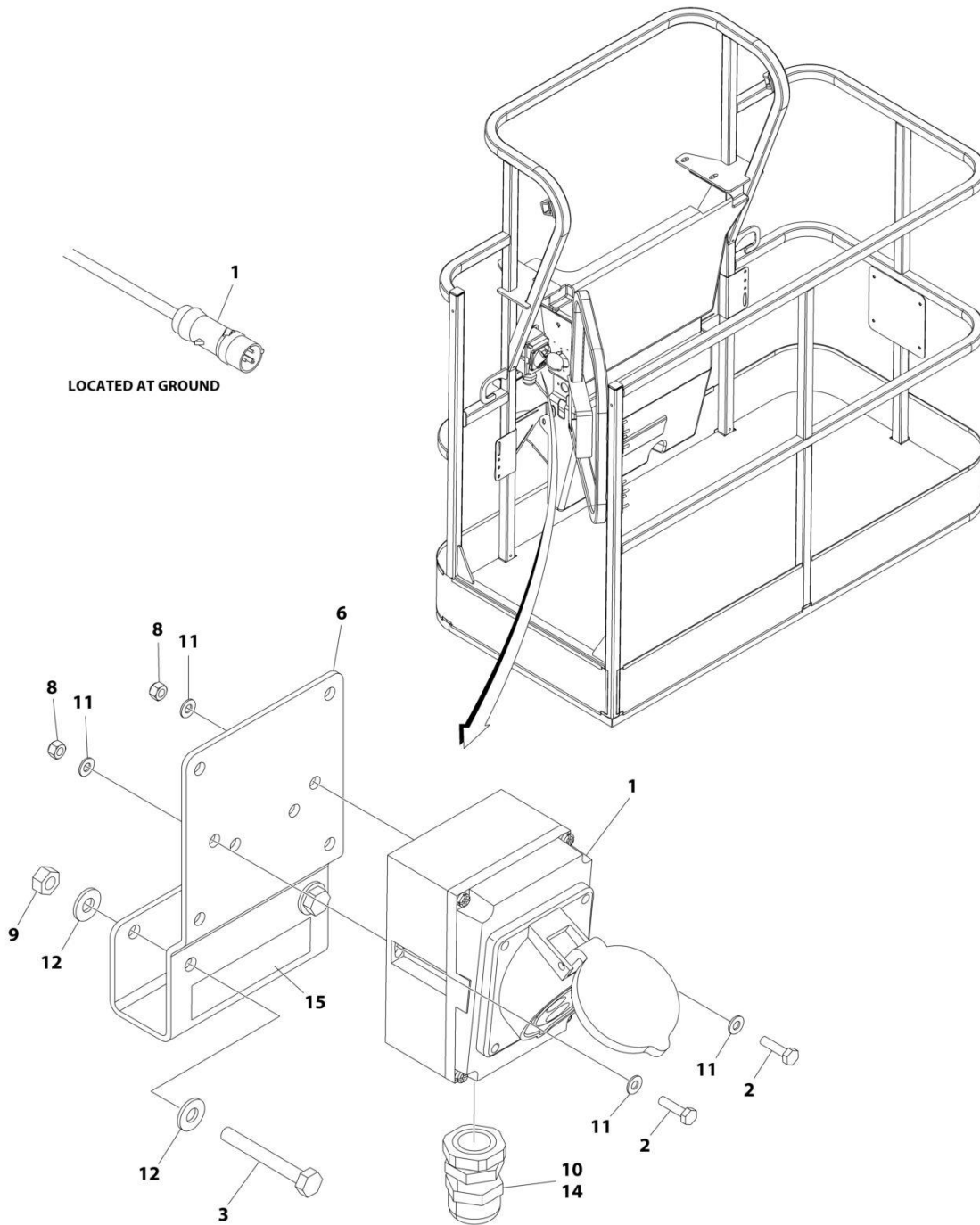
SECTION 8 - ELECTRICAL

FIGURE 8-4. AC BOX AT PLATFORM INSTALLATION - 110V IEC YELLOW (CE SPECS WITH 4000W/50HZ GENERATOR)

ITEM	PART NUMBER	QTY	DESCRIPTION	REV
	1001194203	Ref	AC BOX AT PLATFORM INSTALLATION	B
1	0100020	AR	Sealant, Pipe	
2	0641416	2	Bolt 1/4 x 2	
3	0700408	2	Bolt M4 x 16	
4	0861781	1	Box, Switch	
5	1705325	1	Decal - 110V	
6	3290405	2	Nut M4	
7	3311405	2	Nut 1/4	
8	4460968	1	Connector, Strain Relief	
9	4461198	1	Receptacle	
10	4711400	4	Washer 1/4	
11	4811400	4	Washer M4	
12	1001193018	1	Bracket, AC Receptacle	

SECTION 8 - ELECTRICAL

FIGURE 8-5. AC BOX AT PLATFORM INSTALLATION - 220V IEC BLUE (CE SPECS WITHOUT 4000W/50HZ GENERATOR)



ART_1001190495

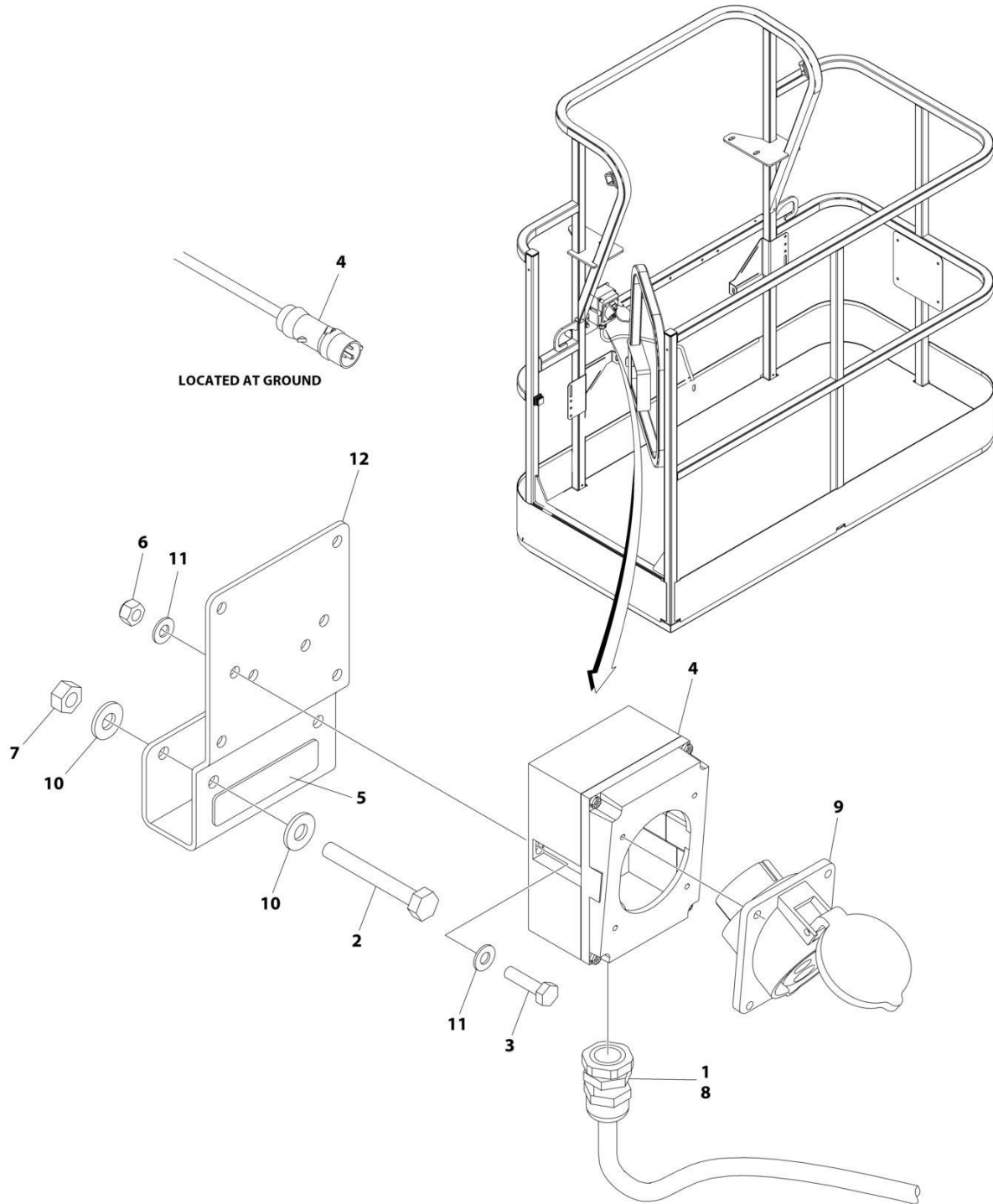
SECTION 8 - ELECTRICAL

FIGURE 8-5. AC BOX AT PLATFORM INSTALLATION - 220V IEC BLUE (CE SPECS WITHOUT 4000W/50HZ GENERATOR)

ITEM	PART NUMBER	QTY	DESCRIPTION	REV
	1001190495	Ref	AC BOX AT PLATFORM INSTALLATION	C
1	0275217	1	Receptacle Box Kit - 220V IEC Blue (See Separate Breakdown in this Section)	
2	0700408	2	Bolt M4 x 16	
3	0700618	2	Bolt M6 x 50	
6	1001193018	1	Bracket	
8	3290405	2	Nut M4	
9	3290605	2	Nut M6	
10	4460968	1	Connector, Strain Relief	
11	4811400	4	Washer M4	
12	4811700	4	Washer M6	
14	0100079	AR	Sealant	
15	3252507	1	Decal - 220 Volt	

SECTION 8 - ELECTRICAL

FIGURE 8-6. AC BOX AT PLATFORM INSTALLATION - 220V IEC BLUE (CE SPECS WITH 4000W/50HZ GENERATOR)



ART_1001194204

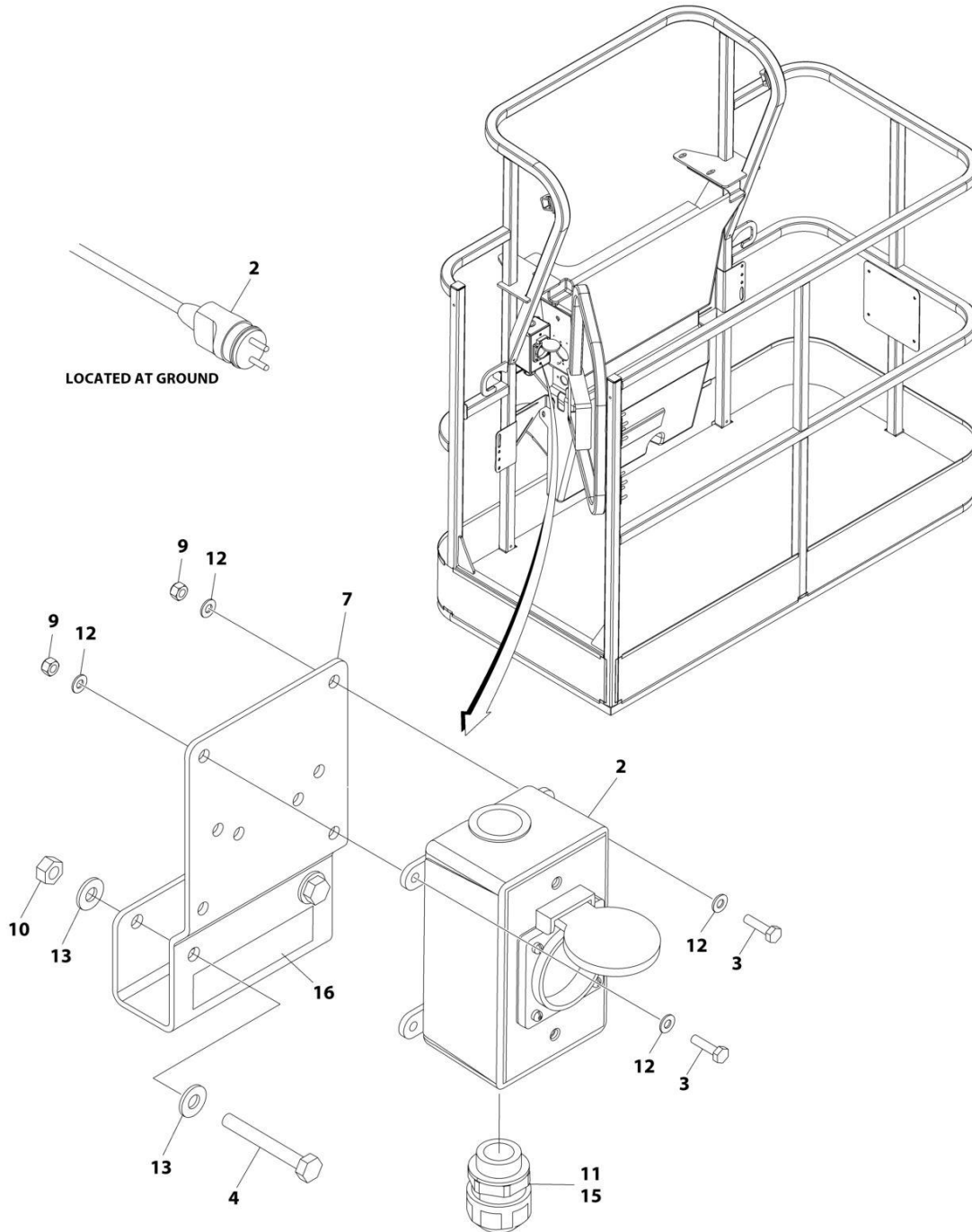
SECTION 8 - ELECTRICAL

FIGURE 8-6. AC BOX AT PLATFORM INSTALLATION - 220V IEC BLUE (CE SPECS WITH 4000W/50HZ GENERATOR)

ITEM	PART NUMBER	QTY	DESCRIPTION	REV
	1001194204	Ref	AC BOX AT PLATFORM INSTALLATION	B
1	0100020	AR	Sealant, Pipe	
2	0641416	2	Bolt 1/4 x 2	
3	0700408	2	Bolt M4 x 16	
4	0861781	1	Box, Switch	
5	3251242	1	Decal - 240V/50Hz	
6	3290405	2	Nut M4	
7	3311405	2	Nut 1/4	
8	4460968	1	Connector, Strain Relief	
9	4461201	1	Receptacle	
10	4711400	4	Washer 1/4	
11	4811400	4	Washer M4	
12	1001193018	1	Bracket, AC Receptacle	

SECTION 8 - ELECTRICAL

FIGURE 8-7. AC BOX AT PLATFORM INSTALLATION - 220V CEE7 2IN X 4IN POST GROUND (CE SPECS WITHOUT 4000W/50HZ GENERATOR)



ART_1001190441

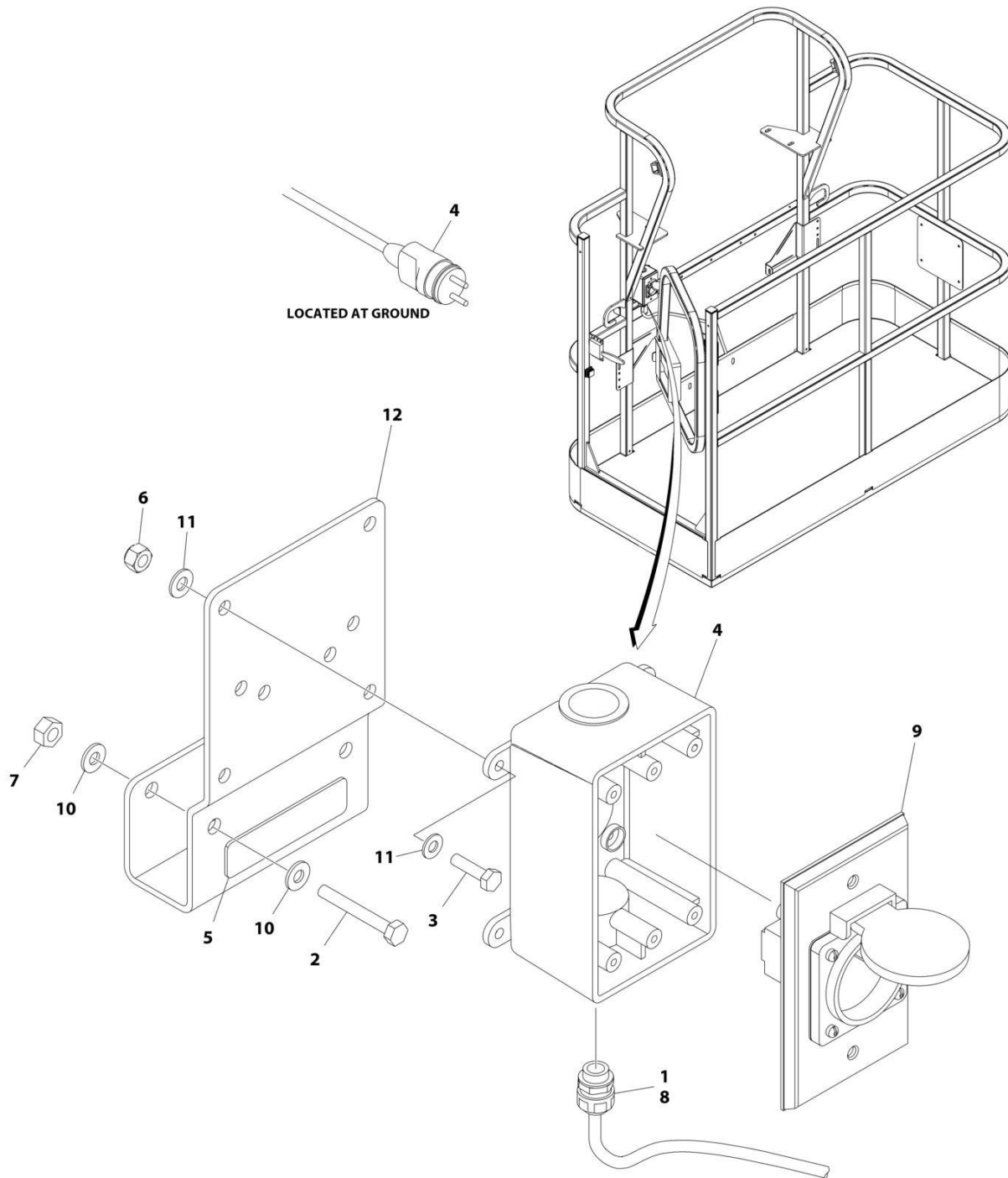
SECTION 8 - ELECTRICAL

FIGURE 8-7. AC BOX AT PLATFORM INSTALLATION - 220V CEE7 2IN X 4IN POST GROUND (CE SPECS WITHOUT 4000W/50HZ GENERATOR)

ITEM	PART NUMBER	QTY	DESCRIPTION	REV
	1001190441	Ref	AC BOX AT PLATFORM INSTALLATION	D
2	0275452	1	Receptacle Box Kit - 220V CEE7 Post Ground 2in x 4in (See Separate Breakdown in this Section)	
3	0700408	4	Bolt M4 x 16	
4	0700618	2	Bolt M6 x 50	
7	1001193018	1	Bracket	
9	3290405	4	Nut M4	
10	3290605	2	Nut M6	
11	4460662	1	Connector, Strain Relief	
12	4811400	8	Washer M4	
13	4811700	4	Washer M6	
15	0100079	AR	Sealant	
16	3252507	1	Decal - 220 Volt	

SECTION 8 - ELECTRICAL

FIGURE 8-8. AC BOX AT PLATFORM INSTALLATION - 220V CEE7 2IN X 4IN POST GROUND (CE SPECS WITH 4000W/50HZ GENERATOR)



ART_1001194197

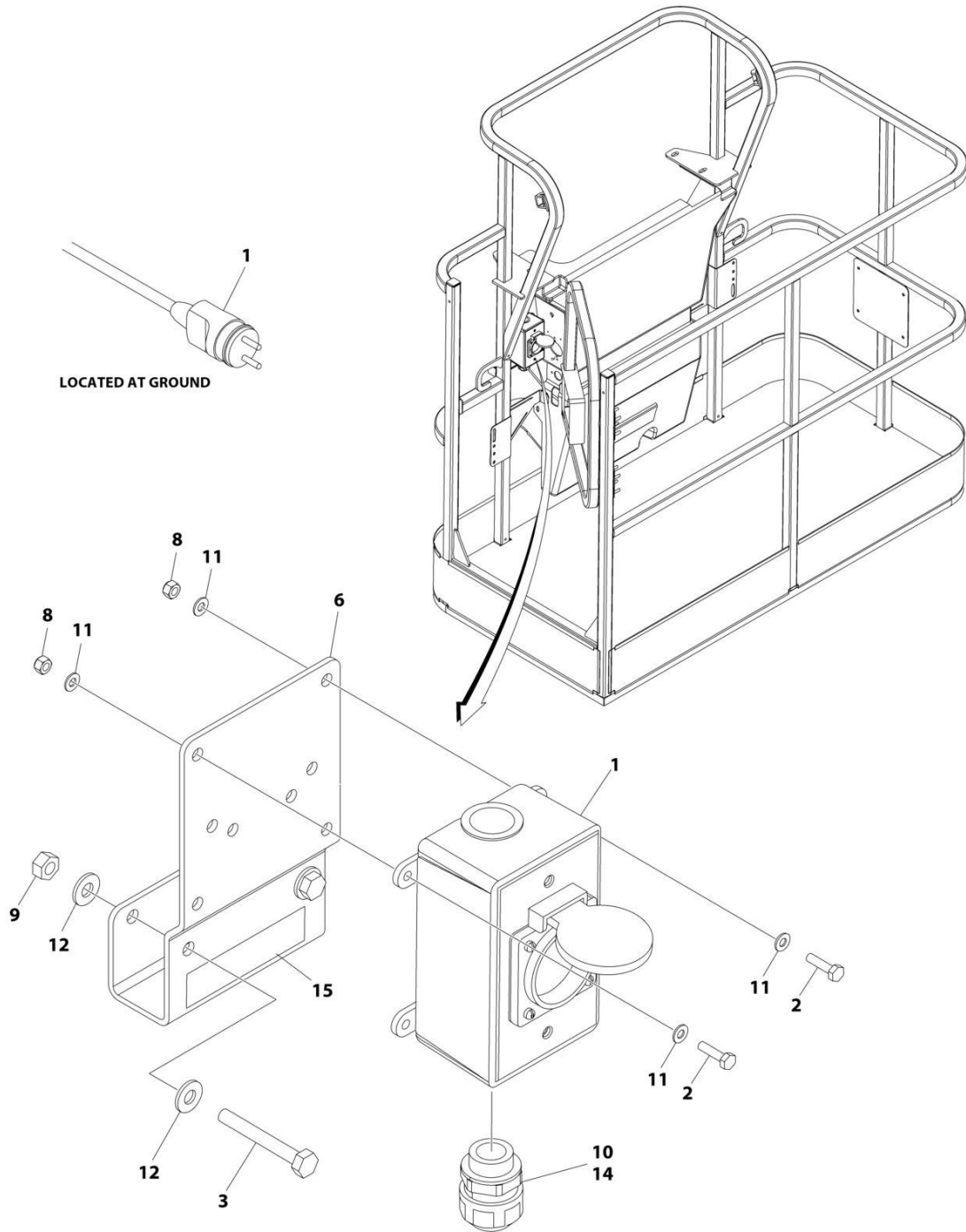
SECTION 8 - ELECTRICAL

FIGURE 8-8. AC BOX AT PLATFORM INSTALLATION - 220V CEE7 2IN X 4IN POST GROUND (CE SPECS WITH 4000W/50HZ GENERATOR)

ITEM	PART NUMBER	QTY	DESCRIPTION	REV
	1001194197	Ref	AC BOX AT PLATFORM INSTALLATION	B
1	0100020	AR	Sealant, Pipe	
2	0641416	2	Bolt 1/4 x 2	
3	0700408	4	Bolt M4 x 16	
4	0861731	1	Box, Switch	
5	3251242	1	Decal - 240V/50Hz	
6	3290405	4	Nut M4	
7	3311405	2	Nut 1/4	
8	4460662	1	Connector, Strain Relief	
9	4461244	1	Receptacle	
10	4711400	4	Washer 1/4	
11	4811400	8	Washer M4	
12	1001193018	1	Bracket, AC Receptacle	
13	4460806	2	Terminal, Fork (Not Shown)	
14	1001205958	1	Terminal (Not Shown)	

SECTION 8 - ELECTRICAL

FIGURE 8-9. AC BOX AT PLATFORM INSTALLATION - 220V CEE7 2IN X 4IN SIDE GROUND (CE SPECS WITHOUT 4000W/50HZ GENERATOR)



ART_1001190484

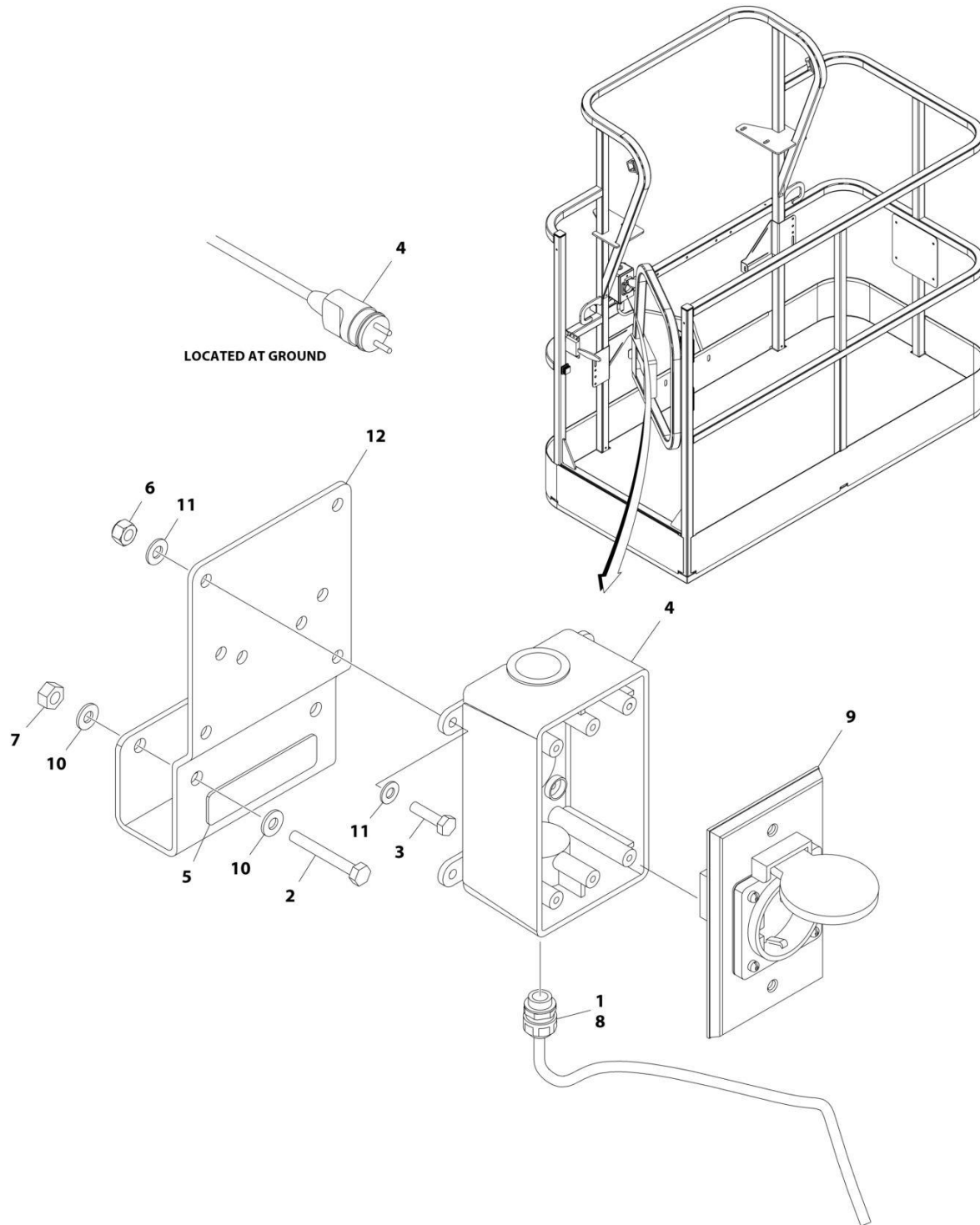
SECTION 8 - ELECTRICAL

FIGURE 8-9. AC BOX AT PLATFORM INSTALLATION - 220V CEE7 2IN X 4IN SIDE GROUND (CE SPECS WITHOUT 4000W/50HZ GENERATOR)

ITEM	PART NUMBER	QTY	DESCRIPTION	REV
	1001190484	Ref	AC BOX AT PLATFORM INSTALLATION	D
1	0275453	1	Receptacle Box Kit - 220V CEE7 Side Ground 2in x 4in (See Separate Breakdown in this Section)	
2	0700408	4	Bolt M4 x 16	
3	0700618	2	Bolt M6 x 50	
6	1001193018	1	Bracket	
8	3290405	4	Nut M4	
9	3290605	2	Nut M6	
10	4460662	1	Connector, Strain Relief	
11	4811400	8	Washer M4	
12	4811700	4	Washer M6	
14	0100079	AR	Sealant	
15	3252507	1	Decal - 220 Volt	

SECTION 8 - ELECTRICAL

FIGURE 8-10. AC BOX AT PLATFORM INSTALLATION - 220V CEE7 2IN X 4IN SIDE GROUND (CE SPECS WITH 4000W/50HZ GENERATOR)



ART_1001194198

SECTION 8 - ELECTRICAL

FIGURE 8-10. AC BOX AT PLATFORM INSTALLATION - 220V CEE7 2IN X 4IN SIDE GROUND (CE SPECS WITH 4000W/50HZ GENERATOR)

ITEM	PART NUMBER	QTY	DESCRIPTION	REV
	1001194198	Ref	AC BOX AT PLATFORM INSTALLATION	B
1	0100020	AR	Sealant, Pipe	
2	0641416	2	Bolt 1/4 x 2	
3	0700408	4	Bolt M4 x 16	
4	0861731	1	Box, Switch	
5	3251242	1	Decal - 240V/50Hz	
6	3290405	4	Nut M4	
7	3311405	2	Nut 1/4	
8	4460662	1	Connector, Strain Relief	
9	4461245	1	Receptacle	
10	4711400	4	Washer 1/4	
11	4811400	8	Washer M4	
12	1001193018	1	Bracket, AC Receptacle	
13	4460806	2	Terminal, Fork (Not Shown)	
14	1001205958	1	Terminal (Not Shown)	

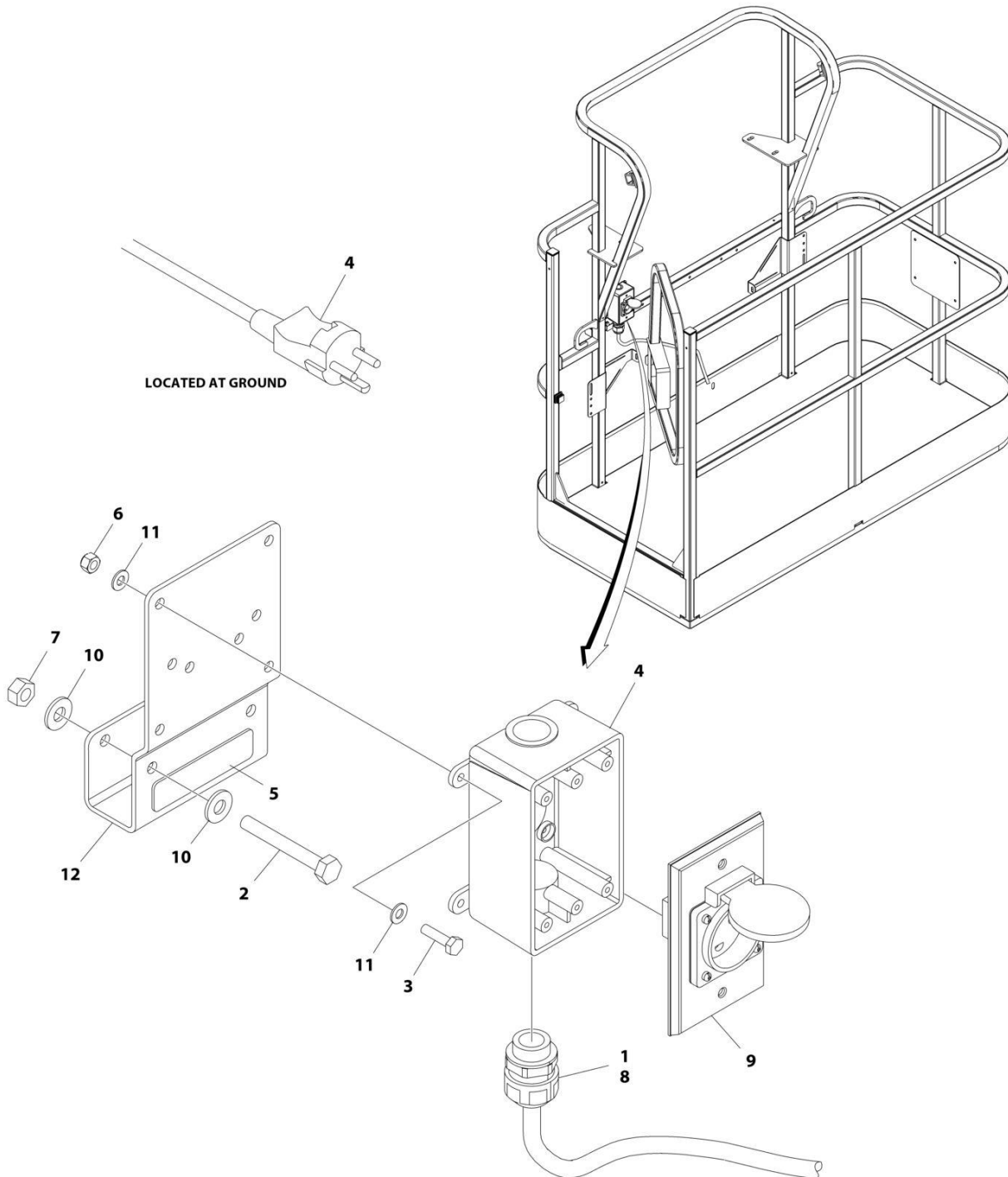
SECTION 8 - ELECTRICAL

FIGURE 8-11. AC BOX AT PLATFORM INSTALLATION - 220V AFSINT107 (CE SPECS WITHOUT 4000W/50HZ GENERATOR)

ITEM	PART NUMBER	QTY	DESCRIPTION	REV
	1001190485	Ref	AC BOX AT PLATFORM INSTALLATION	C
1	0275454	1	Receptacle Box Kit - 220V AFSINT107 (See Separate Breakdown in this Section)	
2	0700408	4	Bolt M4 x 16	
3	0700618	2	Bolt M6 x 50	
6	1001193018	1	Bracket	
8	3290405	4	Nut M4	
9	3290605	2	Nut M6	
10	4460662	1	Connector, Strain Relief	
11	4811400	8	Washer M4	
12	4811700	4	Washer M6	
14	0100079	AR	Sealant	
15	3252507	1	Decal - 220 Volt	

SECTION 8 - ELECTRICAL

FIGURE 8-12. AC BOX AT PLATFORM INSTALLATION - 220V AFSINT107 (CE SPECS WITH 4000W/50HZ GENERATOR)



ART_1001194200

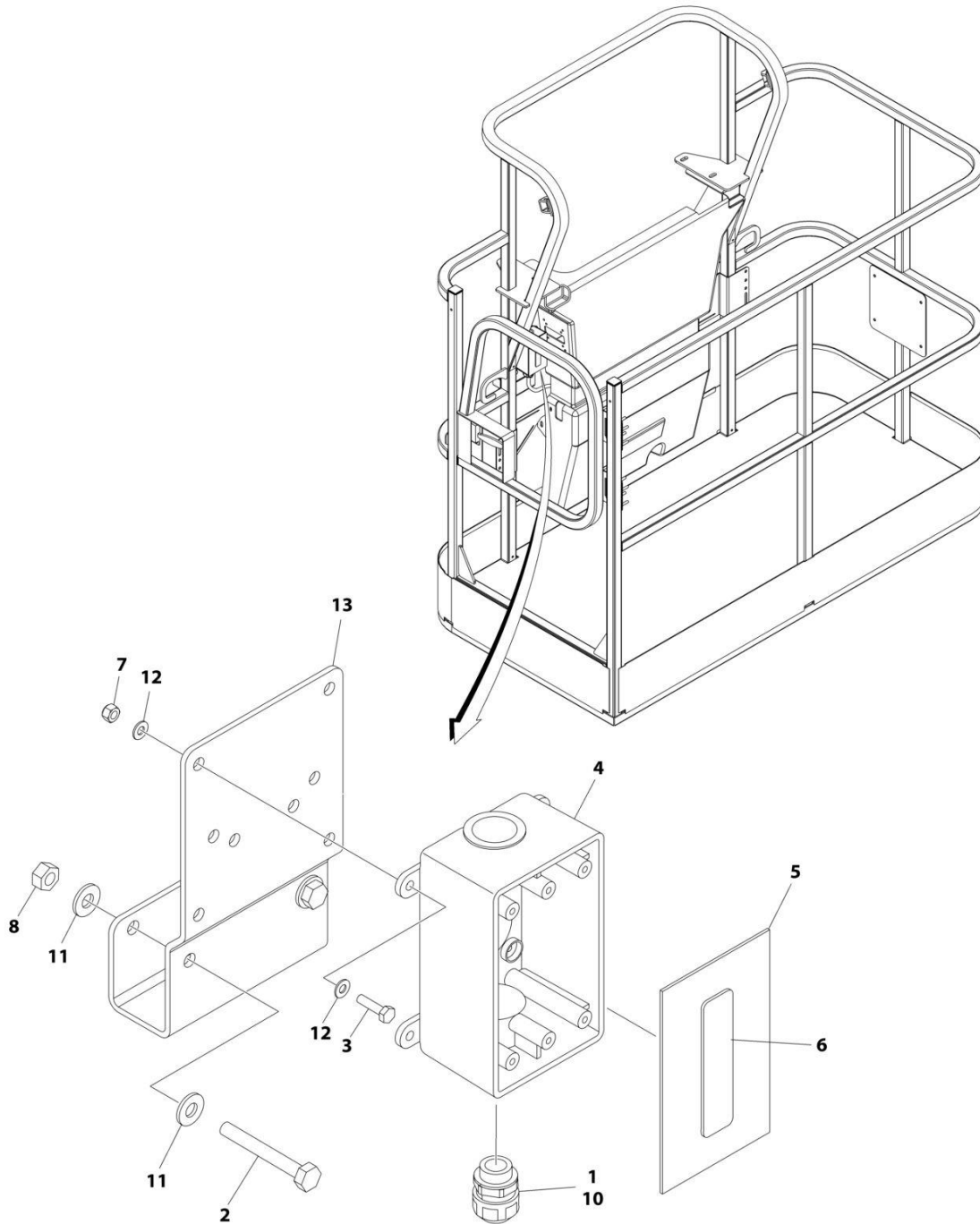
SECTION 8 - ELECTRICAL

FIGURE 8-12. AC BOX AT PLATFORM INSTALLATION - 220V AFSINT107 (CE SPECS WITH 4000W/50HZ GENERATOR)

ITEM	PART NUMBER	QTY	DESCRIPTION	REV
	1001194200	Ref	AC BOX AT PLATFORM INSTALLATION	B
1	0100020	AR	Sealant, Pipe	
2	0641416	2	Bolt 1/4 x 2	
3	0700408	4	Bolt M4 x 16	
4	0861731	1	Box, Switch	
5	3251242	1	Decal - 240V/50Hz	
6	3290405	4	Nut M4	
7	3311405	2	Nut 1/4	
8	4460662	1	Connector, Strain Relief	
9	4461246	1	Receptacle	
10	4711400	4	Washer 1/4	
11	4811400	8	Washer M4	
12	1001193018	1	Bracket, AC Receptacle	
13	1001205958	1	Terminal (Not Shown)	

SECTION 8 - ELECTRICAL

FIGURE 8-13. AC BOX AT PLATFORM INSTALLATION - 220V CUSTOMER SUPPLIED COMPONENTS
(ANSI EXPORT, AUSTRALIAN, CE AND CHINA SPECS)



ART_1001194365

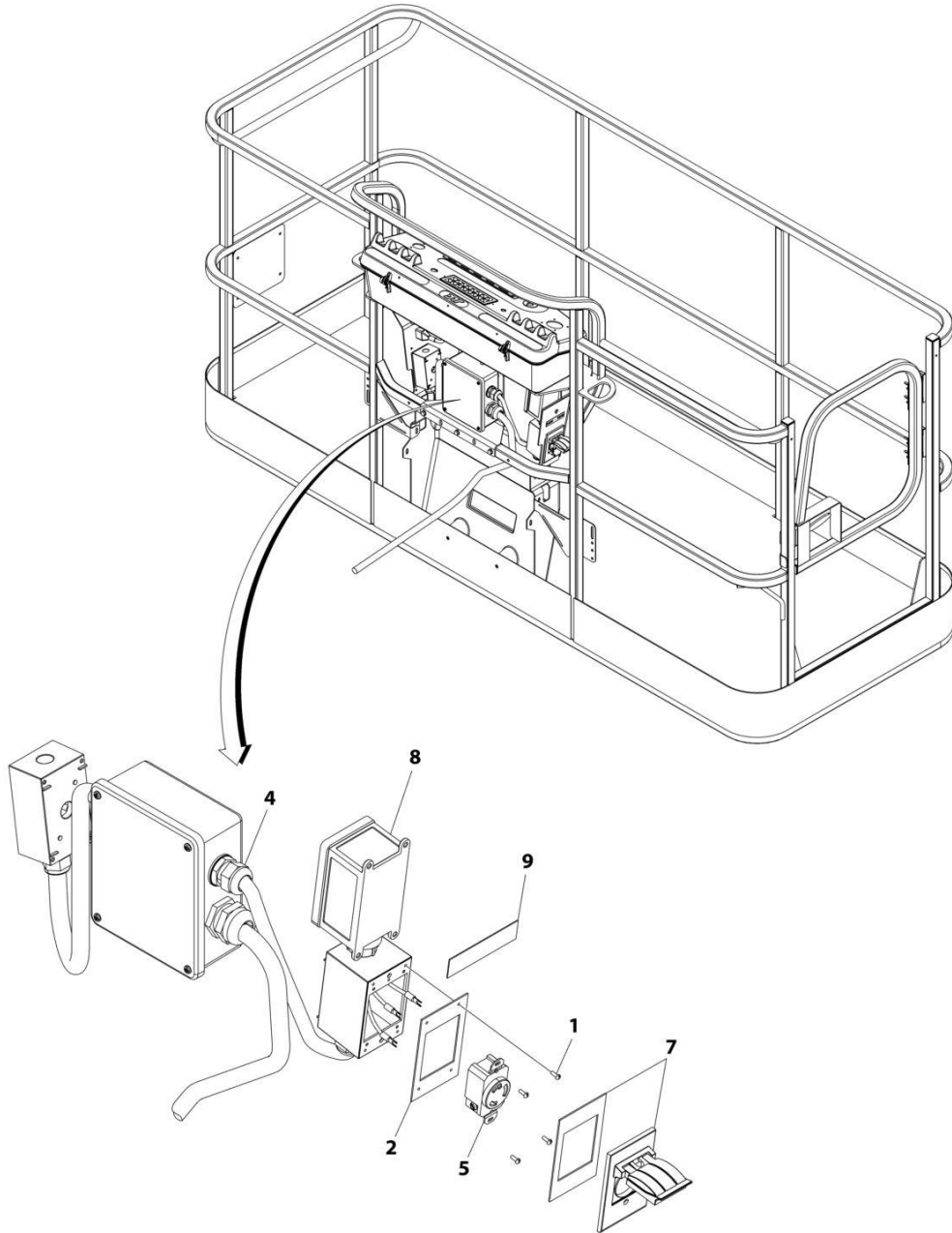
SECTION 8 - ELECTRICAL

**FIGURE 8-13. AC BOX AT PLATFORM INSTALLATION - 220V CUSTOMER SUPPLIED COMPONENTS
(ANSI EXPORT, AUSTRALIAN, CE AND CHINA SPECS)**

ITEM	PART NUMBER	QTY	DESCRIPTION	REV
	1001194365	Ref	AC BOX AT PLATFORM INSTALLATION - BOX WITH COVER (2X4 BOX)	A
1	0100020	AR	Sealant	
2	0641416	2	Bolt 1/4 x 2	
3	0700408	4	Bolt M4 x 16	
4	0861731	1	Box, Switch	
5	1670603	1	Cover	
6	3251242	1	Decal - 240V/50Hz	
7	3290405	4	Nut M4	
8	3311405	2	Nut 1/4	
9	4460384	3	Terminal (Not Shown)	
10	4460662	1	Connector, Strain Relief	
11	4711400	4	Washer 1/4	
12	4811400	8	Washer M4	
13	1001193018	1	Bracket, AC Receptacle	

SECTION 8 - ELECTRICAL

FIGURE 8-14. AC BOX AT PLATFORM INSTALLATION - 240V (WITH 4000W GENERATOR) (ALL SPECS EXCEPT AUSTRALIAN & CE SPECS)



ART_1001171131

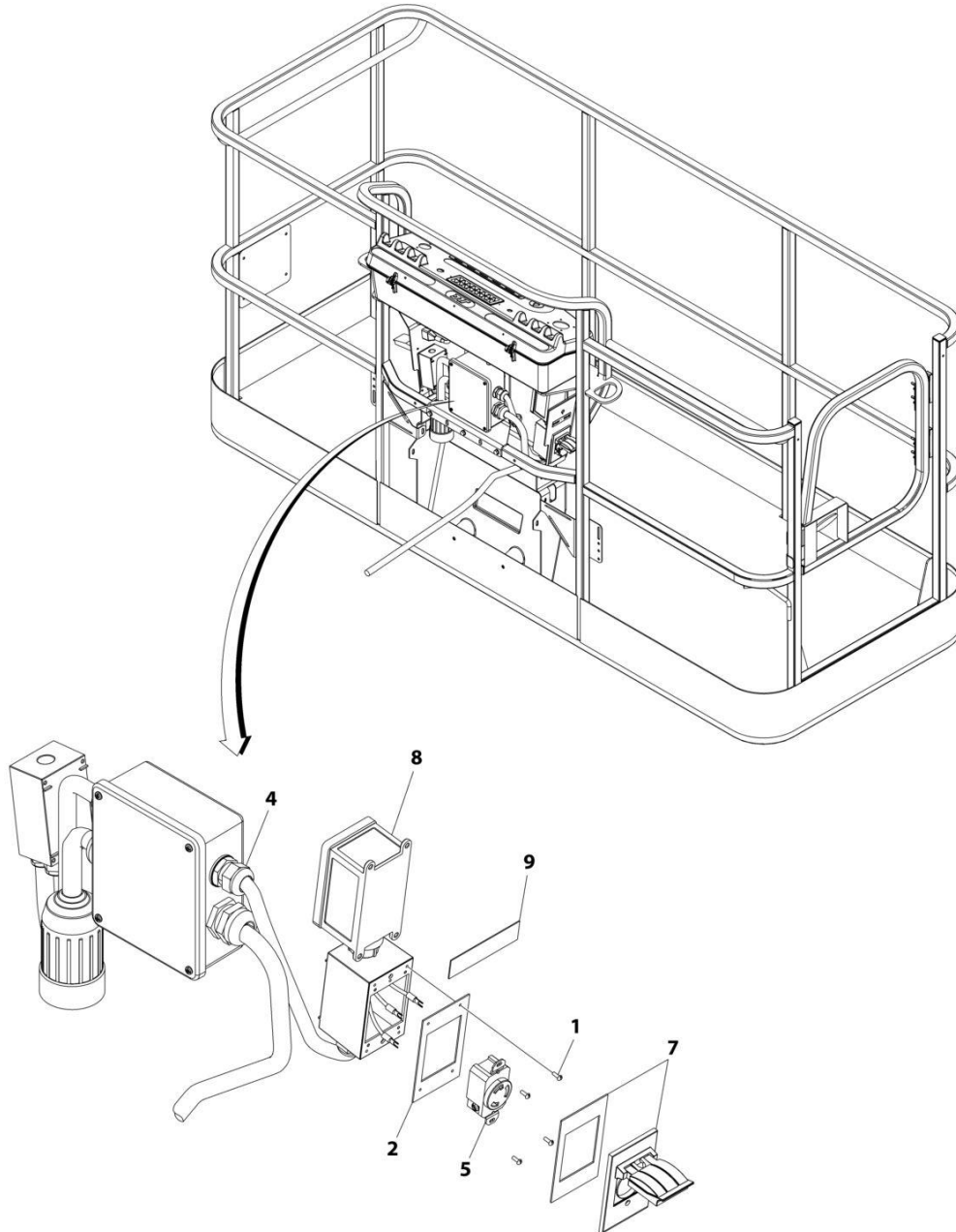
SECTION 8 - ELECTRICAL

FIGURE 8-14. AC BOX AT PLATFORM INSTALLATION - 240V (WITH 4000W GENERATOR) (ALL SPECS EXCEPT AUSTRALIAN & CE SPECS)

ITEM	PART NUMBER	QTY	DESCRIPTION	REV
	1001171131	Ref	AC BOX AT PLATFORM INSTALLATION - 240V RECEPTACLE	B
1	3910606	4	Screw 6 x 3/8	
2	3960422	1	Gasket	
3	4240018	AR	Tie-Strap (Not Shown)	
4	4460425	1	Connector, Strain Relief	
5	1001176862	1	Receptacle	
7	1001110872	1	Cover, Receptacle	
8	1001159120	1	Receptacle/Breaker Box Assembly	
8	1001148675	1	Box, Receptacle	
8	1001159118	1	Breaker GFCI 30Amp 240VAC	
8	4460612	1	Connector, Strain Relief	
8	1001159119	1	Connector (Between Boxes)	
9	1705374	1	Decal - 240V/60Hz	

SECTION 8 - ELECTRICAL

FIGURE 8-15. AC BOX AT PLATFORM INSTALLATION - 240V (WITH 7500W SKYPOWER GENERATOR) (ALL SPECS EXCEPT AUSTRALIAN & CE SPECS)



ART_1001159121

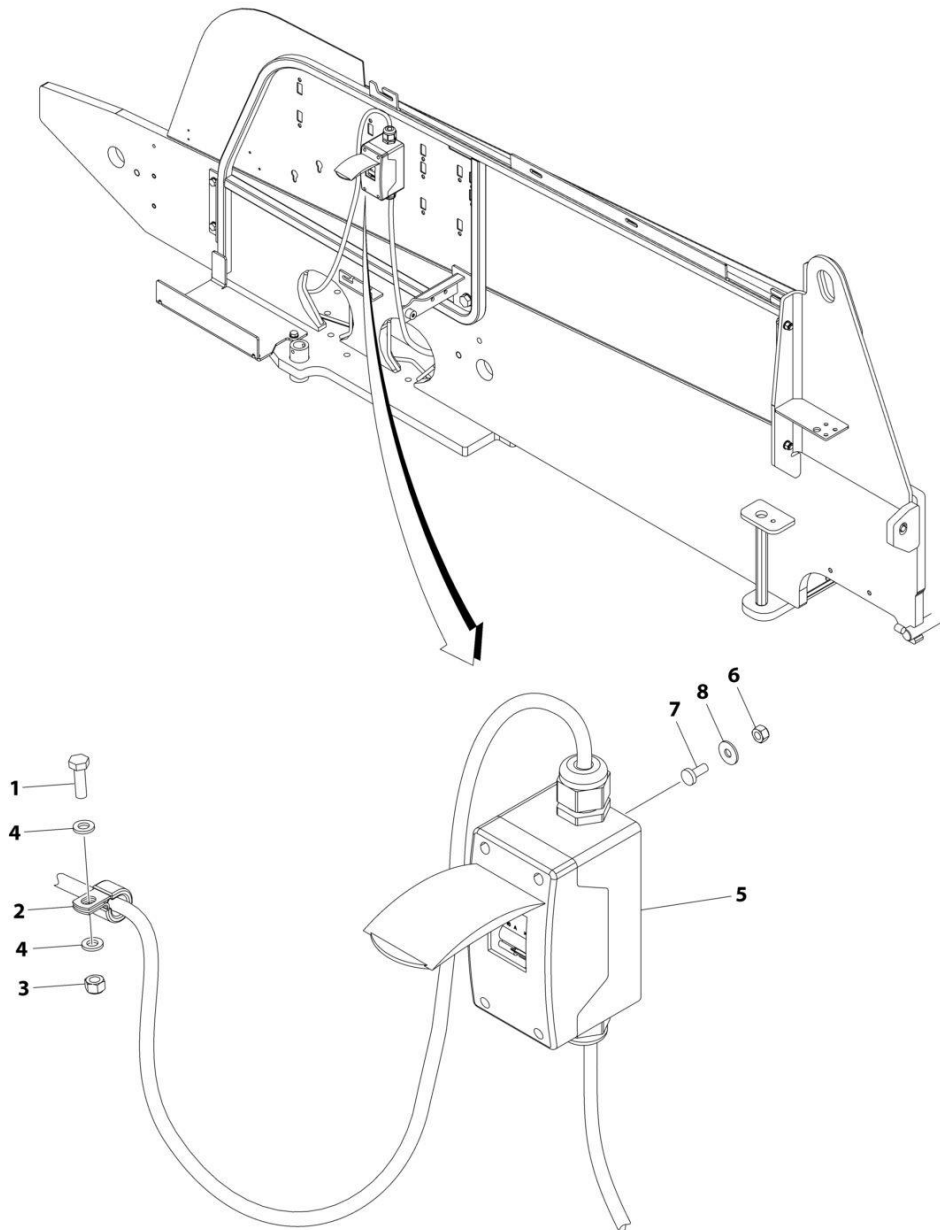
SECTION 8 - ELECTRICAL

FIGURE 8-15. AC BOX AT PLATFORM INSTALLATION - 240V (WITH 7500W SKYPOWER GENERATOR) (ALL SPECS EXCEPT AUSTRALIAN & CE SPECS)

ITEM	PART NUMBER	QTY	DESCRIPTION	REV
	1001159121	Ref	AC BOX AT PLATFORM INSTALLATION - 240V RECEPTACLE	B
1	3910606	4	Screw 6 x 3/8	
2	3960422	1	Gasket	
3	4240018	AR	Tie-Strap (Not Shown)	
4	4460425	1	Connector, Strain Relief	
5	4460958	1	Receptacle	
7	1001110872	1	Cover, Receptacle	
8	1001159120	1	Receptacle/Breaker Box Assembly	
8	1001148675	1	Box, Receptacle	
8	1001159118	1	Breaker Box Assembly	
8	4460612	1	Connector, Strain Relief	
8	1001159119	1	Connector (Between Boxes)	
9	1705374	1	Decal - 240V/60Hz	

SECTION 8 - ELECTRICAL

FIGURE 8-16. AC BREAKER BOX INSTALLATION - SINGLE DOUBLE POLE BREAKER



ART_1001190774

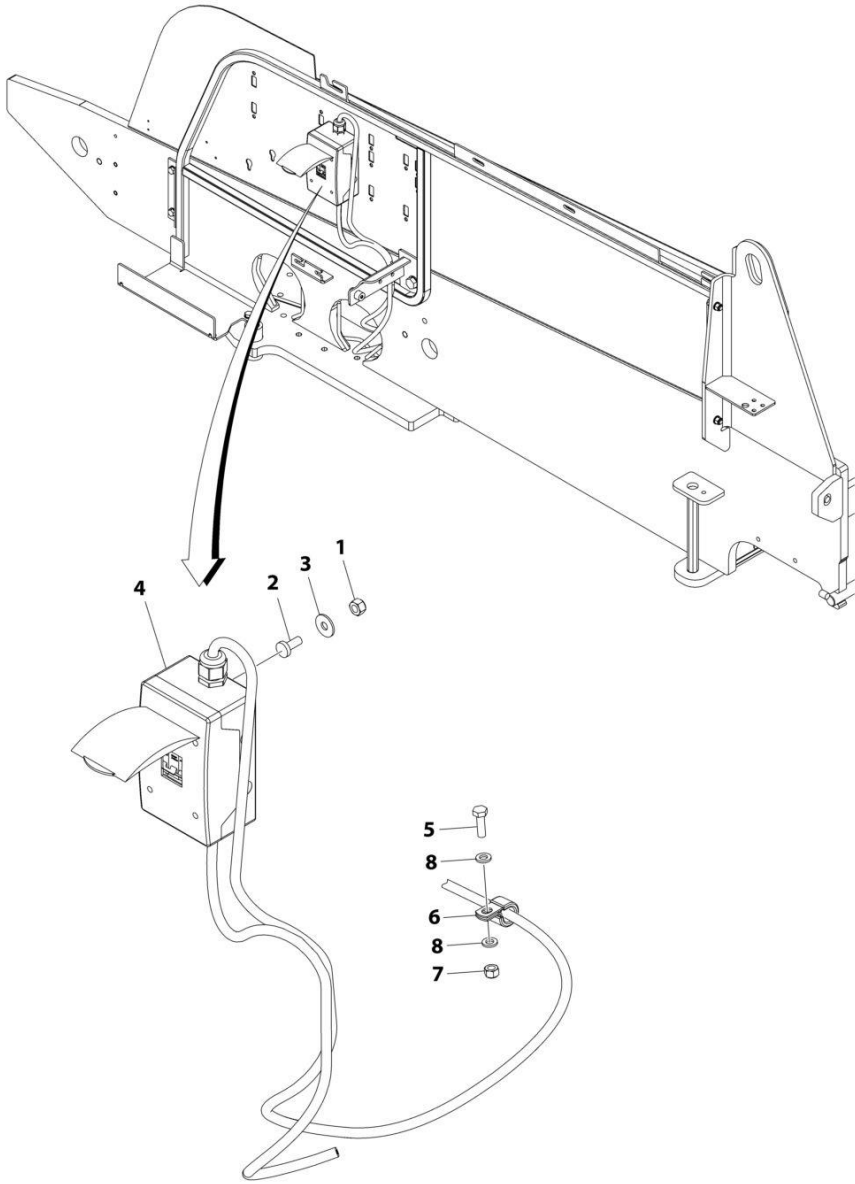
SECTION 8 - ELECTRICAL

FIGURE 8-16. AC BREAKER BOX INSTALLATION - SINGLE DOUBLE POLE BREAKER

ITEM	PART NUMBER	QTY	DESCRIPTION	REV
	1001190774	Ref	AC BREAKER BOX INSTALLATION	C
1	0760610	1	Bolt M6 x 20	
2	1320041	1	Clamp	
3	3290605	1	Nut M6	
4	4811700	2	Washer M6	
5	2902549	1	Breaker Box Kit - Single Double Pole Breaker (See Separate Breakdown in this Section)	
6	3290405	2	Nut M4	
7	4010405	2	Screw M4 x 10	
8	1001091102	2	Washer M4	

SECTION 8 - ELECTRICAL

FIGURE 8-17. AC BREAKER BOX INSTALLATION - 3 BREAKERS



ART_1001211049

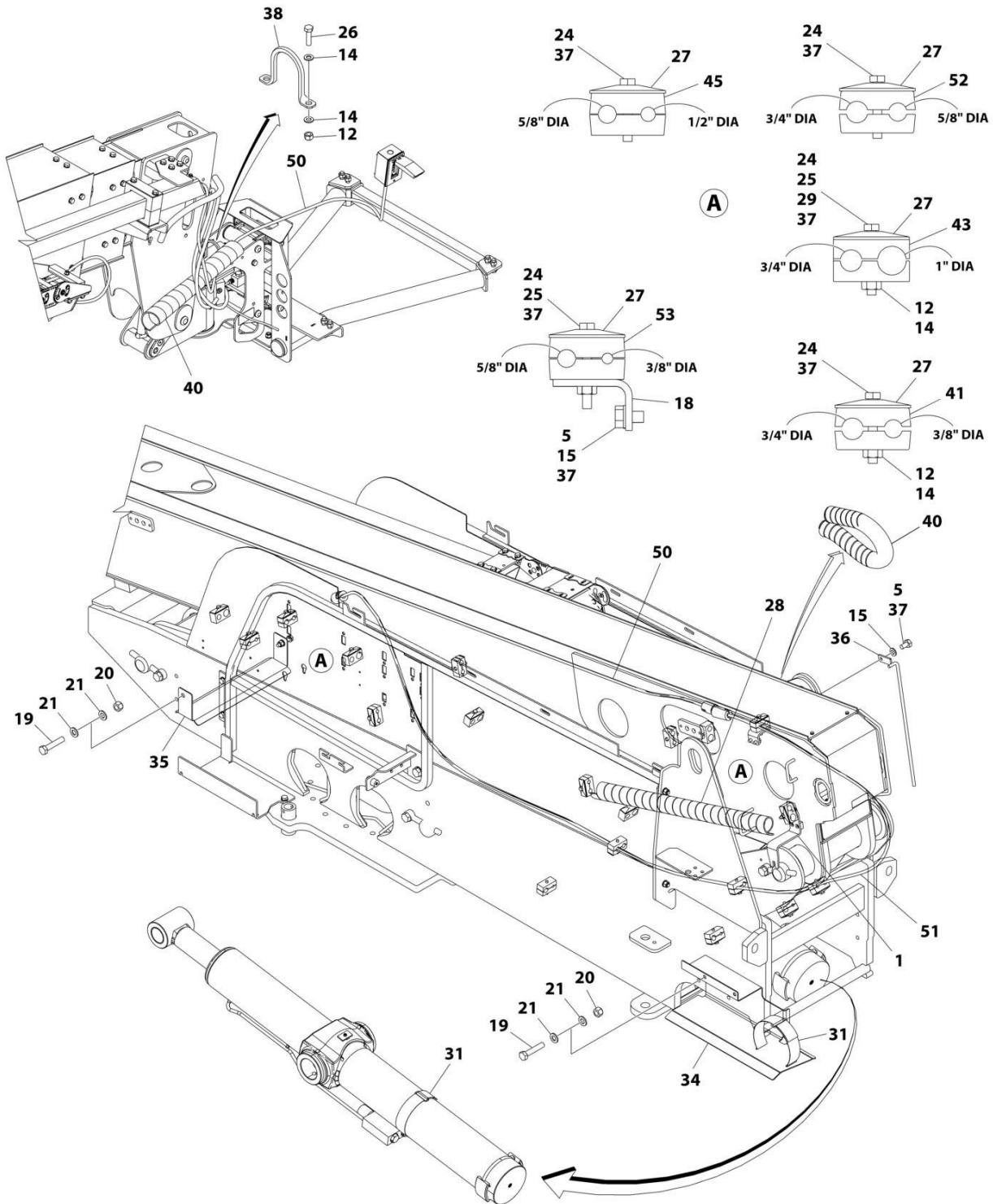
SECTION 8 - ELECTRICAL

FIGURE 8-17. AC BREAKER BOX INSTALLATION - 3 BREAKERS

ITEM	PART NUMBER	QTY	DESCRIPTION	REV
	1001211049	Ref	AC BREAKER BOX INSTALLATION	C
1	3290405	2	Nut M4	
2	4010405	2	Screw M4 x 10	
3	1001091102	2	Washer M4	
4	1001152485	1	Breaker Box Kit - 3 Breakers (See Separate Breakdown in this Section) (600S SN 0300235168 through 0300237156)	
4	1001152485	1	Breaker Box Kit - 3 Breakers (See Separate Breakdown in this Section) (660SJ SN 0300235168 through 0300237156)	
4	1001152486	1	Breaker Box Kit - 3 Breakers (See Separate Breakdown in this Section) (600S SN 0300237157 through 0300272445)	
4	1001152486	1	Breaker Box Kit - 3 Breakers (See Separate Breakdown in this Section) (660SJ SN 0300237157 through 0300272445)	
5	0760610	1	Bolt M6 x 20	
6	1320041	1	Clamp	
7	3290605	1	Nut M6	
8	4811700	2	Washer M6	

SECTION 8 - ELECTRICAL

FIGURE 8-18. AC CABLES AND CLAMPS INSTALLATION - 600S WITHOUT GENERATOR (ANSI, CSA AND JAPANESE SPECS)



ART_1001193207

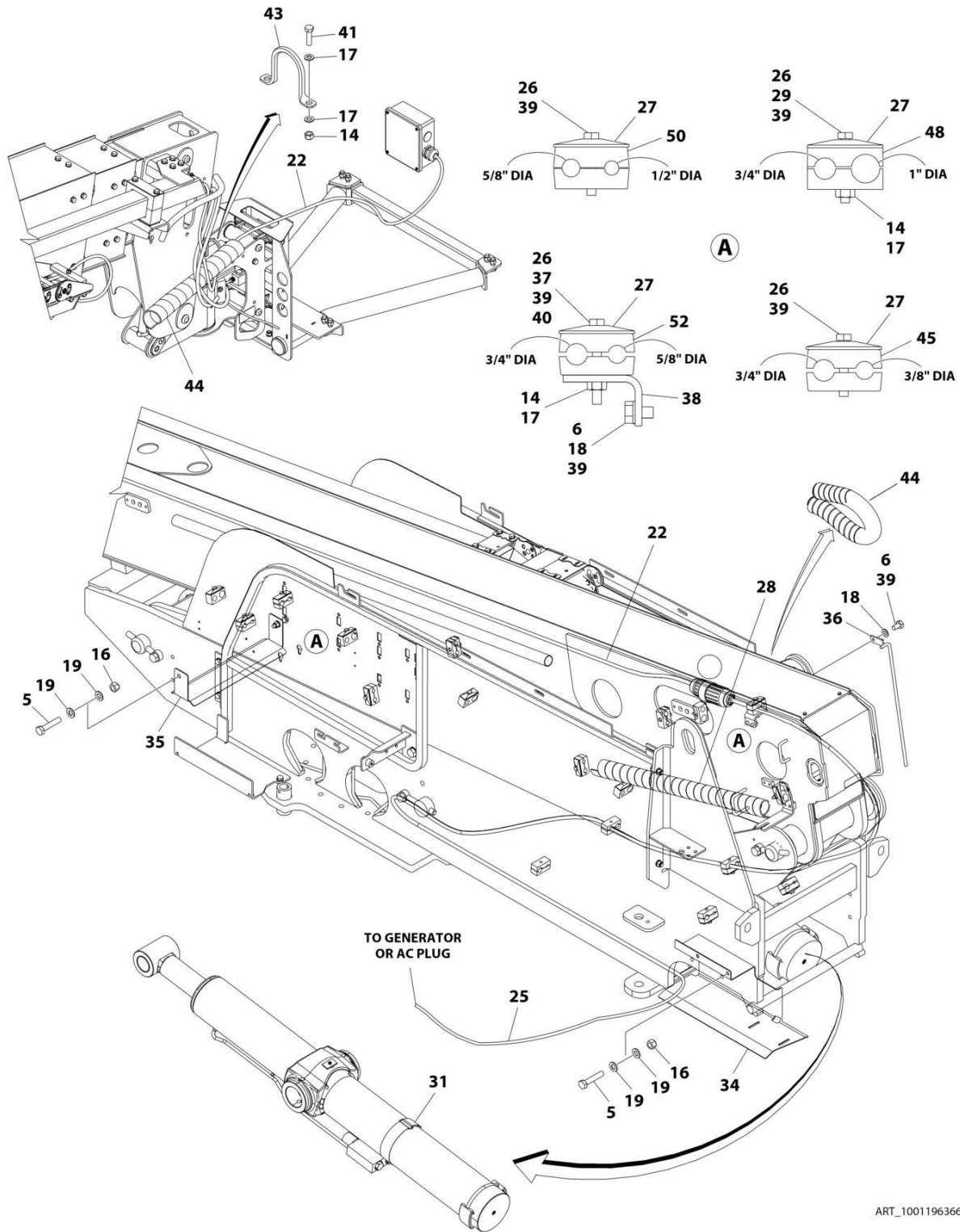
SECTION 8 - ELECTRICAL

FIGURE 8-18. AC CABLES AND CLAMPS INSTALLATION - 600S WITHOUT GENERATOR (ANSI, CSA AND JAPANESE SPECS)

ITEM	PART NUMBER	QTY	DESCRIPTION	REV
	1001193207	Ref	AC CABLES AND CLAMPS INSTALLATION	K
1	1001211585	1	Bracket	
5	0761009	3	Bolt M10 x 18	
12	3290805	4	Nut M8	
14	4811900	5	Washer M8	
15	4812000	3	Washer M10	
16	1001146588	4	Tie-Strap (Not Shown)	
18	1001229637	1	Bracket	
19	0701220	4	Bolt M12 x 60	
20	3291205	4	Nut M12	
21	4812100	8	Washer M12	
24	0700818	16	Bolt M8 x 50	
25	0700822	2	Bolt M8 x 70	
26	0760814	2	Bolt M8 x 30	
27	77133137	19	Cover, Clamp	
28	1001204690	1	Shield, Tube	
29	5281918	1	Capscrew M8 x 70	
31	1001143645	2	Strap, Cinch	
34	1001199881	1	Support	
35	1001201342	1	Support	
36	1001202936	1	Guide	
37	0100011	AR	Compound, Locking	
38	3841340	1	Loop, Hose	
39	4240018	3	Tie-Strap (Not Shown)	
40	1001181923	AR	Shield, Tube	
41	1001209948	3	Clamp	
43	1001209951	6	Clamp	
45	1001209953	3	Clamp	
46	4240099	2	Tie-Strap (Not Shown)	
50	1001195227	1	AC Ground to Platform Cable (Upper)	
50	1001120204	1	Plug, Male	
51	1001195525	1	AC Ground to Platform Cable (Lower)	
51	1001120205	1	Receptacle, Female	
52	1001209949	3	Clamp	
53	1001228809	4	Clamp	

SECTION 8 - ELECTRICAL

FIGURE 8-19. AC CABLES AND CLAMPS INSTALLATION - 600S WITHOUT GENERATOR (ANSI EXPORT, CE AND CHINA SPECS)



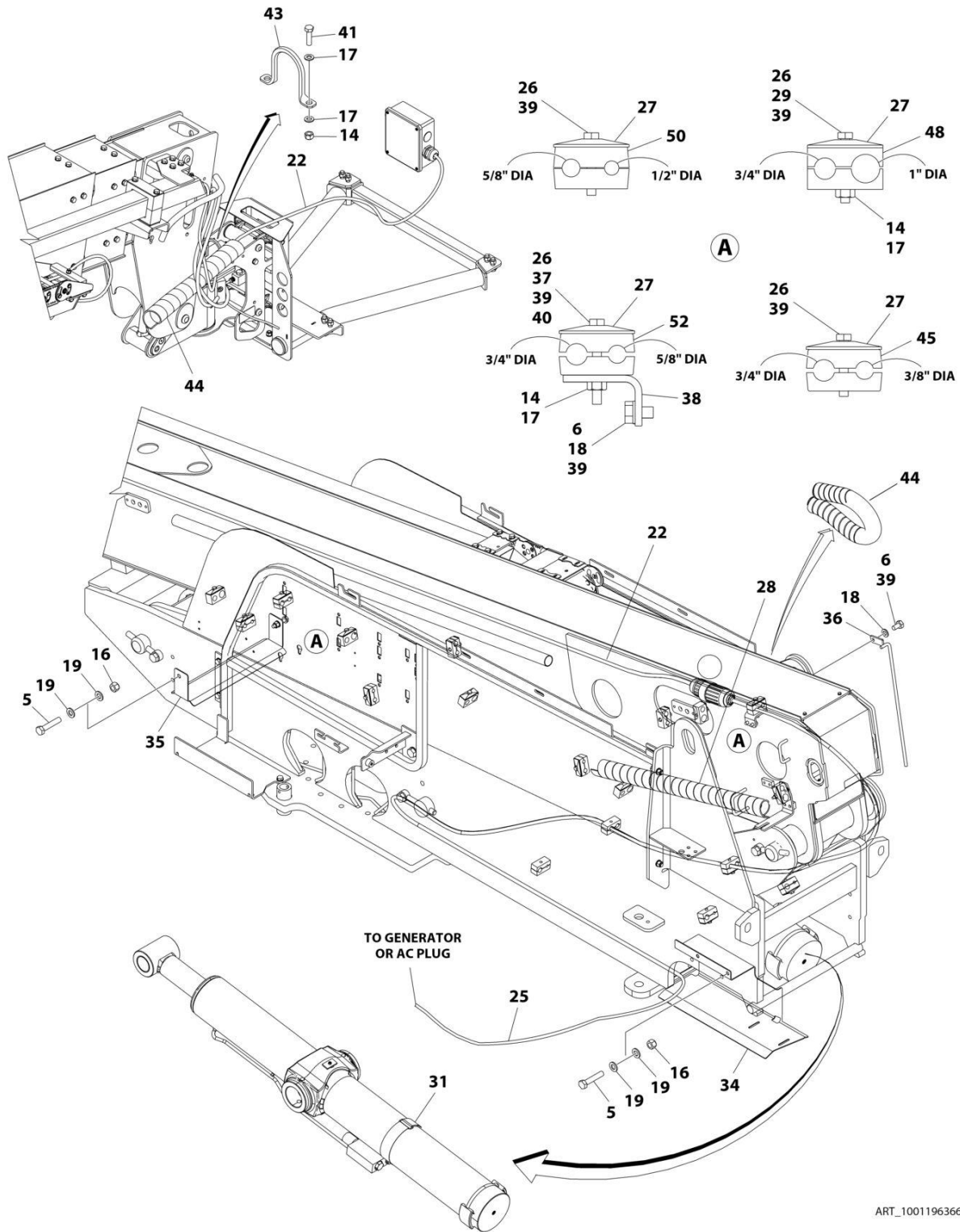
SECTION 8 - ELECTRICAL

FIGURE 8-19. AC CABLES AND CLAMPS INSTALLATION - 600S WITHOUT GENERATOR (ANSI EXPORT, CE AND CHINA SPECS)

ITEM	PART NUMBER	QTY	DESCRIPTION	REV
	1001196366	Ref	AC CABLES AND CLAMPS INSTALLATION	I
5	0701220	4	Bolt M12 x 60	
6	0761009	2	Bolt M10 x 18	
14	3290805	4	Nut M8	
16	3291205	4	Nut M12	
17	4811900	5	Washer M8	
18	4812000	3	Washer M10	
19	4812100	8	Washer M12	
20	1001146588	4	Tie-Strap (Not Shown)	
22	1001195225	1	AC Ground to Platform Cable (Upper)	
22	1001214095	1	Plug, Male	
25	1001196368	1	AC Ground to Platform Cable (Lower)	
25	1001214096	1	Receptacle, Female	
26	0700818	16	Bolt M8 x 50	
27	77133137	19	Cover, Clamp	
28	1001204690	1	Shield, Tube	
29	5281918	1	Capscrew M8 x 70	
31	1001143645	2	Strap, Cinch	
34	1001199881	1	Support	
35	1001201342	1	Support	
36	1001202936	1	Guide	
37	0700822	1	Bolt M8 x 70	
38	1001229637	1	Bracket	
39	0100011	AR	Compound, Locking	
40	0760822	1	Bolt M8 x 70	
41	0760814	2	Bolt M8 x 30	
42	4240018	3	Tie-Strap (Not Shown)	
43	3841340	1	Loop, Hose	
44	1001181923	AR	Shield, Tube	
45	1001209948	3	Clamp	
48	1001209951	6	Clamp	
50	1001209953	7	Clamp	
51	4240099	2	Tie-Strap (Not Shown)	
52	1001209949	3	Clamp	

SECTION 8 - ELECTRICAL

FIGURE 8-20. AC CABLES AND CLAMPS INSTALLATION - 600S WITH 2500W GENERATOR (ALL SPECS EXCEPT AUSTRALIAN AND CE SPECS)



ART_1001196366

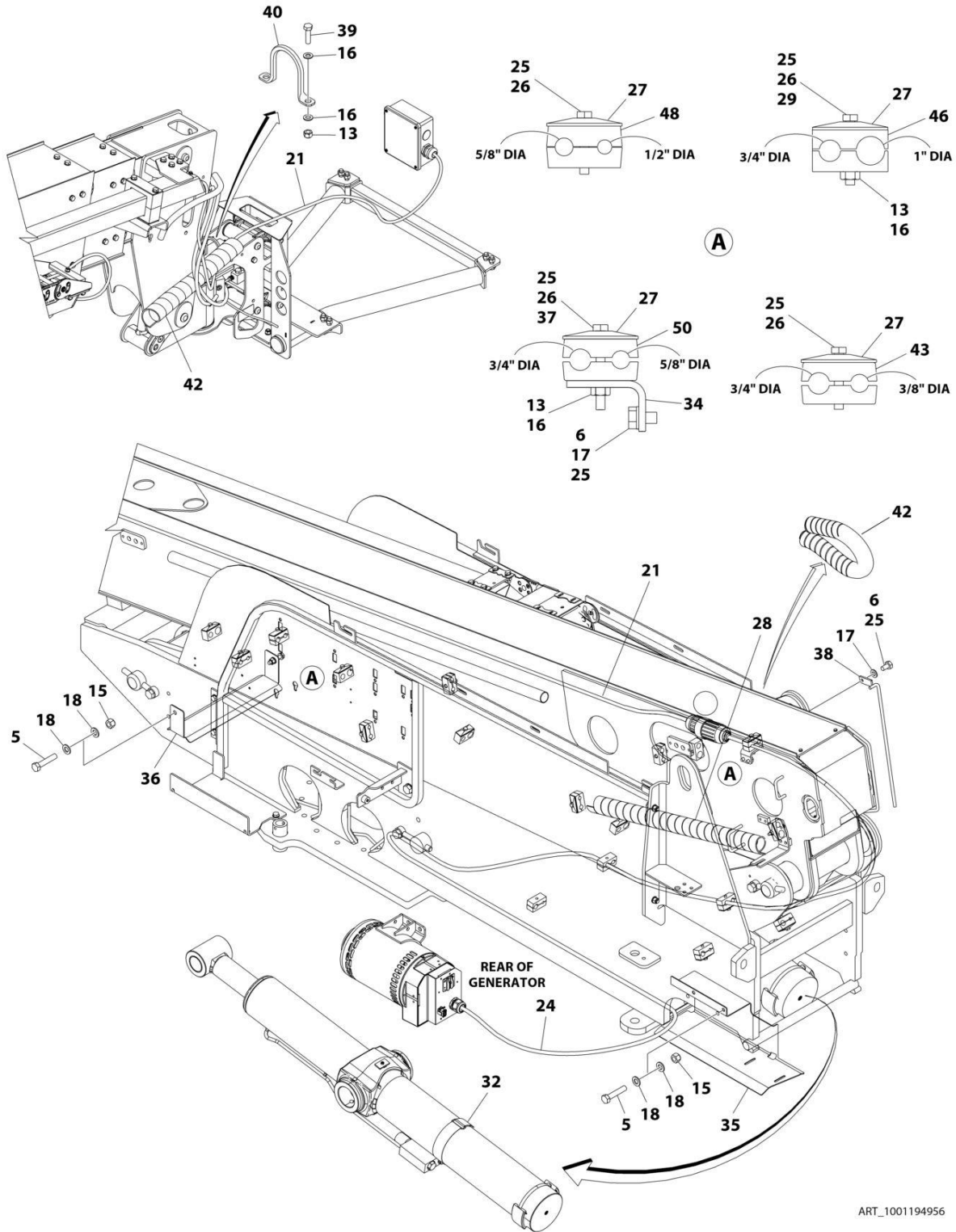
SECTION 8 - ELECTRICAL

FIGURE 8-20. AC CABLES AND CLAMPS INSTALLATION - 600S WITH 2500W GENERATOR (ALL SPECS EXCEPT AUSTRALIAN AND CE SPECS)

ITEM	PART NUMBER	QTY	DESCRIPTION	REV
	1001196366	Ref	AC CABLES AND CLAMPS INSTALLATION	I
5	0701220	4	Bolt M12 x 60	
6	0761009	2	Bolt M10 x 18	
14	3290805	4	Nut M8	
16	3291205	4	Nut M12	
17	4811900	5	Washer M8	
18	4812000	3	Washer M10	
19	4812100	8	Washer M12	
20	1001146588	4	Tie-Strap (Not Shown)	
22	1001195225	1	AC Ground to Platform Cable (Upper)	
22	1001214095	1	Plug, Male	
25	1001196368	1	AC Ground to Platform Cable (Lower)	
25	1001214096	1	Receptacle, Female	
26	0700818	16	Bolt M8 x 50	
27	77133137	19	Cover, Clamp	
28	1001204690	1	Shield, Tube	
29	5281918	1	Capscrew M8 x 70	
31	1001143645	2	Strap, Cinch	
34	1001199881	1	Support	
35	1001201342	1	Support	
36	1001202936	1	Guide	
37	0700822	1	Bolt M8 x 70	
38	1001229637	1	Bracket	
39	0100011	AR	Compound, Locking	
40	0760822	1	Bolt M8 x 70	
41	0760814	2	Bolt M8 x 30	
42	4240018	3	Tie-Strap (Not Shown)	
43	3841340	1	Loop, Hose	
44	1001181923	AR	Shield, Tube	
45	1001209948	3	Clamp	
48	1001209951	6	Clamp	
50	1001209953	7	Clamp	
51	4240099	2	Tie-Strap (Not Shown)	
52	1001209949	3	Clamp	

SECTION 8 - ELECTRICAL

FIGURE 8-21. AC CABLES AND CLAMPS INSTALLATION - 600S WITH 4000W/60HZ GENERATOR (ALL SPECS EXCEPT AUSTRALIAN, CE AND CHINA SPECS)



ART_1001194956

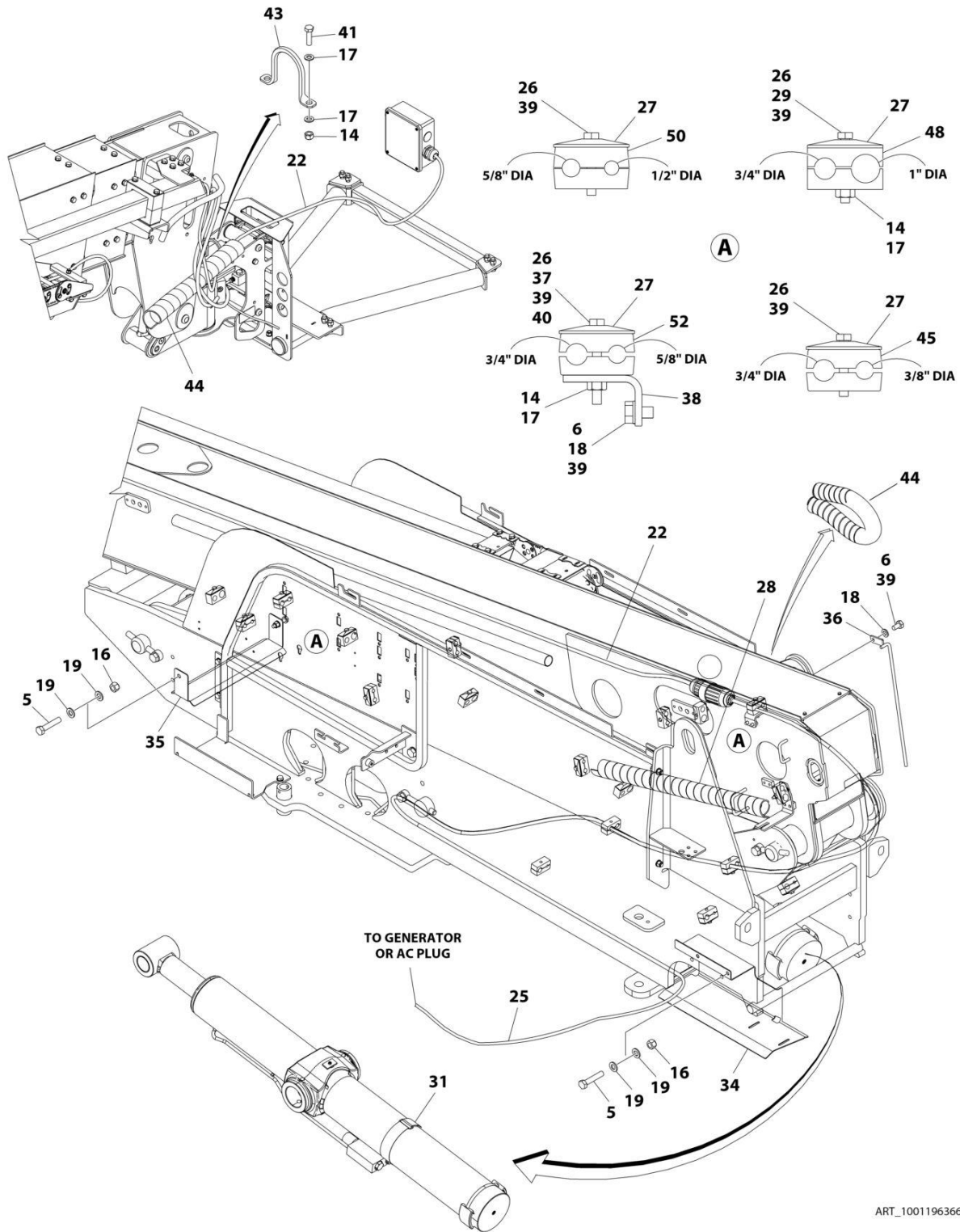
SECTION 8 - ELECTRICAL

**FIGURE 8-21. AC CABLES AND CLAMPS INSTALLATION - 600S WITH 4000W/60HZ GENERATOR
(ALL SPECS EXCEPT AUSTRALIAN, CE AND CHINA SPECS)**

ITEM	PART NUMBER	QTY	DESCRIPTION	REV
	1001194956	Ref	AC CABLES AND CLAMPS INSTALLATION	I
5	0701220	4	Bolt M12 x 60	
6	0761009	3	Bolt M10 x 18	
13	3290805	4	Nut M8	
15	3291205	4	Nut M12	
16	4811900	5	Washer M8	
17	4812000	3	Washer M10	
18	4812100	8	Washer M12	
19	1001146588	4	Tie-Strap (Not Shown)	
21	1001228186	1	AC Ground to Platform Cable (Upper)	
21	4460959	1	Plug, Male	
21	1671093	1	Cover, Plug	
24	1001228188	1	AC Ground to Platform Cable (Lower)	
24	4460960	1	Receptacle, Female	
24	1671092	1	Cover, Receptacle	
25	0100011	AR	Compound, Locking	
26	0700818	16	Bolt M8 x 50	
27	77133137	19	Cover, Clamp	
28	1001204690	1	Shield, Tube	
29	5281918	1	Capscrew M8 x 70	
32	1001143645	2	Strap, Cinch	
34	1001229637	1	Bracket	
35	1001199881	1	Support	
36	1001201342	1	Support	
37	0700822	2	Bolt M8 x 70	
38	1001202936	1	Guide	
39	0760814	2	Bolt M8 x 30	
40	3841340	1	Loop, Hose	
41	4240018	3	Tie-Strap (Not Shown)	
42	1001181923	AR	Shield, Tube	
43	1001209948	3	Clamp	
46	1001209951	6	Clamp	
48	1001209953	7	Clamp	
49	4240099	2	Tie-Strap (Not Shown)	
50	1001209949	3	Clamp	

SECTION 8 - ELECTRICAL

FIGURE 8-22. AC CABLES AND CLAMPS INSTALLATION - 600S WITH 4000W/50HZ GENERATOR (ANSI EXPORT, CE AND CHINA SPECS)



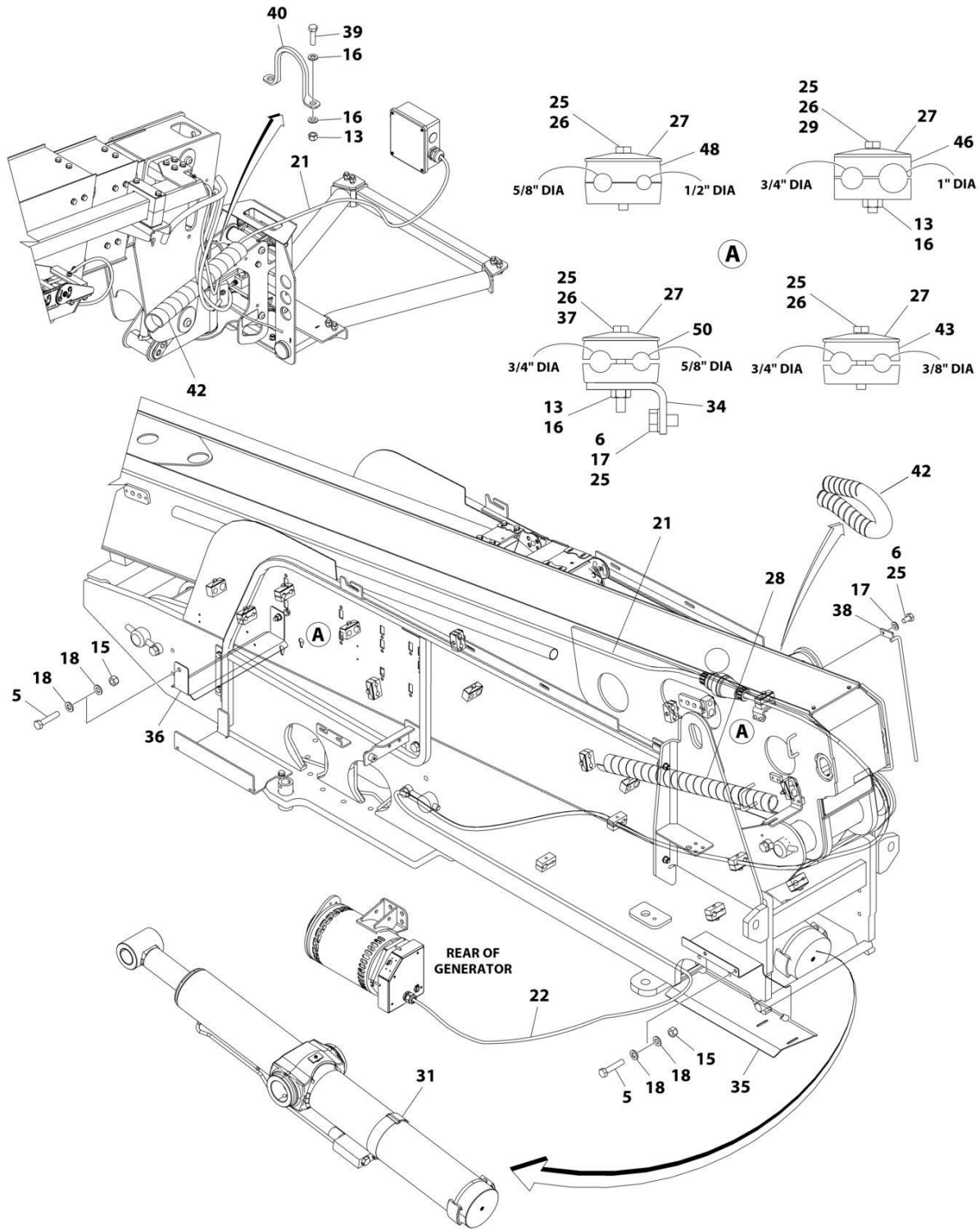
SECTION 8 - ELECTRICAL

**FIGURE 8-22. AC CABLES AND CLAMPS INSTALLATION - 600S WITH 4000W/50HZ GENERATOR
(ANSI EXPORT, CE AND CHINA SPECS)**

ITEM	PART NUMBER	QTY	DESCRIPTION	REV
	1001196366	Ref	AC CABLES AND CLAMPS INSTALLATION	I
5	0701220	4	Bolt M12 x 60	
6	0761009	2	Bolt M10 x 18	
14	3290805	4	Nut M8	
16	3291205	4	Nut M12	
17	4811900	5	Washer M8	
18	4812000	3	Washer M10	
19	4812100	8	Washer M12	
20	1001146588	4	Tie-Strap (Not Shown)	
22	1001195225	1	AC Ground to Platform Cable (Upper)	
22	1001214095	1	Plug, Male	
25	1001196368	1	AC Ground to Platform Cable (Lower)	
25	1001214096	1	Receptacle, Female	
26	0700818	16	Bolt M8 x 50	
27	77133137	19	Cover, Clamp	
28	1001204690	1	Shield, Tube	
29	5281918	1	Capscrew M8 x 70	
31	1001143645	2	Strap, Cinch	
34	1001199881	1	Support	
35	1001201342	1	Support	
36	1001202936	1	Guide	
37	0700822	1	Bolt M8 x 70	
38	1001229637	1	Bracket	
39	0100011	AR	Compound, Locking	
40	0760822	1	Bolt M8 x 70	
41	0760814	2	Bolt M8 x 30	
42	4240018	3	Tie-Strap (Not Shown)	
43	3841340	1	Loop, Hose	
44	1001181923	AR	Shield, Tube	
45	1001209948	3	Clamp	
48	1001209951	6	Clamp	
50	1001209953	7	Clamp	
51	4240099	2	Tie-Strap (Not Shown)	
52	1001209949	3	Clamp	

SECTION 8 - ELECTRICAL

FIGURE 8-23. AC CABLES AND CLAMPS INSTALLATION - 600S WITH 7500W SKYPOWER GENERATOR



ART_1001194961

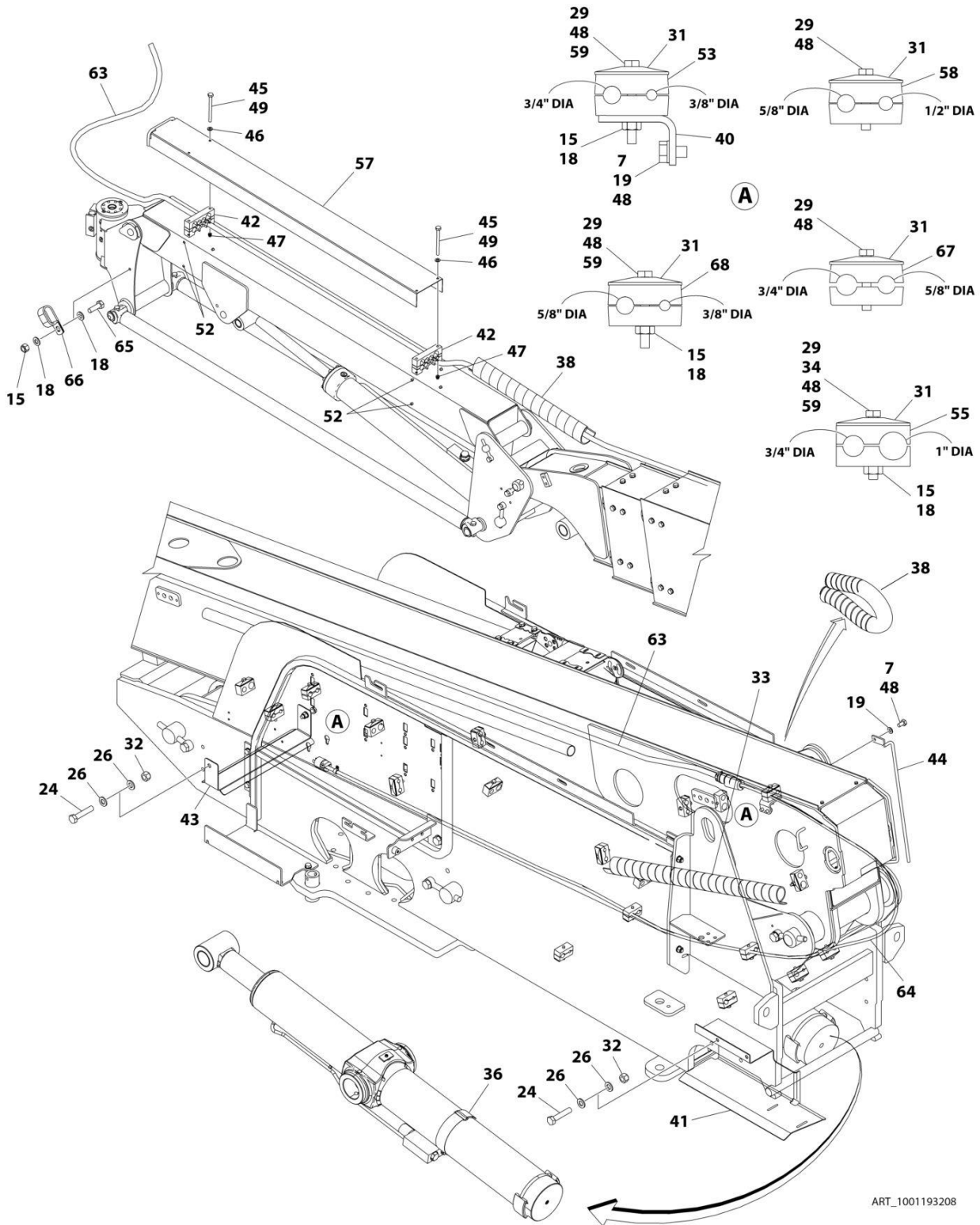
SECTION 8 - ELECTRICAL

FIGURE 8-23. AC CABLES AND CLAMPS INSTALLATION - 600S WITH 7500W SKYPOWER GENERATOR

ITEM	PART NUMBER	QTY	DESCRIPTION	REV
	1001194961	Ref	AC CABLES AND CLAMPS INSTALLATION	J
5	0701220	4	Bolt M12 x 60	
6	0761009	3	Bolt M10 x 18	
13	3290805	4	Nut M8	
15	3291205	4	Nut M12	
16	4811900	5	Washer M8	
17	4812000	3	Washer M10	
18	4812100	8	Washer M12	
19	1001146588	4	Tie-Strap (Not Shown)	
21	1001195229	1	AC Ground to Platform Cable (Upper)	
21	4460959	1	Plug, Male	
21	1671093	1	Cover, Plug	
22	1001195357	1	AC Ground to Platform Cable (Lower)	
22	4460960	1	Receptacle, Female	
22	1671092	1	Cover, Female	
25	0100011	AR	Compound, Locking	
26	0700818	16	Bolt M8 x 50	
27	77133137	19	Cover, Clamp	
28	1001204690	1	Shield, Tube	
29	5281918	1	Capscrew M8 x 70	
31	1001143645	2	Strap, Cinch	
34	1001229637	1	Bracket	
35	1001199881	1	Support	
36	1001201342	1	Support	
37	0700822	2	Bolt M8 x 70	
38	1001202936	1	Guide	
39	0760814	2	Bolt M8 x 30	
40	3841340	1	Loop, Hose	
41	4240018	3	Tie-Strap (Not Shown)	
42	1001181923	AR	Shield, Tube	
43	1001209948	3	Clamp	
46	1001209951	6	Clamp	
48	1001209953	3	Clamp	
49	4240099	2	Tie-Strap (Not Shown)	
50	1001209949	7	Clamp	

SECTION 8 - ELECTRICAL

FIGURE 8-24. AC CABLES AND CLAMPS INSTALLATION - 660SJ WITHOUT GENERATOR (ANSI, CSA AND JAPANESE SPECS)



ART_1001193208

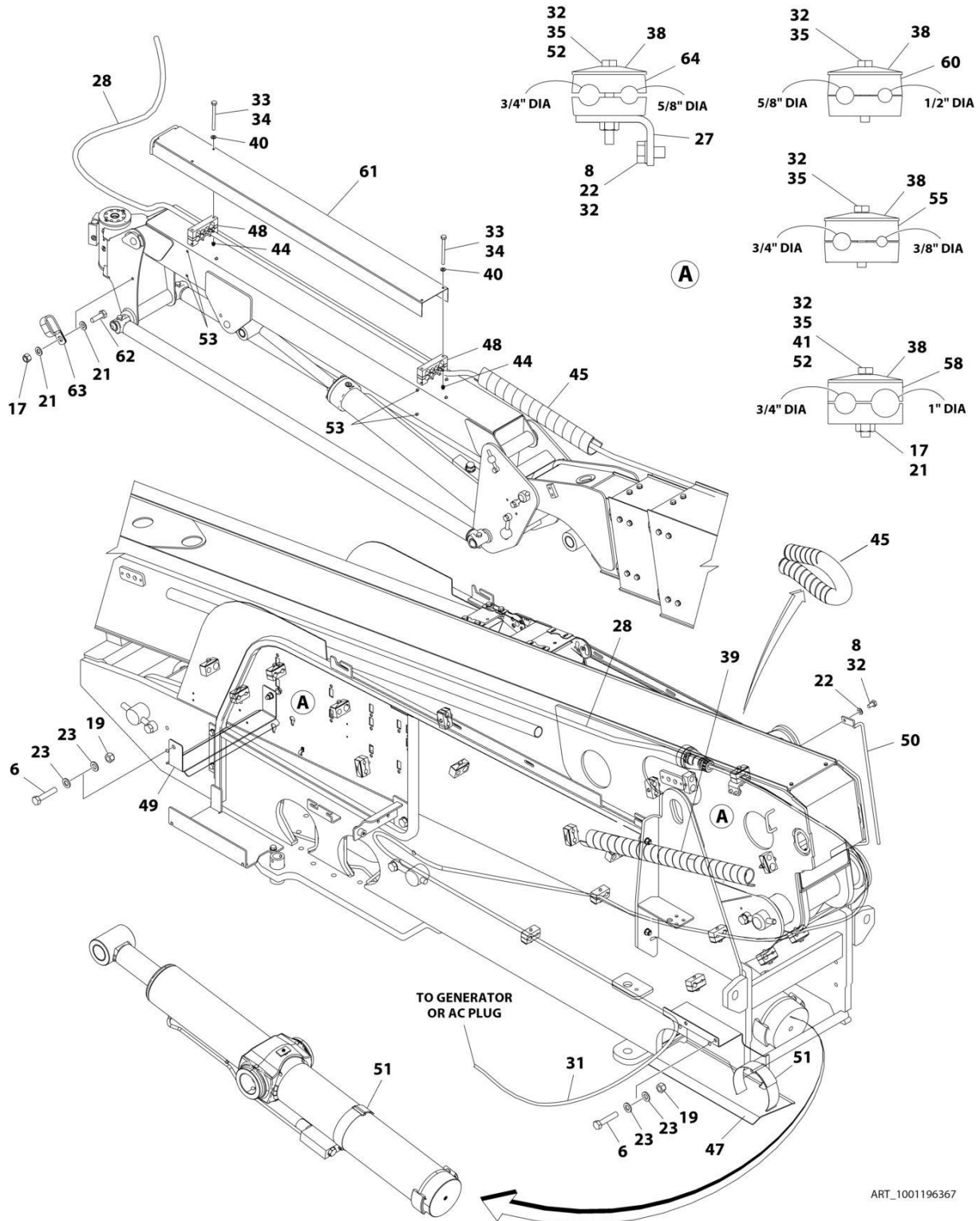
SECTION 8 - ELECTRICAL

FIGURE 8-24. AC CABLES AND CLAMPS INSTALLATION - 660SJ WITHOUT GENERATOR (ANSI, CSA AND JAPANESE SPECS)

ITEM	PART NUMBER	QTY	DESCRIPTION	REV
	1001193208	Ref	AC CABLES AND CLAMPS INSTALLATION	K
7	0761009	3	Bolt M10 x 18	
15	3290805	3	Nut M8	
18	4811900	3	Washer M8	
19	4812000	3	Washer M10	
20	1001146588	4	Tie-Strap (Not Shown)	
24	0701220	4	Bolt M12 x 60	
26	4812100	8	Washer M12	
29	0700818	16	Bolt M8 x 50	
31	77133137	19	Cover, Clamp	
32	3291205	4	Nut M12	
33	1001204690	1	Shield, Tube	
34	5281918	1	Capscrew M8 x 70	
36	1001143645	2	Strap, Cinch	
38	1001181923	AR	Shield, Tube	
40	1001229637	1	Bracket	
41	1001199881	1	Support	
42	1001201090	2	Block, Clamp	
43	1001201342	1	Support	
44	1001202936	1	Guide	
45	0641424	4	Bolt 1/4 x 3	
46	4811700	4	Washer M6	
47	2080044	4	Rivet - Nut 1/4	
48	0100011	AR	Compound, Locking	
49	0100035	AR	Compound, Locking	
51	4240018	4	Tie-Strap (Not Shown)	
52	3520034	8	Plug	
53	1001209948	3	Clamp	
55	1001209951	6	Clamp	
57	1001209957	1	Cover	
58	1001209953	3	Clamp	
59	0700822	2	Bolt M8 x 70	
63	1001195228	1	AC Ground to Platform Cable (Upper)	
63	1001120204	1	Plug, Male	
64	1001195525	1	AC Ground to Platform Cable (Lower)	
64	1001120205	1	Receptacle, Female	
65	0760812	1	Bolt M8 x 25	
66	1001116792	1	Clamp	
67	1001209949	3	Clamp	
68	1001228809	4	Clamp	

SECTION 8 - ELECTRICAL

FIGURE 8-25. AC CABLES AND CLAMPS INSTALLATION - 660SJ WITHOUT GENERATOR (ANSI EXPORT, AUSTRALIAN, CE AND CHINA SPECS)



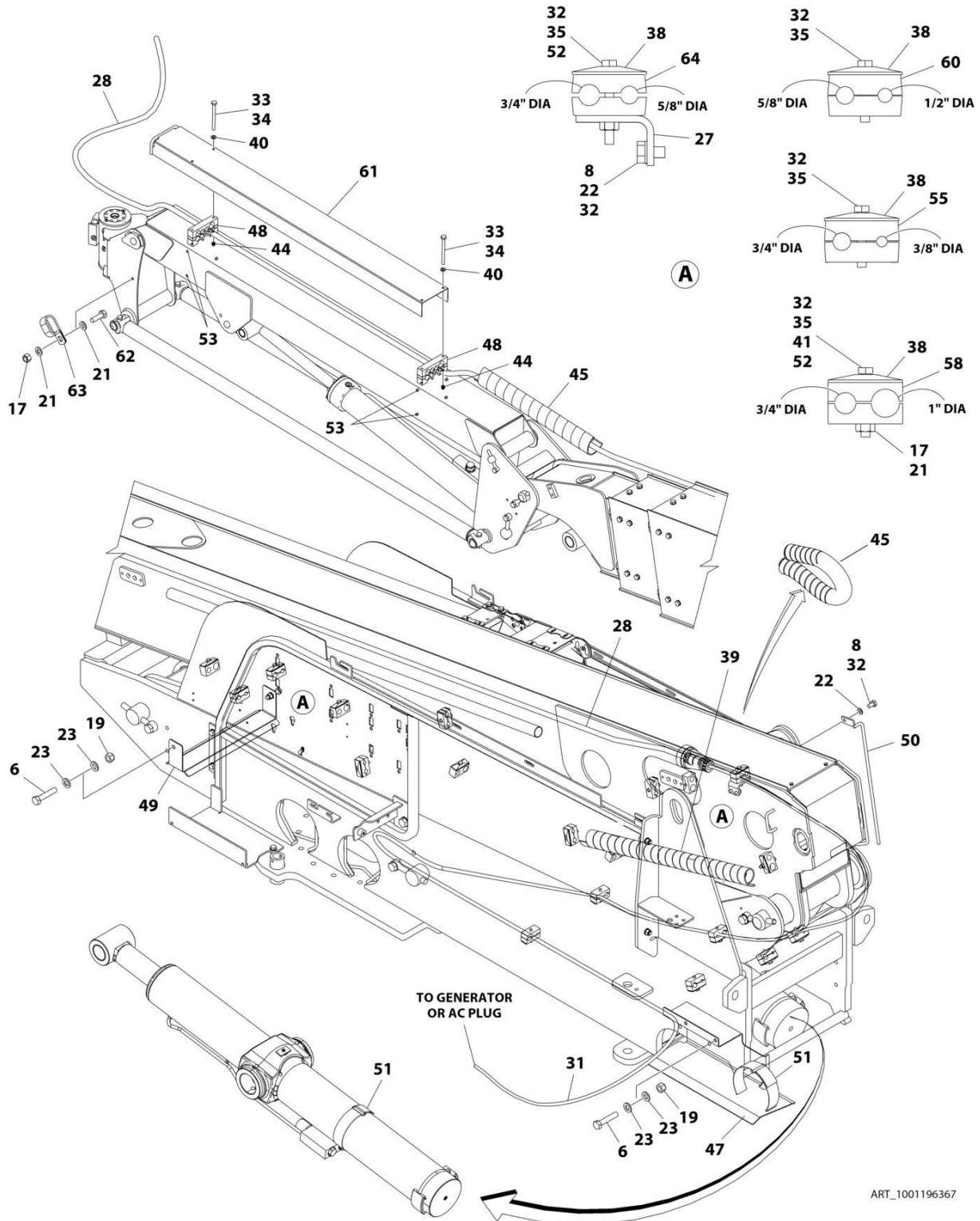
SECTION 8 - ELECTRICAL

FIGURE 8-25. AC CABLES AND CLAMPS INSTALLATION - 660SJ WITHOUT GENERATOR (ANSI EXPORT, AUSTRALIAN, CE AND CHINA SPECS)

ITEM	PART NUMBER	QTY	DESCRIPTION	REV
	1001196367	Ref	AC CABLES AND CLAMPS INSTALLATION	I
6	0701220	4	Bolt M12 x 60	
8	0761009	3	Bolt M10 x 18	
17	3290805	4	Nut M8	
19	3291205	4	Nut M12	
21	4811900	5	Washer M8	
22	4812000	3	Washer M10	
23	4812100	8	Washer M12	
24	1001146588	4	Tie-Strap (Not Shown)	
27	1001229637	1	Bracket	
28	1001195226	1	AC Ground to Platform Cable (Upper)	
28	1001214095	1	Plug, Male	
31	1001196368	1	AC Ground to Platform Cable (Lower)	
31	1001214096	1	Receptacle, Female	
32	0100011	AR	Compound, Locking	
33	0100035	AR	Compound, Locking	
34	0641424	4	Bolt 1/4 x 3	
35	0700818	16	Bolt M8 x 50	
38	77133137	19	Cover, Clamp	
39	1001204690	1	Shield, Tube	
40	4811700	4	Washer M6	
41	5281918	1	Capscrew M8 x 70	
44	2080044	4	Rivet - Nut 1/4	
45	1001181923	AR	Shield, Tube	
47	1001199881	1	Support	
48	1001201090	2	Block, Clamp	
49	1001201342	1	Support	
50	1001202936	1	Guide	
51	1001143645	2	Strap, Cinch	
52	0700822	2	Bolt M8 x 70	
53	3520034	8	Plug	
54	4240018	4	Tie-Strap (Not Shown)	
55	1001209948	3	Clamp	
58	1001209951	6	Clamp	
60	1001209953	7	Clamp	
61	1001209957	1	Cover	
62	0760812	1	Bolt M8 x 25	
63	1001116792	1	Clamp	
64	1001209949	3	Clamp	

SECTION 8 - ELECTRICAL

FIGURE 8-26. AC CABLES AND CLAMPS INSTALLATION - 660SJ WITH 2500W GENERATOR (ALL SPECS EXCEPT CE SPECS)



SECTION 8 - ELECTRICAL

FIGURE 8-26. AC CABLES AND CLAMPS INSTALLATION - 660SJ WITH 2500W GENERATOR (ALL SPECS EXCEPT CE SPECS)

ITEM	PART NUMBER	QTY	DESCRIPTION	REV
	1001196367	Ref	AC CABLES AND CLAMPS INSTALLATION	I
6	0701220	4	Bolt M12 x 60	
8	0761009	3	Bolt M10 x 18	
17	3290805	4	Nut M8	
19	3291205	4	Nut M12	
21	4811900	5	Washer M8	
22	4812000	3	Washer M10	
23	4812100	8	Washer M12	
24	1001146588	4	Tie-Strap (Not Shown)	
27	1001229637	1	Bracket	
28	1001195226	1	AC Ground to Platform Cable (Upper)	
28	1001214095	1	Plug, Male	
31	1001196368	1	AC Ground to Platform Cable (Lower)	
31	1001214096	1	Receptacle, Female	
32	0100011	AR	Compound, Locking	
33	0100035	AR	Compound, Locking	
34	0641424	4	Bolt 1/4 x 3	
35	0700818	16	Bolt M8 x 50	
38	77133137	19	Cover, Clamp	
39	1001204690	1	Shield, Tube	
40	4811700	4	Washer M6	
41	5281918	1	Capscrew M8 x 70	
44	2080044	4	Rivet - Nut 1/4	
45	1001181923	AR	Shield, Tube	
47	1001199881	1	Support	
48	1001201090	2	Block, Clamp	
49	1001201342	1	Support	
50	1001202936	1	Guide	
51	1001143645	2	Strap, Cinch	
52	0700822	2	Bolt M8 x 70	
53	3520034	8	Plug	
54	4240018	4	Tie-Strap (Not Shown)	
55	1001209948	3	Clamp	
58	1001209951	6	Clamp	
60	1001209953	7	Clamp	
61	1001209957	1	Cover	
62	0760812	1	Bolt M8 x 25	
63	1001116792	1	Clamp	
64	1001209949	3	Clamp	

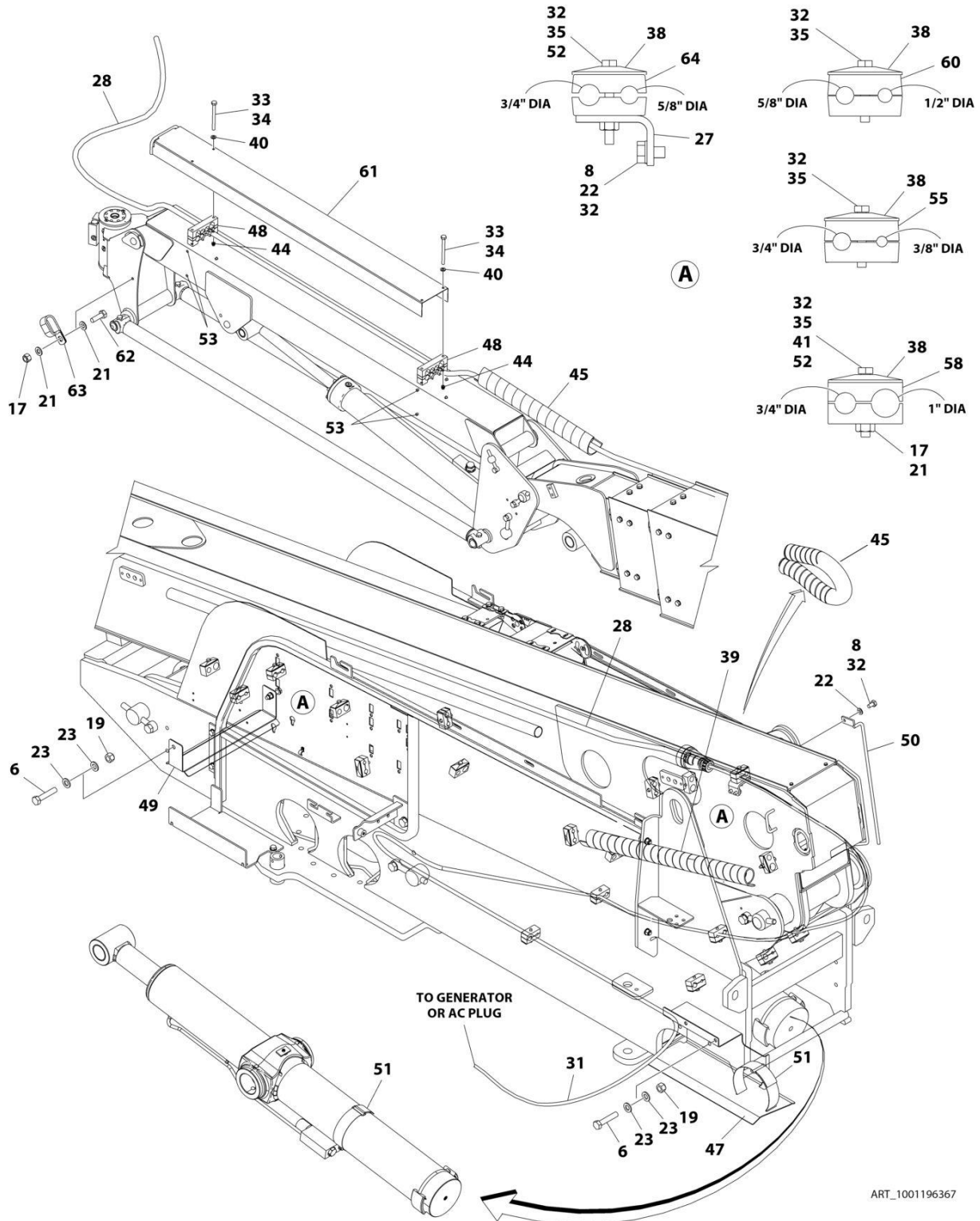
SECTION 8 - ELECTRICAL

**FIGURE 8-27. AC CABLES AND CLAMPS INSTALLATION - 660SJ WITH 4000W/60HZ GENERATOR
(ALL SPECS EXCEPT AUSTRALIAN, CE AND CHINA SPECS)**

ITEM	PART NUMBER	QTY	DESCRIPTION	REV
	1001194957	Ref	AC CABLES AND CLAMPS INSTALLATION	I
6	0701220	4	Bolt M12 x 60	
8	0761009	3	Bolt M10 x 18	
16	3290805	4	Nut M8	
18	3291205	4	Nut M12	
20	4811900	5	Washer M8	
21	4812000	3	Washer M10	
22	4812100	8	Washer M12	
23	1001146588	4	Tie-Strap (Not Shown)	
26	1001229637	1	Bracket	
27	1001228187	1	AC Ground to Platform Cable (Upper)	
27	4460959	1	Plug, Male	
27	1671093	1	Cover, Plug	
30	1001228188	1	AC Ground to Platform Cable (Lower)	
30	4460960	1	Receptacle, Female	
30	1671092	1	Cover, Receptacle	
31	0100011	AR	Compound, Locking	
32	0100035	AR	Compound, Locking	
33	0700818	16	Bolt M8 x 50	
36	77133137	19	Cover, Clamp	
37	1001204690	1	Shield, Tube	
38	5281918	1	Capscrew M8 x 70	
41	1001181923	AR	Shield, Tube	
43	1001199881	1	Support	
44	1001201342	1	Support	
45	1001202936	1	Guide	
46	1001143645	2	Strap, Cinch	
47	2080044	4	Rivet - Nut 1/4	
48	0641424	4	Bolt 1/4 x 3	
49	4811700	4	Washer M6	
50	1001201090	2	Block, Clamp	
51	0700822	2	Bolt M8 x 70	
52	3520034	8	Plug	
53	4240018	4	Tie-Strap (Not Shown)	
54	1001209948	3	Clamp	
57	1001209951	6	Clamp	
59	1001209953	7	Clamp	
60	1001209957	1	Cover	
61	0760812	1	Bolt M8 x 25	
62	1001116792	1	Clamp	
63	1001209949	3	Clamp	

SECTION 8 - ELECTRICAL

FIGURE 8-28. AC CABLES AND CLAMPS INSTALLATION - 660SJ WITH 4000W/50HZ GENERATOR (ANSI EXPORT, AUSTRALIAN AND CE SPECS)



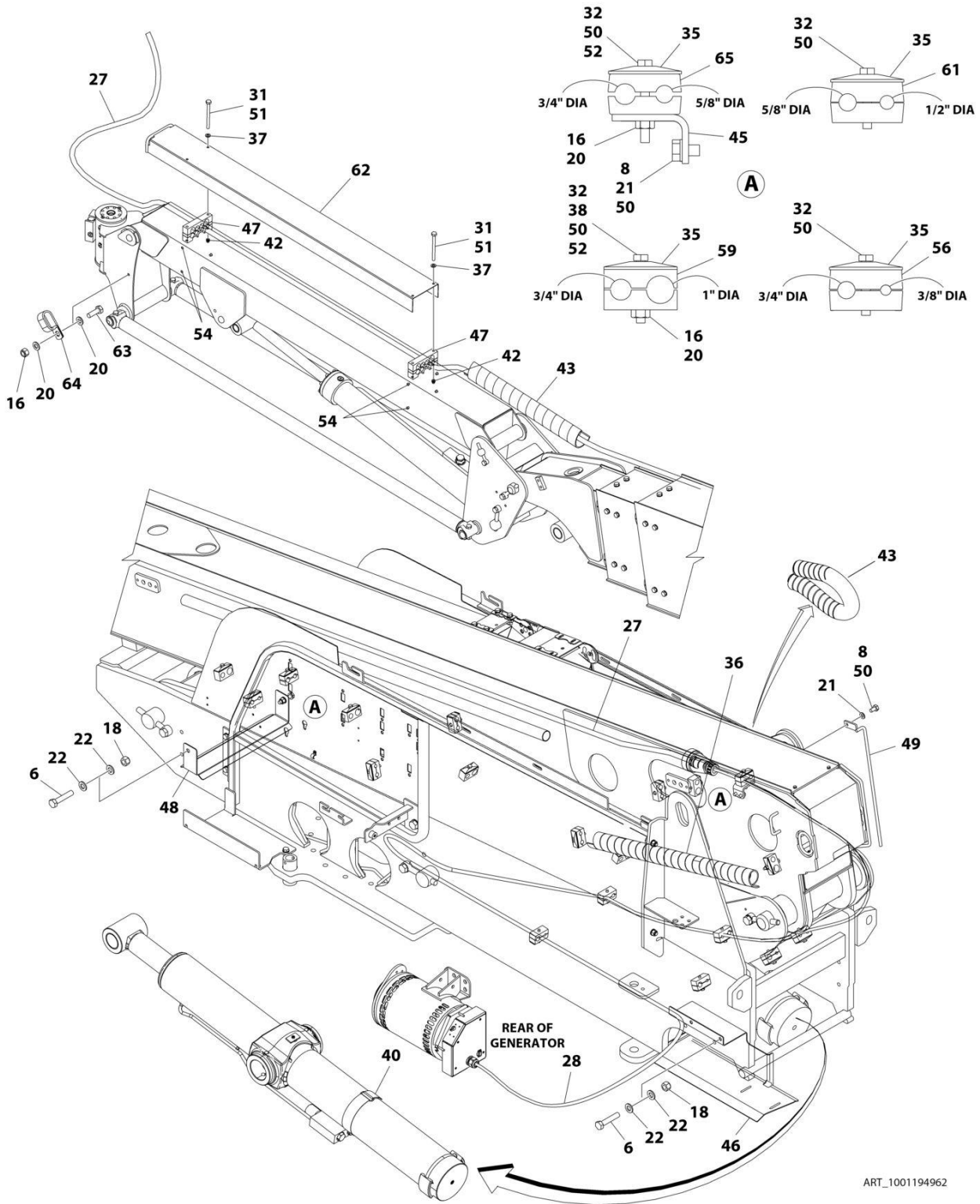
SECTION 8 - ELECTRICAL

**FIGURE 8-28. AC CABLES AND CLAMPS INSTALLATION - 660SJ WITH 4000W/50HZ GENERATOR
(ANSI EXPORT, AUSTRALIAN AND CE SPECS)**

ITEM	PART NUMBER	QTY	DESCRIPTION	REV
	1001196367	Ref	AC CABLES AND CLAMPS INSTALLATION	I
6	0701220	4	Bolt M12 x 60	
8	0761009	3	Bolt M10 x 18	
17	3290805	4	Nut M8	
19	3291205	4	Nut M12	
21	4811900	5	Washer M8	
22	4812000	3	Washer M10	
23	4812100	8	Washer M12	
24	1001146588	4	Tie-Strap (Not Shown)	
27	1001229637	1	Bracket	
28	1001195226	1	AC Ground to Platform Cable (Upper)	
28	1001214095	1	Plug, Male	
31	1001196368	1	AC Ground to Platform Cable (Lower)	
31	1001214096	1	Receptacle, Female	
32	0100011	AR	Compound, Locking	
33	0100035	AR	Compound, Locking	
34	0641424	4	Bolt 1/4 x 3	
35	0700818	16	Bolt M8 x 50	
38	77133137	19	Cover, Clamp	
39	1001204690	1	Shield, Tube	
40	4811700	4	Washer M6	
41	5281918	1	Capscrew M8 x 70	
44	2080044	4	Rivet - Nut 1/4	
45	1001181923	AR	Shield, Tube	
47	1001199881	1	Support	
48	1001201090	2	Block, Clamp	
49	1001201342	1	Support	
50	1001202936	1	Guide	
51	1001143645	2	Strap, Cinch	
52	0700822	2	Bolt M8 x 70	
53	3520034	8	Plug	
54	4240018	4	Tie-Strap (Not Shown)	
55	1001209948	3	Clamp	
58	1001209951	6	Clamp	
60	1001209953	7	Clamp	
61	1001209957	1	Cover	
62	0760812	1	Bolt M8 x 25	
63	1001116792	1	Clamp	
64	1001209949	3	Clamp	

SECTION 8 - ELECTRICAL

FIGURE 8-29. AC CABLES AND CLAMPS INSTALLATION - 660SJ WITH 7500W SKYPOWER GENERATOR



ART_1001194962

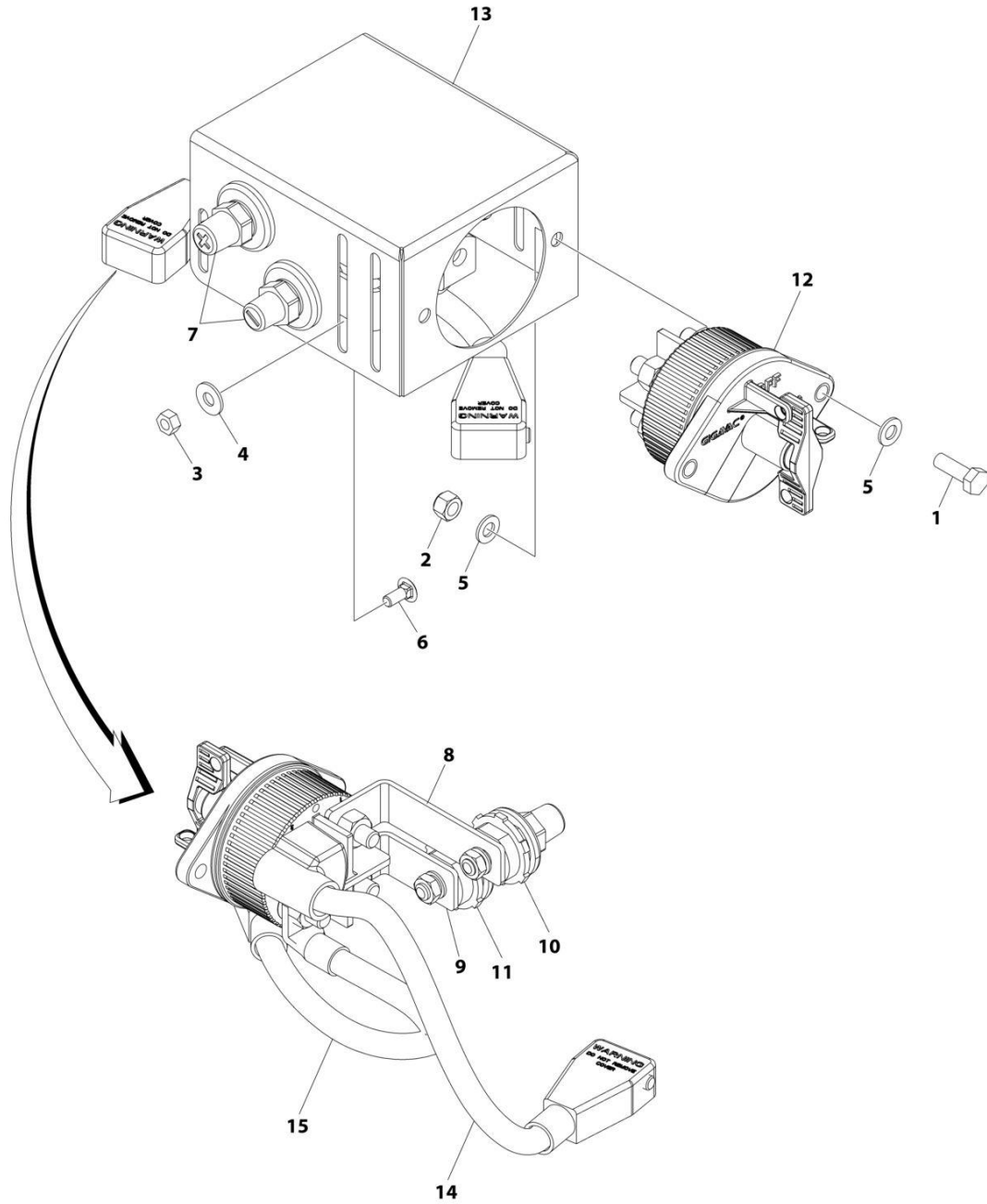
SECTION 8 - ELECTRICAL

FIGURE 8-29. AC CABLES AND CLAMPS INSTALLATION - 660SJ WITH 7500W SKYPOWER GENERATOR

ITEM	PART NUMBER	QTY	DESCRIPTION	REV
	1001194962	Ref	AC CABLES AND CLAMPS INSTALLATION	J
6	0701220	4	Bolt M12 x 60	
8	0761009	3	Bolt M10 x 18	
16	3290805	4	Nut M8	
18	3291205	4	Nut M12	
20	4811900	5	Washer M8	
21	4812000	3	Washer M10	
22	4812100	8	Washer M12	
23	1001146588	4	Tie-Strap (Not Shown)	
27	1001227075	1	AC Ground to Platform Cable (Upper)	
27	4460959	1	Plug, Male	
27	1671093	1	Cover, Plug	
28	1001226304	1	AC Ground to Platform Cable (Lower)	
28	4460960	1	Receptacle, Female	
28	1671092	1	Cover, Receptacle	
31	0641424	4	Bolt 1/4 x 3	
32	0700818	16	Bolt M8 x 50	
35	77133137	19	Cover, Clamp	
36	1001204690	1	Shield, Tube	
37	4811700	4	Washer M6	
38	5281918	1	Capscrew M8 x 70	
40	1001143645	2	Strap, Cinch	
42	2080044	4	Rivet - Nut 1/4	
43	1001181923	AR	Shield, Tube	
45	1001229637	1	Bracket	
46	1001199881	1	Support	
47	1001201090	2	Block, Clamp	
48	1001201342	1	Support	
49	1001202936	1	Guide	
50	0100011	AR	Compound, Locking	
51	0100035	AR	Compound, Locking	
52	0700822	2	Bolt M8 x 70	
54	3520034	8	Plug	
55	4240018	4	Tie-Strap (Not Shown)	
56	1001209948	3	Clamp	
59	1001209951	6	Clamp	
61	1001209953	3	Clamp	
62	1001209957	1	Cover	
63	0760812	1	Bolt M8 x 25	
64	1001116792	1	Clamp	
65	1001209949	7	Clamp	
66	0700819	1	Bolt M8 x 55 (Not Shown)	

SECTION 8 - ELECTRICAL

FIGURE 8-30. BATTERY DISCONNECT SWITCH INSTALLATION



ART_1001236304

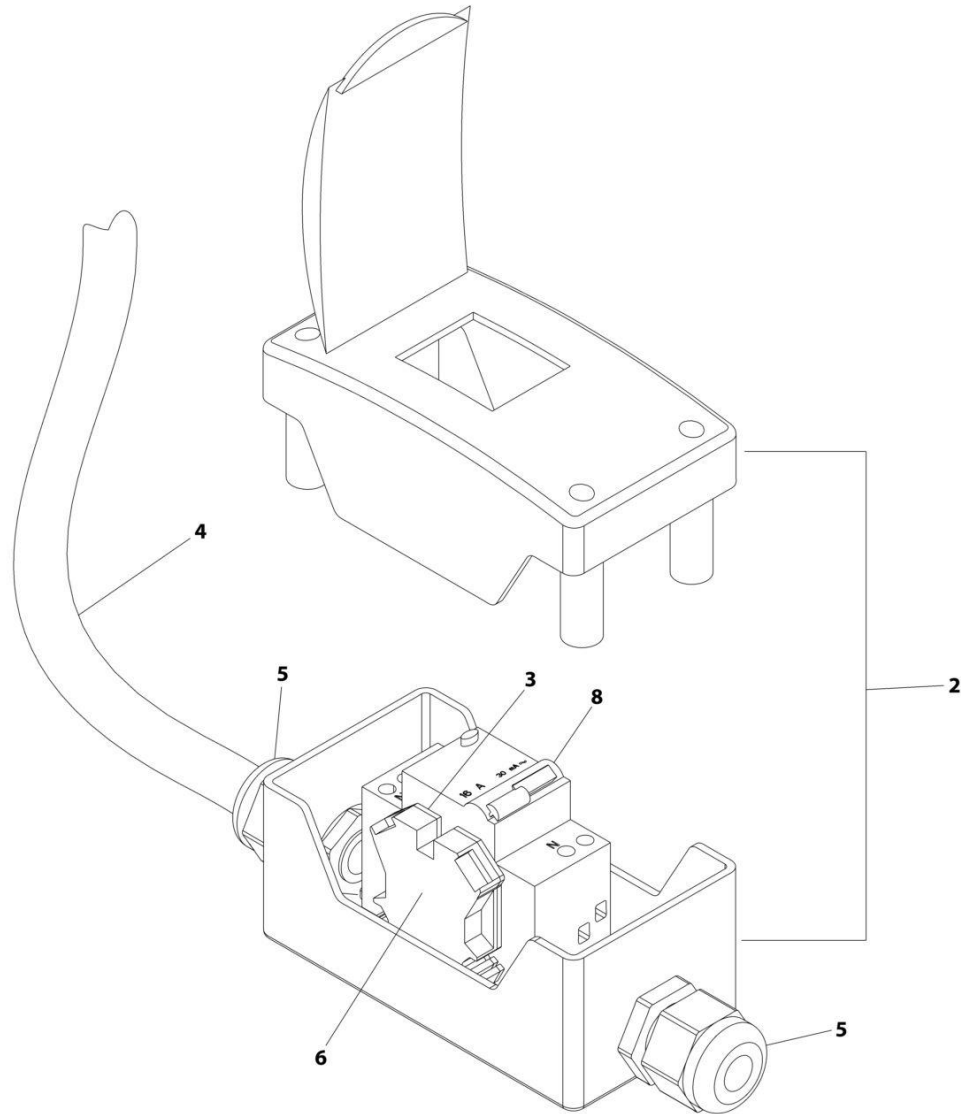
SECTION 8 - ELECTRICAL

FIGURE 8-30. BATTERY DISCONNECT SWITCH INSTALLATION

ITEM	PART NUMBER	QTY	DESCRIPTION	REV
	1001236304	Ref	BATTERY DISCONNECT SWITCH INSTALLATION	A
1	0760812	2	Bolt M8 x 25	
2	3290805	2	Nut M8	
3	3311405	3	Nut 1/4	
4	4751400	3	Washer 1/4	
5	4811900	4	Washer M8	
6	88411013	3	Bolt 1/4 x 3/4	
7	1001206476	1	Connectors, Post	
8	1001209432	1	Bussbar	
9	1001209474	1	Bussbar	
10	1001214570	1	Connector (Red)	
11	1001214571	1	Connector (Black)	
12	1001225346	1	Switch, Battery	
13	1001226531	1	Mount	
14	1001236504	1	Cable, Battery (+)	
15	1001236505	1	Cable, Battery (-)	

SECTION 8 - ELECTRICAL

FIGURE 8-31. BREAKER BOX KIT - SINGLE DOUBLE POLE BREAKER (WITHOUT 4000W/50HZ GENERATOR)



ART_2902549

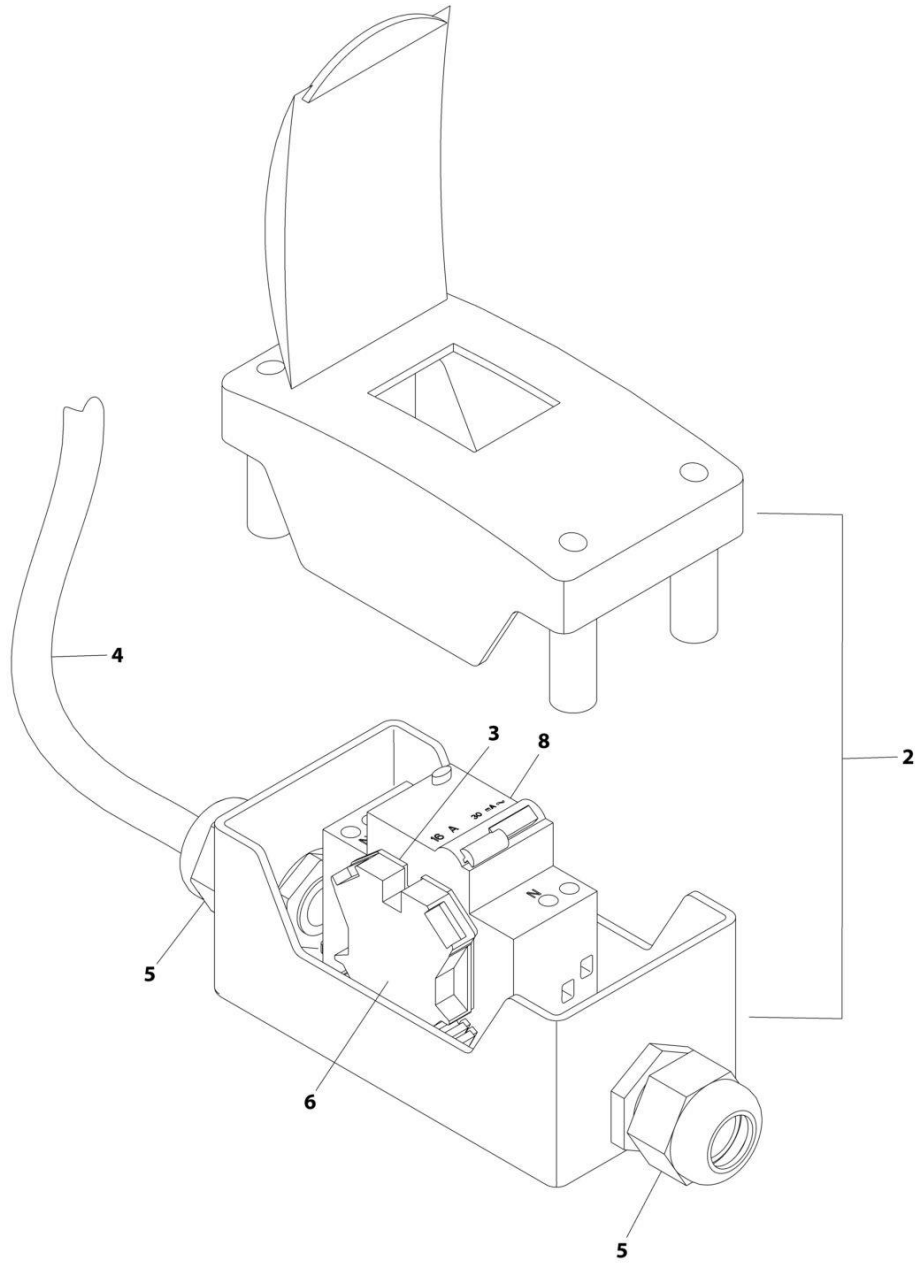
SECTION 8 - ELECTRICAL

FIGURE 8-31. BREAKER BOX KIT - SINGLE DOUBLE POLE BREAKER (WITHOUT 4000W/50HZ GENERATOR)

ITEM	PART NUMBER	QTY	DESCRIPTION	REV
	2902549	Ref	BREAKER BOX KIT - 110/220V 16AMP BREAKER	F
2	0861880	1	Box	
3	4460956	1	Barrier, Terminal	
4	1060908	6 ft/1.8m	Cable, 12/3	
5	1001097150	2	Connector, Strain Relief	
6	4460957	1	Block, Terminal	
8	1001181045	1	Breaker, Combination 16Amp/30mAmp	

SECTION 8 - ELECTRICAL

FIGURE 8-32. BREAKER BOX KIT - SINGLE DOUBLE POLE BREAKER (WITH 4000W/50HZ GENERATOR)



ART_1001096070

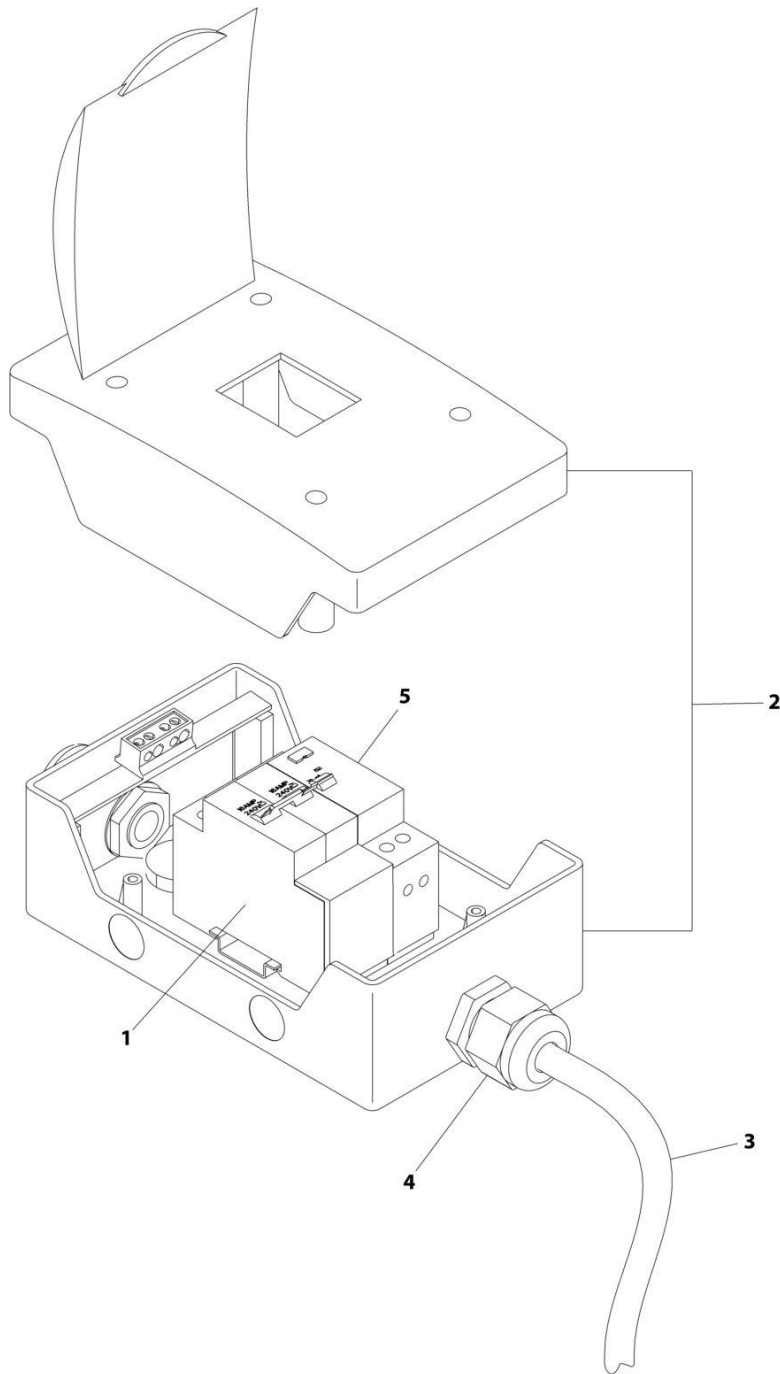
SECTION 8 - ELECTRICAL

FIGURE 8-32. BREAKER BOX KIT - SINGLE DOUBLE POLE BREAKER (WITH 4000W/50HZ GENERATOR)

ITEM	PART NUMBER	QTY	DESCRIPTION	REV
	1001096070	Ref	BREAKER BOX KIT	E
2	0861880	1	Box	
3	4460956	1	Barrier, Terminal Block End	
4	1060908	12 ft/ 3.6m	Cable, 12/3	
5	1001097150	2	Connector, Strain Relief	
6	4460957	1	Block, Terminal	
8	1001181045	1	Breaker, 16Amp	

SECTION 8 - ELECTRICAL

FIGURE 8-33. BREAKER BOX KIT - 3 BREAKERS (SN 0300235168 through 0300237156)



ART_1001152485-D

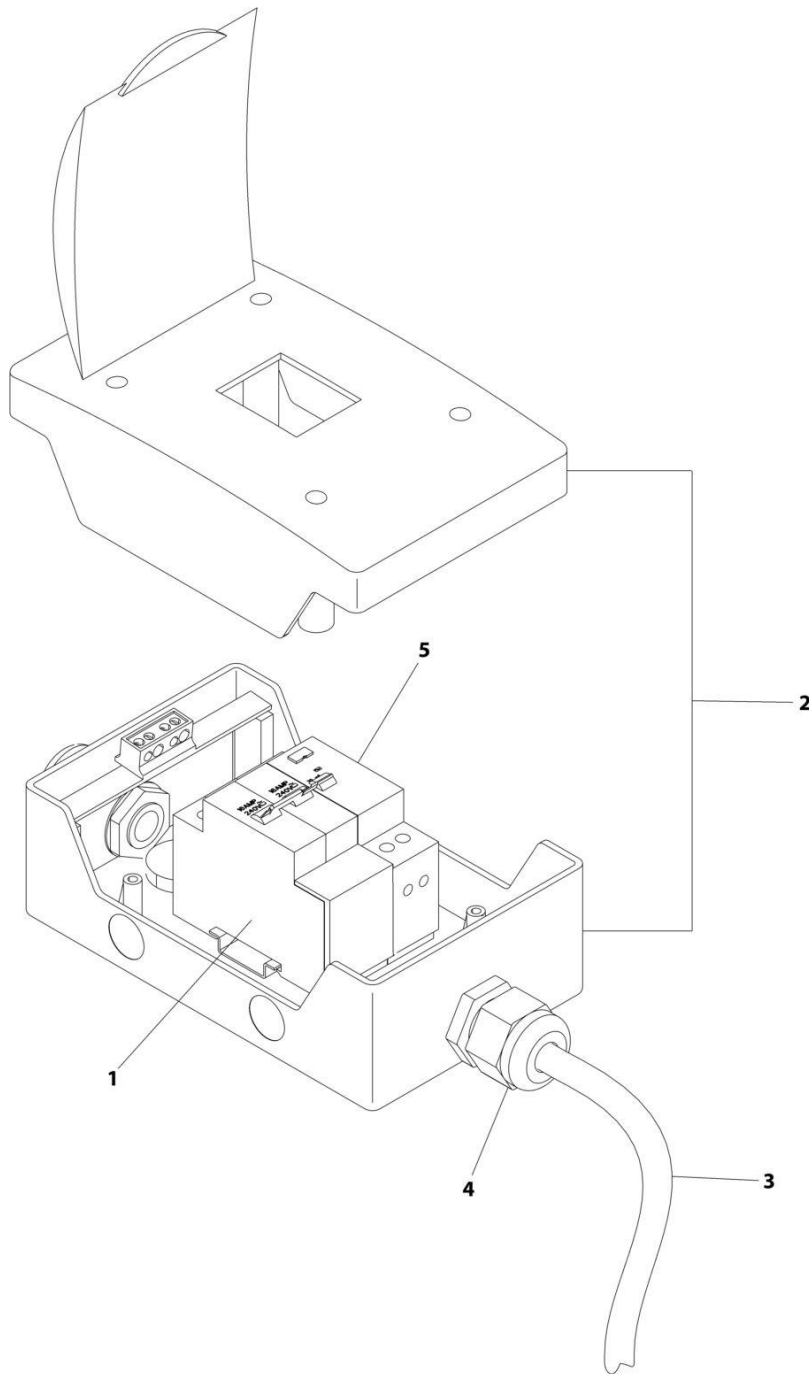
SECTION 8 - ELECTRICAL

FIGURE 8-33. BREAKER BOX KIT - 3 BREAKERS (SN 0300235168 through 0300237156)

ITEM	PART NUMBER	QTY	DESCRIPTION	REV
	1001152485	Ref	BREAKER BOX KIT WITH TWO BREAKERS	D
1	1001189172	1	Breaker 16Amp Double	
2	1001152483	1	Box	
3	1060908	6 ft/1.8m	Cable, 12/3	
4	1001097150	2	Connector, Strain Relief	
5	1001189171	1	Breaker, 30mA	

SECTION 8 - ELECTRICAL

FIGURE 8-34. BREAKER BOX KIT - 3 BREAKERS (SN 0300237157 through 0300272445)



ART_1001152486

SECTION 8 - ELECTRICAL

FIGURE 8-34. BREAKER BOX KIT - 3 BREAKERS (SN 0300237157 through 0300272445)

ITEM	PART NUMBER	QTY	DESCRIPTION	REV
	1001152486	Ref	BREAKER BOX KIT	A
1	1001152479	1	Breaker, 16 Amp (Double)	
2	1001152483	1	Box	
3	1060908	12 ft/ 3.66m	Cable, 12/3	
4	1001097150	1	Connector, Strain Relief	
5	1001152482	1	Breaker, 30mA	

SECTION 8 - ELECTRICAL

FIGURE 8-35. BOOM ANGLE SENSOR HARNESS



ART_1001189005

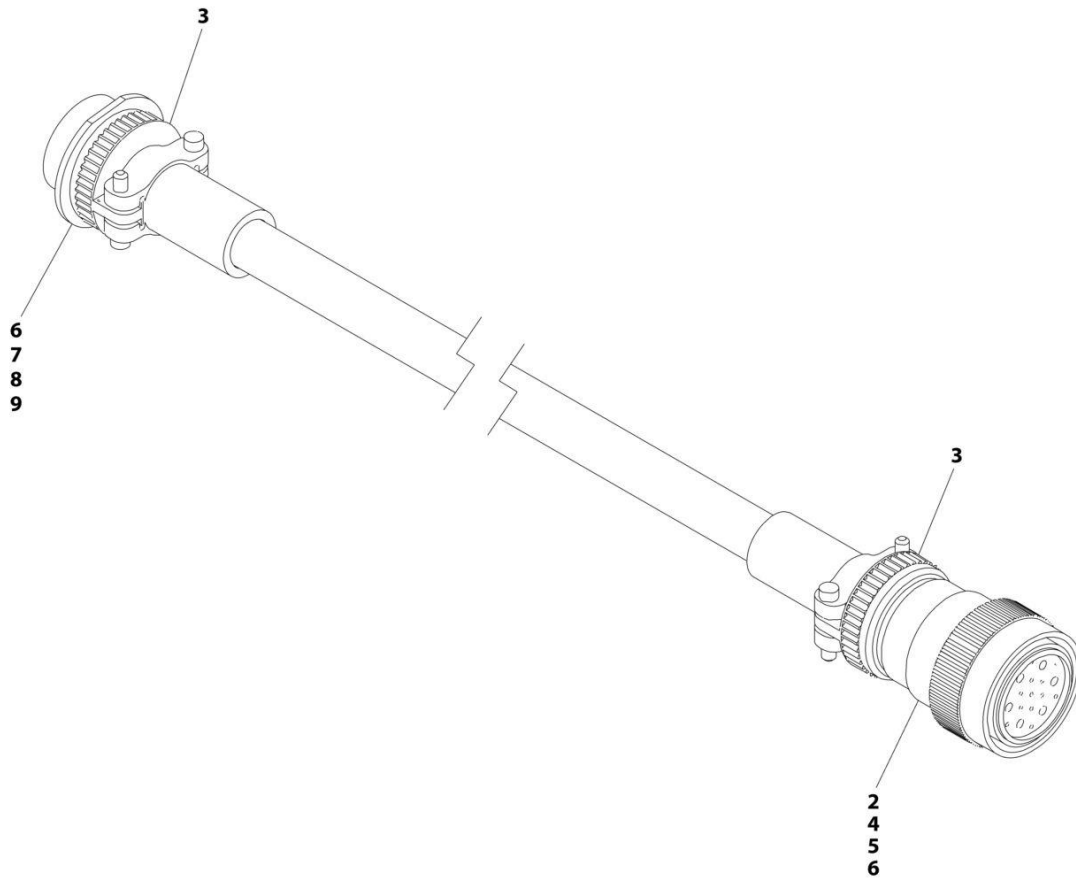
SECTION 8 - ELECTRICAL

FIGURE 8-35. BOOM ANGLE SENSOR HARNESS

ITEM	PART NUMBER	QTY	DESCRIPTION	REV
	1001189005	Ref	BOOM ANGLE SENSOR HARNESS	D
1	1001230931	1	Plug, Male - 6 Position	
1	1001116748	6	Terminal	
2	4460932	1	Receptacle, Female - 4 Position	
2	4460464	4	Pin, Male	

SECTION 8 - ELECTRICAL

FIGURE 8-36. BOOM CABLE - LOWER



ART_1001206082

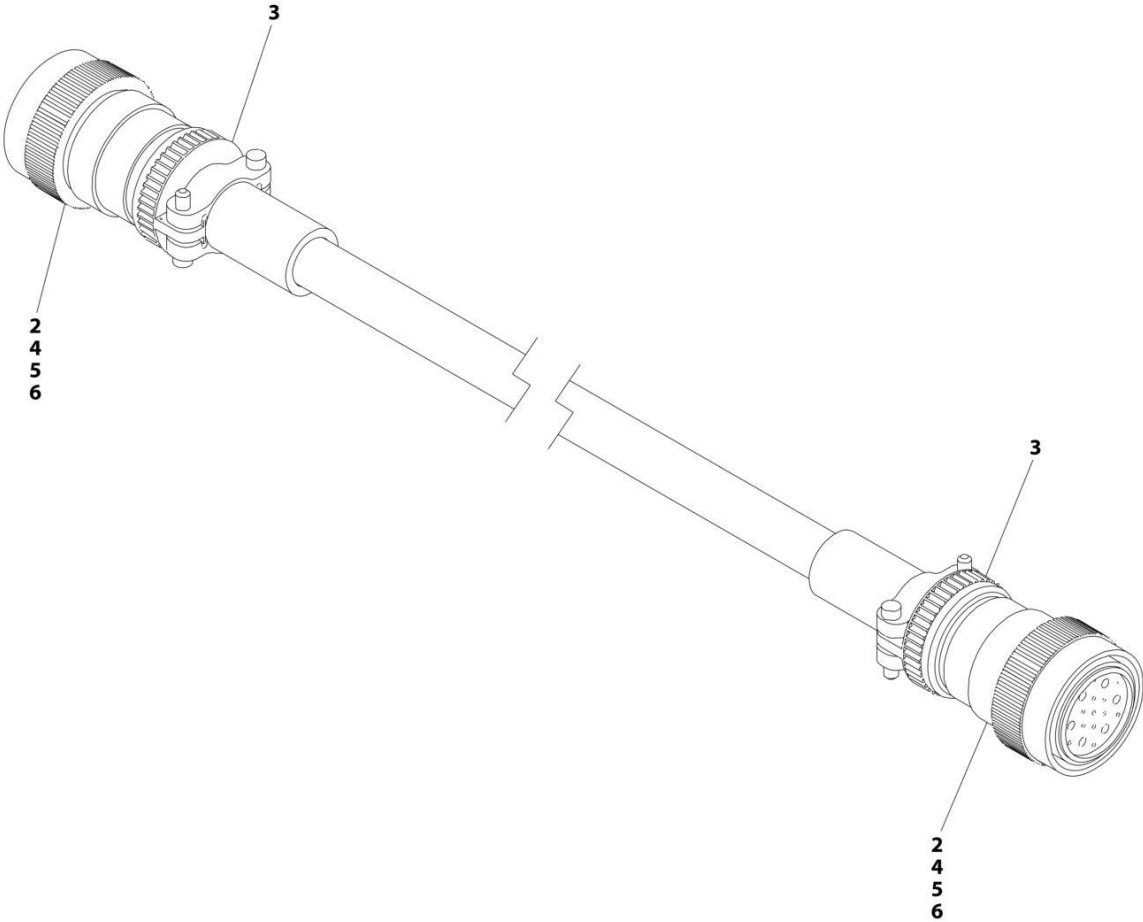
SECTION 8 - ELECTRICAL

FIGURE 8-36. BOOM CABLE - LOWER

ITEM	PART NUMBER	QTY	DESCRIPTION	REV
	1001206082	Ref	BOOM CABLE	C
2	4460865	1	Connector - 19 Position	
3	4460473	2	Clamp	
4	4460465	10	Socket, Female	
5	4460509	4	Socket, Female	
6	4460466	10	Plug, Socket	
7	4460866	1	Connector - 19 Position	
8	4460508	4	Pin, Male	
9	4460464	10	Pin, Male	

SECTION 8 - ELECTRICAL

FIGURE 8-37. BOOM CABLE - UPPER (600S)



ART_1001188533

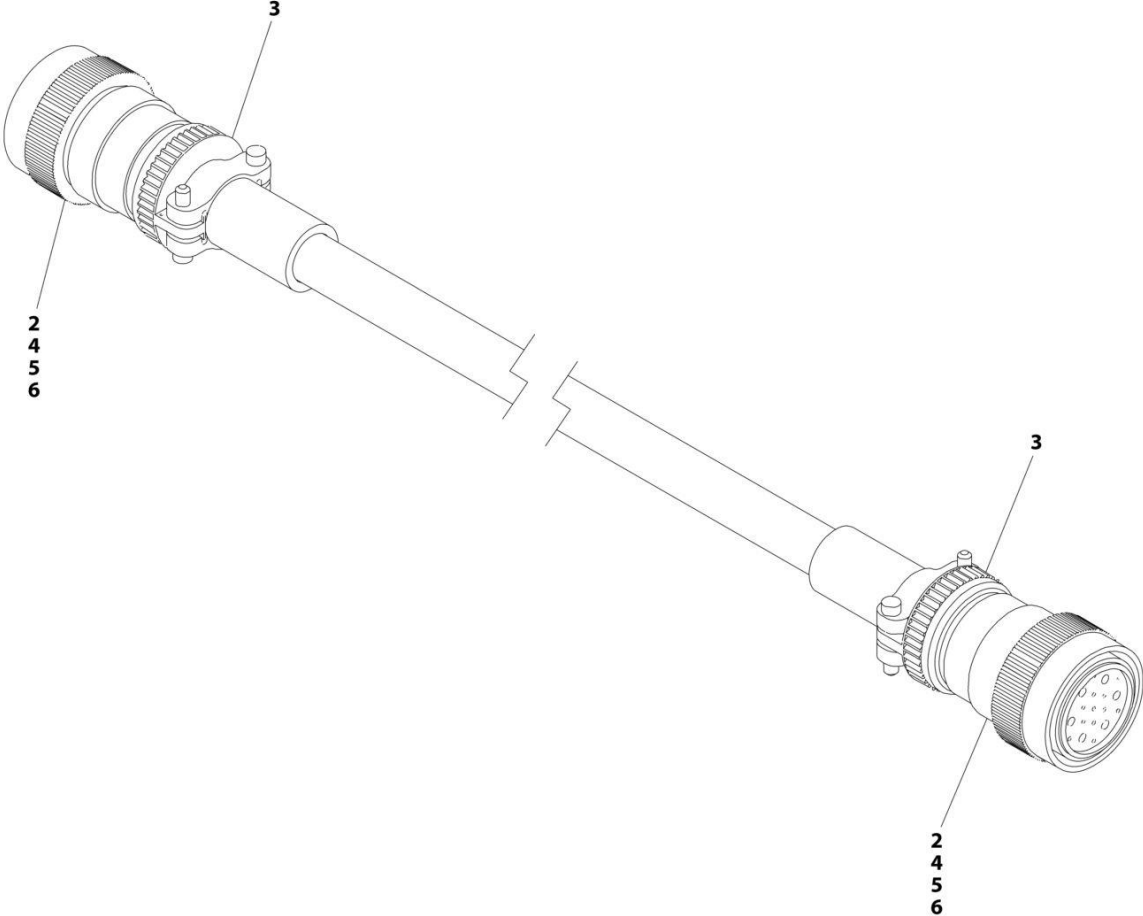
SECTION 8 - ELECTRICAL

FIGURE 8-37. BOOM CABLE - UPPER (600S)

ITEM	PART NUMBER	QTY	DESCRIPTION	REV
	1001188533	Ref	BOOM CABLE	C
2	4460865	2	Connector - 19 Position	
3	4460473	2	Clamp	
4	4460465	20	Socket, Female	
5	4460509	8	Socket, Female	
6	4460466	10	Plug, Socket	
7	1001226400	2	Heat Shrink (Not Shown)	

SECTION 8 - ELECTRICAL

FIGURE 8-38. BOOM CABLE - UPPER (660SJ)



ART_1001188534

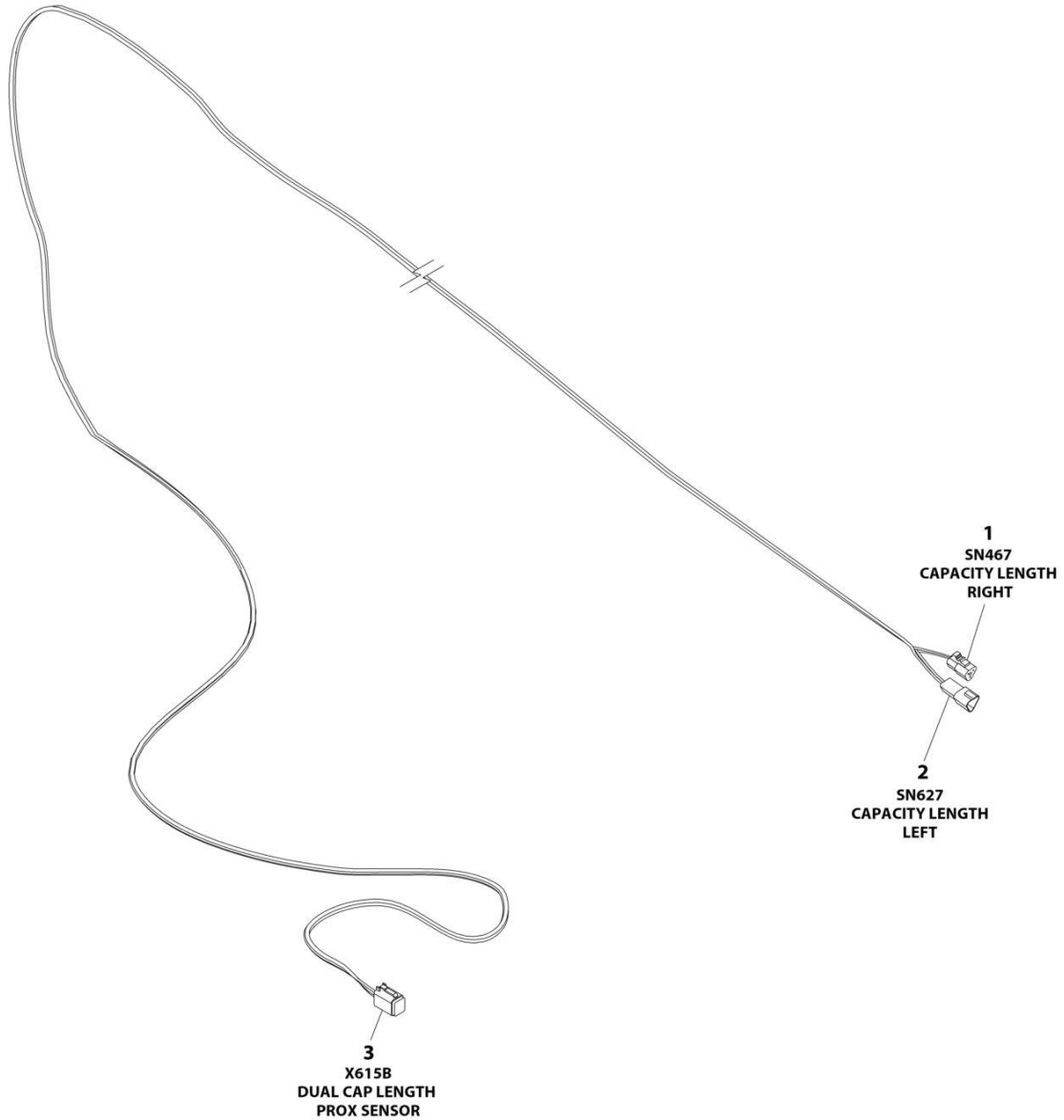
SECTION 8 - ELECTRICAL

FIGURE 8-38. BOOM CABLE - UPPER (660SJ)

ITEM	PART NUMBER	QTY	DESCRIPTION	REV
	1001188534	Ref	BOOM CABLE	C
2	4460865	2	Connector - 19 Position	
3	4460473	2	Clamp	
4	4460465	20	Socket, Female	
5	4460509	8	Socket, Female	
6	4460466	10	Plug, Socket	
7	1001226400	2	Heat Shirnk (Not Shown)	

SECTION 8 - ELECTRICAL

FIGURE 8-39. CAPACITY PROXIMITY HARNESS (SN 0300235168 through 0300257780, SN B300002655 through B300005754)



ART_1001189004

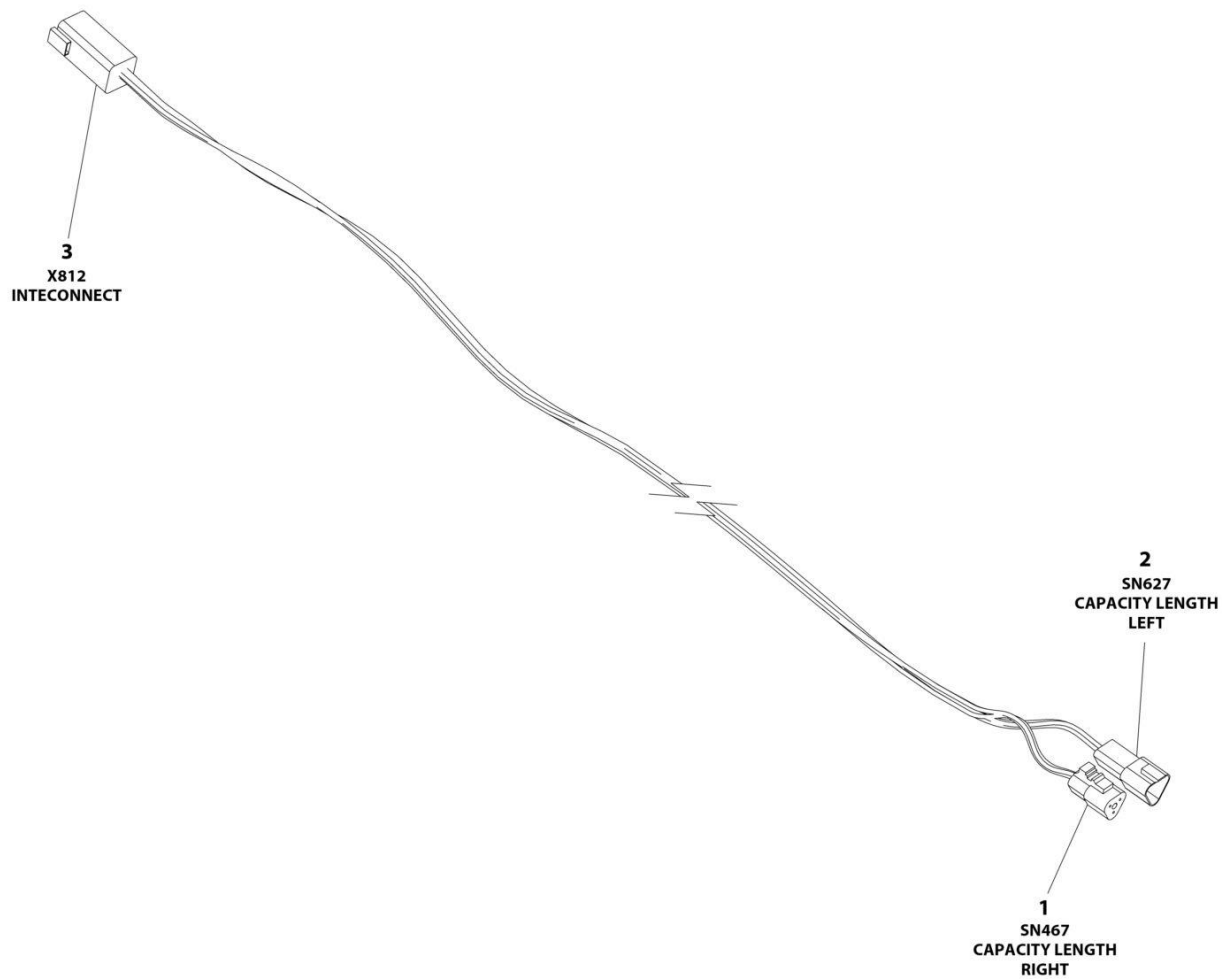
SECTION 8 - ELECTRICAL

FIGURE 8-39. CAPACITY PROXIMITY HARNESS (SN 0300235168 through 0300257780, SN B300002655 through B300005754)

ITEM	PART NUMBER	QTY	DESCRIPTION	REV
	1001189004	Ref	CAPACITY PROXIMITY HARNESS	D
1	4460539	1	Plug, Male - 3 Position	
1	4460465	3	Socket, Female	
2	4460536	1	Receptacle, Female - 3 Position	
2	4640464	3	Pin, Male	
3	4460894	1	Plug, Male - 6 Position	
3	4460465	6	Socket, Female	

SECTION 8 - ELECTRICAL

FIGURE 8-40. CAPACITY PROXIMITY HARNESS (SN 0300257781 through 0300272445)



ART_1001242907

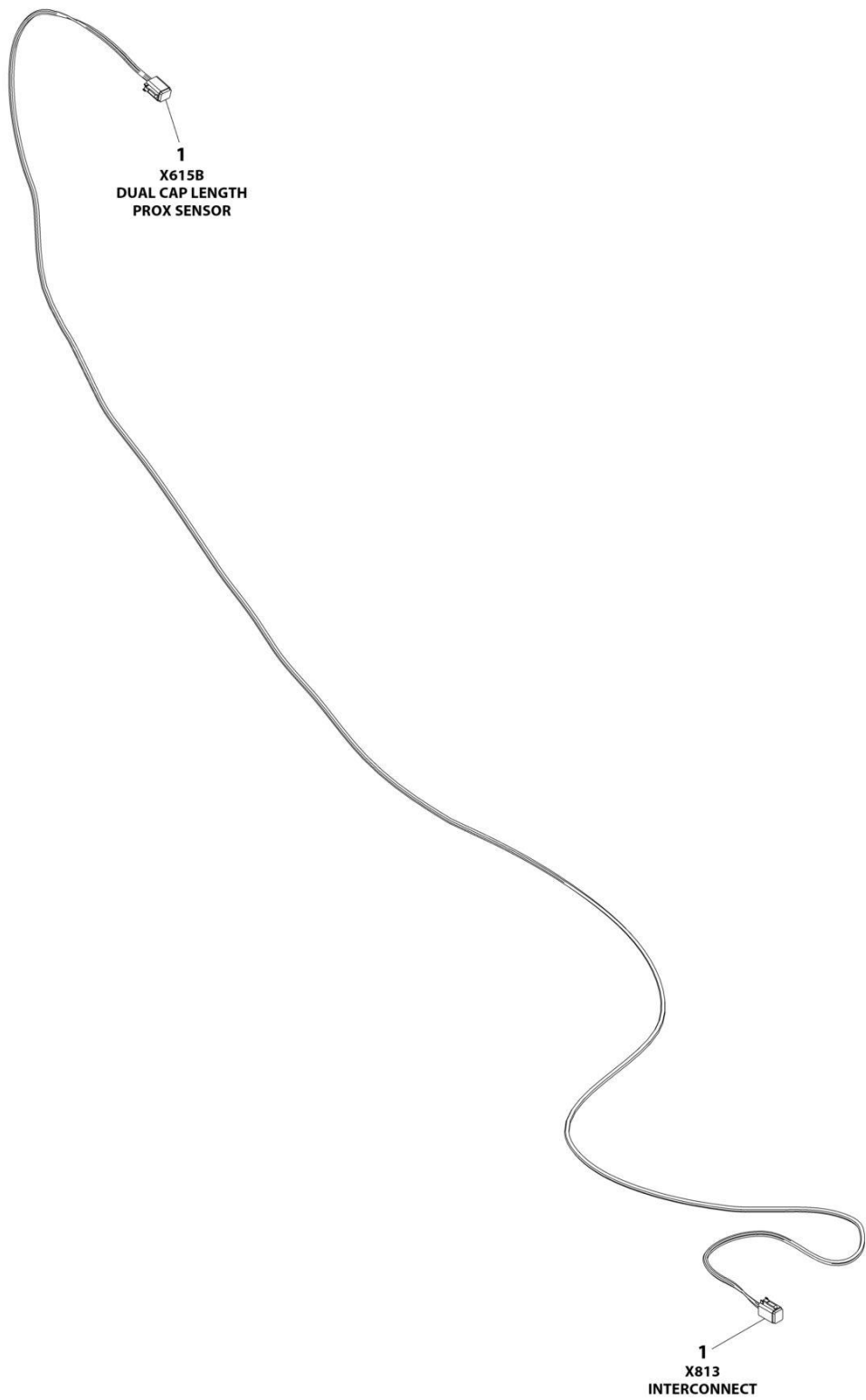
SECTION 8 - ELECTRICAL

FIGURE 8-40. CAPACITY PROXIMITY HARNESS (SN 0300257781 through 0300272445)

ITEM	PART NUMBER	QTY	DESCRIPTION	REV
	1001242907	Ref	CAPACITY PROXIMITY HARNESS	B
1	4460539	1	Plug, Male - 3 Position	
1	4460465	3	Socket, Female	
2	4460536	1	Receptacle, Female - 3 Position	
2	4640464	3	Pin, Male	
3	4460899	1	Receptacle, Female - 6 Position	
3	4460464	6	Pin, Male	

SECTION 8 - ELECTRICAL

FIGURE 8-41. CAPACITY PROXIMITY HARNESS (SN 0300257781 through 0300272445)



ART_1001242908

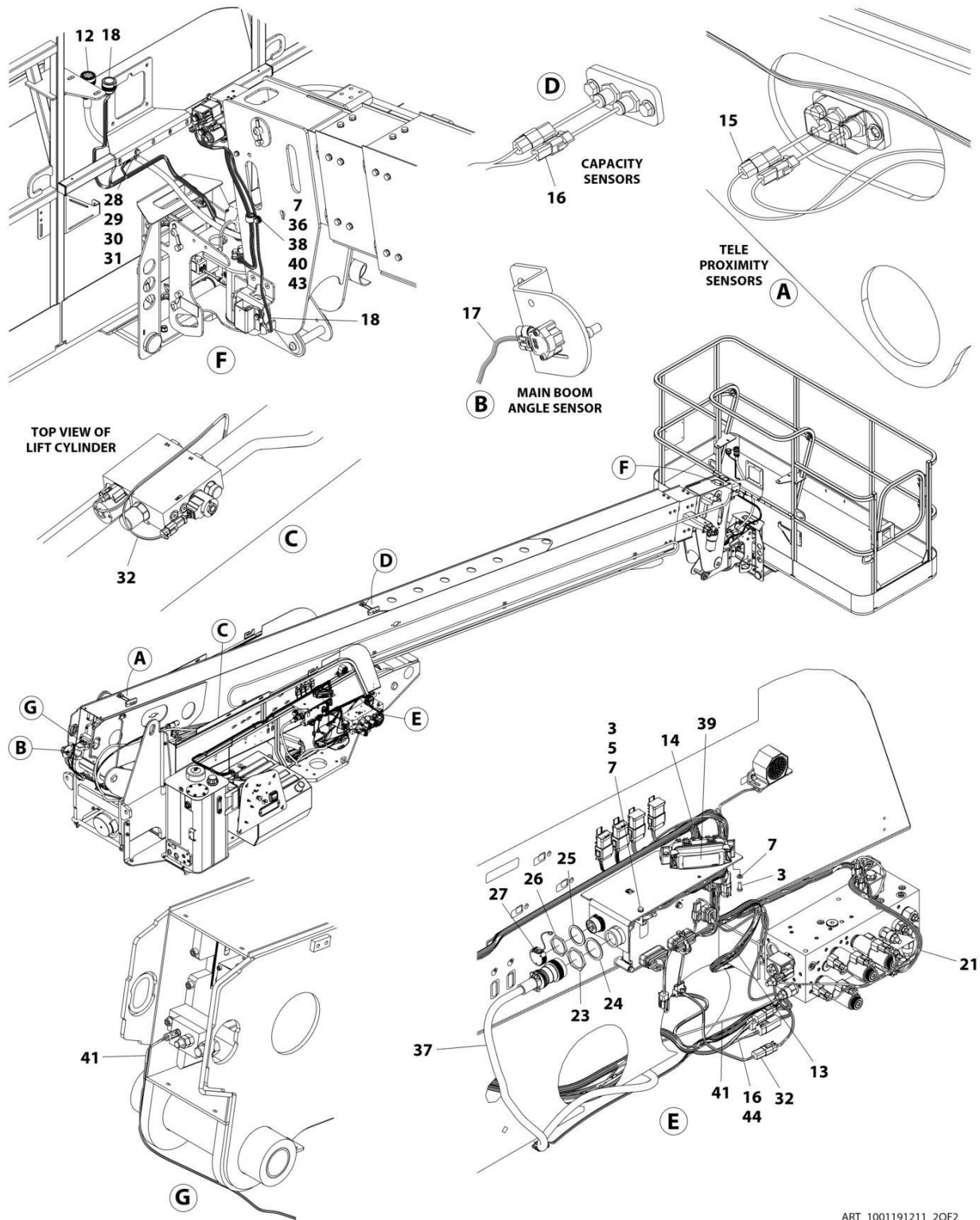
SECTION 8 - ELECTRICAL

FIGURE 8-41. CAPACITY PROXIMITY HARNESS (SN 0300257781 through 0300272445)

ITEM	PART NUMBER	QTY	DESCRIPTION	REV
	1001242908	Ref	CAPACITY PROXIMITY HARNESS	B
1	4460894	2	Plug, Male - 6 Position	
1	4460465	12	Socket, Female	

SECTION 8 - ELECTRICAL

FIGURE 8-42. ELECTRICAL COMPONENTS INSTALLATION - 600S WITH 2WS



ART_1001191211_20F2

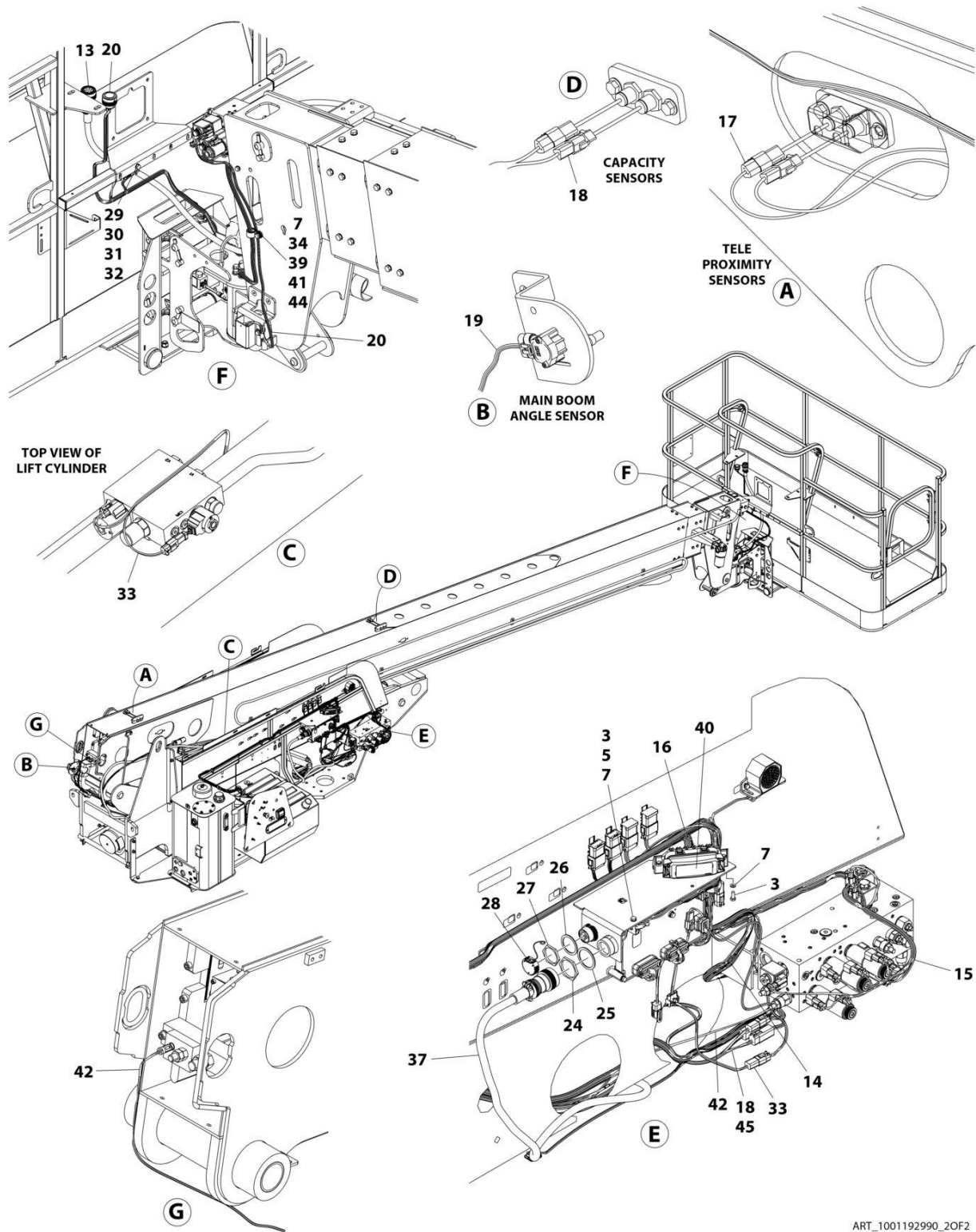
SECTION 8 - ELECTRICAL

FIGURE 8-42. ELECTRICAL COMPONENTS INSTALLATION - 600S WITH 2WS

ITEM	PART NUMBER	QTY	DESCRIPTION	REV
	1001191211	Ref	ELECTRICAL COMPONENTS INSTALLATION	N
3	0760608	5	Bolt M6 x 16	
5	3290605	3	Nut M6	
7	4811700	16	Washer M6	
12	1001188533	1	Boom Cable - Upper (See Separate Breakdown in this Section)	
13	1001188642	1	Turntable Harness (See Separate Breakdown in this Section)	
14	1001188644	1	Ground Control Harness (See Separate Breakdown in this Section)	
15	1001189003	1	Tele Proximity Harness (See Separate Breakdown in this Section)	
16	1001189004	1	Capacity Proximity Harness (See Separate Breakdown in this Section) (SN 0300235168 through 0300257780, SN B300002655 through B300005754, Excluding B300005570)	
16	1001242907	1	Capacity Proximity Harness (See Separate Breakdown in this Section) (SN 0300257781 through 0300272445)	
17	1001189005	1	Boom Angle Sensor Harness (See Separate Breakdown in this Section)	
18	1001191328	1	Platform Valve Harness (See Separate Breakdown in this Section)	
21	1001192909	1	Main Valve Harness (See Separate Breakdown in this Section)	
23	4460470	1	Nut, Terminal	
24	4460471	1	Washer, Terminal	
25	4460496	1	Washer, Terminal	
26	4460497	1	Nut, Terminal	
27	1001106736	1	Cap, Dust	
28	0700819	1	Bolt M8 x 55	
29	3290805	1	Nut M8	
30	4811900	2	Washer M8	
31	1001120328	2	Mount (SN 0300235168 through 0300257780, SN B300002655 through B300005754, Excluding B300005570)	
32	1001205923	1	Lift Cylinder Harness (See Separate Breakdown in this Section)	
33	4240099	AR	Tie-Strap (Not Shown)	
36	1320041	1	Clamp	
37	1001206082	1	Boom Cable - Lower (See Separate Breakdown in this Section)	
38	0760615	1	Bolt M6 x 35	
39	1001231846	1	Decal - Fuse Box	
40	1001203719	1	Nut M6	
41	1001227527	1	Service Cable	
43	1320043	1	Clamp (SN 0300237157 through 0300272445, SN B300002716 through B300005754, Excluding B300005570)	
44	1001242908	1	Capacity Proximity Harness (See Separate Breakdown in this Section) (SN 0300257781 through 0300272445)	

SECTION 8 - ELECTRICAL

FIGURE 8-43. ELECTRICAL COMPONENTS INSTALLATION - 600S WITH 4WS



ART_1001192990_20F2

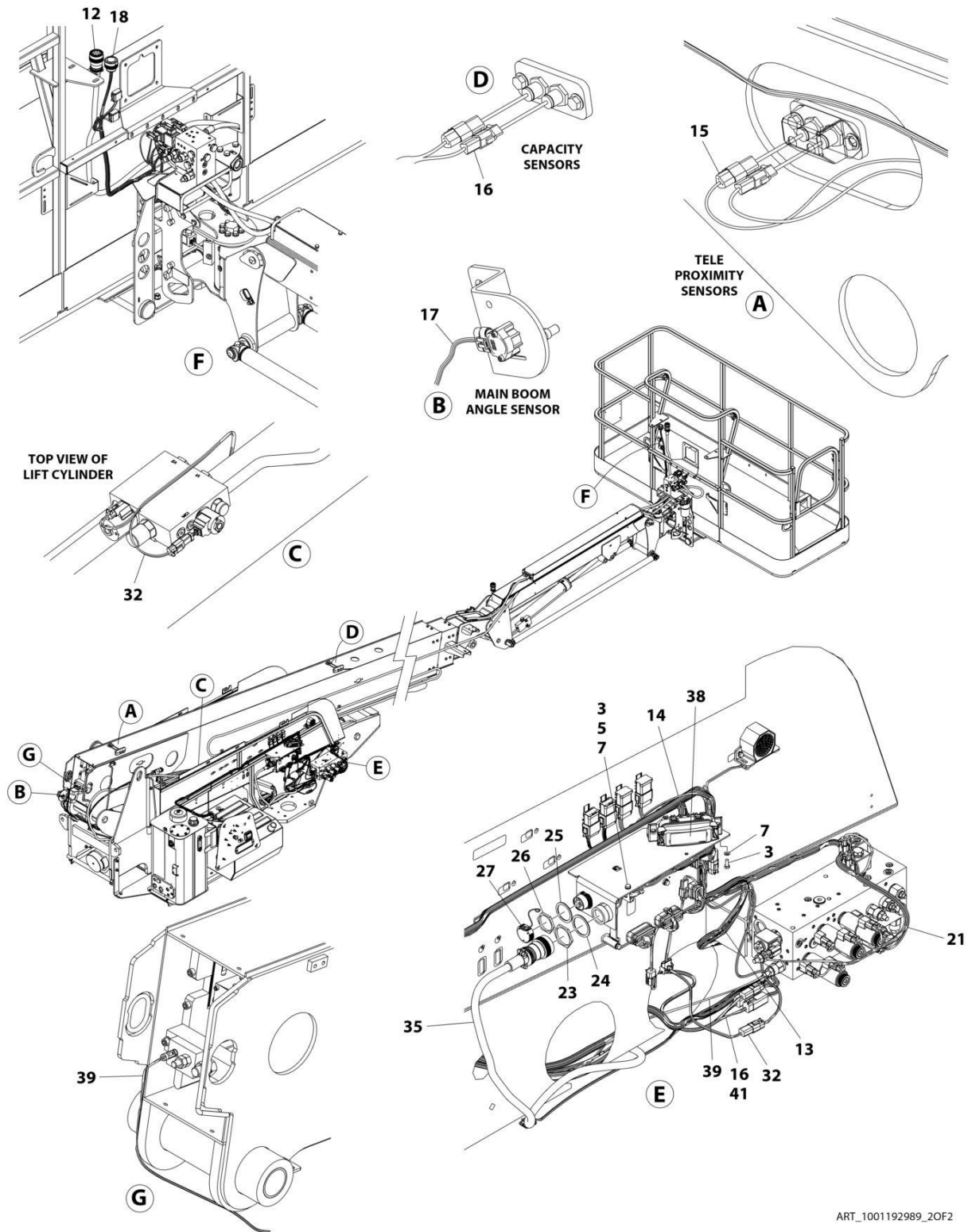
SECTION 8 - ELECTRICAL

FIGURE 8-43. ELECTRICAL COMPONENTS INSTALLATION - 600S WITH 4WS

ITEM	PART NUMBER	QTY	DESCRIPTION	REV
	1001192990	Ref	ELECTRICAL COMPONENTS INSTALLATION	N
3	0760608	5	Bolt M6 x 16	
5	3290605	3	Nut M6	
7	4811700	16	Washer M6	
13	1001188533	1	Boom Cable - Upper (See Separate Breakdown in this Section)	
14	1001188642	1	Turntable Harness (See Separate Breakdown in this Section)	
15	1001188643	1	Main Valve Harness (See Separate Breakdown in this Section)	
16	1001188644	1	Ground Control Harness (See Separate Breakdown in this Section)	
17	1001189003	1	Tele Proximity Harness (See Separate Breakdown in this Section)	
18	1001189004	1	Capacity Proximity Harness (See Separate Breakdown in this Section) (SN 0300235168 through 0300257780, SN B300002655 through B300005754, Excluding B300005570)	
18	1001242907	1	Capacity Proximity Harness (See Separate Breakdown in this Section) (SN 0300257781 through 0300272445)	
19	1001189005	1	Boom Angle Sensor Harness (See Separate Breakdown in this Section)	
20	1001191328	1	Platform Valve Harness (See Separate Breakdown in this Section)	
24	4460470	1	Nut, Terminal	
25	4460471	1	Washer, Terminal	
26	4460496	1	Washer, Terminal	
27	4460497	1	Nut, Terminal	
28	1001106736	1	Cap, Dust	
29	0700819	1	Bolt M8 x 55	
30	3290805	1	Nut M8	
31	4811900	2	Washer M8	
32	1001120328	2	Mount (SN 0300235168 through 0300257780, SN B300002655 through B300005754, Excluding B300005570)	
33	1001205923	1	Lift Cylinder Harness (See Separate Breakdown in this Section)	
34	1320041	1	Clamp	
37	1001206082	1	Boom Cable - Lower (See Separate Breakdown in this Section)	
38	4240099	AR	Tie-Strap (Not Shown)	
39	0760615	1	Bolt M6 x 35	
40	1001231846	1	Decal - Fuse Box	
41	1001203719	1	Nut M6	
42	1001227527	1	Cable, Service	
44	1320043	1	Clamp (SN 0300237157 through 0300272445, SN B300002716 through B300005754, Excluding B300005570)	
45	1001242908	1	Capacity Proximity Harness (See Separate Breakdown in this Section) (SN 0300257781 through 0300272445)	

SECTION 8 - ELECTRICAL

FIGURE 8-44. ELECTRICAL COMPONENTS INSTALLATION - 660SJ WITH 2WS



ART_1001192989_20F2

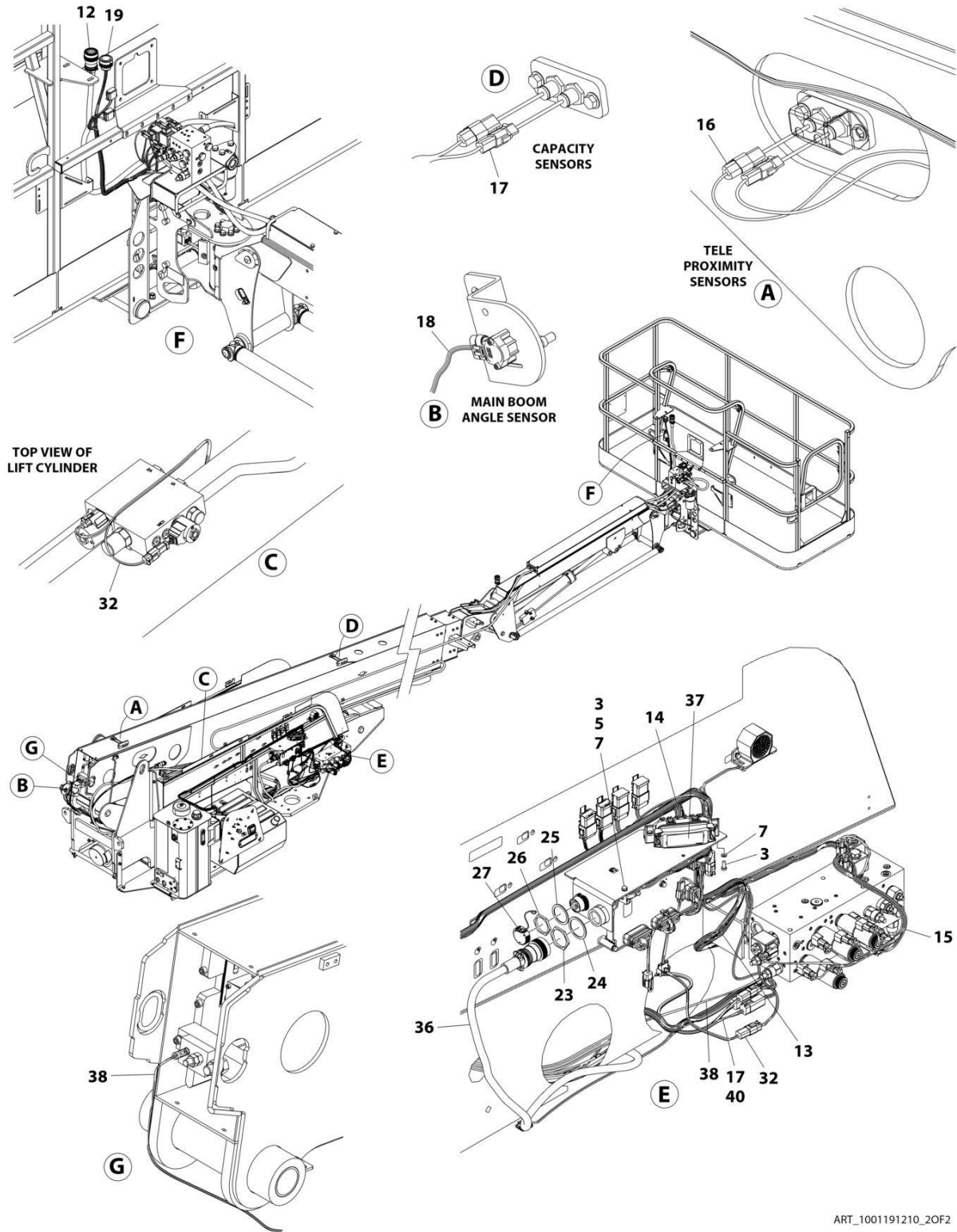
SECTION 8 - ELECTRICAL

FIGURE 8-44. ELECTRICAL COMPONENTS INSTALLATION - 660SJ WITH 2WS

ITEM	PART NUMBER	QTY	DESCRIPTION	REV
	1001192989	Ref	ELECTRICAL COMPONENTS INSTALLATION	N
3	0760608	5	Bolt M6 x 16	
5	3290605	3	Nut M6	
7	4811700	15	Washer M6	
12	1001188534	1	Boom Cable - Upper (See Separate Breakdown in this Section)	
13	1001188642	1	Turntable Harness (See Separate Breakdown in this Section)	
14	1001188644	1	Ground Control Harness (See Separate Breakdown in this Section)	
15	1001189003	1	Tele Proximity Harness (See Separate Breakdown in this Section)	
16	1001189004	1	Capacity Proximity Harness (See Separate Breakdown in this Section) (SN 0300235168 through 0300257780, SN B300002655 through B300005754, Excluding B300005570)	
16	1001242907	1	Capacity Proximity Harness (See Separate Breakdown in this Section) (SN 0300257781 through 0300272445)	
17	1001189005	1	Boom Angle Sensor Harness (See Separate Breakdown in this Section)	
18	1001264337	1	Platform Valve Harness (See Separate Breakdown in this Section)	
21	1001192909	1	Main Valve Harness (See Separate Breakdown in this Section)	
23	4460470	1	Nut, Terminal	
24	4460471	1	Washer, Terminal	
25	4460496	1	Washer, Terminal	
26	4460497	1	Nut, Terminal	
27	1001106736	1	Cap, Dust	
32	1001205923	1	Lift Cylinder Harness (See Separate Breakdown in this Section)	
35	1001206082	1	Boom Cable - Lower (See Separate Breakdown in this Section)	
36	4240099	AR	Tie-Strap (Not Shown)	
38	1001231846	1	Decal - Fuse Box	
39	1001227527	1	Cable, Service	
41	1001242908	1	Capacity Proximity Harness (See Separate Breakdown in this Section) (SN 0300257781 through 0300272445)	

SECTION 8 - ELECTRICAL

FIGURE 8-45. ELECTRICAL COMPONENTS INSTALLATION - 660SJ WITH 4WS



ART_1001191210_20F2

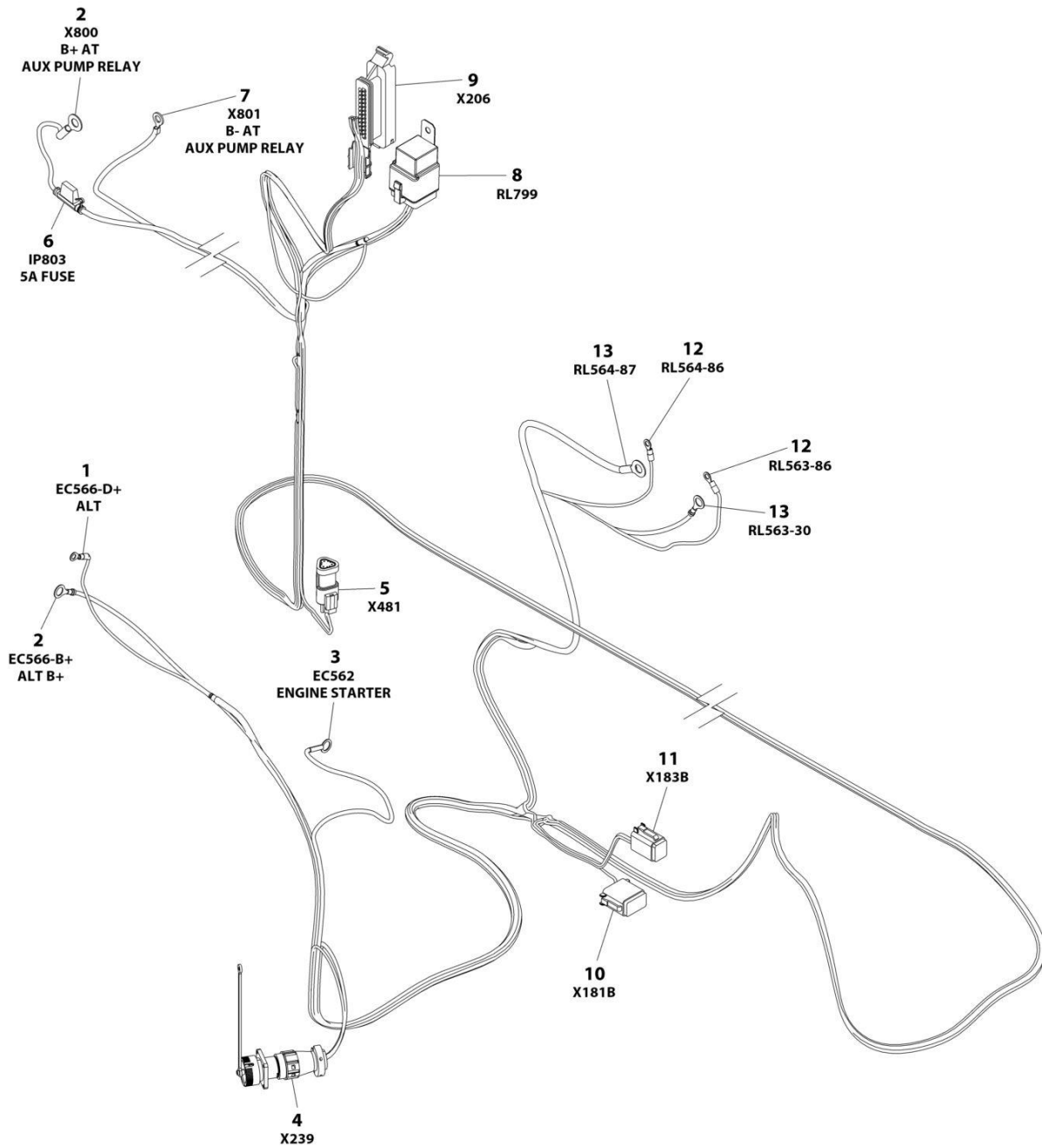
SECTION 8 - ELECTRICAL

FIGURE 8-45. ELECTRICAL COMPONENTS INSTALLATION - 660SJ WITH 4WS

ITEM	PART NUMBER	QTY	DESCRIPTION	REV
	1001191210	Ref	ELECTRICAL COMPONENTS INSTALLATION	O
3	0760608	5	Bolt M6 x 16	
5	3290605	3	Nut M6	
7	4811700	15	Washer M6	
12	1001188534	1	Boom Cable - Upper (See Separate Breakdown in this Breakdown)	
13	1001188642	1	Turntable Harness (See Separate Breakdown in this Breakdown)	
14	1001188643	1	Main Valve Harness (See Separate Breakdown in this Section)	
15	1001188644	1	Ground Control Harness (See Separate Breakdown in this Section)	
16	1001189003	1	Tele Proximity Harness (See Separate Breakdown in this Section)	
17	1001189004	1	Capacity Proximity Harness (See Separate Breakdown in this Section) (SN 0300235168 through 0300257780, SN B300002655 through B300005754, Excluding B300005570)	
17	1001242907	1	Capacity Proximity Harness (See Separate Breakdown in this Section) (SN 0300257781 through 0300272445)	
18	1001189005	1	Boom Angle Sensor Harness (See Separate Breakdown in this Section)	
19	1001264337	1	Platform Valve Harness (See Separate Breakdown in this Section)	
23	4460470	1	Nut, Terminal	
24	4460471	1	Washer, Terminal	
25	4460496	1	Washer, Terminal	
26	4460497	1	Nut, Terminal	
27	1001106736	1	Cap, Dust	
32	1001205923	1	Lift Cylinder Harness (See Separate Breakdown in this Section)	
33	4240099	AR	Tie-Strap (Not Shown)	
36	1001206082	1	Boom Cable - Lower (See Separate Breakdown in this Section)	
37	1001231846	1	Decal - Fuse Box	
38	1001227527	1	Cable, Service	
40	1001242908	1	Capacity Proximity Harness (See Separate Breakdown in this Section) (SN 0300257781 through 0300272445)	

SECTION 8 - ELECTRICAL

FIGURE 8-46. ENGINE HARNESS - DEUTZ D2011 ENGINES



ART_1001188236

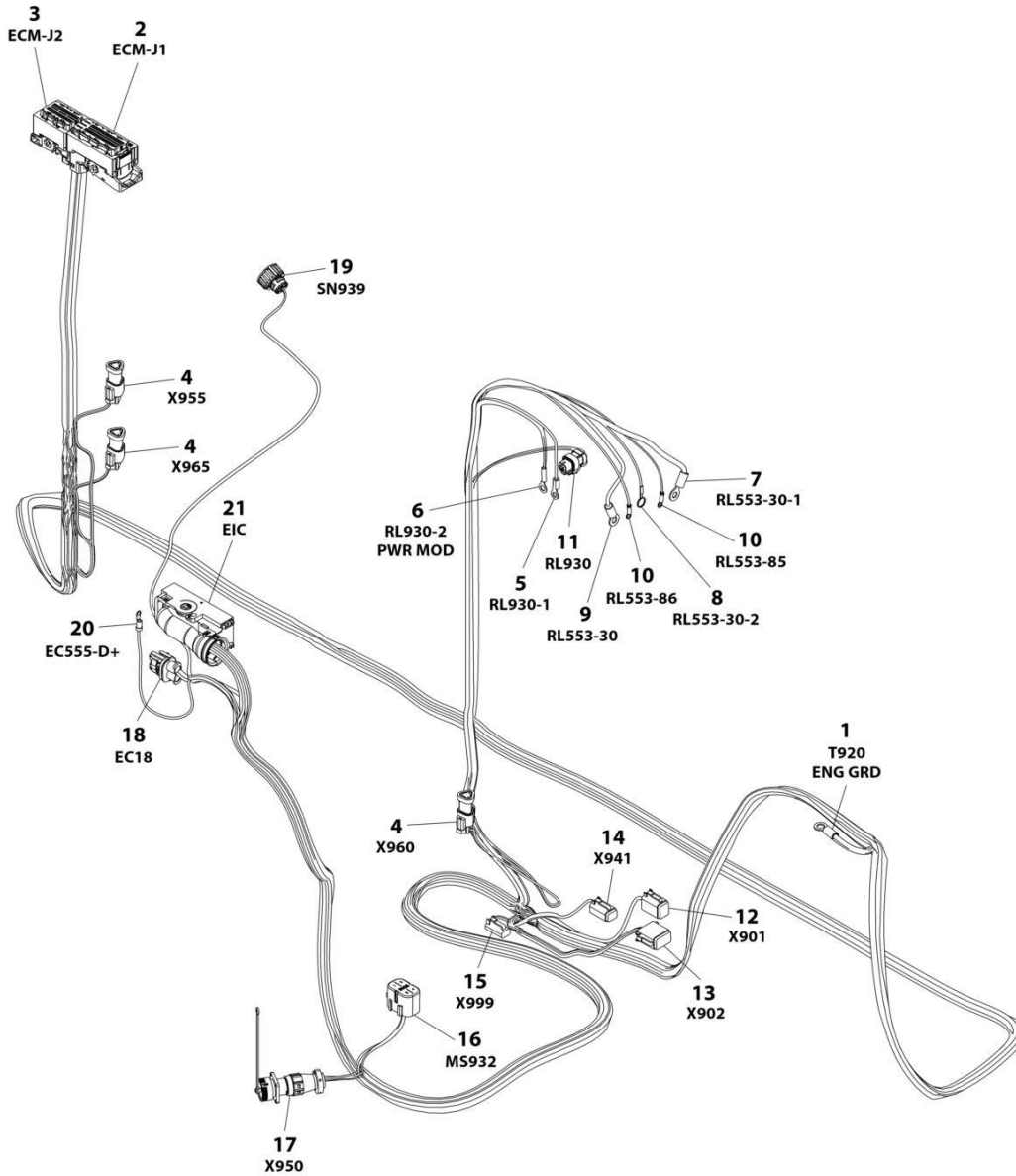
SECTION 8 - ELECTRICAL

FIGURE 8-46. ENGINE HARNESS - DEUTZ D2011 ENGINES

ITEM	PART NUMBER	QTY	DESCRIPTION	REV
	1001188236	Ref	ENGINE HARNESS	F
1	4460042	1	Terminal, Ring	
2	8220045	2	Terminal, Ring	
3	4460142	1	Terminal, Ring	
4	2902443	1	Receptacle Kit	
4	4461073	1	Cap, Dust	
5	4461095	1	Plug, Male - 3 Position	
5	4460944	2	Socket, Female	
5	4460466	1	Plug, Terminal	
5	4461070	1	Receptacle, Female - 3 Position	
5	4460943	3	Pin, Male	
6	2600066	2	Fuseholder with 5Amp Fuse	
6	See Note	NSS	Fuse - 5Amp (Note: Purchase Locally)	
7	4460312	1	Terminal, Ring	
8	1001118282	1	Plug, Relay (SN 0300235168 through 0300237156, SN B300002655 through B300002681, Excluding B300005570)	
8	1001117025	1	Plug, Relay (SN 0300237157 through 0300272445, SN B300002682 through B300005754, Excluding B300005570)	
8	1001116734	1	Terminal	
8	1001116732	3	Terminal	
8	1001128128	1	Plug, Terminal	
9	4461052	1	Connector - 25 Position	
9	4461060	1	Terminal	
9	4461005	6	Terminal	
9	4461008	18	Plug, Terminal	
9	4461054	1	Seal	
9	4461006	6	Seal	
9	4461053	1	Cover	
10	4460930	1	Plug, Male - 8 Position	
10	4460465	8	Socket, Female	
10	4460466	7	Plug, Terminal	
11	4460894	1	Plug, Male - 6 Position	
11	4460465	3	Socket, Female	
11	4460944	2	Socket, Female	
11	4460466	1	Plug, Terminal	
12	4460313	2	Terminal, Ring	
13	8220164	2	Terminal, Ring	

SECTION 8 - ELECTRICAL

FIGURE 8-47. ENGINE HARNESS - DEUTZ TD2.9L4 - 67HP ENGINES (SN 0300235168 through 0300237156, SN B300002655 through B300002681)



ART_1001188237

SECTION 8 - ELECTRICAL

FIGURE 8-47. ENGINE HARNESS - DEUTZ TD2.9L4 - 67HP ENGINES (SN 0300235168 through 0300237156, SN B300002655 through B300002681)

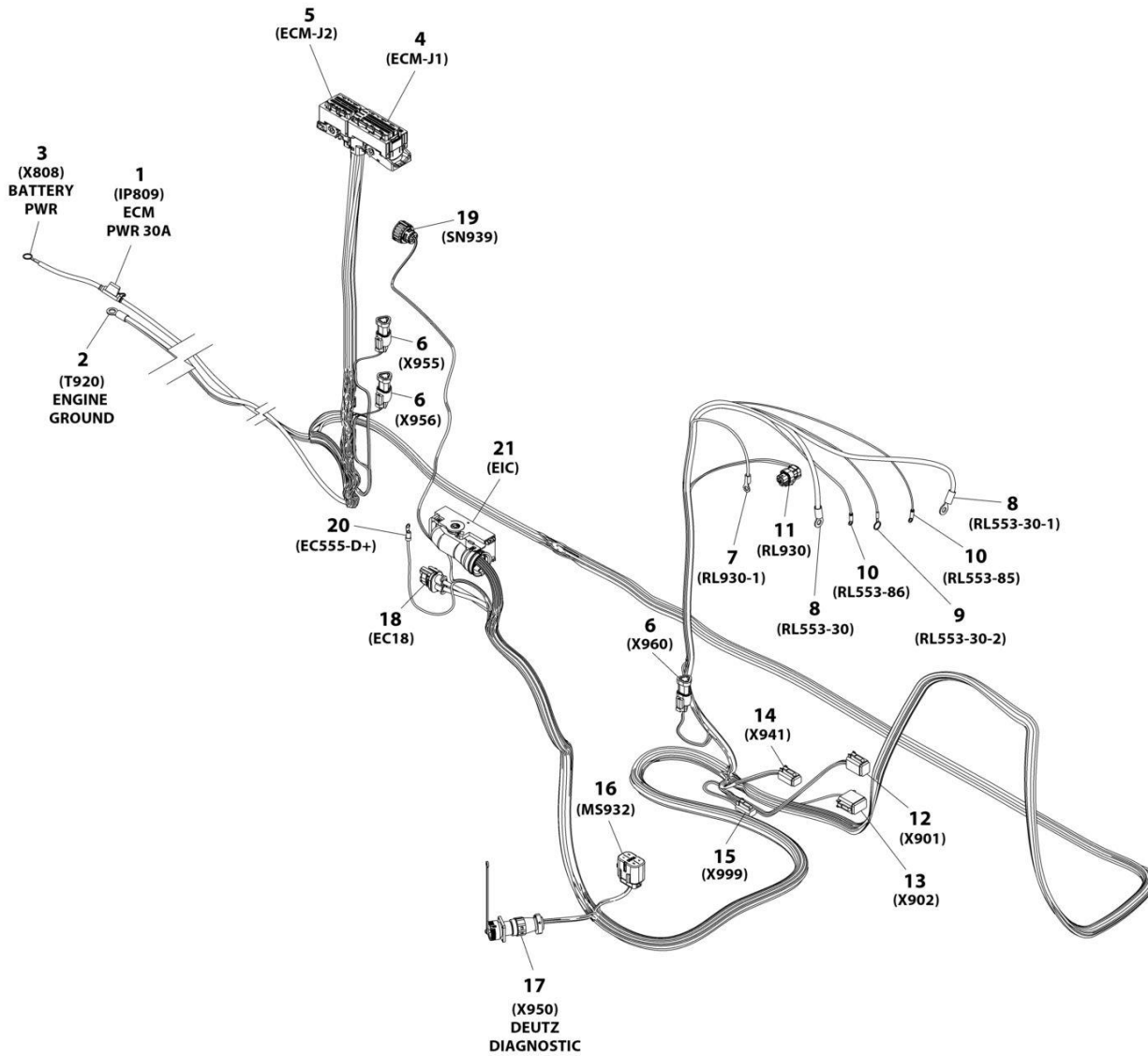
ITEM	PART NUMBER	QTY	DESCRIPTION	REV
	1001188237	Ref	ENGINE HARNESS	G
1	8220115	1	Terminal, Ring	
2	1001133956	1	Connector - 94 Position	
2	1001126351	1	Terminal	
2	1001126352	6	Terminal	
2	1001126384	21	Terminal	
2	1001126357	1	Plug, Terminal	
2	1001126356	65	Plug, Terminal	
3	1001133956	1	Connector - 60 Position	
3	1001126351	13	Terminal	
3	1001126384	17	Terminal	
3	1001126357	11	Plug, Terminal	
3	1001126356	19	Plug, Terminal	
4	4461095	3	Plug, Male - 3 Position	
4	4460944	6	Socket, Female	
4	4460466	3	Plug, Terminal	
4	4461070	3	Receptacle, Female - 3 Position	
4	4460943	9	Pin, Male	
5	4460043	1	Terminal, Ring	
6	1001117106	1	Terminal, Ring	
7	1001117107	1	Terminal, Ring	
8	4460703	1	Terminal, Ring	
9	8220164	1	Terminal, Ring	
10	4460313	2	Terminal, Ring	
11	1001116952	1	Plug, Male - 2 Position	
11	4460465	2	Socket, Female	
12	4460894	1	Plug, Male - 6 Position	
12	4460465	3	Socket, Female	
12	4460944	2	Socket, Female	
12	4460466	1	Plug, Terminal	
13	4460930	1	Plug, Male - 8 Position	
13	4460465	1	Socket, Female	
13	4460466	7	Plug, Terminal	
14	4460884	1	Plug, Male - 4 Position	
14	4460465	2	Socket, Female	
14	4460942	2	Socket, Female	
15	4460891	6	Plug, Male - 4 Position	
15	4460465	10	Socket, Female	
16	80484084	1	Plug, Male - 8 Position	
16	8229242	1	Fuse - 5Amp	
16	80983191	1	Fuse - 10Amp	
16	1001116728	4	Socket, Female	
16	1001116727	4	Plug, Terminal	
17	2902443	1	Receptacle Kit	
17	4461073	1	Cap, Dust	
17	4461071	6	Terminal	
18	1001142938	1	Plug, Male - 2 Position	
18	1001142941	2	Terminal	
19	1001133714	1	Connector - 4 Position	

SECTION 8 - ELECTRICAL

ITEM	PART NUMBER	QTY	DESCRIPTION	REV
19	1001133715	13	Terminal	
19	1001135651	11	Plug, Terminal	
20	4460042	1	Terminal, Ring	
21	1001126362	1	Connector - 62 Position	
21	1001126363	35	Terminal	
21	1001126365	2	Terminal	
21	1001126391	20	Plug, Terminal	
21	4461008	4	Plug, Terminal	
21	1001151856	1	Elbow	

SECTION 8 - ELECTRICAL

FIGURE 8-48. ENGINE HARNESS - DEUTZ D2.9L4 - 49HP AND DEUTZ TD2.9L4 - 67HP ENGINES (SN 0300237156 through 0300272445, SN B300002682 through B300005754)



ART_1001233895

SECTION 8 - ELECTRICAL

FIGURE 8-48. ENGINE HARNESS - DEUTZ D2.9L4 - 49HP AND DEUTZ TD2.9L4 - 67HP ENGINES (SN 0300237156 through 0300272445, SN B300002682 through B300005754)

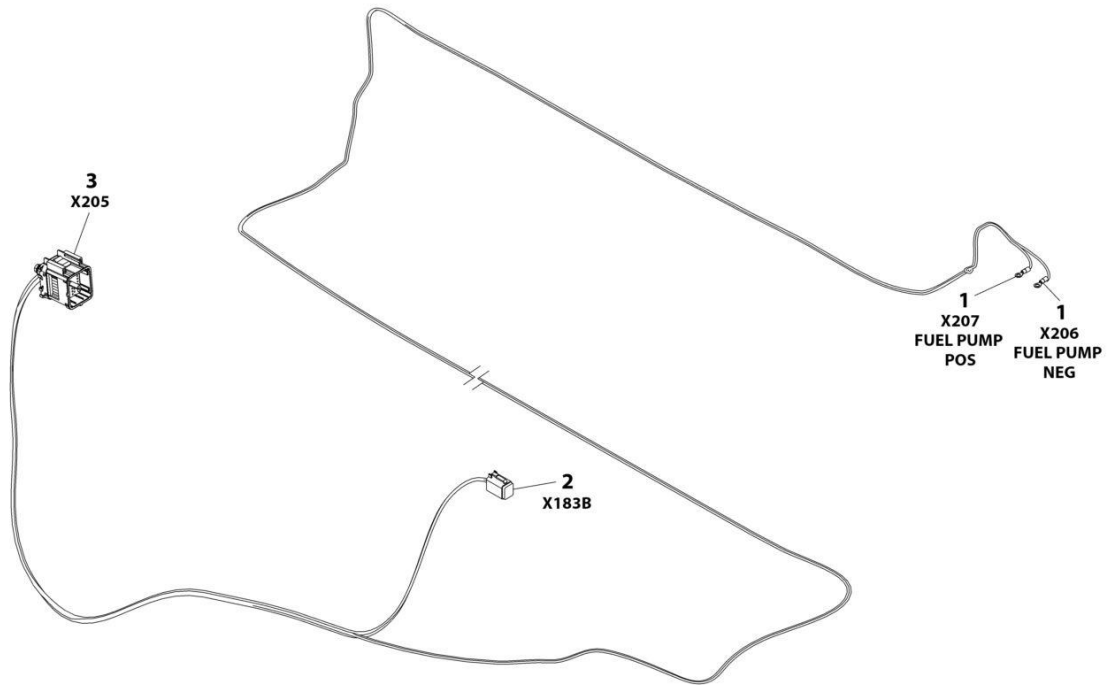
ITEM	PART NUMBER	QTY	DESCRIPTION	REV
	1001233895	Ref	ENGINE HARNESS	F
1	1001172064	1	Fuseholder with 30Amp Fuse	
1	1001172065	1	Fuse - 30A	
2	8220115	1	Terminal, Ring	
3	4460019	1	Terminal, Ring	
4	1001133956	1	Connector - 94 Position	
4	1001126351	2	Terminal	
4	1001126352	6	Terminal	
4	1001126384	21	Terminal	
4	1001126357	2	Plug, Terminal	
4	1001126356	63	Plug, Terminal	
5	1001133957	1	Connector - 60 Position	
5	1001126351	13	Terminal	
5	1001126384	17	Terminal	
5	1001126357	11	Plug, Terminal	
5	1001126356	19	Plug, Terminal	
6	4461095	3	Plug, Male - 3 Position	
6	4460944	6	Socket, Female	
6	4460466	3	Plug, Terminal	
6	4461070	3	Receptacle, Female - 3 Position	
6	4460943	9	Pin, Male	
7	4460043	1	Terminal, Ring	
8	1001117107	2	Terminal, Ring	
9	4460703	1	Terminal, Ring	
10	4460313	2	Terminal, Ring	
11	1001116952	1	Plug, Male - 2 Position	
11	4460465	2	Socket, Female	
12	4460894	1	Plug, Male - 6 Position	
12	4460465	3	Socket, Female	
12	4460944	2	Socket, Female	
12	4460466	1	Plug, Terminal	
13	4460930	1	Plug, Male - 8 Position	
13	4460465	1	Socket, Female	
13	4460466	7	Plug, Terminal	
14	4460884	1	Plug, Male - 4 Position (SN 0300235168 through 0300254984)	
14	1001220379	1	Plug, Male - 4 Position (SN 0300254985 through 0300272445)	
14	4460465	2	Socket, Female	
14	4460942	2	Socket, Female	
15	4460891	1	Plug, Male - 4 Position	
15	4460465	2	Socket, Female	
16	80484084	1	Plug, Male - 8 Position	
16	8229242	1	Fuse - 5Amp	
16	80983191	1	Fuse - 10Amp	
16	1001116728	4	Socket, Female	
16	1001116727	4	Plug, Terminal	
16	1001147264	1	Cap	
17	2902443	1	Receptacle Kit	
17	4461073	1	Cap, Dust	
17	4461071	6	Terminal	

SECTION 8 - ELECTRICAL

ITEM	PART NUMBER	QTY	DESCRIPTION	REV
18	1001142938	1	Plug, Male - 2 Position	
18	1001142940	2	Terminal	
18	1001142941	2	Seal	
19	1001133714	1	Connector - 4 Position	
19	1001133715	13	Terminal	
19	1001135651	11	Plug, Terminal	
20	4460042	1	Terminal, Ring	
21	1001126362	1	Connector - 62 Position	
21	1001126363	35	Terminal	
21	1001126365	2	Terminal	
21	1001126391	20	Plug, Terminal	
21	4461008	4	Plug, Terminal	
21	1001151856	1	Elbow	

SECTION 8 - ELECTRICAL

FIGURE 8-49. ENGINE HARNESS - FORD ENGINES



ART_1001215218

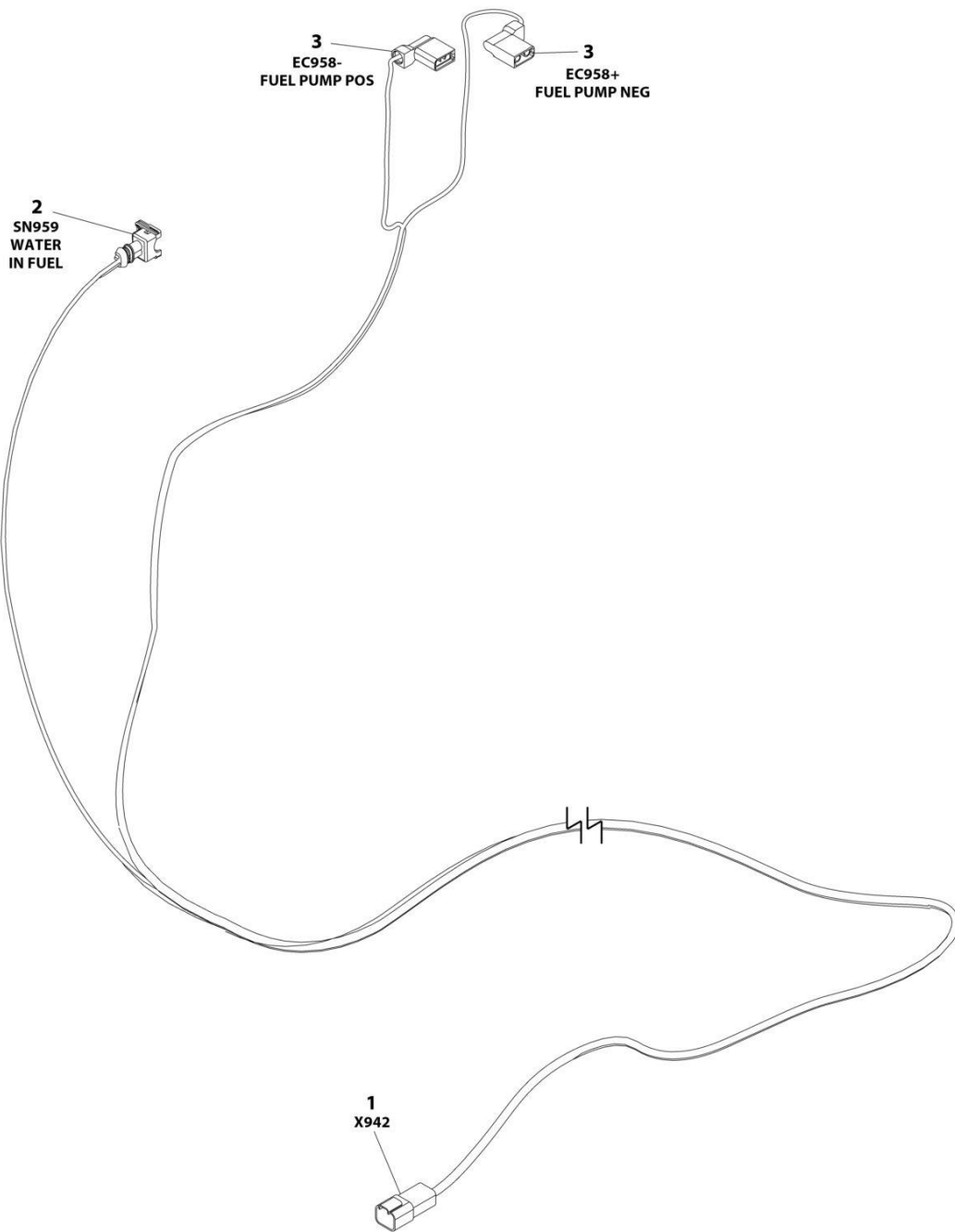
SECTION 8 - ELECTRICAL

FIGURE 8-49. ENGINE HARNESS - FORD ENGINES

ITEM	PART NUMBER	QTY	DESCRIPTION	REV
	1001215218	Ref	ENGINE HARNESS	C
1	4460042	2	Terminal, Ring	
2	4460894	1	Plug, Male - 6 Position	
2	4460465	4	Socket, Female	
2	4460466	2	Plug, Terminal	
3	1001215016	1	Connector - 42 Position	
3	1001216212	1	Terminal	
3	1001221210	2	Terminal	
3	1001215091	3	Terminal	
3	1001216213	2	Plug, Terminal	
3	1001215534	34	Plug, Terminal	

SECTION 8 - ELECTRICAL

FIGURE 8-50. FUEL PUMP HARNESS - DEUTZ D2.9L4 - 49HP AND DEUTZ TD2.9L4 - 67HP ENGINES



ART_1001190444

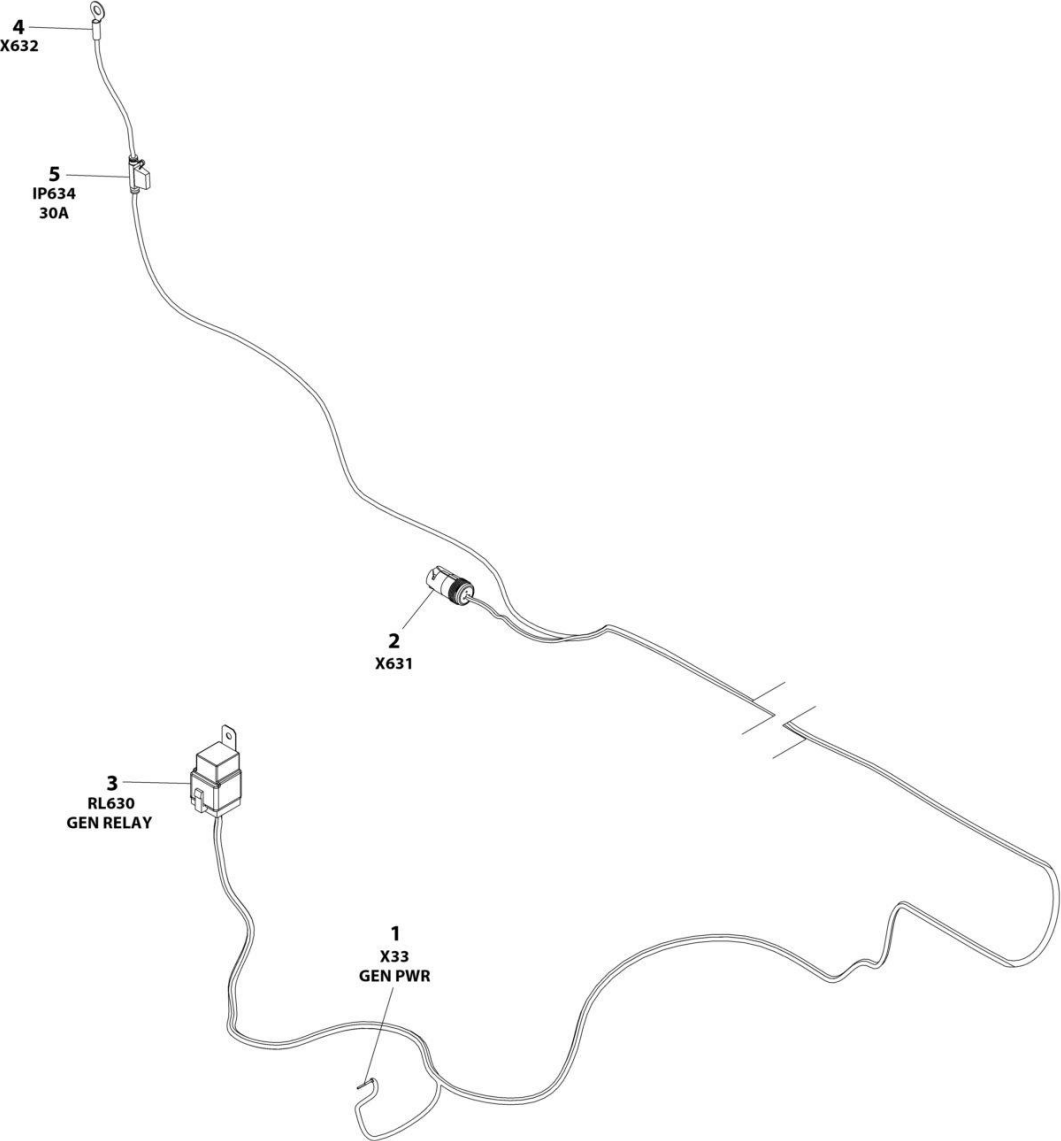
SECTION 8 - ELECTRICAL

FIGURE 8-50. FUEL PUMP HARNESS - DEUTZ D2.9L4 - 49HP AND DEUTZ TD2.9L4 - 67HP ENGINES

ITEM	PART NUMBER	QTY	DESCRIPTION	REV
	1001190444	Ref	FUEL PUMP HARNESS	D
1	4460932	1	Receptacle, Female - 4 Position	
1	4460941	4	Pin, Male	
2	1001116983	1	Plug, Male - 2 Posiiton	
2	1001227507	2	Socket, Female	
2	4461054	2	Seal	
3	1001223045	2	Connector	

SECTION 8 - ELECTRICAL

FIGURE 8-51. GENERATOR HARNESS - 2500W



ART_1001194114

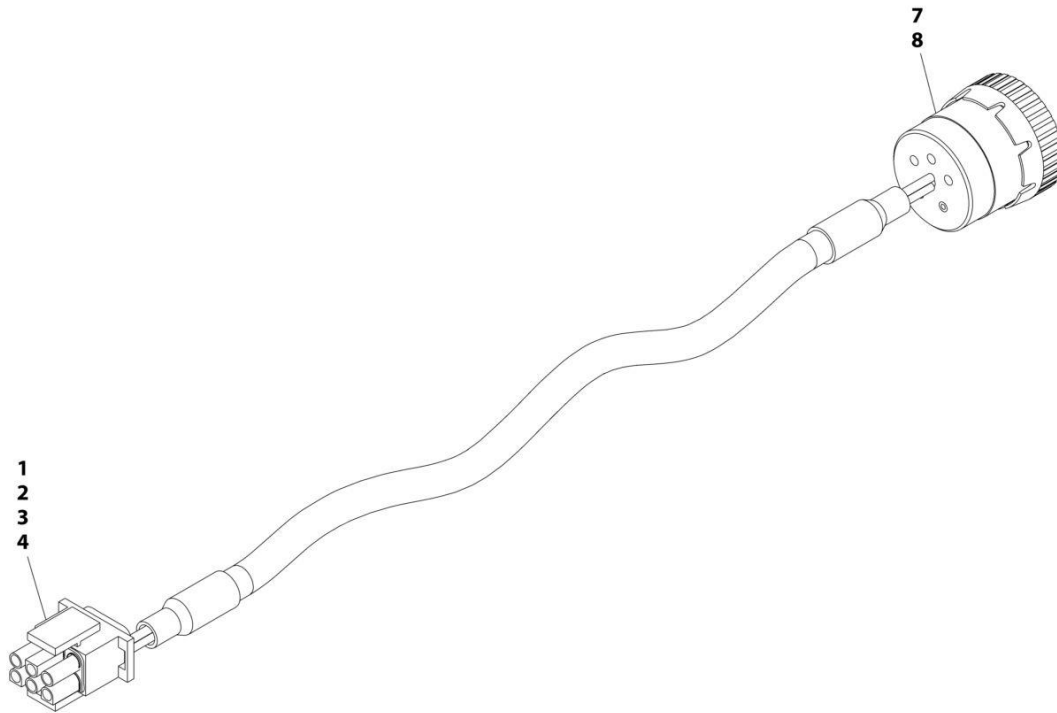
SECTION 8 - ELECTRICAL

FIGURE 8-51. GENERATOR HARNESS - 2500W

ITEM	PART NUMBER	QTY	DESCRIPTION	REV
	1001194114	Ref	GENERATOR HARNESS	B
1	4460906	1	Socket, Female	
2	1001154726	1	Receptacle, Female - 3 Position	
2	4460464	2	Pin, Male	
2	4460466	1	Plug, Terminal	
3	1001117057	1	Connector, Relay (SN 0300235168 through 0300237156)	
3	1001120851	1	Connector, Relay (SN 0300237157 through 0300272445)	
3	1001117057	1	Connector, Relay (SN B300002655 through B300005754, Excluding B300005570)	
3	1001116734	2	Terminal	
3	1001116732	2	Terminal	
3	3740080	1	Relay	
4	8220045	1	Terminal, Ring	
5	2400060	1	Fuseholder - 30Amp (Includes Cover)	
5	8229245	1	Fuse - 30Amp	

SECTION 8 - ELECTRICAL

FIGURE 8-52. GENERATOR HARNESS - 4000W



ART_1001152532

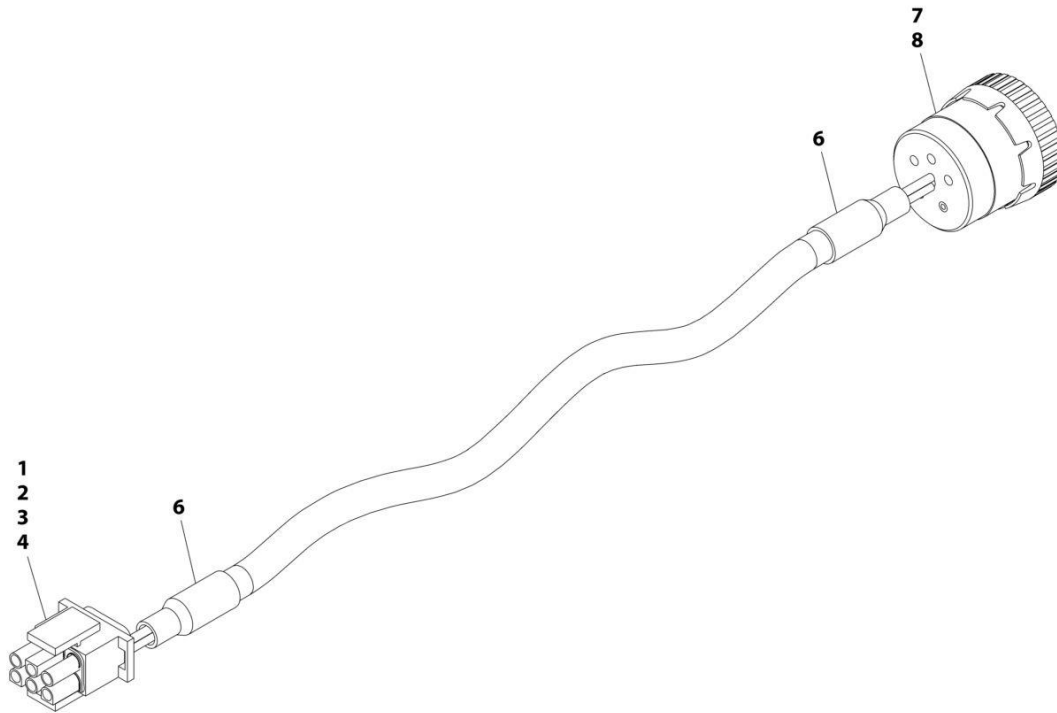
SECTION 8 - ELECTRICAL

FIGURE 8-52. GENERATOR HARNESS - 4000W

ITEM	PART NUMBER	QTY	DESCRIPTION	REV
	1001152532	Ref	GENERATOR HARNESS	A
1	4460225	1	Connector - 6 Position	
2	4460268	2	Socket, Female	
3	4460807	1	Seal	
4	4460808	1	Seal	
7	4460465	2	Socket, Female	
8	77363233	1	Connector - 6 Position	

SECTION 8 - ELECTRICAL

FIGURE 8-53. GENERATOR HARNESS - 7500W SKYPOWER



ART_4922925

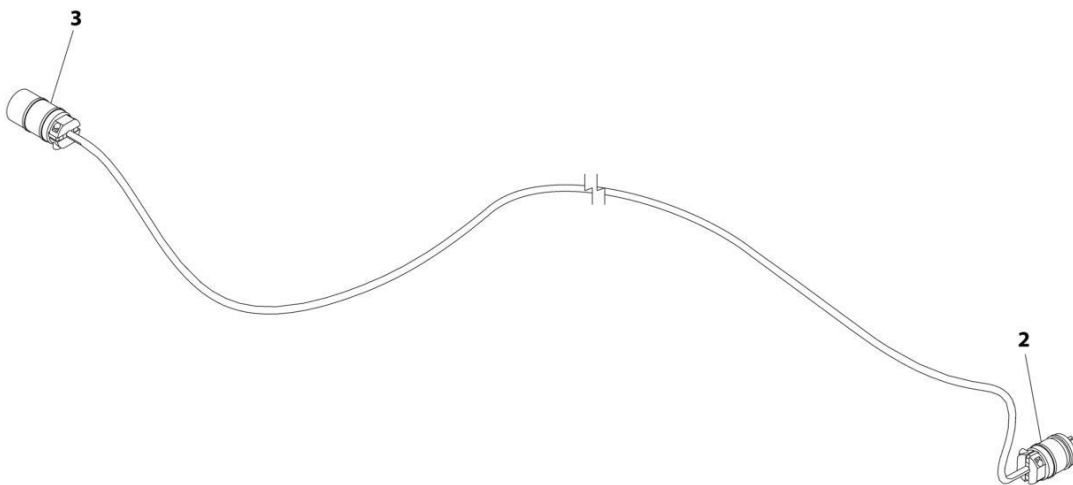
SECTION 8 - ELECTRICAL

FIGURE 8-53. GENERATOR HARNESS - 7500W SKYPOWER

ITEM	PART NUMBER	QTY	DESCRIPTION	REV
	4922925	Ref	GENERATOR TO CONTROL BOX HARNESS (7500W GENERATOR)	C
1	4460225	1	Plug, Male - 2 Position	
2	4460268	6	Socket, Female	
3	4460807	1	Seal	
4	4460808	1	Seal	
6	2820019	AR	Heat Shrink	
7	4460465	6	Socket, Female	
8	77363233	1	Connector - 6 Position	

SECTION 8 - ELECTRICAL

FIGURE 8-54. GENERATOR RECEPTACLE BOX TO AC PLUG HARNESS (2500W GENERATOR) (SN 0300235168 through 0300255131, SN B300002655 through B300003965)



ART_4921827

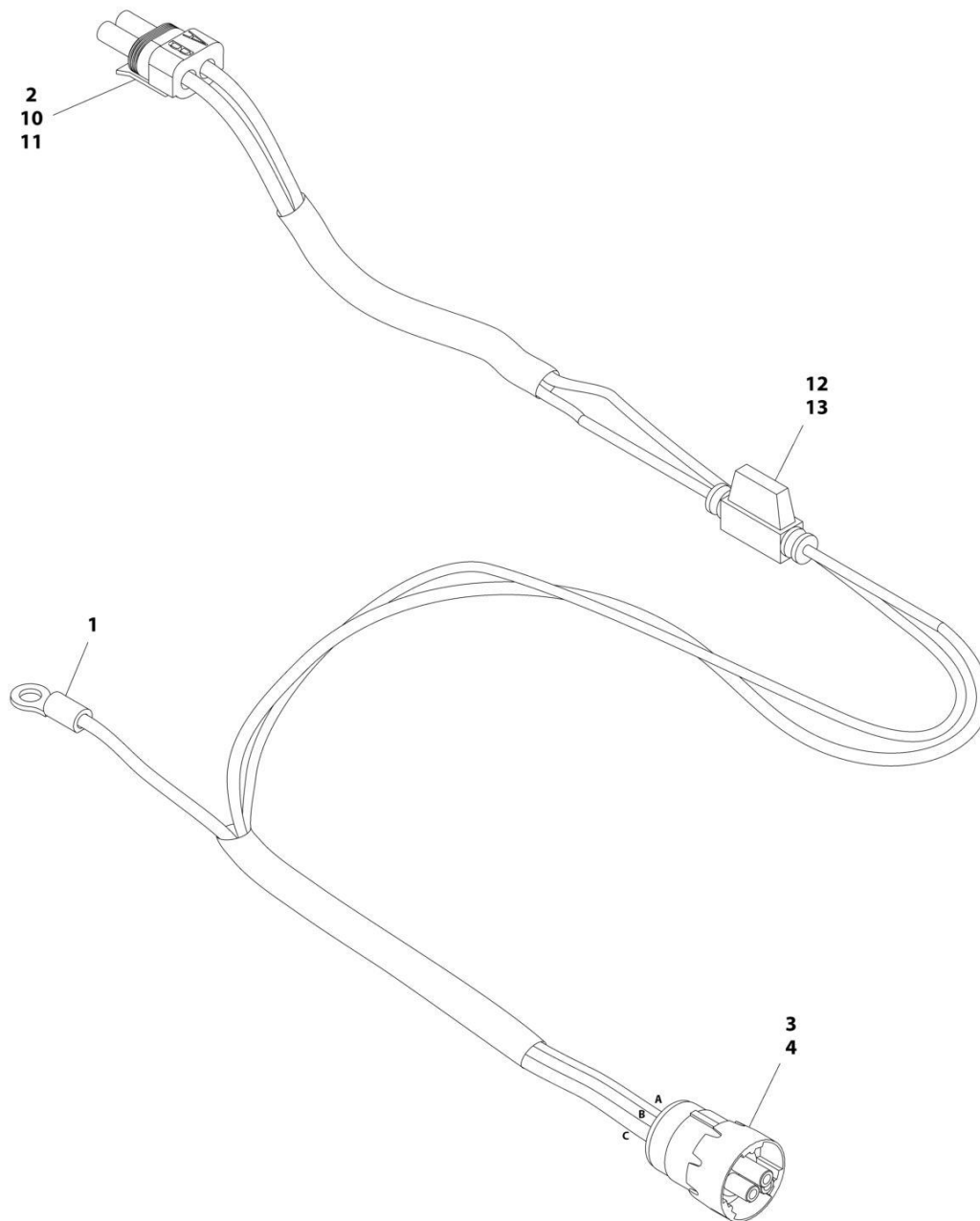
SECTION 8 - ELECTRICAL

FIGURE 8-54. GENERATOR RECEPTACLE BOX TO AC PLUG HARNESS (2500W GENERATOR) (SN 0300235168 through 0300255131, SN B300002655 through B300003965)

ITEM	PART NUMBER	QTY	DESCRIPTION	REV
	4921827	Ref	GENERATOR RECEPTACLE BOX TO AC PLUG HARNESS	1/A
2	4460205	1	Plug, Male	
3	4460134	1	Receptacle, Female	

SECTION 8 - ELECTRICAL

FIGURE 8-55. GENERATOR TO ENGINE HARNESS - 7500W SKYPOWER GENERATOR (DEUTZ D2011 ONLY)



ART_1001152429

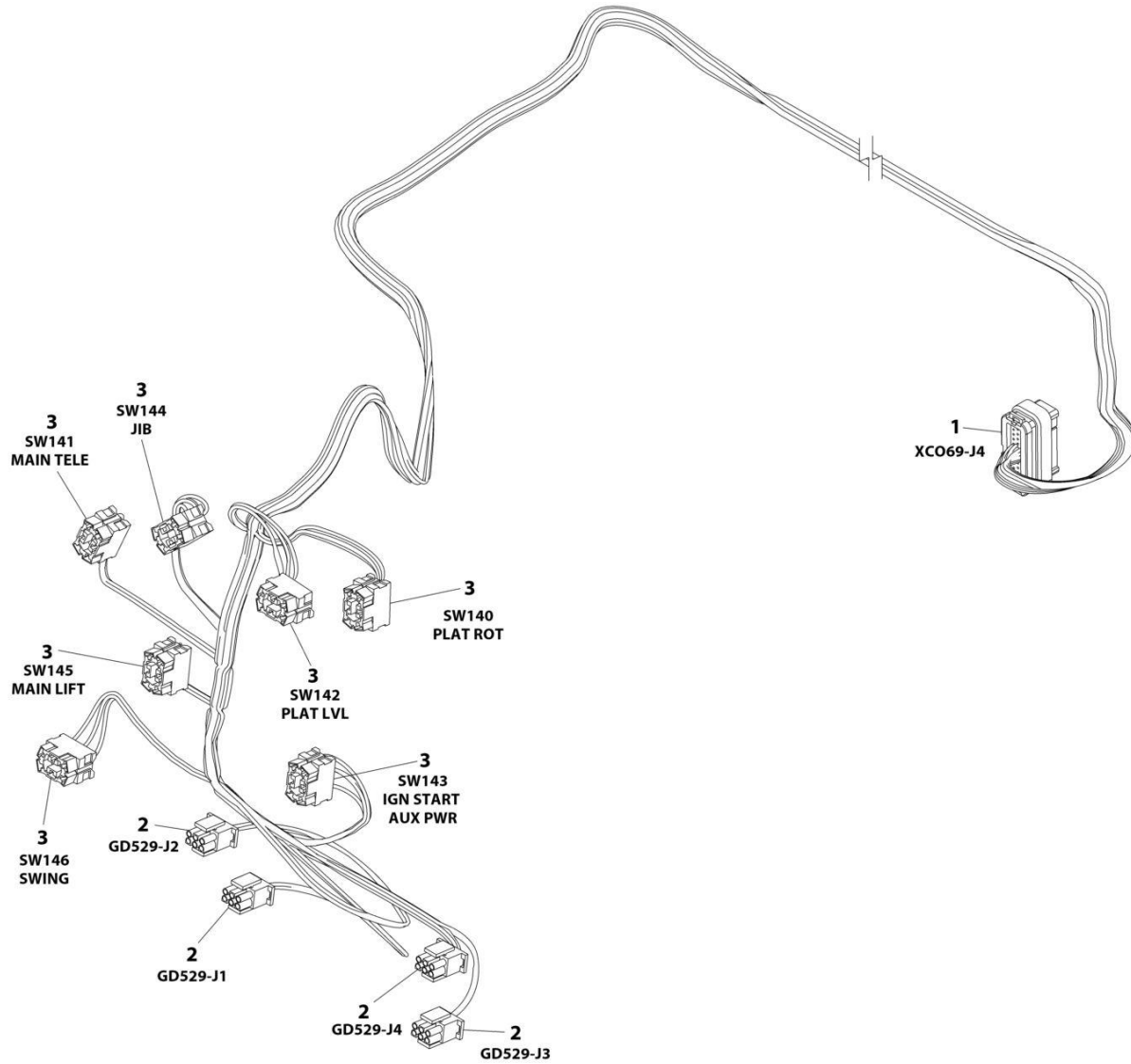
SECTION 8 - ELECTRICAL

FIGURE 8-55. GENERATOR TO ENGINE HARNESS - 7500W SKYPOWER GENERATOR (DEUTZ D2011 ONLY)

ITEM	PART NUMBER	QTY	DESCRIPTION	REV
	1001152429	Ref	GENERATOR TO ENGINE HARNESS	C
1	4460043	1	Terminal, Ring	
2	4460742	1	Plug, Male - 2 Position	
3	4460967	1	Connector - 3 Position	
4	4460465	3	Socket, Female	
10	4460743	2	Terminal, Female	
11	4460458	2	Seal	
12	2400060	1	Fuseholder (Includes Cover)	
13	2400064	1	Fuse - 5Amp	

SECTION 8 - ELECTRICAL

FIGURE 8-56. GROUND CONTROL HARNESS



ART_1001188644

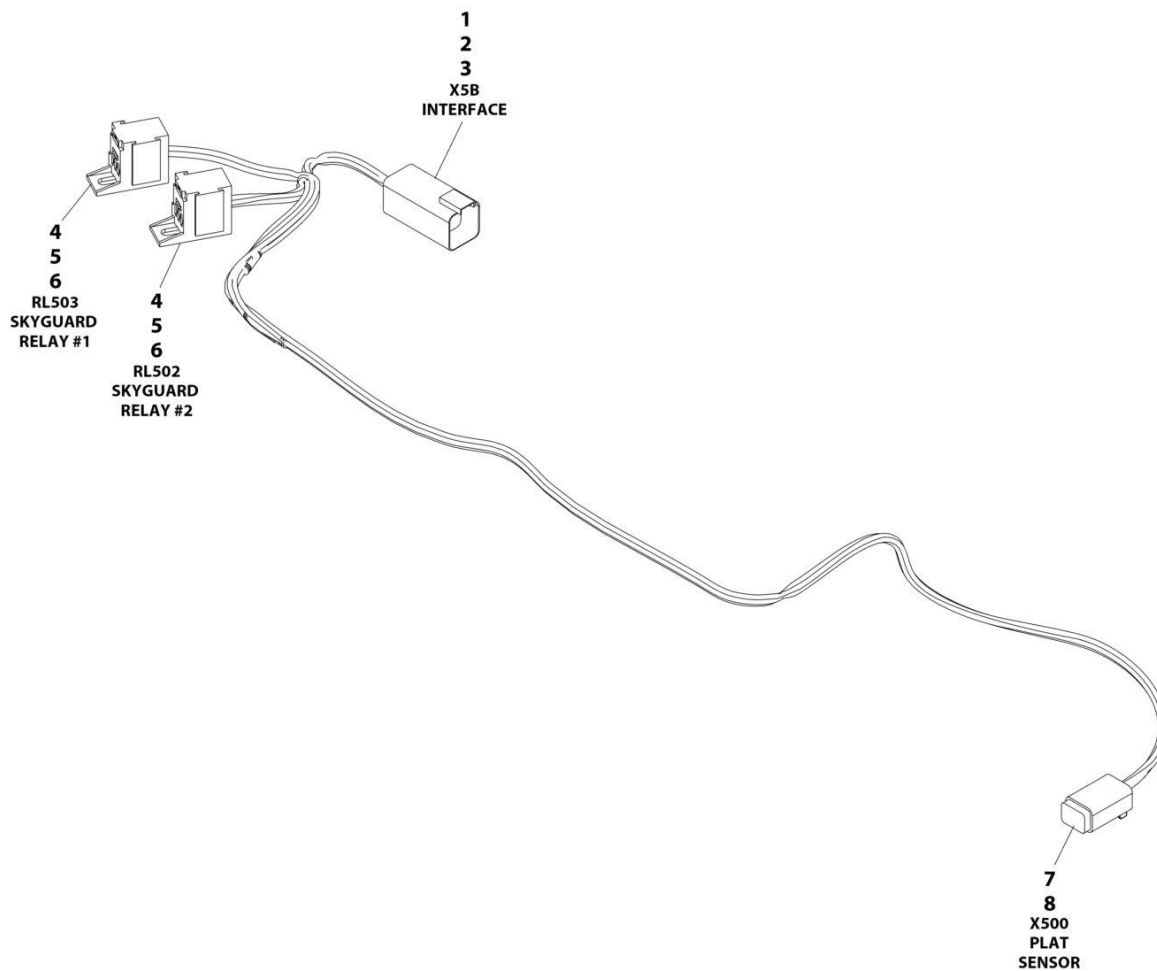
SECTION 8 - ELECTRICAL

FIGURE 8-56. GROUND CONTROL HARNESS

ITEM	PART NUMBER	QTY	DESCRIPTION	REV
	1001188644	Ref	GROUND CONTROL HARNESS	E
1	4460876	1	Connector - 35 Position	
1	4460871	25	Socket, Female	
1	4460905	10	Plug, Terminal	
2	4460225	4	Plug, Male - 6 Position	
2	4460226	10	Socket, Female	
3	4460418	7	Connector, Switch	
3	4460419	12	Terminal	
3	1001159186	15	Terminal	

SECTION 8 - ELECTRICAL

FIGURE 8-57. INTERFACE HARNESS - WITH 1 CELL LSS



ART_1001225580

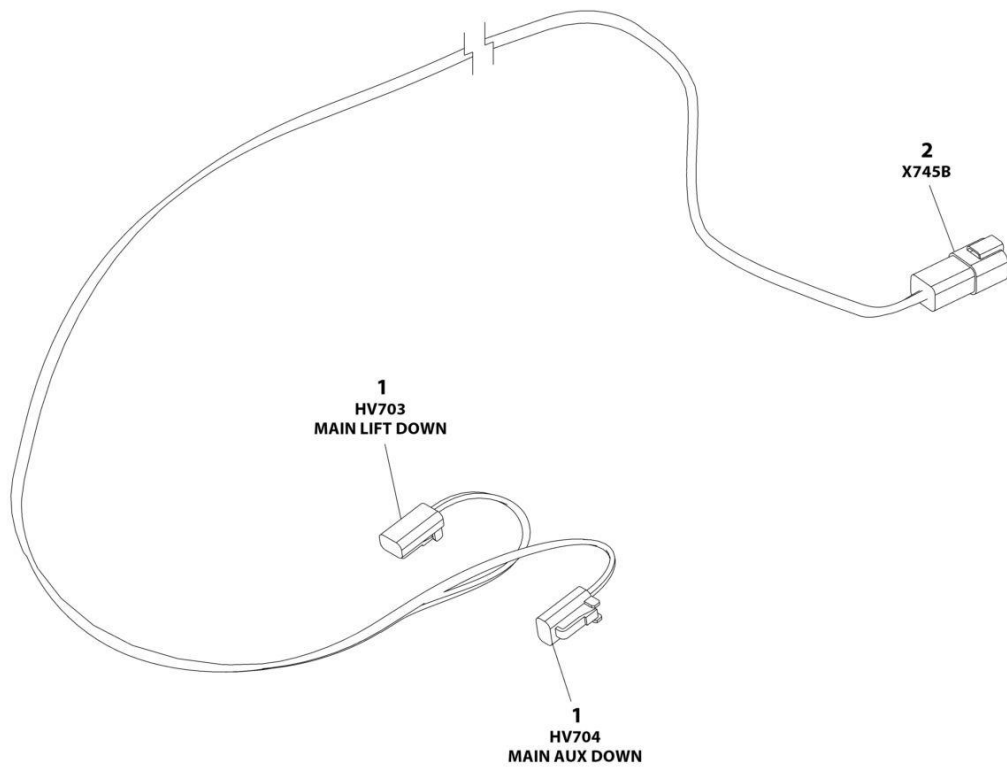
SECTION 8 - ELECTRICAL

FIGURE 8-57. INTERFACE HARNESS - WITH 1 CELL LSS

ITEM	PART NUMBER	QTY	DESCRIPTION	REV
	1001225580	Ref	INTERFACE HARNESS - WITH 1 CELL LSS	D
1	4460899	1	Connector	
2	4460464	4	Terminal	
3	4460466	2	Plug	
4	1001186432	2	Connector	
5	1001116720	4	Terminal	
6	1001118388	4	Terminal	
7	4460884	1	Connector	
8	4460465	4	Terminal	

SECTION 8 - ELECTRICAL

FIGURE 8-58. LIFT CYLINDER HARNESS



ART_1001205923

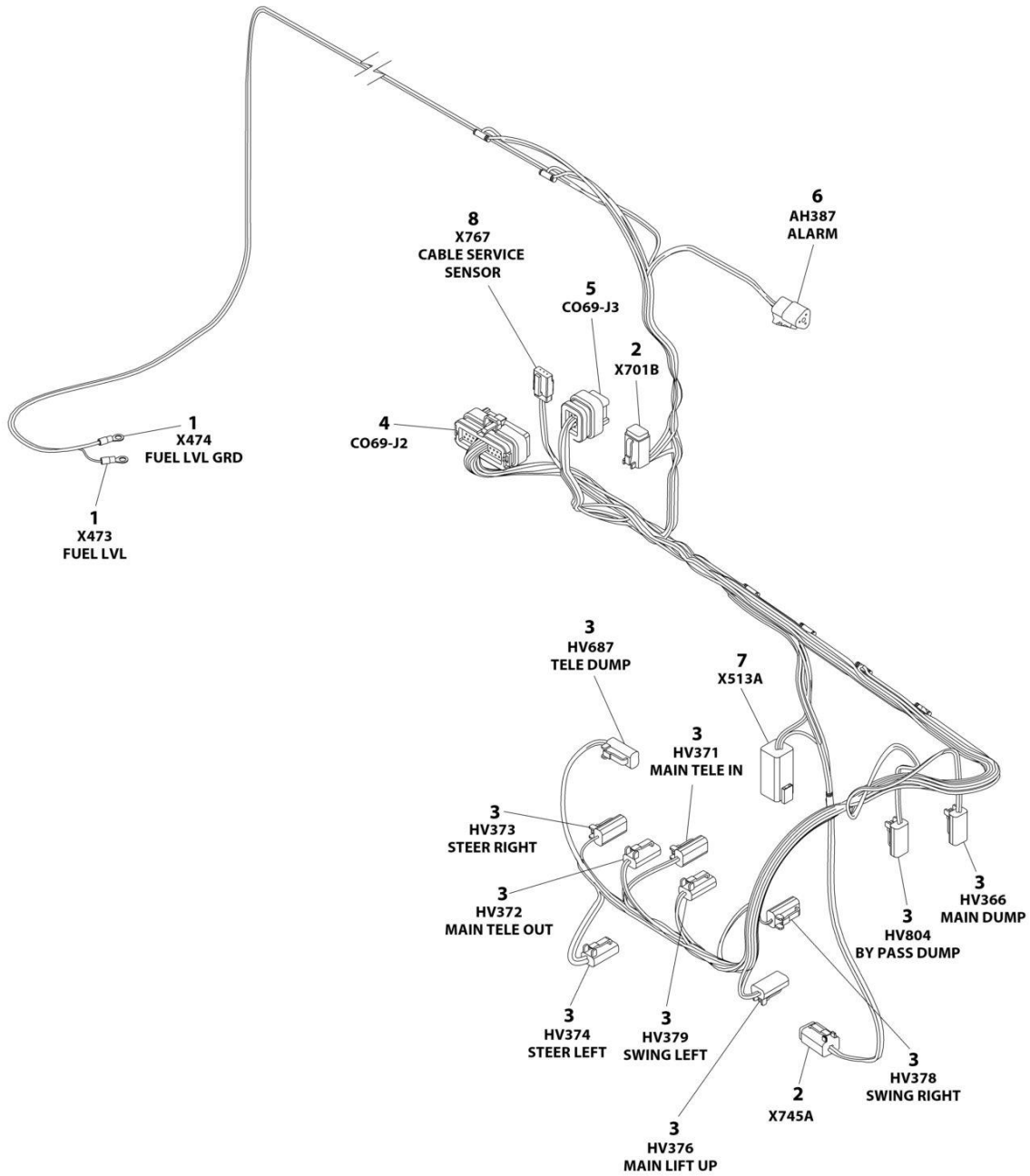
SECTION 8 - ELECTRICAL

FIGURE 8-58. LIFT CYLINDER HARNESS

ITEM	PART NUMBER	QTY	DESCRIPTION	REV
	1001205923	Ref	LIFT CYLINDER HARNESS	C
1	4460891	2	Plug, Male - 2 Position	
1	4460465	4	Socket, Female	
2	4460932	1	Receptacle, Female - 4 Position	
2	4460464	4	Pin, Male	

SECTION 8 - ELECTRICAL

FIGURE 8-59. MAIN VALVE HARNESS (2WS)



ART_1001192909

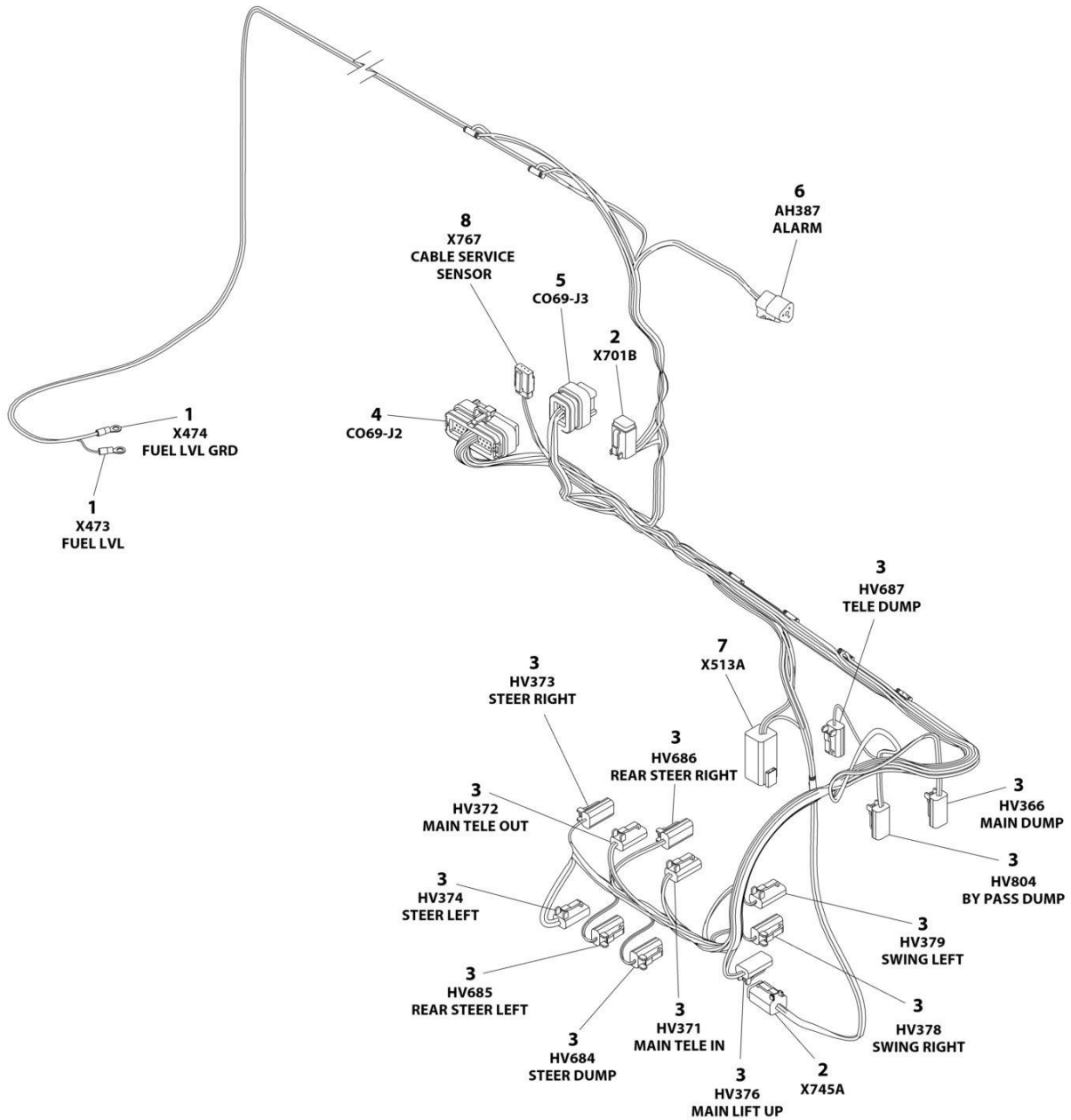
SECTION 8 - ELECTRICAL

FIGURE 8-59. MAIN VALVE HARNESS (2WS)

ITEM	PART NUMBER	QTY	DESCRIPTION	REV
	1001192909	Ref	MAIN VALVE HARNESS	G
1	4460313	2	Terminal, Ring	
2	4460884	2	Plug, Male - 4 Position	
2	4460465	8	Socket, Female	
3	4460891	10	Plug, Male - 2 Position	
3	4460465	20	Socket, Female	
4	4460875	1	Connector - 35 Position	
4	4460871	23	Socket, Female	
4	4460905	12	Plug, Terminal	
5	4460872	1	Connector - 14 Position	
5	4460871	7	Socket, Female	
5	4460905	7	Plug, Terminal	
6	4460539	1	Plug, Male - 3 Position	
6	4460465	3	Socket, Female	
7	4460899	1	Receptacle, Female - 6 Position	
7	4460464	4	Pin, Male	
7	4460466	2	Plug, Terminal	
8	4460911	1	Plug, Male - 3 Position	
8	1001116694	3	Socket, Female	

SECTION 8 - ELECTRICAL

FIGURE 8-60. MAIN VALVE HARNESS (4WS)



ART_1001188643

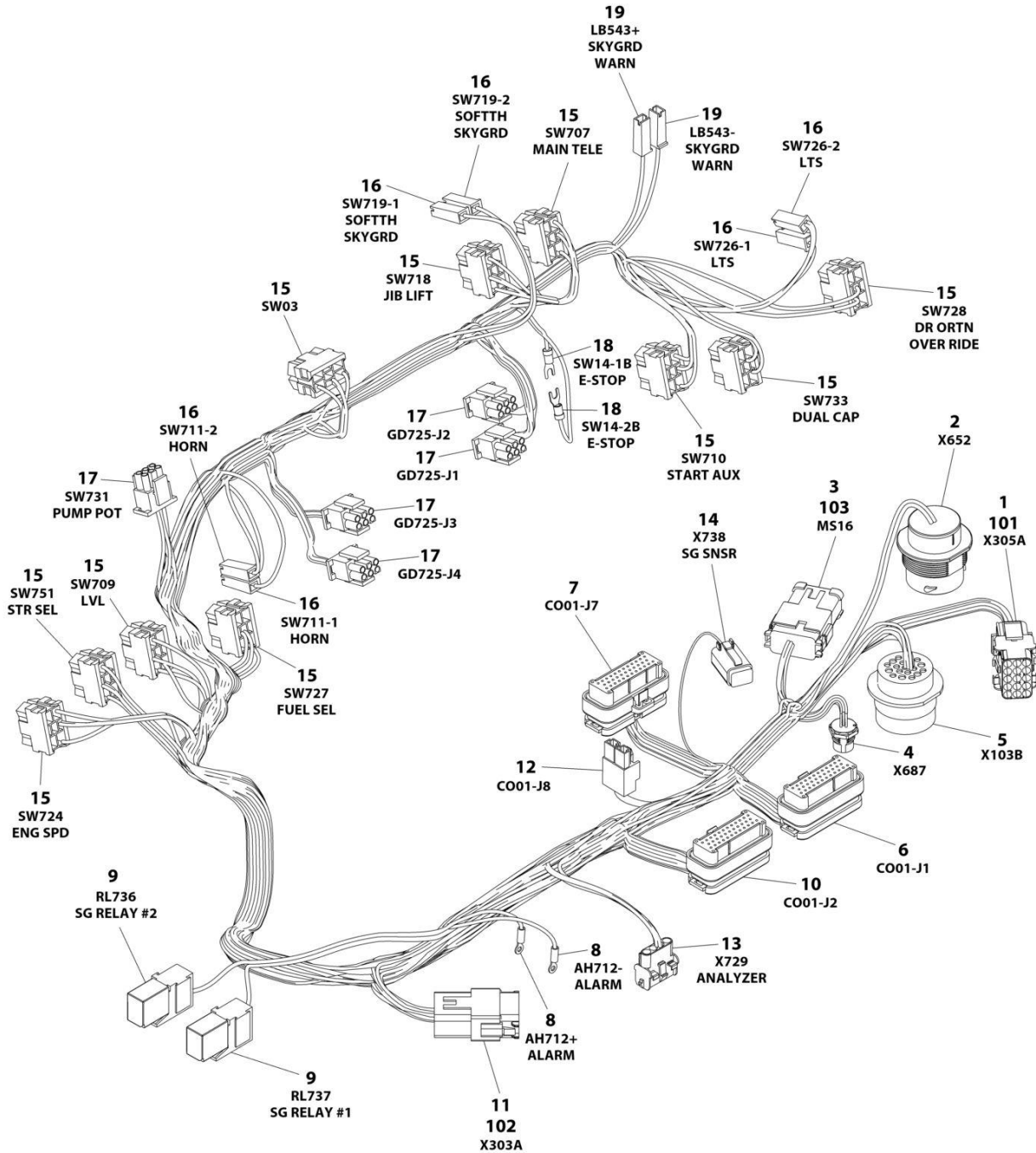
SECTION 8 - ELECTRICAL

FIGURE 8-60. MAIN VALVE HARNESS (4WS)

ITEM	PART NUMBER	QTY	DESCRIPTION	REV
	1001188643	Ref	MAIN VALVE HARNESS	F
1	4460313	2	Terminal, Ring	
2	4460884	2	Plug, Male - 4 Position	
2	4460465	8	Socket, Female	
3	4460891	13	Plug, Male - 2 Position	
3	4460465	26	Socket, Female	
4	4460875	1	Connector - 35 Position	
4	4460871	23	Socket, Female	
4	4460905	12	Plug, Terminal	
5	4460872	1	Connector - 14 Position	
5	4460871	7	Socket, Female	
5	4460905	7	Plug, Terminal	
6	4460539	1	Plug, Male - 3 Position	
6	4460465	3	Socket, Female	
7	4460899	1	Receptacle, Female - 6 Position	
7	4460464	4	Pin, Male	
7	4460466	2	Plug, Terminal	
8	4460911	1	Plug, Male - 3 Position	
8	1001116694	3	Socket, Female	

SECTION 8 - ELECTRICAL

FIGURE 8-61. PLATFORM CONSOLE HARNESS (SN 0300235168 through 0300259907, SN B30002655 through B300005754)



ART_1001196222

SECTION 8 - ELECTRICAL

FIGURE 8-61. PLATFORM CONSOLE HARNESS (SN 0300235168 through 0300259907, SN B30002655 through B300005754)

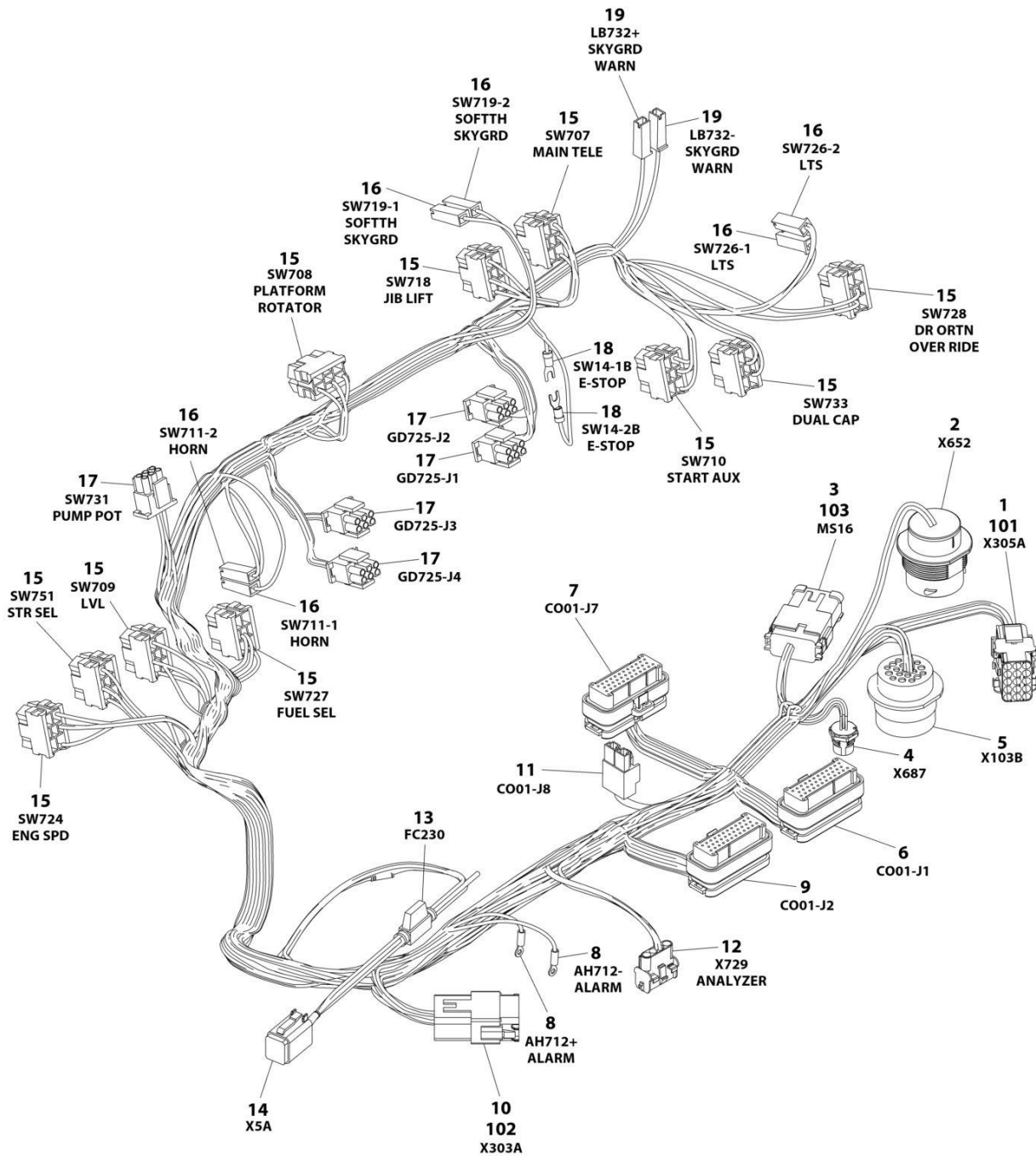
ITEM	PART NUMBER	QTY	DESCRIPTION	REV
	1001196222	Ref	PLATFORM CONSOLE HARNESS	I
1	4460434	1	Connector - 15 Position	
1	4460267	8	Pin, Male	
2	4460925	1	Connector - 21 Position	
2	1001116695	13	Pin, Male	
2	4460466	8	Plug, Terminal	
3	4460933	1	Plug, Male - 12 Position	
3	4460465	8	Socket, Female	
3	4460466	4	Plug, Terminal	
4	1001213447	1	Connector - 4 Position	
4	See Note	NSS	Terminal (Note: Purchase p/n 1001213447)	
5	4460866	1	Connector - 19 Position	
5	4460464	7	Pin, Male	
5	4460943	2	Pin, Male	
5	1001157891	2	Pin, Male	
5	4460466	8	Plug, Terminal	
6	4460874	1	Connector - 35 Position	
6	4460871	28	Socket, Female	
6	4460905	7	Plug, Terminal	
7	4460873	1	Connector - 35 Position	
7	4460871	24	Socket, Female	
7	4460905	11	Plug, Terminal	
8	1001098122	2	Terminal, Ring	
9	1001186431	2	Relay	
9	1001186432	2	Connector, Relay	
9	1001118384	3	Terminal	
9	1001118388	2	Terminal	
10	4460876	1	Connector - 35 Position	
10	4460871	27	Socket, Female	
10	4460905	8	Plug, Terminal	
11	4460970	1	Receptacle, Female - 12 Position	
11	1001116693	11	Pin, Male	
11	4460466	1	Plug, Terminal	
12	4460879	1	Plug, Male - 2 Position	
12	4460887	2	Terminal	
13	4460761	1	Receptacle, Female - 4 Position	
13	4460267	4	Pin, Male	
14	4460884	1	Plug, Male - 4 Position	
14	4460944	4	Socket, Female	
15	4460418	10	Connector - 6 Position	
15	4460419	20	Terminal	
15	1001159186	17	Terminal	
16	4460260	6	Housing, Terminal	
16	4460259	6	Terminal	
17	4460225	5	Plug, Male - 6 Position	
17	4460227	6	Pin, Male (Note: Used on Pump Potentiometer Connection Only)	
17	4460226	19	Socket, Female	
18	4460183	2	Terminal, Fork	
19	1001116705	2	Terminal	

SECTION 8 - ELECTRICAL

ITEM	PART NUMBER	QTY	DESCRIPTION	REV
101	4460708	1	Connector - 12 Position	
102	4460933	1	Plug, Male - 12 Position	
103	1001125677	1	Connector, Bussbar	

SECTION 8 - ELECTRICAL

FIGURE 8-62. PLATFORM CONSOLE HARNESS (SN 0300259908 through 0300272445)



ART_1001243261

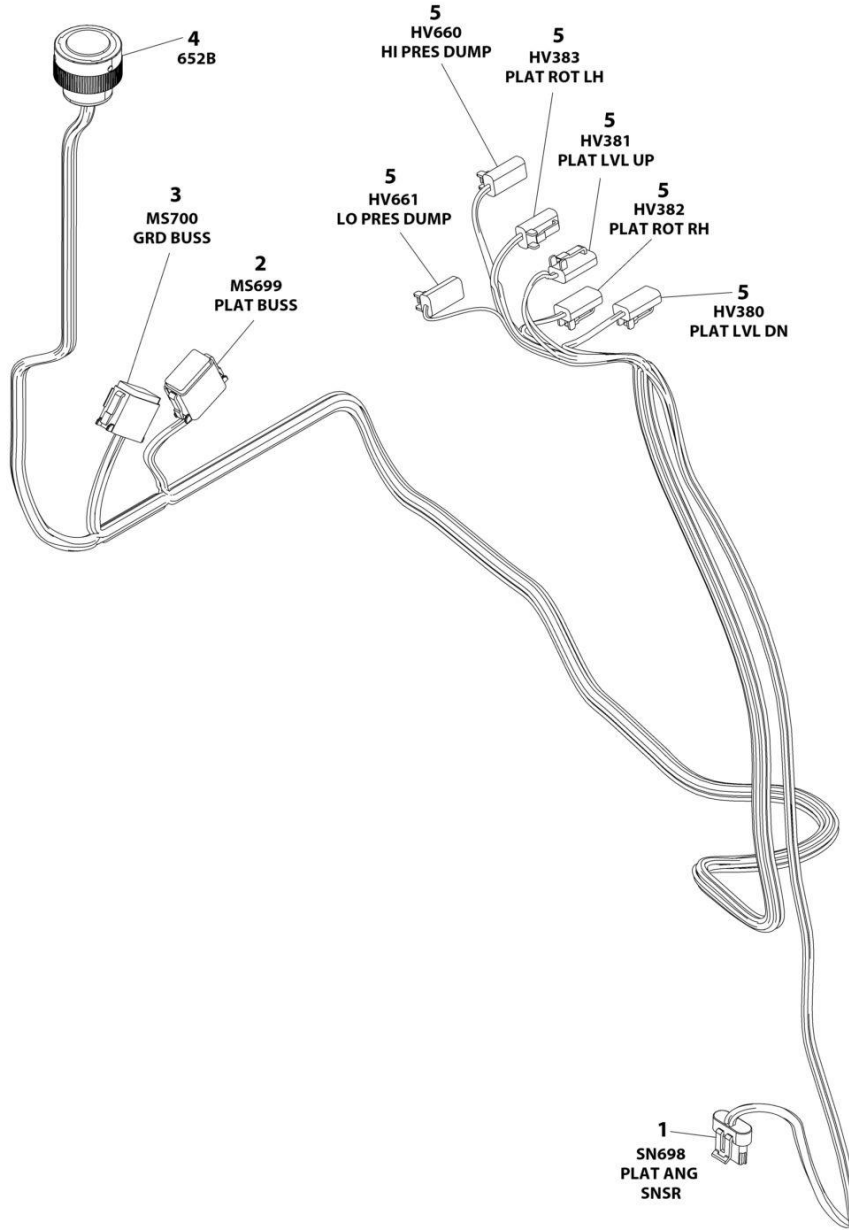
SECTION 8 - ELECTRICAL

FIGURE 8-62. PLATFORM CONSOLE HARNESS (SN 0300259908 through 0300272445)

ITEM	PART NUMBER	QTY	DESCRIPTION	REV
	1001243261	Ref	PLATFORM CONSOLE HARNESS	A
1	4460434	1	Connector - 15 Position	
1	4460267	8	Pin, Male	
2	4460925	1	Connector - 21 Position	
2	1001116695	13	Pin, Male	
2	4460466	8	Plug, Terminal	
3	4460933	1	Plug, Male - 12 Position	
3	4460465	7	Socket, Female	
3	4460466	5	Plug, Terminal	
4	1001213447	1	Connector - 4 Position	
4	See Note	NSS	Terminal (Note: Purchase p/n 1001213447)	
5	4460866	1	Connector - 19 Position	
5	4460464	7	Pin, Male	
5	4460943	2	Pin, Male	
5	1001157891	2	Pin, Male	
5	4460466	8	Plug, Terminal	
6	4460874	1	Connector - 35 Position	
6	4460871	28	Socket, Female	
6	4460905	7	Plug, Terminal	
7	4460873	1	Connector - 35 Position	
7	4460871	24	Socket, Female	
7	4460905	11	Plug, Terminal	
8	1001098122	2	Terminal, Ring	
9	4460876	1	Connector - 35 Position	
9	4460871	29	Socket, Female	
9	4460905	6	Plug, Terminal	
10	4460970	1	Receptacle, Female - 12 Position	
10	1001116693	7	Pin, Male	
10	4460466	5	Plug, Terminal	
11	4460879	1	Plug, Male - 2 Position	
11	4460887	2	Terminal	
12	4460761	1	Receptacle, Female - 4 Position	
12	1001118378	4	Pin, Male	
13	2400060	1	Fuseholder (Includes Cover)	
13	8229242	1	Fuse - 5Amp	
14	4460884	1	Plug, Male - 4 Position	
14	4460944	6	Socket, Female	
15	4460418	10	Connector - 6 Position	
15	4460419	20	Terminal	
15	1001159186	17	Terminal	
16	4460260	6	Housing, Terminal	
16	4460259	6	Terminal	
17	4460225	5	Plug, Male - 6 Position	
17	4460227	6	Pin, Male (Note: Used on Pump Potentiometer Connection Only)	
17	4460226	19	Socket, Female	
18	4460183	2	Terminal, Fork	
19	1001116705	2	Terminal	
101	4460708	1	Connector - 12 Position	
102	4460933	1	Plug, Male - 12 Position	
103	1001125677	1	Connector, Bussbar	

SECTION 8 - ELECTRICAL

FIGURE 8-63. PLATFORM VALVE HARNESS (600S)



ART_1001191328

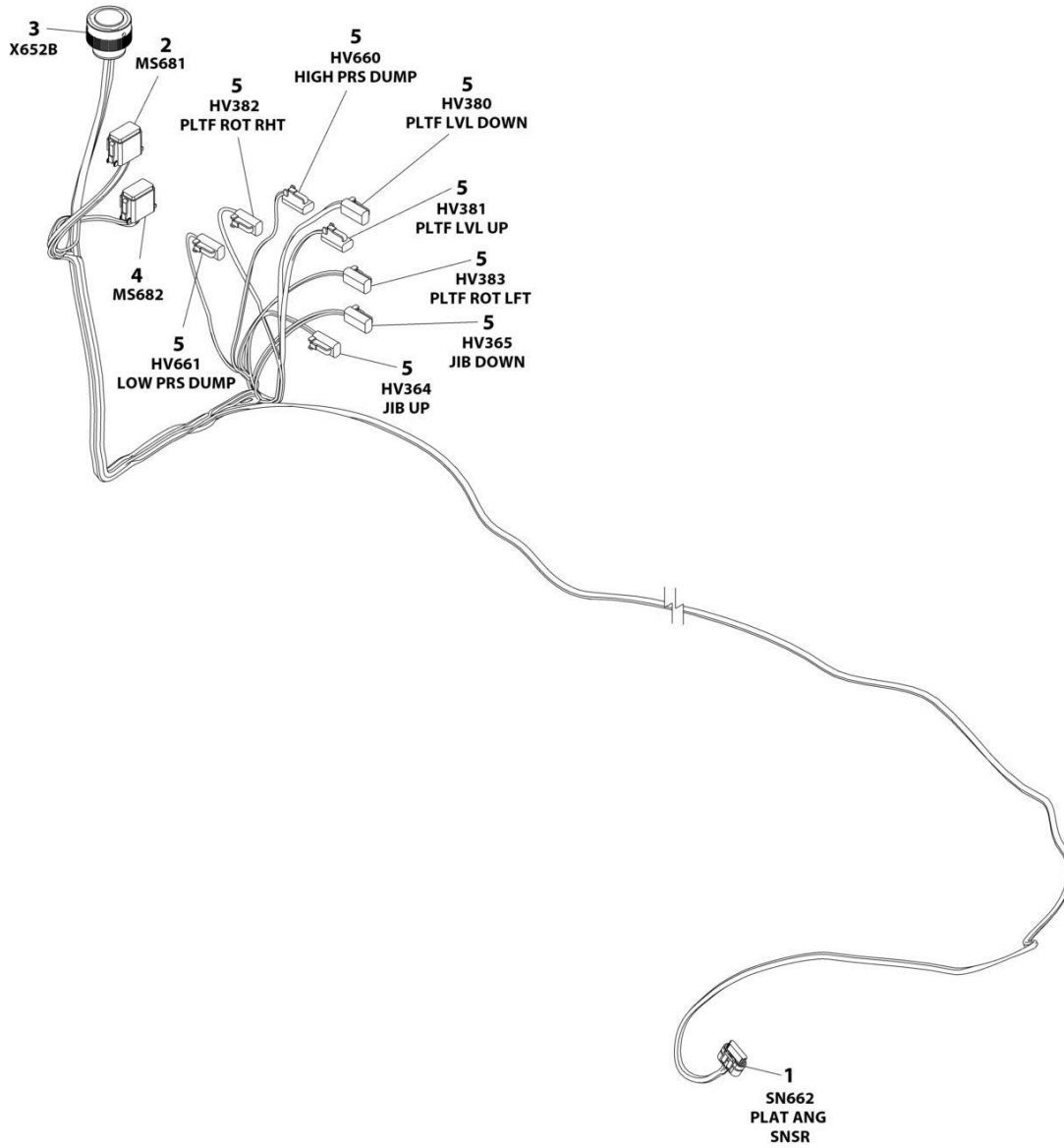
SECTION 8 - ELECTRICAL

FIGURE 8-63. PLATFORM VALVE HARNESS (600S)

ITEM	PART NUMBER	QTY	DESCRIPTION	REV
	1001191328	Ref	PLATFORM VALVE HARNESS	G
1	1001230931	1	Plug, Male - 6 Position	
1	1001116748	6	Terminal	
2	4460933	1	Plug, Male - 12 Position	
2	4460465	6	Socket, Female	
2	4460466	6	Plug, Terminal	
2	1001125677	1	Connector, Bussbar	
2	1001120328	1	Mount, Connector	
3	4460836	1	Plug, Male - 12 Posiiton	
3	4460465	7	Socket, Female	
3	4460466	5	Plug, Terminal	
3	4460837	1	Connector, Bussbar	
3	1001120328	1	Mount, Connector	
4	4460926	1	Connector - 21 Position	
4	4460465	11	Socket, Female	
4	4460466	10	Plug, Terminal	
5	4460891	6	Plug, Male - 2 Position	
5	4460465	12	Socket, Female	

SECTION 8 - ELECTRICAL

FIGURE 8-64. PLATFORM VALVE HARNESS (660SJ)



ART_1001264337

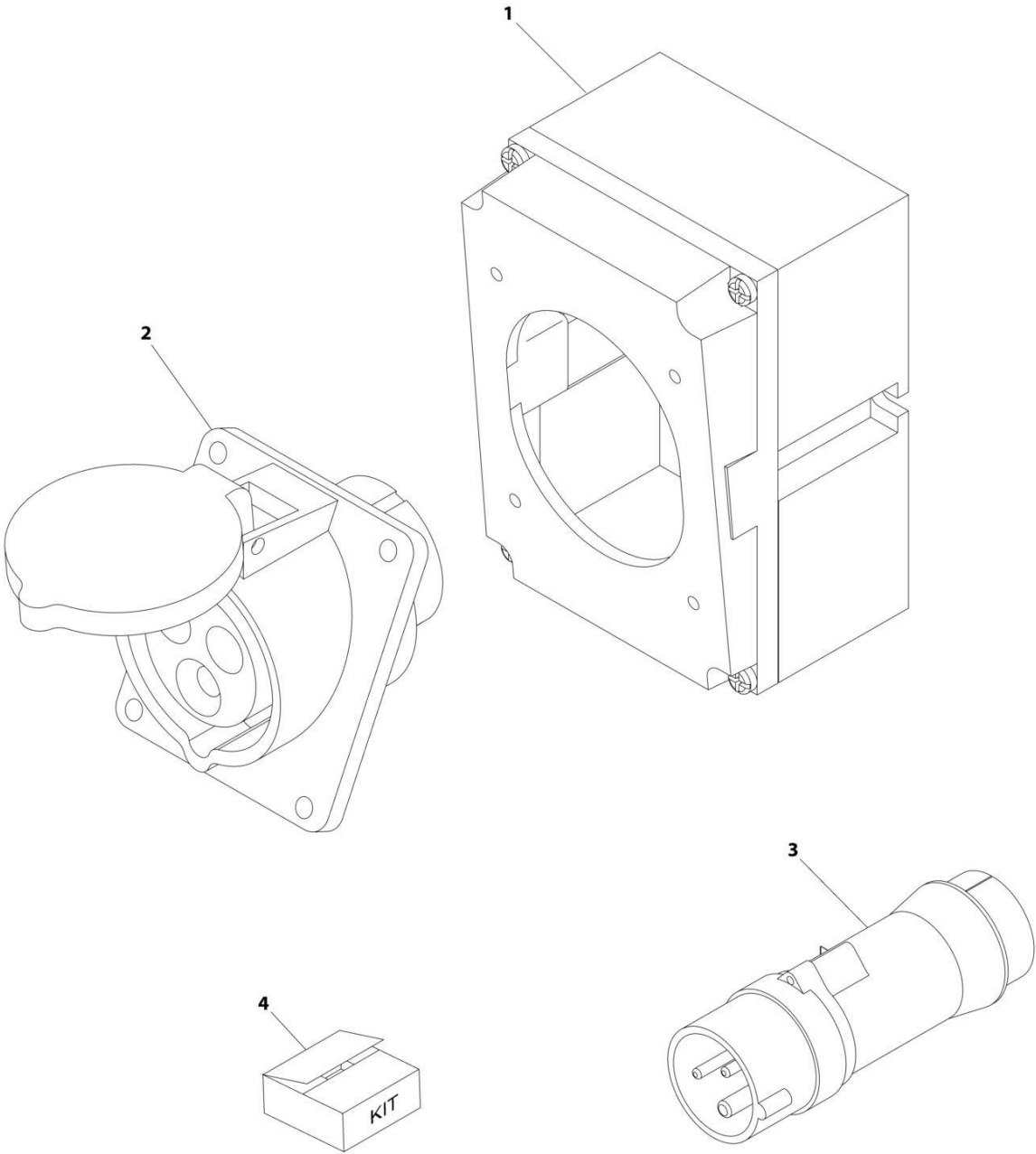
SECTION 8 - ELECTRICAL

FIGURE 8-64. PLATFORM VALVE HARNESS (660SJ)

ITEM	PART NUMBER	QTY	DESCRIPTION	REV
	1001264337	Ref	PLATFORM VALVE HARNESS (A92.5)	A
1	1001230931	1	Plug, Male - 6 Position	
1	1001116748	6	Terminal	
2	4460933	1	Connector	
2	1001125677	1	Connector, Bussbar	
2	1001120328	1	Clip, Mounting	
2	4460466	6	Plug, Terminal	
2	4460465	6	Socket, Female	
3	4460926	1	Connector - 21 Position	
3	4460928	13	Socket, Female	
3	4460518	8	Plug, Terminal	
4	4460836	1	Plug, Male - 12 Position	
4	4460837	1	Connector, Bussbar	
4	1001120328	1	Clip, Mounting	
4	4460465	9	Socket, Female	
4	4460466	3	Plug, Terminal	
5	4460891	8	Plug, Male - 2 Position	
5	4460465	16	Socket, Female	

SECTION 8 - ELECTRICAL

FIGURE 8-65. RECEPTACLE BOX KIT - 110V IEC YELLOW (CE SPEC)



ART_0275216

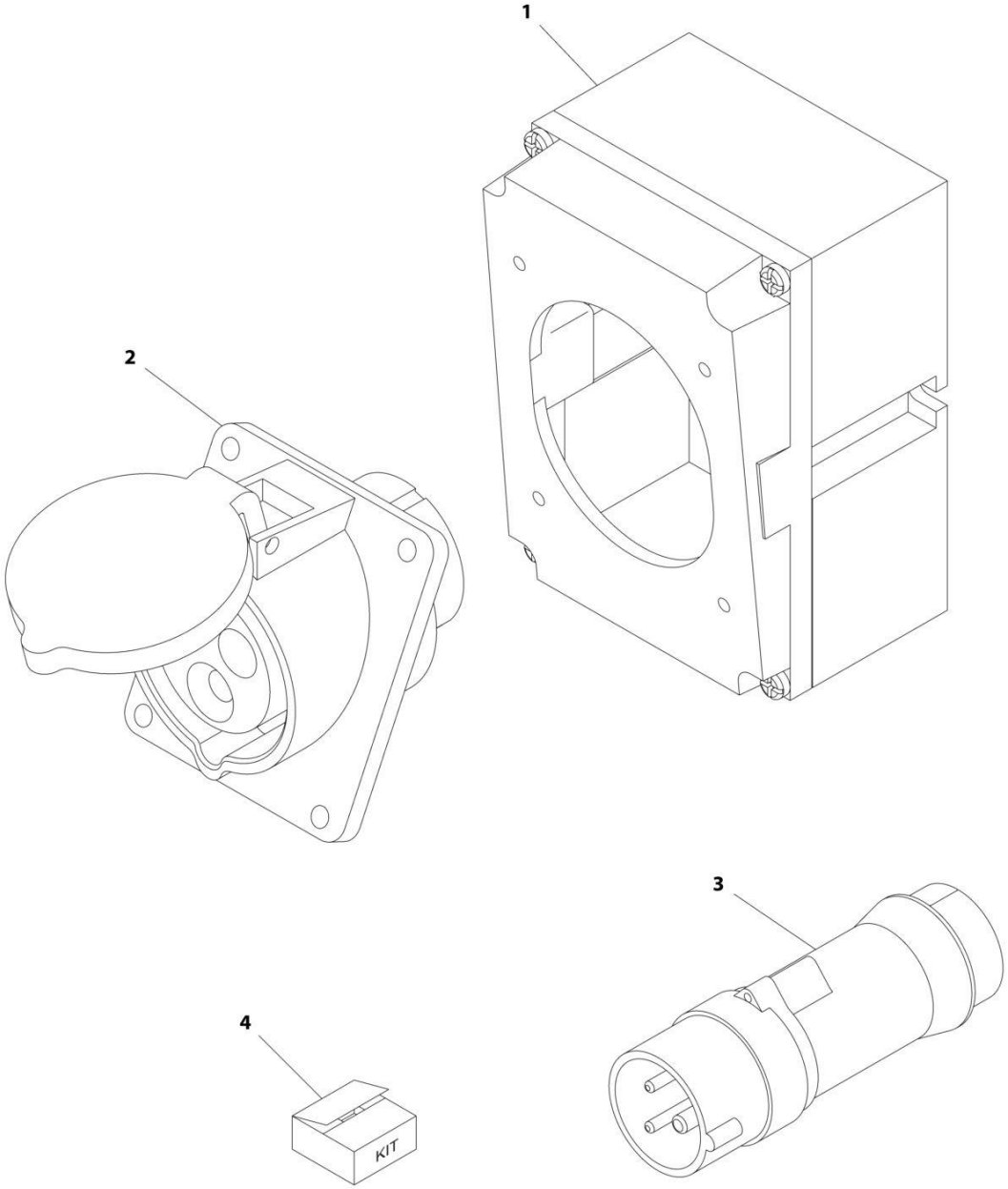
SECTION 8 - ELECTRICAL

FIGURE 8-65. RECEPTACLE BOX KIT - 110V IEC YELLOW (CE SPEC)

ITEM	PART NUMBER	QTY	DESCRIPTION	REV
	0275216	Ref	RECEPTACLE BOX KIT - 110V IEC YELLOW	B
1	0861781	1	Box, Switch	
2	4461198	1	Receptacle	
3	4461196	1	Plug, Male	
4	1001100341	1	Plug and Socket Kit (Includes Items 1-3 and Female Plug p/n 4461197)	

SECTION 8 - ELECTRICAL

FIGURE 8-66. RECEPTACLE BOX KIT - 220V IEC BLUE (CE SPEC)



ART_0275217

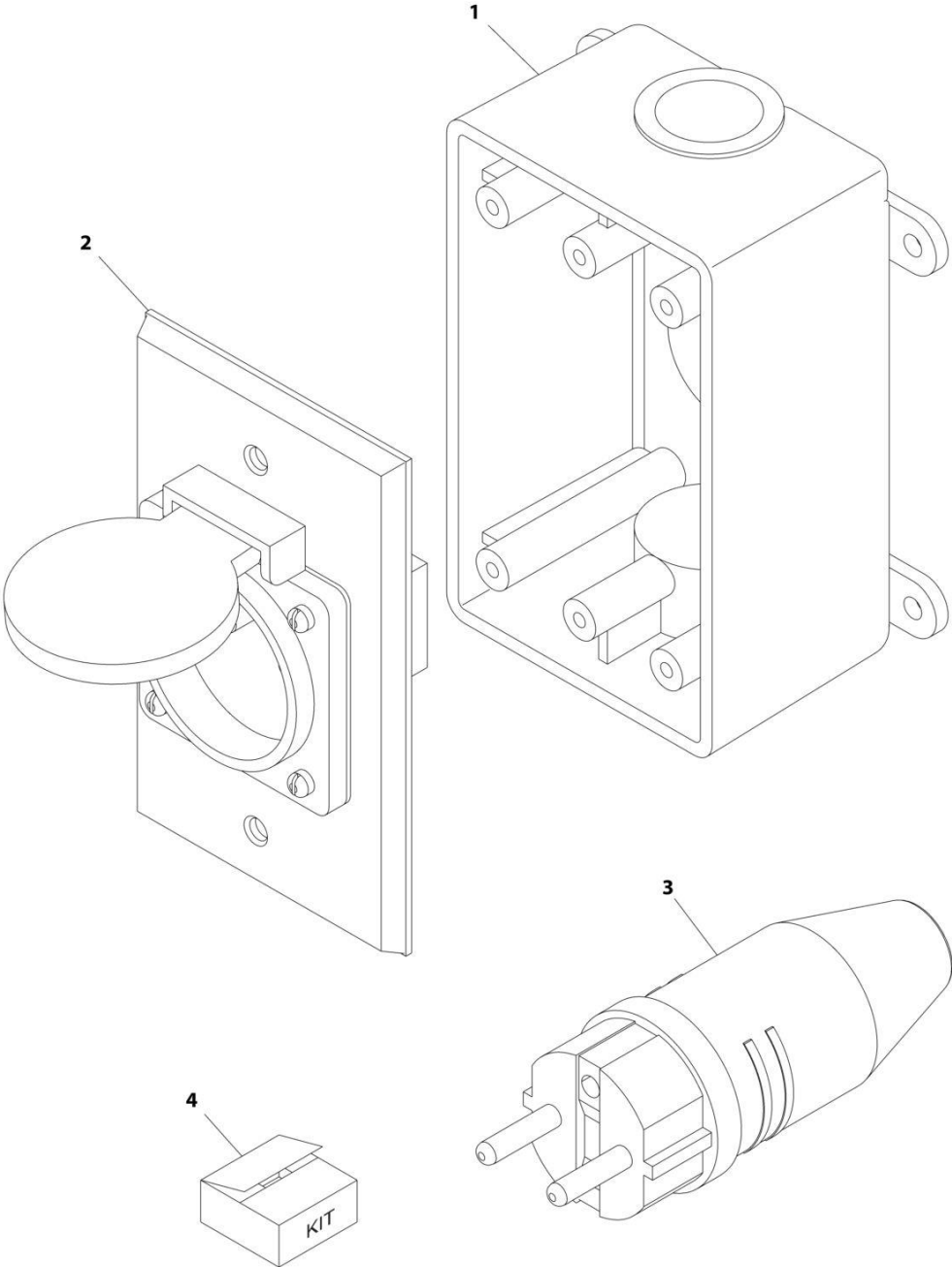
SECTION 8 - ELECTRICAL

FIGURE 8-66. RECEPTACLE BOX KIT - 220V IEC BLUE (CE SPEC)

ITEM	PART NUMBER	QTY	DESCRIPTION	REV
	0275217	Ref	RECEPTACLE BOX KIT - 220V IEC BLUE	B
1	0861781	1	Box, Switch	
2	4461201	1	Receptacle	
3	4461199	1	Plug, Male	
4	1001100342	1	Plug and Socket Kit (Includes Items 1-3 and Female Plug p/n 4461200)	

SECTION 8 - ELECTRICAL

FIGURE 8-67. RECEPTACLE BOX KIT - 220V CEE7 POST GROUND 2X4 BOX (CE SPEC)



ART_0275452-C

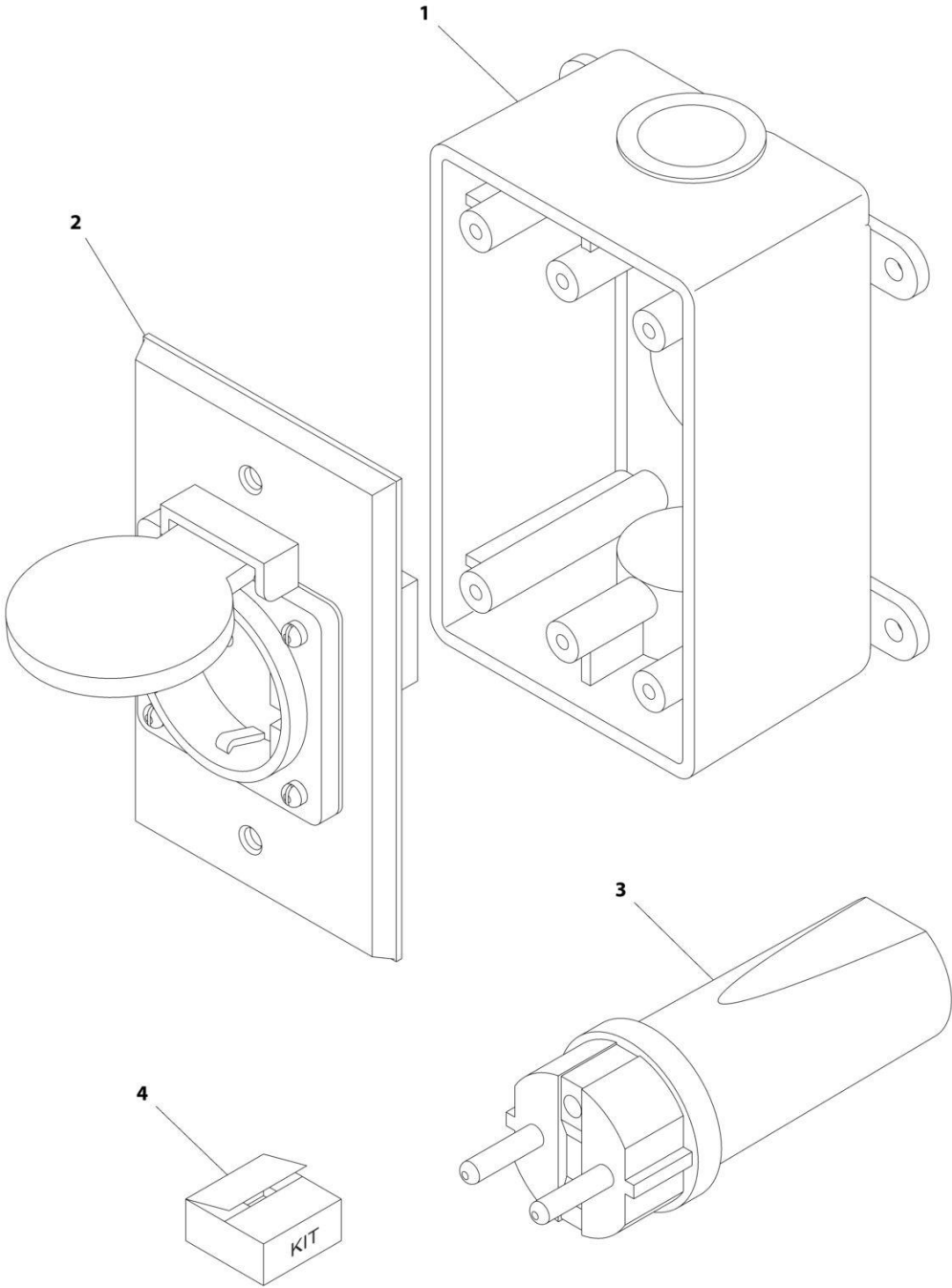
SECTION 8 - ELECTRICAL

FIGURE 8-67. RECEPTACLE BOX KIT - 220V CEE7 POST GROUND 2X4 BOX (CE SPEC)

ITEM	PART NUMBER	QTY	DESCRIPTION	REV
	0275452	Ref	RECEPTACLE BOX KIT - 220V CEE7 POST GROUND 2IN X 4IN BOX	C
1	0861731	1	Box, Switch	
2	4461244	1	Receptacle	
3	4461205	1	Plug, Male	
4	1001100345	1	Plug and Socket Kit (Includes Items 1-3 and Female Plug p/n 4461203)	

SECTION 8 - ELECTRICAL

FIGURE 8-68. RECEPTACLE BOX KIT - 220V CEE7 SIDE GROUND (CE SPEC)



ART_0275453

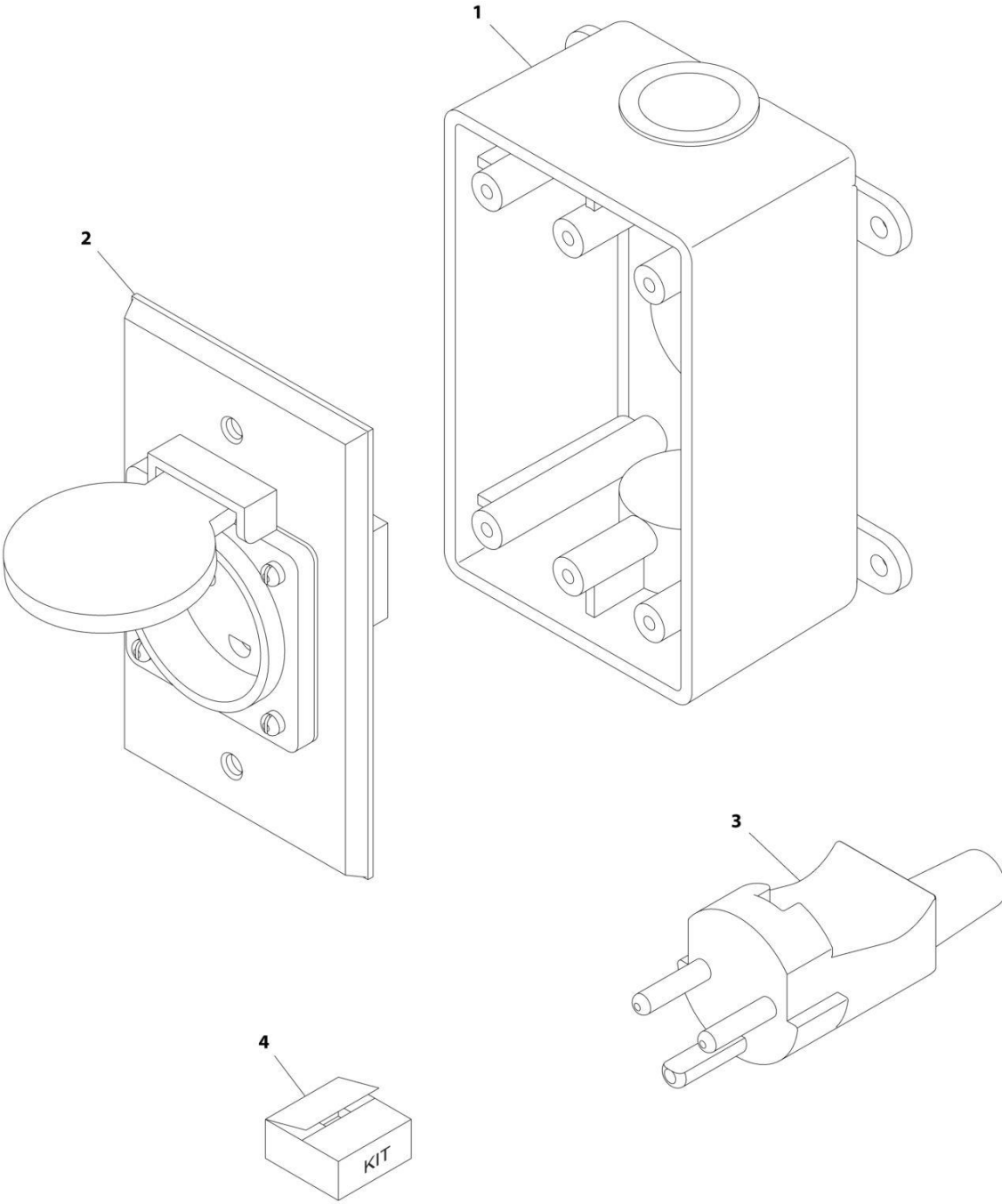
SECTION 8 - ELECTRICAL

FIGURE 8-68. RECEPTACLE BOX KIT - 220V CEE7 SIDE GROUND (CE SPEC)

ITEM	PART NUMBER	QTY	DESCRIPTION	REV
	0275453	Ref	RECEPTACLE BOX KIT - 220V CEE7 SIDE GROUND	B
1	0861731	1	Box, Switch	
2	4461245	1	Receptacle	
3	4461205	1	Plug, Male	
4	1001100347	1	Plug and Socket Kit (Includes Items 1-3 and Female Plug p/n 4461206)	

SECTION 8 - ELECTRICAL

FIGURE 8-69. RECEPTACLE BOX KIT - 220V AFSINT 107 (CE SPEC)



ART_0275454

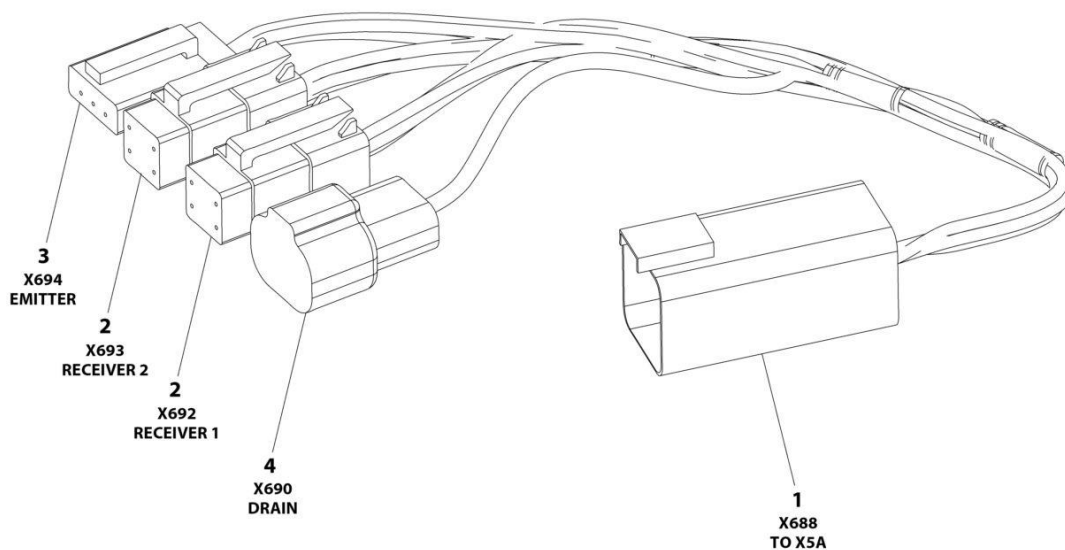
SECTION 8 - ELECTRICAL

FIGURE 8-69. RECEPTACLE BOX KIT - 220V AFSINT 107 (CE SPEC)

ITEM	PART NUMBER	QTY	DESCRIPTION	REV
	0275454	Ref	RECEPTACLE BOX KIT - 220V AFSINT 107	B
1	0861731	1	Box, Switch	
2	4461246	1	Receptacle	
3	4461249	1	Plug, Male	
4	1001100346	1	Plug and Socket Kit (Includes Items 1-3 and Female Plug p/n 4461250)	

SECTION 8 - ELECTRICAL

FIGURE 8-70. SKYEYE INTERMEDIATE HARNESS



ART_1001237865

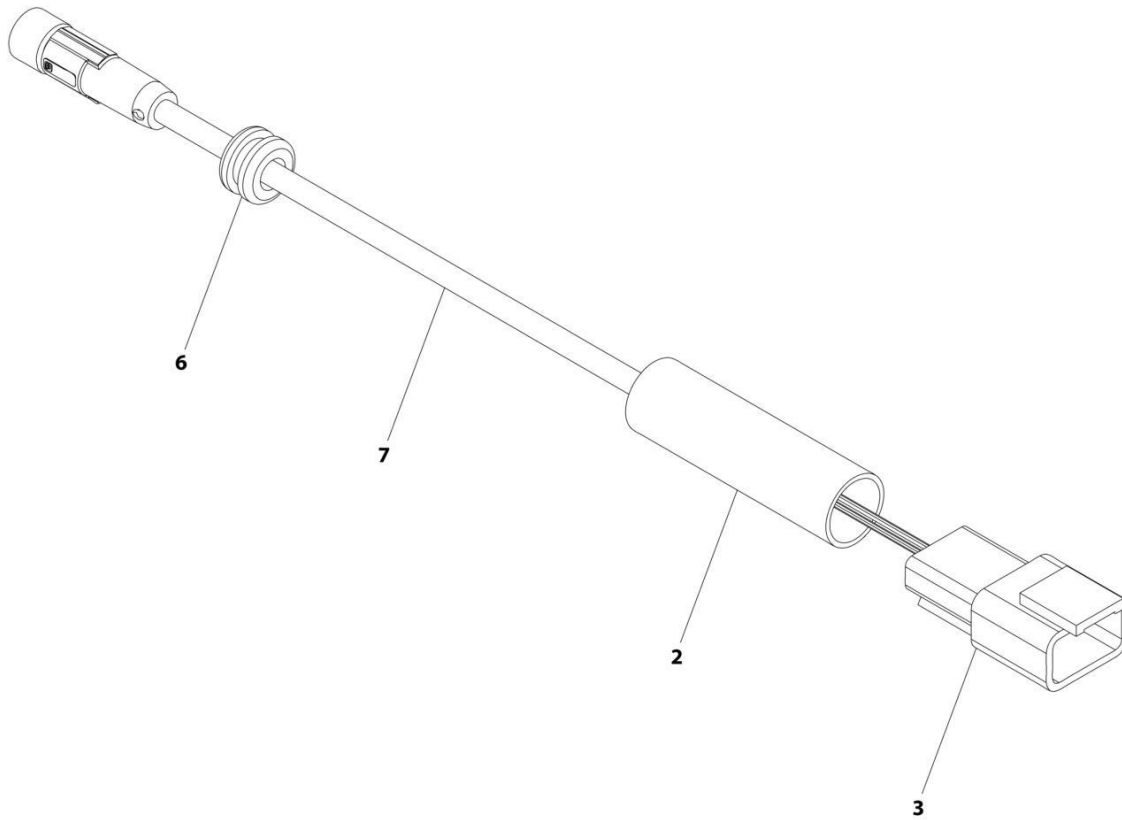
SECTION 8 - ELECTRICAL

FIGURE 8-70. SKYEYE INTERMEDIATE HARNESS

ITEM	PART NUMBER	QTY	DESCRIPTION	REV
	1001237865	Ref	SKYEYE INTERMEDIATE HARNESS	A
1	4460899	1	Connector - 6 Position	
1	4460943	4	Pin, Male	
1	4460466	2	Plug, Terminal	
2	4461077	2	Connector - 4 Position	
2	1001119619	8	Socket, Female	
3	4460911	1	Connector - 3 Position	
3	1001119619	3	Socket, Female	
4	1001187681	1	Connector - 2 Position	
4	4460941	1	Pin, Male	
4	4460466	1	Plug, Terminal	

SECTION 8 - ELECTRICAL

FIGURE 8-71. SKYEYE EMITTER HARNESS



ART_1001237864

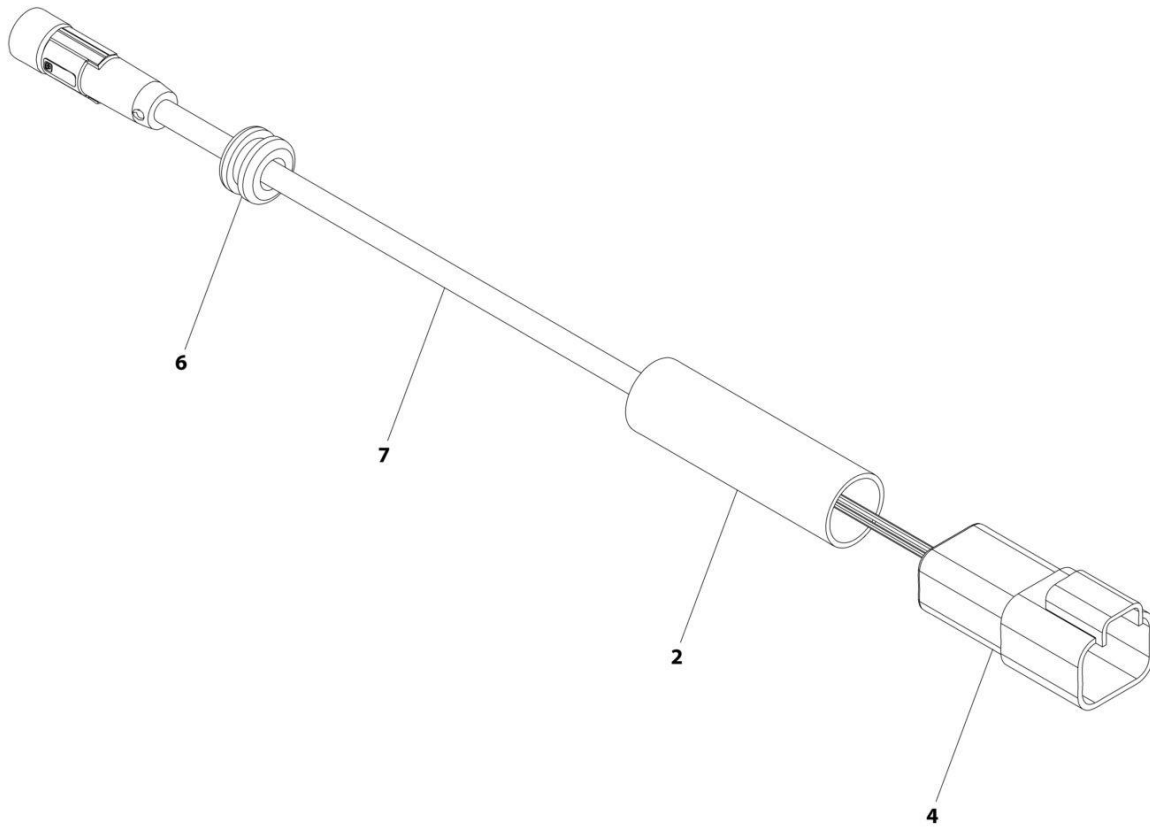
SECTION 8 - ELECTRICAL

FIGURE 8-71. SKYEYE EMITTER HARNESS

ITEM	PART NUMBER	QTY	DESCRIPTION	REV
	1001237864	Ref	SKYEYE EMITTER HARNESS	A
2	2820247	AR	Tubing, Heat Shrink	
3	4460910	1	Connector - 3 Position	
3	1001119620	3	Pin, Male	
6	1001227996	1	Grommet	
7	1001237862	1	Cable, M8 Female Cordset	

SECTION 8 - ELECTRICAL

FIGURE 8-72. SKYEYE RECEIVER HARNESS



ART_1001237863

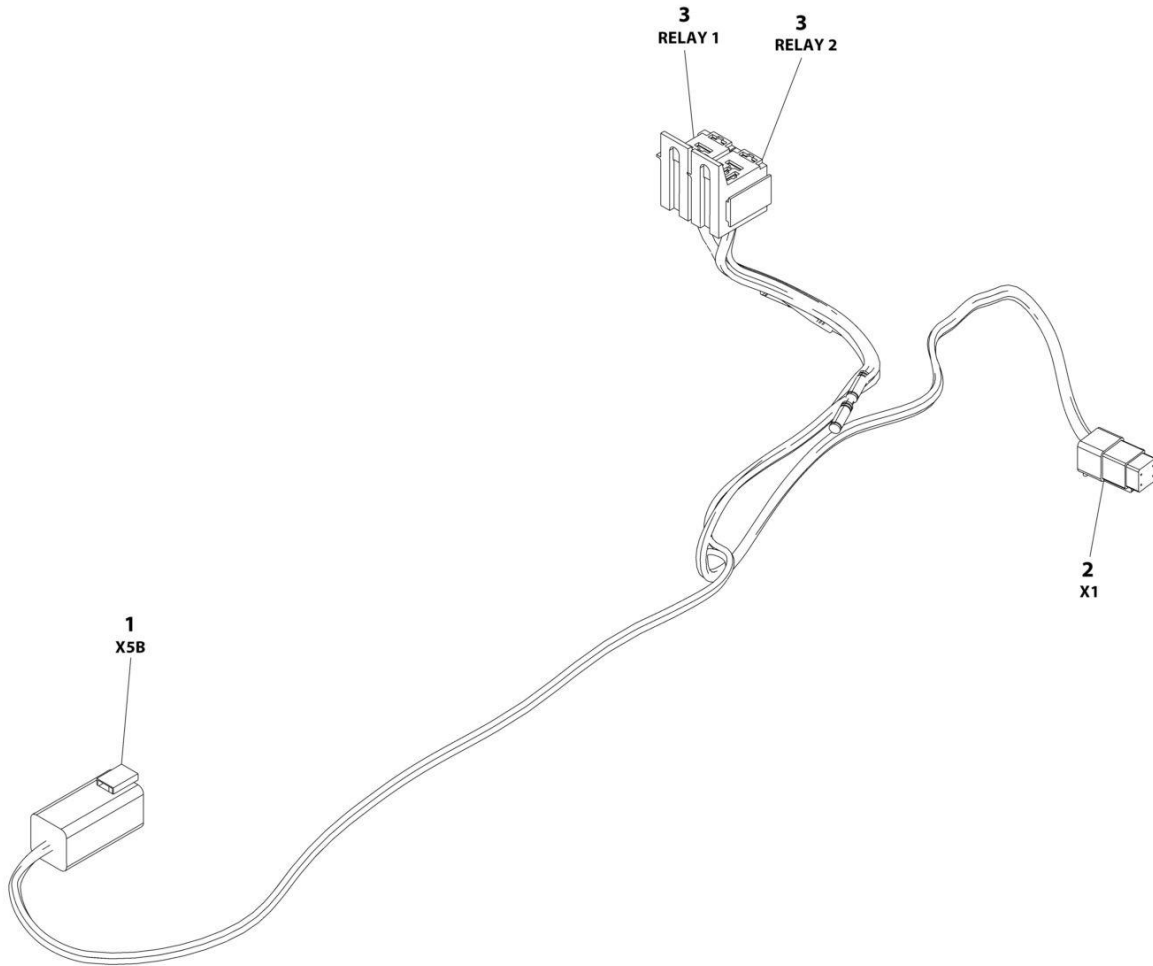
SECTION 8 - ELECTRICAL

FIGURE 8-72. SKYEYE RECEIVER HARNESS

ITEM	PART NUMBER	QTY	DESCRIPTION	REV
	1001237863	Ref	SKYEYE RECEIVER HARNESS	A
2	2820247	AR	Tubing, Heat Shrink	
4	1001097051	1	Connector - 4 Position	
4	1001119620	4	Pin, Male	
6	1001227996	1	Grommet	
7	1001237862	1	Cable, M8 Female Cordset	

SECTION 8 - ELECTRICAL

FIGURE 8-73. SKYLINE HARNESS



ART_1001238418

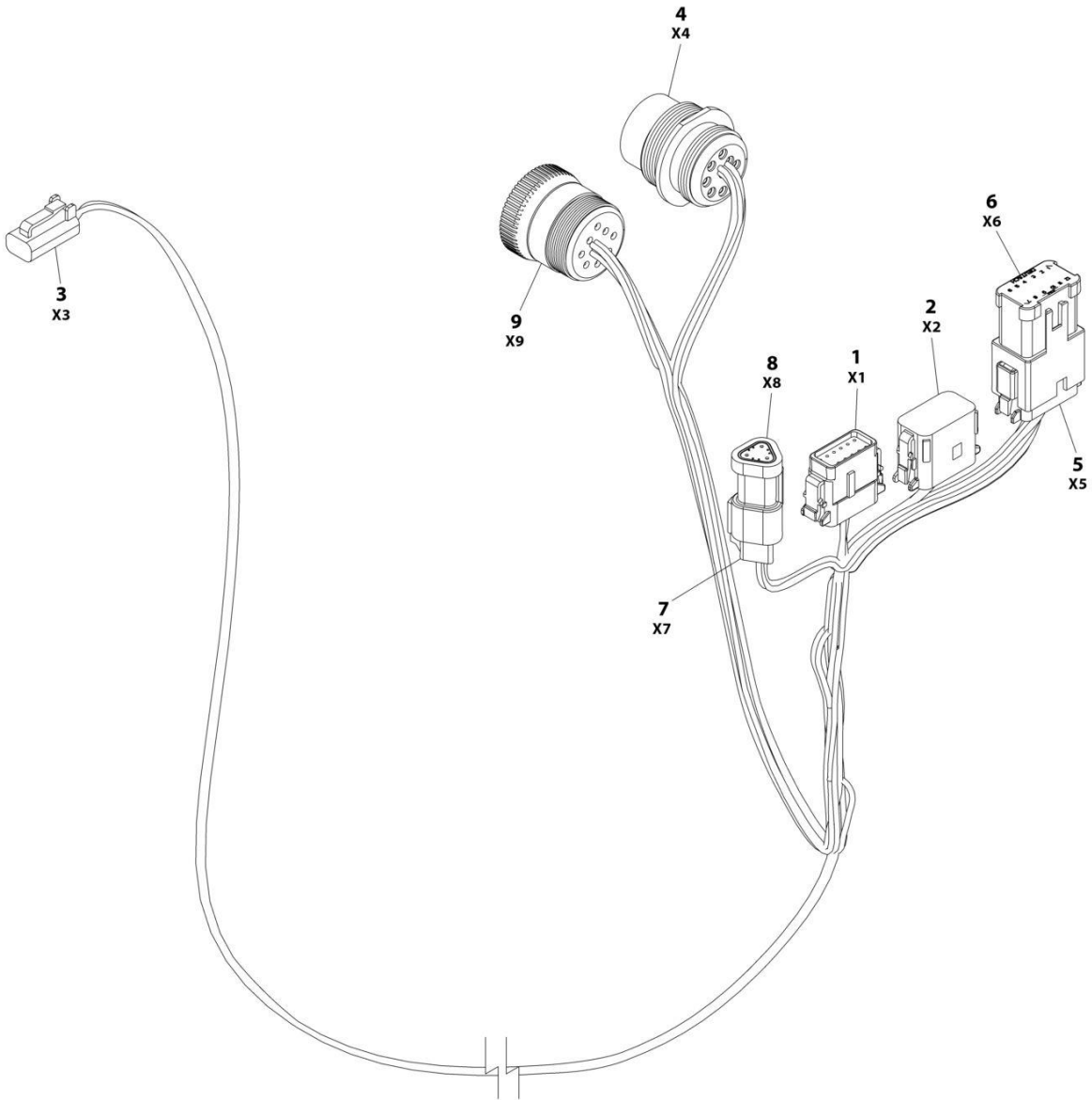
SECTION 8 - ELECTRICAL

FIGURE 8-73. SKYLINE HARNESS

ITEM	PART NUMBER	QTY	DESCRIPTION	REV
	1001238418	Ref	SKYLINE HARNESS	B
1	4460899	1	Connector - 6 Position	
1	4460464	4	Pin, Male	
1	4460466	2	Plug, Terminal	
2	4461077	1	Connector - 4 Position	
2	1001126009	4	Socket, Female	
3	1001186432	2	Plug, Relay	
3	1001118388	5	Terminal	
3	1001118384	3	Terminal	
3	3740086	2	Relay	

SECTION 8 - ELECTRICAL

FIGURE 8-74. STROBE LIGHT CONTROL HARNESS (BLUE LIGHT)



ART_1001142736

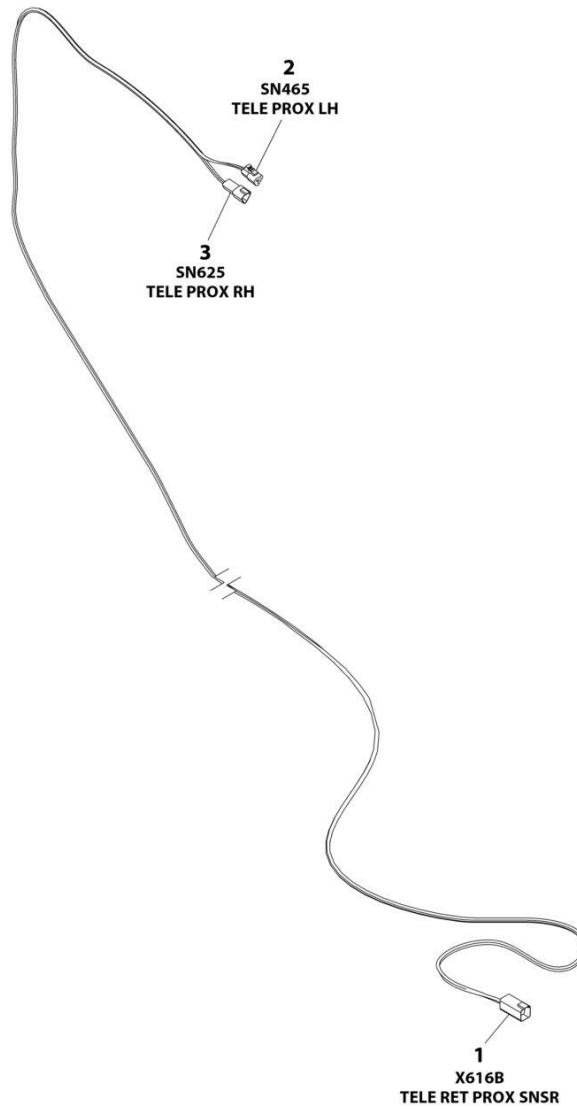
SECTION 8 - ELECTRICAL

FIGURE 8-74. STROBE LIGHT CONTROL HARNESS (BLUE LIGHT)

ITEM	PART NUMBER	QTY	DESCRIPTION	REV
	1001142736	Ref	STROBE LIGHT HARNESS	F
1	1001116808	1	Plug, Male - 12 Position	
1	4460928	3	Socket, Female	
1	4460518	9	Plug, Terminal	
2	1001116774	1	Plug, Male - 12 Position	
2	4460928	3	Socket, Female	
2	4460518	9	Plug, Terminal	
3	4460891	1	Plug, Male - 2 Position	
3	4460465	2	Socket, Female	
4	1001112612	1	Connector - 9 Position	
4	4460464	6	Pin, Male	
4	4460466	3	Plug, Terminal	
5	4460933	1	Plug, Male - 12 Position	
5	4460465	12	Socket, Female	
6	1001119020	1	Bussbar - 12 Position	
7	4461095	1	Plug, Male - 3 Position	
7	4460465	3	Socket, Female	
8	4461070	1	Bussbar - 3 Position	
9	1001112796	1	Connector - 9 Position	
9	4460465	6	Socket, Female	
9	4460466	3	Plug, Terminal	

SECTION 8 - ELECTRICAL

FIGURE 8-75. TELE PROXIMITY HARNESS



ART_1001189003

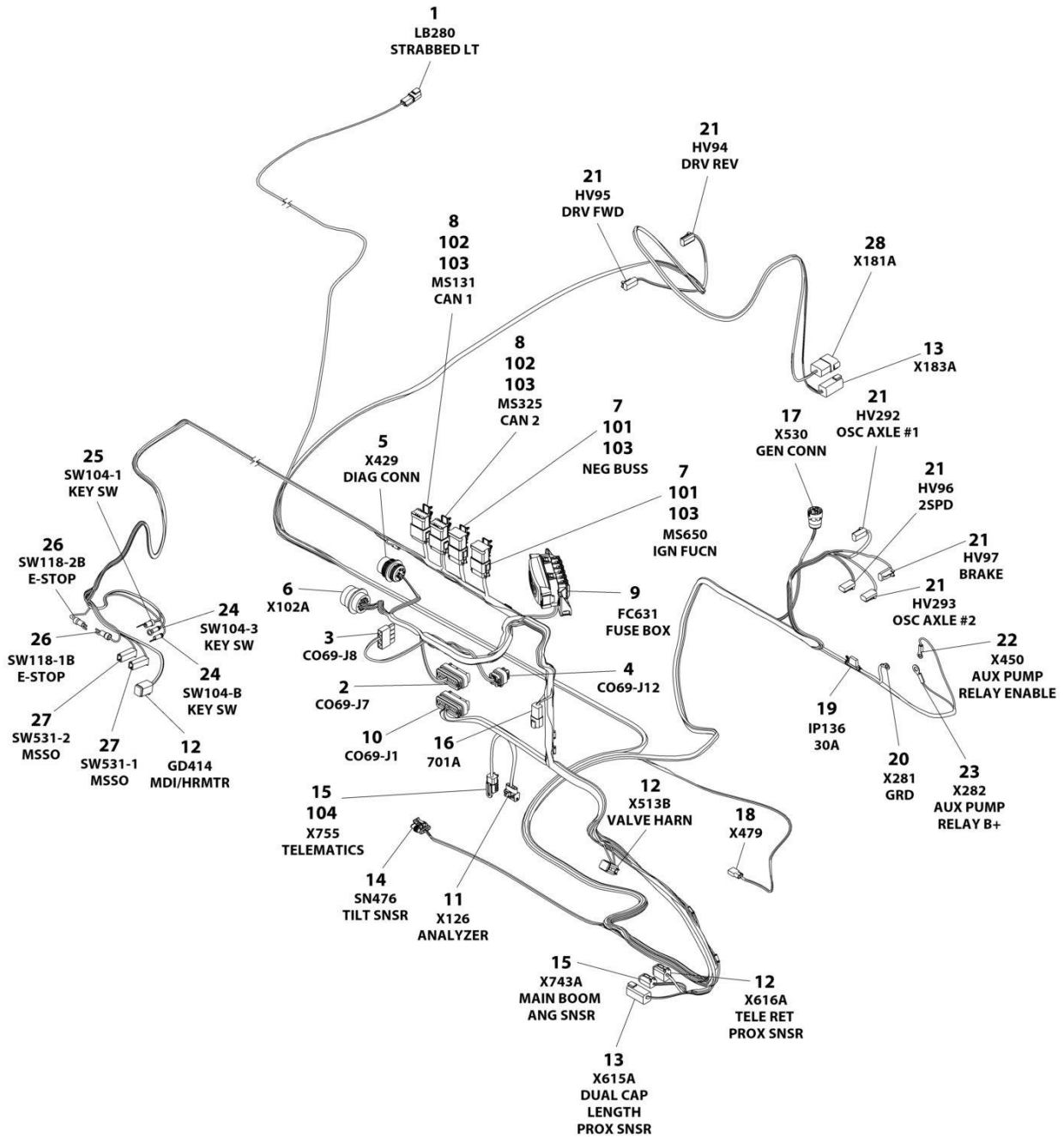
SECTION 8 - ELECTRICAL

FIGURE 8-75. TELE PROXIMITY HARNESS

ITEM	PART NUMBER	QTY	DESCRIPTION	REV
	1001189003	Ref	TELE PROXIMITY HARNESS	E
1	4460899	1	Receptacle, Female - 6 Position	
1	4460464	6	Pin, Male	
2	4460539	1	Plug, Male - 3 Position	
2	4460465	3	Socket, Female	
3	4460536	1	Receptacle, Female - 3 Position	
3	4460464	3	Pin, Male	

SECTION 8 - ELECTRICAL

FIGURE 8-76. TURNTABLE HARNESS



ART_1001188642

SECTION 8 - ELECTRICAL

FIGURE 8-76. TURNTABLE HARNESS

ITEM	PART NUMBER	QTY	DESCRIPTION	REV
	1001188642	Ref	TURNTABLE HARNESS	H
1	4460897	1	Receptacle, Female - 2 Position	
1	4460464	9	Pin, Male	
2	4460873	1	Connector - 35 Position	
2	4460871	25	Socket, Female	
2	4460905	10	Plug, Terminal	
3	4460878	1	Plug, Male - 4 Position	
3	4460887	3	Socket, Female	
3	4461271	1	Socket, Female	
4	1001113961	1	Connector - 8 Position	
4	4460871	5	Socket, Female	
4	4460905	3	Plug, Terminal	
5	1001112612	1	Connector - 9 Position	
5	4460464	5	Pin, Male	
5	4460466	4	Plug, Terminal	
6	4460866	1	Connector - 19 Position	
6	4460464	7	Pin, Male	
6	4460508	2	Pin, Male	
6	4460943	2	Pin, Male	
6	4460466	7	Plug, Terminal	
7	4460836	2	Plug, Male - 12 Position	
7	4460465	12	Socket, Female	
7	4460466	12	Plug, Terminal	
8	4460933	2	Plug, Male - 12 Position	
8	4460944	14	Socket, Female	
8	4460466	10	Plug, Terminal	
9	1001185964	1	Box, Fuse Less Fuses	
9	1001196635	1	Fuse 3Amp	
9	8229242	3	Fuse 5Amp	
9	8229244	2	Fuse 15Amp	
9	1001095704	1	Relay	
9	1001129285	2	Diode	
9	1001116728	14	Terminal	
9	4460458	14	Seal, Terminal	
9	8220125	7	Terminal	
9	80963067	7	Seal, Terminal	
9	4460748	27	Plug, Terminal	
10	4460874	1	Connector - 35 Position	
10	4460871	20	Socket, Female	
10	4460905	15	Plug, Terminal	
11	1001119032	1	Receptacle, Female - 4 Position	
11	1001118378	4	Pin, Male	
12	4460894	3	Plug, Male - 6 Position	
12	4460465	10	Socket, Female	
12	4460464	2	Pin, Male	
12	4460466	6	Plug, Terminal	
13	4460899	2	Receptacle, Female - 6 Position	
13	4460464	8	Pin, Male	
14	1001103012	1	Plug, Male - 4 Position	
14	1001107854	4	Terminal	

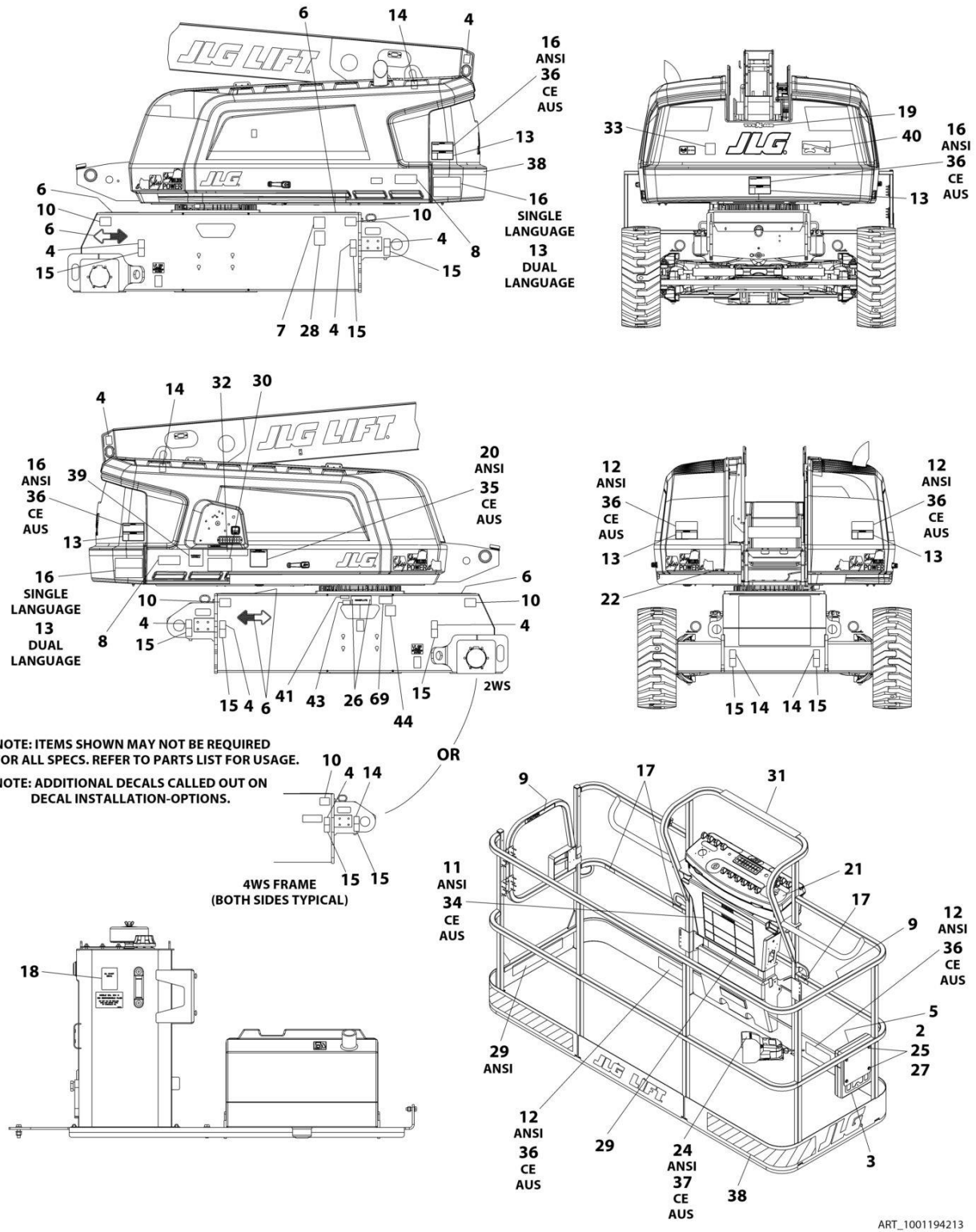
SECTION 8 - ELECTRICAL

ITEM	PART NUMBER	QTY	DESCRIPTION	REV
14	1001104498	4	Seal, Terminal	
15	4460884	2	Plug, Male - 4 Position	
15	4460465	8	Socket, Female	
16	4460932	1	Receptacle, Female - 4 Position	
16	4460464	4	Pin, Male	
17	4460967	1	Plug, Male - 3 Position	
17	4460465	3	Socket, Female	
18	4460424	1	Receptacle, Female - 2 Position	
18	4460226	6	Socket, Female	
19	1001172064	1	Fuseholder (Includes Cover)	
19	8229245	1	Fuse 30Amp	
20	4460312	1	Terminal, Ring	
21	4460891	6	Plug, Male - 2 Position	
21	4460465	12	Socket, Female	
22	4460043	1	Terminal, Ring	
23	8220045	1	Terminal, Ring	
24	4460247	2	Terminal, Ring	
25	4460042	1	Terminal, Ring	
26	4460183	2	Terminal, Ring	
27	4460260	2	Cover, Terminal	
27	4460259	2	Terminal	
28	4460931	2	Receptacle, Female - 8 Position	
28	4460464	3	Pin, Male	
28	4460466	5	Plug, Terminal	
101	4460837	2	Connector, Bussbar	
102	1001125677	2	Connector, Bussbar	
103	1001121172	4	Mount, Connector	
104	1001192401	1	Cap, Dust	

SECTION 9 - DECALS

SECTION 9 - DECALS

FIGURE 9-1. DECAL INSTALLATION - 600S (ANSI SPECS - ENGLISH LANGUAGE)



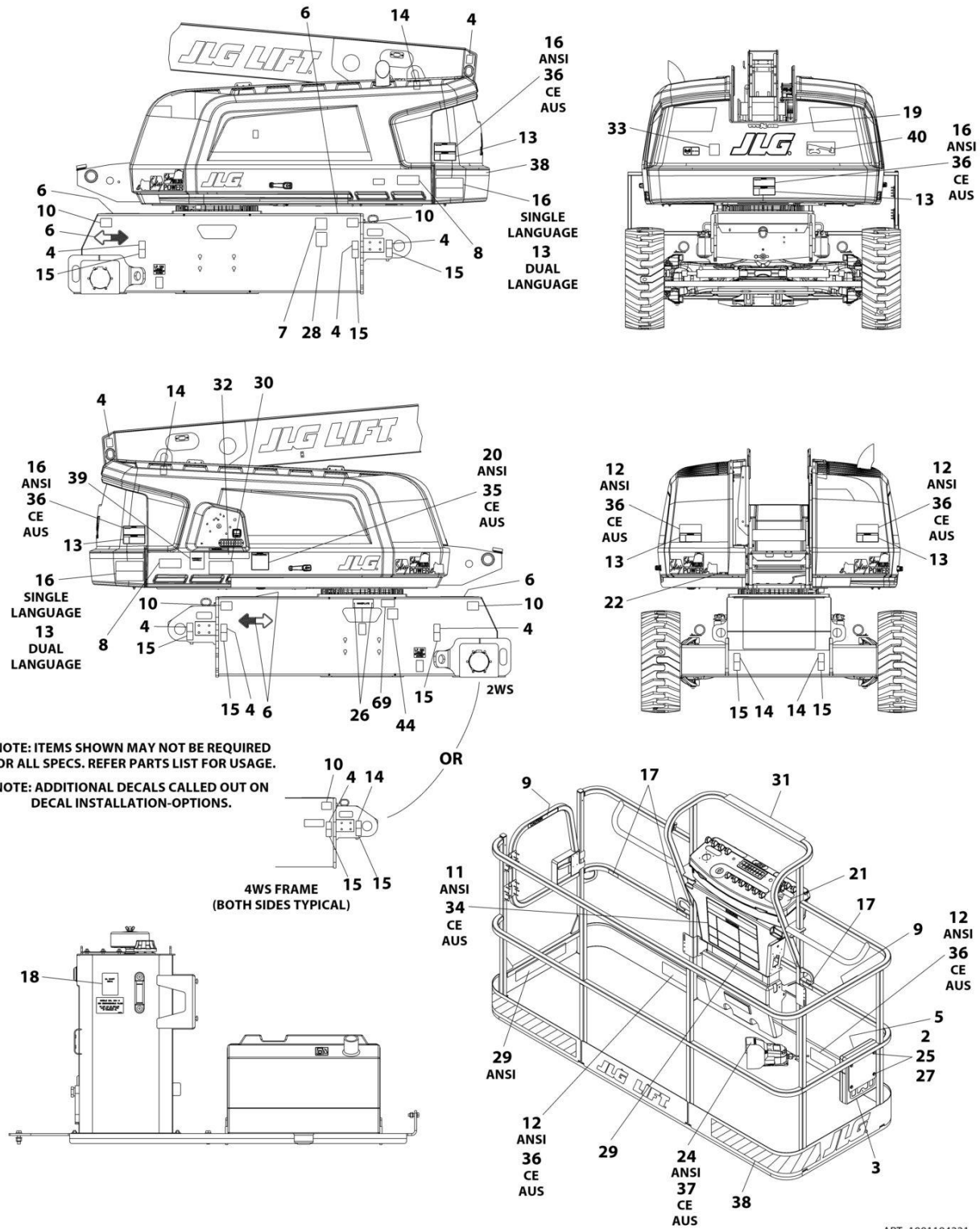
SECTION 9 - DECALS

FIGURE 9-1. DECAL INSTALLATION - 600S (ANSI SPECS - ENGLISH LANGUAGE)

ITEM	PART NUMBER	QTY	DESCRIPTION	REV
	1001194213	Ref	DECAL INSTALLATION	G
2	0700610	4	Bolt M6 x 20	
3	91403230	1	Box, Manual Storage	
4	1701499	8	Decal - No Tie Down/Lift	
5	1701509	1	Decal, Manual	
6	1701529	4	Decal - Arrow	
7	See Note	NSS	Decal - Bar Code (Note: Not Available for Purchase)	
8	1702815	2	Decal - 600S	
9	1702868	2	Decal - No Hands	
10	1001216059	4	Decal - Maximum Tire Load	
11	1703797	1	Decal - Danger/Warning	
12	1703804	4	Decal - Warning/Crushing	
13	1703805	1	Decal - Electrocution	
14	1703811	4	Decal - Lifting Lug	
15	1703814	8	Decal -Tie Down	
16	1703953	3	Decal - Warning/Crushing	
17	1704277	3	Decal - Lanyard Attach	
18	1704412	1	Decal - Hydraulic Oil	
19	1704885	1	Decal - Website	
20	1705336	1	Decal - Danger/Warning	
21	1705351	1	Decal - Drive/Steer Instruction	
22	3251243	1	Decal - 120V/60Hz	
24	3252347	1	Nameplate - Footswitch	
25	3290605	4	Nut M6	
26	3820001	2	Rivet	
27	4811700	8	Washer M6	
28	1001131269	1	Decal - Patent	
29	1001171335	2	Decal - Warning Dual Capacity	
30	1001171336	1	Decal - Warning Dual Capacity	
31	1001173262	1	Decal - Legend	
32	1001174313	1	Decal - Legend	
40	1001215615	1	Decal - Lift Diagram	
41	1705514	1	Decal - CSA	
43	1001228370	1	Decal - ICES (Canada) (SN 0300235168 through 0300237156, SN B300002655 through B300002668)	
43	1001223453	1	Decal - ICES (Canada) (SN 0300237157 through 0300272445, SN B300002669 through B300005754, Excluding B300005570)	
44	1001223055	1	Decal - Yearly Inspection	

SECTION 9 - DECALS

FIGURE 9-2. DECAL INSTALLATION - 600S (BRAZIL SPECS - PORTUGUESE/SPANISH LANGUAGES)



ART_1001194221

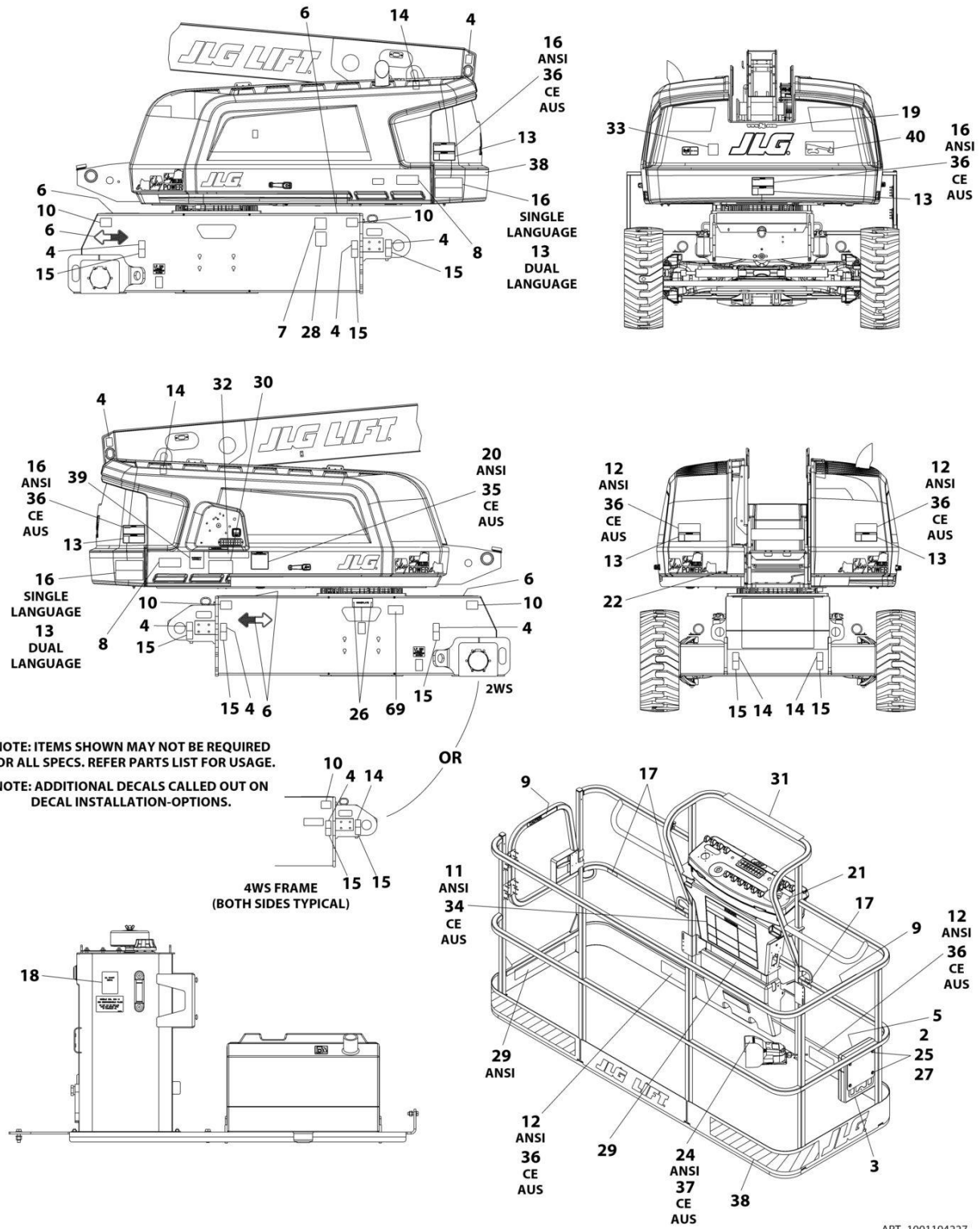
SECTION 9 - DECALS

FIGURE 9-2. DECAL INSTALLATION - 600S (BRAZIL SPECS - PORTUGUESE/SPANISH LANGUAGES)

ITEM	PART NUMBER	QTY	DESCRIPTION	REV
	1001194221	Ref	DECAL INSTALLATION	D
2	0700610	4	Bot M6 x 20	
3	91403230	1	Box, Manual Storage	
4	1701499	8	Decal - No Tie Down/Llft	
5	1701509	1	Decal - Manual	
6	1701529	4	Decal - Arrow	
7	See Note	NSS	Decal - Bar Code (Note: Not Available For Purchase)	
8	1702815	2	Decal - 600S	
9	1704002	2	Decal - No Hands	
10	1001216059	4	Decal - Maximum Tire Load	
11	1703928	1	Decal - Danger/Warning	
12	1703952	4	Decal - Warning/Crushing	
13	1703940	5	Decal - Electrocution	
14	1703811	4	Decal - Lifting Lug	
15	1703814	8	Decal - Tie Down	
16	1703946	3	Decal - Warning/Crushing	
17	1704277	3	Decal - Lanyard Attach	
18	1704412	1	Decal - Hydraulic Oil	
19	1704885	1	Decal - Website	
20	1705349	1	Decal - Warning/Inspection	
21	1001113680	1	Decal - Drive/Steer Instruction	
22	3251243	1	Decal - 120V/60Hz	
24	1703985	1	Nameplate - Footswitch	
25	3290605	4	Nut M6	
26	3820001	2	Rivet	
27	4811700	8	Washer M6	
29	1001171359	2	Decal - Warning Dual Capacity	
30	1001171360	1	Decal - Warning Dual Capacity	
31	1001173262	1	Decal - Legend	
32	1001174313	1	Decal - Legend	
40	1001215615	1	Decal - Lift Diagram	
44	1001224052	1	Decal - Yearly Inspection	

SECTION 9 - DECALS

FIGURE 9-3. DECAL INSTALLATION - 600S (CE SPECS - ENGLISH LANGUAGE)



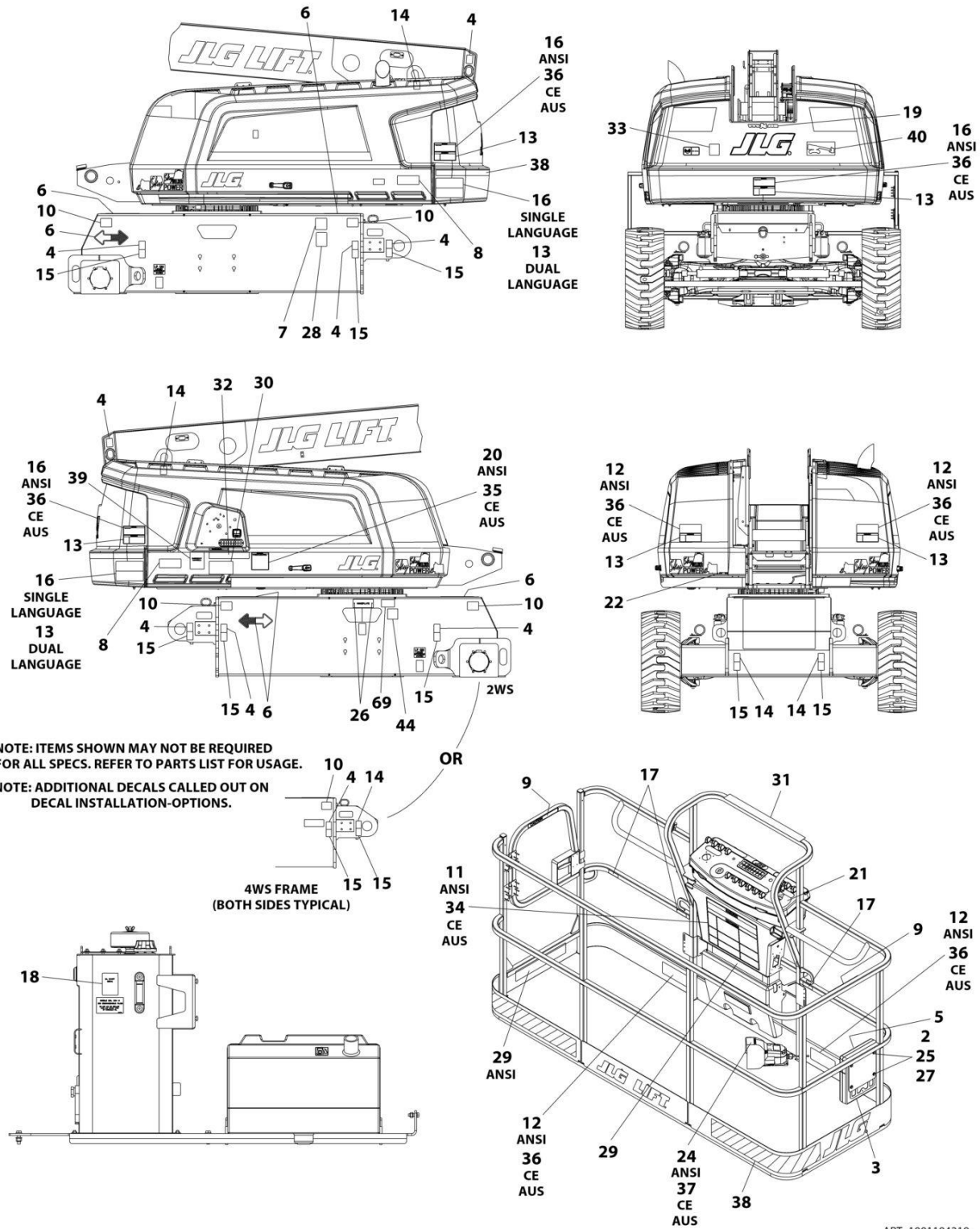
SECTION 9 - DECALS

FIGURE 9-3. DECAL INSTALLATION - 600S (CE SPECS - ENGLISH LANGUAGE)

ITEM	PART NUMBER	QTY	DESCRIPTION	REV
	1001194227	Ref	DECAL INSTALLATION	G
2	0700610	4	Bolt M6 x 20	
3	91403230	1	Box, Manual Storage	
4	1701499	8	Decal - No Tie Down/Lift	
5	1701509	1	Decal - Manual	
6	1701529	4	Decal - Arrow	
7	See Note	NSS	Decal - Bar Code (Note: Not Available For Purchase)	
8	1702815	2	Decal - 600S	
10	1001216059	4	Decal - Maximum Tire Load	
13	1705961	5	Decal - Electrocutation	
14	1703811	4	Decal - Lifting Lug	
15	1703814	8	Decal - Tie Down	
17	1704277	3	Decal - Lanyard Attach	
18	1704412	1	Decal - Hydraulic Oil	
25	3290605	4	Nut M6	
26	3820001	2	Rivet	
27	4811700	8	Washer M6	
29	1001185237	1	Decal - Warning Maximum Capacity	
30	1001185237	1	Decal - Warning Maximum Capacity	
34	1705921	1	Decal - Tipping/Electrocutation	
35	1705822	1	Decal - Electrocutation/Safety Manual	
36	1701518	7	Decal - Crushing	
37	1705828	1	Nameplate - Footswitch	
38	4420051	208 in/ 5.3m	Tape, Safety	
40	1001215615	1	Decal - Lift Diagram	

SECTION 9 - DECALS

FIGURE 9-4. DECAL INSTALLATION - 600S (CHINESE SPECS - ENGLISH/SIMPLIFIED CHINESE LANGUAGES)



ART_1001194219

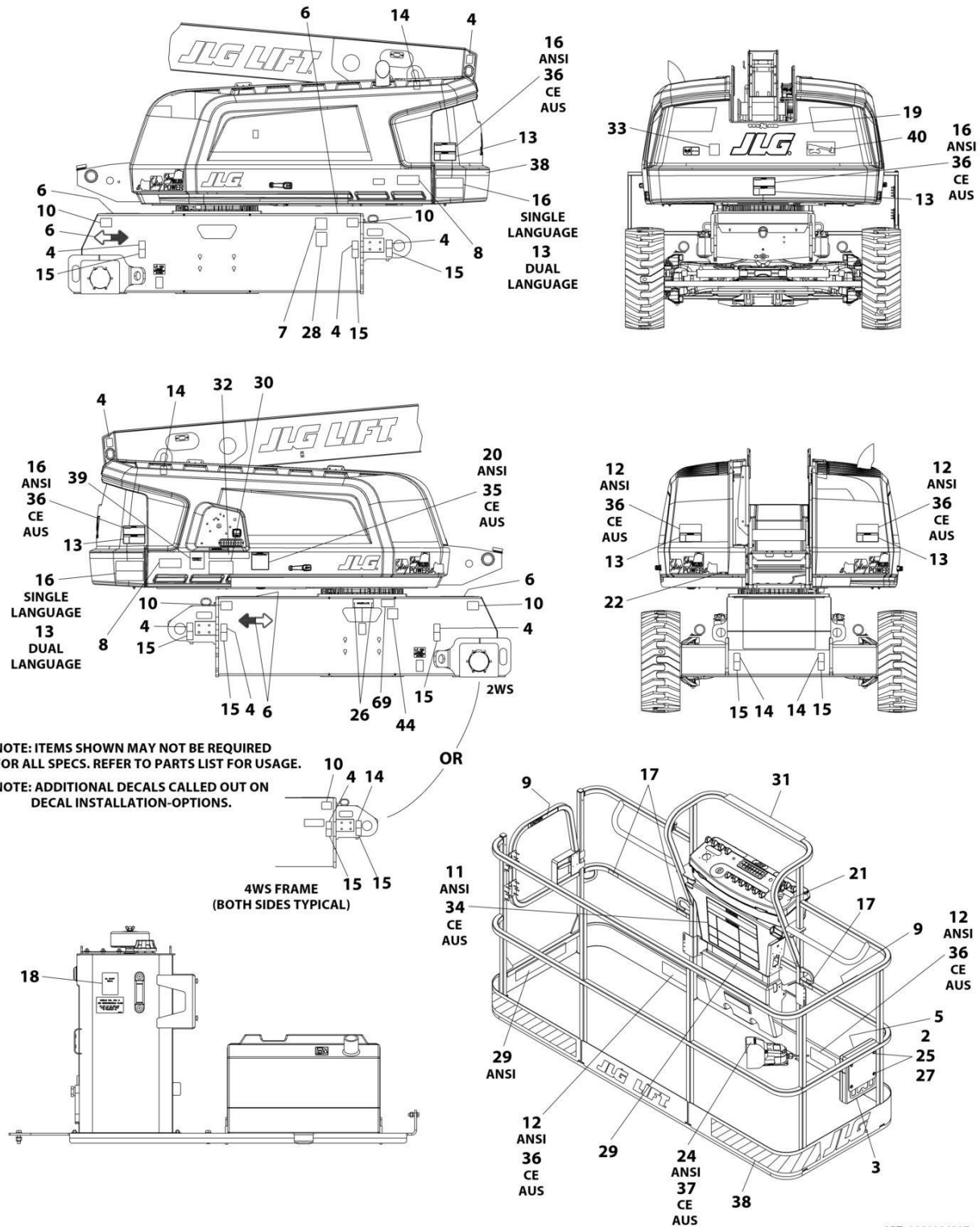
SECTION 9 - DECALS

FIGURE 9-4. DECAL INSTALLATION - 600S (CHINESE SPECS - ENGLISH/SIMPLIFIED CHINESE LANGUAGES)

ITEM	PART NUMBER	QTY	DESCRIPTION	REV
	1001194219	Ref	DECAL INSTALLATION	D
2	0700610	4	Bolt M6 x 20	
3	91403230	1	Box, Manual Storage	
4	1701499	8	Decal - No Tie Down/Lift	
5	1701509	1	Decal - Manual	
6	1701529	4	Decal - Arrow	
7	See Note	1	Decal - Bar Code (Note: Not Available for Purchase)	
8	1702815	2	Decal - 600S	
9	1705968	2	Decal - No Hands	
10	1001216059	4	Decal - Maximum Tire Load	
11	1001116847	1	Decal - Warning	
12	1001116850	4	Decal - Warning/Crushing	
13	1703937	5	Decal - Electrocution	
14	1703811	4	Decal - Lifting Lug	
15	1703814	8	Decal - Tie Down	
16	1001116845	3	Decal - Warning/Crushing	
17	1704277	3	Decal - Lanyard Attach	
18	1704412	1	Decal - Hydraulic Oil	
19	1704885	1	Decal - Website	
20	1001116848	1	Decal - Warning/Inspection	
21	1705430	1	Decal - Drive Steer	
22	3251243	1	Decal - 120V/60Hz	
24	1001116852	1	Decal - Footswitch	
25	3290605	4	Nut M6	
26	3820001	2	Rivet	
27	4811700	8	Washer M6	
29	1001216739	2	Decal - Warning Dual Capacity	
30	1001216740	1	Decal - Warning Dual Capacity	
31	1001173262	1	Decal - Legend	
32	1001174313	1	Decal - Legend	
38	4420051	208 ft/ 5.3m	Tape, Safety	
40	1001215615	1	Decal - Lift Diagram	
44	1001224051	1	Decal - Yearly Inspection	

SECTION 9 - DECALS

FIGURE 9-5. DECAL INSTALLATION - 600S (CHINESE SPECS - ENGLISH/TRADITIONAL CHINESE LANGUAGES)



ART_1001194217

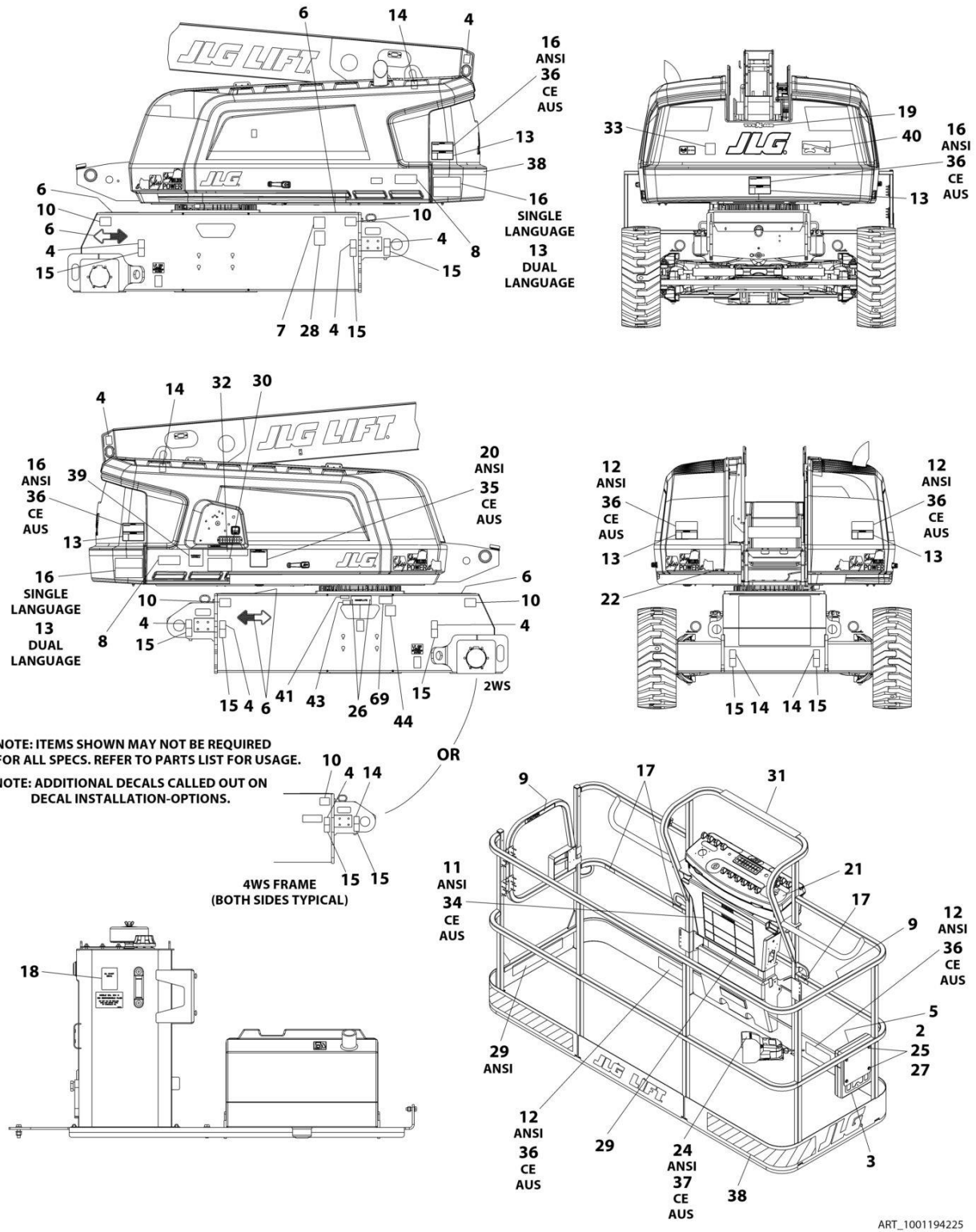
SECTION 9 - DECALS

FIGURE 9-5. DECAL INSTALLATION - 600S (CHINESE SPECS - ENGLISH/TRADITIONAL CHINESE LANGUAGES)

ITEM	PART NUMBER	QTY	DESCRIPTION	REV
	1001194217	Ref	DECAL INSTALLATION	D
2	0700610	4	Bolt M6 x 20	
3	91403230	1	Box, Manual Storage	
4	1701499	8	Decal - No Tie Down/Lift	
5	1701509	1	Decal - Manual	
6	1701529	4	Decal - Arrow	
7	See Note	1	Decal - Bar Code (Note: Not Available For Purchase)	
8	1702815	2	Decal - 600S	
9	1001116846	2	Decal - No Hands	
10	1001216059	4	Decal - Maximum Tire Load	
11	1703925	1	Decal - Danger/Warning	
12	1703949	4	Decal - Crushing	
13	1001116851	5	Decal - Electrocution	
14	1703811	4	Decal - Lifting Lug	
15	1703814	8	Decal - Tie Down	
16	1703943	3	Decal - Warning/Crushing	
17	1704277	3	Decal - Lanyard Attach	
18	1704412	1	Decal - Hydraulic Oil	
19	1704885	1	Decal - Website	
20	1001116849	1	Decal - Warning/Inspection	
21	1001116863	1	Decal - Drive/Steer Instruction	
22	3251243	1	Decal - 120V/60Hz	
24	1703982	1	Nameplate - Footswitch	
25	3290605	4	Nut M6	
26	3820001	2	Rivet	
27	4811700	8	Washer M6	
29	1001171355	2	Decal - Warning Dual Capacity	
30	1001171356	1	Decal - Warning Dual Capacity	
31	1001173262	1	Decal - Legend	
32	1001174313	1	Decal - Legend	
38	4420051	208 in/ 5.3m	Tape, Safety	
40	1001215615	1	Decal - Lift Diagram	
44	1001224050	1	Decal - Yearly Inspection	

SECTION 9 - DECALS

FIGURE 9-6. DECAL INSTALLATION - 600S (CSA SPECS - ENGLISH/FRENCH LANGUAGES)



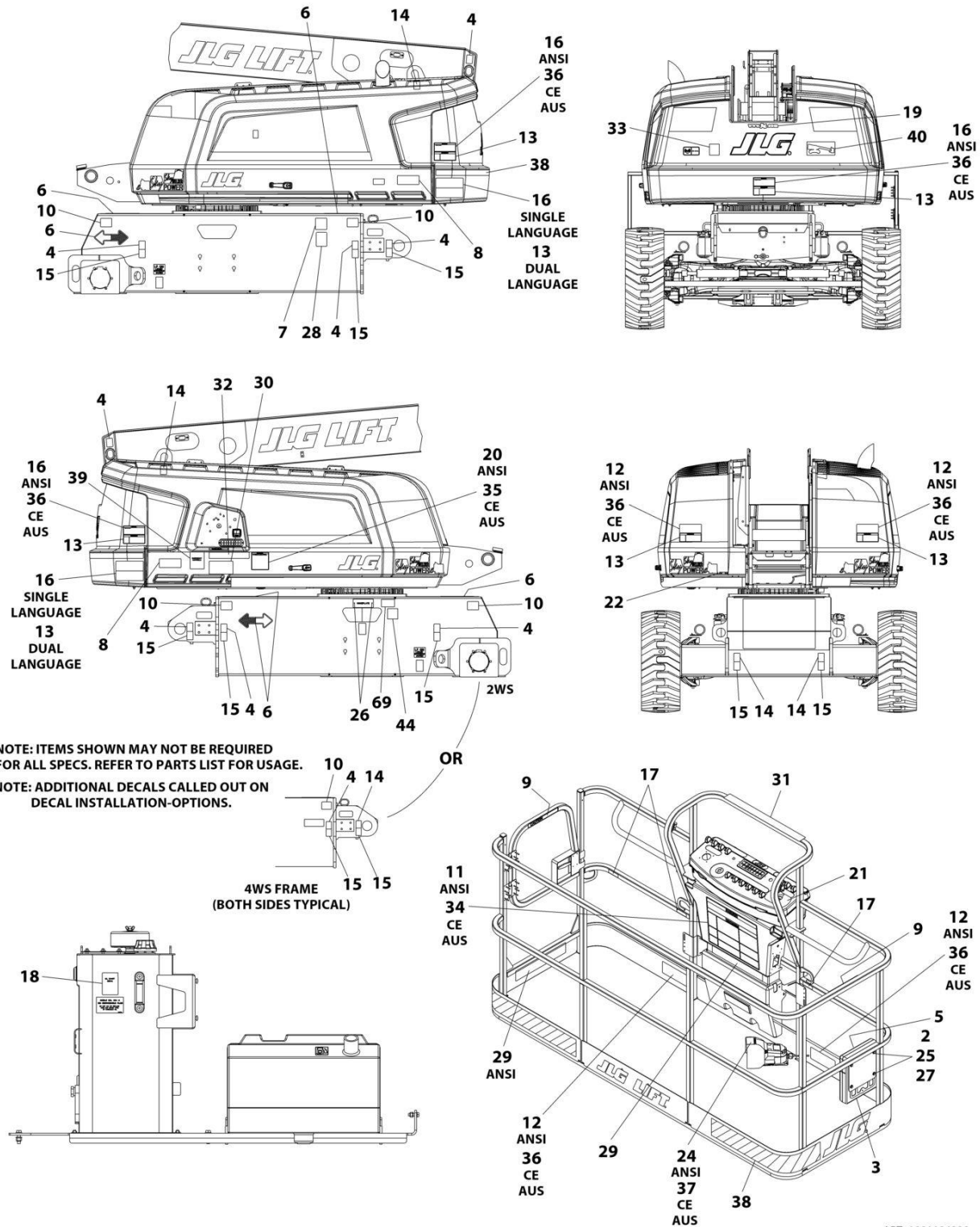
SECTION 9 - DECALS

FIGURE 9-6. DECAL INSTALLATION - 600S (CSA SPECS - ENGLISH/FRENCH LANGUAGES)

ITEM	PART NUMBER	QTY	DESCRIPTION	REV
	1001194225	Ref	DECAL INSTALLATION	E
2	0700610	4	Bolt M6 x 20	
3	91403230	1	Box, Manual Storage	
4	1701499	8	Decal - No Tie Down/Lift	
5	1701509	1	Decal - Manual	
6	1701529	4	Decal - Arrow	
7	See Note	NSS	Decal - Bar Code (Note: Not Available For Purchase)	
8	1702815	2	Decal - 600S	
9	1704000	2	Decal - No Hands	
10	1001216059	4	Decal - Maximum Tire Load	
11	1703924	1	Decal - Danger/Warning	
12	1703948	4	Decal - Warning/Crushing	
13	1703936	5	Decal - Electrocution	
14	1703811	4	Decal - Lifting Lug	
15	1703814	8	Decal - Tie Down	
16	1703942	3	Decal - Crushing	
17	1704277	3	Decal - Lanyard Attach	
18	1704412	1	Decal - Hydraulic Oil	
19	1704885	1	Decal - Website	
20	1705347	1	Decal - Warning/Inspection	
21	1705429	1	Decal - Drive/Steer Instruction	
22	3251243	1	Decal - 120V/60Hz	
24	1703984	1	Nameplate - Footswitch	
25	3290605	4	Nut M6	
26	3820001	2	Rivet	
27	4811700	8	Washer M6	
28	1001131269	1	Decal - Patent	
29	1001171351	2	Decal - Warning Dual Capacity	
30	1001171352	1	Decal - Warning Dual Capacity	
31	1001173262	1	Decal - Legend	
32	1001174313	1	Decal - Legend	
40	1001215615	1	Decal - Lift Diagram	
41	1705514	1	Decal - CSA	
43	1001228370	1	Decal - ICES (Canada) (SN 0300235168 through 0300237156)	
43	1001223453	1	Decal - ICES (Canada) (SN 0300237157 through 0300272445)	
44	1001223971	1	Decal - Yearly Inspection	

SECTION 9 - DECALS

FIGURE 9-7. DECAL INSTALLATION - 600S (JAPANESE SPECS - ENGLISH/JAPANESE LANGUAGES)



ART_1001194229

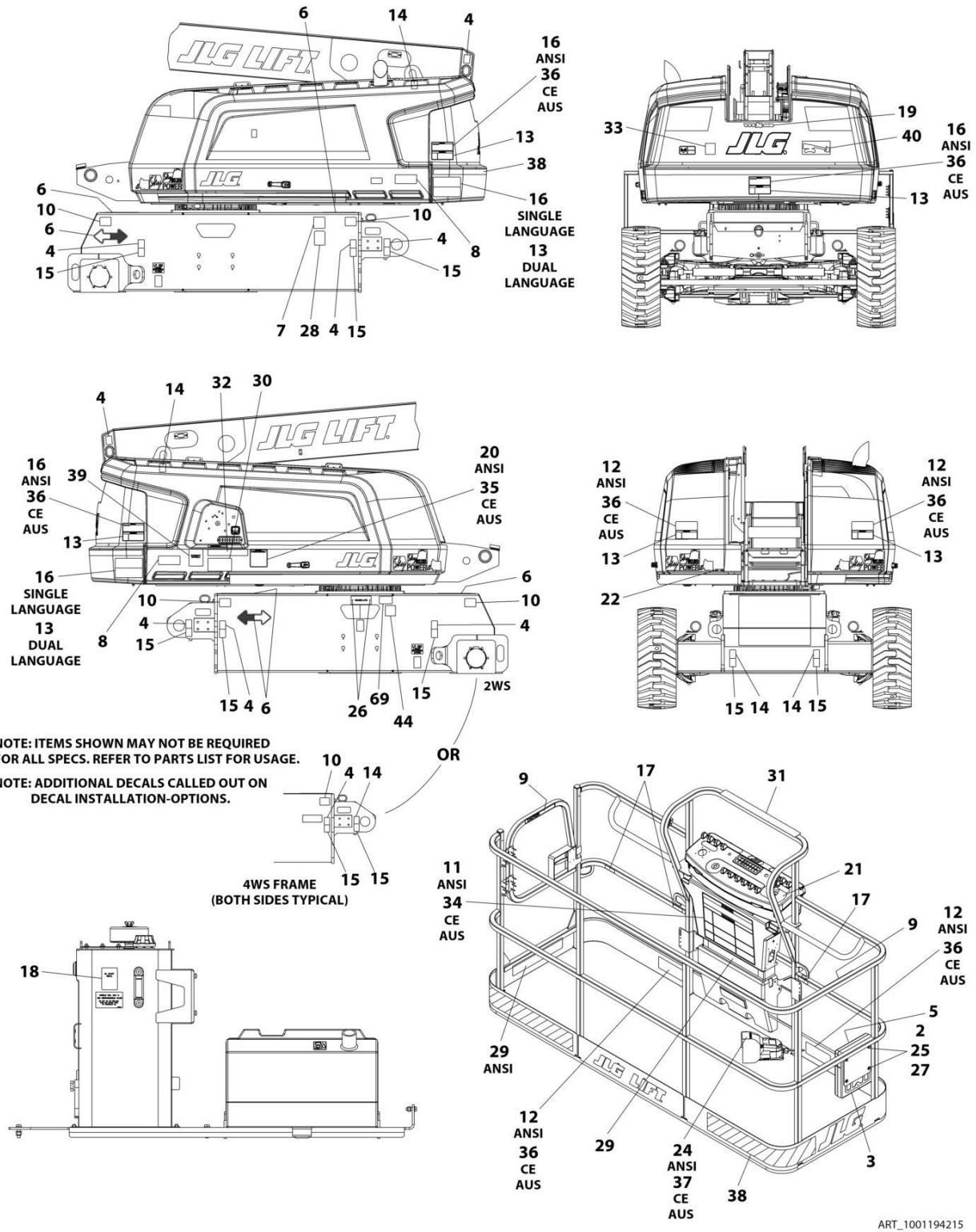
SECTION 9 - DECALS

FIGURE 9-7. DECAL INSTALLATION - 600S (JAPANESE SPECS - ENGLISH/JAPANESE LANGUAGES)

ITEM	PART NUMBER	QTY	DESCRIPTION	REV
	1001194229	Ref	DECAL INSTALLATION	D
2	0700610	4	Bolt M6 x 20	
3	91403230	1	Box, Manual Storage	
4	1701499	8	Decal - No Tie Down/Lift	
5	1701509	1	Decal - Manual	
6	1701529	4	Decal - Arrow	
7	See Note	NSS	Decal - Bar Code (Note: Not Available For Purchase)	
8	1702815	2	Decal - 600S	
10	1001216059	4	Decal - Maximum Tire Load	
11	1703926	1	Decal - Danger/Warning	
12	1703950	4	Decal - Crushing	
13	1703938	5	Decal - Electrocution	
14	1703811	4	Decal - Lifting Lug	
15	1703814	8	Decal - Tie Down	
16	1703944	3	Decal - Warning/Crushing	
17	1704277	3	Decal - Lanyard Attach	
18	1704412	1	Decal - Hydraulic Oil	
19	1704885	1	Decal - Website	
20	1705344	1	Decal - Warning/Inspection	
21	1705426	1	Decal - Drive/Steer Instruction	
22	3251243	1	Decal - 120V/60Hz	
24	1703980	1	Nameplate - Footswitch	
25	3290605	4	Nut M6	
26	3820001	2	Rivet	
27	4811700	8	Washer M6	
29	1001171341	2	Decal - Warning Dual Capacity	
30	1001171342	1	Decal - Warning Dual Capacity	
31	1001173262	1	Decal - Legend	
32	1001174313	1	Decal - Legend	
40	1001215615	1	Decal - Lift Diagram	
44	1001224053	1	Decal - Yearly Inspection	

SECTION 9 - DECALS

FIGURE 9-8. DECAL INSTALLATION - 600S (KOREAN SPECS - ENGLISH/KOREAN LANGUAGES)



ART_1001194215

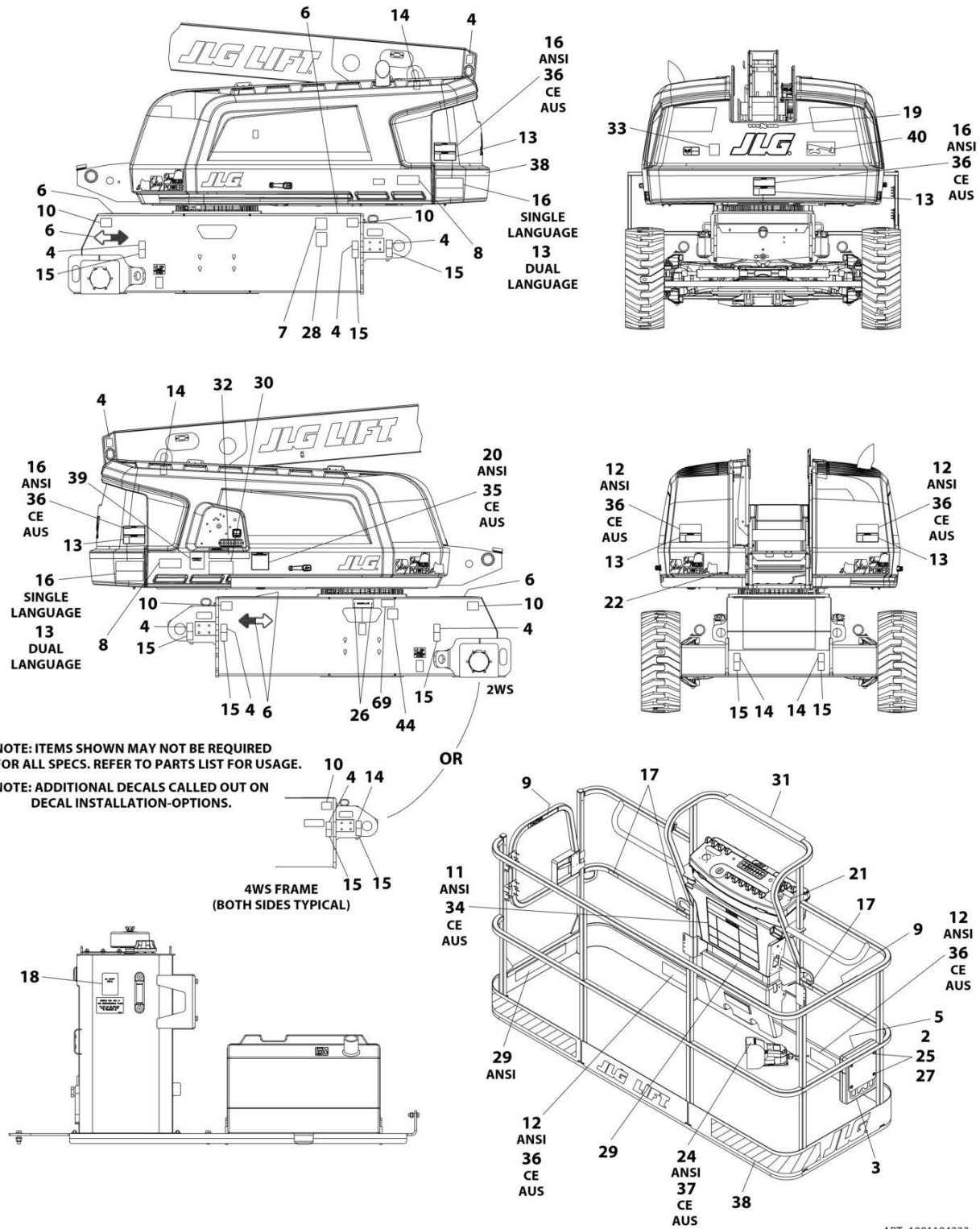
SECTION 9 - DECALS

FIGURE 9-8. DECAL INSTALLATION - 600S (KOREAN SPECS - ENGLISH/KOREAN LANGUAGES)

ITEM	PART NUMBER	QTY	DESCRIPTION	REV
	1001194215	Ref	DECAL INSTALLATION	D
2	0700610	4	Bolt M6 x 20	
3	91403230	1	Box, Manual Storage	
4	1701499	8	Decal - No Tie Down/Lift	
5	1701509	1	Decal - Manual	
6	1701529	4	Decal - Arrow	
7	See Note	NSS	Decal - Bar Code (Note: Not Available for Purchase)	
8	1702815	2	Decal - 600S	
9	1705969	2	Decal - No Hands	
10	1001216059	4	Decal - Maximum Tire Load	
11	1703927	1	Decal - Warning/Danger	
12	1703951	4	Decal - Warning/Crushing	
13	1703939	5	Decal - Danger Electricution	
14	1703811	4	Decal - Lifting Lug	
15	1703814	8	Decal - Tie Down	
16	1703945	3	Decal - Warning Crushing	
17	1704277	3	Decal - Lanyard Attach Graphic	
18	1704412	1	Decal - Hydraulic Oil	
19	1704885	1	Decal - Website	
20	1705345	1	Decal - Warning/Inspection	
21	1705427	1	Decal - Drive/Steer Instruction	
24	1703981	1	Nameplate - Footswitch	
25	3290605	4	Nut M6	
26	3820001	2	Rivet	
27	4811700	8	Washer M6	
29	1001171345	2	Decal - Warning Dual Capacity	
30	1001171346	1	Decal - Warning Dual Capacity	
31	1001173262	1	Decal - Legend	
32	1001174313	1	Decal - Legend	
40	1001215615	1	Decal - Lift Diagram	
44	1001224048	1	Decal - Yearly Inspection	

SECTION 9 - DECALS

FIGURE 9-9. DECAL INSTALLATION - 600S (LATIN AMERICAN SPECS - ENGLISH/SPANISH LANGUAGES)



ART_1001194223

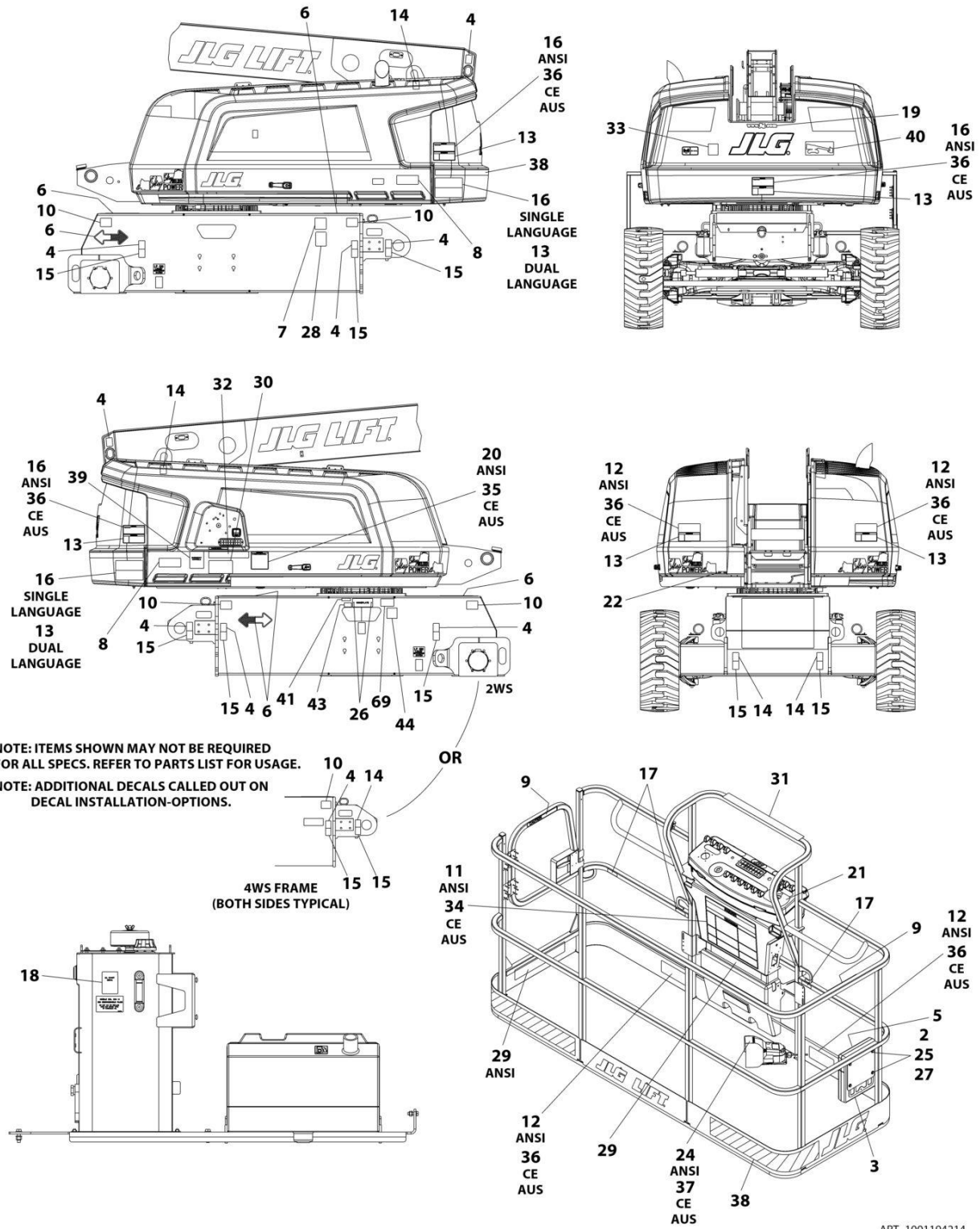
SECTION 9 - DECALS

FIGURE 9-9. DECAL INSTALLATION - 600S (LATIN AMERICAN SPECS - ENGLISH/SPANISH LANGUAGES)

ITEM	PART NUMBER	QTY	DESCRIPTION	REV
	1001194223	Ref	DECAL INSTALLATION	D
2	0700610	4	Bolt M6 x 20	
3	91403230	1	Box, Manual Storage	
4	1701499	8	Decal - No Tie Down/Lift	
5	1701509	1	Decal - Manual	
6	1701529	4	Decal - Arrow	
7	See Note	NSS	Decal - Bar Code (Note: Not Available for Purchase)	
8	1702815	2	Decal - 600S	
9	1704001	2	Decal - No Hands	
10	1001216059	4	Decal - Maximum Tire Load	
11	1703923	1	Decal - Warning/Danger	
12	1703947	4	Decal - Warning/Crushing	
13	1703935	5	Decal - Electrocution	
14	1703811	4	Decal - Lifting Lug	
15	1703814	8	Decal - Tie Down	
16	1703941	3	Decal - Warning/Crushing	
17	1704277	3	Decal - Lanyard Attach	
18	1704412	1	Decal - Hydraulic Oil	
19	1704885	1	Decal - Website	
20	1705917	1	Decal - Warning/Inspection	
21	1705910	1	Decal - Drive/Steer Instruction	
22	3251243	1	Decal - 120V/60Hz	
24	1703983	1	Nameplate - Footswitch	
25	3290605	4	Nut M6	
26	3820001	2	Rivet	
27	4811700	8	Washer M6	
29	1001171349	2	Decal - Warning Dual Capacity	
30	1001171350	1	Decal - Warning Dual Capacity	
31	1001173262	1	Decal - Legend	
32	1001174313	1	Decal - Legend	
40	1001215615	1	Decal - Lift Diagram	
44	1001224049	1	Decal - Yearly Inspection	

SECTION 9 - DECALS

FIGURE 9-10. DECAL INSTALLATION - 660SJ (ANSI SPECS - ENGLISH LANGUAGE)



ART_1001194214

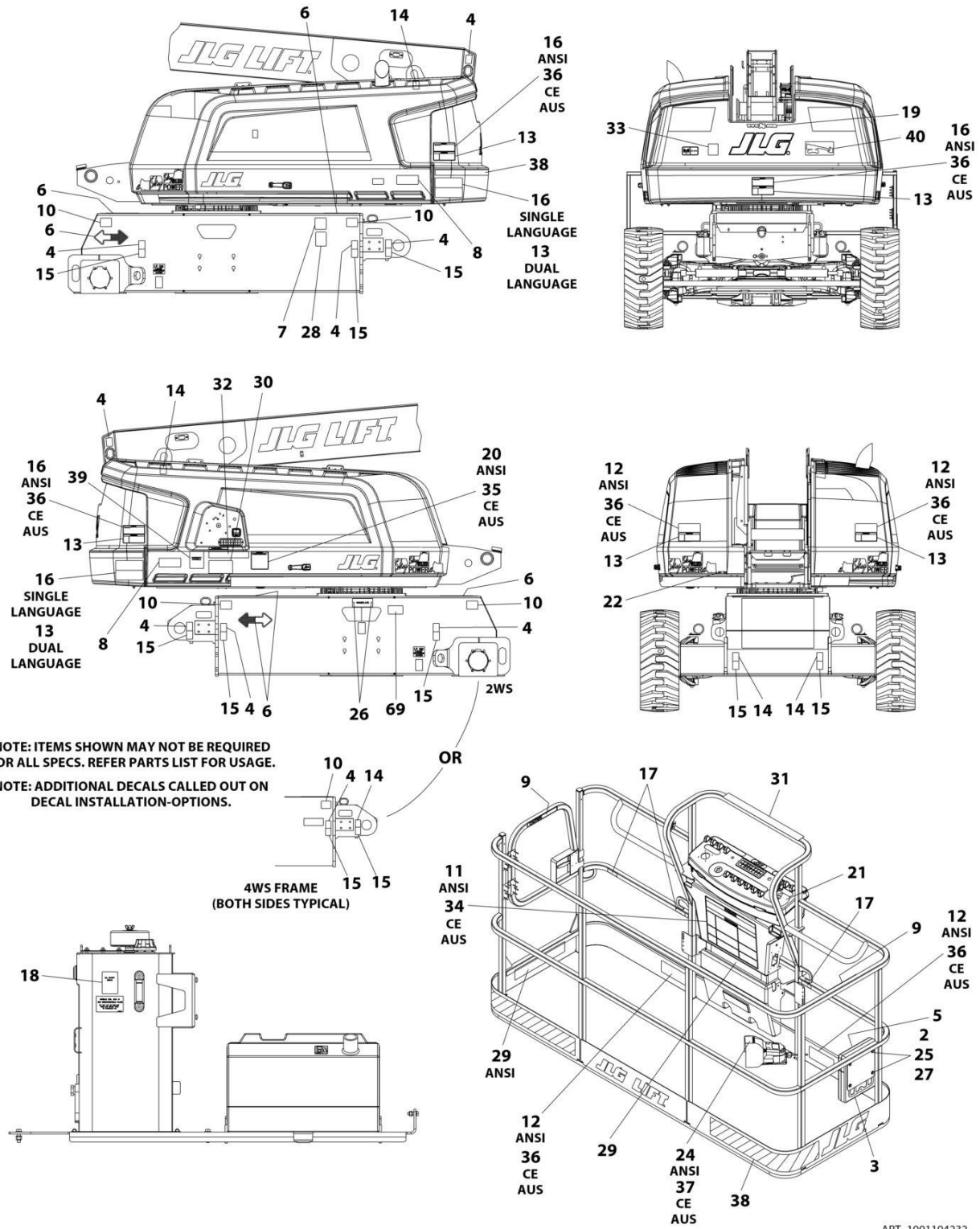
SECTION 9 - DECALS

FIGURE 9-10. DECAL INSTALLATION - 660SJ (ANSI SPECS - ENGLISH LANGUAGE)

ITEM	PART NUMBER	QTY	DESCRIPTION	REV
	1001194214	Ref	DECAL INSTALLATION	G
2	0700610	4	Bolt M6 x 20	
3	91403230	1	Box, Manual Storage	
4	1701499	8	Decal - No Tie Down/Lift	
5	1701509	1	Decal - Manual	
6	1701529	4	Decal - Arrow	
7	See Note	NSS	Decal - Bar Code (Note: Not Available for Purchase)	
8	1702817	2	Decal - 660SJ	
9	1702868	2	Decal - No Hands	
10	1001216060	4	Decal - Maximum Tire Load	
11	1703797	1	Decal - Danger/Warning	
12	1703804	4	Decal - Warning/Crushing	
13	1703805	5	Decal - Electrocution	
14	1703811	4	Decal - Lifting Hug	
15	1703814	8	Decal - Tie Down	
16	1703953	3	Decal - Warning/Crushing	
17	1704277	3	Decal - Lanyard Attach	
18	1704412	1	Decal - Hydraulic Oil	
19	1704885	1	Decal - Website	
20	1705336	1	Decal - Danger/Warning	
21	1705351	1	Decal - Drive/Steer Instruction	
22	3251243	1	Decal - 120V/60Hz	
24	3252347	1	Nameplate - Footswitch	
25	3290605	4	Nut M6	
26	3280001	2	Rivet	
27	4811700	8	Washer M6	
28	1001131269	1	Decal - Patent	
29	1001194234	2	Decal - Warning Dual Capacity	
30	1001194235	1	Decal - Warning Dual Capacity	
31	1001173262	1	Decal - Legend	
32	1001174313	1	Decal - Legend	
40	1001215615	1	Decal - Lift Diagram	
41	1705514	1	Decal - CSA	
43	1001228370	1	Decal - ICES (Canada) (SN 0300235168 through 0300237156, SN B300002655 through B300002668)	
43	1001223453	1	Decal - ICES (Canada) (SN 0300237157 through 0300272445, SN B300002669 through B300005754, Excluding B300005570)	
44	1001223055	1	Decal - Yearly Inspection	

SECTION 9 - DECALS

FIGURE 9-11. DECAL INSTALLATION - 660SJ (AUSTRALIAN SPECS - ENGLISH LANGUAGE)



ART_1001194232

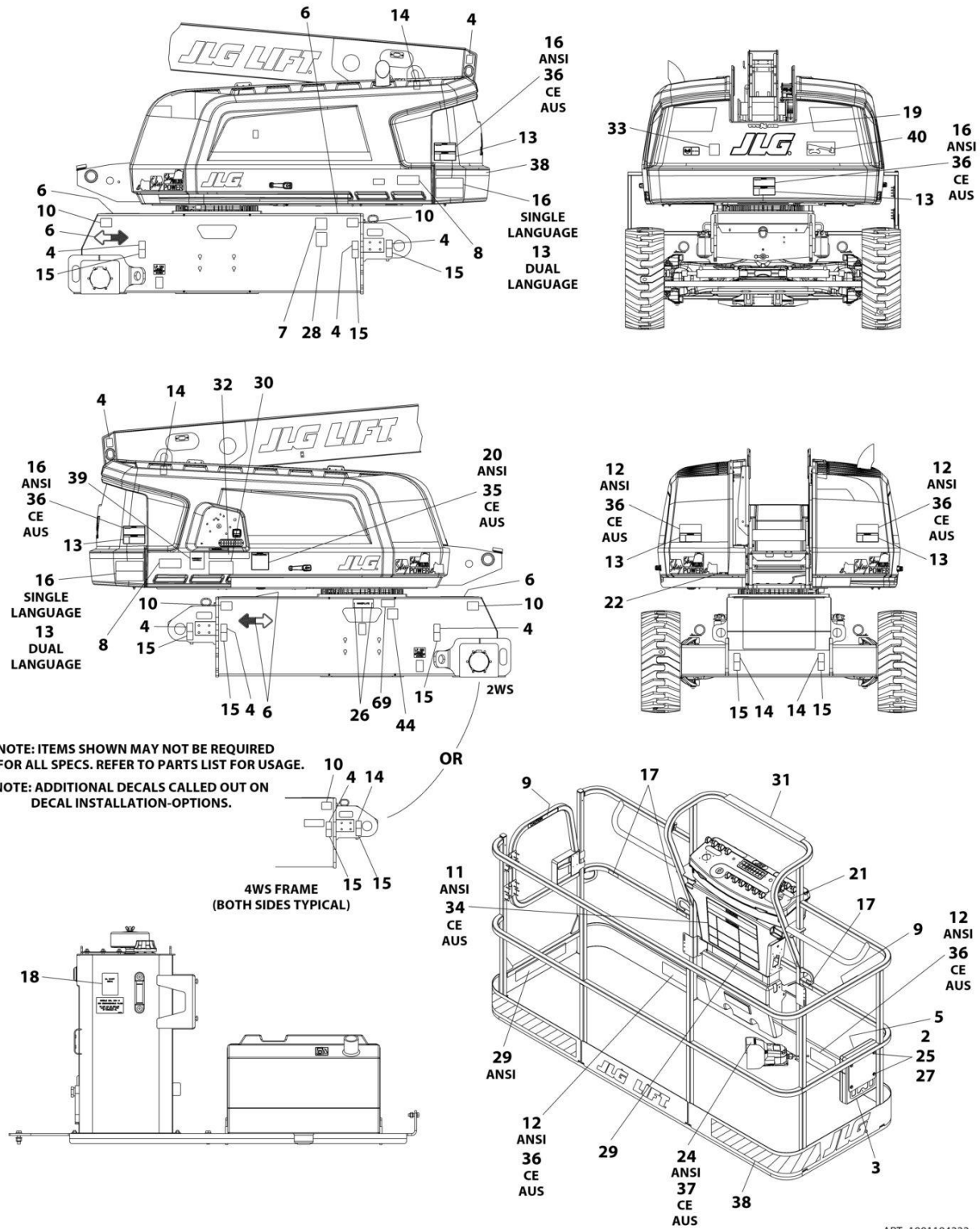
SECTION 9 - DECALS

FIGURE 9-11. DECAL INSTALLATION - 660SJ (AUSTRALIAN SPECS - ENGLISH LANGUAGE)

ITEM	PART NUMBER	QTY	DESCRIPTION	REV
	1001194232	Ref	DECAL INSTALLATION	G
2	0700610	4	Bolt M6 x 20	
3	91403230	1	Box, Manual Storage	
4	1701499	8	Decal - No Tie Down/Lift	
5	1701509	1	Decal - Manual	
6	1701529	4	Decal - Arrow	
7	See Note	NSS	Decal - Bar Code (Note: Not Available For Purchase)	
8	1702817	1	Decal - 660SJ	
10	1001216060	4	Decal - Maximum Tire Load	
13	1705961	5	Decal - Electrocution	
14	1703811	4	Decal - Lifting Lug	
15	1703814	8	Decal - Tie Down	
17	1704277	3	Decal - Lanyard Attach	
18	1704412	1	Decal - Hydraulic Oil	
19	1704885	1	Decal - Website	
25	3290605	4	Nut M6	
26	3820001	2	Rivet	
27	4811700	8	Washer M6	
29	1001194236	1	Decal - Capacity	
30	1001194236	1	Decal - Capacity	
34	1705921	1	Decal - Tipping/Electrocution	
35	1705822	1	Decal - Electrocution/Safety Manual	
36	1701518	7	Decal - Crushing	
37	1705828	1	Nameplate - Footswitch	
38	4420051	208 in/ 5.3m	Tape, Safety	
39	1001112551	1	Decal - Emergency Controls	
40	1001215615	1	Decal - Lifting Diagram	
69	1001231422	1	Decal - Wheel Assembly Mass	

SECTION 9 - DECALS

FIGURE 9-12. DECAL INSTALLATION - 660SJ (BRAZIL SPECS - PORTUGUESE/SPANISH LANGUAGES)



ART_1001194222

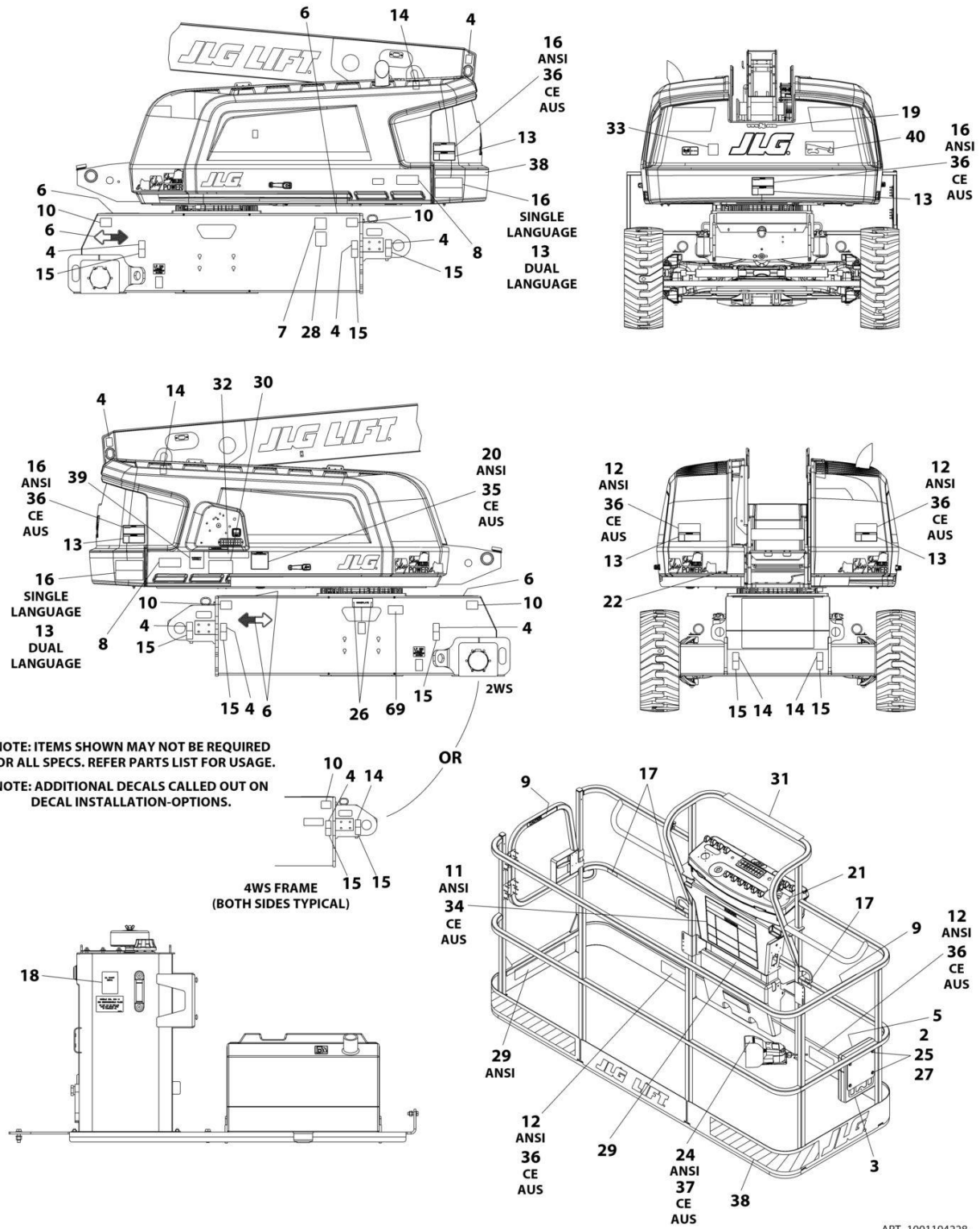
SECTION 9 - DECALS

FIGURE 9-12. DECAL INSTALLATION - 660SJ (BRAZIL SPECS - PORTUGUESE/SPANISH LANGUAGES)

ITEM	PART NUMBER	QTY	DESCRIPTION	REV
	1001194222	Ref	DECAL INSTALLATION	D
2	0700610	4	Bolt M6 x 20	
3	91403230	1	Box, Manual Storage	
4	1701499	8	Decal - No Tie Down/Lift	
5	1701509	1	Decal - Manual	
6	1701529	4	Decal - Arrow	
7	See Note	1	Decal - Bar Code (Note: Not Available For Purchase)	
8	1702817	2	Decal - 660SJ	
9	1704002	2	Decal - No Hands	
10	1001216060	4	Decal - Maximum Tire Load	
11	1703928	1	Decal - Danger/Warning	
12	1703952	4	Decal - Warning/Crushing	
13	1703940	5	Decal - Electrocution	
14	1703811	4	Decal - Lifting Lug	
15	1703814	8	Decal - Tie Down	
16	1703946	3	Decal - Warning/Crushing	
17	1704277	3	Decal - Lanyard Attach	
18	1704412	1	Decal - Hydraulic Oil	
19	1704885	1	Decal - Website	
20	1705349	1	Decal - Warning/Inspection	
21	1001113680	1	Decal - Drive/Steer Instruction	
22	3251243	1	Decal - 120V/60Hz	
24	1703985	1	Nameplate - Footswitch	
25	3290605	4	Nut M6	
26	2820001	2	Rivet	
27	4811700	8	Washer M6	
29	1001216745	2	Decal - Warning Dual Capacity	
30	1001216746	1	Decal - Warning Dual Capacity	
31	1001173262	1	Decal - Legend	
32	1001174313	1	Decal - Legend	
40	1001215615	1	Decal - Lift Diagram	
44	1001224052	1	Decal - Yearly Inspection	

SECTION 9 - DECALS

FIGURE 9-13. DECAL INSTALLATION - 660SJ (CE SPECS - ENGLISH LANGUAGE)



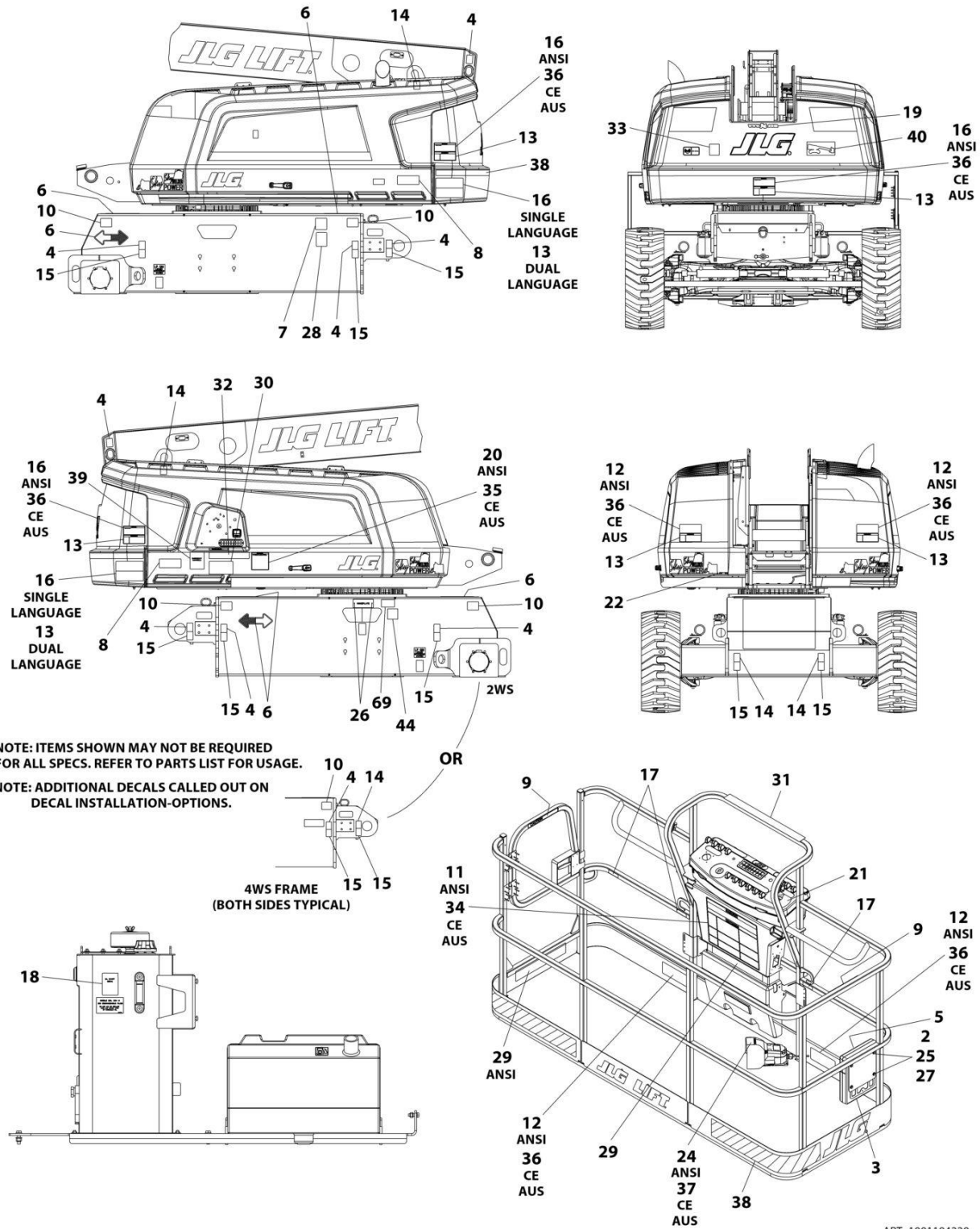
SECTION 9 - DECALS

FIGURE 9-13. DECAL INSTALLATION - 660SJ (CE SPECS - ENGLISH LANGUAGE)

ITEM	PART NUMBER	QTY	DESCRIPTION	REV
	1001194228	Ref	DECAL INSTALLATION	G
2	0700610	4	Bolt M6 x 20	
3	91403230	1	Box, Manual Storage	
4	1701499	8	Decal - No Tie Down/Lift	
5	1701509	1	Decal - Manual	
6	1701529	4	Decal - Arrow	
7	See Note	NSS	Decal - Bar Code (Note: Not Available For Purchase)	
8	1702817	2	Decal - 660SJ	
10	1001216060	4	Decal - Maximum Tire Load	
13	1703940	5	Decal - Electrocution	
14	1703811	4	Decal - Lifting Lug	
15	1703814	8	Decal - Tie Down	
17	1704277	3	Decal - Lanyard Attach	
18	1704412	1	Decal - Hydraulic Oil	
25	3290605	4	Nut M6	
26	3820001	2	Rivet	
27	4811700	8	Washer M6	
29	1001194236	1	Decal - Capacity	
30	1001194236	1	Decal - Capacity	
34	1705921	1	Decal - Tipping/Electrocution	
35	1705822	1	Decal - Electrocution/Safety Manual	
36	1701518	7	Decal - Crushing	
37	1705828	1	Nameplate - Footswitch	
38	4420051	208 in/ 5.3m	Tape, Safety	
40	1001215615	1	Decal - Lift Diagram	

SECTION 9 - DECALS

FIGURE 9-14. DECAL INSTALLATION - 660SJ (CHINESE SPECS - ENGLISH/SIMPLIFIED CHINESE LANGUAGES)



ART_1001194220

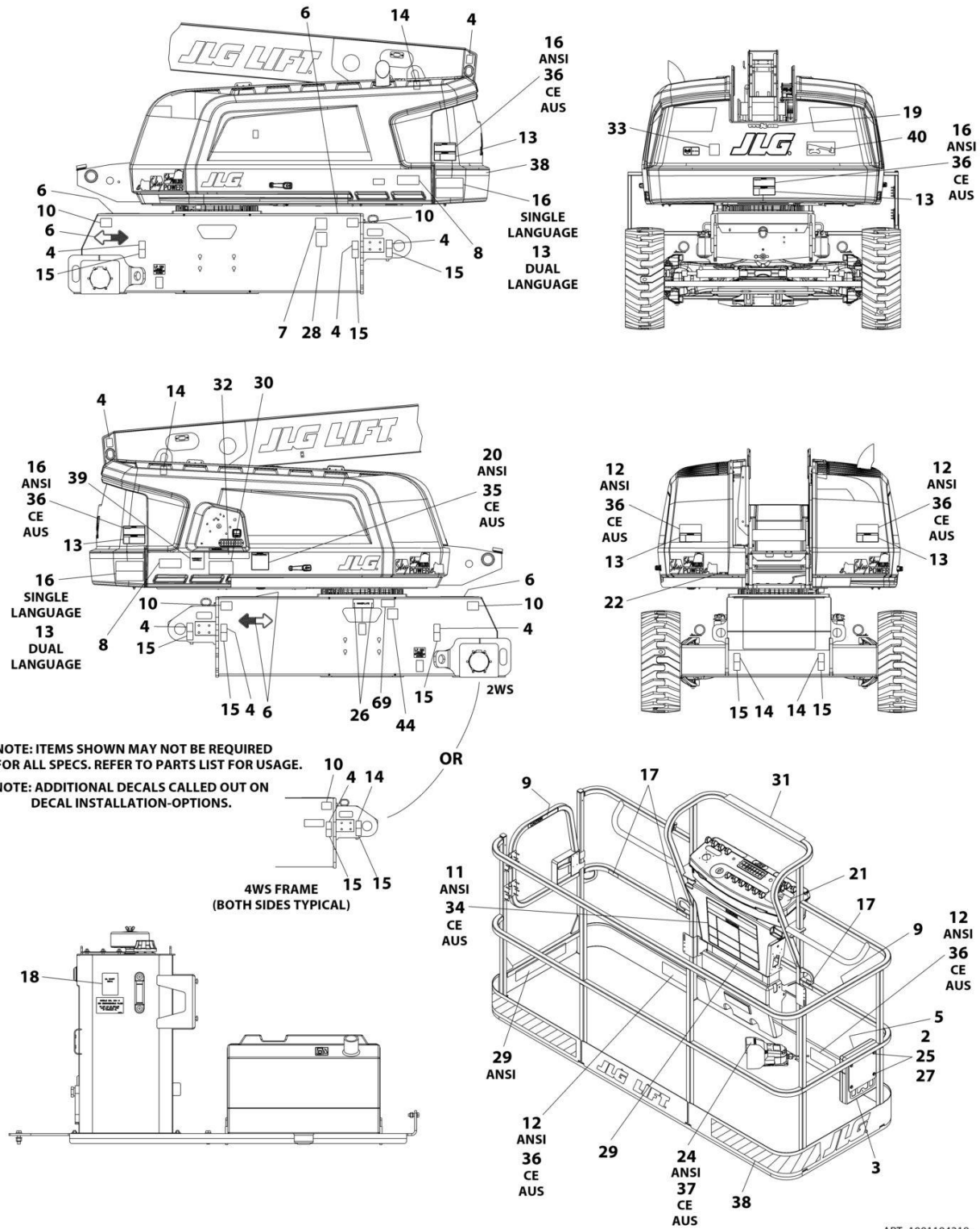
SECTION 9 - DECALS

FIGURE 9-14. DECAL INSTALLATION - 660SJ (CHINESE SPECS - ENGLISH/SIMPLIFIED CHINESE LANGUAGES)

ITEM	PART NUMBER	QTY	DESCRIPTION	REV
	1001194220	Ref	DECAL INSTALLATION	D
2	0700610	4	Bolt M6 x 20	
3	91403230	1	Box, Manual Storage	
4	1701499	8	Decal - No Tie Down/Lift	
5	1701509	1	Decal - Manual	
6	1701529	1	Decal - Arrow	
7	See Note	NSS	Decal - Bar Code (Note: Not Available for Purchase)	
8	1702817	2	Decal - 660SJ	
9	1705968	2	Decal - No Hands	
10	1001216060	1	Decal - Maximum Tire Load	
11	1001116847	1	Decal - Warning	
12	1001116850	4	Decal - Warning	
13	1703937	5	Decal - Electrocution	
14	1703811	4	Decal - Lifting Lug	
15	1703814	8	Decal - Tie Down	
16	1001116845	3	Decal - Warning/Crushing	
17	1704277	3	Decal - Lanyard Attach	
18	1704412	1	Decal - Hydraulic Oil	
19	1704885	1	Decal - Website	
20	1001116848	1	Decal - Warning/Inspection	
21	1705430	1	Decal - Drive/Steer	
22	3251243	1	Decal - 120V/60Hz	
24	1001116852	1	Nameplate - Footswitch	
25	3290605	4	Nut M6	
26	3820001	2	Rivet	
27	4811700	8	Washer M6	
29	1001216741	2	Decal - Warning Dual Capacity	
30	1001216742	1	Decal - Warning Dual Capacity	
31	1001173262	1	Decal - Legend	
32	1001174313	1	Decal - Legend	
38	4420051	208 in/ 5.3m	Tape, Safety	
40	1001215615	1	Decal - Lift Diagram	
44	1001224051	1	Decal - Yearly Inspection	

SECTION 9 - DECALS

FIGURE 9-15. DECAL INSTALLATION - 660SJ (CHINESE SPECS - ENGLISH/TRADITIONAL CHINESE LANGUAGES)



ART_1001194218

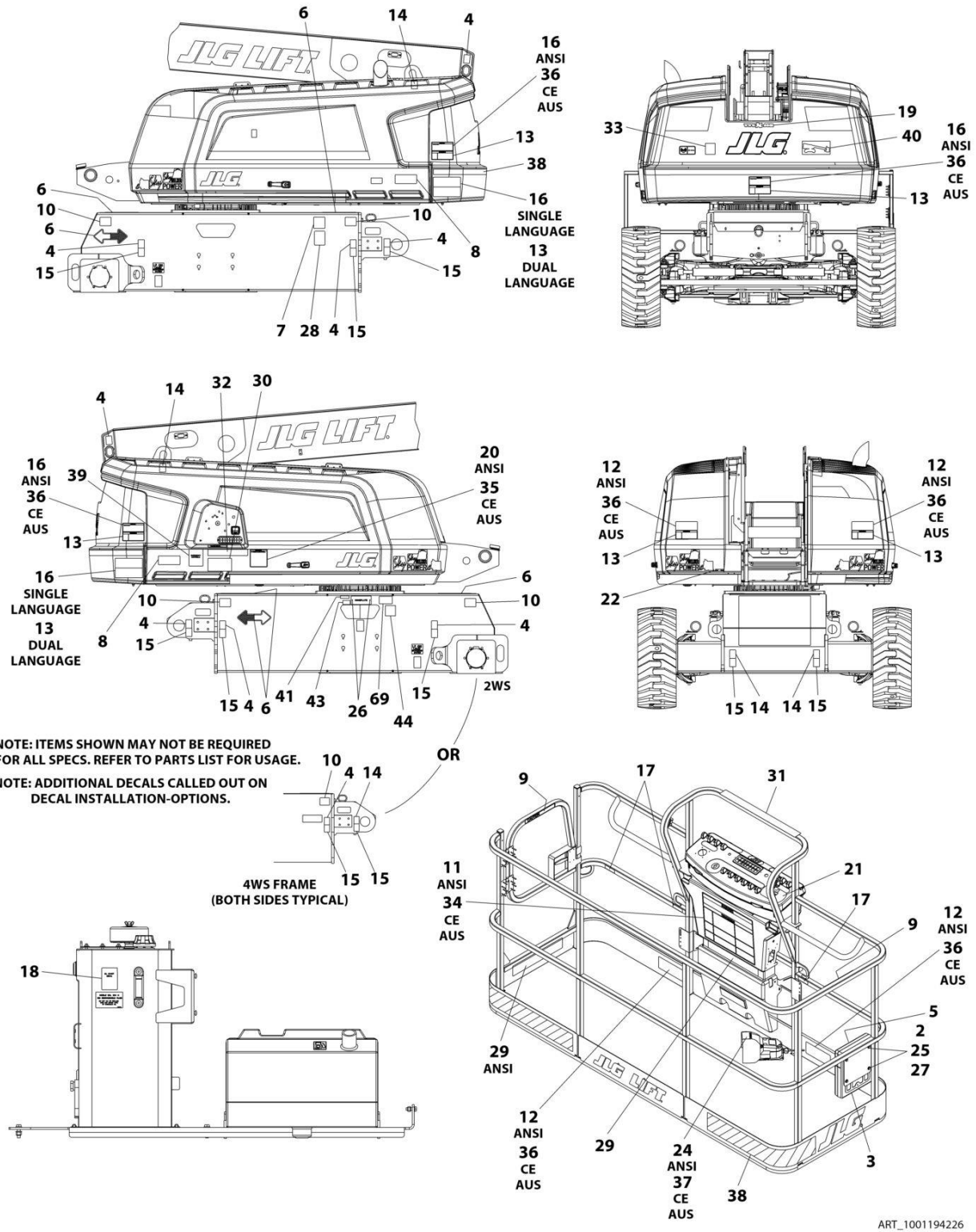
SECTION 9 - DECALS

FIGURE 9-15. DECAL INSTALLATION - 660SJ (CHINESE SPECS - ENGLISH/TRADITIONAL CHINESE LANGUAGES)

ITEM	PART NUMBER	QTY	DESCRIPTION	REV
	1001194218	Ref	DECAL INSTALLATION	D
2	0700610	4	Bolt M6 x 20	
3	91403230	1	Box, Manual Storage	
4	1701499	8	Decal - No Tie Down/Lift	
5	1701509	1	Decal - Manual	
6	1701529	4	Decal - Arrow	
7	See Note	NSS	Decal - Bar Code (Note: Not Available for Purchase)	
8	1702817	2	Decal - 660SJ	
9	1001116846	2	Decal - No Hands	
10	1001216060	4	Decal - Maximum Tire Load	
11	1703925	1	Decal - Warning/Danger	
12	1703949	4	Decal - Crushing	
13	1001116851	5	Decal - Electrocution	
14	1703811	4	Decal - Lifting Lug	
15	1703814	8	Decal - Tie Down	
16	1703943	3	Decal - Warning/Crushing	
17	1704277	3	Decal - Lanyard Attach	
18	1704412	1	Decal - Hydraulic Oil	
19	1704885	1	Decal - Website	
20	1001116849	1	Decal - Warning/Inspection	
21	1001116863	1	Decal - Drive/Steer Instruction	
22	3251243	1	Decal - 120V/60Hz	
24	1703982	1	Nameplate - Footswitch	
25	3290605	4	Nut M6	
26	3820001	2	Rivet	
27	4811700	8	Washer M6	
29	1001216736	2	Decal - Warning Dual Capacity	
30	1001216737	1	Decal - Warning Dual Capacity	
31	1001173262	1	Decal - Legend	
32	1001174313	1	Decal - Legend	
38	4420051	208 in/ 5.3m	Tape, Safety	
40	1001215615	1	Decal - Lift Diagram	
44	1001224050	1	Decal - Yearly Inspection	

SECTION 9 - DECALS

FIGURE 9-16. DECAL INSTALLATION - 660SJ (CSA SPECS - ENGLISH/FRENCH LANGUAGES)



ART_1001194226

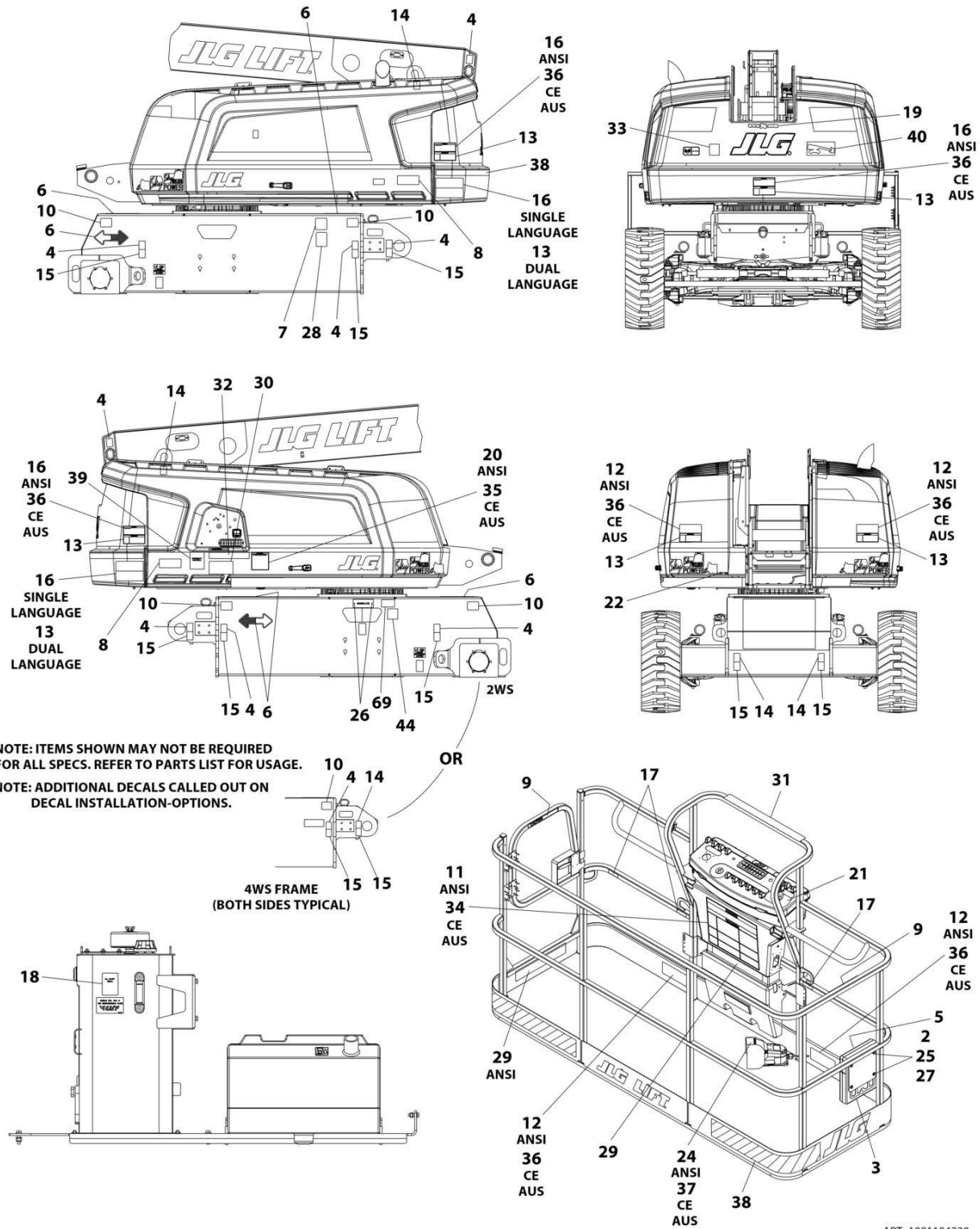
SECTION 9 - DECALS

FIGURE 9-16. DECAL INSTALLATION - 660SJ (CSA SPECS - ENGLISH/FRENCH LANGUAGES)

ITEM	PART NUMBER	QTY	DESCRIPTION	REV
	1001194226	Ref	DECAL INSTALLATION	E
2	0700610	4	Bolt M6 x 20	
3	91403230	1	Box, Manual Storage	
4	1701499	8	Decal - No Tie Down/Lift	
5	1701509	1	Decal - Manual	
6	1701529	4	Decal - Arrow	
7	See Note	1	Decal - Bar Code (Note: Not Available For Purchase)	
8	1702817	2	Decal - 660SJ	
9	1704000	2	Decal - No Hands	
10	1001216060	4	Decal - Maximum Tire Load	
11	1703924	1	Decal - Danger/Warning	
12	1703948	4	Decal - Warning/Crushing	
13	1703936	5	Decal - Electrocution	
14	1703811	4	Decal - Lifting Lug	
15	1703814	8	Decal - Tie Down	
16	1703942	3	Decal - Crushing	
17	1704277	3	Decal - Lanyard Attach	
18	1704412	1	Decal - Hydraulic Oil	
19	1704885	1	Decal - Website	
20	1705347	1	Decal - Warning/Inspection	
21	1705429	1	Decal - Drive/Steer Instruction	
22	3251243	1	Decal - 120V/60Hz	
24	1703984	1	Nameplate - Footswitch	
25	3290605	4	Nut M6	
26	3820001	2	Rivet	
27	4811700	8	Washer M6	
28	1001131269	1	Decal - Patent	
29	1001216749	2	Decal - Warning Dual Capacity	
30	1001216750	1	Decal - Warning Dual Capacity	
31	1001173262	1	Decal - Legend	
32	1001174313	1	Decal - Legend	
40	1001215615	1	Decal - Lift Diagram	
41	1705514	1	Decal - CSA	
43	1001228370	1	Decal - ICES (Canada) (SN 0300235168 through 0300237156)	
43	1001223453	1	Decal - ICES (Canada) (SN 0300237157 through 0300272445)	
44	1001223971	1	Decal - Yearly Inspection	

SECTION 9 - DECALS

FIGURE 9-17. DECAL INSTALLATION - 660SJ (JAPANESE SPECS - ENGLISH/JAPANESE LANGUAGES)



ART_1001194230

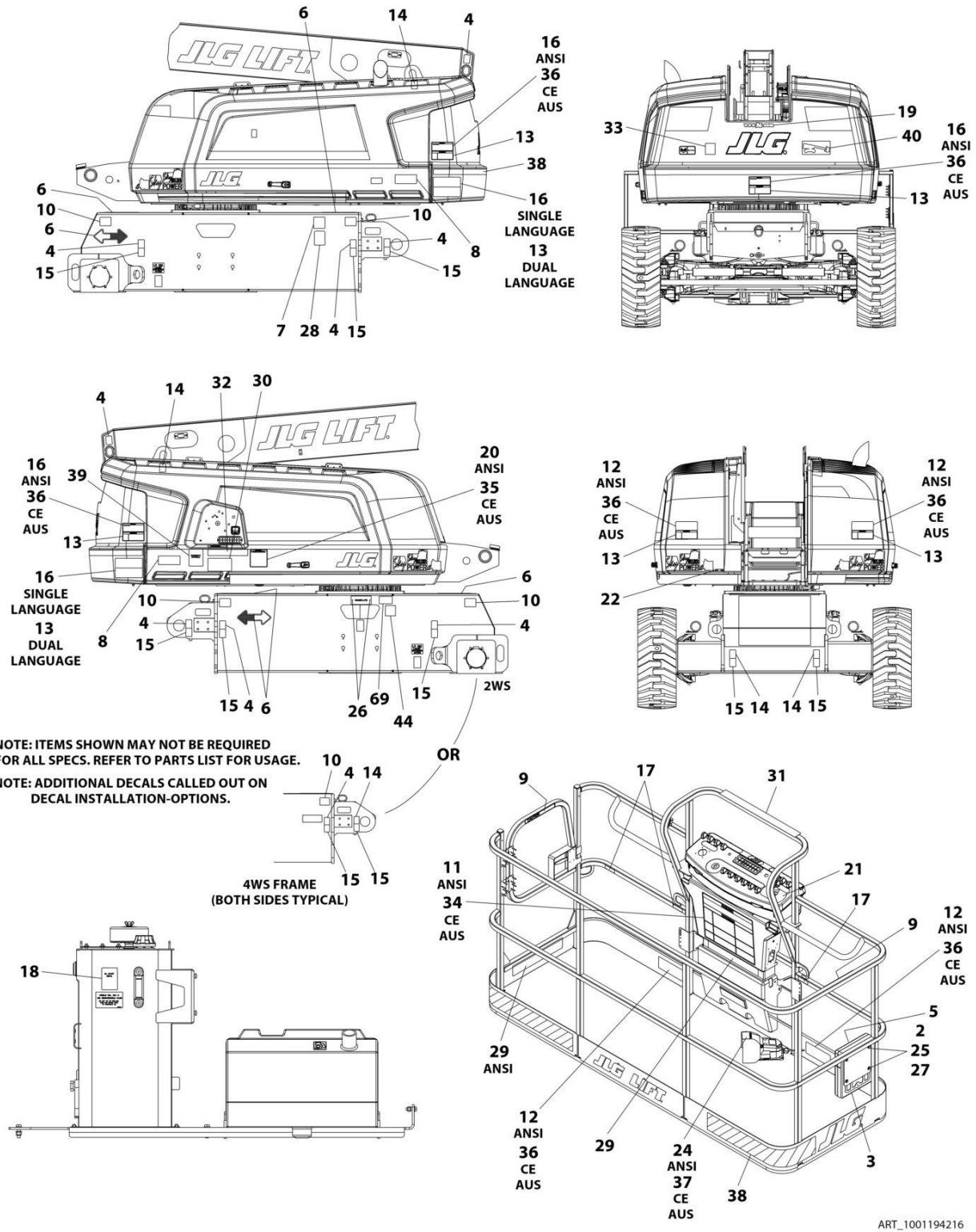
SECTION 9 - DECALS

FIGURE 9-17. DECAL INSTALLATION - 660SJ (JAPANESE SPECS - ENGLISH/JAPANESE LANGUAGES)

ITEM	PART NUMBER	QTY	DESCRIPTION	REV
	1001194230	Ref	DECAL INSTALLATION	D
2	0700610	4	Bolt M6 x 20	
3	91403230	1	Box, Manual Storage	
4	1701499	8	Decal - No Tie Down/Lift	
5	1701509	1	Decal - Manual	
6	1701529	4	Decal - Arrow	
7	See Note	NSS	Decal - Bar Code (Note: Not Available for Purchase)	
8	1702817	2	Decal - 660SJ	
10	1001216060	4	Decal - Maximum Tire Load	
11	1703926	1	Decal - Danger/Warning	
12	1703950	4	Decal - Crushing	
13	1703938	5	Decal - Electrocution	
14	1703811	4	Decal - Lifting Lug	
15	1703814	8	Decal - Tie Down	
16	1703944	3	Decal - Warning/Crushing	
17	1704277	2	Decal - Lanyard Attach	
18	1704412	1	Decal - Hydraulic Oil	
19	1704885	1	Decal - Website	
20	1705344	1	Decal - Warning/Inspection	
21	1705426	1	Decal - Drive/Steer Instruction	
22	3251243	1	Decal - 120V/60Hz	
24	1703980	1	Nameplate - Footswitch	
25	3290605	4	Nut M6	
26	3820001	2	Rivet	
27	4811700	8	Washer M6	
29	1001216751	2	Decal - Warning Dual Capacity	
30	1001216752	1	Decal - Warning Dual Capacity	
31	1001173262	1	Decal - Legend	
32	1001174313	1	Decal - Legend	
40	1001215615	1	Decal - Lift Diagram	
44	1001224053	1	Decal - Yearly Inspection	

SECTION 9 - DECALS

FIGURE 9-18. DECAL INSTALLATION - 660SJ (KOREAN SPECS - ENGLISH/KOREAN LANGUAGES)



ART_1001194216

SECTION 9 - DECALS

FIGURE 9-18. DECAL INSTALLATION - 660SJ (KOREAN SPECS - ENGLISH/KOREAN LANGUAGES)

ITEM	PART NUMBER	QTY	DESCRIPTION	REV
	1001194216	Ref	DECAL INSTALLATION	D
2	0700610	4	Bolt M6 x 20	
3	91403230	1	Box, Manual Storage	
4	1701499	8	Decal - No Tie Down/Lift	
5	1701509	1	Decal - Manual	
6	1701529	4	Decal - Arrow	
7	See Note	NSS	Decal - Bar Code (Note: Not Available for Purchase)	
8	1702817	2	Decal - 600SJ	
9	1705969	2	Decal - No Hands	
10	1001216060	4	Decal - Maximum Tire Load	
11	1703927	1	Decal - Warning/Danger	
12	1703951	4	Decal - Warning/Crushing	
13	1703939	5	Decal - Danger Electrocutation	
14	1703811	4	Decal - Lifting Lug	
15	1703814	8	Decal - Tie Down	
16	1703945	3	Decal - Warning Crushing	
17	1704277	3	Decal - Lanyard Attach	
18	1704412	1	Decal - Hydraulic Oil	
19	1704885	1	Decal - Website	
20	1705345	1	Decal - Warning/Inspection	
21	1705427	1	Decal - Drive/Steer Instruction	
24	1703981	1	Nameplate - Footswitch	
25	3290605	4	Nut M6	
26	3820001	2	Rivet	
27	4811700	8	Washer M6	
29	1001216734	2	Decal - Warning Dual Capacity	
30	1001216735	1	Decal - Warning Dual Capacity	
31	1001173262	1	Decal - Legend	
32	1001174313	1	Decal - Legend	
40	1001215615	1	Decal - Lift Diagram	
44	1001224048	1	Decal - Yearly Inspection	

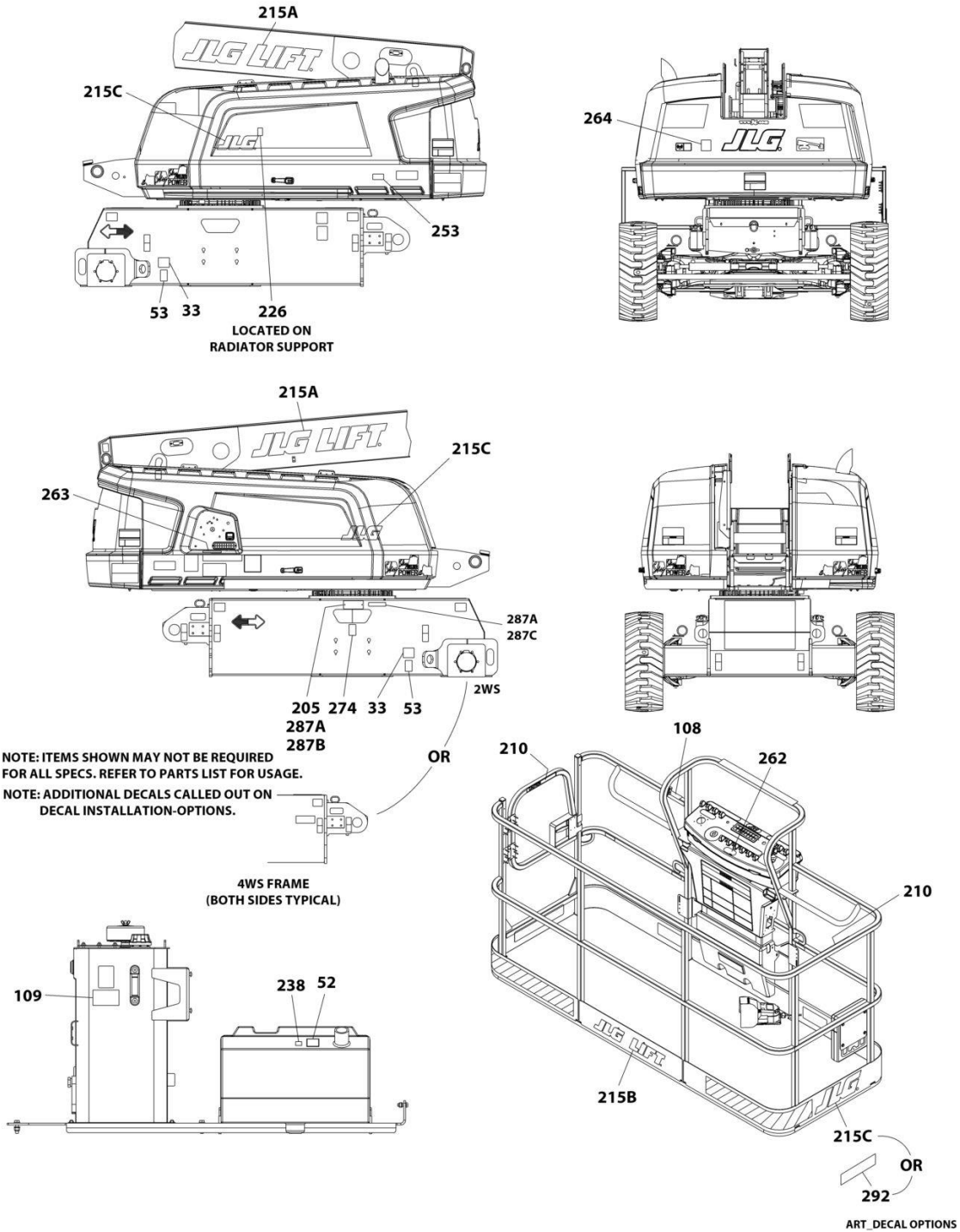
SECTION 9 - DECALS

FIGURE 9-19. DECAL INSTALLATION - 660SJ (LATIN AMERICAN SPECS - ENGLISH/SPANISH LANGUAGES)

ITEM	PART NUMBER	QTY	DESCRIPTION	REV
	1001194224	Ref	DECAL INSTALLATION	D
2	0700610	4	Bolt M6 x 20	
3	91403230	1	Box, Manual Storage	
4	1701499	8	Decal - No Tie Down/Lift	
5	1701509	1	Decal - Manual	
6	1701529	4	Decal - Arrow	
7	See Note	NSS	Decal - Bar Code (Note: Not Available for Purchase)	
8	1702817	2	Decal - 660SJ	
9	1704001	2	Decal - No Hands	
10	1001216060	4	Decal - Maximum Tire Load	
11	1703923	1	Decal - Warning/Danger	
12	1703947	4	Decal - Warning/Crushing	
13	1703935	5	Decal - Electrocution	
14	1703811	4	Decal - Lifting Lug	
15	1703814	8	Decal - Tie Down	
16	1703941	3	Decal - Warning/Crushing	
17	1704277	3	Decal - Lanyard Attach	
18	1704412	1	Decal - Hydraulic Oil	
19	1704885	1	Decal - Website	
20	1705917	1	Decal - Warning/Inspection	
21	1705910	1	Decal - Drive/Steer Instruction	
22	3251243	1	Decal - 120V/60Hz	
24	1703983	1	Nameplate - Footswitch	
25	3290605	4	Nut M6	
26	3820001	2	Rivet	
27	4811700	8	Washer M6	
29	1001216747	2	Decal - Warning Dual Capacity	
30	1001216748	1	Decal - Warning Dual Capacity	
31	1001173262	1	Decal - Legend	
32	1001174313	1	Decal - Legend	
40	1001215615	1	Decal - Lift Diagram	
44	1001224049	1	Decal - Yearly Inspection	

SECTION 9 - DECALS

FIGURE 9-20. DECALS INSTALLATION - OPTIONS



SECTION 9 - DECALS

FIGURE 9-20. DECALS INSTALLATION - OPTIONS

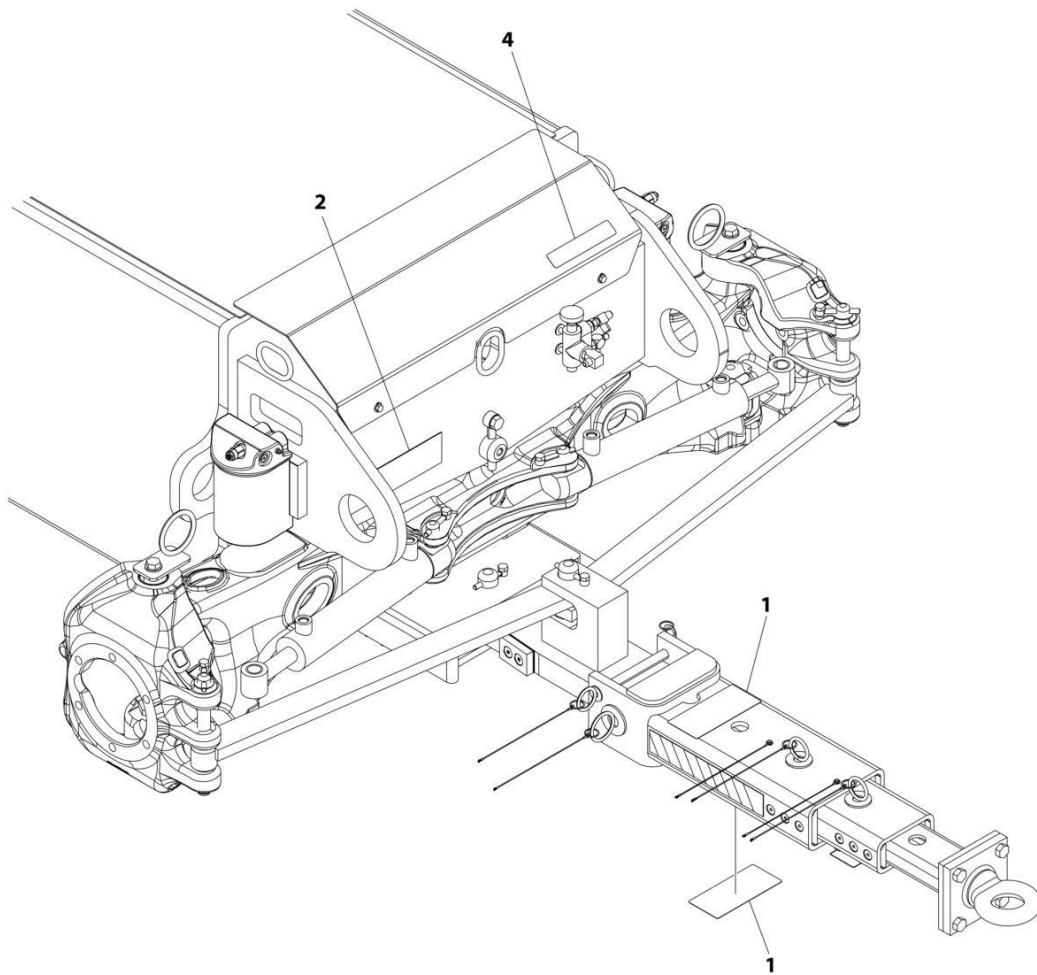
ITEM	PART NUMBER	QTY	DESCRIPTION	REV
	1001194233	Ref	DECAL INSTALLATION - REFERENCE CHART	L
	1001188600	Ref	DECAL INSTALLATION - OPTIONS	U
33	1700818	2	Decal - LP Gas Liquid Withdrawal System (ANSI & ANSI Export Specs)	
33	1704271	2	Decal - LP Gas Liquid Withdrawal System (CSA Spec)	
33	1702720	2	Decal - LP Gas Liquid Withdrawal System (ANSI Export Specs)	
33	1001119661	1	Decal - LP Gas Liquid Withdrawal System (ANSI, ANSI Export and China Specs)	
52	1701542	1	Decal - Gas	
52	1701505	1	Decal - Diesel Fuel	
53	1701543	1	Decal - LPG (Gas Machines Only)	
108	0256487	Ref	Proposition 65 Warning Decal Installation (Diesel Machines) (SN 0300235168 through 0300247539)	
108	1702962	1	Decal - Proposition 65 (Diesel Machines)	
108	1001231801	Ref	Decal - Proposition 65 Warning (Diesel Engines) (SN 0300247540 through 0300272445)	
108	0256488	Ref	Proposition 65 Warning Decal Installation (Gas Machines) (SN 0300235168 through 0300247539)	
108	1702961	1	Decal - Proposition 65 (Gas Machines)	
108	1001231801	Ref	Decal - Proposition 65 Warning (Gas Engines) (SN 0300247540 through 0300272445)	
109	1702788	1	Decal - Biodegradeable Hydraulic Fluid (All Specs except German Spec)	
109	1703479	1	Decal - Biodegradeable Hydraulic Fluid (German Spec)	
109	1704174	1	Decal - SYN Biodegradeable Hydraulic Fluid (All Specs except German Spec)	
109	1704175	1	Decal - SYN Biodegradeable Hydraulic Fluid (German Spec)	
188	0272312	Ref	Decal Installation - Tire Sealant (Not Shown)	
188	2902203	1	Decal Kit - Tire Sealant (Machines with Tire Sealant) (Not Shown)	
205	See Note	NSS	Nameplate - Manufacturers Serial Number (Note: Not Available for Purchase)	
210		Ref	Decal - No Hands Options (Machines with Platform Mesh/Soft-Touch Options):	
210	1702868	2	Decal - No Hands (ANSI/ANSI Export/Australian/CE Specs) (English Language)	
210	1704002	1	Decal - No Hands (Brazil Specs) (Portuguese & Spanish Languages)	
210	1705968	2	Decal - No Hands (China Specs) (English & Simplified Chinese Languages)	
210	1001116846	2	Decal - No Hands (China Specs) (English & Traditional Chinese Languages)	
210	1704000	2	Decal - No Hands (CSA Specs) (English & French Languages)	
210	1705969	2	Decal - No Hands (Korean Specs) (English & Korean Languages)	
210	1704001	2	Decal - No Hands (Latin American Specs) (English & Spanish Languages)	
	1001206816	Ref	Decal Installation - JLG Logo (Not Shown)	A
215A	1702861	AR	Decal - JLG Lift	
215B	1702774	1	Decal - JLG Lift	
215C	1702773	AR	Decal - JLG	
226		Ref	Decal - Warning Explosion/Fire Options (Diesel Engine Machines Only):	

SECTION 9 - DECALS

ITEM	PART NUMBER	QTY	DESCRIPTION	REV
226	1704972	1	Decal - Warning Explosion/Fire (ANSI/ANSI Export Spec)	
226	1706098	1	Decal - Warning Explosion/Fire (Australian and CE Specs)	
226	1706059	1	Decal - Warning Explosion/Fire (Brazil Spec - Dual Language English/Portuguese)	
226	1706060	1	Decal - Warning Explosion/Fire (Chinese Spec - Dual Language English/Chinese)	
226	1706064	1	Decal - Warning Explosion/Fire (CSA Spec - Dual Language English/French)	
226	1706062	1	Decal - Warning Explosion/Fire (Japanese Spec - Dual Language English/Japanese)	
226	1706061	1	Decal - Warning Explosion/Fire (Korean Spec - Dual Language English/Korean)	
226	1706063	1	Decal - Warning Explosion/Fire (Latin American - Dual Language English/Spanish)	
238	1001125387	1	Decal - Ultra Low Sulfur Fuel (ANSI & CSA Specs)	
238	1001139654	1	Decal - Ultra Low Sulfur Fuel (ANSI Export HRC, CE & Japanese Specs)	
253	1001143852	1	Decal - Emission Compliance (Machines with Diesel Engines) (ANSI Export, Australian, CE and China Specs) (Not Shown)	
262	1001141300	1	Decal - SkyGuard Override (Without Soft-Touch)	
262	1001141302	1	Decal - SkyGuard Override (With Soft-Touch)	
263	1001197408	1	Decal - MSSO (CE Specs)	
264	1001130492	1	Decal - Sound Power (Deutz D2011 Engines) (Australian and CE Specs)	
264	1705515	1	Decal - Sound Power (Deutz TD2.9L4 Engines) (Australian and CE Specs)	
274	1001214030	1	Decal - EAC Installation (CIS and Russia Specs)	
274A	1001173703	1	Decal - EAC	
	1001239371	1	ECO Label Installation	A
287A	3820001	8	Rivet	
287B	See Note	NSS	Decal - ECO Label (Note: Not Available for Purchase)	
287C	See Note	NSS	Decal - Plate Mein Code (Note: Not Available for Purchase)	
292	1001171335	1	Decal - Dual Capacity (600lbs/272kg & 1000lbs/454kg) (ANSI Spec)	
292	1001194234	1	Decal - Max Capacity (550lbs/250kg & 750lbs/340kg) (ANSI Spec)	
292	1001171359	1	Decal - Dual Capacity (600lbs/272kg & 1000lbs/454kg) (Brazil Spec - Dual Language Portuguese/Spanish)	
292	1001216745	1	Decal - Dual Capacity (550lbs/272kg & 750lbs/340kg) (Brazil Spec - Dual Language Portuguese/Spanish)	
292	1001171355	1	Decal - Dual Capacity (600lbs/272kg & 1000lbs/454kg) (Chinese Spec - Dual Language Traditional English/Chinese)	
292	1001216736	1	Decal - Dual Capacity (550lbs/250kg & 750lbs/340kg) (Chinese Spec - Dual Language Traditional English/Chinese)	
292	1001216739	1	Decal - Dual Capacity (600lbs/272kg & 1000lbs/454kg) (Chinese Spec - Dual Language Simplified English/Chinese)	
292	1001216741	1	Decal - Dual Capacity (550lbs/250kg & 750lbs/340kg) (Chinese Spec - Dual Language Simplified English/Chinese)	
292	1001171345	1	Decal - Dual Capacity (600lbs/272kg & 1000lbs/454kg) (Korean Spec - Dual Language English/Korean)	
292	1001216734	1	Decal - Dual Capacity (550lbs/250kg & 750lbs/340kg) (Korean Spec - Dual Language English/Korean)	
292	1001171349	1	Decal - Dual Capacity (600lbs/272kg & 1000lbs/454kg) (Latin American - Dual Language English/Spanish)	
292	1001216747	1	Decal - Dual Capacity (550lbs/250kg & 750lbs/340kg) (Latin American - Dual Language English/Spanish)	

SECTION 9 - DECALS

FIGURE 9-21. DECAL INSTALLATION - TOW (ANSI SPECS)



ART_1001188894

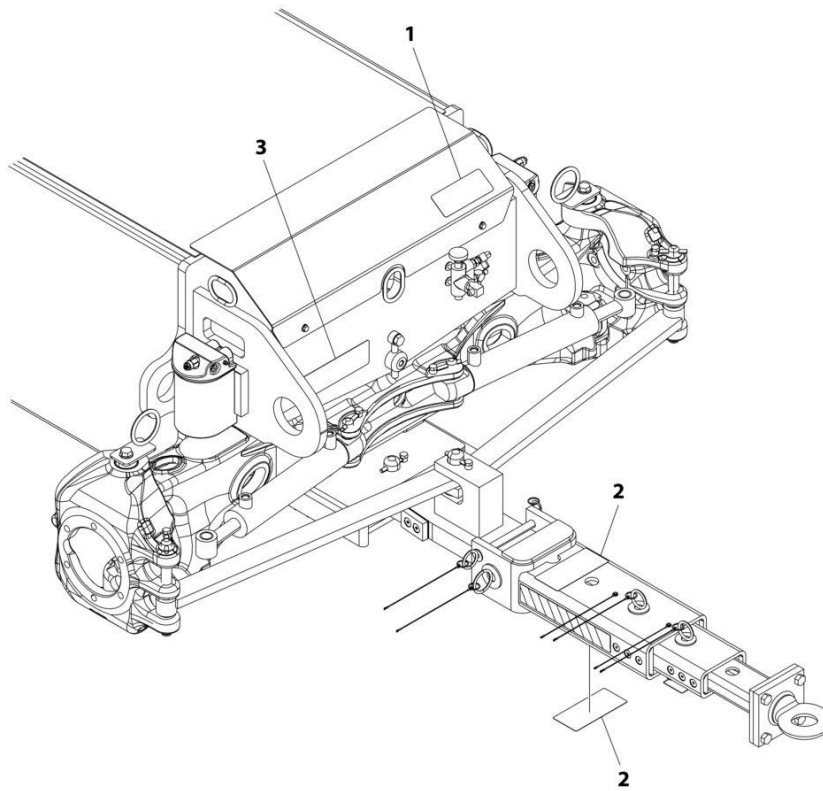
SECTION 9 - DECALS

FIGURE 9-21. DECAL INSTALLATION - TOW (ANSI SPECS)

ITEM	PART NUMBER	QTY	DESCRIPTION	REV
	1001188894	Ref	DECAL INSTALLATION	B
1	1704578	2	Decal - Crushing	
2	1705090	1	Decal - Towing Instructions	
4	1001190159	1	Decal - Steer/Tow Select Valve	

SECTION 9 - DECALS

FIGURE 9-22. DECAL INSTALLATION - TOW (CSA SPECS)



ART_1001188895

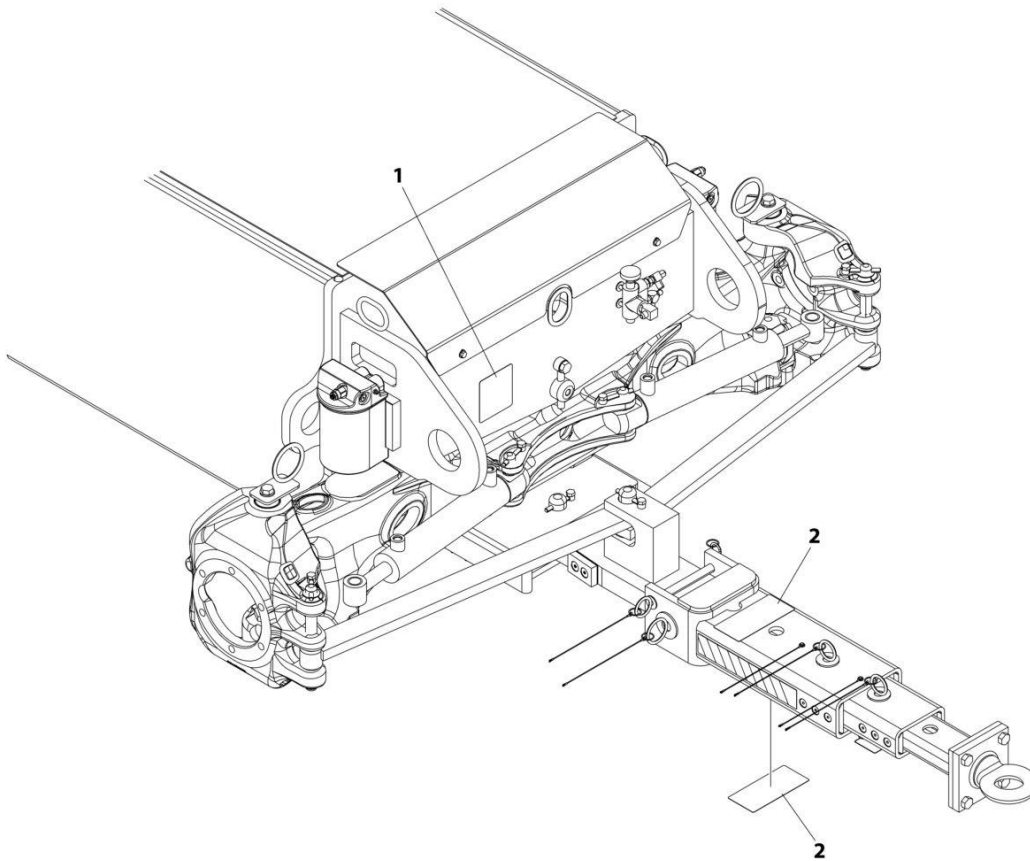
SECTION 9 - DECALS

FIGURE 9-22. DECAL INSTALLATION - TOW (CSA SPECS)

ITEM	PART NUMBER	QTY	DESCRIPTION	REV
	1001188895	Ref	DECAL INSTALLATION	B
1	1704272	1	Decal - Steer/Tow Select Valve	
2	1704578	2	Decal - Crushing	
3	1705820	1	Decal - Towing Instructions	

SECTION 9 - DECALS

FIGURE 9-23. DECAL INSTALLATION - TOW (ANSI EXPORT & CE SPECS)



ART_1001188896

SECTION 9 - DECALS

FIGURE 9-23. DECAL INSTALLATION - TOW (ANSI EXPORT & CE SPECS)

ITEM	PART NUMBER	QTY	DESCRIPTION	REV
	1001188896	Ref	DECAL INSTALLATION	C
1	1706957	1	Decal - Tow Bar and Steer Select	
2	1706960	2	Decal - Tow Bar Crushing	

SECTION 10 - RECOMMENDED SERVICE PARTS STOCK

SECTION 10 - RECOMMENDED SERVICE PARTS STOCK

SECTION 10 - RECOMMENDED SERVICE PARTS STOCK

FIGURE 10-1. RECOMMENDED SERVICE PARTS STOCK

ITEM	PART NUMBER	QTY	DESCRIPTION	REV
		Ref	Note: The following list will service one machine (built to current production per date on the front cover) with emergency repair parts which can be installed in the field. Parts from the list should be replaced when inventory is depleted to keep service parts stock supplied. For further information, contact your JLG dealer or the JLG Industries Parts Department.	
		Ref	STANDARD PARTS	
	70010383	1	Element, Filter (Includes O-Ring)	
	70004653	1	Coil	
	80434249	1	Coil	
	70004595	1	Coil	
	70002386	1	Coil	
	70002814	12	Hydraulic Tank Service Kit	
	4360475	1	Switch, Mushroom	
	1001155045	1	Switch, Toggle	
	4360469	1	Switch, Key	
	2860030	1 Set	Key, Replacement	
	70004066	12	Element, Filter	
	70005683	1	Repair Section - Powertrack	
	70005335	12	Element, High Pressure Filter	
	70006122	1	Coil	
	4360407	1	Controller, Speed	
	4360387	1	Switch, Push Button	
	1001117174	1	Footswitch Assembly	
	1001159256	1	Switch, Toggle	
	1001161709	1	Switch, Toggle	
	1001212415	1	Controller, Drive and Steer	
	1001129555	1	Controller, Lift and Swing	
	1001161710	1	Switch, Toggle	
	1001137673	1	Switch, SkyGuard	
	70005576	1	Coil	
	70006004	1	Coil	
	1001196635	2	Fuse 3Amp	
	8229242	2	Fuse 5Amp	
	8229244	2	Fuse 15Amp	
	1001095704	1	Relay	
	1001129285	2	Diode	
	8229245	2	Fuse 30Amp	
		Ref	VARIABLE PARTS	
	1001219601	1	Sensor	
	1001187200	1	Module, Ground Control	
	1001142683	1	Module (Used with Blue or Red Beacons)	
	3740067	12	Relay (Deutz D2011 Engines)	
	70003783	12	Element, AC Filter (Deutz D2011 Engines)	
	7016331	12	Element, Oil Filter (Deutz D2011 Engine)	
	7016328	12	Filter, Fuel (Deutz D2011 Engines)	
	7027795	1	Module, Engine Control (ECU) (Deutz D2011 Engines)	
	3740067	1	Relay (Deutz D2011 (Stage V) Engines)	
	70003783	12	Element, AC Filter (Deutz D2011 (Stage V) Engines)	

SECTION 10 - RECOMMENDED SERVICE PARTS STOCK

ITEM	PART NUMBER	QTY	DESCRIPTION	REV
	7016331	12	Element, Oil Filter (Deutz D2011 (Stage V) Engines)	
	7016328	12	Filter, Fuel (Deutz D2011 (Stage V) Engines)	
	7027795	1	Module, Engine Control (ECU) (Deutz D2011 (Stage V) Engines)	
	1001138228	1	Relay (Deutz D2.9L4 - 49HP Engines)	
	70003783	12	Element, AC Filter (Deutz D2.9L4 - 49HP Engines)	
	7016331	12	Element, Oil Filter (Deutz D2.9L4 - 49HP Engines)	
	70025153	12	Element, Fuel Filter (Deutz D2.9L4 - 49HP Engines)	
	70025210	1	Module, Engine Control (ECM/ECU) (Deutz D2.9L4 - 49HP Engines)	
	1001138228	1	Relay (Deutz TD2.9L4 - 67HP Engines)	
	70005008	12	Element, AC Filter (Deutz TD2.9L4 - 67HP Engines)	
	7016331	12	Filter, Oil (Deutz TD2.9L4 - 67HP Engines)	
	70025153	12	Element, Fuel Filter (Deutz TD2.9L4 - 67HP Engines)	
	70025210	1	Module, Engine Control (ECM/ECU) (Deutz TD2.9L4 - 67HP Engines)	
	70005008	12	Element, AC Filter (Ford Engines)	
	70006213	12	Filter, Oil (Ford Engines)	
	70006155	1	Filter, Fuel (Ford Engines)	
	70006176	1	Module, Engine Control (ECU/GCP)	
	70006178	1	Plug, Spark (Ford Engines)	
	4360336	1	Switch, Toggle (Generator Options)	
	4360070	1	Circuit Breaker 15Amp (Machines with 4000W or 7500W Generator)	
	1001214831	1	Switch, Proximity (Boom)	
	1001170847	1	Sensor, Proximity	
	1001182570	1	Sensor, Proximity	
	1001211577	1	Sensor (Lower)	
	1001211578	1	Sensor (Upper) (600S)	
	1001211579	1	Sensor (Upper) (660SJ)	
	2940074	1	Latch (Machines with Gate Entry Platform)	
	1001185726	1	Module, Platform	
	4360331	1	Switch, Toggle (Machines with 4WS)	
	4360057	1	Switch, Limit (Machines with Soft-Touch Option)	
	4360477	1	Switch, Proximity (Machines with Overhead Soft-Touch Option)	
	1001181045	1	Breaker, Circuit 16A (CE Specs Machines with Single Breaker Box)	
	1001152479	1	Breaker, Circuit 16A Double (CE Specs Machines with 3 Breaker Box)	
	1001152482	1	Breaker, Circuit 30mA (CE Specs Machines with 3 Breaker Box)	
	80983191	2	Fuse - 10Amp (Deutz D2.9L4 - 49HP and Deutz TD2.9L4 - 67HP Engines)	
	3740080	1	Relay (Machines with 2500W Generator)	
	2400064	2	Fuse 5A (Deutz D2011 Engine Machines with 7500W SkyPower Generator)	

SECTION 11 - SPECIAL OPTIONS

SECTION 11 - SPECIAL OPTIONS

FIGURE 11-1. SPECIAL OPTIONS

ITEM	PART NUMBER	QTY	DESCRIPTION	REV
	Note	Ref	Note: This list is to accommodate machines ordered with special equipment. Options may not be applicable to all models. For more specific parts information contact JLG Parts Department.	
		Ref	MISCELLANEOUS SPECIAL OPTIONS	
		Ref	Airline to Platform Installation Options:	
	1001192931	Ref	Airline Installation (600S)	
	1001194110	Ref	Airline Installation (600S Arctic Package)	
	1001193215	Ref	Airline Installation (660SJ)	
	1001194045	Ref	Airline Installation (660SJ Arctic Package)	
	1001194205	Ref	Airline Installation - Dual Lines (600S) (ANSI, ANSI Export, China & CSA Specs)	
	1001235884	Ref	Air Intake Shutoff Valve (Deutz TD2.9L4 -67HP Engines)	
	1001205017	Ref	Arctic Package Installation Kit - With Deutz TD2.9L4 -67HP Engines and Without SkyPower (600S)	
	1001205016	Ref	Arctic Package Installation Kit - With Deutz TD2.9L4 -67HP Engines and Without With SkyPower (600S)	
	1001205021	Ref	Arctic Package Installation Kit - With Deutz TD2.9L4 -67HP Engines and Without SkyPower (660SJ)	
	1001205020	Ref	Arctic Package Installation Kit - With Deutz TD2.9L4 -67HP Engines and Without With SkyPower (660SJ)	
	1001189169	Ref	Bellows Installation - Boom (600S)	
	1001189170	Ref	Bellows Installation - Boom (660SJ)	
	1001181778	Ref	Bellows Installation - Chassis (2WS)	
	1001181779	Ref	Bellows Installation - Chassis (4WS)	
	1001198884	Ref	Boom Cable/Hose Protection Installation (600S)	
	1001199095	Ref	Boom Cable/Hose Protection Installation (660SJ)	
	1001195235	Ref	Boom Wipers Installation (Standard Machines)	
	1001195236	Ref	Boom Wipers Installation (600S Shipyard Machines) (All Specs except Australian & CE Specs)	
	1001233047	Ref	Breather Heater Kit (Deutz Engines)	
		Ref	ClearSky (Telematics) Installations (Dealer Installed)	
	1001242409	Ref	ClearSky (Telematics) Access Control Installation Kit (Dealer Installed) (ANSI, ANSI Export, CSA and CE Specs)	
	1001243183	Ref	ClearSky (Telematics) Added-on Kit (Dealer Installed) (ANSI, ANSI Export, CSA and CE Specs)	
	1001234099	Ref	ClearSky Telematics Kit (Dealer Installed) (CE Specs)	
	1001243184	Ref	ClearSky (Telematics) Added-on Kit (Dealer Installed) (CE Specs)	
		Ref	ClearSky Telematics (Factory Installed)	
	1001227404	Ref	ClearSky Telematics Installation - Canbus Connection (Factory Installed) (ANSI & CSA Specs)	
	1001246524	Ref	ClearSky Telematics Installation - Canbus Connection (Factory Installed) (Australian Specs)	
	1001228947	Ref	ClearSky Telematics Installation - Canbus Connection (Factory Installed) (CE Specs)	
	1001246525	Ref	ClearSky Telematics Installation - Canbus Connection (Factory Installed) (China Specs)	
	1001229107	Ref	ClearSky Telematics Installation - 3 Wire Connection (Factory Installed) (ANSI & CSA Specs)	
	1001233237	Ref	ClearSky Telematics Installation - 3 Wire Connection (Factory Installed) (CE Specs)	
		Ref	Cold Weather Package Installation Options:	

SECTION 11 - SPECIAL OPTIONS

ITEM	PART NUMBER	QTY	DESCRIPTION	REV
	1001192489	Ref	Cold Weather Package Installation (Deutz TD2011L04 Engine Machines)	
	1001192475	Ref	Cold Weather Package Installation (Deutz D2.9L4 – 49HP and Deutz TD2.9L4 – 67HP Engines Machines)	
	1001219855	Ref	Cold Weather Package Installation (Ford Engine Machines)	
	1001239526	Ref	Container Transport Installation	
	1001195224	Ref	Counterweight Installation - Chassis (Required for Turf Tires)	
	1001191019	Ref	Cribbing Switch installation	
		Ref	Decal Installations Options:	
	1001120992	Ref	Decal - ClearSky (ANSI Spec) (ANSI, Australian, Brazilian and CSA Specs Only)	
	0257195	Ref	Decal - Government Warranty	
	1001200131	Ref	Decal - Quick Reference (Danish) (Lomax Rentals)	
	1001200129	Ref	Decal - Quick Reference (Dutch) (Lomax Rentals)	
	1001181145	Ref	Decal - Quick Reference (English) (Lomax Rentals)	
	1001200128	Ref	Decal - Quick Reference (French) (Lomax Rentals)	
	1001200130	Ref	Decal - Quick Reference (German) (Lomax Rentals)	
	1001200134	Ref	Decal - Quick Reference (Norwegian) (Lomax Rentals)	
	1001200133	Ref	Decal - Quick Reference (Spanish) (Lomax Rentals)	
	1001200132	Ref	Decal - Quick Reference (Swedish) (Lomax Rentals)	
	1001195220	Ref	Decal - Soft-Touch (600S) (ANSI, ANSI Export & CSA Specs)	
	1001195221	Ref	Decal - Soft-Touch (600S) (CE Specs)	
	1001195222	Ref	Decal - Soft-Touch (660SJ) (ANSI, ANSI Export & CSA Specs)	
	1001195223	Ref	Decal - Soft-Touch (660SJ) (Australian & CE Specs)	
		Ref	Decal Kits	
	1001108718	Ref	Platform Decal Kit (600S)	
	1001238895	Ref	Platform Decal Kit (660SJ)	
	1001119562	Ref	Platform Console Box Decal Kit (600S)	
	1001109259	Ref	Drive Orientation Kit (660SJ)	
		Ref	Electrical Connector Kits	
	1001148902	Ref	Amp/Tyco Electrical Connector Kit	
	1001148903	Ref	Deutsch DT Electrical Connector Kit	
	1001148904	Ref	Deutsch HD Electrical Connector Kit	
	1001148905	Ref	Packard Electrical Connector Kit	
	1001148906	Ref	Various Electrical Connectors Kit	
	1001220390	Ref	Engine Block Heater Installation (Ford Engine Machines)	
	1001192482	Ref	Fan Grille Installation (Deutz D2011 Engines)	
	1001172751	Ref	Fan Grille Installation (Deutz D2.9L4 - 49HP Engines)	
	1001192610	Ref	Fan Grille Installation (Deutz TD2.9L4 - 67HP Engines)	
		Ref	Filter Kits:	
		Ref	Combined Filter Kit (Hydraulic/Air and Fuel/Engine Oil)	
	1001238957	1	Deutz D2011 Engines	
	1001238961	1	Deutz TD2.9L4 - 67HP Engines	
	1001238960	1	Ford Engines	
	1001109692	1	Hydraulic/Air Filter	
	1001110133	1	Fuel/Engine Oil Filter (Deutz Engines Only)	
	1001139099	Ref	Fire Extinguisher installation (Platform Mounted)	
		Ref	Fluids	
		Ref	Coolant Options:	
	2300004	Ref	Machines without Arctic Package	
	2300041	Ref	Machines with Arctic Package	
	3020021	Ref	Engine Coupling Grease	

SECTION 11 - SPECIAL OPTIONS

ITEM	PART NUMBER	QTY	DESCRIPTION	REV
		Ref	Engine Oil Options:	
	3020016	Ref	Motor Oil (Deutz TD2011 Engine Machines without Arctic Package)	
	3020044	Ref	Motor Oil (Deutz TD2011 Engine Machines with Arctic Package)	
	1001136079	Ref	Motor Oil (Deutz D2.9L4 - 49 HP and Deutz TD2.9L4 - 67HP Engine Machines without Arctic Package)	
	1001136172	Ref	Motor Oil (Deutz D2.9L4 - 49 HP and Deutz TD2.9L4 - 67HP Engine Machines with Arctic Package)	
	1001190775	Ref	Motor Oil (Ford Engine Machines)	
		Ref	Hydraulic Fluids:	
	2300014	Ref	Mobil 424	
	2300027	Ref	Mobil 224H Bio	
	2300029	Ref	Mobil EAL ISO 46 Bio	
	2300016	Ref	Mobil DTE 10 EXCEL 32	
	2300019	Ref	Quaker State Quintolubric 888-46 Fire Resistant	
	2300039	Ref	Exxon Univis Hvi 26 (Machines with Arctic Package)	
	1001237883	Ref	Fall Arrest (Bolt-on) Add-on Kit (6ft/1.82m Platform (ANSI, ANSI Export, China, CSA & Japanese Specs Only) (Fits Platform p/ns 1001186384 & 1001228376)	
	1001237882	Ref	Fall Arrest (Bolt-on) Add-on Kit (8ft/2.4m Platform (ANSI, ANSI Export, China, CSA & Japanese Specs Only) (Fits Platform p/ns 1001186383)	
	1001117294	Ref	Footswitch Shield (Note: Move Decal to Shield)	
	1001202749	Ref	Fuel Cap Cover Installation (Black) (Note: Lock p/n 1001102157 must be Purchased Separately)	
	1001191395	Ref	Fuel Cap Cover Installation (Green) (Diesel Machines) (Note: Lock p/n 1001102157 must be Purchased Separately)	
	1001191394	Ref	Fuel Cap Cover Installation (Red) (Gas Machines) (Note: Lock p/n 1001102157 must be Purchased Separately)	
		Ref	Hood (Steel) Replacement Kit	
	1001126286	Ref	Deutz Engine Machines	
		Ref	Hostile Environment Installation Options:	
	1001238927	Ref	Hostile Environment Installation (600S - 2WS)	
	1001238928	Ref	Hostile Environment Installation (600S - 4WS)	
	1001238929	Ref	Hostile Environment Installation (660SJ - 2WS)	
	1001238930	Ref	Hostile Environment Installation (660SJ - 4WS)	
	1001195237	Ref	Hostile Package (Extreme) Installation (600S/660SJ - 2WS)	
	1001195238	Ref	Hostile Package (Extreme) Installation (600S/660SJ - 4WS)	
	1001189615	Ref	Kingpin Removal Kit	
	1001148971	Ref	Lanyard (Bolt-On) Kit Installation	
		Ref	Light Options:	
	1001190761	Ref	Chassis Illumination Lights Installation	
	1001190717	Ref	Headlights & Taillights Installation	
	1001120467	Ref	Platform Floodlights Installation	
	1001178951	Ref	Platform Mounted Strobe Light Installation	
	1001193521	Ref	Platform/Ground Dual Located Mounted Strobe Light Installation	
	1001120466	Ref	Platform Worklights Installation	
	1001183407	Ref	Low Temperature Cutout Installation (Russian Specs)	
		Ref	Oil Cooler Options:	
	1001195355	Ref	Oil Cooler Installation (Deutz TD2011 Engine)	
	1001242998	Ref	Oil Cooler Installation (Deutz D2.9L4 - 49HP Engine)	
	1001195354	Ref	Oil Cooler Installation (Deutz TD2.9L4 - 67HP Engine)	
	1001219854	Ref	Oil Cooler Installation (Ford Engine)	

SECTION 11 - SPECIAL OPTIONS

ITEM	PART NUMBER	QTY	DESCRIPTION	REV
	1001110982	Ref	Platform Bumpers Installation (Shipyard Spec Machines)	
		Ref	Platform Console Cover Installations	
	1001195304	Ref	Platform Console Cover Installation (Clear Polycarbonate)	
	1001110974	Ref	Platform Console Cover Installation (Steel) (All Specs)	
	1001125230	Ref	Platform Console Cover Installation (Steel) (Chinese Specs)	
	1001125229	Ref	Platform Console Cover Installation (Steel) (Korean Specs)	
		Ref	Platform Entry Kit	
	1001142504	Ref	Kit, Replace Swing Gate with Drop Bar	
	1001142505	Ref	Kit, Replace Drop Bar with Swing Gate	
		Ref	Platform Extension (Top Rail)	
	0272733	Ref	36in x 72in Platforms	
	0272725	Ref	36in x 96in Platforms	
		Ref	Platform Mesh to Top Rail Add-on Kits:	
	1001214552	Ref	30in x 4ft (76cm x 1.22m) with Gate	
	1001214559	Ref	30in x 5ft (76cm x 1.52m) with Gate	
	1001214560	Ref	30in x 6ft (91.5cm x 1.83m) with Gate	
	1001214561	Ref	36in x 6ft (91.5cm x 1.83m) with Gate	
	1001214562	Ref	36in x 8ft (91.5cm x 2.44m) with Gate	
		Ref	Platform Mesh to Top Rail Installations	
	0273147	Ref	30in x 4ft (76cm x 1.22m)	
	0273146	Ref	30in x 5ft (76cm x 1.52m)	
	0273149	Ref	36in x 6ft (91.5cm x 1.83m)	
	0273145	Ref	36in x 8ft (91.5cm x 2.44m)	
		Ref	Platform Mesh to Mid Rail Add-on Kits:	
	1001214478	Ref	30in x 4ft (76cm x 1.22m) with Gate	
	1001214515	Ref	30in x 5ft (76cm x 1.52m) with Gate	
	1001214540	Ref	36in x 6ft (91.5cm x 1.83m) with Gate	
	1001214548	Ref	36in x 8ft (91.5cm x 2.44m) with Gate	
		Ref	Platform Mesh to Mid Rail Installation	
	1001140318	Ref	30in x 4ft (76cm x 1.22m)	
	1001140315	Ref	30in x 5ft (76cm x 1.52m)	
	1001138772	Ref	36in x 6ft (91.5cm x 1.83m)	
	1001138773	Ref	36in x 8ft (91.5cm x 2.44m)	
	1580013	Ref	Platform Storage Tray (Corner Mounted)	
	1001238903	Ref	Platform Valve Hose Kit - 600S	
	1001238906	Ref	Platform Valve Hose Kit - 660SJ	
	1001233035	Ref	Pinion Shield Installation	
	2902232	Ref	SkyGlazier Kit (Includes 36in x 8ft (91.5cm x 2.44m) Platform)	
	1001101422	Ref	SkyGlazier Kit (Platform not Included)	
	1001137672	Ref	SkyGuard Installation Kit (Old Style Platform)	
	1001197016	Ref	SkyGuard Installation Kit (New Style Platform)	
	1001206311	Ref	SkyGuard Blue Beacon Installation Kit	
	1001217055	Ref	SkyPower Kit (Deutz TD2.9L4 Engine)	
	1001231235	Ref	SkyWelder Locking Bracket Installation	
		Ref	Tools for Service	
	7002840	1	Anti-Rotation Pin Removal Tool	
	8896941	1	Wire Stripper	
	7002821	1	Wire Crimper (To install wire ends to wires)	
	7002823	1	Pin/Socket Extractor - Universal (To Remove Pins/Sockets from Connectors)	
	4460467	1	Extractor - 16-18 Gauge (For Removal of Pin/Sockets from Deutsch Connectors)	

SECTION 11 - SPECIAL OPTIONS

ITEM	PART NUMBER	QTY	DESCRIPTION	REV
	4460510	1	Extractor - 12-14 Gauge (For Removal of Pin/Sockets from Deutsch Connectors)	
	7002822	1	Screwdriver, Potentiometer (To Adjust Drive Controllers)	
	7016654	1	Screwdriver, Magnetic	
	7004275	1	Seal Installation Tool - 1in	
	7004276	1	Seal Installation Tool - 1-1/2in	
	7002826	1	Seal Installation Tool - 2in	
	7016655	1	Wire Rope Sheave Gauge	
	7016652	1	Huck Bolt FASTER (For Small Huck Bolts Only)	
	1001137005	1	Software Cable Kit	
	2915096	Ref	Turntable Bearing Kit	
	1001238902	Ref	Upper Power Track Hose Kit - 600S	
	1001238904	Ref	Upper Power Track Hose Kit - 660SJ	
	1001238898	Ref	Wear Pad Kit	
	1001238907	Ref	Wire Rope Kit	

PART NUMBER INDEX

SECTION 11 - SPECIAL OPTIONS

0100009.....477, 481	0257728 539	0641616 ... 363, 367, 379, 383	0701018.....407, 409
0100011....17, 19, 21, 23, 25, 27, 52, 55, 57, 59, 63, 65, 67, 69, 91, 95, 97, 99, 101, 105, 107, 109, 111, 113, 115, 140, 141, 144, 145, 147, 149, 152, 156, 159, 161, 169, 173, 176, 179, 183, 186, 193, 195, 198, 205, 209, 212, 215, 219, 222, 229, 233, 236, 241, 245, 248, 261, 265, 268, 273, 277, 280, 285, 303, 323, 325, 327, 329, 331, 333, 335, 337, 339, 341, 343, 345, 349, 353, 355, 359, 363, 367, 371, 375, 379, 383, 387, 392, 396, 400, 404, 407, 409, 415, 417, 419, 421, 423, 429, 431, 433, 435, 437, 441, 445, 449, 453, 457, 459, 463, 465, 467, 505, 507, 513, 515, 517, 519, 529, 531, 533, 535, 559, 565, 573, 689, 691, 693, 695, 697, 699, 701, 703, 705, 707, 709, 711	0270528 59 0272070 433 0272254 533 0272312 853 0272418523, 525, 527 0272427 517 0272435 ... 377, 381, 385, 388 0272521 531 0272589 372 0272725 871 0272733 871 0273145 871 0273146 871 0273147 871 0273149 871 0273706 519 0273824 513 0275216659, 789 0275217663, 791 0275452667, 793 0275453671, 795 0275454675, 797 0362910 59 0400075105, 107 0440162 ... 169, 179, 193, 205, 215, 229, 241, 261, 273 0440233 87 0480100539, 541 0480124341, 343 0561508400, 404 0630462 ... 513, 515, 517, 519 0630518531, 533, 535 0630534 ... 559, 563, 565, 569 0630535573, 575 0630568478, 482 063061397, 99, 101, 140, 144, 152, 156 0641404477, 481, 529 0641405521, 529 0641406165, 471 0641408147, 149 0641409159, 161 0641414 ... 477, 481, 505, 507, 509, 513, 515, 517, 519 0641416 ... 661, 665, 669, 673, 677, 679 0641418 ... 441, 445, 453, 457, 459, 463, 465, 467 0641420 449 0641424 ... 701, 703, 705, 707, 709, 711 0641504140, 144 0641507345, 349 0641508341, 343, 353 0641511 59 0641514539, 541 0641606531, 533, 535 0641607 .97, 99, 101, 350 0641608 .97, 99, 101, 521 0641611212, 222	0641618 ... 355, 359, 371, 375 0641772 345 0641812 433 0641814 ... 173, 183, 195, 209, 219, 233, 245, 265, 277 0642010 59 0642012 523, 525, 527 0642212 523, 525, 527 0642684 433, 435 0681608 433, 435, 437 0681620 543, 545, 547 0681810 25, 27 0681814 455, 469 0681822 455, 469 0682016 25, 27 0682019 52 0682023 87 0682040 25, 27 0682424 ... 543, 545, 547 0700408 ... 659, 661, 663, 665, 667, 669, 671, 673, 675, 677, 679 0700608 ... 109, 111, 113, 115 0700610 ... 105, 107, 341, 343, 473, 475, 815, 817, 819, 821, 823, 825, 827, 829, 831, 833, 835, 837, 839, 841, 843, 845, 847, 849, 851 0700612 473, 475 0700614 ... 169, 179, 193, 205, 215, 229, 241 0700615 161 0700616 159 0700618 ... 659, 663, 667, 671, 675 0700619 ... 109, 111, 113, 115, 147, 149, 261, 273 0700816 285 0700818 ... 285, 689, 691, 693, 695, 697, 699, 701, 703, 705, 707, 709, 711 0700819 ... 359, 363, 367, 371, 375, 379, 383, 387, 711, 737, 739 0700822 ... 689, 691, 693, 695, 697, 699, 701, 703, 705, 707, 709, 711 070101221, 23, 140, 144, 152, 156, 169, 179, 193, 205, 215, 229, 241, 261, 273 0701013 400, 404 0701014 19, 285, 473, 475 070101597, 99, 101, 205, 215, 229, 241 0701016 ... 140, 145, 152, 156, 301	0701019.....392, 396 0701022....169, 179, 193, 229, 241 0701026.....339 0701028.....400, 404 0701029.....400, 404 0701032.....415 0701215.....323 0701216....140, 141, 145, 152, 156, 157 0701217....17, 91, 95, 97, 99, 101 0701219.....19 0701220....140, 141, 144, 145, 152, 156, 157, 689, 691, 693, 695, 697, 699, 701, 703, 705, 707, 709, 711 0701221.....97, 99, 101 0701222.....323 0701617.....23 0701620.....25, 27 0701639.....52 0710827.....285 0711014.....268, 280 0711015.....329 0711018....169, 179, 193, 205, 215, 229, 241, 261, 273 0711020....268, 280, 329 0711214.....212, 222 0711216.....285 0711223.....268, 280 0711224....176, 186, 198, 212, 222, 236, 248, 327, 329, 331, 333, 335, 337 0711627....176, 186, 198, 236, 248 0711629.....23 0711635.....392, 396 0721004.....59 0721005.....517, 519 073100597, 99, 101, 513, 515 0741605.....236, 248 0741606.....212, 222 0741607.....59, 355, 359, 363, 367, 379, 383, 387 0760408.....303 0760512....205, 215, 229, 241, 301 0760605.....285 0760606....341, 343, 349, 355, 359, 363, 367, 371, 375, 379, 383, 387 0760607.....212, 222 0760608....159, 165, 345, 353, 355, 359, 363, 367, 371, 375, 379, 383, 387, 737, 739, 741, 743 0760610....147, 149, 176, 186, 198, 209, 212, 219, 222, 236, 248,

SECTION 11 - SPECIAL OPTIONS

268, 280, 285, 355, 392, 396, 657, 685, 687	0761212.... 212, 222, 355, 359, 363, 367, 371, 375, 379, 383, 396	0962423.... 392, 396, 400, 404, 557	1001113691 521
0760612... 109, 111, 113, 115, 173, 183, 195, 233, 245, 265, 277, 313, 317	0761214..... 345, 349	0962449..... 341	1001113741 521
0760614... 131, 133, 135, 137, 238, 250, 315, 319, 400, 404	0761215..... 91, 95	0962520.... 355, 359, 363, 367, 371, 375, 379, 383, 387	1001113743 521
0760615 285, 737, 739	0761216..... 353, 435, 437	1001026127..... 169, 179, 193, 229, 241	1001113774 521
0760619 236, 248	0761615..... 17, 19	1001080707..... 99	1001113856 521
0760807 285, 421, 423	0762016.... 140, 141, 145, 152, 156, 157, 392, 396	1001090615..... 521	1001113857 521
0760808 212, 222	0770814..... 337	1001091102..... 303, 685, 687	1001113961 811
0760810... 144, 156, 212, 222, 237, 248, 261, 268, 273, 280, 437	0771212..... 205, 215	1001095704..... 811, 864	1001115044 261, 273
0760812... 147, 149, 212, 222, 268, 280, 345, 363, 379, 417, 419, 701, 703, 705, 707, 709, 711, 713	0771414.... 176, 186, 198, 212, 222, 236, 248, 327, 331, 333, 335	1001096070..... 355, 717	1001116290 159, 161
0760814... 212, 222, 236, 248, 261, 268, 273, 280, 303, 331, 335, 341, 343, 346, 349, 363, 379, 415, 417, 419, 689, 691, 693, 695, 697, 699	0771415.... 329, 337, 355, 359, 371, 375	1001096456..... 21, 23	1001116299 779, 783
0760815... 176, 186, 198, 212, 222, 268, 280	0771416.... 176, 186, 198, 236, 248	1001097051..... 803	1001116694 775, 777
0760816... 176, 186, 198, 238, 250, 303	0771620..... 81	1001097150..... 715, 717, 719, 721	1001116695 779, 783
0760817 285	0772018..... 81, 169, 179, 193, 205, 215, 229, 241, 261, 273	1001098122..... 503, 779, 783	1001116705 779, 783
0760822... 415, 691, 693, 697	0860038.... 359, 363, 367, 375, 379, 383, 387, 657	1001098764..... 237, 250	1001116720 771
0760824 415	0861538.... 375, 379, 383, 387	1001098828..... 437	1001116727 747, 751
0761009... 63, 65, 67, 69, 321, 400, 404, 415, 417, 419, 421, 423, 689, 691, 693, 695, 697, 699, 701, 703, 705, 707, 709, 711	0861572..... 371	1001099366..... 523, 525, 527	1001116728 747, 751, 811
0761010 400, 404	0861731.... 669, 673, 677, 679, 793, 795, 797	1001099869..... 341	1001116732 745, 759
0761011 392, 400, 404	0861781.... 661, 665, 789, 791	1001100234..... 341	1001116734 745, 759
0761012... 341, 343, 400, 404, 407, 409	0861880..... 715, 717	1001100321..... 341	1001116748 723, 785, 787
0761014 99, 159, 161, 261, 269, 273, 281, 345, 401, 405, 407, 409, 437	0902888.... 359, 363, 367, 371, 375, 379, 383, 387	1001100341..... 789	1001116774 807
0761015... 140, 144, 176, 186, 198, 212, 222, 236, 248, 268, 280, 299, 301, 327, 329, 333, 337, 345, 415	0940049..... 144	1001100342..... 791	1001116792 701, 703, 705, 707, 709, 711
0761016... 131, 133, 135, 137, 212, 222, 236, 248, 268, 280, 297, 299, 353, 401, 405	0940092.... 513, 515, 517, 519	1001100345..... 793	1001116808 807
0761017... 238, 250, 401, 405	0940094.... 513, 515, 517, 519	1001100346..... 797	1001116845 821, 841
0761019 387	0940102.... 523, 525, 527	1001100347..... 795	1001116846 823, 843, 853
0761210... 169, 179, 193, 205, 212, 215, 222, 229, 237, 242, 248	0940103..... 517	1001100825..... 265, 277, 309	1001116847 821, 841
	0940133..... 519	1001101422..... 871	1001116848 821, 841
	0940134..... 513	1001102858..... 521	1001116849 823, 843
	0940177..... 515	1001102978..... 325	1001116850 821, 841
	0961845.... 441, 445, 449, 453, 457, 459, 463, 465, 467	1001103012..... 811	1001116851 823, 843
	0961893.... 559, 563, 565, 569	1001104029..... 359, 363, 367, 372, 376, 379, 383, 387	1001116852 821, 841
	0961897..... 573	1001104498..... 812	1001116863 823, 843
	0961947.... 407, 409, 413, 553	1001106736..... 737, 739, 741, 743	1001116952 747, 751
	0961948..... 404, 555	1001107854..... 811	1001116983 757
	0961950..... 17, 19	1001108256..... 515	1001116984 745
	0961951.... 176, 186, 198, 212, 222, 236, 248, 268, 280, 400, 404, 411	1001108718..... 869	1001117057 759
	0962033..... 400, 404	1001109259..... 869	1001117106 747
	0962051..... 323, 325	1001109692..... 869	1001117107 747, 751
	0962181..... 23	1001110133..... 869	1001117172 503
	0962270..... 455, 469	1001110872..... 681, 683	1001117174 477, 481, 503, 864
	0962335..... 407	1001110873..... 359, 363, 367, 376, 379, 383, 387, 657	1001117294 870
	0962336.... 559, 561, 563, 565, 569	1001110926..... 521	1001117307 152, 156
	0962348..... 23	1001110935..... 521	1001117308 213, 223, 236, 248
	0962355..... 409	1001110974..... 871	1001118282 745
		1001110982..... 871	1001118378 783, 811
		1001112551..... 835	1001118384 779, 805
		1001112612..... 807, 811	1001118388 771, 779, 805
		1001112796..... 807	1001118878 213, 223
		1001113047..... 159	100111897299, 169, 179, 193, 205, 215, 229, 241, 261, 273
		1001113386..... 409	1001119020 807
		1001113643..... 521	1001119032 811
		1001113680..... 817, 837	1001119051 169, 179, 193, 205, 215, 229, 241, 261, 273
			1001119280 341, 343, 349, 353
			1001119455 596, 602, 608, 614, 620, 626, 632, 638

SECTION 11 - SPECIAL OPTIONS

1001119562.....869	1001136398..... 415	1001141304 213, 223, 238, 250	1001151393..... 121, 123, 125, 127
1001119619.....799	1001136400..... 415	1001141694 176, 186, 198, 213, 223	1001151856.....748, 752
1001119620.....801, 803	1001136402..... 415	1001141814 355, 371	1001152429.....372, 376, 767
1001119661.....853	1001136461..... 415	1001141995 176, 186, 198, 269, 280	1001152456.....360, 364, 368
1001120204.....689, 701	1001136469..... 415	1001142501 205, 215, 229, 241	1001152457.....360, 364, 368
1001120205.....689, 701	1001136571400, 404	1001142504 871	1001152479.....721, 865
1001120328.....505, 507, 529, 737, 739, 785, 787	1001136575400, 404	1001142505 871	1001152482.....721, 865
1001120466.....870	1001136583400, 404	1001142643 364, 368, 380, 384	1001152483.....719, 721
1001120467.....870	1001136587400, 404	1001142646 364, 368, 380, 384	1001152485.....687, 719
1001120851.....759	1001136590401, 405	1001142683 131, 133, 135, 137, 864	1001152486.....687, 721
1001120992.....869	1001136592400, 404	1001142736 131, 133, 135, 137, 807	1001152489.....213, 223, 237, 249
1001121172.....812	1001136834 213, 223, 236, 248	1001142938 747, 752	1001152520.....372
1001125229.....871	1001136975 169, 180, 193, 205, 215, 229, 241	1001142940 752	1001152525.....360, 364, 368, 372, 376, 380, 384, 388
1001125230.....871	1001137005 872	1001142941 747, 752	1001152530.....360, 364, 368
1001125387.....854	1001137032 392	1001143390 176, 186, 198, 213, 223	1001152532.....356, 360, 364, 368, 761
1001125492.....81	1001137125429, 431	1001143645 689, 691, 693, 695, 697, 699, 701, 703, 705, 707, 709, 711	1001153197.....360
1001125677.....780, 783, 785, 787, 812	1001137276236, 249	1001143713 400, 404	1001153260.....360, 364, 368
1001126009.....805	1001137672 871	1001143797 213, 223	1001153398.....400, 404
1001126286.....870	1001137673 505, 507, 864	1001143852 854	1001154405.....205, 215, 229, 241, 301
1001126351.....747, 751	1001138173 176, 186, 198, 268, 280	1001144116 213, 223	1001154726.....759
1001126352.....747, 751	1001138175 176, 186, 198, 268, 280	1001144433 477, 507	1001155041.....345
1001126356.....747, 751	1001138228 213, 223, 236, 249, 865	1001144629 443, 447, 451, 457, 461, 463	1001155043.....117, 119
1001126357.....747, 751	1001138248 177, 187, 199, 213, 223, 238, 250, 268, 280	1001146220 117, 119, 477, 481	1001155044.....117, 119, 407, 409, 477, 481, 485, 487, 489, 491
1001126362.....748, 752	1001138436400, 404	1001146368 176, 186, 189	1001155045.....117, 119, 407, 409, 477, 481, 864
1001126363.....748, 752	1001138459392, 396	1001146588 689, 691, 693, 695, 697, 699, 701, 703, 705, 707, 709, 711	1001155094.....169, 179, 193, 205, 215, 229, 241, 261, 273
1001126365.....748, 752	1001138494 445, 449, 453, 457, 459, 463, 465, 467	1001147264 751	1001155441.....429, 431
1001126384.....747, 751	1001138514 445, 449, 453, 459, 465, 467	1001148138 345, 350	1001155823.....205, 215, 229, 241
1001126391.....748, 752	1001138565 355	1001148607 97, 101	1001157520.....376, 380, 384, 388
1001126392.....745	1001138566 355, 360, 363, 367	1001148650 400, 404	1001157521.....372, 376, 380, 384, 388
1001128527.....535	1001138772 871	1001148675 681, 683	1001157525.....372
1001128556.....535	1001138773 871	1001148902 869	1001157528.....372, 376, 380, 384, 388
1001128901.....268, 280	1001138795 563	1001148903 869	1001157592.....376, 380, 384, 388
1001129285.....811, 864	1001138827 213, 223, 236, 249	1001148904 869	1001157891.....779, 783
1001129555.....864	1001138915573, 575	1001148905 869	1001158007.....372, 376, 380, 384, 388
1001129858.....359	1001139078 415	1001148906 869	1001158008.....360, 364, 368, 372, 376, 380, 385, 388
1001130220.....109, 111, 113, 115, 131, 133, 135, 137, 165, 169, 179, 193, 205, 215, 229, 241, 353, 355, 360, 363, 367, 372, 376, 379, 383, 387, 392, 396	1001139099 869	1001148971 870	1001158363.....360, 364, 368
1001130492.....854	1001139357355, 360	1001149160 285	1001159118.....681, 683
1001131269.....815, 825, 833, 845	1001139384 147, 149, 159, 161	1001149452 297, 299	1001159119.....681, 683
1001131802.....521	1001139654 854	1001149469 297, 299	1001159120.....681, 683
1001133245.....573, 575, 577	1001139819 176, 186, 198	1001149639 269, 280	1001159121.....683
1001133714.....747, 752	1001140312223, 249	1001150324 17, 19	1001159186.....769, 779, 783
1001133715.....748, 752	1001140315 871	1001150326 17, 19	
1001133956.....747, 751	1001140318 871	1001150569 59	
1001133957.....751	1001140346363, 367	1001150570 59	
1001134488.....213, 223, 236, 248	1001140429 441, 445, 449, 453, 457, 459, 463, 465, 467	1001150571 59	
1001134543.....81	1001140535236, 249	1001150918 179, 216, 241, 274	
1001135138.....236, 248	1001140564 213, 223, 237, 249	1001151192 415	
1001135488.....400, 404	1001141300 854		
1001135651.....748, 752	1001141302 854		
1001135679.....213, 223, 236, 248			
1001136079.....237, 870			
1001136104.....387			
1001136172.....248, 870			
1001136356.....359, 375			

SECTION 11 - SPECIAL OPTIONS

1001159256 477, 481, 864	1001170847..... 429, 431, 865	1001176217..... 396, 404	100118269421, 23
1001161709 477, 481, 864	1001171131..... 681	1001176339..... 573	1001182695 ...21, 23, 571
1001161710 261, 273, 485, 487, 489, 491, 864	1001171335..... 815, 854	1001176469..... 123, 127	100118269721, 23
1001162538 ... 63, 65, 67, 69, 79	1001171336..... 815	1001176848..... 21, 23	1001182806 165
1001163717 23	1001171341..... 827	1001176862..... 681	1001183407 870
1001164726 159, 161	1001171342..... 827	1001177359..... 213, 223, 237, 249	1001183477 346
1001164817 551	1001171345..... 829, 854	1001177519..... 573, 575	1001183926 392, 396
1001165035 169, 180, 193, 205, 215, 229, 241, 268, 280, 301	1001171346..... 829	1001177520..... 573, 575	1001184209 17, 19
1001165388 177, 187, 199, 213, 223	1001171349..... 831, 854	1001177521..... 573, 575	1001184213 23
1001165405 213, 223	1001171350..... 831	1001177522..... 573, 575	1001184216 19
1001165406 213, 223	1001171351..... 825	1001177844..... 237, 249	1001184327 156
1001165721 213, 223	1001171352..... 825	1001178057..97, 99, 101, 103	1001184500 392, 396, 557
1001165722 213, 223	1001171355..... 823, 854	1001178788..... 213, 223	1001184619 487
1001165849 213, 223	1001171356..... 823	1001178876..... 213, 223	1001184620 487
1001166538 477, 481, 497	1001171359..... 817, 854	1001178951..... 870	1001184621 487
1001166539 478, 481, 499	1001171360..... 817	1001179154..... 360, 364, 368, 376, 380, 384, 388	1001184626 473, 475
1001166563 17, 19	1001171482..... 117, 119	1001179836..... 345	1001184691 19
1001166716 237, 249	1001171953..... 209, 219	1001179837..... 345, 349	1001184725 303
1001166718 213, 223, 331, 335	1001172064..... 751, 812	1001179903..... 213, 223	1001184727 45
1001166894 323, 325	1001172065..... 751	1001180001..... 345, 349	1001184728 45
1001166921 213, 223	1001172615..... 144, 156	1001180001..... 345, 349	1001184881 39, 45
1001166922 331	1001172751..... 869	1001180315..... 19	1001184913 401, 405
1001166924 213, 223	1001172760..... 478, 482	1001180316..... 19	1001184915 401, 405
1001167042 237, 249	1001173262..... 815, 817, 821, 823, 825, 827, 829, 831, 833, 837, 841, 843, 845, 847, 849, 851	1001180620..... 213, 223, 237, 249, 268, 280	1001184917 401, 405
1001167164 313, 315, 317, 319	1001173529..... 117, 119	1001180882..... 401	1001184918 401, 405
1001167565 437	1001173535..... 270, 281	1001180883..... 392, 400	1001184930 173, 183, 195, 209, 219, 233, 245, 265, 277, 294
1001167567 437	1001173703..... 854	1001180884..... 392	1001184954 392, 553
1001167596 437	1001174040..... 437	1001180885..... 396	1001184957 396, 555
1001167962 485	1001174231..... 392, 396	1001181045..... 715, 717, 865	1001185030 17, 19
1001167963 485	1001174250..... 392, 396	1001181145..... 869	1001185237 819
1001168018 176, 186, 198, 213, 223, 237, 249, 269, 281, 327, 329, 331, 333, 335, 337	1001174251..... 392, 396	1001181243..... 346, 350	1001185281 478, 482
1001168099 213, 223	1001174252..... 392, 396	1001181325..... 109, 111, 113, 115	1001185596 43
1001168166 177, 186, 199, 213, 223, 237, 249	1001174253..... 392, 396	1001181770..... 21	1001185597 45
1001168207 335	1001174254..... 392, 396	1001181771..... 493	1001185598 303
1001168402 437	1001174256..... 392, 396	1001181772..... 23	1001185709 87
1001168950 213, 223	1001174313..... 815, 817, 821, 823, 825, 827, 829, 831, 833, 837, 841, 843, 845, 847, 849, 851	1001181773..... 495	1001185726 478, 482, 865
1001169046 140, 144, 159, 161	1001174486..... 169, 179, 180, 193, 261, 273, 297, 299	1001181774..... 17	1001185842 81
1001169054 213, 223, 237, 249, 269, 281	1001174630..... 415	1001181775..... 19	1001185906 23
1001169138 213, 223, 237, 249, 269, 281	1001174631..... 415	1001181778..... 868	1001185907 23
1001169582 89	1001174632..... 415	1001181779..... 868	1001185964 811
1001169661 586	1001174636..... 415	1001181787..... 21, 23	1001186186 144
1001169967 213, 223, 237, 249, 269, 281	1001174673..... 140, 144, 147, 149, 415	1001181790..... 21, 23	1001186333 455
1001170035 213, 223, 237, 249, 269, 281	1001175073..... 323, 325	1001181791..... 21, 23	1001186334 469
1001170617 213, 223, 225	1001175074..... 323	1001181792... 21, 23, 571	1001186346 105
1001170838 117, 119, 477, 481	1001175346..... 573	1001181793..... 21	1001186375 445
	1001175568..... 205, 215, 229, 241	1001181795..... 43	1001186377 449
	1001175850..... 400, 404, 573	1001181796..... 43	1001186379 453
	1001175852..... 573	1001181797.... 37, 39, 41, 43, 45	1001186382 465
	1001175998..... 401, 405	1001181895..... 223, 249	1001186383 461
	1001175999..... 401, 405	1001181899..... 238, 250	1001186384 451
	1001176208..... 401, 405	1001181923..... 689, 691, 693, 695, 697, 699, 701, 703, 705, 707, 709, 711	1001186386 447
	1001176212..... 401, 405	1001181960..... 407, 409	1001186387 443
	1001176216..... 405	1001181962..... 407, 409	1001186426 237, 249, 269, 281
		1001182046..... 407	1001186431 507, 779
		1001182064..... 407, 409	1001186432 771, 779, 805
		1001182138..... 509	1001186443 25
		1001182570..... 429, 431, 865	1001186517 505, 507
			1001186541 401, 405
			1001186806 229
			1001186807 241
			1001186808 169

SECTION 11 - SPECIAL OPTIONS

1001186809.....	179	1001188503.....	23	1001190164.....	176, 186, 198, 237, 249	1001192088.....	127
1001186811.....	229, 233	1001188533.....	727, 737, 739	1001190169.....	63, 67, 71	1001192108.....	109, 111, 117
1001186812.....	233, 236	1001188534.....	729, 741, 743	1001190194.....	21, 23	1001192264.....	123
1001186813.....	241, 245	1001188535.....	176, 186, 198, 237, 249	1001190286.....	421, 423, 427	1001192265.....	586, 640
1001186814.....	245, 248	1001188600.....	853	1001190287.....	417, 419, 425	1001192278.....	383
1001186815.....	169, 173	1001188622.....	437	1001190326.....	65, 69, 75	1001192279.....	367
1001186816.....	173, 176	1001188642.....	737, 739, 741, 743, 811	1001190335.....	99	1001192280.....	349
1001186817.....	179, 183	1001188643.....	739, 743, 777	1001190338.....	140, 144	1001192281.....	123
1001186818.....	183, 186	1001188644.....	737, 739, 741, 743, 769	1001190441.....	667	1001192282.....	127
1001186902.....	237, 249, 253	1001188664.....	105, 107	1001190442.....	237, 249	1001192284.....	305
1001186980.....	325	1001188666.....	105, 107	1001190444.....	205, 215, 229, 241, 757	1001192285.....	307
1001186981.....	325	1001188667.....	169, 179, 193	1001190476.....	144	1001192400.....	237, 249
1001187022.....	89	1001188668.....	205, 216, 229, 242	1001190484.....	671	1001192401.....	812
1001187082.....	176, 186, 198	1001188669.....	205, 216, 229, 242	1001190485.....	675	1001192442.....	333
1001187200.....	109, 111, 113, 115, 864	1001188670.....	169, 179, 193	1001190493.....	659	1001192443.....	327
1001187308.....	582, 590	1001188763.....	582, 586	1001190495.....	663	1001192466.....	473
1001187311.....	582, 590	1001188844.....	437	1001190580.....	407, 409, 413	1001192475.....	869
1001187312.....	582, 586, 590	1001188889.....	505	1001190717.....	870	1001192482.....	869
1001187316.....	590	1001188893.....	59	1001190756.....	144, 156	1001192483.....	375
1001187317.....	582, 590	1001188894.....	857	1001190761.....	870	1001192484.....	359
1001187318.....	582, 586, 590	1001188895.....	859	1001190773.....	657	1001192485.....	343
1001187348.....	392, 411	1001188896.....	861	1001190774.....	685	1001192486.....	371
1001187470.....	95	1001188898.....	640	1001190775.....	870	1001192487.....	355
1001187508.....	505	1001188972.....	179, 216, 241, 274	1001190942.....	237, 249, 269, 281	1001192488.....	341
1001187521.....	25, 27, 35	1001189001.....	437	1001190985.....	437	1001192489.....	869
1001187605.....	429	1001189002.....	437	1001191008.....	25, 27	1001192610.....	869
1001187606.....	431	1001189003.....	737, 739, 741, 743, 809	1001191019.....	869	1001192641.....	596, 602, 608, 614, 620, 626, 632, 638
1001187674.....	511	1001189004.....	731, 737, 739, 741, 743	1001191020.....	429, 431	1001192651.....	596, 608, 620, 632
1001187681.....	799	1001189005.....	723, 737, 739, 741, 743	1001191025.....	237, 249	1001192654.....	596, 608, 620, 632
1001187781.....	269, 281	1001189026.....	176, 186, 198, 237, 249	1001191048.....	401, 405	1001192655.....	596, 608, 620, 632
1001187808.....	105, 107	1001189067.....	140, 144	1001191115.....	113, 115, 119	1001192658.....	596, 602, 608, 614
1001187855.....	81, 84	1001189119.....	97, 101	1001191126.....	117, 119	1001192661.....	596, 602, 608, 614, 620, 626, 632, 638
1001187864.....	55, 57	1001189161.....	176, 186, 198	1001191156.....	305	1001192663.....	596, 602, 608, 614, 620, 626, 632, 638
1001187866.....	57	1001189169.....	868	1001191202.....	401, 405	1001192667.....	596, 608, 620, 632
1001187870.....	55, 57	1001189170.....	868	1001191205.....	401, 405	1001192669.....	596, 608, 620, 632
1001187950.....	140, 144, 145, 152, 156	1001189171.....	719	1001191210.....	115, 743	1001192673.....	596, 608, 620, 632
1001187951.....	140, 141, 144, 145, 152, 156	1001189172.....	719	1001191211.....	109, 737	1001192679.....	596, 608, 620, 632
1001187953.....	91, 95	1001189227.....	327, 333	1001191271.....	177, 187, 199	1001192681.....	596, 608, 620, 632
1001188125.....	87	1001189228.....	101	1001191273.....	173, 183, 195, 311	1001192682.....	596, 608, 620, 632
1001188166.....	63, 417	1001189615.....	870	1001191328.....	737, 739, 785	1001192684.....	596, 602, 608, 614
1001188167.....	65, 419	1001189764.....	99	1001191384.....	400, 404	1001192685.....	596, 602, 608, 614
1001188168.....	67, 421	1001189800.....	99	1001191385.....	400, 404	1001192686.....	596, 602, 608, 614
1001188169.....	69, 423	1001189859.....	401, 405	1001191394.....	870	1001192687.....	596, 602, 608, 614
1001188187.....	141, 145, 152, 157	1001189913.....	237, 249	1001191395.....	870	1001192688.....	596, 608, 620, 632
1001188194.....	141, 145, 152, 156	1001189979.....	237, 249, 269, 281	1001191557.....	129		
1001188236.....	176, 187, 198, 745	1001190143.....	173, 183, 195, 209, 219, 233, 245, 265, 277	1001191610.....	177, 187, 199, 237, 249, 269, 280, 327, 329, 333, 337		
1001188237.....	237, 249, 747	1001190159.....	857	1001191620.....	213, 223		
1001188257.....	97			1001191708.....	509		
1001188302.....	417, 419, 421, 423			1001191856.....	329		
1001188334.....	91, 93			1001192008.....	337		
1001188336.....	95			1001192012.....	105, 107		
1001188337.....	91			1001192027.....	396		
1001188340.....	27			1001192052.....	396		
1001188342.....	582, 640			1001192086.....	121		
1001188343.....	590, 640			1001192087.....	125		

SECTION 11 - SPECIAL OPTIONS

1001192689..... 596, 608, 620, 632	1001193930..... 621, 626, 633, 638	1001195237..... 870	1001199933...97, 99, 101
1001192690..... 169, 179, 193, 206, 216, 230, 242, 596, 602, 608, 614, 620, 626, 632, 638	1001193932..... 621, 626, 633, 638	1001195238..... 870	1001200128..... 869
1001192693..... 596, 602, 608, 614, 620, 626, 632, 638	1001193933..... 621, 626, 633, 639	1001195304..... 871	1001200129..... 869
1001192694..... 596, 602, 608, 614, 620, 626, 632, 638	1001193944..... 131	1001195354..... 870	1001200130..... 869
1001192695..... 596, 602, 608, 614, 620, 626, 632, 638	1001194045..... 868	1001195355..... 870	1001200131..... 869
1001192696..... 596, 602, 608, 614, 620, 626, 632, 638	1001194096..... 608, 640	1001195357..... 699	1001200132..... 869
1001192698..... 596, 602, 608, 614, 620, 626, 632, 638	1001194097..... 632, 640	1001195382..... 557	1001200133..... 869
1001192699..... 596, 602, 608, 614, 620, 626, 632, 638	1001194110..... 868	1001195454..... 140, 145, 147	1001200134..... 869
1001192758..... 596, 609, 620, 632	1001194114..... 341, 343, 346, 350, 353, 759	1001195455..... 140, 145, 149	1001200432..... 582, 590
1001192775..... 125	1001194197..... 669	1001195525..... 689, 701	1001200433..... 590
1001192776..... 121	1001194198..... 673	1001195535..... 156	1001200435..... 176, 186, 198
1001192841..... 140, 144	1001194200..... 677	1001195763..... 305	1001200491..... 437
1001192842..... 144, 156	1001194203..... 661	1001195947..... 485	1001200494..... 437
1001192843..... 144, 156	1001194204..... 665	1001196222..... 478, 779	1001200731..... 169, 179, 193, 229, 241
1001192909..... 737, 741, 775	1001194205..... 868	1001196366..... 691, 693, 697	1001200745..... 237, 249
1001192910..... 392	1001194213..... 815	1001196367..... 703, 705, 709	1001200791..... 176, 187, 199
1001192931..... 868	1001194214..... 833	1001196368..... 691, 693, 697, 703, 705, 709	1001200910..... 131, 133
1001192989..... 113, 741	1001194215..... 829	1001196382..... 349, 356, 360, 364, 368, 372, 376, 380, 384, 388	1001201090..... 701, 703, 705, 707, 709, 711
1001192990..... 111, 739	1001194216..... 849	1001196390..... 21, 23	1001201255..... 597, 602, 609, 614, 621, 627, 633, 639
1001192991..... 392	1001194217..... 823	1001196398..... 169, 179, 193, 205, 215, 229, 241, 261, 273	1001201325..... 97
1001193018..... 659, 661, 663, 665, 667, 669, 671, 673, 675, 677, 679	1001194218..... 843	1001196458..... 131, 135	1001201326..... 101
1001193049..... 237, 249	1001194219..... 821	1001196634..... 215, 242, 259	1001201342..... 689, 691, 693, 695, 697, 699, 701, 703, 705, 707, 709, 711
1001193167..... 341, 343, 350	1001194220..... 841	1001196635..... 811, 864	1001201351..... 437
1001193168..... 147	1001194221..... 817	1001197016..... 871	1001201511..... 417, 419, 421, 423
1001193169..... 149	1001194222..... 837	1001197017..... 513, 515, 517, 519	1001201843..... 177, 187, 199, 327
1001193207..... 689	1001194223..... 831	1001197045..... 582, 586	1001201844..... 177, 187, 199
1001193208..... 701	1001194224..... 851	1001197268..... 315	1001202333..... 159, 161
1001193215..... 868	1001194225..... 825	1001197269..... 319	1001202531..... 409
1001193238..... 489	1001194226..... 845	1001197386..... 315	1001202587..... 473, 477
1001193239..... 491	1001194227..... 819	1001197388..... 315	1001202687..... 437
1001193247..... 596, 640	1001194228..... 839	1001197389..... 315, 319	1001202688..... 433, 435
1001193521..... 870	1001194229..... 827	1001197390..... 319	1001202749..... 870
1001193610..... 586	1001194230..... 847	1001197392..... 319	1001202936..... 689, 691, 693, 695, 697, 699, 701, 703, 705, 707, 709, 711
1001193611..... 586	1001194232..... 835	1001197408..... 854	1001203423..... 597, 608, 621, 633
1001193756..... 489	1001194233..... 853	1001197725..... 177, 187, 199, 237, 249	1001203424..... 597, 602, 609, 615, 621, 627, 633, 639
1001193757..... 491	1001194234..... 833, 854	1001198631..... 25, 27	1001203426..... 620, 627, 633, 639
1001193758..... 491	1001194235..... 833	1001198884..... 868	1001203430..... 597, 609, 621, 633
1001193759..... 620, 640	1001194236..... 835, 839	1001199035..... 523	1001203431..... 169, 179, 193, 206, 216, 230, 242, 597, 602, 609, 615, 621, 627, 633, 639
1001193760..... 140, 144	1001194239..... 609, 614, 633, 639	1001199095..... 868	1001203432..... 169, 179, 193, 206, 216, 230, 242, 261, 273, 597, 603, 609, 615, 621, 627, 633, 639
1001193927..... 620, 626, 632, 638	1001194330..... 609, 614, 633, 639	1001199654..... 582, 586, 590	
1001193928..... 620, 626, 632, 638	1001194365..... 679	1001199655..... 582, 590	
1001193929..... 620, 626, 632, 638	1001194888..... 161	1001199656..... 582, 590	
	1001194956..... 695	1001199657..... 582, 586	
	1001194957..... 707	1001199658..... 582, 586	
	1001194961..... 699	1001199659..... 590	
	1001194962..... 711	1001199660..... 590	
	1001195039..... 205, 215	1001199661..... 582, 590	
	1001195220..... 869	1001199662..... 582, 586	
	1001195221..... 869	1001199663..... 590	
	1001195222..... 869	1001199881..... 689, 691, 693, 695, 697, 699, 701, 703, 705, 707, 709, 711	
	1001195223..... 869	1001199883...97, 99, 101	
	1001195224..... 869		
	1001195225..... 691, 693, 697		
	1001195226..... 703, 705, 709		
	1001195227..... 689		
	1001195228..... 701		
	1001195229..... 699		
	1001195235..... 868		
	1001195236..... 868		

SECTION 11 - SPECIAL OPTIONS

1001203433.....169, 180, 193, 206, 216, 230, 242, 597, 603, 609, 615, 621, 627, 633, 639	1001209949..... 689, 691, 693, 695, 697, 699, 701, 703, 705, 707, 709, 711	1001214552 871	1001216736..... 843, 854
1001203628.....557	1001209951..... 689, 691, 693, 695, 697, 699, 701, 703, 705, 707, 709, 711	1001214559 871	1001216737..... 843
1001203655.....455	1001209953..... 689, 691, 693, 695, 697, 699, 701, 703, 705, 707, 709, 711	1001214560 871	1001216739..... 821, 854
1001203656.....469	1001209957..... 701, 703, 705, 707, 709, 711	1001214561 871	1001216740..... 821
1001203719.....401, 405, 737, 739	1001210448.....285, 287	1001214562 871	1001216741..... 841, 854
1001203853.....586	1001210762 144	1001214570 713	1001216742..... 841
1001203854.....586	1001211042.....233, 245	1001214571 713	1001216745..... 837, 854
1001203859.....586	1001211049..... 687	1001214827 285	1001216746..... 837
1001203860.....586	1001211577..... 429, 431, 865	1001214831 400, 404, 865	1001216747..... 851, 854
1001203885.....176, 186, 198, 237, 249	1001211578.....429, 865	1001215016 755	1001216748..... 851
1001204251..... 149	1001211579.....431, 865	1001215091 755	1001216749..... 845
1001204303..... 147	1001211580.....429, 431	1001215218 269, 281, 755	1001216750..... 845
1001204389.....597, 603, 609, 615	1001211581.....429, 431	1001215219 261, 273	1001216751..... 847
1001204529..... 417, 419	1001211582.....429, 431	1001215220 261, 273	1001216752..... 847
1001204645.....597, 603, 609, 615, 621, 627, 633, 639	1001211583..... 429	1001215228 478, 482	1001216768.....285
1001204690.....689, 691, 693, 695, 697, 699, 701, 703, 705, 707, 709, 711	1001211584..... 431	1001215321 573, 575	1001216769.....285
1001204715..... 429, 431	1001211585..... 429, 431, 689	1001215384 285	1001216910.....269, 281, 285
1001204725.....437	1001211586..... 429	1001215534 755	1001216919.....269, 281
1001204902.....301	1001211587..... 431	1001215608 261	1001216947.....265, 277
1001204939..... 429, 431	1001211588.....429, 431	1001215609 273	1001217055..... 871
1001205016.....868	1001211752..... 159	1001215610 261, 265	1001217183.....269, 281
1001205017.....868	1001211760..... 159	1001215611 273, 277	1001217185.....269, 281
1001205020.....868	1001211761..... 159	1001215612 265, 268	1001217186.....269, 281
1001205021.....868	1001211762..... 152, 156, 159	1001215613 277, 280	1001217439.....309
1001205824.....597, 603, 609, 615, 621, 627, 633, 639	1001211767..... 161	1001215615 815, 817, 819, 821, 823, 825, 827, 829, 831, 833, 835, 837, 839, 841, 843, 845, 847, 849, 851	1001217450.....269, 281
1001205923.....737, 739, 741, 743, 773	1001211773..... 161	1001215616 815, 817, 819, 821, 823, 825, 827, 829, 831	1001217453.....269, 281
1001205957.....329	1001211774..... 152, 156, 161	1001216015 350	1001217543.....269, 281
1001205958.....669, 673, 677	1001211794..... 285	1001216059 815, 817, 819, 821, 823, 825, 827, 829, 831	1001217563.....265, 277
1001206082.....725, 737, 739, 741, 743	1001212192..... 135	1001216060 833, 835, 837, 839, 841, 843, 845, 847, 849, 851	1001217593.....269, 281
1001206311..... 871	1001212223.....380, 383	1001216065 285	1001217594.....269, 281
1001206314.....140, 144, 152, 156	1001212333.....152, 156	1001216071 285	1001217595.....269, 281
1001206476..... 713	1001212415..... 864	1001216075 269, 281	1001217647.....269, 281
1001206816.....853	1001213251.....97, 101	1001216086 269, 281	1001217648.....269, 281
1001206880.....144	1001213447.....779, 783	1001216092 269, 281	1001218037.....557
1001206920.....433, 435	1001213543.....140, 144	1001216144 285	1001218471.....269, 281
1001207004.....135, 137	1001213744.....140, 144	1001216195 49	1001218539..... 99, 163
1001207105.....489	1001213794.....140, 145	1001216196 49	1001218559.....269, 281
1001208017.....47, 49	1001213810..... 285	1001216201 269, 281	1001218565.....269, 281
1001208874.....63, 65, 67, 69	1001213882.....477, 482	1001216212 755	1001218575.....269, 281
1001208994..... 437	1001214030..... 854	1001216213 755	1001218594.....551
1001209016.....337	1001214095..... 691, 693, 697, 703, 705, 709	1001216300 339	1001218676..... 99, 163
1001209431..... 19	1001214096..... 691, 693, 697, 703, 705, 709	1001216307 285	1001218930.....388
1001209432.....713	1001214149..... 597, 609, 621, 633	1001216075 269, 281	1001219005.....261, 273
1001209474.....713	1001214408..... 597, 603, 609, 615, 621, 627, 633, 639	1001216086 269, 281	1001219015.....261, 273
1001209664.....505, 507	1001214478 871	1001216092 269, 281	1001219021.....261, 273
1001209948.....689, 691, 693, 695, 697, 699, 701, 703, 705, 707, 709, 711	1001214515 871	1001216144 285	1001219022.....261, 273
	1001214540 871	1001216195 49	1001219024.....261, 273
	1001214548 871	1001216196 49	1001219040..... 17, 551
		1001216201 269, 281	1001219128..... 163
		1001216212 755	1001219138..... 152, 156
		1001216213 755	1001219601.....109, 111, 113, 115, 864
		1001216300 339	1001219630.....353
		1001216390 388	1001219632.....353
		1001216391 353	1001219852.....387
		1001216392 309	1001219853.....353
		1001216393 282	1001219854.....870
		1001216531 270, 281	1001219855.....869
		1001216532 265, 277	1001220379.....751
		1001216533 265, 277	1001220390.....869
		1001216534 265, 277	1001220404.....339
		1001216535 265, 277	1001220638.....163
		1001216619 339	1001220728.....353
		1001216630 433, 435, 437	1001220903.....597, 603, 609, 615, 621, 627, 633, 639
		1001216734 849, 854	
		1001216735 849	

SECTION 11 - SPECIAL OPTIONS

1001220912 597, 603, 609, 615, 621, 627, 633, 639	1001226400..... 727, 729	1001230931.....723, 785, 787	1001235699..... 170, 180, 193
1001220941 597, 603, 609, 615	1001226531..... 713	1001231235.....871	1001235884 868
1001221016 621, 627, 633, 639	1001226872..... 441	1001231310..... 140, 144	1001236121 325
1001221210 755	1001227059..... 237, 249	1001231422.....835	1001236136262, 274
1001221397 265, 277	1001227075..... 711	1001231711165	1001236263 307
1001221464 265, 277	1001227367..... 147, 149	1001231801.....853	1001236303 107
1001221545 285	1001227404..... 868	1001231805.....237, 249	1001236304 713
1001221942 261, 273	1001227507..... 757	1001231846.....737, 739, 741, 743	1001236499177, 187
1001221943 262, 274	1001227527..... 737, 739, 741, 743	1001231949.....547	1001236504 713
1001221944 262, 274	1001227633..... 511	1001231950.....543, 545	1001236505 713
1001222033 269, 281	1001227634..... 511	1001231956.....407, 409, 565	1001236552 529
1001222133 261, 273	1001227666..... 270, 282	1001231957.....52	1001236746 547
1001222522 621, 627, 633, 639	1001227667..... 270, 282	1001231963.....565, 569	1001236891 543, 545, 547
1001222641 285	1001227769..... 285	1001232010.....543, 545, 547	1001236895 543, 545, 547
1001223042 269, 281	1001227772..... 285	1001232011543, 545, 547	1001237550 321
1001223045 757	1001227792..... 429, 431	1001232117.....553	1001237862801, 803
1001223055 815, 833	1001227887..... 140, 145	1001232164.....511	1001237863511, 803
1001223122 345, 364, 380	1001227888..... 152, 156	1001232165.....511	1001237864511, 801
1001223254 238, 250	1001227985..... 511	1001232292.....25, 27	1001237865511, 799
1001223255 238, 250	1001227987..... 511	1001232642.....529	1001237882 870
1001223256 238, 250	1001227996..... 801, 803	1001232650.....529	1001237883 870
1001223257 238, 250	1001228012.....561	1001232667.....529	1001238263 543, 545, 547
1001223453 815, 825, 833, 845	1001228013..... 407, 569	1001232842.....215, 242, 259	1001238319 511
1001223584 270, 281	1001228079..... 401, 405, 575	1001233035.....871	1001238418529, 805
1001223665 37	1001228177..... 392, 396	1001233047868	1001238421 437
1001223666 37	1001228186.....695	1001233237868	1001238463 545
1001223667 37	1001228187.....707	1001233429.....315	1001238472 529
1001223668 39	1001228188..... 695, 707	1001233763.....215, 242, 259	1001238477 529
1001223669 39	1001228215..... 441	1001233895.....213, 223, 237, 249, 751	1001238495 507
1001223670 39	1001228224..... 511	1001233947321	1001238559 529
1001223671 47	1001228225..... 511	1001233948321	1001238663 107
1001223672 47	1001228226.....596, 608, 620, 632	1001233949.....321	1001238824 529
1001223726 37, 39, 41	1001228243..... 463	1001233953.....321	1001238851 52
1001223751 41	1001228370..... 815, 825, 833, 845	1001233954.....321	1001238858 52
1001223752 41	1001228375..... 467	1001233955.....321	1001238895 869
1001223753 41	1001228376..... 457	1001233966.....321	1001238898 872
1001223923 269, 281	1001228377..... 459	1001233967.....321	1001238902 872
1001223971 825, 845	1001228406.. 97, 99, 101, 297, 299, 301	1001234080.....321	1001238903 871
1001224048 829, 849	1001228809..... 689, 701	1001234099.....868	1001238904 872
1001224049 831, 851	1001228947.....868	1001234269.....321	1001238906 871
1001224050 823, 843	1001228988.....535	1001234270.....321	1001238907 872
1001224051 821, 841	1001229019..... 541	1001234281319	1001238927 870
1001224052 817, 837	1001229020..... 523	1001234283.....319	1001238928 870
1001224053 827, 847	1001229021..... 527	1001234299.....319	1001238929 870
1001224200 297	1001229022..... 525	1001234370.....315	100123895497, 101
1001224431 270	1001229082..... 523	1001234371315	1001238957 869
1001224432 270	1001229090..... 541	1001234396.....177, 187, 199	1001238960 869
1001224486 270, 282	1001229091..... 237, 249	1001235011529	1001238961 869
1001224489 270, 282	1001229107..... 868	1001235013.....529	1001239207233, 245
1001224967 297, 299, 301	1001229108..... 527	1001235457 195, 198, 201	1001239295 52
1001225054 299	1001229111..... 527	1001235469.....193	1001239296 52
1001225346 713	1001229112..... 525	1001235470..... 193, 195	1001239371 854
1001225430 225	1001229118..... 525	1001235471 195, 198	1001239526 869
1001225431 225	1001229341..... 511	1001235513..... 435	1001239563 311
1001225442 270, 282	1001229572..... 99	1001235532.....205, 216, 229, 242	1001239710 329
1001225510 270, 282	1001229637..... 689, 691, 693, 695, 697, 699, 701, 703, 705, 707, 709, 711		1001239715 329
1001225580 507, 771	1001230635..... 213, 223, 237, 249		1001239716341, 343
1001226098 253			1001241366209, 219
1001226304 711			1001241729 321
			1001241965 529
			1001242107 52

SECTION 11 - SPECIAL OPTIONS

1001242409.....868	1001247871 603, 615, 627, 639	10702077 . 372, 376, 380, 384, 388	1702773.....455, 469, 853
1001242907.....733, 737, 739, 741, 743	1001247872..... 603, 615, 627, 639	10702082 . 372, 376, 380, 384, 388	1702774.....853
1001242908.....735, 737, 739, 741, 743	1001247873..... 603, 615, 627, 639	1120552 41	1702788.....853
1001242991.....52	1001247875..... 603, 615, 627, 639	1120555 523, 525, 527	1702815....815, 817, 819, 821, 823, 825, 827, 829, 831
1001242998.....870	1001247876..... 603, 615, 627, 639	1260017 89	1702817....833, 835, 837, 839, 841, 843, 845, 847, 849, 851
1001243171.....140, 145, 152, 156	1001247877 603, 615, 627, 639	1320041 ... 657, 685, 687, 737, 739	1702861.....853
1001243183.....868	1001247878 603, 615, 627, 639	1320043 737, 739	1702868....535, 815, 833, 853
1001243184.....868	1001247879..... 603, 615, 627, 639	1320061 ... 169, 179, 205, 215, 229, 241, 274, 356, 360, 368, 372, 376, 384	1702938....513, 515, 517, 519
1001243261.....482, 783	1001247881 603, 615, 627, 639	1320070 177, 187, 199	1702941....179, 216, 241, 274
1001243414.....140, 145, 152, 156	1001247882 603, 615, 627, 639	1320110 268, 280	1702942....179, 216, 241, 274
1001243431.....52	1001247883602, 640	1320127 303	1702943....179, 216, 241, 274
1001243454.....475	1001247884626, 640	1320176 202, 305	1702961.....853
1001243459.....475, 481	1001247885614, 640	1320202 238, 250	1702962.....853
1001243464.....133	1001247886638, 640	1320218 303	1703162....176, 186, 198, 212, 222, 236, 248, 268, 280
1001243465.....137	1001247887 603, 615, 627, 639	1320302 531, 533, 535	1703479.....853
1001243522.....145, 156	1001247888 603, 615, 627, 639	1321283 261, 273	1703797.....815, 833
1001243654.....140, 145	1001247889..... 603, 615, 627, 639	1321384 147, 149	1703804.....815, 833
1001243656.....213, 223	1001248012 563	1321716 345, 363, 379	1703805.....815, 833
1001243682.....165	1001248140 543, 545, 547	1380147 323, 325	1703811....815, 817, 819, 821, 823, 825, 827, 829, 831, 833, 835, 837, 839, 841, 843, 845, 847, 849, 851
1001243742.....209, 212	1001248141 543, 545, 547	1580012 471	1703814....815, 817, 819, 821, 823, 825, 827, 829, 831, 833, 835, 837, 839, 841, 843, 845, 847, 849, 851
1001243743.....205, 209	1001248720 52	1580013 871	1703923.....831, 851
1001243744.....205	1001250981 603, 615, 627, 639	1670603 679	1703924.....825, 845
1001243850.....213, 223	1001250982 603, 615, 627, 639	1670829 ... 117, 119, 477, 481	1703925.....823, 843
1001243895.....259	1001251079 401, 405, 577	1671092 ... 376, 380, 384, 388, 695, 699, 707, 711	1703926.....827, 847
1001244019.....335	1001252629 543, 545, 547	1671093 ... 533, 695, 699, 707, 711	1703927.....829, 849
1001244023.....323	1001252946 539	1683053 559, 565	1703928.....817, 837
1001244024.....331	1001252947 539	1683057 573	1703935.....831, 851
1001244025.....323	1001253468 52	1683609 407, 409, 559	1703936.....825, 845
1001244119.....313	1001253469 52	1684089 559, 565	1703937.....821, 841
1001244120.....313	1001253470 52	1684090 559, 565	1703938.....827, 847
1001244121.....313	1001254279209, 219	1684290 551	1703939.....829, 849
1001244122.....313	1001255133 437	1700818 853	1703940....817, 837, 839
1001244123.....313, 317	1001264337 741, 743, 787	1701499 ... 815, 817, 819, 821, 823, 825, 827, 829, 831, 833, 835, 837, 839, 841, 843, 845, 847, 849, 851	1703941.....831, 851
1001244374.....345	1001269919..... 193, 205, 216, 229, 242	1701505 ... 169, 179, 193, 205, 215, 229, 241, 853	1703942.....825, 845
1001244375.....379	1001277880 52	1701509 ... 523, 525, 527, 815, 817, 819, 821, 823, 825, 827, 829, 831, 833, 835, 837, 839, 841, 843, 845, 847, 849, 851	1703943.....823, 843
1001244410.....363	1001278991 52	1701518 819, 835, 839	1703944.....827, 847
1001244464.....317	1060341 ... 513, 515, 517, 519	1701529 ... 815, 817, 819, 821, 823, 825, 827, 829, 831, 833, 835, 837, 839, 841, 843, 845, 847, 849, 851	1703945.....829, 849
1001244468.....317	1060343 ... 376, 380, 384, 388	1701542 261, 273, 853	1703946.....817, 837
1001244469.....317	1060379539, 541	1701543 262, 274, 853	1703947.....831, 851
1001244470.....317	1060584 59	1701643 47	1703948.....825, 845
1001244508.....209, 219	1060626 ... 179, 216, 241, 274	1702565 477, 481	1703949.....823, 843
1001244878.....140, 152	1060903... 513, 515, 517, 519	1702566 477, 481	1703950.....827, 847
1001244902.....140	1060908 ... 715, 717, 719, 721	1702567 477, 481	1703951.....829, 849
1001245076.....152	1060918 503	1702720 853	1703952.....817, 837
1001245257.....219, 222			1703953.....815, 833
1001245274.....216, 219			1703980.....827, 847
1001245275.....215			1703981.....829, 849
1001246524.....868			1703982.....823, 843
1001246525.....868			
1001247358.....303			
1001247386.....165			
1001247468.....437			
1001247865.....603, 615, 627, 639			
1001247866.....603, 615, 627, 639			
1001247867.....603, 615, 627, 639			
1001247868.....603, 615, 627, 639			
1001247869.....603, 615, 627, 639			

SECTION 11 - SPECIAL OPTIONS

1703983..... 831, 851	1706060..... 854	2220418..... 303	265, 277, 596, 602,
1703984..... 825, 845	1706061..... 854	2220451.... 173, 177, 183,	608, 614, 620, 626,
1703985..... 817, 837	1706062..... 854	187, 195, 199, 209,	632, 638
1704000.... 825, 845, 853	1706063..... 854	219, 233, 245, 265,	2220999... 596, 602, 608,
1704001.... 831, 851, 853	1706064..... 854	277, 596, 602, 609,	614, 620, 626, 632, 638
1704002.... 817, 837, 853	1706098..... 854	614, 621, 626, 633, 638	2221024..... 303
1704174..... 853	1706385..... 455, 469	2220466.... 596, 602, 608,	2221040.... 582, 586, 590
1704175..... 853	1706957..... 861	614, 620, 626, 632, 638	2221048... 620, 626, 632,
1704260..... 477, 481	1706960..... 861	2220468.... 582, 586, 590,	638
1704271..... 853	2030010.... 531, 533, 535	596, 602, 608, 614,	2221086.... 35, 596, 602,
1704272..... 859	2060025.... 176, 186, 198	620, 626, 632, 638	608, 614, 620, 626,
1704277... 815, 817, 819,	2080040.... 443, 447, 451,	2220472.... 582, 586, 620,	632, 638
821, 823, 825, 827,	457, 461, 463	626, 632, 638	2221176... 169, 170, 179,
829, 831, 833, 835,	2080044... 701, 703, 705,	2220473.... 597, 602, 609,	180, 193, 261, 273
837, 839, 841, 843,	707, 709, 711	614, 621, 626, 633, 638	2221197..... 303
845, 847, 849, 851	2110810.... 582, 586, 590	2220479.... 173, 183, 195,	2221344..... 590
1704412... 815, 817, 819,	2110812..... 582, 586	209, 219, 233, 245,	2300004..... 237, 869
821, 823, 825, 827,	2111216.... 582, 586, 590	265, 277	2300014..... 870
829, 831, 833, 835,	2111616.... 596, 602, 608,	2220500.... 582, 586, 590	2300016..... 870
837, 839, 841, 843,	614, 620, 626, 632, 638	2220501.... 582, 586, 590	2300019..... 870
845, 847, 849, 851	2131216.... 582, 586, 590	2220502.... 582, 586, 590,	2300027..... 870
1704578..... 857, 859	2131616... 173, 183, 195,	597, 602, 609, 614,	2300029..... 870
1704885... 815, 817, 821,	209, 219, 233, 245,	621, 626, 633, 638	2300039..... 870
823, 825, 827, 829,	265, 277	2220582.... 582, 586, 596,	2300041..... 248, 869
831, 833, 835, 837,	2150808.... 582, 586, 590	602, 608, 614, 620,	2400060... 215, 242, 259,
841, 843, 845, 847,	2150812.... 582, 586, 590	626, 632, 638	759, 767, 783
849, 851	2180348... 169, 179, 193,	2220596.... 582, 586, 590	2400064..... 767, 865
1704972..... 854	261, 273	2220602.... 582, 586, 590	2410014..... 455, 469
1705014..... 455, 469	2180387..... 303	2220603.... 596, 602, 608,	2420203... 343, 346, 349,
1705090..... 857	2180388..... 303	614, 620, 626, 632, 638	353
1705305..... 535	2180389..... 303	2220606.... 597, 602, 609,	2460048..... 371, 375
1705325..... 659, 661	2180418... 261, 269, 273,	614, 621, 626, 633, 638	2460051..... 353
1705336..... 815, 833	281, 303	2220618.... 596, 602, 608,	2460055..... 343
1705344..... 827, 847	2180467..... 268, 280	614, 620, 626, 632, 638	2540020... 129, 131, 133,
1705345..... 829, 849	2180832... 205, 215, 229,	2220628.... 582, 586, 590	135, 137
1705347..... 825, 845	242	2220637.... 597, 602, 609,	2560136..... 477, 481
1705349..... 817, 837	2220005..... 261, 273	614, 621, 626, 633, 638	2560187... 147, 149, 159,
1705351..... 815, 833	2220064.... 261, 269, 273,	2220726.... 597, 602, 609,	161
1705358.... 523, 525, 527	281	614, 621, 626, 633, 638	2580024... 179, 215, 241,
1705364..... 41	2220124..... 87	2220733.... 597, 602, 609,	274
1705374... 359, 363, 367,	2220238.... 597, 602, 609,	614, 621, 626, 633, 638	2580062..... 186
681, 683	614, 621, 626, 633, 638	2220738.... 596, 602, 608,	2600066..... 745
1705375... 377, 381, 385,	2220261.... 269, 281, 303	614, 620, 626, 632, 638	2600281... 443, 447, 451,
388, 535	2220313... 170, 180, 193,	2220775.... 597, 602, 609,	457, 461, 463
1705387... 359, 363, 367,	205, 215, 229, 242	614, 621, 626, 633, 638	2720015... 212, 222, 237,
377, 381, 385, 388	2220315.... 176, 186, 198	2220811.... 582, 586, 590	249
1705426..... 827, 847	2220366.... 596, 602, 608,	2220852.... 596, 602, 608,	2720058... 169, 179, 180,
1705427..... 829, 849	614, 620, 626, 632, 638	614, 620, 626, 632, 638	193, 268, 280, 297, 299
1705429..... 825, 845	2220371.... 582, 586, 590,	2220865.... 596, 602, 608,	2720144..... 303
1705430..... 821, 841	596, 602, 608, 614,	614, 620, 626, 632, 638	2720398.... 177, 187, 199
1705460... 372, 377, 381,	620, 626, 632, 638	2220883... 33, 35, 79, 551,	2720551..... 268
385, 388	2220372.... 582, 586, 590,	553, 555, 559, 561,	2780269..... 25, 27, 29
1705461..... 372	597, 602, 608, 614,	563, 565, 566, 569, 577	2820001..... 837
1705489..... 355, 372	620, 626, 632, 638	2220885.... 35, 559, 561,	2820019..... 763
1705514... 815, 825, 833,	2220373.... 582, 586, 596,	563, 565, 566, 569,	2820031... 341, 343, 345,
845	602, 608, 614, 620,	573, 575, 577	349, 353, 355, 359,
1705515..... 854	626, 632, 638	2220886..... 33, 35	363, 367, 371, 375,
1705820..... 859	2220375.... 596, 602, 608,	2220906.... 596, 602, 608,	379, 383, 387
1705822.... 819, 835, 839	614, 621, 626, 632, 638	614, 620, 626, 632, 638	2820035..... 259
1705828.... 819, 835, 839	2220380.... 597, 602, 609,	2220940.... 173, 183, 195,	2820247..... 801, 803
1705910..... 831, 851	614, 621, 626, 633, 638	209, 219, 233, 245,	2840016..... 323, 325
1705917..... 831, 851	2220408.... 173, 183, 195,	265, 277	2860030... 121, 123, 125,
1705921.... 819, 835, 839	209, 219, 233, 245,	2220946.... 173, 183, 195,	127, 864
1705961..... 819, 835	265, 277	209, 219, 233, 245,	2900792... 553, 555, 559,
1705968.... 821, 841, 853	2220415.... 582, 586, 590,	265, 277	561, 563, 565, 566, 569
1705969.... 829, 849, 853	596, 602, 608, 614,	2220947.... 173, 183, 195,	2901303.... 559, 565, 569
1706059..... 854	620, 626, 632, 638	209, 219, 233, 245,	

SECTION 11 - SPECIAL OPTIONS

2902065.....177, 187, 199, 212, 222, 236, 248, 291	144, 159, 173, 176, 183, 186, 195, 198, 209, 212, 219, 222, 233, 236, 245, 248, 261, 265, 268, 273, 277, 280, 313, 315, 317, 319, 345, 355, 473, 475, 657, 659, 663, 667, 671, 675, 685, 687, 737, 739, 741, 743, 815, 817, 819, 821, 823, 825, 827, 829, 831, 833, 835, 837, 839, 841, 843, 845, 847, 849, 851	3300151 ... 441, 445, 449, 453, 457, 459, 463, 465, 467, 531, 533, 535 3300243 433, 435 3300353 477, 481 3300356 521 3300396 ... 360, 364, 368, 372, 376, 380, 384, 388 3300408 117, 119 3300430 505, 507, 509 3310601 323 3311001 ... 343, 345, 349, 360, 364, 368, 372, 376, 380, 384, 388 3311005 ... 353, 477, 481, 531, 533, 535 3311401 ... 513, 515, 517, 519 3311405 ... 165, 529, 661, 665, 669, 673, 677, 679, 713 3311501 ... 144, 513, 515, 517, 519 3311505 539, 541 3311601 ... 140, 144, 152, 156, 212, 222, 478, 482, 529 3311605 ... 455, 469, 521, 531, 533, 535 3311705 345 3311805 433 3312002 543, 545, 547 3312005 523, 525, 527 3312205 523, 525, 527 3331211 ... 176, 186, 198, 212, 222, 236, 248, 268, 280, 327, 329, 331, 333, 335, 337 3331611 ... 176, 186, 198, 236, 248 3340787 415 3340956 523, 525, 527 3380434 473, 475 3420372 59 3420447 59 3421565 59, 89 3421627 89 3422351 21, 23 3422417 400, 404 3422424 400, 404 3422532 ... 173, 183, 195, 209, 219, 233, 245, 265, 277 3422582 392 3422661 539, 541 3422793 396 3422841 59 3422847 59 3422848 23 3422860 407, 409 3422867 407, 409 3430616 478, 482 3430820 323, 325 3450404 323, 325 3460334 523, 525, 527 3470003 478, 482 3480205 573	3480210.....559, 565 3520028.....346, 349, 353 3520034....701, 703, 705, 707, 709, 711 3520054....176, 186, 198, 212, 222, 236, 248, 477, 481 3520071.....523, 525, 527 3520072....441, 443, 445, 447, 449, 451, 453, 455, 457, 459, 461, 463, 465, 467, 469 3520182.....509 3520189.....372 3520192.....372 3520198....441, 443, 445, 447, 449, 451, 453, 457, 459, 461, 463, 465, 467 3539622.....400, 404 3572009.....59 3572010.....59 3572011.....59 3572012.....59 3573400....531, 533, 535 3573642....531, 533, 535 3574091.....517, 519 3575359.....513, 515 3577121....531, 533, 535 3580134.....341 3580158.....341, 343 3580243.....400, 404 3580248.....400, 404 3580249.....400, 404 3580276....343, 346, 349 3580314.....387 3580317....355, 359, 363, 367, 372, 376, 379, 383, 387 3580318....359, 363, 367, 376, 379, 383 3580319.....355, 371 3580320....212, 222, 236, 248, 355, 359, 372, 376 3580324.....353 3641569.....513, 515 3740067....105, 107, 176, 186, 198, 864 3740080.....759, 865 3740086.....805 3760132.....573, 575 3760170.....59, 89 3760356.....573, 575 3760368.....559, 565 3760369.....573 3790012....261, 273, 407, 409, 477, 481, 485, 487, 489, 491, 493, 495 3790152....173, 183, 195, 209, 219, 233, 245, 265, 277 3820001....815, 817, 819, 821, 823, 825, 827, 829, 831, 835, 839, 841, 843, 845, 847, 849, 851, 854
2902203.....853 2902212.....523, 525, 527 2902217.....531, 533 2902232.....871 2902266.....551 2902443....745, 747, 751 2902549.....685, 715 2915096.....872 2920028....477, 481, 513, 515, 517, 519, 521 2920029....477, 481, 513, 515, 517, 519, 521 2920161.....129 2940045.....159 2940074....443, 447, 451, 457, 461, 463, 865 2940173....147, 149, 159, 161 3020008.....25, 27 3020016.....177, 870 3020021.....869 3020037.....209, 219 3020044.....186, 870 3160350.....25, 27, 33 3220104.....307 3251102....341, 343, 345, 349, 353, 355, 359, 363, 367 3251242....665, 669, 673, 677, 679 3251243....343, 345, 349, 353, 359, 363, 367, 377, 381, 385, 388, 815, 817, 821, 823, 825, 827, 831, 833, 837, 841, 843, 845, 847, 851 3252347.....815, 833 3252507....341, 663, 667, 671, 675 3252764....371, 375, 379, 383, 387 3271601....140, 145, 152, 156 3271605....543, 545, 547 3271805.....455, 469 3272001....543, 545, 547 3280001.....833 3290301.....325 3290405....261, 273, 303, 659, 661, 663, 665, 667, 669, 671, 673, 675, 677, 679, 685, 687 3290501....205, 215, 229, 241 3290505....129, 131, 133, 135, 137, 205, 215, 229, 241, 261, 273, 301, 341, 359, 363, 367, 371, 375, 379, 383, 387 3290601....147, 149, 159, 161, 268, 280, 285 3290605....105, 107, 109, 111, 113, 115, 140,	3290606 ... 445, 449, 453, 459, 465, 467 3290801268, 280 3290805 ... 105, 107, 147, 149, 159, 161, 176, 186, 198, 212, 222, 236, 248, 261, 268, 273, 280, 303, 331, 335, 341, 343, 345, 349, 359, 363, 367, 371, 375, 379, 383, 387, 415, 417, 419, 421, 423, 429, 431, 689, 691, 693, 695, 697, 699, 701, 703, 705, 707, 709, 711, 713, 737, 739 3290806 437 3291001 97, 101, 212, 222, 236, 248, 268, 280, 400, 404, 437 329100597, 99, 101, 131, 133, 135, 137, 140, 144, 147, 149, 152, 156, 161, 169, 176, 179, 186, 193, 198, 205, 212, 215, 222, 229, 237, 241, 249, 261, 268, 273, 280, 297, 299, 301, 327, 329, 333, 337, 345, 392, 396, 407, 409, 415, 437, 473, 475 3291007 ... 341, 343, 349, 353 3291201 ... 345, 349, 355, 359, 363, 367, 371, 376, 379, 383, 387, 437 3291205 ... 19, 91, 95, 97, 99, 101, 140, 141, 144, 145, 152, 156, 157, 323, 325, 435, 437, 689, 691, 693, 695, 697, 699, 701, 703, 705, 707, 709, 711 329160181, 400, 404 3291605.....392, 396 3292001.91, 95, 400, 404 3292201400, 404 330010625, 27		

SECTION 11 - SPECIAL OPTIONS

3820020 ... 443, 447, 451, 457, 461, 463	4031914.... 212, 222, 236, 248	4420051..... 59, 819, 821, 823, 835, 839, 841, 843	4460465 ... 129, 131, 135, 360, 725, 727, 729, 731, 733, 735, 745, 747, 751, 755, 761, 763, 767, 771, 773, 775, 777, 779, 783, 785, 787, 807, 809, 811, 812
384114321, 23, 169, 179, 193, 205, 215, 229, 241, 261, 273, 392, 400, 404, 407, 409, 437	4032014.... 212, 222, 236, 248, 400, 404	4420060..... 341	4460466 ... 511, 725, 727, 729, 745, 747, 751, 755, 759, 771, 775, 777, 779, 783, 785, 787, 799, 805, 807, 811, 812
3841203 396	4032015.... 355, 359, 372, 376	4420062..... 539, 541	4460467 871
3841258 17, 19	4032020..... 400, 404	4420066..... 523, 525, 527	4460470 ... 477, 481, 737, 739, 741, 743
3841287 392, 396	4060802.... 341, 343, 345, 349, 353, 355, 359, 363, 367, 372, 376, 379, 383, 387	4420068.... 513, 515, 517, 519	4460471 ... 477, 481, 737, 739, 741, 743
3841340 ... 689, 691, 693, 695, 697, 699	4060805..... 405	4460019..... 751	4460473 725, 727, 729
3900054 455, 469	4060906..... 117, 119	4460027.... 343, 346, 349, 353	4460496 ... 477, 481, 737, 739, 741, 743
3900267 360, 364, 368	4061032..... 205, 216	4460042.... 745, 748, 752, 755, 812	4460497 ... 477, 481, 737, 739, 741, 743
3900283 433, 435	4070895..... 400, 404	4460043.... 259, 747, 751, 767, 812	4460508 511, 725, 811
3900300 360, 364, 368	4070896..... 400, 404	4460049.... 513, 515, 517, 519	4460509 725, 727, 729
3900349 478, 481	4070939..... 400, 404	4460071... 359, 363, 367, 376, 379, 383, 387, 503, 657	4460510 872
3900357 176, 186, 198	4070940..... 400, 404	4460134..... 765	4460518 787, 807
3900363 159, 161	4092009..... 400, 404	4460142..... 745	4460536 731, 733, 809
3900364 ... 140, 144, 268, 280	4100100..... 559, 565	4460183..... 779, 783, 812	4460539 ... 731, 733, 775, 777, 809
3910606 ... 359, 363, 367, 376, 379, 383, 387, 681, 683	4160149..... 400, 404	4460190.... 343, 346, 349, 353	4460612 681, 683
3910610 323, 657	4240018.... 303, 582, 586, 590, 681, 683, 689, 691, 693, 695, 697, 699, 701, 703, 705, 707, 709, 711	4460205..... 657, 765	4460662 ... 521, 667, 669, 671, 673, 675, 677, 679
3910804 ... 121, 123, 125, 127	4240033.... 429, 431, 505, 507, 511, 529, 582, 586, 590	4460224..... 477, 481	4460703 747, 751
3911018 ... 117, 119, 477, 481	4240099.... 129, 169, 179, 193, 205, 212, 215, 222, 229, 238, 241, 242, 250, 259, 262, 274, 345, 513, 515, 517, 519, 521, 531, 533, 689, 691, 693, 695, 697, 699, 737, 739, 741, 743	4460225.... 761, 763, 769, 779, 783	4460708 780, 783
3931408 505, 507	4240149.... 523, 525, 527	4460226.... 477, 481, 497, 500, 503, 769, 779, 783, 812	4460722 259
3931424 505	4280295..... 97, 101	4460227... 93, 95, 779, 783	4460742 767
3931464 573, 575	4280296..... 55, 57	4460234.... 477, 481, 513, 515, 517, 519	4460743 767
3931508 573, 575	4360057.... 513, 515, 517, 519, 865	4460247..... 812	4460748 811
3931512 ... 212, 222, 236, 248	4360070.... 360, 364, 368, 372, 376, 380, 384, 388, 865	4460259.... 779, 783, 812	4460761 779, 783
3931516 559, 565	4360331.... 493, 495, 865	4460260.... 779, 783, 812	4460806 669, 673
3931618 ... 173, 183, 195, 209, 219, 233, 245, 265, 277	4360336.... 341, 343, 345, 349, 353, 355, 359, 363, 367, 372, 376, 379, 383, 387, 865	4460265..... 497, 500	4460807 761, 763
3931620 ... 173, 183, 233, 245, 265, 277, 573, 575	4360387.... 123, 127, 477, 481, 513, 515, 517, 519, 521, 864	4460267..... 779, 783	4460808 761, 763
3931628 ... 212, 222, 236, 248	4360407.... 477, 481, 864	4460268..... 761, 763	4460836 785, 787, 811
3931648 268, 280	4360469.... 121, 123, 125, 127, 864	4460312..... 745, 812	4460837 785, 787, 812
3960158 573, 575	4360475.... 117, 119, 477, 481, 864	4460313.... 745, 747, 751, 775, 777	4460865 725, 727, 729
3960361 573, 575	4360477..... 521, 865	4460315..... 657	4460866 ... 725, 779, 783, 811
3960389 321	4360517..... 93, 95	4460320..... 93, 95	4460871 ... 769, 775, 777, 779, 783, 811
3960407 ... 176, 186, 198	4360542.... 343, 346, 349, 353	4460346.... 359, 363, 367, 376, 379, 383, 387, 657	4460872 775, 777
3960422 ... 359, 363, 367, 376, 379, 383, 387, 657, 681, 683	4400275..... 303	4460384..... 679	4460873 779, 783, 811
3960464 321	4420014.... 523, 525, 527	4460418.... 769, 779, 783	4460874 779, 783, 811
3960469 ... 173, 183, 195, 233, 245, 265, 277	4420037.... 531, 533, 535	4460419.... 769, 779, 783	4460875 775, 777
3960526 25, 27	4420038..... 101	4460424..... 812	4460876 769, 779, 783
3980007 ... 179, 216, 241, 274		4460425.... 360, 364, 368, 372, 376, 380, 384, 388, 513, 515, 517, 519, 681, 683	4460878 811
4010303 429, 431		4460426.... 360, 364, 368, 372, 376, 380, 384, 388	4460879 779, 783
4010308 325		4460428..... 477, 481	4460884 ... 747, 751, 771, 775, 777, 779, 783, 812
4010405 685, 687		4460434..... 779, 783	4460887 779, 783, 811
4010510 ... 129, 131, 133, 135, 137		4460458..... 767, 811	4460891 ... 129, 131, 135, 747, 751, 773, 775, 777, 785, 787, 807, 812
4010618 ... 445, 449, 453, 459, 465, 467		4460464.... 131, 133, 135, 137, 503, 521, 723, 725, 733, 759, 771, 773, 775, 777, 779, 783, 805, 807, 809, 811, 812	4460894 ... 731, 735, 745, 747, 751, 755, 811
4031505 511			
4031516 529			
4031608 341			
4031711 268, 280			

SECTION 11 - SPECIAL OPTIONS

4460897.....131, 133, 135, 137, 521, 811	4640464.....731, 733	176, 179, 183, 186, 193, 195, 198, 205, 209, 215, 219, 229, 233, 236, 241, 245, 248, 261, 265, 268, 273, 277, 280, 285, 341, 343, 345, 349, 353, 355, 359, 363, 367, 372, 376, 379, 383, 387, 392, 396, 445, 449, 453, 459, 465, 467, 657, 659, 663, 667, 671, 675, 685, 687, 701, 703, 705, 707, 709, 711, 737, 739, 741, 743, 815, 817, 819, 821, 823, 825, 827, 829, 831, 833, 835, 837, 839, 841, 843, 845, 847, 849, 851	145, 152, 156, 157, 169, 179, 193, 205, 212, 215, 222, 229, 242, 285, 323, 325, 353, 437, 689, 691, 693, 695, 697, 699, 701, 703, 705, 707, 709, 711
4460899.....733, 771, 775, 777, 799, 805, 809, 811	4640509... 559, 561, 563, 565, 566, 569	4811702 ... 147, 149, 173, 183, 195, 209, 212, 219, 222, 233, 245, 265, 277, 285, 313, 315, 317, 319, 473, 475	4812200....212, 222, 331, 335
4460905.....769, 775, 777, 779, 783, 811	4640858..... 551	4811900 ... 159, 161, 176, 186, 198, 212, 222, 236, 248, 261, 268, 273, 280, 285, 331, 335, 341, 343, 345, 349, 359, 363, 367, 372, 376, 379, 383, 387, 415, 417, 419, 421, 423, 429, 431, 437, 689, 691, 693, 695, 697, 699, 701, 703, 705, 707, 709, 711, 713, 737, 739	481230025, 27, 176, 186, 198, 236, 248
4460906.....759	4640932..... 555	4811700 ... 341, 343, 355, 359, 363, 367, 372, 376, 379, 383, 387	4812500....141, 145, 152, 156, 157
4460910.....801	4640999.....553, 555	4891500.....353	4844816.....407
4460911.....775, 777, 799	4641122... 37, 39, 41, 43, 45, 47, 49	4891600....433, 435, 437	4845582.....539, 541
4460925.....779, 783	4641390..... 557	4891800.....433	4846295.....59
4460926.....785, 787	4711000... 360, 364, 368, 372, 376, 380, 384, 388	4892000.....87	4846296.....59
4460928.....787, 807	4711400... 165, 441, 445, 449, 453, 457, 459,	4892600.....433, 435	4846573.....433, 435
4460930.....745, 747, 751	4711800.....455, 469	4892600001.....437	4846627....531, 533, 535
4460931.....812	4712000... 523, 525, 527, 543, 545, 547	4921827.....765	4846673.....517, 519
4460932.....723, 757, 773, 812	4712200.....523, 525, 527	4922641....341, 343, 349, 353, 356, 360, 368, 372, 376, 384, 388	4871700....341, 343, 355, 359, 363, 367, 372, 376, 379, 383, 387
4460933....779, 780, 783, 785, 787, 807, 811	4740036..... 59	4922925....372, 376, 379, 384, 387, 763	4891500.....353
4460941.....757, 799	4740155..... 23	4923174.....274	4891600....433, 435, 437
4460942.....511, 747, 751	4740158.....17, 19	4923379.....177, 187	4891800.....433
4460943....745, 747, 751, 779, 783, 799, 811	4740362.....473, 475	4933218.....513, 517	4892000.....87
4460944....745, 747, 751, 779, 783, 811	4740393.....25, 27, 52	5201012.....52	4892600.....433, 435
4460956.....715, 717	4740397... 117, 119, 261, 273, 407, 409, 477, 481, 487, 491	5240800.....303, 337	4892600001.....437
4460957.....715, 717	4740439.....407, 409	5241000.....19, 140, 144, 159, 161, 173, 177, 183, 187, 195, 199, 209, 219, 233, 237, 245, 248, 265, 268, 277, 280, 329, 355, 359, 363, 367, 372, 376, 379, 383, 387, 400, 404, 415	4921827.....765
4460958.....683	4750600..... 323	5241200....17, 19, 25, 27, 173, 176, 183, 186, 195, 198, 209, 212, 219, 222, 233, 236, 245, 248, 265, 268, 277, 280, 327, 329, 331, 333, 335, 337, 345, 349, 355, 359, 363, 367, 372, 376, 379, 383, 387, 435, 437	4892000.....87
4460959....695, 699, 707, 711	4751000... 59, 97, 99, 101, 343, 345, 349, 353, 531, 533, 535	5250605.....285	4892600.....433, 435
4460960....695, 699, 707, 711	4751400... 147, 149, 159, 161, 471, 477, 481, 509, 513, 515, 517, 519, 531, 533, 535, 713		4892600001.....437
4460962.....533	4751500.... 59, 345, 349, 513, 515, 517, 519, 539, 541		4921827.....765
4460963....376, 380, 384, 388	4751600... 521, 531, 533, 535		4922641....341, 343, 349, 353, 356, 360, 368, 372, 376, 384, 388
4460967....360, 767, 812	4751800... 455, 469, 513, 515, 517, 519		4922925....372, 376, 379, 384, 387, 763
4460968....341, 659, 661, 663, 665	4760600..... 657		4923174.....274
4460970.....779, 783	4761400..... 471		4923379.....177, 187
4461005.....745	4770600..... 323		4933218.....513, 517
4461006.....745	4811400... 325, 659, 661, 663, 665, 667, 669, 671, 673, 675, 677, 679		5201012.....52
4461008....745, 748, 752	4811600... 129, 131, 133, 135, 137, 205, 215, 229, 241, 301, 341		5240800.....303, 337
4461052.....745	4811602... 359, 363, 367, 372, 376, 379, 383, 387		5241000.....19, 140, 144, 159, 161, 173, 177, 183, 187, 195, 199, 209, 219, 233, 237, 245, 250, 265, 268, 277, 280, 329, 355, 359, 363, 367, 372, 376, 379, 383, 387, 400, 404, 415
4461053.....745	4811700... 105, 107, 109, 111, 113, 115, 131, 133, 135, 137, 159, 161, 165, 169, 173,		5241200....17, 19, 25, 27, 173, 176, 183, 186, 195, 198, 209, 212, 219, 222, 233, 236, 245, 248, 265, 268, 277, 280, 327, 329, 331, 333, 335, 337, 345, 349, 355, 359, 363, 367, 372, 376, 379, 383, 387, 435, 437
4461054.....745, 757			5241400....176, 186, 198, 236, 248, 327, 329, 333, 337, 355, 359, 372, 376
4461060.....745			5241600.....21, 23, 81
4461070....745, 747, 751, 807			5242000.....81
4461071.....747, 751			5250605.....285
4461073....745, 747, 751			
4461077.....799, 805			
4461095....745, 747, 751, 807			
4461196.....789			
4461198.....661, 789			
4461199.....791			
4461201.....665, 791			
4461205.....793, 795			
4461244.....669, 793			
4461245.....673, 795			
4461246.....677, 797			
4461249.....797			
4461271.....811			
4520256.....47, 49			
4520288.....37, 41, 43			
4530028....531, 533, 537			
4568133.....59			
4640261.....59			

SECTION 11 - SPECIAL OPTIONS

5250608.....	321	70001850.....	189, 201	70002842.....	551	70004070.....	297, 299
5250808.....	321	70001866.....	190, 202	70002902.....	503	70004092.....	355, 359, 364, 367, 380, 384
525081055, 57, 147, 149, 212, 222, 236, 248, 417, 419, 421, 423		70001868.....	190, 202	70002903.....	503	70004094.....	380, 384
5250812... 140, 144, 429, 431		70001870..	189, 201, 225, 253	70002904.....	503	70004098.....	360, 364, 368, 380, 384
5251008.... 429, 431, 437		70001871.....	189, 201	70002905.....	503	70004099.....	364, 367, 380, 384
5251009... 63, 65, 67, 69, 105, 107		70001872.....	190, 202	70002962.....	35	70004103.....	190, 202
5251012. 25, 27, 99, 169, 179, 193, 205, 215, 229, 238, 241, 250, 356, 360, 368, 372, 376, 384		70001953... 371, 375, 388		70003003.....	189, 201	70004155...573, 575, 577	
5251014... 109, 111, 113, 115, 140, 144, 152, 156		70001966..355, 359, 363, 367, 371, 375, 380, 384, 387, 388		70003019.....	71, 75, 425, 427	70004169...371, 375, 388	
5251016..... 17, 19, 437		70001973..371, 375, 380, 384, 388		70003027.....	71, 75, 425, 427	70004171. 355, 359, 371, 375, 388	
5260600..... 285, 321		70001974..371, 375, 380, 384, 388		70003085.....	553	70004186. 565, 569, 573, 575, 577	
5260800..... 321		70002063.....	79	70003136.....	189, 201	70004199.....	103
5261000... 109, 111, 113, 115		70002066.....	84	70003456.....	189, 201	70004237.....	555
5261018... 109, 111, 113, 115		70002088... 371, 375, 388		70003457.....	189, 201	70004268.....	189, 201
5272010..... 268, 280		70002112.....	103	70003464.....	201	70004269.....	189, 201
5281918... 689, 691, 693, 695, 697, 699, 701, 703, 705, 707, 709, 711		70002134.....	295	70003468.....	189, 201	70004270.....	190, 202
70000123..... 341		70002146.....	295	70003469.....	189, 201	70004271.....	190, 202
70000342..... 411, 413		70002147.....	295	70003470.....	189, 201	70004272.....	190, 202
70000345. 190, 202, 227, 255		70002148.....	295	70003472.....	189, 201	70004273.....	190, 201
70000619. 371, 375, 379, 383, 387		70002149.....	295	70003473.....	189, 201	70004275.....	225
70000699..... 557		70002150.....	295	70003475.....	189, 201	70004276.....	255
70000781..... 35		70002151.....	295	70003478.....	189, 201	70004277.....	255
70000782..... 29		70002153.....	295	70003708. 355, 359, 363, 367, 371, 375, 380, 384, 388		70004280.....	225, 253
70000793..... 291		70002154.....	295	70003709. 355, 359, 363, 367, 371, 375, 380, 384, 388		70004281.....	225
70000794..... 33		70002156.....	295	70003783..177, 187, 199, 213, 223, 864, 865		70004282.....	226, 255
70000795..... 33		70002157.....	295	70003784.....	477, 481	70004283.....	226
70000800..... 201		70002216.....	29	70003926...573, 575, 577		70004284.....	226
70000851..... 190, 202		70002217.....	84	70003928...573, 575, 577		70004414.....	97
70000863. 371, 375, 380, 383, 388		70002217.....	84	70003929...573, 575, 577		70004501.....	254
70000912..... 189, 201		70002217.....	84	70003930...573, 575, 577		70004504.....	227, 255
70000913..... 189, 201		70002217.....	84	70003932.....	190, 202	70004505.....	253
70000914..... 189, 201		70002217.....	84	70003975.....	35	70004506.....	253
70000915..... 189, 201		70002217.....	84	70003982...573, 575, 577		70004507.....	253
70000916..... 189, 201		70002217.....	84	70003998.....	105, 107	70004508.....	253
70000917..... 189, 201		70002217.....	84	70004037.....	84	70004509.....	253
70000918..... 189, 201		70002217.....	84	70004039.....	84	70004510.....	253
70000919..... 189, 201		70002217.....	84	70004040.....	84	70004513.....	225, 254
70001002..... 189, 201		70002217.....	84	70004041.....	84	70004577.....	35
70001017..... 202		70002217.....	84	70004042.....	84	70004584.....	71, 75
70001100. 371, 375, 380, 383, 388		70002217.....	84	70004043.....	84	70004594.....	71, 75
70001103..... 101		70002217.....	84	70004044.....	84	70004595.....	72, 76, 864
70001119..... 29		70002217.....	84	70004045.....	84	70004596.....	72, 76
70001126..... 189, 201		70002217.....	84	70004047.....	85	70004597.....	72, 76
70001384. 371, 375, 380, 383, 388		70002217.....	84	70004051...71, 72, 75, 76		70004598.....	72, 76
70001423..... 189, 201		70002217.....	84	70004052..71, 72, 75, 76, 425, 427		70004602.....	71, 75
70001435..... 189, 201		70002217.....	84	70004053....75, 425, 427		70004607.....	71, 75
70001498..... 190, 202		70002217.....	84	70004055.....	72, 75, 76	70004613.....	427
70001696.. 371, 375, 387		70002217.....	84	70004056.....	190, 202	70004617.....	72, 76
70001697..... 411, 413		70002217.....	84	70004058.....	190, 202	70004653. 71, 72, 75, 76, 425, 427, 864	
70001847..... 189, 201		70002217.....	84	70004059.....	190, 202	70004656.....	71, 75
		70002217.....	84	70004060.....	190, 202	70004657.....	71, 75
		70002217.....	84	70004064.....	297, 299	70004659.....	71
		70002217.....	84	70004065.....	297, 299	70004660.....	71
		70002217.....	84	70004066...297, 299, 864		70004661.....	71, 75
		70002217.....	84	70004067.....	297, 299	70004662.....	71, 75
		70002217.....	84	70004068.....	297, 299	70004668.....	71, 75
		70002217.....	84	70004069.....	297, 299	70004676. 355, 359, 364, 367	
		70002217.....	84			70004677.....	355
		70002217.....	84			70004678. 355, 360, 364, 368	

SECTION 11 - SPECIAL OPTIONS

70004679..355, 360, 364, 368	70005186..... 226	70005931 254	70006170.....287
70004680..355, 360, 364, 368	70005188.....226, 255	70005932 255	70006171.....287
70004681.....355	70005189.....226, 255	70005933 255	70006172.....287
70004682..355, 360, 364, 368	70005191.....227, 255	70005934 255	70006173.....287
70004683.....355	70005200..... 427	70005935 255	70006174.....287
70004684.....360	70005203..... 84	70005937 255	70006175.....287
70004685...360, 364, 368	70005335. 417, 419, 421, 423, 864	70005938 253	70006176..... 287, 865
70004687.....364, 368	70005446 227	70005942 72, 75, 76	70006177.....287
70004738.....497	70005466 294	70005951 425, 427	70006178..... 287, 865
70004739.....497	70005467 294	70005952 71, 76, 425, 427	70006179.....287
70004740.....497	70005468 294	70006003 557	70006180.....287
70004741.....497	70005469 294	70006004 557, 864	70006181.....287
70004742.....497	70005470 294	70006005 557	70006182.....287
70004743.....497	70005471 295	70006006 557	70006183.....287
70004744.....497	70005472 295	700060093 380, 384	70006184.....287
70004745.....497	70005473 295	700060094 380, 384	70006185.....287
70004746.....497	70005474 295	700060095 380, 384	70006186.....287
70004747.....497	70005475 295	700060096 380, 384	70006187.....287
70004748.....497	70005476 295	700060097 380, 384	70006188.....287
70004749.....497	70005477 189, 202	70006106 571	70006189.....287
70004750.....497	70005527 256	70006107 571	70006191.....287
70004751.....497	70005563 557	70006108 571	70006194.....287
70004752.....499	70005570 557	70006109 71, 75	70006195.....287
70004753.....499	70005571 557	70006111 71, 75	70006196.....288
70004754.....499	70005572 557	70006112 71, 75	70006197.....288
70004755.....499	70005575 557	70006113 71, 75	70006198.....288
70004756.....499	70005576 557, 864	70006114 71, 75	70006199.....288
70004757.....499	70005595 577	70006115 71, 75	70006200.....288
70004758.....499	70005627 425, 427	70006116 71, 75, 425, 427	70006202.....288
70004759.....499	70005647 255	70006117 71, 75	70006203.....288
70004760.....499	70005648 255	70006118 72, 76	70006205.....288
70004761.....499	70005668 35	70006119 72, 76	70006206.....288
70004762.....499	70005669 35	70006120 72, 76	70006207.....288
70004763.....499	70005671 411	70006121 425, 427	70006208.....288
70004764.....499	70005680 95	70006122 .. 425, 427, 864	70006213..... 288, 865
70004765.....499	70005681 95	70006123 ... 75, 425, 427	70006215.....288
70004766.....499	70005682. 417, 419, 421, 423	70006124 ... 75, 425, 427	70006217.....288
70004767.....499	70005683 415, 864	70006125 425, 427	70006219.....288
70004768.....499	70005684 415	70006126 425, 427	70006221.....288
70004769.....499	70005693 553	70006128 75	70006225.....288
70004770.....499	70005694 553	70006134 285	70006232.....288
70004771.....499	70005695 553	70006135 285	70006233.....287
70004772.....499	70005696 553	70006136 285	70006235.....288
70004773.....499	70005697 553	70006145 287	70006236.....288
70004774.....500	70005698 555	70006147 287	70006260.....557
70004775.....500	70005699 555	70006150 287	70006261.....557
70004795.....103	70005700 555	70006151 287	70006264.....253
70004883.....79	70005701 555	70006152 287	70006265.....253
70004884.....79	70005702 555	70006153 287	70006266.....253
70004888.....35	70005703 555	70006154 287	70006304..... 84, 85
70005008..237, 249, 269, 281, 865	70005708 103	70006155 287, 865	70006305..... 85
70005171.....225	70005710 93	70006157 287	70006306..... 85
70005172.....225, 253	70005711 93	70006158 287	70006307..... 85
70005173.....225, 253	70005712 93	70006159 287	70006308..... 85
70005174.....225	70005713 93	70006160 287	70006309..... 85
70005176.....226	70005716 93	70006161 287	70006310..... 85
70005177.....226, 254	70005839 577	70006162 287	70006313..... 85
70005180.....226	70005920 253	70006163 287	70006314..... 99
70005181.....226, 254	70005922 253	70006164 287	70006356..173, 183, 195, 209, 219, 233, 245, 265, 277
70005182.....226	70005923 254	70006165 287	70006357..... 72, 76
70005183.....226	70005924 254	70006166 287	70006438.....575
70005184.....226, 254	70005925 254	70006167 287	70006439.....575
70005185.....226	70005926 254	70006168 287	70006440.....575
	70005927 254	70006169 287	70006441.....575
	70005928 254		70006537..... 93
	70005930 254		

SECTION 11 - SPECIAL OPTIONS

70006538..... 93	70023859..... 71, 75	70025154..... 225, 253	70025768..... 254
70006552 . 355, 360, 363, 367	70023860..... 71, 75, 427	70025155..... 255	70025779..... 226
70006553 . 355, 360, 363, 367	70023862..... 425, 427	70025158..... 254	70025781..... 226
70006568..... 561	70023915..... 561	70025159..... 226	70025877... 227, 255, 256
70006569..... 561	70024457..... 71, 75	70025160..... 225, 254	70026164..... 557
70006570..... 561	70024473..... 226	70025161..... 254	70026210..... 255
70006571..... 561	70024484..... 255	70025164..... 226, 255	70026444..... 35
70006572..... 561	70024488..... 253	70025165..... 226	70026995..... 255
70006649..... 563, 569	70024494..... 253	70025166..... 227	70028185..... 253
70006650..... 563, 569	70024502..... 225, 254	70025171..... 225	7002821..... 871
70006731..... 577	70024503..... 227	70025174..... 254	7002822..... 872
70006734..... 563, 569	70024504.. 225, 227, 254, 255	70025175..... 254	7002823..... 871
70006735..... 563, 569	70024507..... 227, 255	70025176..... 225, 253	7002826..... 872
70006736..... 563, 569	70024509..... 255	70025177..... 226	7002840..... 871
70006900..... 565	70024512..... 227	70025178..... 254	7004275..... 872
70006930..... 565	70024513..... 225, 254	70025179... 226, 254, 255	7004276..... 872
70006931..... 565	70024517..... 253	70025180..... 226, 254	70050795..... 577
70006932..... 565	70024904..... 225, 253	70025181..... 253	7005889..... 85
70006933..... 565	70024905..... 225, 253	70025182..... 225, 254	7005891..... 85
70006934..... 566	70024906..... 225, 253	70025183..... 225, 254	7007207..... 294
70006941..... 253	70024910..... 226, 254	70025184..... 225, 254	7007208..... 294
7000695..... 189, 202	70024912..... 226, 255	70025185..... 225, 254	7007412..... 295
70006978..... 577	70024913..... 226	70025189..... 227	7007413..... 294
70006979..... 577	70024914..... 226, 255	70025191..... 226	7007415..... 294
70006980..... 577	70024915..... 226, 255	70025192..... 227, 255	7007417..... 294
70006981..... 577	70024917..... 227, 255	70025195..... 225	7007418..... 294
70006982..... 577	70024918..... 227, 255	70025198..... 225	7007419..... 294
70006983..... 577	70024920.. 225, 227, 254, 255	70025200..... 226, 254	7007420..... 294, 295
70007108..... 288	70024922..... 255	70025201..... 226	7007422..... 295
70007507..... 35	70024924..... 253	70025203..... 254	7007423..... 294
70007603..... 254	70024925..... 225, 253	70025209..... 227	7007425..... 294
70007680..... 52	70024961..... 225, 254	70025210... 226, 254, 865	7007430..... 295
70007681..... 52	70025076..... 225, 253	70025211..... 227	7007431..... 295
70007682..... 52	70025077..... 255	70025212..... 255	7007433..... 295
70007683..... 52	70025082..... 225, 253	70025213..... 227	7007435..... 294
70007684..... 52	70025084.. 189, 226, 254	70025214..... 227	7007437..... 33
70007685..... 52	70025088..... 225	70025215..... 226	7007438..... 33, 294
70007686..... 52	70025091..... 225, 253	70025216..... 226	7007439..... 33, 294
70007687..... 52	70025101..... 225, 254	70025217..... 227	7007441..... 295
70007688..... 52	70025107..... 254	70025218..... 227	7007442..... 294
70007689..... 52	70025109..... 226, 254	70025219..... 227	7007443..... 294
70007690..... 52	70025111..... 226, 253	70025220..... 227	7007444..... 295
70007691..... 52	70025112..... 254	70025221..... 226, 227	7007446..... 33, 294
70007692..... 52	70025113..... 227	70025222..... 227	7007448..... 294
70007693..... 52	70025115..... 226, 254	70025223..... 227	7007450..... 295
70007694..... 52	70025120..... 227, 255	70025224..... 227	7007453..... 295
70007695..... 52	70025124..... 254	70025225..... 227	7007457..... 294
70007696..... 52	70025130..... 255	70025226..... 226	7007459..... 294
70007697..... 52	70025131..... 226, 255	70025228..... 226	7007463..... 294
70007698..... 52	70025132..... 255	70025231..... 226, 255	7007464..... 294
70007699..... 52	70025133..... 226, 254	70025233..... 226, 255	7007465..... 294
70007700..... 52	70025135..... 225, 253	70025235..... 225, 254	7007476..... 295
70007701..... 52	70025137..... 253	70025236..... 227	7007477..... 295
70007702..... 52	70025139..... 253	70025237..... 227	7007484..... 294
70007964..... 52	70025140..... 225, 253	70025238..... 227	7007485..... 295
70010383 . 63, 65, 67, 69, 864	70025142..... 226	70025239..... 225, 254	7007487..... 295
7001909..... 84	70025144..... 225, 253	70025240..... 225, 254	7007488..... 295
7001911..... 84	70025145..... 225, 253	70025241..... 227	7007633..... 84
7001912..... 84	70025146..... 225, 253	70025242..... 227, 255	7010116..... 294
7001913..... 29	70025148..... 226, 254	70025245..... 255	7010117..... 295
7001931..... 84	70025149..... 226, 255	70025246..... 255	7010119..... 295
7001985..... 84	70025150..... 226	70025477..... 255	7010121..... 294
70022564..... 555	70025151..... 225, 254	70025580..... 557	70104570..... 227
70023369..... 555	70025152..... 253	70025582..... 557	7010474..... 84
	70025153..... 254, 865	70025619..... 557	7010492..... 84
		70025660..... 227, 253	7010543..... 79
		70025733..... 255	7011112..... 553, 555

SECTION 11 - SPECIAL OPTIONS

70124530.....227	7020468189, 201	7024579 ... 189, 201, 225, 253	7027795.... 189, 201, 864, 865
70124538.....227	7020471190, 202	7024598 323, 325	7027796..... 190, 201
7012513....341, 343, 345, 349, 353	7020479190, 202	7024704 84	7027799....371, 375, 380, 384, 387
7012514....341, 343, 345, 349, 353	7020487189, 201	7024721 30	7027887....341, 343, 346, 349, 353
7012558....343, 345, 349, 353	7020492226, 254	7024722 29	7274000040.....356, 360, 368, 372, 376, 384
7012925.....557	7021200 294	7024723 30	7300435....176, 186, 198, 236, 248
7012941.....79	7021201 295	7024724 29	77133137..689, 691, 693, 695, 697, 699, 701, 703, 705, 707, 709, 711
7012967.....79, 557	7021202 294	7024725 29	77363233..... 761, 763
7012998.....35	7021203 295	7024726 29	80434249..... 71, 75, 864
7013189.....95	7021206 295	7024727 29	80484084.....747, 751
7016319.....129	7021207 294	7024728 29	80633030..597, 602, 609, 614, 621, 626, 633, 638
7016328.... 189, 201, 864, 865	7021210 294	7024729 29	80963067.....811
7016331.... 189, 201, 225, 253, 864, 865	7021212 294	7024730 29	80983191... 747, 751, 865
7016372.....129	7021214 294	7024731 29	82033995.....269
7016652.....872	7021219 294	7024732 29	8220045.... 745, 759, 812
7016654.....872	7021220 294	7024733 29	8220115..... 747, 751
7016655.....872	7021221 295	7024734 29	8220125.....811
7017022.....30	7021222 295	7024735 29	8220164..... 745, 747
7017023.....84	7021223 295	7024736 29	8229242.... 747, 751, 783, 811, 864
7017027.....29	7021232 295	7024737 30	8229244..... 811, 864
7017070.....84	7021233 294	7024738 29	8229245.... 759, 812, 864
7017072.....29, 84	7021249 33	7024739 29	8310129.... 523, 525, 527
7017080.....84	7021256294, 295	7024740 29	8310614..... 23
7017082.....85	7021275 33	7024741 29	83304173..... 103
7017085.....84	7021625 35	7024742 29	8405006.....268, 280
7017093.....29	7022162 287	7024743 29, 84	8405007.... 212, 222, 236, 248
7017095.....29	7022301 295	7024744 29, 30	8405009.... 212, 222, 236, 248, 269, 281
7017142.....411, 413	7022302 33	7024763 84	8405102..... 268, 280
7017159.....411, 413	7022311 33	7024764 30	8405104.... 212, 222, 236, 248, 268, 280
7017162.....411, 413	7022313 33	7024765 30	8405202.... 176, 186, 198, 212, 222
7017163.....411, 413	7022314 33	7024766 30	8405203..... 268, 280
7017164.....411, 413	7022326 33	7024784 85	8406003.....429, 431
7017172.....411, 413	7022328 33	7024851 295	8406109.... 213, 223, 236, 248, 268, 280
7017192.....411, 413	7022368 33	7024862 33	8406110.... 131, 133, 135, 137, 169, 179, 193
7017195.....411, 413	7022371 33	7024865 33	8406201.... 213, 223, 269, 281
7017410.....79	7022372 33	7024867 33	8410011.... 236, 248, 268, 280
7017467.....557	7022399 35	7024871 33	8420231..... 270, 281
7017496.....557	7022524425, 427	7024874 294	85941018..... 261, 273
7019680.... 343, 346, 349, 353	702252771, 75	7024875 294	88411013..... 713
7020043..... 97, 101	702382172, 76	7024877 295	88521214... 543, 545, 547
7020108....341, 343, 345, 349, 353	7023910 33	7024881 35	8896941..... 871
7020109....341, 343, 345, 349, 353	7023979 294	7026188 371, 375, 388	91203039.....437
7020110....341, 343, 345, 349, 353	7024100 85	7026199 345, 349, 353	91401281..... 105
7020111....341, 343, 345, 349, 353	7024124 29	7026511 95	91403230..815, 817, 819, 821, 823, 825, 827, 829, 831, 833, 835, 837, 839, 841, 843, 845, 847, 849, 851
7020175.... 117, 119, 477, 481	7024127 29	7026597 ... 371, 375, 380, 384, 388	
7020176.... 117, 119, 477, 481	7024129 29	7026626 ... 371, 375, 380, 384, 388	
7020190....341, 343, 345, 349, 353	7024134 30	7026631 189, 201	
7020403..... 189, 201	7024134 30	7027236 189, 201	
7020404.....225	7024398 202	7027276 190, 202	
7020408..... 189, 202	7024441 103	7027404 288	
7020431..... 189, 201	7024462 537	7027419 33	
7020460..... 189	7024463 537	7027740 33	
7020465.... 189, 201, 225, 253	7024467 537	7027773 537	
	7024469 537	7027774 537	
	7024470 537	7027775 537	
	7024471 537	7027776 537	
	7024472 537	7027777 537	
	7024473 537	7027778 537	
	7024474 537	7027779 537	
	7024475 537	7027780 537	
	7024478 537	7027790 190, 202	
	7024485....371, 375, 387	7027791 190, 202	
	7024488 ... 371, 375, 379, 383, 387	7027792 190, 202	
	7024489 ... 371, 375, 379, 383, 387		
	7024560 202		



3121729



An Oshkosh Corporation Company

Corporate Office
JLG Industries, Inc.
1 JLG Drive
McConnellsburg, PA 17233-9533 USA
☎ (717) 485-5161 (Corporate)
☎ (877) 554-5438 (Customer Support)
☎ (717) 485-6417

Visit our website for JLG Worldwide Locations.
www.jlg.com