



Illustrated Parts Manual

Models

600S

600SJ

660SJ

SN 0300068000
THROUGH 0300087000

P/N
3121856

September 14, 2018 - Rev AJ



An Oshkosh Corporation Company

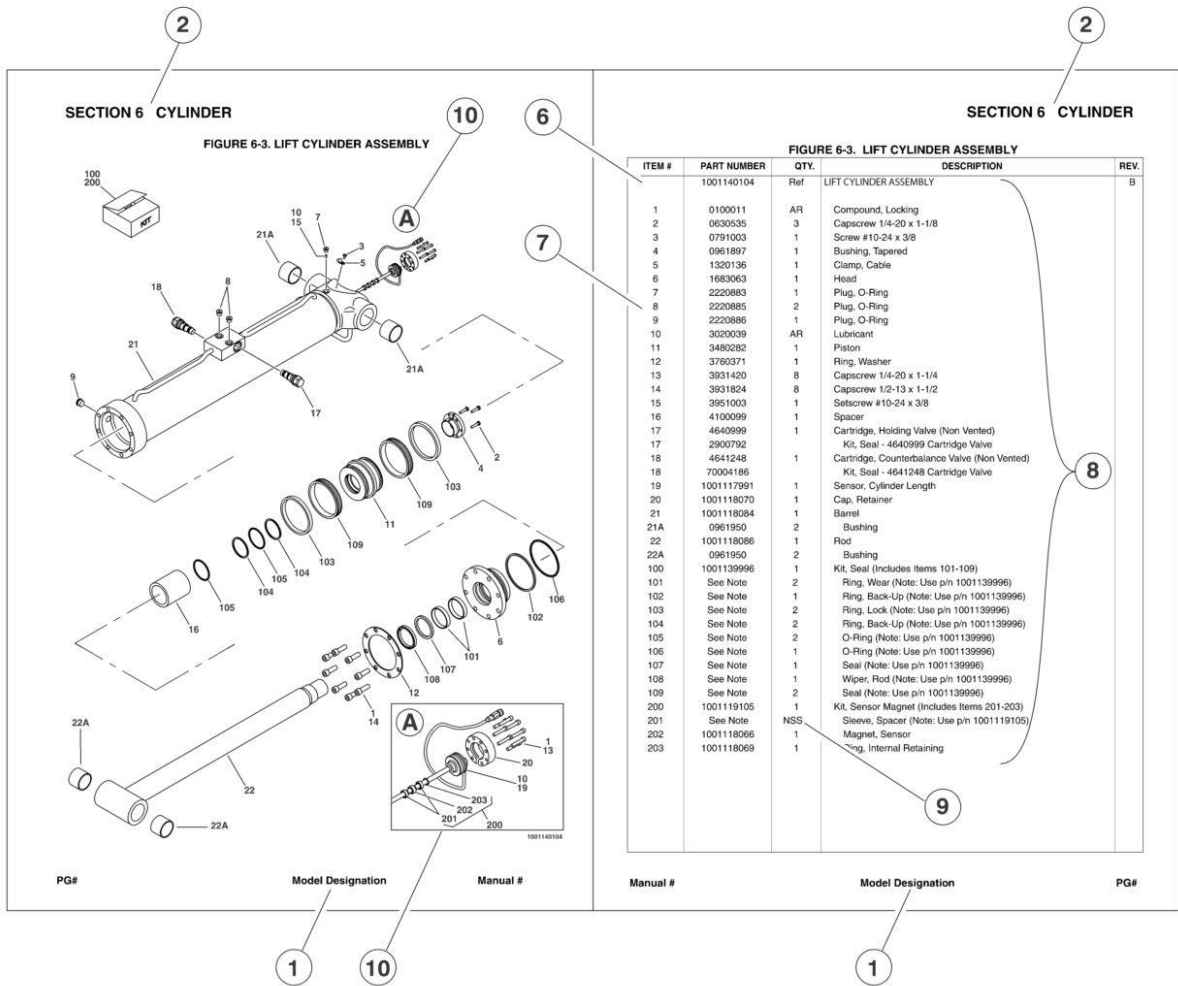
REVISION LOG

November 30, 2002 - A - Original Issue Of Manual (Edited to 0010574 Revision 18)
January 17, 2003 - B - Revised Manual (Edited to 0010574 Revision 29)
May 1, 2003 - C - Revised Manual (Edited to 0010574 Revision 34)
December 11, 2003 - D - Revised Manual (Edited to 0010574 Revision 44 & 0010603 Revision 1)
May 12, 2004 - E - Revised Manual (Edited to 0010603 Revision 6)
August 26, 2004 - F - Revised Manual (Edited to 0010603 Revision 17)
January 20, 2005 - G - Revised Manual (Edited to 0010603 Revision 19)
June 1, 2005 - H - Revised Manual (Edited to 0010603 Revision 35)
November 10, 2005 - I - Revised Manual
May 18, 2006 - J - Revised Manual
August 9, 2006 - K - Revised Manual
January 15, 2007 - L - Revised Manual
May 15, 2007 - M - Revised Manual
September 19, 2007 - N - Revised Manual
January 15, 2008 - O - Revised Manual
June 15, 2008 - P - Revised Manual
December 1, 2008 - Q - Revised Manual
April 15, 2009 - R - Revised Manual
October 15, 2009 - S - Revised Manual
May 24, 2010 - T - Revised Manual
March 15, 2011 - U - Revised Manual
June 10, 2011 - V - Revised Manual
September 14, 2011 - W - Revised Manual
January 6, 2012 - X - Revised Manual
April 20, 2012 - Y - Revised Manual
July 27, 2012 - Z - Revised Manual
November 8, 2012 - AA - Revised Manual
March 15, 2013 - AB - Revised Manual
April 25 , 2013 - AC - Revised Manual
June 14, 2013 - AD - Revised Manual

REVISION LOG

September 30, 2013 - AE - Revised Manual
February 28, 2014 - AF - Revised Manual
October 30, 2015 - AG - Revised Manual (Revision 4)
March 14, 2017 - AH - Revised Manual
February 9, 2018 - AI - Revised Manual
September 14, 2018 - AJ - Revised Manual

GENERAL INFORMATION



1) MACHINE IDENTIFICATION

Machines are identified by model and in some cases a combination of models, serial number (SN) or regional standard (i.e ANSI, CE, CSA). Components may also be identified by SN or manufacturer. Common components that may be identified by these characteristics are engines and hydraulic components.

2) PARTS MANUAL ORGANIZATION

Product information in this manual is organized under section titles. Frame, Cylinder, Hydraulic and Electrical are a few examples. Each section is organized by figure and page number. The information within the Figure is then organized by item number, part number, description and corresponding illustration (s).

3) TABLE OF CONTENTS

A table of contents is found toward the beginning of the manual. Figure number, description and page number are provided for quick reference to the page containing the related information.

4) RECOMMENDED SPARE PARTS

The Recommended Spare Parts, located near the end of the manual, reference most frequently used maintenance parts.

5) PART NUMBER INDEX

A numerical index listing all part numbers and the corresponding page number(s) appears at the back of the manual.

GENERAL INFORMATION

6) NON-SERVICED PARTS

In some instances, it is necessary to display non-serviced parts, assemblies or installations. In the case of assemblies and installations there will be a Ref in the Qty column. In case of parts that are not available for service within assemblies or components, there will be a NSS (Not Sold Separately) or NLA (No Longer Available) listed in the Qty. column of the manual.

7) PARTS LIST ITEM NUMBERS

Numbers shown in the item# column correspond to numbers used in the associated illustration (s). Item numbers which are missing from the sequence in the parts list are not used on that page

8) INDENTED PARTS DESCRIPTION

An indented part description is included in the item under which it is indented.

9) ABB REVIATION AND SYMBOLS

AC.....	.. Alternating Current	LCD Liquid Crystal Display
ADE.Advanced Design Electronics	LED Light Emitting Diodes
ANSIAmerican National Standards Institute	LH... Left Hand
AR.As Required	LSSLoad Sensing System
ASSY Assembly	M(m)...	.. Metric/Meter
AUX...Auxiliary	MM (mm)Milimeter
AWG.....	..American WireGauge	mA.....	.. Milliamps
B/M.....	.. Bill of Material	NLA.....	..No Longer Available
CE.....	..European Conformity	NPT National Pipe T threads
CCWCounter Clockwise	NSSNot Sold Separately
cm.....	.. Centimeter	OD.....	..Outside Diameter
CWClockwise	OR B.....	.. O-Ring Bos s
CSA.Canadian Standards Association	OR F S.....	.. O-Ring Face Seal
CYL...Cylinder	OZ (oz).Ounces
DIA.Diameter	PGPage
DCDirect Current	P/N.....	..Part Number
EMS Emergency Stop	qt.....	..Quarts
ENGEngine	QTY.....	..Quantity
FT (ft).....	.. Feet	REFReference
GA(Ga)..Gauge	REVRevision Level
HYDHydraulic	RH... Right Hand
Hz.Hertz	SAE.....	.. Society of Automotive Engineers
ID.....	..Inside Diameter	SN.....	..Serial Number
in.....	.. inches	SPEC(S).....	..Specifications
ISOInternational Organization for Standards	T/T.....	..Turntable
JIC.....	..Joint Industry Council	UGMUniversal Ground Module
KGKilogram	V.....	.. Volts
L.....	..Liter	W.....	.. Watts
LBPounds	#.....	.. Number

10) ILLUSTRATION REFERENCE LETTERS

When necessary, illustrations may contain reference letters that are intended to track information (i. e. hoses, harnesses) from one point to another or to track visual enlargement of components to show details that may be located in another area on the illustration.

Note: Due to continuous product improvements, JLG Industries, Inc. reserves the right to make specification changes without prior notification. Contact JLG Industries, Inc. for updated information.

TABLE OF CONTENTS

SECTION 1 - FRAME.....	9
FIGURE 1-1. 2WD FRONT AXLE AND STEERING INSTALLATION (SN 0300068000 through 0300075605)	10
FIGURE 1-2. 2WD FRONT AXLE AND STEERING INSTALLATION (SN 0300075606 through 0300087000)	14
FIGURE 1-3. 4WD FRONT AXLE AND STEERING INSTALLATION (SN 0300068000 through 0300075605)	18
FIGURE 1-4. 4WD FRONT AXLE AND STEERING INSTALLATION (SN 0300075606 through 0300087000)	22
FIGURE 1-5. 4WS REAR STEERING INSTALLATION (SN 0300068000 through 0300075605)	26
FIGURE 1-6. 4WS REAR STEERING INSTALLATION (SN 0300075606 through 0300087000)	28
FIGURE 1-7. TIRE AND WHEEL DRIVE INSTALLATIONS.....	30
FIGURE 1-8. DRIVE HUB ASSEMBLY (SN 0300068000 through 0300075605)	34
FIGURE 1-9. DRIVE HUB ASSEMBLY (SN 0300075606 through 0300087000)	36
FIGURE 1-10. DRIVE MOTOR ASSEMBLY (SN 0300068000 through 0300075605)	40
FIGURE 1-11. DRIVE MOTOR ASSEMBLY (ORIGINAL EQUIPMENT) (SN 0300075606 through 0300087000).....	42
FIGURE 1-12. DRIVE MOTOR ASSEMBLY (SERVICE REPLACEMENT).....	46
FIGURE 1-13. DRIVE VALVES AND SHIELDS INSTALLATION (FRAME MOUNTED) (SN 0300068000 through 0300075605) .	48
FIGURE 1-14. DRIVE VALVES AND SHIELDS INSTALLATION (FRAME MOUNTED) (SN 0300075606 through 0300087000) .	50
FIGURE 1-15. TOW PACKAGE INSTALLATION (OPTIONAL) (SN 0300068000 through 0300075605)	54
FIGURE 1-16. TOW PACKAGE INSTALLATION (OPTIONAL) (SN 0300075606 through 0300087000)	56
SECTION 2 - TURNTABLE	59
FIGURE 2-1. CONTROL VALVES INSTALLATIONS.....	60
FIGURE 2-2. MAIN CONTROL VALVE ASSEMBLY.....	64
FIGURE 2-3. ACCESSORY VALVE ASSEMBLY.....	68
FIGURE 2-4. SWING DRIVE, TURNTABLE BEARING AND LOCK INSTALLATIONS.....	70
FIGURE 2-5. SWING HUB ASSEMBLY.....	72
FIGURE 2-6. SWING MOTOR ASSEMBLY	74
FIGURE 2-7. CATERPILLAR ENGINE INSTALLATION	78
FIGURE 2-8. DEUTZ ENGINE INSTALLATION (SN 0300068000 through 0300077489).....	86
FIGURE 2-9. DEUTZ ENGINE INSTALLATION (SN 0300077490 through 0300087000).....	92
FIGURE 2-10. PISTON PUMP ASSEMBLY (SN 0300068000 through 0300075605)	100
FIGURE 2-11. PISTON PUMP ASSEMBLY (SN 0300075606 through 0300087000).....	104
FIGURE 2-12. GEAR PUMP ASSEMBLY	110
FIGURE 2-13. TANK INSTALLATIONS.....	112
FIGURE 2-14. ROTARY COUPLING INSTALLATION (SN 0300068000 through 0300075605).....	114
FIGURE 2-15. ROTARY COUPLING INSTALLATION (SN 0300075606 through 0300087000).....	116
FIGURE 2-16. GROUND CONTROL BOX ASSEMBLY.....	120
FIGURE 2-17. ELECTRICAL OPTIONS INSTALLATION (TURNTABLE MOUNTED).....	124
FIGURE 2-18. ENGINE TRAY JACK INSTALLATION (OPTIONAL).....	128
FIGURE 2-19. HOODS AND LIFTING PLATE INSTALLATIONS.....	130
FIGURE 2-20. 2500W GENERATOR INSTALLATION CATERPILLAR MACHINES (OPTIONAL).....	134
FIGURE 2-21. 2500W GENERATOR INSTALLATION - DEUTZ MACHINES (OPTIONAL)	138
FIGURE 2-22. 2500W GENERATOR INSTALLATION - DEUTZ MACHINES (UK SPEC AND GERMAN SPEC) (OPTIONAL) .	142
FIGURE 2-23. 7500W SKYPOWER GENERATOR INSTALLATION - CATERPILLAR AND DEUTZ ENGINES (OPTIONAL) ...	144
SECTION 3 - BOOM.....	149
FIGURE 3-1. BOOM INSTALLATION - 600S.....	150
FIGURE 3-2. BOOM INSTALLATION - 600SJ & 660SJ.....	154
FIGURE 3-3. MAIN BOOM ASSEMBLIES	160
FIGURE 3-4. ROTATOR ASSEMBLIES (FRONT ENTRY PLATFORM).....	164
FIGURE 3-5. ROTATOR ASSEMBLIES (SIDE ENTRY PLATFORM).....	168
FIGURE 3-6. POWER TRACK INSTALLATIONS.....	170
SECTION 4 - PLATFORM.....	173
FIGURE 4-1. PLATFORM COMPONENTS INSTALLATION (AUSTRALIAN SPEC WITH FRONT ENTRY PLATFORM)	174
FIGURE 4-2. PLATFORM COMPONENTS INSTALLATION (CE SPEC WITH FRONT ENTRY PLATFORM)	178
FIGURE 4-3. PLATFORM COMPONENTS INSTALLATION (SIDE ENTRY PLATFORM)	182
FIGURE 4-4. PLATFORM COMPONENTS INSTALLATION (FALL ARREST PLATFORM).....	186
FIGURE 4-5. PLATFORM CONSOLE ASSEMBLY.....	188
FIGURE 4-6. CONTROLLER ASSEMBLY (LIFT AND SWING) (ORIGINAL EQUIPMENT)	194
FIGURE 4-7. CONTROLLER ASSEMBLY (LIFT AND SWING) (SERVICE REPLACEMENT)	196
FIGURE 4-8. CONTROLLER ASSEMBLY (LIFT AND SWING) (SERVICE REPLACEMENT)	198
FIGURE 4-9. CONTROLLER ASSEMBLY (DRIVE AND STEER) (ORIGINAL EQUIPMENT)	202
FIGURE 4-10. CONTROLLER ASSEMBLY (DRIVE AND STEER) (SERVICE REPLACEMENT).....	204

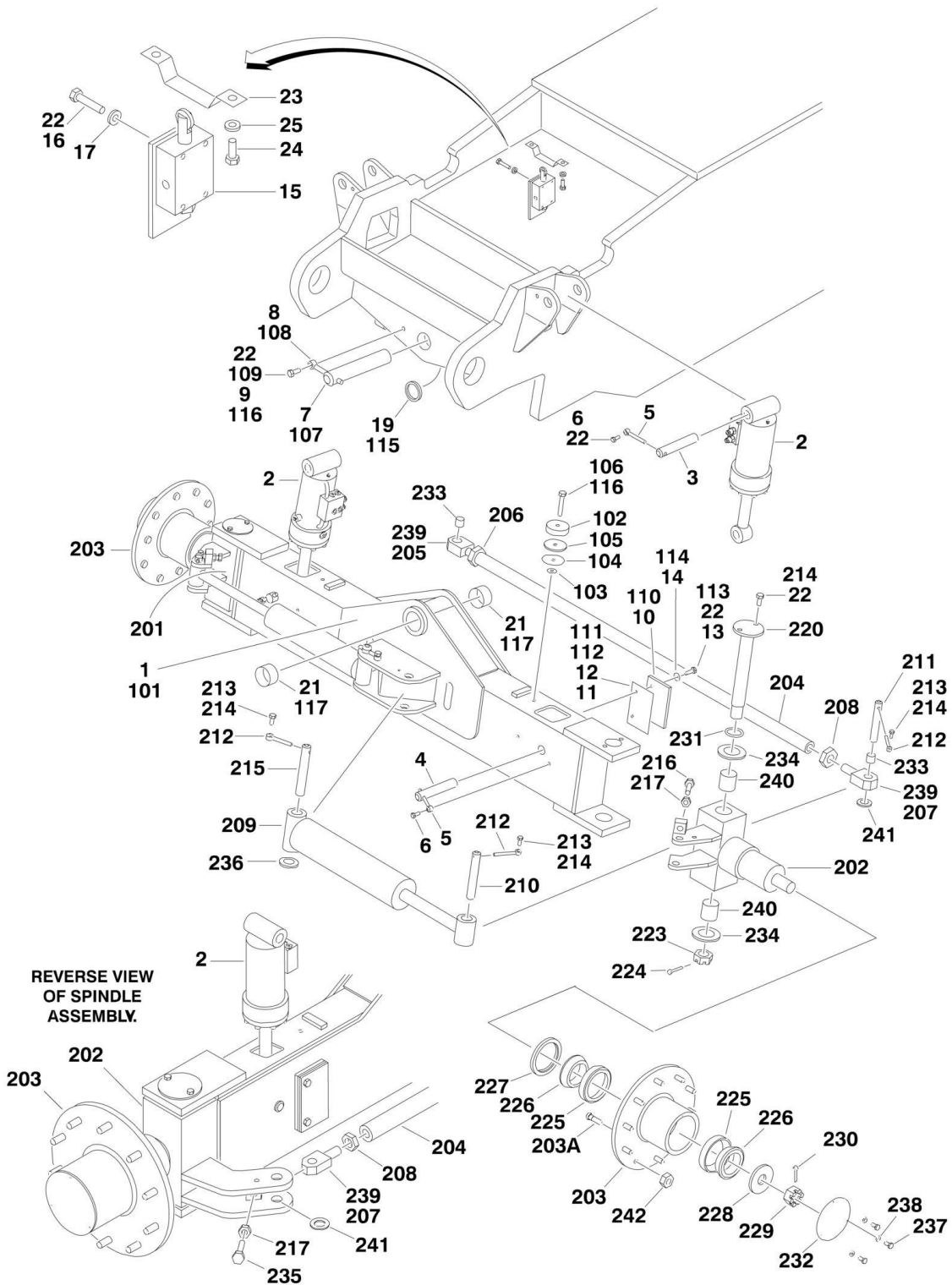
TABLE OF CONTENTS

FIGURE 4-11. CONTROLL ASSEMBLY (DRIVE AND STEER) (SERVICE REPLACEMENT)	206
FIGURE 4-12. SOFT TOUCH SYSTEM INSTALLATION (OPTIONAL)	208
FIGURE 4-13. PLATFORM PADDING INSTALLATION (OPTIONAL) (SIDE ENTRY PLATFORM)	210
FIGURE 4-14. SKYWELDER INSTALLATION (50HZ)	212
FIGURE 4-15. SKYCUTTER INSTALLATION - 50HZ POWER SUPPLY	214
FIGURE 4-16. PLASMA CUTTER ASSEMBLY - 50HZ POWER SUPPLY	216
SECTION 5 - CYLINDER	219
FIGURE 5-1. AXLE LOCKOUT CYLINDER ASSEMBLY (SN 0300068000 through 0300075605)	220
FIGURE 5-2. AXLE LOCKOUT CYLINDER ASSEMBLY (SN 0300075606 through 0300087000)	222
FIGURE 5-3. LEVEL CYLINDER ASSEMBLY (PLATFORM SLAVE) - 600S (ORIGINAL EQUIPMENT)	224
FIGURE 5-4. LEVEL CYLINDER ASSEMBLY (PLATFORM SLAVE) - 600S (SERVICE REPLACEMENT)	226
FIGURE 5-5. LEVEL CYLINDER ASSEMBLY (PLATFORM SLAVE) - 600S (SERVICE REPLACEMENT)	228
FIGURE 5-6. LEVEL CYLINDER ASSEMBLY (PLATFORM SLAVE) - 600SJ & 660SJ (ORIGINAL EQUIPMENT)	230
FIGURE 5-7. LEVEL CYLINDER ASSEMBLY (PLATFORM SLAVE) - 600SJ & 660SJ (SERVICE REPLACEMENT)	232
FIGURE 5-8. LEVEL CYLINDER ASSEMBLY (PLATFORM SLAVE) - 600SJ & 660SJ (SERVICE REPLACEMENT)	234
FIGURE 5-9. LIFT CYLINDER ASSEMBLY (BOOM)	236
FIGURE 5-10. LIFT CYLINDER ASSEMBLY (JIB) - 600SJ & 660SJ (ORIGINAL EQUIPMENT)	240
FIGURE 5-11. LIFT CYLINDER ASSEMBLY (JIB) - 600SJ & 660SJ (SERVICE REPLACEMENT)	242
FIGURE 5-12. LIFT CYLINDER ASSEMBLY (JIB) - 600SJ & 660SJ (SERVICE REPLACEMENT)	244
FIGURE 5-13. MASTER CYLINDER ASSEMBLY (ORIGINAL EQUIPMENT)	246
FIGURE 5-14. MASTER CYLINDER ASSEMBLY - 600S (SERVICE REPLACEMENT)	250
FIGURE 5-15. MASTER CYLINDER ASSEMBLY - 600SJ/660SJ (SERVICE REPLACEMENT)	252
FIGURE 5-16. STEER CYLINDER ASSEMBLY	254
FIGURE 5-17. TELESCOPE CYLINDER ASSEMBLY	256
FIGURE 5-18. CYLINDER BELLOWS INSTALLATION (OPTIONAL)	258
SECTION 6 - HYDRAULIC	261
FIGURE 6-1. HYDRAULIC DIAGRAM - DRIVE AND STEER (2WD/2WS)	262
FIGURE 6-2. HYDRAULIC DIAGRAM - DRIVE AND STEER (4WD/2WS) (SN 0300068000 through 0300075605)	266
FIGURE 6-3. HYDRAULIC DIAGRAM - DRIVE AND STEER (4WD/2WS) (SN 0300075606 through 0300087000)	270
FIGURE 6-4. HYDRAULIC DIAGRAM - OSCILLATING AXLE	272
FIGURE 6-5. HYDRAULIC DIAGRAM - STANDARD (SN 0300068000 through 0300075605)	274
FIGURE 6-6. HYDRAULIC DIAGRAM - STANDARD (SN 0300075606 through 0300087000)	278
FIGURE 6-7. HYDRAULIC DIAGRAM LIST	282
SECTION 7 - ELECTRICAL	285
FIGURE 7-1. ELECTRICAL DIAGRAM LIST	286
FIGURE 7-2. HARNESS COMPONENTS INSTALLATION	288
FIGURE 7-3. AC CABLE INSTALLATION (UK AND GERMAN SPEC)	298
SECTION 8 - DECALS	301
FIGURE 8-1. DECAL INSTALLATION - CE AND AUSTRALIAN SPEC (SN 0300068000 through 0300087000)	302
FIGURE 8-2. DECAL INSTALLATION - MODEL 660SJ (RUSSIAN SPEC)	306
SECTION 9 - RECOMMENDED SERVICE PARTS STOCK	309
FIGURE 9-1. MODEL 600S/600SJ/660SJ STANDARD PARTS	310
FIGURE 9-2. MODEL 600S/600SJ/660SJ VARIABLE PARTS	312
SECTION 10 - SPECIAL OPTIONS	313
FIGURE 10-1. SPECIAL OPTIONS	314
PART NUMBER INDEX	319

SECTION 1 - FRAME

SECTION 1 - FRAME

FIGURE 1-1. 2WD FRONT AXLE AND STEERING INSTALLATION (SN 0300068000 through 0300075605)



SECTION 1 - FRAME

FIGURE 1-1. 2WD FRONT AXLE AND STEERING INSTALLATION (SN 0300068000 through 0300075605)

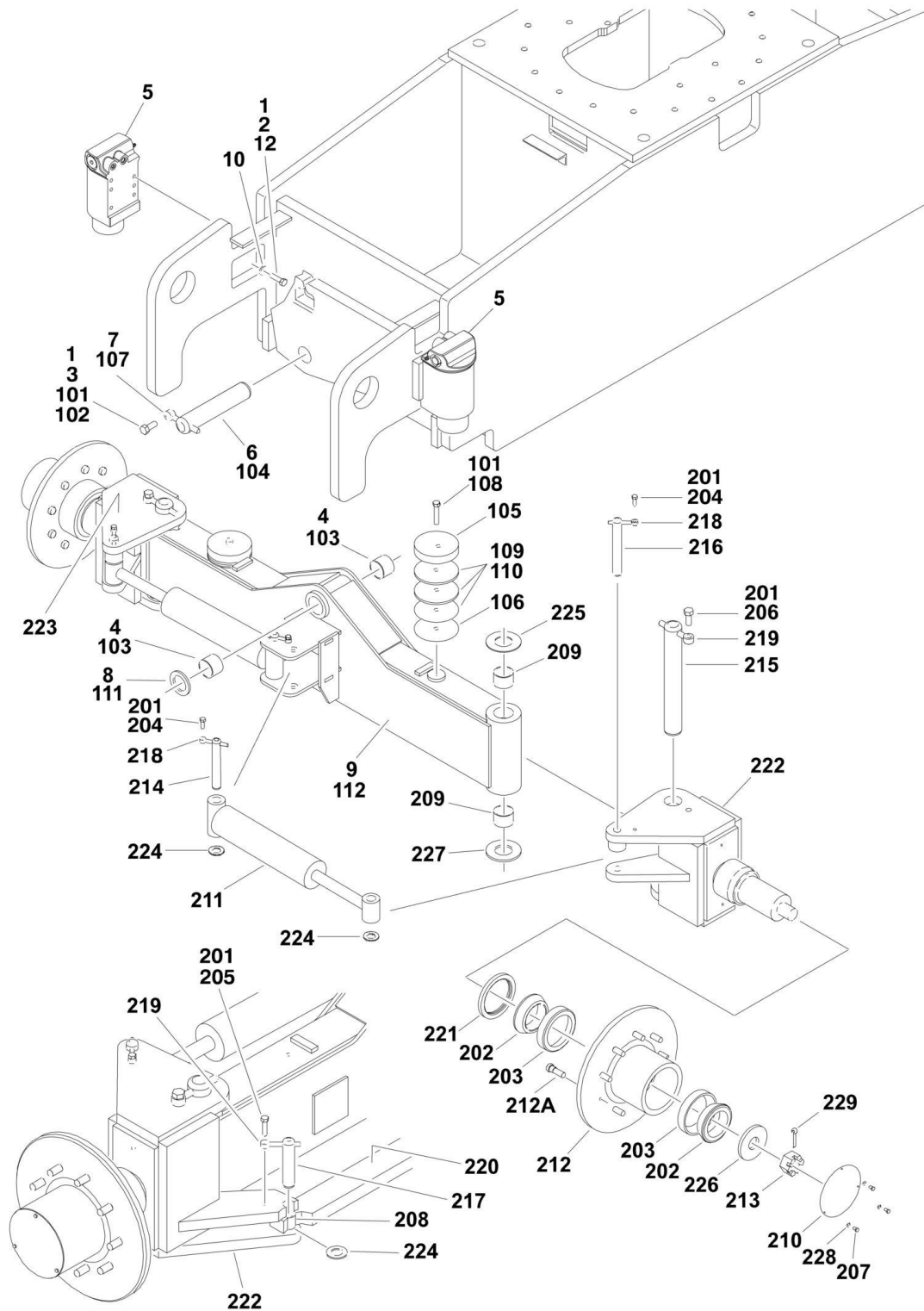
ITEM	PART NUMBER	QTY	DESCRIPTION	REV
	0256394	Ref	AXLE INSTALLATIONS - OSCILLATING	5
1	4844777	1	Axle Weldment	
2	1683078	2	Lockout Cylinder Assembly (See CYLINDER SECTION for Breakdown)	
3	3422333	2	Pin, Pivot	
4	3422332	2	Pin, Cylinder	
5	3841143	4	Keeper, Pin	
6	0641608	4	Bolt 3/8in-16NC x 1in	
7	3422591	1	Pin, Axle Pivot	
8	3841258	1	Keeper, Pin	
9	0642012	1	Bolt 5/8in-11NC x 1-1/2in	
10	3538047	2	Plate, Wear	
11	4070878	AR	Shim 1/16in	
12	4070879	AR	Shim 1/8in	
13	0641612	4	Bolt 3/8in-16NC x 1-1/2in	
14	4711600	4	Flatwasher 3/8in Thin	
15	4640871	1	Valve, Cam	
15	7012693	1	Seal Kit - 4640871 Valve	
15	7002840	1	Pin Removal Tool	
16	0641414	4	Bolt 1/4in-20NC x 1-3/4in	
17	4711400	4	Flatwasher 1/4in Thin	
19	4740158	1	Thrustwasher	
21	0961950	2	Bushing	
22	0100011	AR	Compound, Locking	
23	1100086	1	Cam	
24	0641814	2	Bolt 1/2in-13NC x 1-3/4in	
25	4751800	AR	Flatwasher 1/2in Regular	
	0256621	Ref	AXLE INSTALLATIONS - FIXED	4
101	4844777	1	Axle Weldment	
102	3539877	2	Plate, Stop	
103	3539878	2	Plate, Stop	
104	4070944	AR	Shim (.06)	
105	4070945	AR	Shim (.25)	
106	3931840	2	Screw 1/2in-13NC x 2-1/2in	
107	3422591	1	Pin, Pivot	
108	3841258	1	Keeper, Pin	
109	0642012	1	Bolt 5/8in-11NC x 1-1/2in	
110	3538047	2	Plate, Wear	
111	4070878	AR	Shim 1/16in	
112	4070879	AR	Shim 1/8in	
113	0641608	4	Bolt 3/8in-16NC x 1in	
114	4711600	4	Flatwasher 3/8in Thin	
115	4740158	1	Thrustwasher	
116	0100019	AR	Compound, Locking	
117	0961950	2	Bushing	
	0257732	Ref	STEERING INSTALLATION	2-A
201	4130353	1	Spindle - Right Side	
202	4130354	1	Spindle - Left Side	
203	2780188	2	Hub	

SECTION 1 - FRAME

ITEM	PART NUMBER	QTY	DESCRIPTION	REV
203A	0630078	20	Stud, Wheel (10 Per Hub)	
204	3841236	1	Tie-Rod	
205	0561138	1	End, Tie-Rod (Right Side/RH Threads)	
206	3323002	1	Nut, Jam 1-1/4in-12NF (RH Threads)	
207	0561139	1	End, Tie-Rod (Left Side/LH Threads)	
208	3300229	1	Nut, Jam 1-1/4in-12NF (LH Threads)	
209	1683208	2	Steer Cylinder Assembly (See CYLINDER SECTION for Breakdown)	
210	3422351	2	Pin, Steer Cylinder	
211	3422352	2	Pin, Tie-Rod	
212	3841143	6	Shaft, Keeper	
213	0641608	6	Bolt 3/8in-16NC x 1in	
214	0100011	AR	Compound, Locking	
215	3422326	2	Pin, Steer Cylinder	
216	0682014	2	Bolt 5/8in-11NC x 1-3/4in (Grade 8)	
217	3312002	4	Nut, Jam 5/8in-11NC	
220	3422335	2	Kingpin	
222	0681610	4	Bolt 3/8in-16NC x 1-1/4in (Grade 8)	
223	3324203	2	Nut, Slotted 2in-4 1/2NF	
224	3451012	2	Pin, Cotter 5/8in x 3in	
225	0440171	4	Cup, Bearing - Inner	
226	0440170	4	Cone, Bearing - Inner	
227	3960343	2	Seal, Grease	
228	4740283	2	Flatwasher, Hardened	
229	3323403	2	Nut, Slotted 1-1/2in-6NF	
230	3451010	2	Pin, Cotter 5/8in x 2-1/2in	
231	3780187	4	O-Ring	
232	1120304	2	Cap, Hub	
233	0961977	2	Bearing	
234		Ref	Thrustwasher Options:	
234	4740463	2	Thrustwasher Top	
234	4740256	2	Thrustwasher Bottom	
235	0682012	2	Bolt 5/8in-11NC x 1-1/2in (Grade 8)	
236	4740111	4	Thrustwasher	
237	0721003	6	Bolt #10-24NC x 3/8in	
238	4761000	6	Lockwasher #10	
239	0100063	AR	Loctite RC609	
240	0962036	4	Bushing, Bronze	
241	4740067	2	Thrustwasher	
242	3300007	20	Lugnut (10 per wheel)	

SECTION 1 - FRAME

FIGURE 1-2. 2WD FRONT AXLE AND STEERING INSTALLATION (SN 0300075606 through 0300087000)



SECTION 1 - FRAME

FIGURE 1-2. 2WD FRONT AXLE AND STEERING INSTALLATION (SN 0300075606 through 0300087000)

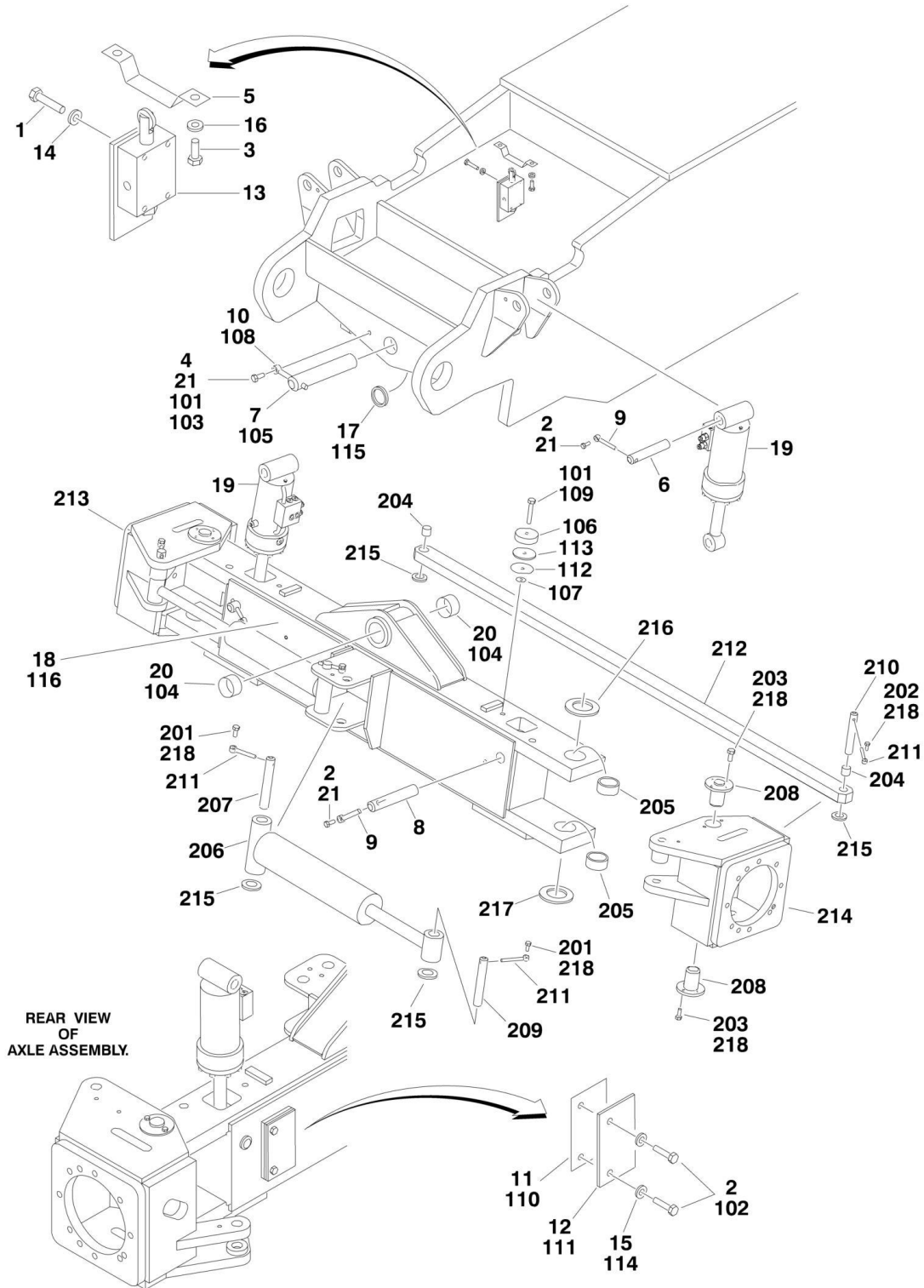
ITEM	PART NUMBER	QTY	DESCRIPTION	REV
		Ref	AXLE INSTALLATIONS - OSCILLATING	
	0273081	Ref	Without Tow Package	E
	0273379	Ref	With Tow Package	C
1	0100011	AR	Compound, Locking	
2	0641814	8	Bolt 1/2in-13NC x 1-3/4in	
3	0642012	1	Bolt 5/8in-11NC x 1-1/2in	
4	0961950	2	Bearing	
5	1684280	NLA	Lockout Cylinder Assembly (Use p/n 1001167359) (See CYLINDER SECTION for Breakdown) (Original Equipment)	
5	1001167359	1	Cylinder Replacement Kit (Kit Replaces p/n 1684280 with p/n 1684465 Cylinder)	
6	3422592	1	Pin, Pivot	
7	3841258	1	Keeper, Pin	
8	4740158	1	Thrustwasher	
9		Ref	Axle Weldment Options:	
9	4846814	1	Without Tow Package	
9	4846934	1	With Tow Package	
10	4891800	8	Flatwasher 1/2in Hardened	
12	0100038	AR	Primer #7471	
	0273226	Ref	AXLE INSTALLATIONS - FIXED	A
101	0100011	AR	Compound, Locking	
102	0642012	1	Bolt 5/8in-11NC x 1-1/2in	
103	0961950	2	Bearing	
104	3422592	1	Pin, Pivot	
105	3539877	2	Plate, Stop	
106	3539878	2	Plate, Stop	
107	3841258	1	Keeper, Pin	
108	3931840	2	Screw 1/2in-13NC x 2-1/2in	
109	4070944	4	Shim (.06)	
110	4070945	4	Shim (.25)	
111	4740158	1	Thrustwasher	
112		Ref	Axle Weldment Options:	
112	4846814	1	Without Tow Package	
112	See Note	1	With Tow Package (Note: Not Available for Purchase)	
		Ref	STEERING INSTALLATIONS	
	0273150	Ref	Without Tow Package	B
	0273422	Ref	With Tow Package	A
201	0100011	AR	Compound, Locking	
202	0440170	4	Cone, Bearing	
203	0440171	4	Cup, Bearing	
204	0641608	4	Bolt 3/8in-16NC x 1in	
205	0641612	2	Bolt 3/8in-16NC x 1-1/2in	
206	0642012	2	Bolt 5/8in-11NC x 1-1/2in	
207	0721003	6	Bolt #10-24NC x 3/8in	
208	0961977	2	Bushing	
209	0962131	4	Bearing	
210	1120304	2	Cap, Hub	
211	1683208	2	Steer Cylinder Assembly (See CYLINDER SECTION for Breakdown)	

SECTION 1 - FRAME

ITEM	PART NUMBER	QTY	DESCRIPTION	REV
212	2780271	2	Hub	
212A	0630490	18	Stud, Wheel (9 Per Hub)	
213	3324203	2	Nut, Slotted 2in-4 1/2NF	
214	3422326	2	Pin, Steer Cylinder	
215	3422900	2	Kingpin	
216		Ref	Pin, Steer Cylinder Options:	
216	3422902	2	Machines without Tow Package	
216	3422902	1	Machines with Tow Package (Left Side without Tow Link)	
216	3422567	1	Machines with Tow Package (Right Side with Tow Link)	
217	3422903	2	Pin, Tie-Rod	
218	3841143	6	Shaft, Keeper	
219	3841258	2	Shaft, Keeper	
220	3841510	1	Tie-Rod	
221	3960343	2	Seal, Grease	
222	4130396	1	Spindle - Left Side	
223		Ref	Spindle - Right Side Options:	
223	4130397	2	Machines without Tow Package	
223	4130400	1	Machines with Tow Package	
224	4740111	6	Thrustwasher	
225	4740256	2	Thrustwasher	
226	4740283	2	Flatwasher, Hardened	
227	4740263	2	Thrustwasher	
228	4761000	6	Lockwasher #10	
229	3451010	2	Pin, Cotter 5/8in x 2-1/2in	

SECTION 1 - FRAME

FIGURE 1-3. 4WD FRONT AXLE AND STEERING INSTALLATION (SN 0300068000 through 0300075605)



SECTION 1 - FRAME

FIGURE 1-3. 4WD FRONT AXLE AND STEERING INSTALLATION (SN 0300068000 through 0300075605)

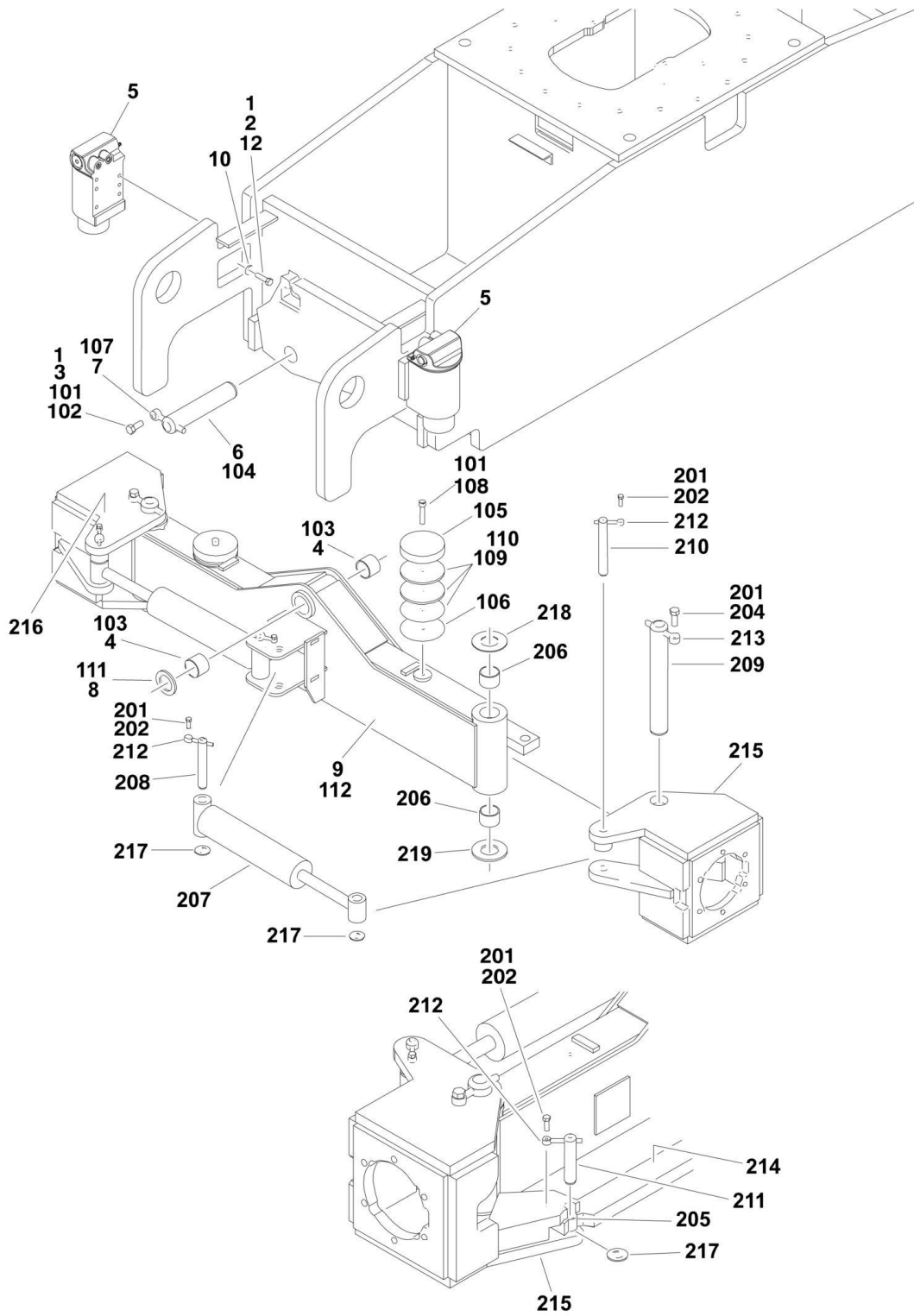
ITEM	PART NUMBER	QTY	DESCRIPTION	REV
		Ref	FRAME OPTIONS:	
	2360376	1	Frame Weldment - 600S - 2WS	
	2360415	1	Frame Weldment - 600SJ - 2WS	
	2360414	1	Frame Weldment - 660SJ - 2WS	
	2360451	1	Frame Weldment - 600S - 4WS	
	2360453	1	Frame Weldment - 600SJ - 4WS	
	2360452	1	Frame Weldment - 660SJ - 4WS	
	0271003	Ref	AXLE INSTALLATIONS - OSCILLATING	B
1	0641414	4	Bolt 1/4in-20NC x 1 3/4in	
2	0641608	8	Bolt 3/8in-16NC x 1in	
3	0641814	2	Bolt 1/2in-13NC x 1-3/4in	
4	0642012	1	Bolt 5/8in-11NC x 1-1/2in	
5	1100086	1	Cam	
6	3422333	2	Pin, Pivot	
7	3422591	1	Pin, Axle Pivot	
8	3422904	2	Pin, Cylinder	
9	3841143	4	Keeper, Pin	
10	3841258	1	Keeper, Pin	
11	4070878	2	Shim 1/16in	
12	4070879	2	Shim 1/8in	
13	4640871	1	Valve, Cam	
13	7012693	1	Seal Kit - 4640871 Valve	
13	7002840	1	Pin Removal Tool	
14	4711400	4	Flatwasher 1/4in Thin	
15	4711600	4	Flatwasher 3/8in Thin	
16	4711800	4	Flatwasher 1/2in Thin	
17	4740158	1	Thrustwasher	
18	4846288	1	Axle Weldment	
19	1683078	2	Lockout Cylinder Assembly (See CYLINDER SECTION for Breakdown)	
20	0961950	2	Bushing	
21	0100011	AR	Compound, Locking	
	0271004	Ref	AXLE INSTALLATIONS - FIXED	A
101	0100011	AR	Compound, Locking	
102	0641608	4	Bolt 3/8in-16NC x 1in	
103	0642012	1	Bolt 5/8in-11NC x 1-1/2in	
104	0961950	2	Bushing	
105	3422591	1	Pin, Pivot	
106	3539877	2	Plate, Stop	
107	3539878	2	Plate, Stop	
108	3841258	1	Keeper, Pin	
109	3931840	2	Screw 1/2in-13NC x 2-1/2in	
110	4070878	2	Shim 1/16in	
111	4070879	2	Shim 1/8in	
112	4070944	AR	Shim (.06)	
113	4070945	AR	Shim (.25)	
114	4711600	4	Flatwasher 3/8in Thin	
115	4740158	1	Thrustwasher	
116	4846288	1	Axle Weldment	

SECTION 1 - FRAME

ITEM	PART NUMBER	QTY	DESCRIPTION	REV
	0270868	Ref	STEERING INSTALLATION	A
201	0641608	4	Bolt 3/8in-16NC x 1in	
202	0641612	2	Bolt 3/8in-16NC x 1-1/2in	
203	0681610	8	Bolt 3/8in-16NC x 1-1/4in (Grade 8)	
204	0961977	2	Bearing	
205	0962131	4	Bushing	
206	1683208	2	Steer Cylinder Assembly (See CYLINDER SECTION for Breakdown)	
207	3422326	2	Pin	
208	3422753	4	Kingpin	
209	3422902	2	Pin, Steer Cylinder	
210	3422903	2	Pin	
211	3841143	6	Shaft, Keeper	
212	3841510	1	Tie-Rod	
213	4130381	1	Spindle - Right Side	
214	4130382	1	Spindle - Left Side	
215	4740111	6	Thrustwasher	
216	4740256	2	Thrustwasher	
217	4740463	2	Thrustwasher	
218	0100011	AR	Compound, Locking	

SECTION 1 - FRAME

FIGURE 1-4. 4WD FRONT AXLE AND STEERING INSTALLATION (SN 0300075606 through 0300087000)



SECTION 1 - FRAME

FIGURE 1-4. 4WD FRONT AXLE AND STEERING INSTALLATION (SN 0300075606 through 0300087000)

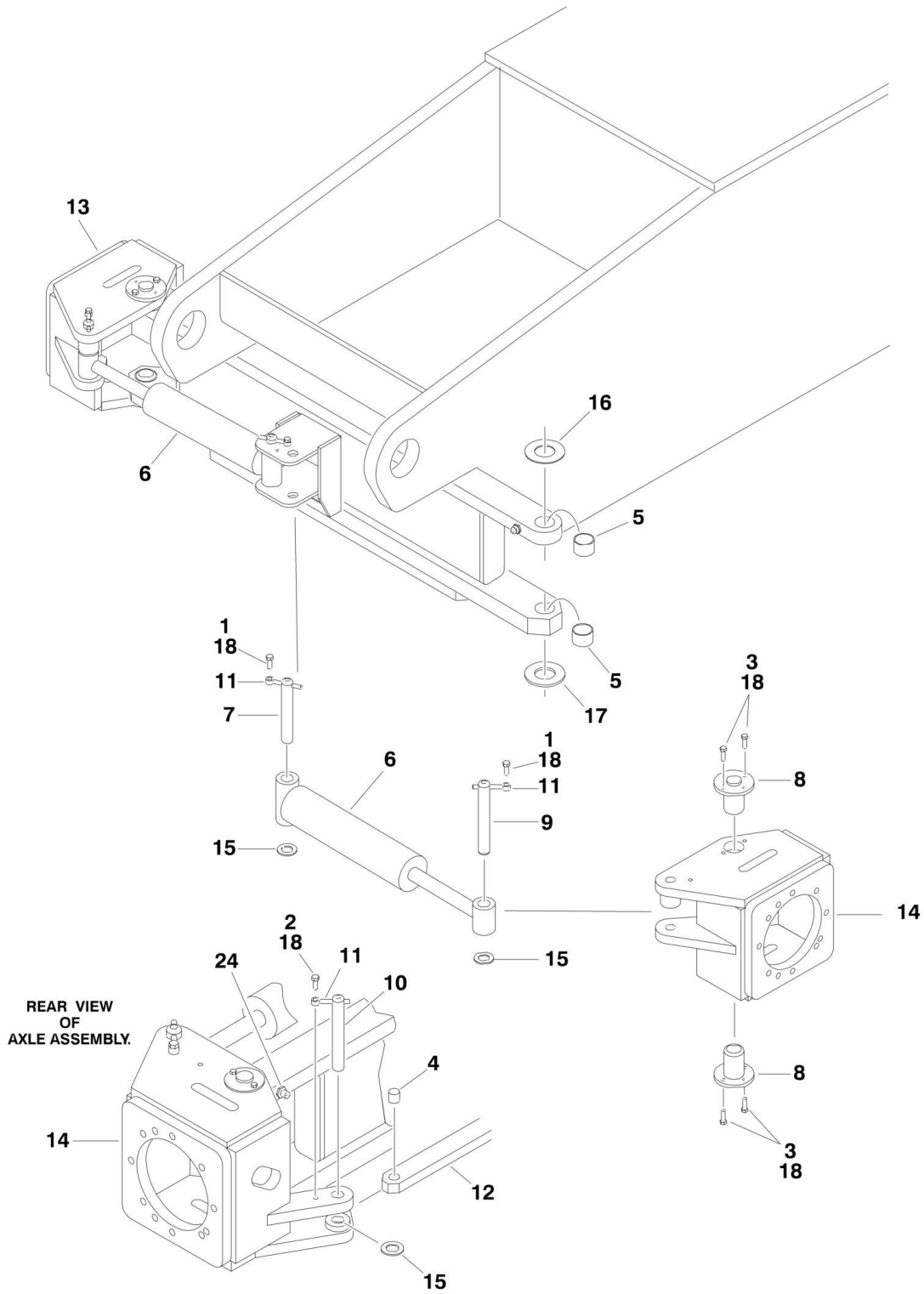
ITEM	PART NUMBER	QTY	DESCRIPTION	REV
		Ref	FRAME OPTIONS:	
	2360615	1	Frame Weldment - 600S - 2WS	
	2360623	1	Frame Weldment - 600SJ - 2WS	
	2360624	1	Frame Weldment - 660SJ - 2WS	
	2360634	1	Frame Weldment - 600S - 4WS	
	2360635	1	Frame Weldment - 600SJ - 4WS	
	2360636	1	Frame Weldment - 660SJ - 4WS	
		Ref	AXLE INSTALLATIONS - OSCILLATING	
	0273081	Ref	Without Tow Package	E
	0273379	Ref	With Tow Package	C
1	0100011	AR	Compound, Locking	
2	0641814	8	Bolt 1/2in-13NC x 1-3/4in	
3	0642012	1	Bolt 5/8in-11NC x 1-1/2in	
4	0961950	2	Bearing	
5	1684280	NLA	Lockout Cylinder Assembly (Use p/n 1001167359) (See CYLINDER SECTION for Breakdown) (Original Equipment)	
5	1001167359	2	Cylinder Replacement Kit (Kit Replaces p/n 1684280 with p/n 1684465 Cylinder)	
6	3422592	1	Pin, Pivot	
7	3841258	1	Keeper, Pin	
8	4740158	1	Thrustwasher	
9		Ref	Axle Weldment Options:	
9	4846814	1	Without Tow Package	
9	4846934	1	With Tow Package	
10	4891800	8	Flatwasher 1/2in Hardened	
12	0100038	AR	Primer	
	0273226	Ref	AXLE INSTALLATIONS - FIXED	A
101	0100011	AR	Compound, Locking	
102	0642012	1	Bolt 5/8in-11NC x 1-1/2in	
103	0961950	2	Bearing	
104	3422592	1	Pin, Pivot	
105	3539877	2	Plate, Stop	
106	3539878	2	Plate, Stop	
107	3841258	1	Keeper, Pin	
108	3931840	2	Screw 1/2in-13NC x 2-1/2in	
109	4070944	4	Shim (.06)	
110	4070945	4	Shim (.25)	
111	4740158	1	Thrustwasher	
112		Ref	Axle Weldment Options:	
112	4846814	1	Without Tow Package	
112	See Note	1	With Tow Package (Note: Not Available for Purchase)	
		Ref	STEERING INSTALLATIONS	
	0273080	Ref	Without Tow Package	E
	0273394	Ref	With Tow Package	B
201	0100011	AR	Compound, Locking	
202	0641608	6	Bolt 3/8in-16NC x 1in	
204	0642012	2	Bolt 5/8in-11NC x 1-1/2in	
205	0961977	2	Bushing	
206	0962131	4	Bearing	

SECTION 1 - FRAME

ITEM	PART NUMBER	QTY	DESCRIPTION	REV
207	1683208	2	Steer Cylinder Assembly (See CYLINDER SECTION for Breakdown)	
208	3422326	2	Pin, Steer Cylinder	
209	3422900	2	Kingpin	
210		Ref	Pin, Steer Cylinder Options:	
210	3422902	2	Machines without Tow Package	
210	3422902	1	Machines with Tow Package (Left Side without Tow Link)	
210	3422567	1	Machines with Tow Package (Right Side with Tow Link)	
211	3422903	2	Pin, Tie-Rod	
212	3841143	6	Shaft, Keeper	
213	3841258	2	Shaft, Keeper	
214	3841510	1	Tie-Rod	
215	4130394	1	Spindle - Left Side	
216		Ref	Spindle - Right Side Options:	
216	4130395	2	Machines without Tow Package	
216	4130399	1	Machines with Tow Package	
217	4740111	6	Thrustwasher	
218	4740256	2	Thrustwasher	
219	4740463	2	Thrustwasher	

SECTION 1 - FRAME

FIGURE 1-5. 4WS REAR STEERING INSTALLATION (SN 0300068000 through 0300075605)



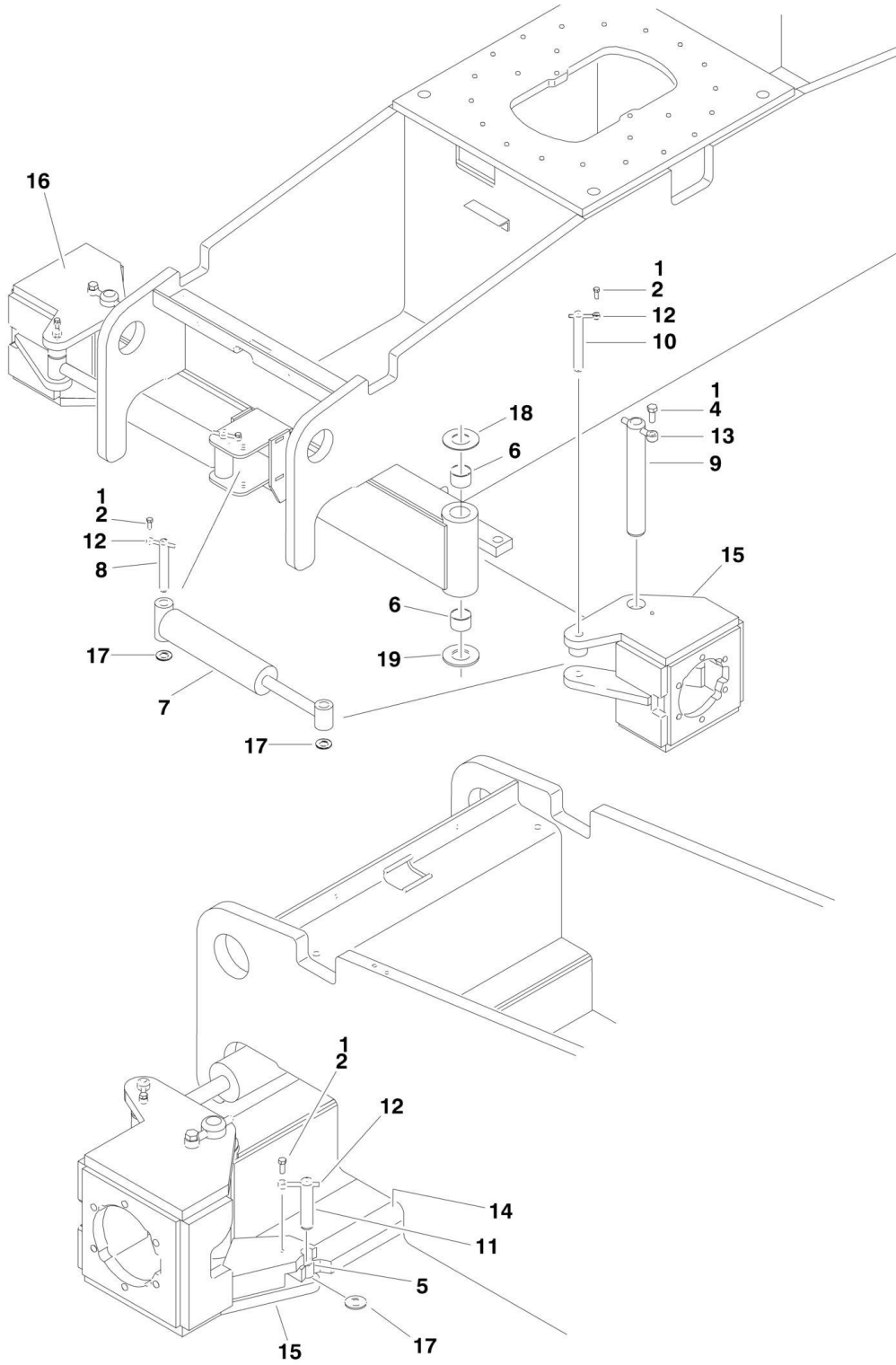
SECTION 1 - FRAME

FIGURE 1-5. 4WS REAR STEERING INSTALLATION (SN 0300068000 through 0300075605)

ITEM	PART NUMBER	QTY	DESCRIPTION	REV
		Ref	4WS REAR STEERING INSTALLATIONS OPTIONS:	
	0257744	Ref	4WS Installation - 2WD Machines	2
	0271005	Ref	4WS Installation - 4WD Machines	1
	0270868	Ref	STEERING INSTALLATION	A
1	0641608	4	Bolt 3/8in-16NC x 1in	
2	0641612	2	Bolt 3/8in-16NC x 1-1/2in	
3	0681610	8	Bolt 3/8in-16NC x 1-1/4in (Grade 8)	
4	0961977	2	Bearing	
5	0962131	4	Bushing	
6	1683208	2	Steer Cylinder Assembly (See CYLINDER SECTION for Breakdown)	
7	3422326	2	Pin	
8	3422753	4	Kingpin	
9	3422902	2	Pin, Steer Cylinder	
10	3422903	2	Pin	
11	3841143	6	Shaft, Keeper	
12	3841510	1	Tie-Rod	
13	4130381	1	Spindle - Right Side	
14	4130382	1	Spindle - Left Side	
15	4740111	6	Thrustwasher	
16	4740256	2	Thrustwasher	
17	4740463	2	Thrustwasher	
18	0100011	AR	Compound, Locking	

SECTION 1 - FRAME

FIGURE 1-6. 4WS REAR STEERING INSTALLATION (SN 0300075606 through 0300087000)



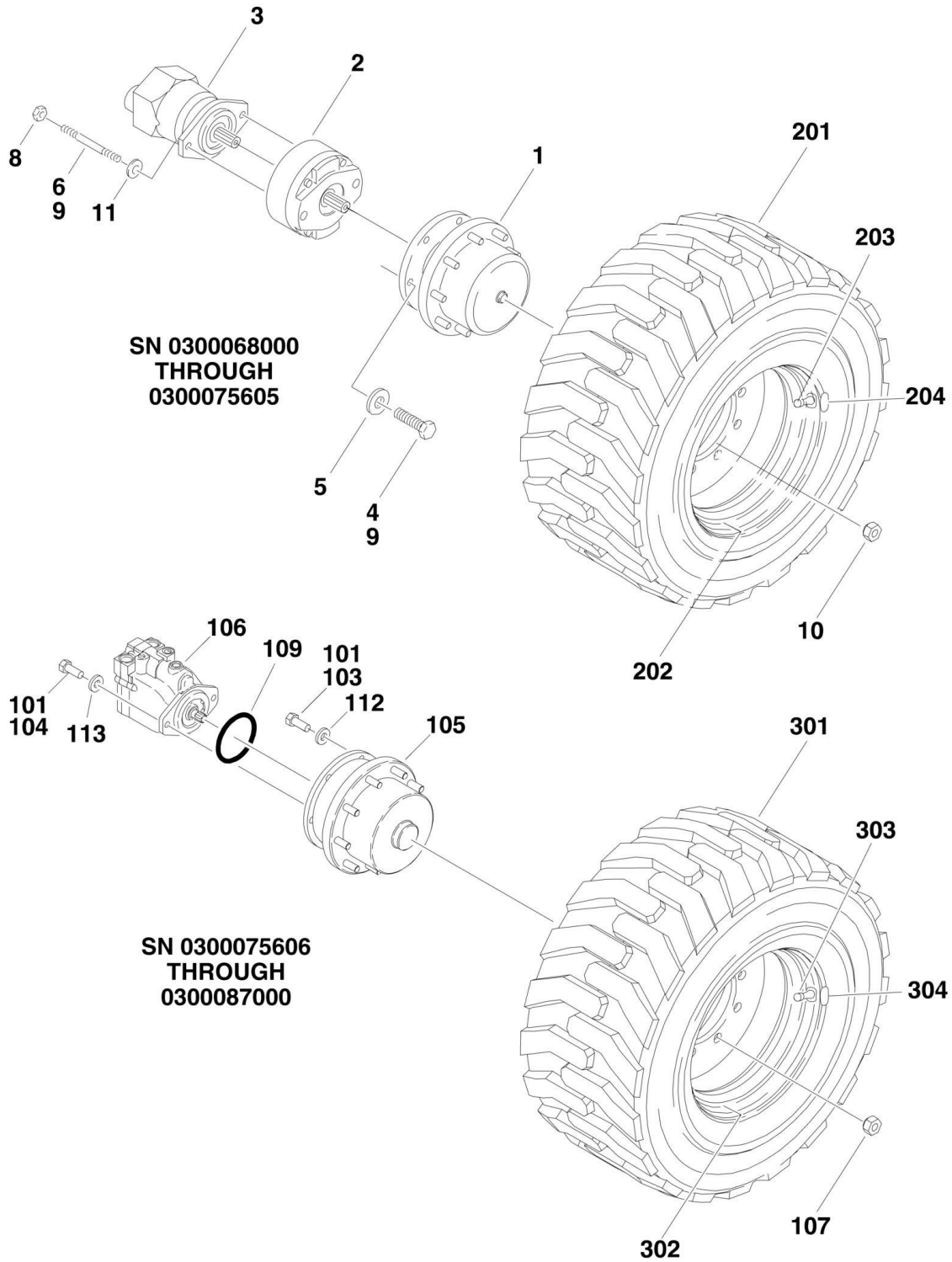
SECTION 1 - FRAME

FIGURE 1-6. 4WS REAR STEERING INSTALLATION (SN 0300075606 through 0300087000)

ITEM	PART NUMBER	QTY	DESCRIPTION	REV
		Ref	4WS REAR STEERING INSTALLATIONS OPTIONS:	
	0273356	Ref	4WS Installation - 2WD Machines	1
	0273357	Ref	4WS Installation - 4WD Machines	1
	0273080	Ref	STEERING INSTALLATION	D
1	0100011	AR	Compound, Locking	
2	0641608	6	Bolt 3/8in-16NC x 1in	
4	0642012	2	Bolt 5/8in-11NC x 1-1/2in	
5	0961977	2	Bushing	
6	0962131	4	Bearing	
7	1683208	2	Steer Cylinder Assembly (See CYLINDER SECTION for Breakdown)	
8	3422326	2	Pin, Steer Cylinder	
9	3422900	2	Kingpin	
10	3422902	2	Pin, Steer Cylinder	
11	3422903	2	Pin, Tie-Rod	
12	3841143	6	Shaft, Keeper	
13	3841258	2	Shaft, Keeper	
14	3841510	1	Tie-Rod	
15	4130394	1	Spindle - Left Side	
16	4130395	1	Spindle - Right Side	
17	4740111	6	Thrustwasher	
18	4740256	2	Thrustwasher	
19	4740463	2	Thrustwasher	

SECTION 1 - FRAME

FIGURE 1-7. TIRE AND WHEEL DRIVE INSTALLATIONS



SECTION 1 - FRAME

FIGURE 1-7. TIRE AND WHEEL DRIVE INSTALLATIONS

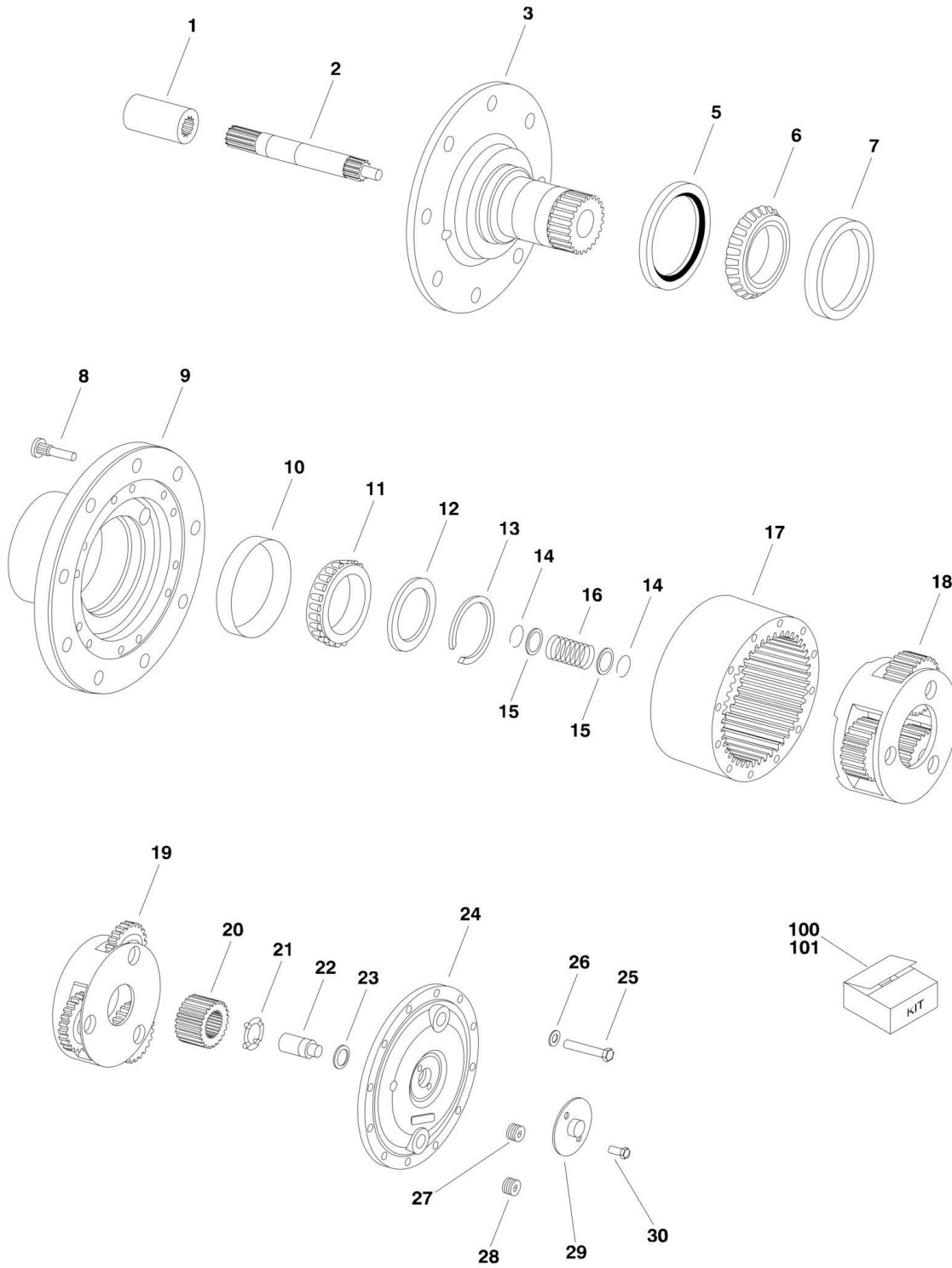
ITEM	PART NUMBER	QTY	DESCRIPTION	REV
		Ref	WHEEL DRIVE INSTALLATIONS (SN 0300068000 through 0300075605)	
	0270121	Ref	Wheel Drive Installations 2WD	3-B
	0270120	Ref	Wheel Drive Installations 4WD	3-B
		Ref	Note: 2WD Qty Shown. For 4WD, Double Qty Shown.	
1	2780261	2	Drive Hub Assembly (See DRIVE HUB ASSEMBLY for Breakdown)	
2	0920117	NLA	Drive Brake Assembly (Use p/n 0920119)	
2	7000731	2	Gasket (Located between the Hub, Motor and Brake - Not Shown)	
2	7018612	2	Repair Kit - 0920117 & 0920119 Brakes (1 Per Assembly)	
		Ref	Note: Other than Gasket, Repair Kit is Only Part Available.	
3	3160204	2	Drive Motor Assembly (See DRIVE MOTOR ASSEMBLY for Breakdown)	
		Ref	Note: Adjustment required when replacing complete motor - See Service Manual for adjustment.	
4	0682016	16	Bolt 5/8in-11NC x 2in (Grade 8)	
5	4892000	16	Flatwasher 5/8in Hardened	
6	4300097	4	Stud 1/2in-13NC x 5-1/8in	
8	3311801	4	Nut 1/2in - 13 NC	
9	0100011	AR	Compound, Locking	
10	3300007	20	Nut, Wheel	
11	4891800	4	Flatwasher 1/2in Hardened	
		Ref	WHEEL DRIVE INSTALLATIONS (SN 0300075606 through 0300087000)	
	0273049	Ref	Wheel Drive Installations 2WD/2WS	D
	0273367	Ref	Wheel Drive Installations 2WD/4WS	A
	0273048	Ref	Wheel Drive Installations 4WD/2WS	F
	0273366	Ref	Wheel Drive Installations 4WD/4WS	E
		Ref	Note: 2WD Qty Shown. For 4WD, Double Qty Shown.	
101	0100011	AR	Compound, Locking	
103	0681810	4	Bolt 1/2in-13NC x 1-1/4in (Grade 8)	
104	0682016	12	Bolt 5/8in-11NC x 2in (Grade 8)	
105	2780269	2	Drive Hub Assembly (See DRIVE HUB ASSEMBLY for Breakdown)	
106		Ref	Drive Motor Assembly Options:	
106	3160299	NLA	2WD/2WS (Use p/n 3160349) (For p/n 3160299 - See DRIVE MOTOR ASSEMBLY (ORIGINAL EQUIPMENT) for Breakdown) (For 3160349 Motor - See DRIVE MOTOR ASSEMBLY (SERVICE REPLACEMENT) for Breakdown)	
106	3160300	NLA	2WD/4WS, 4WD/2WS & 4WD/4WS (Use p/n 3160350) (For p/n 3160300 - See DRIVE MOTOR ASSEMBLY (ORIGINAL EQUIPMENT) for Breakdown) (For 3160350 Motor - See DRIVE MOTOR ASSEMBLY (SERVICE REPLACEMENT) for Breakdown)	
107	3300106	18	Nut, Wheel	
109	3790045	1	O-Ring	
112	4891800	4	Flatwasher 1/2in Hardened	
113		Ref	Flatwasher 5/8in Hardened Options:	
113	4892000	12	Flatwasher 5/8in Hardened (SN 0300068000 through 0300076042)	
113	4740393	12	Flatwasher 5/8in Hardened (SN 0300076043 through 0300087000)	

SECTION 1 - FRAME

ITEM	PART NUMBER	QTY	DESCRIPTION	REV
		Ref	TIRE AND WHEEL INSTALLATIONS OPTIONS	
		Ref	Tire and Wheel Installations: (SN 0300068000 through 0300075605)	
	0271619	Ref	Foam-Filled - OTR Tires	1
		Ref	Tire and Wheel Assembly Options: (SN 0300068000 through 0300075605)	
	0271616	2	Foam-Filled - OTR Tire (Left Side)	B
	0271617	2	Foam-Filled - OTR Tire (Right Side)	B
		Ref	Note: Foam-Filled Tire and Wheel Assemblies sold as assemblies only.	
201	4520258	4	Tire 15 x 19.5 (1 Per Assembly)	
202	4860148	4	Rim, Wheel (1 Per Assembly)	
203	4640113	4	Valve, Air (1 Per Assembly)	
204	Not Required	0	Not Required	
		Ref	TIRE AND WHEEL INSTALLATIONS OPTIONS	
		Ref	Tire and Wheel Installations: (SN 0300075606 through 0300087000)	
	0273238	Ref	Foam-Filled - OTR Tires	1
	0274152	Ref	Foam-Filled - OTR Tires (Non-Marking)	1
		Ref	Tire and Wheel Assembly Options: (SN 0300075606 through 0300087000)	
	0273240	2	Foam-Filled - OTR Tire (Right Side)	B
	0273239	2	Foam-Filled - OTR Tire (Left Side)	B
	4520340	2	Foam-Filled - OTR Tire (Non-Marking) (Right Side)	B
	4520339	2	Foam-Filled - OTR Tire (Non-Marking) (Left Side)	B
		Ref	Note: Assemblies may require ballast/foam filling to manufacturer's specifications prior to installing on a machine. Refer to Operation and Safety or Service and Maintenance Manuals. Purchase individual tire and/or rim only if able to foam fill tire and wheel assembly, otherwise, purchase complete assembly.	
301	4520258	4	Tire 15 x 19.5 (1 Per Assembly)	
302	4860243	4	Rim, Wheel (1 Per Assembly)	
303	4640113	4	Valve, Air (1 Per Assembly)	
304	Not Required	0	Not Required	

SECTION 1 - FRAME

FIGURE 1-8. DRIVE HUB ASSEMBLY (SN 0300068000 through 0300075605)



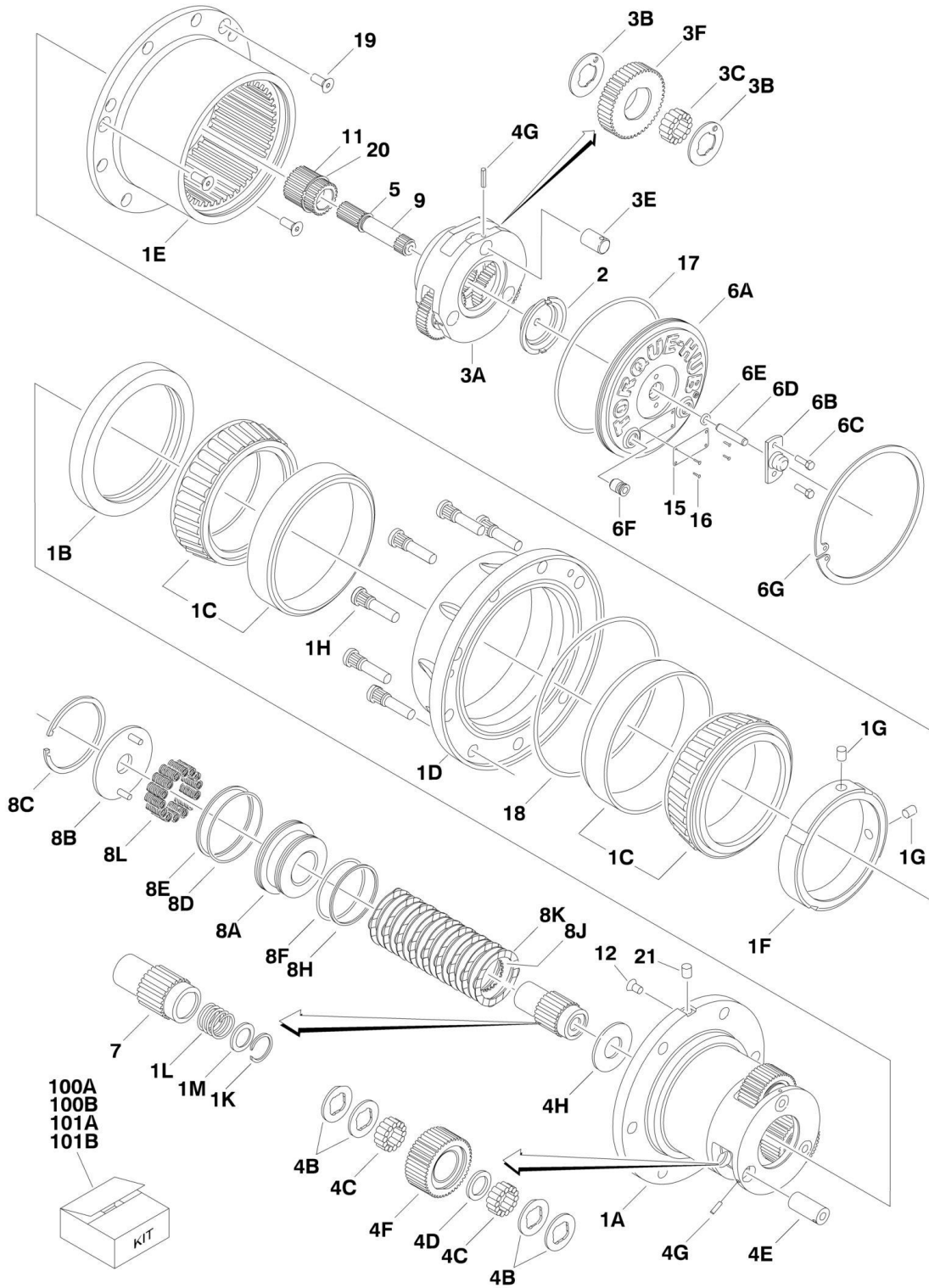
SECTION 1 - FRAME

FIGURE 1-8. DRIVE HUB ASSEMBLY (SN 0300068000 through 0300075605)

ITEM	PART NUMBER	QTY	DESCRIPTION	REV
	2780261	Ref	DRIVE HUB ASSEMBLY	A
1	7014700	1	Coupling - 13 Teeth	
2	7014701	1	Shaft, Input - 13 Teeth	
3	7014731	1	Spindle	
5	7014703	1	Seal, Oil	
6	7014704	1	Cone, Bearing	
7	7014705	1	Cup, Bearing	
8	7014737	10	Bolt, Wheel	
9	7014734	1	Hub	
10	7014707	1	Cup, Bearing	
11	7014708	1	Cone, Bearing	
12	7001711	1	Thrustwasher	
13	7014709	1	Ring, Retaining Kit (Includes qty 6 Retaining Rings)	
14	7014711	2	Ring, Retaining	
15	7014712	2	Thrustwasher	
16	7014710	1	Spring	
17	7014732	1	Gear, Ring	
18	7014736	1	Secondary Carrier Assembly	
19	7014735	1	Primary Carrier Assembly	
20	7014733	1	Gear, Sun - 15 Teeth	
21	7014722	1	Thrustwasher	
22	7014717	1	Plunger, Disengage	
23	7014718	1	O-Ring	
24	7014719	1	Cover, Hub	
25	7014721	12	Bolt	
26	7014720	12	Flatwasher	
27	7014725	1	Plug, Magnetic	
28	7014726	1	Plug, Pipe	
29	7014723	1	Cover, Disengage	
30	7014724	2	Bolt	
100	7014730	1	Seal Kit (Includes Items 5 & 13)	
101	7014729	1	Bearing and Seal Kit (Includes Items 5, 6, 7, 10, 11 & 13)	

SECTION 1 - FRAME

FIGURE 1-9. DRIVE HUB ASSEMBLY (SN 0300075606 through 0300087000)



SECTION 1 - FRAME

FIGURE 1-9. DRIVE HUB ASSEMBLY (SN 0300075606 through 0300087000)

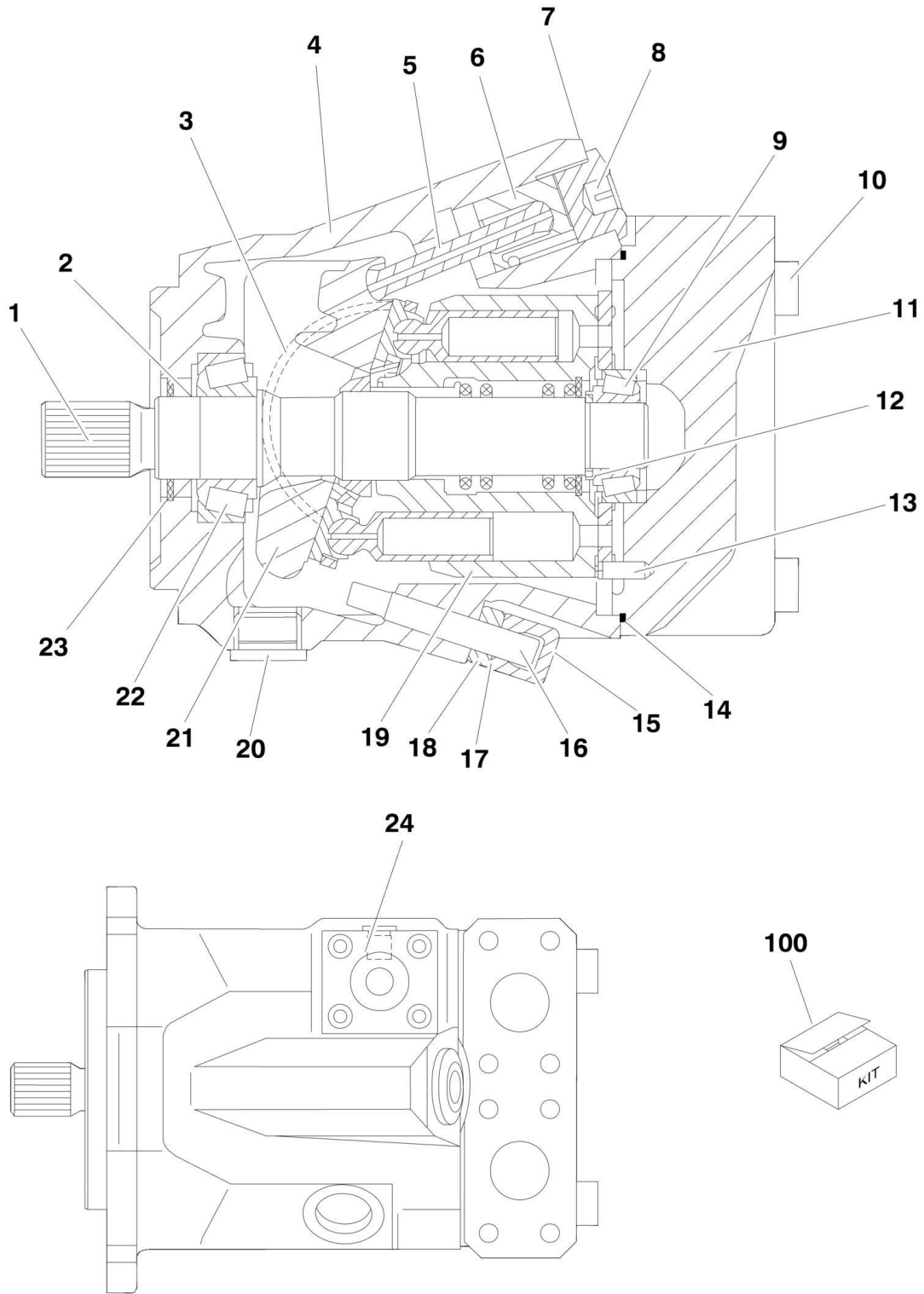
ITEM	PART NUMBER	QTY	DESCRIPTION	REV
	2780269	Ref	DRIVE HUB/BRAKE ASSEMBLY	B
1	See Note	NLA	Spindle/Housing Assembly (Note: Not Available - Purchase p/n 2780269 Complete Replacement. See 1A-1M for Available Components)	
1A	7024729	1	Spindle	
1B	70001119	1	Seal	
1C	7024735	2	Bearing (Includes Cup and Cone)	
1D	2780269	1	Housing (Note: Not Available for Purchase)	
1E	7024730	1	Ring, Gear	
1F	7024744	1	Nut, Bearing	
1G	See Note	NLA	Setscrew 1/4in-28NF x 1/2in (Note: Use Item 100A, 100B, 101A or 101B)	
1H	7024732	9	Stud, Wheel	
1K	7024125	1	Ring, Retaining	
1L	7024124	1	Spring	
1M	7024129	1	Thrustwasher	
2	7024741	1	Thrustwasher	
3	See Note	NLA	Carrier Assembly (Note: Not Available for Purchase. See 3A-3F for Available Components)	
3A	7024725	1	Carrier	
3B	7024127	6	Thrustwasher	
3C	7024733	42	Bearing, Needle	
3E	7024724	3	Shaft, Planet	
3F	7024727	3	Gear, Planet	
4	See Note	NLA	Planet Gear Sub-Assembly (Note: Not Available for Purchase. See 4A-4H for Available Components)	
4B	7024740	12	Thrustwasher	
4C	7024734	84	Bearing, Needle	
4D	7024736	3	Spacer, Thrust	
4E	7024726	3	Shaft, Planet	
4F	7024728	3	Gear, Planet	
4G	7001913	6	Roll Pin	
4H	7024742	1	Thrustwasher	
5	7017027	1	Ring, Retaining	
6	See Note	NLA	Cover Assembly (Note: Not Available for Purchase. See 6A-6G for Available Components)	
6A	7024731	1	Plate, Cover	
6B	7017093	1	Cap, Disengage	
6C	7000216	2	Bolt 1/2in-20NC x 1/2in	
6D	7024739	1	Pin, Dowel	
6E	7017095	1	O-Ring	
6F	7017072	2	Plug, Pipe	
6G	7024738	1	Ring, Retaining	
7	7024722	1	Coupling	
8	See Note	NLA	Brake, Input (Note: Not Available for Purchase. See 8A-8L for Available Components)	
8A	70000782	1	Piston, Brake	
8B	7024743	1	Plate, Pressure	
8C	See Note	NSS	Ring, Retaining (Note: Use Item 101A or 101B)	
8D	See Note	NSS	O-Ring (Note: Use Item 100B or 101A)	
8E	See Note	NSS	Ring, Back-up (Note: Use Item 100B or 101A)	

SECTION 1 - FRAME

ITEM	PART NUMBER	QTY	DESCRIPTION	REV
8F	See Note	NSS	O-Ring (Note: Use Item 100B or 101A)	
8H	See Note	NSS	Ring, Back-up (Note: Use Item 100B or 101A)	
8J	7024764	8	Rotor, Brake	
8K	7024764	9	Stator, Brake	
8L	7024766	AR	Spring, Brake	
9	7024721	1	Shaft, Input	
11	7024723	1	Gear, Sun	
12	See Note	NSS	Plug (Note: Not Available - Purchase Locally)	
15	See Note	NSS	Plate, ID (Not Shown) (Note: Not Available for Purchase)	
16	7000281	4	Screw, Drive	
17	7024134	1	O-Ring	
18	7024744	1	O-Ring	
19	7017022	3	Screw, Countersunk 3/8in-16NC	
20	7024737	1	Ring, Retaining	
21	See Note	NSS	Plug (Note: Not Available - Purchase Locally)	
100		Ref	Seal Kit Options:	
100A	7024744	1	Hub Seal Kit (Includes Items 1B, 1F, 1G, 17, 18 & 19)	
100B	7024765	1	Brake Seal Kit (Includes Items 1G, 8C, 8D, 8E, 8F & 8H)	
101		Ref	Repair Kit Options:	
101A	7024764	1	Brake Lining Kit (Includes Items 1G, 8C, 8D, 8F, 8E, 8H, 8J & 8K)	
101B	7024766	1	Brake Spring Kit (Includes Items 1G, 8C & 8L)	

SECTION 1 - FRAME

FIGURE 1-10. DRIVE MOTOR ASSEMBLY (SN 0300068000 through 0300075605)



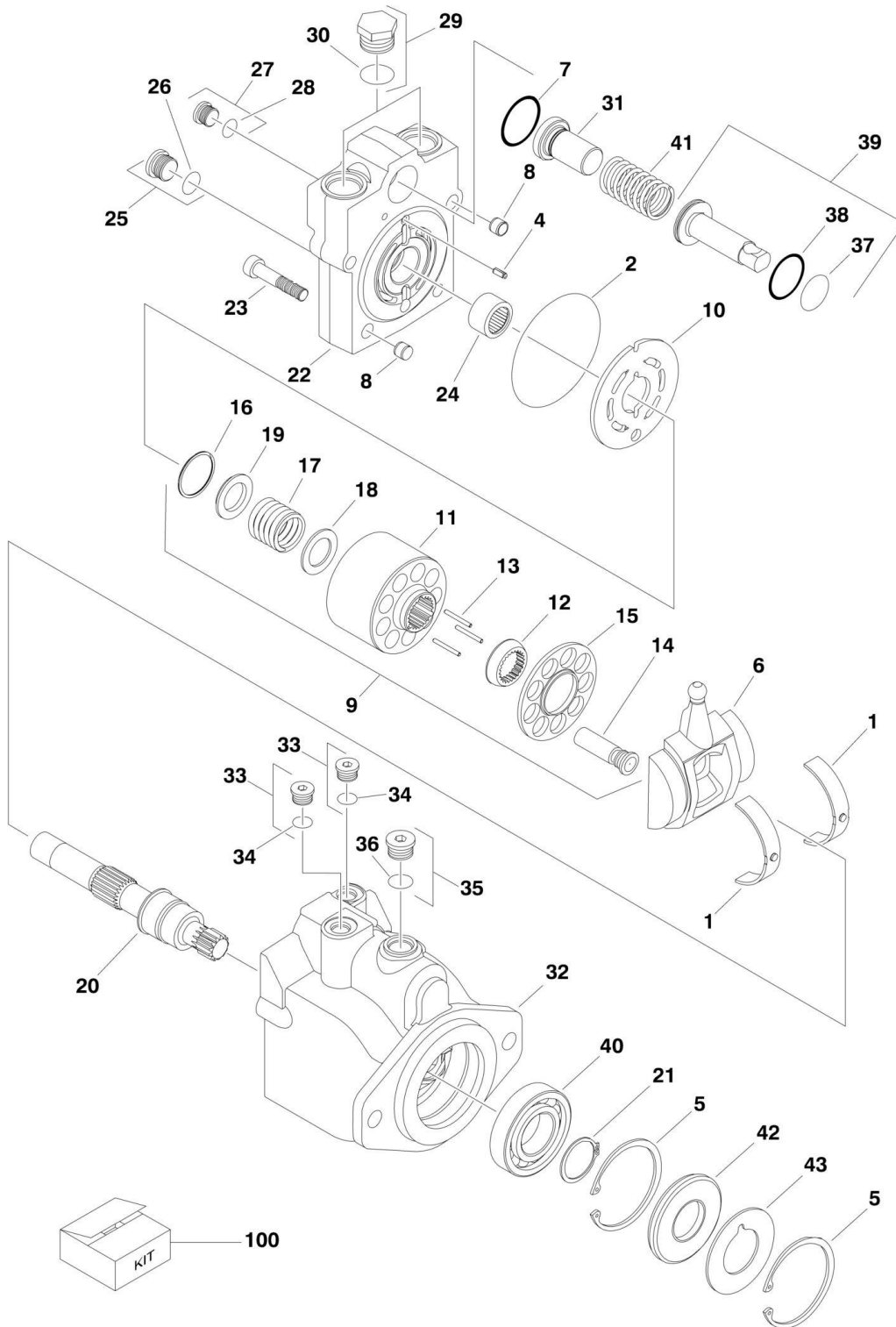
SECTION 1 - FRAME

FIGURE 1-10. DRIVE MOTOR ASSEMBLY (SN 0300068000 through 0300075605)

ITEM	PART NUMBER	QTY	DESCRIPTION	REV
	3160204	Ref	DRIVE MOTOR ASSEMBLY	A
1	7012701	1	Shaft - 13 Teeth	
2	See Note	NSS	Seal, Shaft (Note: Use Item 100)	
3	7012702	2	Bearing, Cradle	
4	See Note	NSS	Housing (Note: Not Available - Purchase Complete Drive Motor Assembly)	
5	7012703	1	Rod, Piston	
6	7012704	1	Piston, Stroking	
7	See Note	NSS	O-Ring (Note: Use Item 100)	
8	7012705	1	Nut, Adapter	
9	7012706	1	Bearing, Roller	
10	7012707	4	Bolt, Metric Socket Head M12 x 65	
11	7012708	1	Block, Port	
12	7012709	1	Shim	
13	7012710	1	Pin, Dowel M6 x 18	
14	See Note	NSS	O-Ring (Note: Use Item 100)	
15	7012711	1	Nut, Cap M10 x 1	
16	7012712	1	Screw, Adjusting	
17	See Note	NSS	O-Ring (Note: Use Item 100)	
18	7012713	1	Nut, Jam M10 x 1	
19	7012716	1	Rotary Group Assembly	
20	See Note	NSS	Plug (Note: Not Available - Purchase Locally)	
21	7024036	1	Plate, Swash	
22	7012714	1	Bearing, Roller	
23	7012715	1	V-Ring	
24	7012700		Control Plate Assembly (Prior to SN 0300029852)	
100	2900788	1	Seal Kit (Includes Items 2, 7, 14, 17 and O-Rings under Item 24)	

SECTION 1 - FRAME

FIGURE 1-11. DRIVE MOTOR ASSEMBLY (ORIGINAL EQUIPMENT) (SN 0300075606 through 0300087000)



SECTION 1 - FRAME

FIGURE 1-11. DRIVE MOTOR ASSEMBLY (ORIGINAL EQUIPMENT) (SN 0300075606 through 0300087000)

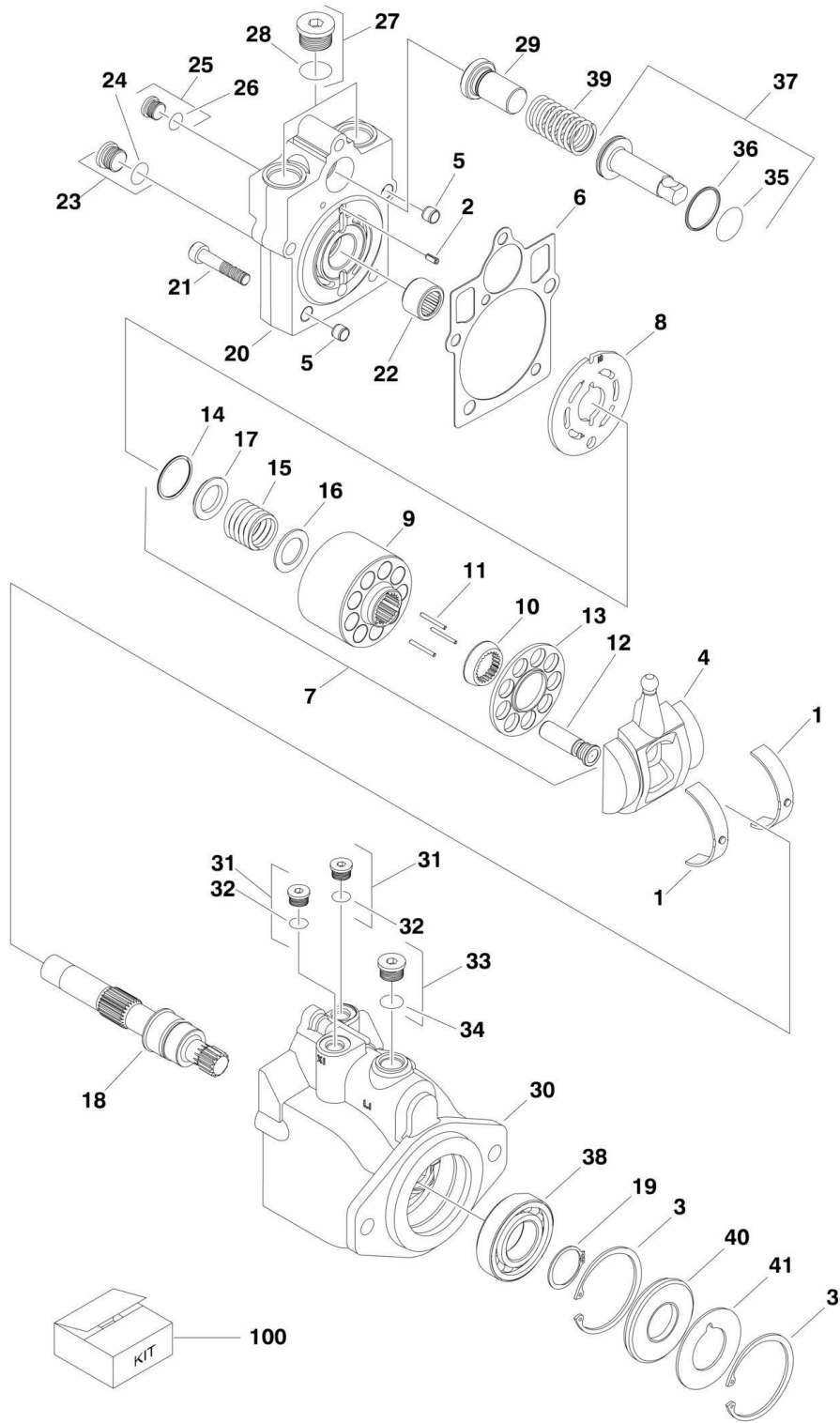
ITEM	PART NUMBER	QTY	DESCRIPTION	REV
		Ref	DRIVE MOTOR ASSEMBLY	
	3160299	Ref	Drive Motor Assembly 2WD/2WS	C
	3160300	Ref	Drive Motor Assembly 2WD/4WS, 4WD/2WS & 4WD/4WS	C
		Ref	Note: Original Equipment Motor p/n 3160299 & p/n 3160300 uses 4 bolts to assemble the motor. Service Replacement Motor p/n 3160349 & p/n 3160350 motors use 5 bolts to assemble the motor. Visually identify component before ordering parts. If equipped with p/n 3160349 or p/n 3160350 refer to next illustration.	
1	7022302	2	Bearing, Journal	
2	See Note	NSS	O-Ring (Note: Use Item 100)	
3	See Note	NSS	O-Ring (Note: Use Item 100)	
4	7007446	1	Pin	
5	7007438	2	Ring, Retaining	
6	7024861	1	Swash Plate	
7	See Note	NSS	O-Ring (Note: Use Item 100)	
8	7007435	2	Pin	
9	7022320	1	Cylinder Block Kit (Includes Items 11-19)	
10	7024862	1	Plate, Valve	
11	7024863	1	Block, Cylinder	
12	7024864	1	Guide, Slipper Retainer	
13	7021275	3	Pin, Slipper Hold Down	
14	7024865	9	Piston Assembly	
15	7024866	1	Retainer, Slipper	
16	7022311	1	Ring, Retaining	
17	7024867	1	Spring	
18	7024868	1	Washer	
19	7022314	1	Retainer, Spring	
20	7023910	1	Shaft	
21	7007439	1	Ring, Retaining	
22	7024869	1	Cap, End - Axial	
23	7022368	4	Screw	
24	7021249	1	Bearing, Needle	
25	7022321	1	Plug (Includes Item 26)	
26	See Note	NSS	O-Ring (Note: Use Item 25 or 100)	
27	7022318	1	Plug (Includes Item 28)	
28	See Note	NSS	O-Ring (Note: Use Item 27 or 100)	
29	7027419	2	Plug (Includes Item 30)	
30	See Note	NSS	O-Ring (Note: Use Item 29 or 100)	
31		Ref	Seat, Spring Options:	
31	7024853	1	Seal, Spring 2WD/2WS	
31	7022372	1	Seal, Spring 2WD/4WS, 4WD/2WS & 4WD/4WS	
32	7022370	1	Housing	
33	7022318	2	Plug (Includes Item 34)	
34	See Note	NSS	O-Ring (Note: Use Item 33 or 100)	
35	7022321	1	Plug (Includes Item 36)	
36	See Note	NSS	O-Ring (Note: Use Item 35 or 100)	
37	See Note	NSS	O-Ring (Note: Use Item 100)	
38	See Note	NSS	Ring, Seal (Note: Use Item 100)	
39	7024871	1	Piston, Servo	

SECTION 1 - FRAME

ITEM	PART NUMBER	QTY	DESCRIPTION	REV
40	7007437	1	Bearing	
41	7022326	1	Spring	
42	See Note	NSS	Seal, Lip (Note: Use Item 100)	
43	7022371	1	Washer, Support	
100	7022328	1	Seal Kit (Includes Items 2, 3, 7, 26, 28, 30, 34, 36, 37, 38 & 42)	

SECTION 1 - FRAME

FIGURE 1-12. DRIVE MOTOR ASSEMBLY (SERVICE REPLACEMENT)



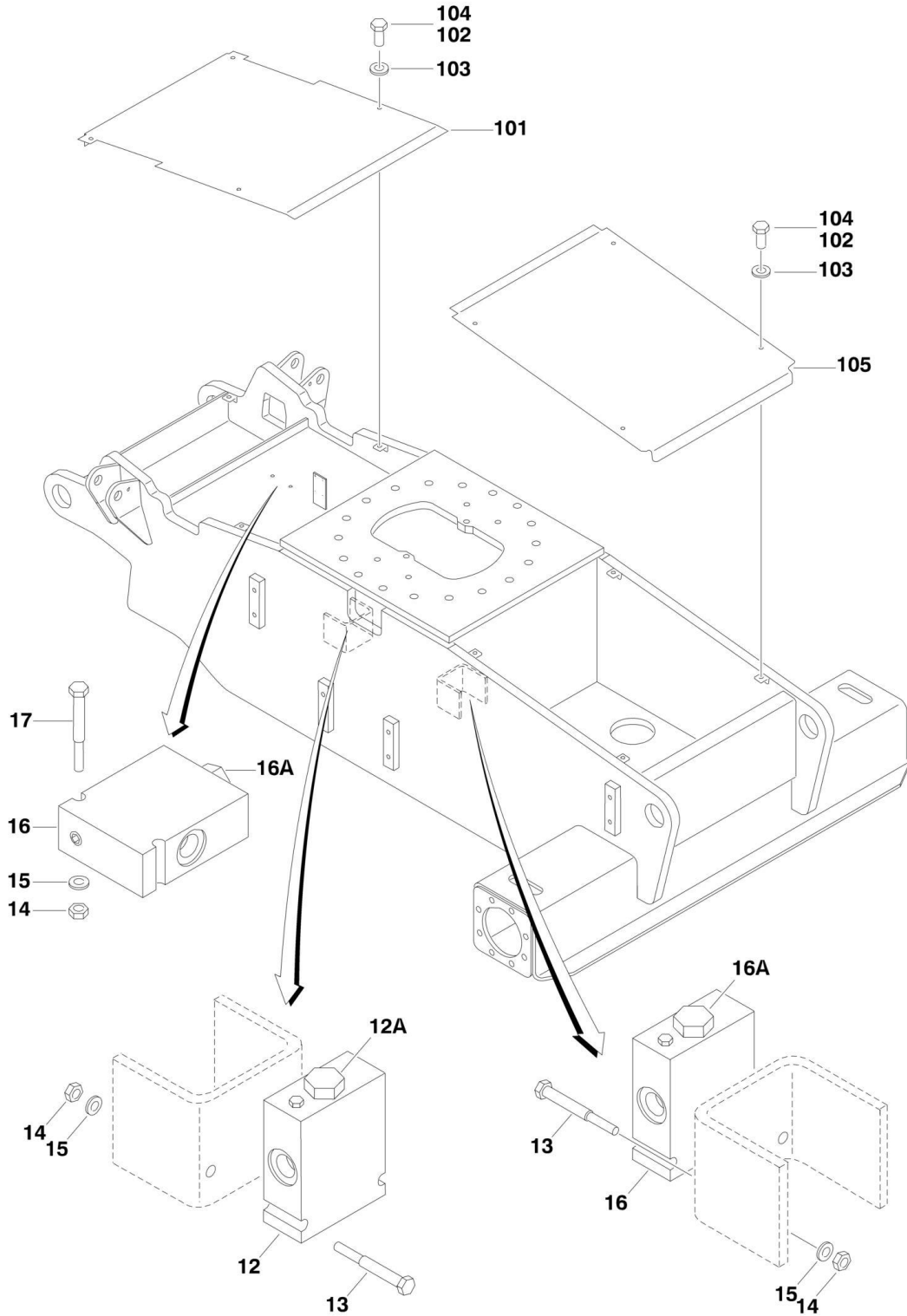
SECTION 1 - FRAME

FIGURE 1-12. DRIVE MOTOR ASSEMBLY (SERVICE REPLACEMENT)

ITEM	PART NUMBER	QTY	DESCRIPTION	REV
		Ref	DRIVE MOTOR ASSEMBLY	
	3160349	Ref	Service Replacement Motor for p/n 3120299	B
	3160350	Ref	Service Replacement Motor for p/n 3120300	B
1	7022302	2	Bearing, Journal	
2	7007446	1	Pin	
3	7007438	2	Ring, Retaining	
4	70000794	1	Swash Plate	
5	See Note	NSS	Pin (Note: Not Available for Purchase)	
6	See Note	NSS	Gasket (Note: Use Item 100)	
7	7027740	1	Cylinder Block Kit (Includes Items 9-17)	
8	7024862	1	Plate, Valve	
9	7027740	1	Block, Cylinder	
10	7027740	1	Guide, Slipper Retainer	
11	7021275	3	Pin, Slipper Hold Down	
12	7024865	9	Piston Assembly	
13	7027740	1	Retainer, Slipper	
14	7022311	1	Ring, Retaining	
15	7024867	1	Spring	
16	7022313	1	Washer	
17	7022314	1	Retainer, Spring	
18	7023910	1	Shaft	
19	7007439	1	Ring, Retaining	
20	70000795	1	Cap, End - Axial	
21	7022368	5	Screw	
22	7021249	1	Bearing, Needle	
23	2220886	1	Plug (Includes Item 24)	
24	See Note	NSS	O-Ring (Note: Use Item 23 or 100)	
25	2220883	1	Plug (Includes Item 26)	
26	See Note	NSS	O-Ring (Note: Use Item 25 or 100)	
27	7027419	2	Plug (Includes Item 28)	
28	See Note	NSS	O-Ring (Note: Use Item 27 or 100)	
29		Ref	Seat, Spring Options:	
29	7024853	1	Seat, Spring 2WD/2WS	
29	7022372	1	Seat, Spring 2WD/4WS, 4WD/2WS & 4WD/4WS	
30	See Note	NSS	Housing (Note: Not Available - Purchase Complete Drive Motor Assembly)	
31	2220883	2	Plug (Includes Item 32)	
32	See Note	NSS	O-Ring (Note: Use Item 31 or 100)	
33	2220886	1	Plug (Includes Item 34)	
34	See Note	NSS	O-Ring (Note: Use Item 33 or 100)	
35	See Note	NSS	O-Ring (Note: Use Item 100)	
36	See Note	NSS	Ring, Seal (Note: Use Item 100)	
37	7024871	1	Piston, Servo	
38	7007437	1	Bearing	
39	7022326	1	Spring	
40	See Note	NSS	Seal, Lip (Note: Use Item 100)	
41	7022371	1	Washer, Support	
100	7022328	1	Seal Kit (Includes Items 6, 24, 26, 28, 32, 34, 35, 36 & 40)	

SECTION 1 - FRAME

FIGURE 1-13. DRIVE VALVES AND SHIELDS INSTALLATION (FRAME MOUNTED) (SN 0300068000 through 0300075605)



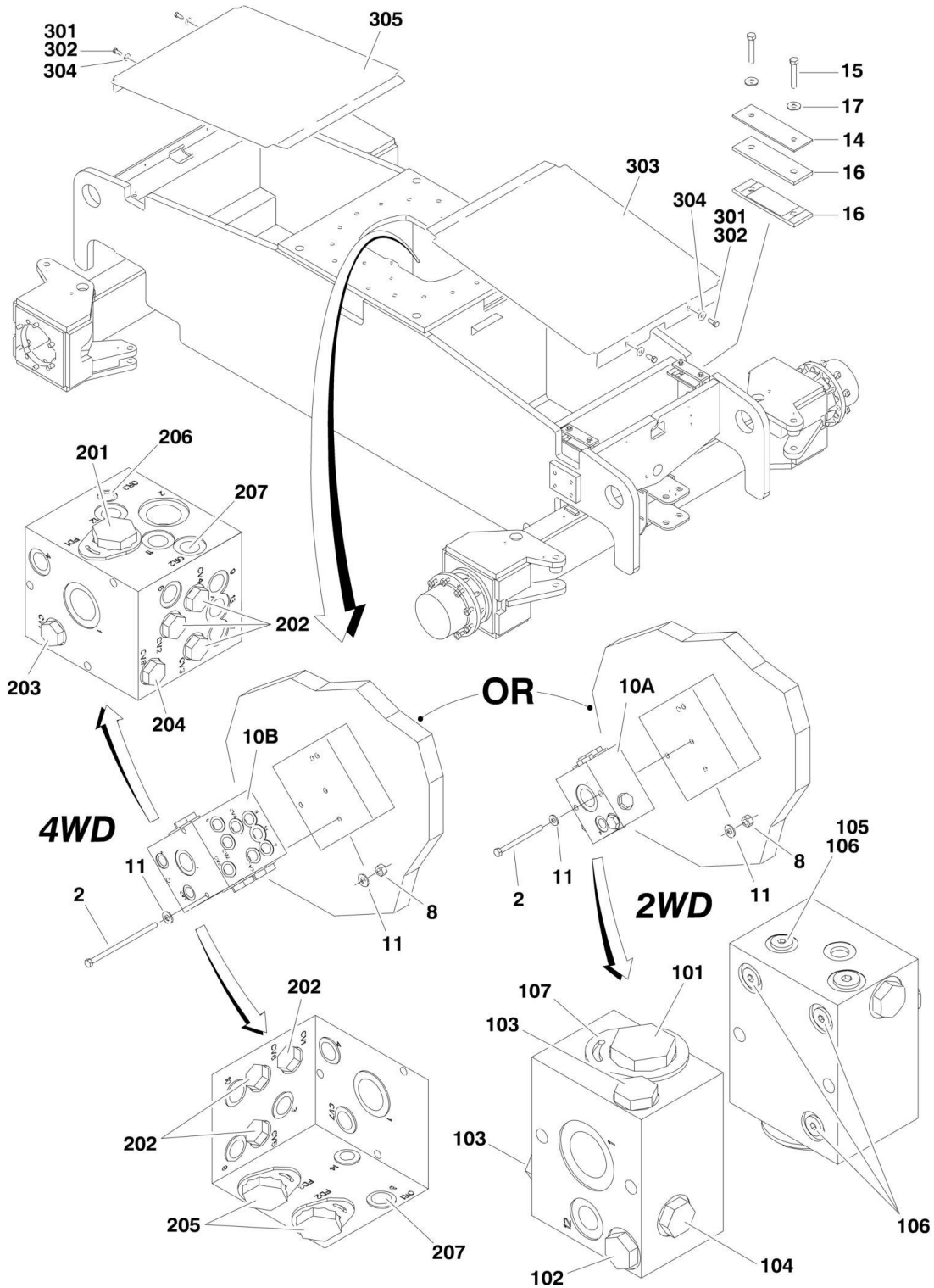
SECTION 1 - FRAME

FIGURE 1-13. DRIVE VALVES AND SHIELDS INSTALLATION (FRAME MOUNTED) (SN 0300068000 through 0300075605)

ITEM	PART NUMBER	QTY	DESCRIPTION	REV
		Ref	DRIVE VALVES INSTALLATION OPTIONS:	
	0270121	Ref	Drive Valve Installation 2WD	3-B
	0270120	Ref	Drive Valve Installation 4WD	3-B
12	4640923	1	Valve, Flow Divider	
12A	7017442	1	Cartridge, Flow Divider	
12A	7012980	1	Seal Kit - 7017442 Cartridge	
12A	7012993	1	Plug, Orifice	
13	0641522	AR	Bolt 5/16in-18NC x 2-5/8in	
14	3311505	AR	Locknut 5/16in-18NC	
15	4751500	AR	Flatwasher 5/16in Regular	
16		Ref	Flow Divider Valve Assembly Options:	
16	Not Required	0	Flow Divider Valve Assembly 2WD	
16	4640937	2	Flow Divider Valve Assembly 4WD	
16A	7012978	2	Cartridge (1 Per Valve)	
16A	7012980	2	Seal Kit - 7012978 Cartridge (1 Per Valve)	
16A	7012994	1	Plug, Orifice	
17	0641520	AR	Bolt 5/16in-18NC x 2-1/2in	
18	4060808	3.5 ft /1.06m	Shield, Flex Trim (Not Shown)	
		Ref	FRAME SHIELDS INSTALLATION	
	0254856	Ref	Frame Shields Installation 2WS	-
	0254857	Ref	Drive Shields Installation 4WS	-
101	4060870	1	Shield, Frame - Front	
102	0641608	AR	Bolt, 3/8in - 16NC x 1in	
103	4751600	AR	Flatwasher, 3/8in Regular	
104	0100011	AR	Compound, Locking	
105		Ref	Shield, Frame - Rear	
105	Not Required	0	Shield, Frame - Rear 2WS	
105	4060874	1	Shield, Frame - Rear 4WS	

SECTION 1 - FRAME

FIGURE 1-14. DRIVE VALVES AND SHIELDS INSTALLATION (FRAME MOUNTED) (SN 0300075606 through 0300087000)



SECTION 1 - FRAME

FIGURE 1-14. DRIVE VALVES AND SHIELDS INSTALLATION (FRAME MOUNTED) (SN 0300075606 through 0300087000)

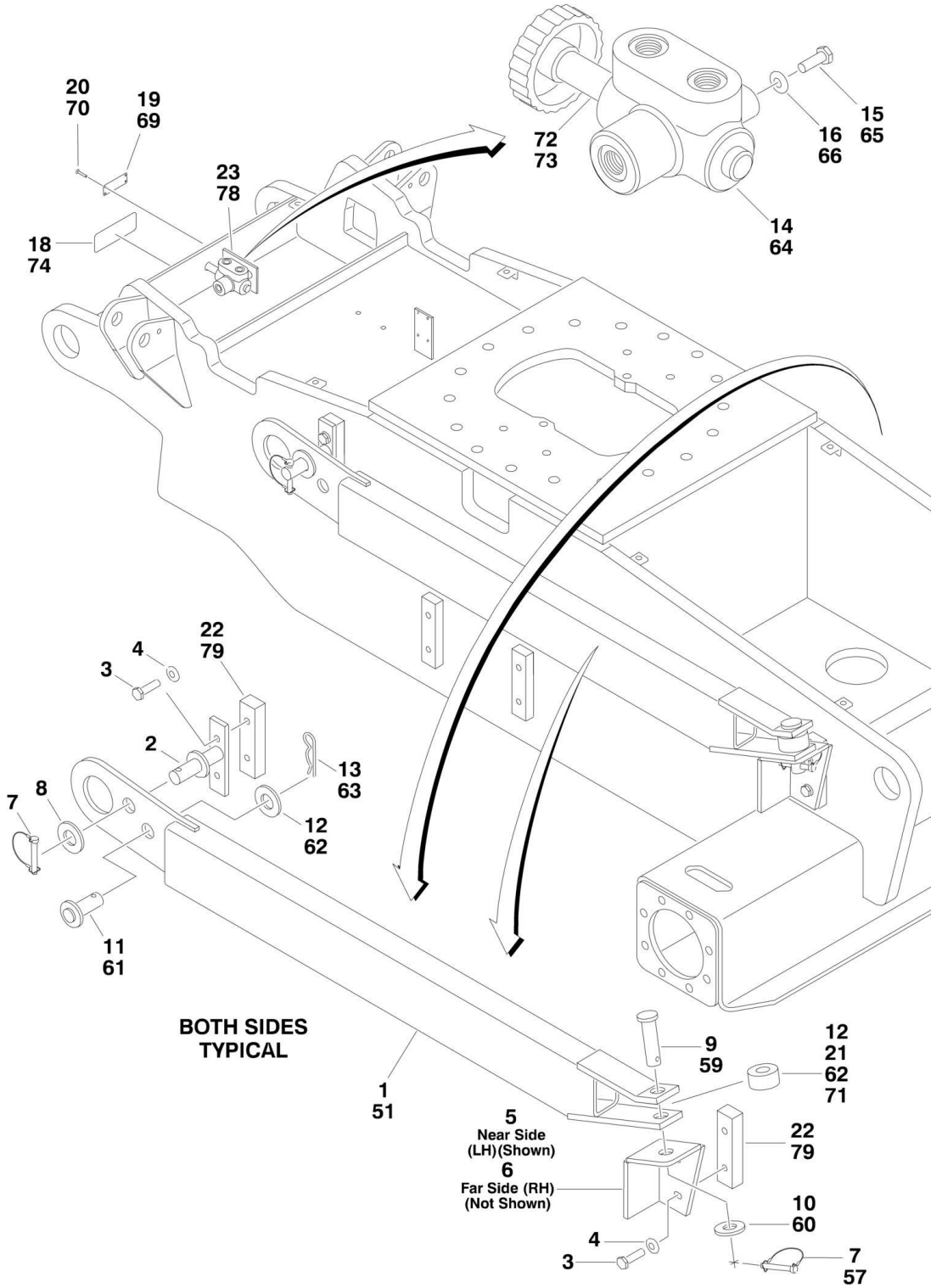
ITEM	PART NUMBER	QTY	DESCRIPTION	REV
		Ref	DRIVE VALVES INSTALLATION OPTIONS:	
	0273049	Ref	Drive Valve Installation 2WD/2WS	D
	0273367	Ref	Drive Valve Installation 2WD/4WS	A
	0273048	Ref	Drive Valve Installation 4WD/2WS	F
	0273366	Ref	Drive Valve Installation 4WD/4WS	E
2		Ref	Bolt 5/16in-18NC Options:	
2	0641532	2	Bolt 4in Length 2WD	
2	0641552	3	Bolt 6-1/2in Length 4WD	
8	3311505	AR	Locknut 5/16in-18NC	
10		Ref	Flow Divider Valve Assembly Options:	
10A		Ref	2WD Options (See Items 101-107 for Breakdown):	
10A	4641287	1	Flow Divider Valve Assembly (SN 0300075606 through 0300086891)	
10A	4641409	NLA	Flow Divider Valve Assembly (Use p/n 1001100120) (SN 0300086892 through 0300087000)	
10B		Ref	4WD Options (See Items 201-207 for Breakdown):	
10B	4641280	1	Flow Divider Valve Assembly (SN 0300075606 through 0300086891)	
10B	4641410	NLA	Flow Drive Valve Assembly (Use p/n 1001098503) (SN 0300086892 through 0300087000)	
11	4711500	AR	Flatwasher 5/16in Thin	
14		Ref	Bar, Clamping	
14	Not Required	0	Bar, Clamping 2WD/2WS	
14	0363012	2	Bar, Clamping 2WD/2WS, 4WD/2WS & 4WD/4WS	
15	0641618	4	Bolt 3/8in-16NC x 2-1/4in	
16	3340911	4	Rubber, Clamp	
17	4751600	4	Flatwasher 3/8in Regular	
		Ref	FLOW DIVIDER ASSEMBLIES 2WD	
	4641287	Ref	Flow Divider Assemblies 2WD (SN 0300075606 through 0300086891)	C
	4641409	Ref	Flow Divider Assemblies 2WD (SN 0300086892 through 0300087000)	A
	1001100120	Ref	Service Replacement for 4641409	A
		Ref	Note: Original Equipment Valve may have been replaced with Service Replacement Valve p/n 1001098503. Identify p/n stamped on Valve before ordering parts.	
101	7023933	1	Valve, Cartridge (Flow Divider)	
101	7021625	1	Seal Kit - Flow Divider Cartridge	
102	7024850	1	Valve, Cartridge (Check) (Used with p/n 4641287)	
102	7024892	1	Valve, Cartridge (Check) (Used with p/n 4641409 & p/n 1001100120)	
102	7023936	1	Seal Kit - Check Cartridge	
103	7022397	2	Valve, Cartridge (Check)	
103	7022399	2	Seal Kit - Check Cartridge	
104	7023935	1	Valve, Cartridge (Check)	
104	7023936	1	Seal Kit - Check Cartridge	
105	70002063	1	Orifice (Used with p/n 1001100120)	
106	7017406	4	Plug (Used with p/n 1001100120)	
107	70000781	1	Kit, Lock Down (Used with p/n 1001100120)	
		Ref	FLOW DIVIDER ASSEMBLIES 4WD	
	4641280	Ref	Flow Divider Assemblies 4WD (SN 0300075606 through	C

SECTION 1 - FRAME

ITEM	PART NUMBER	QTY	DESCRIPTION	REV
	4641410	Ref	0300086891) Flow Divider Assemblies 4WD (SN 0300086892 through 0300087000)	B
	1001098503	Ref	Service Replacement for 4641410	A
201	7023933	1	Valve, Cartridge (Flow Divider)	
201	7021625	1	Seal Kit - Flow Divider Cartridge	
202	7022397	6	Valve, Cartridge (Check) (Used with p/ns 4641280 & 4641410)	
202	70003408	6	Valve, Cartridge (Check) (Used with p/n 1001098503)	
202	7022399	6	Seal Kit - Check Cartridge	
203	7023935	1	Valve, Cartridge (Check)	
203	7023936	1	Seal Kit - Check Cartridge	
204	7024850	1	Valve, Cartridge (Check) (Used with p/n 4641280)	
204	7024892	1	Valve, Cartridge (Check) (Used with p/ns 4641410 & 1001098503)	
204	7023936	1	Seal Kit - Check Cartridge	
205	7023917	2	Valve, Cartridge (Flow Divider)	
205	7021625	2	Seal Kit - Flow Divider Cartridge	
206	70002063	1	Plug, Orifice	
207	70002064	2	Plug, Orifice	
		Ref	FRAME SHIELDS INSTALLATION	
	0273067	Ref	Frame Shields Installation 2WS	A
	0273362	Ref	Frame Shields Installation 4WS	A
301	0100011	AR	Compound, Locking	
302	0641607	AR	Bolt, 3/8in - 16NC x 7/8in	
303	4061058	1	Shield, Frame - Front	
304	4751600	AR	Flatwasher, 3/8in Regular	
305		Ref	Shield, Frame - Rear	
305	Not Required	0	Shield, Frame - Rear 2WS	
305	4061058	1	Shield, Frame - Rear 4WS	

SECTION 1 - FRAME

FIGURE 1-15. TOW PACKAGE INSTALLATION (OPTIONAL) (SN 0300068000 through 0300075605)



SECTION 1 - FRAME

FIGURE 1-15. TOW PACKAGE INSTALLATION (OPTIONAL) (SN 0300068000 through 0300075605)

ITEM	PART NUMBER	QTY	DESCRIPTION	REV
	0255363	Ref	TOW PACKAGE INSTALLATION - 2WS	6
1	4845281	2	Tow Bar Weldment	
2	4845283	2	Bracket, Tow Bar Storage (Front)	
3	0641608	8	Bolt 3/8in-16NC x 1in	
4	4711600	8	Flatwasher 3/8in Thin	
5	4845282	1	Bracket, Tow Bar Storage (Rear Left Side)	
6	4845286	1	Bracket, Tow Bar Storage (Rear Right Side)	
7	3421453	4	Snap-Pin	
8	4712600	1	Flatwasher 1in Thin	
9	3422552	2	Pin, Tow Bar	
10	4713400	2	Flatwasher 1-1/2in Thin	
11	3422553	1	Pin, Tow Bar	
12	4713000	2	Flatwasher 1-1/4in Thin	
13	3420592	2	Hairpin	
14	4640261	1	Valve, Tow	
15	0641505	2	Bolt 5/16in-18NC x 5/8in	
16	4711500	2	Flatwasher 5/16in Thin	
18	1702968	1	Decal	
19	3250872	1	Nameplate	
20	3820001	4	Rivet	
21	4566971	2	Spacer, Tube	
22	0362519	4	Bar, Tow Clamp	
23	3539662	1	Plate, Valve Mount	
	0258886	Ref	TOW PACKAGE Installation - 4WS (OPTIONAL)	3-B
51	4845281	2	Tow Bar Weldment	
52 to 56	Not Required	0	Not Required	
57	3421453	2	Snap-Pin	
58	Not Required	0	Not Required	
59	3422552	2	Pin, Tow Bar	
60	4713400	2	Flatwasher 1-1/4in Thin	
61	3422553	1	Pin, Tow Bar	
62	4713000	2	Flatwasher 1-1/4in Thin	
63	3420592	1	Hairpin	
64	4640261	1	Valve, Tow	
65	0641505	2	Bolt 5/16in-18NC x 5/8in	
66	4711500	2	Flatwasher 5/16in Thin	
68	Not Required	0	Not Required	
69	3250872	1	Nameplate	
70	3820001	4	Rivet	
71	4566971	2	Spacer, Tube	
72	3841329	1	Rod, Extension	
73	4761600	1	Lockwasher 5/16in	
74	1703403	1	Decal	
75	1703404	2	Decal, Match Arrow (Not Shown)	
76	1703444	1	Decal (Not Shown)	
77	1703450	1	Decal (Not Shown) Options	
78	3539662	1	Plate, Valve Mount	
79	0362519	4	Bar	

SECTION 1 - FRAME

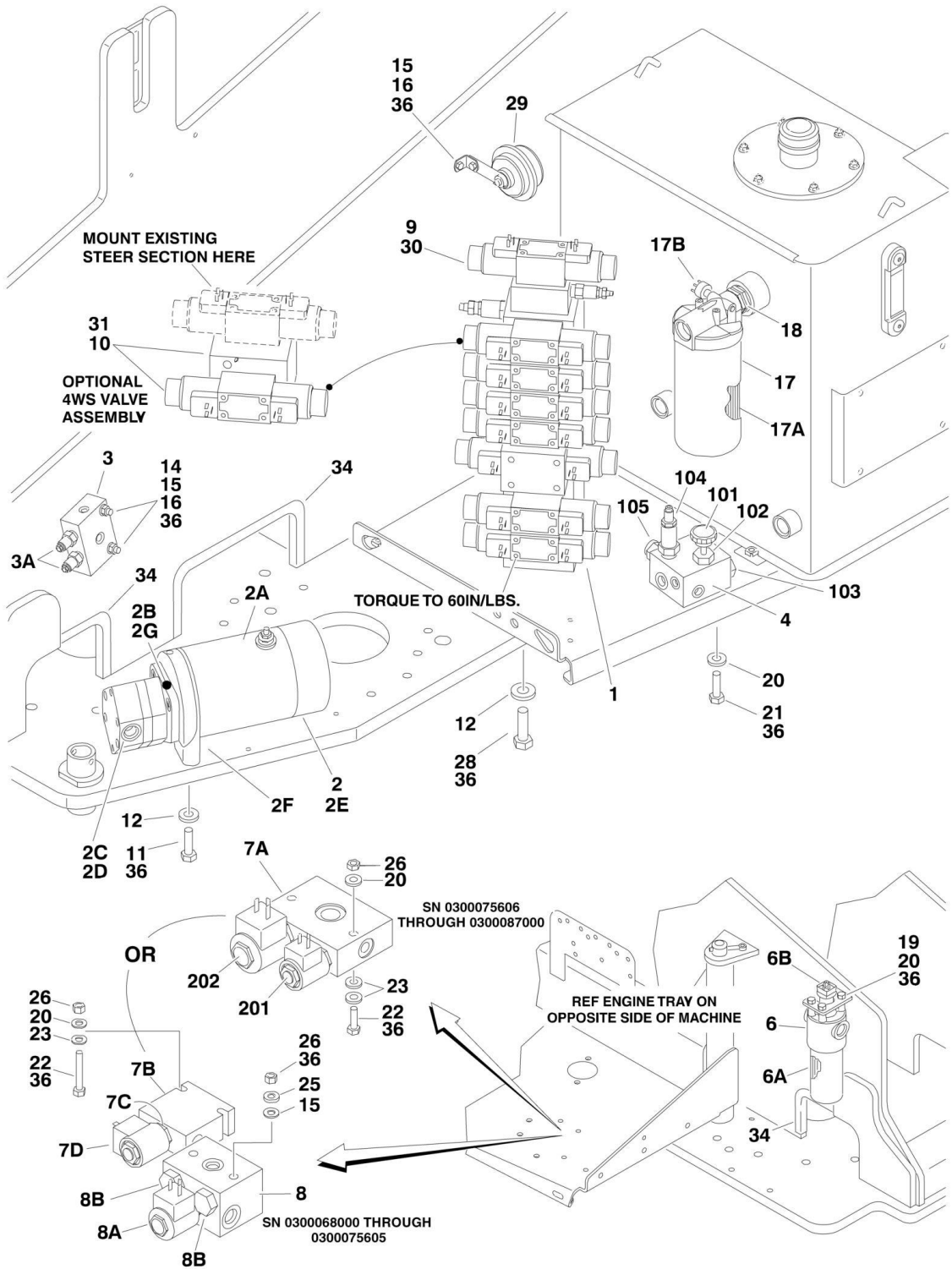
FIGURE 1-16. TOW PACKAGE INSTALLATION (OPTIONAL) (SN 0300075606 through 0300087000)

ITEM	PART NUMBER	QTY	DESCRIPTION	REV
		Ref	TOW PACKAGE INSTALLATION	
	0273422	Ref	Tow Package Installation 2WD	A
	0273394	Ref	Tow Package Installation 4WD	A
1	0100011	AR	Compound, Locking	
2	0641608	3	Bolt 3/8in-16NC x 1in	
4	0741607	4	Screw, Countersunk 3/8in-16NC x 7/8in	
7	0962292	2	Bearing	
8	0962348	1	Bearing	
10	3010125	1	Link, Steer	
11	3340966	2	Pad, Stop	
13	3422567	1	Pin	
14	3422813	1	Pin	
15	3422848	1	Pin	
19	3841143	3	Keeper, Pin	
22	4071059	2	Shim	
25	4740111	3	Thrustwasher	
26	4740155	2	Thrustwasher	
29	4846935	1	Bar, Pivot	
	0273398	Ref	TOW BAR INSTALLATION	B
101	0100011	AR	Compound, Locking	
102	0270528	1	Bar Assembly (See Items 201-221 for Breakdown)	
103	0641516	2	Bolt 5/16in-18NC x 2in	
104	1704578	2	Decal - Crushing	
105	1705090	1	Decal - Towing Instructions	
107	3250872	1	Nameplate - Steer/Tow Select Valve	
108	3940604	4	Screw, Self-Tapping #6-32NF x 1/2in	
109	4420051	2 ft/.61m	Tape, Safety	
110	4640281	1	Valve, Select	
	0270528	Ref	TOW BAR ASSEMBLY	A
201	0100011	AR	Compound, Locking	
202	0362910	1	Pintle, Draw Eye	
203	0642010	4	Bolt 5/8in-11NC x 1-1/4in	
204	0721004	2	Screw, Hex Machine	
205	0741607	24	Screw, Countersunk 3/8in-16NC x 7/8in	
206	1060584	6	Cable, Lanyard	
207	3420372	2	Pin, Cotter	
208	3420447	1	Pin, Towing	
209	3421565	2	Pin, Snap	
210	3422841	2	Pin	
211	3422847	1	Pin	
212	3572009	2	Plate, Slide Stop	
213	3572010	2	Plate, Slide Stop	
214	3572011	2	Plate, Slide Stop	
215	3572012	2	Plate, Slide Stop	
216	3760170	8	Ring, Split	
217	4568133	1	Tube, Tow Bar	
218	4740036	1	Flatwasher	
219	4751000	2	Flatwasher #10	
220	4846295	1	Tow Bar Attach Weldment	
221	4846296	1	Pintle Attach Weldment	

SECTION 2 - TURNTABLE

SECTION 2 - TURNTABLE

FIGURE 2-1. CONTROL VALVES INSTALLATIONS



SECTION 2 - TURNTABLE

FIGURE 2-1. CONTROL VALVES INSTALLATIONS

ITEM	PART NUMBER	QTY	DESCRIPTION	REV
		Ref	VALVES INSTALLATIONS	
		Ref	Valves Installations (SN 0300068000 through 0300075605)	
	0255315	Ref	Valves Installations 600S 2WS	13
	0255446	Ref	Valves Installations 600S 4WS	12
	0255445	Ref	Valves Installations 600SJ 2WS & 660SJ 2WS	14
	0255447	Ref	Valves Installations 600SJ 4WS & 660SJ 4WS	12
		Ref	Valves Installations (SN 0300075606 through 0300084826)	
	0273082	Ref	Valves Installations 600S 2WS	3
	0273087	Ref	Valves Installations 600S 4WS	3
	0273086	Ref	Valves Installations 600SJ 2WS & 660SJ 2WS	3
	0273088	Ref	Valves Installations 600SJ 4WS & 660SJ 4WS	3
		Ref	Valves Installations (SN 0300084827 through 0300087000)	
	0274316	Ref	Valves Installations 600S 2WS	1
	0274317	Ref	Valves Installations 600S 4WS	1
	0274318	Ref	Valves Installations 600SJ 2WS & 660SJ 2WS	1
	0274319	Ref	Valves Installations 600SJ 4WS & 660SJ 4WS	1
1	4641096	1	Main Control Valve Assembly (See MAIN CONTROL VALVE ASSEMBLY for Breakdown)	
2	3600243	NLA	Auxiliary Pump Assembly (Use p/n 3600379) (SN 0300068000 through 0300070772)	
2	3600365	1	Auxiliary Pump Assembly (SN 0300070773 through 0300087000)	
2A	7013755	1	Replacement Motor (Pump p/n 3600243)	
2A	7013799	1	Brush Kit - 7013755	
2A	7004248	1	Replacement Motor without Endhead (Pump p/n 3600365/3600379)	
2A	7004290	1	Replacement Motor with Endhead (was p/n 7011067) (Pump p/n 3600365/3600379)	
2A	7011065	1	Brush Kit	
2B	7013711	1	Coupling (Pump p/n 3600243)	
2B	7011063	1	Coupling (Pump p/n 3600365/3600379)	
2C	7013796	1	Replacement Pump (Pump p/n 3600243)	
2C	See Note	1	Seal Kit (Purchase Individual Pieces) (Note: Not Available for Purchase)	
2C	7016700	1	Seal, Oil	
2C	7016701	1	O-Ring	
2C	7016702	1	O-Ring	
2C	7011064	1	Replacement Pump (Pump p/n 3600365/3600379)	
2C	7011066	1	Seal Kit	
2D	7022203	4	Bolt (Pump to Bracket) (Pump p/n 3600243)	
2D	7011043	4	Bolt (Pump to Endhead) (Pump p/n 3600365/3600379)	
2E	7016744	2	Bolt (Motor to Bracket) (Pump p/n 3600243)	
2E	See Note	2	Bolt (Motor to Endhead) (Pump p/n 3600365/3600379) (Note: Not Available for Purchase)	
2F	7011062	1	Endhead (Pump p/n 3600365/3600379)	
2G	7011044	1	Gasket (Pump p/n 3600365/3600379)	
3	4640908	1	Counterbalance Valve Assembly (SN 0300068000 through 0300084827)	
3A	7011328	2	Cartridge, Counterbalance	
3A	2900770	2	Seal, Kit - 7011328 Cartridge	
4	4640931	1	Manual Descent Valve Assembly (See Items 101-105 for Breakdown) (SN 0300068000 through 0300070975)	

SECTION 2 - TURNTABLE

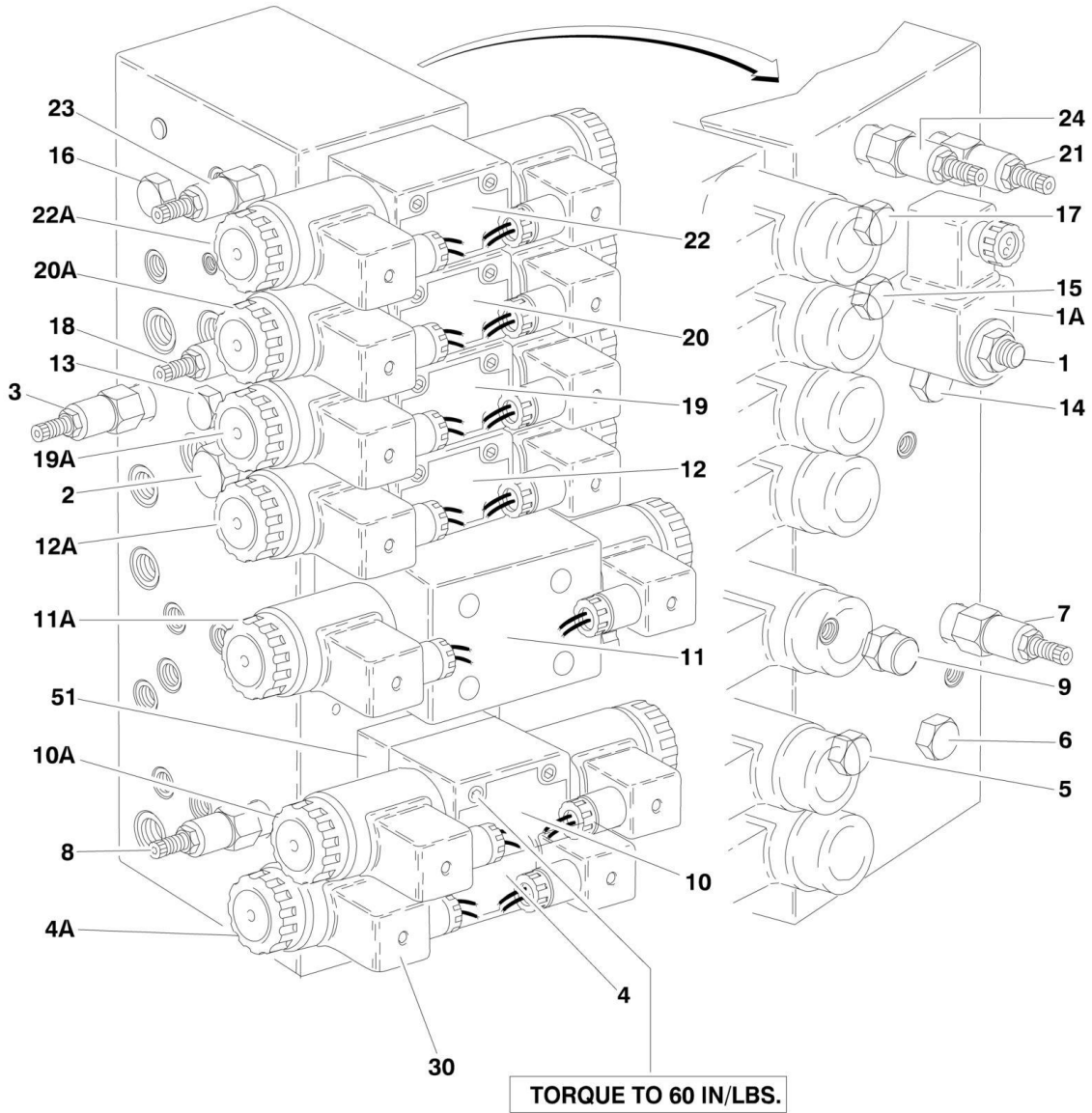
ITEM	PART NUMBER	QTY	DESCRIPTION	REV
6		Ref	Hydraulic Pressure Filter Assembly Options:	
6	2120146	1	Hydraulic Pressure Filter Assembly (SN 0300068000 through 0300084826)	
6	2120209	1	Hydraulic Pressure Filter Assembly (SN 0300084827 through 0300087000)	
6A	2120150	1	Element, Filter (Used with p/n 2120146)	
6A	2120210	1	Element, Filter (Used with p/n 2120209)	
6B	7016312	1	Indicator, Clogged (Used with p/n 2120146)	
6B	7020020	1	Indicator, Clogged (Used with p/n 2120209)	
6C	70000934	1	O-Ring, Filter Bowl (Not Shown - Used with p/n 2120209)	
7		Ref	Valve Assembly (Brake) Options:	
7A	4641108	1	Valve Assembly (Brake) (See Items 201-202 for Breakdown) (SN 0300075606 through 0300087000)	
7B	4640907	1	Valve Assembly (Brake) (SN 0300068000 through 0300075606)	
7C	7012941	1	Cartridge without Coil	
7C	7012907	1	Seal Kit - 7012941 Cartridge	
7D	7012944	1	Coil	
8	4640906	1	Valve Assembly (Two Speed Only) (SN 0300068000 through 0300075606)	
8A	7012974	1	Cartridge with Coil	
8A	7012907	1	Seal Kit - 7012974 Cartridge	
8B	7012944	1	Coil	
8C	See Note	2	Cartridge, Check (Note: Not Available for Purchase)	
8C	7012972	1	Seal Kit	
9		Ref	Valve Kit (Articulating Jib) Options:	
9	Not Required	0	Valve Kit (Articulating Jib) 600S	
9	4640921	1	Valve Kit (Articulating Jib) 600SJ & 660SJ (See ACCESSORY VALVE ASSEMBLY for Breakdown)	
10		Ref	4WS Valve Kit Options:	
10	Not Required	0	2WS Machines	
10	4640922	1	4WS Machines	
10	7012774	1	Control Valve Assembly	
10	7018912	2	Nut, Coil	
10	7012772	2	Coil	
10	7024014	2	Pipe, Pole	
10	7012773	1	Seal Kit - 7012774 Control Valve	
10	7017420	2	Valve, Cartridge	
10	7012998	2	Seal Kit - 7017420 Cartridge	
11	0641613	2	Bolt 3/8in-16NC x 1-5/8in	
12	4711600	5	Flatwasher 3/8in Thin	
14		Ref	Hardware Options:	
14	4891800	2	Flatwasher 1/2in Hardened (SN 0300068000 through 0300074783)	
14	0641514	2	Bolt 5/16in-18NC x 1-3/4in (SN 0300074784 through 0300075605)	
14	4891800	2	Flatwasher 1/2in Hardened (SN 0300075606 through 0300087000)	
15	4711500	AR	Flatwasher 5/16in Thin	
16		Ref	Hardware Options:	
16	3311501	3	Nut 5/16in-18NC (SN 0300068000 through 0300074783)	
16	0641506	1	Bolt 5/16in-18NC x 3/4in (SN 0300074784 through 0300075605)	
16	3311501	3	Nut 5/16in-18NC (SN 0300075606 through 0300087000)	

SECTION 2 - TURNTABLE

ITEM	PART NUMBER	QTY	DESCRIPTION	REV
17	2120145	1	Return Filter Assembly (SN 0300068000 through 0300084826)	
17	2120164	1	Return Filter Assembly (SN 0300084827 through 0300087000)	
17A	2120149	1	Element, Filter (Used with p/n 2120146 & p/n 2120164)	
17B	7016313	1	Indicator Switch, Clogged (Used with p/n 2120145)	
17B	7020021	1	Indicator Switch, Clogged (Used with p/n 2120164)	
18	2220893	1	Fitting, Adapter	
19	0651406	AR	Bolt 1/4in-28NF x 3/4in	
20	4711400	AR	Flatwasher 1/4in Thin	
21	0651406	3	Bolt 1/4in-28NF x 3/4in (SN 0300068000 through 0300070975)	
22	0641418	2	Bolt 1/4in-20NC x 2-1/4in	
23	4891400	4	Flatwasher 1/4in Hardened (SN 0300068000 through 0300075606)	
24	0641508	2	Bolt 5/16in-18NC x 1in (SN 0300068000 through 0300075606)	
25	4891500	2	Flatwasher 5/16in Hardened (SN 0300068000 through 0300075606)	
26	3311405	2	Locknut 1/4in-20NC	
28	0641608	3	Bolt 3/8in-16NC x 1in	
29	0140001	1	Horn	
30		Ref	Harness Assembly (Jib Control) Options (Not Shown - See ELECTRICAL SECTION for Breakdown):	
30	Not Required	0	Harness Assembly (Jib Control) 600S	
30	4921927	1	Harness Assembly (Jib Control) 600SJ & 660SJ	
31		Ref	Harness Assembly (4WS Control) Options: (Not Shown - See ELECTRICAL SECTION for Breakdown):	
31	Not Required	0	2WS Machines	
31	4921928	1	4WS Machines	
34	4060918	40 in/10m	Flex-Trim	
36	0100011	AR	Compound, Locking	
	4640931	Ref	MANUAL DESCENT VALVE ASSEMBLY (SN 0300068000 through 0300070975)	
101	7012961	1	Knob	
102	7012954	1	Cartridge, Needle Valve	
102	7012953	1	Seal Kit - 7012954 Valve	
103	7012975	1	Cartridge, Check Valve	
103	7012540	1	Seal Kit - 7012975 Valve	
104	7012976	1	Cartridge, Relief Valve	
104	7012971	1	Seal Kit - 7012971 Valve	
105	7012977	1	Cartridge, Pilot Valve	
105	7012918	1	Seal Kit - 7012977 Valve	
	4641108	Ref	VALVE ASSEMBLY (DUAL SELECT BRAKE/2 SPEED)	B
201	7012941	1	Cartridge without Coil	
201	7010543	1	Seal Kit - 7012941 Cartridge	
201	7012944	1	Coil	
202	7012995	1	Cartridge without Coil	
202	7012518	1	Seal Kit - 7012995 Cartridge	
202	7012943	1	Coil	

SECTION 2 - TURNTABLE

FIGURE 2-2. MAIN CONTROL VALVE ASSEMBLY



SECTION 2 - TURNTABLE

FIGURE 2-2. MAIN CONTROL VALVE ASSEMBLY

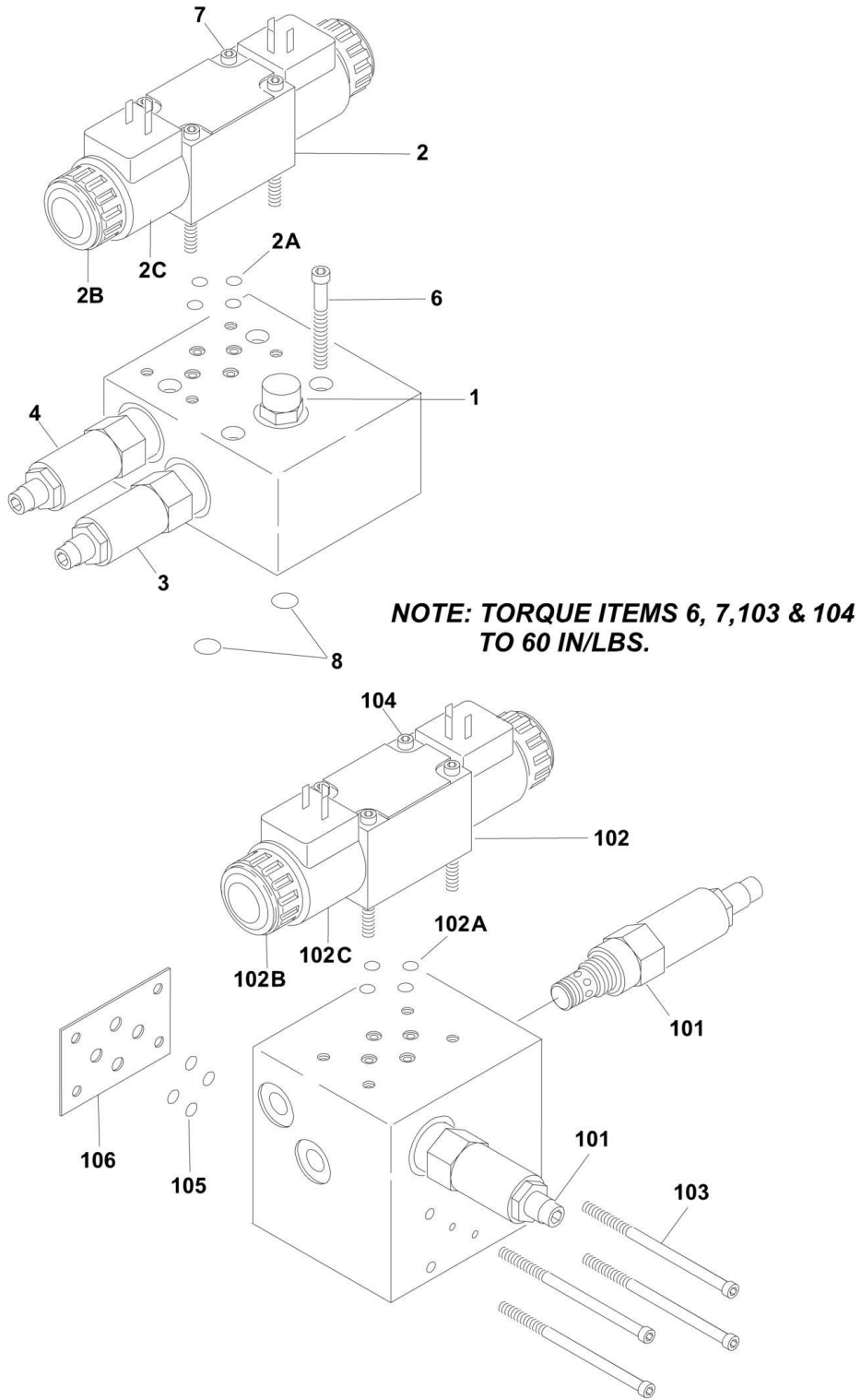
ITEM	PART NUMBER	QTY	DESCRIPTION	REV
	4641096	Ref	MAIN CONTROL VALVE ASSEMBLY	A
1	7017410	1	Cartridge, Without Coil	
1	7012967	1	Seal Kit - 7017410 Cartridge	
1A	7012944	1	Coil	
2	7017464	1	Cartridge, Pressure Sensing	
2	7012518	1	Seal Kit	
3	7012912	1	Cartridge (Main Relief)	
3	7012998	1	Seal Kit	
4	70001976	1	Control Valve Assembly (Platform Level) (was p/n 7012770)	
4	7012773	1	Seal Kit	
4	7018942	4	Capscrew #10 x 2	
4A	7012772	2	Coil	
5	7012914	1	Cartridge, Check Valve	
5	7012918	1	Seal Kit - 7012914 Cartridge	
6	7012914	1	Cartridge, Check Valve	
6	7012918	1	Seal Kit - 7012914 Cartridge	
7	7012912	1	Cartridge, Relief Valve (Platform Level Backward)	
7	7012998	1	Seal Kit - 7012912 Cartridge	
8	7012912	1	Cartridge, Relief Valve (Platform Level Forward)	
8	7012998	1	Seal Kit - 7012912 Cartridge	
9	7012989	1	Cartridge, Flow Control	
9	7012953	1	Seal Kit - 7012989 Cartridge	
10	70001976	1	Control Valve Assembly (Platform Rotate) (was p/n 7012770)	
10	7012773	1	Seal Kit	
10	7018986	4	Capscrew #10 x 3-1/2	
10A	7012772	2	Coil	
11	70000579	1	Control Valve Assembly (Upper Tele) (was p/n 7012766)	
		Ref	Note: Refer to Vendor P/N on Valve Nameplate before ordering Parts. P/N 7012766 is RR00567495 or R900567495. P/N 70000579 is R900930080.	
11		Ref	Seal Kit Options:	
11	7012769	1	Seal Kit - 7012766 Valve	
11	70000583	1	Seal Kit - 70000579 Valve	
11	7018951	4	Capscrew 1/4 x 1-1/2	
11A		Ref	Coil Options:	
11A	7012772	1	Coil, 7012766 Valve (was p/n 7012768)	
11A	70000582	1	Coil, 70000579 Valve	
11A		Ref	Nut, Coil Options:	
11A	7018912	1	Nut, Coil 7012766 Valve	
11A	70000580	1	Nut, Coil 70000579 Valve	
12	7012775	1	Control Valve Assembly (Flow Control)	
12	7012773	1	Seal Kit	
12	7018942	4	Capscrew #10 x 2	
12A	7012772	2	Coil	
12A	7018912	2	Nut	
12A	7024015	2	Pipe, Pole	
13	7010542	1	Cartridge, Shuttle	
13	7010543	1	Seal Kit - 7010542 Cartridge	
14	7010542	1	Cartridge, Shuttle	
14	7010543	1	Seal Kit - 7010542 Cartridge	

SECTION 2 - TURNTABLE

ITEM	PART NUMBER	QTY	DESCRIPTION	REV
15	7010542	1	Cartridge, Shuttle	
15	7010543	1	Seal Kit - 7010542 Cartridge	
16	7010542	1	Cartridge, Shuttle	
16	7010543	1	Seal Kit - 7010542 Cartridge	
17	7010542	1	Cartridge, Shuttle	
17	7010543	1	Seal Kit - 7010542 Cartridge	
18	7012912	1	Cartridge, Relief Valve (Upper Lift Down)	
18	7012998	1	Seal Kit - 7012912 Cartridge	
19	7012775	1	Control Valve Assembly (Upper Lift)	
19	7012773	1	Seal Kit	
19	7018942	4	Capscrew #10 x 2	
19A	7012772	2	Coil	
19A	7018912	2	Nut	
19A	7024015	2	Pipe, Pole	
20	7012775	1	Control Valve Assembly (Swing)	
20	7012773	1	Seal Kit	
20	7018942	4	Capscrew #10 x 2	
20A	7012772	2	Coil	
20A	7018912	2	Nut	
20A	7024015	2	Pipe, Pole	
21	7012912	1	Cartridge, Relief Valve (Swing)	
21	7012998	1	Seal Kit - 7012912 Cartridge	
22	7012774	1	Control Valve Assembly (Steer)	
22	7012773	1	Seal Kit	
22	7018942	4	Capscrew #10 x 2	
22A	7012772	2	Coil	
22A	7018912	2	Nut	
22A	7024014	2	Pipe, Pole	
23	7012912	1	Cartridge, Relief Valve (Steer Left)	
23	7012998	1	Seal Kit - 7012912 Cartridge	
24	7012912	1	Cartridge, Relief Valve (Steer Right)	
24	7012998	1	Seal Kit - 7012912 Cartridge	
30	4460499	15	Connector, Din with Diode (Part of Valve Harness)	
	2901763	Ref	ROTATE SANDWICH VALVE KIT	A
51	7021310	1	Block, Valve	

SECTION 2 - TURNTABLE

FIGURE 2-3. ACCESSORY VALVE ASSEMBLY



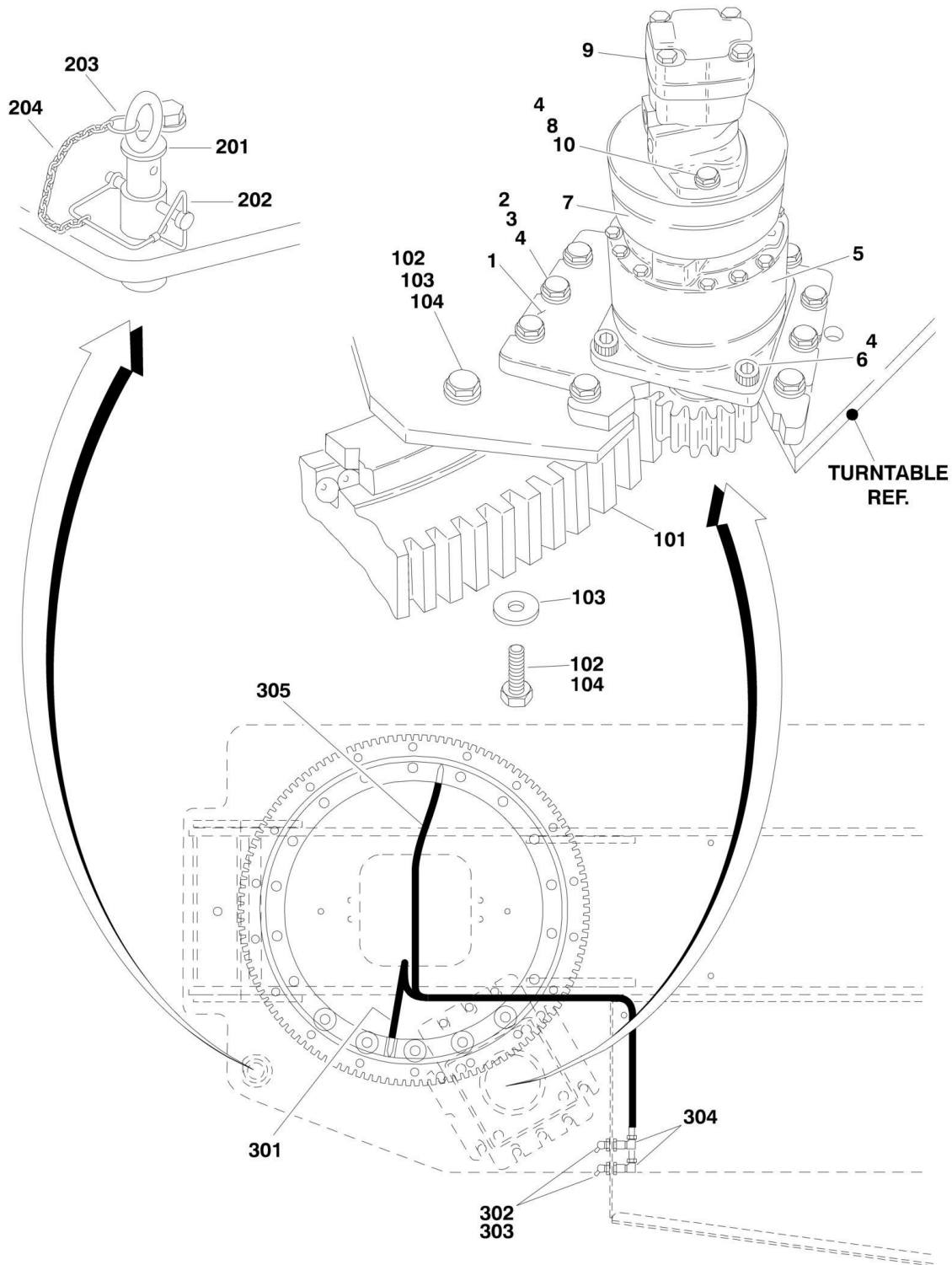
SECTION 2 - TURNTABLE

FIGURE 2-3. ACCESSORY VALVE ASSEMBLY

ITEM	PART NUMBER	QTY	DESCRIPTION	REV
		Ref	ACCESSORY VALVE ASSEMBLIES	
	4640921	Ref	ARTICULATING JIB VALVE ASSEMBLY	D
1	7012965	1	Cartridge, Flow Control	
1	7012953	1	Seal Kit - 7012965 Cartridge	
2	70001976	1	Directional Control Valve Assembly (was p/n 7012770)	
2	7012773	1	Seal Kit	
2A	7018945	4	O-Ring	
2B	7018912	2	Nut	
2C	7012772	2	Coil	
3	7017421	1	Cartridge, Relief	
3	7012998	1	Seal Kit - 7017421 Cartridge	
4	7017422	1	Cartridge, Relief	
4	7012998	1	Seal Kit - 7017422 Cartridge	
5	4460499	2	Connector, DIN with Diode (Not Shown - Part of Valve Harness)	
6	7012777	4	Capscrew, Socket Head 5/16in-18NC x 2-1/4in (Used to Mount Valve Assembly)	
7	7018942	4	Capscrew, Socket Head #10-24NC x 2in	
8	7012776	2	O-Ring (Used to Mount Main Valve)	
	4640922	Ref	4WS VALVE ASSEMBLY	B
101	7017420	1	Cartridge, Relief	
101	7012998	1	Seal Kit - 7017420 Cartridge	
102	7012774	1	Directional Control Valve Assembly	
102	7012773	1	Seal Kit	
102A	7018945	4	O-Ring	
102B	7018912	2	Nut	
102C	7012772	2	Coil	
103	7018946	4	Capscrew, Socket Head #10-24NC x 5in (Used to Mount Main Valve)	
104	7018942	4	Capscrew, Socket Head #10-24NC x 2in	
105	7018948	4	O-Ring (Used to Mount Main Valve)	
106	7018947	1	Plate, O-Ring	

SECTION 2 - TURNTABLE

FIGURE 2-4. SWING DRIVE, TURNTABLE BEARING AND LOCK INSTALLATIONS



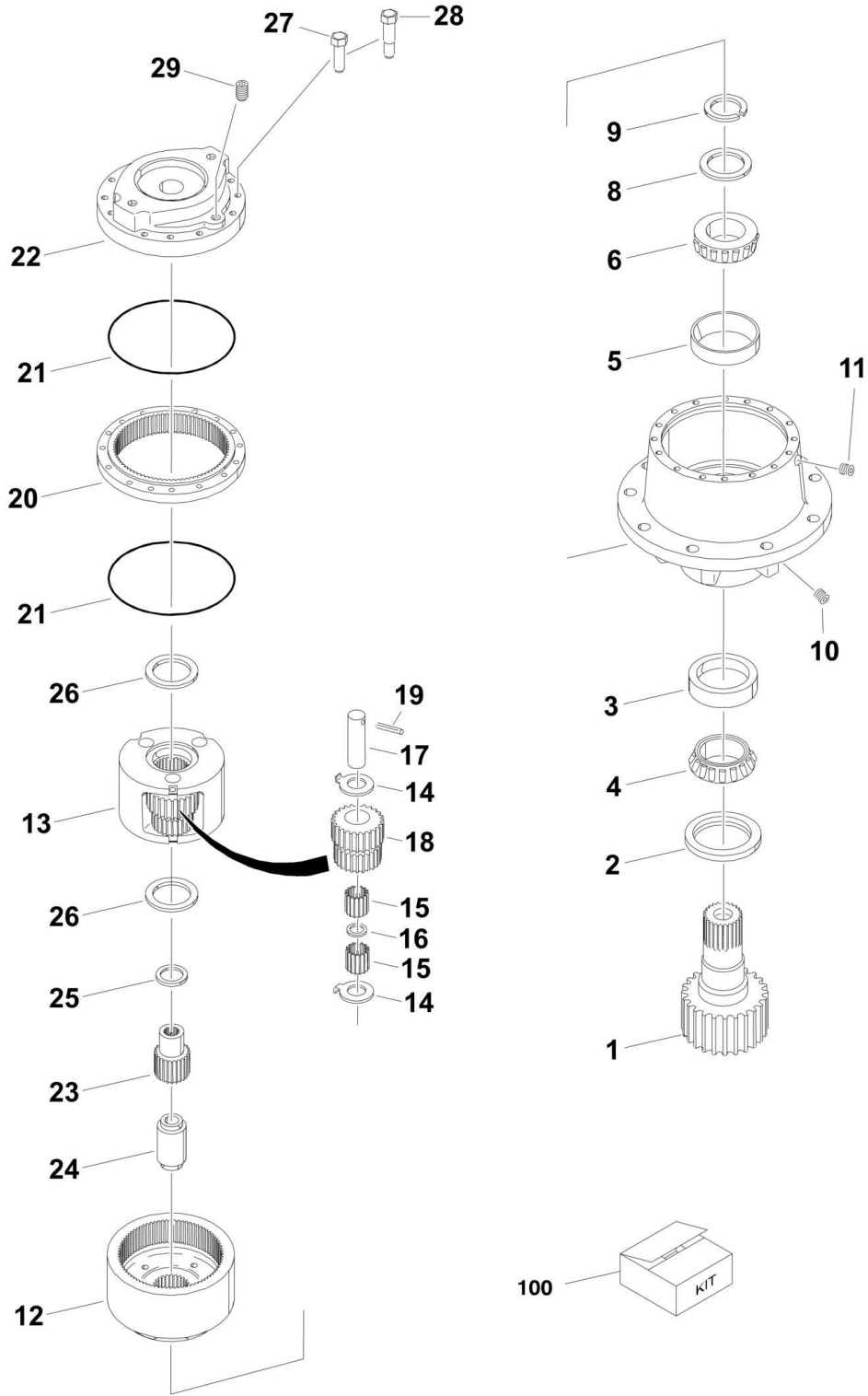
SECTION 2 - TURNTABLE

FIGURE 2-4. SWING DRIVE, TURNTABLE BEARING AND LOCK INSTALLATIONS

ITEM	PART NUMBER	QTY	DESCRIPTION	REV
	0270329	Ref	SWING DRIVE INSTALLATION	A
1	3537318	1	Plate, Swing Drive Mounting	
2	0642018	10	Bolt 5/8in-11NC x 2-1/4in	
3	4892000	10	Flatwasher 5/8in Hardened	
4	0100011	AR	Compound, Locking	
5	2780205	1	Hub Assembly (See SWING HUB ASSEMBLY for Breakdown)	
6	3932224	2	Capscrew 3/4in-10NC x 1-1/2in	
7	0920119	1	Brake Assembly	
7	7007933	2	Gasket, Mounting Face	
7	7007990	2	O-Ring, Mounting Face	
7	7018612	1	Repair Kit - 0920119 Brake	
		Ref	Note: Other than Gasket and O-Ring, Repair Kit is only part available.	
8	0681836	2	Bolt 1/2in-13NC x 4-1/2in	
9		Ref	Motor Assembly Options (See SWING MOTOR ASSEMBLY for Breakdown): (Note: Either p/n may be used as replacement)	
9	3160273	NLA	White Roller Stator Motor (Original Equipment) (Use p/n 1001110169)	
9	1001110169	1	Parker Motor (Service Replacement)	
10	4891800	2	Flatwasher 1/2in Hardened	
	0254798	Ref	TURNTABLE BEARING INSTALLATION	1-A
101	0440207	1	Bearing, Turntable	
102	0682016	36	Bolt 5/8in - 11NC x 2in (Grade 8)	
103	4892000	36	Flatwasher 5/8in Hardened	
104	0100019	AR	Compound, Locking	
	0239585	Ref	TURNTABLE LOCK INSTALLATION	B
201	3421627	1	Pin	
202	3421565	1	Pin, Snap	
203	3760170	2	Ring, Quick Release	
204	1260017	9 in/23cm	Chain	
	0255316	Ref	REMOTE BEARING LUBE INSTALLATION	3
301	2751095	1	Hose, Grease (SN 0300068000 through 0300070975)	
302	2180344	AR	Fitting, Bulkhead	
303	2160003	AR	Fitting, Grease 45	
304	2220063	2	Fitting, 90	
305	2751032	1	Hose, Grease	

SECTION 2 - TURNTABLE

FIGURE 2-5. SWING HUB ASSEMBLY



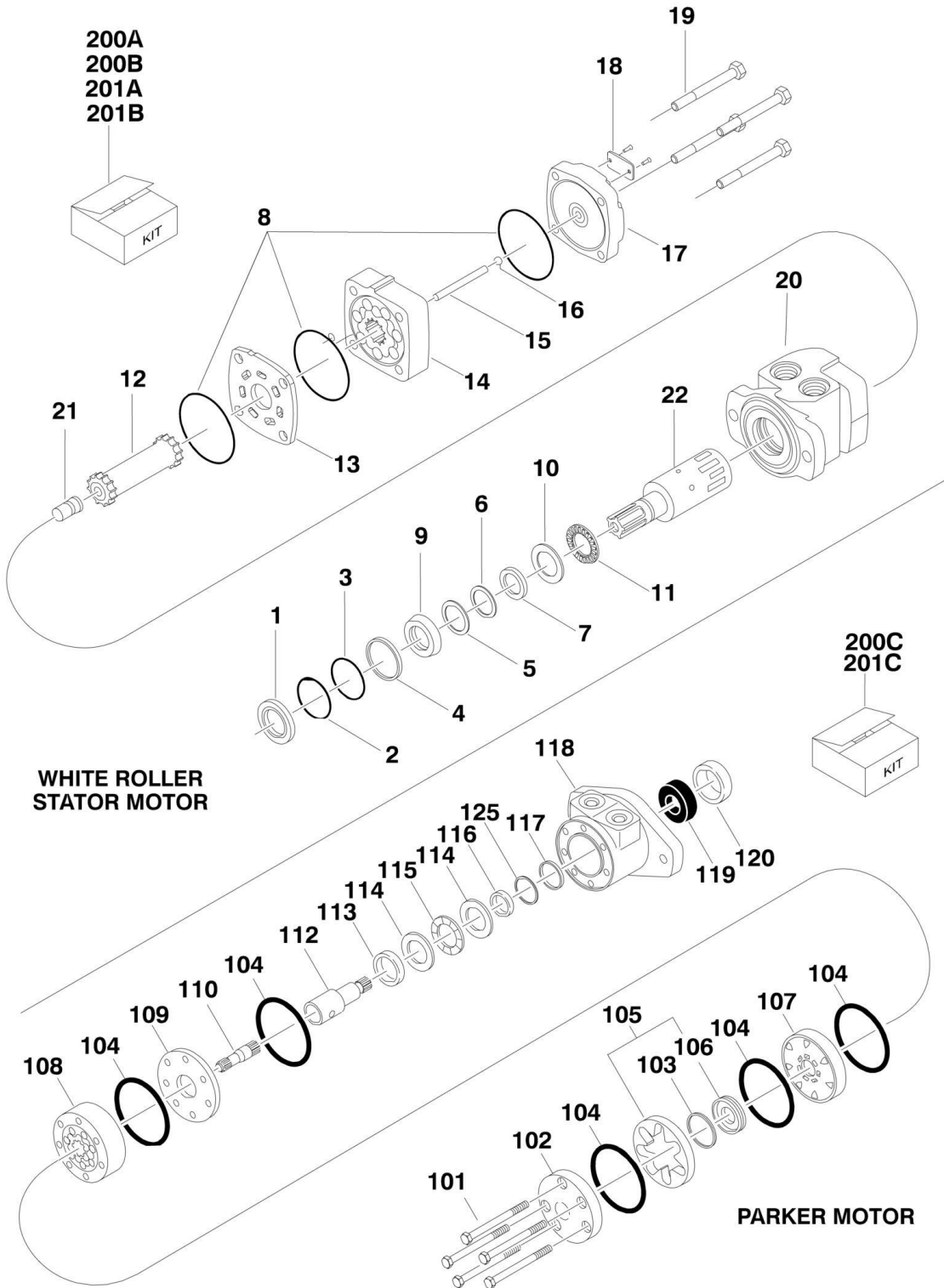
SECTION 2 - TURNTABLE

FIGURE 2-5. SWING HUB ASSEMBLY

ITEM	PART NUMBER	QTY	DESCRIPTION	REV
	2780205	Ref	SWING HUB ASSEMBLY	
		Ref	HOUSING ASSEMBLY	
1	7010492	1	Shaft, Output	
2	7000228	1	Seal, Lip	
3	7000255	1	Cup, Bearing	
4	7000256	1	Cone, Bearing	
5	7000257	1	Cup, Bearing	
6	7000258	1	Cone, Bearing	
7	7017089	1	Housing	
8	7007633	1	Thrustwasher	
9	7000229	1	Ring, Retaining	
10	7010494	2	Pipe, Plug	
11	7001928	2	Pipe, Plug	
12	7000246	2	Gear, In O-Ring	
		Ref	CARRIER ASSEMBLY	
13	7001931	1	Carrier	
14	7001985	6	Thrustwasher, Tanged	
15	7001909	96	Bearing, Needle	
16	7000263	3	Spacer, Thrust	
17	7001911	3	Shaft, Planet	
18	7001987	3	Gear, Cluster	
19	7010474	3	Roll Pin	
20	7001988	1	Ring Gear	
21	7000230	1	O-Ring (Black)	
21	7017070	1	O-Ring (White)	
22	7000209	1	Cover, Input	
23	7010488	1	Gear, Sun	
24	7000269	1	Spacer, Input	
25	7000270	1	Thrustwasher	
26	7000253	2	Thrustwasher	
27	7000217	8	Bolt	
28	7000214	4	Bolt, Shoulder	
29	2200222	1	Pipe, Plug	
100	7024100	1	Seal Kit (Includes Items 2, 9, 21 & 26)	

SECTION 2 - TURNTABLE

FIGURE 2-6. SWING MOTOR ASSEMBLY



SECTION 2 - TURNTABLE

FIGURE 2-6. SWING MOTOR ASSEMBLY

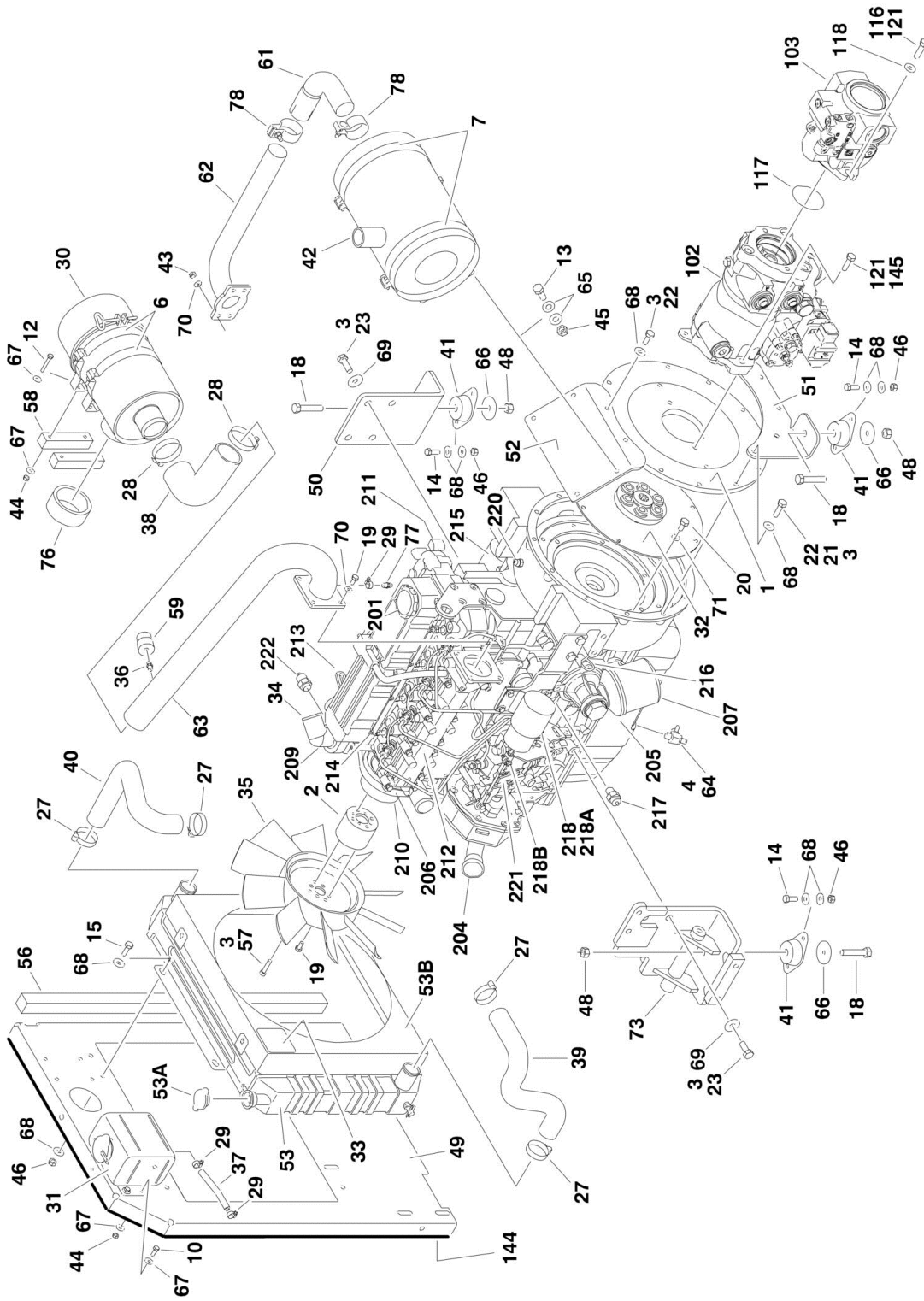
ITEM	PART NUMBER	QTY	DESCRIPTION	REV
		Ref	Note: Original Equipment may have been replaced with Service Replacement swing motor. Identify brand before ordering parts.	
	3160273	Ref	SWING MOTOR ASSEMBLY (WHITE ROLLER STATOR) (ORIGINAL EQUIPMENT)	B
1	See Note	NSS	Seal, Dust (Note: Use Item 200A)	
2	See Note	NSS	Ring, Split Wire (Note: Use Item 200A)	
3	See Note	NSS	Shim, Metal Back-up (Note: Use Item 200A)	
4	See Note	NSS	Seal, High Pressure (Note: Use Item 200A)	
5	See Note	NSS	Shim, Metal Back-up (Note: Use Item 200A)	
6	See Note	NSS	Seal, Teflon Back-up (Note: Use Item 200A)	
7	See Note	NSS	Seal, Shaft (Note: Use Item 200A)	
8	See Note	NSS	Seal, Body (Note: Use Item 200A)	
9	See Note	NSS	Carrier, Seal (Note: Use Item 200B)	
10	See Note	NSS	Thrustwasher (Note: Use Item 200B)	
11	7016422	1	Bearing, Thrust	
12	7005889	1	Link, Drive	
13	7016423	1	Plate, Wear	
14	7005890	1	Rotor Assembly	
15	7005891	1	Pin, Drive Link	
16	See Note	NSS	Ball (Note: Use Item 201A)	
17	See Note	NSS	Cover, End (Note: Use Item 201A)	
18	See Note	NSS	Tag, I.D. (Note: Not Available for Purchase)	
19	7005892	4	Bolt	
20	7016425	1	Housing (Note: Use Item 201B)	
21	7005893	1	Plug, Cooling (Note: Use Item 201B)	
22	7016426	1	Shaft (Note: Use Item 201B)	
	1001110169	Ref	SWING MOTOR ASSEMBLY (PARKER) (SERVICE REPLACEMENT)	A
101	70002243	5	Bolt	
102	7004035	1	Cover, End	
103	See Note	NSS	Seal, Commutator (Note: Use Item 200C)	
104	See Note	NSS	Seal, Ring (Note: Use Item 200C)	
105	7024453	1	Commutator and Ring Assembly	
106	7024453	1	Ring	
107	7024379	1	Manifold	
108	70002208	1	Rotor Set	
109	7024380	1	Plate, Wear	
110	83304150	1	Link, Drive	
112	7024395	1	Shaft, Coupling	
113	7024381	1	Bushing, Bronze	
114	7004043	2	Thrustwasher	
115	7004044	1	Bearing, Thrust	
116	See Note	NSS	Seal, Inner (Note: Use Item 200C)	
117	See Note	NSS	Washer, Back-up (Note: Use Item 200C)	
118	See Note	1	Housing (Note: Not Available - Purchase Complete Swing Motor Assembly)	
119	7024390	1	Bearing	
120	See Note	NSS	Seal (Note: Use Item 200C)	
125	See Note	NSS	Washer, Back-up (Note: Use Item 200C)	
		Ref	SEAL AND REPAIR KITS	

SECTION 2 - TURNTABLE

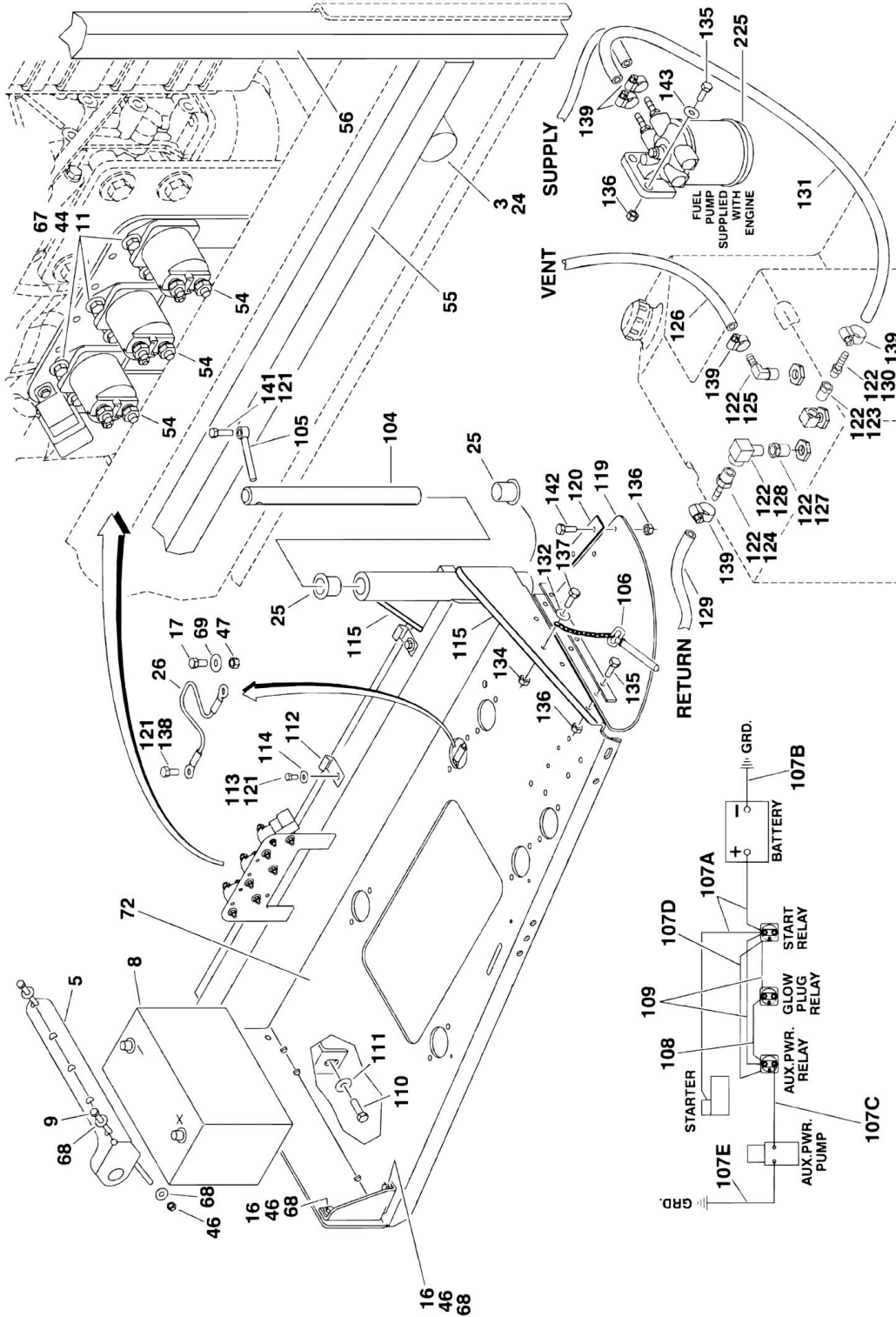
ITEM	PART NUMBER	QTY	DESCRIPTION	REV
200		Ref	Seal Kit Options:	
200		Ref	White Roller Stator Options:	
200A	7005881	1	Seal Kit (Includes Items 1-8)	
200B	7005882	1	Seal Carrier Kit (Includes Items 9 & 10) Parker Options:	
200C	7024389	1	Seal Kit (Includes Items 103, 104, 116, 117, 120 & 125)	
201		Ref	Repair Kit Options:	
201		Ref	White Roller Stator Options:	
201A	7016424	1	End Cover Kit (Includes Items 16 & 17)	
201B	7016427	1	Housing/Shaft Kit (Includes Items 20-22)	
201C	See Note	AR	Parker Options (Note: Purchase Individual Components)	

SECTION 2 - TURNTABLE

FIGURE 2-7. CATERPILLAR ENGINE INSTALLATION



SECTION 2 - TURNTABLE



SECTION 2 - TURNTABLE

FIGURE 2-7. CATERPILLAR ENGINE INSTALLATION

ITEM	PART NUMBER	QTY	DESCRIPTION	REV
		Ref	CATERPILLAR ENGINE ASSEMBLIES	
	0272796	Ref	Caterpillar Engine Assemblies (SN 0300068000 through 0300084826)	F
	0274491	Ref	Caterpillar Engine Assemblies (SN 0300084827 through 0300087000)	B
1	0080181	1	Adapter, Pump Mounting Plate	
2	0080243	1	Adapter, Fan Spacer	
3	0100011	AR	Compound, Locking	
4	0100020	AR	Sealant, Thread	
5	0181727	1	Hold-Down, Battery	
6	0340041	2	Band, Mounting	
7	0340046	2	Band, Muffler	
8	0400075	1	Battery	
9	0630498	2	Rod, Hold-Down	
10	0641406	4	Bolt 1/4in-20NC x 3/4in	
11	0641407	6	Bolt 1/4in-20NC x 7/8in	
12	0701414	4	Bolt 1/4in-20NC x 3/4in	
13	0641507	4	Bolt 5/16in-18NC x 7/8in	
14	0641608	8	Bolt 3/8-16NC x 1in	
15	0641609	4	Bolt 3/8-16NC x 1-1/8in	
16	0641610	4	Bolt 3/8-16NC x 1-1/4in	
17	0641808	1	Bolt 1/2in-13NC x 1in	
18	0641828	4	Bolt 1/2in-13NC x 2-1/2in	
19	0700808	8	Bolt M8 x 16mm	
20	0701010	8	Bolt M10 x 20mm	
21	0701012	4	Bolt M10 x 25mm	
22	0701015	8	Bolt M10 x 35mm	
23	0701214	8	Bolt M12 x 30mm	
24	0940070	1	Bumper, Rubber	
25	0961986	2	Bearing, Flange	
26	1060637	1	Lanyard	
27		Ref	Clamp, Hose Options:	
27	1320012	4	Clamp, Hose (SN 0300068000 through 0300084826)	
27	8405104	4	Clamp, Hose (SN 0300084827 through 0300087000)	
28	1320016	2	Clamp, Hose	
29		Ref	Clamp, Hose Options:	
29	1320022	3	Clamp, Hose (SN 0300068000 through 0300084826)	
29	8405009	3	Clamp, Hose (SN 0300084827 through 0300087000)	
30	1340060	1	Air Cleaner Assembly	
30	7012664	1	Element, Air Cleaner	
31	1580011	1	Container, Coolant Overflow	
32	1660239	1	Coupling, Pump	
33	1703162	2	Decal - Fan Blade	
34	2000194	1	Caterpillar Engine Assembly	
35	2060025	1	Fan	
36	2180798	1	Fitting (SN 0300068000 through 0300084827)	
37	2720058	0.33 ft /0.1m	Hose	
38	2720434	1	Elbow, Rubber	
39	2720509	1	Hose, Radiator (Bottom)	

SECTION 2 - TURNTABLE

ITEM	PART NUMBER	QTY	DESCRIPTION	REV
40	2720510	1	Hose, Radiator (Top)	
41	3200406	4	Mount, Engine	
42	3220113	1	Muffler, Spark Arresting	
43	3290801	4	Nut M8 x 1.25	
44	3311405	14	Locknut 1/4in-20NC	
45	3311505	4	Locknut 5/16in-18NC	
46	3311605	18	Locknut 3/8in-16NC	
47	3311801	1	Nut 1/2in-13NC	
48	3311805	4	Locknut 1/2in-13NC	
49	3539872	1	Plate, Radiator Mounting	
50	3574206	1	Plate, Motor Mount	
51	3574207	1	Plate, Engine Mount (Rear)	
52	3574208	1	Bracket, Muffler	
53	3620047	1	Radiator	
53A	7027412	1	Cap, Radiator	
53B	70004182	1	Shroud, Fan	
54	3740067	3	Relay, Solenoid Assembly	
55	3960468	1	Seal, Foam Gasket	
56	3960469	1	Seal, Foam Gasket	
57	4031911	4	Bolt M8 x 35mm	
58	4220191	2	Block, Spacer	
59	4360392	1	Switch, Restrictor Indicator (SN 0300068000 through 0300084827)	
61	4567073	1	Tube, Exhaust	
62	4568721	1	Exhaust Tube Weldment	
63		Ref	Tube, Air Intake Weldment Options:	
63	4568788	1	Tube, Air Intake Weldment (SN 0300068000 through 0300084826)	
63	4569177	1	Tube, Air Intake Weldment (SN 0300084827 through 0300087000)	
64	4640750	1	Valve, Oil Drain	
65	4711500	8	Flatwasher 5/16in Thin	
66	4740274	4	Washer, Snubbing	
67	4751400	28	Flatwasher 1/4in Regular	
68	4751600	48	Flatwasher 3/8in Regular	
69	4751800	8	Flatwasher 1/2in Regular	
70	4811900	8	Flatwasher M8	
71	4832000	8	Lockwasher M10	
72	4846790	1	Tray Engine	
73	4846805	1	Mount, Engine/Generator - Left	
74	4922737	1	Harness, Relay Ground	
75	0721006	1	Bolt #10-24NC x 3/4in	
76	2720515	1	Seal, Air Cleaner	
77	2220767	1	Fitting	
78	70001017	2	Clamp	
		Ref	CATERPILLAR ENGINE INSTALLATIONS	
	0273521	Ref	Caterpillar Engine Installations (SN 0300068000 through 0300075605)	3
	0273594	Ref	2WD (SN 0300075606 through 0300084826)	2
	0274492	Ref	2WD (SN 0300084827 through 0300087000)	1
	0273595	Ref	4WD (SN 0300075606 through 0300084826)	2
	0274493	Ref	4WD (SN 0300084827 through 0300087000)	1

SECTION 2 - TURNTABLE

ITEM	PART NUMBER	QTY	DESCRIPTION	REV
102		Ref	Piston Pump Assembly Options:	
102	3600260	1	Piston Pump Assembly (See PISTON PUMP ASSEMBLY for Breakdown) (SN 0300068000 through 0300075605)	
102	3600388	1	2WD (See PISTON PUMP ASSEMBLY for Breakdown) (SN 0300075606 through 0300087000)	
102	3600381	1	4WD (See PISTON PUMP ASSEMBLY for Breakdown) (SN 0300075606 through 0300087000)	
103	3600242	1	Gear Pump Assembly (See GEAR PUMP ASSEMBLY for Breakdown)	
104	3422446	1	Pin, Pivot	
105	3841143	1	Keeper, Pin	
106	3422532	1	Pin, Hitch	
107	2902296	1	Battery Cable Kit	
107A	7027000	1	Cable, Battery (Red)	
		Ref	Note: Machines were built with Revisions A or B Cable Kit. Replacement p/n 7027000 will incorporate Item 107D. Discard Item 107D and install per illustration. (SN 0300068000 through 0300087000)	
107B	7027004	1	Cable, Battery (Black)	
107C	7027002	1	Cable (Red)	
107D	7027001	1	Cable (Red) (No Longer Part of 2902296 Kit)	
107E	7027003	1	Cable (Black)	
108	1060904	1	Cable, Battery	
109	4922737	1	Harness, Relay Ground	
110	0642010	1	Bolt 5/8in-11NC x 1-1/4in	
111	4752000	1	Flatwasher 5/8in Regular	
112	1320223	3	J-Clip 1/2in	
113	0641606	3	Bolt 3/8in-16NC x 3/4in	
114	4711600	3	Flatwasher 3/8in Thin	
115	4060805	2 ft /0.7mm	Flex-Trim 1/4in	
116	3931620	2	Bolt 3/8in-16NC x 1-1/4in	
117	3790152	1	O-Ring	
118	4891600	2	Flatwasher 3/8in Hardened	
119	3380429	1	Panel, Rubber	
120	3539957	2	Plate, Support	
121	0100011	AR	Compound, Locking	
122	0100020	AR	Sealant, Thread	
123	2220273	2	Fitting, Reducer	
124	2180536	2	Fitting, Straight	
125	2220313	1	Fitting, 90	
126	2750532	6 ft/1.8m	Hose 3/8in	
127	2220250	1	Fitting, Reducer	
128	2220549	1	Fitting, 90	
129	2720271	15 ft/4.6m	Hose 3/16in	
130	2220794	1	Fitting, Barbed	
131	2720058	16 ft/4.9m	Hose	
132	4751400	4	Flatwasher 1/4in Regular	
133	0641608	2	Bolt 3/8in-16NC x 1in	
134	3311405	1	Locknut 1/4in-20NC	
135	0641507	5	Bolt 5/16in-18NC x 1-1/4in	
136	3311505	8	Locknut 5/16in-18NC	
137	0641407	1	Bolt 1/4in-20NC x 7/8in	

SECTION 2 - TURNTABLE

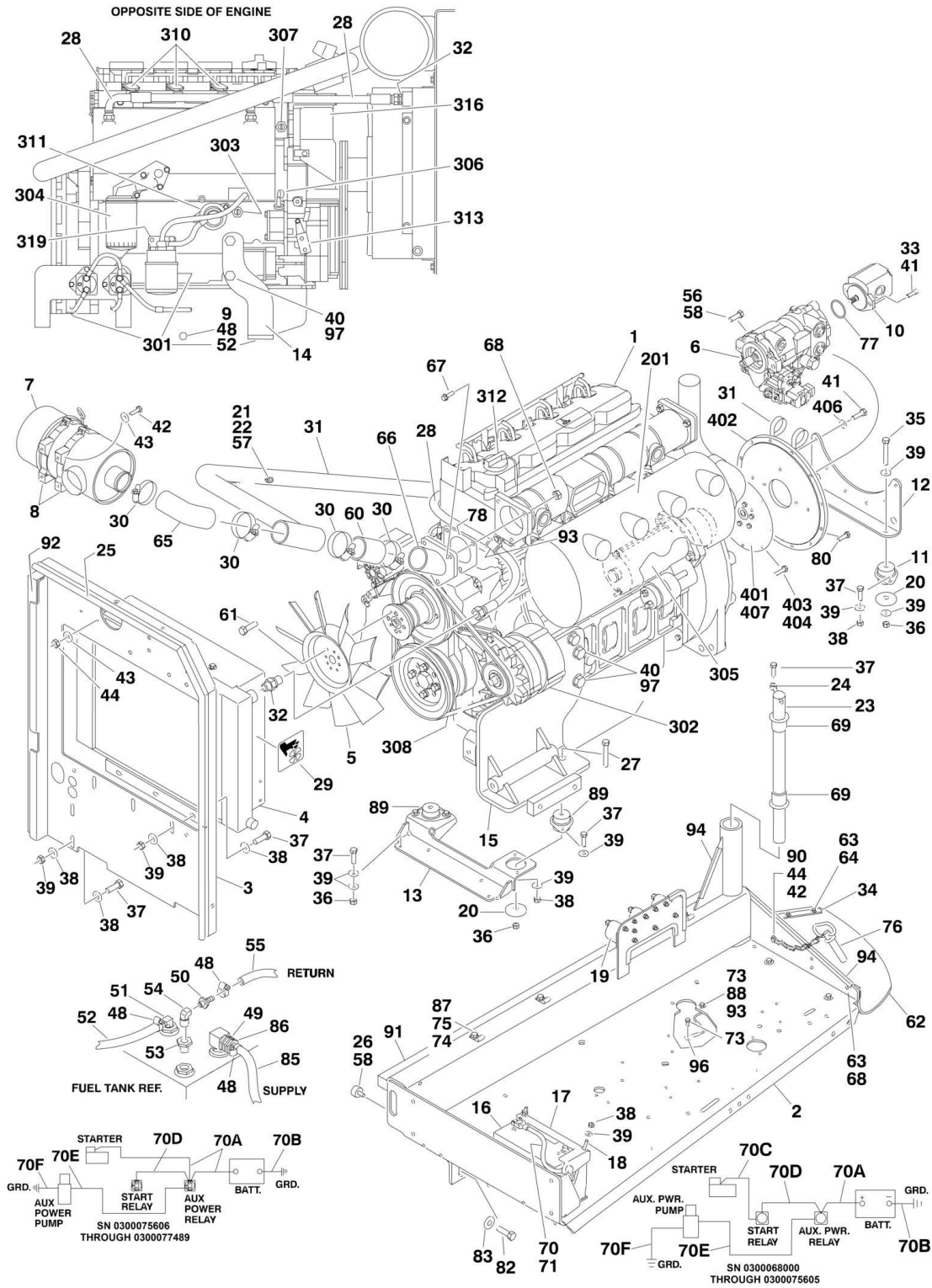
ITEM	PART NUMBER	QTY	DESCRIPTION	REV
138	0641808	1	Bolt 1/2in-13NC x 1in	
139	1320022	7	Clamp, Hose	
140	1701505	1	Decal - Diesel (Not Shown - Located on Hood)	
141	0641610	1	Bolt 3/8in-16NC x 1-1/4in	
142	0641514	3	Bolt 5/16in-18NC x 1-3/4in	
143	4751500	3	Flatwasher 5/16in Regular	
144	3960389	5 ft/1.5m	Seal, Hood	
145	0641812	2	Bolt 1/2in-13NC x 1-3/4in	
	2000194	Ref	ENGINE COMPONENTS	D
201	7026800	1	Cap Oil Filler	
201	7026801	1	Gasket, Valve Cover	
202	7026802	1	Flywheel	
202	7026803	1	Gear, Ring (112 Teeth)	
203	7026804	1	Gasket (Not Shown - Between Flywheel Housing and Engine Block)	
203	7026805	1	Seal (Not Shown - Rear of Flywheel Housing)	
204	7026806	1	Cap, Filler	
204	7026807	1	Seal, Oil (Located in Front Housing)	
205	7026808	1	Plug, Oil Pan	
205	7026809	1	Gasket, Oil Pan	
206	7026810	1	V-Belt	
207	7026811	1	Filter, Oil	
		Ref	Note: Machines with SkyPower use Remote Mounted Oil Filter - See SPECIAL OPTIONS SECTION. The same oil filter is used for all applications.	
207	7026812	1	O-Ring (Between Bolt and Oil Filter Bracket)	
207	7026813	1	O-Ring (Between Oil Filter Bracket and Engine Block)	
208	7026819	1	Engine Cooler Assembly (Not Shown)	
208	7026816	2	O-Ring (Between Cover and Cooler)	
208	7026817	4	O-Ring (Between Cover and Cooler)	
208	7026818	1	Gasket (Between Cover and Engine Block)	
209	7026822	1	Thermostat	
209	7026821	1	Gasket (Between Regulator and Thermostat Housing)	
209	7026820	1	Gasket (Between Regulator and Engine Head)	
210		Ref	Pump, Water Options:	
		Ref	Note: Customer must verify ENGINE SERIAL NUMBER before ordering replacement water pump.	
210	7026823	1	Engine (SN 0300075606 through Engine 34400832)	
210	70001120	1	Engine (SN 34400832 to Present)	
210	70001742	1	Pulley, Water Pump	
210	7026824	1	Gasket (Between Pump and Pump Cover)	
210	7026825	1	Gasket (Between Pump Cover and Engine Block)	
211	7026826	1	Gasket, Exhaust Manifold	
211	7026827	1	Gasket, Exhaust	
212	7026829	1	Gasket, Intake Manifold	
212	7026828	1	Gasket, Intake	
213	7026831	1	Alternator	
214	7026832	4	Plug, Glow	
215	7026833	1	Starter	
216	7026834	1	Dipstick Oil Level	
217	1001097554	1	Switch, Oil Pressure (was p/n 7026844)	
218	1600361	1	Actuator/Linkage Assembly - Throttle	

SECTION 2 - TURNTABLE

ITEM	PART NUMBER	QTY	DESCRIPTION	REV
218A	1600361	1	Actuator and Electrical Connector Kit (was p/n 7026842)	
218A	7026835	1	Connector, Actuator	
218B	7026843	1	Linkage Kit	
220	7026841	1	Sensor, Speed Sensor	
220	7026836	1	Connector, Speed Sensor	
221	7026839	1	Pump, Fuel Supply	
222	7026840	1	Sensor, Water Temperature	
222	7026882	1	Seal, Sensor	
223	0902910	NLA	Mounting Bracket, Actuator (Use p/n 7026887)	
223	0903220	NLA	Mounting Bracket, Actuator (Use p/n 7026887)	
224	7026814	1	Valve, Relief - Engine Oil (Not Shown)	
224	7026815	1	Gasket, Relief Valve - Engine Oil (Not Shown)	
225	See Note	1	Fuel Filter/Water Separator (Note: Not Available for Purchase)	
225	7026830	1	Element, Fuel Filter/Water Separator	
226	2580055	1	Block Heater Kit (Not Shown) (was p/n 7026845)	
226	7026838	1	Gasket, Block Heater (Not Shown)	
226	70002841	1	Cord, Electrical (Not Shown)	

SECTION 2 - TURNTABLE

FIGURE 2-8. DEUTZ ENGINE INSTALLATION (SN 0300068000 through 0300077489)



SECTION 2 - TURNTABLE

FIGURE 2-8. DEUTZ ENGINE INSTALLATION (SN 0300068000 through 0300077489)

ITEM	PART NUMBER	QTY	DESCRIPTION	REV
		Ref	DEUTZ ENGINE INSTALLATIONS	
	0270763	Ref	Deutz Engine Installations (SN 0300068000 through 0300075605)	9-I
	0273593	Ref	2WD (SN 0300075606 through 0300077489)	2-B
	0273072	Ref	4WD (SN 0300075606 through 0300077489)	3-C
1	2000189	1	Engine - Deutz F4M1011F Diesel	
2	4845404	1	Tray Engine	
3	3539872	1	Plate, Radiator Mounting	
4	3620033	1	Cooler, Oil	
5	2060025	1	Fan	
6		Ref	Piston Pump Assembly Options:	
6	3600260	1	Piston Pump Assembly (See PISTON PUMP ASSEMBLY for Breakdown) (SN 0300068000 through 0300075605)	
6	3600388	1	2WD (See PISTON PUMP ASSEMBLY for Breakdown) (SN 0300075606 through 0300077489)	
6	3600381	1	4WD (See PISTON PUMP ASSEMBLY for Breakdown) (SN 0300075606 through 0300077489)	
7	1340060	1	Air Cleaner Assembly	
7	7012664	1	Element, Air Cleaner (Not Shown)	
8	0340041	2	Band, Mounting	
9	4640751	1	Valve, Oil Drain	
10	3600242	1	Gear Pump Assembly (See GEAR PUMP ASSEMBLY for Breakdown)	
11	3200378	2	Mount, Rubber Engine (Rear)	
12	3537420	1	Bracket, Engine Mounting - Rear	
13	3539971	1	Bracket, Engine Mounting - Front	
14	3537416	1	Support, Engine - Right	
15	4846566	1	Support, Engine - Left	
16	0400075	1	Battery	
17	0181727	1	Hold-Down, Battery	
18	0630498	2	Rod, Hold-Down	
19	3740067	2	Relay	
20	4740274	4	Washer, Snubbing	
21	4360392	1	Switch, Restrictor Indicator	
22	2180798	1	Fitting	
23	3422446	1	Pin, Pivot	
24	3841143	1	Keeper, Pin	
25	3960389	5 ft/1.5m	Seal	
26	0940070	1	Bumper, Rubber	
27	0641826	2	Bolt 1/2in-13NC x 3-1/4in	
28	2720398	2	Hose, Oil Cooler	
29	1703162	2	Nameplate - Fan Caution	
30	1320016	4	Clamp, Hose	
31	4567815	1	Tuning Tube Weldment	
32	2220451	2	Fitting, Straight	
33	3931620	2	Capscrew 3/8in-16NC x 1-1/4in	
34	3539957	2	Plate, Hold Down	
35	0641818	2	Bolt 1/2in-13NC x 2-1/4in	
36	3311805	4	Locknut 1/2in-13NC	
37	0641610	21	Bolt 3/8in-16NC x 1-1/4in	
38	3311605	22	Locknut 3/8in-16NC x 1-1/4in	

SECTION 2 - TURNTABLE

ITEM	PART NUMBER	QTY	DESCRIPTION	REV
39	4751600	44	Flatwasher 3/8in Regular	
40	0701414	6	Bolt 1/4in-20NC x 3/4in	
41	4891600	2	Flatwasher 3/8in Hardened	
42	0641407	10	Bolt 1/4in-20NC x 7/8in	
43	4751400	17	Flatwasher 1/4in Regular	
44	3311405	10	Locknut 1/4in-20NC	
48	1320022	6	Clamp, Hose	
49	2220273	1	Fitting, Reducer	
50	2180536	1	Fitting, Straight	
51	2220313	1	Fitting, 90	
52	2750532	6 ft/1.83m	Hose 3/8in	
53	2220250	1	Fitting, Reducer	
54	2220459	1	Fitting, 90	
55	2720271	13.5 ft/4m	Hose 3/16in	
56	0641812	2	Bolt 1/2in-13NC x 1-1/2in	
57	0100020	AR	Sealant, Thread	
58	0100011	AR	Compound, Locking	
60	2720449	1	Coupling, Rubber Intake	
61	0700808	4	Bolt M8 x 16mm	
62	3380429	1	Panel, Rubber	
63	0641508	3	Bolt 5/16in-18NC x 1-1/4in	
64	0641514	3	Bolt 5/16in-18NC x 1-3/4in	
65	2720434	1	Elbow, Rubber	
66	4845395	1	Air Intake Adapter Weldment	
67	0641510	3	Bolt 5/16in-18NC x 1-1/4in	
68	3311505	AR	Locknut 5/16in-18NC	
69	0961986	2	Bushing, Flanged	
70	2901358	1	Battery Cable Kit (SN 0300068000 through 0300075605)	
70	2902296	1	Battery Cable Kit (SN 0300075606 through 0300077489)	
70A	7016800	1	Cable, Battery (Red) (Kit p/n 2901358)	
70A	7027000	1	Cable, Battery (Red) (Kit p/n 2902296)	
		Ref	Note: Machines SN 0300068000 to SN 0300077489 were built with Revisions A or B Cable Kit. Replacement p/n 7027000 will incorporate Item 70D. Discard Item 70D and install per illustration.	
70B	7016812	1	Cable, Battery (Black) (Kit p/n 2901358)	
70B	7027004	1	Cable, Battery (Black) (Kit p/n 2902296)	
70C	7016802	1	Cable (Red) (Kit p/n 2901358)	
70C	Not Required	0	Kit p/n 2902296	
70D	7016803	1	Cable (Red) (Kit p/n 2901358)	
70D	7027001	1	Cable (Red) (Kit p/n 2902296) (No Longer Part of 2902296 Kit)	
70E	7016824	1	Cable (Red) (Kit p/n 2901358)	
70E	7027003	1	Cable (Black) (Kit p/n 2902296)	
70F	7027002	1	Cable (Red) (Kit p/n 2902296)	
71	4460611	1	Terminal, Battery Jumper Post (SN 0300068000 through 0300075605)	
73	0641808	2	Bolt 1/2in-13NC x 1in	
74	1320223	3	J-Clip 1/2in	
75	0641606	3	Bolt 3/8in-16NC x 3/4in	
76	3422532	1	Pin, Hitch	
77	3790152	1	O-Ring	
78	3960407	1	Gasket	

SECTION 2 - TURNTABLE

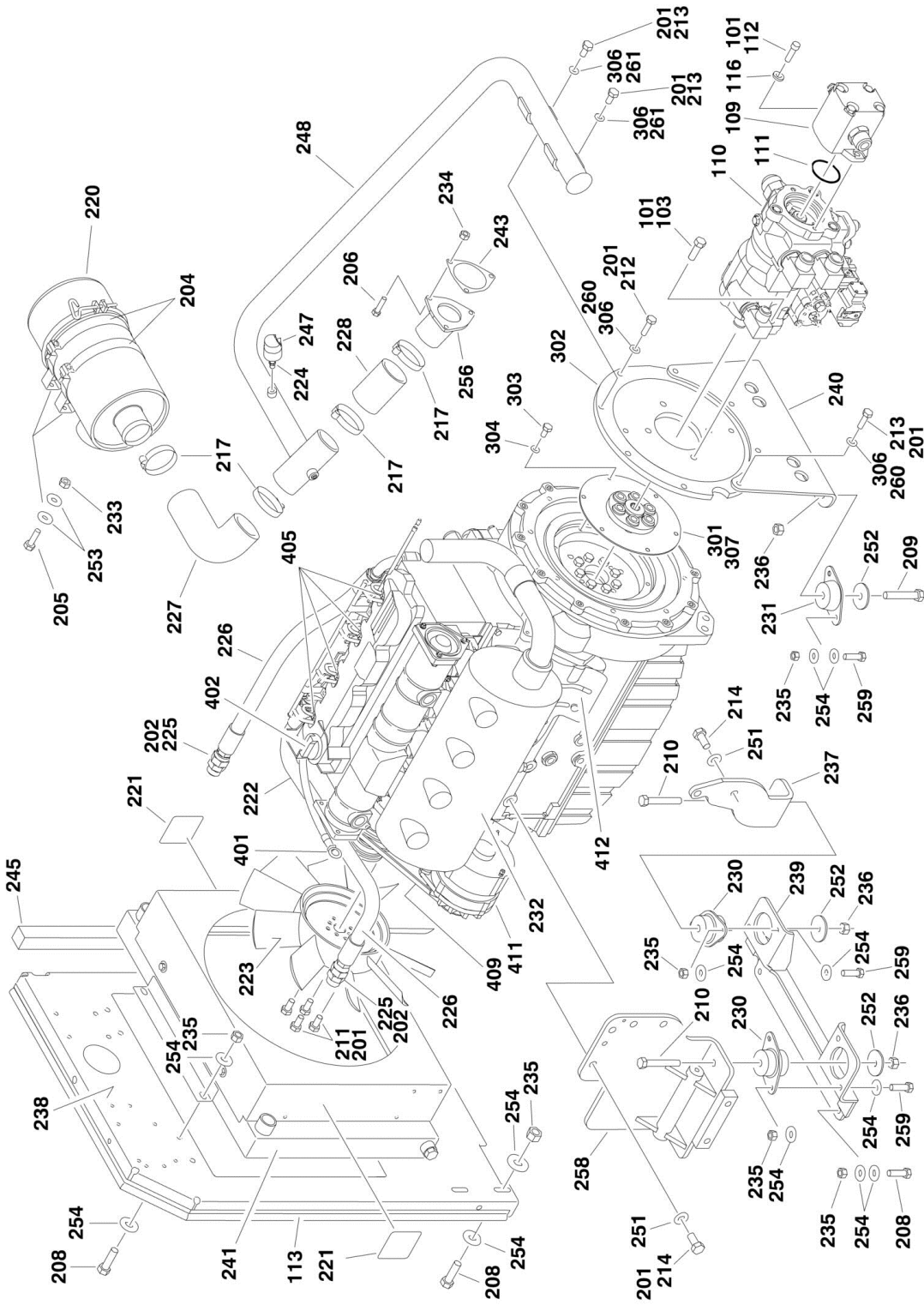
ITEM	PART NUMBER	QTY	DESCRIPTION	REV
79	4791400	4	Starwasher 1/4in	
80	0701012	4	Bolt M10 x 25mm	
81	0701015	4	Bolt M10 x 35mm	
82	0642010	1	Bolt 5/8in-11NC x 1-1/4in	
83	4752000	1	Flatwasher 5/8in Regular	
84	1701505	1	Decal - Diesel (Not Shown - Located on Hood)	
85	2720058	16 ft/4.9m	Hose	
86	2220794	1	Fitting, Barbed	
87	4711600	3	Flatwasher 3/8in Thin	
88	4751800	1	Flatwasher 1/2in Regular	
89	3200362	2	Mount, Rubber Engine (Front)	
90	4711400	1	Flatwasher 1/4in Thin	
91	3960468	1	Seal, Foam Gasket	
92	3960469	1	Seal, Foam Gasket	
93	3311801	1	Nut 1/2in-13NC	
94	4060805	3 ft/.88m	Flex-Trim 1/4in	
96	1060637	1	Lanyard	
97	4711900	6	Flatwasher 9/16in Thin	
		Ref	MUFFLER INSTALLATIONS	
	0256689	Ref	Standard Equipment (Spark Arresting)	-
	0256690	Ref	Optional Equipment (Catalytic)	-
201		Ref	Muffler Options:	
201	3220103	1	Spark Arresting	
201	3220104	1	Catalytic	
201		Ref	Muffler Components:	
201		Ref	Clamp Options:	
201	1320176	1	Saddle Clamp Used on Spark Arresting	
201	70001017	1	Band Clamp Used on Catalytic	
201	7024398	1	Tube, Exhaust	
201	7024560	1	Plug, Brass	
	2000189	Ref	ENGINE COMPONENTS	B
301	7016328	1	Filter, Fuel	
302	7000663	1	Generator (was p/n 7020410)	
302	7020464	1	Regulator	
302	70003356	1	Pulley, Alternator	
302	70002234	1	Bracket, Adjustable	
303	7020461	1	Switch, Oil Pressure	
304	7016331	1	Filter, Oil	
305	7020479	1	Starter	
305	7026608	1	Relay	
305	70001498	1	Shield, Starter Heat (Not Shown)	
306	7026631	1	Dipstick Oil Level	
306	70001002	1	Tube, Dipstick	
306	7020487	1	O-Ring, Dipstick	
307	7020168	1	Switch, Engine Temperature	
307	7020480	1	Ring Seal, Engine Temperature Switch	
308	7020408	1	V-Belt	
310	7024318	4	Pump, Fuel Injection (was p/n 7020462)	
310	7026522	4	Injector, Fuel (Includes Nozzle Element) (Not Shown)	
311	7020463	1	Fuel, Pump Supply (was p/n 7024413)	
311	7020411	1	Gasket, Lift Pump	

SECTION 2 - TURNTABLE

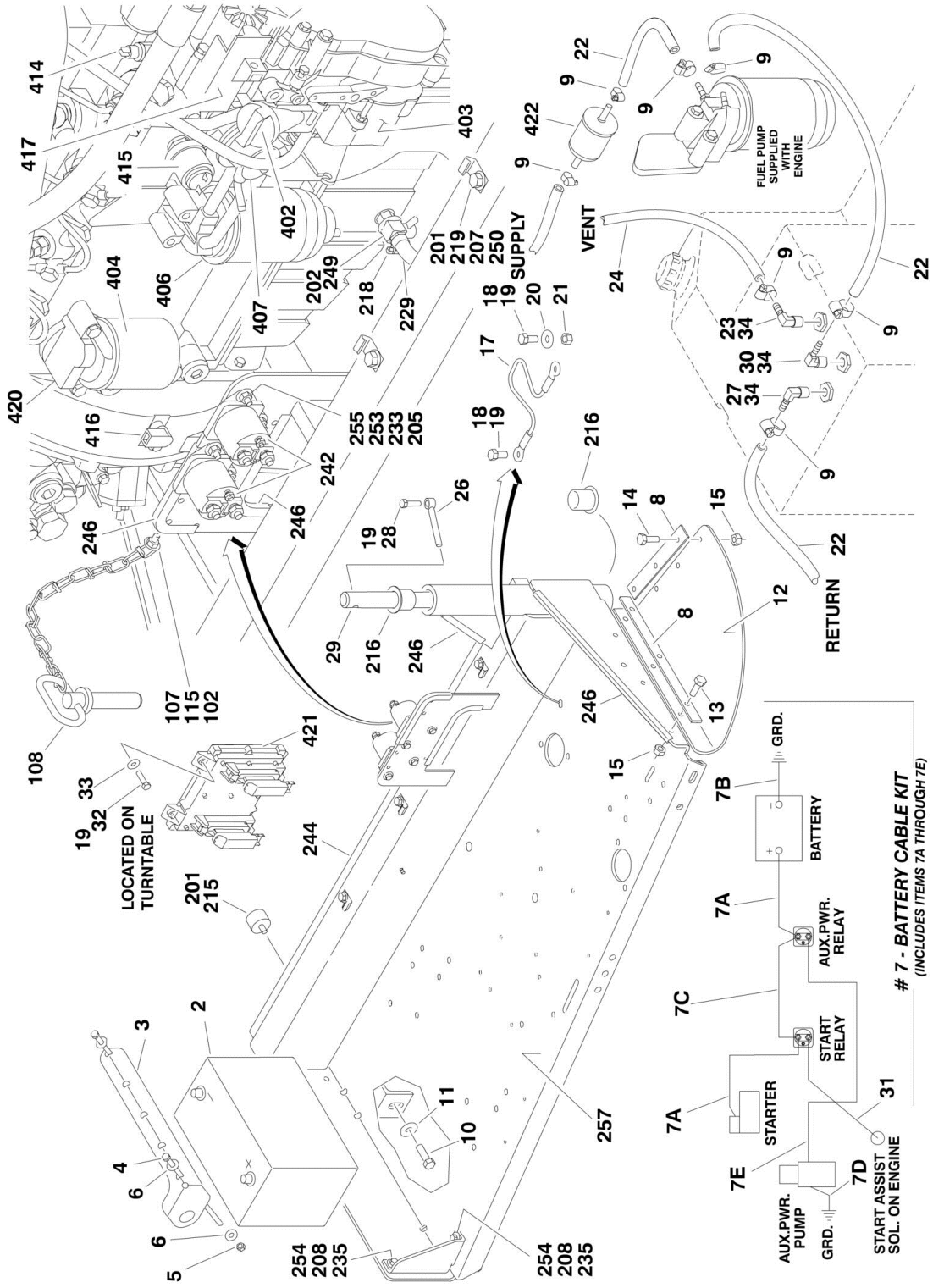
ITEM	PART NUMBER	QTY	DESCRIPTION	REV
312	7020465	2	Cap, Filler	
313	7020474	1	Pump, Oil Lube	
313	7020468	1	Ring Seal Oil Pump	
315	7024565	1	Sensor, Speed (was p/n 7020481) (Not Shown)	
316	7020458	1	Actuator, Throttle	
316	7027276	1	Spring, Actuator (was p/n 7026607)	
317	See Note	1	Flywheel/Ring Gear Assembly (Not Shown): (Note: Not Available for Purchase)	
317	7024579	1	Ring Gear Only (Not Shown)	
318	7020471	4	Gasket, Exhaust Manifold to Engine Block (Not Shown)	
318	70002200	8	Stud	
318	70003476	8	Nut	
319	70001423	1	Bracket, Fuel Filter	
320	7020449	4	Gasket, Intake Manifold (Not Shown)	
321	7020431	1	Gasket, Valve Cover (Not Shown)	
322		Ref	Gasket, Head Options (Not Shown):	
322	70001681	1	1 Notch	
322	70002411	1	2 Notches	
322	70002530	1	3 Notches	
323	7020459	1	Thermostat (Located at rear of engine block - Not Shown)	
323	7020460	1	Spring, Compression	
324	7020488	1	Connector, Plug-in (Plug into Various Sensors - Oil, Temperature and Pressure - Not Shown)	
	0256847	Ref	PUMP COUPLING INSTALLATION	-
401	1660234	1	Coupling, Hayes	
402	0080163	1	Plate, Pump Adapter	
403	0700810	6	Bolt M8 x 20mm	
404	4831900	6	Lockwasher M8	
406	4832000	8	Lockwasher M10	
407	3020021	AR	Grease, Coupling (Not Shown)	

SECTION 2 - TURNTABLE

FIGURE 2-9. DEUTZ ENGINE INSTALLATION (SN 0300077490 through 0300087000)



SECTION 2 - TURNTABLE



SECTION 2 - TURNTABLE

FIGURE 2-9. DEUTZ ENGINE INSTALLATION (SN 0300077490 through 0300087000)

ITEM	PART NUMBER	QTY	DESCRIPTION	REV
		Ref	DEUTZ ENGINE INSTALLATIONS	
	0273692	Ref	2WD (SN 0300068000 through 0300084826)	5-B
	0274298	Ref	2WD (SN 0300084827 through 0300087000)	C
	0273693	Ref	4WD (SN 0300068000 through 0300084826)	5-C
	0274297	Ref	4WD (SN 0300084827 through 0300087000)	C
2	0400075	1	Battery	
3	0181727	1	Hold-Down, Battery	
4	0630498	2	Bolt, Battery Hold-Down	
5	3311605	2	Locknut 3/8in-16NC	
6	4751600	4	Flatwasher 3/8in Regular	
7	2902296	1	Battery Cable Kit	B
7A	7027000	1	Cable, Battery (Red)	
		Ref	Note: Machines SN 0300077490 through 0300087000 were built with Revisions A or B Cable Kit. Replacement p/n 7027000 will incorporate Item 70C. Discard Item 70C and install per illustration.	
7B	7027004	1	Cable, Battery (Black)	
7C	7027001	1	Cable (Red) (No Longer Part of 2902296 Kit)	
7D	7027003	1	Cable (Black)	
7E	7027002	1	Cable (Red)	
8	3539957	2	Plate, Hold-Down	
9	1320022	AR	Clamp, Hose	
10	0642010	1	Bolt 5/8in-11NC x 1-1/4in	
11	4752000	1	Flatwasher 5/8in Regular	
12	3380429	1	Panel, Rubber	
13	0641508	3	Bolt 5/16in-18NC x 1in	
14	0641514	3	Bolt 5/16in-18NC x 1-3/4in	
15	3311505	10	Locknut 5/16in-18NC	
16	1701505	1	Decal - Diesel (Not Shown - Located on Hood)	
17	1060637	1	Cable, Lanyard	
18	0641808	2	Bolt 1/2in-13NC x 1in	
19	0100011	AR	Compound, Locking	
20	4751800	1	Flatwasher 1/2in Regular	
21	3311801	1	Nut 1/2in-13NC	
22	2720058	30 ft/9.2m	Hose	
23	2220313	1	Fitting, 90	
24	2750532	6 ft/1.8m	Hose	
25	0100020	AR	Sealant, Pipe (Not Shown)	
26	3841143	1	Pin, Keeper	
27	2221176	1	Fitting, 90 Barbed	
28	0641610	1	Bolt 3/8in-16NC x 1-1/4in	
29	3422446	1	Pin, Pivot	
30	2180348	1	Fitting, Straight Barbed	
31	4922978	1	Harness, Start Assist Solenoid (SN 0300068000 through 0300084826)	
32	0641410	4	Bolt 1/4in-20NC x 1-1/4in (SN 0300084827 through 0300087000)	
33	4711400	4	Flatwasher 1/4in Thin (SN 0300084827 through 0300087000)	
34	0100020	AR	Sealant, Pipe #567	
		Ref	ENGINE AND PUMP ASSEMBLIES	
	2000220	Ref	2WD (SN 0300068000 through 0300084826)	D

SECTION 2 - TURNTABLE

ITEM	PART NUMBER	QTY	DESCRIPTION	REV
	2000281	Ref	2WD (SN 0300084827 through 0300087000)	B
	2000221	Ref	4WD (SN 0300068000 through 0300084826)	E
	2000280	Ref	4WD (SN 0300084827 through 0300087000)	B
101	0100011	AR	Compound, Locking	
102	0641407	1	Bolt 1/4in-20NC x 7/8in	
103	0641812	2	Bolt 1/2in-13NC x 1-1/2in	
107	3311405	1	Locknut 1/4in-20NC	
108	3422532	1	Pin, Hitch	
109	3600395	1	Gear Pump Assembly with Fittings (See GEAR PUMP ASSEMBLY for Breakdown)	
110		Ref	Piston Pump Assembly with Fittings Options (See PISTON PUMP ASSEMBLY for Breakdown):	
110	3600394	1	Piston Pump Assembly with Fittings 2WD	
110	3600396	1	Piston Pump Assembly with Fittings 4WD	
111	3790152	1	O-Ring	
112	3931620	2	Capscrew 3/8in-16NC x 1-1/4in	
113	3960389	5 ft/1.5m	Seal	
115	4751400	1	Flatwasher 1/4in Regular	
116	4891800	2	Flatwasher 3/8in Hardened	
117	3020016	3.75 gl /14.19L	Oil, Motor (Not Shown)	
		Ref	ENGINE ASSEMBLIES	
	2000219	Ref	Engine Assemblies (SN 0300068000 through 0300084826)	F
	2000279	Ref	Engine Assemblies (SN 0300084827 through 0300087000)	C
	0256689	Ref	MUFFLER INSTALLATION - SPARK ARRESTING	-
	0256690	Ref	MUFFLER INSTALLATION - CATALYTIC	-
201	0100011	AR	Compound, Locking	
202	0100020	AR	Sealant, Pipe	
204	0340041	2	Band, Air Cleaner	
205	0641407	8	Bolt 1/4in-20NC x 7/8in	
206	0641510	3	Bolt 5/16in-18NC x 1-1/4in	
207	0641606	3	Bolt 3/8in-16NC x 3/4in	
208	0641610	12	Bolt 3/8in-16NC x 1-1/4in	
209	0641818	2	Bolt 1/2in-13NC x 2-1/4in	
210	0641826	2	Bolt 1/2in-13NC x 3-1/4in	
211	0700808	4	Bolt 8mm x 16mm	
212	0701012	2	Bolt 10mm x 25mm	
213		Ref	Bolt Options:	
213	0701015	4	Bolt 10mm x 35mm (SN 0300068000 through 0300084708)	
213	0701014	6	Bolt 10mm x 30mm (SN 0300084709 through 0300087000)	
214	0701414	6	Bolt 14mm x 30mm	
215	0940070	1	Bumper	
216	0961986	2	Bushing, Flanged	
217	1320016	4	Clamp	
218	1320022	1	Clamp, Hose	
219	1320223	4	J-Clip	
220	1340060	1	Air Cleaner Assembly Filter Element	
220	7012664	1	Element, Filter (Not Shown)	
221	1703162	2	Decal - Caution Fan Blade	
222		Ref	Engine, Deutz - F4M2011 Tier II Options:	
222	2000216	1	Engine, Deutz - F4M2011 Tier II (SN 0300077490 through 0300084826)	

SECTION 2 - TURNTABLE

ITEM	PART NUMBER	QTY	DESCRIPTION	REV
222	2000274	1	Engine, Deutz - F4M2011 Tier II (SN 0300084827 through 0300087000)	
223	2060025	1	Fan	
224	2180798	1	Fitting (SN 0300068000 through 0300084826)	
225	2220451	2	Fitting, Straight	
226	2720398	2	Hose, Oil Cooler	
227	2720434	1	Elbow, Rubber	
228	2720449	1	Hose, Air Cleaner	
229	2750532	1 ft/30cm	Hose, Oil Drain	
230	3200362	2	Mount, Motor	
231	3200406	2	Mount, Motor	
232		Ref	Muffler Options:	
232	3220103	1	Spark Arresting	
232	3220104	1	Catalytic	
232		Ref	Muffler Components:	
232		Ref	Clamp Options:	
232	1320176	1	Saddle Clamp Used on Spark Arresting	
232	70001017	1	Band Clamp Used on Catalytic	
232	7024398	1	Tube, Exhaust	
232	7024560	1	Plug, Brass	
233	3311405	8	Locknut 1/4in-20NC	
234	3311505	3	Locknut 5/16in-18NC	
235	3311605	AR	Locknut 3/8in-16NC	
236	3311805	4	Locknut 1/2in-13NC	
237	3537416	1	Plate, Engine Mounting (Front Right Side)	
238	3539872	1	Plate, Radiator Mounting	
239	3539971	1	Plate, Engine Mounting (Front Bottom)	
240	3534978	1	Plate, Engine Mounting (Rear)	
241	3620033	1	Radiator	
242	3740067	2	Relay	
243	3960407	1	Gasket, Air Intake	
244	3960468	1	Seal	
245	3960469	1	Seal	
246	4060805	37 in/1m	Flex-Trim	
247	4360392	1	Indicator, Restriction (SN 0300068000 through 0300084826)	
248		Ref	Tube, Tuning Options:	
248	4567815	1	Tube, Tuning (SN 0300068000 through 0300084826)	
248	4569171	1	Tube, Tuning (SN 0300084827 through 0300087000)	
249	4640751	1	Valve, Oil Drain	
250	4711600	3	Flatwasher 3/8in Thin	
251	4711900	6	Flatwasher 9/16in Thin	
252	4740274	4	Washer, Snubbing	
253	4751400	16	Flatwasher 1/4in Regular	
254	4751600	40	Flatwasher 3/8in Regular	
255	4791400	4	Starwasher 1/4in	
256	4845395	1	Adapter, Air Intake	
257	4845404	1	Tray, Engine	
258	4846566	1	Plate, Engine Mounting (Front Left Side)	
259		Ref	Bolt Options:	
259	0641610	8	Bolt 3/8in-16NC x 1-1/4in (SN 0300068000 through 0300084708)	
259	0641608	8	Bolt 3/8in-16NC x 1in (SN 0300084709 through 0300087000)	

SECTION 2 - TURNTABLE

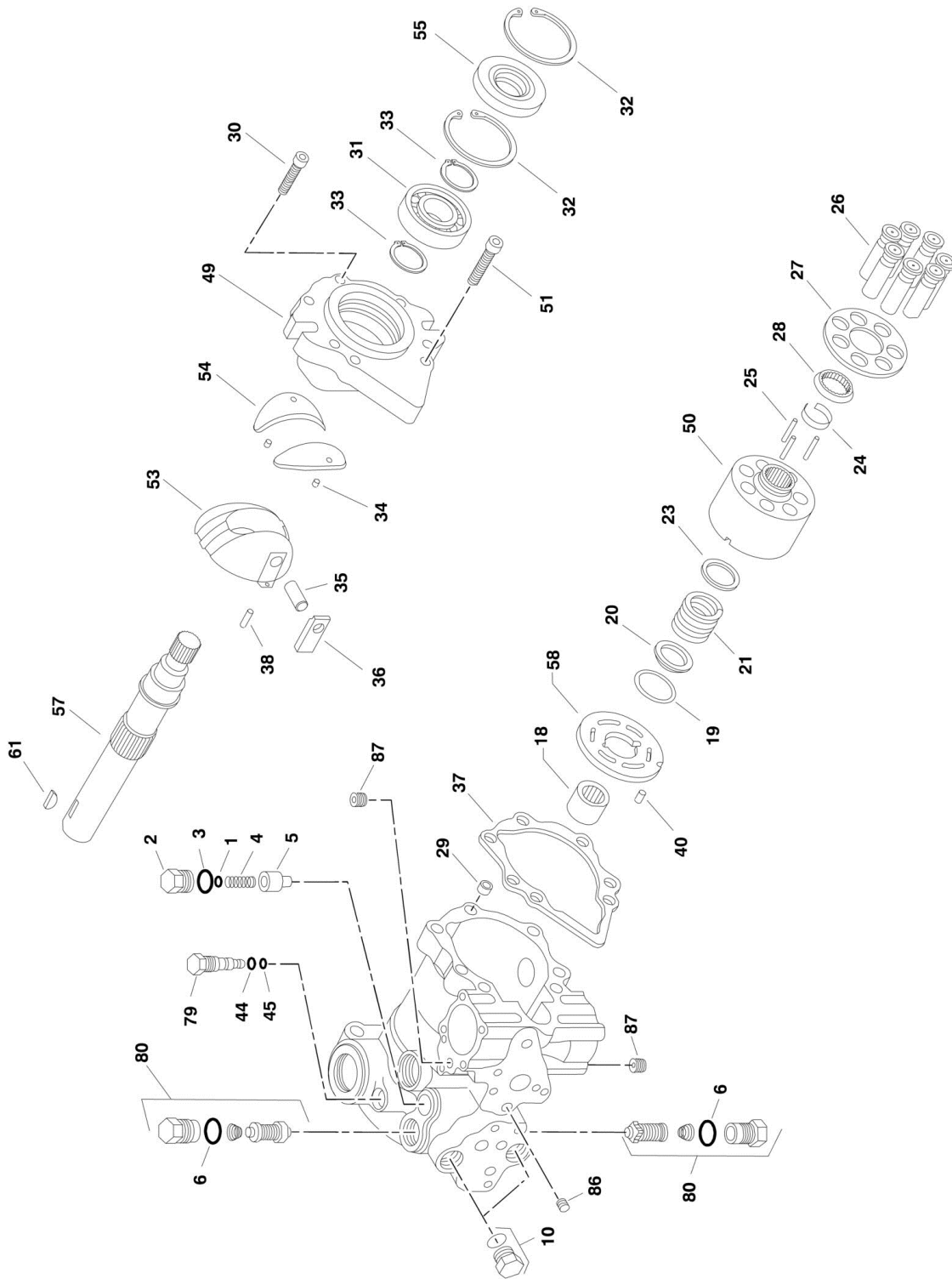
ITEM	PART NUMBER	QTY	DESCRIPTION	REV
260	4711700	6	Flatwasher 7/16in Thin (SN 0300084709 through 0300087000)	
261	4751700	2	Flatwasher 7/16in Thin (SN 0300084709 through 0300087000)	
	0256847	Ref	PUMP COUPLING INSTALLATION	2
301	1660234	1	Coupling, Hayes	
302	0080163	1	Plate, Pump Adapter	
303	0700810	63	Bolt M8 x 20mm	
304	4831900	6	Lockwasher M8	
306	4832000	8	Lockwasher M10 (SN 0300068000 through 0300084708)	
307	3020021	AR	Grease, Coupling	
		Ref	ENGINE COMPONENTS	
	2000216	Ref	Engine Components (SN 0300068000 through 0300084826)	C
	2000274	Ref	Engine Components (SN 0300084827 through 0300087000)	A
401	7026631	1	Dipstick	
401	7020487	1	O-Ring, Dipstick (Not Shown)	
402	7020465	1	Cap, Filler	
403	7020484	1	Pump, Oil Lube	
403	7020468	1	Seal Between Oil Pump and Engine Block (Not Shown)	
404	7016331	1	Filter, Oil	
405		Ref	Pump, Injector Options:	
405	7027246	4	Series A Injector	
405	7027608	4	Series B Injector	
405	7027609	4	Series C Injector	
405	7027610	4	Series D Injector	
405	7020447	4	Gasket (1 per Injector)	
406	7016328	1	Filter, Fuel	
407	70000916	1	Pump, Fuel Supply (was p/n 7027238)	
407	70001435	1	Repair Kit for 70000916 Pump	
407	70000919	1	Hand Pump for 70000916 Pump	
407	70000918	1	Seal, Hand Pump for 70000916 Pump	
407		Ref	O-Seal Between Fuel Pump and Engine Block Options (Not Shown):	
407	7020411	1	7027238 Pump	
407	70000917	1	70000916 Pump	
408	7020449	4	Gasket, Intake Manifold (Not Shown)	
409	7020408	1	V-Belt	
410	7020471	4	Gasket, Exhaust Manifold to Engine Block (Not Shown)	
410	70002200	8	Stud (Not Shown)	
410	70003476	8	Nut (Not Shown)	
410	7020471	4	Gasket, Exhaust Manifold to Exhaust Muffler (Not Shown)	
411	7000663	1	Alternator (was p/n 7020410)	
411	7020464		Regulator, Voltage (Not Shown)	
411	70002234	1	Bracket, Adjusting (Not Shown)	
412	7020479	1	Starter	
412	7026608	1	Relay	
412	70001498	1	Shield, Starter Heat	
413	7027793	1	Plug- In Connector (Not Shown)	
414	7027241	1	Transmitter, Temperature (Used on 2000219)	
414	7027791	1	Transmitter, Temperature (Used on 2000274)	
414	See Note	1	Ring, Sealing (Note: Not Available for Purchase)	
415	7020461	1	Sensor, Oil Pressure (Used on 2000219)	
415	7027790	1	Sensor, Oil Pressure (Used on 2000274)	
416	7024565	1	Sensor, Speed	

SECTION 2 - TURNTABLE

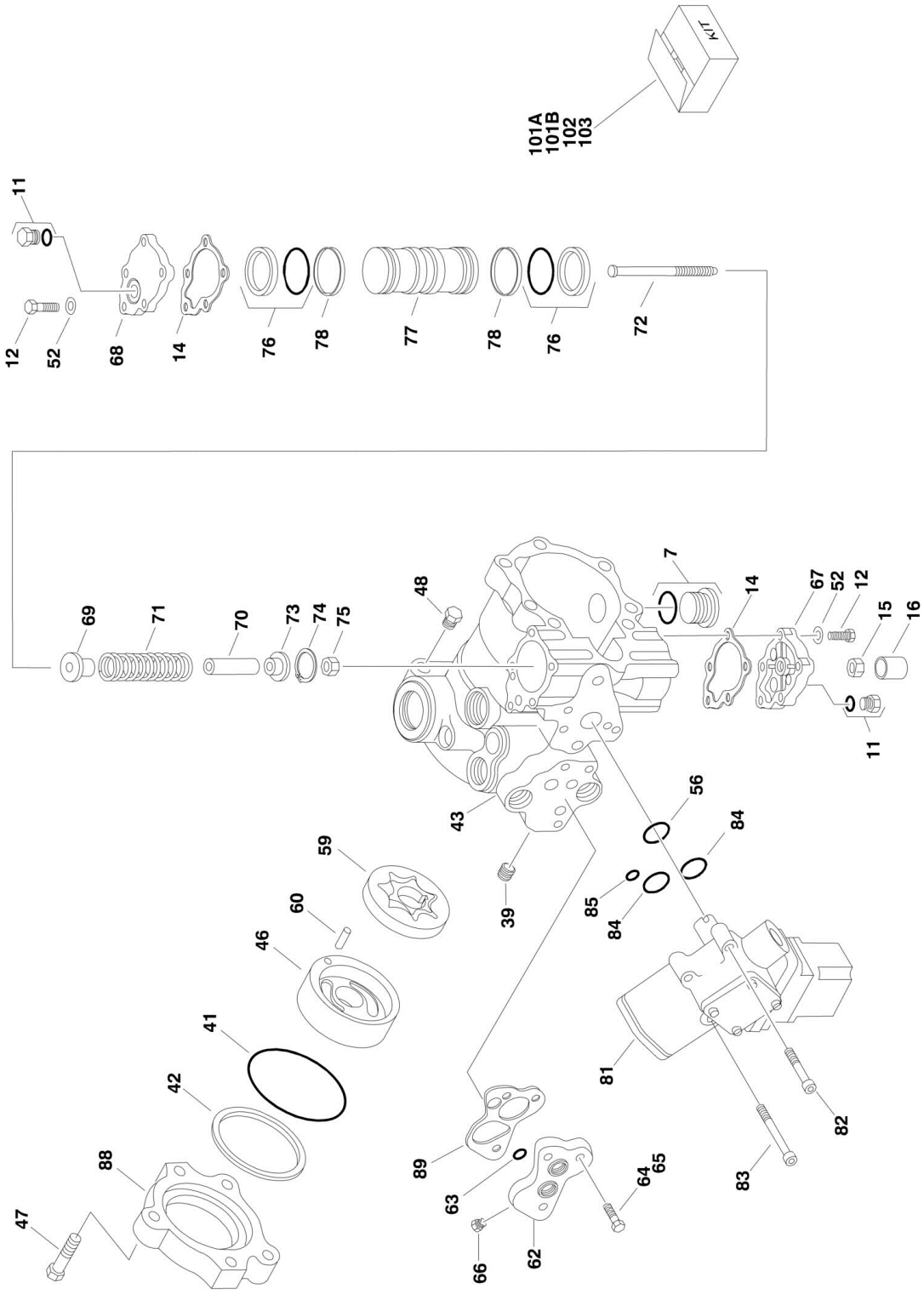
ITEM	PART NUMBER	QTY	DESCRIPTION	REV
417	7020458	1	Actuator, Throttle (Used on 2000219)	
417	7027792	1	Actuator, Throttle (Used on 2000274)	
417	7027276	2	Spring, Actuator (Used on 2000274)	
418	7020459	1	Thermostat (Located at rear of engine block - Not Shown)	
418	7020460	1	Spring, Compression	
419		Ref	Flywheel Options (Not Shown):	
419	See Note	1	Flywheel (Note: Not Available for Purchase) (SN 0300068000 through 0300084826)	
419	70000264	1	Flywheel (SN 0300084827 through 0300087000)	
419	7024579	1	Ring Gear (Located on Flywheel - Not Shown)	
420		Ref	Sender, Temperature Options:	
420	7027236	1	Sender, Temperature (SN 0300068000 through 0300084826)	
420	See Note	1	Sender, Temperature (Note: Not Available for Purchase) (SN 0300084827 through 0300087000)	
421	7027795	1	Module, Control (Used on 2000274 Only) (SN 0300084827 through 0300087000)	
422	7027245	1	Filter, Fuel In-line	
423	7027239	1	Solenoid, Start	
424		Ref	Timing Belt/Idler Kit Options (Not Shown):	
424	70000800	1	Timing Belt/Idler Kit (SN 0300068000 through 0300084826)	
424	See Note	1	Timing Belt/Idler Kit (Note: Not Available for Purchase) (SN 0300084827 through 0300087000)	
425		Ref	Flywheel Options (Not Shown):	
425	See Note	1	Flywheel (Note: Not Available for Purchase) (SN 0300068000 through 0300084826)	
425	70000264	1	Flywheel (SN 0300084827 through 0300087000)	
425	7024579	1	Ring Gear (Located on Flywheel - Not Shown)	
426		Ref	Gasket, Head Options (Not Shown):	
426		Ref	Gasket for 2000274 Engines	
426	70003001	1	Gasket - 1 Notch	
426	70003002	1	Gasket - 2 Notch	
426	70003003	1	Gasket - 3 Notch	
426	See Note	1	Gasket for 2000216 Engines (Note: Not Available for Purchase)	
	0274233	Ref	FUEL FILTER INSTALLATION (NOT SHOWN) (SN 0300077442 through 0300087000)	A
	0100020	AR	Sealant, Pipe	
	0641610	2	Bolt 3/8in-16NC x 1-1/4in	
	1320022	2	Clamp	
	2120203	1	Filter	
	2221176	2	Fitting 90	
	2720058	4.5 ft /1.4m	Hose	
	3311605	2	Locknut 3/8in-16NC	
	4751600	4	Flatwasher 3/8in Regular	

SECTION 2 - TURNTABLE

FIGURE 2-10. PISTON PUMP ASSEMBLY (SN 0300068000 through 0300075605)



SECTION 2 - TURNTABLE



SECTION 2 - TURNTABLE

FIGURE 2-10. PISTON PUMP ASSEMBLY (SN 0300068000 through 0300075605)

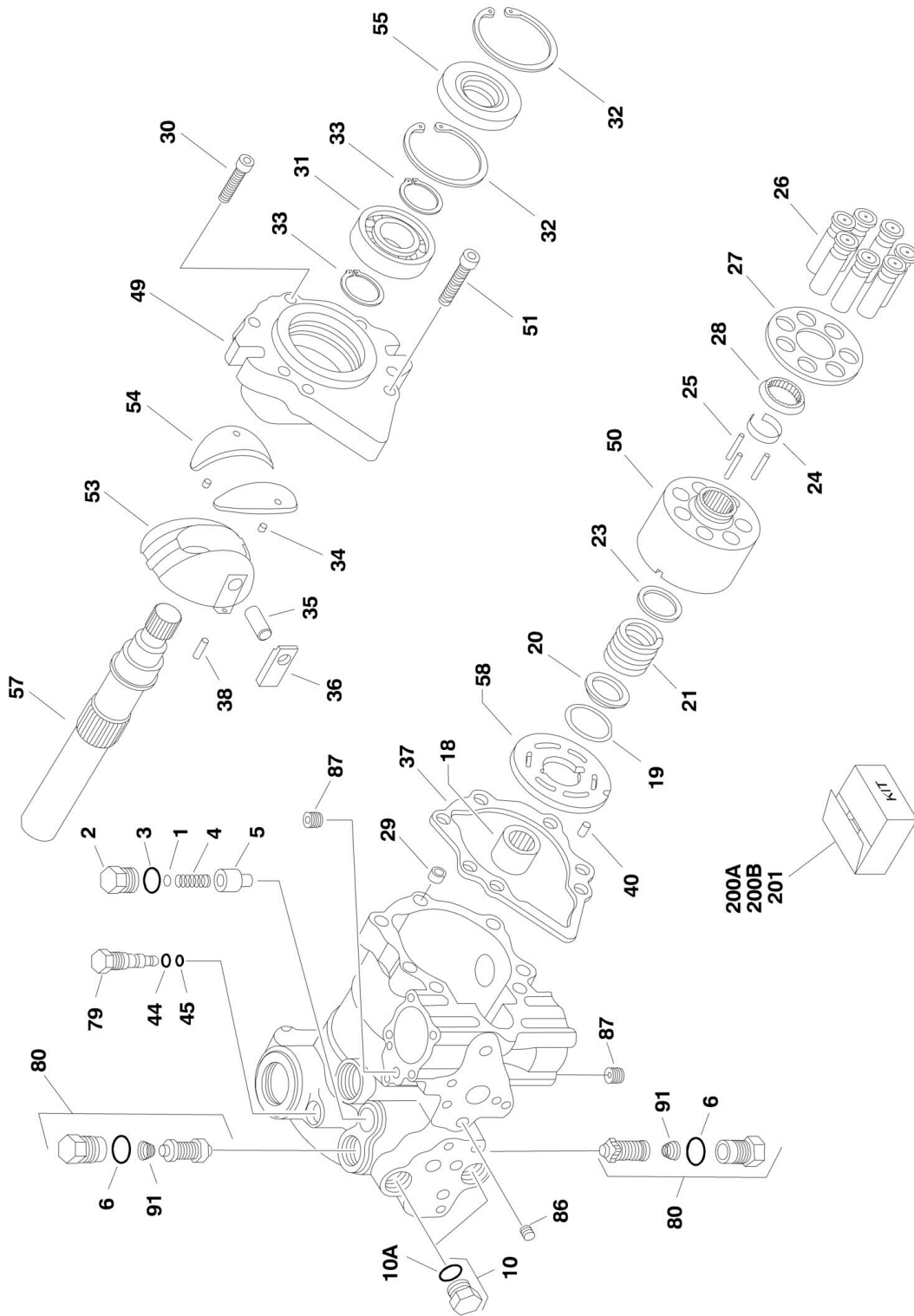
ITEM	PART NUMBER	QTY	DESCRIPTION	REV
	3600260	Ref	PISTON PUMP ASSEMBLY	-
1	7007413	1	Shim Kit	
2	7007414	1	Plug	
3	See Note	NSS	O-Ring (Note: Use Item 101A)	
4	7007416	1	Spring, Relief Valve	
5	7007417	1	Valve, Relief	
6	See Note	NSS	O-Ring (Note: Use Item 101A)	
7	7007419	2	Plug	
10	7007420	2	Plug	
11	7007208	2	Plug	
12	7007421	10	Screw	
14	See Note	NSS	Gasket, Servo Cover (Note: Use Item 101A)	
15	7007423	1	Nut, Special	
16	7007424	1	Cover, Adjustment	
18	7007425	1	Bearing, Needle	
19	See Note	NSS	Ring, Retaining (Note: Use Item 103)	
20	See Note	NSS	Washer (Note: Use Item 103)	
21	See Note	NSS	Spring (Note: Use Item 103)	
23	See Note	NSS	Washer (Note: Use Item 103)	
24	See Note	NSS	Retainer (Note: Use Item 103)	
25	See Note	NSS	Pin, Slipper Holddown (Note: Use Item 103)	
26	See Note	NSS	Piston Assembly (Note: Use Item 103)	
27	See Note	NSS	Retainer, Slipper (Note: Use Item 103)	
28	See Note	NSS	Guide, Retainer (Note: Use Item 103)	
29	7007435	1	Pin, Spring	
30	7007436	1	Screw, 12 Point Head	
31	7007437	1	Bearing, Ball	
32	7007438	2	Ring, Retainer	
33	7007439	2	Ring	
34	7007440	2	Pin, Spring	
35	7007441	1	Handle, Pin	
36	7007442	1	Sleeve, Bearing	
37	See Note	NSS	Gasket, Front Cover (Note: Use Item 101A)	
38	7007444	1	Pin	
39	7007445	1	Plug, Expansion	
40	See Note	NSS	Pin (Note: Use Item 103)	
41	See Note	NSS	O-Ring (Note: Use Item 101A or 102)	
42	See Note	NSS	Ring, Load Temper (Note: Use Item 101A or 102)	
43	7007449	1	Housing, Pump	
44	See Note	NSS	Ring, Back-up (Note: Use Item 101A)	
45	See Note	NSS	O-Ring (Note: Use Item 101A)	
46	See Note	NSS	Cover, Gerotor (Note: Use Item 102)	
47	7007453	3	Bolt, Hex	
48	7007208	1	Plug	
49	7007454	1	Cover, Front	
50	See Note	NSS	Block, Cylinder (Note: Use Item 103)	
51	7007456	6	Screw	
52	7001438	10	Washer	
53	See Note	NSS	Swash Plate (Note: Use Item 103)	
54	7007458	1	Journal, Bearing	

SECTION 2 - TURNTABLE

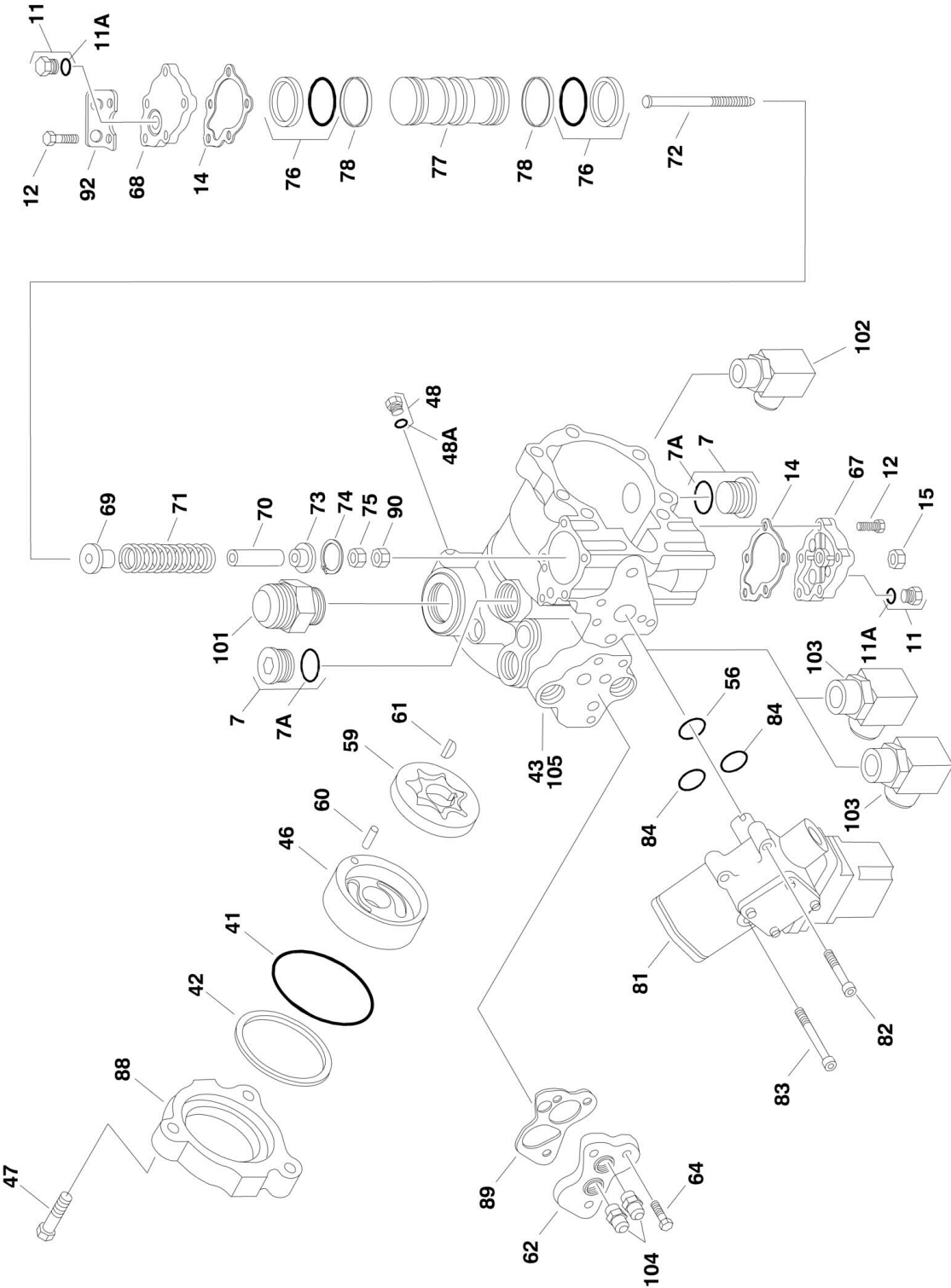
ITEM	PART NUMBER	QTY	DESCRIPTION	REV
55	7007459	1	Seal, Lip	
56	See Note	NSS	O-Ring (Note: Use Item 101A)	
57	7010121	1	Shaft, Main Pump	
58	7021214	1	Plate, Valve (Note: Use Item 103)	
59	7007463	1	Gerotor Assembly	
60	See Note	NSS	Pin (Note: Use Item 102)	
61	See Note	NSS	Key, Woodruff (Note: Use Item 102)	
62	7007466	1	Adaptor, Remote Filtration (Without By-Pass)	
63	See Note	NSS	O-Ring (Note: Use Item 101A)	
64	7007468	2	Screw	
65	7007469	2	Screw	
66	7007470	1	Plug	
67	7007471	1	Cover, Servo (With Adjuster)	
67	7007490	2	Stop, Servo (Not Shown)	
67	7007491	2	Nut, Special (Not Shown)	
67	7007492	2	Ring, External (Not Shown)	
68	7007482	1	Cover, Servo (Without Adjuster)	
69	7007483	1	Guide, Spring	
70	7007484	1	Stop, Servo	
71	7007485	1	Spring	
72	7007486	1	Screw	
73	7007487	1	Guide, Spring	
74	7007488	1	Ring, Retaining	
75	7007499	1	Locknut	
76	See Note	NSS	Ring, Piston (Note: Use Item 101A or 101B)	
77	7007494	1	Piston, Servo	
78	See Note	NSS	O-Ring (Note: Use Item 101A or 101B)	
79	7007472	1	Valve, Bypass	
80	7010122	2	Valve, Pressure Relief (Includes Item 6) (was p/n 7007473)	
81	7007474	1	Control, Dual Oil-Filled	
81	7007496	1	Coil Assembly (Pilot)	
81	7007497	1	Plug (Pump)	
81	7007498	1	Plug (Valve Harness)	
82	7007478	2	Screw	
83	7001498	2	Screw	
84	See Note	NSS	O-Ring (Note: Use Item 101A)	
85	See Note	NSS	O-Ring (Note: Use Item 101A)	
86	7007475	1	Plug, Orifice/Screen (.156)	
87	7007477	2	Plug, Orifice (.37)	
88	7007476	1	Adapter, Auxiliary Pump	
89	7010120	1	Spacer/Gasket	
101		Ref	Seal Kit Options:	
101A	2900752	1	Seal Kit - Complete (Includes Items 3, 6, 14, 37, 41, 42, 44, 45, 56, 63, 76, 78, 84 & 85)	
101B	7007412	1	Seal Kit - Servo Piston (Includes Items 76 & 78)	
102	2900826	1	Charge Pump Kit (Includes Items 41, 42, 46, 59, 60 & 61)	
103	2900827	1	Cylinder Block Kit (Includes Items 19-28, 40, 50, 53, & 58)	

SECTION 2 - TURNTABLE

FIGURE 2-11. PISTON PUMP ASSEMBLY (SN 0300075606 through 0300087000)



SECTION 2 - TURNTABLE



SECTION 2 - TURNTABLE

FIGURE 2-11. PISTON PUMP ASSEMBLY (SN 0300075606 through 0300087000)

ITEM	PART NUMBER	QTY	DESCRIPTION	REV
		Ref	PISTON PUMP ASSEMBLY	
	3600388	Ref	Piston Pump Assembly 2WD	A
	3600381	Ref	Piston Pump Assembly 4WD	A
1	7007413	1	Shim Kit	
2	7024874	1	Plug (Pump Assembly p/n 3600388) 2WD	
2	7007414	1	Plug (Pump Assembly p/n 3600381) 4WD	
3	See Note	NSS	O-Ring (Note: Use Item 200A)	
4	7021200	1	Spring, Relief Valve	
5	7007417	1	Valve, Relief	
6	See Note	NSS	O-Ring (Note: Use Item 200A)	
7	7007419	2	Plug	
7A	7007418	2	O-Ring	
10	7007470	2	Plug	
10A	7021256	2	O-Ring	
11	7007470	2	Plug	
11A	7021256	2	O-Ring	
12	7021223	10	Screw	
14	See Note	NSS	Gasket, Servo Cover (Note: Use Item 200A)	
15	7007423	1	Nut, Special	
18	7007425	1	Bearing, Needle	
19	See Note	NSS	Ring, Retaining (Note: Use Item 201)	
20	See Note	NSS	Washer (Note: Use Item 201)	
21	See Note	NSS	Spring (Note: Use Item 201)	
23	See Note	NSS	Washer (Note: Use Item 201)	
24	See Note	NSS	Retainer (Note: Use Item 201)	
25	See Note	NSS	Pin, Slipper Holddown (Note: Use Item 201)	
26	See Note	NSS	Piston Assembly (Note: Use Item 201)	
27	See Note	NSS	Retainer, Slipper (Note: Use Item 201)	
28	See Note	NSS	Guide, Retainer (Note: Use Item 201)	
29	7007435	1	Pin, Spring	
30	7021202	1	Screw	
31	7007437	1	Bearing, Ball	
32	7007438	2	Ring, Retainer	
33	7007439	2	Ring	
34	7021203	2	Pin, Spring	
35	7007441	1	Handle, Pin	
36	7007442	1	Sleeve, Bearing	
37	See Note	NSS	Gasket, Front Cover (Note: Use Item 200A)	
38	7007444	1	Pin	
40	7007446	1	Pin	
41	See Note	NSS	O-Ring (Note: Use Item 200A)	
42	See Note	NSS	Ring, Load Temper (Note: Use Item 200A)	
43	7023977	1	Housing, Pump	
44	See Note	NSS	Ring, Back-up (Note: Use Item 200A)	
45	See Note	NSS	O-Ring (Note: Use Item 200A)	
46	7007452	1	Cover, Gerotor	
47	7007453	3	Bolt, Hex	
48	7007208	1	Plug	
48A	7007207	1	O-Ring	
49	7024875	1	Cover, Front (Pump Assembly p/n 3600388) 2WD	

SECTION 2 - TURNTABLE

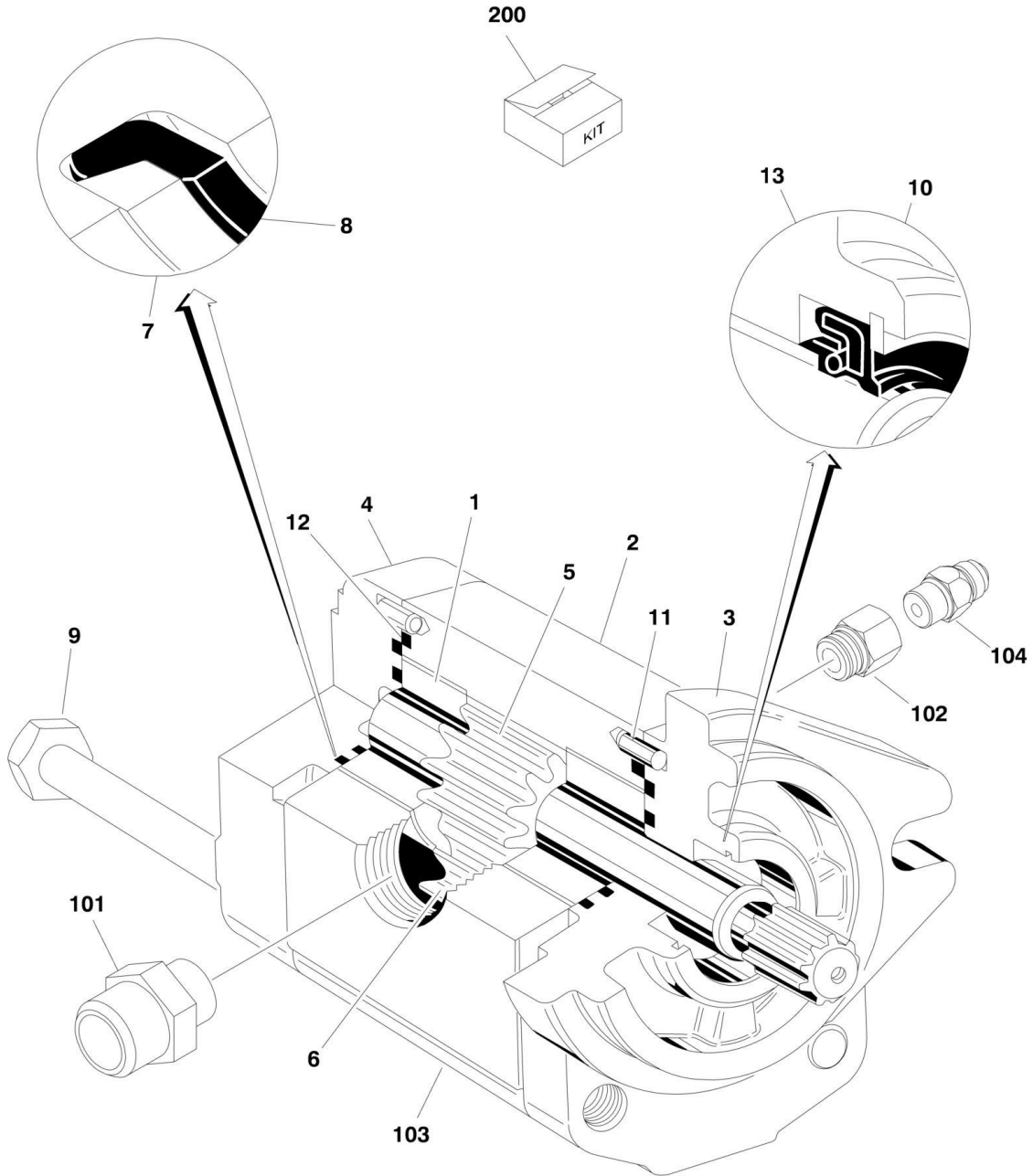
ITEM	PART NUMBER	QTY	DESCRIPTION	REV
49	7007454	1	Cover, Front (Pump Assembly p/n 3600381) 4WD	
50	7010116	1	Block, Cylinder (Note: Use Item 201)	
51	7021207	6	Screw	
53	7007457	1	Swash Plate	
54	7021210	1	Journal, Bearing (Pump Assembly p/n 3600388) 2WD	
54	7021212	1	Journal, Bearing (Pump Assembly p/n 3600381) 4WD	
55	See Note	NSS	Seal, Lip (Note: Use Item 200A)	
56	See Note	NSS	O-Ring (Note: Use Item 200A)	
57	7010121	1	Shaft, Main Pump	
58	7021214	1	Plate, Valve	
59	7007463	1	Gerotor Assembly	
60	7007464	1	Pin	
61	7007465	1	Key, Woodruff	
62	7007466	1	Adaptor, Remote Filtration (Without By-Pass)	
64	7021218	3	Screw	
67	7021220	1	Cover, Servo (Without Adjuster)	
68	7021219	1	Cover, Servo (Without Adjuster)	
69	7023979	1	Guide, Spring	
70	7007484	1	Stop, Servo	
71	7007485	1	Spring	
72	7021221	1	Screw	
73	7007487	1	Guide, Spring	
74	7007488	1	Ring, Retaining	
75	7021222	1	Locknut	
76	See Note	NSS	Ring, Piston (Note: Use Item 200A or 200B)	
77	7007494	1	Piston, Servo	
78	See Note	NSS	O-Ring (Note: Use Item 200A or 200B)	
79	7024877	1	Valve, Bypass (Pump Assembly p/n 3600388) 2WD	
79	7007472	1	Valve, Bypass (Pump Assembly p/n 3600381) 4WD	
80	7010122	2	Valve, Pressure Relief (Includes Item 6) (Pump Assembly p/n 3600388) 2WD	
80	7024851	2	Valve, Pressure Relief (Includes Item 6) (Pump Assembly p/n 3600381) 4WD	
81	7007474	1	Control, Dual Oil-Filled	
81	7007496	1	Coil Assembly (Pilot)	
81	7007497	1	Plug (Pump)	
81	7007498	1	Plug (Valve Harness)	
82	7001498	2	Screw	
83	7007478	2	Screw	
84	7001433	2	O-Ring (Note: Use Item 200A)	
86	7007475	1	Plug, Orifice/Screen (.156)	
87	7007477	2	Plug, Orifice (.37)	
88	7007476	1	Adapter, Auxiliary Pump	
89	7021217	1	Spacer/Gasket (Note: Use Item 200A)	
90	7021206	1	Nut	
91	7024800	2	Spring	
92	7021201	1	Bracket, Lifting	
		Ref	PISTON PUMP AND FITTING ASSEMBLIES	
	3600394	Ref	Piston Pump and Fitting Assemblies 2WD	B
	3600396	Ref	Piston Pump and Fitting Assemblies 4WD	A
101	2220479	1	Fitting, Straight	
102	2220578	1	Fitting, 90	

SECTION 2 - TURNTABLE

ITEM	PART NUMBER	QTY	DESCRIPTION	REV
103	2220646	2	Fitting, 90	
104	2220947	2	Fitting, Straight	
105		Ref	Pump Options (Includes Items 1-92)	
105	3600388	1	Pump 2WD	
105	3600381	1	Pump 4WD	
		Ref	KIT OPTIONS:	
200		Ref	Seal Kit Options:	
200A	7021232	1	Seal Kit - Complete (Includes Items 3, 6, 14, 37, 41, 42, 44, 45, 55, 56, 76, 78, 84 & 89)	
200B	7007412	1	Seal Kit - Servo Piston (Includes Items 76 & 78)	
201	7010116	1	Cylinder Block Kit (Includes Items 19-28 & 50)	

SECTION 2 - TURNTABLE

FIGURE 2-12. GEAR PUMP ASSEMBLY



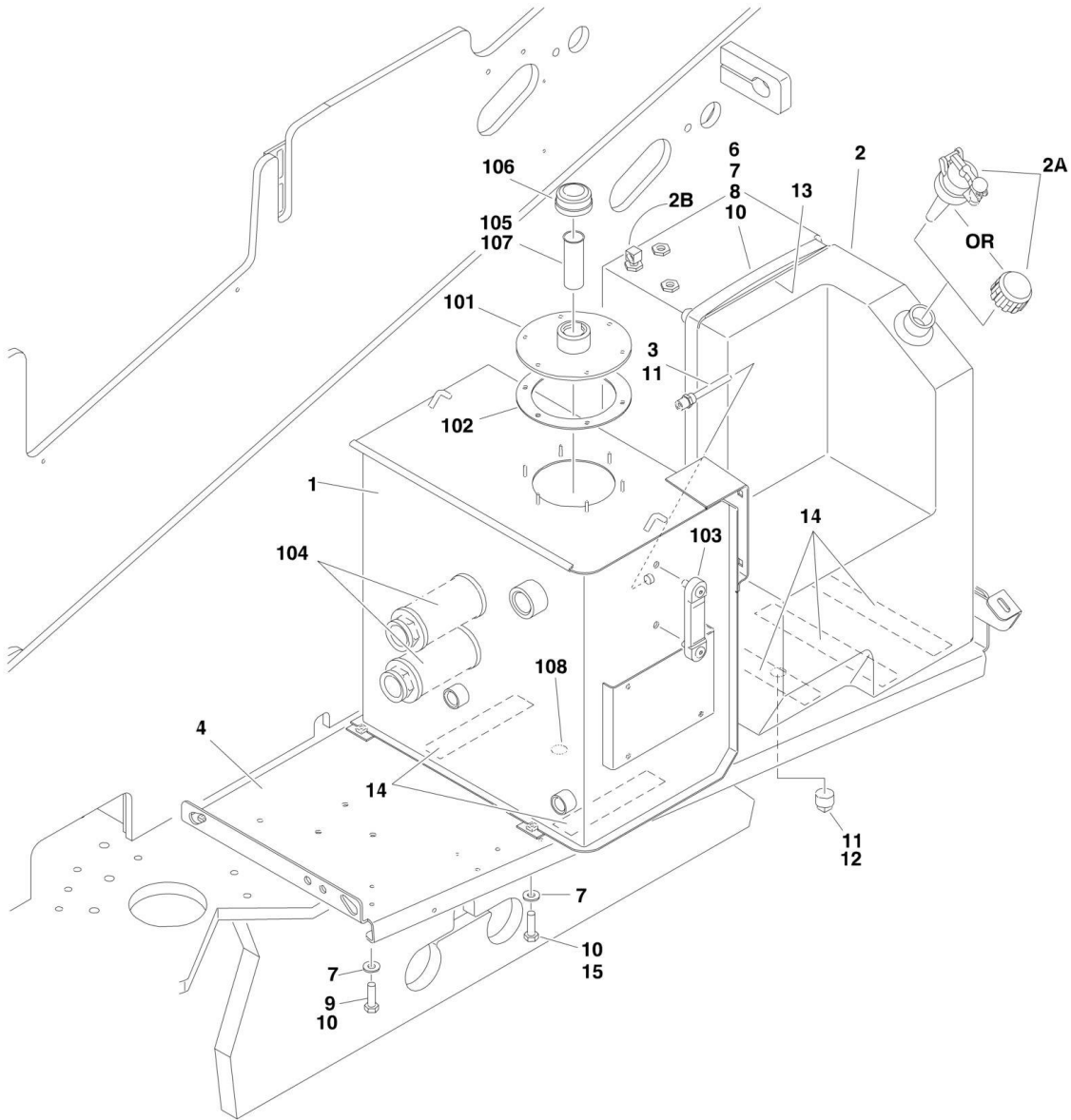
SECTION 2 - TURNTABLE

FIGURE 2-12. GEAR PUMP ASSEMBLY

ITEM	PART NUMBER	QTY	DESCRIPTION	REV
	3600242	Ref	GEAR PUMP ASSEMBLY	
1	7010105	2	Bearing/Bushing	
2	See Note	NLA	Housing (Note: Not Available - Purchase p/n 3600242 Complete Replacement)	
3	See Note	NLA	Flange (Note: Not Available - Purchase p/n 3600242 Complete Replacement)	
4	7010103	1	Cover	
5	7012987	1	Gear, Drive	
6	7012988	1	Gear, Idler	
7	See Note	NSS	Ring, Anti-Extrusion (Note: Use Item 200)	
8	See Note	NSS	Seal (Note: Use Item 200)	
9	See Note	4	Bolt (Note: Not Available for Purchase)	
10	7010104	1	Ring, Retaining	
11	See Note	4	Pin, Dowel (Note: Not Available for Purchase)	
12	See Note	NSS	Seal, O-Ring (Note: Use Item 200)	
13	See Note	NSS	Seal, Shaft (Note: Use Item 200)	
	3600395	Ref	GEAR PUMP AND FITTING ASSEMBLY	A
101	2220376	1	Fitting, Straight	
102	2220810	1	Fitting, Reducer	
103	3600242	1	Pump (Includes Items 1-13)	
104	4640744	1	Fitting, Check Valve	
		Ref	KIT OPTIONS	
200	7007489	1	Seal Kit (Includes Items 7, 8, 12 & 13)	

SECTION 2 - TURNTABLE

FIGURE 2-13. TANK INSTALLATIONS



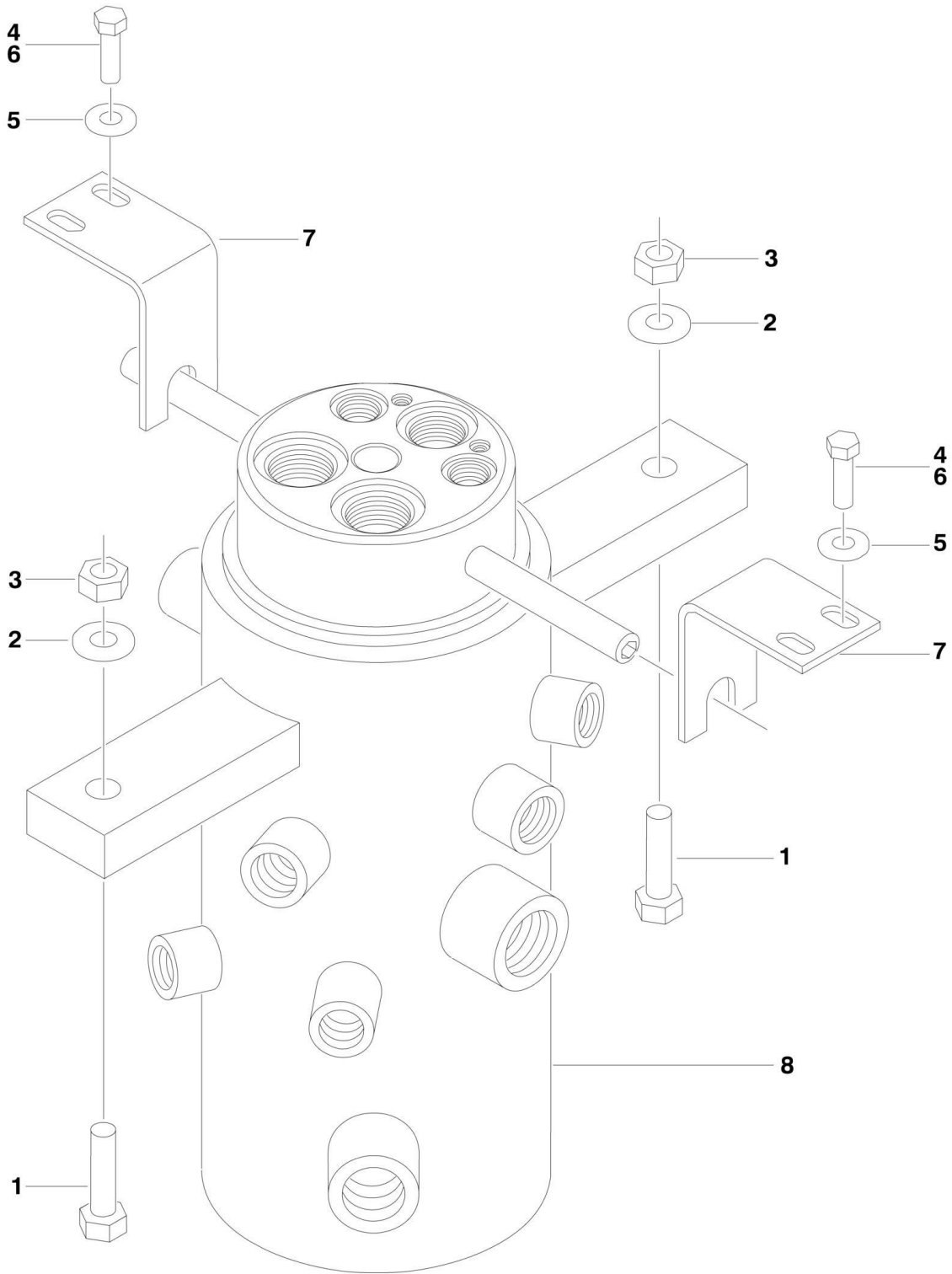
SECTION 2 - TURNTABLE

FIGURE 2-13. TANK INSTALLATIONS

ITEM	PART NUMBER	QTY	DESCRIPTION	REV
	0254849	Ref	TANKS INSTALLATION	9
1	4400449	1	Hydraulic Tank Assembly (See Items 101-108 for Breakdown)	
2	4400400	1	Tank, Fuel	
2A		Ref	Cap Options:	
2A	7016314	1	Standard Black Cap	
2A	1120487	1	Optional Blue Cap (Diesel Machines) (Not Included with Tank)	
2B	7019658	1	Tube, Fuel Pick-up (With Fitting)	
3	4360436	1	Switch, Fuel Level	
4	4845393	1	Hydraulic Tray Weldment	
6	4240113	1	Strap, Tank	
7	4751600	12	Flatwasher 3/8in Regular	
8	3311601	AR	Nut 3/8in-16NC	
9	0641614	6	Bolt 3/8in-16NC x 1-3/4in	
10	0100011	AR	Compound, Locking	
11	0100020	AR	Sealant, Pipe	
12	2200222	1	Fitting	
13	4280295	25 in /44cm	Strip, Protective	
14	4420038	70 in /1.78m	Tape, Rubber	
15	0641608	4	Bolt 3/8in-16NC x 1in	
	4400449	Ref	HYDRAULIC TANK ASSEMBLY	D
101	7024439	1	Cover	
102	7024440	1	Gasket	
103	7024441	1	Gauge, Sight	
104	7024442	2	Strainer	
105	7024443	1	Filler Neck	
106	7024444	1	Cap, Vented	
107	7024445	1	Strainer	
108	7024446	1	Plug, Magnetic	

SECTION 2 - TURNTABLE

FIGURE 2-14. ROTARY COUPLING INSTALLATION (SN 0300068000 through 0300075605)



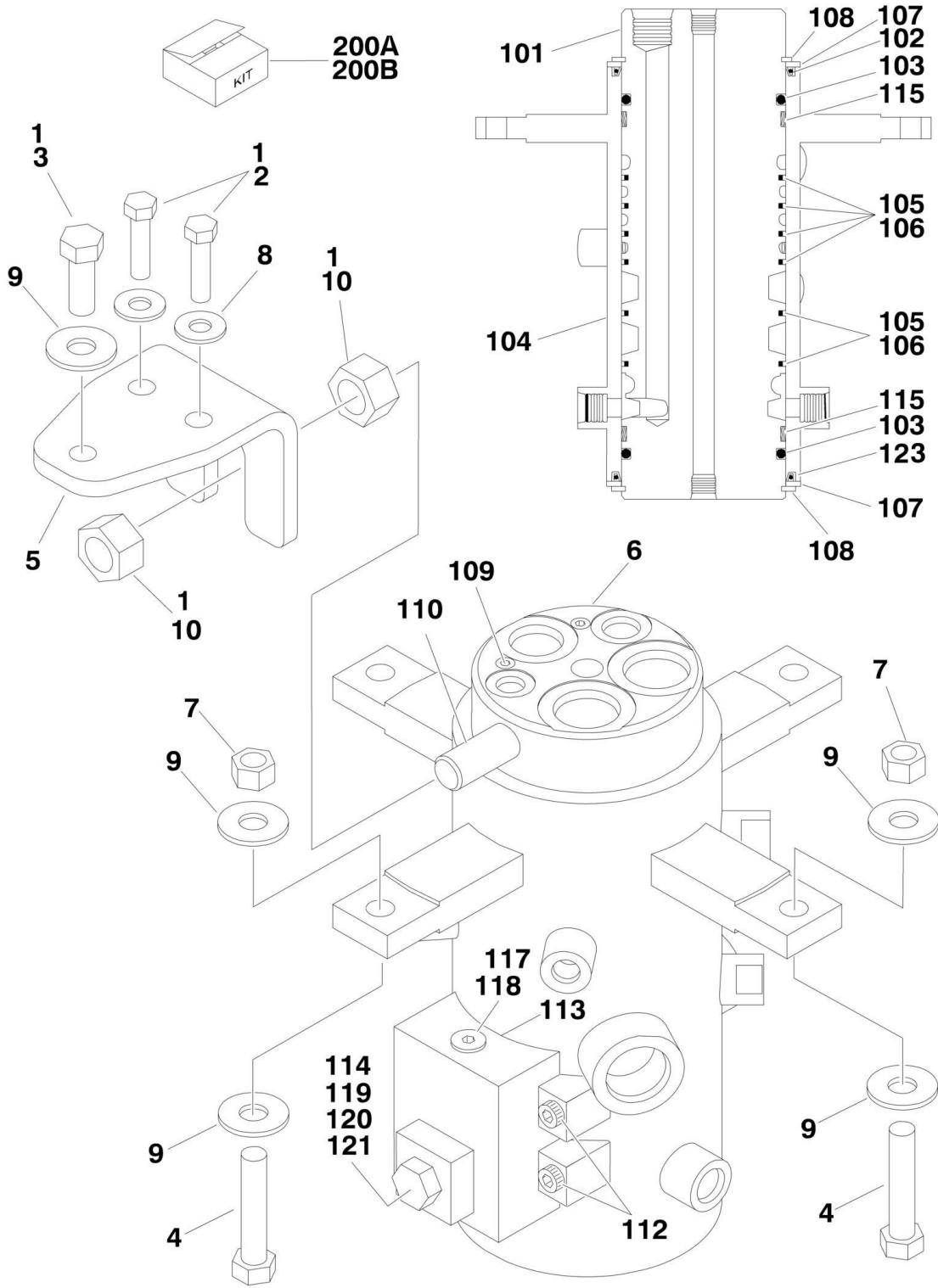
SECTION 2 - TURNTABLE

FIGURE 2-14. ROTARY COUPLING INSTALLATION (SN 0300068000 through 0300075605)

ITEM	PART NUMBER	QTY	DESCRIPTION	REV
		Ref	ROTARY COUPLING INSTALLATIONS	
	0255262	Ref	Rotary Coupling Installations 2WS	5
	0255294	Ref	Rotary Coupling Installations 4WS	2
1	0641820	2	Bolt 1/2in-13NC x 2-1/2in	
2	4751800	4	Flatwasher 1/2in	
3	3311805	2	Locknut 1/2in-13NC	
4	0641611	4	Bolt 3/8in-16NC x 1-3/8in	
5	4751600	4	Flatwasher 3/8in	
6	0100011	AR	Compound, Locking	
7	0902520	2	Bracket	
8		Ref	Coupling, Rotary Options:	
8	1660219	1	Coupling, Rotary 2WS	
8	1660223	1	Coupling, Rotary 4WS	
8		Ref	Seal Kit Options:	
8	7013187	1	Seal Kit 2WS	
8	7016342	1	Seal Kit 4WS	
8		Ref	Rebuilt Couplings Options:	
8	1660219RR	1	Rebuilt Couplings 2WS	
8	1660223RR	1	Rebuilt Couplings 4WS	

SECTION 2 - TURNTABLE

FIGURE 2-15. ROTARY COUPLING INSTALLATION (SN 0300075606 through 0300087000)



SECTION 2 - TURNTABLE

FIGURE 2-15. ROTARY COUPLING INSTALLATION (SN 0300075606 through 0300087000)

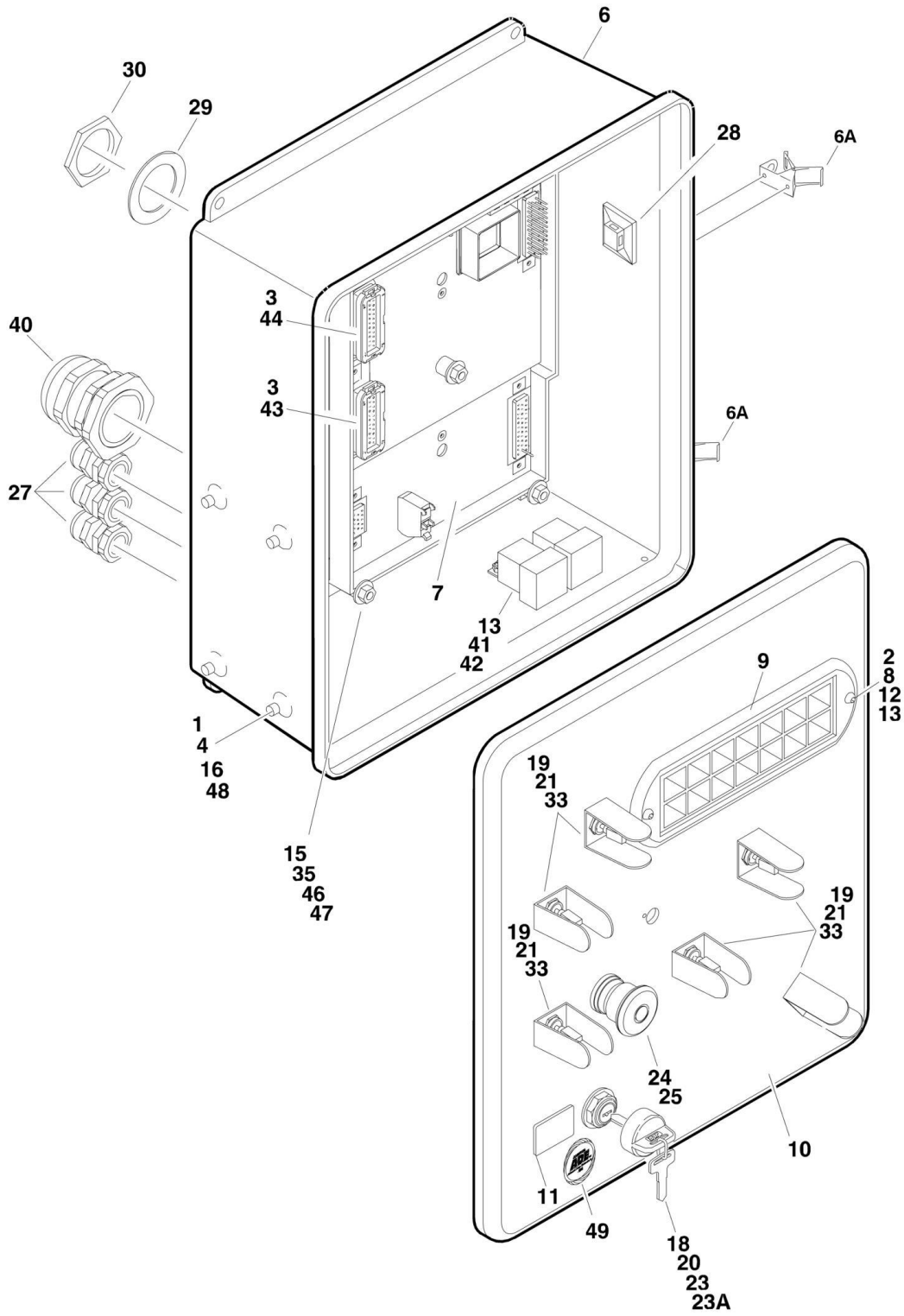
ITEM	PART NUMBER	QTY	DESCRIPTION	REV
		Ref	ROTARY COUPLING INSTALLATIONS	
	0273052	Ref	Rotary Coupling Installations 2WS	D
	0273161	Ref	Rotary Coupling Installations 4WS	D
1	0100011	AR	Compound, Locking	
2	0641612	2	Bolt 3/8in-16NC x 1-1/2in	
3	0641811	1	Bolt 1/2in-13NC x 1-3/8in	
4	0641820	2	Bolt 1/2in-13NC x 2-1/2in	
5	0903056	1	Bracket	
6		Ref	Coupling, Rotary Options (See Items 101-121 for Breakdown):	
6	1660257	1	Coupling, Rotary 2WS	
6	1660258	1	Coupling, Rotary 4WS	
7	3271805	2	Locknut 1/2in-13NC	
8	4751600	2	Flatwasher 3/8in Regular	
9	4751800	5	Flatwasher 1/2in Regular	
10	3322201	2	Nut 3/4in-16NC	
		Ref	ROTARY COUPLING ASSEMBLIES	
	1660257	Ref	2WS (Original Equipment)	
	1660303	Ref	2WS (Service Replacement)	
	1660258	Ref	4WS (Original Equipment)	
	1660304	Ref	4WS (Service Replacement)	
		Ref	Note: Original Equipment may have been replaced with Service Replacement part. Identify p/n stamped on rotary coupling before ordering parts.	
101	See Note	NSS	Body (Note: Not Available - Purchase Complete Rotary Coupling Assembly)	
102		Ref	Seal, Oil Options:	
102	7026189	2	Seal, Oil 2WS (p/n 1660257)	
102	70001248	2	Seal, Oil 2WS (p/n 1660303)	
102	7026512	2	Seal, Oil 4WS	
103	See Note	NSS	O-Ring (Note: Use Item 200A or 200B)	
104	See Note	NSS	Housing (Note: Not Available - Purchase Complete Rotary Coupling Assembly)	
105		Ref	Seal, Cap	
105	See Note	NSS	Seal, Cap 2WS (Note: Use Item 200A or 200B)	
105	See Note	NSS	Seal, Cap 4WS (Note: Use Item 200C or 200D)	
106		Ref	O-Ring	
106	See Note	NSS	O-Ring 2WS (Note: Use Item 200A or 200B)	
106	See Note	NSS	O-Ring 4WS (Note: Use Item 200C or 200D)	
107		Ref	Ring Options:	
107	7026503	2	Ring 2WS	
107	7026511	2	Ring 4WS	
108		Ref	Ring, Retaining Options:	
108	7026504	Ref	Ring, Retaining 2WS	
108	7026504	2	1660257 Coupling	
108	7026504	1	1660303 Coupling	
108	7013189	Ref	Ring, Retaining 4WS	
108	7013189	2	1660258 Coupling	
108	7013189	1	1660304 Coupling	
109		Ref	Plug, Pipe Options	
109		Ref	Plug, Pipe 2WS	

SECTION 2 - TURNTABLE

ITEM	PART NUMBER	QTY	DESCRIPTION	REV
109	See Note	NSS	1660257 Coupling (Note: Not Available - Purchase Locally)	
109	8093461	2	1660303 Coupling	
109		Ref	Plug, Pipe 4WS	
109	See Note	NSS	1660258 Coupling (Note: Not Available - Purchase Locally)	
109	8093461	4	1660304 Coupling	
110	See Note	NSS	Lug, Torque (Note: Not Available for Purchase)	
111	7024404	1	Block, Valve	
112	7026197	4	Bolt 5/16in-18NC x 1-1/4in	
113	See Note	NSS	O-Ring (Note: Use Item 200A, 200B, 200C or 200D)	
114	See Note	NSS	O-Ring (Note: Use Item 200A, 200B, 200C or 200D)	
115	See Note	NSS	Bearing (Note: Use Item 200A, 200B, 200C or 200D)	
117	7026505	1	Plug	
118	7026506	1	Valve, Check	
119	7026507	1	Plug	
120		Ref	Valve Block, Plunger Options:	
120	7026508	1	1660257 & 1660258 Couplings	
120	7024404	1	1660303 & 1660304 Couplings	
121	7026509	1	Spring, Compression	
122	See Note	NSS	Protective Netting (Not Shown) (1660303 & 1660304) Couplings (Note: Not Available for Purchase)	
123		Ref	Seal Options:	
123	7026189	1	1660257 Coupling	
123	70001248	1	1660303 Coupling	
123	See Note	NSS	1660258 & 1660304 Couplings (Note: Use Item 200C or 200D)	
200		Ref	Seal Kit Options:	
200A	7026510	1	1660257 Coupling (Includes Items 103, 105, 106 & 113-115. Items 102 & 123 must be purchased separately)	
200B	70001248	1	1660303 Coupling (Includes Items 102, 103, 105, 106, 113-115 & 123.	
200C	7026512	1	1660258 Coupling (Includes Items 102, 103, 105, 106, 113-115 & 123)	
200D	70001249	1	1660304 Coupling (Includes Items 102, 103, 105, 106, 113-115 & 123)	

SECTION 2 - TURNTABLE

FIGURE 2-16. GROUND CONTROL BOX ASSEMBLY



SECTION 2 - TURNTABLE

FIGURE 2-16. GROUND CONTROL BOX ASSEMBLY

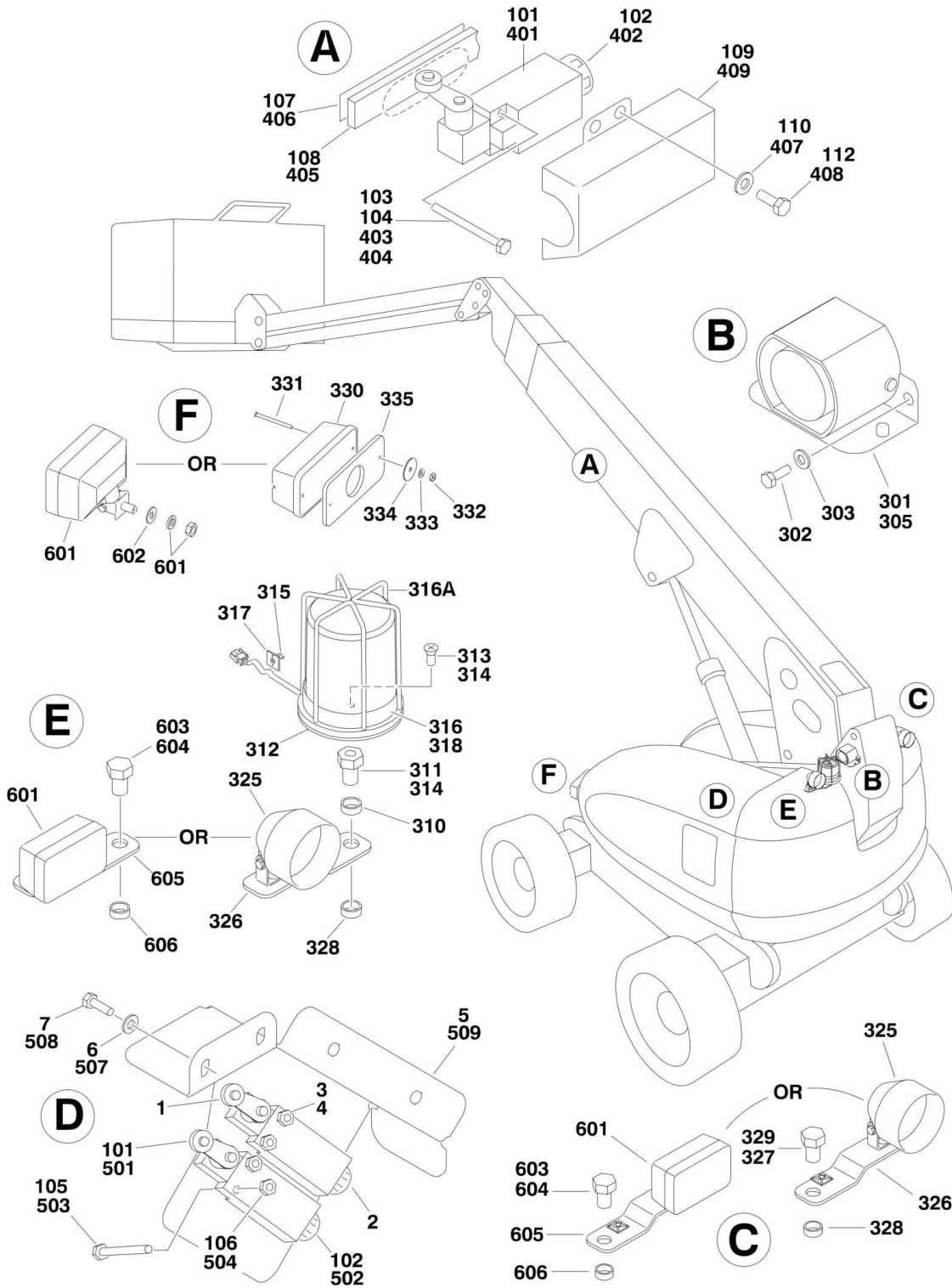
ITEM	PART NUMBER	QTY	DESCRIPTION	REV
		Ref	GROUND CONTROL BOX ASSEMBLIES	
		Ref	Ground Control Box Assemblies (SN 0300068000 through 0300084826)	
	0861612	Ref	Ground Control Box Assemblies 600S with Caterpillar Engine	C
	0861613	Ref	Ground Control Box Assemblies 600SJ & 660SJ with Caterpillar Engine	C
	0861482	Ref	Ground Control Box Assemblies 600S with Deutz Engine	G
	0861483	Ref	Ground Control Box Assemblies 600SJ & 660SJ with Deutz Engine	G
		Ref	Ground Control Box Assemblies (SN 0300084827 through 0300087000)	
	0861698	Ref	Ground Control Box Assemblies 600S with Caterpillar Engine	A
	0861699	Ref	Ground Control Box Assemblies 600SJ & 660SJ with Caterpillar Engine	A
	0861687	Ref	Ground Control Box Assemblies 600S with Deutz Engine	A
	0861688	Ref	Ground Control Box Assemblies 600SJ & 660SJ with Deutz Engine	A
1	0100011	AR	Compound, Locking	
2	0630518	2	Capscrew, Button Head	
3	0100048	AR	Grease, Dielectric	
4	0641506	4	Bolt 5/16in-18NC x 3/4in	
6	0861389	1	Box, Fiberglass	
6A	7020246	2	Latch	
7		Ref	Module (Re-calibration Required when Replaced) Options:	
7	1600327	NLA	Caterpillar and Deutz Engine (Use p/n 2915014) (SN 0300068000 through 0300077489)	
7	1600364	1	Caterpillar Engine (SN 0300077490 through 0300087000)	
7	1600364	1	Deutz Engine (SN 0300077490 through 0300084826)	
7	2915014	1	Update Kit (Includes Module, Cables, Programming Instructions and CD Software) (Use with 1600327 & 1600364)	
7	1600411	1	Deutz Engine (SN 0300084827 through 0300087000)	
8	1670829	1	Bezel	
9		Ref	Decal - Ground Control Display Options:	
9	1702610	1	Decal - Ground Control Display (SN 0300068000 through 0300072241)	
9	1705752	1	Decal - Ground Control Display (SN 0300072242 through 0300084826)	
9	1705753	1	Decal - Ground Control Display (SN 0300084827 through 0300087000)	
10		Ref	Decal - Faceplate Options:	
10	1703465	1	Decal - Faceplate 600S	
10	1703466	1	Decal - Faceplate 600SJ/660SJ	
11	2420172	1	Gauge, Hourmeter	
12	2760105	1	Housing, Display Light	
13	3300408	AR	Locknut, Plastic Insert	
15	3311401	10	Nut 1/4in-20NC	
16	3539219	1	Plate, Reinforcement	
18	3910804	6	Screw #8-32NC x 1/4in	
19	4060906	6	Shield, Toggle Switch	
20	4070987	1	Shim (.015in)	

SECTION 2 - TURNTABLE

ITEM	PART NUMBER	QTY	DESCRIPTION	REV
21	4360328	6	Switch, Toggle	
23	4360470	1	Switch, Key	
23A	2860030	1	Key Replacement	
24	4360475	1	Switch, Emergency Stop	
25	4360476	1	Switch, Contact Block	
26	4460234	2	Tie, Wire (Not Shown)	
27	4460426	AR	Connector, Strain Relief	
28	4460488	AR	Mounting Base, Terminal	
29	4460471	1	Lockwasher, Terminal	
30	4460470	1	Nut, Terminal	
33	4740444	6	Washer, Special	
35	4751400	20	Flatwasher 1/4in Regular	
40	4460526	1	Connector, Strain Relief	
41	3740049	AR	Relay	
42	3900268	AR	Screw, Flange #10 x 1/2in	
43	4460875	1	Connector, Gray	
44	4460874	1	Connector, Natural	
44	4460905	4	Connector, Amp Seal Plug	
45		Ref	Harness, Analyzer Cable Options (Not Shown - See ELECTRICAL SECTION for Breakdown):	
45	4922666	1	Harness, Analyzer Cable (SN 0300068000 through 0300084826)	
45	Not Required	0	Harness, Analyzer Cable (SN 0300084827 through 0300087000)	
46	0630548	5	Bolt	
47	4761400	15	Lockwasher 1/4in	
48	3300205	4	Nut, Retainer	
49	1705132	1	Decal - ADE	
50	3520035	1	Plug, Cap (Not Shown)	

SECTION 2 - TURNTABLE

FIGURE 2-17. ELECTRICAL OPTIONS INSTALLATION (TURNTABLE MOUNTED)



SECTION 2 - TURNTABLE

FIGURE 2-17. ELECTRICAL OPTIONS INSTALLATION (TURNTABLE MOUNTED)

ITEM	PART NUMBER	QTY	DESCRIPTION	REV
		Ref	ELECTRICAL OPTIONS INSTALLATIONS (TURNTABLE MOUNTED)	
	0255335	Ref	LIMIT SWITCH INSTALLATION - ABOVE HORIZONTAL	6-F
1		Ref	Switch, Limit Options:	
1	4360322	NLA	Switch, Limit (Use p/n 4360578) (SN 0300068000 through 0300074440)	
1	4360549	NLA	Switch, Limit (Use p/n 4360578) (SN 0300074441 through 0300080872)	
1	4360578	1	Switch, Limit (SN 0300080873 through 0300087000)	
2		Ref	Connector, Strain Relief Options:	
2	4460428	1	Connector, Strain Relief (SN 0300068000 through 0300068965)	
2	4460968	1	Connector, Strain Relief (SN 0300074441 through 0300087000)	
3	3931028	2	Capscrew, Socket Head #10-24NC x 1-3/4in	
4	3311005	2	Locknut #10-24NC	
5	1670818	1	Cover, Limit Switch	
6	4751400	4	Flatwasher 1/4in Regular	
7	3931408	4	Bolt 1/4in-20NC x 1in	
	0255698	Ref	LIMIT SWITCHES INSTALLATION - DUAL CAPACITY(AUSTRALIAN SPEC ONLY)	6-D
		Ref	Switch, Limit Options:	
101	4360322	NLA	Switch, Limit (Use p/n 4360578) (SN 0300068000 through 0300074440)	
101	4360549	NLA	Switch, Limit (Use p/n 4360578) (SN 0300074441 through 0300080872)	
101	4360578	1	Switch, Limit (SN 0300080873 through 0300087000)	
102		Ref	Connector, Strain Relief Options:	
102	4460428	2	Connector, Strain Relief (SN 0300068000 through 0300074440)	
102	4460968	2	Connector, Strain Relief (SN 0300074441 through 0300087000)	
103	0100035	AR	Compound, Locking	
104	3930816	2	Capscrew, Socket Head #8-32NC x 1in	
105	3930828	2	Capscrew, Socket Head #8-32NC x 1-3/4in	
106	3310805	2	Locknut #8-32NC	
107	4420060	9 ft/2.7m	Tape, Double Sided	
108	0362528	1	Bar, Fiberglass	
109	1670824	1	Cover, Limit Switch	
110	4751400	4	Flatwasher 1/4in Regular	
112	0641403	4	Bolt 1/4in-20NC x 3/8in	
	0270833	Ref	ALARMS INSTALLATION	1
301	0257887	1	Alarm/Harness Assembly	
301	0140032	1	Alarm	
301	2820035	6 in/15cm	Loom	
301	4460424	1	Plug	
301	4460268	2	Socket	
302	0641406	2	Bolt 1/4in-20NC x 3/4in	
303	4711400	2	Flatwasher 1/4in Thin	
305	0100048	AR	Sealant, Silicone	
	0270805	Ref	STROBE LIGHT INSTALLATION (AMBER) (OPTIONAL)	2
		Ref	Note: If machines is equipped with BLUE Strobe Light, see	

SECTION 2 - TURNTABLE

ITEM	PART NUMBER	QTY	DESCRIPTION	REV
			SPECIAL OPTIONS SECTION SkyGuard Kit.	
310	4220162	1	Spacer, Stop - Used with ECCO Model 6640 Only (SN 0300068000 through 0300069327)	
311		Ref	Adapter Options:	
311	0630491	1	Adapter used with ECCO Model 6640	
311	0080241	1	Adapter used with ECCO Model 6650	
312	3539281	1	Plate, Mounting - Used with ECCO Model 6640 Only (SN 0300068000 through 0300069327)	
313	0741606	1	Screw, Flathead Countersunk 3/8in-16NC x 3/4in - Used with ECCO Model 6640 Only (SN 0300068000 through 0300069327)	
314	0100011	AR	Compound, Locking	
315	4240032	1	Wire-Tile	
316		Ref	Strobe Light/Guard/Harness Assembly Options:	
316	0255917	NLA	Strobe Light/Guard/Harness Assembly (Use p/n 0272507) (SN 0300068000 through 0300069326)	
316	0272507	1	Strobe Light/Guard/Harness Assembly (Includes Item 311 & 316A) (SN 0300069327 through 0300087000)	
316		Ref	Bulb, Replacement Options:	
316	7016380	1	Bulb for ECCO Model 6640	
316	70001941	1	Bulb for ECCO Model 6650	
316A		Ref	Guard Options:	
316A	4060907	1	Guard used with ECCO Model 6640	
316A	2920215	1	Guard used with ECCO Model 6650	
317	4460234	1	Clamp	
318	0100048	AR	Sealant, Silicone	
	0271552	Ref	LIGHTS INSTALLATION (OPTIONAL)	2
325	2920110	2	Headlight	
326	0902206	2	Bracket, Mounting	
327	0642612	1	Bolt 1in-8NC x 1-1/2in	
328	4220162	2	Spacer	
329	0100011	AR	Compound, Locking	
330	2920113	2	Taillight	
331	3911040	4	Screw, Machine #10-24NC x 2-1/2in	
332	3311005	4	Nut #10-24NC	
333	4751000	4	Flatwasher #10 Regular	
334	4740362	4	Washer, Fender	
335	3960461	2	Gasket	
337	4240032	21	Tie-Strap (Not Shown)	
338	4460234	21	Mount, Tie-Strap (Not Shown)	
339	4360336	1	Switch, Toggle (Not Shown - Located on Console)	
340	3790012	1	O-Ring (Not Shown - Located on Console)	
341	3820001	11	Rivet, Pop (Not Shown)	
		Ref	TRANSPORT SWITCH INSTALLATION (CE SPEC)	
	0256305	Ref	Transport Switch Installation (CE Spec) 600S & 660SJ	5
	0256306	Ref	Transport Switch Installation (CE Spec) 600SJ	5
401		Ref	Switch, Limit Options:	
401	4360322	NLA	Switch, Limit (Use p/n 4360578) (SN 0300068000 through 0300074440)	
401	4360549	NLA	Switch, Limit (Use p/n 4360578) (SN 0300074441 through 0300080872)	
401	4360578	1	Switch, Limit (SN 0300080873 through 0300087000)	
402		Ref	Connector, Strain Relief Options:	
402	4460428	1	Connector, Strain Relief (SN 0300068000 through	

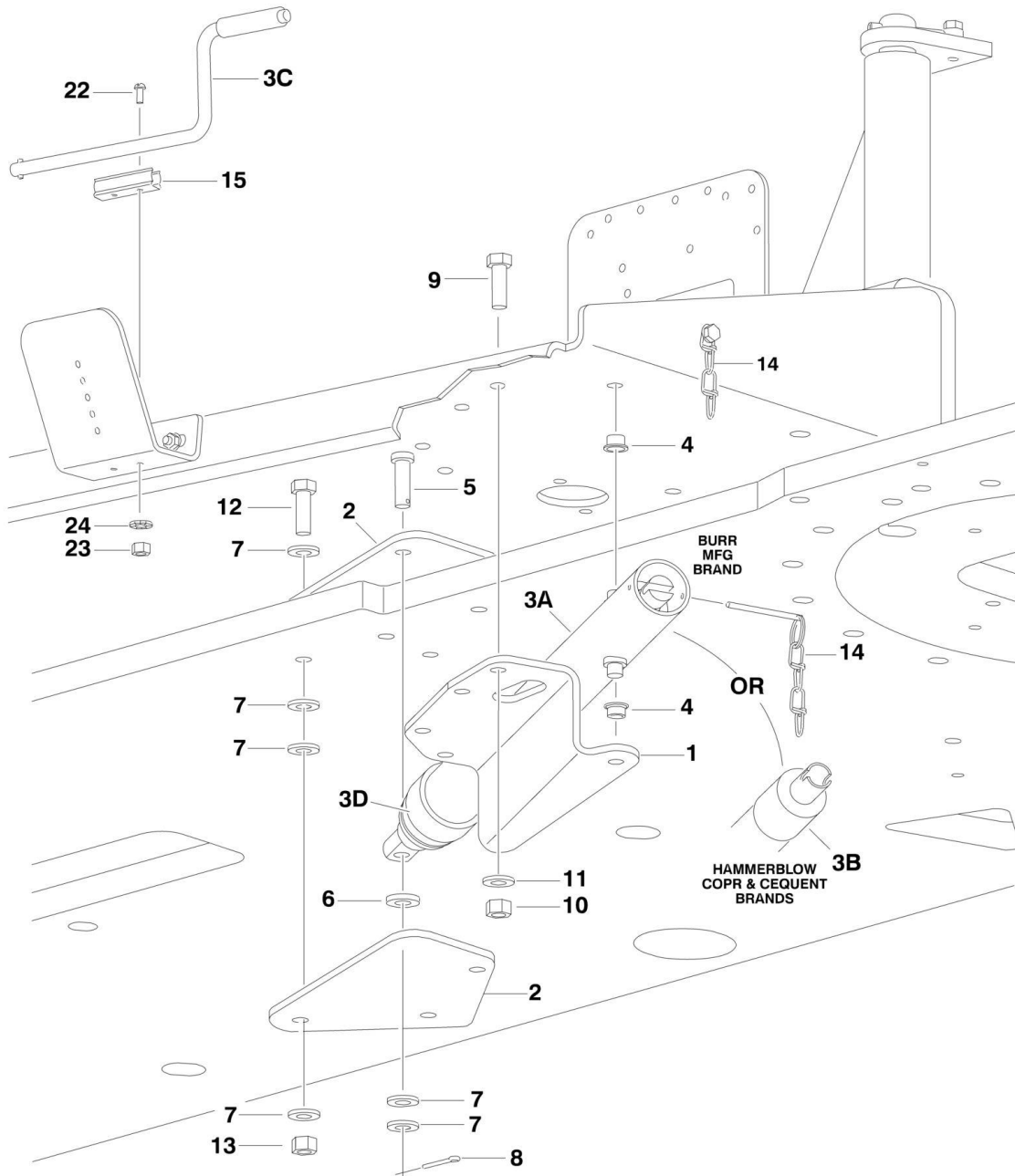
SECTION 2 - TURNTABLE

ITEM	PART NUMBER	QTY	DESCRIPTION	REV
402	4460968	1	0300074440) Connector, Strain Relief (SN 0300074441 through 0300087000)	
403	3930828	2	Capscrew, Socket Head #8-32NC x 1-3/4in	
404	3310805	2	Locknut #8-32NC	
405		Ref	Bar, Fiberglass Options:	
405	0362609	1	Bar, Fiberglass 600S & 660SJ	
405	0362610	1	Bar, Fiberglass 600SJ	
406	4420060	AR	Tape, Double-Sided	
407	4751400	4	Flatwasher 1/4in Regular	
408	0641403	4	Bolt 1/4in-20NC x 3/8in	
409		Ref	Cover, Limit Switch Options:	
409	1670824	1	Cover, Limit Switch (SN 0300068000 through 0300078808)	
409	3380535	1	Cover, Limit Switch (SN 0300078809 through 0300087000)	
	0257882	Ref	8M DRIVE CUT-OUT INSTALLATION	1
501		Ref	Switch, Limit Options:	
501	4360322	NLA	Switch, Limit (Use p/n 4360578) (SN 0300068000 through 0300074440)	
501	4360549	NLA	Switch, Limit (Use p/n 4360578) (SN 0300074441 through 0300080872)	
501	4360578	1	Switch, Limit (SN 0300080873 through 0300087000)	
502		Ref	Connector, Strain Relief Options:	
502	4460428	1	Connector, Strain Relief (SN 0300068000 through 0300074440)	
502	4460968	1	Connector, Strain Relief (SN 0300074441 through 0300087000)	
503	3930828	2	Capscrew, Socket Head #8-32NC x 1-3/4in	
504	3310805	2	Locknut #8-32NC	
505	1060016	181 in /4.6m	Cable, Electrical - 16/3 (Not Shown)	
507	4751400	2	Flatwasher 1/4in Regular	
508	3931408	2	Bolt, Socket Head 1/4in-20NC x 3/8in	
509	1670821	1	Cover, Limit Switch	
	0274210	Ref	CHASSIS ILLUMINATION LIGHT INSTALLATION	1-A
601	2920157	4	Lamp, Worklight	
602	4740546	4	Washer, Rubber	
603	0100011	AR	Compound, Locking	
604	0642612	2	Bolt 1in-8NC x 1-1/2in	
605	0902206	2	Bracket, Light Mounting	
606	4220162	2	Spacer	
608	3790012	1	O-Ring (Not Shown - Located at Platform Console Box)	
609	4360336	1	Switch, Toggle (Not Shown - Located at Platform Console Box)	
610	4240032	21	Strap, Tie (Not Shown)	
611	4460234	21	Mount, Cable (Not Shown)	
612	3820001	11	Rivet, Pop (Not Shown)	

SECTION 2 - TURNTABLE

FIGURE 2-18. ENGINE TRAY JACK INSTALLATION (OPTIONAL)

NOTE: HANDLE LOCATED
HERE SN 0300068771 THROUGH 0300087000.
HANDLE LOCATED ON HOOD
SN 0300068000 THROUGH 0300068770



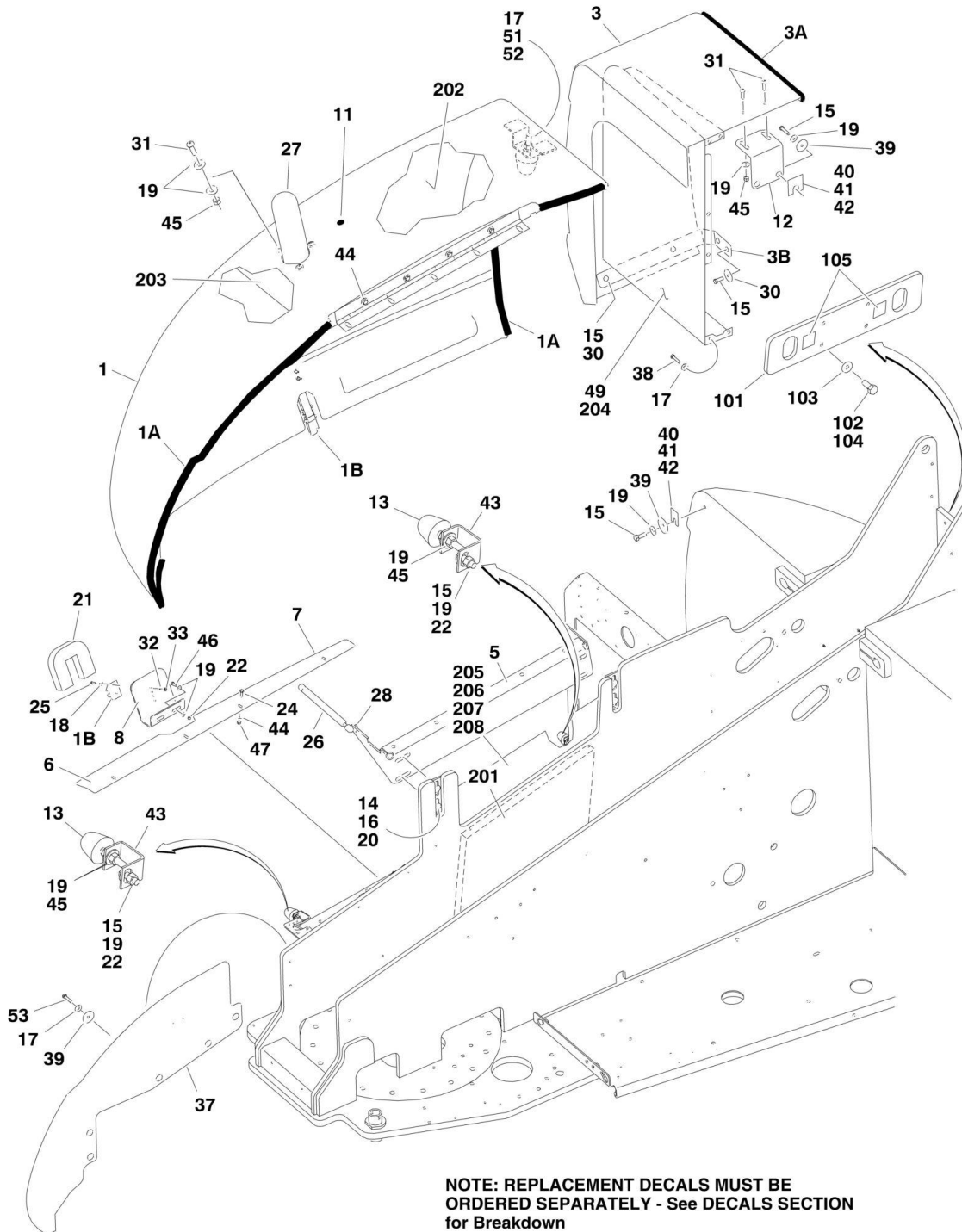
SECTION 2 - TURNTABLE

FIGURE 2-18. ENGINE TRAY JACK INSTALLATION (OPTIONAL)

ITEM	PART NUMBER	QTY	DESCRIPTION	REV
	0255881	Ref	ENGINE TRAY JACK INSTALLATION	3-G
1	3537445	1	Bracket	
2	3537446	2	Bracket	
3	2840016	1	Hydraulic Jack Assembly Options:	D
3A		Ref	Burr Manufacturing Brand	
3B		Ref	Hammerblow Corp and Cequent Brands	
3C		Ref	Handle Options:	
3C	7016374	1	Burr Manufacturing Brand	
3C	7024598	1	Hammerblow Corp Brand	
3D	7016322	1	Wiper (Burr Manufacturing Brand Only)	
4	0962051	2	Bushing, Flanged	
5	3430816	1	Pin, Clevis	
6	4891800	1	Flatwasher 1/2in Hardened	
7	4711800	6	Flatwasher 1/2in Thin	
8	3450404	1	Pin, Cotter 1/8in x 1in	
9	0641609	4	Bolt 3/8in-16NC x 1-1/8in	
10	3311605	4	Locknut 3/8in-16NC	
11	4891600	4	Flatwasher 3/8in Hardened	
12	0641818	4	Bolt 1/2in-13NC x 2-1/4in	
13	3311805	4	Locknut 1/2in-13NC	
14	3422530	1	Pin, Hitch (SN 0300068000 through 0300070643)	
15	1380147	1	Clip, Spring	
22	3910608	2	Screw #6-32NC x 1in	
23	3310601	2	Nut #6-32NC	
24	4770600	2	Starwasher #6	

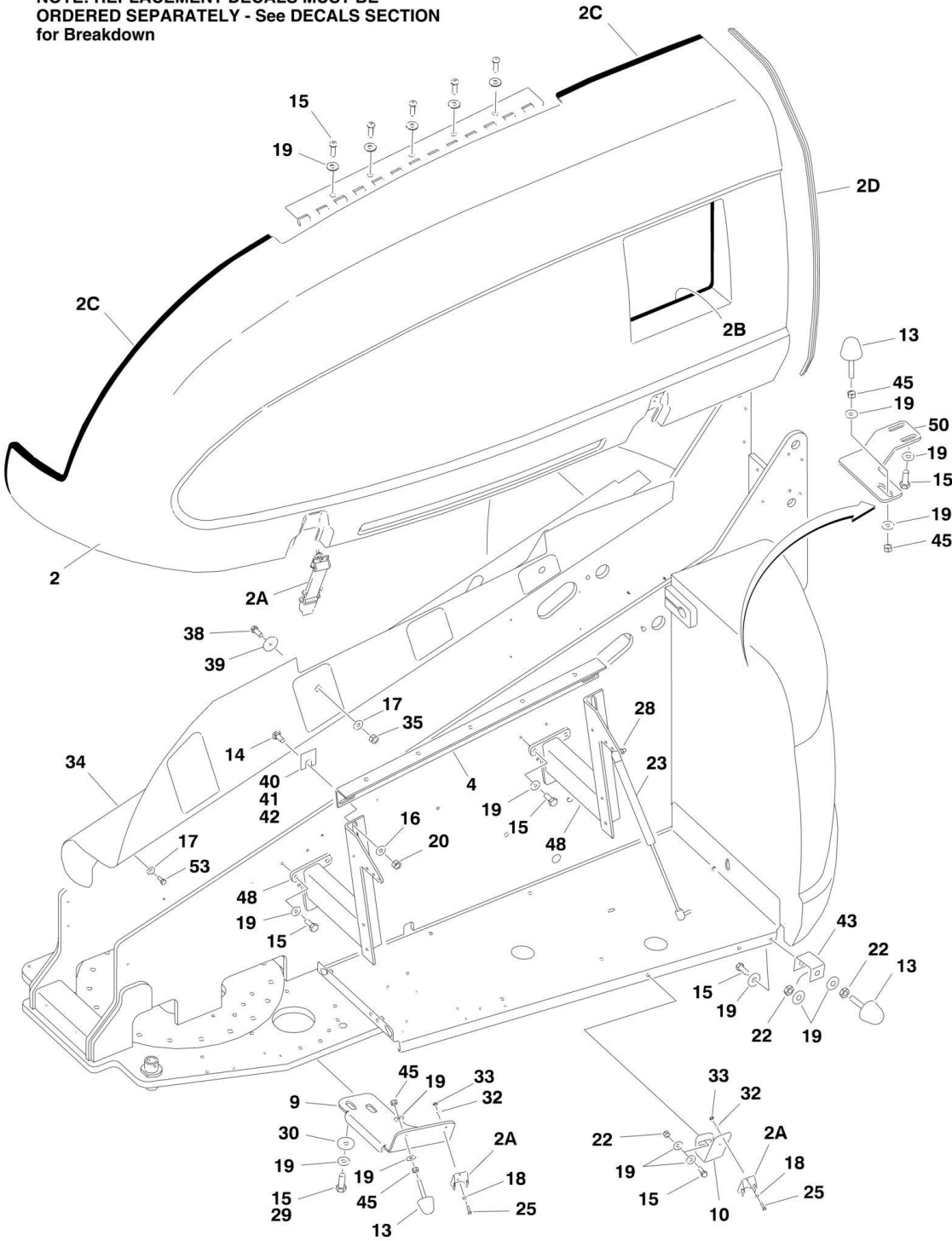
SECTION 2 - TURNTABLE

FIGURE 2-19. HOODS AND LIFTING PLATE INSTALLATIONS



SECTION 2 - TURNTABLE

NOTE: REPLACEMENT DECALS MUST BE ORDERED SEPARATELY - See DECALS SECTION for Breakdown



SECTION 2 - TURNTABLE

FIGURE 2-19. HOODS AND LIFTING PLATE INSTALLATIONS

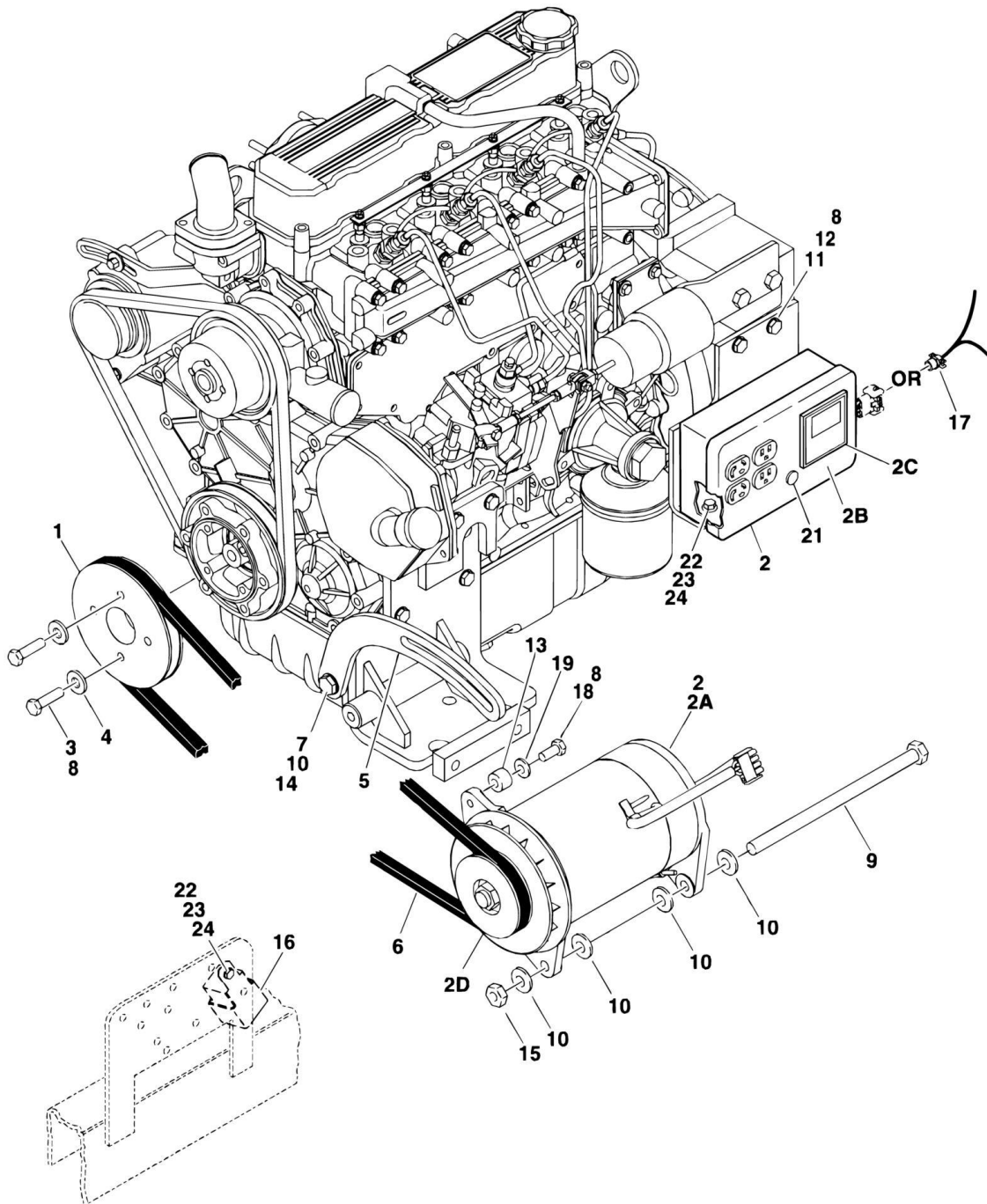
ITEM	PART NUMBER	QTY	DESCRIPTION	REV
		Ref	Note: Steel Hood Replacement Kits are available for machines built with Deutz engines (Purchase p/n 1001126286) and Caterpillar engines (Purchase p/n 1001126287).	
	0256830	Ref	HOODS INSTALLATION	10-I
1	2680449	1	Hood Assembly - Engine Side	
1	2600209		Hinge	
1A	3960464	65 in /1.67m	Seal	
1A	3960462	61 in /1.55m	Seal	
1B	2940088	1	Latch	
2	2680448	1	Hood Assembly - Tank Side	
2	2600233		Hinge	
2A	2940088	2	Latch	
2B	3960438	53 in /1.35m	Seal	
2C	3960464	83 in /2.11m	Seal	
2D	3960462	55 in/1.4m	Seal	
3	2680450	1	Hood Assembly - Engine Spacer	
3A	3960453	68 in /1.73m	Seal	
3B	7023366	1	Bracket	
4	0902416	1	Bracket, Hood Mounting	
5	0902351	1	Bracket, Hood Mounting	
6	3539934	1	Plate, Seal	
7	3960389	3.5 ft/1m	Seal	
8	0902491	1	Bracket, Latch	
9	0902223	1	Bracket, Latch	
10	0902143	1	Bracket, Latch	
11	3520033	2	Plug, Hole	
12	0902161	1	Bracket, Hood Spacer Mounting	
13	0940071	5	Bumper	
14	0630507	6	Bolt, Carriage 1/2in-13NC x 1-1/4in	
15	0641608	AR	Bolt 3/8in-16NC x 1in	
16	4740171	6	Flatwasher, Hardened	
17	4751500	9	Flatwasher 5/16in Regular	
18	4751000	12	Flatwasher #10 Regular	
19	4751600	AR	Flatwasher 3/8in Regular	
20	3311805	6	Locknut 1/2in-13NC	
21	3960470	1	Seal	
22	3311605	5	Locknut 3/8in-16NC	
23	4160139	2	Spring, Gas (Tank Side)	
24	0641406	4	Bolt 1/4in-20NC x 3/4in	
25	0721006	6	Screw #10-24NC x 3/4in	
26	4160143	2	Spring, Gas (Engine Side)	
27	4845411	1	Outlet, Exhaust	
28	3311505	4	Locknut 5/16in-18NC	
29	0100011	AR	Compound, Locking	
30	4740076	4	Washer, Fender	
31	3900232	5	Screw, Button Head 3/8in-16NC x 1-1/4in	

SECTION 2 - TURNTABLE

ITEM	PART NUMBER	QTY	DESCRIPTION	REV
32	4761000	6	Lockwasher #10	
33	3311001	6	Nut #10-24NC	
34	1670771	1	Cover	
35	3311501	AR	Nut 5/16in-18NC	
36	0641512	2	Bolt 5/16in-18NC x 1-1/2in	
37	1670779	1	Cover, Side	
38	0641506	6	Bolt 5/16in-18NC x 3/4in	
39	4740076	AR	Washer, Fender	
40	4070410	AR	Shim 1/16in	
41	4070411	AR	Shim 1/8in	
42	4070412	AR	Shim 3/16in	
43	0902219	2	Bracket, Bumper	
44	4751400	4	Flatwasher 1/4in Regular	
45	3311601	AR	Nut 3/8in-16NC	
46	0641609	2	Bolt 3/8in-16NC x 1-1/8in	
47	3311405	4	Locknut 1/4in-20NC	
48	4845356	2	Hood Mount Weldment	
49	3539979	1	Plate, Inlet Baffle (SN 0300068000 through 0300076512)	
50	0902384	1	Bracket, Hood Mount	
51	0940088	1	Hood, Bumper	
52	3321501	2	Nut 5/16in-24NF	
53	0641506	10	Bolt 5/16in-18NC x 3/4in (SN 0300074784 through 0300087000)	
	0256122	Ref	LIFTING PLATE INSTALLATION	1-B
101	3539590	1	Plate, Lifting	
102	0682014	4	Bolt 5/8in-11NC x 1-3/4in (Grade 8)	
103	4892000	4	Flatwasher 5/8in Hardened	
104	0100019	AR	Compound, Locking	
105	1701500	2	Decal - Tie Down/Lift	
	0256823	Ref	NOISE REDUCTION INSTALLATION (DIESEL MACHINES)	2
201	2820078	1	Foam, Acoustical	
202	2820079	1	Foam, Acoustical	
203	2820119	1	Foam, Acoustical	
204	2820081	1	Foam, Acoustical (SN 0300068000 through 0300076512)	
205	3539955	1	Plate, Baffle	
206	0641506	2	Bolt 5/16in-18NC x 3/4in	
207	4751500	2	Flatwasher 5/16in Regular	
208	0100011	AR	Compound, Locking (Not Shown)	

SECTION 2 - TURNTABLE

FIGURE 2-20. 2500W GENERATOR INSTALLATION CATERPILLAR MACHINES (OPTIONAL)



SECTION 2 - TURNTABLE

FIGURE 2-20. 2500W GENERATOR INSTALLATION CATERPILLAR MACHINES (OPTIONAL)

ITEM	PART NUMBER	QTY	DESCRIPTION	REV
		Ref	2500W GENERATOR INSTALLATION OPTIONS:	
		Ref	Generator Installation (SN 0300068000 through 0300077489)	
	0273518	Ref	110V/60Hz	3-C
	0273538	Ref	110V/50Hz	3-C
	0273539	Ref	220V/50Hz	3-C
		Ref	Generator Installation (SN 0300077490 through 0300087000)	
	0274081	Ref	110V/60Hz	1-A
	0274091	Ref	110V/50Hz	1-A
	0274087	Ref	220V/50Hz	1-A
1	3580322	1	Pulley	
2		Ref	Generator and Control Box Assembly Options:	
2	2460032	1	110V/60Hz (SN 0300068000 through 0300077489)	
2	2460055	1	110V/60Hz (SN 0300077490 through 0300087000)	
2	2460039	1	110V/50Hz (SN 0300068000 through 0300077489)	
2	2460057	1	110V/50Hz (SN 0300077490 through 0300087000)	
2	2460013	1	220V/50Hz (SN 0300068000 through 0300077489)	
2	2460056	1	220V/50Hz (SN 0300077490 through 0300087000)	
2A	7012558	1	Generator Only - 110V/60Hz	
2A	2460049	1	Generator Only - 110V/50Hz (was p/n 7019679 & 70000129)	
2A	1001100321	1	Generator Only - 220V/50Hz (was p/n 7019679 & 70000128)	
		Ref	Note: Replacement Generators come standard with p/n 3580134 pulley. This pulley may not be correct for all applications. Refer to pulley options below.	
2A		Ref	Armature with Slip Rings Options:	
2A	7026199	1	Armature with Slip Rings - 110V/60Hz	
2A	70000122	1	Armature with Slip Rings - 110V/50Hz	
2A	70000123	1	Armature with Slip Rings - 220V/50Hz	
2A	7012513	4	Cap, Brush Holder	
2A	7020108	4	Brush	
2A	7020109	4	Holder, Brush	
2A	7012514	1	Fan	
2A	7020110	1	Bell, Front	
2A	7020111	1	Bell, Rear	
2A	7020190	2	Bearing	
2B		Ref	Box, Control Options:	
2B	7003657	1	110V/60Hz (SN 0300068000 through 0300077489)	
2B	7019680	1	110V/60Hz (SN 0300077490 through 0300087000)	
2B	700002239	1	110V/50Hz (SN 0300068000 through 0300077489)	
2B	7019680	1	110V/50Hz (SN 0300077490 through 0300087000)	
2B	70002235	1	220V/50Hz (SN 0300068000 through 0300077489)	
2B	70000127	1	220V Control Box (SN 0300077490 through 0300087000)	
2B		Ref	Receptacle Options:	
2B	4460190	AR	Receptacle, Standard (110V Only)	
2B	4460027	AR	Receptacle, Twistlock (110V Only)	
2B	70000124	AR	Receptacle, Double (220V/50Hz Only)	
2B	70000125	AR	Receptacle, Single (220V/50Hz Only)	
2B		Ref	Breaker, Circuit Options:	
2B	7020194	1	110V/60Hz Breaker, Circuit (SN 0300068000 through 0300077489)	
2B	4360542	1	110V/60Hz Breaker, Circuit (SN 0300077490 through	

SECTION 2 - TURNTABLE

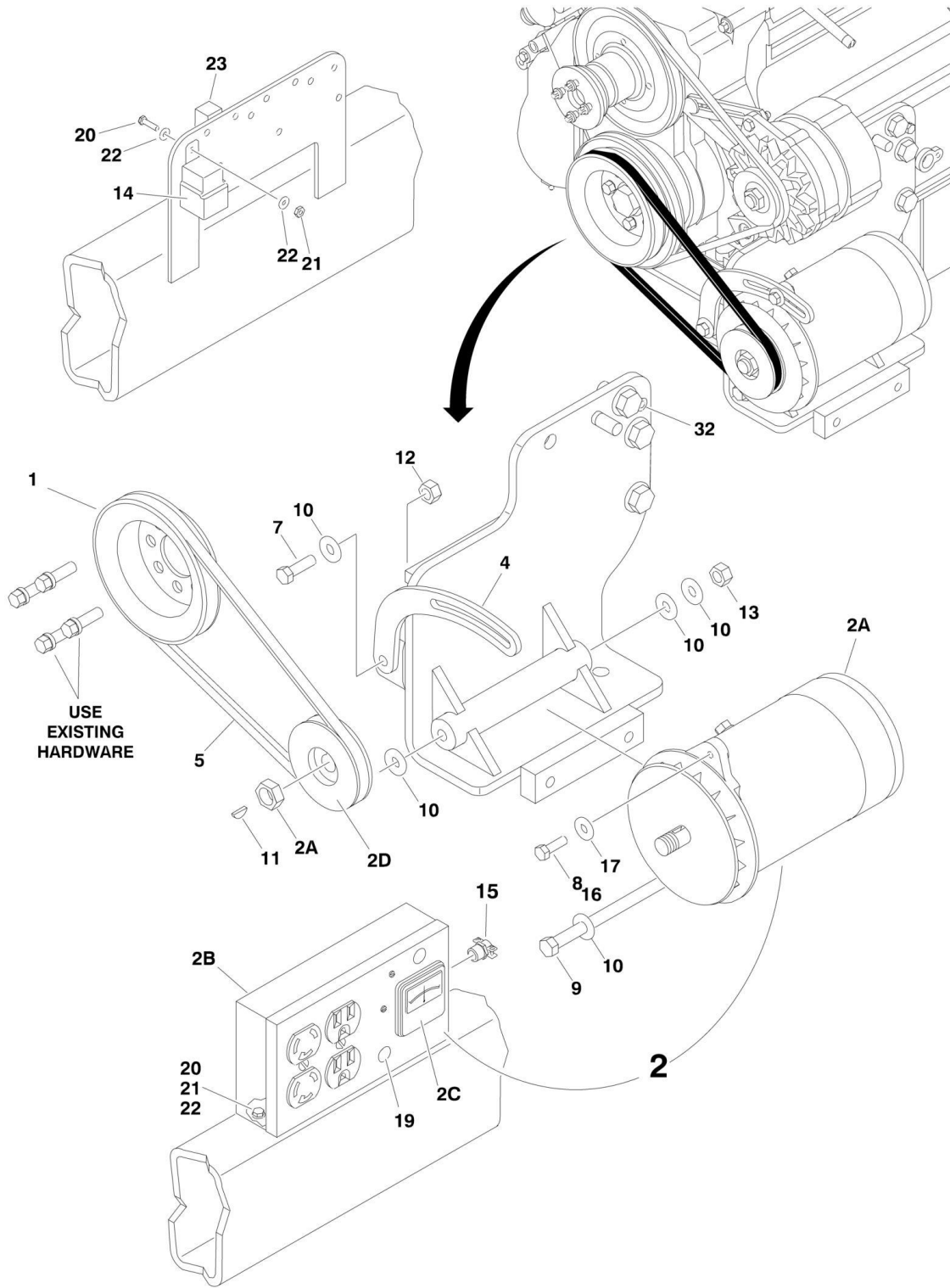
ITEM	PART NUMBER	QTY	DESCRIPTION	REV
2B	70002240	1	0300087000 110V/50Hz Breaker, Circuit (SN 0300068000 through 0300077489)	
2B	4360542	1	110V/50Hz Breaker, Circuit (SN 0300077490 through 0300087000)	
2B	70000126	1	220V Breaker, Circuit	
2B	3520028	1	Plug, Hole	
2B	2920162	1	Lamp (SN 0300068000 through 0300077490)	
2B	7020191	1	Switch, Toggle (SN 0300068000 through 0300077490)	
2C		Ref	Voltmeter Options:	
2C	2420203	1	Voltmeter - 110V (was p/n 7010699)	
2C	7020192	1	Voltmeter - 220V	
2D		Ref	Pulley Options:	
2D	3580276	1	Pulley - 60Hz	
2D	3580134	1	Pulley - 50Hz	
2D	7027887	1	Key, Woodruff	
3	0700816	4	Bolt 8mm x 40mm	
4	4751900	4	Flatwasher 9/16in	
5		Ref	Arm, Adjusting Options:	
5	0200742	1	Arm, Adjusting (SN 0300068000 through 0300074860)	
5	0200819	1	Arm, Adjusting (SN 0300074861 through 0300087000)	
6		Ref	V-Belt Options:	
6	0480121	1	110V/60Hz	
6	0480120	1	110V/50Hz	
6	0480120	1	220V/50Hz	
7	0641610	1	Bolt 3/8in-16NC x 1-1/4in	
8	0100011	AR	Compound, Locking	
9	0641772	1	Bolt 7/16in-14NC x 9in	
10	4751600	6	Flatwasher 3/8in	
11	3574684	1	Plate, Box Mounting	
12	0701210	2	Bolt, Metric 12mm x 20mm	
13		Ref	Bushing, Spacer Options:	
13	0962653	1	Bushing, Spacer (SN 0300068000 through 0300074860)	
13	0962563	1	Bushing, Spacer (SN 0300074861 through 0300087000)	
14	3311605	1	Locknut 3/8in-16NC	
15	3311705	1	Locknut 7/16in-14NC	
16	3740080	1	Relay	
17	4460023	1	Connector, Strain Relief (SN 0300068000 through 0300077490)	
18	0641508	1	Bolt 5/16in-18NC x 1in	
19	4751500	1	Flatwasher 5/16in	
21	3520028	1	Plug, Hole (SN 0300068000 through 0300077490)	
22	0721006	3	Bolt #10-24NC x 3/4in	
23	3311005	3	Locknut #10-24NC	
24	4751000	6	Flatwasher #10	
25	4360336	1	Switch, Toggle (Not Shown - Located at Platform)	
26	4740397	1	Bushing (Not Shown - Located at Platform) (SN 0300068000 through 0300074861)	
27	4060802	1	Guard, Switch (Not Shown - Located at Platform)	
28		Ref	Decal - Voltage Options (Not Shown - Located at Platform):	
28	See Note	1	110V/60Hz (Note: Not Available for Purchase)	
28	0480120	1	110V/50Hz	

SECTION 2 - TURNTABLE

ITEM	PART NUMBER	QTY	DESCRIPTION	REV
28	0480120	1	220V/50Hz	
29	2820031	4 in/10cm	Heat Shrink (Not Shown - Located at Platform)	
30	3251102	1	Decal (Not Shown - Located at Platform)	

SECTION 2 - TURNTABLE

FIGURE 2-21. 2500W GENERATOR INSTALLATION - DEUTZ MACHINES (OPTIONAL)



SECTION 2 - TURNTABLE

FIGURE 2-21. 2500W GENERATOR INSTALLATION - DEUTZ MACHINES (OPTIONAL)

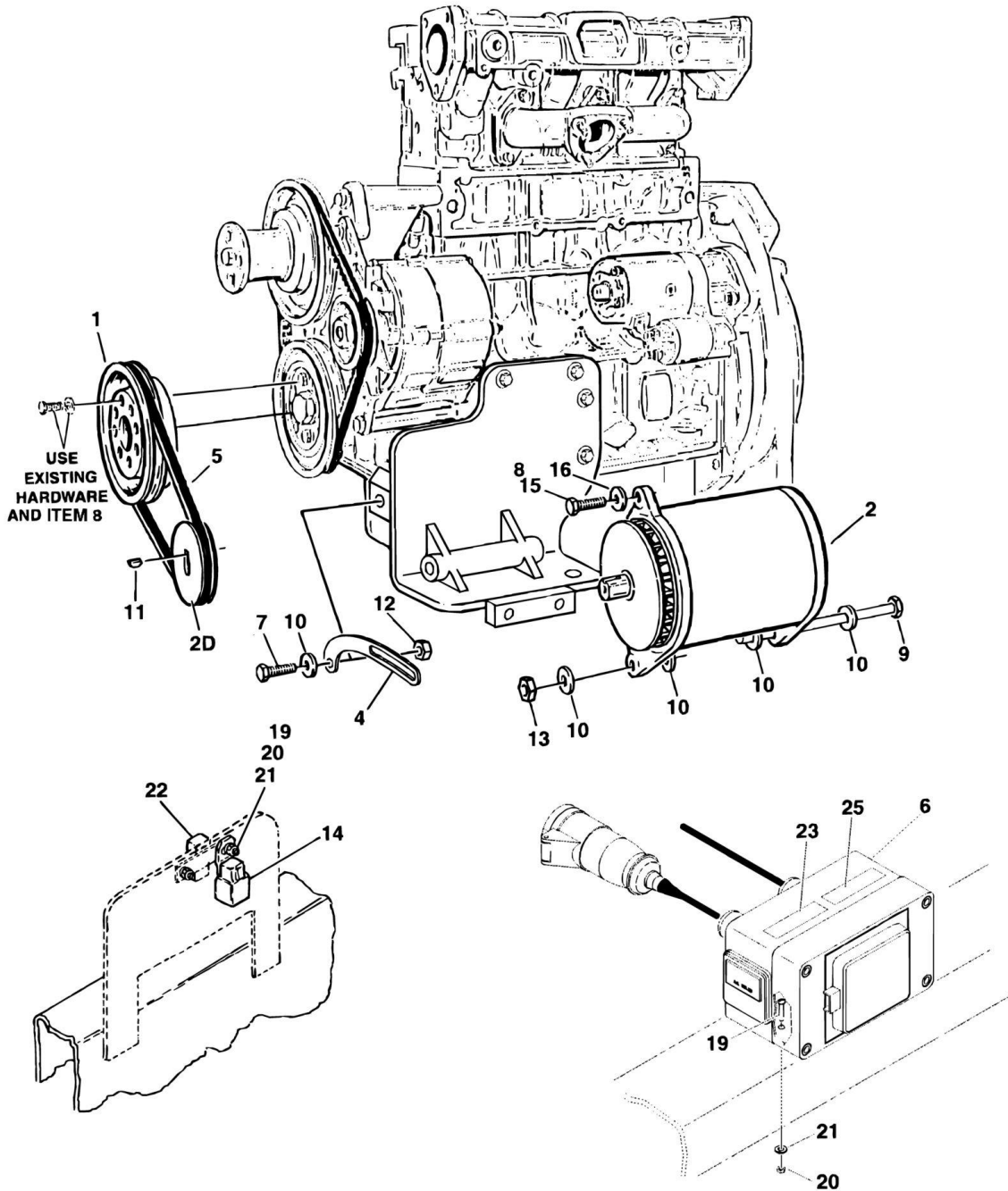
ITEM	PART NUMBER	QTY	DESCRIPTION	REV
		Ref	2500W GENERATOR INSTALLATION OPTIONS:	
	0272482	Ref	110V/50Hz Generator (SN 0300068000 through 0300077489)	3
	0274090	Ref	110V/50Hz Generator (SN 0300077490 through 0300087000)	1
	0272481	Ref	220V/50Hz Generator (SN 0300068000 through 0300077489)	3
	0274086	Ref	220V/50Hz Generator (SN 0300077490 through 0300087000)	1
1	3580158	1	Pulley	
2		Ref	Generator and Control Box Assembly Options:	
2	2460039	1	110V/50Hz Assembly (SN 0300068000 through 0300077489)	B
2	2460057	1	110V/50Hz Assembly (SN 0300077490 through 0300087000)	A
2	2460013	1	220V/50Hz Assembly (SN 0300068000 through 0300077489)	B
2	2460056	1	220V/50Hz Assembly (SN 0300077490 through 0300087000)	A
2A		Ref	Replacement Generator Options:	
2A	2460049	1	110V Replacement Generator	
2A	1001100321	1	220V Replacement Generator	
2A	7020193	1	Cable, Generator (Generator to Control Box)	
2A		Ref	Armature Options:	
2A	70000122	1	Armature 110V Generator	
2A	70000123	1	Armature 220V Generator	
2A	7020108	4	Brush	
2A	7020109	4	Holder, Brush	
2A	7012513	4	Cap, Brush Holder	
2A	7012514	1	Fan	
2A	7020110	1	Bell, Front	
2A	7020111	1	Bell Rear	
2A	7020190	2	Bearing	
2B		Ref	Control Box Options:	
2B	70002239	1	110V Control Box (SN 0300068000 through 0300077489)	
2B	7019680	1	110V Control Box (SN 0300077490 through 0300087000)	
2B	70002235	1	220V Control Box (SN 0300068000 through 0300077489)	
2B	70000127	1	220V Control Box (SN 0300077490 through 0300087000)	
2B		Ref	Breaker, Circuit Options:	
2B	70002240	1	Breaker 110V (SN 0300068000 through 0300077489)	
2B	2420203	1	Breaker 110V (SN 0300077490 through 0300087000)	
2B	70000126	1	Breaker 220V	
2B		Ref	Receptacle Options:	
2B	4460190	AR	Receptacle, Standard 110V	
2B	4460027	AR	Receptacle, Twistlock 110V	
2B	70000124	AR	Receptacle, Double 220V	
2B	70000125	AR	Receptacle, Single 220V	
2B	2920162	1	Lamp	
2B	7020191	1	Switch, Toggle	
2B	3520028	1	Plug, Hole	
2C		Ref	Voltmeter Options:	
2C	2420203	1	Voltmeter 110V (was p/n 7010699)	
2C	7020192	1	Voltmeter 220V	
2D	3580134	1	Pulley	
4	0200742	1	Arm, Adjusting	
5		Ref	V-Belt Options:	
5	0480120	1	110Volt Assembly (SN 0300068000 through 0300068274)	
5	0480119	1	220Volt Assembly (SN 0300068000 through 0300068274)	

SECTION 2 - TURNTABLE

ITEM	PART NUMBER	QTY	DESCRIPTION	REV
5	0480121	1	110Volt/220Volt Assembly (SN 0300068275 through 0300087000)	
7	0641610	1	Bolt 3/8in-16NC x 1-1/4in	
8	0100011	AR	Compound, Locking	
9	0641772	1	Bolt 7/16in-14NC x 9in	
10	4751600	6	Flatwasher 3/8in Regular	
11	2860012	1	Key, Woodruff	
12	3311605	1	Locknut 3/8in-16NC	
13	3311705	1	Locknut 7/16in-14NC	
14	3740080	1	Relay	
15	4460023	1	Connector, Strain Relief	
16	0641508	1	Bolt 5/16in-18NC x 1in	
17	4751500	AR	Flatwasher 5/16in Regular	
19	3520028	1	Plug, Hole (SN 0300068000 through 0300077490)	
20	0721006	4	Bolt #10-24NC x 3/4in	
21	3311005	4	Locknut #10-24NC	
22	4751000	9	Flatwasher #10 Regular	
23	4360294	1	Breaker, Circuit - 30Amp (SN 0300068000 through 0300077490)	
25	4360336	1	Switch, Toggle (Not Shown - Located at Platform)	
26	4740397	1	Bushing (Not Shown - Located at Platform)	
27	4060802	1	Guard, Switch (Not Shown - Located at Platform)	
28	3252507	1	Decal - 220V - 50/60Hz (Not Shown - Located on Turntable)	
29	2820031	4 in/10cm	Heat Shrink (Not Shown - Located at Platform)	
30	3251102	1	Decal (Not Shown - Located at Platform)	

SECTION 2 - TURNTABLE

FIGURE 2-22. 2500W GENERATOR INSTALLATION - DEUTZ MACHINES (UK SPEC AND GERMAN SPEC) (OPTIONAL)



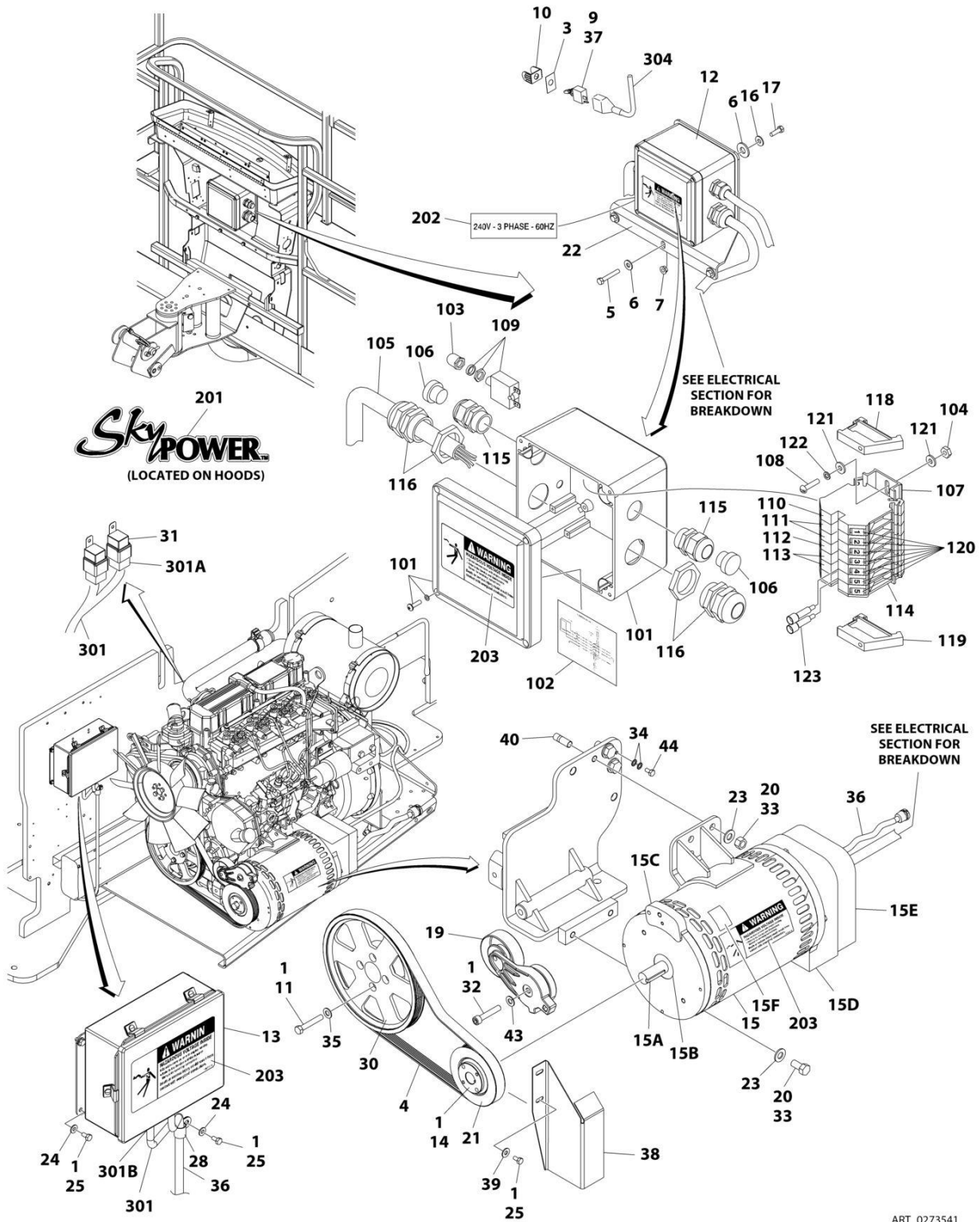
SECTION 2 - TURNTABLE

FIGURE 2-22. 2500W GENERATOR INSTALLATION - DEUTZ MACHINES (UK SPEC AND GERMAN SPEC) (OPTIONAL)

ITEM	PART NUMBER	QTY	DESCRIPTION	REV
		Ref	2500W GENERATOR INSTALLATION OPTIONS:	
	0273045	Ref	110V - 50Hz Generator (UK Spec)	1
	0273085	Ref	110V - 50Hz Generator (German Spec)	1
1	3580158	1	Pulley	
2	2460049	1	Generator and Control Box Assembly	A
2A	70000122	1	Armature, Generator	
2A	7020108	4	Brush	
2A	7020109	4	Holder, Brush	
2A	7012513	4	Cap, Brush Holder	
2A	7012514	1	Fan	
2A	7020110	1	Bell, Front	
2A	7020111	1	Bell Rear	
2A	7020190	2	Bearing	
2B	Not Required	0	Box, Control	
2C	Not Required	0	Voltmeter	
2D	3580134	1	Pulley	
2D	7027887	1	Key, Woodruff	
3	1705325	3	Decal - 120V 50Hz (Not Shown - Located on Turntable and at Platform)	
4	0200741	1	Arm, Adjusting	
5	0480120	1	V-Belt	
6		Ref	Box, Generator Control (See ELECTRICAL SECTION for Breakdown)	
6	0861599	1	UK Spec	
6	0861607	1	German Spec	
7	0641610	1	Bolt 3/8in-16NC x 1-1/4in	
8	0100011	AR	Compound, Locking	
9	0641772	1	Bolt 7/16in-14NC x 9in	
10	4751600	6	Flatwasher 3/8in Regular	
11	2860012	1	Key, Woodruff	
12	3311605	1	Locknut 3/8in-16NC	
13	3311705	1	Locknut 7/16in-14NC	
14	3740080	1	Relay	
15	0641508	1	Bolt 5/16in-18NC x 1in	
16	4751500	1	Flatwasher 5/16in Regular	
18	2820031	4 in/10cm	Heat Shrink (Not Shown - Located at Platform)	
19	0721006	4	Bolt #10-24NC x 3/4in	
20	3311005	4	Locknut #10-24NC	
21	4751000	9	Flatwasher #10 Regular	
22	4360294	1	Breaker, Circuit - 30Amp	
23	1705715	1	Decal - Danger	
24	4360336	1	Switch, Toggle (Not Shown - Located at Platform)	
25	1705714	1	Decal - 115V AC	
26	1705728	1	Decal, Generator ON/OFF (Not Shown - Located at Platform)	

SECTION 2 - TURNTABLE

FIGURE 2-23. 7500W SKYPOWER GENERATOR INSTALLATION - CATERPILLAR AND DEUTZ ENGINES (OPTIONAL)



ART_0273541

SECTION 2 - TURNTABLE

FIGURE 2-23. 7500W SKYPOWER GENERATOR INSTALLATION - CATERPILLAR AND DEUTZ ENGINES (OPTIONAL)

ITEM	PART NUMBER	QTY	DESCRIPTION	REV
		Ref	7500W SKYPOWER GENERATOR INSTALLATION (OPTIONAL)	
	0273541	Ref	50Hz and Caterpillar Engine	G
	0272492	Ref	50Hz and Deutz Engine	F
		Ref	Note: See ELECTRICAL SECTION for Boom Cable Installation.	
1	0100011	AR	Compound, Locking	
3	3252764	1	Nameplate	
4	0480125	1	Belt, Drive (Caterpillar Engine)	
4	0480126	1	Belt, Drive (Deutz Engine)	
5	0641516	3	Bolt 5/16 x 2	
6	4711500	10	Flatwasher 5/16	
7	3311505	3	Locknut 5/16	
8	0641406	1	Bolt 1/4 x 3/4 (Not Shown - Located on Turntable)	
9	4360336	1	Switch, Toggle	
10	4060802	1	Guard, Switch	
11	0700815	4	Bolt M8 x 35 (Caterpillar Engine)	
11	4032015	4	Bolt M10 x 55 (Deutz Engine)	
12	0861567	1	Junction Box Assembly (See Items 101-123 for Breakdown)	
13	0861572	1	Control Box Assembly	
14	0962520	1	Bushing, Split Taper	
15		Ref	Generator Assembly Options:	
15	2460050	1	Generator Assembly (Caterpillar Engine)	
15	2460048	1	Generator Assembly (Deutz Engine)	
15	70001100	1	Rotor (Includes p/n 70001384 & 70000863) (Not Shown)	
15	70001384	1	Bearing, Ball Radial (Not Shown)	
15	70000863	1	Fan (Not Shown)	
15		Ref	Stator Options (Not Shown):	
15	70001969	1	Stator 2460050 Generator	
15	70002088	1	Stator 2460048 Generator	
15	70002297	1	Stud	
15	70003631	1	Brushholder Assembly (Not Shown) (was p/n 7024484)	
15A	70004171	1	Key (was p/n 7024561)	
15B	70001966	1	Bearing, Ball Radial (Located in Belt Tensioner Endbell)	
15C	70001953	1	Endbell, Belt Tensioner	
15D		Ref	Endbell, Brush Block Options (was p/n 70001385):	
15D	70004170	1	Endbell, Brush Block Caterpillar Engine Machines	
15D	70004169	1	Endbell, Brush Block Deutz Engine Machines	
15E	70004170	1	Shroud Caterpillar Engine (was p/ns 70001970 & 70001971)	
15E	70004169	1	Shroud Deutz Engine (was p/n 70002290)	
15E	7027799	1	Block, Connector 6 Position (Not Shown)	
15E	70002460	1	Nut, Brass (Attaches p/n 7027799 to Cover) (Not Shown)	
15E	7024485	1	Breaker, Circuit 30Amp (Not Shown)	
15E	70001696	1	Boot, Breaker (was p/n 7024486 - Not Shown)	
15E	7026597	1	Connector, with Leads (Not Shown)	
15E	7026626	1	Housing Plug and Pins (Not Shown)	
15E	7026188	1	Clamp, Cable (Not Shown)	
15E	70003708	1	Retaining Ring Internal (Not Shown)	
15E	70003709	1	Retaining Ring External (Not Shown)	
15E	70004170	1	Plate, End Panel Caterpillar Engine (was p/n 70001972)	

SECTION 2 - TURNTABLE

ITEM	PART NUMBER	QTY	DESCRIPTION	REV
15E	70004169	1	Plate, End Panel Deutz Engine (was p/n 70002255)	
15E	70001974	1	Decal - Terminal Connections	
15F	70001973	1	Decal - Warning Moving Parts	
16	4761500	4	Lockwasher 5/16	
17	0641505	4	Bolt 5/16 x 5/8	
18	3311405	1	Locknut 1/4 (Not Shown - Located on Turntable)	
19	3580317	1	Tensioner, Belt	
20	0641808	AR	Bolt 1/2 x 1	
20	3311801	1	Nut 1/2 (Deutz Engine Only)	
21	3580319	1	Pulley (was p/n 7026187)	
22	0902888	1	Bracket, Box Mounting	
23	4711800	AR	Flatwasher 1/2	
24	4711400	5	Flatwasher 1/4	
25	0641404	AR	Bolt 1/4 x 1/2	
28	1320224	NLA	Clamp (Use p/n 1320318)	
29	4240018	AR	Tie-Strap (Not Shown)	
30		Ref	Pulley Options:	
30	3580321	1	Pulley (Caterpillar Engine)	
30	3580320	1	Pulley (Deutz Engine)	
31	3740080	2	Relay	
32	3931632	1	Bolt 3/8 x 2 (Caterpillar Engine)	
32	0641618	1	Bolt 3/8 x 2-1/4 (Deutz Engine)	
33	0100019	AR	Compound, Locking	
34	4791400	AR	Starwasher 1/4	
35	4811900	4	Flatwasher M8 (Caterpillar Engine Only)	
36	4922925	1	Harness, Generator	
37	2820031	1	Insulator	
38		Ref	Shield Options:	
38	Not Required	1	Shield Caterpillar Engine	
38	4061049	1	Shield Deutz Engine	
39	4751400	AR	Flatwasher 1/4 Regular (Deutz Engine Only)	
40	4300157	1	Stud (Deutz Engine Only)	
42	0100062	1	Loctite (Not Shown) (Deutz Engine Only)	
43	4711600	1	Flatwasher 3/8 (Deutz Engine Only)	
44	0641403	1	Bolt 1/4 x 3/8	
	0861567	Ref	JUNCTION BOX ASSEMBLY	B
101	0861541	1	Box, Junction	
102	1705376	1	Decal - Wiring Schematic	
103	3300396	1	Cover, Fuse	
104	3310601	2	Nut #6	
105	3520189	1	Plug	
106	3520192	2	Plug	
107		Ref	Rail, Relay Options:	
107	3640986	1	Rail, Relay (SN 0300068000 through 0300072912)	
107	3641533	1	Rail, Relay (SN 0300072913 through 0300087000)	
108	3910610	2	Bolt #6 x 5/8	
109	4360070	1	Circuit Breaker - 15 Amp	
110	4460411	2	Marker Strip #1	
111	4460412	4	Marker Strip #2	
112	4460413	2	Marker Strip #3	
113	4460414	2	Marker Strip #4	

SECTION 2 - TURNTABLE

ITEM	PART NUMBER	QTY	DESCRIPTION	REV
114	4460415	4	Marker Strip #5	
115	4460425	2	Strain Relief, Terminal	
116	4460426	2	Connector, Strain Relief	
118	4460607	2	Terminal, End Stop	
119	4460956	1	Terminal, Block End	
120	4460957	7	Terminal, Block	
121	4750600	4	Flatwasher, #6 Regular	
122	4760600	1	Lockwasher #6	
123	4461001	2	Cross Connector - 2 Position (SN 0300072913 through 0300087000)	
	0272589	Ref	DECAL INSTALLATION	A
201	1705460	2	Decal - SkyPower	
202	1705461	1	Decal - 240V - 3 Phase	
203	1705489	3	Decal, Hazardous Voltage	
	4933264	Ref	ELECTRICAL DIAGRAM COMPONENTS	C
301	4922757	1	Generator Harness	3-C
301A	4460374	2	Plug, Sealed Relay	
301A	4460375	7	Terminal	
301B	4460967	1	Plug, Male - 3 Position	
301B	4460465	3	Socket, Female	
301C	2400060	1	Fuseholder (Not Shown)	
301C	2400064	1	Fuse - 5 Amp (Not Shown)	
304	4922641	1	Switch Harness	

SECTION 3 - BOOM

FIGURE 3-1. BOOM INSTALLATION - 600S

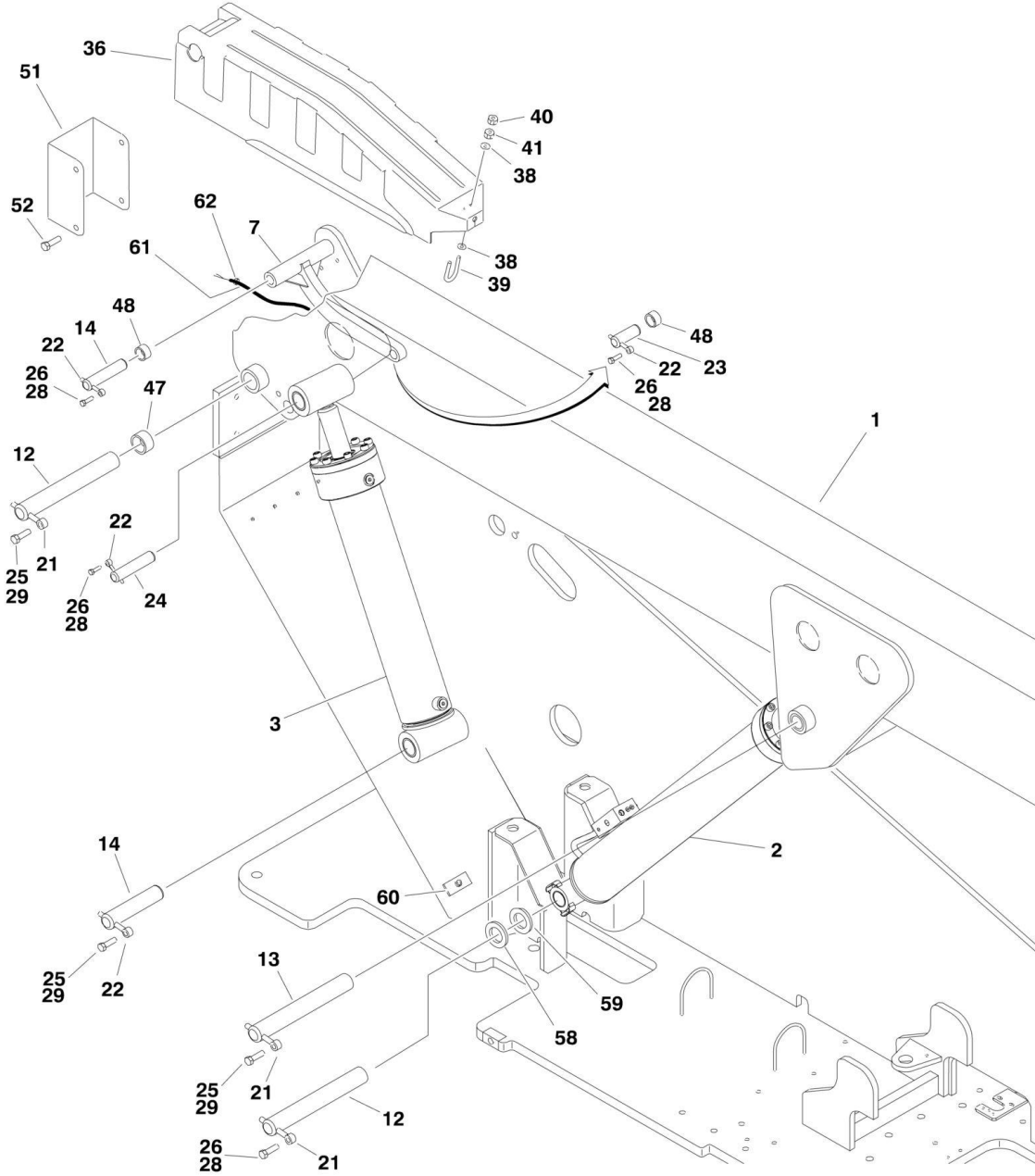
ITEM	PART NUMBER	QTY	DESCRIPTION	REV
		Ref	BOOM AND CYLINDERS INSTALLATION OPTIONS:	
	0271327	Ref	Boom and Cylinders Installation 600S (Front Entry Platform Machines)	3
	0272132	Ref	Boom and Cylinders Installation 600S (Side Entry Platform Machines)	4
1		Ref	Boom Assembly - 600S (See MAIN BOOM ASSEMBLIES for Breakdown)	
1	0801071	1	Boom Assembly (SN 0300068000 through 0300068178)	
1	0801340	1	Boom Assembly (SN 0300068179 through 0300073985)	
1	0801383	1	Boom Assembly (SN 0300073986 through 0300087000)	
2		Ref	Lift Cylinder Assembly (See CYLINDER SECTION for Breakdown)	
2	1683275	1	Lift Cylinder Assembly (Original Equipment) (SN 0300068000 through 0300070974)	
2	1683666	NLA	Lift Cylinder Assembly (Use p/n 1001112468) (Original Equipment) (SN 0300070975 through 0300087000)	
2	1001112468	NLA	Boom Lift Cylinder Assembly (Service Replacement)	
3		Ref	Master Cylinder Assembly Options (See CYLINDER SECTION for Breakdown):	
3	1683266	NLA	Master Cylinder Assembly (Use p/n 1001228002) (Original Equipment)	
3	1001228002	1	Master Cylinder Assembly (Service Replacement)	
4		Ref	Platform Level Cylinder Assembly Options See CYLINDER SECTION for Breakdown):	
4	1683415	NLA	Platform Level Cylinder Assembly (Use p/n 1001228008) (Original Equipment)	
4	1001223512	NLA	Platform Level Cylinder Assembly (Use p/n 1001228008) (Service Replacement)	
4	1001228008	1	Platform Level Cylinder Assembly (Service Replacement)	
5		Ref	Rotator Assembly Options:	
5	0060075	1	Front Entry Platform (p/n was 0060034) (See ROTATOR ASSEMBLIES (FRONT ENTRY PLATFORM) for Breakdown)	
5	0060067	1	Side Entry Platform (See ROTATOR ASSEMBLIES (SIDE ENTRY PLATFORM) for Breakdown)	
6		Ref	Support, Platform Options:	
6	4846081	1	Front Entry Platform	
6	See Note	Ref	Side Entry Platform (Note: See Items 101-110 for Breakdown)	
7	4844944	NLA	Link, Push (Use p/n 1001094043)	
8	3422564	2	Pin (Cylinder Pivot - T/T End and Boom Pivot)	
9	3422568	1	Pin (Lift Cylinder Pivot - Boom End)	
10	3422566	1	Pin (Link - T/T End)	
11	3422557	1	Pin (Link - Boom End)	
12	3422567	1	Pin (Master Cylinder - Boom End)	
13	3422565	1	Pin (Master Cylinder - T/T End)	
14	3422562	1	Pin (Rotator)	
15	3422569	1	Pin (Level Cylinder - Boom End)	
16	3841258	3	Keeper, Pin	
17	3841143	5	Keeper, Pin	
18	3422580	1	Pin (Level Cylinder - Rotator End)	
19	0642012	3	Bolt 5/8in-11NC x 1-1/2in	
20	0641608	5	Bolt 3/8in-16NC x 1in	
21	0100011	AR	Compound, Locking	

SECTION 3 - BOOM

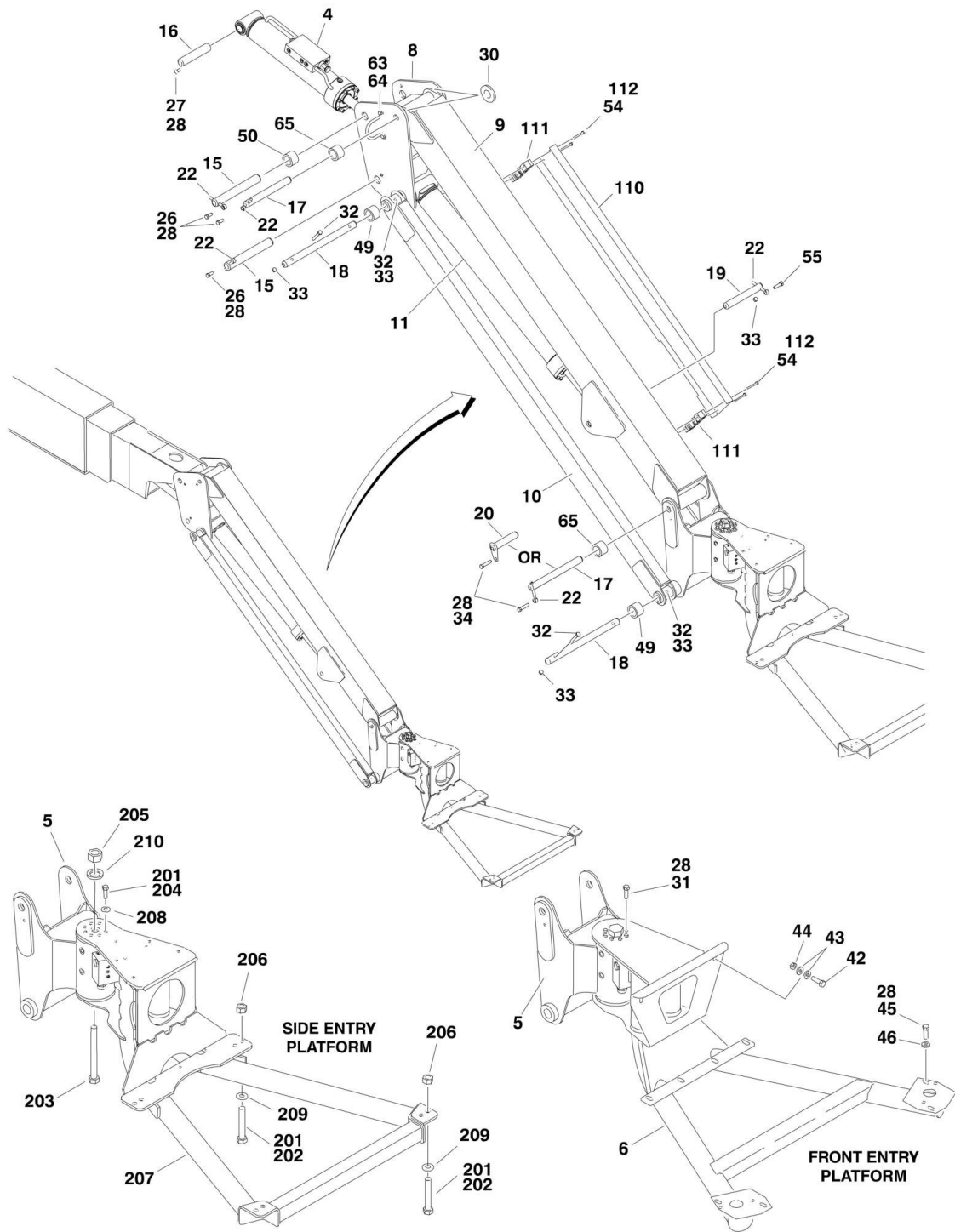
ITEM	PART NUMBER	QTY	DESCRIPTION	REV
22	0100019	AR	Compound, Locking	
23	0741607	2	Screw, Countersunk 3/8in-16NC x 7/8in	
24	0641810	6	Bolt 1/2in-13NC x 1-1/4in (Front Entry Platform Only)	
26	1671055	1	Cover, Boom	
28	4751400	4	Flatwasher 1/4in Regular	
29	0630458	1	U-Bolt	
30	3311402	4	Nut, Jam 1/4in-20NC	
31	3311401	2	Locknut 1/4in-20NC	
32	0641820	4	Bolt 1/2in-13NC x 2-1/2in	
33	4711800	8	Flatwasher 1/2in Thin (Front Entry Platform)	
34	3311805	4	Locknut 1/2in-13NC (Front Entry Platform)	
35	0681610	4	Bolt 3/8in-16NC x 1-1/4in (Grade 8) (Front Entry Platform)	
36	4711600	4	Flatwasher 3/8in Thin (Front Entry Platform)	
37	0961950	2	Bushing	
38	0962006	3	Bushing	
39	0961951	2	Bushing	
40	3539563	1	Cover	
41	0641604	6	Bolt 3/8in-16NC x 1/2in	
43	4740314	AR	Thrustwasher	
44	4740158	AR	Thrustwasher	
45	1320235	1	Clamp, Staff	
46	4100033	2 ft/.3m	Sleeve	
47	4240033	2	Tie-Strap	
48	3841340	1	Loop, Hose	
		Ref	SUPPORT INSTALLATIONS (SIDE ENTRY PLATFORM)	
	0272070	Ref	Machines without Load Sensing and without SkyGlazier	C
	See Note	Ref	Machines without Load Sensing and with SkyGlazier (Note: For CE Spec Machines Refer to JLG Supplement p/n 3124242 for Components)	
	See Note	Ref	Machines with Load Sensing and without SkyGlazier (Note: For CE Spec Machines Refer to JLG Supplement p/n 3124287 for Components)	
	See Note	Ref	Machines with Load Sensing and with SkyGlazier (Note: For CE Spec Machines Refer to JLG Supplement p/n 3124287 for Components)	
101	0100011	AR	Compound, Locking	
102	0641812	8	Bolt 1/2in-13NC x 1-1/2in	
103	0642684	1	Bolt 1in-8NC x 10-1/2in	
104	0681608	8	Bolt 3/8in-16NC x 1in (Grade 8)	
105	3272605	1	Locknut 1in-8NC	
106	3311805	8	Locknut 1/2in-13NC	
107	4846573	1	Support, Platform	
108	4891600	8	Flatwasher 3/8in Hardened	
109	4891800	8	Flatwasher 1/2in Hardened	
110	4892600	1	Flatwasher 1in Hardened	

SECTION 3 - BOOM

FIGURE 3-2. BOOM INSTALLATION - 600SJ & 660SJ



SECTION 3 - BOOM



SECTION 3 - BOOM

FIGURE 3-2. BOOM INSTALLATION - 600SJ & 660SJ

ITEM	PART NUMBER	QTY	DESCRIPTION	REV
		Ref	BOOM AND CYLINDERS INSTALLATIONS	
	0271318	Ref	Boom and Cylinders Installation 600SJ (Front Entry Platform Machines)	3
	0272134	Ref	Boom and Cylinders Installation 600SJ (Side Entry Platform Machines)	4
	0271317	Ref	Boom and Cylinders Installation 660SJ (Front Entry Platform Machines)	3
	0272130	Ref	Boom and Cylinders Installation 660SJ (Side Entry Platform Machines)	4
1		Ref	Boom Assembly Options: (See MAIN BOOM ASSEMBLIES for Breakdown)	
1	0801073	1	Boom Assembly 600SJ (SN 0300068000 through 0300068178)	
1	0801341	1	Boom Assembly 600SJ (SN 0300068179 through 0300073985)	
1	0801387	1	Boom Assembly 600SJ (SN 0300073986 through 0300087000)	
1	0801072	1	Boom Assembly 660SJ (SN 0300068000 through 0300068178)	
1	0801336	1	Boom Assembly 660SJ (SN 0300068179 through 0300073985)	
1	0801386	1	Boom Assembly 660SJ (SN 0300073986 through 0300087000)	
2		Ref	Boom Lift Cylinder Assembly (See CYLINDER SECTION for Breakdown)	
2	1683275	1	Boom Lift Cylinder Assembly (Original Equipment) (SN 0300068000 through 0300070974)	
2	1683666	NLA	Boom Lift Cylinder Assembly (Use p/n 100112468) (Original Equipment) (SN 0300070975 through 0300087000)	
2	100112468	NLA	Boom Lift Cylinder Assembly (Service Replacement)	
3		Ref	Master Cylinder Assembly Options (See CYLINDER SECTION for Breakdown):	
3	1683263	NLA	Master Cylinder Assembly (Use p/n 1001228052) (Original Equipment)	
3	1001228052	1	Master Cylinder Assembly (Service Replacement)	
4		Ref	Platform Level Cylinder Assembly Options (See CYLINDER SECTION for Breakdown):	
4	1683418	NLA	Platform Level Cylinder Assembly (Original Equipment) (Use p/n 1001228051)	
4	1001223331	NLA	Platform Level Cylinder Assembly (Use p/n 1001228051) (Service Replacement)	
4	1001228051	1	Platform Level Cylinder Assembly (Service Replacement)	
5		Ref	Rotator Assembly Options:	
5	0060031	NLA	Front Entry Platform (See ROTATOR ASSEMBLIES (FRONT ENTRY PLATFORM) for Breakdown) (Use Kit p/n 1001103095 - includes p/n 0060074 actuator, attaching pin and hardware)	
5	0060066	1	Side Entry Platform (See ROTATOR ASSEMBLIES (SIDE ENTRY PLATFORM) for Breakdown)	
6		Ref	Support, Platform Options:	
6	4846081	1	Front Entry Platform Machines	
6	See Note	1	Side Entry Platform (Note: See Items 201-210 for Breakdown)	
7	4844944	NLA	Link, Push (Use p/n 1001094043)	
8	4844815	1	Pivot	
9	4844816	1	Tube (Top)	

SECTION 3 - BOOM

ITEM	PART NUMBER	QTY	DESCRIPTION	REV
10	4844817	2	Tube (Bottom)	
11		Ref	Articulating Jib Lift Cylinder Assembly (See CYLINDER SECTION for Breakdown)	
11	1683258	1	Articulating Jib Lift Cylinder Assembly (Original Equipment) (SN 0300068000 through 0300070974)	
11	1683609	NLA	Articulating Jib Lift Cylinder Assembly (Original Equipment) (Use p/n 1001248012) (SN 0300070975 through 0300087000)	
11	1001228012	NLA	Articulating Jib Lift Cylinder Assembly (Use p/n 1001248012) (Service Replacement)	
11	1001248012	1	Articulating Jib Lift Cylinder Assembly (Service Replacement)	
12	3422564	2	Pin (Boom Pivot and Lift Cylinder Pivot - T/T End)	
13	3422568	1	Pin (Boom Lift Cylinder - Boom End)	
14	3422566	2	Pin (Link - T/T End and Master Cylinder - T/T End)	
15	3422561	2	Pin (Articulating Jib Cylinder - Pivot End and Pivot - Boom End)	
16	3422583	1	Pin (Articulating Jib Level Cylinder - Boom End)	
17	3422860	2	Pin (Top Tube - Pivot End)	
18	3422861	2	Pin (Bottom Tube - Both Ends)	
19	3422867	1	Pin (Articulating Jib Lift Cylinder - Top Tube End)	
20	3422563	1	Pin (Top Tube - Rotator End)	
21	3841258	3	Keeper, Pin	
22	3841143	9	Keeper, Pin	
23	3422557	1	Pin (Link - Boom)	
24	3422574	1	Pin (Master Cylinder - Boom End)	
25	0642012	3	Bolt 5/8in-11NC x 1-1/2in	
26	0641608	7	Bolt 3/8in-16NC x 1in	
27	0741607	1	Screw, Countersunk 3/8in-16NC x 7/8in	
28	0100011	AR	Compound, Locking	
29	0100019	AR	Compound, Locking	
30	4740439	2	Thrustwasher	
31	0641808	6	Bolt 1/2in-13NC x 1in (600SJ) (Front Entry Platform)	
31	0641810	6	Bolt 1/2in-13NC x 1-1/4in (660SJ) (Front Entry Platform)	
32	0641618	4	Bolt 3/8in-16NC x 2-1/4in	
33	3311605	5	Locknut 3/8in-16NC	
34	0641614	1	Bolt 3/8in-16NC x 1-3/4in	
36	1671055	1	Cover, Boom	
38	4751400	4	Flatwasher 1/4in Regular	
39	0630458	1	U-Bolt	
40	3311402	4	Nut, Jam 1/4in-20NC	
41	3311405	2	Locknut 1/4in-20NC	
42	0641820	4	Bolt 1/2in-13NC x 2-1/2in (Front Entry Platform Machines)	
43	4711800	8	Flatwasher 1/2in Thin (Front Entry Platform Machines)	
44	3311805	4	Locknut 1/2in-13NC (Front Entry Platform Machines)	
45	0681610	4	Bolt 3/8in-16NC x 1-1/4in (Grade 8) (Front Entry Platform)	
46	4711600	4	Flatwasher 3/8in Thin (Front Entry Platform Machines)	
47	0961950	2	Bushing	
48	0962006	3	Bushing	
49	0961947	6	Bushing	
50	0961951	2	Bushing	
51	3539563	1	Cover	
52	0641604	4	Bolt 3/8in-16NC x 1/2in	
54	2080044	4	Rivnut	
55	0641611	1	Bolt 3/8in-16NC x 1-3/8in	

SECTION 3 - BOOM

ITEM	PART NUMBER	QTY	DESCRIPTION	REV
58	4740314	AR	Thrustwasher	
59	4740158	AR	Thrustwasher	
60	1320235	1	Clamp	
61	4100033	2 ft/.6m	Sleeve, Abrasion	
62	4240033	2	Tie-Strap	
63	3841340	1	Clamp, Loop	
64	0641606	2	Bolt 3/8in-16NC x 3/4in	
65	0962335	4	Bushing	
		Ref	BOOM CABLES INSTALLATION	
	0270738	Ref	Boom Cables Installation 600SJ - 2WS (Australian Spec)	3
	0270737	Ref	Boom Cables Installation 600SJ - 2WS (CE Spec)	3
	0270736	Ref	Boom Cables Installation 660SJ - 2WS (Australian Spec)	3
	0270735	Ref	Boom Cables Installation 660SJ - 2WS (CE Spec)	3
	0272488	Ref	Boom Cables Installation 600SJ - 2WS (SkyPower) (Australian Spec) (7500W 60Hz)	2
	0272487	Ref	Boom Cables Installation 600SJ - 2WS (SkyPower) (CE Spec) (7500W 50Hz)	2
	0272485	Ref	Boom Cables Installation 660SJ - 2WS (SkyPower) (Australian Spec) (7500W 60Hz)	2
	0272486	Ref	Boom Cables Installation 660SJ - 2WS (SkyPower) (CE Spec) (7500W 50Hz)	2
110	1670769	1	Cover	
111	0561237	2	Clamp, Block	
112	0641416	4	Bolt 1/4in-20NC x 2in	
		Ref	SUPPORT INSTALLATIONS (SIDE ENTRY PLATFORM)	
	0272070	Ref	Machines without Load Sensing and without SkyGlazier CE Spec Machines:	C
	See Note	Ref	Machines without Load Sensing and with SkyGlazier (Note: For Replacement Parts, Contact JLG Customer Service and Request Manual p/n 3124242.)	
	See Note	Ref	Machines with Load Sensing and without SkyGlazier (Note: For Replacement Parts, Contact JLG Customer Service and Request Manual p/n 3124287.)	
	See Note	Ref	Machines with Load Sensing and with SkyGlazier (Note: For Replacement Parts, Contact JLG Customer Service and Request Manual p/n 3124287.)	
201	0100011	AR	Compound, Locking	
202	0641812	8	Bolt 1/2in-13NC x 1-1/2in	
203	0642684	1	Bolt 1in-8NC x 10-1/2in	
204	0681608	8	Bolt 3/8in-16NC x 1in (Grade 8)	
205	3272605	1	Locknut 1in-8NC	
206	3311805	8	Locknut 1/2in-13NC	
207	4846573	1	Support, Platform	
208	4891600	8	Flatwasher 3/8in Hardened	
209	4891800	8	Flatwasher 1/2in Hardened	
210	4892600	1	Flatwasher 1in Hardened	

SECTION 3 - BOOM

FIGURE 3-3. MAIN BOOM ASSEMBLIES

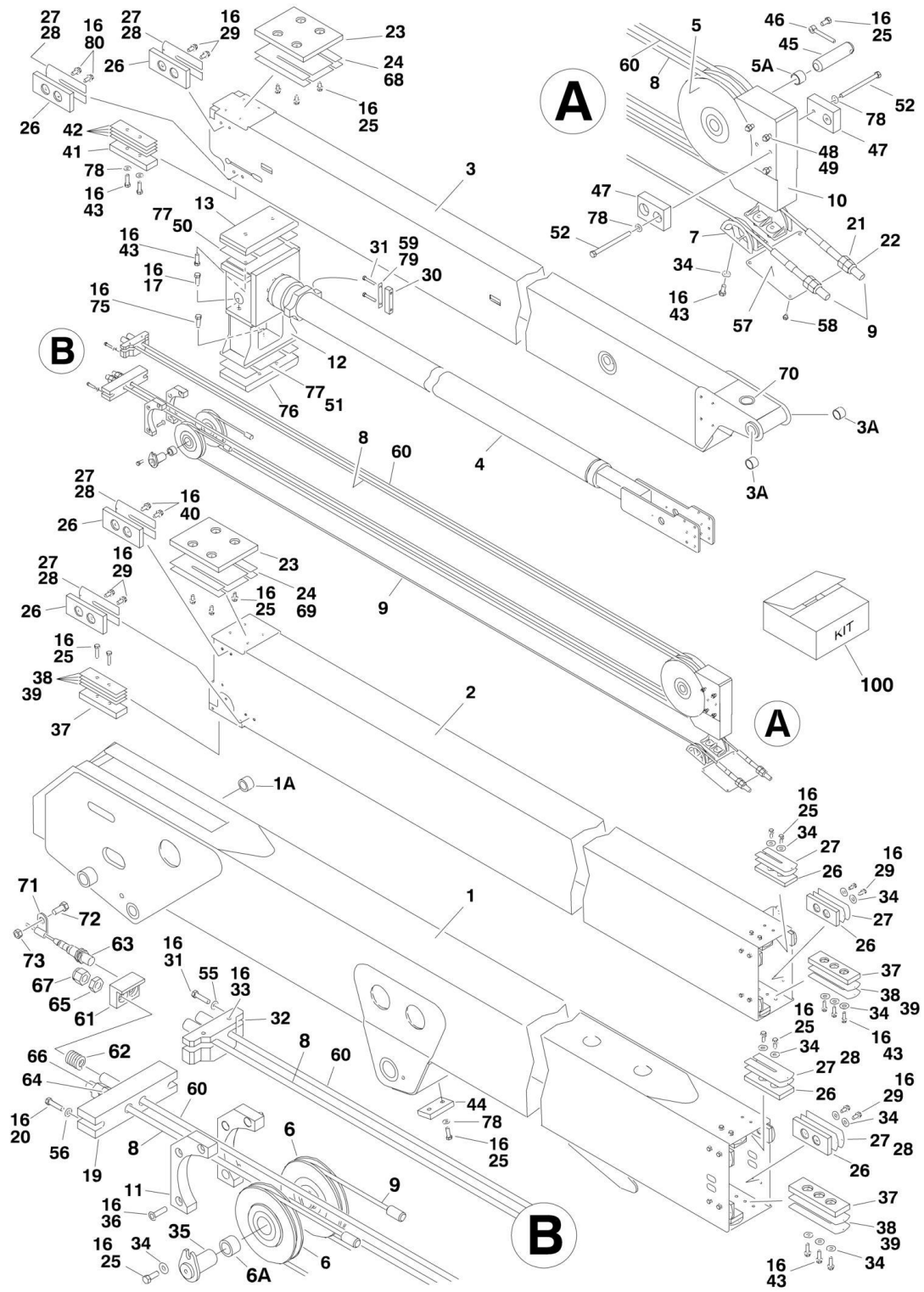


FIGURE 3-3. MAIN BOOM ASSEMBLIES

ITEM	PART NUMBER	QTY	DESCRIPTION	REV
		Ref	MAIN BOOM ASSEMBLY OPTIONS:	
		Ref	Main Boom Assembly (SN 0300068000 through 0300068178)	
	0801071	Ref	Main Boom Assembly 600S	14-H
	0801073	Ref	Main Boom Assembly 600SJ	12-H
	0801072	Ref	Main Boom Assembly 660SJ	11-H
		Ref	Main Boom Assembly (SN 0300068179 through 0300073985)	
	0801340	Ref	Main Boom Assembly 600S	3-C
	0801341	Ref	Main Boom Assembly 600SJ	3-C
	0801336	Ref	Main Boom Assembly 660SJ	3-C
		Ref	Main Boom Assembly (SN 0300073986 through 0300087000)	
	0801383	Ref	Main Boom Assembly 600S	3-C
	0801387	Ref	Main Boom Assembly 600SJ	3-C
	0801386	Ref	Main Boom Assembly 660SJ	3-C
1		Ref	Base Weldment Options:	
1	0801011	1	Base Weldment 600S	
1	0801036	1	Base Weldment 600SJ	
1	0801011	1	Base Weldment 660SJ	
1A	0961950	2	Bushing	
2		Ref	Mid Weldment Options:	
2	0801012	1	Mid Weldment 600S & 660SJ (SN 0300068000 through 0300073985)	
2	0801372	1	Mid Weldment 600S & 660SJ (SN 0300073986 through 0300087000)	
2	0801037	1	Mid Weldment 600SJ (SN 0300068000 through 0300073985)	
2	0801373	1	Mid Weldment 600SJ (SN 0300073986 through 0300087000)	
3		Ref	Fly Weldment Options:	
3	0801065	1	Fly Weldment 600S	
3	0801038	1	Fly Weldment 600SJ	
3	0801014	1	Fly Weldment 660SJ	
3A	0961951	2	Bushing (600SJ & 660SJ Only)	
4		Ref	Telescope Cylinder Assembly Options: (See CYLINDER SECTION for Breakdown)	
4	1683618	1	Telescope Cylinder Assembly 600S & 660SJ	
4	1683620	1	Telescope Cylinder Assembly 600SJ	
5	3580241	1	Sheave Assembly (Extend)	2-B
5A	0961951	2	Bushing	
6	3580243	2	Sheave Assembly (Retract)	1-A
6A	0961951	2	Bushing (1 Per Sheave)	
7	1220078	2	Block, Sheave	
8		Ref	Cable (Extend) Options:	
8	3890010	1	Cable (Extend) 600S & 660SJ	
8	3890011	1	Cable (Extend) 600SJ	
9		Ref	Cable (Retract) Options:	
9	3890006	2	Cable (Retract) 600S & 660SJ	
9	3890008	2	Cable (Retract) 600SJ	
10	3580248	1	Guard, Sheave (Extend)	
11	3580249	2	Guard, Sheave (Retract)	
12	4846319	1	Support, Wear Pad	
13	3340844	1	Pad, Wear	
14	4070975	3	Shim.05 (SN 0300068000 through 0300072078)	

SECTION 3 - BOOM

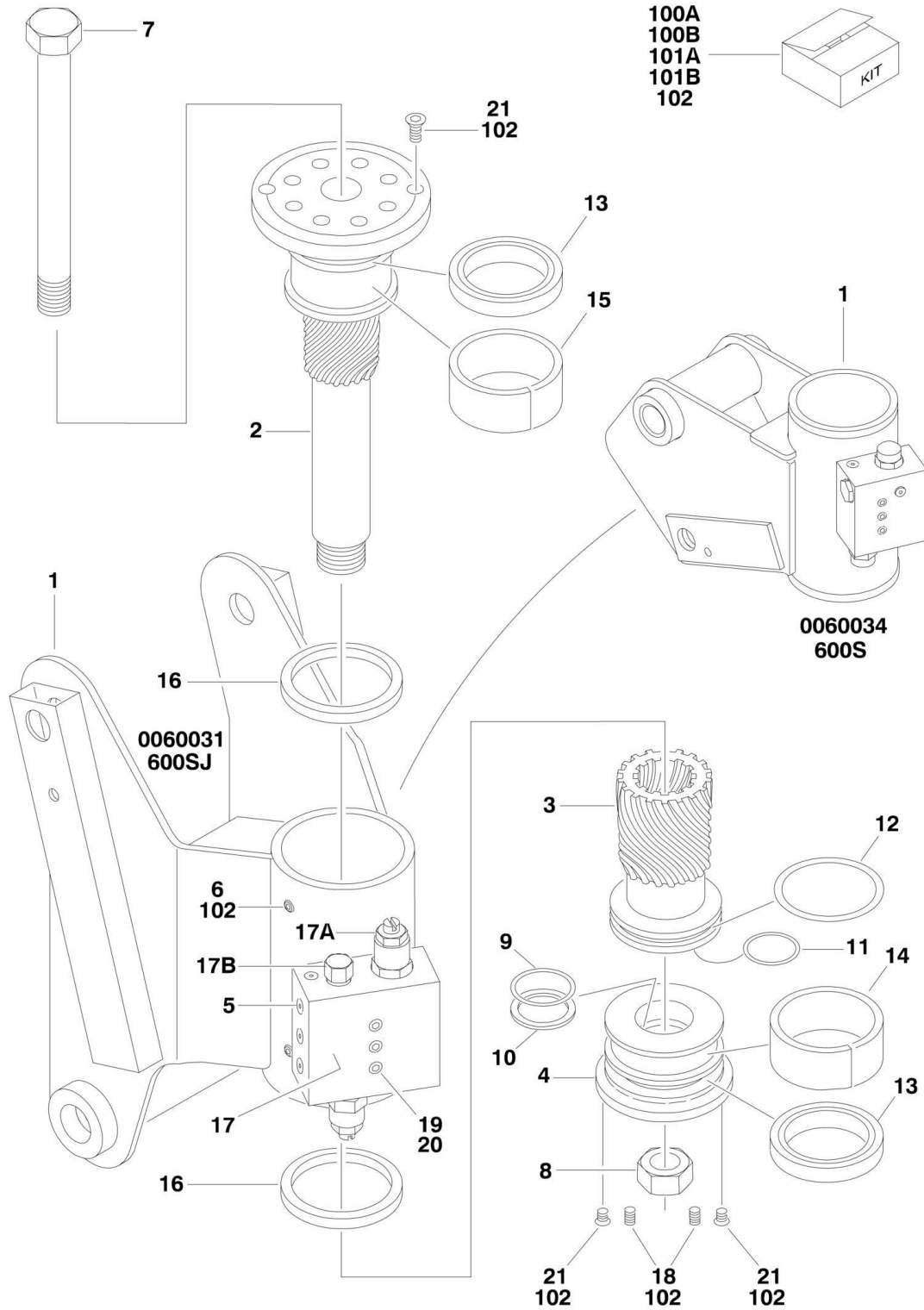
ITEM	PART NUMBER	QTY	DESCRIPTION	REV
15	0641608	10	Bolt 3/8in-16NC x 1in (SN 0300068000 through 0300082631)	
16	0100011	AR	Compound, Locking	
17		Ref	Bolt Options:	
17	0681612	4	Bolt 3/8in-16NC x 1-1/2in (Grade 8) (SN 0300068000 through 0300082631)	
17	0681610	4	Bolt 3/8in-16NC x 1-1/4in (Grade 8) (SN 0300082632 through 0300087000)	
19	0561245	1	Block, Cable	
20	0641824	2	Bolt 1/2in-13NC x 3in	
21	3312201	4	Nut 3/4in-10NC	
22	3300241	4	Locknut, Special 3/4in-10NC	
23	3340757	2	Pad, Wear	
24	4070896	4	Shim (.06) (Without Slide-In Slots)	
25	0641607	AR	Bolt 3/8in-16NC x 7/8in	
26	3340881	20	Pad, Wear	
27	4070897	28	Shim (.05) (Without Slide-In Slots)	
28	4070898	24	Shim (.12) (Without Slide-In Slots)	
29		Ref	Bolt Options:	
29	0641605	16	Bolt 3/8in-16NC x 5/8in (SN 0300068000 through 0300082631)	
29	0641606	24	Bolt 3/8in-16NC x 3/4in (SN 0300082632 through 0300087000)	
30	0561185	2	Block	
31	0641618	6	Bolt 3/8in-16NC x 2-1/4in	
32	0561183	1	Block, Cable	
33	3951608	2	Setscrew 3/8in-16NC x 1in	
34	4711600	AR	Flatwasher 3/8in Thin	
35	3422424	2	Pin (Retract Sheave)	
36	0741612	6	Screw, Countersunk 3/8in-16NC x 1-1/2in	
37	3340871	5	Pad, Wear	
38	4070863	12	Shim (.12)	
39	4070864	12	Shim (.05)	
40	0641613	AR	Bolt 3/8in-16NC x 1-5/8in	
41	3340758	2	Pad, Wear	
42	4070895	8	Shim (.06)	
43		Ref	Bolt Options:	
43	0641610	14	Bolt 3/8in-16NC x 1-1/4in (SN 0300068000 through 0300082631)	
43	0641608	22	Bolt 3/8in-16NC x 1in (SN 0300082632 through 0300087000)	
44	0561076	1	Block	
45	3422417	2	Pin (Extend Sheave)	
46	3841143	1	Keeper, Pin	
47	3340755	2	Pad, Wear	
48	0641634	4	Bolt 3/8in-16NC x 4-1/4in	
49	3311605	4	Locknut 3/8in-16NC	
50	4070976	1	Shim (.12)	
51	4071004	1	Shim (.25)	
52		Ref	Bolt Options:	
52	0641640	2	Bolt 3/8in-16NC x 5in (SN 0300068000 through 0300082631)	
52	0641638	2	Bolt 3/8in-16NC x 4-3/4in (SN 0300082632 through 0300087000)	
55	4891600	6	Flatwasher 3/8in Hardened	
56	4891800	2	Flatwasher 1/2in Hardened	

SECTION 3 - BOOM

ITEM	PART NUMBER	QTY	DESCRIPTION	REV
57	3539622	1	Plate, Cover	
58	0641403	4	Bolt 1/4in-20NC x 3/8in	
59	4070929	AR	Shim	
60		Ref	Cable (Extend) Options:	
60	3890009	1	Cable (Extend) 600S & 660SJ	
60	3890012	1	Cable (Extend) 600SJ	
61		Ref	Plate, Spring Mounting Options:	
61	3939680	1	Plate, Spring Mounting (SN 0300068000 through 0300068178)	
61	0561508	1	Plate, Spring Mounting (SN 0300068179 through 0300087000)	
62	4160149	1	Spring	
63		Ref	Switch, Proximity Options:	
63	4360429	1	Switch, Proximity (SN 0300068000 through 0300068178)	
63	4360506	1	Switch, Proximity (SN 0300068179 through 0300087000)	
64	3300399	1	Nut, Jam 7/8in-9NC	
65	3300400	1	Nut, Jam 5/8in-11NC	
66	3300242	1	Locknut 7/8in-9NC	
67	3300240	1	Locknut 5/8in-11NC	
68	4070939	AR	Shim 16Ga (With Slide-In Slots)	
69	4070940	AR	Shim 16Ga (With Slide-In Slots)	
70	4060805	6 in/16cm	Flex-Trim	
71	1320244	1	Clamp	
72	0641406	1	Bolt 1/4in-20NC x 3/4in	
73	3311401	1	Nut 1/4in-20NC	
74	1670836	8	Cover, Boom (Not Shown)	
75	0681608	4	Bolt 3/8in-16NC x 1in	
76	3340900	1	Pad, Wear	
77	4071005	AR	Shim	
78	4751600	12	Flatwasher 3/8in Regular (SN 0300082632 through 0300087000)	
79	4071007	AR	Shim (SN 0300082632 through 0300087000)	
80	0641614	4	Bolt 3/8in-16NC x 1-3/4in (SN 0300082632 through 0300087000)	
100	2901986	1	Kit, Wear Pad Support (Includes Items 12, 51, 75, 76 & 77)	

SECTION 3 - BOOM

FIGURE 3-4. ROTATOR ASSEMBLIES (FRONT ENTRY PLATFORM)



SECTION 3 - BOOM

FIGURE 3-4. ROTATOR ASSEMBLIES (FRONT ENTRY PLATFORM)

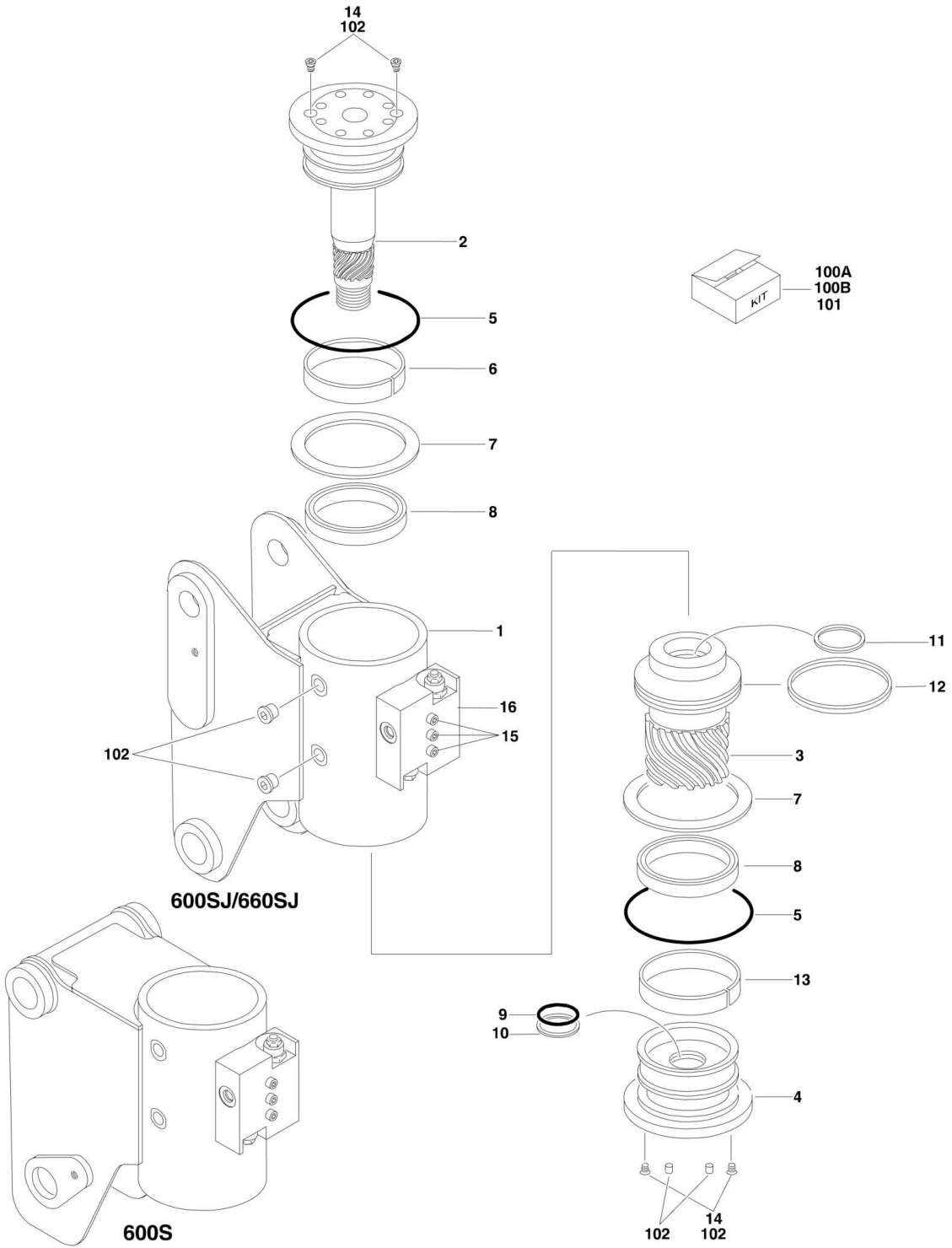
ITEM	PART NUMBER	QTY	DESCRIPTION	REV
		Ref	ROTATOR ASSEMBLIES	
		Ref	Note: Recommended replacement rotator uses spacer plate bolted on the top with 8 capscrews (Not shown - located at item 2). Actual production rotator does not use spacer plate.	
	0060034	Ref	Rotator Assemblies 600S (Original Equipment)	G
	0060075	Ref	Rotator Assemblies 600S (Service Replacement)	B
	0060031	Ref	Rotator Assemblies 600SJ & 660SJ (Original Equipment)	H
	See Note	Ref	Rotator Assemblies 600SJ & 660SJ (Service Replacement) (Note: For 600SJ & 660SJ, the recommended replacement rotator kit p/n 1001103095 (includes 0060074 actuator assembly, attaching pin and hardware).)	
1	See Note	NSS	Housing/Ring Gear Assembly (Note: Not Available - Purchase Complete Rotator Assembly)	
2		Ref	Shaft Weldment Options:	
2	7017177	1	Shaft Weldment 0060034 & 0060031 Rotators (was p/n 7017117)	
2	7017162	1	Shaft Weldment 0060075 & 0060074 Rotators	
2	See Note	NSS	Plate, Spacer (Not Shown) (0060075 & 0060074 Rotators Only) (Note: Not Available for Purchase)	
3		Ref	Piston/Sleeve Options:	
3	7017115	1	Piston/Sleeve 0060034 & 0060031 Rotators	
3	7017163	1	Piston/Sleeve 0060075 & 0060074 Rotators	
4		Ref	Cap, End Options:	
4	7017174	1	Cap, End 0060034 Rotators	
4	7017174	1	Cap, End 0060031 Rotators (was p/n 7017116)	
4	7017164	1	Cap, End 0060075 & 0060074 Rotators	
5	See Note	NSS	Plug, Port (Note: Not Available - Purchase Locally)	
6	7017142	2	Setscrew/Pin	
7	7017119	1	Bolt 1in-8NC x 11in	
8	3272605	1	Locknut 1in-8NC	
9	See Note	NSS	Seal, Cap (Note: Use Item 100A or 100B)	
10	See Note	NSS	Ring, Back-up (Cap) (Note: Use Item 100A or 100B)	
11	See Note	NSS	Seal, Rod (Note: Use Item 100A or 100B)	
12	See Note	NSS	Seal, Piston (Note: Use Item 100A or 100B)	
13	See Note	NSS	Packing, Bearing (Note: Use Item 100A or 100B)	
14	See Note	NSS	Bearing, Cap (Note: Use Item 101A or 101B)	
15	See Note	NSS	Bearing, Shaft (Note: Use Item 101A or 101B)	
16	See Note	NSS	Thrustwasher (Note: Use Item 101A or 101B)	
17		Ref	Valve Assembly Options:	
17	7017183	1	Valve Assembly 0060034 & 0060031 Rotators (was p/n 7017101)	
17	7017183	1	Valve Assembly 0060075 & 0060074 Rotators	
17A		Ref	Cartridge, Valve Options:	
17A	7011331	2	Cartridge for Helac p/n 24736	
17A	7017193	2	Cartridge for Helac p/n 27600	
17A	2900770	2	Seal Kit - 7011331 Valve	
17A	See Note	NSS	Seal Kit - 7017193 Valve (Note: Not Available for Purchase - Use p/n 7017193)	
17B		Ref	Cartridge, Valve Options:	
17B	7011332	2	Cartridge for Helac p/n 24736	
17B	See Note	NSS	Cartridge for Helac p/n 27600 (Not Shown - Located on Side of Valve Block) (Note: Purchase Complete Valve Assembly)	

SECTION 3 - BOOM

ITEM	PART NUMBER	QTY	DESCRIPTION	REV
17B	7011346	2	Seal Kit - 7011332 Valve	
17B	See Note	NSS	Seal Kit - Valve Located on Side of Block (Note: Purchase Valve Assembly)	
18	7017118	2	Setscrew/Pin	
19	See Note	NSS	Capscrew 1/4in-20NC x 1-1/2 (Grade 8) (Note: Not Available for Purchase)	
20	3790110	3	O-Ring (Located between Valve and Actuator Housing)	
21	70001697	4	Screw, Countersunk 1/4in-20NC x 3/8in (Grade 8)	
		Ref	KIT OPTIONS	
100		Ref	Seal Kit Options (Includes Items 9-13 & 102):	
100A	7017157	1	Seal Kit for 0060034 & 0060031 Rotators	
100B	7017158	1	Seal Kit for 0060075 & 0060074 Rotators	
101		Ref	Bearing Kit Options (Includes Items 14-16):	
101A	7017156	1	Bearing Kit for 0060034 & 0060031 Rotators (Original Equipment)	
101B	7017159	1	Bearing Kit for 0060075 & 0060074 Rotators (Service Replacement)	
102	7017142	1	Hardware Kit (Includes Items 6, 18 & 21) (Part of Item 100)	

SECTION 3 - BOOM

FIGURE 3-5. ROTATOR ASSEMBLIES (SIDE ENTRY PLATFORM)



SECTION 3 - BOOM

FIGURE 3-5. ROTATOR ASSEMBLIES (SIDE ENTRY PLATFORM)

ITEM	PART NUMBER	QTY	DESCRIPTION	REV
		Ref	ROTATOR ASSEMBLIES	
	0060067	Ref	Rotator Assemblies 600S	A
	0060066	Ref	Rotator Assemblies 600SJ & 660SJ	A
1	See Note	NSS	Housing/Ring Gear Assembly (Note: Not Available - Purchase Complete Rotator Assembly)	
2	7017162	1	Shaft Weldment	
2	7017195	2	Bushing, Shaft	
3	7017163	1	Piston/Sleeve Assembly	
4	7017164	1	Cap, End	
5	See Note	NSS	O-Ring (Note: Use Item 100A or 100B)	
6	See Note	NSS	Bearing, Shaft (Note: Use Item 101)	
7	See Note	NSS	Thrustwasher (Note: Use Item 101)	
8	See Note	NSS	Packing, Bearing (Note: Use Item 100A or 100B)	
9	See Note	NSS	Seal, Cap (Note: Use Item 100A or 100B)	
10	See Note	NSS	Ring, Back-up Cap (Note: Use Item 100A or 100B)	
11	See Note	NSS	Seal, Rod (Note: Use Item 100A or 100B)	
12	See Note	NSS	Seal, Piston (Note: Use Item 100A or 100B)	
13	7017159	1	Bearing, Cap	
14	70001697	4	Screw, Countersunk 1/4in-20NC x 3/8in (Grade 8)	
15	See Note	NSS	Capscrew 1/4in-20NC x 1-1/2 (Grade 8) (Note: Not Available for Purchase)	
16	7017183	1	Valve Assembly	
16	7017193	2	Cartridge, Valve	
16	See Note	NSS	Seal Kit - 7017193 Valve (Note: Use p/n 7017193)	
16	See Note	NSS	Cartridge, Valve (Not Shown - Located on Side of Block) (Note: Use p/n 7017183)	
16	See Note	NSS	Seal Kit - Valve Located on Side of Block (Note: Use p/n 7017183)	
		Ref	KIT OPTIONS	
100		Ref	Seal Kit Options (Includes Items 5, 8-12 & 102):	
100A	7017158	1	Seal Kit - Standard	
100B	70000342	1	Seal Kit - Low Temperature	
101	7017159	1	Bearing Kit (Includes Items 6, 7 & 13)	
102	See Note	NSS	Hardware Kit (Includes Items 14, 2 Setscrews and 2 Plugs) (Note: Use Item 100)	

SECTION 3 - BOOM

FIGURE 3-6. POWER TRACK INSTALLATIONS

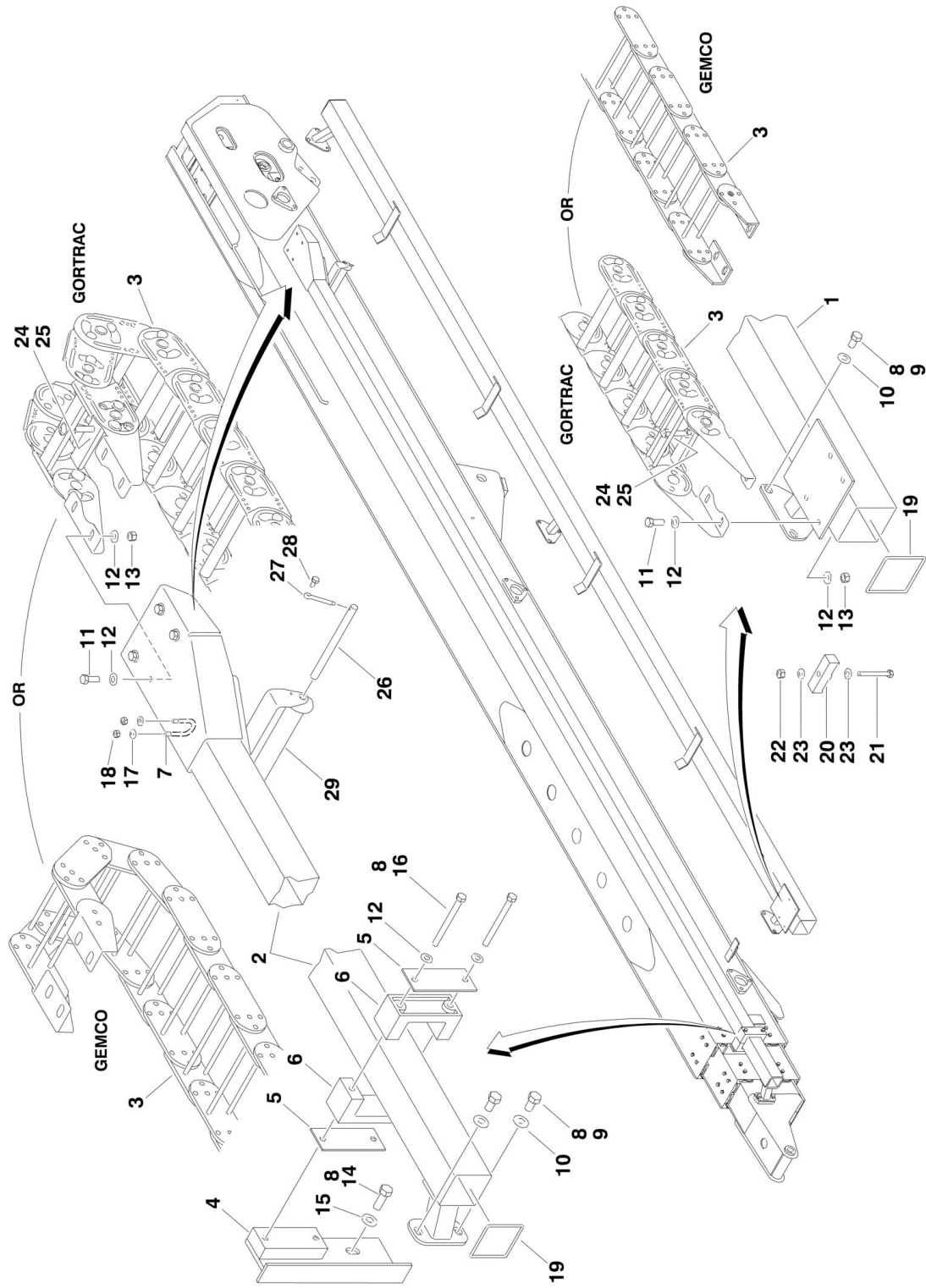


FIGURE 3-6. POWER TRACK INSTALLATIONS

ITEM	PART NUMBER	QTY	DESCRIPTION	REV
		Ref	POWER TRACK INSTALLATIONS	
	0271372	Ref	Power Track Installations 600SJ	3
	0270804	Ref	Power Track Installations 600S/660SJ	4
1		Ref	Rail Options:	
1	4845819	1	Rail 600S/660SJ	
1	4846392	1	Rail 600SJ	
2		Ref	Tube Options:	
2	4845671	1	Tube 600S/660SJ	
2	4846391	1	Tube 600SJ	
3		Ref	Power Track Assembly Options:	
		Ref	Note: Various Power Tracks use on this model. Identify brand before ordering parts.	
3		Ref	Power Track Assembly 600S/660SJ	
3	1180345	NLA	Gemco Brand Power Track (Use p/n 1001099832)	
3	7016530	AR	Power Track Repair Section (Includes 18 Link Pin, 4 Radius Links, 2 Carrier Links, 1 Rod Carrier, 1 Spring Loaded Rod, 1 Carrier Weldment and 12 Bearing Plates)	
3	7006138	1	Power Track - Pin Kit (Includes 1 pin, 1 Retaining Ring and 4 Washers)	
3	1001099832	1	Gortrac Brand Power Track	
3	70002005	AR	Power Track - Section Repair Kit	
3	70002006	1	Power Track - Bracket Kit	
3	70004643	2	Clamp with Hardware	
3		Ref	Power Track Assembly 600SJ	
3	1180359	NLA	Gemco Brand Power Track (Use p/n 1001099839)	
3	7016530	AR	Power Track Repair Section (Includes 18 Link Pin, 4 Radius Links, 2 Carrier Links, 1 Rod Carrier, 1 Spring Loaded Rod, 1 Carrier Weldment and 12 Bearing Plates)	
3	7006138	1	Power Track - Pin Kit (Includes 1 pin, 1 Retaining Ring and 4 Washers)	
3	1001099839	1	Gortrac Brand Power Track	
3	70002007	AR	Power Track - Section Repair Kit	
3	70002006	1	Power Track - Bracket Kit	
4	4845677	1	Bracket (SN 0300068000 through 0300073986)	
5	3538758	AR	Plate	
6	3340764	2	Pad, Wear	
7	0630458	1	U-Bolt	
8	0100011	AR	Compound, Locking	
9	0641807	11	Bolt 1/2in-13NC x 7/8in	
10	4711800	11	Flatwasher 1/2in Thin	
11	0641608	8	Bolt 3/8in-16NC x 1in	
12	4711600	18	Flatwasher 3/8in Thin	
13	3311605	8	Locknut 3/8in-16NC	
14	0642612	1	Bolt 1in-8NC x 1-1/2in (SN 0300068000 through 0300073986)	
15	4712600	1	Flatwasher 1in Thin (SN 0300068000 through 0300073986)	
16	0641648	2	Bolt 3/8in-16NC x 6in (SN 0300068000 through 0300073986)	
17	4711400	2	Flatwasher 1/4in Thin	
18	3311405	2	Locknut 1/4in-20NC	
19	4060803	3 ft/0.9m	Shield, Trim	
20	1320247	1	Clamp, Nylon	
21	0641522	1	Bolt 5/16in-18NC x 2-3/4in	

SECTION 3 - BOOM

ITEM	PART NUMBER	QTY	DESCRIPTION	REV
22	3311505	1	Locknut 5/16in-18NC	
23	4711500	2	Flatwasher 5/16in Thin	
24	4070994	2	Shim	
25	4070995	2	Shim	
26	3841013	1	Roller, Rod	
27	3450806	1	Pin, Cotter	
28	0641404	1	Bolt 1/4in-20NC x 1/2in	
29	3860050	1	Roller	

SECTION 4 - PLATFORM

SECTION 4 - PLATFORM

FIGURE 4-1. PLATFORM COMPONENTS INSTALLATION (AUSTRALIAN SPEC WITH FRONT ENTRY PLATFORM)

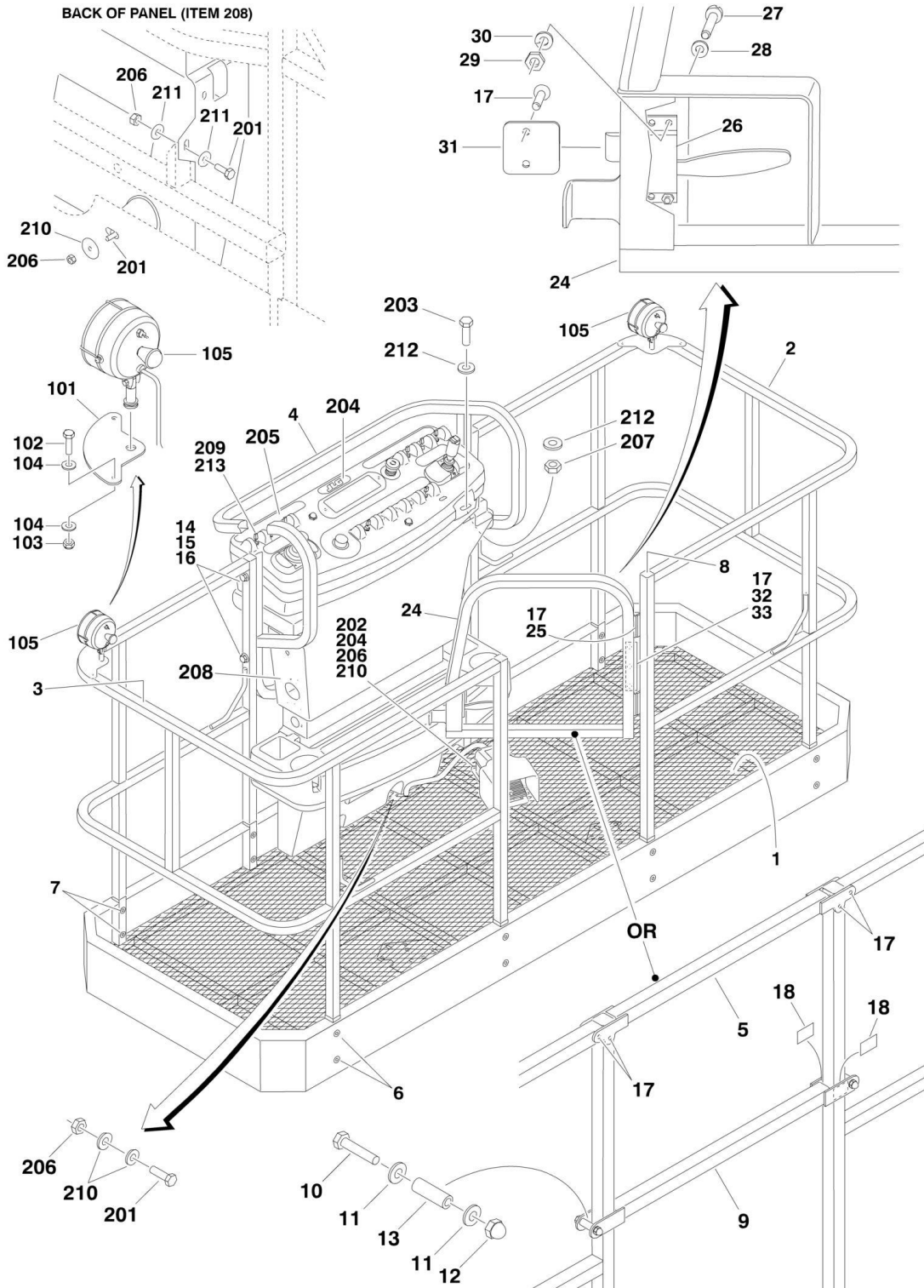
ITEM	PART NUMBER	QTY	DESCRIPTION	REV
		Ref	PLATFORM ASSEMBLIES:	
	3510542	Ref	6ft (1.83m) with Mesh to Mid Rail and Self-Closing Gate	2
	3510543	Ref	8ft (2.44m) with Mesh to Mid Rail and Self-Closing Gate	2
1		Ref	Floor Weldment Options:	
1	4844954	1	6ft/1.83m Platform	
1	4844928	1	8ft/2.44m Platform	
2		Ref	Rail Weldment - Right Side Options:	
2	4844955	1	6ft/1.83m Platform with Mesh Mid Rail	
2	4844924	1	8ft/2.44m Platform with Mesh Mid Rail	
3		Ref	Rail Weldment - Left Side Options:	
3	4844956	1	6ft/1.83m Platform with Mesh Mid Rail	
3	4844925	1	8ft/2.44m Platform with Mesh Mid Rail	
4	4845328	1	Rail Weldment - Back	
5	4845426	1	Gate Weldment	
6	3900207	16	Fastener	
		Ref	Note: P/N 3900207 Fastener may be replaced with P/N 0641416 Bolt, P/N 4751400 Flatwasher, P/N 3311405 Locknut and P/N3300151 Acorn Type Nut. Acorn type nut is required to meet industry safety requirements.	
7	3300393	16	Collar	
8	3520072	4	Plug, Cap	
9	2600219	2	Hinge	
10	2940074	1	Latch	
11	3911008	4	Screw #10-24NC x 1/2in	
12	4751000	4	Flatwasher #10 Regular	
13	3311005	4	Locknut #10-24NC	
14	0641524	4	Bolt 5/16in-18NC x 3in	
15	3311505	4	Locknut 5/16in-18NC	
16	4751500	4	Flatwasher 5/16in Regular	
17	2080040	13	Fastener	
18	4761000	4	Lockwasher 3/8in	
20	3539685	1	Plate, Latch	
21	4220165	1	Stop, Gate	
22	4060803	6 ft/1.8m	Trim	
		Ref	WORKLIGHTS INSTALLATIONS (optional)	
	0270814	Ref	Worklights Installations (Optional) (SN 0300068000 through 0300074440)	3-D
	0273486	Ref	Worklights Installations (Optional) 600S (SN 0300074441 through 0300087000)	C
	0273490	Ref	Worklights Installations (Optional) 600SJ (SN 0300074441 through 0300087000)	C
	0273491	Ref	Worklights Installations (Optional) 660SJ (SN 0300074441 through 0300087000)	C
101	3536089	2	Plate, Mounting	
102	0641414	4	Bolt 1/4in-20NC x 1-3/4in	
103	3311405	4	Locknut 1/4in-20NC	
104	4711400	8	Flatwasher 1/4in Thin	
105	2920140	2	Worklight	
105	7016399	2	Bulb, Replacement (1 Per Worklight)	
106	4240099	10	Tie-Strap (Not Shown)	

SECTION 4 - PLATFORM

ITEM	PART NUMBER	QTY	DESCRIPTION	REV
107	2820035	9	Loom, Vinyl (Not Shown)	
109		Ref	Connector, Strain Relief Options:	
109	4460598	1	Connector, Strain Relief (SN 0300068000 through 0300074440)	
109	4460426	1	Connector, Strain Relief (SN 0300074441 through 0300087000)	
110	4920018	AR	Wire, Black 16 Ga (Not Shown) (SN 0300068000 through 0300074441)	
		Ref	CONSOLE BOX INSTALLATIONS	
	0272298	Ref	2WD - CE Spec	A
	0271940	Ref	4WD - CE Spec	A
201	0641406	4	Bolt 1/4in-20NC x 3/4in	
202	0641408	3	Bolt 1/4in-20NC x 1in	
203	0641610	4	Bolt 3/8in-16NC x 1-1/4in	
204		Ref	Console Box and Footswitch Assembly (See PLATFORM CONSOLE ASSEMBLY for Breakdown)	
205	1702676	1	Decal - Horn	
206	3311405	7	Locknut 1/4in-20NC	
207	3311605	4	Locknut 3/8in-16NC	
208	3380434	1	Panel, Decal Mount	
209		Ref	Switch Options:	
209	4360336	1	Switch	
209	4360331	1	Switch	
210	4740362	7	Flatwasher 1/4in Fender	
211	4751400	4	Flatwasher 1/4in Regular	
212	4751600	8	Flatwasher 3/8in Regular	
213	3790012	1	O-Ring	

SECTION 4 - PLATFORM

FIGURE 4-2. PLATFORM COMPONENTS INSTALLATION (CE SPEC WITH FRONT ENTRY PLATFORM)



SECTION 4 - PLATFORM

FIGURE 4-2. PLATFORM COMPONENTS INSTALLATION (CE SPEC WITH FRONT ENTRY PLATFORM)

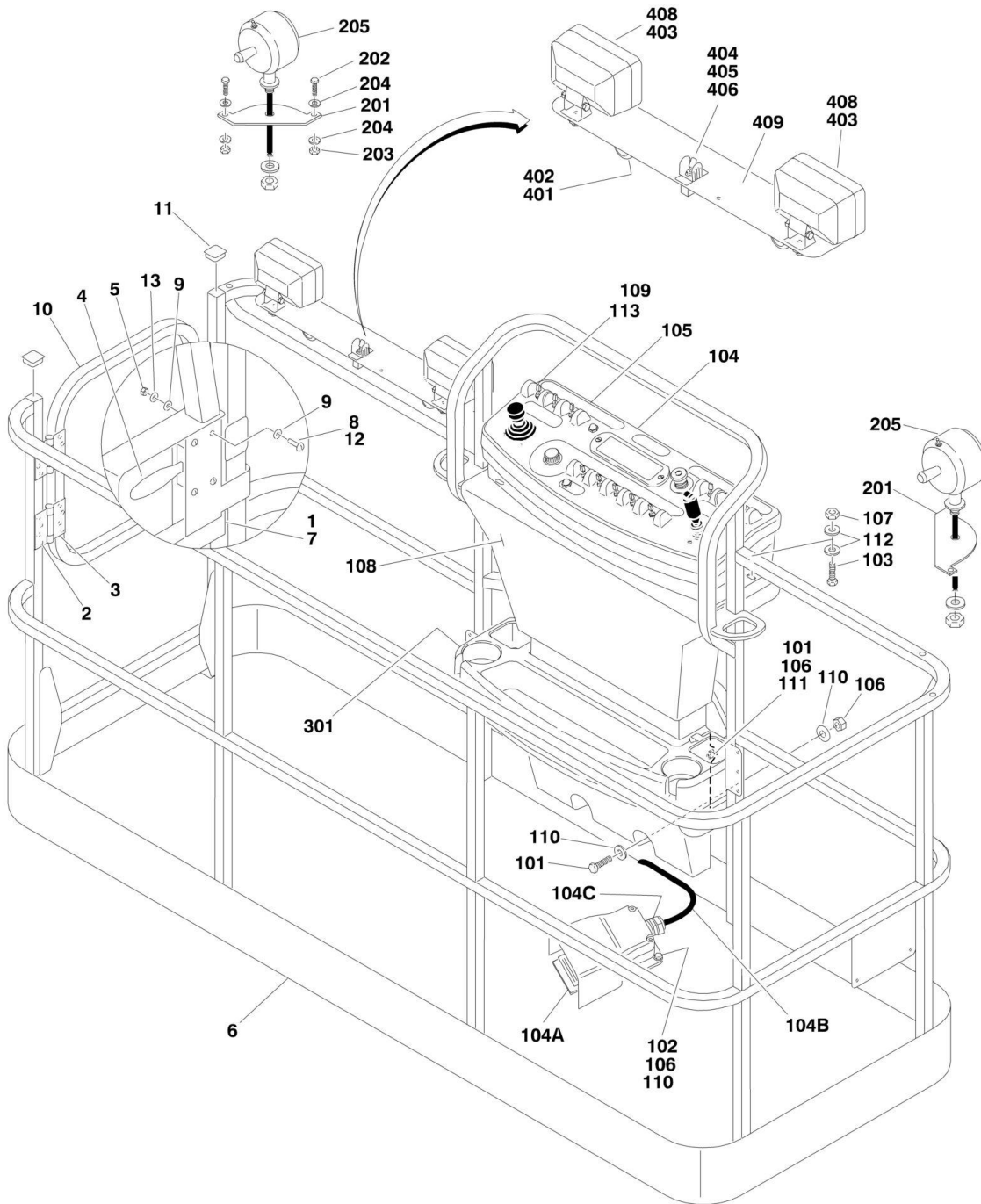
ITEM	PART NUMBER	QTY	DESCRIPTION	REV
		Ref	PLATFORM ASSEMBLIES:	
	3510751	Ref	5ft (1.52m) Platform with Drop Bar	2
	3510499	Ref	6ft (1.83m) Platform with Drop Bar	3
	3510537	Ref	6ft (1.83m) Platform with Self-Closing Gate	2
	3510763	Ref	6ft (1.83m) Platform with Drop Bar (Mesh to Mid Rail)	1
	3510500	Ref	8ft (2.44m) Platform with Drop Bar	2
	3510538	Ref	8ft (2.44m) Platform with Self-Closing Gate	2
	3510764	Ref	8ft (2.44m) Platform with Drop Bar (Mesh to Mid Rail)	1
1		Ref	Floor Weldment Options:	
1	4846184	1	5ft/1.52m Platform	
1	4845290	1	6ft/1.83m Platform	
1	4845289	1	8ft/2.44m Platform	
2		Ref	Rail Weldment - Right Side Options:	
2	4846194	1	5ft/1.52m Platform	
2	4844955	1	6ft/1.83m Platform	
2	4846228	1	6ft/1.83m Platform (Mesh to Mid Rail)	
2	4844924	1	8ft/2.44m Platform	
2	4846240	1	8ft/2.44m Platform (Mesh to Mid Rail)	
3		Ref	Rail Weldment - Left Side Options:	
3	4846195	1	5ft/1.52m Platform	
3	4844956	1	6ft/1.83m Platform	
3	4846229	1	6ft/1.83m Platform (Mesh to Mid Rail)	
3	4844925	1	8ft/2.44m Platform	
3	4846241	1	8ft/2.44m Platform (Mesh to Mid Rail)	
4	4845328	1	Rail Weldment - Back	
5	4845287	1	Rail Weldment - Top (Drop Bar Platform Only)	
6	3900207	AR	Fastener	
		Ref	Note: P/N 3900207 Fastener may be replaced with P/N 0641416 Bolt, P/N 4751400 Flatwasher, P/N 3311405 Locknut and P/N3300151 Acorn Type Nut. Acorn type nut is required to meet industry safety requirements.	
7	3300393	AR	Collar	
8	3520072	4	Plug, Cap	
9	4845288	1	Bar, Drop (Drop Bar Platform Only)	
10	0641418	2	Bolt 1/4in-20NC x 2-1/4in	
11	4740411	4	Washer, Nylon	
12	3300151	2	Nut, Acorn 1/4in-20NC	
13	0961845	2	Bushing	
14	0641524	4	Bolt 5/16in-18NC x 3in	
15	3311505	4	Locknut 5/16in-18NC	
16	4751500	4	Flatwasher 5/16in Regular	
17	2080040	AR	Fastener	
18	4420055	7 in/18cm	Tape (Drop Bar Platform Only)	
24	4845426	1	Gate (Self-Closing Gate Only)	
25	2600287	2	Hinge (Self-Closing Gate Only)	
26	2940074	1	Latch (Self-Closing Gate Only)	
27	3911016	4	Screw #10-24NC x 2in (Self-Closing Gate Only)	
28	4751000	4	Flatwasher #10 Regular (Self-Closing Gate Only)	
29	3311005	4	Locknut #10-24NC (Self-Closing Gate Only)	

SECTION 4 - PLATFORM

ITEM	PART NUMBER	QTY	DESCRIPTION	REV
30	4761000	4	Lockwasher #10 (Self-Closing Gate Only)	
31	3539685	1	Plate, Latch (Self-Closing Gate Only)	
32	4220164	1	Stop, Gate (Self-Closing Gate Only)	
33	4060803	6 ft/1.8m	Trim (Self-Closing Gate Only)	
		Ref	WORKLIGHTS INSTALLATIONS (optional)	
	0270814	Ref	Worklights Installations (Optional) (SN 0300068000 through 0300074440)	3-D
	0273486	Ref	Worklights Installations (Optional) 600S (SN 0300074441 through 0300087000)	C
	0273490	Ref	Worklights Installations (Optional) 600SJ (SN 0300074441 through 0300087000)	C
	0273491	Ref	Worklights Installations (Optional) 660SJ (SN 0300074441 through 0300087000)	C
101	3536089	2	Plate, Mounting	
102	0641414	4	Bolt 1/4in-20NC x 1-3/4in	
103	3311405	4	Locknut 1/4in-20NC	
104	4711400	8	Flatwasher 1/4in Thin	
105	2920140	2	Worklight	
105	7016399	2	Bulb, Replacement (1 Per Worklight)	
106	4240099	10	Tie-Strap (Not Shown)	
107	2820035	9	Loom, Vinyl (Not Shown)	
109		Ref	Connector, Strain Relief Options (Not Shown - Located on Bottom of Console Box):	
109	4460598	1	Connector, Strain Relief (SN 0300068000 through 0300074440)	
109	4460426	1	Connector, Strain Relief (SN 0300074441 through 0300087000)	
110	4920018	AR	Wire, Black 16 Ga (Not Shown) (SN 0300068000 through 0300074441)	
		Ref	CONSOLE BOX INSTALLATIONS	
	0272298	Ref	Console Box Installations 2WD	A
	0271940	Ref	Console Box Installations 4WD	A
201	0641406	4	Bolt 1/4in-20NC x 3/4in	
202	0641408	3	Bolt 1/4in-20NC x 1in	
203	0641610	4	Bolt 3/8in-16NC x 1-1/4in	
204		Ref	Console Box and Footswitch Assembly (See PLATFORM CONSOLE ASSEMBLY for Breakdown)	
205	1702676	1	Decal - Horn	
206	3311405	7	Locknut 1/4in-20NC	
207	3311605	4	Locknut 3/8in-16NC	
208	3380434	1	Panel, Decal Mount	
209		Ref	Switch Options:	
209	4360336	1	Switch	
209	4360331	1	Switch	
210	4740362	7	Flatwasher 1/4in Fender	
211	4751400	4	Flatwasher 1/4in Regular	
212	4751600	8	Flatwasher 3/8in Regular	
213	3790012	1	O-Ring	

SECTION 4 - PLATFORM

FIGURE 4-3. PLATFORM COMPONENTS INSTALLATION (SIDE ENTRY PLATFORM)



SECTION 4 - PLATFORM

FIGURE 4-3. PLATFORM COMPONENTS INSTALLATION (SIDE ENTRY PLATFORM)

ITEM	PART NUMBER	QTY	DESCRIPTION	REV
		Ref	PLATFORM ASSEMBLIES:	
	3510830	Ref	4ft (1.22m) with No Mesh (SN 0300068809 through 0300087000)	B-E
	3510831	Ref	5ft (1.52m) with No Mesh (SN 0300068809 through 0300087000)	B-E
	3510833	Ref	6ft (1.83m) with No Mesh (SN 0300068809 through 0300087000)	B-E
	3510832	Ref	6ft (1.83m) with No Mesh	B-E
	3510822	Ref	8ft (2.44m) with No Mesh	B-E
		Ref	Note: Original Equipment platform may have been replaced with Service Replacement platform. Identify platform before ordering parts.	
		Ref	Note: When replacing 8ft/2.44m platform with Soft Touch option, new Soft Touch Rail p/n 4846673 must be purchased to accommodate limit switch locations.	
		Ref	Note: When replacing platform on machines with SkyCutter option, new bracket p/n 1001145405 must be purchased to accommodate SkyCutter components.	
1	0100040	AR	Sealant, Adhesive (SN 0300068000 through 0300073444)	
2	2080040	16	Fastener, Huck	
3	2600281	2	Hinge, Self-Closing	
4	2940074	1	Latch	
5	3311001	4	Nut #10-24NC (SN 0300068000 through 0300077333)	
6	See Note	NSS	Platform Weldment (Note: Purchase Complete Platform Assembly)	
7	3520072	1	Cap-Plug	
8		Ref	Hardware Options:	
8	3911008	4	Screw #10-24NC x 1in (SN 0300068000 through 0300077332)	
8	3820020	4	Pop Rivet (SN 0300077333 through 0300087000)	
9	4751000	AR	Flatwasher #10 Regular (SN 0300068000 through 0300077333)	
10		Ref	Gate Weldment Options:	
10	4846452	1	Gate for Original Equipment Platform p/n 3510830, 3510831, 3510832, 3510833, 3510822	
10	1001144629	1	Gate for Service Replacement Platform p/ns 1001144023, 1001144024, 1001144025, 1001144026, 1001144027	
11	3520198	2	Plug, Square	
12	0100011	AR	Compound, Locking (SN 0300073444 through 0300077333)	
13	4761000	4	Lockwasher #10 (SN 0300073444 through 0300077333)	
		Ref	CONSOLE BOX INSTALLATIONS	
	0272298	Ref	Console Box Installations 2WD (SN 0300068000 through 0300069777)	A
	0271940	Ref	Console Box Installations 2WD/4WD	A
	0273058	Ref	Console Box Installations 4WD - UK/German Spec	A
101	0641406	4	Bolt 1/4in-20NC x 3/4in	
102	0641408	3	Bolt 1/4in-20NC x 1in	
103	0641610	4	Bolt 3/8in-16NC x 1-1/4in	
104		Ref	Platform Console Box Assembly (See PLATFORM CONSOLE ASSEMBLY for Breakdown)	
104A	0272970	1	Footswitch Assembly (Includes Footswitch and Items 104B & 104C)	
		Ref	Note: Assembly p/n 0272970 may use either p/n 4360031 or	

SECTION 4 - PLATFORM

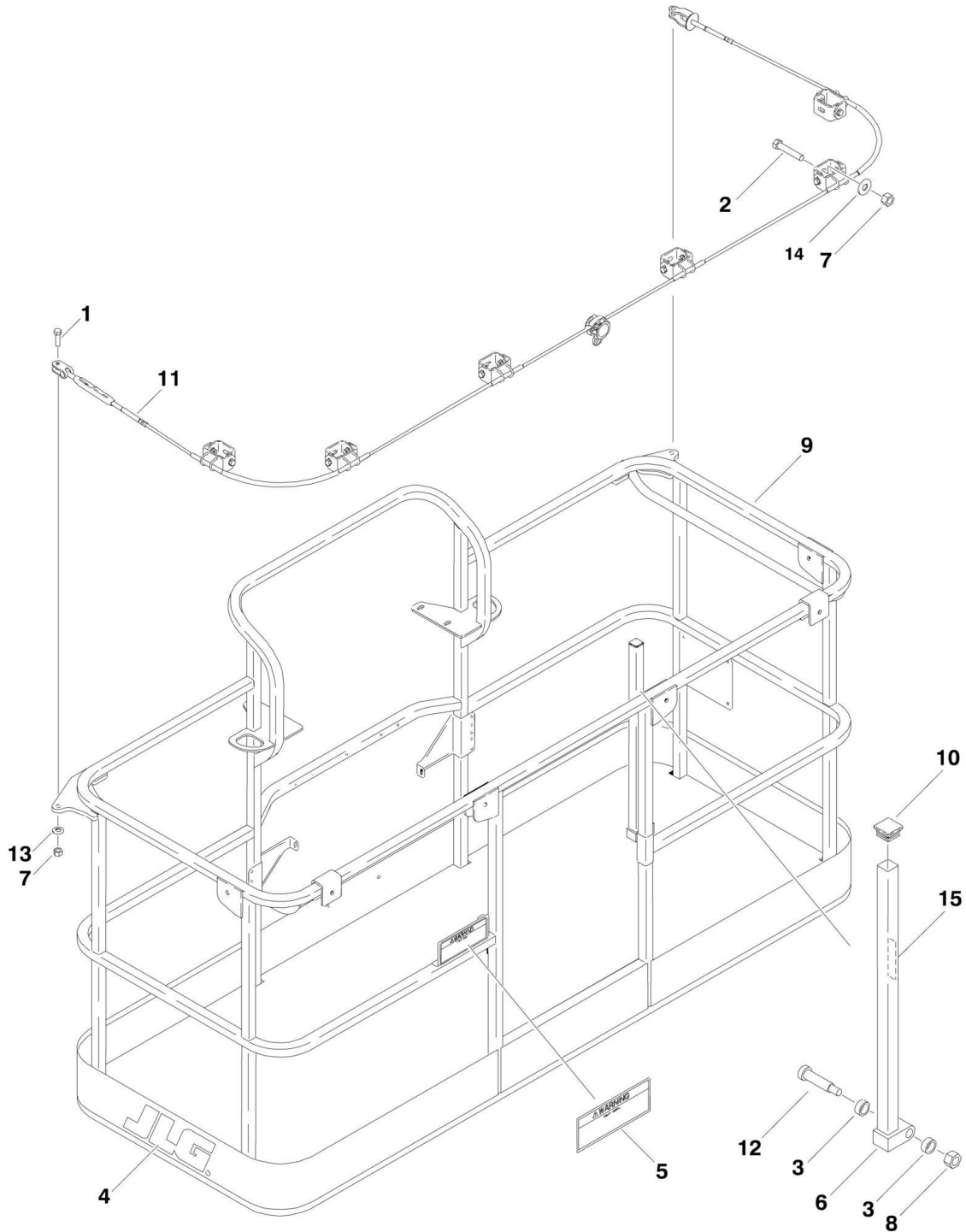
ITEM	PART NUMBER	QTY	DESCRIPTION	REV
			p/n 1001117320. If Original Equipment was replaced as an "assembly," p/n 1001117320 may have been used as part of the Service Replacement. Identify component before ordering parts.	
104A		Ref	Footswitch Less Cable Options:	
104A	4360031	1	Original Equipment	
104A	1001117320	1	Service Replacement	
104A		Ref	Block, Contact Options (see Note Above):	
104A	7000625	2	Contact Block for 4360031 Footswitch	
104A	70003483	1	Contact Block for 1001117320 Footswitch	
104A	7000625	2	Block, Contact	
104B	1060918	7 ft/2.14m	Cable, Electrical - 18/3	
104C	4460071	1	Connector, Strain Relief	
105	1702676	1	Decal - Horn	
106	3311405	7	Locknut 1/4in-20NC	
107	3311605	4	Locknut 3/8in-16NC	
108		Ref	Panel, Decal Mount Options:	
108	3380434	1	CE Spec	
108	3380476	1	UK Spec	
109		Ref	Switch Options:	
109	4360336	1	Switch	
109	4360331	1	Switch	
110	4740362	7	Flatwasher 1/4in Fender	
111	4751400	4	Flatwasher 1/4in Regular	
112	4751600	8	Flatwasher 3/8in Regular	
113	3790012	1	O-Ring	
		Ref	WORKLIGHTS INSTALLATIONS (optional)	
	0270814	Ref	Worklights Installations (Optional) (SN 0300068000 through 0300074440)	3-E
	0273486	Ref	Worklights Installations (Optional) 600S (SN 0300074441 through 0300087000)	C
	0273490	Ref	Worklights Installations (Optional) 600SJ (SN 0300074441 through 0300087000)	C
	0273491	Ref	Worklights Installations (Optional) 660SJ (SN 0300074441 through 0300087000)	C
201	3536089	2	Plate, Mounting	
202	0641414	4	Bolt 1/4in-20NC x 1-3/4in	
203	3311405	4	Locknut 1/4in-20NC	
204	4711400	8	Flatwasher 1/4in Thin	
205	2920140	2	Worklight	
205	7016399	2	Bulb, Replacement (1 Per Worklight)	
206	4240099	10	Tie-Strap (Not Shown)	
207	2820035	9	Loom, Vinyl (Not Shown)	
209		Ref	Connector, Strain Relief Options (Not Shown - Located at Console Box):	
209	4460598	1	Connector, Strain Relief (SN 0300068000 through 0300074440)	
209	4460426	1	Connector, Strain Relief (SN 0300074441 through 0300087000)	
		Ref	TRAY INSTALLATIONS (OPTIONAL)	
301	1580012	1	Tray, Storage (Center)	
302	1580013	1	Tray, Storage (Rail Mounted - Not Shown)	
	0274209	Ref	FLOODLIGHT INSTALLATION	A
401	0641518	2	Bolt 5/16in-18NC x 2 1/4in	

SECTION 4 - PLATFORM

ITEM	PART NUMBER	QTY	DESCRIPTION	REV
402	2560173	2	Handle	
403	2920157	2	Lamp, Work Light	
404	3250585	1	Nameplate - Light On	
405	4060802	1	Guard, Switch	
406	4360336	1	Switch, Toggle	
407	4420037	1	Tape, Insulation (Not Shown)	
408	4751800	2	Flatwasher 1/2in Regular	
409	4846561	1	Mount, Light	
410	4922888	1	Harness 12/3 (Not Shown)	

SECTION 4 - PLATFORM

FIGURE 4-4. PLATFORM COMPONENTS INSTALLATION (FALL ARREST PLATFORM)



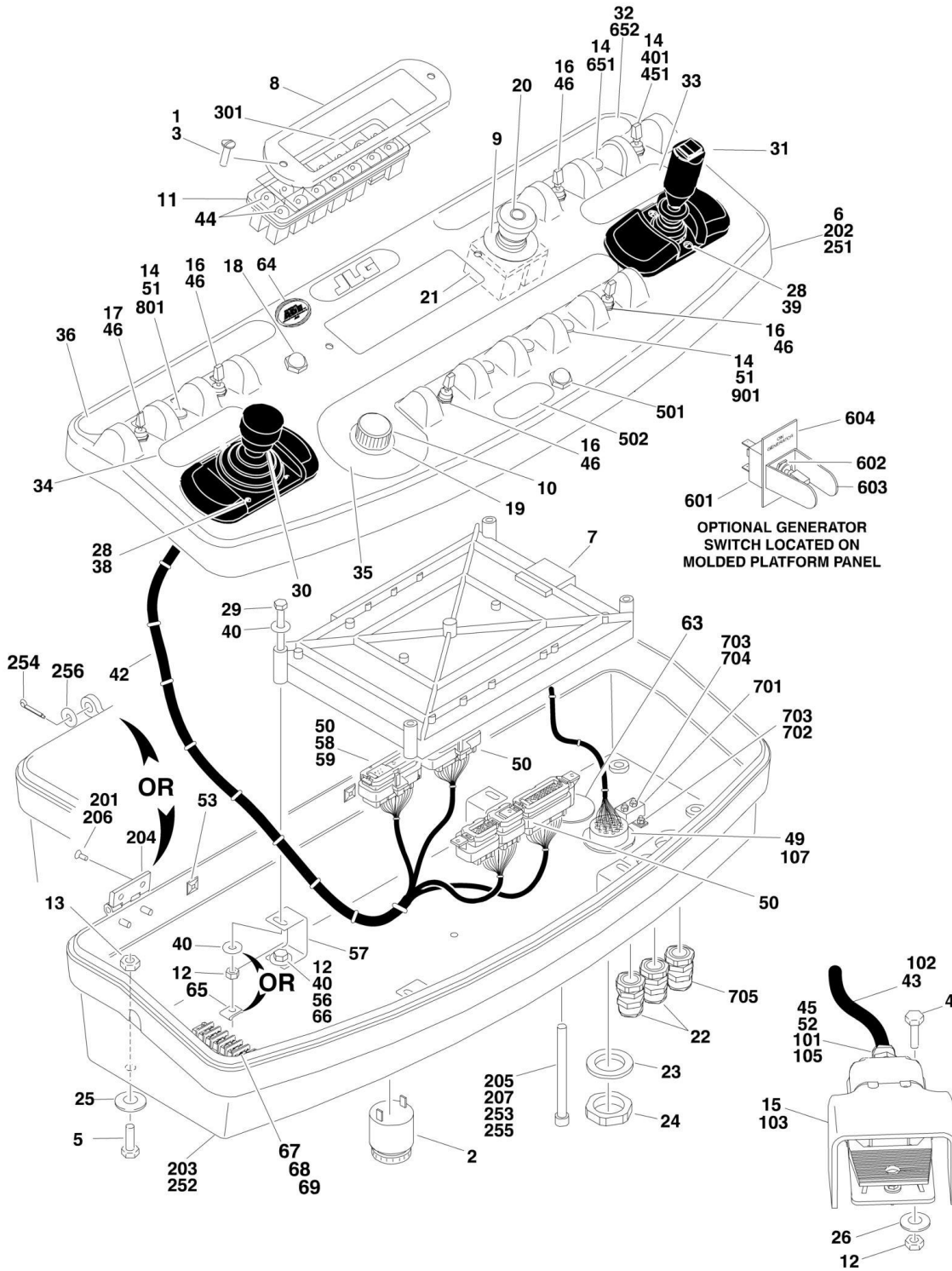
SECTION 4 - PLATFORM

FIGURE 4-4. PLATFORM COMPONENTS INSTALLATION (FALL ARREST PLATFORM)

ITEM	PART NUMBER	QTY	DESCRIPTION	REV
		Ref	PLATFORM ASSEMBLIES (FALL ARREST)	
	3510868	Ref	Platform Assemblies (Fall Arrest) (SN 0300068000 through 0300085918)	B
	3510877	Ref	Platform Assemblies (Fall Arrest) (SN 0300085919 through 0300087000)	A
1	0681814	2	Bolt 1/2in-13NC x 1-3/4in (Grade 8)	
2	0681822	6	Bolt 1/2in-13NC x 2-3/4in (Grade 8)	
3	0962270	2	Bearing, Oilite	
4	1702773	1	Decal - JLG	
5		Ref	Decal - Safety Options:	
5	1705014	1	Decal - Safety (SN 0300068000 through 0300085918)	
5	1706501	1	Decal - Safety (SN 0300085919 through 0300087000)	
6	2410014	1	Gate Weldment	
7	3271805	8	Locknut 1/2in-13NC (Grade 8)	
8	3311605	1	Locknut 3/8in-16NC	
9	See Note	NSS	Platform Weldment (Purchase Platform Assembly) (Note: Purchase Complete Platform Assembly)	
10	3520072	1	Cap-Plug	
11	3890040	1	Cable, Fall Arrest	
12	3900054	1	Bolt 1/2in-13NC x 1-3/4in	
13	4711800	2	Flatwasher 1/2in Thin	
14	4751800	6	Flatwasher 1/2in Regular	
15	1706493	1	Decal - Drop Bar (SN 0300085919 through 0300087000)	

SECTION 4 - PLATFORM

FIGURE 4-5. PLATFORM CONSOLE ASSEMBLY



SECTION 4 - PLATFORM

FIGURE 4-5. PLATFORM CONSOLE ASSEMBLY

ITEM	PART NUMBER	QTY	DESCRIPTION	REV
		Ref	CONSOLE BOX AND FOOTSWITCH ASSEMBLIES	
	See Note	Ref	Console Box and Footswitch Assemblies (Note: See Item 6 Note) (SN 0300068000 through 0300068964)	
		Ref	Note: No exact SN break exists. SN 0300068000 through SN 0300068965 may use either p/n 0861477 or p/n 0861511	
	0861511	Ref	Console Box and Footswitch Assemblies (SN 0300068965 through 0300087000)	F
1	0100035	AR	Compound, Locking	
2	0140011	1	Alarm	
3	0630464	AR	Screw, Button Head #10-24NC x 1/2in	
4	0641408	3	Bolt 1/4in-20NC x 1in	
5	0641610	AR	Bolt 3/8in-16NC x 1-1/4in	
6		Ref	Box, Console Options:	
		Ref	Note: No exact SN break exists. SN 0300068000 through SN 0300068965 may use either box.	
6	0861414	1	Box, Console - Aluminum (See Items 101-108 for Breakdown)	
6	0861537	1	Box, Console - Die Cast (See Items 151-156 for Breakdown)	
7		Ref	Controller, Module (Re-calibration Required when Replaced) Options:	
7	1600313	1	Controller, Module (Re-calibration Required when Replaced) (SN 0300068000 through 0300077489)	
7	1600375	1	Controller, Module (Re-calibration Required when Replaced) (SN 0300077490 through 0300087000)	
8	1670829	1	Bezel	
9	1704260	1	Decal - EMS	
10	2560136	1	Handle, Knob	
11	2760105	1	Housing, Display Light	
12	3311405	11	Locknut 1/4in-20NC	
13	3311605	4	Locknut 3/8in-16NC	
14		Ref	Plug, Hole 1/2in Options:	
14	3520028	6	Plug, Hole 1/2in (SN 0300068000 through 0300077482)	
14	3520054	6	Plug, Hole 1/2in (SN 0300077483 through 0300087000)	
15	See Note	1	Footswitch Assembly (Note: See Items 101-107 for Breakdown)	
16	4360328	4	Switch, Toggle	
17	4360331	1	Switch, Toggle	
18	4360387	1	Switch, Pushbutton	
19	4360407	1	Controller, Speed	
19	See Note	NSS	Gasket "Top Hat" (Included with Switch) (Note: Not Available - Purchase Complete Controller)	
19	70003784	1	Seal	
20	4360475	1	Switch, Emergency Stop	
20	7020175	1	Cap, Red	
20	7020176	1	Contact Block	
21	4360476	1	Block, Contact	
22	4460428	2	Connector, Strain Relief	
23	4460471	1	Lockwasher, Terminal	
24	4460470	1	Nut, Terminal	
25	4751600	4	Flatwasher 3/8in Regular	
26	4740362	AR	Flatwasher 1/4in Fender	
28	0641404	8	Bolt 1/4in-20NC x 1/2in	
29		Ref	Bolt Options:	

SECTION 4 - PLATFORM

ITEM	PART NUMBER	QTY	DESCRIPTION	REV
29	0641416	4	Bolt 1/4in-20NC x 2in (SN 0300068000 through 0300077489)	
29	0641414	4	Bolt 1/4in-20NC x 1-3/4in (SN 0300077490 through 0300087000)	
30	1600317	NLA	Controller Assembly (Lift and Swing) (See CONTROLLER ASSEMBLY (LIFT AND SWING) for Breakdown) (Use p/n 1001129555)	
31	1600318	NLA	Controller Assembly (Drive and Steer) (See CONTROLLER ASSEMBLY (DRIVE AND STEER) for Breakdown) (Use p/n 1001212415)	
32		Ref	Decal (Stop) Options:	
32	1702564	1	Decal (Stop) (SN 0300068000 through 0300072391)	
32	1704997	1	Decal (Stop) (SN 0300072392 through 0300087000)	
33	1702565	1	Decal (Drive and Steer)	
34	1702566	1	Decal (Lift and Swing)	
35	1702567	1	Decal (Function Speed)	
36	1702676	1	Decal (Horn)	
38	4340678	1	Support, Hand	
39	4340684	1	Support, Hand	
40	4751400	AR	Flatwasher 1/4in Regular	
41	4922666	1	Harness, Analyzer Cable (Not Shown)	
41	4460871	4	Terminal, Socket	
41	4460761	1	Housing - 4 Position	
41	4460227	4	Pin	
42	4922639	1	Harness, Platform Box Options:	
43	1060918	7 ft/2.1m	Cable, 18/3	
44	2920129	12	Bulb, Light	
45	4460071	1	Connector, Strain Relief	
46	3790012	5	O-Ring	
49	4460464	1	Terminal, Deutsch	
50		Ref	Terminal, Socket	
50	See Note	NSS	Terminal, Socket (Note: See Item 6 Note) (SN 0300068000 through 0300068964)	
50	4460226	2	Terminal, Socket (SN 0300068965 through 0300087000)	
51	0100009	AR	Sealant	
52	0100020	AR	Loctite #567	
53	4460488	1	Terminal, Mounting Base	
54	4460234	AR	Wire Tie (Not Shown)	
56	0641404	4	Bolt 1/4in-20NC x 1/2in	
57	0902751	4	Bracket, Card Support	
58	4460905	5	Connector, Amp Seal Plug	
59	0100048	AR	Grease, Dielectric	
60	4460226	2	Socket, Female (Not Shown - Used with Footswitch) (See ELECTRICAL SECTION for Location)	
61	4460708	2	Connector, Female - 15 Position (Not Shown - See ELECTRICAL SECTION for Location)	
62	4460905	5	Seal, Plug (Not Shown - Used with Footswitch) (See ELECTRICAL SECTION for Location)	
63	1671037	1	Cover	
64	1705132	1	Decal - ADE	
65	3300353	4	Nut, Tinnerman	
66	0100081	AR	Loctite #454	
67	0721008	1	Bolt #10-24NC x 1 (SN 0300071160 through 0300087000)	
68	3311001	1	Nut #10-24NC (SN 0300071160 through 0300087000)	

SECTION 4 - PLATFORM

ITEM	PART NUMBER	QTY	DESCRIPTION	REV
69	4460007	1	Bar, Buss (SN 0300071160 through 0300087000)	
	0272970	Ref	FOOT SWITCH ASSEMBLY (Includes Items 102 & 105)	A
		Ref	Note: Assembly p/n 0272970 may use either p/n 4360031 or p/n 1001117320. If Original Equipment was replaced as an "assembly," p/n 1001117320 may have been used as part of the Service Replacement. Identify component before ordering parts.	
101	0100020	AR	Pipe Sealant	
102	1060918	7 ft/2.1m	Cable, 18/3	
103		Ref	Footswitch Less Cable Options:	
103	4360031	1	Original Equipment	
103	1001117320	1	Service Replacement	
103		Ref	Block, Contact Options (see Note Above):	
103	7000625	2	Contact Block for 4360031 Footswitch	
103	70003483	1	Contact Block for 1001117320 Footswitch	
105	4460071	1	Connector, Strain Relief	
106	4460226	2	Socket, Female (Not Shown - Used with Footswitch) (See ELECTRICAL SECTION for Location)	
107	4460464	1	Terminal, Deutsch	
	0861414	Ref	CONSOLE BOX ASSEMBLY (Note: See Note Under Item 6 for Usage.)	C
201	0100011	AR	Compound, Locking	
202	See Note	NLA	Console Top (Note: Not Available - Purchase Complete Console Box Assembly)	
203	See Note	NLA	Console Bottom (Note: Not Available - Purchase Complete Console Box Assembly)	
204	2600211	2	Hinge	
205	3311601	1	Nut 3/8in-16NC	
206	3900224	8	Screw Countersunk	
207	3931672	1	Screw 3/8in-16NC x 4-1/2in	
208	3520174	3	Plug, Hole 3/16 (Not Shown) (Located on back of console box)	
	0861537	Ref	CONSOLE BOX ASSEMBLY (Note: See Note Under Item 6 for Usage.)	C
251	See Note	NLA	Console Top (Note: Not Available - Purchase Complete Console Box Assembly)	
252	See Note	NLA	Console Bottom (Note: Not Available - Purchase Complete Console Box Assembly)	
253	3311601	1	Nut 3/8in-16NC	
254	3450304	NLA	Pin, Cotter (Use p/n 3420156)	
255	0630568	1	Screw 3/8in-16NC x 4-1/2in	
256	4711500	2	Flatwasher 5/16 Thin	
		Ref	LIGHT PANEL DECAL INSTALLATION	
	0256632	Ref	Euro Spec	-
	0256633	Ref	Australian Spec	-
301		Ref	Decal - Display Options:	
301	1703084	1	Euro Spec	
301	1703085	1	Australian Spec	
	0271552	Ref	HEAD AND TAIL LIGHTS INSTALLATIONS (OPTIONAL)	2
401	4360336	1	Switch, Toggle	
401	3790012	1	O-Ring	
	0274210	Ref	CHASSIS ILLUMINATION LIGHT INSTALLATION	1-A
451	4360336	1	Switch, Toggle	
451	3790012	1	O-Ring	
		Ref	SOFT TOUCH SYSTEM INSTALLATION (OPTIONAL)	

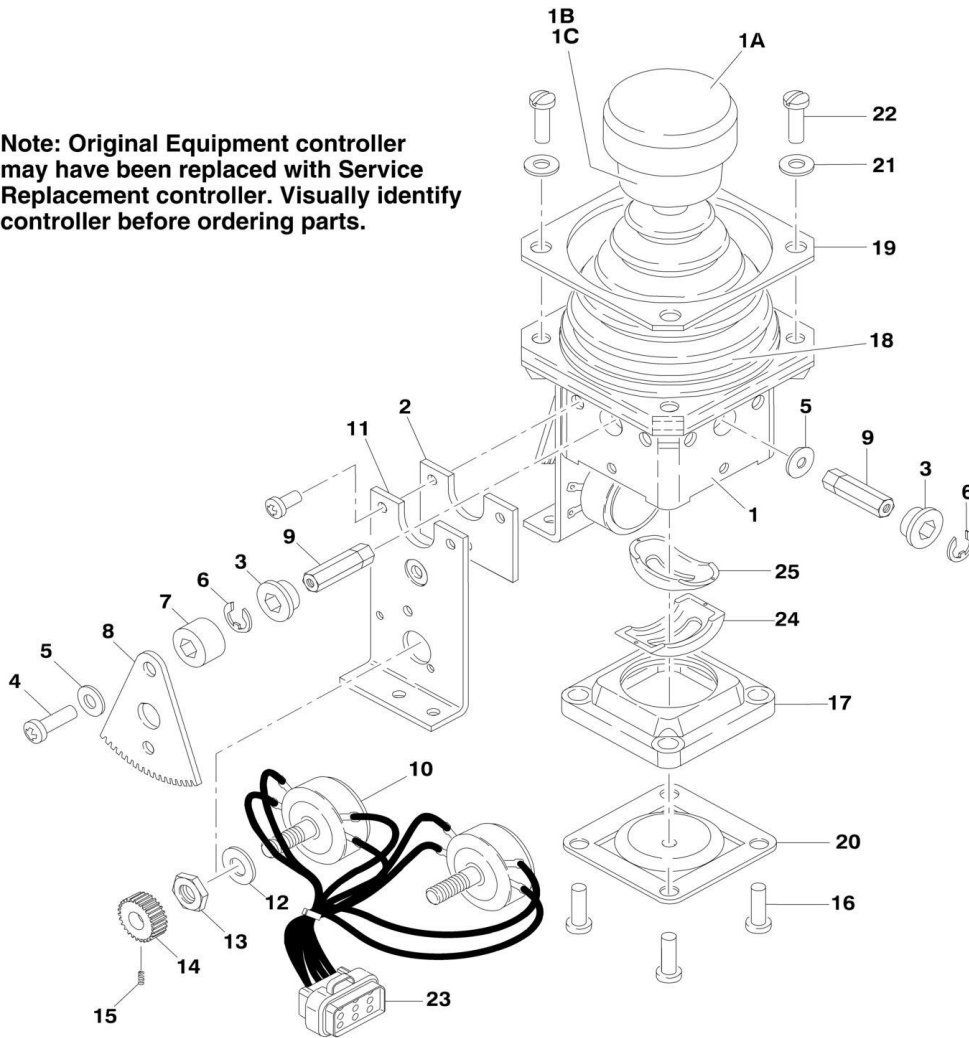
SECTION 4 - PLATFORM

ITEM	PART NUMBER	QTY	DESCRIPTION	REV
	0273824	Ref	6ft Platform	A
	0272427	Ref	8ft Platform	C
501	4360387	1	Switch, Pushbutton	
502	1702938	1	Decal - Soft Touch Override	
		Ref	GENERATOR INSTALLATION (CE Spec) (OPTIONAL)	
	0272482	Ref	110V Deutz	2
	0272481	Ref	220V Deutz	2
601	4360336	1	Switch, Toggle	
602	4740397	1	Bushing	
603	4060802	1	Guard, Switch	
604	3251102	1	Decal - Generator ON/OFF	
		Ref	GENERATOR INSTALLATION (OPTIONAL)	
	0273045	Ref	110V 50Hz (UK Spec)	1
	0273085	Ref	110V 50Hz (German Spec)	1
651	4360336	1	Switch, Toggle	
652	1705728	1	Decal - Generator ON/OFF	
		Ref	PLATFORM WORKLIGHT INSTALLATION (OPTIONAL)	
	0270814	Ref	Platform Worklight Installation (Optional) (SN 0300068000 through 0300074440)	3-E
	0273486	Ref	Platform Worklight Installation (Optional) 600S (SN 0300074441 through 0300087000)	C
	0273490	Ref	Platform Worklight Installation (Optional) 600SJ (SN 0300074441 through 0300087000)	C
	0273491	Ref	Platform Worklight Installation (Optional) 660SJ (SN 0300074441 through 0300087000)	C
701	4360232	1	Breaker, Circuit - 15Amp (SN 0300068000 through 0300074441)	
702	0721003	2	Bolt #10-24NC x 3/8in (SN 0300068000 through 0300074441)	
703	4761000	4	Lockwasher #10 (SN 0300068000 through 0300074441)	
704	3311001	2	Nut #10-24NC (SN 0300068000 through 0300074441)	
705		Ref	Connector, Strain Relief Options:	
705	4460598	1	Connector, Strain Relief (SN 0300068000 through 0300074420)	
705	4460426	1	Connector, Strain Relief (SN 0300074421 through 0300087000)	
		Ref	4WS COMPONENTS INSTALLATION	
801	4360331	1	Switch, Toggle	
801	3790012	1	O-Ring	
		Ref	JIB SWITCH INSTALLATION (600SJ & 660SJ ONLY)	
901	4360328	1	Switch, Toggle	
901	3790012	1	O-Ring	

SECTION 4 - PLATFORM

FIGURE 4-6. CONTROLLER ASSEMBLY (LIFT AND SWING) (ORIGINAL EQUIPMENT)

Note: Original Equipment controller may have been replaced with Service Replacement controller. Visually identify controller before ordering parts.



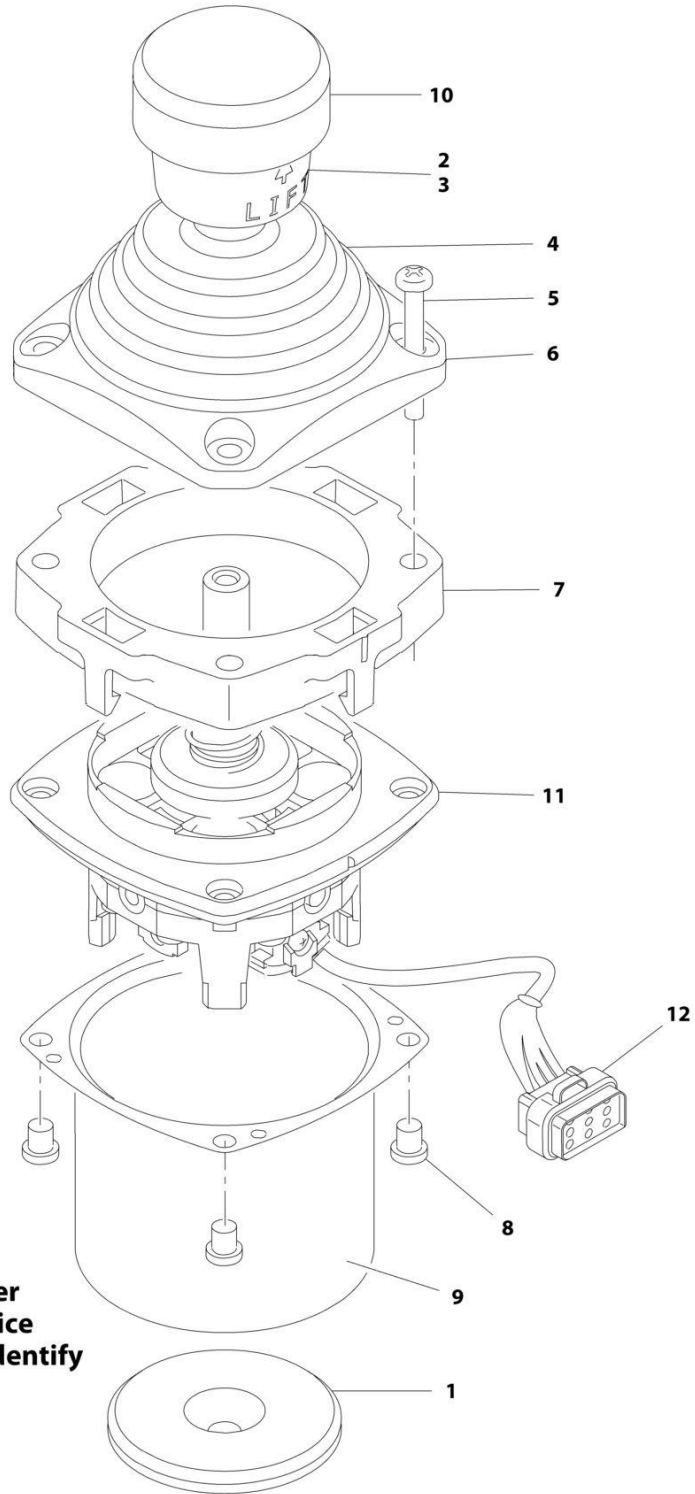
SECTION 4 - PLATFORM

FIGURE 4-6. CONTROLLER ASSEMBLY (LIFT AND SWING) (ORIGINAL EQUIPMENT)

ITEM	PART NUMBER	QTY	DESCRIPTION	REV
		Ref	Note: Original Equipment controller may have been replaced with Service Replacement controller. Visually identify controller before ordering parts.	
	1600317	Ref	CONTROLLER ASSEMBLY (ORIGINAL EQUIPMENT)	B
		Ref	Note: Use p/n 1001129555 Kit as replacement.	
1	7019141	1	Mechanical Assembly (Includes Base, Handle Stem and Items 1A, 1B, 1C & 18)	
1A	7019197	1	Handle Cap and Rod	
1B	7003928	1	Spring	
1C	7022808	1	Cap, Lift	
2	7019171	2	Plate	
3	7019111	4	Bearing, Gear	
4	7019143	2	Screw	
5	7019144	2	Spacer, Cam	
6	7019145	4	E-Clip	
7	7019174	2	Spacer	
8	7003977	2	Gear, Drive	
9		Ref	Shaft Options:	
9	7019147	2	Shaft, Short	
9	7019177	2	Shaft, Long	
10	7022818	2	Potentiometer	
11	7019142	2	Plate	
12	7003992	2	Washer	
13	7003993	2	Nut	
14	7003976	2	Gear, Slave	
15	7019149	2	Setscrew	
16	7022816	4	Screw	
17	7019150	1	Gate	
18	7022814	1	Boot	
19	7022815	1	Bezel	
20	See Note	NSS	Center, Detent (Note: Use p/n 1001129555)	
21	7003953	4	Washer	
22	7022817	4	Screw	
23	7022819	1	Plug, Male 8 Position (Natural)	
23	4460871	8	Socket, Female	
24	7019122	1	Gimble, Outer	
25	7019123	1	Gimble, Inner	

SECTION 4 - PLATFORM

FIGURE 4-7. CONTROLLER ASSEMBLY (LIFT AND SWING) (SERVICE REPLACEMENT)



Note: Original Equipment controller may have been replaced with Service Replacement controller. Visually identify controller before ordering parts.

ART_1001118417

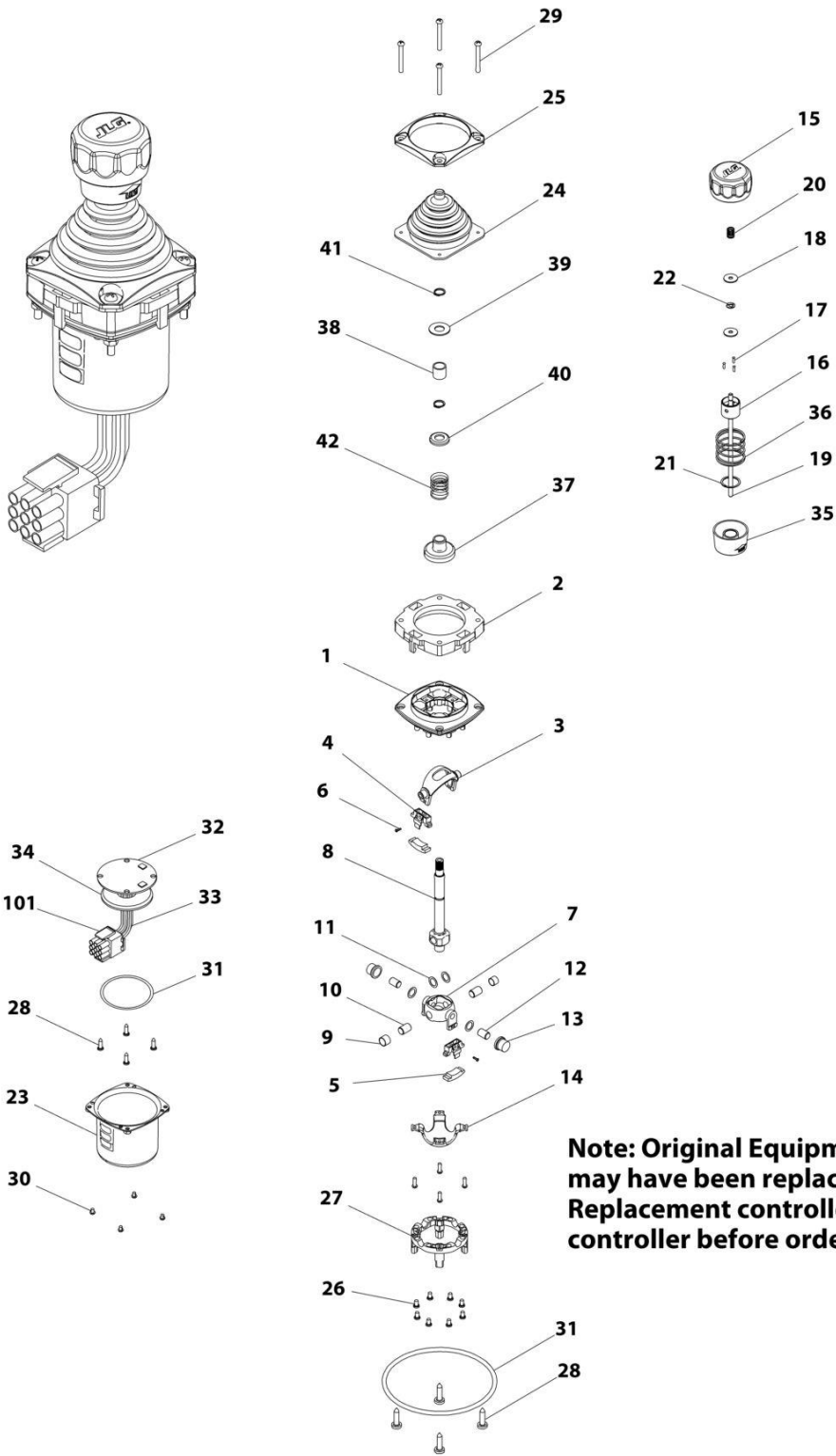
SECTION 4 - PLATFORM

FIGURE 4-7. CONTROLLER ASSEMBLY (LIFT AND SWING) (SERVICE REPLACEMENT)

ITEM	PART NUMBER	QTY	DESCRIPTION	REV
		Ref	Note: Original Equipment controller may have been replaced with Service Replacement controller. Visually identify controller before ordering parts.	
	1001118417	Ref	CONTROLLER ASSEMBLY (LIFT AND SWING) (SERVICE REPLACEMENT)	A
		Ref	Note: Use p/n 1001129555 as Replacement.	
1	70002730	1	Gasket	
2	7003928	1	Spring	
3	7022808	1	Cap, Lift	
4	70002731	1	Boot	
5	70002732	4	Screw	
6	7022815	1	Bezel	
7	70002733	1	Adapter	
8	70002734	4	Screw	
9	70002735	1	Can, Enclosure	
10	70002906	1	Cap	
11	See Note	NSS	Mechanical Assembly (Note: Use p/n 1001129555)	
12	7022819	1	Connector - 8 Position	
12	4460871	6	Socket, Female	

SECTION 4 - PLATFORM

FIGURE 4-8. CONTROLLER ASSEMBLY (LIFT AND SWING) (SERVICE REPLACEMENT)



Note: Original Equipment controller may have been replaced with Service Replacement controller. Visually identify controller before ordering parts.

ART_1001166539

SECTION 4 - PLATFORM

FIGURE 4-8. CONTROLLER ASSEMBLY (LIFT AND SWING) (SERVICE REPLACEMENT)

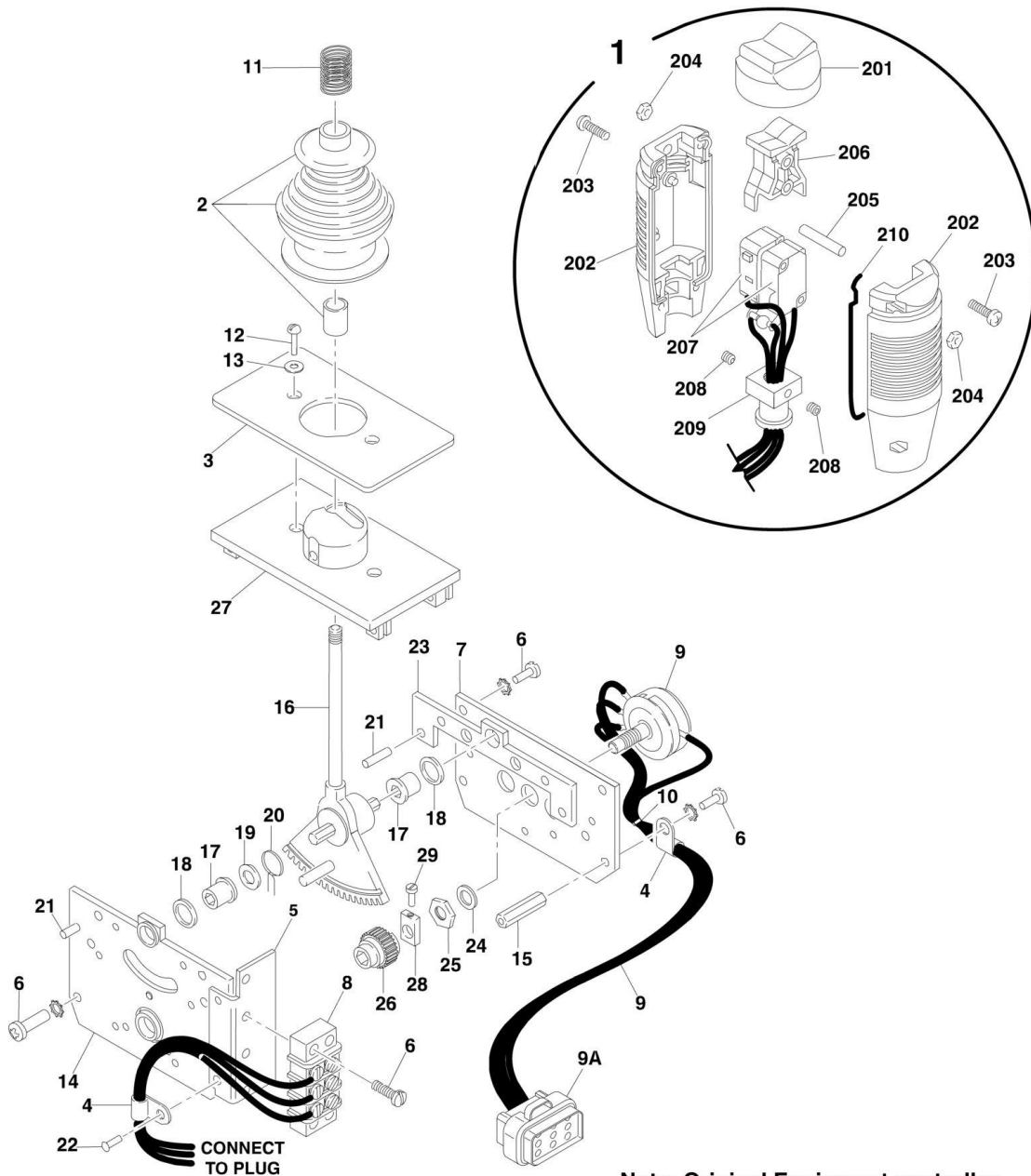
ITEM	PART NUMBER	QTY	DESCRIPTION	REV
		Ref	Note: Original Equipment controller may have been replaced with Service Replacement controller. Visually identify controller before ordering parts.	
	1001166539	Ref	CONTROLLER ASSEMBLY (LIFT AND SWING) (SERVICE REPLACEMENT)	A
		Ref	Note: Use p/n 1001129555 as Replacement.	
1	See Note	1	Main Cast Body (Note: Not Available - Purchase Complete Assembly)	
2	70004752	1	Adapter	
3	See Note	NSS	Pivot Arm, Plastic (Note: Not Available - Purchase Complete Assembly)	
4	See Note	NSS	Holder, Magnet (Note: Not Available - Purchase Complete Assembly)	
5	See Note	NSS	Arc, Magnet (Note: Not Available - Purchase Complete Assembly)	
6	See Note	NSS	Screw (Note: Not Available for Purchase)	
7	See Note	NSS	Pivot Arm, Cast (Note: Not Available - Purchase Complete Assembly)	
8	See Note	NSS	Shaft, Main (Note: Not Available - Purchase Complete Assembly)	
9	See Note	NSS	Bearing (Note: Not Available - Purchase Complete Assembly)	
10	See Note	NSS	Pin (Note: Not Available - Purchase Complete Assembly)	
11	See Note	NSS	Shim (Note: Not Available - Purchase Complete Assembly)	
12	See Note	NSS	Pin (Note: Not Available - Purchase Complete Assembly)	
13	See Note	NSS	Bearing (Note: Not Available - Purchase Complete Assembly)	
14	See Note	NSS	Dome, Centering (Note: Not Available - Purchase Complete Assembly)	
15	70004753	1	Cap	
16	70004754	1	Insert, Cap	
17	70004755	3	Pin	
18	70004756	2	Washer	
19	70004757	1	Pin, Centering	
20	70004758	1	Spring	
21	70004759	1	Ring, Retaining	
22	70004760	1	E-Ring	
23	70004761	1	Can, Enclosure	
24	70004762	1	Boot	
25	70004763	1	Bezel	
26	See Note	NSS	Screw (Note: Not Available for Purchase)	
27	See Note	NSS	Base Mounting (Note: Not Available - Purchase Complete Assembly)	
28	See Note	NSS	Screw (Note: Not Available for Purchase)	
29	70004764	4	Screw	
30	70004765	4	Screw	
31	70004766	1	O-Ring	
32	See Note	NSS	Plate (Note: Not Available - Purchase Complete Assembly)	
33	See Note	NSS	Harness (Note: Not Available - Purchase Complete Assembly)	
34	70004767	1	Grommet, Rubber	
35	70004768	1	Housing	
36	70004769	1	Spring	
37	70004770	1	Stopper	
38	70004771	1	Spacer	
39	70004772	1	Washer	

SECTION 4 - PLATFORM

ITEM	PART NUMBER	QTY	DESCRIPTION	REV
40	70004773	1	Disc	
41	70004774	2	Ring, Retaining	
42	70004775	1	Spring	
101	4460265	1	Connector - 9 Position	
101	4460266	6	Socket, Female	

SECTION 4 - PLATFORM

FIGURE 4-9. CONTROLLER ASSEMBLY (DRIVE AND STEER) (ORIGINAL EQUIPMENT)



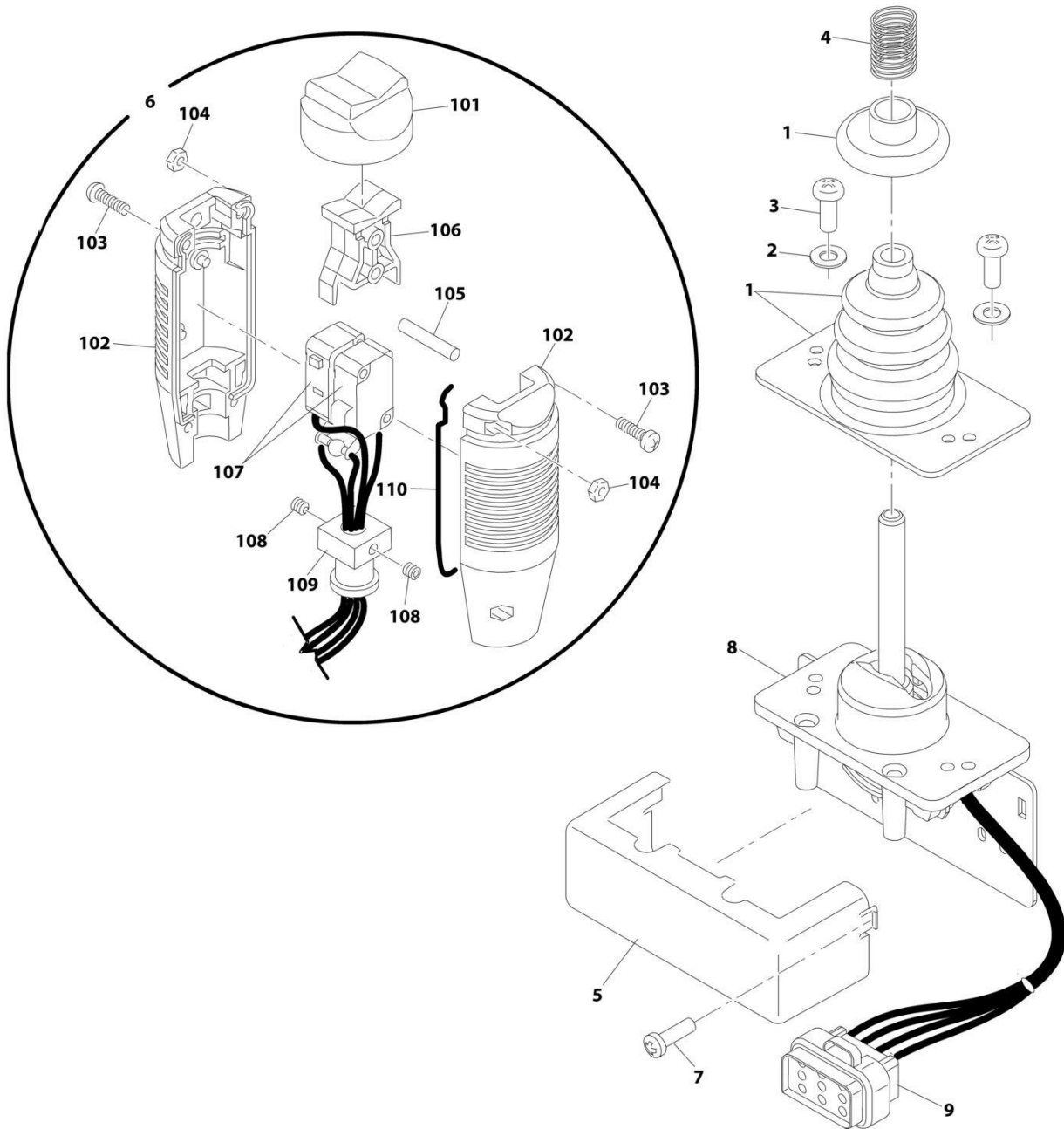
SECTION 4 - PLATFORM

FIGURE 4-9. CONTROLLER ASSEMBLY (DRIVE AND STEER) (ORIGINAL EQUIPMENT)

ITEM	PART NUMBER	QTY	DESCRIPTION	REV
		Ref	Note: Original Equipment controller may have been replaced with Service Replacement controller. Visually identify controller before ordering parts.	
	1600318	Ref	CONTROLLER ASSEMBLY (ORIGINAL EQUIPMENT)	C
		Ref	Note: Use p/n 1001212415 as Replacement.	
1	7022812	1	Handle Assembly (See Items 201-210 for Breakdown)	
2	7019161	1	Boot and Sleeve	
3	7003933	1	Gasket	
4	7019154	2	Clamp, Wire	
5	7022823	1	Bracket, Mounting	
6	7003994	1	Screw	
7	7022822	1	Plate, Pot Mounting	
8	7003986	1	Strip, Terminal - 3 Position	
9	7022824	1	Electric Assembly	
9A	1001113961	1	Plug, Male - 8 Position (Black) (was p/n 7022825)	
9A	4460871	7	Socket, Female	
10	7019151	AR	Tie-Strap	
11	7019162	1	Spring	
12	7003969	2	Screw	
13	7003941	2	Washer	
14	See Note	NSS	Plate, Mounting (Left Side) (Note: Use p/n 1001166538)	
15	7019115	2	Stand-Off	
16	7019155	1	Shaft 8mm	
17	7019111	2	Bearing	
18	7019110	2	Spacer, Head Gear	
19	7019112	1	Washer	
20	7003946	1	Spring, Return	
21	7019103	4	Pin	
22	See Note	1	Rivet (Note: Not Available - Purchase Locally)	
23	7019168	1	Plate, Mounting (Right Side)	
24	7003992	1	Washer	
25	7003993	1	Nut	
26	7003935	1	Gear, Slave	
27	7019160	1	Plate, Base	
28	7019114	1	Coupling, Potentiometer	
29	See Note	1	Screw, Cup Point (Note: Not Available - Purchase Locally)	
	7022812	Ref	HANDLE ASSEMBLY	
201	7003972	1	Boot, Switch	
202	7003973	2	Half, Handle	
203	7003980	4	Screw	
204	7019167	4	Nut	
205	7019164	1	Axle	
206	7019165	1	Rocker	
207	7019196	1	Wiring Assembly	
207	7019166	2	Switch, Micro	
208	7003983	2	Setscrew	
209	7019194	1	Coupling	
210	7003989	2	Gasket	

SECTION 4 - PLATFORM

FIGURE 4-10. CONTROLLER ASSEMBLY (DRIVE AND STEER) (SERVICE REPLACEMENT)



Note: Original Equipment controller may have been replaced with Service Replacement controller. Visually identify controller before ordering parts.

ART_100118416

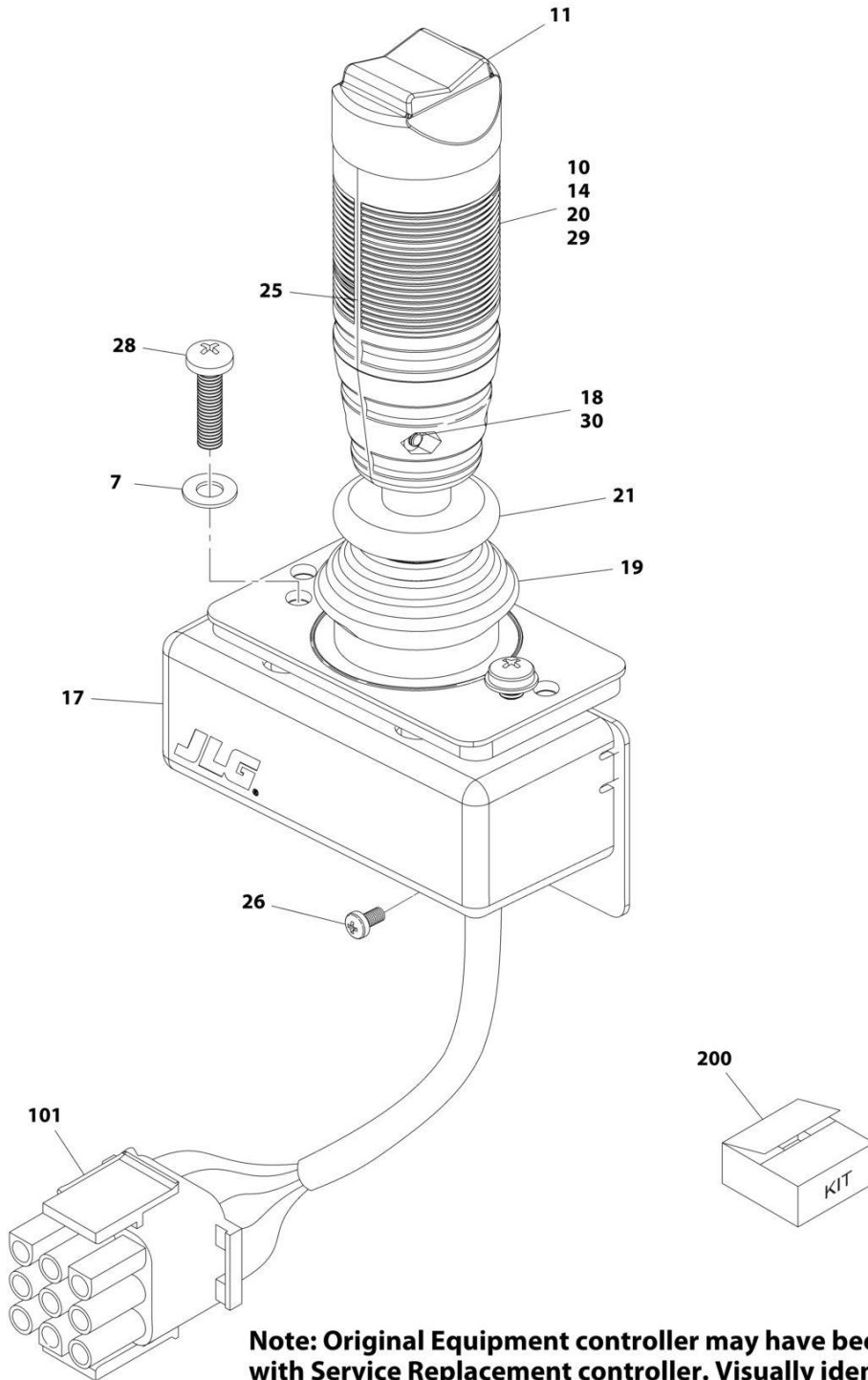
SECTION 4 - PLATFORM

FIGURE 4-10. CONTROLLER ASSEMBLY (DRIVE AND STEER) (SERVICE REPLACEMENT)

ITEM	PART NUMBER	QTY	DESCRIPTION	REV
		Ref	Note: Original Equipment controller may have been replaced with Service Replacement controller. Visually identify controller before ordering parts.	
	1001118416	Ref	CONTROLLER ASSEMBLY (DRIVE AND STEER) (SERVICE REPLACEMENT)	A
		Ref	Note: Use p/n 1001212415 as Replacement.	
1	70002724	1	Boot and Control Lock Assembly	
2	7003941	2	Washer	
3	70002725	2	Screw	
4	7019162	1	Spring	
5	70002726	1	Enclosure	
6	70002727	1	Handle Assembly (See Items 101-110 for Breakdown)	
7	70002728	1	Screw	
8	See Note	NSS	Mechanical Assembly (Note: Use p/n 1001166538)	
9	1001113961	1	Plug, Male - 8 Position (Black) (was p/n 7022825)	
9	4460871	7	Socket, Female	
	70002727	Ref	HANDLE ASSEMBLY	
101	7003972	1	Boot, Switch	
102	7003973	2	Half, Handle	
103	7003980	4	Screw	
104	7019167	4	Nut	
105	7019164	1	Axle	
106	7019165	1	Rocker	
107	70002729	1	Wiring Assembly	
107	70003982	2	Switch, Micro	
108	7003983	2	Setscrew	
109	7019194	1	Coupling	
110	7003989	2	Gasket	

SECTION 4 - PLATFORM

FIGURE 4-11. CONTROLL ASSEMBLY (DRIVE AND STEER) (SERVICE REPLACEMENT)



ART_1001166538

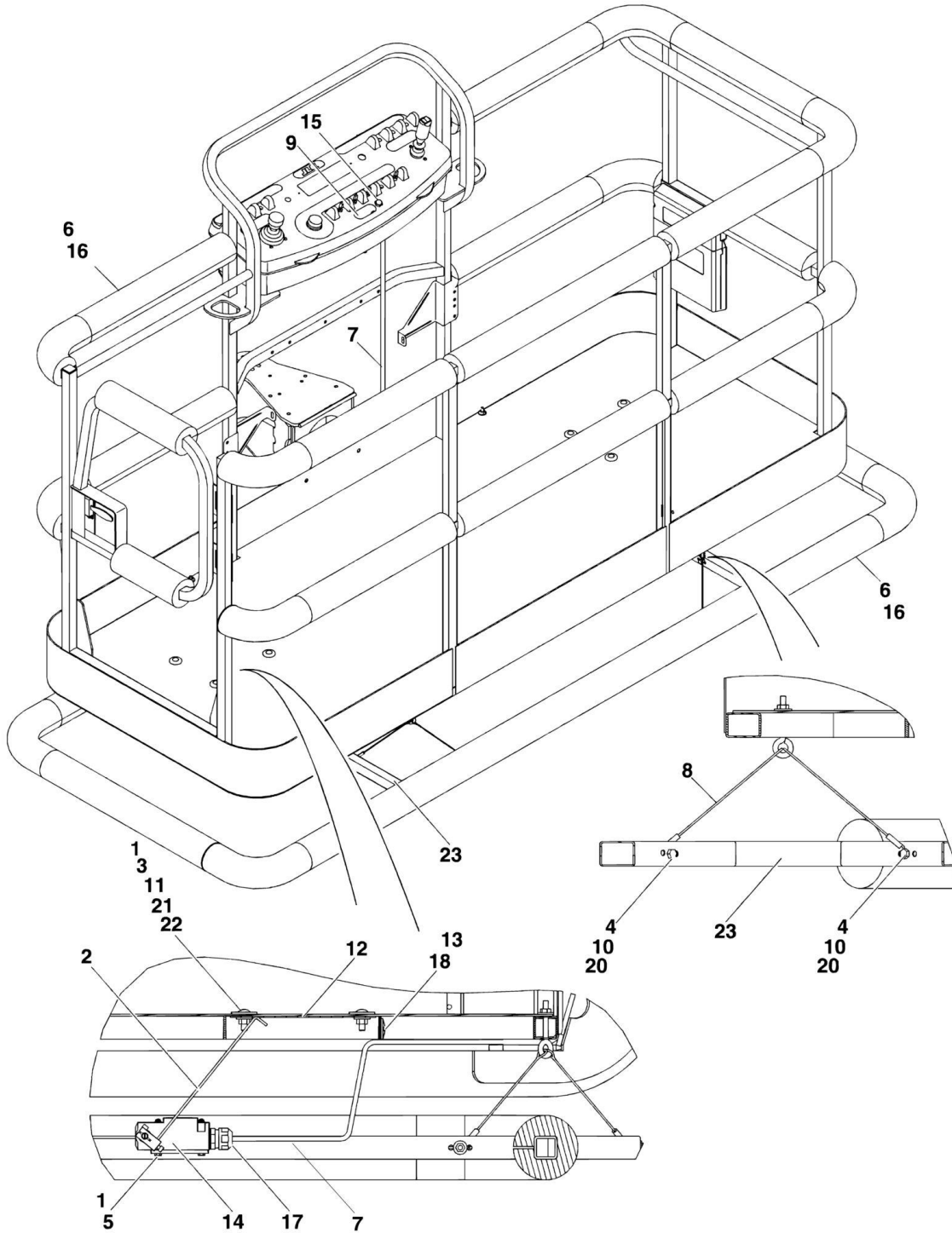
SECTION 4 - PLATFORM

FIGURE 4-11. CONTROLL ASSEMBLY (DRIVE AND STEER) (SERVICE REPLACEMENT)

ITEM	PART NUMBER	QTY	DESCRIPTION	REV
		Ref	Note: Original Equipment controller may have been replaced with Service Replacement controller. Visually identify controller before ordering parts.	
	1001166538	Ref	CONTROLLER ASSEMBLY (DRIVE AND STEER) (SERVICE REPLACEMENT)	A
		Ref	Note: Use p/n 1001212415 as Replacement.	
7	70004738	2	Washer	
10	70004739	1	Roller	
11	70004740	1	Boot, Switch	
14	70004741	2	Half, Handle	
17	70004742	1	Enclosure	
18	70004743	4	Nut	
19	70004744	NLA	Boot, Controller (Note: Use Item 200)	
20	70004745	NLA	Tube, Locking (Note: Use Item 200)	
21	70004746	NLA	Disc, Locking (Note: Use Item 200)	
25	70004747	2	Seal, Rope	
26	70004748	1	Screw, M3 x 6	
28	70004749	2	Screw, M5 x 20	
29	70004750	1	Pin, Dowel	
30	70004751	4	Screw, M3 x 16	
101	4460265	1	Connector - 9 Position	
101	4460266	7	Socket, Female	
200	70005230	1	Boot Kit (Includes Items 19-21)	

SECTION 4 - PLATFORM

FIGURE 4-12. SOFT TOUCH SYSTEM INSTALLATION (OPTIONAL)



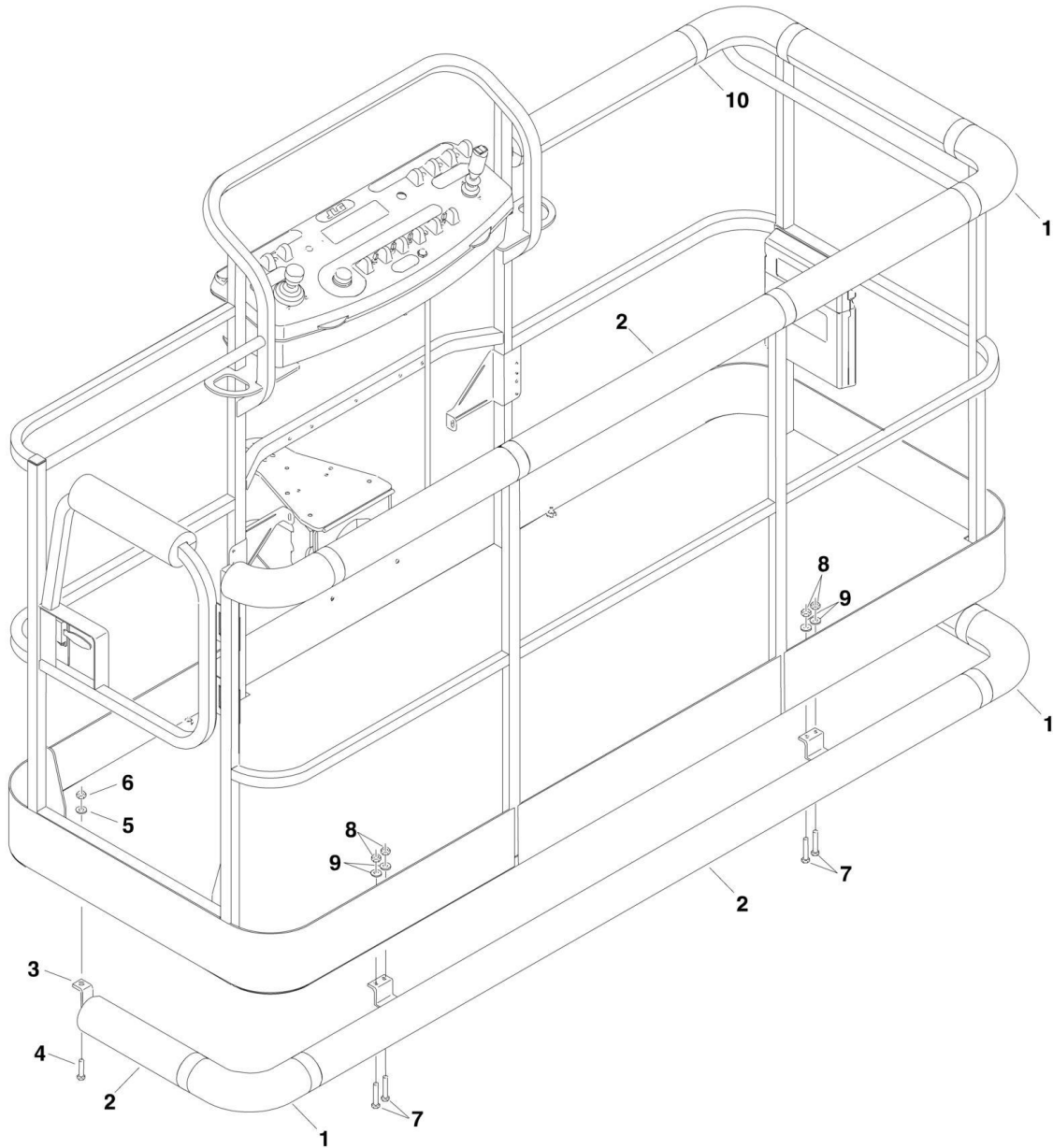
SECTION 4 - PLATFORM

FIGURE 4-12. SOFT TOUCH SYSTEM INSTALLATION (OPTIONAL)

ITEM	PART NUMBER	QTY	DESCRIPTION	REV
		Ref	SOFT TOUCH SYSTEM INSTALLATIONS	
	0273824	Ref	6ft Platforms (Side Entry Platform)	A
	0272427	Ref	8ft Platforms (Side Entry Platform)	C
	0273706	Ref	8ft/2.4m Platforms with Fall Arrest	A
1	0100011	AR	Compound, Locking	
2	0200048	2	Arm, Switch	
3	0630462	8	Bolt, Carriage	
4	0641414	8	Bolt 1/4in-20NC x 1-3/4in	
5	0721005	4	Bolt #10-24NC x 5/8in	
6		Ref	Bumper Kits (Includes Corners and Enough Straight Material for One Platform)	
6	0940134	1	6ft Platform	
6	0940103	1	8ft Platform	
6	0940133	1	8ft/2.4m Platforms with Fall Arrest	
6	0940092	1	Bumper (Corner) Options:	
6	0940092	12	6ft/8ft Platform	
6	0940092	8	8ft/2.4m Platforms with Fall Arrest	
6	0940094	AR	Bumper (12ft Length)	
7	1060341	Ref	Cable, Electrical - 16/2 Options:	
7	1060341	22 ft/6.7m	Cable, Electrical - 16/2, 6ft Platform	
7	1060341	23 ft/7m	Cable, Electrical - 16/2, 8ft Platform	
8	1060903	4	Wire Rope and Eyebolt Assembly	
9	1702938	1	Decal - Soft Touch Override	
10	3311401	8	Nut 1/4in-20NC	
11	3311501	8	Nut 5/16in-18NC	
12		Ref	Plate, Switch Strike Options:	
12	3575359	2	6ft Platform	
12	3574091	2	8ft Platform	
13	4240099	7	Tie-Strap	
14	4360057	2	Switch, Limit	
15	4360387	1	Switch, Push Button	
16	4420068	1	Tape, Adhesive	
17	4460049	2	Connector, Strain Relief	
18	4460234	7	Tie-Strap	
19	4460425	1	Connector, Strain Relief	
20	4751400	8	Flatwasher 1/4in	
21	4751500	12	Flatwasher 5/16in	
22	4751800	8	Flatwasher 1/2in	
23		Ref	Rail, Soft Touch Options:	
23	3641569	1	6ft Platform	
23	4846673	1	8ft Platform	
100		Ref	Soft Touch Add-on Kit Options (Includes required components to add option to existing machines) (Not Shown):	
		Ref	Note: May not be available for all machines depending on existing options. Contact JLG Parts Dept before ordering.	
100	1001121592	1	Soft Touch Add-on Kit 3ft x 6ft (.9m x 1.83m) Platform	
100	1001121593	1	Soft Touch Add-on Kit 3ft x 6ft (.9m x 2.44m) Platform	

SECTION 4 - PLATFORM

FIGURE 4-13. PLATFORM PADDING INSTALLATION (OPTIONAL) (SIDE ENTRY PLATFORM)



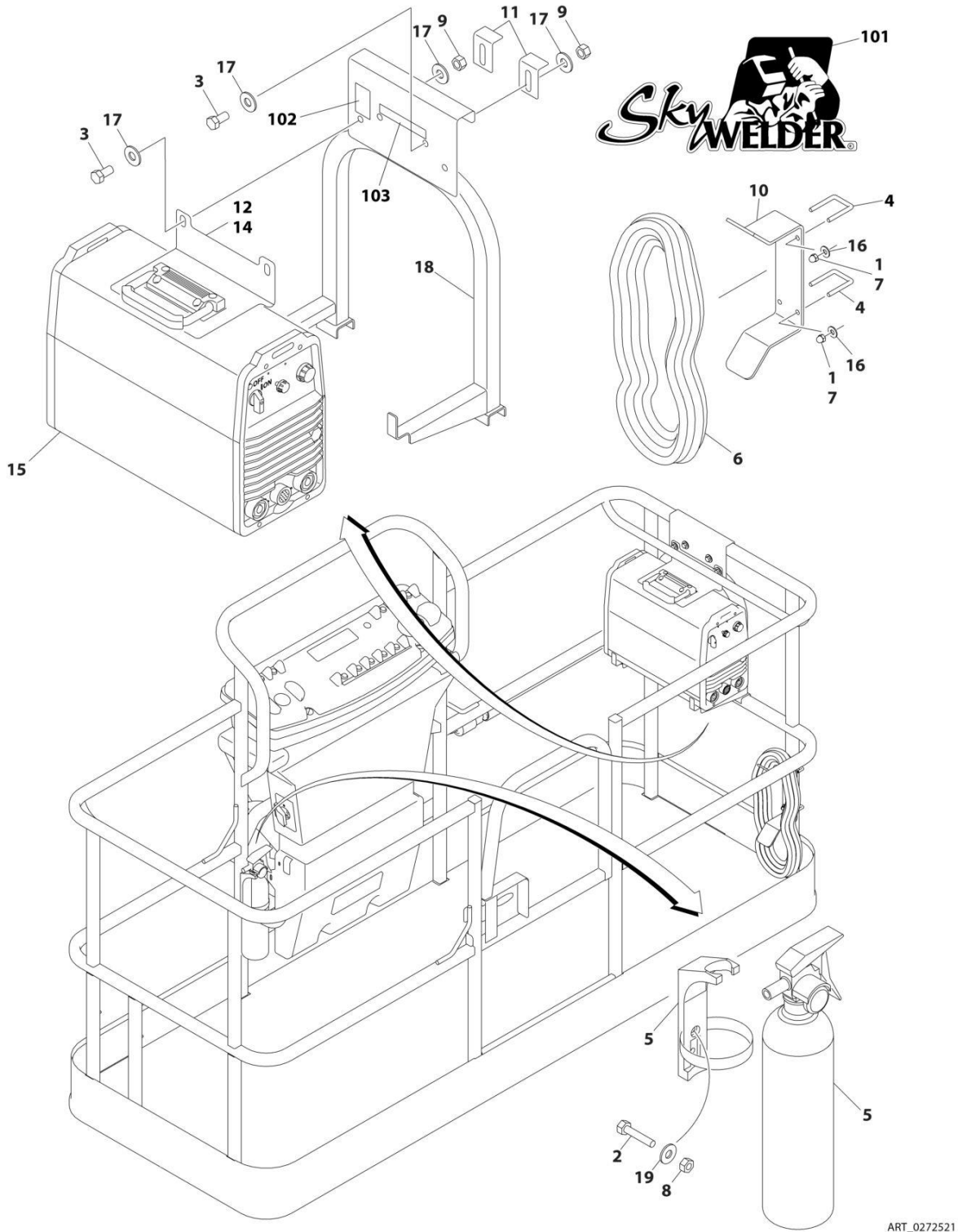
SECTION 4 - PLATFORM

FIGURE 4-13. PLATFORM PADDING INSTALLATION (OPTIONAL) (SIDE ENTRY PLATFORM)

ITEM	PART NUMBER	QTY	DESCRIPTION	REV
	0273542	Ref	PADDING INSTALLATION	A
1	0940092	4	Bumper, Pad (Corner)	
2	0940094	9 ft/2.7m	Bumper, Pad (Square Tubing)	
3	0940131	1	Bumper, Rail	
4	0641516	2	Bolt 5/16in-18NC x 2in	
5	4751500	2	Flatwasher 5/16in	
6	3311505	2	Locknut 5/16in-18NC	
7	0641813	4	Bolt 1/2in-13NC x 1-5/8in	
8	3311805	4	Locknut 1/2in-13NC	
9	4891800	4	Flatwasher 1/2in (Hardened)	
10	4420068	30 ft/9.1m	Tape	

SECTION 4 - PLATFORM

FIGURE 4-14. SKYWELDER INSTALLATION (50HZ)



ART_0272521

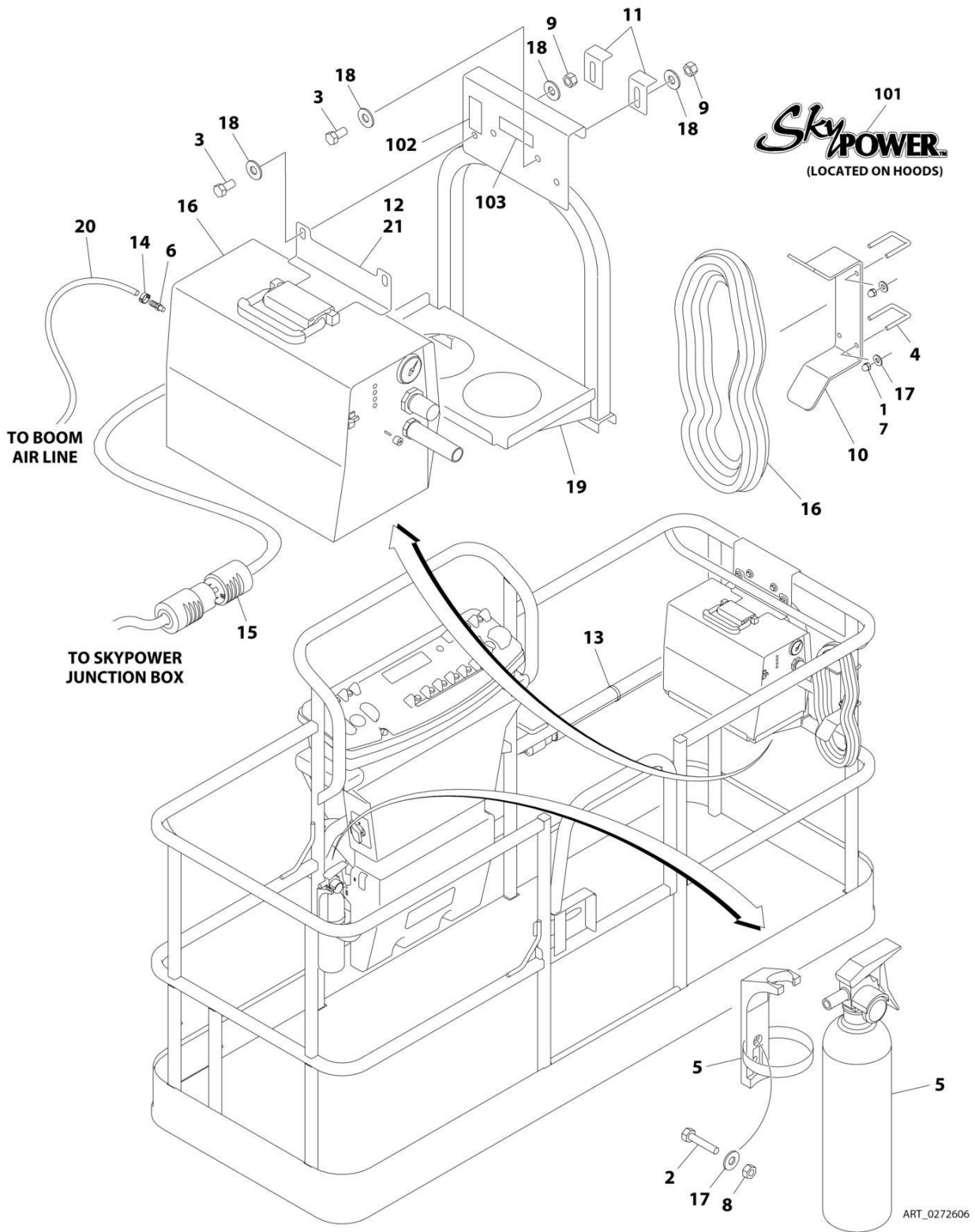
SECTION 4 - PLATFORM

FIGURE 4-14. SKYWELDER INSTALLATION (50HZ)

ITEM	PART NUMBER	QTY	DESCRIPTION	REV
	0272521	Ref	SKYWELDER INSTALLATION (50HZ)	D
1	0100011	AR	Compound, Locking	
2	0630518	2	Screw #10 x 3/4	
3	0641606	4	Bolt 3/8 x 3/4	
4	1320302	2	U-Clamp	
5	2030010	1	Extinguisher, Fire	
6	2902217	1	Weld Leads Kit	
7	3300151	4	Nut 1/4	
8	3311005	2	Nut #10	
9	3311605	4	Nut 3/8	
10	3573400	1	Bracket	
11	3577121	2	Angle	
12	3573642	1	Plate	
13	4240099	AR	Tie-Strap (Not Shown)	
14	4420037	AR	Tape	
15	4530028	1	Welder Assembly (See WELDER ASSEMBLY for Breakdown)	
16	4751400	4	Washer 1/4	
17	4751600	8	Washer 3/8	
18	4846627	1	Support	
19	4751000	2	Washer #10	
	0272588	Ref	SKYWELDER DECAL INSTALLATION	B
101	1705355	2	Decal - SkyWelder	
102	1705305	1	Decal - Weld Lead	
103	1705466	NLA	Decal - Weight (Use p/n 1001228988)	

SECTION 4 - PLATFORM

FIGURE 4-15. SKYCUTTER INSTALLATION - 50HZ POWER SUPPLY



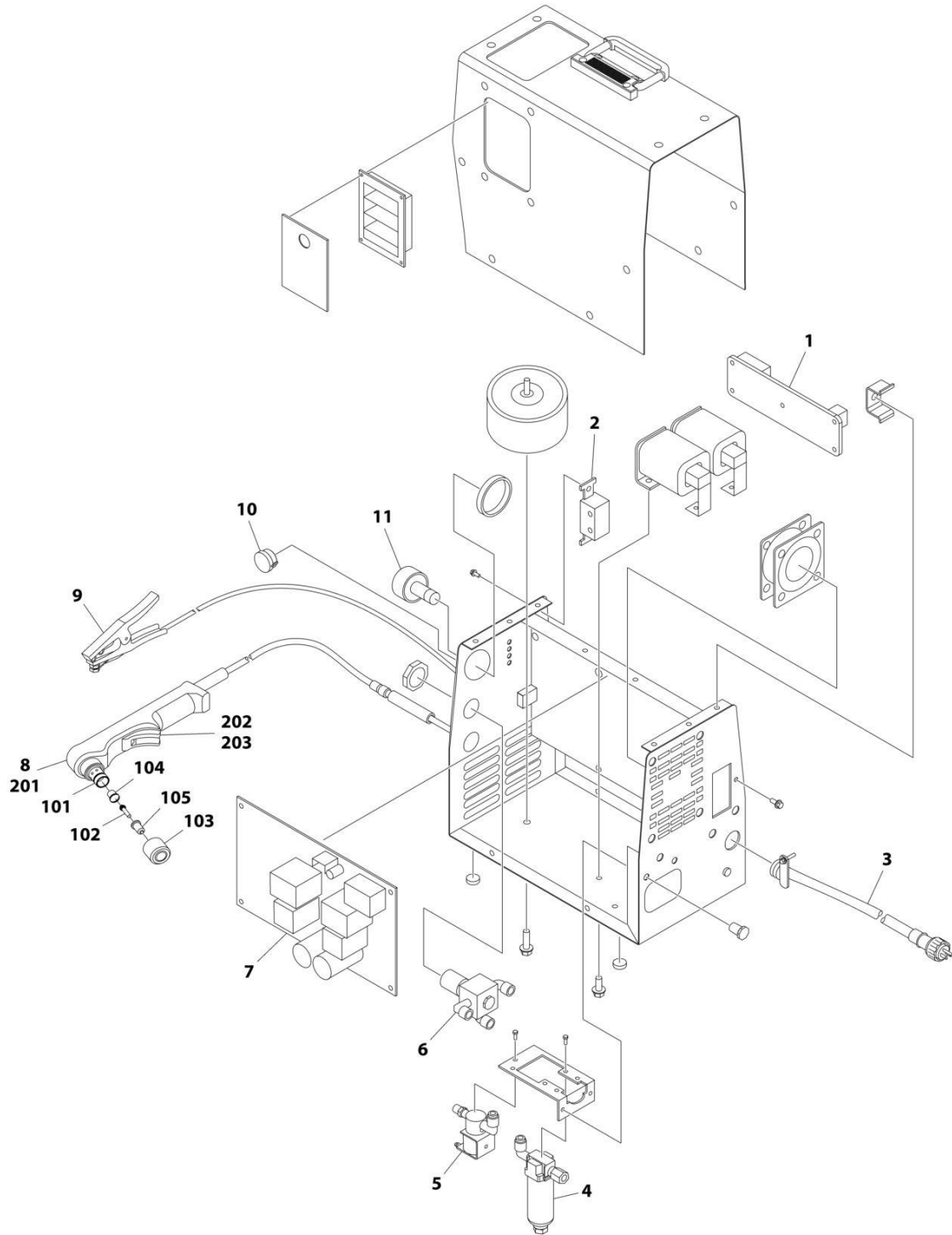
SECTION 4 - PLATFORM

FIGURE 4-15. SKYCUTTER INSTALLATION - 50HZ POWER SUPPLY

ITEM	PART NUMBER	QTY	DESCRIPTION	REV
	0272606	Ref	SKYCUTTER INSTALLATION - 50Hz Power Supply	D
		Ref	Note: When replacing platform on machines with SkyCutter option, new bracket p/n 1001145405 must be purchased to accommodate SkyCutter components.	
1	0100011	AR	Compound, Locking	
2	0641406	2	Bolt 1/4 x 3/4	
3	0641606	4	Bolt 3/8 x 3/4	
4	1320302	2	Clamp	
5	2030010	1	Extinguisher, Fire	
6	2180832	1	Fitting, NPT/Barbed	
7	3300151	4	Nut 1/4	
8	3311405	2	Nut 1/4	
9	3311605	4	Nut 3/8	
10	3573400	1	Bracket, Cable	
11	3573641	2	Plate, Clamp (Use p/n 3577121)	
12	3573643	1	Plate, Top Support	
13	4240099	AR	Tie, Wire	
14	1320177	2	Clamp, Hose	
15	4460971	1	Plug, Twistlock	
16	4530025	1	Plasma Cutter Assembly - 50Hz Power Supply (See PLASMA CUTTER ASSEMBLY for Breakdown)	
17	4751400	6	Washer 1/4	
18	4751600	8	Washer 3/8	
19	4846571	1	Support	
20	2720160	4 ft/ 1.2m	Hose	
21	4420037	AR	Tape, Insulation	
	0272607	Ref	SKYCUTTER DECAL INSTALLATION	A
101	1705490	2	Decal - SkyCutter	
102	1705305	1	Decal - Weld Lead	
103	1705466	1	Decal - Weight	

SECTION 4 - PLATFORM

FIGURE 4-16. PLASMA CUTTER ASSEMBLY - 50HZ POWER SUPPLY



ART_4530024

SECTION 4 - PLATFORM

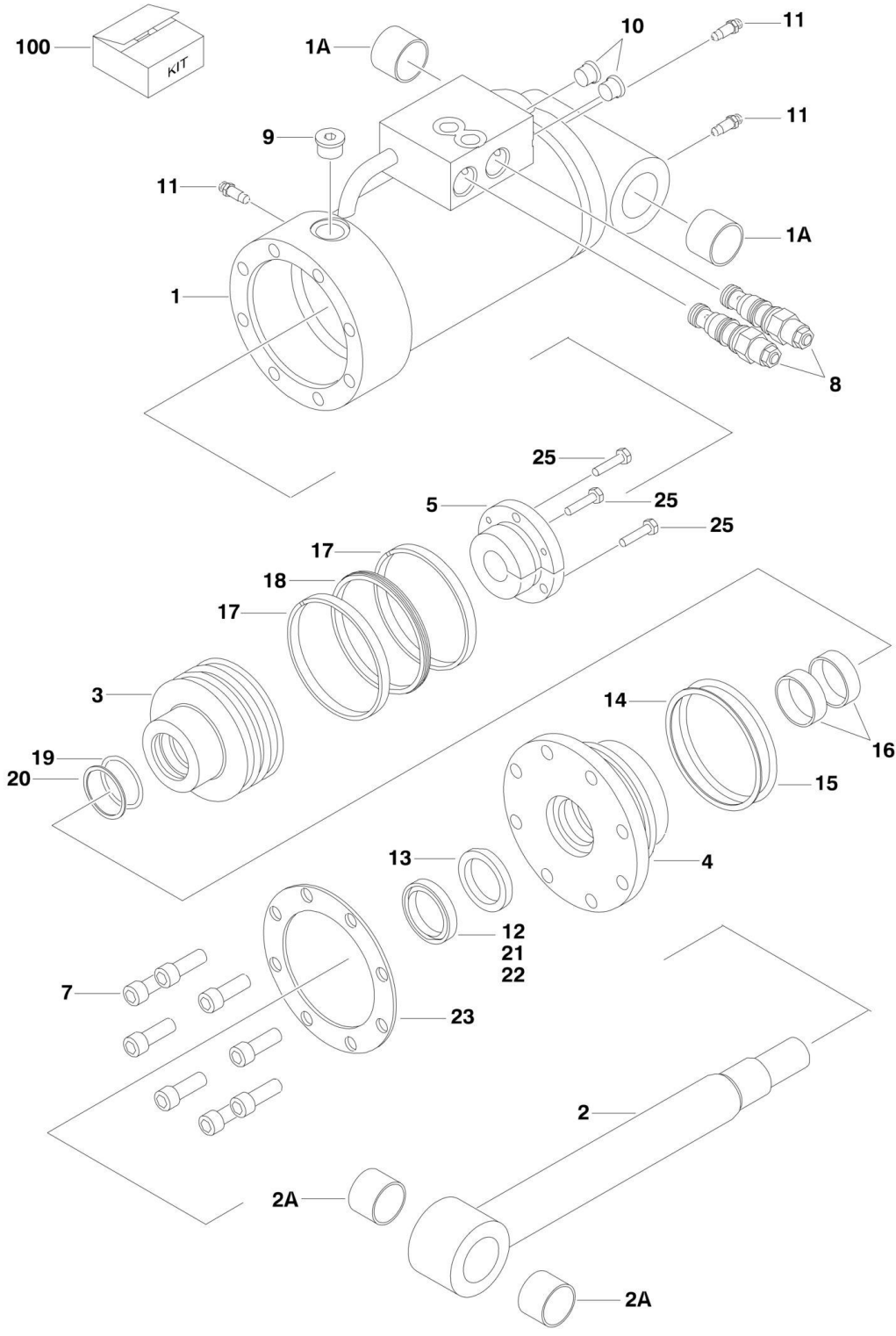
FIGURE 4-16. PLASMA CUTTER ASSEMBLY - 50HZ POWER SUPPLY

ITEM	PART NUMBER	QTY	DESCRIPTION	REV
	4530025	Ref	PLASMA CUTTER ASSEMBLY - 50Hz POWER SUPPLY	D
		Ref	Note: For other components see your Miller Dealer.	
1	7024538	1	Circuit Card	
2	7024520	1	Switch	
3	7024539	10 ft/ 3m	Cable, Power	
4	7024522	1	Filter, Air	
5	7024540	1	Valve, Air	
6	7024524	1	Regulator, Air	
7	7024541	1	Circuit Card	
8	7024526	1	Torch Assembly (See Items 101-203 for Breakdown)	
9	7024527	1	Clamp	
10	7024528	1	Knob	
11	7024529	1	Gauge, Air	
	7024526	Ref	TORCH ASSEMBLY	
101	7024530	1	O-Ring	
102	7024531	1	Electrode	
103	7024532	1	Cup, Retaining	
104	7024533	1	Swirl Ring	
105	7024534	1	Tip	
201	7024535	1	Handle, Torch	
202	7024536	1	Switch	
203	7024537	1	Trigger	

SECTION 5 - CYLINDER

SECTION 5 - CYLINDER

FIGURE 5-1. AXLE LOCKOUT CYLINDER ASSEMBLY (SN 0300068000 through 0300075605)



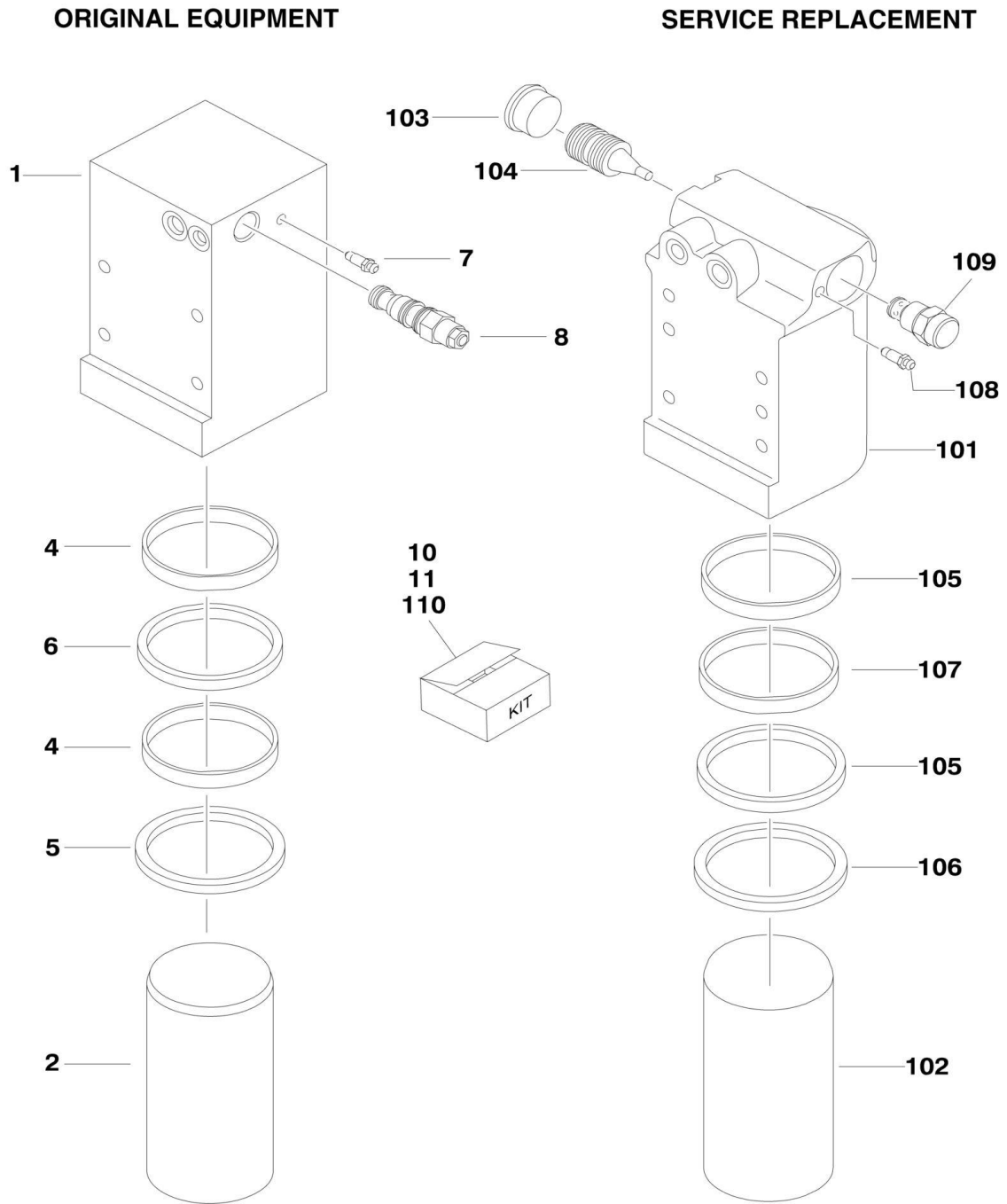
SECTION 5 - CYLINDER

FIGURE 5-1. AXLE LOCKOUT CYLINDER ASSEMBLY (SN 0300068000 through 0300075605)

ITEM	PART NUMBER	QTY	DESCRIPTION	REV
	1683078	Ref	AXLE LOCKOUT CYLINDER ASSEMBLY	H
1	1684191	1	Barrel Weldment	
1A	0962496	2	Bushing	
2	1683986	1	Rod Weldment	
2A	0962496	2	Bushing	
3	3480176	1	Piston	
4	1683059	1	Head	
5	0961895	1	Bushing	
7	3931720	8	Bolt, Socket Head 7/16in-14NC x 1-1/4in	
8	4641162	2	Cartridge, Valve (Counterbalance)	
8	2900770	2	Seal Kit - 4641162 Valve (1 Per Assembly)	
9	2220886	1	Plug, O-Ring	
10	2220885	2	Plug, O-Ring	
11	4640858	3	Valve, Bleeder	
12	See Note	NSS	Wiper (Note: Use Item 100)	
13	See Note	NSS	Seal, Rod (Note: Use Item 100)	
14	See Note	NSS	O-Ring (Note: Use Item 100)	
15	See Note	NSS	Ring, Back-up (Note: Use Item 100)	
16	See Note	NSS	Ring, Wear (Note: Use Item 100)	
17	See Note	NSS	Ring, Wear (Note: Use Item 100)	
18	See Note	NSS	T-Seal (Note: Use Item 100)	
19	See Note	NSS	O-Ring (Note: Use Item 100)	
20	See Note	NSS	Ring, Back-up (Note: Use Item 100)	
21	0100011	AR	Compound, Locking	
22	0100038	AR	Primer, Locking	
23	3760367	1	Ring, Washer	
25	0630535	3	Screw, Socket Head 1/4in-20NC x 1-1/8in	
100	2901271	1	Seal Kit - 1683078 Cylinder (Includes Items 12-20)	

SECTION 5 - CYLINDER

FIGURE 5-2. AXLE LOCKOUT CYLINDER ASSEMBLY (SN 0300075606 through 0300087000)



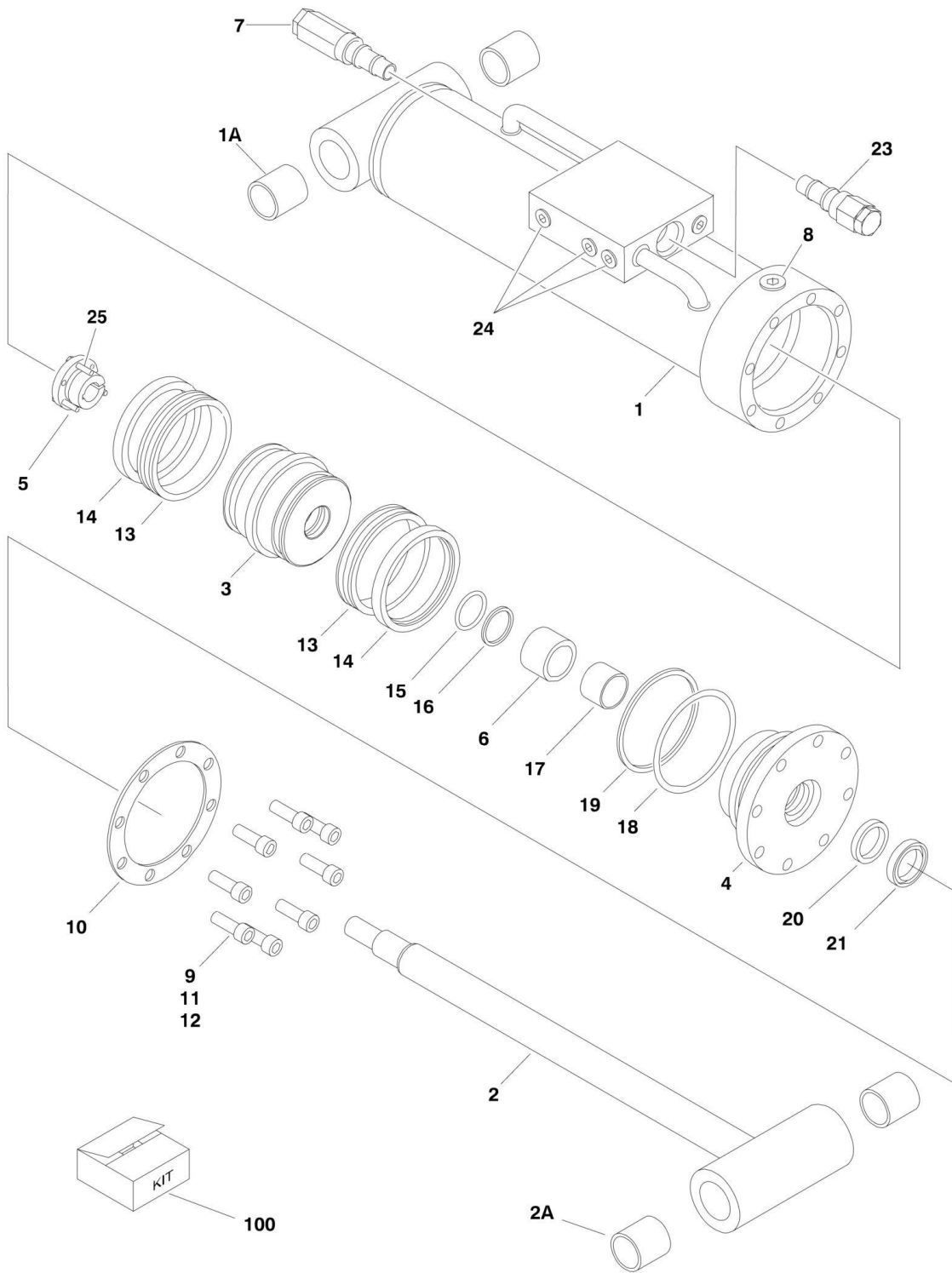
SECTION 5 - CYLINDER

FIGURE 5-2. AXLE LOCKOUT CYLINDER ASSEMBLY (SN 0300075606 through 0300087000)

ITEM	PART NUMBER	QTY	DESCRIPTION	REV
	1684280	Ref	AXLE LOCKOUT CYLINDER ASSEMBLY	G
		Ref	Note: Service Kit p/n 1001167359 may have been installed as a Service Replacement. Kit uses p/n 1684465 Cylinder. In kit has been installed, Use Item 101-109 for Service	
1	1684289	1	Barrel	
2	1684290	1	Rod	
4	See Note	NSS	Ring, Wear (Note: Use Item 100)	
5	See Note	NSS	Wiper (Note: Use Item 100)	
6	See Note	NSS	Seal, Rod (Note: Use Item 100)	
7	4640858	1	Bleeder	
8	4641319	1	Cartridge, Valve	
8	7024879	1	Seal Kit	
10	2902266	1	Seal Kit (Includes Items 4-6)	
11	1001167359	1	Cylinder Replacement Kit (Kit Replaces p/n 1684280 with p/n 1684465 Cylinder)	
	1684465	Ref	AXLE LOCKOUT CYLINDER ASSEMBLY	J
		Ref	Note: Original Equipment components may have been replaced with Service Replacement components part. Identify p/n stamped on cylinder before ordering parts.	
101	0370026	1	Barrel	
102	1684290	1	Rod	
103	2220890	1	Plug	
104	3480288	1	Piston, Pilot	
105	See Note	NSS	Ring, Wear (Note: Use Item 110)	
106	See Note	NSS	Wiper (Note: Use Item 110)	
107	See Note	NSS	Seal, Rod (Note: Use Item 110)	
108	4640858	1	Bleeder	
109	4641390	1	Cartridge, Valve	
109	7017496	1	Seal Kit	
110	2902266	1	Seal Kit (Includes Items 4-6)	

SECTION 5 - CYLINDER

FIGURE 5-3. LEVEL CYLINDER ASSEMBLY (PLATFORM SLAVE) - 600S (ORIGINAL EQUIPMENT)



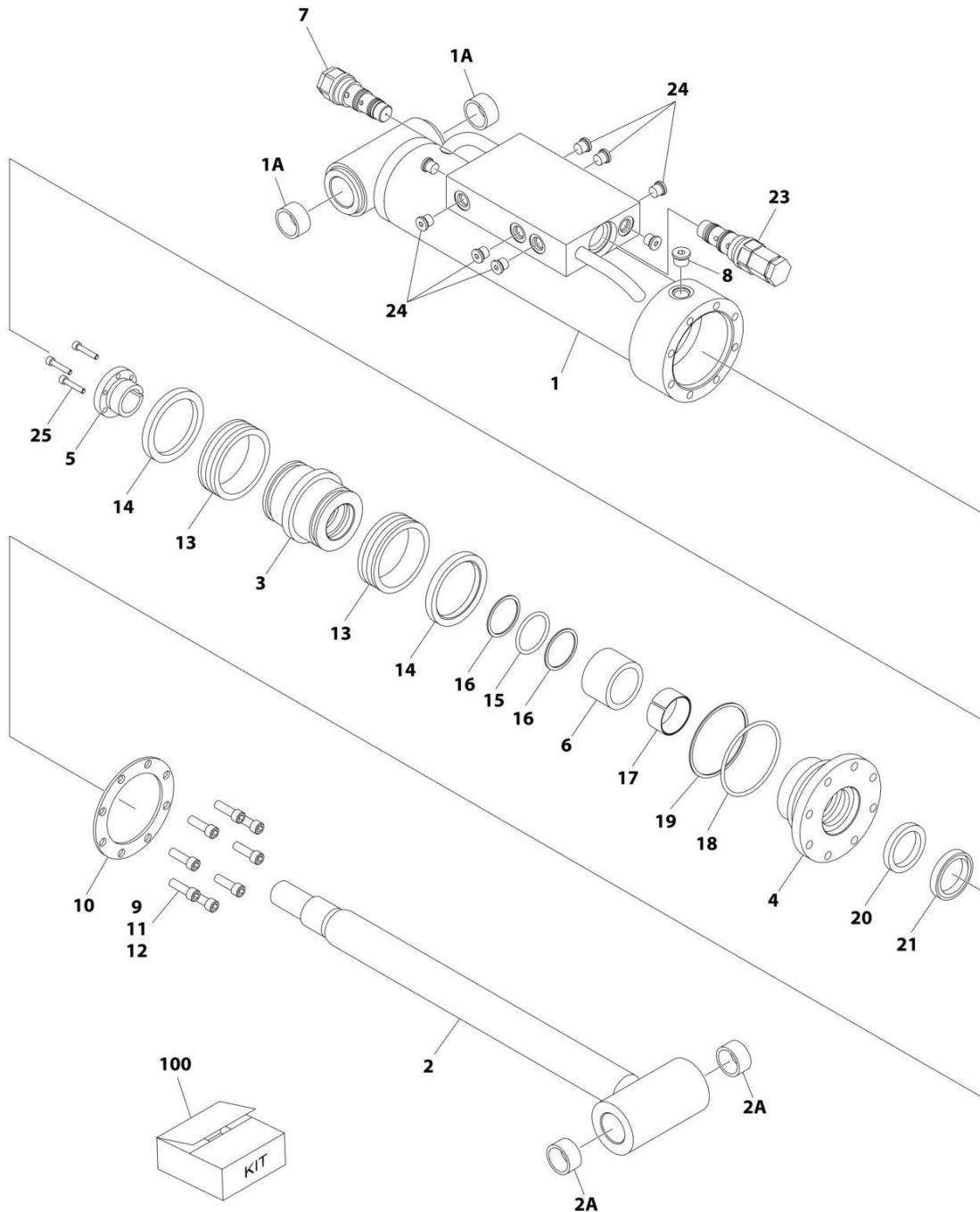
SECTION 5 - CYLINDER

FIGURE 5-3. LEVEL CYLINDER ASSEMBLY (PLATFORM SLAVE) - 600S (ORIGINAL EQUIPMENT)

ITEM	PART NUMBER	QTY	DESCRIPTION	REV
	1683415	Ref	LEVEL CYLINDER ASSEMBLY (PLATFORM SLAVE) - 600S (ORIGINAL EQUIPMENT) Note: Original Cylinder May Have Been Replaced with Service Replacement. Identify PN Stamped on Cylinder Before Ordering Parts.	C
		Ref		
1	1683977	1	Barrel Weldment	
1A	0961947	2	Bushing	
2	1683976	1	Rod Weldment	
2A	0961947	2	Bushing	
3	3480210	1	Piston	
4	1683053	1	Head	
5	0961893	1	Bushing, Tapered	
6	4566468	1	Spacer	
7	4640509	1	Cartridge, Valve	
7	2900792	1	Seal Kit - 4640509 Valve	
8	2220885	1	Plug, O-Ring	
9	3931516	8	Capscrew 5/16 x 1	
10	3760368	1	Ring, Washer	
11	0100011	AR	Compound, Locking	
12	0100038	AR	Primer, Locking	
13	See Note	NSS	Seal (Note: Use Item 100)	
14	See Note	NSS	Ring, Lock (Note: Use Item 100)	
15	See Note	NSS	O-Ring (Note: Use Item 100)	
16	See Note	NSS	Ring, Back-up (Note: Use Item 100)	
17	See Note	NSS	Ring, Wear (Note: Use Item 100)	
18	See Note	NSS	O-Ring (Note: Use Item 100)	
19	See Note	NSS	Ring, Back-up (Note: Use Item 100)	
20	See Note	NSS	Seal, Rod (Note: Use Item 100)	
21	See Note	NSS	Wiper (Note: Use Item 100)	
23	4640932	1	Cartridge, Valve	
23	7011112	1	Seal Kit - 4640932 Valve	
24	2220883	8	Plug, O-Ring	
25	0630534	3	Screw #10 x 1	
100	2901303	1	Seal Kit (Includes Items 13-21)	

SECTION 5 - CYLINDER

FIGURE 5-4. LEVEL CYLINDER ASSEMBLY (PLATFORM SLAVE) - 600S (SERVICE REPLACEMENT)



ART_1001223512

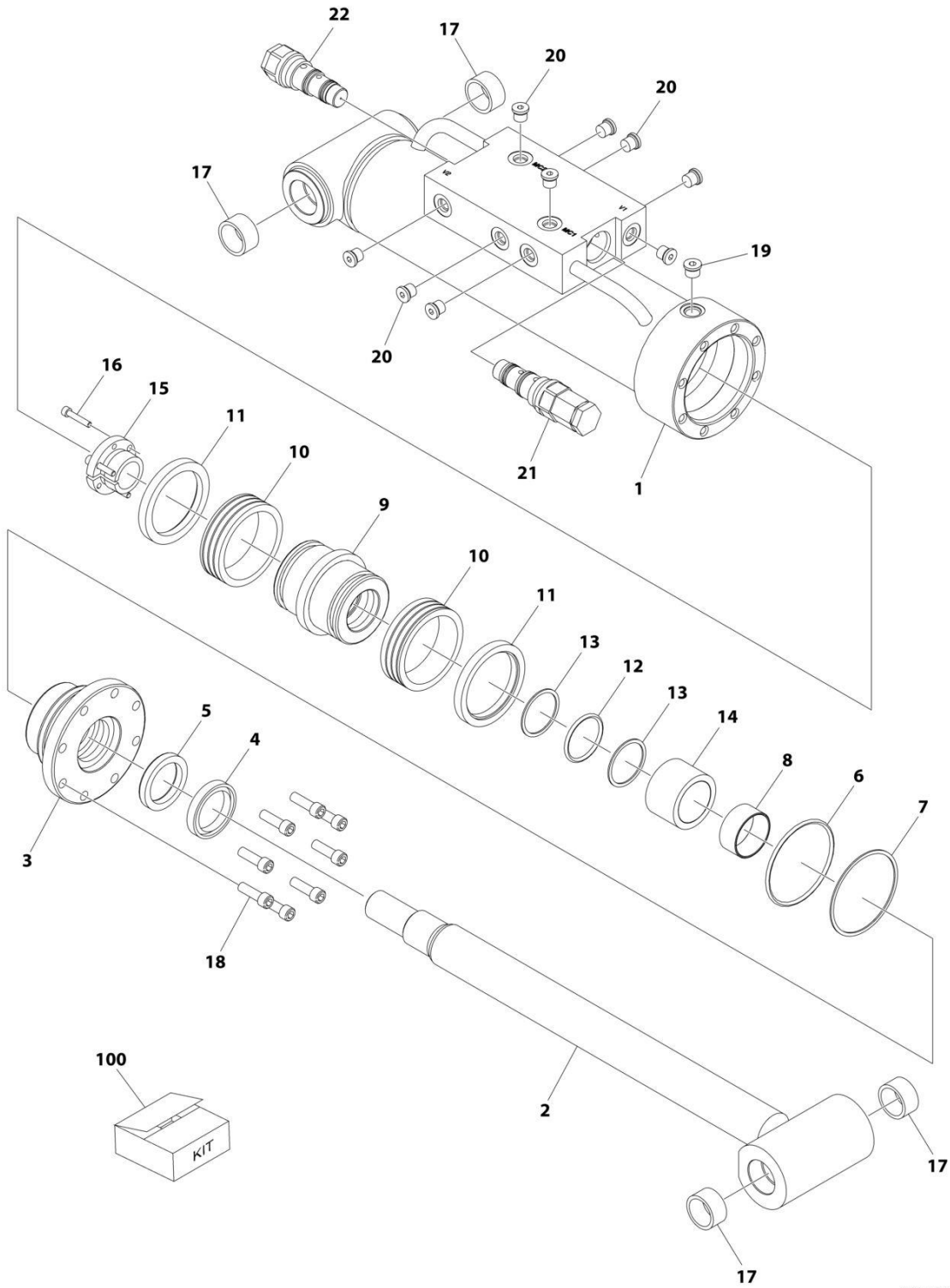
SECTION 5 - CYLINDER

FIGURE 5-4. LEVEL CYLINDER ASSEMBLY (PLATFORM SLAVE) - 600S (SERVICE REPLACEMENT)

ITEM	PART NUMBER	QTY	DESCRIPTION	REV
	1001223512	Ref	LEVEL CYLINDER ASSEMBLY (PLATFORM SLAVE) - 600S (SERVICE REPLACEMENT) Note: Original Cylinder May Have Been Replaced with Service Replacement. Identify PN Stamped on Cylinder Before Ordering Parts.	B
		Ref		
1	1001223511	1	Barrel Weldment	
1A	0961947	2	Bushing	
2	1683976	1	Rod Weldment	
2A	0961947	2	Bushing	
3	3480210	1	Piston	
4	1683053	1	Head	
5	0961893	1	Bushing, Tapered	
6	4566468	1	Spacer	
7	4640509	1	Cartridge, Valve	
7	2900792	1	Seal Kit - 4640509 Valve	
8	2220885	1	Plug, O-Ring	
9	3931516	8	Capscrew 5/16 x 1	
10	3760368	1	Ring, Washer	
11	0100011	AR	Compound, Locking	
12	0100038	AR	Primer, Locking	
13	See Note	NSS	Seal (Note: Use Item 100)	
14	See Note	NSS	Ring, Lock (Note: Use Item 100)	
15	See Note	NSS	O-Ring (Note: Use Item 100)	
16	See Note	NSS	Ring, Back-up (Note: Use Item 100)	
17	See Note	NSS	Ring, Wear (Note: Use Item 100)	
18	See Note	NSS	O-Ring (Note: Use Item 100)	
19	See Note	NSS	Ring, Back-up (Note: Use Item 100)	
20	See Note	NSS	Seal, Rod (Note: Use Item 100)	
21	See Note	NSS	Wiper (Note: Use Item 100)	
23	4640932	1	Cartridge, Valve	
23	7011112	1	Seal Kit 4640932 Valve	
24	2220883	8	Plug, O-Ring	
25	0630534	3	Screw #10 x 1	
100	2901303	1	Seal Kit (Includes Items 13-21)	

SECTION 5 - CYLINDER

FIGURE 5-5. LEVEL CYLINDER ASSEMBLY (PLATFORM SLAVE) - 600S (SERVICE REPLACEMENT)



ART_1001228008

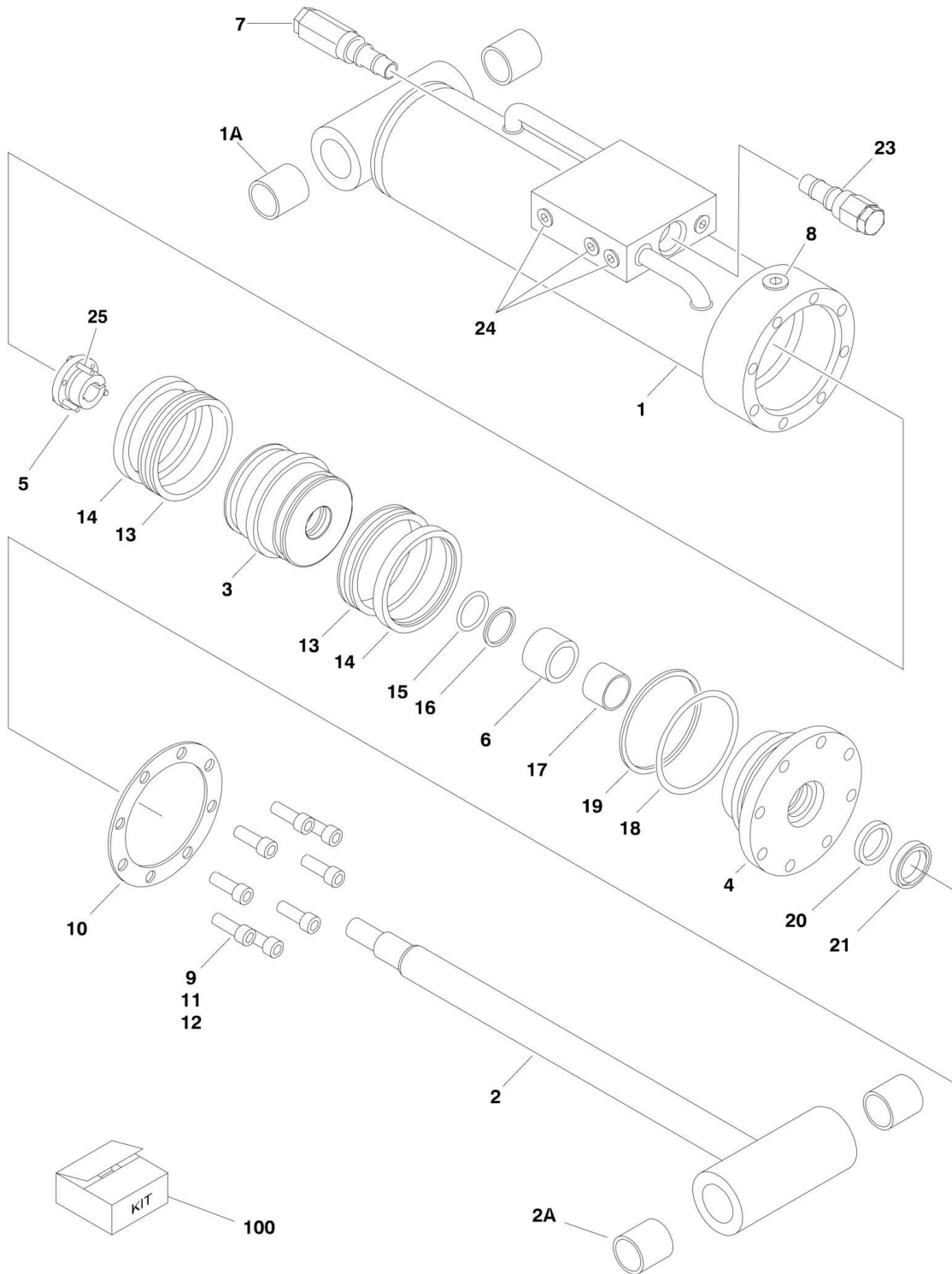
SECTION 5 - CYLINDER

FIGURE 5-5. LEVEL CYLINDER ASSEMBLY (PLATFORM SLAVE) - 600S (SERVICE REPLACEMENT)

ITEM	PART NUMBER	QTY	DESCRIPTION	REV
	1001228008	Ref	LEVEL CYLINDER ASSEMBLY - PLATFORM SLAVE	B
		Ref	Note: Original Cylinder may have been replaced with Service Replacement. Identify PN Stamped on Cylinder Before Ordering Parts.	
1	See Note	NSS	Barrel (Note: Use p/n 1001228008)	
2	70006648	1	Rod	
3	70006649	1	Head	
4	See Note	NSS	Wiper (Note: Use Item 100)	
5	See Note	NSS	Seal Rod (Note: Use Item 100)	
6	See Note	NSS	O-Ring (Note: Use Item 100)	
7	See Note	NSS	Ring, Back-up (Note: Use Item 100)	
8	See Note	NSS	Ring, Wear (Note: Use Item 100)	
9	70006650	1	Piston	
10	See Note	NSS	Seal (Note: Use Item 100)	
11	See Note	NSS	Ring, Lock (Note: Use Item 100)	
12	See Note	NSS	O-Ring (Note: Use Item 100)	
13	See Note	NSS	Ring, Back-up (Note: Use Item 100)	
14	70006651	1	Spacer	
15	0961893	1	Bushing, Tapered	
16	0630534	3	Bolt #10 x 1	
17	0961947	4	Bushing	
18	3931516	8	Capscrew, Socket Head	
19	2220885	1	Plug, O-Ring	
20	2220883	10	Plug, O-Ring	
21	4640932	1	Cartridge, Valve	
21	7011112	1	Seal Kit - 4640932 Valve	
22	4640509	1	Cartridge, Valve	
22	2900792	1	Seal Kit - 4640509 Valve	
100	2901303	1	Seal Kit - 1001228008 Cylinder (Includes Items 4-8 & 10-13)	

SECTION 5 - CYLINDER

FIGURE 5-6. LEVEL CYLINDER ASSEMBLY (PLATFORM SLAVE) - 600SJ & 660SJ (ORIGINAL EQUIPMENT)



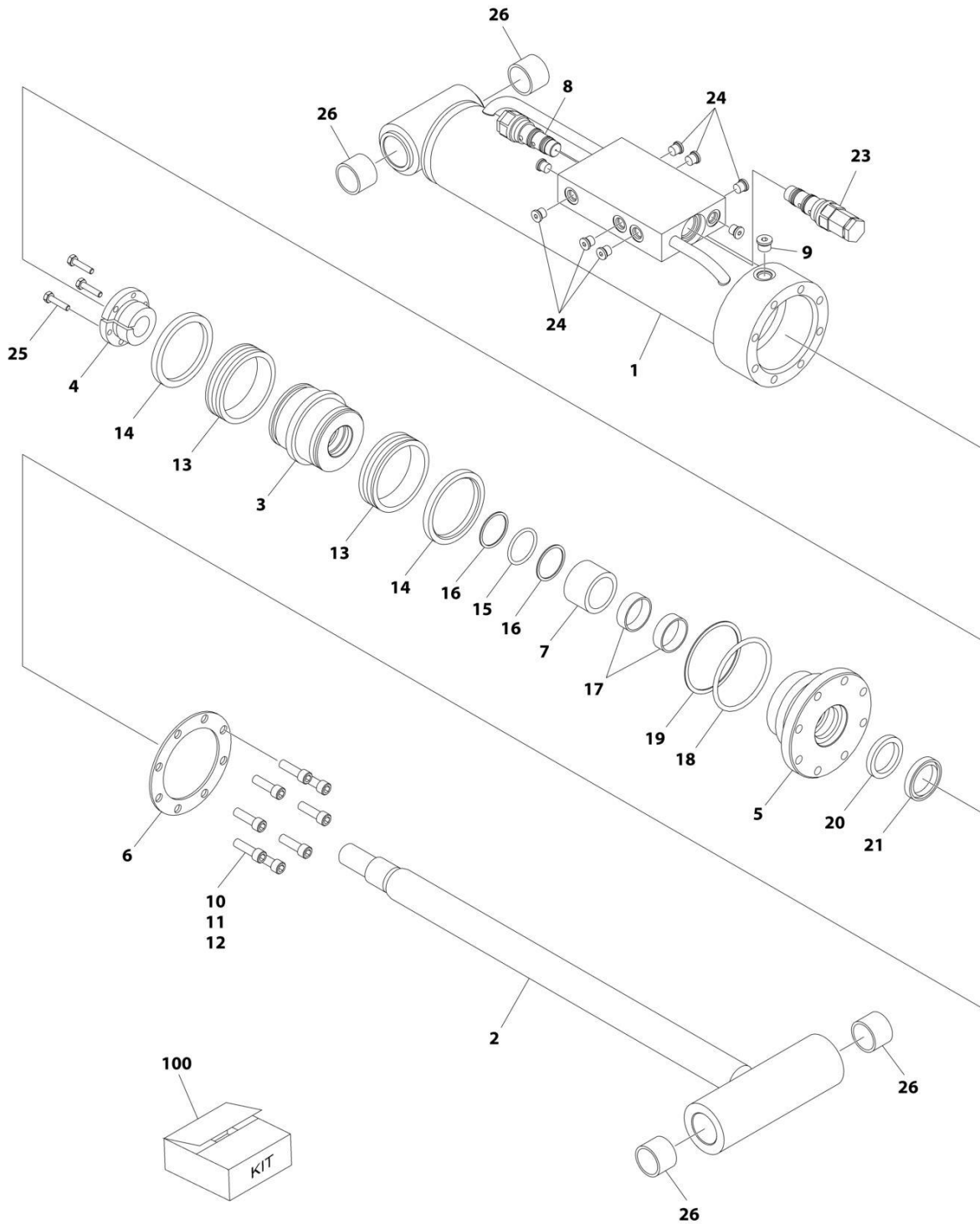
SECTION 5 - CYLINDER

FIGURE 5-6. LEVEL CYLINDER ASSEMBLY (PLATFORM SLAVE) - 600SJ & 660SJ (ORIGINAL EQUIPMENT)

ITEM	PART NUMBER	QTY	DESCRIPTION	REV
	1683418	Ref	LEVEL CYLINDER ASSEMBLY (PLATFORM SLAVE) - 600SJ & 660SJ (ORIGINAL EQUIPMENT)	D
		Ref		Note: Original Cylinder May Have Been Replaced with Service Replacement. Identify PN Stamped on Cylinder Before Ordering Parts.
1	1683952	1	Barrel Weldment (Note: Item 1A not included - Purchase Separately)	
1A	0961951	2	Bushing	
2	1683963	1	Rod Weldment (Note: Item 2A not included - Purchase Separately)	
2A	0961951	2	Bushing	
3	3480188	1	Piston	
4	1683055	1	Head	
5	0961894	1	Bushing, Tapered	
6	4566468	1	Spacer	
7	4640509	1	Cartridge, Valve	
7	2900792	1	Seal Kit - 4640509 Valve	
8	2220885	1	Plug, O-Ring	
9	3931620	8	Capscrew 3/8 x 1-1/4	
10	3760369	1	Ring, Washer	
11	0100011	AR	Compound, Locking	
12	0100038	AR	Primer, Locking	
13	See Note	NSS	Seal (Note: Use Item 100)	
14	See Note	NSS	Ring, Lock (Note: Use Item 100)	
15	See Note	NSS	O-Ring (Note: Use Item 100)	
16	See Note	NSS	Ring, Back-up (Note: Use Item 100)	
17	See Note	NSS	Ring, Wear (Note: Use Item 100)	
18	See Note	NSS	O-Ring (Note: Use Item 100)	
19	See Note	NSS	Ring, Back-up (Note: Use Item 100)	
20	See Note	NSS	Seal, Rod (Note: Use Item 100)	
21	See Note	NSS	Wiper (Note: Use Item 100)	
23	4640932	1	Cartridge, Valve	
23	7011112	1	Seal Kit - 4640932 Valve	
24	2220883	8	Plug, O-Ring	
25	0630535	3	Screw 1/4 x 1-1/8	
100	2901301	1	Seal Kit - 1683418 Cylinder (Includes Items 13-21)	

SECTION 5 - CYLINDER

FIGURE 5-7. LEVEL CYLINDER ASSEMBLY (PLATFORM SLAVE) - 600SJ & 660SJ (SERVICE REPLACEMENT)



ART_1001223331

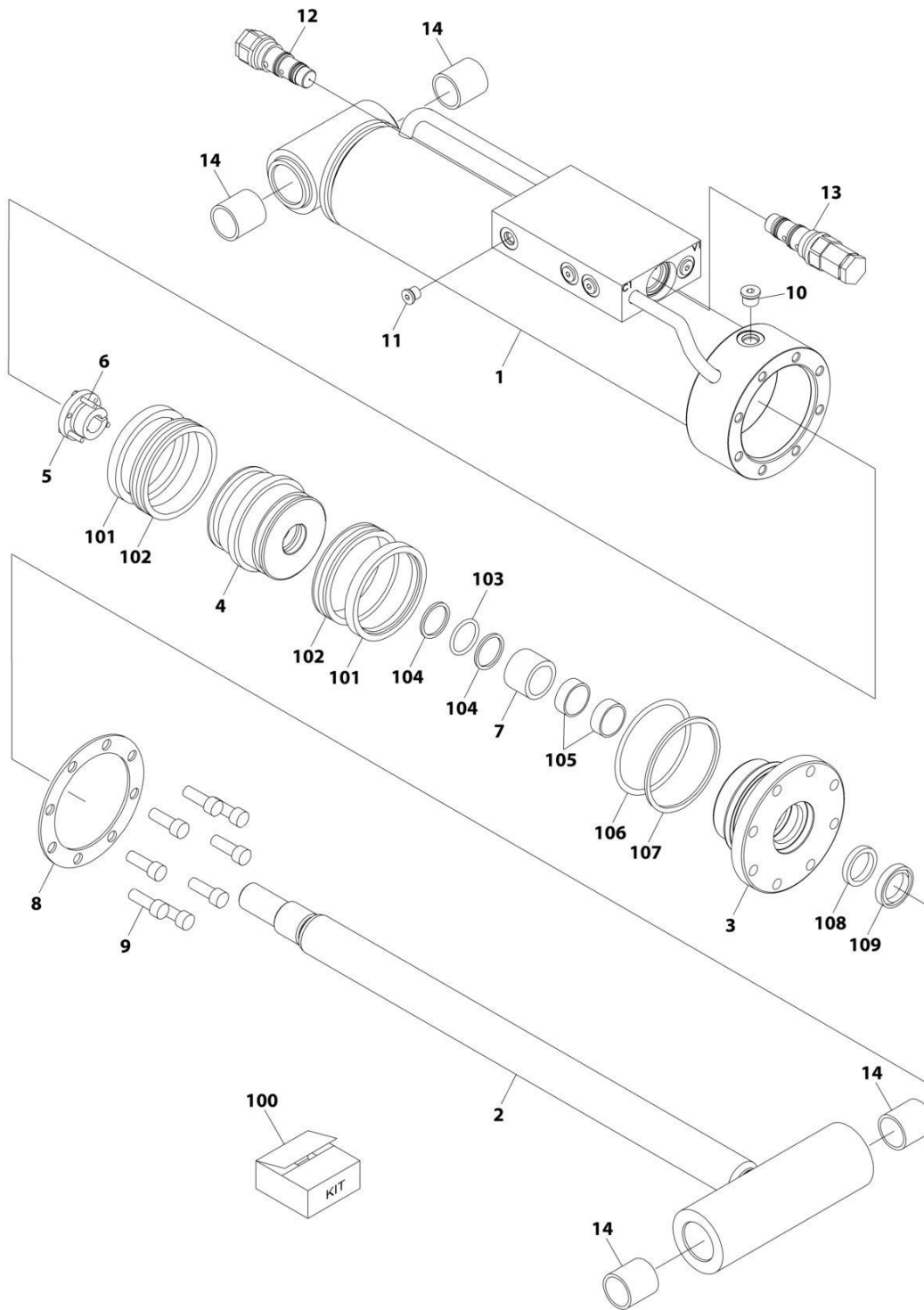
SECTION 5 - CYLINDER

FIGURE 5-7. LEVEL CYLINDER ASSEMBLY (PLATFORM SLAVE) - 600SJ & 660SJ (SERVICE REPLACEMENT)

ITEM	PART NUMBER	QTY	DESCRIPTION	REV
	1001223331	Ref	LEVEL CYLINDER ASSEMBLY (PLATFORM SLAVE) - 600SJ & 660SJ (SERVICE REPLACEMENT) Note: Original Cylinder May Have Been Replaced with Service Replacement. Identify PN Stamped on Cylinder Before Ordering Parts.	B
		Ref		
1	1001223332	1	Barrel Weldment	
2	1683963	1	Rod Weldment	
3	3480188	1	Piston	
4	0961894	1	Bushing, Tapered	
5	1683055	1	Head	
6	3760369	1	Ring, Washer	
7	4566468	1	Spacer	
8	4640509	1	Cartridge, Valve	
8	2900792	1	Seal Kit - 4640509 Valve	
9	2220885	1	Plug, O-Ring	
10	3931620	8	Capscrew 3/8 x 1-1/4	
11	0100011	AR	Compound, Locking	
12	0100038	AR	Primer, Locking	
13	See Note	NSS	Seal (Note: Use Item 100)	
14	See Note	NSS	Ring, Lock (Note: Use Item 100)	
15	See Note	NSS	O-Ring (Note: Use Item 100)	
16	See Note	NSS	Ring, Back-up (Note: Use Item 100)	
17	See Note	NSS	Ring, Wear (Note: Use Item 100)	
18	See Note	NSS	O-Ring (Note: Use Item 100)	
19	See Note	NSS	Ring, Back-up (Note: Use Item 100)	
20	See Note	NSS	Seal, Rod (Note: Use Item 100)	
21	See Note	NSS	Wiper (Note: Use Item 100)	
23	4640932	1	Cartridge, Valve	
23	7011112	1	Seal Kit 4640932 Valve	
24	2220883	8	Plug, O-Ring	
25	0630535	3	Screw #10 x 1	
26	0961951	4	Bushing	
100	2901303	1	Seal Kit (Includes Items 13-21)	

SECTION 5 - CYLINDER

FIGURE 5-8. LEVEL CYLINDER ASSEMBLY (PLATFORM SLAVE) - 600SJ & 660SJ (SERVICE REPLACEMENT)



ART_1001228051

SECTION 5 - CYLINDER

FIGURE 5-8. LEVEL CYLINDER ASSEMBLY (PLATFORM SLAVE) - 600SJ & 660SJ (SERVICE REPLACEMENT)

ITEM	PART NUMBER	QTY	DESCRIPTION	REV
	1001228051	Ref	LEVEL CYLINDER ASSEMBLY	A
		Ref	Note: Original Cylinder May Have Been Replaced with Service Replacement. Identify PN Stamped on Cylinder Before Ordering Parts.	
1	See Note	NSS	Barrel (Note: Use p/n 1001228051)	
2	70006823	1	Rod	
3	70006446	1	Head	
4	70006445	1	Piston	
5	70006444	1	Bushing, Tapered	
6	0630535	3	Bolt 1/4 x 1-1/8	
7	70006443	1	Spacer	
8	70006822	1	Ring, Washer	
9	3931620	8	Capscrew 3/8 x 1-1/4	
10	2220885	1	Plug, O-Ring	
11	2220883	8	Plug, O-Ring	
12	4640509	1	Cartridge, Valve	
12	2900792	1	Seal Kit - 4640509 Valve	
13	4640932	1	Cartridge, Valve	
13	7011112	1	Seal Kit - 4640932 Valve	
14	0961951	4	Bushing	
100	1001138796	1	Seal Kit - 1001228051 Cylinder (Includes Items 101-109)	
101	See Note	NSS	Ring, Lock (Note: Use Item 100)	
102	See Note	NSS	Seal (Note: Use Item 100)	
103	See Note	NSS	O-Ring (Note: Use Item 100)	
104	See Note	NSS	Ring, Back-up (Note: Use Item 100)	
105	See Note	NSS	Ring, Wear (Note: Use Item 100)	
106	See Note	NSS	O-Ring (Note: Use Item 100)	
107	See Note	NSS	Ring, Back-up (Note: Use Item 100)	
108	See Note	NSS	Seal, Rod (Note: Use Item 100)	
109	See Note	NSS	Wiper (Note: Use Item 100)	

SECTION 5 - CYLINDER

FIGURE 5-9. LIFT CYLINDER ASSEMBLY (BOOM)

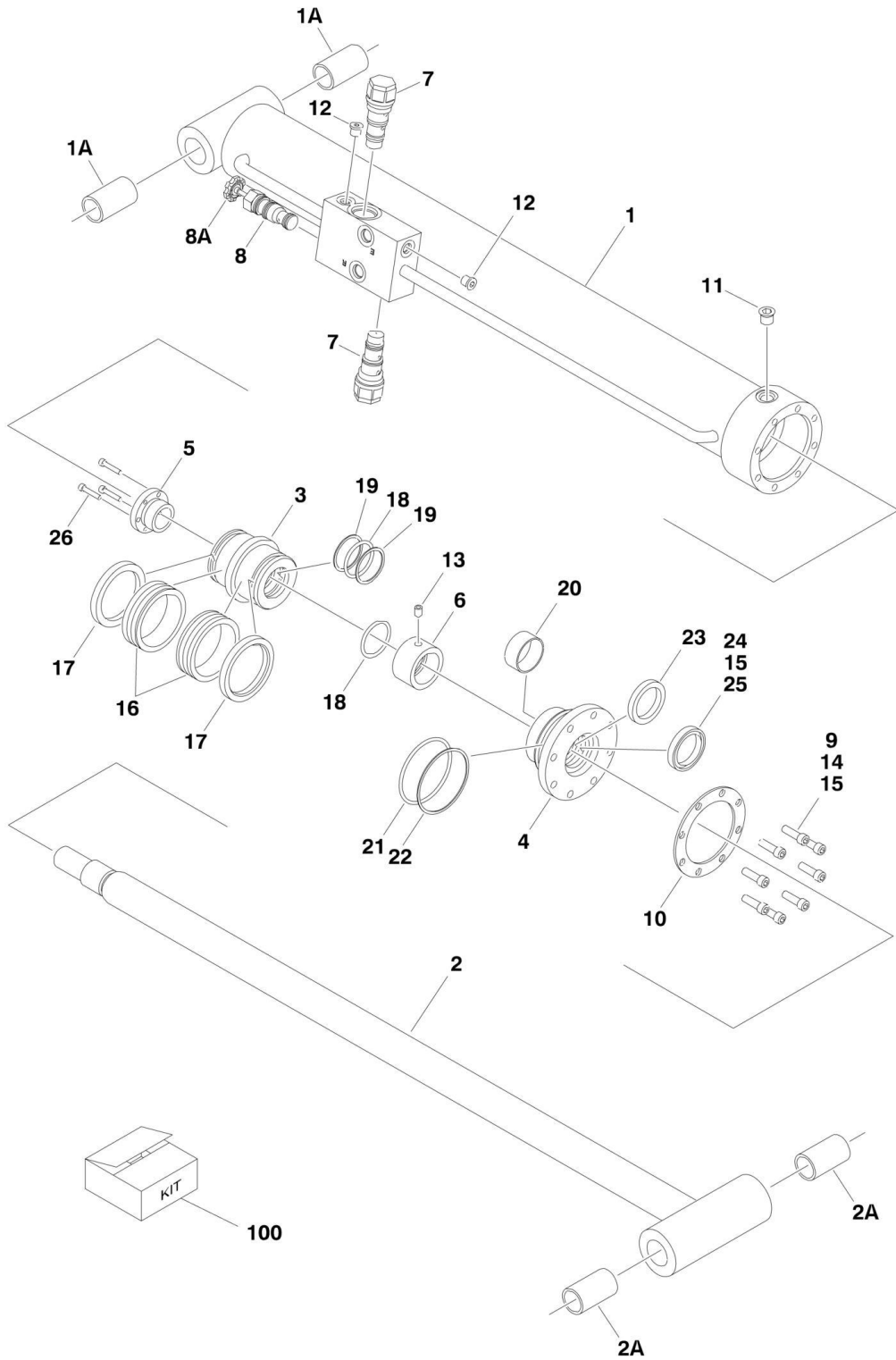
ITEM	PART NUMBER	QTY	DESCRIPTION	REV
		Ref	Note: Original Equipment Cylinder may have been replaced with Service Replacement Cylinder. Identify p/n stamped on cylinder before ordering parts.	
		Ref	LIFT CYLINDER ASSEMBLY (BOOM) OPTIONS:	
	1683275	Ref	Main Lift Cylinder Assembly (SN 0300068000 through 0300070974)	H
	1683666	Ref	Main Lift Cylinder Assembly (Original Equipment) (SN 0300070975 through 0300087000)	D
	1001112468	Ref	Main Lift Cylinder Assembly (Service Replacement for p/n 1682666)	B
1	1683955	NLA	Barrel Weldment (Use p/n 1001112467)	
1A	0961950	2	Bushing	
2	1683954	1	Rod Weldment	
2A	0961950	2	Bushing	
3	1683067	1	Head	
4	3480206	1	Piston	
5	0961898	1	Bushing, Tapered (Use item #24 in place of supplied bolts)	
6	4566501	1	Spacer, Tube	
7	4640509	1	Cartridge, Valve	
7	2900792	1	Seal Kit - 4640509 Valve	
8	4640799	1	Cartridge, Valve (Used on 1683275 Cylinder)	
8	7010545	1	Seal Kit - 4640799 Valve	
8	2220887	1	Plug, O-Ring (Used on 1683666 Cylinder)	
9	3932032	8	Bolt, Socket Head 5/16in-11NC x 2in	
10	2220883	2	Plug, O-Ring	
11	See Note	NSS	Ring, Lock (Note: Use Item 100)	
12	See Note	NSS	Seal, Hydrolock (Note: Use Item 100)	
13	See Note	NSS	O-Ring (Note: Use Item 100)	
14	See Note	NSS	Ring, Back-up (Note: Use Item 100)	
15	See Note	NSS	Ring, Wear (Note: Use Item 100)	
16	See Note	NSS	O-Ring (Note: Use Item 100)	
17	See Note	NSS	Ring, Back-up (Note: Use Item 100)	
18	See Note	NSS	Seal, Rod (Note: Use Item 100)	
19	See Note	NSS	Wiper (Note: Use Item 100)	
20	0100011	AR	Compound, Locking	
21	0100038	AR	Primer, Locking	
22	3760372	1	Washer, Ring	
24	0630536	3	Screw, Socket Head 3/8in-16NC x 1-1/2in	
25	2220235	1	Plug, O-Ring (SN 0300070975 through 0300087000)	
26	0100063	AR	Loctite #609 (SN 0300070975 through 0300087000)	
100	2901285	1	Seal Kit - Includes Items 11-19	
	0256212	Ref	MANUAL DESCENT INSTALLATION (SN 0300068000 through 0300070975)	3-B
101	1060617	1	Cable	
103	3900230	2	Setscrew #10-32NF x 3/8in	
104	0080220	1	Adapter	
105	2560144	1	Knob	
106	3950803	1	Setscrew #8-32NC x 3/8in	
107	1320070	1	Clamp	
108	0641408	1	Bolt 1/4in-20NC x 1in	
109	3311405	1	Locknut 1/4in-20NC	

SECTION 5 - CYLINDER

ITEM	PART NUMBER	QTY	DESCRIPTION	REV
110	4751400	2	Flatwasher 1/4in Regular	

SECTION 5 - CYLINDER

FIGURE 5-10. LIFT CYLINDER ASSEMBLY (JIB) - 600SJ & 660SJ (ORIGINAL EQUIPMENT)



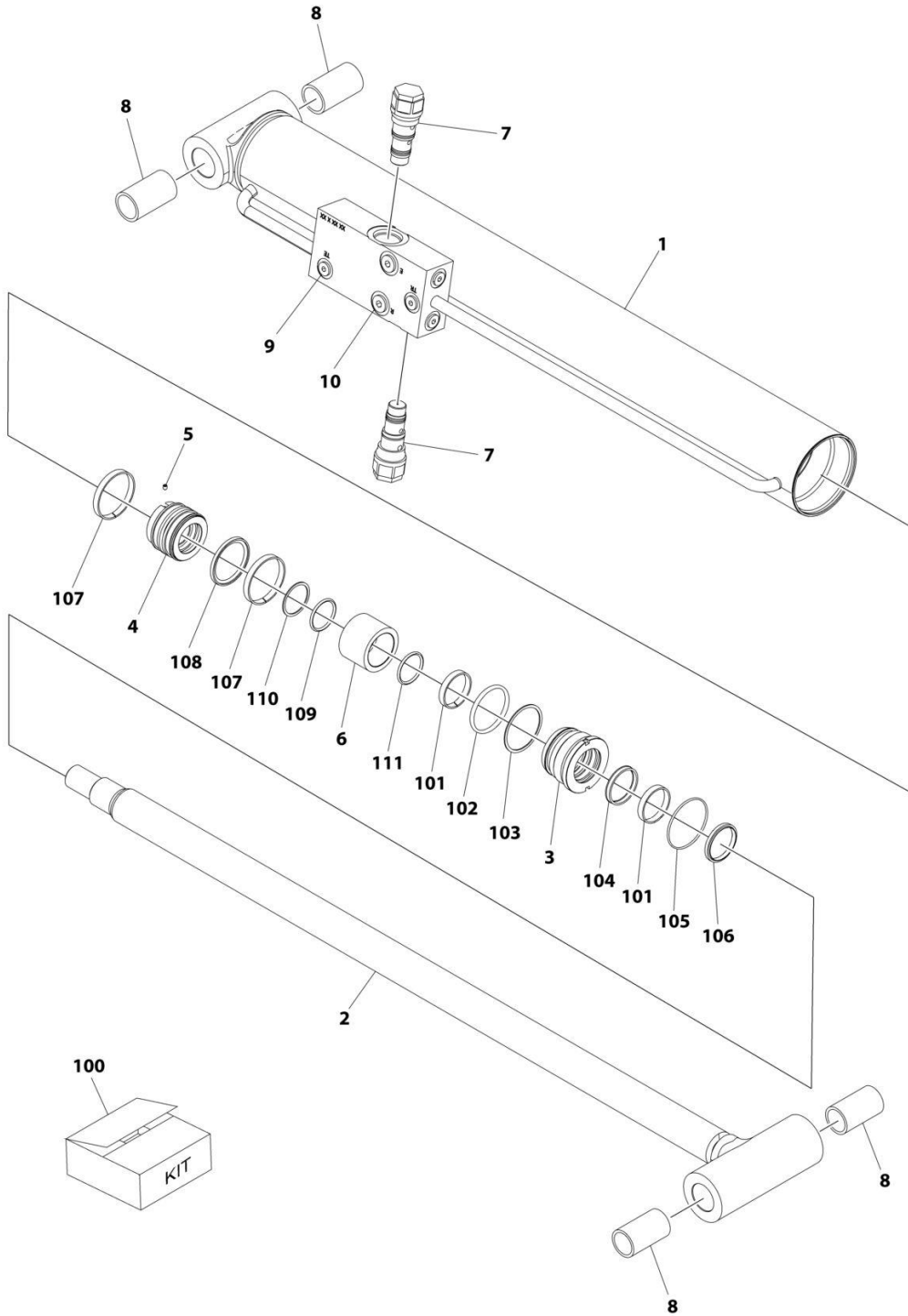
SECTION 5 - CYLINDER

FIGURE 5-10. LIFT CYLINDER ASSEMBLY (JIB) - 600SJ & 660SJ (ORIGINAL EQUIPMENT)

ITEM	PART NUMBER	QTY	DESCRIPTION	REV
		Ref	LIFT CYLINDER ASSEMBLY (JIB) - 600SJ & 660SJ (ORIGINAL EQUIPMENT)	
	1683258	Ref	Lift Cylinder Assembly (Jib) (SN 0300068000 through 0300070974)	E
	1683609	Ref	Lift Cylinder Assembly (Jib) (SN 0300070975 through 0300087000)	G
		Ref	Note: Original Cylinder May Have Been Replaced with Service Replacement. Identify PN Stamped on Cylinder Before Ordering Parts.	
1	1684092	1	Barrel Weldment	
1A	0962336	2	Bushing	
2	1684090	1	Rod Weldment	
2A	0962336	2	Bushing	
3	3480210	1	Piston	
4	1683053	1	Head	
5	0961893	1	Bushing, Tapered	
6		Ref	Spacer, Tube Options:	
6	4566471	1	Spacer, Tube (SN 0300068000 through 0300079598)	
6	4100100	1	Spacer, Tube (SN 0300079599 through 0300087000)	
7	4640509	2	Cartridge, Valve	
7	2900792	2	Seal Kit - 4640509 Valve	
8	4640902	1	Cartridge, Valve (SN 0300068000 through 0300070975)	
8	7012953	1	Seal Kit - 4640902 Valve	
8A	7012961	1	Knob	
9	3931516	8	Capscrew 5/16 x 1	
10	3760368	1	Ring, Washer	
11	2220885	1	Plug, O-Ring #6	
12	2220883	2	Plug, O-Ring #4	
13	3900141	1	Setscrew 1/4 x 3/8 (SN 0300068000 through 0300079599)	
14	0100011	AR	Compound, Locking	
15	0100038	AR	Primer, Locking	
16	See Note	NSS	Seal (Note: Use Item 100)	
17	See Note	NSS	Ring, Lock (Note: Use Item 100)	
18	See Note	NSS	O-Ring (Note: Use Item 100)	
19	See Note	NSS	Ring, Back-up (Note: Use Item 100)	
20	See Note	NSS	Ring, Wear (Note: Use Item 100)	
21	See Note	NSS	O-Ring (Note: Use Item 100)	
22	See Note	NSS	Ring, Back-up (Note: Use Item 100)	
23	See Note	NSS	Seal, Rod (Note: Use Item 100)	
24	See Note	NSS	Wiper (Note: Use Item 100)	
25	0100063	AR	Loctite #609 (SN 0300070975 through 0300079599)	
26	0630534	3	Screw #10 x 1	
100	2901303	1	Seal Kit - 1683258 Cylinder (Includes Items 16-24)	

SECTION 5 - CYLINDER

FIGURE 5-11. LIFT CYLINDER ASSEMBLY (JIB) - 600SJ & 660SJ (SERVICE REPLACEMENT)



ART_1001228012

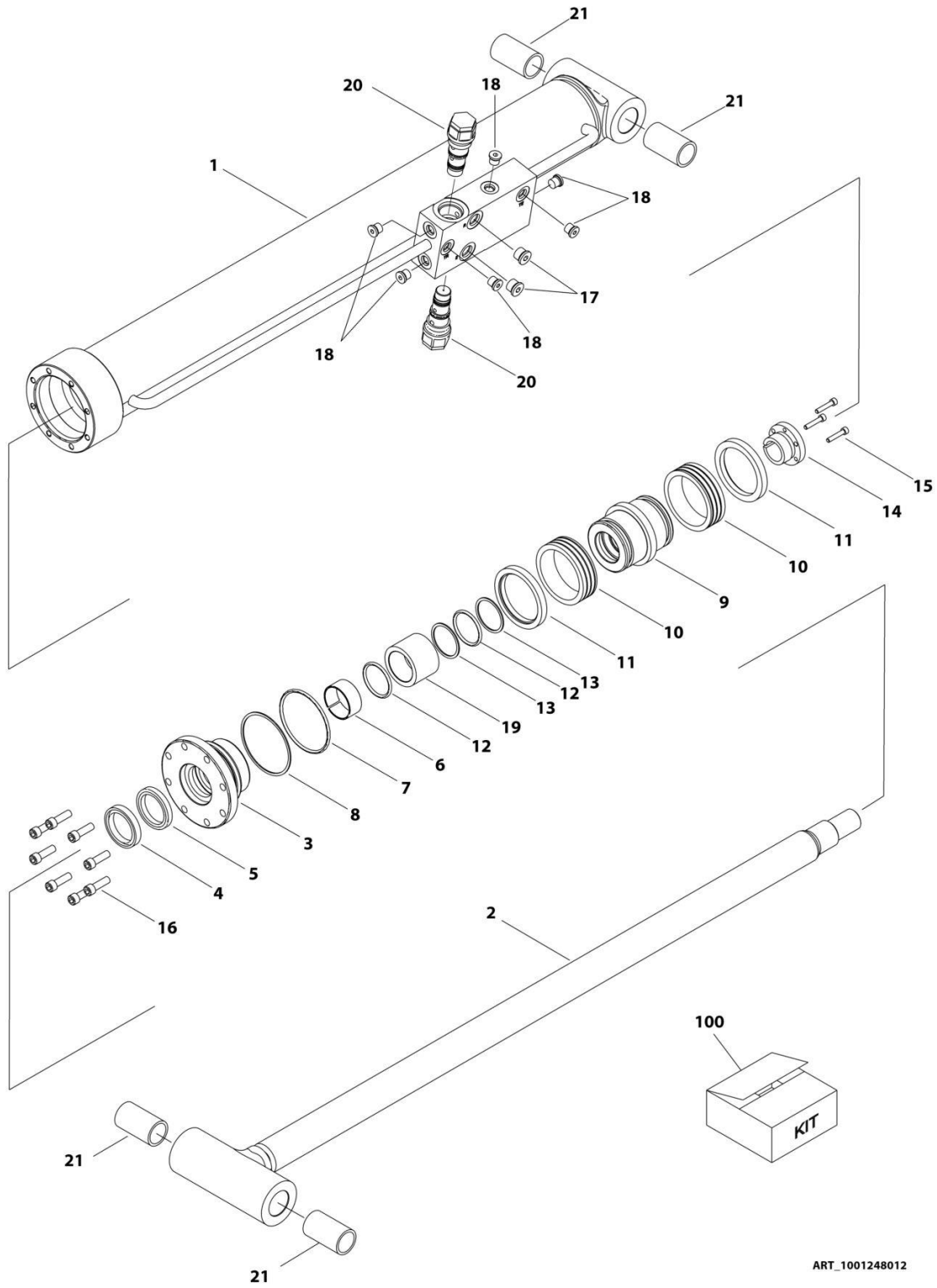
SECTION 5 - CYLINDER

FIGURE 5-11. LIFT CYLINDER ASSEMBLY (JIB) - 600SJ & 660SJ (SERVICE REPLACEMENT)

ITEM	PART NUMBER	QTY	DESCRIPTION	REV
	1001228012	Ref	LIFT CYLINDER ASSEMBLY - JIB	C
		Ref	Note: Original Cylinder May Have Been Replaced with Service Replacement. Identify PN Stamped on Cylinder Before Ordering Parts.	
1	See Note	NSS	Barrel (Note: Not Available for Purchase)	
2	70006572	1	Rod	
3	70006571	1	Head	
4	70006570	1	Piston	
5	70023915	1	Screw	
6	70006569	1	Spacer	
7	4640509	2	Cartridge, Valve	
7	2900792	2	Seal Kit - 4640509 Valve	
8	0962336	4	Bushing	
9	2220883	6	Plug, O-Ring	
10	2220885	2	Plug, O-Ring	
100	70006568	1	Seal Kit (Includes Items 101-111)	
101	See Note	NSS	Ring, Wear (Note: Use Item 100)	
102	See Note	NSS	O-Ring (Note: Use Item 100)	
103	See Note	NSS	Ring, Back-up (Note: Use Item 100)	
104	See Note	NSS	Seal, Rod (Note: Use Item 100)	
105	See Note	NSS	O-Ring (Note: Use Item 100)	
106	See Note	NSS	Wiper (Note: Use Item 100)	
107	See Note	NSS	Ring, Wear (Note: Use Item 100)	
108	See Note	NSS	Seal (Note: Use Item 100)	
109	See Note	NSS	O-Ring (Note: Use Item 100)	
110	See Note	NSS	Ring, Back-up (Note: Use Item 100)	
111	See Note	NSS	O-Ring (Note: Use Item 100)	

SECTION 5 - CYLINDER

FIGURE 5-12. LIFT CYLINDER ASSEMBLY (JIB) - 600SJ & 660SJ (SERVICE REPLACEMENT)



ART_1001248012

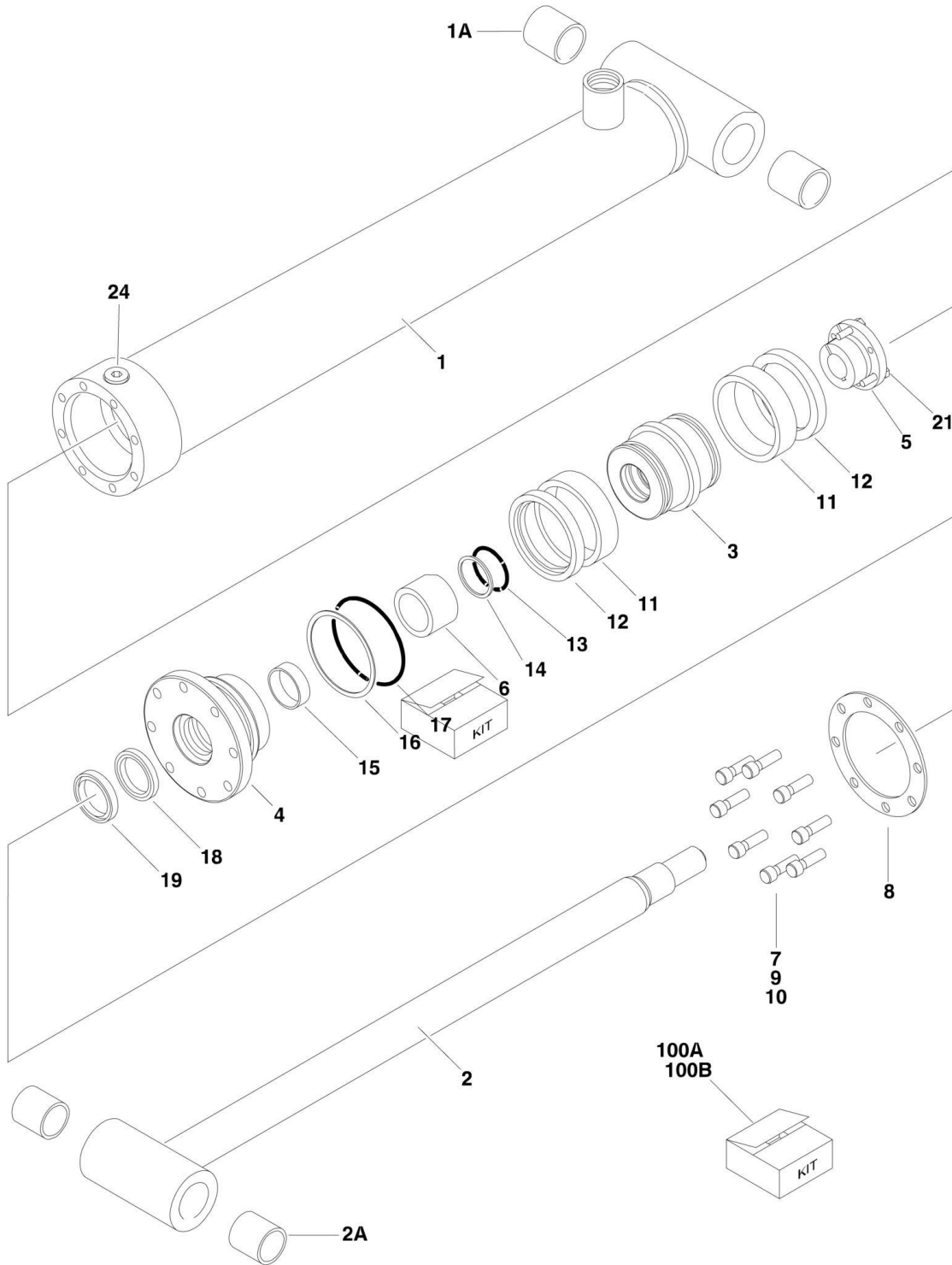
SECTION 5 - CYLINDER

FIGURE 5-12. LIFT CYLINDER ASSEMBLY (JIB) - 600SJ & 660SJ (SERVICE REPLACEMENT)

ITEM	PART NUMBER	QTY	DESCRIPTION	REV
	1001248012	Ref	LIFT CYLINDER ASSEMBLY - JIB	A
		Ref	Note: Original Cylinder May Have Been Replaced with Service Replacement. Identify PN Stamped on Cylinder Before Ordering Parts.	
1	See Note	NSS	Barrel (Note: Not Available for Purchase)	
2	70006734	1	Rod	
3	70006649	1	Head	
4	See Note	NSS	Wiper (Note: Use Item 100)	
5	See Note	NSS	Seal, Rod (Note: Use Item 100)	
6	See Note	NSS	Ring, Wear (Note: Use Item 100)	
7	See Note	NSS	O-Ring (Note: Use Item 100)	
8	See Note	NSS	Ring, Back-up (Note: Use Item 100)	
9	70006650	1	Piston	
10	See Note	NSS	Seal (Note: Use Item 100)	
11	See Note	NSS	Ring, Lock (Note: Use Item 100)	
12	See Note	NSS	O-Ring (Note: Use Item 100)	
13	See Note	NSS	Ring, Back-up (Note: Use Item 100)	
14	0961893	1	Bushing, Tapered	
15	0630534	3	Capscrew, Socket Head #10 x 1	
16	70006735	8	Capscrew 5/16	
17	2220885	2	Plug, O-Ring	
18	2220883	6	Plug, O-Ring	
19	70006736	1	Spacer	
20	4640509	2	Cartridge, Valve	
20	2900792	2	Seal Kit - 4640509 Valve	
21	0962336	4	Bushing	
100	1001138795	1	Seal Kit (Includes Items 4-8 & 10-13)	

SECTION 5 - CYLINDER

FIGURE 5-13. MASTER CYLINDER ASSEMBLY (ORIGINAL EQUIPMENT)



SECTION 5 - CYLINDER

FIGURE 5-13. MASTER CYLINDER ASSEMBLY (ORIGINAL EQUIPMENT)

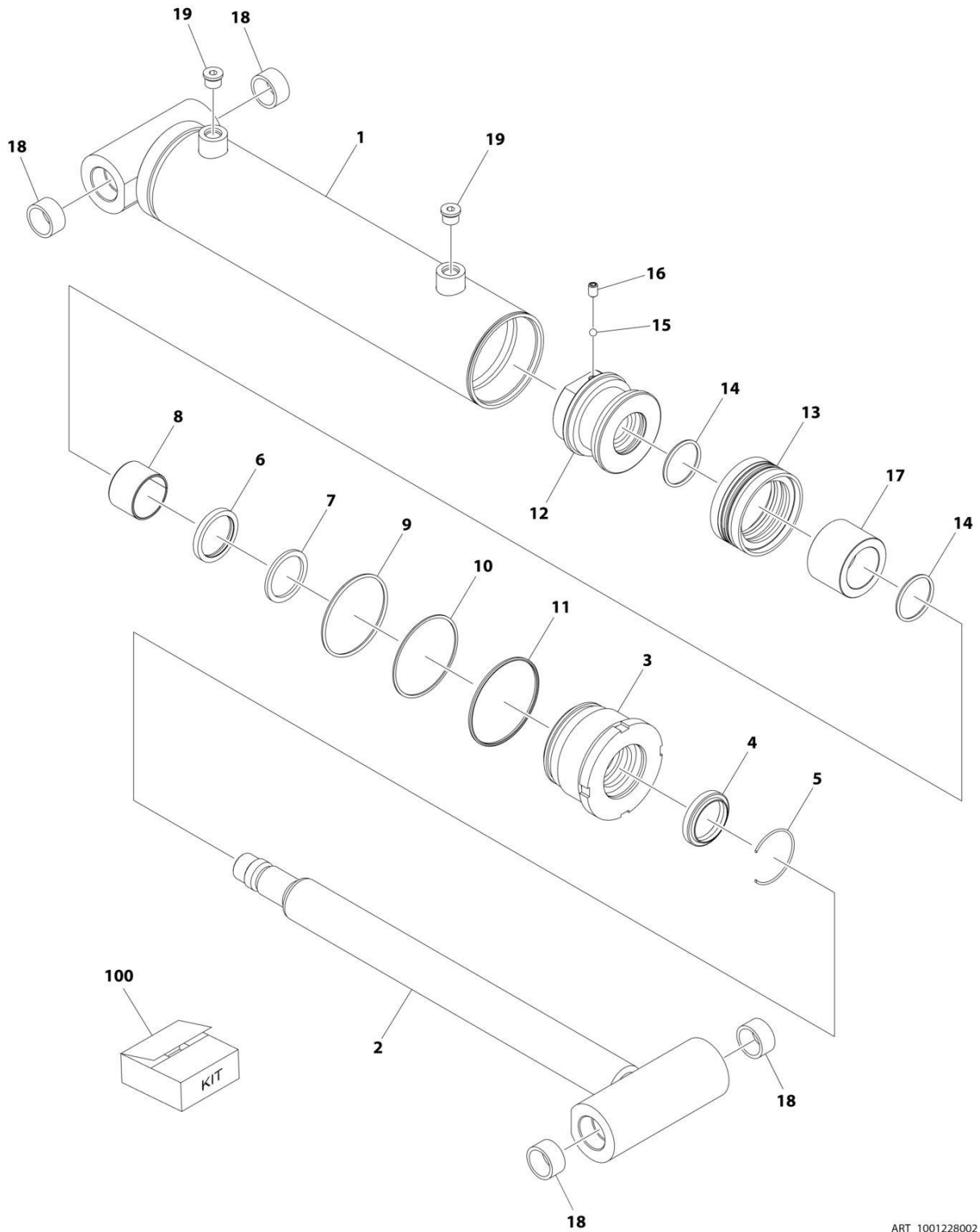
ITEM	PART NUMBER	QTY	DESCRIPTION	REV
	1683266	Ref	MASTER CYLINDER ASSEMBLY - 600S (ORIGINAL EQUIPMENT)	C
	1683263	Ref	MASTER CYLINDER ASSEMBLY - 600SJ/660SJ (ORIGINAL EQUIPMENT)	E
		Ref	Note: Original Cylinder May Have Been Replaced with Service Replacement. Identify PN Stamped on Cylinder Before Ordering Parts.	
1		Ref	Barrel Options:	
1	1683972	1	Barrel 600S (Note: Includes Item 1A)	
1	1683949	1	Barrel 600SJ/660SJ (Note: Item 1A not included - Purchase Separately)	
1A		Ref	Bushing Options:	
1A	0961947	2	Bushing 600S	
1A	0961951	2	Bushing 600SJ/660SJ	
2		Ref	Rod Options:	
2	1683973	1	Rod 600S (Note: Includes Item 1A)	
2	1683962	1	Rod 600SJ/660SJ (Note: Item 2A not included - Purchase Separately)	
2A		Ref	Bushing Options:	
2A	0961947	2	Bushing 600S	
2A	0961951	2	Bushing 600SJ/660SJ	
3		Ref	Piston Options:	
3	3480210	1	Piston 600S	
3	3480188	1	Piston 600SJ/660SJ	
4		Ref	Head Options:	
4	1683053	1	Head 600S	
4	1683055	1	Head 600SJ/660SJ	
5		Ref	Bushing, Tapered Options:	
5	0961893	1	Bushing, Tapered 600S	
5	0961894	1	Bushing, Tapered 600SJ/660SJ	
6	4566468	1	Spacer, Tube	
7		Ref	Capscrew Options:	
7	3931516	8	Capscrew 600S - Capscrew 5/16 x 1	
7	3931620	8	Capscrew 600SJ/660SJ - Capscrew 3/8 x 1-1/4	
8		Ref	Ring, Washer Options:	
8	3760368	1	Ring, Washer 600S	
8	3760369	1	Ring, Washer 600SJ/660SJ	
9	0100011	AR	Compound, Locking	
10	0100038	AR	Primer, Locking	
11	See Note	NSS	Seal (Note: Use Item 100A or 100B)	
12	See Note	NSS	Ring, Lock (Note: Use Item 100A or 100B)	
13	See Note	NSS	O-Ring (Note: Use Item 100A or 100B)	
14	See Note	NSS	Ring, Back-up (Note: Use Item 100A or 100B)	
15	See Note	NSS	Ring, Wear (Note: Use Item 100A or 100B)	
16	See Note	NSS	O-Ring (Note: Use Item 100A or 100B)	
17	See Note	NSS	Ring, Back-up (Note: Use Item 100A or 100B)	
18	See Note	NSS	Seal, Rod (Note: Use Item 100A or 100B)	
19	See Note	NSS	Wiper (Note: Use Item 100A or 100B)	
21		Ref	Screw Options:	
21	0630534	3	Screw 600S - Screw #10 x 1	
21	0630535	3	Screw 600SJ/660SJ - Screw 1/4 x 1-1/8	

SECTION 5 - CYLINDER

ITEM	PART NUMBER	QTY	DESCRIPTION	REV
24	2220885	1	Fitting, Plug (600SJ/660SJ - 1683263 Cylinder Only)	
100		Ref	Seal Kit (Includes Items 11-19)	
100A	2901303	1	Seal Kit 600S	
100B	2901301	1	Seal Kit 600SJ/660SJ	

SECTION 5 - CYLINDER

FIGURE 5-14. MASTER CYLINDER ASSEMBLY - 600S (SERVICE REPLACEMENT)



ART_1001228002

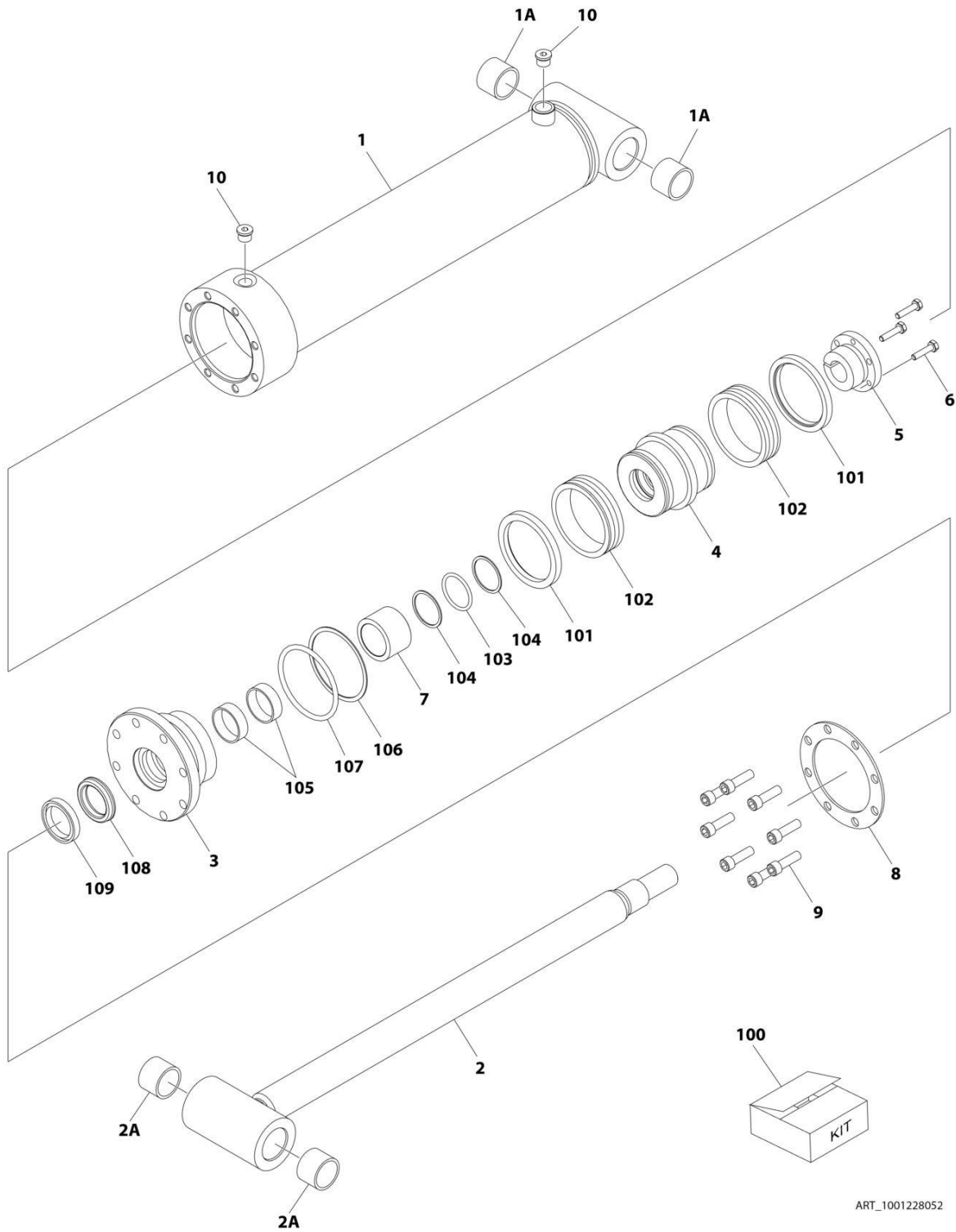
SECTION 5 - CYLINDER

FIGURE 5-14. MASTER CYLINDER ASSEMBLY - 600S (SERVICE REPLACEMENT)

ITEM	PART NUMBER	QTY	DESCRIPTION	REV
	1001228002	Ref	MASTER CYLINDER ASSEMBLY	B
		Ref	Note: Original Cylinder May Have Been Replaced with Service Replacement. Identify PN Stamped on Cylinder Before Ordering Parts.	
1	See Note	NSS	Barrel (Note: Not Available for Purchase)	
2	70006774	1	Rod	
3	70006599	1	Head	
4	See Note	NSS	Wiper Rod (Note: Use Item 100)	
5	70002373	1	Ring, Retaining	
6	See Note	NSS	Seal, Rod (Note: Use Item 100)	
7	See Note	NSS	Ring, Back-up (Note: Use Item 100)	
8	See Note	NSS	Ring, Wear (Note: Use Item 100)	
9	See Note	NSS	O-Ring (Note: Use Item 100)	
10	See Note	NSS	Ring, Back-up (Note: Use Item 100)	
11	See Note	NSS	O-Ring (Note: Use Item 100)	
12	70006597	1	Piston	
13	See Note	NSS	Seal Piston (Note: Use Item 100)	
14	See Note	NSS	O-Ring (Note: Use Item 100)	
15	70022564	1	Ball	
16	70006601	1	Setscrew	
17	70006775	1	Spacer	
18	0961947	4	Bushing	
19	70023371	2	Plug, O-Ring	
100	70006776	1	Seal Kit (Includes Items 4, 6-11, 13 & 14)	

SECTION 5 - CYLINDER

FIGURE 5-15. MASTER CYLINDER ASSEMBLY - 600SJ/660SJ (SERVICE REPAACEMENT)



ART_1001228052

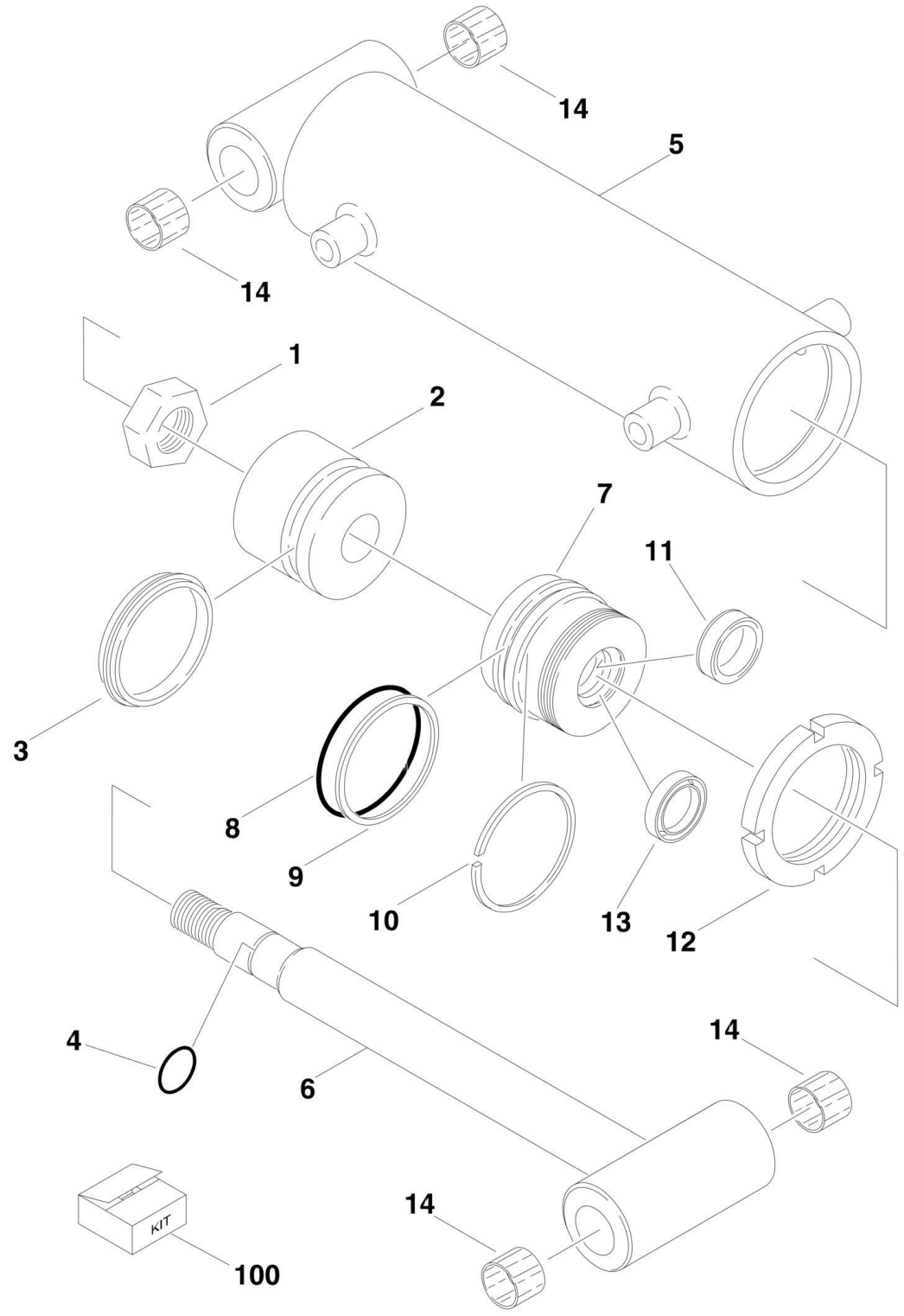
SECTION 5 - CYLINDER

FIGURE 5-15. MASTER CYLINDER ASSEMBLY - 600SJ/660SJ (SERVICE REPAACEMENT)

ITEM	PART NUMBER	QTY	DESCRIPTION	REV
	1001228052	Ref	MASTER CYLINDER ASSEMBLY - 600SJ/660SJ (SERVICE REPAACEMENT) Note: Original Cylinder May Have Been Replaced with Service Replacement. Identify PN Stamped on Cylinder Before Ordering Parts.	A
		Ref		
1	See Note	1	Barrel Weldment (Note: Not Available for Purchase)	
1A	0961951	2	Bushing	
2	70006447	1	Rod Weldment	
2A	0961951	2	Bushing	
3	70006446	1	Head	
4	70006445	1	Piston	
5	70006444	1	Bushing, Tapered	
6	0630535	3	Capscrew 1/4 x 1-1/8	
7	70006443	1	Spacer	
8	70006442	1	Ring, Washer	
9	3931620	8	Capscrew 3/8 x 1-1/4	
10	2220885	2	Plug, O-Ring	
100	1001138796	1	Seal Kit (Includes Items 101-109)	
101	See Note	NSS	Ring, Wear (Note: Use Item 100)	
102	See Note	NSS	Seal, Piston (Note: Use Item 100)	
103	See Note	NSS	O-Ring (Note: Use Item 100)	
104	See Note	NSS	Ring, Back-up (Note: Use Item 100)	
105	See Note	NSS	Ring, Wear (Note: Use Item 100)	
106	See Note	NSS	O-Ring (Note: Use Item 100)	
107	See Note	NSS	Ring, Back-up (Note: Use Item 100)	
108	See Note	NSS	Seal, Rod (Note: Use Item 100)	
109	See Note	NSS	Wiper, Rod (Note: Use Item 100)	

SECTION 5 - CYLINDER

FIGURE 5-16. STEER CYLINDER ASSEMBLY



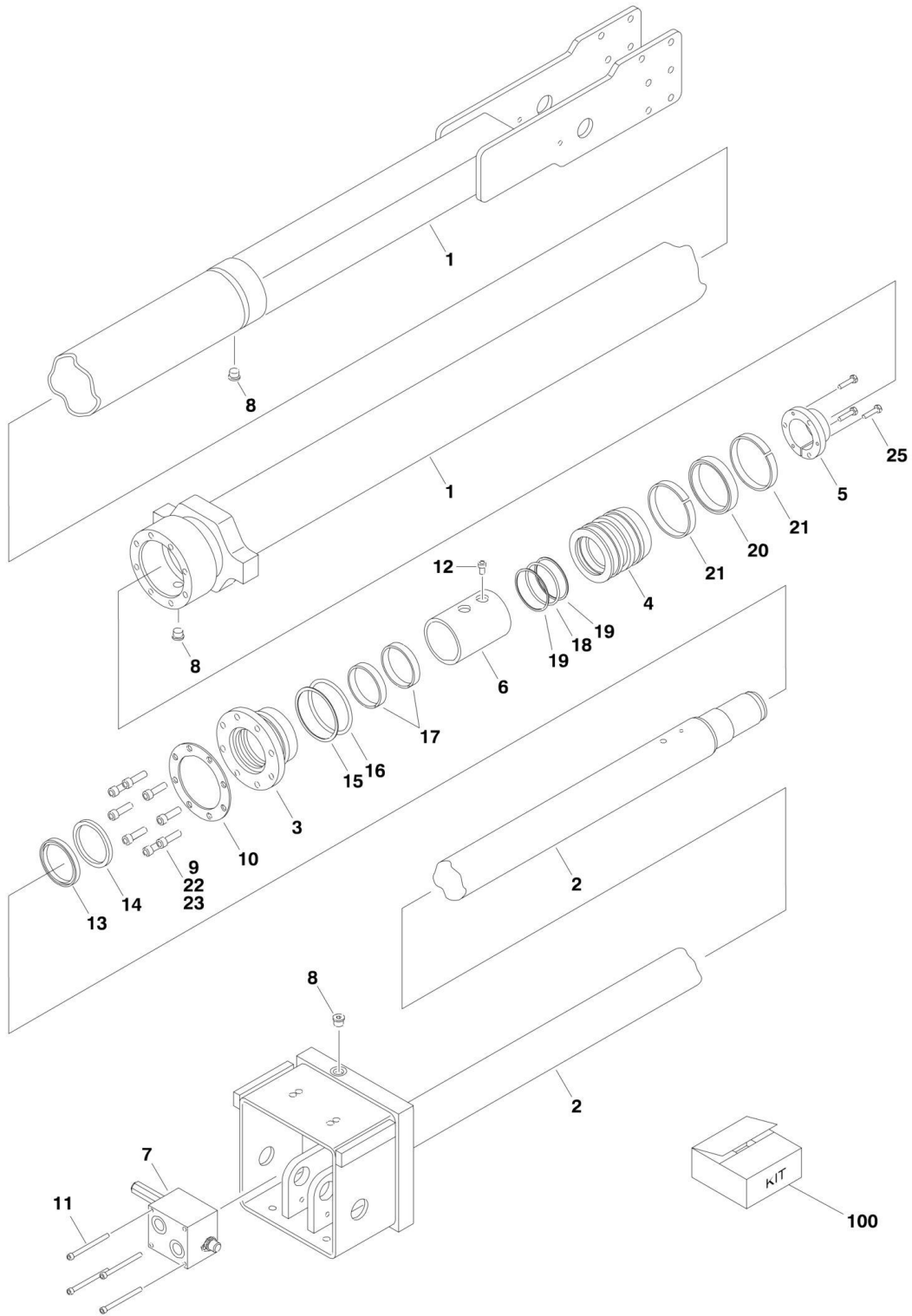
SECTION 5 - CYLINDER

FIGURE 5-16. STEER CYLINDER ASSEMBLY

ITEM	PART NUMBER	QTY	DESCRIPTION	REV
	1683208	Ref	STEER CYLINDER ASSEMBLY	C
1	7001626	1	Locknut	
2	7001627	1	Piston	
3	See Note	NSS	Seal (Note: Use Item 100)	
4	See Note	NSS	O-Ring (Note: Use Item 100)	
5	See Note	1	Barrel Weldment (Note: Not Available - Purchase Complete Steer Cylinder Assembly)	
6	7001633	1	Rod Weldment	
7	7001629	1	Head	
8	See Note	NSS	O-Ring (Note: Use Item 100)	
9	See Note	NSS	Ring, Back-up (Note: Use Item 100)	
10	See Note	NSS	Ring, Retainer (Note: Use Item 100)	
11	See Note	NSS	Seal, Lip (Note: Use Item 100)	
12	7001630	1	Nut, Spanner	
13	See Note	NSS	Wiper (Note: Use Item 100)	
14	0961977	4	Bushings	
100	7001625	1	Seal Kit - 1683208 (Includes Items 3, 4, 8-11 & 13)	

SECTION 5 - CYLINDER

FIGURE 5-17. TELESCOPE CYLINDER ASSEMBLY



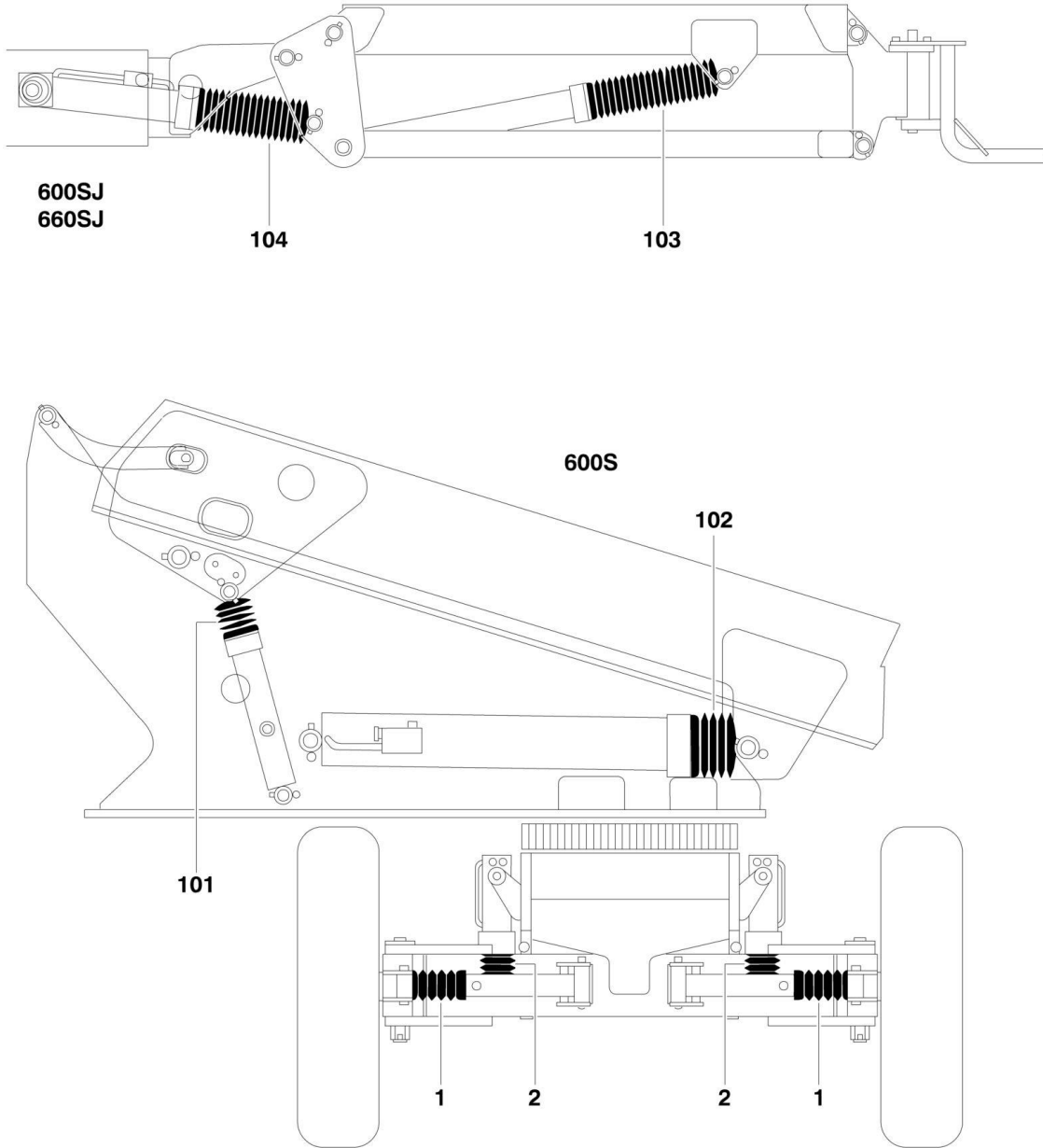
SECTION 5 - CYLINDER

FIGURE 5-17. TELESCOPE CYLINDER ASSEMBLY

ITEM	PART NUMBER	QTY	DESCRIPTION	REV
		Ref	TELESCOPE CYLINDER ASSEMBLY	
	1683618	Ref	Telescope Cylinder Assembly 600S & 660SJ	3-D
	1683620	Ref	Telescope Cylinder Assembly 600SJ	2-C
1		Ref	Barrel Options:	
1	1683619	1	Barrel 600S & 660SJ	
1	1683621	1	Barrel 600SJ	
2		Ref	Rod Options:	
2	1683250	1	Rod 600S & 660SJ	
2	1683359	1	Rod 600SJ	
3	1683057	1	Head	
4	3480205	1	Piston	
5	0961897	1	Bushing, Tapered	
6	4566644	1	Spacer, Tube	
7	4641028	1	Valve Assembly (No serviceable parts - sold as assembly only)	
7	7024397	2	O-Rings Between Valve Block and Cylinder	
8	2220885	6	Plug, O-Ring	
9	3931620	8	Capscrew 3/8in-16NC x 1-1/4in	
10	3760369	1	Ring, Washer	
11	3931448	4	Capscrew 1/4in-20NC x 3in	
12	3931508	1	Capscrew 5/16in-18NC x 1/2in	
13	See Note	NSS	Wiper (Note: Use Item 100)	
14	See Note	NSS	Seal, Rod (Note: Use Item 100)	
15	See Note	NSS	O-Ring (Note: Use Item 100)	
16	See Note	NSS	Ring, Back-up (Note: Use Item 100)	
17	See Note	NSS	Ring, Wear (Note: Use Item 100)	
18	See Note	NSS	O-Ring (Note: Use Item 100)	
19	See Note	NSS	Ring, Back-up (Note: Use Item 100)	
20	See Note	NSS	T-Seal (Note: Use Item 100)	
21	See Note	NSS	Ring, Wear (Note: Use Item 100)	
22	0100011	AR	Compound, Locking	
23	0100038	AR	Primer, Locking	
25	0630535	3	Bolt 1/4in-20NC x 1-1/8in	
100	2901284	1	Seal Kit (Includes Items 13-21)	

SECTION 5 - CYLINDER

FIGURE 5-18. CYLINDER BELLOWS INSTALLATION (OPTIONAL)



SECTION 5 - CYLINDER

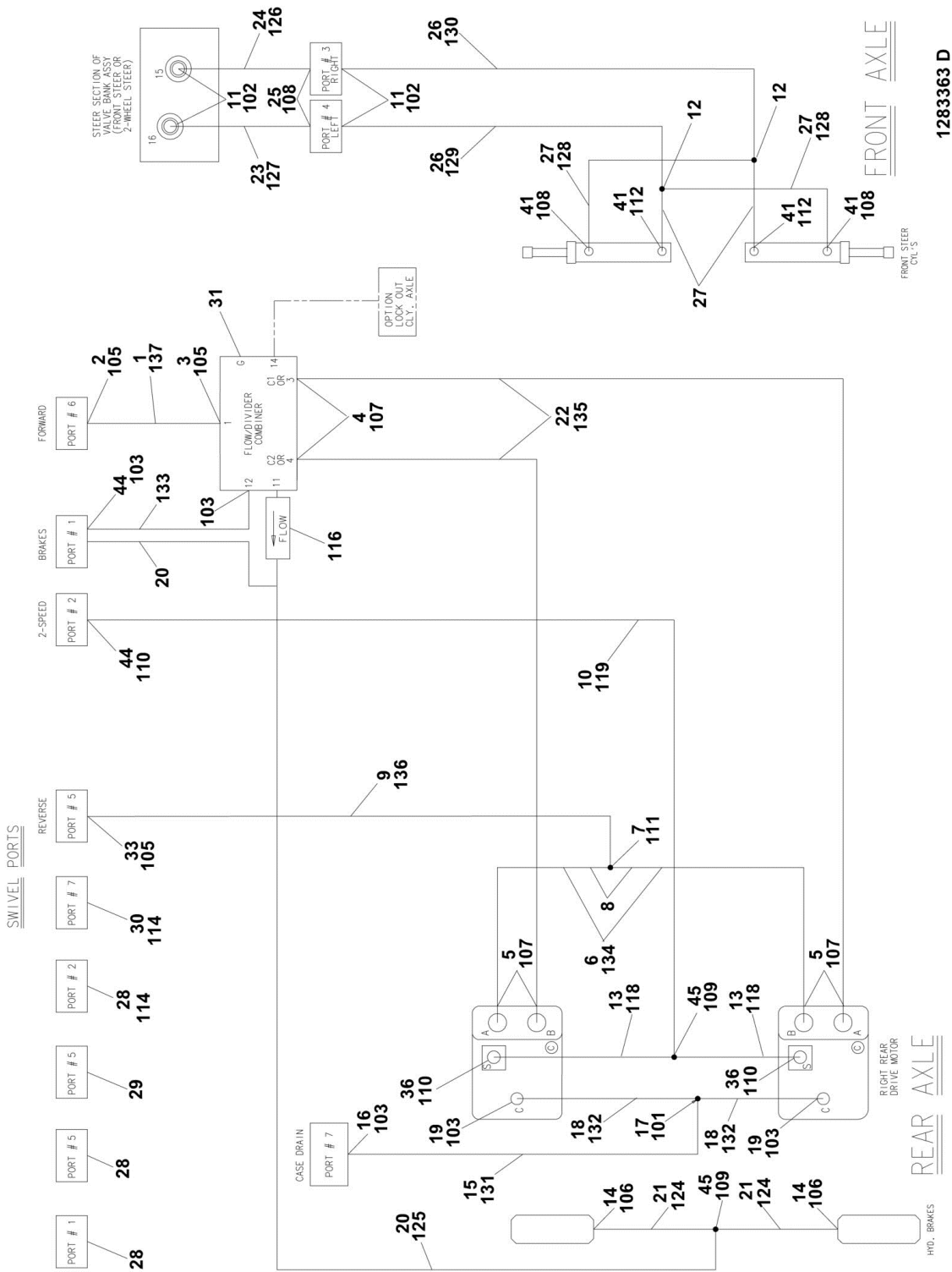
FIGURE 5-18. CYLINDER BELLOWS INSTALLATION (OPTIONAL)

ITEM	PART NUMBER	QTY	DESCRIPTION	REV
		Ref	BELLOWS INSTALLATION - FRAME	
	0255353	Ref	2WS with Oscillating Axle	
	0255354	Ref	2WS with Fixed Axle	
	0255355	Ref	4WS with Oscillating Axle	
	0255356	Ref	4WS with Fixed Axle	
1	0460150	AR	Bellows, Cylinder (1 Per Steer Cylinder)	
2	0460158	AR	Bellows, Cylinder (1 Per Lockout Cylinder)	
	0255929	Ref	BELLOWS INSTALLATION - BOOM (600S)	
101	0460152	1	Bellows, Cylinder (Master Cylinder)	
102	0460153	1	Bellows, Cylinder (Lift Cylinder)	
103	Not Required	0	Not Required	
104	0460152	1	Bellows, Cylinder (Platform Level Cylinder)	
	0255930	Ref	BELLOWS INSTALLATION - BOOM (600SJ & 660SJ)	
101	0460151	1	Bellows, Cylinder (Master Cylinder)	
102	0460153	1	Bellows, Cylinder (Lift Cylinder)	
103	0460161		Bellows, Cylinder (Articulating Jib Lift Cylinder)	
104	0460160	1	Bellows, Cylinder (Platform Level Cylinder)	

SECTION 6 - HYDRAULIC

SECTION 6 - HYDRAULIC

FIGURE 6-1. HYDRAULIC DIAGRAM - DRIVE AND STEER (2WD/2WS)



1283363 D

SECTION 6 - HYDRAULIC

FIGURE 6-1. HYDRAULIC DIAGRAM - DRIVE AND STEER (2WD/2WS)

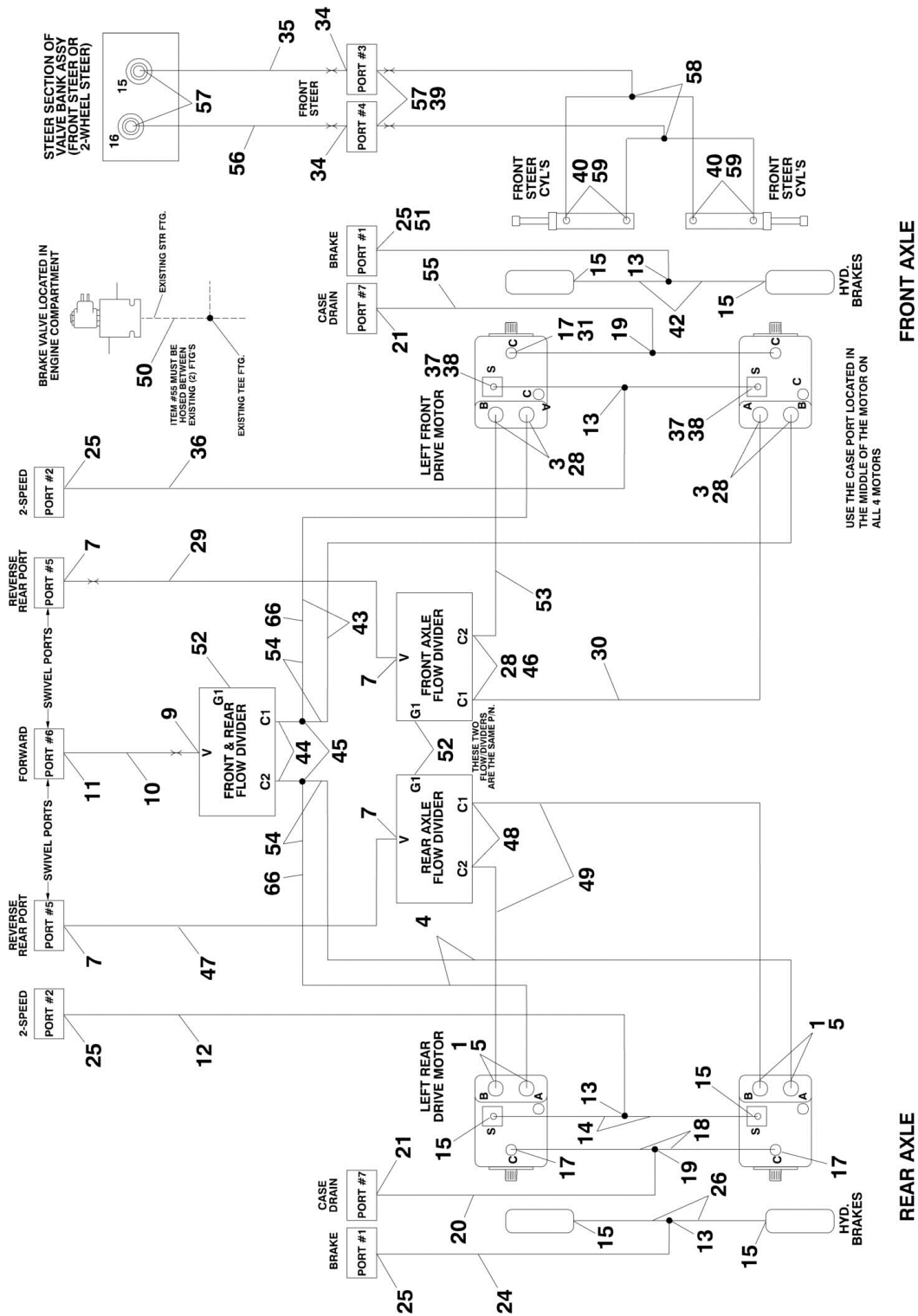
ITEM	PART NUMBER	QTY	DESCRIPTION	REV
		Ref	HYDRAULIC DIAGRAM - DRIVE AND STEER (2WD/2WS)	
	2792184	Ref	Machines (SN 0300068000 through 0300075605)	3
1	2752322	1	Hose	
2	2220646	1	Fitting, 90	
3	2220377	2	Fitting, Straight	
4	2220568	2	Fitting, 45	
5	2220465	4	Fitting, Straight	
6	2752245	2	Hose	
7	2220363	1	Fitting, Tee	
8	2220710	2	Fitting, Reducer	
9	2752345	1	Hose	
10	2751016	1	Hose	
11	2220371	4	Fitting, Straight	
12	2220490	2	Fitting, Tee	
13	2751013	2	Hose	
14	2220466	1	Fitting, 90	
15	2752812	1	Hose	
16	2220375	1	Fitting, Straight	
17	2220362	1	Fitting, Tee	
18	2752807	2	Hose	
19	2220671	2	Fitting, 90	
20	2752584	1	Hose	
21	2752592	2	Hose	
22	2752258	2	Hose	
23	2752632	1	Hose	
24	2752478	1	Hose	
25	2220473	2	Fitting, 90	
26	2752462	2	Hose	
27	2752963	4	Hose	
28	2220237	3	Fitting, O-Ring Plug	
29	2220242	1	Fitting, O-Ring Plug	
30	2220240	1	Fitting, O-Ring Plug	
31	2220235	1	Fitting, O-Ring Plug	
33	2220365	1	Fitting, 45	
36	2220502	2	Fitting, 45	
41	2220473	4	Fitting, 90	
44	2220582	2	Fitting, Straight	
45	2220504	2	Fitting, Tee	
	2792616	Ref	Machines (SN 0300075606 through 0300087000)	2
101	2220362	1	Fitting, Tee	
102	2220371	4	Fitting, Straight	
103	2220373	5	Fitting, Straight	
105	2220377	3	Fitting, Straight	
106	2220415	2	Fitting, Straight	
107	2220451	6	Fitting, Straight	
108	2220473	4	Fitting, 90	
109	2220504	2	Fitting, Tee	
110	2220582	3	Fitting, Straight	
111	2221170	1	Fitting, Tee	
112	2220606	2	Fitting, Tee	

SECTION 6 - HYDRAULIC

ITEM	PART NUMBER	QTY	DESCRIPTION	REV
114	2220307	2	Fitting, Plug	
116	4641307	1	Valve, Check	
118	2753925	2	Hose	
119	2753924	1	Hose	
124	2752592	2	Hose	
125	2752910	1	Hose	
126	2752478	1	Hose	
127	2752632	1	Hose	
128	2753397	2	Hose	
129	2752475	1	Hose	
130	2752611	1	Hose	
131	2752928	1	Hose	
132	2753929	2	Hose	
133	2752929	1	Hose	
134	2753969	2	Hose	
135	2753967	2	Hose	
136	2752341	1	Hose	
137	2753435	1	Hose	

SECTION 6 - HYDRAULIC

FIGURE 6-2. HYDRAULIC DIAGRAM - DRIVE AND STEER (4WD/2WS) (SN 0300068000 through 0300075605)



SECTION 6 - HYDRAULIC

FIGURE 6-2. HYDRAULIC DIAGRAM - DRIVE AND STEER (4WD/2WS) (SN 0300068000 through 0300075605)

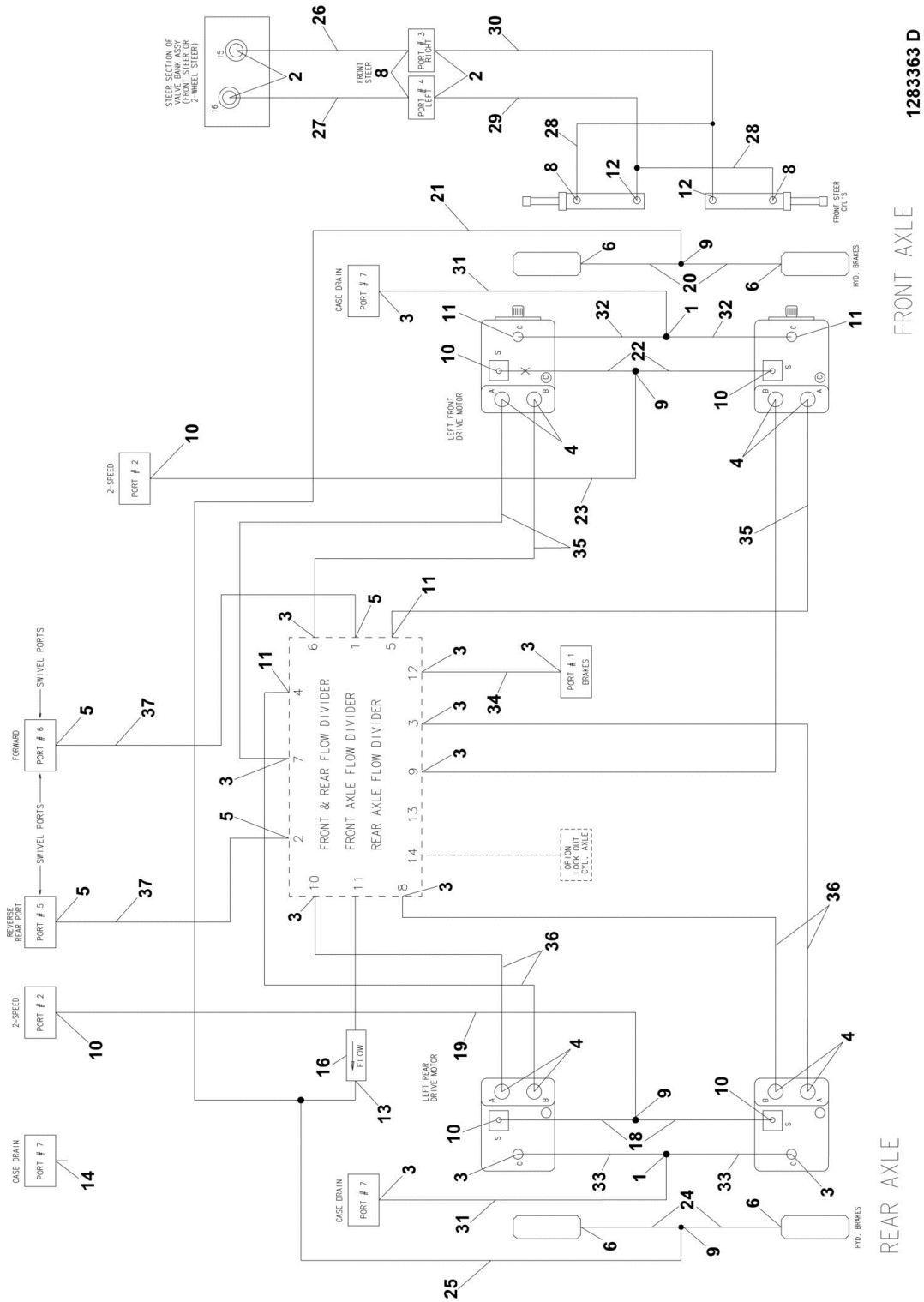
ITEM	PART NUMBER	QTY	DESCRIPTION	REV
	2792186	Ref	DRIVE HYDRAULIC DIAGRAM - 4WD/2WS	8
1	2220465	4	Fitting, 90	
3	2220500	4	Fitting, 45	
4	2752398	2	Hose	
5	2220622	4	Fitting, Reducer	
7	2220435	4	Fitting, Straight	
9	2220377	1	Fitting, Straight	
10	2752322	1	Hose	
11	2220646	1	Fitting, 90	
12	2751016	1	Hose	
13	2220504	4	Fitting, Tee	
14	2751013	2	Hose	
15	2220466	6	Fitting, 90	
17	2220671	4	Fitting, 90	
18	2752807	2	Hose	
19	2220362	2	Fitting, Tee	
20	2752812	1	Hose	
21	2220375	2	Fitting, Straight	
24	2752584	1	Hose	
25	2220582	4	Fitting, Straight	
26	2752592	2	Hose	
28	2220833	6	Fitting, Reducer	
29	2752256	1	Hose	
30	2752888	1	Hose	
31	2752898	2	Hose	
34	2220472	2	Fitting, 90	
35	2752478	1	Hose	
36	2751021	1	Hose	
37	2752918	2	Hose	
38	2220502	2	Fitting, 45	
39	2752462	2	Hose	
40	2752963	4	Hose	
42	2752909	2	Hose	
43	2752889	2	Hose	
44	2220550	2	Fitting, Reducer	
45	2220738	2	Fitting, Tee	
46	2220596	2	Fitting, 90	
47	2752249	1	Hose	
48	2220800	2	Fitting, Straight	
49	2752389	2	Hose	
50	2220914	1	Orifice (.043)	
51	2752443	1	Hose	
52	2220235	3	Plug #4	
53	2752893	1	Hose	
54	2220622	4	Fitting, Reducer	
55	2752810	1	Hose	
56	2752632	1	Hose	
57	2220582	4	Fitting, Straight	
58	2220363	1	Fitting, Tee	

SECTION 6 - HYDRAULIC

ITEM	PART NUMBER	QTY	DESCRIPTION	REV
59	2220472	2	Fitting, 90	
60 to 65	Not Required	0	Not Required	
66	2220386	2	Fitting, 90	

SECTION 6 - HYDRAULIC

FIGURE 6-3. HYDRAULIC DIAGRAM - DRIVE AND STEER (4WD/2WS) (SN 0300075606 through 0300087000)



1283363 D

FRONT AXLE

REAR AXLE

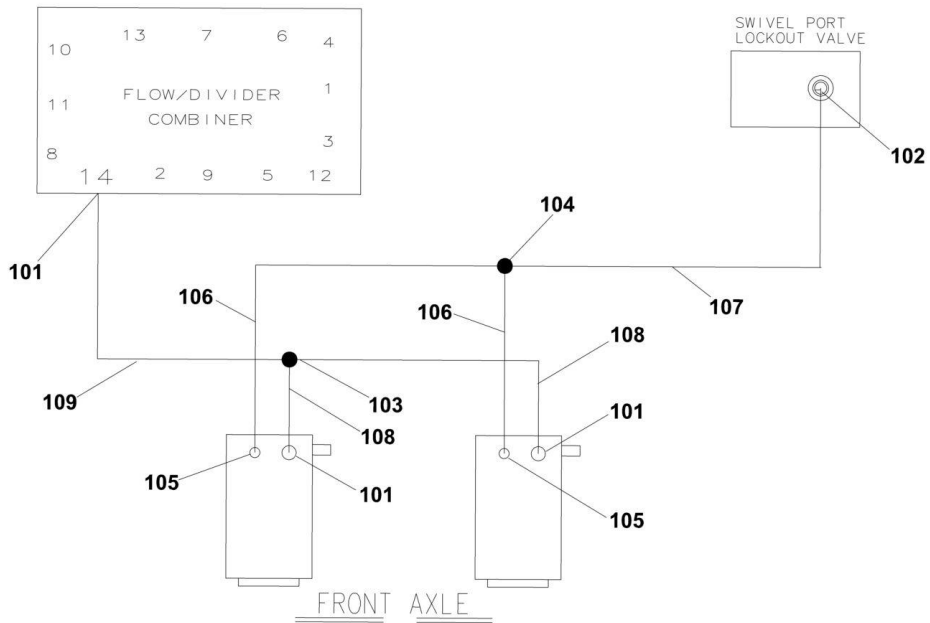
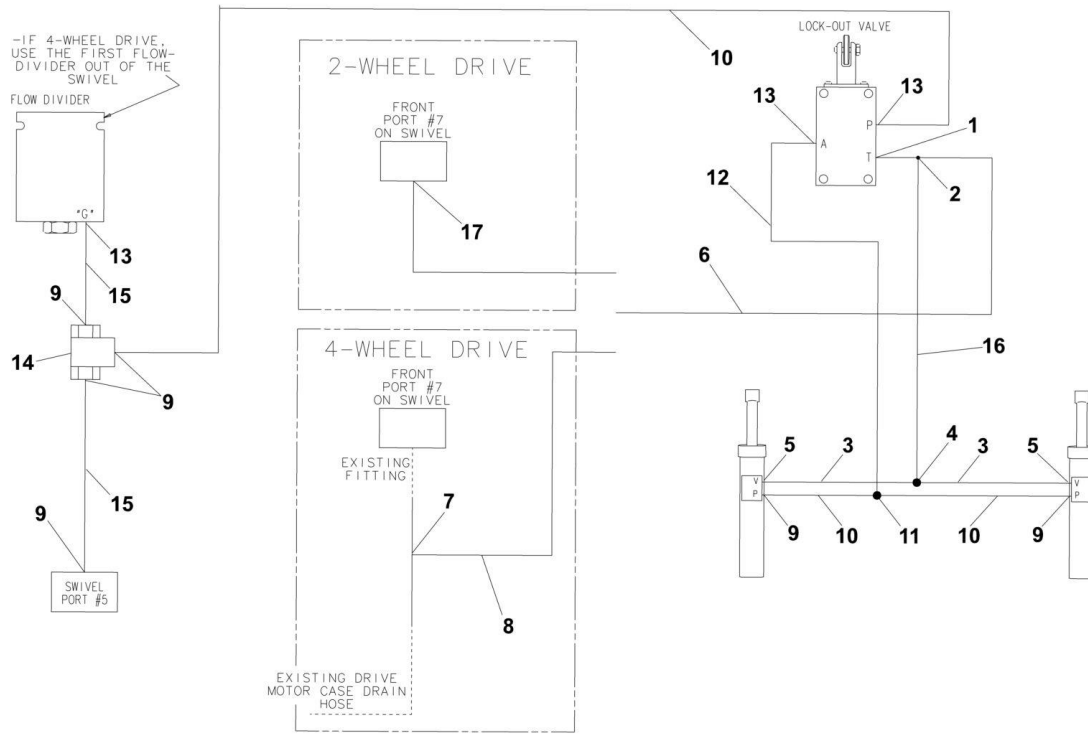
SECTION 6 - HYDRAULIC

FIGURE 6-3. HYDRAULIC DIAGRAM - DRIVE AND STEER (4WD/2WS) (SN 0300075606 through 0300087000)

ITEM	PART NUMBER	QTY	DESCRIPTION	REV
	2792607	Ref	DRIVE HYDRAULIC DIAGRAM - 4WD/2WS	3
1	2220362	2	Fitting, Tee	
2	2220371	4	Fitting, Straight	
3	2220373	12	Fitting, Straight	
4	2220375	8	Fitting, Straight	
5	2220377	4	Fitting, Straight	
6	2220415	4	Fitting, Straight	
8	2220473	4	Fitting, 90	
9	2220504	4	Fitting, Tee	
10	2220582	6	Fitting, Straight	
11	2220596	4	Fitting, 90	
12	2220606	2	Fitting, Tee	
13	2220861	1	Fitting, Tee	
14	2220237	1	Plug	
16	4641284	1	Valve, Check	
18	2753925	2	Hose	
19	2753924	1	Hose	
20	2753926	2	Hose	
21	2752909	1	Hose	
22	2752574	2	Hose	
23	2752977	1	Hose	
24	2752592	2	Hose	
25	2752910	1	Hose	
26	2752478	1	Hose	
27	2752632	1	Hose	
28	2753397	2	Hose	
29	2752475	1	Hose	
30	2752611	1	Hose	
31	2752928	2	Hose	
32	2753928	2	Hose	
33	2753929	2	Hose	
34	2752929	1	Hose	
35	2753931	4	Hose	
36	2753930	4	Hose	
37		Ref	Hose Options:	
37	2753435	2	Hose (SN 0300075606 through 0300081123)	
37	2752331	2	Hose (SN 0300081124 through 0300087000)	

SECTION 6 - HYDRAULIC

FIGURE 6-4. HYDRAULIC DIAGRAM - OSCILLATING AXLE



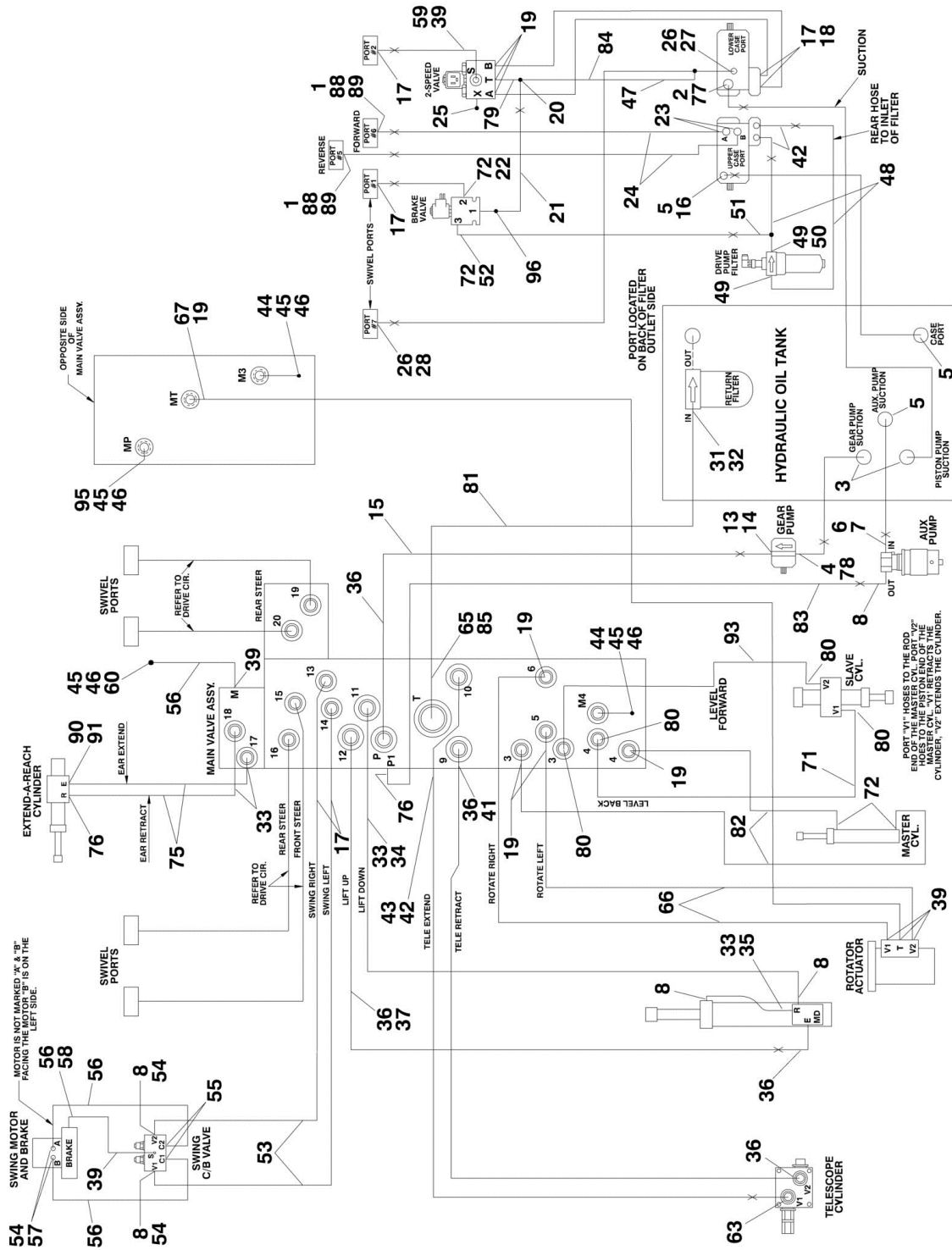
SECTION 6 - HYDRAULIC

FIGURE 6-4. HYDRAULIC DIAGRAM - OSCILLATING AXLE

ITEM	PART NUMBER	QTY	DESCRIPTION	REV
		Ref	AXLE LOCKOUT HYDRAULIC DIAGRAM - OSCILLATING AXLE	
	2792204	Ref	Machines (SN 0300068000 through 0300075605)	3
1	2220603	1	Fitting, Straight	
2	2220635	1	Fitting, Tee	
3	2752822	2	Hose	
4	2220490	1	Fitting, Tee	
5	2220371	2	Fitting, Straight	
6	2752823	1	Hose	
7	2220385	1	Fitting, Tee	
8	2220619	1	Fitting, Reducer	
9	2220582	6	Fitting, Straight	
10	2751397	3	Hose	
11	2220504	1	Fitting, Tee	
12	2751015	1	Hose	
13	2220415	3	Fitting, Straight	
14	4640939	1	Valve, Shuttle	
15	2751020	2	Hose	
16	2752824	1	Hose	
17	2220577	1	Fitting, Straight	
	2792612	Ref	Machines (SN 0300075606 through 0300087000)	1
101	2220371	3	Fitting, Straight	
102	2220468	1	Fitting, Straight	
103	2220490	1	Fitting, Tee	
104	2220504	1	Fitting, Tee	
105	2220415	2	Fitting, Straight	
106	2751434	2	Hose	
107	2751410	1	Hose	
108	2753933	2	Hose	
109	2752462	1	Hose	

SECTION 6 - HYDRAULIC

FIGURE 6-5. HYDRAULIC DIAGRAM - STANDARD (SN 0300068000 through 0300075605)



SECTION 6 - HYDRAULIC

FIGURE 6-5. HYDRAULIC DIAGRAM - STANDARD (SN 0300068000 through 0300075605)

ITEM	PART NUMBER	QTY	DESCRIPTION	REV
		Ref	STANDARD HYDRAULIC DIAGRAM	
	2792179	Ref	Standard Hydraulic Diagram 600S	21
	2792181	Ref	Standard Hydraulic Diagram 600SJ	19
	2792180	Ref	Standard Hydraulic Diagram 660SJ	21
1	2220377	2	Fitting, Straight	
2	2752752	1	Hose	
3	2220380	2	Fitting, Straight	
4	2220376	1	Fitting, Straight	
5	2220578	3	Fitting, 90	
6	2752653	1	Hose	
7	2220408	1	Fitting, Straight	
8	2220628	5	Fitting, 90	
13	2220810	1	Fitting, Reducer	
14	4640744	1	Fitting, Check Valve	
15	2752504	1	Hose	
16	2752654	1	Hose	
17	2220582	AR	Fitting, Straight	
18	2751427	2	Hose	
19	2220415	AR	Fitting, Straight	
20	2220605	1	Fitting, Tee	
21	2752573	1	Hose	
22	2752594	1	Hose	
23	2220646	2	Fitting, 90	
24	2752340	2	Hose	
25	2220235	1	Fitting, Plug	
26	2220375	2	Fitting, Straight	
27	2220385	1	Fitting, Tee	
28	2752514	1	Hose	
31	2220921	1	Fitting, Reducer	
32	2220498	1	Fitting, 45	
33	2220372	AR	Fitting, Straight	
34	2752631	1	Hose	
35	2752632	1	Hose	
36	2220373	5	Fitting, Straight	
37	2752515	1	Hose	
38	2752587	1	Hose (SN 0300068000 through 0300070974)	
39	2220466	AR	Fitting, 90	
40	2220596	2	Fitting, 90 (SN 0300068000 through 0300070974)	
41		Ref	Hose Options:	
41	2752516	1	Hose (SN 0300068000 through 0300070974)	
41	2751474	1	Hose (SN 0300070975 through 0300075605)	
42	2220947	3	Fitting, Straight	
43	2752762	1	Hose	
44	2220873	AR	Fitting, Straight Nipple	
45	2220428	AR	Fitting, Quick Coupling	
46	2220429	AR	Fitting, Dust Cap	
47	2220618	1	Fitting, Reducer	
48	2752763	2	Hose	
49	2220906	2	Fitting, 90	
50	2220948	1	Fitting, Tee	

SECTION 6 - HYDRAULIC

ITEM	PART NUMBER	QTY	DESCRIPTION	REV
51	2220618	1	Fitting, Reducer	
52	2752580	1	Hose	
53	2752588	2	Hose	
54	2220609	4	Fitting, Reducer	
55	2220468	2	Fitting, Straight	
56	2752981	AR	Hose	
57	2220497	2	Fitting, Straight	
58	2220502	1	Fitting, 45	
59	2751396	1	Hose	
60		Ref	Fitting, Straight Options:	
60	2220414	AR	Fitting, Straight 600S/660SJ	
60	Not Required	0	Fitting, Straight 600SJ	
61	2752433	1	Hose (SN 0300068000 through 0300070974)	
62	2220462	1	Fitting, 90 (SN 0300068000 through 0300070974)	
63	2220950	1	Fitting, 45	
64	2752517	1	Hose (SN 0300068000 through 0300070974)	
65	2220974	1	Fitting, Long Straight	
66		Ref	Hose Options:	
66	2752598	2	Hose 600S & 600SJ	
66	2752596	2	Hose 660SJ	
67		Ref	Hose Options:	
67	2752599	1	Hose 600S & 600SJ	
67	2752597	1	Hose 660SJ	
71		Ref	Hose Options:	
71	2752633	AR	Hose 600S & 660SJ	
71	2751868	AR	Hose 600SJ	
72	2220472	4	Fitting, 90	
75		Ref	Hose Options:	
75	2752633	2	Hose 660SJ	
75	2753048	2	Hose 600SJ	
76	2220473	AR	Fitting, 90	
77	2220479	1	Fitting, Straight	
78	2752753	1	Hose	
79	2220909	1	Fitting, Restrictor	
80	2220603	4	Fitting, Straight	
81	2752783	1	Hose	
82	2752591	2	Hose	
83	2752643	1	Hose	
84	2752981	1	Hose	
85	2220409	1	Fitting, 45	
87	2220574	1	Fitting, Straight (SN 0300068000 through 0300070974)	
88	0100011	AR	Compound, Locking	
89	0100038	AR	Loctite, Primer	
90	2180724	1	Fitting, 90 (600SJ & 660SJ Only)	
91	2180380	1	Fitting, Pipe Plug (600SJ & 660SJ Only)	
92	1703533	1	Decal - Hose Tags (Not Shown)	
93	2753083	1	Hose (600SJ & 660SJ Only)	
94	4240018	7	Tie-Strap (Not Shown)	
95	2220873	1	Fitting, Nipple	
96	2220914	1	Fitting, Restrictor	

SECTION 6 - HYDRAULIC

FIGURE 6-6. HYDRAULIC DIAGRAM - STANDARD (SN 0300075606 through 0300087000)

ITEM	PART NUMBER	QTY	DESCRIPTION	REV
		Ref	STANDARD HYDRAULIC DIAGRAM	
	2792608	Ref	Standard Hydraulic Diagram 600S	6
	2792614	Ref	Standard Hydraulic Diagram 600SJ	5
	2792603	Ref	Standard Hydraulic Diagram 660SJ	4
1	2220377	2	Fitting, Straight	
2	2752752	1	Hose	
3	2220380	2	Fitting, Straight	
4	2220376	1	Fitting, Straight	
5	2220578	2	Fitting, 90	
6	2752653	1	Hose	
7	2220408	1	Fitting, Straight	
8	2220628	5	Fitting, 90	
9	2220596	1	Fitting, 90	
10	2220474	1	Fitting, 90	
11	2220574	1	Fitting, 90	
12	0100020	AR	Sealant, Pipe	
13	2220810	1	Fitting, Reducer	
14	4640744	1	Fitting, Check Valve	
15	2752504	1	Hose	
16	2752654	1	Hose	
17	2220582	3	Fitting, Straight	
19	2220415	5	Fitting, Straight	
22	2752502	1	Hose	
23	2220646	2	Fitting, 90	
24	2752340	2	Hose	
25	2220407	1	Fitting, 90	
26	2220375	1	Fitting, Straight	
28	2753968	1	Hose	
31	2220921	1	Fitting, Reducer	
32	2220498	1	Fitting, 45	
33	2220372	AR	Fitting, Straight	
34	2752631	1	Hose	
35	2752632	1	Hose	
36	2220373	6	Fitting, Straight	
37	2752515	1	Hose	
39	2220466	6	Fitting, 90	
41	2751474	1	Hose	
42	2220947	3	Fitting, Straight	
43	2752762	1	Hose	
44	2220873	2	Fitting, Straight Nipple	
45	2220428	AR	Fitting, Quick Coupling	
46	2220429	AR	Fitting, Dust Cap	
47	2220618	1	Fitting, Reducer	
48	2752763	2	Hose	
49		Ref	Fitting, 90 Options:	
49	2220906	2	Fitting, 90 (SN 0300075606 through 0300084826)	
49	2221042	2	Fitting, 90 (SN 0300084827 through 0300087000)	
50	2220948	1	Fitting, Tee	
51	2220738	1	Fitting, Tee	
52	2753957	1	Hose	

SECTION 6 - HYDRAULIC

ITEM	PART NUMBER	QTY	DESCRIPTION	REV
53	2752588	2	Hose	
54	2220609	AR	Fitting, Reducer	
55	2220468	2	Fitting, Straight	
56	2752981	3	Hose	
57	2220497	2	Fitting, Straight	
58	2220502	1	Fitting, 45	
59	2751396	1	Hose	
63	2220950	1	Fitting, 45	
65	2220974	1	Fitting, Long Straight	
66		Ref	Hose Options:	
66	2752598	2	Hose 600S & 600SJ	
66	2752596	2	Hose 660SJ	
67		Ref	Hose Options:	
67	2752599	1	Hose 600S & 600SJ	
67	2752597	1	Hose 660SJ	
71		Ref	Hose Options:	
71	2752633	AR	Hose 600S & 660SJ	
71	2751868	AR	Hose 600SJ (SN 0300075606 through 0300087911)	
71	2753048	AR	Hose 600SJ (SN 0300087912 through 0300087000)	
72	2220472	AR	Fitting, 90	
75		Ref	Hose Options:	
75	Not Required	0	Hose 600S	
75	2753048	2	Hose 600SJ	
75	2752633		Hose 660SJ	
76	2220473	AR	Fitting, 90	
77	2220479	1	Fitting, Straight	
78	2752753	1	Hose	
80	2220603	4	Fitting, Straight	
81	2752783	1	Hose	
82	2752591	2	Hose	
83	2752643	1	Hose	
84	2753325	1	Hose	
85	2220409	1	Fitting, 45	
88	0100011	AR	Compound, Locking	
89	0100038	AR	Loctite, Primer	
90	2180724	1	Fitting, 90 (600SJ & 660SJ Only)	
91	2180380	1	Fitting, Pipe Plug (600SJ & 660SJ Only)	
92	1703533	2	Decal - Hose Tags (Not Shown)	
93		Ref	Hose Options:	
93	2752633	1	Hose 600S & 660SJ	
93	2752633	1	Hose 600SJ (SN 0300075606 through 0300087911)	
93	2753048	1	Hose 600SJ (SN 0300087912 through 0300087000)	
94	4240018	7	Tie-Strap (Not Shown)	
95	2220873	1	Fitting, Nipple	

SECTION 6 - HYDRAULIC

FIGURE 6-7. HYDRAULIC DIAGRAM LIST

ITEM	PART NUMBER	QTY	DESCRIPTION	REV
		Ref	Note: Information on diagrams not shown is available from JLG Service/Parts Departments.	
		Ref	Drive and Steer Hydraulic Diagrams:	
		Ref	Drive and Steer Hydraulic Diagrams (SN 0300068000 through 0300075605)	
	2792184	Ref	2WD/2WS Machines	
	2792185	Ref	2WD/4WS Machines	
	2792186	Ref	4WD/2WS Machines	
	2792187	Ref	4WD/4WS Machines	
		Ref	Drive and Steer Hydraulic Diagrams (SN 0300075606 through 0300087000)	
	2792616	Ref	2WD/2WS Machines	
	2792617	Ref	2WD/4WS Machines	
	2792607	Ref	4WD/2WS Machines	
	2792615	Ref	4WD/4WS Machines	
		Ref	AXLE LOCKOUT HYDRAULIC DIAGRAM	
	2792204	Ref	Axle Lockout Hydraulic Diagram (SN 0300068000 through 0300075605)	
	2792612	Ref	Axle Lockout Hydraulic Diagram (SN 0300075606 through 0300087000)	
		Ref	Loop Flushing Hydraulic Diagram	
	2792660	Ref	Loop Flushing Hydraulic 2WD	
	2792659	Ref	Loop Flushing Hydraulic 4WD	
		Ref	Oil Cooler Hydraulic Diagrams:	
	0256762	Ref	Deutz Engine	
	1282665	Ref	Deutz Engine	
	0272041	Ref	Ford Engine	
	1283309	Ref	Ford Engine	
		Ref	Standard Hydraulic Diagrams:	
		Ref	Standard Hydraulic Diagrams: (SN 0300068000 through 0300075605)	
	2792179	Ref	Standard Hydraulic Diagrams 600S	
	1282380	Ref	Standard Hydraulic Diagrams 600S	
	2792181	Ref	Standard Hydraulic Diagrams 600SJ	
	1282380	Ref	Standard Hydraulic Diagrams 600SJ	
	2792180	Ref	Standard Hydraulic Diagrams 660SJ	
	1282380	Ref	Standard Hydraulic Diagrams 660SJ	
		Ref	Standard Hydraulic Diagrams: (SN 0300075606 through 0300087000)	
	2792608	Ref	Standard Hydraulic Diagrams 600S	
	1283363	Ref	Standard Hydraulic Diagrams 600S	
	2792614	Ref	Standard Hydraulic Diagrams 600SJ	
	1283363	Ref	Standard Hydraulic Diagrams 600SJ	
	2792613	Ref	Standard Hydraulic Diagrams 660SJ	
	1283363	Ref	Standard Hydraulic Diagrams 660SJ	
		Ref	Standard Hydraulic Schematic	
	2792176	Ref	Standard Hydraulic Schematic (SN 0300068000 through 0300075605)	
	2792605	Ref	Standard Hydraulic Schematic (SN 0300075606 through 0300087000)	

SECTION 6 - HYDRAULIC

ITEM	PART NUMBER	QTY	DESCRIPTION	REV
		Ref	Tool Hydraulic Diagrams:	
	2792325	Ref	Tool Hydraulic Diagrams 600S	
	2792326	Ref	Tool Hydraulic Diagrams 600SJ	
	2792327	Ref	Tool Hydraulic Diagrams 660SJ	
		Ref	Tow Hydraulic Diagram	
	2792266	Ref	2WS (SN 0300068000 through 0300075605)	
	2792315	Ref	4WS (SN 0300068000 through 0300075605)	
	2792630	Ref	Tow Hydraulic Diagram (SN 0300075606 through 0300087000)	

SECTION 7 - ELECTRICAL

SECTION 7 - ELECTRICAL

FIGURE 7-1. ELECTRICAL DIAGRAM LIST

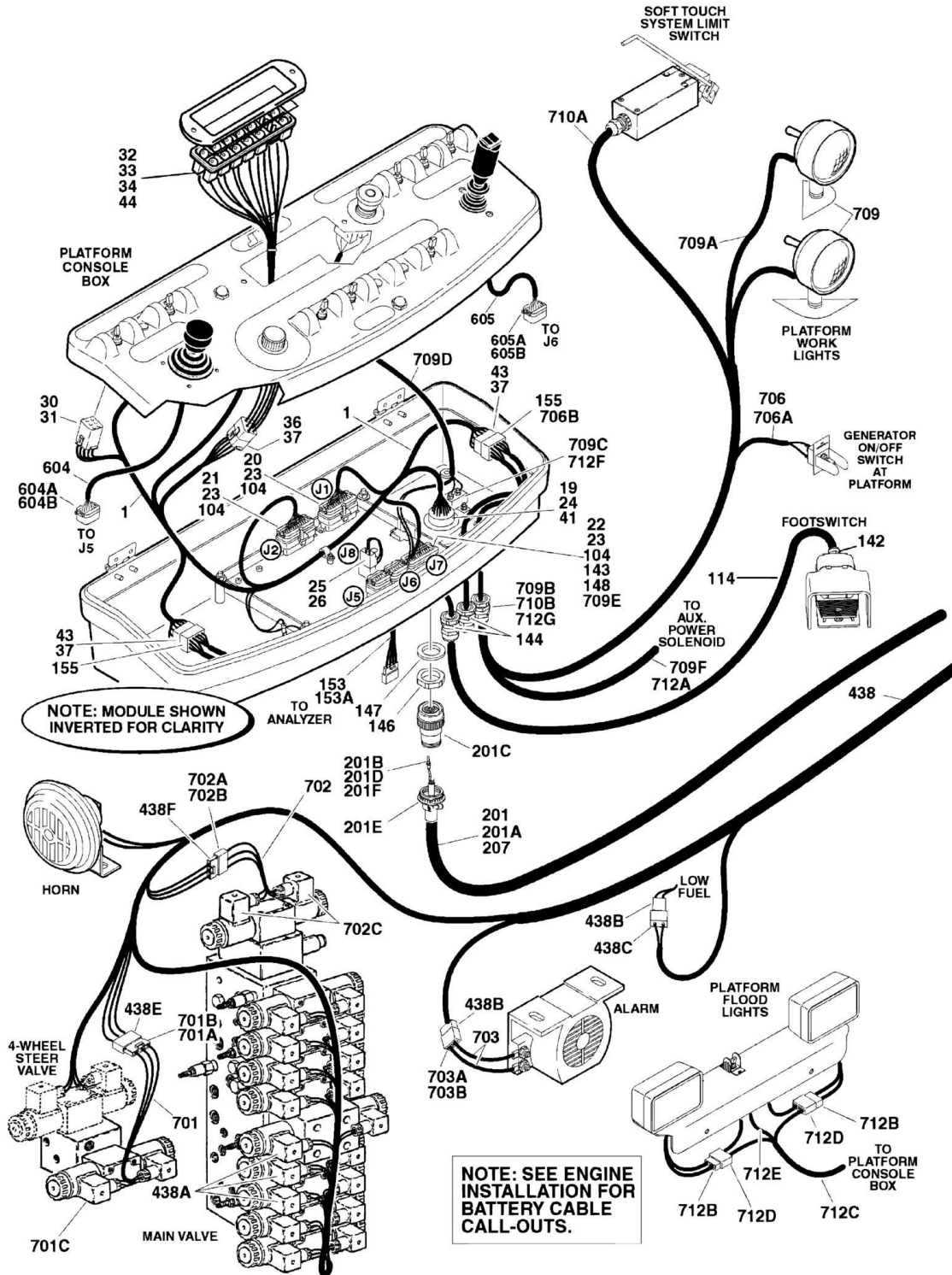
ITEM	PART NUMBER	QTY	DESCRIPTION	REV
		Ref	ALARM ELECTRICAL DIAGRAM	
	4933025	Ref	Motion Alarm	1
	1282937	Ref	Motion Alarm	A
	4933026	Ref	Travel Alarm	1
	1282937	Ref	Travel Alarm	A
		Ref	DRIVE CUT-OUT ELECTRICAL DIAGRAMS	
	4932990	Ref	Above Elevation	2
	1282828	Ref	Above Elevation	B
	4932993	Ref	Above Elevation Tilt	2
	1282828	Ref	Above Elevation Tilt	B
	4932991	Ref	8 Meter	2
	1282828	Ref	8 Meter	B
	3640493	1	Rail, Mounting	
	4460607	2	Stop, Terminal	
	4120013	1	Socket, Relay	
	3740058	1	Relay 4PDT	
	3740063	1	Spring, Relay	
	4932900	Ref	DUAL CAPACITY ELECTRICAL DIAGRAM (AUSTRALIAN SPEC)	1-A
	4933272	Ref	EIM LOAD CELL ELECTRICAL DIAGRAM	1-A
	4932986	Ref	ENGINE LOW OIL SHUTDOWN ELECTRICAL DIAGRAM	2-B
	4933313	Ref	FLOOD LIGHTS ELECTRICAL DIAGRAM	1-A
		Ref	GENERATOR ELECTRICAL DIAGRAMS	
	4933215	Ref	110 Volt (SN 0300068000 through 0300077489)	1-B
	4933216	Ref	220 Volt (SN 0300068000 through 0300077489)	1-B
	4933300	Ref	110/220 Volt (SN 0300077490 through 0300087000)	1-A
	4933217	Ref	GLOW PLUG DIAGRAM	B
		Ref	LIGHTS ELECTRICAL DIAGRAM	
	4933219	Ref	Headlight/Taillight and Chassis Illumination Lights Harness	1-B
	4922643	1	Harness (Located in Ground Console Box)	
	3740049	1	Relay	
		Ref	OIL COOLER ELECTRICAL DIAGRAMS	
	0256762	Ref	Deutz Engine	4
	1282665	Ref	Deutz Engine	D
	4922509	Ref	PLATFORM ELECTRICAL DIAGRAM	
	4933218	Ref	PLATFORM SOFT TOUCH SYSTEM ELECTRICAL DIAGRAM	1-B
		Ref	PLATFORM WORKLIGHTS ELECTRICAL DIAGRAMS	
	0270814	Ref	Platform Worklights Electrical Diagrams (SN 0300068000 through 0300074440)	3-E
	0273486	Ref	Platform Worklights Electrical Diagrams 600S (SN 0300074441 through 0300087000)	C
	0273490	Ref	Platform Worklights Electrical Diagrams 600SJ (SN 0300074441 through 0300087000)	C
	0273491	Ref	Platform Worklights Electrical Diagrams 660SJ (SN 0300074441 through 0300087000)	C
	4933263	Ref	POWER TOOL ELECTRICAL DIAGRAM	1-B
		Ref	REMOTE CONTROL ELECTRICAL DIAGRAMS:	
	4922847	Ref	Harness, Remote Control Box	1-A
	4922863	Ref	Harness, Cable Remote Control	1-A
	4933274	Ref	Electrical Diagram	A

SECTION 7 - ELECTRICAL

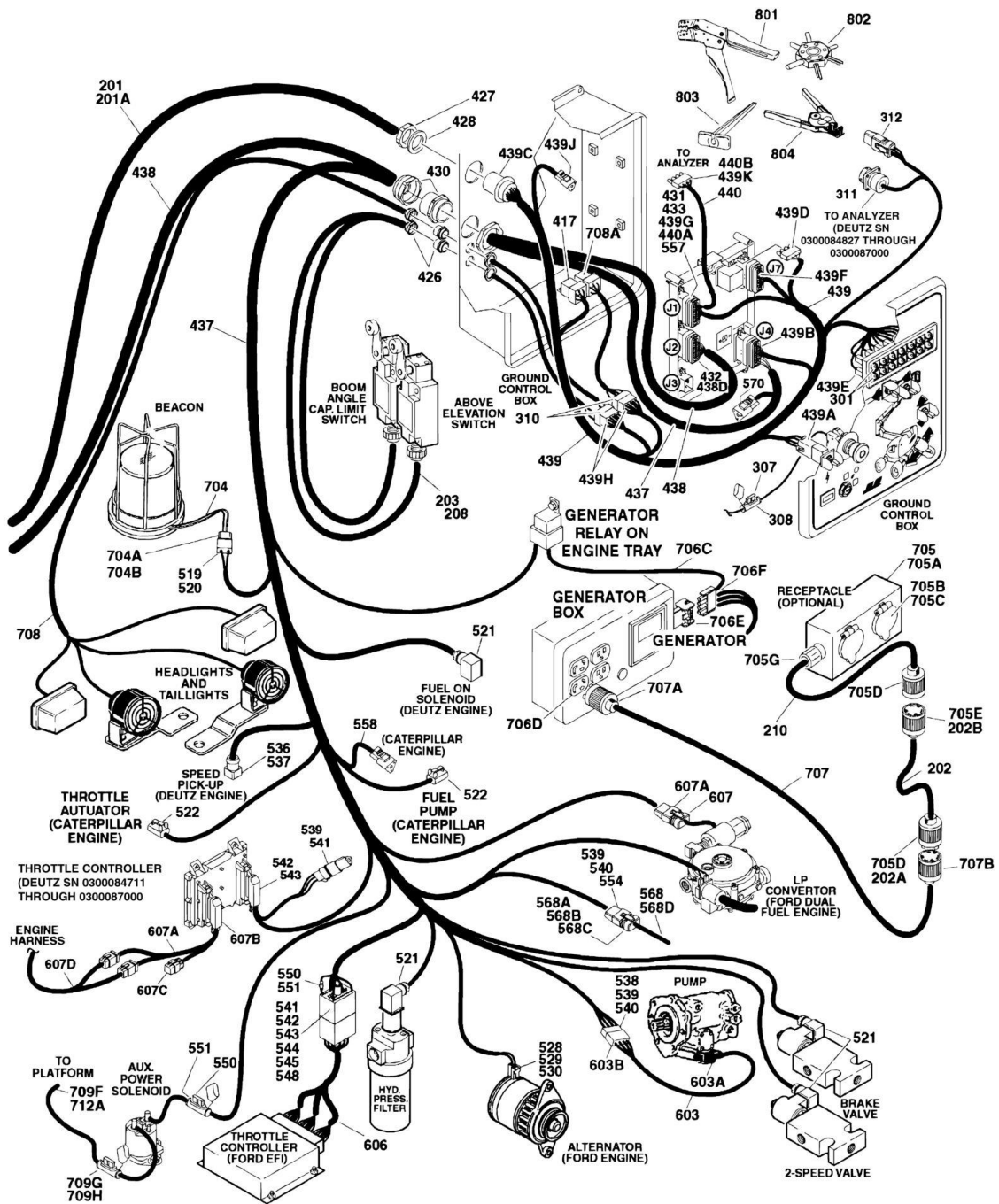
ITEM	PART NUMBER	QTY	DESCRIPTION	REV
		Ref	STANDARD ELECTRICAL DIAGRAMS	
	4933291	Ref	Caterpillar Engine	1-A
	4933222	Ref	Deutz Engine (SN 0300068000 through 0300084826)	4-D
	4933318	Ref	Deutz Engine (SN 0300084827 through 0300087000)	D
		Ref	STANDARD ELECTRICAL SCHEMATIC	
	1870132	Ref	Caterpillar and Ford Engine	H
	1870132	Ref	Deutz Engine (SN 0300068000 through 0300084826)	H
	1870191	Ref	Deutz Engine (SN 0300084827 through 0300087000)	A
	0270805	Ref	STROBE LIGHT ELECTRICAL DIAGRAM	2
	1283235	Ref	STROBE LIGHT ELECTRICAL DIAGRAM	E

SECTION 7 - ELECTRICAL

FIGURE 7-2. HARNESS COMPONENTS INSTALLATION



SECTION 7 - ELECTRICAL



SECTION 7 - ELECTRICAL

FIGURE 7-2. HARNESS COMPONENTS INSTALLATION

ITEM	PART NUMBER	QTY	DESCRIPTION	REV
	4922639	Ref	PLATFORM BOX HARNESS ASSEMBLY	5-F
1	4922639	1	Harness, Console Box	
19	4460866	1	Connector - 19 Position	
20	4460874	1	Connector - 35 Position (Natural)	
21	4460875	1	Connector - 35 Position (Gray)	
22	4460873	1	Connector - 35 Position (Black)	
23	4460871	77	Socket, Female	
24	4460464	7	Pin, Male (16 Gauge)	
25	4460879	1	Terminal, Housing 2 Position	
26	4460887	2	Terminal, (12 Gauge)	
30	4460418	8	Connector - 6 Position	
31	4460419	24	Terminal, Female	
32	4120035	12	Base, Light	
36	4460225	1	Connector - 6 Position	
37	4460227	30	Pin, Male	
41	4460508	3	Pin, Male (12 Gauge)	
43	4460434	2	Connector - 15 Position	
44	2920129	12	Bulb, Light	
		Ref	PLATFORM BOX ASSEMBLY COMPONENTS	
104	0100048	AR	Grease, Dielectric	
114	1060918	8 ft/2.4m	Cable, Electrical - 18/3	
142	4460071	1	Connector, Strain Relief	
143	4460226	2	Socket, Female	
144	4460428	2	Connector, Strain Relief	
146	4460470	1	Nut, Terminal	
147	4460471	1	Lockwasher, Terminal	
148	4460905	5	Seal, Plug	
153	4922666	1	Harness, Analyzer Cable	2-B
153	4460226	4	Socket, Female (Not Shown - Located at J2)	
153A	4460761	1	Connector, Female - 4 Position	
153A	4460227	4	Pin, Male	
155	4460708	2	Terminal, 15 Pin Mate-N-Loc	
		Ref	BOOM CABLES INSTALLATION	
	0270733	Ref	Boom Cables Installation 600S - 2WS (Australian Spec)	4
	0270734	Ref	Boom Cables Installation 600S - 2WS (CE Spec)	5
	0270738	Ref	Boom Cables Installation 600SJ - 2WS (Australian Spec)	3
	0270737	Ref	Boom Cables Installation 600SJ - 2WS (CE Spec)	3
	0270736	Ref	Boom Cables Installation 660SJ - 2WS (Australian Spec)	3
	0270735	Ref	Boom Cables Installation 660SJ - 2WS (CE Spec)	3
	0272483	Ref	Boom Cables Installation 600S - 2WS (SkyPower) (Australian Spec) (7500W 60Hz)	2
	0272484	Ref	Boom Cables Installation 600S - 2WS (SkyPower) (CE Spec) (7500W 50Hz)	2
	0272488	Ref	Boom Cables Installation 600SJ - 2WS (SkyPower) (Australian Spec) (7500W 60Hz)	2
	0272487	Ref	Boom Cables Installation 600SJ - 2WS (SkyPower) (CE Spec) (7500W 50Hz)	2
	0272485	Ref	Boom Cables Installation 660SJ - 2WS (SkyPower) (Australian Spec) (7500W 60Hz)	2
	0272486	Ref	Boom Cables Installation 660SJ - 2WS (SkyPower) (CE Spec) (7500W 50Hz)	2

SECTION 7 - ELECTRICAL

ITEM	PART NUMBER	QTY	DESCRIPTION	REV
201		Ref	Harness, Main Boom Options:	
201	4922468	1	Harness, Main Boom 600S - 2WS	
201	4922466	1	Harness, Main Boom 600SJ - 2WS	
201	4922467	1	Harness, Main Boom 660SJ - 2WS	
201A	1060896	Ref	Cable Options:	
201A	1060896	67 ft /20.4m	Cable 600S - 2WS	
201A	1060896	69 ft/21m	Cable 600SJ - 2WS	
201A	1060896	75 ft /22.8m	Cable 660SJ - 2WS	
201B	4460465	22	Socket, Female - #16	
201C	4460865	1	Connector - 19 Position	
201D	4460509	8	Socket, Female - #12	
201E	4460473	1	Clamp, Cable	
201F	4460466	4	Seal, Plug	
202		Ref	Harness Options: (Does not include plug ends)	
202		Ref	Harness (SN 0300071888 through 0300087000)	
202	4922889	1	Harness 600S - 2WS (Australian Spec)	
202	4922884	1	Harness 600S - 2WS (CE Spec)	
202	4922887	1	Harness 600SJ - 2WS (Australian Spec)	
202	4922885	1	Harness 600SJ - 2WS (CE Spec)	
202	4922888	1	Harness 660SJ - 2WS (Australian Spec)	
202	4922886	1	Harness 660SJ - 2WS (CE Spec)	
202		Ref	Cable, Electrical - 12/3 Options:	
202	1060494	AR	Australian Spec	
202	1060461	Ref	CE Spec	
202	1060461	69.5 ft /21.8m	Harness 600S	
202	1060461	71 ft /21.6m	Harness 600SJ	
202	1060461	77 ft /23.5m	Harness 660SJ	
202		Ref	7500W 60Hz - 7500W 50Hz	
202	4922792	1	Harness 600S - 2WS (SkyPower)	
202	4922790	1	Harness 600SJ - 2WS (SkyPower)	
202	4922791	1	Harness 660SJ - 2WS (SkyPower)	
202A	4460205	1	Plug, Male (110V)	
202B	4460134	1	Connector, Female (110V)	
203		Ref	Cable, Electrical - 18/2 Boom Length Options:	
203	1061026	1	Cable, Electrical - 18/2 Boom Length 600S - 2WS (Australian Spec)	
203	1061026	1	Cable, Electrical - 18/2 Boom Length 600S/600SJ - 2WS (CE Spec)	
203	1061027	1	Cable, Electrical - 18/2 Boom Length 600SJ/660SJ - 2WS (Australian Spec)	
203	1061027	1	Cable, Electrical - 18/2 Boom Length 660SJ - 2WS (CE Spec)	
203	1060680	Ref	Cable, Electrical - 18/2 Options:	
203	1060680	55.5 ft /16.9m	Cable, Electrical - 18/2, 600S/600SJ - 2WS	
203	1060680	15 ft/4.6m	Cable, Electrical - 18/2, 660SJ - 2WS	
207		Ref	Sleeve, Nylon Options: (Not Shown)	
207	4100026	10 ft/3.0m	Sleeve, Nylon 600S - 2WS	
207	Not Required	0	Sleeve, Nylon 600SJ/660SJ - 2WS	

SECTION 7 - ELECTRICAL

ITEM	PART NUMBER	QTY	DESCRIPTION	REV
208	1061027	2	Cable, Electrical - 18/2 (Australian Spec 600S - 2WS Only)	
208	1060680	13.5 ft /4.2m	Cable, Electrical - 18/2 (Australian Spec 600S - 2WS Only 600S - 2WS)	
		Ref	GROUND CONTROL BOX DIAGRAMS	
	4933291	Ref	Caterpillar Engine (SN 0300068000 through 0300084826)	2-B
	4933328	Ref	Caterpillar Engine (SN 0300084827 through 0300087000)	1-A
	4933222	Ref	Deutz Engine (SN 0300068000 through 0300084826)	4-D
	4933318	Ref	Deutz Engine (SN 0300084827 through 0300087000)	D
301	2920129	AR	Bulb, Light	
307	2400065	1	Fuse, 30Amp	
308	2400066	1	Fuse, Holder with Cover	
310	4460708	2	Receptacle, Female - 15 Position	
310	4460226	13	Socket, Female	
310	4922637	1	Harness, Jumper (Not Shown)	
310	4922636	1	Harness, Jumper (Not Shown)	
311	4461072		Receptacle, Female - 12 Position (Deutz Engine Only) (SN 0300084827 through 0300087000)	
311	4461074	1	Shell, Receptacle Only (SN 0300084827 through 0300087000)	
311	4461071	4	Socket, Female (Gold Only) (SN 0300084827 through 0300087000)	
311	4461073	1	Cap, Dust (Deutz Only) (SN 0300084827 through 0300087000)	
311	2902443	1	Kit, Receptacle Only (SN 0300084827 through 0300087000)	
312	4460894	1	Plug, Male - 6 Position (Deutz Engine Only) (SN 0300084827 through 0300087000)	
312	4460892	1	Connector, Terminal Only (SN 0300084827 through 0300087000)	
		Ref	GROUND CONTROL BOX COMPONENTS	
417	3740049	1	Relay	
426	4460426	2	Connector, Strain Relief	
427	4460470	1	Nut, Terminal	
428	4460471	1	Lockwasher, Terminal	
430	4460526	1	Connector, Strain Relief	
431	4460874	1	Connector (Natural)	
432	4460875	1	Connector (Gray)	
433	4460905	4	Connector, Amp Seal Plug	
437		Ref	Engine Harness Assembly (Not Shown - See 501-557 for Breakdown)	
437	4922921	1	Caterpillar Engine (SN 0300068000 through 0300084826)	
437	4923227	1	Caterpillar Engine (SN 0300084827 through 0300087000)	
437	4922515	1	Deutz Engine Machines (SN 0300068000 through 0300084826)	
437	4923212	1	Deutz Engine Machines (SN 0300084827 through 0300087000)	
438		Ref	Valve Harness Assembly Options:	
438	4922513	1	Valve Harness Assembly (SN 0300068000 through 0300084826)	3-D
438	4923206	1	Valve Harness Assembly (SN 0300084827 through 0300087000)	2-B
438A	4460880	15	Connector, DIN	
438B	4460320	2	Connector, Female- 2 Position	
438B	4460267	5	Pin, Male	
438C	4460424	1	Connector, Male- 2 Position	
438C	4460268	5	Pin, Female	

SECTION 7 - ELECTRICAL

ITEM	PART NUMBER	QTY	DESCRIPTION	REV
438D	4460871	AR	Socket, Female	
438E	4460326	1	Connector, Male - 3 Position	
438E	4460267	7	Pin, Male	
438F	4460445	1	Connector, Female - 3 Position	
438F	4460268	5	Pin, Female	
439		Ref	Ground Control Box Harness Assembly Options:	
439	4922648	1	Caterpillar and Deutz Engine (SN 0300068000 through 0300084826)	4-E
439	4923229	1	Caterpillar Engine (SN 0300084827 through 0300087000)	1-A
439	4923213	1	Deutz Engine (SN 0300084827 through 0300087000)	B
439A	4460418	7	Connector, Female- 6 Position	
439A	4460419	21	Socket, Female	
439B	4460876	1	Connector, 35- Position	
439B	4460871	AR	Socket, Female	
439B	4460905	2	Seal, Plug	
439C	4460866	1	Connector - 19 Position	
439C	4460464	7	Pin, Male Deutsch (16 Gauge)	
439D	4460878	1	Housing, Terminal- 4 Position	
439D	4460887	3	Terminal (12 Gauge)	
439E	4120035	AR	Base, Light	
439E	4460634	AR	Terminal (16 Gauge)	
439F	4460873	1	Connector, 35- Position (Black)	
439F	4460871	AR	Socket, Female	
439F	4460635	5	Terminal (12 Gauge)	
439G	4460871	AR	Socket, Female	
439H	4460434	2	Plug, Male 15- Position	
439H	4460227	AR	Pin	
439I	3990010	2	Diode - 6Amp (Not Shown)	
439J	4460536	1	Connector, Female - 3 Position (Deutz Engine Machines Only) (SN 0300084827 through 0300087000)	
439J	4460943	3	Socket, Female Only (SN 0300084827 through 0300087000)	
439K	4460761	1	Connector, Female - 4 Position (Deutz Engine Machines Only) (SN 0300084827 through 0300087000)	
439K	4460227	3	Pin, Male Only (SN 0300084827 through 0300087000)	
440	4922666	1	Cable, Analyzer (SN 0300068000 through 0300084827)	2-B
440A	4460226	4	Socket, Female	
440B	4460761	1	Connector, Female 4- Position	
440B	4460227	4	Pin, Male	
441		Ref	Ground Control Box Wiring Diagram (Not Shown - See Items 301-310 for Breakdown)	
441	4933291	1	Caterpillar Engine (SN 0300068000 through 0300084826)	
441	4933328	1	Caterpillar Engine (SN 0300084827 through 0300087000)	
441	4933222	1	Deutz Engine (SN 0300068000 through 0300084826)	
441	4933318	1	Deutz Engine (SN 0300084827 through 0300087000)	
		Ref	ENGINE HARNESS ASSEMBLY	
	4922921	Ref	Caterpillar Engine (SN 0300068000 through 0300084826)	3-C
	4923227	Ref	Caterpillar Engine (SN 0300084827 through 0300087000)	1-A
	4922515	Ref	Deutz Engine (SN 0300068000 through 0300084826)	5-E
	4923212	Ref	Deutz Engine (SN 0300084827 through 0300087000)	C
519	4460424	1	Receptacle, Female - 2 Position	
520	4460268	2	Socket, Female	
521	4460880	AR	DIN Connector without Diode	

SECTION 7 - ELECTRICAL

ITEM	PART NUMBER	QTY	DESCRIPTION	REV
522	4460891	2	Connector, Male - 2 Position (Caterpillar Engine Only)	
522	4460465	7	Socket, Female	
528 to 530	Not Required	0	Not Required	
536	4460890	1	Housing - 2 Position (Deutz Engine Only)	
537	4460889	2	Terminal (Deutz Engine Only)	
538	4460460	1	Connector, Male - 4 Position	
539	4460457	AR	Terminal, Female	
540	4460458	AR	Seal, Terminal	
541 to 545	Not Required	0	Not Required	
548	Not Required	0	Not Required	
550 to 551	Not Required	0	Not Required	
554	Not Required	0	Not Required	
557	4460871	AR	Socket, Female	
558	4460539	1	Connector, Male - 3 Position (Caterpillar Engine Only)	
558	4460944	3	Socket, Female	
		Ref	Note: Items 569-573 is used o Deutz Engine Only from SN 0300084827 through 0300087000 Only.	
569	4461070	1	Connector, Receptacle with Resistor (3 Position)	
570	4460539	1	Connector, Male - 3 Position	
570	4460944	3	Socket, Female	
571	4461095	1	Connector, Male - 3 Position	
571	4460944	3	Socket, Female	
572	4461052	1	Connector, Receptacle - 25 Position	
572	4461005	5	Terminal (Gold)	
572	4461006	5	Seal, Terminal	
572	4461060	2	Terminal (Tin)	
572	4461054	2	Seal, Terminal	
573	4461053	1	Cover, Plug	
		Ref	STANDARD HARNESS COMPONENTS	
603	See Note	1	Pump Harness (Note: Not Available for Purchase)	
603A	7007497	1	Plug (Pump End)	
603B	7007498	1	Plug (Engine Harness End)	
604	See Note	1	Controller Harness Assembly (Lift and Swing) (Note: Not Available for Purchase)	
604A	7022819	1	Plug, Male - 8 Position (Natural)	
604B	4460871	8	Socket, Female	
605	See Note	1	Controller Harness/Circuit Board Assembly (Drive and Steer) (Note: Not Available for Purchase)	
605A	7022825	1	Plug, Male - 8 Position (Black)	
605B	4460871	7	Socket, Female	
606 to 607	Not Required	0	Not Required	
		Ref	OPTIONAL HARNESS COMPONENTS	
701	4921928	1	4WS Valve Harness	
701A	4460268	3	Socket, Female	
701B	4460445	1	Connector, Female - 3 Position	
701C	4460499	2	Connector, DIN with Diode	
702	4921927	1	Jib Valve Harness (600SJ & 660SJ Only)	
702A	4460326	1	Plug, Male - 3 Position	
702B	4460267	3	Pin, Male	
702C	4460499	2	Connector, DIN with Diode	
703	0257887	1	Alarm Harness (Includes Alarm)	
703A	4460424	1	Plug, Male - 2 Position	

SECTION 7 - ELECTRICAL

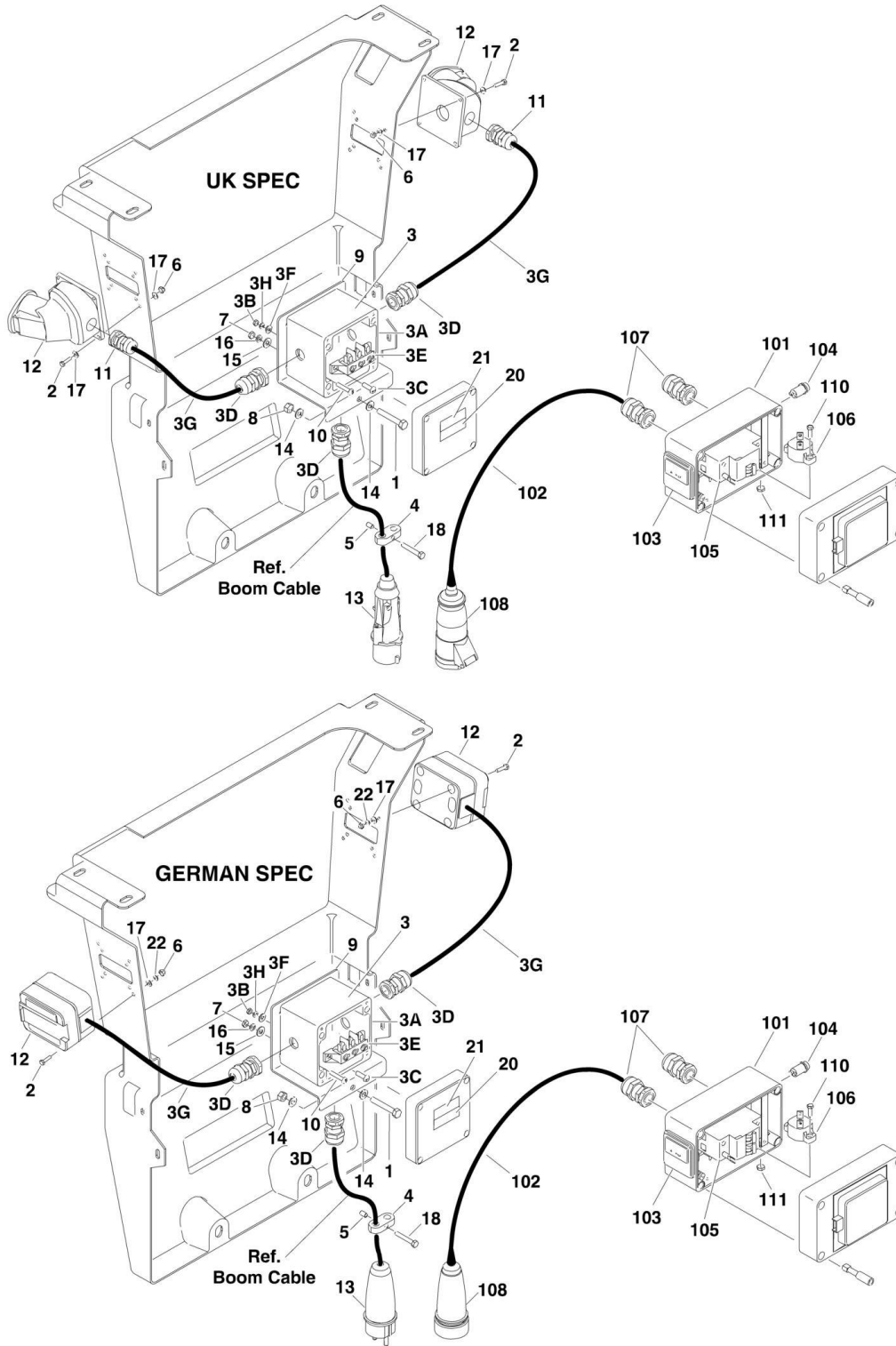
ITEM	PART NUMBER	QTY	DESCRIPTION	REV
703B	4460268	2	Socket, Female	
704		Ref	Strobe Light Harness Options (Includes Strobe Light):	
704	0255917	1	Strobe Light Harness Options (Includes Strobe Light): (SN 0300068000 through 0300069326)	
704	0272507	1	Strobe Light Harness Options (Includes Strobe Light): (SN 0300069327 through 0300087000)	
704A	4460320	1	Connector, Female - 2 Position	
704B	4460267	2	Pin, Male	
705	0256201	AR	AC to Platform Receptacle Components	3
705A	Not Required	0	Box, Switch	
705B	Not Required	0	Receptacle	
705C	Not Required	0	Shield, Cover	
705D	4460709	1	Plug, Male	
705E	4460710	1	Connector, Female	
705F	4921820	1	Harness-Receptacle Box to Boom	
705F	1060461	2.5 ft /0.76m	Cable, Electrical - 12/3	
705G	4460071	1	Connector, Strain Relief	
706		Ref	Generator Electrical Components	
706	4933215	AR	110V (SN 0300068000 through 0300077489)	1-B
706	4933216	AR	220V (SN 0300068000 through 0300077489)	1-B
706	4933300	AR	110V/220V (SN 0300077490 through 0300087000)	1-A
706	4933287	AR	110V, 50Hz (UK Spec) (SN 0300080133 through 0300087000)	1-A
706	4933284	AR	110V, 50Hz (German Spec) (SN 0300080133 through 0300087000)	1-A
706	3990010	1	Diode - 6Amp (Not Shown)	
706A	4922641	1	Harness - On/Off Switch	
706B	4460226	2	Socket, Female	
706C		Ref	Powermite Control Box to Relay Options:	
706C	4922482	1	Powermite Control Box to Relay (SN 0300068000 through 0300077489)	
706C	4922970	1	Powermite Control Box to Relay (SN 0300077490 through 0300087000)	
706C	4922913	1	UK/German Spec (SN 0300080133 through 0300087000)	
706D	4460027	1	Receptacle, Twist Lock (110V Only)	
706E	4460961	1	Connector, Female - 4 Position (SN 0300077490 through 0300087000)	
706E	4460705	4	Pin, Male	
706F	4460321	1	Connector, Male - 4 Position (SN 0300077490 through 0300087000)	
706F	4460906	4	Socket, Female	
707	4921956	1	Generator to Rear of Boom Harness (110V/220V)	
		Ref	Note: Harness used to connect AC at platform harness to generator receptacle to power platform receptacle.	
707	1060461	20 ft/6.1m	Cable, Electrical - 12/3	
707A	Not Required	0	Plug, Male	
707B	Not Required	0	Receptacle, Female	
708	See Note	1	Headlight and Taillight and Chassis Illumination Lights Harness (Note: Not Available for Purchase)	
708	1060341	37 ft /11.3m	Cable, Electrical - 16/2	
708A	3740049	1	Relay	
708B	4922643	1	Harness, Bag (Located at Ground Control Box) (Not Shown)	
709		Ref	Platform Worklights Components	

SECTION 7 - ELECTRICAL

ITEM	PART NUMBER	QTY	DESCRIPTION	REV
709A	2920140	2	Platform Worklights External Harness (Includes Light and Wire Only)	
709B		Ref	Connector, Strain Relief Options:	
709B	4460598	1	Connector, Strain Relief (SN 0300060000 through 0300074440)	
709B	4460426	1	Connector, Strain Relief (SN 0300074441 through 0300087000)	
709C	4360232	1	Circuit Breaker, 15Amp (SN 0300060000 through 0300074441)	
709D	4922498	1	Platform Worklights Internal Harness (SN 0300060000 through 0300074441)	
709E	4460871	3	Socket, Female (SN 0300060000 through 0300074441)	
		Ref	Note: Items 709F-709H. (SN 0300074441 through 0300087000)	
709F		Ref	Platform Worklights Harness Options:	
709F	4922888	1	Platform Worklights Harness 600S/600SJ	
709F	4922964	1	Platform Worklights Harness 660SJ	
709F	1060494	Ref	Cable, Electrical - 12/3 Options:	
709F	1060494	77 ft /23.5mm	Cable, Electrical - 12/3, 600S/600SJ	
709F	1060494	83 ft /25.3mm	Cable, Electrical - 12/3, 660SJ	
709G	2400070	1	Fuse	
709H	2400066	1	Holder, Fuse	
710	See Note	1	Soft Touch System Harness (Note: Not Available for Purchase)	
710A	1060341	16 ft/4.9m	Cable, Electrical - 16/3	
710B	4460425	1	Connector, Strain Relief	
711	Not Required	0	Not Required	
712	4933313	1	Floodlights Harness Components	
712A	1060494	77 ft 23.5m	Electrical Cable 12/3 (Aux Relay to Console Box)	
712B	4460320	2	Plug, Male - 2 Position	
712B	4460227	4	Pin, Male	
712C	4922764	1	Floodlight Harness (Lights to Switch)	
712D	4460424	2	Connector, Female - 2 Position	
712D	4460226	4	Socket, Female	
712E	1060977	1	Cord, 2 Wire Coiled (Console Box Circuit Breaker to Switch)	
712F	4360232	1	Circuit Breaker - 15Amp	
712G	4460425	1	Strain, Relief	
		Ref	TOOLS	
801	7002821	1	Crimper (For Wire to Pin/Socket Connections)	
802	7002823	1	Extractor (For Removal of Pin/Socket from Connectors)	
803	4460467	1	Extractor, Pin (Blue 16-18 Gauge) (For Removal of Pin/Socket from Connectors)	
803	4460510	1	Extractor, Pin (Yellow 12-14 Gauge) (For Removal of Pin/Socket from Connectors)	
804	7002828	1	Stripper, Wire	
805	2901443	1	Analyzer Kit (Not Shown)	

SECTION 7 - ELECTRICAL

FIGURE 7-3. AC CABLE INSTALLATION (UK AND GERMAN SPEC)



SECTION 7 - ELECTRICAL

FIGURE 7-3. AC CABLE INSTALLATION (UK AND GERMAN SPEC)

ITEM	PART NUMBER	QTY	DESCRIPTION	REV
		Ref	AC CABLES INSTALLATIONS:	
	0273076	Ref	UK Spec	A
	0273078	Ref	German Spec	A
1	0641516	1	Bolt 5/16in-18NC x 2in	
2		Ref	Bolt Options:	
2	0700408	8	Bolt (Metric) 4mm x 16mm (UK Spec)	
2	3910808	8	Bolt #8-32NC x 1/2in (German Spec)	
3	0861606	1	Junction Box Assembly (See Items 101-111 for Breakdown)	
3A	0861604	1	Box, Junction	
3B	3311001	2	Nut #10-24NC	
3C	3911010	2	Screw #10-24NC x 5/8in	
3D	4460968	3	Connector, Strain Relief	
3E	4460987	1	Terminal	
3F	4751000	2	Flatwasher #10 (Wide)	
3G	4922909	2	Harness	
3H	4761000	2	Lockwasher #10	
4	1320149	1	Clamp	
5	2080046	1	Rivnut	
6		Ref	Nut Options:	
6	3290405	8	Locknut (Metric) 4mm x.7 (UK Spec)	
6	3310801	8	Nut #8-32NC (German Spec)	
7	3311001	4	Nut #10-24NC	
8	3311505	1	Locknut 5/16in-18NC	
9	3574443	1	Plate, Box Bracket	
10	3911016	4	Screw #10-24NC x 1in	
11	4460968	2	Connector, Strain Relief (UK Spec Only)	
12		Ref	Terminal Options:	
12	4460988	2	Plug, Female - UK Spec	
12	4460997	2	Receptacle - German Spec	
13		Ref	Plug Options:	
13	4460990	1	UK Spec	
13	4460998	1	German Spec	
14	4711500	2	Flatwasher 5/16in (Narrow)	
15	4751000	4	Flatwasher #10	
16	4761000	4	Lockwasher #10	
17		Ref	Flatwasher (Metric) 4mm	
17	4811400	16	Flatwasher (Metric) 4mm (UK Spec)	
17	4750800	8	Flatwasher #8 (Wide) (German Spec)	
18	0641410	1	Bolt 1/4in-20NC x 1-1/4in	
20	1705714	1	Decal - Danger	
21	1705715	1	Decal - 115V AC	
22	4760800	8	Lockwasher #8 (German Spec Only)	
		Ref	GENERATOR CONTROL BOX ASSEMBLY:	
	0861599	Ref	UK Spec	A
	0861607	Ref	German Spec	A
101	0861602	1	Box, Control	
102	1060461	20 ft/6m	Cable Electrical 12/3	
103	2420203	1	Voltmeter	
104	2920162	1	Lamp	
105		Ref	Breaker Circuit Options:	

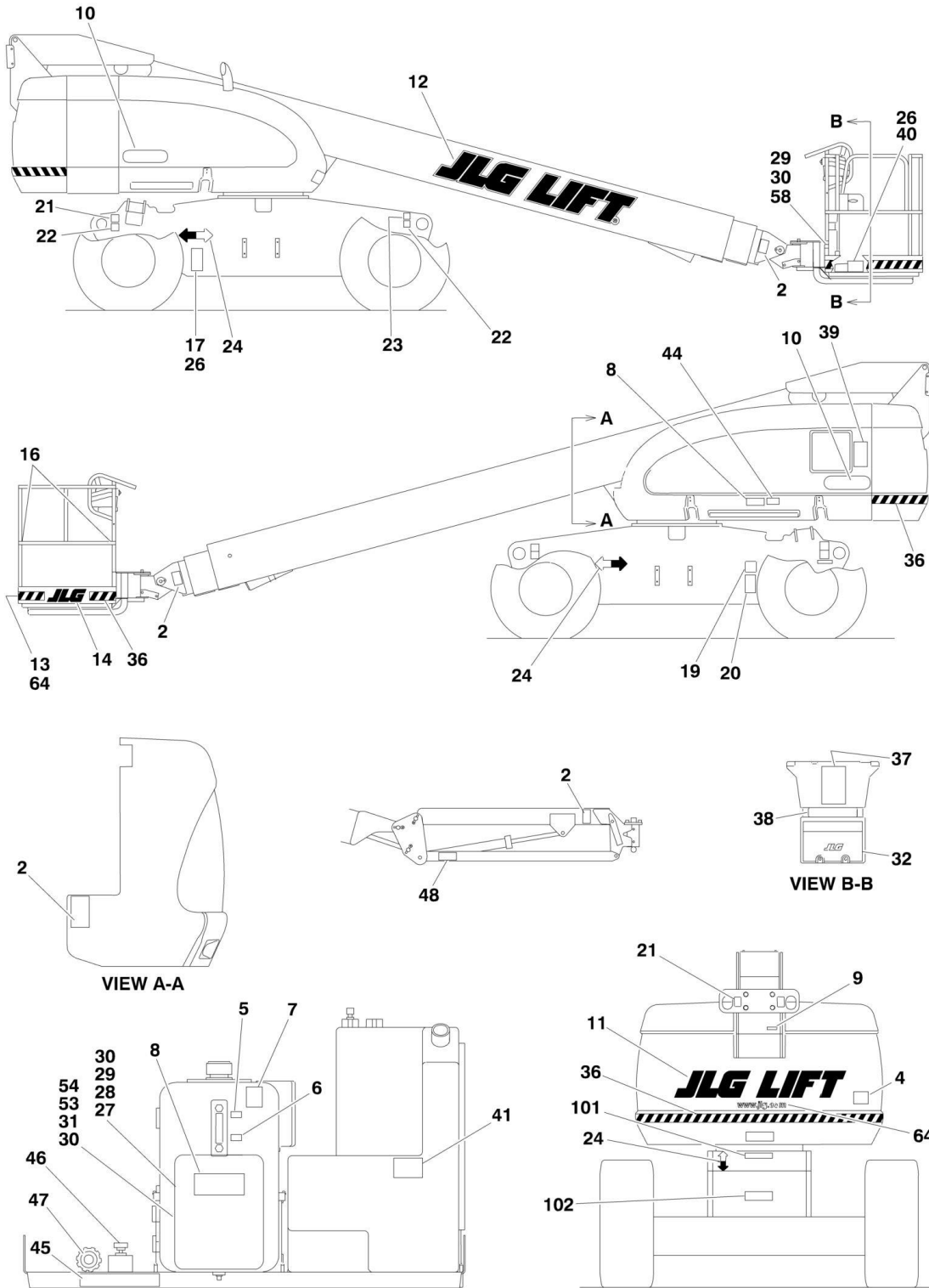
SECTION 7 - ELECTRICAL

ITEM	PART NUMBER	QTY	DESCRIPTION	REV
105	4360541	1	Breaker Circuit (UK Spec)	
105	4360540	1	Residual Current Device (German Spec)	
106	4360542	1	Breaker Circuit 20Amp	
107	4460968	2	Connector, Strain Relief	
108		Ref	Plug Options:	
108	4460991	1	Plug, Female (UK Spec)	
108	4460999	1	Plug, Terminal (German Spec)	
109	4922912	1	Harness	
110	0721005	2	Screw #10-24NC x 5/8in	
111	3311001	2	Nut #10-24NC	

SECTION 8 - DECALS

SECTION 8 - DECALS

FIGURE 8-1. DECAL INSTALLATION - CE AND AUSTRALIAN SPEC (SN 0300068000 through 0300087000)



SECTION 8 - DECALS

FIGURE 8-1. DECAL INSTALLATION - CE AND AUSTRALIAN SPEC (SN 0300068000 through 0300087000)

ITEM	PART NUMBER	QTY	DESCRIPTION	REV
		Ref	STANDARD DECAL INSTALLATIONS	
	0271014	Ref	Decal - JLG	3
	0255330	Ref	Standard Decal Installations 600S Common Parts	11
	0255334	Ref	Standard Decal Installations 600SJ Common Parts	9
	0255332	Ref	Standard Decal Installations 660SJ Common Parts	12
	0256622	Ref	Standard Decal Installations 600S Australian Spec	9
	0256634	Ref	Standard Decal Installations 600SJ & 660SJ Australian Spec	9
	0256256	Ref	Standard Decal Installations 600S Dutch Spec	5
	0256573	Ref	Standard Decal Installations 600SJ & 660SJ Dutch Spec	5
	0256253	Ref	Standard Decal Installations 600S French Spec	6
	0256570	Ref	Standard Decal Installations 600SJ & 660SJ French Spec	6
	0256254	Ref	Standard Decal Installations 600S German Spec	5
	0256571	Ref	Standard Decal Installations 600SJ & 660SJ German Spec	5
	0256255	Ref	Standard Decal Installations 600S Italian Spec	6
	0256572	Ref	Standard Decal Installations 600SJ & 660SJ Italian Spec	6
	0273194	Ref	Standard Decal Installations 600S Norwegian Spec	3
	0256257	Ref	Standard Decal Installations 600S Spanish Spec	5
	0256574	Ref	Standard Decal Installations 600SJ & 660SJ Spanish Spec	5
	0256252	Ref	Standard Decal Installations 600S UK Spec	6
	0256569	Ref	Standard Decal Installations 600SJ & 660SJ UK Spec	6
	0257733	Ref	Warning Stripes Installation (CE Specs)	1
2	1701518	3	Decal - Crushing	
4		Ref	Decal Options:	
4	1705084	1	CE Spec	
	Not Required	0	Australian Spec	
5	1701502	1	Decal - High Oil Level	
6	1701503	1	Decal - Low Oil Level	
7	1701504	1	Decal - Hydraulic Oil	
8	1701509	1	Decal - Manual	
9		Ref	Decal - 240/50Hz Options:	
9	Not Required	0	CE Spec	
9	3251242	1	Australian Spec	
10		Ref	Decal - Model Options:	
10	1702815	2	Decal - Model 600S	
10	1702816	2	Decal - Model 600SJ	
10	1702817	2	Decal - Model 660SJ	
11	1702861	3	Decal - JLG Lift (8in)	
12	1702862	1	Decal - JLG Lift (12in) (SN 0300068000 through 0300069980)	
13	1702774	1	Decal - JLG Lift (3 1/2in)	
14	1702773	2	Decal - JLG (5in)	
16		Ref	Decal - Attach Lanyard Here Options:	
16	Not Required	0	CE Spec	
16	1704277	4	Australian Spec	
17	See Note	NSS	Nameplate - Serial Number (Note: Not Available for Purchase)	
19	See Note	NSS	Decal - Bar Code (Note: Not Available for Purchase)	
20	1700584	1	Decal - Patent	
21	1701499	2	Decal - No Tie Down /Lift	
22	1702300	4	Decal - Tie Down /Lift	
23	1701500	2	Decal - Tie Down /Lift	

SECTION 8 - DECALS

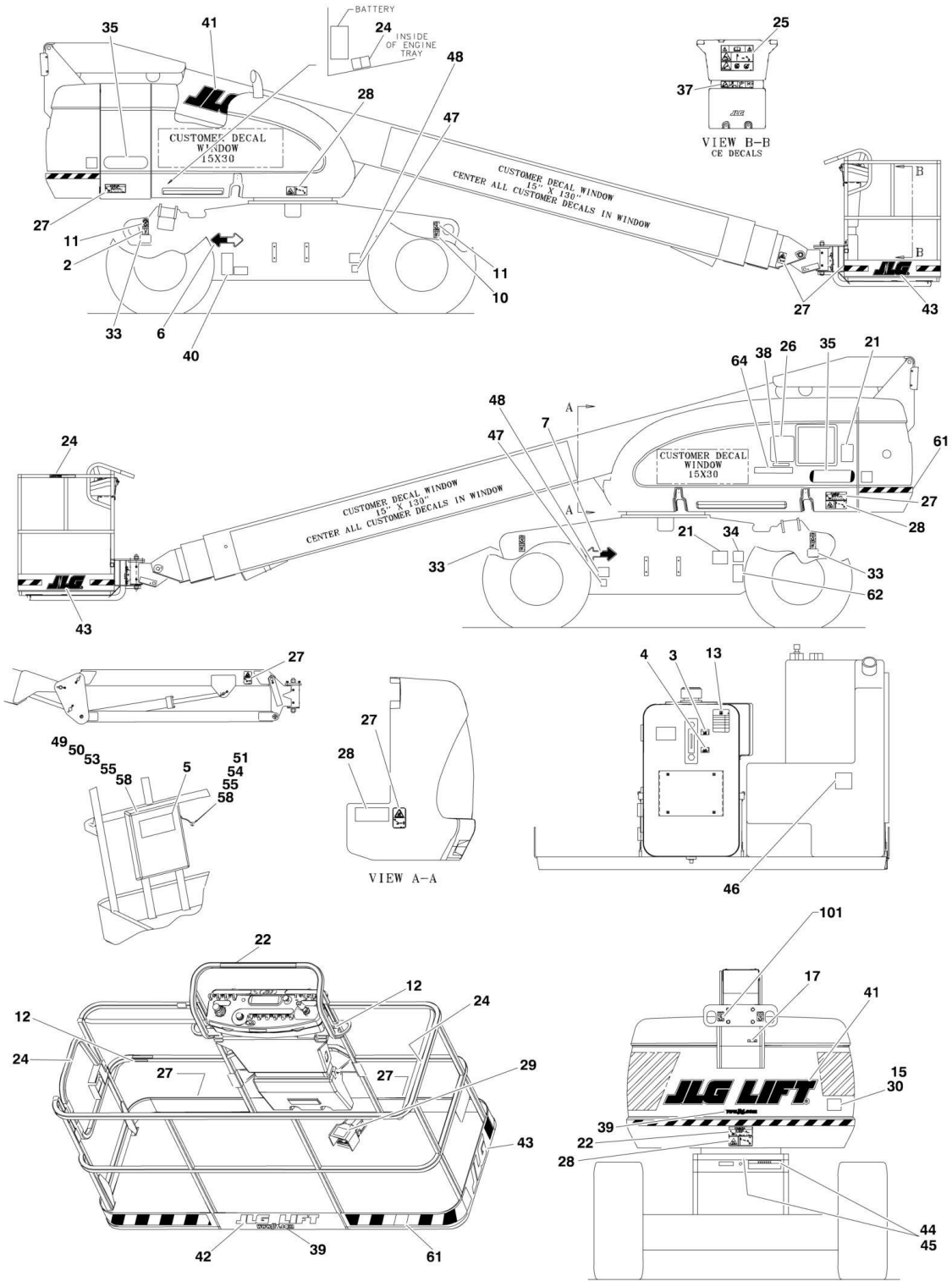
ITEM	PART NUMBER	QTY	DESCRIPTION	REV
24	1701529	4	Decal- Arrow	
26	3820001	4	Rivet	
27	0641408	1	Bolt 1/4in-20NC x 1in	
28	1060279	1	Cable, Lanyard	
29	3311405	AR	Locknut 1/4in-20NC	
30	4751400	AR	Flatwasher 1/4in	
31	0860520	1	Box, Manual Storage	
32	3380434	1	Panel, Pedestal (SN 0300068000 through 0300076512)	
36	4420051	17.4 ft /5.3m	Decal - Warning Stripes	
37		Ref	Nameplate - Capacity Options:	
37	1703992	1	Australian Spec	
37	1701596	1	Dutch Spec	
37	1690697	1	French Spec	
37	1690697	1	German Spec	
37	1690697	1	Italian Spec	
37	1690697	1	Norwegian Spec	
37	1690697	1	Spanish Spec	
37	1690697	1	UK Spec	
38		Ref	Nameplate - Caution Options:	
38	Not Required	0	Not Required	
38	1703186	1	Dutch Spec	
38	1703184	1	French Spec	
38	1703190	1	German Spec	
38	1703185	1	Italian Spec	
38	1705250	1	Norwegian Spec	
38	1703187	1	Spanish Spec	
38	1703183	1	UK Spec	
39		Ref	Nameplate - Caution Options:	
39	1691483	1	Australian Spec	
39	1701596	1	Dutch Spec	
39	1693289	1	French Spec	
39	1693291	1	German Spec	
39	1701602	1	Italian Spec	
39	1705232	1	Norwegian Spec	
39	1701798	1	Spanish Spec	
39	1691483	1	UK Spec	
40		Ref	Nameplate - Footswitch Options:	
40	3252347	1	Australian Spec	
40	1703518	1	Dutch Spec	
40	1693292	1	French Spec	
40	1693294	1	German Spec	
40	1701600	1	Italian Spec	
40	1705275	1	Norwegian Spec	
40	1701791	1	Spanish Spec	
40	3252347	1	UK Spec	
41	1701505	1	Decal - Fuel (Diesel)	
44		Ref	Decal - Manual Descent Options:	
44	1702901	1	Australian Spec (SN 0300068000 through 0300070916)	
44	1702996	1	Dutch Spec (SN 0300068000 through 0300070916)	
44	1702984	1	French Spec (SN 0300068000 through 0300070916)	
44	1702988	1	German Spec (SN 0300068000 through 0300070916)	

SECTION 8 - DECALS

ITEM	PART NUMBER	QTY	DESCRIPTION	REV
44	1702992	1	Italian Spec (SN 0300068000 through 0300070916)	
44	Not Required	0	Norwegian Spec	
44	1703000	1	Spanish Spec (SN 0300068000 through 0300070916)	
44	1702901	1	UK Spec (SN 0300068000 through 0300070916)	
45		Ref	Decal - Manual Descent Options:	
45	1702902	1	Australian Spec (SN 0300068000 through 0300070916)	
45	1702997	1	Dutch Spec (SN 0300068000 through 0300070916)	
45	1702985	1	French Spec (SN 0300068000 through 0300070916)	
45	1702989	1	German Spec (SN 0300068000 through 0300070916)	
45	1702993	1	Italian Spec (SN 0300068000 through 0300070916)	
45	Not Required	0	Norwegian Spec	
45	1703001	1	Spanish Spec (SN 0300068000 through 0300070916)	
45	1702902	1	UK Spec (SN 0300068000 through 0300070916)	
46	1702903	1	Decal - Manual Descent #1 (SN 0300068000 through 0300070916)	
47	1702904	1	Decal - Manual Descent #2 (SN 0300068000 through 0300070916)	
48		Ref	Decal - No Hands Options: (600SJ & 660SJ Only)	
48	1702908	1	Australian Spec (SN 0300068000 through 0300070916)	
48	1702998	1	Dutch Spec (SN 0300068000 through 0300070916)	
48	1702986	1	French Spec	
48	1702990	1	German Spec (SN 0300068000 through 0300070916)	
48	1702994	1	Italian Spec (SN 0300068000 through 0300070916)	
48	1703002	1	Spanish Spec (SN 0300068000 through 0300070916)	
48	1702908	1	UK Spec (SN 0300068000 through 0300070916)	
53	0641406	4	Bolt 1/4in-20NC x 3/4in	
54	0100011	AR	Compound, Locking	
57		Ref	Decal - Wheel Load Options:	
57	1703470	4	Decal - Wheel Load 600S	
57	1703471	4	Decal - Wheel Load 600SJ	
57	1703472	4	Decal - Wheel Load 660SJ	
58	0641414	2	Bolt 1/4in-20NC x 1-3/4in (SN 0300068000 through 0300076512)	
64	1704885	2	Decal - Website	
		Ref	OPTIONAL DECALS	
101	3250872	1	Nameplate - Steer/Tow Selection (Machines with Tow Package Only)	
102		Ref	Decal - Tow Instructions Options: (Machines with Tow Package Only)	
102	1702305	1	2WD (Machines with Tow Package Only)	
102	1703403	1	4WD (Machines with Tow Package Only)	

SECTION 8 - DECALS

FIGURE 8-2. DECAL INSTALLATION - MODEL 660SJ (RUSSIAN SPEC)



SECTION 8 - DECALS

FIGURE 8-2. DECAL INSTALLATION - MODEL 660SJ (RUSSIAN SPEC)

ITEM	PART NUMBER	QTY	DESCRIPTION	REV
		Ref	DECAL INSTALLATIONS	
	0274359	Ref	Decal Installations 660SJ - RUSSIAN SPEC	2-B
	0274093	Ref	DECAL JLG LOGO	1
2	1701499	4	Decal - No Tie Down /Lift	
3	1701502	1	Decal - High Oil Level	
4	1701503	1	Decal - Low Oil Level	
5	1701509	1	Decal - Manual	
6	1701529	4	Decal - Arrow	
7 to 9	Not Required	0	Not Required	
10	1703811	4	Decal - Tie Down/Lift	
11	1703814	6	Decal - Tie Down	
12	Not Required	0	Not Required	
13	1704412	1	Decal - Hydraulic Oil Chart	
14	1705084	1	Decal - Sound Power Level	1
15 to 16	Not Required	0	Not Required	
18 to 22	Not Required	0	Not Required	
23	1706098	1	Decal - Warning Explosion/Fire	
24	Not Required	0	Not Required	
25	1705921	1	Decal - Tipping/Electrical Platform	
26	1705822	1	Decal - Electrical/Safety Manual	
27	1701518	8	Decal - Crushing	
28	1705961	4	Decal - Electrocution	
29	1705828	1	Decal - Footswitch	
30 to 32	Not Required	0	Not Required	
33	1703472	1	Decal - Max Tire Load	
34	See Note	1	Decal - Bar Code (Note: Not Available for Purchase)	
35	1702817	2	Decal - Model 660SJ	
36	Not Required	0	Not Required	
37	1705978	1	Decal - 230kg Capacity	
38	Not Required	0	Not Required	
39	1704885	2	Decal - Website	
40	3252523	1	Nameplate - Manufacturers	
41	1702861	3	Decal - JLG Lift	
42	1702774	1	Decal - JLG Lift	
43	1702773	2	Decal - JLG	
44	3250872	1	Nameplate - Steer/Tow Selector	
45	1705090	1	Decal - Towing Instructions	
46	1701505	1	Decal - Fuel Diesel	
47 to 48	Not Required	0	Not Required	
49	0100011	AR	Compound, Locking	
50	0641406	4	Bolt 1/4in-20NC x 3/4in	
51	0641408	1	Bolt 1/4in-20NC x 1in	
52	Not Required	0	Not Required	
53	0860520	1	Box Manual Storage	
54	1060279	1	Cable, Lanyard	
55	3311405	5	Locknut 1/4in-20NC	
56	Not Required	0	Not Required	
57	3820001	4	Rivet, Pop	
58	4751400	10	Flatwasher 1/4in	
59 to 60	Not Required	0	Not Required	

SECTION 8 - DECALS

ITEM	PART NUMBER	QTY	DESCRIPTION	REV
61	4420051	18 ft/5.5m	Decal - Warning Strip	
62	1700584	1	Decal - Patent	
		Ref	OPTIONAL DECALS	
101	1701500	2	Decal - Tie Down/Lift	

SECTION 9 - RECOMMENDED SERVICE PARTS STOCK

SECTION 9 - RECOMMENDED SERVICE PARTS STOCK

SECTION 9 - RECOMMENDED SERVICE PARTS STOCK

FIGURE 9-1. MODEL 600S/600SJ/660SJ STANDARD PARTS

ITEM	PART NUMBER	QTY	DESCRIPTION	REV
	Note	Ref	Note: The following list will service one machine (built to current production per date on the front cover) with emergency repair parts which can be installed in the field. Parts from the list should be replaced when inventory is depleted to keep service parts stock supplied. For further information, contact your JLG dealer or the JLG Industries Parts Department.	
		Ref	STANDARD PARTS	
	2120150	4	Element Filter	
	7020020	1	Switch, Indicator	
	7012944	1	Coil	
	7012772	1	Coil	
	2120149	1	Element, Filter	
	7020021	1	Switch, Indicator	
	70000582	1	Coil	
	7012664	1 doz	Element, Air Cleaner	
	3740067	1	Relay	
	7024444	1	Breather, Hydraulic Tank	
	4360328	1	Switch, Toggle	
	4360469	1	Switch, Key	
	2860030	1	Key, Replacement	
	4360475	1	Switch, Mushroom	
	3740049	1	Relay	
	2940074	1	Latch	
	4360331	1	Switch, Toggle	
	4360387	1	Switch, Push Button	
	4360407	1	Controller, Speed	
	1001129555	1	Controller (Lift and Swing)	
	1001212415	1	Controller (Drive and Steer)	
	2400065	2	Fuse, 30Amp	
	3990010	2	Diode	

SECTION 9 - RECOMMENDED SERVICE PARTS STOCK

FIGURE 9-2. MODEL 600S/600SJ/660SJ VARIABLE PARTS

ITEM	PART NUMBER	QTY	DESCRIPTION	REV
	Note	Ref	Note: The following list will service one machine (built to current production per date on the front cover) with emergency repair parts which can be installed in the field. Parts from the list should be replaced when inventory is depleted to keep service parts stock supplied. For further information, contact your JLG dealer or the JLG Industries Parts Department.	
		Ref	VARIABLE PARTS	
	7026830	1 doz	Filter, Fuel (Caterpillar Engine Machines)	
	7026811	1 doz	Filter, Oil (Caterpillar Engine Machines)	
	7016328	1 doz	Filter, Fuel (Deutz Engine Machines)	
	7016331	1 doz	Filter, Oil (Deutz Engine Machines)	
	3740080	1	Relay (Machines with Generator)	
	4360294	1	Breaker, Circuit (Machines with Generator)	
	4360336	1	Switch, Toggle (Machines with Generator)	
	1600364	1	Module - ADE (Ground Control) (Caterpillar Engine)	
	1600411	1	Module - ADE (Ground Control) (Deutz Engine)	
	4360578	1	Switch, Limit	
	70002005	1	Powertrack Repair Section (600S) (Gortrac Brand)	
	70002007	1	Powertrack Repair Section (660SJ) (Gortrac Brand)	
	7016530	2	Power Track - Repair Section (Gemco Brand)	
	7006138	24	Power Track - Pin Kit (Gemco Brand)	
	4360336	1	Switch, Toggle (Machines with Headlights)	
	1600375	1	Module - ADE (Platform Control)	

SECTION 10 - SPECIAL OPTIONS

SECTION 10 - SPECIAL OPTIONS

FIGURE 10-1. SPECIAL OPTIONS

ITEM	PART NUMBER	QTY	DESCRIPTION	REV
	Note	Ref	Note: This list is to accommodate machines ordered with special equipment. Options may not be applicable to all models. For more specific parts information contact JLG Parts Department.	
		Ref	MISCELLANEOUS SPECIAL OPTIONS	
		Ref	Airline to Platform Installation Options:	
	0255388	Ref	1/2in 600S & 600SJ	
	0255389	Ref	1/2in 660SJ	
	0274219	Ref	Battery Disconnect Switch	
	0270723	Ref	Beacon Light Installation (On Platform)	
	0256273	Ref	Boom Wipers Installation (Brush Type)	
	0256789	Ref	Camera Mount Assembly	
		Ref	ClearSky Telematics Kit (Dealer Installed)	
	1001102841	Ref	ANSI Spec	
	1001102842	Ref	ANSI Export/CE/Japanese Specs	
	1001139132	Ref	Australian Spec	
	1001104985	Ref	CSA Spec	
		Ref	Note: Refer to ClearSky (Telematics) Manual p/n 3128499 for Service Parts.	
		Ref	Cold Weather Package Installation Options:	
	0273575	Ref	Caterpillar Engine	
	0256060	Ref	Deutz	
	0271548	Ref	Deutz (With Glow/Plugs)	
		Ref	Container - Tray Storage Options:	
	1580012	1	Center	
	1580013	1	Rail	
		Ref	Decal Options:	
	0256763	Ref	Decal - 265kg Capacity Rating (600S)	
	0256764	Ref	Decal - 265kg Capacity Rating (600S)	
	0256770	Ref	Decal - 265kg Capacity Rating (600SJ)	
	0256773	Ref	Decal - 265kg Capacity Rating (600SJ)	
	0256771	Ref	Decal - 265kg Capacity Rating (660SJ)	
	0256774	Ref	Decal - 265kg Capacity Rating (660SJ)	
	1702788	1	Decal - Biodegradable Hydraulic Fluid	
	1703479	1	Decal - Biodegradable Hydraulic Fluid (German)	
	1704174	1	Decal - Biodegradable Hydraulic Fluid (Synthetic)	
	1704175	1	Decal - Biodegradable Hydraulic Fluid (German) (Synthetic)	
		Ref	Decal Kits	
	2900974	Ref	Decal Kit - Country Spec (Australian Spec)	
	2900937	Ref	Decal Kit - Country Spec (CE Spec)	
	1001193633	Ref	Decal Kit - Machine	
	1001108718	Ref	Decal Kit - Platform	
	1001119562	Ref	Decal Kit - Platform Console Box	
		Ref	Electrical Connector Kits	
	1001148902	Ref	Amp/Tyco Electrical Connector Kit	
	1001148903	Ref	Deutsch DT Electrical Connector Kit	
	1001148904	Ref	Deutsch HD Electrical Connector Kit	
	1001148905	Ref	Packard Electrical Connector Kit	
	1001148906	Ref	Various Electrical Connectors Kit	

SECTION 10 - SPECIAL OPTIONS

ITEM	PART NUMBER	QTY	DESCRIPTION	REV
	2580055	Ref	Engine Block Heater Installation (Caterpillar Engine Machines)	
	0257157	Ref	Ether Start Installation (Deutz Engine Machines)	
		Ref	Filter Kits:	
		Ref	Combined Filter Kit (Hydraulic/Air and Fuel/Engine Oil)	
		Ref	Caterpillar Engines	
	2915137	NLA	Caterpillar Engines (Use p/n 1001110994) (SN 0300068000 through 0300084826)	
	1001114031	NLA	Caterpillar Engines (Use p/n 1001110994) (SN 0300068000 through 0300084826)	
	1001110994	1	Caterpillar Engines (SN 0300068000 through 0300084826)	
	1001114123	NLA	Caterpillar Engines (Use p/n 1001110991) (SN 0300084827 through 0300087000)	
	1001114124	NLA	Caterpillar Engines (Use p/n 1001110991) (SN 0300084827 through 0300087000)	
	1001110991	1	Caterpillar Engines (SN 0300084827 through 0300087000)	
		Ref	Deutz Engines	
	2910463	NLA	Deutz Engines (Use p/n 1001110993) (SN 0300068000 through 0300084826)	
	1001110993	1	Deutz Engines (SN 0300068000 through 0300084827)	
	1001114036	NLA	Deutz Engines - 600 Hour (Use p/n 1001110990) (SN 0300084827 through 0300087000)	
	1001110990	1	Deutz Engines - 600 Hour (SN 0300084827 through 0300087000)	
		Ref	Hydraulic/Air Filter	
	2910924	NLA	Caterpillar and Deutz - 300 Hour (Use p/n 1001109692) (SN 0300084827 through 0300087000)	
	1001109692	1	Caterpillar and Deutz - 300 Hour	
	1001114132	NLA	Deutz Engines - 300 Hour (Use p/n 1001109684) (SN 0300084827 through 0300087000)	
	1001109684	1	Deutz Engines - 300 Hour	
	1001110133	1	Fuel/Engine Oil Filter (Deutz Engines Only)	
	4060959	Ref	Footswitch Shield (Note: Move Decal to Shield)	
	1120362	Ref	Fuel Cap with Gage	
		Ref	Glow Plugs Installation (Deutz Engine Machines) Options:	
	0271333	Ref	Glow Plugs Installation (Deutz Engine Machines) (SN 0300068000 through 0300082631)	
	0271912	Ref	Glow Plugs Installation (Deutz Engine Machines) (SN 0300082632 through 0300087000)	
	2901691	Ref	Glow Plugs Installed in Intake Kit (Deutz Engine Machines)	
		Ref	Hood (Steel) Replacement Kit	
	1001126287	Ref	Caterpillar Engine Machines	
	1001126286	Ref	Deutz Engine Machines	
	1001187494	Ref	Hose Kit - Boom (SN 0300068000 through 0300075605)	
	1001187495	Ref	Hose Kit - Boom (SN 0300075606 through 0300087000)	
		Ref	Hostile Environment Add-On Kits	
	1001204925	Ref	Hostile Environment Add-On Kit (600S)	
	1001204926	Ref	Hostile Environment Add-On Kit (660SJ)	
		Ref	Hydraulic Fluids Options:	
	2300014	Ref	Mobil 424	
	2300027	Ref	Mobil 224H Bio	
	2300029	Ref	Mobil EAL ISO 46 Bio	
	2300016	Ref	Mobil DTE 13M	
	2300019	Ref	Quaker State Quintolubric 888-46 Fire Res	
	0255439	Ref	Intercom Communication System Installation	

SECTION 10 - SPECIAL OPTIONS

ITEM	PART NUMBER	QTY	DESCRIPTION	REV
	1001189615	Ref	Kingpin Removal Kit	
		Ref	Loop Flushing Installations	
	0273741	Ref	Loop Flushing Installations 2WD	
	0273738	Ref	Loop Flushing Installations 4WD	
	0256762	Ref	Oil Cooler Installation - Deutz Engine Machines	
	1282665	Ref	Oil Cooler Installation - Deutz Engine Machines	
		Ref	Oxy-Acetylene Lines to Platform Installation Options:	
	0255390	Ref	Oxy-Acetylene Lines to Platform Installation 600S & 600SJ	
	0255391	Ref	Oxy-Acetylene Lines to Platform Installation 660SJ	
	0258703	Ref	Platform Console Cover Installation	
	1001205175	Ref	Platform Console Cover Add-On Kit	
		Ref	Platform Entry Kit	
	1001142504	Ref	Kit, Replace Swing Gate with Drop Bar	
	1001142505	Ref	Kit, Replace Drop Bar with Swing Gate	
	0272384	Ref	Platform and Glazier and Load Sensing System Installation (Refer to Accessories Book #3124287 for Service Parts):	
		Ref	Platform Huck Fasteners Replacement Hardware	
	0641416	AR	Bolt 1/4in-20NC x 2in	
	3311405	AR	Locknut 1/4in-20NC	
	4711400	AR	Flatwasher 1/4in	
	3300151	AR	Acorn Nut 1/4in-20NC	
	1001149730	Ref	Platform Mid Rail Repair Kit	
		Ref	Platform Top Rail Extension (With Side Entry)	
	0272733	Ref	3ftx6ft Platforms	
	0272725	Ref	3ftx8ft Platforms	
	2910073	Ref	Power Track Hose and Clamp Kit	
	1320247	1	Clamp, Nylon	
	0641522	1	Bolt 5/16in-18NC x 2-3/4in	
	3311505	1	Locknut 5/16in-18NC	
	4711500	2	Flatwasher 5/16in	
	2753084	1	Hose	
	0861586	Ref	Remote Control Box	
	0861653	Ref	Remote Control Box (600S Only)	
	4240151	1	Strap Assembly	
	4923045	1	Harness Remote Control Cable	
	0861681	Ref	Remote Control Box - Tethered (600S Only)	
	4240151	1	Strap Assembly	
	4923045	1	Harness Remote Control Cable	
	2902300	Ref	Remote Oil Filter Kit - Required on Caterpillar Engine to Allow SkyPower 7500 Watt Generator to Fit (SN 0300068000 through 0300078183)	
	3574696	1	Bracket, Mounting Remote Filter	
		Ref	SkyGuard Component Options:	
	1001149560	Ref	SkyGuard Complete Add-on Kit (Non-UGM Machines)	
	1001137672	Ref	SkyGuard Installation Kit (Old Style Platform)	
	1001197016	Ref	SkyGuard Installation Kit (New Style Platform)	
	1001137440	1	SkyGuard Sensor Harness	
	1001186431	2	Relay	
	1001143256	Ref	SkyGuard Blue Beacon Kit	
	1001116159	Ref	SkyPower Kit – 7500W Generator (Deutz Engines)	
	1001228357	Ref	Telematics Retrofit Harness Kit (Machines with UGM)	
	0272302	Ref	Tire Sealant Installation	

SECTION 10 - SPECIAL OPTIONS

ITEM	PART NUMBER	QTY	DESCRIPTION	REV
	0272312	Ref	Tire Sealant Decal Installation	
	2902203	1	Kit, Tire Sealant Decal	
		Ref	Tools for Service	
	7002840	1	Anti-Rotation Pin Removal Tool	
	8896941	1	Wire Stripper	
	7002821	1	Wire Crimper (To install wire ends to wires)	
	7002823	1	Pin/Socket Extractor - Universal (To Remove Pins/Sockets from Connectors)	
	4460467	1	Extractor - 16-18 Gauge (For Removal of Pin/Sockets from Deutsch Connectors)	
	4460510	1	Extractor - 12-14 Gauge (For Removal of Pin/Sockets from Deutsch Connectors)	
	7002822	1	Screwdriver, Potentiometer (To Adjust Drive Controllers)	
	7016654	1	Screwdriver, Magnetic	
	7004275	1	Seal Installation Tool - 1in	
	7004276	1	Seal Installation Tool - 1-1/2in	
	7002826	1	Seal Installation Tool - 2in	
	7016655	1	Wire Rope Sheave Gauge	
	7016652	1	Huck Bolt Faster (For Small Huck Bolts Only)	
		Ref	Tool (Hydraulic) Installations Options:	
	0272347	Ref	Tool (Hydraulic) Installations 600S	
	0272348	Ref	Tool (Hydraulic) Installations 600SJ	
	0272349	Ref	Tool (Hydraulic) Installations 660SJ	
	0257728	Ref	Tube Rack Installation	
	0258918	Ref	Utility Rack Installation	
		Ref	Weld Leads to Platform Installation Options:	
	0255399	Ref	Weld Leads to Platform Installation 600S & 600SJ	
	0255895	Ref	Weld Leads to Platform Installation 660SJ	
		Ref	Wheel Covers Installation	
	0256196	Ref	Wheel Covers Installation (SN 0300068000 through 0300075605)	
	0273449	Ref	Wheel Covers Installation (SN 0300075606 through 0300087000)	

PART NUMBER INDEX

PART NUMBER INDEX

0060031.....	156, 165	0255389.....	314	0270528.....	57	0273052.....	117
0060034.....	165	0255390.....	316	0270723.....	314	0273058.....	183
0060066.....	156, 169	0255391.....	316	0270733.....	290	0273067.....	52
0060067.....	151, 169	0255399.....	317	0270734.....	290	0273072.....	87
0060075.....	151, 165	0255439.....	315	0270735.....	158, 290	0273076.....	299
0080163.....	90, 97	0255445.....	61	0270736.....	158, 290	0273078.....	299
0080181.....	80	0255446.....	61	0270737.....	158, 290	0273080.....	23, 29
0080220.....	237	0255447.....	61	0270738.....	158, 290	0273081.....	15, 23
0080241.....	126	0255698.....	125	0270763.....	87	0273082.....	61
0080243.....	80	0255881.....	129	0270804.....	171	0273085.....	143, 192
0100009.....	190	0255895.....	317	0270805.....	125, 287	0273086.....	61
0100011.....	11, 12, 15, 19, 20, 23, 27, 29, 31, 49, 52, 57, 63, 71, 80, 82, 88, 94, 95, 113, 115, 117, 121, 126, 127, 132, 133, 136, 140, 143, 145, 151, 152, 157, 158, 162, 171, 183, 191, 209, 213, 215, 221, 225, 227, 231, 233, 237, 241, 247, 257, 276, 280, 305, 307	0255917.....	126, 295	0270814.....	175, 180, 184, 192, 286	0273087.....	61
0100019.....	11, 71, 133, 146, 152, 157	0255929.....	259	0270833.....	125	0273088.....	61
0100020.....	80, 82, 88, 94, 95, 98, 113, 190, 191, 279	0255930.....	259	0270868.....	20, 27	0273150.....	15
0100035.....	125, 189	0256060.....	314	0271003.....	19	0273161.....	117
0100038.....	15, 23, 221, 225, 227, 231, 233, 237, 241, 247, 257, 276, 280	0256122.....	133	0271004.....	19	0273194.....	303
0100040.....	183	0256196.....	317	0271005.....	27	0273226.....	15, 23
0100048.....	121, 125, 126, 190, 290	0256201.....	295	0271014.....	303	0273238.....	32
0100062.....	146	0256212.....	237	0271014.....	303	0273239.....	32
0100063.....	12, 237, 241	0256252.....	303	0271317.....	156	0273240.....	32
0100081.....	190	0256253.....	303	0271318.....	156	0273356.....	29
0140001.....	63	0256254.....	303	0271327.....	151	0273357.....	29
0140011.....	189	0256255.....	303	0271333.....	315	0273362.....	52
0140032.....	125	0256256.....	303	0271372.....	171	0273366.....	31, 51
0181727.....	80, 87, 94	0256257.....	303	0271548.....	314	0273367.....	31, 51
0200048.....	209	0256273.....	314	0271552.....	126, 191	0273379.....	15, 23
0200741.....	143	0256305.....	126	0271616.....	32	0273394.....	23, 57
0200742.....	136, 139	0256306.....	126	0271617.....	32	0273398.....	57
0200819.....	136	0256394.....	11	0271619.....	32	0273422.....	15, 57
0239585.....	71	0256569.....	303	0271912.....	315	0273449.....	317
0254798.....	71	0256570.....	303	0271940.....	176, 180, 183	0273486.....	175, 180, 184, 192, 286
0254849.....	113	0256571.....	303	0272041.....	282	0273490.....	175, 180, 184, 192, 286
0254856.....	49	0256572.....	303	0272070.....	152, 158	0273491.....	175, 180, 184, 192, 286
0254857.....	49	0256573.....	303	0272130.....	156	0273518.....	135
0255262.....	115	0256574.....	303	0272132.....	151	0273521.....	81
0255294.....	115	0256621.....	11	0272134.....	156	0273538.....	135
0255315.....	61	0256622.....	303	0272298.....	176, 180, 183	0273539.....	135
0255316.....	71	0256632.....	191	0272302.....	316	0273541.....	145
0255330.....	303	0256633.....	191	0272312.....	317	0273542.....	211
0255332.....	303	0256634.....	303	0272347.....	317	0273575.....	314
0255334.....	303	0256689.....	89, 95	0272348.....	317	0273593.....	87
0255335.....	125	0256690.....	89, 95	0272349.....	317	0273594.....	81
0255353.....	259	0256762.....	282, 286, 316	0272384.....	316	0273595.....	81
0255354.....	259	0256763.....	314	0272427.....	192, 209	0273692.....	94
0255355.....	259	0256764.....	314	0272481.....	139, 192	0273693.....	94
0255356.....	259	0256770.....	314	0272482.....	139, 192	0273706.....	209
0255363.....	55	0256771.....	314	0272483.....	290	0273738.....	316
0255388.....	314	0256773.....	314	0272484.....	290	0273741.....	316
		0256774.....	314	0272485.....	158, 290	0273824.....	192, 209
		0256789.....	314	0272486.....	158, 290	0274081.....	135
		0256823.....	133	0272487.....	158, 290	0274086.....	139
		0256830.....	132	0272488.....	158, 290	0274087.....	135
		0256847.....	90, 97	0272492.....	145	0274090.....	139
		0257157.....	315	0272507.....	126, 295	0274091.....	135
		0257728.....	317	0272521.....	213	0274093.....	307
		0257732.....	11	0272588.....	213	0274152.....	32
		0257733.....	303	0272589.....	147	0274209.....	184
		0257744.....	27	0272606.....	215	0274210.....	127, 191
		0257882.....	127	0272607.....	215	0274219.....	314
		0257887.....	125, 294	0272725.....	316	0274233.....	98
		0258703.....	316	0272733.....	316	0274297.....	94
		0258886.....	55	0272796.....	80	0274298.....	94
		0258918.....	317	0272970.....	183, 191	0274316.....	61
		0270120.....	31, 49	0273045.....	143, 192		
		0270121.....	31, 49	0273048.....	31, 51		
		0270329.....	71	0273049.....	31, 51		

PART NUMBER INDEX

0274317 61	0641410 94, 299	0642684 152, 158	0861607 143, 299
0274318 61	0641414 11, 19, 175, 180, 184, 190, 209, 305	0651406 63	0861612 121
0274319 61	0641416 158, 190, 316	0681608 152, 158, 163	0861613 121
0274359 307	0641418 63, 179	0681610.. 12, 20, 27, 152, 157, 162	0861653 316
0274491 80	0641505 55, 146	0681612 162	0861681 316
0274492 81	0641506 62, 121, 133	0681810 31	0861687 121
0274493 81	0641507 80, 82	0681814 187	0861688 121
0340041 80, 87, 95	0641508 . 63, 88, 94, 136, 140, 143	0681822 187	0861698 121
0340046 80	0641510 88, 95	0681836 71	0861699 121
0362519 55	0641512 133	0682012 12	0902143 132
0362528 125	0641514 62, 83, 88, 94	0682014 12, 133	0902161 132
0362609 127	0641516 57, 145, 211, 299	0682016 31, 71	0902206 126, 127
0362610 127	0641518 184	0700408 299	0902219 133
0362910 57	0641520 49	0700808 80, 88, 95	0902223 132
0363012 51	0641522 49, 171, 316	0700810 90, 97	0902351 132
0370026 223	0641524 175, 179	0700815 145	0902384 133
0400075 80, 87, 94	0641532 51	0700816 136	0902416 132
0440170 12, 15	0641552 51	0701010 80	0902491 132
0440171 12, 15	0641604 152, 157	0701012 80, 89, 95	0902520 115
0440207 71	0641605 162	0701014 95	0902751 190
0460150 259	0641606 . 82, 88, 95, 158, 162, 213, 215	0701015 80, 89, 95	0902888 146
0460151 259	0641607 52, 162	0701210 136	0902910 84
0460152 259	0641608 ... 11, 12, 15, 19, 20, 23, 27, 29, 49, 55, 57, 63, 80, 82, 96, 113, 132, 151, 157, 162, 171	0701214 80	0903056 117
0460153 259	0641609 80, 129, 133	0701414 80, 88, 95	0903220 84
0460158 259	0641610 ... 80, 83, 87, 94, 95, 96, 98, 136, 140, 143, 162, 176, 180, 183, 189	0721003 12, 15, 192	0920117 31
0460160 259	0641611 115, 157	0721004 57	0920119 71
0460161 259	0641612 ... 11, 15, 20, 27, 117	0721005 209, 300	0940070 80, 87, 95
0480119 139	0641613 62, 162	0721006 81, 132, 136, 140, 143	0940071 132
0480120 ... 136, 137, 139, 143	0641614 113, 157, 163	0721008 190	0940088 133
0480121 136, 140	0641618 51, 146, 157, 162	0741008 190	0940092 209, 211
0480125 145	0641634 162	0741606 126	0940094 209, 211
0480126 145	0641638 162	0741607 57, 152, 157	0940103 209
0561076 162	0641640 162	0741612 162	0940131 211
0561138 12	0641648 171	0801011 161	0940133 209
0561139 12	0641772 136, 140, 143	0801012 161	0940134 209
0561183 162	0641807 171	0801014 161	0961845 179
0561185 162	0641808 ... 80, 83, 88, 94, 146, 157	0801036 161	0961893 ... 225, 227, 229, 241, 245, 247
0561237 158	0641810 152, 157	0801037 161	0961894 231, 233, 247
0561245 162	0641811 117	0801038 161	0961895 221
0561508 163	0641812 . 83, 88, 95, 152, 158	0801065 161	0961897 257
0630078 12	0641813 211	0801071 151, 161	0961898 237
0630458 152, 157, 171	0641814 11, 15, 19, 23	0801072 156, 161	0961947 ... 157, 225, 227, 229, 247, 251
0630462 209	0641818 87, 95, 129	0801073 156, 161	0961950 ... 11, 15, 19, 23, 152, 157, 161, 237
0630464 189	0641820 ... 115, 117, 152, 157	0801336 156, 161	0961951 ... 152, 157, 161, 231, 233, 235, 247, 253
0630490 16	0641824 162	0801340 151, 161	0961977 ... 12, 15, 20, 23, 27, 29, 255
0630491 126	0641826 87, 95	0801341 156, 161	0961986 80, 88, 95
0630498 80, 87, 94	0641828 80	0801372 161	0962006 152, 157
0630507 132	0642010 57, 82, 89, 94	0801373 161	0962036 12
0630518 121, 213	0642012 ... 11, 15, 19, 23, 29, 151, 157	0801383 151, 161	0962051 129
0630534 ... 225, 227, 229, 241, 245, 247	0642018 71	0801386 156, 161	0962131 ... 15, 20, 23, 27, 29
0630535 ... 221, 231, 233, 235, 247, 253, 257	0642612 126, 127, 171	0801387 156, 161	0962270 187
0630536 237		0860520 304, 307	0962292 57
0630548 122		0861389 121	0962335 158
0630568 191		0861414 189, 191	0962336 ... 241, 243, 245
0641403 ... 125, 127, 146, 163		0861482 121	0962348 57
0641404 ... 146, 172, 189, 190		0861483 121	0962496 221
0641406 80, 125, 132, 145, 163, 176, 180, 183, 215, 305, 307		0861511 189	0962520 145
0641407 ... 80, 82, 88, 95		0861537 189, 191	0962563 136
0641408 ... 176, 180, 183, 189, 237, 304, 307		0861541 146	0962653 136
		0861567 145, 146	1001097554 83
		0861572 145	1001098503 52
		0861586 316	
		0861599 143, 299	
		0861602 299	
		0861604 299	
		0861606 299	

PART NUMBER INDEX

1001099832..... 171	1001228002..... 151, 251	1660219RR..... 115	1701499..... 303, 307
1001099839..... 171	1001228008..... 151, 229	1660223..... 115	1701500..... 133, 303, 308
1001100120..... 51	1001228012..... 157, 243	1660223RR..... 115	1701502..... 303, 307
1001100321..... 135, 139	1001228051..... 156, 235	1660234..... 90, 97	1701503..... 303, 307
1001102841..... 314	1001228052..... 156, 253	1660239..... 80	1701504..... 303
1001102842..... 314	1001228357..... 316	1660257..... 117	1701505.. 83, 89, 94, 304, 307
1001104985..... 314	1001248012..... 157, 245	1660258..... 117	1701509..... 303, 307
1001108718..... 314	1060016..... 127	1660303..... 117	1701518..... 303, 307
1001109684..... 315	1060279..... 304, 307	1660304..... 117	1701529..... 304, 307
1001109692..... 315	1060341 ... 209, 295, 296	1670769..... 158	1701596..... 304
1001110133..... 315	1060461 ... 291, 295, 299	1670771..... 133	1701600..... 304
1001110169..... 71, 75	1060494..... 291, 296	1670779..... 133	1701602..... 304
1001110990..... 315	1060584..... 57	1670818..... 125	1701791..... 304
1001110991..... 315	1060617..... 237	1670821..... 127	1701798..... 304
1001110993..... 315	1060637..... 80, 89, 94	1670824..... 125, 127	1702300..... 303
1001110994..... 315	1060680..... 291, 292	1670829..... 121, 189	1702305..... 305
1001112468..... 151, 156, 237	1060896..... 291	1670836..... 163	1702564..... 190
1001113961..... 203, 205	1060903..... 209	1671037..... 190	1702565..... 190
1001114031..... 315	1060904..... 82	1671055..... 152, 157	1702566..... 190
1001114036..... 315	1060918 ... 184, 190, 191, 290	1683053 ... 225, 227, 241, 247	1702567..... 190
1001114123..... 315	1060977..... 296	1683055 ... 231, 233, 247	1702610..... 121
1001114124..... 315	1061026..... 291	1683057..... 257	1702676.... 176, 180, 184, 190
1001114132..... 315	1061027..... 291, 292	1683059..... 221	1702773.... 187, 303, 307
1001116159..... 316	1100086..... 11, 19	1683067..... 237	1702774..... 303, 307
1001117320..... 184, 191	1120304..... 12, 15	1683078..... 11, 19, 221	1702788..... 314
1001118416..... 205	1120362..... 315	1683208 ... 12, 15, 20, 24, 27, 29, 255	1702815..... 303
1001118417..... 197	1120487..... 113	1683250..... 257	1702816..... 303
1001119562..... 314	1180345..... 171	1683258..... 157, 241	1702817..... 303, 307
1001121592..... 209	1180359..... 171	1683263..... 156, 247	1702861..... 303, 307
1001121593..... 209	1220078..... 161	1683266..... 151, 247	1702862..... 303
1001126286..... 315	1260017..... 71	1683275 ... 151, 156, 237	1702901..... 304, 305
1001126287..... 315	1282380..... 282	1683359..... 257	1702902..... 305
1001129555..... 310	1282665 ... 282, 286, 316	1683415..... 151, 225	1702903..... 305
1001137440..... 316	1282828..... 286	1683418..... 156, 231	1702904..... 305
1001137672..... 316	1282937..... 286	1683609..... 157, 241	1702908..... 305
1001138795..... 245	1283235..... 287	1683618..... 161, 257	1702938..... 192, 209
1001138796..... 235, 253	1283309..... 282	1683619..... 257	1702968..... 55
1001139132..... 314	1283363..... 282	1683620..... 161, 257	1702984..... 304
1001142504..... 316	1320012..... 80	1683621..... 257	1702985..... 305
1001142505..... 316	1320016..... 80, 87, 95	1683666 ... 151, 156, 237	1702986..... 305
1001143256..... 316	1320022 ... 80, 83, 88, 94, 95, 98	1683949..... 247	1702988..... 304
1001144629..... 183	1320070..... 237	1683952..... 231	1702989..... 305
1001148902..... 314	1320149..... 299	1683954..... 237	1702990..... 305
1001148903..... 314	1320176..... 89, 96	1683955..... 237	1702992..... 305
1001148904..... 314	1320177..... 215	1683962..... 247	1702993..... 305
1001148905..... 314	1320223..... 82, 88, 95	1683963..... 231, 233	1702994..... 305
1001148906..... 314	1320224..... 146	1683972..... 247	1702996..... 304
1001149560..... 316	1320235..... 152, 158	1683973..... 247	1702997..... 305
1001149730..... 316	1320244..... 163	1683976..... 225, 227	1702998..... 305
1001166538..... 207	1320247..... 171, 316	1683977..... 225	1703000..... 305
1001166539..... 199	1320302..... 213, 215	1683986..... 221	1703001..... 305
1001167359 ... 15, 23, 223	1340060..... 80, 87, 95	1684090..... 241	1703002..... 305
1001186431..... 316	1380147..... 129	1684092..... 241	1703084..... 191
1001187494..... 315	1580011..... 80	1684191..... 221	1703085..... 191
1001187495..... 315	1580012..... 184, 314	1684280..... 15, 23, 223	1703162..... 80, 87, 95
1001189615..... 316	1580013..... 184, 314	1684289..... 223	1703183..... 304
1001193633..... 314	1600313..... 189	1684290..... 223	1703184..... 304
1001197016..... 316	1600317..... 190, 195	1684465..... 223	1703185..... 304
1001204925..... 315	1600318..... 190, 203	1690697..... 304	1703186..... 304
1001204926..... 315	1600327..... 121	1691483..... 304	1703187..... 304
1001205175..... 316	1600361..... 83, 84	1693289..... 304	1703190..... 304
1001212415..... 310	1600364..... 121, 312	1693291..... 304	1703403..... 55, 305
1001223331..... 156, 233	1600375..... 189, 312	1693292..... 304	1703404..... 55
1001223332..... 233	1600411..... 121, 312	1693294..... 304	1703444..... 55
1001223511..... 227	1660219..... 115	1700584..... 303, 308	1703450..... 55
1001223512..... 151, 227			

PART NUMBER INDEX

1703465	121	2120149	63, 310	2220502....	263, 267, 276, 280	2360452	19
1703466	121	2120150	62, 310	2220504....	263, 267, 271, 273	2360453	19
1703470	305	2120164	63	2220549.....	82	2360615	23
1703471	305	2120203	98	2220550.....	267	2360623	23
1703472	305, 307	2120209	62	2220568.....	263	2360624	23
1703479	314	2120210	62	2220574.....	276, 279	2360634	23
1703518	304	2160003	71	2220577.....	273	2360635	23
1703533	276, 280	2180344	71	2220578....	107, 275, 279	2360636	23
1703811	307	2180348	94	2220582....	263, 267, 271, 273, 275, 279	2400060	147
1703814	307	2180380	276, 280	2220596....	267, 271, 275, 279	2400064	147
1703992	304	2180536	82, 88	2220603....	273, 276, 280	2400065	292, 310
1704174	314	2180724	276, 280	2220605.....	275	2400066	292, 296
1704175	314	2180798	80, 87, 96	2220606.....	263, 271	2400070	296
1704260	189	2180832	215	2220609.....	276, 280	2410014	187
1704277	303	2200222	73, 113	2220618....	275, 276, 279	2420172	121
1704412	307	2220063	71	2220619.....	273	2420203 ...	136, 139, 299
1704578	57	2220235 ...	237, 263, 267, 275	2220622.....	267	2460013	135, 139
1704885	305, 307	2220237	263, 271	2220628.....	275, 279	2460032	135
1704997	190	2220240	263	2220635.....	273	2460039	135, 139
1705014	187	2220242	263	2220646....	108, 263, 267, 275, 279	2460048	145
1705084	303, 307	2220250	82, 88	2220671.....	263, 267	2460049 ...	135, 139, 143
1705090	57, 307	2220273	82, 88	2220710.....	263	2460050	145
1705132	122, 190	2220307	264	2220738.....	267, 279	2460055	135
1705232	304	2220313	82, 88, 94	2220767.....	81	2460056	135, 139
1705250	304	2220362 ...	263, 267, 271	2220794.....	82, 89	2460057	135, 139
1705275	304	2220363	263, 267	2220800.....	267	2560136	189
1705305	213, 215	2220365	263	2220810....	111, 275, 279	2560144	237
1705325	143	2220371 ...	263, 271, 273	2220833.....	267	2560173	185
1705355	213	2220372	275, 279	2220861.....	271	2580055	84, 315
1705376	146	2220373 ...	263, 271, 275, 279	2220873....	275, 276, 279, 280	2600209	132
1705460	147	2220375 ...	263, 267, 271, 275, 279	2220883....	47, 225, 227, 229, 231, 233, 235, 237, 241, 243, 245	2600211	191
1705461	147	2220376 ...	111, 275, 279	2220885....	221, 225, 227, 229, 231, 233, 235, 241, 243, 245, 248, 253, 257	2600219	175
1705466	213, 215	2220377 ...	263, 267, 271, 275, 279	2220886.....	47, 221	2600233	132
1705489	147	2220380	275, 279	2220887.....	237	2600281	183
1705490	215	2220385	273, 275	2220890.....	223	2600287	179
1705714	143, 299	2220386	268	2220893.....	63	2680448	132
1705715	143, 299	2220407	279	2220906.....	275, 279	2680449	132
1705728	143, 192	2220408	275, 279	2220909.....	276	2680450	132
1705752	121	2220409	276, 280	2220914.....	267, 276	2720058 ...	80, 82, 89, 94, 98
1705753	121	2220414	276	2220921.....	275, 279	2720160	215
1705822	307	2220415 ...	263, 271, 273, 275, 279	2220947....	108, 275, 279	2720271	82, 88
1705828	307	2220428	275, 279	2220948.....	275, 279	2720398	87, 96
1705921	307	2220429	275, 279	2220950.....	276, 280	2720434	80, 88, 96
1705961	307	2220435	267	2220974.....	276, 280	2720449	88, 96
1705978	307	2220451	87, 96, 263	2221042.....	279	2720509	80
1706098	307	2220459	88	2221170.....	263	2720510	81
1706493	187	2220462	276	2221176.....	94, 98	2720515	81
1706501	187	2220465	263, 267	2300014.....	315	2750532 ...	82, 88, 94, 96
1870132	287	2220466 ...	263, 267, 275, 279	2300016.....	315	2751013	263, 267
1870191	287	2220468 ...	273, 276, 280	2300019.....	315	2751015	273
2000189	87, 89	2220472 ...	267, 268, 276, 280	2300027.....	315	2751016	263, 267
2000194	80, 83	2220473 ...	263, 271, 276, 280	2300029.....	315	2751020	273
2000216	95, 97	2220474	279	2360376.....	19	2751021	267
2000219	95	2220479 ...	107, 276, 280	2360414.....	19	2751032	71
2000220	94	2220490	263, 273	2360415.....	19	2751095	71
2000221	95	2220497	276, 280	2360451.....	19	2751396	276, 280
2000274	96, 97	2220498	275, 279			2751397	273
2000279	95	2220500	267			2751410	273
2000280	95					2751427	275
2000281	95					2751434	273
2030010	213, 215					2751474	275, 279
2060025	80, 87, 96					2751868	276, 280
2080040 ...	175, 179, 183					2752245	263
2080044	157					2752249	267
2080046	299					2752256	267
2120145	63					2752258	263
2120146	62						

PART NUMBER INDEX

2752322.....	263, 267	2753325.....	280	2900937.....	314	3300229.....	12
2752331.....	271	2753397.....	264, 271	2900974.....	314	3300240.....	163
2752340.....	275, 279	2753435.....	264, 271	2901271.....	221	3300241.....	162
2752341.....	264	2753924.....	264, 271	2901284.....	257	3300242.....	163
2752345.....	263	2753925.....	264, 271	2901285.....	237	3300353.....	190
2752389.....	267	2753926.....	271	2901301.....	231, 248	3300393.....	175, 179
2752398.....	267	2753928.....	271	2901303 ...	225, 227, 229, 233, 241, 248	3300396.....	146
2752433.....	276	2753929.....	264, 271	2901358.....	88	3300399.....	163
2752443.....	267	2753930.....	271	2901443.....	296	3300400.....	163
2752462.....	263, 267, 273	2753931.....	271	2901691.....	315	3300408.....	121
2752475.....	264, 271	2753933.....	273	2901763.....	66	3310601.....	129, 146
2752478.....	263, 264, 267, 271	2753957.....	279	2901986.....	163	3310801.....	299
2752502.....	279	2753967.....	264	2902203.....	317	3310805.....	125, 127
2752504.....	275, 279	2753968.....	279	2902217.....	213	3311001....	133, 183, 190, 192, 299, 300
2752514.....	275	2753969.....	264	2902266.....	223	3311005....	125, 126, 136, 140, 143, 175, 179, 213
2752515.....	275, 279	2760105.....	121, 189	2902296.....	82, 88, 94	3311401....	121, 152, 163, 209
2752516.....	275	2780188.....	11	2902300.....	316	3311402.....	152, 157
2752517.....	276	2780205.....	71, 73	2902443.....	292	3311405....	63, 81, 82, 88, 95, 96, 133, 146, 157, 171, 175, 176, 180, 184, 189, 215, 237, 304, 307, 316
2752573.....	275	2780261.....	31, 35	2910073.....	316	3311501.....	62, 133, 209
2752574.....	271	2780269.....	31, 37	2910463.....	315	3311505....	49, 51, 81, 82, 88, 94, 96, 132, 145, 172, 175, 179, 211, 299, 316
2752580.....	276	2780271.....	16	2910924.....	315	3311601....	113, 133, 191
2752584.....	263, 267	2792176.....	282	2915014.....	121	3311605....	81, 87, 94, 96, 98, 129, 132, 136, 140, 143, 157, 162, 171, 176, 180, 184, 187, 189, 213, 215
2752587.....	275	2792179.....	275, 282	2915137.....	315	3311705....	136, 140, 143
2752588.....	276, 280	2792180.....	275, 282	2920110.....	126	3311801....	31, 81, 89, 94, 146
2752591.....	276, 280	2792181.....	275, 282	2920113.....	126	3311805..	81, 87, 96, 115, 129, 132, 152, 157, 158, 211
2752592....	263, 264, 267, 271	2792184.....	263, 282	2920129 ...	190, 290, 292	3312002.....	12
2752594.....	275	2792185.....	282	2920140 ...	175, 180, 184, 296	3312201.....	162
2752596.....	276, 280	2792186.....	267, 282	2920157.....	127, 185	3321501.....	133
2752597.....	276, 280	2792187.....	282	2920162 ...	136, 139, 299	3322201.....	117
2752598.....	276, 280	2792204.....	273, 282	2920215.....	126	3323002.....	12
2752599.....	276, 280	2792266.....	283	2940074 ...	175, 179, 183, 310	3323403.....	12
2752611.....	264, 271	2792315.....	283	2940088.....	132	3324203.....	12, 16
2752631.....	275, 279	2792325.....	283	3010125.....	57	3340755.....	162
2752632....	263, 264, 267, 271, 275, 279	2792326.....	283	3020016.....	95	3340757.....	162
2752633.....	276, 280	2792327.....	283	3020021.....	90, 97	3340764.....	171
2752643.....	276, 280	2792327.....	283	3160204.....	31, 41	3340844.....	161
2752653.....	275, 279	2792603.....	279	3160273.....	71, 75	3340871.....	162
2752654.....	275, 279	2792605.....	282	3160299.....	31, 43	3340881.....	162
2752752.....	275, 279	2792607.....	271, 282	3160300.....	31, 43	3340900.....	163
2752753.....	276, 280	2792608.....	279, 282	3160349.....	47	3340911.....	51
2752762.....	275, 279	2792612.....	273, 282	3160350.....	47	3340966.....	57
2752763.....	275, 279	2792613.....	282	3200362.....	89, 96	3380429.....	82, 88, 94
2752763.....	275, 279	2792614.....	279, 282	3200378.....	87	3380434....	176, 180, 184, 304
2752783.....	276, 280	2792615.....	282	3200406.....	81, 96	3380476.....	184
2752807.....	263, 267	2792616.....	263, 282	3220103.....	89, 96	3380535.....	127
2752810.....	267	2792617.....	282	3220104.....	89, 96	3420372.....	57
2752812.....	263, 267	2792630.....	283	3220113.....	81	3420447.....	57
2752822.....	273	2792659.....	282	3250585.....	185	3420592.....	55
2752823.....	273	2792660.....	282	3250872	55, 57, 305, 307		
2752824.....	273	2820031 ...	137, 140, 143, 146	3251102 ...	137, 140, 192		
2752888.....	267	2820035 ...	125, 176, 180, 184	3251242.....	303		
2752889.....	267	2820078.....	133	3252347.....	304		
2752893.....	267	2820079.....	133	3252507.....	140		
2752898.....	267	2820081.....	133	3252523.....	307		
2752909.....	267, 271	2820119.....	133	3252764.....	145		
2752910.....	264, 271	2840016.....	129	3271805.....	117, 187		
2752918.....	267	2860012.....	140, 143	3272605 ...	152, 158, 165		
2752928.....	264, 271	2860030.....	122, 310	3290405.....	299		
2752929.....	264, 271	2900752.....	103	3290801.....	81		
2752963.....	263, 267	2900770.....	61, 165, 221	3300007.....	12, 31		
2752977.....	271	2900788.....	41	3300106.....	31		
2752981.....	276, 280	2900792 ...	225, 227, 229, 231, 233, 235, 237, 241, 243, 245	3300151 ...	179, 213, 215, 316		
2753048.....	276, 280	2900826.....	103	3300205.....	122		
2753083.....	276	2900827.....	103				

PART NUMBER INDEX

3421453	55	3510764	179	3580317	146	3900232	132
3421565	57, 71	3510822	183	3580319	146	3900268	122
3421627	71	3510830	183	3580320	146	3910608	129
3422326 ...	12, 16, 20, 24, 27, 29	3510831	183	3580321	146	3910610	146
3422332	11	3510832	183	3580322	135	3910804	121
3422333	11, 19	3510833	183	3600242	82, 87, 111	3910808	299
3422335	12	3510868	187	3600243	61	3911008	175, 183
3422351	12	3510877	187	3600260	82, 87, 102	3911010	299
3422352	12	3520028 ...	136, 139, 140, 189	3600365	61	3911016	179, 299
3422417	162	3520033	132	3600381	82, 87, 106, 108	3911040	126
3422424	162	3520035	122	3600388	82, 87, 106, 108	3930816	125
3422446	82, 87, 94	3520054	189	3600394	95, 107	3930828	125, 127
3422530	129	3520054	189	3600395	95, 111	3931028	125
3422532	82, 88, 95	3520072 ...	175, 179, 183, 187	3600396	95, 107	3931408	125, 127
3422552	55	3520174	191	3620033	87, 96	3931448	257
3422553	55	3520189	146	3620047	81	3931508	257
3422557	151, 157	3520192	146	3640493	286	3931516 ...	225, 227, 229, 241, 247
3422561	157	3520198	183	3640986	146	3931620	82, 87, 95, 231, 233, 235, 247, 253, 257
3422562	151	3534978	96	3641533	146	3931632	146
3422563	157	3536089 ...	175, 180, 184	3641569	209	3931672	191
3422564	151, 157	3537318	71	3740049 ...	122, 286, 292, 295, 310	3931720	221
3422565	151	3537416	87, 96	3740058	286	3931840 ...	11, 15, 19, 23
3422566	151, 157	3537420	87	3740063	286	3932032	237
3422567	16, 24, 57, 151	3537445	129	3740067 ...	81, 87, 96, 310	3932224	71
3422568	151, 157	3537446	129	3740080 ...	136, 140, 143, 146, 312	3939680	163
3422569	151	3538047	11	3760170	57, 71	3940604	57
3422574	157	3538758	171	3760367	221	3950803	237
3422580	151	3539219	121	3760368 ...	225, 227, 241, 247	3951608	162
3422583	157	3539281	126	3760369 ...	231, 233, 247, 257	3960343	12, 16
3422591	11, 19	3539563	152, 157	3760372	237	3960389 ...	83, 87, 95, 132
3422592	15, 23	3539590	133	3780187	12	3960407	88, 96
3422753	20, 27	3539622	163	3790012 ...	126, 127, 176, 180, 184, 190, 191, 192	3960438	132
3422813	57	3539662	55	3790045	31	3960453	132
3422841	57	3539685	175, 180	3790110	166	3960461	126
3422847	57	3539872	81, 87, 96	3790152	82, 88, 95	3960462	132
3422848	57	3539877 ...	11, 15, 19, 23	3820001	55, 126, 127, 304, 307	3960464	132
3422860	157	3539878 ...	11, 15, 19, 23	3820020	183	3960468	81, 89, 96
3422861	157	3539934	132	3841013	172	3960469	81, 89, 96
3422867	157	3539955	133	3841143 ...	11, 12, 16, 19, 20, 24, 27, 29, 57, 82, 87, 94, 151, 157, 162	3960470	132
3422900	16, 24, 29	3539957	82, 87, 94	3841236	12	3990010 ...	293, 295, 310
3422902 ...	16, 20, 24, 27, 29	3539971	87, 96	3841258 ...	11, 15, 16, 19, 23, 24, 29, 151, 157	4031911	81
3422903 ...	16, 20, 24, 27, 29	3539979	133	3841329	55	4032015	145
3422904	19	3572009	57	3841340	152, 158	4060802 ...	136, 140, 145, 185, 192
3430816	129	3572010	57	3841510 ...	16, 20, 24, 27, 29	4060803 ...	171, 175, 180
3450304	191	3572011	57	3860050	172	4060805 ...	82, 89, 96, 163
3450404	129	3572012	57	3890006	161	4060808	49
3450806	172	3573400	213, 215	3890008	161	4060870	49
3451010	12, 16	3573641	215	3890009	163	4060874	49
3451012	12	3573642	213	3890010	161	4060906	121
3480176	221	3573643	215	3890011	161	4060907	126
3480188 ...	231, 233, 247	3574091	209	3890012	163	4060918	63
3480205	257	3574206	81	3890040	187	4060959	315
3480206	237	3574207	81	3900054	187	4061049	146
3480210 ...	225, 227, 241, 247	3574208	81	3900141	241	4061058	52
3480288	223	3574208	81	3900207	175, 179	4070410	133
3510499	179	3574443	299	3900224	191	4070411	133
3510500	179	3574684	136	3900230	237	4070412	133
3510537	179	3574696	316			4070863	162
3510538	179	3575359	209			4070864	162
3510542	175	3577121	213			4070878	11, 19
3510543	175	3580134 ...	136, 139, 143			4070879	11, 19
3510751	179	3580158	139, 143			4070895	162
3510763	179	3580241	161			4070896	162
		3580243	161			4070897	162
		3580248	161				
		3580249	161				
		3580276	136				

PART NUMBER INDEX

4070898.....	162	4360429.....	163	4460464 ...	190, 191, 290, 293	4461005.....	294
4070929.....	163	4360436.....	113	4460465	147, 291, 294	4461006.....	294
4070939.....	163	4360469.....	310	4460466.....	291	4461052.....	294
4070940.....	163	4360470.....	122	4460467.....	296, 317	4461053.....	294
4070944.....	11, 15, 19, 23	4360475 ...	122, 189, 310	4460470 ...	122, 189, 290, 292	4461054.....	294
4070945.....	11, 15, 19, 23	4360476.....	122, 189	4460471 ...	122, 189, 290, 292	4461060.....	294
4070975.....	161	4360506.....	163	4460473.....	291	4461070.....	294
4070976.....	162	4360540.....	300	4460488.....	122, 190	4461071.....	292
4070987.....	121	4360541.....	300	4460499.....	66, 69, 294	4461072.....	292
4070994.....	172	4360542 ...	135, 136, 300	4460508.....	290	4461073.....	292
4070995.....	172	4360549 ...	125, 126, 127	4460509.....	291	4461074.....	292
4071004.....	162	4360578 ...	125, 126, 127, 312	4460510.....	296, 317	4461095.....	294
4071005.....	163	4400400.....	113	4460526.....	122, 292	4520258.....	32
4071007.....	163	4400449.....	113	4460536.....	293	4520339.....	32
4071059.....	57	4420037 ...	185, 213, 215	4460539.....	294	4520340.....	32
4100026.....	291	4420038.....	113	4460598 ...	176, 180, 184, 192, 296	4530025.....	215, 217
4100033.....	152, 158	4420051.....	57, 304, 308	4460607.....	147, 286	4530028.....	213
4100100.....	241	4420055.....	179	4460611.....	88	4566468....	225, 227, 231, 233, 247
4120013.....	286	4420060.....	125, 127	4460634.....	293	4566471.....	241
4120035.....	290, 293	4420068.....	209, 211	4460635.....	293	4566501.....	237
4130353.....	11	4460007.....	191	4460705.....	295	4566644.....	257
4130354.....	11	4460023.....	136, 140	4460708 ...	190, 290, 292	4566971.....	55
4130381.....	20, 27	4460027 ...	135, 139, 295	4460709.....	295	4567073.....	81
4130382.....	20, 27	4460049.....	209	4460710.....	295	4567815.....	87, 96
4130394.....	24, 29	4460071 ...	184, 190, 191, 290, 295	4460761 ...	190, 290, 293	4568133.....	57
4130395.....	24, 29	4460134.....	291	4460865.....	291	4568721.....	81
4130396.....	16	4460190.....	135, 139	4460866.....	290, 293	4568788.....	81
4130397.....	16	4460205.....	291	4460871 ...	190, 195, 197, 203, 205, 290, 293, 294, 296	4569171.....	96
4130399.....	24	4460225.....	290	4460873.....	290, 293	4569177.....	81
4130400.....	16	4460226 ...	190, 191, 290, 292, 293, 295, 296	4460874 ...	122, 290, 292	4640113.....	32
4160139.....	132	4460227 ...	190, 290, 293, 296	4460875 ...	122, 290, 292	4640261.....	55
4160143.....	132	4460234 ...	122, 126, 127, 190, 209	4460876.....	293	4640281.....	57
4160149.....	163	4460265.....	200, 207	4460877.....	293	4640509....	225, 227, 229, 231, 233, 235, 237, 241, 243, 245
4220162.....	126, 127	4460266.....	200, 207	4460878.....	290	4640744....	111, 275, 279
4220164.....	180	4460267 ...	292, 293, 294, 295	4460879.....	290	4640750.....	81
4220165.....	175	4460268 ...	125, 292, 293, 294, 295	4460880.....	292, 293	4640751.....	87, 96
4220191.....	81	4460320 ...	292, 295, 296	4460887.....	290, 293	4640799.....	237
4240018.....	146, 276, 280	4460321.....	295	4460889.....	294	4640858.....	221, 223
4240032.....	126, 127	4460326.....	293, 294	4460890.....	294	4640871.....	11, 19
4240033.....	152, 158	4460327.....	147	4460891.....	294	4640902.....	241
4240099....	175, 180, 184, 209, 213, 215	4460374.....	147	4460892.....	292	4640906.....	62
4240113.....	113	4460375.....	147	4460894.....	292	4640907.....	62
4240151.....	316	4460411.....	146	4460905 ...	122, 190, 290, 292, 293	4640908.....	61
4280295.....	113	4460412.....	146	4460906.....	295	4640921.....	62, 69
4300097.....	31	4460413.....	146	4460943.....	293	4640922.....	62, 69
4300157.....	146	4460414.....	146	4460944.....	294	4640923.....	49
4340678.....	190	4460415.....	147	4460956.....	147	4640931.....	61, 63
4340684.....	190	4460418.....	290, 293	4460957.....	147	4640932....	225, 227, 229, 231, 233, 235
4360031.....	184, 191	4460419.....	290, 293	4460961.....	295	4640937.....	49
4360057.....	209	4460424 ...	125, 292, 293, 294, 296	4460967.....	147	4640939.....	273
4360070.....	146	4460425 ...	147, 209, 296	4460968 ...	125, 127, 299, 300	4641028.....	257
4360232.....	192, 296	4460426 ...	122, 147, 176, 180, 184, 192, 292, 296	4460971.....	215	4641096.....	61, 65
4360294....	140, 143, 312	4460428 ...	125, 126, 127, 189, 290	4460987.....	299	4641108.....	62, 63
4360322....	125, 126, 127	4460434.....	290, 293	4460988.....	299	4641162.....	221
4360328....	122, 189, 192, 310	4460445.....	293, 294	4460990.....	299	4641280.....	271
4360331....	176, 180, 184, 189, 192, 310	4460457.....	294	4460991.....	300	4641287.....	51
4360336....	126, 127, 136, 140, 143, 145, 176, 180, 184, 185, 191, 192, 312	4460458.....	294	4460997.....	299	4641307.....	264
4360387....	189, 192, 209, 310	4460460.....	294	4460998.....	299	4641319.....	223
4360392.....	81, 87, 96			4460999.....	300	4641390.....	223
4360407.....	189, 310			4461001.....	147	4641409.....	51
						4641410.....	51, 52

PART NUMBER INDEX

4711400 ... 11, 19, 63, 89, 94, 125, 146, 171, 175, 180, 184, 316	4761400 122	4891500.....63	4933218 286
4711500 ... 51, 55, 62, 81, 145, 172, 191, 299, 316	4761500 146	489160082, 88, 129, 152, 158, 162	4933219 286
4711600 ... 11, 19, 55, 62, 82, 89, 96, 146, 152, 157, 162, 171	4761600 55	4891800.... 15, 23, 31, 62, 71, 95, 129, 152, 158, 162, 211	4933222 287, 292, 293
4711700 97	4770600 129	4892000..... 31, 71, 133	4933263 286
4711800 19, 129, 146, 152, 157, 171, 187	4791400 89, 96, 146	4892600..... 152, 158	4933264 147
4711900 89, 96	4811400 299	4920018..... 176, 180	4933272 286
4712600 55, 171	4811900 81, 146	4921820..... 295	4933274 286
4713000 55	4831900 90, 97	4921927..... 63, 294	4933284 295
4713400 55	4832000 81, 90, 97	4921928..... 63, 294	4933287 295
4740036 57	4844777 11	4921956..... 295	4933291 287, 292, 293
4740067 12	4844815 156	4922466..... 291	4933300 286, 295
4740076 132, 133	4844816 156	4922467..... 291	4933313 286, 296
4740111 ... 12, 16, 20, 24, 27, 29, 57	4844817 157	4922482..... 295	4933318 ... 287, 292, 293
4740155 57	4844924 175, 179	4922498..... 296	4933328 292, 293
4740158 ... 11, 15, 19, 23, 152, 158	4844925 175, 179	4922509..... 286	70000122.. 135, 139, 143
4740171 132	4844928 175	4922513..... 292	70000123 135, 139
4740256 ... 12, 16, 20, 24, 27, 29	4844944 151, 156	4922515..... 292, 293	70000124 135, 139
4740263 16	4844954 175	4922636..... 292	70000125 135, 139
4740274 81, 87, 96	4844955 175, 179	4922637..... 292	70000126 136, 139
4740283 12, 16	4844956 175, 179	4922639..... 190, 290	70000127 135, 139
4740314 152, 158	4845281 55	4922641..... 147, 295	700002239 135
4740362 ... 126, 176, 180, 184, 189	4845282 55	4922643..... 286, 295	70000264 98
4740393 31	4845283 55	4922648..... 293	70000342 169
4740397 ... 136, 140, 192	4845286 55	4922666.... 122, 190, 290, 293	70000579 65
4740411 179	4845287 179	4922737..... 81, 82	70000580 65
4740439 157	4845288 179	4922757..... 147	70000582 65, 310
4740444 122	4845289 179	4922764..... 296	70000583 65
4740463 ... 12, 20, 24, 27, 29	4845290 179	4922790..... 291	70000781 51
4740546 127	4845328 175, 179	4922791..... 291	70000782 37
4750600 147	4845356 133	4922792..... 291	70000794 47
4750800 299	4845393 113	4922847..... 286	70000795 47
4751000 57, 126, 132, 136, 140, 143, 175, 179, 183, 213, 299	4845395 88, 96	4922863..... 286	70000800 98
4751400 ... 81, 82, 88, 95, 96, 122, 125, 127, 133, 146, 152, 157, 176, 180, 184, 190, 209, 213, 215, 238, 304, 307	4845404 87, 96	4922884..... 291	70000863 145
475150049, 83, 132, 133, 136, 140, 143, 175, 179, 209, 211	4845411 132	4922885..... 291	70000916 97
4751600 ... 49, 51, 52, 81, 88, 94, 96, 98, 113, 115, 117, 132, 136, 140, 143, 163, 176, 180, 184, 189, 213, 215	4845426 175, 179	4922886..... 291	70000917 97
4751700 97	4845671 171	4922887..... 291	70000918 97
4751800 ... 11, 81, 89, 94, 115, 117, 185, 187, 209	4845677 171	4922888.... 185, 291, 296	70000919 97
4751900 136	4845819 171	4922889..... 291	70000934 62
4752000 82, 89, 94	4846081 151, 156	4922909..... 299	70001002 89
4760600 147	4846184 179	4922912..... 300	70001017 81, 89, 96
4760800 299	4846194 179	4922913..... 295	70001100 145
476100012, 16, 133, 175, 180, 183, 192, 299	4846195 179	4922921..... 292, 293	70001119 37
	4846228 179	4922925..... 146	70001120 83
	4846229 179	4922964..... 296	70001248 117, 118
	4846240 179	4922970..... 295	70001249 118
	4846241 179	4922978..... 94	70001299 145
	4846288 19	4923045..... 316	70001423 90
	4846295 57	4923206..... 292	70001435 97
	4846296 57	4923212..... 292, 293	70001498 89, 97
	4846319 161	4923213..... 293	70001681 90
	4846391 171	4923227..... 292, 293	70001696 145
	4846392 171	4923229..... 293	70001697 166, 169
	4846452 183	4932900..... 286	70001742 83
	4846561 185	4932986..... 286	70001941 126
	4846566 87, 96	4932990..... 286	70001953 145
	4846571 215	4932991..... 286	70001966 145
	4846573 152, 158	4932993..... 286	70001969 145
	4846627 213	4933025..... 286	70001973 146
	4846673 209	4933026..... 286	70001974 146
	4846790 81	4933215..... 286, 295	70001976 65, 69
	4846805 81	4933216..... 286, 295	70002005 171, 312
	4846814 15, 23	4933217..... 286	70002006 171
	4846934 15, 23		70002007 171, 312
	4846935 57		70002063 51, 52
	4860148 32		70002064 52
	4860243 32		70002088 145
	4891400 63		7000209 73

PART NUMBER INDEX

7000214.....	73	70004746.....	207	7001630.....	255	7007425.....	102, 106
7000216.....	37	70004747.....	207	7001633.....	255	7007435.....	43, 102, 106
7000217.....	73	70004748.....	207	7001711.....	35	7007436.....	102
70002200.....	90, 97	70004749.....	207	7001909.....	73	7007437.....	44, 47, 102, 106
70002208.....	75	70004750.....	207	7001911.....	73	7007438.....	43, 47, 102, 106
70002234.....	89, 97	70004751.....	207	7001913.....	37	7007439.....	43, 47, 102, 106
70002235.....	135, 139	70004752.....	199	7001928.....	73	7007440.....	102
70002239.....	139	70004753.....	199	7001931.....	73	7007441.....	102, 106
70002240.....	136, 139	70004754.....	199	7001985.....	73	7007442.....	102, 106
70002243.....	75	70004755.....	199	7001987.....	73	7007444.....	102, 106
7000228.....	73	70004756.....	199	7001988.....	73	7007445.....	102
7000229.....	73	70004757.....	199	70022564.....	251	7007446.....	43, 47, 106
70002297.....	145	70004758.....	199	70023371.....	251	7007449.....	102
7000230.....	73	70004759.....	199	70023915.....	243	7007452.....	106
70002373.....	251	70004760.....	199	7002821.....	296, 317	7007453.....	102, 106
70002411.....	90	70004761.....	199	7002822.....	317	7007454.....	102, 107
7000246.....	73	70004762.....	199	7002823.....	296, 317	7007456.....	102
70002460.....	145	70004763.....	199	7002826.....	317	7007457.....	107
7000253.....	73	70004764.....	199	7002828.....	296	7007458.....	102
70002530.....	90	70004765.....	199	7002840.....	11, 19, 317	7007459.....	103
7000255.....	73	70004766.....	199	7003657.....	135	7007463.....	103, 107
7000256.....	73	70004767.....	199	7003928.....	195, 197	7007464.....	107
7000257.....	73	70004768.....	199	7003933.....	203	7007465.....	107
7000258.....	73	70004769.....	199	7003935.....	203	7007466.....	103, 107
7000263.....	73	70004770.....	199	7003941.....	203, 205	7007468.....	103
7000269.....	73	70004771.....	199	7003946.....	203	7007469.....	103
7000270.....	73	70004772.....	199	7003953.....	195	7007470.....	103, 106
70002724.....	205	70004773.....	200	7003969.....	203	7007471.....	103
70002725.....	205	70004774.....	200	7003972.....	203, 205	7007472.....	103, 107
70002726.....	205	70004775.....	200	7003973.....	203, 205	7007474.....	103, 107
70002727.....	205	70005230.....	207	7003976.....	195	7007475.....	103, 107
70002728.....	205	7000625.....	184, 191	7003977.....	195	7007476.....	103, 107
70002729.....	205	70006442.....	253	7003980.....	203, 205	7007477.....	103, 107
70002730.....	197	70006443.....	235, 253	7003983.....	203, 205	7007478.....	103, 107
70002731.....	197	70006444.....	235, 253	7003986.....	203	7007482.....	103
70002732.....	197	70006445.....	235, 253	7003989.....	203, 205	7007483.....	103
70002733.....	197	70006446.....	235, 253	7003992.....	195, 203	7007484.....	103, 107
70002734.....	197	70006447.....	253	7003993.....	195, 203	7007485.....	103, 107
70002735.....	197	70006568.....	243	7003994.....	203	7007486.....	103
7000281.....	38	70006569.....	243	7004035.....	75	7007487.....	103, 107
70002841.....	84	70006570.....	243	7004043.....	75	7007488.....	103, 107
70002906.....	197	70006571.....	243	7004044.....	75	7007489.....	111
70003001.....	98	70006572.....	243	7004248.....	61	7007490.....	103
70003002.....	98	70006597.....	251	7004275.....	317	7007491.....	103
70003003.....	98	70006599.....	251	7004276.....	317	7007492.....	103
70003356.....	89	70006601.....	251	7004290.....	61	7007494.....	103, 107
70003408.....	52	7000663.....	89, 97	7005881.....	76	7007496.....	103, 107
70003476.....	90, 97	70006648.....	229	7005882.....	76	7007497.....	103, 107, 294
70003483.....	184, 191	70006649.....	229, 245	7005889.....	75	7007498.....	103, 107, 294
70003631.....	145	70006650.....	229, 245	7005890.....	75	7007499.....	103
70003708.....	145	70006651.....	229	7005891.....	75	7007633.....	73
70003709.....	145	70006734.....	245	7005892.....	75	7007933.....	71
70003784.....	189	70006735.....	245	7005893.....	75	7007990.....	71
70003982.....	205	70006736.....	245	7006138.....	171, 312	7010103.....	111
70004169.....	145, 146	70006774.....	251	7007207.....	106	7010104.....	111
70004170.....	145	70006775.....	251	7007208.....	102, 106	7010105.....	111
70004171.....	145	70006776.....	251	7007412.....	103, 108	7010116.....	107, 108
70004182.....	81	70006822.....	235	7007413.....	102, 106	7010120.....	103
70004643.....	171	70006823.....	235	7007414.....	102, 106	7010121.....	103, 107
70004738.....	207	7000731.....	31	7007416.....	102	7010122.....	103, 107
70004739.....	207	7001433.....	107	7007417.....	102, 106	7010474.....	73
70004740.....	207	7001438.....	102	7007418.....	106	7010488.....	73
70004741.....	207	7001498.....	103, 107	7007419.....	102, 106	7010492.....	73
70004742.....	207	7001625.....	255	7007420.....	102	7010494.....	73
70004743.....	207	7001626.....	255	7007421.....	102	7010542.....	65, 66
70004744.....	207	7001627.....	255	7007423.....	102, 106	7010543.....	63, 65, 66
70004745.....	207	7001629.....	255	7007424.....	102	7010545.....	237

PART NUMBER INDEX

7011043..... 61	7012989..... 65	7016803..... 88	7019166..... 203
7011044..... 61	7012993..... 49	7016812..... 88	7019167..... 203, 205
7011062..... 61	7012994..... 49	7016824..... 88	7019168..... 203
7011063..... 61	7012995..... 63	7017022..... 38	7019171..... 195
7011064..... 61	7012998.... 62, 65, 66, 69	7017027..... 37	7019174..... 195
7011065..... 61	7013187..... 115	7017070..... 73	7019177..... 195
7011066..... 61	7013189..... 117	7017072..... 37	7019194..... 203, 205
7011112... 225, 227, 229, 231, 233, 235	7013711..... 61	7017089..... 73	7019196..... 203
7011328..... 61	7013755..... 61	7017093..... 37	7019197..... 195
7011331..... 165	7013796..... 61	7017095..... 37	7019658..... 113
7011332..... 165	7013799..... 61	7017115..... 165	7019680..... 135, 139
7011346..... 166	7014700..... 35	7017118..... 166	7020020..... 62, 310
7012513.... 135, 139, 143	7014701..... 35	7017119..... 165	7020021..... 63, 310
7012514.... 135, 139, 143	7014703..... 35	7017142..... 165, 166	7020108.... 135, 139, 143
7012518..... 63, 65	7014704..... 35	7017156..... 166	7020109.... 135, 139, 143
7012540..... 63	7014705..... 35	7017157..... 166	7020110.... 135, 139, 143
7012558..... 135	7014707..... 35	7017158..... 166, 169	7020111.... 135, 139, 143
7012664.. 80, 87, 95, 310	7014708..... 35	7017159..... 166, 169	7020168..... 89
7012693..... 11, 19	7014709..... 35	7017162..... 165, 169	7020175..... 189
7012700..... 41	7014710..... 35	7017163..... 165, 169	7020176..... 189
7012701..... 41	7014711..... 35	7017164..... 165, 169	7020190.... 135, 139, 143
7012702..... 41	7014712..... 35	7017174..... 165	7020191..... 136, 139
7012703..... 41	7014717..... 35	7017177..... 165	7020192..... 136, 139
7012704..... 41	7014718..... 35	7017183..... 165, 169	7020193..... 139
7012705..... 41	7014719..... 35	7017193..... 165, 169	7020194..... 135
7012706..... 41	7014720..... 35	7017195..... 169	7020246..... 121
7012707..... 41	7014721..... 35	7017406..... 51	7020408..... 89, 97
7012708..... 41	7014722..... 35	7017410..... 65	7020411..... 89, 97
7012709..... 41	7014723..... 35	7017420..... 62, 69	7020431..... 90
7012710..... 41	7014724..... 35	7017421..... 69	7020447..... 97
7012711..... 41	7014725..... 35	7017422..... 69	7020449..... 90, 97
7012712..... 41	7014726..... 35	7017442..... 49	7020458..... 90, 98
7012713..... 41	7014729..... 35	7017464..... 65	7020459..... 90, 98
7012714..... 41	7014730..... 35	7017496..... 223	7020460..... 90, 98
7012715..... 41	7014731..... 35	7018612..... 31, 71	7020461..... 89, 97
7012716..... 41	7014732..... 35	7018912.... 62, 65, 66, 69	7020463..... 89
7012769..... 65	7014733..... 35	7018942.... 65, 66, 69	7020464..... 89, 97
7012772... 62, 65, 66, 69, 310	7014734..... 35	7018945..... 69	7020465..... 90, 97
7012773.... 62, 65, 66, 69	7014735..... 35	7018946..... 69	7020468..... 90, 97
7012774..... 62, 66, 69	7014736..... 35	7018947..... 69	7020471..... 90, 97
7012775..... 65, 66	7014737..... 35	7018948..... 69	7020474..... 90
7012776..... 69	7016312..... 62	7018951..... 65	7020479..... 89, 97
7012777..... 69	7016313..... 63	7018986..... 65	7020480..... 89
7012907..... 62	7016314..... 113	7019103..... 203	7020487..... 89, 97
7012912..... 65, 66	7016322..... 129	7019110..... 203	7020488..... 90
7012914..... 65	7016328.... 89, 97, 312	7019111..... 195, 203	7021200..... 106
7012918..... 63, 65	7016331.... 89, 97, 312	7019112..... 203	7021201..... 107
7012941..... 62, 63	7016342..... 115	7019114..... 203	7021202..... 106
7012943..... 63	7016374..... 129	7019115..... 203	7021203..... 106
7012944.. 62, 63, 65, 310	7016380..... 126	7019122..... 195	7021206..... 107
7012953.. 63, 65, 69, 241	7016399.... 175, 180, 184	7019123..... 195	7021207..... 107
7012954..... 63	7016422..... 75	7019141..... 195	7021210..... 107
7012961..... 63, 241	7016423..... 75	7019142..... 195	7021212..... 107
7012965..... 69	7016424..... 76	7019143..... 195	7021214..... 103, 107
7012967..... 65	7016425..... 75	7019144..... 195	7021217..... 107
7012971..... 63	7016426..... 75	7019145..... 195	7021218..... 107
7012972..... 62	7016427..... 76	7019147..... 195	7021219..... 107
7012974..... 62	7016530..... 171, 312	7019149..... 195	7021220..... 107
7012975..... 63	7016652..... 317	7019150..... 195	7021221..... 107
7012976..... 63	7016654..... 317	7019151..... 203	7021222..... 107
7012977..... 63	7016655..... 317	7019154..... 203	7021223..... 106
7012978..... 49	7016700..... 61	7019155..... 203	7021232..... 108
7012980..... 49	7016701..... 61	7019160..... 203	7021249..... 43, 47
7012987..... 111	7016702..... 61	7019161..... 203	7021256..... 106
7012988..... 111	7016744..... 61	7019162..... 203, 205	7021275..... 43, 47
	7016800..... 88	7019164..... 203, 205	7021310..... 66
	7016802..... 88	7019165..... 203, 205	

PART NUMBER INDEX

7021625.....	51, 52	7024440.....	113	7024765.....	38	7026817.....	83
7022203.....	61	7024441.....	113	7024766.....	38	7026818.....	83
7022302.....	43, 47	7024442.....	113	7024800.....	107	7026819.....	83
7022311.....	43, 47	7024443.....	113	7024850.....	51, 52	7026820.....	83
7022313.....	47	7024444.....	113, 310	7024851.....	107	7026821.....	83
7022314.....	43, 47	7024445.....	113	7024853.....	43, 47	7026822.....	83
7022318.....	43	7024446.....	113	7024861.....	43	7026823.....	83
7022320.....	43	7024453.....	75	7024862.....	43, 47	7026824.....	83
7022321.....	43	7024485.....	145	7024863.....	43	7026825.....	83
7022326.....	44, 47	7024520.....	217	7024864.....	43	7026826.....	83
7022328.....	44, 47	7024522.....	217	7024865.....	43, 47	7026827.....	83
7022368.....	43, 47	7024524.....	217	7024866.....	43	7026828.....	83
7022370.....	43	7024526.....	217	7024867.....	43, 47	7026829.....	83
7022371.....	44, 47	7024527.....	217	7024868.....	43	7026830.....	84, 312
7022372.....	43, 47	7024528.....	217	7024869.....	43	7026831.....	83
7022397.....	51, 52	7024529.....	217	7024871.....	43, 47	7026832.....	83
7022399.....	51, 52	7024530.....	217	7024874.....	106	7026833.....	83
7022808.....	195, 197	7024531.....	217	7024875.....	106	7026834.....	83
7022812.....	203	7024532.....	217	7024877.....	107	7026835.....	84
7022814.....	195	7024533.....	217	7024879.....	223	7026836.....	84
7022815.....	195, 197	7024534.....	217	7024892.....	51, 52	7026838.....	84
7022816.....	195	7024535.....	217	7026188.....	145	7026839.....	84
7022817.....	195	7024536.....	217	7026189.....	117, 118	7026840.....	84
7022818.....	195	7024537.....	217	7026197.....	118	7026841.....	84
7022819.....	195, 197, 294	7024538.....	217	7026199.....	135	7026843.....	84
7022822.....	203	7024539.....	217	7026503.....	117	7026882.....	84
7022823.....	203	7024540.....	217	7026504.....	117	7027000.....	82, 88, 94
7022824.....	203	7024541.....	217	7026505.....	118	7027001.....	82, 88, 94
7022825.....	294	7024560.....	89, 96	7026506.....	118	7027002.....	82, 88, 94
7023366.....	132	7024565.....	90, 97	7026507.....	118	7027003.....	82, 88, 94
7023910.....	43, 47	7024579.....	90, 98	7026508.....	118	7027004.....	82, 88, 94
7023917.....	52	7024598.....	129	7026509.....	118	7027236.....	98
7023933.....	51, 52	7024721.....	38	7026510.....	118	7027239.....	98
7023935.....	51, 52	7024722.....	37	7026511.....	117	7027241.....	97
7023936.....	51, 52	7024723.....	38	7026512.....	117, 118	7027245.....	98
7023977.....	106	7024724.....	37	7026522.....	89	7027246.....	97
7023979.....	107	7024725.....	37	7026597.....	145	7027276.....	90, 98
7024014.....	62, 66	7024726.....	37	7026608.....	89, 97	7027412.....	81
7024015.....	65, 66	7024727.....	37	7026626.....	145	7027419.....	43, 47
7024036.....	41	7024728.....	37	7026631.....	89, 97	7027608.....	97
7024100.....	73	7024729.....	37	7026800.....	83	7027609.....	97
7024124.....	37	7024730.....	37	7026801.....	83	7027610.....	97
7024125.....	37	7024731.....	37	7026802.....	83	7027740.....	47
7024127.....	37	7024732.....	37	7026803.....	83	7027790.....	97
7024129.....	37	7024733.....	37	7026804.....	83	7027791.....	97
7024134.....	38	7024734.....	37	7026805.....	83	7027792.....	98
7024318.....	89	7024735.....	37	7026806.....	83	7027793.....	97
7024379.....	75	7024736.....	37	7026807.....	83	7027795.....	98
7024380.....	75	7024737.....	38	7026808.....	83	7027799.....	145
7024381.....	75	7024738.....	37	7026809.....	83	7027887.....	136, 143
7024389.....	76	7024739.....	37	7026810.....	83	8093461.....	118
7024390.....	75	7024740.....	37	7026811.....	83, 312	83304150.....	75
7024395.....	75	7024741.....	37	7026812.....	83	8405009.....	80
7024397.....	257	7024742.....	37	7026813.....	83	8405104.....	80
7024398.....	89, 96	7024743.....	37	7026814.....	84	8896941.....	317
7024404.....	118	7024744.....	37, 38	7026815.....	84		
7024439.....	113	7024764.....	38	7026816.....	83		



3121856



An Oshkosh Corporation Company

Corporate Office
JLG Industries, Inc.
1 JLG Drive
McConnellsburg, PA 17233-9533 USA
☎ **(717) 485-5161 (Corporate)**
☎ **(877) 554-5438 (Customer Support)**
📠 **(717) 485-6417**

Visit our website for JLG Worldwide Locations.
www.jlg.com