



Illustrated Parts Manual

Model
1644

PVC
2011

P/N
31211555

June 15, 2023 - Rev B



EFFECTIVITY PAGE

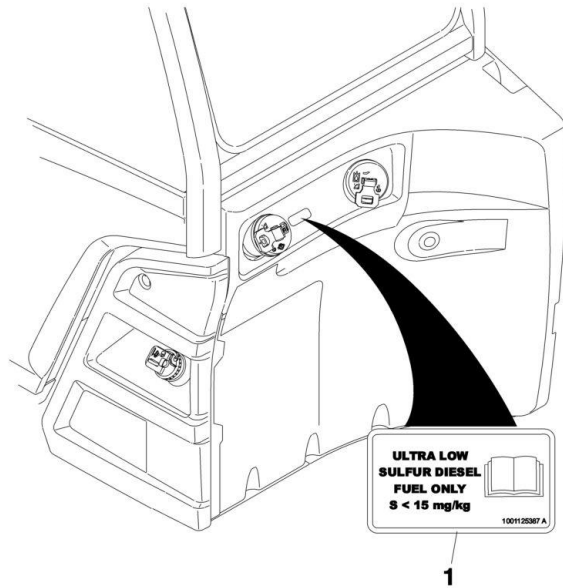
October 30, 2020 - A - Original Issue of Manual (Manual Edited to 1001195000 Revision AD)

June 15, 2023 - B - Revised Manual (Manual Edited to 1001195000 Revision AD)

Machine Configuration

Two configurations of each machine are included in this manual. Determine if machine is equipped with Ultra Sulfur Fuel Decal (1) as indicated below.

- If equipped with the Ultra Low Sulfur decal, all specific references to this machine configuration will be referred to as Ultra Low Sulfur (ULS) from this point forward.
- If not equipped with the Ultra Low Sulfur decal, all specific references to this machine configuration will be referred to as Low Sulfur (LS) from this point forward.



GENERAL INFORMATION

6) NON-SERVICED PARTS

In some instances, it is necessary to display non-serviced parts, assemblies or installations. In the case of assemblies and installations there will be a Ref in the Qty. column. In case of parts that are not available for service within assemblies or components, there will be a NSS (Not Sold Separately) or NLA (No Longer Available) listed in the Qty. column of the manual.

7) PARTS LIST ITEM NUMBERS

Numbers shown in the item# column correspond to numbers used in the associated illustration (s). Item numbers which are missing from the sequence in the parts list are not used on that page.

8) INDENTED PARTS DESCRIPTION

An indented part description is included in the item under which it is indented.

9) ABBREVIATION AND SYMBOLS

AC.....	Alternating Current	L.....	Liter
ADE.....	Advanced Design Electronics	LB(LBS).....	Pounds
AG.....	Agricultural	LCD.....	Liquid Crystal Display
ANSI.....	American National Standards Institute	LED.....	Light Emitting Diodes
AR.....	As Required	LH.....	Left Hand
ASSY.....	Assembly	LRC.....	Low Rated Countries
AUS.....	Australia	LSS.....	Load Sensing System
AUX.....	Auxiliary	M(m).....	Metric/Meter
AWG.....	American Wire Gauge	MM(mm).....	Milimeter
B/M.....	Bill of Material	mA.....	Miliamps
CAC.....	Charge Air Cooler	NLA.....	No Longer Available
CE.....	European Conformity	NPT.....	National Pipe Threads
CCW.....	Counter Clockwise	NSS.....	Not Sold Separately
CM.....	Centimeter	OD.....	Outside Diameter
CW.....	Clockwise	ORB.....	O-Ring Boss
CSA.....	Canadian Standards Association	ORFS.....	O-Ring Face Seal
CYL.....	Cylinder	OZ (oz).....	Ounces
DIA.....	Diameter	PG.....	Page
DC.....	Direct Current	PN.....	Part Number
DEF.....	Diesel Exhaust Fluid	QT/qt.).....	Quarts
EMS.....	Emergency Stop	QTY.....	Quantity
ENG.....	Engine	REF.....	Reference
FT(ft).....	Feet	REV.....	Revision Level
GA(Ga).....	Gauge	RH.....	Right Hand
HRC.....	High Rated Countries	SAE.....	Society of Automotive Engineers
HVAC.....	Heating, Ventilating, and Air Conditioning	SN.....	Serial Number
HYD.....	Hydraulic	SPEC(S).....	Specifications
Hz.....	Hertz	T/T.....	Turntable
ID.....	Inside Diameter	UGM.....	Universal Ground Module
IN.....	inches	V.....	Volts
ISO.....	International Organization for Standards	W.....	Watts
JIC.....	Joint Industry Council	#.....	Number
KG.....	Kilogram		

10) ILLUSTRATION REFERENCE LETTERS

When necessary, illustrations may contain reference letters that are intended to track information (i. e. hoses, harnesses) from one point to another or to track visual enlargement of components to show details that may be located in another area on the illustration.

Note: Due to continuous product improvements, JLG Industries, Inc. reserves the right to make specification changes without prior notification. Contact JLG Industries, Inc. for updated information.

TABLE OF CONTENTS

SECTION 1 - FRAME AND ATTACHING PARTS.....	17
FIGURE 1-1. GROMMETS INSTALLATION	18
FIGURE 1-2. TANKS INSTALLATION.....	20
FIGURE 1-3. HYDRAULIC TANK INSTALLATION	22
FIGURE 1-4. HYDRAULIC TANK ASSEMBLY.....	24
FIGURE 1-5. FUEL TANK INSTALLATION.....	26
FIGURE 1-6. FUEL TANK ASSEMBLY	28
FIGURE 1-7. TANK SUPPORT INSTALLATION.....	30
FIGURE 1-8. LOCKING FUEL CAP	32
FIGURE 1-9. PAD LOCK.....	34
FIGURE 1-10. ENGINE ENCLOSURE & HOOD INSTALLATION.....	36
FIGURE 1-11. ENGINE HOOD ASSEMBLY	38
FIGURE 1-12. ENGINE ENCLOSURE ASSEMBLY	40
FIGURE 1-13. COVER INSTALLATION (ULS).....	42
FIGURE 1-14. FRAME COVER INSTALLATION	44
FIGURE 1-15. FRONT LOWER COVER INSTALLATION	46
FIGURE 1-16. MIRRORS INSTALLATION.....	48
FIGURE 1-17. WHEEL CHOCKS INSTALLATION.....	50
SECTION 2 - BOOM.....	53
FIGURE 2-1. BOOM INSTALLATION.....	54
FIGURE 2-2. BOOM ASSEMBLY.....	56
FIGURE 2-3. FIRST BOOM SECTION ASSEMBLY.....	58
FIGURE 2-4. SECOND BOOM SECTION ASSEMBLY.....	60
FIGURE 2-5. THIRD BOOM SECTION ASSEMBLY	62
FIGURE 2-6. COUPLER INSTALLATION (MANUAL).....	64
FIGURE 2-7. COUPLER INSTALLATION (HYDRAULIC)	66
FIGURE 2-8. COUPLER LOCKING CYLINDER ASSEMBLY	68
FIGURE 2-9. MANUAL COUPLER PIN HOLDER INSTALLATION.....	70
FIGURE 2-10. BOOM PROP INSTALLATION	72
FIGURE 2-11. BOOM PROP BRACKET ASSEMBLY	74
FIGURE 2-12. BOOM BRUSHES INSTALLATION	76
SECTION 3 - ATTACHMENTS	79
FIGURE 3-1. ATTACHMENT RECOGNITION INSTALLATION - COMPLETE	80
FIGURE 3-2. ATTACHMENT RECOGNITION INSTALLATION.....	82
FIGURE 3-3. ATTACHMENT RECOGNITION RECEIVER	84
FIGURE 3-4. ATTACHMENT RECOGNITION ANTENNA	86
FIGURE 3-5. BALE HANDLER (ROUND BALES).....	88
FIGURE 3-6. BALE HANDLER (SQUARE BALES).....	92
FIGURE 3-7. BASKET, PERSONNEL (1.2MX2.4M) (DOMESTIC).....	94
FIGURE 3-8. BASKET, PERSONNEL (1.2MX2.4M) (FRENCH LANGUAGE)	96
FIGURE 3-9. BASKET ASSEMBLY - FORK MOUNTED	98
FIGURE 3-10. BASKET DOCKING STATION.....	100
FIGURE 3-11. BOOM - TRUSS (3.6TON FORK MOUNTED).....	102

TABLE OF CONTENTS

FIGURE 3-12. BOOM - TRUSS (7.6 TON)	104
FIGURE 3-13. BUCKET (2.6 YD ³ /2.0M ³)	106
FIGURE 3-14. BUCKET (5.23 YD ³)	108
FIGURE 3-15. BUCKET - 4 IN 1 (1.3 YD ³ /1.0M ³)	110
FIGURE 3-16. BUCKET - GRAPPLE (1.7 YD ³ /1.3M ³)	112
FIGURE 3-17. BUCKET - FORK MOUNTED (1.0M ³)	114
FIGURE 3-18. CARRIAGE ASSEMBLY (60IN/1524MM)	116
FIGURE 3-19. CARRIAGE ASSEMBLY (72IN/1829MM)	118
FIGURE 3-20. CARRIAGE ASSEMBLY (87IN/2290MM)	120
FIGURE 3-21. CARRIAGE ASSEMBLY - DUAL FORK POSITIONING CARRIAGE (72IN/1829MM)	122
FIGURE 3-22. CARRIAGE ASSEMBLY - DUAL FORK POSITIONING SIDE SHIFT CARRIAGE (75IN/1899MM)	124
FIGURE 3-23. CARRIAGE ASSEMBLY - LOG HANDLER CARRIAGE	126
FIGURE 3-24. CARRIAGE ASSEMBLY - PIPE HANDLER CARRIAGE	130
FIGURE 3-25. CARRIAGE ASSEMBLY - STEEL COIL HANDLER CARRIAGE	134
FIGURE 3-26. FORK - PALLET (2.25X6X48)	136
FIGURE 3-27. FORK - PALLET (2.25X6X60)	138
FIGURE 3-28. FORK - PALLET (2.25X6X72)	140
FIGURE 3-29. FORK - PALLET (2.25X6X96)	142
FIGURE 3-30. FORK RETENTION INSTALLATION	144
FIGURE 3-31. HOOK - CRANK (7.6 TON)	146
FIGURE 3-32. HOOK - FORK MOUNTED	148
FIGURE 3-33. HOPPER - TRASH	150
FIGURE 3-34. WINCH - COUPLER MOUNTED	152
SECTION 4 - ENGINE AND ATTACHING PARTS	155
FIGURE 4-1. ENGINE POD COMPONENT INSTALLATION (ULS)	156
FIGURE 4-2. ENGINE POD COMPONENT INSTALLATION (MINING) (ULS)	158
FIGURE 4-3. ENGINE INSTALLATION (ULS)	160
FIGURE 4-4. ENGINE ASSEMBLY (ULS)	162
FIGURE 4-5. ENGINE MOUNT INSTALLATION	166
FIGURE 4-6. AIR INTAKE INSTALLATION (ULS)	168
FIGURE 4-7. AIR CLEANER INSTALLATION	170
FIGURE 4-8. AIR CLEANER ASSEMBLY	172
FIGURE 4-9. AIR INTAKE DUCT INSTALLATION	174
FIGURE 4-10. PRIMARY FUEL FILTER INSTALLATION (ULS)	176
FIGURE 4-11. REMOTE FUEL PUMP INSTALLATION	178
FIGURE 4-12. FUEL LINES INSTALLATION (ULS)	180
FIGURE 4-13. HYDROSTATIC ADAPTOR INSTALLATION	182
FIGURE 4-14. DUAL DRIVE SUPPORT ASSEMBLY	184
FIGURE 4-15. HYDROSTATIC DRIVE PUMP INSTALLATION	186
FIGURE 4-16. HYDROSTATIC DRIVE PUMP ASSEMBLY	188
FIGURE 4-17. IMPLEMENT PUMP INSTALLATION	190
FIGURE 4-18. IMPLEMENT PUMP ASSEMBLY	192
FIGURE 4-19. DEF COOLANT LINES INSTALLATION (ULS)	194
FIGURE 4-20. COOLING PACKAGE INSTALLATION (ULS & NO HIGH AMBIENT)	196

TABLE OF CONTENTS

FIGURE 4-21. COOLING PACKAGE INSTALLATION (ULS ASOV).....	198
FIGURE 4-22. RADIATOR - COOLING PACKAGE.....	202
FIGURE 4-23. RADIATOR LINES INSTALLATION (ALL EXCEPT ULS & LS ASOV)	204
FIGURE 4-24. RADIATOR LINES INSTALLATION (ULS ASOV).....	206
FIGURE 4-25. COOLANT LINES INSTALLATION.....	208
FIGURE 4-26. SURGE TANK INSTALLATION	210
FIGURE 4-27. TRANSMISION OIL COOLER LINES INSTALLATION.....	212
FIGURE 4-28. FAN GUARD INSTALLATION	214
FIGURE 4-29. FAN GUARD (REVERSING) INSTALLATION.....	216
FIGURE 4-30. COOLING FAN INSTALLATION.....	218
FIGURE 4-31. COOLING FAN (REVERSING) INSTALLATION	220
FIGURE 4-32. COOLING FAN COVER (REVERSING) INSTALLATION.....	222
FIGURE 4-33. EXHAUST INSTALLATION (ULS)	224
FIGURE 4-34. DEF TANK INSTALLATION.....	226
FIGURE 4-35. DEF TANK ASSEMBLY	228
FIGURE 4-36. DEF LINES INSTALLATION	230
FIGURE 4-37. DEF CONTROL MODULE INSTALLATION.....	232
FIGURE 4-38. HEATER LINES INSTALLATION (ULS)	234
FIGURE 4-39. A/C PUMP INSTALLATION	236
FIGURE 4-40. A/C LINES INSTALLATION	238
FIGURE 4-41. BLOCK HEATER INSTALLATION (115V) (ULS).....	240
FIGURE 4-42. HEATED BREATHER TUBE INSTALLATION	242
SECTION 5 - DRIVE TRAIN	245
FIGURE 5-1. DRIVETRAIN INSTALLATION.....	246
FIGURE 5-2. HYDROSTATIC MOTOR INSTALLATION.....	248
FIGURE 5-3. HYDROSTATIC MOTOR ASSEMBLY	250
FIGURE 5-4. GEARBOX INSTALLATION.....	252
FIGURE 5-5. GEAR BOX	254
FIGURE 5-6. DRIVE SHAFT INSTALLATION.....	258
FIGURE 5-7. FRONT AXLE INSTALLATION	260
FIGURE 5-8. FRONT AXLE MOUNTING INSTALLATION.....	262
FIGURE 5-9. FRONT AXLE	264
FIGURE 5-10. FRONT AXLE, CENTRAL HOUSING	266
FIGURE 5-11. FRONT AXLE, DIFFERENTIAL	268
FIGURE 5-12. DIFFERENTIAL KIT	270
FIGURE 5-13. FRONT AXLE, HUB REDUCTION.....	272
FIGURE 5-14. FRONT AXLE, BRAKES	274
FIGURE 5-15. FRONT AXLE, STEERING	276
FIGURE 5-16. FRONT AXLE, TRUNION	278
FIGURE 5-17. FRONT AXLE LINES INSTALLATION.....	280
FIGURE 5-18. REAR AXLE INSTALLATION	282
FIGURE 5-19. REAR AXLE MOUNTING INSTALLATION	284
FIGURE 5-20. REAR AXLE, BRAKES	286
FIGURE 5-21. REAR AXLE, STEERING.....	288
FIGURE 5-22. REAR AXLE.....	290

TABLE OF CONTENTS

FIGURE 5-23. REAR AXLE, CENTRAL HOUSING	292
FIGURE 5-24. REAR AXLE, DIFFERENTIAL	294
FIGURE 5-25. DIFFERENTIAL KIT.....	296
FIGURE 5-26. REAR AXLE, HUB REDUCTION.....	298
FIGURE 5-27. STEERING CASE ASSEMBLY (LH STEER LINK).....	300
FIGURE 5-28. STEERING CASE ASSEMBLY (RH STEER LINK).....	302
FIGURE 5-29. REAR AXLE, TRUNION	304
FIGURE 5-30. TRUNION KIT.....	306
FIGURE 5-31. RING GEAR SUPPORT KIT.....	308
FIGURE 5-32. REDUCTION BUSHING KIT	310
FIGURE 5-33. PLANET GEAR CARRIER KIT.....	312
FIGURE 5-34. REAR AXLE LINES INSTALLATION.....	314
FIGURE 5-35. TIRE/WHEEL SET (AIR 17.5-25 - 20 PLY)	316
FIGURE 5-36. TIRE/WHEEL SET (FOAM 17.5-25 - 20 PLY).....	318
FIGURE 5-37. TIRE/WHEEL SET (AIR 17.5 R25 - RADIAL).....	320
FIGURE 5-38. FENDER INSTALLATION	322
FIGURE 5-39. RH FENDER ASSEMBLY	324
FIGURE 5-40. LH FENDER ASSEMBLY.....	326
SECTION 6 - CAB	329
FIGURE 6-1. CAB MOUNTING INSTALLATION	330
FIGURE 6-2. FRONT CAB MOUNT BRACKET INSTALLATION	332
FIGURE 6-3. CAB MOUNTS INSTALLATION	334
FIGURE 6-4. CAB COMPONENTS INSTALLATION	336
FIGURE 6-5. CAB INSTALLATION.....	338
FIGURE 6-6. CAB ASSEMBLY.....	340
FIGURE 6-7. DOOR INSTALLATION	342
FIGURE 6-8. DOOR ASSEMBLY	344
FIGURE 6-9. CAB DOOR	346
FIGURE 6-10. DOOR UPPER GLASS ASSEMBLY	348
FIGURE 6-11. CAB LATCH ASSEMBLY	350
FIGURE 6-12. CAB DOOR TRIGGER ASSEMBLY.....	352
FIGURE 6-13. DOOR STRAP INSTALLATION	354
FIGURE 6-14. CAB PLUG GROUP	356
FIGURE 6-15. REAR WINDOW INSTALLATION	358
FIGURE 6-16. REAR WINDOW GROUP	360
FIGURE 6-17. REAR WIPER INSTALLATION	362
FIGURE 6-18. REAR WINDOW RELEASE INSTALLATION (ANSI - ENGLISH)	364
FIGURE 6-19. REAR WINDOW RELEASE INSTALLATION (ENGLISH/FREMCH).....	366
FIGURE 6-20. FRONT WIPER INSTALLATION	368
FIGURE 6-21. WASHER TANK INSTALLATION.....	370
FIGURE 6-22. WASHER BOTTLE	372
FIGURE 6-23. FRONT COVER INSTALLATION.....	374
FIGURE 6-24. FRONT DUCT COVER.....	376
FIGURE 6-25. FILTER TRAY PANEL.....	378
FIGURE 6-26. LEVEL INDICATOR INSTALLATION	380

TABLE OF CONTENTS

FIGURE 6-27. BASIC MIRROR INSTALLATION	382
FIGURE 6-28. MULTIFUNCTION DISPLAY INSTALLATION	384
FIGURE 6-29. SEAT INSTALLATION (CLOTH).....	386
FIGURE 6-30. SEAT ASSEMBLY	388
FIGURE 6-31. SEAT INSTALLATION (AIR SUSPENSION - STANDARD).....	390
FIGURE 6-32. SEAT ASSEMBLY (AIR SUSPENSION - STANDARD).....	392
FIGURE 6-33. UPPER SEAT ASSEMBLY	394
FIGURE 6-34. SUSPENSION KIT	396
FIGURE 6-35. SEAT INSTALLATION (AIR SUSPENSION - PREMIUM)	398
FIGURE 6-36. SEAT ASSEMBLY (AIR SUSPENSION - PREMIUM).....	400
FIGURE 6-37. SEAT BELT INSTALLATION (3IN)	402
FIGURE 6-38. SEAT BELT INSTALLATION (2IN)	404
FIGURE 6-39. HEATER INSTALLATION	406
FIGURE 6-40. HEATER ASSEMBLY	408
FIGURE 6-41. HEATER	410
FIGURE 6-42. HVAC CAB ACTUATOR	412
FIGURE 6-43. HEATER AND A/C INSTALLATION (CAB PARTS).....	414
FIGURE 6-44. HEATER AND A/C ASSEMBLY	418
FIGURE 6-45. HEATER AND A/C	420
FIGURE 6-46. CAB CONDENSER ASSEMBLY.....	422
FIGURE 6-47. CONDENSER	424
FIGURE 6-48. A/C RECEIVER DRIER.....	426
FIGURE 6-49. HEADLINER INSTALLATION	428
FIGURE 6-50. HEADLINER/RADIO READY PACKAGE INSTALLATION	430
FIGURE 6-51. CAB TRIM INSTALLATION	432
FIGURE 6-52. DASH COVER ASSEMBLY	436
FIGURE 6-53. REAR PANEL COVER ASSEMBLY	438
FIGURE 6-54. ADJUSTABLE ARMREST INSTALLATION	440
FIGURE 6-55. ARMREST	442
FIGURE 6-56. FIXED ARMREST BRACKET	444
FIGURE 6-57. MOVING ARMREST BRACKET	446
FIGURE 6-58. ROOF WIPER INSTALLATION	448
FIGURE 6-59. ROOF CAP INSTALLATION (NO A/C)	450
FIGURE 6-60. ROOF CAP INSTALLATION (A/C).....	452
FIGURE 6-61. RETRACTABLE SUNSCREEN INSTALLATION	454
FIGURE 6-62. FLOOR MAT INSTALLATION.....	456
FIGURE 6-63. ENCLOSED CAB FRONT COVER INSTALLATION.....	458
FIGURE 6-64. CAB GUARD INSTALLATION (TOP).....	460
FIGURE 6-65. CAB GUARD INSTALLATION (FRONT).....	462
FIGURE 6-66. CAB GUARD INSTALLATION (TOP AND FRONT).....	464
SECTION 7 - CONTROLS	467
FIGURE 7-1. ACCELERATOR PEDAL INSTALLATION	468
FIGURE 7-2. ACCELERATOR PEDAL	470
FIGURE 7-3. BRAKE PEDAL INSTALLATION.....	472
FIGURE 7-4. BRAKE PEDAL ASSEMBLY	474

TABLE OF CONTENTS

FIGURE 7-5. BRAKE SENSOR INSTALLATION	476
FIGURE 7-6. SWITCH PLATE ASSEMBLY	478
FIGURE 7-7. PARK BRAKE INSTALLATION	480
FIGURE 7-8. TILT STEERING COLUMN INSTALLATION	482
FIGURE 7-9. TILT STEERING COLUMN	484
FIGURE 7-10. COLUMN SHIFT INSTALLATION (2 SPEED).....	486
FIGURE 7-11. COLUMN SHIFT INSTALLATION (0 SPEED).....	488
FIGURE 7-12. STEERING WHEEL INSTALLATION	490
FIGURE 7-13. STEERING WHEEL.....	492
FIGURE 7-14. HORN BUTTON INSTALLATION	494
FIGURE 7-15. JOYSTICK INSTALLATION (2 SPEED)	496
FIGURE 7-16. JOYSTICK INSTALLATION.....	498
FIGURE 7-17. WIPER-TURN SWITCH INSTALLATION	500
SECTION 8 - HYDRAULIC CIRCUITS	503
FIGURE 8-1. MAIN HYDRAULIC INSTALLATION.....	504
FIGURE 8-2. BOOM HYDRAULIC LINES INSTALLATION	506
FIGURE 8-3. BOOM HYDRAULIC INSTALLATION.....	508
FIGURE 8-4. BOOM AUX HYDRAULIC INSTALLATION (MANUAL - SINGLE).....	510
FIGURE 8-5. BOOM AUX HYDRAULIC INSTALLATION (MANUAL - TWIN).....	512
FIGURE 8-6. BOOM AUX DIVERTER VALVE/FITINGS ASSEMBLY (MANUAL - TWIN).....	514
FIGURE 8-7. BOOM AUX HYDRAULIC INSTALLATION (HYDRAULIC - SINGLE).....	516
FIGURE 8-8. BOOM AUX DIVERTER VALVE/FITINGS ASSEMBLY (HYDRAULIC - SINGLE).....	518
FIGURE 8-9. BOOM AUX HYDRAULIC INSTALLATION (HYDRAULIC - TWIN).....	520
FIGURE 8-10. BOOM AUX DIVERTER VALVE/FITINGS ASSEMBLY (HYDRAULIC - TWIN).....	522
FIGURE 8-11. BOOM RAISE HOSE INSTALLATION (NO RIDE CONTROL).....	524
FIGURE 8-12. BOOM RAISE COUNTERBALANCE VALVE/FITTINGS ASSEMBLY (NO RIDE CONTROL).....	526
FIGURE 8-13. BOOM RAISE HOSE INSTALLATION (RIDE CONTROL).....	528
FIGURE 8-14. BOOM RAISE RIDE & FLOAT VALVE/FITTING ASSEMBLY (RIDE CONTROL)	530
FIGURE 8-15. CAB HYDRUALIC INSTALLATION	532
FIGURE 8-16. CAB HYDRUALICS CHECK VALVE INSTALLATION.....	534
FIGURE 8-17. CAB HYDRAULICS SOLENOID INSTALLATION	536
FIGURE 8-18. CAB HYDRAULICS SOLENOID FITTINGS INSTALLATION	538
FIGURE 8-19. CHARGE FILTER LINES INSTALLATION	540
FIGURE 8-20. CHARGE FILTER INSTALLATION	542
FIGURE 8-21. CHARGE FILTER ASSEMBLY.....	544
FIGURE 8-22. ENGINE BAY HYDRAULIC INSTALLATION.....	546
FIGURE 8-23. ENGINE BAY INCHING VALVE INSTALLATION.....	548
FIGURE 8-24. ENGINE BAY INCHING VALVE/FITINGS ASSEMBLY.....	550
FIGURE 8-25. FRAME HYDRAULIC INSTALLATION	552
FIGURE 8-26. FRAME MANIFOLD INSTALLATION	554
FIGURE 8-27. FRAME MANIFOLD/FITTINGS ASSEMBLY	556
FIGURE 8-28. FRAME LEVEL INSTALLATION	558
FIGURE 8-29. FRAME LEVEL CYLINDER INSTALLATION	560
FIGURE 8-30. FRAME LEVEL COUNTERBALANCE VALVE/FITTINGS ASSEMBLY	562
FIGURE 8-31. FRAME LEVEL CONTROL VALVE INSTALLATION.....	564

TABLE OF CONTENTS

FIGURE 8-32. FRAME LEVEL CONTROL VALVE/FITTINGS ASSEMBLY	566
FIGURE 8-33. MAIN CONTROL VALVE INSTALLATION.....	568
FIGURE 8-34. MAIN CONTROL VALVE/FITTINGS ASSEMBLY	570
FIGURE 8-35. MANUAL PUMP (LIFT/TELE) INSTALLATION - REMOTE CONTROL EMERGENCY LOWERING	572
FIGURE 8-36. MANUAL LIFT/TELE VALVE & FITTING ASSEMBLY.....	574
FIGURE 8-37. MANUAL LIFT/TELEVALVE ASSEMBLY	576
FIGURE 8-38. PRIORITY VALVE INSTALLATION	578
FIGURE 8-39. PRIORITY VALVE/FITTINGS ASSEMBLY	580
FIGURE 8-40. SPEED CONTROL VALVE INSTALLATION	582
FIGURE 8-41. SPEED CONTROL VALVE/FITTINGS ASSEMBLY	584
FIGURE 8-42. STEERING SELECT VALVE INSTALLATION.....	586
FIGURE 8-43. STEERING SELECT VALVE/FITTINGS ASSEMBLY.....	588
SECTION 9 - HYDRAULIC COMPONENTS.....	591
FIGURE 9-1. CYLINDER INSTALLATION - BOOM LIFT & COMPENSATION CYLINDER.....	592
FIGURE 9-2. CYLINDER INSTALLATION - BOOM LIFT	594
FIGURE 9-3. CYLINDER ASSEMBLY - BOOM LIFT	596
FIGURE 9-4. CYLINDER INSTALLATION - BOOM COMPENSATION	598
FIGURE 9-5. CYLINDER ASSEMBLY - BOOM COMPENSATION.....	600
FIGURE 9-6. CYLINDER INSTALLATION - BOOM EXTEND/RETRACT CYLINDER	602
FIGURE 9-7. CYLINDER ASSEMBLY - BOOM EXTEND/RETRACT CYLINDER	604
FIGURE 9-8. CYLINDER ASSEMBLY - BOOM TILT	606
FIGURE 9-9. CYLINDER ASSEMBLY - BUCKET (4 IN 1 BUCKET).....	608
FIGURE 9-10. CYLINDER ASSEMBLY - BUCKET (GRAPPLE BUCKET)	610
FIGURE 9-11. CYLINDER ASSEMBLY - CARRIAGE (LOG HANDLER CYLINDER).....	612
FIGURE 9-12. CYLINDER ASSEMBLY - COUPLER LOCKING	614
FIGURE 9-13. CYLINDER ASSEMBLY - FORK POSITIONING	616
FIGURE 9-14. CYLINDER INSTALLATION - FORK POSITIONING SIDE SHIFT	618
FIGURE 9-15. CYLINDER ASSEMBLY - FRAME LEVEL.....	620
FIGURE 9-16. CYLINDER ASSEMBLY - PIPE HANDLER CARRIAGE (UPPER).....	622
FIGURE 9-17. CYLINDER ASSEMBLY - PIPE HANDLER CARRIAGE (LOWER)	624
FIGURE 9-18. MOTOR ASSEMBLY - HYDROSTATIC.....	626
FIGURE 9-19. PUMP ASSEMBLY - HYDROSTATIC.....	628
FIGURE 9-20. PUMP ASSEMBLY - IMPLEMENT	630
FIGURE 9-21. VALVE ASSEMBLY - BOOM AUX DIVERTER VALVE (HYDRAULIC - SINGLE & TWIN)	632
FIGURE 9-22. VALVE ASSEMBLY - BOOM AUX DIVERTER VALVE (MANUAL & HYDRAULIC -TWIN).....	634
FIGURE 9-23. VALVE ASSEMBLY - BOOM RAISE COUNTERBALANCE VALVE (NO RIDE CONTROL).....	636
FIGURE 9-24. VALVE ASSEMBLY - BOOM RAISE RIDE & FLOAT VALVE (RIDE CONTROL)	638
FIGURE 9-25. VALVE ASSEMBLY - BUCKET (5.23 YD ³ /4.0M ³).....	640
FIGURE 9-26. VALVE ASSEMBLY - CAB HYDRAULICS CHECK VALVE.....	642
FIGURE 9-27. VALVE ASSEMBLY - CAB HYDRAULICS SOLENOID VALVE.....	644
FIGURE 9-28. VALVE ASSEMBLY - ENGINE BAY INCHING VALVE.....	646
FIGURE 9-29. VALVE ASSEMBLY - FRAME LEVEL CONTROL.....	648
FIGURE 9-30. VALVE ASSEMBLY - FRAME LEVEL COUNTERBALANCE	650
FIGURE 9-31. VALVE ASSEMBLY - MAIN CONTROL.....	652
FIGURE 9-32. VALVE ASSEMBLY - PRIORITY VALVE.....	654

TABLE OF CONTENTS

FIGURE 9-33. VALVE ASSEMBLY - RADIATOR HOSE SHUT-OFF VALVE	656
FIGURE 9-34. VALVE ASSEMBLY - RADIATOR HOSE ASO VALVE	658
FIGURE 9-35. VALVE ASSEMBLY - SPEED CONTROL	660
FIGURE 9-36. VALVE ASSEMBLY - STEER.....	662
FIGURE 9-37. VALVE ASSEMBLY - STEERING SELECT VALVE	664
SECTION 10 - ELECTRICAL.....	667
FIGURE 10-1. ALARM INSTALLATION - BACK UP	668
FIGURE 10-2. ALARM INSTALLATION (BACK UP - WHITE NOISE)	670
FIGURE 10-3. BATTERY INSTALLATION.....	672
FIGURE 10-4. BATTERY (DUAL) INSTALLATION.....	674
FIGURE 10-5. BATTERY (ARCTIC) PACKAGE INSTALLATION (115V)	676
FIGURE 10-6. BATTERIES (ARCTIC) INSTALLATION (115V)	678
FIGURE 10-7. BEACON INSTALLATION (LED).....	680
FIGURE 10-8. BEACON (REMOTE BOOM CONTROL) INSTALLATION	682
FIGURE 10-9. BEACON (LED) (REMOTE BOOM CONTROL) INSTALLATION.....	684
FIGURE 10-10. BOOM HARNESS INSTALLATION	686
FIGURE 10-11. BOOM HARNESS	688
FIGURE 10-12. BOOM HARNESS INSTALLATION	690
FIGURE 10-13. BOOM HARNESS	692
FIGURE 10-14. BOOM ANGLE SENSOR INSTALLATION (NO LMIS)	694
FIGURE 10-15. BOOM AUX HARNESS INSTALLATION.....	696
FIGURE 10-16. BOOM AUX HARNESS	698
FIGURE 10-17. BOOM RETRACT SENSOR INSTALLATION	700
FIGURE 10-18. BOOM RETRACT PROXIMITY SENSOR HARNESS.....	702
FIGURE 10-19. CAB ELECTRICAL INSTALLATION.....	704
FIGURE 10-20. CAB HARNESS	706
FIGURE 10-21. CAB - STANDARD ELECTRICAL BOARD ASSEMBLY	714
FIGURE 10-22. CAB - OPTION 1 ELECTRICAL BOARD ASSEMBLY	716
FIGURE 10-23. CAB - OPTION 2 ELECTRICAL BOARD ASSEMBLY	718
FIGURE 10-24. CAB OPTION HARNESS	720
FIGURE 10-25. CAB - A/C OPTION HARNESS	722
FIGURE 10-26. CAB - DASH ELECTRICAL INSTALLATION.....	724
FIGURE 10-27. CAB - IGNITION SWITCH HARNESS.....	726
FIGURE 10-28. CAB - LIGHT SWITCH INSTALLATION	728
FIGURE 10-29. CAB - SEAT ADAPTOR HARNESS	730
FIGURE 10-30. CAB - EXTERNAL EMERGENCY STOP INSTALLATION	732
FIGURE 10-31. ENGINE - ENGINE BAY ELECTRICAL INSTALLATION (ULS)	734
FIGURE 10-32. ENGINE - ENGINE POD ELECTRICAL INSTALLATION (ULS)	736
FIGURE 10-33. ENGINE - DEF PURGE LIGHT HARNESS	738
FIGURE 10-34. ENGINE - FAN (REVERSE COOLING) INSTALLATION	740
FIGURE 10-35. ENGINE - FAN (REVERSE COOLING) HARNESS	742
FIGURE 10-36. ENGINE WIRING INSTALLATION (ULS).....	744
FIGURE 10-37. ENGINE WIRING INSTALLATION (MINING) (ULS).....	746
FIGURE 10-38. ENGINE HARNESS (ULS)	748
FIGURE 10-39. ENGINE HARNESS (MINING) (ULS)	754

TABLE OF CONTENTS

FIGURE 10-40. ENGINE - FUEL PUMP HARNESS	760
FIGURE 10-41. ENGINE - FUEL PUMP HARNESS (MINING) (ULS).....	762
FIGURE 10-42. ENGINE - GLOW PLUG RELAY HARNESS	764
FIGURE 10-43. ENGINE - GLOW PLUG RELAY HARNESS (MINING) (ULS).....	766
FIGURE 10-44. ENGINE ECU INSTALLATION	768
FIGURE 10-45. ENGINE - AIR SHUTOFF VALVE HARNESS	770
FIGURE 10-46. ENGINE - AIR SHUT OFF VALVE HARNESS (ENGINE)	772
FIGURE 10-47. FRAME ELECTRICAL INSTALLATION	776
FIGURE 10-48. FRAME - POWER DISTRIBUTION ELECTRICAL BOX.....	778
FIGURE 10-49. FRAME - REAR FRAME MODULE INSTALLATION	780
FIGURE 10-50. FRAME WIRING INSTALLATION.....	782
FIGURE 10-51. FRAME WIRING INSTALLATION, MINING (ULS).....	784
FIGURE 10-52. FRAME - FRONT FRAME HARNESS	786
FIGURE 10-53. FRAME - FRONT FRAME HARNESS, MINING	790
FIGURE 10-54. FRAME - REAR FRAME HARNESS.....	794
FIGURE 10-55. FRAME - REAR FRAME HARNESS, MINING.....	798
FIGURE 10-56. LIGHTS - BOOM WORK LIGHTS (LED).....	802
FIGURE 10-57. LIGHTS - BOOM WORK LIGHT INSTALLATION (LED).....	804
FIGURE 10-58. LIGHTS - BOOM WORKLIGHTS HARNESS.....	806
FIGURE 10-59. LIGHTS - CAB WORKLIGHTS INSTALLATION (NO A/C - LED)	808
FIGURE 10-60. LIGHTS - CAB WORKLIGHTS INSTALLATION (A/C - LED).....	810
FIGURE 10-61. LIGHTS - DRIVING LIGHT INSTALLATION (RH DIP).....	812
FIGURE 10-62. LIGHTS - DRIVING LIGHT BRACKET ASSEMBLY (RH DIP).....	814
FIGURE 10-63. LIGHTS - DRIVING HEADLIGHT HARNESS	816
FIGURE 10-64. LIGHTS - DRIVING LIGHT INSTALLATION (LED) (RH DIP)	818
FIGURE 10-65. LMIS CONTROL PACKAGE INSTALLATION	820
FIGURE 10-66. LMIS TILT SENSOR INSTALLATION.....	822
FIGURE 10-67. LMIS - PLATFORM READY HARNESS	824
FIGURE 10-68. LMIS WIRING INSTALLATION	826
FIGURE 10-69. LMIS CHASSIS OPTION HARNESS	828
FIGURE 10-70. LMIS BOOM HARNESS	832
FIGURE 10-71. LMIS CONTROLLER INSTALLATION.....	834
FIGURE 10-72. LMIS CABLE REEL INSTALLATION	836
FIGURE 10-73. LMIS INSTALLATION (HIGH END DISPLAY)	838
FIGURE 10-74. LMIS BOOM ANGLE SENSOR INSTALLATION	840
FIGURE 10-75. LMIS BEACON LIGHT INSTALLATION.....	842
FIGURE 10-76. LMIS BEACON OPTION HARNESS.....	844
FIGURE 10-77. LSI INSTALLATION	846
FIGURE 10-78. LSI DISPLAY INSTALLATION	848
FIGURE 10-79. LSI SENSOR INSTALLATION	850
FIGURE 10-80. MAIN ELECTRICAL INSTALLATION (ULS)	852
FIGURE 10-81. MAIN ELECTRICAL INSTALLATION, MINING (ULS)	854
FIGURE 10-82. RALP PLATFORM HARNESS.....	856
FIGURE 10-83. REMOTE CONTROL (BOOM).....	858
FIGURE 10-84. REMOTE CONTROL EMERGENCY STOP SWITCH INSTALLATION	860

TABLE OF CONTENTS

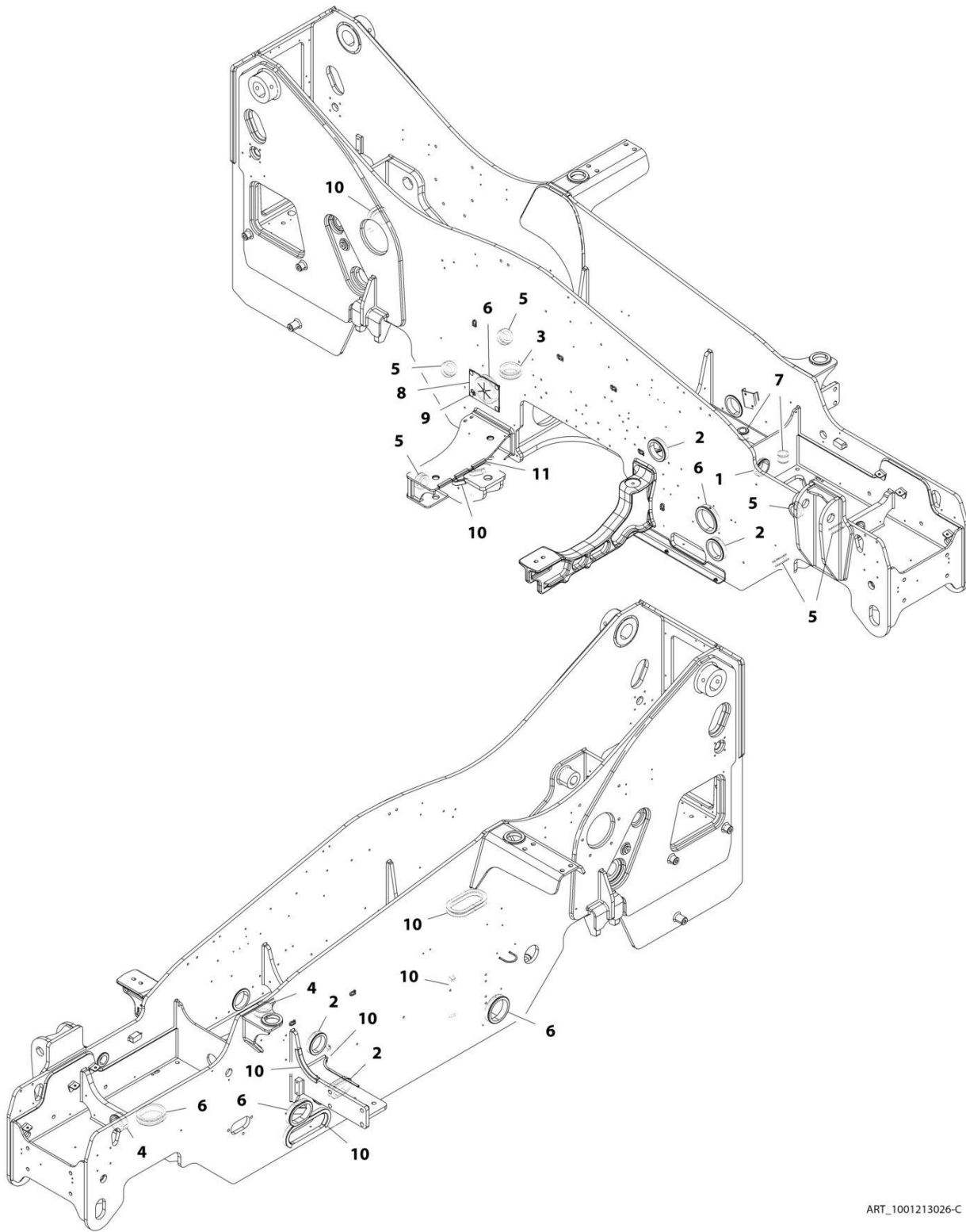
FIGURE 10-85. REMOTE CONTROL KEY HARNESS	862
FIGURE 10-86. REMOTE CONTROL POWER HARNESS	864
FIGURE 10-87. REMOTE CONTROL EMERGENCY LOWERING HARNESS	866
FIGURE 10-88. REVERSE CAMERA INSTALLATION.....	868
FIGURE 10-89. REVERSE SENSOR INSTALLATION.....	870
FIGURE 10-90. REVERSE SENSOR HARNESS	872
FIGURE 10-91. RIDE CONTROL WIRING INSTALLATION.....	874
FIGURE 10-92. RIDE CONTROL HARNESS (BOOM)	876
FIGURE 10-93. SPEED HARNESS (VEHICLE SPEED)	878
FIGURE 10-94. TANK HEATER INSTALLATION - HYDRAULIC TANK (115V).....	880
FIGURE 10-95. TELEMATICS (CLEARSKY) INSTALLATION 3-WIRE (ANSI).....	882
FIGURE 10-96. TELEMATICS HARNESS.....	884
FIGURE 10-97. TELEMATICS (CLEARSKY) INSTALLATION (4G CANBUS)	886
FIGURE 10-98. TELEMATIC 4WARD HARNESS (CLEARSKY 2).....	888
FIGURE 10-99. TELEMATICS OPTION HARNESS	890
FIGURE 10-100. TELEMATICS ADAPTER HARNESS.....	892
FIGURE 10-101. TELEMATICS READY INSTALLATION	894
FIGURE 10-102. TELEMATICS READY HARNESS.....	896
SECTION 11 - DECALS	899
FIGURE 11-1. 1644 DECAL INSTALLATION	900
FIGURE 11-2. DECAL INSTALLATION (ENGLISH)	902
FIGURE 11-3. DECAL INSTALLATION (ENGLISH/FRENCH)	906
FIGURE 11-4. CAPACITY CHART	910
FIGURE 11-5. CAPACITY CHART HOLDER INSTALLATION	912
FIGURE 11-6. CLEARSKY DECAL INSTALLATION	914
FIGURE 11-7. REVERSE SENSOR SYSTEM DECAL (ENGLISH).....	916
FIGURE 11-8. REVERSE SENSING SYSTEM DECAL (ENGLISH/FRENCH).....	918
SECTION 12 - RECOMMENDED SERVICE PARTS STOCK.....	921
FIGURE 12-1. RECOMMENDED SERVICE PARTS STOCK.....	922
SECTION 13 - SPECIAL OPTIONS	925
FIGURE 13-1. SPECIAL OPTIONS	926
PART NUMBER INDEX.....	929

SECTION 1 - FRAME AND ATTACHING PARTS

SECTION 1 - FRAME AND ATTACHING PARTS

SECTION 1 - FRAME AND ATTACHING PARTS

FIGURE 1-1. GROMMETS INSTALLATION



ART_1001213026-C

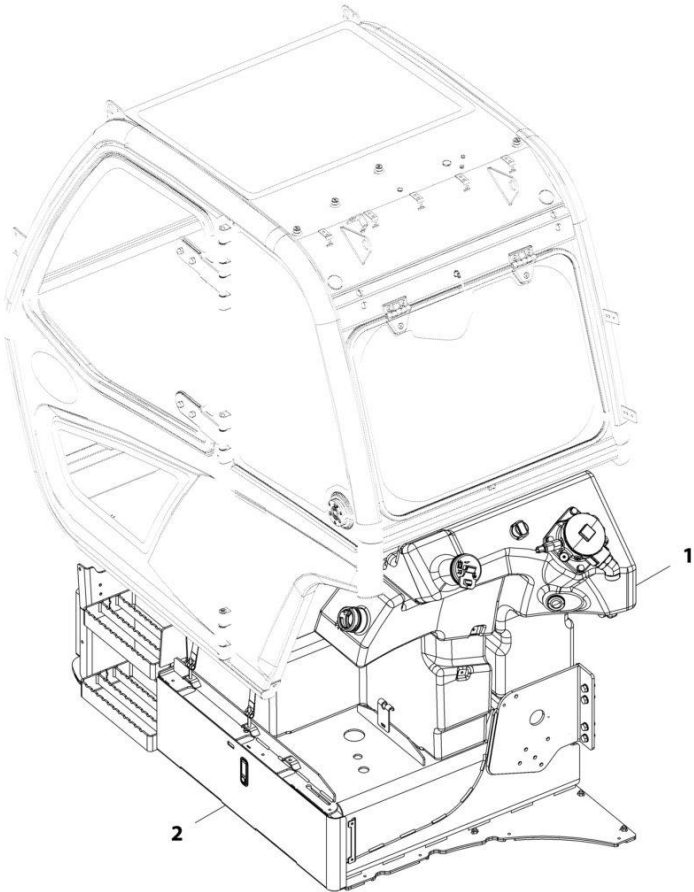
SECTION 1 - FRAME AND ATTACHING PARTS

FIGURE 1-1. GROMMETS INSTALLATION

ITEM	PART NUMBER	QTY	DESCRIPTION	REV
	1001213026	Ref	Grommets Installation	C
1	1001009018	1	Grommet	
2	1001028264	4	Grommet	
3	1001028291	1	Grommet	
4	1001028306	2	Grommet	
5	1001028308	6	Grommet	
6	1001028377	5	Grommet	
7	1001028400	2	Grommet	
8	1001175347	1	Grommet	
9	1001180306	4	Screw	
10	4060919	2030 mm	Trim,Hose Protection	
11	90206202	270 mm	Trim Lock	

SECTION 1 - FRAME AND ATTACHING PARTS

FIGURE 1-2. TANKS INSTALLATION



ART_1001185927-C

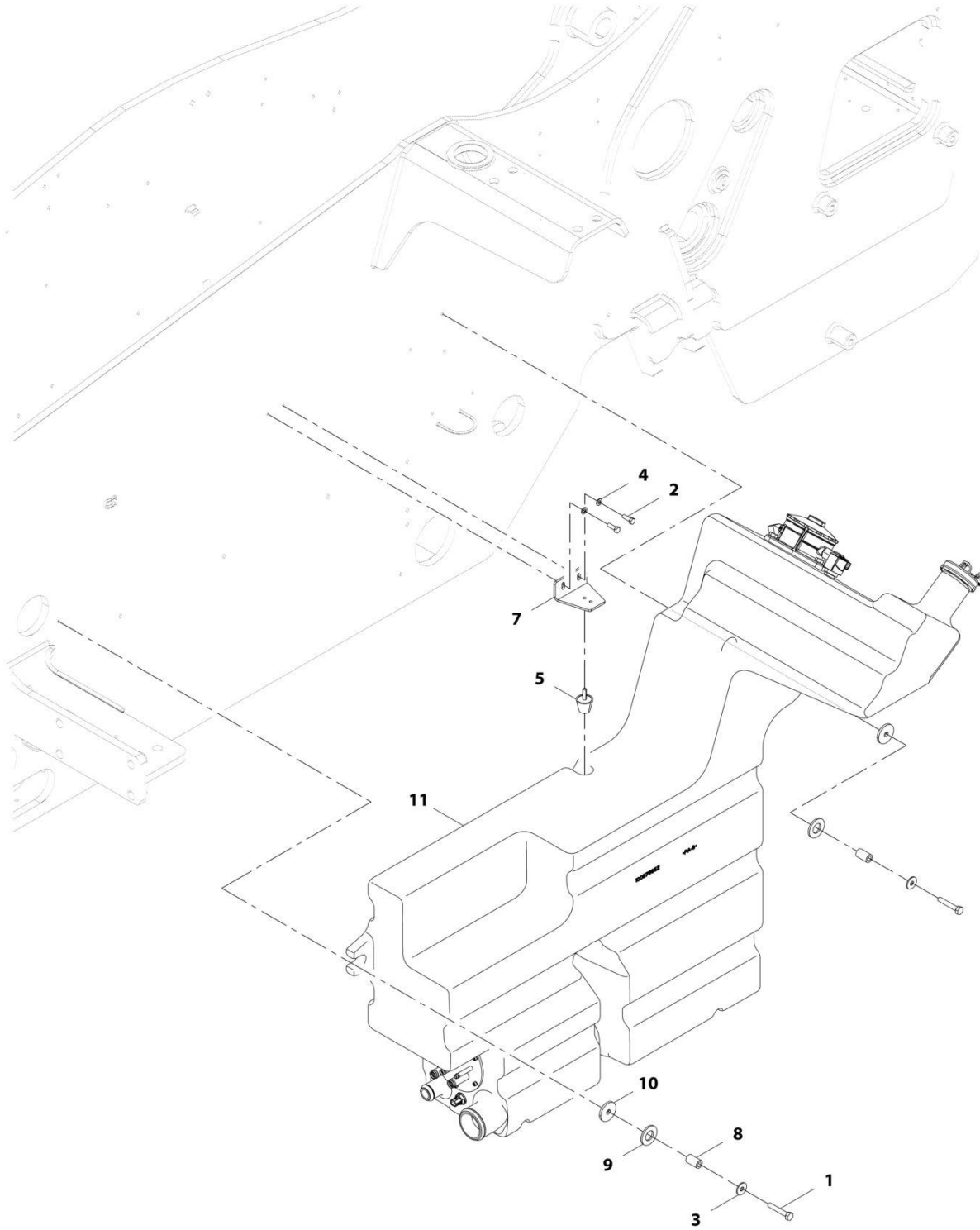
SECTION 1 - FRAME AND ATTACHING PARTS

FIGURE 1-2. TANKS INSTALLATION

ITEM	PART NUMBER	QTY	DESCRIPTION	REV
1	1001185927	Ref	Tank Installation	C
	1001179850	Ref	Installation, Hydraulic Tank (See Separate Breakdown in this Section)	
2	1001185929	Ref	Installation, Fuel Tank (See Separate Breakdown in this Section)	

SECTION 1 - FRAME AND ATTACHING PARTS

FIGURE 1-3. HYDRAULIC TANK INSTALLATION



ART_1001179850-C

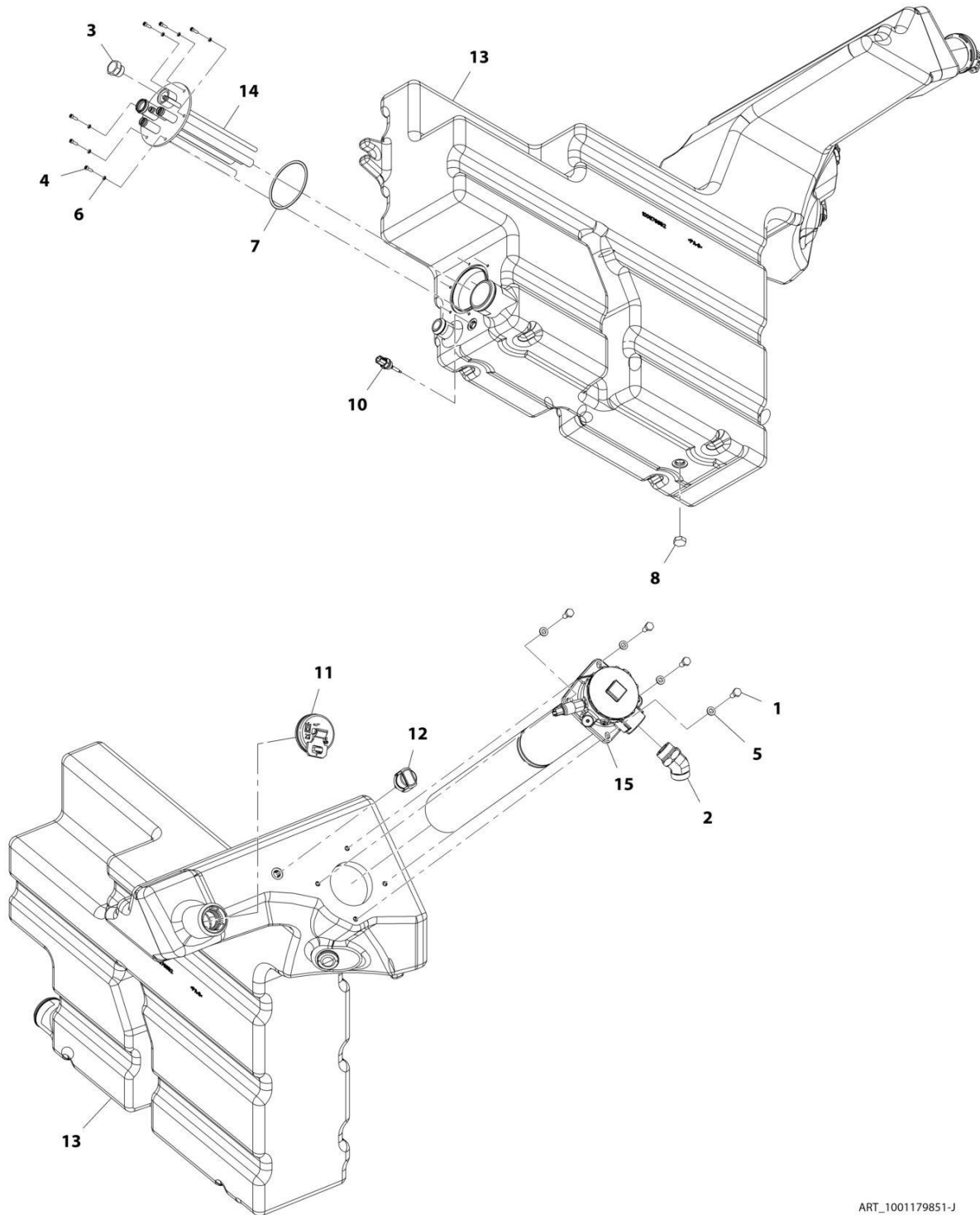
SECTION 1 - FRAME AND ATTACHING PARTS

FIGURE 1-3. HYDRAULIC TANK INSTALLATION

ITEM	PART NUMBER	QTY	DESCRIPTION	REV
	1001179850	Ref	Hydraulic Tank Installation	C
1	0701020	2	Bolt, M10X60	
2	0760812	2	Bolt, M8X25	
3	4812002	2	Washer, M10	
4	4811900	2	Washer, M8	
5	1001008575	1	Bumper, Conical	
7	1001177082	1	Bracket	
8	1001171179	2	Spacer	
9	1001172146	2	Washer, Rubber	
10	1001172147	2	Washer, M10	
11	1001179851	1	Assembly, Hydraulic Tank (See Separate Breakdown in this Section)	

SECTION 1 - FRAME AND ATTACHING PARTS

FIGURE 1-4. HYDRAULIC TANK ASSEMBLY



ART_1001179851-J

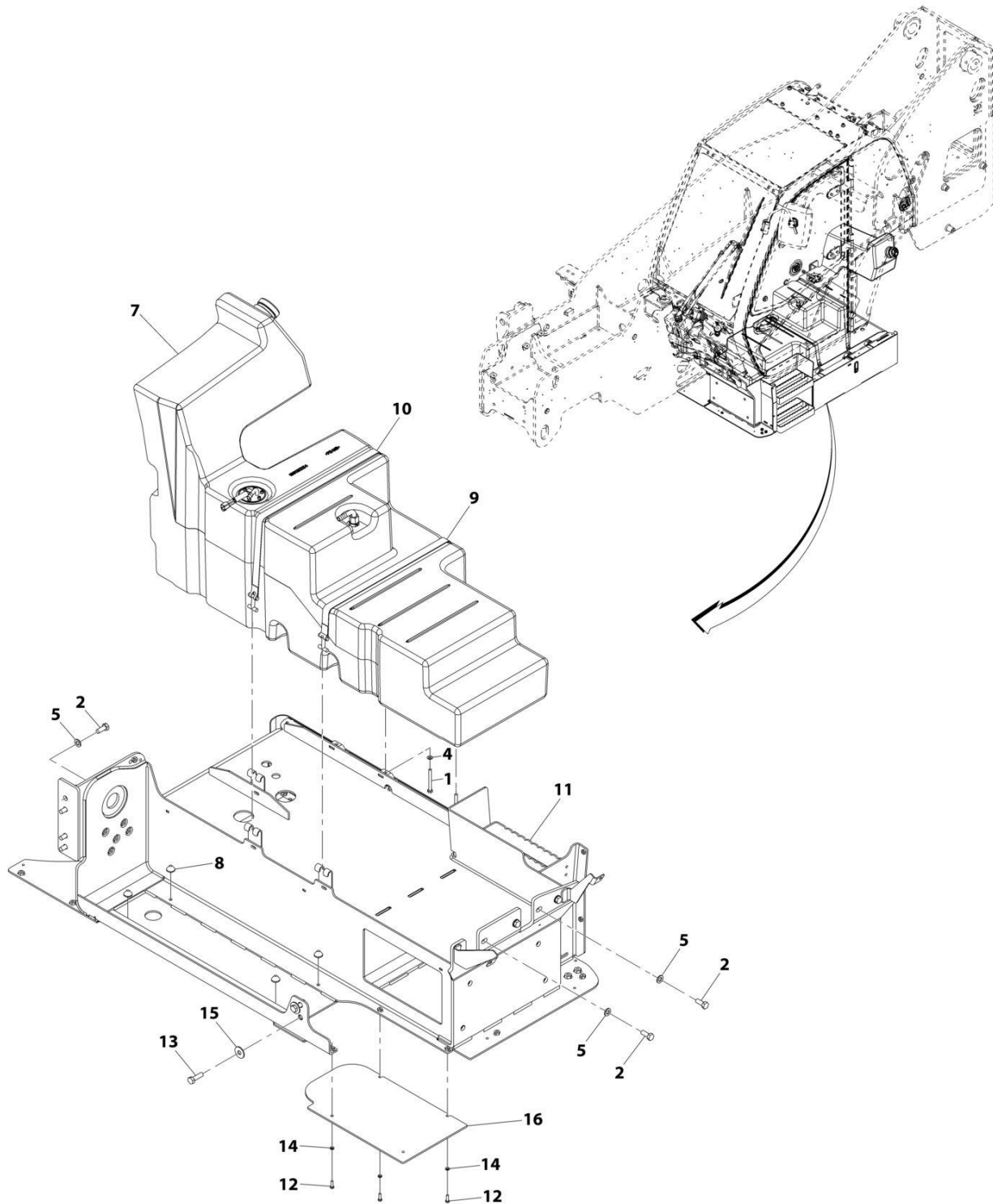
SECTION 1 - FRAME AND ATTACHING PARTS

FIGURE 1-4. HYDRAULIC TANK ASSEMBLY

ITEM	PART NUMBER	QTY	DESCRIPTION	REV
	1001179851	Ref	Hydraulic Tank Assembly	J
1	0761012	4	Bolt, M10X25	
2	2152020	1	Fitting, 45 ORFS	
3	2220240	1	Fitting, Straight	
4	4031607	6	Bolt, M5-.8X16	
5	4812000	4	Washer, M10	
6	4831600	6	Washer, Lock M5	
7	1001003301	1	Seal O-Ring	
8	2220239	1	Plug	
10	1001128478	1	Sensor	
11	1001194981	1	Cap, Hydraulic	
12	1001162662	1	Filter, Breather	
13	1001179852	1	Tank, Hydraulic	
14	1001191157	1	Manifold, Hydraulic Return	
15	1001191163	1	Filter	
15	1001191685	1	Element, Filter	

SECTION 1 - FRAME AND ATTACHING PARTS

FIGURE 1-5. FUEL TANK INSTALLATION



ART_1001185929-G

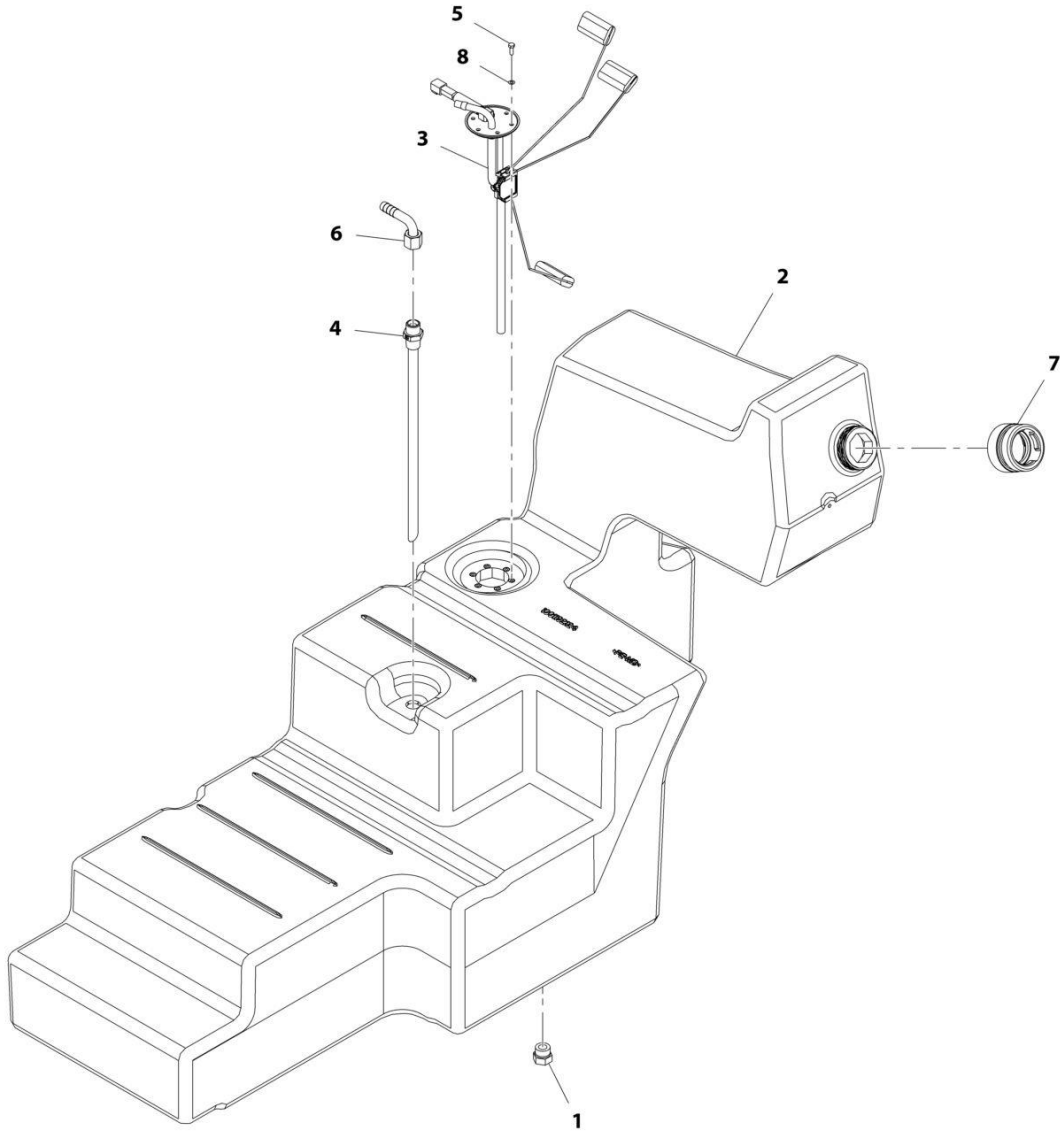
SECTION 1 - FRAME AND ATTACHING PARTS

FIGURE 1-5. FUEL TANK INSTALLATION

ITEM	PART NUMBER	QTY	DESCRIPTION	REV
	1001185929	Ref	Fuel Tank Installation	G
1	0760823	2	Bolt, M8X75	
2	0761214	8	Bolt, M12X30	
4	4811900	2	Washer, M8	
5	4812100	8	Washer, M12	
7	1001192125	1	Assembly, Fuel Tank (See Separate Breakdown in this Section)	
8	1001169454	4	Buffer	
9	1001178474	1	Strap	
10	1001178693	1	Strap	
11	1001185930	1	Installation, Tank Support (See Separate Breakdown in this Section)	
12	0700610	3	Bolt, M6X20	
13	0701216	2	Bolt, M12X40	
14	4811700	3	Washer, M6	
15	4812102	2	Washer, M12	
16	1001197480	1	Plate	

SECTION 1 - FRAME AND ATTACHING PARTS

FIGURE 1-6. FUEL TANK ASSEMBLY



ART_1001192125-C

SECTION 1 - FRAME AND ATTACHING PARTS

FIGURE 1-6. FUEL TANK ASSEMBLY

ITEM	PART NUMBER	QTY	DESCRIPTION	REV
	1001192125	Ref	FUEL TANK ASSEMBLY	C
1	1001003427	1	Plug	
2	1001192124	1	Tank, Fuel	
3	1001222188	1	Pump, Fuel	
4	1001170106	1	Pipe, Fuel Supply	
5	4031607	6	Bolt, M5X16	
6	1001172693	1	Fitting, 90	
7	1001192392	1	Adapter	
8	1001222190	6	Washer	

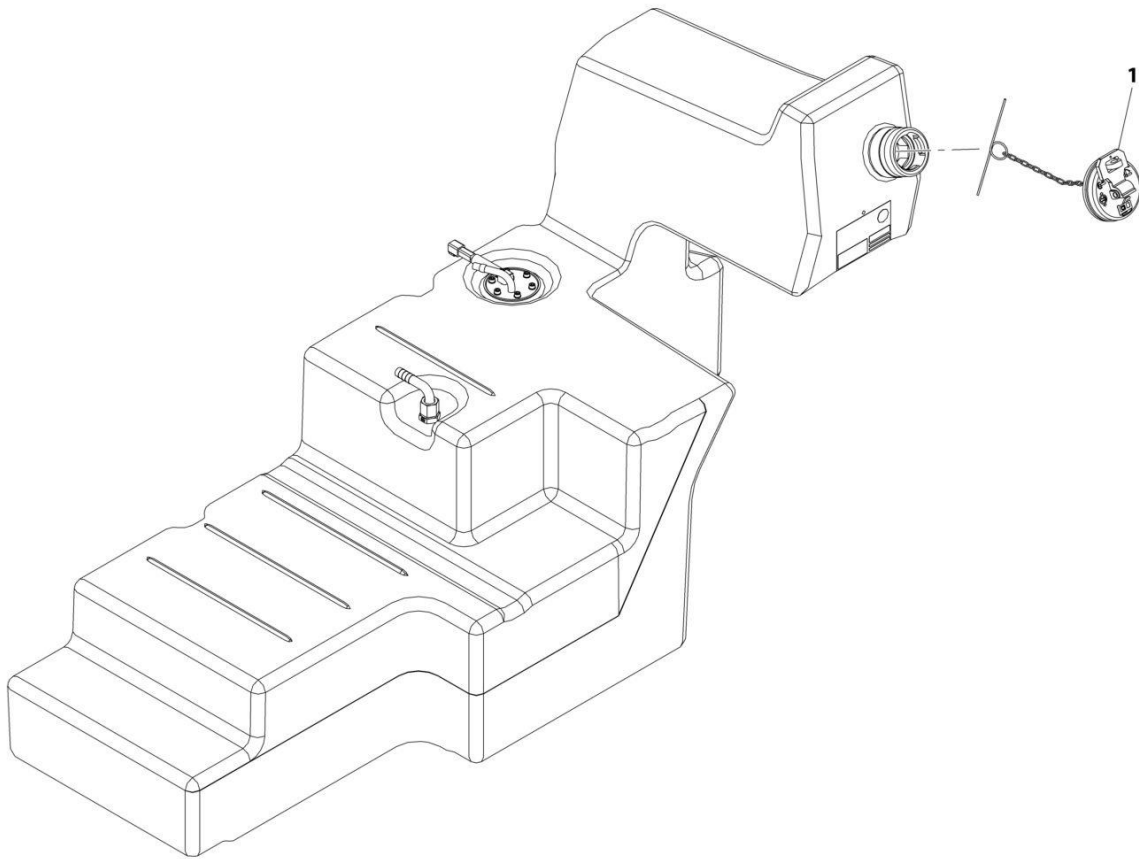
SECTION 1 - FRAME AND ATTACHING PARTS

FIGURE 1-7. TANK SUPPORT INSTALLATION

ITEM	PART NUMBER	QTY	DESCRIPTION	REV
	1001185930	Ref	Tank Support Installation	K
1	0700610	9	Bolt, M6X20	
2	4280307	3	Strip	
3	4811700	9	Washer, M6	
5	1001185931	1	Plate, Support	
6	1001185933	1	Cover	
7	1001185935	1	Cover	
8	1001189246	1	Latch, Locking	
10	1001197481	1	Plate	
11	0100081	AR	Compound, Locking	

SECTION 1 - FRAME AND ATTACHING PARTS

FIGURE 1-8. LOCKING FUEL CAP



ART_1001194980

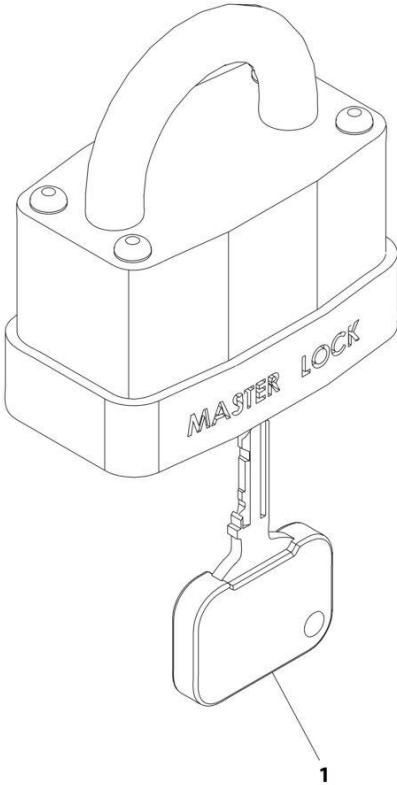
SECTION 1 - FRAME AND ATTACHING PARTS

FIGURE 1-8. LOCKING FUEL CAP

ITEM	PART NUMBER	QTY	DESCRIPTION	REV
1	1001194980	Ref	Locking Fuel Cap	A

SECTION 1 - FRAME AND ATTACHING PARTS

FIGURE 1-9. PAD LOCK



ART_1001102157-A

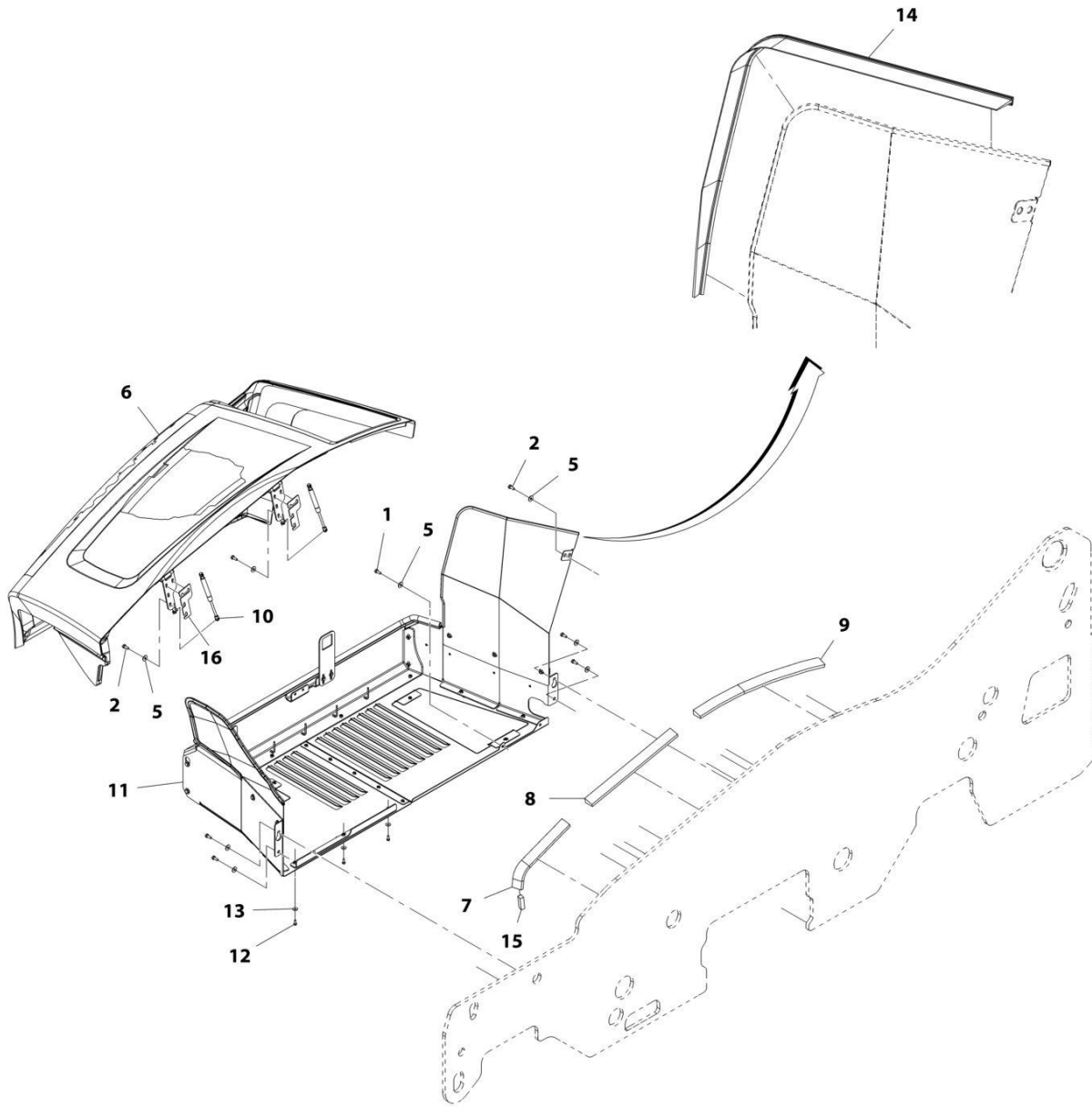
SECTION 1 - FRAME AND ATTACHING PARTS

FIGURE 1-9. PAD LOCK

ITEM	PART NUMBER	QTY	DESCRIPTION	REV
1	1001102157 8342813	Ref 1	Pad Lock Key	A

SECTION 1 - FRAME AND ATTACHING PARTS

FIGURE 1-10. ENGINE ENCLOSURE & HOOD INSTALLATION



ART_1001192320-J

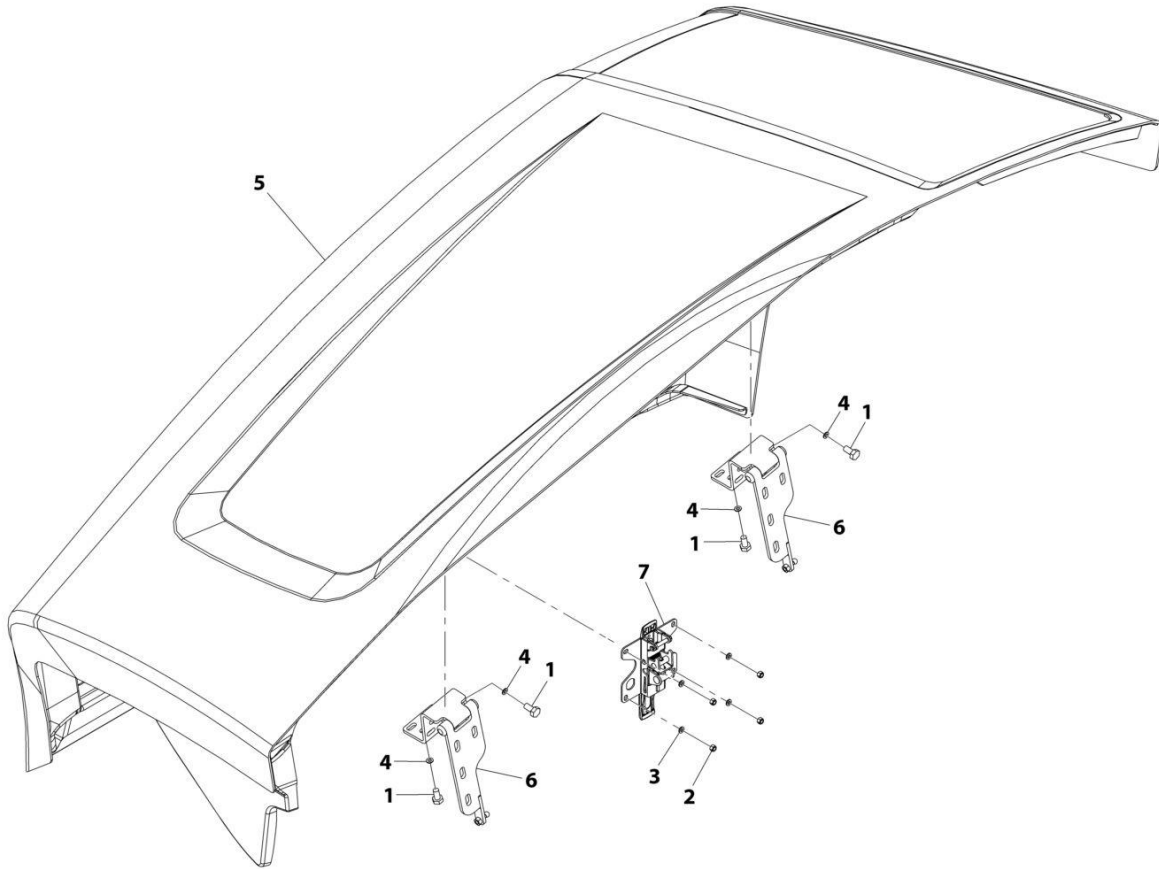
SECTION 1 - FRAME AND ATTACHING PARTS

FIGURE 1-10. ENGINE ENCLOSURE & HOOD INSTALLATION

ITEM	PART NUMBER	QTY	DESCRIPTION	REV
	1001192320	Ref	Engine Enclosure Installation	J
1	0761010	1	Bolt, M10X20	
2	0761012	11	Bolt, M10X25	
5	4812002	12	Washer, M10	
6	1001235963	1	Assembly, Hood (See Separate Breakdown in this Section)	
7	1001203932	1	Seal	
8	1001203933	1	Seal	
9	1001203934	1	Seal	
10	1001171885	2	Spring, Gas	
11	1001192622	1	Assembly, Engine Enclosure (See Separate Breakdown in this Section)	
12	0760810	3	Bolt, M8X20	
13	4811902	3	Washer, M8	
14	1001197339	1	Seal	
15	1001229609	1	Seal, Foam Gasket	
16	1001241836	AR	Shim	

SECTION 1 - FRAME AND ATTACHING PARTS

FIGURE 1-11. ENGINE HOOD ASSEMBLY



ART_1001235963-B

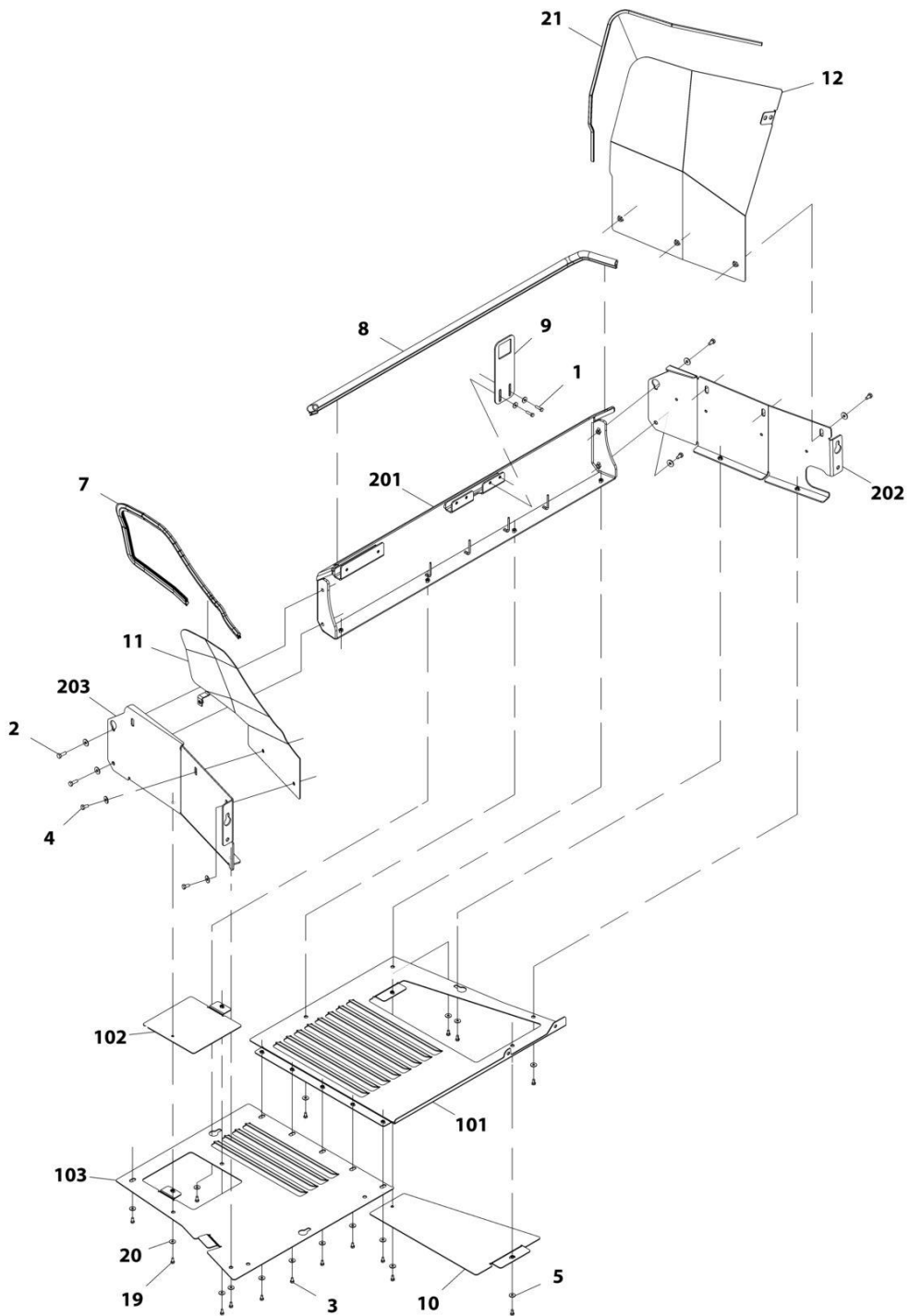
SECTION 1 - FRAME AND ATTACHING PARTS

FIGURE 1-11. ENGINE HOOD ASSEMBLY

ITEM	PART NUMBER	QTY	DESCRIPTION	REV
	1001235963	Ref	Hood Assembly	B
1	0761010	8	Bolt, M10X20	
2	3290605	4	Nut, Lock M6X1	
3	4811700	4	Washer, M6	
4	4812000	8	Washer, M10	
5	1001234455	1	Hood	
6	1001209387	2	Hinge, Hood	
7	1001132168	1	Latch, Hood	

SECTION 1 - FRAME AND ATTACHING PARTS

FIGURE 1-12. ENGINE ENCLOSURE ASSEMBLY



ART_1001192622-I

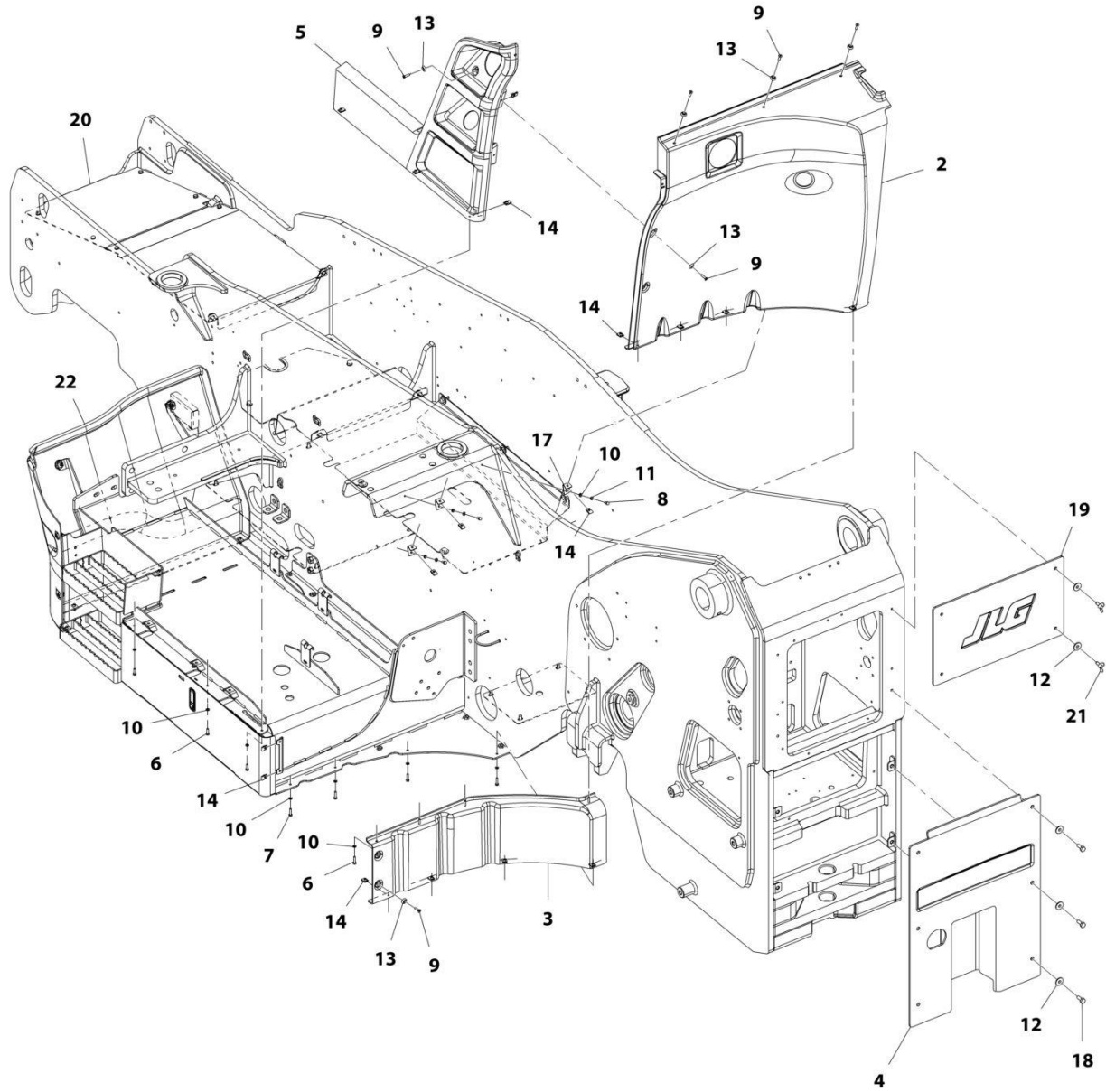
SECTION 1 - FRAME AND ATTACHING PARTS

FIGURE 1-12. ENGINE ENCLOSURE ASSEMBLY

ITEM	PART NUMBER	QTY	DESCRIPTION	REV
	1001192622	Ref	Engine Enclosure Assembly	I
1	0700814	2	Bolt, M8X30	
2	0701014	4	Bolt, M10X30	
3	0760807	5	Bolt, M8X14	
4	0761010	6	Bolt, M10X20	
5	4811902	19	Washer, M8	
7	1001003227	1573 mm	Seal	
8	1001204486	1785 mm	Seal	
9	1001209388	1	Latch, Hood	
10	1001169265	1	Plate, Access Panel	
11	1001219115	1	Panel, Front Wheel	
12	1001192627	1	Panel, Rear Cover	
19	0760808	12	Bolt, M8X16	
20	4812002	10	Washer, M10	
21	1001008999	1381 mm	Trim, Edge	
101	1001192631	1	Panel, Bottom Cover	
102	1001194969	1	Panel, Access	
103	1001219250	1	Panel, Bottom Front Cover	
201	1001192623J	1	Panel, Side Skirt	
202	1001224450J	1	Panel, Rear Skirt	
203	1001219113J	1	Panel, Front Skirt	

SECTION 1 - FRAME AND ATTACHING PARTS

FIGURE 1-13. COVER INSTALLATION (ULS)



ART_1001184869-J

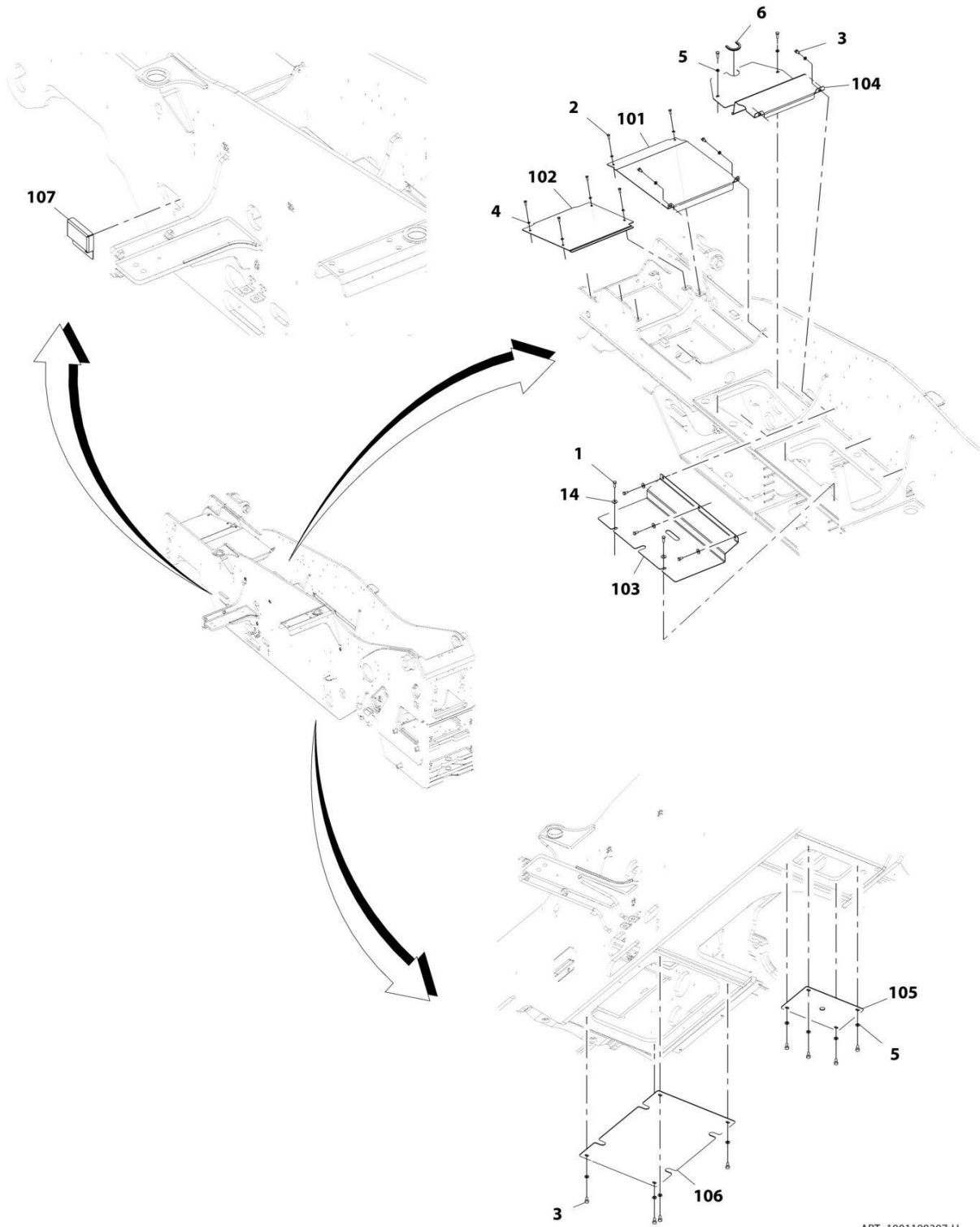
SECTION 1 - FRAME AND ATTACHING PARTS

FIGURE 1-13. COVER INSTALLATION (ULS)

ITEM	PART NUMBER	QTY	DESCRIPTION	REV
	1001184869	Ref	Cover Installation (ULS)	J
2	1001184872	1	Cover, Rear Tank	
3	1001184874	1	Cover, Lower Rear Tank	
4	1001213834	1	Cover, Rear Frame	
5	1001168758	1	Cover, Side Tank	
6	0700610	7	Bolt, M6X20	
7	0700612	4	Bolt, M6X25	
8	0760607	3	Bolt, M6X14	
9	0630576	9	Screw, M6X20	
10	4811700	14	Washer, M6	
11	4831700	3	Washer, Lock M6	
12	4812002	10	Washer, M10	
13	1001097540	9	Washer, M6	
14	1001130220	19	Nut, M6	
17	1001231385	3	Plate, Angle Mount	
18	0761012	6	Bolt, M10X25	
19	1001213833	1	Cover, Rear Frame	
20	1001198307	1	Installation, Frame Cover (See Separate Breakdown in this Section)	
21	1001250708	4	Bolt, M8X20	
22	1001201848	1	Installation, Front Lower Cover (See Separate Breakdown in this Section)	

SECTION 1 - FRAME AND ATTACHING PARTS

FIGURE 1-14. FRAME COVER INSTALLATION



ART_1001198307-H

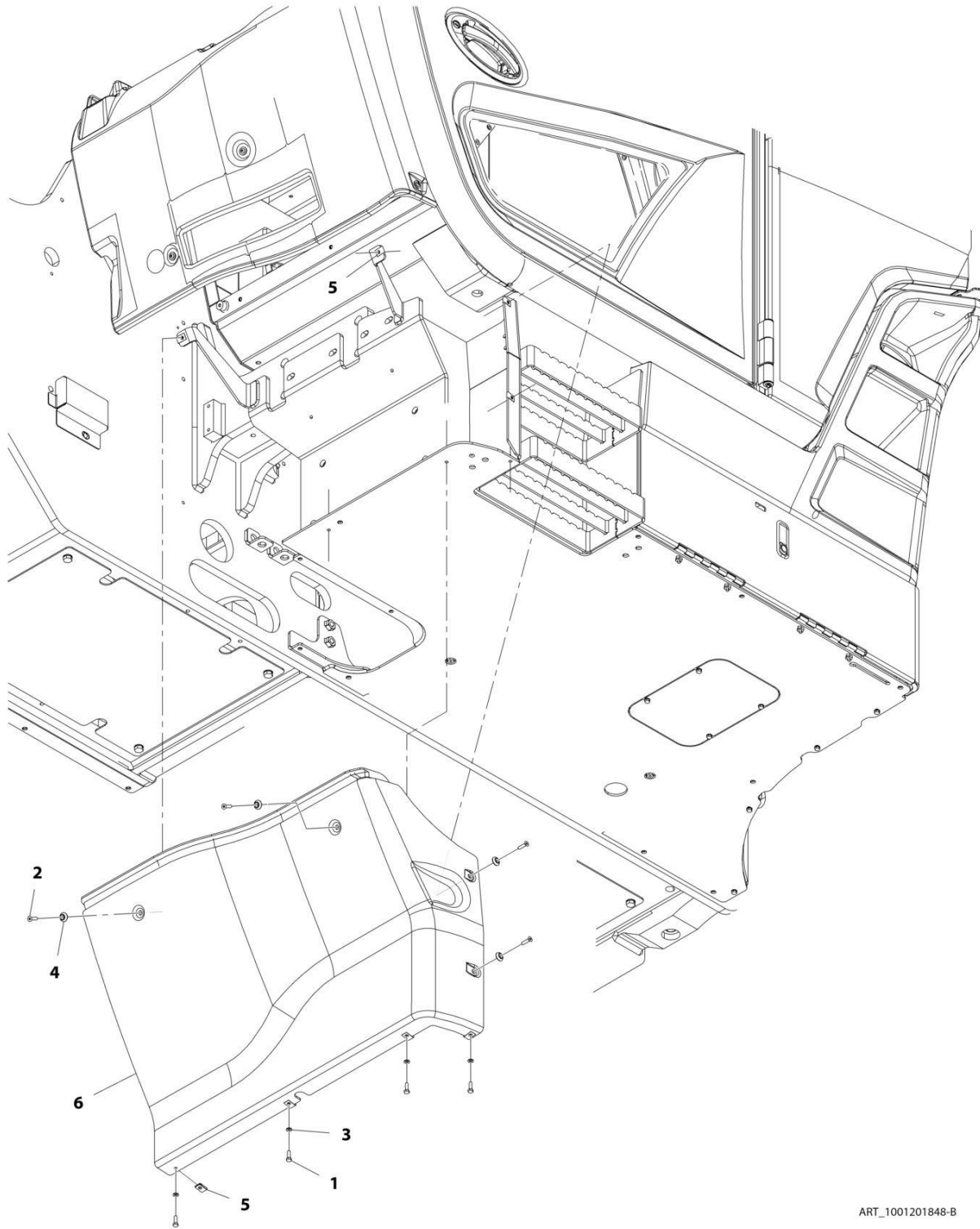
SECTION 1 - FRAME AND ATTACHING PARTS

FIGURE 1-14. FRAME COVER INSTALLATION

ITEM	PART NUMBER	QTY	DESCRIPTION	REV
	1001198307	Ref	Frame Cover Installation	H
1	0701014	4	Bolt, M10X30	
2	0760810	6	Bolt, M8X20	
3	0761010	15	Bolt, M10X20	
4	4811900	6	Washer, M8	
5	4812000	14	Washer, M10	
6	90206196	0.15 m	Gasket	
14	4812002	5	Washer, M10	
101	1001197056	1	Cover, Battery	
102	1001197057	1	Plate, Valve Cover	
103	1001197733	1	Plate, Frame Cover	
104	1001197734	1	Plate, Frame Cover	
105	1001211899	1	Plate, Frame Cover	
106	1001211900	1	Plate, Frame Cover	
107	1001218694	1	Cover	

SECTION 1 - FRAME AND ATTACHING PARTS

FIGURE 1-15. FRONT LOWER COVER INSTALLATION



ART_1001201848-B

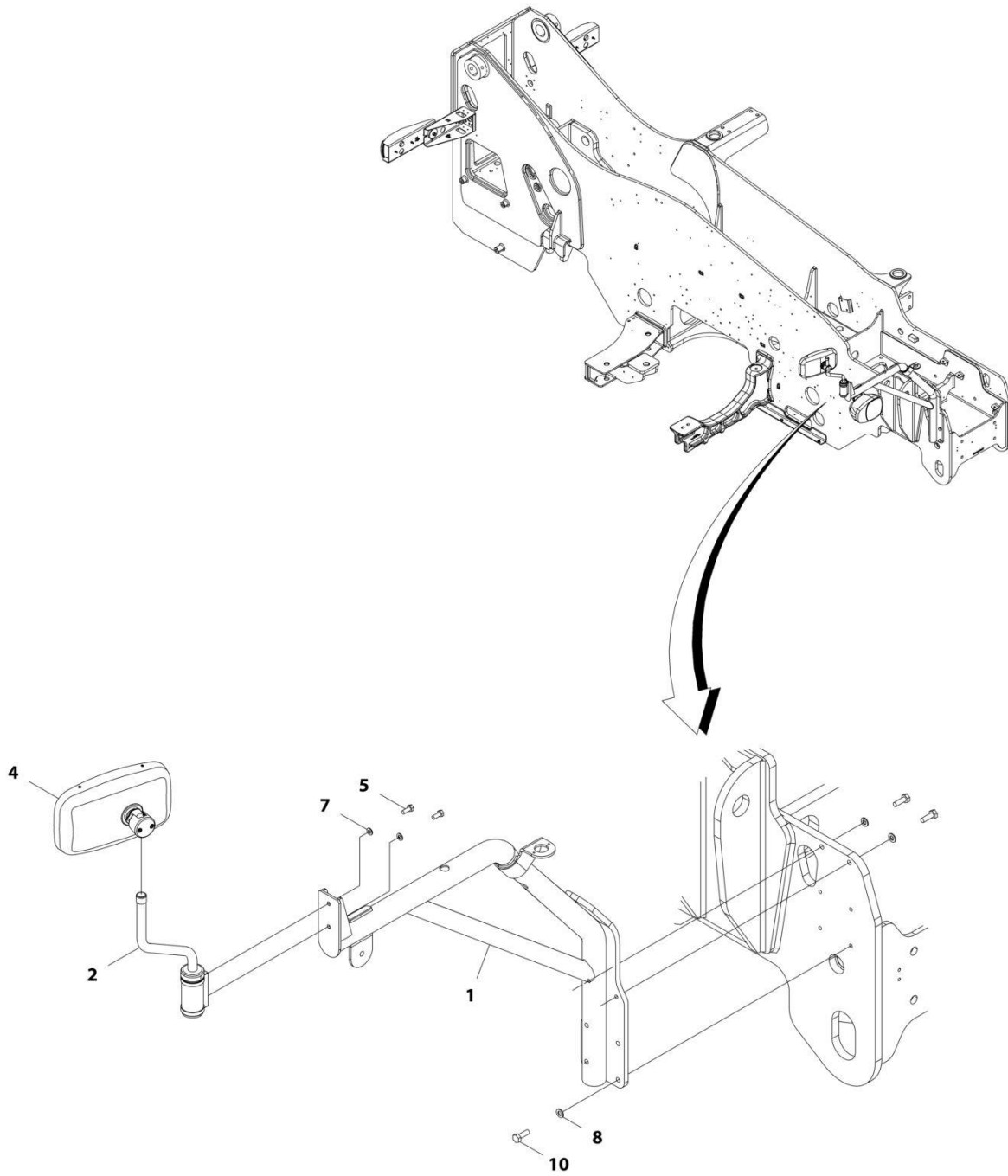
SECTION 1 - FRAME AND ATTACHING PARTS

FIGURE 1-15. FRONT LOWER COVER INSTALLATION

ITEM	PART NUMBER	QTY	DESCRIPTION	REV
	1001201848	Ref	Front Lower Cover Installation	B
1	0700610	4	Bolt, M6X20	
2	3900379	4	Screw, M6-1.00X25	
3	4811700	4	Washer, M6	
4	1001097540	4	Washer, M6	
5	1001130220	6	Nut, M6	
6	1001184871	1	Cover, Front Lower	

SECTION 1 - FRAME AND ATTACHING PARTS

FIGURE 1-16. MIRRORS INSTALLATION



ART_1001192324_F

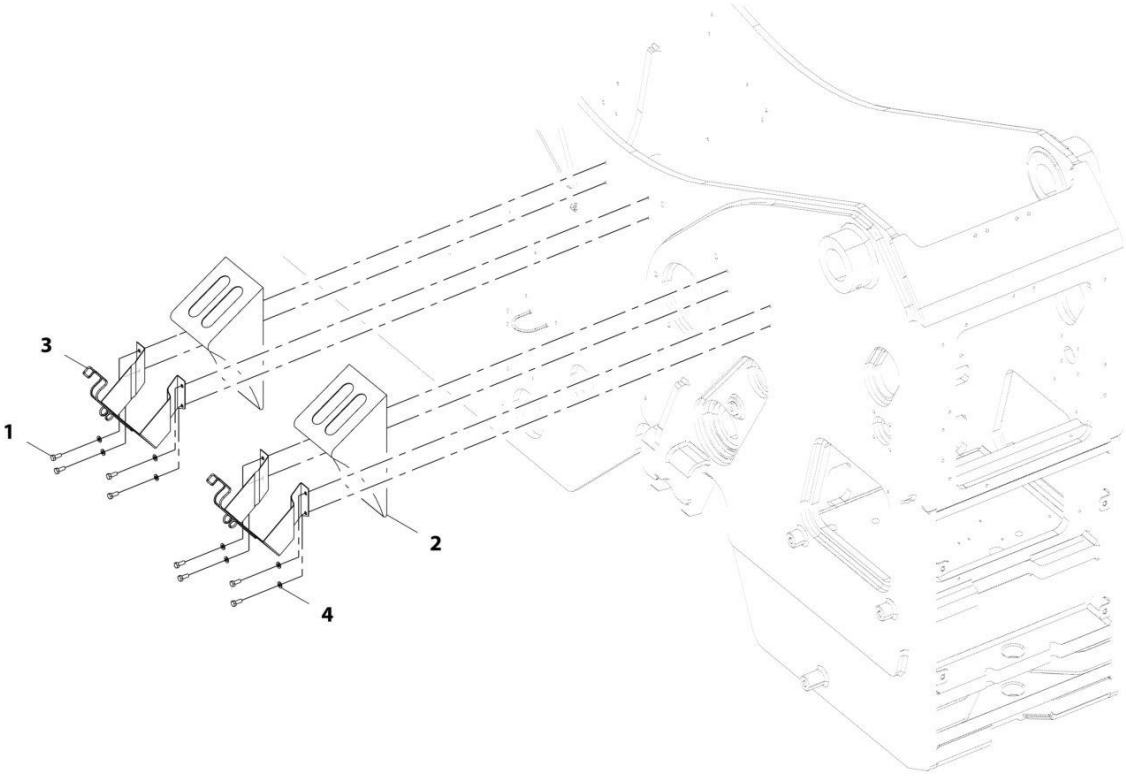
SECTION 1 - FRAME AND ATTACHING PARTS

FIGURE 1-16. MIRRORS INSTALLATION

ITEM	PART NUMBER	QTY	DESCRIPTION	REV
	1001192324	Ref	Mirror Installation	F
1	1001265344	1	Bracket	
2	1001209346	1	Bracket	
4	1001191635	1	Mirror, Convex	
5	0760810	2	Bolt, M8X20	
7	4811900	2	Bolt, M8X20	
8	4812000	6	Washer, M10	
10	0701014	6	Bolt, M10X30	

SECTION 1 - FRAME AND ATTACHING PARTS

FIGURE 1-17. WHEEL CHOCKS INSTALLATION



ART_1001192336-B

SECTION 1 - FRAME AND ATTACHING PARTS

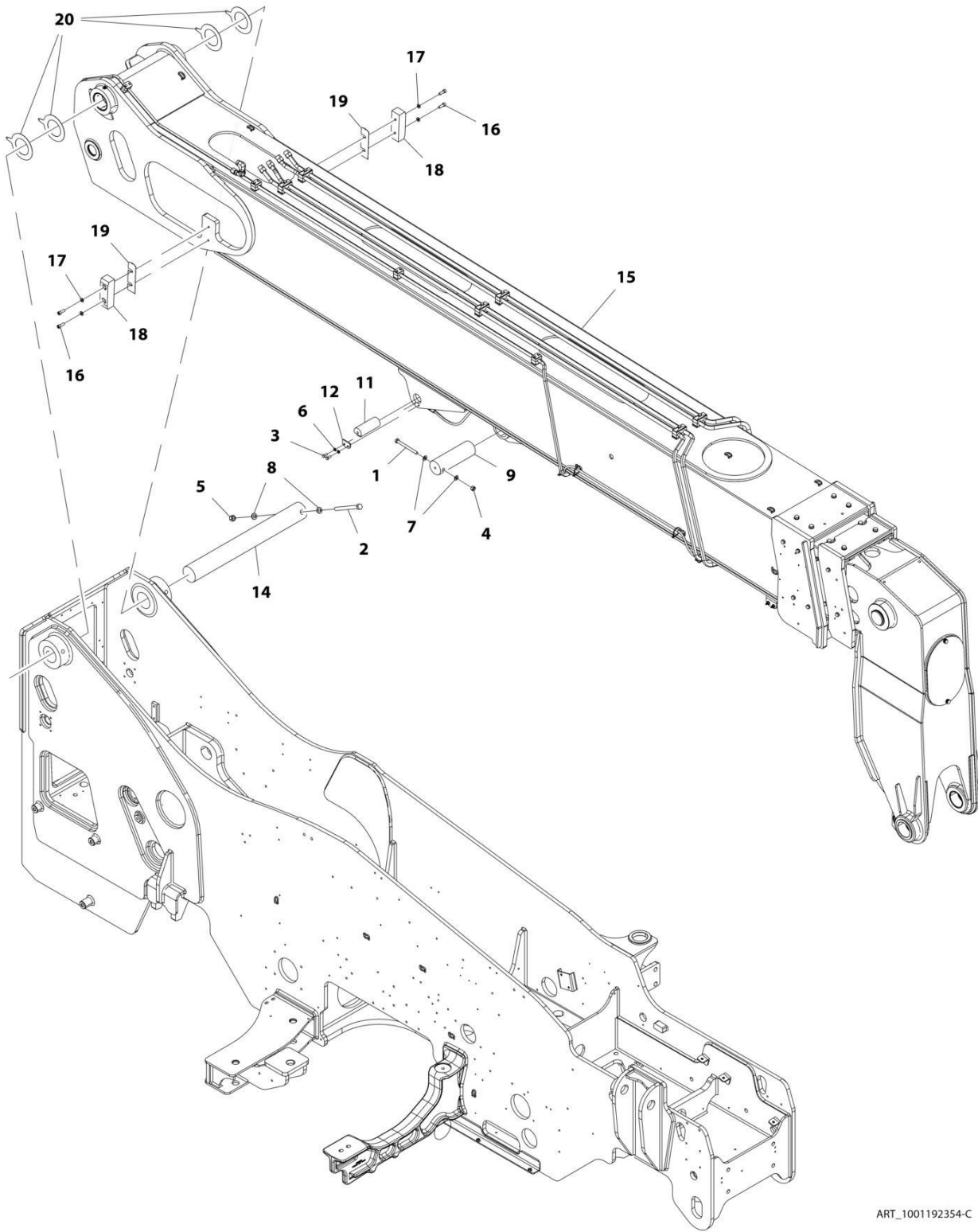
FIGURE 1-17. WHEEL CHOCKS INSTALLATION

ITEM	PART NUMBER	QTY	DESCRIPTION	REV
	1001192336	Ref	Wheel Chock Installation	B
1	0760810	8	Bolt, M8X20	
2	806253	2	Wedge	
3	806264	2	Holder, Wedge	
4	4811900	8	Washer, M8	

SECTION 2 - BOOM

SECTION 2 - BOOM

FIGURE 2-1. BOOM INSTALLATION



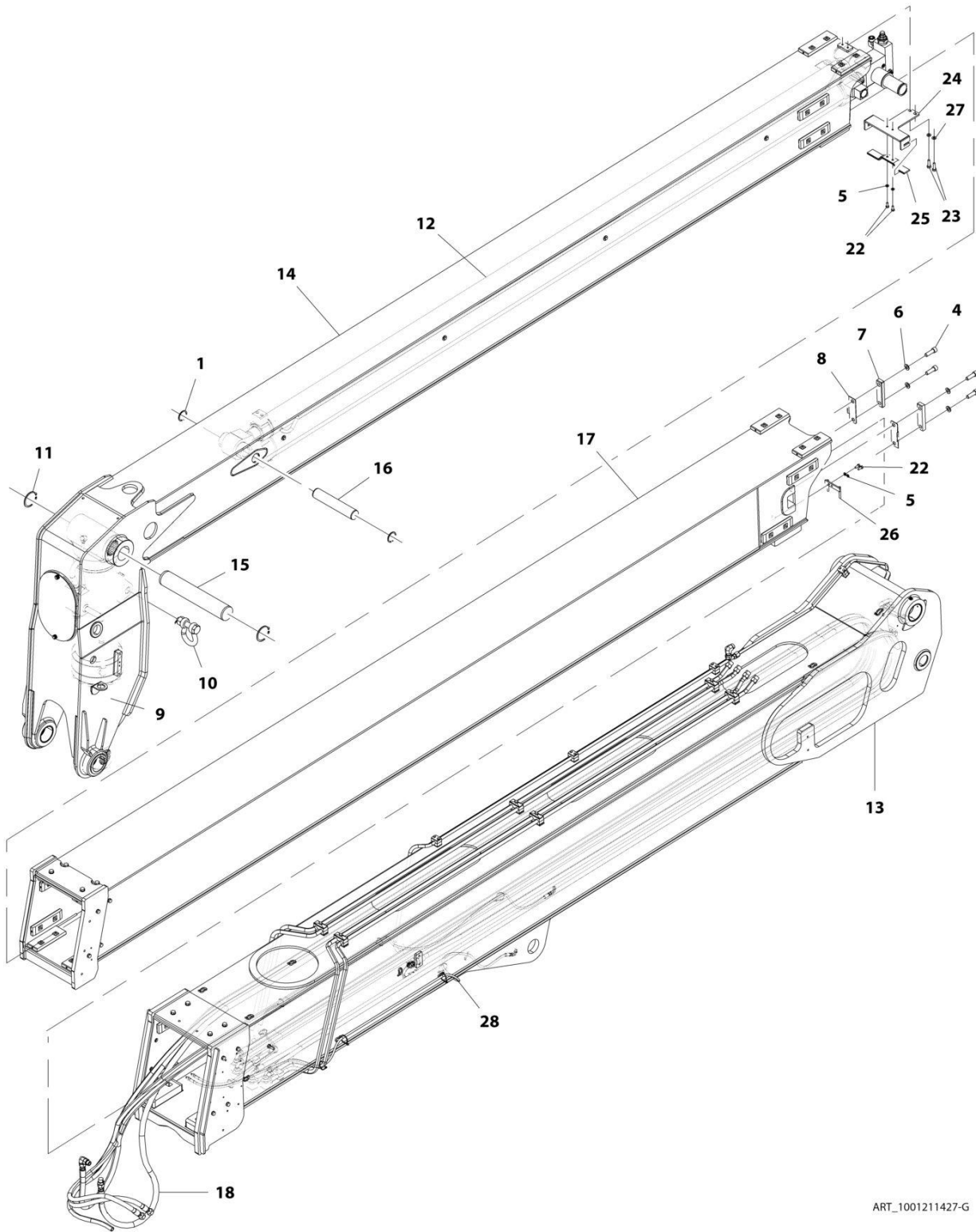
ART_1001192354-C

FIGURE 2-1. BOOM INSTALLATION

ITEM	PART NUMBER	QTY	DESCRIPTION	REV
	1001192354	Ref	Boom Installation	C
1	0711230	1	Bolt, M12X130	
2	0711635	1	Bolt, M16X180	
3	0760810	2	Bolt, M8X20	
4	3291205	1	Nut, Lock M12X1.75	
5	3291605	1	Nut, Lock M16X2	
6	4811900	2	Washer, M8	
7	4812100	2	Washer, M12	
8	4812300	2	Washer, M16	
9	1001190254	1	Pin, Lift Cylinder	
11	1001190256	1	Pin, Compensation Cylinder	
12	1001190257	1	Plate, Pin Retainer	
14	1001190260	1	Pin, Boom Pivot	
15	1001211427	1	Assembly, Boom (See Separate Breakdown in this Section)	
16	4032010	4	Bolt, M10X30	
17	4812000	4	Washer, M10	
18	1001195655	2	Pad, M44X50X160	
19	1001219905	AR	Shim, M50X169X1	
20	1001219953	AR	Shim, Boom Pivot	

SECTION 2 - BOOM

FIGURE 2-2. BOOM ASSEMBLY



ART_1001211427-G

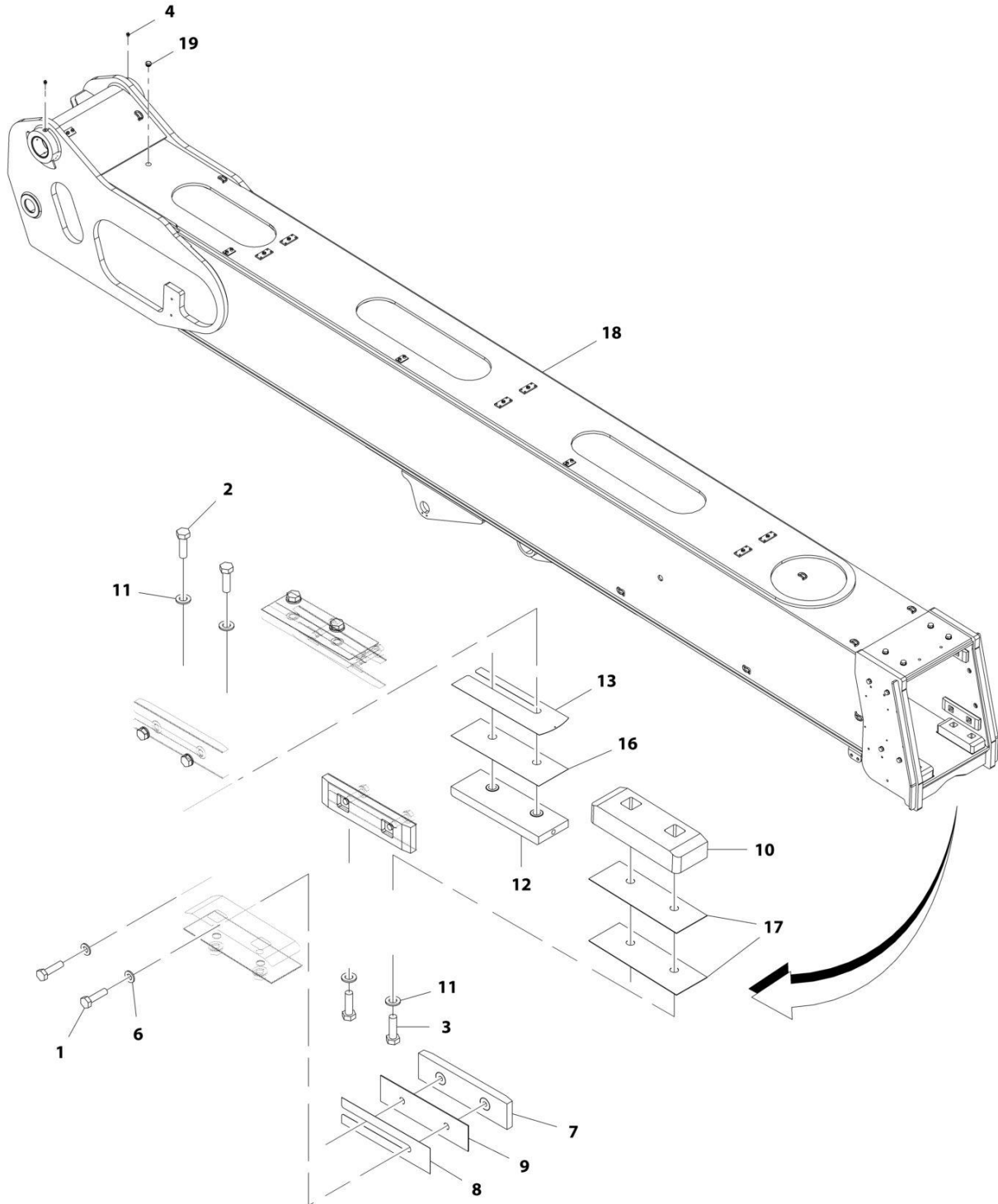
SECTION 2 - BOOM

FIGURE 2-2. BOOM ASSEMBLY

ITEM	PART NUMBER	QTY	DESCRIPTION	REV
	1001211427	Ref	Boom Assembly	G
1	314689	2	Ring, Retaining M50	
4	4032314	4	Bolt, M16X50	
5	4811900	4	Washer, M8	
6	4812300	4	Washer, M16	
7	1001213959	2	Plate, Clamp	
8	1001213961	2	Plate, Trunion Block Guide	
9	1001174812	1	Cylinder, Tilt (See Separate Breakdown in Hydraulic Components Section)	
10	1001191110	1	Shackle	
11	1001197262	2	Ring, Snap M75	
12	1001199325	Ref	Installation, Extend/Retract Cylinder (See Separate Breakdown in Hydraulic Components Section)	
13	1001201266	1	Assembly, First Boom Section (See Separate Breakdown in this Section)	
14	1001203985	1	Assembly, Third Boom Section (See Separate Breakdown in this Section)	
15	1001203989	1	Pin, Tilt	
16	1001203990	1	Pin, Extend/Retract	
17	1001204177	1	Assembly, Second Boom Section (See Separate Breakdown in this Section)	
18	1001205375	Ref	Installation, Boom Hydraulic (See Separate Breakdown in Hydraulic Circuit Section)	
22	0760810	4	Bolt, M8X20	
23	0711015	2	Bolt, M10X35	
24	1001230986	1	Support, Hose	
25	1001230967	1	Plate, Support	
26	1001213462	1	Support, Hose	
27	4812000	2	Washer, M10	
28	1001217353	Ref	Installation, Remote Grease (See Separate Breakdown in Hydraulic Circuit Section)	

SECTION 2 - BOOM

FIGURE 2-3. FIRST BOOM SECTION ASSEMBLY



ART_1001201266-G

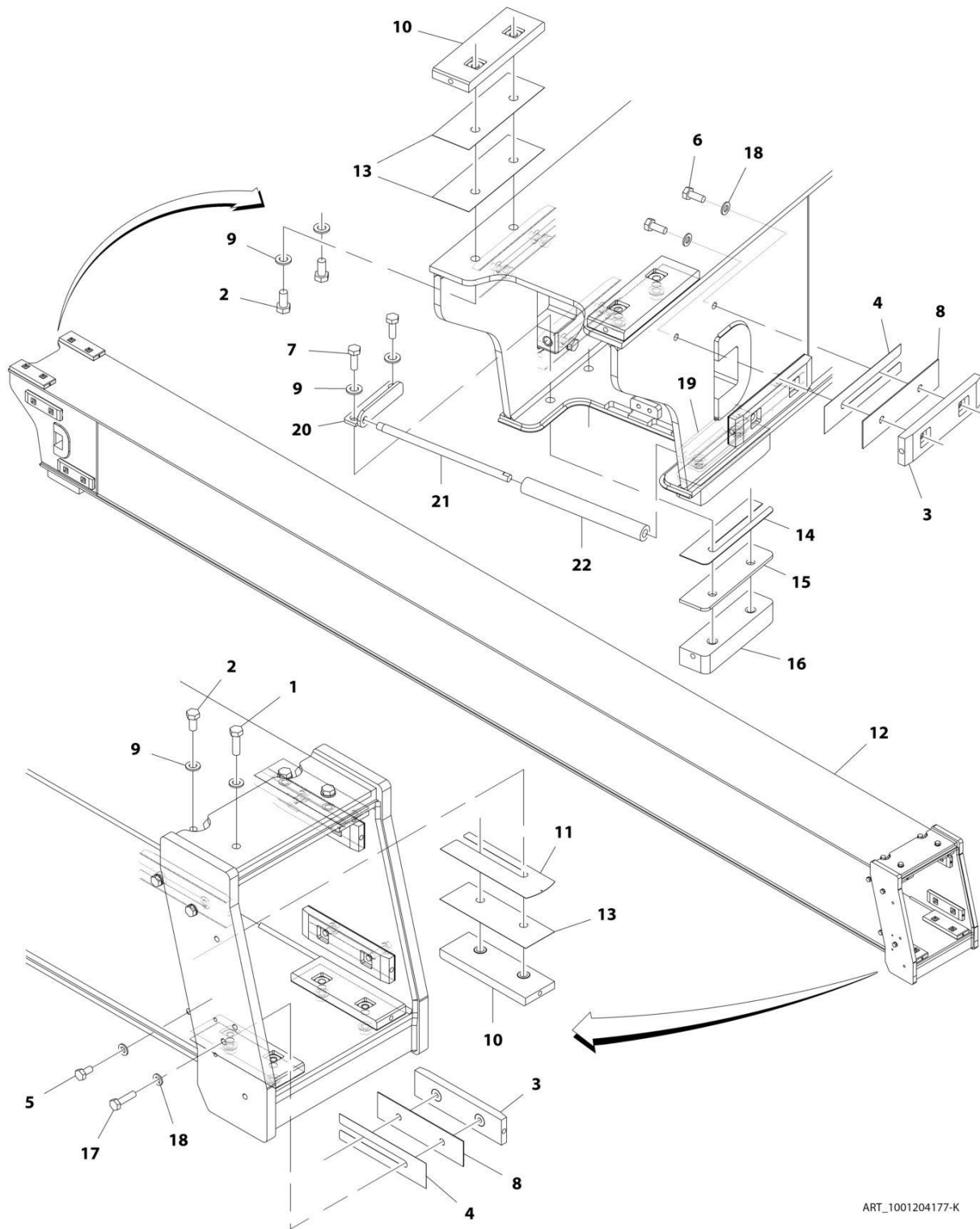
SECTION 2 - BOOM

FIGURE 2-3. FIRST BOOM SECTION ASSEMBLY

ITEM	PART NUMBER	QTY	DESCRIPTION	REV
	1001201266	Ref	First Boom Section Assembly	G
1	0711017	8	Bolt, M10X45	
2	0711216	4	Bolt, M12X40	
3	0711217	4	Bolt, M12X45	
4	2160016	2	Fitting, Grease	
6	4812000	AR	Washer, M10	
7	8002200	4	Pad, M15X50X200	
8	8008640	AR	Shim, M50X200X0.5	
9	1001003031	4	Shim, M50X198X1.5	
10	1001227337	2	Pad, M70X200X39	
11	1001125117	AR	Washer, M12	
12	1001227334	2	Pad, Wear	
13	1001195194	AR	Shim, M67X204X0.5	
16	1001195737	2	Shim	
17	1001201269	AR	Shim, M70X200X1	
18	1001201267J	1	Weldment, Boom	
19	3520193	1	Plug	

SECTION 2 - BOOM

FIGURE 2-4. SECOND BOOM SECTION ASSEMBLY



ART_1001204177-K

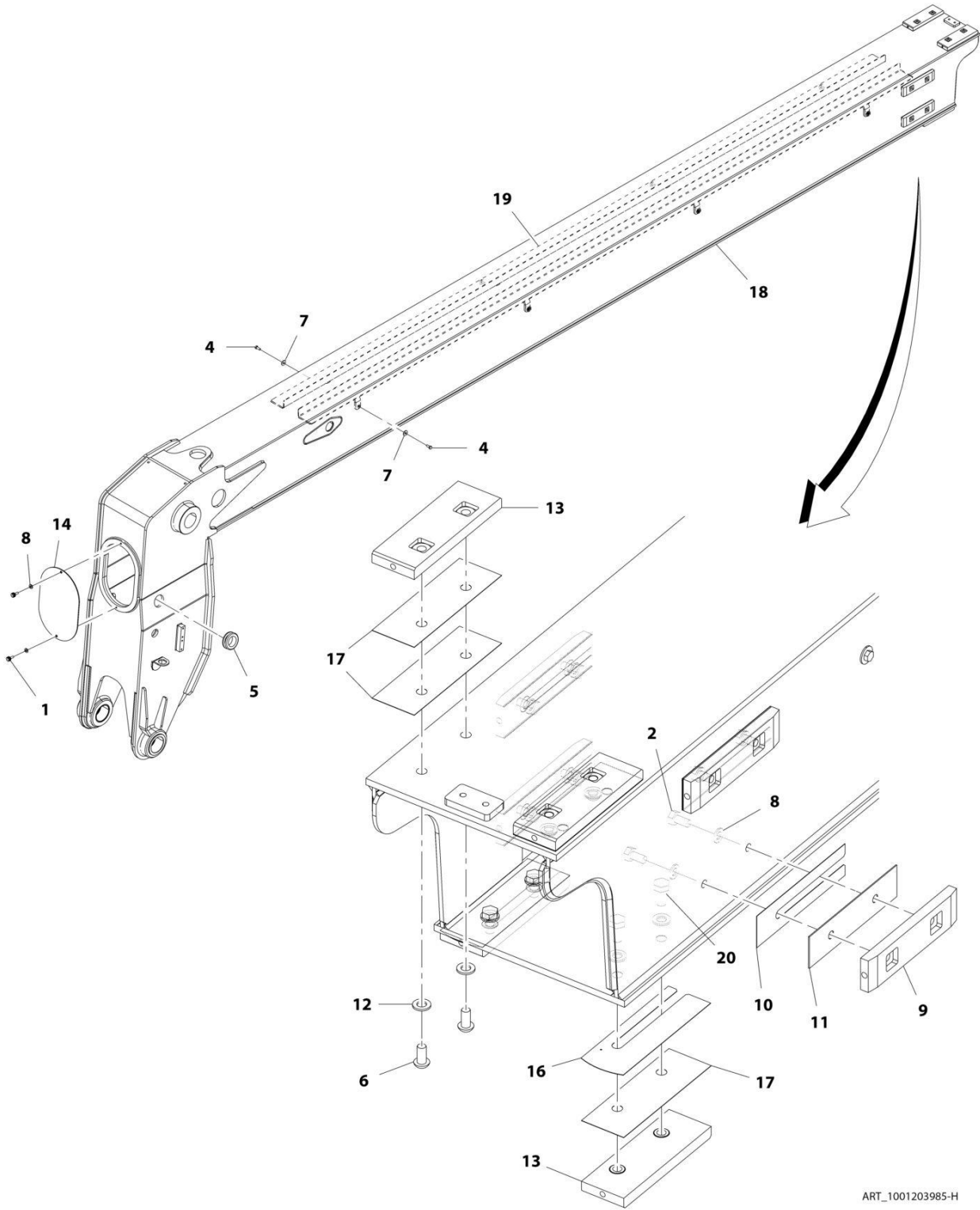
SECTION 2 - BOOM

FIGURE 2-4. SECOND BOOM SECTION ASSEMBLY

ITEM	PART NUMBER	QTY	DESCRIPTION	REV
	1001204177	Ref	Second Boom Section Assembly	K
1	0711216	4	Bolt, M12X40 Grade 10.9	
2	0771212	8	Bolt, M12X25 Grade 10.9	
3	8002200	8	Pad, M15X50X200	
4	8008640	AR	Shim, M50X200X0.5	
5	0771010	4	Bolt, M10X20 Grade 10.9	
6	0771012	8	Bolt, M10X25 Grade 10.9	
7	0711215	4	Bolt, M12X35 Grade 10.9	
8	1001003031	8	Shim, M50X198X1.5	
9	1001125117	AR	Washer, M12	
10	1001227334	6	Pad, M34X54X165	
11	1001195194	AR	Shim, M0.5X67X204	
12	1001204178	1	Boom, Second	
13	1001195737	AR	Shim	
14	1001204198	AR	Shim, M1X49X181	
15	1001204199	2	Shim, M49X181X5	
16	1001204200	2	Pad, M35X49X181	
17	0711016	4	Bolt, M10X40 Grade 10.9	
18	4812000	AR	Washer, M10	
19	1001223902	1	Bracket, RH	
20	1001223920	1	Bracket, LH	
21	1001223948	1	Pin	
22	1001223983	1	Roller	

SECTION 2 - BOOM

FIGURE 2-5. THIRD BOOM SECTION ASSEMBLY



ART_1001203985-H

SECTION 2 - BOOM

FIGURE 2-5. THIRD BOOM SECTION ASSEMBLY

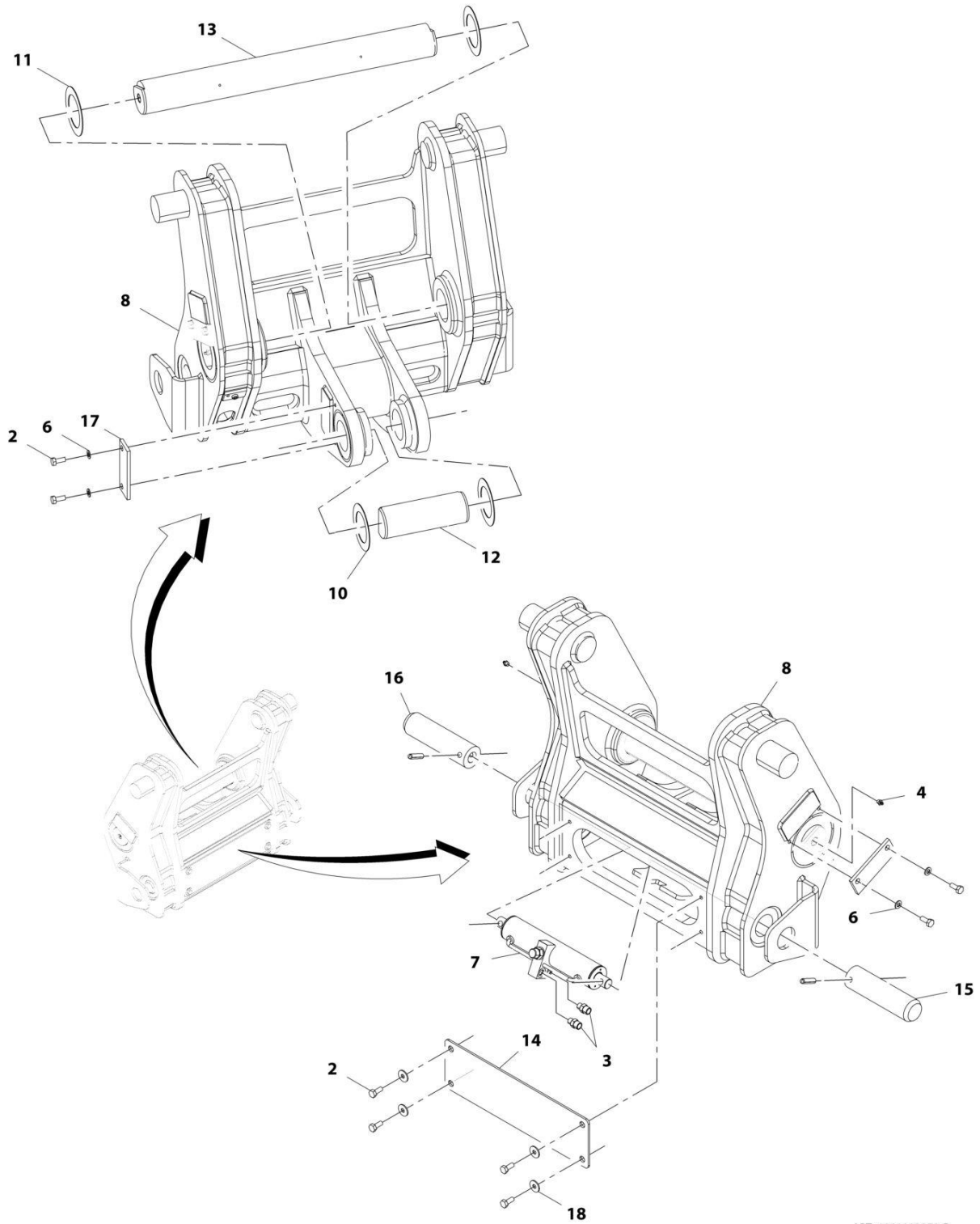
ITEM	PART NUMBER	QTY	DESCRIPTION	REV
	1001203985	Ref	Third Boom Section Assembly	1
1	1001250708	1	Bolt M8 x 20	
2	0771010	8	Bolt, M10X20 Grade 10.9	
4	0760810	8	Bolt, M8X20	
5	1001188971	1	Grommet	
6	1001229057	4	Screw, M12X25	
7	4811902	8	Washer, M8	
8	4812000	AR	Washer, M10	
9	8002200	4	Pad, M15X50X200	
10	8008640	AR	Shim, M50X200X0.5	
11	1001003031	4	Shim, M50X198X1.5	
12	1001125117	AR	Washer, M12	
13	1001227334	4	Pad	
14	1001191789	1	Plate, Boom Front Cover	
16	1001195194	AR	Shim, M0.5X67X204	
17	1001195737	AR	Shim	
18	1001203986	1	Weldment, Third Boom Section	
19	1001203987	2	Bracket, Hose Support Tray	
20	0771212	4	Bolt, M12X25	

FIGURE 2-6. COUPLER INSTALLATION (MANUAL)

ITEM	PART NUMBER	QTY	DESCRIPTION	REV
	1001174104	Ref	Coupler Installation (Manual)	G
2	2160016	2	Fitting, Grease	
5	1001187820	1	Coupling, Manual	
6	1001187821	1	Pin	
8	1001187847	AR	Shim	
9	1001187848	AR	Shim	
10	1001190250	1	Pin, Tilt	
11	1001190264	1	Pin	
12	0761012	8	Bolt, M10X25	
13	4812000	4	Washer, M10	
14	1001200393	1	Plate, Front Cover	
15	1001210326	2	Plate	
16	1001003803	1	Pin	
17	4812002	4	Washer, M10	

SECTION 2 - BOOM

FIGURE 2-7. COUPLER INSTALLATION (HYDRAULIC)



ART_1001192358-D

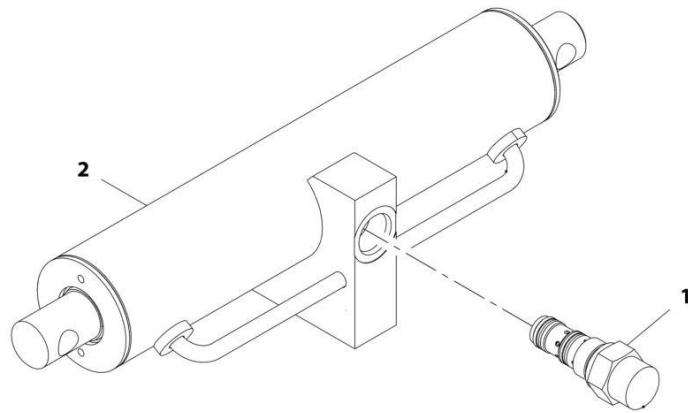
SECTION 2 - BOOM

FIGURE 2-7. COUPLER INSTALLATION (HYDRAULIC)

ITEM	PART NUMBER	QTY	DESCRIPTION	REV
	1001192358	Ref	Coupler Installation (Hydraulic)	D
2	0761012	8	Bolt, M10X25	
3	2110606	2	Fitting, Straight ORFS	
4	2160016	2	Fitting, Grease	
6	4812000	4	Washer, M10	
7	1001145391	1	Assembly, Coupler Locking Cylinder (See Separate Breakdown in this Section)	
8	1001187820	1	Carriage	
10	1001187847	AR	Shim, M76X115X1.5	
11	1001187848	AR	Shim, M81X120X1.5	
12	1001190250	1	Pin, Tilt	
13	1001190264	1	Pin, Coupler	
14	1001200393	1	Plate, Front Cover	
15	1001200395	2	Pin	
16	1001184610	2	Pin	
17	1001210326	2	Plate, Pin Retention	
18	4812002	4	Washer, M10	

SECTION 2 - BOOM

FIGURE 2-8. COUPLER LOCKING CYLINDER ASSEMBLY



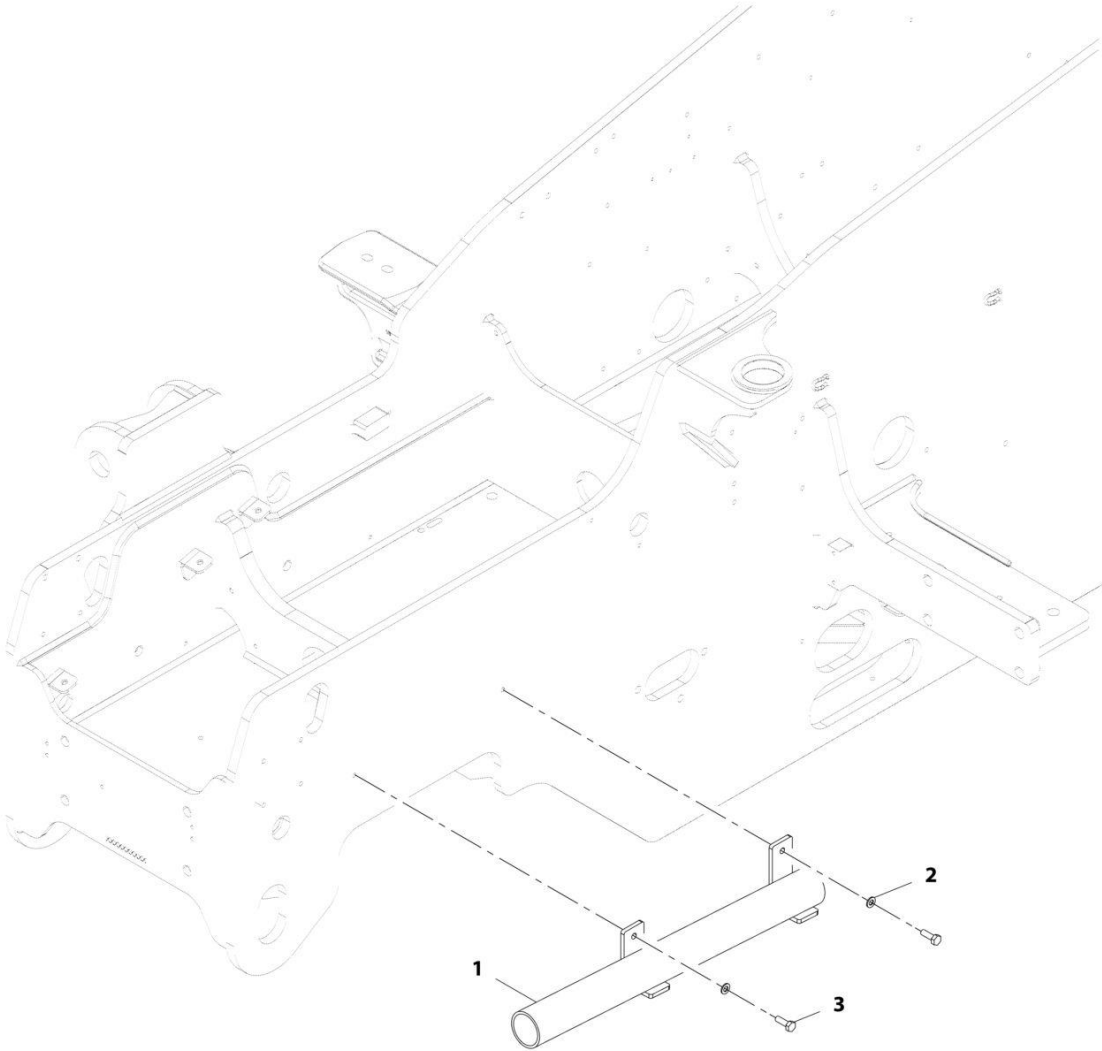
ART_1001145391-A

FIGURE 2-8. COUPLER LOCKING CYLINDER ASSEMBLY

ITEM	PART NUMBER	QTY	DESCRIPTION	REV
	1001145391	Ref	Coupler Locking Cylinder Assembly	A
1	1001007056	1	Valve, Check	
2	1001145390	1	Cylinder, Coupler Locking (See Separate Breakdown in Hydraulic Components Section)	

SECTION 2 - BOOM

FIGURE 2-9. MANUAL COUPLER PIN HOLDER INSTALLATION



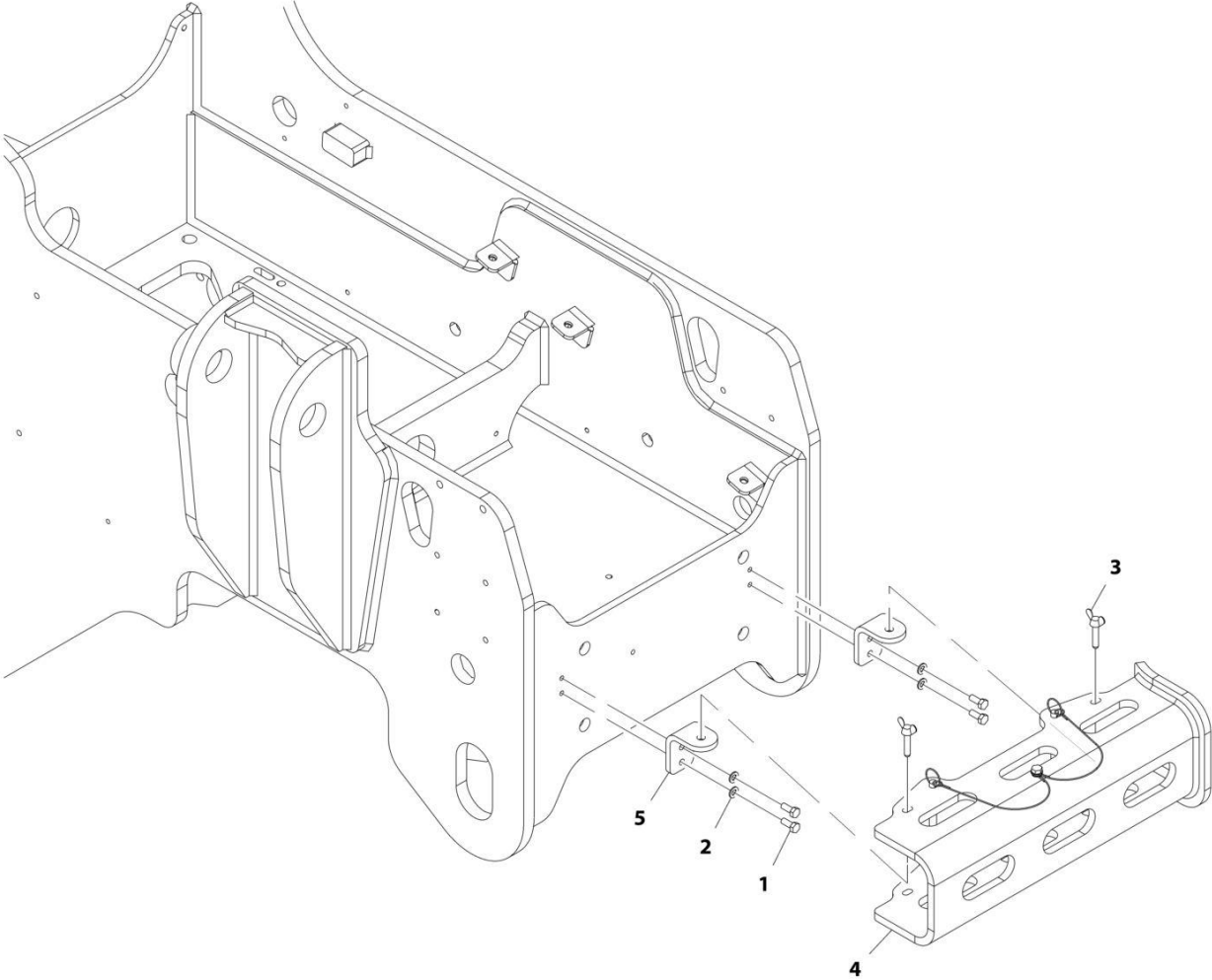
ART_1001220641-A

FIGURE 2-9. MANUAL COUPLER PIN HOLDER INSTALLATION

ITEM	PART NUMBER	QTY	DESCRIPTION	REV
	1001220641	Ref	Manual Coupler Pin Holder Installation	A
1	1001220248	1	Bracket, Pin Holder	
2	4812000	2	Washer, M10	
3	0701014	2	Bolt, M10X30	

SECTION 2 - BOOM

FIGURE 2-10. BOOM PROP INSTALLATION



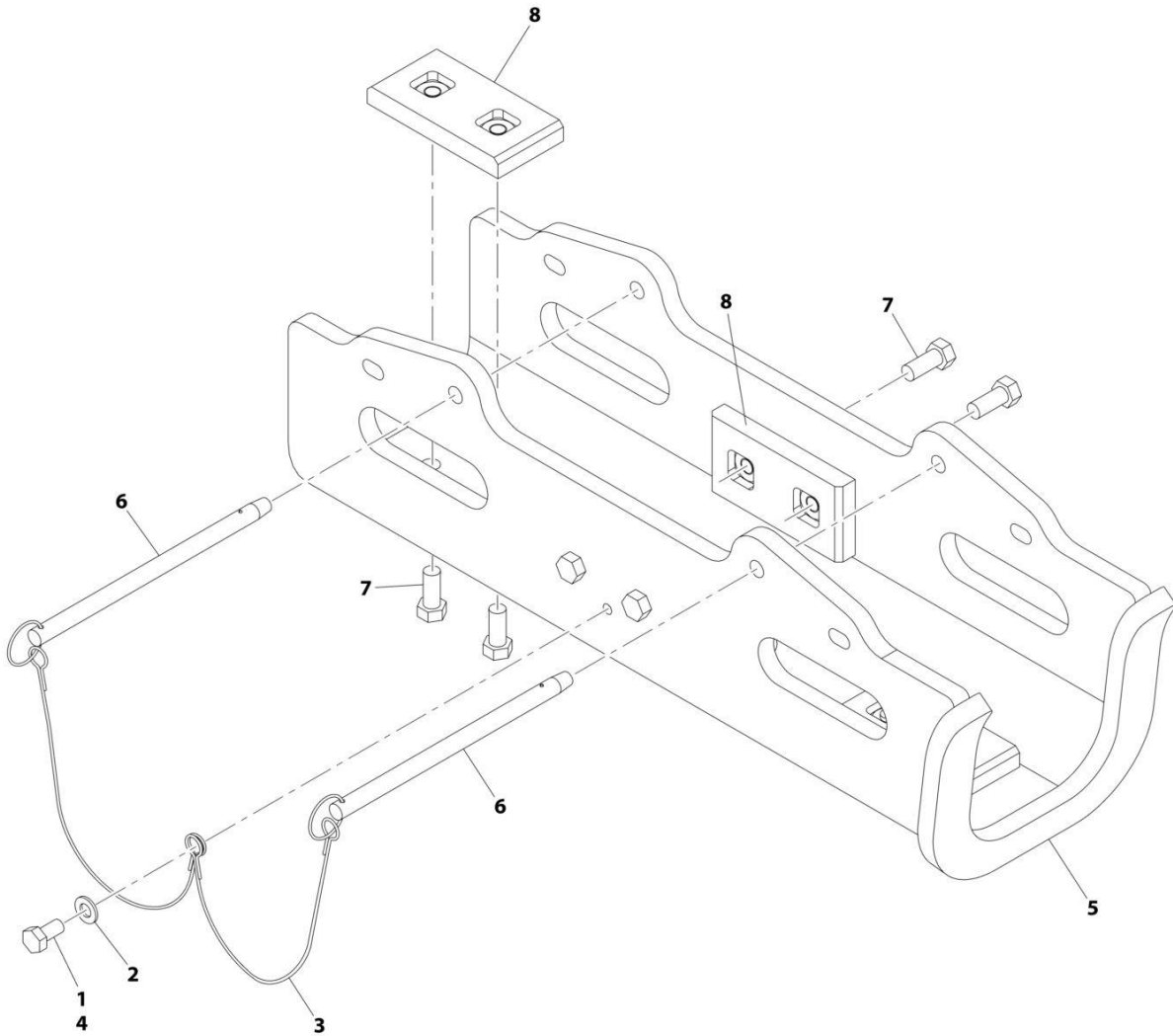
ART_1001174419-C

FIGURE 2-10. BOOM PROP INSTALLATION

ITEM	PART NUMBER	QTY	DESCRIPTION	REV
	1001174419	Ref	Boom Prop Installation	C
1	0760810	4	Bolt, M8X20	
2	4811900	4	Washer, M8	
3	1001228860	2	Bolt, Wing M8X30	
4	1001191035	1	Bracket, Boom Prop (See Separate Breakdown in this Section)	
5	1001193887	2	Bracket	

SECTION 2 - BOOM

FIGURE 2-11. BOOM PROP BRACKET ASSEMBLY



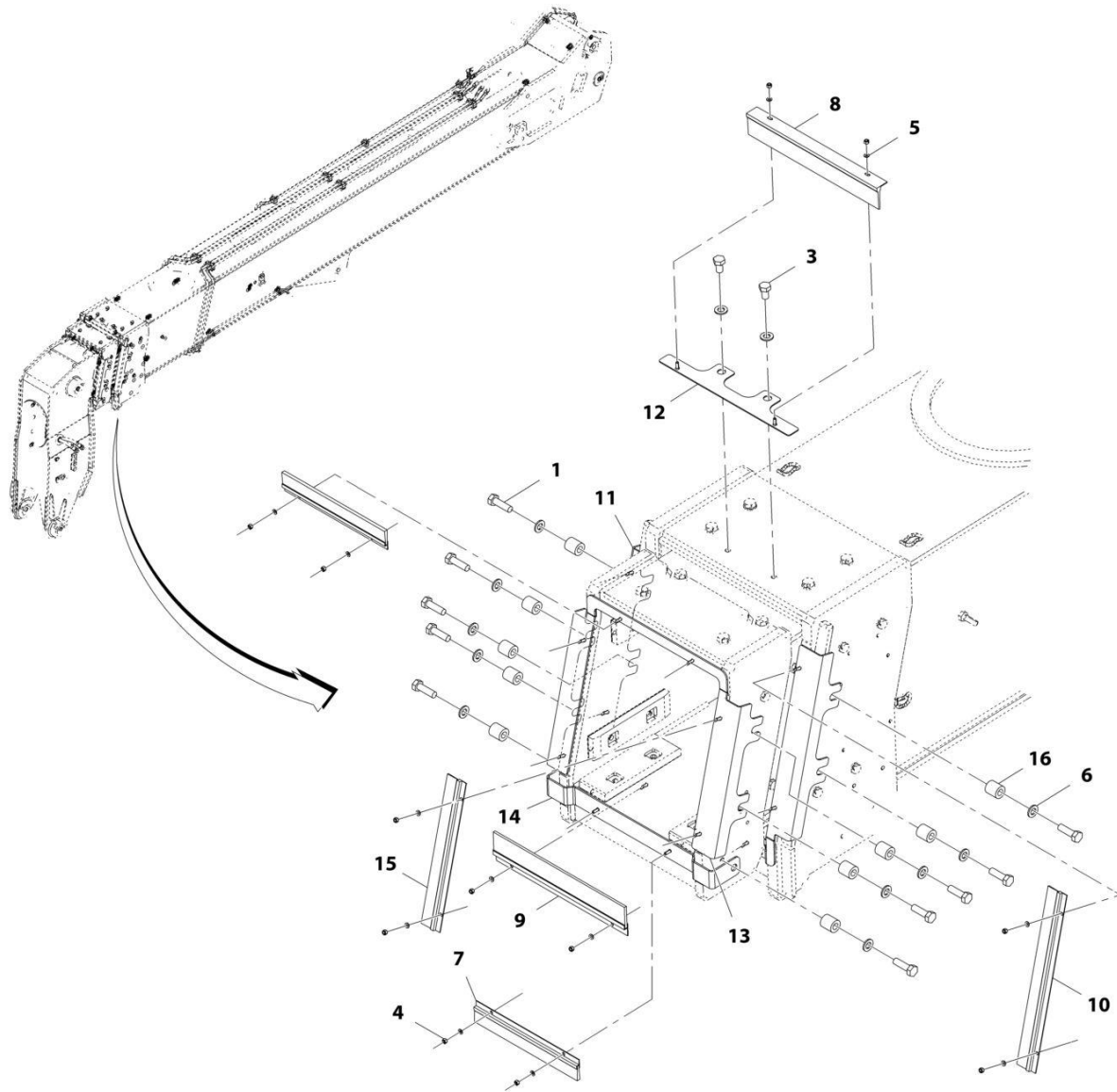
ART_1001191035-B

FIGURE 2-11. BOOM PROP BRACKET ASSEMBLY

ITEM	PART NUMBER	QTY	DESCRIPTION	REV
	1001191035	Ref	Boom Prop Bracket Assembly	B
1	0760808	1	Bolt, M8X16	
2	4811900	1	Washer, M8	
3	1001164183	2	Lanyard, Boom Prop	
4	1001095650	AR	Adhesive, Loctite	
5	1001191036	1	Support, Boom Prop	
6	1001191039	2	Pin	
7	0651607	8	Bolt, 3/8-24 X 7/8	
8	91403530	4	Bearing	

SECTION 2 - BOOM

FIGURE 2-12. BOOM BRUSHES INSTALLATION



ART_1001201432-C

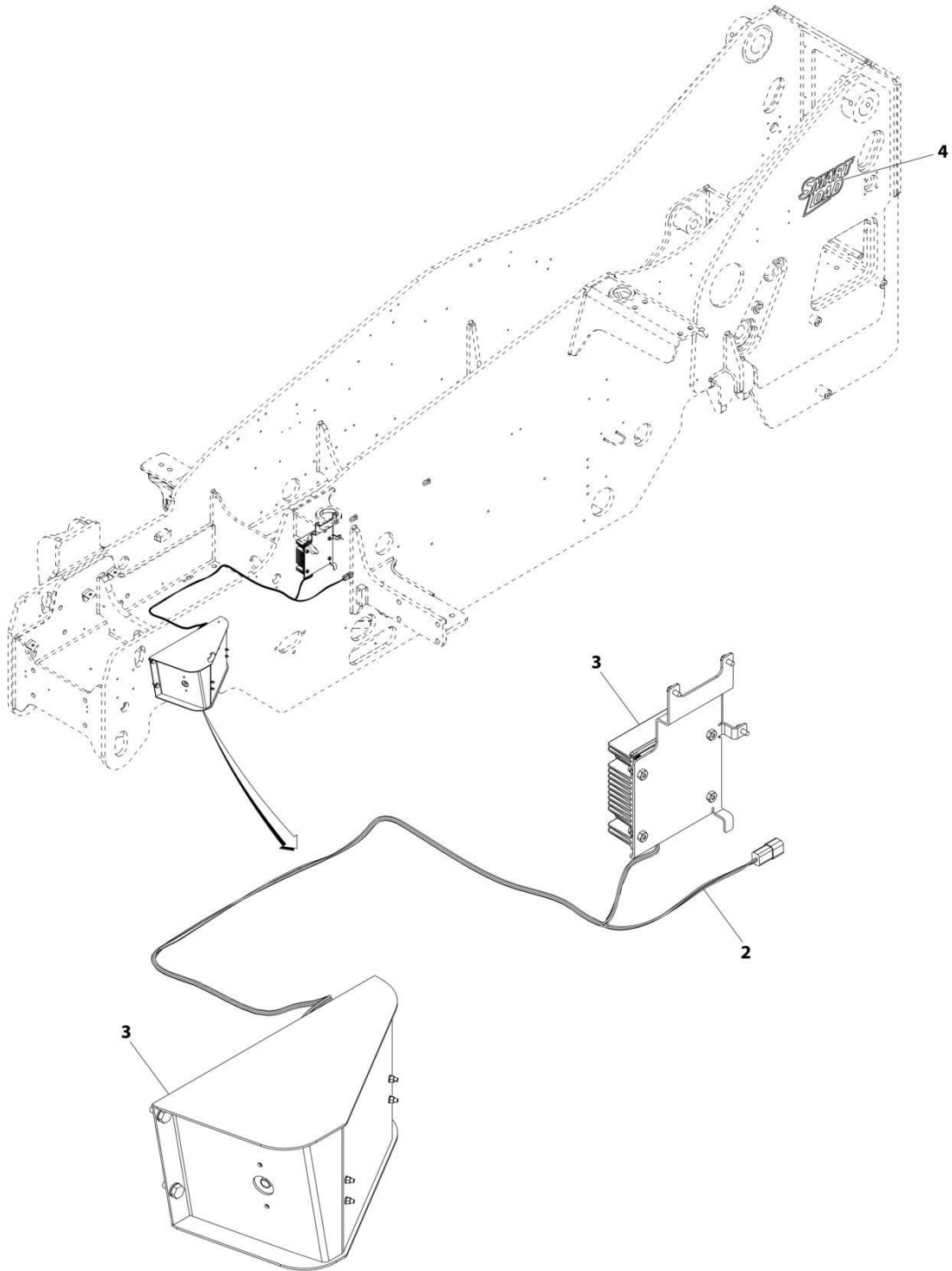
FIGURE 2-12. BOOM BRUSHES INSTALLATION

ITEM	PART NUMBER	QTY	DESCRIPTION	REV
	1001201432	Ref	Boom Brushes Installation	C
1	0701216	10	Bolt, M12X40	
3	0761210	2	Bolt, M12X20	
4	3290505	16	Nut, Lock M5X0.8	
5	4811600	16	Washer, M5	
6	1001125117	12	Washer, M12	
7	1001172995	2	Brush, Boom	
8	1001172999	1	Brush, Boom	
9	1001173679	1	Brush, Boom	
10	1001173739	2	Brush, Boom	
11	1001205619	1	Bracket, Boom Brush	
12	1001196879	1	Bracket, Boom Brush	
13	1001205621	1	Bracket, Boom Brush	
14	1001205622	1	Bracket, Boom Brush	
15	1001205627	2	Brush, Boom	
16	1001220286	10	Spacer	

SECTION 3 - ATTACHMENTS

SECTION 3 - ATTACHMENTS

FIGURE 3-1. ATTACHMENT RECOGNITION INSTALLATION - COMPLETE



ART_1001195881

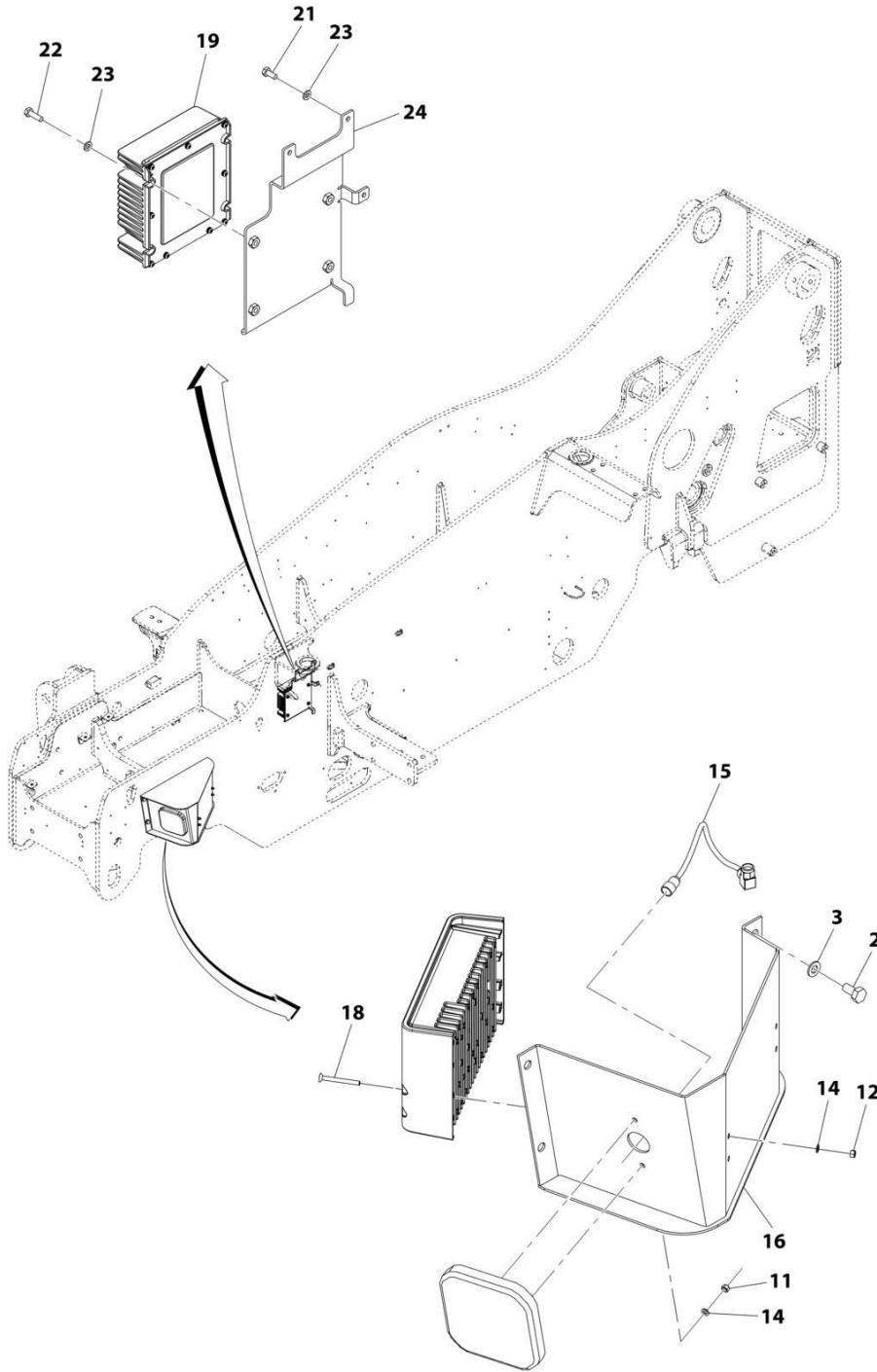
SECTION 3 - ATTACHMENTS

FIGURE 3-1. ATTACHMENT RECOGNITION INSTALLATION - COMPLETE

ITEM	PART NUMBER	QTY	DESCRIPTION	REV
	1001195881	Ref	Attachment Recognition Installation	F
2	1001249251	1	Cable	
3	1001207866	1	Installation, Components Attachment Recognition (See Separate Breakdown in this Section)	
4	1001250276	2	Decal, Smart Load	

SECTION 3 - ATTACHMENTS

FIGURE 3-2. ATTACHMENT RECOGNITION INSTALLATION



ART_1001207866_G

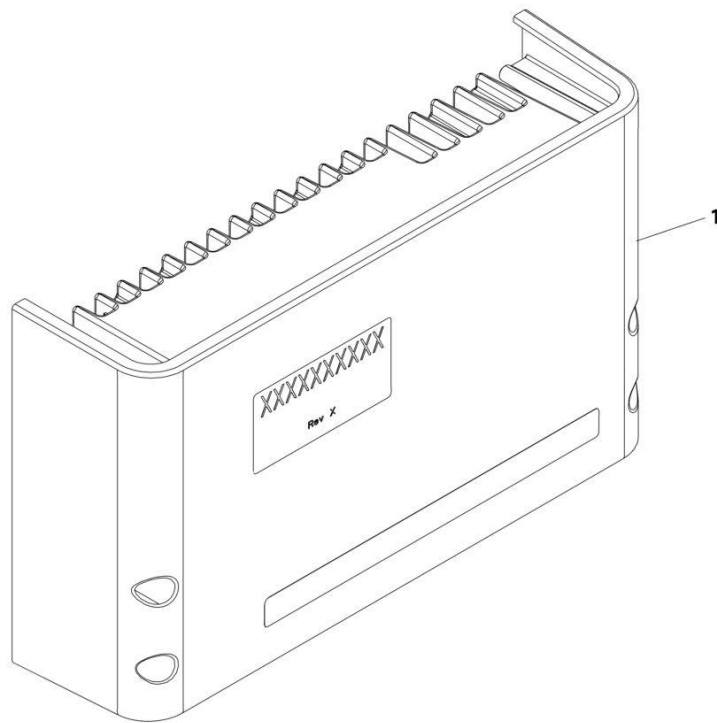
SECTION 3 - ATTACHMENTS

FIGURE 3-2. ATTACHMENT RECOGNITION INSTALLATION

ITEM	PART NUMBER	QTY	DESCRIPTION	REV
	1001207866	Ref	Components Attachment Recognition Installation	G
2	0761010	4	Bolt, M10X20	
3	4812000	4	Washer, M10	
11	3290505	2	Nut, Lock M5X0.8 Grade 8	
12	3290507	4	Nut, Lock M5X0.8	
14	4811600	6	Washer, M5	
15	1001206725	1	Cable	
16	1001232988	1	Bracket, Attachment Recognition	
18	1001234395	4	Screw, M5X50	
19	1001249078	1	Control, Voltage	
21	0760607	3	Bolt, M6X14	
22	0700610	4	Bolt, M6X20	
23	4811700	7	Washer M6	
24	1001249249	1	Bracket, Converter Support	

SECTION 3 - ATTACHMENTS

FIGURE 3-3. ATTACHMENT RECOGNITION RECEIVER



ART_1001250475-B

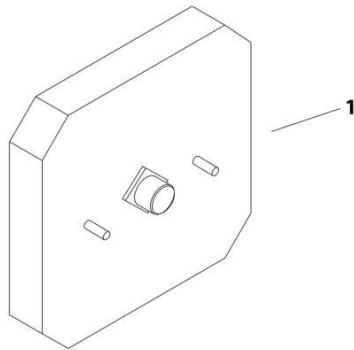
SECTION 3 - ATTACHMENTS

FIGURE 3-3. ATTACHMENT RECOGNITION RECEIVER

ITEM	PART NUMBER	QTY	DESCRIPTION	REV
	1001250475	1 Ref	ATTACHMENT RECOGNITION RECEIVER (FCC) No Serviceable Parts. Purchase complete assembly	B

SECTION 3 - ATTACHMENTS

FIGURE 3-4. ATTACHMENT RECOGNITION ANTENNA



ART_1001202730

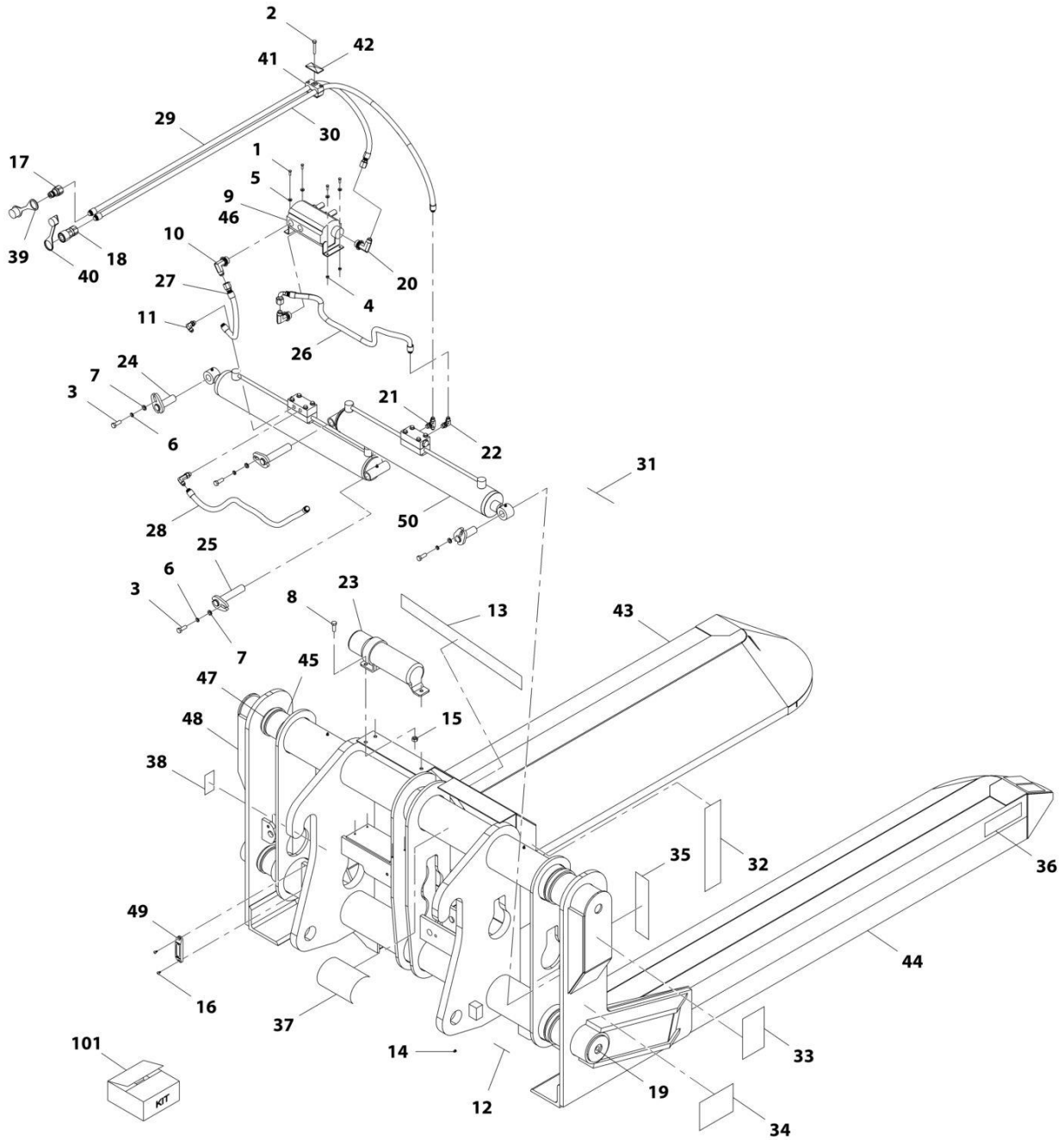
SECTION 3 - ATTACHMENTS

FIGURE 3-4. ATTACHMENT RECOGNITION ANTENNA

ITEM	PART NUMBER	QTY	DESCRIPTION	REV
	1001202730	1	ATTACHMENT RECOGNITION ANTENNA (FCC)	

SECTION 3 - ATTACHMENTS

FIGURE 3-5. BALE HANDLER (ROUND BALES)



ART_1001192649-D

SECTION 3 - ATTACHMENTS

FIGURE 3-5. BALE HANDLER (ROUND BALES)

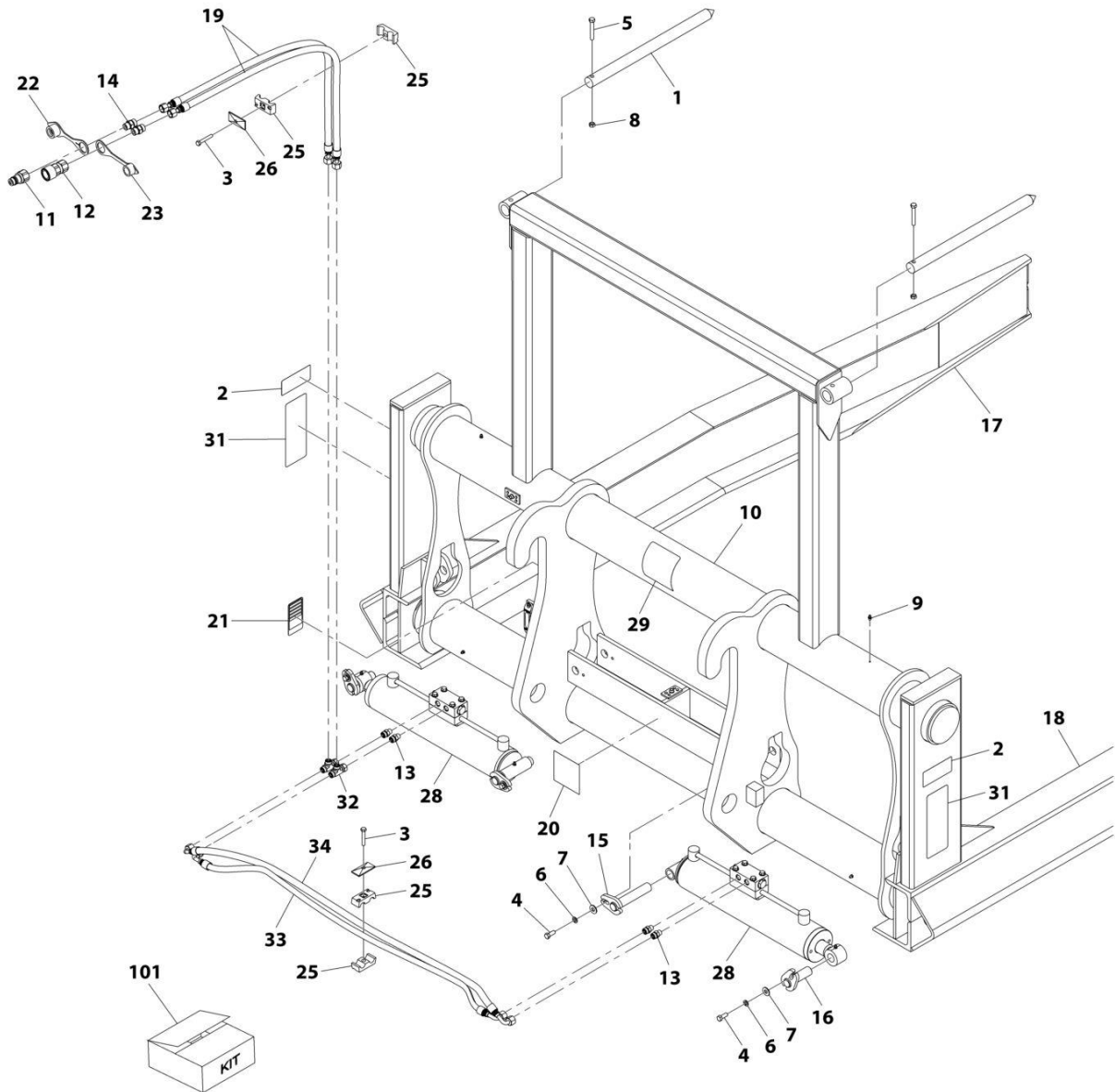
ITEM	PART NUMBER	QTY	DESCRIPTION	REV
	1001192649	Ref	Bale Handler (round)	E
1	70027773	4	Bolt	
2	70028485	1	Screw	
3	70021349	4	Bolt, 3/8X1	
4	90554066	4	Nut	
5	90554067	4	Washer, Lock	
6	90554042	4	Washer, Lock	
7	70021350	4	Washer	
8	70028635	3	Bolt	
9	70028636	1	Plug w/O-Ring	
10	70028637	2	Fitting, 90	
11	90554065	1	Fitting, 90	
12	7029712	4	Decal, Grease	
13	70028638	1	Decal, Stand Clear Warning	
14	90554045	4	Fitting, Grease	
15	70028615	3	Nut	
16	70028554	2	Screw	
17	1001101041	1	Adapter, Male Quick Disconnect	
18	70028616	1	Fitting, Straight	
19	70028617	4	Plug	
20	70028618	1	Fitting, 90	
21	70028619	1	Fitting, Tee	
22	70028620	1	Fitting, 90	
23	1001101042	1	Adapter, Female Quick Disconnect	
24	70028489	2	Pin	
25	70028490	2	Pin	
26	70028621	1	Hose	
27	70028622	1	Hose	
28	70028623	1	Hose	
29	70028624	1	Hose	
30	7029709	1	Hose	
31	7029711	1	Decal, High Pressure Warning	
32	70028625	2	Decal, Pinch Point	
33	70028626	1	Decal, Transport Warning	
34	70028627	1	Decal, Safety Warning	
35	70028628	6	Decal, Red Reflexite	
36	70028629	6	Decal, Amber Reflexite	
37	70028630	1	Decal, Module Staging	
38	N.S.S.	1	Plate, Serial Number	
39	8420053	1	Cap, Dust	
40	8420055	1	Cap, Dust	
41	70028495	1	Clamp	
42	70028496	1	Plate, Clamp	
43	N.S.S.	1	Arm, RH	
44	N.S.S.	1	Arm, LH	
45	70028631	4	Wrap	
46	70028632	1	Valve, Flow Divider	
47	70028633	8	Clamp	
48	N.S.S.	1	Weldment	
49	1001227670	1	Tag, RFID	

SECTION 3 - ATTACHMENTS

ITEM	PART NUMBER	QTY	DESCRIPTION	REV
50	70028634	2	Assembly, Cylinder	
101	Kit	1	Kit, Seal	

SECTION 3 - ATTACHMENTS

FIGURE 3-6. BALE HANDLER (SQUARE BALES)



ART_1001192650-E

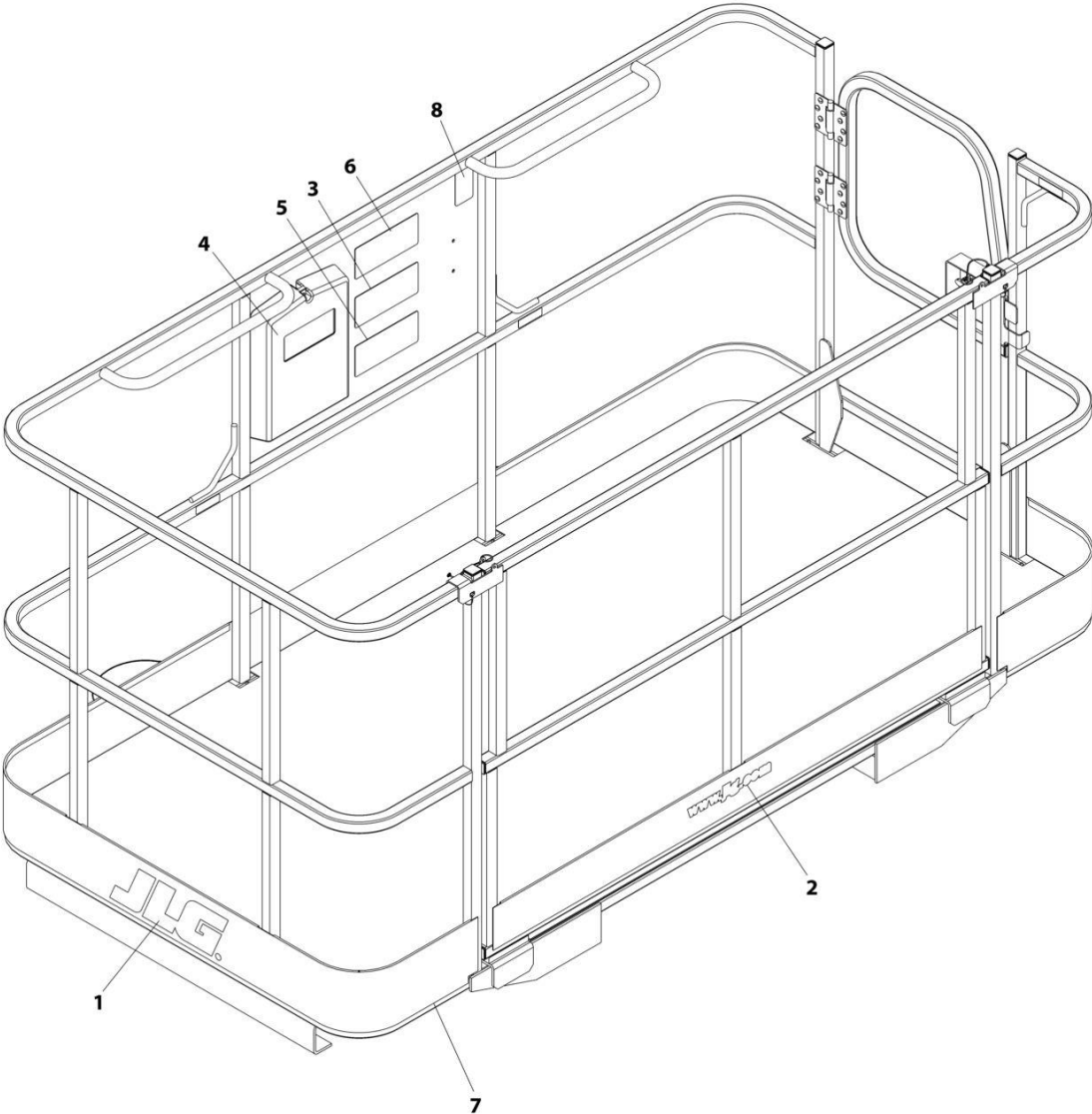
SECTION 3 - ATTACHMENTS

FIGURE 3-6. BALE HANDLER (SQUARE BALES)

ITEM	PART NUMBER	QTY	DESCRIPTION	REV
	1001192650	Ref	Bale Handler (square)	F
1	70028499	2	Spear	
2	70028500	2	Decal, Pinch Point	
3	70028485	2	Screw	
4	70021349	4	Bolt, 3/8X1	
5	70021422	2	Screw	
6	90554042	4	Washer, Lock 3/8	
7	70021350	4	Washer, Flat	
8	70021367	2	Nut, Lock 3/8	
9	90554045	4	Fitting, Grease	
10	N.S.S.	1	Weldment, Main Frame	
11	1001101041	1	Coupler, Male Hydraulic	
12	1001101042	1	Coupler, Female Hydraulic	
13	70028486	4	Fitting	
14	70028488	2	Fitting	
15	70028489	2	Pin	
16	70028490	2	Pin	
17	N.S.S.	1	Weldment, Left Bale Arm	
18	N.S.S.	1	Weldment, Right Bale Arm	
19	70028491	2	Hose	
20	7029711	1	Decal, High Pressure Warning	
21	N.S.S.	1	Plate, Serial Number	
22	8420053	1	Cap, Dust	
23	8420055	1	Cap, Dust	
25	70028495	2	Clamp	
26	70028496	2	Plate, Clamp	
28	70028497	2	Assembly, Cylinder	
29	70028498	1	Decal, Read Manual	
31	70028501	2	Decal, Falling Load	
32	70028487	2	Fitting, Tee	
33	70028492	1	Hose	
34	70028493	1	Hose	
101	70028494	1	Kit, Seal	

SECTION 3 - ATTACHMENTS

FIGURE 3-7. BASKET, PERSONNEL (1.2MX2.4M) (DOMESTIC)



ART_1001238653-A

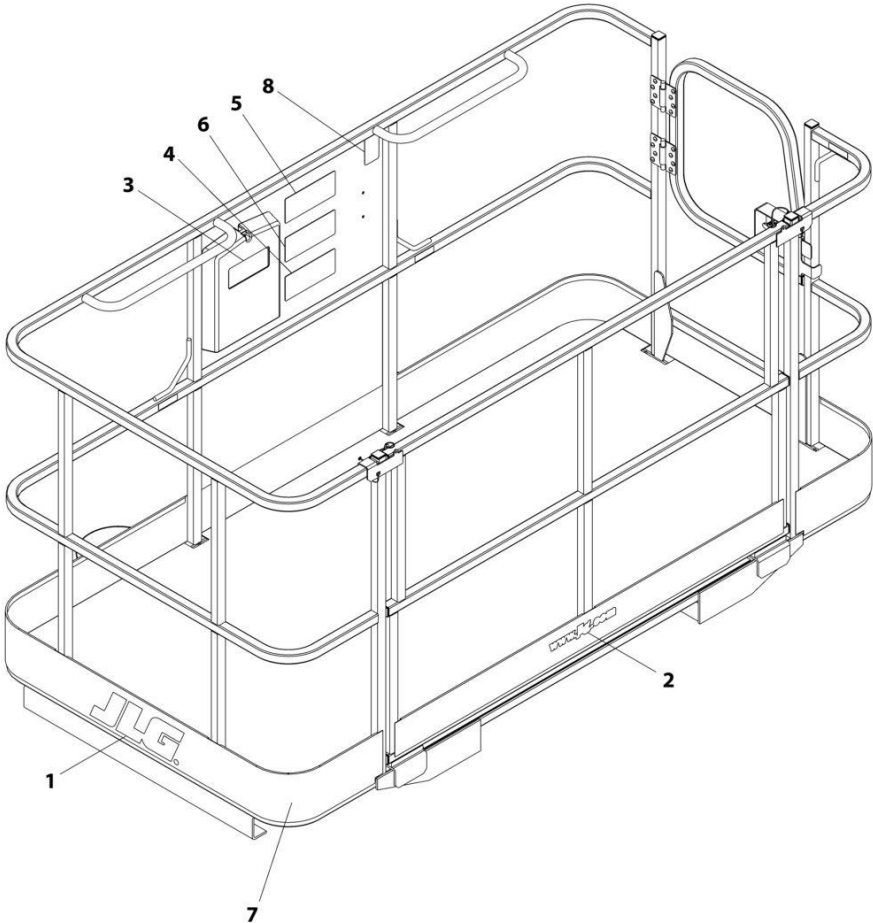
SECTION 3 - ATTACHMENTS

FIGURE 3-7. BASKET, PERSONNEL (1.2MX2.4M) (DOMESTIC)

ITEM	PART NUMBER	QTY	DESCRIPTION	REV
	1001238653	Ref	FORK MOUNTED PLATFORM	B
1	1702773	2	Decal, JLG	
2	1704885	1	Decal, Website	
3	1706892	1	Decal, Platform Warning	
4	31200160	1	Manual, Personnel Work Platform Operation and Safety	
5	1001092481	1	Decal, Warning Attachment	
6	1001092482	1	Decal, Platform Capacity	
7	1001238565	1	Platform, Fork Mounted (See Separate Breakdown in this Section)	
8	See Note	NSS	SN Plate (Note: Stamped Part - Not Available for Purchase)	

SECTION 3 - ATTACHMENTS

FIGURE 3-8. BASKET, PERSONNEL (1.2MX2.4M) (FRENCH LANGUAGE)



ART_1001238655-A

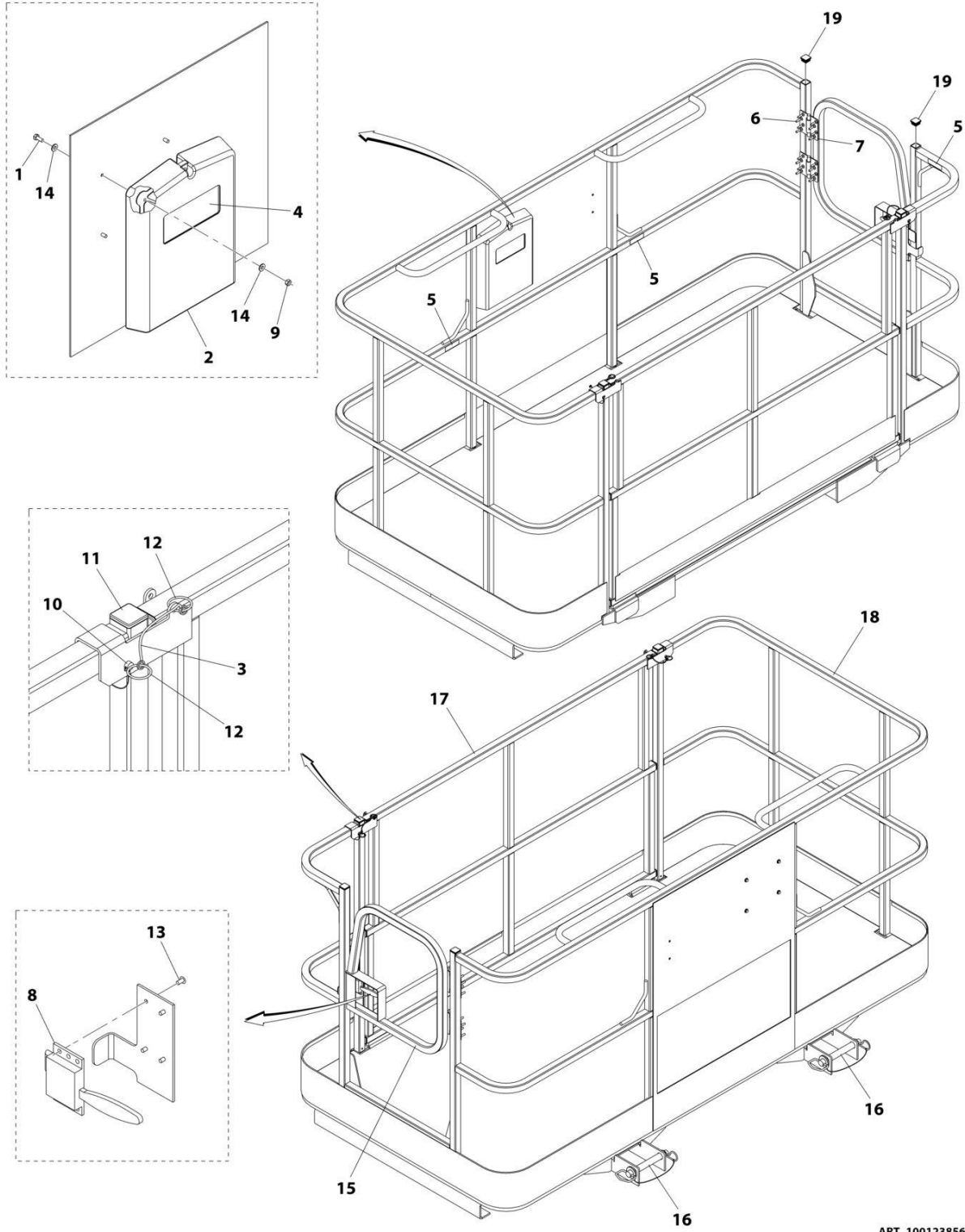
SECTION 3 - ATTACHMENTS

FIGURE 3-8. BASKET, PERSONNEL (1.2MX2.4M) (FRENCH LANGUAGE)

ITEM	PART NUMBER	QTY	DESCRIPTION	REV
	1001238655	Ref	BASKET, PERSONNEL	B
1	1702773	2	Decal, JLG	
2	1704885	1	Decal, Website	
3	31200386	1	Manual, Operation and Safety (French)	
4	1001096019	1	Decal, Warning Attachment (French)	
5	1001096020	1	Decal, Platform Capacity (French)	
6	1001096024	1	Decal, Platform Warning (French)	
7	1001238565	1	Platform, Fork Mounted (ANSI) (See Separate Breakdown in this Section)	
8	See Note	NSS	SN Plate (Note: Stamped Part - Not Available for Purchase)	

SECTION 3 - ATTACHMENTS

FIGURE 3-9. BASKET ASSEMBLY - FORK MOUNTED



ART_1001238565

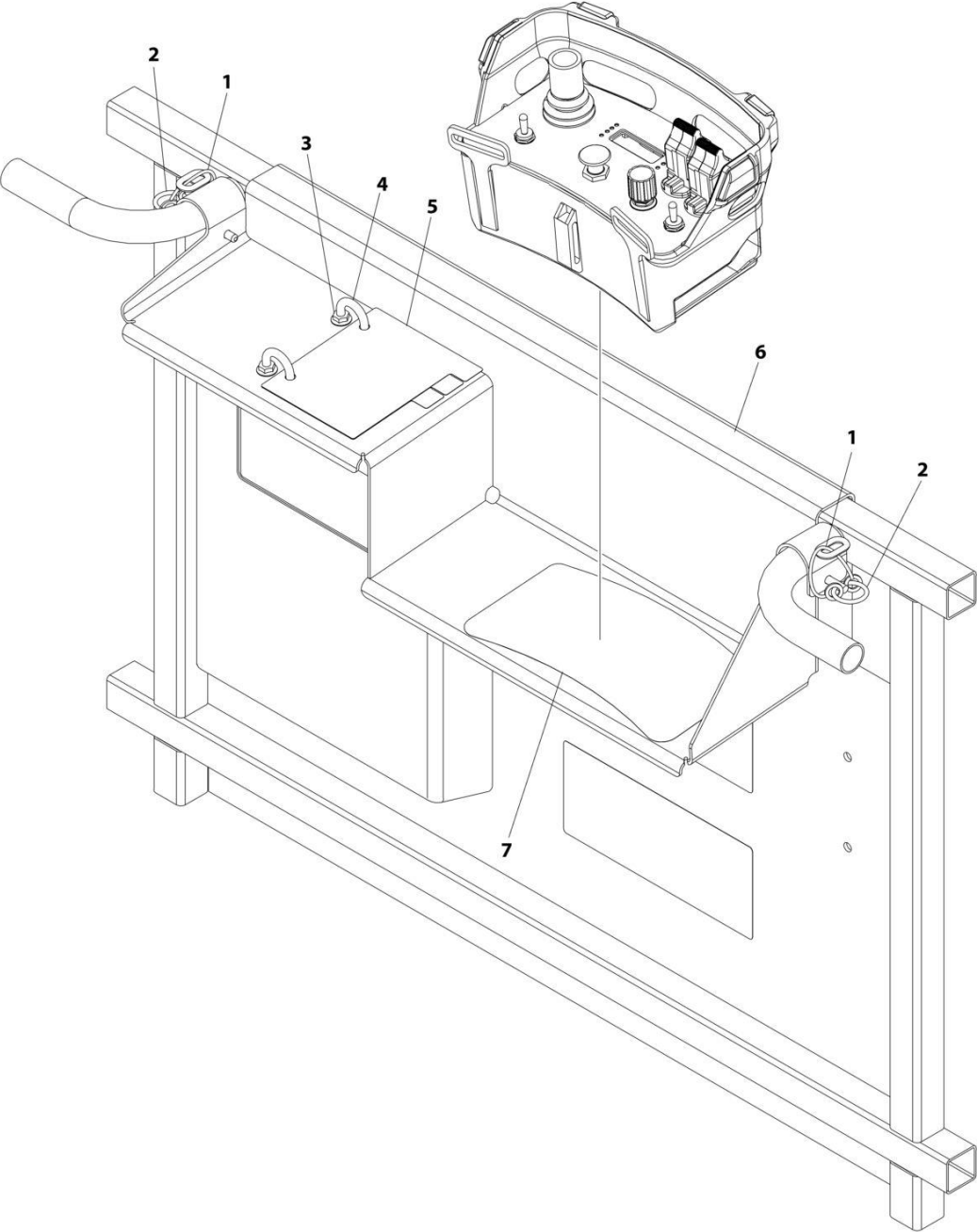
SECTION 3 - ATTACHMENTS

FIGURE 3-9. BASKET ASSEMBLY - FORK MOUNTED

ITEM	PART NUMBER	QTY	DESCRIPTION	REV
	1001238565	Ref	FORK MOUNTED PLATFORM ASSEMBLY	F
1	0641405	4	Bolt 1/4 x 5/8	
2	0860520	1	Box, Manual Storage	
3	1060379	2	Cable, Lanyard	
4	1701509	1	Decal, Manual	
5	1704277	3	Decal, Lanyard Attach	
6	2080040	16	Fastener	
7	2600281	2	Hinge	
8	2940074	1	Latch	
9	3311405	4	Nut 1/4	
10	3421453	2	Pin	
11	3520072	7	Plug	
12	3760170	4	Ring	
13	3820020	4	Rivet	
14	4711400	8	Washer 1/4	
15	1001144629J	1	Gate	
16	1001238560	2	Pin, Hitch	
17	1001095810	1	Gate	
18	See Note	NSS	Platform, Fork Mounted	
19	3520198	4	Plug	

SECTION 3 - ATTACHMENTS

FIGURE 3-10. BASKET DOCKING STATION



ART_1001258664

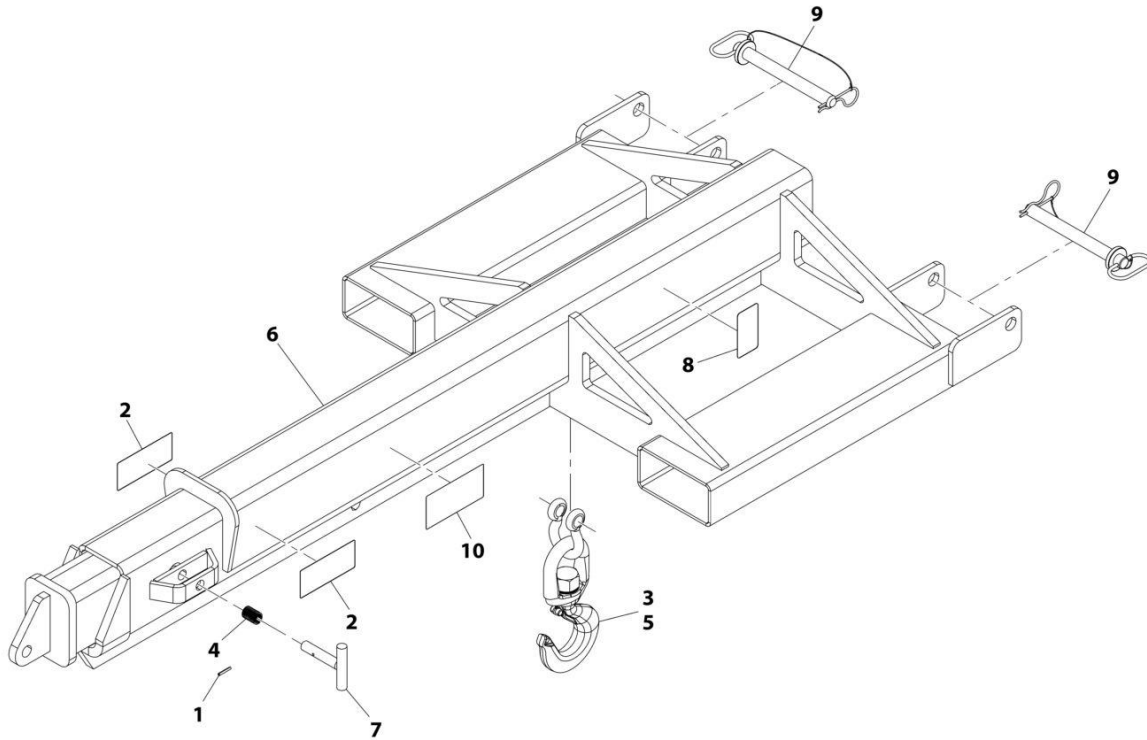
SECTION 3 - ATTACHMENTS

FIGURE 3-10. BASKET DOCKING STATION

ITEM	PART NUMBER	QTY	DESCRIPTION	REV
	1001258664	Ref	Basket Docking Station	A
1	1060379	2	Cable, Lanyard	
2	3422661	2	Pin, Quick Release	
3	8310382	8	Nut 1/4	
4	1001102844	2	U-Bolt 1/4X1-1/4	
5	1001258512	1	Load, Booklet Fork Platform	
6	1001259214	1	Bracket, Control Mount Weld	
7	1001259225	1	Decal, Remote Control	

SECTION 3 - ATTACHMENTS

FIGURE 3-11. BOOM - TRUSS (3.6TON FORK MOUNTED)



ART_1001230241-H

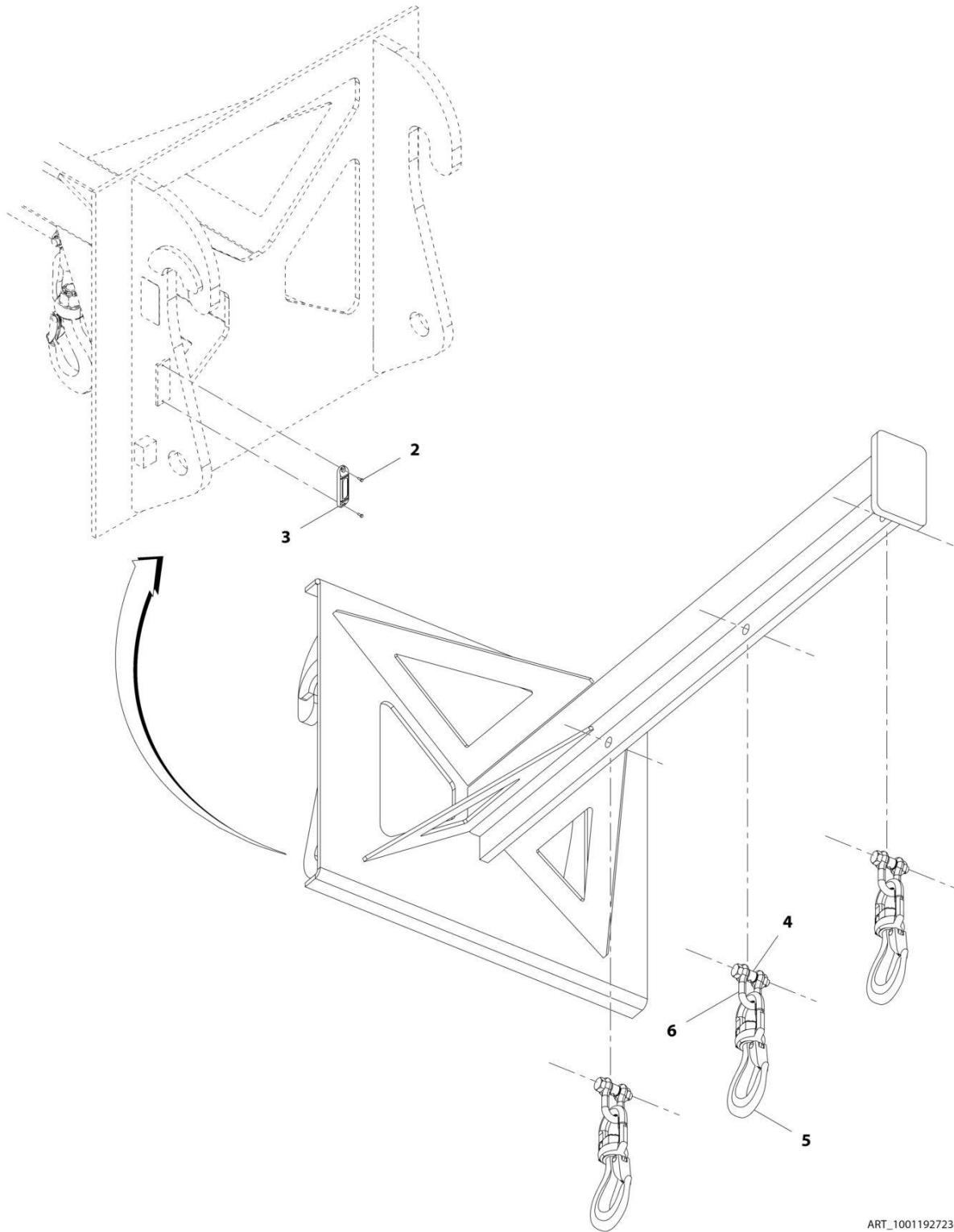
SECTION 3 - ATTACHMENTS

FIGURE 3-11. BOOM - TRUSS (3.6TON FORK MOUNTED)

ITEM	PART NUMBER	QTY	DESCRIPTION	REV
	1001230241	Ref	Adjustable Truss Boom Installation (Fork Mounted)	J
1	3440620	1	Pin	
2	4110422	2	Decal, Danger Swinging Loads	
3	91403448	1	Hook, Swivel	
4	1001128890	1	Spring	
5	1001146160	1	Shackle	
6	See Note	NSS	Boom, Truss - Adjustable (Note: Purchase Complete Assembly)	
7	1001230239	1	Pin	
8	See Note	NSS	SN Plate (Note:Stamped Part - Not Available for Purchase)	
9	1001231692	2	Pin	
10	1001232500	1	Decal, Load Capacities	

SECTION 3 - ATTACHMENTS

FIGURE 3-12. BOOM - TRUSS (7.6 TON)



ART_1001192723-F

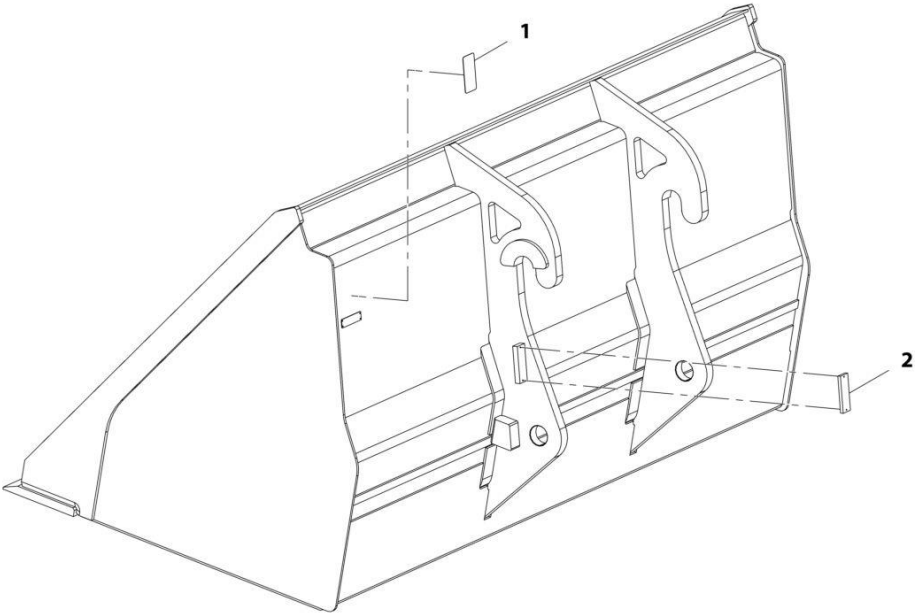
SECTION 3 - ATTACHMENTS

FIGURE 3-12. BOOM - TRUSS (7.6 TON)

ITEM	PART NUMBER	QTY	DESCRIPTION	REV
	1001192723	1	Truss Boom (7.6 ton)	G
2	70028554	2	Screw	
3	1001227670	1	Tag, RFID	
4	70020555	3	Bushing	
5	70026745	3	Hook	
6	70026746	3	Shackle, Chain	

SECTION 3 - ATTACHMENTS

FIGURE 3-13. BUCKET (2.6 YD³/2.0M³)



ART_1001192615-F

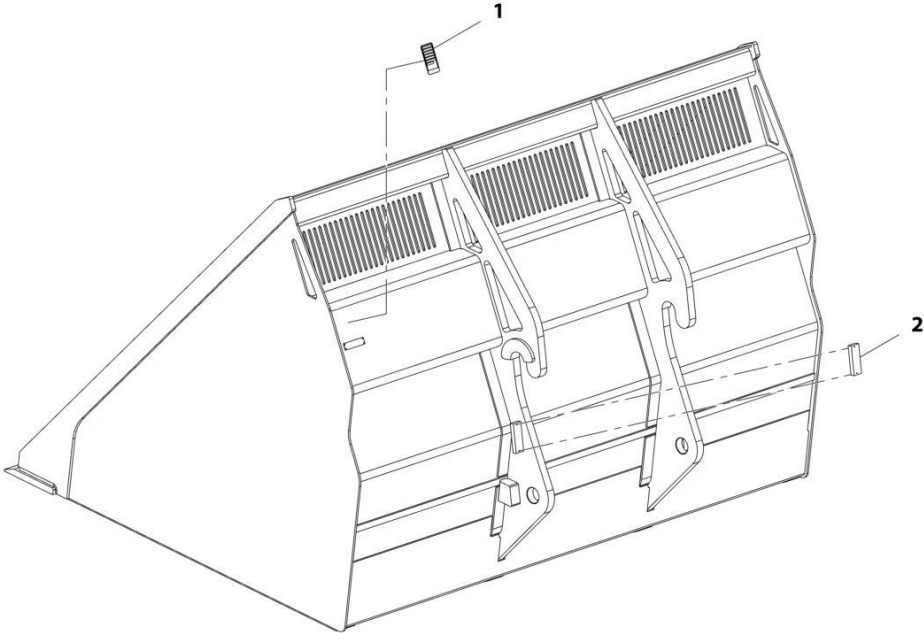
SECTION 3 - ATTACHMENTS

FIGURE 3-13. BUCKET (2.6 YD³/2.0M³)

ITEM	PART NUMBER	QTY	DESCRIPTION	REV
	1001192615	Ref	Bucket (2.6 yd ³ /2.0m ³)	G
1	N.S.S.	1	S/N Plate	
2	1001227670	1	Tag, RFID	

SECTION 3 - ATTACHMENTS

FIGURE 3-14. BUCKET (5.23 YD³)



ART_1001192616-E

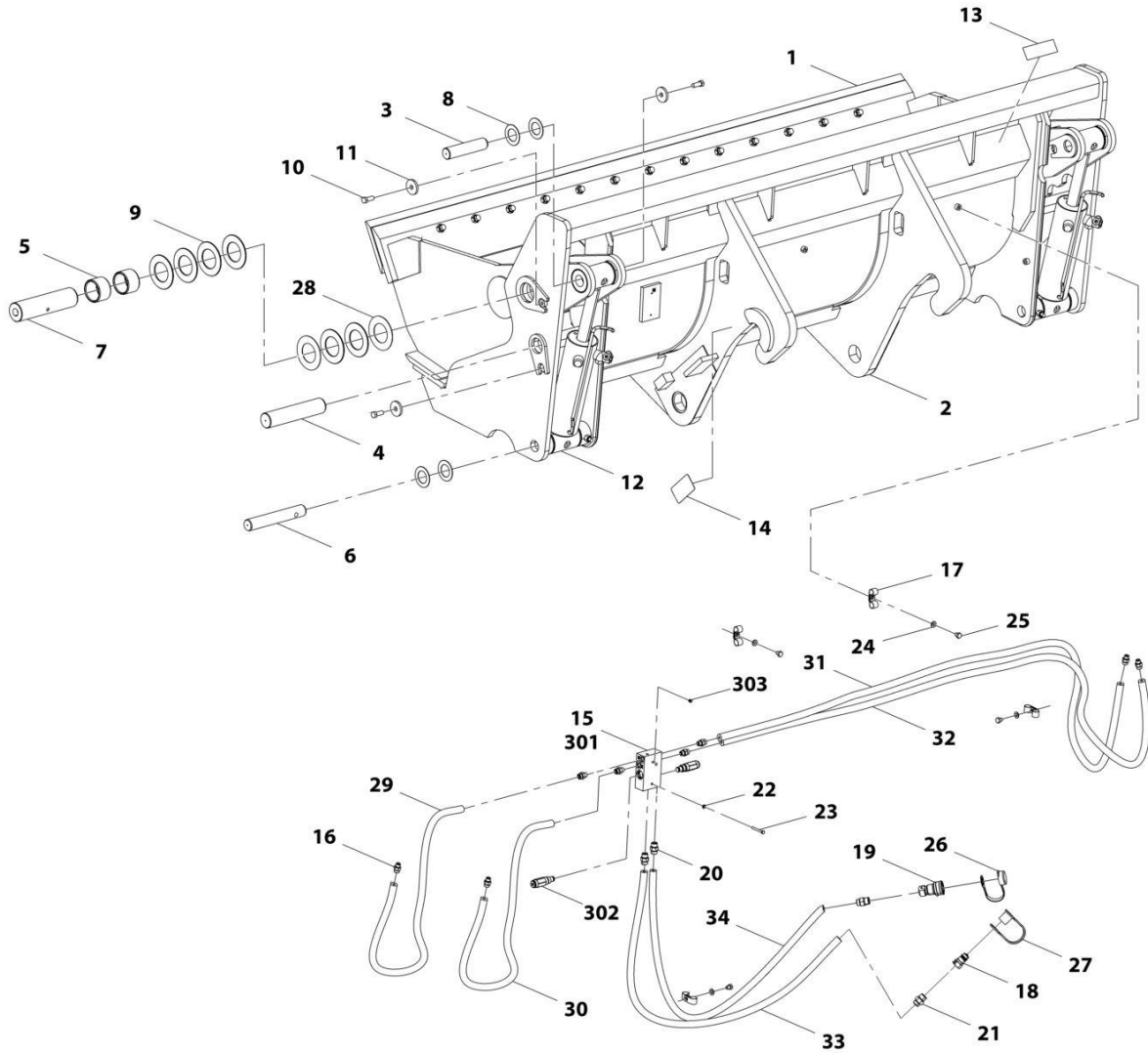
SECTION 3 - ATTACHMENTS

FIGURE 3-14. BUCKET (5.23 YD³)

ITEM	PART NUMBER	QTY	DESCRIPTION	REV
	1001192616	Ref	Bucket (5.23 yd ³ /4.0m ³)	F
1	N.S.S.	1	S/N Plate	
2	1001227670	1	Tag, RFID	

SECTION 3 - ATTACHMENTS

FIGURE 3-15. BUCKET - 4 IN 1 (1.3 YD³/1.0M³)



ART_1001228427-B

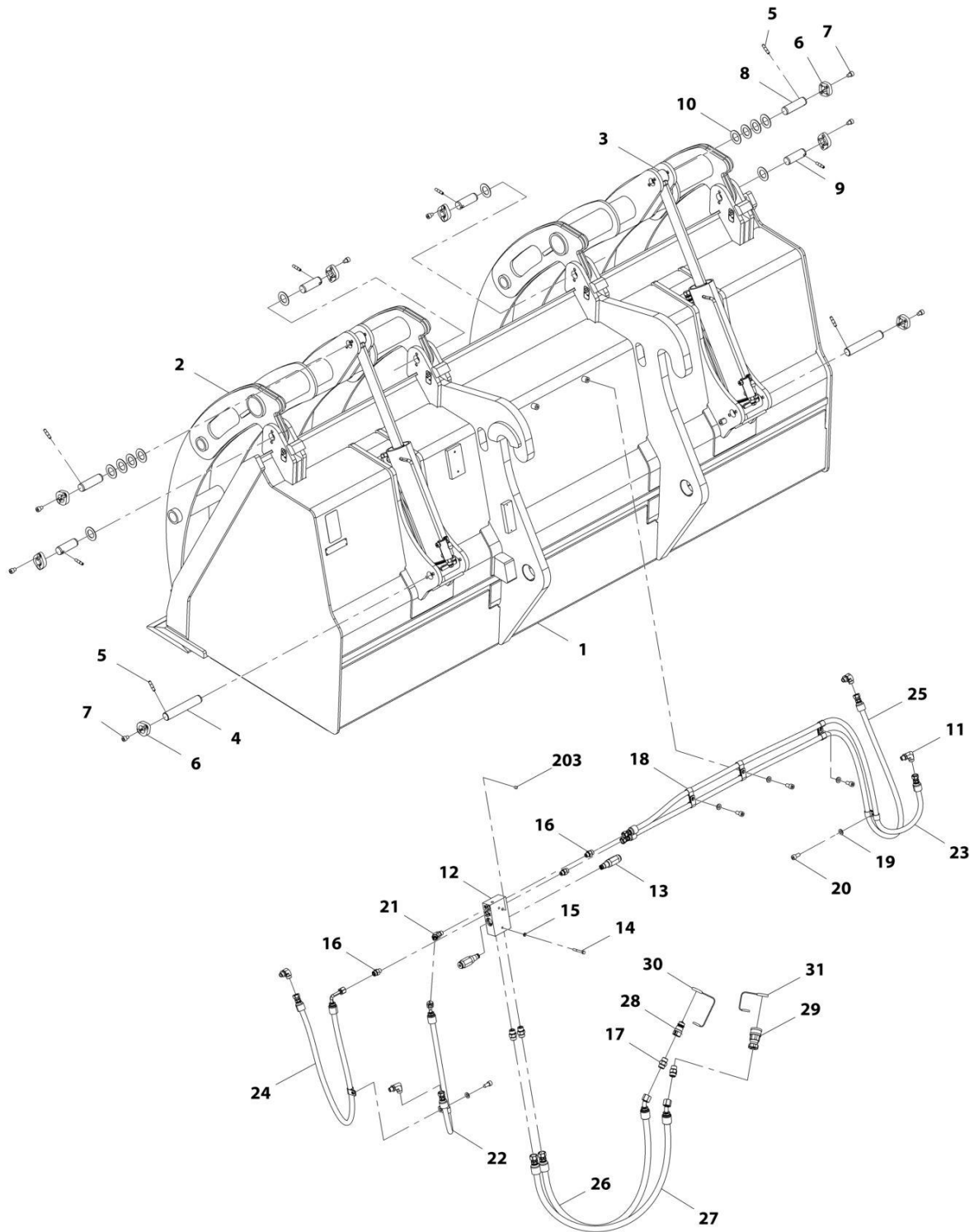
SECTION 3 - ATTACHMENTS

FIGURE 3-15. BUCKET - 4 IN 1 (1.3 YD³/1.0M³)

ITEM	PART NUMBER	QTY	DESCRIPTION	REV
	1001228427	Ref	4 in 1 Bucket (1.3 yd ³ /1.0m ³)	C
1	N.S.S.	1	Assembly, Front Bucket	
2	N.S.S.	1	Assembly, Back Bucket	
3	70028563	2	Pin	
4	70028564	2	Pin	
5	70028565	4	Bushing	
6	70028566	2	Pin	
7	70028567	2	Pin	
8	70028568	8	Shim	
9	70028569	6	Shim	
10	70028570	6	Capscrew	
11	70028571	6	Washer	
12	70028572	2	Assembly, 4 In 1 Bucket Cylinder (5.23 yd ³ /4.0m ³) (See Separate Breakdown in HYDRAULIC COMPONENTS Section)	
13	N.S.S.	1	Plate, Name	
14	N.S.S.	1	Plate, Serial Number	
15	70028573	1	Assembly, 4 In 1 Bucket Valve (5.23 yd ³ /4.0m ³)	
16	70024130	8	Fitting, Straight	
17	70026481	8	Clamp, Hose	
18	1001101041	1	Adapter, Male Quick Disconnect	
19	1001101042	1	Adapter, Female Quick Disconnect	
20	70022938	2	Fitting, Straight	
21	70028263	2	Fitting, Straight	
22	70026480	2	Washer, M6	
23	70026479	2	Bolt, M6X50	
24	70026482	4	Washer, M10	
25	70026483	4	Bolt, M10X16	
26	8420055	1	Plug, Dust	
27	8420053	1	Plug, Cap	
28	70028574	12	Shim	
29	70028575	1	Hose	
30	70028576	1	Hose	
31	70028577	1	Hose	
32	70028578	1	Hose	
33	70028579	1	Hose	
34	70028580	1	Hose	
301	70026477	1	Manifold	
302	70028589	2	Cartridge, Relief	
303	70026614	2	Plug	

SECTION 3 - ATTACHMENTS

FIGURE 3-16. BUCKET - GRAPPLE (1.7 YD³/1.3M³)



ART_1001223435-C

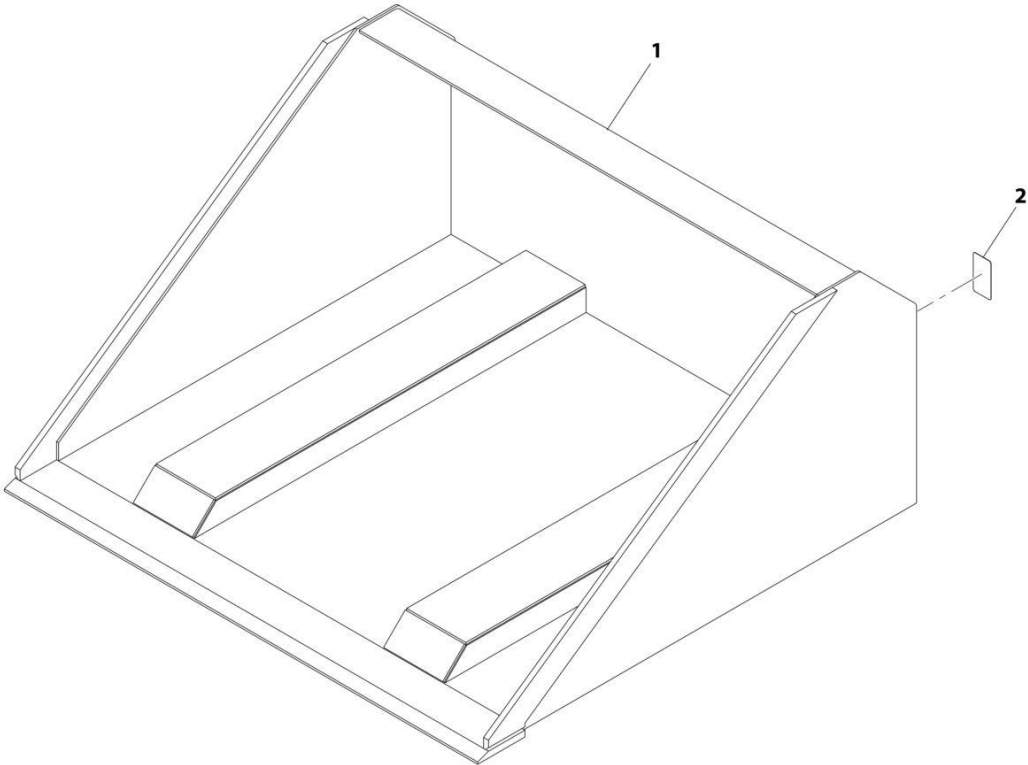
SECTION 3 - ATTACHMENTS

FIGURE 3-16. BUCKET - GRAPPLE (1.7 YD³/1.3M³)

ITEM	PART NUMBER	QTY	DESCRIPTION	REV
	1001223435	Ref	Grapple Bucket (1.7 yd ³ /1.3m ³)	D
1	N.S.S.	1	Bucket	
2	N.S.S.	1	Grapple	
3	70026469	2	Assembly, Cylinder, (See Separate Breakdown in HYDRAULIC COMPONENTS Section)	
4	70026470	2	Pin	
5	70026471	8	Pin Drive - Lock	
6	70026472	8	Retainer	
7	70026473	16	Capscrew, M10X12	
8	70026474	2	Pin	
9	70026475	4	Pin	
10	70026476	32	Shim	
11	70024123	4	Fitting, 90	
12	70026477	1	Manifold	
13	70026478	2	Cartridge, Relief Valve	
14	70026479	2	Bolt, M6X50	
15	70026480	2	Washer, M6	
16	70024130	3	Fitting, Straight	
17	70022938	4	Fitting, Straight	
18	70026481	10	Clamp, Hose	
19	70026482	5	Washer, M10	
20	70028672	5	Bolt, M10X20	
21	70026616	1	Fitting, 45	
22	70028749	1	Hose	
23	70028750	1	Hose	
24	70028751	1	Hose	
25	70028752	1	Hose	
26	70028753	1	Hose	
27	70028697	1	Hose	
28	1001101041	1	Adapter, Male Quick Disconnect	
29	1001101042	1	Adapter, Female Quick Disconnect	
30	8420053	1	Cap, Dust	
31	8420055	1	Plug, Dust	
203	70026614	2	Plug	

SECTION 3 - ATTACHMENTS

FIGURE 3-17. BUCKET - FORK MOUNTED (1.0M³)



ART_1001195970-D

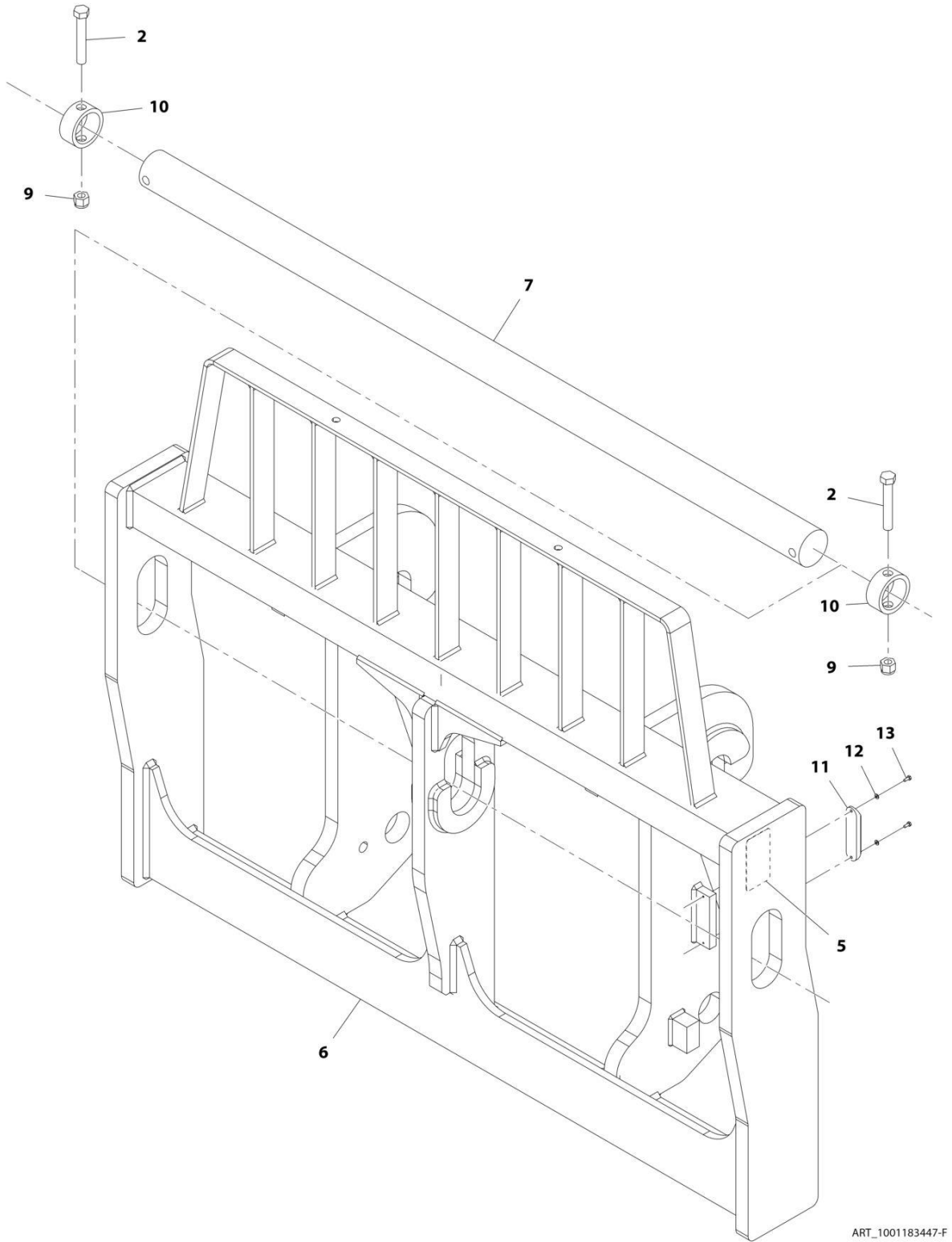
SECTION 3 - ATTACHMENTS

FIGURE 3-17. BUCKET - FORK MOUNTED (1.0M³)

ITEM	PART NUMBER	QTY	DESCRIPTION	REV
1	1001195970	Ref	Bucket 1.0 m ³ (Fork Mounted)	E
2	See Note	NSS	S/N Plate (Note: Stamped Part - Not Available for Purchase)	

SECTION 3 - ATTACHMENTS

FIGURE 3-18. CARRIAGE ASSEMBLY (60IN/1524MM)



ART_1001183447-F

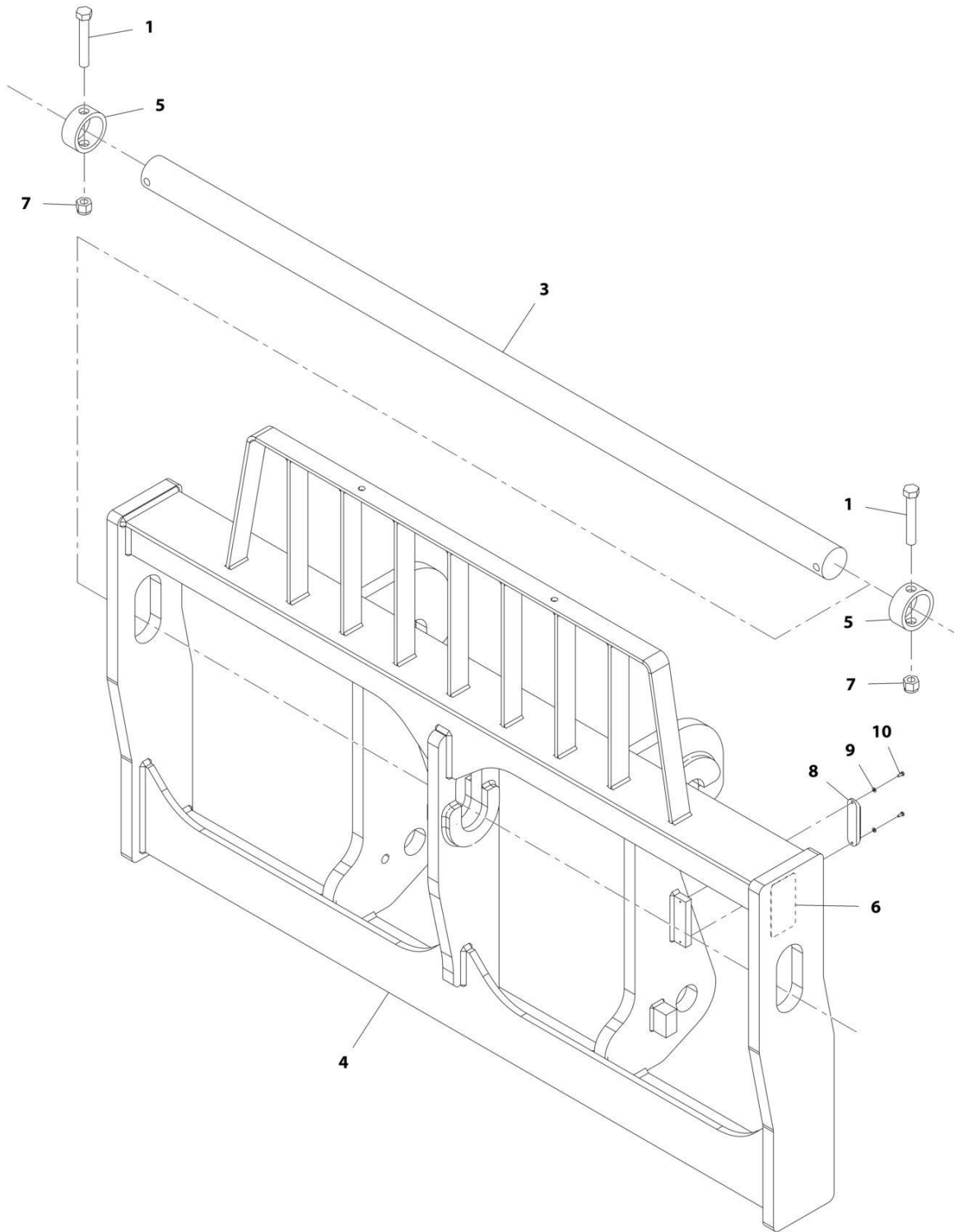
SECTION 3 - ATTACHMENTS

FIGURE 3-18. CARRIAGE ASSEMBLY (60IN/1524MM)

ITEM	PART NUMBER	QTY	DESCRIPTION	REV
	1001183447	1	Carriage Assembly (60in/1524mm)	F
2	0701628	2	Bolt, M16X110	
5	N.S.S.	1	S/N Plate	
6	N.S.S.	1	Weldment, Carriage	
7	1001191108	1	Pin	
9	3291605	2	Nut, Lock M16X2 Grade 8	
10	1001218755	2	Collar, Shaft	
11	1001227670	1	Tag, RFID	
12	4811400	2	Washer, M4	
13	0760405	2	Bolt, M4X10	

SECTION 3 - ATTACHMENTS

FIGURE 3-19. CARRIAGE ASSEMBLY (72IN/1829MM)



ART_1001214415-E

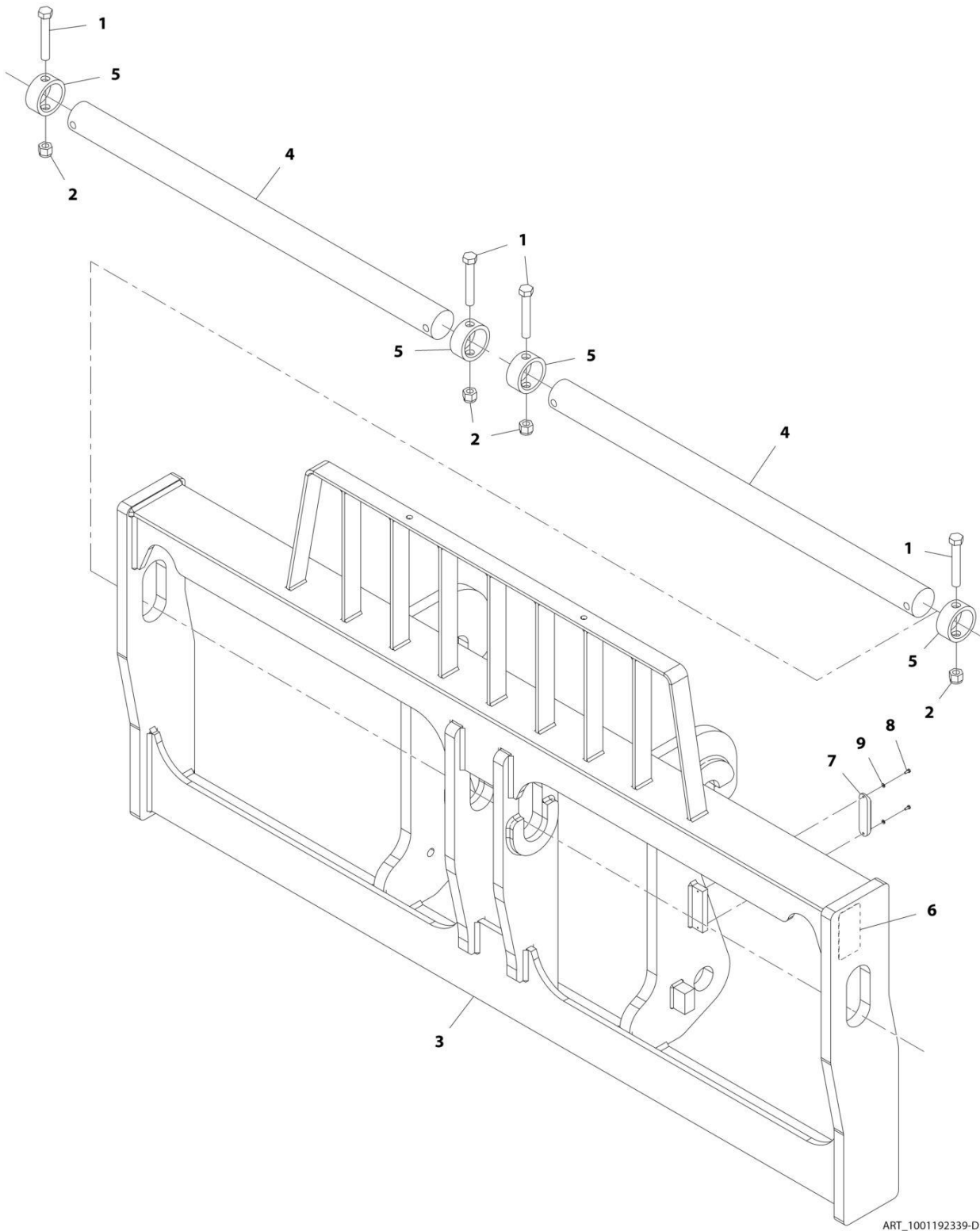
SECTION 3 - ATTACHMENTS

FIGURE 3-19. CARRIAGE ASSEMBLY (72IN/1829MM)

ITEM	PART NUMBER	QTY	DESCRIPTION	REV
	1001214415	Ref	Carriage Assembly (72in/1829mm)	E
1	0701628	2	Bolt, M16X110	
3	1001214254	1	Pin	
4	N.S.S.	1	Weldment, Carriage	
5	1001218755	2	Collar, Shaft	
6	N.S.S.	1	Plate, Serial Number	
7	3291605	2	Nut, Lock M16X2 Grade 8	
8	1001227670	1	Tag, RFID	
9	4811400	2	Washer, M4	
10	0760405	2	Bolt, M4X10	

SECTION 3 - ATTACHMENTS

FIGURE 3-20. CARRIAGE ASSEMBLY (87IN/2290MM)



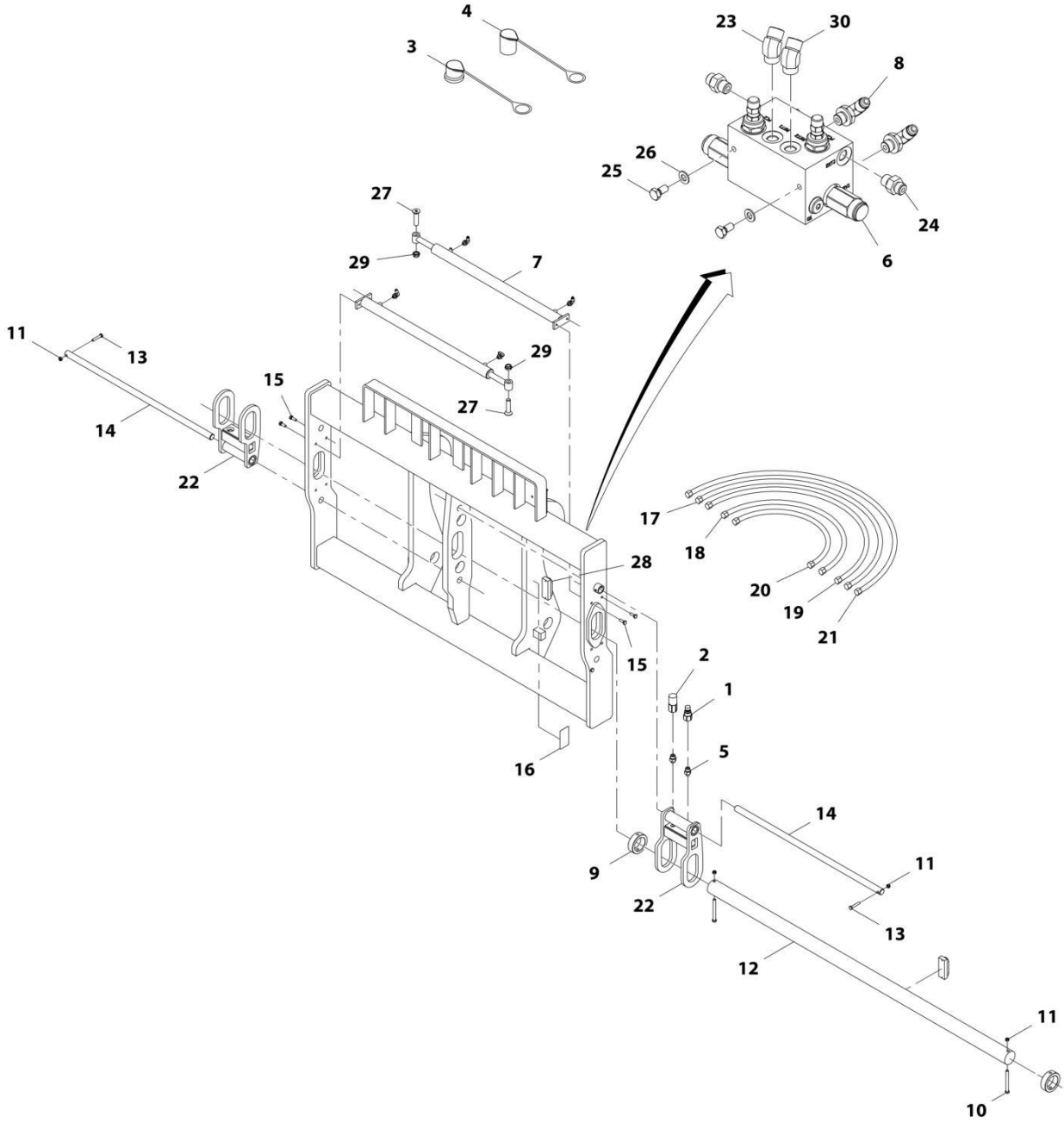
SECTION 3 - ATTACHMENTS

FIGURE 3-20. CARRIAGE ASSEMBLY (87IN/2290MM)

ITEM	PART NUMBER	QTY	DESCRIPTION	REV
	1001192339	1	Carriage Assembly (87in/2290mm)	D
1	0701628	4	Bolt, M16X110	
2	3291605	4	Nut, Lock M16X2 Grade 8	
3	N.S.S.	1	Weldment, Carriage	
4	1001218754	2	Pin	
5	1001218755	4	Collar, Shaft	
6	N.S.S.	1	Plate, Serial Number	
7	1001227670	1	Tag, RFID	
8	0760405	2	Bolt, M4X10	
9	4811400	2	Washer, M4	

SECTION 3 - ATTACHMENTS

FIGURE 3-21. CARRIAGE ASSEMBLY - DUAL FORK POSITIONING CARRIAGE (72IN/1829MM)



ART_1001192342-E

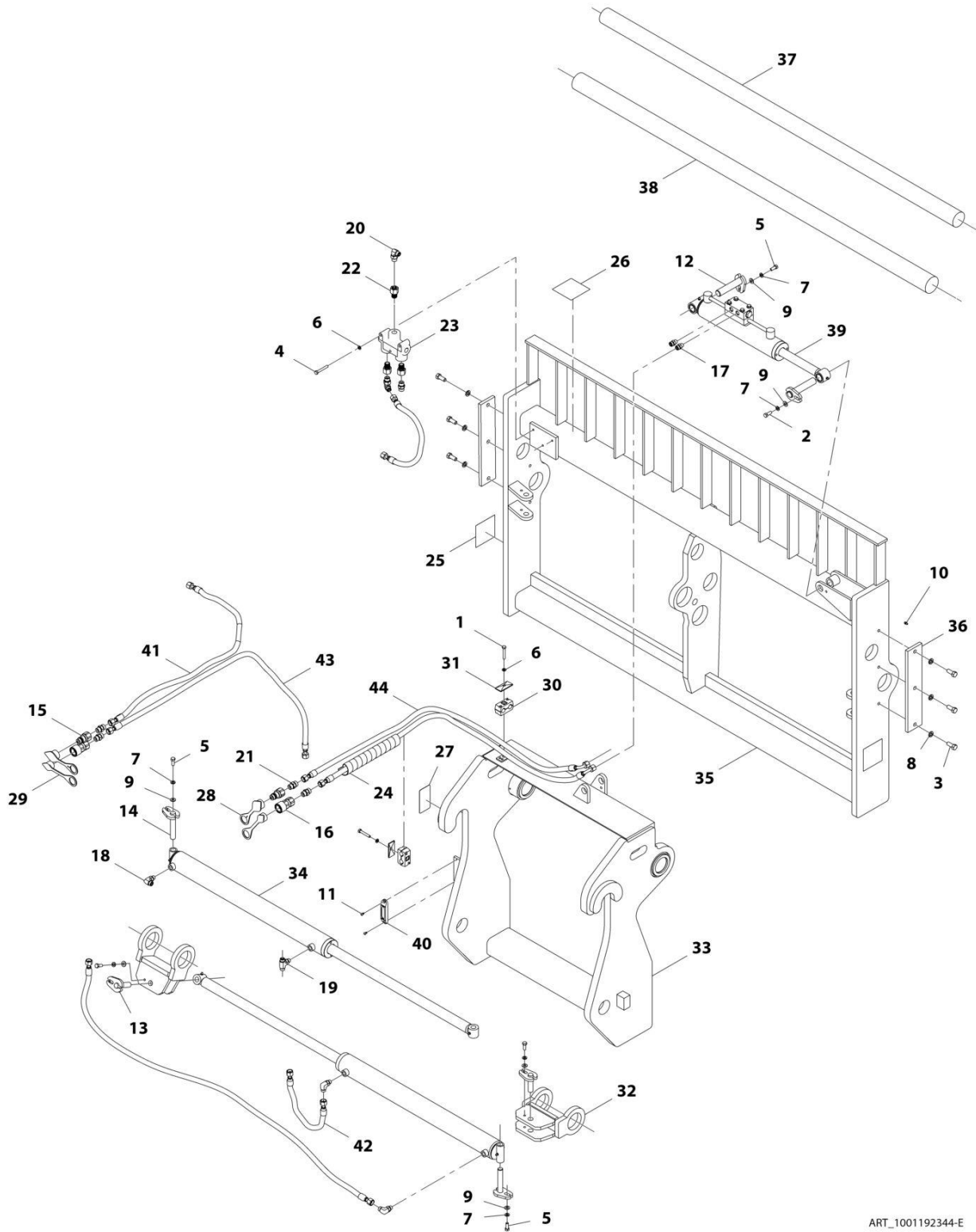
SECTION 3 - ATTACHMENTS

FIGURE 3-21. CARRIAGE ASSEMBLY - DUAL FORK POSITIONING CARRIAGE (72IN/1829MM)

ITEM	PART NUMBER	QTY	DESCRIPTION	REV
	1001192342	1	Dual Fork Positioning Carriage (72in/1829mm)	E
1	1001101041	1	Coupler, Male Hydraulic	
2	1001101042	1	Coupler, Female Hydraulic	
3	8420053	1	Cap	
4	8420055	1	Cap	
5	1001008834	2	Fitting, Straight	
6	70027896	1	Valve	
7	70028505	2	Cylinder, Forkpositioner	
8	2150606	4	Fitting, 45 ORFS	
9	70028506	2	Collar	
10	70027889	2	Bolt, M10x120	
11	70027890	4	Nut M10	
12	70028507	1	Shaft, Floating	
13	70027881	2	Bolt, M10x55	
14	70028508	2	Shaft, Forkpositioner	
15	70027880	4	Bolt, M10x30	
16	N.S.S.	1	S/N Plate	
17	70028509	1	Hose	
18	70028510	1	Hose	
19	70028511	1	Hose	
20	70028512	1	Hose	
21	70027899	2	Hose	
22	70028513	2	Cage, Fork	
23	2150606	1	Fitting, 45 ORFS	
24	2110606	2	Fitting, Straight ORFS	
25	70027882	2	Bolt, M8X16	
26	70027879	2	Washer	
27	70027888	3	Screw, Countersunk M20x80	
28	1001227670	1	Tag, RFID	
29	70027887	2	Nut, M20	
30	2170206	1	Fitting, 90 ORFS	

SECTION 3 - ATTACHMENTS

FIGURE 3-22. CARRIAGE ASSEMBLY - DUAL FORK POSITIONING SIDE SHIFT CARRIAGE (75IN/1899MM)



ART_1001192344-E

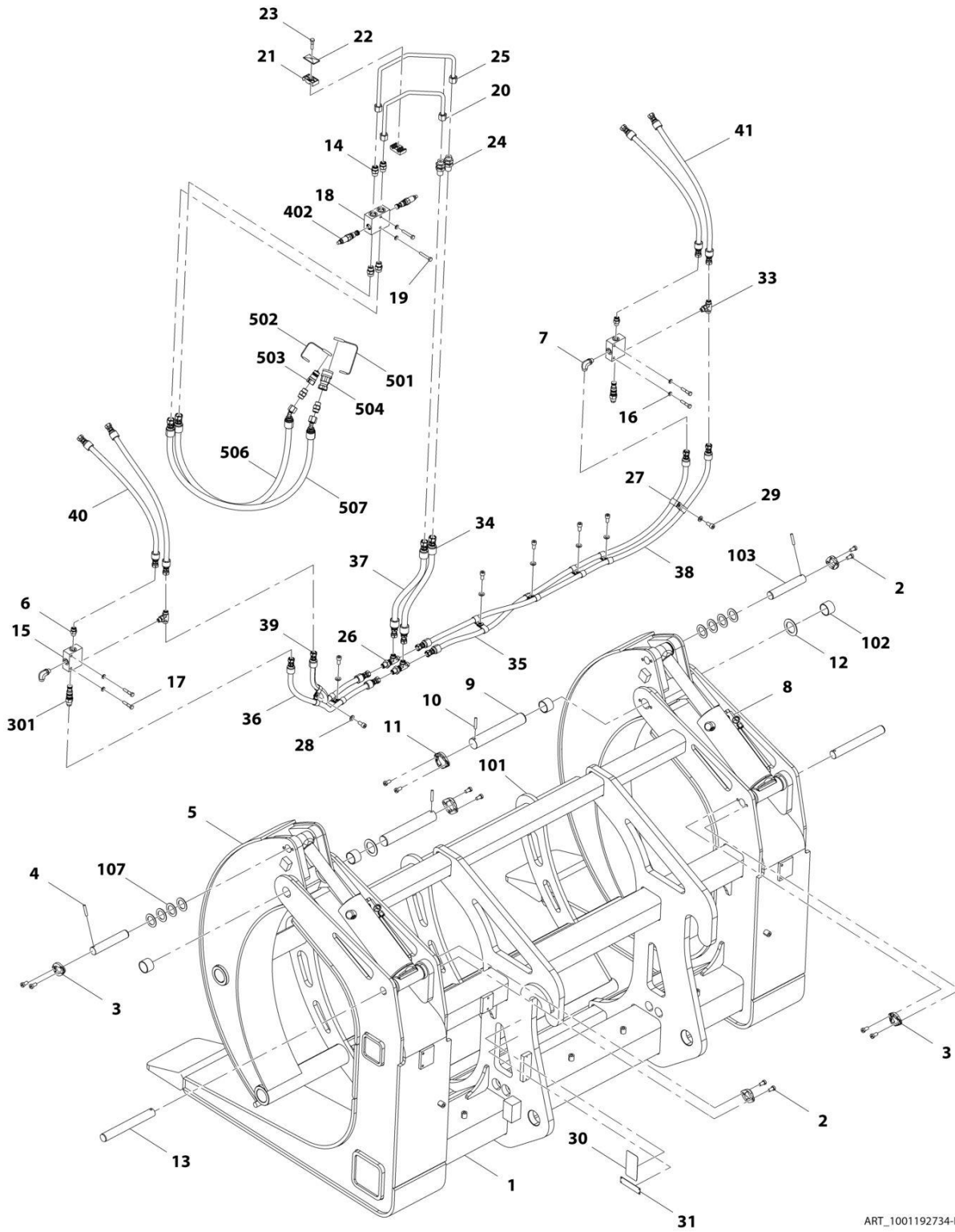
SECTION 3 - ATTACHMENTS

**FIGURE 3-22. CARRIAGE ASSEMBLY - DUAL FORK POSITIONING SIDE SHIFT CARRIAGE
(75IN/1899MM)**

ITEM	PART NUMBER	QTY	DESCRIPTION	REV
	1001192344	1	Dual Fork Positioning Side Shift Carriage (75in/1899mm)	F
1	70028485	2	Bolt	
2	70021349	1	Bolt, 3/8X1	
3	70027989	6	Bolt	
4	70028591	3	Bolt	
5	7029704	5	Bolt, 3/8-24X1	
6	90554067	5	Washer, Lock 5/16	
7	90554042	6	Washer, Lock 3/8	
8	90554020	6	Washer, Lock 1/2	
9	7029703	6	Washer, Flat	
10	90554045	1	Zerk, Grease	
11	70028554	2	Screw	
12	7029702	2	Pin	
13	70028592	2	Pin	
14	70028593	2	Pin	
15	1001101041	2	Adapter, Male Quick Disconnect	
16	1001101042	2	Adapter, Female Quick Disconnect	
17	70028486	2	Fitting	
18	70028525	3	Elbow, 90	
19	70028594	1	Fitting	
20	70028526	2	Elbow, 90	
21	70028488	5	Fitting	
22	70028595	3	Fitting	
23	70028596	1	Valve	
24	70028597	1	Protector, Hose	
25	90554017	2	Decal, Danger Pinch Point	
26	7029711	1	Decal, High Pressure	
27	N.S.S.	1	S/N Plate	
28	8420053	2	Plug, Dust	
29	8420055	2	Plug, Dust	
30	70028495	2	Clamp	
31	70028496	2	Plate, Clamp	
32	70028598	2	Clevis	
33	N.S.S.	1	Weldment	
34	70028599	2	Assembly, Fork Positioning Cylinder (See Separate Breakdown in HYDRAULIC COMPONENTS Section)	
35	N.S.S.	1	Weldment	
36	70028600	2	Pin	
37	70028601	1	Pin	
38	70028602	1	Pin	
39	70028603	1	Assembly, Side Shift Cylinder (See Separate Breakdown in HYDRAULIC COMPONENTS Section)	
40	1001227670	1	Tag, RFID	
41	70028604	2	Hose	
42	70028605	2	Hose	
43	70028606	1	Hose	
44	70028607	2	Hose	

SECTION 3 - ATTACHMENTS

FIGURE 3-23. CARRIAGE ASSEMBLY - LOG HANDLER CARRIAGE



ART_1001192734-D

SECTION 3 - ATTACHMENTS

FIGURE 3-23. CARRIAGE ASSEMBLY - LOG HANDLER CARRIAGE

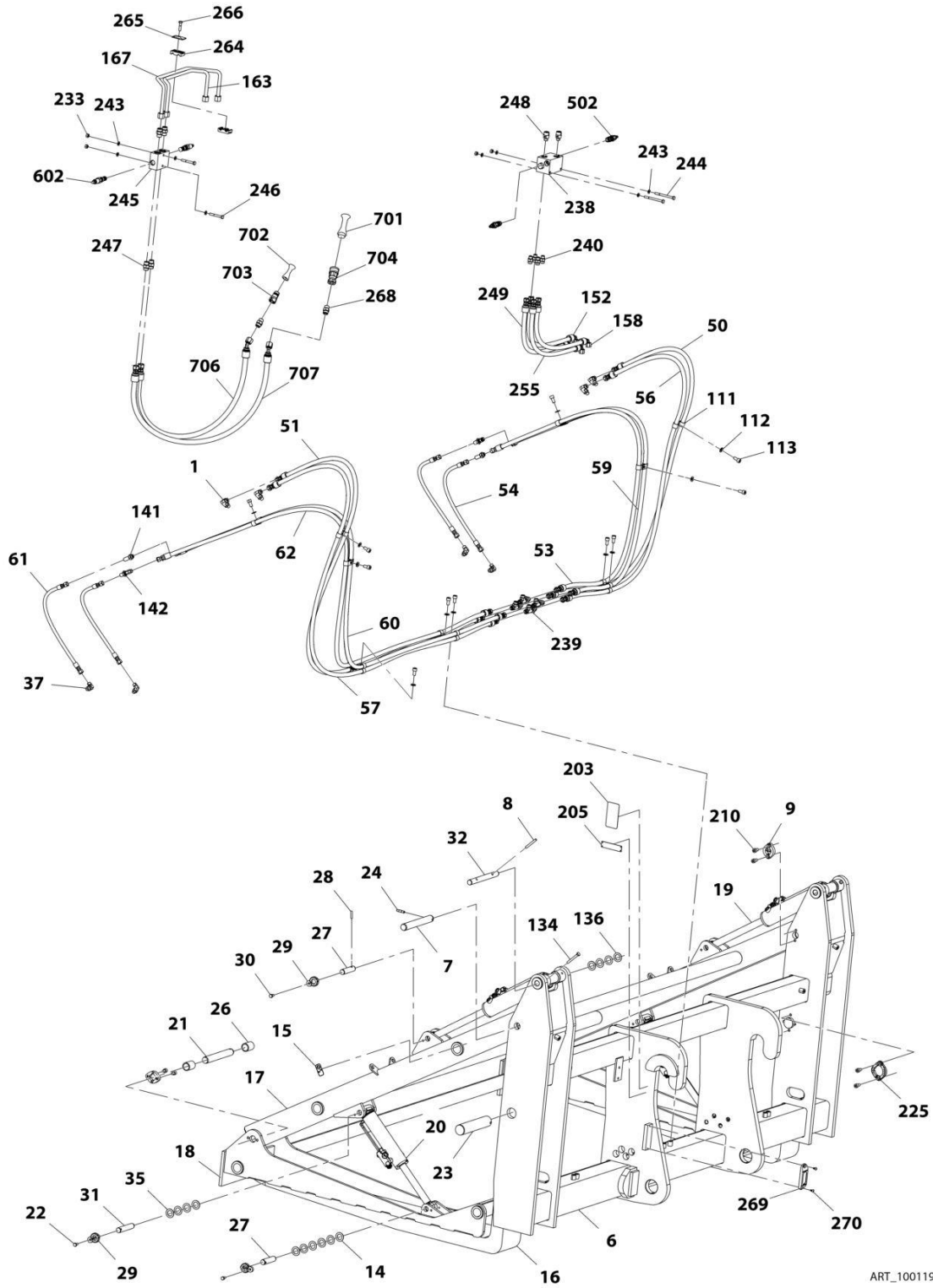
ITEM	PART NUMBER	QTY	DESCRIPTION	REV
	1001192734	Ref	Log Handler Carriage	E
1	N.S.S.	1	Frame	
2	70028701	8	Capscrew, M10X20	
3	70028702	2	Retainer	
4	70028703	4	Pin	
5	N.S.S.	1	Grapple	
6	70024130	2	Fitting, Straight	
7	70024123	2	Fitting, 90	
8	70028704	2	Assembly, Log Handler Carriage Cylinder (See Separate Breakdown in HYDRAULIC COMPONENTS Section)	
9	70028705	2	Pin	
10	70028706	2	Pin	
11	70028707	2	Retainer	
12	70028708	2	Shim	
13	70028709	2	Pin	
14	70022938	4	Fitting, Straight	
15	N.S.S.	2	Valve	
16	70024721	6	Washer, M8	
17	70028710	4	Capscrew	
18	N.S.S.	1	Valve, Relief	
19	70028711	2	Capscrew	
20	70028712	1	Pipe	
21	70028687	1	Clamp	
22	70028688	1	Plate, Cover	
23	70028689	1	Bolt, M8X35	
24	70028713	2	Fitting, Straight	
25	70028714	1	Pipe	
26	70028267	2	Fitting, Tee	
27	70026481	14	Clamp, Hose	
28	70026482	7	Washer, M10	
29	70028672	7	Bolt, M10X20	
30	N.S.S.	1	Plate, Serial Number	
31	N.S.S.	1	Plate, Name	
33	70028715	2	Fitting, Tee	
34	70028716	1	Hose	
35	70028717	1	Hose	
36	70028718	1	Hose	
37	70028719	1	Hose	
38	70028720	1	Hose	
39	70028721	1	Hose	
40	70028722	2	Hose	
41	70028723	2	Hose	
101	70028724	1	Arm	
102	70028725	4	Bearing	
103	70028726	2	Pin	
107	70028727	8	Shim	
301	70026504	2	Valve, Counterbalance	
402	70024772	2	Valve, Relief	
501	8420055	1	Plug, Dust	
502	8420053	1	Plug, Cap	

SECTION 3 - ATTACHMENTS

ITEM	PART NUMBER	QTY	DESCRIPTION	REV
503	1001101041	1	Adapter, Male Quick Disconnect	
504	1001101042	1	Adapter, Female Quick Disconnect	
506	70028734	1	Hose	
507	70028697	1	Hose	

SECTION 3 - ATTACHMENTS

FIGURE 3-24. CARRIAGE ASSEMBLY - PIPE HANDLER CARRIAGE



ART_1001192722-E

SECTION 3 - ATTACHMENTS

FIGURE 3-24. CARRIAGE ASSEMBLY - PIPE HANDLER CARRIAGE

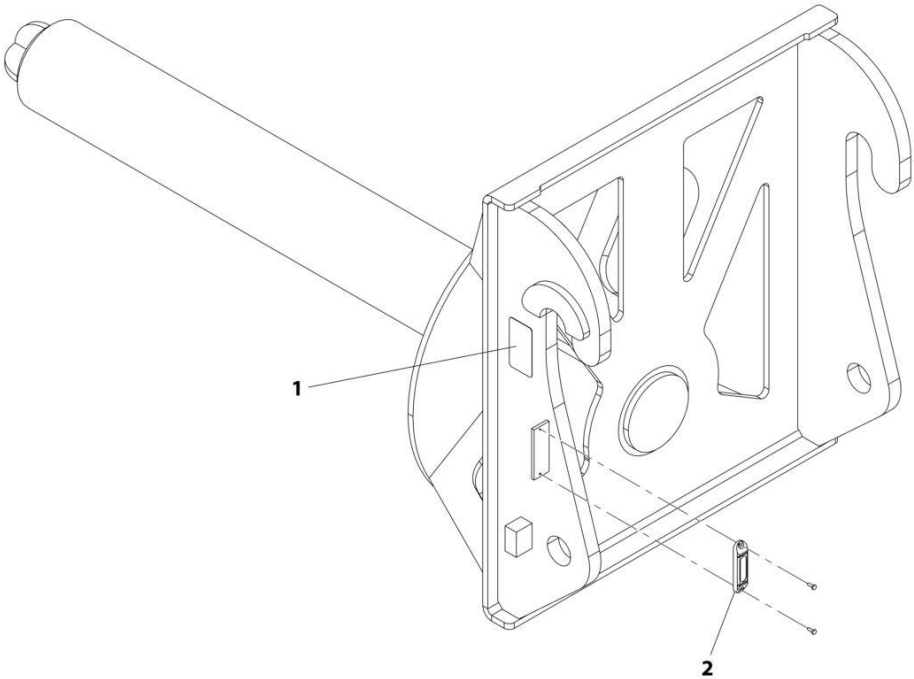
ITEM	PART NUMBER	QTY	DESCRIPTION	REV
	1001192722	Ref	Pipe Handler Carriage	F
1	70024123	4	Adapter, 90 (includes o-ring)	
6	N.S.S.	1	Carriage	
7	70028648	2	Pin	
8	70026471	4	Pin	
9	70026472	4	Retainer	
14	70026476	12	Shim	
15	70024538	2	Decal, Pinch Point	
16	70028649	2	Fork	
17	70028650	1	Arm	
18	70028651	1	Pad, Contact	
19	70028652	1	Assembly, Upper Cylinder (See Separate Breakdown in HYDRAULIC COMPONENTS Section)	
20	70028653	1	Assembly, Lower Cylinder (See Separate Breakdown in HYDRAULIC COMPONENTS Section)	
21	70028654	2	Pin	
22	70026473	4	Capscrew, M10X12	
23	70028655	2	Pin	
24	70028405	2	Pin	
26	70026501	8	Bushing	
27	70028656	4	Pin	
28	70028253	6	Pin	
29	70028262	6	Retainer	
30	70028657	6	Bolt, M8X16	
31	70028658	2	Pin	
32	70028659	2	Pin	
35	70028660	8	Shim	
37	70028661	4	Fittin, 90	
50	70028662	1	Hose	
51	70028663	1	Hose	
53	70028664	1	Hose	
54	70028665	2	Hose	
56	70028666	1	Hose	
57	70028667	1	Hose	
59	70028668	1	Hose	
60	70028669	1	Hose	
61	70028670	2	Hose	
62	70028671	1	Hose	
111	70026481	24	Clamp, Hose	
112	70026482	12	Washer	
113	70028672	12	Bolt, M10X20	
134	70028406	2	Capscrew	
136	70028767	4	Shim	
141	70028768	2	Fitting, Straight	
142	70028673	2	Fitting, 45	
152	70028674	1	Hose	
158	70028675	1	Hose	
163	70028676	1	Pipe	
167	70028677	1	Pipe	
203	N.S.S.	1	Plate, Serial Number	

SECTION 3 - ATTACHMENTS

ITEM	PART NUMBER	QTY	DESCRIPTION	REV
205	N.S.S.	1	Plate, Name	
210	70028678	8	Bolt	
225	70028679	2	Retainer	
233	70028680	6	Nut, M8	
238	N.S.S.	1	Valve	
239	70028267	4	Fitting, Straight	
240	70024130	4	Fitting, Straight	
243	70024721	8	Washer, M8	
244	70028681	2	Bolt, M8X90	
245	N.S.S.	1	Valve, Relief	
246	70028682	2	Bolt, M8X60	
247	70028683	2	Fitting, Straight	
248	70028684	2	Fitting, Straight	
249	70028685	1	Hose	
255	70028686	1	Hose	
264	70028687	1	Clamp	
265	70028688	1	Cover	
266	70028689	1	Bolt, M8X35	
268	70022938	4	Fitting, Straight	
269	1001227670	1	Tag, RFID	
270	70028690	2	Bolt, M4X16	
501	N.S.S.	1	Valve, Relief	
502	70024772	2	Valve, Cartridge	
601	N.S.S.	1	Valve, Sequence	
602	70028695	2	Valve, Cartridge	
701	8420055	1	Plug, Dust	
702	8420053	1	Plug, Cap	
703	1001101041	1	Adapter, Male Quick Disconnect	
704	1001101042	1	Adapter, Female Quick Disconnect	
706	70028696	1	Hose	
707	70028697	1	Hose	

SECTION 3 - ATTACHMENTS

FIGURE 3-25. CARRIAGE ASSEMBLY - STEEL COIL HANDLER CARRIAGE



ART_1001192735-F

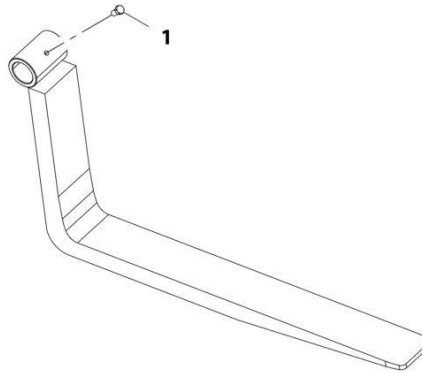
SECTION 3 - ATTACHMENTS

FIGURE 3-25. CARRIAGE ASSEMBLY - STEEL COIL HANDLER CARRIAGE

ITEM	PART NUMBER	QTY	DESCRIPTION	REV
	1001192735	1	Steel Coil Handler Carriage	G
1	N.S.S.	1	Plate, Serial Number	
2	1001227670	1	Tag, RFID	

SECTION 3 - ATTACHMENTS

FIGURE 3-26. FORK - PALLET (2.25X6X48)



ART_1001196952-B

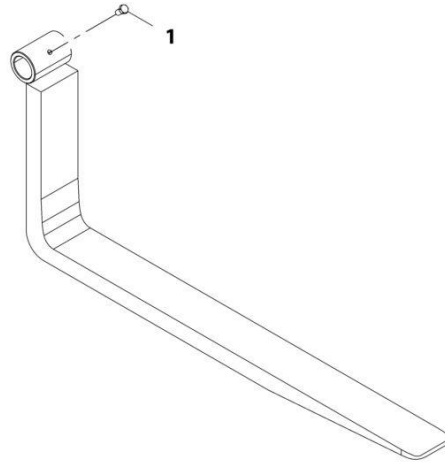
SECTION 3 - ATTACHMENTS

FIGURE 3-26. FORK - PALLET (2.25X6X48)

ITEM	PART NUMBER	QTY	DESCRIPTION	REV
1	1001196952	1	Pallet Fork (2.25X6X48)	B
	70027180	1	Screw, M16X30	
	Note	Ref	<p>FORKS RATED LESS THAN THE ATTACHMENT OR MACHINE'S CAPACITY DECREASES CAPACITY OF THE ATTACHMENT OR MACHINE TO THAT OF THE FORKS. FORKS RATED MORE THAN THE ATTACHMENT OR MACHINE'S CAPACITY DO NOT INCREASE ATTACHMENT OR MACHINE'S CAPACITY.</p>	
	Note	Ref	<p>PLEASE CONSULT JLG PARTS DEPARTMENT TO DETERMINE THE CORRECT FORKS APPLICABLE TO YOUR SPECIFIC CARRIAGE ASSEMBLY AND APPLICATION.</p>	

SECTION 3 - ATTACHMENTS

FIGURE 3-27. FORK - PALLET (2.25X6X60)



ART_1001196951-B

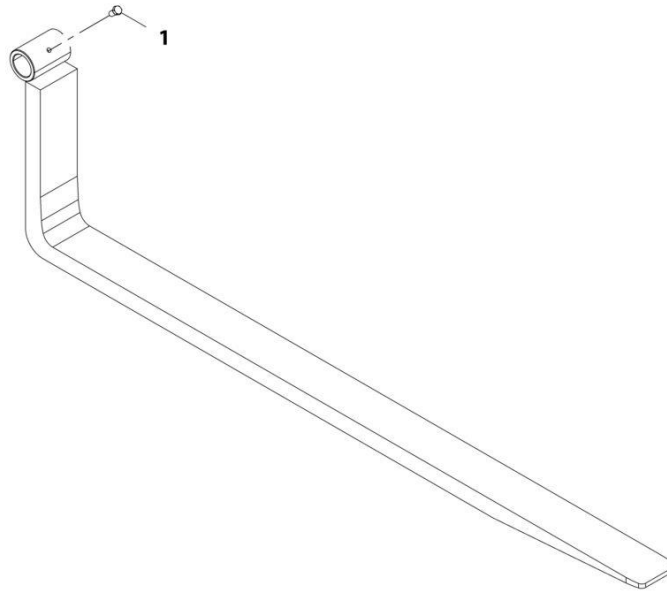
SECTION 3 - ATTACHMENTS

FIGURE 3-27. FORK - PALLET (2.25X6X60)

ITEM	PART NUMBER	QTY	DESCRIPTION	REV
1	1001196951	1	Pallet Fork (2.25X6X60)	B
	70027180	1	Screw, M16X30	
	Note	Ref	<p>FORKS RATED LESS THAN THE ATTACHMENT OR MACHINE'S CAPACITY DECREASES CAPACITY OF THE ATTACHMENT OR MACHINE TO THAT OF THE FORKS. FORKS RATED MORE THAN THE ATTACHMENT OR MACHINE'S CAPACITY DO NOT INCREASE ATTACHMENT OR MACHINE'S CAPACITY.</p>	
	Note	Ref	<p>PLEASE CONSULT JLG PARTS DEPARTMENT TO DETERMINE THE CORRECT FORKS APPLICABLE TO YOUR SPECIFIC CARRIAGE ASSEMBLY AND APPLICATION.</p>	

SECTION 3 - ATTACHMENTS

FIGURE 3-28. FORK - PALLET (2.25X6X72)



ART_1001196950-B

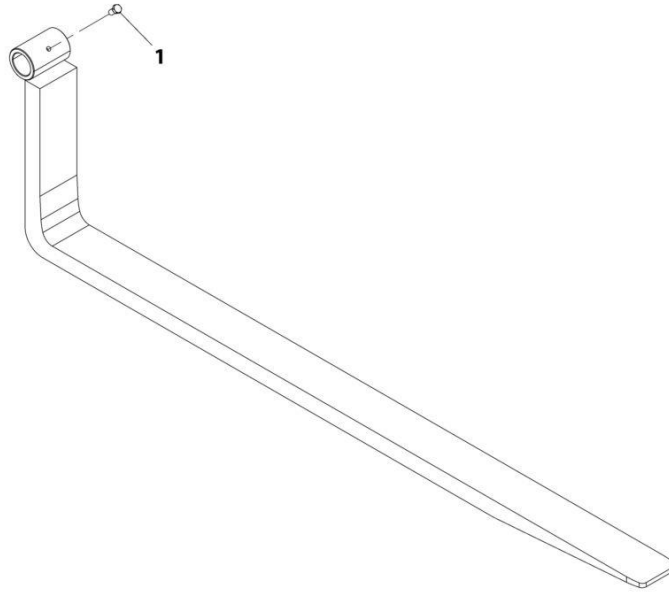
SECTION 3 - ATTACHMENTS

FIGURE 3-28. FORK - PALLET (2.25X6X72)

ITEM	PART NUMBER	QTY	DESCRIPTION	REV
1	1001196950	1	Pallet Fork (2.25X6X72)	B
	70027180	1 2	Screw, M16X30	
	Note	Ref	<p>FORKS RATED LESS THAN THE ATTACHMENT OR MACHINE'S CAPACITY DECREASES CAPACITY OF THE ATTACHMENT OR MACHINE TO THAT OF THE FORKS. FORKS RATED MORE THAN THE ATTACHMENT OR MACHINE'S CAPACITY DO NOT INCREASE ATTACHMENT OR MACHINE'S CAPACITY.</p>	
	Note	Ref	<p>PLEASE CONSULT JLG PARTS DEPARTMENT TO DETERMINE THE CORRECT FORKS APPLICABLE TO YOUR SPECIFIC CARRIAGE ASSEMBLY AND APPLICATION.</p>	

SECTION 3 - ATTACHMENTS

FIGURE 3-29. FORK - PALLET (2.25X6X96)



ART_1001196949-B

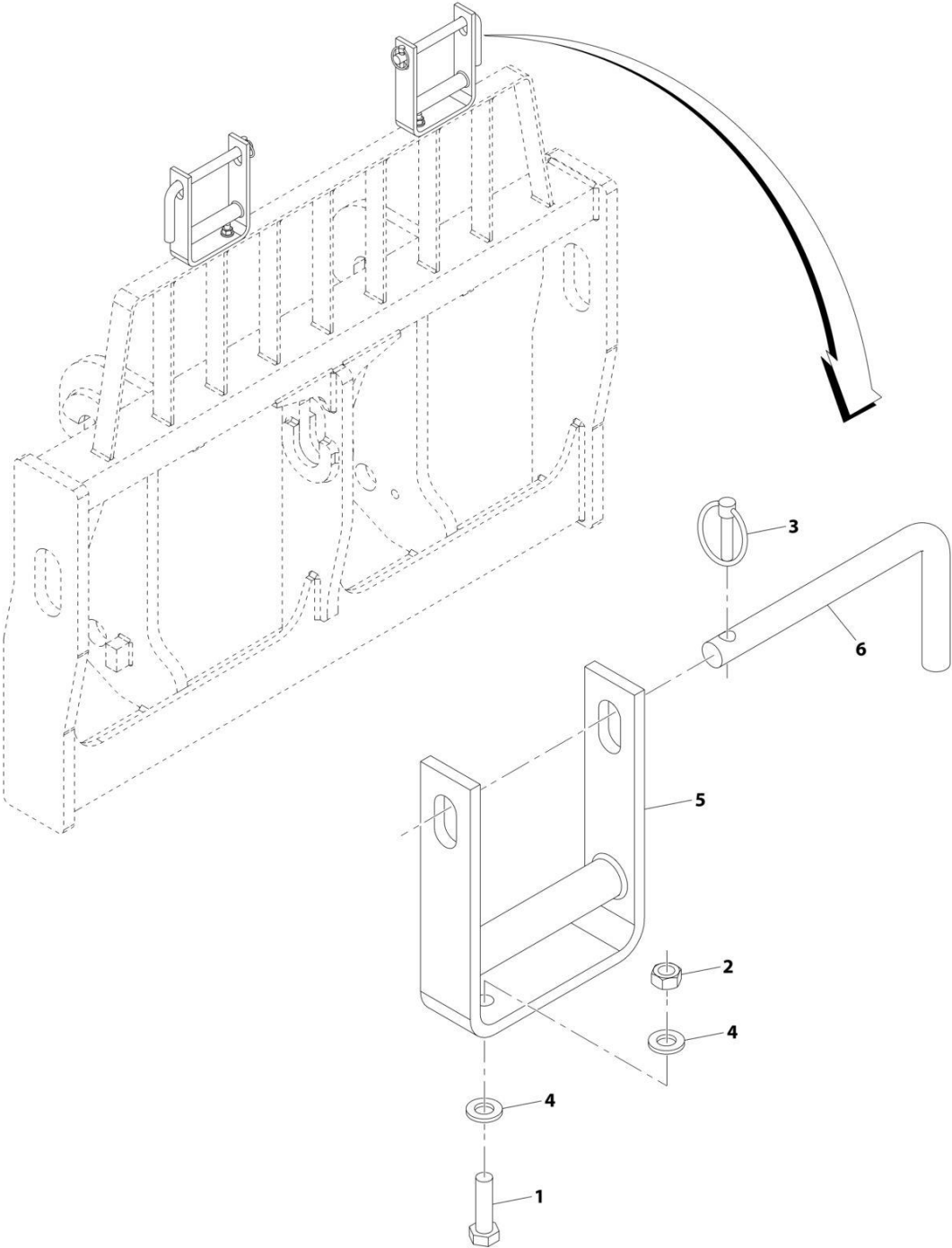
SECTION 3 - ATTACHMENTS

FIGURE 3-29. FORK - PALLET (2.25X6X96)

ITEM	PART NUMBER	QTY	DESCRIPTION	REV
1	1001196949	1	Pallet Fork (2.25X6X96)	B
	70027180	1 2	Screw, M16X30	
	Note	Ref	<p>FORKS RATED LESS THAN THE ATTACHMENT OR MACHINE'S CAPACITY DECREASES CAPACITY OF THE ATTACHMENT OR MACHINE TO THAT OF THE FORKS. FORKS RATED MORE THAN THE ATTACHMENT OR MACHINE'S CAPACITY DO NOT INCREASE ATTACHMENT OR MACHINE'S CAPACITY.</p>	
	Note	Ref	<p>PLEASE CONSULT JLG PARTS DEPARTMENT TO DETERMINE THE CORRECT FORKS APPLICABLE TO YOUR SPECIFIC CARRIAGE ASSEMBLY AND APPLICATION.</p>	

SECTION 3 - ATTACHMENTS

FIGURE 3-30. FORK RETENTION INSTALLATION



ART_1001196778-C

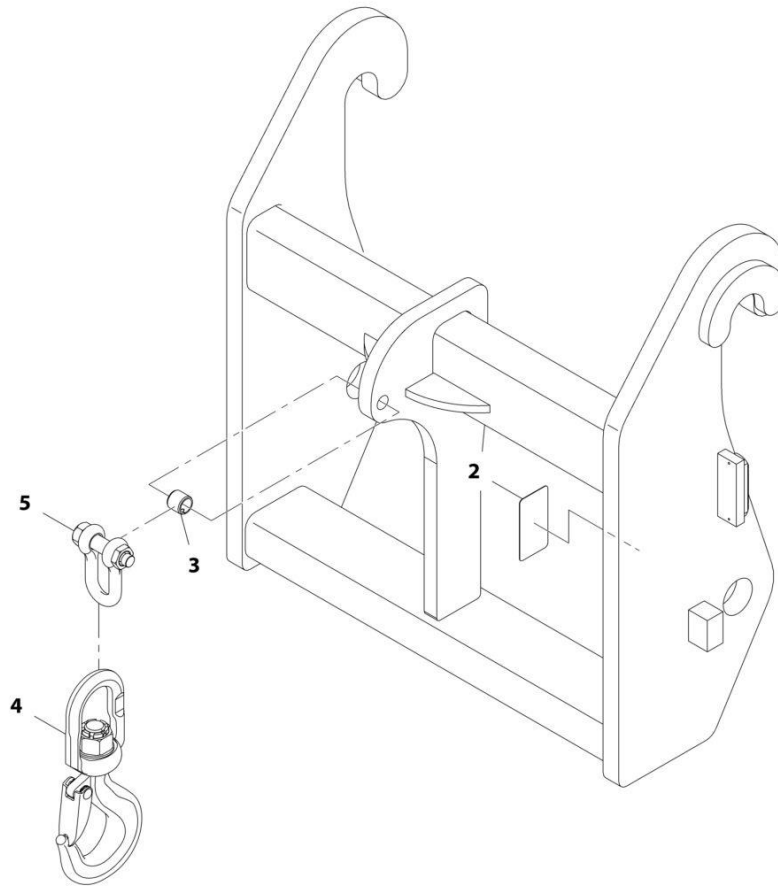
SECTION 3 - ATTACHMENTS

FIGURE 3-30. FORK RETENTION INSTALLATION

ITEM	PART NUMBER	QTY	DESCRIPTION	REV
	1001196778	Ref	Fork Retention Installation	C
1	0761217	1	Bolt, M12X45	
2	3291201	1	Nut, M12X1.75	
3	1001109387	1	Pin, Linch	
4	5241200	2	Washer, M12	
5	1001196779	1	Bracket, Fork Retention	
6	1001196782	1	Pin, Fork Retention	

SECTION 3 - ATTACHMENTS

FIGURE 3-31. HOOK - CRANK (7.6 TON)



ART_1001192700-E

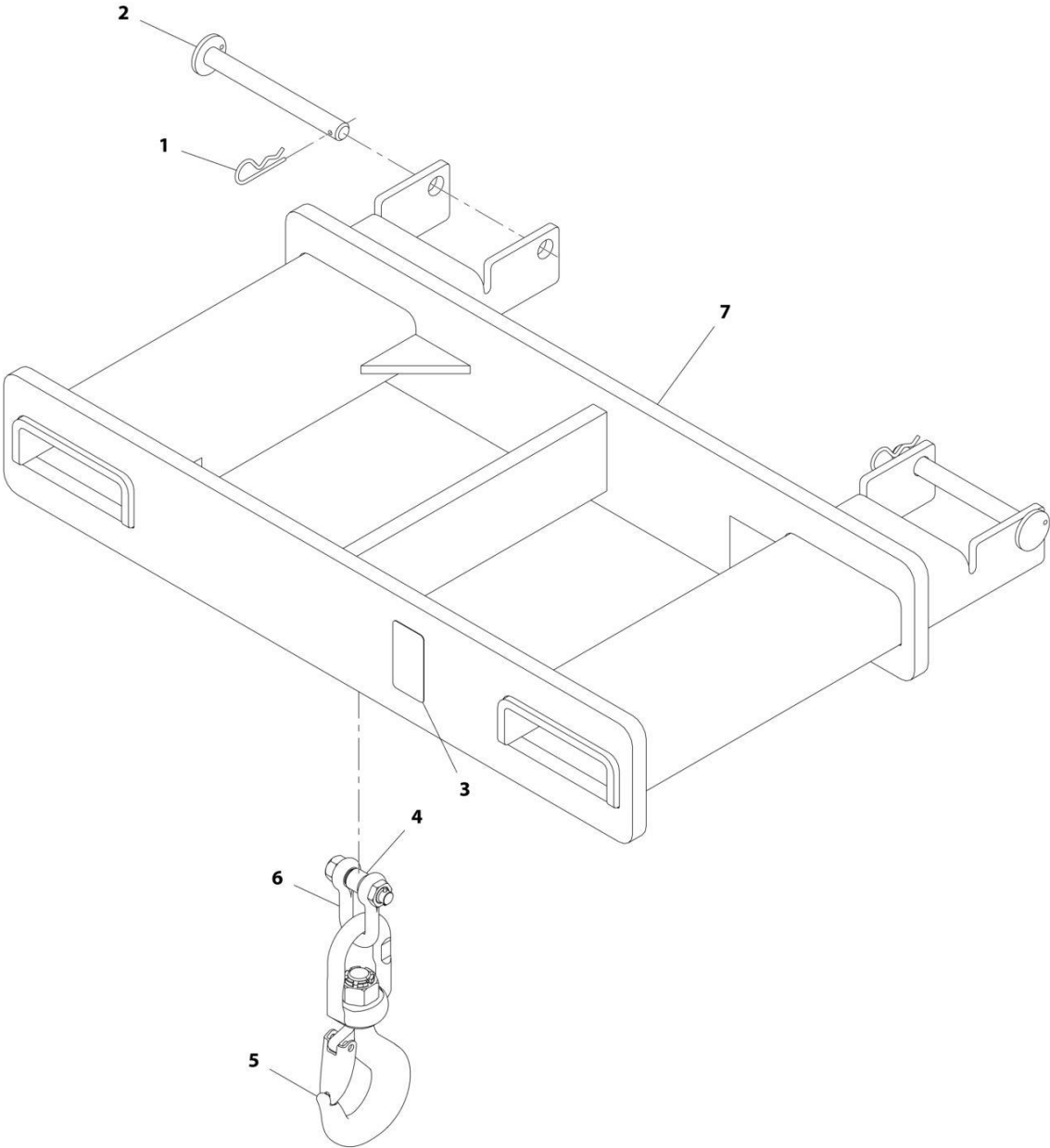
SECTION 3 - ATTACHMENTS

FIGURE 3-31. HOOK - CRANK (7.6 TON)

ITEM	PART NUMBER	QTY	DESCRIPTION	REV
	1001192700	1	Crane Hook (7.6 ton)	F
2	90554016	1	Decal, Made in USA	
3	70020555	1	Bushing	
4	70026745	1	Hook, Swivel	
5	70026746	1	Shackle, Chain	

SECTION 3 - ATTACHMENTS

FIGURE 3-32. HOOK - FORK MOUNTED



ART_1001193803-C

SECTION 3 - ATTACHMENTS

FIGURE 3-32. HOOK - FORK MOUNTED

ITEM	PART NUMBER	QTY	DESCRIPTION	REV
	1001193803	Ref	Hook Attach, Fork Mounted	D
1	7029520	2	Pin, Cotter	
2	1001093171	2	Pin	
3	N.S.S.	1	S/N Plate	
4	70020555	1	Bushing	
5	70026745	1	Hook	
6	70026746	1	Shackle, Chain	
7	N.S.S.	1	Weldment, Crane Hook	

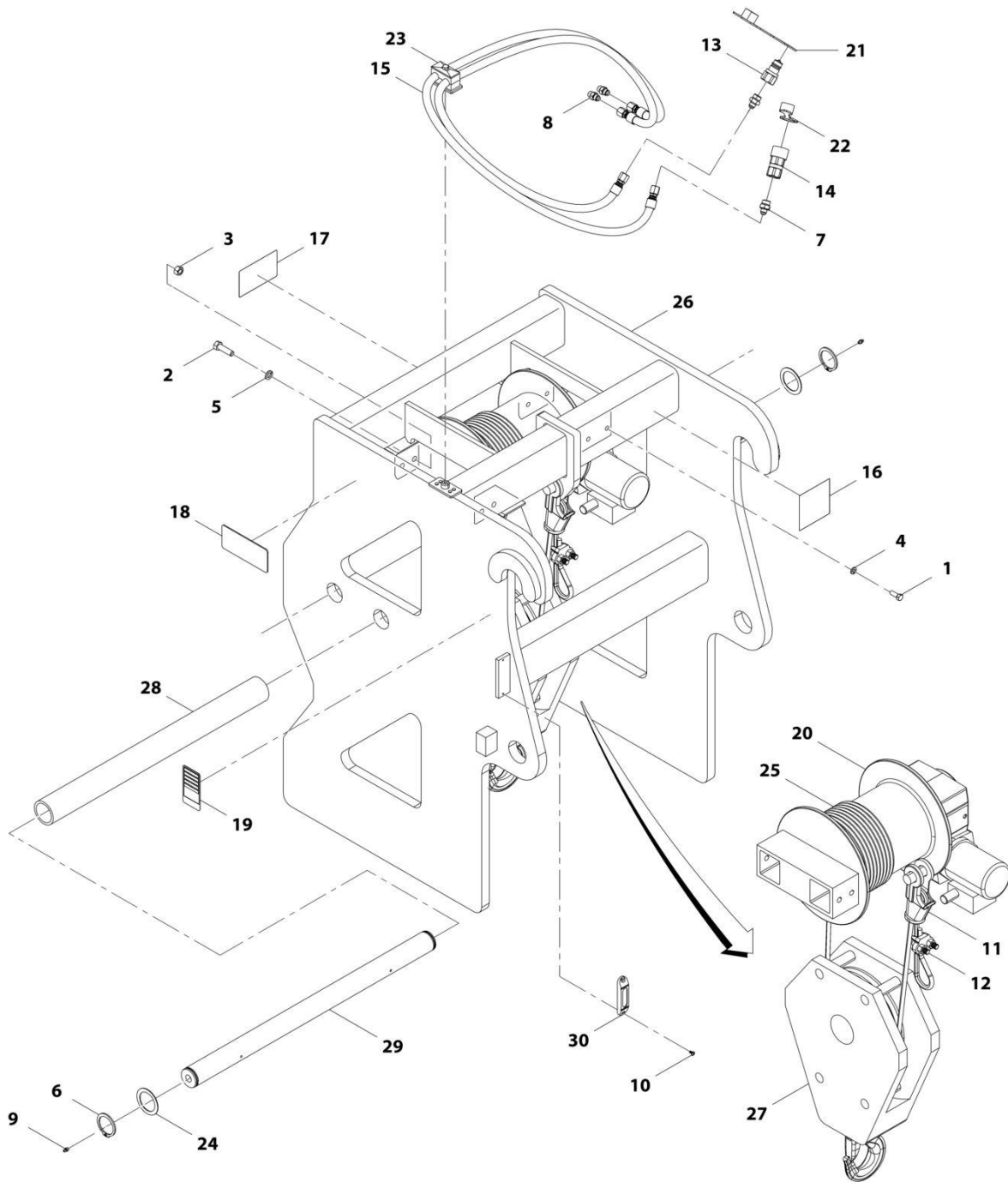
SECTION 3 - ATTACHMENTS

FIGURE 3-33. HOPPER - TRASH

ITEM	PART NUMBER	QTY	DESCRIPTION	REV
	1001238566	Ref	FORK MOUNTED TRASH HOPPER	C
1	0700614	4	Bolt M6 x 30	
2	3290601	4	Nut M6 x 1	
3	3391410	6	Pin	
4	4811700	8	Washer M6	
5	5242400	4	Washer M24	
6	1706302	2	Decal, Pinch Point	
7	0641510	2	Bolt 5/16 x 1-1/4	
8	3311502	2	Nut 5/16	
9	1001192711	1	Door Assembly	
10	1001192720	1	Hook Assembly	
11	See Note	NSS	Hopper, Trash (Note: Purchase Complete Assembly)	
12	1001192875	1	Tray Assembly	
13	1001192876	2	Arm, Swing	
14	1001192877	1	Rod, Swing	
15	1001238570	1	Bar	
16	1001193540	2	Pin	
17	1001193729	2	Plate	
18	1001198355	2	Spacer	
19	1001238560	2	Pin	
20	See Note	NSS	SN Plate (Note: Stamped Part - Not Available for Purchase)	
21	1001203503	1	Decal, Trash Hopper Operation	

SECTION 3 - ATTACHMENTS

FIGURE 3-34. WINCH - COUPLER MOUNTED



ART_1001192702-C

SECTION 3 - ATTACHMENTS

FIGURE 3-34. WINCH - COUPLER MOUNTED

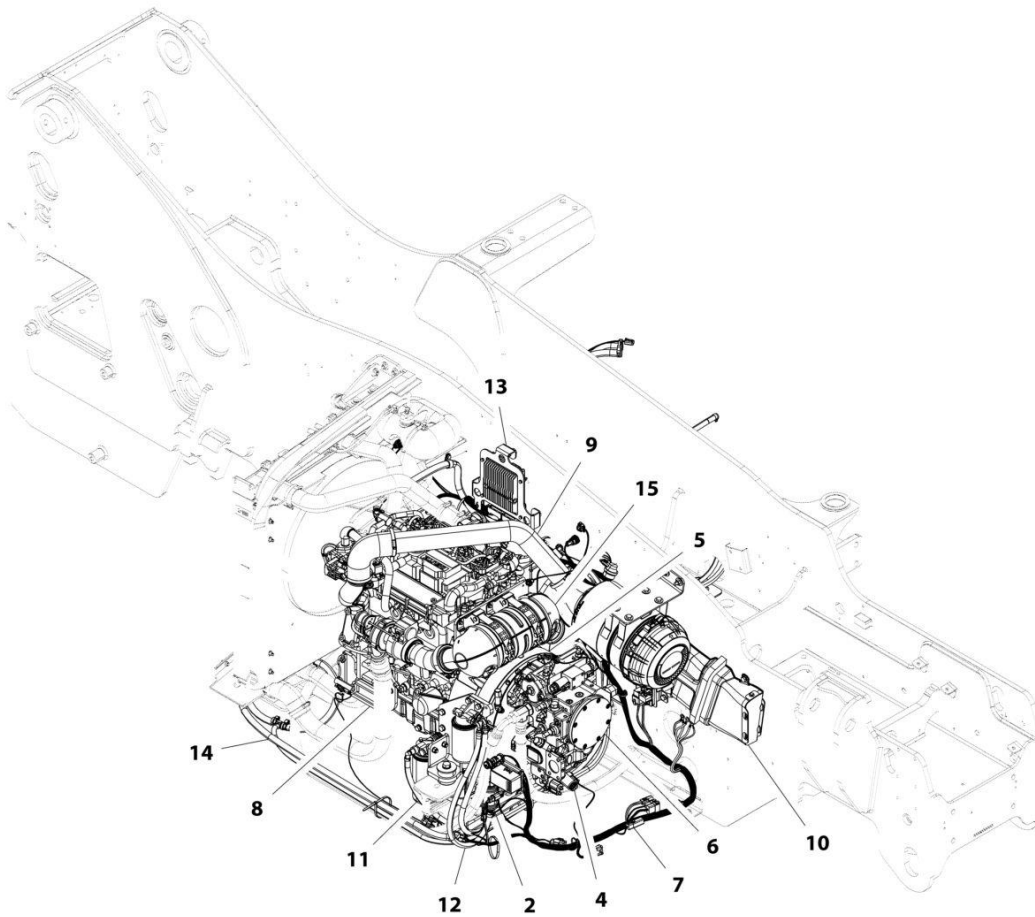
ITEM	PART NUMBER	QTY	DESCRIPTION	REV
	1001192702	Ref	Coupler Mounted Winch	D
1	70021349	4	Bolt, 3/8X1	
2	70024059	4	Bolt, 1/2X1-3/4	
3	90554054	4	Nut, 1/2	
4	90554042	4	Washer, Lock 3/8	
5	90554020	4	Washer, Lock 1/2	
6	70028860	4	Ring, Snap	
7	70021397	2	Fitting, Straight	
8	70021415	2	Fitting, Straight	
9	90554045	4	Grease, Fitting	
10	70028554	2	Screw	
11	70021979	1	Assembly, Socket (includes pin and cotter pin)	
12	70022528	1	Clamp	
13	91403414	1	Adapter, Male Quick Disconnect	
14	91403413	1	Adapter, Female Quick Disconnect	
15	70028861	2	Hose	
16	7029711	1	Decal, High Pressure	
17	70024064	1	Decal, Do Not Tow	
18	4110422	2	Decal, Warning Swinging Loads	
19	N.S.S.	1	Plate, Serial Number	
20	70028862	1	Winch	
21	8420053	1	Cap, Dust	
22	8420055	1	Cap, Dust	
23	70021387	1	Clamp, Hose	
24	70028863	4	Washer	
25	70028864	1	Cable	
26	N.S.S.	1	Weldment, Frame	
27	70028865	1	Hook	
28	70028866	2	Roller Tube, Winch	
29	70028867	2	Roller Bar, Winch	
30	1001227670	1	Tag, RFID	

SECTION 4 - ENGINE AND ATTACHING PARTS

SECTION 4 - ENGINE AND ATTACHING PARTS

SECTION 4 - ENGINE AND ATTACHING PARTS

FIGURE 4-1. ENGINE POD COMPONENT INSTALLATION (ULS)



ART_1001200443-D

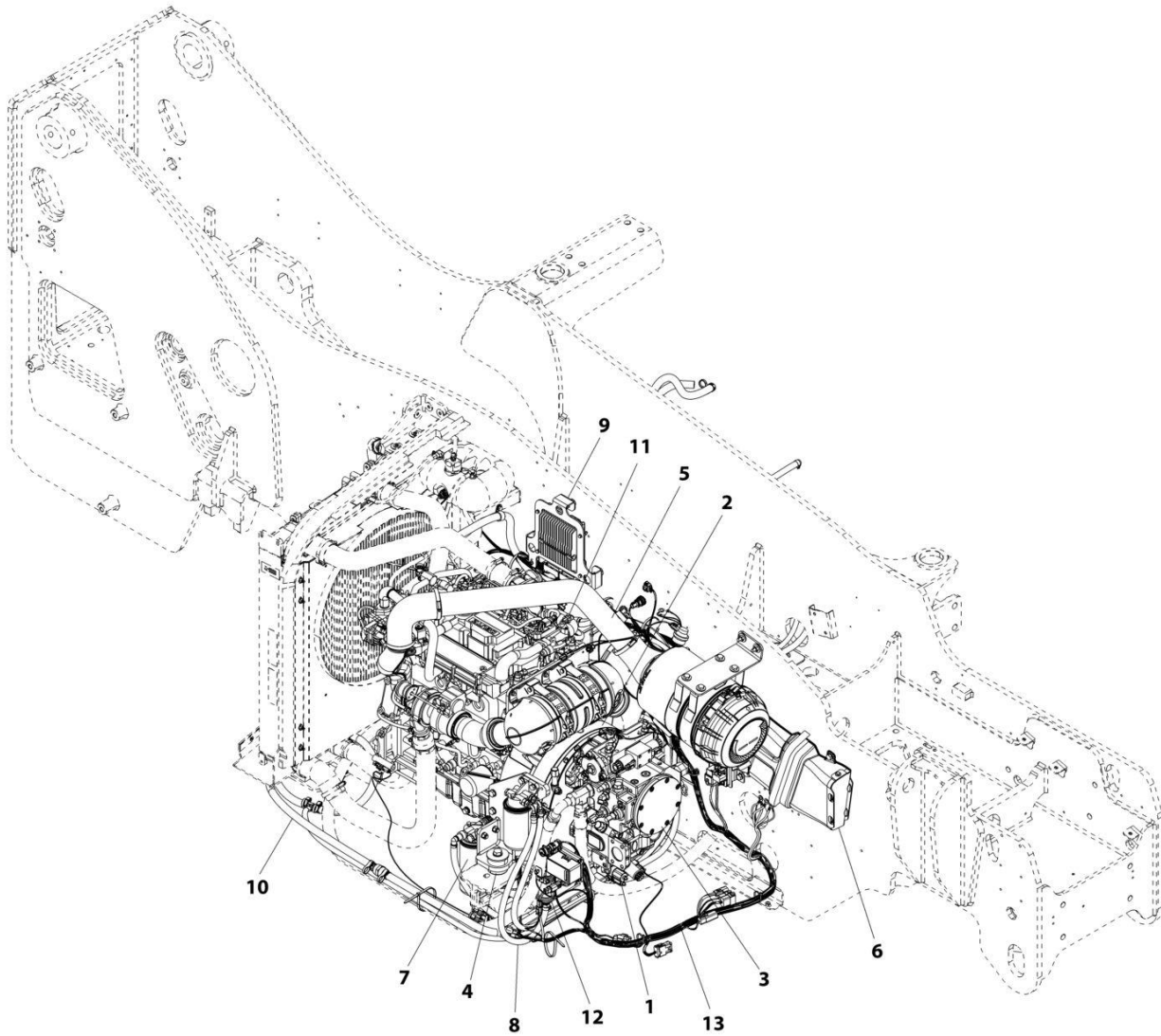
SECTION 4 - ENGINE AND ATTACHING PARTS

FIGURE 4-1. ENGINE POD COMPONENT INSTALLATION (ULS)

ITEM	PART NUMBER	QTY	DESCRIPTION	REV
	1001200443	Ref	Engine Pod Component Installation (ULS)	E
2	1001221041	1	Installation, Remote Fuel Pump (See Separate Breakdown in this Section)	
4	1001193393	1	Installation, Implement Pump (See Separate Breakdown in this Section)	
5	1001193703	1	Installation, Hydrostatic Adaptor (See Separate Breakdown in this Section)	
6	1001193704	1	Installation, Hydrostatic Drive Pump (See Separate Breakdown in this Section)	
7	1001200106	1	Installation, Engine Wiring (See Separate Breakdown in ELECTRICAL Section)	
8	1001200862	1	Installation, Engine Mount (See Separate Breakdown in this Section)	
9	1001200863	1	Installation, Air Intake (See Separate Breakdown in this Section)	
10	1001200864	1	Installation, Air Cleaner (See Separate Breakdown in this Section)	
11	1001200865	1	Installation, Primary Fuel Filter (See Separate Breakdown in this Section)	
12	1001200866	1	Installation, Fuel Lines (See Separate Breakdown in this Section)	
13	1001284538	1	Installation, Engine ECU (See Separate Breakdown in ELECTRICAL Section)	
14	1001293070	1	Installation, DEF Coolant Lines (See Separate Breakdown in this Section)	
15	1001201425	1	Installation, Engine (See Separate Breakdown in this Section)	

SECTION 4 - ENGINE AND ATTACHING PARTS

FIGURE 4-2. ENGINE POD COMPONENT INSTALLATION (MINING) (ULS)



ART_1001228727-A

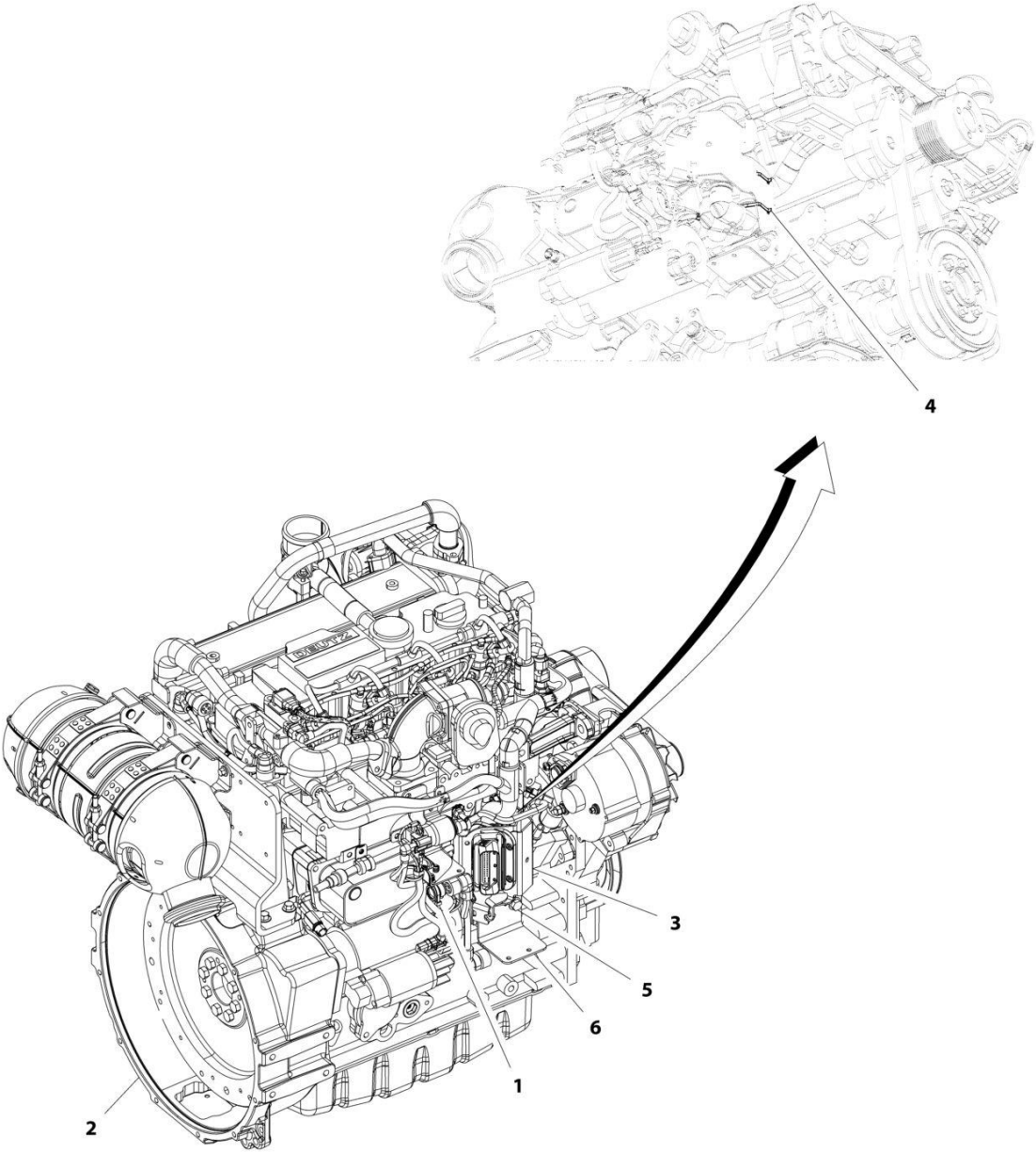
SECTION 4 - ENGINE AND ATTACHING PARTS

FIGURE 4-2. ENGINE POD COMPONENT INSTALLATION (MINING) (ULS)

ITEM	PART NUMBER	QTY	DESCRIPTION	REV
	1001228727	Ref	Engine Pod Component Installation (Mining) (ULS)	B
1	1001193393	1	Installation, Implement Pump (See Separate Breakdown in this Section)	
2	1001193703	1	Installation, Hydrostatic Adaptor (See Separate Breakdown in this Section)	
3	1001193704	1	Installation, Hydrostatic Drive Pump (See Separate Breakdown in this Section)	
4	1001200862	1	Installation, Engine Mount (See Separate Breakdown in this Section)	
5	1001200863	1	Installation, Air Intake (See Separate Breakdown in this Section)	
6	1001200864	1	Installation, Air Cleaner (See Separate Breakdown in this Section)	
7	1001200865	1	Installation, Primary Fuel Filter (See Separate Breakdown in this Section)	
8	1001200866	1	Installation, Fuel Lines (See Separate Breakdown in this Section)	
9	1001284538	1	Installation, Engine ECU (See Separate Breakdown in ELECTRICAL Section)	
10	1001293070	1	Installation, DEF Coolant Lines (See Separate Breakdown in this Section)	
11	1001201425	1	Installation, Engine (See Separate Breakdown in this Section)	
12	1001221041	1	Installation, Remote Fuel Pump (See Separate Breakdown in this Section)	
13	1001228728	1	Installation, Engine Wiring (See Separate Breakdown in ELECTRICAL Section)	

SECTION 4 - ENGINE AND ATTACHING PARTS

FIGURE 4-3. ENGINE INSTALLATION (ULS)



ART_1001201425-D

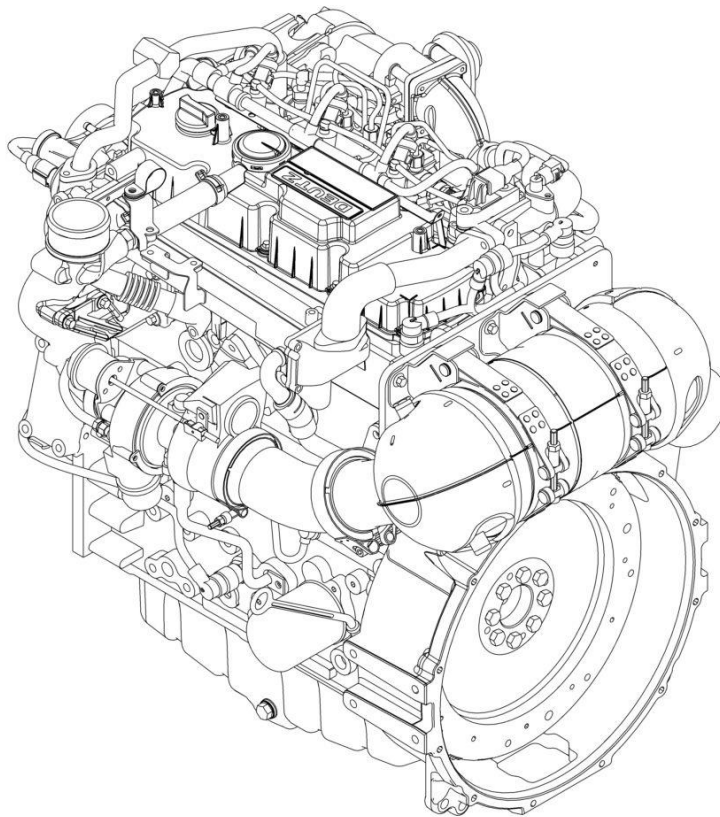
SECTION 4 - ENGINE AND ATTACHING PARTS

FIGURE 4-3. ENGINE INSTALLATION (ULS)

ITEM	PART NUMBER	QTY	DESCRIPTION	REV
	1001201425	Ref	Engine Installation (ULS)	F
1	1001004720	4	Strap, Cable	
2	1001284531	1	Engine (See Separate breakdown in this Section)	
3	1001202901	1	Bracket, ECU Connector	
4	1001008559	2	Strap, Cable	
5	5251012	2	Bolt, M10X25	
6	1001222460	1	Bracket, Fuel Supply	

SECTION 4 - ENGINE AND ATTACHING PARTS

FIGURE 4-4. ENGINE ASSEMBLY (ULS)



ART_1001197414_O

SECTION 4 - ENGINE AND ATTACHING PARTS

FIGURE 4-4. ENGINE ASSEMBLY (ULS)

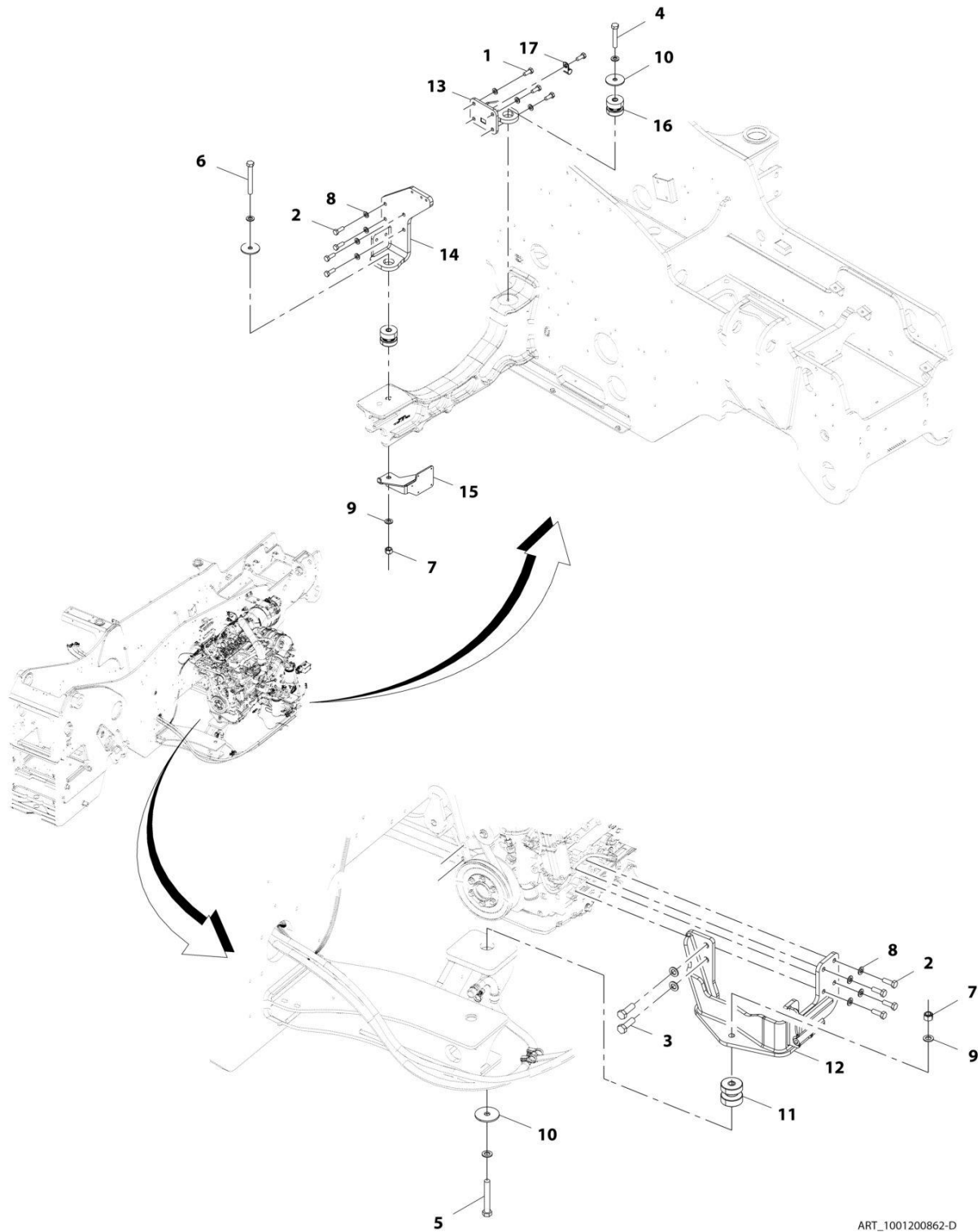
ITEM	PART NUMBER	QTY	DESCRIPTION	REV
	1001197414	Ref	ENGINE (100kW - ULS)	O
	70027657	1	Dipstick	
	7020442	1	O-Ring	
	70025755	1	Tube, Dipstick	
	70025765	1	Pan, Oil	
	70025786	1	Plug	
	70025757	1	Flywheel	
	7020208	1	Gear, Ring	
	70126616	1	Bearing	
	70027567	1	Belt	
	70025737	1	Sensor, Wheel	
	70025743	1	Pulley, V-Groove	
	70124445	1	Crankcase	
	70025763	1	Pump, Oil	
	70024494	1	Cooler, Oil	
	70024495	1	Gasket	
	7016331	1	Filter, Oil	
	70024504	1	Sensor, Pressure	
	70024489	1	Line, Lube	
	70005490	1	Line, Return	
	70005730	1	Pipe, Transfer	
	70025722	1	Line, Oil Suction	
	70024487	1	Pump, Fuel Injector	
	70027417	1	Filter, Fuel (Secondary)	
	70004512	1	Element, Fuel Filter (Secondary)	
	70024961	1	Filter, Fuel (Primary)	
	70025153	1	Element, Fuel Filter (Primary)	
	70006144	1	Pump, Fuel	
	70024507	1	Sensor, Pressure	
	70005492	1	Valve, Throttle	
	70025772	1	Manifold, Air Charge	
	70027420	1	Module, ECU	
	70026011	1	Pump, Water	
	70025775	1	Pulley, V-Ribbed Belt	
	70024918	1	Sensor, Temperature	
	70024493	1	Gasket	
	70005504	1	Sensor, Pressure	
	70005505	1	O-Ring	
	70027405	2	Sensor, Temperature	
	70005507	2	O-Ring	
	70005510	1	Manifold, Exhaust	
	70005511	1	Gasket	
	70027426	1	Module, EGR	
	70005513	1	Valve, Control	
	70025768	1	Valve, Shuttle	
	70028417	1	Turbocharger	
	70024484	1	Roller, Idler	
	70028418	1	Tensioner, Belt	
	70028419	1	Belt, V-Ribbed	
	70031088	1	Alternator	

SECTION 4 - ENGINE AND ATTACHING PARTS

ITEM	PART NUMBER	QTY	DESCRIPTION	REV
	70025535	1	Starter	
	70025780	1	Relay	
	70026210	1	Sensor, Speed	
	70005191	1	O-Ring	
	70025761	1	Connector	
	70024474	1	Plug, Glow	
	70025760	1	Rail, Connecting	
	70005544	1	Unit, Metering	
	70005548	1	Pump, DEF Supply	
	70005549	1	Filter, DEF	
	70005523	1	Sensor, Pressure	
	70024505	1	Sensor, Temperature	
	70005556	1	Sensor, Temperature	
	70005522	1	Sensor	
	70005524	1	Sensor	
	70005559	1	Sensor, Temperature	
	70005507	1	O-Ring	
	70005557	1	Pipe	
	70005558	1	Clip	
	70025877	3	Clamp	
	70025242	3	Gasket	
	70025707	1	Set, Gasket	

SECTION 4 - ENGINE AND ATTACHING PARTS

FIGURE 4-5. ENGINE MOUNT INSTALLATION



ART_1001200862-D

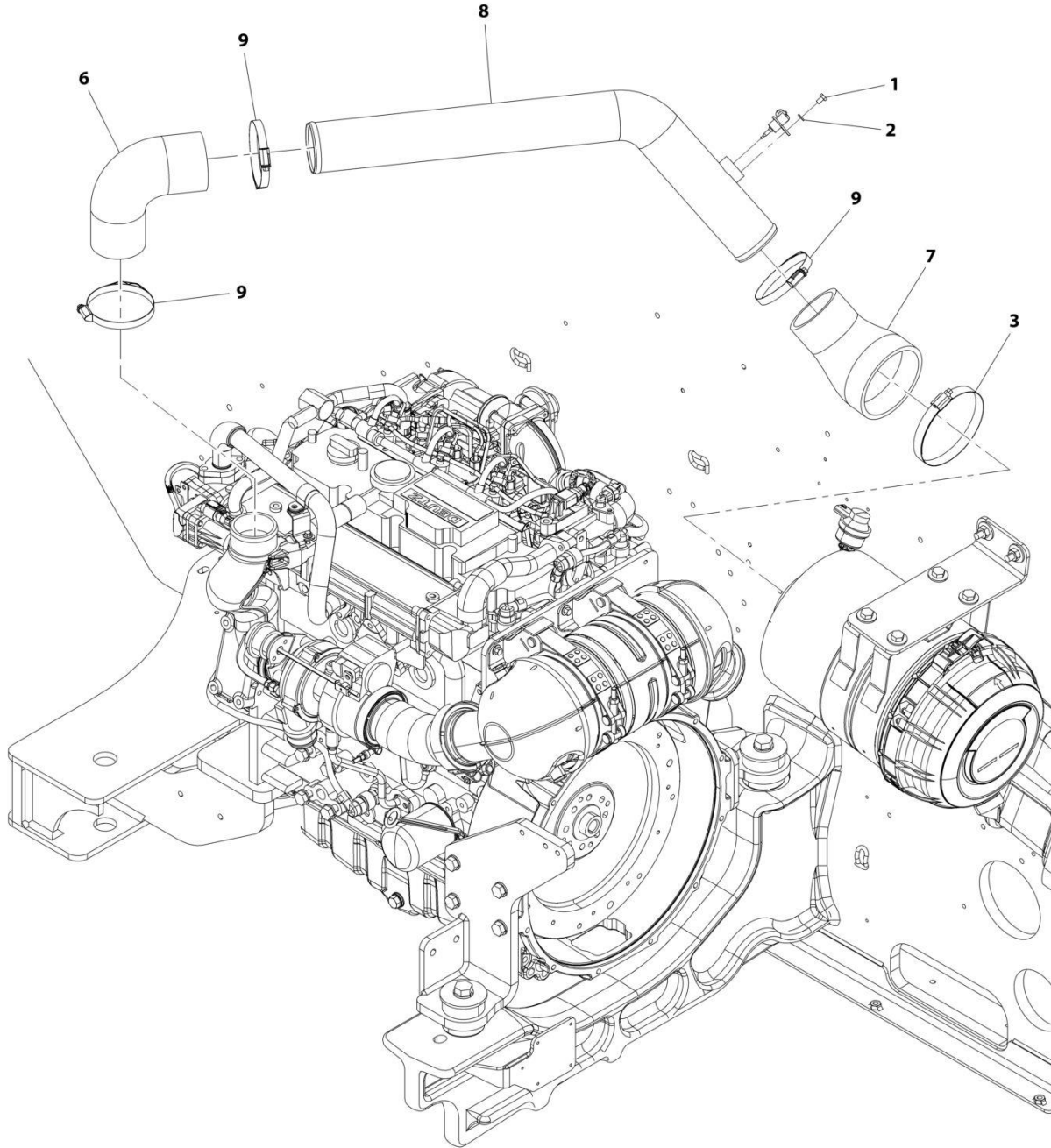
SECTION 4 - ENGINE AND ATTACHING PARTS

FIGURE 4-5. ENGINE MOUNT INSTALLATION

ITEM	PART NUMBER	QTY	DESCRIPTION	REV
	1001200862	Ref	Engine Mount Installation	D
1	0761214	4	Bolt, M12X30	
2	0761215	8	Bolt, M12X35	
3	0701618	2	Bolt M16 X 50	
4	0701626	1	Bolt, M16X90	
5	0701628	1	Bolt, M16X110	
6	0701630	1	Bolt, M16X130	
7	3291605	2	Nut, Lock M16X2	
8	4812100	11	Washer, M12	
9	4812300	7	Washer, M16	
10	7300435	3	Washer	
11	1001188757	1	Mount, Engine	
12	1001200871	1	Bracket, Engine Mount	
13	1001200872	1	Bracket, Engine Mount	
14	1001200873	1	Bracket, Engine Mount	
15	1001200874	1	Bracket, Fuel Pump	
16	1001197072	2	Mount, Engine	
17	8406105	1	Clip, Tube	

SECTION 4 - ENGINE AND ATTACHING PARTS

FIGURE 4-6. AIR INTAKE INSTALLATION (ULS)



ART_1001200863-B

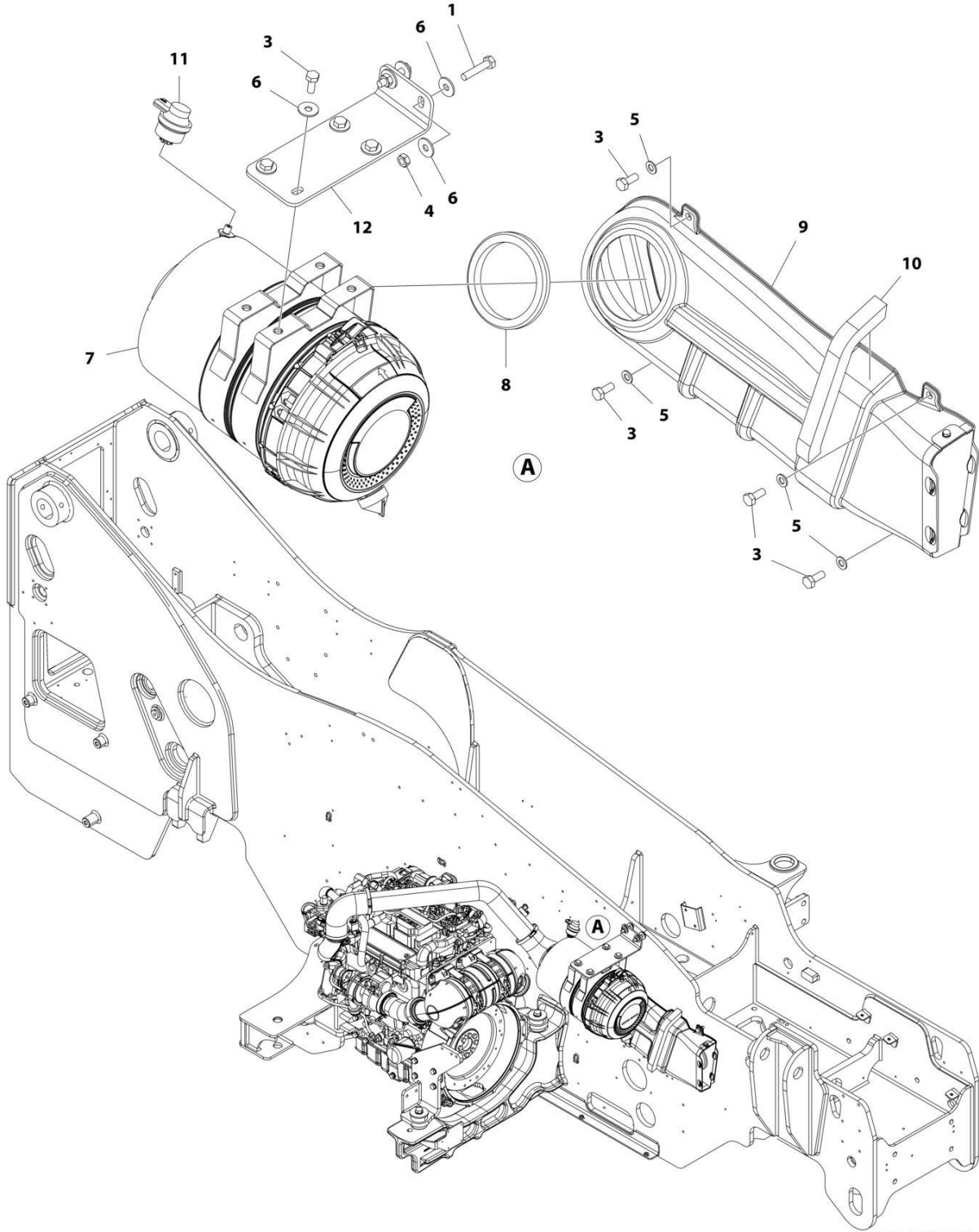
SECTION 4 - ENGINE AND ATTACHING PARTS

FIGURE 4-6. AIR INTAKE INSTALLATION (ULS)

ITEM	PART NUMBER	QTY	DESCRIPTION	REV
	1001200863	Ref	Air Intake Installation (ULS)	B
1	0760605	1	Bolt, M6X10	
2	4811700	1	Washer, M6	
3	8405402	1	Clamp	
6	1001182881	1	Hose	
7	1001200885	1	Hose	
8	1001200886	1	Tube	
9	1001226523	3	Clamp	

SECTION 4 - ENGINE AND ATTACHING PARTS

FIGURE 4-7. AIR CLEANER INSTALLATION



ART_1001200864

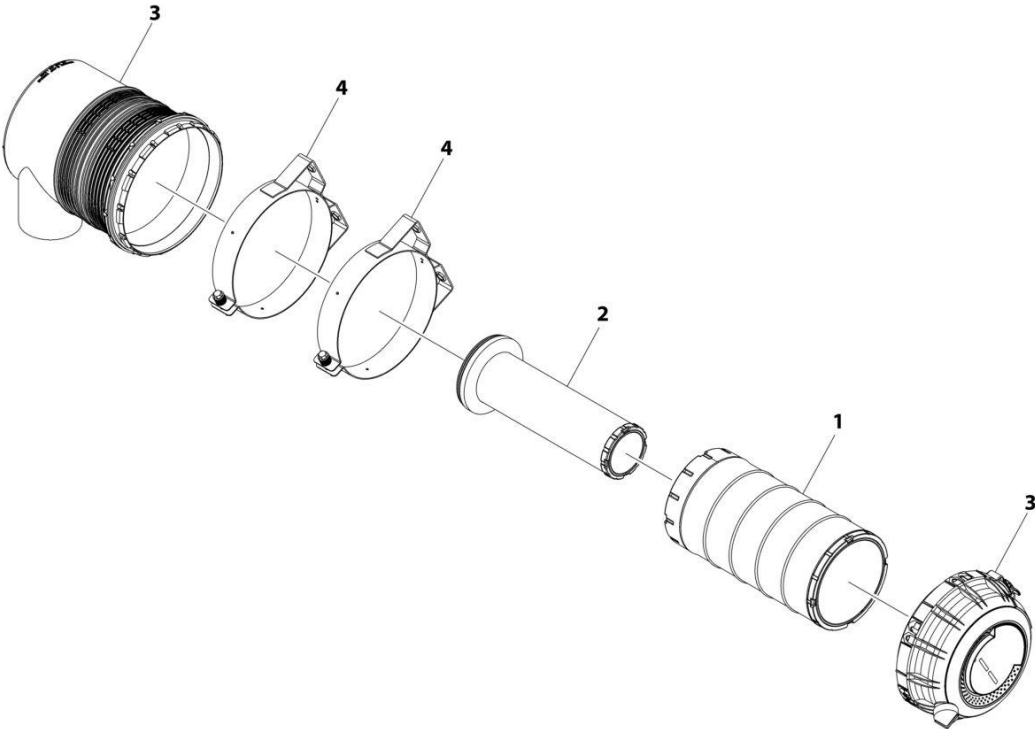
SECTION 4 - ENGINE AND ATTACHING PARTS

FIGURE 4-7. AIR CLEANER INSTALLATION

ITEM	PART NUMBER	QTY	DESCRIPTION	REV
	1001200864	Ref	AIR CLEANER INSTALLATION	D
1	0701018	2	Bolt M10 x 50	
3	0761012	8	Bolt M10 x 25	
4	3291001	2	Nut M10 x 1.5	
5	4812000	4	Washer M10	
6	4812002	8	Washer M10	
7	1001166565	1	Filter, Air Cleaner (See Separate Breakdown in this Section)	
8	1001183831	1	Grommet	
9	1001183835	1	Air Intake Duct Installation (See Separate Breakdown in this Section)	
10	1001186898	1	Seal	
11	1001166715	1	Indicator	
12	1001194534	1	Bracket, Air Cleaner Mount	

SECTION 4 - ENGINE AND ATTACHING PARTS

FIGURE 4-8. AIR CLEANER ASSEMBLY



ART_1001166565

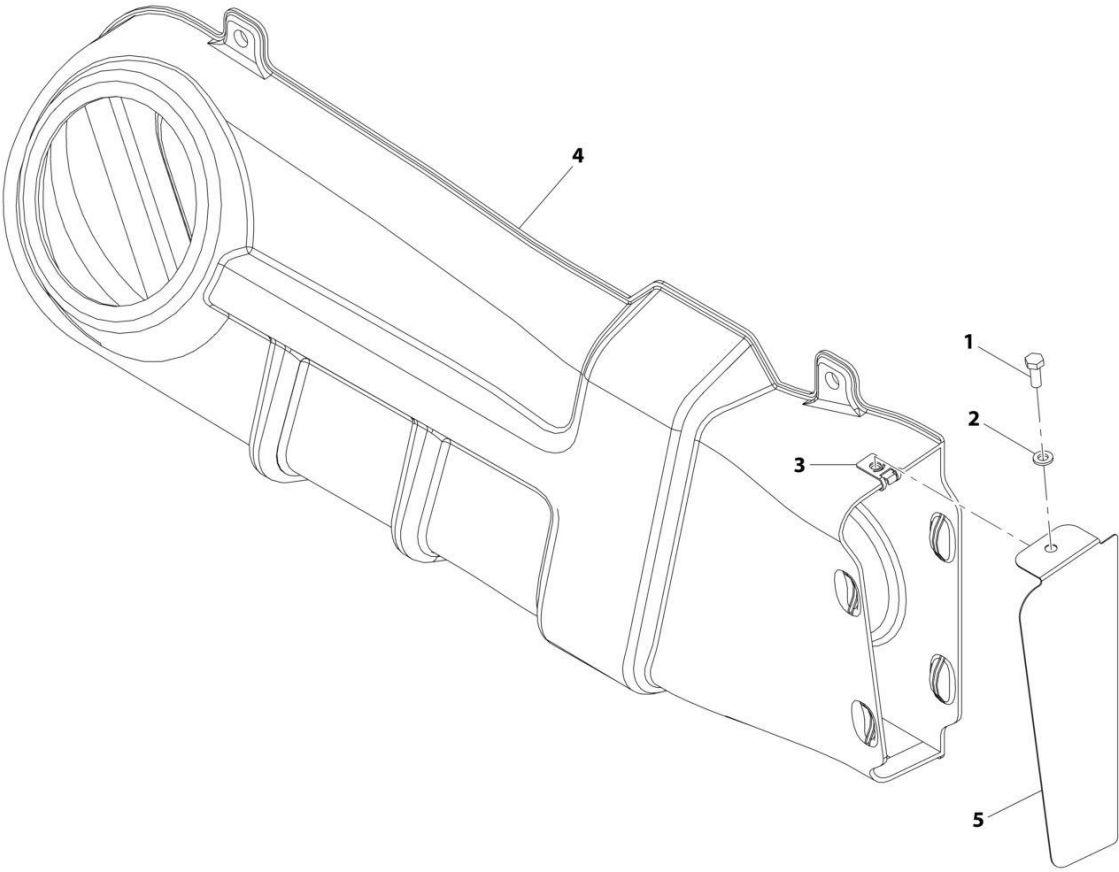
SECTION 4 - ENGINE AND ATTACHING PARTS

FIGURE 4-8. AIR CLEANER ASSEMBLY

ITEM	PART NUMBER	QTY	DESCRIPTION	REV
	1001166565	Ref	AIR FILTER ASSEMBLY (90/100KW)	F
1	70025850	1	Filter, Cylindrical Air Primary	
2	70025851	1	Filter, Cylindrical Air Secondary	
3	70026395	1	Cover	
4	70026396	2	Bracket	

SECTION 4 - ENGINE AND ATTACHING PARTS

FIGURE 4-9. AIR INTAKE DUCT INSTALLATION



ART_1001183835-C

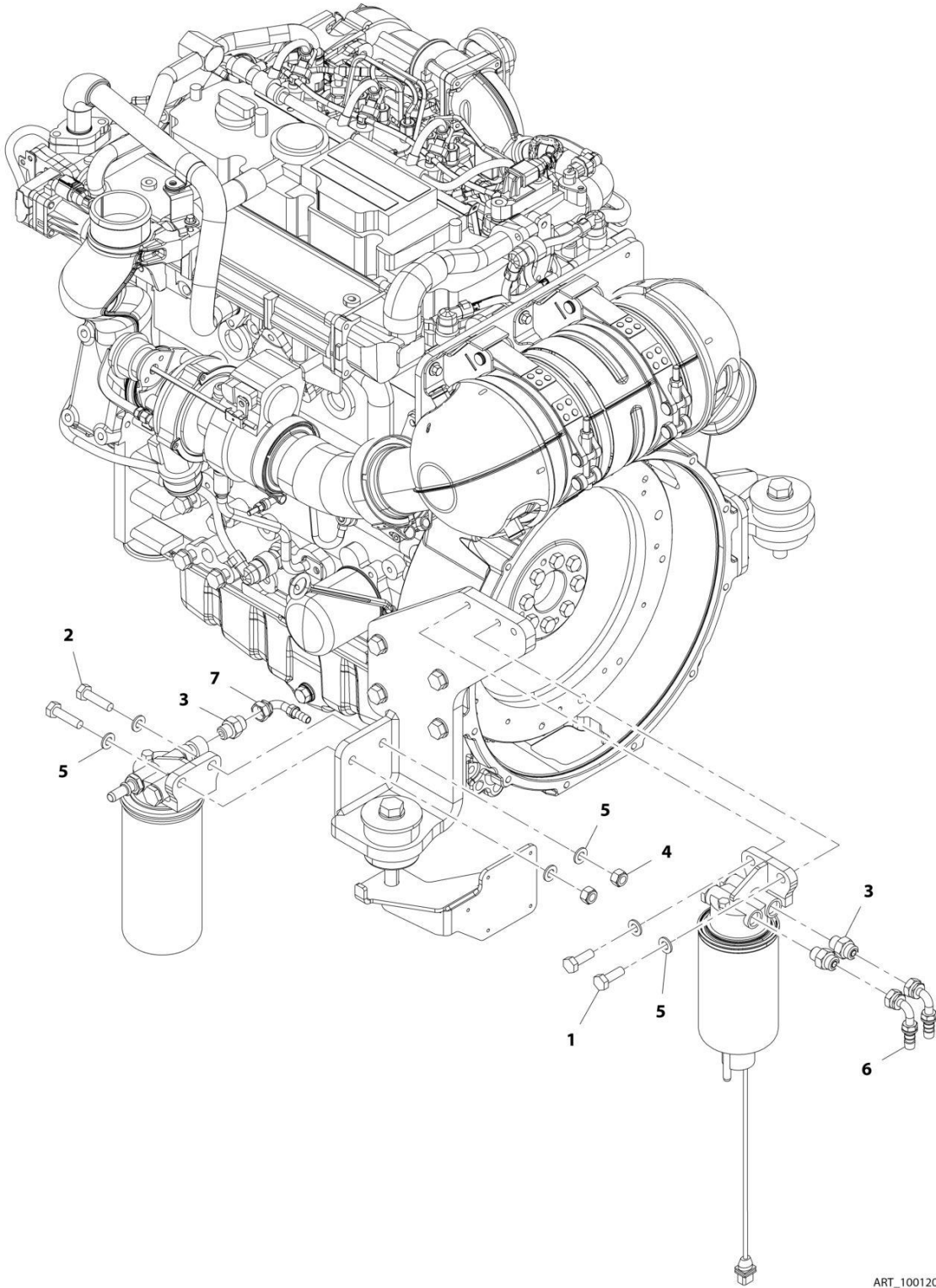
SECTION 4 - ENGINE AND ATTACHING PARTS

FIGURE 4-9. AIR INTAKE DUCT INSTALLATION

ITEM	PART NUMBER	QTY	DESCRIPTION	REV
	1001183835	Ref	Air Intake Duct Installation	C
1	0760608	1	Bolt, M6X16	
2	4811702	1	Washer, M6	
3	8305919	1	Nut	
4	1001183827	1	Duct	
5	1001183829	1	Plate	

SECTION 4 - ENGINE AND ATTACHING PARTS

FIGURE 4-10. PRIMARY FUEL FILTER INSTALLATION (ULS)



ART_1001200865-C

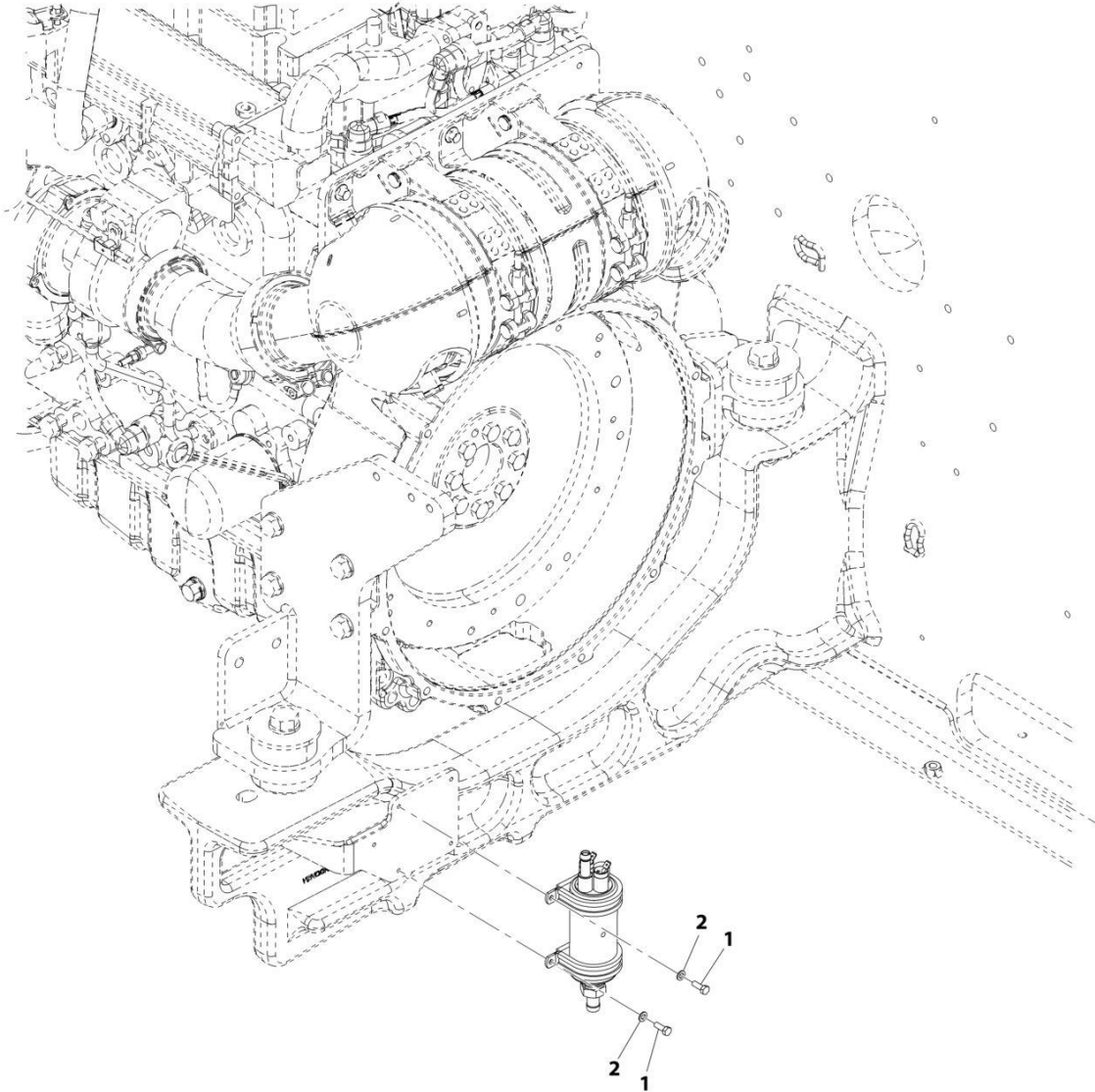
SECTION 4 - ENGINE AND ATTACHING PARTS

FIGURE 4-10. PRIMARY FUEL FILTER INSTALLATION (ULS)

ITEM	PART NUMBER	QTY	DESCRIPTION	REV
	1001200865	Ref	Primary Fuel Filter Installation	C
1	0701014	2	Bolt, M10X30	
2	0701016	2	Bolt, M10X40	
3	2144606	3	Fitting, Straight ORFS	
4	3291005	2	Nut, Lock M10X1.5	
5	4812000	6	Washer, M10	
6	1001095301	2	Fitting, 90 ORFS	
7	1001133793	1	Fitting, 90 ORFS	

SECTION 4 - ENGINE AND ATTACHING PARTS

FIGURE 4-11. REMOTE FUEL PUMP INSTALLATION



ART_1001221041-B

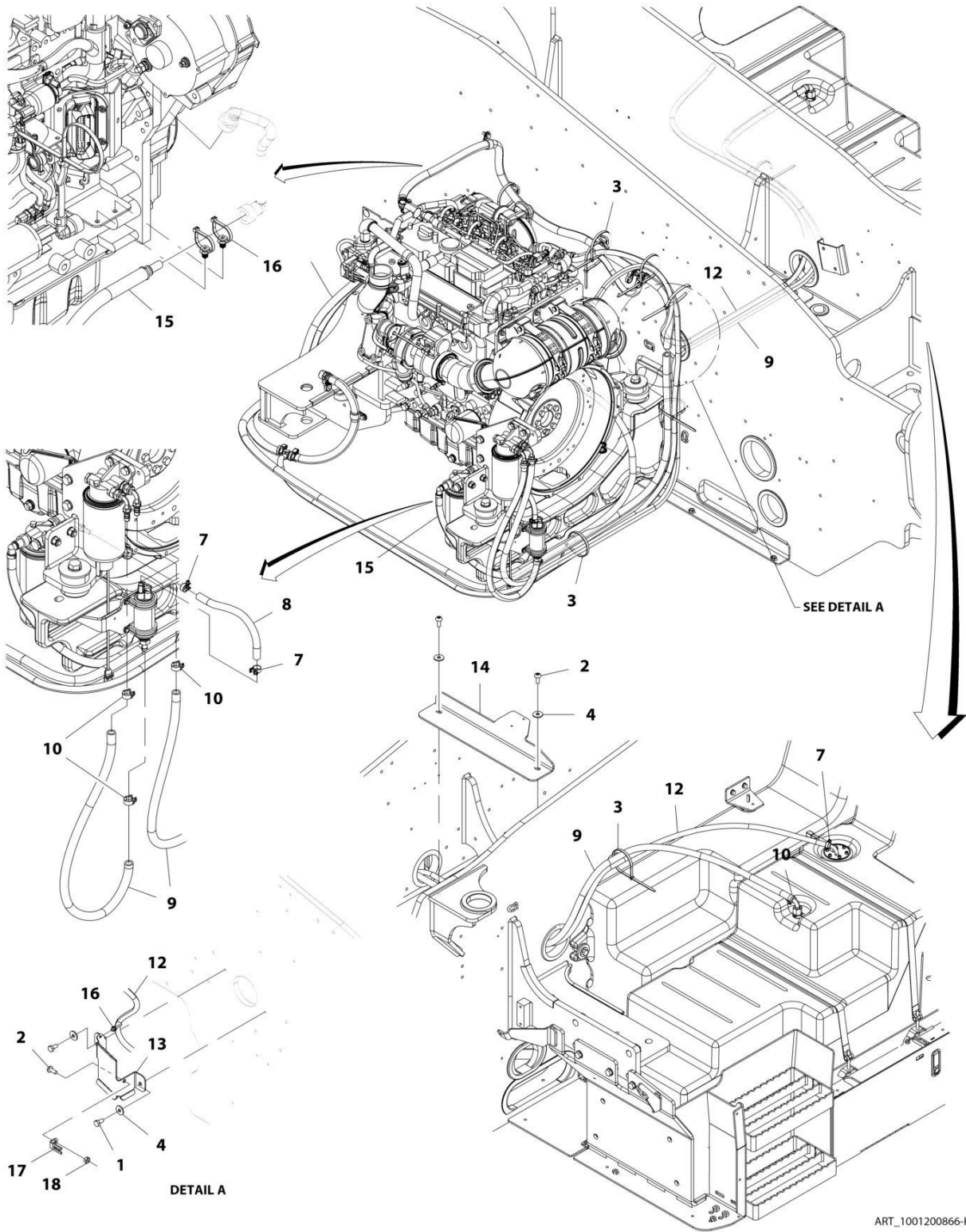
SECTION 4 - ENGINE AND ATTACHING PARTS

FIGURE 4-11. REMOTE FUEL PUMP INSTALLATION

ITEM	PART NUMBER	QTY	DESCRIPTION	REV
	1001221041	Ref	Remote Fuel Pump Installation	B
1	0760507	4	Bolt, M5X14	
2	4811600	4	Washer, M5	

SECTION 4 - ENGINE AND ATTACHING PARTS

FIGURE 4-12. FUEL LINES INSTALLATION (ULS)



ART_1001200866-K

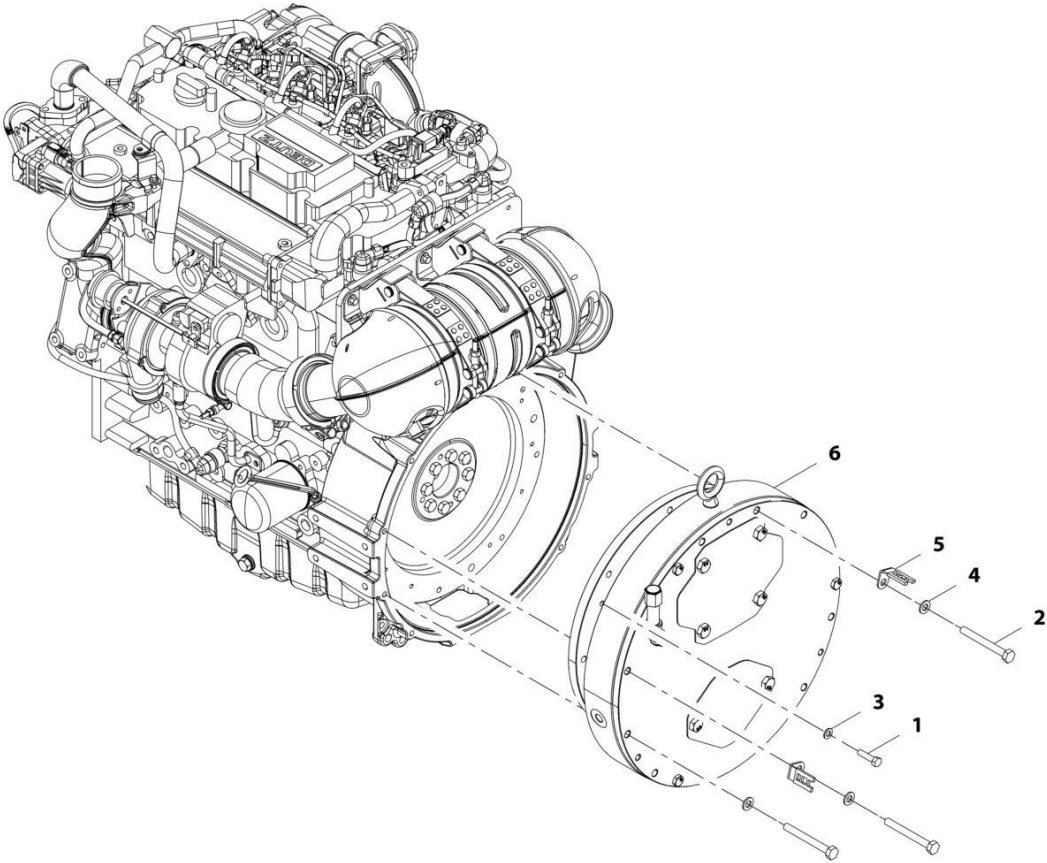
SECTION 4 - ENGINE AND ATTACHING PARTS

FIGURE 4-12. FUEL LINES INSTALLATION (ULS)

ITEM	PART NUMBER	QTY	DESCRIPTION	REV
	1001200866	Ref	Fuel Lines Installation	K
1	0761010	2	Bolt, M10X20	
2	1001009325	3	Screw	
3	1062255	6	Strap, Tie	
4	4812002	4	Washer, M10	
7	1001136975	3	Clamp	
8	1001165035	260 mm	Hose	
9	1001172755	4060 mm	Hose	
10	1001175568	4	Clip	
12	1001228248	1	Hose	
13	1001210870	1	Plate	
14	1001221868	1	Channel, Frame	
15	1001232850	1	Hose	
16	1001146588	3	Strap, Tie	
17	1001003305	1	Clip	
18	3291001	1	Nut, M10X1.5 Grade 8	

SECTION 4 - ENGINE AND ATTACHING PARTS

FIGURE 4-13. HYDROSTATIC ADAPTOR INSTALLATION



ART_1001193703-D

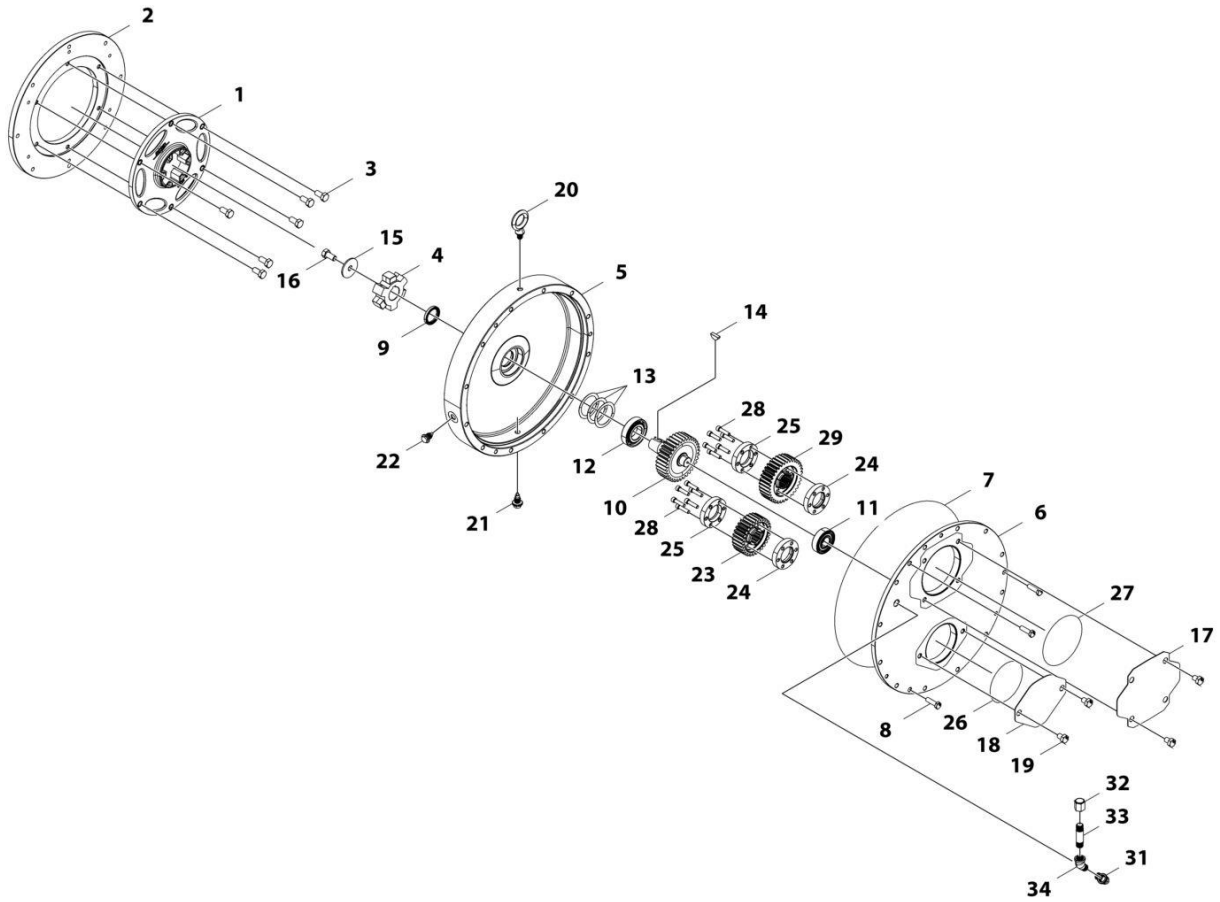
SECTION 4 - ENGINE AND ATTACHING PARTS

FIGURE 4-13. HYDROSTATIC ADAPTOR INSTALLATION

ITEM	PART NUMBER	QTY	DESCRIPTION	REV
	1001193703	Ref	Hydrostatic Adaptor Installation	D
1	0641510	6	Bolt, 5/16-18X1.25	
2	0701026	12	Bolt, M10X90	
3	4811900	6	Washer, M8	
4	4812000	10	Washer, M10	
5	1001003305	2	Clip	
6	1001193705	1	Assembly, Dual Drive Support (See Separate Breakdown in this Section)	

SECTION 4 - ENGINE AND ATTACHING PARTS

FIGURE 4-14. DUAL DRIVE SUPPORT ASSEMBLY



ART_1001193705

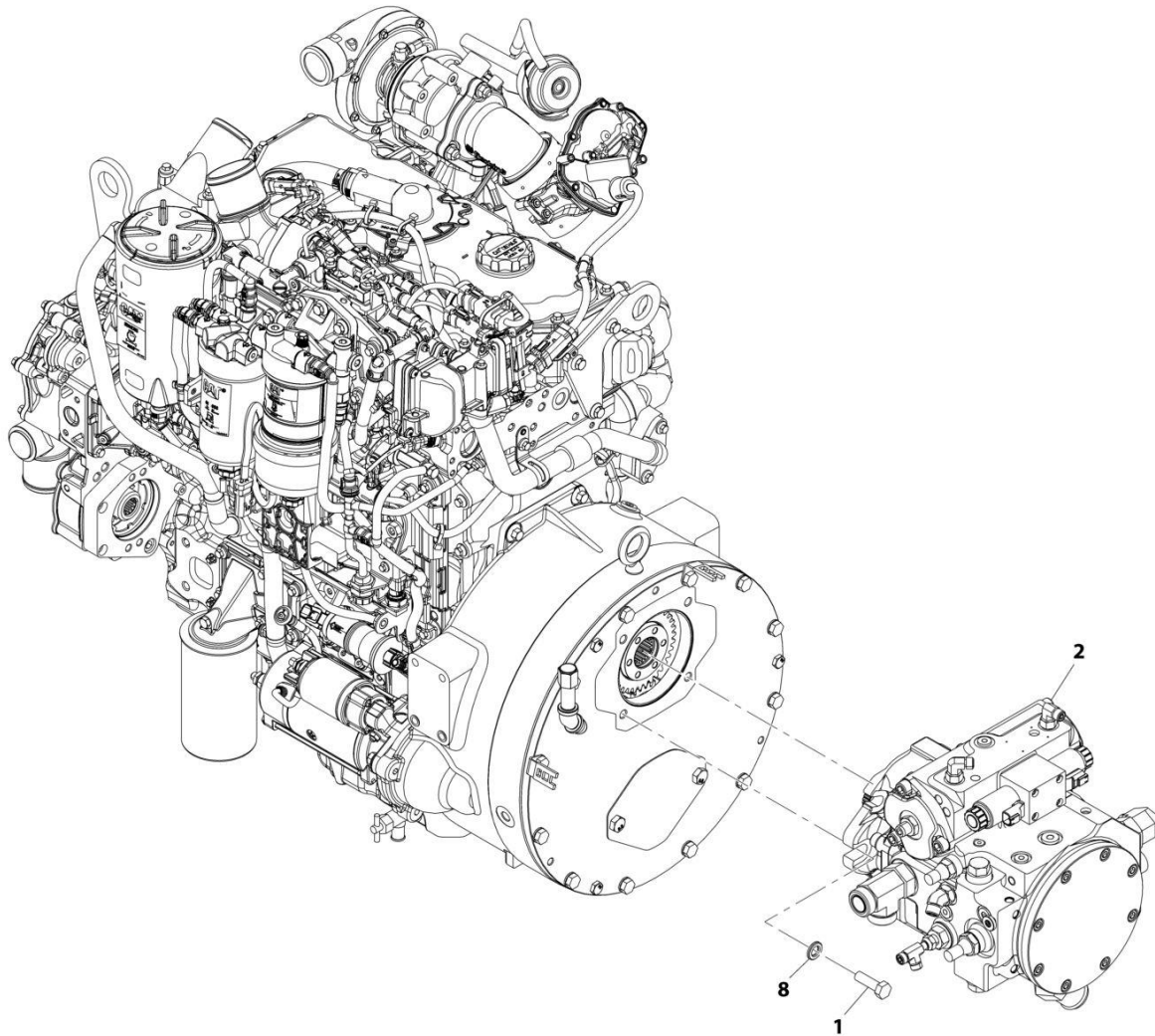
SECTION 4 - ENGINE AND ATTACHING PARTS

FIGURE 4-14. DUAL DRIVE SUPPORT ASSEMBLY

ITEM	PART NUMBER	QTY	DESCRIPTION	REV
	1001193705	Ref	Dual Drive Support Assembly	E
1	70028327	1	Plate, Flex	
2	70028328	1	Plate, Flywheel Adapter	
3	70028329	6	Bolt	
4	70028330	1	Hub, Flex	
5	70028331	1	Gear Box Half, Input Side	
6	70028332	1	Gear Box Half, Output Side	
7	70028333	1	O-Ring	
8	70028334	3	Bolt	
9	70028335	1	Seal, Shaft	
10	70028336	1	Gear, Input Shaft	
11	70028337	1	Bearing, Angular Contact	
12	70028338	1	Bearing, Angular Contact	
13	70028339	3	Washer	
14	70028340	1	Key	
15	70028341	1	Washer	
16	70028342	1	Bolt	
17	70028343	1	Cover, Pump Mount Implement	
18	70028344	1	Cover, Pump Mount Hydrastat	
19	70028345	6	Bolt	
20	70028346	1	Eyebolt, Modified	
21	70028347	1	Plug	
22	70028348	1	Plug	
23	70028349	1	Pump, Gear,30 Tooth	
24	70028350	2	Locking Ring, Tapered	
25	70028351	2	Locking Ring, Tapered	
26	70028352	1	O-Ring	
27	70028353	1	O-Ring	
28	70028354	12	Bolt	
29	70028355	1	Pump, Gear, 35 Tooth	
31	70028357	1	Adapter, 90	
32	70028358	1	Breather	
33	70028359	1	Nipple	
34	70028360	1	Adapter, 45	

SECTION 4 - ENGINE AND ATTACHING PARTS

FIGURE 4-15. HYDROSTATIC DRIVE PUMP INSTALLATION



ART-1001193704-D

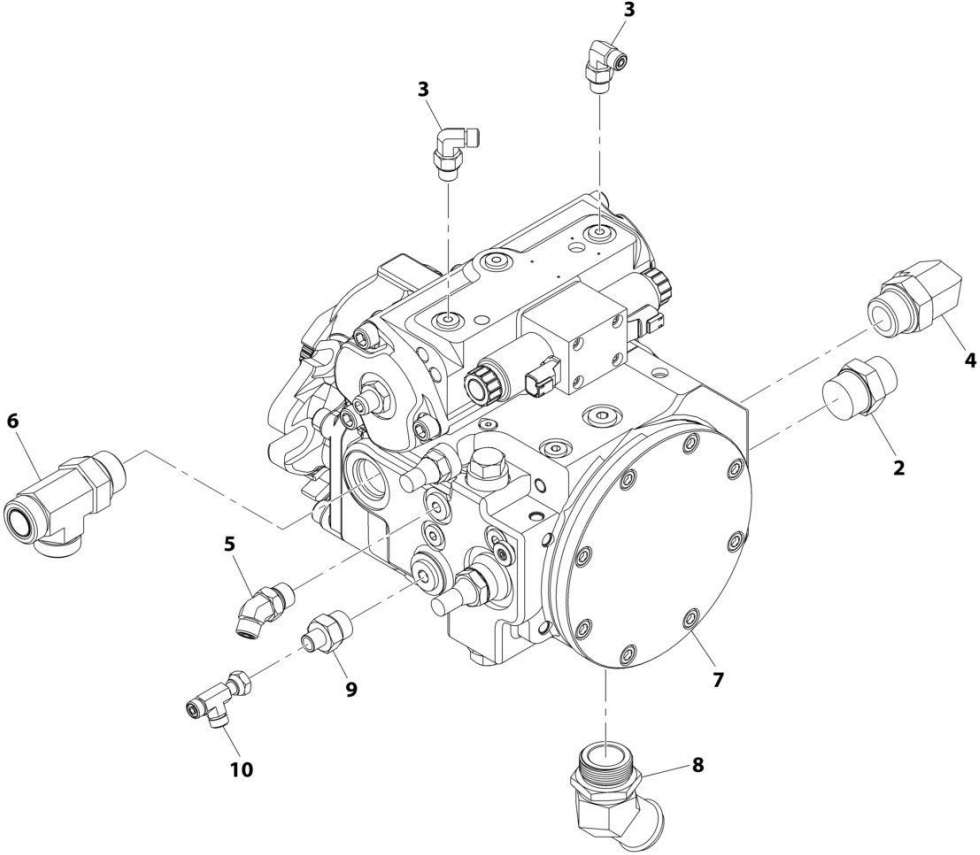
SECTION 4 - ENGINE AND ATTACHING PARTS

FIGURE 4-15. HYDROSTATIC DRIVE PUMP INSTALLATION

ITEM	PART NUMBER	QTY	DESCRIPTION	REV
	1001193704	Ref	Hydrostatic Drive Pump Installation	D
1	0711216	4	Bolt, M12X40	
2	1001210771	1	Assembly, Hydrostatic Drive Pump (See Separate Breakdown in this Section)	
8	4740532	4	Washer, M12	

SECTION 4 - ENGINE AND ATTACHING PARTS

FIGURE 4-16. HYDROSTATIC DRIVE PUMP ASSEMBLY



ART_1001210771-C

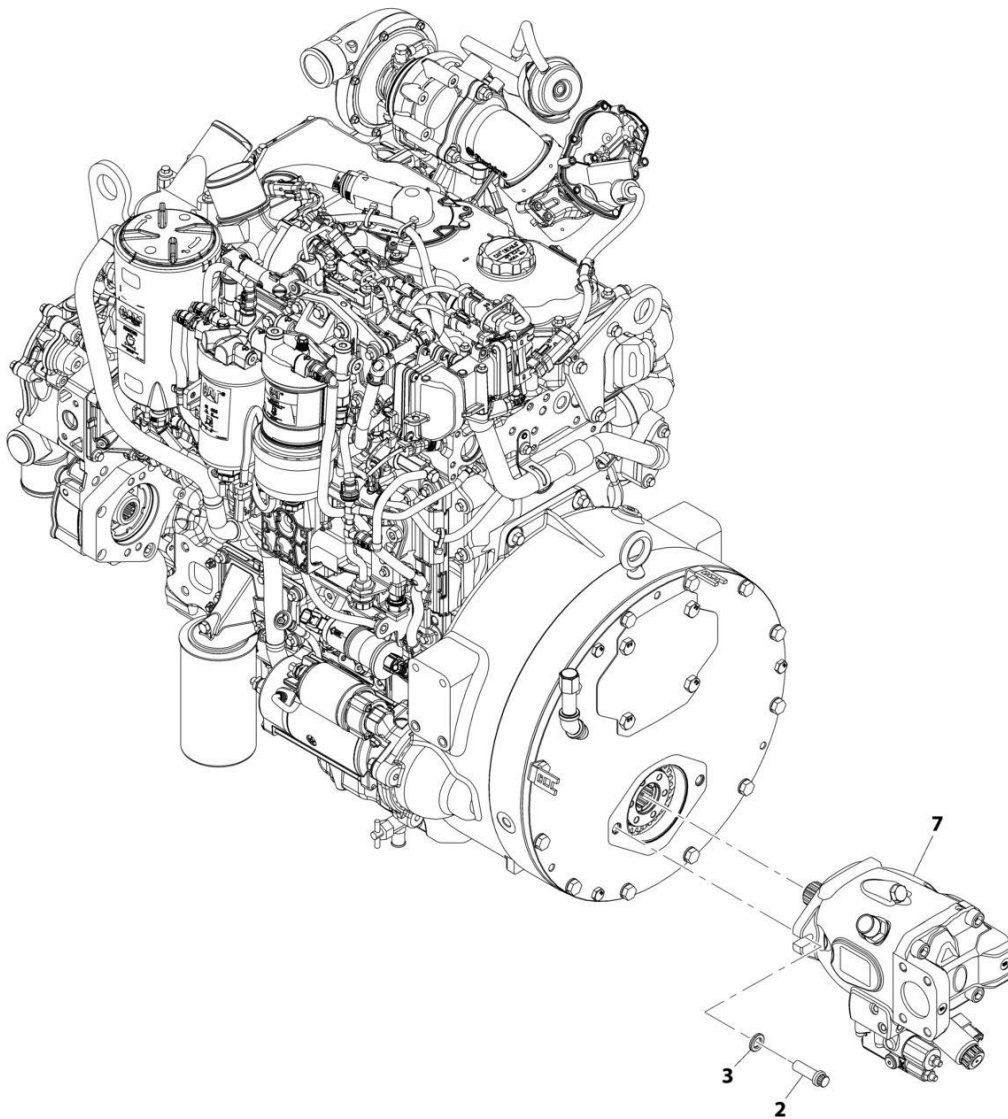
SECTION 4 - ENGINE AND ATTACHING PARTS

FIGURE 4-16. HYDROSTATIC DRIVE PUMP ASSEMBLY

ITEM	PART NUMBER	QTY	DESCRIPTION	REV
	1001210771	Ref	Hydrostatic Drive Pump Assembly	C
2	2111216	1	Fitting, Straight ORFS	
3	2130406	2	Fitting, 90 ORFS	
4	2131216	1	Fitting, 90 ORFS	
5	2150608	1	Fitting, 45 ORFS	
6	2170316	1	Fitting, TEE ORFS	
7	1001193307	1	Pump, Hydrostatic Drive (See Separate Breakdown in HYDRAULIC COMPONENTS Section)	
8	1001196664	1	Fitting, 45	
9	2110410	1	Fitting, Straight ORFS	
10	2170704	1	Fitting, Tee ORFS	

SECTION 4 - ENGINE AND ATTACHING PARTS

FIGURE 4-17. IMPLEMENT PUMP INSTALLATION



ART_1001193393-E

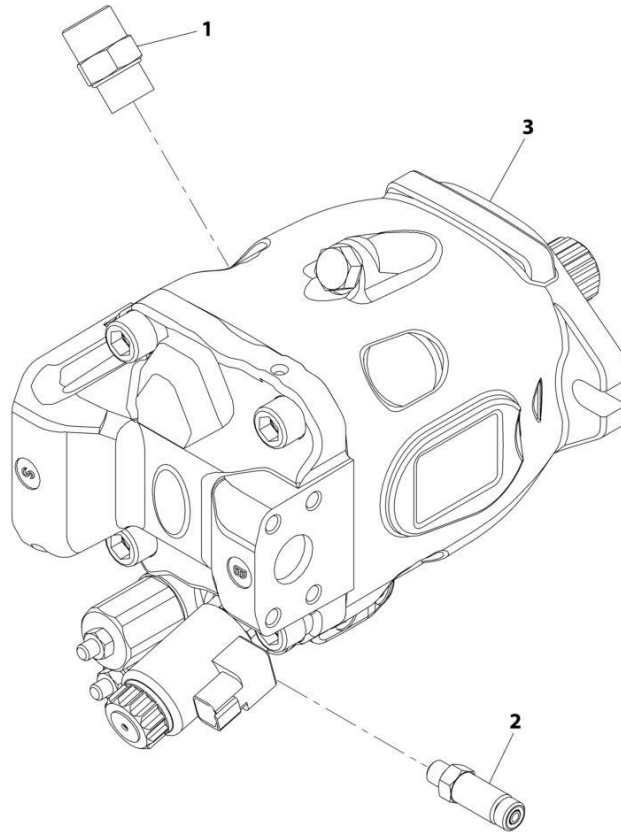
SECTION 4 - ENGINE AND ATTACHING PARTS

FIGURE 4-17. IMPLEMENT PUMP INSTALLATION

ITEM	PART NUMBER	QTY	DESCRIPTION	REV
	1001193393	Ref	Implement Pump Installation	E
2	1001238781	2	Screw Flange	
3	4740532	2	Washer	
7	1001212739	1	Assembly, Implement Pump (See Separate Breakdown in this Section)	

SECTION 4 - ENGINE AND ATTACHING PARTS

FIGURE 4-18. IMPLEMENT PUMP ASSEMBLY



ART_1001212739-A

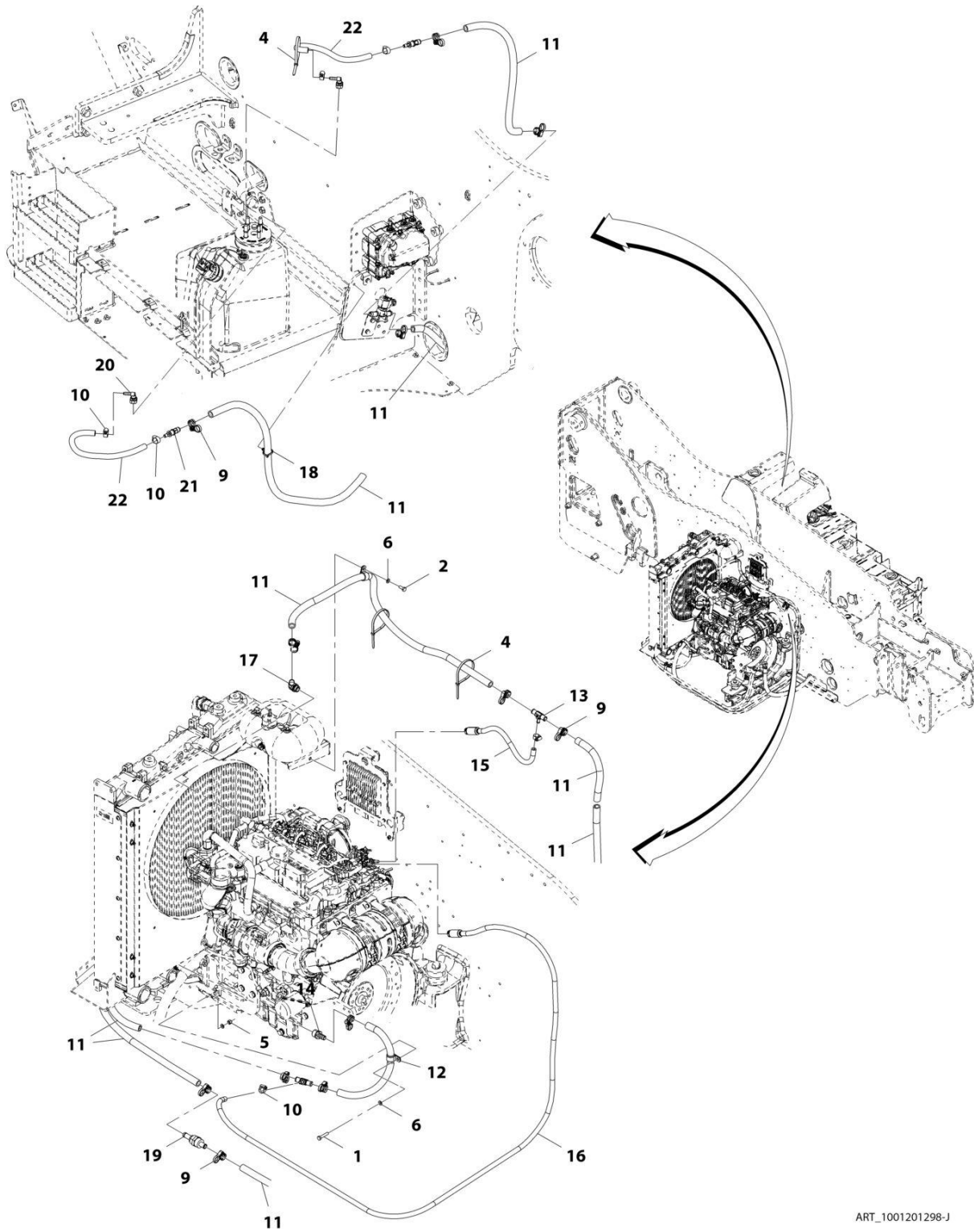
SECTION 4 - ENGINE AND ATTACHING PARTS

FIGURE 4-18. IMPLEMENT PUMP ASSEMBLY

ITEM	PART NUMBER	QTY	DESCRIPTION	REV
	1001212739	Ref	Implement Pump Assembly	A
1	2111010	1	Fitting, Straight ORFS	
2	2170104	1	Fitting, Straight ORFS	
3	1001180070	1	Pump, Implement (See Separate Breakdown in HYDRAULIC COMPONENTS Section)	

SECTION 4 - ENGINE AND ATTACHING PARTS

FIGURE 4-19. DEF COOLANT LINES INSTALLATION (ULS)



ART_1001201298-J

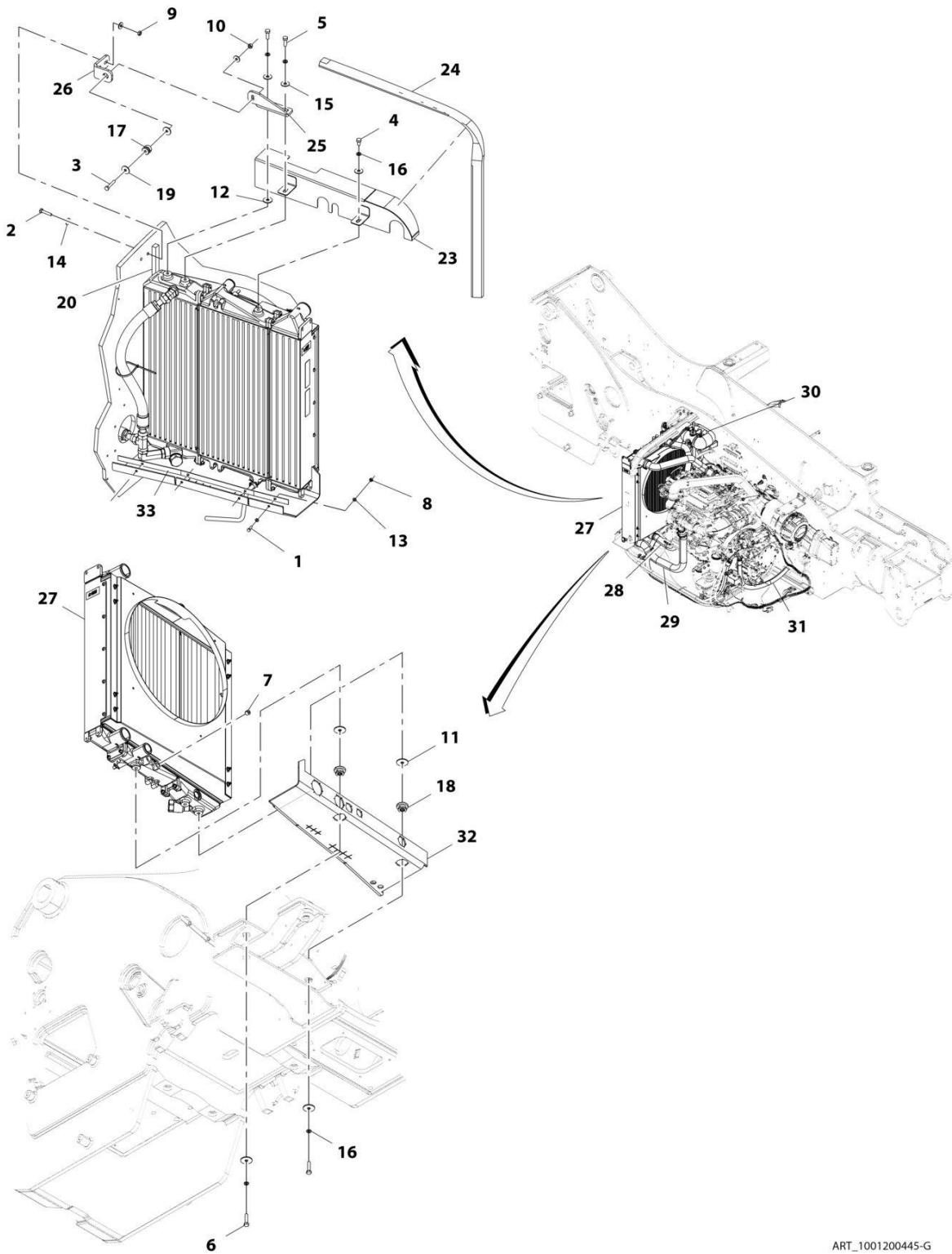
SECTION 4 - ENGINE AND ATTACHING PARTS

FIGURE 4-19. DEF COOLANT LINES INSTALLATION (ULS)

ITEM	PART NUMBER	QTY	DESCRIPTION	REV
	1001201298	Ref	DEF Coolant Lines Installation (ULS)	J
1	0700816	1	Bolt, M8X40	
2	0760810	1	Bolt, M8X20	
4	1062255	AR	Strap, Tie	
5	3290805	1	Nut, M8X1.25	
6	4811900	3	Washer, M8	
9	1001202526	12	Clamp	
10	8410013	6	Clamp	
11	82033995	9365 mm	Hose	
12	1001100319	2	Clip	
13	1001162212	2	Pipe	
14	1001167409	1	Pipe	
15	1001201299	1	Hose	
16	1001201300	1	Hose	
17	1001203005	1	Fitting, 45	
18	1001146588	1	Strap, Tie	
19	1001228872	1	Filter	
20	1001155823	2	Coupling	
21	1001238470	2	Adapter	
22	1001181625	870 mm	Hose	

SECTION 4 - ENGINE AND ATTACHING PARTS

FIGURE 4-20. COOLING PACKAGE INSTALLATION (ULS & NO HIGH AMBIENT)



ART_1001200445-G

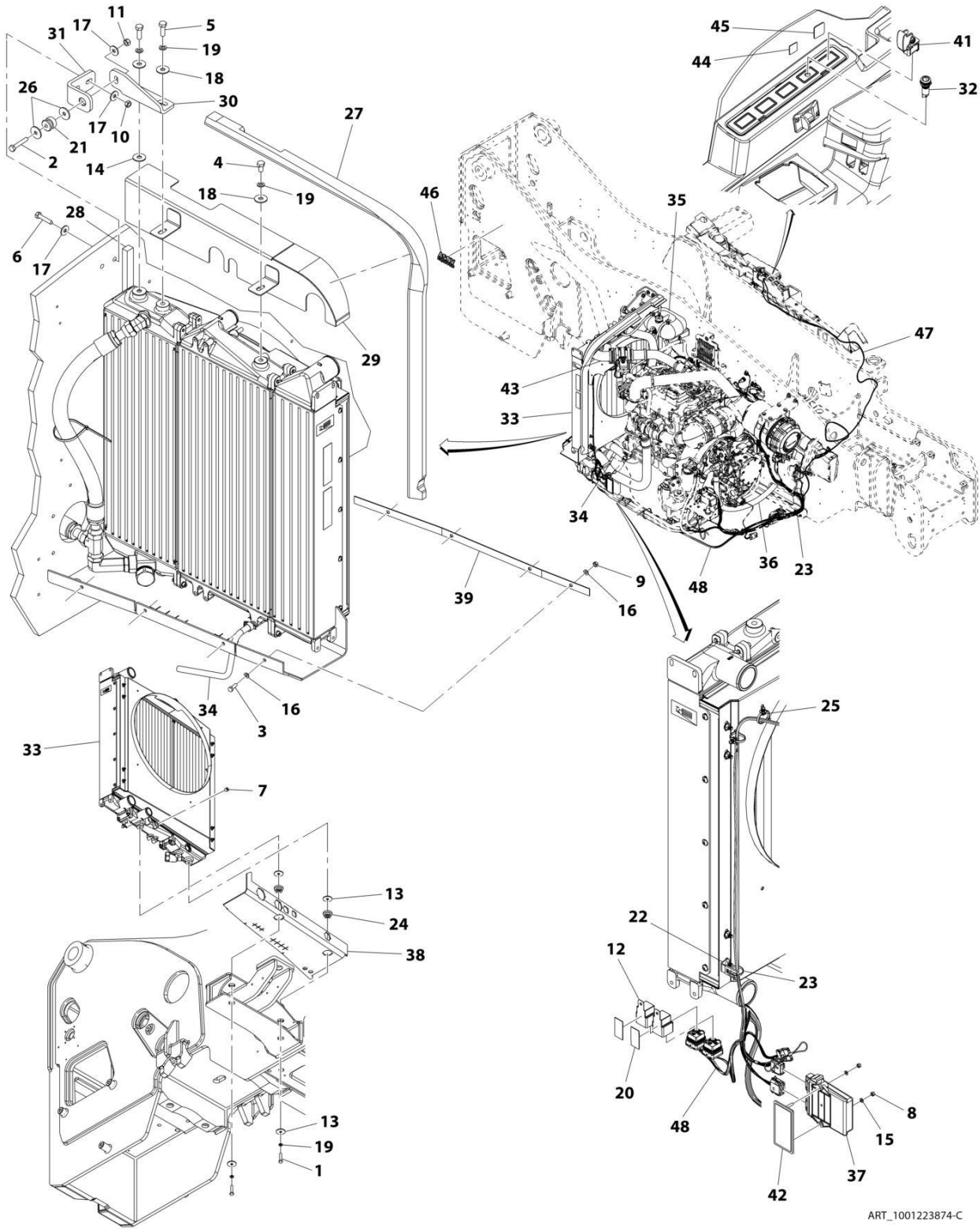
SECTION 4 - ENGINE AND ATTACHING PARTS

FIGURE 4-20. COOLING PACKAGE INSTALLATION (ULS & NO HIGH AMBIENT)

ITEM	PART NUMBER	QTY	DESCRIPTION	REV
	1001200445	Ref	Cooling Package Installation	G
1	0760812	4	Bolt,M8X25	
2	0701018	2	Bolt, M10X50	
3	0701020	1	Bolt, M10X60	
4	0761210	1	Bolt, M12X20	
5	0761215	2	Bolt, M12X35	
6	0761218	2	Bolt, M12X50	
7	2200223	1	Plug	
8	3290801	4	Nut, M8X1.25	
9	3291001	2	Nut, M10X1.5	
10	3291005	1	Nut, Lock M10X1.5	
11	4740274	4	Washer	
12	4740550	1	Washer, M12	
13	4811900	8	Washer, M8	
14	4812002	5	Washer, M10	
15	4812102	3	Washer, M12	
16	4832100	5	Washer, Lock M12	
17	8278020	1	Mount	
18	1001114803	2	Mount	
19	1001155540	2	Washer	
20	1001173457	1	Seal	
23	1001196191	1	Bracket, Air Baffle	
24	1001173452	1	Seal	
25	1001200498	1	Bracket, Radiator	
26	1001200499	1	Bracket, Frame	
27	1001201301	1	Radiator, (See Separate Breakdown in this Section)	
28	1001201302	Ref	Installation, Coolant Lines (See Separate Breakdown in this Section)	
29	1001201303	Ref	Installation, Radiator Lines (See Separate Breakdown in this Section)	
30	1001201304	Ref	Installation, Surge Tank (See Separate Breakdown in this Section)	
31	1001201305	Ref	Installation, Transmission Oil Cooler Lines (See Separate Breakdown in this Section)	
32	1001203947	1	Panel, Air Dam	
33	1001203948	1	Plate, Air Dam	

SECTION 4 - ENGINE AND ATTACHING PARTS

FIGURE 4-21. COOLING PACKAGE INSTALLATION (ULS ASOV)



SECTION 4 - ENGINE AND ATTACHING PARTS

FIGURE 4-21. COOLING PACKAGE INSTALLATION (ULS ASOV)

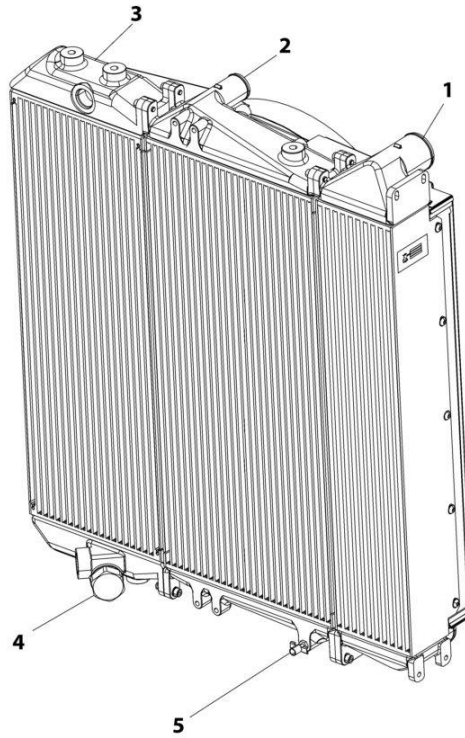
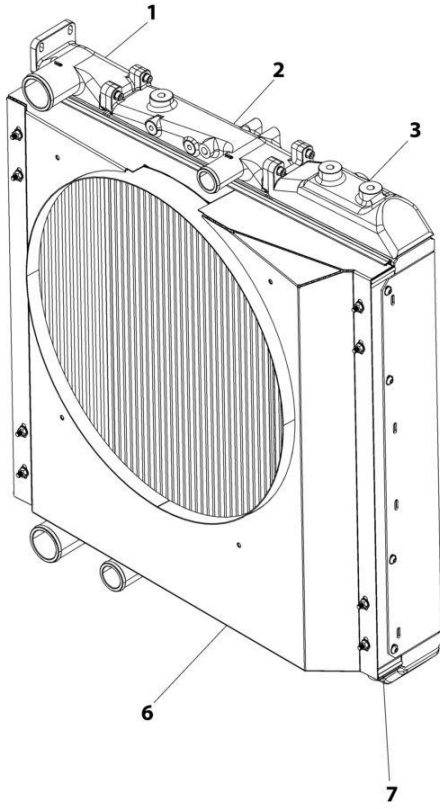
ITEM	PART NUMBER	QTY	DESCRIPTION	REV
	1001223874	Ref	Cooling Package Installation	C
1	0701018	2	Bolt, M10X50	
2	0701020	1	Bolt, M10X60	
3	0760812	4	Bolt, M8X25	
4	0761210	1	Bolt, M12X20	
5	0761215	2	Bolt, M12X35	
6	0761218	2	Bolt, M12X50	
7	2200223	1	Plug	
8	3290505	2	Nut, M5X0.8	
9	3290801	4	Nut, M8X1.25	
10	3291001	2	Nut, M10X1.5	
11	3291005	1	Nut, Lock M10X1.5	
12	3740080	2	Relay	
13	4740274	4	Washer	
14	4740550	1	Washer, M12	
15	4811600	2	Washer, M5	
16	4811900	8	Washer, M8	
17	4812002	5	Washer, M10	
18	4812102	3	Washer, M12	
19	4832100	5	Washer, Lock M12	
20	7169541	AR	Tape	
21	8278020	1	Mount	
22	1001003305	1	Clip	
23	1001008559	4	Strap, Cable	
24	1001114803	2	Mount	
25	1001146588	2	Strap, Cable	
26	1001155540	2	Washer	
27	1001173452	1	Seal, Foam Gasket	
28	1001173457	1	Seal	
29	1001196191	1	Bracket, Air Baffle	
30	1001200498	1	Bracket, Radiator	
31	1001200499	1	Bracket, Frame	
32	1001200631	1	Lamp, LED Indicator	
33	1001201301	1	Radiator, (See Separate Breakdown in this Section)	
34	1001201302	Ref	Installation, Coolant Lines (See Separate Breakdown in this Section)	
35	1001201304	Ref	Installation, Surge Tank (See Separate Breakdown in this Section)	
36	1001201305	Ref	Installation, Transmission Oil Cooler Lines (See Separate Breakdown in this Section)	
37	1001203181	1	Accessory, Control	
38	1001203947	1	Panel, Air Dam	
39	1001203948	1	Plate, Air Dam	
41	1001215941	1	Switch	
42	1001219082	1	Bracket	
43	1001223869	1	Installation, Radiator Lines (See Separate Breakdown in this Section)	
44	1001227077	1	Decal, Air Shut Off	
45	1001227964	1	Decal, ASOV Test	
46	1001228643	1	Decal, ASOV Equipped	

SECTION 4 - ENGINE AND ATTACHING PARTS

ITEM	PART NUMBER	QTY	DESCRIPTION	REV
47	1001231407	1	Harness, POSI Air Shutoff (See Separate Breakdown in Electrical Section)	
48	1001231483	1	Harness, POSI Air Shutoff (See Separate Breakdown in Electrical Section)	

SECTION 4 - ENGINE AND ATTACHING PARTS

FIGURE 4-22. RADIATOR - COOLING PACKAGE



ART_1001201301

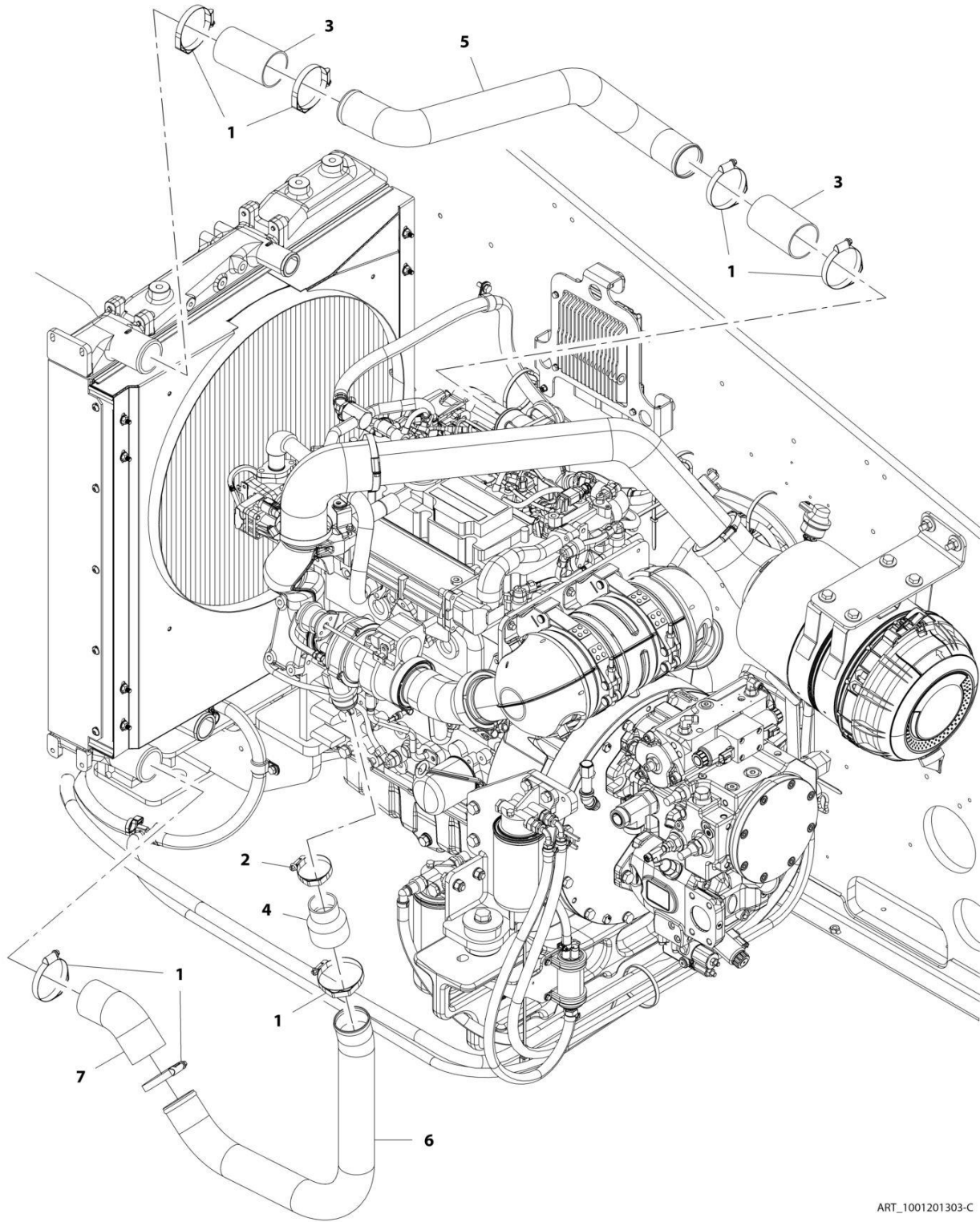
SECTION 4 - ENGINE AND ATTACHING PARTS

FIGURE 4-22. RADIATOR - COOLING PACKAGE

ITEM	PART NUMBER	QTY	DESCRIPTION	REV
	1001201301	Ref	RADIATOR COOLLING PACKAGE	D
1	70026353	1	Cooler, Air Charge	
2	70026354	1	Radiator	
3	70028550	1	Cooler, Hydraulic Oil	
4	70028548	1	Valve, Bypass	
5	70026081	1	Petcock	
6	70028549	1	Shroud	
7	70026359	2	Bracket, Shroud Mounting	

SECTION 4 - ENGINE AND ATTACHING PARTS

FIGURE 4-23. RADIATOR LINES INSTALLATION (ALL EXCEPT ULS & LS ASOV)



ART_1001201303-C

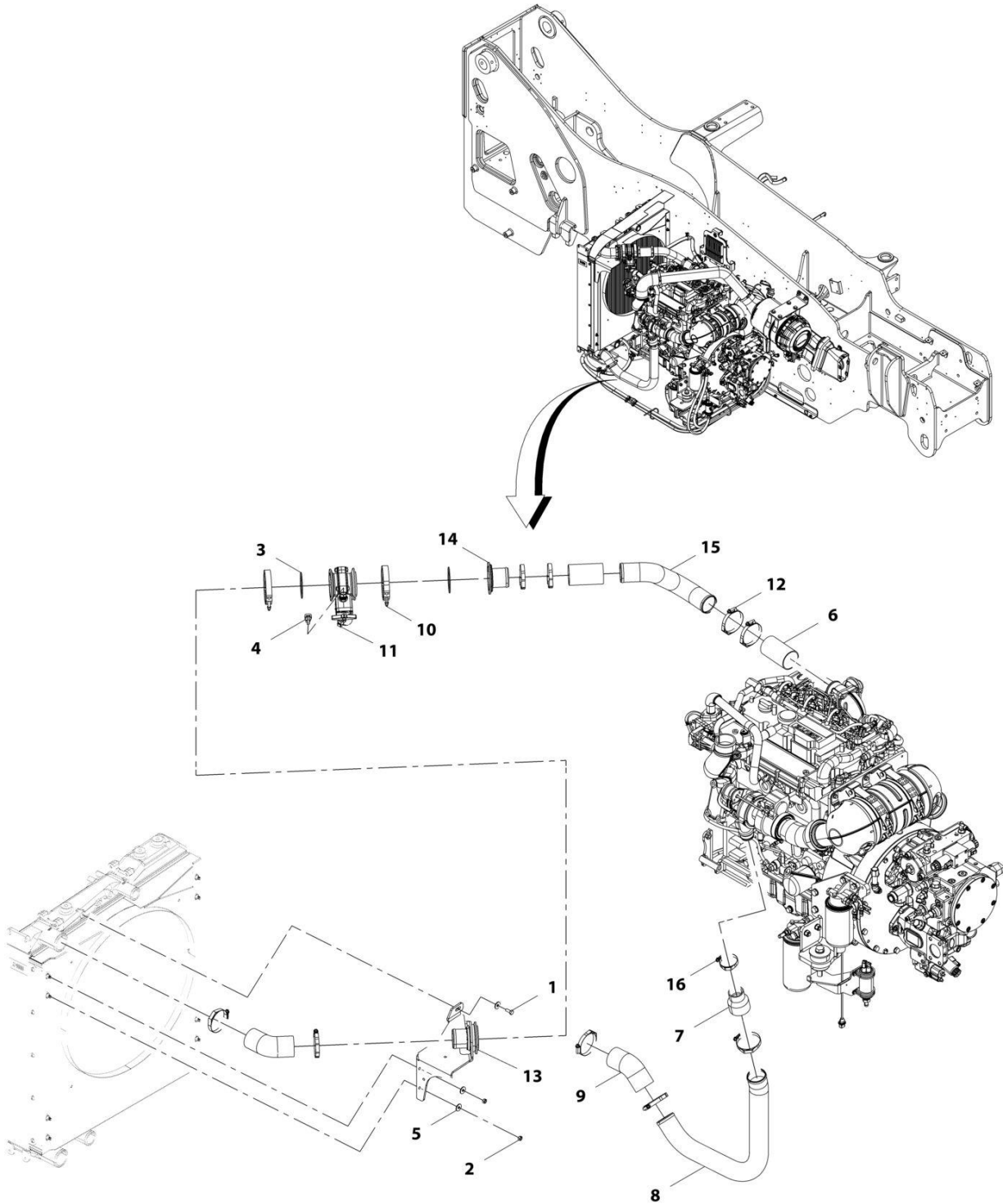
SECTION 4 - ENGINE AND ATTACHING PARTS

FIGURE 4-23. RADIATOR LINES INSTALLATION (ALL EXCEPT ULS & LS ASOV)

ITEM	PART NUMBER	QTY	DESCRIPTION	REV
	1001201303	Ref	Radiator Lines Installation	C
1	1001215022	7	Clamp	
2	1001215024	1	Clamp	
3	1001114495	2	Hose	
4	1001173528	1	Coupling, Reducer	
5	1001201314	1	Pipe	
6	1001201315	1	Pipe	
7	1001201316	1	Elbow, 45	

SECTION 4 - ENGINE AND ATTACHING PARTS

FIGURE 4-24. RADIATOR LINES INSTALLATION (ULS ASOV)



ART_1001223869-B

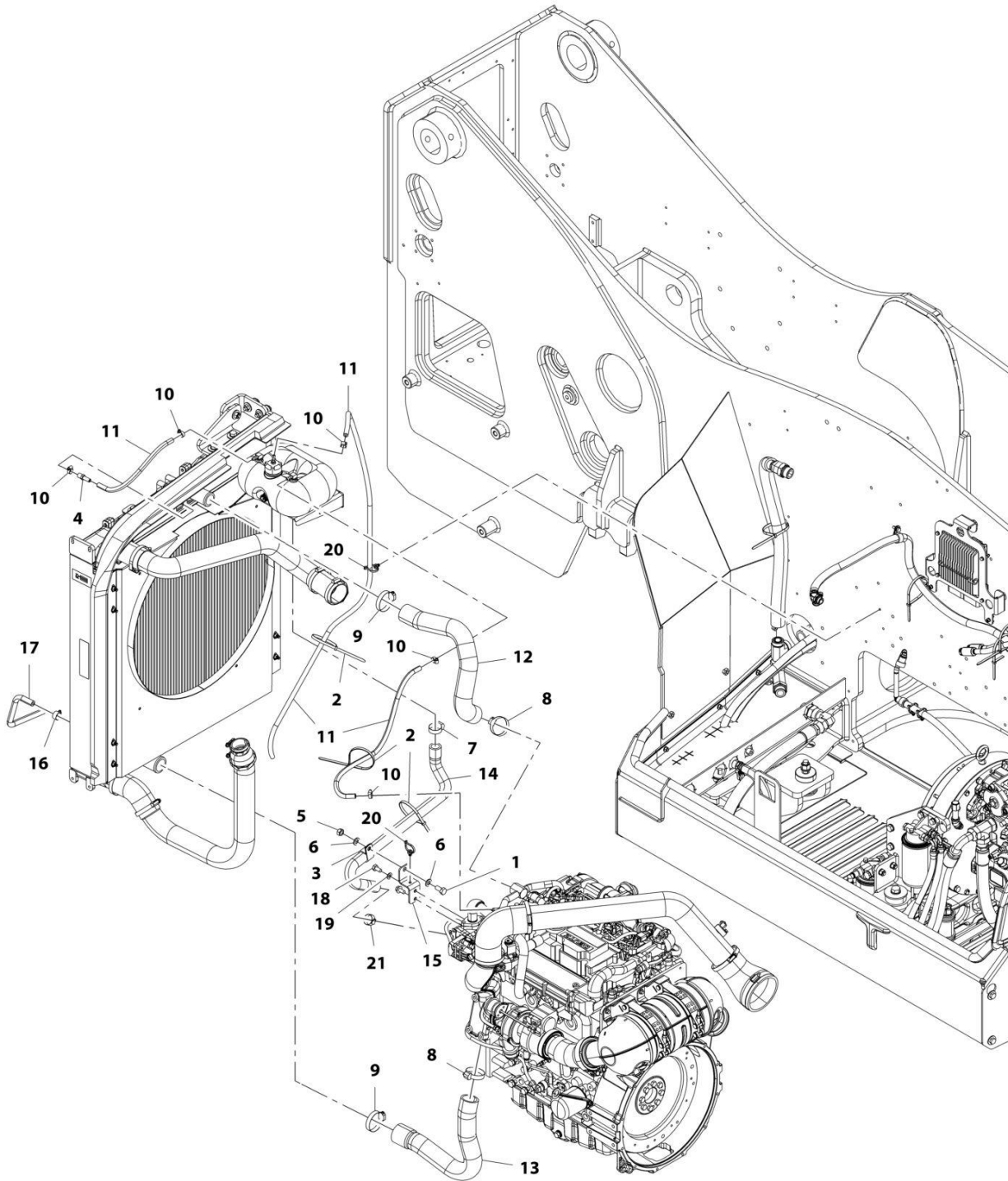
SECTION 4 - ENGINE AND ATTACHING PARTS

FIGURE 4-24. RADIATOR LINES INSTALLATION (ULS ASOV)

ITEM	PART NUMBER	QTY	DESCRIPTION	REV
	1001223869	Ref	CAC Lines Installation	B
1	0760810	1	Bolt, M8X20	
2	3290801	2	Nut, M8X1.25	
3	3790152	2	Ring	
4	4460742	1	Connector	
5	4811902	3	Washer, M8	
6	1001114495	2	Hose	
7	1001173528	1	Fitting, Straight	
8	1001201315	1	Pipe	
9	1001201316	2	Hose	
10	1001202247	2	Clamp	
11	1001204032	1	Valve, Shut Off (See Separate Breakdown in HYDRAULIC COMPONENTS Section)	
12	1001215022	9	Clamp	
13	1001223618	1	Valve, ASO (See Separate Breakdown in HYDRAULIC COMPONENTS Section)	
14	1001223628	1	Valve, ASO	
15	1001223645	1	Pipe	
16	1001215024	1	Clamp	

SECTION 4 - ENGINE AND ATTACHING PARTS

FIGURE 4-25. COOLANT LINES INSTALLATION



ART_1001201302-E

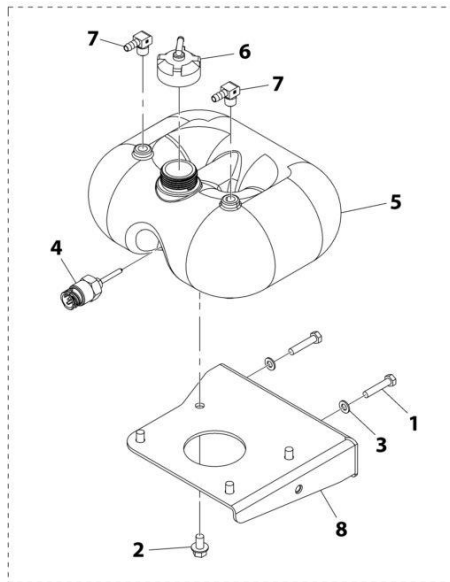
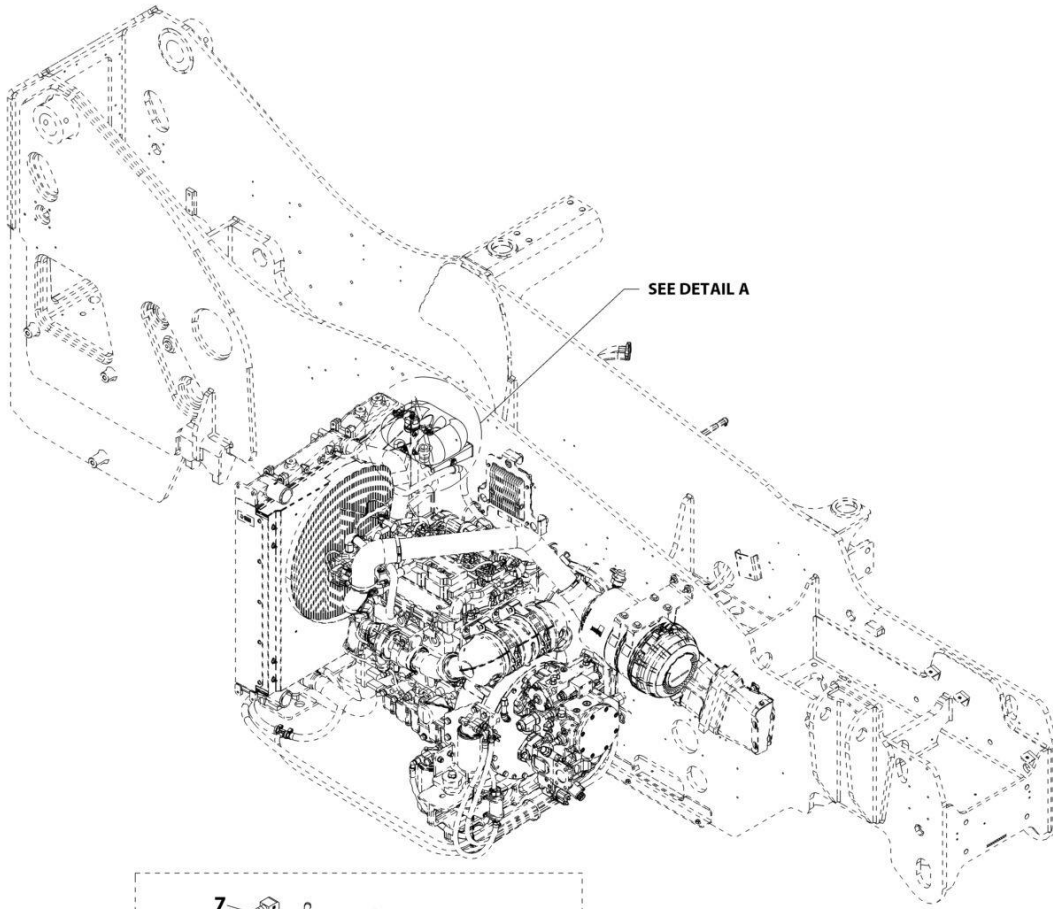
SECTION 4 - ENGINE AND ATTACHING PARTS

FIGURE 4-25. COOLANT LINES INSTALLATION

ITEM	PART NUMBER	QTY	DESCRIPTION	REV
	1001201302	Ref	Coolant Lines Installation	E
1	0761212	1	Bolt, M12X25	
2	1062255	3	Strap, Tie	
3	1320060	1	Clamp, Hose	
4	2220767	1	Fitting	
5	3291201	1	Nut, M12	
6	4812100	2	Washer, M12	
7	8405101	1	Clamp, Gear	
8	8405104	2	Clamp, Gear	
9	8405201	2	Clamp, Gear	
10	8405009	5	Clamp, Gear	
11	1001180542	2465 mm	Hose	
12	1001217762	1	Hose	
13	1001201309	1	Hose	
14	1001217763	1	Hose	
15	1001217761	1	Bracket	
16	8405006	1	Clamp, Gear	
17	1001180553	370 mm	Hose	
18	0761010	1	Bolt, M12X20	
19	4812000	1	Washer, M10	
20	1001146588	2	Strap, Tie	
21	8405007	1	Clamp, Gear	

SECTION 4 - ENGINE AND ATTACHING PARTS

FIGURE 4-26. SURGE TANK INSTALLATION



DETAIL A

ART_1001201304-B

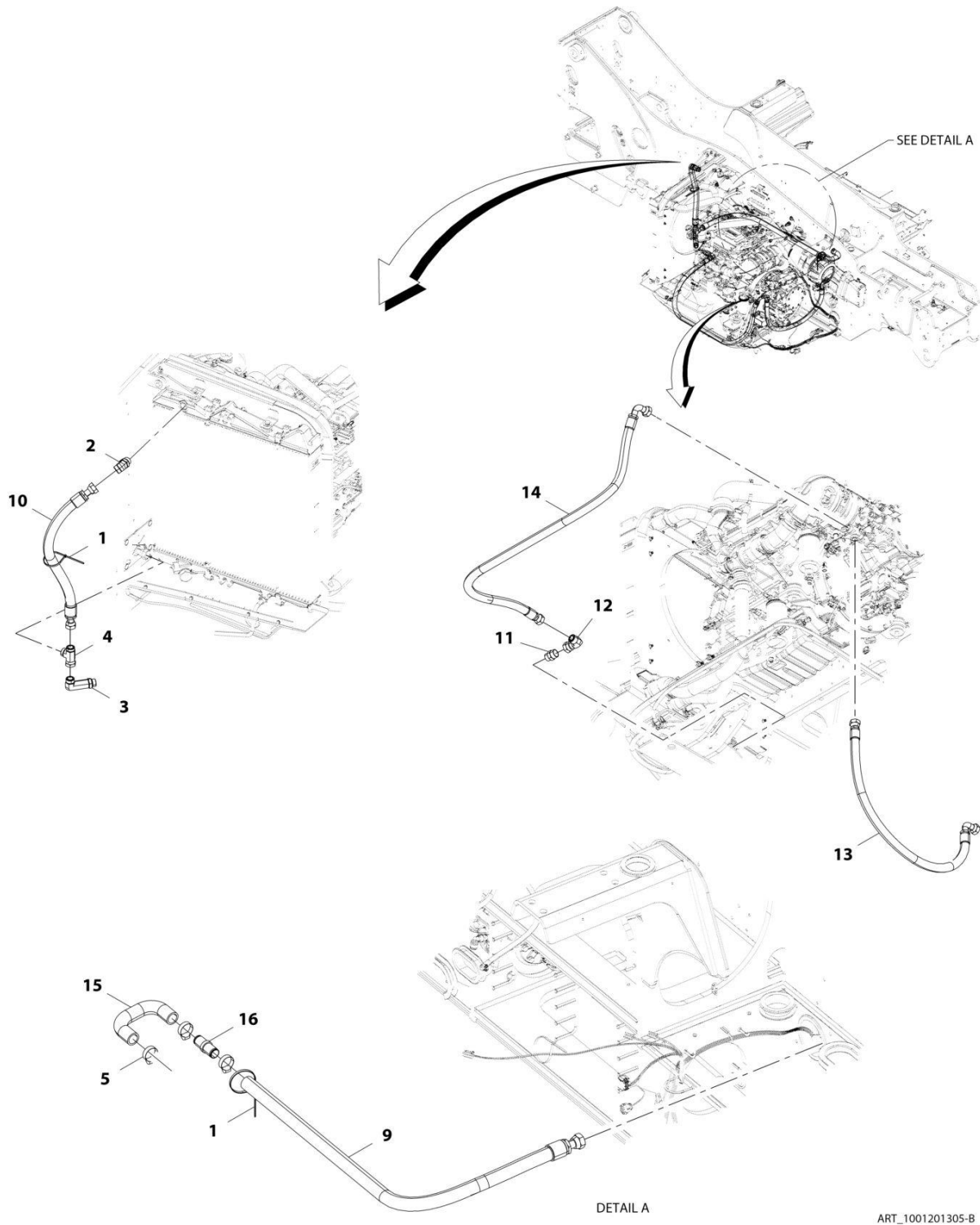
SECTION 4 - ENGINE AND ATTACHING PARTS

FIGURE 4-26. SURGE TANK INSTALLATION

ITEM	PART NUMBER	QTY	DESCRIPTION	REV
	1001201304	Ref	Surge Tank Installation	B
1	0700816	2	Bolt, M8X40	
2	0791605	4	Screw	
3	4811900	2	Washer, M8	
4	1001138827	1	Sensor, Coolant Level	
5	1001128144	1	Tank, Coolant	
6	1001128341	1	Cap	
7	1001169368	2	Fitting, Hose Barb	
8	1001201317	1	Bracket, Coolant Tank	

SECTION 4 - ENGINE AND ATTACHING PARTS

FIGURE 4-27. TRANSMISION OIL COOLER LINES INSTALLATION



DETAIL A

ART_1001201305-B

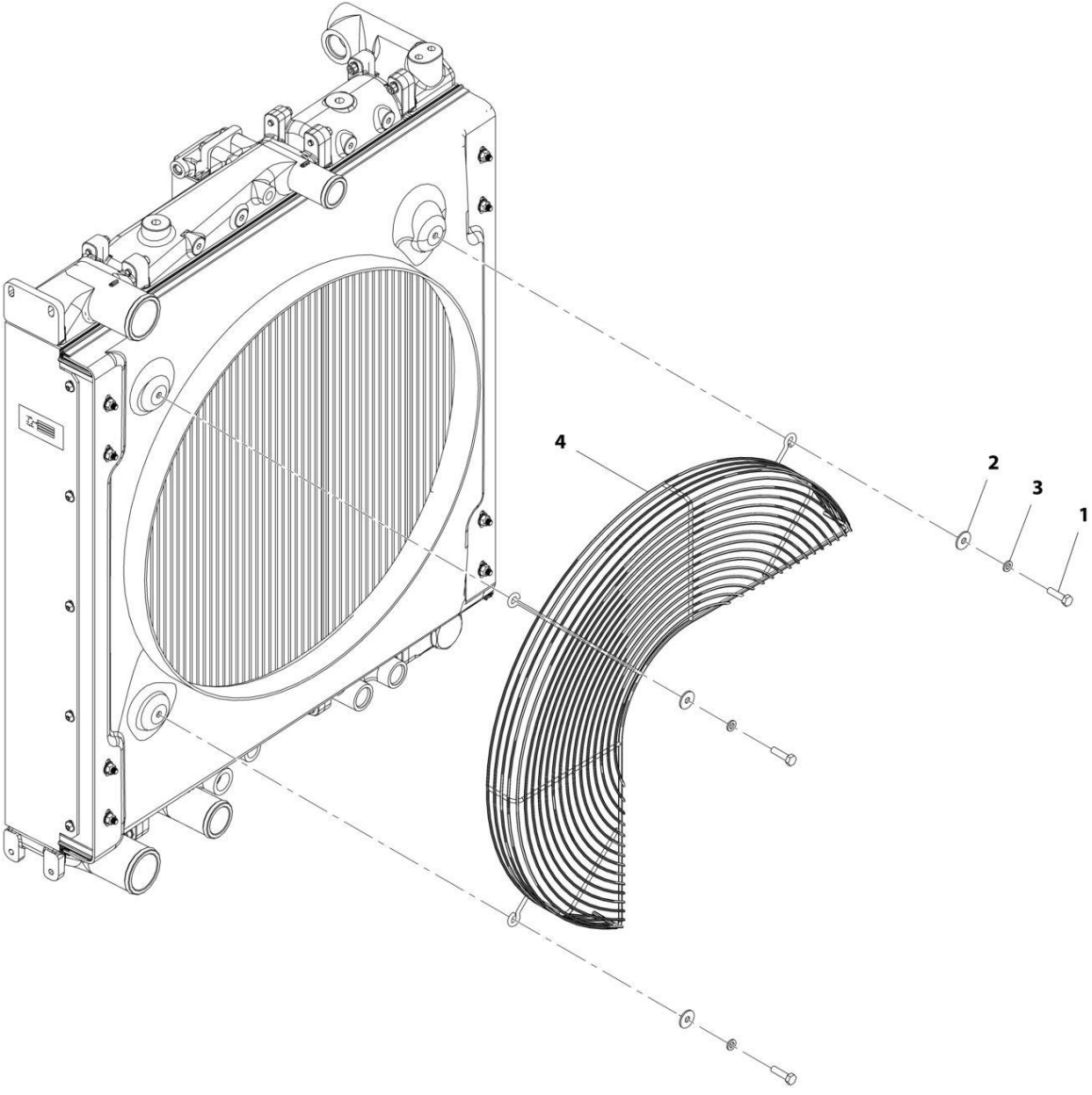
SECTION 4 - ENGINE AND ATTACHING PARTS

FIGURE 4-27. TRANSMISION OIL COOLER LINES INSTALLATION

ITEM	PART NUMBER	QTY	DESCRIPTION	REV
	1001201305	Ref	Transmission Oil Cooler Lines Installation	B
1	1062255	AR	Strap, Tie	
2	2151616	1	Fitting, 45 ORFS	
3	2170216	1	Fitting, 90 ORFS	
4	2170716	1	Fitting, Tee ORFS	
5	8405102	3	Clamp, Gear	
9	1001205564	1	Hose	
10	1001205565	1	Hose	
11	2111616	1	Fitting, Straight ORFS	
12	2172116	1	Fitting, 90 ORFS	
13	1001211616	1	Hose	
14	1001211617	1	Hose	
15	1001212920	1	Hose	
16	1001212921	1	Fitting, Straight	

SECTION 4 - ENGINE AND ATTACHING PARTS

FIGURE 4-28. FAN GUARD INSTALLATION



ART_1001160420-D

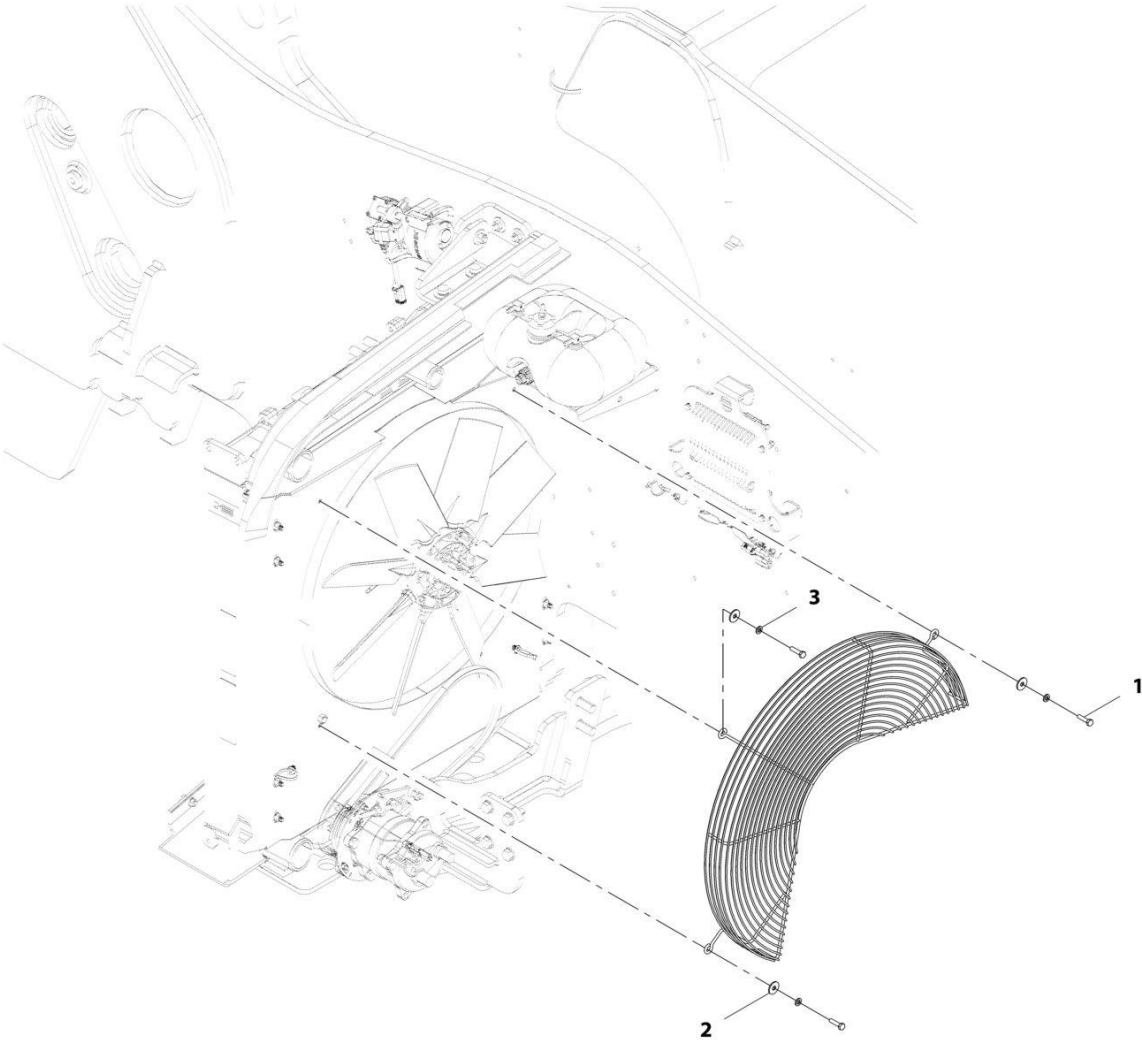
SECTION 4 - ENGINE AND ATTACHING PARTS

FIGURE 4-28. FAN GUARD INSTALLATION

ITEM	PART NUMBER	QTY	DESCRIPTION	REV
	1001160420	Ref	Fan Guard Installation	D
1	0700814	3	Bolt, M8X30	
2	4811902	3	Washer, M8	
3	4831900	3	Washer, Lock M8	
4	1001167186	1	Grill	

SECTION 4 - ENGINE AND ATTACHING PARTS

FIGURE 4-29. FAN GUARD (REVERSING) INSTALLATION



ART_1001217754-B

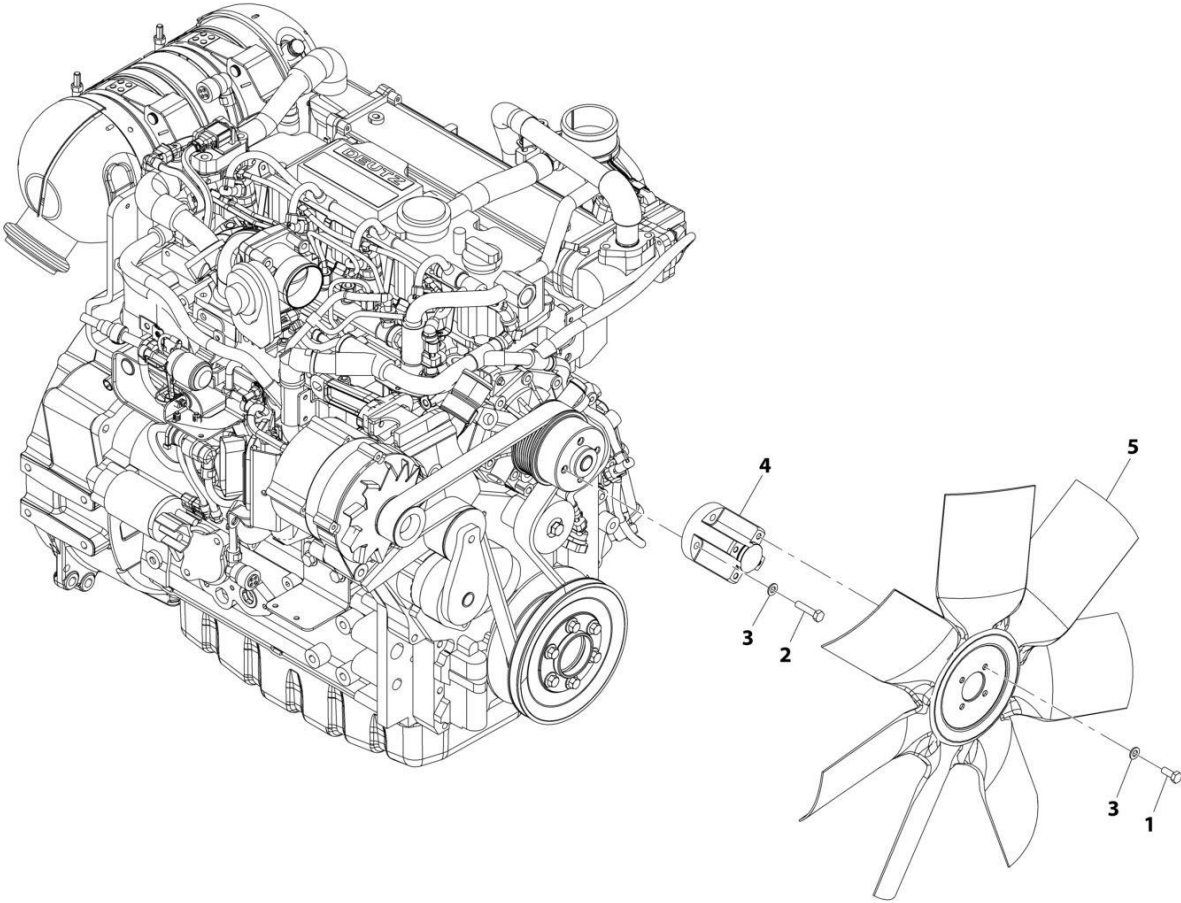
SECTION 4 - ENGINE AND ATTACHING PARTS

FIGURE 4-29. FAN GUARD (REVERSING) INSTALLATION

ITEM	PART NUMBER	QTY	DESCRIPTION	REV
	1001217754	1	Fan Guard (Reversing) Installation	B
1	0700814	3	Bolt, M8X30	
2	4811902	3	Washer, M8	
3	4831900	3	Washer, Lock M8	
4	1001217755	1	Grill	

SECTION 4 - ENGINE AND ATTACHING PARTS

FIGURE 4-30. COOLING FAN INSTALLATION



ART_1001214123-A

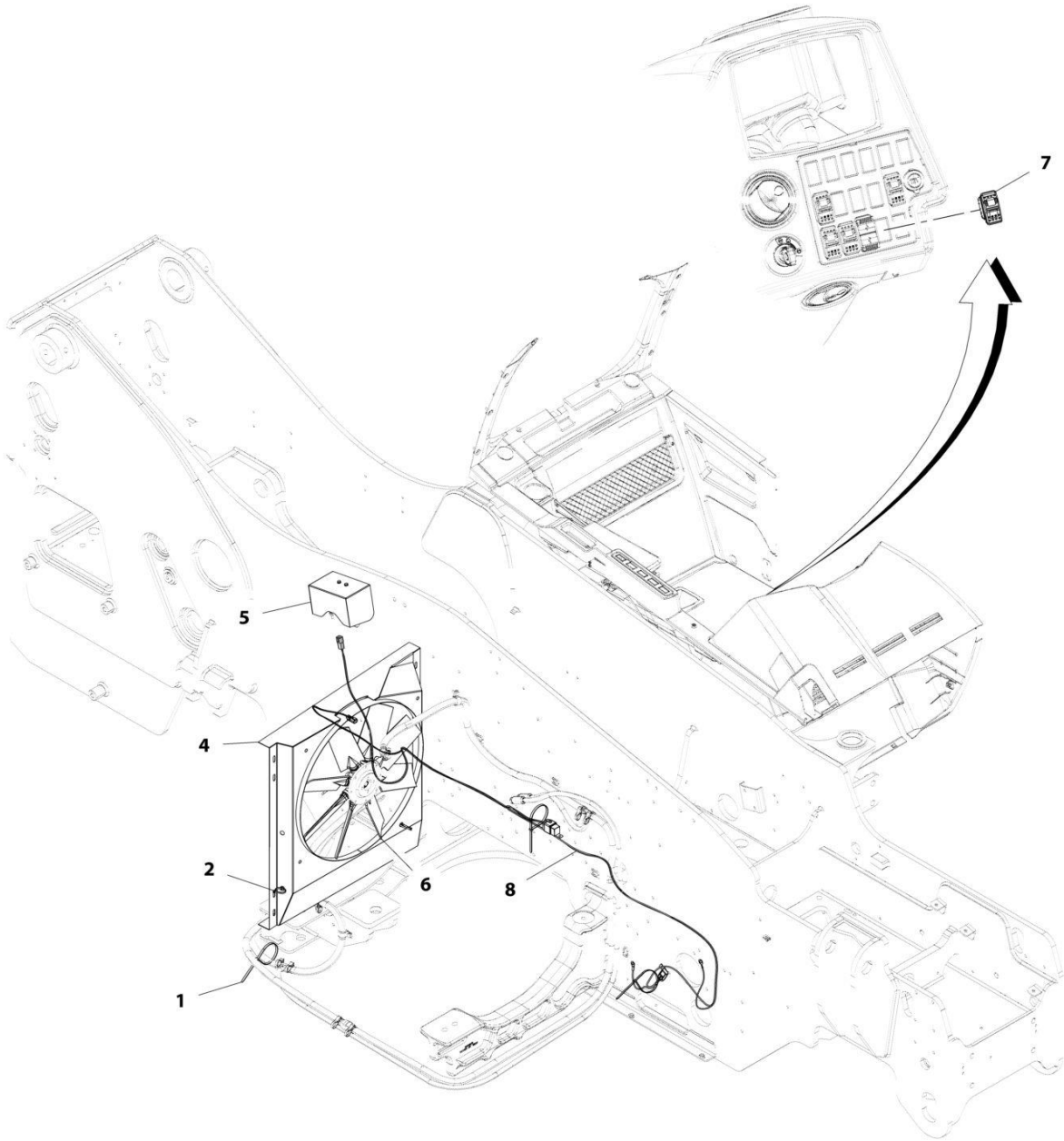
SECTION 4 - ENGINE AND ATTACHING PARTS

FIGURE 4-30. COOLING FAN INSTALLATION

ITEM	PART NUMBER	QTY	DESCRIPTION	REV
	1001214123	Ref	Cooling Fan Installation	A
1	0760810	4	Bolt, M8X20	
2	0770815	4	Bolt, M8X35 Grade 10.9	
3	4811900	8	Washer, M8	
4	1001170311	1	Adapter, Fan	
5	1001185026	1	Fan	

SECTION 4 - ENGINE AND ATTACHING PARTS

FIGURE 4-31. COOLING FAN (REVERSING) INSTALLATION



ART_1001217753-C

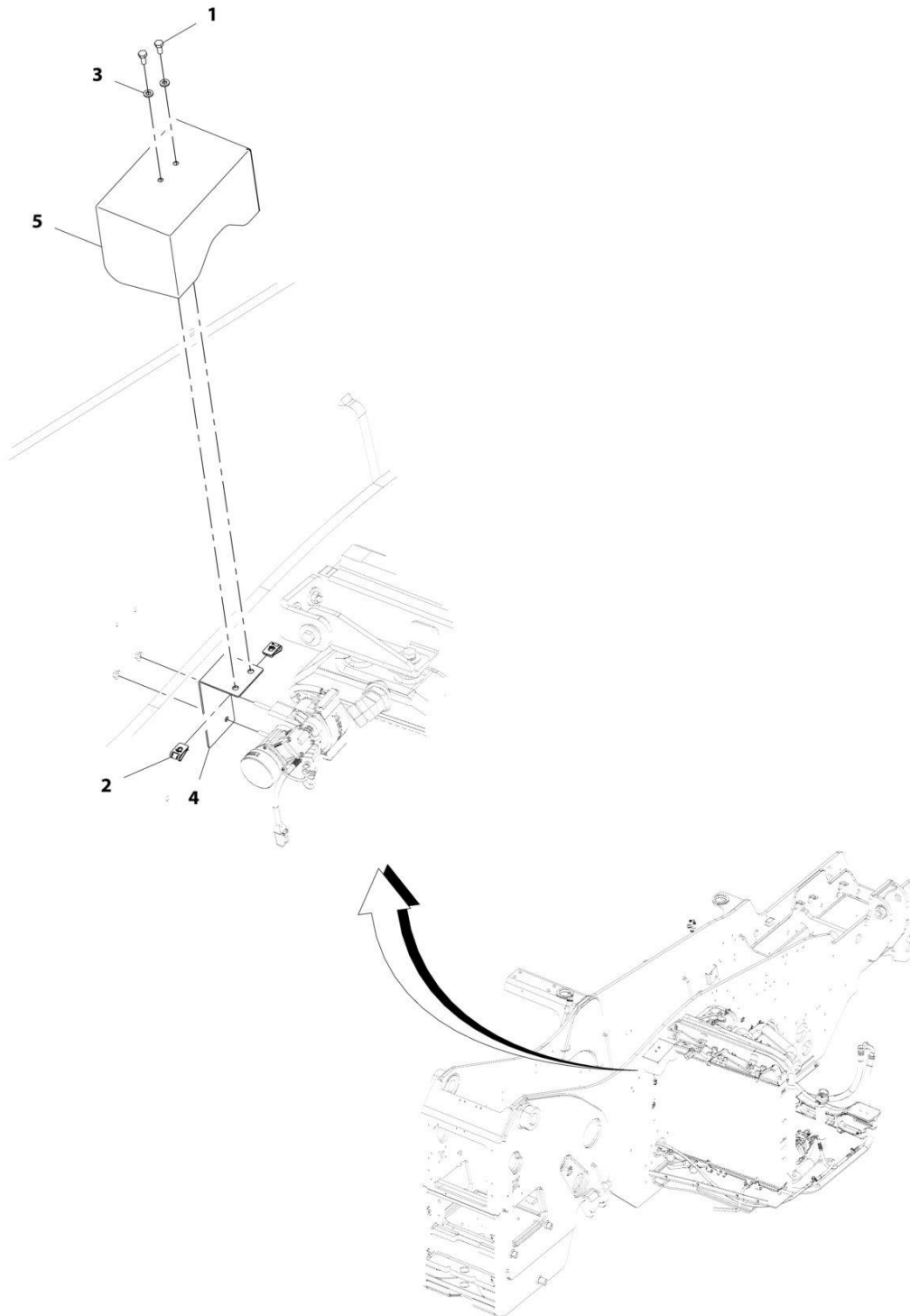
SECTION 4 - ENGINE AND ATTACHING PARTS

FIGURE 4-31. COOLING FAN (REVERSING) INSTALLATION

ITEM	PART NUMBER	QTY	DESCRIPTION	REV
	1001217753	Ref	Reverse Cooling Fan Installation	C
1	1062255	3	Strap, Tie	
2	1001146588	2	Strap, Fir Tree Cable Tie	
4	1001217756	1	Shroud	
5	1001217757	1	Installation, Cover (See Separate Breakdown in this Section)	
6	1001217760	1	Kit, Reversing Fan	
6	70030353	1	Pneumatic Line	
6	70030355	1	Fan, Reverse	
6	70030356	1	Compressor	
7	1001145204	1	Switch	
8	1001221493	1	Harness, Reversing Fan (See Separate Breakdown in ELECTRICAL Section)	

SECTION 4 - ENGINE AND ATTACHING PARTS

FIGURE 4-32. COOLING FAN COVER (REVERSING) INSTALLATION



ART_1001217757-A

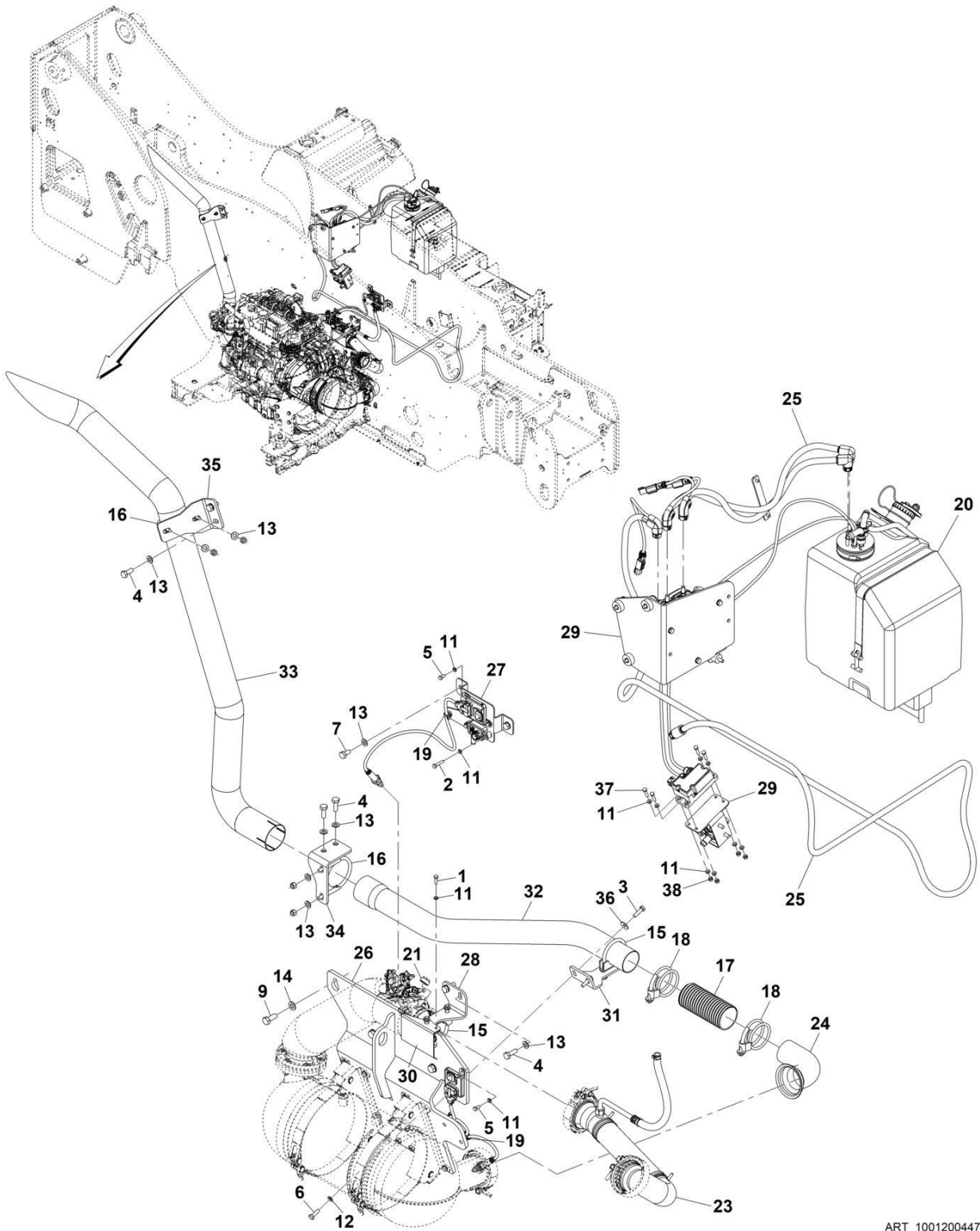
SECTION 4 - ENGINE AND ATTACHING PARTS

FIGURE 4-32. COOLING FAN COVER (REVERSING) INSTALLATION

ITEM	PART NUMBER	QTY	DESCRIPTION	REV
	1001217757	Ref	Compressor Cover Installation	A
1	0760607	2	Bolt, M6X14	
2	8305919	2	Nut, M6	
3	8307219	2	Washer, M6	
4	1001217758	1	Bracket	
5	1001217759	1	Cover	

SECTION 4 - ENGINE AND ATTACHING PARTS

FIGURE 4-33. EXHAUST INSTALLATION (ULS)



ART_1001200447-I

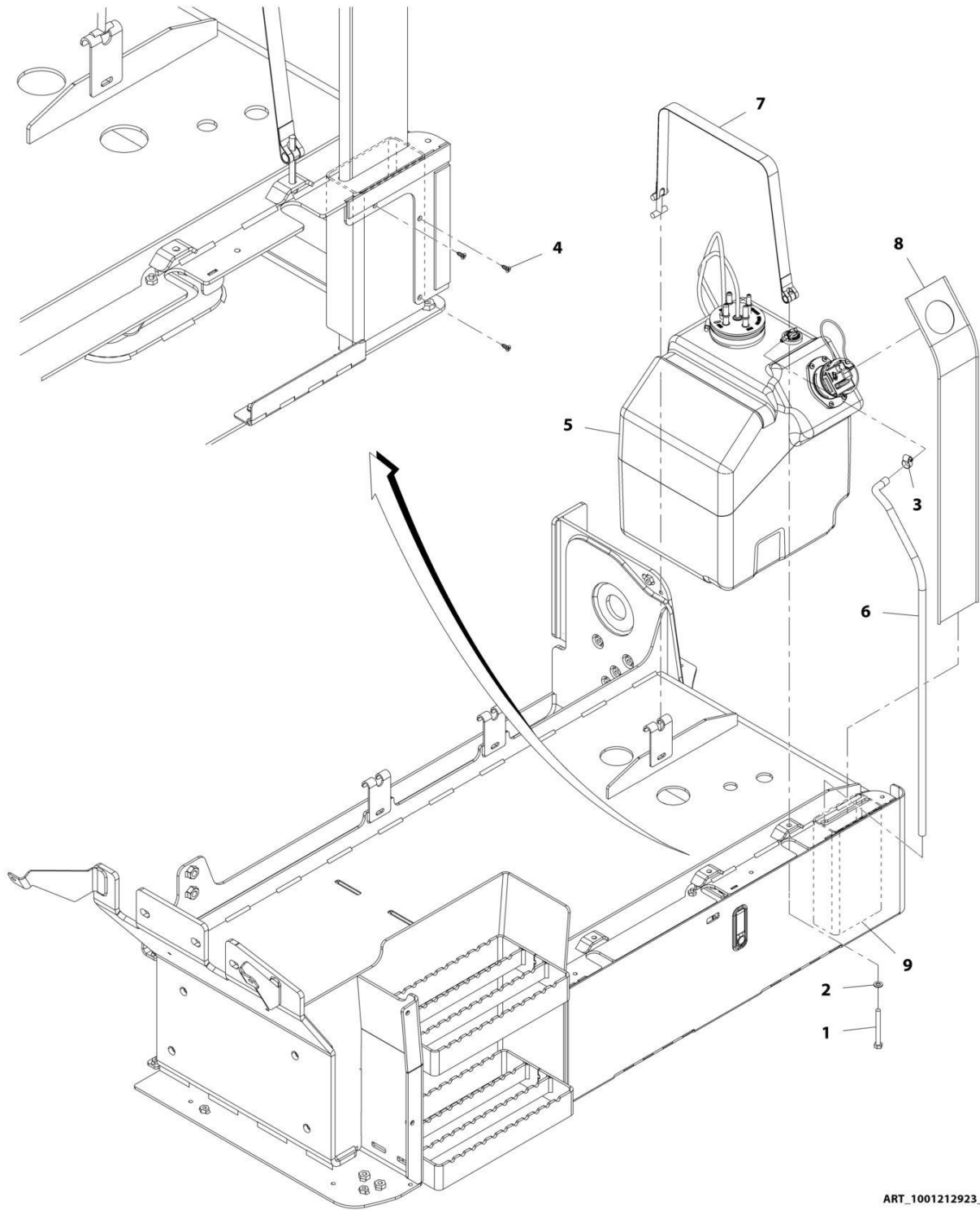
SECTION 4 - ENGINE AND ATTACHING PARTS

FIGURE 4-33. EXHAUST INSTALLATION (ULS)

ITEM	PART NUMBER	QTY	DESCRIPTION	REV
	1001200447	Ref	EXHAUST INSTALLATION (ULS)	K
1	0700610	1	Bolt M6 x 20	
2	0700614	1	Bolt M6 x 30	
3	0700814	2	Bolt M8 x 30	
4	0701014	6	Bolt M10 x 30	
5	0760607	4	Bolt M6 x 14	
6	0760812	8	Bolt M8 x 25	
7	0761010	2	Bolt M10 x 20	
9	0761214	4	Bolt M12 x 30	
11	4811700	6	Washer M6	
12	4811900	8	Washer M8	
13	4812000	12	Washer M10	
14	4812100	4	Washer M12	
15	8275212	2	Clamp	
16	24921332	2	Clamp	
17	77213042	1	Tube, Flexible	
18	91163268	2	Clamp	
19	1001146588	3	Tie-Strap	
20	1001293067	Ref	Installation, DEF Tank (See Separate Breakdown in this Section)	
23	1001199902	1	Pipe	
24	1001200249	1	Pipe	
25	1001293068	Ref	Installation, DEF Lines (See Separate Breakdown in this Section)	
26	1001201856	1	Bracket	
27	1001284536	1	Bracket	
28	1001201858	1	Support	
29	1001202018	Ref	Installation, DEF Control Module (See Separate Breakdown in this Section)	
30	1001202021	1	Plate	
31	1001202899	1	Bracket	
32	1001204411	1	Pipe	
33	1001226797	1	Pipe, Tail	
34	1001204413	1	Bracket	
35	1001204414	1	Bracket	
36	4811902	2	Washer M8	
39	1001004720	AR	Tie-Strap	

SECTION 4 - ENGINE AND ATTACHING PARTS

FIGURE 4-34. DEF TANK INSTALLATION



ART_1001212923_F

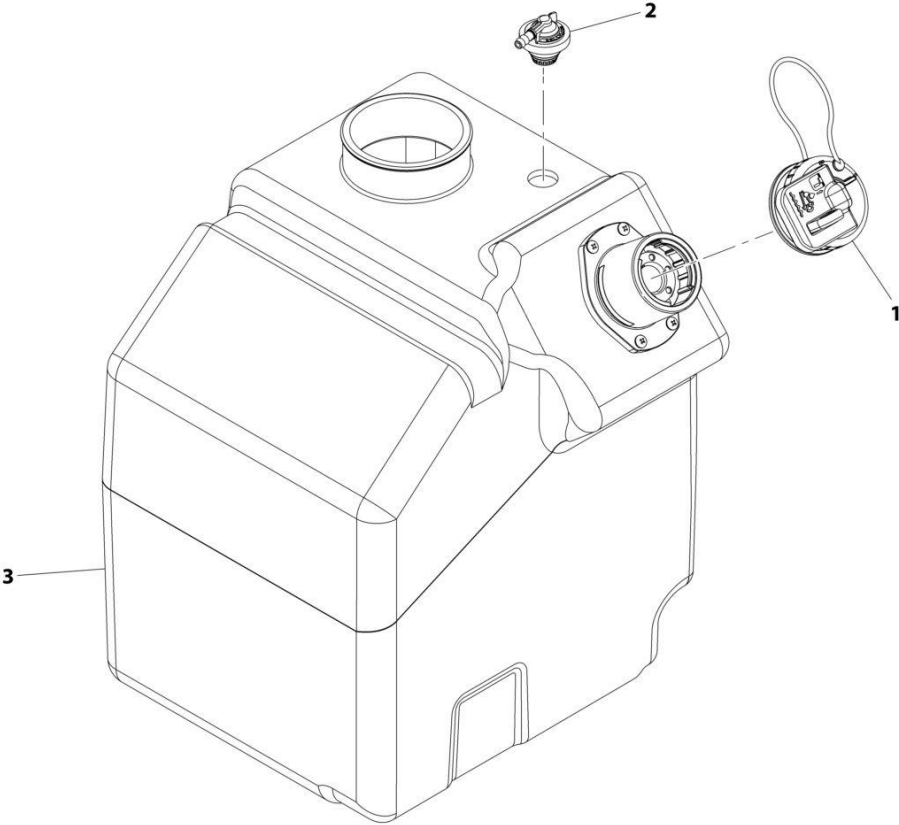
SECTION 4 - ENGINE AND ATTACHING PARTS

FIGURE 4-34. DEF TANK INSTALLATION

ITEM	PART NUMBER	QTY	DESCRIPTION	REV
	1001212923	Ref	DEF Tank Installation	F
1	0760823	1	Bolt, M8X75	
2	4811900	1	Washer, M8	
3	8405009	1	Clamp	
4	1001226681	3	Screw	
5	1001247279	1	Assembly, DEF Tank (See Separate Breakdown in this Section)	
6	1001175201	813 mm	Hose	
7	1001178791	1	Strap, Tank	
8	1001212924	1	Guard, Spill	
9	1001212925	1	Tube, Drain	

SECTION 4 - ENGINE AND ATTACHING PARTS

FIGURE 4-35. DEF TANK ASSEMBLY



ART_1001247279-B

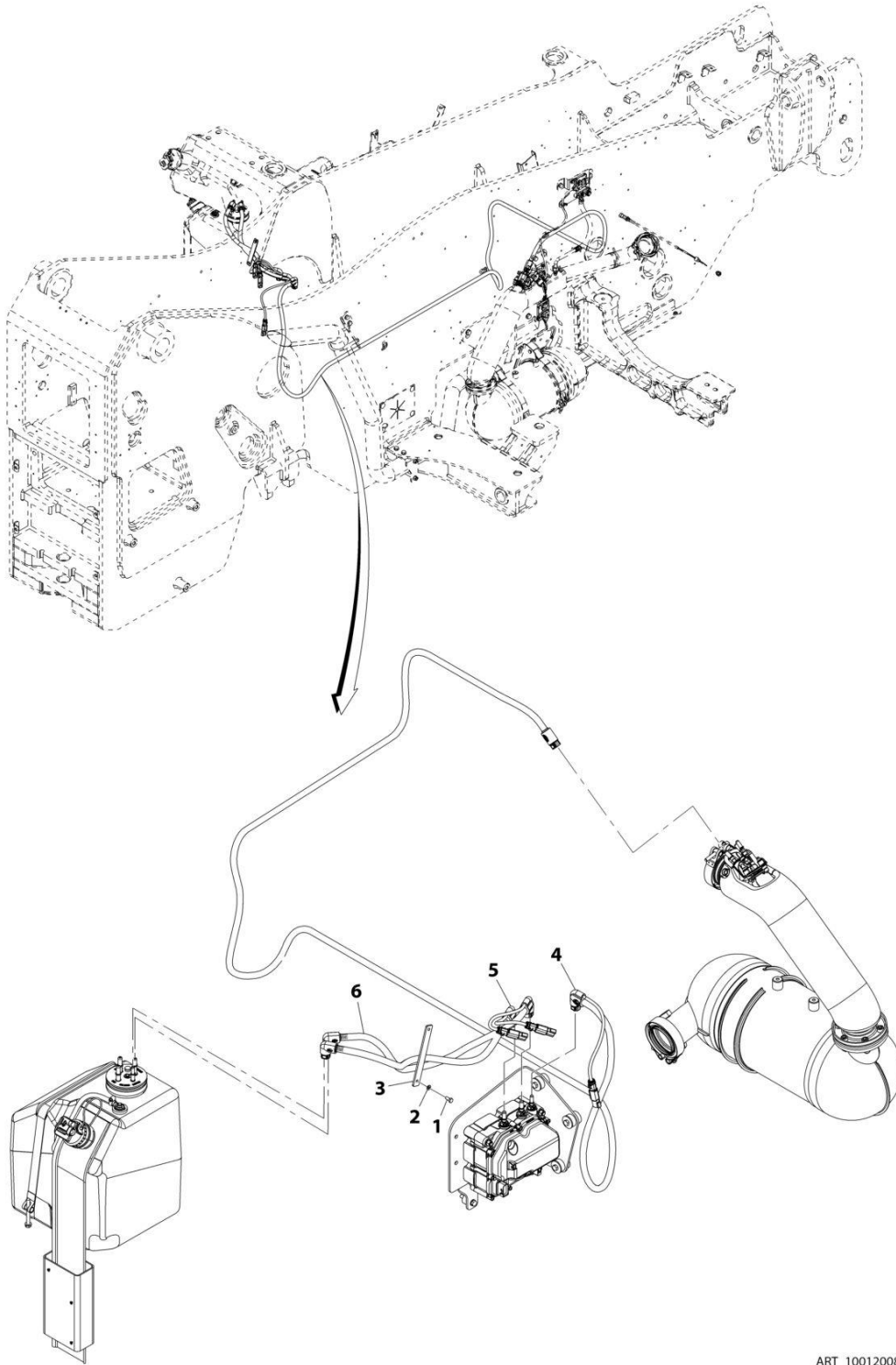
SECTION 4 - ENGINE AND ATTACHING PARTS

FIGURE 4-35. DEF TANK ASSEMBLY

ITEM	PART NUMBER	QTY	DESCRIPTION	REV
	1001247279	Ref	DEF Tank Assembly	B
1	1001174795	1	Reutter Cap Assembly	
2	1001215319	1	DEF Breather Valve	
3	1001237897	NLA	DEF Tank (Use PN 1001247279)	

SECTION 4 - ENGINE AND ATTACHING PARTS

FIGURE 4-36. DEF LINES INSTALLATION



ART_1001200867-E

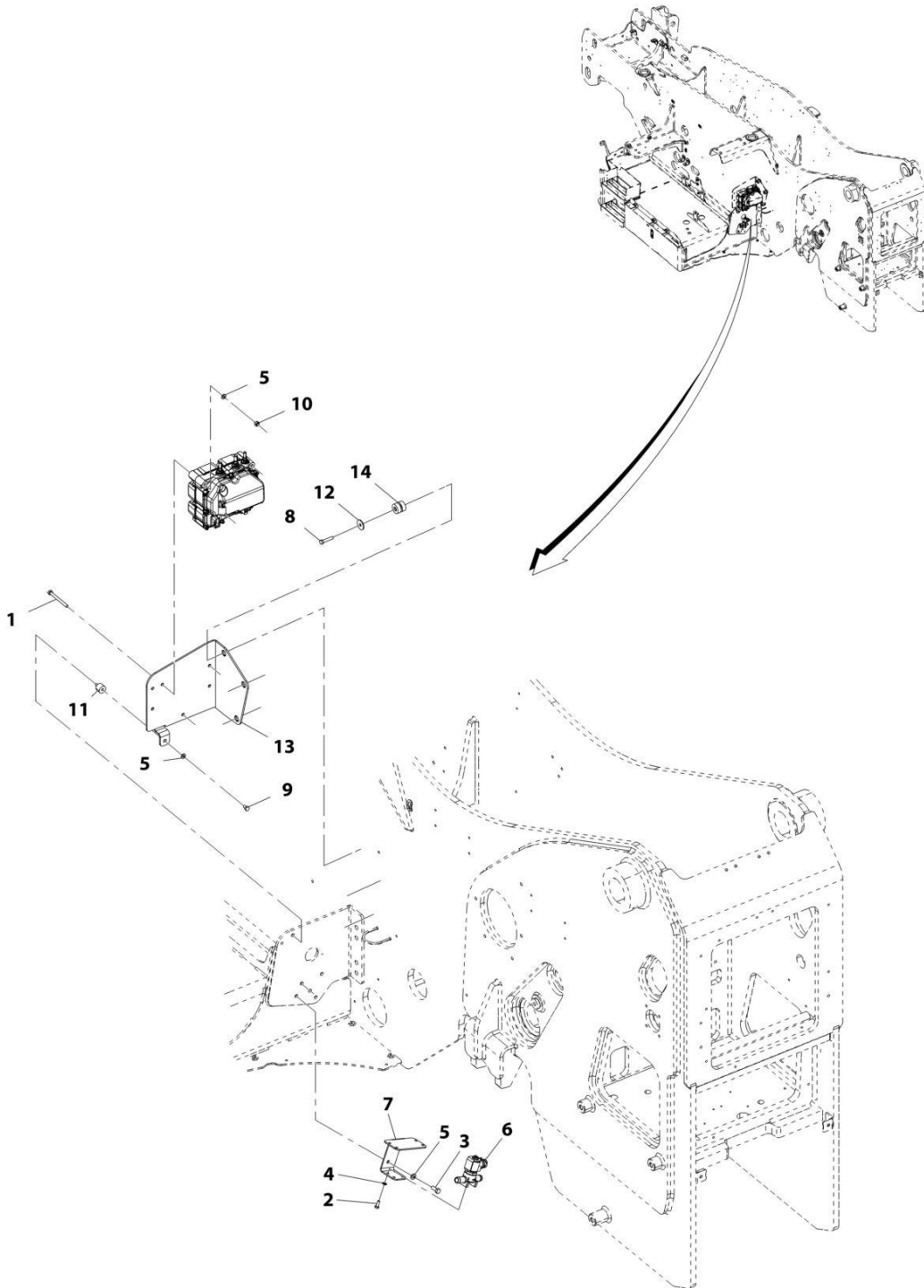
SECTION 4 - ENGINE AND ATTACHING PARTS

FIGURE 4-36. DEF LINES INSTALLATION

ITEM	PART NUMBER	QTY	DESCRIPTION	REV
	1001200867	Ref	DEF Lines Installation	E
1	0760607	2	Bolt, M6X14	
2	4831700	2	Washer, Lock M6	
3	1001173873	1	Plate	
4	1001180437	1	Hose	
5	1001239879	1	Hose	
6	1001239878	1	Hose	

SECTION 4 - ENGINE AND ATTACHING PARTS

FIGURE 4-37. DEF CONTROL MODULE INSTALLATION



ART_1001202018-F

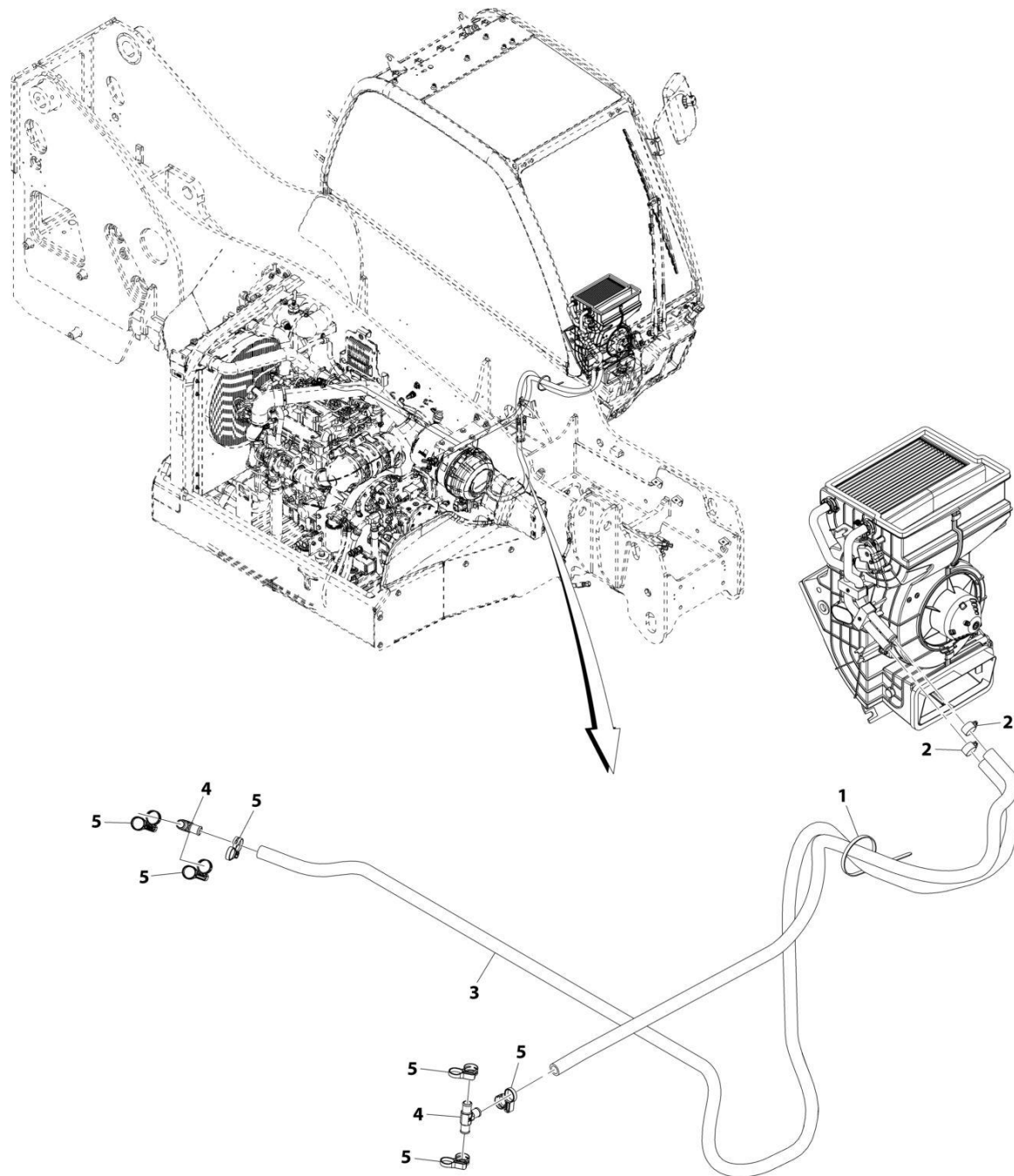
SECTION 4 - ENGINE AND ATTACHING PARTS

FIGURE 4-37. DEF CONTROL MODULE INSTALLATION

ITEM	PART NUMBER	QTY	DESCRIPTION	REV
	1001202018	Ref	DEF Control Module Installation	F
1	0700826	3	Bolt, M8X90	
2	0760608	4	Bolt, M6X16	
3	0760810	2	Bolt, M8X20	
4	4811700	4	Washer, M6	
5	4811900	9	Washer, M8	
6	1001199670	1	Valve, DEF Tank Coolant Flow	
7	1001247184	1	Bracket	
8	0700816	3	Bolt, M8X40	
9	0760806	1	Bolt, M8X12	
10	3290805	3	Nut, Lock M8X1.25 Grade 8	
11	1001179907	1	Mount, Isolator	
12	1001195089	3	Washer	
13	1001221349	1	Bracket	
14	1001221383	3	Mount, Isolator	

SECTION 4 - ENGINE AND ATTACHING PARTS

FIGURE 4-38. HEATER LINES INSTALLATION (ULS)



ART_1001200451-D

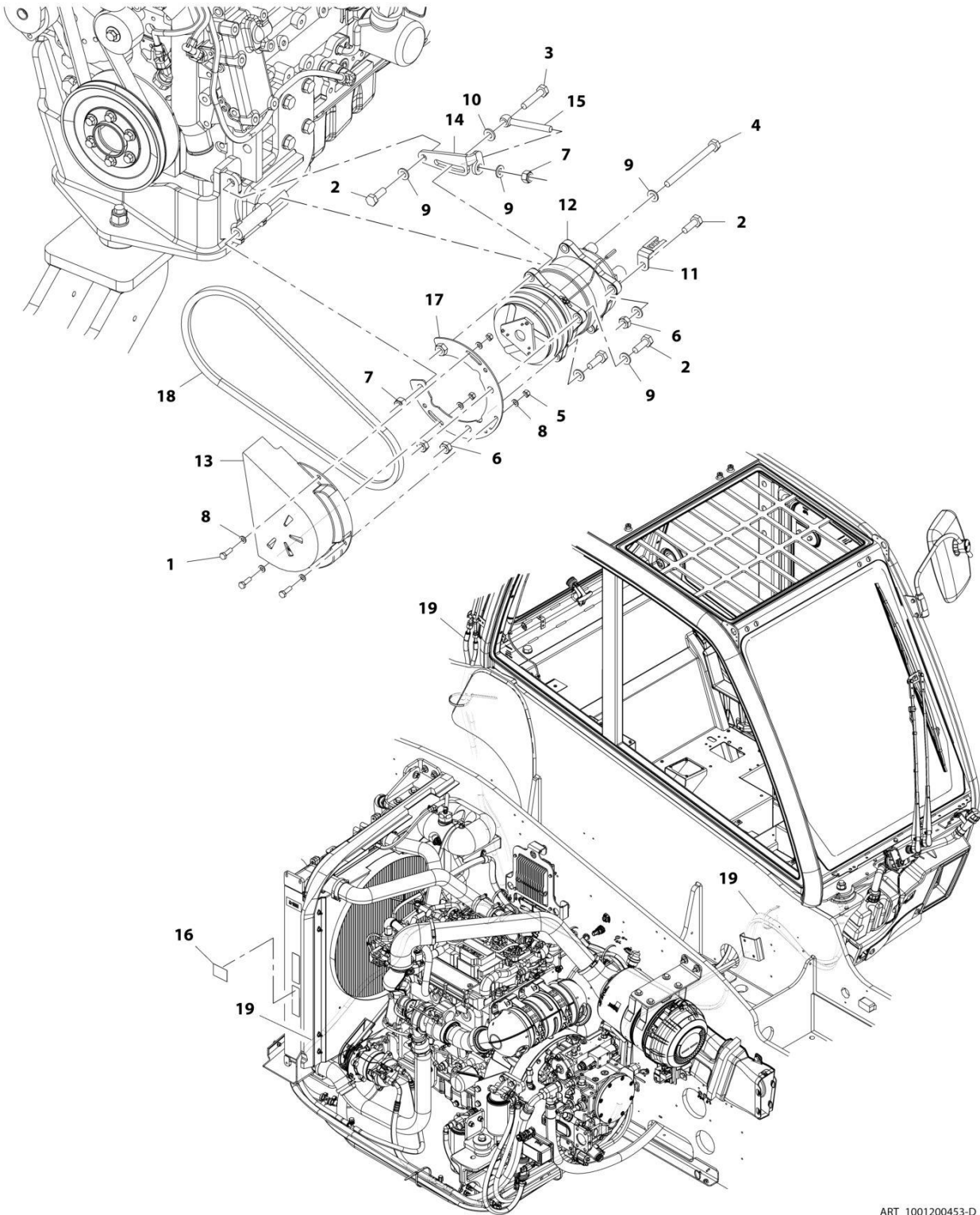
SECTION 4 - ENGINE AND ATTACHING PARTS

FIGURE 4-38. HEATER LINES INSTALLATION (ULS)

ITEM	PART NUMBER	QTY	DESCRIPTION	REV
	1001200451	Ref	Heater Lines Installation (ULS)	D
1	1062255	AR	Strap, Tie	
2	8410009	2	Clamp	
3	82033995	4620 mm	Hose	
4	1001170432	2	Fitting, Tee	
5	1001202526	6	Clamp	

SECTION 4 - ENGINE AND ATTACHING PARTS

FIGURE 4-39. A/C PUMP INSTALLATION



ART_1001200453-D

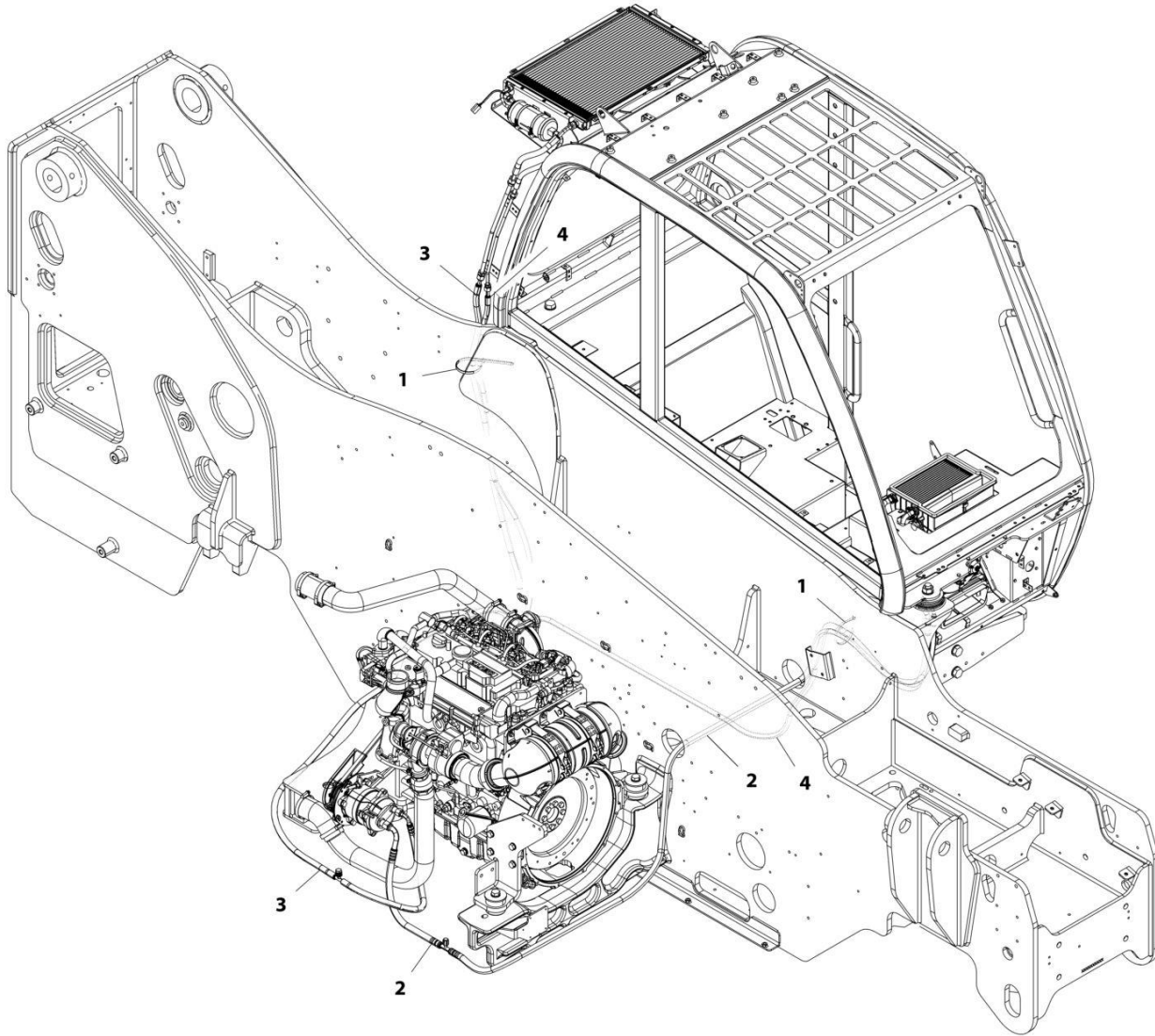
SECTION 4 - ENGINE AND ATTACHING PARTS

FIGURE 4-39. A/C PUMP INSTALLATION

ITEM	PART NUMBER	QTY	DESCRIPTION	REV
	1001200453	Ref	A/C Pump Installation	D
1	0700610	3	Bolt, M6X20	
2	0701014	4	Bolt, M10X30	
3	0701018	1	Bolt, M10X50	
4	0711030	1	Bolt, M10X130 Grade 10.9	
5	3290605	3	Nut, Lock M6X1	
6	3291001	3	Nut, M10X1.5	
7	3291005	2	Nut, lock M10X1.5	
8	4811700	6	Washer, M6	
9	4812000	6	Washer, M10	
10	5241000	1	Washer, M10	
11	1001003305	1	Clip	
12	1001107339	1	Compressor, A/C Clutch	
13	1001138945	1	Cover, Compressor	
14	1001188855	1	Plate, A/C Belt Tensioner	
15	1001188856	1	Rod, Tensioner	
16	1001227090	1	Decal, A/C Installation	
17	1001193797	1	Support, Cover	
18	1001200701	1	Belt, Drive	
19	1001202321	1	A/C Lines Installation (See Separate Breakdown in this Section)	

SECTION 4 - ENGINE AND ATTACHING PARTS

FIGURE 4-40. A/C LINES INSTALLATION



ART_1001202321-D

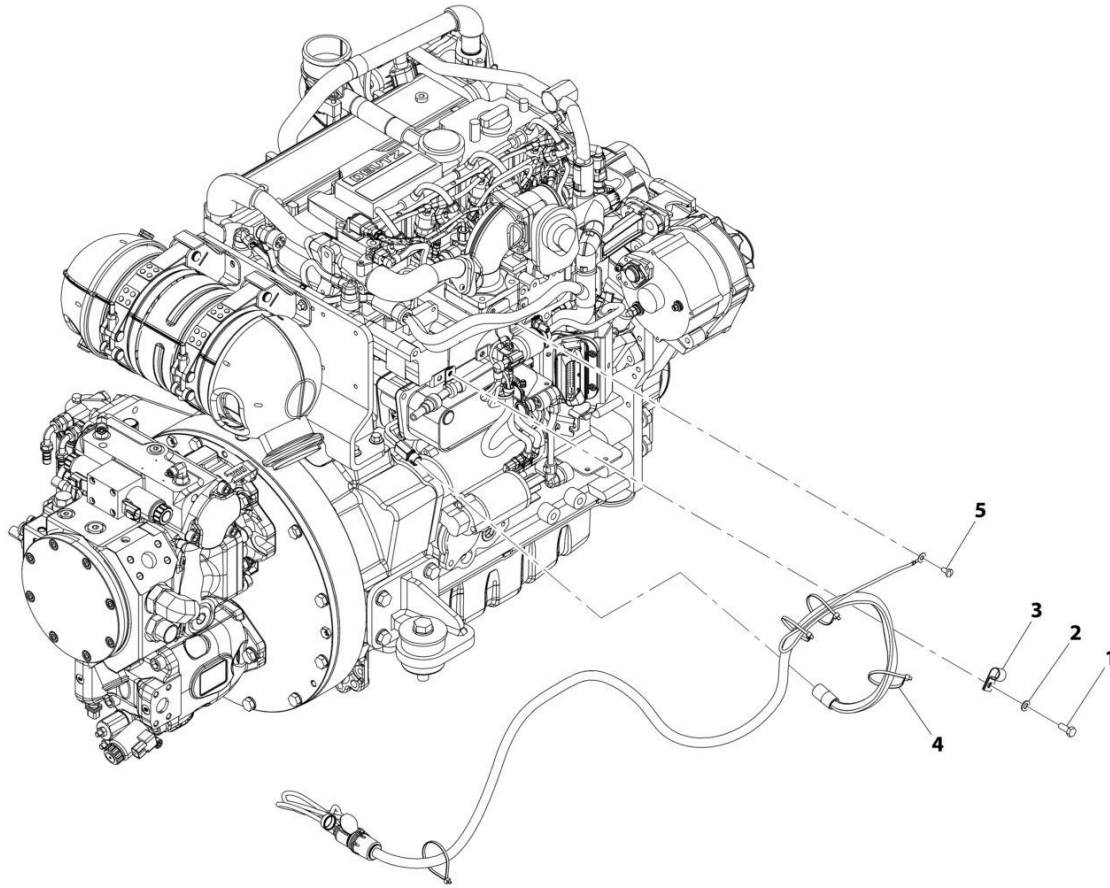
SECTION 4 - ENGINE AND ATTACHING PARTS

FIGURE 4-40. A/C LINES INSTALLATION

ITEM	PART NUMBER	QTY	DESCRIPTION	REV
	1001202321	Ref	A/C Lines Installation	D
1	1062255	2	Strap, Tie	
2	1001216798	1	Hose	
3	1001216799	1	Hose	
4	1001202325	1	Hose	

SECTION 4 - ENGINE AND ATTACHING PARTS

FIGURE 4-41. BLOCK HEATER INSTALLATION (115V) (ULS)



ART_1001214349-C

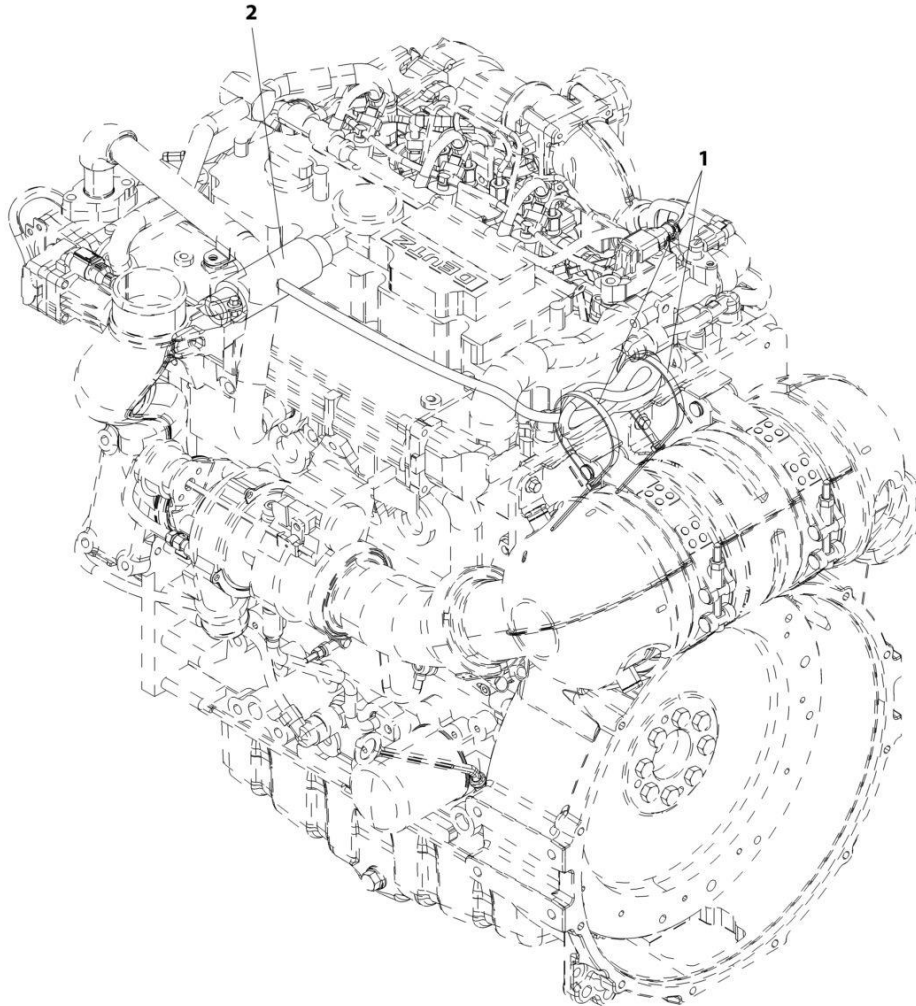
SECTION 4 - ENGINE AND ATTACHING PARTS

FIGURE 4-41. BLOCK HEATER INSTALLATION (115V) (ULS)

ITEM	PART NUMBER	QTY	DESCRIPTION	REV
	1001214349	Ref	Block Heater Installation (115V) (ULS)	C
1	0760810	1	Bolt, M8X20	
2	4811900	1	Washer, M8	
3	8406112	1	Clip	
4	1001008559	4	Strap, Cable	
5	1001099566	1	Screw, M6-1X12	

SECTION 4 - ENGINE AND ATTACHING PARTS

FIGURE 4-42. HEATED BREATHER TUBE INSTALLATION



ART_1001233024-A

SECTION 4 - ENGINE AND ATTACHING PARTS

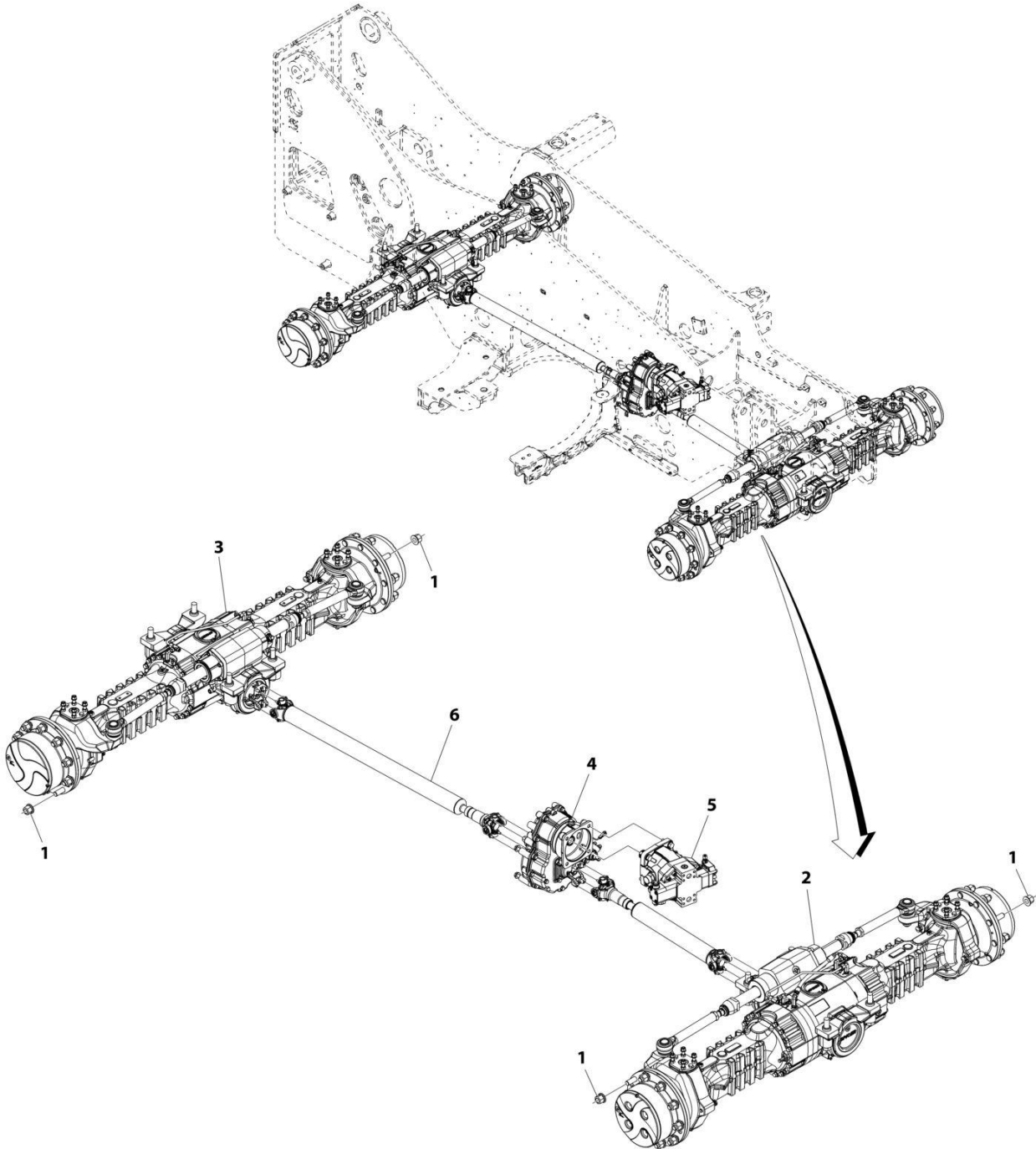
FIGURE 4-42. HEATED BREATHER TUBE INSTALLATION

ITEM	PART NUMBER	QTY	DESCRIPTION	REV
	1001233024	Ref	Heated Breather Tube Installation	A
1	1062255	2	Strap, Tie	
2	1001232509	1	Hose	

SECTION 5 - DRIVE TRAIN

SECTION 5 - DRIVE TRAIN

FIGURE 5-1. DRIVETRAIN INSTALLATION



ART_1001184976-B

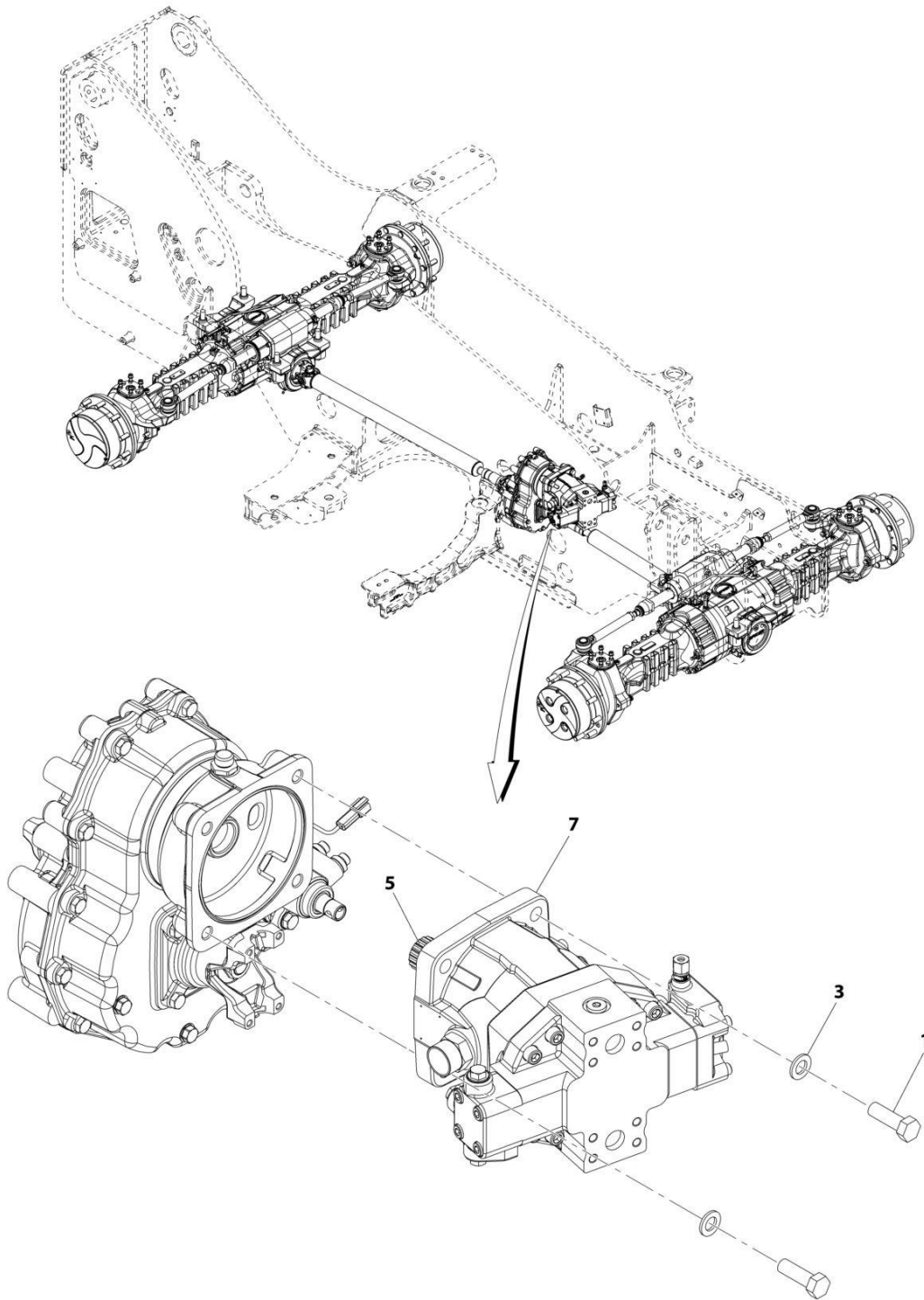
SECTION 5 - DRIVE TRAIN

FIGURE 5-1. DRIVETRAIN INSTALLATION

ITEM	PART NUMBER	QTY	DESCRIPTION	REV
	1001184976	Ref	Drivetrain Installation	B
1	91403193	40	Nut, Lug M22X1.5	
2	1001184977	Ref	Installation, Front Axle (See Separate Breakdown in this Section)	
3	1001184978	Ref	Installation, Rear Axle (See Separate Breakdown in this Section)	
4	1001184979	Ref	Installation, Gearbox (See Separate Breakdown in this Section)	
5	1001184980	Ref	Installation, Hydrostatic Motor (See Separate Breakdown in this Section)	
6	1001184981	Ref	Installation, Drive Shaft (See Separate Breakdown in this Section)	

SECTION 5 - DRIVE TRAIN

FIGURE 5-2. HYDROSTATIC MOTOR INSTALLATION



ART_1001184980-D

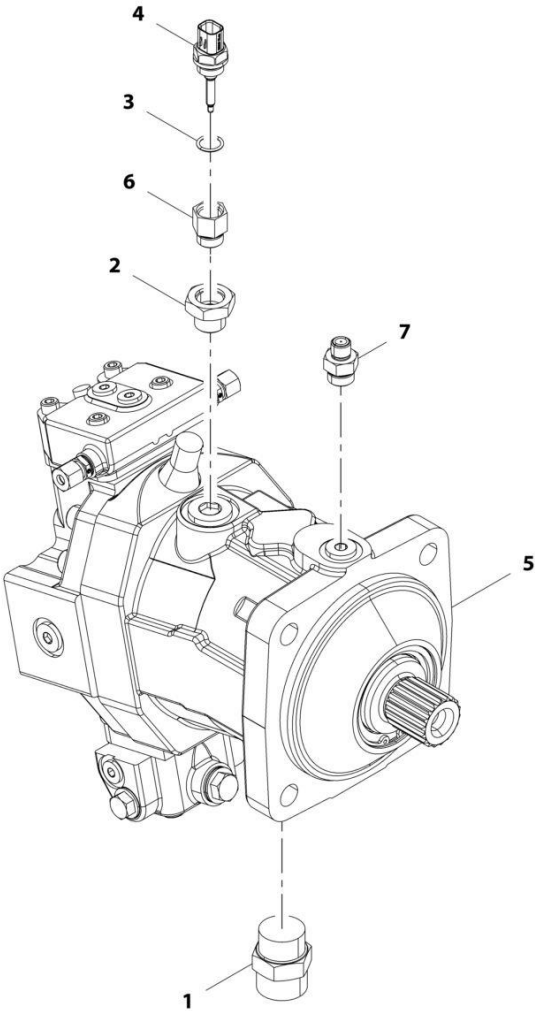
SECTION 5 - DRIVE TRAIN

FIGURE 5-2. HYDROSTATIC MOTOR INSTALLATION

ITEM	PART NUMBER	QTY	DESCRIPTION	REV
	1001184980	Ref	Hydrostatic Motor Installation	D
1	0771618	4	Bolt, M16X50	
3	4812300	4	Washer, M16	
5	3020037	AR	Lube, Grease	
7	1001217620	1	Assembly, Hydrostatic Drive Motor (See Separate Breakdown in this Section)	

SECTION 5 - DRIVE TRAIN

FIGURE 5-3. HYDROSTATIC MOTOR ASSEMBLY



ART_1001217620-B

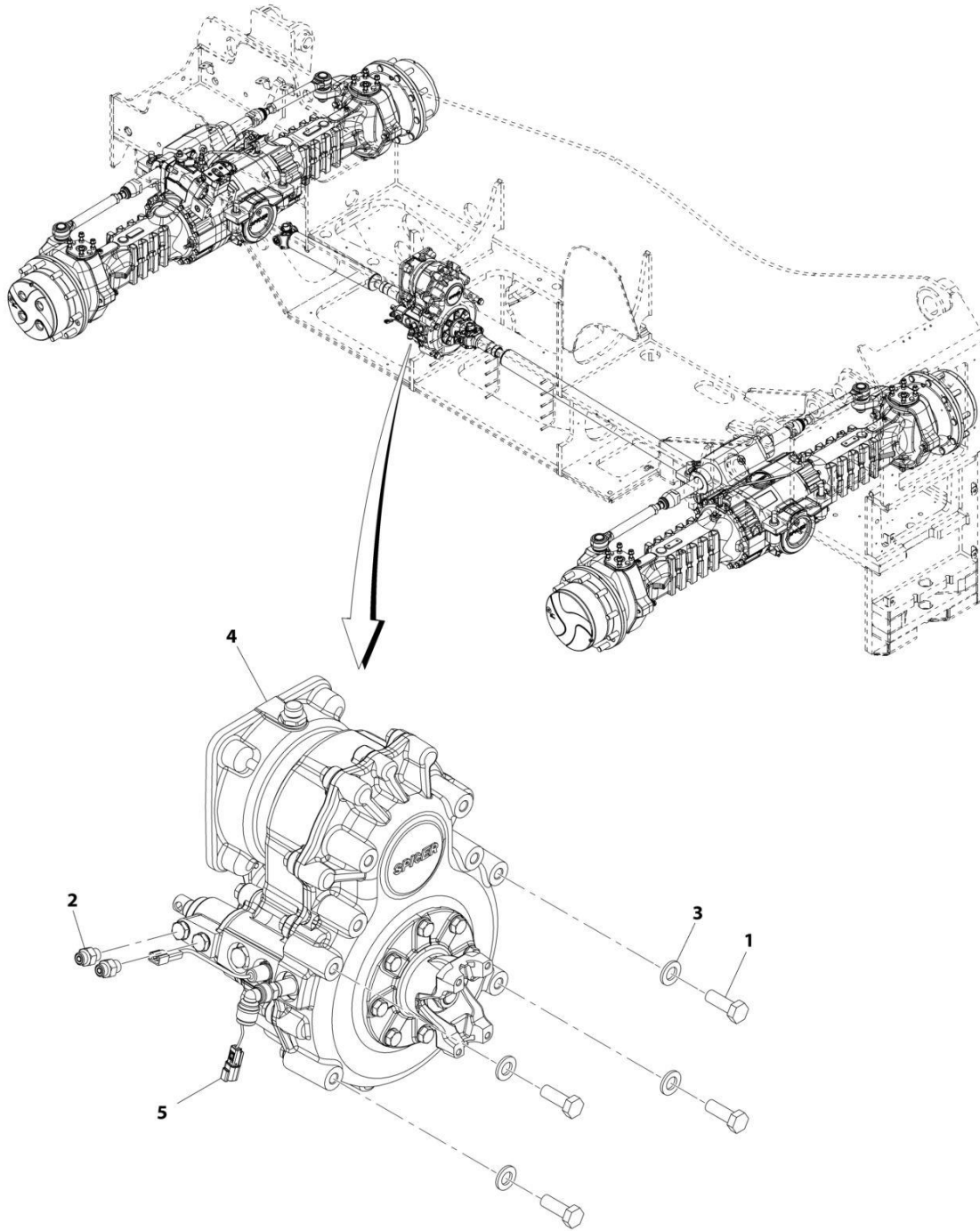
SECTION 5 - DRIVE TRAIN

FIGURE 5-3. HYDROSTATIC MOTOR ASSEMBLY

ITEM	PART NUMBER	QTY	DESCRIPTION	REV
	1001217620	Ref	Hydrostatic Motor Assembly	B
1	2111616	1	Fitting, Straight ORFS	
2	2220811	1	Fitting, Straight	
3	1001009163	1	O-Ring	
4	1001128478	1	Sensor	
5	1001193308	1	Motor, Hydrostatic (See Separate Breakdown in HYDRAULIC COMPONENTS Section)	
6	1001220760	1	Fitting, Straight	
7	1001217669	1	Fitting, Straight	

SECTION 5 - DRIVE TRAIN

FIGURE 5-4. GEARBOX INSTALLATION



ART_1001184979-E

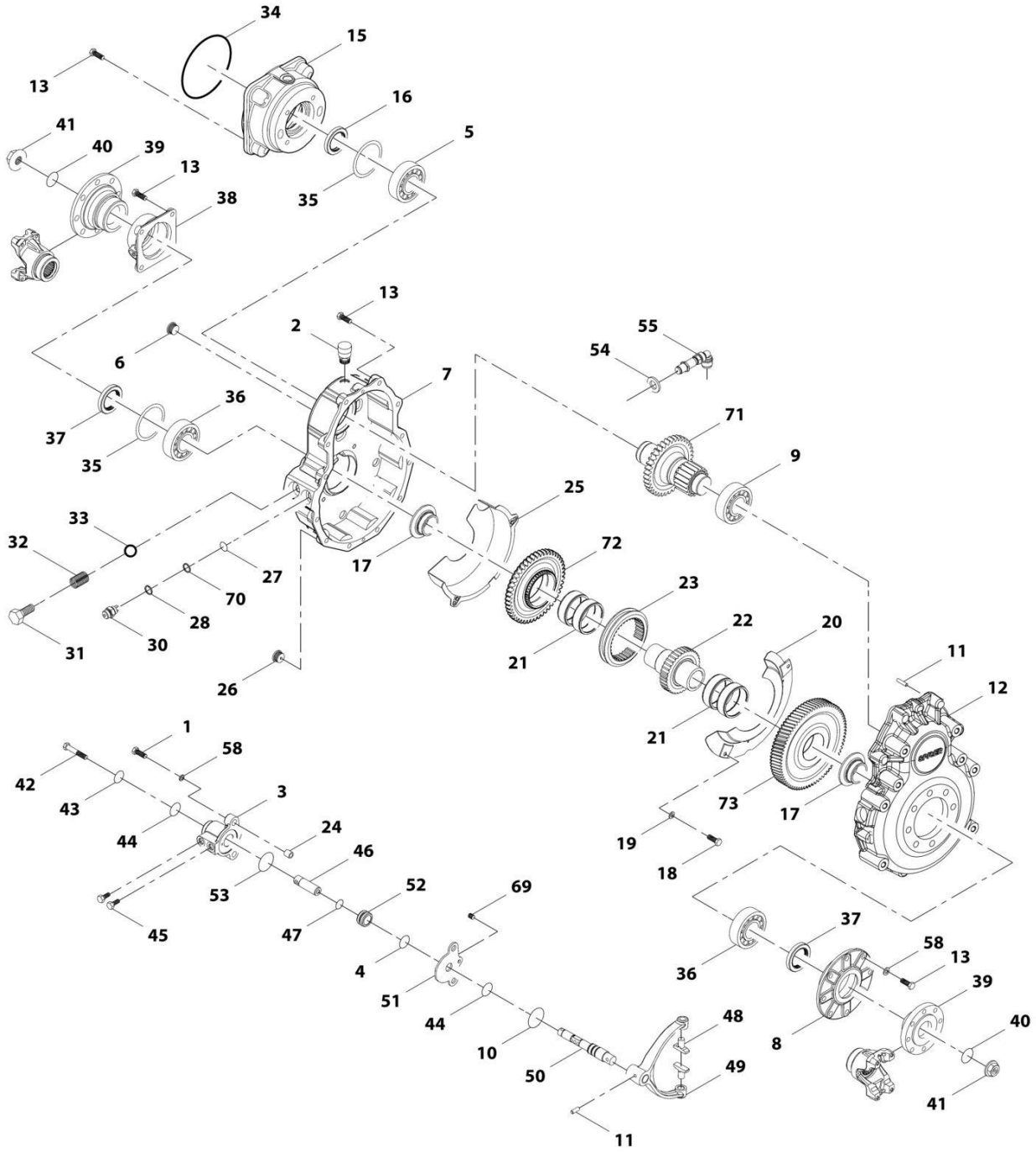
SECTION 5 - DRIVE TRAIN

FIGURE 5-4. GEARBOX INSTALLATION

ITEM	PART NUMBER	QTY	DESCRIPTION	REV
	1001184979	Ref	Gearbox Installation	E
1	0771416	4	Bolt, M14-2X40 Grade 10.9	
2	2144603	1	Fitting, Straight ORFS	
3	5241400	4	Washer, M14	
4	1001184986	1	Gearbox (See Separate Breakdown in this Section)	
5	1001229981	1	Harness, Vehicle Speed Pigtail (See Separate Breakdown in ELECTRICAL Section)	

SECTION 5 - DRIVE TRAIN

FIGURE 5-5. GEAR BOX



ART_1001184986-D

SECTION 5 - DRIVE TRAIN

FIGURE 5-5. GEAR BOX

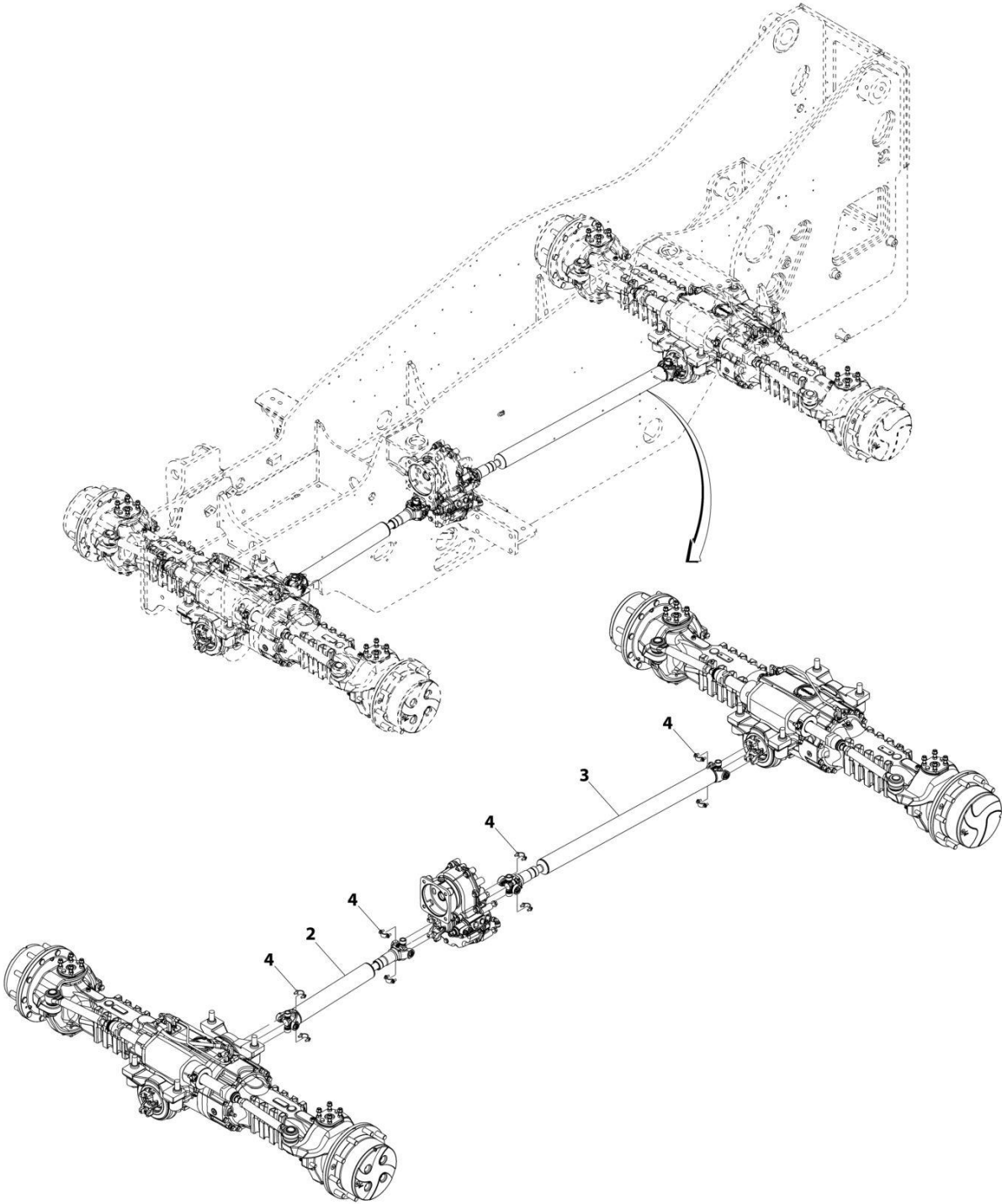
ITEM	PART NUMBER	QTY	DESCRIPTION	REV
	1001184986	Ref	Gear box	D
1	70028817	2	Bolt	
2	70028818	1	Plug	
3	70028819	1	Cylinder	
4	70028820	1	O-Ring	
5	91514146	1	Bearing, Ball	
6	80204016	1	Plug	
7	70028821	1	Housing	
8	70028822	1	Cover	
9	70026904	1	Bearing, Ball	
10	3986405	1	O-Ring	
11	70026892	3	Dowel	
12	70028823	1	Housing	
13	70026911	28	Bolt	
15	70026897	1	Cover	
16	70026896	1	Seal	
17	70028824	2	Spacer	
18	70026909	2	Bolt	
19	70027110	2	Washer, Lock	
20	70028825	1	Plate, Cover	
21	70028826	4	Bearing	
22	70028827	1	Shaft	
23	70028828	1	Sleeve	
24	70028829	2	Pin	
25	70026908	1	Sheet	
26	80204007	1	Plug	
27	1001081085	1	O-Ring	
28	80203020	1	Washer	
30	70028830	1	Switch	
31	70028831	1	Bolt	
32	80203021	1	Spring	
33	70020276	1	Ball, Detend	
34	80204176	1	O-Ring	
35	70027862	2	Kit, Shim	
36	91474364	2	Bearing, Ball	
37	70026901	2	Seal	
38	70028832	1	Cover	
39	70026898	2	Flange	
40	80204215	2	O-Ring	
41	70026631	2	Nut	
42	70028833	1	Bolt	
43	70028834	1	O-Ring	
44	70028835	2	Sleeve	
45	91514154	2	Bolt	
46	70028836	1	Bar	
47	70027109	1	O-Ring	
48	70028837	2	Pin	
49	70028838	1	Fork, Selector	
50	70028839	1	Shaft	
51	70028840	1	Plate, Cover	

SECTION 5 - DRIVE TRAIN

ITEM	PART NUMBER	QTY	DESCRIPTION	REV
52	70028841	1	Piston	
53	70028842	1	O-Ring	
54	70028844	1	Washer	
55	70028801	1	Sensor, Speed	
58	70028843	10	Washer	
69	70028845	1	Bolt	
70	70026927	1	Washer, Seal	
71	70028846	1	Shaft, Input	
72	70028847	1	Gear	
73	70028848	1	Gear	

SECTION 5 - DRIVE TRAIN

FIGURE 5-6. DRIVE SHAFT INSTALLATION



ART_1001184981-B

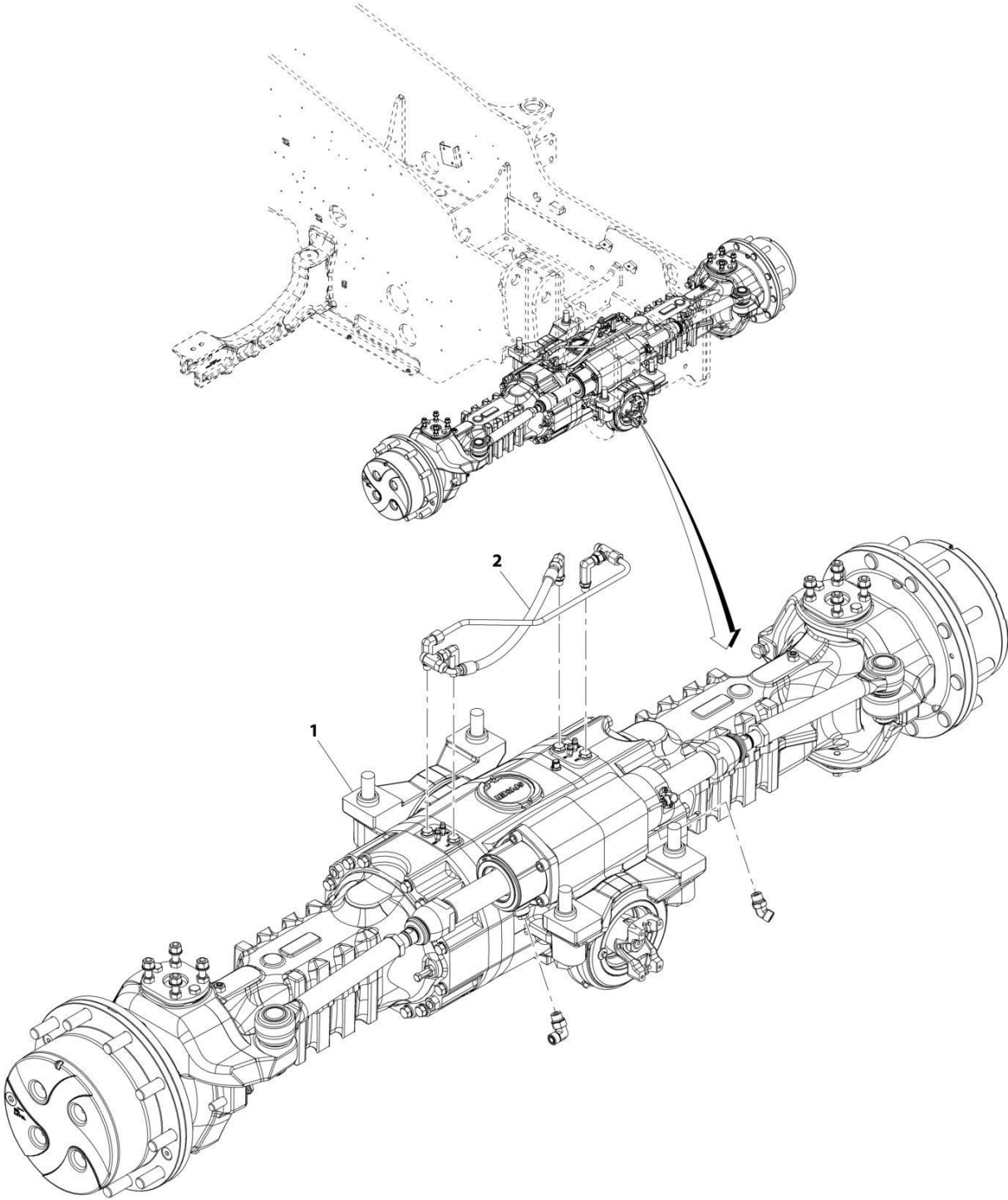
SECTION 5 - DRIVE TRAIN

FIGURE 5-6. DRIVE SHAFT INSTALLATION

ITEM	PART NUMBER	QTY	DESCRIPTION	REV
	1001184981	Ref	Drive Shaft Installation	B
2	1001184987	1	Assembly, Drive Shaft	
3	1001184988	1	Assembly, Drive Shaft	
4	8880219-OM	4	Kit, Strap	

SECTION 5 - DRIVE TRAIN

FIGURE 5-7. FRONT AXLE INSTALLATION



ART_1001184977-B

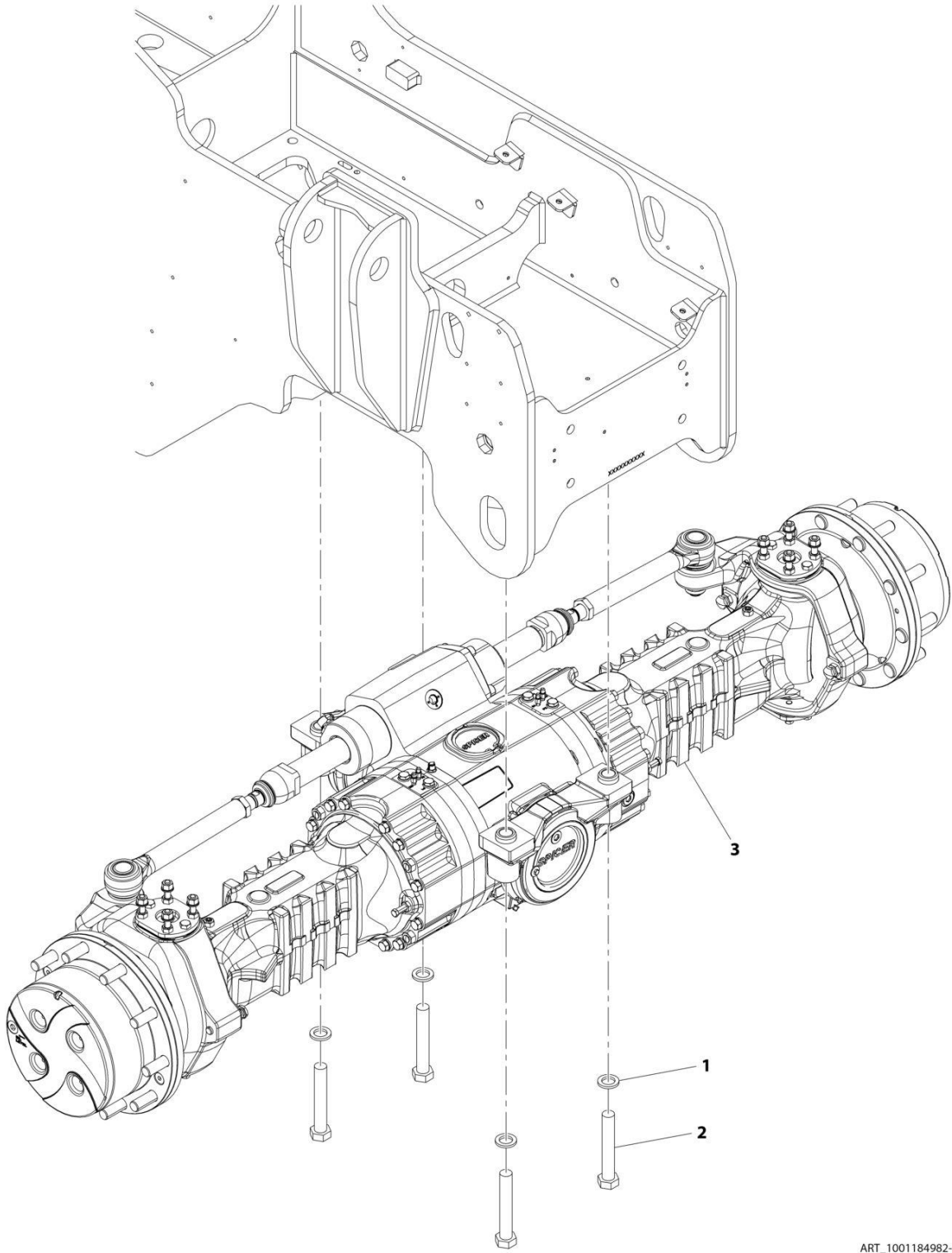
SECTION 5 - DRIVE TRAIN

FIGURE 5-7. FRONT AXLE INSTALLATION

ITEM	PART NUMBER	QTY	DESCRIPTION	REV
1	1001184977	Ref	Front Axle Installation	B
	1001184982	Ref	Installation, Front Axle Mounting (See Separate Breakdown in this Section)	
2	1001207898	Ref	Installation, Front Axle Lines (See Separate Breakdown in this Section)	

SECTION 5 - DRIVE TRAIN

FIGURE 5-8. FRONT AXLE MOUNTING INSTALLATION



ART_1001184982-B

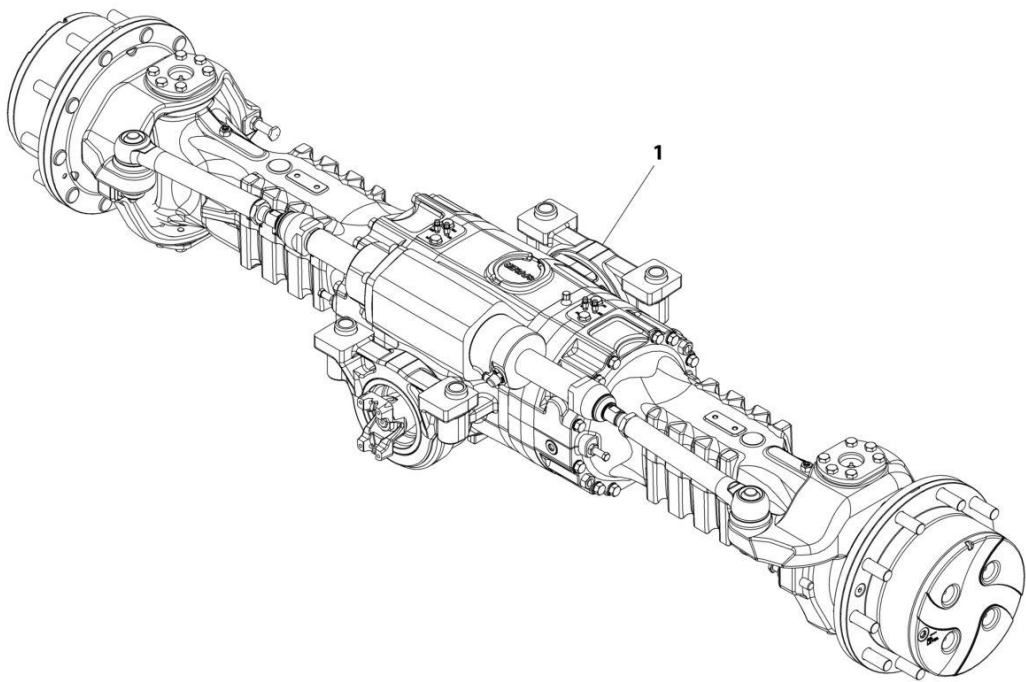
SECTION 5 - DRIVE TRAIN

FIGURE 5-8. FRONT AXLE MOUNTING INSTALLATION

ITEM	PART NUMBER	QTY	DESCRIPTION	REV
	1001184982	Ref	Front Axle Mounting Installation	B
1	4892600	4	Washer	
2	1001097587	4	Bolt, M24-3X150 Grade 10.9	
3	1001184984	1	Axle, Front (See Separate Breakdown in this Section)	

SECTION 5 - DRIVE TRAIN

FIGURE 5-9. FRONT AXLE



ART_1001184984-F

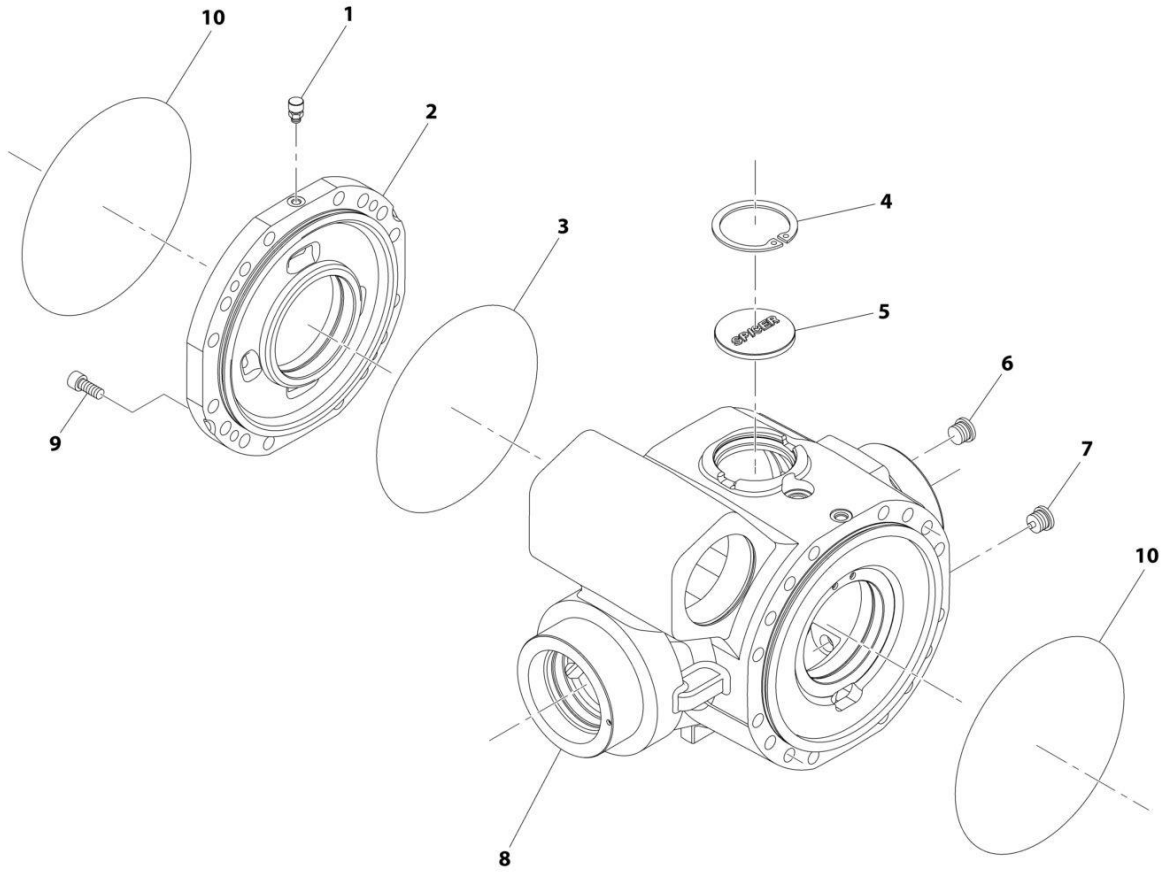
SECTION 5 - DRIVE TRAIN

FIGURE 5-9. FRONT AXLE

ITEM	PART NUMBER	QTY	DESCRIPTION	REV
	1001184984	Ref	Front Axle	F
		Ref	Front Axle, Central Housing (See Separate Breakdown in this Section)	
		Ref	Front Axle, Differential (See Separate Breakdown in this Section)	
		Ref	Front Axle, Hub Reduction (See Separate Breakdown in this Section)	
		Ref	Front Axle, Brakes (See Separate Breakdown in this Section)	
		Ref	Front Axle, Steering (See Separate Breakdown in this Section)	
		Ref	Front Axle, Trunnion (See Separate Breakdown in this Section)	

SECTION 5 - DRIVE TRAIN

FIGURE 5-10. FRONT AXLE, CENTRAL HOUSING



ART_1001184984_1-F

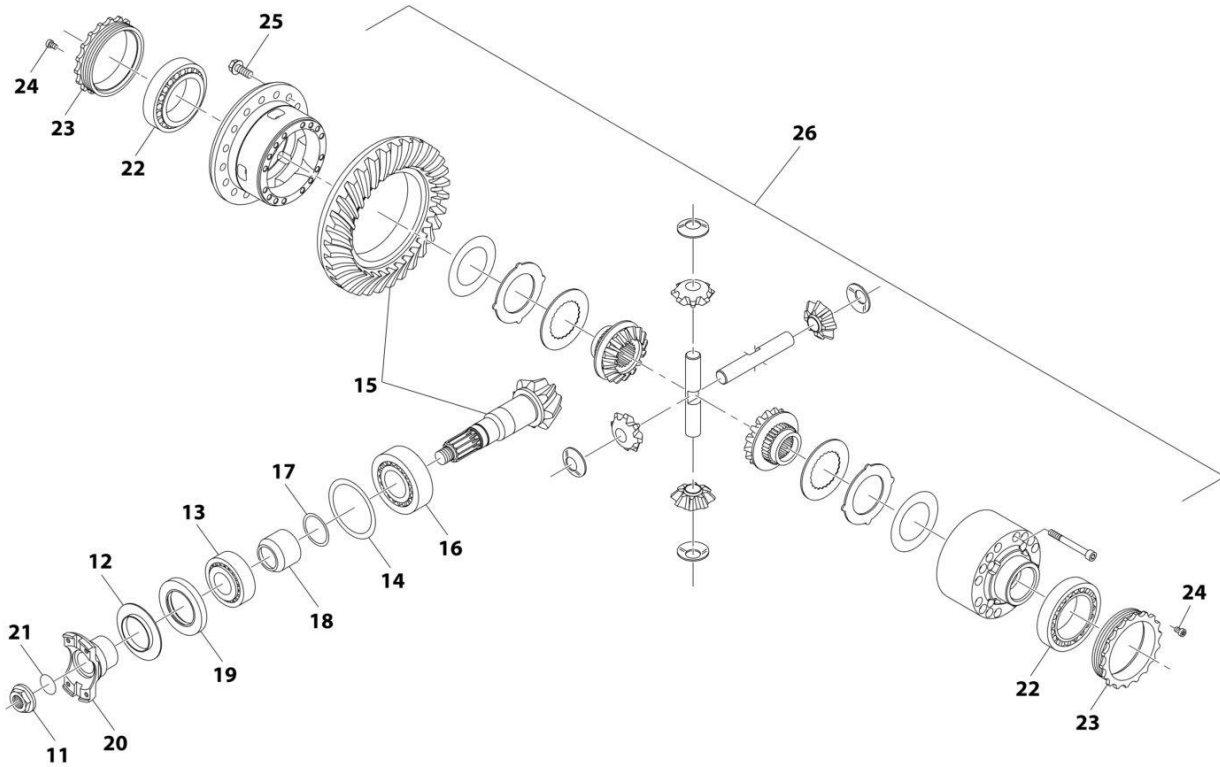
SECTION 5 - DRIVE TRAIN

FIGURE 5-10. FRONT AXLE, CENTRAL HOUSING

ITEM	PART NUMBER	QTY	DESCRIPTION	REV
	1001184984	Ref	Front Axle, Central Housing	F
1	91474512	1	Vent	
2	7029288	1	Cover, Intermediate	
3	80204002	1	O-Ring	
4	80204005	1	Circlip	
5	91514098	1	Plug	
6	70028389	1	Plug	
7	70028388	1	Plug	
8	70025335	1	Housing	
9	91514101	4	Bolt	
10	91514089	2	O-Ring	

SECTION 5 - DRIVE TRAIN

FIGURE 5-11. FRONT AXLE, DIFFERENTIAL



ART_1001184984_2-F

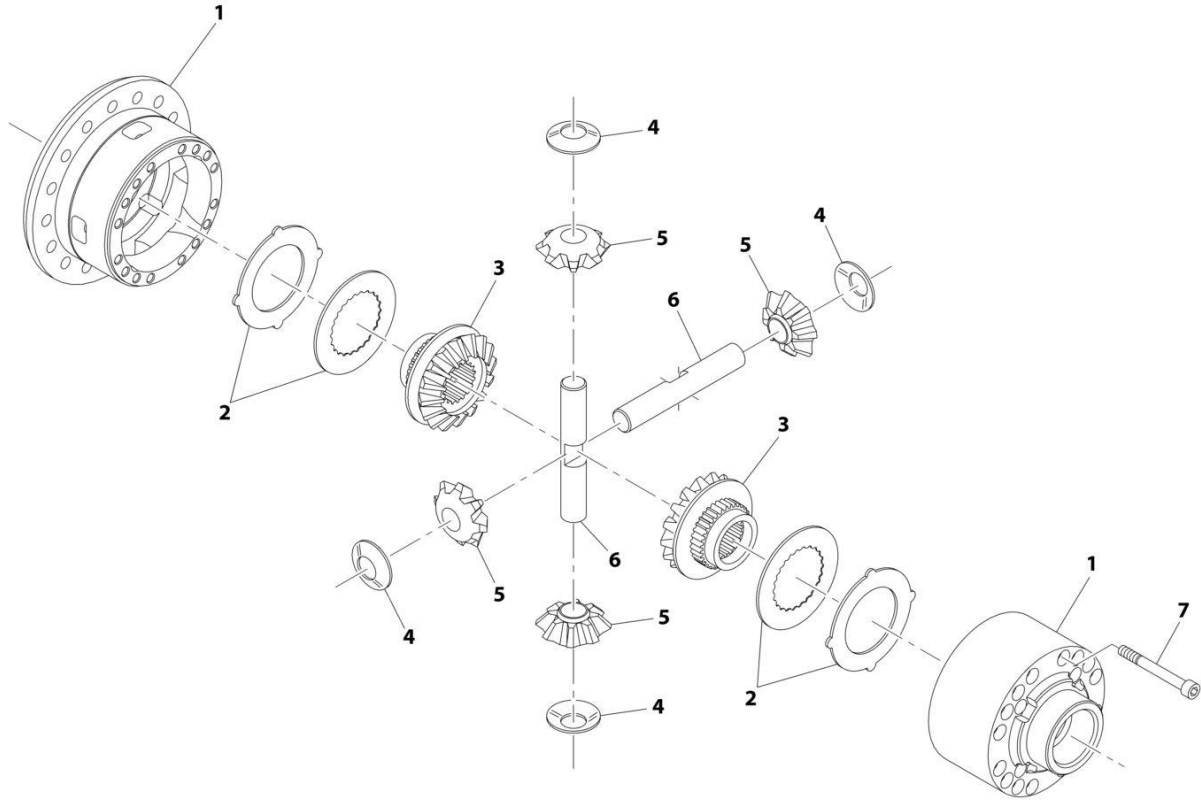
SECTION 5 - DRIVE TRAIN

FIGURE 5-11. FRONT AXLE, DIFFERENTIAL

ITEM	PART NUMBER	QTY	DESCRIPTION	REV
	1001184984	Ref	Front Axle, Differential	F
11	80204043	1	Nut	
12	91514130	1	Plate, Cover	
13	80204048	1	Bearing, Tape Roller	
14	70023469	1	Shim	
15	70028391	1	Gear, Bevel Set	
16	80204035	1	Bearing, Tape Roller	
17	70023494	1	Ring	
18	70022140	1	Spacer	
19	70025887	1	Seal	
20	70028401	1	Flange	
21	10725554	1	O-Ring	
22	80204033	2	Bearing, Tape Roller	
23	91514133	2	Nut, Ring	
24	91514134	2	Bolt	
25	91514123	16	Bolt	
26	70028390	1	Kit, Differential (See Separate Breakdown in this Section)	

SECTION 5 - DRIVE TRAIN

FIGURE 5-12. DIFFERENTIAL KIT



ART_70028390

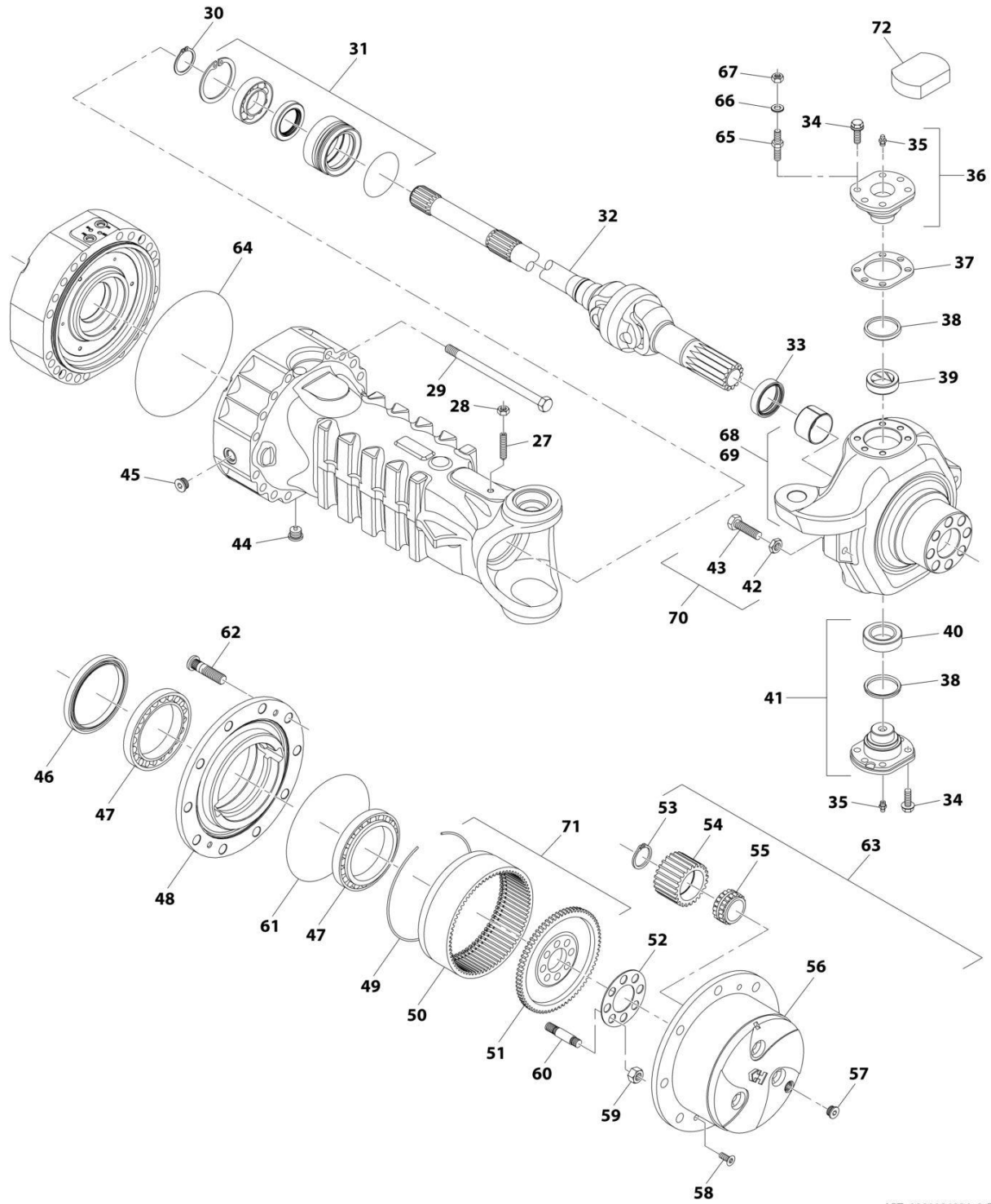
SECTION 5 - DRIVE TRAIN

FIGURE 5-12. DIFFERENTIAL KIT

ITEM	PART NUMBER	QTY	DESCRIPTION	REV
	70028390	Ref	Differential Kit	
1	70024004	2	Carrier, Differential	
2	70026750	2	Disc, Clutch	
3	70025856	2	Gear, Differential Side	
4	70027105	4	Washer, Friction	
5	70025339	4	Pinion, Differential	
6	70023490	2	Shaft, Differential	
7	91514143	15	Bolt	

SECTION 5 - DRIVE TRAIN

FIGURE 5-13. FRONT AXLE, HUB REDUCTION



ART_1001184984_3-F

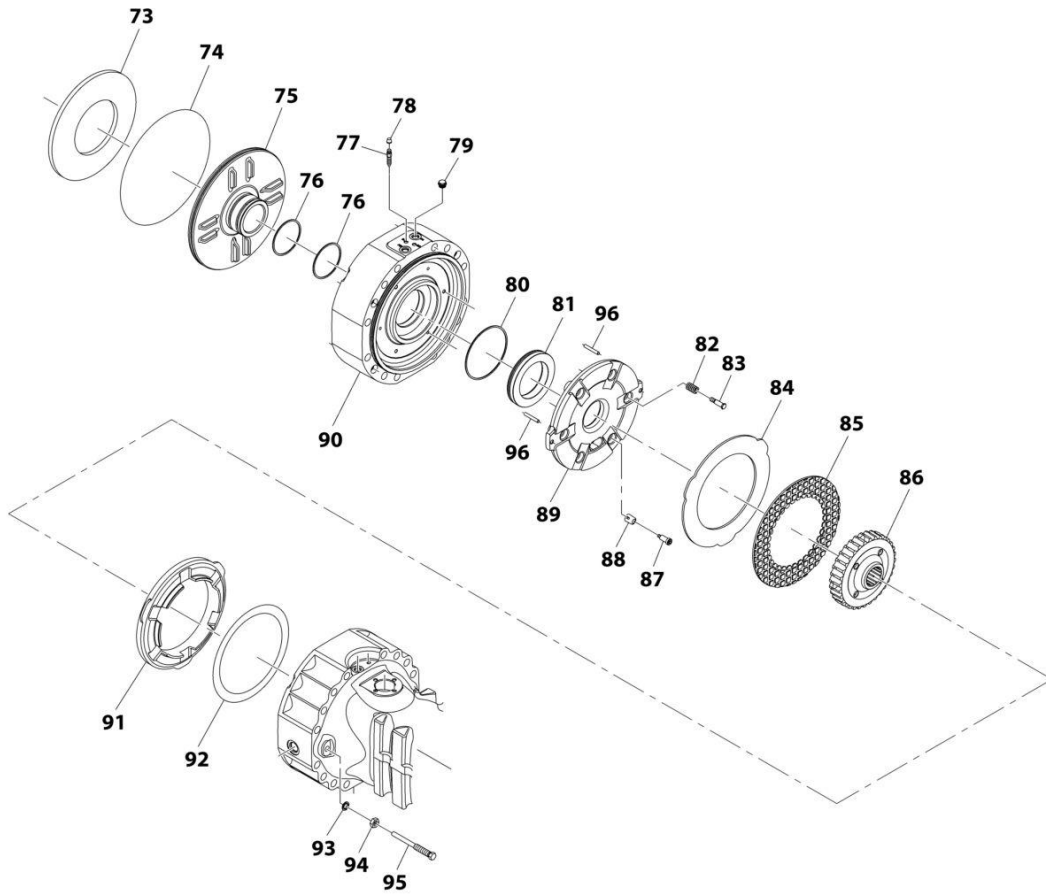
SECTION 5 - DRIVE TRAIN

FIGURE 5-13. FRONT AXLE, HUB REDUCTION

ITEM	PART NUMBER	QTY	DESCRIPTION	REV
	1001184984	Ref	Front Axle, Hub Reduction	F
27	91514081	2	Bolt	
28	91514082	2	Nut	
29	70025012	24	Bolt	
30	80204071	2	Circlip	
31	91514149	2	Kit, Reduction Bushing (See Separate Breakdown in this Section)	
32	70028396	2	Joint, Double Universal	
33	70026238	2	Seal	
34	70025562	20	Bolt	
35	70024881	2	Fitting, Grease	
36	91514112	2	Pin	
37	70025561	1	Shim	
38	7028716	2	Seal, Dust	
39	7028714	2	Bushing	
40	91514095	2	Bearing	
41	7028715	2	Pin	
42	80204065	4	Nut	
43	91514117	4	Bolt	
44	70028388	2	Plug	
45	70028389	2	Plug	
46	70026002	2	Seal	
47	80204076	4	Bearing, Taper Roller	
48	91514174	2	Hub, Wheel	
49	91514175	2	Circlip	
50	70024147	2	Gear, Ring	
51	91514177	2	Support, Ring Gear	
52	91514178	2	Plate	
53	91514184	8	Circlip	
54	91514185	8	Gear, Planet	
55	91514186	8	Bearing	
56	7029317	2	Carrier, Planet Gear	
57	70028387	2	Plug	
58	91514189	4	Bolt, Countersunk	
59	91514179	16	Nut	
60	91514180	16	Stud	
61	91514181	2	O-Ring	
62	80214120	NLA	Stud, Wheel (Use PN 70030365)	
62	70030365	20	Stud, Wheel	
63	7029743	2	Kit, Planet Gear Carrier	
64	91514089	2	O-Ring	
65	70025014	8	Stud	
66	91514084	8	Washer	
67	91514083	8	Nut	
68	70026260	1	Steering Case Assembly (LH Steer Link) (See Separate Breakdown in this Section)	
69	70026261	1	Steering Case Assembly (RH Steer Link) (See Separate Breakdown in this Section)	
70	7028733	4	Bolt, Steering Adjust	
71	70024146	2	Kit, Ring Gear Support (See Separate Breakdown in this Section)	
72	70028392	2	Cover	

SECTION 5 - DRIVE TRAIN

FIGURE 5-14. FRONT AXLE, BRAKES



ART_1001184984_4-F

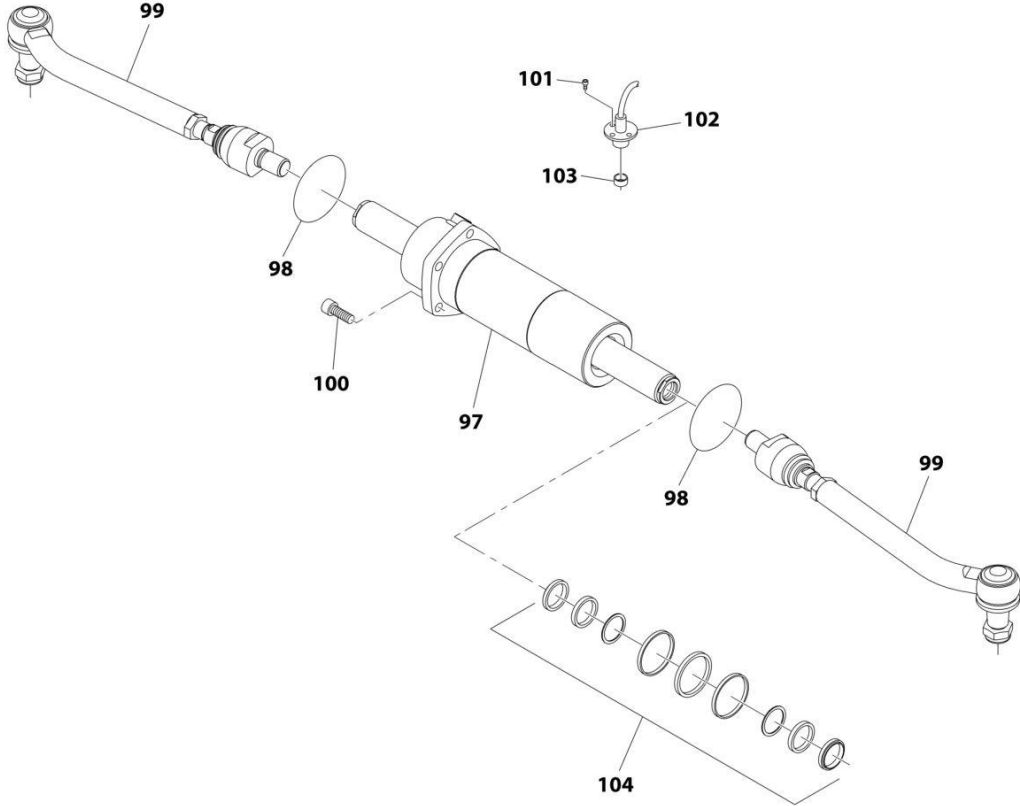
SECTION 5 - DRIVE TRAIN

FIGURE 5-14. FRONT AXLE, BRAKES

ITEM	PART NUMBER	QTY	DESCRIPTION	REV
	1001184984	Ref	Front Axle, Brakes	F
73	91514151	2	Washer	
74	91514089	2	O-Ring	
75	70027092	2	Piston	
76	70026262	4	Seal	
77	80204281	4	Bolt, Bleeding	
78	80204117	4	Plug	
79	91514154	4	Plug	
80	70026263	2	Seal	
81	70027796	2	Piston	
82	91514159	6	Spring	
83	70024210	6	Bolt, Adjusting	
84	70027022	6	Disc, Intermediate Brake	
85	7029735	6	Disc, Brake	
86	7029734	2	Bushing, Reduction	
87	7029787	6	Bolt, Adjusting	
88	70027317	6	Spring	
89	70024849	2	Disc, Intermediate Brake	
90	70024848	2	Cover	
91	70026264	2	Spacer	
92	70025970	1	Shim	
93	80204108	4	Washer, Lock	
94	80204060	4	Nut	
95	70024213	4	Bolt	
96	70024215	4	Dowel	

SECTION 5 - DRIVE TRAIN

FIGURE 5-15. FRONT AXLE, STEERING



ART_1001184984_5-F

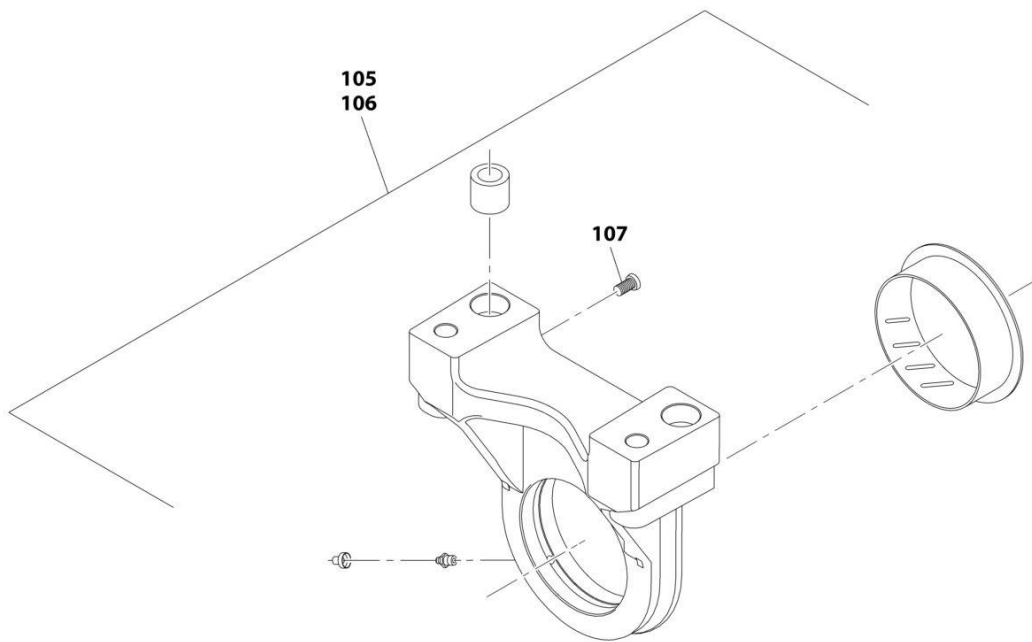
SECTION 5 - DRIVE TRAIN

FIGURE 5-15. FRONT AXLE, STEERING

ITEM	PART NUMBER	QTY	DESCRIPTION	REV
	1001184984	Ref	Front Axle, Steering	F
97	70028393	1	Cylinder	
98	80204143	2	O-Ring	
99	70028394	2	Rod, Articulated Tie	
99	70022773	2	Nut	
100	80204144	5	Bolt	
101	8008175	2	Bolt	
102	70027986	1	Optical Sensor	
103	7029307	1	Plug	
104	7029127	1	Kit, Seal	

SECTION 5 - DRIVE TRAIN

FIGURE 5-16. FRONT AXLE, TRUNION



ART_1001184984_6-F

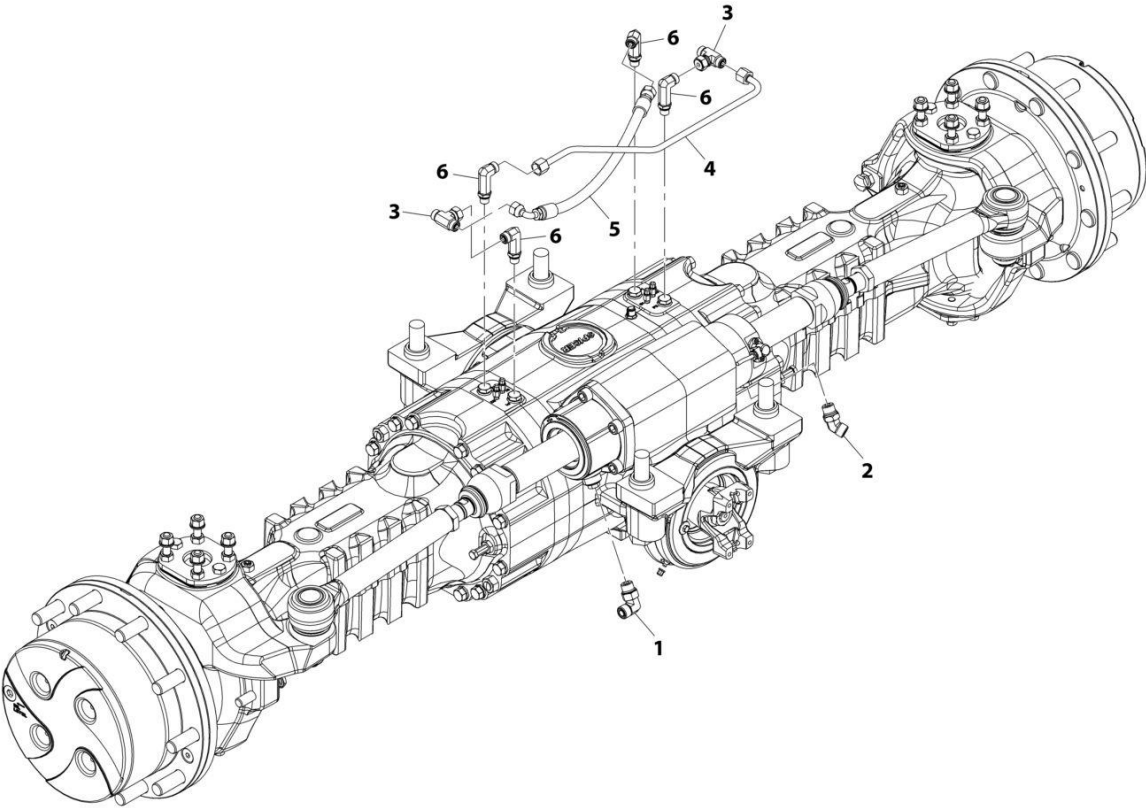
SECTION 5 - DRIVE TRAIN

FIGURE 5-16. FRONT AXLE, TRUNION

ITEM	PART NUMBER	QTY	DESCRIPTION	REV
	1001184984	Ref	Front Axle, Trunion	F
105	70026266	1	Kit, Trunion (See Separate Breakdown in this Section)	
106	70026265	1	Support	
107	70025884	1	Bolt	

SECTION 5 - DRIVE TRAIN

FIGURE 5-17. FRONT AXLE LINES INSTALLATION



ART_1001207898-C

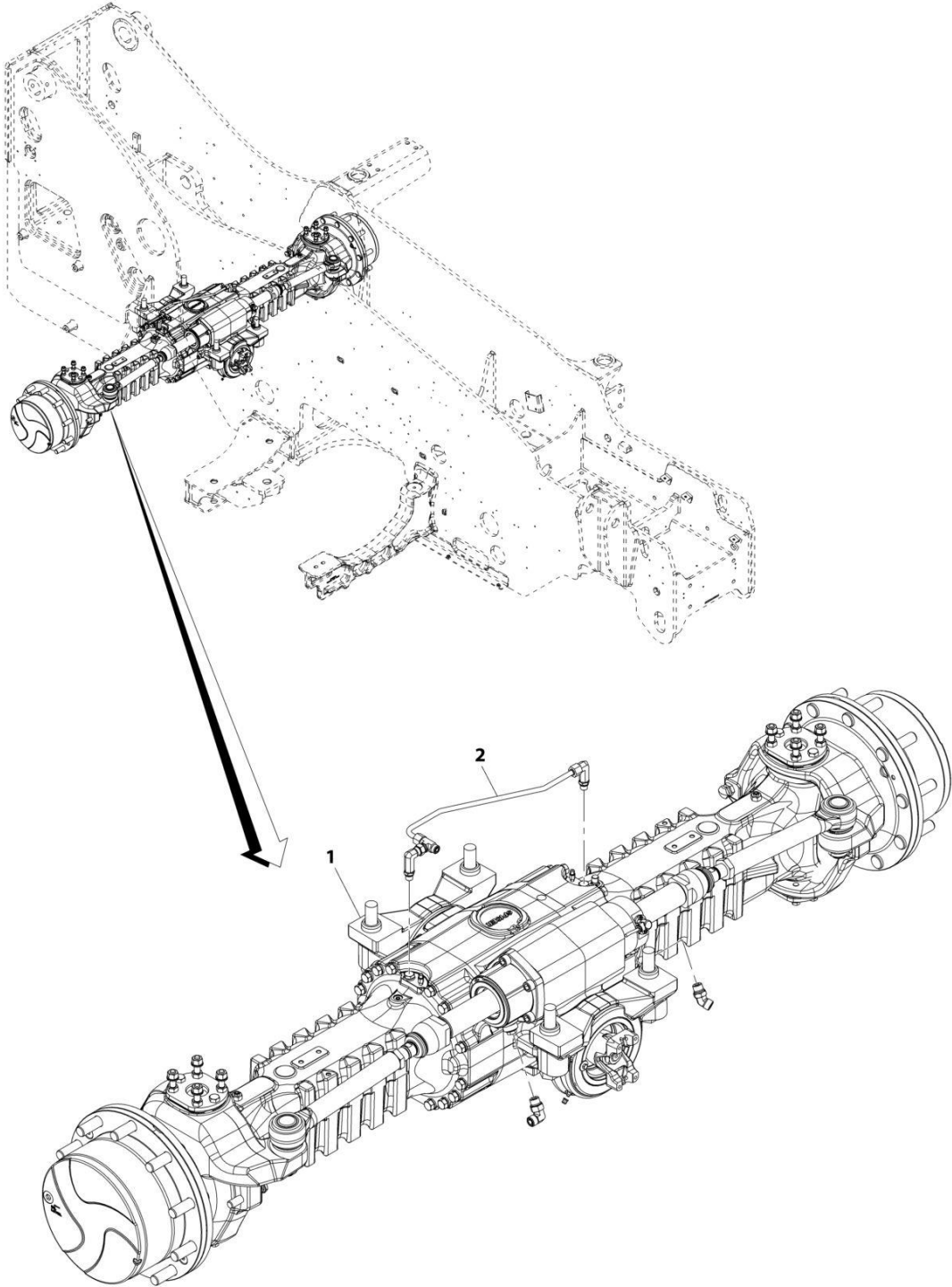
SECTION 5 - DRIVE TRAIN

FIGURE 5-17. FRONT AXLE LINES INSTALLATION

ITEM	PART NUMBER	QTY	DESCRIPTION	REV
	1001207898	Ref	Front Axle Lines Installation	C
1	2130808	1	Fitting, 90 ORFS	
2	2150808	1	Fitting, 45 ORFS	
3	2170806	2	Fitting, Tee ORFS	
4	1001224598	1	Tube	
5	1001210281	1	Hose	
6	1001210769	4	Fitting, 90 ORFS	

SECTION 5 - DRIVE TRAIN

FIGURE 5-18. REAR AXLE INSTALLATION



ART_1001184978-B

SECTION 5 - DRIVE TRAIN

FIGURE 5-18. REAR AXLE INSTALLATION

ITEM	PART NUMBER	QTY	DESCRIPTION	REV
1	1001184978	Ref	Rear Axle Installation	B
	1001184983	Ref	Installation, Rear Axle Mounting (See Separate Breakdown in this Section)	
2	1001207899	Ref	Installation, Rear Axle Lines (See Separate Breakdown in this Section)	

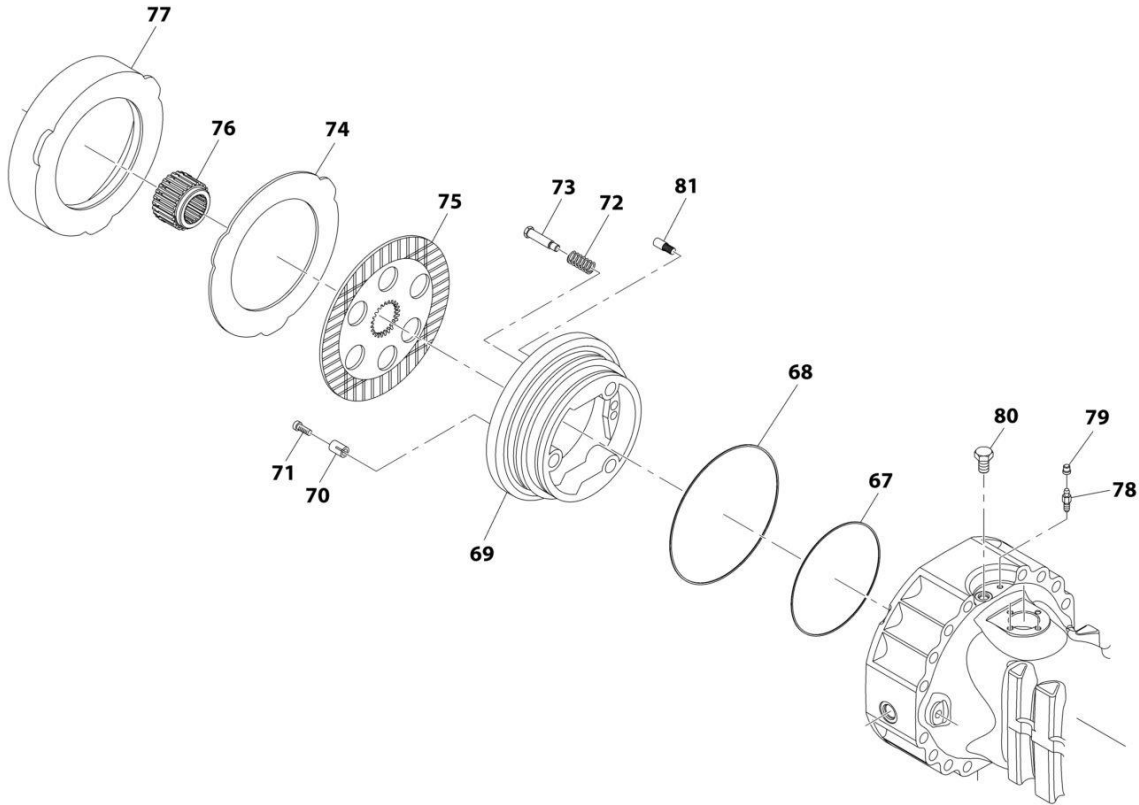
SECTION 5 - DRIVE TRAIN

FIGURE 5-19. REAR AXLE MOUNTING INSTALLATION

ITEM	PART NUMBER	QTY	DESCRIPTION	REV
	1001184983	Ref	Rear Axle Mounting Installation	B
1	4892600	4	Washer	
2	1001097587	4	Bolt, M24-3X150 Grade 10.9	
3	1001184985	Ref	Axle, Rear (See Separate Breakdown in this Section)	

SECTION 5 - DRIVE TRAIN

FIGURE 5-20. REAR AXLE, BRAKES



ART_1001184985_4-F

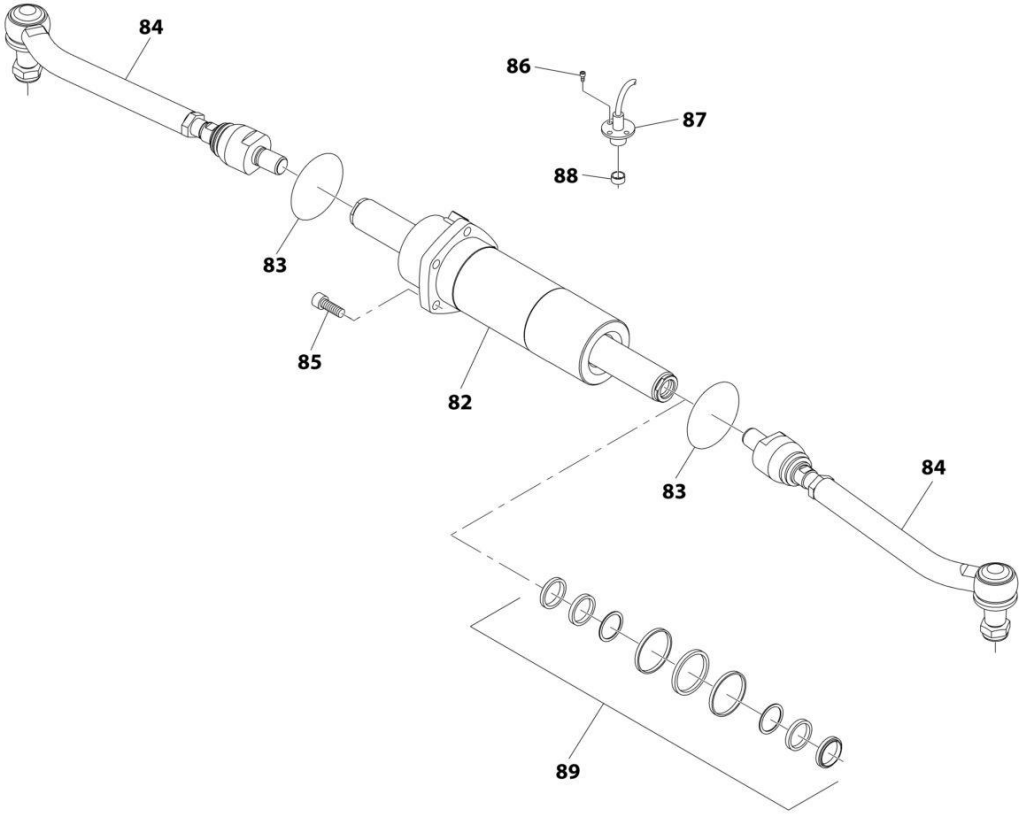
SECTION 5 - DRIVE TRAIN

FIGURE 5-20. REAR AXLE, BRAKES

ITEM	PART NUMBER	QTY	DESCRIPTION	REV
	1001184985	Ref	Rear Axle, Brakes	F
67	70026747	2	Seal	
68	70026748	2	Seal	
69	70024216	2	Piston	
70	70027317	6	Spring	
71	7029785	6	Bolt, Adjusting	
72	91514159	6	Spring	
73	70024210	6	Bolt, Adjusting	
74	70027022	6	Disc, Intermediate Brake	
75	7029735	6	Disc, Brake	
76	7029734	2	Bushing, Reduction	
77	70021606	2	Spacer	
78	80204281	2	Bolt, Bleeding	
79	80204117	2	Plug	
80	91514154	2	Bolt	
81	70021613	2	Bolt, Pilot	

SECTION 5 - DRIVE TRAIN

FIGURE 5-21. REAR AXLE, STEERING



ART_1001184985_5-F

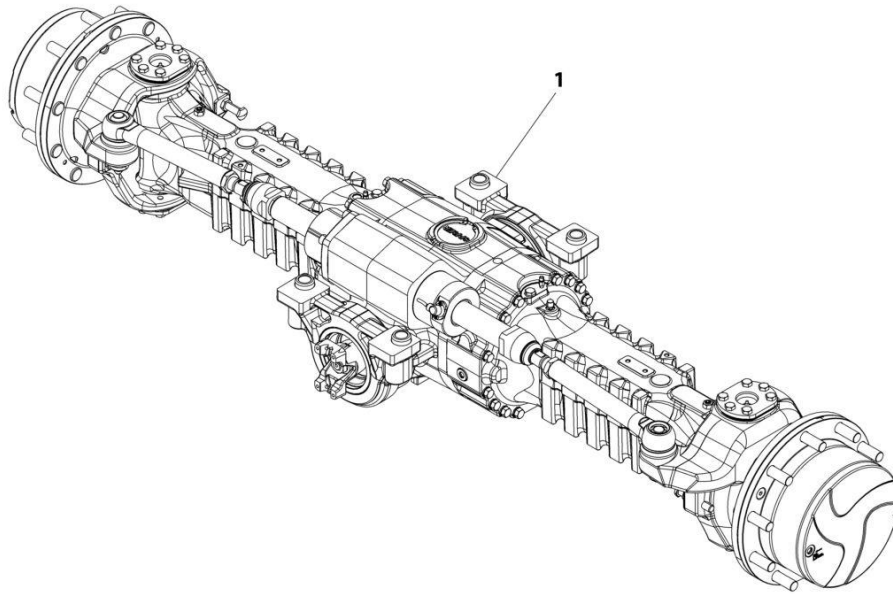
SECTION 5 - DRIVE TRAIN

FIGURE 5-21. REAR AXLE, STEERING

ITEM	PART NUMBER	QTY	DESCRIPTION	REV
	1001184985	Ref	Rear Axle, Steering	F
82	70028393	1	Cylinder	
83	80204143	2	O-Ring	
84	70028394	2	Rod, Articulated Tie	
84	70022773	2	Nut	
85	80204144	5	Bolt	
86	8008175	2	Bolt	
87	70027986	1	Sensor, Optical	
88	7029307	1	Plug	
89	7029127	1	Kit, Seal	

SECTION 5 - DRIVE TRAIN

FIGURE 5-22. REAR AXLE



ART_1001184985-F

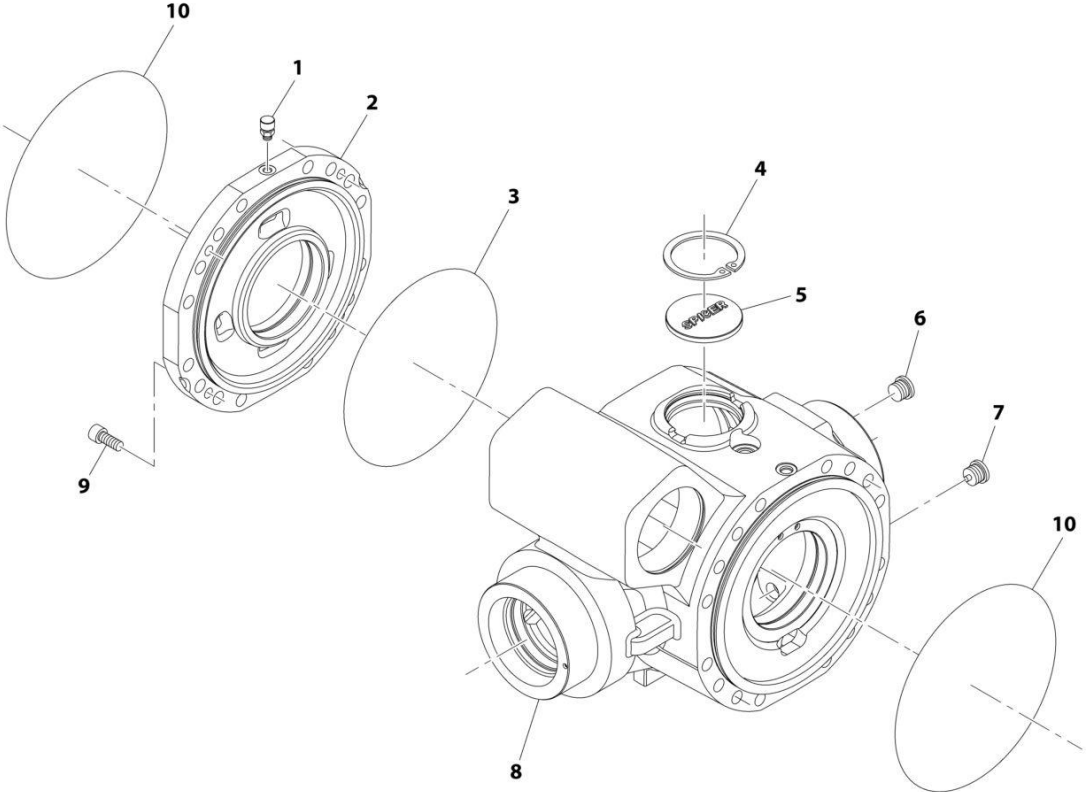
SECTION 5 - DRIVE TRAIN

FIGURE 5-22. REAR AXLE

ITEM	PART NUMBER	QTY	DESCRIPTION	REV
1	1001184985	Ref	Rear Axle	F
		Ref	Rear Axle, Central Housing (See Separate Breakdown in this Section)	
		Ref	Rear Axle, Differential (See Separate Breakdown in this Section)	
		Ref	Rear Axle, Hub Reduction (See Separate Breakdown in this Section)	
		Ref	Rear Axle, Brakes (See Separate Breakdown in this Section)	
		Ref	Rear Axle, Steering (See Separate Breakdown in this Section)	
		Ref	Rear Axle, Trunnion (See Separate Breakdown in this Section)	

SECTION 5 - DRIVE TRAIN

FIGURE 5-23. REAR AXLE, CENTRAL HOUSING



ART_1001184985_1-F

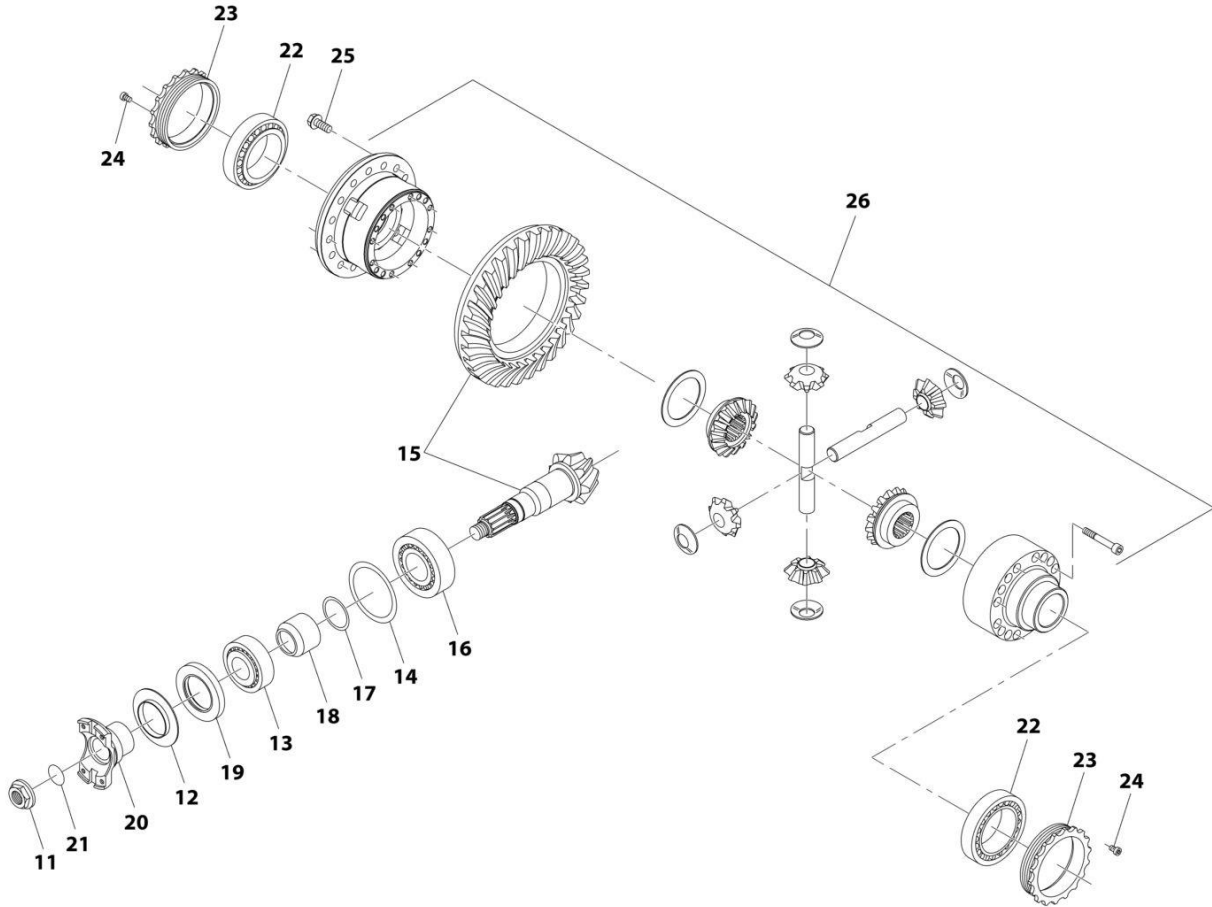
SECTION 5 - DRIVE TRAIN

FIGURE 5-23. REAR AXLE, CENTRAL HOUSING

ITEM	PART NUMBER	QTY	DESCRIPTION	REV
	1001184985	Ref	Rear Axle, Central Housing	F
1	91474512	1	Vent	
2	7029288	1	Cover, Intermediate	
3	80204002	1	O-Ring	
4	80204005	1	Circlip	
5	91514098	1	Plug	
6	70028389	1	Plug	
7	70028388	1	Plug	
8	70025335	1	Housing	
9	91514101	4	Bolt	
10	91514089	2	O-Ring	

SECTION 5 - DRIVE TRAIN

FIGURE 5-24. REAR AXLE, DIFFERENTIAL



ART_1001184985_2-F

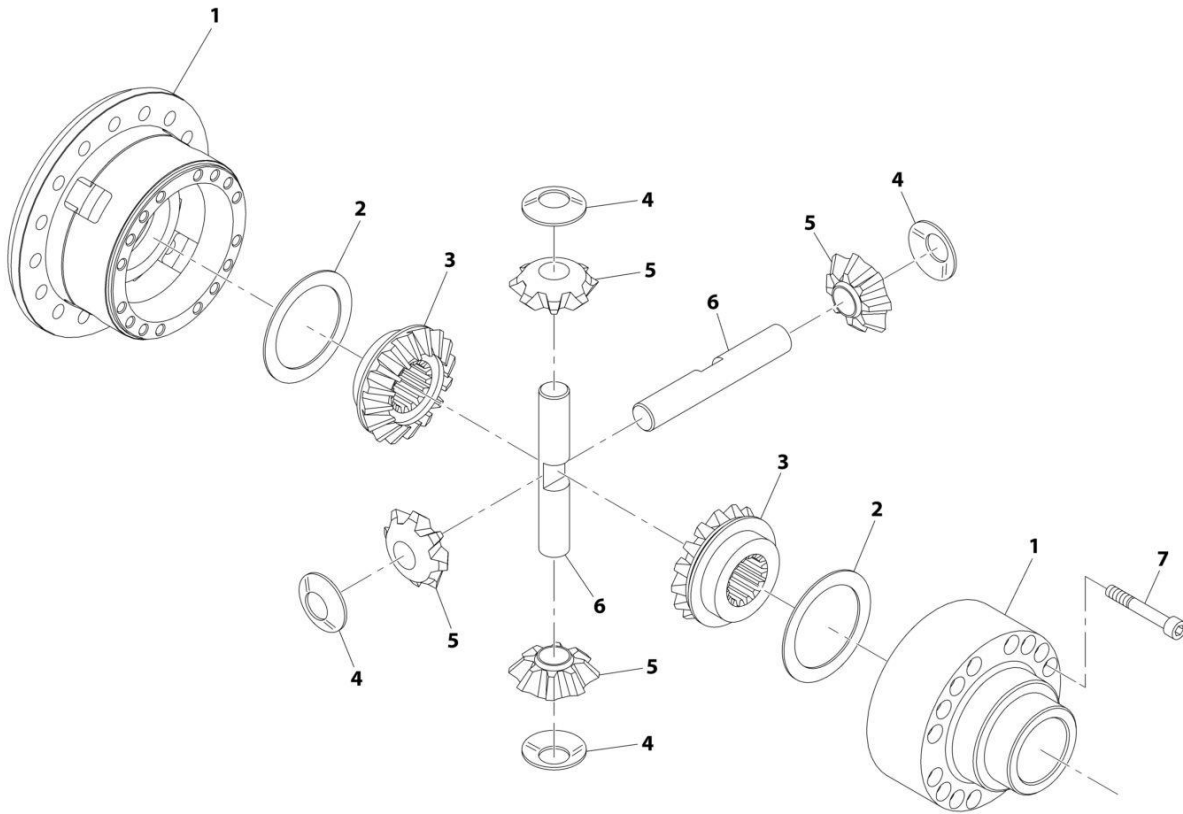
SECTION 5 - DRIVE TRAIN

FIGURE 5-24. REAR AXLE, DIFFERENTIAL

ITEM	PART NUMBER	QTY	DESCRIPTION	REV
	1001184985	Ref	Rear Axle, Differential	F
11	80204043	1	Nut	
12	91514130	1	Plate, Cover	
13	80204048	1	Bearing, Taper Roller	
14	70023469	1	Shim	
15	70028399	1	Gear, Bevel Set	
16	80204035	1	Bearing, Taper Roller	
17	70023494	1	Ring	
18	70022140	1	Spacer	
19	70025887	1	Seal	
20	70028401	1	Flange	
21	10725554	1	O-Ring	
22	80204033	2	Bearing, Taper Roller	
23	91514133	2	Nut, Ring	
24	91514134	2	Bolt	
25	39844923	16	Bolt	
26	70028398	1	Kit, Differential (See Separate Breakdown in this Section)	

SECTION 5 - DRIVE TRAIN

FIGURE 5-25. DIFFERENTIAL KIT



ART_70028398

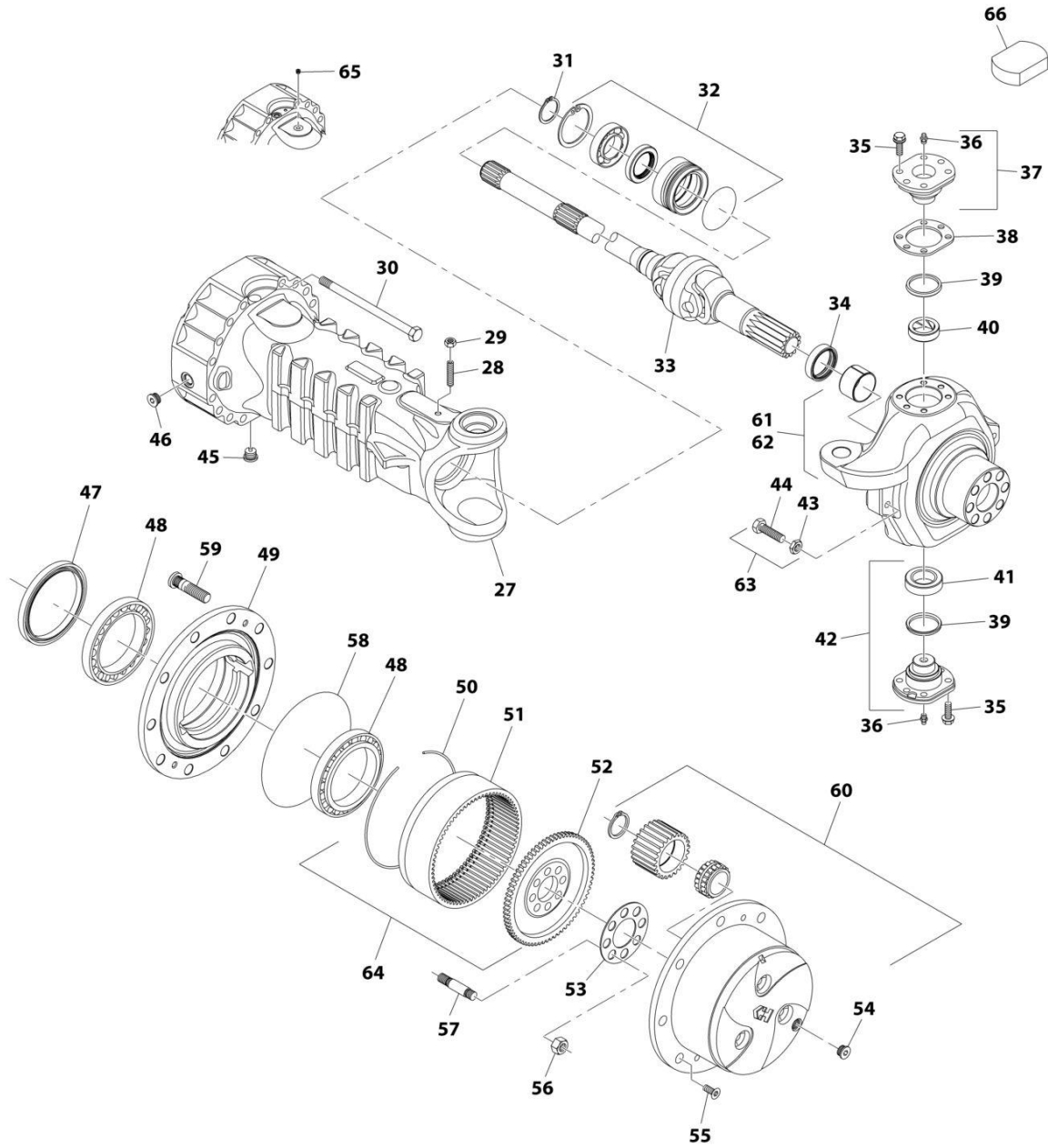
SECTION 5 - DRIVE TRAIN

FIGURE 5-25. DIFFERENTIAL KIT

ITEM	PART NUMBER	QTY	DESCRIPTION	REV
	70028398	Ref	Differential Kit	
1	70025337	1	Carrier, Differential	
2	70023493	2	Washer, Friction	
3	70025338	2	Gear, Differential Side	
4	70027105	4	Washer, Friction	
5	70025339	4	Pinion, Differential	
6	70023490	2	Shaft, Differential	
7	70023489	15	Bolt	

SECTION 5 - DRIVE TRAIN

FIGURE 5-26. REAR AXLE, HUB REDUCTION



ART_1001184985_3-F

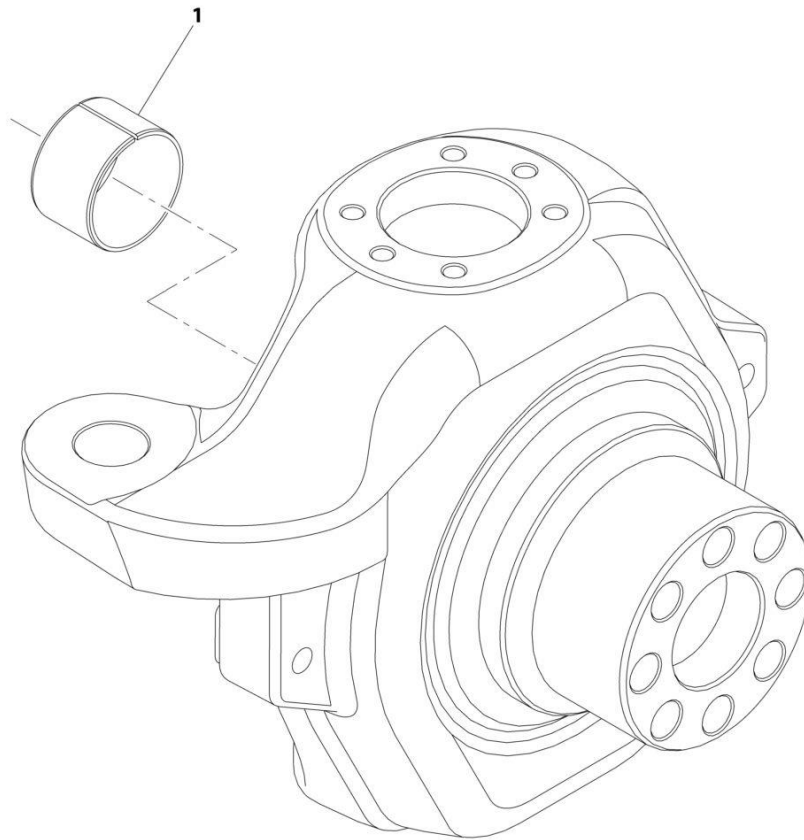
SECTION 5 - DRIVE TRAIN

FIGURE 5-26. REAR AXLE, HUB REDUCTION

ITEM	PART NUMBER	QTY	DESCRIPTION	REV
	1001184985	Ref	Rear Axle, Hub Reduction	F
27	70028400	2	Case, Axle	
28	91514081	2	Bolt	
29	91514082	2	Nut	
30	70028397	32	Bolt	
31	80204071	2	Circlip	
32	91514149	2	Kit, Reduction Bushing (See Separate Breakdown in this Section)	
33	70028396	2	Joint, Double Universal	
34	70026238	2	Seal	
35	70025562	20	Bolt	
36	70024881	2	Fitting, Grease	
37	91514112	2	Pin	
38	70025561	1	Shim	
39	7028716	2	Seal, Dust	
40	7028714	2	Bushing	
41	91514095	2	Bearing	
42	7028715	2	Pin	
43	80204065	4	Nut	
44	91514117	4	Bolt	
45	70028388	2	Plug	
46	70028387	2	Plug	
47	70026002	2	Seal	
48	80204076	4	Bearing, Taper Roller	
49	91514174	2	Hub, Wheel	
50	91514175	2	Circlip	
51	70024147	2	Gear, Ring	
52	91514177	2	Gear, Ring Support	
53	91514178	2	Plate, Locking	
54	70028389	2	Plug	
55	91514189	4	Bolt, Countersunk	
56	91514179	16	Nut	
57	91514180	16	Stud	
58	91514181	2	O-Ring	
59	80214120	20	Stud	
60	7029733	2	Kit, Planet Gear Carrier (See Separate Breakdown in this Section)	
61	70026260	1	Steering Case Assembly (LH Steer Link) (See Separate Breakdown in this Section)	
62	70026261	1	Steering Case Assembly (RH Steer Link) (See Separate Breakdown in this Section)	
63	7028733	4	Bolt, Steering Adjust	
64	70024146	2	Kit, Ring Gear Support (See Separate Breakdown in this Section)	
65	80204012	2	Plug	
66	70028392	2	Cover	

SECTION 5 - DRIVE TRAIN

FIGURE 5-27. STEERING CASE ASSEMBLY (LH STEER LINK)



ART_70026260

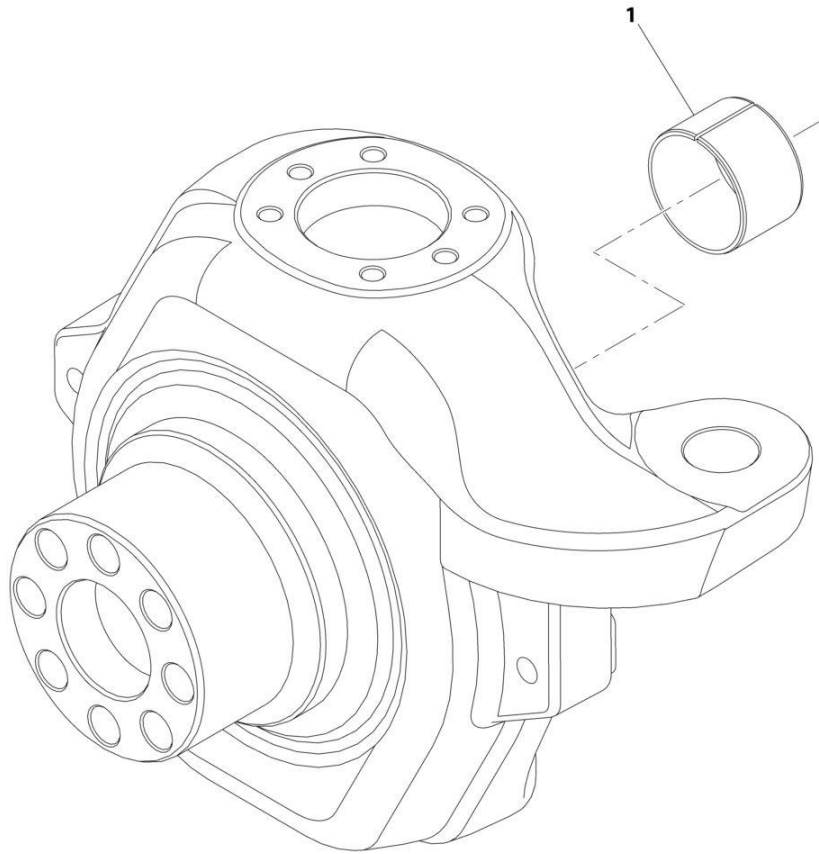
SECTION 5 - DRIVE TRAIN

FIGURE 5-27. STEERING CASE ASSEMBLY (LH STEER LINK)

ITEM	PART NUMBER	QTY	DESCRIPTION	REV
1	70026260 91514111	Ref 1	STEERING CASE ASSEMBLY (LH STEER LINK) Bushing, Thrust	

SECTION 5 - DRIVE TRAIN

FIGURE 5-28. STEERING CASE ASSEMBLY (RH STEER LINK)



ART_70026261

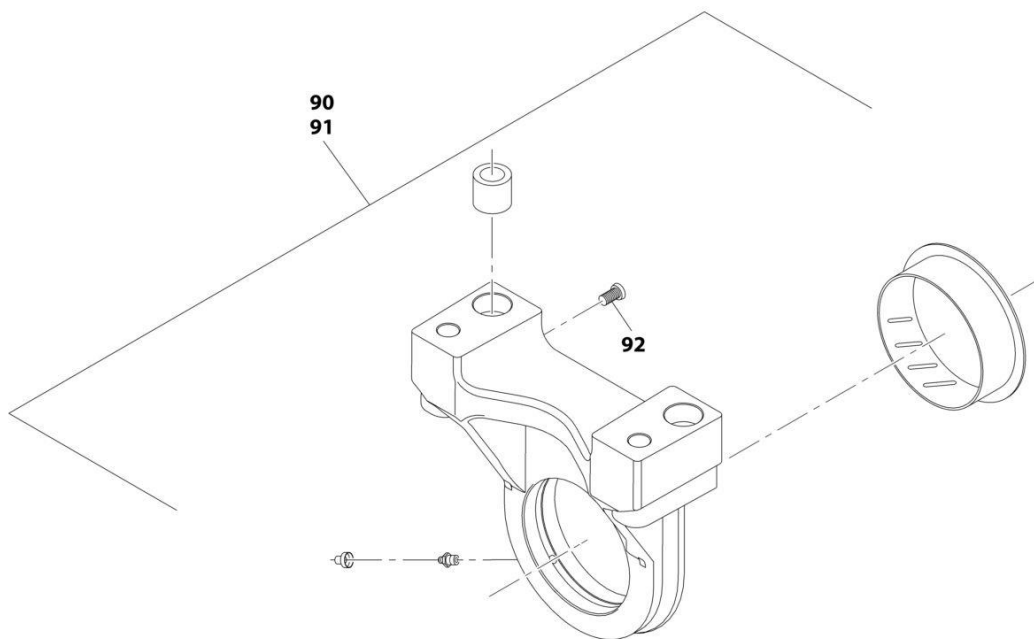
SECTION 5 - DRIVE TRAIN

FIGURE 5-28. STEERING CASE ASSEMBLY (RH STEER LINK)

ITEM	PART NUMBER	QTY	DESCRIPTION	REV
1	70026261 91514111	Ref 1	STEERING CASE ASSEMBLY (RH STEER LINK) Bushing, Thrust	

SECTION 5 - DRIVE TRAIN

FIGURE 5-29. REAR AXLE, TRUNION



ART_1001184985_6-F

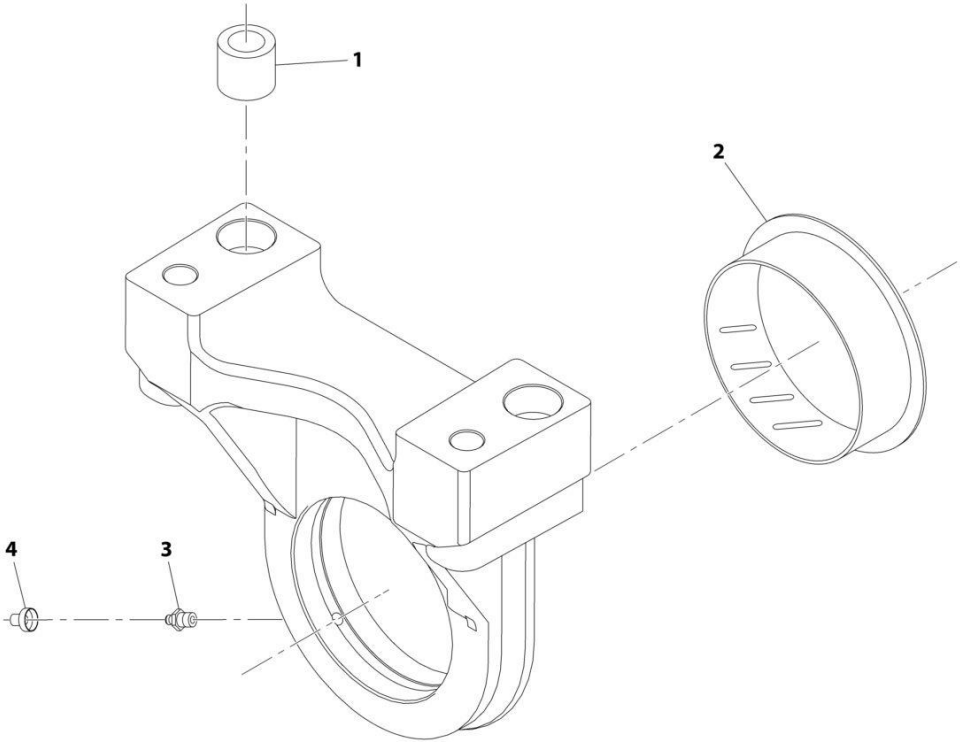
SECTION 5 - DRIVE TRAIN

FIGURE 5-29. REAR AXLE, TRUNION

ITEM	PART NUMBER	QTY	DESCRIPTION	REV
	1001184985	Ref	Rear Axle, Trunion	F
90	70026266	1	Kit, Trunion (See Separate Breakdown in this Section)	
91	70026265	1	Support	
92	70025884	1	Bolt	

SECTION 5 - DRIVE TRAIN

FIGURE 5-30. TRUNION KIT



ART_70026266

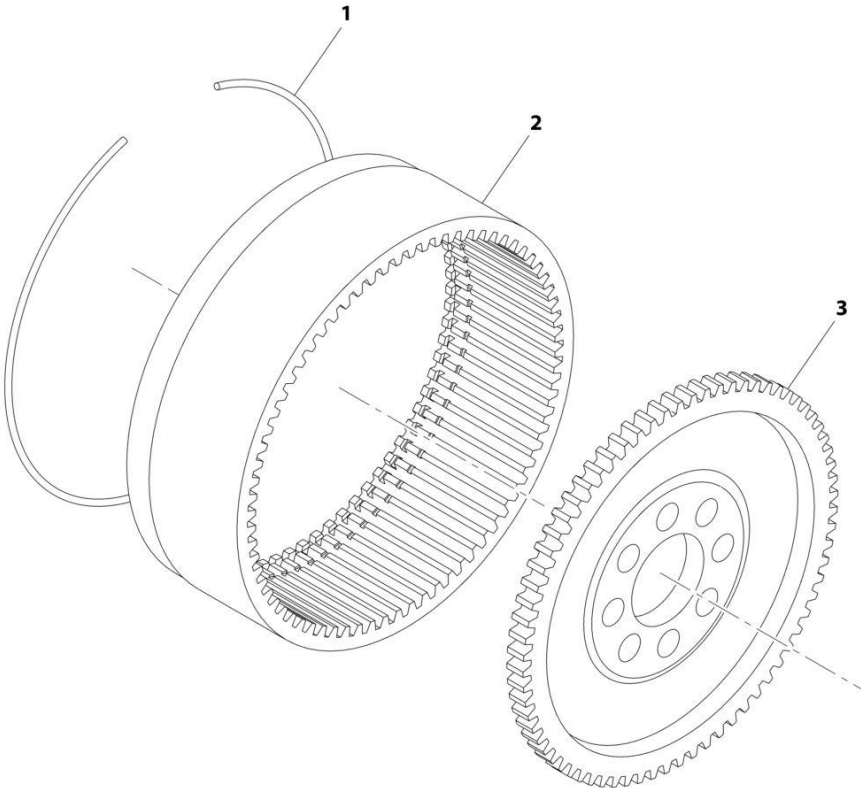
SECTION 5 - DRIVE TRAIN

FIGURE 5-30. TRUNION KIT

ITEM	PART NUMBER	QTY	DESCRIPTION	REV
	70026266	Ref	Trunion Kit	
1	7029290	2	Bushing, Reduction	
2	91514090	1	Bushing, Thrust	
3	70024881	1	Fitting, Grease	
4	80204117	1	Plug	

SECTION 5 - DRIVE TRAIN

FIGURE 5-31. RING GEAR SUPPORT KIT



ART_70024146

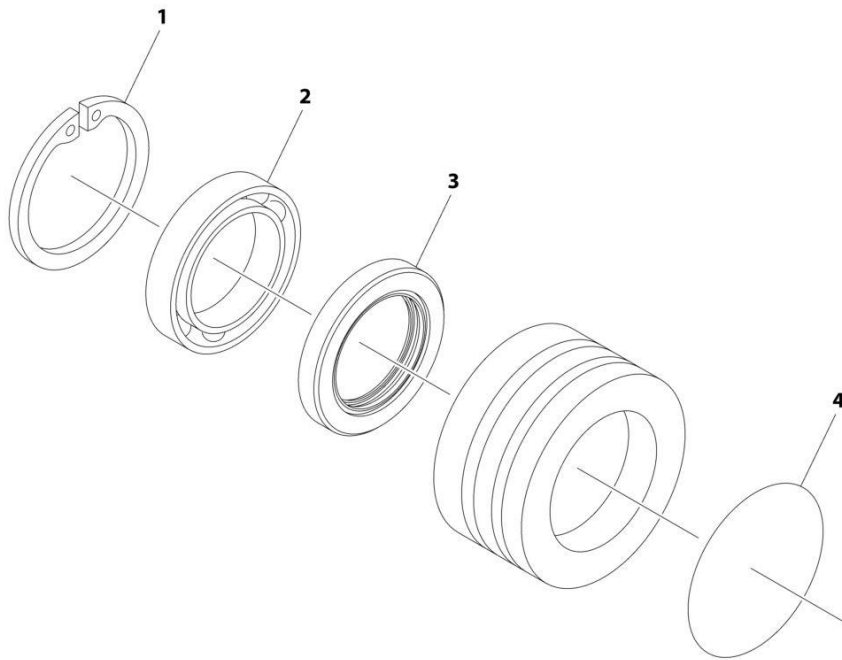
SECTION 5 - DRIVE TRAIN

FIGURE 5-31. RING GEAR SUPPORT KIT

ITEM	PART NUMBER	QTY	DESCRIPTION	REV
	70024146	Ref	Ring Gear Support Kit	
1	91514175	1	Circlip	
2	70024147	1	Gear, Ring	
3	91514177	1	Gear, Ring Support	

SECTION 5 - DRIVE TRAIN

FIGURE 5-32. REDUCTION BUSHING KIT



ART_91514149

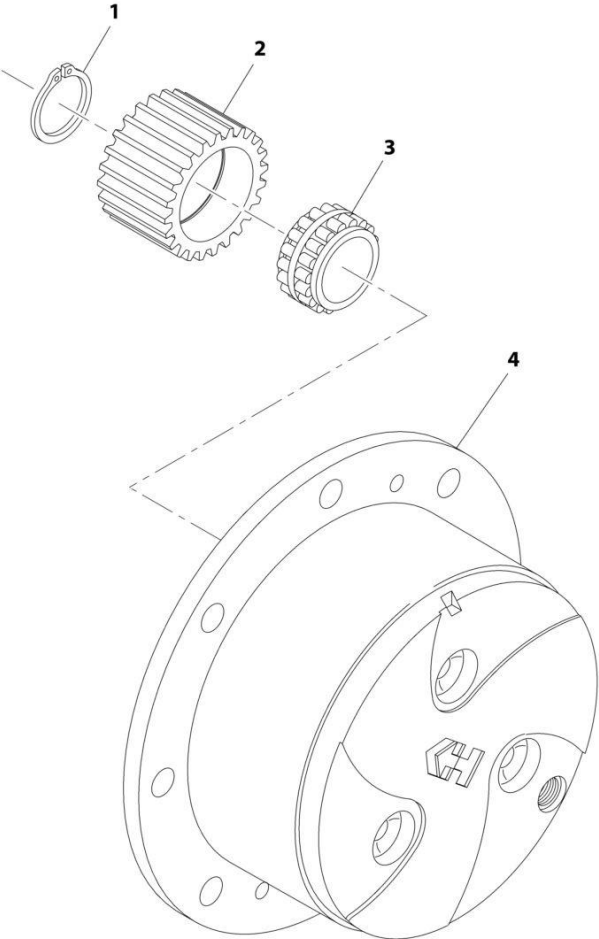
SECTION 5 - DRIVE TRAIN

FIGURE 5-32. REDUCTION BUSHING KIT

ITEM	PART NUMBER	QTY	DESCRIPTION	REV
	91514149	Ref	Reduction Bushing Kit	
1	80204005	2	Circlip	
2	91514146	2	Bearing, Ball	
3	91514147	2	Seal	
4	91514148	2	O-Ring	

SECTION 5 - DRIVE TRAIN

FIGURE 5-33. PLANET GEAR CARRIER KIT



ART_7029733

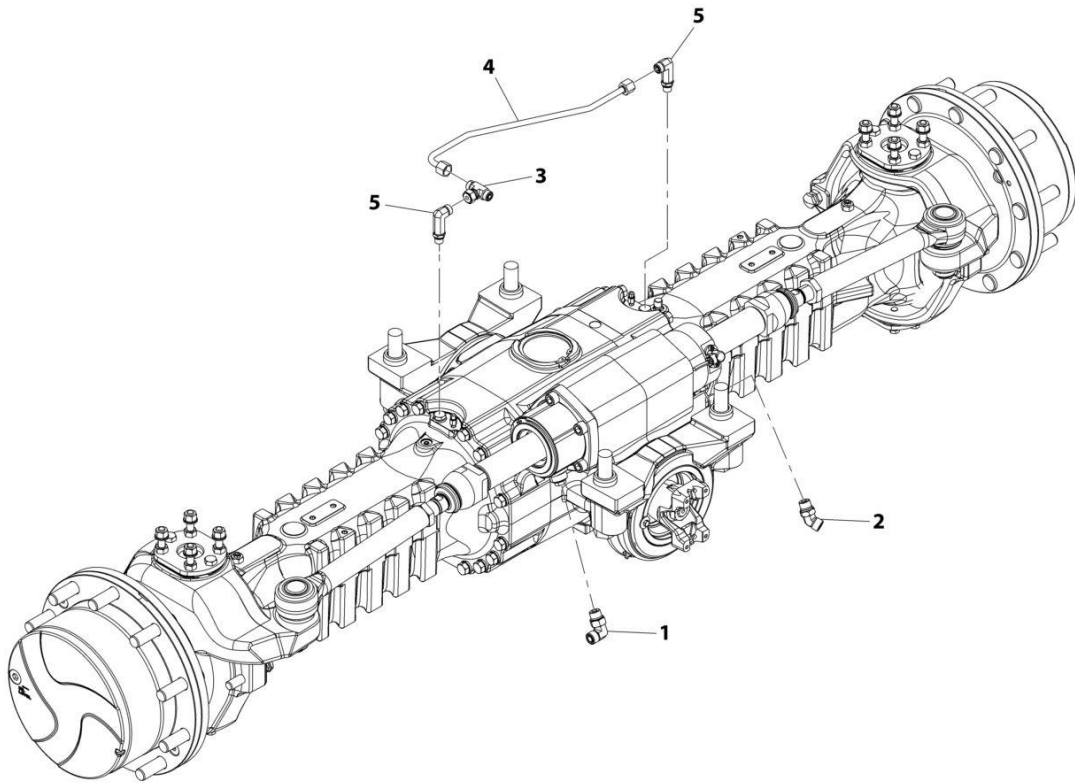
SECTION 5 - DRIVE TRAIN

FIGURE 5-33. PLANET GEAR CARRIER KIT

ITEM	PART NUMBER	QTY	DESCRIPTION	REV
	7029733	Ref	Planet Gear Carrier Kit	
1	91514184	3	Circlip	
2	91514185	6	Gear, Planet	
3	91514186	6	Bearing	
4	7026731	1	Carrier, Planet Gear	

SECTION 5 - DRIVE TRAIN

FIGURE 5-34. REAR AXLE LINES INSTALLATION



ART_1001207899-C

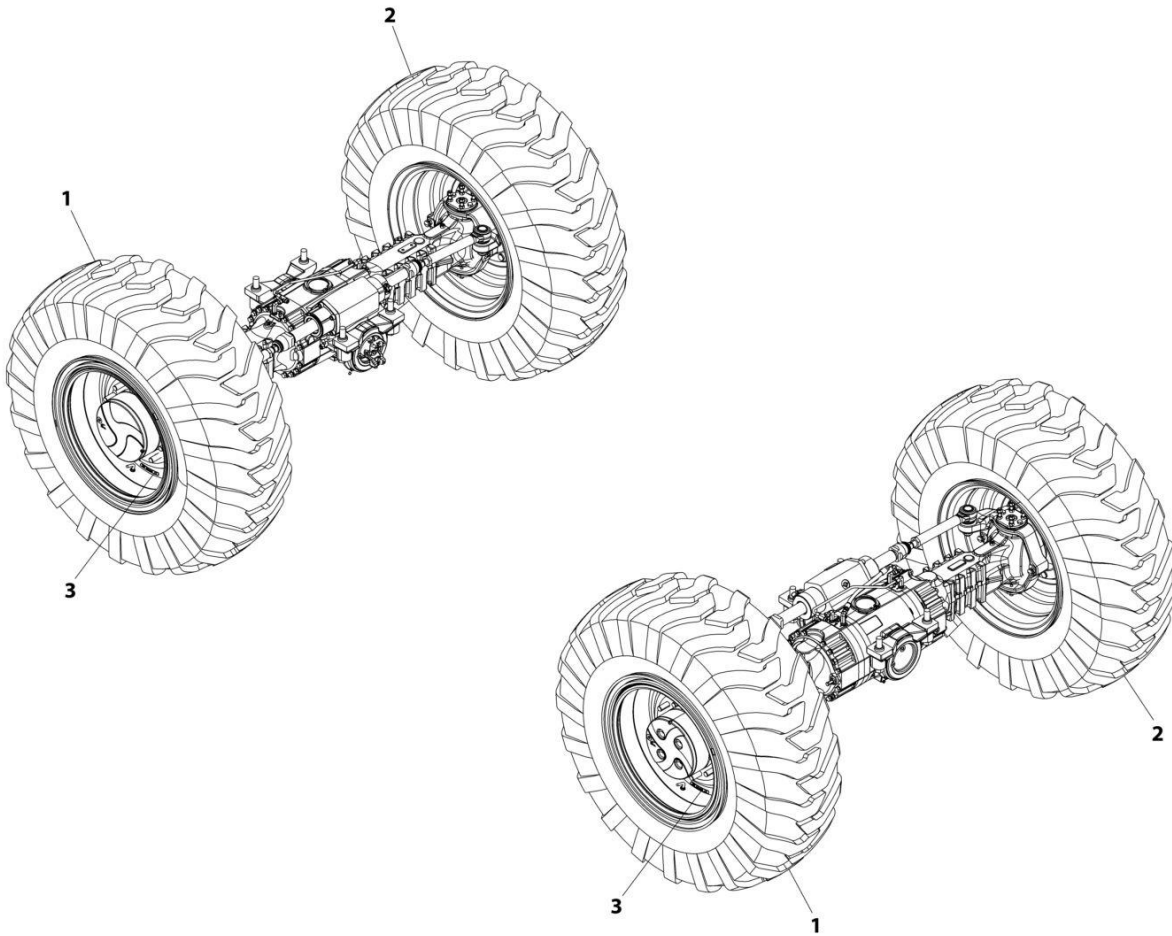
SECTION 5 - DRIVE TRAIN

FIGURE 5-34. REAR AXLE LINES INSTALLATION

ITEM	PART NUMBER	QTY	DESCRIPTION	REV
	1001207899	Ref	Rear Axle Lines Installation	C
1	2130808	1	Fitting, 90 ORFS	
2	2150808	1	Fitting, 45 ORFS	
3	2170806	1	Fitting, Tee ORFS	
4	1001224938	1	Tube	
5	1001210769	2	Fitting, 90 ORFS	

SECTION 5 - DRIVE TRAIN

FIGURE 5-35. TIRE/WHEEL SET (AIR 17.5-25 - 20 PLY)



ART_1001192168-C

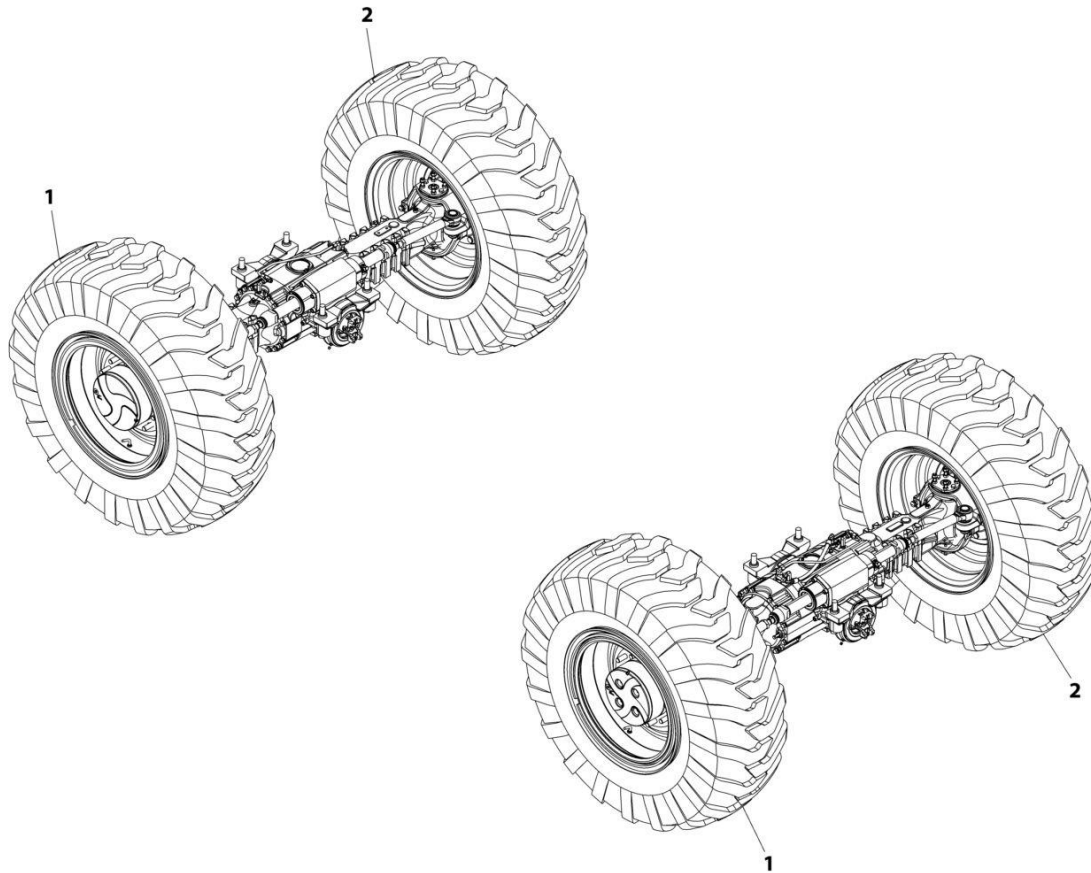
SECTION 5 - DRIVE TRAIN

FIGURE 5-35. TIRE/WHEEL SET (AIR 17.5-25 - 20 PLY)

ITEM	PART NUMBER	QTY	DESCRIPTION	REV
	1001192168	1	Tire/Wheel Set (Air 17.5-25 - 20 PLY)	C
1	1001192177	2	Assembly, Right Tire/Wheel (Air 17.5-25 - 20 PLY)	
1	8786549	1	Valve, Stem	
1	1001187423	1	Tire, 17.5-25 20 PLY	
1	1001189288J	1	Wheel, 25X14.0 DTU 10 Hole	
2	1001192178	2	Assembly, Left Tire/Wheel (Air 17.5-25 - 20 PLY)	
2	8786549	1	Valve, Stem	
2	1001187423	1	Tire, 17.5-25 20 PLY	
2	1001189288J	1	Wheel, 25X14.0 DTU 10 Hole	
3	1001229201	4	Decal	

SECTION 5 - DRIVE TRAIN

FIGURE 5-36. TIRE/WHEEL SET (FOAM 17.5-25 - 20 PLY)



ART_1001192170-A

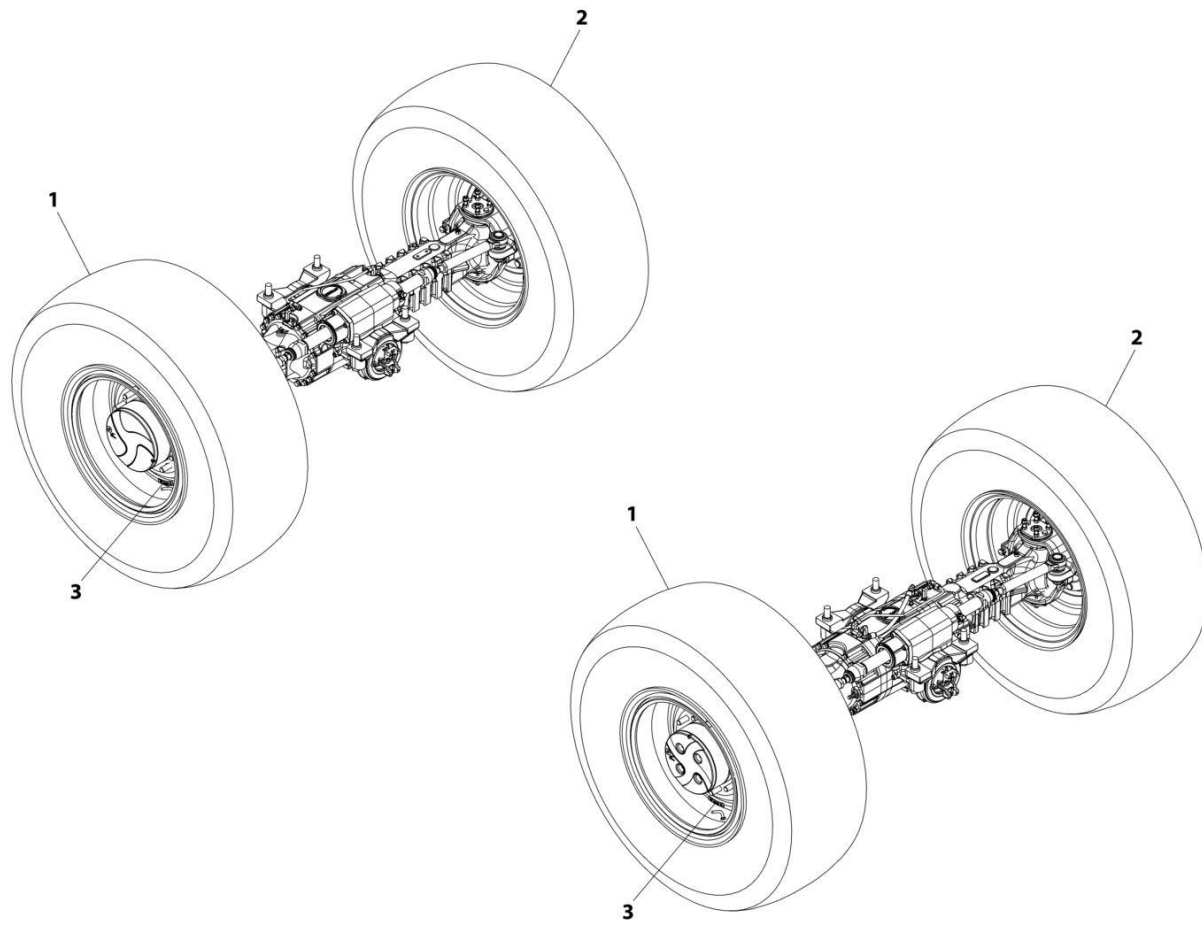
SECTION 5 - DRIVE TRAIN

FIGURE 5-36. TIRE/WHEEL SET (FOAM 17.5-25 - 20 PLY)

ITEM	PART NUMBER	QTY	DESCRIPTION	REV
	1001192170	1	Tire/Wheel Set (Foam 17.5-25 - 20 PLY)	A
		Ref	Note: Requires ballast/foam filling to manufacturer's specifications prior to installing on a machine. Refer to Service and Maintenance Manuals. Purchase individual tire and/or rim only if able to foam fill tire and wheel assembly, otherwise, purchase complete.	
1	1001192180	2	Assembly, Right Tire/Wheel (Foam 17.5-25 - 20 PLY)	
1	8786549	1	Valve, Stem	
1	1001187423	1	Tire, 17.5-25 20 PLY	
1	1001189288J	1	Wheel, 25X14.0 DTU 10 Hole	
2	1001192181	2	Assembly, Left Tire/Wheel (Foam 17.5-25 - 20 PLY)	
2	8786549	1	Valve, Stem	
2	1001187423	1	Tire, 17.5-25 20 PLY	
2	1001189288J	1	Wheel, 25X14.0 DTU 10 Hole	

SECTION 5 - DRIVE TRAIN

FIGURE 5-37. TIRE/WHEEL SET (AIR 17.5 R25 - RADIAL)



ART_1001221270-A

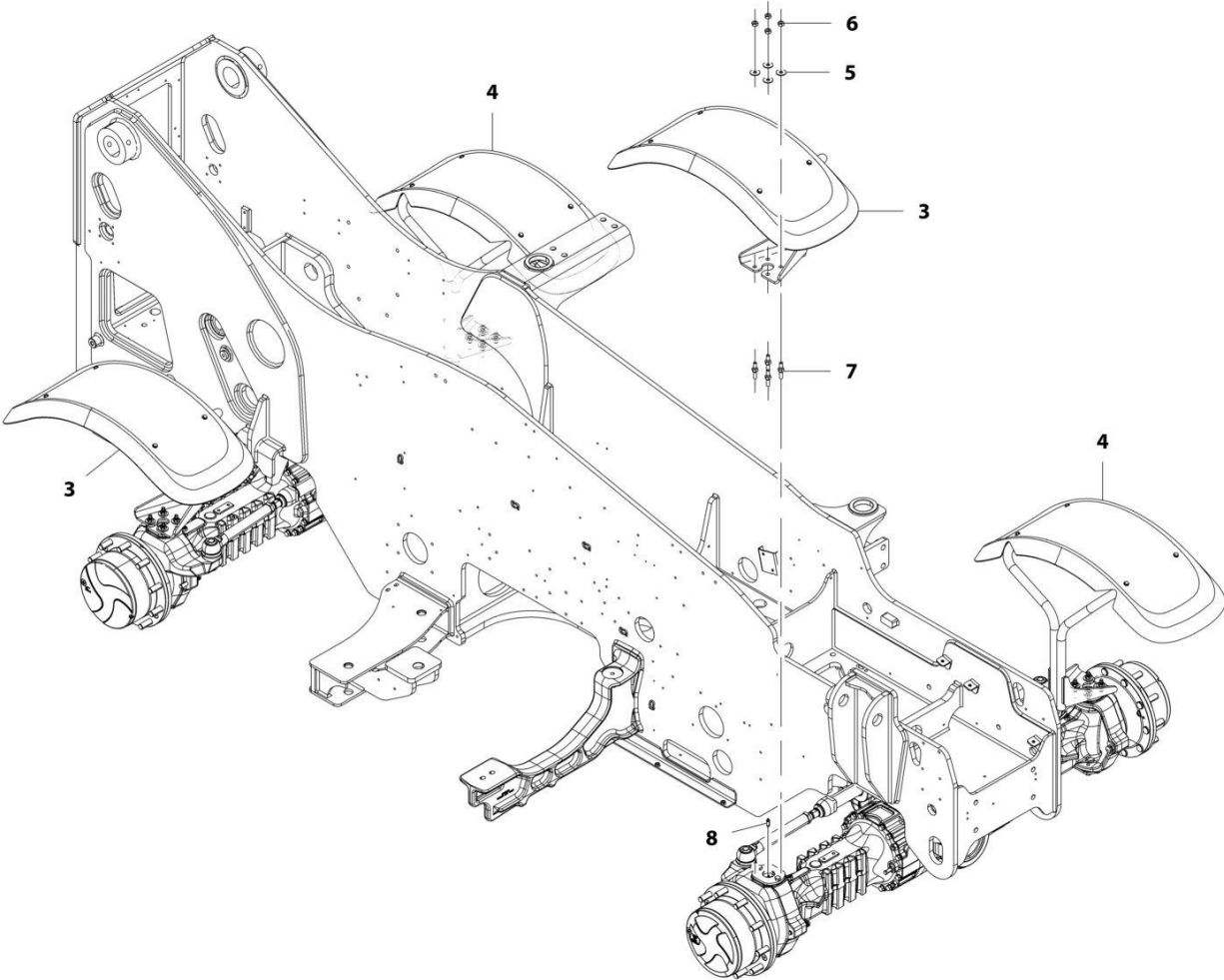
SECTION 5 - DRIVE TRAIN

FIGURE 5-37. TIRE/WHEEL SET (AIR 17.5 R25 - RADIAL)

ITEM	PART NUMBER	QTY	DESCRIPTION	REV
	1001221270	1	Tire/Wheel Set (Air 17.5 R25 - Radial)	A
1	1001221157	2	Assembly, Right Tire/Wheel (Air 17.5 R25 - Radial)	
1	8786549	1	Valve, Stem	
1	1001221087	1	Tire, 17.5 R25 Radial	
1	1001189288J	1	Wheel, 25X14.0 DTU 10 Hole	
2	1001221321	2	Assembly, Left Tire/Wheel (Air 17.5 R25 - Radial)	
2	8786549	1	Valve, Stem	
2	1001221087	1	Tire, 17.5 R25 Radial	
2	1001189288J	1	Wheel, 25X14.0 DTU 10 Hole	
3	1001221734	4	Decal	

SECTION 5 - DRIVE TRAIN

FIGURE 5-38. FENDER INSTALLATION



ART_1001174129-E

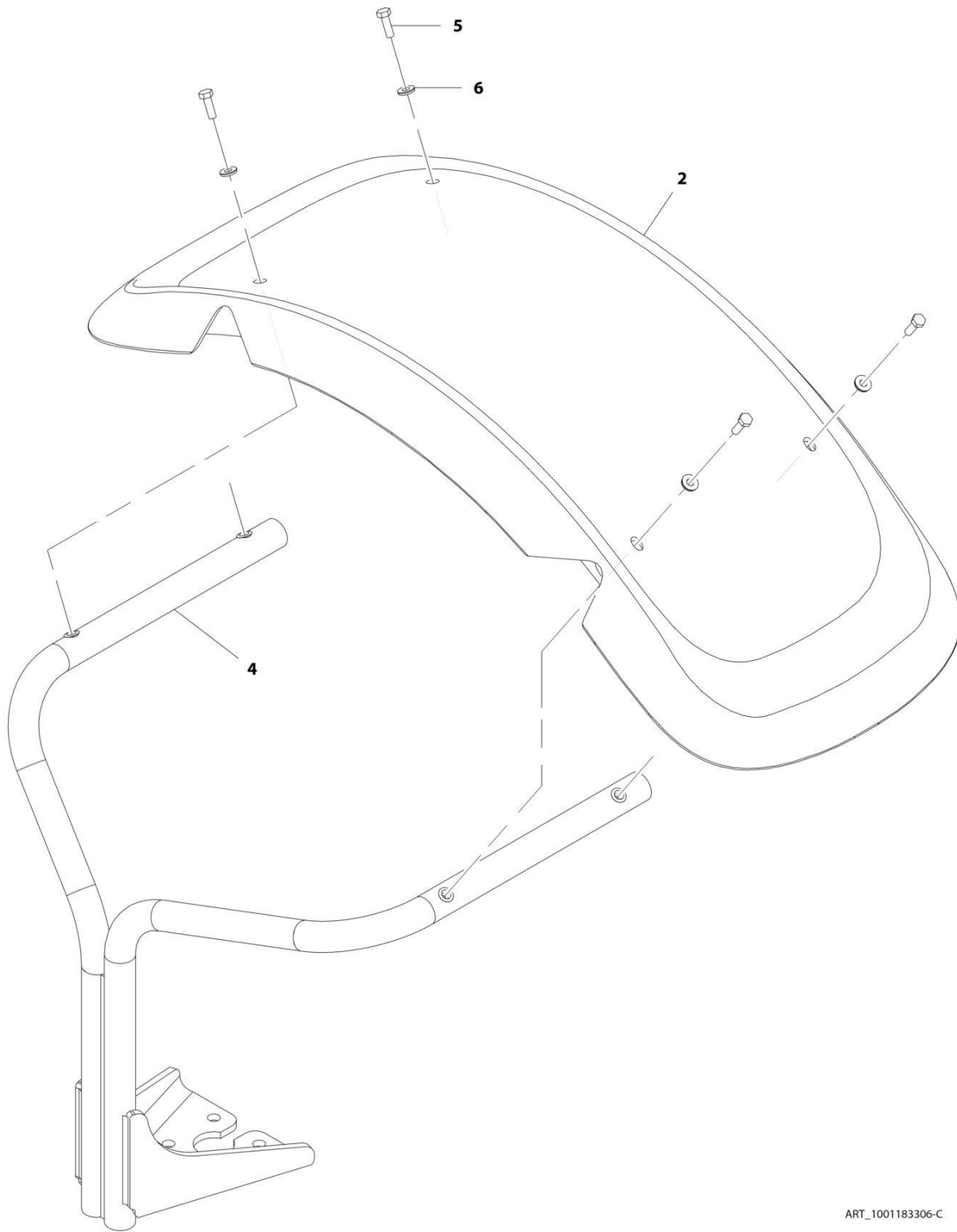
SECTION 5 - DRIVE TRAIN

FIGURE 5-38. FENDER INSTALLATION

ITEM	PART NUMBER	QTY	DESCRIPTION	REV
	1001174129	Ref	Fender Installation	E
3	1001183306	2	Assembly, RH Fender (See Separate Breakdown in this Section)	
4	1001183307	2	Assembly, LH Fender (See Separate Breakdown in this Section)	
5	4812102	16	Washer, M12	
6	91513266	16	Nut, M12X1.25	
7	91514118	16	Stud, Fender	
8	1001225317	4	Fitting, Grease	

SECTION 5 - DRIVE TRAIN

FIGURE 5-39. RH FENDER ASSEMBLY



ART_1001183306-C

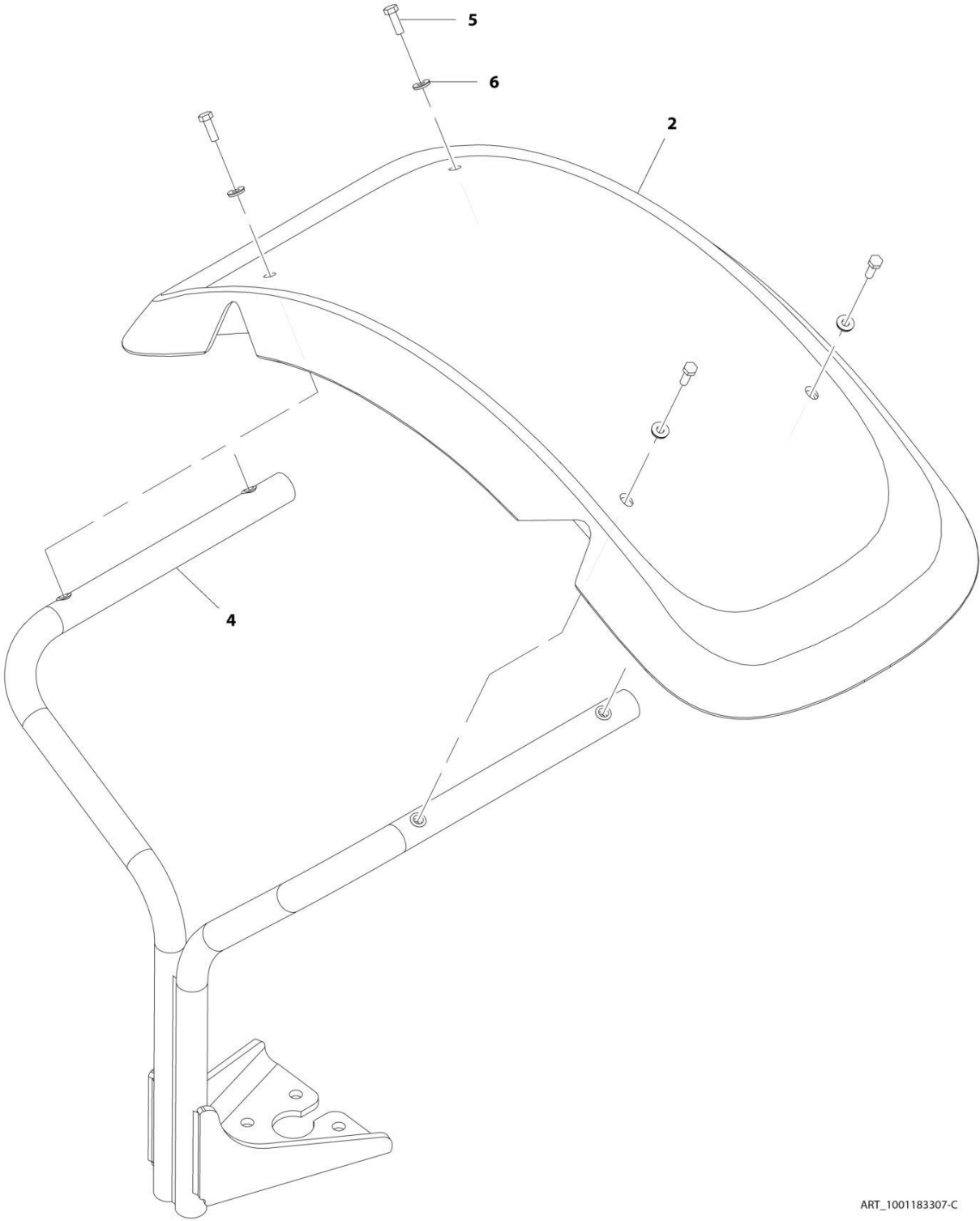
SECTION 5 - DRIVE TRAIN

FIGURE 5-39. RH FENDER ASSEMBLY

ITEM	PART NUMBER	QTY	DESCRIPTION	REV
	1001183306	Ref	RH Fender Assembly	C
2	1001168264	1	Fender	
4	1001183308	1	Bracket	
5	0760812	4	Bolt, M8X25	
6	1001202786	4	Washer	

SECTION 5 - DRIVE TRAIN

FIGURE 5-40. LH FENDER ASSEMBLY



ART_1001183307-C

SECTION 5 - DRIVE TRAIN

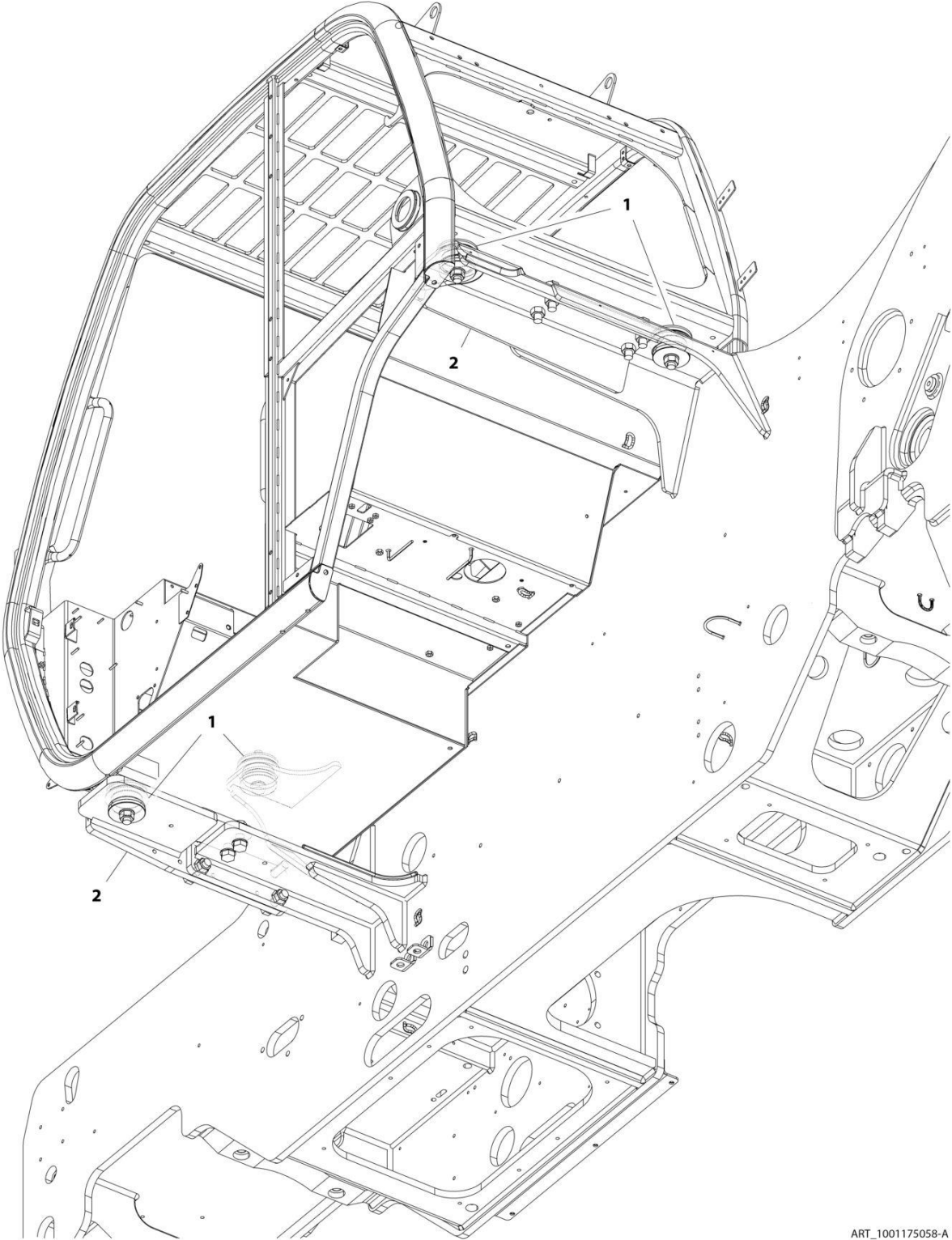
FIGURE 5-40. LH FENDER ASSEMBLY

ITEM	PART NUMBER	QTY	DESCRIPTION	REV
	1001183307	Ref	LH Fender Assembly	C
2	1001168264	1	Fender	
4	1001183309	1	Bracket	
5	0760812	4	Bolt, M8X25	
6	1001202786	4	Washer	

SECTION 6 - CAB

SECTION 6 - CAB

FIGURE 6-1. CAB MOUNTING INSTALLATION



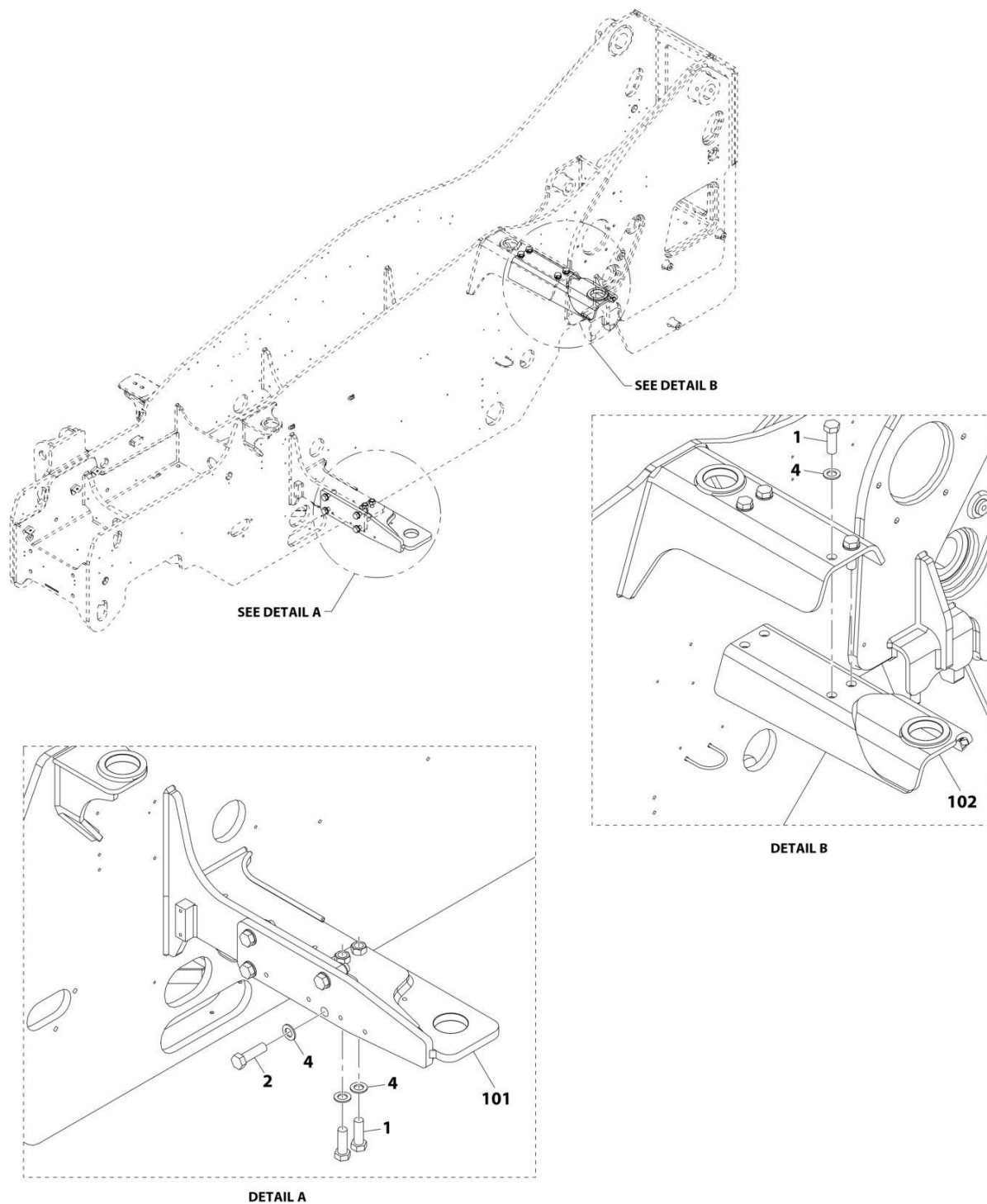
ART_1001175058-A

FIGURE 6-1. CAB MOUNTING INSTALLATION

ITEM	PART NUMBER	QTY	DESCRIPTION	REV
1	1001175058	Ref	Cab Mounting Installation	A
	1001155446	Ref	Installation, Cab Mount (See Separate Breakdown in this Section)	
	1001191255	Ref	Installation, Front Cab Mount Bracket (See Separate Breakdown in this Section)	

SECTION 6 - CAB

FIGURE 6-2. FRONT CAB MOUNT BRACKET INSTALLATION



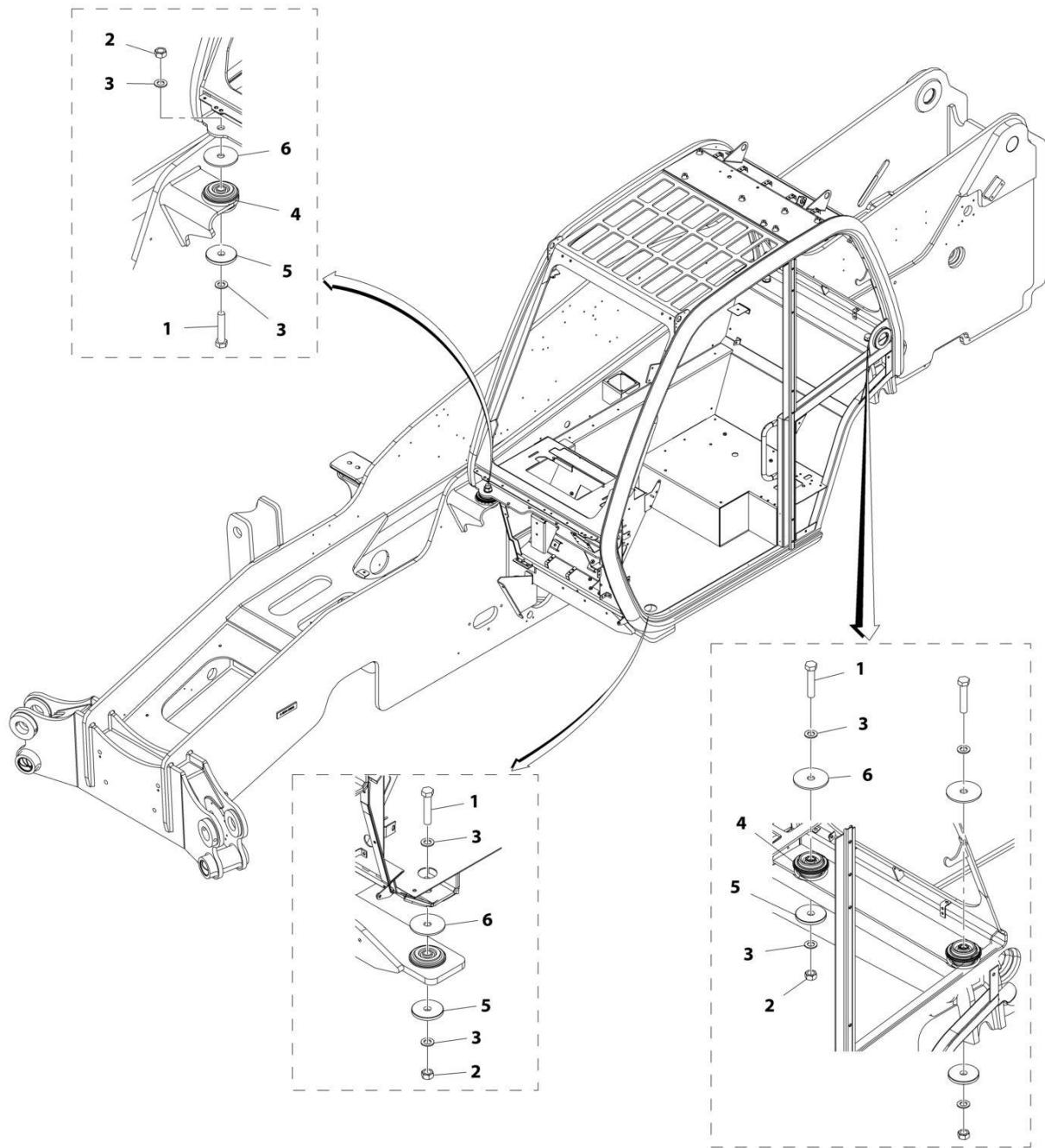
ART_1001191255-E

FIGURE 6-2. FRONT CAB MOUNT BRACKET INSTALLATION

ITEM	PART NUMBER	QTY	DESCRIPTION	REV
	1001191255	Ref	Front Cab Mount Bracket Installation	E
1	0712020	6	Bolt, M20X60	
2	0712022	4	Bolt, M20X70	
4	4812500	10	Washer, M20	
101	1001191256	1	Bracket	
102	1001191257	1	Bracket	

SECTION 6 - CAB

FIGURE 6-3. CAB MOUNTS INSTALLATION



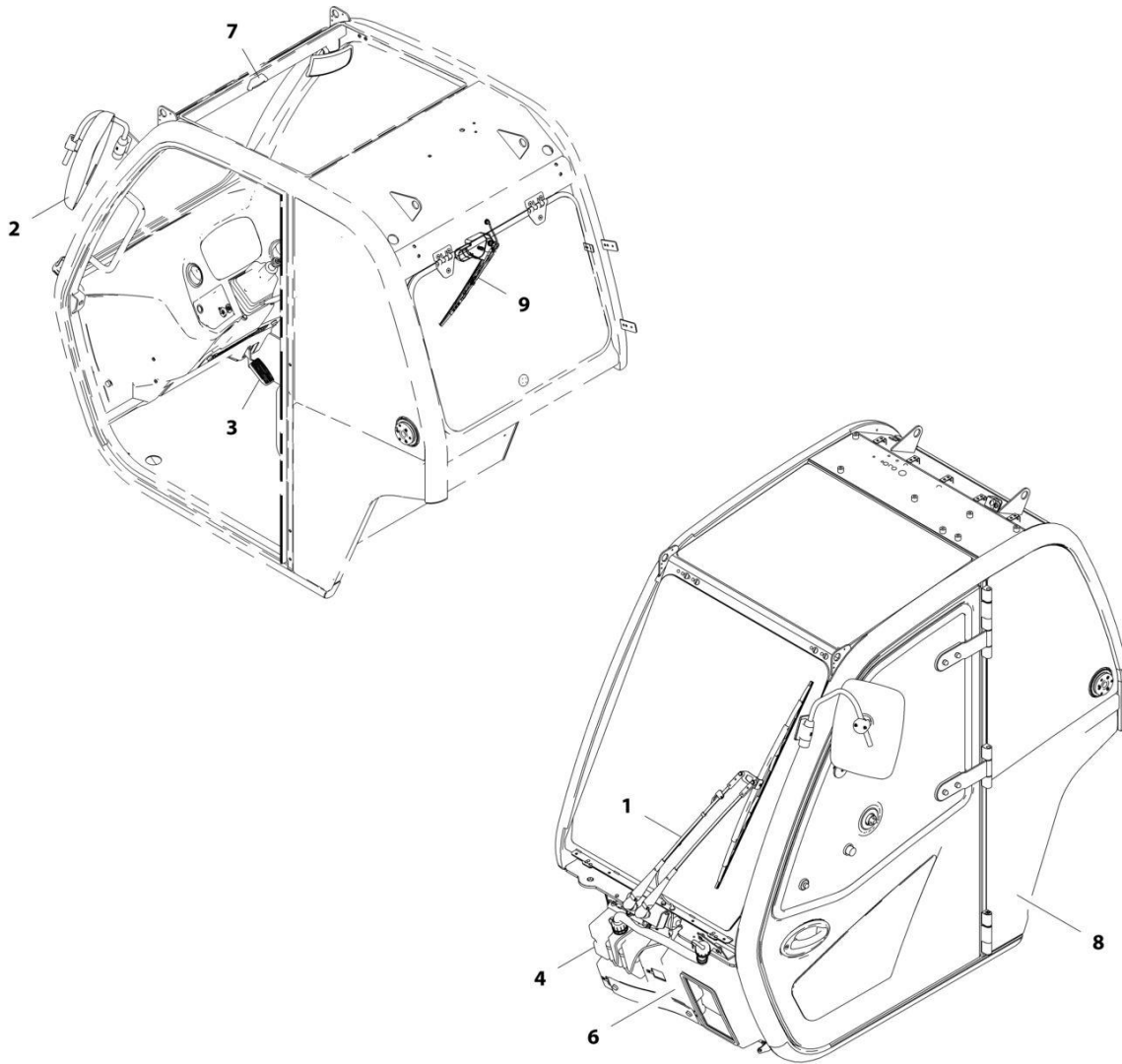
ART_1001155446-E

FIGURE 6-3. CAB MOUNTS INSTALLATION

ITEM	PART NUMBER	QTY	DESCRIPTION	REV
	1001155446	Ref	Cab Mounts Installation	E
1	0712027	4	Bolt, M20X100	
2	3332011	4	Nut, M20X2.5	
3	4812500	8	Washer, M20	
4	1001166754	4	Mount, Cab Isolation	
5	1001166755	4	Washer, Cab Rebound	
6	1001220540	4	Washer, Cab Mount	

SECTION 6 - CAB

FIGURE 6-4. CAB COMPONENTS INSTALLATION



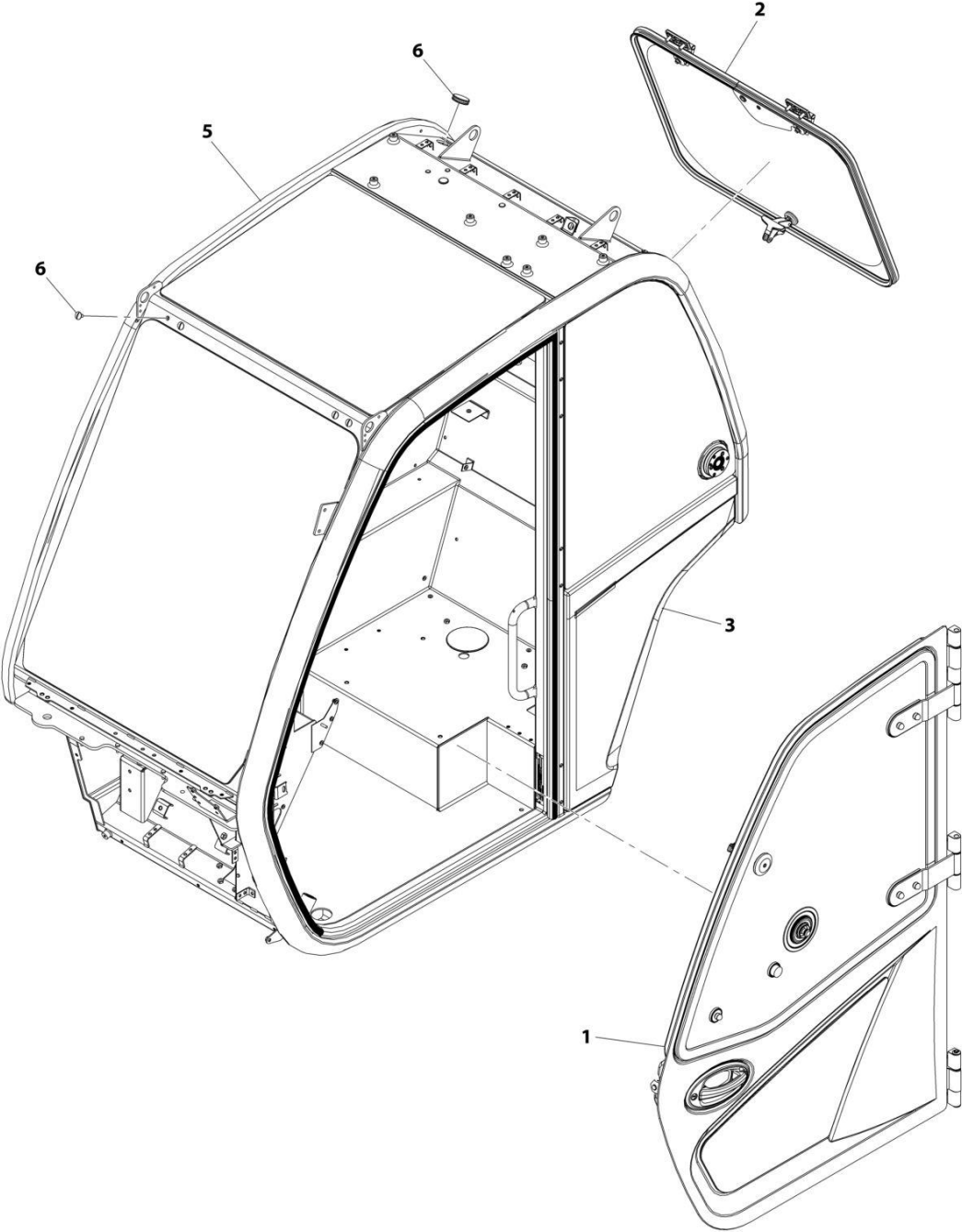
ART_1001194698

FIGURE 6-4. CAB COMPONENTS INSTALLATION

ITEM	PART NUMBER	QTY	DESCRIPTION	REV
	1001194698	Ref	Cab Components Installation	G
1	1001155447	Ref	Installation, Front Wiper (See Separate Breakdown in this Section)	
2	1001160508	Ref	Installation, Basic Mirror (See Separate Breakdown in this Section)	
3	1001161499	Ref	Installation, Accelerator Pedal (See Separate Breakdown in CONTROLS Section)	
4	1001162789	Ref	Installation, Washer Tank (See Separate Breakdown in this Section)	
6	1001170366	Ref	Installation, Front Cover (See Separate Breakdown in this Section)	
7	1001172401	Ref	Installation, Level Indicator (See Separate Breakdown in this Section)	
8	1001194699	Ref	Installation, Cab (See Separate Breakdown in this Section)	
9	1001220329	Ref	Installation, Rear Wiper (See Separate Breakdown in this Section)	

SECTION 6 - CAB

FIGURE 6-5. CAB INSTALLATION



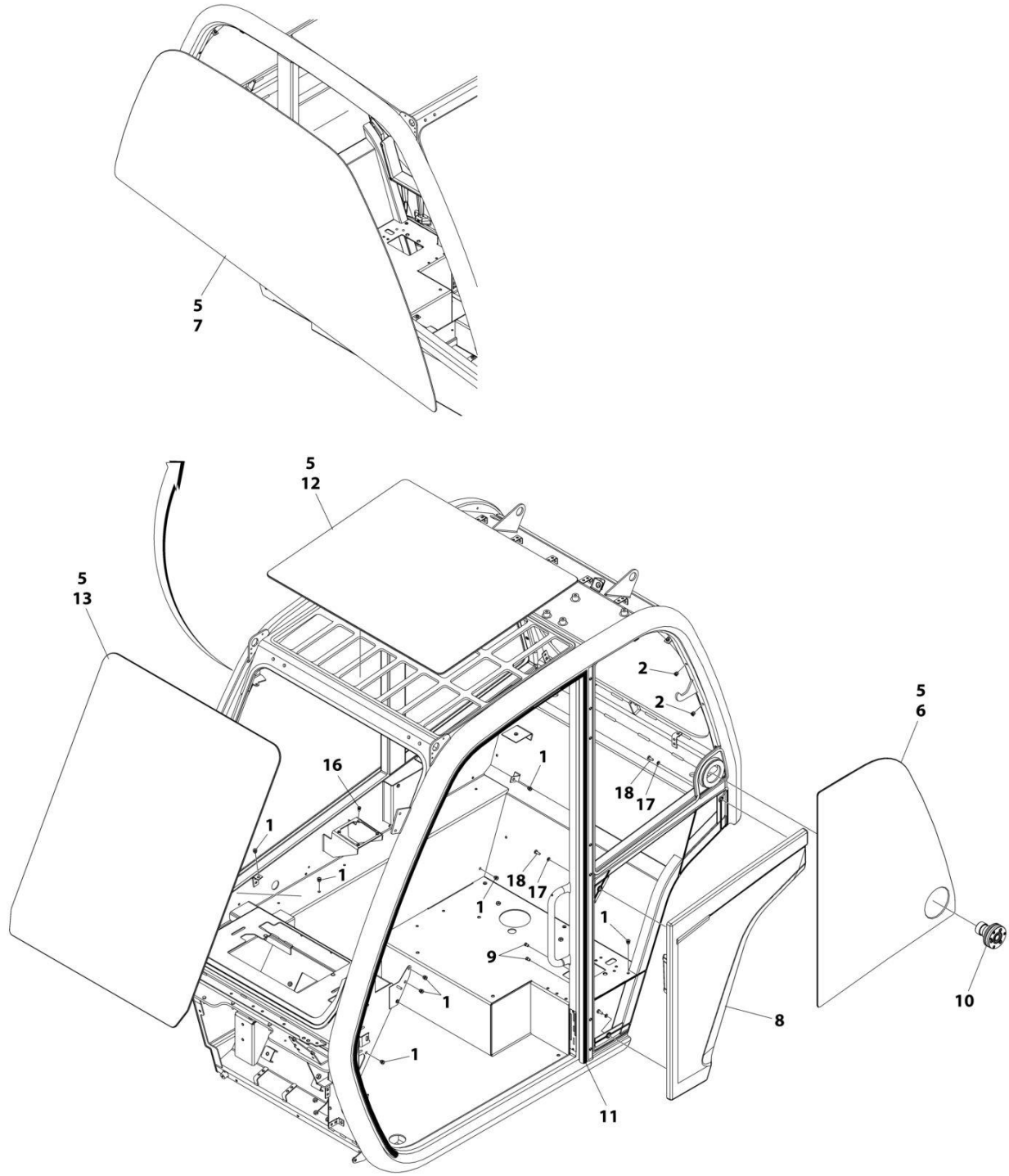
ART_1001194699

FIGURE 6-5. CAB INSTALLATION

ITEM	PART NUMBER	QTY	DESCRIPTION	REV
	1001194699	Ref	Cab Installation	L
1	1001155228	1	Installation, Cab Door (See Separate Breakdown in this Section)	
2	1001220339	1	Installation, Rear Window (See Separate Breakdown in this Section)	
3	1001194700	1	Assembly, Cab Group (See Separate Breakdown in this Section)	
5	N.S.S.	1	Weldment, Cab	
6	1001195814	1	Group, Cab Plug (See Separate Breakdown in this Section)	

SECTION 6 - CAB

FIGURE 6-6. CAB ASSEMBLY



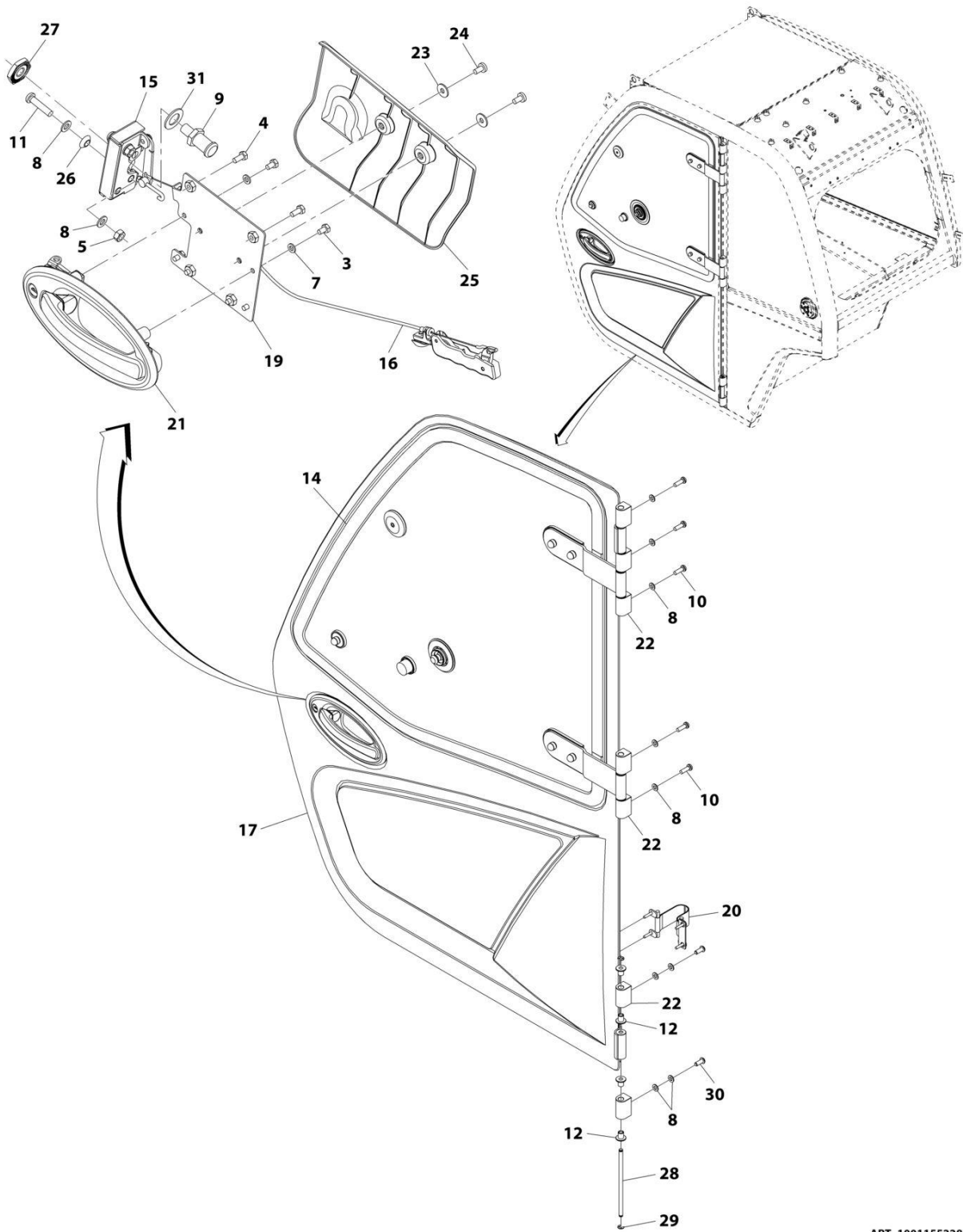
ART_1001194700_G

FIGURE 6-6. CAB ASSEMBLY

ITEM	PART NUMBER	QTY	DESCRIPTION	REV
	1001194700	Ref	Cab Assembly	G
1	2080086	25	Rivnut M6 x 1	
2	2080087	16	Rivnut M8 x 1.25	
5	1001111317	AR	Compound, Locking	
6	1001152915	1	Glass, LH Screen	
7	1001152947	1	Glass, RH Screen	
8	1001256073	1	Panel, Cab Quarter	
9	1001172193	2	Rivnut M5 x 0.8	
10	1001174320	1	Latch, Top Window	
11	1001227186	1	Seal, Cab Door	
12	1001178159	1	Glass, Roof Laminated	
13	1001178160	1	Glass, Front Laminated	
16	1001195878	4	Rivnut M5 x 0.8	
17	4811700	3	Washer M6	
18	4010608002	3	Screw M6 x 16	

SECTION 6 - CAB

FIGURE 6-7. DOOR INSTALLATION



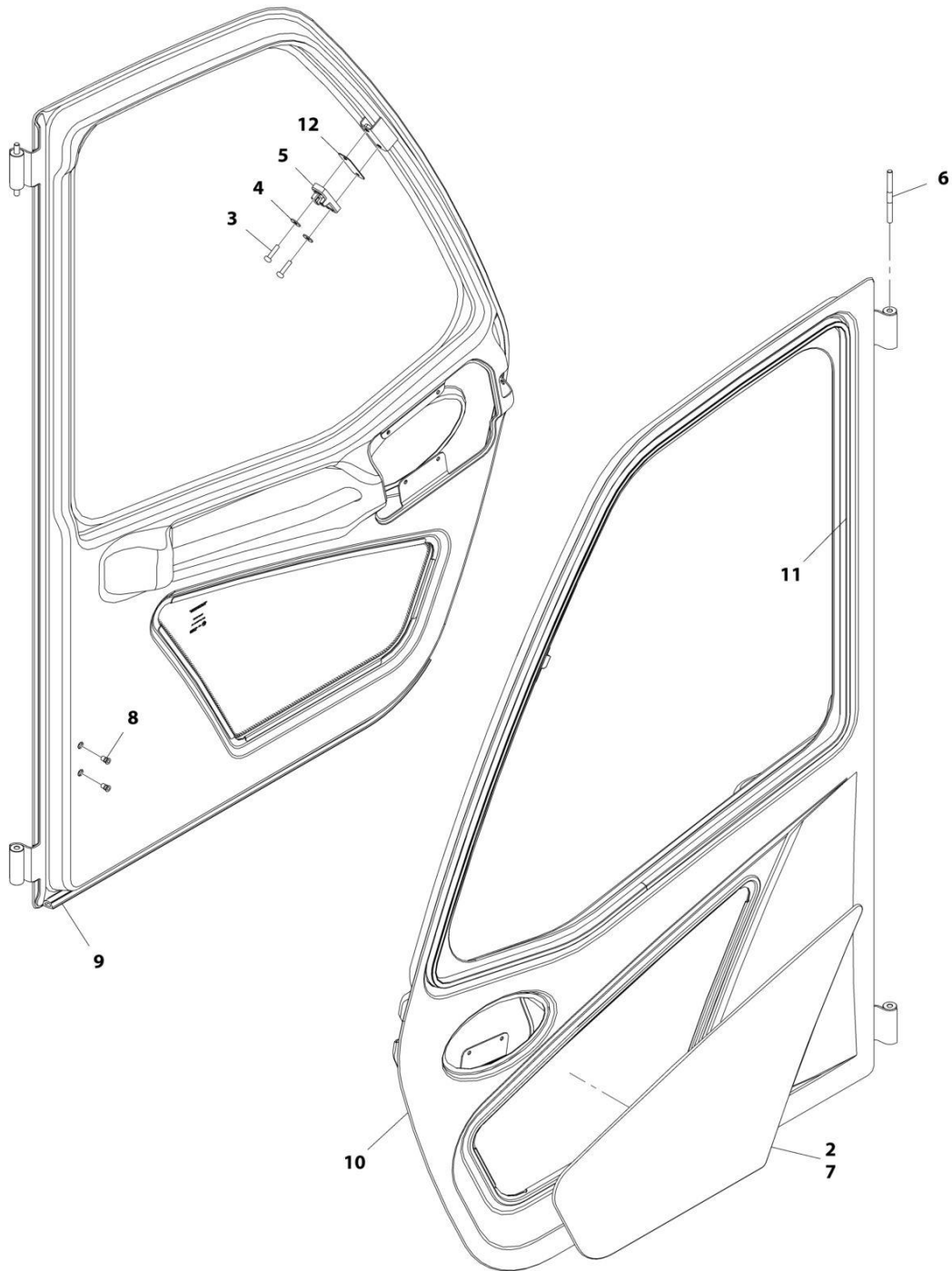
ART_1001155228

FIGURE 6-7. DOOR INSTALLATION

ITEM	PART NUMBER	QTY	DESCRIPTION	REV
	1001155228	Ref	Door Installation	Q
3	0760605	4	Bolt, M6X10	
4	0760607	4	Bolt, M6X14	
5	3290801	2	Nut, M8X1.25 Grade 8	
7	4811700	4	Washer, M6	
8	4811900	13	Washer, M8	
9	8000803	1	Pin, Door Striker	
10	1001008988	5	Screw M8X25	
11	1001047062	2	Screw, M8X35	
12	1001107192	10	Sleeve, Hinge	
14	1001205532	1	Assembly, Door Upper Glass (See Separate Breakdown in this Section)	
15	1001192766	1	Assembly, Cab Latch (See Separate Breakdown in this Section)	
16	1001167958	1	Assembly, Cab Door Trigger (See Separate Breakdown in this Section)	
17	1001170114	1	Assembly, Door (See Separate Breakdown in this Section)	
19	1001173298	1	Bracket	
20	1001174295	1	Installation, Door Strap (See Separate Breakdown in this Section)	
21	1001192646	1	Handle, Exterior Door	
22	1001229543	7	Block, Hinge (Rounded Top/Bottom Edge)	
22	1001170601J	7	Block, Hinge (Square Top/Bottom Edge)	
23	4811702001	2	Washer, M6	
24	4010608002	2	Screw, Posi-Drive, M6X16	
25	1001175477	1	Cover, Cab Door Interior	
26	1001184439	2	Bushing	
27	1001192309	1	Nut, M12X1	
28	1001213791	1	Pin	
29	0498748	2	Washer, Lock M7	
30	1001164726	2	Bolt, M8X20	
31	1001227802	1	Washer	

SECTION 6 - CAB

FIGURE 6-8. DOOR ASSEMBLY



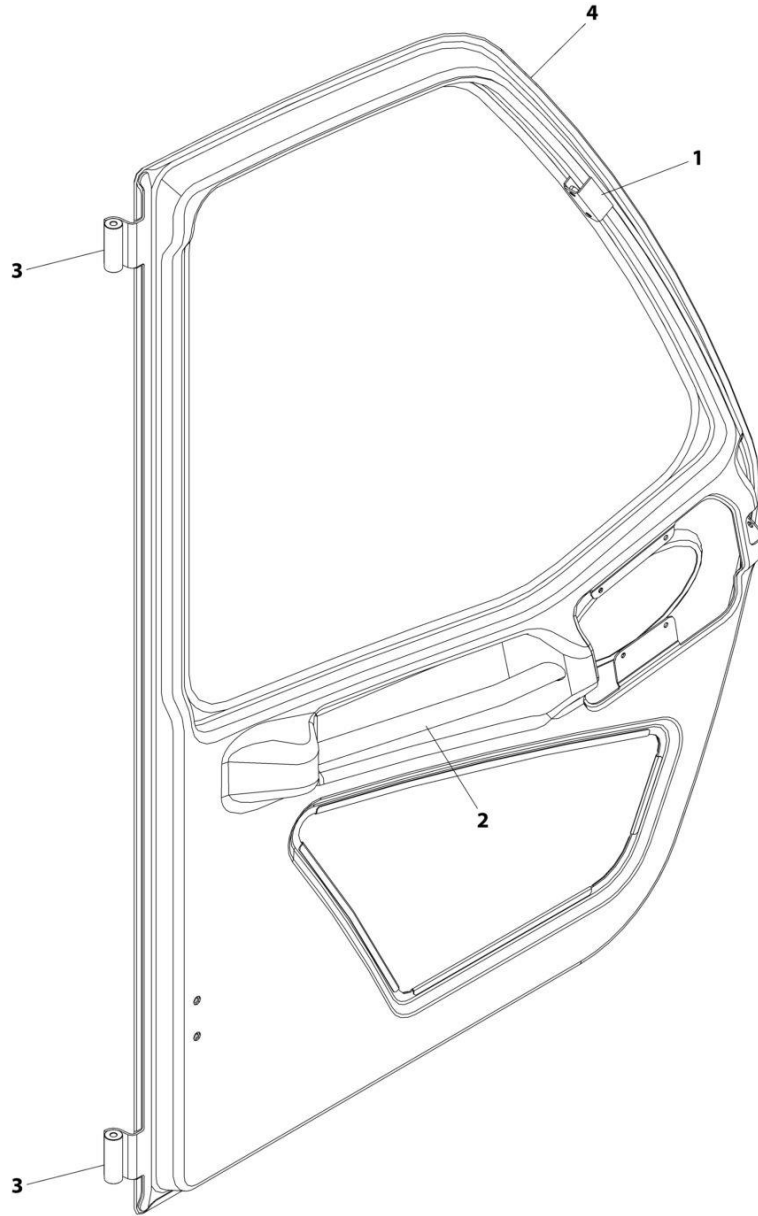
ART_1001170114

FIGURE 6-8. DOOR ASSEMBLY

ITEM	PART NUMBER	QTY	DESCRIPTION	REV
	1001170114	Ref	Door Assembly	K
2	1001111317	AR	Compound, Locking	
3	4010612002	2	Screw, M6X25	
4	4811702001	2	Washer, M6	
5	1001165276	1	Plate, Window Latch Striker	
6	1001166634	1	Pin, Hinge	
7	1001169880	1	Window, Lower Glass	
8	1001172193	2	Rivnut, M5X0.8	
9	1001227188	1	Seal, Cab Door	
10	1001170113J	1	Door, Cab (See Separate Breakdown in this Section)	
11	1001227187	1	Seal, Cab Door Window	
12	1001193210	AR	Shim, Window Latch	

SECTION 6 - CAB

FIGURE 6-9. CAB DOOR



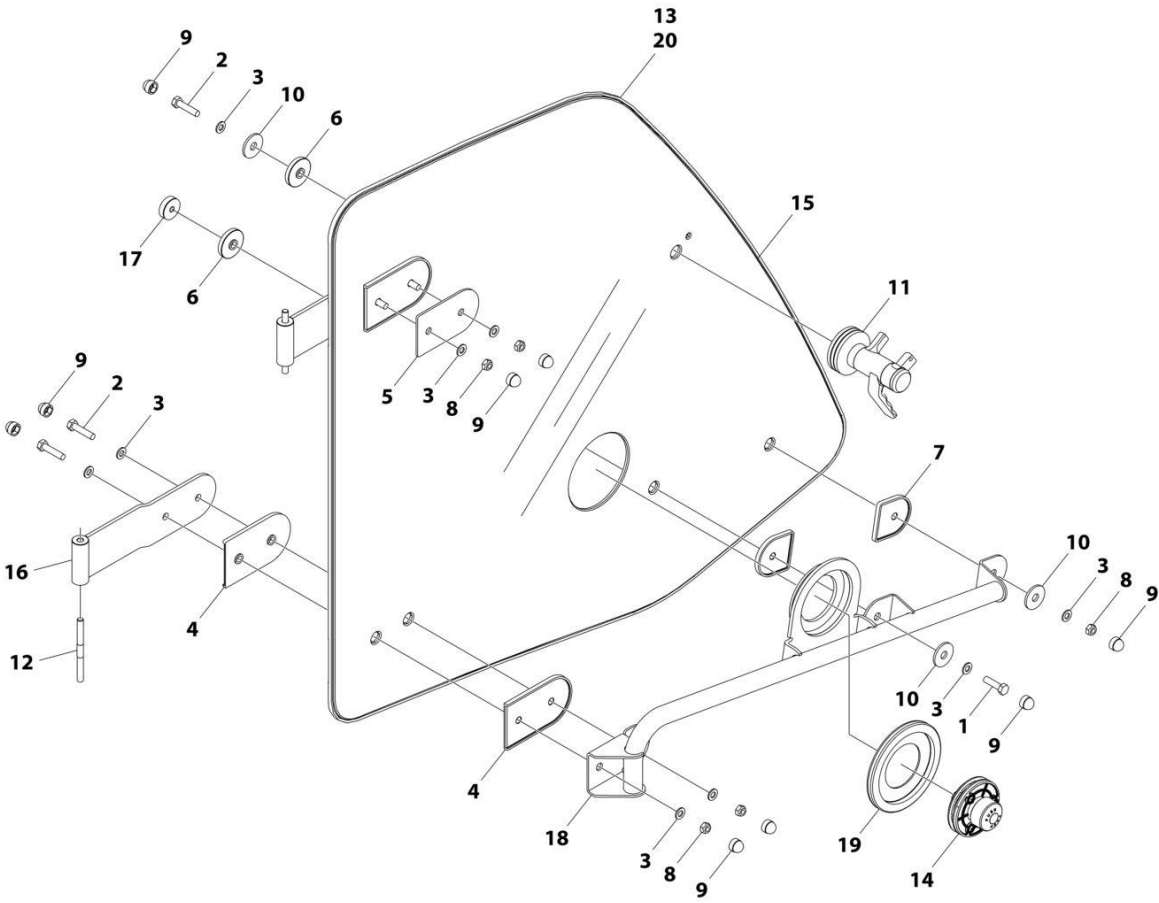
ART_1001170113J-E

FIGURE 6-9. CAB DOOR

ITEM	PART NUMBER	QTY	DESCRIPTION	REV
	1001170113J	Ref	Cab Door	E
1	1001169883	1	Bracket, Window Latch	
2	1001169885	1	Handle, Interior Door	
3	1001171037	1	Plate, Hinge	
4	1001171635	1	Frame, Door	

SECTION 6 - CAB

FIGURE 6-10. DOOR UPPER GLASS ASSEMBLY



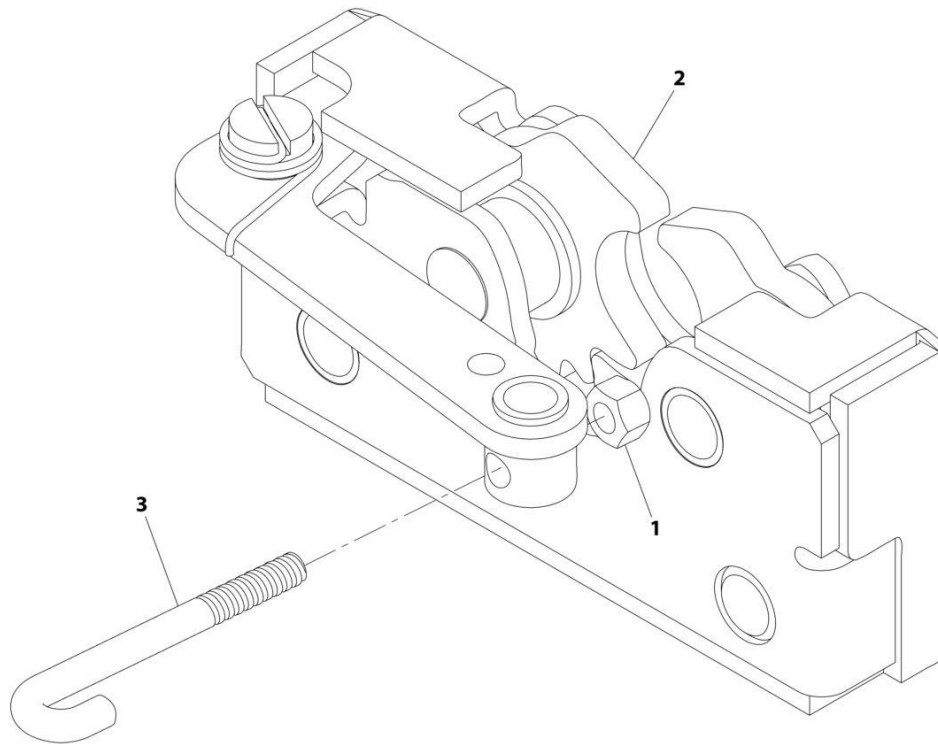
ART_1001205532

FIGURE 6-10. DOOR UPPER GLASS ASSEMBLY

ITEM	PART NUMBER	QTY	DESCRIPTION	REV
	1001205532	Ref	Door Upper Glass Assembly	G
1	0760812	1	Bolt, M8X25	
2	0760815	5	Bolt, M8X35	
3	4811900	11	Washer, 8MM	
4	1001002946	4	Mount, Hinge	
5	1001002947	1	Mount, Hinge	
6	1001002953	2	Mount, Rubber	
7	1001002957	2	Mount, Latch	
8	1001008857	5	Nut, Lock	
9	1001096365	11	Cap, M8	
10	1001141246	3	Mount, Rubber	
11	1001165275	1	Latch, Window	
12	1001166634	2	Pin, Hinge	
13	1001170944	1	Panel, Window Surround	
14	1001174321	1	Striker, Top Window	
15	1001204066	1	Glass, Window	
16	1001204115	2	Hinge	
17	1001222741	1	Buffer, Cab	
18	1001204120	1	Handle	
19	1001213331	1	Gasket	
20	1001215531	AR	Adhesive	

SECTION 6 - CAB

FIGURE 6-11. CAB LATCH ASSEMBLY



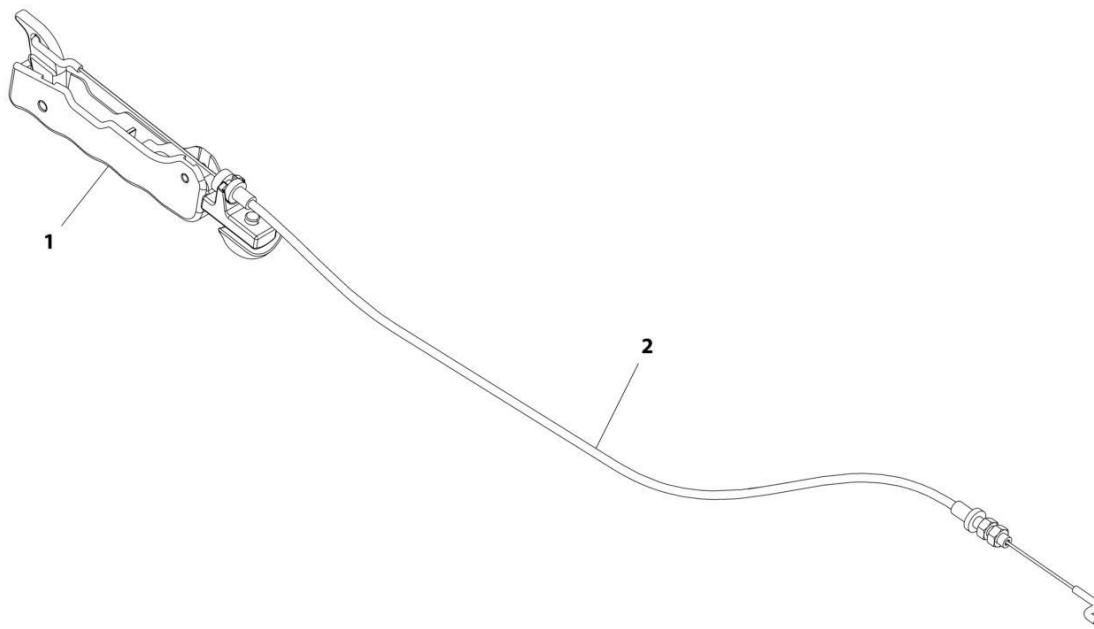
ART_1001192766_C

FIGURE 6-11. CAB LATCH ASSEMBLY

ITEM	PART NUMBER	QTY	DESCRIPTION	REV
	1001192766	Ref	Cab Latch Assembly	C
1	3290405	1	Nut, M4X0.7 Grade 8	
2	1001192643	1	Latch	
3	1001241308	1	Link, Door Handle	

SECTION 6 - CAB

FIGURE 6-12. CAB DOOR TRIGGER ASSEMBLY



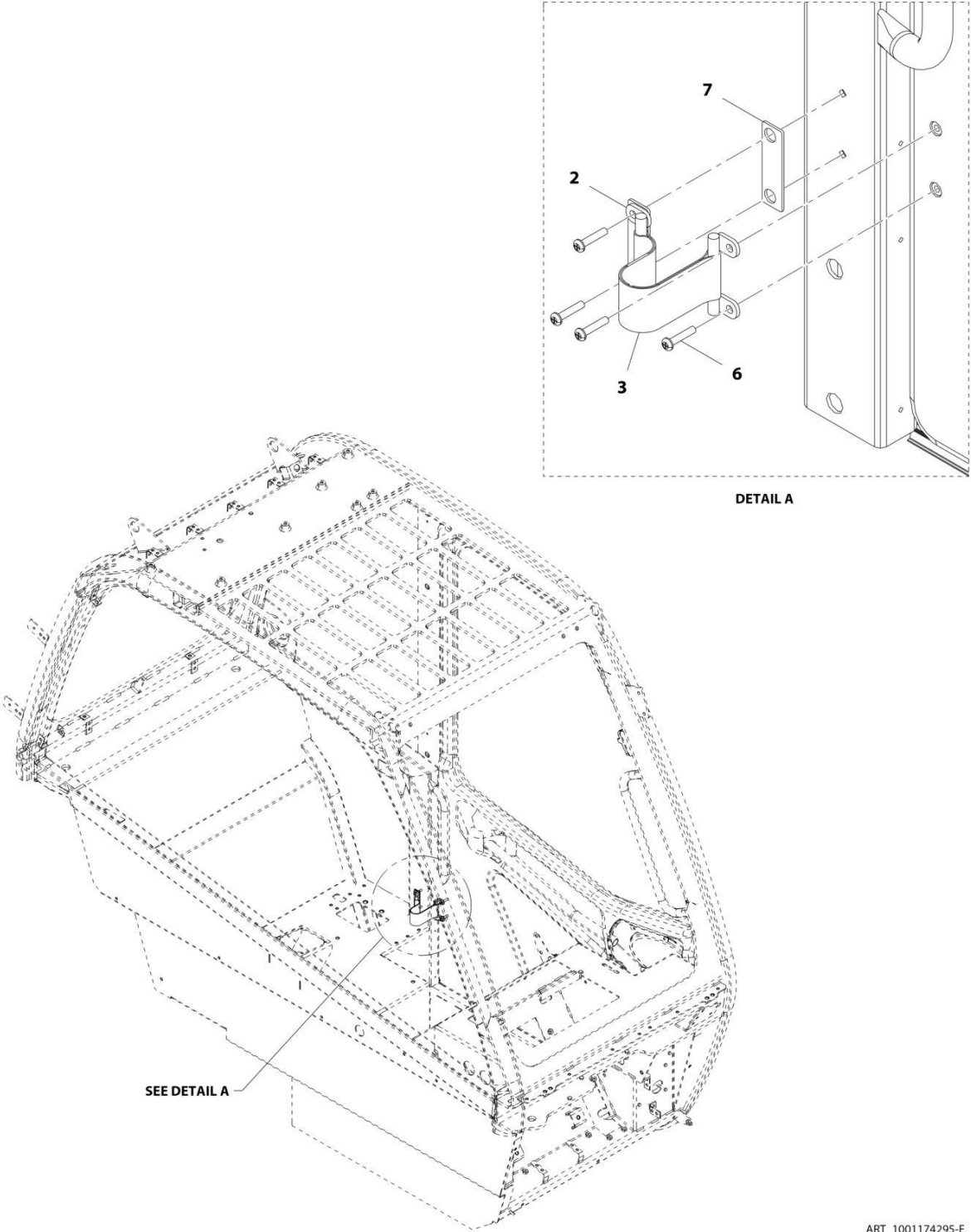
ART_1001167958-E

FIGURE 6-12. CAB DOOR TRIGGER ASSEMBLY

ITEM	PART NUMBER	QTY	DESCRIPTION	REV
	1001167958	Ref	Cab Door Trigger Assembly	E
1	1001167937	1	Trigger, Cab Interior Release	
2	1001192644	1	Cable, Cab Latch Release	

SECTION 6 - CAB

FIGURE 6-13. DOOR STRAP INSTALLATION



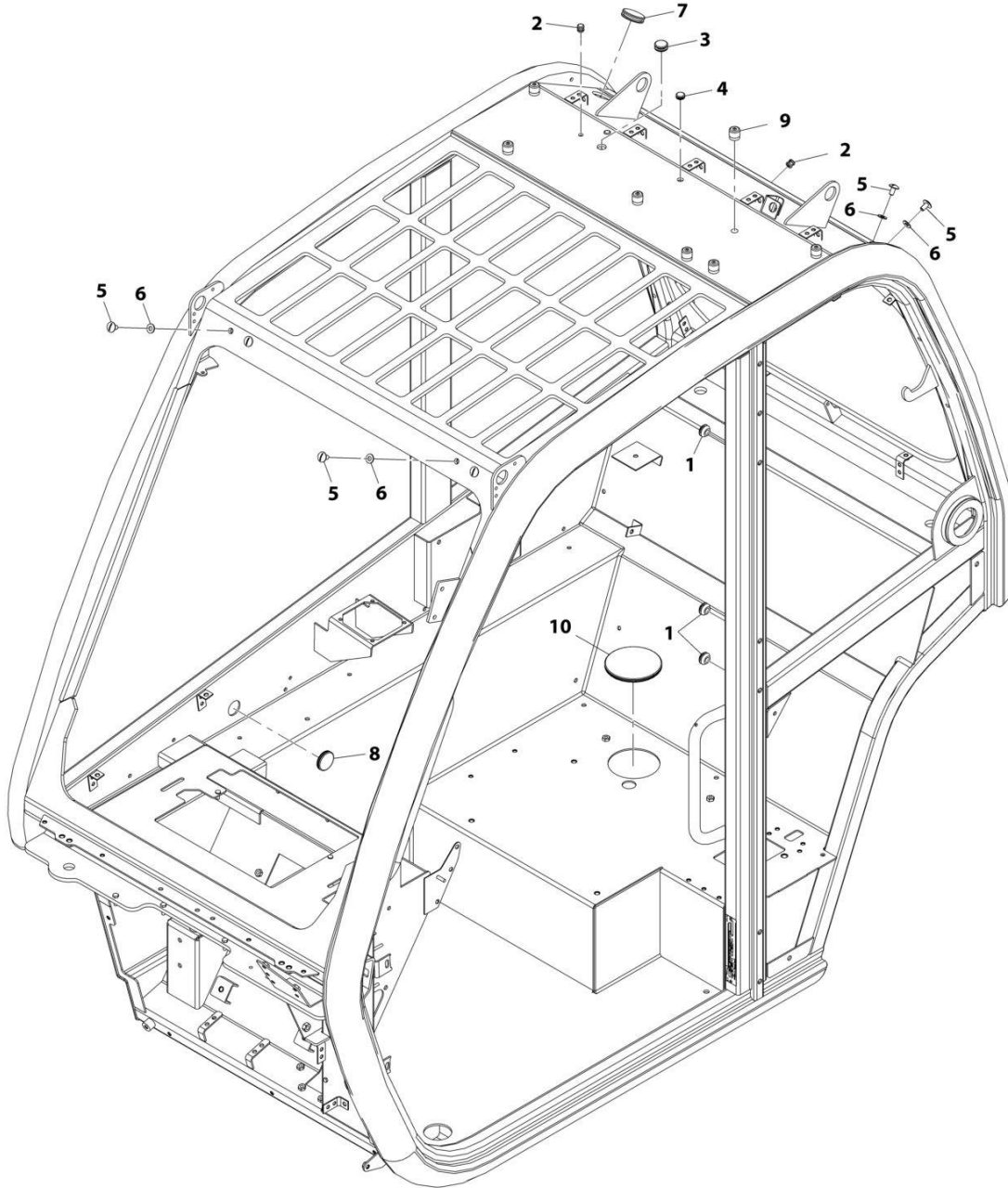
ART_1001174295-F

FIGURE 6-13. DOOR STRAP INSTALLATION

ITEM	PART NUMBER	QTY	DESCRIPTION	REV
	1001174295	Ref	Door Strap Installation	F
2	1001230163	2	Bracket, Strap Holder	
3	1001212011	1	Strap, Door Hold Open	
6	8310559	4	Screw	
7	1001191091	1	Plate, Cab Door Strap	

SECTION 6 - CAB

FIGURE 6-14. CAB PLUG GROUP



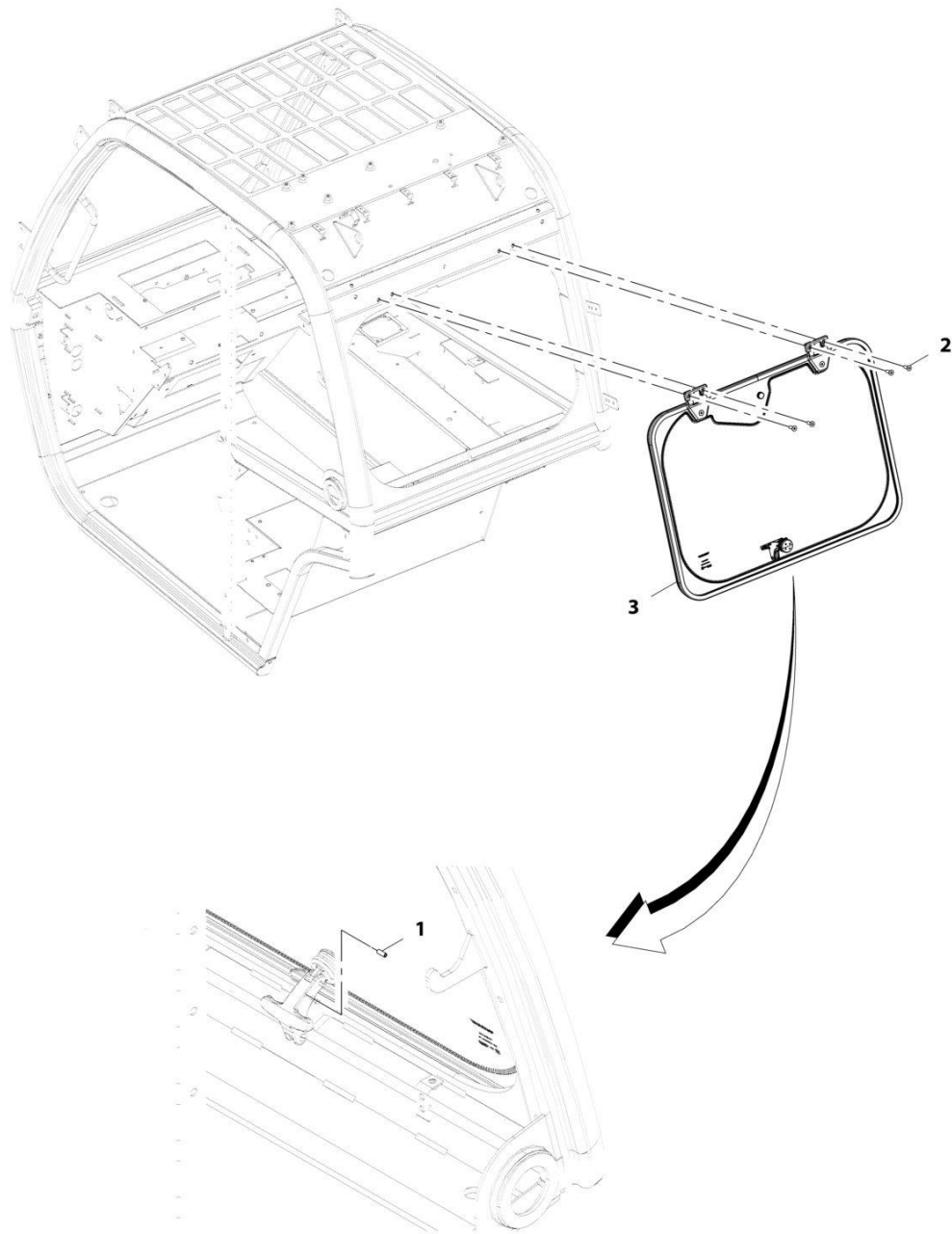
ART_1001195814-C

FIGURE 6-14. CAB PLUG GROUP

ITEM	PART NUMBER	QTY	DESCRIPTION	REV
	1001195814	Ref	Cab Plug Group	C
1	1001143200	7	Plug	
2	1001176272	3	Plug	
3	1001176273	1	Plug	
4	1001176626	1	Plug	
5	1001181920	8	Screw, Nylon M8X16	
6	1001181921	8	Washer, Rubber M8	
7	1001182123	2	Plug	
8	1001182139	1	Plug	
9	1001219220	7	Plug	
10	1001209899	1	Plug	

SECTION 6 - CAB

FIGURE 6-15. REAR WINDOW INSTALLATION



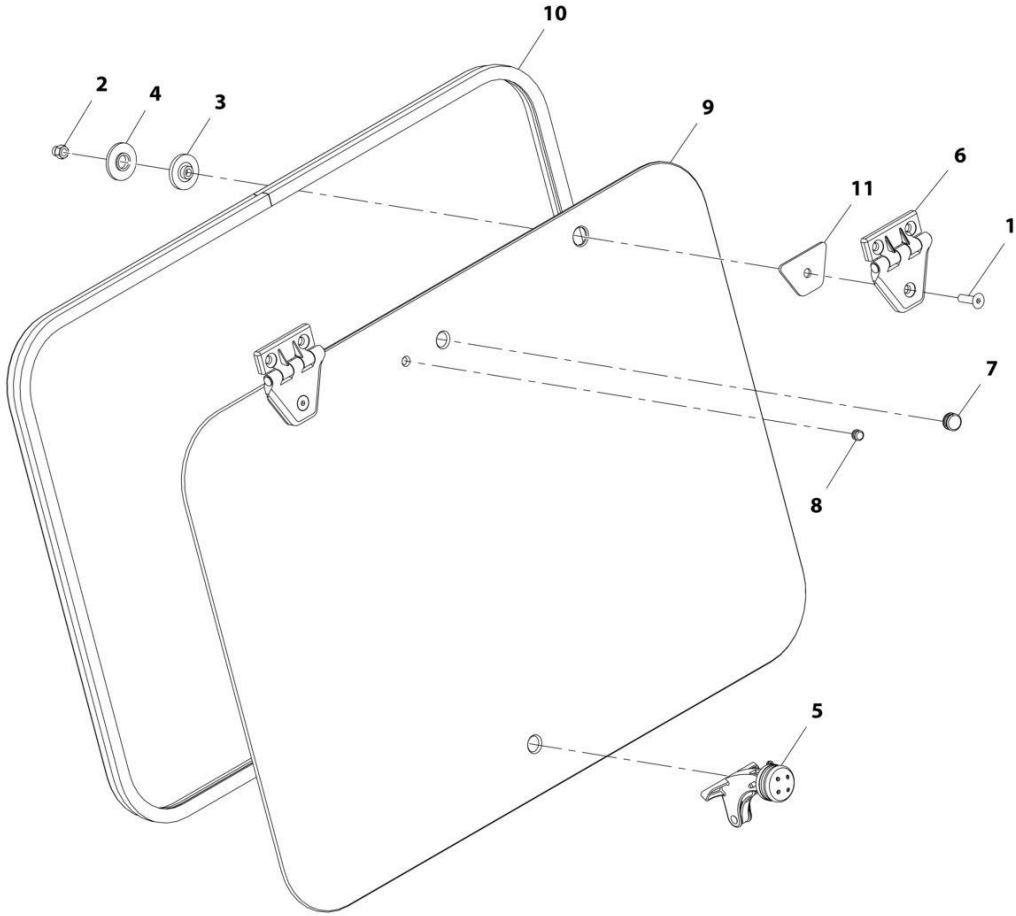
ART_1001220339-A

FIGURE 6-15. REAR WINDOW INSTALLATION

ITEM	PART NUMBER	QTY	DESCRIPTION	REV
	1001220339	Ref	Rear Window Installation	A
1	1001003043	1	Pin, Spring	
2	1001097586	4	Screw, M8X1.25	
3	1001220338	1	Assembly, Rear Window (See Separate Breakdown in this Section)	

SECTION 6 - CAB

FIGURE 6-16. REAR WINDOW GROUP



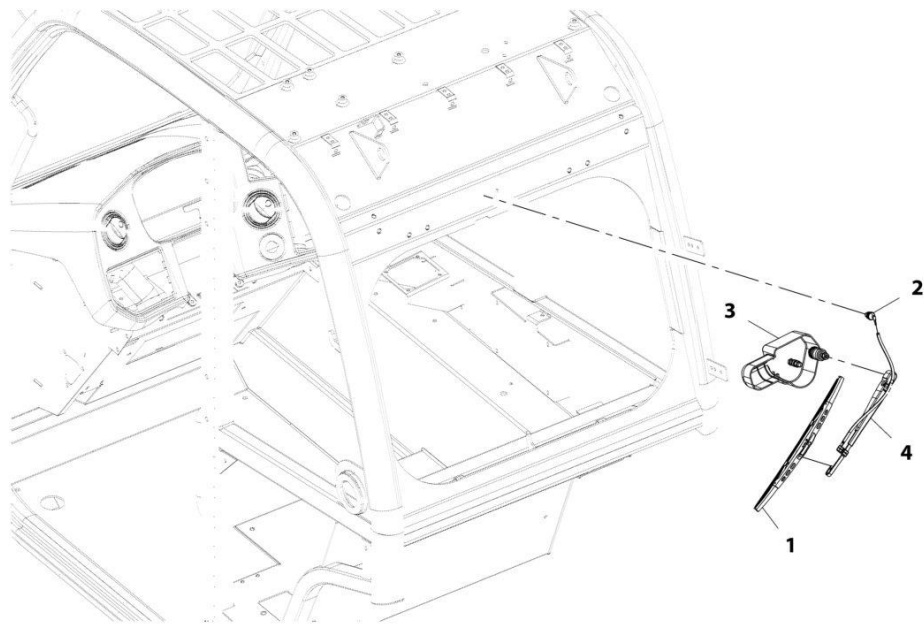
ART_1001220338-A

FIGURE 6-16. REAR WINDOW GROUP

ITEM	PART NUMBER	QTY	DESCRIPTION	REV
	1001220338	Ref	Rear Window Group	A
1	2080078	2	Fastener, M8X30	
2	3290806	2	Nut, M8X1.25 Grade 8	
3	8000759	2	Spacer	
4	8004398	2	Spacer	
5	1001005368	1	Latch, Window	
6	1001139568	2	Hinge	
7	1001171182	1	Grommet	
8	1001171183	1	Grommet	
9	1001178680	1	Glass, Rear Window	
10	1001178681	1	Seal	
11	1001181411	2	Gasket, Rear Window Hinge	

SECTION 6 - CAB

FIGURE 6-17. REAR WIPER INSTALLATION



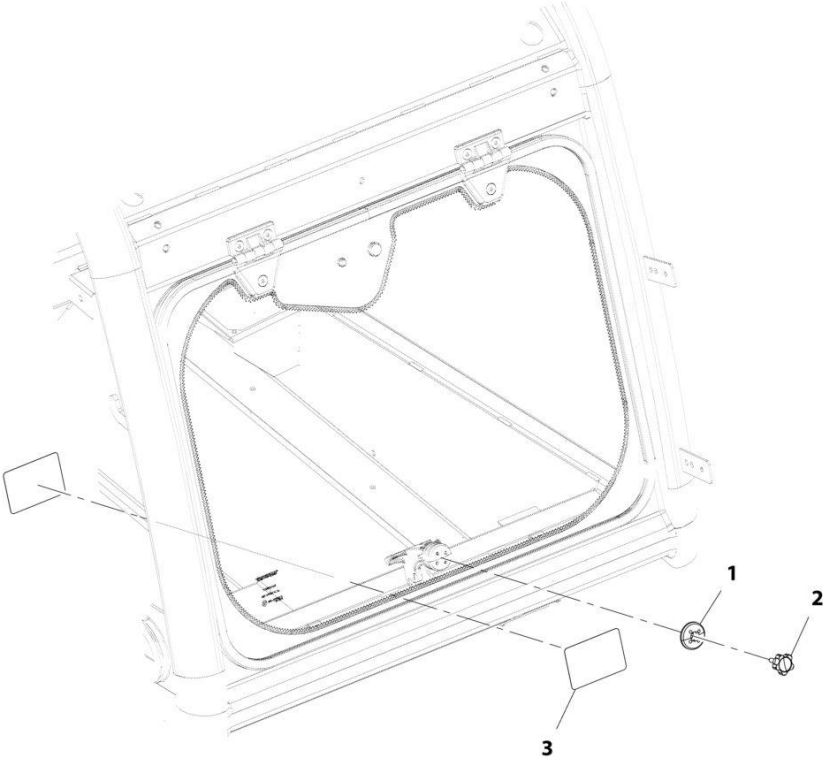
ART_1001220329-A

FIGURE 6-17. REAR WIPER INSTALLATION

ITEM	PART NUMBER	QTY	DESCRIPTION	REV
	1001220329	Ref	Rear Wiper Installation	A
1	4807718	1	Wiper Blade, Oslv Italia	
2	1001090343	1	Connector	
3	1001139552	1	Motor, Wiper, Rear Window	
4	1001141312	1	Blade, Arm, Rear Window	

SECTION 6 - CAB

FIGURE 6-18. REAR WINDOW RELEASE INSTALLATION (ANSI - ENGLISH)



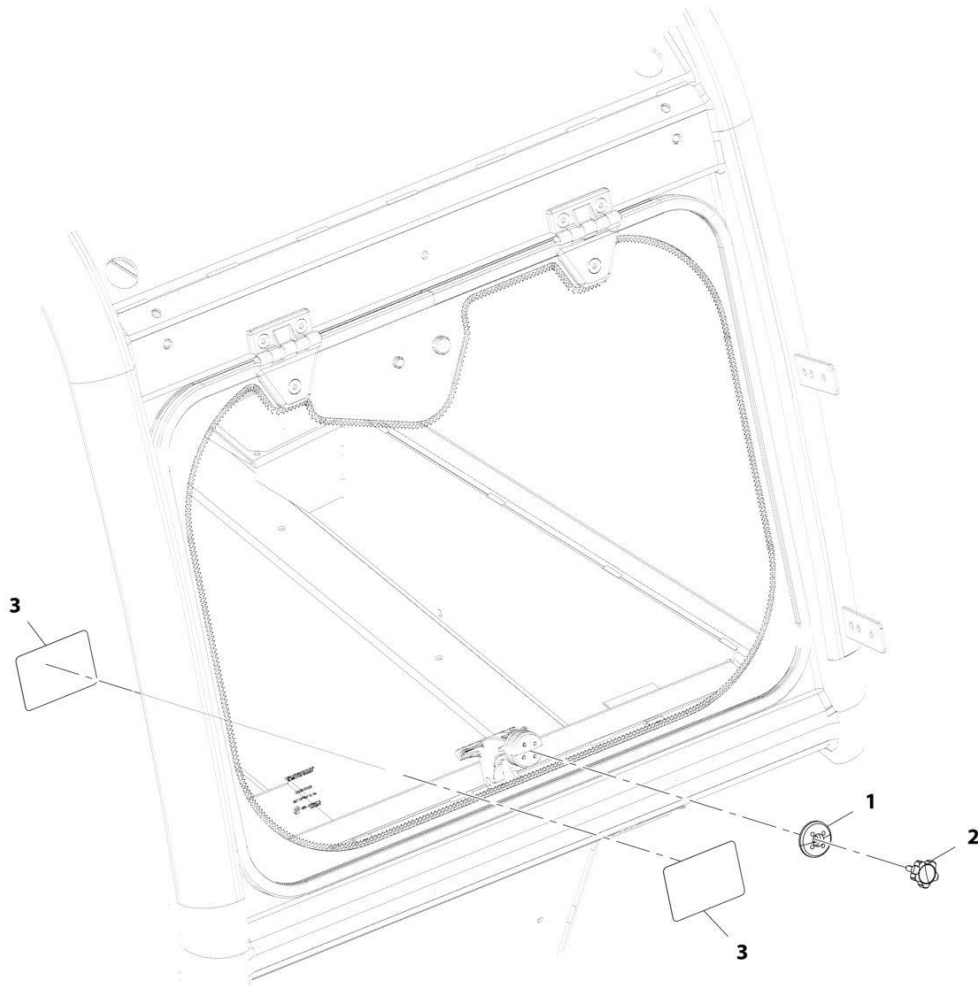
ART_1001212047-A

FIGURE 6-18. REAR WINDOW RELEASE INSTALLATION (ANSI - ENGLISH)

ITEM	PART NUMBER	QTY	DESCRIPTION	REV
	1001212047	Ref	External Window Release Installation (ANSI)	A
1	1001179008	1	Cap, Latch Window	
2	1001179009	1	Cap, Knob M6	
3	1001212049	2	Decal, Emergency Exit	

SECTION 6 - CAB

FIGURE 6-19. REAR WINDOW RELEASE INSTALLATION (ENGLISH/FRENCH)



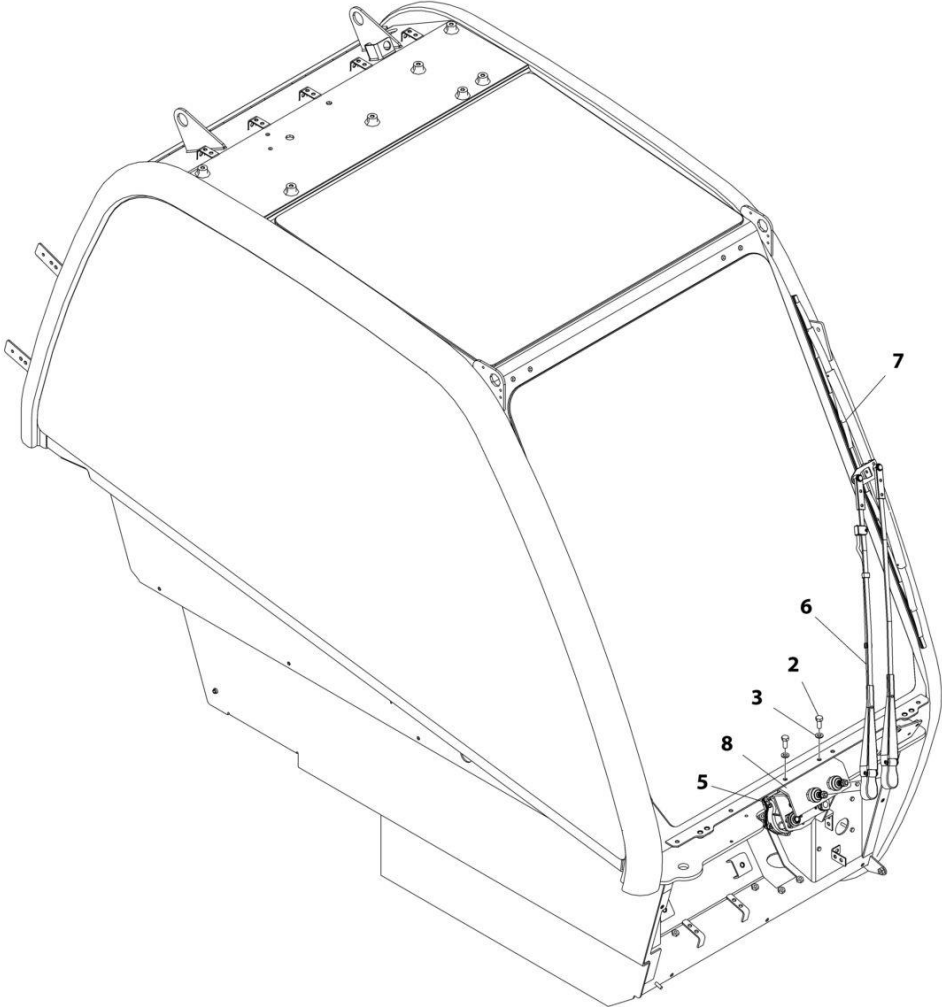
ART_1001178826-C

FIGURE 6-19. REAR WINDOW RELEASE INSTALLATION (ENGLISH/FRENCH)

ITEM	PART NUMBER	QTY	DESCRIPTION	REV
	1001178826	Ref	External Window Release Installation (English/French)	C
1	1001179008	1	Cap, Latch Window	
2	1001179009	1	Knob	
3	1001204709	2	Decal, Emergency Exit (English/French)	

SECTION 6 - CAB

FIGURE 6-20. FRONT WIPER INSTALLATION



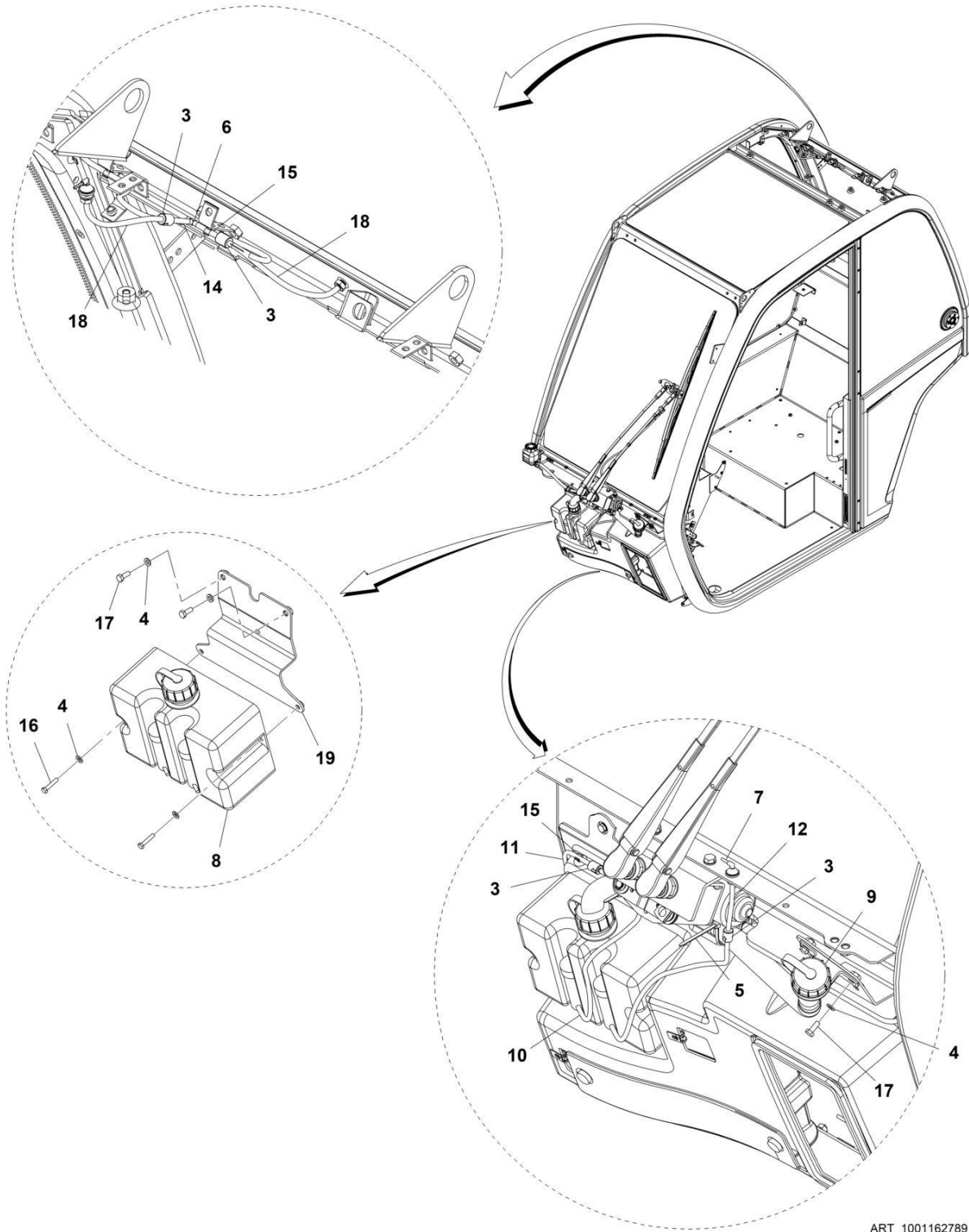
ART_1001155447-G

FIGURE 6-20. FRONT WIPER INSTALLATION

ITEM	PART NUMBER	QTY	DESCRIPTION	REV
	1001155447	Ref	Front Wiper Installation	G
2	0760810	2	Bolt, M8X20	
3	4811900	2	Washer, M8	
5	1001214092	1	Motor, Front Wiper	
6	1001212369	1	Arm, Front Wiper	
7	1001141281	1	Blade, Wiper	
8	1001165637	1	Bracket	

SECTION 6 - CAB

FIGURE 6-21. WASHER TANK INSTALLATION



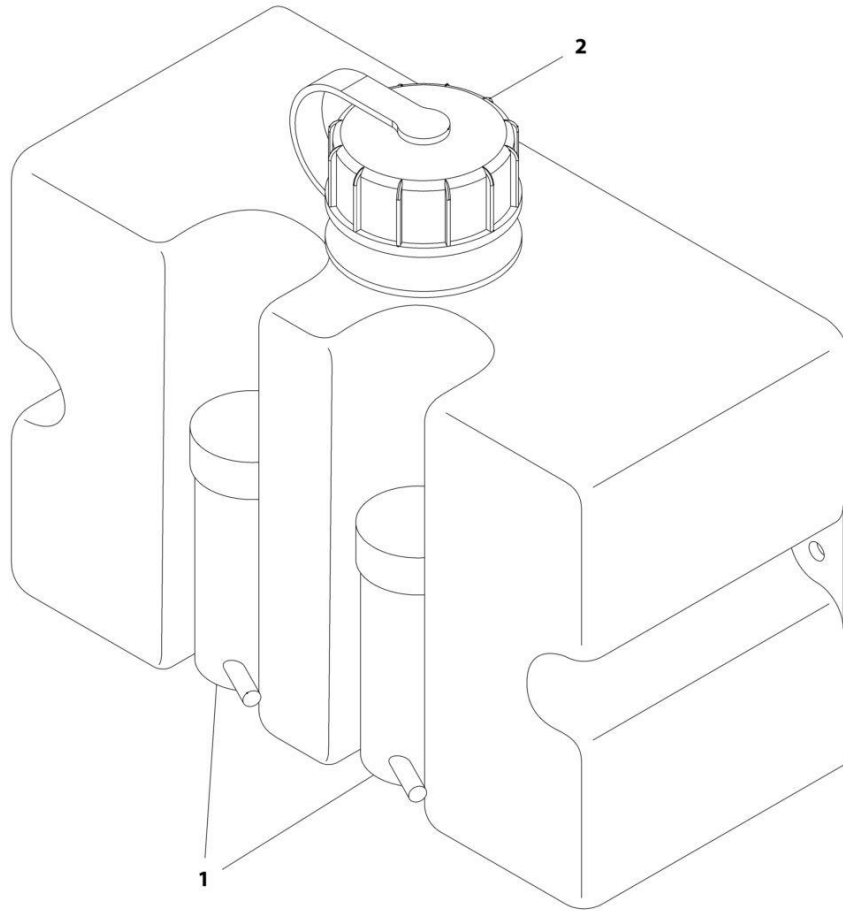
ART_1001162789

FIGURE 6-21. WASHER TANK INSTALLATION

ITEM	PART NUMBER	QTY	DESCRIPTION	REV
	1001162789	Ref	Washer Tank Installation	M
3	1001201331	4	Valve, Check	
4	4811700	6	Washer, M6	
5	471678	2	Strap, Tie	
6	1001008742	1	Coupling, Tee	
8	1001165269	1	Bottle, Washer (See Separate Breakdown in this Section)	
9	1001165270	1	Hose, Washer Filler	
10	1001165351	2	Hose	
11	1001165407	1	Hose	
12	1001165416	1	Hose	
14	1001165455	2	Hose	
15	1001165458	16	Hose	
16	0760512	2	Bolt M5X25	
17	0760608	4	Bolt, M6X16	
18	1001178123	2	Hose	
19	1001171756	1	Bracket	

SECTION 6 - CAB

FIGURE 6-22. WASHER BOTTLE



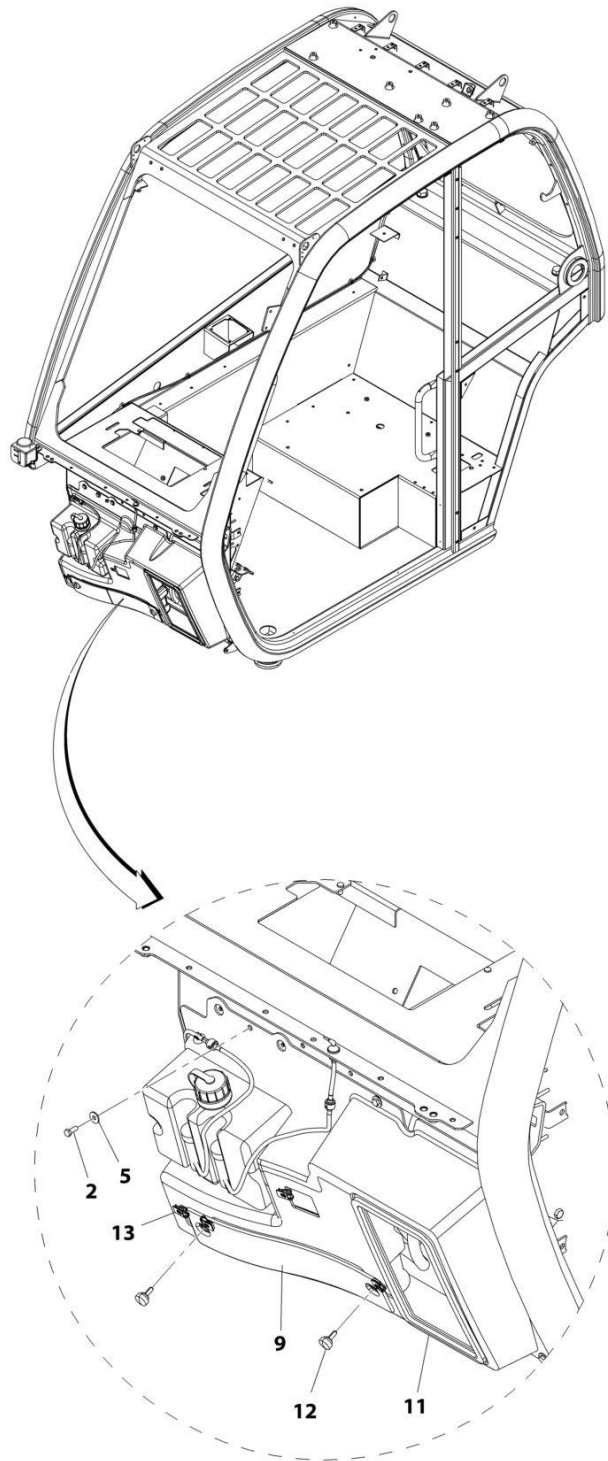
ART_1001165269-B

FIGURE 6-22. WASHER BOTTLE

ITEM	PART NUMBER	QTY	DESCRIPTION	REV
	1001165269	Ref	Washer Bottle	B
1	1001165327	2	Pump, Washer	
2	1001165273	1	Cap, Washer	

SECTION 6 - CAB

FIGURE 6-23. FRONT COVER INSTALLATION



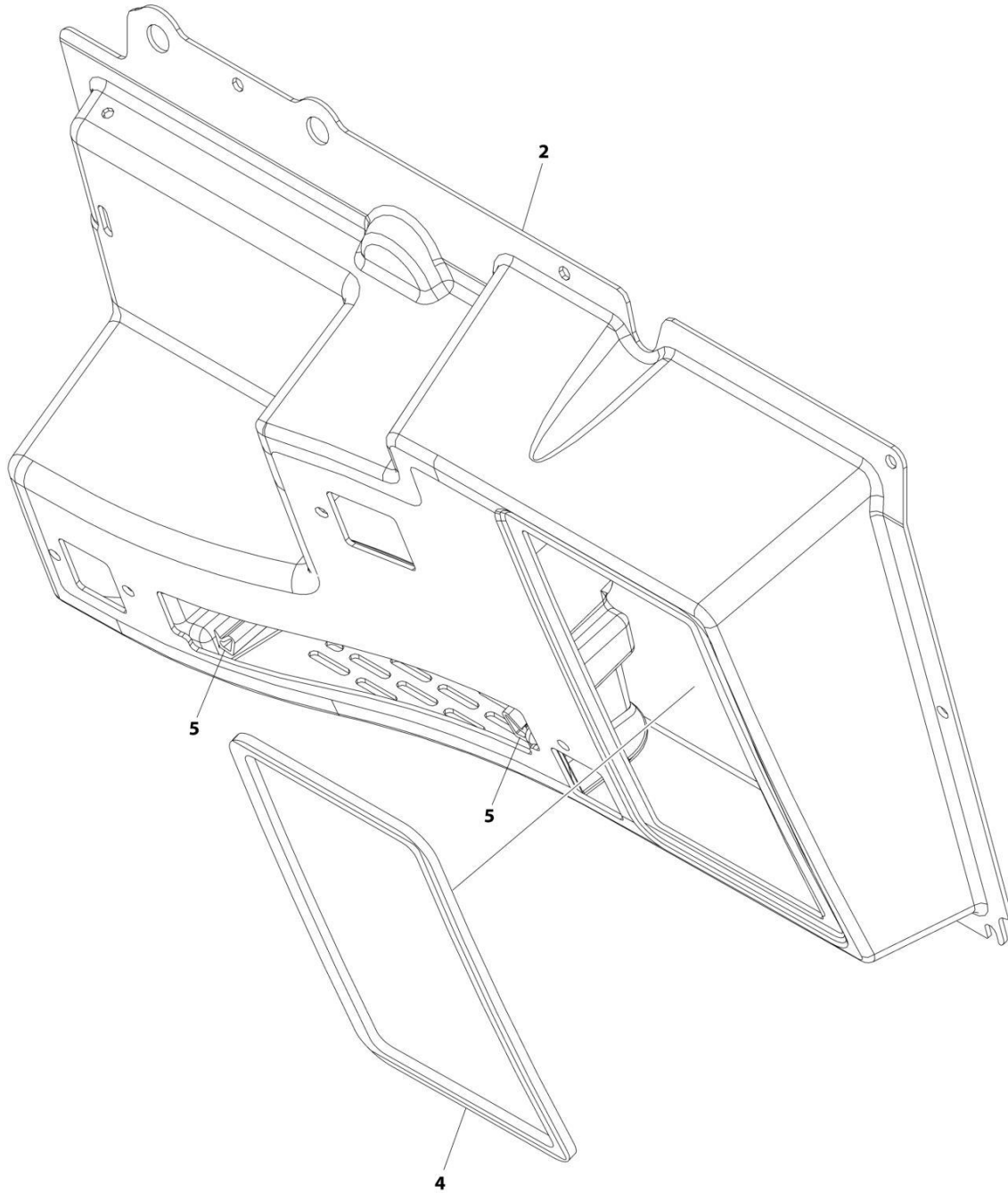
ART_1001170366-G

FIGURE 6-23. FRONT COVER INSTALLATION

ITEM	PART NUMBER	QTY	DESCRIPTION	REV
	1001170366	Ref	Front Cover Installation	G
2	0760608	7	Bolt, M6X16	
5	4811702	7	Washer, M6	
9	1001175471	1	Panel, Filter Tray (See Separate Breakdown in this Section)	
11	1001176121	1	Cover, Front Duct (See Separate Breakdown in this Section)	
12	2080092	2	Thumb Screw, M6X16	
13	8305919	4	Nut, M6	

SECTION 6 - CAB

FIGURE 6-24. FRONT DUCT COVER



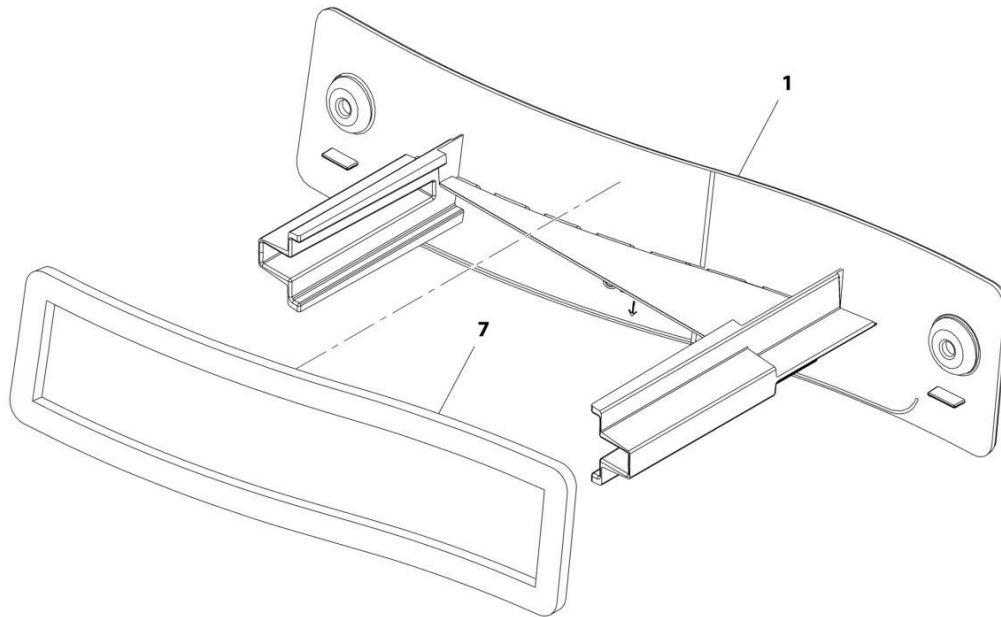
ART_1001176121

FIGURE 6-24. FRONT DUCT COVER

ITEM	PART NUMBER	QTY	DESCRIPTION	REV
	1001176121	Ref	FRONT DUCT COVER	H
2	1001170326	1	Cover, Front	
4	1001175470	1	Seal, Front Cab Panel	
5	1001270117	AR	Seal, Bulb	

SECTION 6 - CAB

FIGURE 6-25. FILTER TRAY PANEL



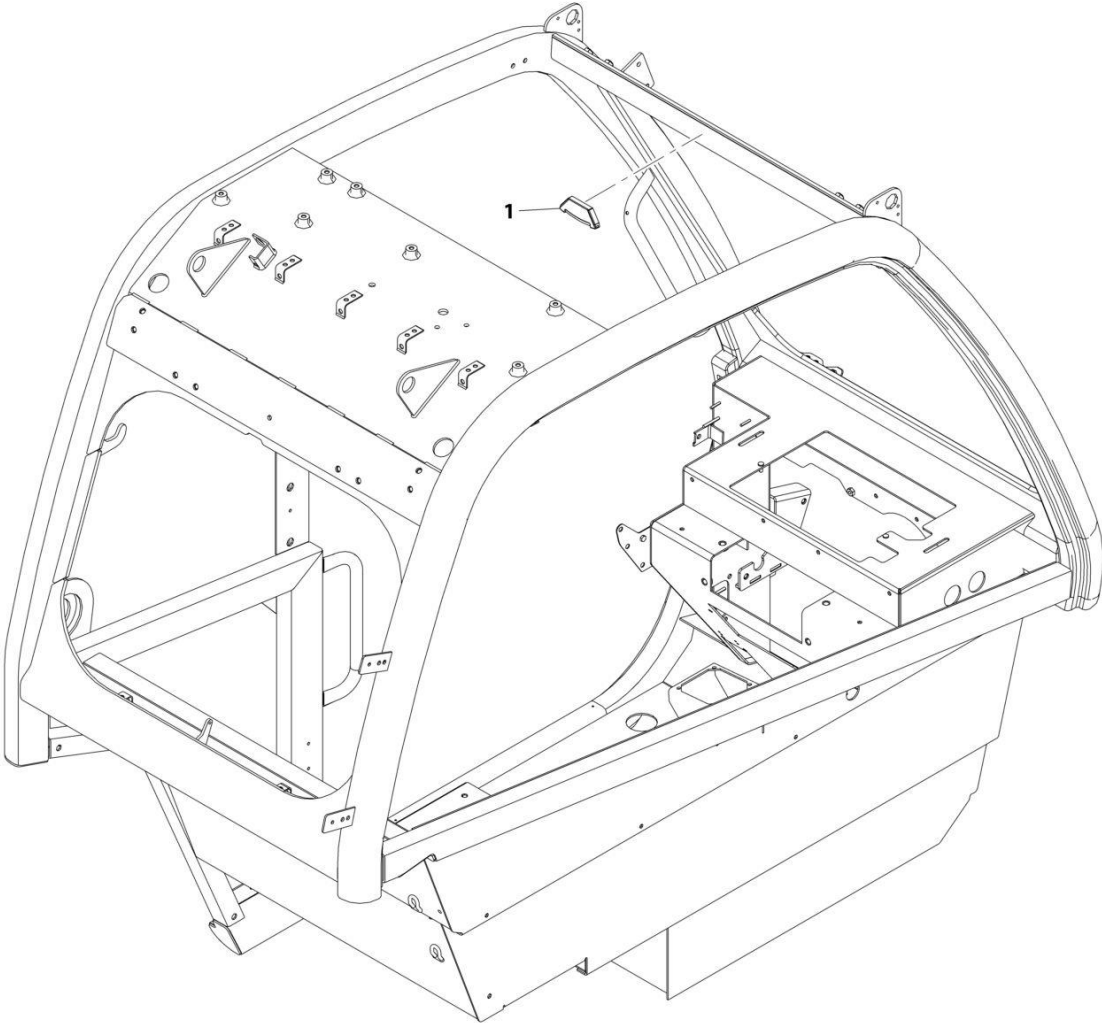
ART_1001175471-D

FIGURE 6-25. FILTER TRAY PANEL

ITEM	PART NUMBER	QTY	DESCRIPTION	REV
	1001175471	Ref	Filter Tray Panel	D
1	1001170993	1	Panel, Front Inlet	
7	1001171767	1	Cab, Front Panel Seal	

SECTION 6 - CAB

FIGURE 6-26. LEVEL INDICATOR INSTALLATION



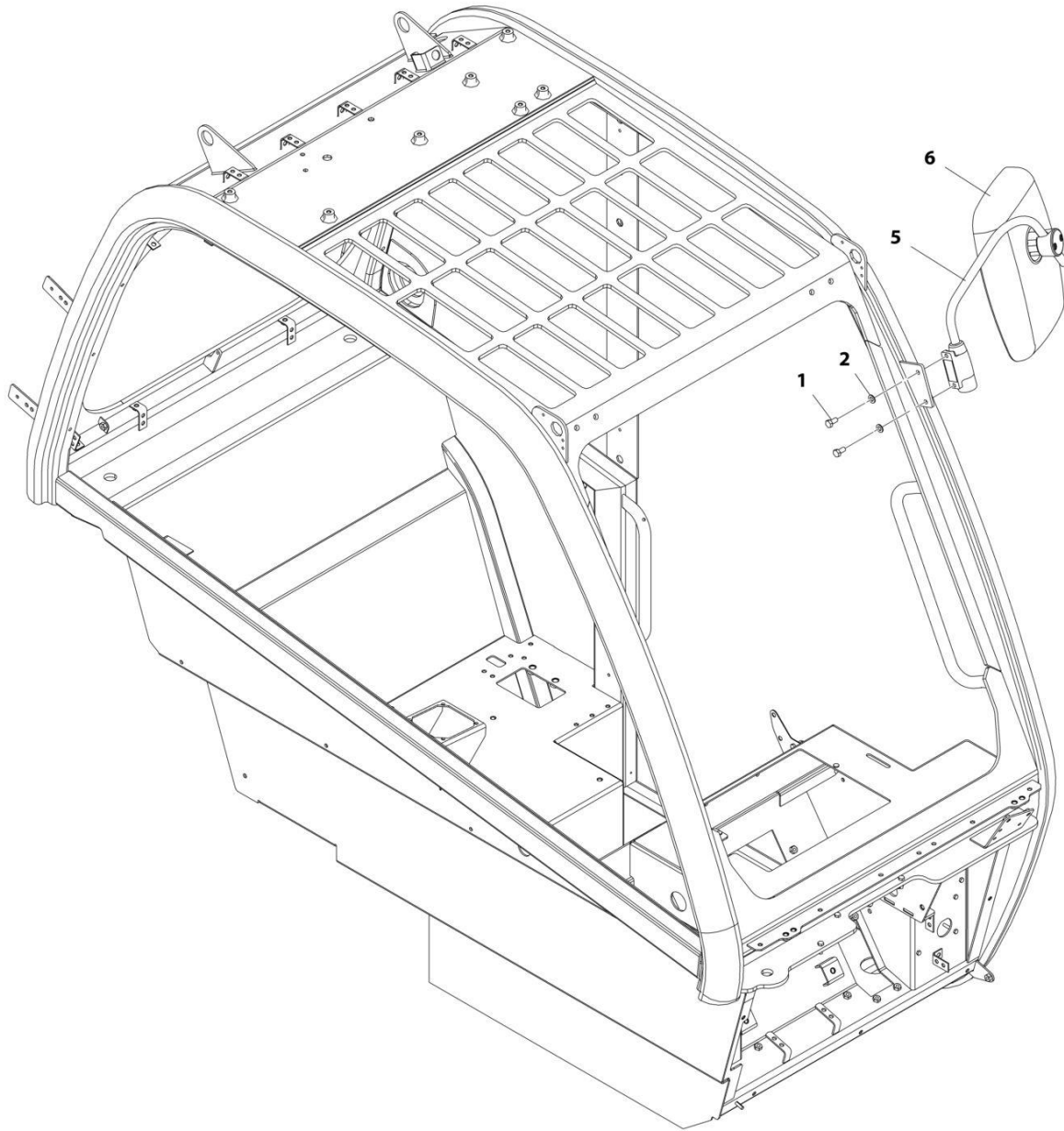
ART_1001172401-C

FIGURE 6-26. LEVEL INDICATOR INSTALLATION

ITEM	PART NUMBER	QTY	DESCRIPTION	REV
1	1001172401 8466306	Ref 1	Level Indicator Installation Gauge, Tilt Angle	C

SECTION 6 - CAB

FIGURE 6-27. BASIC MIRROR INSTALLATION



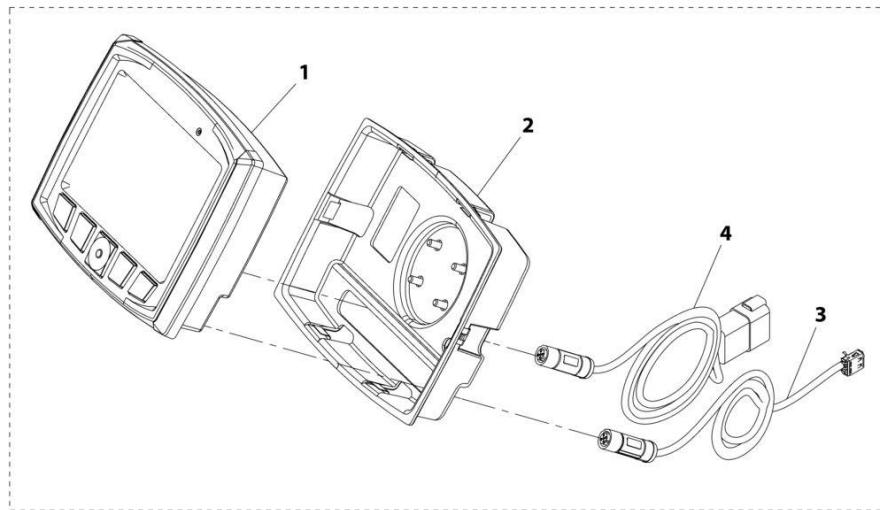
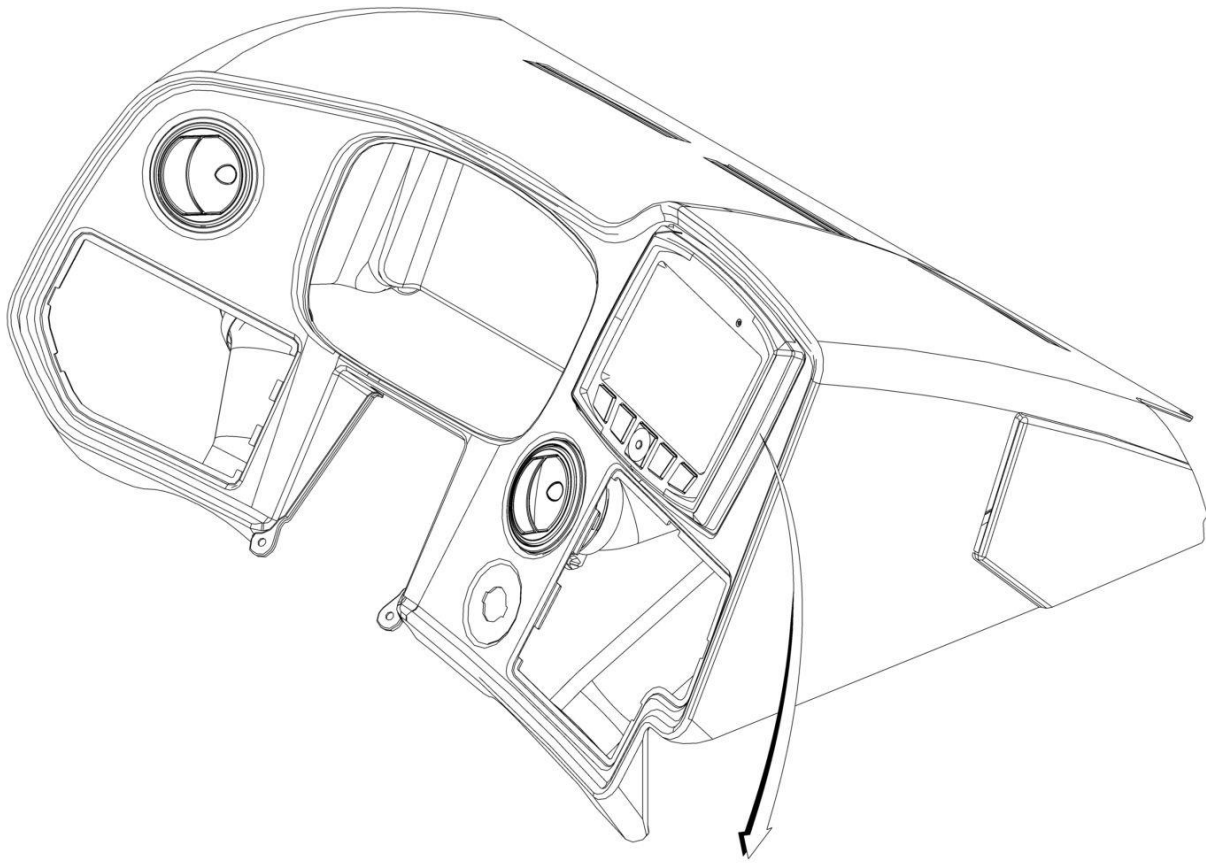
ART_1001160508-E

FIGURE 6-27. BASIC MIRROR INSTALLATION

ITEM	PART NUMBER	QTY	DESCRIPTION	REV
	1001160508	Ref	Basic Mirror Installation	E
1	0760808	2	Bolt, M8X16	
2	4811900	2	Washer, M8	
5	1001164655	1	Bracket	
6	80363195	1	Mirror	

SECTION 6 - CAB

FIGURE 6-28. MULTIFUNCTION DISPLAY INSTALLATION



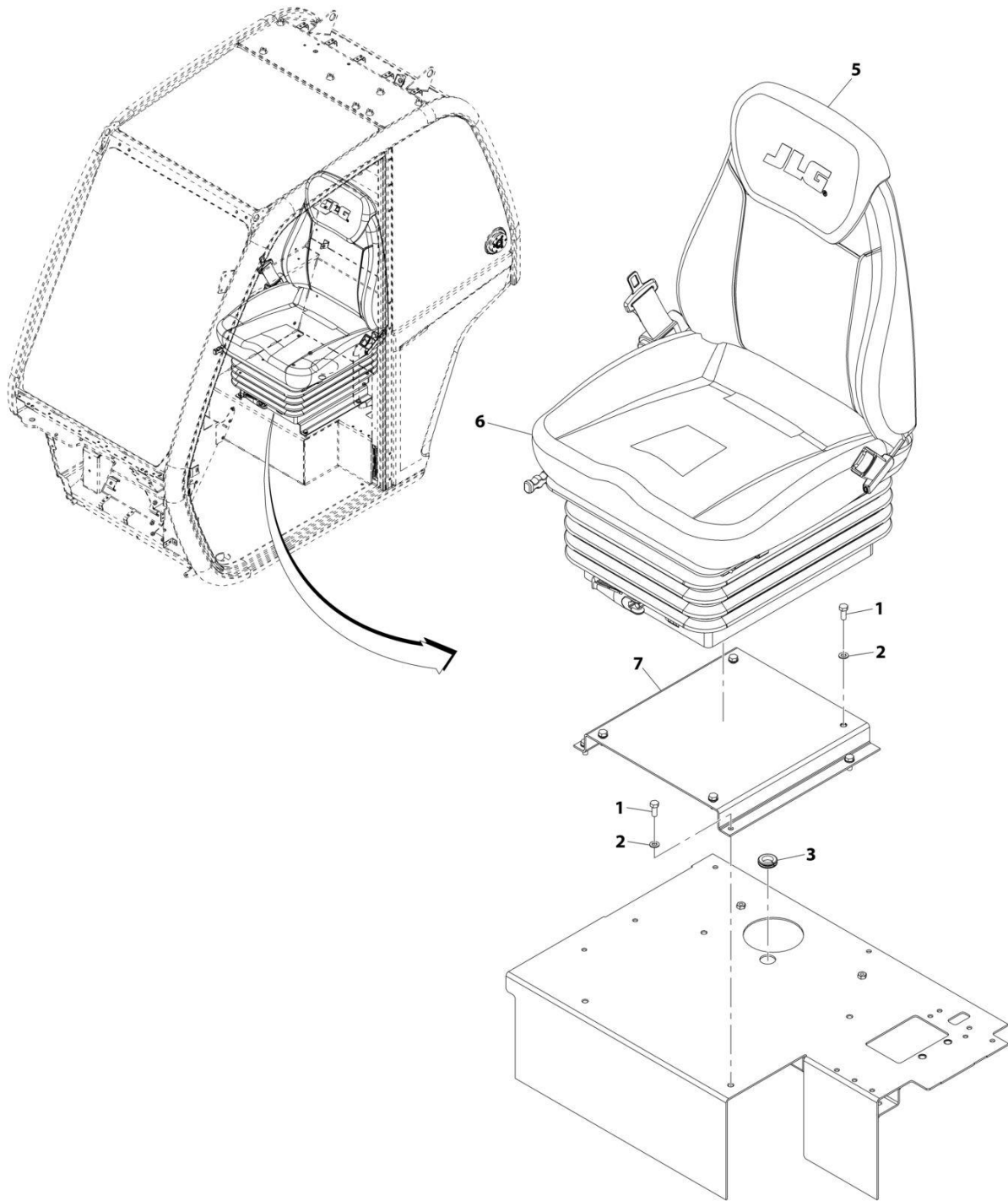
ART_1001176338-C

FIGURE 6-28. MULTIFUNCTION DISPLAY INSTALLATION

ITEM	PART NUMBER	QTY	DESCRIPTION	REV
	1001176338	Ref	Multifunction Display Installation	C
1	1001250161	1	Display	
2	1001178783	1	Bezel	
3	1001180682	1	Cable	
4	1001180683	1	Cable, Video	

SECTION 6 - CAB

FIGURE 6-29. SEAT INSTALLATION (CLOTH)



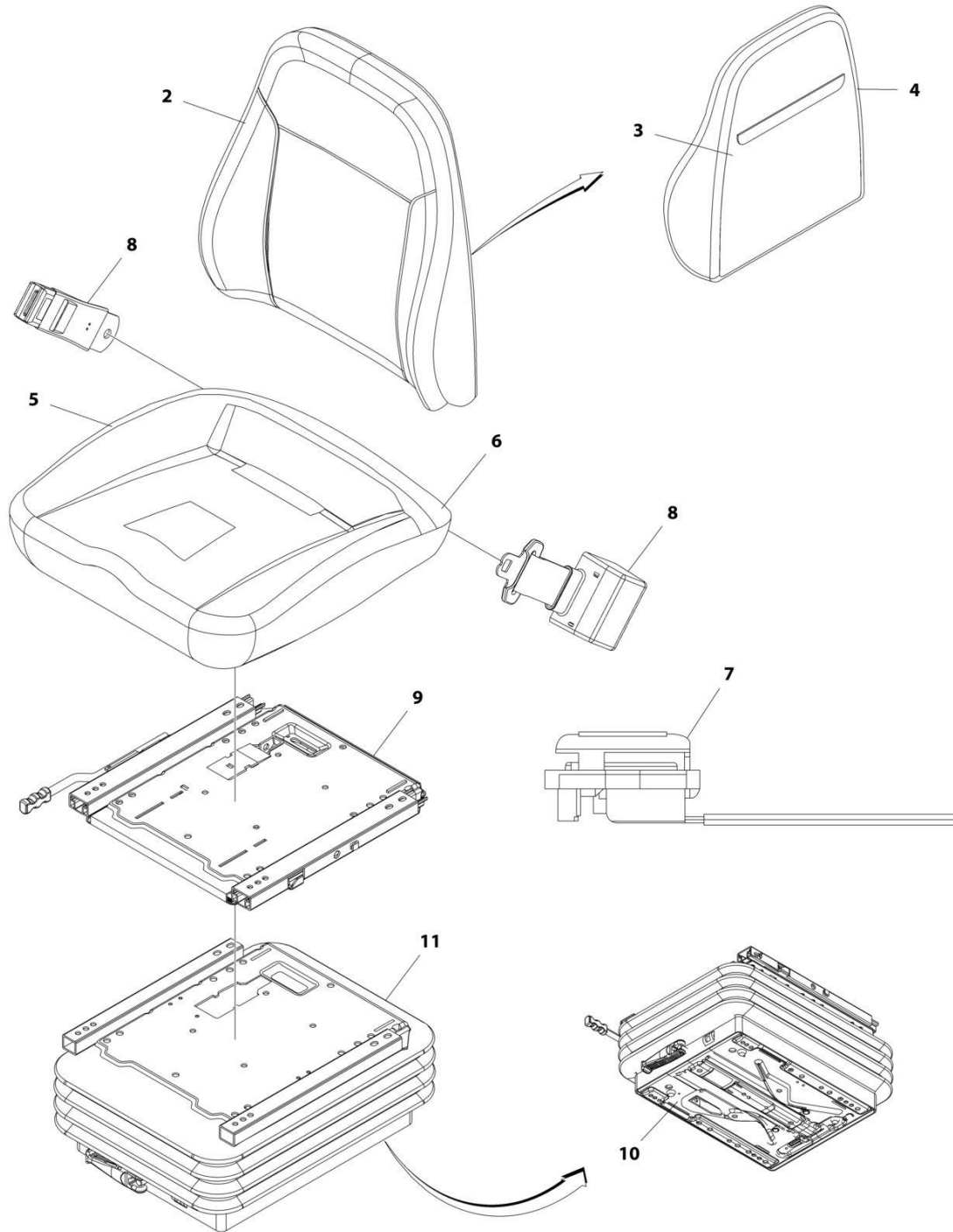
ART_1001158601-D

FIGURE 6-29. SEAT INSTALLATION (CLOTH)

ITEM	PART NUMBER	QTY	DESCRIPTION	REV
	1001158601	Ref	Seat Installation (Cloth)	E
1	0760810	8	Bolt, M8X20	
2	4811900	8	Washer, M8	
3	1001216974	1	Grommet	
5	1001119467	1	Headrest, Cloth	
6	1001288070	1	Assembly, Seat (See Separate Breakdown in this Section)	
7	1001158738C	1	Plinth, Seat	

SECTION 6 - CAB

FIGURE 6-30. SEAT ASSEMBLY



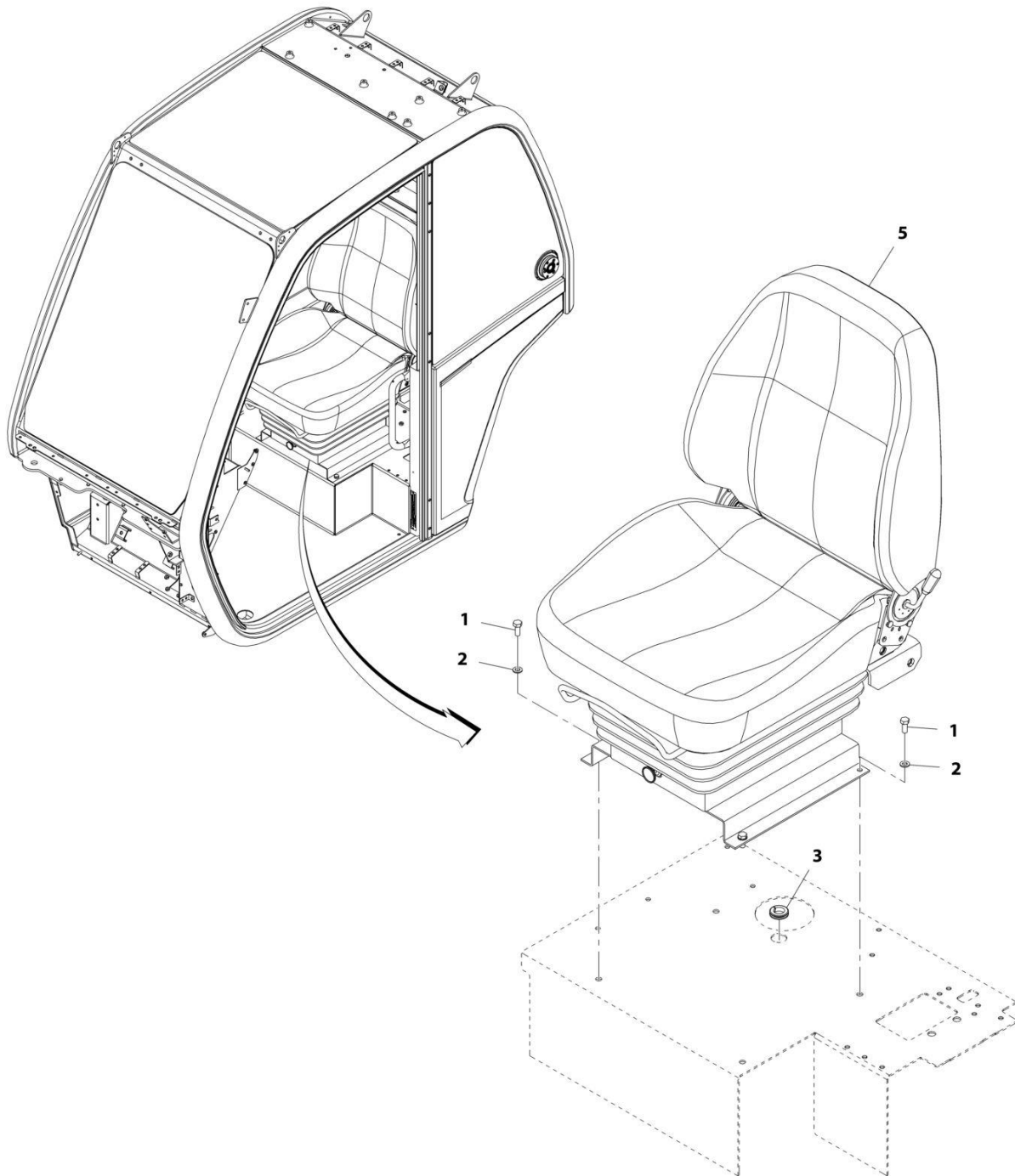
ART_1001150294

FIGURE 6-30. SEAT ASSEMBLY

ITEM	PART NUMBER	QTY	DESCRIPTION	REV
	1001150294	Ref	CLOTH SEAT	F
2	70025489	1	Fabric, Upper Seat	
3	70025490	1	Cover, Back	
4	70025483	1	Foam, Back	
5	70025491	1	Cover, Seat	
6	70025485	1	Foam, Seat	
7	70025486	1	Switch, Contact	
8	7029767	1	Belt, Seat	
9	70021252	1	Rail, Slide	
10	70021251	1	Unit, Suspension	
11	70022034	1	Cover, Rubber	

SECTION 6 - CAB

FIGURE 6-31. SEAT INSTALLATION (AIR SUSPENSION - STANDARD)



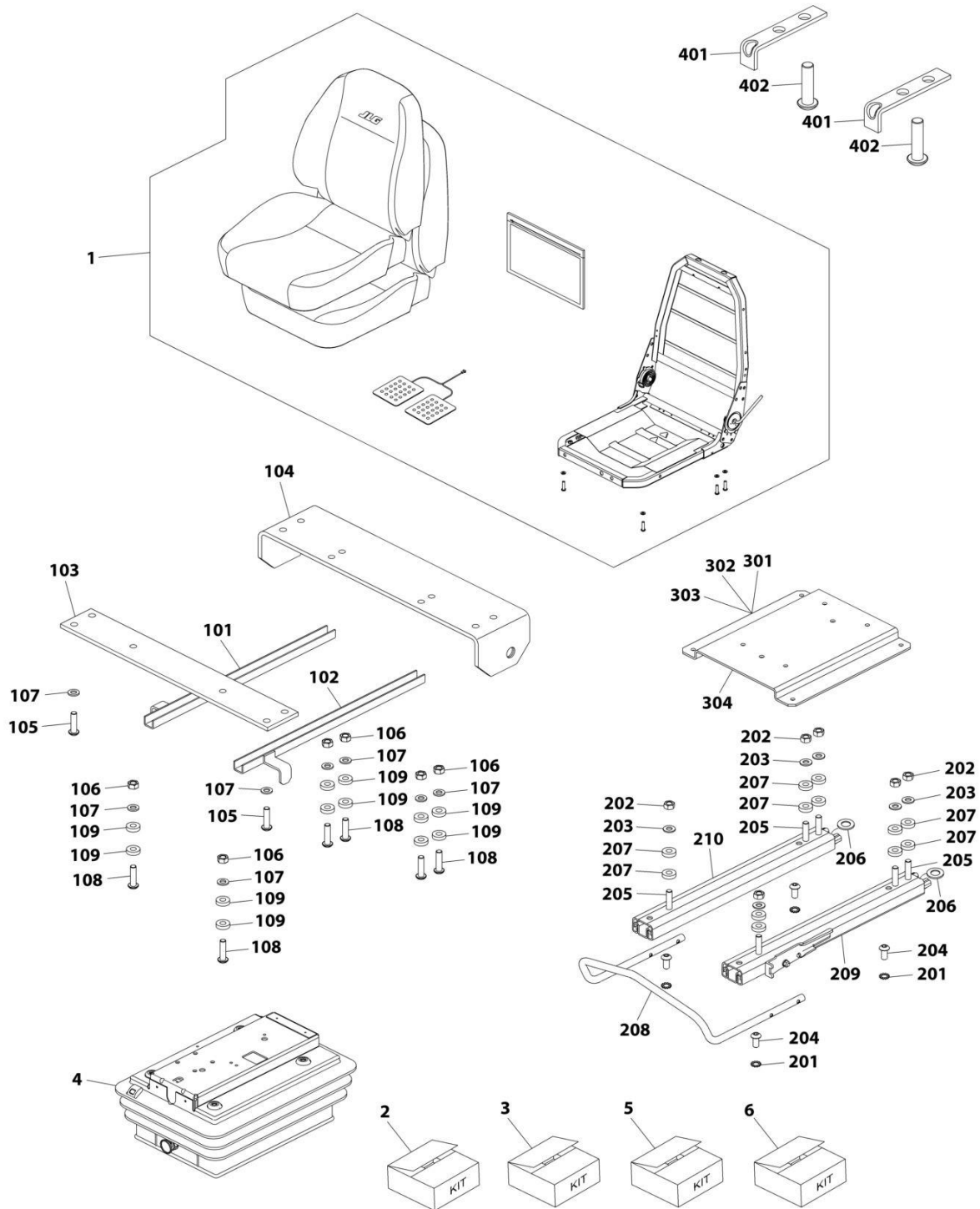
ART_1001158596-D

FIGURE 6-31. SEAT INSTALLATION (AIR SUSPENSION - STANDARD)

ITEM	PART NUMBER	QTY	DESCRIPTION	REV
	1001158596	Ref	Seat Installation (Air Suspension - Standard)	D
1	0760810	4	Bolt, M8X20	
2	4811900	4	Washer, M8	
3	1001216974	1	Grommet	
5	1001165573	1	Assembly, Seat (See Separate Breakdown in this Section)	

SECTION 6 - CAB

FIGURE 6-32. SEAT ASSEMBLY (AIR SUSPENSION - STANDARD)



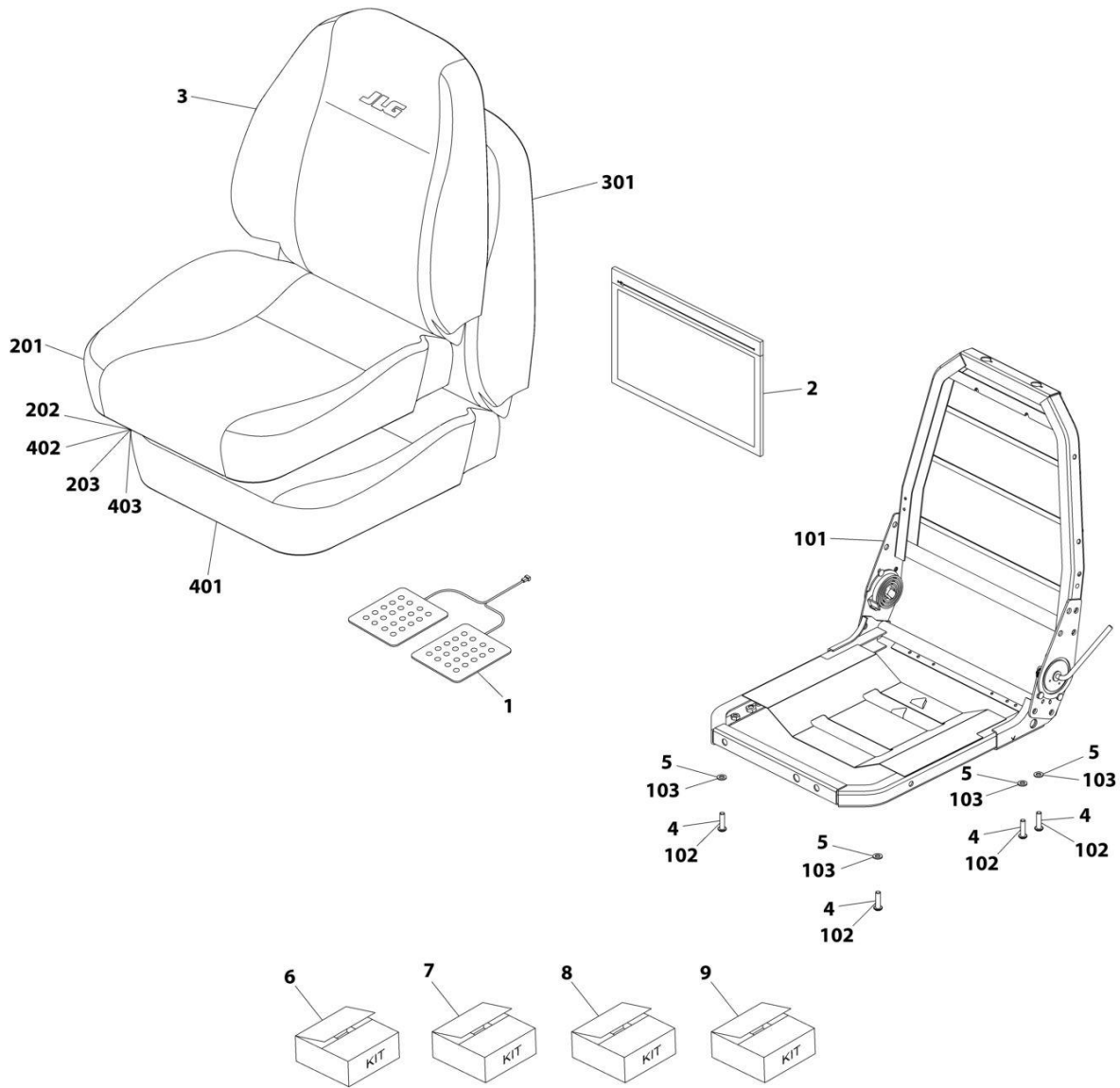
ART_1001165573-C

FIGURE 6-32. SEAT ASSEMBLY (AIR SUSPENSION - STANDARD)

ITEM	PART NUMBER	QTY	DESCRIPTION	REV
	1001165573	Ref	Seat Assembly (Air Suspension - Standard)	C
1	70027392	1	Assembly, Upper Seat (See Separate Breakdown in this Section)	
2	70021317	1	Kit, Cross Strap (includes items 101 thru 109)	
3	70021318	1	Kit, Fore and Aft Adjustment (includes items 201 thru 210)	
4	70021319	1	Kit, Suspension (See Separate Breakdown in this Section)	
5	70027395	1	Kit, Adapter Plate (includes items 301 thru 304)	
6	70021322	1	Kit, Slide Rail Stop (includes items 401 & 402)	
101	N.S.S.	1	Channel	
102	N.S.S.	1	Channel	
103	N.S.S.	1	Plate, Strap	
104	N.S.S.	1	Plate, Strap	
105	N.S.S.	4	Bolt, M8X25	
106	N.S.S.	6	Nut, M8	
107	N.S.S.	10	Washer	
108	N.S.S.	6	Bolt, M8X30	
109	N.S.S.	12	Spacer	
201	N.S.S.	4	Washer, Spring M8	
202	N.S.S.	1	Nut, M8	
203	N.S.S.	1	Washer	
204	N.S.S.	1	Bolt, M8X16	
205	N.S.S.	1	Bolt, M8X30	
206	N.S.S.	1	Washer	
207	N.S.S.	1	Spacer	
208	N.S.S.	1	Handle	
209	N.S.S.	1	Rail, Slide	
210	N.S.S.	1	Rail, Slide	
301	N.S.S.	1	Bolt, M8X25	
302	N.S.S.	1	Bolt, M8X16	
303	N.S.S.	1	Washer	
304	N.S.S.	1	Plate, Adapter	
401	N.S.S.	1	Stop, Sliderrail	
402	N.S.S.	1	Bolt, M8X16	

SECTION 6 - CAB

FIGURE 6-33. UPPER SEAT ASSEMBLY



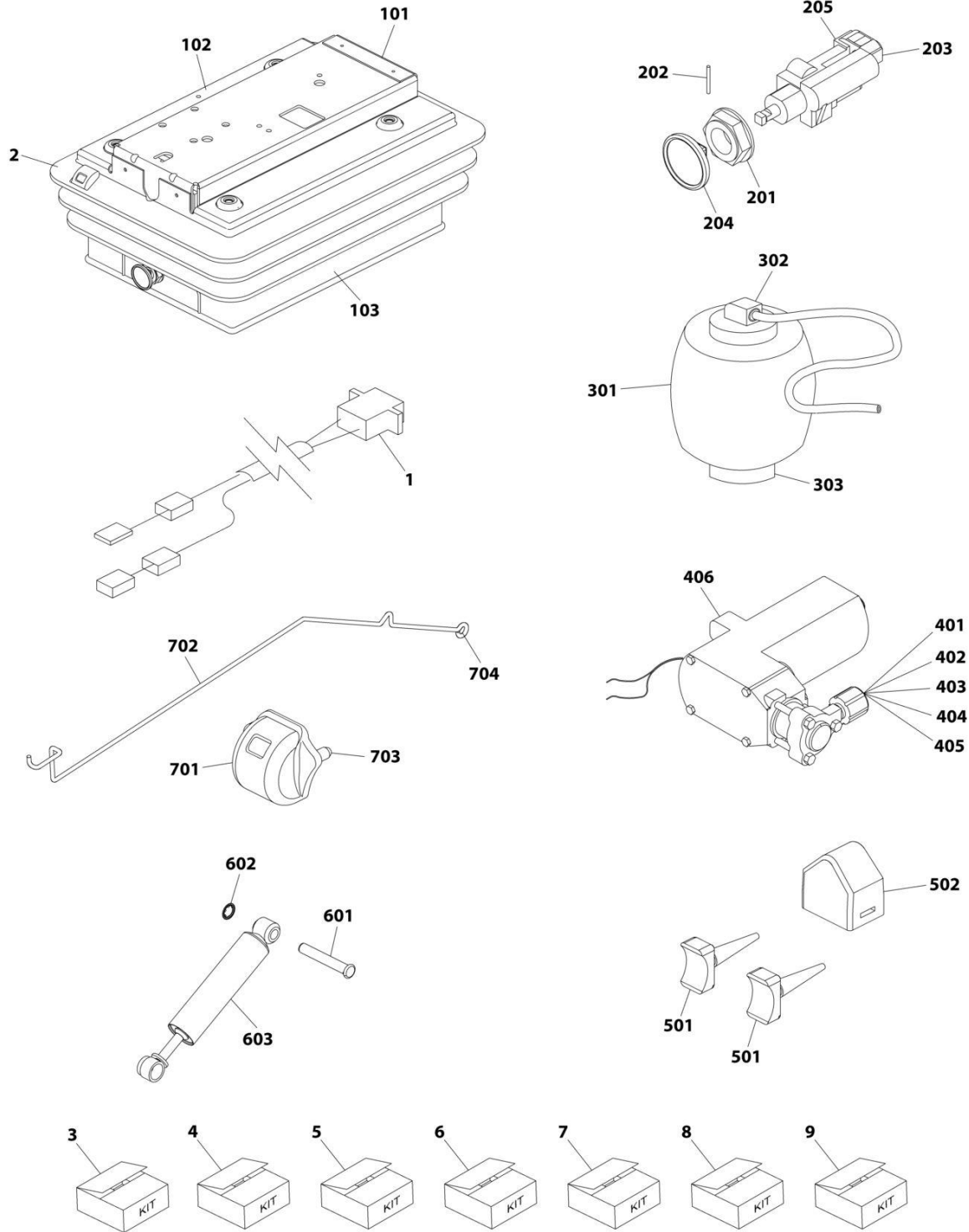
ART_70027392

FIGURE 6-33. UPPER SEAT ASSEMBLY

ITEM	PART NUMBER	QTY	DESCRIPTION	REV
	70027392	Ref	Upper Seat Assembly	
1	70025539	1	Pad, Sensor	
2	70021316	1	Bag	
3	70027393	1	Cover, Back	
4	N.S.S.	4	Bolt, M8X25	
5	N.S.S.	4	Washer	
6	70021314	1	Kit, Frame (includes items 101 thru 103)	
7	70027394	1	Kit, Bottom Seat Cover (includes items 201 thru 203)	
8	80264002	1	Kit, Back Foam (includes items 301 thru 303)	
9	80264004	1	Kit, Seat Foam (includes items 401 thru 403)	
101	N.S.S.	1	Frame, Seat	
102	N.S.S.	4	Bolt, M8X25	
103	N.S.S.	4	Washer	
201	N.S.S.	1	Cover, Seat	
202	N.S.S.	2	Clip	
203	N.S.S.	17	Clip	
301	N.S.S.	1	Foam, Back	
302	N.S.S.	3	Bar, Trim	
303	N.S.S.	4	Ring	
401	N.S.S.	1	Foam, Seat	
402	N.S.S.	2	Clip	
403	N.S.S.	17	Clip	

SECTION 6 - CAB

FIGURE 6-34. SUSPENSION KIT



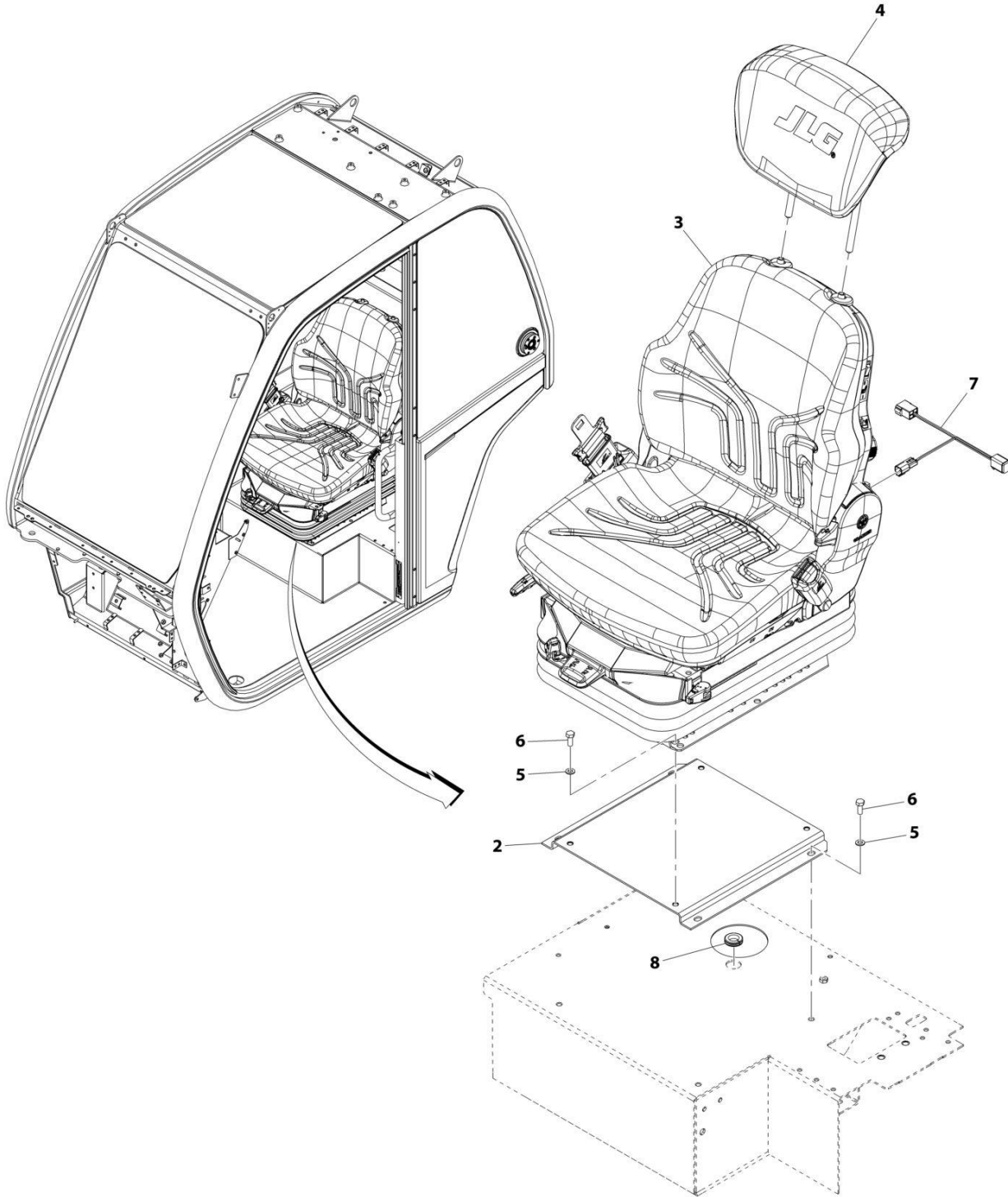
ART_70021319

FIGURE 6-34. SUSPENSION KIT

ITEM	PART NUMBER	QTY	DESCRIPTION	REV
	70021319	Ref	Suspension Kit	
1	70021330	1	Lead, Fly	
2	N.S.S.	1	Suspension	
3	70021321	1	Kit, Suspension Cover (includes items 101 thru 103)	
4	70021323	1	Kit, Air Valve (includes items 201 thru 205)	
5	70021324	1	Kit, Air Spring (includes items 301 thru 303)	
6	70021325	1	Kit, Compressor (includes items 401 thru 406)	
7	70021326	1	Kit, Upstop/Bumpstop (includes items 501 & 502)	
8	70021327	1	Kit, Damper (includes items 601 thru 603)	
9	70021328	1	Kit, Ride Indicator (includes items 701 thru 704)	
101	N.S.S.	6	Clip, Cover	
102	N.S.S.	1	Cover, Suspension	
103	N.S.S.	5	Clip, Cover	
201	N.S.S.	1	Nut, Air Valve	
202	N.S.S.	1	Pin, Retaining	
203	N.S.S.	1	Valve, Combination	
204	N.S.S.	1	Knob	
205	N.S.S.	2	Tie, Plastic	
301	N.S.S.	1	Spring, Air	
302	N.S.S.	1	Clip	
303	N.S.S.	1	Screw, Countersunk Self Tapping	
401	N.S.S.	1	Clip	
402	N.S.S.	1	Pad	
403	N.S.S.	1	Loom	
404	N.S.S.	2	Tie, Cable	
405	N.S.S.	3	Tie, Plastic	
406	N.S.S.	1	Compressor (with Elbow)	
501	N.S.S.	2	Upstop	
502	N.S.S.	1	Bumpstop	
601	N.S.S.	2	Pin	
602	N.S.S.	2	Washer, Starlock	
603	N.S.S.	1	Damper	
701	N.S.S.	1	Indicator, Ride	
702	N.S.S.	1	Wire, Ride Indicator	
703	N.S.S.	2	Washer, Starlock	
704	N.S.S.	1	Washer, Grip M4	

SECTION 6 - CAB

FIGURE 6-35. SEAT INSTALLATION (AIR SUSPENSION - PREMIUM)



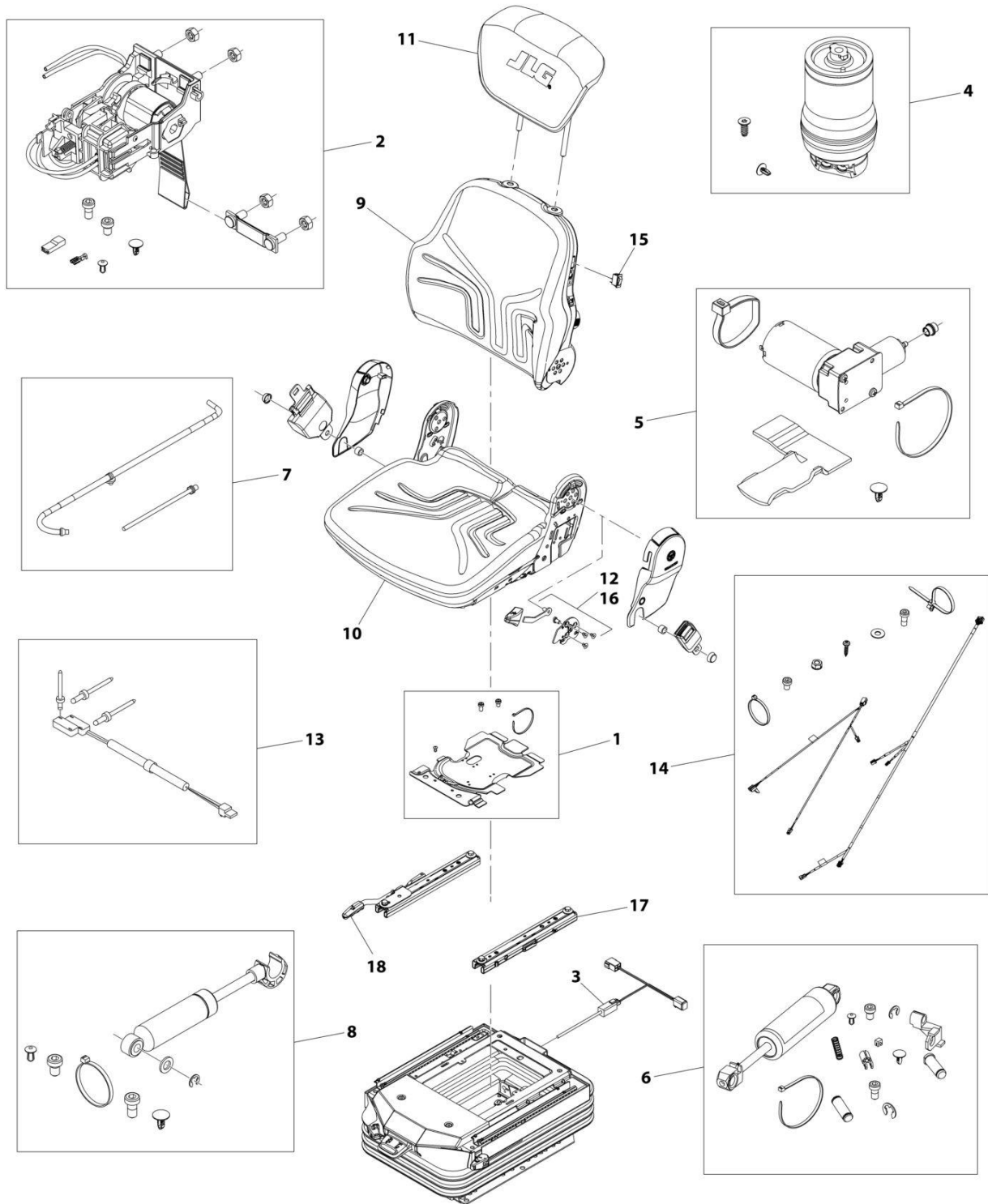
ART_1001182530-F

FIGURE 6-35. SEAT INSTALLATION (AIR SUSPENSION - PREMIUM)

ITEM	PART NUMBER	QTY	DESCRIPTION	REV
	1001182530	Ref	Seat Installation (Air Suspension - Premium)	F
2	1001158736C	1	Plinth, Seat	
3	1001169135	1	Assembly, Seat (See Separate Breakdown in this Section)	
4	1001182529	1	Headrest	
5	4811900	8	Washer, M8	
6	0760810	8	Bolt, M8X20	
7	1001168531	1	Harness, Seat Adaptor (See Separate Breakdown in ELECTRICAL Section)	
8	1001216974	1	Grommet	

SECTION 6 - CAB

FIGURE 6-36. SEAT ASSEMBLY (AIR SUSPENSION - PREMIUM)



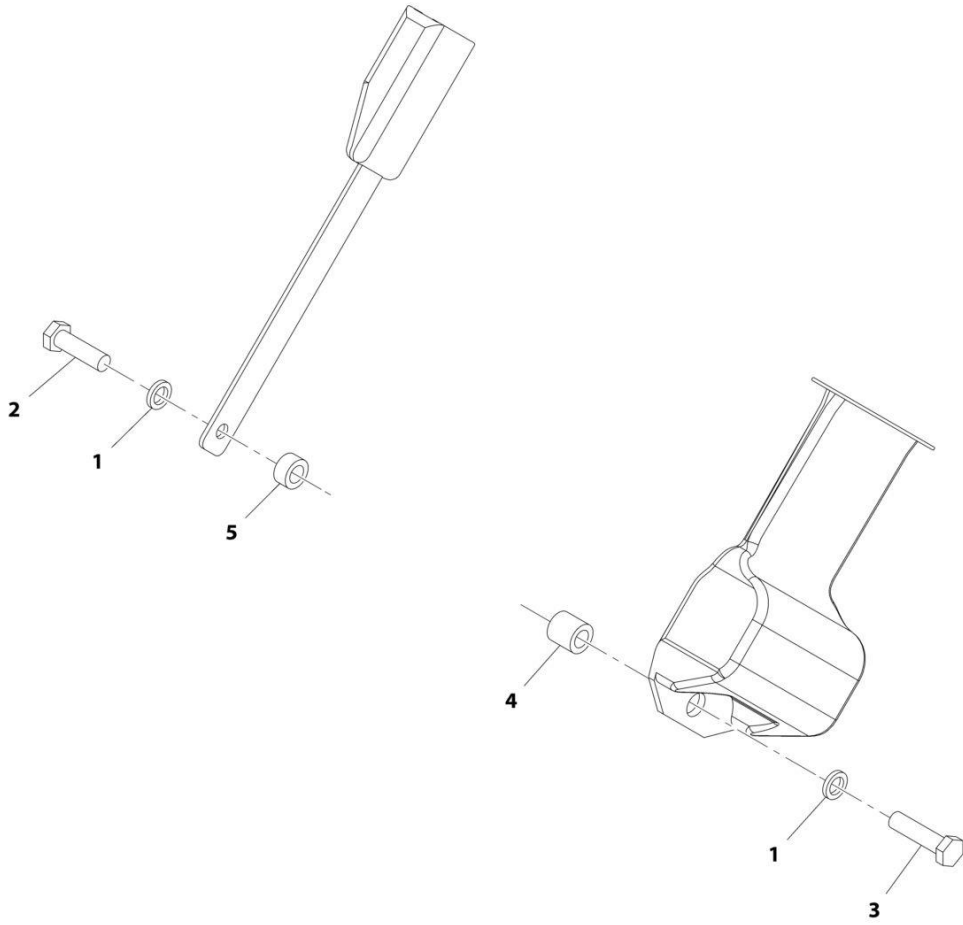
ART_1001169135-B

FIGURE 6-36. SEAT ASSEMBLY (AIR SUSPENSION - PREMIUM)

ITEM	PART NUMBER	QTY	DESCRIPTION	REV
	1001169135	Ref	Seat Assembly (Air Suspension - Premium)	B
1	70024856	1	Cover	
2	70023182	1	Control Level Kit	
3	70023186	1	Wiring Harness, Air/Safeswitch	
4	70023184	1	Air Spring Kit	
5	70024857	1	Compressor, 12V	
6	70023181	1	Shock Absorber Kit	
7	70024459	1	Air Tubes Kit	
8	70023189	2	Shock Absorber Kit	
9	70023179	1	Back Cushion Kit	
10	70024858	1	Seat Cushion Kit	
11	1001182529	1	Headrest, Cloth	
12	70024859	1	Backrest Actuator	
13	70028326	1	Switch	
14	70024861	1	Wiring Harness	
15	70024107	1	Switch, Heater	
16	7028621	1	Handle, Backrest Angle Adjust	
17	3986643	1	Adjust Slide Kit	
18	3986610	1	Handle	

SECTION 6 - CAB

FIGURE 6-37. SEAT BELT INSTALLATION (3IN)



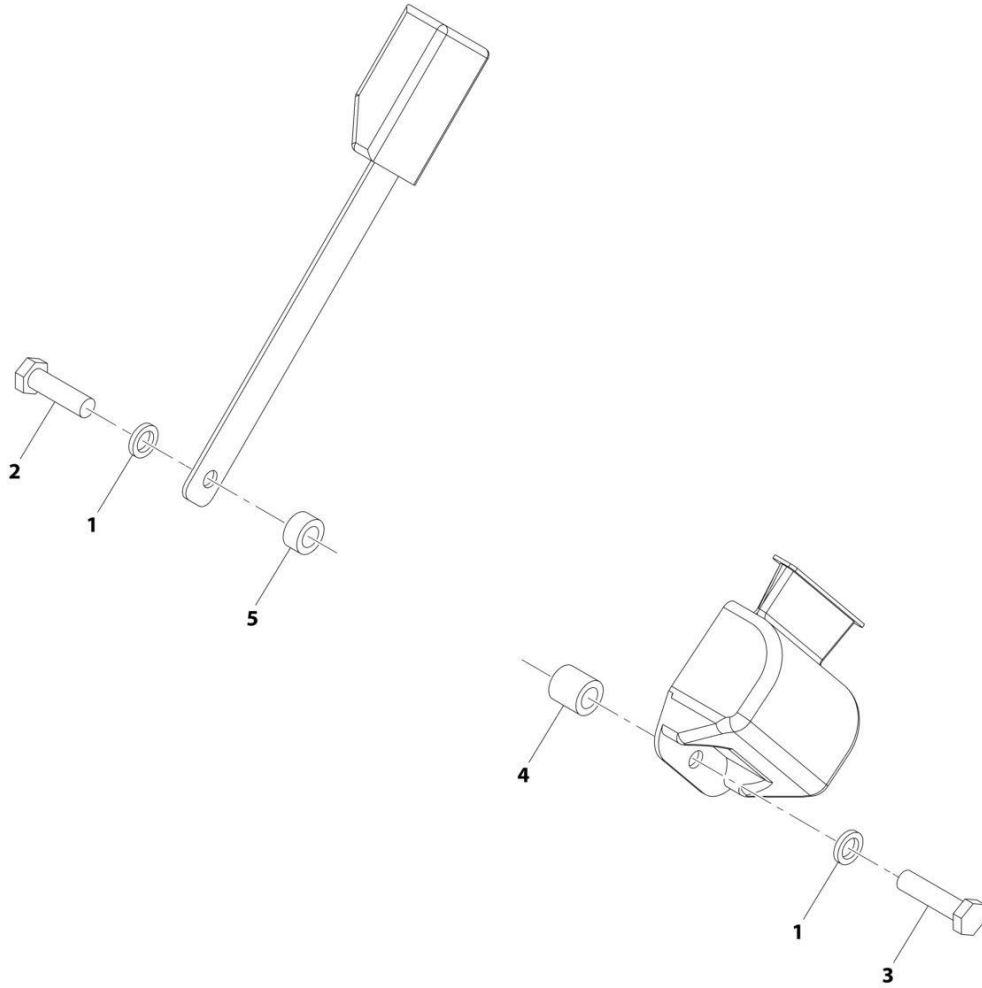
ART_1001006731-B

FIGURE 6-37. SEAT BELT INSTALLATION (3IN)

ITEM	PART NUMBER	QTY	DESCRIPTION	REV
	1001006731	Ref	Seat Belt Installation (3IN)	B
1	1001010646	2	Washer	
2	1001010647	1	Bolt	
3	1001010648	1	Bolt	
4	1001010649	1	Spacer	
5	1001010650	1	Spacer	

SECTION 6 - CAB

FIGURE 6-38. SEAT BELT INSTALLATION (2IN)



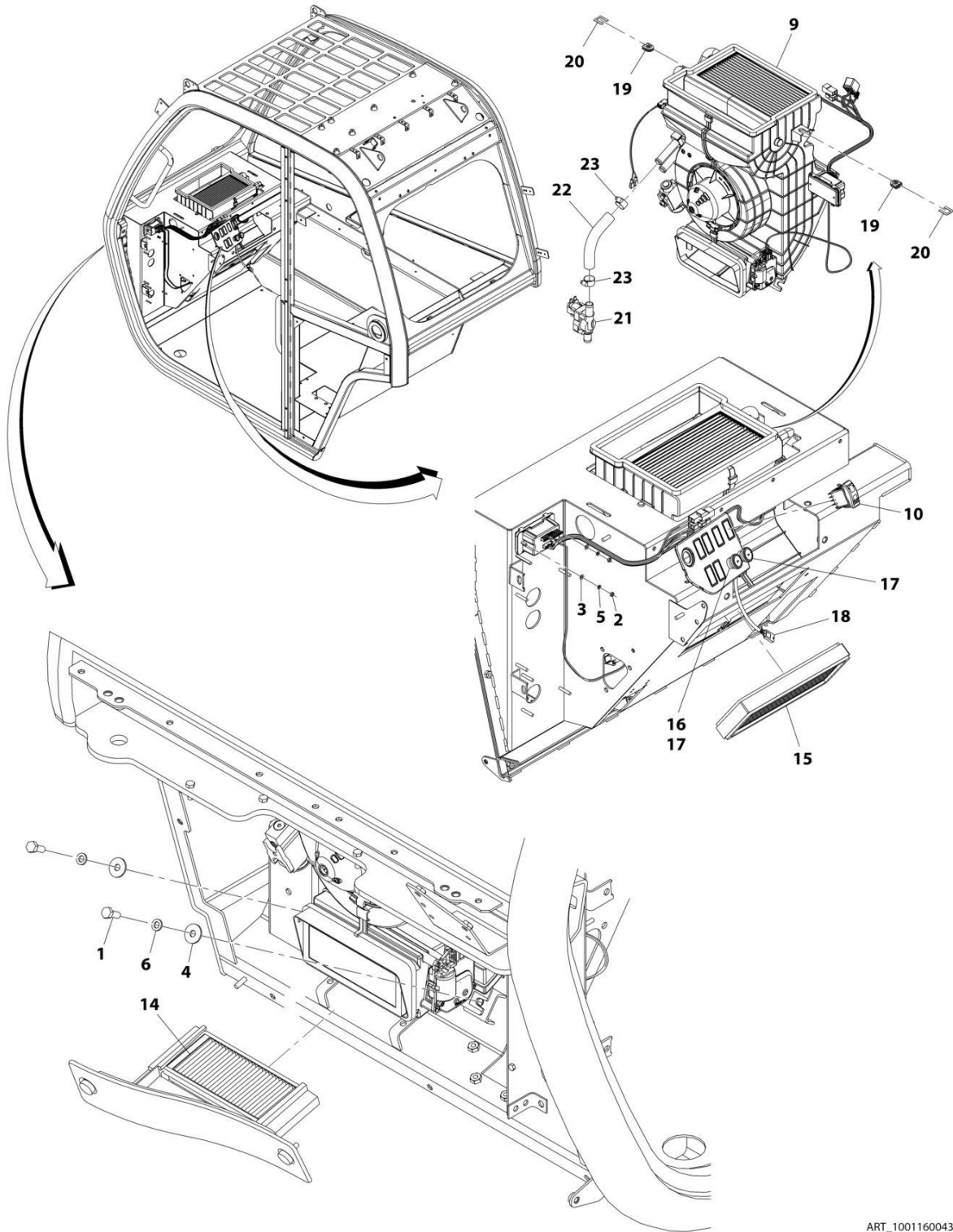
ART_1001006730

FIGURE 6-38. SEAT BELT INSTALLATION (2IN)

ITEM	PART NUMBER	QTY	DESCRIPTION	REV
	1001006730	Ref	Seat Belt Installation (2IN)	H
1	1001010646	2	Washer	
2	1001010647	1	Bolt	
3	1001010648	1	Bolt	
4	1001010649	1	Spacer, Shim	
5	1001010650	1	Spacer, Shim	

SECTION 6 - CAB

FIGURE 6-39. HEATER INSTALLATION



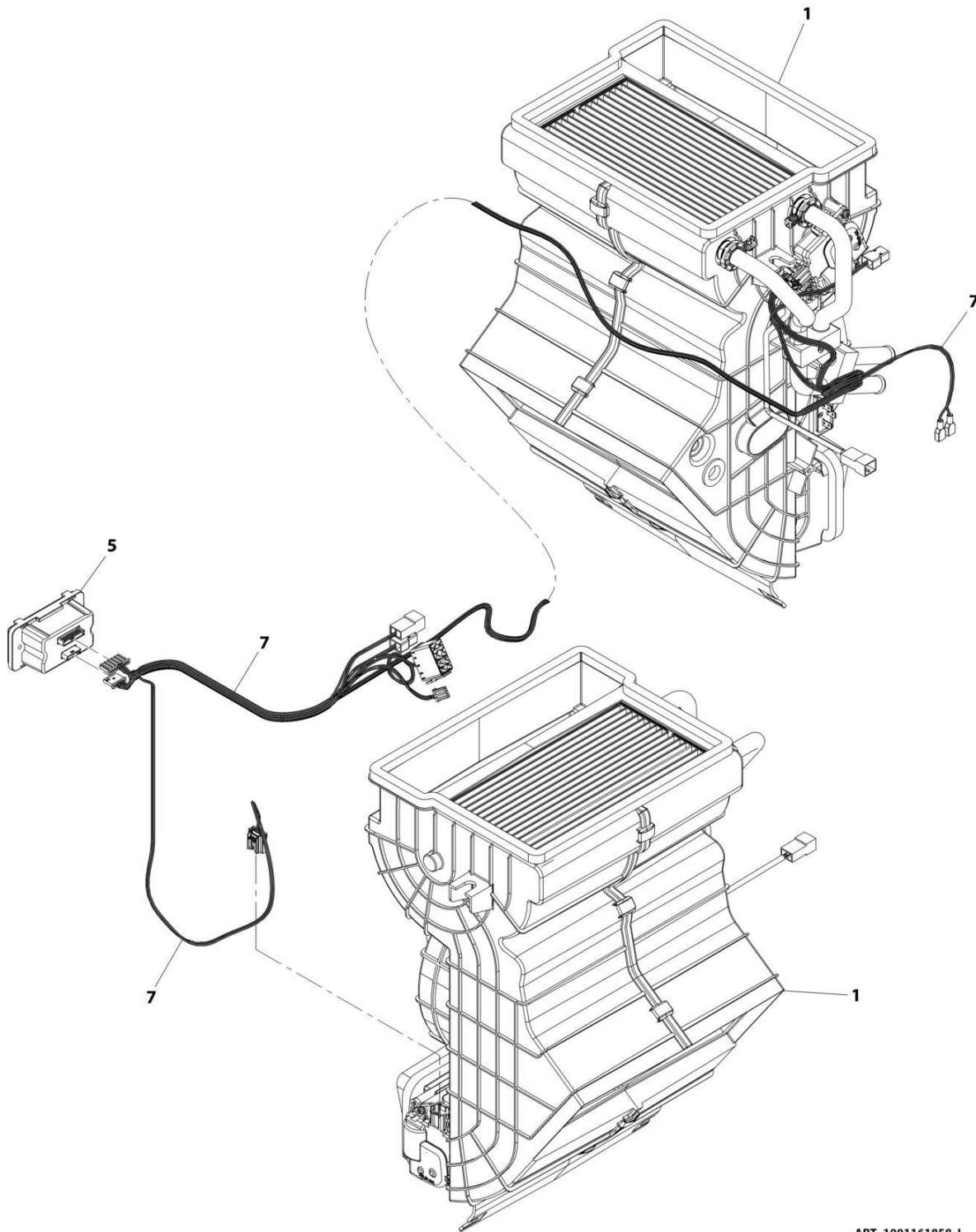
ART_1001160043-K

FIGURE 6-39. HEATER INSTALLATION

ITEM	PART NUMBER	QTY	DESCRIPTION	REV
	1001160043	Ref	Heater Installation	K
1	0760810	2	Bolt, M8X20	
2	3290401	2	Nut, M4X0.7	
3	4811400	2	Washer, M4	
4	4811902	2	Washer, M8	
5	4831400	2	Washer, Lock M4	
6	4831900	2	Washer, M8	
9	1001161858	1	Assembly, Heater (See Separate Breakdown in this Section)	
10	1001159925	1	Switch, HVAC Recycle	
14	1001218996	1	Filter, HVAC Air	
15	1001172553	1	Filter, HVAC Recirculation Air	
16	1001172547	1	Switch, HVAC Rotary 3 Speed	
17	1001172550	2	Knob, HVAC Control	
18	1001218529	1	Cable, HVAC	
19	1001188590	2	Grommet	
20	1001218542	2	Shim	
21	1001221059	1	Valve, Water	
22	1001221295	1	House	
23	8410009	2	Clamp	

SECTION 6 - CAB

FIGURE 6-40. HEATER ASSEMBLY



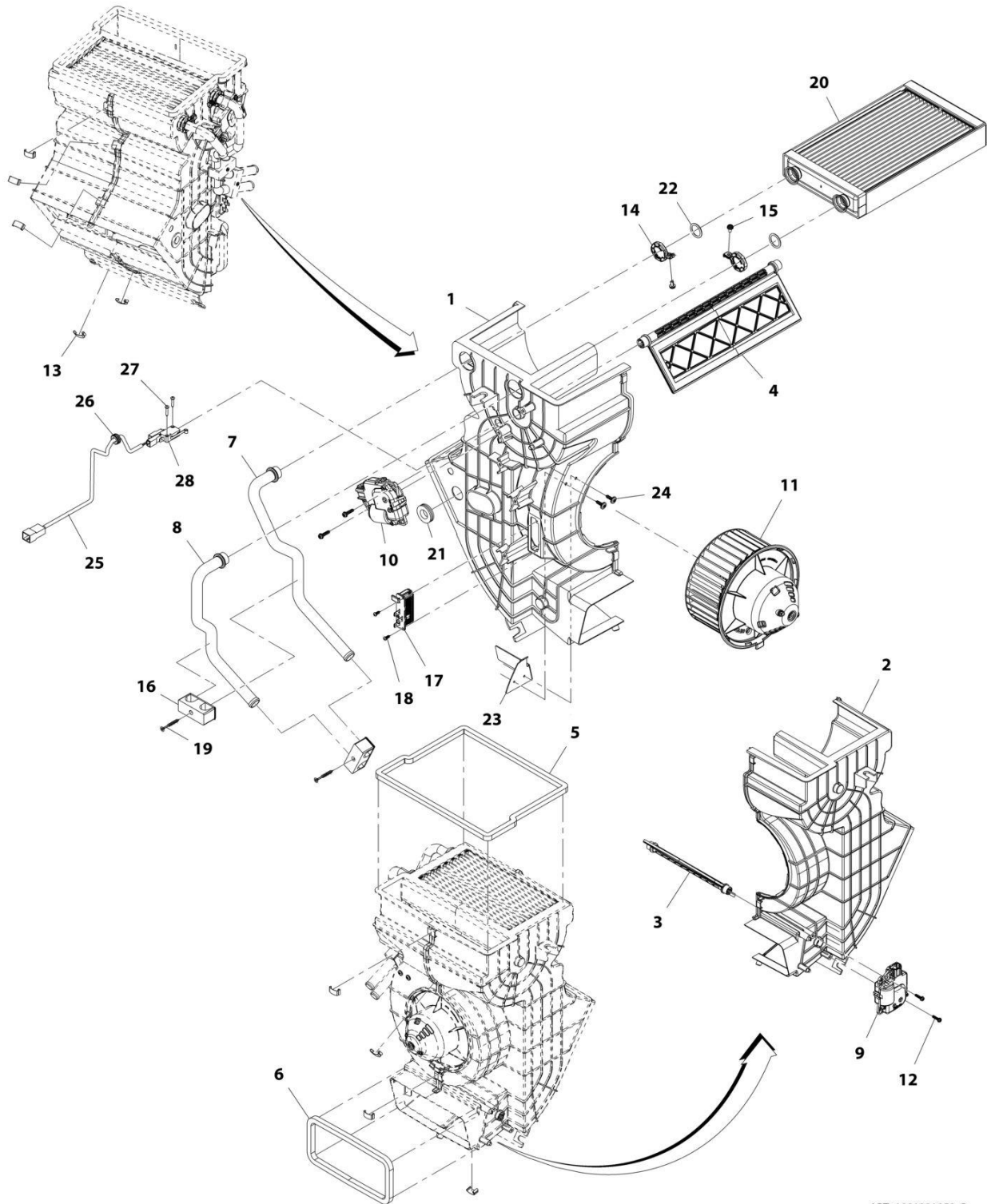
ART_1001161858-J

FIGURE 6-40. HEATER ASSEMBLY

ITEM	PART NUMBER	QTY	DESCRIPTION	REV
	1001161858	Ref	Heater Assembly	J
1	1001221052	1	Heater, Cab (See Separate Breakdown in this Section)	
5	1001172551	1	Actuator, HVAC Cab	
7	1001221056	1	Harness, HVAC Actuator (See Separate Breakdown in ELECTRICAL Section)	

SECTION 6 - CAB

FIGURE 6-41. HEATER



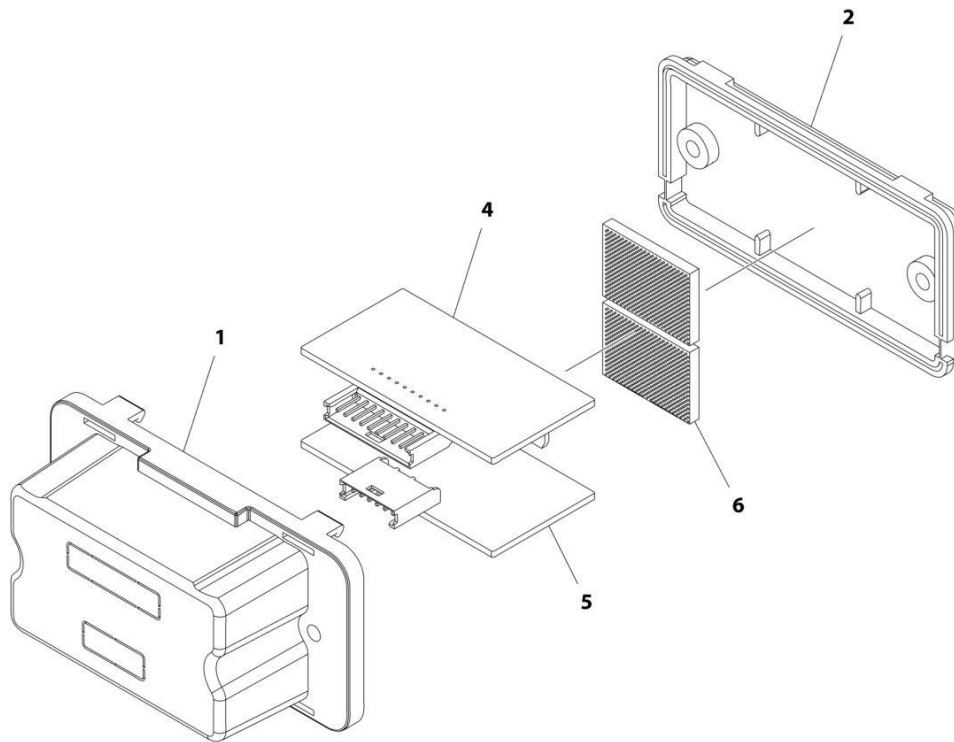
ART_1001221052-C

FIGURE 6-41. HEATER

ITEM	PART NUMBER	QTY	DESCRIPTION	REV
	1001221052	Ref	Heater	D
1	1001166091	1	Housing, RH	
2	1001166092	1	Housing, LH	
3	1001184275	1	Flap, Recirculation with Foam	
4	1001184278	1	Flap, Mixing with Foam	
5	1001184294	1	Foam, Air Outlet	
6	1001184295	1	Foam, Air Inlet	
7	1001184296	1	Pipe, Water	
8	1001184297	1	Pipe, Water	
9	1001188577	1	Actuator, Fresh/Recirculation Air	
10	1001188578	1	Actuator, Hot/Cold	
11	1001188594	1	Fan, 12V	
12	1001188602	4	Screw	
13	1001188603	9	Clamp	
14	1001188604	2	Clamp	
15	1001188610	2	Screw	
16	1001188612	2	Clamp	
17	1001188614	1	Resistor	
18	1001188720	2	Screw	
19	1001188725	2	Screw	
20	1001188729	1	Radiator, Heater Core	
21	1001188733	1	Grommet	
22	1001189025	2	O-Ring	
23	1001221057	1	Plate	
24	1001221058	2	Screw	
25	1001228132	1	Harness, HVAC Sensor	
26	1001228140	1	Grommet	
27	1001228141	2	Screw	
28	1001228147	1	Valve, Water	

SECTION 6 - CAB

FIGURE 6-42. HVAC CAB ACTUATOR



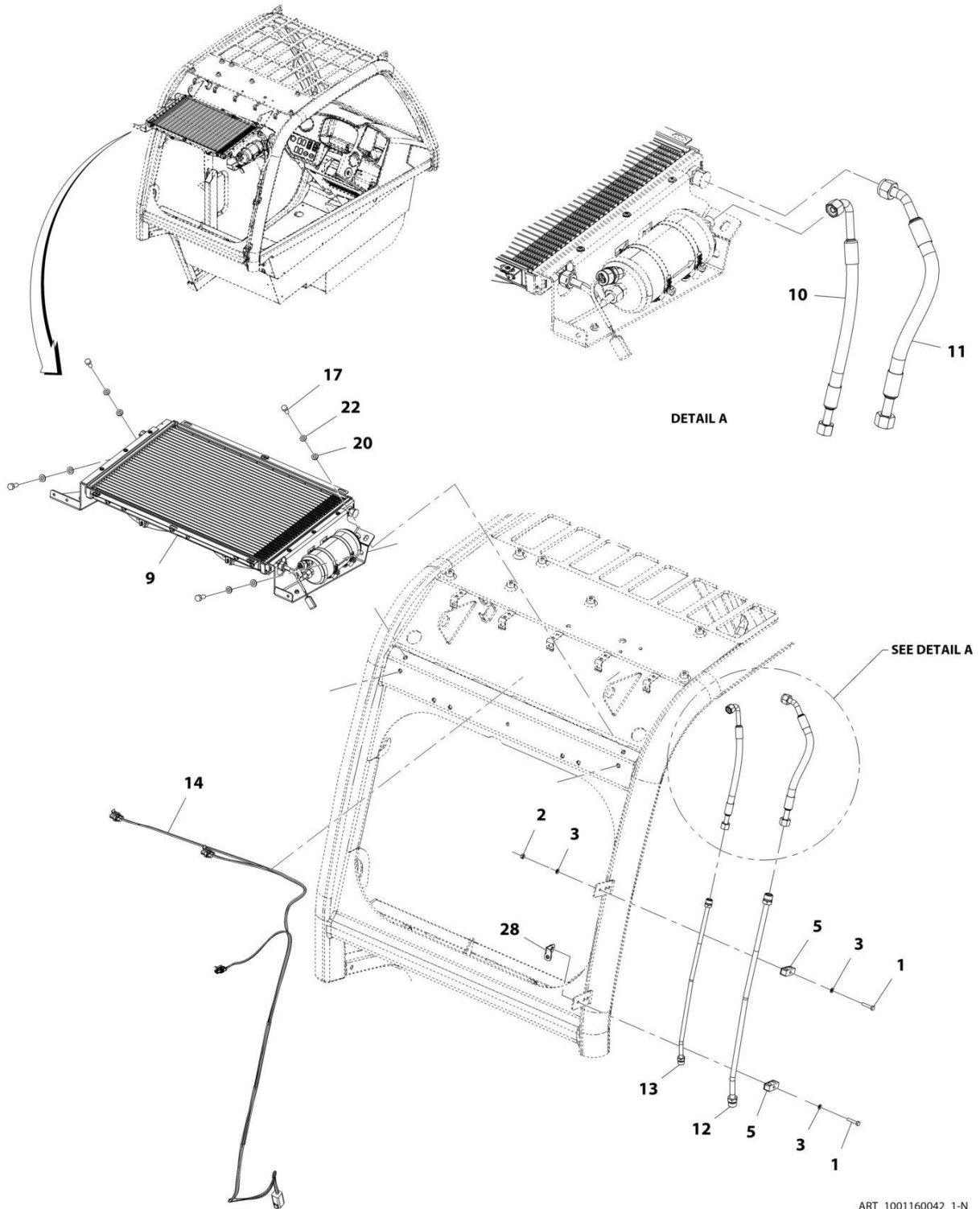
ART_1001172551

FIGURE 6-42. HVAC CAB ACTUATOR

ITEM	PART NUMBER	QTY	DESCRIPTION	REV
	1001172551	Ref	HVAC CAB ACTUATOR	E
1	1001184306	1	Box, Heater Controller	
2	1001184307	1	Base, Heater Controller Box	
4	1001184309	1	Board, Heater Control	
5	1001184310	1	Board, Heater Control	
6	1001189980	2	Insulator, Heater Controller Box	

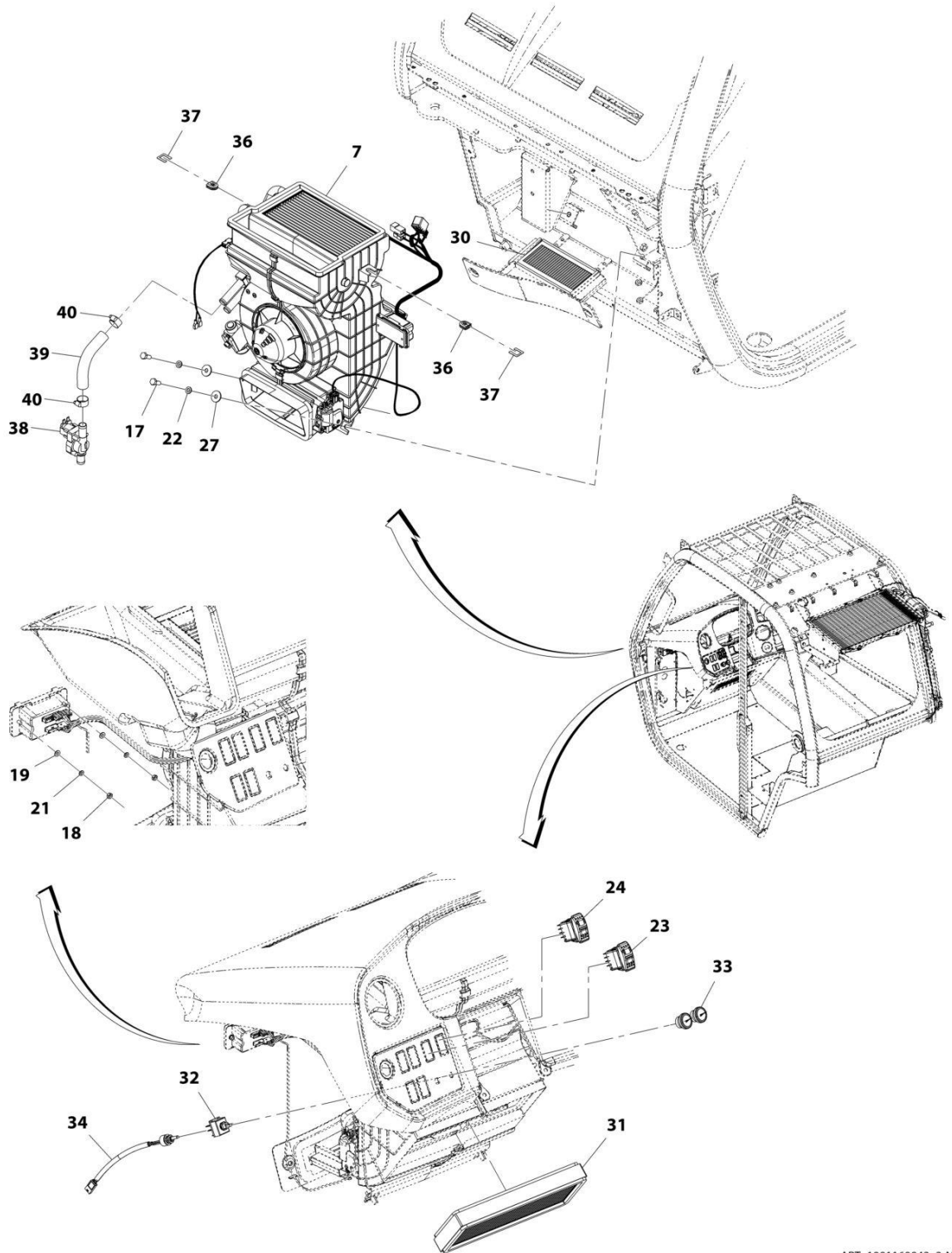
SECTION 6 - CAB

FIGURE 6-43. HEATER AND A/C INSTALLATION (CAB PARTS)



ART_1001160042_1-N

SECTION 6 - CAB



ART_1001160042_2-N

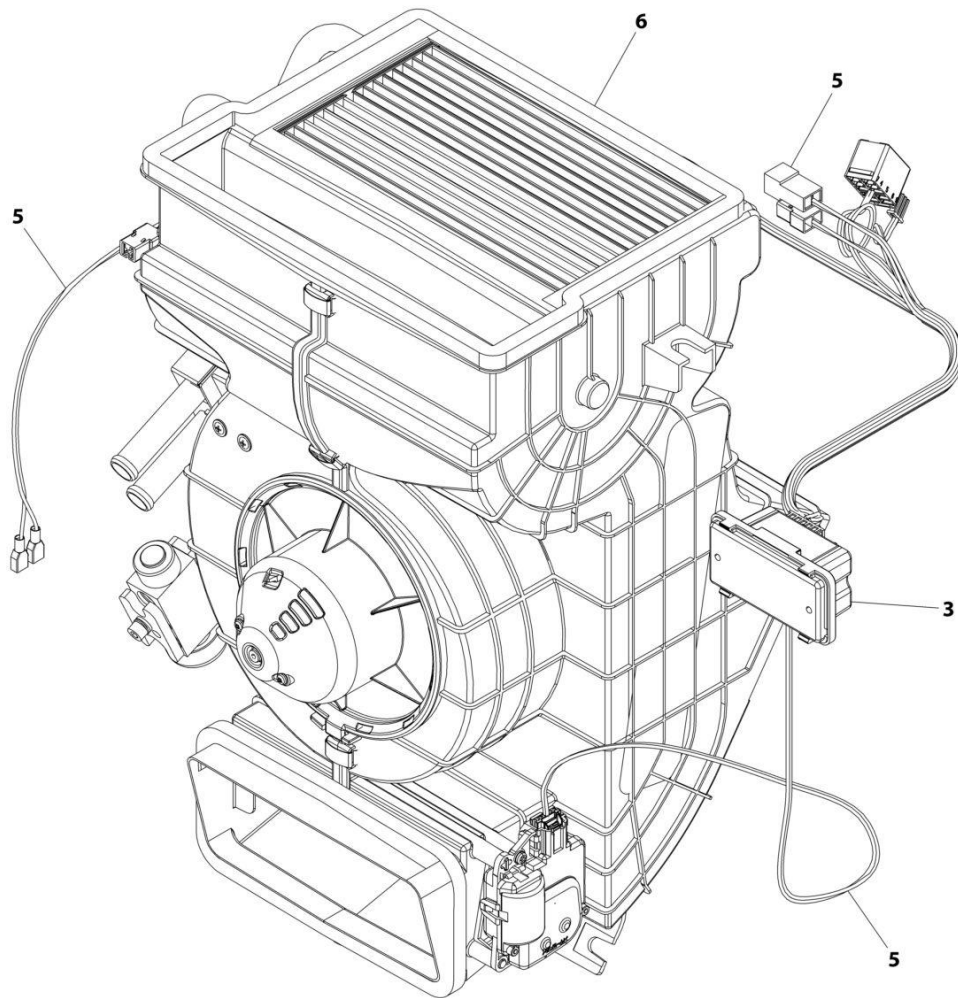
SECTION 6 - CAB

FIGURE 6-43. HEATER AND A/C INSTALLATION (CAB PARTS)

ITEM	PART NUMBER	QTY	DESCRIPTION	REV
	1001160042	Ref	Heater and A/C Installation (Cab Parts)	N
1	0700614	2	Bolt, M6X30	
2	3290601	1	Nut, M6X1	
3	4811700	3	Washer, M6	
5	1001145539	2	Support, Pipe	
7	1001188303	1	Assembly, Heater and A/C (See Separate Breakdown in this Section)	
9	1001162953	1	Assembly, Cab Condenser (See Separate Breakdown in this Section)	
10	1001168327	1	Hose	
11	1001168330	1	Hose	
12	1001168331	1	Tube	
13	1001168456	1	Tube	
14	1001169151	1	Harness, A/C Option (See Separate Breakdown in ELECTRICAL Section)	
17	0760810	6	Bolt, M8X20 GR8.8	
18	3290401	2	Nut, M4X0.7	
19	4811400	2	Washer, M4	
20	4811900	4	Washer, M8	
21	4831400	2	Washer, Lock M4	
22	4831900	6	Washer, Lock M8	
23	1001159925	1	Switch, HVAC Recycle	
24	1001160326	1	Switch, HVAC On/Off	
27	4811902	2	Washer, M8	
28	1001178170	1	Bracket	
30	1001218996	1	Filter, HVAC Fresh Air	
31	1001172553	1	Filter, HVAC Air Recirculation	
32	1001172547	1	Switch, HVAC Rotary 3 Speed	
33	1001172550	2	Knob, HVAC Control	
34	1001218529	1	Cable, HVAC	
35	1320022	1	Clamp	
36	1001188590	2	Grommet	
37	1001218542	2	Shim	
38	1001221059	1	Valve, Water	
39	1001221295	1	Hose	
40	8410009	2	Clamp	

SECTION 6 - CAB

FIGURE 6-44. HEATER AND A/C ASSEMBLY



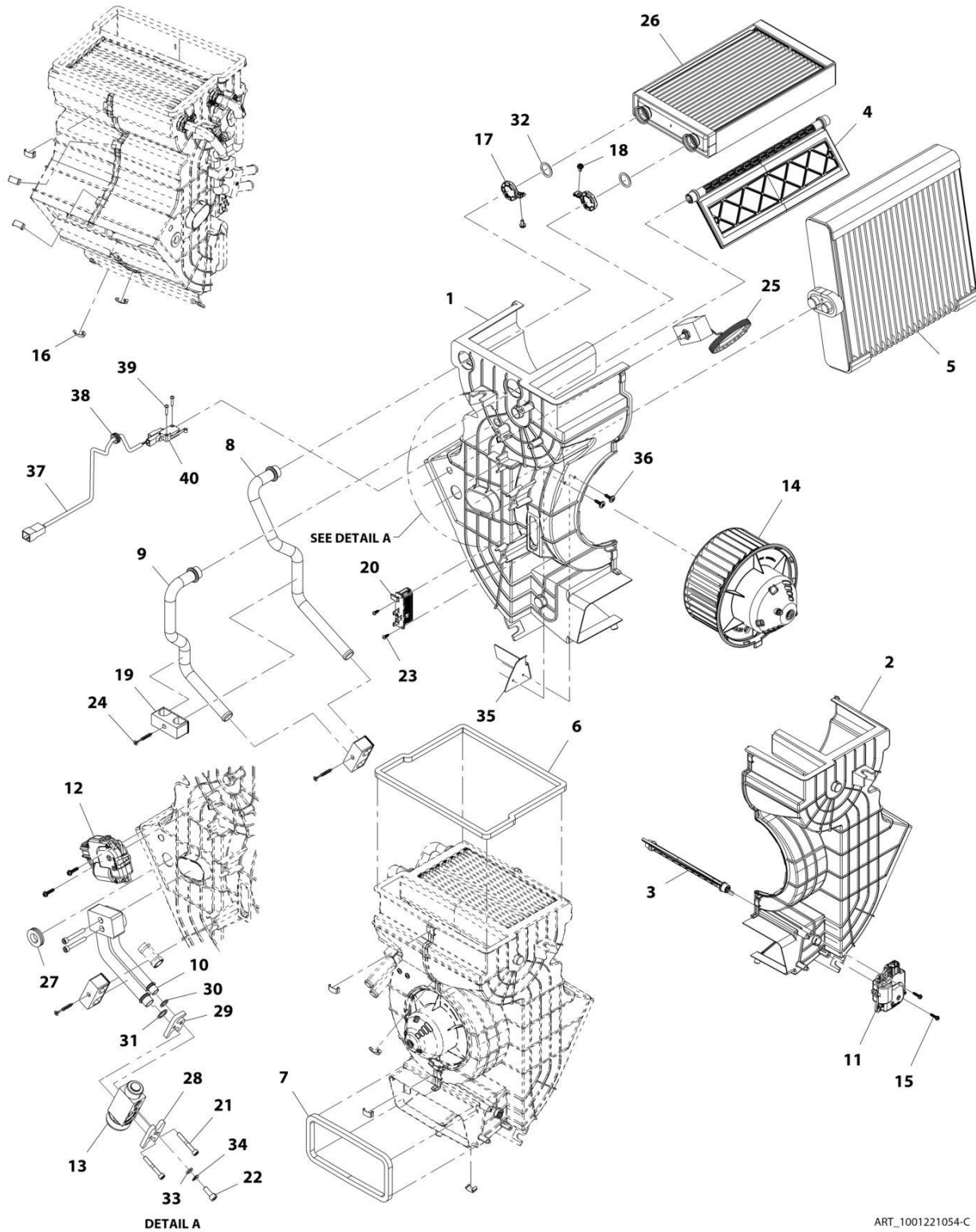
ART_1001188303-G

FIGURE 6-44. HEATER AND A/C ASSEMBLY

ITEM	PART NUMBER	QTY	DESCRIPTION	REV
	1001188303	Ref	Heater and A/C Assembly	H
3	1001172551	1	Actuator, HVAC Cab	
5	1001221056	1	Harness, HVAC Actuator (See Separate Breakdown in ELECTRICAL Section)	
6	1001221054	1	Heater and A/C (See Separate Breakdown in this Section)	

SECTION 6 - CAB

FIGURE 6-45. HEATER AND A/C



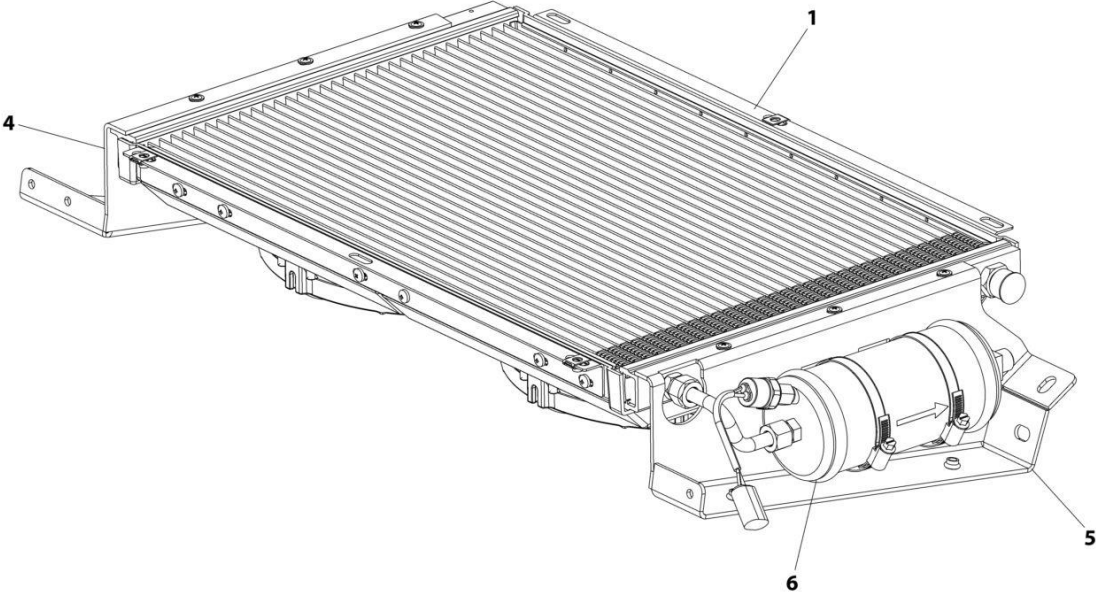
ART_1001221054-C

FIGURE 6-45. HEATER AND A/C

ITEM	PART NUMBER	QTY	DESCRIPTION	REV
	1001221054	Ref	Heater and A/C	D
1	1001166091	1	Housing, HVAC RH	
2	1001166092	1	Housing, HVAC LH	
3	1001184275	1	Foam, Heater Flap	
4	1001184278	1	Foam, Heater Mixing Flap	
5	1001184280	1	Evaporator, Heater	
6	1001184294	1	Seal, Heater Foam	
7	1001184295	1	Seal, Air Inlet Foam	
8	1001184296	1	Pipe, Heater Water	
9	1001184297	1	Pipe, Heater Water	
10	1001184427	1	Pipe, Heater	
11	1001188577	1	Actuator, Fresh/Recirculation Air	
12	1001188578	1	Actuator, Hot/Cold Mixing	
13	1001188592	1	Valve, HVAC Expansion	
14	1001188594	1	Fan, HVAC Centrifugal 12V	
15	1001188602	4	Screw, M4	
16	1001188603	9	Clamp, HVAC Case	
17	1001188604	2	Clamp, HVAC Pipe	
18	1001188610	2	Screw, M4X0.7	
19	1001188612	3	Clamp, Pipe	
20	1001188614	1	Resistor	
21	1001188618	4	Screw, M5	
22	1001188619	1	Screw, M6	
23	1001188720	2	Screw, M2.9X9.5	
24	1001188725	3	Screw, M4X35	
25	1001188728	1	Sensor, HVAC Thermostat	
26	1001188729	1	Radiator, Heater Core	
27	1001188733	1	Grommet	
28	1001188817	1	Clamp, Hose	
29	1001188818	1	Clamp, HVAC EVAP/Valve	
30	1001189023	1	O-Ring	
31	1001189024	1	O-Ring	
32	1001189025	2	O-Ring	
33	1001189048	1	Washer	
34	1001189054	1	Washer, Spring	
35	1001221057	1	Plate	
36	1001221058	2	Screw	
37	1001228132	1	Harness, HVAC Sensor	
38	1001228140	1	Grommet	
39	1001228141	2	Screw	
40	1001228147	1	Valve, Water Sensor	

SECTION 6 - CAB

FIGURE 6-46. CAB CONDENSER ASSEMBLY



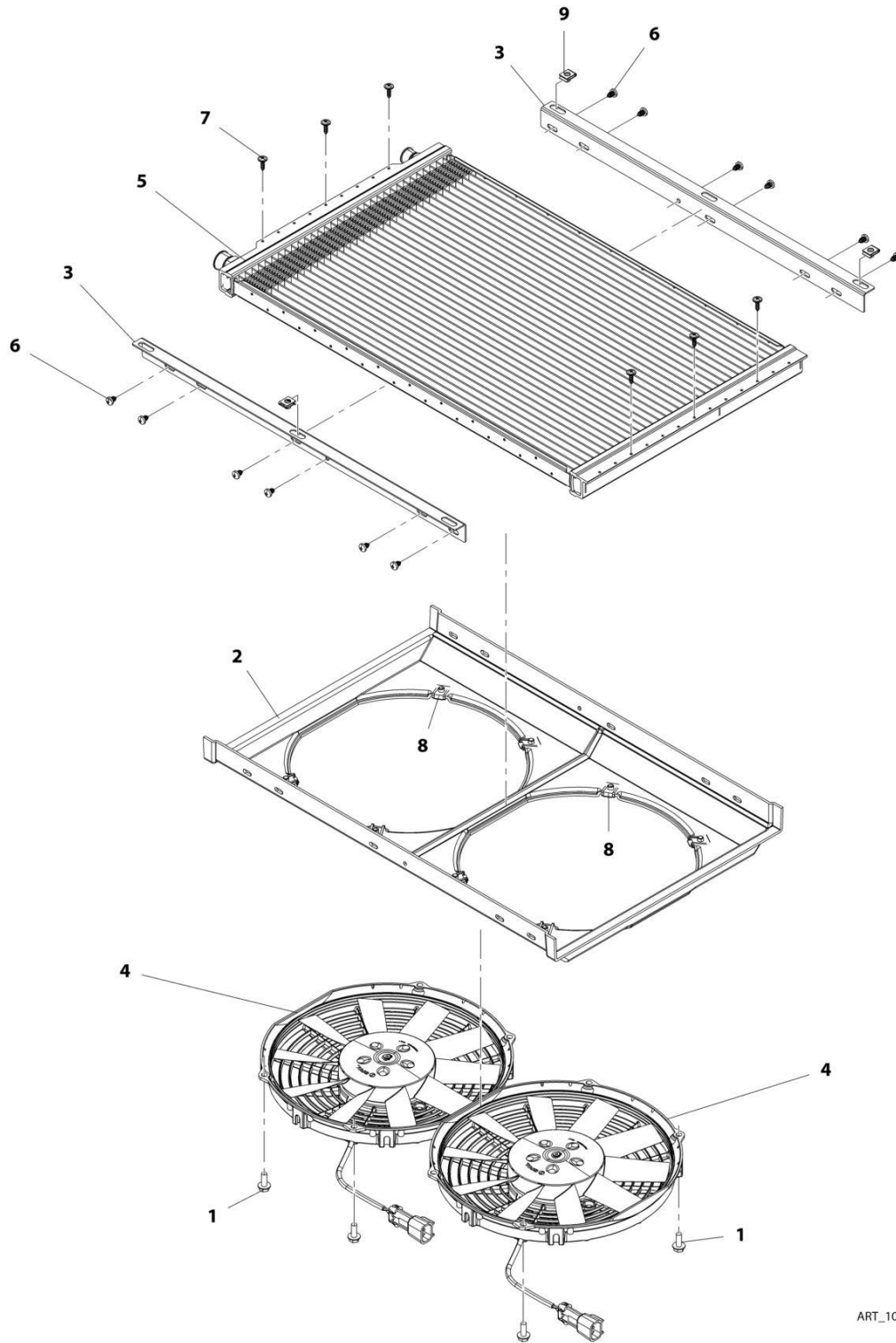
ART_1001162953

FIGURE 6-46. CAB CONDENSER ASSEMBLY

ITEM	PART NUMBER	QTY	DESCRIPTION	REV
	1001162953	Ref	Cab Condenser Assembly	G
1	1001167266	1	Condenser (See Separate Breakdown in this Section)	
4	1001179080	1	Bracket	
5	1001179081	1	Bracket	
6	1001179130	1	Drier, A/C Receiver (See Separate Breakdown in this Section)	

SECTION 6 - CAB

FIGURE 6-47. CONDENSER



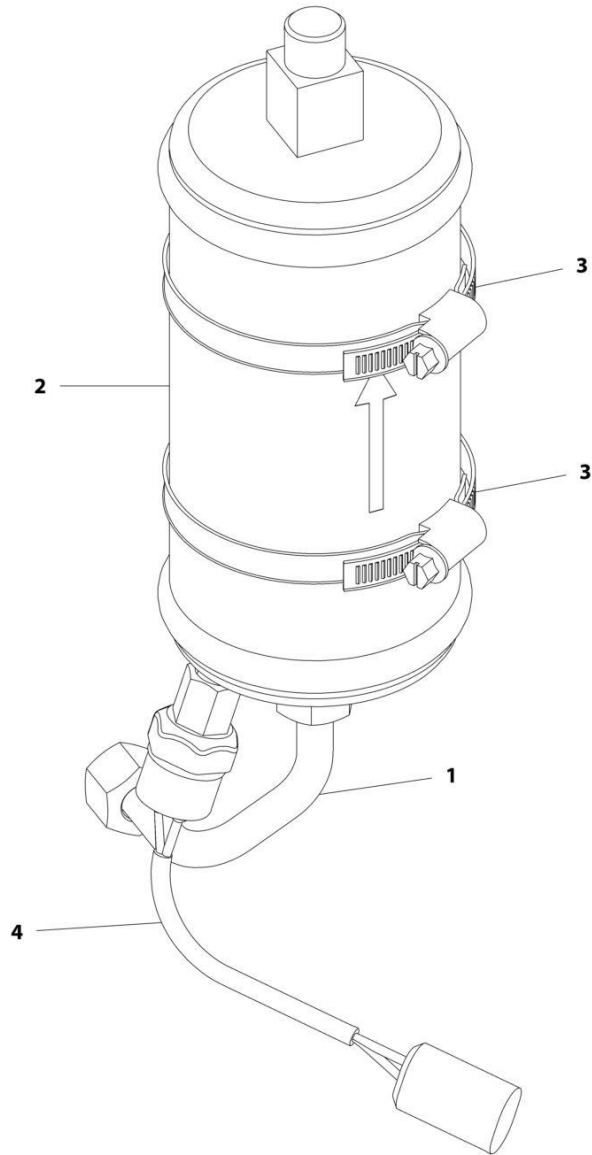
ART_1001167266-C

FIGURE 6-47. CONDENSER

ITEM	PART NUMBER	QTY	DESCRIPTION	REV
	1001167266	Ref	Condenser	C
1	5250608	8	Bolt, M6X16	
2	1001195342	1	Bracket, Condenser Fan Mount	
3	1001195343	2	Support, Condenser	
4	1001195345	2	Fan, Condenser	
5	1001195346	1	Condenser	
6	1001195385	12	Screw, M3.9X9.5	
7	1001195386	6	Screw, M4.2X16	
8	1001195437	8	Clip, M6X1	
9	1001195438	3	Clip, M6X1	

SECTION 6 - CAB

FIGURE 6-48. A/C RECEIVER DRIER



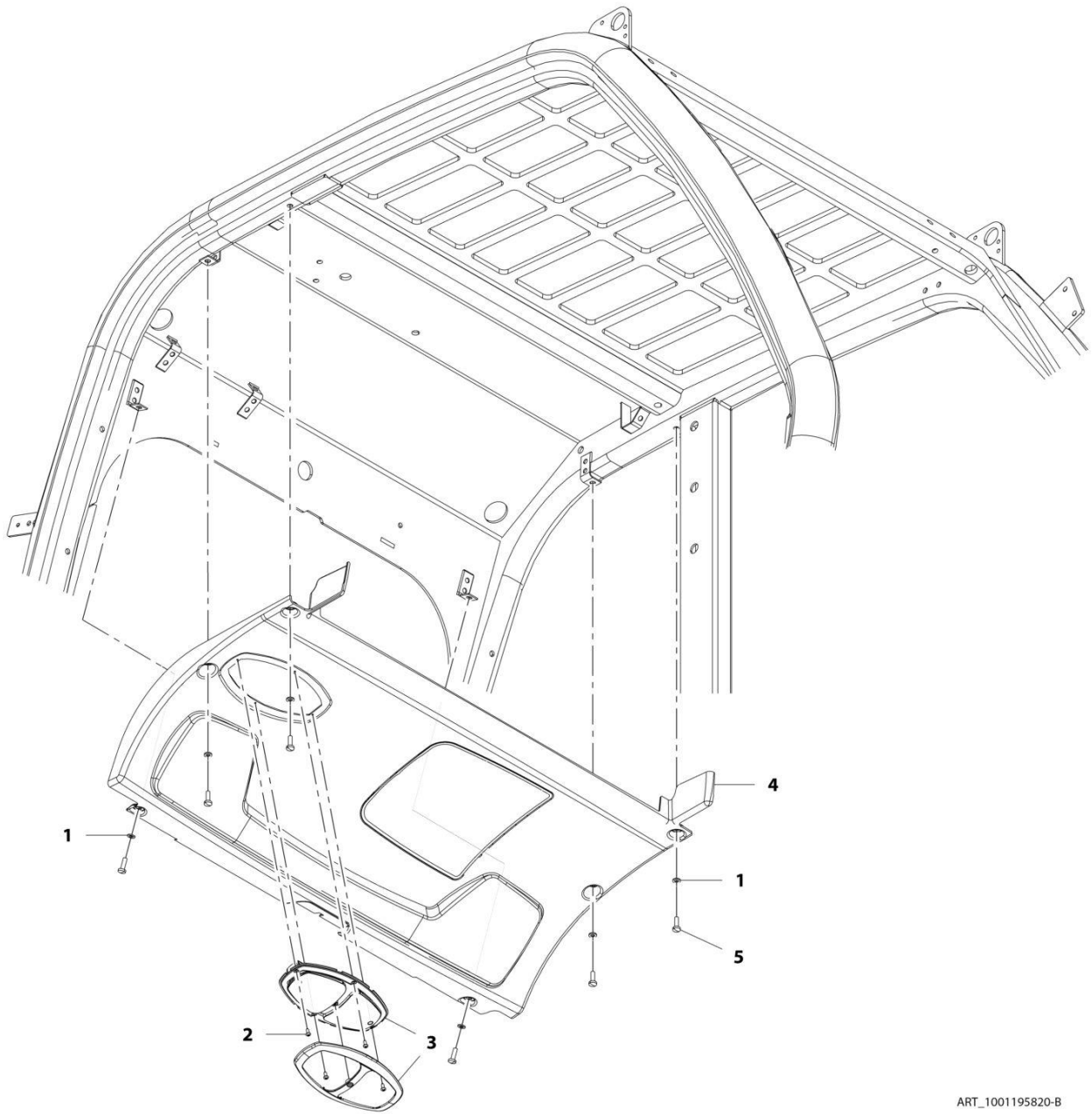
ART_1001179130-B

FIGURE 6-48. A/C RECEIVER DRIER

ITEM	PART NUMBER	QTY	DESCRIPTION	REV
	1001179130	Ref	A/C Receiver Drier	B
1	1001184403	1	Tube, Heater	
2	1001184404	1	Receiver, Heater Drier	
3	1001184405	2	Clamp	
4	1001184406	1	Connector, Heater	

SECTION 6 - CAB

FIGURE 6-49. HEADLINER INSTALLATION



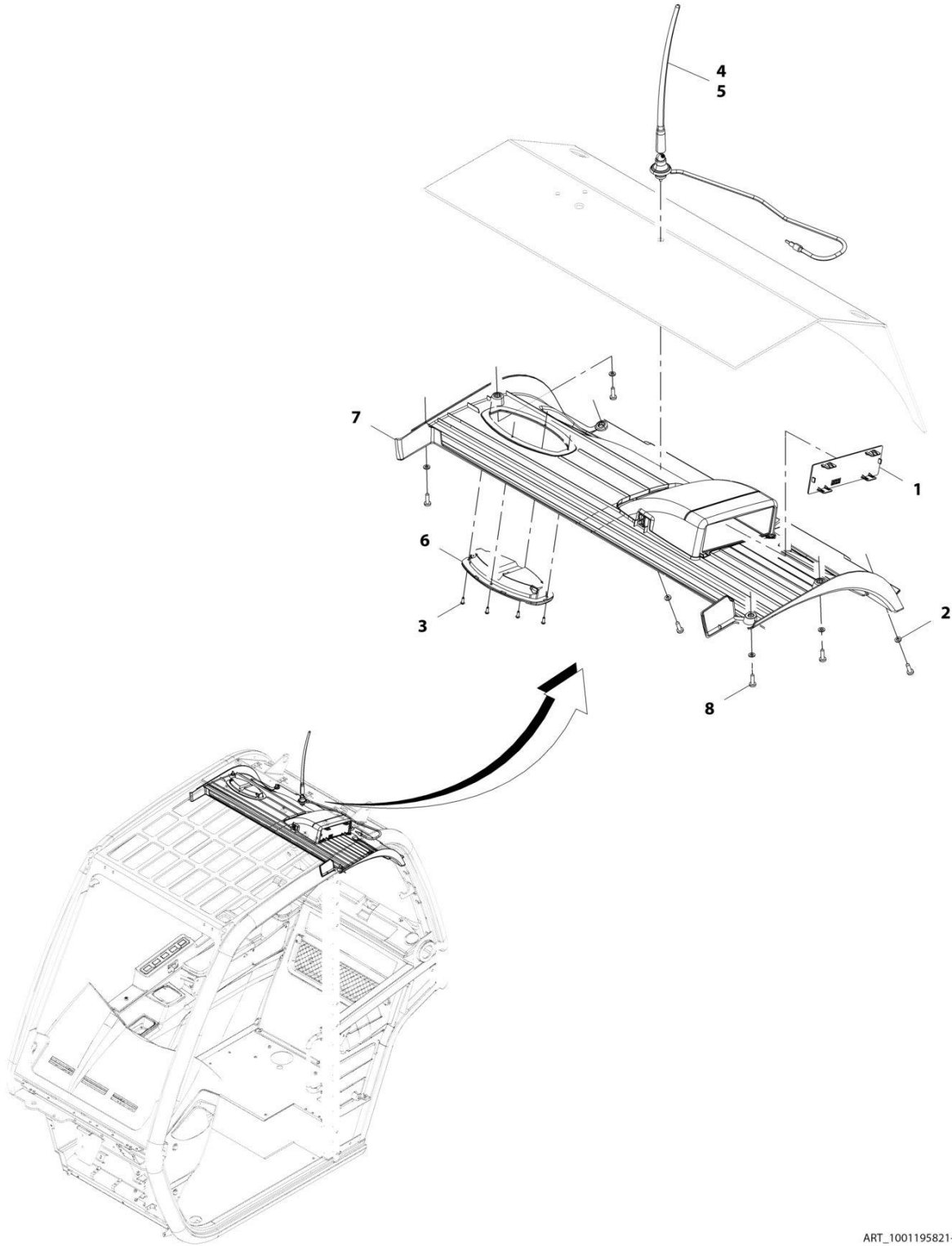
ART_1001195820-B

FIGURE 6-49. HEADLINER INSTALLATION

ITEM	PART NUMBER	QTY	DESCRIPTION	REV
	1001195820	Ref	Headliner Installation	C
1	4811700	6	Washer, M6	
2	7029486	4	Screw	
3	1001167015	1	Lamp, Dome	
4	1001195822	1	Panel, Headliner	
5	4031708001	1	Cap Screw M6 x 20	

SECTION 6 - CAB

FIGURE 6-50. HEADLINER/RADIO READY PACKAGE INSTALLATION



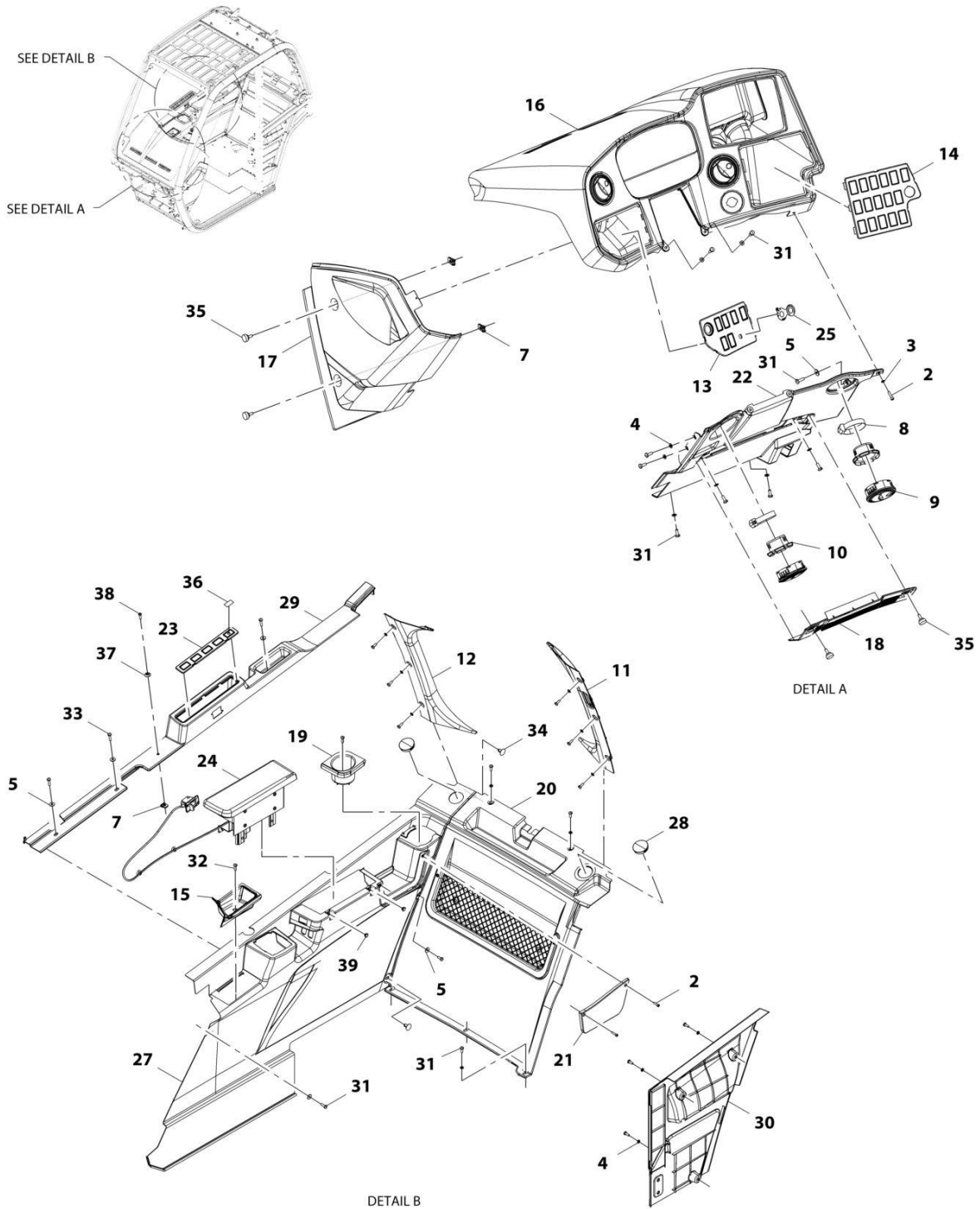
ART_1001195821-B

FIGURE 6-50. HEADLINER/RADIO READY PACKAGE INSTALLATION

ITEM	PART NUMBER	QTY	DESCRIPTION	REV
	1001195821	Ref	Headliner/Radio Ready Package Installation	B
1	1001200968	1	Plate	
2	4811700	6	Washer, 6M	
3	7029486	4	Screw	
4	8005901	1	Antenna	
5	1001116128	AR	Sealant, Polysiloxane	
6	1001167015	1	Lamp	
7	1001195823	1	Cover, Headliner	
8	4010610002	6	Screw, M6X20	

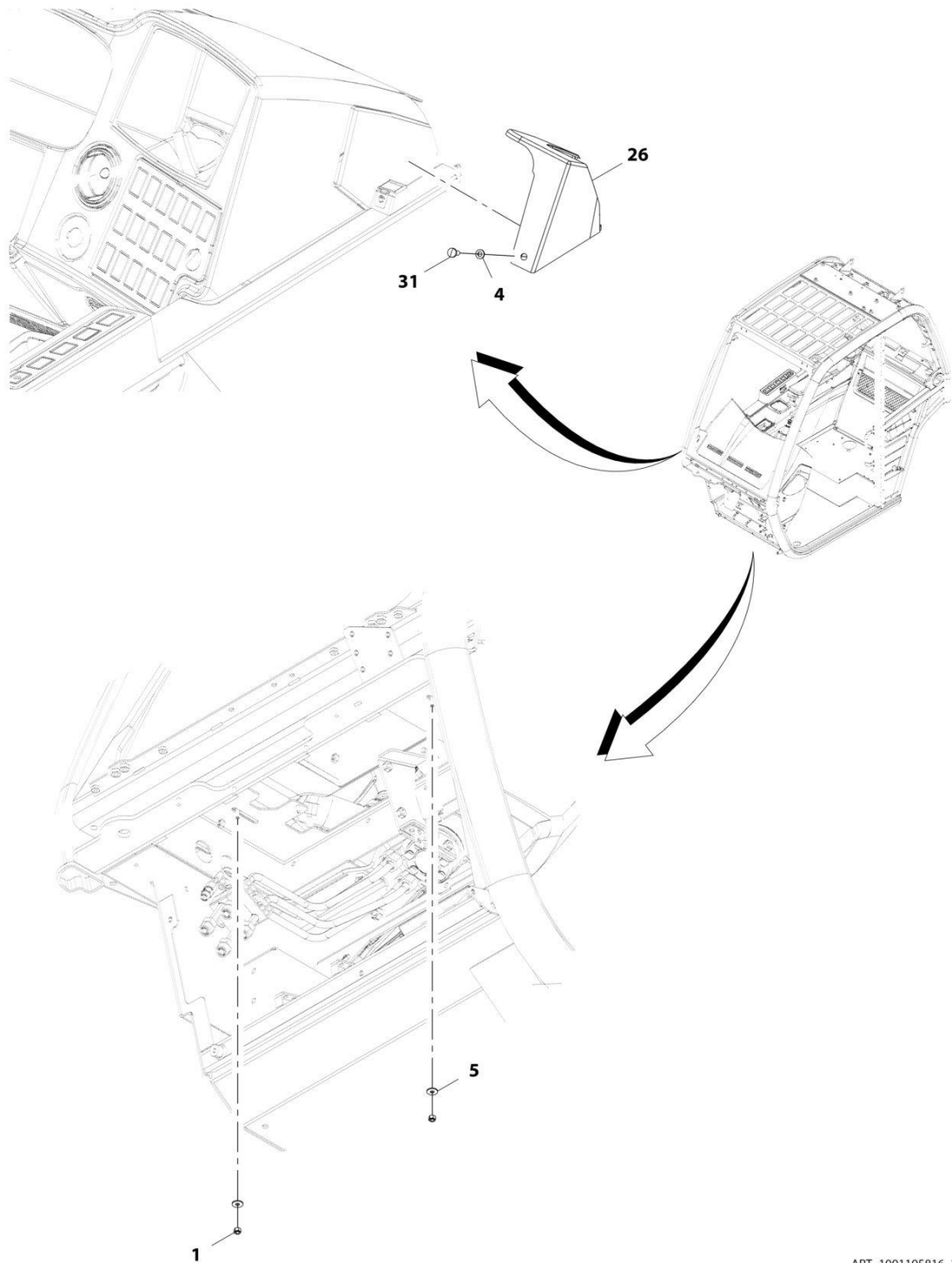
SECTION 6 - CAB

FIGURE 6-51. CAB TRIM INSTALLATION



ART_1001195816_1-I

SECTION 6 - CAB



ART_1001195816_2-I

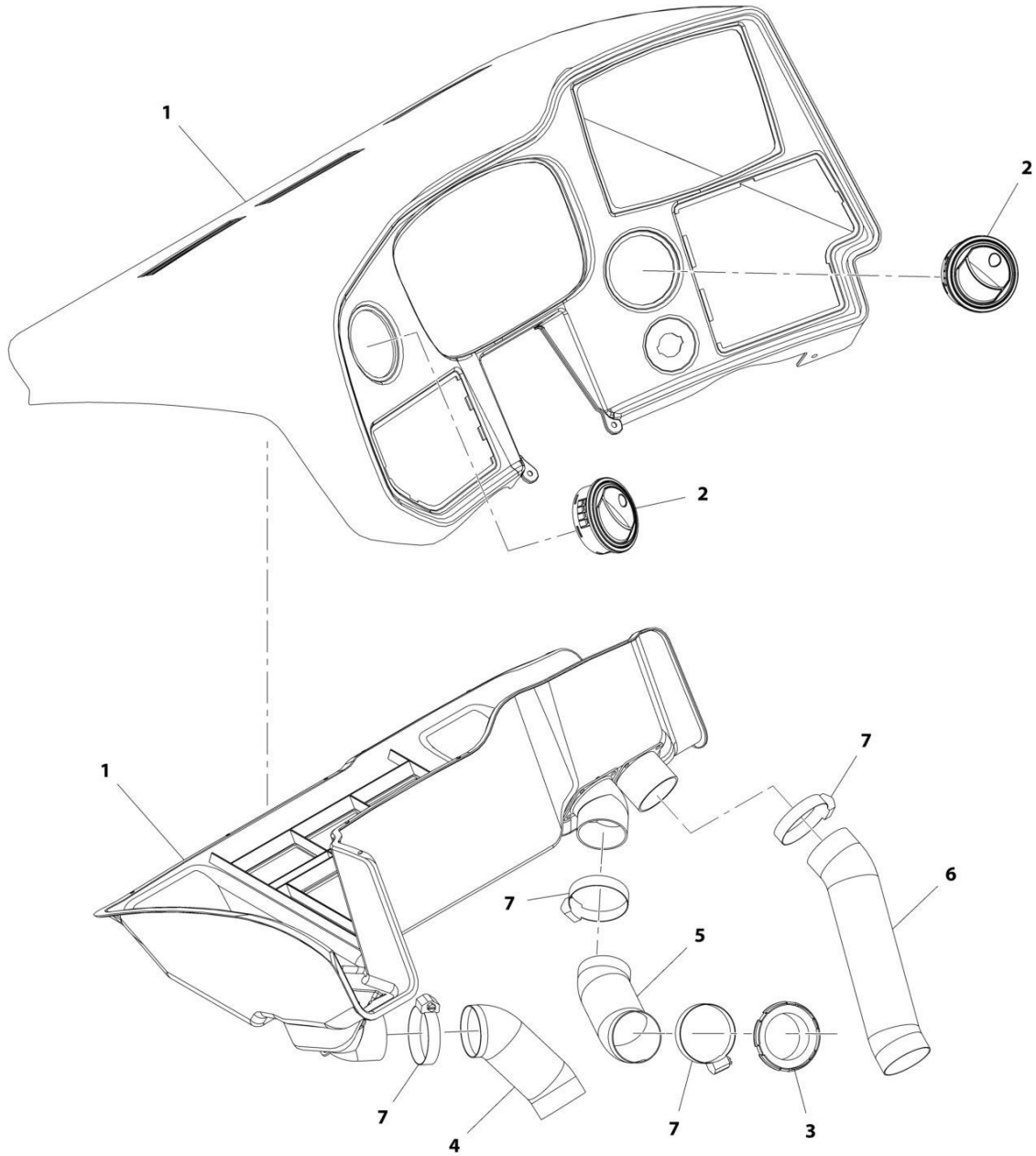
SECTION 6 - CAB

FIGURE 6-51. CAB TRIM INSTALLATION

ITEM	PART NUMBER	QTY	DESCRIPTION	REV
	1001195816	Ref	Cab Trim Installation	I
1	3290605	2	Nut, Lock M6X1	
2	4031608001	3	Screw, M5X20	
3	4811600	1	Washer, M5	
4	4811700001	23	Washer, M6	
5	4811702001	7	Washer, M6	
7	8305919	2	Nut, M6	
8	8405201	2	Clamp	
9	1001147449	2	Vent	
10	1001149278	2	Connector, Vent	
11	1001161252	1	Cover, LH C-Post	
12	1001161253	1	Cover, RH C-Post	
13	1001219864	1	Plate, Switch	
14	1001219865	1	Plate, Switch	
15	1001169603	1	Tray	
16	1001169604	1	Assembly, Dash Cover (See Separate Breakdown in this Section)	
17	1001161855	1	Cover, Side Dash	
18	1001170504	1	Cover, Recirculation Grille	
19	1001170518	1	Holder, Cup	
20	1001170519	1	Assembly, Rear Panel Cover (See Separate Breakdown in this Section)	
21	1001173965	1	Bezel, Net	
22	1001175903	1	Cover, Lower Dash	
23	1001219863	1	Plate, Switch	
24	1001181726	1	Installation, Armrest (See Separate Breakdown in this Section)	
25	1001184975	1	Decal, HVAC	
26	1001185870	1	Cover, Lower A-Post	
27	1001189182	1	Cover, RH Side	
28	1001223265	2	Grommet	
29	1001195817	1	Cover, RH Extension	
30	1001195818	1	Panel, LH Side	
31	4010608002	26	Screw, M6X16	
32	4010610002	1	Screw, M6X20	
33	4010612002	3	Screw, M6X25	
34	1001211907	2	Screw	
35	1001208308	4	Thumb Screw, M6X15	
36	1001226481	1	Decal, Blank	
37	1001098150	1	Washer, M6	
38	1001132564	1	Screw, M6X20	
39	1001227133	2	Grommet	

SECTION 6 - CAB

FIGURE 6-52. DASH COVER ASSEMBLY



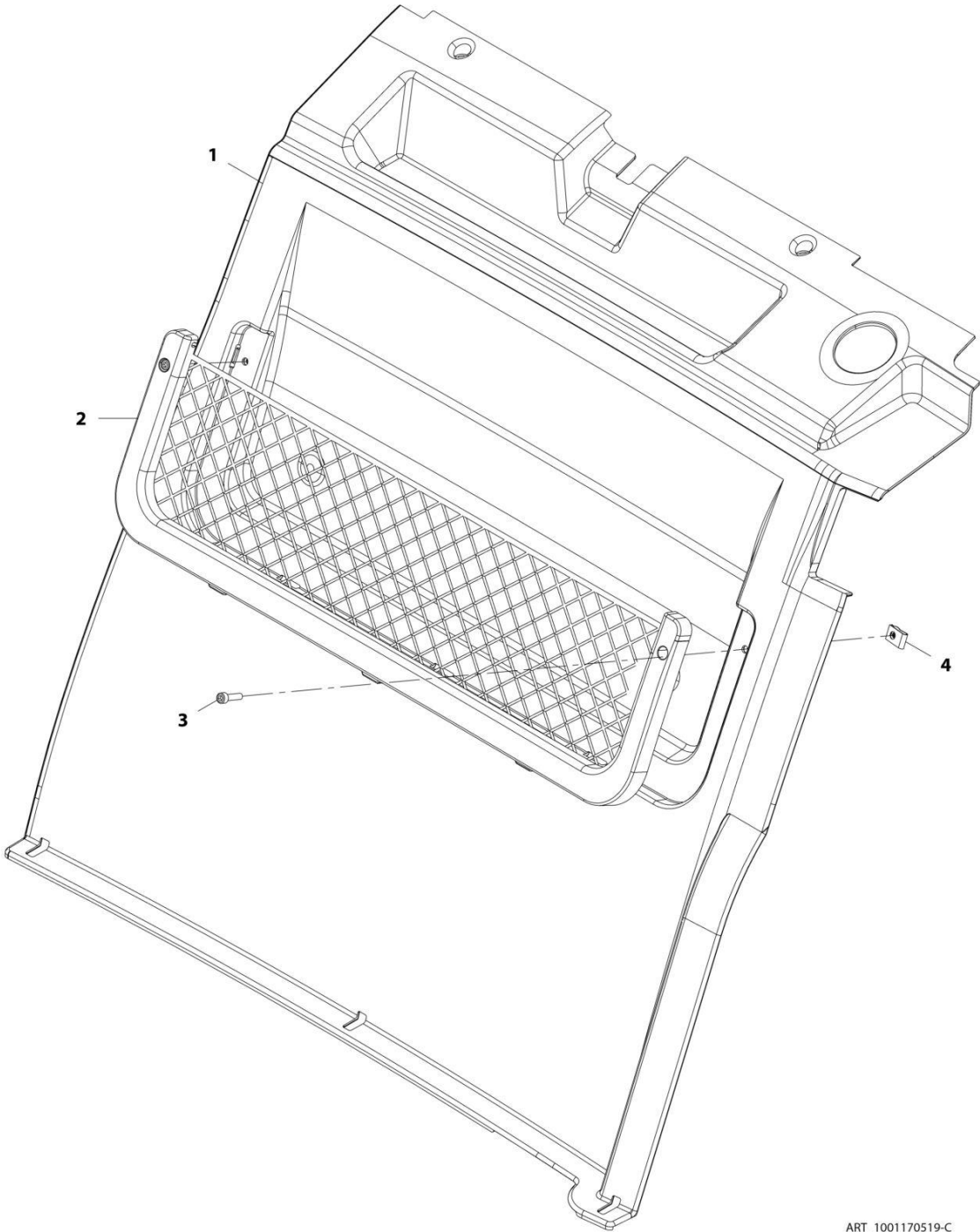
ART_1001169604-B

FIGURE 6-52. DASH COVER ASSEMBLY

ITEM	PART NUMBER	QTY	DESCRIPTION	REV
	1001169604	Ref	Dash Cover Assembly (Construction)	B
1	1001161851	1	Panel, Top Dash	
2	1001147449	2	Vent, Air	
3	1001149278	1	Vent, Connector	
4	1001174652	1	Hose	
5	1001174653	1	Hose	
6	1001174655	1	Hose	
7	8405201	4	Clamp, Gear	

SECTION 6 - CAB

FIGURE 6-53. REAR PANEL COVER ASSEMBLY



ART_1001170519-C

FIGURE 6-53. REAR PANEL COVER ASSEMBLY

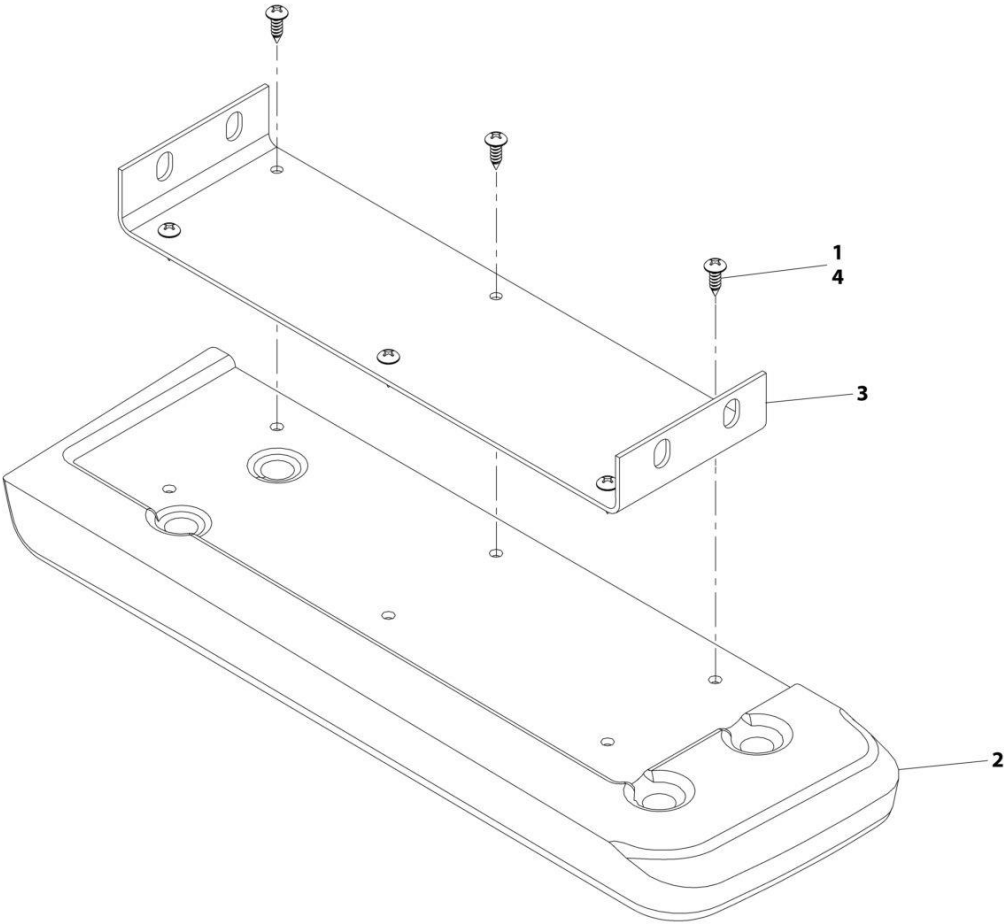
ITEM	PART NUMBER	QTY	DESCRIPTION	REV
	1001170519	Ref	Rear Panel Cover Assembly	C
1	1001161067	1	Panel, Rear	
2	1001170514	1	Storage Net, Rear Panel	
3	4031608	2	Bolt, M5X20	
4	1001183550	2	Nut, Cage M5	

FIGURE 6-54. ADJUSTABLE ARMREST INSTALLATION

ITEM	PART NUMBER	QTY	DESCRIPTION	REV
	1001181726	Ref	Adjustable Armrest Installation	F
1	0700610	4	Bolt, M6X20	
2	3290401	2	Nut, M4X0.7	
3	4811400	2	Washer, M4	
4	4811700	8	Washer, M6	
5	4831400	2	Washer, Lock M4	
6	1001097244	2	Screw, M4X12	
7	1001165458	4	Hose	
8	1001191281	1	Armrest (See Separate Breakdown in this Section)	
9	1001191283	1	Bracket, Fixed Armrest (See Separate Breakdown in this Section)	
10	1001191284	1	Bracket, Moving Armrest (See Separate Breakdown in this Section)	
11	1001191285	1	Spring	
12	1001191370	2	Screw, M6	
13	3290605	2	Nut, M6X1 Grade 8	
14	4010612002	4	Screw, M6X25	
15	0760608	2	Bolt, M6X16	
16	3290601	2	Nut, M6X1	
17	1001212468	1	Bracket, Locking Spring Mount	

SECTION 6 - CAB

FIGURE 6-55. ARMREST



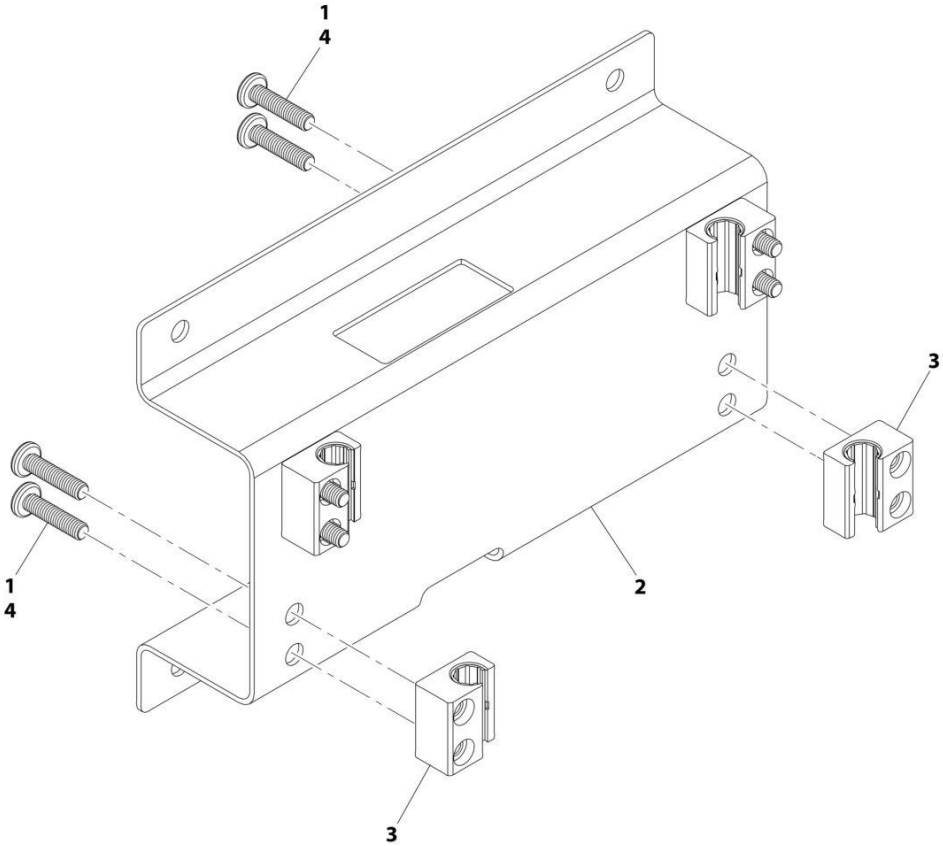
ART_1001191281

FIGURE 6-55. ARMREST

ITEM	PART NUMBER	QTY	DESCRIPTION	REV
	1001191281	Ref	Armrest	E
1	1001095650	AR	Adhesive	
2	1001179484	1	Armrest, Cab	
3	1001191282	1	Bracket, Armrest Pad	
4	1001192240	6	Screw	

SECTION 6 - CAB

FIGURE 6-56. FIXED ARMREST BRACKET



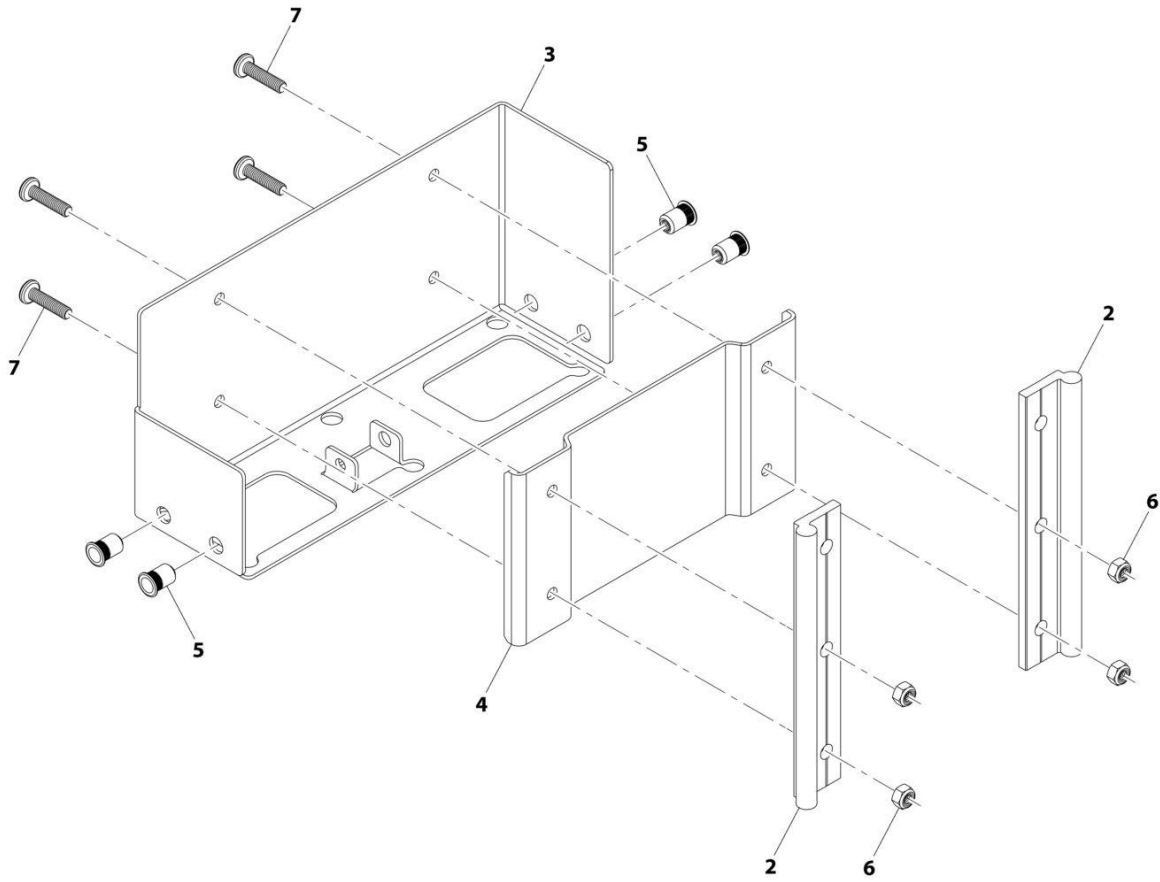
ART_1001191283-B

FIGURE 6-56. FIXED ARMREST BRACKET

ITEM	PART NUMBER	QTY	DESCRIPTION	REV
	1001191283	Ref	Fixed Armrest Bracket	B
1	1001095650	AR	Adhesive	
2	1001183597	1	Armrest Bracket	
3	1001191310	4	Slide Block	
4	4010612002	8	Screw	

SECTION 6 - CAB

FIGURE 6-57. MOVING ARMREST BRACKET



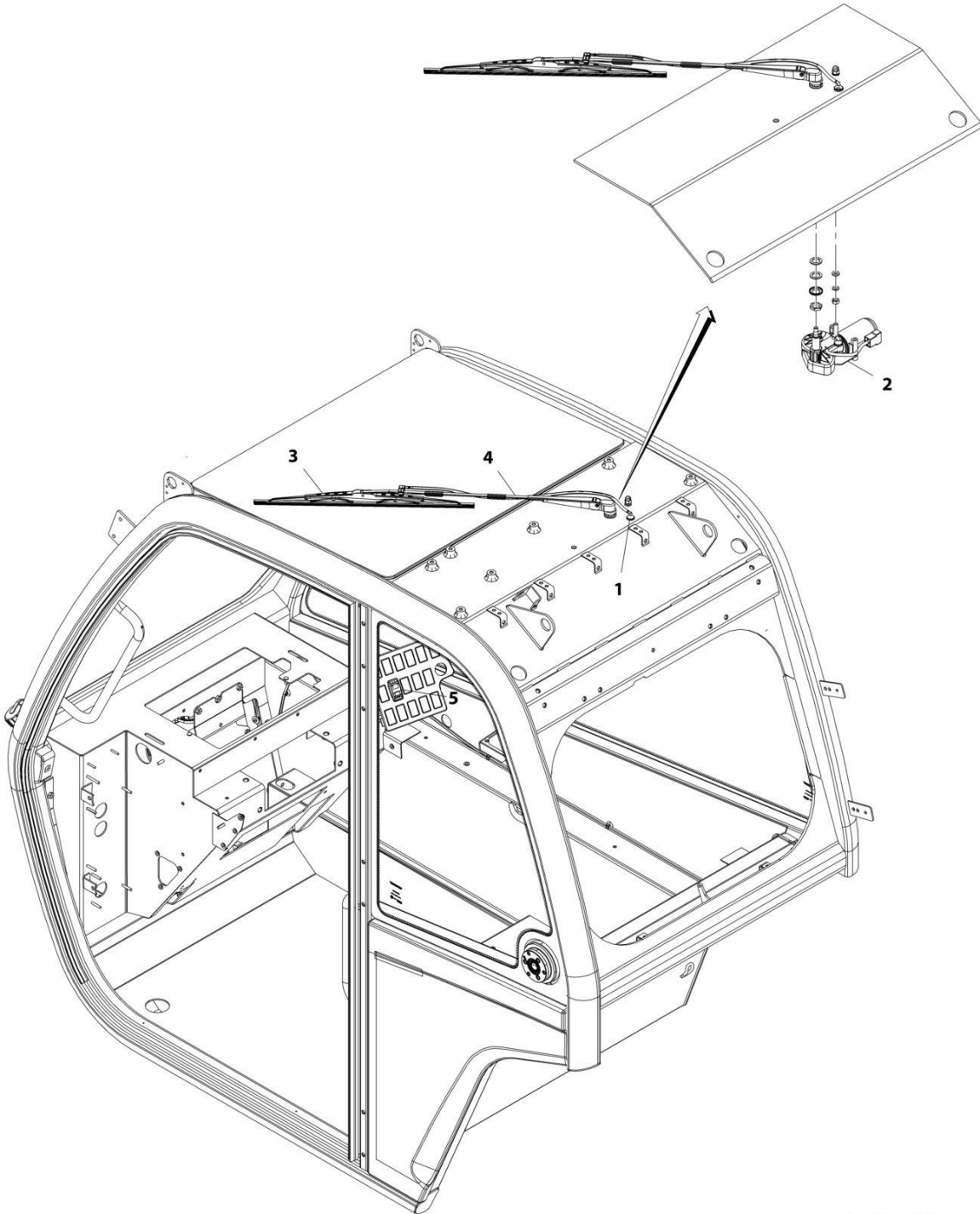
ART_1001191284-B

FIGURE 6-57. MOVING ARMREST BRACKET

ITEM	PART NUMBER	QTY	DESCRIPTION	REV
	1001191284	Ref	Moving Armrest Bracket	B
2	1001191311	2	Side Rail	
3	1001191312	1	Armrest Mount Bracket	
4	1001191313	1	Spacer Block Plate	
5	1001191959	4	Rivenut M6 X 1	
6	3290605	4	Nut, Lock M6X1	
7	4010612002	4	Screw, M6X25	

SECTION 6 - CAB

FIGURE 6-58. ROOF WIPER INSTALLATION



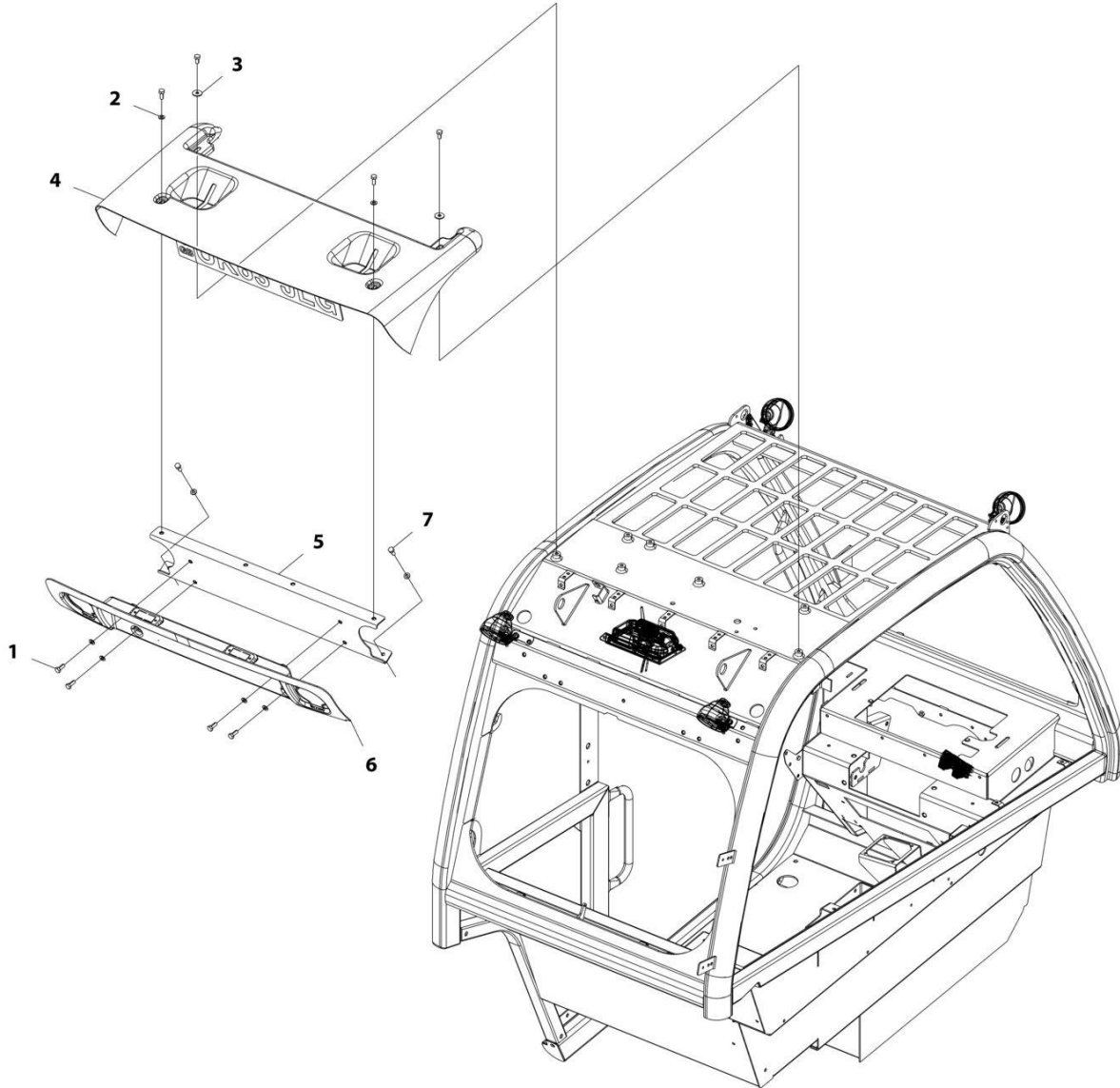
ART_1001155486-B

FIGURE 6-58. ROOF WIPER INSTALLATION

ITEM	PART NUMBER	QTY	DESCRIPTION	REV
	1001155486	Ref	Roof Wiper Installation	B
1	1001090343	1	Connector	
2	1001139551	1	Motor, Roof Wiper	
3	1001141313	1	Blade, Roof Wiper	
4	1001141311	1	Arm, Roof Wiper Blade	
5	1001159736	1	Switch, Roof Wiper	

SECTION 6 - CAB

FIGURE 6-59. ROOF CAP INSTALLATION (NO A/C)



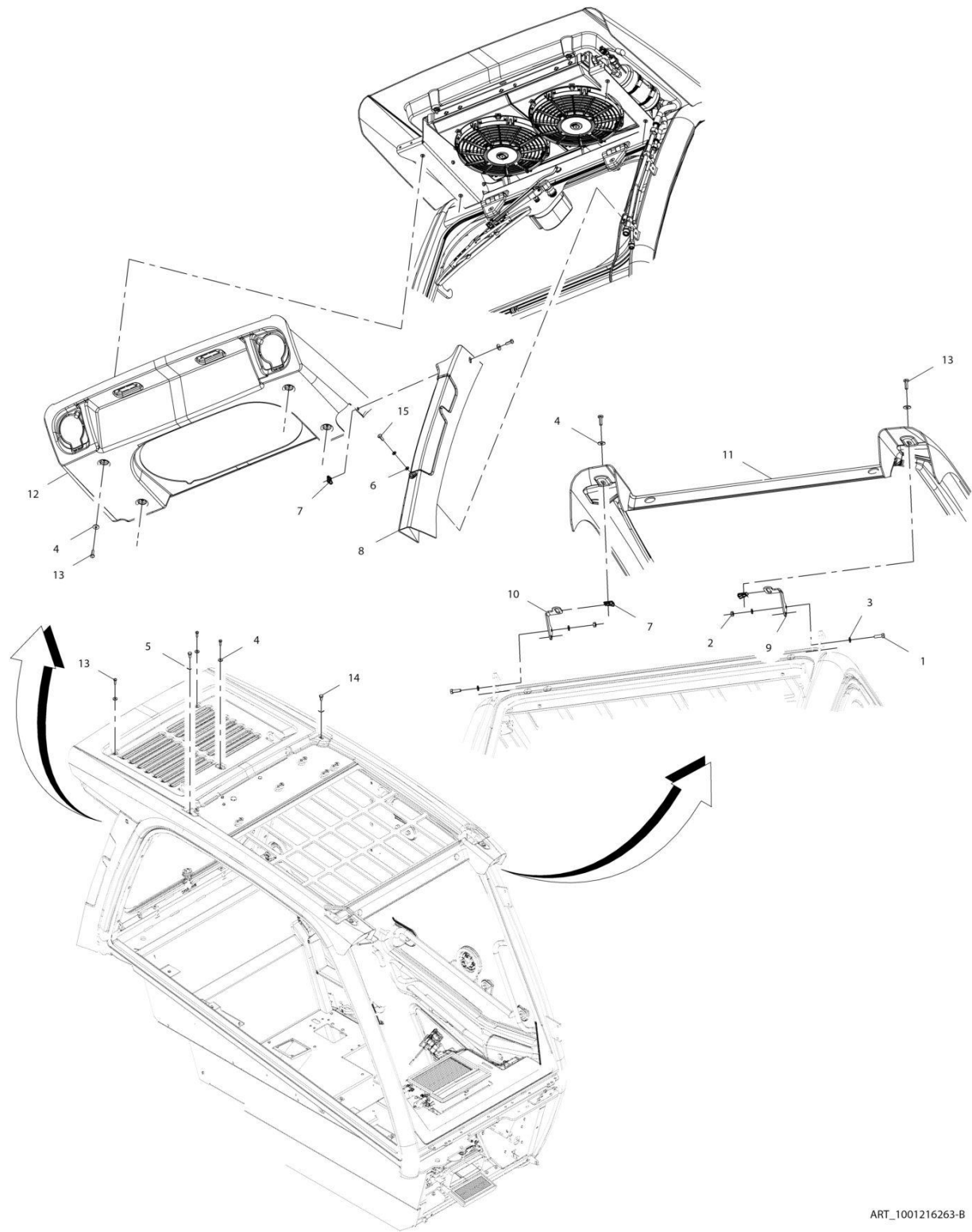
ART_1001216265

FIGURE 6-59. ROOF CAP INSTALLATION (NO A/C)

ITEM	PART NUMBER	QTY	DESCRIPTION	REV
	1001216265	Ref	Roof Cap Installation (No A/C)	B
1	0760810	8	Bolt, M8X20	
2	4811900	8	Washer, M8	
3	4811902	2	Washer, M8	
4	1001182330	1	Cover, Short Upper Roof Cap	
5	1001185633	1	Bracket, Roof Cap Mount	
6	1001216270	1	Cover, Short Lower Roof Cap	
7	0760808	2	Bolt, M8X16	

SECTION 6 - CAB

FIGURE 6-60. ROOF CAP INSTALLATION (A/C)



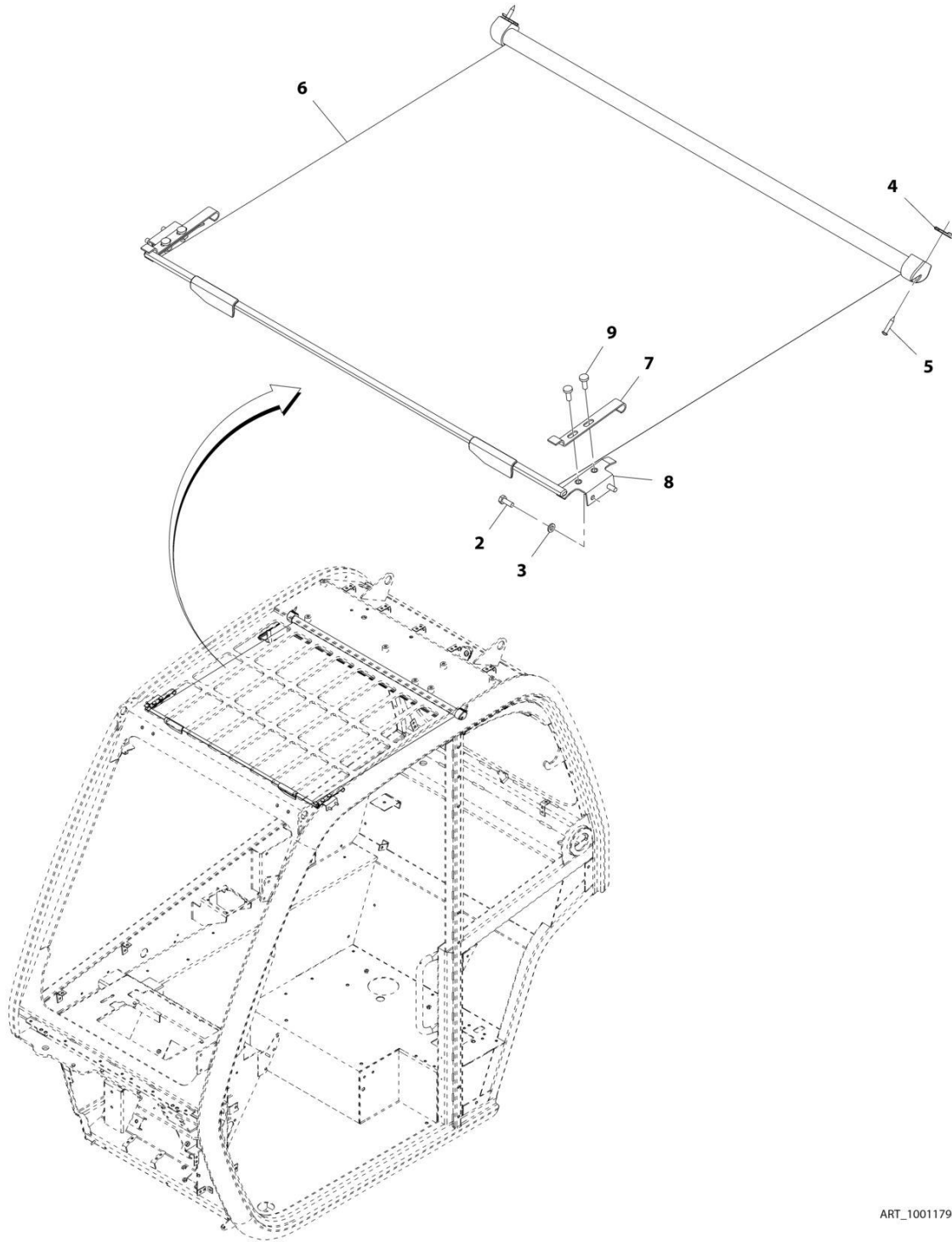
ART_1001216263-B

FIGURE 6-60. ROOF CAP INSTALLATION (A/C)

ITEM	PART NUMBER	QTY	DESCRIPTION	REV
	1001216263	Ref	Roof Cap (A/C) Installation	B
1	0700610	4	Bolt, M6X20	
2	3290601	4	Nut, M6X1	
3	4811700	9	Washer, M6	
4	4811702	10	Washer, M6	
5	4811902	2	Washer, M8	
6	4831700	1	Washer, Lock M6	
7	8305919	3	Nut, M6	
8	1001174741	1	Cover	
9	1001174800	1	Bracket	
10	1001174801	1	Bracket	
11	1001216267	1	Cover, Upper Roof Cap	
12	1001216269	1	Cover, Lower Roof Cap	
13	4010610002	10	Screw, Posi-Drive M6X20	
14	0760808	2	Bolt, M8X16	
15	4010608002	1	Screw, M6X16	

SECTION 6 - CAB

FIGURE 6-61. RETRACTABLE SUNSCREEN INSTALLATION



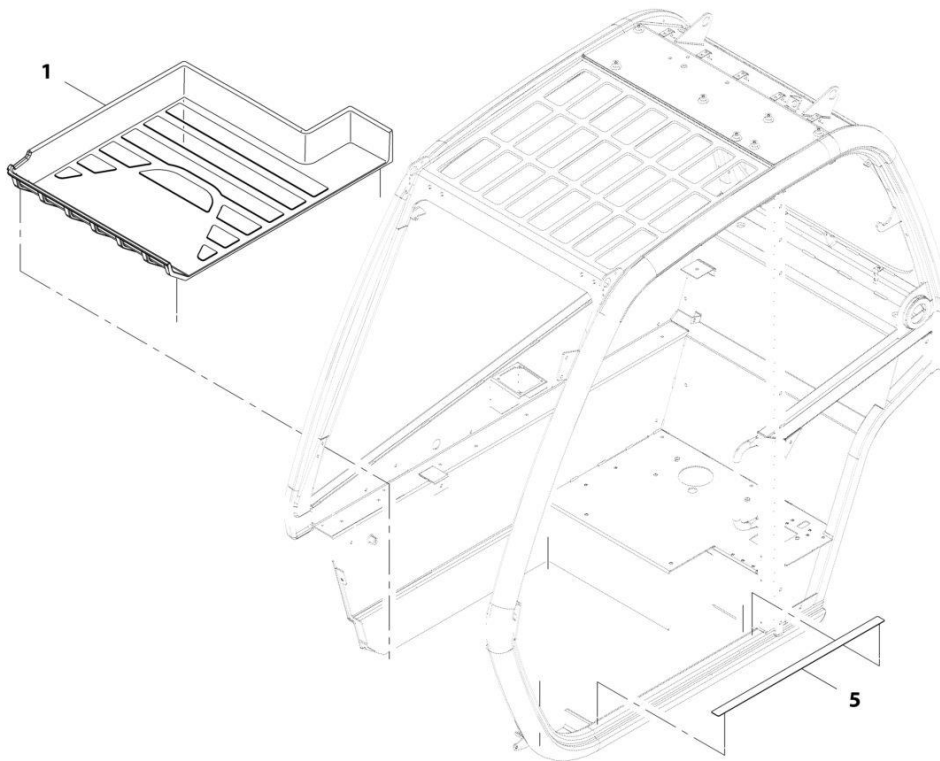
ART_1001179482-D

FIGURE 6-61. RETRACTABLE SUNSCREEN INSTALLATION

ITEM	PART NUMBER	QTY	DESCRIPTION	REV
	1001179482	Ref	Retractable Sunscreen Installation	D
2	0760608	4	Bolt, M6X16	
3	4811700	4	Washer, M6	
4	1001111076	2	Nut, Spire	
5	1001111147	2	Screw, Self Tapping	
6	1001179483	1	Cab, Sun Blind	
7	1001209463	2	Bracket	
8	1001166385	2	Bracket	
9	4010608002	4	Screw, Posi-Drive M6X16	

SECTION 6 - CAB

FIGURE 6-62. FLOOR MAT INSTALLATION



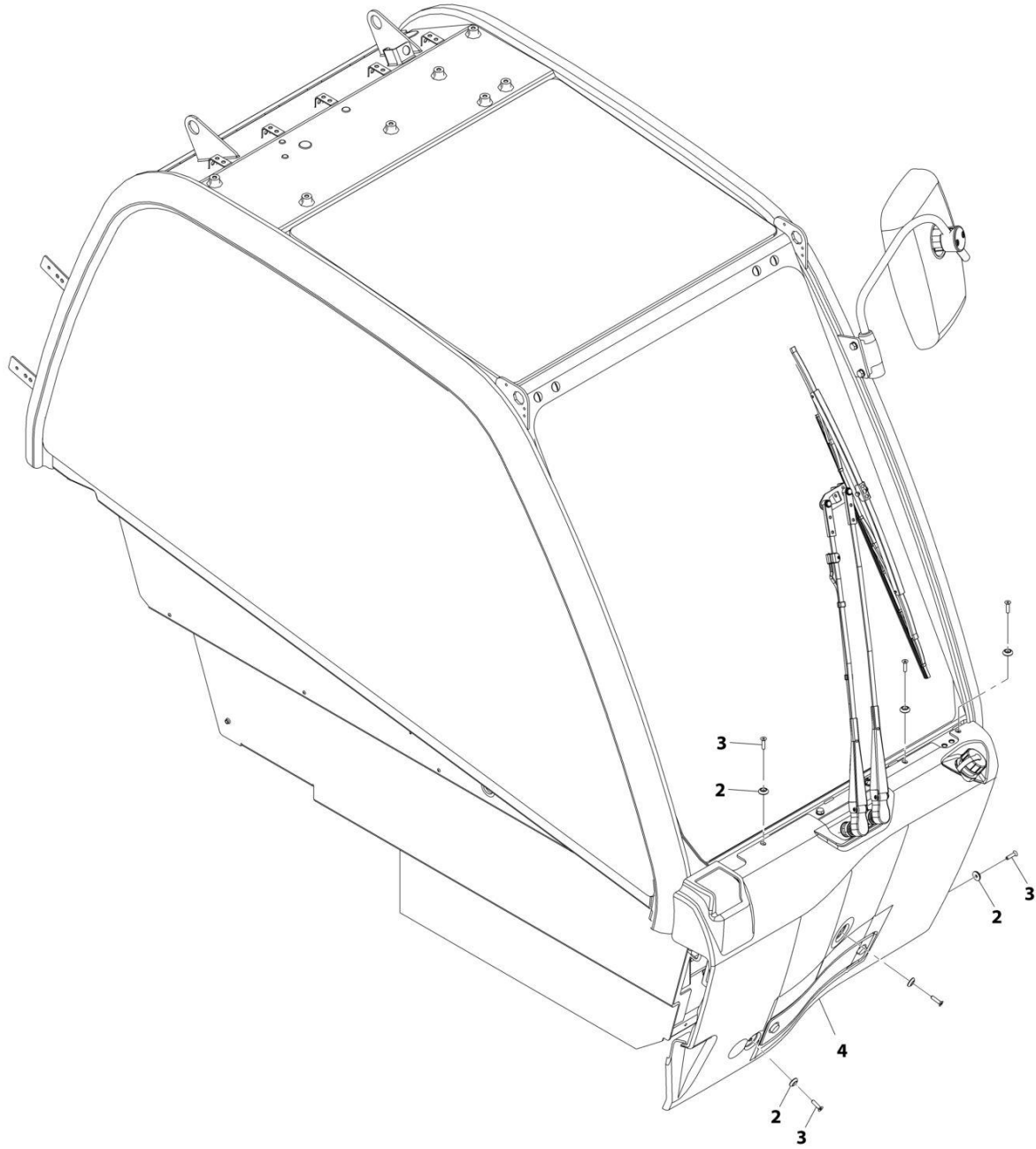
ART_1001161080-E

FIGURE 6-62. FLOOR MAT INSTALLATION

ITEM	PART NUMBER	QTY	DESCRIPTION	REV
	1001161080	Ref	Floor Mat Installation	E
1	1001161078	1	Cab, Floor Mat	
5	1001197259	1	Tape, Frame Non Skid	

SECTION 6 - CAB

FIGURE 6-63. ENCLOSED CAB FRONT COVER INSTALLATION



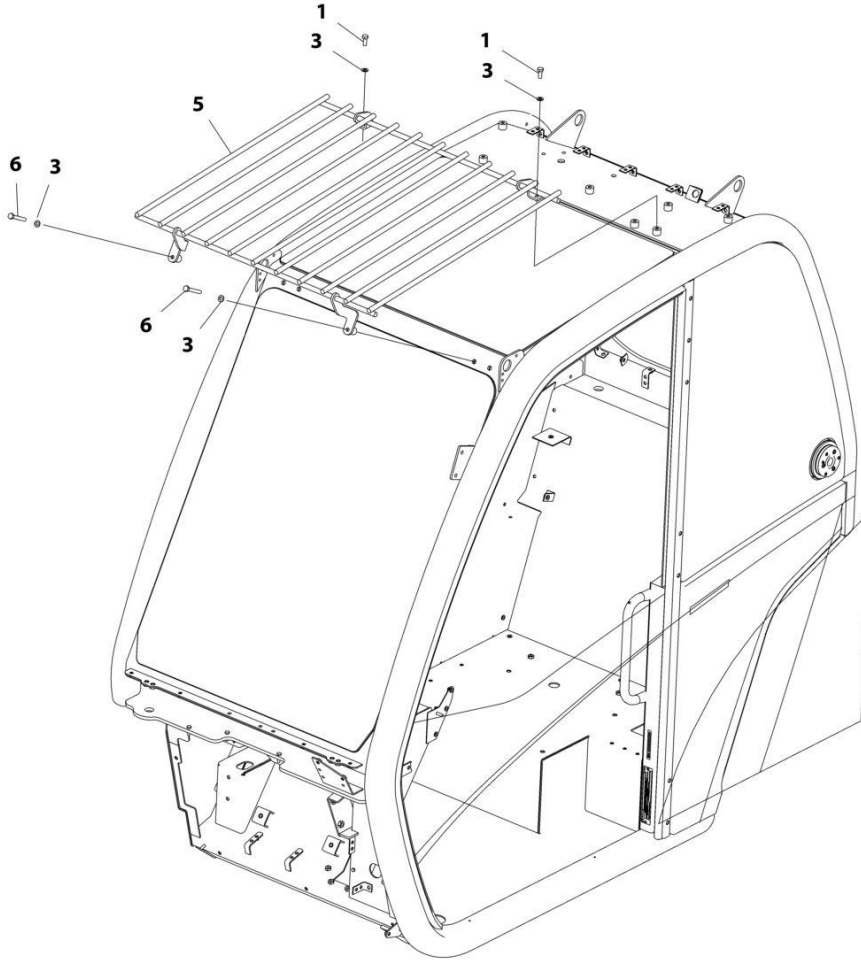
ART_1001179592-G

FIGURE 6-63. ENCLOSED CAB FRONT COVER INSTALLATION

ITEM	PART NUMBER	QTY	DESCRIPTION	REV
	1001179592	Ref	Enclosed Cab Front Cover Installation	G
2	1001097540	6	Washer, M6	
3	3900379	6	Screw, M6-1X25 Grade 10.9	
4	1001170325	1	Cover, Front	

SECTION 6 - CAB

FIGURE 6-64. CAB GUARD INSTALLATION (TOP)



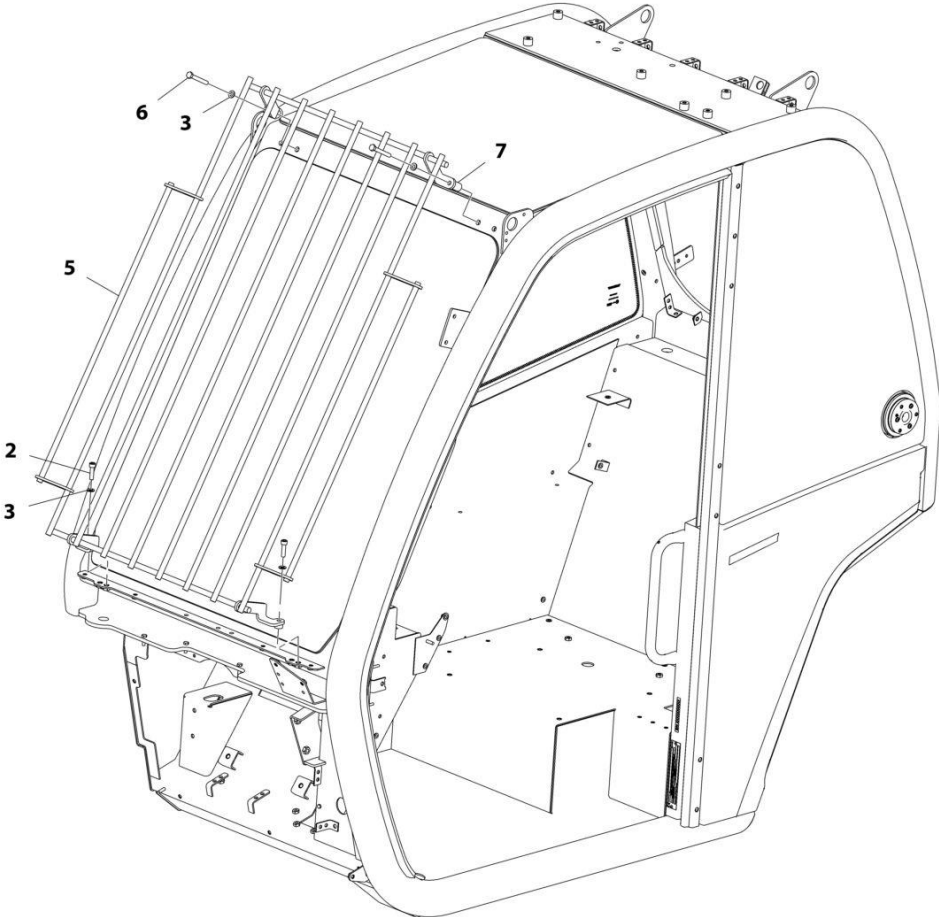
ART_1001160496

FIGURE 6-64. CAB GUARD INSTALLATION (TOP)

ITEM	PART NUMBER	QTY	DESCRIPTION	REV
	1001160496	Ref	Cab Guard Installation (Top)	G
1	0760810	2	Bolt, M8X20	
3	4811900	4	Washer, M8	
5	1001160503	1	Guard, Top Screen	
6	0700820	2	Bolt, M8X60	

SECTION 6 - CAB

FIGURE 6-65. CAB GUARD INSTALLATION (FRONT)



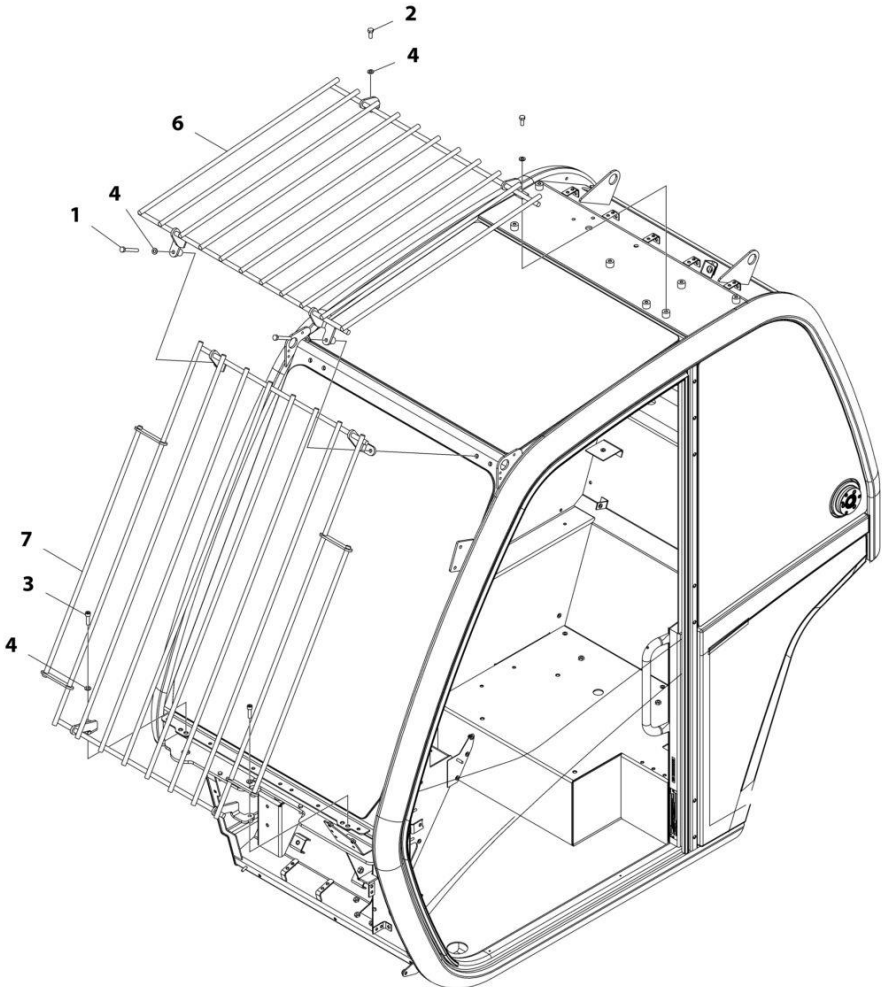
ART_1001160506-G

FIGURE 6-65. CAB GUARD INSTALLATION (FRONT)

ITEM	PART NUMBER	QTY	DESCRIPTION	REV
	1001160506	Ref	Cab Guard Installation (Front)	G
2	4031910	2	Bolt, M8X30	
3	4811900	4	Washer, M8	
5	1001180263	1	Guard, Front Screen	
6	0700820	2	Bolt, M8X60	
7	1001173257	2	Spacer	

SECTION 6 - CAB

FIGURE 6-66. CAB GUARD INSTALLATION (TOP AND FRONT)



ART_1001172774

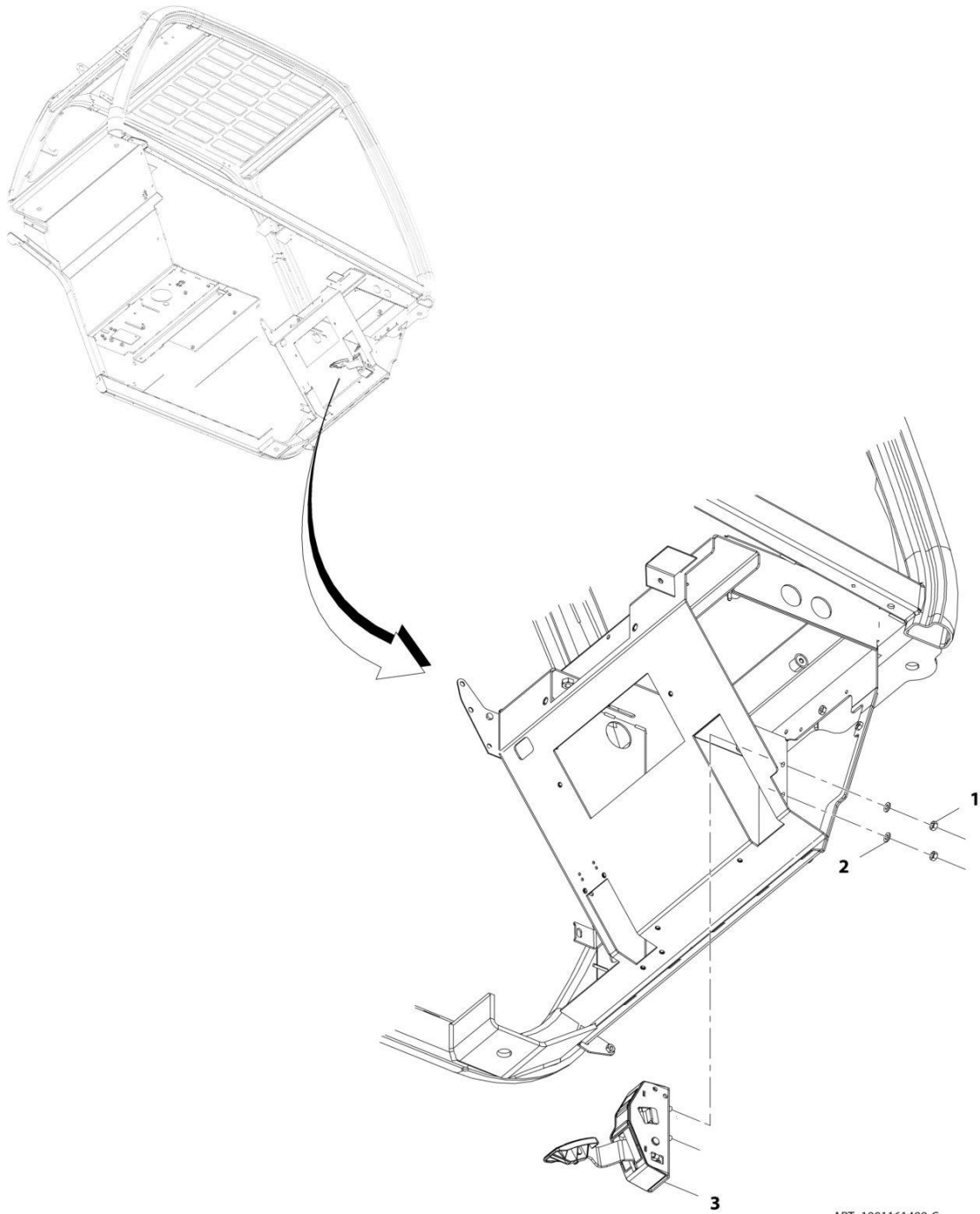
FIGURE 6-66. CAB GUARD INSTALLATION (TOP AND FRONT)

ITEM	PART NUMBER	QTY	DESCRIPTION	REV
	1001172774	Ref	CAB GUARD INSTALLATION (TOP AND FRONT)	G
1	0700820	2	Bolt M8 x 60	
2	0760810	2	Bolt M8 x 20	
3	4031910	2	Bolt M8 x 30	
4	4811900	6	Washer M8	
6	1001160503	1	Guard, Top Screen	
7	1001180263	1	Guard, Front Screen	

SECTION 7 - CONTROLS

SECTION 7 - CONTROLS

FIGURE 7-1. ACCELERATOR PEDAL INSTALLATION



ART_1001161499-C

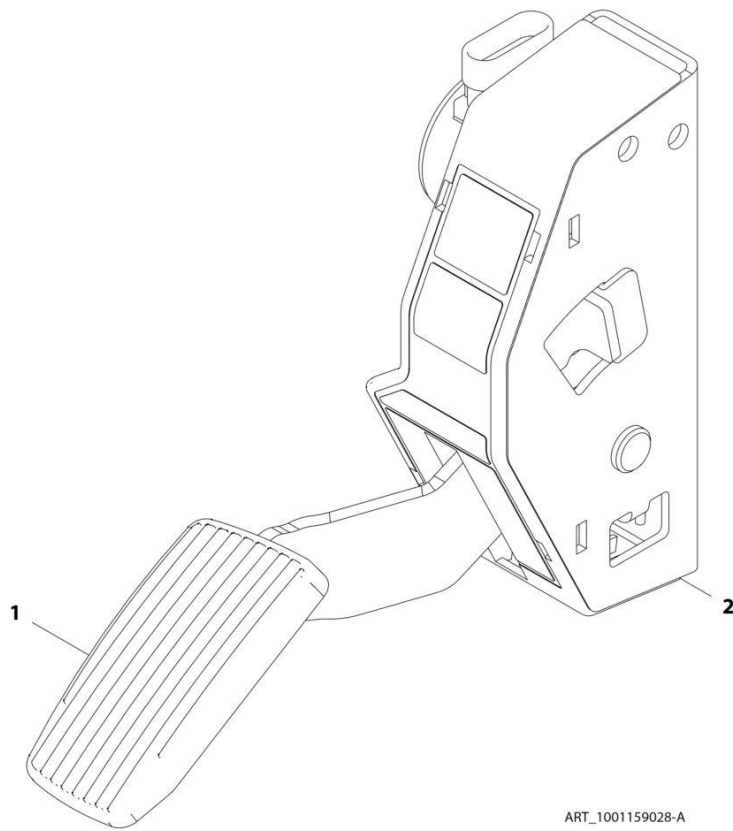
SECTION 7 - CONTROLS

FIGURE 7-1. ACCELERATOR PEDAL INSTALLATION

ITEM	PART NUMBER	QTY	DESCRIPTION	REV
	1001161499	Ref	Accelerator Pedal Installation	C
1	3290801	2	Nut, M8X1.25	
2	4811900	2	Washer, M8	
3	1001159028	1	Pedal, Accelerator (See Separate Breakdown in this Section)	

SECTION 7 - CONTROLS

FIGURE 7-2. ACCELERATOR PEDAL



ART_1001159028-A

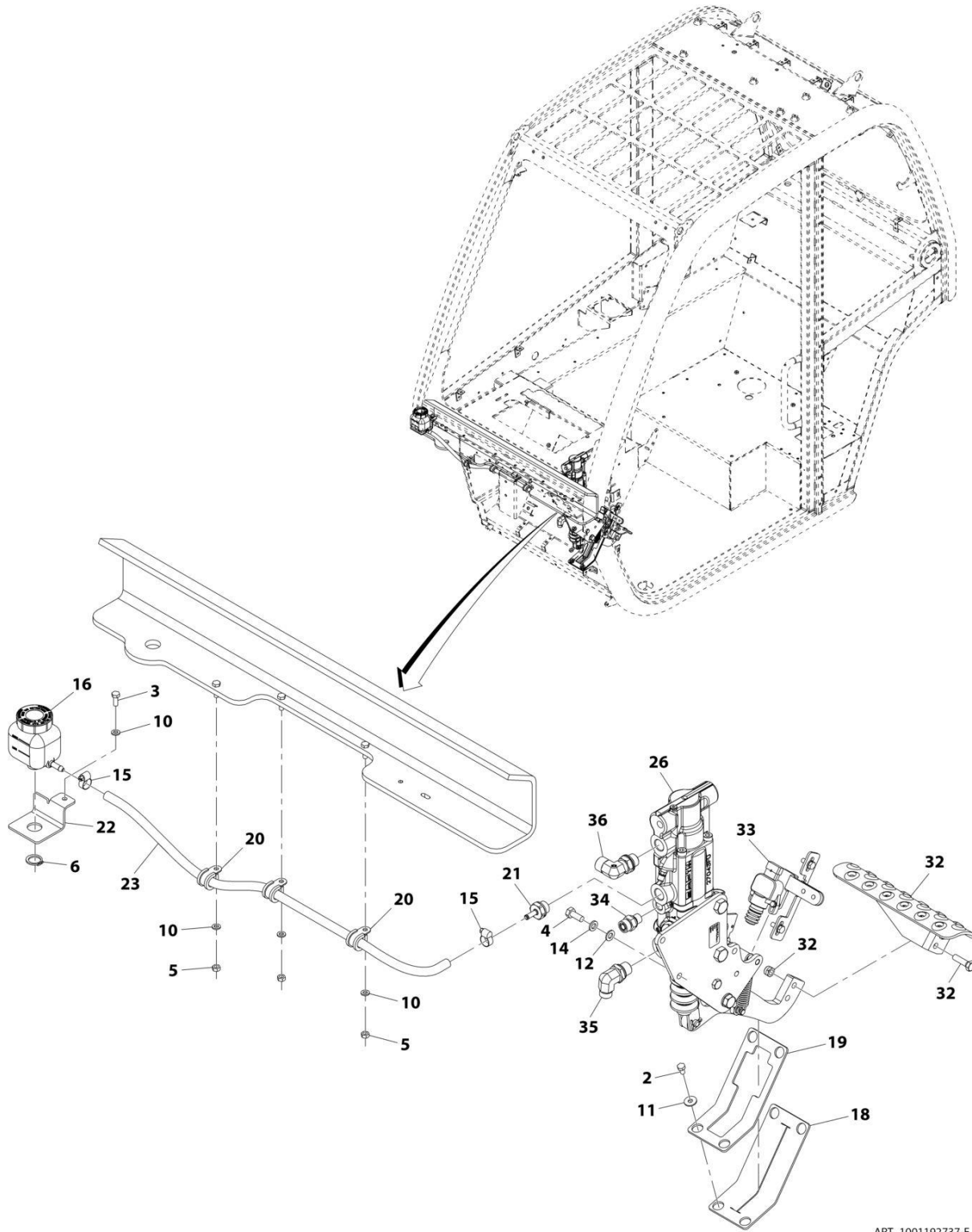
SECTION 7 - CONTROLS

FIGURE 7-2. ACCELERATOR PEDAL

ITEM	PART NUMBER	QTY	DESCRIPTION	REV
	1001159028	Ref	Accelerator Pedal	A
1	70025816	1	Pad, Rubber	
2	70025817	1	Cover, Rubber	

SECTION 7 - CONTROLS

FIGURE 7-3. BRAKE PEDAL INSTALLATION



ART_1001192737-E

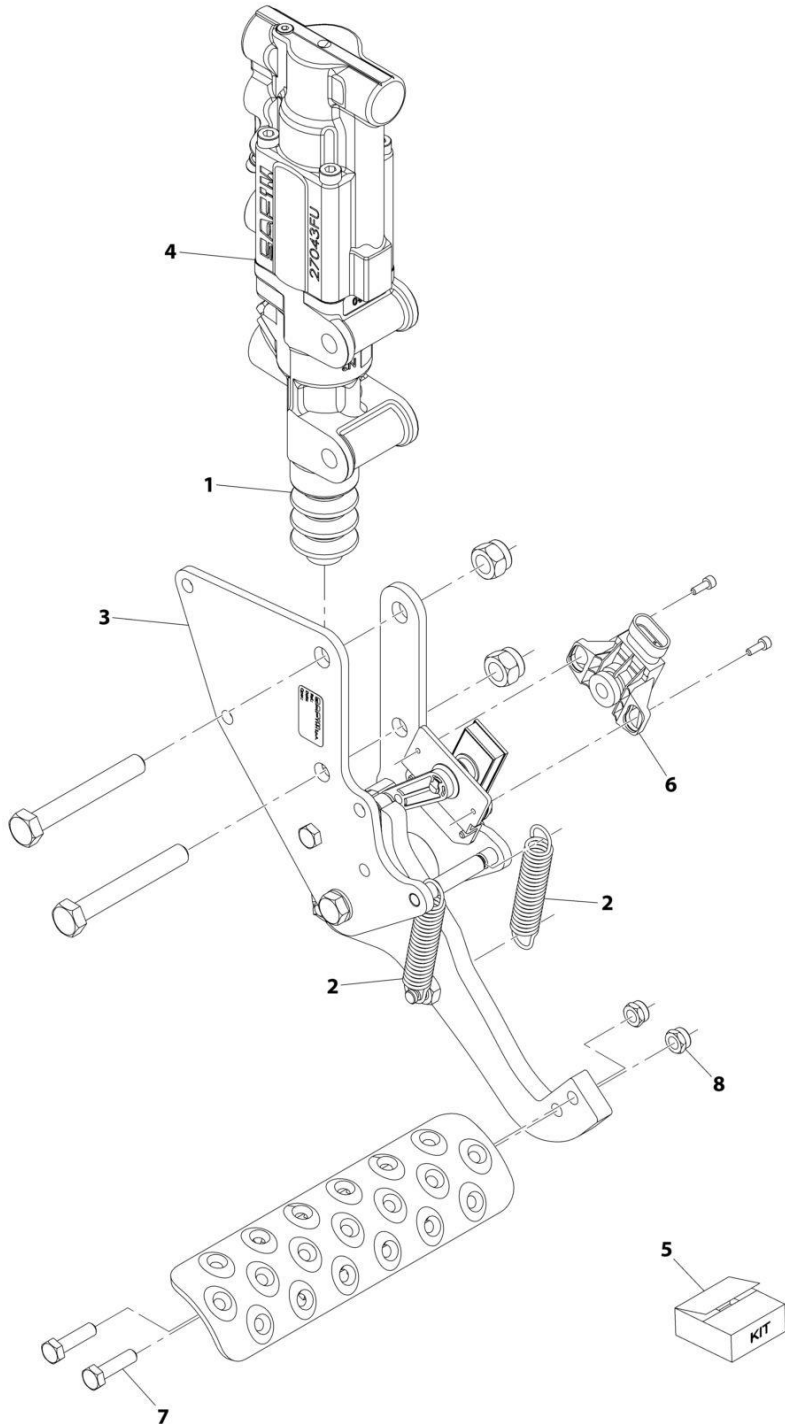
SECTION 7 - CONTROLS

FIGURE 7-3. BRAKE PEDAL INSTALLATION

ITEM	PART NUMBER	QTY	DESCRIPTION	REV
	1001192737	Ref	Brake Pedal Installation	E
2	0760605	4	Bolt, M6X10	
3	0760608	1	Bolt, M6X16	
4	0760810	3	Bolt, M8X20	
5	3290601	3	Nut, M6X1	
6	3760348	1	Ring, Retaining	
10	4811700	4	Washer, M6	
11	4811702	4	Washer, M6	
12	4811900	3	Washer, M8	
14	4831900	3	Washer, Lock M8	
15	8405009	2	Clamp	
16	1001214220	1	Reservoir, Brake	
18	1001162920	1	Seal	
19	1001162922	1	Plate	
20	1001170231	3	Clip	
21	1001171874	1	Fitting, Straight	
22	1001172088	1	Bracket	
23	1001172094	1	Hose	
26	1001213265	1	Assembly, Brake Pedal (See Separate Breakdown in this Section)	
32	1001197139	1	Plate, Brake Pedal	
33	1001205061	Ref	Installation, Brake Sensor (See Separate Breakdown in this Section)	
34	80233218	1	Fitting, Straight ORFS	
35	80333151	1	Fitting, 90 ORFS	
36	1001168054	1	Fitting, 90 ORFS	

SECTION 7 - CONTROLS

FIGURE 7-4. BRAKE PEDAL ASSEMBLY



ART_1001213265-A

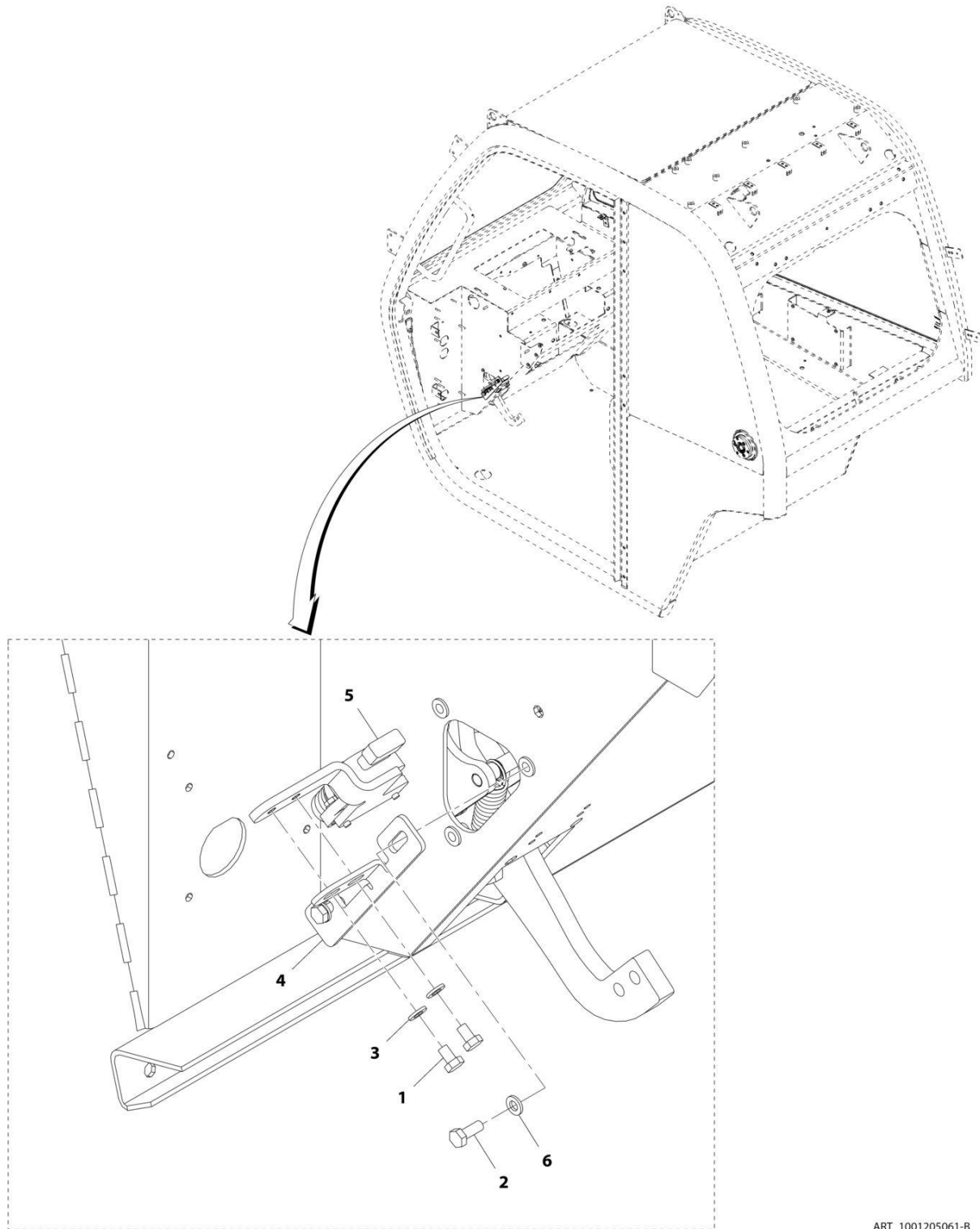
SECTION 7 - CONTROLS

FIGURE 7-4. BRAKE PEDAL ASSEMBLY

ITEM	PART NUMBER	QTY	DESCRIPTION	REV
	1001213265	Ref	Brake Pedal Assembly	A
1	70025859	1	Cover, Dust	
2	70025860	2	Spring, Return	
3	70028381	1	Support, Pedal	
4	70028382	1	Cylinder, Master	
5	70026434	1	Kit, Seal	
6	70028383	1	Sensor, Angle	
7	0770814	2	Bolt, M8X30 Grade 10.9	
8	3290805	2	Nut, Lock M8X1.25 Grade 8	

SECTION 7 - CONTROLS

FIGURE 7-5. BRAKE SENSOR INSTALLATION



ART_1001205061-B

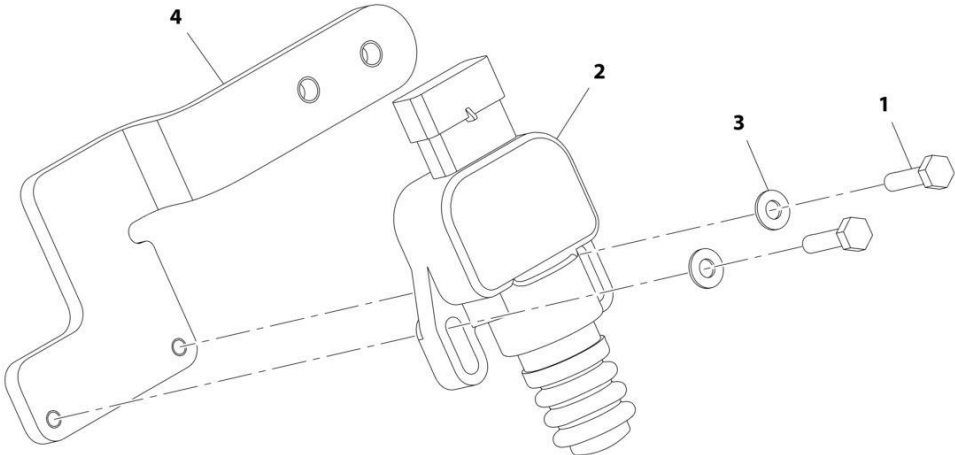
SECTION 7 - CONTROLS

FIGURE 7-5. BRAKE SENSOR INSTALLATION

ITEM	PART NUMBER	QTY	DESCRIPTION	REV
	1001205061	Ref	Brake Sensor Installation	B
1	0760605	2	Bolt, M6X10	
2	0760608	2	Bolt, M6X16	
3	4811700	2	Washer, M6	
4	1001201499	1	Plate, Switch Adjustment	
5	1001201501	1	Assembly, Switch Plate (See Separate Breakdown in this Section)	
6	4811702	2	Washer, M6	

SECTION 7 - CONTROLS

FIGURE 7-6. SWITCH PLATE ASSEMBLY



ART_1001201501-A

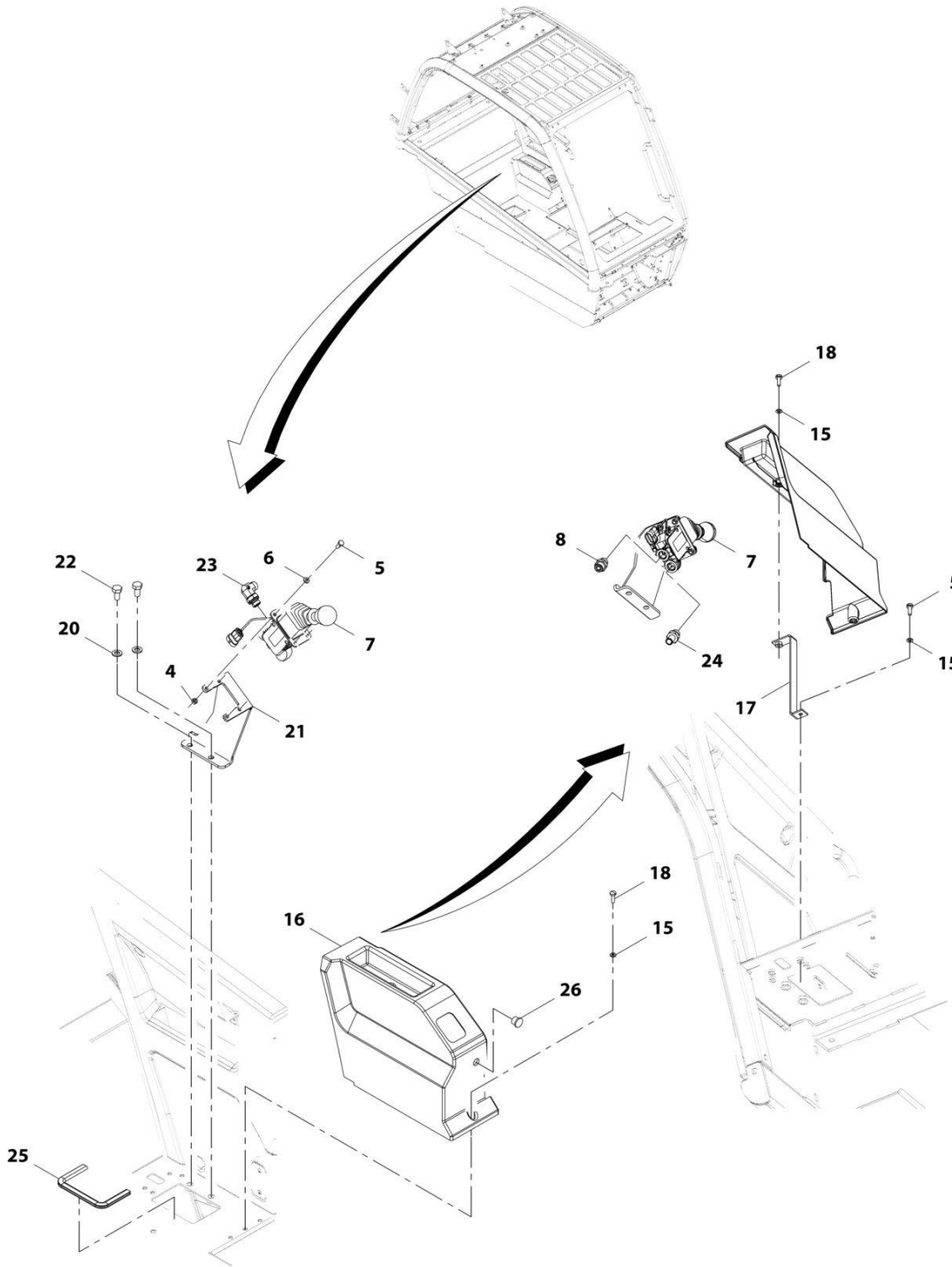
SECTION 7 - CONTROLS

FIGURE 7-6. SWITCH PLATE ASSEMBLY

ITEM	PART NUMBER	QTY	DESCRIPTION	REV
	1001201501	Ref	Switch Plate Assembly	A
1	0700408	2	Bolt, M4X16	
2	4360658	1	Sensor, Brake	
3	4811400	2	Washer, M4	
4	1001201500	1	Plate	

SECTION 7 - CONTROLS

FIGURE 7-7. PARK BRAKE INSTALLATION



ART_1001162062-M

SECTION 7 - CONTROLS

FIGURE 7-7. PARK BRAKE INSTALLATION

ITEM	PART NUMBER	QTY	DESCRIPTION	REV
	1001162062	Ref	Park Brake Installation	M
4	3290601	4	Nut, M6X1	
5	0760608	5	Bolt, M6X16	
6	4831700	4	Washer, Lock M6	
7	1001207956	1	Hydraulic Hand Brake	
7	70020922	1	Kit, Seal	
8	1001101702	1	Fitting, Straight ORFS	
15	4811700	3	Washer, M6	
16	1001193474	1	Panel	
17	1001195254	1	Bracket	
18	4010610002	2	Screw, M6X20	
20	4812000	2	Washer, M10	
21	1001191915	1	Bracket	
22	0761010	2	Bolt, M10X20	
23	1001125222	1	Fitting, 90 ORFS	
24	1001206744	1	Fitting, Grease	
25	1001208037	1	Seal	
26	3520028	1	Plug	

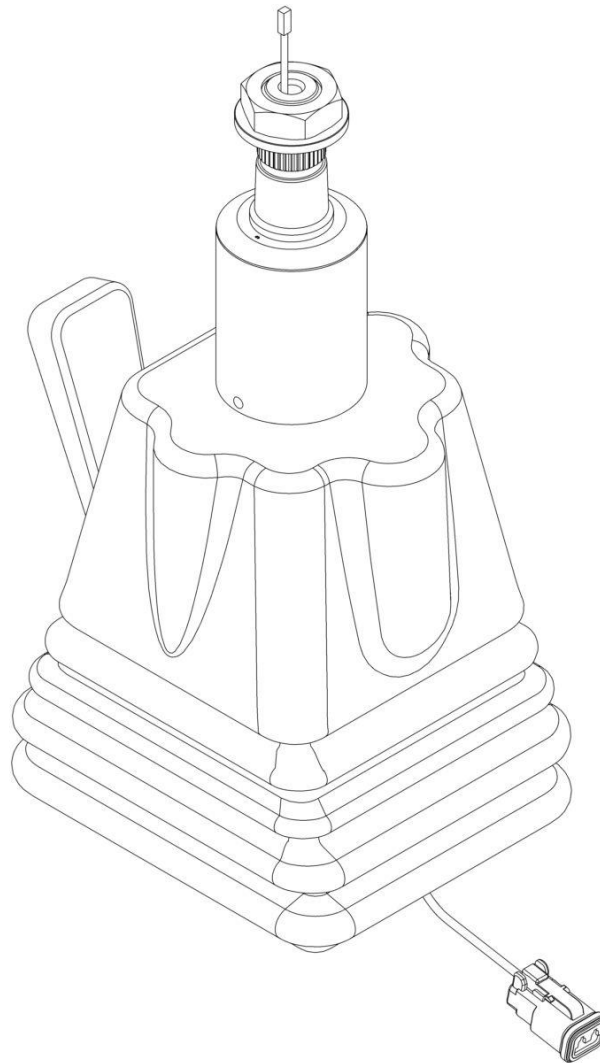
SECTION 7 - CONTROLS

FIGURE 7-8. TILT STEERING COLUMN INSTALLATION

ITEM	PART NUMBER	QTY	DESCRIPTION	REV
	1001192410	Ref	Tilt Steering Column Installation	1
1	0700824	1	Bolt M8 x 80	
2	0760608	1	Bolt M6 x 16	
3	0761012	8	Bolt M10 x 25	
4	2130404	1	Fitting, 90 ORFS	
5	2130808	2	Fitting, 90 ORFS	
6	2170208	2	Fitting, 90 ORFS	
7	4811702	1	Washer M6	
8	4811900	1	Washer M8	
9	4812000	8	Washer M10	
10	1001004640	4	Clamp	
11	1001095650	AR	Adhesive (Not Shown)	
13	1001257330	1	Column, Tilt Steering (See Separate Breakdown in this Section)	
14	1001156265	1	Bracket, Support	
15	1001161672	1	Pipe	
16	1001161896	1	Pipe	
17	1001161897	1	Pipe	
18	1001161898	1	Pipe	
19	1001168142	1	Bracket	
20	1001168151	1	Bracket	
21	1001178670	1	Valve, Steer (See Separate Breakdown in HYDRAULICS COMPONENTS Section)	
22	1001194282	1	Pipe	
25	1001227945	1	Valve, Check	

SECTION 7 - CONTROLS

FIGURE 7-9. TILT STEERING COLUMN



ART_1001257330

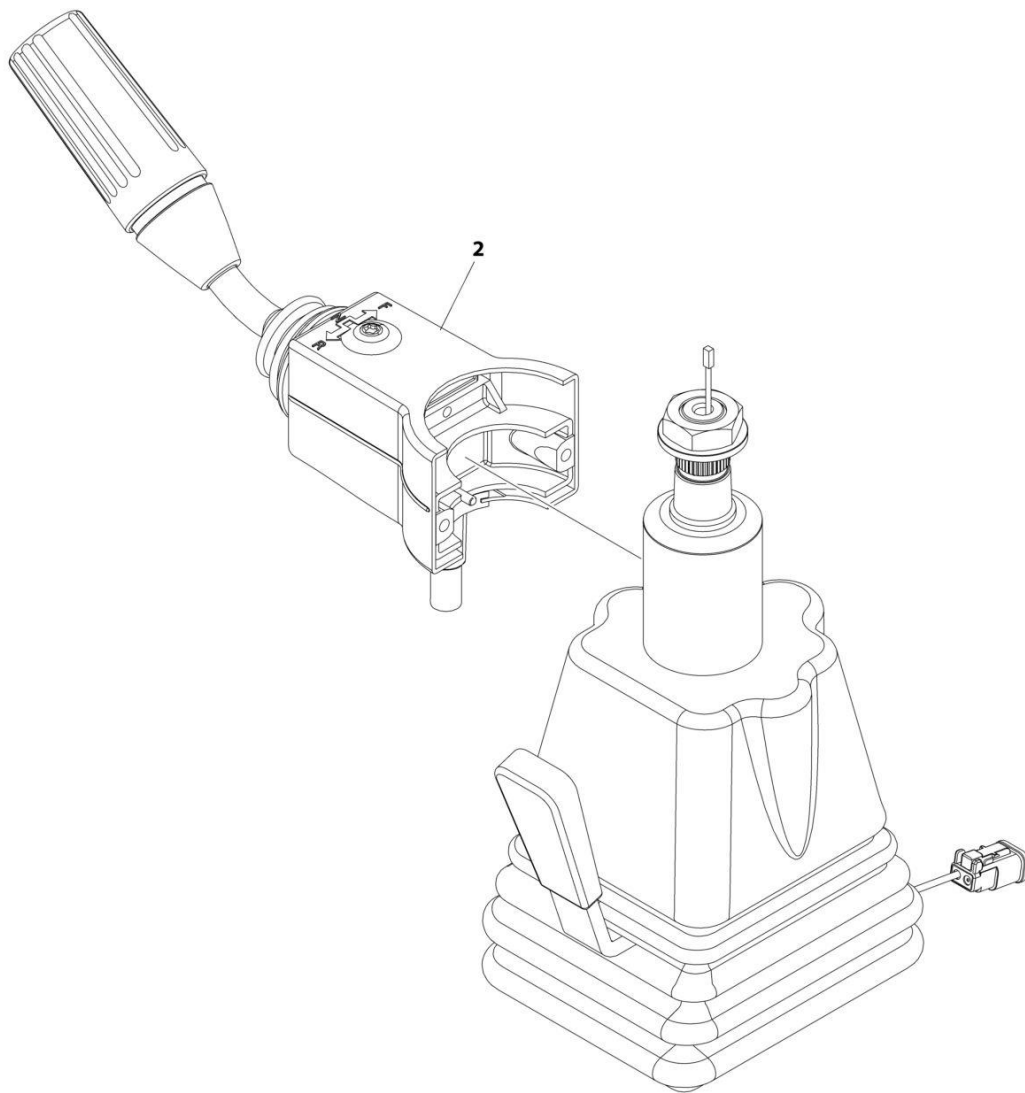
SECTION 7 - CONTROLS

FIGURE 7-9. TILT STEERING COLUMN

ITEM	PART NUMBER	QTY	DESCRIPTION	REV
	1001257330	Ref Ref	TILT STEERING COLUMN Note: No Service Parts Available - Purchase Complete Assembly	A

SECTION 7 - CONTROLS

FIGURE 7-10. COLUMN SHIFT INSTALLATION (2 SPEED)



ART_1001220507_B

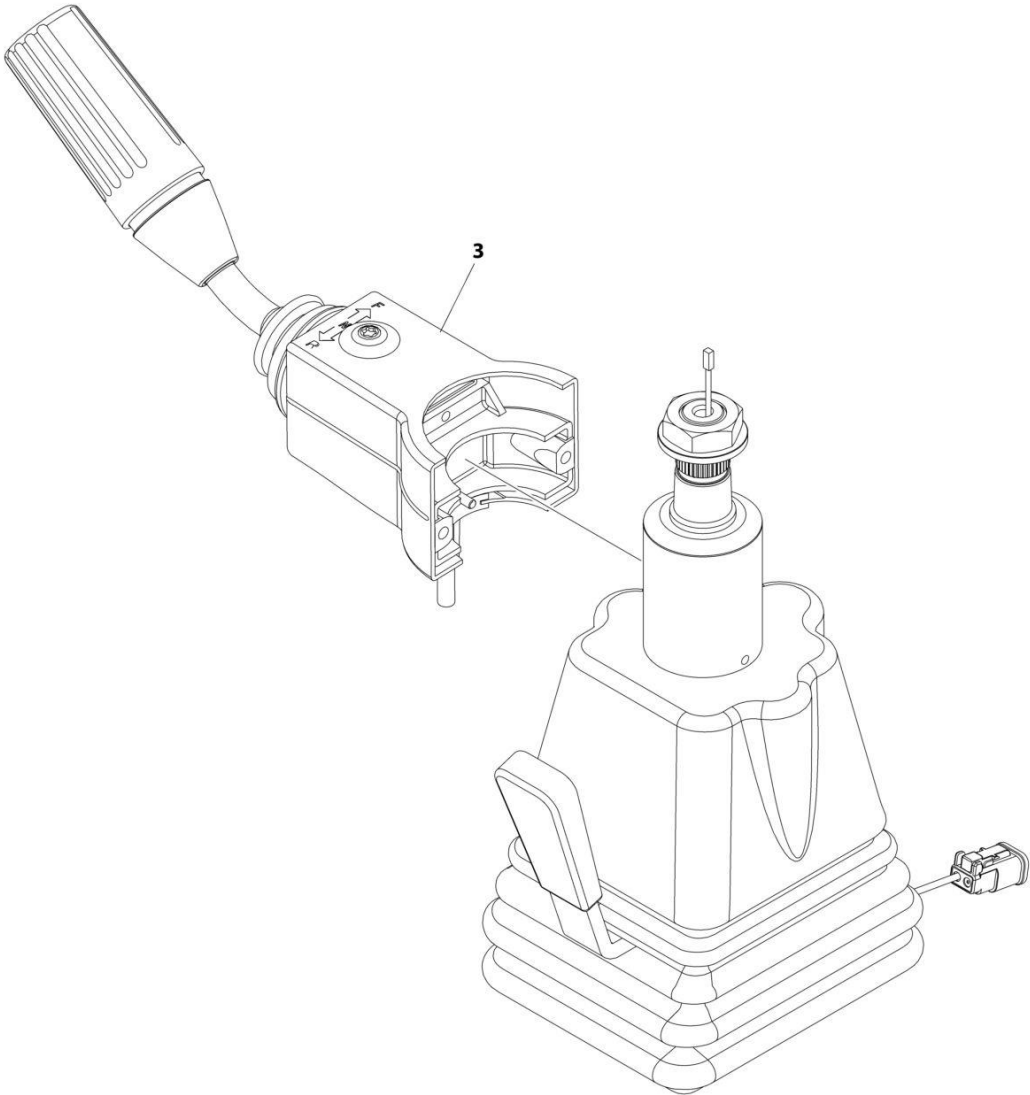
SECTION 7 - CONTROLS

FIGURE 7-10. COLUMN SHIFT INSTALLATION (2 SPEED)

ITEM	PART NUMBER	QTY	DESCRIPTION	REV
2	1001220507 1001257088	Ref 1	Column Shift Installation (2 Speed) Lever, FNR (2 Speed)	B

SECTION 7 - CONTROLS

FIGURE 7-11. COLUMN SHIFT INSTALLATION (0 SPEED)



ART_1001179931_D

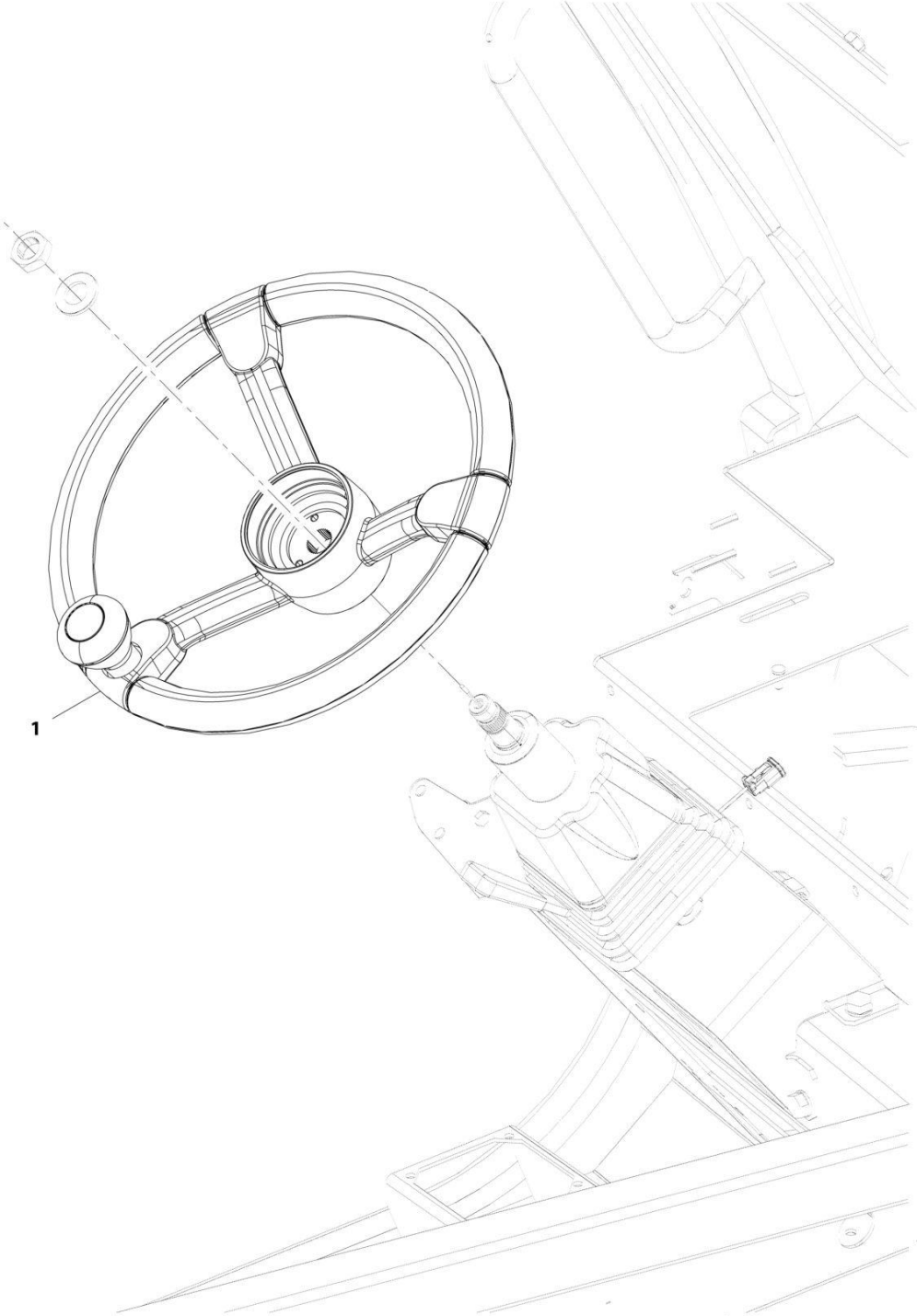
SECTION 7 - CONTROLS

FIGURE 7-11. COLUMN SHIFT INSTALLATION (0 SPEED)

ITEM	PART NUMBER	QTY	DESCRIPTION	REV
3	1001179931 1001257348	Ref 1	Column Shift Installation (0 Speed) Lever, FNR (0 Speed)	D

SECTION 7 - CONTROLS

FIGURE 7-12. STEERING WHEEL INSTALLATION



ART_1001169751-C

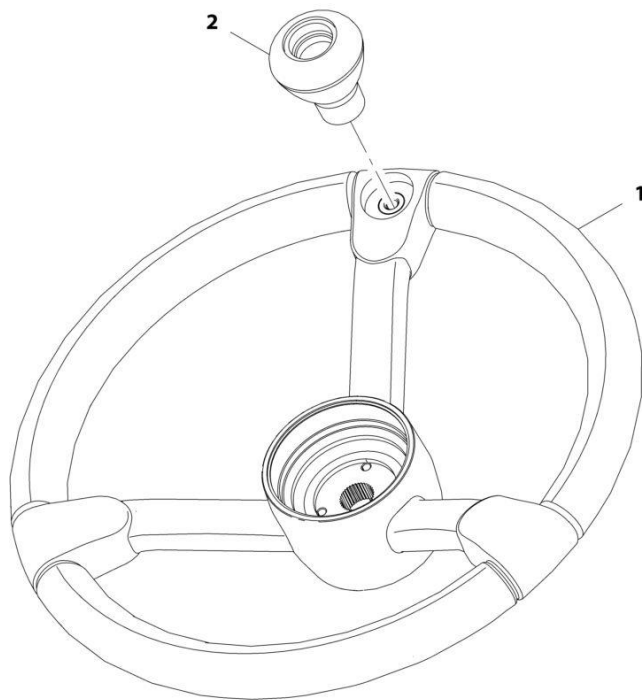
SECTION 7 - CONTROLS

FIGURE 7-12. STEERING WHEEL INSTALLATION

ITEM	PART NUMBER	QTY	DESCRIPTION	REV
1	1001169751 1001169354	Ref 1	Steering Wheel Installation Wheel, Steering (See Separate Breakdown in this Section)	C

SECTION 7 - CONTROLS

FIGURE 7-13. STEERING WHEEL



ART_1001169354-D

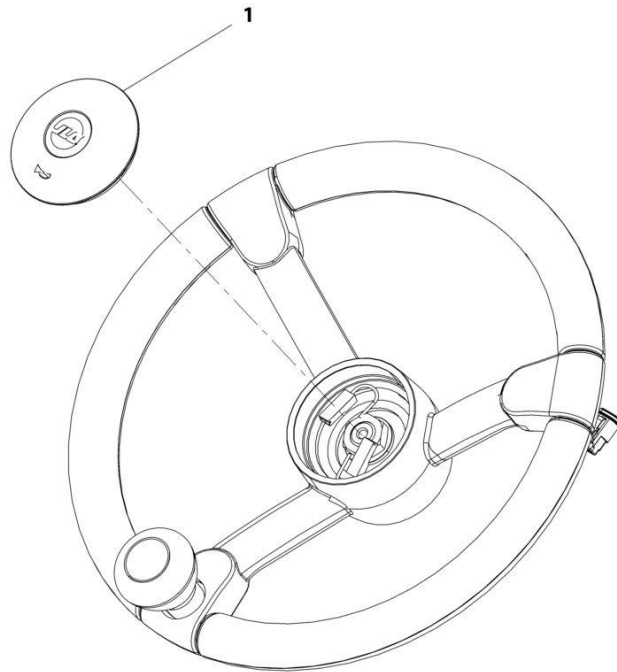
SECTION 7 - CONTROLS

FIGURE 7-13. STEERING WHEEL

ITEM	PART NUMBER	QTY	DESCRIPTION	REV
	1001169354	Ref	Steering Wheel	D
1	1001169367	1	Wheel, Steering	
2	1001169355	1	Handle, Steer Spinner	

SECTION 7 - CONTROLS

FIGURE 7-14. HORN BUTTON INSTALLATION



ART_1001169763-A

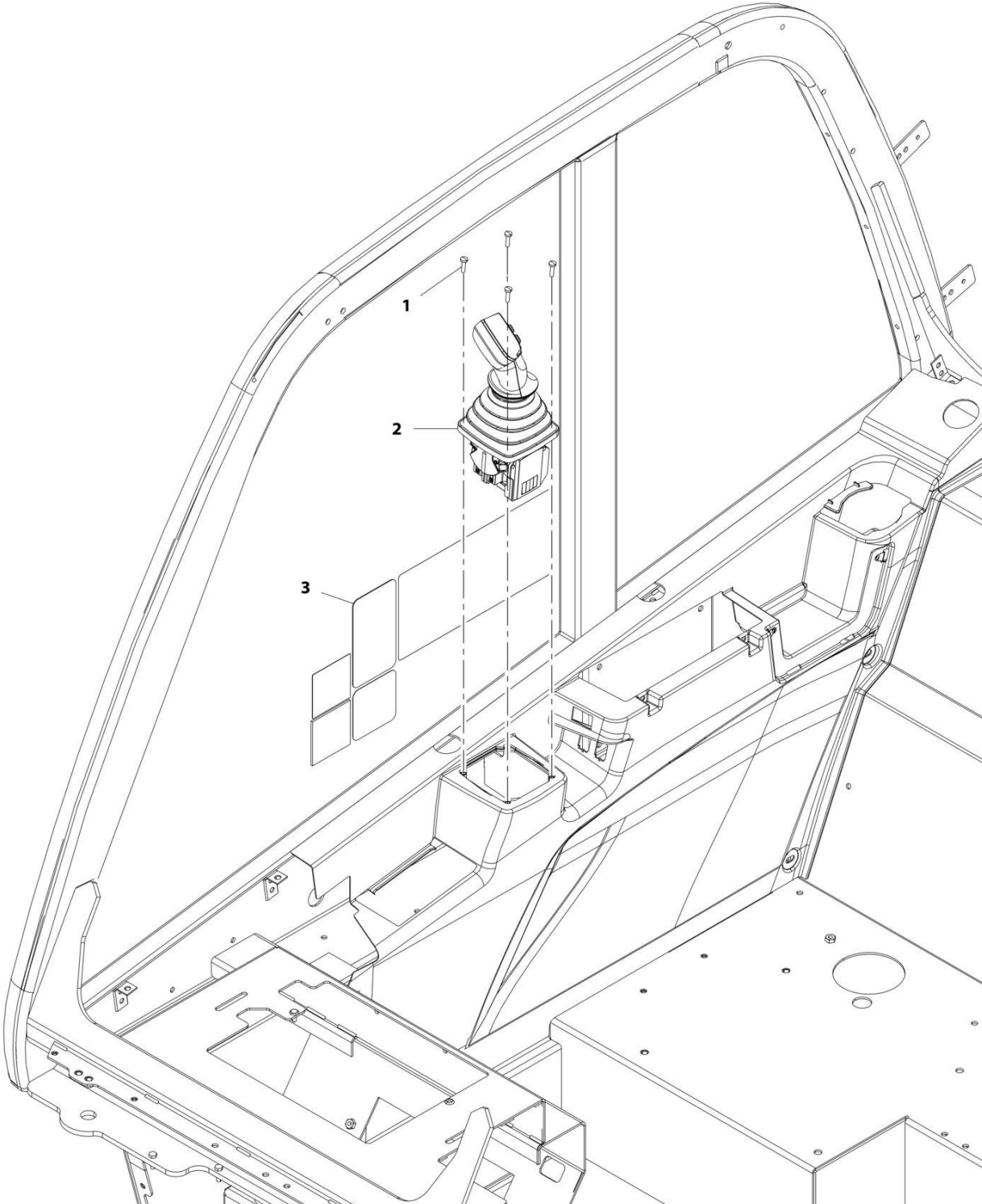
SECTION 7 - CONTROLS

FIGURE 7-14. HORN BUTTON INSTALLATION

ITEM	PART NUMBER	QTY	DESCRIPTION	REV
1	1001169763 1001169268	Ref 1	Horn Button Installation Button, Horn	A

SECTION 7 - CONTROLS

FIGURE 7-15. JOYSTICK INSTALLATION (2 SPEED)



ART_1001216757-B

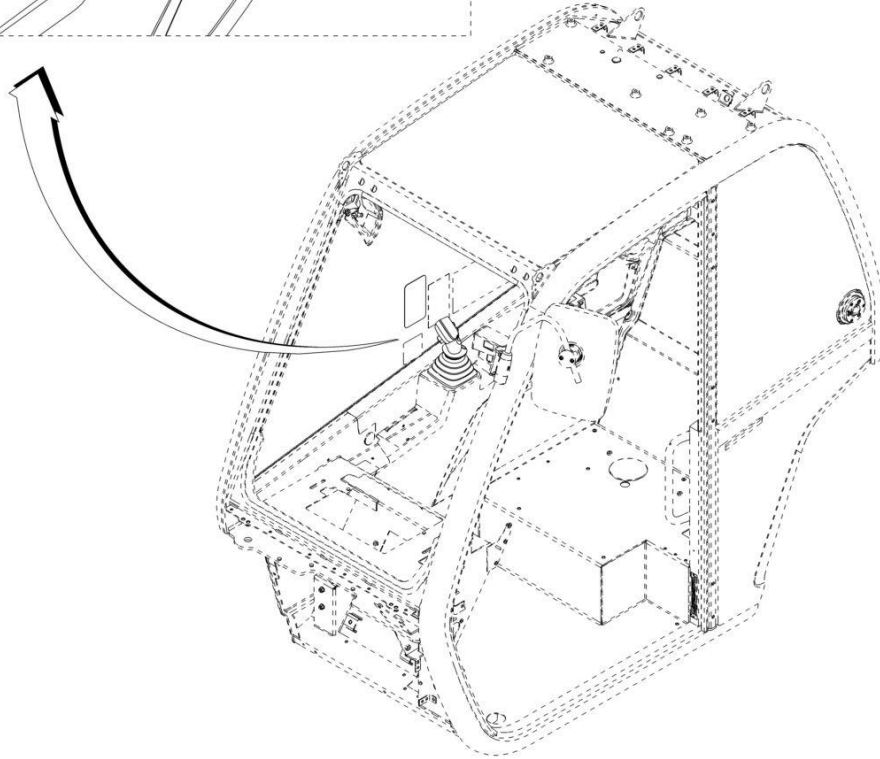
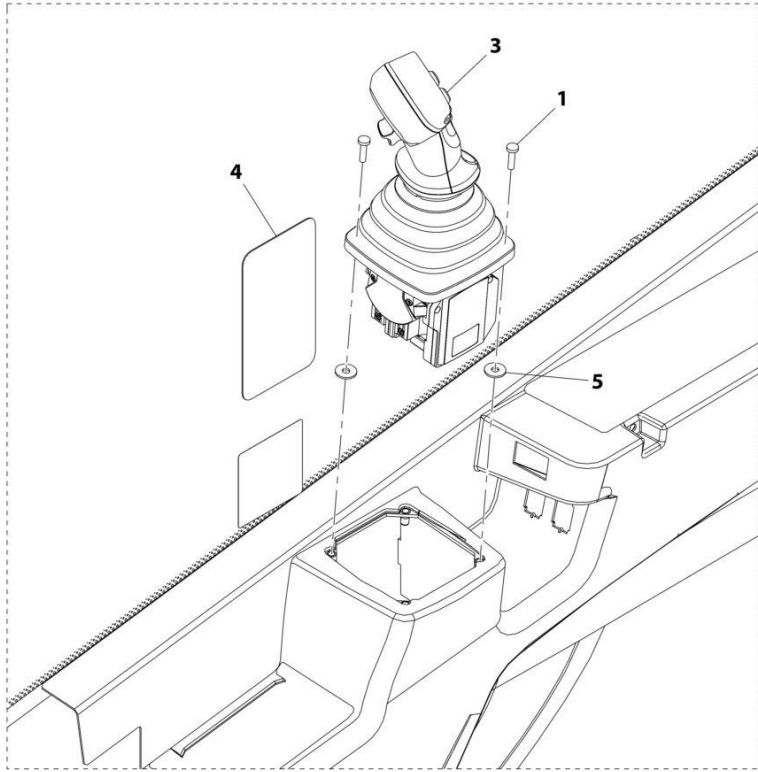
SECTION 7 - CONTROLS

FIGURE 7-15. JOYSTICK INSTALLATION (2 SPEED)

ITEM	PART NUMBER	QTY	DESCRIPTION	REV
	1001216757	Ref	Joystick Installation (2 Speed)	C
1	4010510	4	Screw, M5X20	
2	1001222606	1	Joystick, 2R2B	
3	1001216803	1	Decal	

SECTION 7 - CONTROLS

FIGURE 7-16. JOYSTICK INSTALLATION



ART_1001167004-G

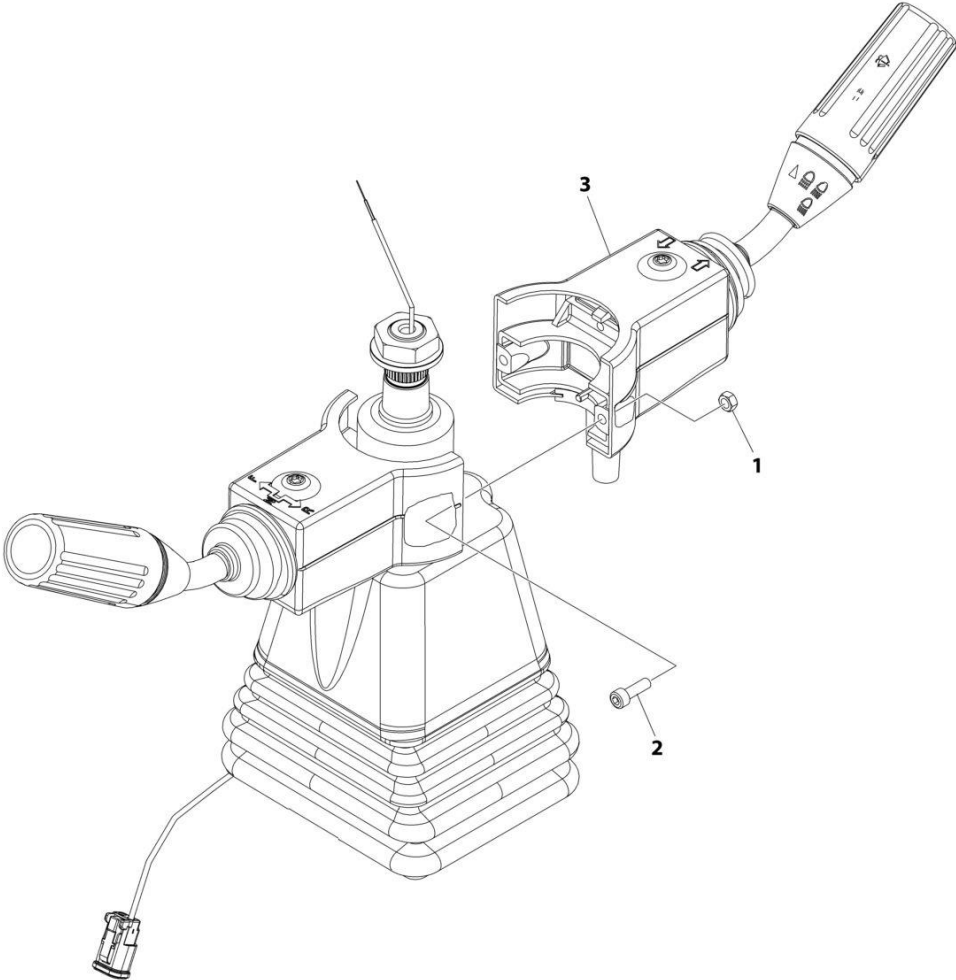
SECTION 7 - CONTROLS

FIGURE 7-16. JOYSTICK INSTALLATION

ITEM	PART NUMBER	QTY	DESCRIPTION	REV
	1001167004	Ref	Joystick Installation	G
1	4010510	4	Screw, M5X20	
3	1001222603	1	Joystick	
4	1001241950	1	Decal, Joystick	
5	4811702001	AR	Washer, M6	

SECTION 7 - CONTROLS

FIGURE 7-17. WIPER-TURN SWITCH INSTALLATION



ART_1001257071

SECTION 7 - CONTROLS

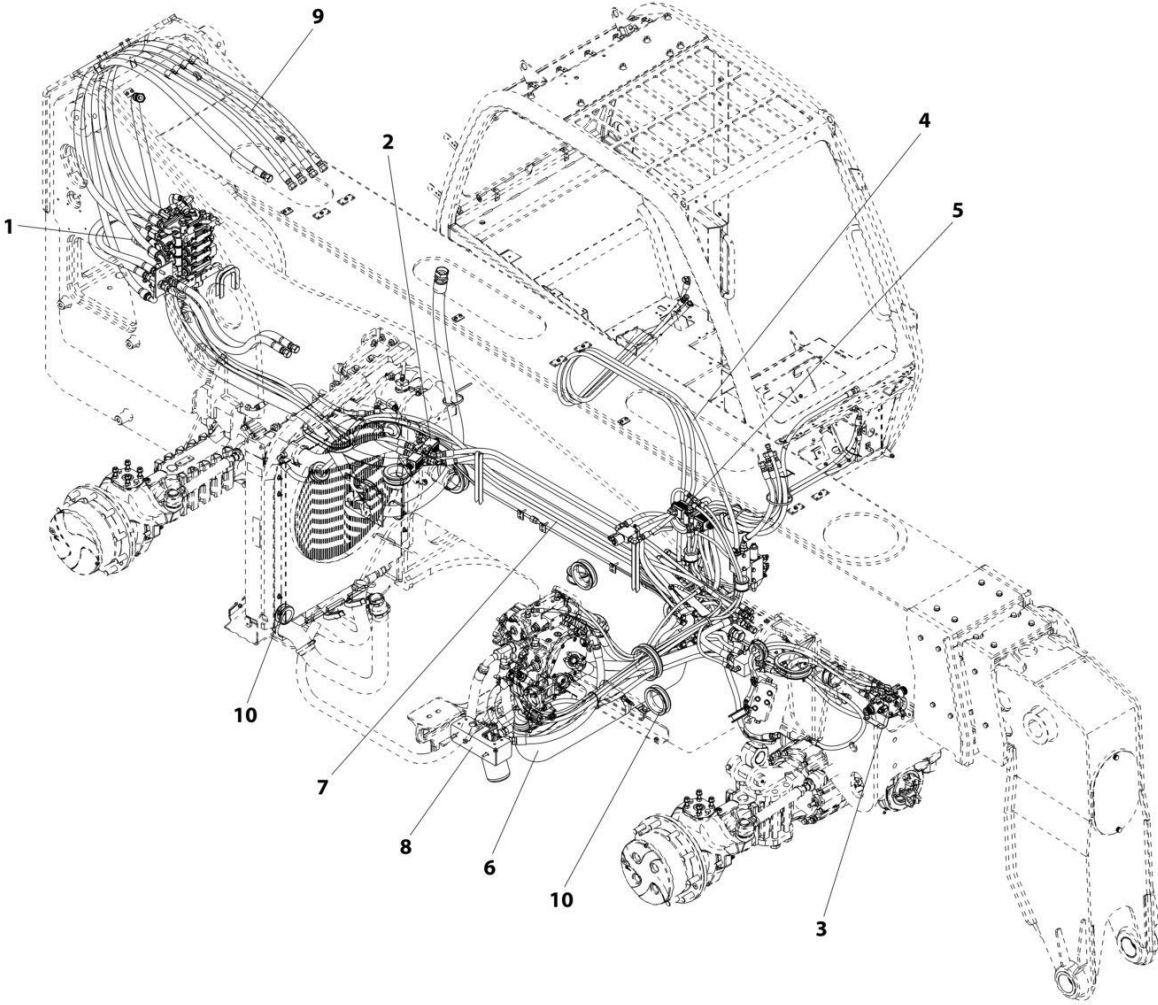
FIGURE 7-17. WIPER-TURN SWITCH INSTALLATION

ITEM	PART NUMBER	QTY	DESCRIPTION	REV
	1001257071	Ref	Wiper-Turn Switch Installation	B
1	3290505	2	Nut, Lock M5	
2	4031607	2	Capscrew M5 x 16	
3	1001256974	1	Switch, Turn-Wiper	

SECTION 8 - HYDRAULIC CIRCUITS

SECTION 8 - HYDRAULIC CIRCUITS

FIGURE 8-1. MAIN HYDRAULIC INSTALLATION



ART_1001202645-D

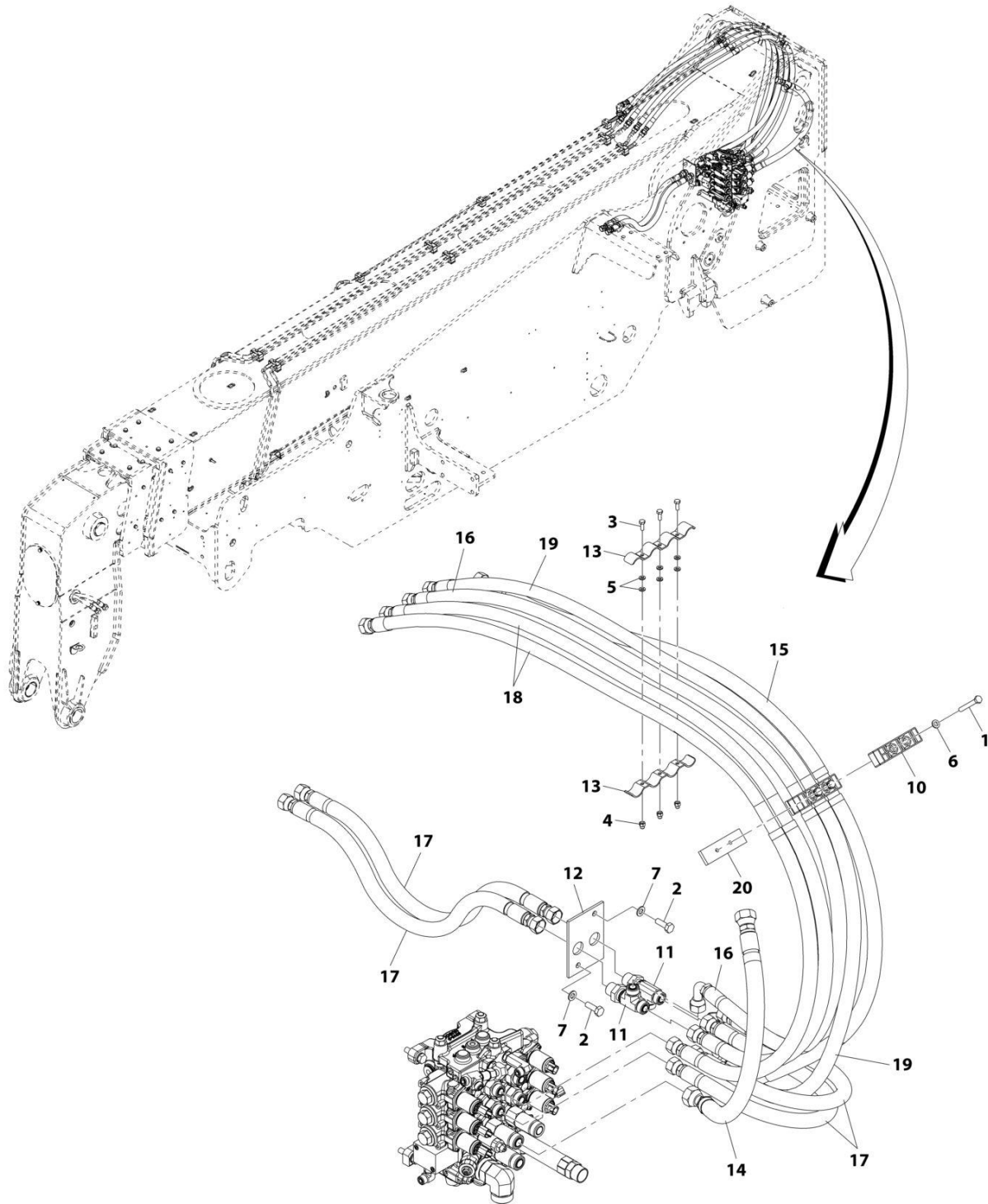
SECTION 8 - HYDRAULIC CIRCUITS

FIGURE 8-1. MAIN HYDRAULIC INSTALLATION

ITEM	PART NUMBER	QTY	DESCRIPTION	REV
1	1001202645	Ref	Main Hydraulic Installation	D
	1001220457	Ref	Installation, Main Control Valve (See Separate Breakdown in this Section)	
2	1001193516	Ref	Installation, Steering Select Valve (See Separate Breakdown in this Section)	
3	1001193517	Ref	Installation, Frame Level Valve (See Separate Breakdown in this Section)	
4	1001193709	Ref	Installation, Cab Hydraulics (See Separate Breakdown in this Section)	
5	1001197196	Ref	Installation, Speed Control Valve (See Separate Breakdown in this Section)	
6	1001202024	Ref	Installation, Engine Bay Hydraulic (See Separate Breakdown in this Section)	
7	1001202025	Ref	Installation, Frame Hydraulics (See Separate Breakdown in this Section)	
8	1001202026	Ref	Installation, Charge Filter Lines (See Separate Breakdown in this Section)	
9	1001210522	Ref	Installation, Boom Lines (See Separate Breakdown in this Section)	
10	1001213026	Ref	Installation, Grommets (See Separate Breakdown in Frame and Attaching Parts Section)	

SECTION 8 - HYDRAULIC CIRCUITS

FIGURE 8-2. BOOM HYDRAULIC LINES INSTALLATION



ART_1001210522-F

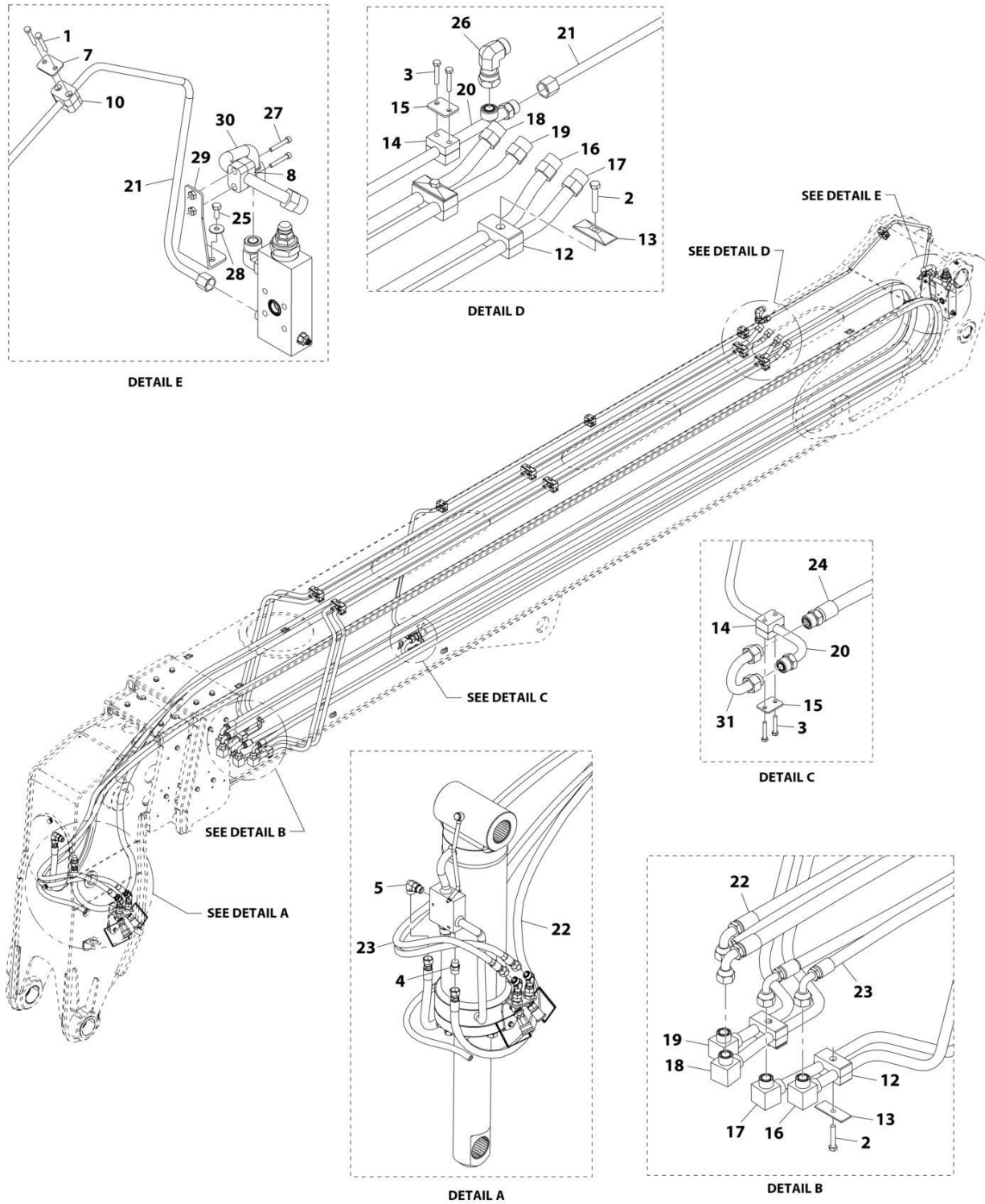
SECTION 8 - HYDRAULIC CIRCUITS

FIGURE 8-2. BOOM HYDRAULIC LINES INSTALLATION

ITEM	PART NUMBER	QTY	DESCRIPTION	REV
	1001210522	Ref	Boom Hydraulic Lines Installation	F
1	0700821	4	Bolt, M8X65	
2	0701014	2	Bolt, M10X30	
3	0760608	3	Bolt, M6X16	
4	3290606	3	Nut, M6X1	
5	4811700	6	Washer, M6	
6	4811900	4	Washer, M8	
7	4812000	2	Washer, M10	
10	1001098128	2	Clamp	
11	1001192096	2	Fitting, Tee ORFS	
12	1001197011	1	Plate	
13	1001205618	2	Clamp	
14	1001210271	1	Hose	
15	1001210523	1	Hose	
16	1001210524	1	Hose	
17	1001210525	4	Hose	
18	1001210526	2	Hose	
19	1001218997	1	Hose	
20	1001226557	2	Plate	

SECTION 8 - HYDRAULIC CIRCUITS

FIGURE 8-3. BOOM HYDRAULIC INSTALLATION



ART_1001205375-F

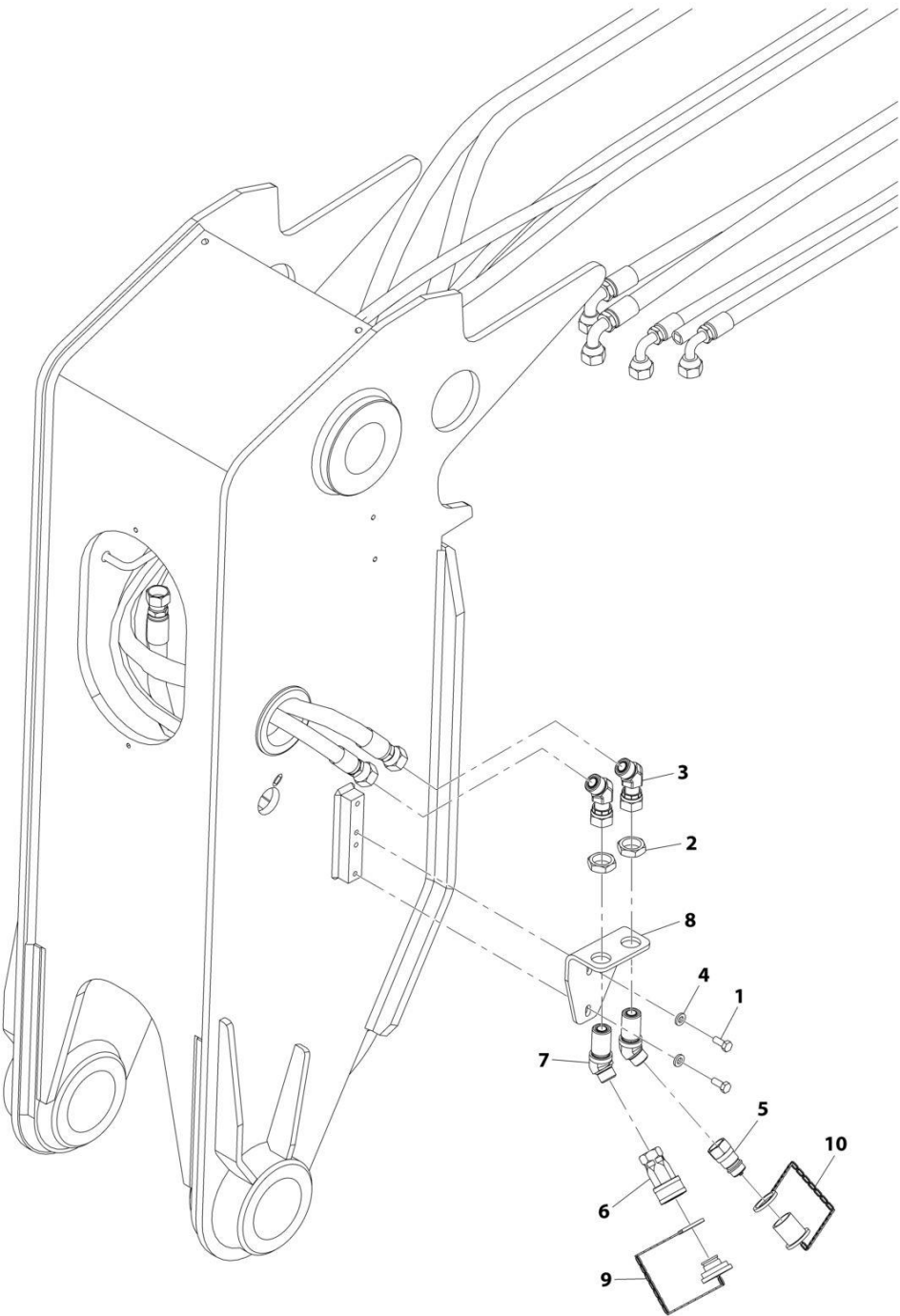
SECTION 8 - HYDRAULIC CIRCUITS

FIGURE 8-3. BOOM HYDRAULIC INSTALLATION

ITEM	PART NUMBER	QTY	DESCRIPTION	REV
	1001205375	Ref	Boom Hydraulic Installation	F
1	0700616	2	Bolt, M6X40	
2	0700817	8	Bolt, M8X45	
3	0760615	8	Bolt, M6X35	
4	2111010	1	Fitting, Straight ORFS	
5	2131010	1	Fitting, 90 ORFS	
7	8769146	1	Plate, Cover	
8	8769152	1	Clamp	
10	8769199	1	Clamp	
12	77133136	8	Clamp	
13	77133137	8	Plate, Cover	
14	77133497	4	Clamp	
15	1001105093	4	Plate, Cover	
16	1001209201	1	Pipe	
17	1001209200	1	Pipe	
18	1001209202	1	Pipe	
19	1001209203	1	Pipe	
20	1001205380	1	Pipe	
21	1001205381	1	Tube	
22	1001210568	1	Hose	
23	1001210569	1	Hose	
24	1001229422	1	Hose	
25	0760810	2	Bolt, M8X20	
26	2172110	1	Fitting, 90 ORFS	
27	4031712	2	Bolt, M6X40	
28	4811902	2	Washer, M8	
29	1001209972	1	Bracket	
30	1001210270	1	Tube	
31	1001220942	1	Pipe	

SECTION 8 - HYDRAULIC CIRCUITS

FIGURE 8-4. BOOM AUX HYDRAULIC INSTALLATION (MANUAL - SINGLE)



ART_1001192363-D

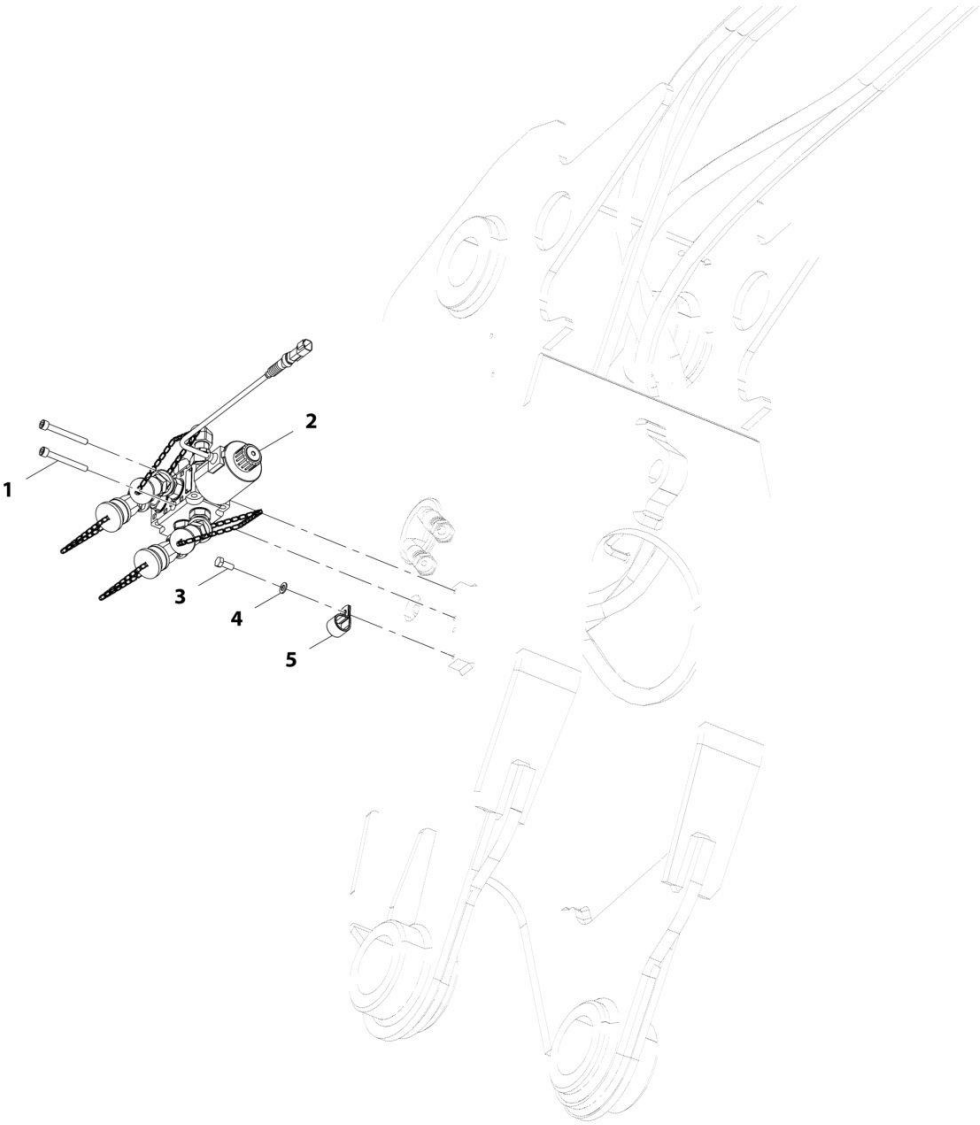
SECTION 8 - HYDRAULIC CIRCUITS

FIGURE 8-4. BOOM AUX HYDRAULIC INSTALLATION (MANUAL - SINGLE)

ITEM	PART NUMBER	QTY	DESCRIPTION	REV
	1001192363	Ref	Boom Aux Hydraulic Installation (Manual - Single)	D
1	0760810	2	Bolt, M8X20	
2	8770075	2	Fitting, ORFS	
3	1001147416	2	Fitting, 45 ORFS	
4	5240800	2	Washer, M8	
5	1001101041	1	Coupling, Male Quick Disconnect	
6	1001101042	1	Coupling, Female Quick Disconnect	
7	1001217553	2	Fitting, 45 ORFS	
8	1001217552	1	Bracket	
9	91043125	1	Plug	
10	91043126	1	Cap, Dust	

SECTION 8 - HYDRAULIC CIRCUITS

FIGURE 8-5. BOOM AUX HYDRAULIC INSTALLATION (MANUAL - TWIN)



ART_1001192366-C

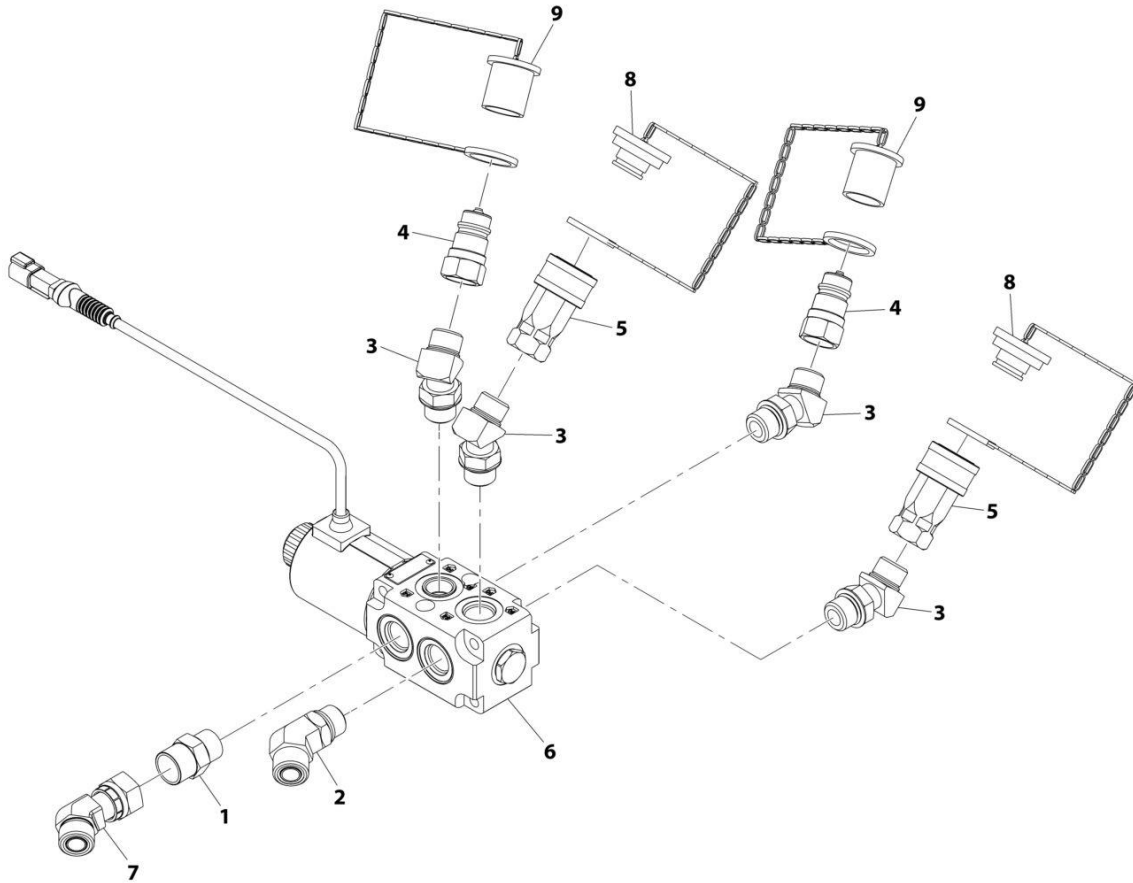
SECTION 8 - HYDRAULIC CIRCUITS

FIGURE 8-5. BOOM AUX HYDRAULIC INSTALLATION (MANUAL - TWIN)

ITEM	PART NUMBER	QTY	DESCRIPTION	REV
	1001192366	Ref	Boom Aux Hydraulic Installation (Manual - Twin)	C
1	4031918	2	Bolt, M8X70	
2	1001213318	1	Assembly, Diverter Valve (manual - twin) (See Separate Breakdown in this Section)	
3	0760810	1	Bolt, M8X20	
4	4811900	1	Washer, M8	
5	8406202	1	CLIP,TUBE 7/8"	

SECTION 8 - HYDRAULIC CIRCUITS

FIGURE 8-6. BOOM AUX DIVERTER VALVE/FITINGS ASSEMBLY (MANUAL - TWIN)



ART_1001213318-B

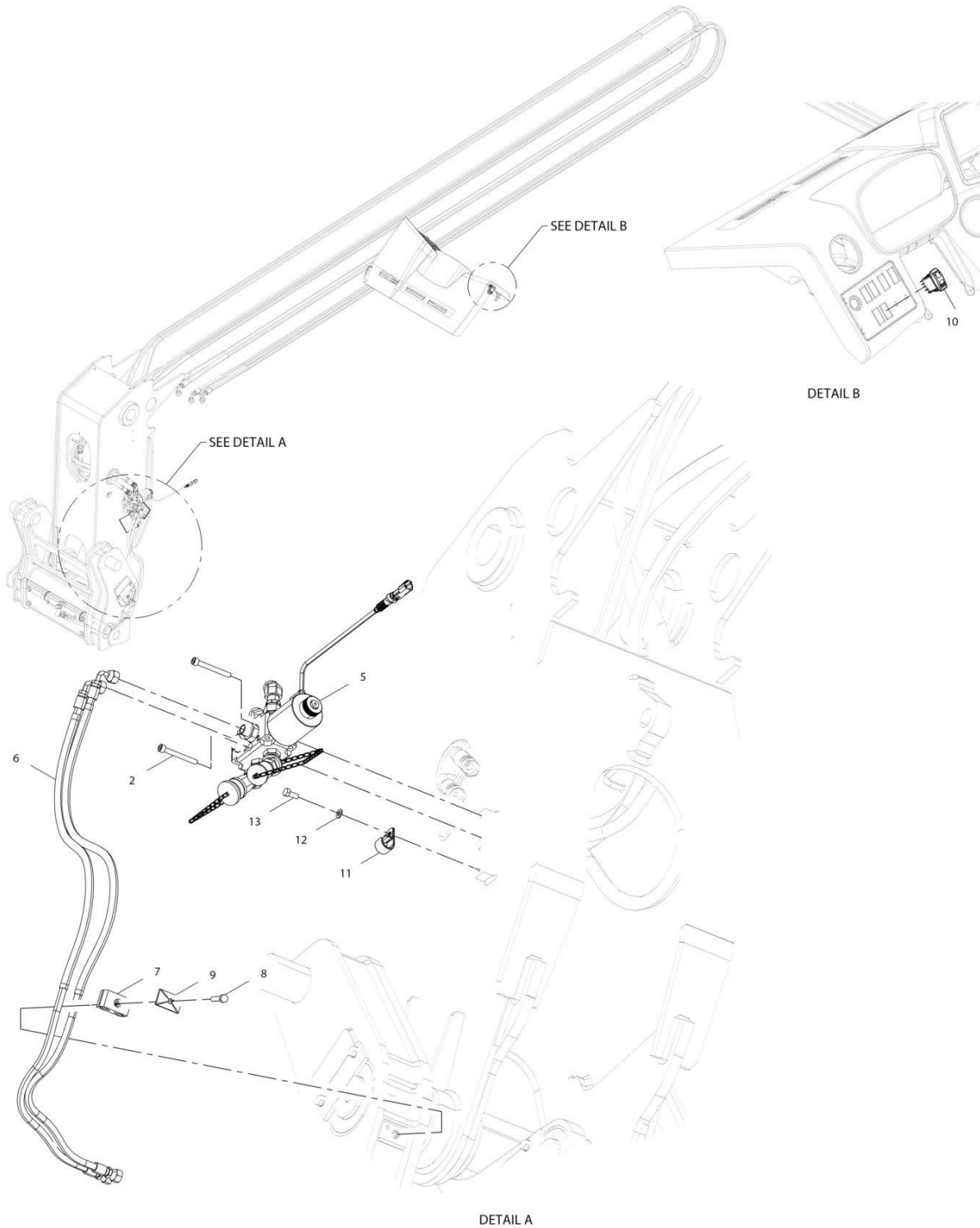
SECTION 8 - HYDRAULIC CIRCUITS

FIGURE 8-6. BOOM AUX DIVERTER VALVE/FITINGS ASSEMBLY (MANUAL - TWIN)

ITEM	PART NUMBER	QTY	DESCRIPTION	REV
	1001213318	Ref	Diverter Valve Assembly	B
1	2111010	1	Fitting, Straight ORFS	
2	2151010	1	Fitting, 45 ORFS	
3	1001005904	4	Fitting, 45	
4	1001101041	2	Adapter, Male Quick Disconnect	
5	1001101042	2	Adapter, Female Quick Disconnect	
6	1001110023	1	Valve, Diverter (See Separate Breakdown in HYDRAULIC COMPONENTS Section)	
7	1001147416	1	Fitting, 45 ORFS	
8	91043125	2	Plug	
9	91043126	2	Cap	

SECTION 8 - HYDRAULIC CIRCUITS

FIGURE 8-7. BOOM AUX HYDRAULIC INSTALLATION (HYDRAULIC - SINGLE)



ART_1001192365-E

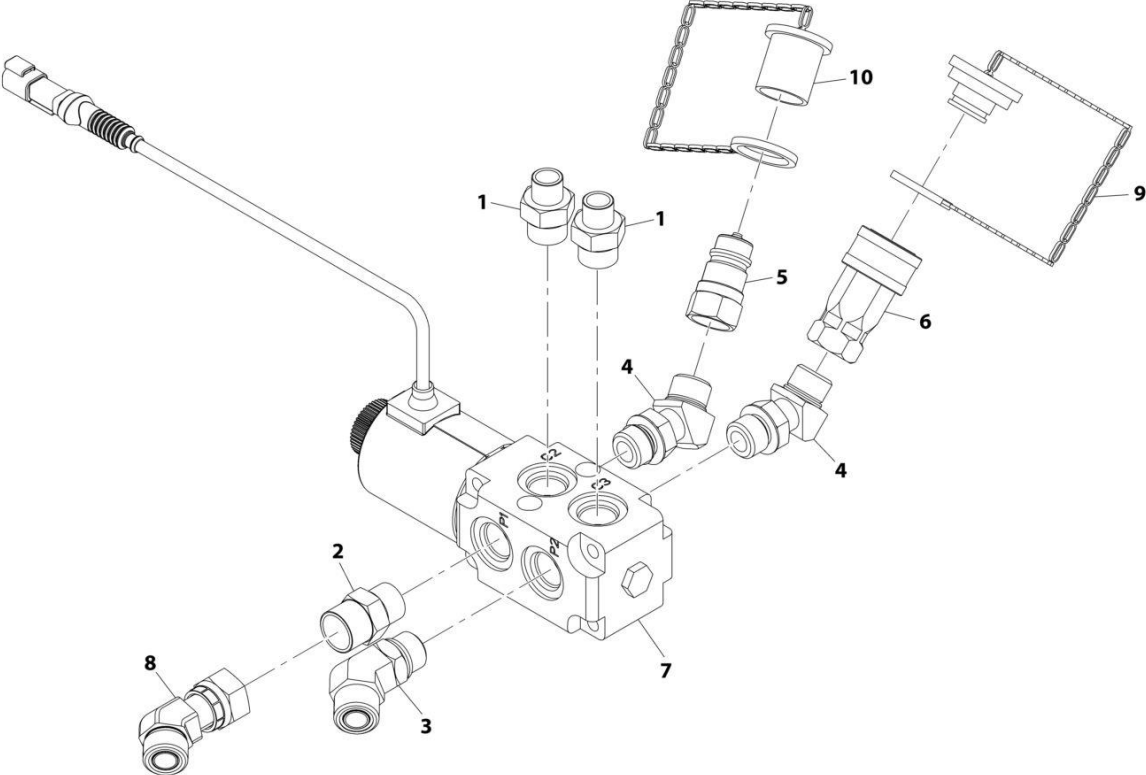
SECTION 8 - HYDRAULIC CIRCUITS

FIGURE 8-7. BOOM AUX HYDRAULIC INSTALLATION (HYDRAULIC - SINGLE)

ITEM	PART NUMBER	QTY	DESCRIPTION	REV
	1001192365	Ref	Boom Aux Hydraulic Installation (Hydraulic - Single)	E
2	4031918	2	Bolt, M8X70	
5	1001213317	1	Assembly, Diverter Valve (Hydraulic - Single) (See Separate Breakdown in this Section)	
6	1001193111	2	Hose	
7	8769126	1	Clamp	
8	0760815	1	Bolt, M8X35	
9	8769123	1	Plate, Cover	
10	1001080375	1	Switch	
11	8406202	1	CLIP,TUBE 7/8"	
12	4811900	1	Washer, M8	
13	0760810	1	Bolt, M8X20	

SECTION 8 - HYDRAULIC CIRCUITS

FIGURE 8-8. BOOM AUX DIVERTER VALVE/FITINGS ASSEMBLY (HYDRAULIC - SINGLE)



ART_1001213317-B

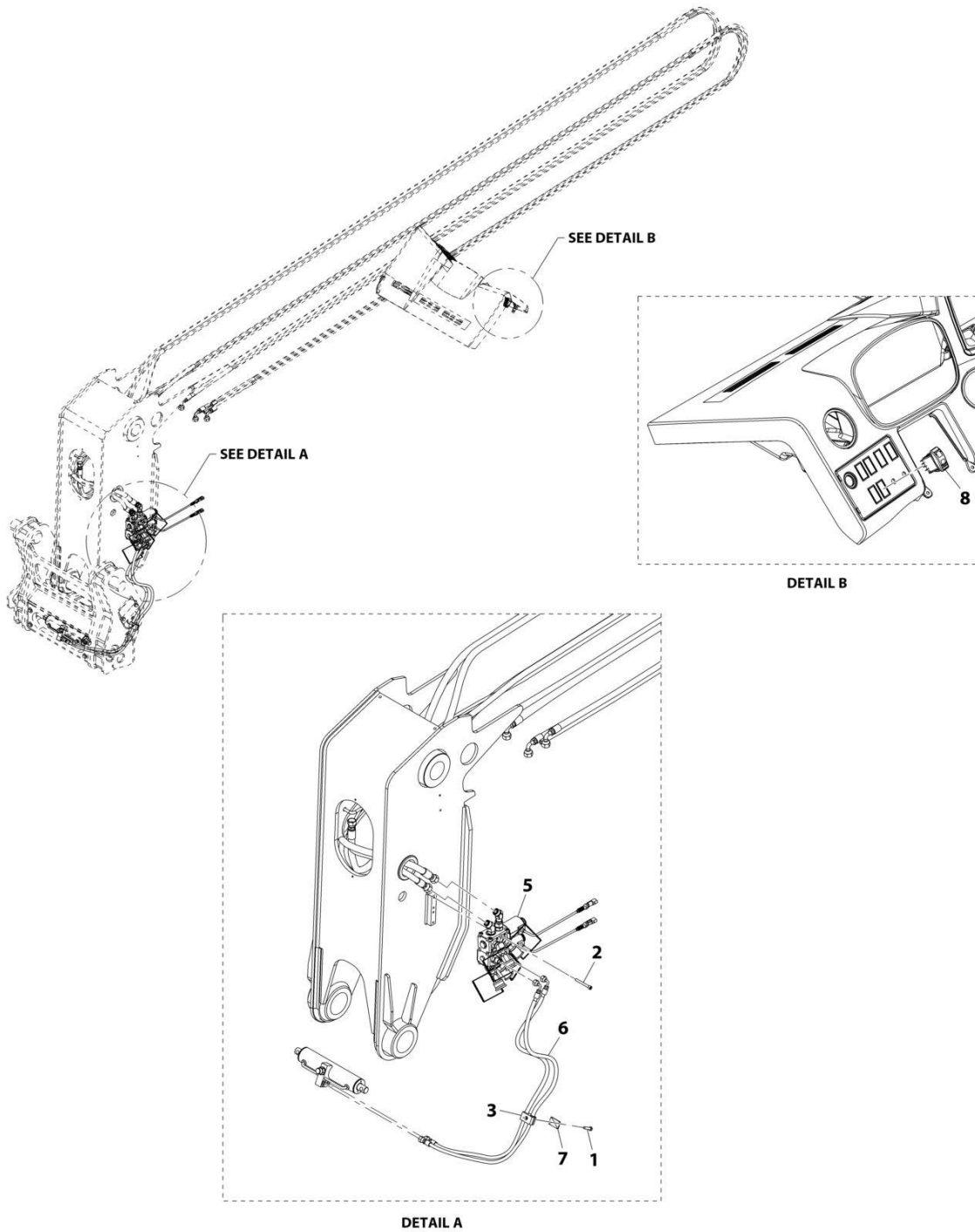
SECTION 8 - HYDRAULIC CIRCUITS

FIGURE 8-8. BOOM AUX DIVERTER VALVE/FITINGS ASSEMBLY (HYDRAULIC - SINGLE)

ITEM	PART NUMBER	QTY	DESCRIPTION	REV
	1001213317	Ref	Diverter Valve Assembly	B
1	2110610	2	Fitting, Straight ORFS	
2	2111010	1	Fitting, Straight ORFS	
3	2151010	1	Fitting, 45 ORFS	
4	1001005904	2	Fitting, 45	
5	1001101041	1	Fitting, Male Quick Disconnect	
6	1001101042	1	Fitting, Female Quick Disconnect	
7	1001104477	1	Valve, Divertor (See Separate Breakdown in HYDRAULIC COMPONENTS Section)	
8	1001147416	1	Fitting, 45 ORFS	
9	91043125	1	Plug	
10	91043126	1	Cap, Dust	

SECTION 8 - HYDRAULIC CIRCUITS

FIGURE 8-9. BOOM AUX HYDRAULIC INSTALLATION (HYDRAULIC - TWIN)



ART_1001192367-C

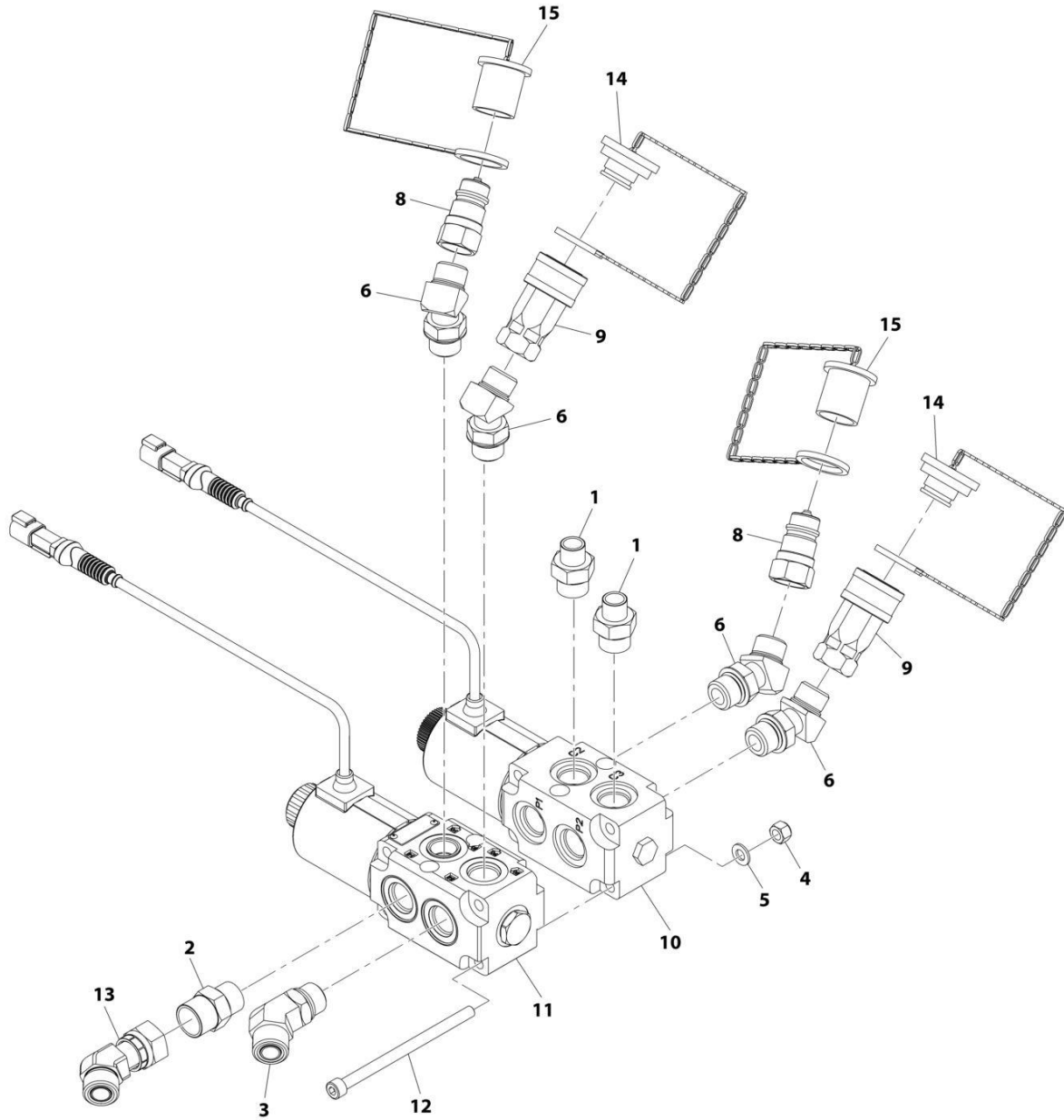
SECTION 8 - HYDRAULIC CIRCUITS

FIGURE 8-9. BOOM AUX HYDRAULIC INSTALLATION (HYDRAULIC - TWIN)

ITEM	PART NUMBER	QTY	DESCRIPTION	REV
	1001192367	Ref	Boom Aux Hydraulic Installation (Hydraulic - Twin)	C
1	0760815	1	Bolt, M8X35	
2	4031918	3	Bolt, M8X70	
3	8769126	1	Clamp	
5	1001213319	1	Assembly, Diverter Valve (Hydraulic - Twin) (See Separate Breakdown in this Section)	
6	1001193111	2	Hose	
7	8769123	1	Plate, Cover	
8	1001080375	1	Switch	

SECTION 8 - HYDRAULIC CIRCUITS

FIGURE 8-10. BOOM AUX DIVERTER VALVE/FITINGS ASSEMBLY (HYDRAULIC - TWIN)



ART_1001213319-C

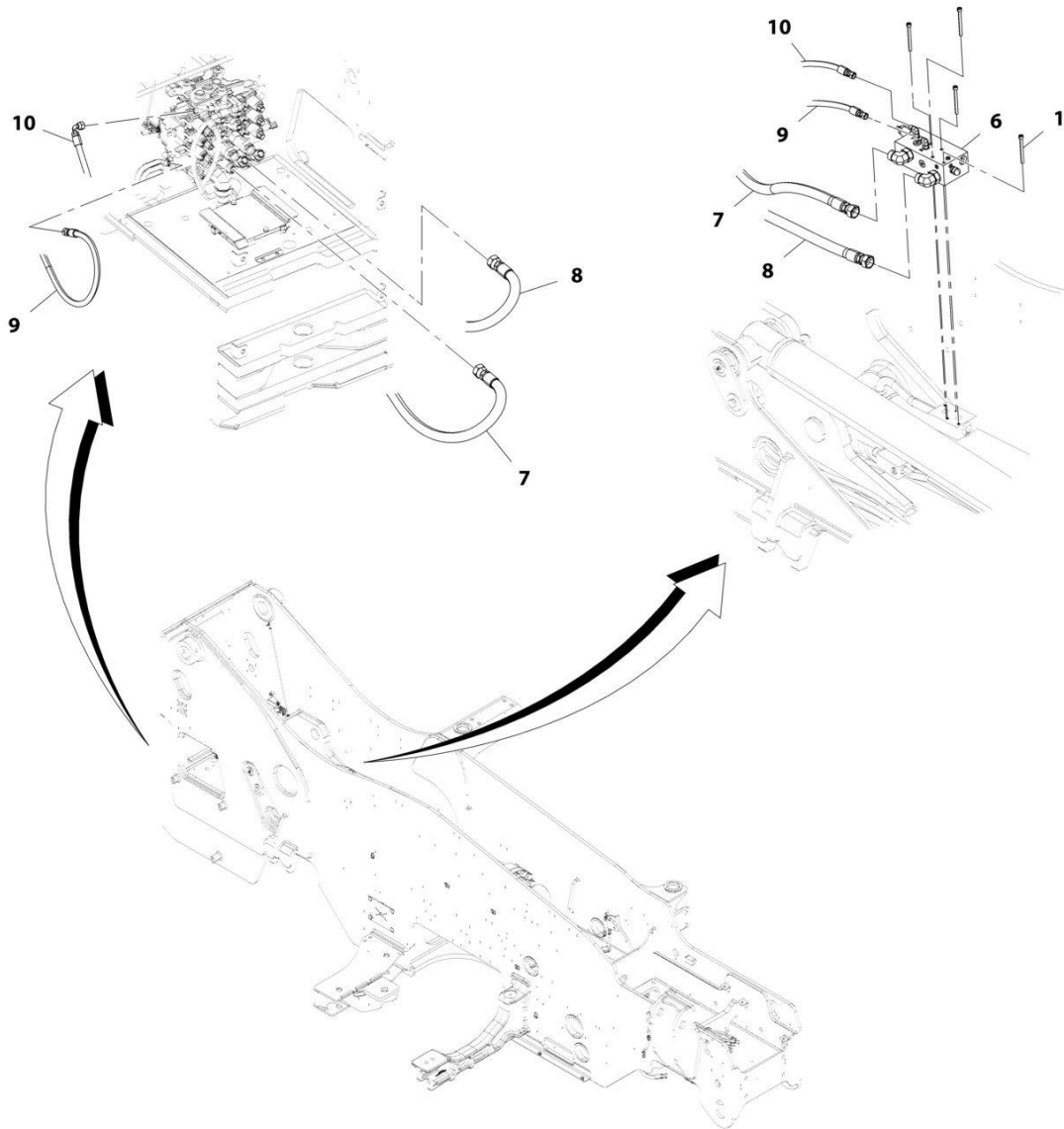
SECTION 8 - HYDRAULIC CIRCUITS

FIGURE 8-10. BOOM AUX DIVERTER VALVE/FITINGS ASSEMBLY (HYDRAULIC - TWIN)

ITEM	PART NUMBER	QTY	DESCRIPTION	REV
	1001213319	Ref	Diverter Valve Assembly	C
1	2110610	2	Fitting, Straight ORFS	
2	2111010	1	Fitting, Straight ORFS	
3	2151010	1	Fitting, 45 ORFS	
4	3290805	4	Nut, Lock M8X1.25	
5	4811900	4	Washer, M8	
6	1001005904	4	Fitting, 45	
8	1001101041	2	Fitting, Male Quick Disconnect	
9	1001101042	2	Fitting, Female Quick Disconnect	
10	1001104477	1	Valve, Divertor (See Separate Breakdown in HYDRAULIC COMPONENTS Section)	
11	1001110023	1	Valve, Divertor (See Separate Breakdown in HYDRAULIC COMPONENTS Section)	
12	1001110115	4	Bolt, M8X100	
13	1001147416	1	Fitting, 45 ORFS	
14	91043125	2	Plug	
15	91043126	2	Cap	

SECTION 8 - HYDRAULIC CIRCUITS

FIGURE 8-11. BOOM RAISE HOSE INSTALLATION (NO RIDE CONTROL)



ART_1001194702-F

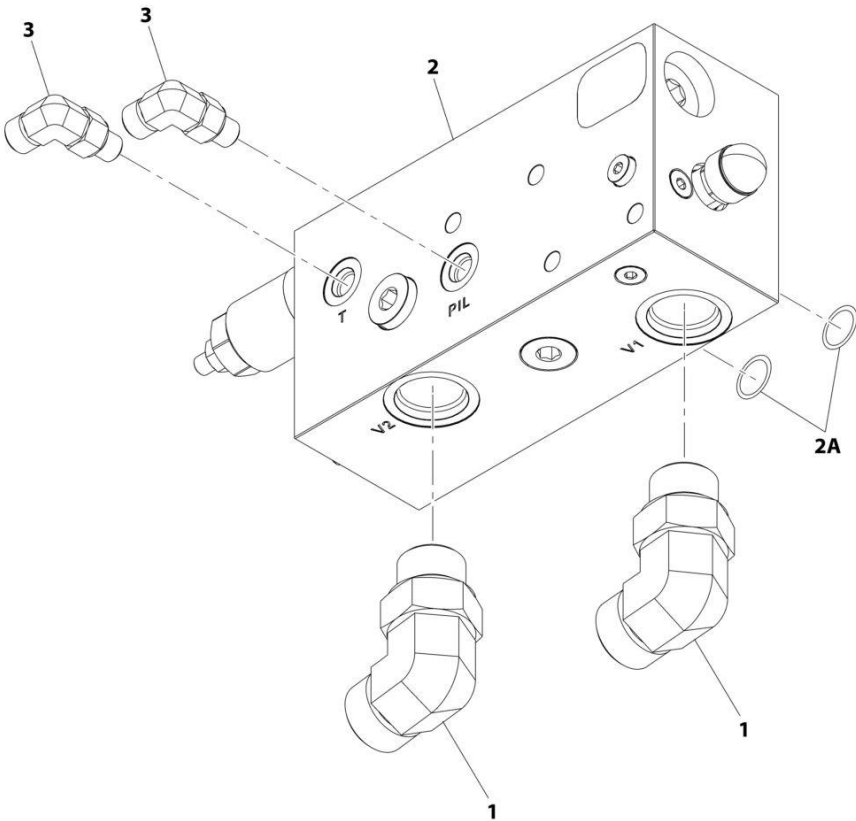
SECTION 8 - HYDRAULIC CIRCUITS

FIGURE 8-11. BOOM RAISE HOSE INSTALLATION (NO RIDE CONTROL)

ITEM	PART NUMBER	QTY	DESCRIPTION	REV
	1001194702	Ref	Boom Raise Hose Installation (no Ride Control)	F
1	4031921	4	Bolt, M8X85	
6	1001219764	1	Valve, Boom Raise Counterbalance (no Ride Control) (See Separate Breakdown in this Section)	
7	1001225392	1	Hose, ORFS	
8	1001225393	1	Hose, ORFS	
9	1001226828	1	Hose, ORFS	
10	1001226829	1	Hose, ORFS	

SECTION 8 - HYDRAULIC CIRCUITS

FIGURE 8-12. BOOM RAISE COUNTERBALANCE VALVE/FITTINGS ASSEMBLY (NO RIDE CONTROL)



ART_1001219764-C

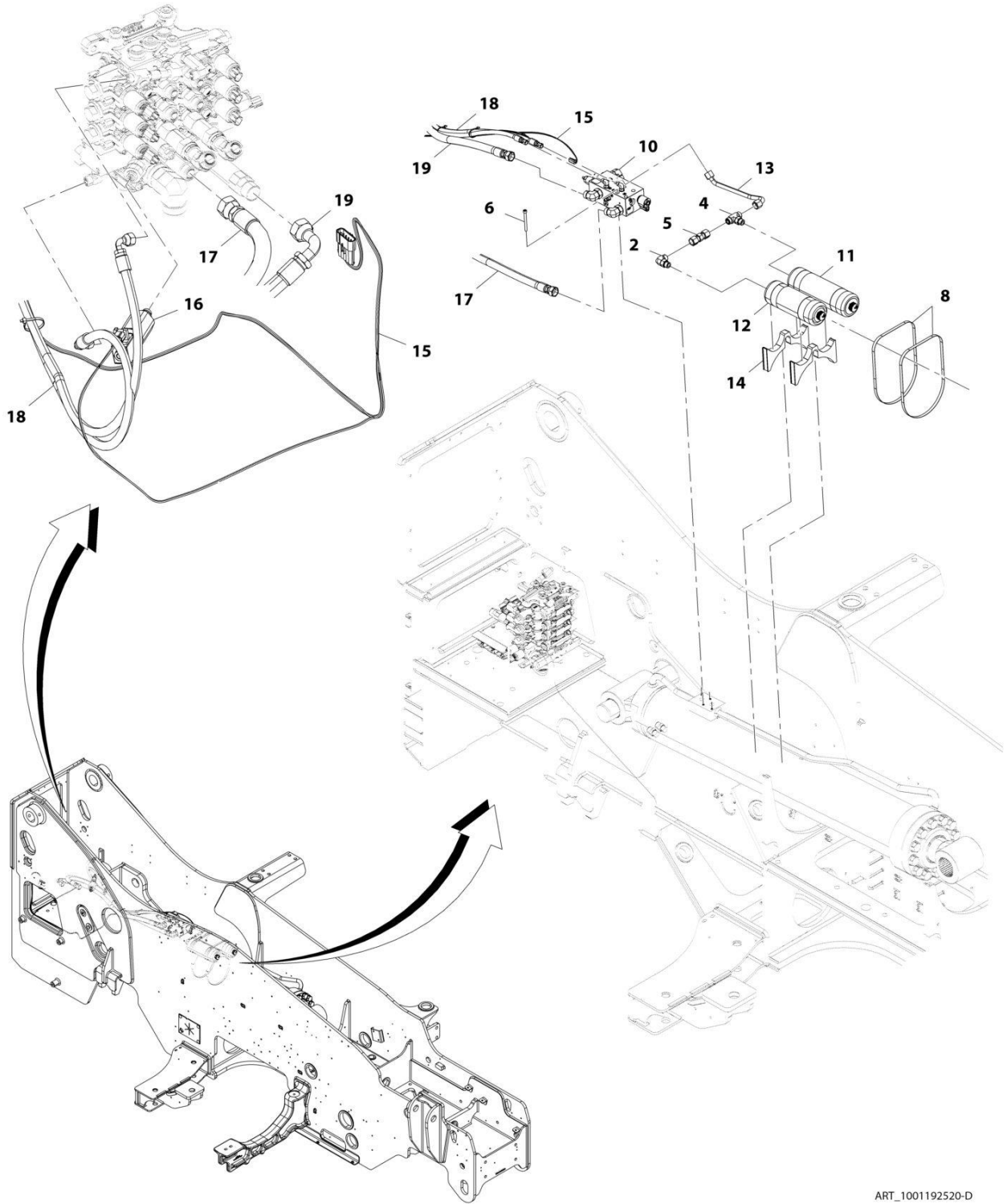
SECTION 8 - HYDRAULIC CIRCUITS

FIGURE 8-12. BOOM RAISE COUNTERBALANCE VALVE/FITTINGS ASSEMBLY (NO RIDE CONTROL)

ITEM	PART NUMBER	QTY	DESCRIPTION	REV
	1001219764	Ref	Boom Raise Counterbalance Valve (no Ride Control)	C
1	2131212	2	Fitting, 90 ORFS	
2	1001224944	1	Valve, GLS	
2A	70028282	2	O-ring	
3	2130404	2	Fitting, 90 ORFS	

SECTION 8 - HYDRAULIC CIRCUITS

FIGURE 8-13. BOOM RAISE HOSE INSTALLATION (RIDE CONTROL)



ART_1001192520-D

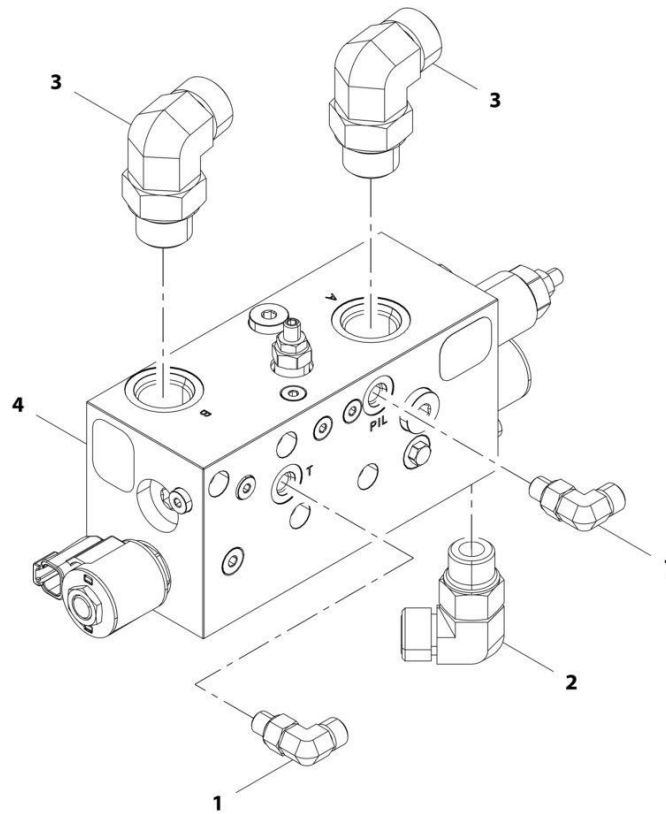
SECTION 8 - HYDRAULIC CIRCUITS

FIGURE 8-13. BOOM RAISE HOSE INSTALLATION (RIDE CONTROL)

ITEM	PART NUMBER	QTY	DESCRIPTION	REV
	1001192520	Ref	Boom Raise Hose Installation (Ride Control)	D
2	2131010	1	Fitting, 90 ORFS	
4	2170410	1	Fitting, Tee ORFS	
5	2172410	1	Fitting, Straight ORFS	
6	4031921	4	Bolt, M8X85	
8	1001214829	2	Clamp	
10	1001219765	1	Assembly, Ride and Float Valve (See Separate Breakdown in this Section)	
11	1001192771	1	Cylinder, Piston	
12	1001192772	1	Cylinder, Piston	
13	1001225390	1	Pipe	
14	1001196402	2	Bumper	
15	1001200105	1	Installation, Ride Control Wiring (See Separate Breakdown in ELECTRICAL Section)	
16	1001202020	1	Valve, MCV Tank Cartridge	
17	1001225393	1	Hose	
18	1001226829	2	Hose	
19	1001227440	1	Hose	

SECTION 8 - HYDRAULIC CIRCUITS

FIGURE 8-14. BOOM RAISE RIDE & FLOAT VALVE/FITTING ASSEMBLY (RIDE CONTROL)



ART_1001219765-B

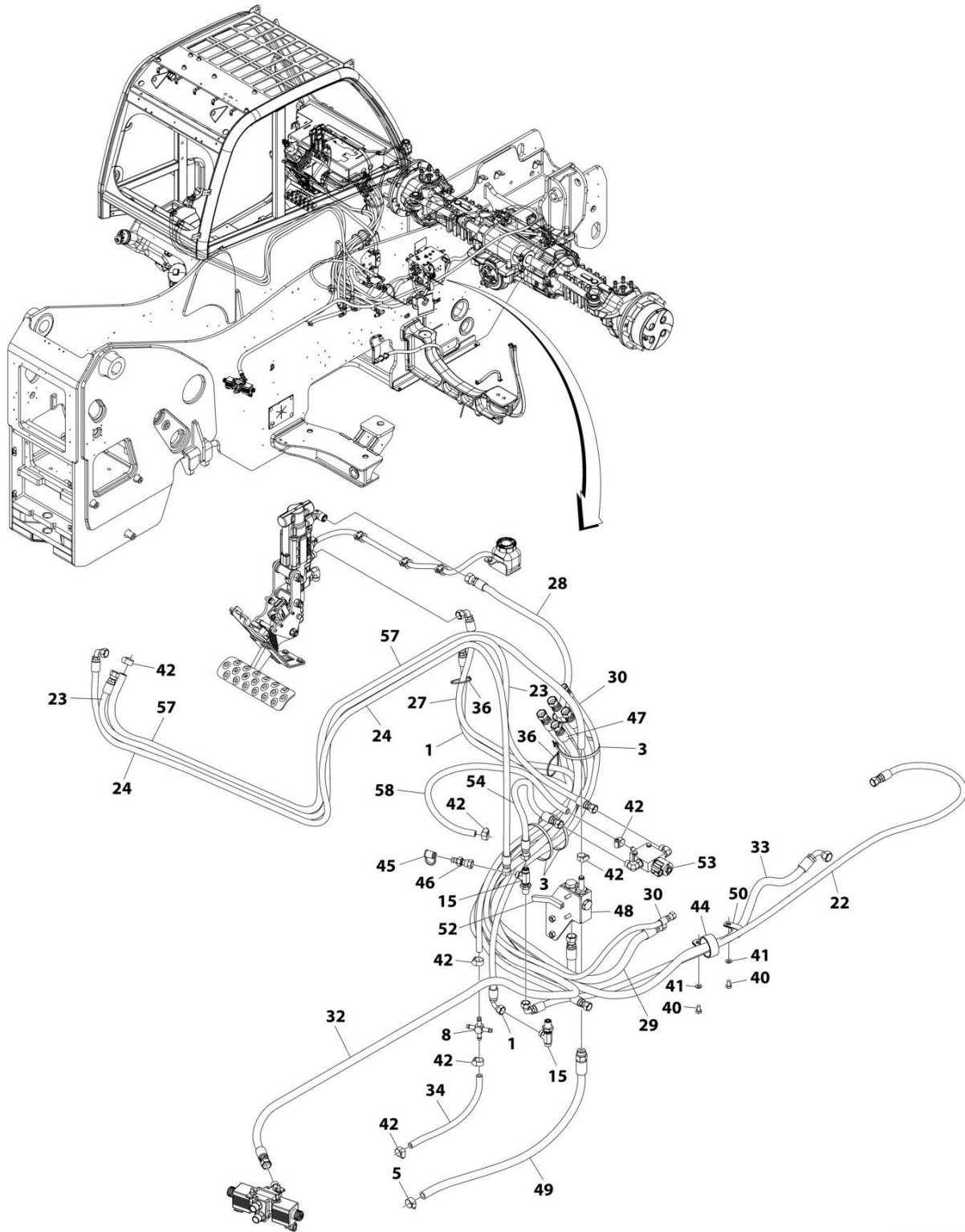
SECTION 8 - HYDRAULIC CIRCUITS

FIGURE 8-14. BOOM RAISE RIDE & FLOAT VALVE/FITTING ASSEMBLY (RIDE CONTROL)

ITEM	PART NUMBER	QTY	DESCRIPTION	REV
	1001219765	Ref	Ride and Float Valve Assembly	B
1	2130404	2	Fitting, 90 ORFS	
2	2131010	1	Fitting, 90 ORFS	
3	2131212	2	Fitting, 90 ORFS	
4	1001224945	1	Valve, Boom Raise (See Separate Breakdown in HYDRAULIC COMPONENTS Section)	

SECTION 8 - HYDRAULIC CIRCUITS

FIGURE 8-15. CAB HYDRUALIC INSTALLATION



ART_1001193709

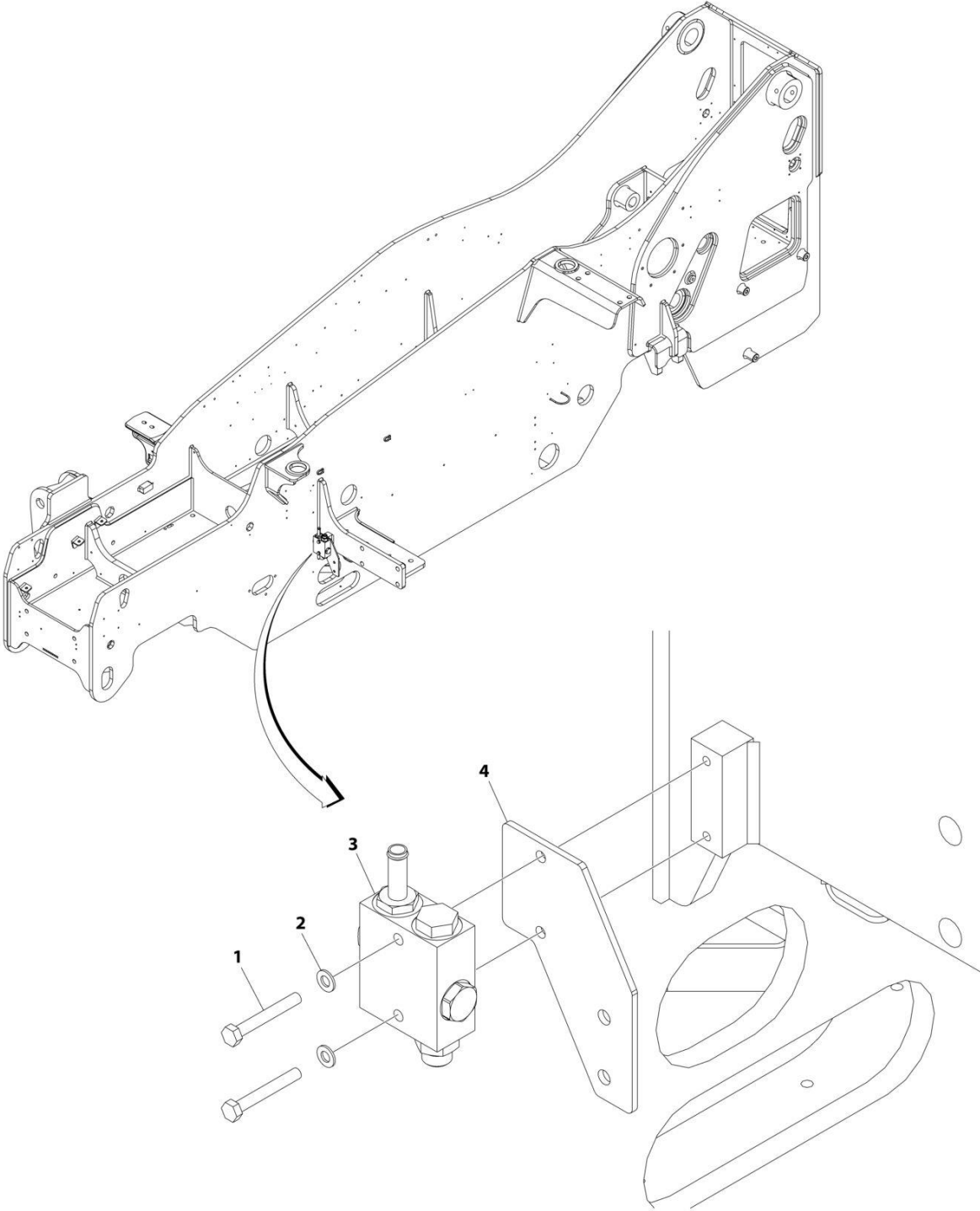
SECTION 8 - HYDRAULIC CIRCUITS

FIGURE 8-15. CAB HYDRUALIC INSTALLATION

ITEM	PART NUMBER	QTY	DESCRIPTION	REV
	1001193709	Ref	CAB HYDRUALIC INSTALLATION	J
1	1001196989	1	Hose	
3	4240018	3	Strap, Cable	
5	8405006	1	Clamp	
8	1001215256	1	Fitting, Cross Barb	
15	88662434	2	Fitting, Tee ORFS	
22	1001210800	1	Hose	
23	1001221989	1	Hose	
24	1001210327	1	Hose	
27	1001206709	1	Hose	
28	1001210282	1	Hose	
29	1001196992	1	Hose	
30	1001196993	1	Hose	
32	1001196995	1	Hose	
33	1001196996	1	Hose	
34	1001196997	1	Hose	
36	4240099	3	Tie, Wire	
40	0760807	2	Bolt M8 x 14	
41	4811900	2	Washer M8	
42	8410013	7	Clamp	
44	85941018	1	Clamp	
45	8430032	1	Plug	
46	8430081	1	Fitting, Straight ORFS	
47	1001204152	1	Hose	
48	1001212788	Ref	Installation, Check Valve (See Separate Breakdown in this Section)	
49	1001212880	1	Hose	
50	8406201	1	Clip	
52	90206198	186 mm	Compound, Locking	
53	1001221987	Ref	Installation, Solenoid Valve (See Separate Breakdown in this Section)	
54	1001221988	1	Hose	
57	2720160	2290 mm	Hose	
58	1001008654	750 mm	Hose	

SECTION 8 - HYDRAULIC CIRCUITS

FIGURE 8-16. CAB HYDRUALICS CHECK VALVE INSTALLATION



ART_1001212788

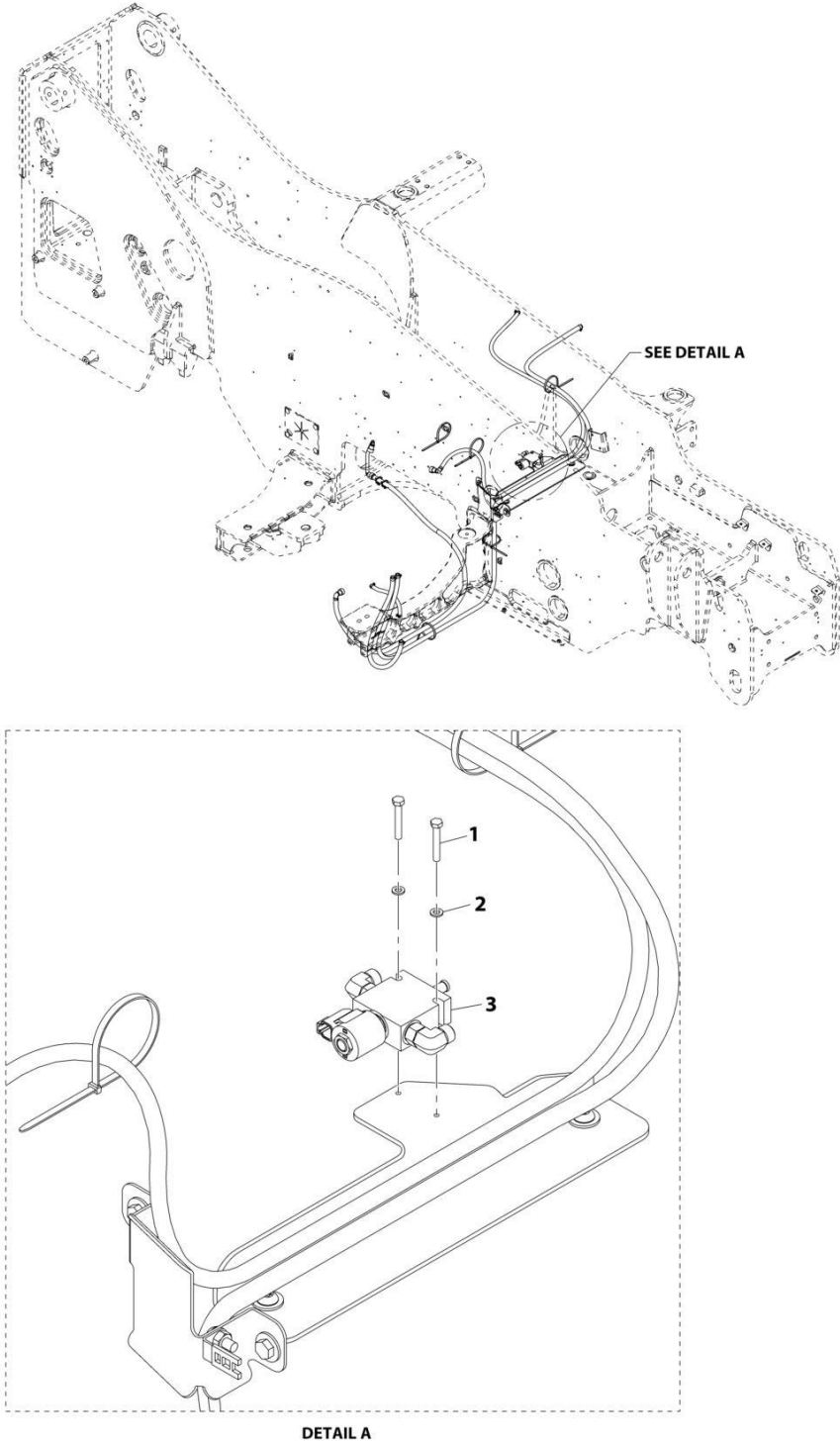
SECTION 8 - HYDRAULIC CIRCUITS

FIGURE 8-16. CAB HYDRUALICS CHECK VALVE INSTALLATION

ITEM	PART NUMBER	QTY	DESCRIPTION	REV
	1001212788	Ref	CAB HYDRUALICS CHECK VALVE INSTALLATION	B
1	0700820	2	Bolt M8 x 60	
2	4811900	2	Washer M8	
3	1001212789	1	Assembly, Check Valve (See Separate Breakdown in HYDRAULIC COMPONENTS Section)	
4	1001219659	1	Plate	

SECTION 8 - HYDRAULIC CIRCUITS

FIGURE 8-17. CAB HYDRAULICS SOLENOID INSTALLATION



ART_1001221987-A

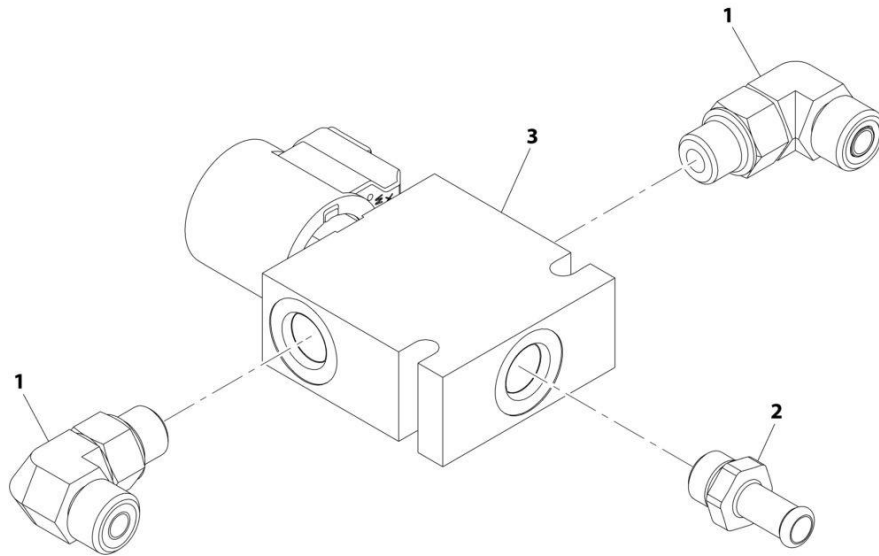
SECTION 8 - HYDRAULIC CIRCUITS

FIGURE 8-17. CAB HYDRAULICS SOLENOID INSTALLATION

ITEM	PART NUMBER	QTY	DESCRIPTION	REV
	1001221987	Ref	Solenoid Valve Installation	A
1	0700616	2	Bolt, M6X40	
2	4811700	2	Washer, M6	
3	1001221986	1	Assembly, Solenoid Valve (See Separate Breakdown in this Section)	

SECTION 8 - HYDRAULIC CIRCUITS

FIGURE 8-18. CAB HYDRAULICS SOLENOID FITTINGS INSTALLATION



ART_1001221986-A

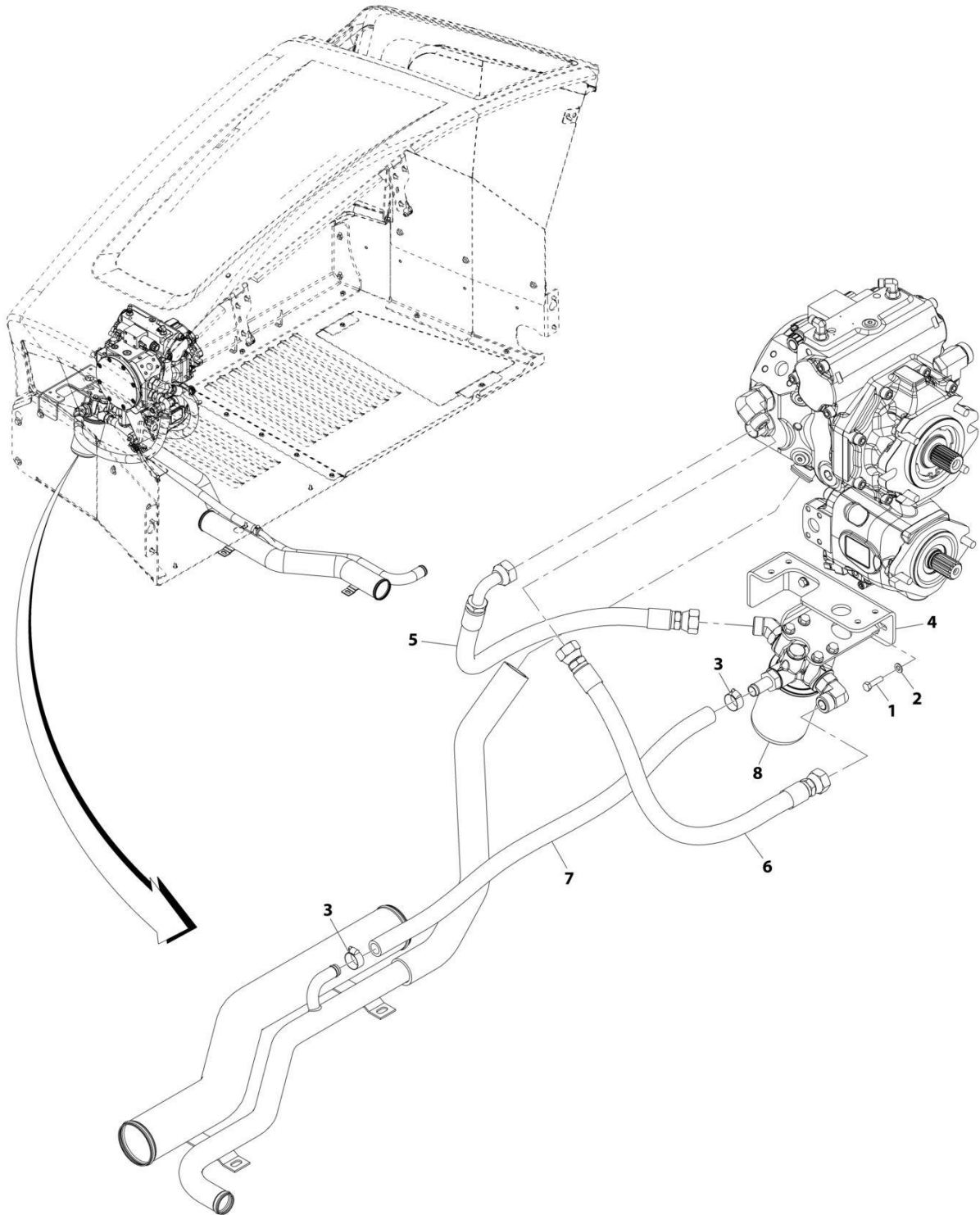
SECTION 8 - HYDRAULIC CIRCUITS

FIGURE 8-18. CAB HYDRAULICS SOLENOID FITTINGS INSTALLATION

ITEM	PART NUMBER	QTY	DESCRIPTION	REV
1	1001221986 2130606	Ref 2	Solenoid Valve/Fittings Assembly Fitting, 90 ORFS	A
2	1001168030	1	Fitting, Hose Barb	
3	1001221928	1	Valve, Solenoid (See Separate Breakdown in HYDRAULIC COMPONENTS Section)	

SECTION 8 - HYDRAULIC CIRCUITS

FIGURE 8-19. CHARGE FILTER LINES INSTALLATION



ART_1001202026-B

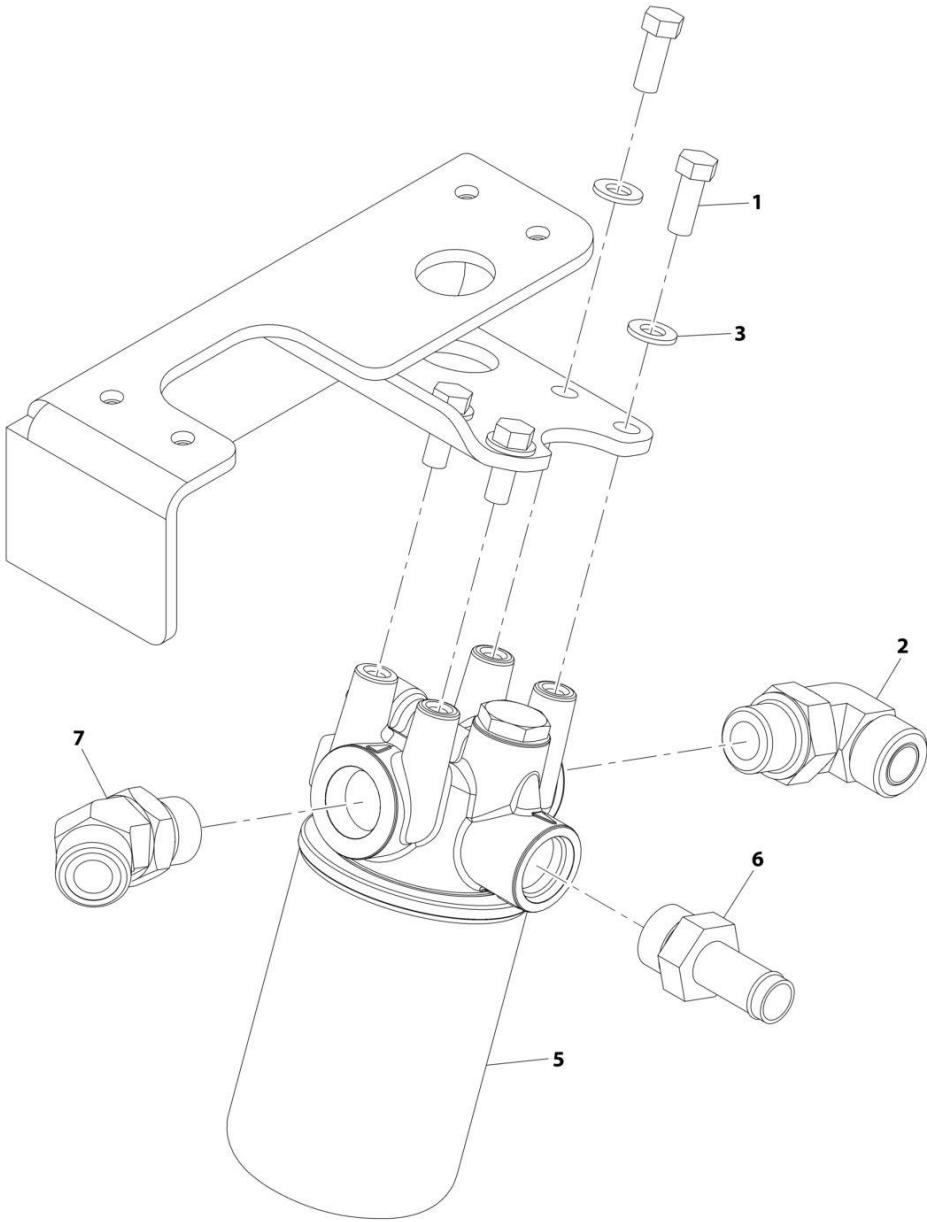
SECTION 8 - HYDRAULIC CIRCUITS

FIGURE 8-19. CHARGE FILTER LINES INSTALLATION

ITEM	PART NUMBER	QTY	DESCRIPTION	REV
	1001202026	Ref	Charge Filter Lines Installation	B
1	0700814	2	Bolt, M8X30	
2	4811900	2	Washer, M8	
3	8405007	2	Clamp	
4	1001212184	1	Bracket	
5	1001195433	1	Hose	
6	1001195434	1	Hose	
7	1001195435	1	Hose	
8	1001195430	Ref	Installation, Charge Filter (See Separate Breakdown in this Section)	

SECTION 8 - HYDRAULIC CIRCUITS

FIGURE 8-20. CHARGE FILTER INSTALLATION



ART_1001195430-C

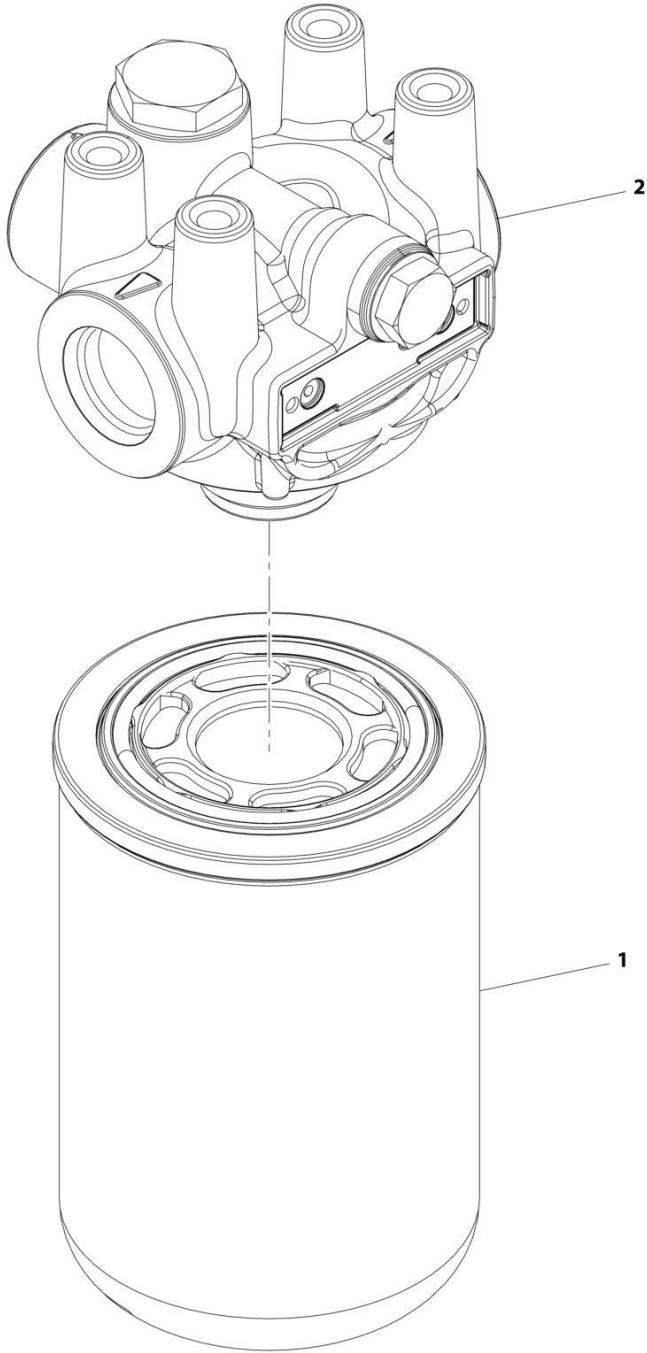
SECTION 8 - HYDRAULIC CIRCUITS

FIGURE 8-20. CHARGE FILTER INSTALLATION

ITEM	PART NUMBER	QTY	DESCRIPTION	REV
	1001195430	Ref	Charge Filter Installation	C
1	0641608	4	Bolt, 3/8-16X1	
2	2131212	1	Fitting, 90 ORFS	
3	4812000	4	Washer, M10	
5	1001141976	1	Assembly, Charge Filter (See Separate Breakdown in this Section)	
6	1001183700	1	Fitting, Barb	
7	2151212	1	Fitting, 45 ORFS	

SECTION 8 - HYDRAULIC CIRCUITS

FIGURE 8-21. CHARGE FILTER ASSEMBLY



ART_1001141976-A

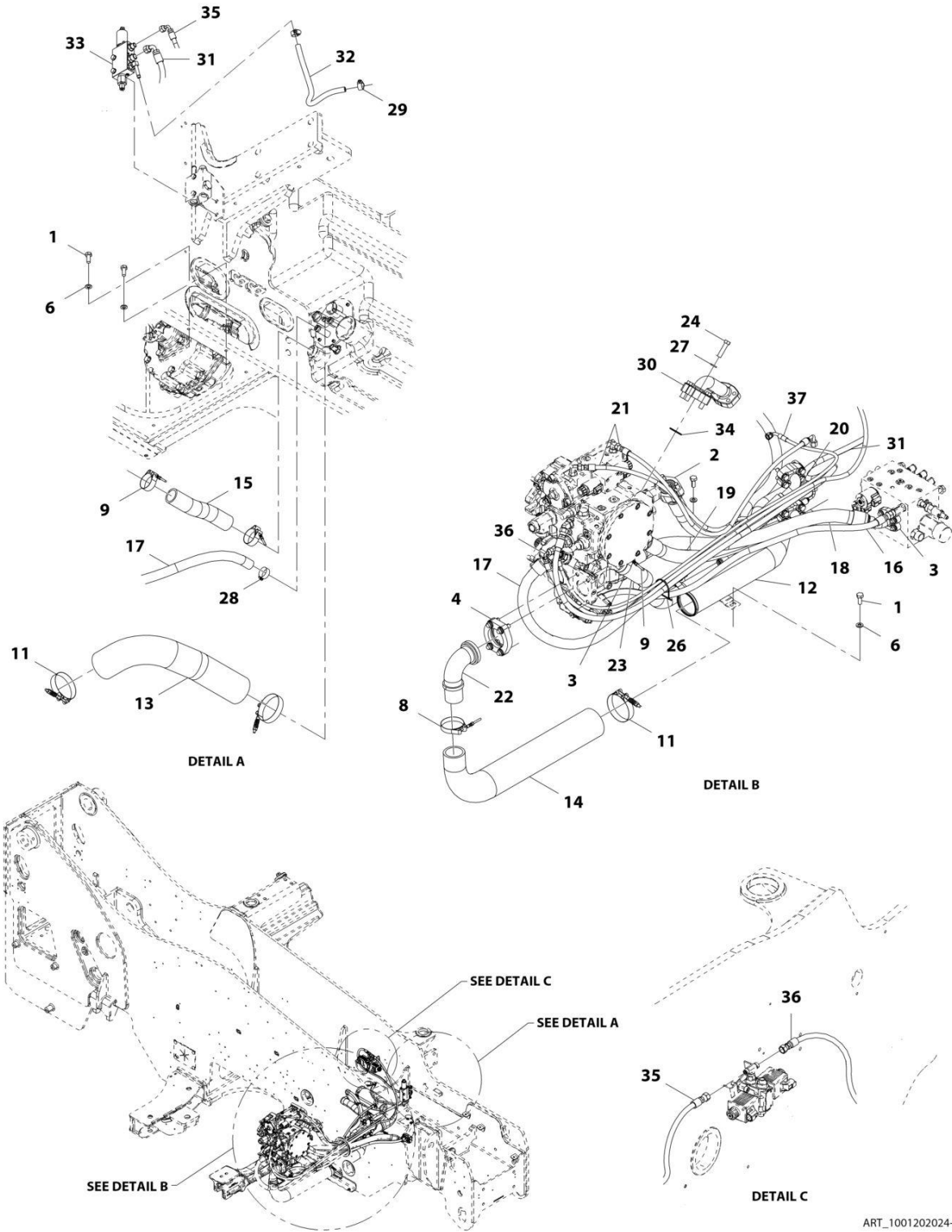
SECTION 8 - HYDRAULIC CIRCUITS

FIGURE 8-21. CHARGE FILTER ASSEMBLY

ITEM	PART NUMBER	QTY	DESCRIPTION	REV
	1001141976	Ref	Implement Pump Filter Assembly	A
1	1001141461	1	Filter	
2	1001141462	1	Pump, Filter	

SECTION 8 - HYDRAULIC CIRCUITS

FIGURE 8-22. ENGINE BAY HYDRAULIC INSTALLATION



ART_1001202024-G

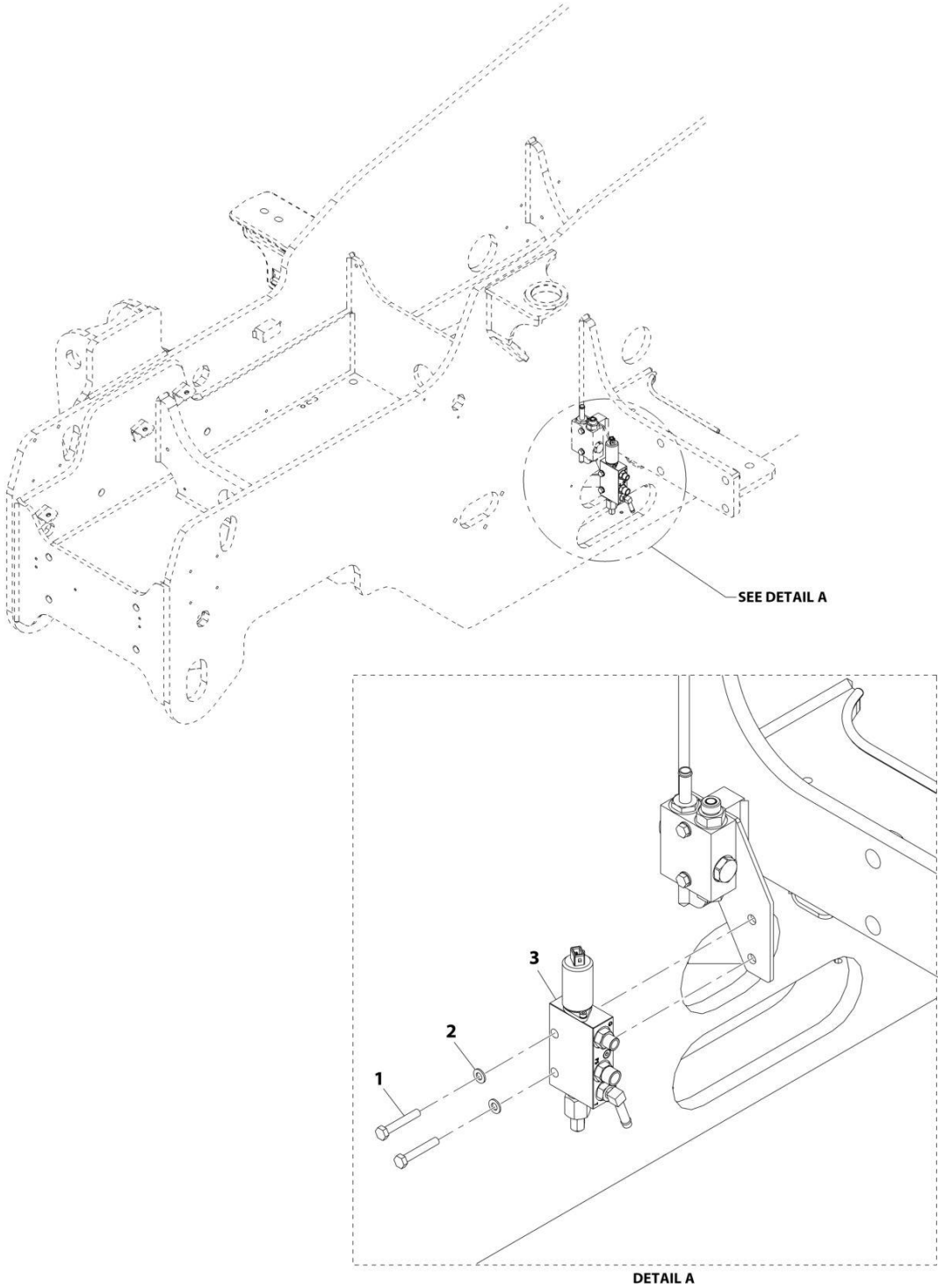
SECTION 8 - HYDRAULIC CIRCUITS

FIGURE 8-22. ENGINE BAY HYDRAULIC INSTALLATION

ITEM	PART NUMBER	QTY	DESCRIPTION	REV
	1001202024	Ref	Engine Bay Installation	G
1	0761012	4	Bolt, M10X25	
2	1001217948	4	Kit, Flange (includes mounting hardware and o-ring)	
3	2171816	2	Kit, Flange (includes mounting hardware and o-ring)	
4	2171832	1	Kit, Flange (includes mounting hardware and o-ring)	
6	4812000	4	Washer, M10	
8	1001005438	1	Clamp	
9	1001014231	4	Clamp	
11	1001186843	3	Clamp	
12	1001187272	1	Pipe	
13	1001187273	1	Hose	
14	1001187275	1	Hose	
15	1001193461	1	Hose	
16	1001196959	1	Hose	
17	1001215802	1	Hose	
18	1001214431	1	Hose	
19	1001214430	1	Hose	
20	1001214429	1	Hose	
21	1001215539	2	Hose	
22	8424233	1	Fitting, 90	
23	1001202027	1	Hose	
24	0681714	4	Bolt, 7/16-14X1 3/4 Grade 8	
26	4240099	AR	Tie, Wire	
27	4761700	4	Washer, Lock 7/16	
28	8405007	1	Clamp	
29	8410013	2	Clamp	
30	1001200870	1	Fitting, 90	
31	1001213306	1	Hose	
32	1001213307	1	Hose	
33	1001213308	1	Installation, Inching Valve (See Separate Breakdown in this Section)	
34	91083106	1	O-Ring	
35	1001215093	1	Hose	
36	1001215212	1	Hose	
37	1001223109	1	Hose	

SECTION 8 - HYDRAULIC CIRCUITS

FIGURE 8-23. ENGINE BAY INCHING VALVE INSTALLATION



ART_1001213308-A

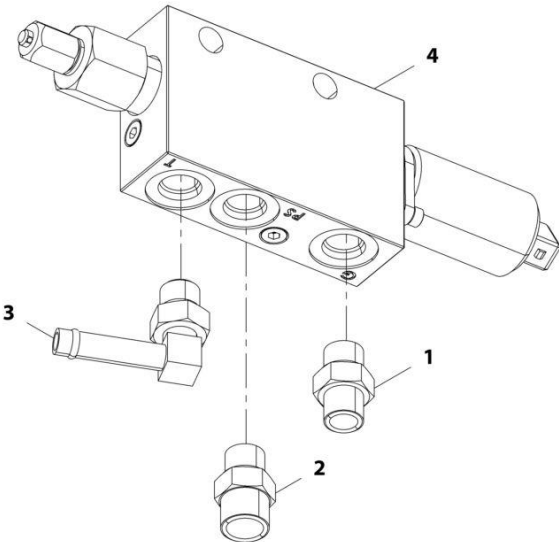
SECTION 8 - HYDRAULIC CIRCUITS

FIGURE 8-23. ENGINE BAY INCHING VALVE INSTALLATION

ITEM	PART NUMBER	QTY	DESCRIPTION	REV
	1001213308	Ref	Inching Valve Installation	A
1	0700818	2	Bolt, M8X50	
2	4811900	2	Washer, M8	
3	1001213309	1	Assembly, Inching Valve (See Separate Breakdown in this Section)	

SECTION 8 - HYDRAULIC CIRCUITS

FIGURE 8-24. ENGINE BAY INCHING VALVE/FITINGS ASSEMBLY



ART_1001213309-B

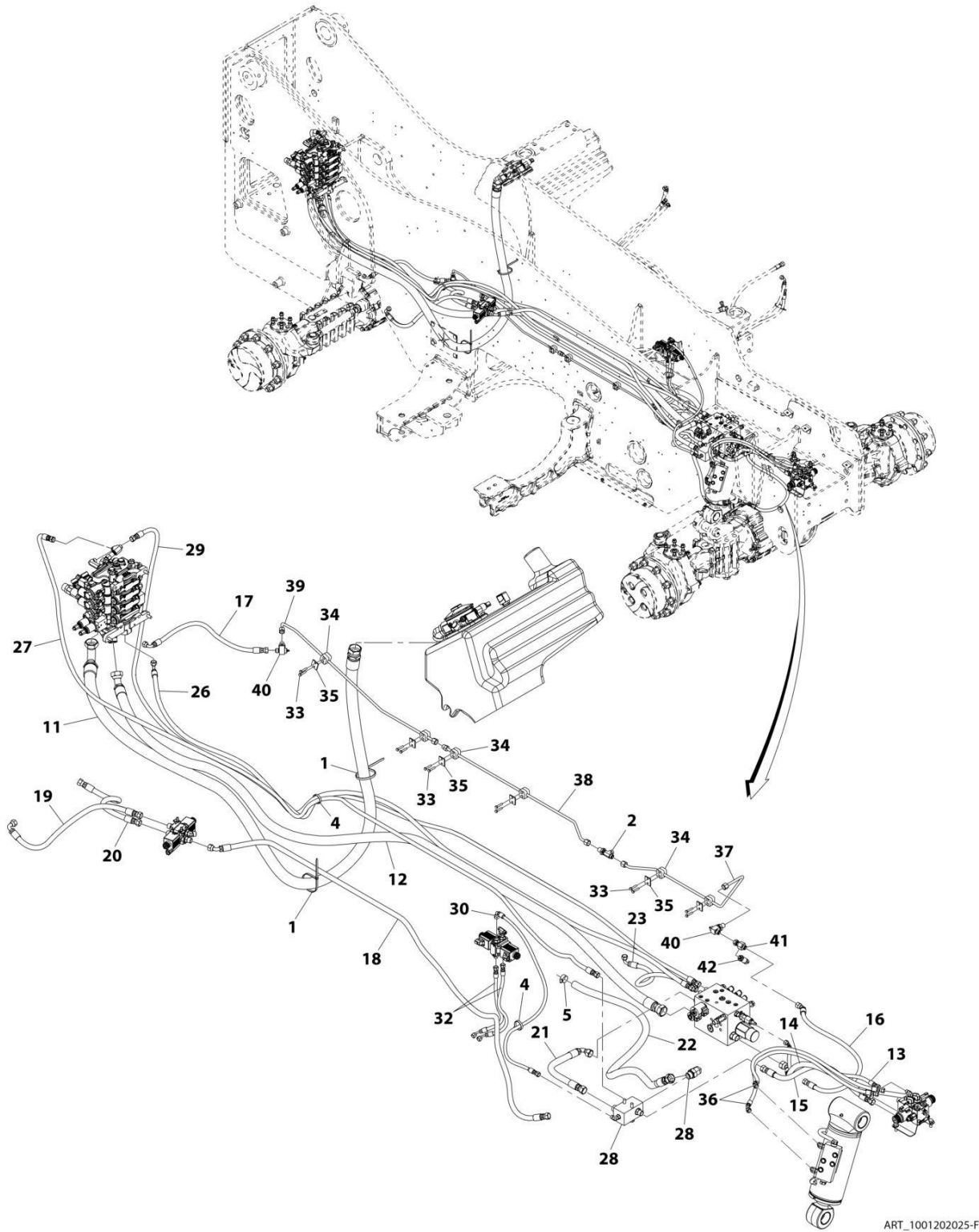
SECTION 8 - HYDRAULIC CIRCUITS

FIGURE 8-24. ENGINE BAY INCHING VALVE/FITINGS ASSEMBLY

ITEM	PART NUMBER	QTY	DESCRIPTION	REV
	1001213309	Ref	Inching Valve Assembly	B
1	2110406	1	Fitting, Straight ORFS	
2	2110606	1	Fitting, Straight ORFS	
3	8430034	1	Elbow, 90	
4	1001213311	1	Valve, Inching (See Separate Breakdown in HYDRAULIC COMPONENTS Section)	

SECTION 8 - HYDRAULIC CIRCUITS

FIGURE 8-25. FRAME HYDRAULIC INSTALLATION



ART_1001202025-F

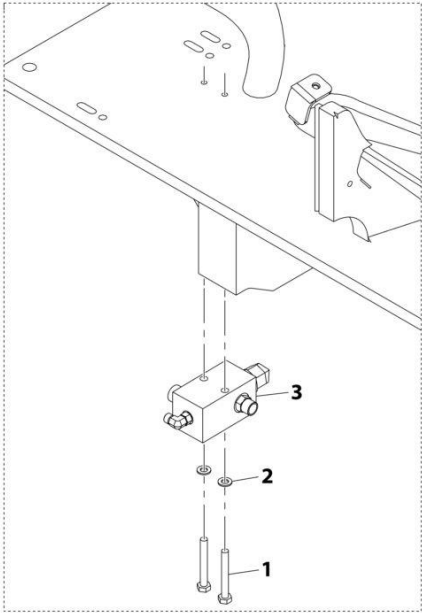
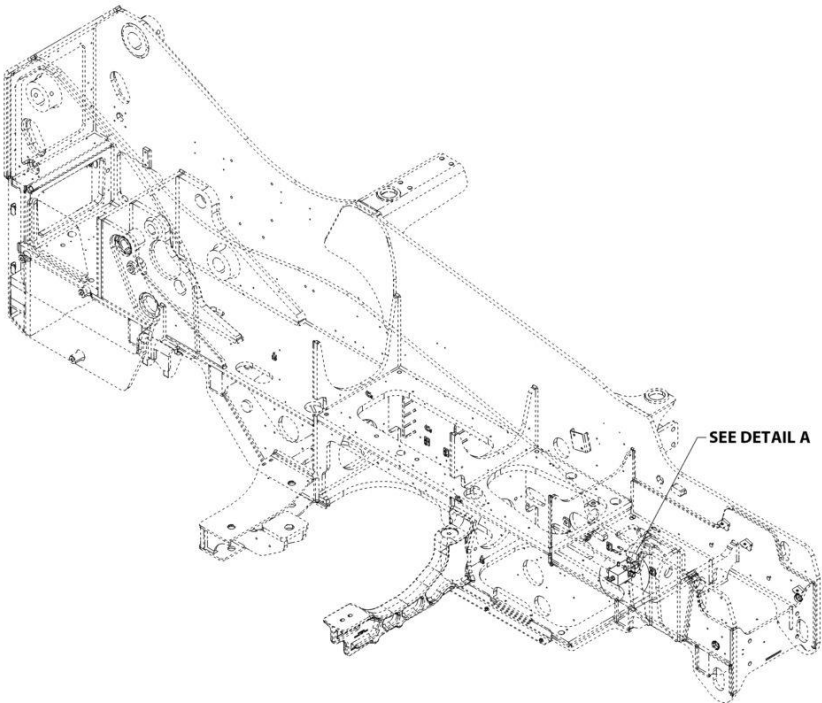
SECTION 8 - HYDRAULIC CIRCUITS

FIGURE 8-25. FRAME HYDRAULIC INSTALLATION

ITEM	PART NUMBER	QTY	DESCRIPTION	REV
	1001202025	Ref	Frame Hydraulic Installation	F
1	1062255	2	Strap, Tie	
2	88662434	1	Fitting, Tee ORFS	
4	4240018	2	Strap, Tie	
5	8405007	1	Clamp	
11	1001196964	1	Hose	
12	1001196967	1	Hose	
13	1001210635	1	Hose	
14	1001196969	1	Hose	
15	1001196970	1	Hose	
16	1001208532	1	Hose	
17	1001208534	1	Hose	
18	1001196973	1	Hose	
19	1001196974	1	Hose	
20	1001196975	1	Hose	
21	1001196976	1	Hose	
22	1001196977	1	Hose	
23	1001196978	1	Hose	
26	1001196981	1	Hose	
27	1001196982	1	Hose	
28	1001197197	Ref	Installation, Manifold (See Separate Breakdown in this Section)	
29	1001197199	1	Hose	
30	1001197200	1	Hose	
32	1001211020	2	Hose	
33	0700614	12	Bolt, M6X30	
34	9106-3040	6	Clamp	
35	9106-3039	6	Plate, Cover	
36	1001205573	2	Hose	
37	1001207788	1	Pipe	
38	1001207789	1	Pipe	
39	1001207790	1	Pipe	
40	1001210797	2	Bleeder, Brake	
41	1001111140	1	Fitting, ORFS	
42	1001147340	1	Sensor, Pressure	

SECTION 8 - HYDRAULIC CIRCUITS

FIGURE 8-26. FRAME MANIFOLD INSTALLATION



DETAIL A

ART_1001197197-B

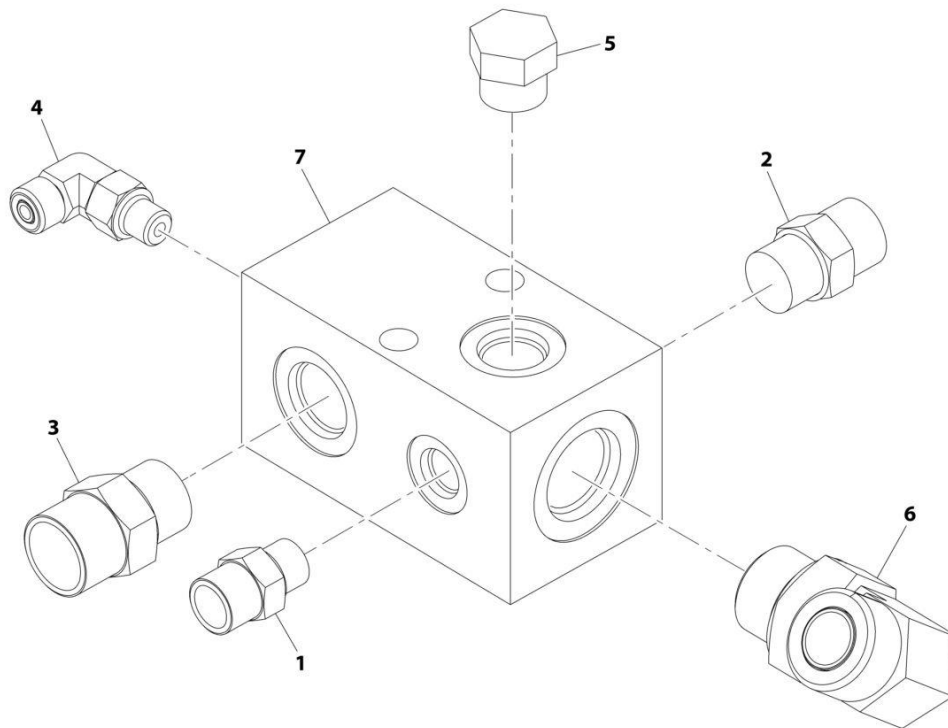
SECTION 8 - HYDRAULIC CIRCUITS

FIGURE 8-26. FRAME MANIFOLD INSTALLATION

ITEM	PART NUMBER	QTY	DESCRIPTION	REV
	1001197197	Ref	Manifold Installation	B
1	0701024	2	Bolt, M10X80	
2	4812000	2	Washer, M10	
3	1001197198	1	Assembly, Manifold (See Separate Breakdown in this Section)	

SECTION 8 - HYDRAULIC CIRCUITS

FIGURE 8-27. FRAME MANIFOLD/FITTINGS ASSEMBLY



ART_1001197198-D

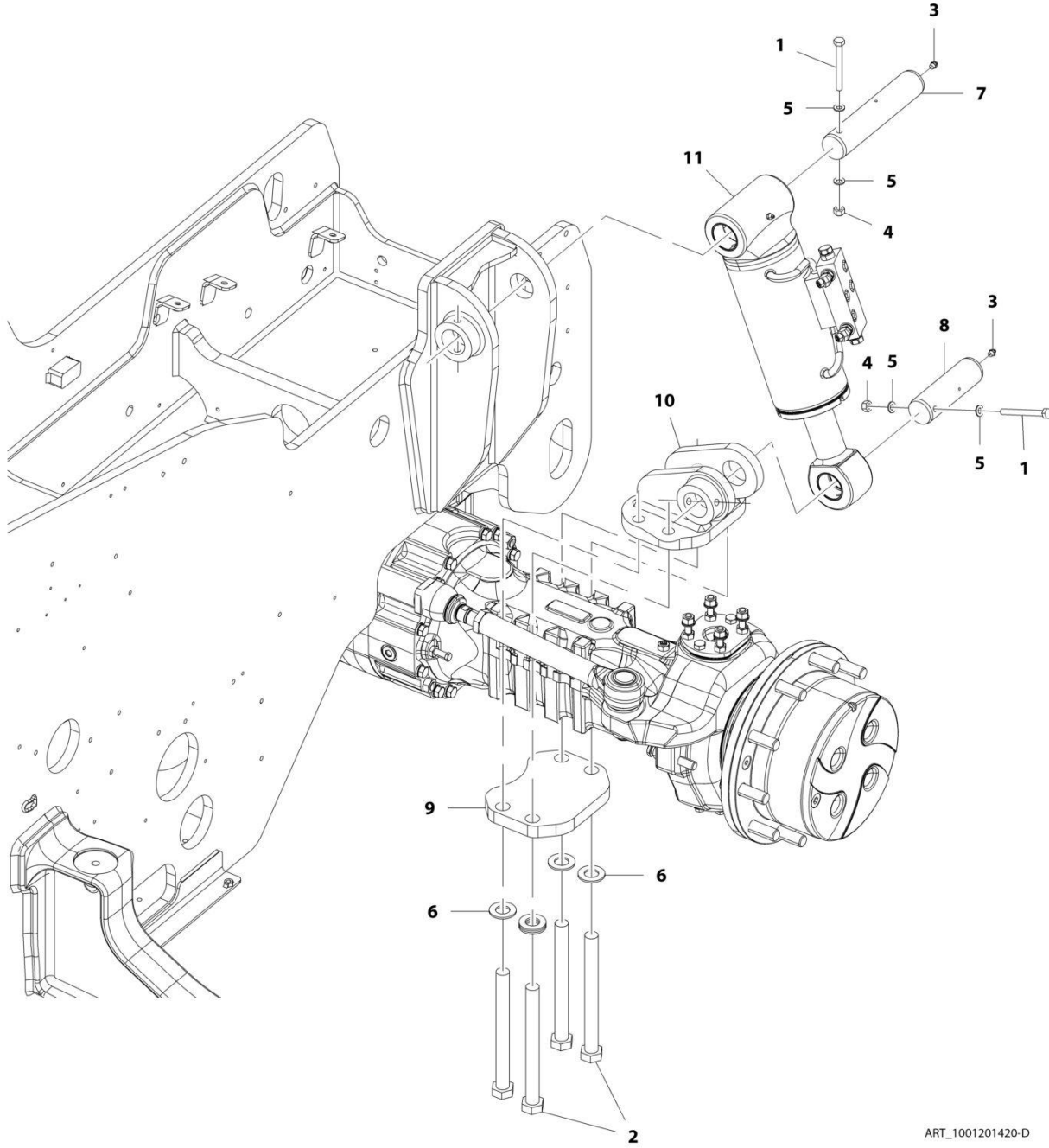
SECTION 8 - HYDRAULIC CIRCUITS

FIGURE 8-27. FRAME MANIFOLD/FITTINGS ASSEMBLY

ITEM	PART NUMBER	QTY	DESCRIPTION	REV
	1001197198	Ref	Manifold Assembly	D
1	2110606	1	Fitting, Straight ORFS	
2	2110808	1	Fitting, Straight ORFS	
3	2111010	1	Fitting, Straight ORFS	
4	2130404	1	Fitting, 90 ORFS	
5	2220238	1	Plug	
6	2131212	1	Fitting, 90 ORFS	
7	1001228504	1	Manifold	

SECTION 8 - HYDRAULIC CIRCUITS

FIGURE 8-28. FRAME LEVEL INSTALLATION



ART_1001201420-D

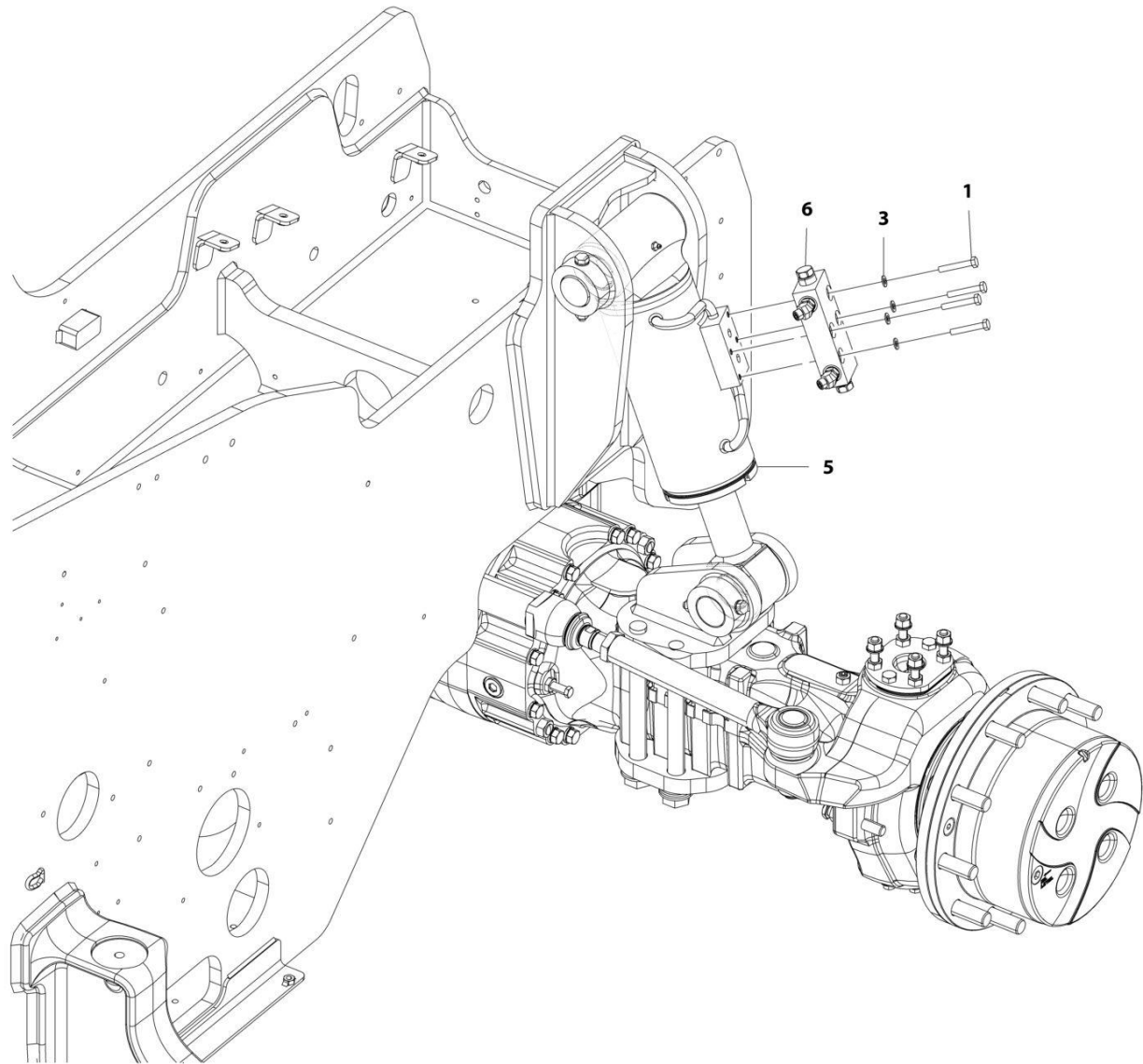
SECTION 8 - HYDRAULIC CIRCUITS

FIGURE 8-28. FRAME LEVEL INSTALLATION

ITEM	PART NUMBER	QTY	DESCRIPTION	REV
	1001201420	Ref	Frame Level Installation	D
1	0701027	2	Bolt, M10X100	
2	0712442	4	Bolt, M24X250 Grade 10.9	
3	2160016	2	Fitting, Grease	
4	3291005	2	Nut, Lock M0X1.5 Grade 8	
5	4812000	4	Washer, M10	
6	5242400	6	Washer, M24	
7	1001164971	1	Pin	
8	1001164972	1	Pin	
9	1001207325	1	Plate, Sway Bottom	
10	1001200226	1	Bracket, Axle Sway	
11	1001201074	Ref	Installation, Frame Level Cylinder (See Separate Breakdown in this Section)	

SECTION 8 - HYDRAULIC CIRCUITS

FIGURE 8-29. FRAME LEVEL CYLINDER INSTALLATION



ART_1001201074-B

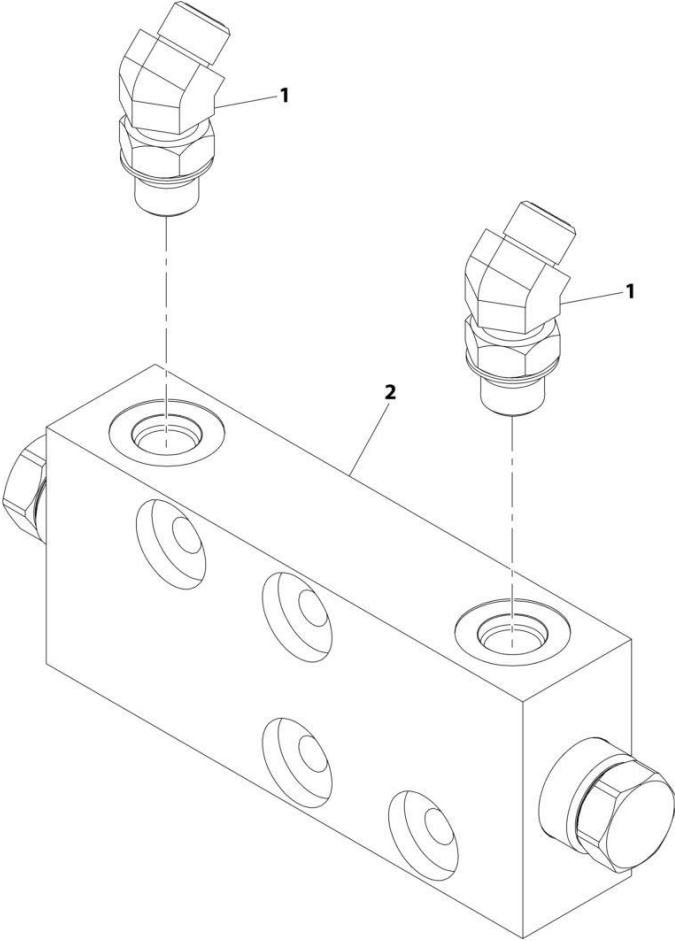
SECTION 8 - HYDRAULIC CIRCUITS

FIGURE 8-29. FRAME LEVEL CYLINDER INSTALLATION

ITEM	PART NUMBER	QTY	DESCRIPTION	REV
	1001201074	Ref	Frame Level Cylinder Installation	B
1	0700818	4	Bolt, M8X50	
3	4811900	4	Washer, M8	
5	1001201073	1	Cylinder, Frame Level (See Separate Breakdown in HYDRAULIC COMPONENTS Section)	
6	1001217482	1	Assembly, Frame Level Valve (See Separate Breakdown in this Section)	

SECTION 8 - HYDRAULIC CIRCUITS

FIGURE 8-30. FRAME LEVEL COUNTERBALANCE VALVE/FITTINGS ASSEMBLY



ART_1001217482-A

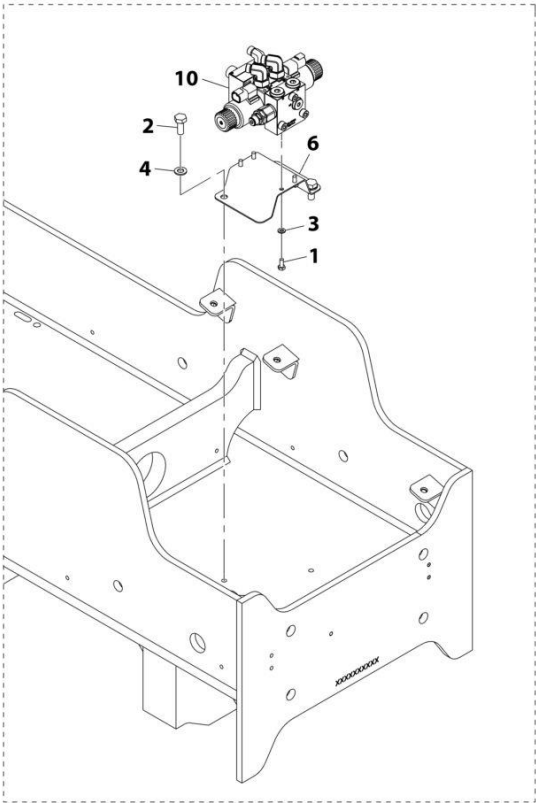
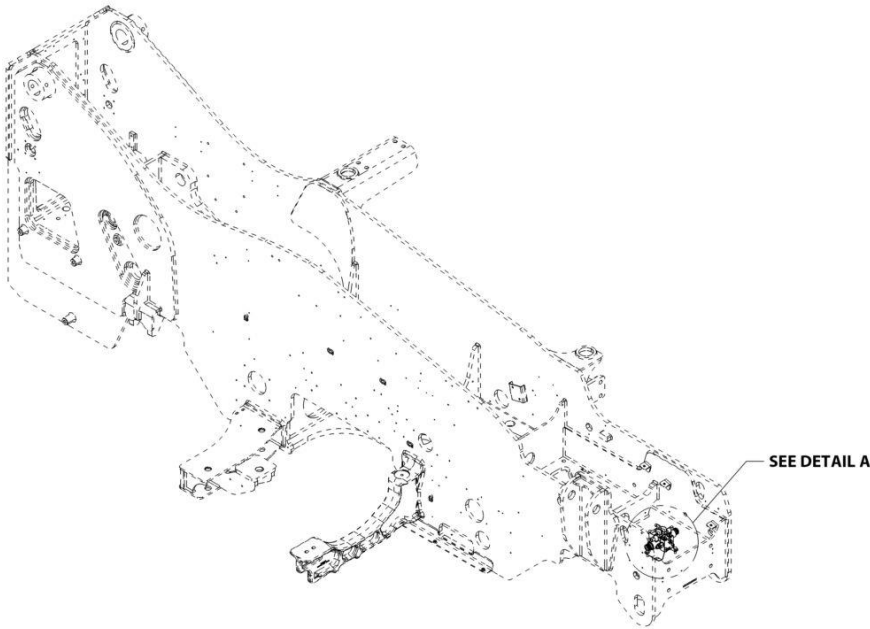
SECTION 8 - HYDRAULIC CIRCUITS

FIGURE 8-30. FRAME LEVEL COUNTERBALANCE VALVE/FITTINGS ASSEMBLY

ITEM	PART NUMBER	QTY	DESCRIPTION	REV
	1001217482	Ref	Frame Level Valve Assembly	A
1	2150406	2	Fitting, 45 ORFS	
2	1001168599	1	Valve, Counterbalance (See Separate Breakdown in the HYDRAULIC COMPONENTS Section)	

SECTION 8 - HYDRAULIC CIRCUITS

FIGURE 8-31. FRAME LEVEL CONTROL VALVE INSTALLATION



DETAIL A

ART_1001193517-D

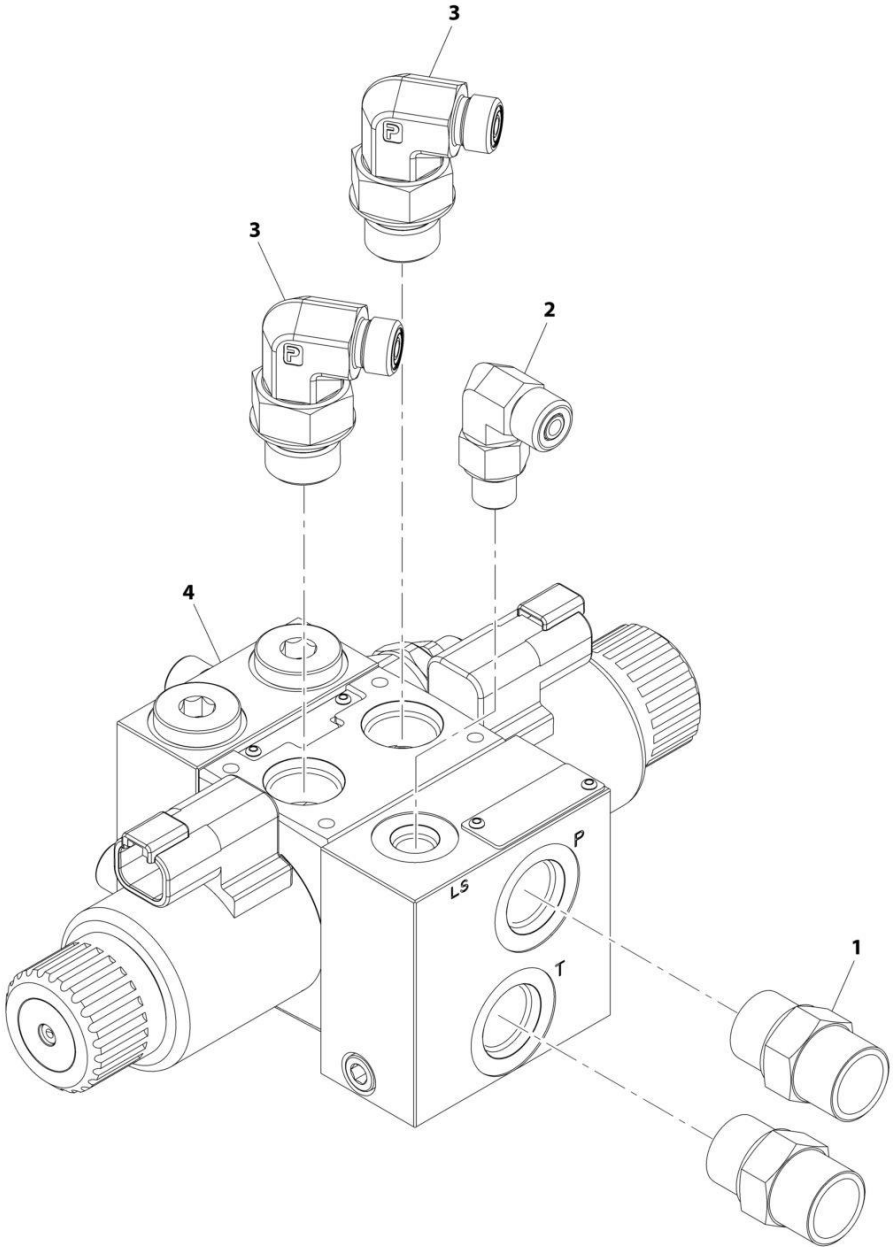
SECTION 8 - HYDRAULIC CIRCUITS

FIGURE 8-31. FRAME LEVEL CONTROL VALVE INSTALLATION

ITEM	PART NUMBER	QTY	DESCRIPTION	REV
	1001193517	Ref	Frame Level Valve Installation	D
1	0760607	4	Bolt, M6X14	
2	0761012	2	Bolt, M10X25	
3	4811700	4	Washer, M6	
4	4812000	2	Washer, M10	
6	1001195733	1	Bracket	
10	1001215341	1	Assembly, Frame Level Valve (See Separate Breakdown in this Section)	

SECTION 8 - HYDRAULIC CIRCUITS

FIGURE 8-32. FRAME LEVEL CONTROL VALVE/FITTINGS ASSEMBLY



ART_1001215341-B

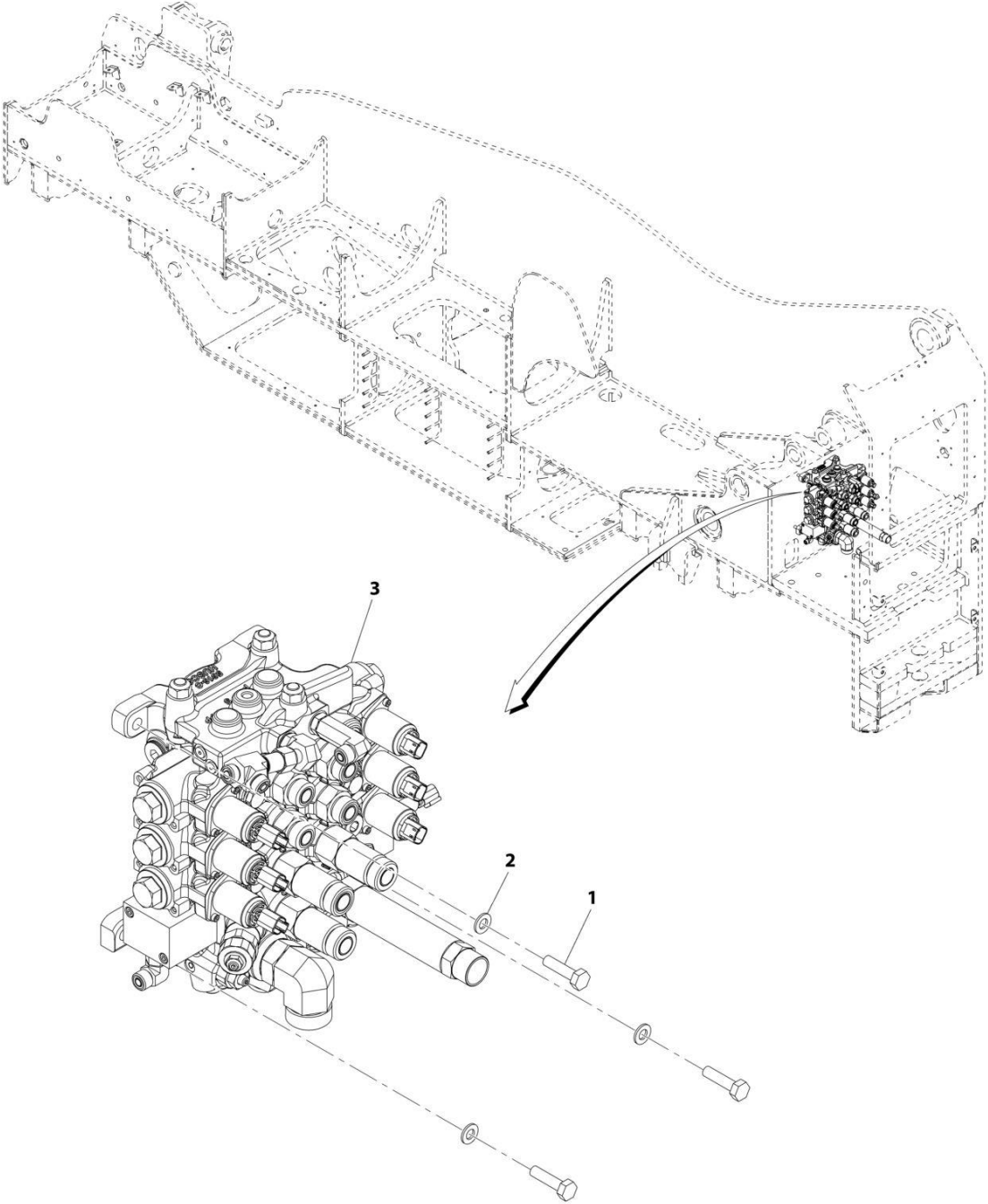
SECTION 8 - HYDRAULIC CIRCUITS

FIGURE 8-32. FRAME LEVEL CONTROL VALVE/FITTINGS ASSEMBLY

ITEM	PART NUMBER	QTY	DESCRIPTION	REV
	1001215341	Ref	Frame Level Valve Assembly	B
1	2110808	2	Fitting, Straight ORFS	
2	2130404	1	Fitting, 90 ORFS	
3	2130408	2	Fitting, 90 ORFS	
4	1001219615	1	Valve, Frame Level (See Separate Breakdown in HYDRAULIC COMPONENTS Section)	

SECTION 8 - HYDRAULIC CIRCUITS

FIGURE 8-33. MAIN CONTROL VALVE INSTALLATION



ART_1001220457-A

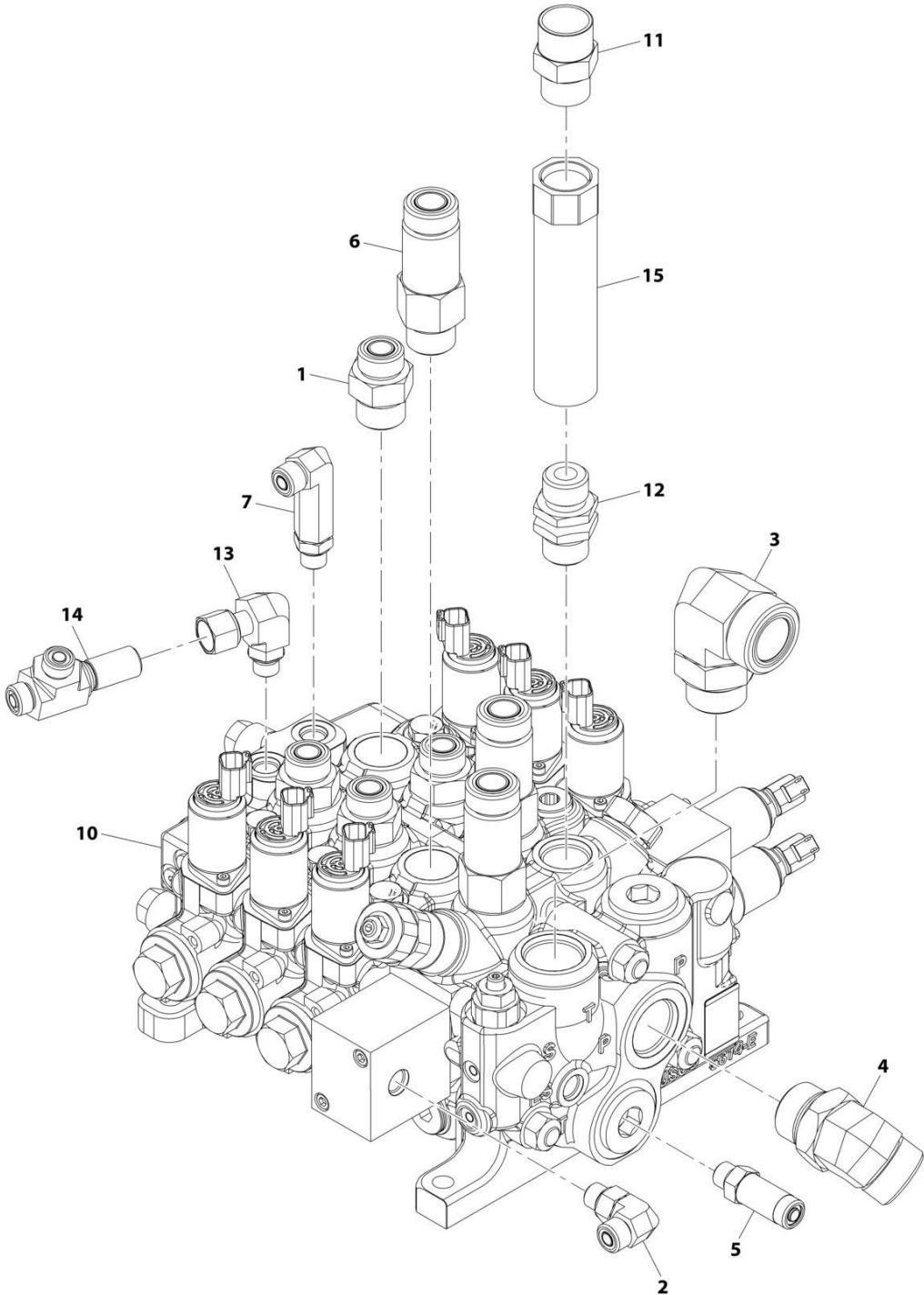
SECTION 8 - HYDRAULIC CIRCUITS

FIGURE 8-33. MAIN CONTROL VALVE INSTALLATION

ITEM	PART NUMBER	QTY	DESCRIPTION	REV
	1001220457	Ref	Main Control Valve Installation	A
1	0701016	3	Bolt, M10X40	
2	4812000	3	Washer, M10	
3	1001220456	1	Assembly, Main Control Valve (See Separate Breakdown in this Section)	

SECTION 8 - HYDRAULIC CIRCUITS

FIGURE 8-34. MAIN CONTROL VALVE/FITTINGS ASSEMBLY



ART_1001220456_C

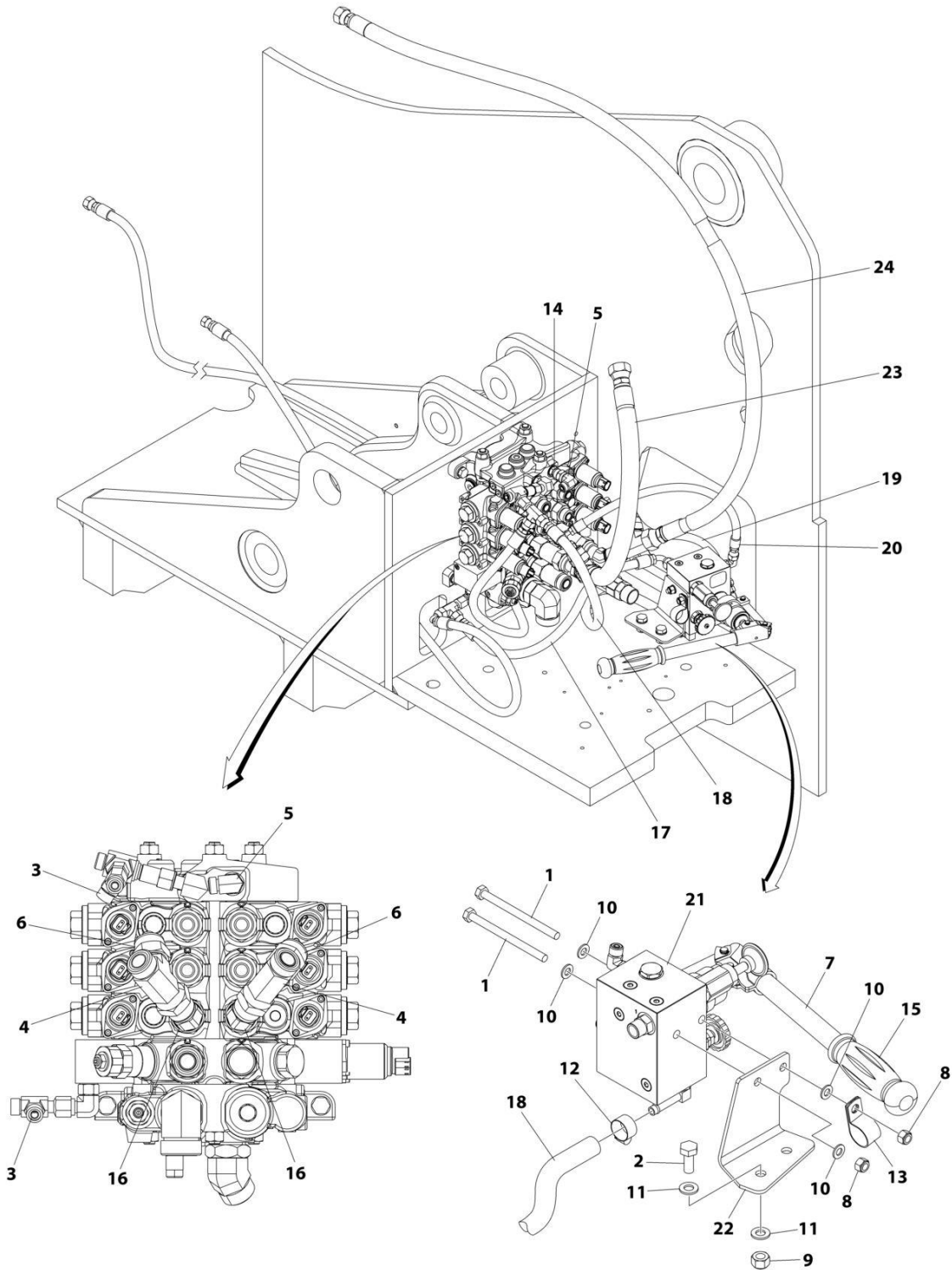
SECTION 8 - HYDRAULIC CIRCUITS

FIGURE 8-34. MAIN CONTROL VALVE/FITTINGS ASSEMBLY

ITEM	PART NUMBER	QTY	DESCRIPTION	REV
	1001220456	Ref	Main Control Valve Assembly	C
1	2111012	4	Fitting, Straight ORFS	
2	2130606	1	Fitting, 90 ORFS	
3	2132016	1	Fitting, 90 ORFS	
4	2151616	1	Fitting, 45 ORFS	
5	2170106	1	Fitting, Straight ORFS	
6	2170112	3	Fitting, Straight ORFS	
7	2170206	1	Fitting, 90 ORFS	
10	1001241881	1	Valve, Main Control (See Separate Breakdown in Hydraulic Components Section)	
11	2111212	1	Fitting, Straight ORFS	
12	8770030	1	Fitting, Straight ORFS	
13	8770104	1	Fitting, 90 ORFS	
14	8770286	1	Fitting, 90 ORFS	
15	1001224946	1	Valve, Check	

SECTION 8 - HYDRAULIC CIRCUITS

FIGURE 8-35. MANUAL PUMP (LIFT/TELE) INSTALLATION - REMOTE CONTROL EMERGENCY LOWERING



ART_1001259258-A

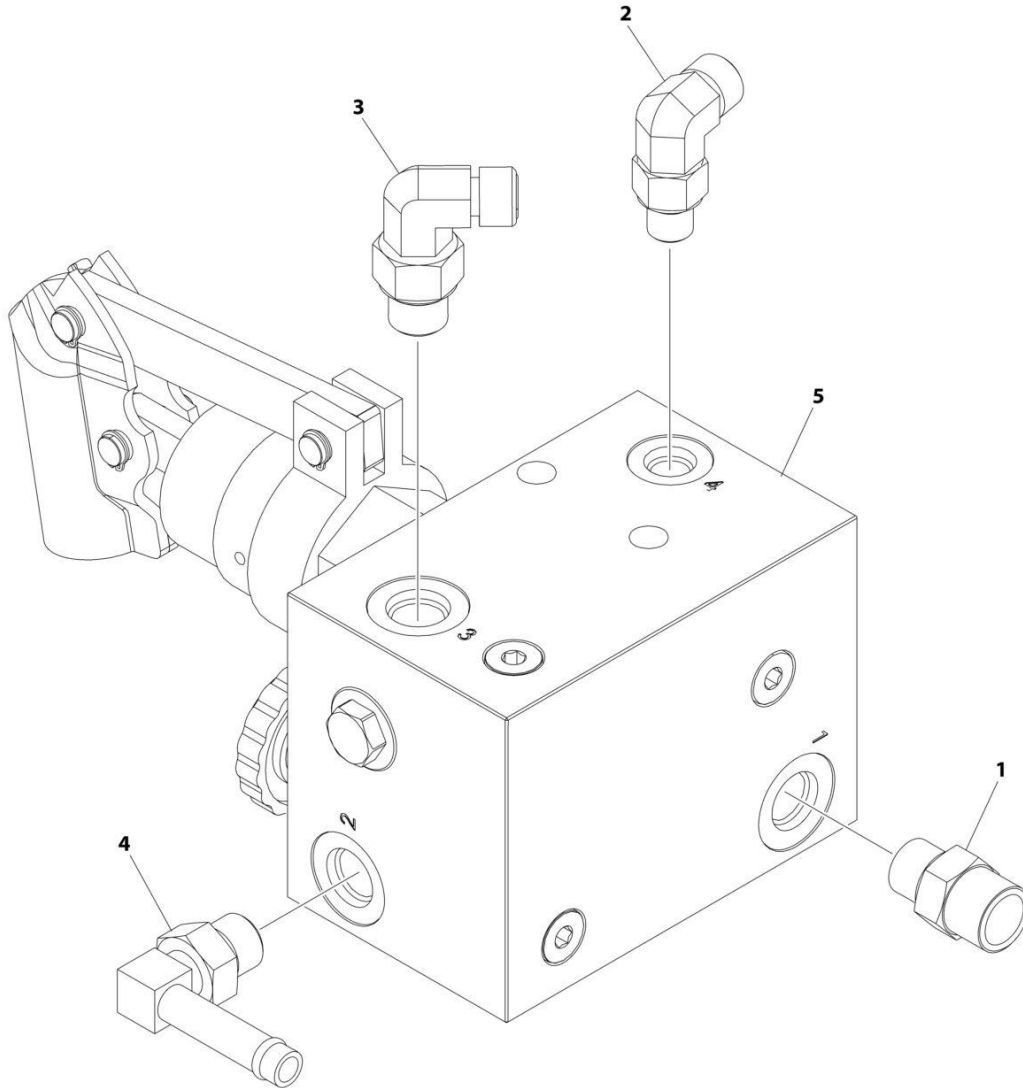
SECTION 8 - HYDRAULIC CIRCUITS

FIGURE 8-35. MANUAL PUMP (LIFT/TELE) INSTALLATION - REMOTE CONTROL EMERGENCY LOWERING

ITEM	PART NUMBER	QTY	DESCRIPTION	REV
	1001259258	Ref	Manual Pump (Lift/Tele) Installation	A
1	0700828	2	Bolt M8 x 110	
2	0761012	2	Bolt M10 x 25	
3	2170706	2	Fitting, Tee ORFS/FSORFS/ORFS	
4	2170712	2	Fitting, Tee ORFS/FSORFS/ORFS	
5	2172106	1	Fitting, 90 ORFS/FSORFS	
6	2221221	2	Fitting, Straight ORFS/FSORFS	
7	2560122	1	Handle	
8	3290805	2	Nut M8	
9	3291005	2	Nut M10	
10	4811900	4	Washer M8	
11	4812000	4	Washer M10	
12	8405006	1	Clamp	
13	8406201	1	Clip	
14	80333184	1	Fitting, Check	
15	1001114761	1	Grip, Handle	
16	1001151238	2	Fitting, 45 ORFS/FSORFS	
17	1001255519	1	Hose	
18	1001255520	1	Hose	
19	1001255521	1	Hose	
20	1001255522	1	Hose	
21	1001255536	1	Valve and Fittings Assembly (Manual Lift/Tele) (See Separate Breakdown in this Section)	
22	1001255568	1	Plate	
23	1001259241	1	Hose	
24	1001259242	1	Hose	

SECTION 8 - HYDRAULIC CIRCUITS

FIGURE 8-36. MANUAL LIFT/TELE VALVE & FITTING ASSEMBLY



ART_1001255536

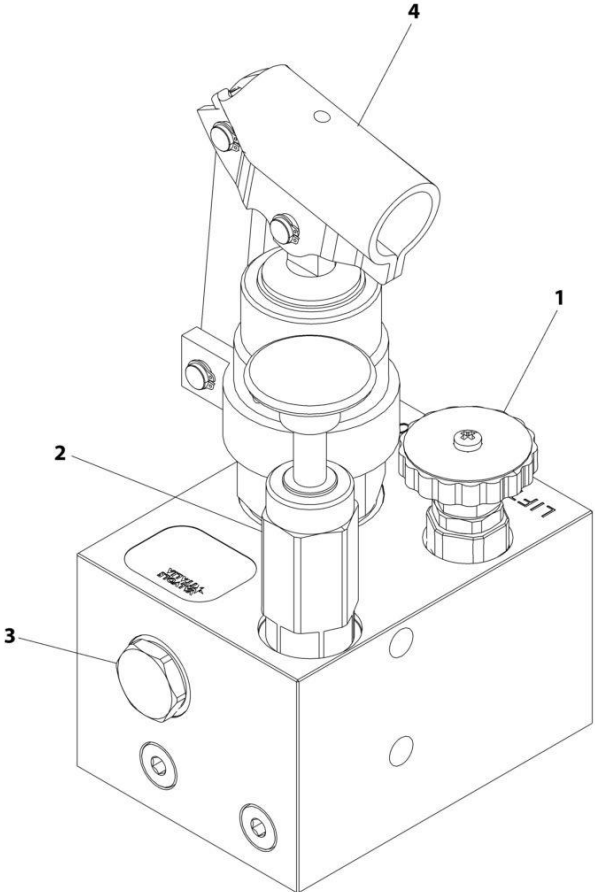
SECTION 8 - HYDRAULIC CIRCUITS

FIGURE 8-36. MANUAL LIFT/TELE VALVE & FITTING ASSEMBLY

ITEM	PART NUMBER	QTY	DESCRIPTION	REV
	1001255536	Ref	Valve & Fitting Assembly - Manual Lift/Tele	A
1	2110606	1	Fitting, Straight ORFS/ORB	
2	2130404	1	Fitting, 90 ORFS/ORB	
3	2130406	1	Fitting, 90 ORFS/ORB	
4	8430034	1	Fitting, 90	
5	1001253661	1	Valve Assembly - Lift/Tele (See Separate Breakdown in this Section)	

SECTION 8 - HYDRAULIC CIRCUITS

FIGURE 8-37. MANUAL LIFT/TELEVALVE ASSEMBLY



ART_1001253661

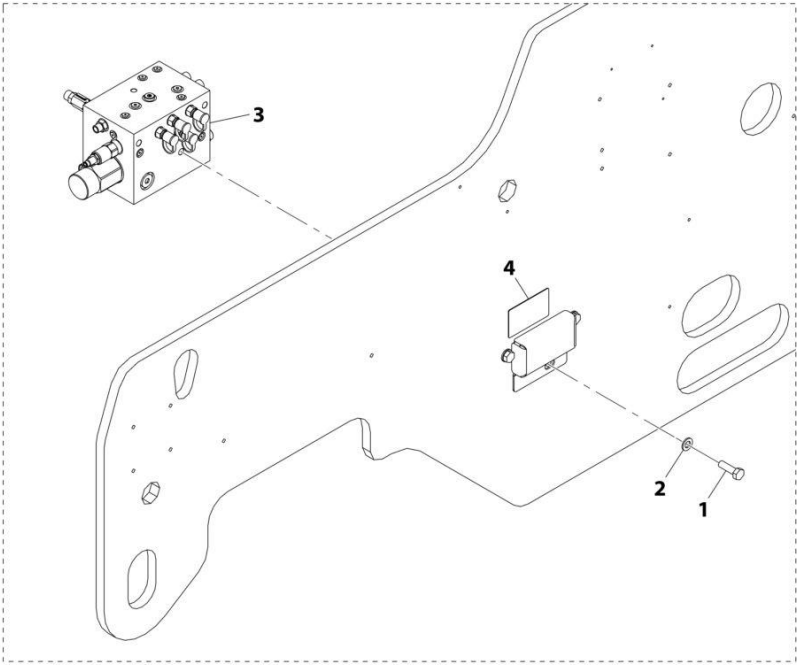
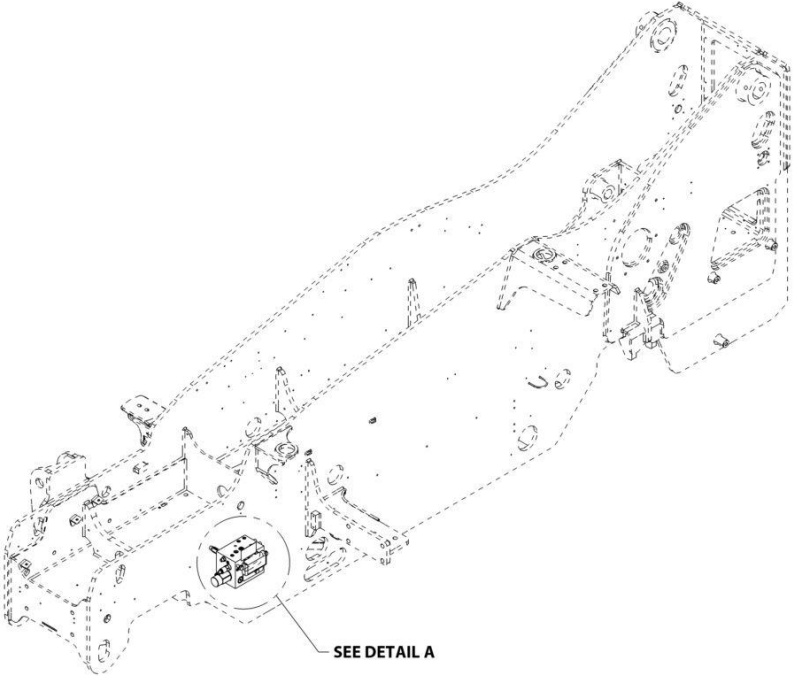
SECTION 8 - HYDRAULIC CIRCUITS

FIGURE 8-37. MANUAL LIFT/TELEVALVE ASSEMBLY

ITEM	PART NUMBER	QTY	DESCRIPTION	REV
	1001253661	Ref	VALVE ASSEMBLY - MANUAL LIFT/TELE	A
1	70030102	1	Valve, Poppet	
2	70030104	1	Cartridge, Hand Pump	
3	70030103	1	Valve, Check	
4	70005440	1	Cartridge, Hand Pump	

SECTION 8 - HYDRAULIC CIRCUITS

FIGURE 8-38. PRIORITY VALVE INSTALLATION



DETAIL A

ART_1001192885-B

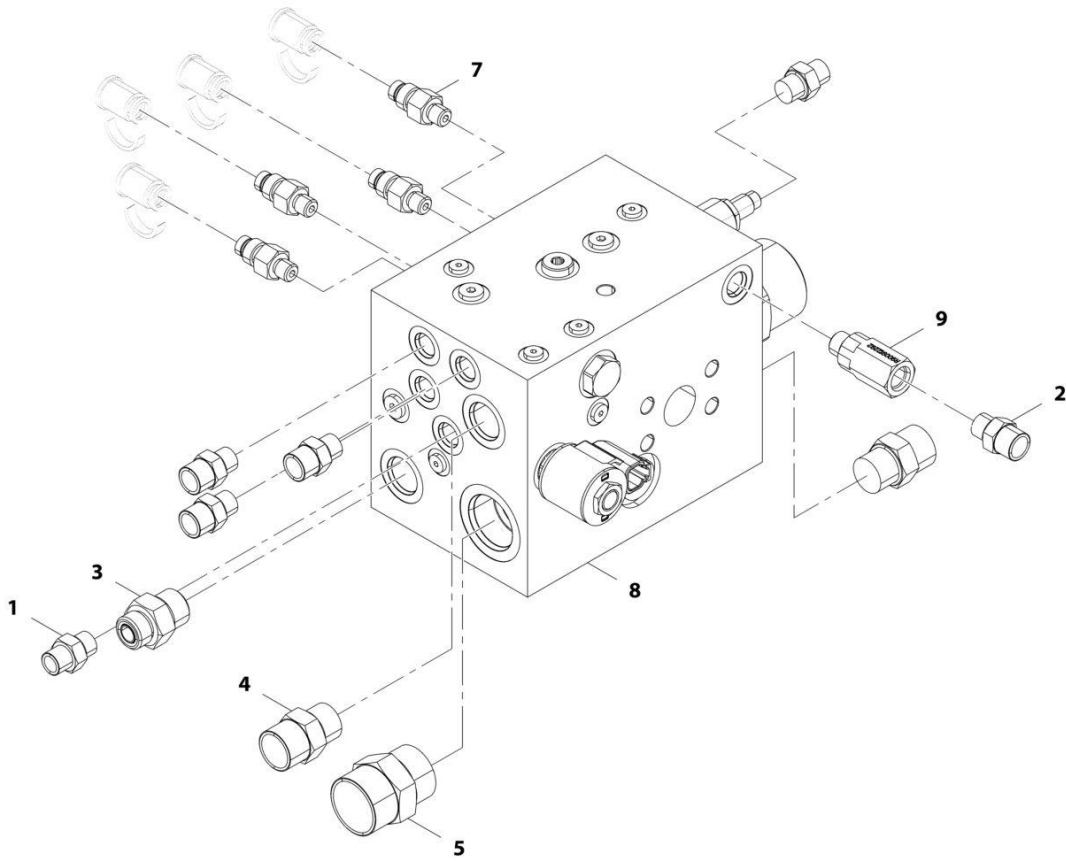
SECTION 8 - HYDRAULIC CIRCUITS

FIGURE 8-38. PRIORITY VALVE INSTALLATION

ITEM	PART NUMBER	QTY	DESCRIPTION	REV
	1001192885	Ref	Priority Manifold Installation	B
1	0701216	3	Bolt, M12X40	
2	4812100	3	Washer, M12	
3	1001192886	1	Assembly, Priority Valve (See Separate Breakdown in this Section)	
4	1001192887	1	Decal	

SECTION 8 - HYDRAULIC CIRCUITS

FIGURE 8-39. PRIORITY VALVE/FITTINGS ASSEMBLY



ART_1001192886-D

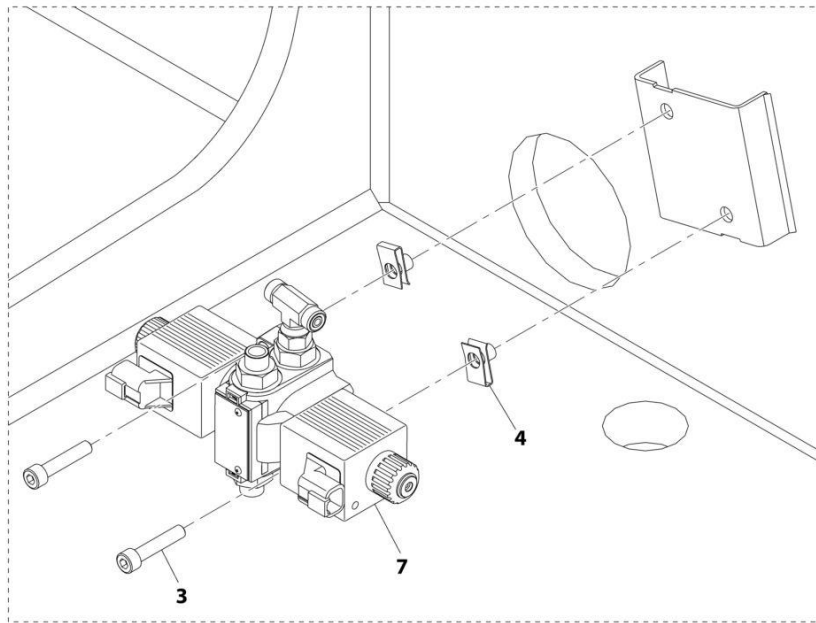
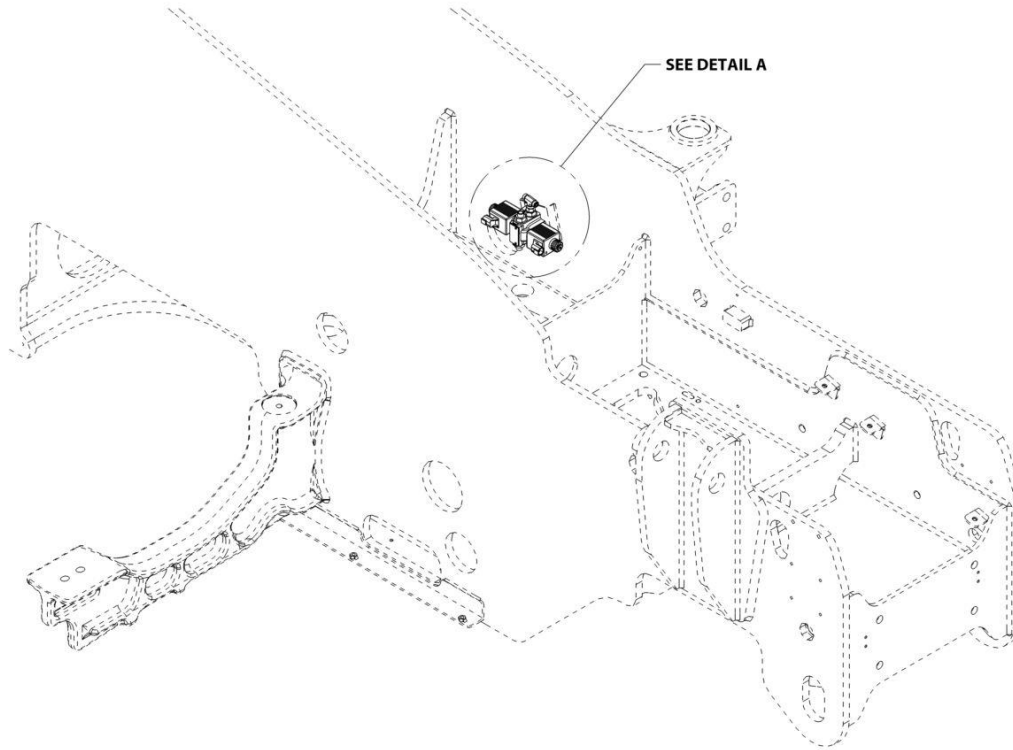
SECTION 8 - HYDRAULIC CIRCUITS

FIGURE 8-39. PRIORITY VALVE/FITTINGS ASSEMBLY

ITEM	PART NUMBER	QTY	DESCRIPTION	REV
	1001192886	Ref	Priority Valve Assembly	D
1	2110406	2	Fitting, Straight ORFS	
2	2110606	4	Fitting, Straight ORFS	
3	2110810	1	Fitting, Straight ORFS	
4	2111010	2	Fitting, Straight ORFS	
5	2111616	1	Fitting, Straight ORFS	
7	8430033	4	Fitting, Straight	
8	1001192888	1	Assembly, Priority Valve (See Separate Breakdown in HYDRAULIC COMPONENTS Section)	
9	1001187355	1	Valve, Check	

SECTION 8 - HYDRAULIC CIRCUITS

FIGURE 8-40. SPEED CONTROL VALVE INSTALLATION



DETAIL A

ART_1001197196-B

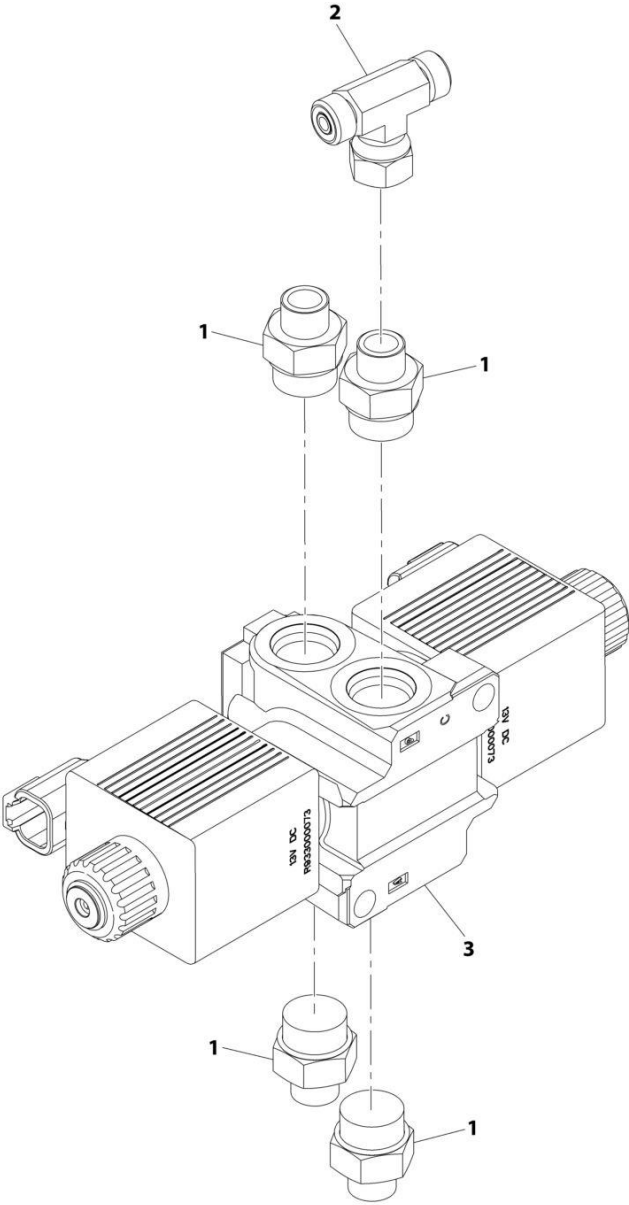
SECTION 8 - HYDRAULIC CIRCUITS

FIGURE 8-40. SPEED CONTROL VALVE INSTALLATION

ITEM	PART NUMBER	QTY	DESCRIPTION	REV
	1001197196	Ref	Speed Control Valve Installation	B
3	4031912	2	Bolt, M8X40	
4	8310686	2	Nut, M8X12.5	
7	1001220643	1	Assembly, Speed Control Valve (See Separate Breakdown in this Section)	

SECTION 8 - HYDRAULIC CIRCUITS

FIGURE 8-41. SPEED CONTROL VALVE/FITTINGS ASSEMBLY



ART_1001220643-A

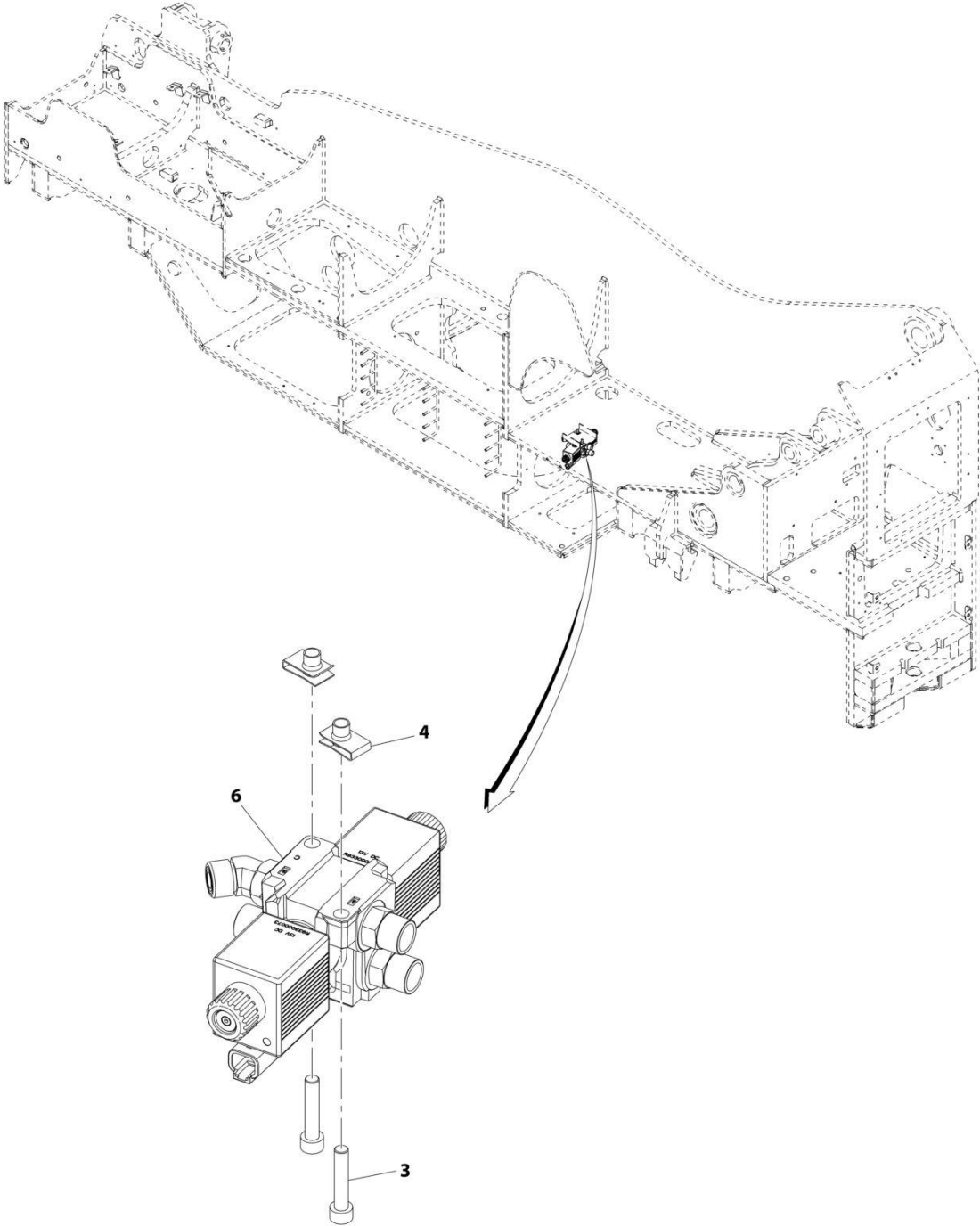
SECTION 8 - HYDRAULIC CIRCUITS

FIGURE 8-41. SPEED CONTROL VALVE/FITTINGS ASSEMBLY

ITEM	PART NUMBER	QTY	DESCRIPTION	REV
	1001220643	Ref	Speed Control Valve Assembly	A
1	2110408	4	Fitting, Straight ORFS	
2	2170804	1	Fitting, Tee	
3	4641520	1	Valve, Speed Control (See Separate Breakdown in HYDRAULIC COMPONENTS Section)	

SECTION 8 - HYDRAULIC CIRCUITS

FIGURE 8-42. STEERING SELECT VALVE INSTALLATION



ART_1001193516-B

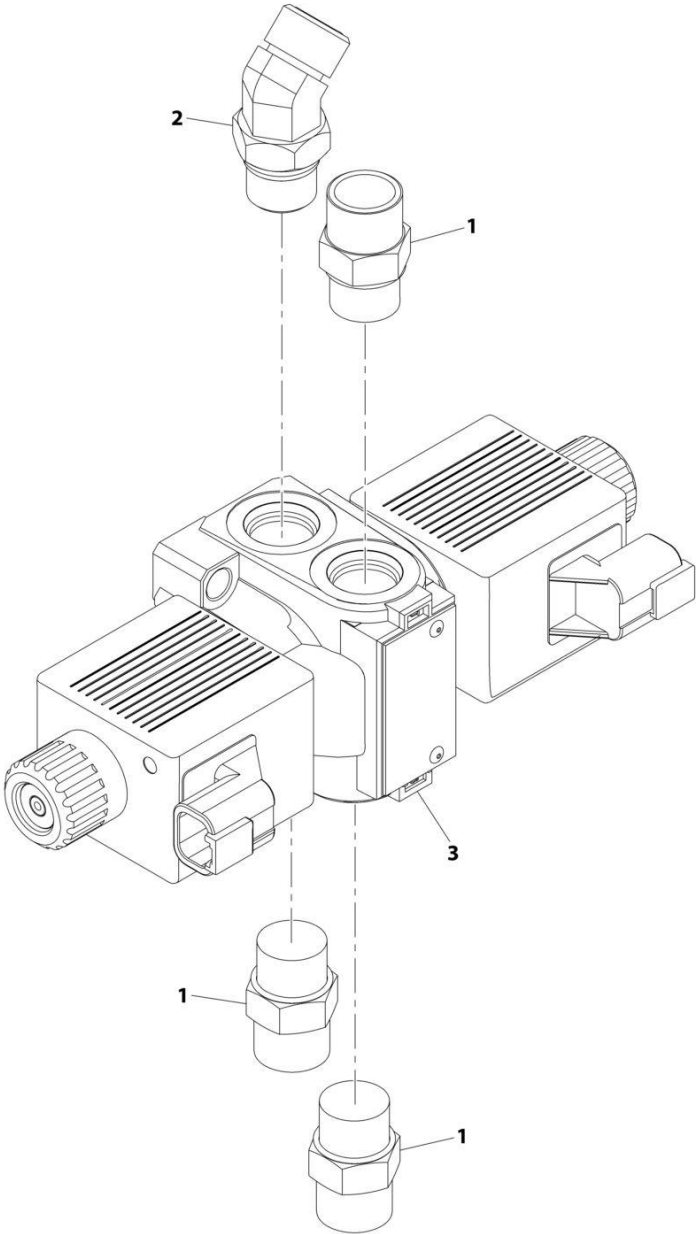
SECTION 8 - HYDRAULIC CIRCUITS

FIGURE 8-42. STEERING SELECT VALVE INSTALLATION

ITEM	PART NUMBER	QTY	DESCRIPTION	REV
	1001193516	Ref	Steering Select Valve Installation	B
3	4031912	2	Bolt, M8X40	
4	8310686	2	Nut, M8X12.5	
6	1001212418	1	Assembly, Steering Select Valve (See Separate Breakdown in this Section)	

SECTION 8 - HYDRAULIC CIRCUITS

FIGURE 8-43. STEERING SELECT VALVE/FITTINGS ASSEMBLY



ART_1001212418-A

SECTION 8 - HYDRAULIC CIRCUITS

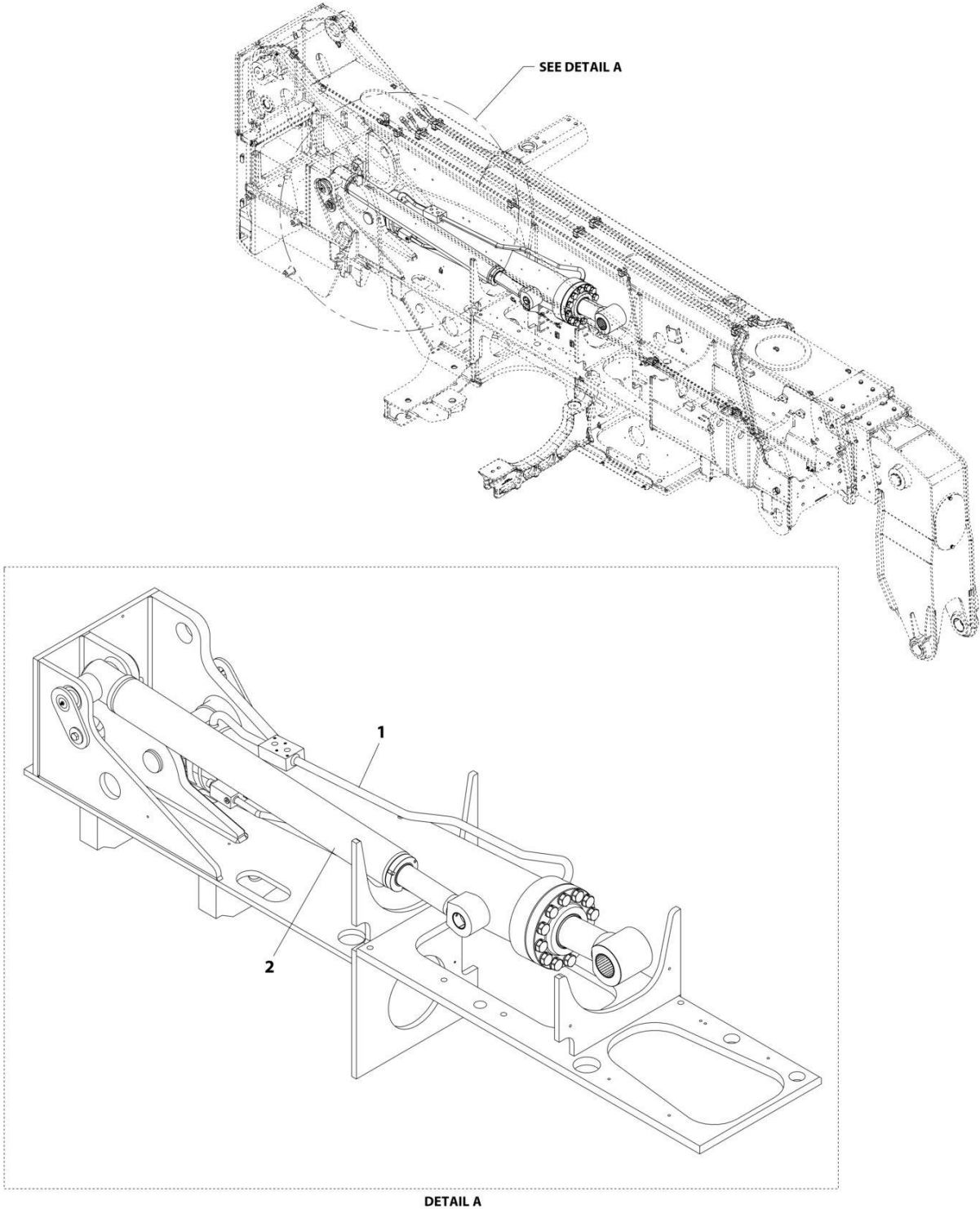
FIGURE 8-43. STEERING SELECT VALVE/FITTINGS ASSEMBLY

ITEM	PART NUMBER	QTY	DESCRIPTION	REV
	1001212418	Ref	Steering Select Valve Assembly	A
1	2110808	3	Fitting, Straight ORFS	
2	2150808	1	Fitting, 45 ORFS	
3	1001153748	1	Valve, Steering Select (See Separate Breakdown in HYDRAULIC COMPONENTS Section)	

SECTION 9 - HYDRAULIC COMPONENTS

SECTION 9 - HYDRAULIC COMPONENTS

FIGURE 9-1. CYLINDER INSTALLATION - BOOM LIFT & COMPENSATION CYLINDER



ART_1001192427-B

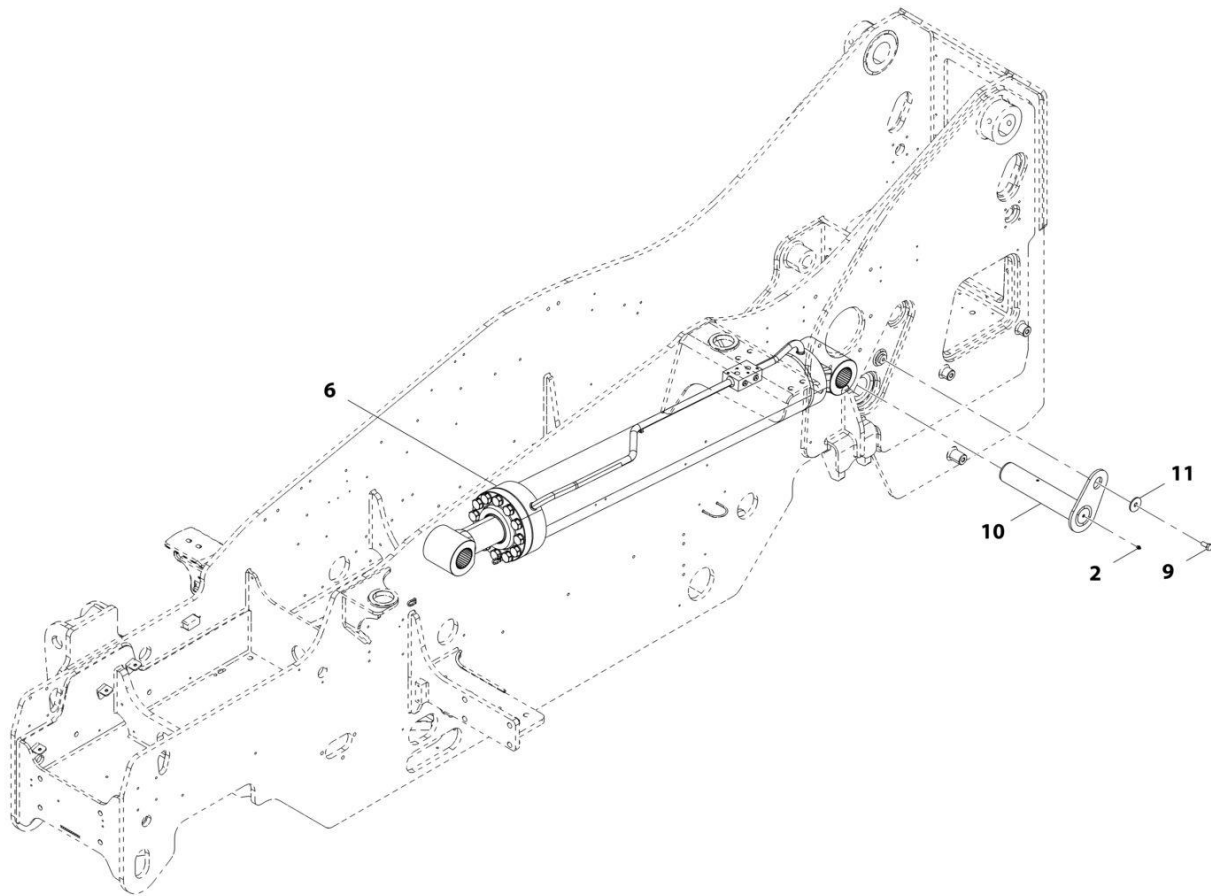
SECTION 9 - HYDRAULIC COMPONENTS

FIGURE 9-1. CYLINDER INSTALLATION - BOOM LIFT & COMPENSATION CYLINDER

ITEM	PART NUMBER	QTY	DESCRIPTION	REV
1	1001192427	Ref	Cylinder Group Installation	B
	1001198577	Ref	Installation, Lift Cylinder (See Separate Breakdown in this Section)	
	1001198578	ref	Installation, Compensation Cylinder (See Separate Breakdown in this Section)	

SECTION 9 - HYDRAULIC COMPONENTS

FIGURE 9-2. CYLINDER INSTALLATION - BOOM LIFT



ART_1001198577-C

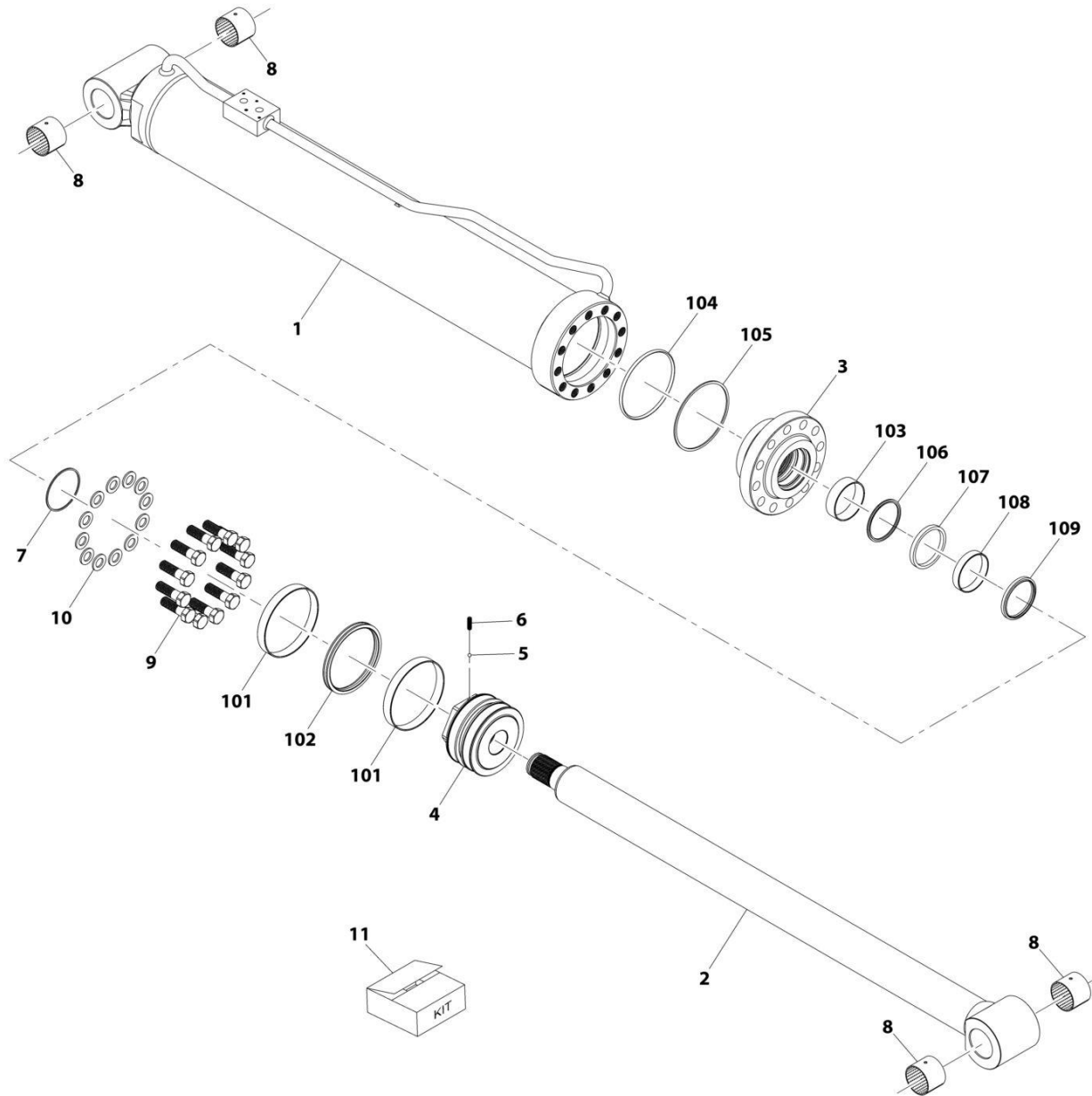
SECTION 9 - HYDRAULIC COMPONENTS

FIGURE 9-2. CYLINDER INSTALLATION - BOOM LIFT

ITEM	PART NUMBER	QTY	DESCRIPTION	REV
	1001198577	Ref	Lift Cylinder Installation	C
2	2160016	1	Fitting, Grease	
6	1001198715	1	Cylinder, Lift (See Separate Breakdown in this Section)	
9	0771414	1	Bolt, M14X30	
10	1001216331	1	Pin	
11	1001217226	1	Washer	

SECTION 9 - HYDRAULIC COMPONENTS

FIGURE 9-3. CYLINDER ASSEMBLY - BOOM LIFT



ART_1001198715-G

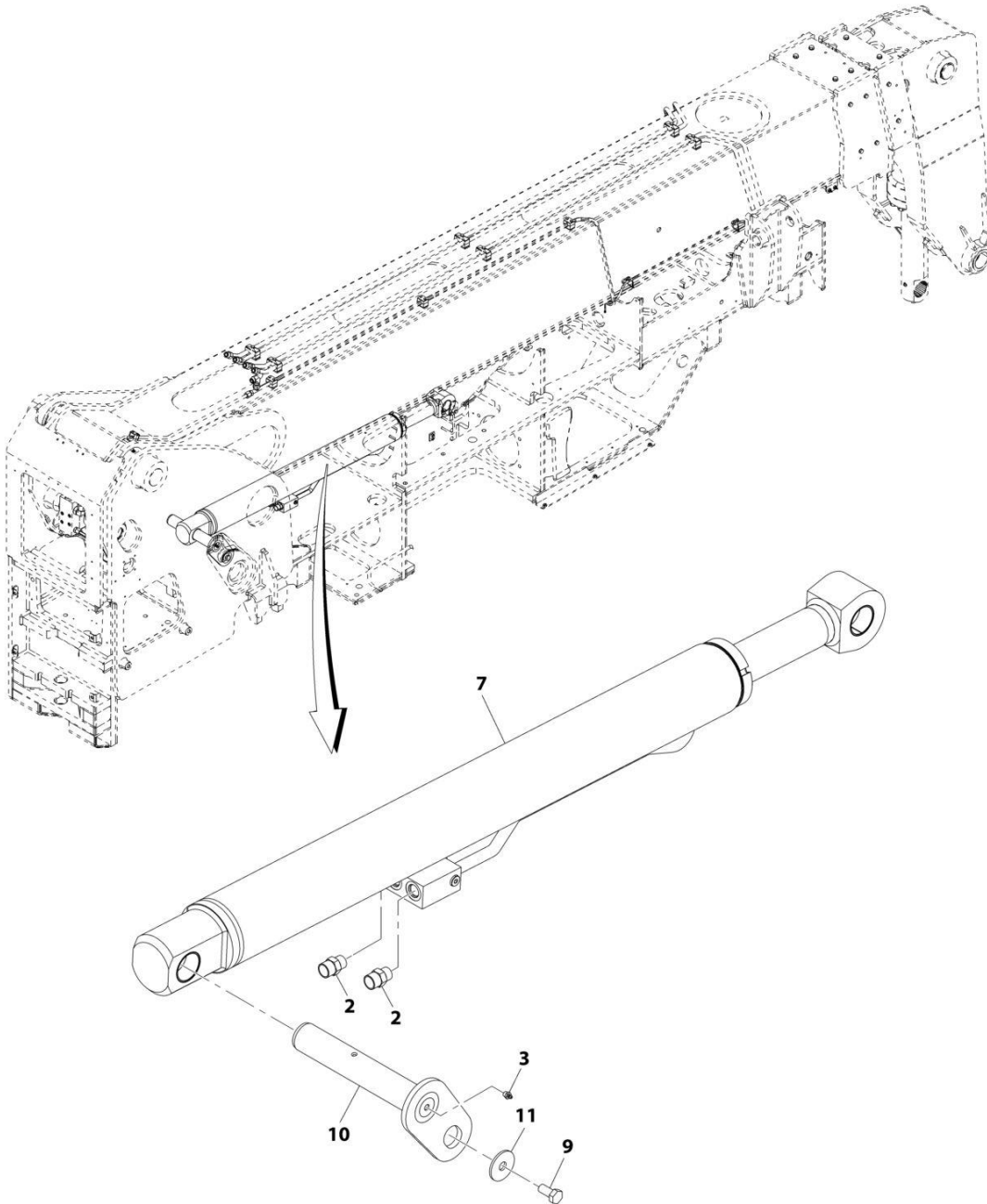
SECTION 9 - HYDRAULIC COMPONENTS

FIGURE 9-3. CYLINDER ASSEMBLY - BOOM LIFT

ITEM	PART NUMBER	QTY	DESCRIPTION	REV
	1001198715	Ref	Lift Cylinder	G
		Ref	Note: Original Cylinder May Have Been Replaced with Service Replacement. Identify PN Stamped on Cylinder Before Ordering Parts.	
1	N.S.S.	1	Barrel	
2	70028325	1	Rod	
3	70028307	1	Guide, Rod	
4	70028308	1	Piston	
5	70025614	1	Bearing	
6	70028309	1	Screw, Locking	
7	70025590	1	Ring, Snap	
8	70028310	4	Bushing	
9	70028311	12	Bolt	
10	70028312	12	Washer	
11	70028324	1	Kit, Seal (includes items 101 thru 109)	
101	Kit	2	Ring, Piston	
102	Kit	1	Seal	
103	Kit	1	Wiper, Rod	
104	Kit	1	O-Ring	
105	Kit	1	Ring, Backup	
106	Kit	1	Seal	
107	Kit	1	Seal	
108	Kit	1	Wiper, Rod	
109	Kit	1	Seal	

SECTION 9 - HYDRAULIC COMPONENTS

FIGURE 9-4. CYLINDER INSTALLATION - BOOM COMPENSATION



ART_1001198578-C

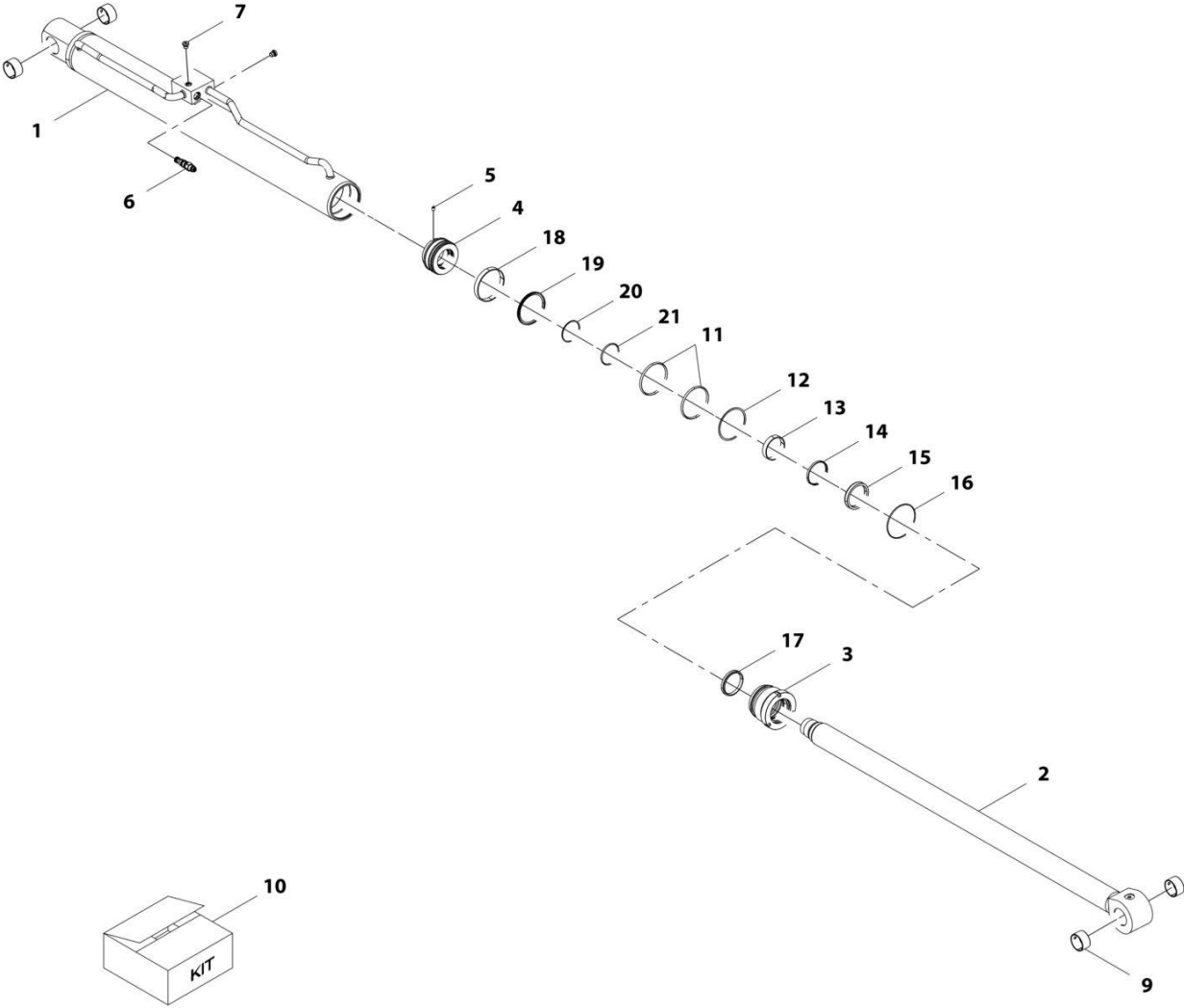
SECTION 9 - HYDRAULIC COMPONENTS

FIGURE 9-4. CYLINDER INSTALLATION - BOOM COMPENSATION

ITEM	PART NUMBER	QTY	DESCRIPTION	REV
	1001198578	Ref	Compensation Cylinder Installation	C
2	2111010	2	Fitting, Straight ORFS	
3	2160016	1	Fitting, Grease	
7	1001198717	1	Cylinder, Compensation (See Separate Breakdown in this Section)	
9	0771414	1	Bolt, M14X30	
10	1001216333	1	Pin	
11	1001217226	1	Washer	

SECTION 9 - HYDRAULIC COMPONENTS

FIGURE 9-5. CYLINDER ASSEMBLY - BOOM COMPENSATION



ART_1001198717-E

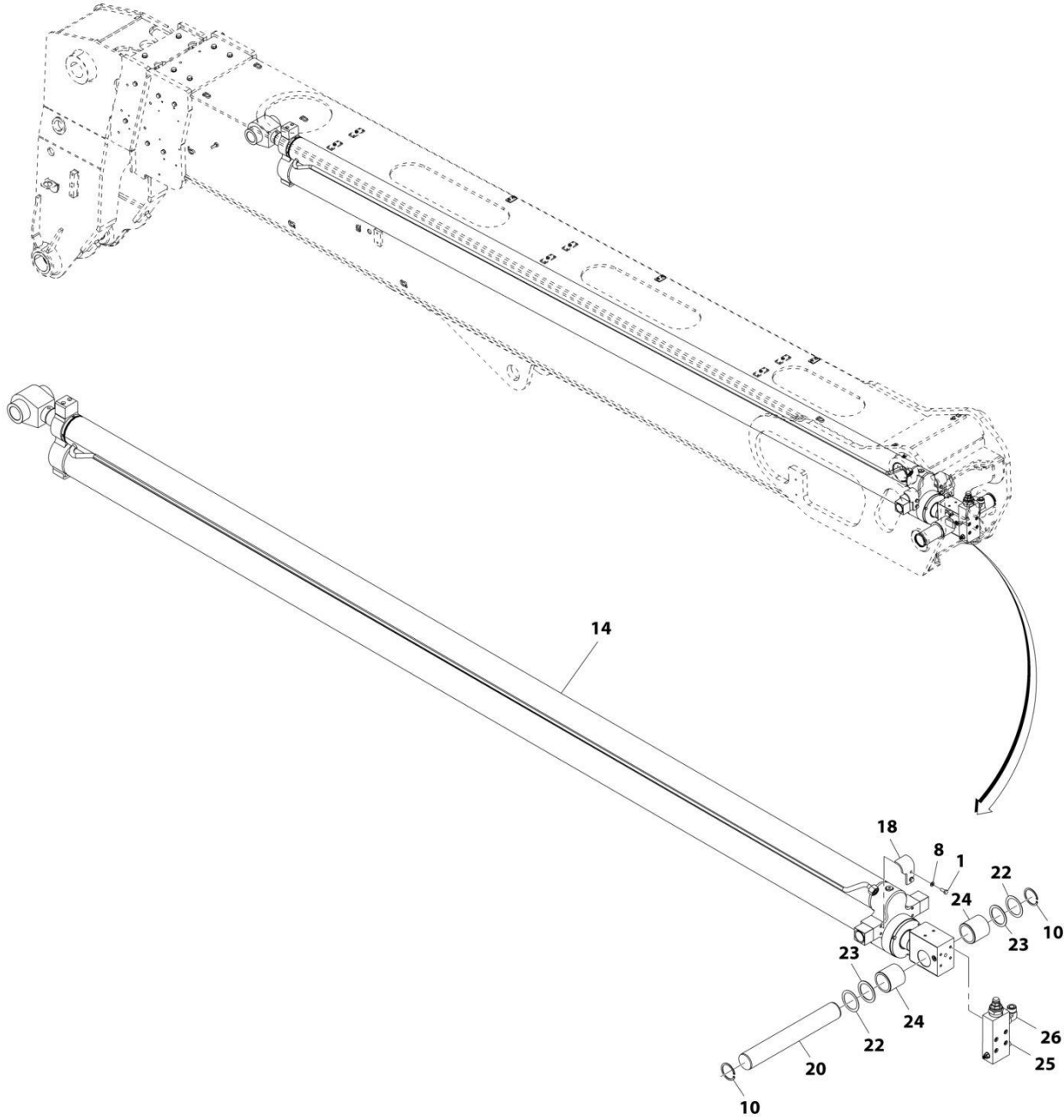
SECTION 9 - HYDRAULIC COMPONENTS

FIGURE 9-5. CYLINDER ASSEMBLY - BOOM COMPENSATION

ITEM	PART NUMBER	QTY	DESCRIPTION	REV
	1001198717	Ref	Cylinder, Compensation	E
		Ref	Note: Original Cylinder May Have Been Replaced with Service Replacement. Identify PN Stamped on Cylinder Before Ordering Parts.	
1	N.S.S.	1	Barrel	
2	70028376	1	Rod	
3	70028377	1	Guide, Rod	
4	70028378	1	Piston	
5	70026838	1	Screw	
6	70028384	1	Valve	
7	70028379	2	Plug	
9	70020476	4	Bushing	
10	70028380	1	Kit, Seal (includes items 11 thru 21)	
11	Kit	2	O-Ring	
12	Kit	1	Ring, Backup	
13	Kit	1	Bearing	
14	Kit	1	Buffer	
15	Kit	1	O-Ring	
16	Kit	1	Seal, Rod	
17	Kit	1	Wiper	
18	Kit	1	Bearing	
19	Kit	1	Seal, Piston	
20	Kit	1	Ring, Backup	
21	Kit	1	O-Ring	

SECTION 9 - HYDRAULIC COMPONENTS

FIGURE 9-6. CYLINDER INSTALLATION - BOOM EXTEND/RETRACT CYLINDER



ART_1001199325-H

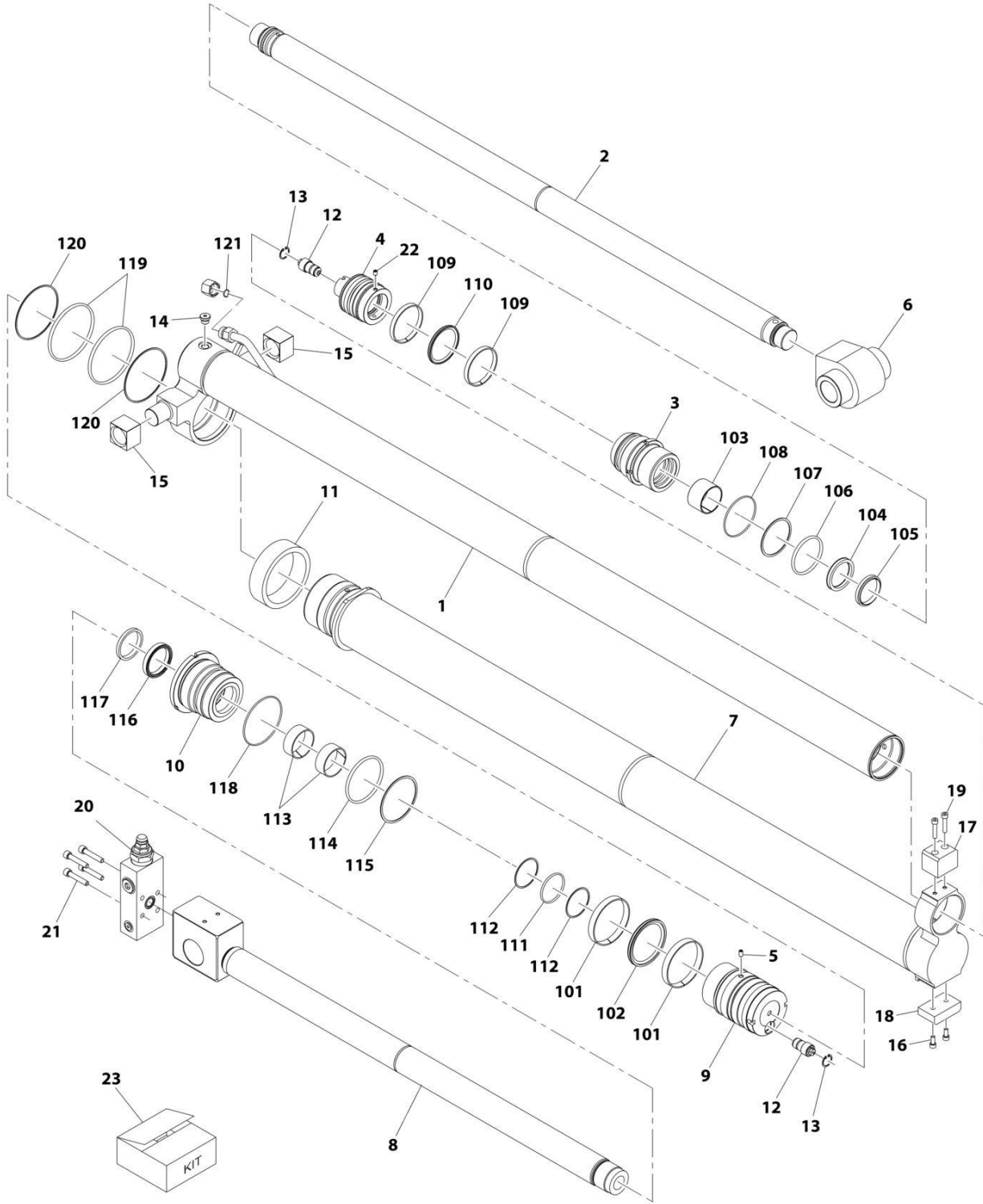
SECTION 9 - HYDRAULIC COMPONENTS

FIGURE 9-6. CYLINDER INSTALLATION - BOOM EXTEND/RETRACT CYLINDER

ITEM	PART NUMBER	QTY	DESCRIPTION	REV
	1001199325	Ref	Extend/Retract Cylinder Installation	H
1	0760810	2	Bolt, M8X20	
8	4811900	2	Washer, M8	
10	8006258	2	Ring, Retaining	
14	1001226947	1	Cylinder, Extend/Retract (See Separate Breakdown in this Section)	
18	1001213562	1	Plate	
20	1001205528	1	Pin	
22	1001100166	2	Shim	
23	1001100169	2	Shim	
24	1001208451	2	Spacer, M70X5X72	
25	2110806	1	Fitting, Straight ORFS	
26	2131212	1	Fitting, 90 ORFS	

SECTION 9 - HYDRAULIC COMPONENTS

FIGURE 9-7. CYLINDER ASSEMBLY - BOOM EXTEND/RETRACT CYLINDER



ART_1001226947-A

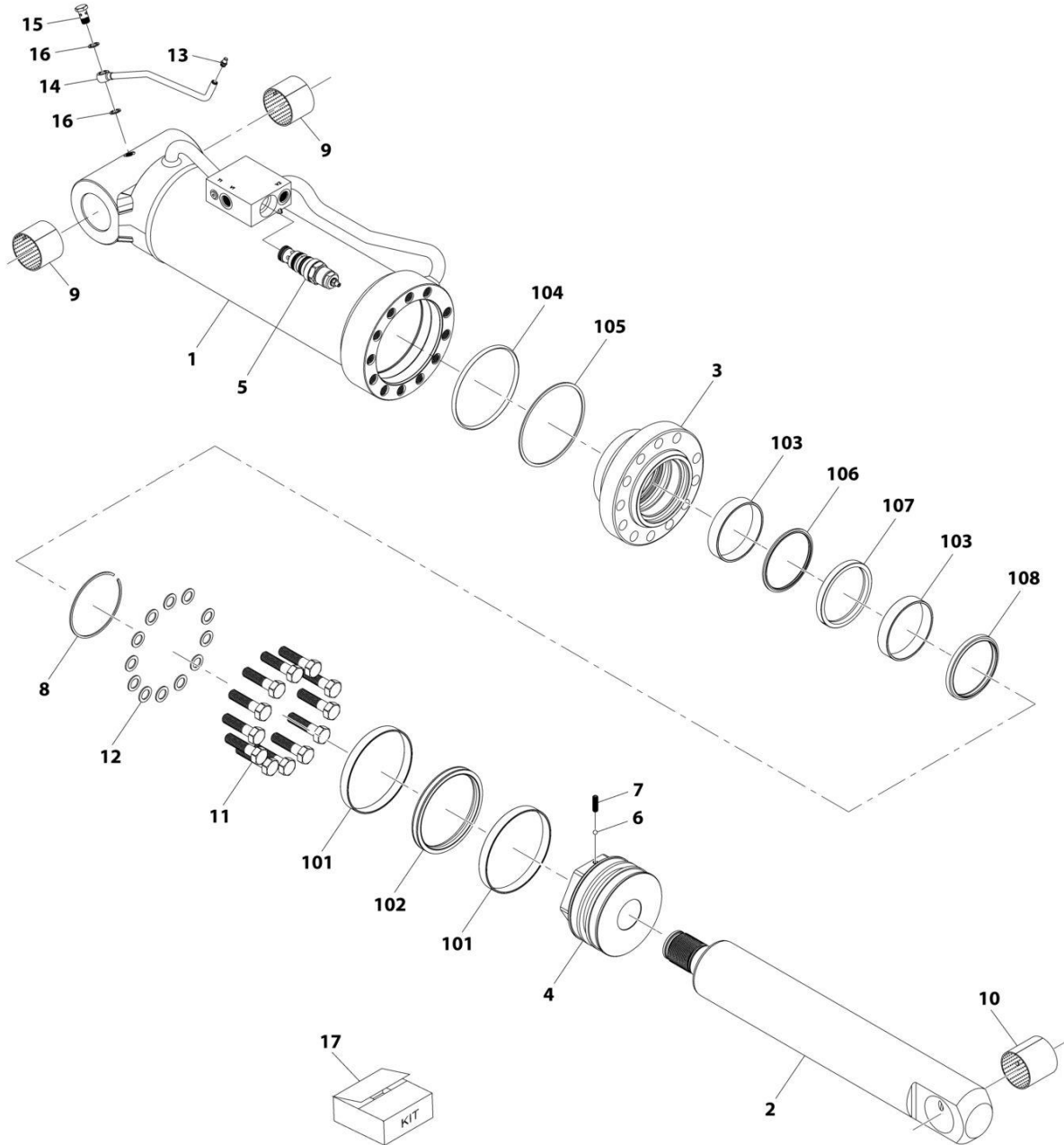
SECTION 9 - HYDRAULIC COMPONENTS

FIGURE 9-7. CYLINDER ASSEMBLY - BOOM EXTEND/RETRACT CYLINDER

ITEM	PART NUMBER	QTY	DESCRIPTION	REV
	1001226947	Ref	Extend/Retract Cylinder	A
		Ref	Note: Original Cylinder May Have Been Replaced with Service Replacement. Identify PN Stamped on Cylinder Before Ordering Parts.	
1	N.S.S.	1	Barrel Assembly	
2	70029016	1	Rod Assembly	
3	70024228	1	Rod Guide	
4	70024229	1	Piston	
5	70020438	1	Screw	
6	70028364	1	Rod Eye	
7	N.S.S.	1	Barrel Assembly	
8	70029017	1	Rod Assembly	
9	70024236	1	Piston	
10	70024235	1	Rod Guide	
11	70024234	1	Spacer	
12	70024230	2	Valve	
13	70024231	2	Circlip	
14	70024237	1	Plug	
15	70027801	2	Trunnion Bearing	
16	70029018	2	Screw	
17	70028368	1	Wear Pad	
18	70028367	1	Wear Pad	
19	70029019	2	Screw	
20	1001200111	1	Valve, Counterbalance (Sold as Assembly Only)	
20	70028422	1	O-Ring (Between Valve & Rod)	
21	70023916	4	Screw	
22	70026838	1	Screw	
23	70024224	1	Seal Kit, Cylinder	
101	Kit	2	Bearing	
102	Kit	1	Piston Seal	
103	Kit	1	Bearing	
104	Kit	1	Rod Seal	
105	Kit	1	Wiper	
106	Kit	1	O-Ring	
107	Kit	1	Back up ring	
108	Kit	1	O-Ring	
109	Kit	2	Bearing	
110	Kit	1	Piston Seal	
111	Kit	1	O-Ring	
112	Kit	2	Back up ring	
113	Kit	2	Bearing	
114	Kit	1	O-Ring	
115	Kit	1	Back up ring	
116	Kit	1	Rod Seal	
117	Kit	1	Wiper	
118	Kit	1	O-Ring	
119	Kit	2	O-Ring	
120	Kit	2	Back up ring	
121	Kit	1	O-Ring	

SECTION 9 - HYDRAULIC COMPONENTS

FIGURE 9-8. CYLINDER ASSEMBLY - BOOM TILT



ART_1001174812-F

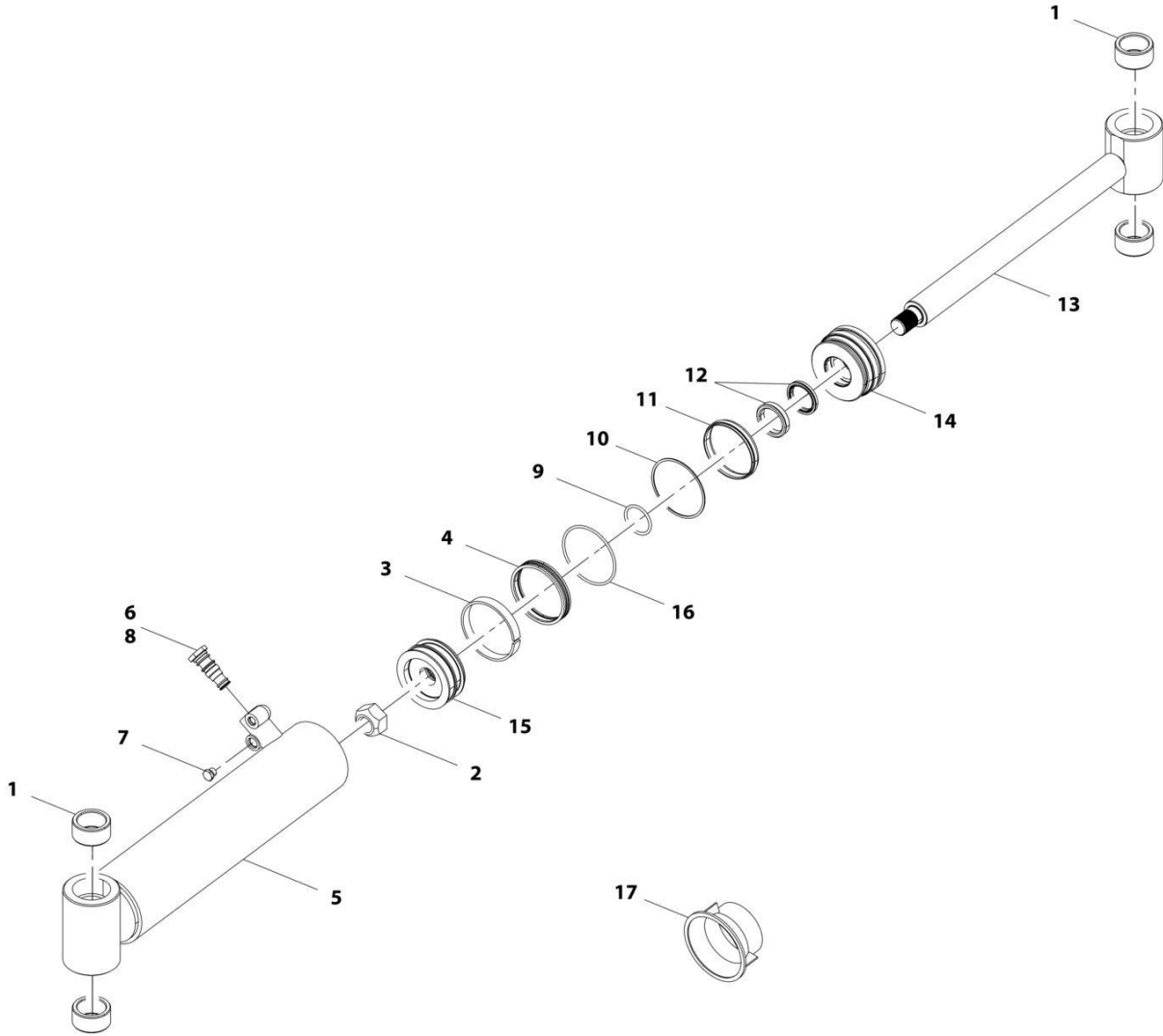
SECTION 9 - HYDRAULIC COMPONENTS

FIGURE 9-8. CYLINDER ASSEMBLY - BOOM TILT

ITEM	PART NUMBER	QTY	DESCRIPTION	REV
	1001174812	Ref	Tilt Cylinder	F
		Ref	Note: Original Cylinder May Have Been Replaced with Service Replacement. Identify PN Stamped on Cylinder Before Ordering Parts.	
1	N.S.S.	1	Barrel	
2	70028314	1	Rod	
3	70028315	1	Piston	
4	70028316	1	Head	
5	70028317	1	Valve, Counterbalance	
6	70025614	1	Bearing	
7	70028309	1	Screw, Locking	
8	70028318	1	Ring, Snap	
9	70028310	2	Bushing	
10	70028319	1	Bushing	
11	70028320	12	Bolt	
12	70028321	12	Washer	
13	70029941	2	Fitting, Grease	
14	70028322	1	Pipe	
15	70024035	1	Screw	
16	70028323	2	Washer	
17	70028324	1	Kit, Seal (includes items 101 thru 108)	
101	Kit	2	Ring, Piston	
102	Kit	1	Seal, Piston	
103	Kit	2	Ring, Rod	
104	Kit	1	"O" Ring	
105	Kit	1	Ring, Back-Up	
106	Kit	1	Seal, Rod	
107	Kit	1	Seal, Rod	
108	Kit	1	Wiper	

SECTION 9 - HYDRAULIC COMPONENTS

FIGURE 9-9. CYLINDER ASSEMBLY - BUCKET (4 IN 1 BUCKET)



ART_70028572-D

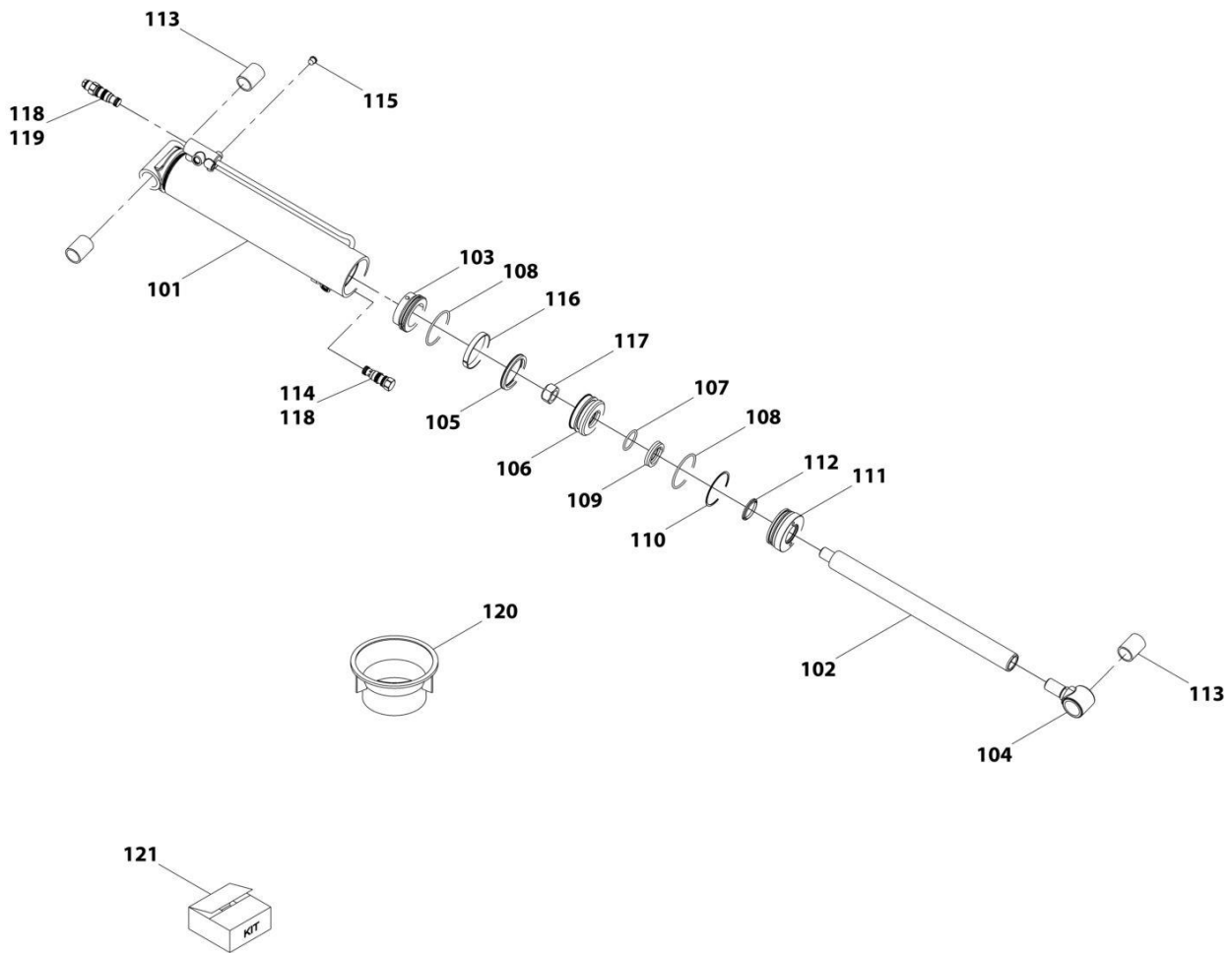
SECTION 9 - HYDRAULIC COMPONENTS

FIGURE 9-9. CYLINDER ASSEMBLY - BUCKET (4 IN 1 BUCKET)

ITEM	PART NUMBER	QTY	DESCRIPTION	REV
	70028572	Ref	Cylinder Assembly	D
		Ref	Note: Original Cylinder May Have Been Replaced with Service Replacement. Identify PN Stamped on Cylinder Before Ordering Parts.	
1	70028581	4	Bearing	
2	70028582	1	Nut	
3	N.S.S.	1	Ring, Wear	
4	N.S.S.	1	Seal	
5	N.S.S.	1	Assembly, Barrel	
6	Kit	1	Kit, Check Valve	
7	70028583	1	Fitting, Straight	
8	70028584	1	Valve, Check	
9	N.S.S.	1	O-Ring	
10	N.S.S.	1	Ring, Back-up	
11	N.S.S.	1	Seal	
12	N.S.S.	2	Wiper	
13	70028585	1	Rod	
14	70028586	1	Retainer	
15	70028587	1	Piston	
16	N.S.S.	1	O-Ring	
17	70028588	1	Tool, Seal Loader	

SECTION 9 - HYDRAULIC COMPONENTS

FIGURE 9-10. CYLINDER ASSEMBLY - BUCKET (GRAPPLE BUCKET)



ART_70026469-C

SECTION 9 - HYDRAULIC COMPONENTS

FIGURE 9-10. CYLINDER ASSEMBLY - BUCKET (GRAPPLE BUCKET)

ITEM	PART NUMBER	QTY	DESCRIPTION	REV
	70026469	Ref	Cylinder Assembly	C
		Ref	Note: Original Cylinder May Have Been Replaced with Service Replacement. Identify PN Stamped on Cylinder Before Ordering Parts.	
101	N.S.S.	1	Barrel	
102	70026496	1	Rod	
103	70026497	1	Spacer	
104	70026498	1	End, Rod	
105	Kit	1	Seal	
106	70026499	1	Piston	
107	Kit	1	O-Ring	
108	Kit	2	O-Ring	
109	Kit	1	Ring, Backup	
110	Kit	1	Seal	
111	70026500	1	Retainer	
112	Kit	1	Wiper	
113	70026501	3	Bushing	
114	70026502	1	Valve, Check	
115	70024129	4	Plug	
116	Kit	1	Ring, Wear	
117	70026503	1	Nut	
118	70024734	2	Kit, Check Valve Service	
119	70026504	1	Valve, Counterbalance	
120	70026505	1	Tool, Seal Loader	
121	70026506	1	Kit, Service	

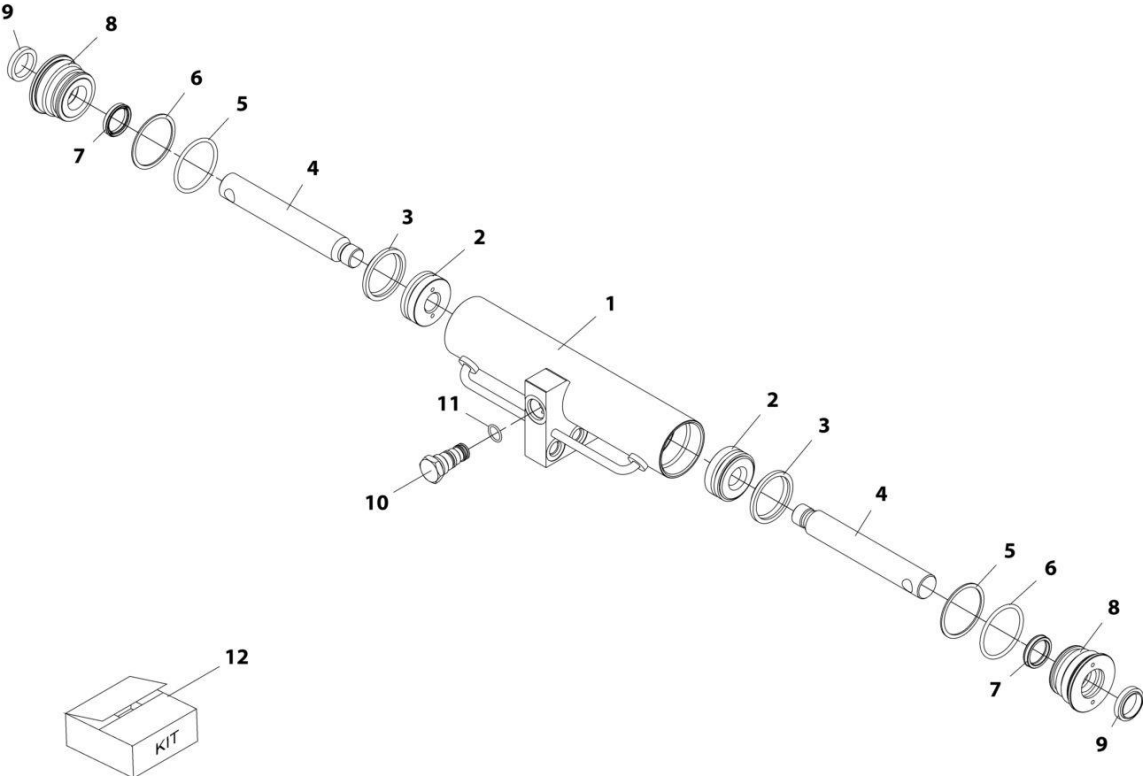
SECTION 9 - HYDRAULIC COMPONENTS

FIGURE 9-11. CYLINDER ASSEMBLY - CARRIAGE (LOG HANDLER CYLINDER)

ITEM	PART NUMBER	QTY	DESCRIPTION	REV
	70028704	Ref	Log Handler Carriage Cylinder Assembly	C
		Ref	Note: Original Cylinder May Have Been Replaced with Service Replacement. Identify PN Stamped on Cylinder Before Ordering Parts.	
201	N.S.S.	1	Barrel	
202	70028728	1	Rod	
203	70028729	2	Bushing	
204	N.S.S.	1	Ring, Wear	
205	N.S.S.	1	Seal	
206	70028730	1	Piston	
207	N.S.S.	1	O-Ring	
208	N.S.S.	1	Seal	
209	N.S.S.	1	Seal	
210	70028731	1	Retainer	
211	N.S.S.	1	Wiper	
212	N.S.S.	1	End, Rod (included with item 202)	
213	70024733	1	Valve, Check	
214	70024129	2	Plug	
215	70024123	1	Fitting, 90	
216	70024130	1	Fitting, Straight	
217	70024734	1	Kit, Check Valve	
218	70028732	1	Nut	
219	70028729	1	Bushing (included with item 202)	
220	70028588	1	Tool, Seal Loader	
221	70028733	1	Kit, Seal (includes items 204, 205, 207, 208, 208, 211, 220)	

SECTION 9 - HYDRAULIC COMPONENTS

FIGURE 9-12. CYLINDER ASSEMBLY - COUPLER LOCKING



ART_1001145390-A

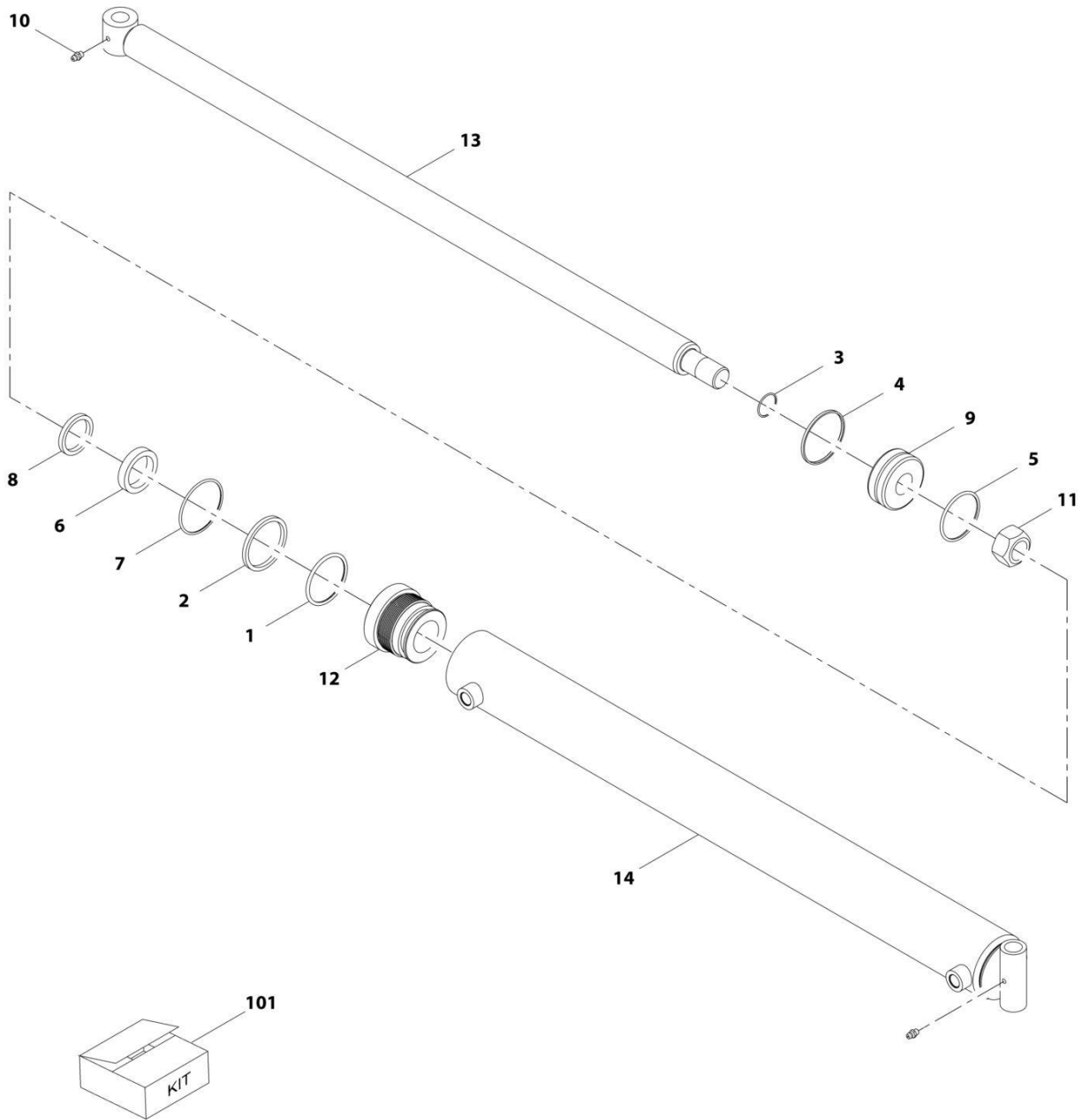
SECTION 9 - HYDRAULIC COMPONENTS

FIGURE 9-12. CYLINDER ASSEMBLY - COUPLER LOCKING

ITEM	PART NUMBER	QTY	DESCRIPTION	REV
	1001145390	Ref	Coupler Locking Cylinder	A
		Ref	Note: Original Cylinder May Have Been Replaced with Service Replacement. Identify PN Stamped on Cylinder Before Ordering Parts.	
1	70024164	2	Body	
2	70024165	2	Piston	
3	Kit	2	Seal, Piston	
4	70024166	2	Rod	
5	Kit	2	O-Ring	
6	Kit	2	Ring, Backup	
7	Kit	2	Seal, Rod	
8	70024167	2	Gland	
9	Kit	2	Seal, Wiper	
10	1001007056	1	Valve, Check	
11	91574001	1	Seal, Check Valve	
12	70024168	1	Kit, Seal (includes items 3, 5, 6, 7 & 9)	

SECTION 9 - HYDRAULIC COMPONENTS

FIGURE 9-13. CYLINDER ASSEMBLY - FORK POSITIONING



ART_70028599-C

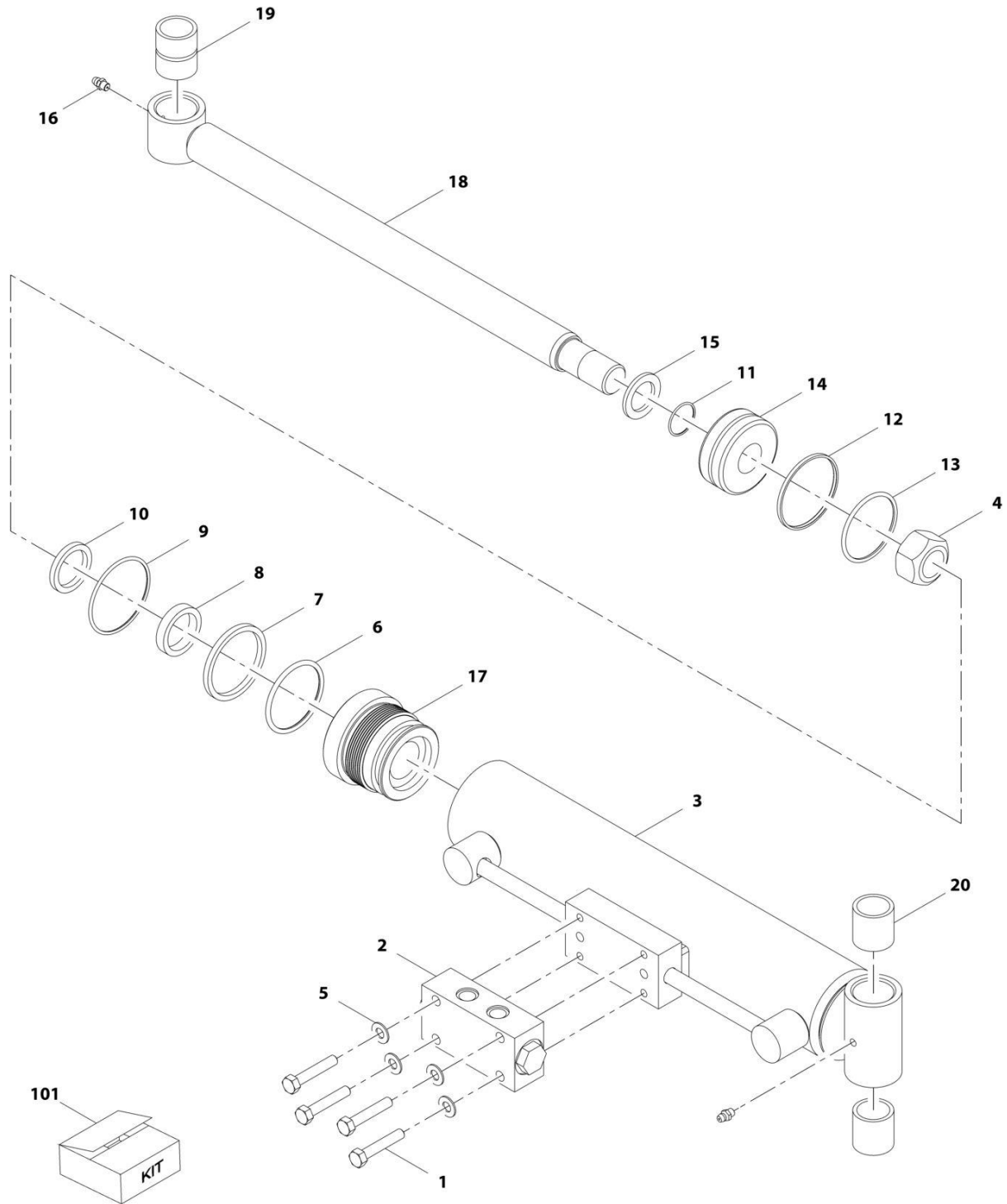
SECTION 9 - HYDRAULIC COMPONENTS

FIGURE 9-13. CYLINDER ASSEMBLY - FORK POSITIONING

ITEM	PART NUMBER	QTY	DESCRIPTION	REV
	70028599	Ref	Fork Positioning Cylinder Assembly	C
		Ref	Note: Original Cylinder May Have Been Replaced with Service Replacement. Identify PN Stamped on Cylinder Before Ordering Parts.	
1	Kit	1	O-Ring	
2	Kit	1	O-Ring	
3	Kit	1	O-Ring	
4	Kit	1	Seal	
5	Kit	1	O-Ring	
6	Kit	1	Seal	
7	Kit	1	O-Ring	
8	Kit	1	Seal	
9	70028609	1	Piston, Cylinder	
10	90554045	2	Fitting, Grease	
11	70021440	1	Nut	
12	70028610	1	Gland, Cylinder	
13	70028611	1	Rod	
14	N.S.S.	1	Tube	
101	Kit	1	Kit, Seal	

SECTION 9 - HYDRAULIC COMPONENTS

FIGURE 9-14. CYLINDER INSTALLATION - FORK POSITIONING SIDE SHIFT



ART_70028603-C

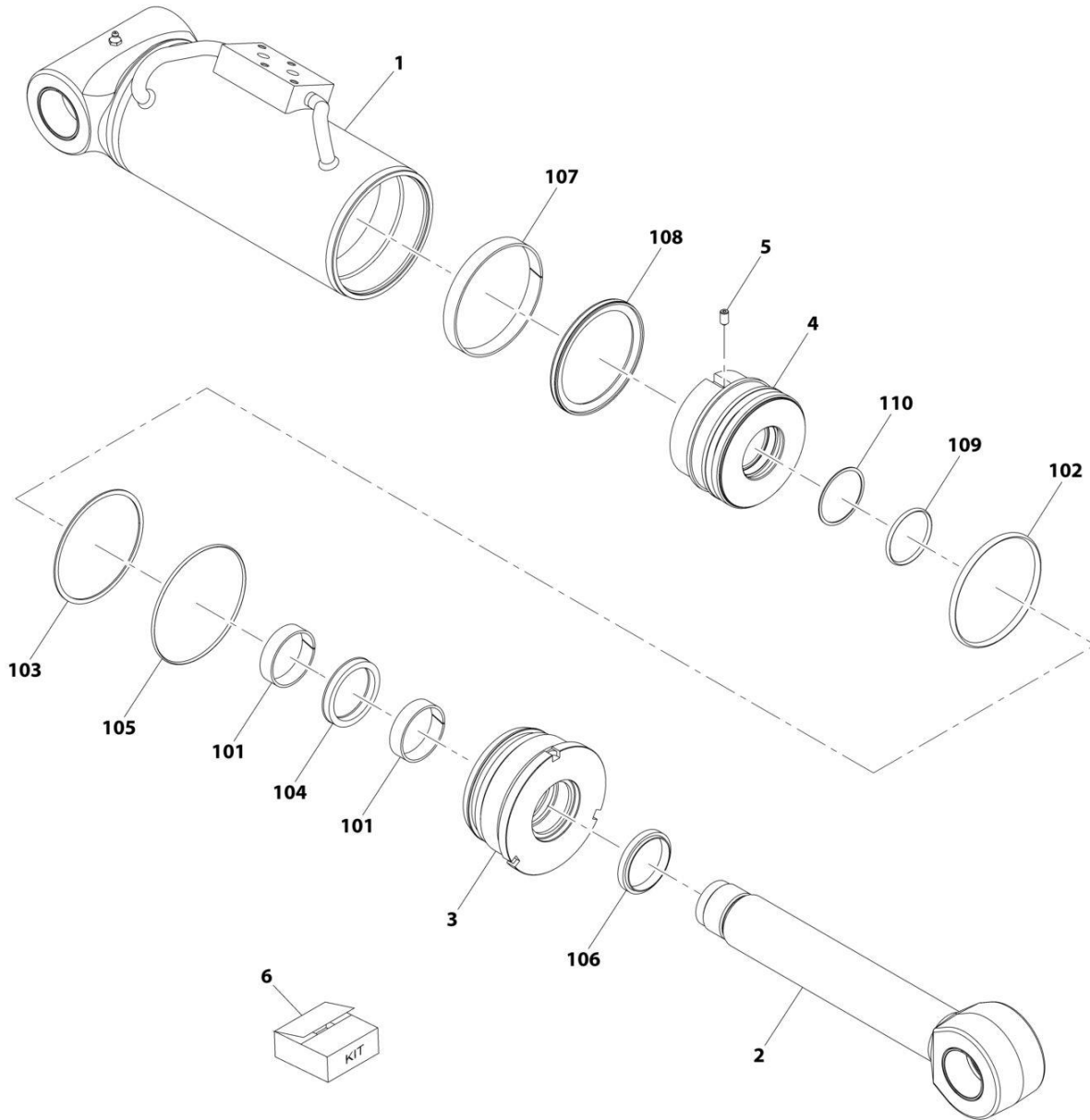
SECTION 9 - HYDRAULIC COMPONENTS

FIGURE 9-14. CYLINDER INSTALLATION - FORK POSITIONING SIDE SHIFT

ITEM	PART NUMBER	QTY	DESCRIPTION	REV
	70028603	Ref	Side Shift Cylinder Assembly	C
		Ref	Note: Original Cylinder May Have Been Replaced with Service Replacement. Identify PN Stamped on Cylinder Before Ordering Parts.	
1	70028612	4	Bolt	
2	70028613	1	Valve	
3	N.S.S.	1	Tube	
4	70021440	1	Nut	
5	70028614	4	Washer, Flat	
6	Kit	1	O-Ring	
7	Kit	1	O-Ring	
8	Kit	1	Seal	
9	Kit	1	O-Ring	
10	Kit	1	Seal	
11	Kit	1	O-Ring	
12	Kit	1	Seal	
13	Kit	1	O-Ring	
14	70021451	1	Piston	
15	70021444	1	Spacer	
16	90554045	2	Fitting, Grease	
17	70021446	1	Gland, Cylinder	
18	70021445	1	Rod	
19	70021447	1	Bushing	
20	70021448	2	Bushing	
101	70021452	1	Kit, Seal (includes items 6 thru 13)	

SECTION 9 - HYDRAULIC COMPONENTS

FIGURE 9-15. CYLINDER ASSEMBLY - FRAME LEVEL



ART_1001201073-E

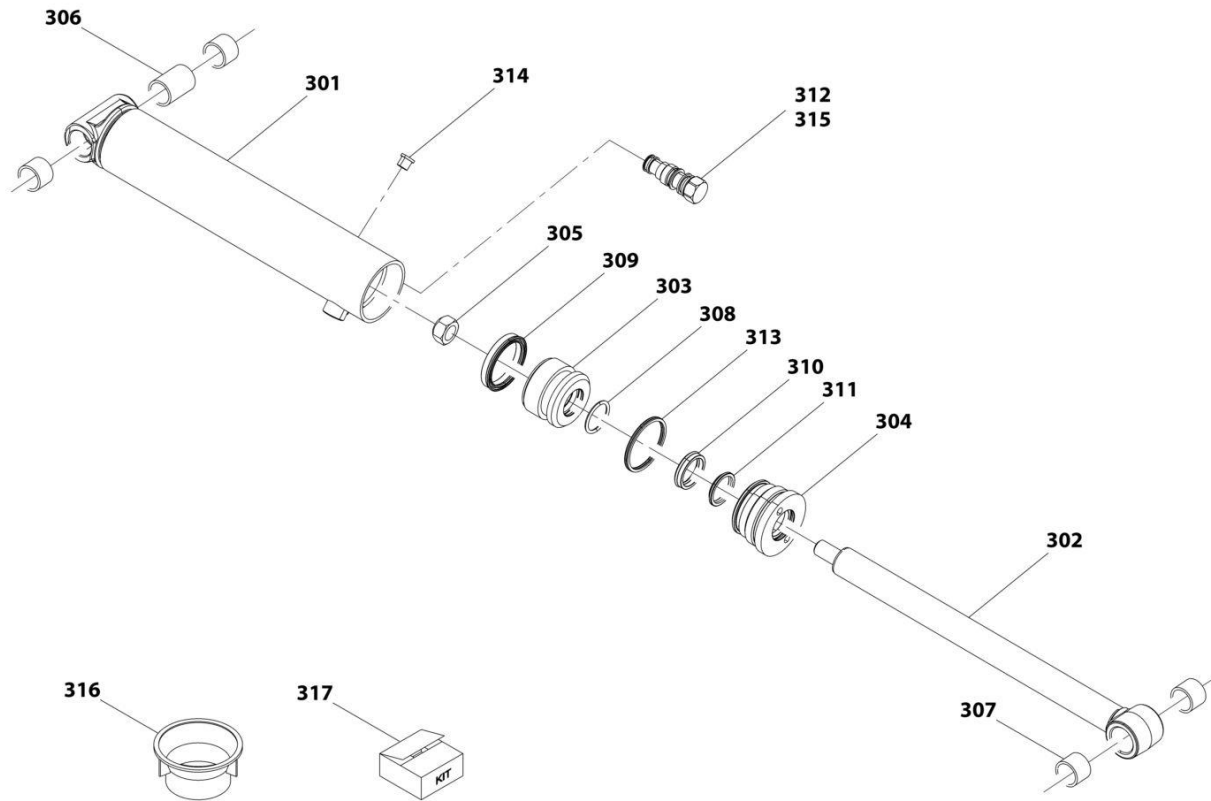
SECTION 9 - HYDRAULIC COMPONENTS

FIGURE 9-15. CYLINDER ASSEMBLY - FRAME LEVEL

ITEM	PART NUMBER	QTY	DESCRIPTION	REV
	1001201073	Ref	Frame Level Cylinder	E
		Ref	Note: Original Cylinder May Have Been Replaced with Service Replacement. Identify PN Stamped on Cylinder Before Ordering Parts.	
1	N.S.S.	1	Barrel	
2	70028362	1	Rod	
3	70026249	1	Head	
4	70026251	1	Piston	
5	70020438	1	Screw, Locking	
6	70026253	1	Seal kit (includes items 101 thru 110)	
101	Kit	2	Bearing	
102	Kit	1	O-Ring	
103	Kit	1	Backup Ring	
104	Kit	1	Rod Seal	
105	Kit	1	O-Ring	
106	Kit	1	Wiper	
107	Kit	1	Bearing	
108	Kit	1	Piston Seal	
109	Kit	1	O-Ring	
110	Kit	1	Backup Ring	

SECTION 9 - HYDRAULIC COMPONENTS

FIGURE 9-16. CYLINDER ASSEMBLY - PIPE HANDLER CARRIAGE (UPPER)



ART_70028652-D

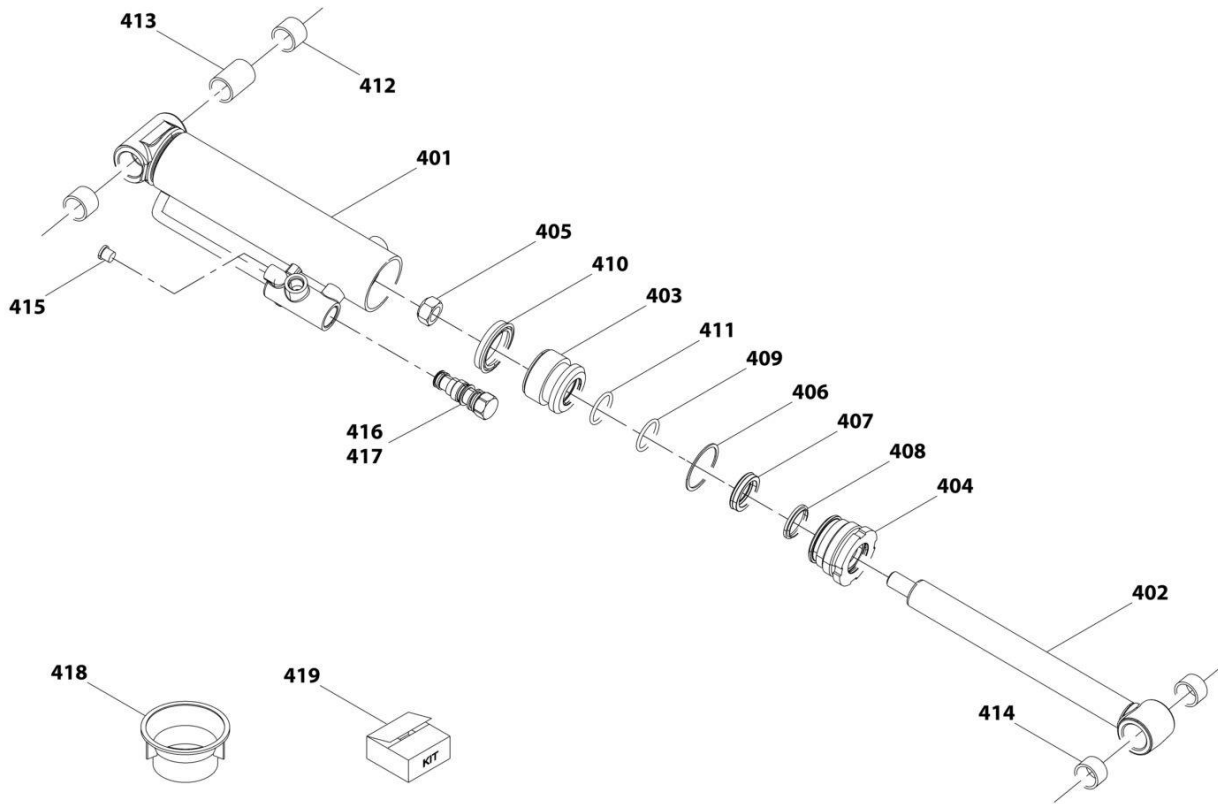
SECTION 9 - HYDRAULIC COMPONENTS

FIGURE 9-16. CYLINDER ASSEMBLY - PIPE HANDLER CARRIAGE (UPPER)

ITEM	PART NUMBER	QTY	DESCRIPTION	REV
	70028652	Ref	Upper Cylinder Assembly	D
		Ref	Note: Original Cylinder May Have Been Replaced with Service Replacement. Identify PN Stamped on Cylinder Before Ordering Parts.	
301	N.S.S.	1	Barrel	
302	70028270	1	Rod	
303	70028254	1	Piston	
304	70028255	1	Retainer	
305	70028258	1	Nut	
306	70028257	1	Spacer	
307	70028256	4	Bushing	
308	N.S.S.	1	O-Ring	
309	N.S.S.	1	Seal	
310	N.S.S.	1	Seal	
311	N.S.S.	1	Wiper	
312	70026502	1	Valve, Check	
313	N.S.S.	1	Seal	
314	70024129	2	Plug	
315	70024734	1	Kit, Check Valve	
316	70028691	1	Tool, Seal Loader	
317	70028770	1	Kit, Seal	

SECTION 9 - HYDRAULIC COMPONENTS

FIGURE 9-17. CYLINDER ASSEMBLY - PIPE HANDLER CARRIAGE (LOWER)



ART_70028653-D

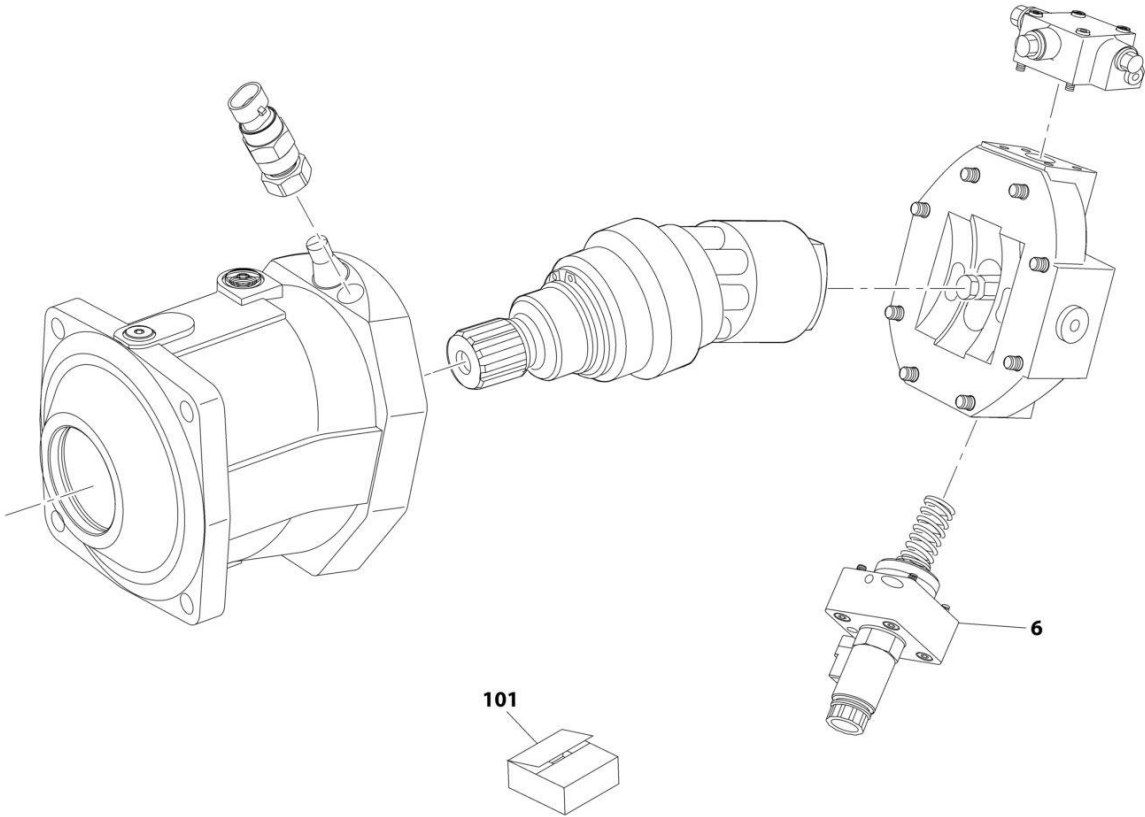
SECTION 9 - HYDRAULIC COMPONENTS

FIGURE 9-17. CYLINDER ASSEMBLY - PIPE HANDLER CARRIAGE (LOWER)

ITEM	PART NUMBER	QTY	DESCRIPTION	REV
	70028653	Ref	Lower Cylinder Assembly	D
		Ref	Note: Original Cylinder May Have Been Replaced with Service Replacement. Identify PN Stamped on Cylinder Before Ordering Parts.	
401	N.S.S.	1	Barrel	
402	70028692	1	Rod	
403	70024142	1	Piston	
404	70028693	1	Retainer	
405	70028258	1	Nut	
406	N.S.S.	1	Ring, Backup	
407	N.S.S.	1	Seal	
408	N.S.S.	1	Wiper	
409	N.S.S.	1	O-Ring	
410	N.S.S.	1	Seal	
411	N.S.S.	1	O-Ring	
412	70028256	2	Bushing	
413	70028257	1	Spacer	
414	70028694	2	Bushing	
415	70024129	2	Plug	
416	70026502	1	Valve, Check	
417	70024734	1	Kit, Check Valve	
418	70028691	1	Tool, Seal Loader	
419	70028771	1	Kit, Seal	

SECTION 9 - HYDRAULIC COMPONENTS

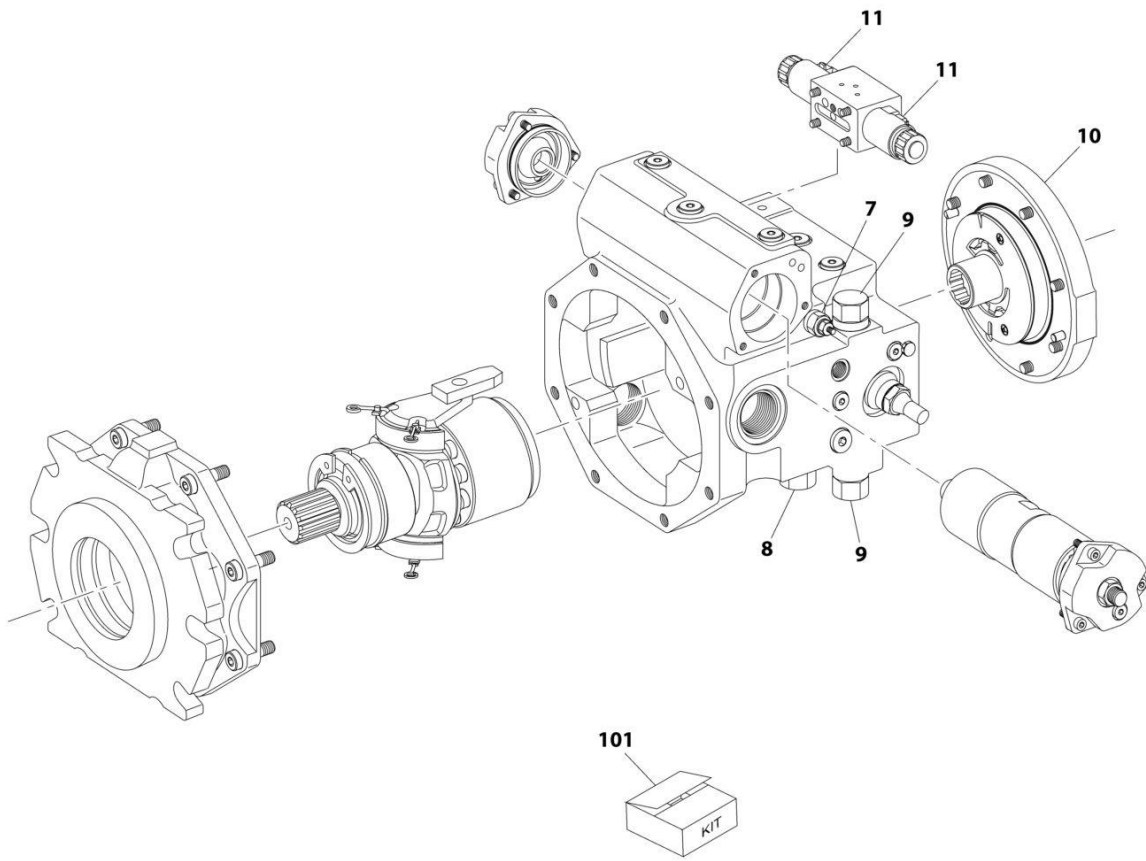
FIGURE 9-18. MOTOR ASSEMBLY - HYDROSTATIC



ART_1001193308-C

SECTION 9 - HYDRAULIC COMPONENTS

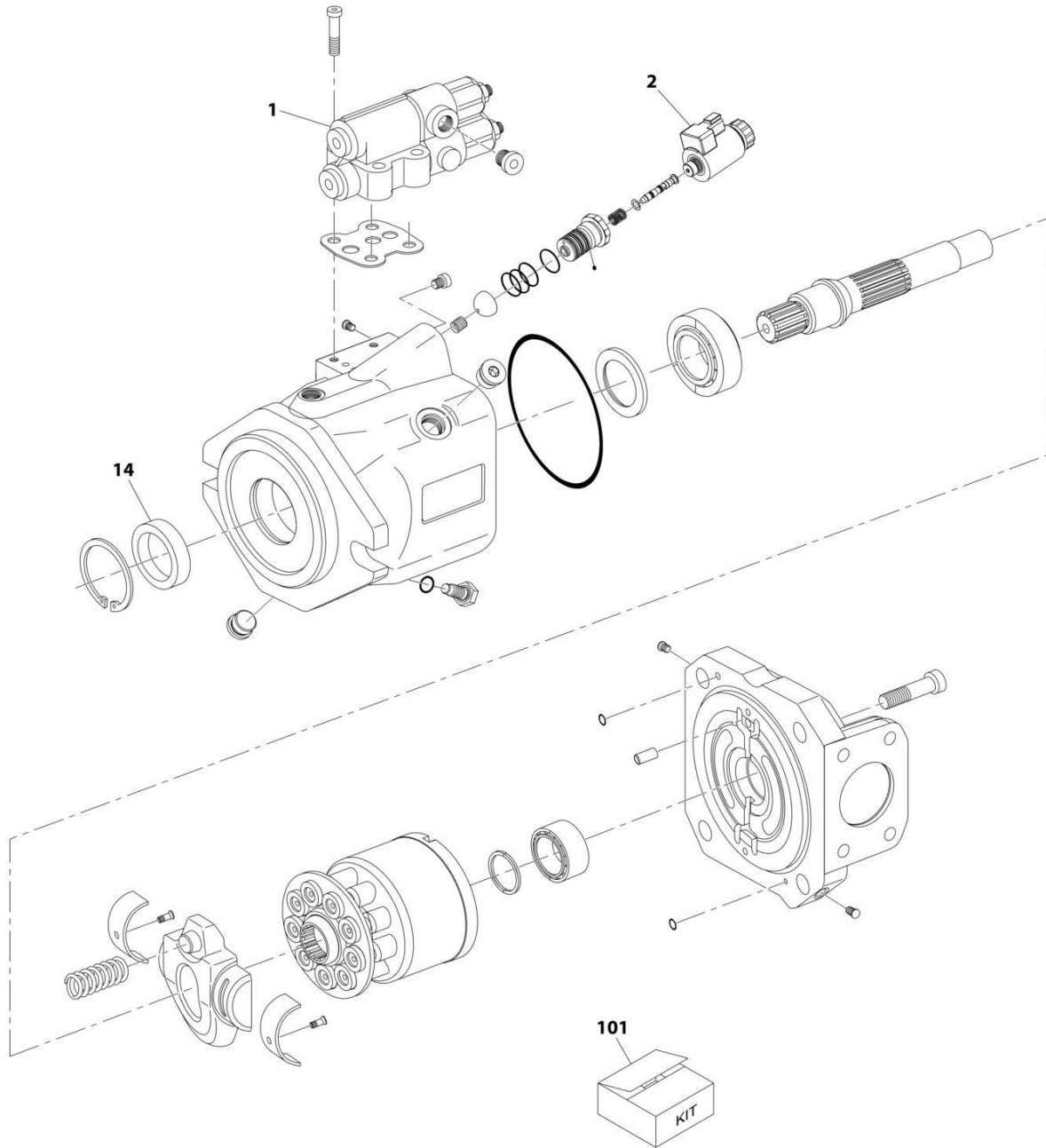
FIGURE 9-19. PUMP ASSEMBLY - HYDROSTATIC



ART_1001193307-D

SECTION 9 - HYDRAULIC COMPONENTS

FIGURE 9-20. PUMP ASSEMBLY - IMPLEMENT



ART_1001180070-F

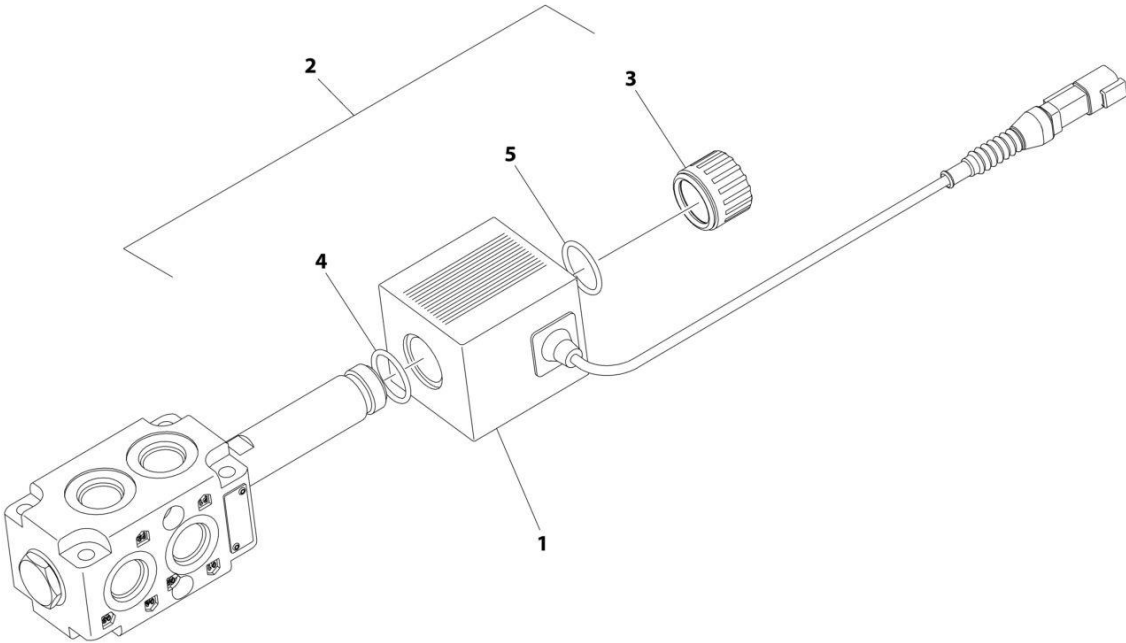
SECTION 9 - HYDRAULIC COMPONENTS

FIGURE 9-20. PUMP ASSEMBLY - IMPLEMENT

ITEM	PART NUMBER	QTY	DESCRIPTION	REV
	1001180070	1	Implement Pump	F
1	70027595	1	Controller, DSR	
2	70028412	1	Controller, EK	
14	7024947	1	Seal, Shaft	
101	70028413	1	Kit, Seal	
	Kit	1	Seal	
	Kit	1	Plug	
	Kit	2	Plug	
	Kit	2	O-Ring	
	Kit	1	O-Ring	

SECTION 9 - HYDRAULIC COMPONENTS

FIGURE 9-21. VALVE ASSEMBLY - BOOM AUX DIVERTER VALVE (HYDRAULIC - SINGLE & TWIN)



ART_1001104477

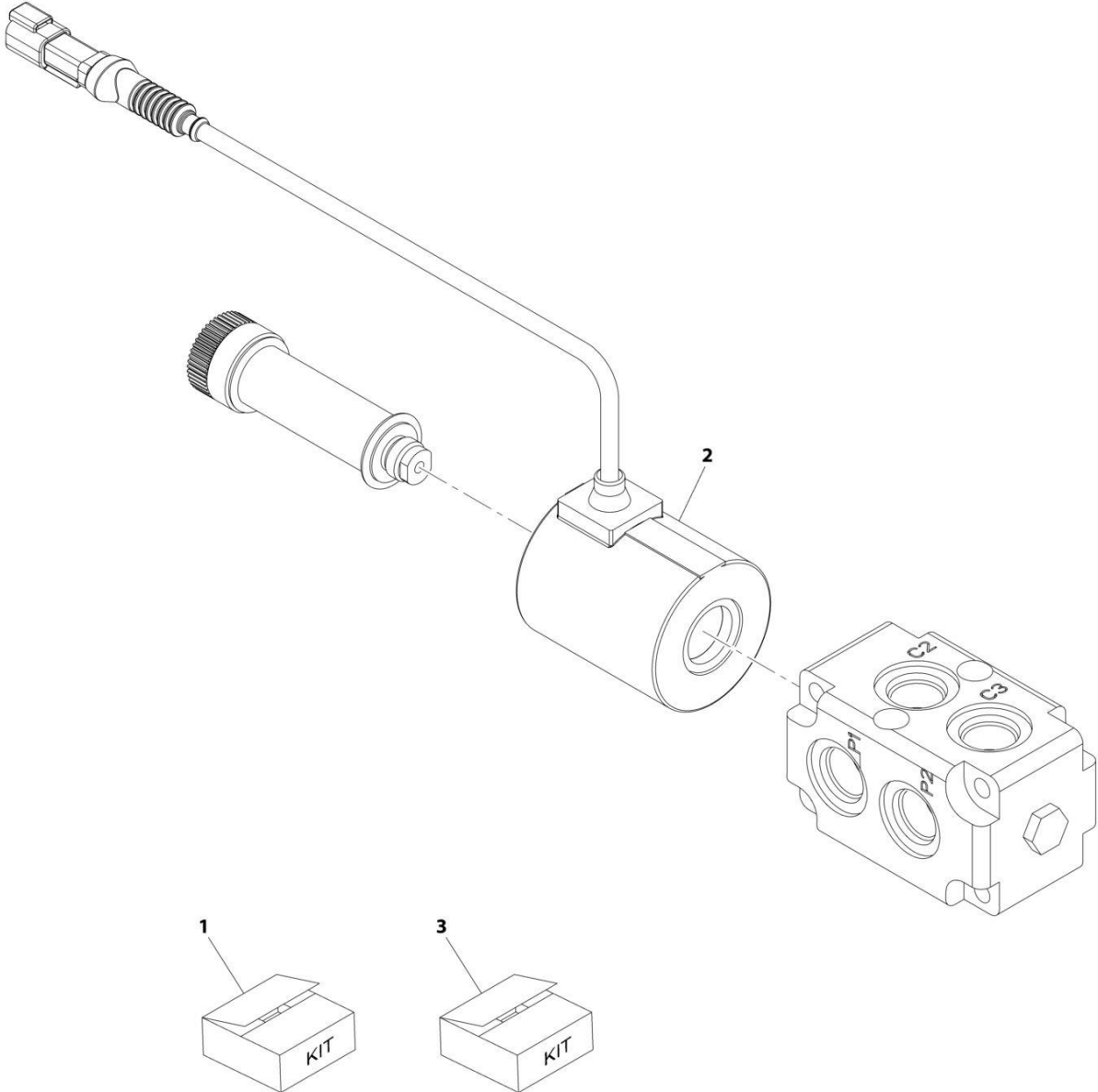
SECTION 9 - HYDRAULIC COMPONENTS

FIGURE 9-21. VALVE ASSEMBLY - BOOM AUX DIVERTER VALVE (HYDRAULIC - SINGLE & TWIN)

ITEM	PART NUMBER	QTY	DESCRIPTION	REV
	1001104477	Ref	DIVERTOR VALVE	D
1	70020764	1	Coil	
2	70021531	1	Retainer Kit (Includes Items 3-5)	
3	Kit	1	Nut	
4	Kit	1	O-Ring	
5	Kit	1	O-Ring	

SECTION 9 - HYDRAULIC COMPONENTS

FIGURE 9-22. VALVE ASSEMBLY - BOOM AUX DIVERTER VALVE (MANUAL & HYDRAULIC -TWIN)



ART_100110023-B

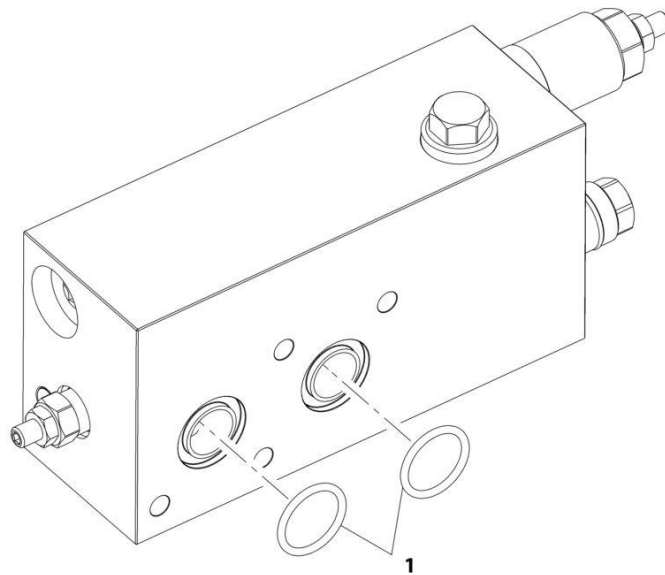
SECTION 9 - HYDRAULIC COMPONENTS

FIGURE 9-22. VALVE ASSEMBLY - BOOM AUX DIVERTER VALVE (MANUAL & HYDRAULIC -TWIN)

ITEM	PART NUMBER	QTY	DESCRIPTION	REV
	1001110023	Ref	Divertor Valve	B
1	70027596	1	Kit, Seal	
	Kit	2	O-Ring	
2	70020764	1	Coil	
3	70021531	1	Kit, Coil Nut	
	N.S.S.	1	O-Ring	
	N.S.S.	1	O-Ring	
	N.S.S.	1	Nut	

SECTION 9 - HYDRAULIC COMPONENTS

FIGURE 9-23. VALVE ASSEMBLY - BOOM RAISE COUNTERBALANCE VALVE (NO RIDE CONTROL)



ART_1001224944-C

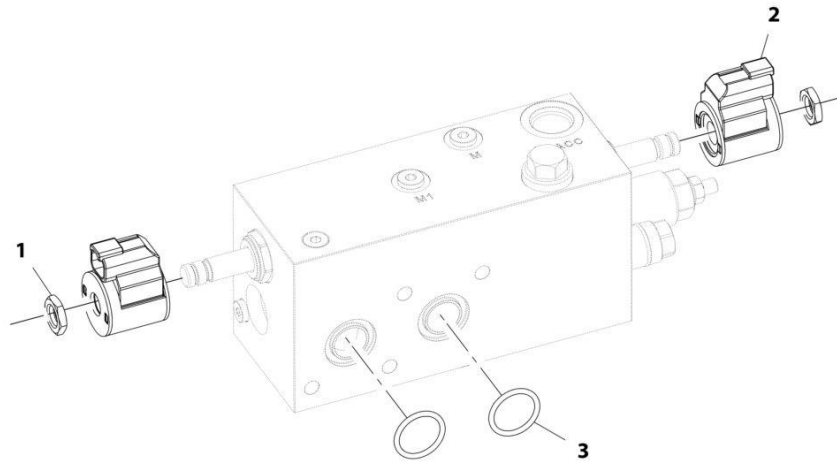
SECTION 9 - HYDRAULIC COMPONENTS

FIGURE 9-23. VALVE ASSEMBLY - BOOM RAISE COUNTERBALANCE VALVE (NO RIDE CONTROL)

ITEM	PART NUMBER	QTY	DESCRIPTION	REV
1	1001224944 70028282	Ref 1	Counterbalance Valve O-Ring	C

SECTION 9 - HYDRAULIC COMPONENTS

FIGURE 9-24. VALVE ASSEMBLY - BOOM RAISE RIDE & FLOAT VALVE (RIDE CONTROL)



ART_1001224945-C

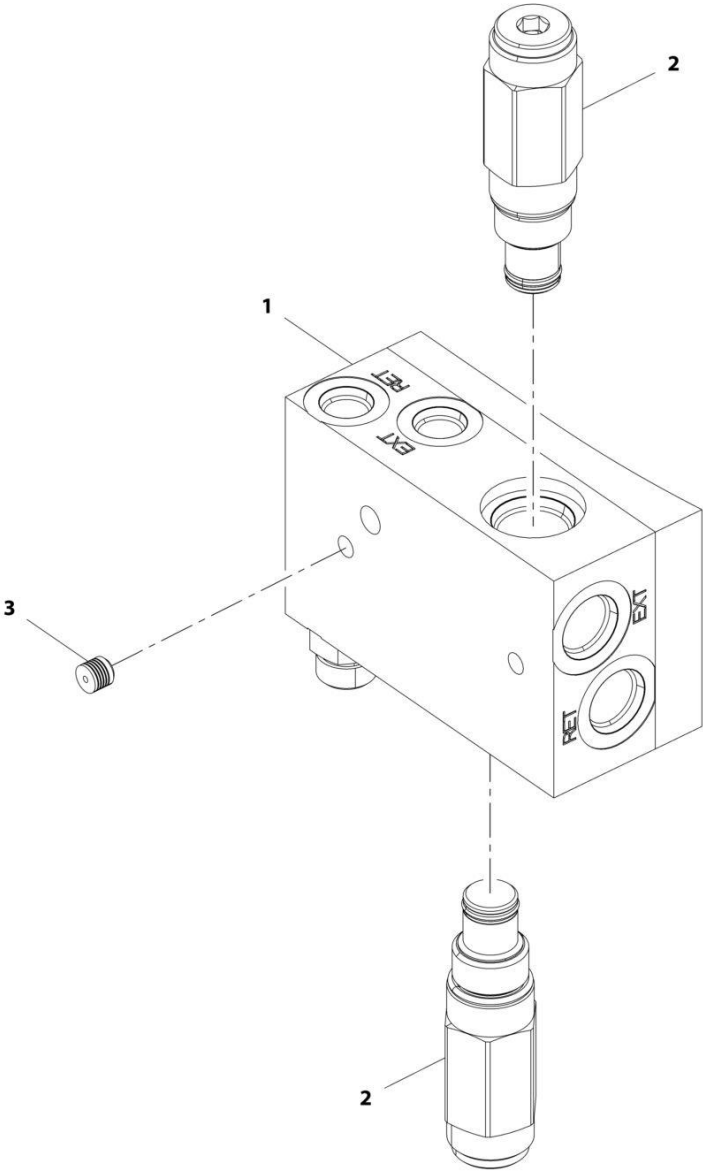
SECTION 9 - HYDRAULIC COMPONENTS

FIGURE 9-24. VALVE ASSEMBLY - BOOM RAISE RIDE & FLOAT VALVE (RIDE CONTROL)

ITEM	PART NUMBER	QTY	DESCRIPTION	REV
	1001224945	Ref	Boom Raise Valve (Ride Control)	C
1	7022390	2	Nut	
2	70028281	2	Coil	
3	70028282	2	O-Ring	

SECTION 9 - HYDRAULIC COMPONENTS

FIGURE 9-25. VALVE ASSEMBLY - BUCKET (5.23 YD³/4.0M³)



ART_70028573-D

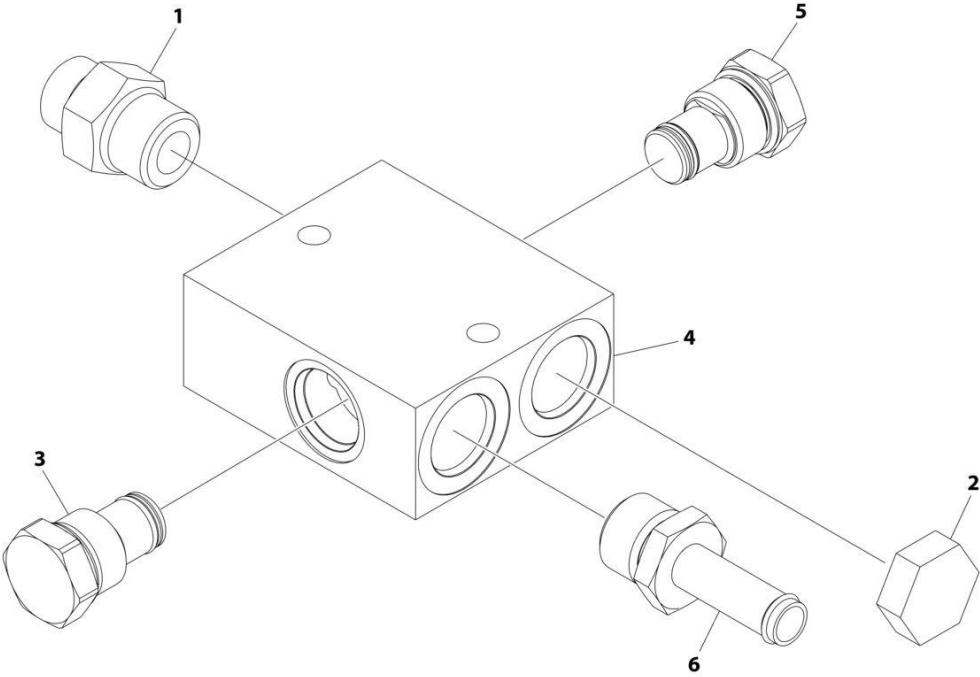
SECTION 9 - HYDRAULIC COMPONENTS

FIGURE 9-25. VALVE ASSEMBLY - BUCKET (5.23 YD³/4.0M³)

ITEM	PART NUMBER	QTY	DESCRIPTION	REV
	70028573	Ref	Valve Assembly, Bucket (5.23 YD ³ /4.0M ³)	D
1	70026477	1	Manifold	
2	70028589	2	Cartridge, Relief	
3	70026614	2	Plug	

SECTION 9 - HYDRAULIC COMPONENTS

FIGURE 9-26. VALVE ASSEMBLY - CAB HYDRAULICS CHECK VALVE



ART_1001212789

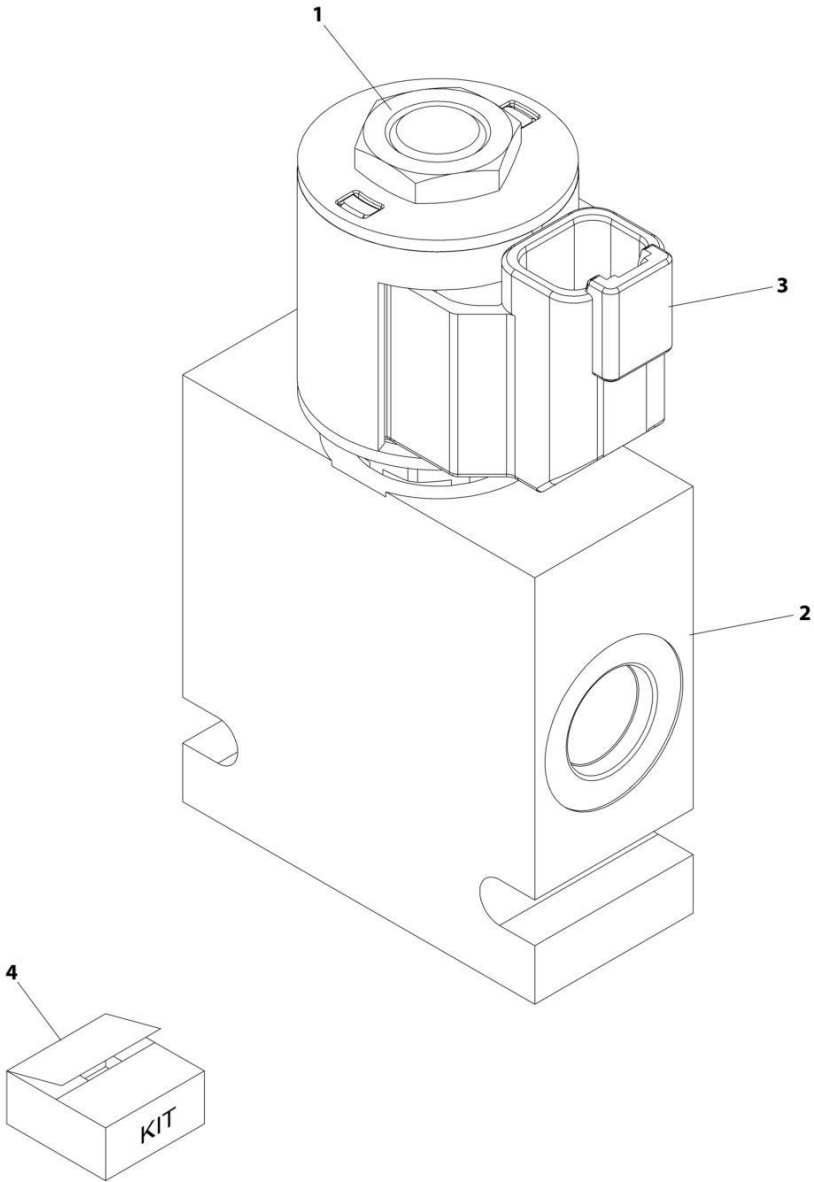
SECTION 9 - HYDRAULIC COMPONENTS

FIGURE 9-26. VALVE ASSEMBLY - CAB HYDRAULICS CHECK VALVE

ITEM	PART NUMBER	QTY	DESCRIPTION	REV
	1001212789	Ref	VALVE ASSEMBLY - CAB HYDRAULICS CHECK VALVE	E
1	2110810	1	Fitting, Straight ORFS	
2	2220239	1	Plug	
3	1001231393	1	Valve, Check	
4	1001210780	1	Manifold, Dual Check Valve	
5	1001210801	1	Valve, Check	
6	1001225656	1	Fitting, Barb	

SECTION 9 - HYDRAULIC COMPONENTS

FIGURE 9-27. VALVE ASSEMBLY - CAB HYDRAULICS SOLENOID VALVE



ART_1001221928-A

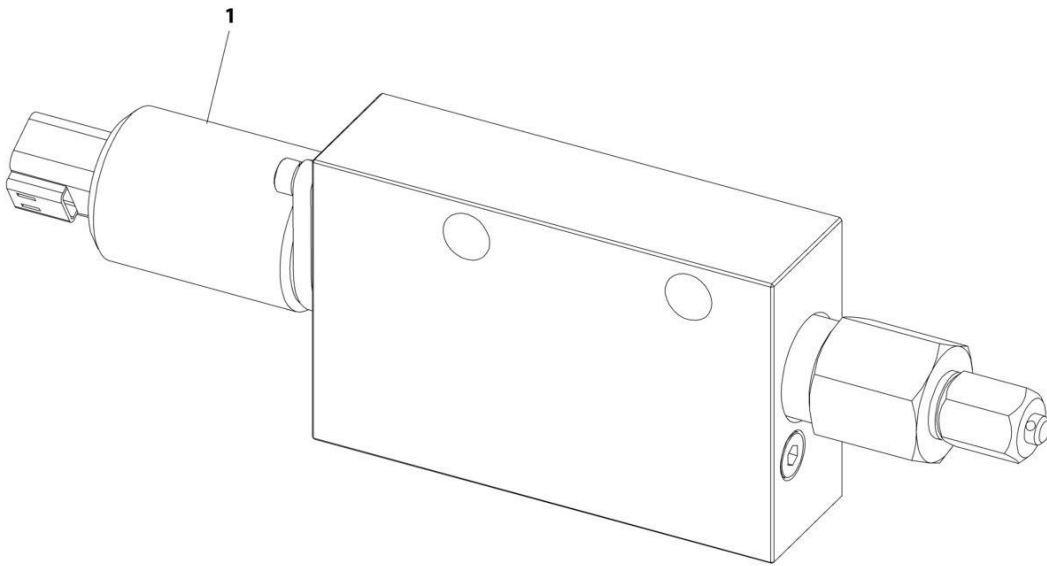
SECTION 9 - HYDRAULIC COMPONENTS

FIGURE 9-27. VALVE ASSEMBLY - CAB HYDRAULICS SOLENOID VALVE

ITEM	PART NUMBER	QTY	DESCRIPTION	REV
	1001221928	Ref	Solenoid Valve	A
1	70004387	1	Cartridge	
2	N.S.S.	Ref	Body	
3	70002963	1	Coil	
4	7010543	1	Kit, Seal	

SECTION 9 - HYDRAULIC COMPONENTS

FIGURE 9-28. VALVE ASSEMBLY - ENGINE BAY INCHING VALVE



ART_1001213311-B

SECTION 9 - HYDRAULIC COMPONENTS

FIGURE 9-28. VALVE ASSEMBLY - ENGINE BAY INCHING VALVE

ITEM	PART NUMBER	QTY	DESCRIPTION	REV
1	1001213311 70028361	Ref 1	Inching Valve Valve, Proportional	B

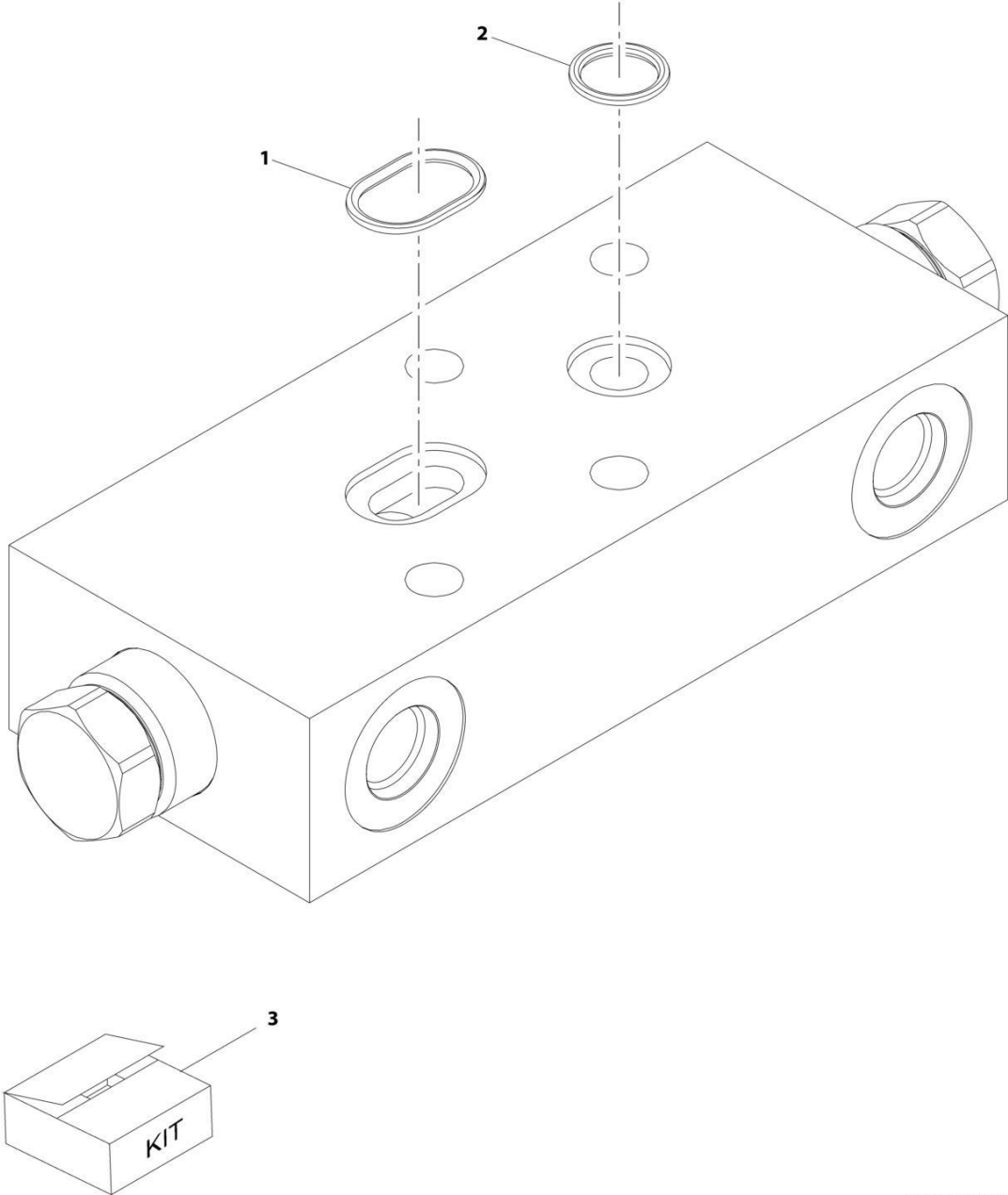
SECTION 9 - HYDRAULIC COMPONENTS

FIGURE 9-29. VALVE ASSEMBLY - FRAME LEVEL CONTROL

ITEM	PART NUMBER	QTY	DESCRIPTION	REV
	1001219615	Ref	Frame Level Valve	D
1	70028414	1	Valve, Section	
2	70004595	2	Coil	
3	70028504	1	Plate	
6	70028415	1	Screw	
7	70028243	1	Screw	
8	70028416	1	Screw	
101	70028502	2	Kit, Coil Nut	
	Kit	1	Nut	
	Kit	1	O-Ring	
102	70028503	1	Kit, Bolt and Seal	
	Kit	3	Bolt	
	Kit	3	Washer	
	Kit	2	O-Ring	
	Kit	4	O-Ring	
	Kit	2	O-Ring	

SECTION 9 - HYDRAULIC COMPONENTS

FIGURE 9-30. VALVE ASSEMBLY - FRAME LEVEL COUNTERBALANCE



ART_1001168599-C

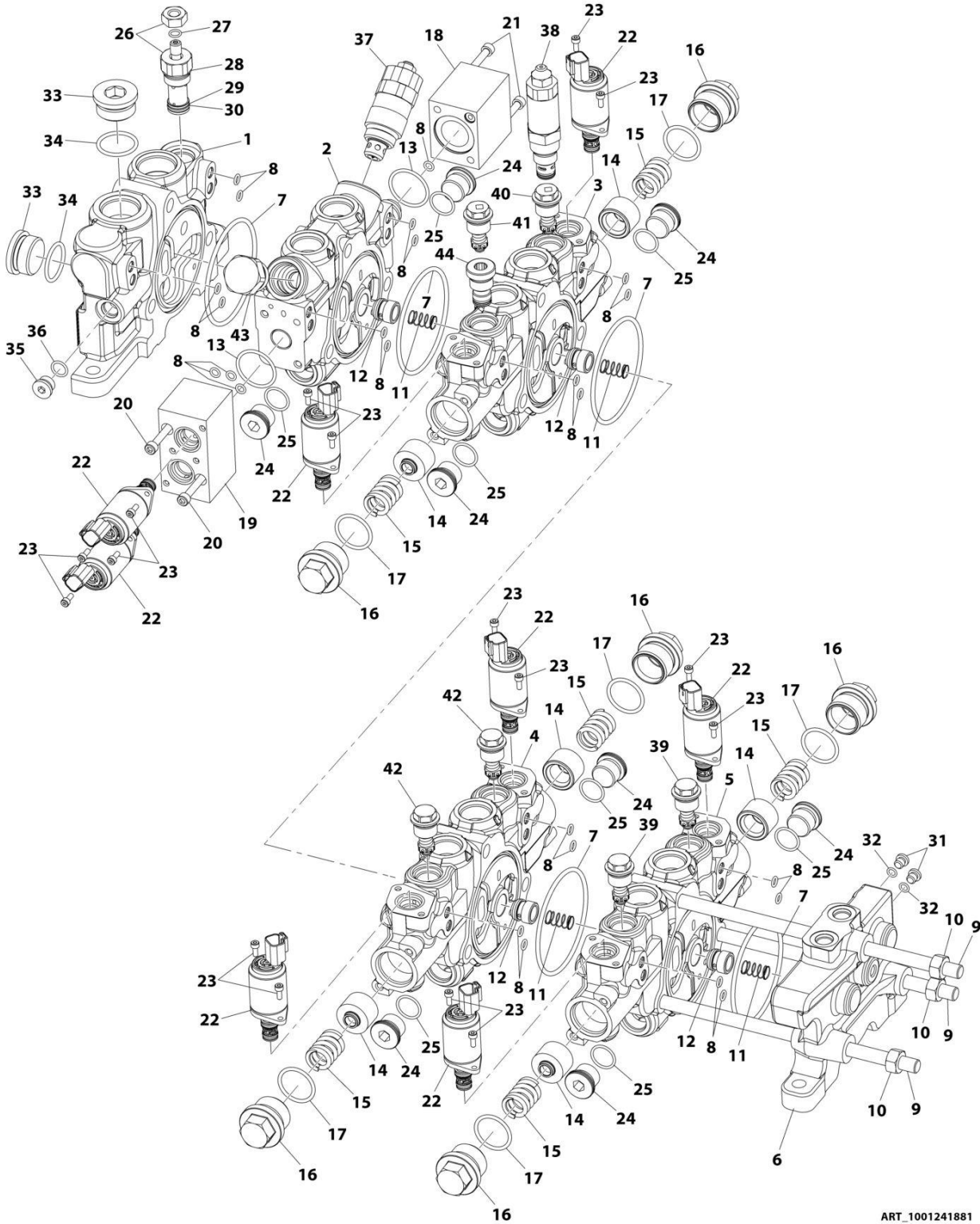
SECTION 9 - HYDRAULIC COMPONENTS

FIGURE 9-30. VALVE ASSEMBLY - FRAME LEVEL COUNTERBALANCE

ITEM	PART NUMBER	QTY	DESCRIPTION	REV
	1001168599	Ref	Counterbalance Valve	C
1	Kit	1	O-Ring	
2	Kit	1	O-Ring	
3	70028421	1	Kit, Seal (includes items 1 thru 2)	

SECTION 9 - HYDRAULIC COMPONENTS

FIGURE 9-31. VALVE ASSEMBLY - MAIN CONTROL



ART_1001241881

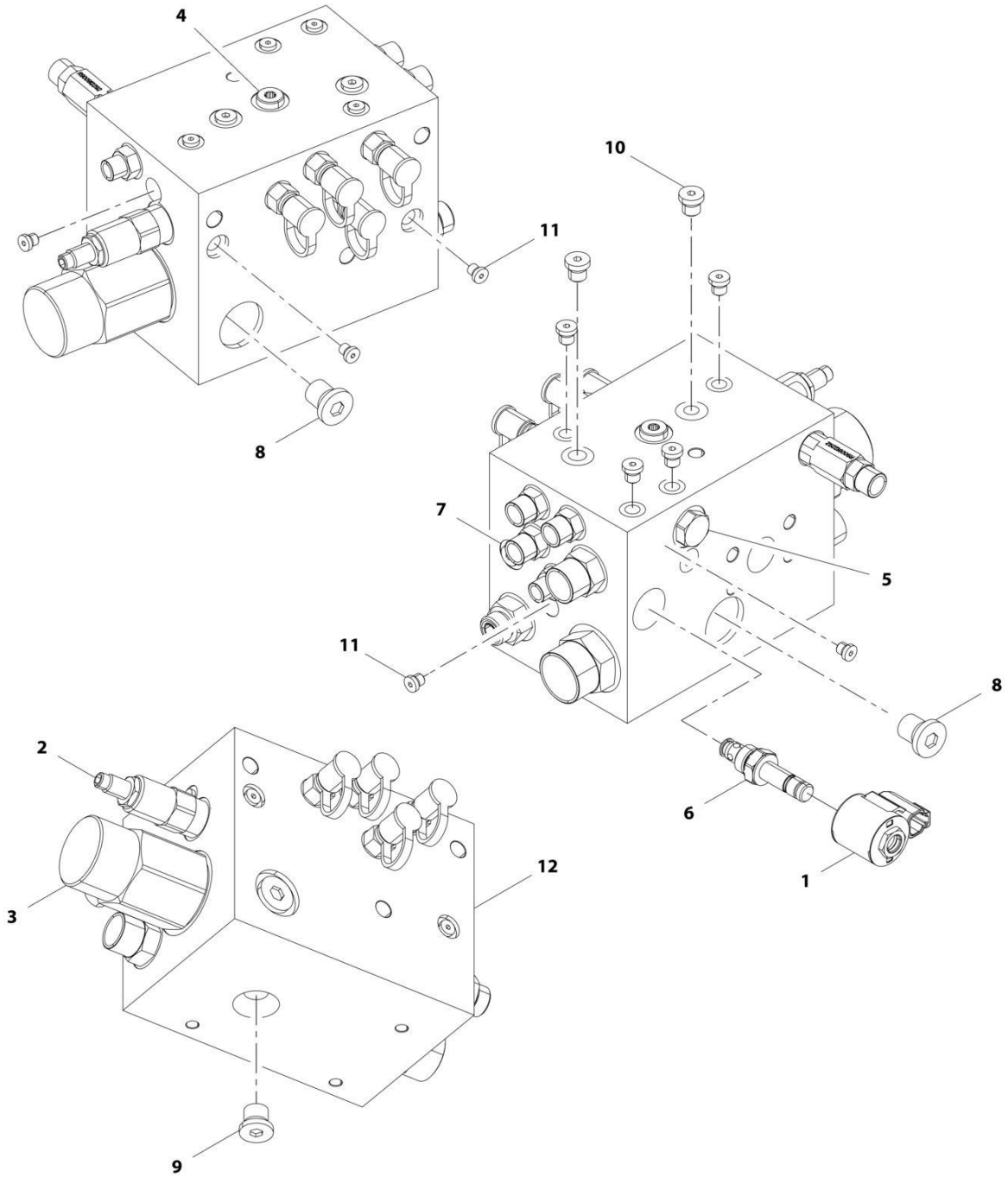
SECTION 9 - HYDRAULIC COMPONENTS

FIGURE 9-31. VALVE ASSEMBLY - MAIN CONTROL

ITEM	PART NUMBER	QTY	DESCRIPTION	REV
	1001241881	Ref	MAIN CONTROL VALVE ASSEMBLY	A
1	70028300	1	Inlet Section Assembly	
2	70029868	1	Lift Section Assembly	
3	70029870	1	Extend/Retract Section Assembly	
4	70029871	1	Tilt Section Assembly	
5	70029872	1	Aux Section Assembly	
6	70022007	1	Outlet Section Assembly	
7	8034697	5	O-Ring	
8	70026369	24	O-Ring	
9	70028299	3	Tie Rod	
10	70022019	6	Nut-Metric	
11	70025854	4	Spring	
12	70028287	4	Poppet, CV	
13	70026784	2	O-Ring	
14	70026781	6	Spring Seat	
15	70026783	6	Spring	
16	70026778	6	Plug Assembly, Special	
17	70026779	6	O-Ring	
18	70029873	1	End Cap	
19	70028295	1	End Cap Assembly, Solenoid	
20	70028298	2	Screw	
21	70026383	8	Screw	
22	70029874	8	Solenoid-Cartridge Valve	
23	70022014	16	Screw	
24	70024847	8	Plug Assembly	
25	70026777	8	O-Ring	
26	70028286	1	Drain Regulator Assembly	
27	70026373	1	O-Ring	
28	70026370	1	O-Ring	
29	70026376	1	Back-Up Ring	
30	70026370	1	O-Ring	
31	70026379	2	Plug	
32	70026372	2	O-Ring	
33	70050473	2	Plug Assembly	
34	10732931	2	O-Ring	
35	70050475	1	Plug	
36	70024201	1	O-Ring	
37	70028288	1	Relief Valve Assembly	
38	70028289	1	Relief Valve Assembly (Note: General Drawing - This part does ot to this valve)	
39	70028296	2	Relief Valve Assembly	
40	70027134	1	Relief Valve Assembly	
41	70028297	1	Relief Valve Assembly (Note: General Drawing - This part does ot to this valve)	
42	70022010	2	Relief Valve Assembly	
43	10837953	1	Shut-Off Plug Assembly	
44	70022008	1	Shut-Off Plug Assembly	

SECTION 9 - HYDRAULIC COMPONENTS

FIGURE 9-32. VALVE ASSEMBLY - PRIORITY VALVE



ART_1001192888-E

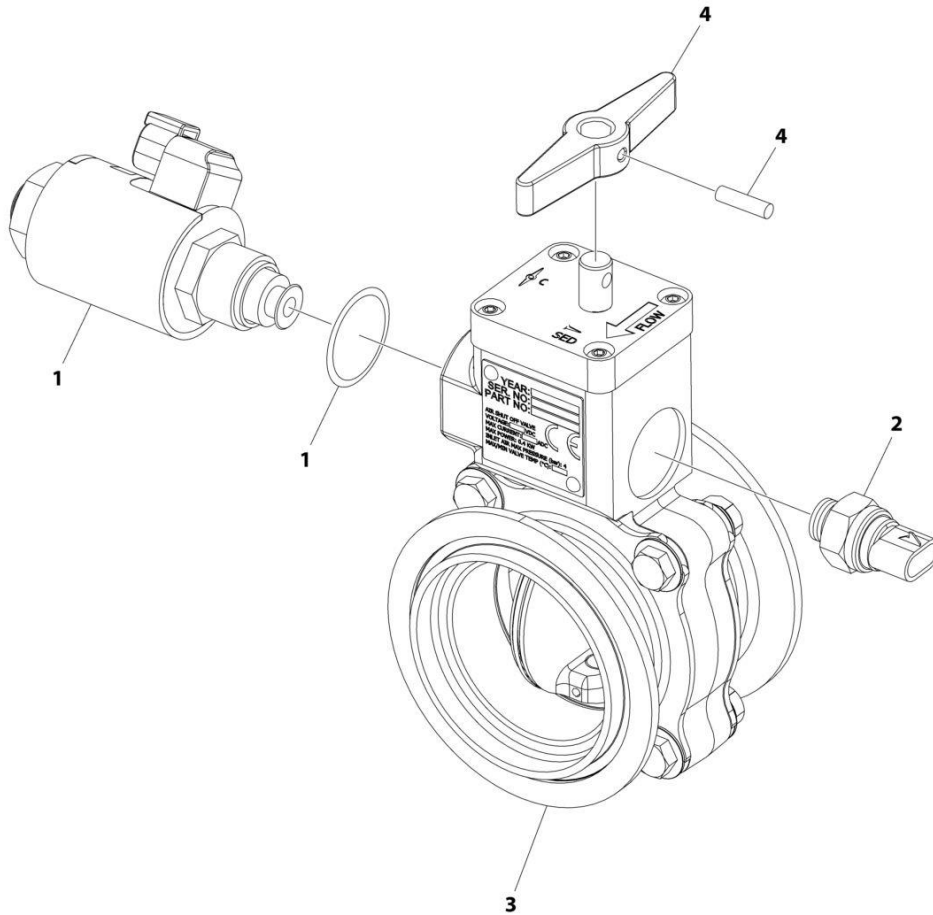
SECTION 9 - HYDRAULIC COMPONENTS

FIGURE 9-32. VALVE ASSEMBLY - PRIORITY VALVE

ITEM	PART NUMBER	QTY	DESCRIPTION	REV
	1001192888	Ref	Priority Valve Assembly	E
1	70028905	1	Cartridge	
2	70028904	1	Cartridge	
3	70028903	1	Cartridge	
4	70026312	1	Cartridge	
5	70028902	1	Cartridge	
6	70002963	1	Coil	
7	70006427	1	Orifice	
8	70026314	2	Plug	
9	2220886	1	Plug	
10	2220883	3	Plug	
11	70026315	9	Plug	
12	N.S.S.	1	Block	

SECTION 9 - HYDRAULIC COMPONENTS

FIGURE 9-33. VALVE ASSEMBLY - RADIATOR HOSE SHUT-OFF VALVE



ART_1001204032_C

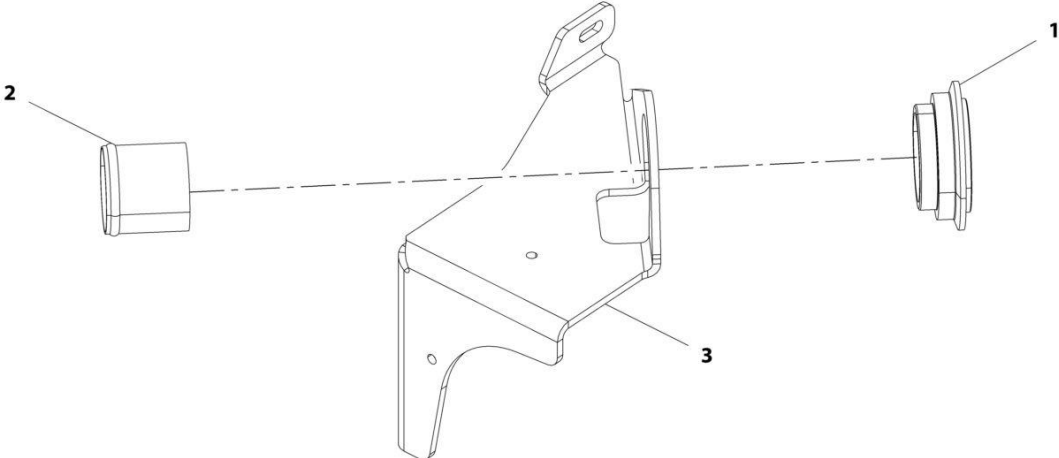
SECTION 9 - HYDRAULIC COMPONENTS

FIGURE 9-33. VALVE ASSEMBLY - RADIATOR HOSE SHUT-OFF VALVE

ITEM	PART NUMBER	QTY	DESCRIPTION	REV
	1001204032	Ref	Air Shut Off Valve	C
1	70028514	1	Kit, Solenoid 12V (Includes Solenoid, Coil, O-Ring)	
2	70028515	1	Kit, Switch (Includes Ball Switch & O-Ring)	
3	70028516	1	Kit, Flange and Hardware (Includes Flanges (Male & Female) & Mounting Hardware)	
4	70028517	1	Kit, Handle (Includes Handle & Pin)	

SECTION 9 - HYDRAULIC COMPONENTS

FIGURE 9-34. VALVE ASSEMBLY - RADIATOR HOSE ASO VALVE



ART_1001223618-A

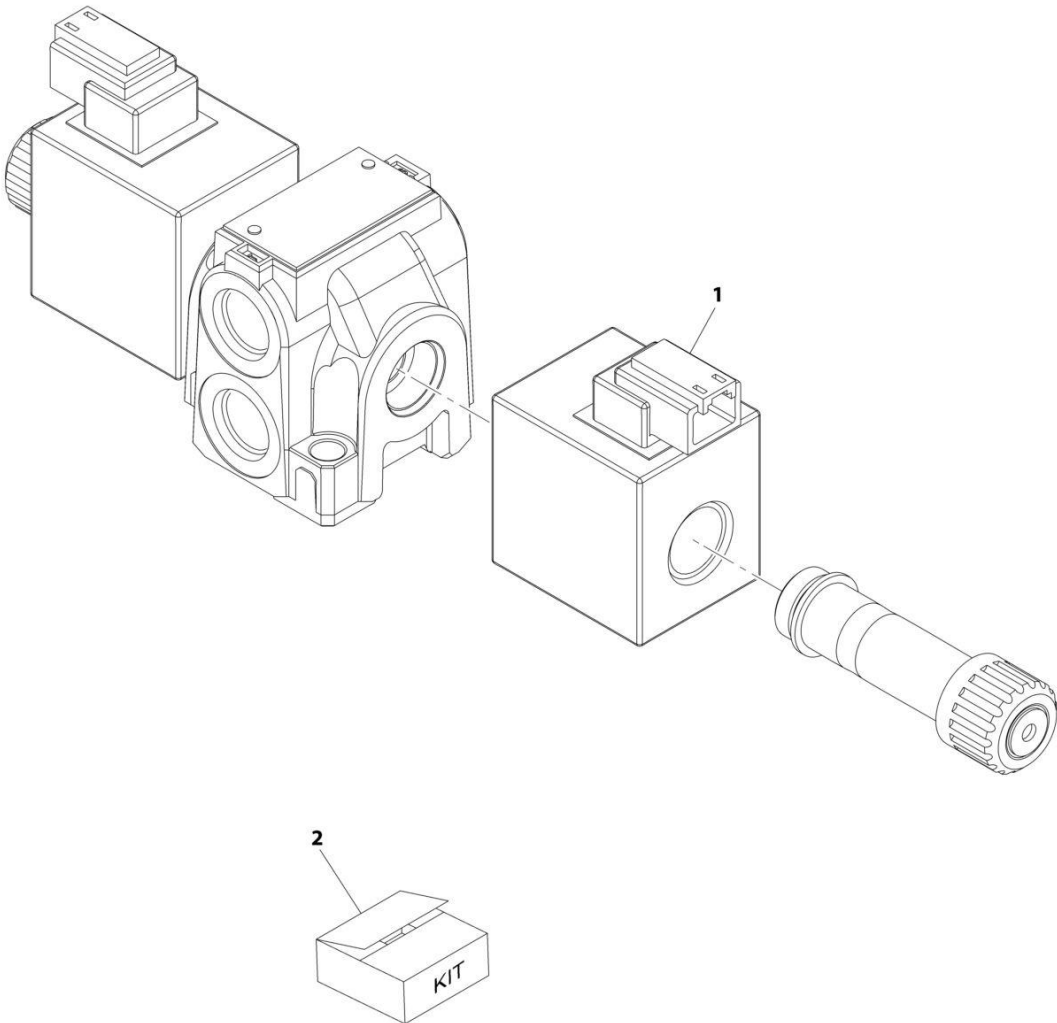
SECTION 9 - HYDRAULIC COMPONENTS

FIGURE 9-34. VALVE ASSEMBLY - RADIATOR HOSE ASO VALVE

ITEM	PART NUMBER	QTY	DESCRIPTION	REV
	1001223618	Ref	ASO Valve	A
1	1001204057	1	Plate	
2	1001206954	1	Tube	
3	1001223622	1	Bracket	

SECTION 9 - HYDRAULIC COMPONENTS

FIGURE 9-35. VALVE ASSEMBLY - SPEED CONTROL



ART_4641520-B

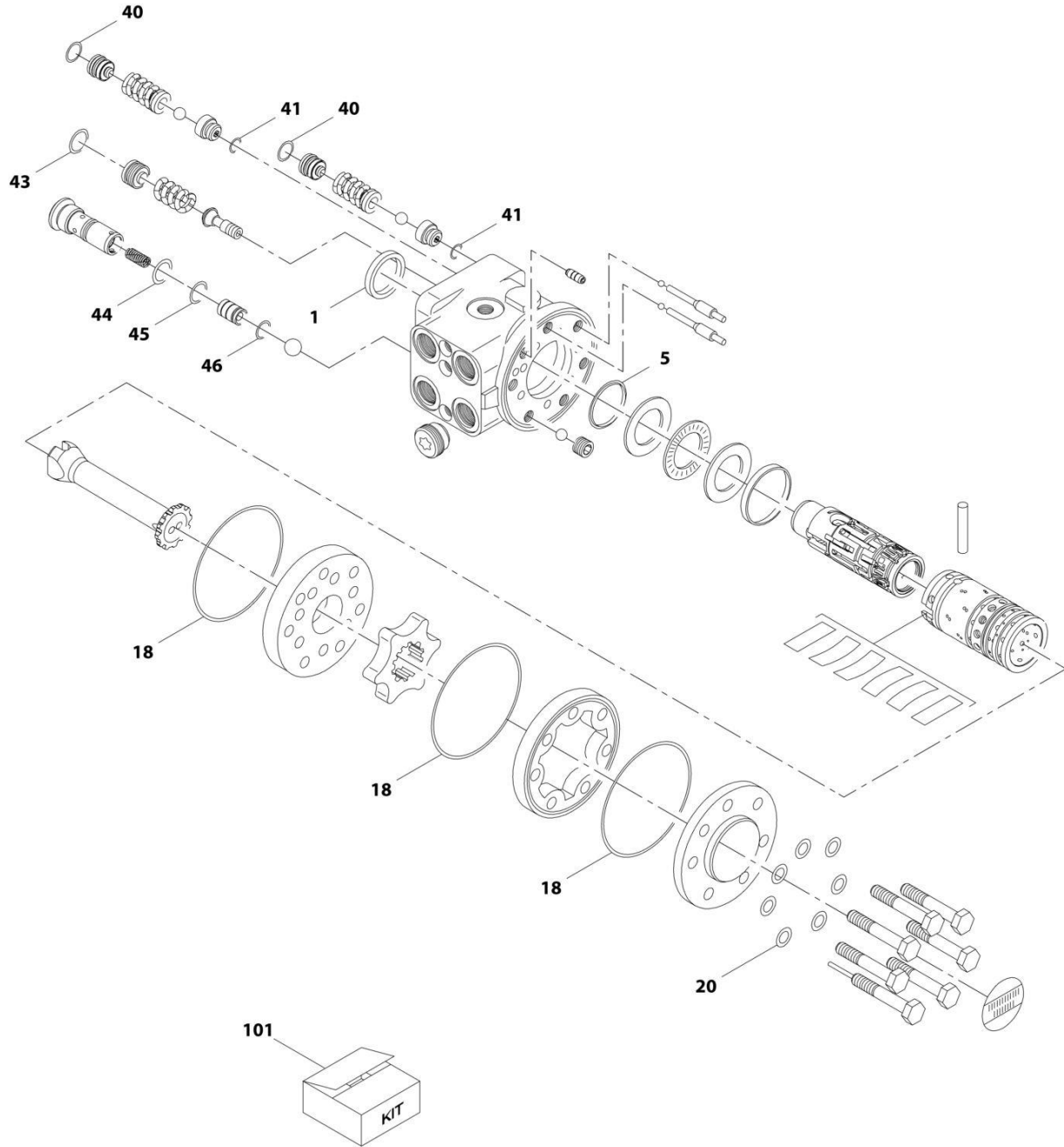
SECTION 9 - HYDRAULIC COMPONENTS

FIGURE 9-35. VALVE ASSEMBLY - SPEED CONTROL

ITEM	PART NUMBER	QTY	DESCRIPTION	REV
	4641520	Ref	Speed Control Valve	B
1	70026582	1	SOLENOID	
2	70020867	1	Kit, Coil Nut	
	N.S.S.	1	Seal	
	N.S.S.	1	Seal	
	N.S.S.	1	Nut, Coil	

SECTION 9 - HYDRAULIC COMPONENTS

FIGURE 9-36. VALVE ASSEMBLY - STEER



ART_1001178670-B

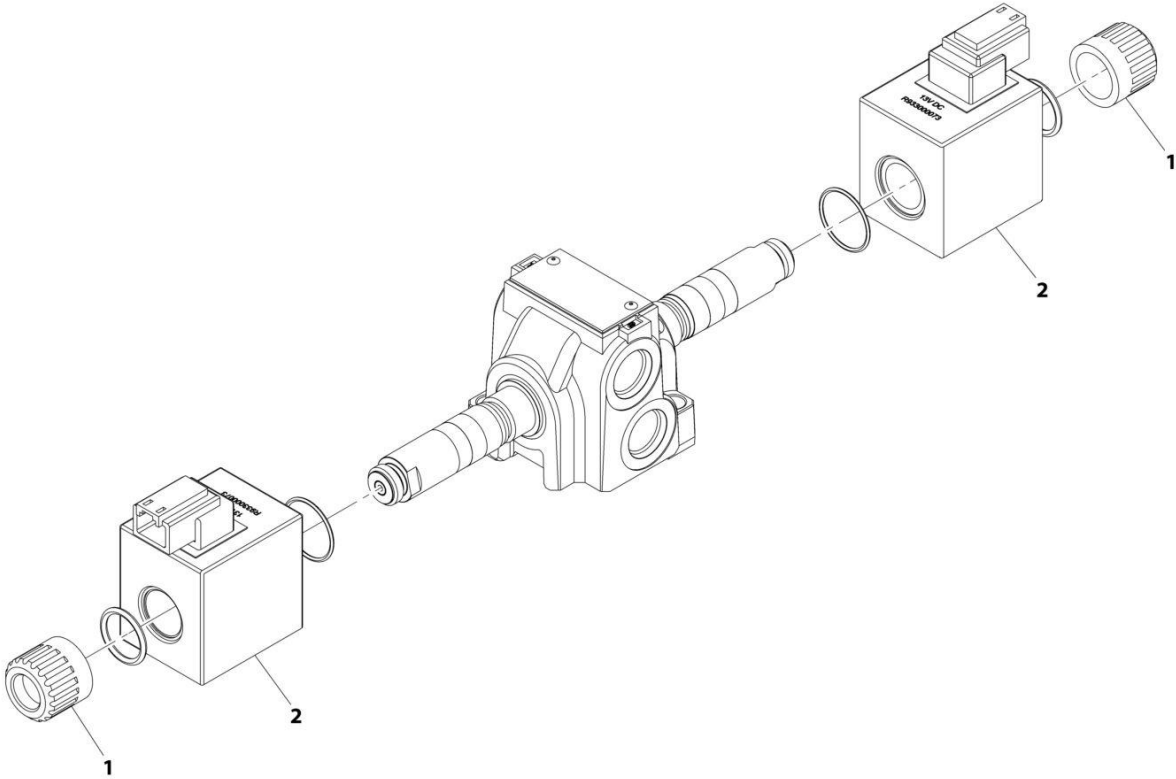
SECTION 9 - HYDRAULIC COMPONENTS

FIGURE 9-36. VALVE ASSEMBLY - STEER

ITEM	PART NUMBER	QTY	DESCRIPTION	REV
	1001178670	Ref	Steer Unit Valve	B
1	Kit	2	Ring, Dust Seal	
5	Kit	2	Seal, Shaft	
18	Kit	2	O-Ring	
20	Kit	2	Washer	
40	Kit	2	O-Ring	
41	Kit	2	O-Ring	
43	Kit	2	O-Ring	
44	Kit	2	O-Ring	
45	Kit	2	O-Ring	
46	Kit	2	O-Ring	
101	70028285	1	Kit, Seal (includes items 1, 5, 18, 20, 40, 41 and 43 thru 46)	

SECTION 9 - HYDRAULIC COMPONENTS

FIGURE 9-37. VALVE ASSEMBLY - STEERING SELECT VALVE



ART_1001153748-C

SECTION 9 - HYDRAULIC COMPONENTS

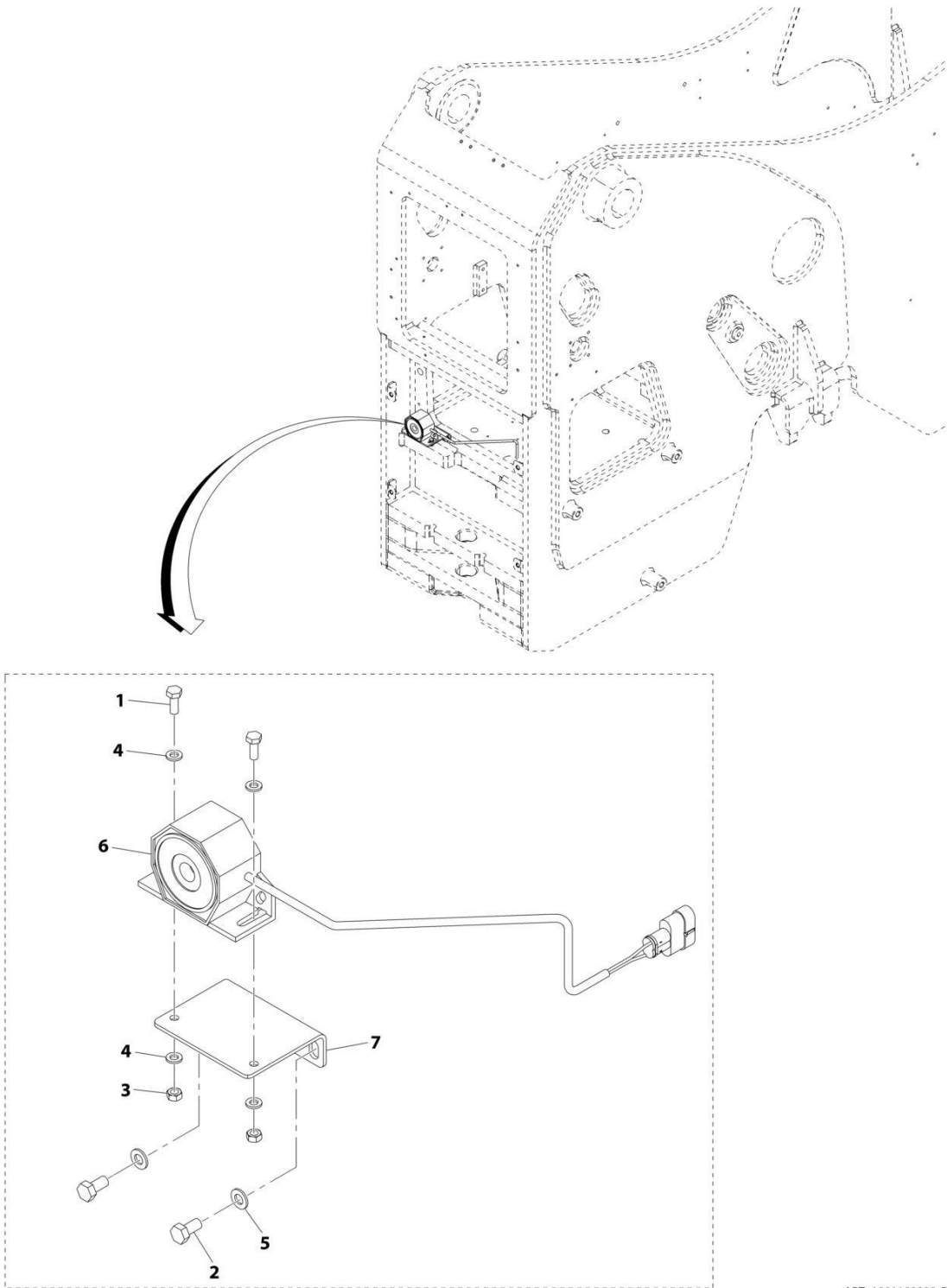
FIGURE 9-37. VALVE ASSEMBLY - STEERING SELECT VALVE

ITEM	PART NUMBER	QTY	DESCRIPTION	REV
	1001153748	Ref	Steering Select Valve	C
1	70020867	2	Nut, Coil	
2	70026582	2	Coil	

SECTION 10 - ELECTRICAL

SECTION 10 - ELECTRICAL

FIGURE 10-1. ALARM INSTALLATION - BACK UP



ART_1001192323-D

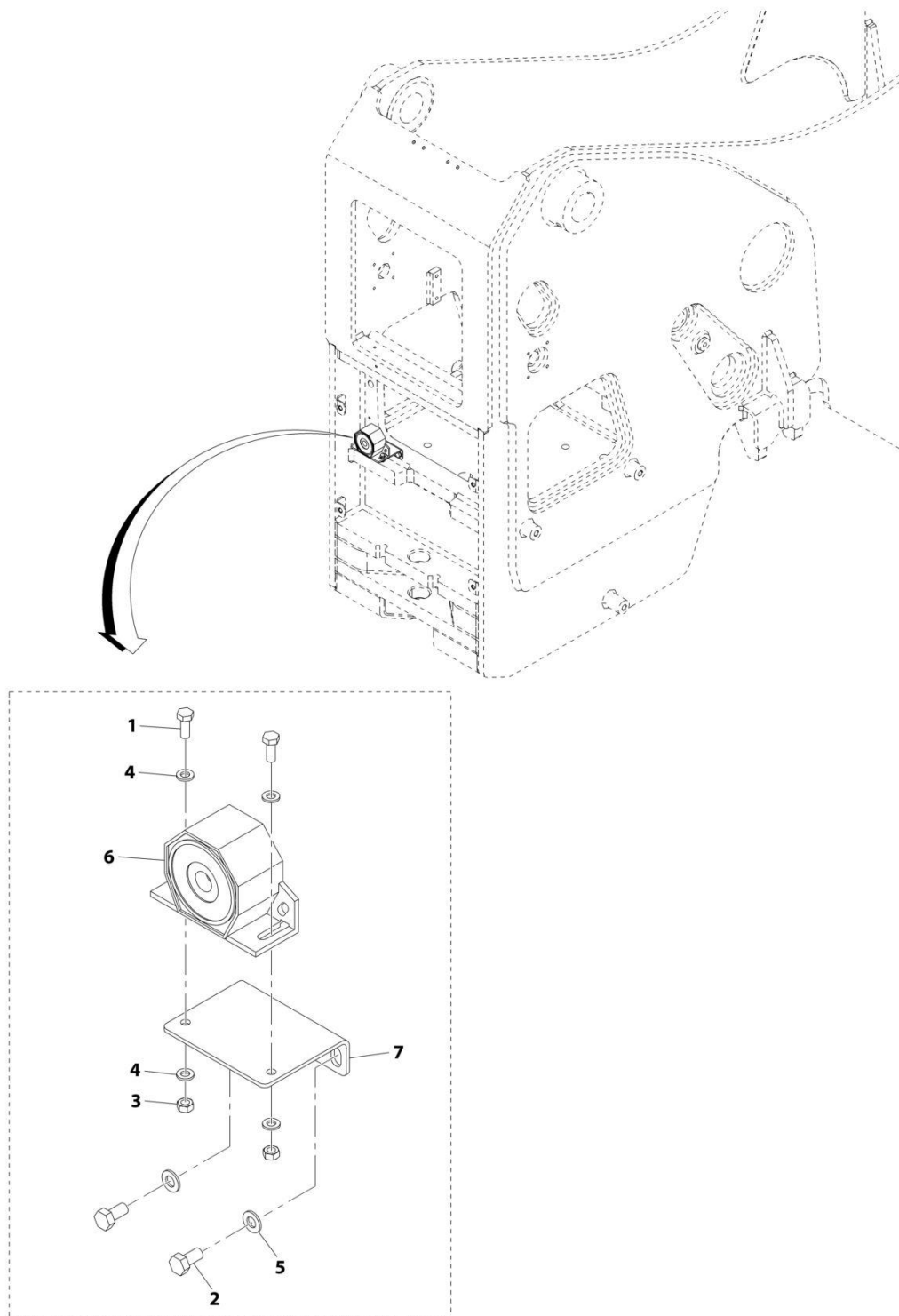
SECTION 10 - ELECTRICAL

FIGURE 10-1. ALARM INSTALLATION - BACK UP

ITEM	PART NUMBER	QTY	DESCRIPTION	REV
	1001192323	Ref	Backup Alarm Installation	D
1	0760608	2	Bolt, M6X16	
2	0760808	2	Bolt, M8X16	
3	3290601	2	Nut, M6X1	
4	4811700	4	Washer, M6	
5	4811900	2	Washer, M8	
6	1001101808	1	Alarm, Backup	
7	1001193698	1	Bracket	

SECTION 10 - ELECTRICAL

FIGURE 10-2. ALARM INSTALLATION (BACK UP - WHITE NOISE)



ART_1001195263-B

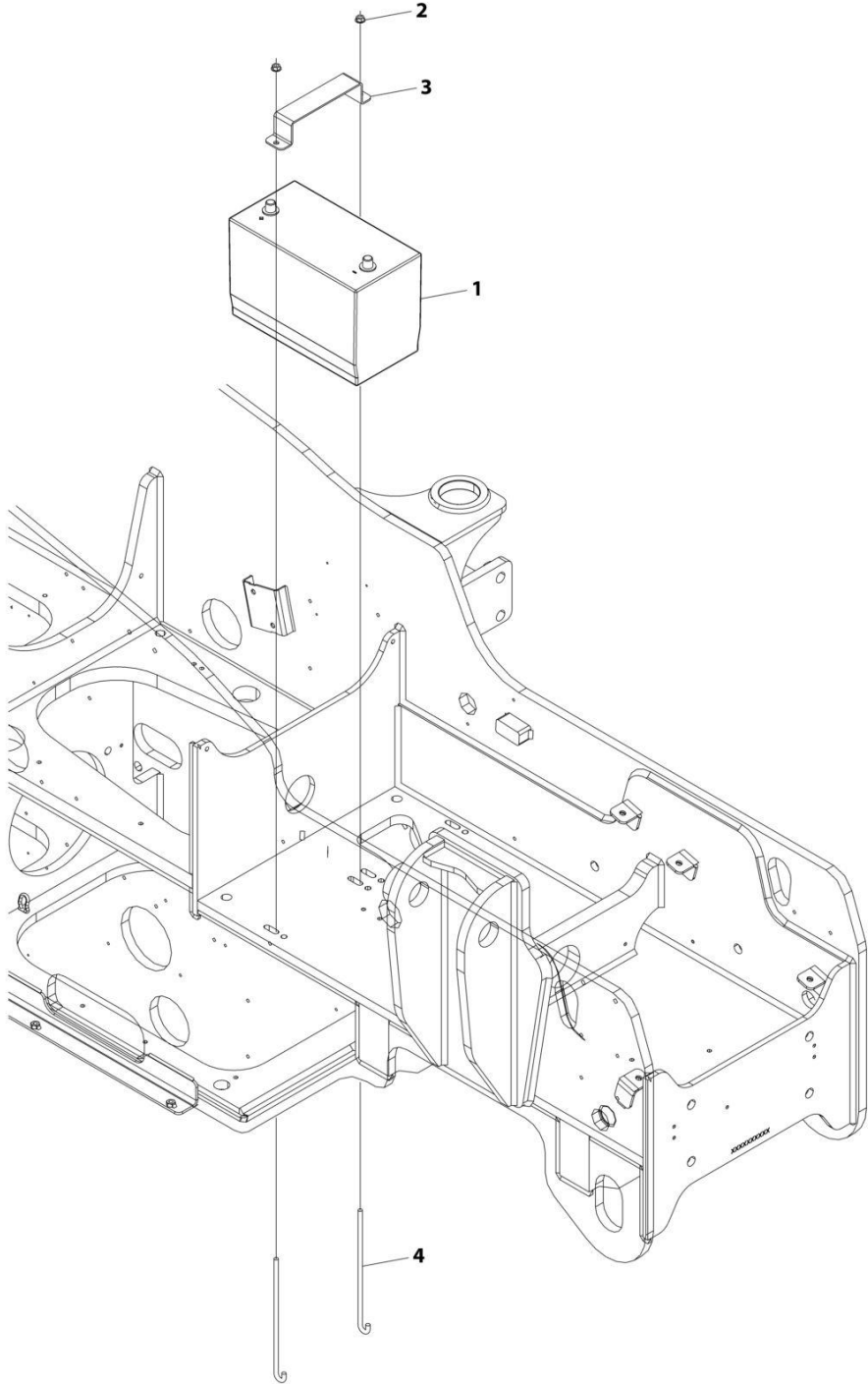
SECTION 10 - ELECTRICAL

FIGURE 10-2. ALARM INSTALLATION (BACK UP - WHITE NOISE)

ITEM	PART NUMBER	QTY	DESCRIPTION	REV
	1001195263	Ref	Backup Alarm Installation (White Noise)	B
1	0760608	2	Bolt, M6X16	
2	0760808	2	Bolt, M8X16	
3	3290601	2	Nut, M6X1	
4	4811700	4	Washer, M6	
5	4811900	2	Washer, M8	
6	1001165827	1	Alarm, Backup (White Noise)	
7	1001193698	1	Bracket	

SECTION 10 - ELECTRICAL

FIGURE 10-3. BATTERY INSTALLATION



ART_1001186855

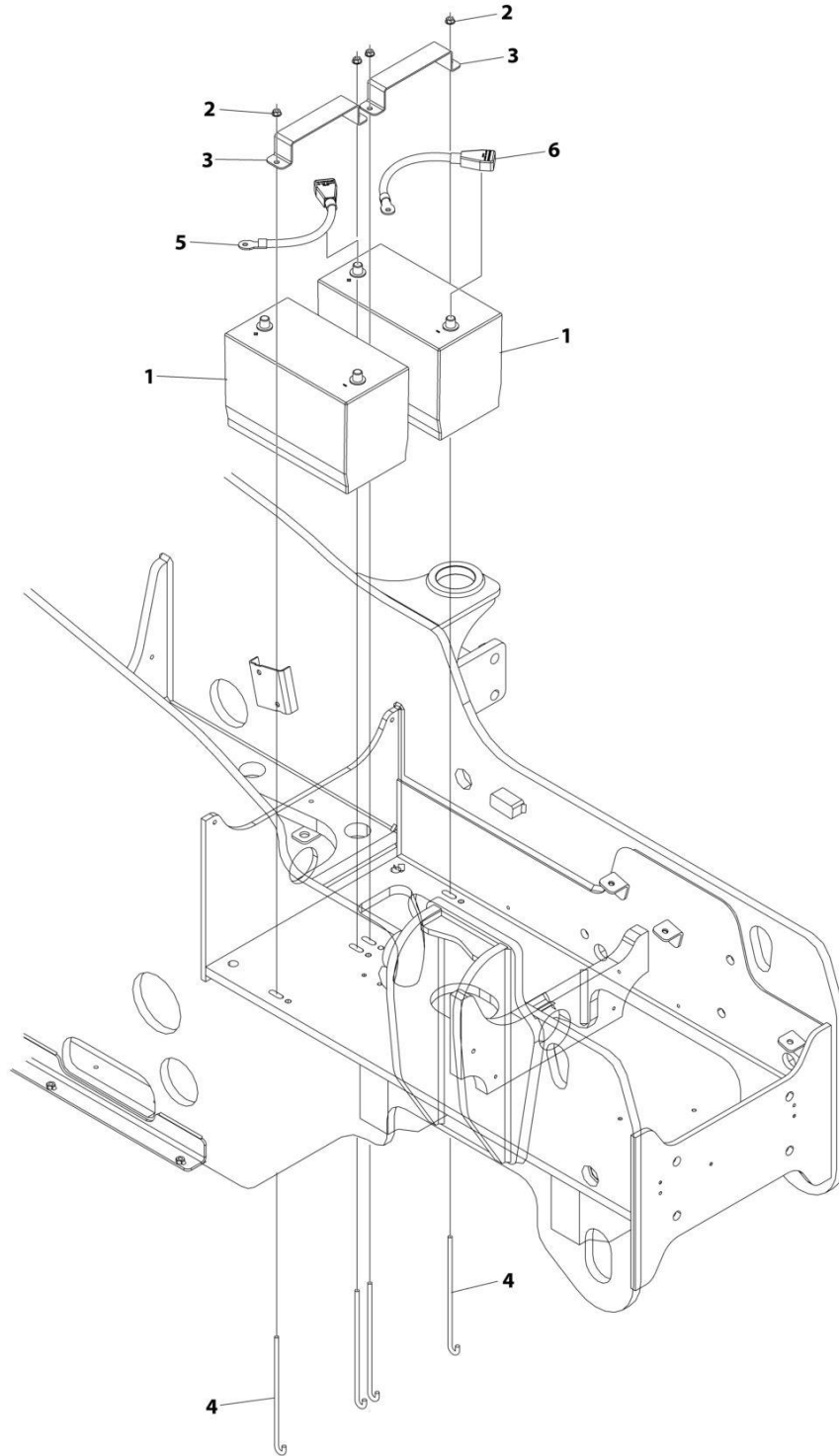
SECTION 10 - ELECTRICAL

FIGURE 10-3. BATTERY INSTALLATION

ITEM	PART NUMBER	QTY	DESCRIPTION	REV
	1001186855	Ref	Battery Installation	B
1	0400075	1	Battery, 12V	
2	5220800	2	Nut, Ripp M8	
3	1001160927	1	Plate	
4	1001160928	2	J-Bolt (270mm Length)	
4	1001181961	2	J-Bolt (220mm Length)	

SECTION 10 - ELECTRICAL

FIGURE 10-4. BATTERY (DUAL) INSTALLATION



ART_1001211445_D

SECTION 10 - ELECTRICAL

FIGURE 10-4. BATTERY (DUAL) INSTALLATION

ITEM	PART NUMBER	QTY	DESCRIPTION	REV
	1001211445	Ref	Dual Battery Installation	D
1	0400075	2	Battery, 12V	
2	5220800	4	Nut Ripp M8	
3	1001160927	2	Plate	
4	1001160928	4	J-Bolt (270mm Length)	
4	1001181961	4	J-Bolt (220mm Length)	
5	1001203557	1	Cable, Positive Battery	
6	1001203558	1	Cable, Negative Battery	

SECTION 10 - ELECTRICAL

FIGURE 10-5. BATTERY (ARCTIC) PACKAGE INSTALLATION (115V)



ART_1001186856-D

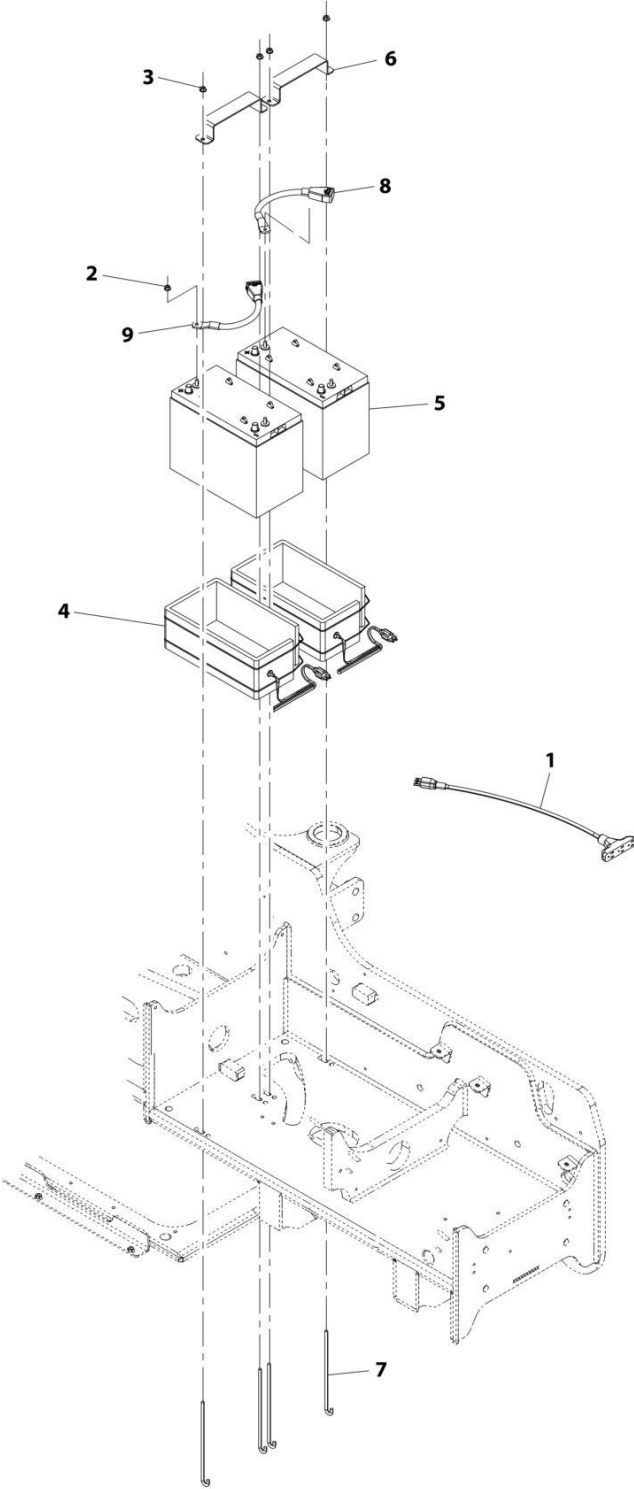
SECTION 10 - ELECTRICAL

FIGURE 10-5. BATTERY (ARCTIC) PACKAGE INSTALLATION (115V)

ITEM	PART NUMBER	QTY	DESCRIPTION	REV
	1001186856	Ref	Arctic Battery Package Installation (115V)	D
1	1001195582	1	Installation, Arctic Battery Package (115V) (See Separate Breakdown in this Section)	
2	1001195593	1	Installation, Hydraulic Tank Heater (115V) (See Separate Breakdown in this Section)	
3	2580040	1	Heater, Engine Oil Pan	
4	1062255	2	Tie, Strap	
5	1001232509	1	Tube, Heated Breather	

SECTION 10 - ELECTRICAL

FIGURE 10-6. BATTERIES (ARCTIC) INSTALLATION (115V)



ART_1001195582-B

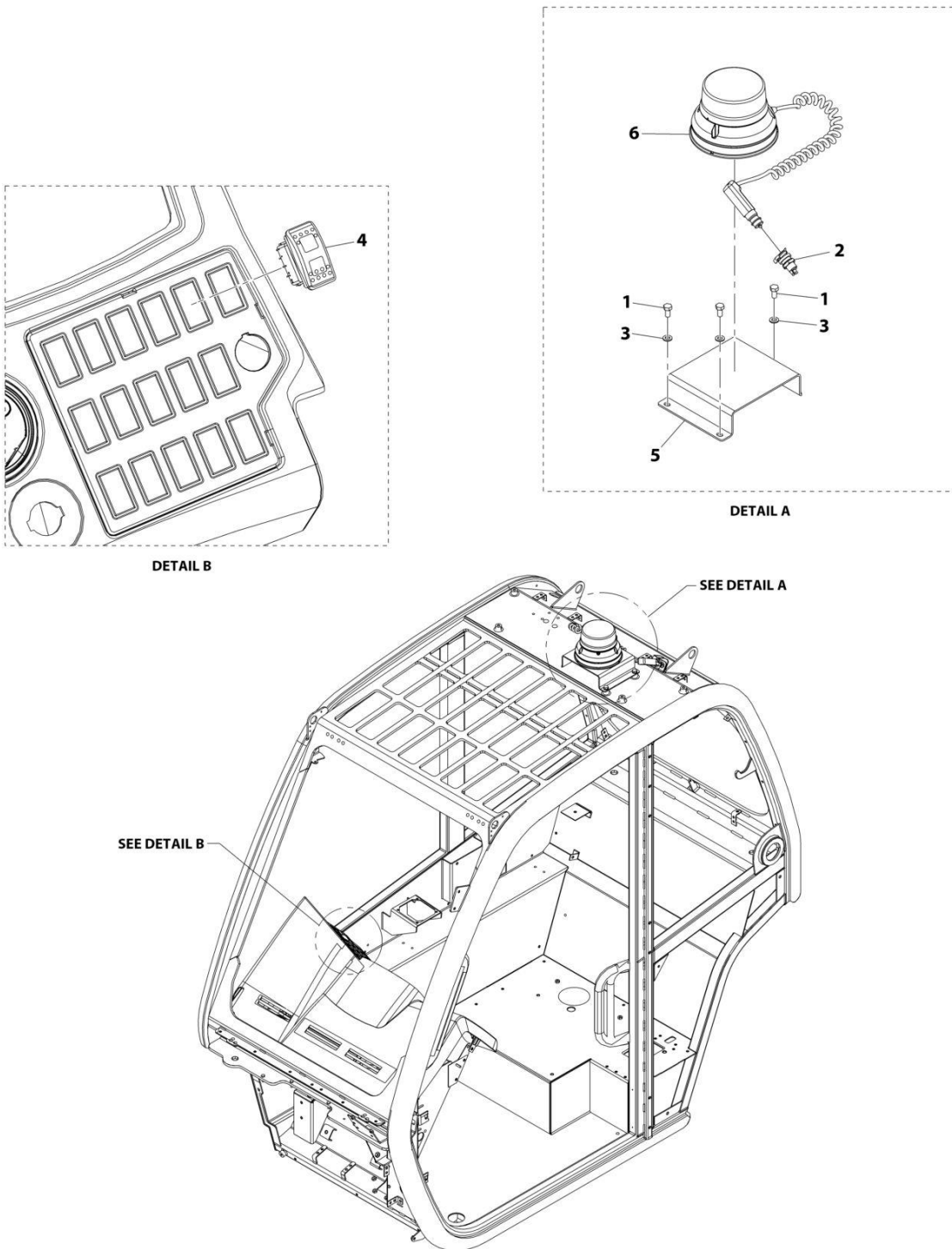
SECTION 10 - ELECTRICAL

FIGURE 10-6. BATTERIES (ARCTIC) INSTALLATION (115V)

ITEM	PART NUMBER	QTY	DESCRIPTION	REV
	1001195582	Ref	Arctic Batteries Installation (115V)	B
1	1060626	1	Cord, 3-Way Extension	
2	3311508	2	Nut 5/16	
3	5220800	4	Nut M8	
4	1001093564	2	Heater, Battery	
5	1001098762	2	Battery 12V	
6	1001160927	2	Plate, Battery Hold Down	
7	1001160928	4	J-Bolt	
8	1001172495	1	Cable, Positive Battery	
9	1001172496	1	Cable, Negative Battery	

SECTION 10 - ELECTRICAL

FIGURE 10-7. BEACON INSTALLATION (LED)



ART_1001195883-A

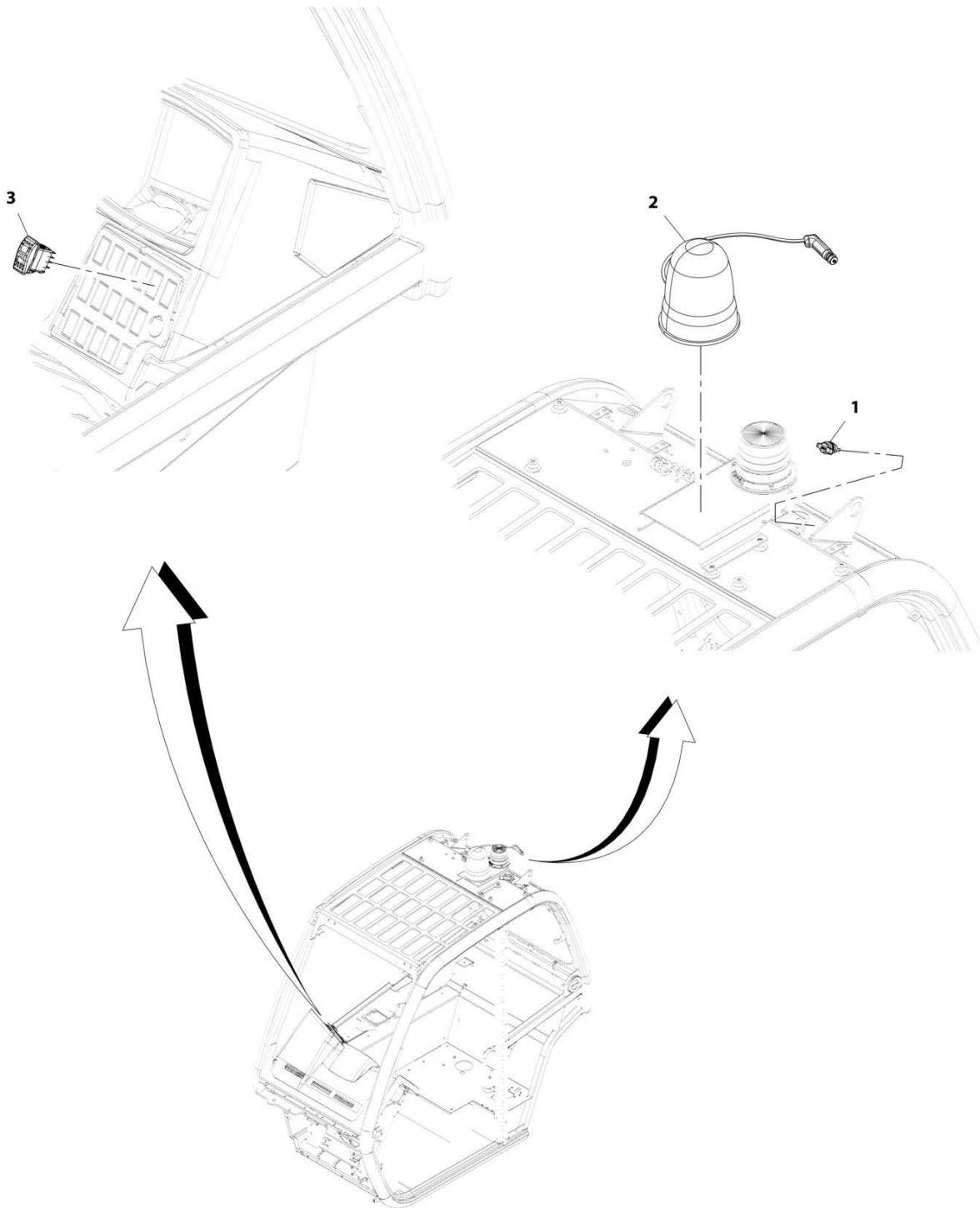
SECTION 10 - ELECTRICAL

FIGURE 10-7. BEACON INSTALLATION (LED)

ITEM	PART NUMBER	QTY	DESCRIPTION	REV
	1001195883	Ref	BEACON INSTALLATION (LED)	B
1	0760808	3	Bolt M8 x 16	
2	4461174	1	Terminal	
3	4811900	3	Washer M8	
4	1001159738	1	Switch, Beacon	
5	1001174796	1	Bracket	
	1001273075	1	Light, Beacon (LED)	

SECTION 10 - ELECTRICAL

FIGURE 10-8. BEACON (REMOTE BOOM CONTROL) INSTALLATION



ART_1001209357-B

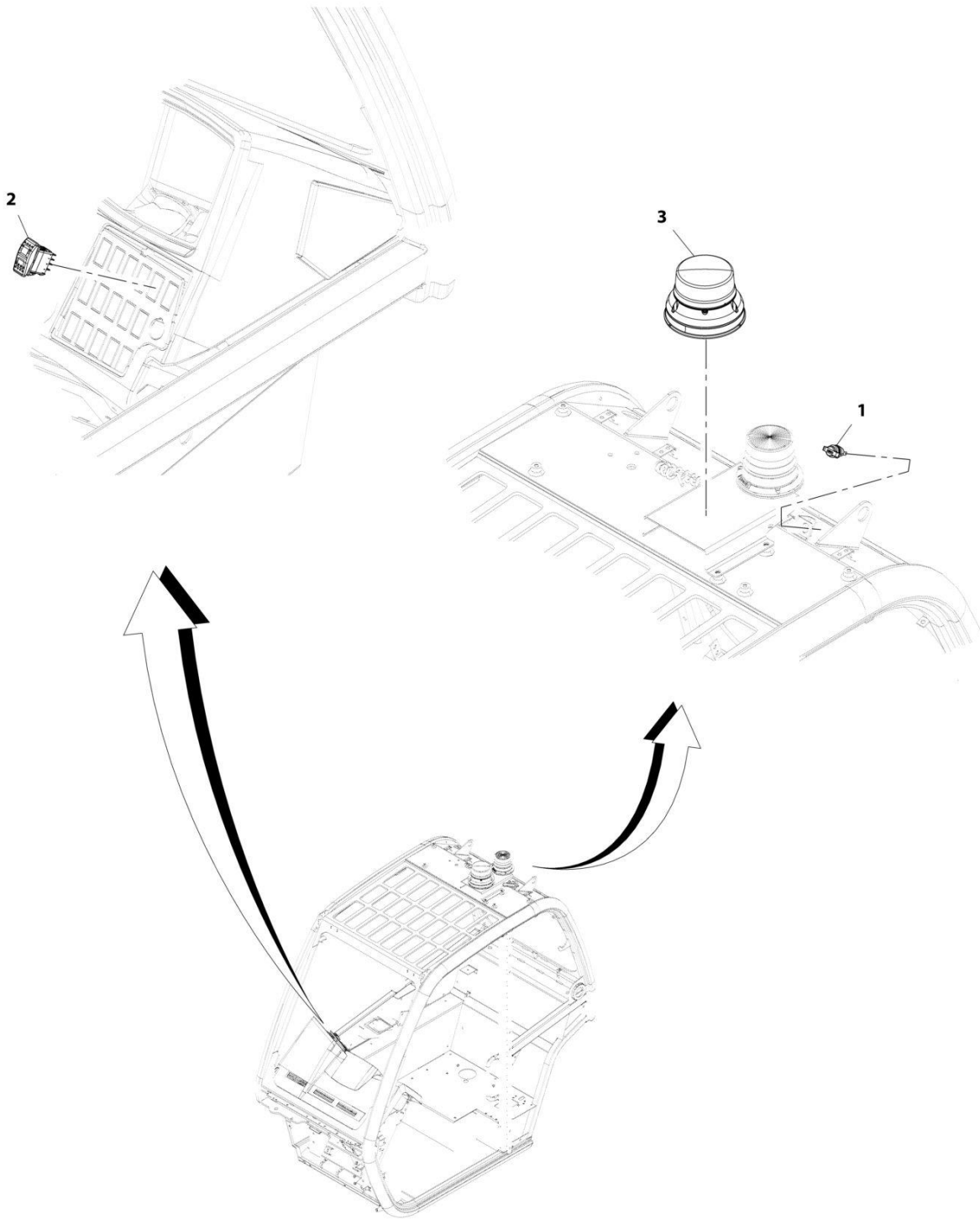
SECTION 10 - ELECTRICAL

FIGURE 10-8. BEACON (REMOTE BOOM CONTROL) INSTALLATION

ITEM	PART NUMBER	QTY	DESCRIPTION	REV
	1001209357	Ref	Beacon (Remote Boom Control) Installation	B
1	4461174	1	Terminal, 12 Volt	
2	1001217623	1	Light, Warning	
3	1001159738	1	Switch, Beacon	

SECTION 10 - ELECTRICAL

FIGURE 10-9. BEACON (LED) (REMOTE BOOM CONTROL) INSTALLATION



ART_1001209358-A

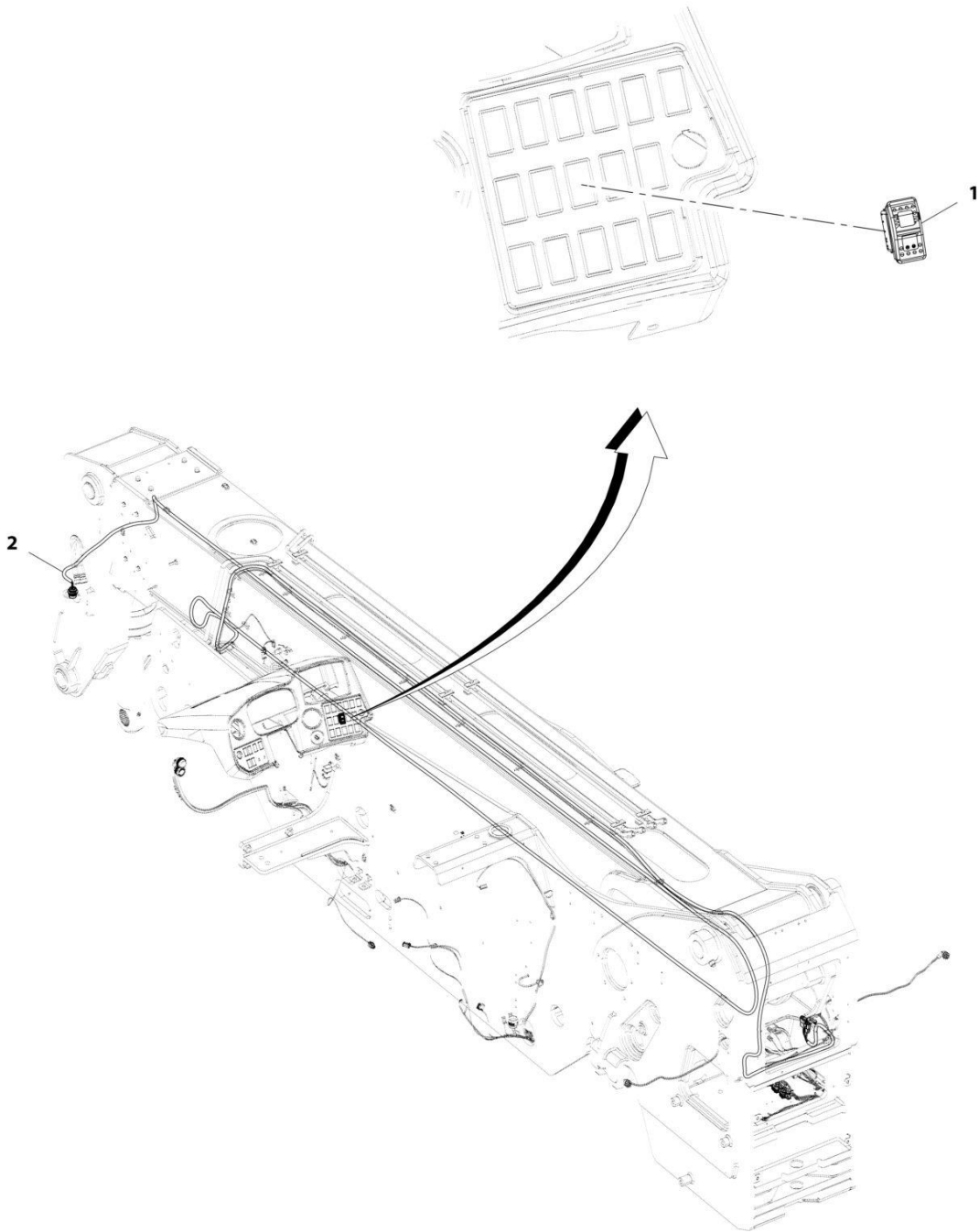
SECTION 10 - ELECTRICAL

FIGURE 10-9. BEACON (LED) (REMOTE BOOM CONTROL) INSTALLATION

ITEM	PART NUMBER	QTY	DESCRIPTION	REV
	1001209358	Ref	BEACON (LED) (REMOTE BOOM CONTROL) INSTALLATION	A
1	4461174	1	Terminal, 12 Volt	
2	1001159738	1	Switch, Beacon	
3	1001198893	1	Light, Warning	

SECTION 10 - ELECTRICAL

FIGURE 10-10. BOOM HARNESS INSTALLATION



ART_1001192575-B

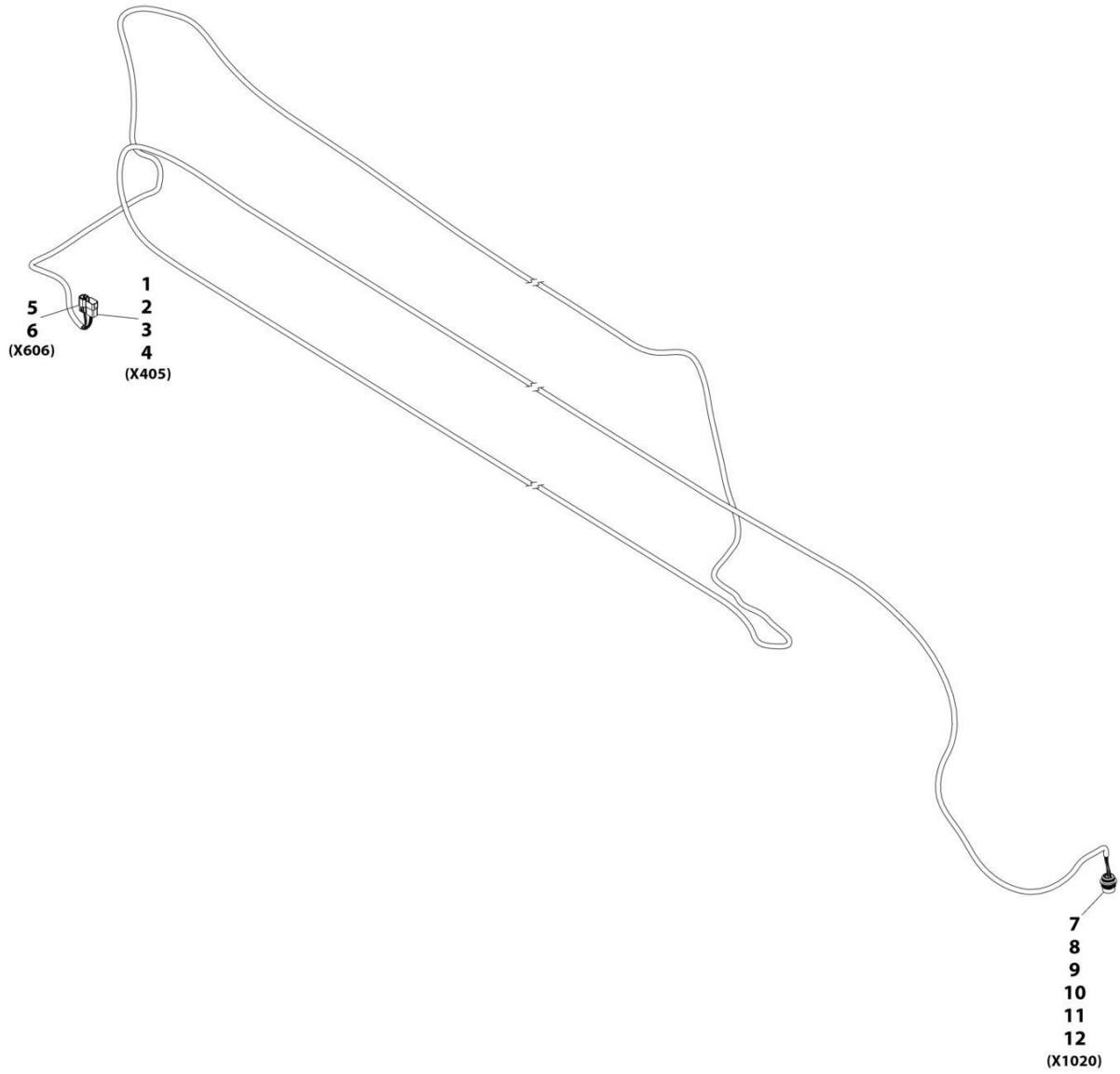
SECTION 10 - ELECTRICAL

FIGURE 10-10. BOOM HARNESS INSTALLATION

ITEM	PART NUMBER	QTY	DESCRIPTION	REV
	1001192575	Ref	Boom Harness Installation	B
1	1001159746	1	Switch, Aux Electric	
2	1001201124	1	Harness, Boom (See Separate Breakdown in this Section)	

SECTION 10 - ELECTRICAL

FIGURE 10-11. BOOM HARNESS



ART_1001201124-B

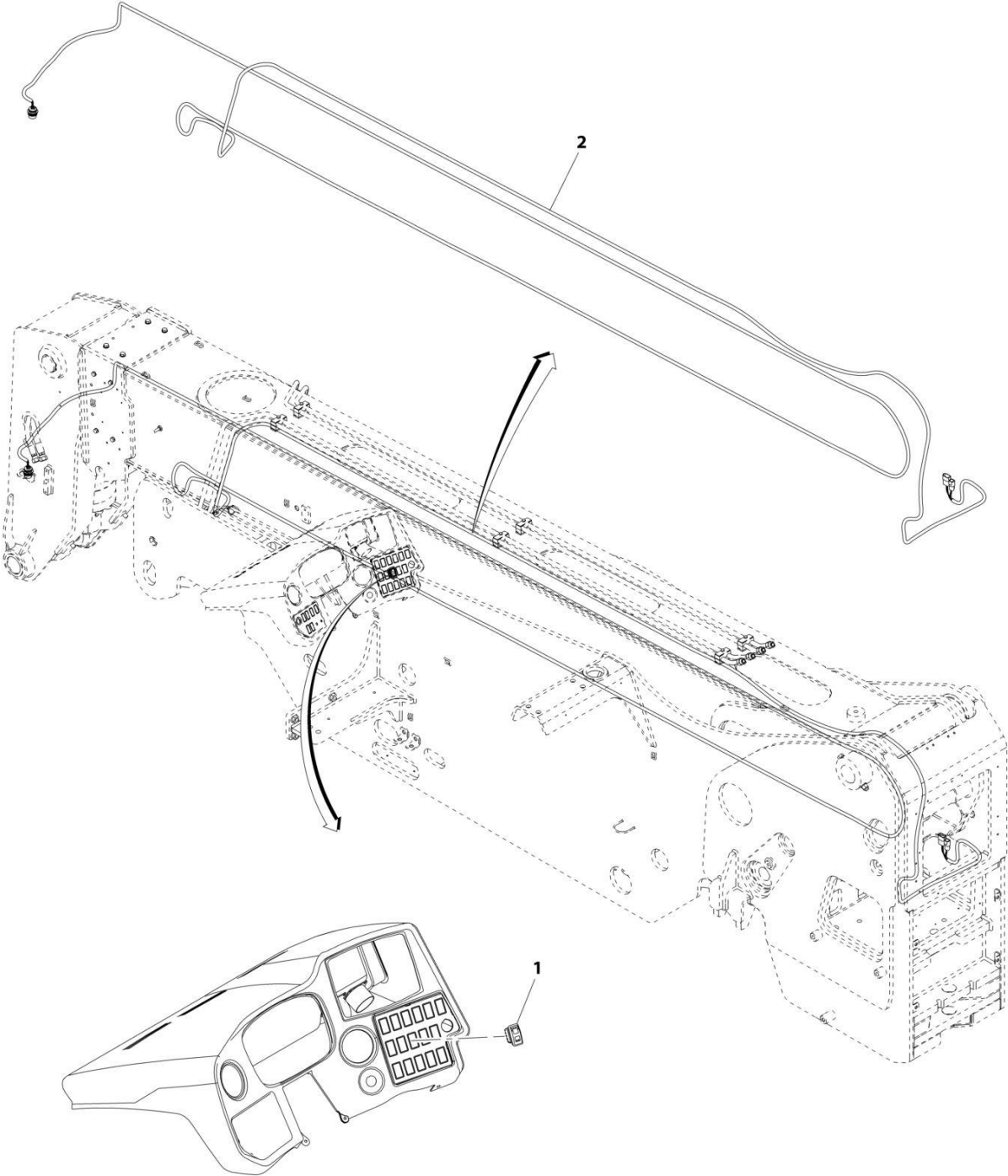
SECTION 10 - ELECTRICAL

FIGURE 10-11. BOOM HARNESS

ITEM	PART NUMBER	QTY	DESCRIPTION	REV
	1001201124	Ref	Boom Harness	B
1	4460931	1	Connector	
2	4460943	2	Terminal	
3	4460464	4	Terminal	
4	4460466	2	Plug	
5	4461017	1	Connector	
6	4460508	2	Terminal	
7	1001112612	1	Connector	
8	1001183221	1	Boot	
9	1001157891	2	Terminal	
10	4460464	4	Terminal	
11	4460943	2	Terminal	
12	4460466	1	Plug	

SECTION 10 - ELECTRICAL

FIGURE 10-12. BOOM HARNESS INSTALLATION



ART_1001228743-A

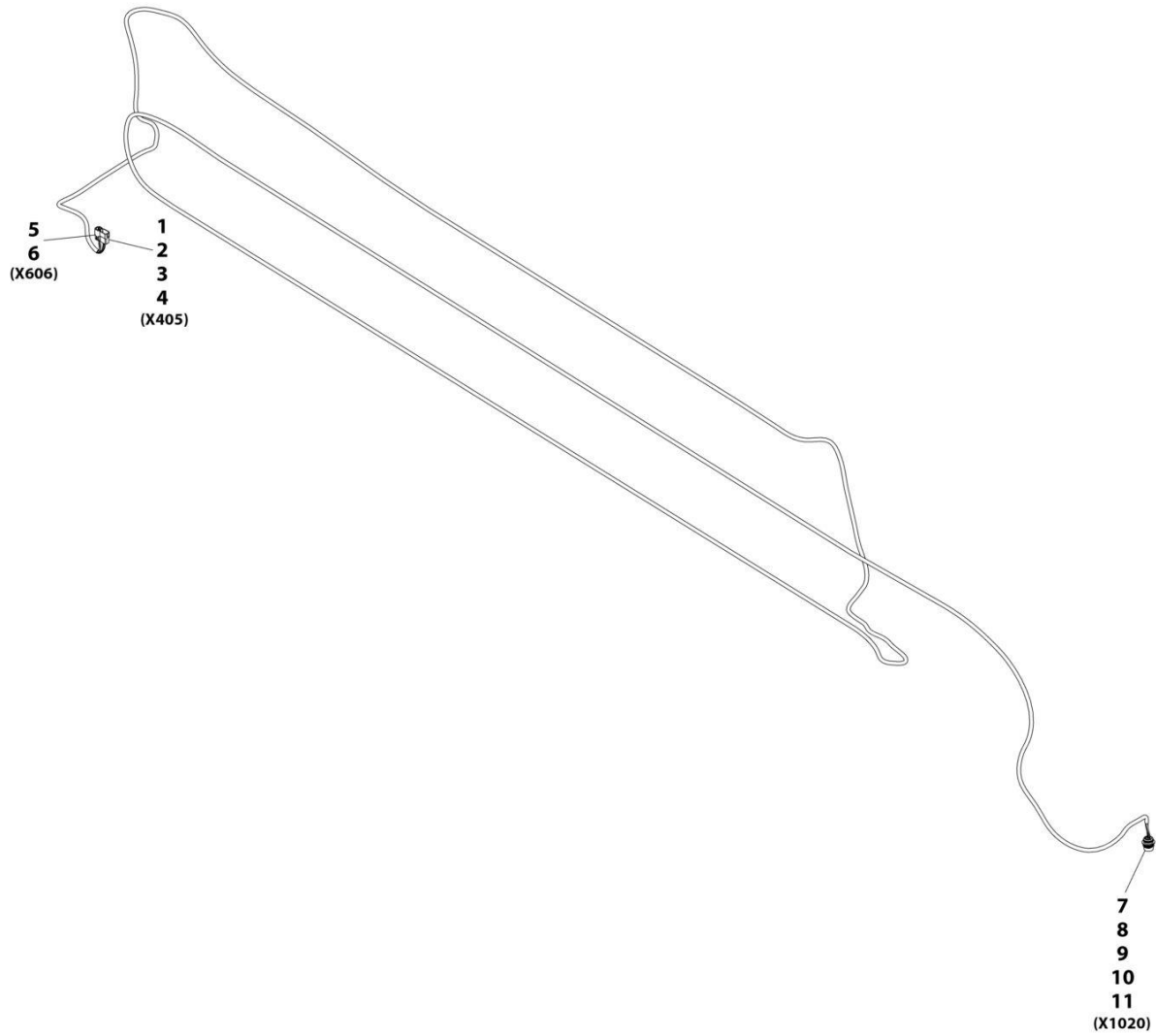
SECTION 10 - ELECTRICAL

FIGURE 10-12. BOOM HARNESS INSTALLATION

ITEM	PART NUMBER	QTY	DESCRIPTION	REV
	1001228743	Ref	Boom Harness Installation	A
1	1001159746	1	Switch, Aux Electric	
2	1001228744	1	Harness, Boom (See Separate Breakdown in this Section)	

SECTION 10 - ELECTRICAL

FIGURE 10-13. BOOM HARNESS



ART_1001228744-A

SECTION 10 - ELECTRICAL

FIGURE 10-13. BOOM HARNESS

ITEM	PART NUMBER	QTY	DESCRIPTION	REV
	1001228744	Ref	Boom Harness	A
1	4460931	1	Connector	
2	4460943	2	Terminal	
3	4460464	4	Terminal	
4	4460466	2	Plug	
5	4461017	1	Connector	
6	4460508	2	Terminal	
7	1001112612	1	Connector	
8	1001157891	2	Terminal	
9	4460464	4	Terminal	
10	4460943	2	Terminal	
11	4460466	1	Plug	

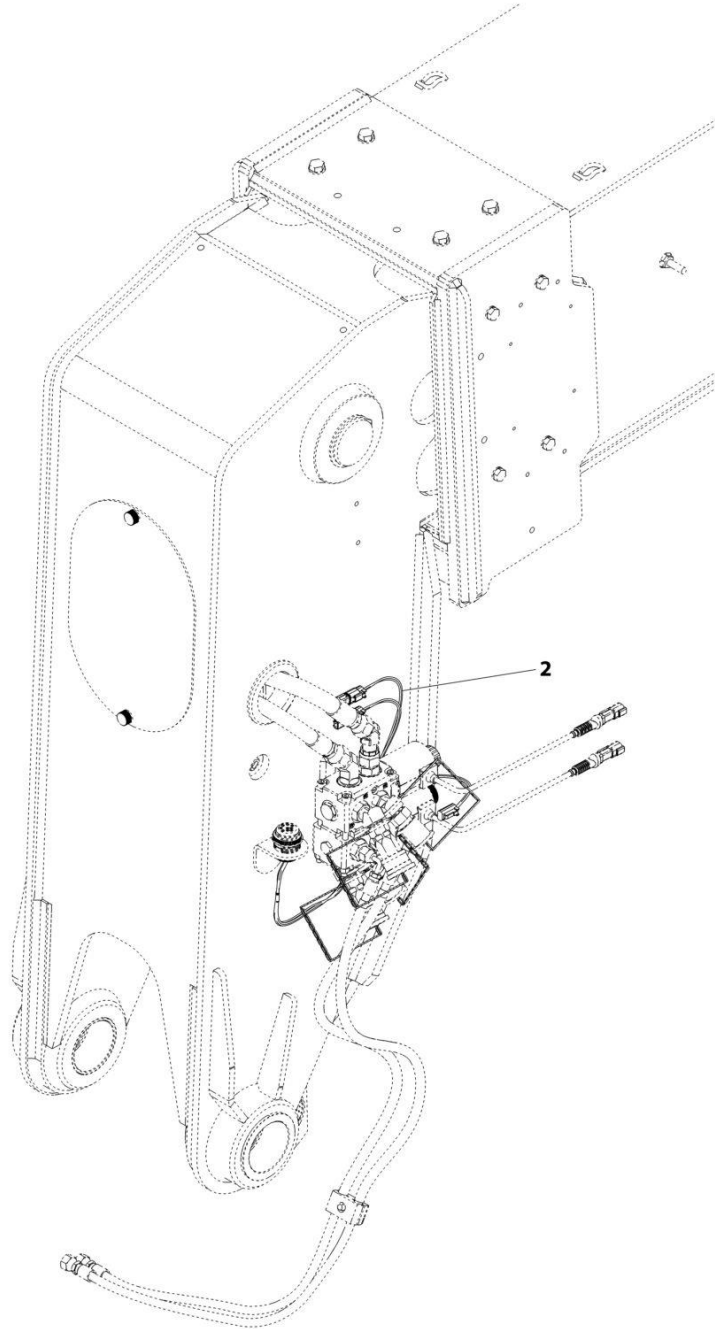
SECTION 10 - ELECTRICAL

FIGURE 10-14. BOOM ANGLE SENSOR INSTALLATION (NO LMIS)

ITEM	PART NUMBER	QTY	DESCRIPTION	REV
	1001192430	Ref	BOOM ANGLE SENSOR INSTALLATION (NO LMIS)	E
1	0761008	2	Bolt M10X16	
2	3290405	2	Nut, Lock M4	
3	3290601	2	Nut M6	
4	1001278028	1	Sensor, Angle	
5	4010610	1	Screw M6X20	
6	4811400	2	Washer M4	
7	4812000	2	Washer M10	
8	1001103156	1	Pin	
9	1001103300	1	Fitting, Ball Joint	
10	1001126837	2	Screw M4X16	
11	1001134274	1	Clevis	
12	1001213775	1	Bracket	
13	1001195731	1	Link	
14	1001195732	1	Rod	
15	3290605	1	Nut, Lock M6	
16	4811700	1	Washer M6	

SECTION 10 - ELECTRICAL

FIGURE 10-15. BOOM AUX HARNESS INSTALLATION



ART_1001192370-C

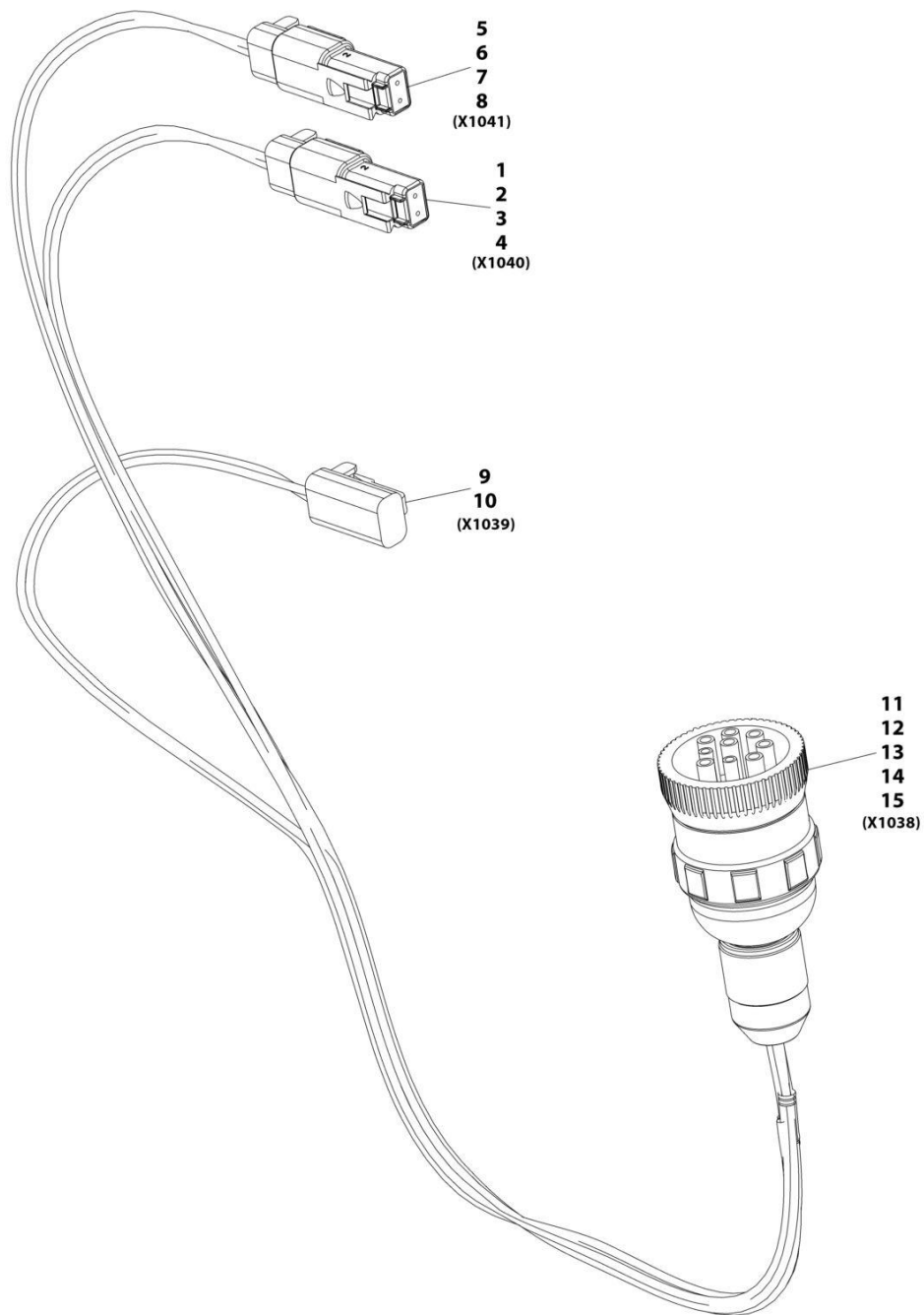
SECTION 10 - ELECTRICAL

FIGURE 10-15. BOOM AUX HARNESS INSTALLATION

ITEM	PART NUMBER	QTY	DESCRIPTION	REV
2	1001192370	Ref	Boom Aux Harness Installation	C
	1001206633	1	Harness, Boom AUX (See Separate Breakdown in this Section)	

SECTION 10 - ELECTRICAL

FIGURE 10-16. BOOM AUX HARNESS



ART_1001206633-C

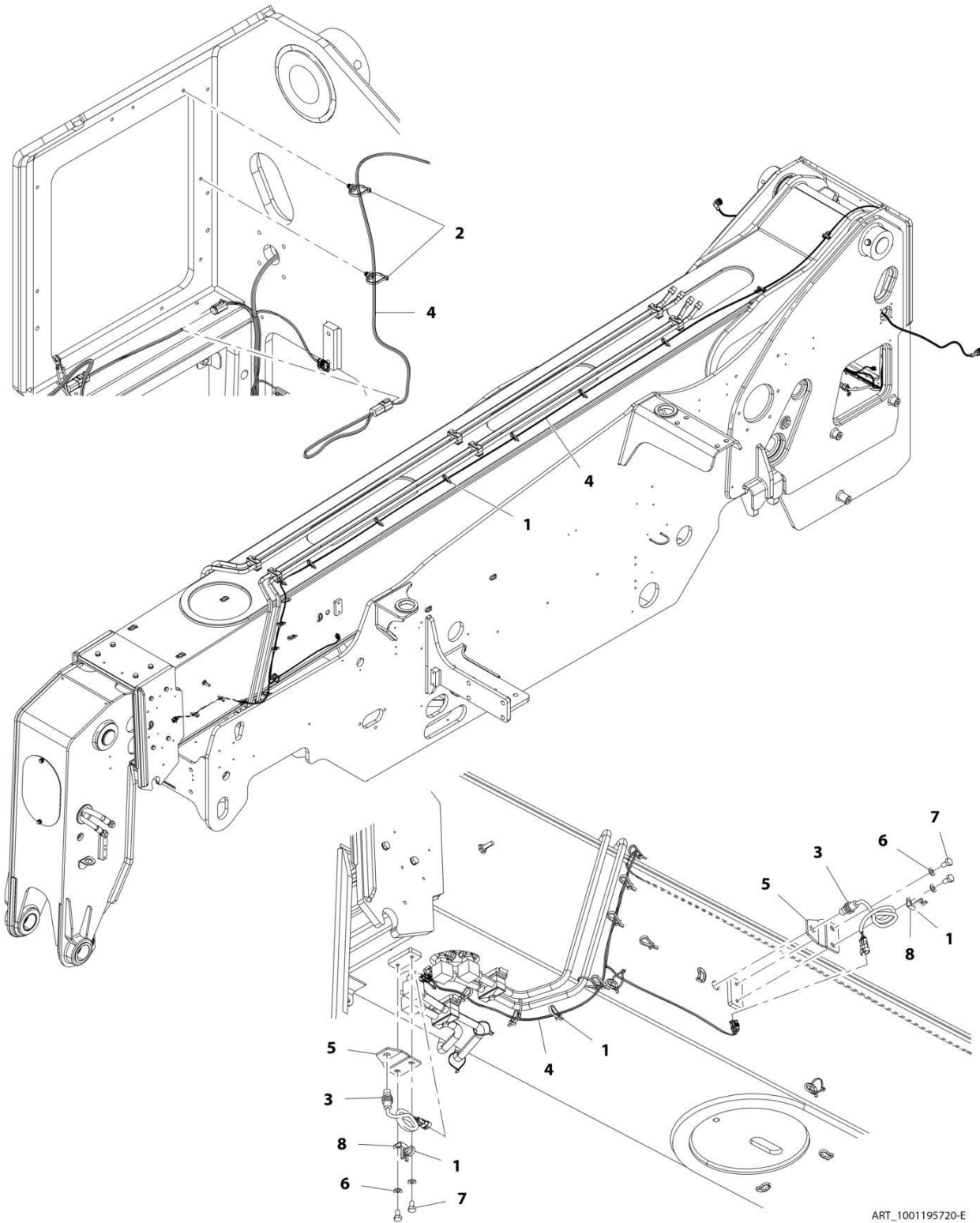
SECTION 10 - ELECTRICAL

FIGURE 10-16. BOOM AUX HARNESS

ITEM	PART NUMBER	QTY	DESCRIPTION	REV
	1001206633	Ref	Boom Aux Harness	C
1	4460891	1	Connector	
2	4460897	1	Mating Connector	
3	4460466	1	Plug	
4	4460465	2	Terminal	
5	4460891	1	Connector	
6	4460897	1	Mating Connector	
7	4460466	1	Terminal	
8	4460465	2	Terminal	
9	4460891	1	Connector	
10	4460465	2	Terminal	
11	1001112796	1	Connector	
12	4460465	4	Terminal	
13	4460466	5	Plug	
14	1001241590	1	Backshell	
15	1001241591	1	Nut	

SECTION 10 - ELECTRICAL

FIGURE 10-17. BOOM RETRACT SENSOR INSTALLATION



ART_1001195720-E

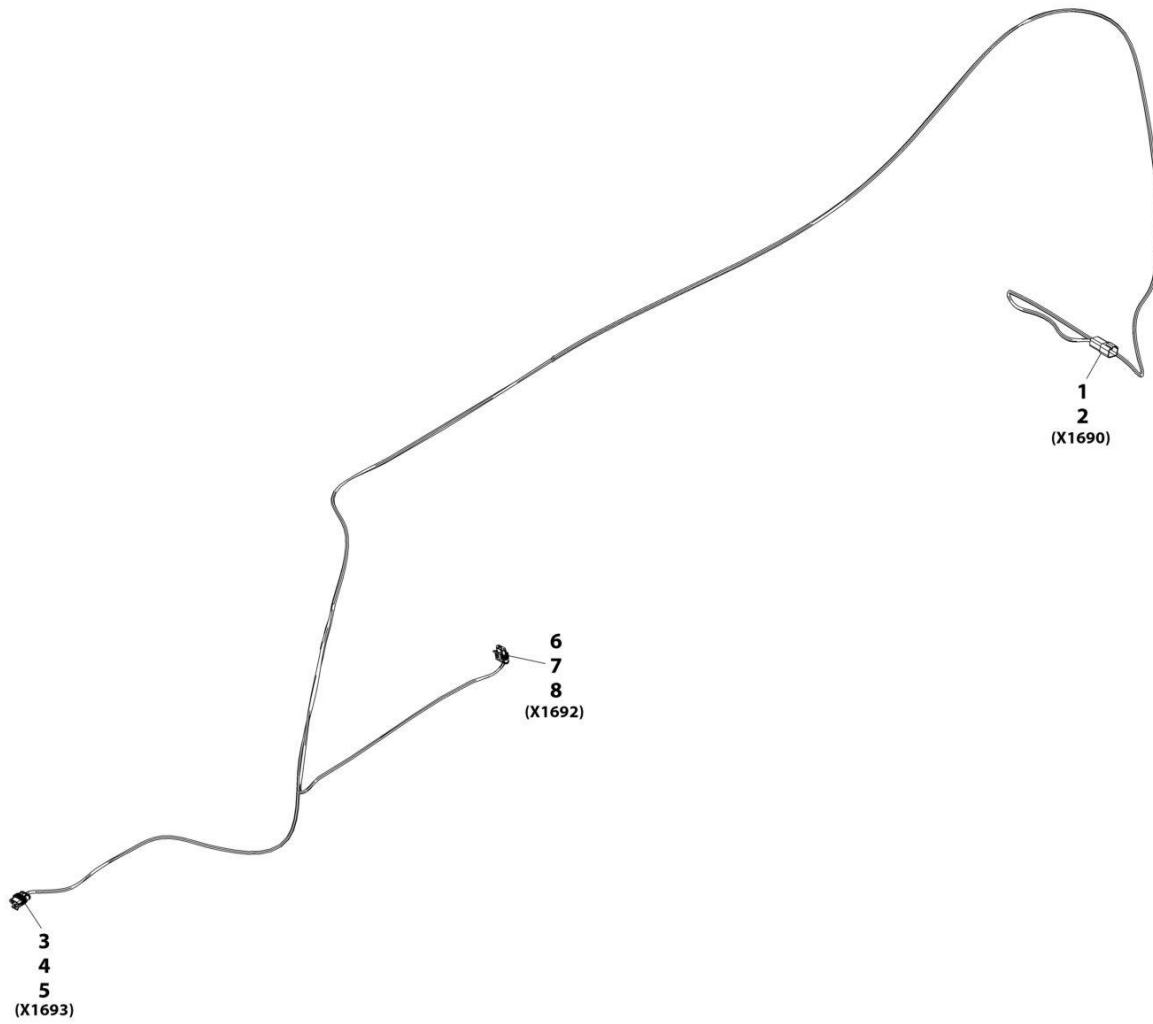
SECTION 10 - ELECTRICAL

FIGURE 10-17. BOOM RETRACT SENSOR INSTALLATION

ITEM	PART NUMBER	QTY	DESCRIPTION	REV
	1001195720	Ref	Boom Retract Sensor Installation	E
1	1001008923	19	Strap, Cable	
2	1001146588	2	Strap, Fir Tree Cable Tie	
3	1001183024	2	Sensor	
4	1001195953	1	Harness, Proximity Sensor	
5	1001210567	2	Bracket	
6	4812000	4	Washer, M10	
7	0761009	4	Bolt	
8	1001003305	2	Clip	

SECTION 10 - ELECTRICAL

FIGURE 10-18. BOOM RETRACT PROXIMITY SENSOR HARNESS



ART_1001195953-G

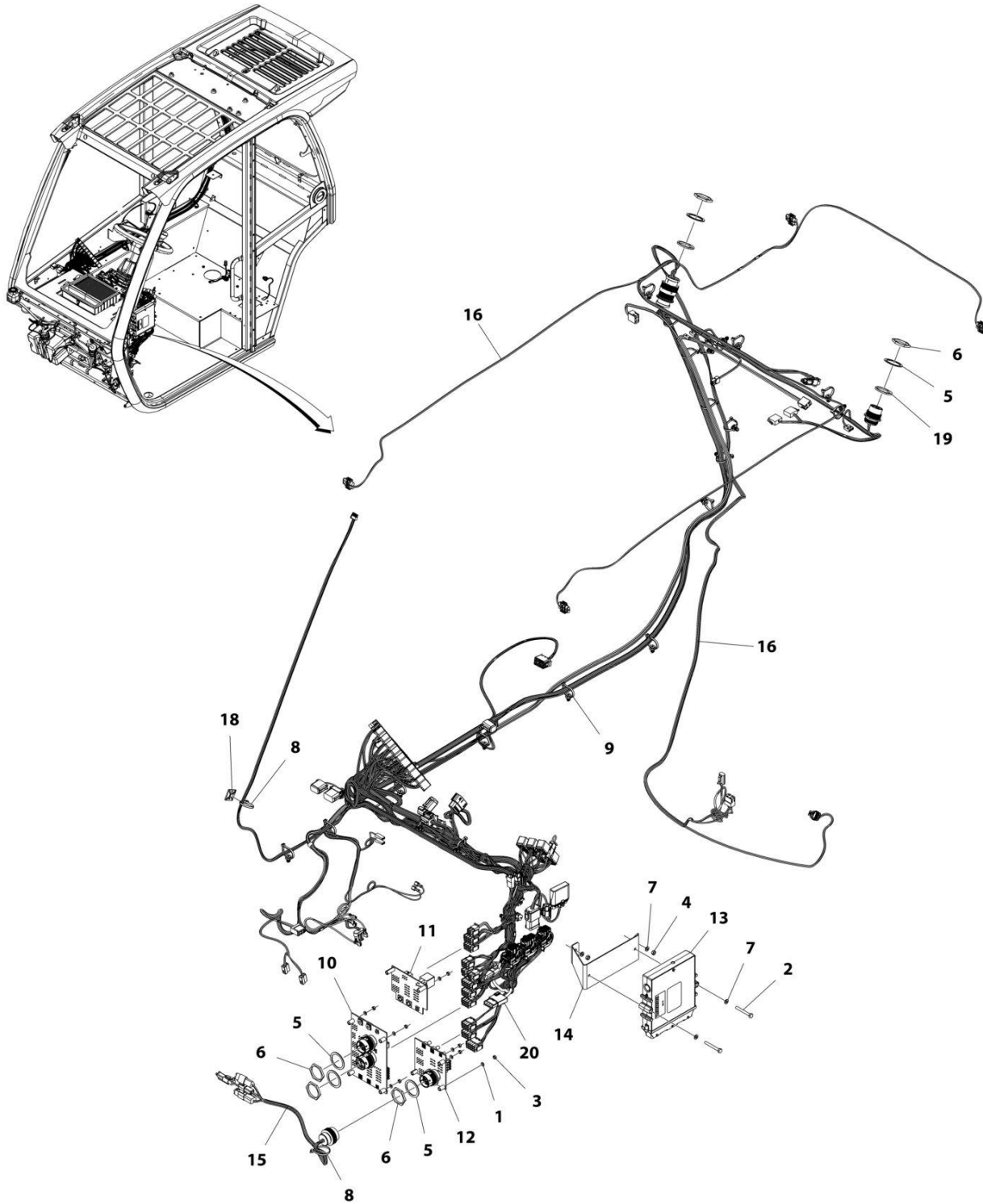
SECTION 10 - ELECTRICAL

FIGURE 10-18. BOOM RETRACT PROXIMITY SENSOR HARNESS

ITEM	PART NUMBER	QTY	DESCRIPTION	REV
	1001195953	Ref	Proximity Sensor Harness	G
1	4460932	1	Connector	
2	4460464	4	Terminal	
3	4461262	1	Connector	
4	1001107854	3	Terminal	
5	1001104498	3	Terminal Seal	
6	4461262	1	Connector	
7	1001107854	3	Terminal	
8	1001104498	3	Terminal Seal	

SECTION 10 - ELECTRICAL

FIGURE 10-19. CAB ELECTRICAL INSTALLATION



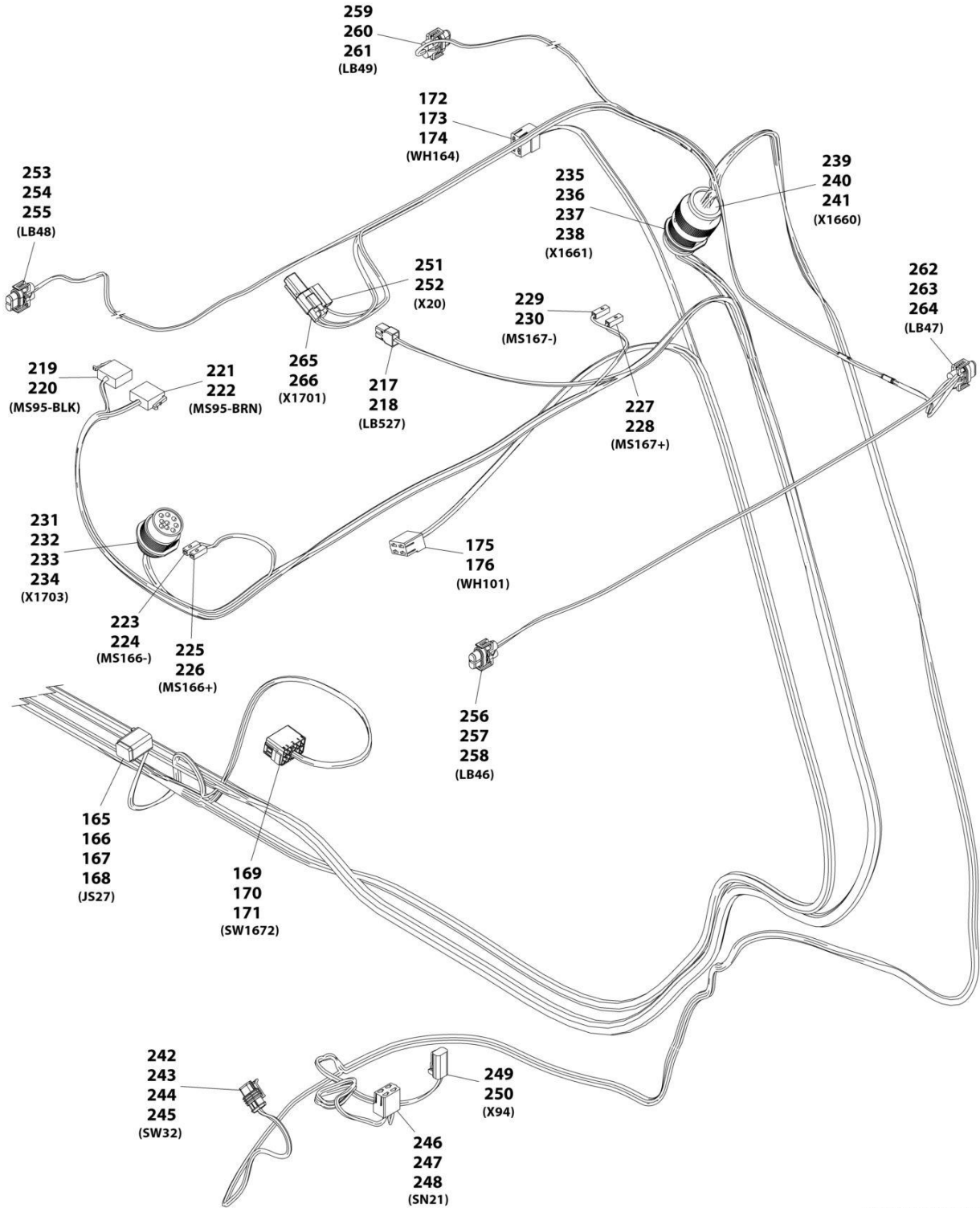
ART_1001192558_L

SECTION 10 - ELECTRICAL

FIGURE 10-19. CAB ELECTRICAL INSTALLATION

ITEM	PART NUMBER	QTY	DESCRIPTION	REV
	1001192558	Ref	CAB ELECTRICAL INSTALLATION	L
1	120034	7	Washer, Plastic	
2	0700618	2	Bolt M6 x 50	
3	3290501	7	Nut M5	
4	3290601	2	Nut M6	
5	4460496	5	Washer, Terminal Lock	
6	4460497	5	Nut, Terminal	
7	4811700	4	Washer M6	
8	1001008559	2	Strap, Cable Tie	
9	1001146588	24	Strap, Cable Tie	
10	1001161769	1	Assembly, Standard Electrical Board (See Separate Breakdown in this Section)	
11	1001161770	1	Assembly, Option 1 Electrical Board (See Separate Breakdown in this Section)	
12	1001161771	1	Assembly, Option 2 Electrical Board (See Separate Breakdown in this Section)	
13	1001270466	1	Module, Cab Control	
14	1001178933	1	Bracket	
15	1001258712	1	Harness, Cab Option LBP (See Separate Breakdown in this Section)	
16	1001258713	1	Harness, Cab (See Separate Breakdown in this Section)	
18	4460234	1	Terminal, Mount Cable Tie	
19	1001211693	2	Seal	
20	1001213988	1	Cable, Communication Analyzer	

SECTION 10 - ELECTRICAL



ART_1001258713_2OF2

SECTION 10 - ELECTRICAL

FIGURE 10-20. CAB HARNESS

ITEM	PART NUMBER	QTY	DESCRIPTION	REV
	1001258713	Ref	Cab Harness	B
1	4460343	1	Connector	
2	4460267	3	Terminal	
3	4460434	1	Connector	
4	4460268	9	Terminal	
5	4460343	1	Connector	
6	4460268	8	Terminal	
7	10011223457	1	Terminal	
8	4460434	1	Connector	
9	4460268	15	Terminal	
10	4460343	1	Connector	
11	4460267	8	Terminal	
12	1001223456	1	Terminal	
13	4460265	1	Connector	
14	1001223457	3	Terminal	
15	4460268	6	Terminal	
16	4460225	1	Connector	
17	4460267	5	Terminal	
18	4460225	1	Connector	
19	4460268	5	Terminal	
20	4460343	1	Connector	
21	4460268	8	Terminal	
22	1001161959	1	Connector	
23	943191201	1	Cover	
24	1001161100	10	Plug	
25	1001161097	14	Terminal	
26	1001161098	1	Terminal	
27	1001161101	7	Plug	
28	1001160502	1	Connector	
29	643201301	1	Cover	
30	1001161097	19	Terminal	
31	1001161100	19	Plug	
32	1001161098	5	Terminal	
33	1001161099	1	Terminal	
34	1001161101	2	Plug	
35	1001103012	1	Connector	
36	1001116698	2	Plug	
37	1001116697	2	Terminal	
38	1001104498	2	Terminal Seal	
39	4461262	1	Connector	
40	1001107854	3	Terminal	
41	1001104498	3	Terminal Seal	
42	1001160498	1	Connector	
43	643191201	1	Cover	
44	1001161097	19	Terminal	
45	1001161100	5	Plug	
46	1001161098	5	Terminal	
47	1001161101	2	Plug	
48	1001161099	1	Terminal	
49	1001162886	1	Connector	

SECTION 10 - ELECTRICAL

ITEM	PART NUMBER	QTY	DESCRIPTION	REV
50	1001163340	13	Plug	
51	1001162887	7	Terminal	
52	1001117081	1	Connector	
53	1001116723	6	Terminal	
54	1001222455	1	Terminal	
55	1001117081	1	Connector	
56	1001116723	6	Terminal	
57	1001223455	1	Terminal	
58	1001173411	1	Connector	
59	1001116716	3	Terminal	
60	1001104519	3	Terminal	
61	1001116999	1	Connector	
62	1001116700	4	Terminal	
63	4460343	1	Connector	
64	4460267	7	Terminal	
65	1001116991	1	Connector	
66	1001116723	2	Terminal	
67	4460933	1	Connector	
68	4460466	5	Plug	
69	4460465	7	Terminal	
70	1001117081	1	Connector	
71	1001116723	6	Terminal	
72	1001223455	1	Terminal	
73	1001117081	1	Connector	
74	1001116723	4	Terminal	
75	1001118384	2	Terminal	
76	4460343	1	Connector	
77	4460268	8	Terminal	
78	4460906	1	Terminal	
79	1001223457	1	Terminal	
80	1001117081	1	Connector	
81	1001116723	6	Terminal	
82	1001223455	1	Terminal	
83	4460225	1	Connector	
84	4460267	5	Terminal	
85	4460705	1	Terminal	
86	4460836	1	Connector	
87	4460942	4	Terminal	
88	4460465	8	Terminal	
89	4460894	1	Connector	
90	4460465	4	Terminal	
91	4460466	2	Plug	
92	4460933	1	Connector	
93	1001125677	1	Mating Connector	
94	4460465	12	Terminal	
95	1001116812	1	Connector	
96	1001144296	1	Cap	
97	4460944	2	Terminal	
98	4460466	1	Plug	
99	4460320	1	Connector	
100	4460267	2	Terminal	

SECTION 10 - ELECTRICAL

ITEM	PART NUMBER	QTY	DESCRIPTION	REV
101	4460424	1	Connector	
102	4460268	2	Terminal	
103	4460897	1	Connector	
104	4460464	1	Terminal	
105	4460466	1	Plug	
106	4460744	1	Connector	
107	8220375	1	Cap	
108	4460748	2	Plug	
109	4460746	4	Terminal	
110	4460458	4	Seal	
111	1001117081	1	Connector	
112	1001116723	6	Terminal	
113	1001223455	1	Terminal	
114	1001117081	1	Connector	
115	1001116723	6	Terminal	
116	1001118384	4	Terminal	
117	1001117081	1	Connector	
118	1001116723	6	Terminal	
119	1001118384	2	Terminal	
120	1001223455	2	Terminal	
121	1001117081	1	Connector	
122	1001116723	6	Terminal	
123	1001223455	1	Terminal	
124	1001194421	1	Terminal	
125	1001194421	1	Terminal	
126	1001117081	1	Connector	
127	1001116723	6	Terminal	
128	1001223455	3	Terminal	
129	1001118384	2	Terminal	
130	1001118684	1	Connector	
131	1001116754	2	Terminal	
132	1001117081	1	Connector	
133	1001116723	4	Terminal	
134	1001118384	3	Terminal	
135	1001117081	1	Connector	
136	1001116723	5	Terminal	
137	1001223455	1	Terminal	
138	1001117081	1	Connector	
139	1001116723	6	Terminal	
140	1001118384	1	Terminal	
141	1001117081	1	Connector	
142	1001116723	6	Terminal	
143	1001223455	1	Terminal	
144	4460994	1	Connector	
145	1001118384	2	Terminal	
146	8220051	1	Terminal	
147	4460994	1	Connector	
148	1001118384	1	Terminal	
149	1001116723	2	Terminal	
150	1001194421	1	Terminal	
151	1001194421	1	Terminal	

SECTION 10 - ELECTRICAL

ITEM	PART NUMBER	QTY	DESCRIPTION	REV
152	1001116997	1	Connector	
153	1001118384	4	Terminal	
154	1001116723	1	Terminal	
155	8220051	1	Terminal	
156	8220051	1	Terminal	
157	8220051	1	Terminal	
158	8220051	1	Terminal	
159	1001116812	1	Connector	
160	4460944	2	Terminal	
161	4460466	1	Plug	
162	4460539	1	Connector	
163	4460944	2	Terminal	
164	4460466	1	Plug	
165	4460894	1	Connector	
166	4460465	3	Terminal	
167	4460466	1	Plug	
168	4460944	2	Terminal	
169	1001117081	1	Connector	
170	1001116723	2	Terminal	
171	1001223455	4	Terminal	
172	1001116986	1	Connector	
173	1001117011	1	Mating Connector	
174	1001118384	4	Terminal	
175	1001116986	1	Connector	
176	1001118384	4	Terminal	
177	1001116995	1	Connector	
178	1001118379	1	Terminal	
179	1001116995	1	Connector	
180	1001118379	1	Terminal	
181	1001230931	1	Connector	
182	1001116748	6	Terminal	
183	1001117081	1	Connector	
184	1001116723	4	Terminal	
185	1001118384	2	Terminal	
186	1001117081	1	Connector	
187	1001116723	4	Terminal	
188	1001118384	2	Terminal	
189	1001117081	1	Connector	
190	1001116723	4	Terminal	
191	1001118384	2	Terminal	
192	1001117081	1	Connector	
193	1001116723	4	Terminal	
194	1001118384	2	Terminal	
195	1001150735	1	Connector	
196	1001150737	7	Terminal	
197	1001117079	1	Connector	
198	1001223455	2	Terminal	
199	1001116723	6	Terminal	
200	1001117081	1	Connector	
201	1001116723	8	Terminal	
202	1001118384	1	Terminal	

SECTION 10 - ELECTRICAL

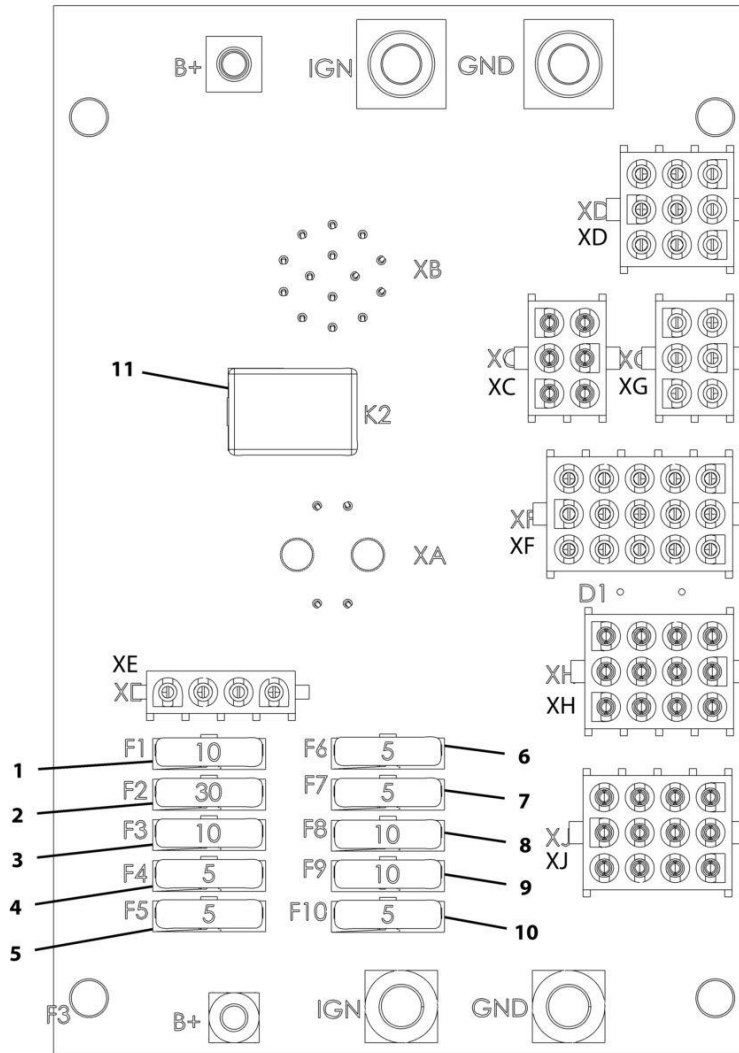
ITEM	PART NUMBER	QTY	DESCRIPTION	REV
203	1001223455	1	Terminal	
204	1001176333	1	Connector	
205	4460466	11	Plug	
206	4460465	3	Terminal	
207	4460944	4	Terminal	
208	1001116812	1	Connector	
209	4460944	2	Terminal	
210	4460466	1	Plug	
211	4460539	1	Connector	
212	4460944	2	Terminal	
213	4460466	1	Plug	
214	4460930	1	Connector	
215	4460931	1	Mating Connector	
216	4460466	6	Plug	
217	1001116991	1	Connector	
218	1001118384	2	Terminal	
219	1001116985	1	Connector	
220	1001118386	3	Terminal	
221	1001116984	1	Connector	
222	1001118386	4	Terminal	
223	1001116998	1	Connector	
224	1001118387	1	Terminal	
225	1001116998	1	Connector	
226	1001118387	1	Terminal	
227	1001116998	1	Connector	
228	1001118387	1	Terminal	
229	1001116998	1	Connector	
230	1001118387	1	Terminal	
231	1001112612	1	Connector	
232	4460464	3	Terminal	
233	4460943	2	Terminal	
234	4460466	4	Plug	
235	1001137000	1	Connector	
236	4460928	3	Terminal	
237	1001126008	12	Terminal	
238	4460518	6	Plug	
239	1001136999	1	Connector	
240	1001126011	15	Terminal	
241	4460518	6	Plug	
242	4461262	1	Connector	
243	1001107854	2	Terminal	
244	1001104499	1	Terminal	
245	1001104498	2	Terminal Seal	
246	1001116986	1	Connector	
247	1001118384	3	Terminal	
248	1001116723	1	Terminal	
249	4460891	1	Connector	
250	4460465	2	Terminal	
251	4460944	1	Connector	
252	1001118384	2	Terminal	
253	4461115	1	Connector	

SECTION 10 - ELECTRICAL

ITEM	PART NUMBER	QTY	DESCRIPTION	REV
254	4460746	2	Terminal	
255	4460458	2	Terminal Seal	
256	4461115	1	Connector	
257	4460746	2	Terminal	
258	4460458	2	Terminal Seal	
259	4461115	1	Connector	
260	4460746	2	Terminal	
261	4460458	2	Terminal Seal	
262	4461115	1	Connector	
263	4460746	2	Terminal	
264	4460458	2	Terminal Seal	
265	4460891	1	Connector	
266	4460465	2	Terminal	
267	1001116815	1	Connector	
268	4460945	1	Connector, 3 Way	
269	4460539	1	Connector	
270	4460465	2	Terminal	
271	4460536	1	Connector	
272	4460464	2	Terminal	
273	4460466	1	Plug	
274	4460536	1	Connector	
275	4460464	2	Terminal	
276	4460466	1	Plug	

SECTION 10 - ELECTRICAL

FIGURE 10-21. CAB - STANDARD ELECTRICAL BOARD ASSEMBLY



ART_1001161769-C

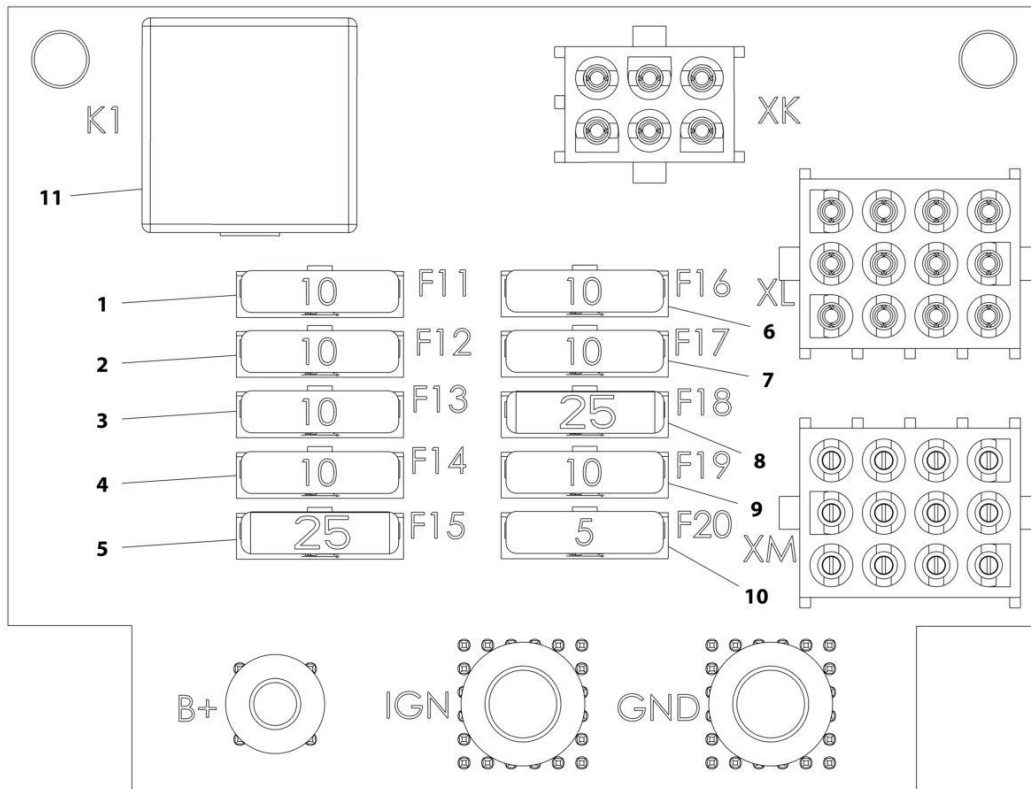
SECTION 10 - ELECTRICAL

FIGURE 10-21. CAB - STANDARD ELECTRICAL BOARD ASSEMBLY

ITEM	PART NUMBER	QTY	DESCRIPTION	REV
	1001161769	Ref	Standard Electrical Board Assembly	C
1	80983191	1	Fuse, 10AMP	
2	8229245	1	Fuse, 30AMP	
3	80983191	1	Fuse, 10AMP	
4	8229242	1	Fuse, 5AMP	
5	8229242	1	Fuse, 5AMP	
6	8229242	1	Fuse, 5AMP	
7	8229242	1	Fuse, 5AMP	
8	80983191	1	Fuse, 10AMP	
9	80983191	1	Fuse, 10AMP	
10	8229242	1	Fuse, 5AMP	
11	70026292	1	Fuse, 35AMP	

SECTION 10 - ELECTRICAL

FIGURE 10-22. CAB - OPTION 1 ELECTRICAL BOARD ASSEMBLY



ART_1001161770-C

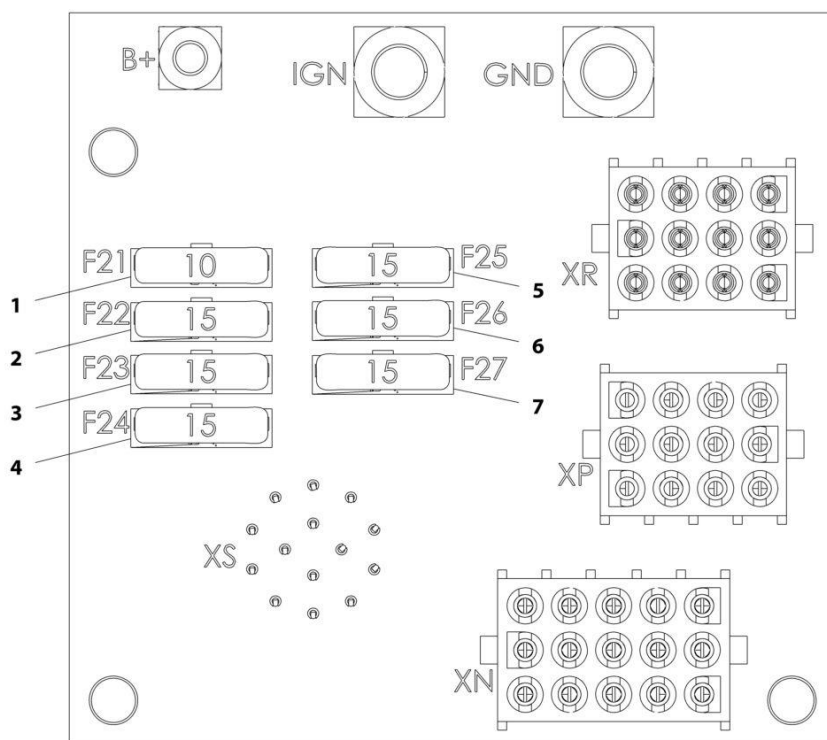
SECTION 10 - ELECTRICAL

FIGURE 10-22. CAB - OPTION 1 ELECTRICAL BOARD ASSEMBLY

ITEM	PART NUMBER	QTY	DESCRIPTION	REV
	1001161770	Ref	Option 1 Electrical Board Assembly	C
1	80983191	1	Fuse, 10AMP	
2	80983191	1	Fuse, 10AMP	
3	80983191	1	Fuse, 10AMP	
4	80983191	1	Fuse, 10AMP	
5	8229247	1	Fuse, 25AMP	
6	80983191	1	Fuse, 10AMP	
7	80983191	1	Fuse, 10AMP	
8	8229247	1	Fuse, 25AMP	
9	80983191	1	Fuse, 10AMP	
10	8229242	1	Fuse, 5AMP	
11	70026293	1	Fuse, 50AMP	

SECTION 10 - ELECTRICAL

FIGURE 10-23. CAB - OPTION 2 ELECTRICAL BOARD ASSEMBLY



ART_1001161771-B

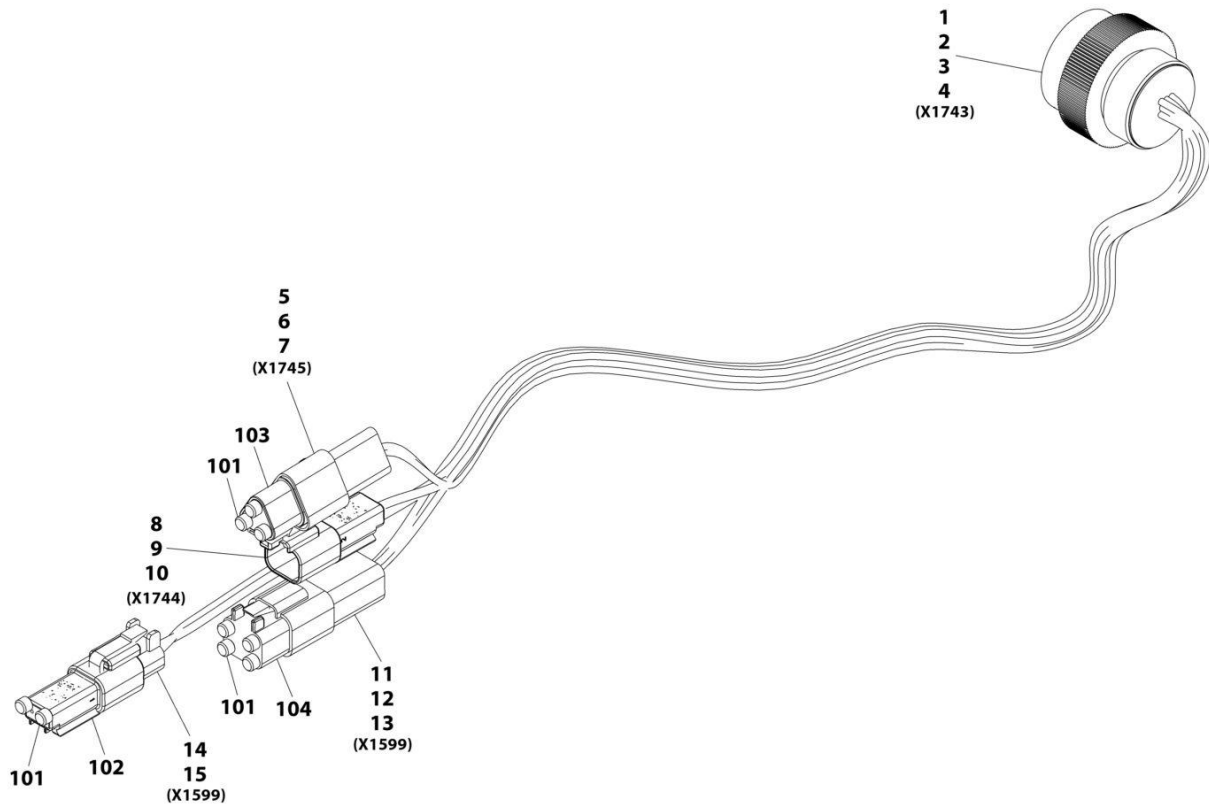
SECTION 10 - ELECTRICAL

FIGURE 10-23. CAB - OPTION 2 ELECTRICAL BOARD ASSEMBLY

ITEM	PART NUMBER	QTY	DESCRIPTION	REV
	1001161771	Ref	Option 2 Electrical Board Assembly	B
1	80983191	1	Fuse, 10AMP	
2	8229244	1	Fuse, 15AMP	
3	8229244	1	Fuse, 15AMP	
4	8229244	1	Fuse, 15AMP	
5	8229244	1	Fuse, 15AMP	
6	8229244	1	Fuse, 15AMP	
7	8229244	1	Fuse, 15AMP	

SECTION 10 - ELECTRICAL

FIGURE 10-24. CAB OPTION HARNESS



ART_1001258712

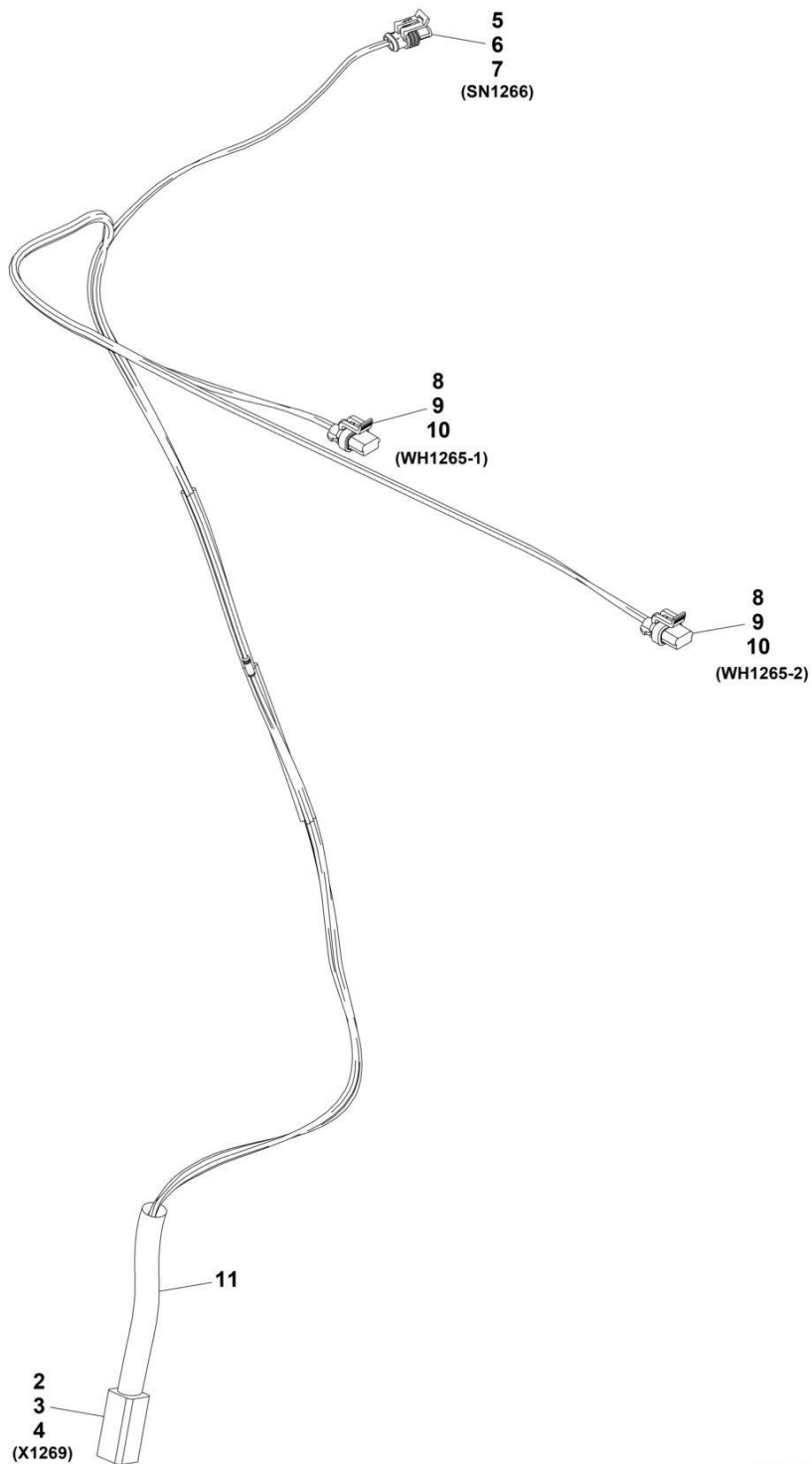
SECTION 10 - ELECTRICAL

FIGURE 10-24. CAB OPTION HARNESS

ITEM	PART NUMBER	QTY	DESCRIPTION	REV
	1001258712	Ref	Cab Option Harness	A
1	4461015	1	Connector	
2	4460465	5	Terminal	
3	4460466	6	Plug	
4	4460942	1	Terminal	
5	1001144147	1	Connector	
6	4460943	2	Terminal	
7	4460466	1	Plug	
8	4460897	1	Connector	
9	4460941	1	Terminal	
10	4460466	1	Plug	
11	4460932	1	Connector	
12	4460464	3	Terminal	
13	4460466	1	Plug	
14	4460891	1	Plug, Male	
15	4460465	2	Socket, Female	
101	4460466	9	Plug, Terminal	
102	4460884	1	Plug, Male - 4 Position	
103	1001116812	1	Plug, Male - 3 Position	
104	4460897	2	Plug, Male - 2 Position	

SECTION 10 - ELECTRICAL

FIGURE 10-25. CAB - A/C OPTION HARNESS



ART_1001169151

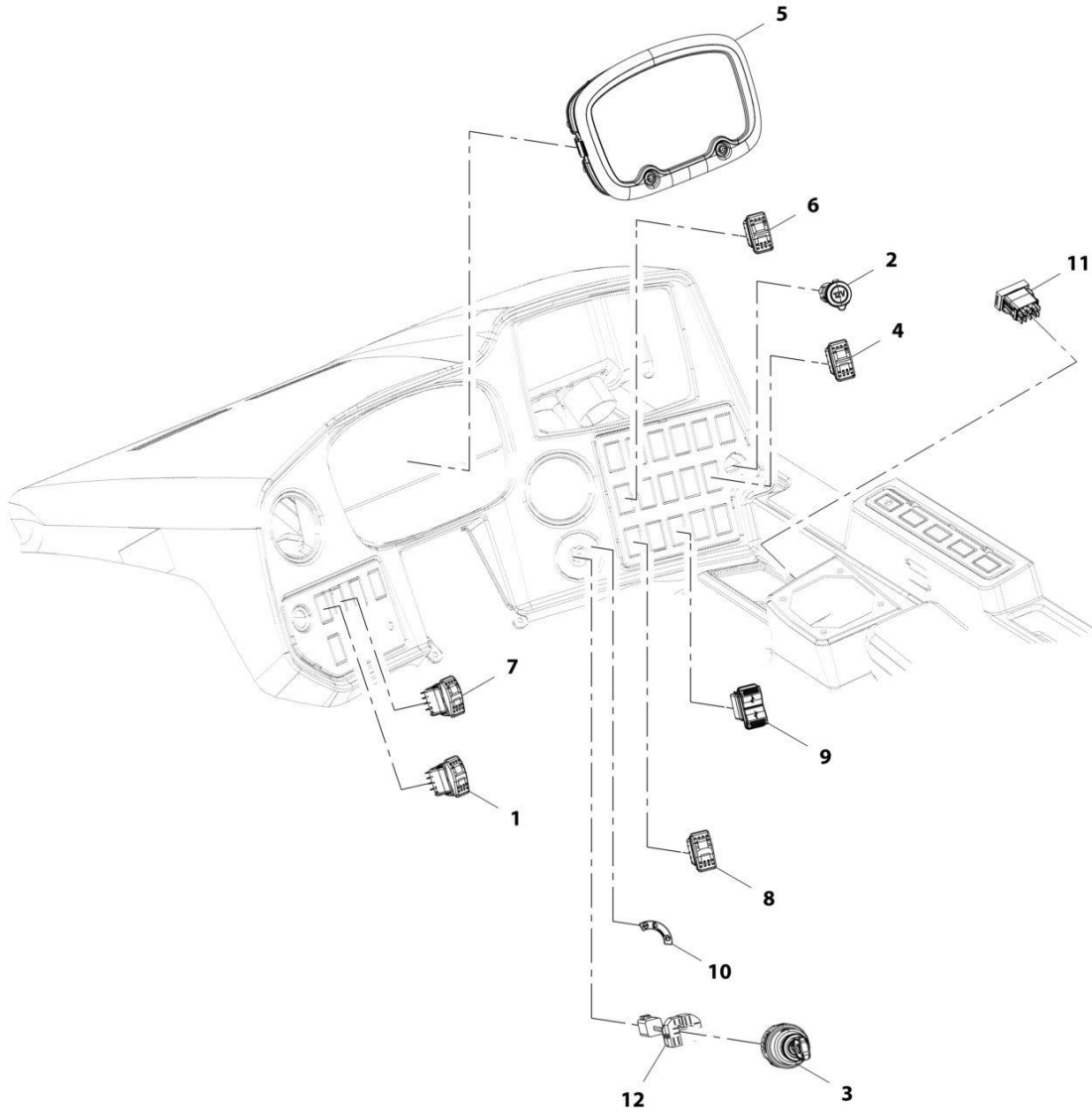
SECTION 10 - ELECTRICAL

FIGURE 10-25. CAB - A/C OPTION HARNESS

ITEM	PART NUMBER	QTY	DESCRIPTION	REV
	1001169151	Ref	A/C Option Harness	G
2	4460899	1	Connector	
3	4460941	4	Terminal	
4	4460464	2	Terminal	
5	4461118	1	Connector	
6	1001107854	2	Terminal	
7	1001116763	2	Seal	
8	1001117021	2	Connector	
9	1001116747	4	Terminal	
10	4460789	4	Seal	
11	70028546	1	Backshell	

SECTION 10 - ELECTRICAL

FIGURE 10-26. CAB - DASH ELECTRICAL INSTALLATION



ART_1001220717-C

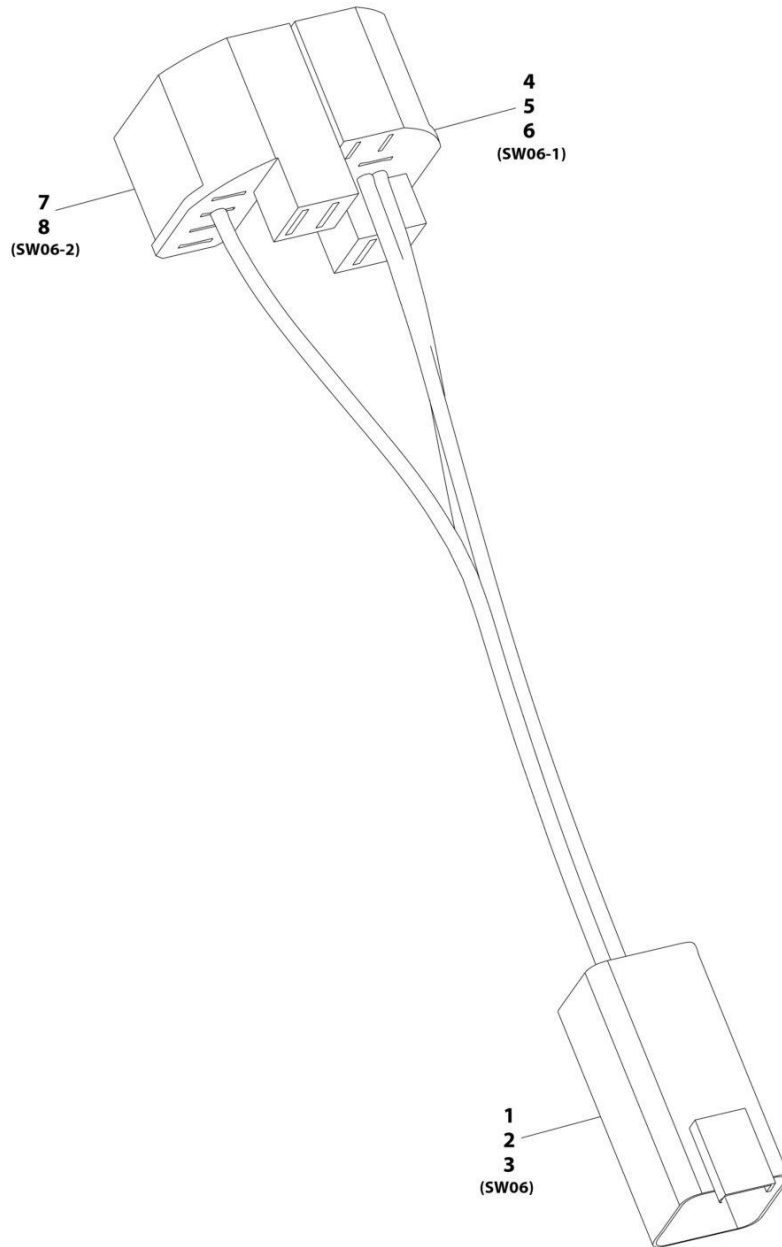
SECTION 10 - ELECTRICAL

FIGURE 10-26. CAB - DASH ELECTRICAL INSTALLATION

ITEM	PART NUMBER	QTY	DESCRIPTION	REV
	1001220717	Ref	Dash Electrical Installation	C
1	1001080978	1	Switch, Lift/Loader	
2	1001095804	1	Connector, 12V Power Socket	
3	1001102502	1	Switch, 4 Position Key	
3	70022765	1	Key, Ignition (set of 2)	
4	1001104654	1	Switch, AUX Decomp	
5	1001158146	1	Cluster, Electrical Gauge	
6	1001159735	1	Switch, Rear Wiper	
7	1001159741	1	Switch, Constant AUX	
8	1001159849	1	Switch, Steer Mode	
9	1001174712	1	Charger, USB	
10	1001181531	1	Decal, Ignition Switch	
11	1001212470	1	Switch, Frame Level	
12	1001223968	1	Harness, Ignition Switch (See Separate Breakdown in this Section)	

SECTION 10 - ELECTRICAL

FIGURE 10-27. CAB - IGNITION SWITCH HARNESS



ART_1001223968-A

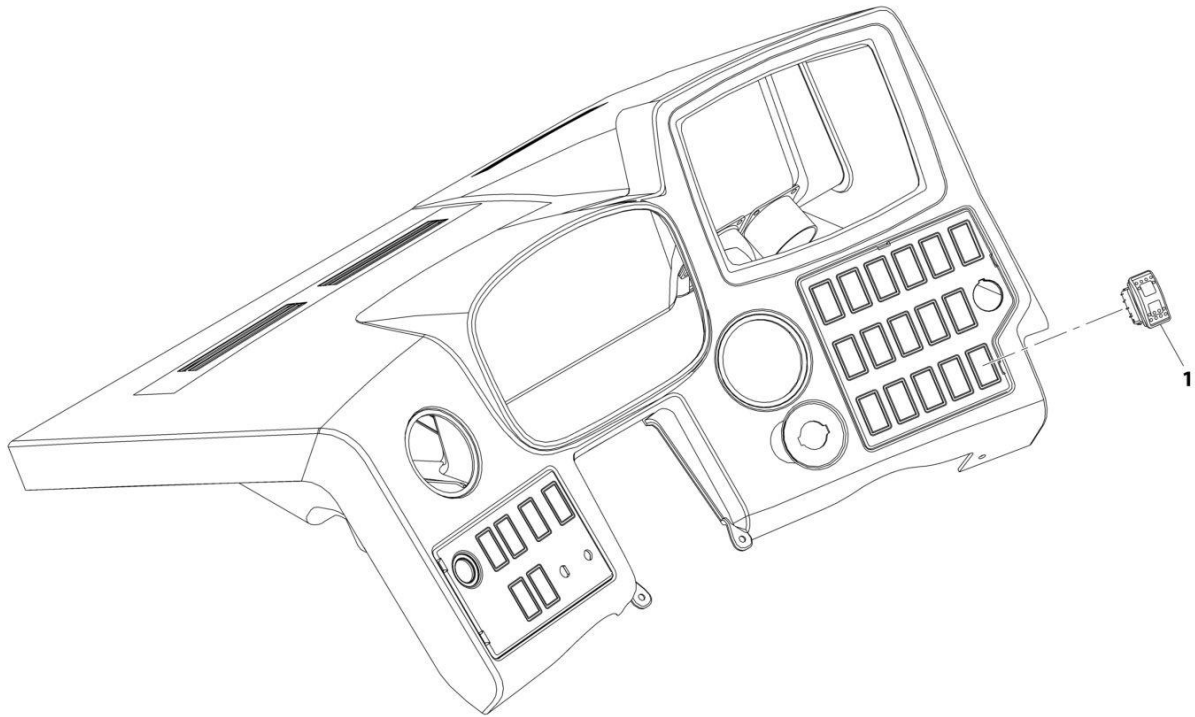
SECTION 10 - ELECTRICAL

FIGURE 10-27. CAB - IGNITION SWITCH HARNESS

ITEM	PART NUMBER	QTY	DESCRIPTION	REV
	1001223968	Ref	Ignition Switch Harness	A
1	4460899	1	Connector	
2	4460464	3	Terminal	
3	4460466	3	Plug	
4	1001118685	1	Connector	
5	1001104519	1	Terminal	
6	1001118383	1	Terminal	
7	1001117121	1	Connector	
8	1001104519	1	Terminal	

SECTION 10 - ELECTRICAL

FIGURE 10-28. CAB - LIGHT SWITCH INSTALLATION



ART_1001215121-A

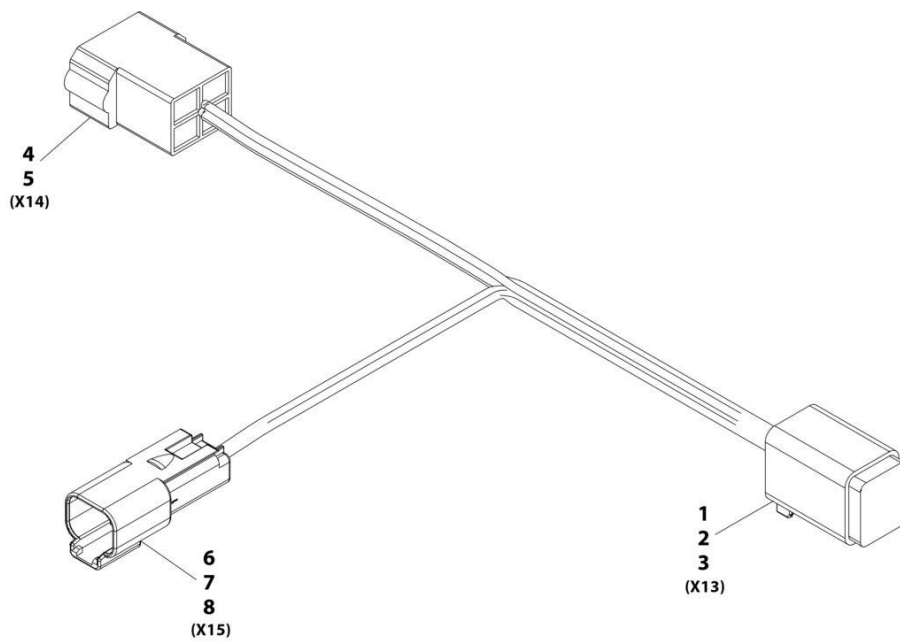
SECTION 10 - ELECTRICAL

FIGURE 10-28. CAB - LIGHT SWITCH INSTALLATION

ITEM	PART NUMBER	QTY	DESCRIPTION	REV
1	1001215121 1001163639	Ref 1	Light Switch Installation Switch, Light	A

SECTION 10 - ELECTRICAL

FIGURE 10-29. CAB - SEAT ADAPTOR HARNESS



ART_1001168531-A

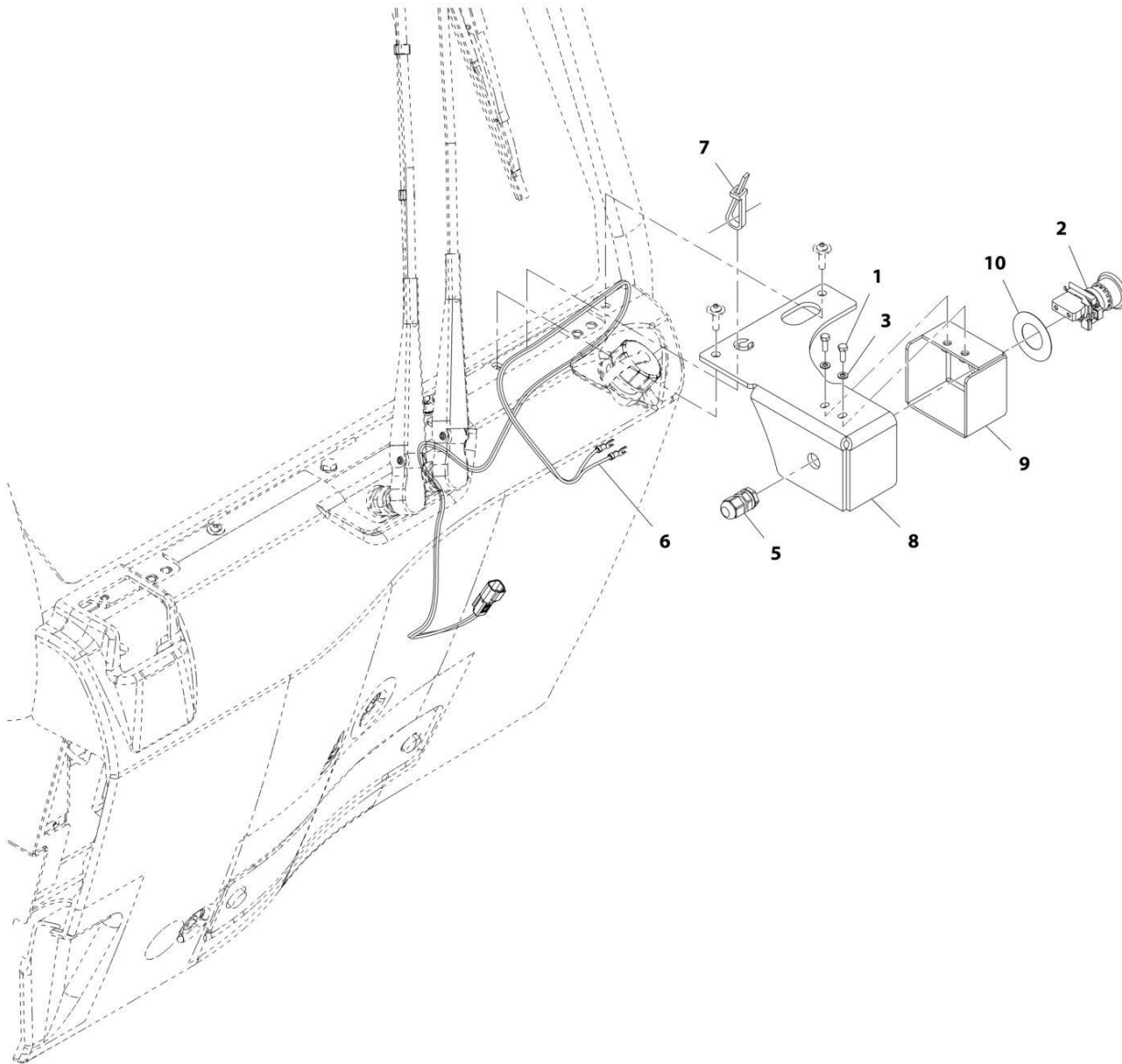
SECTION 10 - ELECTRICAL

FIGURE 10-29. CAB - SEAT ADAPTOR HARNESS

ITEM	PART NUMBER	QTY	DESCRIPTION	REV
	1001168531	Ref	Seat Adaptor Harness	A
1	4460894	1	Connector	
2	91504107	1	Lock, Connector	
3	4460465	6	Terminal	
4	1001117011	1	Connector	
5	1001116700	3	Terminal	
6	4460897	1	Connector	
7	80604017	1	Lock, Connector	
8	4460943	2	Terminal	

SECTION 10 - ELECTRICAL

FIGURE 10-30. CAB - EXTERNAL EMERGENCY STOP INSTALLATION



ART_1001195721-C

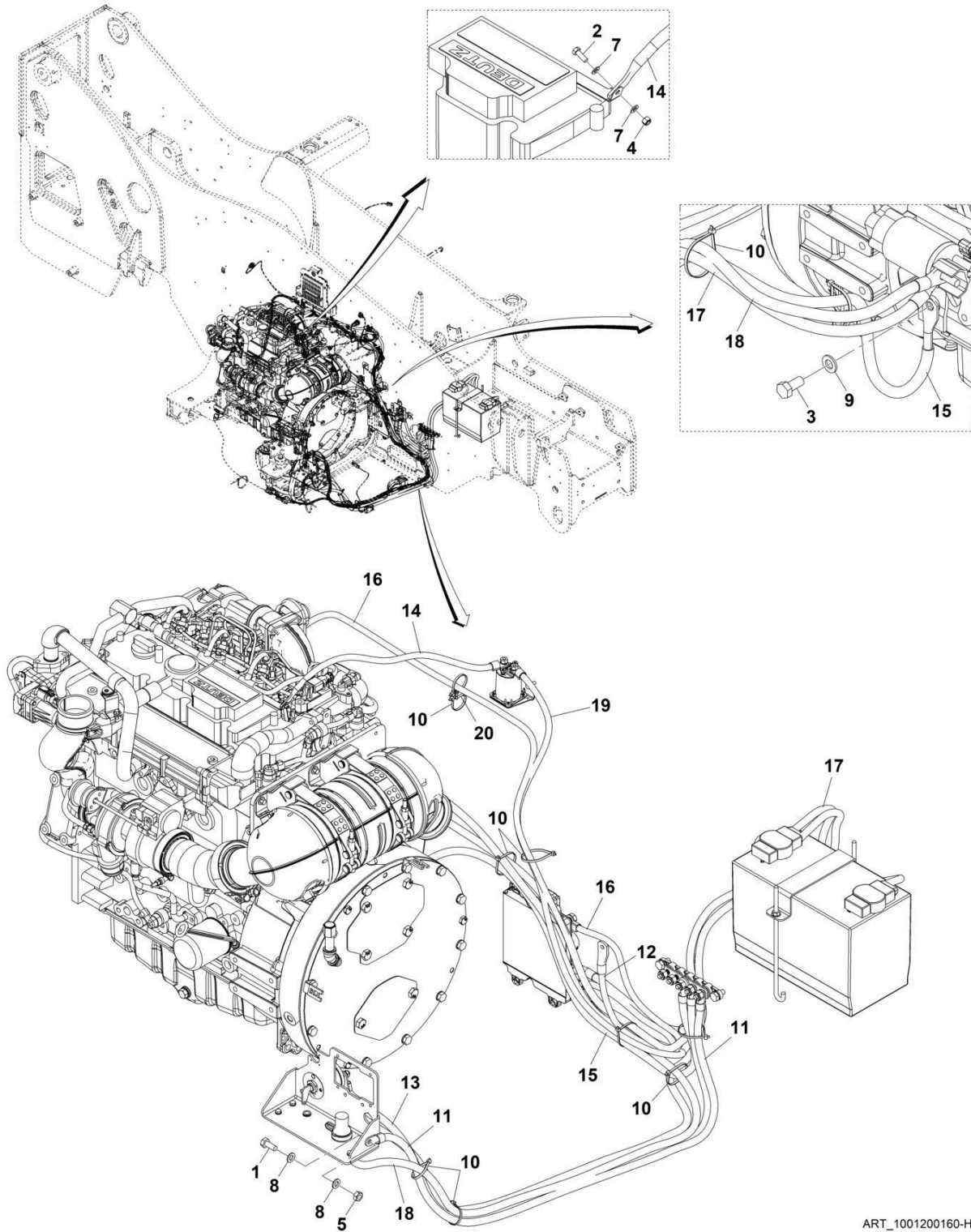
SECTION 10 - ELECTRICAL

FIGURE 10-30. CAB - EXTERNAL EMERGENCY STOP INSTALLATION

ITEM	PART NUMBER	QTY	DESCRIPTION	REV
	1001195721	Ref	Emergency Stop External Installation	C
1	0760507	2	Bolt, M5X14	
2	4360475	1	Switch, E-Stop	
3	4811600	2	Washer, M5	
5	4461000	1	Connector	
6	1001217320	1	Harness, External EMS	
7	1001008559	1	Strap, Tie	
8	1001220859	1	Bracket	
9	1001220861	1	Shield	
10	1704260	1	Decal, EMS	

SECTION 10 - ELECTRICAL

FIGURE 10-31. ENGINE - ENGINE BAY ELECTRICAL INSTALLATION (ULS)



ART_1001200160-H

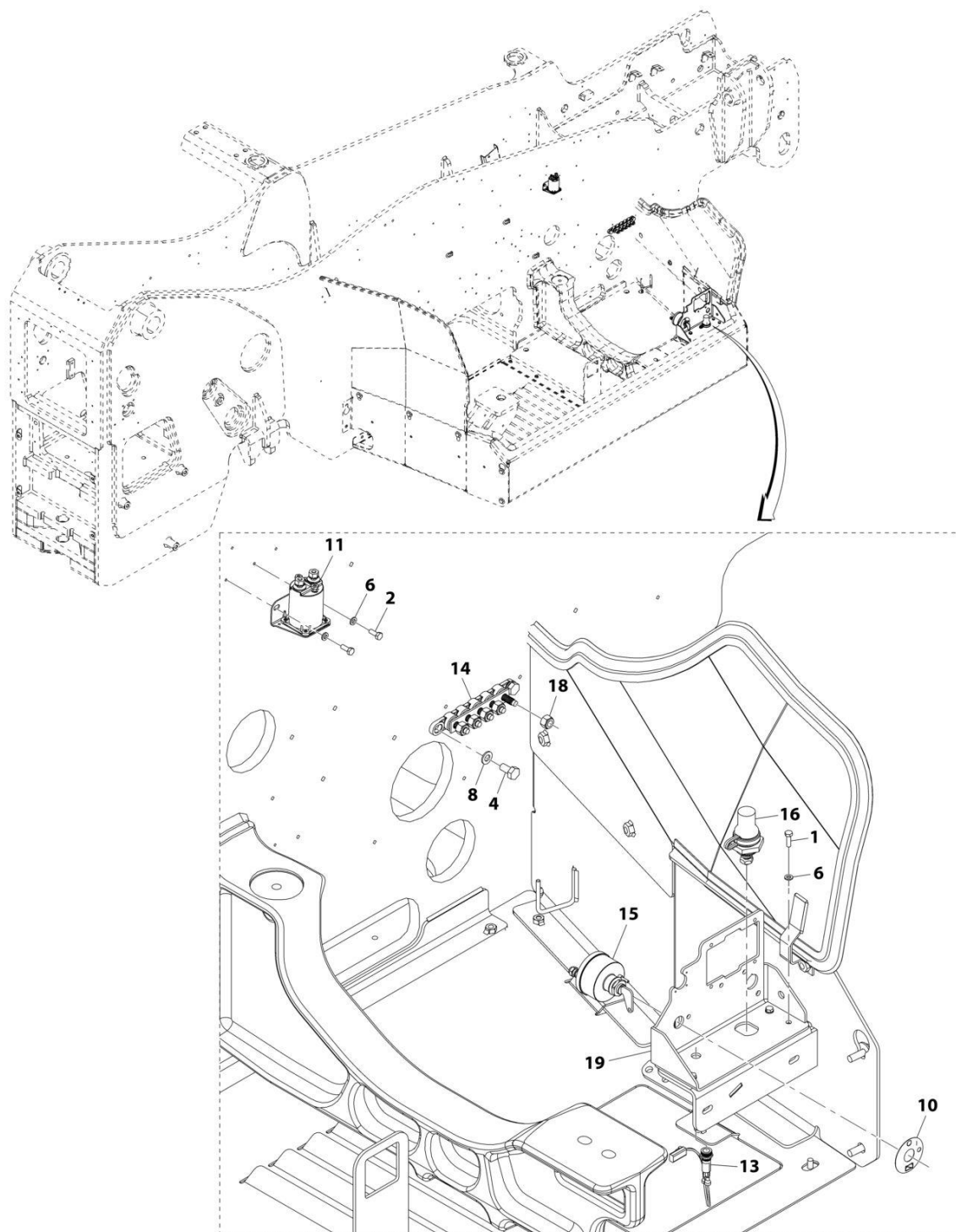
SECTION 10 - ELECTRICAL

FIGURE 10-31. ENGINE - ENGINE BAY ELECTRICAL INSTALLATION (ULS)

ITEM	PART NUMBER	QTY	DESCRIPTION	REV
	1001200160	Ref	Engine Bay Electrical Installation	I
1	0761012	1	Bolt, M10X25	
2	0760507	1	Bolt, M5X14	
3	0761212	1	Bolt, M12X25	
4	3290505	1	Nut, Lock M5X0.8	
5	3291001	1	Nut, M10X1.5	
7	4811600	2	Washer, M5	
8	4812000	2	Washer, M10	
9	4812100	1	Washer, M12	
10	1001008559	10	Tie, Strap	
11	1001194103	1	Cable	
12	1001194244	1	Cable	
13	1001196502	1	Cable	
14	1001200161	1	Cable	
15	1001200162	1	Cable	
16	1001200164	1	Cable	
17	1001200165	1	Cable	
18	1001200166	1	Cable	
19	1001200167	1	Cable	
20	1001004723	1	Saddle	
21	1001293972	1	Cable, ECM Power (Not Shown)	

SECTION 10 - ELECTRICAL

FIGURE 10-32. ENGINE - ENGINE POD ELECTRICAL INSTALLATION (ULS)



ART_1001202172-C

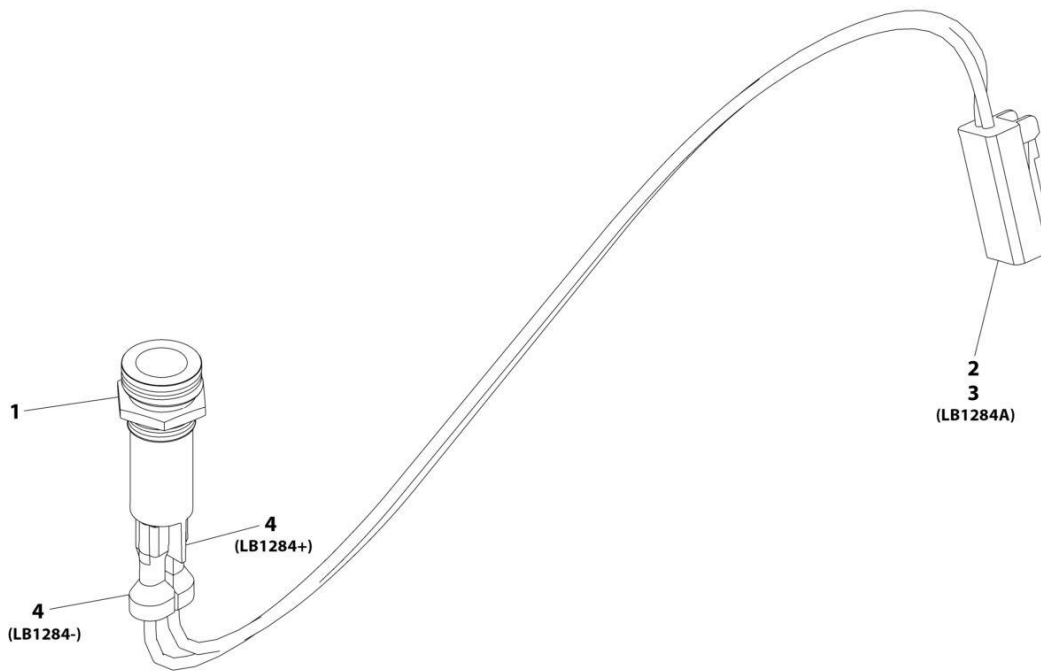
SECTION 10 - ELECTRICAL

FIGURE 10-32. ENGINE - ENGINE POD ELECTRICAL INSTALLATION (ULS)

ITEM	PART NUMBER	QTY	DESCRIPTION	REV
	1001202172	Ref	Engine Pod Electrical Installation (ULS)	C
1	0700610	4	Bolt, M6X20	
2	0760608	2	Bolt, M6X16	
4	0761010	2	Bolt, M10X20	
6	4811700	6	Washer, M6	
8	4812000	2	Washer, M10	
10	1001008540	1	Plate	
11	1001117308	1	Relay	
13	1001232288	1	Harness, DEF Purge Light (See Separate Breakdown in this Section)	
14	1001181128	1	Bussbar	
15	1001192142	1	Switch, Disconnect	
16	1001193993	1	Terminal, Battery	
18	3291005	5	Nut, Lock M10X1.5	
19	1001212886	1	Bracket	

SECTION 10 - ELECTRICAL

FIGURE 10-33. ENGINE - DEF PURGE LIGHT HARNESS



ART_1001232288-A

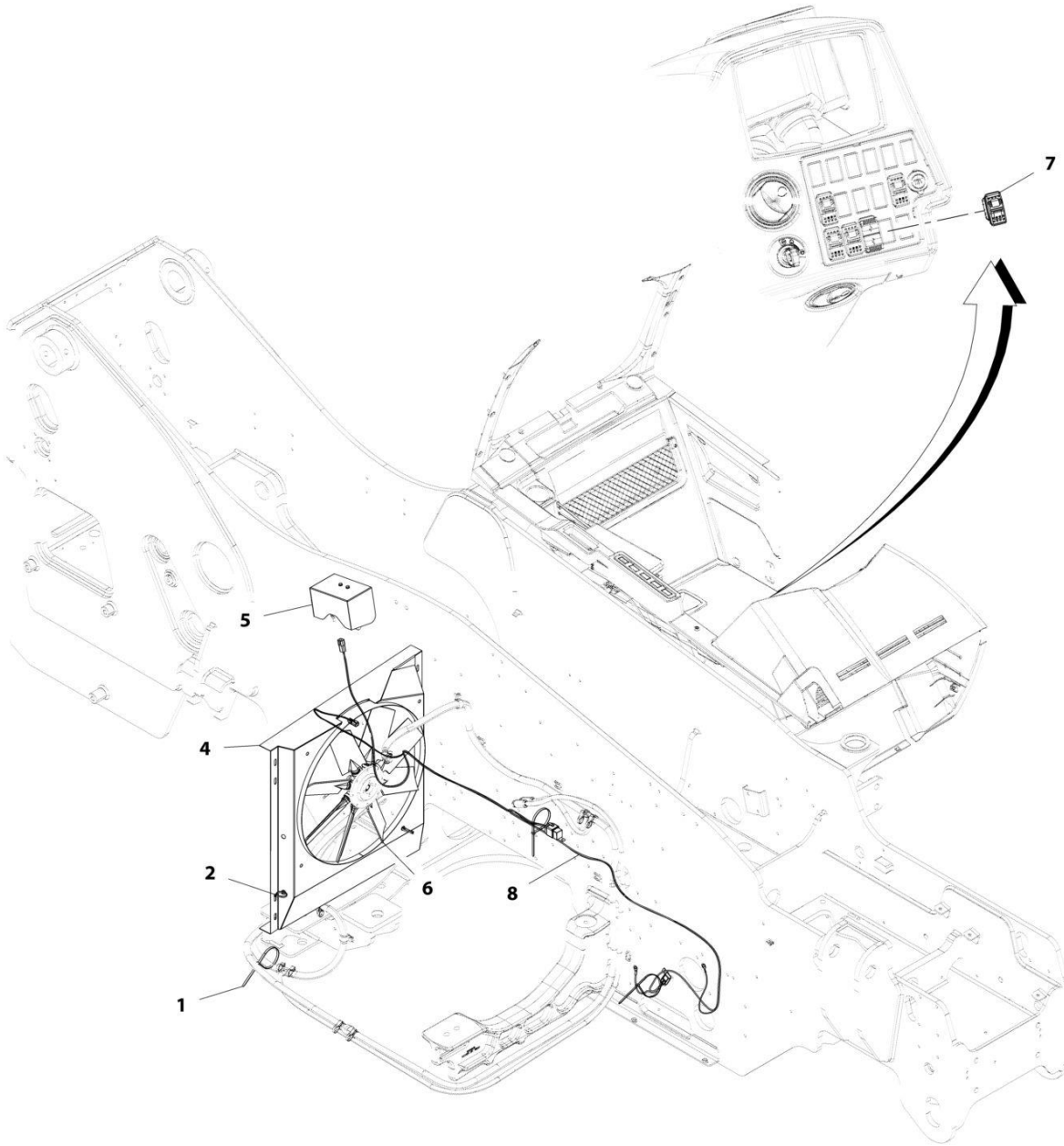
SECTION 10 - ELECTRICAL

FIGURE 10-33. ENGINE - DEF PURGE LIGHT HARNESS

ITEM	PART NUMBER	QTY	DESCRIPTION	REV
	1001232288	Ref	DEF Purge Light Harness	A
1	1001169825	1	LED Lamp 12V	
2	4461290	1	Connector	
3	1001126008	2	Terminal	
4	8220108	2	Connector	

SECTION 10 - ELECTRICAL

FIGURE 10-34. ENGINE - FAN (REVERSE COOLING) INSTALLATION



ART_1001217753-C

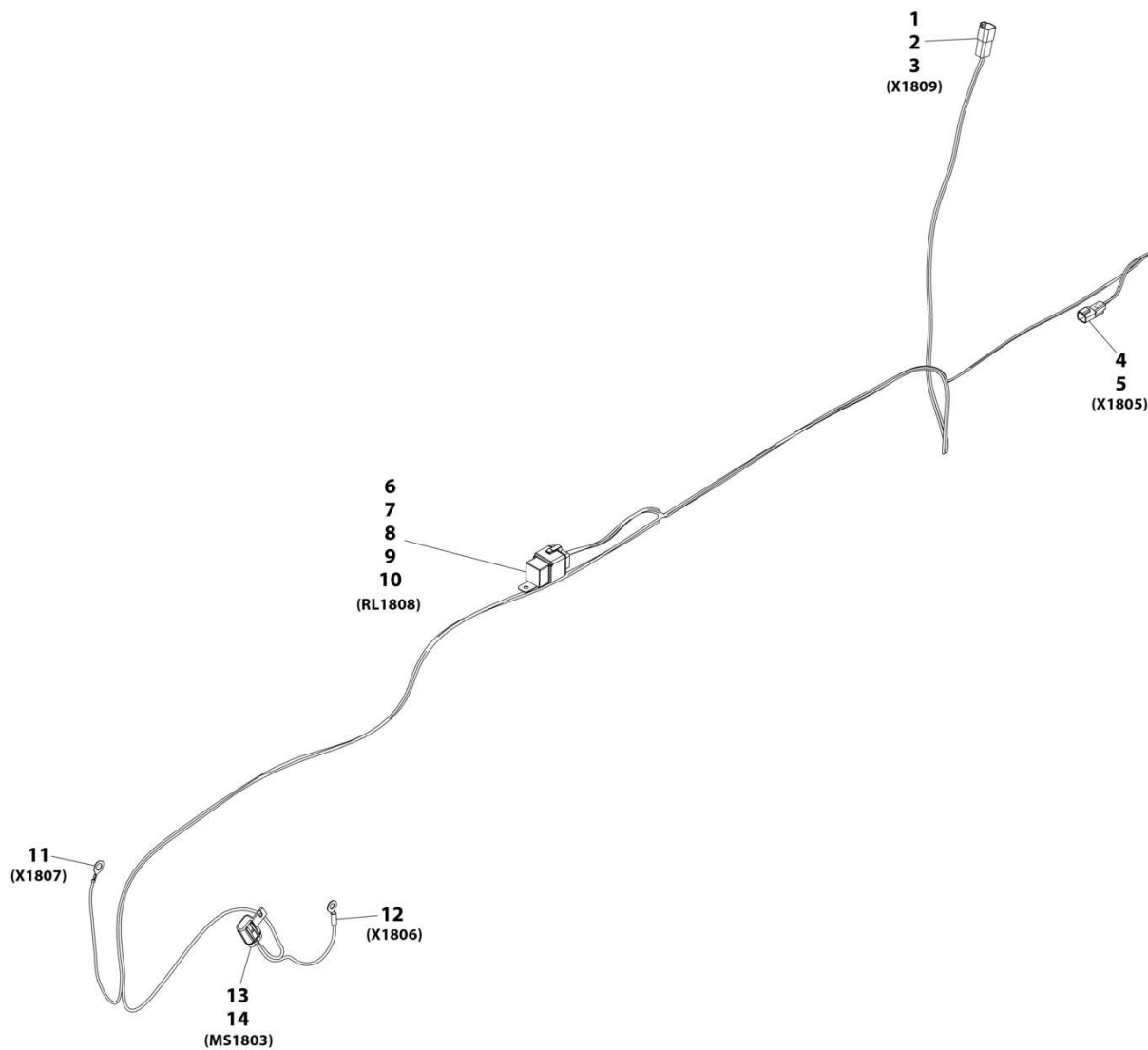
SECTION 10 - ELECTRICAL

FIGURE 10-34. ENGINE - FAN (REVERSE COOLING) INSTALLATION

ITEM	PART NUMBER	QTY	DESCRIPTION	REV
	1001217753	Ref	Reverse Cooling Fan Installation	C
1	1062255	3	Strap, Tie	
2	1001146588	2	Strap, Fir Tree Cable Tie	
4	1001217756	1	Shroud	
5	1001217757	1	Installation, Cover (See Separate Breakdown in this Section)	
6	1001217760	1	Kit, Reversing Fan	
6	70030353	1	Pneumatic Line	
6	70030355	1	Fan, Reverse	
6	70030356	1	Compressor	
7	1001145204	1	Switch	
8	1001221493	1	Harness, Reversing Fan (See Separate Breakdown in ELECTRICAL Section)	

SECTION 10 - ELECTRICAL

FIGURE 10-35. ENGINE - FAN (REVERSE COOLING) HARNESS



ART_1001221493-B

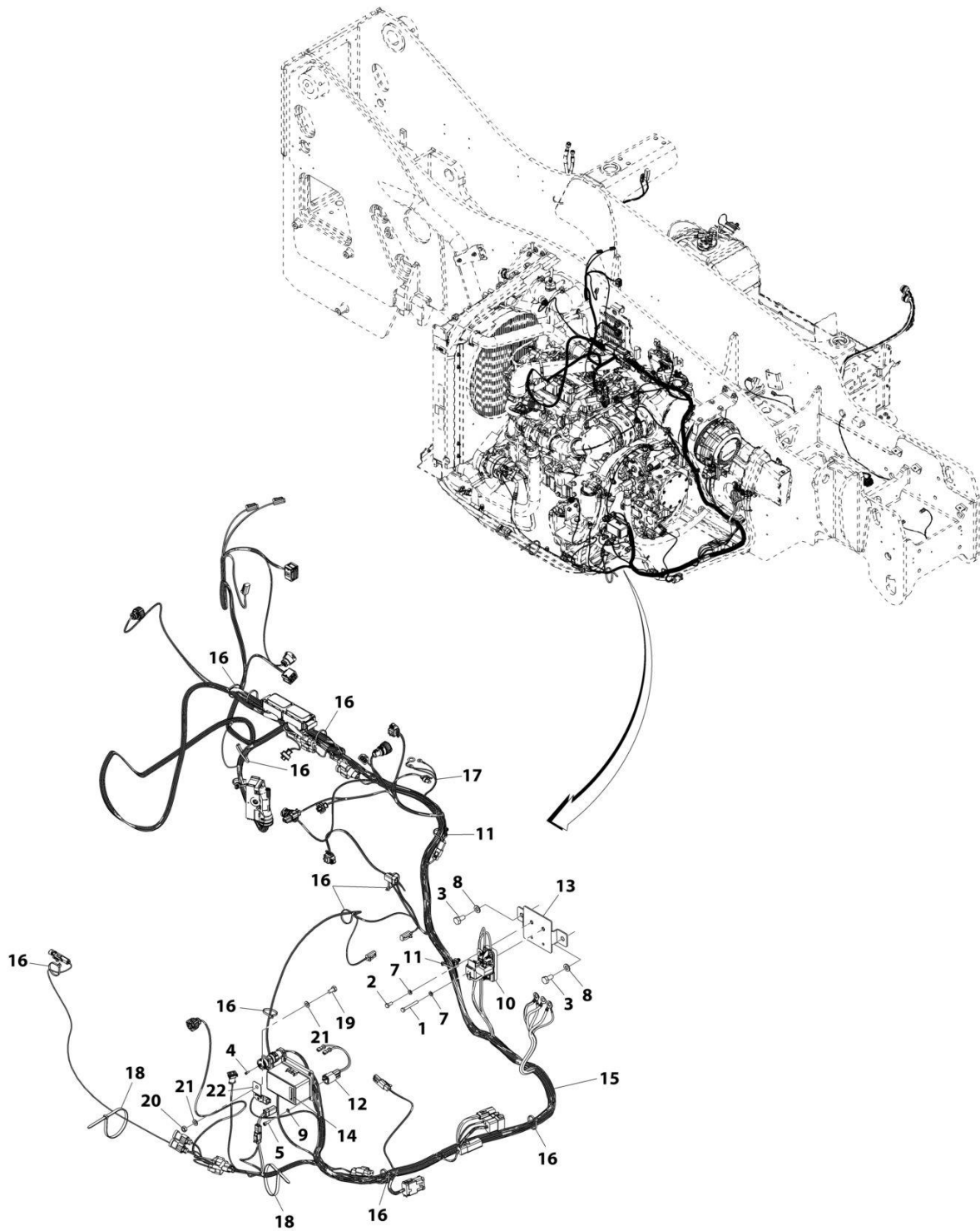
SECTION 10 - ELECTRICAL

FIGURE 10-35. ENGINE - FAN (REVERSE COOLING) HARNESS

ITEM	PART NUMBER	QTY	DESCRIPTION	REV
	1001221493	Ref	Reversing Fan Harness	B
1	4460932	1	Connector	
2	4460941	2	Terminal	
3	4460466	2	Plug	
4	4460897	1	Connector	
5	4460464	2	Terminal	
6	1001118282	1	Connector	
7	1001116734	1	Terminal	
8	1001116732	2	Terminal	
9	1001128128	1	Plug	
10	1001116733	1	Terminal	
11	1001187078	1	Ring Terminal	
12	8220045	1	Ring Terminal	
13	1001117024	1	Connector	
14	1001116734	2	Terminal	

SECTION 10 - ELECTRICAL

FIGURE 10-36. ENGINE WIRING INSTALLATION (ULS)



ART_1001200106-H

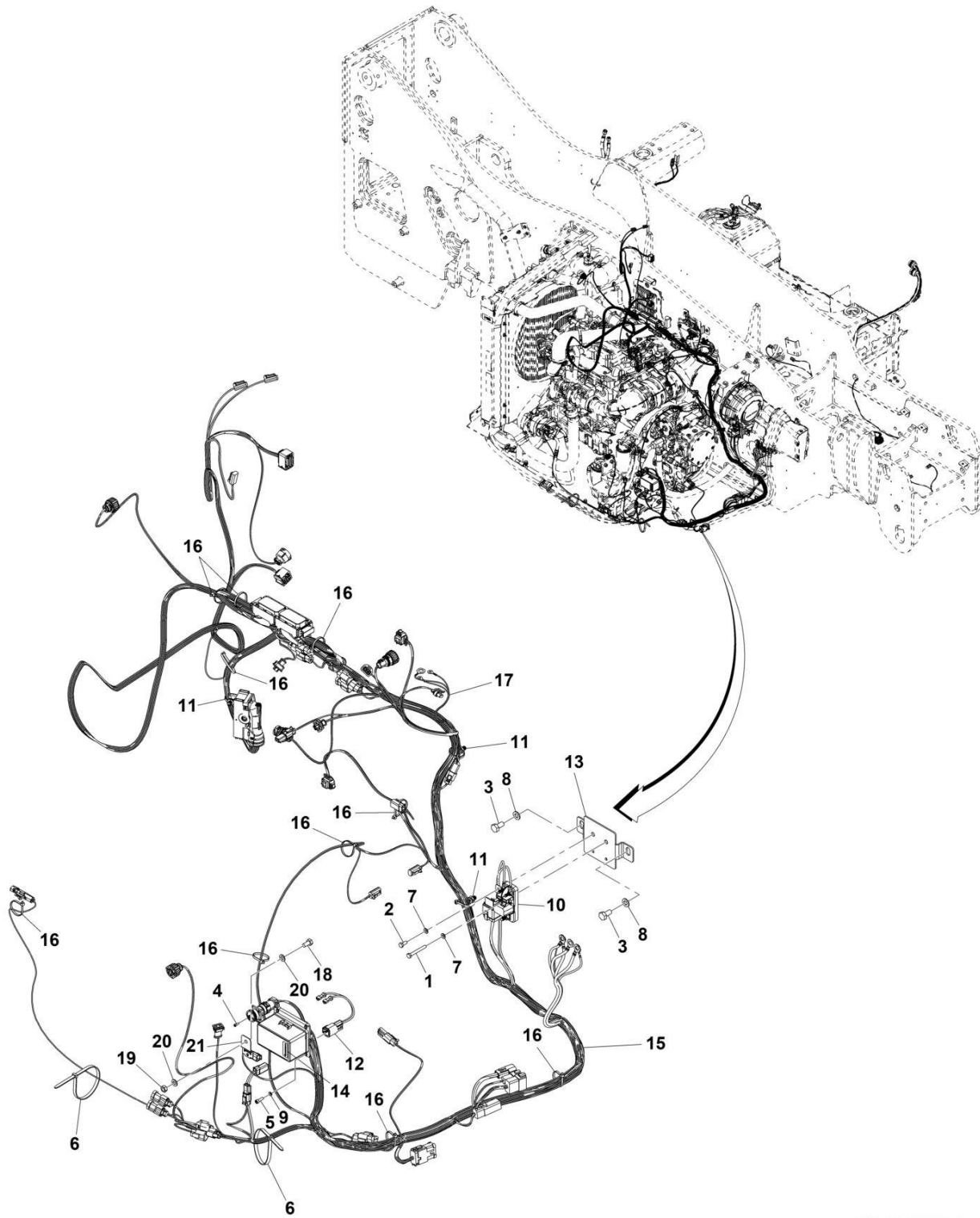
SECTION 10 - ELECTRICAL

FIGURE 10-36. ENGINE WIRING INSTALLATION (ULS)

ITEM	PART NUMBER	QTY	DESCRIPTION	REV
	1001200106	Ref	Engine Wiring Installation (ULS)	I
1	0700618	1	Bolt, M6X50	
2	0760607	1	Bolt, M6X14	
3	0761010	2	Bolt M10X20	
4	4031205	3	Bolt, M3X10	
5	4031607	4	Bolt, M5-0.8X16	
7	4811700	2	Washer, M6	
8	4812000	2	Washer, M10	
9	4831600	4	Washer, Lock M5	
10	1001131177	1	Fuse	
11	1001146588	3	Strap, Cable Tie	
12	1001182929	1	Harness, Fuel Pump (See Separate Breakdown in this Section)	
13	1001189046	1	Bracket	
14	1001191546	1	Decal, Fuse	
15	1001285934	1	Harness, Engine (See Separate Breakdown in this Section)	
16	1001008559	11	Strap, Cable	
17	1001182930	1	Harness, Glow Plug Relay (See Separate Breakdown in this Section)	
18	1062255	2	Strap, Tie	
19	0700808	1	Bolt, M8X16	
20	3290801	1	Nut, M8X1.25	
21	4811900	2	Washer, M8	
22	1001153749	1	Clip	
23	1001293972	1	Cable, ECM Power (Not Shown)	

SECTION 10 - ELECTRICAL

FIGURE 10-37. ENGINE WIRING INSTALLATION (MINING) (ULS)



ART_1001228728_C

SECTION 10 - ELECTRICAL

FIGURE 10-37. ENGINE WIRING INSTALLATION (MINING) (ULS)

ITEM	PART NUMBER	QTY	DESCRIPTION	REV
	1001228728	Ref	Engine Wiring Installation (Mining) (ULS)	C
1	0700618	1	Bolt, M6X50	
2	0760607	1	Bolt, M6X14	
3	0761010	2	Bolt, M10X20	
4	4031205	3	Bolt, M3X10	
5	4031607	4	Bolt, M5X16	
6	1062255	2	Strap, Tie	
7	4811700	2	Washer, M6	
8	4812000	2	Washer, M10	
9	4831600	4	Washer, Lock M5	
10	1001131177	1	Fuse	
11	1001146588	3	Strap, Cable Tie	
12	1001228733	1	Harness, Fuel Pump (See Separate Breakdown in this Section)	
13	1001189046	1	Bracket	
14	1001191546	1	Decal, Fuse	
15	1001286174	1	Harness, Engine (Mining) (ULS) (See Separate Breakdown in this Section)	
16	1001008559	11	Strap, Cable	
17	1001228732	1	Harness, Glow Plug Relay (See Separate Breakdown in this Section)	
18	0700808	1	Bolt, M8X16	
19	3290801	1	Nut, M8X1.25	
20	4811900	2	Washer, M8	
21	1001153749	1	Clip	
22	1001293972	1	Cable, ECM Power (Not Shown)	

SECTION 10 - ELECTRICAL

FIGURE 10-38. ENGINE HARNESS (ULS)

ITEM	PART NUMBER	QTY	DESCRIPTION	REV
	1001244428	Ref	Engine Harness (ULS)	A
1	1001202723	1	Connector	
2	1001167623	5	Plug	
3	1001166555	13	Terminal	
4	1001167621	50	Terminal	
5	1001167622	37	Plug	
6	4460539	1	Connector	
7	4460465	3	Terminal	
8	1001126487	1	Connector	
9	1001167635	2	Terminal	
10	1001126485	2	Terminal Seal	
11	1001167631	1	Connector	
12	1001167630	4	Terminal	
13	1001126485	4	Terminal Seal	
14	1001187070	1	Ring Terminal	
15	1001148842	1	Connector	
16	1001148841	3	Terminal	
17	1001135651	1	Plug	
18	1001135650	3	Terminal Seal	
19	1001202722	1	Connector	
20	1001166551	6	Terminal	
21	1001126353	6	Terminal Seal	
22	1001167622	58	Plug	
23	1001167621	21	Terminal	
24	1001167623	6	Plug	
25	1001138116	1	Connector	
26	1001133715	3	Terminal	
27	1001135650	4	Terminal Seal	
28	1001126487	1	Connector	
29	1001167634	2	Terminal	
30	1001126485	2	Terminal Seal	
31	1001209097	1	Connector	
32	8220124	2	Terminal	
33	4460608	2	Terminal Seal	
34	1001126362	1	Connector	
35	1001166556	26	Terminal	
36	1001126393	36	Terminal Seal	
37	1001126391	19	Plug	
38	4461008	2	Plug	
39	4461006	2	Terminal Seal	
40	4461054	2	Terminal Wire Seal	
41	1001166543	4	Terminal	
42	1001166774	10	Terminal	
43	1001126487	1	Connector	
44	1001167634	2	Terminal	
45	1001126485	2	Terminal Seal	
46	1001116812	1	Connector	
47	4460944	2	Terminal	
48	4460466	1	Plug	
49	4460539	1	Connector	

SECTION 10 - ELECTRICAL

ITEM	PART NUMBER	QTY	DESCRIPTION	REV
50	4460944	2	Terminal	
51	4460466	1	Plug	
52	4460891	1	Connector	
53	4460465	2	Terminal	
54	4460539	1	Connector	
55	4460944	2	Terminal	
56	4460466	1	Plug	
57	1001116812	1	Connector	
58	4460944	2	Terminal	
59	4460466	1	Plug	
60	1001116811	1	Connector	
61	1001150610	2	Terminal	
62	4460508	1	Terminal	
63	4460466	1	Plug	
64	1001144147	1	Connector	
65	4460464	2	Terminal	
66	4460466	1	Plug	
67	4460894	1	Connector	
68	4460466	1	Plug	
69	4460465	5	Terminal	
70	1001126245	1	Connector	
71	1001126008	2	Terminal	
72	1001167629	1	Connector	
73	1001167630	4	Terminal	
74	1001126485	4	Terminal Seal	
75	1001207171	1	Ring Terminal, (with boot)	
76	1001207171	1	Ring Terminal, (with boot)	
77	1001118282	1	Connector	
78	1001116734	2	Terminal	
79	1001116732	2	Terminal	
80	1001128128	1	Plug	
81	1001187080	1	Ring Terminal	
82	1001187080	1	Ring Terminal	
83	1001187078	1	Ring Terminal	
84	1001187080	1	Ring Terminal	
85	1001187080	1	Ring Terminal	
86	4460970	1	Connector	
87	4460464	9	Terminal	
88	4460466	3	Plug	
89	1001167616	1	Connector	
90	1001190921	1	Fuse Box Foam Seal	
91	4460748	7	Plug	
92	8220097	23	Terminal	
93	1001175265	19	Terminal Seal	
94	8220098	9	Terminal	
95	4460458	11	Terminal Seal	
96	1001116725	6	Terminal	
97	80963067	1	Terminal Seal	
98	1001190037	5	Terminal Seal	
99	1001190921	1	Fuse Box Foam Seal	
100	2902443	1	Connector	

SECTION 10 - ELECTRICAL

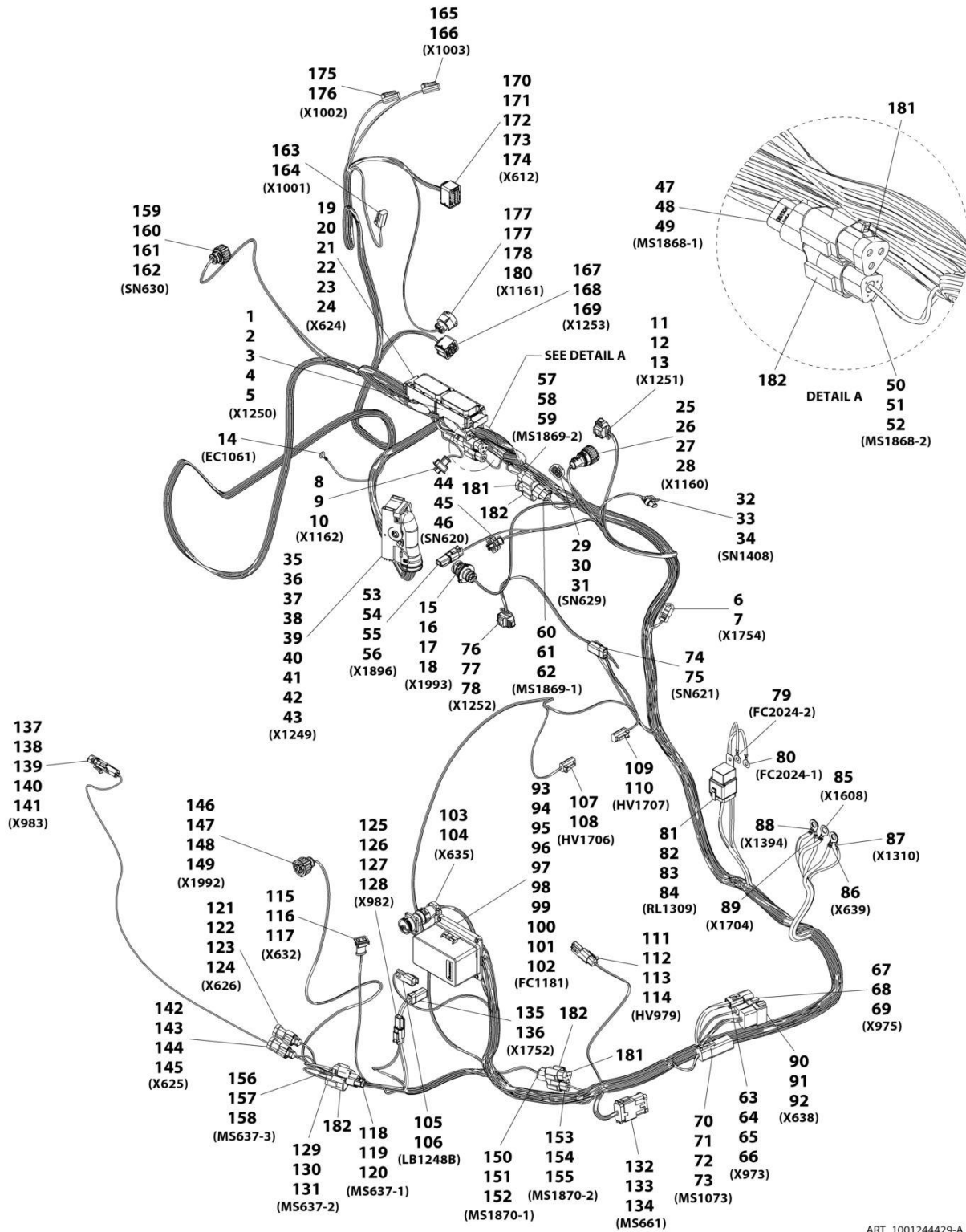
ITEM	PART NUMBER	QTY	DESCRIPTION	REV
101	4461071	6	Terminal	
102	1001153612	1	Connector	
103	1001126011	2	Terminal	
104	4460891	1	Connector	
105	4460465	2	Terminal	
106	4460891	1	Connector	
107	4460465	2	Terminal	
108	4460891	1	Connector	
109	4460465	2	Terminal	
110	1001167636	1	Connector	
111	1001166707	2	Terminal	
112	4461006	2	Terminal Seal	
113	4461095	1	Connector	
114	4460944	2	Terminal	
115	4460466	1	Plug	
116	4461095	1	Connector	
117	4460944	2	Terminal	
118	4460466	1	Plug	
119	4460891	1	Connector	
120	4460465	2	Terminal	
121	4460539	1	Connector	
122	4460944	2	Terminal	
123	4460466	1	Plug	
124	4460933	1	Connector	
125	4460465	12	Terminal	
126	4461018	1	Connector	
127	4460509	2	Terminal	
128	80963056	1	Connector	
129	4460979	1	Terminal	
130	1001175265	1	Terminal Seal	
131	4461095	1	Connector	
132	4460944	2	Terminal	
133	4460466	1	Plug	
134	1001133714	1	Connector	
135	1001133715	3	Terminal	
136	1001135650	3	Terminal Seal	
137	1001135651	1	Plug	
138	1001116812	1	Connector	
139	4460944	2	Terminal	
140	4460466	1	Plug	
141	4460539	1	Connector	
142	4460944	2	Terminal	
143	4460466	1	Plug	
144	1001116812	1	Connector	
145	4460944	2	Terminal	
146	4460466	1	Plug	
147	1001133714	1	Connector	
148	1001133715	3	Terminal	
149	1001135650	3	Terminal Seal	
150	1001135651	1	Plug	
151	4460891	1	Connector	

SECTION 10 - ELECTRICAL

ITEM	PART NUMBER	QTY	DESCRIPTION	REV
152	4460942	2	Terminal	
153	4460891	1	Connector	
154	4460942	2	Terminal	
155	1001167528	1	Connector	
156	1001167528	3	Terminal	
157	1001137578	3	Seal	
158	1001165194	1	Connector	
159	1001126391	2	Plug	
160	1001166556	8	Terminal	
161	1001166774	2	Terminal	
162	1001126393	10	Terminal Seal	
163	4460891	1	Connector	
164	4460942	2	Terminal	
165	1001167620	1	Connector	
166	1001176004	2	Terminal	
167	1001176002	2	Terminal Seal	
168	1001167624	2	Plug	
169	4460466	6	Plug	
170	4460892	1	Mating Connector	
171	4460897	3	Mating Connector	
172	4460945	4	Connector, 3 Way	
173	4461070	2	Terminator Resistor	
174	80963055	1	Mating Connector	
175	1001116727	1	Plug	
176	1001116815	3	Connector	
177	1001125677	1	Mating Connector	
178	1001187882	1	Cover	

SECTION 10 - ELECTRICAL

FIGURE 10-39. ENGINE HARNESS (MINING) (ULS)



ART_1001244429-A

SECTION 10 - ELECTRICAL

FIGURE 10-39. ENGINE HARNESS (MINING) (ULS)

ITEM	PART NUMBER	QTY	DESCRIPTION	REV
	1001244429	Ref	Engine Harness (Mining) (ULS)	A
1	1001202723	1	Connector	
2	1001167623	5	Plug	
3	1001166555	13	Terminal	
4	1001167621	50	Terminal	
5	1001167622	37	Plug	
6	4460539	1	Connector	
7	4460465	3	Terminal	
8	1001126487	1	Connector	
9	1001167635	2	Terminal	
10	1001126485	2	Terminal Seal	
11	1001167631	1	Connector	
12	1001167630	4	Terminal	
13	1001126485	4	Terminal Seal	
14	1001187070	1	Ring Terminal	
15	1001148842	1	Connector	
16	1001148841	3	Terminal	
17	1001135651	1	Plug	
18	1001135650	3	Terminal Seal	
19	1001202722	1	Connector	
20	1001166551	6	Terminal	
21	1001126353	6	Terminal Seal	
22	1001167622	58	Plug	
23	1001167621	21	Terminal	
24	1001167623	6	Plug	
25	1001138116	1	Connector	
26	1001187882	1	Cover	
27	1001133715	3	Terminal	
28	1001135650	4	Terminal Seal	
29	1001126487	1	Connector	
30	1001167634	2	Terminal	
31	1001126485	2	Terminal Seal	
32	1001209097	1	Connector	
33	8220124	2	Terminal	
34	4460608	2	Terminal Seal	
35	1001126362	1	Connector	
36	1001166556	26	Terminal	
37	1001126393	36	Terminal Seal	
38	1001126391	20	Plug	
39	4461008	2	Plug	
40	4461006	2	Seal	
41	4461054	2	Terminal Wire Seal	
42	1001166543	4	Terminal	
43	1001166774	10	Terminal	
44	1001126487	1	Connector	
45	1001167634	2	Terminal	
46	1001126485	2	Terminal Seal	
47	1001116812	1	Connector	
48	4460944	2	Terminal	
49	4460466	1	Plug	

SECTION 10 - ELECTRICAL

ITEM	PART NUMBER	QTY	DESCRIPTION	REV
50	4460539	1	Connector	
51	4460944	2	Terminal	
52	4460466	1	Plug	
53	4460891	1	Connector	
54	4460897	1	Mating Connector	
55	4460465	2	Terminal	
56	4460466	2	Plug	
57	4460539	1	Connector	
58	4460944	2	Terminal	
59	4460466	1	Plug	
60	1001116812	1	Connector	
61	4460944	2	Terminal	
62	4460466	1	Plug	
63	1001116811	1	Connector	
64	1001150610	2	Terminal	
65	4460508	1	Terminal	
66	4460466	1	Plug	
67	1001144147	1	Connector	
68	4460464	2	Terminal	
69	4460466	1	Plug	
70	4460894	1	Connector	
71	4460892	1	Mating Connector	
72	4460466	1	Plug	
73	4460465	5	Terminal	
74	1001126245	1	Connector	
75	1001126008	2	Terminal	
76	1001167629	1	Connector	
77	1001167630	4	Terminal	
78	1001126485	4	Terminal Seal	
79	1001207171	1	Ring Terminal, (with boot)	
80	1001207171	1	Ring Terminal, (with boot)	
81	1001118282	1	Connector	
82	1001116734	2	Terminal	
83	1001116732	2	Terminal	
84	1001128128	1	Plug	
85	1001187080	1	Ring Terminal	
86	1001187080	1	Ring Terminal	
87	1001187078	1	Ring Terminal	
88	1001187080	1	Ring Terminal	
89	1001187080	1	Ring Terminal	
90	4460970	1	Connector	
91	4460464	9	Terminal	
92	4460466	3	Plug	
93	1001167616	1	Connector	
94	1001190921	1	Fuse Box Foam Seal	
95	4460748	12	Plug	
96	8220097	23	Terminal	
97	1001175265	21	Terminal Seal	
98	8220098	9	Terminal	
99	4460458	11	Terminal Seal	
100	1001116725	6	Terminal	

SECTION 10 - ELECTRICAL

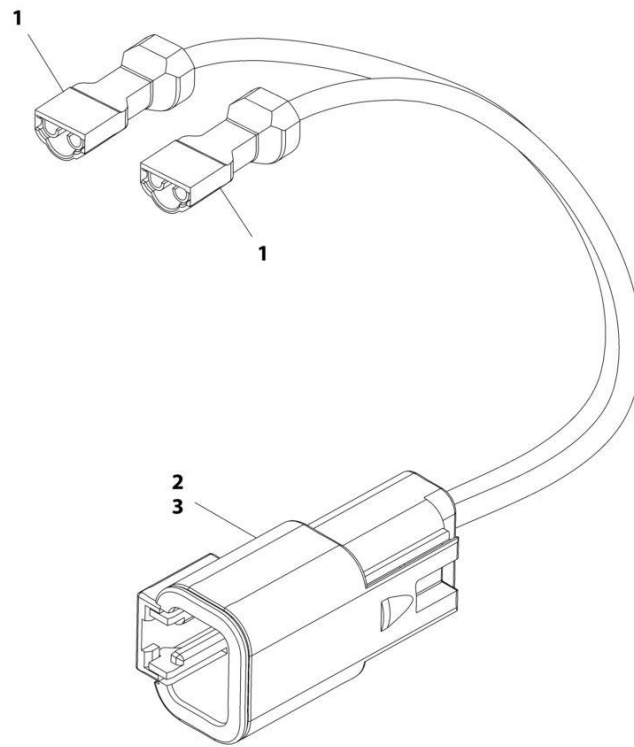
ITEM	PART NUMBER	QTY	DESCRIPTION	REV
101	80963067	1	Terminal Seal	
102	1001190037	5	Terminal Seal	
103	2902443	1	Connector	
104	4461071	6	Terminal	
105	1001153612	1	Connector	
106	1001126011	2	Terminal	
107	4460891	1	Connector	
108	4460465	2	Terminal	
109	4460891	1	Connector	
110	4460465	2	Terminal	
111	4460891	1	Connector	
112	4460465	2	Terminal	
113	4460897	1	Mating Connector	
114	4460466	2	Plug	
115	1001167636	1	Connector	
116	1001166707	2	Terminal	
117	4461006	2	Terminal Seal	
118	1001116812	1	Connector	
119	4460944	2	Terminal	
120	4460466	1	Plug	
121	4461095	1	Connector	
122	4461070	1	Terminator Resistor	
123	4460944	2	Terminal	
124	4460466	1	Plug	
125	4460891	1	Connector	
126	4460897	1	Mating Connector	
127	4460465	2	Terminal	
128	4460466	2	Plug	
129	4460539	1	Connector	
130	4460944	2	Terminal	
131	4460466	1	Plug	
132	4460933	1	Connector	
133	1001125677	1	Mating Connector	
134	4460465	12	Terminal	
135	4461018	1	Connector	
136	4460509	2	Terminal	
137	80963056	1	Connector	
138	80963055	1	Mating Connector	
139	4460979	1	Terminal	
140	1001175265	1	Terminal Seal	
141	1001116727	1	Plug	
142	4461095	1	Connector	
143	4461070	1	Terminator Resistor	
144	4460944	2	Terminal	
145	4460466	1	Plug	
146	1001133714	1	Connector	
147	1001133715	3	Terminal	
148	1001135650	3	Terminal Seal	
149	1001135651	1	Plug	
150	1001116812	1	Connector	
151	4460944	2	Terminal	

SECTION 10 - ELECTRICAL

ITEM	PART NUMBER	QTY	DESCRIPTION	REV
152	4460466	1	Plug	
153	4460539	1	Connector	
154	4460944	2	Terminal	
155	4460466	1	Plug	
156	1001116812	1	Connector	
157	4460944	2	Terminal	
158	4460466	1	Plug	
159	1001133714	1	Connector	
160	1001133715	3	Terminal	
161	1001135650	3	Terminal Seal	
162	1001135651	1	Plug	
163	4460891	1	Connector	
164	4460942	2	Terminal	
165	4460891	1	Connector	
166	4460942	2	Terminal	
167	1001167528	1	Connector	
168	1001166704	4	Terminal	
169	1001137578	4	Terminal Seal	
170	1001165194	1	Connector	
171	1001126391	2	Plug	
172	1001166556	8	Terminal	
173	1001166774	2	Terminal	
174	1001126393	10	Terminal Seal	
175	4460891	1	Connector	
176	4460942	2	Terminal	
177	1001167620	1	Connector	
178	1001176004	2	Terminal	
179	1001176002	2	Terminal Seal	
180	1001167624	2	Plug	
181	1001116815	3	Connector	
182	4460945	4	Connector, 3 Way	

SECTION 10 - ELECTRICAL

FIGURE 10-40. ENGINE - FUEL PUMP HARNESS



ART_1001182929-E

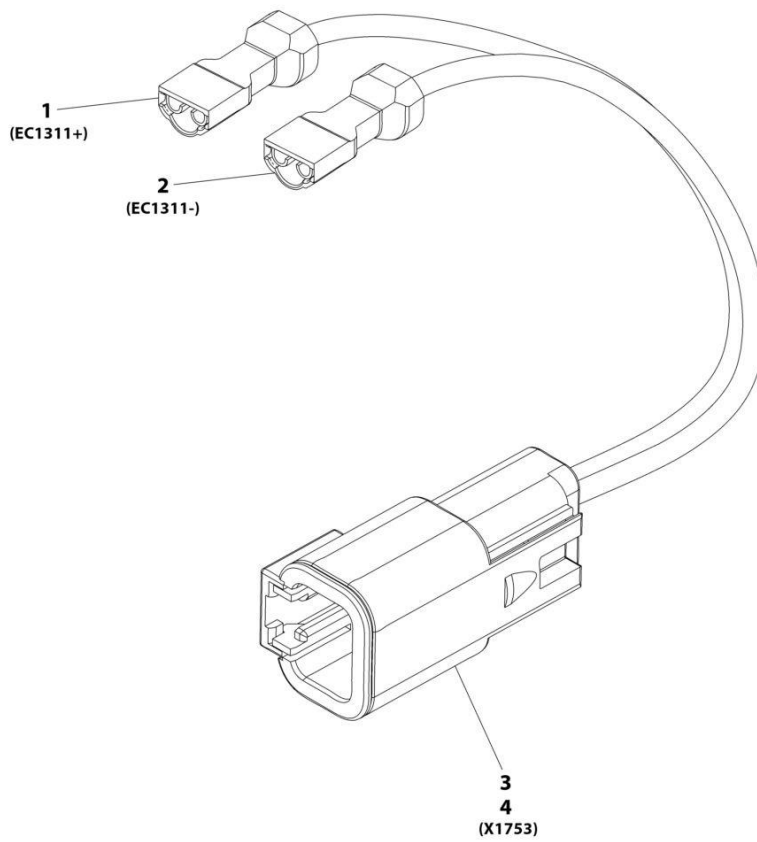
SECTION 10 - ELECTRICAL

FIGURE 10-40. ENGINE - FUEL PUMP HARNESS

ITEM	PART NUMBER	QTY	DESCRIPTION	REV
	1001182929	Ref	Fuel Pump Harness	E
1	8220043	2	Connector	
2	4461017	1	Connector	
3	4460508	2	Terminal	

SECTION 10 - ELECTRICAL

FIGURE 10-41. ENGINE - FUEL PUMP HARNESS (MINING) (ULS)



ART_1001228733-A

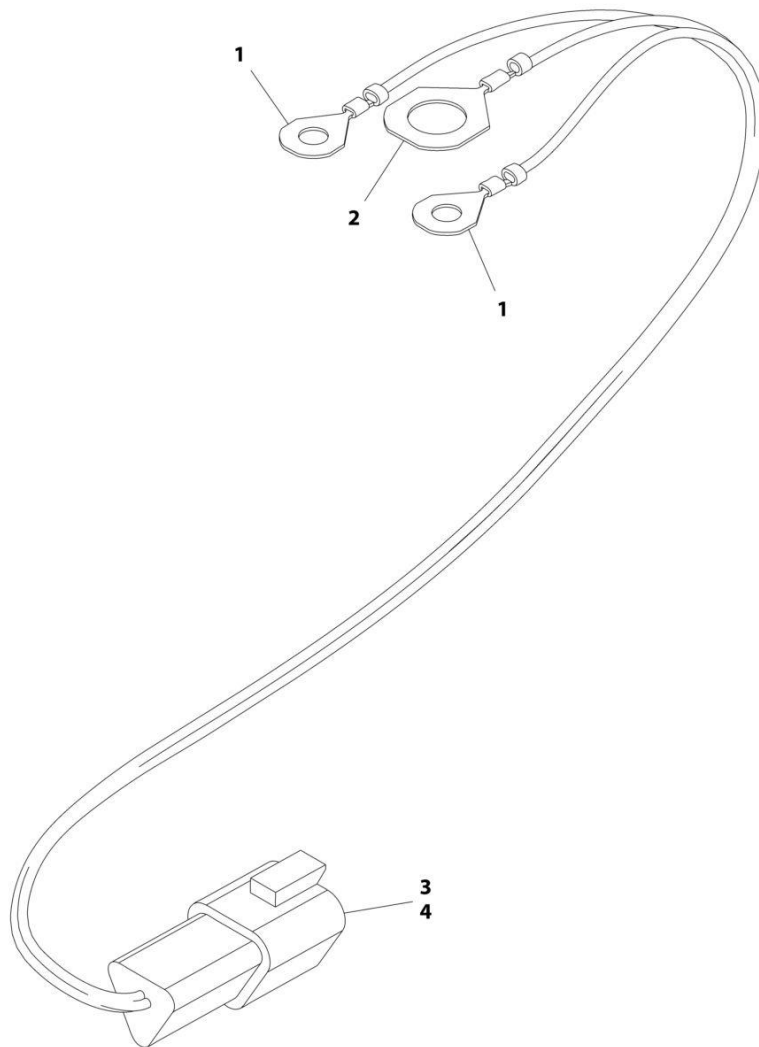
SECTION 10 - ELECTRICAL

FIGURE 10-41. ENGINE - FUEL PUMP HARNESS (MINING) (ULS)

ITEM	PART NUMBER	QTY	DESCRIPTION	REV
	1001228733	Ref	Fuel Pump Harness (Mining) (ULS)	A
1	8220043	1	Connector	
2	8220043	1	Connector	
3	4461017	1	Connector	
4	4460508	2	Terminal	

SECTION 10 - ELECTRICAL

FIGURE 10-42. ENGINE - GLOW PLUG RELAY HARNESS



ART_1001182930-C

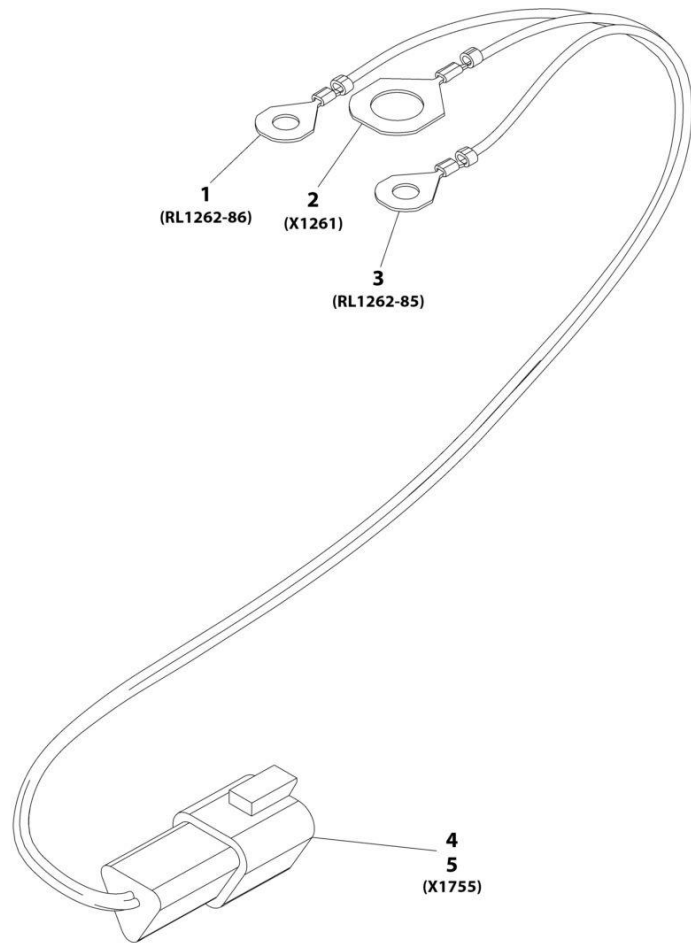
SECTION 10 - ELECTRICAL

FIGURE 10-42. ENGINE - GLOW PLUG RELAY HARNESS

ITEM	PART NUMBER	QTY	DESCRIPTION	REV
	1001182930	Ref	Glow Plug Relay Harness	C
1	1001187070	2	Ring, Terminal	
2	1001187077	1	Ring, Terminal	
3	4460536	1	Connector	
4	4460464	3	Terminal	

SECTION 10 - ELECTRICAL

FIGURE 10-43. ENGINE - GLOW PLUG RELAY HARNESS (MINING) (ULS)



ART_1001228732-A

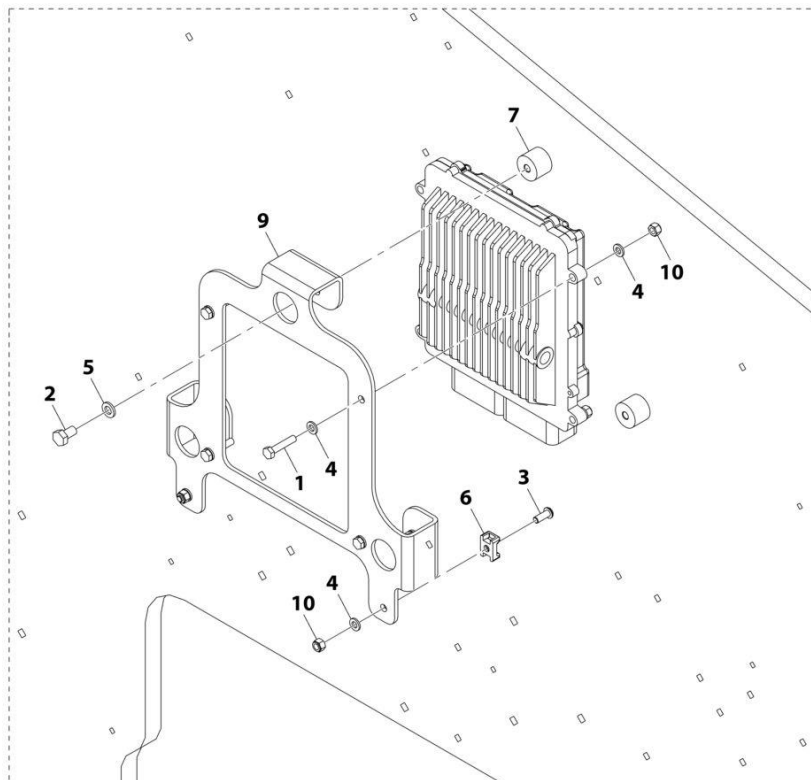
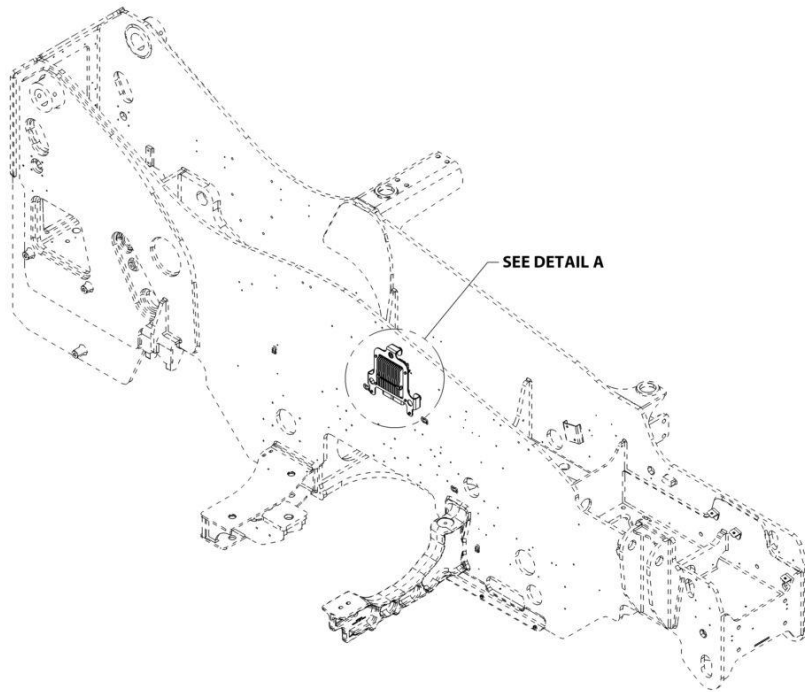
SECTION 10 - ELECTRICAL

FIGURE 10-43. ENGINE - GLOW PLUG RELAY HARNESS (MINING) (ULS)

ITEM	PART NUMBER	QTY	DESCRIPTION	REV
	1001228732	Ref	Glow Plug Relay Harness (Mining) (ULS)	A
1	1001187070	1	Ring, Terminal	
2	1001187077	1	Ring, Terminal	
3	1001187070	1	Ring, Terminal	
4	4460536	1	Connector	
5	4460464	3	Terminal	

SECTION 10 - ELECTRICAL

FIGURE 10-44. ENGINE ECU INSTALLATION



DETAIL A

ART_1001200869-B

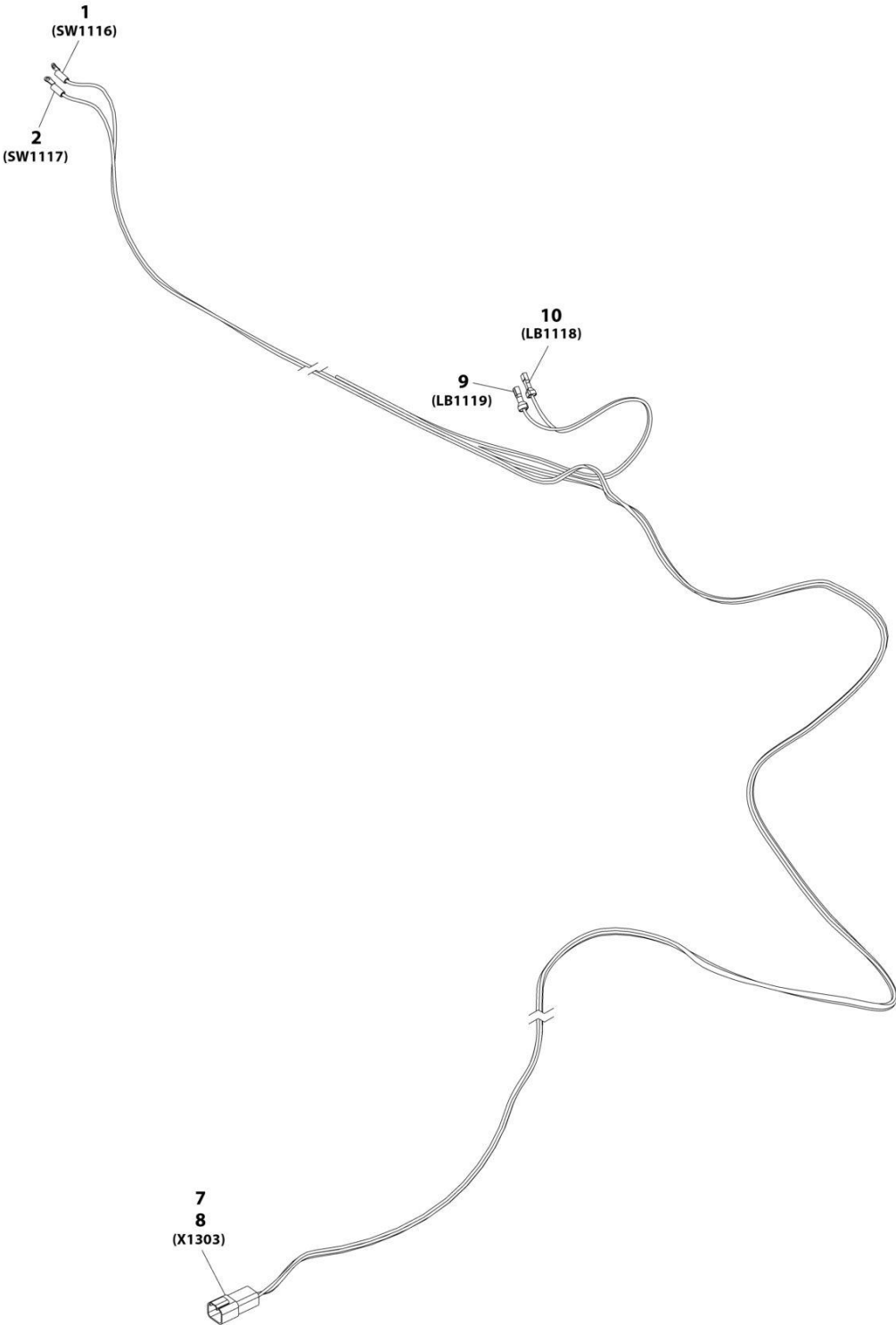
SECTION 10 - ELECTRICAL

FIGURE 10-44. ENGINE ECU INSTALLATION

ITEM	PART NUMBER	QTY	DESCRIPTION	REV
	1001200869	Ref	Engine ECU Installation	B
1	0700614	4	Bolt, M6X30	
2	0760807	3	Bolt, M8X14	
3	3900357	2	Capscrew, M6X16	
4	4811700	10	Washer, M6	
5	4831900	3	Washer, Lock M8	
6	1001138645	2	Mount, Cable Tie	
7	1001179907	3	Mount, Isolator	
9	1001210397	1	Plate	
10	3290605	6	Nut, Lock M6X1	

SECTION 10 - ELECTRICAL

FIGURE 10-45. ENGINE - AIR SHUTOFF VALVE HARNESS



ART_1001231407-C

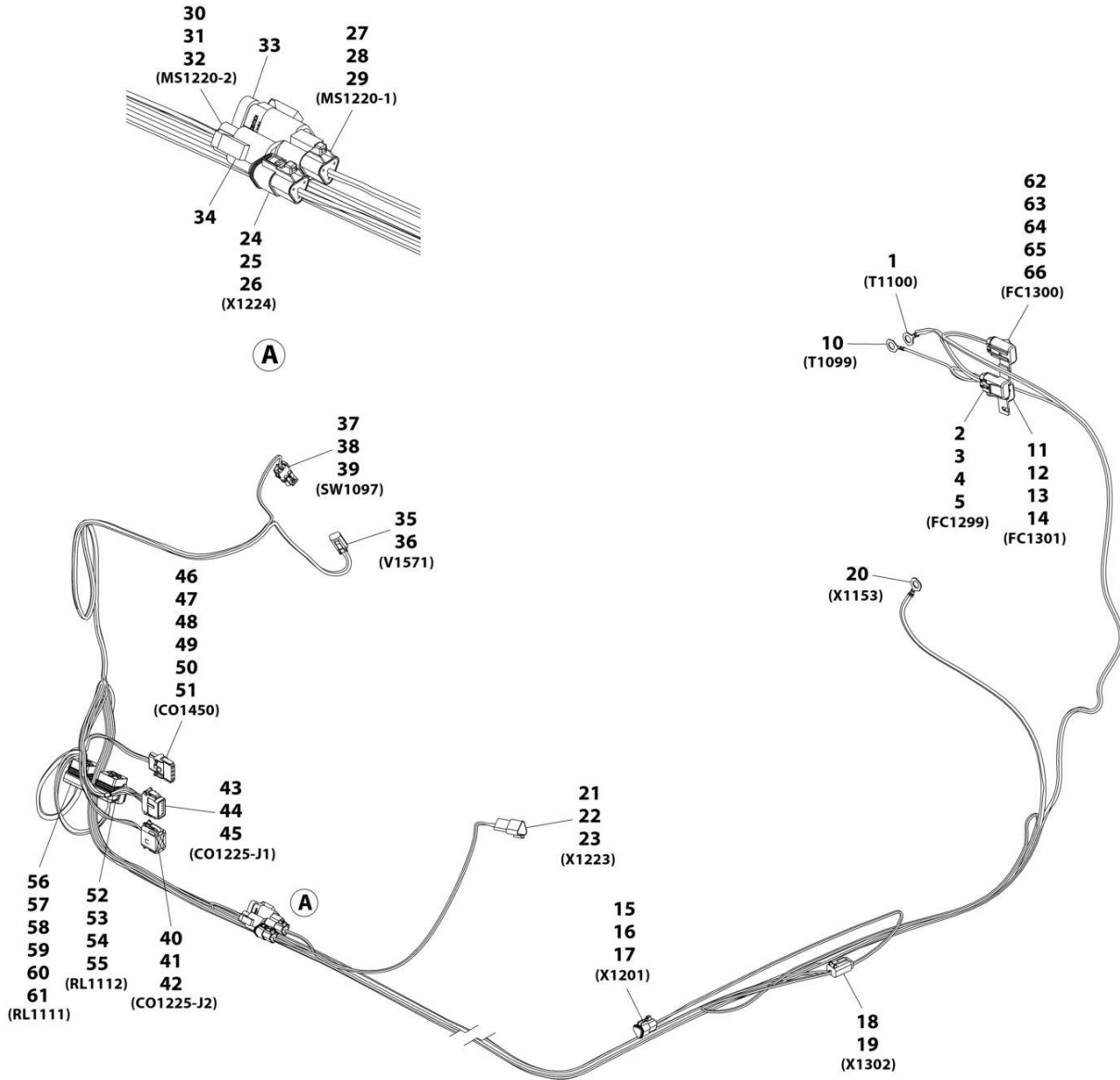
SECTION 10 - ELECTRICAL

FIGURE 10-45. ENGINE - AIR SHUTOFF VALVE HARNESS

ITEM	PART NUMBER	QTY	DESCRIPTION	REV
	1001231407	1	Air Shutoff Valve Harness	C
1	8220035	1	Terminal, Ring	
2	8220035	1	Terminal, Ring	
7	4460932	1	Connector	
8	4460464	4	Pin	
9	8220108	1	Connector, Female	
10	8220108	1	Connector, Female	

SECTION 10 - ELECTRICAL

FIGURE 10-46. ENGINE - AIR SHUT OFF VALVE HARNESS (ENGINE)



ART_1001231483_D

SECTION 10 - ELECTRICAL

FIGURE 10-46. ENGINE - AIR SHUT OFF VALVE HARNESS (ENGINE)

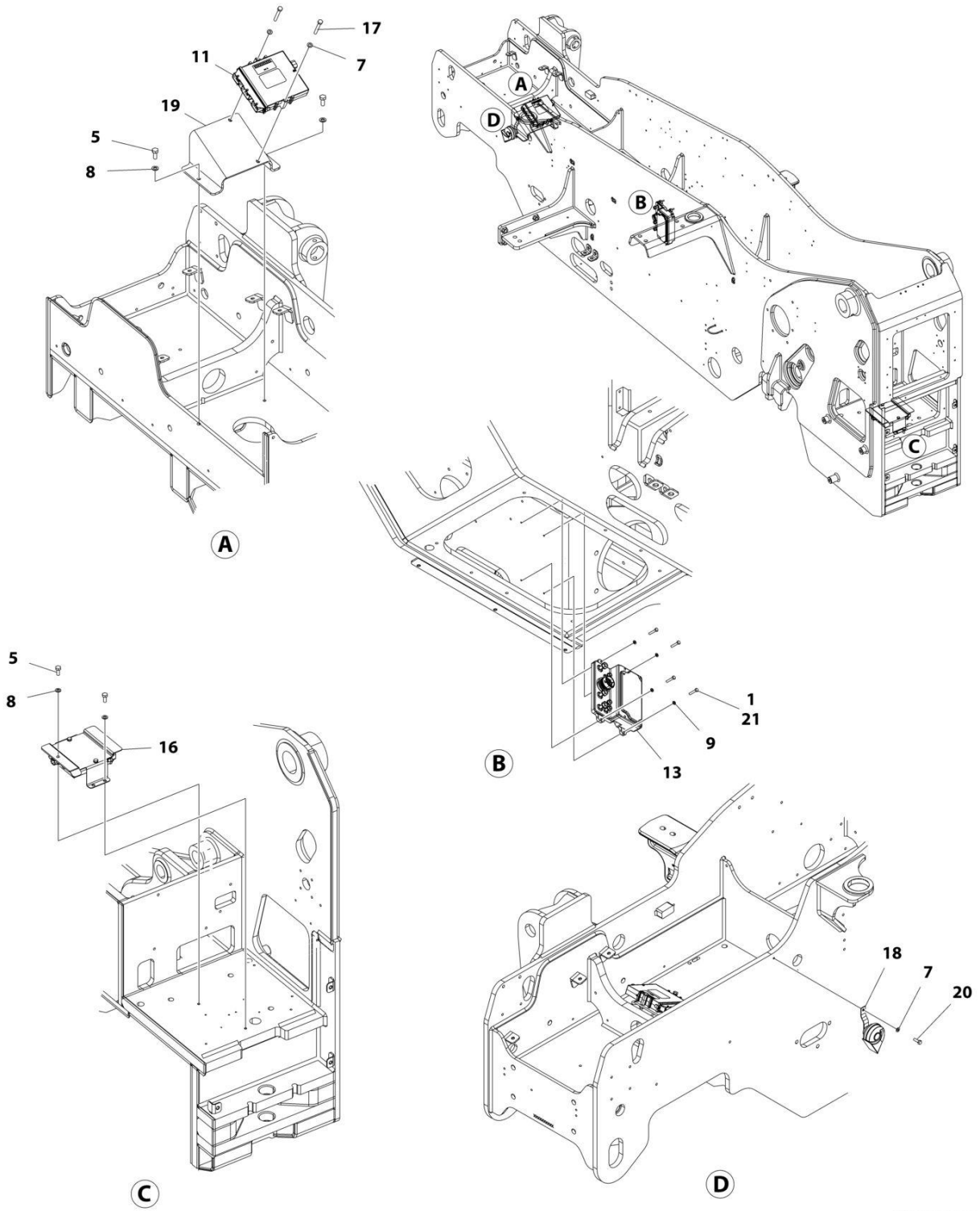
ITEM	PART NUMBER	QTY	DESCRIPTION	REV
	1001231483	Ref	Air Shut Off Valve Harness (Engine)	D
1	1001187079	1	Terminal, Ring	
2	1001231397	1	Connector	
3	8229235	1	Fuse, 20amp	
4	1001231401	2	Terminal	
5	1001230402	2	Seal	
10	1001187078	1	Terminal, Ring	
11	1001231397	1	Connector	
12	8229261	1	Fuse, 5amp	
13	1001231400	2	Terminal	
14	1001230403	2	Seal	
15	1001116812	1	Connector	
16	4460465	2	Terminal	
17	4460466	1	Plug	
18	4460884	1	Connector	
19	4460465	4	Terminal	
20	1001187079	1	Terminal, Ring	
21	1001144147	1	Connector	
22	4460464	2	Terminal	
23	4460466	1	Plug	
24	1001116812	1	Connector	
25	4460465	2	Terminal	
26	4460466	1	Plug	
27	1001116812	1	Connector	
28	4460465	2	Terminal	
29	4460466	1	Plug	
30	4460539	1	Connector	
31	4460465	2	Terminal	
32	4460466	1	Plug	
33	1001116815	1	Connector, 3 Pin	
34	4460945	1	Terminal, 3 Way "T" Receptacle	
35	4460891	1	Connector	
36	1001157890	2	Terminal	
37	4460742	1	Connector	
38	4460475	2	Terminal	
39	4460458	2	Plug	
40	1001116774	1	Connector	
41	4460518	8	Plug	
42	1001126008	4	Terminal	
43	1001116808	1	Connector	
44	1001126008	9	Terminal	
45	4460518	3	Plug	
46	4460761	1	Connector	
47	4460321	1	Terminal	
48	1001118378	4	Terminal	
49	4460809	4	Plug	
50	1001143551	1	Seal	
51	1001218358	1	Lanyard Rope	
52	1001231398	1	Connector	
53	1001231400	4	Terminal	

SECTION 10 - ELECTRICAL

ITEM	PART NUMBER	QTY	DESCRIPTION	REV
54	1001231404	4	Seal	
55	1001231406	1	Plug	
56	1001231398	1	Connector	
57	1001231401	2	Terminal	
58	1001231402	2	Seal	
59	1001231400	2	Terminal	
60	1001231404	2	Seal	
61	1001231406	1	Plug	
62	1001231397	1	Connector	
63	8229234	1	Fuse, 10amp	
64	1001231400	2	Terminal	
65	1001230403	1	Seal	
66	1001230404	1	Seal	

SECTION 10 - ELECTRICAL

FIGURE 10-47. FRAME ELECTRICAL INSTALLATION



ART_1001183272_I

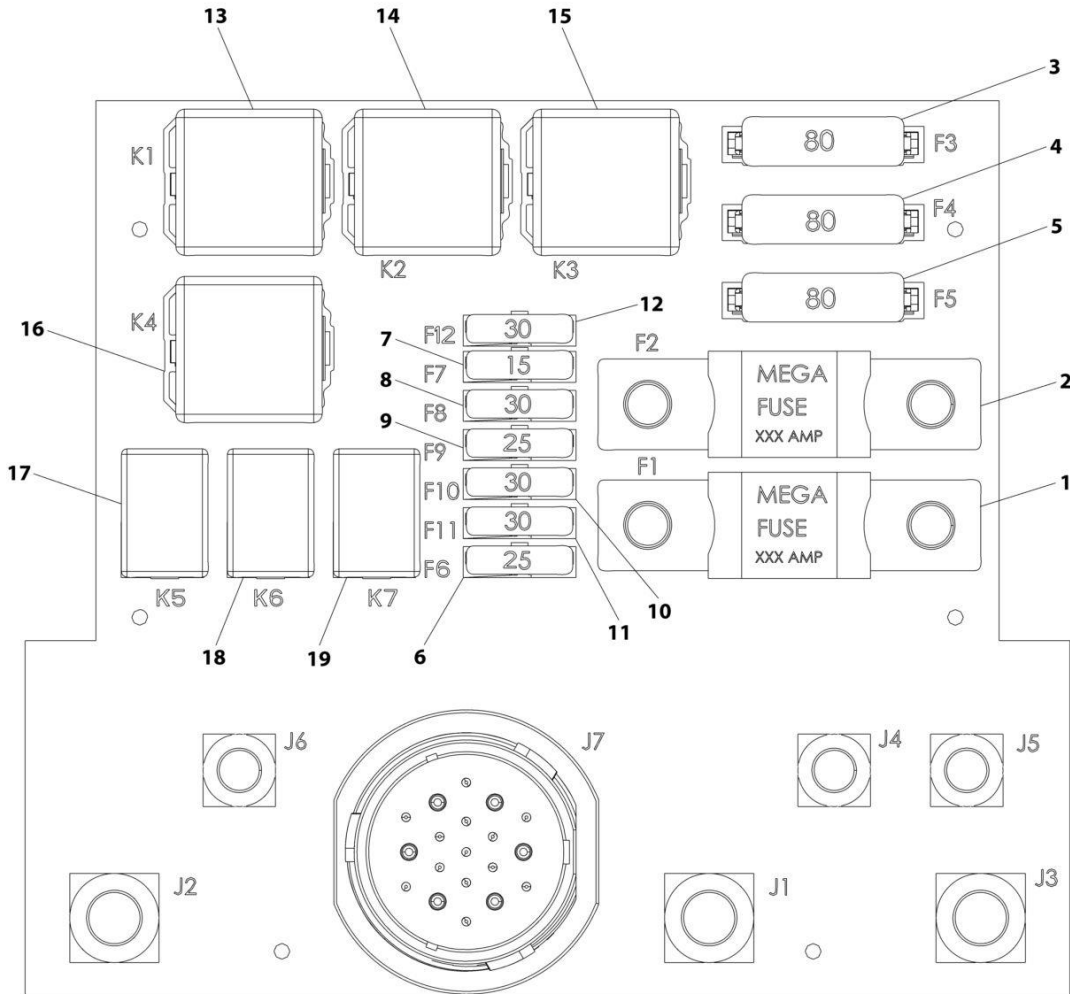
SECTION 10 - ELECTRICAL

FIGURE 10-47. FRAME ELECTRICAL INSTALLATION

ITEM	PART NUMBER	QTY	DESCRIPTION	REV
	1001183272	Ref	FRAME ELECTRICAL INSTALLATION	I
1	0700614	4	Bolt M6 x 30	
5	0761012	4	Bolt M10 x 25	
7	4811900	3	Washer M8	
8	4812000	4	Washer M10	
9	4831700	4	Washer M6	
11	1001270467	1	Control, Front Frame Module	
13	1001164402	1	Box, Power Distribution Electrical (See Separate Breakdown in this Section)	
16	1001210770	1	Installation, Rear Frame Module (See Separate Breakdown in this Section)	
17	0700820	2	Bolt M8 x 60	
18	10713707	1	Horn	
19	1001215208	1	Bracket	
20	0760812	1	Bolt M8 x 25	
21	1001180620	AR	Adhesive, Loctite	

SECTION 10 - ELECTRICAL

FIGURE 10-48. FRAME - POWER DISTRIBUTION ELECTRICAL BOX



ART_1001164402-G

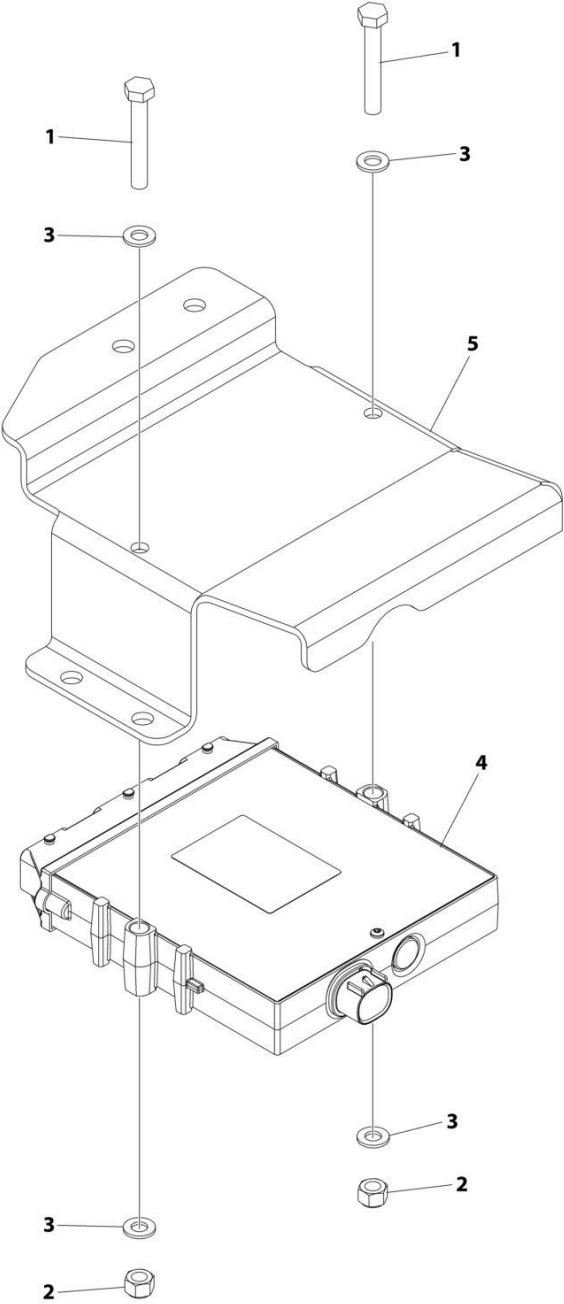
SECTION 10 - ELECTRICAL

FIGURE 10-48. FRAME - POWER DISTRIBUTION ELECTRICAL BOX

ITEM	PART NUMBER	QTY	DESCRIPTION	REV
	1001164402	Ref	Power Distribution Electrical Box	G
1	1001095336	1	Fuse, 150AMP	
2	70026296	1	Fuse, 200AMP	
3	70026297	1	Fuse, 80AMP	
4	70026297	1	Fuse, 80AMP	
5	70026297	1	Fuse, 80AMP	
6	8229247	1	Fuse, 25AMP	
7	8229244	1	Fuse, 15AMP	
8	8229245	1	Fuse, 30AMP	
9	8229247	1	Fuse, 25AMP	
10	8229245	1	Fuse, 30AMP	
11	8229245	1	Fuse, 30AMP	
12	8229245	1	Fuse, 30AMP	
13	70026294	1	Fuse, 70AMP	
14	70026294	1	Fuse, 70AMP	
15	70026294	1	Fuse, 70AMP	
16	70026294	1	Fuse, 70AMP	
17	70026295	1	Fuse, 35AMP	
18	70026295	1	Fuse, 35AMP	
19	70026295	1	Fuse, 35AMP	

SECTION 10 - ELECTRICAL

FIGURE 10-49. FRAME - REAR FRAME MODULE INSTALLATION



ART_1001210770_D

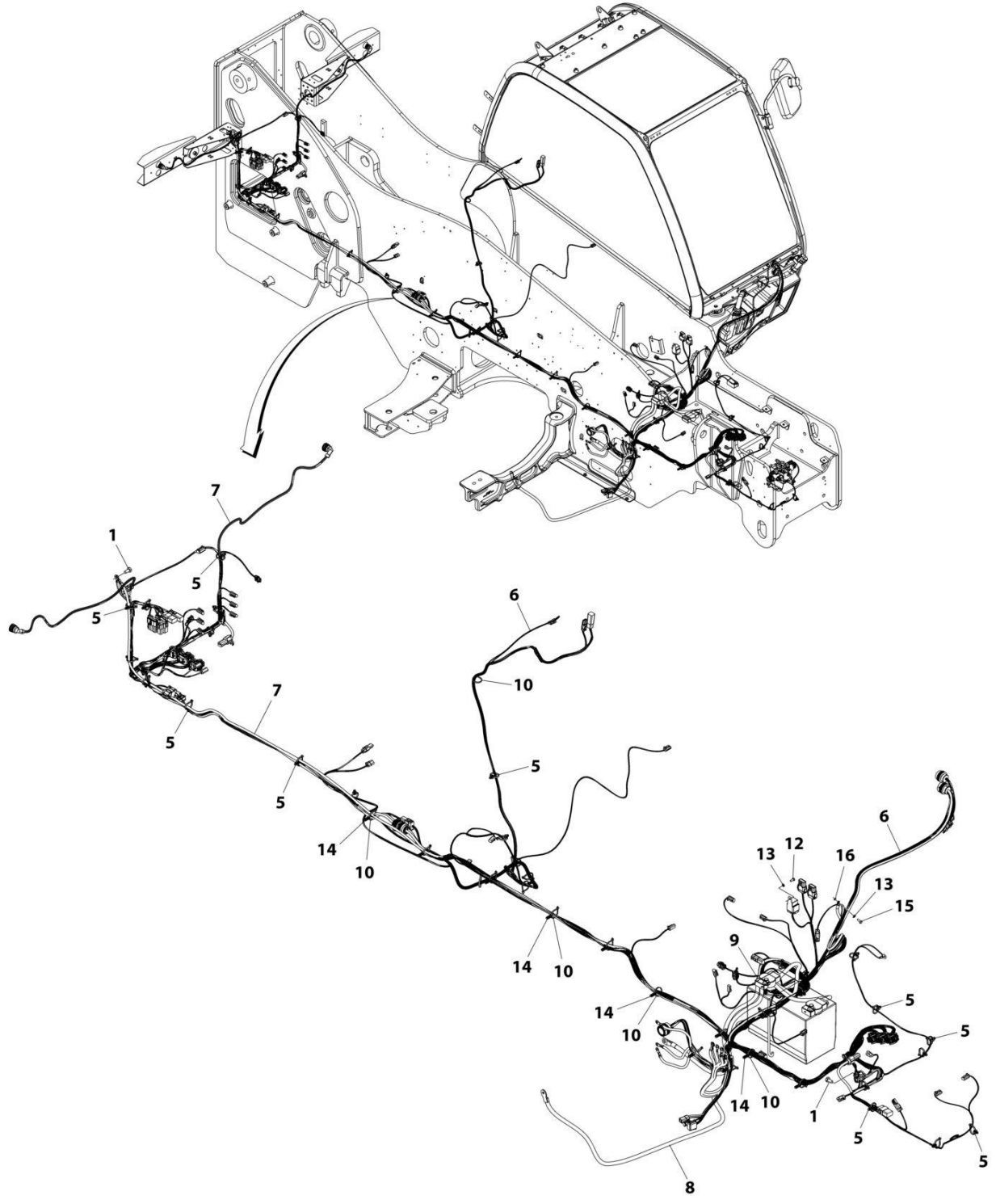
SECTION 10 - ELECTRICAL

FIGURE 10-49. FRAME - REAR FRAME MODULE INSTALLATION

ITEM	PART NUMBER	QTY	DESCRIPTION	REV
	1001210770	Ref	Rear Frame Module Installation	D
1	0700819	2	Bolt M8 x 55	
2	3290805	2	Nut M8 x 1.25	
3	4811900	4	Washer M8	
4	1001162256	1	Control, Rear Frame Module	
5	1001255581	1	Bracket	

SECTION 10 - ELECTRICAL

FIGURE 10-50. FRAME WIRING INSTALLATION



ART_1001200159_H

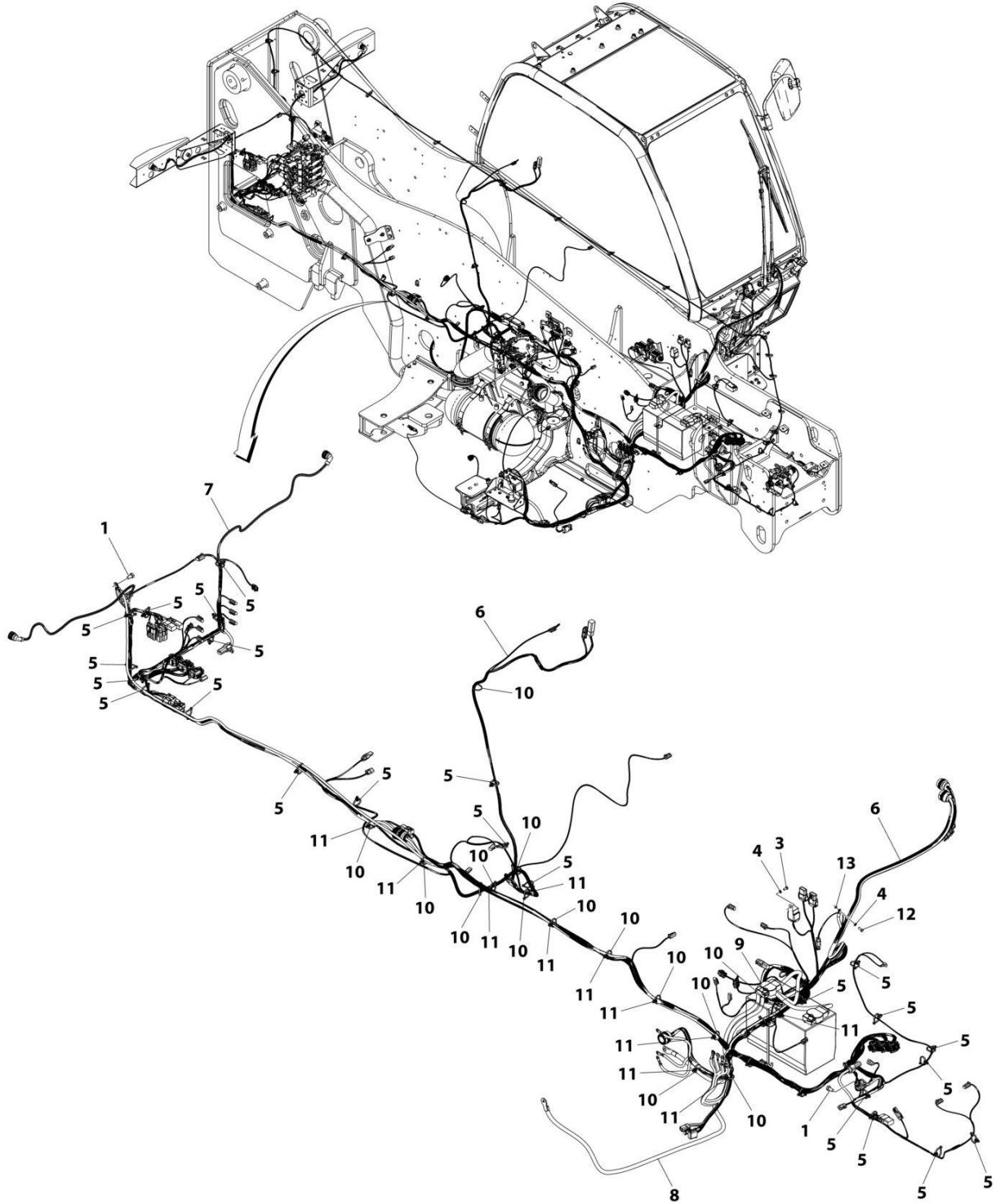
SECTION 10 - ELECTRICAL

FIGURE 10-50. FRAME WIRING INSTALLATION

ITEM	PART NUMBER	QTY	DESCRIPTION	REV
	1001200159	Ref	Frame Wiring Installation	H
1	0761010	2	Bolt M10 x 20	
5	1001146588	25	Tie, Cable	
6	1001258277	1	Harness, Front Frame (See Separate Breakdown in this Section)	
7	1001184397	1	Harness, Rear Frame (See Separate Breakdown in this Section)	
8	1001200168	1	Cable, Negative Battery	
9	1001200169	1	Cable, Positive Battery	
10	1001008559	16	Strap, Cable	
12	0760607	1	Bolt M6 x 14	
13	4811700	2	Washer M6	
14	1001202986	13	Strap Push Mount	
15	0760608	1	Bolt M6 x 16	
16	4871700	1	Washer M6	

SECTION 10 - ELECTRICAL

FIGURE 10-51. FRAME WIRING INSTALLATION, MINING (ULS)



ART_1001228739_C

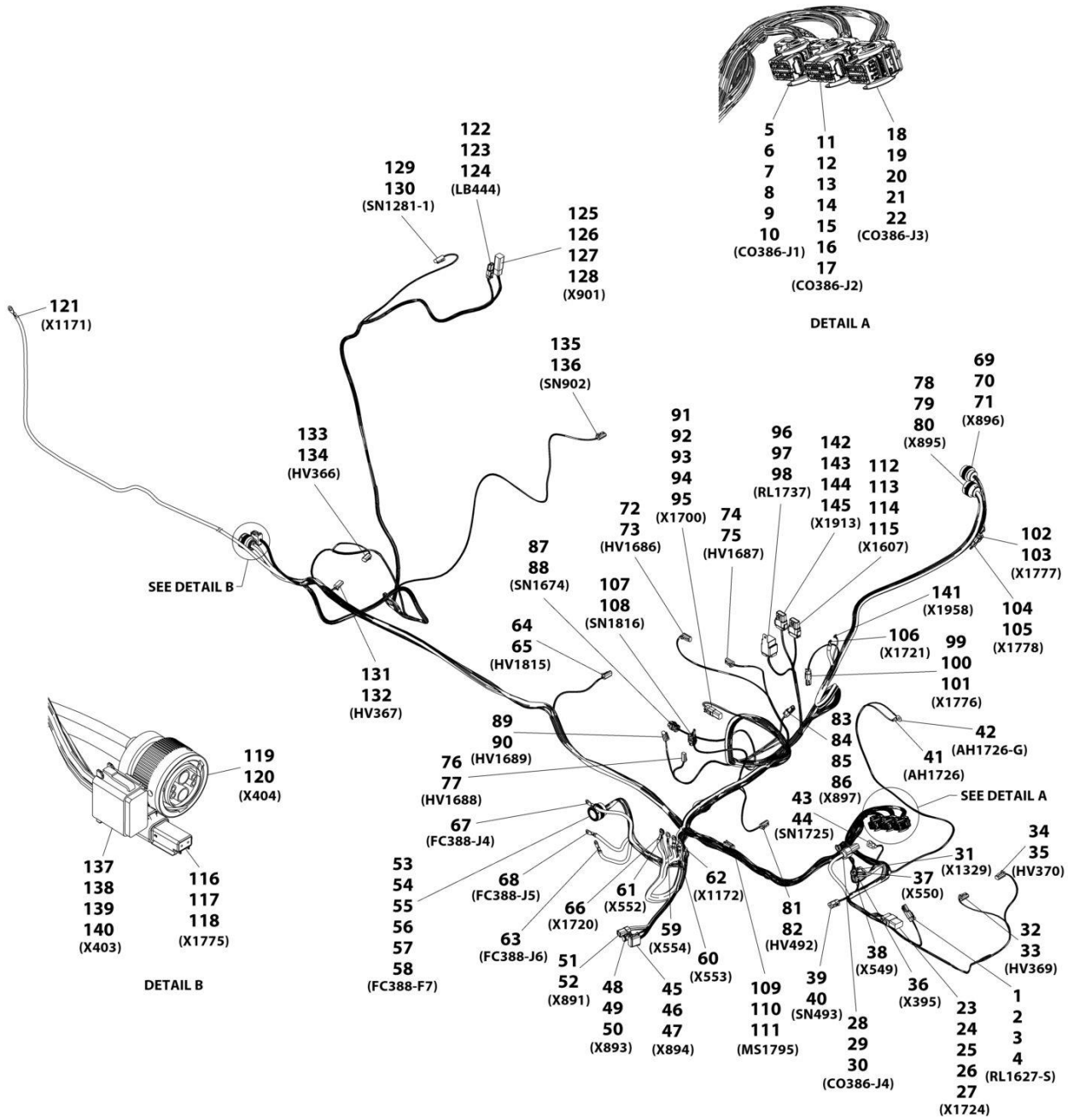
SECTION 10 - ELECTRICAL

FIGURE 10-51. FRAME WIRING INSTALLATION, MINING (ULS)

ITEM	PART NUMBER	QTY	DESCRIPTION	REV
	1001228739	Ref	Frame Wiring Installation, Mining (ULS)	C
1	0761010	2	Bolt M10 x 20	
3	0760607	1	Bolt M6 x 14	
4	4811700	2	Washer M6	
5	1001146588	25	Tie, Cable	
6	1001258278	1	Harness, Front Frame (See Separate Breakdown in this Section)	
7	1001228741	1	Harness, Rear Frame (See Separate Breakdown in this Section)	
8	1001200168	1	Cable, Negative Battery	
9	1001200169	1	Cable, Positive Battery	
10	1001008559	16	Strap, Cable	
11	1001202986	13	Push Mount, Strap	
12	0760608	1	Bolt M6 x 16	
13	4871700	1	Washer M6	

SECTION 10 - ELECTRICAL

FIGURE 10-52. FRAME - FRONT FRAME HARNESS



ART_1001258277

SECTION 10 - ELECTRICAL

FIGURE 10-52. FRAME - FRONT FRAME HARNESS

ITEM	PART NUMBER	QTY	DESCRIPTION	REV
	1001258277	Ref	Front Frame Harness	B
1	4460891	1	Connector	
2	4460897	1	Mating Connector	
3	4460466	2	Plug	
4	4460465	2	Terminal	
5	1001161957	1	Connector	
6	643191201	1	Cover	
7	1001161100	12	Plug	
8	1001161097	12	Terminal	
9	1001161101	5	Plug	
10	1001161098	3	Terminal	
11	1001161963	1	Connector	
12	643201301	1	Cover	
13	1001161097	21	Terminal	
14	1001161100	19	Plug	
15	1001161099	6	Terminal	
16	1001161098	1	Terminal	
17	1001161101	1	Plug	
18	1001160500	1	Connector	
19	643191201	1	Cover	
20	1001161097	10	Terminal	
21	1001161100	15	Plug	
22	1001161099	7	Terminal	
23	4460933	1	Connector	
24	4460970	1	Mating Connector	
25	4460466	2	Plug	
26	4460942	10	Terminal	
27	4460466	2	Plug	
28	1001160509	1	Connector	
29	1001160510	1	Terminal	
30	1001175267	1	Seal	
31	1001187080	1	Ring Terminal	
32	4460891	1	Connector	
33	4460465	2	Terminal	
34	4460891	1	Connector	
35	4460465	2	Terminal	
36	1001187080	1	Ring Terminal	
37	1001187079	1	Ring Terminal	
38	1001187079	1	Ring Terminal	
39	4460539	1	Connector	
40	4460465	3	Terminal	
41	8220051	1	Ring Terminal	
42	1001187073	1	Ring Terminal	
43	4460539	1	Connector	
44	4460465	3	Terminal	
45	4460933	1	Connector	
46	4460465	11	Terminal	
47	4460466	1	Plug	
48	1001116812	1	Connector	
49	4460465	2	Terminal	

SECTION 10 - ELECTRICAL

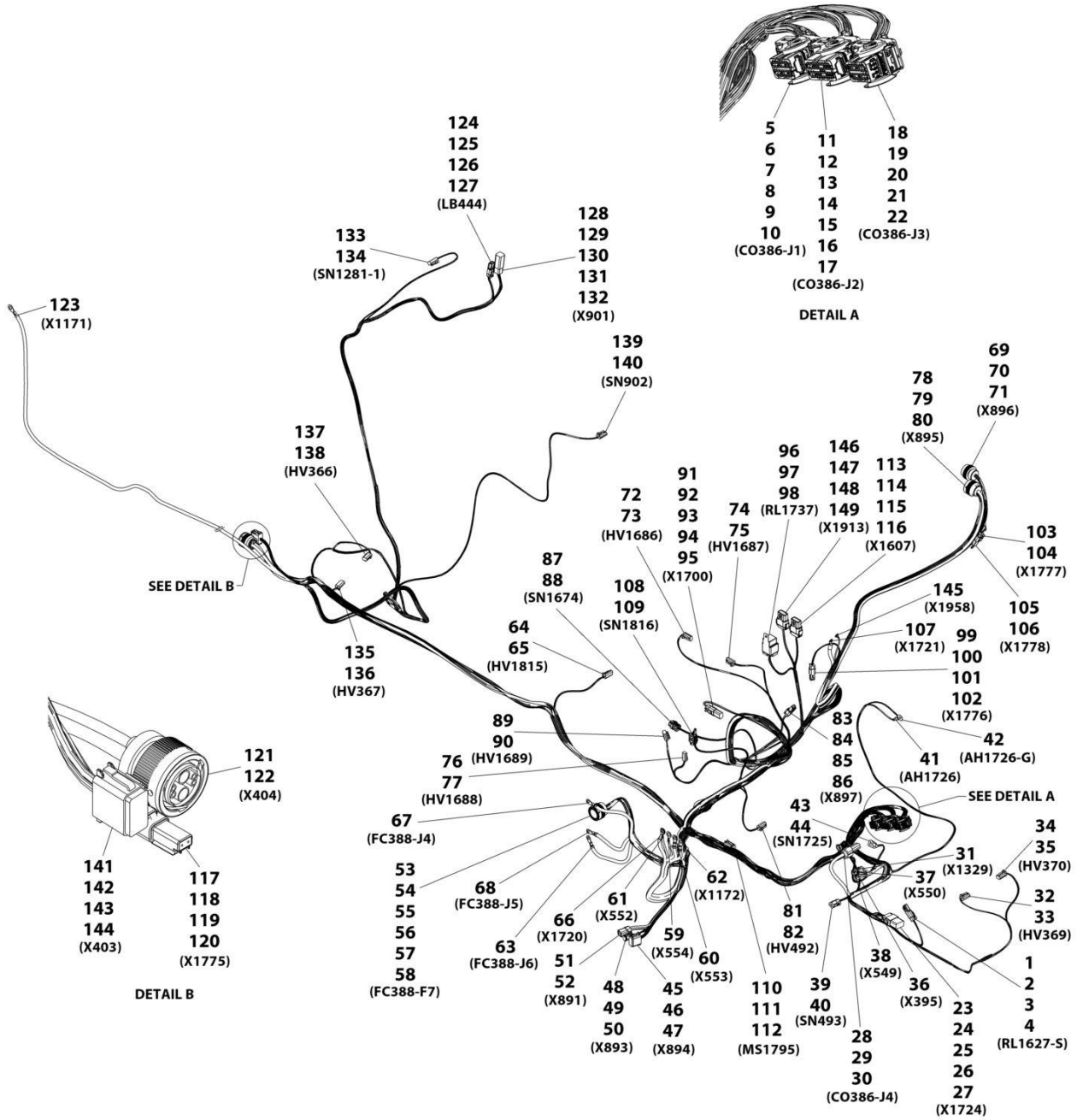
ITEM	PART NUMBER	QTY	DESCRIPTION	REV
50	4460466	1	Plug	
51	1001116810	1	Connector	
52	1001150611	4	Terminal	
53	1001165309	1	Connector	
54	4460466	2	Plug	
55	4460465	9	Terminal	
56	4460942	2	Terminal	
57	4460509	3	Terminal	
58	1001150611	3	Terminal	
59	1001187079	1	Ring Terminal	
60	1001187076	1	Ring Terminal	
61	1001187079	1	Ring Terminal	
62	1001187076	1	Ring Terminal	
63	1001187075	1	Ring Terminal	
64	4460891	1	Connector	
65	4460465	2	Terminal	
66	1001117109	1	Ring Terminal	
67	1001187075	1	Ring Terminal	
68	1001187075	1	Ring Terminal	
69	4461015	1	Connector	
70	4460465	12	Terminal	
71	4460466	2	Plug	
72	4460891	1	Connector	
73	4460465	2	Terminal	
74	4460891	1	Connector	
75	4460465	2	Terminal	
76	4461290	1	Connector	
77	4460928	2	Terminal	
78	1001118323	1	Connector	
79	4460942	4	Terminal	
80	91013192	2	Terminal	
81	4460891	1	Connector	
82	4460465	2	Terminal	
83	4460891	1	Connector	
84	4460897	1	Mating Connector	
85	4460942	1	Terminal	
86	4460466	1	Plug	
87	1001116950	1	Connector	
88	4460465	2	Terminal	
89	4460891	1	Connector	
90	4460465	2	Terminal	
91	4460884	1	Connector	
92	4460932	1	Mating Connector	
93	4460466	1	Sealing Plug	
94	4460465	3	Terminal	
95	4460942	1	Terminal	
96	1001118202	1	Connector	
97	1001116732	4	Terminal	
98	1001128128	1	Plug	
99	4460891	1	Connector	
100	4460897	1	Mating Connector	

SECTION 10 - ELECTRICAL

ITEM	PART NUMBER	QTY	DESCRIPTION	REV
101	4460465	2	Terminal	
102	4460891	1	Connector	
103	4460465	2	Terminal	
104	4460897	1	Connector	
105	4460464	2	Terminal	
106	8220116	1	Ring Terminal	
107	1001116950	1	Connector	
108	4460465	2	Terminal	
109	4460930	1	Connector	
110	4460984	1	Mating Connector	
111	4460465	8	Terminal	
112	1001116774	1	Connector	
113	1001132169	1	Mating Connector	
114	4460518	7	Plug	
115	1001126008	5	Terminal	
116	4460891	1	Connector	
117	4460897	1	Mating Connector	
118	4460465	2	Terminal	
119	1001165310	1	Connector	
120	91013192	2	Terminal	
121	1001187076	1	Ring Terminal	
122	4460891	1	Connector	
123	4460897	1	Mating Connector	
124	4460942	2	Terminal	
125	4460894	1	Connector	
126	4460899	1	Mating Connector	
127	4460465	2	Terminal	
128	4460942	4	Terminal	
129	4460891	1	Connector	
130	4460465	2	Terminal	
131	4460891	1	Connector	
132	4460465	2	Terminal	
133	4460891	1	Connector	
134	4460465	2	Terminal	
135	4460891	1	Connector	
136	4460465	2	Terminal	
137	4460933	1	Connector	
138	4460465	6	Terminal	
139	4460942	1	Terminal	
140	4460466	5	Plug	
141	1001207173	1	Terminal, Ring	
142	1001116808	1	Connector	
143	1001132170	1	Mating Connector	
144	4460518	18	Plug	
145	1001126008	3	Terminal	

SECTION 10 - ELECTRICAL

FIGURE 10-53. FRAME - FRONT FRAME HARNESS, MINING



ART_1001258278

SECTION 10 - ELECTRICAL

FIGURE 10-53. FRAME - FRONT FRAME HARNESS, MINING

ITEM	PART NUMBER	QTY	DESCRIPTION	REV
	1001258278	Ref	Front Frame Harness, Mining	B
1	4460891	1	Connector	
2	4460897	1	Mating Connector	
3	4460466	2	Plug	
4	4460465	2	Terminal	
5	1001161957	1	Connector	
6	643191201	1	Cover	
7	1001161100	12	Plug	
8	1001161097	12	Terminal	
9	1001161101	5	Plug	
10	1001161098	3	Terminal	
11	1001161963	1	Connector	
12	643201301	1	Cover	
13	1001161097	22	Terminal	
14	1001161100	19	Plug	
15	1001161099	6	Terminal	
16	1001161098	1	Terminal	
17	1001161101	1	Plug	
18	1001160500	1	Connector	
19	643191201	1	Cover	
20	1001161097	10	Terminal	
21	1001161100	15	Plug	
22	1001161099	7	Terminal	
23	4460933	1	Connector	
24	4460970	1	Mating Connector	
25	4460466	2	Plug	
26	4460942	10	Terminal	
27	4460466	2	Plug	
28	1001160509	1	Connector	
29	1001160510	1	Terminal	
30	1001175267	1	Seal	
31	1001187080	1	Ring Terminal	
32	4460891	1	Connector	
33	4460465	2	Terminal	
34	4460891	1	Connector	
35	4460465	2	Terminal	
36	1001187080	1	Ring Terminal	
37	1001187079	1	Ring Terminal	
38	1001187079	1	Ring Terminal	
39	4460539	1	Connector	
40	4460465	3	Terminal	
41	8220051	1	Ring Terminal	
42	1001187073	1	Ring Terminal	
43	4460539	1	Connector	
44	4460465	3	Terminal	
45	4460933	1	Connector	
46	4460465	11	Terminal	
47	4460466	1	Plug	
48	1001116812	1	Connector	
49	4460465	2	Terminal	

SECTION 10 - ELECTRICAL

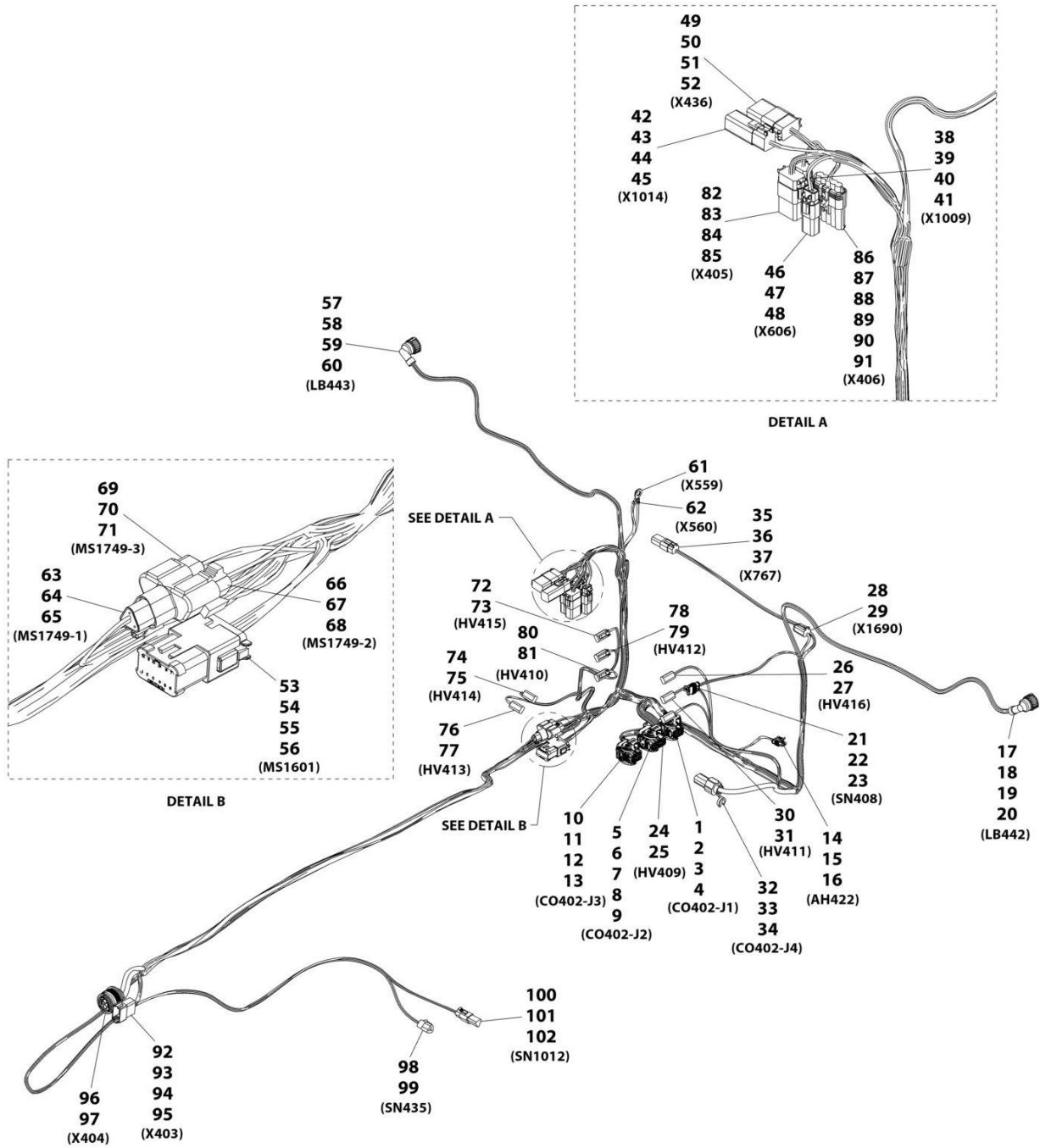
ITEM	PART NUMBER	QTY	DESCRIPTION	REV
50	4460466	1	Plug	
51	1001116810	1	Connector	
52	1001150611	4	Terminal	
53	1001165309	1	Connector	
54	4460466	2	Plug	
55	4460465	9	Terminal	
56	4460942	2	Terminal	
57	4460509	3	Terminal	
58	1001150611	3	Terminal	
59	1001187079	1	Ring Terminal	
60	1001187076	1	Ring Terminal	
61	1001187079	1	Ring Terminal	
62	1001187076	1	Ring Terminal	
63	1001187075	1	Ring Terminal	
64	4460891	1	Connector	
65	4460465	2	Terminal	
66	1001117109	1	Ring Terminal	
67	1001187075	1	Ring Terminal	
68	1001187075	1	Ring Terminal	
69	4461015	1	Connector	
70	4460465	12	Terminal	
71	4460466	2	Plug	
72	4460891	1	Connector	
73	4460465	2	Terminal	
74	4460891	1	Connector	
75	4460465	2	Terminal	
76	4461290	1	Connector	
77	4460928	2	Terminal	
78	1001118323	1	Connector	
79	4460942	4	Terminal	
80	91013192	2	Terminal	
81	4460891	1	Connector	
82	4460465	2	Terminal	
83	4460891	1	Connector	
84	4460897	1	Mating Connector	
85	4460942	1	Terminal	
86	4460466	1	Plug	
87	1001116950	1	Connector	
88	4460465	2	Terminal	
89	4460891	1	Connector	
90	4460465	2	Terminal	
91	4460884	1	Connector	
92	4460932	1	Mating Connector	
93	4460466	1	Sealing Plug	
94	4460465	3	Terminal	
95	4460942	1	Terminal	
96	1001118282	1	Connector	
97	1001116732	4	Terminal	
98	1001128128	1	Plug	
99	4460891	1	Connector	
100	4460897	1	Mating Connector	

SECTION 10 - ELECTRICAL

ITEM	PART NUMBER	QTY	DESCRIPTION	REV
101	4460465	2	Terminal	
102	4460466	1	Plug	
103	4460891	1	Connector	
104	4460465	2	Terminal	
105	4460897	1	Connector	
106	4460464	2	Terminal	
107	8220116	1	Ring Terminal	
108	1001116950	1	Connector	
109	4460465	2	Terminal	
110	4460930	1	Connector	
111	4460984	1	Mating Connector	
112	4460465	8	Terminal	
113	1001116774	1	Connector	
114	1001132169	1	Mating Connector	
115	4460518	7	Plug	
116	1001126008	5	Terminal	
117	4460891	1	Connector	
118	4460897	1	Mating Connector	
119	4460465	2	Terminal	
120	4460466	1	Plug	
121	1001165310	1	Connector	
122	91013192	2	Terminal	
123	1001187076	1	Ring Terminal	
124	4460891	1	Connector	
125	4460897	1	Mating Connector	
126	4460942	2	Terminal	
127	4460466	1	Plug	
128	4460894	1	Connector	
129	4460899	1	Mating Connector	
130	4460466	1	Plug	
131	4460465	2	Terminal	
132	4460942	4	Terminal	
133	4460891	1	Connector	
134	4460465	2	Terminal	
135	4460891	1	Connector	
136	4460465	2	Terminal	
137	4460891	1	Connector	
138	4460465	2	Terminal	
139	4460891	1	Connector	
140	4460465	2	Terminal	
141	4460933	1	Connector	
142	4460465	6	Terminal	
143	4460942	1	Terminal	
144	4460466	5	Plug	
145	1001207173	1	Terminal, Ring	
146	1001116808	1	Connector	
147	1001132170	1	Mating Connector	
148	4460518	18	Plug	
149	1001126008	3	Terminal	

SECTION 10 - ELECTRICAL

FIGURE 10-54. FRAME - REAR FRAME HARNESS



ART_1001184397-1

SECTION 10 - ELECTRICAL

FIGURE 10-54. FRAME - REAR FRAME HARNESS

ITEM	PART NUMBER	QTY	DESCRIPTION	REV
	1001184397	Ref	Rear Frame Harness	I
1	1001161957	1	Connector	
2	1001161097	6	Terminal	
3	1001161100	18	Plug	
4	1001161101	8	Plug	
5	1001161963	1	Connector	
6	1001161097	26	Terminal	
7	1001161100	14	Plug	
8	1001161099	6	Terminal	
9	1001161101	2	Plug	
10	1001160500	1	Connector	
11	1001161100	18	Plug	
12	1001161097	6	Terminal	
13	1001161099	8	Terminal	
14	4461118	1	Connector	
15	1001107854	2	Terminal	
16	1001116763	2	Terminal Seal	
17	1001116996	1	Connector	
18	1001118392	6	Terminal	
19	1001116696	1	Plug	
20	4461054	6	Terminal Seal	
21	4461262	1	Connector	
22	1001107854	3	Terminal	
23	1001104498	3	Terminal Seal	
24	4460891	1	Connector	
25	4460465	2	Terminal	
26	4460891	1	Connector	
27	4460465	2	Terminal	
28	4460884	1	Connector	
29	4460465	4	Terminal	
30	4460891	1	Connector	
31	4460465	2	Terminal	
32	1001160509	1	Connector	
33	1001160510	1	Terminal	
34	1001175267	1	Terminal Seal	
35	4460884	1	Connector	
36	4460932	1	Mating Connector	
37	4460465	4	Terminal	
38	4460884	1	Connector	
39	4460932	1	Mating Connector	
40	4460466	2	Plug	
41	4460465	2	Terminal	
42	4460894	1	Connector	
43	4460899	1	Mating Connector	
44	4460466	3	Plug	
45	4460465	3	Terminal	
46	4461018	1	Connector	
47	4461017	1	Mating Connector	
48	4460509	2	Terminal	
49	4460930	1	Connector	

SECTION 10 - ELECTRICAL

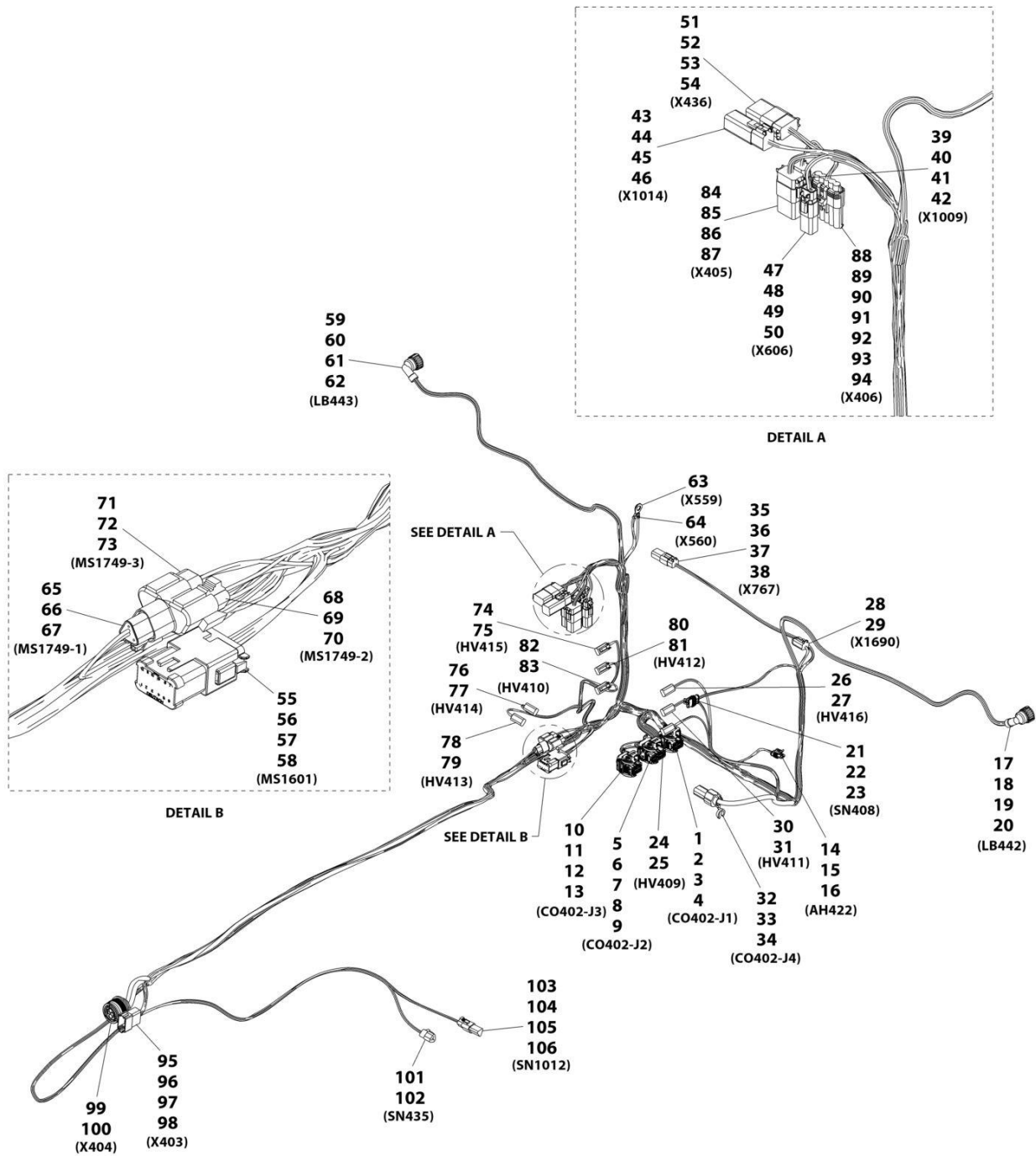
ITEM	PART NUMBER	QTY	DESCRIPTION	REV
50	4460931	1	Mating Connector	
51	4460466	2	Plug	
52	4460465	6	Terminal	
53	4460933	1	Connector	
54	1001125677	1	Bussbar Connector	
55	4460465	10	Terminal	
56	4460466	2	Plug	
57	1001116996	1	Connector	
58	1001118392	6	Terminal	
59	1001116696	1	Plug	
60	4461054	6	Terminal Seal	
61	1001187080	1	Ring Terminal	
62	1001187079	1	Ring Terminal	
63	1001116812	1	Connector	
64	4460944	2	Terminal	
65	4460466	1	Plug	
66	4460539	1	Connector	
67	4460944	2	Terminal	
68	4460466	1	Plug	
69	1001116812	1	Connector	
70	4460944	2	Terminal	
71	4460466	1	Plug	
72	4460891	1	Connector	
73	4460465	2	Terminal	
74	4460891	1	Connector	
75	4460465	2	Terminal	
76	4460891	1	Connector	
77	4460465	2	Terminal	
78	4460891	1	Connector	
79	4460465	2	Terminal	
80	4460891	1	Connector	
81	4460465	2	Terminal	
82	4460930	1	Connector	
83	4460931	1	Mating Connector	
84	4460466	2	Plug	
85	4460465	6	Terminal	
86	1001121726	1	Connector	
87	1001121727	1	Mating Connector	
88	1001116728	4	Terminal	
89	4460748	1	Plug	
90	1001175265	3	Terminal Seal	
91	4460458	1	Terminal Seal	
92	4460970	1	Connector	
93	4460464	6	Terminal	
94	4460941	1	Terminal	
95	4460466	5	Plug	
96	1001165311	1	Connector	
97	91013191	2	Terminal	
98	4460539	1	Connector	
99	4460944	3	Terminal	
100	4460539	1	Connector	

SECTION 10 - ELECTRICAL

ITEM	PART NUMBER	QTY	DESCRIPTION	REV
101	4460536	1	Mating Connector	
102	4460465	3	Terminal	

SECTION 10 - ELECTRICAL

FIGURE 10-55. FRAME - REAR FRAME HARNESS, MINING



ART_1001228741-A

SECTION 10 - ELECTRICAL

FIGURE 10-55. FRAME - REAR FRAME HARNESS, MINING

ITEM	PART NUMBER	QTY	DESCRIPTION	REV
	1001228741	Ref	Front Frame Harness, Mining	A
1	1001161957	1	Connector	
2	1001161097	6	Terminal	
3	1001161100	18	Plug	
4	1001161101	8	Plug	
5	1001161963	1	Connector	
6	1001161097	26	Terminal	
7	1001161100	14	Plug	
8	1001161099	6	Terminal	
9	1001161101	2	Plug	
10	1001160500	1	Connector	
11	1001161100	18	Plug	
12	1001161097	6	Terminal	
13	1001161099	8	Terminal	
14	4461118	1	Connector	
15	1001107854	2	Terminal	
16	1001116763	2	Terminal Seal	
17	1001116996	1	Connector	
18	1001118392	6	Terminal	
19	1001116696	1	Plug	
20	4461054	6	Terminal Seal	
21	4461262	1	Connector	
22	1001107854	3	Terminal	
23	1001104498	3	Terminal Seal	
24	4460891	1	Connector	
25	4460465	2	Terminal	
26	4460891	1	Connector	
27	4460465	2	Terminal	
28	4460884	1	Connector	
29	4460465	4	Terminal	
30	4460891	1	Connector	
31	4460465	2	Terminal	
32	1001160509	1	Connector	
33	1001160510	1	Terminal	
34	1001175267	1	Terminal Seal	
35	4460884	1	Connector	
36	4460932	1	Mating Connector	
37	4460465	4	Terminal	
38	4460466	1	Plug	
39	4460884	1	Connector	
40	4460932	1	Mating Connector	
41	4460466	2	Plug	
42	4460465	2	Terminal	
43	4460894	1	Connector	
44	4460899	1	Mating Connector	
45	4460466	3	Plug	
46	4460465	3	Terminal	
47	4461018	1	Connector	
48	4461017	1	Mating Connector	
49	4460509	2	Terminal	

SECTION 10 - ELECTRICAL

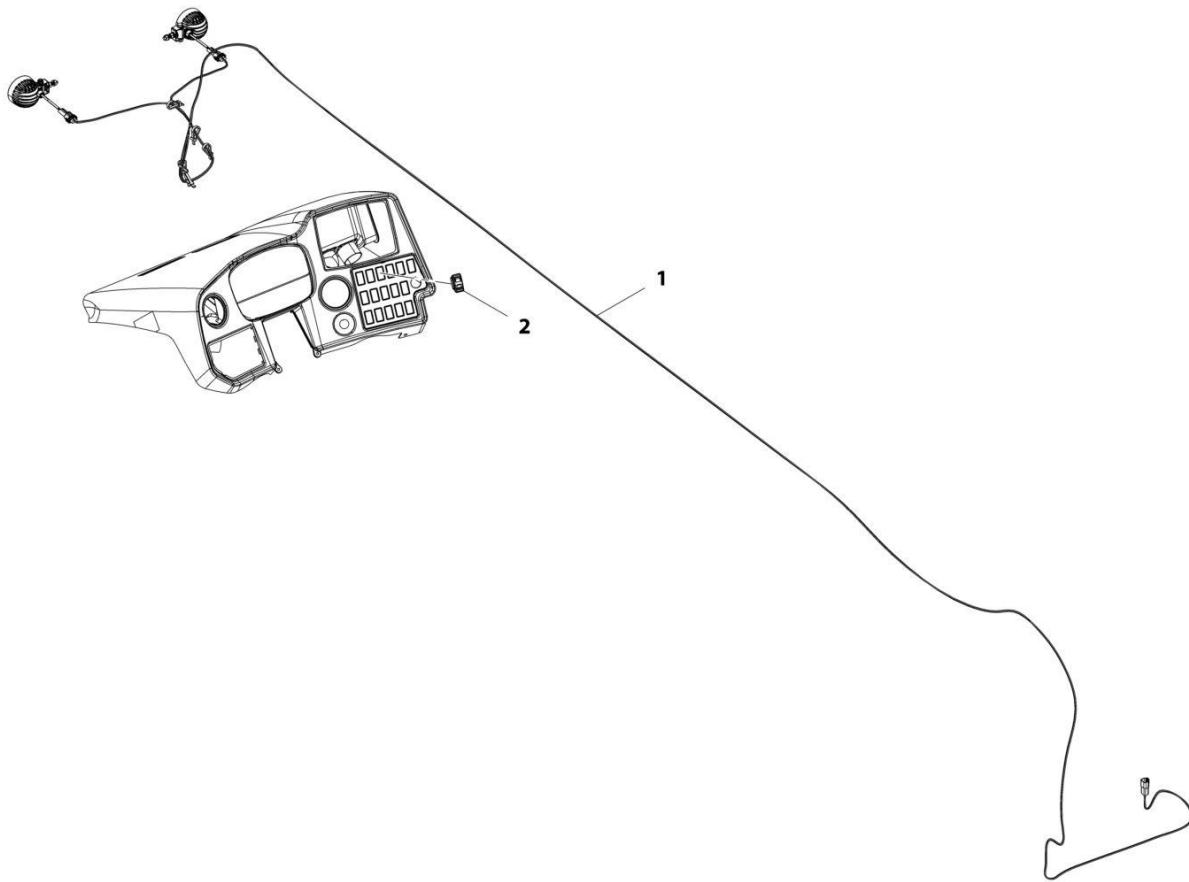
ITEM	PART NUMBER	QTY	DESCRIPTION	REV
51	4460930	1	Connector	
52	4460931	1	Mating Connector	
53	4460466	2	Plug	
54	4460465	6	Terminal	
55	4460933	1	Connector	
56	1001125677	1	Bussbar Connector	
57	4460465	10	Terminal	
58	4460466	2	Plug	
59	1001116996	1	Connector	
60	1001118392	6	Terminal	
61	1001116696	1	Plug	
62	4461054	6	Terminal Seal	
63	1001187080	1	Ring Terminal	
64	1001187079	1	Ring Terminal	
65	1001116812	1	Connector	
66	4460944	2	Terminal	
67	4460466	1	Plug	
68	4460539	1	Connector	
69	4460944	2	Terminal	
70	4460466	1	Plug	
71	1001116812	1	Connector	
72	4460944	2	Terminal	
73	4460466	1	Plug	
74	4460891	1	Connector	
75	4460465	2	Terminal	
76	4460891	1	Connector	
77	4460465	2	Terminal	
78	4460891	1	Connector	
79	4460465	2	Terminal	
80	4460891	1	Connector	
81	4460465	2	Terminal	
82	4460891	1	Connector	
83	4460465	2	Terminal	
84	4460930	1	Connector	
85	4460931	1	Mating Connector	
86	4460466	2	Plug	
87	4460465	6	Terminal	
88	1001121726	1	Connector	
89	1001121727	1	Mating Connector	
90	1001116728	4	Terminal	
91	1001116727	1	Plug	
92	4460748	1	Plug	
93	1001175265	3	Terminal Seal	
94	4460458	1	Terminal Seal	
95	4460970	1	Connector	
96	4460464	6	Terminal	
97	4460941	1	Terminal	
98	4460466	5	Plug	
99	1001165311	1	Connector	
100	91013191	2	Terminal	
101	4460539	1	Connector	

SECTION 10 - ELECTRICAL

ITEM	PART NUMBER	QTY	DESCRIPTION	REV
102	4460944	3	Terminal	
103	4460539	1	Connector	
104	4460536	1	Mating Connector	
105	4460466	1	Plug	
106	4460465	3	Terminal	

SECTION 10 - ELECTRICAL

FIGURE 10-56. LIGHTS - BOOM WORK LIGHTS (LED)



ART_1001209427-B

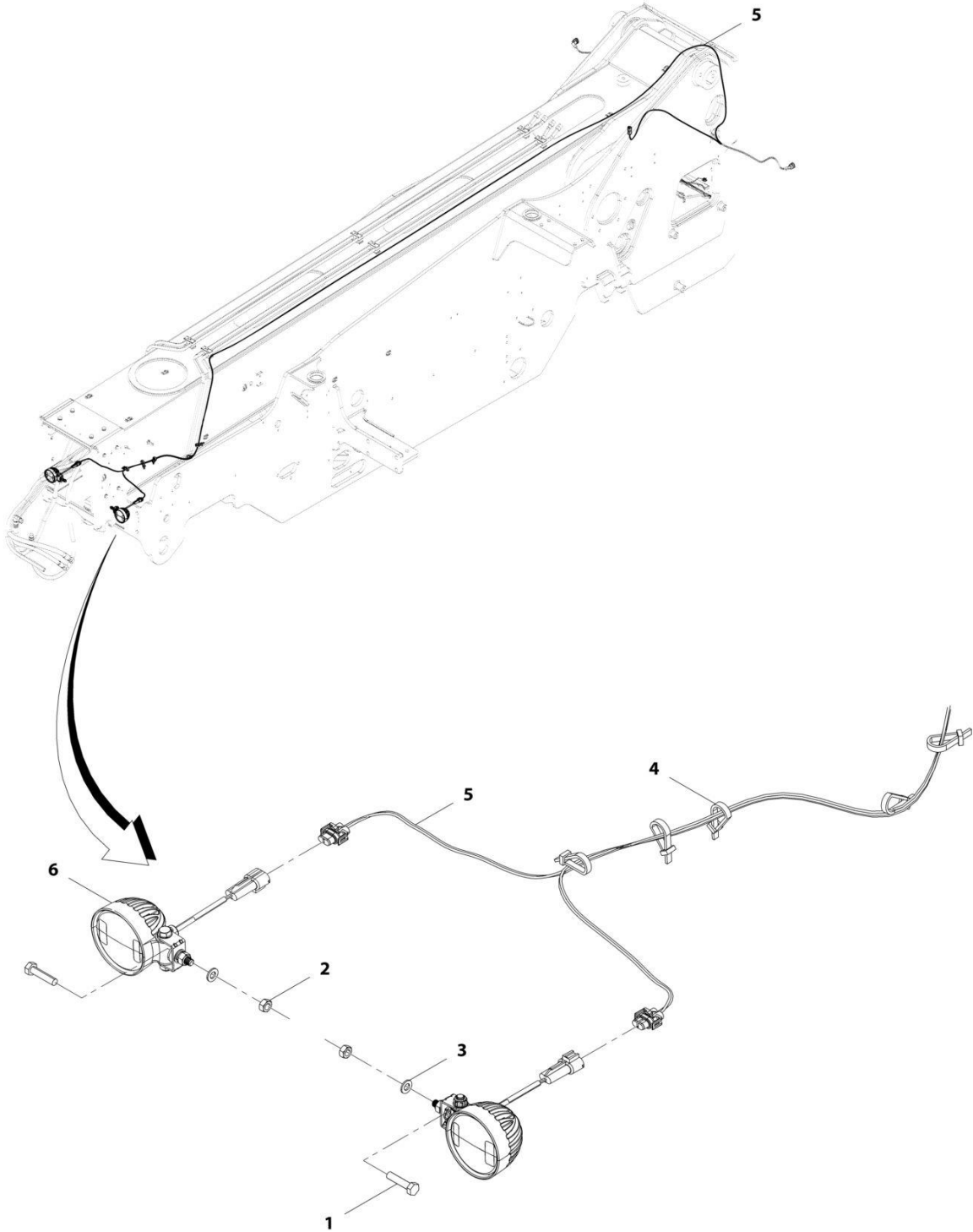
SECTION 10 - ELECTRICAL

FIGURE 10-56. LIGHTS - BOOM WORK LIGHTS (LED)

ITEM	PART NUMBER	QTY	DESCRIPTION	REV
	1001209427	Ref	Boom Work Lights (LED)	B
1	1001159739	1	Switch, Boom Worklights	
2	1001209456	1	Installation, LED Boom Work lights (See Separate Breakdown in this Section)	

SECTION 10 - ELECTRICAL

FIGURE 10-57. LIGHTS - BOOM WORK LIGHT INSTALLATION (LED)



ART_1001209456-C

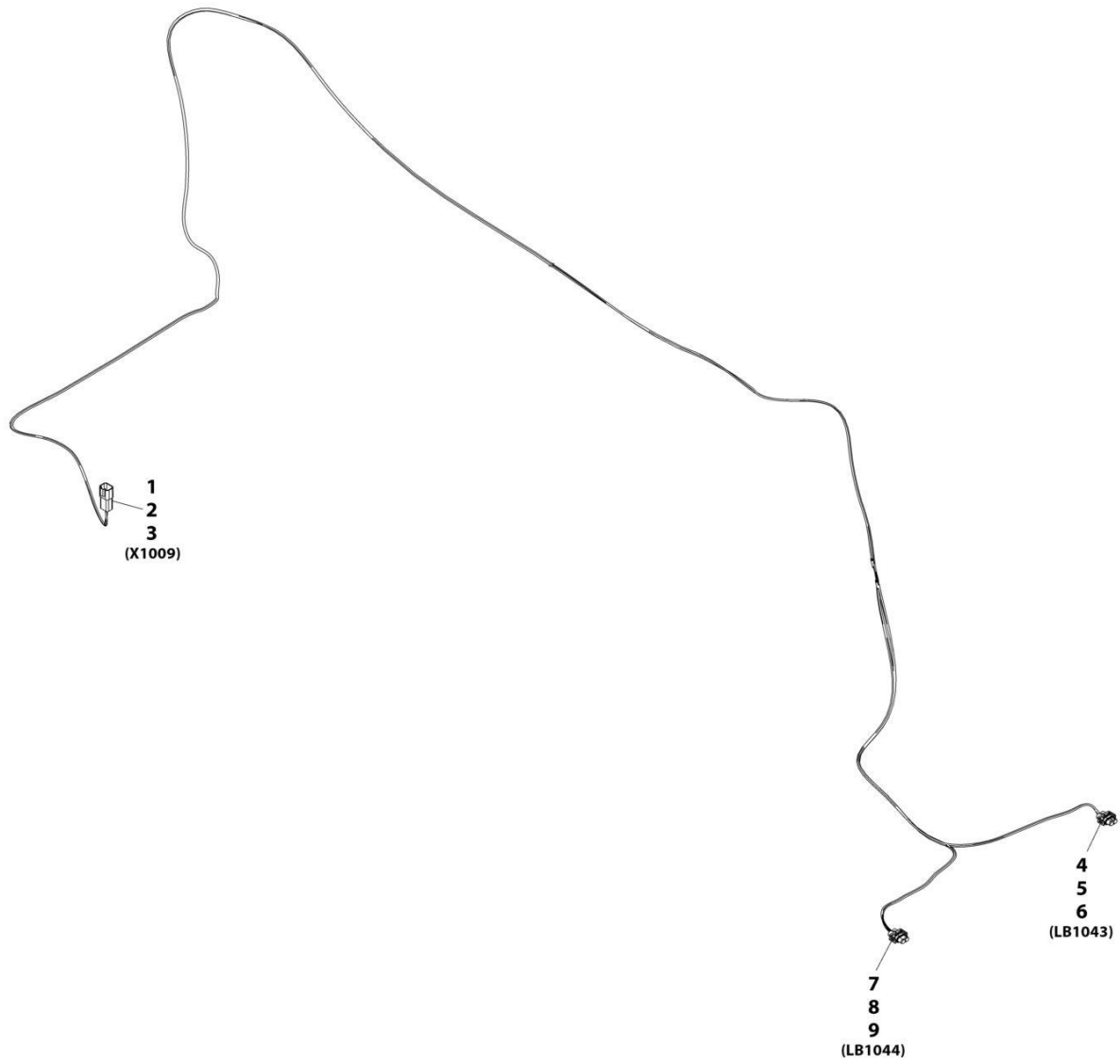
SECTION 10 - ELECTRICAL

FIGURE 10-57. LIGHTS - BOOM WORK LIGHT INSTALLATION (LED)

ITEM	PART NUMBER	QTY	DESCRIPTION	REV
	1001209456	Ref	Boom Work Light Installation (LED)	C
1	0700815	2	Bolt, M8X35	
2	3290801	2	Nut, M8X1.25	
3	4811900	2	Washer, M8	
4	1001008923	5	Strap, Cable	
5	1001184796	1	Harness, Boom Work Lights (See Separate Breakdown in this Section)	
6	1001203640	2	Lamp, LED Worklight	

SECTION 10 - ELECTRICAL

FIGURE 10-58. LIGHTS - BOOM WORKLIGHTS HARNESS



ART_1001184796-E

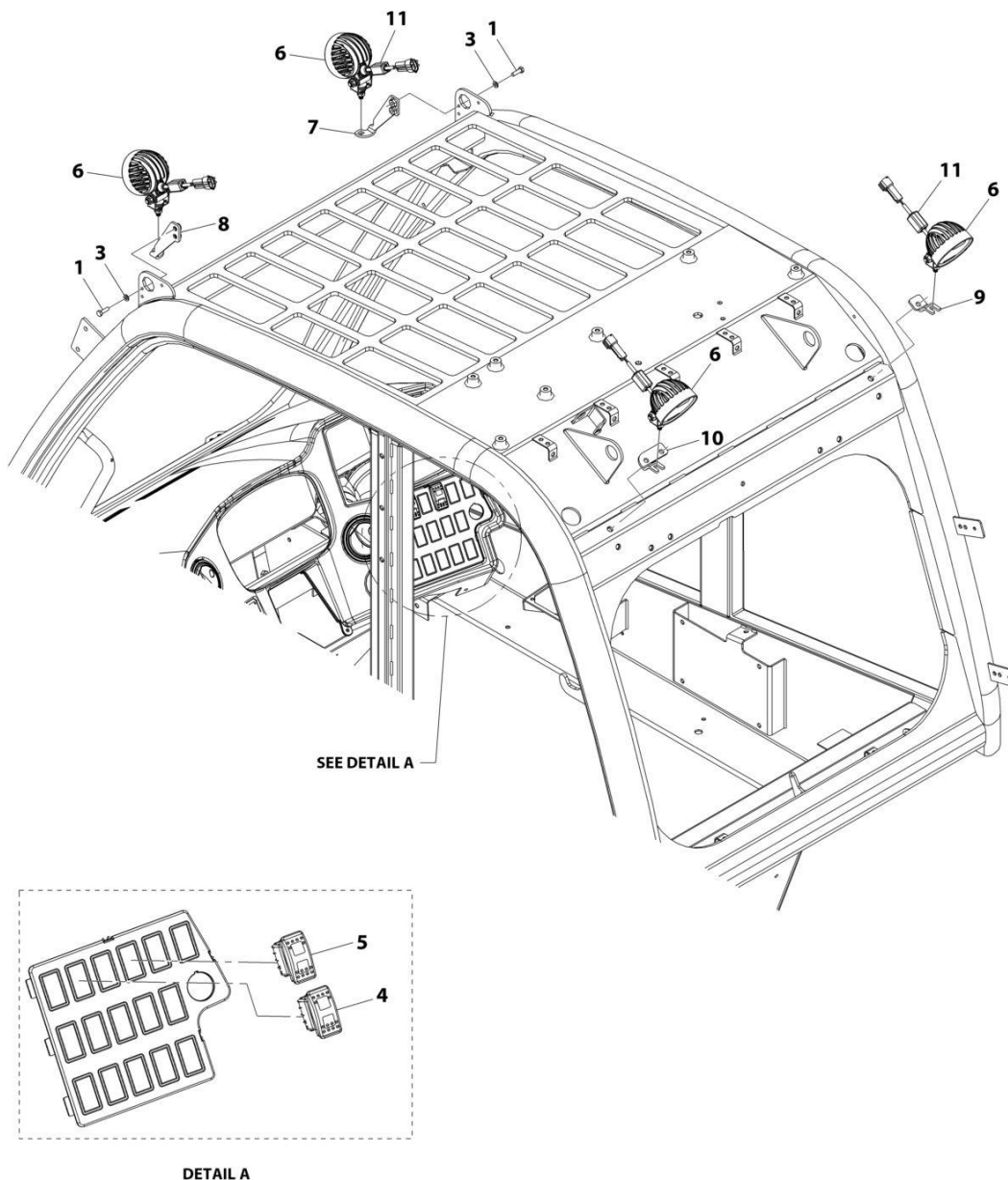
SECTION 10 - ELECTRICAL

FIGURE 10-58. LIGHTS - BOOM WORKLIGHTS HARNESS

ITEM	PART NUMBER	QTY	DESCRIPTION	REV
	1001184796	Ref	Boom Worklights Harness	E
1	4460932	1	Connector	
2	4460464	2	Terminal	
3	4460466	2	Plug	
4	4461115	1	Connector	
5	1001116728	2	Terminal	
6	4460458	2	Terminal Seal	
7	4461115	1	Connector	
8	1001116728	2	Terminal	
9	4460458	2	Terminal Seal	

SECTION 10 - ELECTRICAL

FIGURE 10-59. LIGHTS - CAB WORKLIGHTS INSTALLATION (NO A/C - LED)



ART_1001200538-D

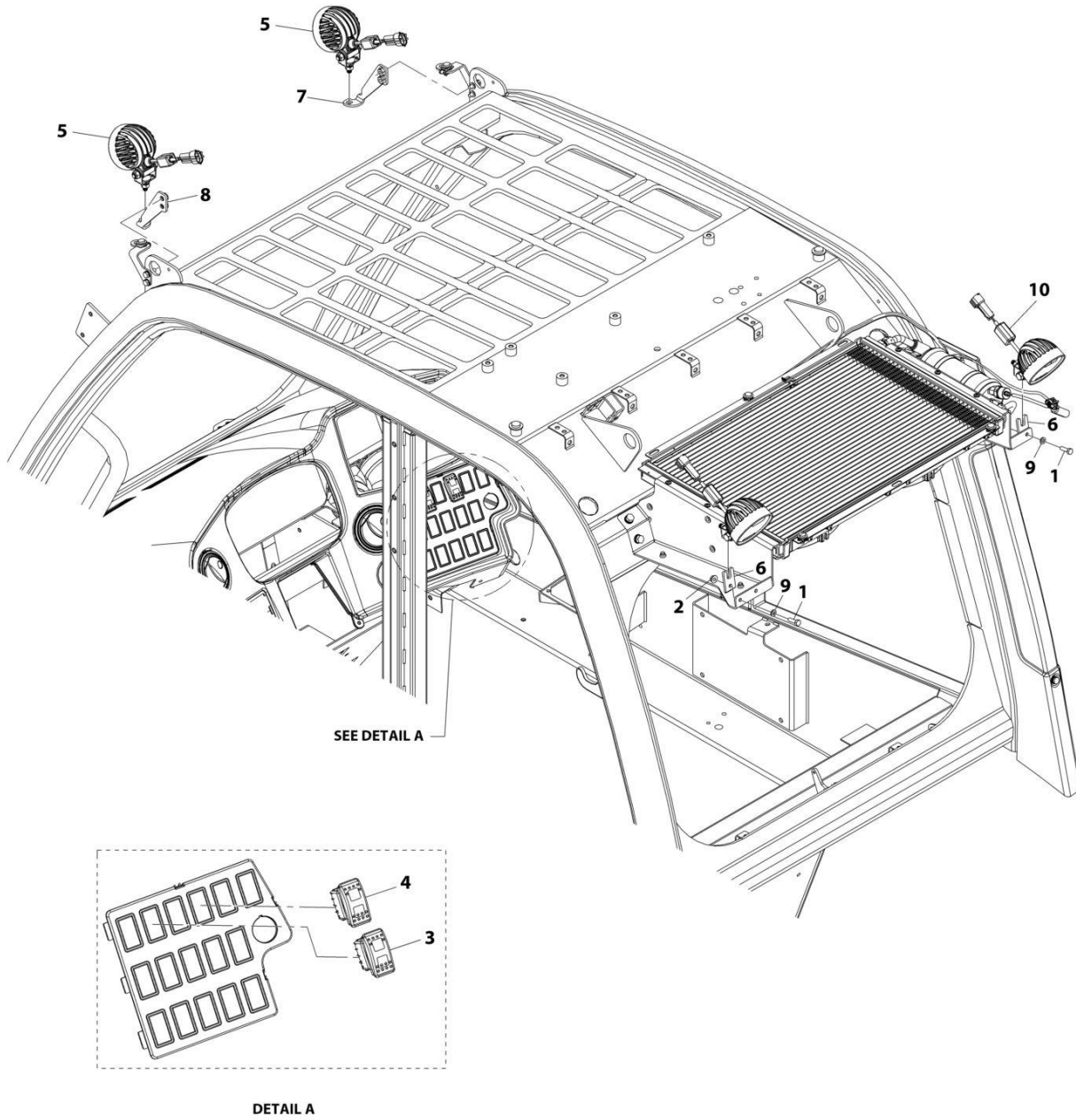
SECTION 10 - ELECTRICAL

FIGURE 10-59. LIGHTS - CAB WORKLIGHTS INSTALLATION (NO A/C - LED)

ITEM	PART NUMBER	QTY	DESCRIPTION	REV
	1001200538	Ref	Cab Worklights Installation (No A/C - LED)	D
1	0700610	4	Bolt, M6X20	
3	4811700	4	Washer, M6	
4	1001159845	1	Switch, Front Worklights	
5	1001159846	1	Switch, Rear Worklights	
6	1001203640	4	Lamp, LED Work Light	
7	1001244193	1	Support, LED Work Light RH	
8	1001244192	1	Support, LED Work Light LH	
9	1001204528	1	Support, LED Work Light RH	
10	1001204530	1	Support, LED Work Light LH	
11	1001228989	4	Harness, Ferrite	

SECTION 10 - ELECTRICAL

FIGURE 10-60. LIGHTS - CAB WORKLIGHTS INSTALLATION (A/C - LED)



ART_1001200539-D

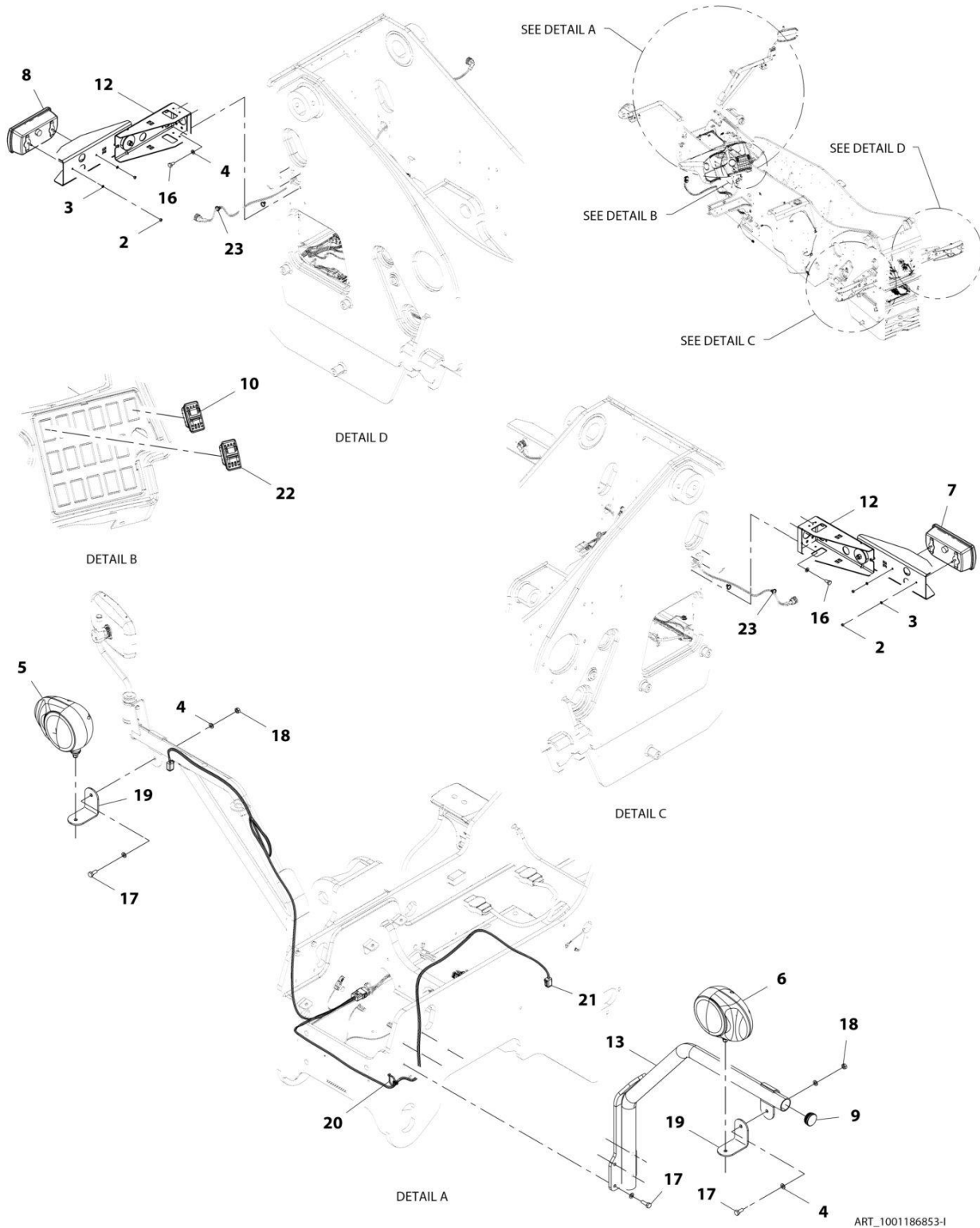
SECTION 10 - ELECTRICAL

FIGURE 10-60. LIGHTS - CAB WORKLIGHTS INSTALLATION (A/C - LED)

ITEM	PART NUMBER	QTY	DESCRIPTION	REV
	1001200539	Ref	Cab Worklights Installation (A/C - LED)	D
1	0700610	2	Bolt, M6X20	
2	5220600	2	Nut, M6	
3	1001159845	1	Switch, Front Worklights	
4	1001159846	1	Switch, Rear Worklights	
5	1001203640	4	Lamp, LED Work Light	
6	1001204060	2	Bracket	
7	1001244193	1	Support, LED Work Light RH	
8	1001244192	1	Support, LED Work Light LH	
9	4811700	2	Washer, M6	
10	1001228989	4	Harness, Ferrite	

SECTION 10 - ELECTRICAL

FIGURE 10-61. LIGHTS - DRIVING LIGHT INSTALLATION (RH DIP)



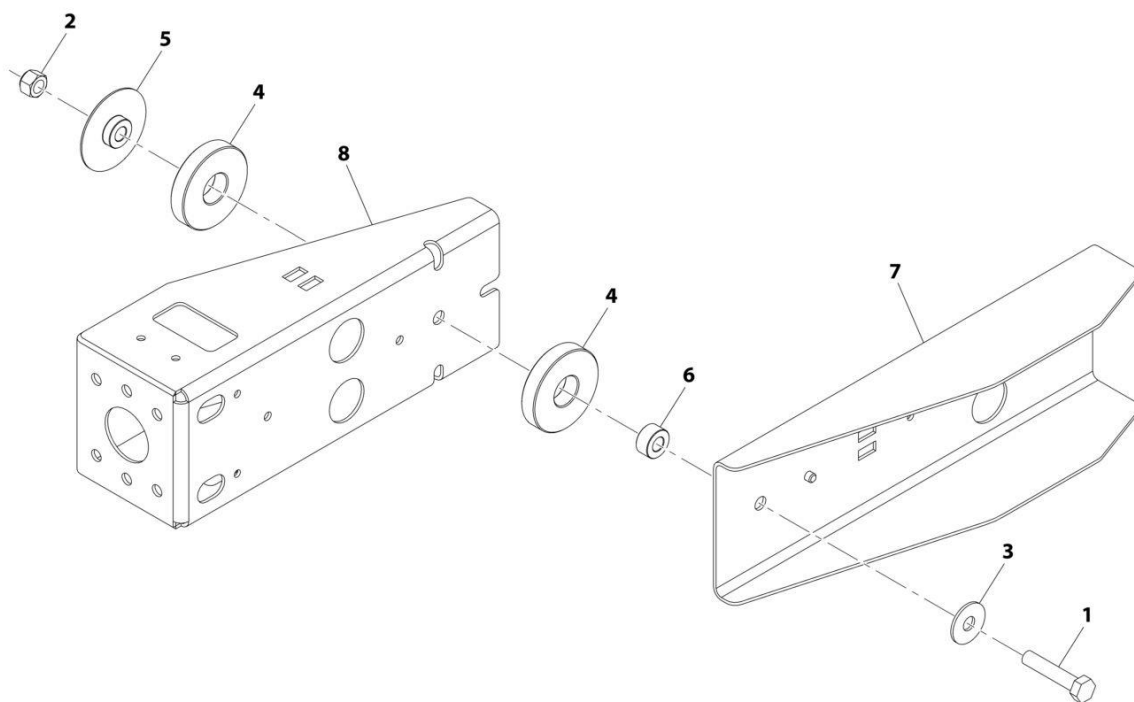
SECTION 10 - ELECTRICAL

FIGURE 10-61. LIGHTS - DRIVING LIGHT INSTALLATION (RH DIP)

ITEM	PART NUMBER	QTY	DESCRIPTION	REV
	1001186853	Ref	Driving Light Installation (RH Dip)	1
2	3290607	4	Nut, Lock M6X1	
3	4811700	4	Washer, M6	
4	4812000	16	Washer, M10	
5	2920208	1	Light, Driving (RH) (RH Dip)	
	7029969	1	Bulb, 4W	
	7029970	1	Bulb, 55W	
	7029971	1	Bulb, 21W	
6	2920207	1	Light, Driving (LH) (RH Dip)	
	7029969	1	Bulb, 4W	
	7029970	1	Bulb, 55W	
	7029971	1	Bulb, 21W	
7	1001091715	1	Light, Rear (LH)	
	70021341	1	Bulb, 5W	
	70021340	1	Bulb, 21W	
	7029971	1	Bulb, 21W	
8	1001091716	1	Light, Rear (RH)	
	70021341	1	Bulb, 5W	
	70021340	1	Bulb, 21W	
	7029971	1	Bulb, 21W	
9	1001209697	1	Cap	
10	1001159734	1	Switch, Hazard	
12	1001183112	2	Assembly, Rear Light Bracket (See Separate Breakdown in this Section)	
13	1001206100	1	Bracket	
16	0761010	8	Bolt, M10X20	
17	0701014	6	Bolt, M10X30	
18	3291001	2	Nut, M10X1.5	
19	1001203368	2	Bracket	
20	1001146588	1	Strap, Tie	
21	1001215693	1	Harness, Headlight (See Separate Breakdown in this Section)	
22	1001159737	1	Switch, Fog Lights	
23	1001008559	4	Strap, Cable	

SECTION 10 - ELECTRICAL

FIGURE 10-62. LIGHTS - DRIVING LIGHT BRACKET ASSEMBLY (RH DIP)



ART_1001183112-C

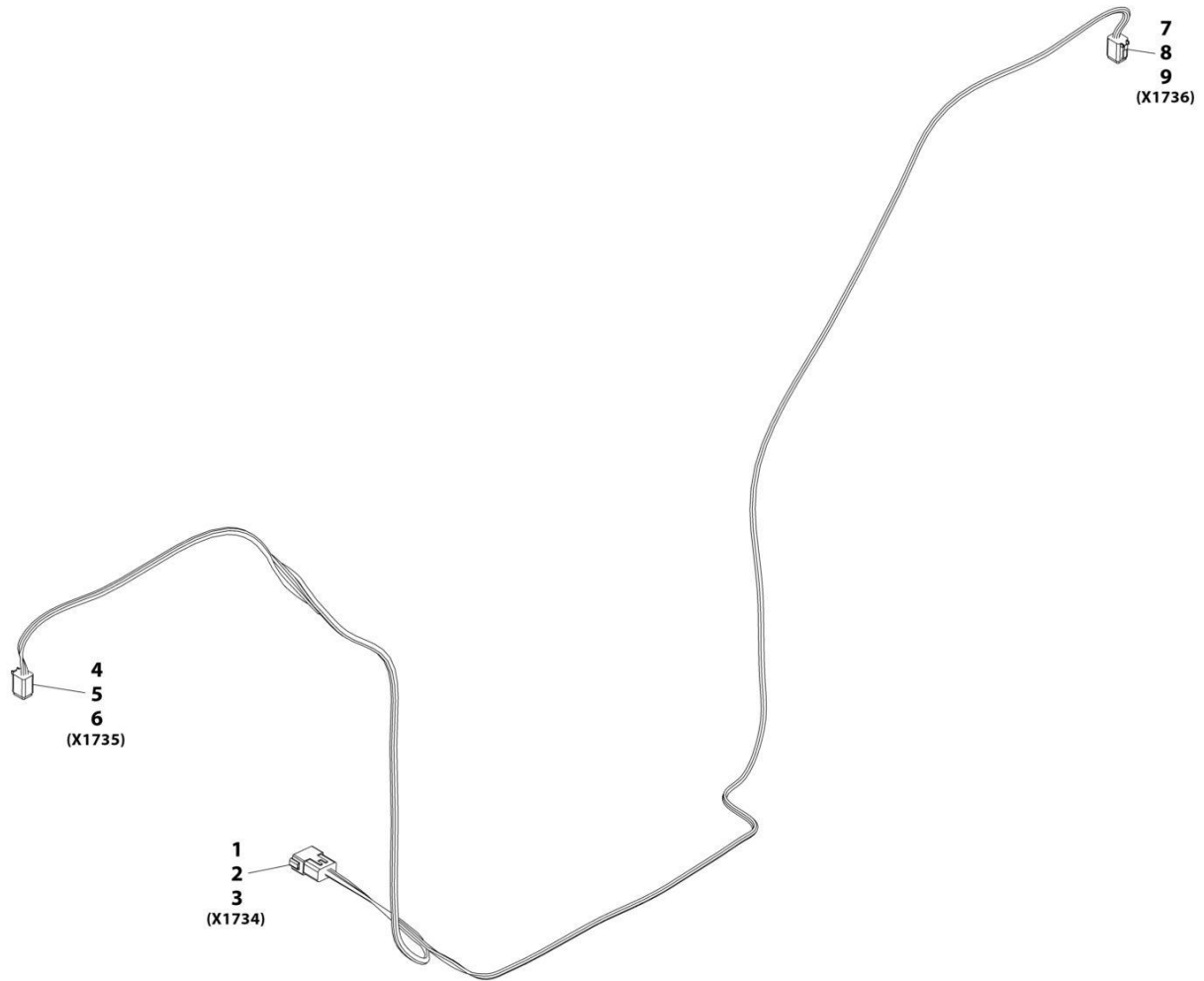
SECTION 10 - ELECTRICAL

FIGURE 10-62. LIGHTS - DRIVING LIGHT BRACKET ASSEMBLY (RH DIP)

ITEM	PART NUMBER	QTY	DESCRIPTION	REV
	1001183112	Ref	Rear Light Bracket Assembly	C
1	0701220	1	Bolt, M12X60	
2	3291205	1	Nut, Lock M12X1.75	
3	4812102	1	Washer, M12	
4	8000565	2	Washer, Rubber	
5	1001182490	1	Washer, Top Hat	
6	1001182495	1	Washer	
7	1001196217	1	Bracket	
8	1001196100	1	Bracket	

SECTION 10 - ELECTRICAL

FIGURE 10-63. LIGHTS - DRIVING HEADLIGHT HARNESS



ART_1001215693-C

SECTION 10 - ELECTRICAL

FIGURE 10-63. LIGHTS - DRIVING HEADLIGHT HARNESS

ITEM	PART NUMBER	QTY	DESCRIPTION	REV
	1001215693	Ref	Headlight Harness	C
1	4460970	1	Connector	
2	4460941	10	Terminal	
3	4460466	2	Plug	
4	4460894	1	Connector	
5	4460942	5	Terminal	
6	4460466	1	Plug	
7	4460894	1	Connector	
8	4460942	5	Terminal	
9	4460466	1	Plug	

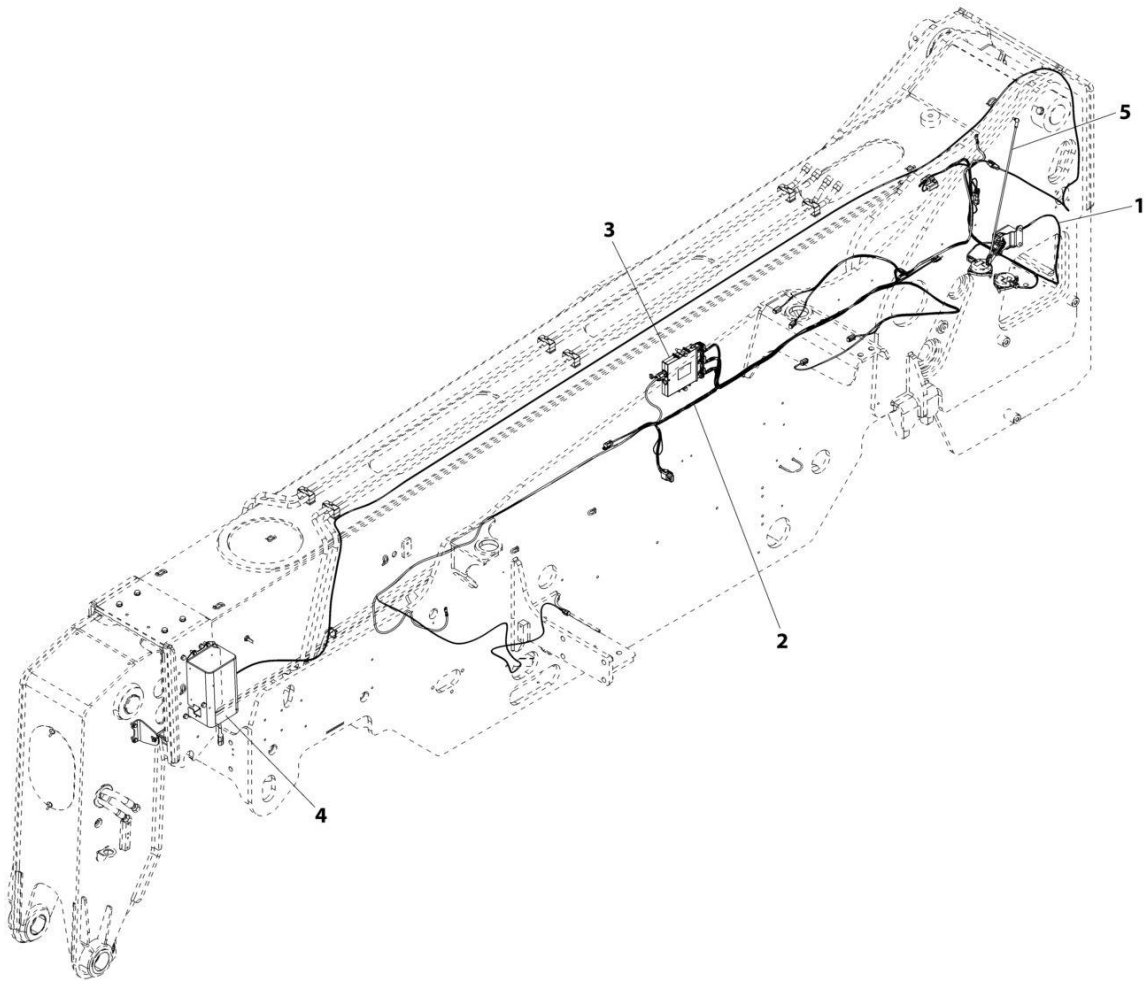
SECTION 10 - ELECTRICAL

FIGURE 10-64. LIGHTS - DRIVING LIGHT INSTALLATION (LED) (RH DIP)

ITEM	PART NUMBER	QTY	DESCRIPTION	REV
	1001203081	Ref	Driving Light Installation (LED) (RH Dip)	G
1	0701014	6	Bolt, M10X30	
2	0761010	8	Bolt, M10X20	
4	3290607	4	Bolt, M6X1	
5	3291001	2	Nut, M10X1.5	
6	4811700	4	Washer, M6	
7	4812000	16	Washer, M10	
8	1001091715	1	Light, Rear (LH)	
	70021341	1	Bulb, 5W	
	70021340	1	Bulb, 21W	
	7029971	1	Bulb, 21W	
9	1001091716	1	Light, Rear (RH)	
	70021341	1	REPLACEMENT BULB, 12V-5W	
	70021340	1	Bulb, 21W	
	7029971	1	Bulb, 21W	
10	1001159734	1	Switch, Hazard	
12	1001183112	2	Assembly, Rear Light Bracket (See Separate Breakdown in this Section)	
15	1001203368	2	Bracket	
16	1001206100	1	Bracket	
17	1001209690	1	Light, Driving (RH - LED) (RH Dip)	
18	1001209691	1	Light, Driving (LH - LED) (LH Dip)	
19	1001209697	1	Cap	
20	1001215693	1	Harness, Headlights (See Separate Breakdown in this Section)	
21	1001146588	1	Strap, Cable Tie	
22	1001159737	1	Switch, Fog Lights	
23	1001008559	4	Strap, Cable Tie	

SECTION 10 - ELECTRICAL

FIGURE 10-65. LMIS CONTROL PACKAGE INSTALLATION



ART_1001192431

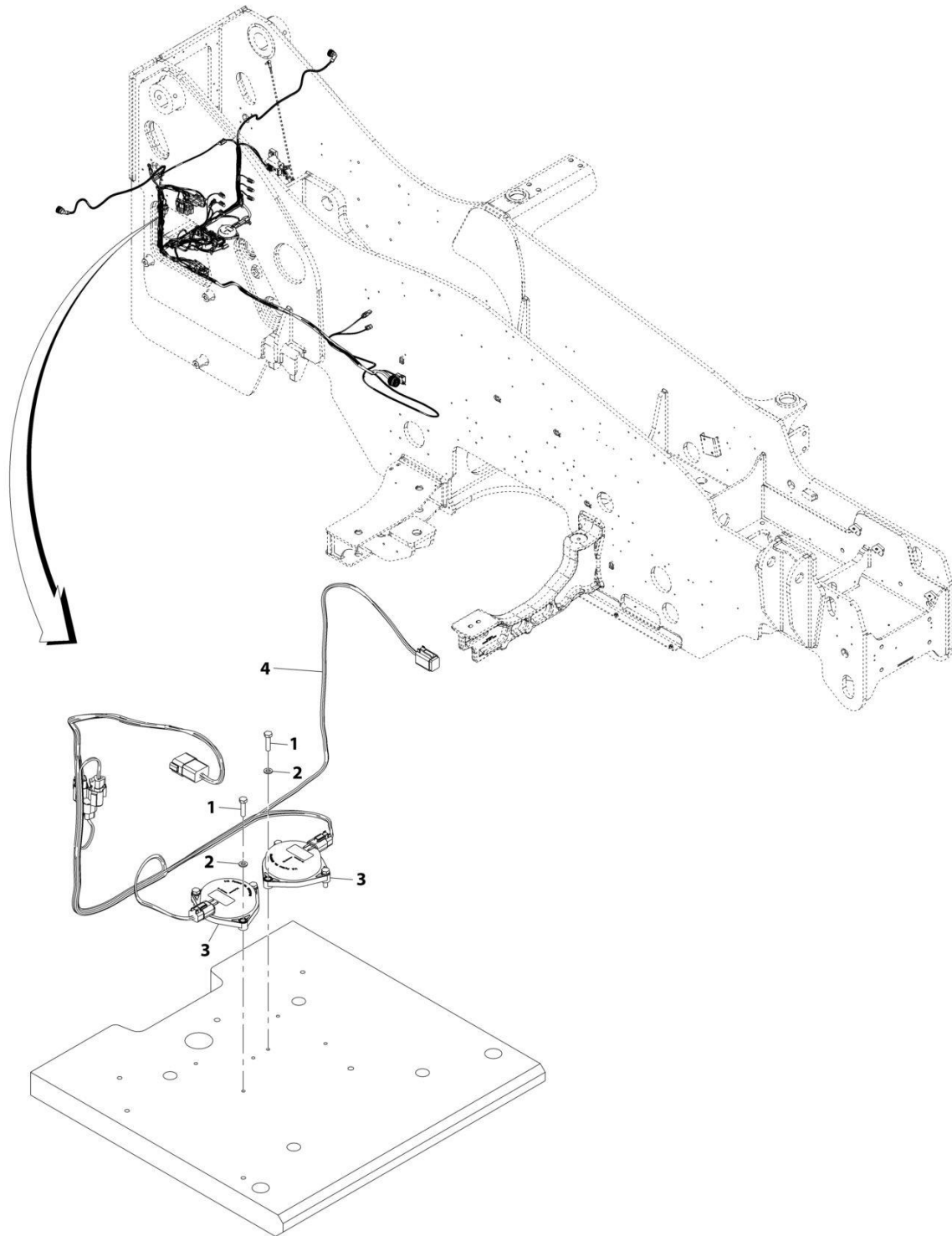
SECTION 10 - ELECTRICAL

FIGURE 10-65. LMIS CONTROL PACKAGE INSTALLATION

ITEM	PART NUMBER	QTY	DESCRIPTION	REV
	1001192431	Ref	LMIS Control Package Installation	E
1	1001195200	1	Installation, Tilt Sensor (See Separate Breakdown in this Section)	
2	1001195201	1	Installation, LMIS Wiring (See Separate Breakdown in this Section)	
3	1001195471	1	Installation, LMIS Controller (See Separate Breakdown in this Section)	
4	1001195473	1	Installation, LMIS Cable Reel (See Separate Breakdown in this Section)	
5	1001195590	1	Installation, Boom Angle Sensor (LMIS) (See Separate Breakdown in this Section)	

SECTION 10 - ELECTRICAL

FIGURE 10-66. LMIS TILT SENSOR INSTALLATION



ART_1001195200-B

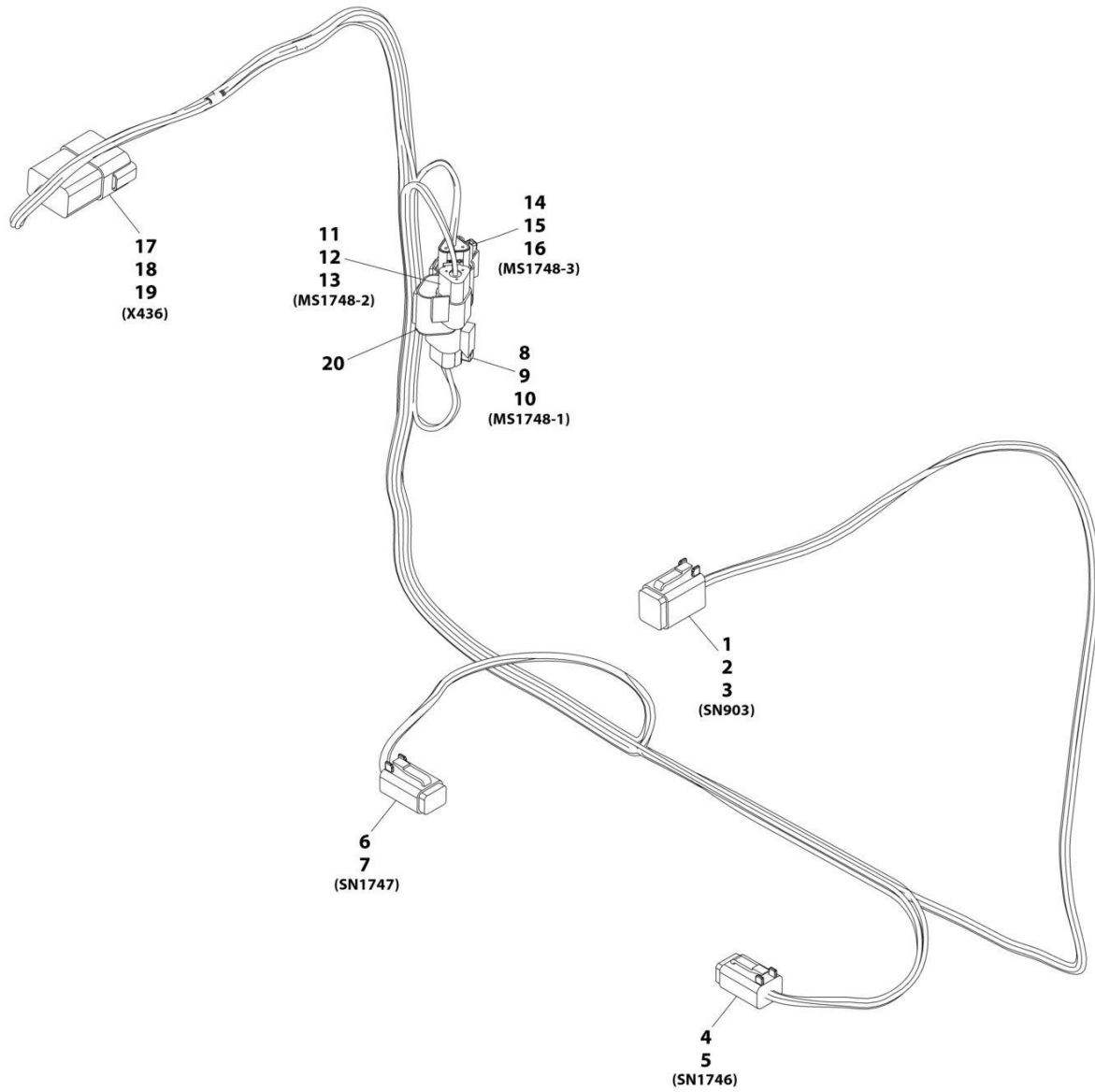
SECTION 10 - ELECTRICAL

FIGURE 10-66. LMIS TILT SENSOR INSTALLATION

ITEM	PART NUMBER	QTY	DESCRIPTION	REV
	1001195200	Ref	Tilt Sensor Installation	B
1	0700612	6	Bolt, M6X25	
2	4811700	6	Washer, M6	
3	1001163095	2	Sensor, Tilt	
4	1001195202	1	Harness, Platform Ready (See Separate Breakdown in this Section)	

SECTION 10 - ELECTRICAL

FIGURE 10-67. LMIS - PLATFORM READY HARNESS



ART_1001195202-A

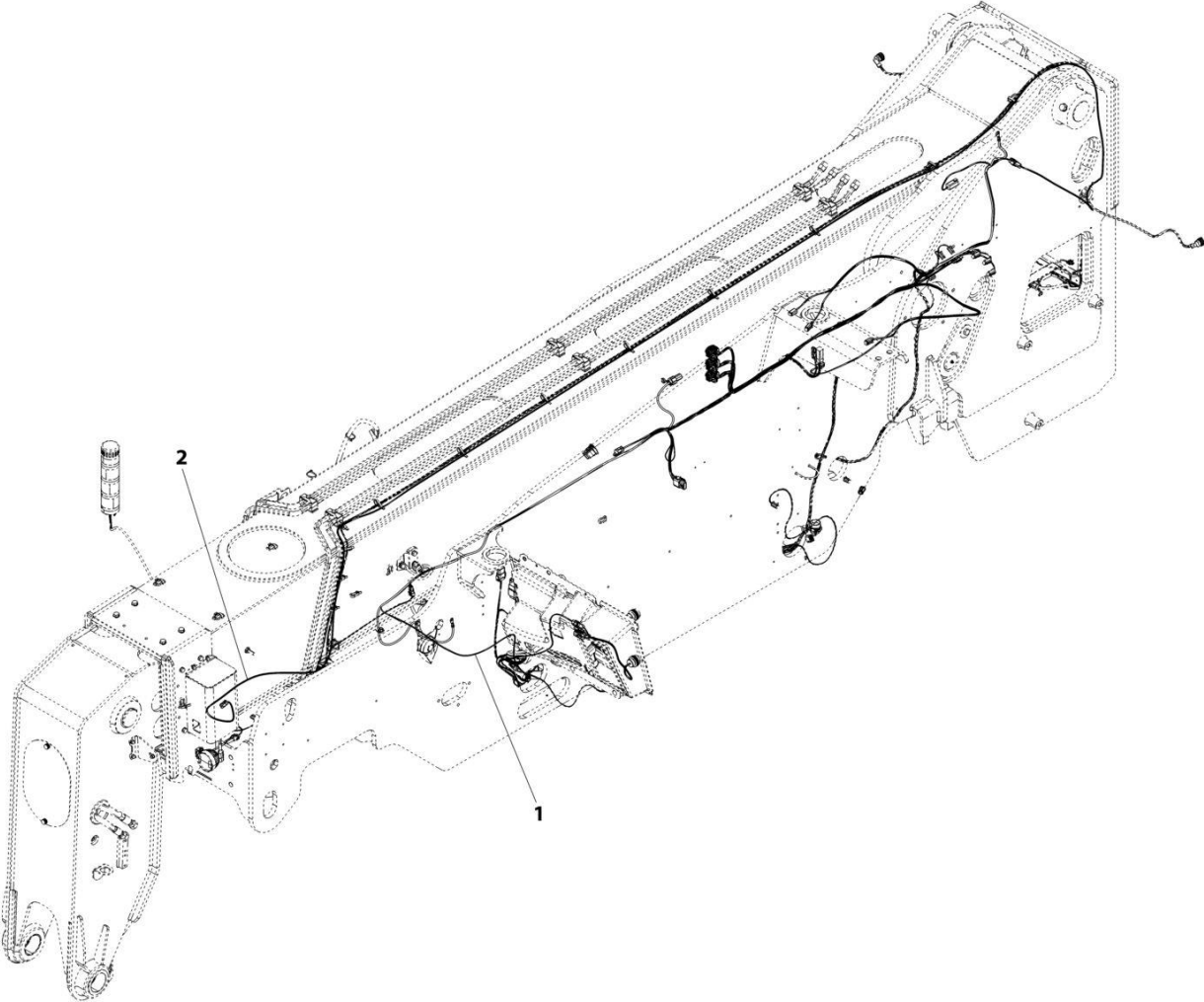
SECTION 10 - ELECTRICAL

FIGURE 10-67. LMIS - PLATFORM READY HARNESS

ITEM	PART NUMBER	QTY	DESCRIPTION	REV
	1001195202	Ref	Platform Ready Harness	A
1	4460894	1	Connector	
2	4460465	4	Terminal	
3	4460466	2	Plug	
4	4460884	1	Connector	
5	4460944	4	Terminal	
6	4460884	1	Connector	
7	4460944	4	Terminal	
8	1001116812	1	Connector	
9	4460944	2	Terminal	
10	4460466	1	Plug	
11	4460539	1	Connector	
12	4460944	2	Terminal	
13	4460466	1	Plug	
14	1001116812	1	Connector	
15	4460944	2	Terminal	
16	4460466	1	Plug	
17	4460931	1	Connector	
18	4460464	6	Terminal	
19	4460466	2	Plug	
20	4460945	1	Connector, 3 Way	

SECTION 10 - ELECTRICAL

FIGURE 10-68. LMIS WIRING INSTALLATION



ART_1001195201-F

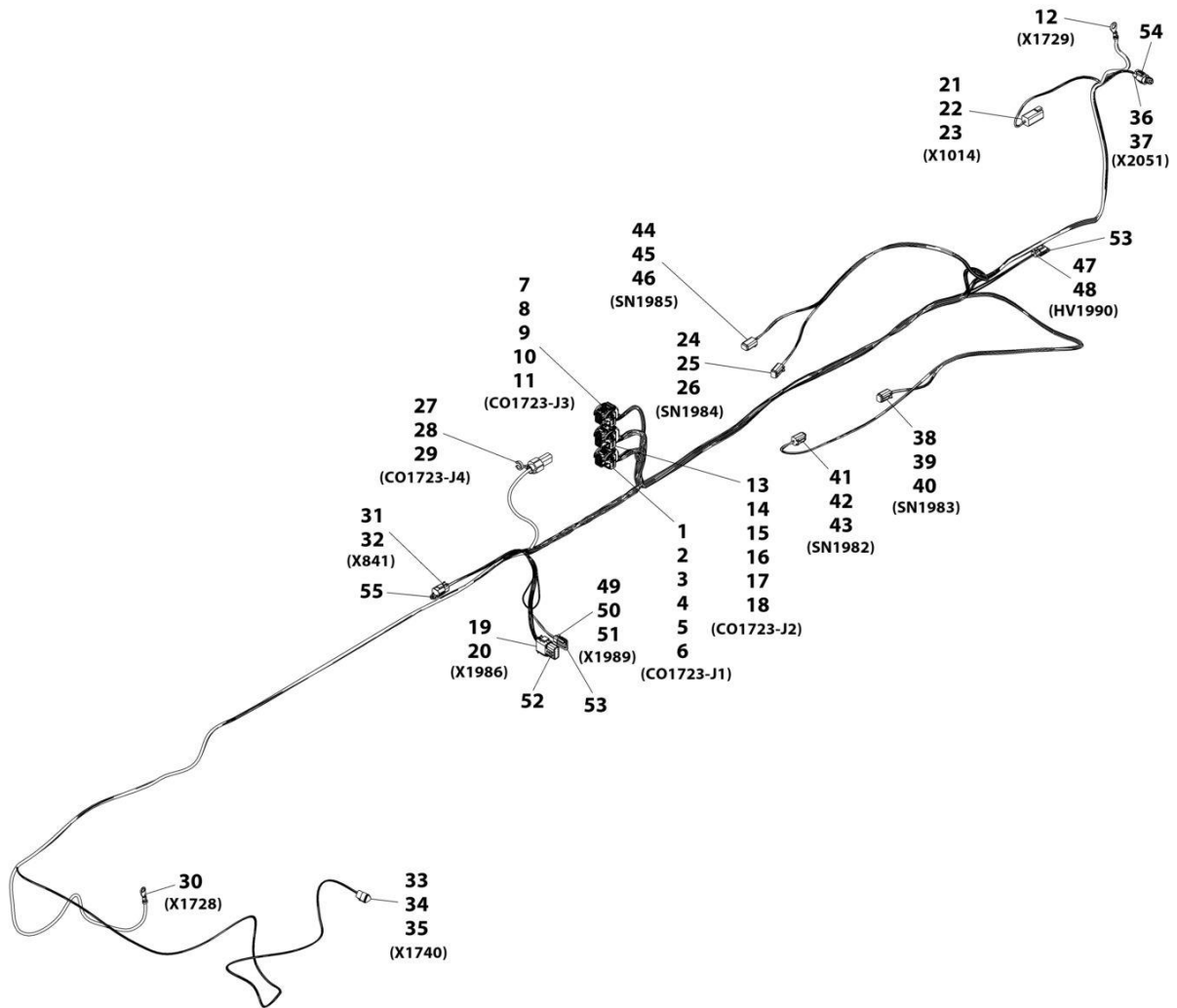
SECTION 10 - ELECTRICAL

FIGURE 10-68. LMIS WIRING INSTALLATION

ITEM	PART NUMBER	QTY	DESCRIPTION	REV
1	1001195201	Ref	LMIS Wiring Installation	F
	1001184795	1	Harness, Chassis Option (See Separate Breakdown in this Section)	
2	1001192619	1	Harness, LMIS Boom (See Separate Breakdown in this Section)	

SECTION 10 - ELECTRICAL

FIGURE 10-69. LMIS CHASSIS OPTION HARNESS



ART_1001184795-G

SECTION 10 - ELECTRICAL

FIGURE 10-69. LMIS CHASSIS OPTION HARNESS

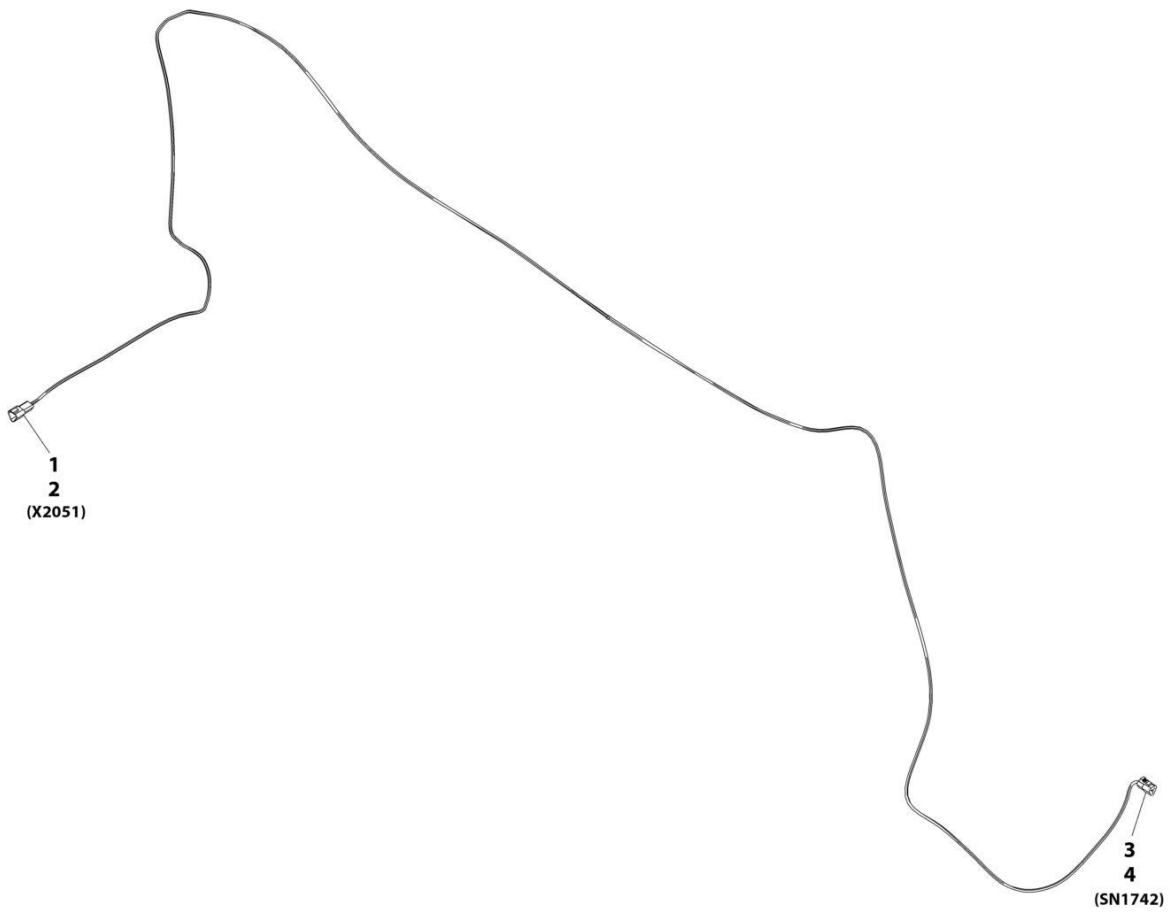
ITEM	PART NUMBER	QTY	DESCRIPTION	REV
	1001184795	Ref	LMIS Chassis Option Harness	G
1	1001161957	1	Connector	
2	1001161097	17	Terminal	
3	1001161100	7	Plug	
4	1001161101	2	Plug	
5	1001161098	2	Terminal	
6	1001161099	4	Terminal	
7	1001160500	1	Connector	
8	1001161100	16	Plug	
9	1001161097	8	Terminal	
10	1001161101	7	Plug	
11	1001161098	1	Terminal	
12	1001187076	1	Ring Terminal	
13	1001161963	1	Connector	
14	1001161097	24	Terminal	
15	1001161100	16	Plug	
16	1001161095	1	Terminal	
17	1001161099	3	Terminal	
18	1001161101	4	Plug	
19	1001116774	1	Connector	
20	4460928	12	Terminal	
21	4460899	1	Connector	
22	4460464	3	Terminal	
23	4460466	3	Plug	
24	4460884	1	Connector	
25	4460942	1	Terminal	
26	4460465	3	Terminal	
27	1001160509	1	Connector	
28	1001160510	1	Terminal	
29	1001175266	1	Terminal Seal	
30	1001187075	1	Ring Terminal	
31	4460884	1	Connector	
32	4460465	4	Terminal	
33	1001116812	1	Connector	
34	4460944	2	Terminal	
35	4460466	1	Plug	
36	4460539	1	Connector	
37	4460465	3	Terminal	
38	4460884	1	Connector	
39	4460942	1	Terminal	
40	4460465	3	Terminal	
41	4460884	1	Connector	
42	4460942	1	Terminal	
43	4460465	3	Terminal	
44	4460884	1	Connector	
45	4460942	1	Terminal	
46	4460465	3	Terminal	
47	4460891	1	Connector	
48	4460465	2	Terminal	
49	4460891	1	Connector	

SECTION 10 - ELECTRICAL

ITEM	PART NUMBER	QTY	DESCRIPTION	REV
50	4460465	1	Terminal	
51	4460942	1	Terminal	

SECTION 10 - ELECTRICAL

FIGURE 10-70. LMIS BOOM HARNESS



ART_1001192619-D

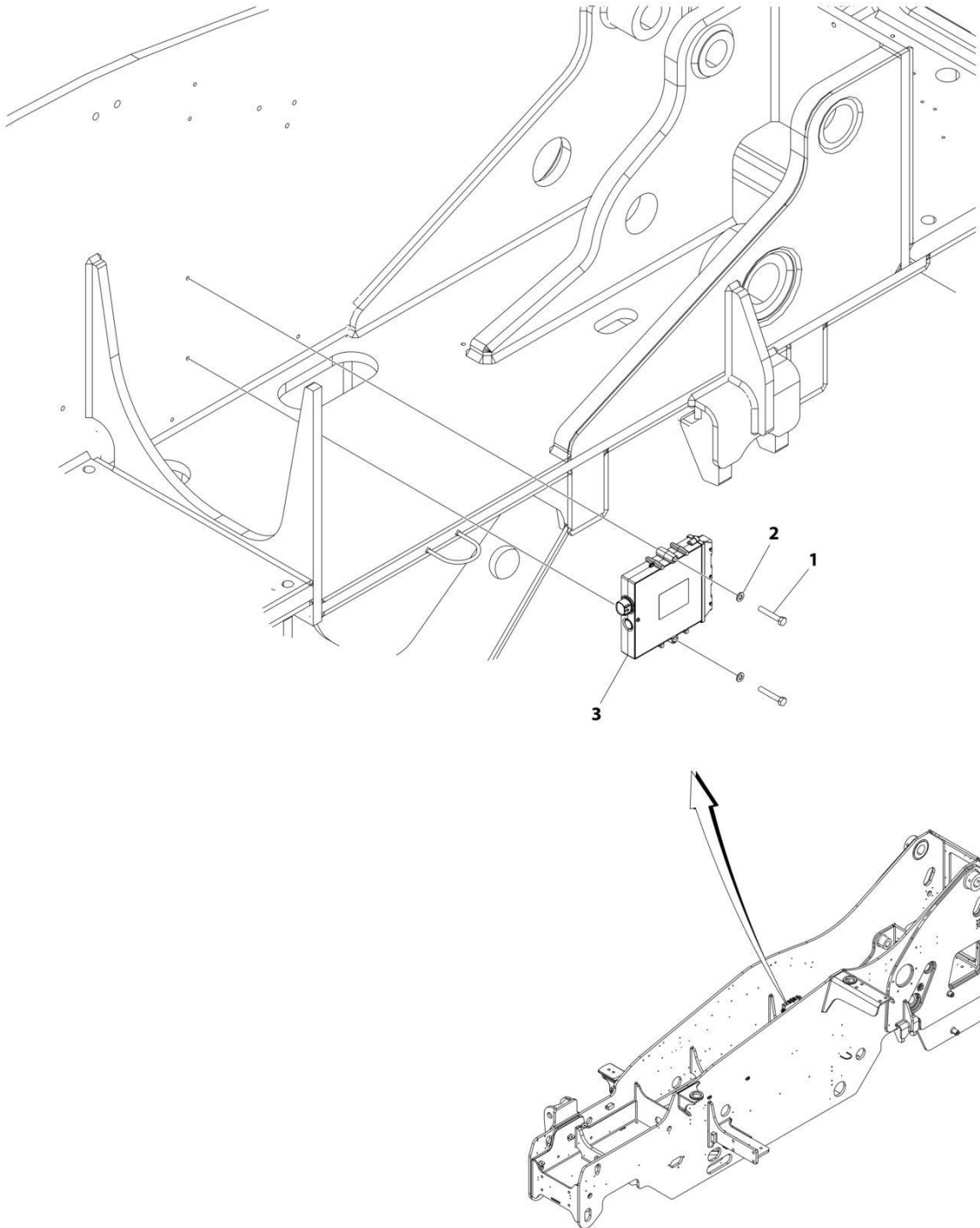
SECTION 10 - ELECTRICAL

FIGURE 10-70. LMIS BOOM HARNESS

ITEM	PART NUMBER	QTY	DESCRIPTION	REV
	1001192619	Ref	LMIS Boom Harness	D
1	4460536	1	Connector	
2	4460464	3	Terminal	
3	4460539	1	Connector	
4	4460465	3	Terminal	

SECTION 10 - ELECTRICAL

FIGURE 10-71. LMIS CONTROLLER INSTALLATION



ART_1001195471_C

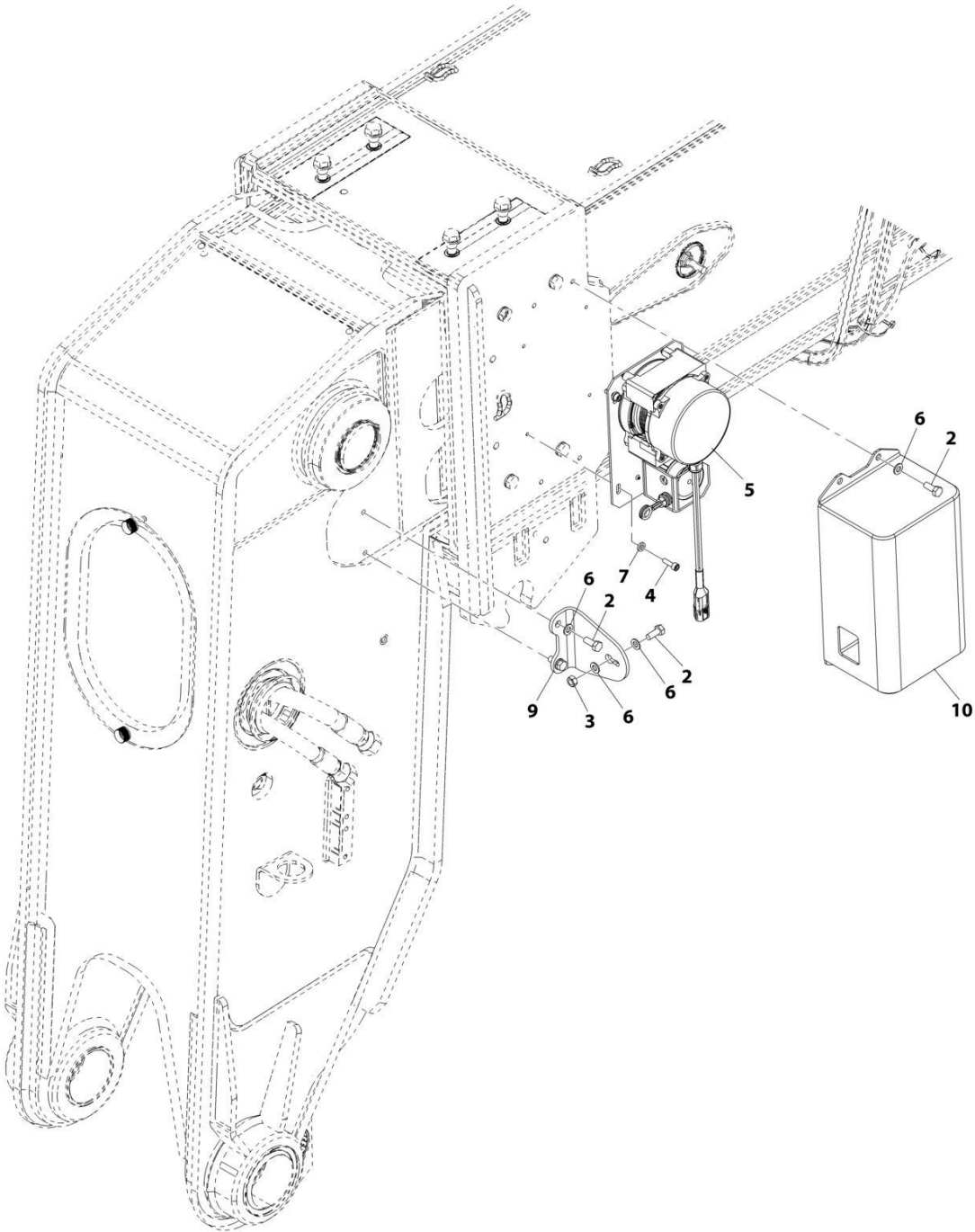
SECTION 10 - ELECTRICAL

FIGURE 10-71. LMIS CONTROLLER INSTALLATION

ITEM	PART NUMBER	QTY	DESCRIPTION	REV
	1001195471	Ref	LMIS CONTROLLER INSTALLATION	C
1	0700818	2	Bolt M8 x 50	
2	4811900	2	Washer M8	
3	1001270485	1	Module, LMIS Control	

SECTION 10 - ELECTRICAL

FIGURE 10-72. LMIS CABLE REEL INSTALLATION



ART_1001195473

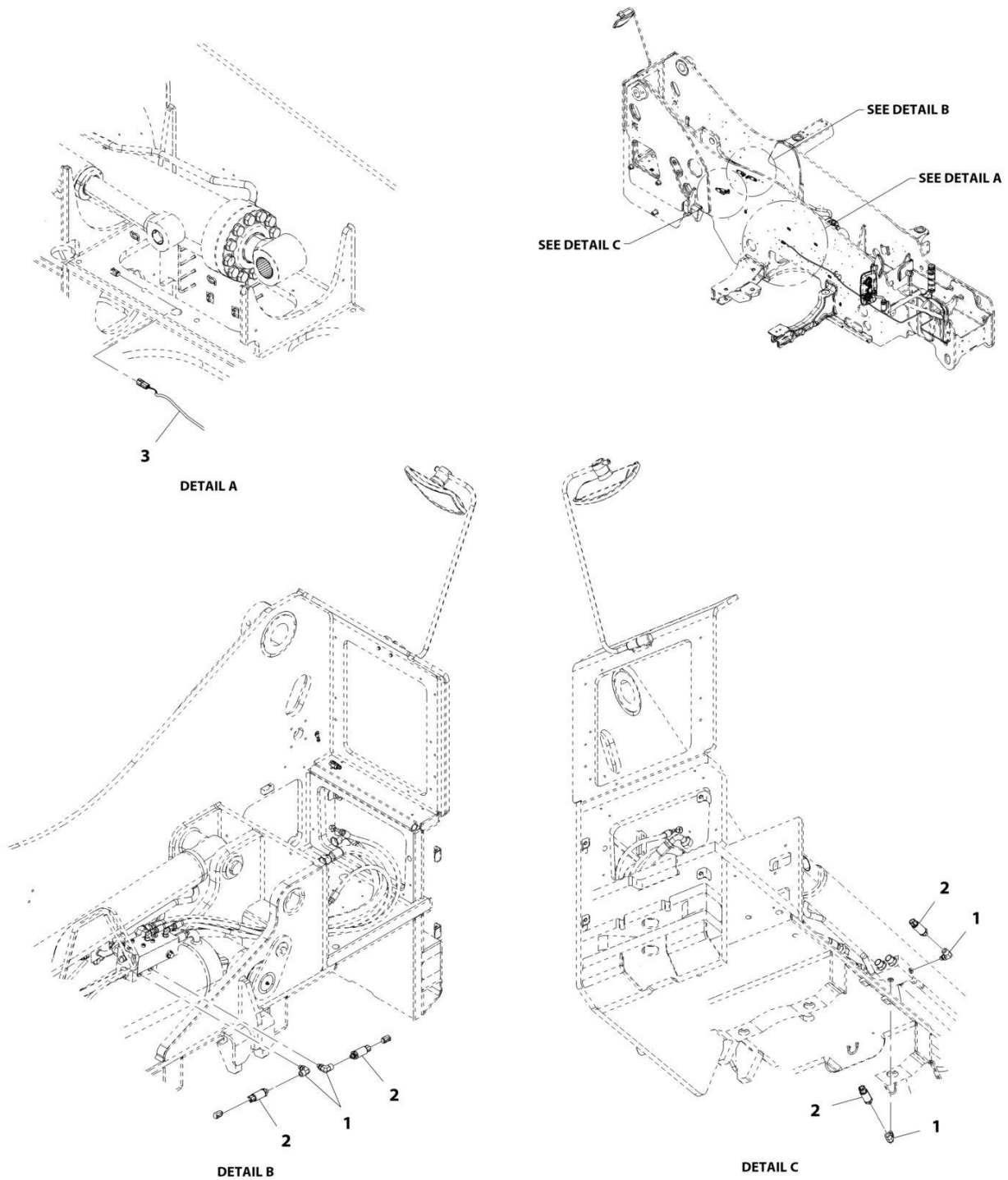
SECTION 10 - ELECTRICAL

FIGURE 10-72. LMIS CABLE REEL INSTALLATION

ITEM	PART NUMBER	QTY	DESCRIPTION	REV
	1001195473	Ref	LMIS Cable Reel Installation	E
2	0760810	7	Bolt, M8X20	
3	3290801	1	Nut, M8X1.25	
4	4031708	4	Screw, M6X20	
5	1001223903	1	Sensor, Boom Length	
6	4811900	8	Washer, M8	
7	5240600	4	Washer, M6	
9	1001224127	1	Bracket	
10	1001224128	1	Panel	

SECTION 10 - ELECTRICAL

FIGURE 10-73. LMIS INSTALLATION (HIGH END DISPLAY)



ART_1001183549-C

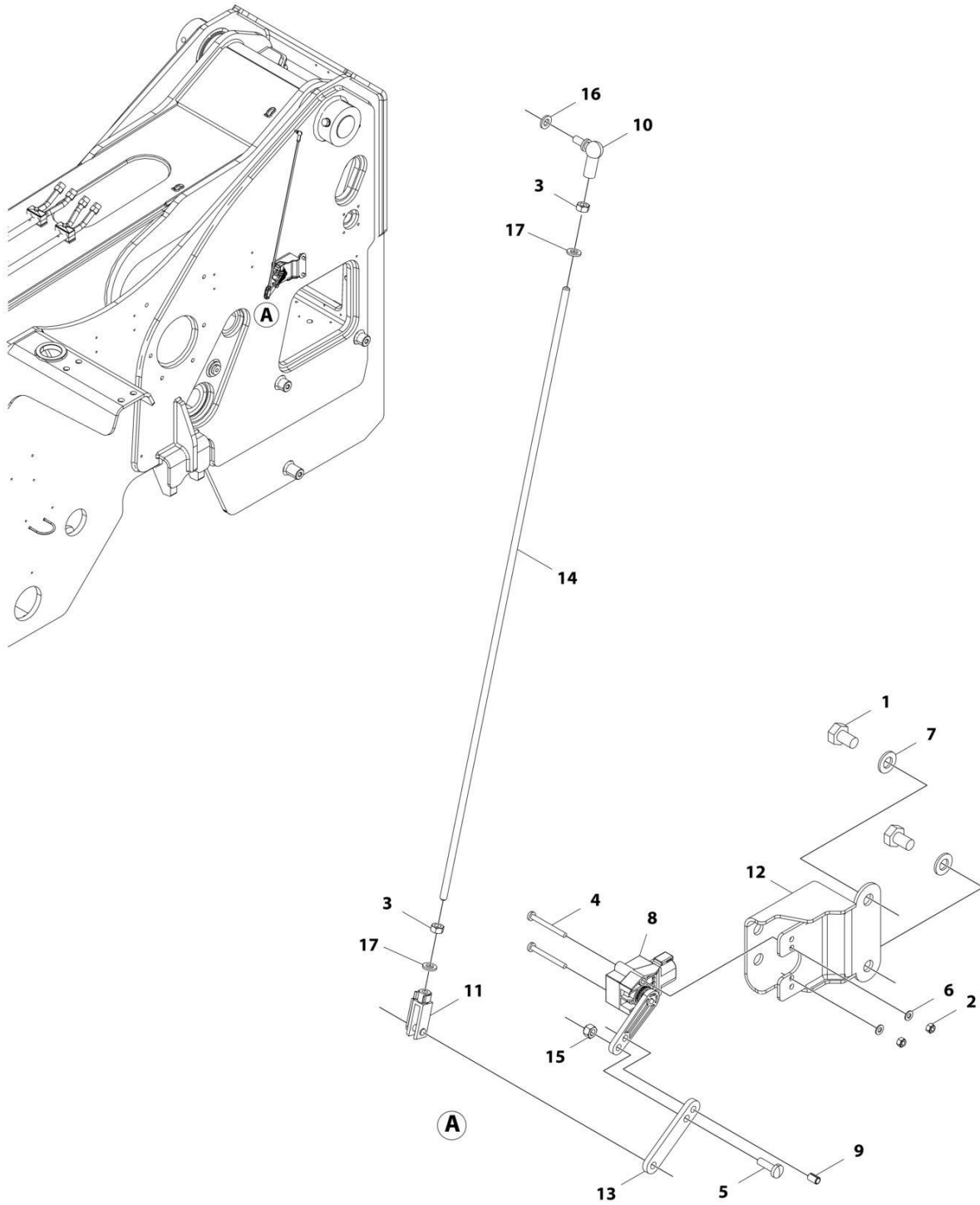
SECTION 10 - ELECTRICAL

FIGURE 10-73. LMIS INSTALLATION (HIGH END DISPLAY)

ITEM	PART NUMBER	QTY	DESCRIPTION	REV
	1001183549	Ref	LMIS Installation (High End Display)	C
1	1001101855	4	Fitting, 90	
2	1001162885	4	Sensor, LMIS	
3	1001195591	1	Installation, LMIS Beacon Light (See Separate Breakdown in this Section)	

SECTION 10 - ELECTRICAL

FIGURE 10-74. LMIS BOOM ANGLE SENSOR INSTALLATION



ART_1001195590

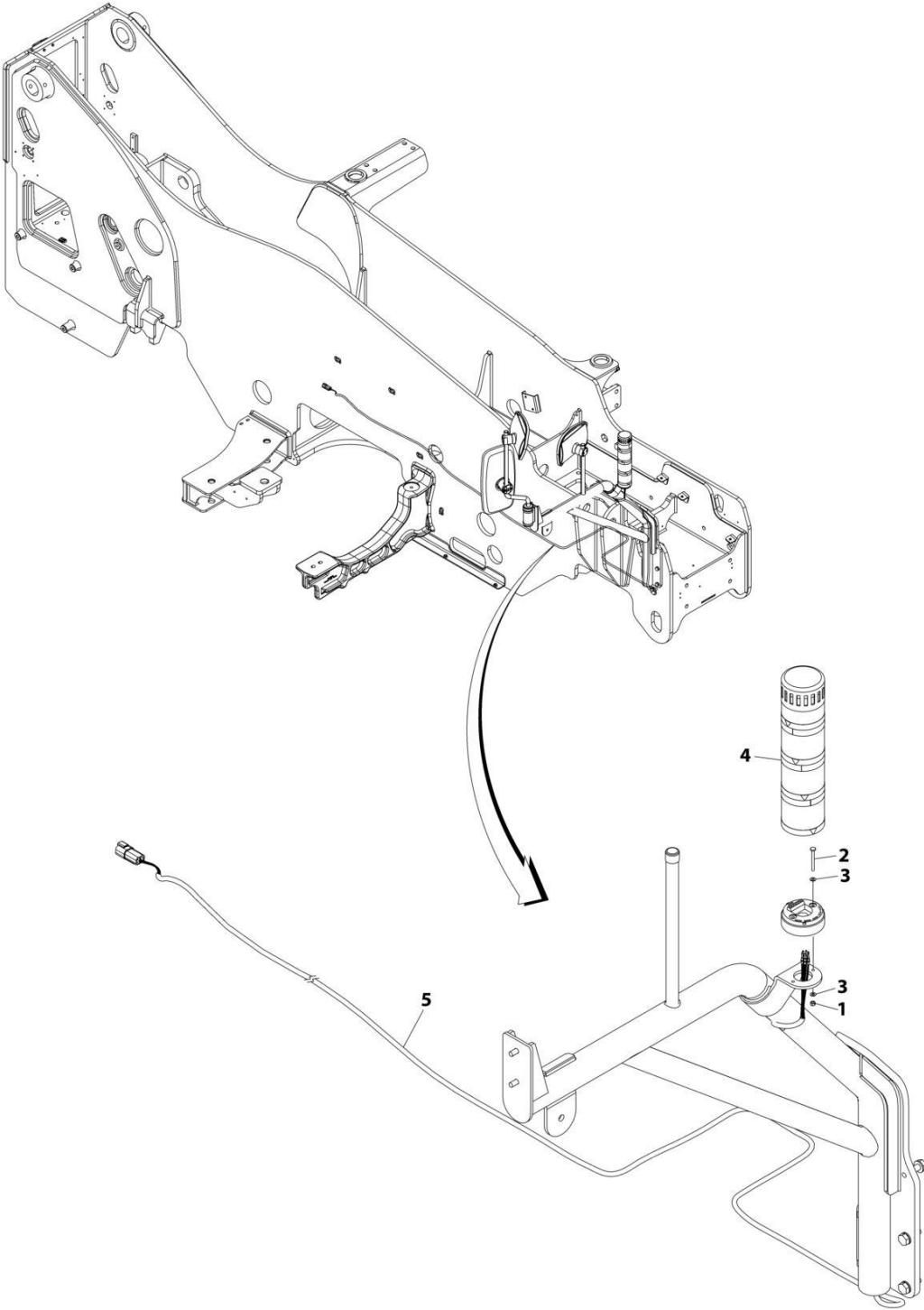
SECTION 10 - ELECTRICAL

FIGURE 10-74. LMIS BOOM ANGLE SENSOR INSTALLATION

ITEM	PART NUMBER	QTY	DESCRIPTION	REV
	1001195590	Ref	BOOM ANGLE SENSOR INSTALLATION (LMIS)	E
1	0761008	2	Bolt M10 x 16	
2	3290405	2	Nut M4	
3	3290601	2	Nut M6 x 1	
4	4010416	2	Screw M4 x 40	
5	4010610	1	Screw M6 x 20	
6	4811400	2	Washer M4	
7	4812000	2	Washer M10	
8	1001099717	1	Sensor, Boom Angle	
9	1001103156	1	Pin	
10	1001103300	1	Fitting, Ball Joint	
11	1001134274	1	Clevis	
12	1001213775	1	Bracket	
13	1001195731	1	Link, Boom Angle Sensor	
14	1001195732	1	Rod	
15	3290605	1	Nut M6 x 1	
16	4811700	1	Washer M6	
17	4761400	2	Washer 1/4	

SECTION 10 - ELECTRICAL

FIGURE 10-75. LMIS BEACON LIGHT INSTALLATION



ART_1001195591_E

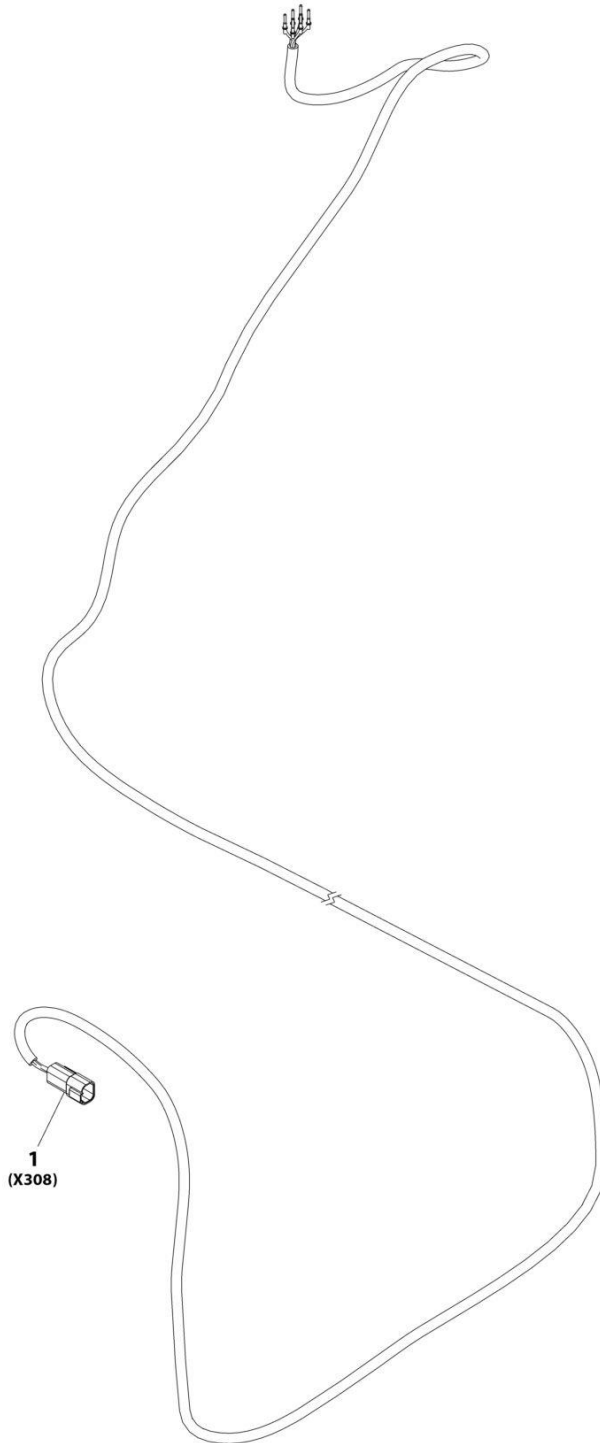
SECTION 10 - ELECTRICAL

FIGURE 10-75. LMIS BEACON LIGHT INSTALLATION

ITEM	PART NUMBER	QTY	DESCRIPTION	REV
	1001195591	Ref	LMIS Beacon Light Installation	E
1	3290405	2	Nut M4	
2	4010416	2	Screw, M4X40	
3	4811400	4	Washer, M4	
	1001265343	1	Light, LMIS Beacon	
5	1001117247	1	Harness, LMIS Beacon Option (See Separate Breakdown in this Section)	
7	1001146588	1	Tie-Strap (Not Shown)	

SECTION 10 - ELECTRICAL

FIGURE 10-76. LMIS BEACON OPTION HARNESS



ART_1001117247

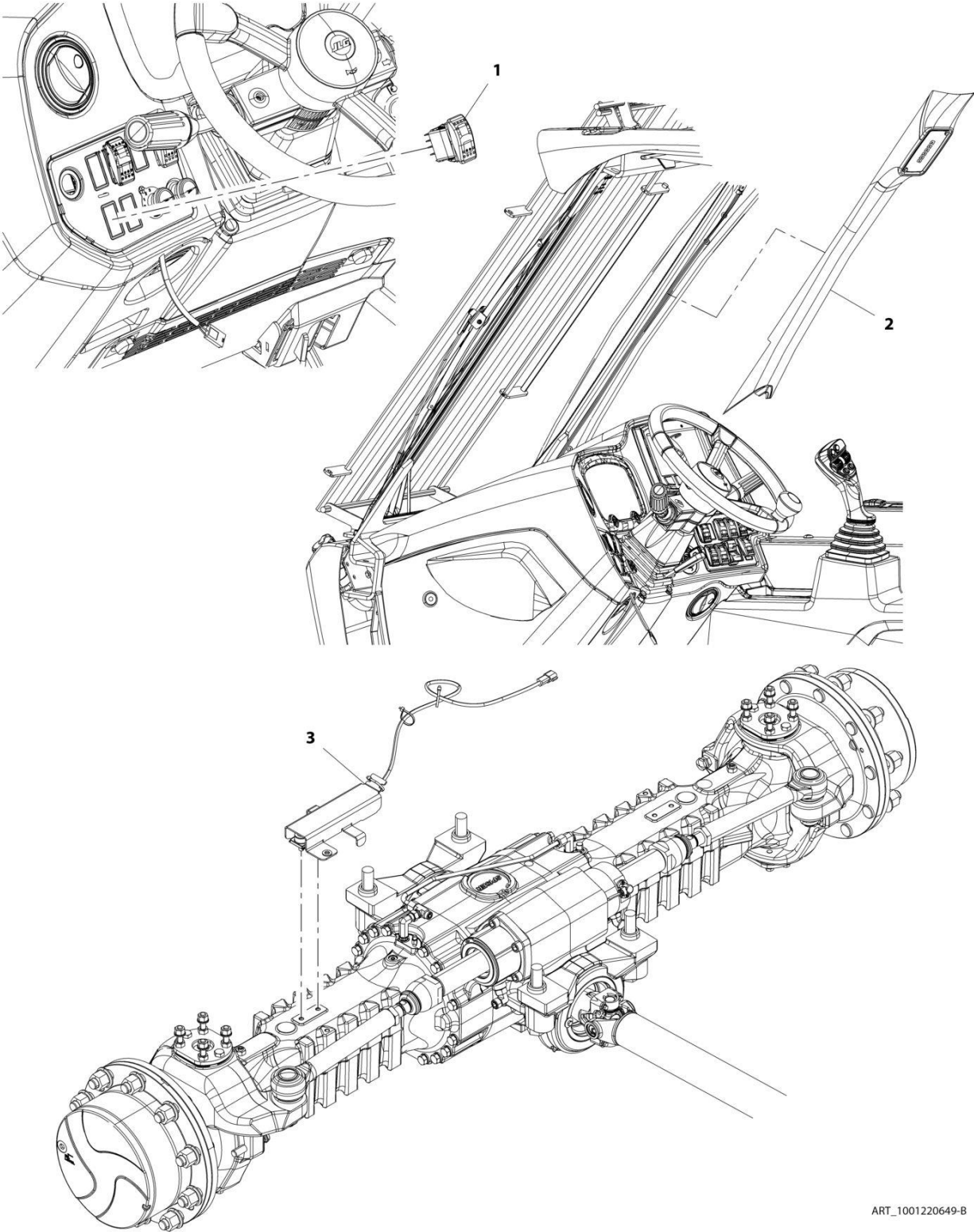
SECTION 10 - ELECTRICAL

FIGURE 10-76. LMIS BEACON OPTION HARNESS

ITEM	PART NUMBER	QTY	DESCRIPTION	REV
1	1001117247 4460932	Ref 1	LMIS Beacon Option Harness Connector	D

SECTION 10 - ELECTRICAL

FIGURE 10-77. LSI INSTALLATION



ART_1001220649-B

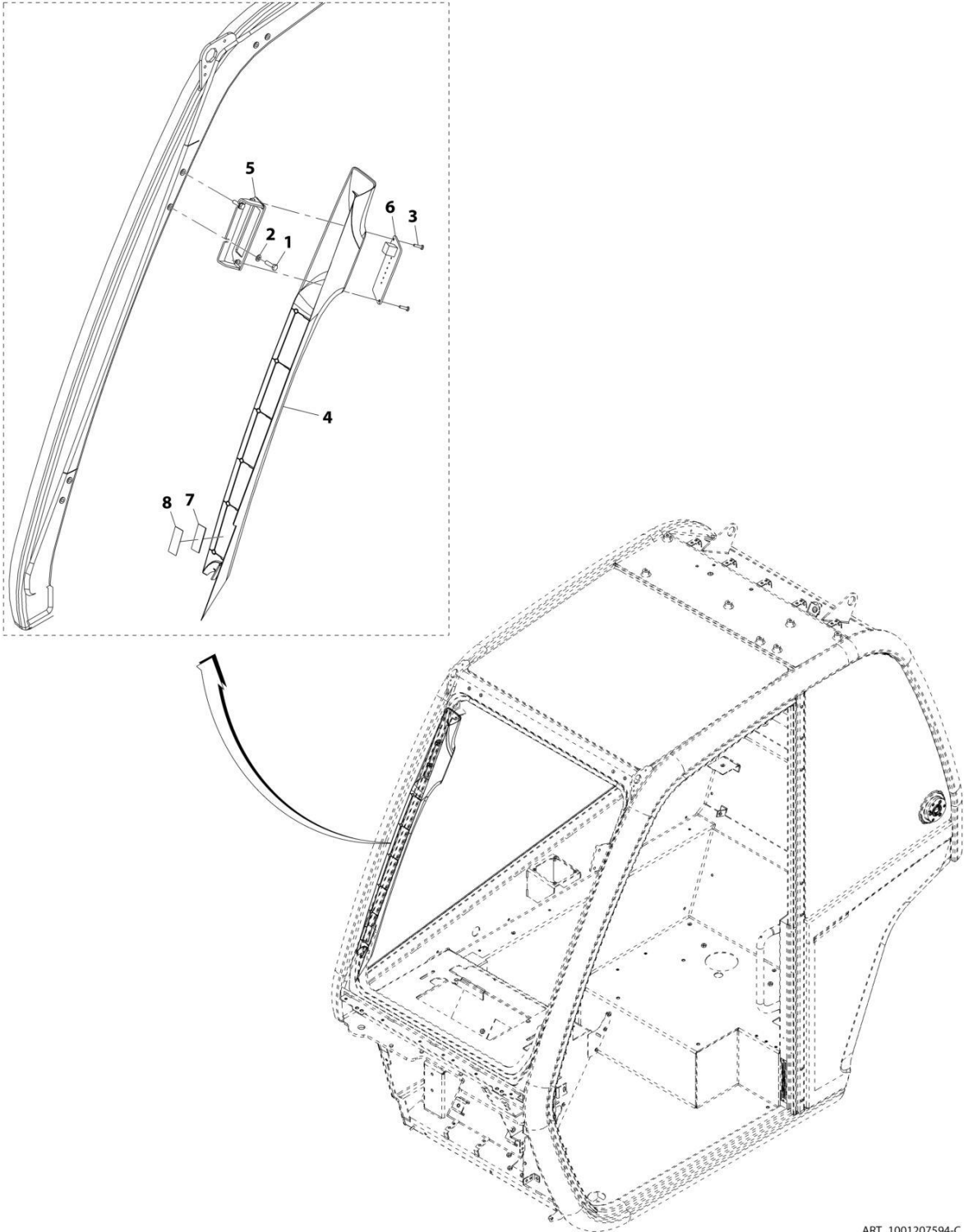
SECTION 10 - ELECTRICAL

FIGURE 10-77. LSI INSTALLATION

ITEM	PART NUMBER	QTY	DESCRIPTION	REV
	1001220649	Ref	LSI Installation	B
1	1001159742	1	Switch, LSI Override	
2	1001207594	Ref	Installation, LSI Display (See Separate Breakdown in this Section)	
3	1001220650	Ref	Installation, LSI Sensor (See Separate breakdown in this Section)	

SECTION 10 - ELECTRICAL

FIGURE 10-78. LSI DISPLAY INSTALLATION



ART_1001207594-C

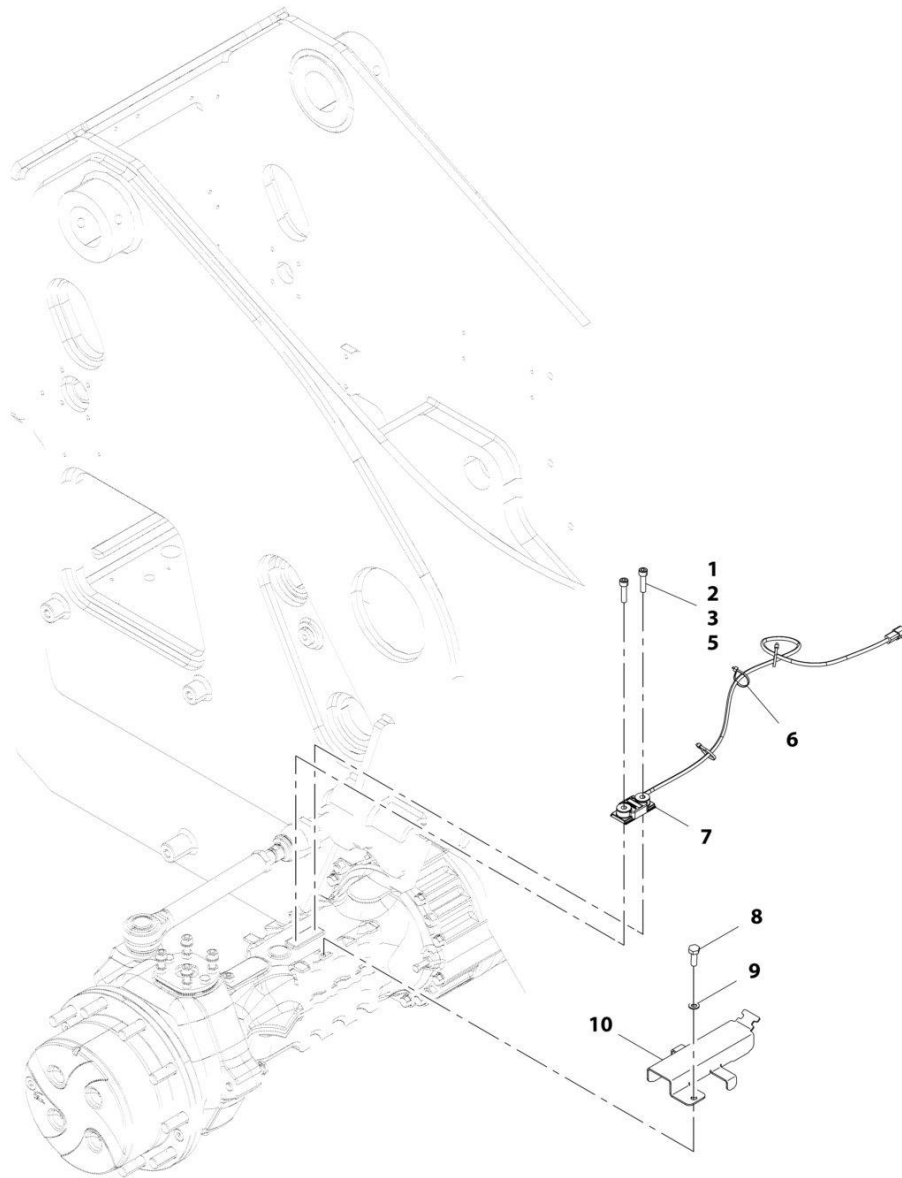
SECTION 10 - ELECTRICAL

FIGURE 10-78. LSI DISPLAY INSTALLATION

ITEM	PART NUMBER	QTY	DESCRIPTION	REV
	1001207594	Ref	LSI Display Installation	C
1	0760610	2	Bolt, M6X20	
2	4811700	2	Washer, M6	
3	1001126837	2	Screw, M4X16	
4	1001182839	1	Cover	
5	1001214401	1	Bracket	
6	1001213752	1	Display, LSI	
7	1001221318	1	Tape, Hook Fastener	
8	1001221319	1	Tape, Hook Fastener	

SECTION 10 - ELECTRICAL

FIGURE 10-79. LSI SENSOR INSTALLATION



ART_1001220650-B

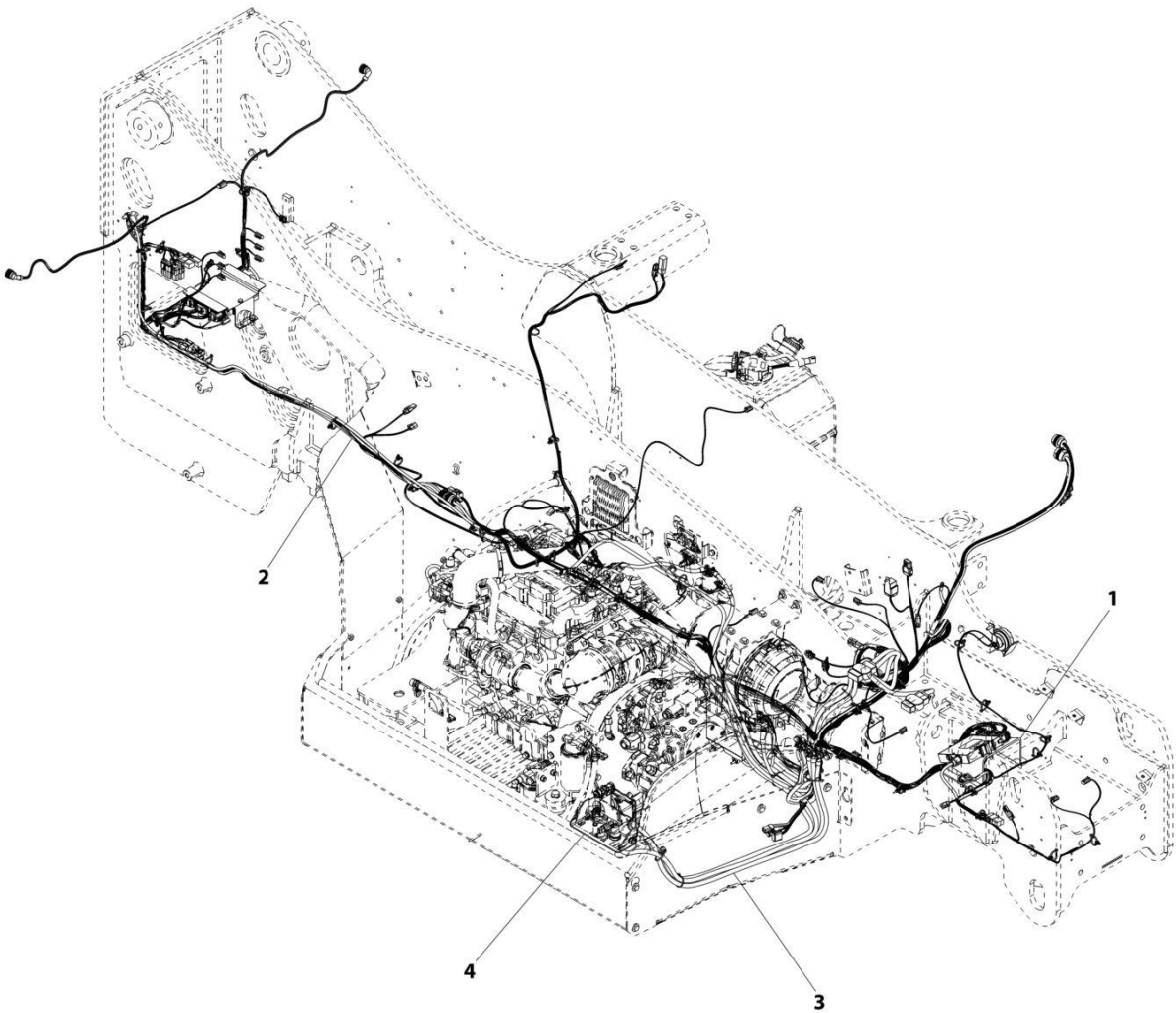
SECTION 10 - ELECTRICAL

FIGURE 10-79. LSI SENSOR INSTALLATION

ITEM	PART NUMBER	QTY	DESCRIPTION	REV
	1001220650	Ref	LSI Sensor Installation	B
1	5272012	2	Bolt, M10X40	
2	1001116128	AR	Sealant	
3	1001125465	AR	Compound, Locking	
5	1001129425	AR	Compound, Locking	
6	1001008559	3	Strap, Cable	
7	1001160730	1	Sensor, LSI	
8	0761010	1	Bolt, M10X20	
9	4812000	1	Washer, M10	
10	1001230850	1	Bracket, LSI Cover	

SECTION 10 - ELECTRICAL

FIGURE 10-80. MAIN ELECTRICAL INSTALLATION (ULS)



ART_1001192537-B

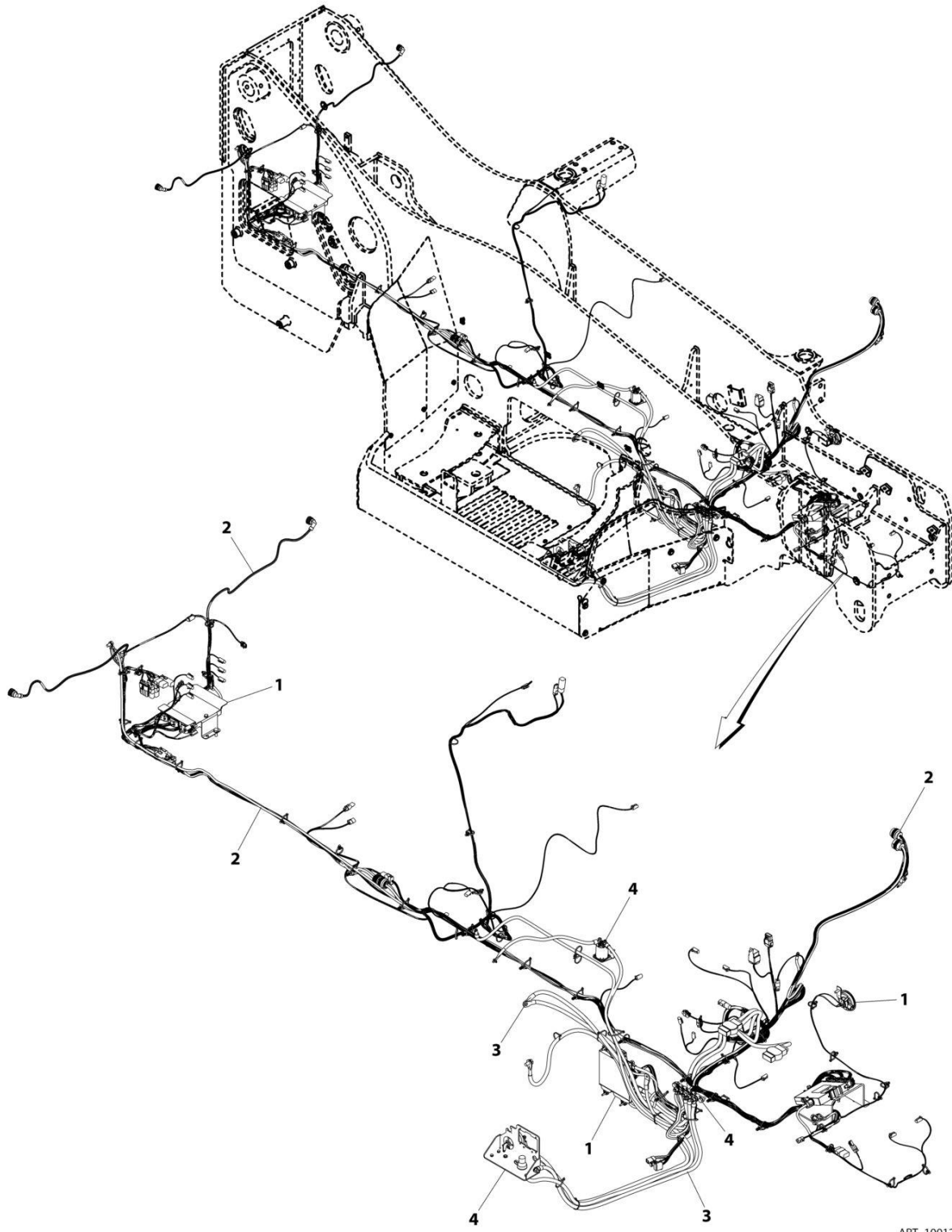
SECTION 10 - ELECTRICAL

FIGURE 10-80. MAIN ELECTRICAL INSTALLATION (ULS)

ITEM	PART NUMBER	QTY	DESCRIPTION	REV
1	1001192537	Ref	Main Electrical Installation (ULS)	B
	1001183272	Ref	Installation, Frame Electrical (See Separate Breakdown in this Section)	
2	1001200159	Ref	Installation, Frame Wiring (See Separate Breakdown in this Section)	
3	1001200160	Ref	Installation, Engine Bay Electrical	
4	1001202172	Ref	Installation, Engine Pod Electrical (ULS) (See Separate Breakdown in this Section)	

SECTION 10 - ELECTRICAL

FIGURE 10-81. MAIN ELECTRICAL INSTALLATION, MINING (ULS)



ART_1001228738-A

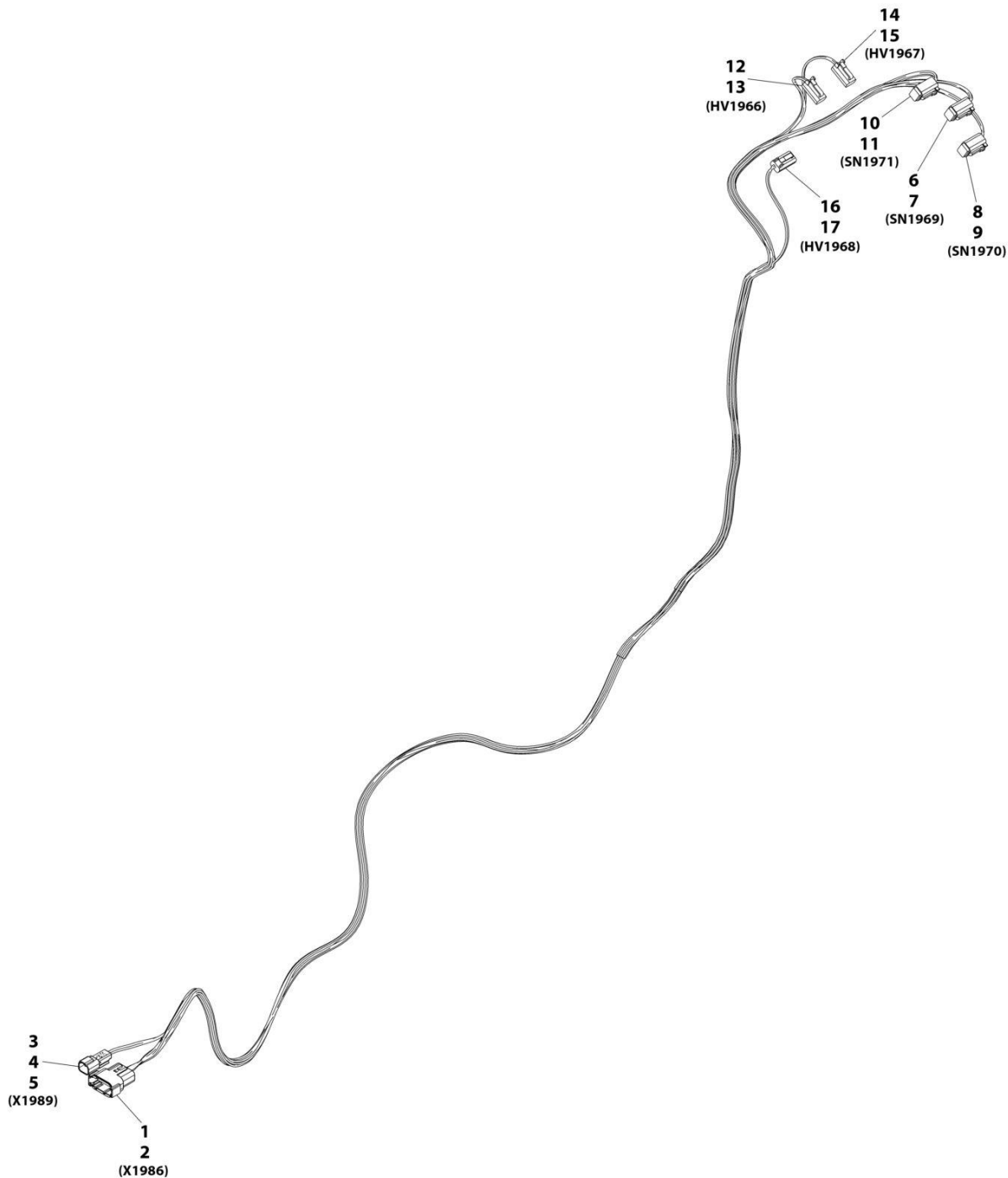
SECTION 10 - ELECTRICAL

FIGURE 10-81. MAIN ELECTRICAL INSTALLATION, MINING (ULS)

ITEM	PART NUMBER	QTY	DESCRIPTION	REV
1	1001228738	Ref	Main Electrical Installation, Mining (ULS)	A
	1001183272	Ref	Installation, Frame Electrical (See Separate Breakdown in this Section)	
2	1001228739	Ref	Installation, Frame Wiring (See Separate Breakdown in this Section)	
3	1001200160	Ref	Installation, Engine Bay Electrical	
4	1001202172	Ref	Installation, Engine Pod Electrical (ULS) (See Separate Breakdown in this Section)	

SECTION 10 - ELECTRICAL

FIGURE 10-82. RALP PLATFORM HARNESS



ART_1001193566-C

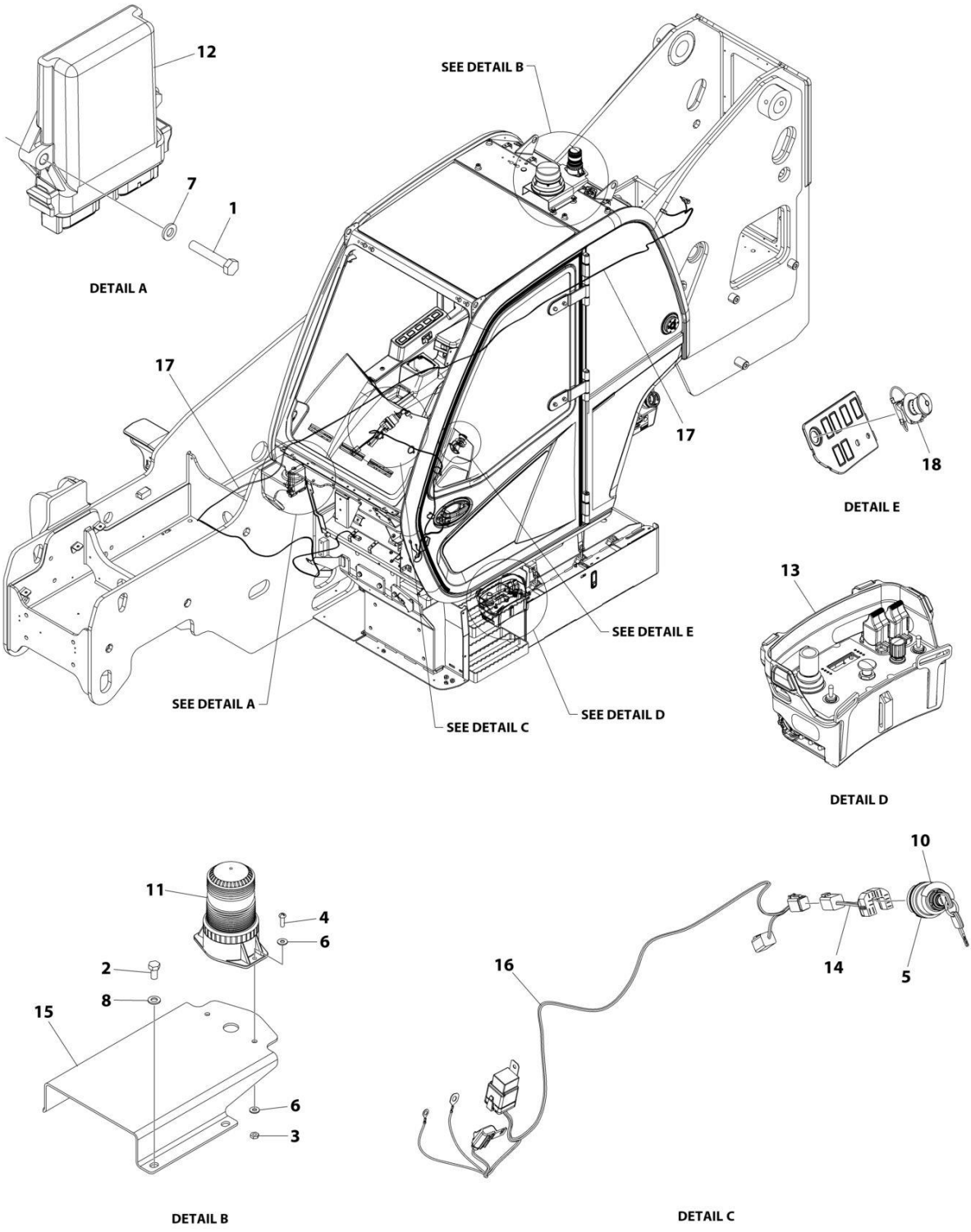
SECTION 10 - ELECTRICAL

FIGURE 10-82. RALP PLATFORM HARNESS

ITEM	PART NUMBER	QTY	DESCRIPTION	REV
	1001193566	Ref	Platform Harness (RALP)	C
1	1001132169	1	Connector	
2	4460929	12	Terminal	
3	4460897	1	Connector	
4	4460464	1	Terminal	
5	4460941	1	Terminal	
6	4460884	1	Connector	
7	4460465	4	Terminal	
8	4460884	1	Connector	
9	4460465	4	Terminal	
10	4460884	1	Connector	
11	4460465	4	Terminal	
12	4460891	1	Connector	
13	4460465	2	Terminal	
14	4460891	1	Connector	
15	4460465	2	Terminal	
16	4460891	1	Connector	
17	4460465	2	Terminal	

SECTION 10 - ELECTRICAL

FIGURE 10-83. REMOTE CONTROL (BOOM)



ART_1001259256

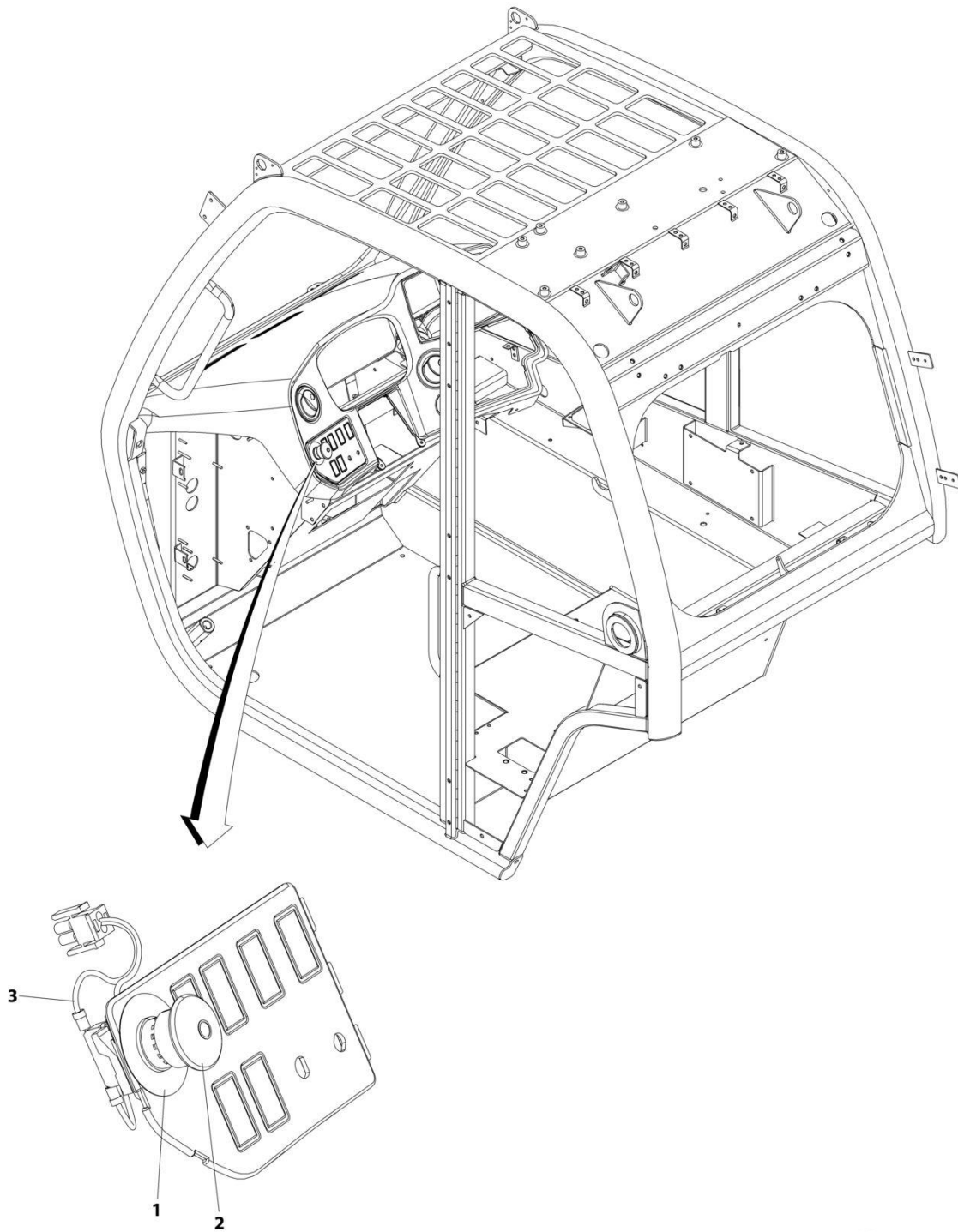
SECTION 10 - ELECTRICAL

FIGURE 10-83. REMOTE CONTROL (BOOM)

ITEM	PART NUMBER	QTY	DESCRIPTION	REV
	1001259256	Ref	Remote Control (Boom)	A
1	0760615	2	Bolt M6 x 35	
2	0760808	3	Bolt M8 x 16	
3	3311005	2	Nut #10	
4	3911010	2	Screw #10X5/8	
5	4360657	1	Switch, Ignition	
6	4711000	4	Washer #10	
7	4811700	2	Washer M6	
8	4811900	3	Washer M8	
9	1001008559	4	Strap, As-Cable (Not Shown)	
10	1001181516	1	Decal - Platform Ignition Switch	
11	1001200910	1	Light, Beacon (Blue)	
12	1001206112	1	Control, Remote Controller	
13	1001209194	1	Control, Remote	
14	1001241610	1	Harness, Key (See Separate Breakdown in this Section)	
15	1001258749	1	Bracket, Roof Beacon	
16	1001259205	1	Harness, Remote Control Power (See Separate Breakdown in this Section)	
17	1001259231	1	Installation, Harness (Emergency Lowering - Frame)	
17	1001008559	1	Strap, As-Cable (Not Shown)	
17	1001258719	1	Harness, Emergency Lowering - Frame (See Separate Breakdown in this Section)	
18	1001259246	1	Installation, Emergency Stop Switch (See Separate Breakdown in this Section)	
19	1001259258	1	Installation, Manual Pump (Lift/Tele) (Not Shown) (See Separate Breakdown in HYDRAULIC Section)	

SECTION 10 - ELECTRICAL

FIGURE 10-84. REMOTE CONTROL EMERGENCY STOP SWITCH INSTALLATION



ART_1001259246

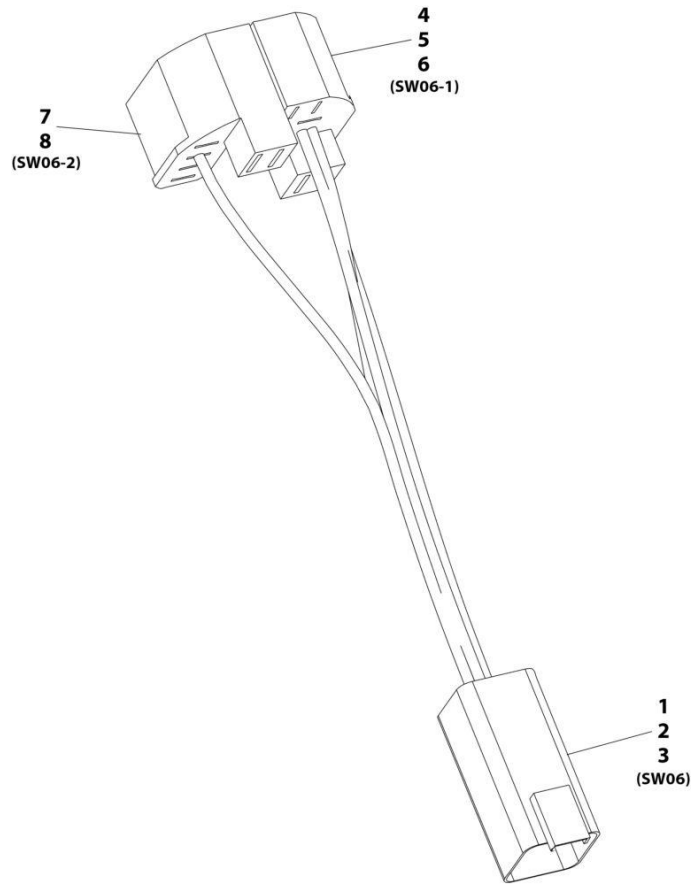
SECTION 10 - ELECTRICAL

FIGURE 10-84. REMOTE CONTROL EMERGENCY STOP SWITCH INSTALLATION

ITEM	PART NUMBER	QTY	DESCRIPTION	REV
	1001259246	Ref	Remote Control Emergency Stop Switch Installation	A
1	1704260	1	Decal - Emergency Stop	
2	4360475	1	Switch, Emergency Stop	
3	1001259224	1	Harness, EMS Switch	
3	4460320	1	Connector	
3	4460183	2	Terminal	

SECTION 10 - ELECTRICAL

FIGURE 10-85. REMOTE CONTROL KEY HARNESS



ART_1001241610-A

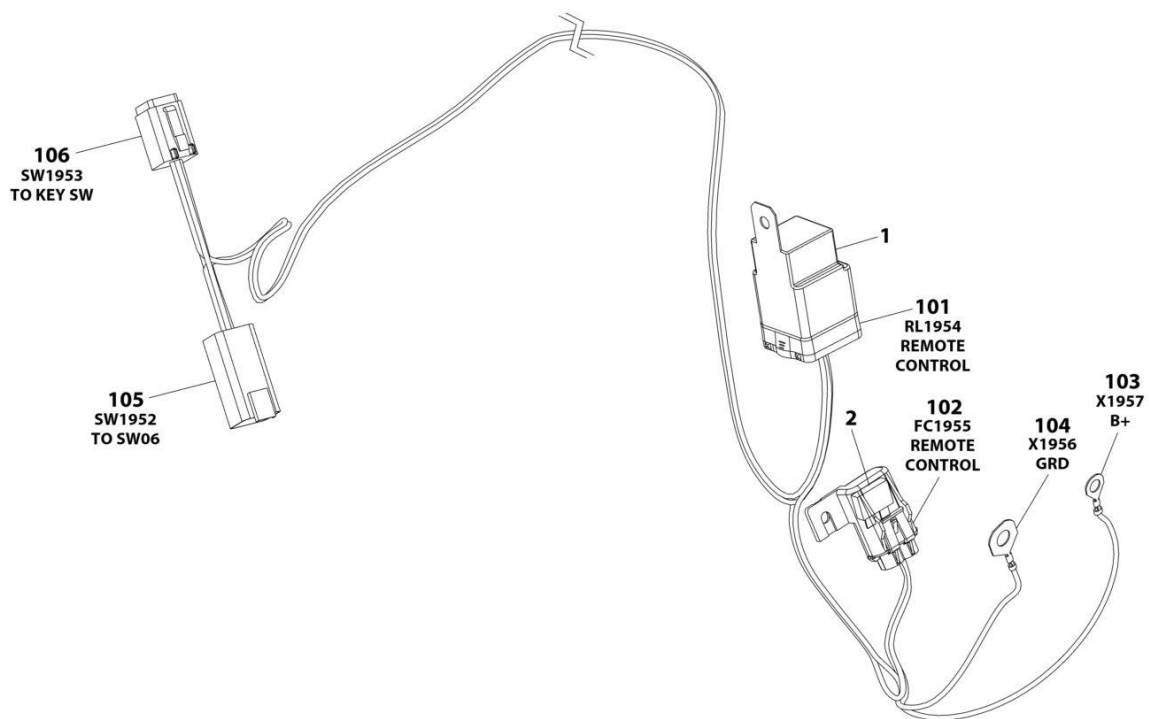
SECTION 10 - ELECTRICAL

FIGURE 10-85. REMOTE CONTROL KEY HARNESS

ITEM	PART NUMBER	QTY	DESCRIPTION	REV
	1001241610	Ref	Key Harness	A
1	4460899	1	Connector	
2	4460464	4	Terminal	
3	4460466	2	Plug	
4	1001118685	1	Connector	
5	1001104519	2	Terminal	
6	1001118383	1	Terminal	
7	1001117121	1	Connector	
8	1001104519	1	Terminal	

SECTION 10 - ELECTRICAL

FIGURE 10-86. REMOTE CONTROL POWER HARNESS



ART_1001259205

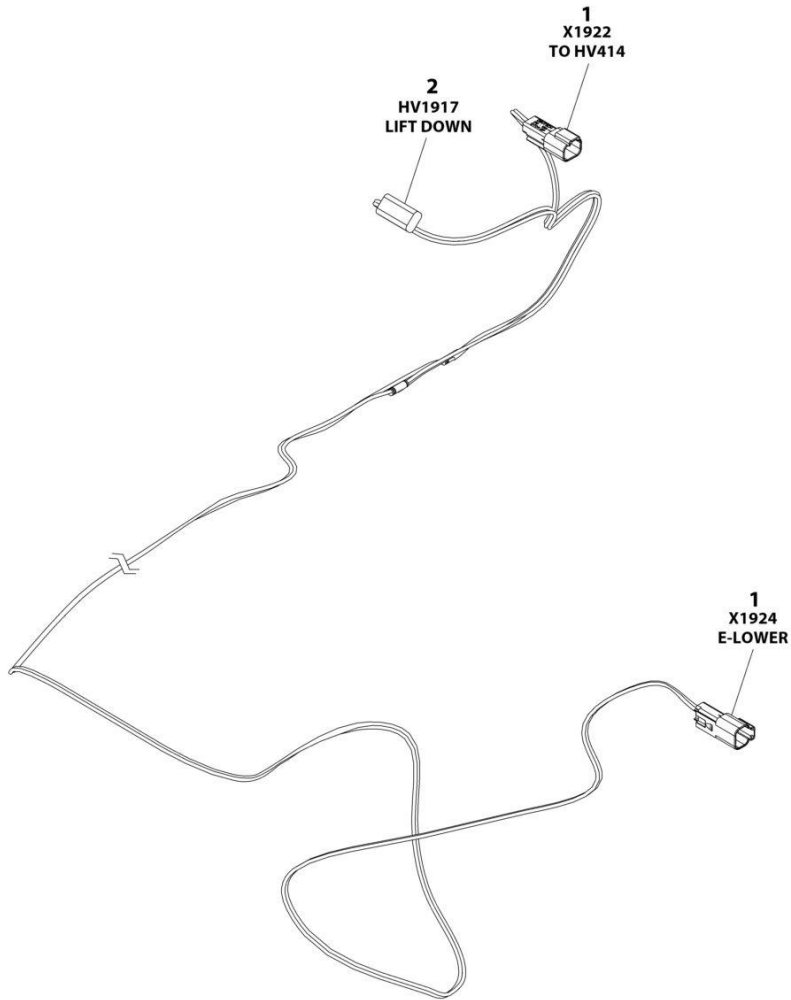
SECTION 10 - ELECTRICAL

FIGURE 10-86. REMOTE CONTROL POWER HARNESS

ITEM	PART NUMBER	QTY	DESCRIPTION	REV
	1001259205	Ref	Remote Control Power Harness	A
1	3740080	1	Relay	
2	8229234	1	Fuse, 10Amp	
101	1001231398	1	Connector, Relay	
101	1001231400	4	Terminal	
101	1001231404	4	Seal, Terminal	
101	1001231406	1	Plug, Terminal	
102	1001231397	1	Connector - 2 Position	
102	1001231400	2	Terminal	
102	1001231404	2	Seal, Terminal	
103	1001207173	1	Terminal, Ring	
104	1001211775	1	Terminal, Ring	
105	4460899	1	Receptacle, Female - 6 Position	
105	4460464	4	Pin, Male	
105	4460466	2	Plug, Terminal	
106	4460894	1	Plug, Male - 6 Position	
106	4460465	4	Socket, Female	
106	4460466	2	Plug, Terminal	

SECTION 10 - ELECTRICAL

FIGURE 10-87. REMOTE CONTROL EMERGENCY LOWERING HARNESS



ART_1001258719

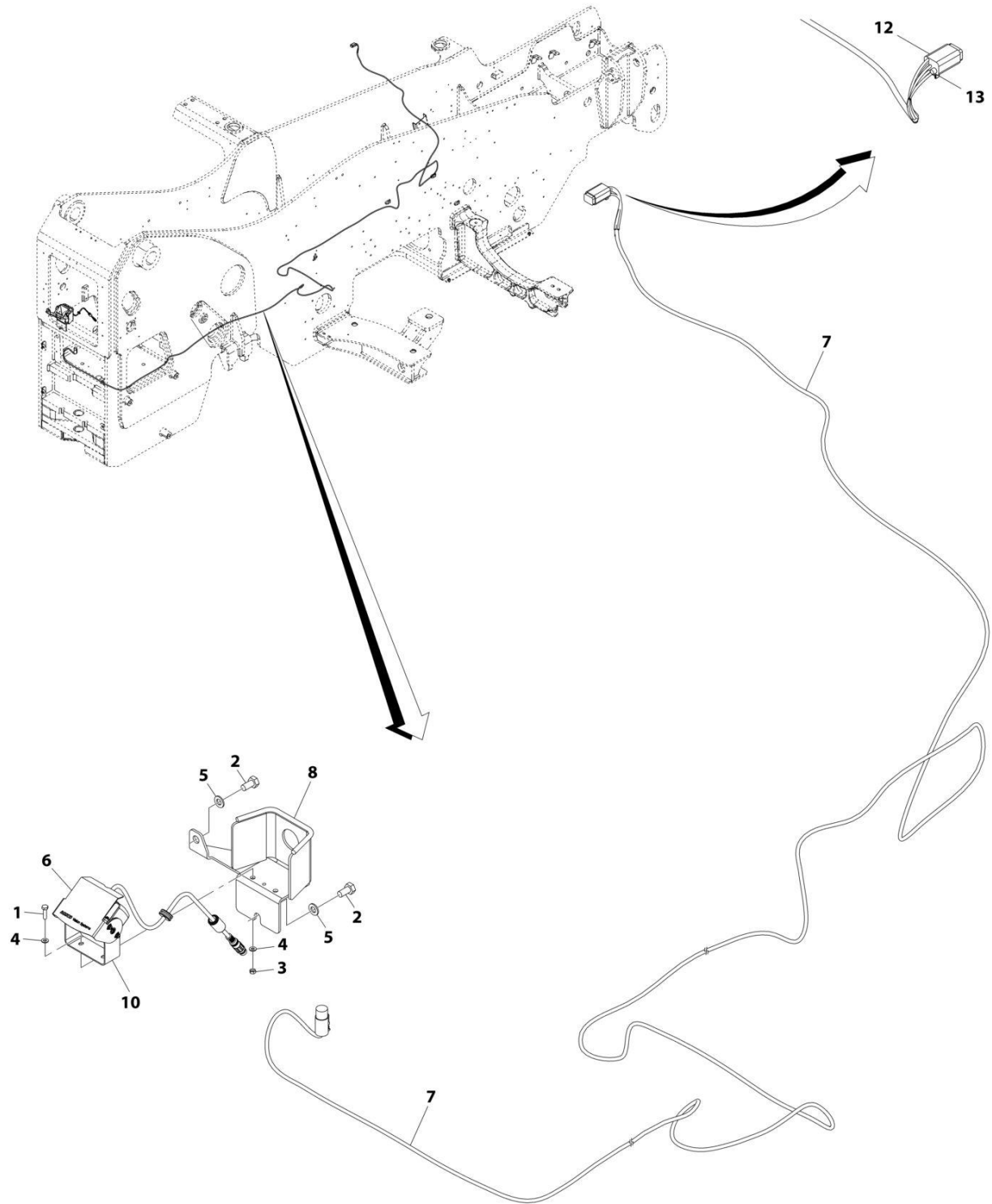
SECTION 10 - ELECTRICAL

FIGURE 10-87. REMOTE CONTROL EMERGENCY LOWERING HARNESS

ITEM	PART NUMBER	QTY	DESCRIPTION	REV
	1001258719	Ref	Remote Control Emergency Lowering Harness	A
1	4460897	2	Receptacle, Female - 2 Position	
1	4460464	4	Pin, Male	
2	4460891	1	Plug, Male - 2 Position	
2	4460465	2	Socket, Male	

SECTION 10 - ELECTRICAL

FIGURE 10-88. REVERSE CAMERA INSTALLATION



ART_1001192321-G

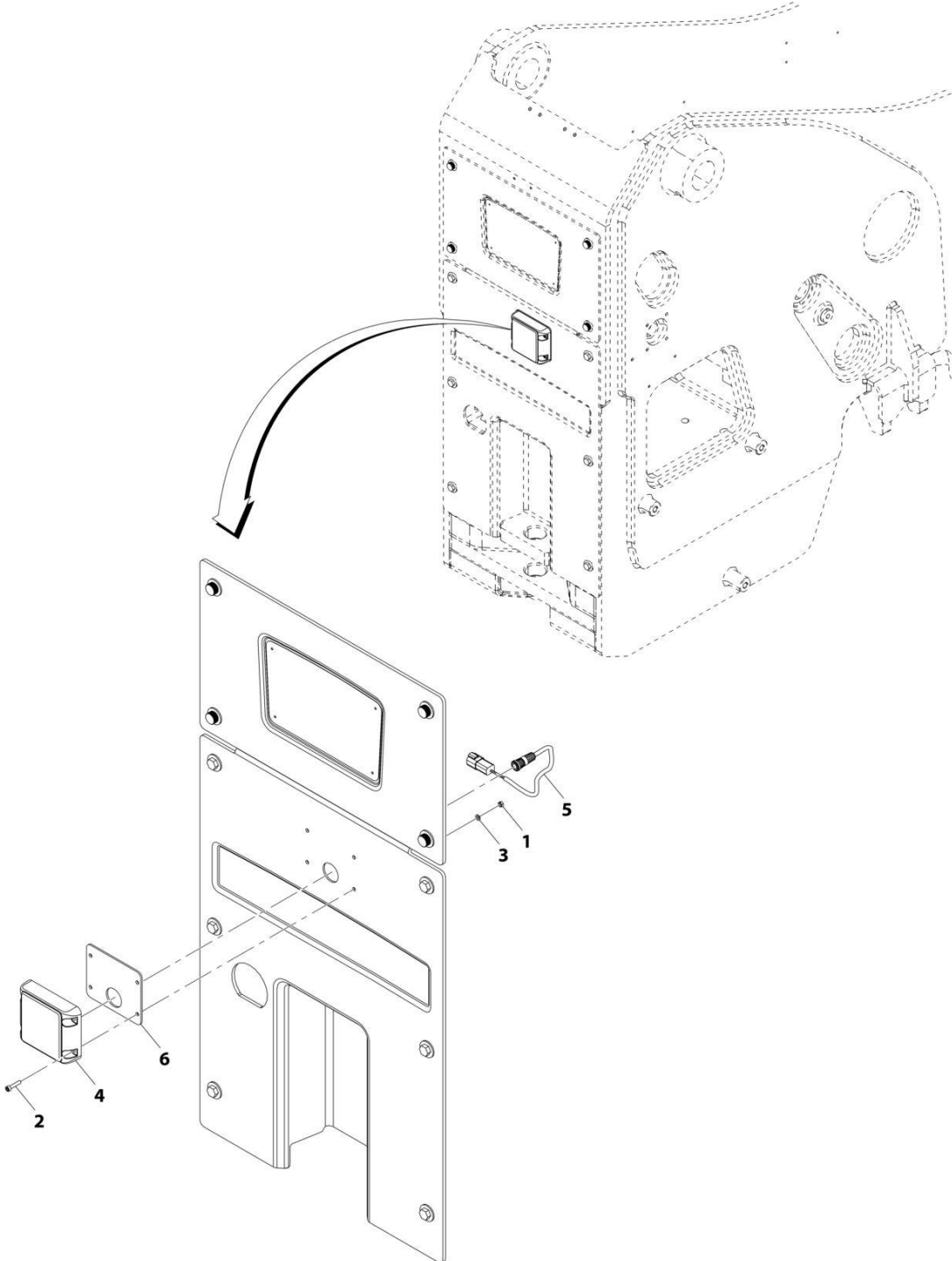
SECTION 10 - ELECTRICAL

FIGURE 10-88. REVERSE CAMERA INSTALLATION

ITEM	PART NUMBER	QTY	DESCRIPTION	REV
	1001192321	Ref	Reverse Camera Installation	G
1	0700408	2	Bolt, M4X16	
2	0760808	2	Bolt, M8X16	
3	3290401	2	Nut, M4X0.7	
4	4811400	4	Washer, M4	
5	4811900	2	Washer, M8	
6	1001167017	1	Camera, Reverse	
7	1001171962	1	Cable, Camera	
8	1001205307	1	Bracket	
10	1001202621	1	Bracket	
12	4460884	1	Connector	
13	4460466	1	Terminal	

SECTION 10 - ELECTRICAL

FIGURE 10-89. REVERSE SENSOR INSTALLATION



ART_1001192322-F

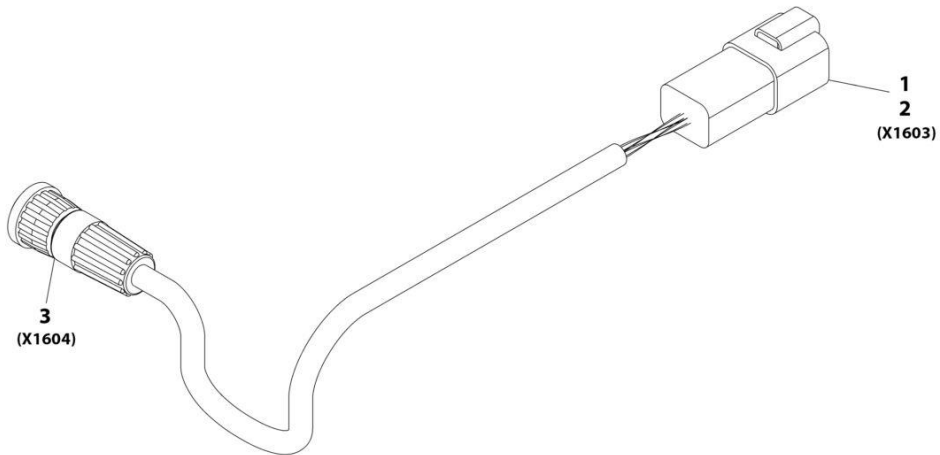
SECTION 10 - ELECTRICAL

FIGURE 10-89. REVERSE SENSOR INSTALLATION

ITEM	PART NUMBER	QTY	DESCRIPTION	REV
	1001192322	Ref	Reverse Sensor Installation	F
1	3290501	4	Nut, M5X0.8	
2	5271609	4	Screw, M5X25	
3	4811600	4	Washer, M5	
4	1001247421	1	Sensor, Reverse	
5	1001175776	1	Harness, Reverse Sensor (See Separate Breakdown in this Section)	
6	1001251518	1	Plate	

SECTION 10 - ELECTRICAL

FIGURE 10-90. REVERSE SENSOR HARNESS



ART_1001175776-C

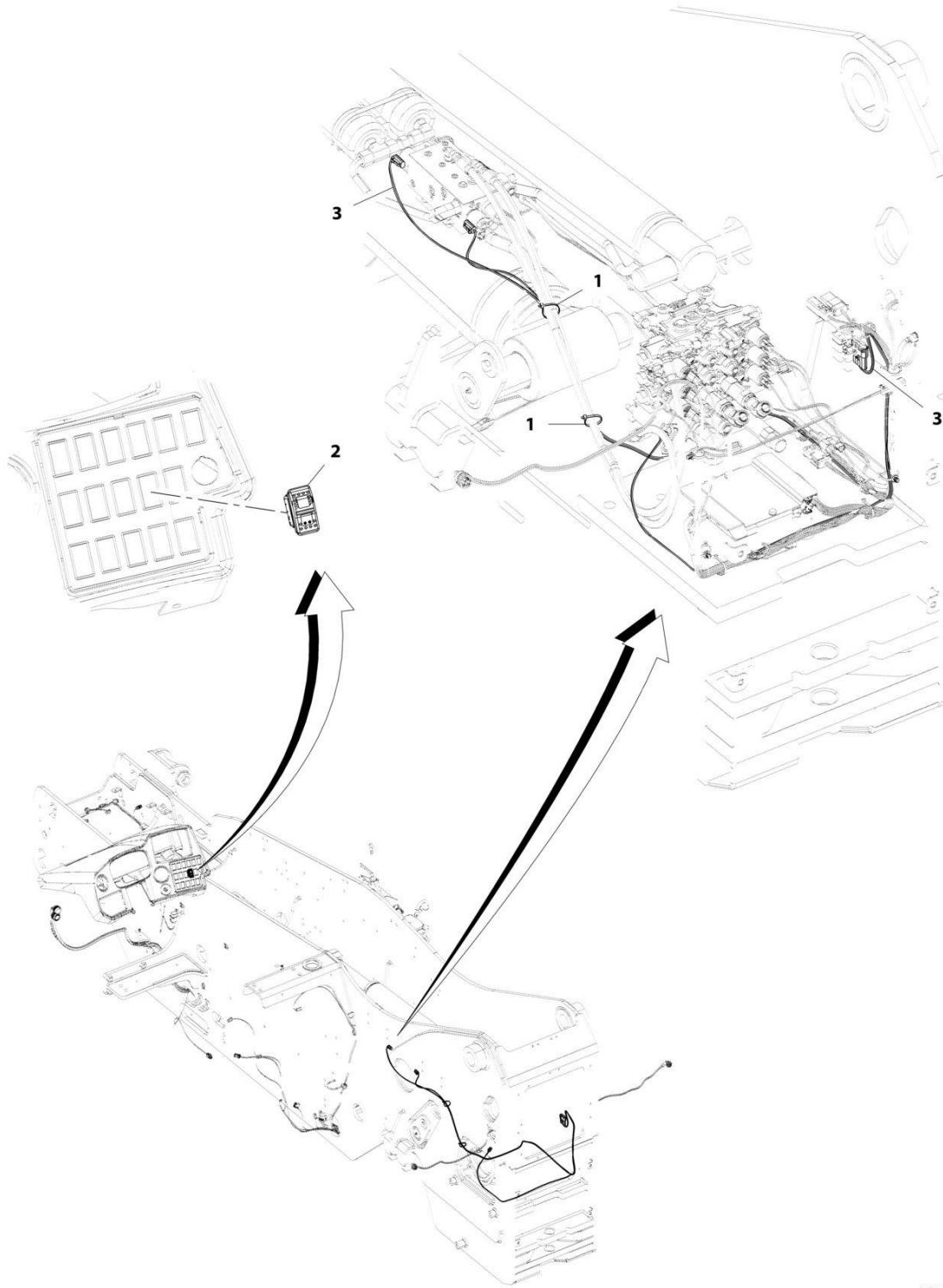
SECTION 10 - ELECTRICAL

FIGURE 10-90. REVERSE SENSOR HARNESS

ITEM	PART NUMBER	QTY	DESCRIPTION	REV
	1001175776	Ref	Reverse Sensor Harness	C
1	4460932	1	Connector	
2	4460464	4	Terminal	
3	1001175733	1	Connector	

SECTION 10 - ELECTRICAL

FIGURE 10-91. RIDE CONTROL WIRING INSTALLATION



ART_1001200105-B

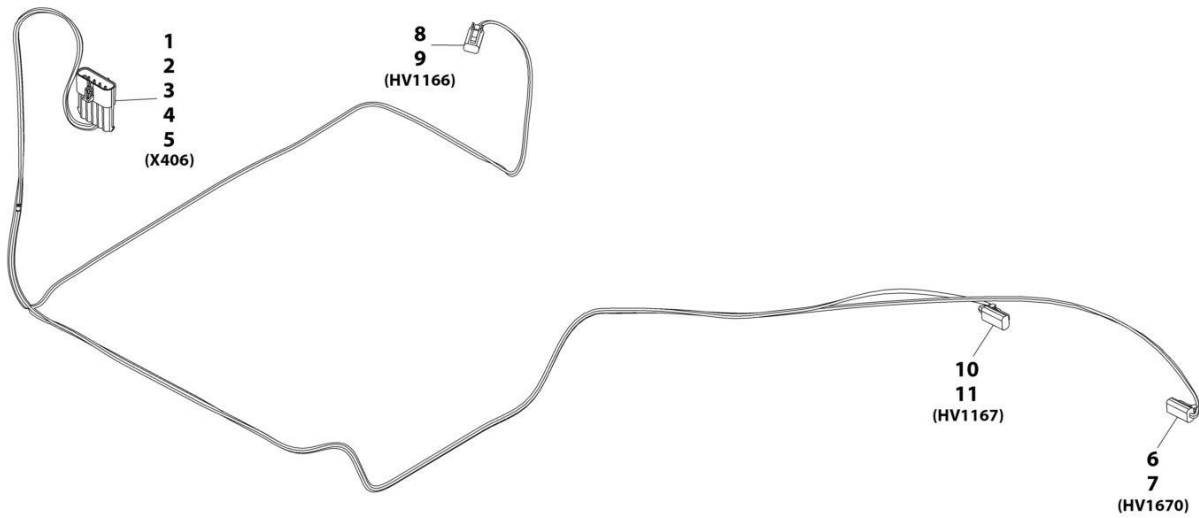
SECTION 10 - ELECTRICAL

FIGURE 10-91. RIDE CONTROL WIRING INSTALLATION

ITEM	PART NUMBER	QTY	DESCRIPTION	REV
	1001200105	Ref	Ride Control Wiring Installation	B
1	1001008559	2	Strap, Cable Tie	
2	1001159745	1	Switch, Boom Ride	
3	1001197668	1	Harness, Boom Ride Float (See Separate Breakdown in this Section)	

SECTION 10 - ELECTRICAL

FIGURE 10-92. RIDE CONTROL HARNESS (BOOM)



ART_1001197668-D

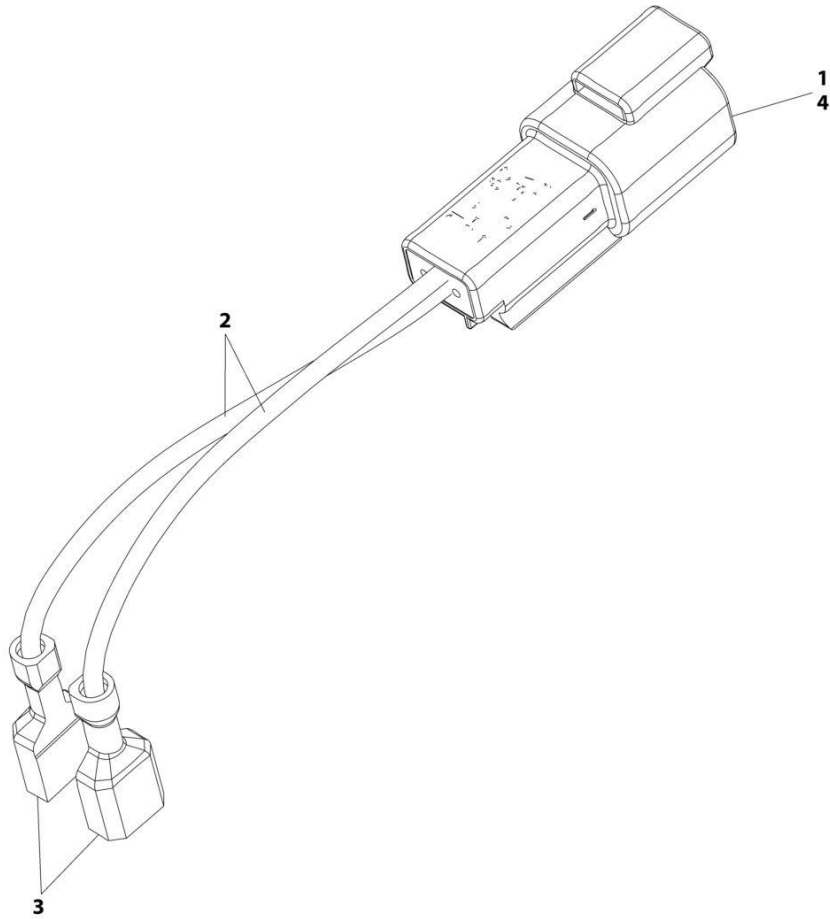
SECTION 10 - ELECTRICAL

FIGURE 10-92. RIDE CONTROL HARNESS (BOOM)

ITEM	PART NUMBER	QTY	DESCRIPTION	REV
	1001197668	Ref	Boom Ride Control Harness	D
1	1001121727	1	Connector	
2	1001116745	3	Terminal	
3	1001116729	1	Terminal	
4	4460458	4	Terminal Seal	
5	1001116727	1	Plug	
6	4460891	1	Connector	
7	4460465	2	Terminal	
8	4460891	1	Connector	
9	4460465	2	Terminal	
10	4460891	1	Connector	
11	4460465	2	Terminal	

SECTION 10 - ELECTRICAL

FIGURE 10-93. SPEED HARNESS (VEHICLE SPEED)



ART_1001229981-A

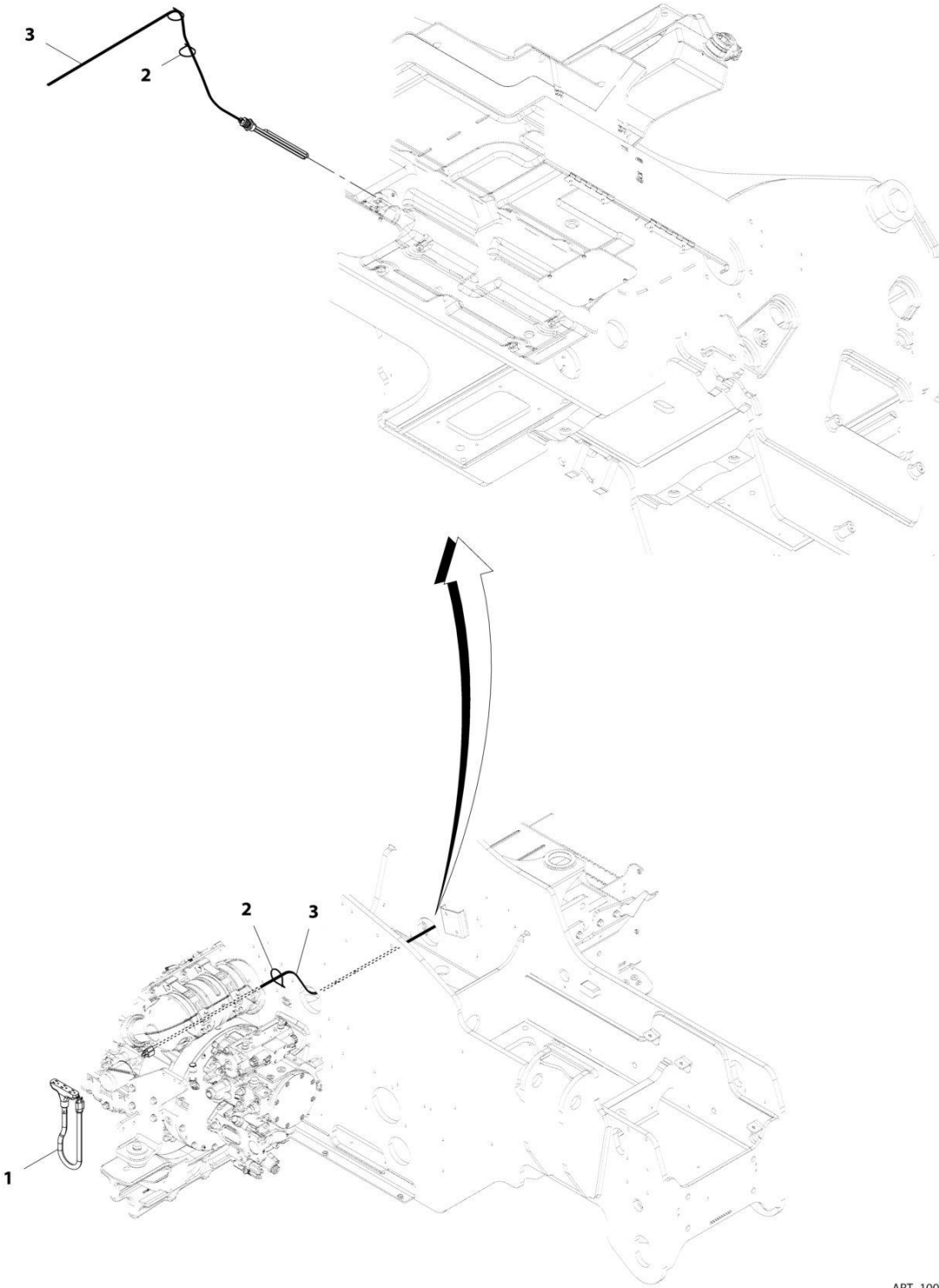
SECTION 10 - ELECTRICAL

FIGURE 10-93. SPEED HARNESS (VEHICLE SPEED)

ITEM	PART NUMBER	QTY	DESCRIPTION	REV
	1001229981	Ref	Vehicle Speed Pigtail Harness	A
1	4460464	2	Terminal	
2	4921614	200 mm	Wire, 18GA White	
3	1001194421	2	Terminal	
4	4460897	1	Connector	

SECTION 10 - ELECTRICAL

FIGURE 10-94. TANK HEATER INSTALLATION - HYDRAULIC TANK (115V)



ART_1001195593-B

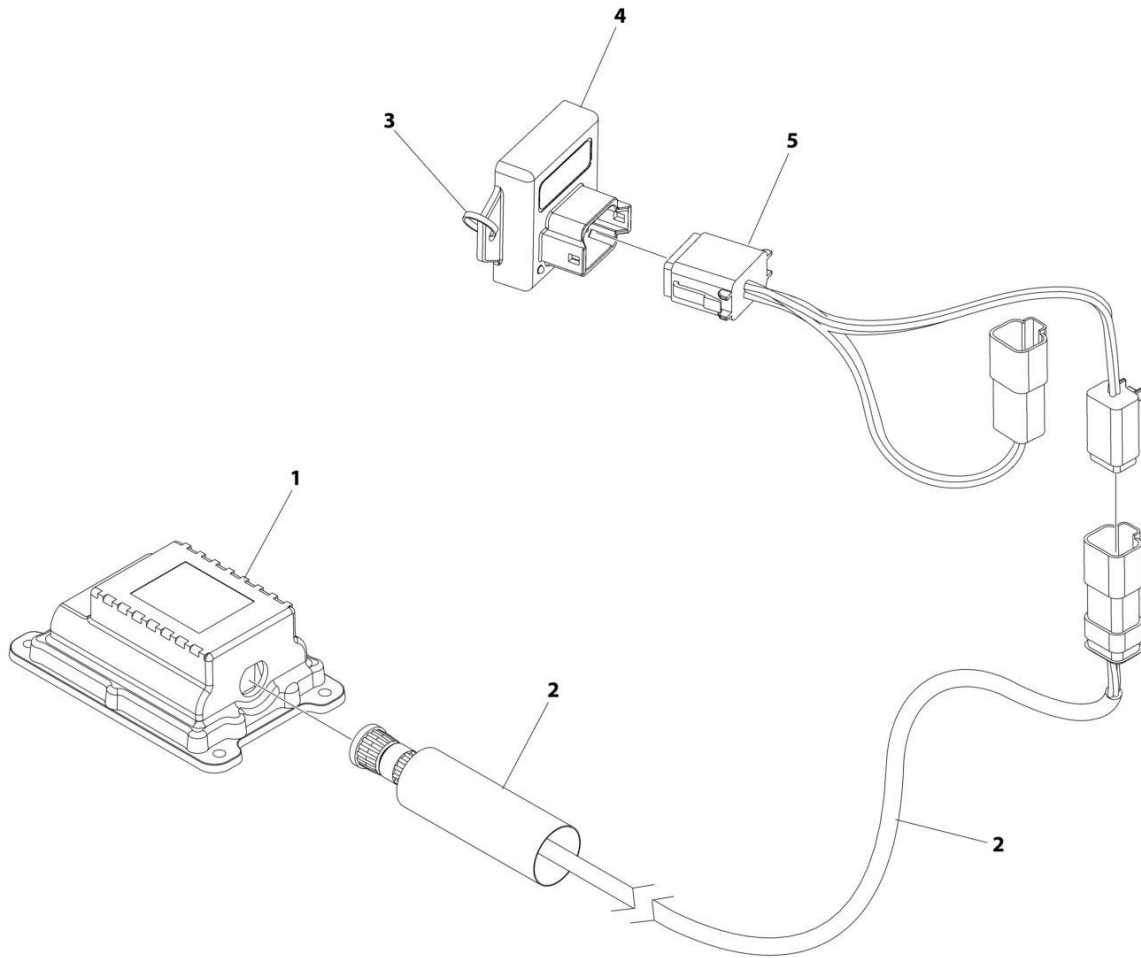
SECTION 10 - ELECTRICAL

FIGURE 10-94. TANK HEATER INSTALLATION - HYDRAULIC TANK (115V)

ITEM	PART NUMBER	QTY	DESCRIPTION	REV
	1001195593	Ref	Hydraulic Tank Heater Installation (115V)	B
1	1060626	1	Cord, 3-Way Extension	
2	4240099	AR	Tie, Wire	
3	1001105886	1	Heater, Immersion	

SECTION 10 - ELECTRICAL

FIGURE 10-95. TELEMATICS (CLEARSKY) INSTALLATION 3-WIRE (ANSI)



ART_1001229107

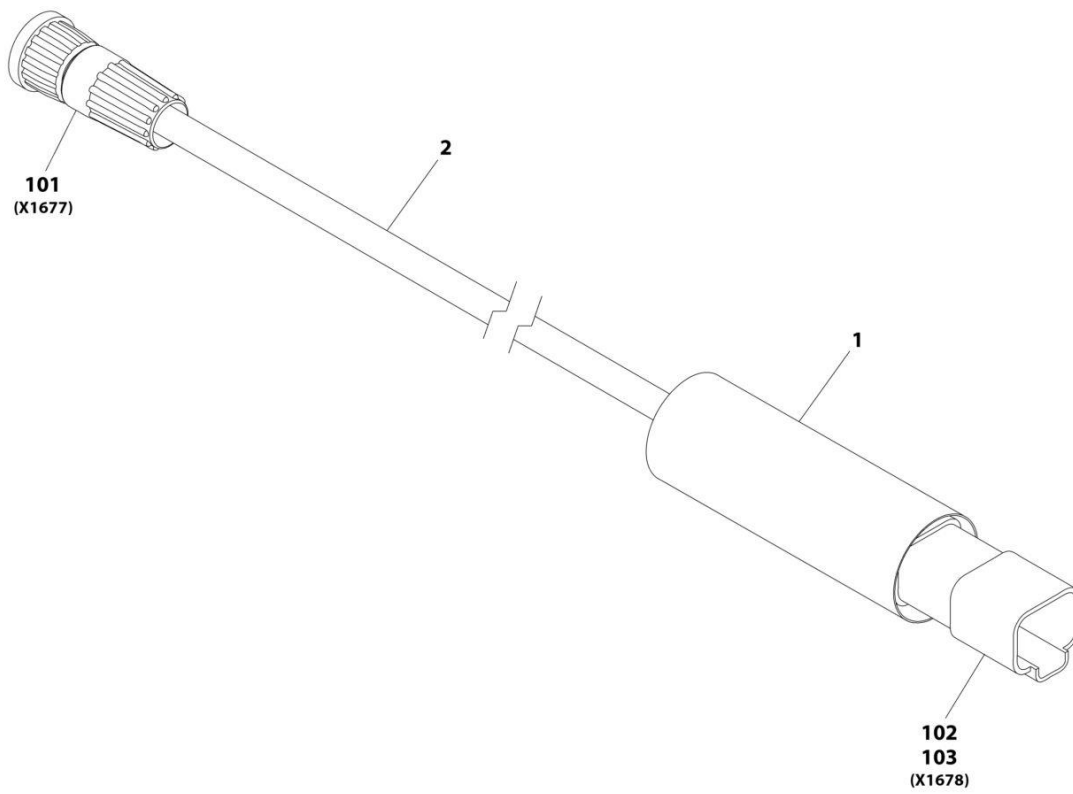
SECTION 10 - ELECTRICAL

FIGURE 10-95. TELEMATICS (CLEARSKY) INSTALLATION 3-WIRE (ANSI)

ITEM	PART NUMBER	QTY	DESCRIPTION	REV
	1001229107	Ref	CLEARSKY INSTALLATION 3-WIRE	D
1	1001226328	1	Module, 3W TCU	
2	1001227066	1	Telematics ClearSky Harness (See Separate Breakdown in this Section)	
3	4240032	AR	Tie-Strap	
4	1001262960	1	Voltage Regulator	
5	1001262963	1	Harness, Xirgo Jumper	

SECTION 10 - ELECTRICAL

FIGURE 10-96. TELEMATICS HARNESS



ART_1001227066-A

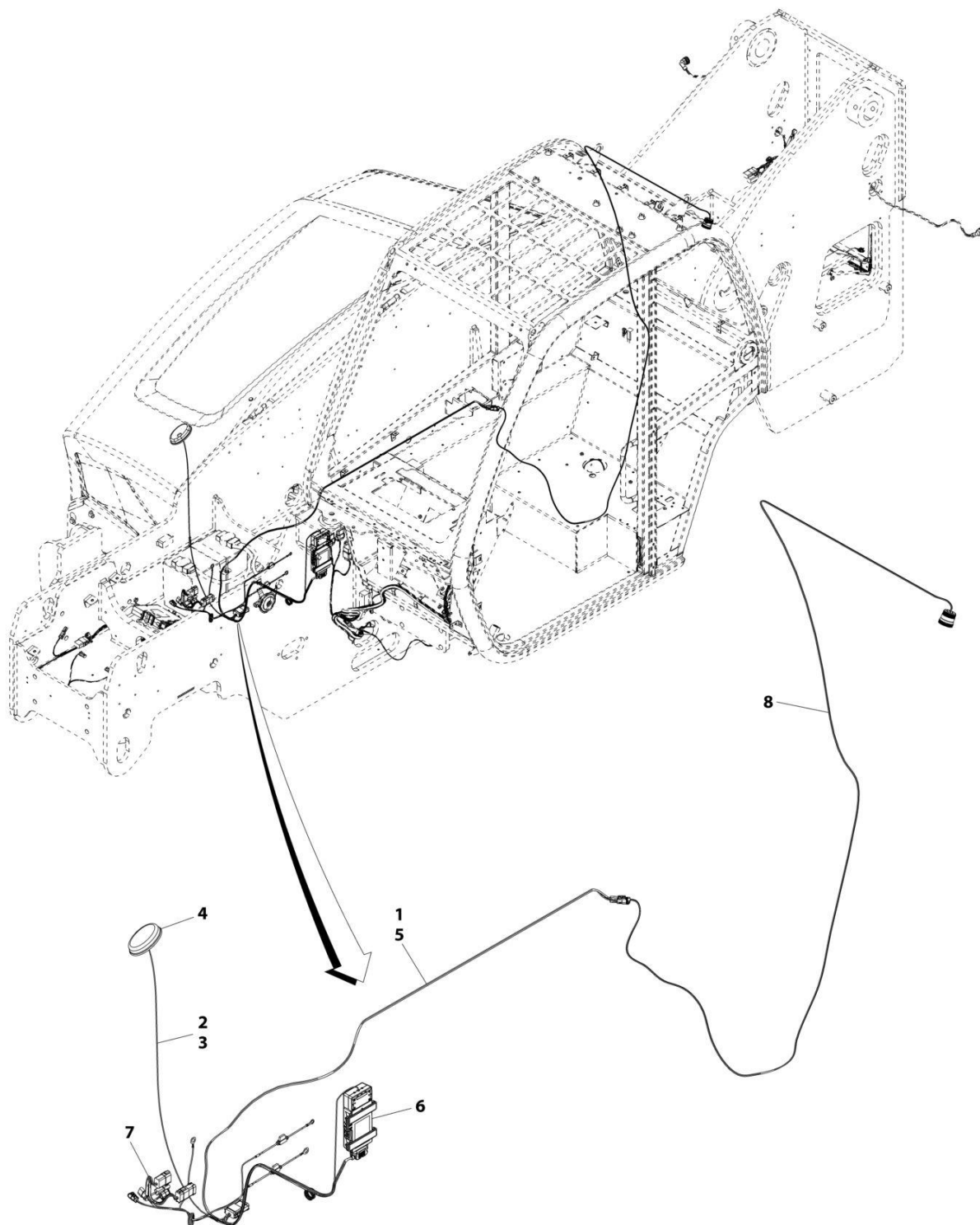
SECTION 10 - ELECTRICAL

FIGURE 10-96. TELEMATICS HARNESS

ITEM	PART NUMBER	QTY	DESCRIPTION	REV
	1001227066	Ref	CLEARSKY TELEMATICS HARNESS	A
1	1001226400	0.33 ft	Insulate, Heat Shrink	
2	1001227068	3.3 ft	Cable	
101	1001227266	1	Connector	
102	1001129407	1	Connector	
103	4460464	4	Terminal	

SECTION 10 - ELECTRICAL

FIGURE 10-97. TELEMATICS (CLEARSKY) INSTALLATION (4G CANBUS)



ART_1001232033-B

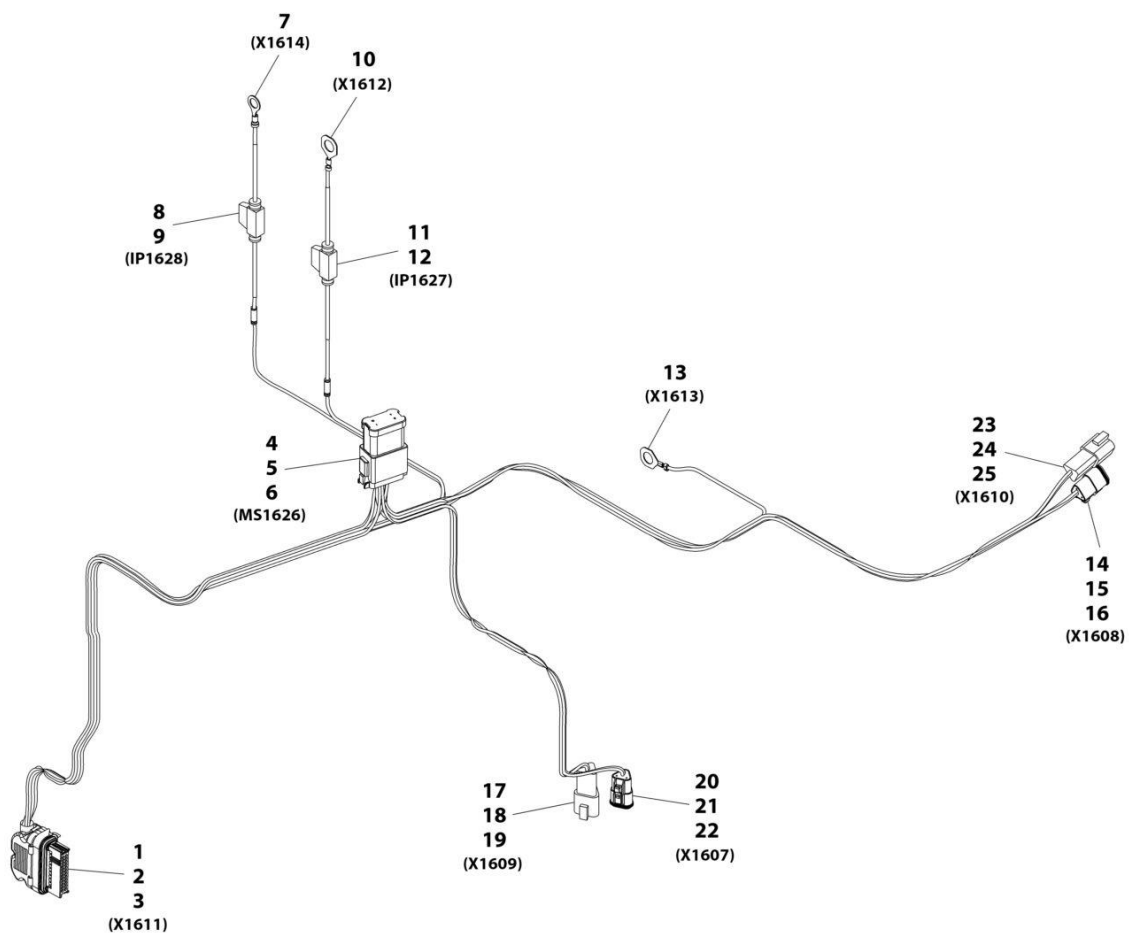
SECTION 10 - ELECTRICAL

FIGURE 10-97. TELEMATICS (CLEARSKY) INSTALLATION (4G CANBUS)

ITEM	PART NUMBER	QTY	DESCRIPTION	REV
	1001232033	Ref	Clearsky Installation	B
1	1062255	AR	Strap, Tie	
2	4240032	AR	Strap, Tie	
3	4460234	AR	Mount, Cable Tie	
4	1001226799	1	Antenna	
5	1001227297	1	Harness, Clearsky (See Separate Breakdown in this Section)	
6	1001229955	1	Module	
7	1001232298	1	Harness, Telematics Option (See Separate Breakdown in this Section)	
8	1001254185	1	Harness, Adapter (See Separate Breakdown in this Section)	

SECTION 10 - ELECTRICAL

FIGURE 10-98. TELEMATIC 4WARD HARNESS (CLEARSKY 2)



ART_1001227297

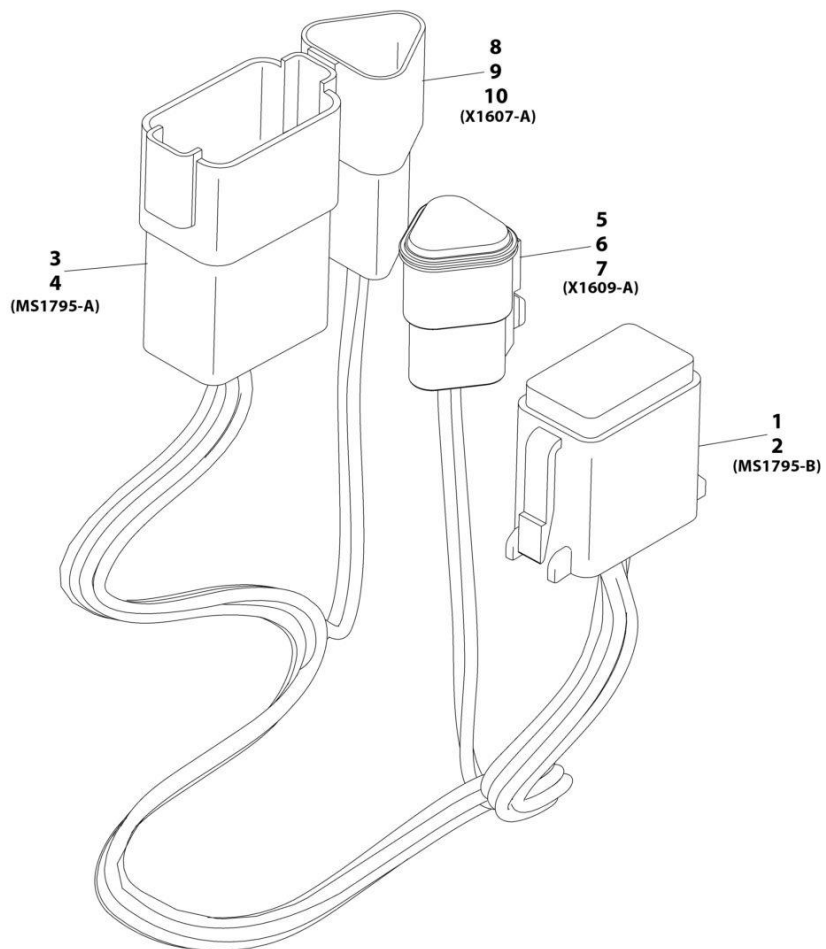
SECTION 10 - ELECTRICAL

FIGURE 10-98. TELEMATIC 4WARD HARNESS (CLEARSKY 2)

ITEM	PART NUMBER	QTY	DESCRIPTION	REV
	1001227297	Ref	TELEMATIC 4WARD HARNESS (CLEARSKY 2)	C
1	1001226636	1	Connector	
2	1001226637	7	Terminal	
3	1001116731	17	Plug	
4	4460933	1	Connector	
5	4460465	12	Terminal	
6	1001200206	1	Connector, DT 12 Pin 4X3 Buss	
7	4460670	1	Connector	
8	2400060	1	Connector	
9	8229242	1	Fuse, 5amp	
10	1001187078	1	Connector	
11	2400060	1	Connector	
12	8229242	1	Fuse, 5amp	
13	1001187077	1	Connector	
14	1001116812	1	Connector	
15	4460465	2	Terminal	
16	4460466	1	Plug	
17	1001144147	1	Connector	
18	4460464	2	Terminal	
19	4460466	1	Plug	
20	1001116812	1	Connector	
21	4460465	2	Terminal	
22	4460466	1	Plug	
23	1001144147	1	Connector	
24	4460464	2	Terminal	
25	4460466	1	Plug	

SECTION 10 - ELECTRICAL

FIGURE 10-99. TELEMATICS OPTION HARNESS



ART_1001232298-A

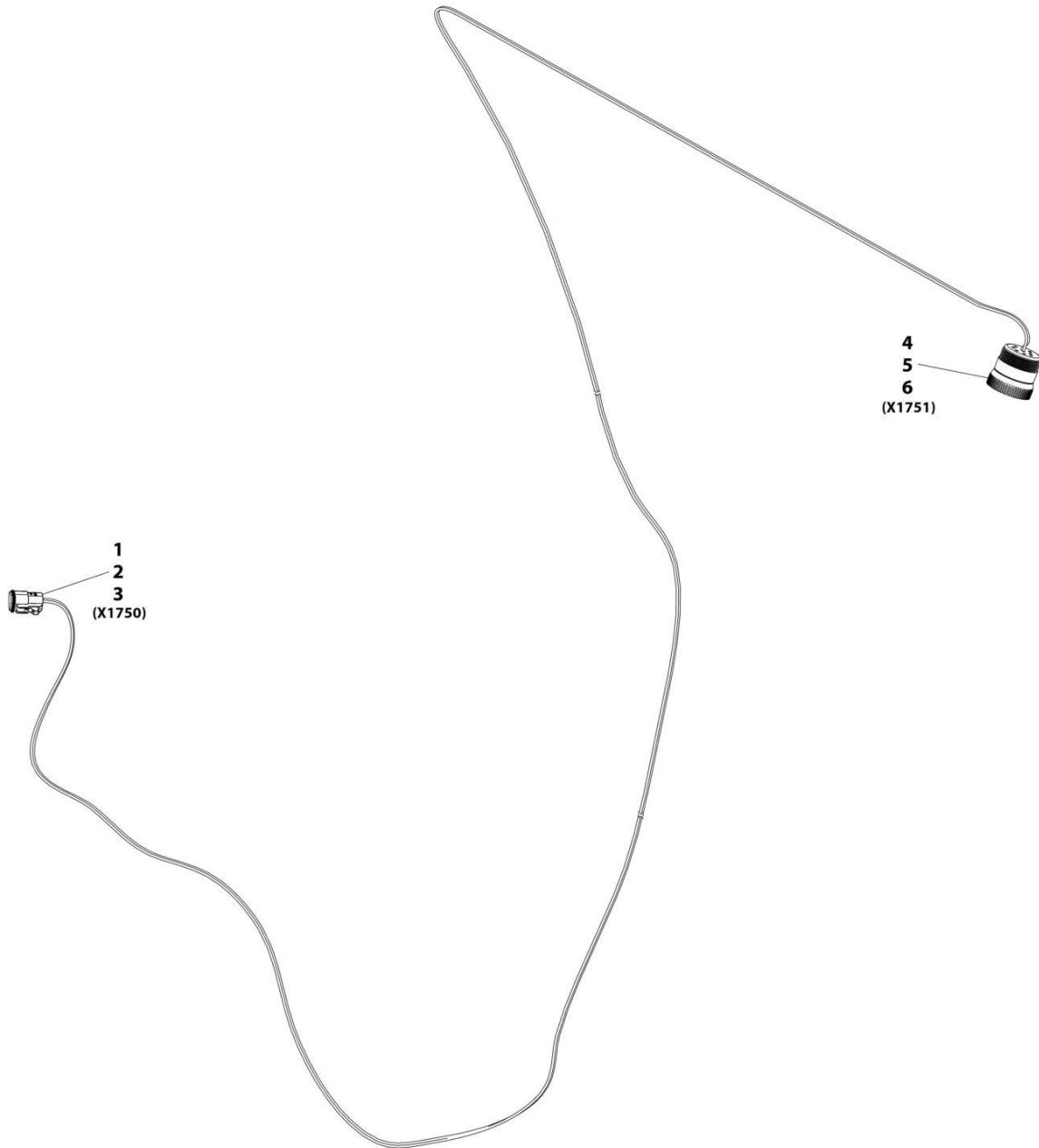
SECTION 10 - ELECTRICAL

FIGURE 10-99. TELEMATICS OPTION HARNESS

ITEM	PART NUMBER	QTY	DESCRIPTION	REV
	1001232298	Ref	Telematics Option Harness	A
1	4460930	1	Connector	
2	4460465	8	Terminal	
3	4460931	1	Mating Connector	
4	4460464	8	Terminal	
5	1001116812	1	Connector	
6	4460465	2	Terminal	
7	4460466	1	Plug	
8	1001144147	1	Connector	
9	4460464	2	Terminal	
10	4460466	1	Plug	

SECTION 10 - ELECTRICAL

FIGURE 10-100. TELEMATICS ADAPTER HARNESS



ART_1001254185-A

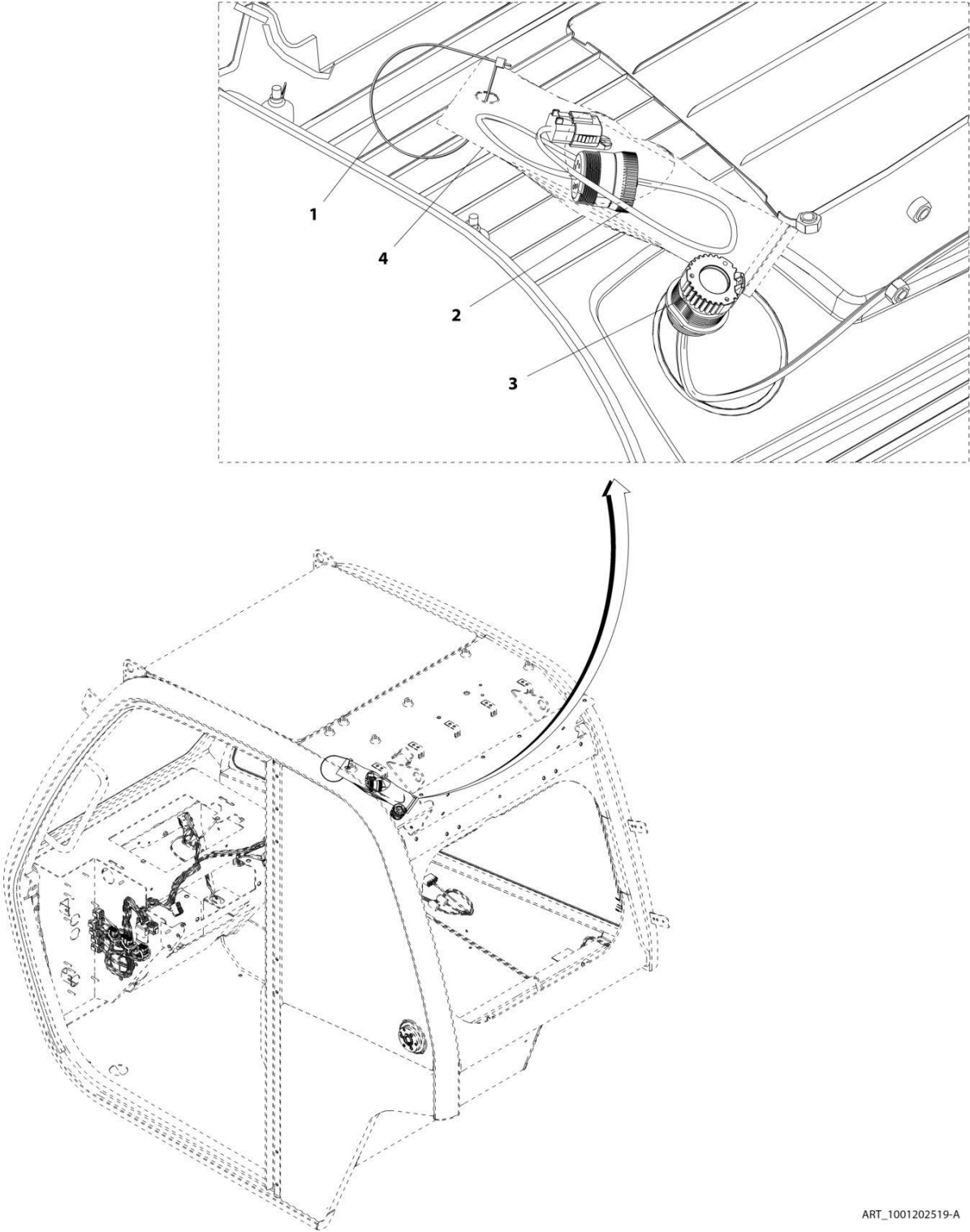
SECTION 10 - ELECTRICAL

FIGURE 10-100. TELEMATICS ADAPTER HARNESS

ITEM	PART NUMBER	QTY	DESCRIPTION	REV
	1001254185	Ref	TELEMATICS ADAPTER HARNESS	A
1	1001116812	1	Connector	
2	4460465	2	Terminal	
3	4460466	1	Plug	
4	1001112796	1	Connector	
5	4460944	2	Terminal	
6	4460466	7	Plug	

SECTION 10 - ELECTRICAL

FIGURE 10-101. TELEMATICS READY INSTALLATION



ART_1001202519-A

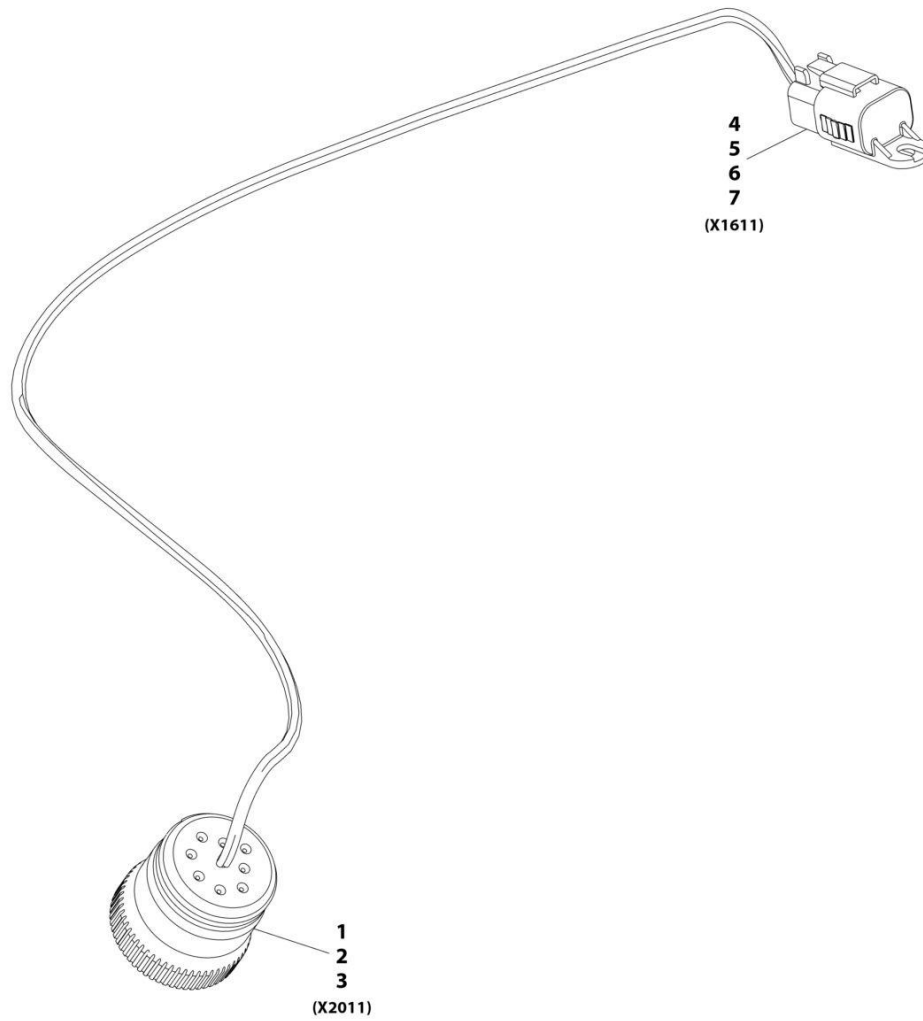
SECTION 10 - ELECTRICAL

FIGURE 10-101. TELEMATICS READY INSTALLATION

ITEM	PART NUMBER	QTY	DESCRIPTION	REV
	1001202519	Ref	Telematics Ready Installation	A
1	8584003	1	Strap, Tie	
2	1001196289	1	Harness, Telematics Ready (See Separate Breakdown in ELECTRICAL Section)	
3	1001201162	1	Cap	
4	1001202617	1	Bag	

SECTION 10 - ELECTRICAL

FIGURE 10-102. TELEMATICS READY HARNESS



ART_1001196289-A

SECTION 10 - ELECTRICAL

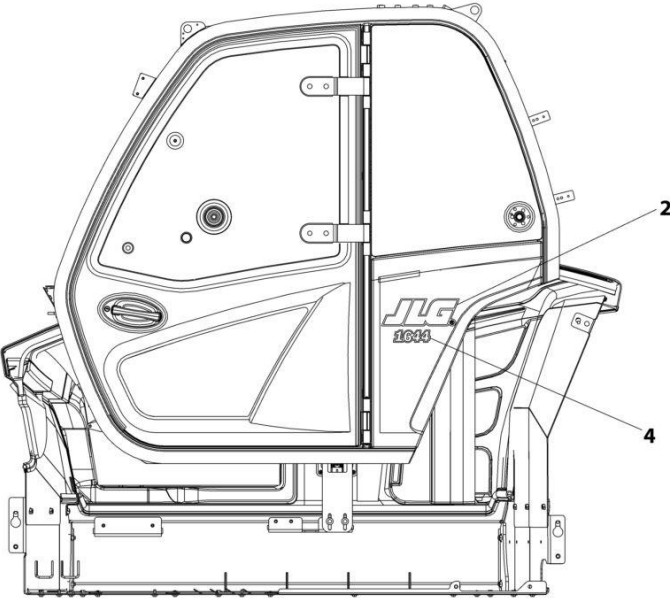
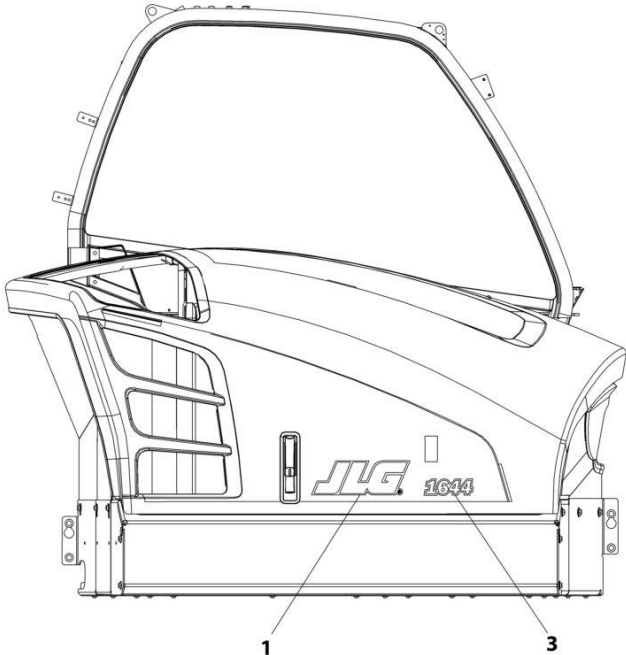
FIGURE 10-102. TELEMATICS READY HARNESS

ITEM	PART NUMBER	QTY	DESCRIPTION	REV
	1001196289	Ref	Telematics Ready Harness	A
1	1001112796	1	Connector	
2	4460465	3	Terminal	
3	4460466	6	Plug	
4	4460884	1	Connector	
5	80604021	1	Lock, Connector	
6	4460465	3	Terminal	
7	4460466	1	Terminal	

SECTION 11 - DECALS

SECTION 11 - DECALS

FIGURE 11-1. 1644 DECAL INSTALLATION



ART_1001226533-A

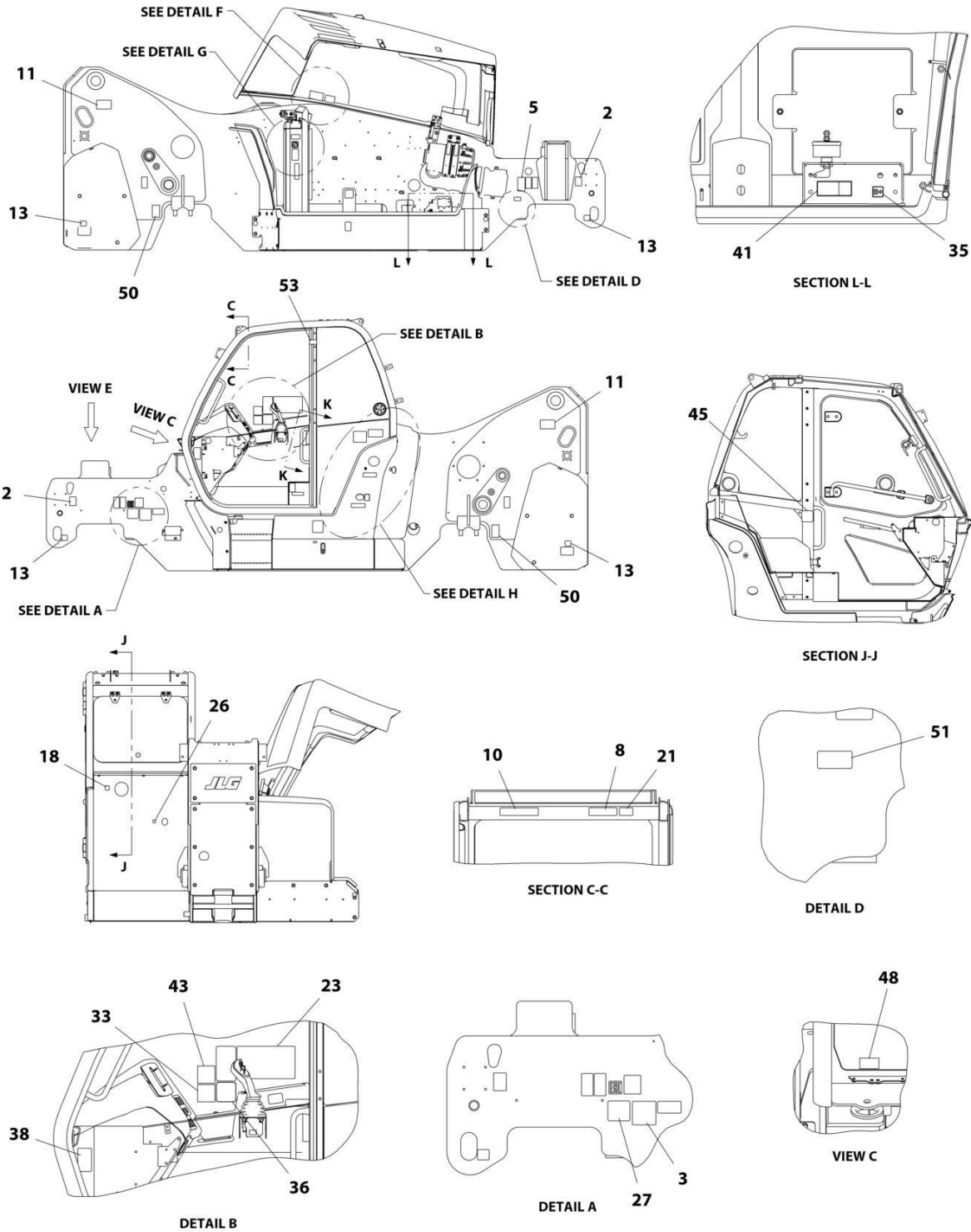
SECTION 11 - DECALS

FIGURE 11-1. 1644 DECAL INSTALLATION

ITEM	PART NUMBER	QTY	DESCRIPTION	REV
	1001226533	Ref	1644 Decal Installation	A
1	1001160775	1	Decal, JLG 5 Black	
2	1001169674	1	Decal, JLG M100X285	
3	1001226536	1	Decal, JLG 1644 Hood	
4	1001226537	1	Decal, JLG 1644 Cab	

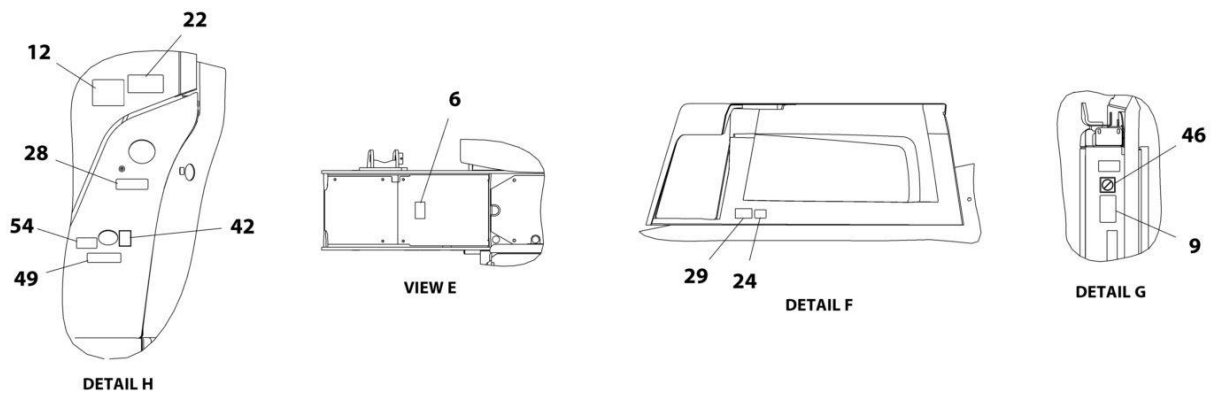
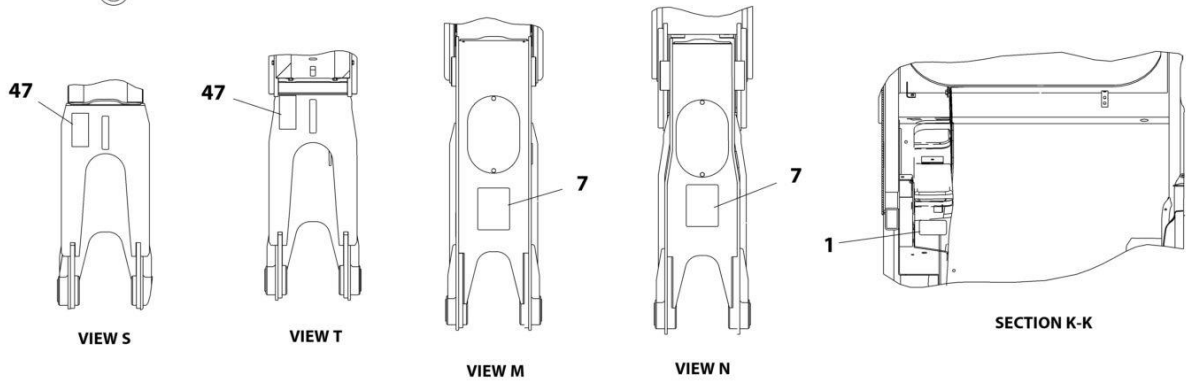
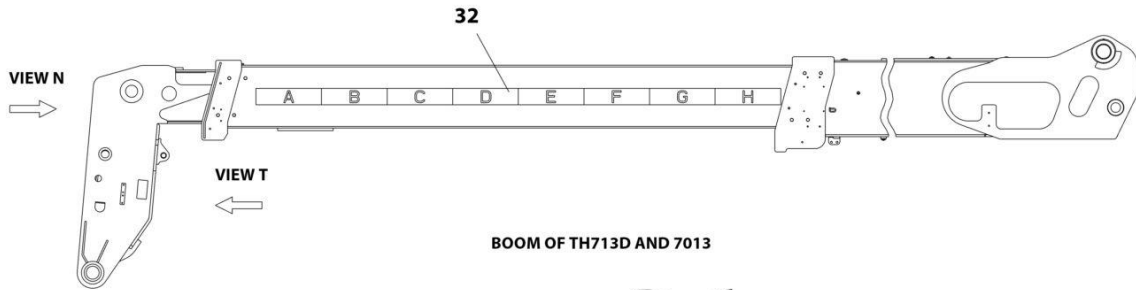
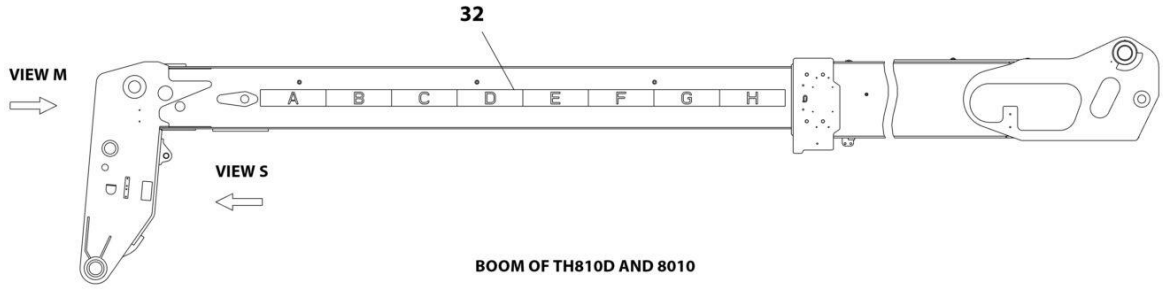
SECTION 11 - DECALS

FIGURE 11-2. DECAL INSTALLATION (ENGLISH)



ART_1001192745_1-K

SECTION 11 - DECALS



ART_1001192745_2-K

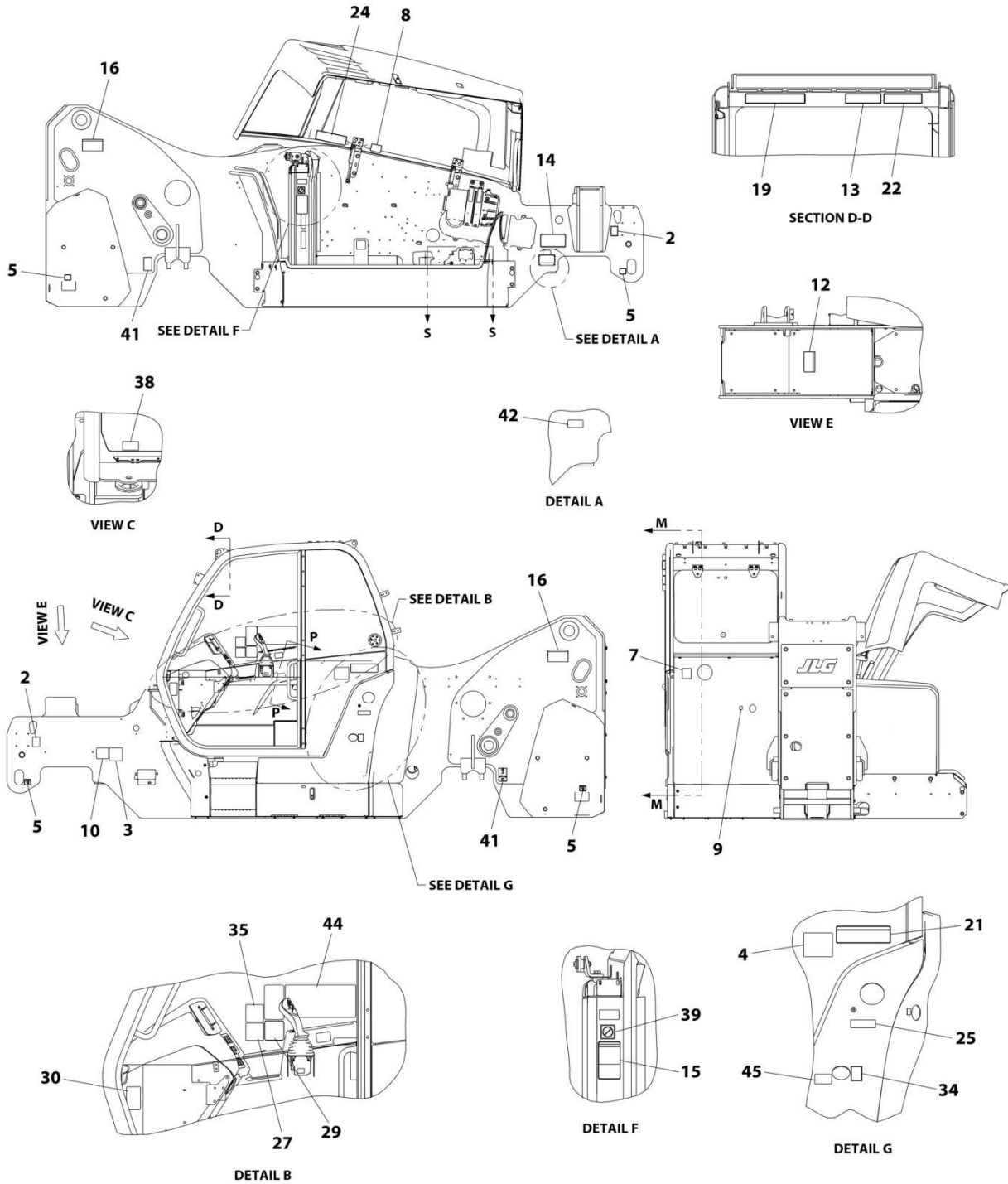
SECTION 11 - DECALS

FIGURE 11-2. DECAL INSTALLATION (ENGLISH)

ITEM	PART NUMBER	QTY	DESCRIPTION	REV
	1001192745	Ref	Decal Installation (English)	K
1	1670836	1	Cover, Boom	
2	1701500	2	Decal, Lift	
3	See Note	NSS	Decal, Bar Code (Note: Not Available for Purchase)	
5	1706300	1	Decal, Ether Warning	
6	1706296	1	Decal, Battery Warning	
7	1001195849	1	Decal, Carry Personnel	
8	1706299	1	Decal, Contacting Power Lines Warning	
9	1706301	1	Decal, Keep Clear Of Rotating Parts Warning	
10	1706306	1	Decal, Tip Over Warning	
11	1706302	2	Decal, Pinch Point Boom Holes	
12	3251813	1	Decal, USA	
13	4109801	4	Decal, Tie Down Point	
18	1001094708	1	Decal, Hydraulic Oil	
21	1706850	1	Decal, Crush Hazard Warning	
22	1706768	1	Decal, Vehicle Roll Away	
23	1707078	1	Decal, Warning/Danger	
24	1001109053	1	Decal, Coolant Fill	
26	1001130323	1	Decal, Oil Level	
27	1001131271	1	Decal, Patent	
28	1001218704	1	Decal, Ultra Low Sulfur Diesel	
29	1001139578	1	Decal, Hot Fluid Warning	
32	1001171277	1	Decal, Boom Extend	
33	1001172035	1	Decal, No Weld or Drill	
35	1001184632	1	Decal, Battery Positive	
36	1001188372	1	Decal, Sway	
38	1001191229	1	Decal, Fuse Panel	
41	1001195855	1	Decal, Battery Disconnect	
42	1001196806	1	Decal, Diesel Exhaust Fluid	
43	1001227287	1	Decal, Manual	
45	1001214206	1	Decal, Park Brake	
46	AU2105	1	Decal, No Karcher	
47	1001207217	1	Decal, Danger Swinging Loads	
48	1001218659	1	Decal, Brake Fluid	
49	1001219212	1	Decal, DEF Fluid	
50	1001222650	2	Decal, Axle Lift	
51	1001223453	1	DECAL,ICES (CAN)	
53	1001231801	1	Decal, Warning Prop 65	
54	1001247646	1	Decal, DEF Min. Refill Volume	

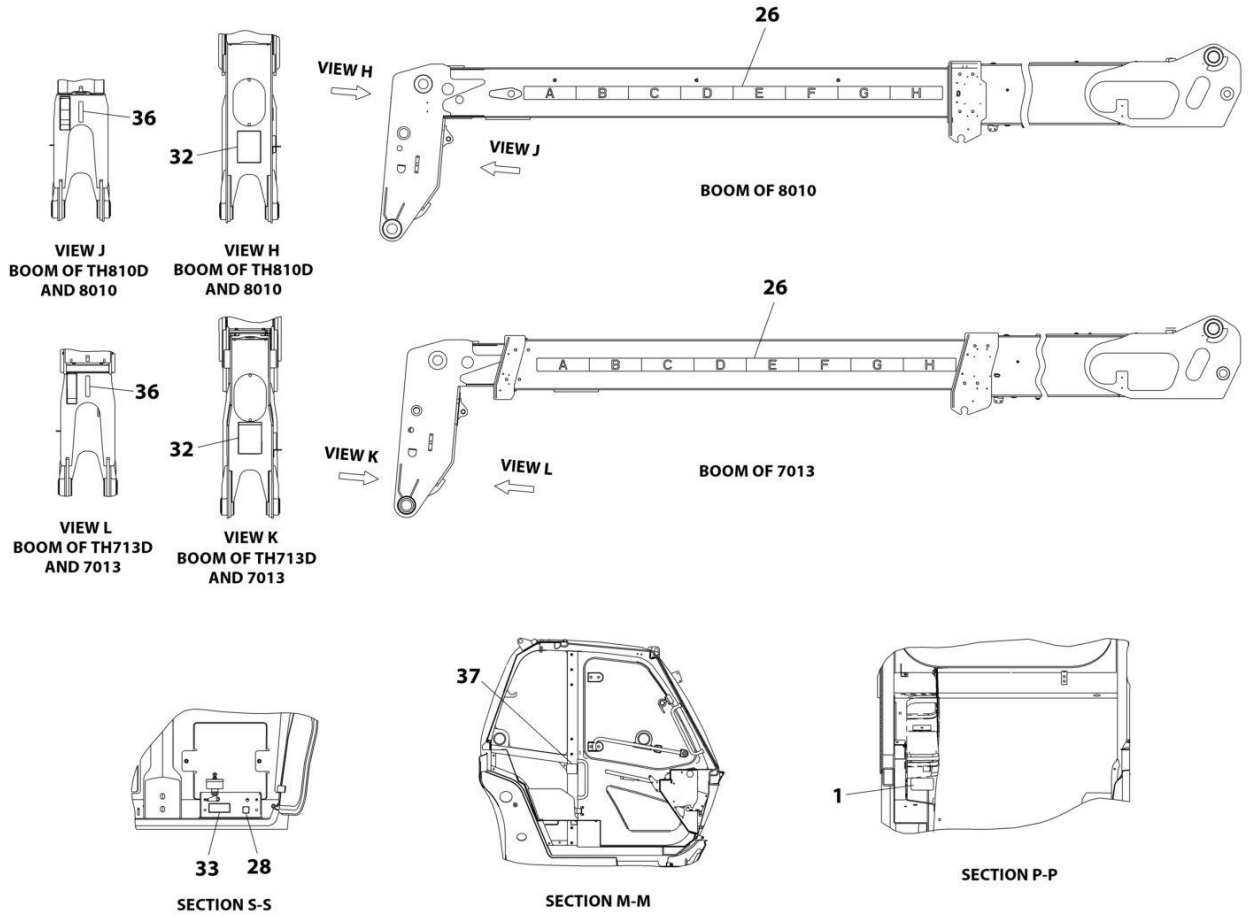
SECTION 11 - DECALS

FIGURE 11-3. DECAL INSTALLATION (ENGLISH/FRENCH)



ART_1001220230_1-J

SECTION 11 - DECALS



ART_1001220230_2-J

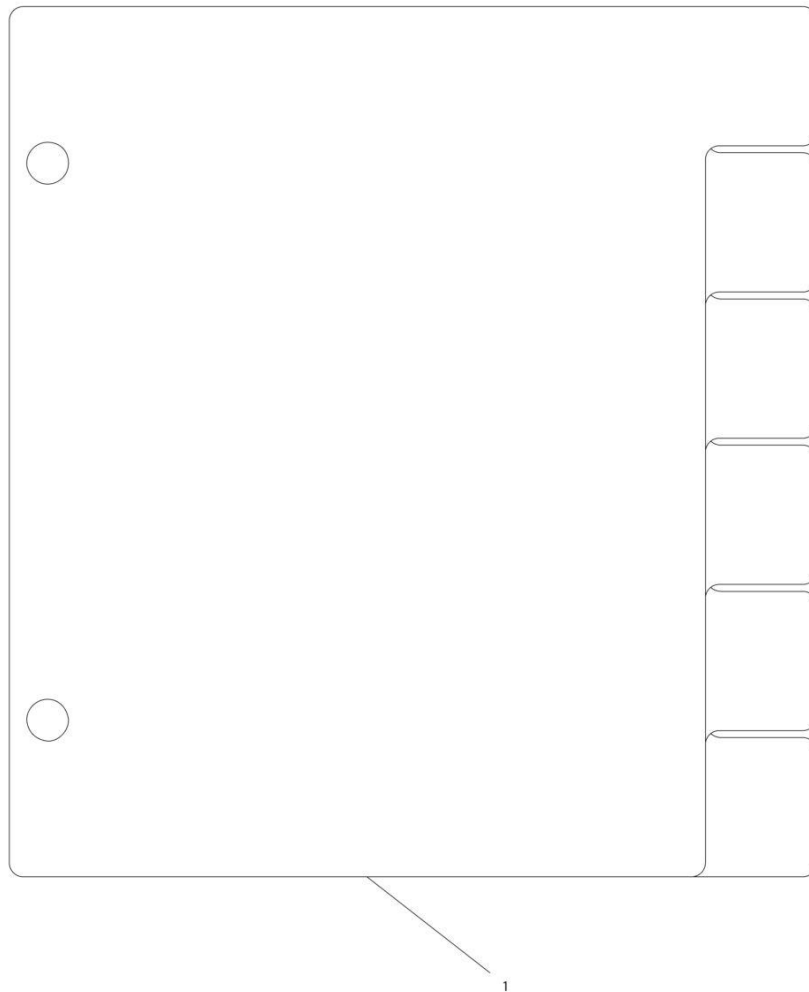
SECTION 11 - DECALS

FIGURE 11-3. DECAL INSTALLATION (ENGLISH/FRENCH)

ITEM	PART NUMBER	QTY	DESCRIPTION	REV
	1001220230	Ref	Decal Installation (English/French)	J
1	1670836	1	Cover, Boom	
2	1701500	2	Decal, Lift	
3	See Note	NSS	Decal, Bar Code (Note: Not Available for Purchase)	
4	3251813	1	Decal, USA	
5	4109801	4	Decal, Tie Down Point	
7	1001094708	1	Decal, Hydraulic Oil	
8	1001109053	1	Decal, Coolant Fill	
9	1001130323	1	Decal, Oil Level	
10	1001131271	1	Decal, Patent Telehandlers USA/Canada	
12	1001163174	1	Decal, Battery Warning	
13	1001163210	1	Decal, Electrocutation Hazard	
14	1001163212	1	Decal, Warning No Either	
15	1001163222	1	Decal, Moving Parts	
16	1001163223	2	Decal, Pinch Point	
19	1001163285	1	Decal, Warning Tip Over	
21	1001163300	1	Decal, No Riders	
22	1001163304	1	Decal, Warning Crushing Hazard	
24	1001163323	1	Decal, Warning Hot Fluid	
25	1001163355	1	Decal, Ultra Low Sulfur Diesel	
26	1001171277	1	Decal, Boom Extend	
27	1001172035	1	Decal, No Weld or Drill	
28	1001184632	1	Decal, Battery Positive	
29	1001188372	1	Decal, Sway	
30	1001191229	1	Decal, Fuse Panel	
32	1001195851	1	Decal, Carry Personnel	
33	1001195855	1	Decal, Battery Disconnect	
34	1001196806	1	Decal, Diesel Exhaust Fluid	
35	1001227287	1	Decal, Manual	
36	1001209625	1	Decal, Danger Swinging Loads	
37	1001214206	1	Decal, Park Brake	
38	1001219211	1	Decal, Brake Fluid	
39	AU2105	1	Decal, No Karcher	
41	1001222650	2	Decal, Axle Lift	
42	1001223453	1	Decal, ICES	
44	1001233558	1	Decal, Warning/Danger - Cab	
45	1001247646	1	Decal, DEF Min. Refill Volume	

SECTION 11 - DECALS

FIGURE 11-4. CAPACITY CHART



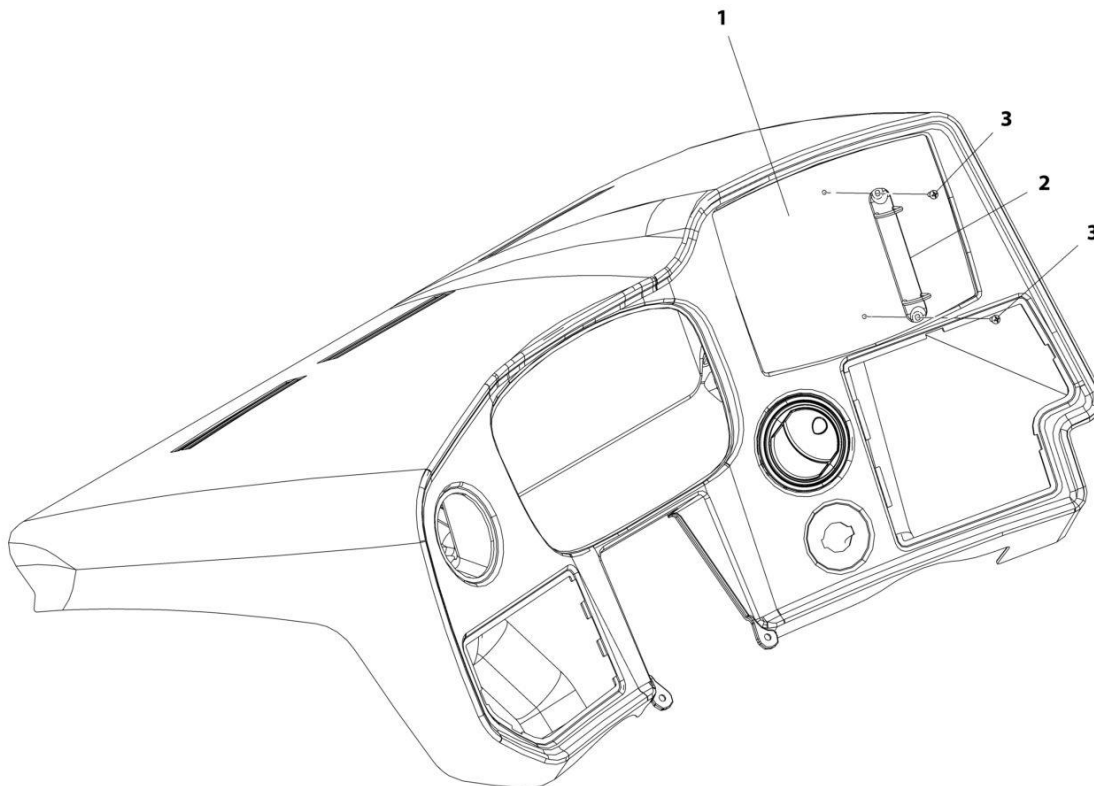
ART_1001233430-B

FIGURE 11-4. CAPACITY CHART

ITEM	PART NUMBER	QTY	DESCRIPTION	REV
1	1001233430	1	CAPACITY CHART	G

SECTION 11 - DECALS

FIGURE 11-5. CAPACITY CHART HOLDER INSTALLATION



ART_1001178706-A

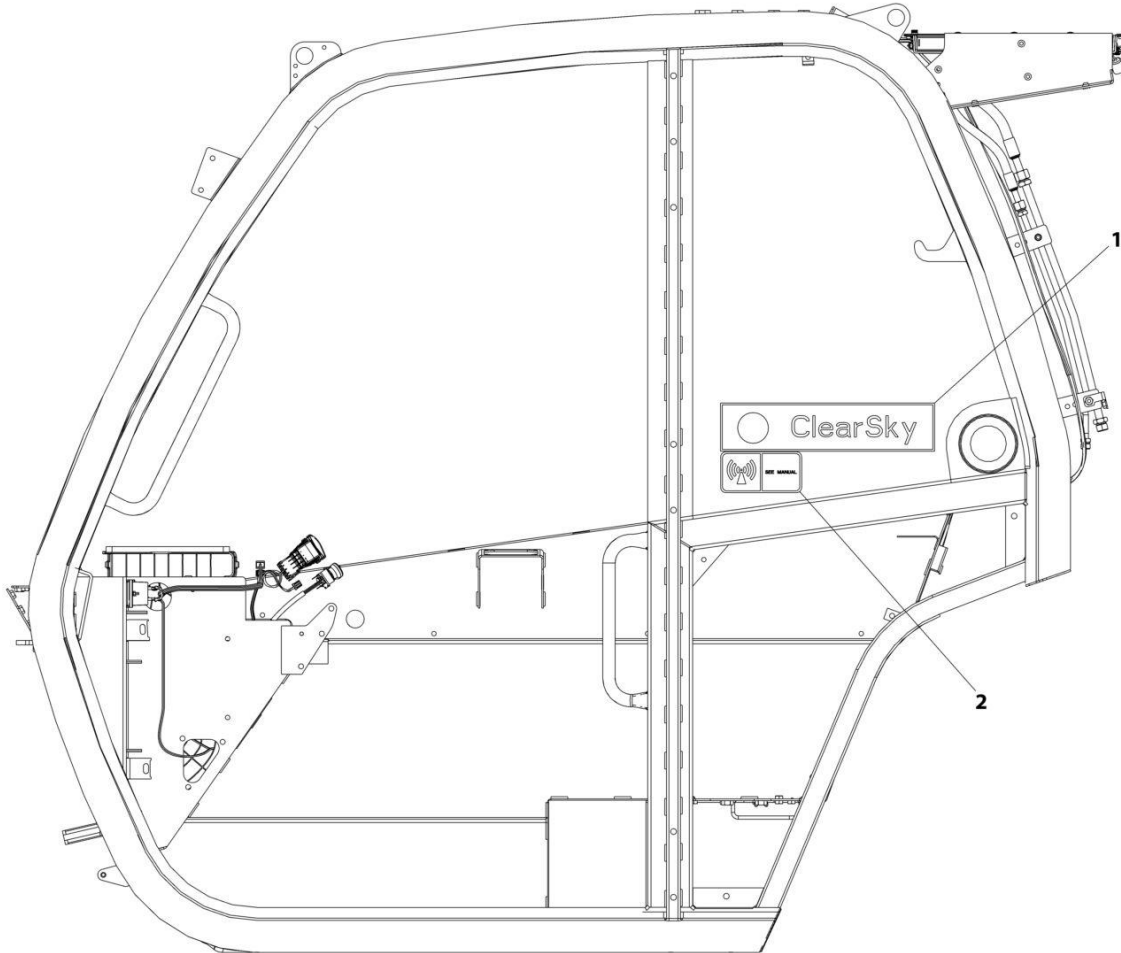
SECTION 11 - DECALS

FIGURE 11-5. CAPACITY CHART HOLDER INSTALLATION

ITEM	PART NUMBER	QTY	DESCRIPTION	REV
	1001178706	Ref	Capacity Chart Holder Installation	A
1	1001179297	1	Load Chart, Bezel	
2	1001005960	1	Holder	
3	7029486	2	Screw	

SECTION 11 - DECALS

FIGURE 11-6. CLEARSKY DECAL INSTALLATION



ART_1001229707

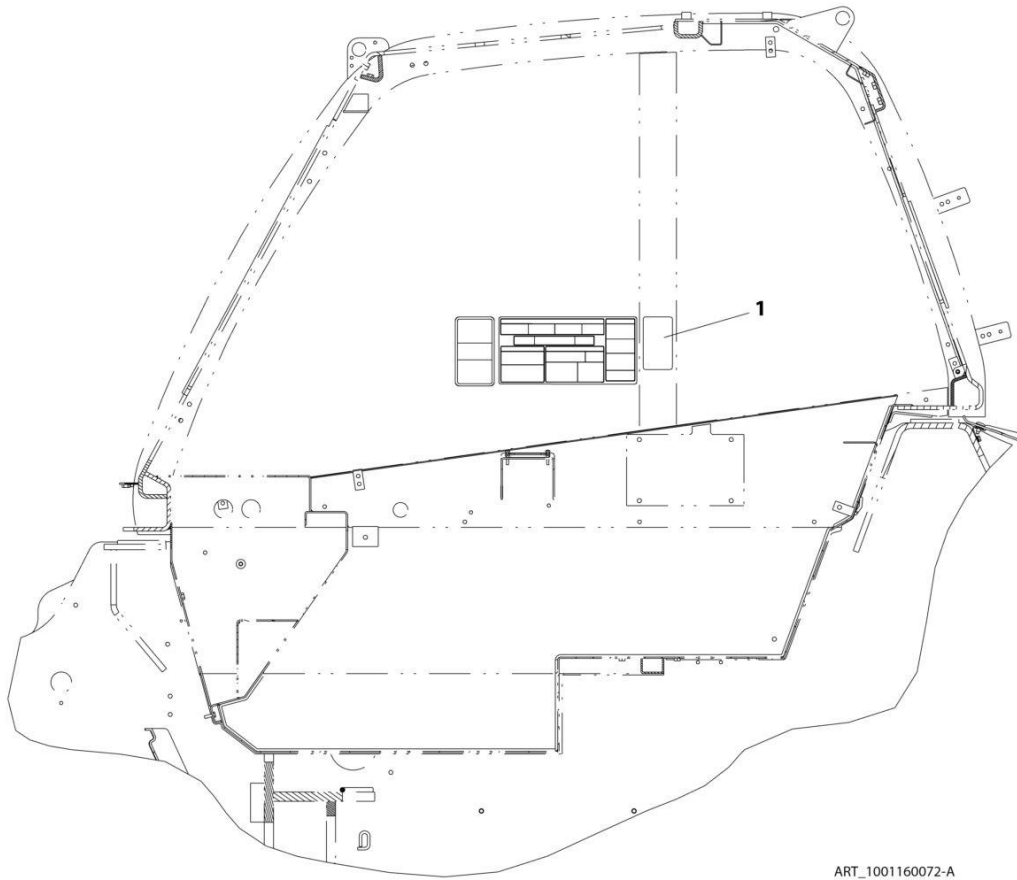
SECTION 11 - DECALS

FIGURE 11-6. CLEARSKY DECAL INSTALLATION

ITEM	PART NUMBER	QTY	DESCRIPTION	REV
	1001229707	Ref	Clearsky Decal Installation	C
1	1001294815	1	Decal - ClearSky	
2	1001120989	1	Radio Frequency Decal	

SECTION 11 - DECALS

FIGURE 11-7. REVERSE SENSOR SYSTEM DECAL (ENGLISH)



ART_1001160072-A

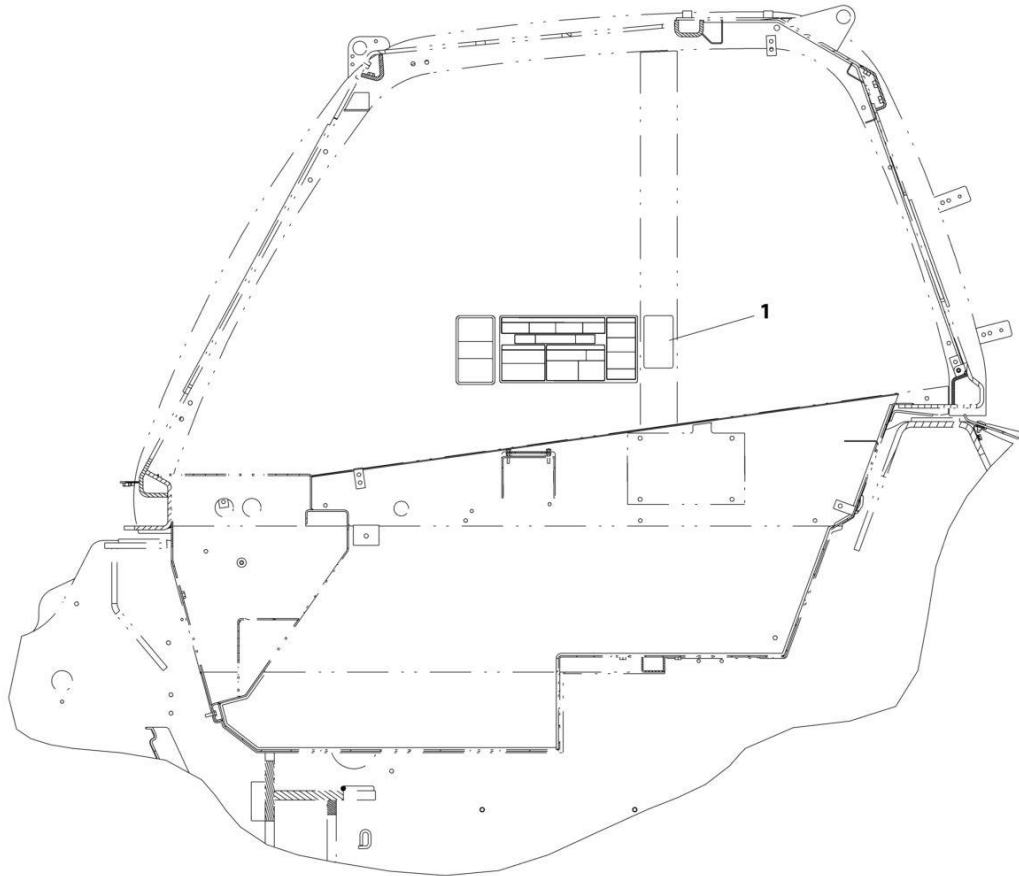
SECTION 11 - DECALS

FIGURE 11-7. REVERSE SENSOR SYSTEM DECAL (ENGLISH)

ITEM	PART NUMBER	QTY	DESCRIPTION	REV
1	1001160072	1	Reverse Sensor System Decal (English)	A

SECTION 11 - DECALS

FIGURE 11-8. REVERSE SENSING SYSTEM DECAL (ENGLISH/FRENCH)



ART_1001160945-A

SECTION 11 - DECALS

FIGURE 11-8. REVERSE SENSING SYSTEM DECAL (ENGLISH/FRENCH)

ITEM	PART NUMBER	QTY	DESCRIPTION	REV
1	1001160945	1	Reverse Sensor System Decal (ENGLISH/FRENCH)	A

SECTION 12 - RECOMMENDED SERVICE PARTS STOCK

SECTION 12 - RECOMMENDED SERVICE PARTS STOCK

SECTION 12 - RECOMMENDED SERVICE PARTS STOCK

FIGURE 12-1. RECOMMENDED SERVICE PARTS STOCK

ITEM	PART NUMBER	QTY	DESCRIPTION	REV
		Ref	Note: The following list will service one machine (built to current production per date on the front cover) with emergency repair parts which can be installed in the field. Parts from the list should be replaced when inventory is depleted to keep service parts stock supplied. For further information, contact your JLG dealer or the JLG Industries Parts Department.	
		Ref	STANDARD PARTS	
	70002963	1 1	Coil	
	70004595	1 1	Coil	
	70020764	1 1	Coil	
	70026582	1 1	Coil	
	70028281	1 1	Coil	
	1001191685	1 1	Element, Filter	
	70025153	1 1	Element, Fuel Filter (Primary)	
	70004512	1 1	Element, Fuel Filter (Secondary)	
	1001141461	1 1	Filter	
	1001228872	1 1	Filter	
	1001162662	1 1	Filter, Breather	
	70025850	1 1	Filter, Cylindrical Air Primary	
	70025851	1 1	Filter, Cylindrical Air Secondary	
	70005549	1 1	Filter, DEF	
	7016331	1 1	Filter, Oil	
	1001131177	2 2	Fuse	
	8229242	2 2	Fuse, 5AMP	
	8229261	2 2	Fuse, 5AMP	
	80983191	2 2	Fuse, 10AMP	
	8229234	2 2	Fuse, 10AMP	
	8229244	2 2	Fuse, 15AMP	
	8229235	2 2	Fuse, 20AMP	
	8229247	2 2	Fuse, 25AMP	
	8229245	2 2	Fuse, 30AMP	
	70026292	2 2	Fuse, 35AMP	
	70026295	2 2	Fuse, 35AMP	
	70026294	2 2	Fuse, 70AMP	
	70026297	2 2	Fuse, 80AMP	
	1001095336	2 2	Fuse, 150AMP	
	70026296	2 2	Fuse, 200AMP	
	70022765	1 1	Key, Ignition (set of 2)	
	70028514	1 1	Kit, Solenoid 12V	
	1001117308	1 1	Relay	
	70022726	1 1	Solenoid	
	1001080375	1 1	Switch	
	1001102502	1 1	Switch, 4 Position Key	
	1001104654	1 1	Switch, Aux Decomp	
	1001159746	1 1	Switch, Aux Electric	
	1001159738	1 1	Switch, Beacon	
	4360658	1 1	Switch, Brake Light	
	1001159745	1 1	Switch, Boom Ride	
	1001159741	1 1	Switch, Constant AUX	

SECTION 12 - RECOMMENDED SERVICE PARTS STOCK

ITEM	PART NUMBER	QTY	DESCRIPTION	REV
	70025486	1 1	Switch, Contact	
	1001192142	1 1	Switch, Disconnect	
	4360475	1 1	Switch, E-Stop	
	1001212470	1 1	Switch, Frame Level	
	1001159734	1 1	Switch, Hazard	
	1001080978	1 1	Switch, Lift/Loader	
	1001163639	1 1	Switch, Light	
	1001159735	1 1	Switch, Rear Wiper	
	1001159736	1 1	Switch, Roof Wiper	
	1001159849	1 1	Switch, Steer Mode	
	1001256974	1	Wiper-Turn Switch	
		Ref	VARIABLE PARTS	
	1001203181	1 1	Accessory, Control (USL & LS ASOV)	
	1001250475	1 1	Attachment Recognition Receiver (FCC)	
	1001162253	1 1	Control, Front Frame Module	
	1001162256	1 1	Control, Rear Frame Module	
	1001209194	1 1	Control, Remote (Boom)	
	1001206112	1 1	Control, Remote Controller (Boom)	
	1001249078	1 1	Control, Voltage	
	70026293	1 2	Fuse, 50AMP (Option 1 Electrical Board)	
	1001172551	1 1	HVAC Cab Actuator	
	1001222603	1 1	Joystick (Not 2 Speed)	
	1001222606	1 1	Joystick, 2R2B (2 Speed)	
	1001172550	1 1	Knob, HVAC Control (Heater and A/C)	
	2940074	1 1	Latch (Fork Mounted Basket)	
	1001257348	1	Lever, FNR (0 Speed)	
	1001257088	1	Lever, FNR (2 Speed)	
	1001229955	1 1	Module (ClearSky CANBUS)	
	1001226328	1 1	Module, 3W TCU (ClearSky 3-Wire)	
	1001162249	1 1	Module, Cab Control	
	70027426	1 1	Module, EGR (ULS)	
	70005495	1 1	Module, Engine Control (ULS)	
	1001179901	1 1	Module, LMIS Control	
	70027986	1 1	Optical Sensor (Axles)	
	70025539	1 1	Pad, Sensor (Upper Seat)	
	3740080	1 1	Relay (Cooling Package ULS & LS ASOV)	
	70025780	1 1	Relay (ULS)	
	1001183024	1 1	Sensor (Boom Retract)	
	1001128478	1 1	Sensor (Hydrostatic Motor/Tank)	
	70005522	1 1	Sensor (ULS)	
	70005524	1 1	Sensor (ULS)	
	70028383	1 1	Sensor, Angle (Brake)	
	1001099717	1 1	Sensor, Boom Angle (LMIS)	
	4000015	1 1	Sensor, Boom Angle (No LMIS)	
	1001223903	1 1	Sensor, Boom Length	
	1001138827	1 1	Sensor, Coolant Level	
	70024918	1 1	Sensor, Coolant Temperature (ULS & LS)	
	1001188728	1 1	Sensor, HVAC Thermostat	
	1001162885	1 1	Sensor, LMIS	
	1001160730	1 1	Sensor, LSI	
	70024504	1 1	Sensor, Oil Pressure (ULS & LS)	

SECTION 12 - RECOMMENDED SERVICE PARTS STOCK

ITEM	PART NUMBER	QTY	DESCRIPTION	REV
	1001147340	1 1	Sensor, Pressure (Frame Hydraulic)	
	70005504	1 1	Sensor, Pressure (ULS & LS)	
	70024507	1 1	Sensor, Pressure (ULS & LS)	
	70005523	1 1	Sensor, Pressure (ULS)	
	1001247421	1 1	Sensor, Reverse	
	70028801	1 1	Sensor, Speed	
	70026210	1 1	Sensor, Speed (ULS)	
	70027405	1 1	Sensor, Temperature (ULS & LS)	
	70005556	1 1	Sensor, Temperature (ULS)	
	70005559	1 1	Sensor, Temperature (ULS)	
	70024505	1 1	Sensor, Temperature (ULS)	
	1001163095	1 1	Sensor, Tilt	
	70025737	1 1	Sensor, Wheel (ULS & LS)	
	1001215941	1 1	Switch (Cooling Package ULS & LS ASOV)	
	70028326	1 1	Switch (Premium Air Suspension Seat)	
	1001145204	1 1	Switch (Reversing Cooling Fan)	
	1001159739	1 1	Switch, Boom Worklights	
	1001159737	1 1	Switch, Fog Lights	
	1001159845	1 1	Switch, Front Worklights	
	70024107	1 1	Switch, Heater (Premium Air Suspension Seat)	
	1001160326	1 1	Switch, HVAC On/Off (Heater and A/C)	
	1001159925	1 1	Switch, HVAC Recycle (Heater and A/C)	
	1001172547	1 1	Switch, HVAC Rotary 3 Speed (Heater and A/C)	
	4360657	1 1	Switch, Ignition (Remote Control Boom)	
	1001159742	1 1	Switch, LSI Override	
	1001159846	1 1	Switch, Rear Worklights	

SECTION 13 - SPECIAL OPTIONS

SECTION 13 - SPECIAL OPTIONS

FIGURE 13-1. SPECIAL OPTIONS

ITEM	PART NUMBER	QTY	DESCRIPTION	REV
		Ref	Note: This list is to accommodate machines ordered with special equipment. Options may not be applicable to all models. For more specific parts information contact JLG Parts Department.	
		Ref	MISCELLANEOUS SPECIAL OPTIONS	
	1001233189	Ref	Air Shutoff Valve (ASOV) Kit	
	1001229073	Ref	Boom Kit - 1644/7013H	
	1001229212	Ref	Boom Brushes Kit - 1644/7013H	
	1001231057	Ref	Boom Prop Kit	
	1001229075	Ref	Boom Wear Pad Kit - 1644/7013H	
	1001213286	Ref	Cab Display Kit	
	1001199382	Ref	Cab Guard Kit - Roof/Front Combo	
	1001212845	Ref	Cab Guard Kit - Front	
	1001199380	Ref	Cab Guard Kit - Roof	
	1001268341	Ref	Camera (Rear View) Add-on Kit(Dealer Installed)	
	1001229811	Ref	Camera Kit - Reverse Camera	
	1001229532	Ref	Cold Weather Kit - 115V	
	1001229813	Ref	Cold Weather Kit - 230V	
	1001245694	Ref	DEF Tank/Heater Service Kit	
	1001148902	Ref	Electrical Connector Kit - Amp/Tyco Electrical Connectors	
	1001148903	Ref	Electrical Connector Kit - Deutsch DT Electrical Connectors	
	1001148904	Ref	Electrical Connector Kit - Deutsch HD Electrical Connectors	
	1001148905	Ref	Electrical Connector Kit - Packard Electrical Connectors	
	1001148906	Ref	Electrical Connector Kit - Various Electrical Connectors	
	1001230409	Ref	Emergency Stop Switch Kit - External	
	1001229812	Ref	Engine Block Heater Kit - 115V	
	1001230125	Ref	Engine Block Heater Kit - 230V	
	70027806	Ref	Extend/Retract Cylinder Seal Kit	
	1001229576	Ref	Fender Kit	
	1001258099	Ref	Fire Extinguisher Installation	
	1001239961	Ref	Fire Extinguisher Kit	
	1001230126	Ref	Heat to Heat/AC Upgrade Kit	
	1001230188	Ref	Light Kit - Beacon/Strobe (LED)	
	1001199376	Ref	Light Kit - Beacon/Strobe	
	1001231110	Ref	Light Kit - Drive/Road Lights (RH)	
	1001231138	Ref	Light Kit - Drive/Road Lights (LED) (RH)	
	1001229104	Ref	Light Kit - Work Lights	
	1001230699	Ref	Radio Ready Kit	
	1001199364	Ref	Reversing Sensing Kit (PVC1911)	
	1001252304	Ref	Reversing Sensing Kit (PVC2005)	
	1001199328	Ref	Roof Wiper Kit	
	1001228993	Ref	Service Kits	G
	1001265372	Ref	Telematics Harness Kit (NA)	
	1001229216	Ref	Telematics Kit (Long Roof) (NA)	
	1001229324	Ref	Telematics Kit (Short Roof) (NA)	
	1001254389	Ref	Telematics Kit - Canbus (NA)	
	1001254390	Ref	Telematics Kit - Canbus (CE)	
	1001254400	Ref	Telematics Kit - Canbus Extension	
		Ref	Tools:	
	1001249695	Ref	Analyzer and Cable Kit	

SECTION 13 - SPECIAL OPTIONS

ITEM	PART NUMBER	QTY	DESCRIPTION	REV
	1001249941	Ref	Analyzer and Cable Kit (Battery Powered)	
	7002821	Ref	Crimper (For Wire to Pin/Socket Connections)	
	7002823	Ref	Extractor (For Removal of Pin/Socket from Connectors)	
	8896941	Ref	Wire Stripper	
	7004275	Ref	Seal Tool 1" (For Cylinders)	
	7004276	Ref	Seal Tool 1 1/2" (For Cylinders)	
	7002826	Ref	Seal Tool 2" (For Cylinders)	
	1001262959	Ref	Voltage Regulator for ClearSky/Telematics Add-on Kit (Dealer Installed)	
	1001214167	Ref	Window (Rear) Release Kit	

PART NUMBER INDEX

SECTION 13 - SPECIAL OPTIONS

0100081.....31	0760607 43, 83, 223, 225, 231, 343, 565, 745, 747, 783, 785	1001005904 515, 519, 523	1001100169.....603
0400075.....673, 675	0760608 ... 175, 233, 371, 375, 441, 455, 473, 477, 481, 483, 507, 669, 671, 737, 783, 785	1001005960 913	1001100319.....195
0498748.....343	0760610 849	1001006730 405	1001101041..89, 93, 111, 113, 123, 125, 128, 132, 511, 515, 519, 523
0630576.....43	0760615 509, 859	1001006731 403	1001101042..89, 93, 111, 113, 123, 125, 128, 132, 511, 515, 519, 523
0641405.....99	0760806 233	1001007056 69, 615	1001101702.....481
0641510.....151, 183	0760807 41, 533, 769	1001008540 737	1001101808.....669
0641608.....543	0760808 41, 75, 383, 451, 453, 669, 671, 681, 859, 869	1001008559 161, 199, 241, 705, 733, 735, 745, 747, 783, 785, 813, 819, 851, 859, 875	1001101855.....839
0651607.....75	0760810 ... 37, 45, 49, 51, 55, 57, 63, 73, 195, 207, 219, 233, 241, 369, 387, 391, 399, 407, 416, 451, 461, 465, 473, 509, 511, 513, 517, 603, 837	1001008575 23	1001102157.....35
0681714.....547	0760812 23, 197, 199, 225, 325, 327, 349, 777	1001008654 533	1001102502.....725, 922
0700408.....479, 869	0760815 ... 349, 517, 521	1001008742 371	1001102844.....101
0700610....27, 31, 43, 47, 83, 225, 237, 441, 453, 737, 809, 811	0760823 27, 227	1001008834 123	1001103012.....708
0700612.....43, 823	0761008 695, 841	1001008857 349	1001103156.....695, 841
0700614....151, 225, 416, 553, 769, 777	0761009 701	1001008923 701, 805	1001103300.....695, 841
0700616.....509, 537	0761010 ... 37, 39, 41, 45, 83, 181, 209, 225, 481, 737, 745, 747, 783, 785, 813, 819, 851	1001008988 343	1001104477.....519, 523, 633
0700618.....705, 745, 747	0761012 ... 25, 37, 43, 65, 67, 171, 483, 547, 565, 573, 735, 777	1001008999 41	1001104498.....703, 708, 712, 795, 799
0700808.....745, 747	0761210 77, 197, 199	1001009018 19	1001104499.....712
0700814.....41, 215, 217, 225, 541	0761212 209, 735	1001009163 251	1001104519.....709, 727, 863
0700815.....805	0761214 27, 167, 225	1001009325 181	1001104654.....725, 922
0700816.....195, 211, 233	0761215 ... 167, 197, 199	1001010646 403, 405	1001105093.....509
0700817.....509	0761217 145	1001010647 403, 405	1001105886.....881
0700818.....549, 561, 835	0761218 197, 199	1001010648 403, 405	1001107192.....343
0700819.....781	0770814 475	1001010649 403, 405	1001107339.....237
0700820....461, 463, 465, 535, 777	0770815 219	1001010650 403, 405	1001107854.....703, 708, 712, 723, 795, 799
0700821 507	0771010 61, 63	1001014231 547	1001109053.....904, 908
0700824.....483	0771012 61, 63	1001028264 19	1001109387.....145
0700826.....233	0771212 595, 599	1001028291 19	1001110023.....515, 523, 635
0700828.....573	0771414 595, 599	1001028306 19	1001110115.....523
0701014....41, 45, 49, 71, 177, 225, 237, 507, 813, 819	0771416 253	1001028308 19	1001111076.....455
0701016.....177, 569	0771618 249	1001028377 19	1001111140.....553
0701018....171, 197, 199, 237	0791605 211	1001028400 19	1001111147.....455
0701020.....23, 197, 199	0860520 99	1001047062 343	1001111317.....341, 345
0701024.....555	1001002946 349	1001080375 517, 521, 922	1001112612.....689, 693, 712
0701026.....183	1001002947 349	1001080978 725, 923	1001112796.....699, 893, 897
0701027 559	1001002953 349	1001081085 255	1001114495.....205, 207
0701216.....27, 77, 579	1001002957 349	1001090343 363, 449	1001114761.....573
0701220.....815	1001003031 ... 59, 61, 63	1001091715 813, 819	1001114803.....197, 199
0701618.....167	1001003043 359	1001091716 813, 819	1001116128.....431, 851
0701626.....167	1001003227 41	1001092481 95	1001116696.....795, 796, 799, 800
0701628....117, 119, 121, 167	1001003301 25	1001092482 95	1001116697.....708
0701630.....167	1001003305 181, 183, 199, 237, 701	1001093171 149	1001116698.....708
0711015.....57	1001003427 29	1001093564 679	1001116700.....709, 731
0711016.....61	1001003803 65	1001094708 904, 908	1001116716.....709
0711017.....59	1001004640 483	1001095301 177	1001116723.....709, 710, 711, 712
0711030.....237	1001004720 161, 225	1001095336 779, 922	1001116725.....750, 756
0711215.....61	1001004723 735	1001095650 75, 443, 445, 483	1001116727.....752, 757, 800, 877
0711216.....59, 61, 187	1001005368 361	1001095804 725	1001116728.....796, 800, 807
0711217 59	1001005438 547	1001095810 99	1001116729.....877
0711230.....55		1001096019 97	1001116731.....889
0711635.....55		1001096020 97	1001116732.....743, 750, 756, 788, 792
0712020.....333		1001096024 97	1001116733.....743
0712022.....333		1001096365 349	
0712027.....335		1001097244 441	
0712442.....559		1001097540 .. 43, 47, 459	
0760405....117, 119, 121		1001097586 359	
0760507....179, 733, 735		1001097587 263, 285	
0760512.....371		1001098128 507	
0760605....169, 343, 473, 477		1001098150 434	
		1001098762 679	
		1001099566 241	
		1001099717 841, 923	
		1001100166 603	

SECTION 13 - SPECIAL OPTIONS

1001116734 743, 750, 756	1001125222..... 481	1001143200..... 357	1001159746 687, 691, 922
1001116745 877	1001125465..... 851	1001143551..... 773	1001159845 809, 811, 924
1001116747 723	1001125677..... 709, 752, 757, 796, 800	1001144147..... 721, 750, 756, 773, 889, 891	1001159846 809, 811, 924
1001116748 711	1001126008..... 712, 739, 750, 756, 773, 789, 793	1001144296..... 709	1001159849 725, 923
1001116754 710	1001126011..... 712, 751, 757	1001144629J..... 99	1001159925 407, 416, 924
1001116763 723, 795, 799	1001126245..... 750, 756	1001145204..... 221, 741, 924	1001160042 416
1001116774 773, 789, 793, 829	1001126353..... 749, 755	1001145391..... 67, 69	1001160043 407
1001116808 773, 789, 793	1001126362..... 749, 755	1001145539..... 416	1001160072 917
1001116810 788, 792	1001126391..... 749, 752, 755, 758	1001146160..... 103	1001160326 416, 924
1001116811 750, 756	1001126393..... 749, 752, 755, 758	1001146588..... 181, 195, 199, 209, 221, 225, 701, 705, 741, 745, 747, 783, 785, 813, 819, 843	1001160420 215
1001116812 709, 711, 712, 721, 749, 750, 751, 755, 756, 757, 758, 773, 787, 791, 796, 800, 825, 829, 889, 891, 893	1001126485..... 749, 750, 755, 756	1001147340..... 553, 924	1001160496 461
1001116815 713, 752, 758, 773	1001126487..... 749, 755	1001147416..... 511, 515, 519, 523	1001160498 708
1001116950 788, 789, 792, 793	1001126837..... 695, 849	1001147449..... 434, 437	1001160500 787, 791, 795, 799, 829
1001116984 712	1001128128..... 743, 750, 756, 788, 792	1001148841..... 749, 755	1001160502 708
1001116985 712	1001128144..... 211	1001148842..... 749, 755	1001160503 461, 465
1001116986 711, 712	1001128341..... 211	1001148902..... 926	1001160506 463
1001116991 709, 712	1001128478. 25, 251, 923	1001148903..... 926	1001160508 337, 383
1001116995 711	1001128890..... 103	1001148904..... 926	1001160509 787, 791, 795, 799, 829
1001116996 795, 796, 799, 800	1001129407..... 885	1001148905..... 926	1001160510 787, 791, 795, 799, 829
1001116997 711	1001129425..... 851	1001148906..... 926	1001160730 851, 923
1001116998 712	1001130220..... 43, 47	1001149278..... 434, 437	1001160775 901
1001116999 709	1001130323..... 904, 908	1001150294..... 389	1001160927 673, 675, 679
1001117011 711, 731	1001131177..... 745, 747, 922	1001150610..... 750, 756	1001160928 673, 675, 679
1001117021 723	1001131271..... 904, 908	1001150611..... 788, 792	1001160945 919
1001117024 743	1001132168..... 39	1001150735..... 711	1001161067 439
1001117079 711	1001132169..... 789, 793, 857	1001150737..... 711	1001161078 457
1001117081 709, 710, 711	1001132170..... 789, 793	1001151238..... 573	1001161080 457
1001117109 788, 792	1001132564..... 434	1001152915..... 341	1001161095 829
1001117121 727, 863	1001133714..... 751, 757, 758	1001152947..... 341	1001161097 708, 787, 791, 795, 799, 829
1001117247 843, 845	1001133715..... 749, 751, 755, 757, 758	1001153612..... 751, 757	1001161098 708, 787, 791, 829
1001117308 737, 922	1001133793..... 177	1001153748..... 589, 665	1001161099 708, 787, 791, 795, 799, 829
1001118202 788	1001134274..... 695, 841	1001153749..... 745, 747	1001161100 708, 787, 791, 795, 799, 829
1001118282 743, 750, 756, 792	1001135650..... 749, 751, 755, 757, 758	1001155228..... 339, 343	1001161101 708, 787, 791, 795, 799, 829
1001118323 788, 792	1001135651..... 749, 751, 755, 757, 758	1001155446..... 331, 335	1001161252 434
1001118378 773	1001136975..... 181	1001155447..... 337, 369	1001161253 434
1001118379 711	1001136999..... 712	1001155486..... 449	1001161499 337, 469
1001118383 727, 863	1001137000..... 712	1001155540..... 197, 199	1001161672 483
1001118384 709, 710, 711, 712	1001137578..... 752, 758	1001155823..... 195	1001161676 705, 715
1001118386 712	1001138116..... 749, 755	1001156265..... 483	1001161770 705, 717
1001118387 712	1001138645..... 769	1001157890..... 773	1001161771 705, 719
1001118392 795, 796, 799, 800	1001138827..... 211, 923	1001157891..... 689, 693	1001161851 437
1001118684 710	1001138945..... 237	1001158146..... 725	1001161855 434
1001118685 727, 863	1001139551..... 449	1001158596..... 391	1001161858 407, 409
1001119467 387	1001139552..... 363	1001158601..... 387	1001161896 483
1001120989 915	1001139568..... 361	1001158736C 399	1001161898 483
1001121726 796, 800	1001139578..... 904	1001158738C 387	1001161957 787, 791, 795, 799, 829
1001121727 796, 800, 877	1001141246..... 349	1001159028..... 469, 471	1001161959 708
10011223457 708	1001141281..... 369	1001159734..... 813, 819, 923	1001161963 787, 791, 795, 799, 829
1001125117 ... 59, 61, 63, 77	1001141311..... 449	1001159735..... 725, 923	1001162062 481
	1001141312..... 363	1001159736..... 449, 923	1001162212 195
	1001141313..... 449	1001159737 813, 819, 924	
	1001141461..... 545, 922	1001159738..... 681, 683, 685, 922	
	1001141462..... 545	1001159739..... 803, 924	
	1001141976..... 543, 545	1001159741..... 725, 922	
		1001159742..... 847, 924	
		1001159745..... 875, 922	

SECTION 13 - SPECIAL OPTIONS

1001162249.....923	1001167015..... 429, 431	1001171037..... 347	1001175471.....375, 379
1001162253.....923	1001167017..... 869	1001171179..... 23	1001175477.....343
1001162256.....781, 923	1001167186..... 215	1001171182..... 361	1001175568.....181
1001162662.....25, 922	1001167266..... 423, 425	1001171183..... 361	1001175733.....873
1001162789.....337, 371	1001167409..... 195	1001171277..... 904, 908	1001175776.....871, 873
1001162885.....839, 923	1001167528..... 752, 758	1001171635..... 347	1001175903.....434
1001162886.....708	1001167616..... 750, 756	1001171756..... 371	1001176002.....752, 758
1001162887.....709	1001167620..... 752, 758	1001171767..... 379	1001176004.....752, 758
1001162920.....473	1001167621..... 749, 755	1001171874..... 473	1001176121.....375, 377
1001162922.....473	1001167622..... 749, 755	1001171885..... 37	1001176272.....357
1001162953.....416, 423	1001167623..... 749, 755	1001171962..... 869	1001176273.....357
1001163095.....823, 924	1001167624..... 752, 758	1001172035..... 904, 908	1001176333.....712
1001163174.....908	1001167629..... 750, 756	1001172088..... 473	1001176338.....385
1001163210.....908	1001167630..... 749, 750, 755, 756	1001172094..... 473	1001176626.....357
1001163212.....908	1001167631..... 749, 755	1001172146..... 23	1001177082.....23
1001163222.....908	1001167634..... 749, 755	1001172147..... 23	1001178123.....371
1001163223.....908	1001167635..... 749, 755	1001172193..... 341, 345	1001178159.....341
1001163285.....908	1001167636..... 751, 757	1001172401..... 337, 381	1001178160.....341
1001163300.....908	1001167937..... 353	1001172495..... 679	1001178170.....416
1001163304.....908	1001167958..... 343, 353	1001172496..... 679	1001178474.....27
1001163323.....908	1001168030..... 539	1001172547..... 407, 416, 924	1001178670.....483, 663
1001163340.....709	1001168054..... 473	1001172550..... 407, 416, 923	1001178680.....361
1001163355.....908	1001168142..... 483	1001172551..... 409, 413, 419, 923	1001178681.....361
1001163639.....729, 923	1001168151..... 483	1001172553..... 407, 416	1001178693.....27
1001164183.....75	1001168264..... 325, 327	1001172693..... 29	1001178706.....913
1001164402.....777, 779	1001168327..... 416	1001172755..... 181	1001178783.....385
1001164655.....383	1001168330..... 416	1001172774..... 465	1001178791.....227
1001164726.....343	1001168331..... 416	1001172995..... 77	1001178826.....367
1001164971.....559	1001168456..... 416	1001172999..... 77	1001178933.....705
1001164972.....559	1001168531..... 399, 731	1001173257..... 463	1001179008.....365, 367
1001165035.....181	1001168599..... 563, 651	1001173298..... 343	1001179009.....365, 367
1001165194.....752, 758	1001168758..... 43	1001173411..... 709	1001179080.....423
1001165269.....371, 373	1001169135..... 399, 401	1001173452..... 197, 199	1001179081.....423
1001165270.....371	1001169151..... 416, 723	1001173457..... 197, 199	1001179130.....423, 427
1001165273.....373	1001169265..... 41	1001173528..... 205, 207	1001179297.....913
1001165275.....349	1001169268..... 495	1001173679..... 77	1001179482.....455
1001165276.....345	1001169354..... 491, 493	1001173739..... 77	1001179483.....455
1001165309.....788, 792	1001169355..... 493	1001173873..... 231	1001179484.....443
1001165310.....789, 793	1001169367..... 493	1001173965..... 434	1001179592.....459
1001165311.....796, 800	1001169368..... 211	1001174104..... 65	1001179850.....21, 23
1001165327.....373	1001169454..... 27	1001174129..... 323	1001179851.....23, 25
1001165351.....371	1001169603..... 434	1001174295..... 343, 355	1001179852.....25
1001165407.....371	1001169604..... 434, 437	1001174320..... 341	1001179901.....923
1001165416.....371	1001169674..... 901	1001174321..... 349	1001179907.....233, 769
1001165455.....371	1001169751..... 491	1001174419..... 73	1001179931.....489
1001165458.....371, 441	1001169763..... 495	1001174652..... 437	1001180070.....193, 631
1001165573.....391, 393	1001169825..... 739	1001174653..... 437	1001180263.....463, 465
1001165637.....369	1001169880..... 345	1001174655..... 437	1001180306.....19
1001165827.....671	1001169883..... 347	1001174712..... 725	1001180437.....231
1001166091.....411, 421	1001169885..... 347	1001174741..... 453	1001180542.....209
1001166092.....411, 421	1001170106..... 29	1001174795..... 229	1001180553.....209
1001166385.....455	1001170113J..... 345, 347	1001174796..... 681	1001180620.....777
1001166543.....749, 755	1001170114..... 343, 345	1001174800..... 453	1001180682.....385
1001166551.....749, 755	1001170231..... 473	1001174801..... 453	1001180683.....385
1001166555.....749, 755	1001170311..... 219	1001174812..... 57, 607	1001181128.....737
1001166556.....749, 752, 755, 758	1001170325..... 459	1001175058..... 331	1001181411.....361
1001166565.....171, 173	1001170326..... 377	1001175201..... 227	1001181516.....859
1001166634.....345, 349	1001170432..... 235	1001175265..... 750, 751, 756, 757, 796, 800	1001181531.....725
1001166704.....758	1001170504..... 434	1001175266..... 829	1001181625.....195
1001166707.....751, 757	1001170514..... 439	1001175267..... 787, 791, 795, 799	1001181726.....434, 441
1001166715.....171	1001170518..... 434	1001175347..... 19	1001181920.....357
1001166754.....335	1001170519..... 434, 439	1001175470..... 377	1001181921.....357
1001166755.....335	1001170601J..... 343		1001181961.....673, 675
1001166774.....749, 752, 755, 758	1001170944..... 349		1001182123.....357
1001167004.....499	1001170993..... 379		1001182139.....357
			1001182330.....451
			1001182490.....815

SECTION 13 - SPECIAL OPTIONS

1001182495..... 815	1001184986..... 253, 255	1001188971..... 63	1001192342..... 123
1001182529..... 399, 401	1001184987..... 259	1001189023..... 421	1001192344..... 125
1001182530..... 399	1001184988..... 259	1001189024..... 421	1001192354..... 55
1001182839..... 849	1001185026..... 219	1001189025..... 411, 421	1001192358..... 67
1001182881..... 169	1001185633..... 451	1001189046..... 745, 747	1001192363..... 511
1001182929..... 745, 761	1001185870..... 434	1001189048..... 421	1001192365..... 517
1001182930..... 745, 765	1001185927..... 21	1001189054..... 421	1001192366..... 513
1001183024..... 701, 923	1001185929..... 21, 27	1001189182..... 434	1001192367..... 521
1001183112..... 813, 815, 819	1001185930..... 27, 31	1001189246..... 31	1001192370..... 697
1001183221..... 689	1001185931..... 31	1001189288J..... 317, 319, 321	1001192392..... 29
1001183272..... 777, 853, 855	1001185933..... 31	1001189980..... 413	1001192410..... 483
1001183306..... 323, 325	1001185935..... 31	1001190037..... 750, 757	1001192427..... 593
1001183307..... 323, 327	1001186843..... 547	1001190250..... 65, 67	1001192430..... 695
1001183308..... 325	1001186853..... 813	1001190254..... 55	1001192431..... 821
1001183309..... 327	1001186855..... 673	1001190256..... 55	1001192520..... 529
1001183447..... 117	1001186856..... 677	1001190257..... 55	1001192537..... 853
1001183549..... 839	1001186898..... 171	1001190260..... 55	1001192558..... 705
1001183550..... 439	1001187070..... 749, 755, 765, 767	1001190264..... 65, 67	1001192575..... 687
1001183597..... 445	1001187073..... 787, 791	1001190921..... 750, 756	1001192615..... 107
1001183700..... 543	1001187075..... 788, 792, 829	1001191035..... 73, 75	1001192616..... 109
1001183827..... 175	1001187076..... 788, 789, 792, 793, 829	1001191036..... 75	1001192619..... 827, 833
1001183829..... 175	1001187077..... 765, 767, 889	1001191039..... 75	1001192622..... 37, 41
1001183831..... 171	1001187078..... 743, 750, 756, 773, 889	1001191091..... 355	1001192623J..... 41
1001183835..... 171, 175	1001187079..... 773, 787, 788, 791, 792, 796, 800	1001191108..... 117	1001192627..... 41
1001184275..... 411, 421	1001187080..... 750, 756, 787, 791, 796, 800	1001191110..... 57	1001192631..... 41
1001184278..... 411, 421	1001187272..... 547	1001191157..... 25	1001192643..... 351
1001184280..... 421	1001187273..... 547	1001191163..... 25	1001192644..... 353
1001184294..... 411, 421	1001187275..... 547	1001191229..... 904, 908	1001192646..... 343
1001184295..... 411, 421	1001187355..... 581	1001191255..... 331, 333	1001192649..... 89
1001184296..... 411, 421	1001187423..... 317, 319	1001191256..... 333	1001192650..... 93
1001184297..... 411, 421	1001187820..... 65, 67	1001191257..... 333	1001192700..... 147
1001184306..... 413	1001187821..... 65	1001191281..... 441, 443	1001192702..... 153
1001184307..... 413	1001187847..... 65, 67	1001191282..... 443	1001192711..... 151
1001184309..... 413	1001187848..... 65, 67	1001191283..... 441, 445	1001192720..... 151
1001184310..... 413	1001187882..... 752, 755	1001191284..... 441, 447	1001192722..... 131
1001184397..... 783, 795	1001188303..... 416, 419	1001191285..... 441	1001192723..... 105
1001184403..... 427	1001188372..... 904, 908	1001191285..... 445	1001192734..... 127
1001184404..... 427	1001188577..... 411, 421	1001191310..... 447	1001192735..... 135
1001184405..... 427	1001188578..... 411, 421	1001191311..... 447	1001192737..... 473
1001184406..... 427	1001188590..... 407, 416	1001191312..... 447	1001192745..... 904
1001184427..... 421	1001188592..... 421	1001191313..... 447	1001192766..... 343, 351
1001184439..... 343	1001188594..... 411, 421	1001191370..... 441	1001192771..... 529
1001184610..... 67	1001188602..... 411, 421	1001191546..... 745, 747	1001192772..... 529
1001184632..... 904, 908	1001188603..... 411, 421	1001191635..... 49	1001192875..... 151
1001184795..... 827, 829	1001188604..... 411, 421	1001191685..... 25, 922	1001192876..... 151
1001184796..... 805, 807	1001188610..... 411, 421	1001191789..... 63	1001192877..... 151
1001184869..... 43	1001188612..... 411, 421	1001191915..... 481	1001192885..... 579
1001184871..... 47	1001188614..... 411, 421	1001191959..... 447	1001192886..... 579, 581
1001184872..... 43	1001188618..... 421	1001192096..... 507	1001192887..... 579
1001184874..... 43	1001188619..... 421	1001192124..... 29	1001192888..... 581, 655
1001184975..... 434	1001188720..... 411, 421	1001192125..... 27, 29	1001193111..... 517, 521
1001184976..... 247	1001188725..... 411, 421	1001192142..... 737, 923	1001193210..... 345
1001184977..... 247, 261	1001188728..... 421, 923	1001192168..... 317	1001193307..... 189, 629
1001184978..... 247, 283	1001188729..... 411, 421	1001192170..... 319	1001193308..... 251, 627
1001184979..... 247, 253	1001188733..... 411, 421	1001192177..... 317	1001193393..... 157, 159, 191
1001184980..... 247, 249	1001188757..... 167	1001192178..... 317	1001193461..... 547
1001184981..... 247, 259	1001188817..... 421	1001192180..... 319	1001193474..... 481
1001184982..... 261, 263	1001188818..... 421	1001192181..... 319	1001193516..... 505, 587
1001184983..... 283, 285	1001188855..... 237	1001192240..... 443	1001193517..... 505, 565
1001184984..... 263, 265, 267, 269, 273, 275, 277, 279	1001188856..... 237	1001192309..... 343	1001193540..... 151
1001184985..... 285, 287, 289, 291, 293, 295, 299, 305		1001192320..... 37	1001193566..... 857
		1001192321..... 869	1001193698..... 669, 671
		1001192322..... 871	1001193703..... 157, 159, 183
		1001192323..... 669	1001193704..... 157, 159, 187
		1001192324..... 49	
		1001192336..... 51	
		1001192339..... 121	

SECTION 13 - SPECIAL OPTIONS

1001193705.....183, 185	1001196100.....815	1001199670.....233	1001201303.....197, 205
1001193709.....505, 533	1001196191.....197, 199	1001199902.....225	1001201304.....197, 199, 211
1001193729.....151	1001196217.....815	1001200105.....529, 875	1001201305.....197, 199, 213
1001193797.....237	1001196289.....895, 897	1001200106.....157, 745	1001201309.....209
1001193803.....149	1001196402.....529	1001200111.....605	1001201314.....205
1001193887.....73	1001196502.....735	1001200159.....783, 853	1001201315.....205, 207
1001193993.....737	1001196664.....189	1001200160.....735, 853, 855	1001201316.....205, 207
1001194103.....735	1001196778.....145	1001200161.....735	1001201317.....211
1001194244.....735	1001196779.....145	1001200162.....735	1001201331.....371
1001194282.....483	1001196782.....145	1001200164.....735	1001201420.....559
1001194421.....710, 879	1001196806.....904, 908	1001200165.....735	1001201425.....157, 159, 161
1001194534.....171	1001196879.....77	1001200166.....735	1001201432.....77
1001194698.....337	1001196949.....143	1001200167.....735	1001201499.....477
1001194699.....337, 339	1001196950.....141	1001200168.....783, 785	1001201500.....479
1001194700.....339, 341	1001196951.....139	1001200169.....783, 785	1001201501.....477, 479
1001194702.....525	1001196952.....137	1001200206.....889	1001201848.....43, 47
1001194969.....41	1001196959.....547	1001200226.....559	1001201856.....225
1001194980.....33	1001196964.....553	1001200249.....225	1001201858.....225
1001194981.....25	1001196967.....553	1001200393.....65, 67	1001202018.....225, 233
1001195089.....233	1001196969.....553	1001200395.....67	1001202020.....529
1001195194.....59, 61, 63	1001196970.....553	1001200443.....157	1001202021.....225
1001195200.....821, 823	1001196973.....553	1001200445.....197	1001202024.....505, 547
1001195201.....821, 827	1001196974.....553	1001200447.....225	1001202025.....505, 553
1001195202.....823, 825	1001196975.....553	1001200451.....235	1001202026.....505, 541
1001195254.....481	1001196976.....553	1001200453.....237	1001202027.....547
1001195263.....671	1001196977.....553	1001200498.....197, 199	1001202172.....737, 853, 855
1001195342.....425	1001196978.....553	1001200499.....197, 199	1001202247.....207
1001195343.....425	1001196981.....553	1001200538.....809	1001202321.....237, 239
1001195345.....425	1001196982.....553	1001200539.....811	1001202325.....239
1001195346.....425	1001196989.....533	1001200631.....199	1001202519.....895
1001195385.....425	1001196992.....533	1001200701.....237	1001202526.....195, 235
1001195386.....425	1001196993.....533	1001200862.....157, 159, 167	1001202617.....895
1001195430.....541, 543	1001196995.....533	1001200863.....157, 159, 169	1001202621.....869
1001195433.....541	1001196996.....533	1001200864.....157, 159, 171	1001202645.....505
1001195434.....541	1001196997.....533	1001200865.....157, 159, 177	1001202722.....749, 755
1001195435.....541	1001197011.....507	1001200866.....157, 159, 181	1001202723.....749, 755
1001195437.....425	1001197056.....45	1001200867.....231	1001202730.....87
1001195438.....425	1001197057.....45	1001200869.....769	1001202786.....325, 327
1001195471.....821, 835	1001197072.....167	1001200870.....547	1001202899.....225
1001195473.....821, 837	1001197139.....473	1001200871.....167	1001202901.....161
1001195582.....677, 679	1001197196.....505, 583	1001200872.....167	1001202986.....783, 785
1001195590.....821, 841	1001197197.....553, 555	1001200873.....167	1001203005.....195
1001195591.....839, 843	1001197198.....555, 557	1001200874.....167	1001203081.....819
1001195593.....677, 881	1001197199.....553	1001200885.....169	1001203181.....199, 923
1001195655.....55	1001197200.....553	1001200886.....169	1001203368.....813, 819
1001195720.....701	1001197259.....457	1001200910.....859	1001203503.....151
1001195721.....733	1001197262.....57	1001200968.....431	1001203557.....675
1001195731.....695, 841	1001197339.....37	1001201073.....561, 621	1001203558.....675
1001195732.....695, 841	1001197414.....163	1001201074.....559, 561	1001203640.....805, 809, 811
1001195733.....565	1001197480.....27	1001201124.....687, 689	1001203932.....37
1001195737.....59, 61, 63	1001197481.....31	1001201162.....895	1001203933.....37
1001195814.....339, 357	1001197668.....875, 877	1001201266.....57, 59	1001203934.....37
1001195816.....434	1001197733.....45	1001201267J.....59	1001203947.....197, 199
1001195817.....434	1001197734.....45	1001201269.....59	1001203948.....197, 199
1001195818.....434	1001198307.....43, 45	1001201298.....195	1001203985.....57, 63
1001195820.....429	1001198355.....151	1001201299.....195	1001203986.....63
1001195821.....431	1001198577.....593, 595	1001201300.....195	1001203987.....63
1001195822.....429	1001198578.....593, 599	1001201301.....197, 199, 203	1001203989.....57
1001195823.....431	1001198715.....595, 597	1001201302.....197, 199, 209	1001203990.....57
1001195849.....904	1001198717.....599, 601		1001204032.....207, 657
1001195851.....908	1001198893.....685		1001204057.....659
1001195855.....904, 908	1001199325.....57, 603		1001204060.....811
1001195878.....341	1001199328.....926		
1001195881.....81	1001199364.....926		
1001195883.....681	1001199376.....926		
1001195953.....701, 703	1001199380.....926		
1001195970.....115	1001199382.....926		

SECTION 13 - SPECIAL OPTIONS

1001204066.....	349	1001209427.....	803	1001213308.....	547, 549	1001217753.....	221, 741
1001204115.....	349	1001209456.....	803, 805	1001213309.....	549, 551	1001217754.....	217
1001204120.....	349	1001209463.....	455	1001213311.....	551, 647	1001217755.....	217
1001204152.....	533	1001209625.....	908	1001213317.....	517, 519	1001217756.....	221, 741
1001204177.....	57, 61	1001209690.....	819	1001213318.....	513, 515	1001217757.....	221, 223, 741
1001204178.....	61	1001209691.....	819	1001213319.....	521, 523	1001217758.....	223
1001204198.....	61	1001209697.....	813, 819	1001213331.....	349	1001217759.....	223
1001204199.....	61	1001209899.....	357	1001213462.....	57	1001217760.....	221, 741
1001204200.....	61	1001209972.....	509	1001213562.....	603	1001217761.....	209
1001204411.....	225	1001210270.....	509	1001213752.....	849	1001217762.....	209
1001204413.....	225	1001210271.....	507	1001213775.....	695, 841	1001217763.....	209
1001204414.....	225	1001210281.....	281	1001213791.....	343	1001217948.....	547
1001204486.....	41	1001210282.....	533	1001213833.....	43	1001218358.....	773
1001204528.....	809	1001210326.....	65, 67	1001213834.....	43	1001218529.....	407, 416
1001204530.....	809	1001210327.....	533	1001213959.....	57	1001218542.....	407, 416
1001204709.....	367	1001210397.....	769	1001213961.....	57	1001218659.....	904
1001205061.....	473, 477	1001210522.....	505, 507	1001213988.....	705	1001218694.....	45
1001205307.....	869	1001210523.....	507	1001214092.....	369	1001218704.....	904
1001205375.....	57, 509	1001210524.....	507	1001214123.....	219	1001218754.....	121
1001205380.....	509	1001210525.....	507	1001214167.....	927	1001218755.....	117, 119, 121
1001205381.....	509	1001210526.....	507	1001214206.....	904, 908	1001218996.....	407, 416
1001205528.....	603	1001210567.....	701	1001214220.....	473	1001218997.....	507
1001205532.....	343, 349	1001210568.....	509	1001214254.....	119	1001219082.....	199
1001205564.....	213	1001210569.....	509	1001214349.....	241	1001219113J.....	41
1001205565.....	213	1001210635.....	553	1001214401.....	849	1001219115.....	41
1001205573.....	553	1001210769.....	281, 315	1001214415.....	119	1001219211.....	908
1001205618.....	507	1001210770.....	777, 781	1001214429.....	547	1001219212.....	904
1001205619.....	77	1001210771.....	187, 189	1001214430.....	547	1001219220.....	357
1001205621.....	77	1001210780.....	643	1001214431.....	547	1001219250.....	41
1001205622.....	77	1001210797.....	553	1001214829.....	529	1001219615.....	567, 649
1001205627.....	77	1001210800.....	533	1001215022.....	205, 207	1001219659.....	535
1001206100.....	813, 819	1001210801.....	643	1001215024.....	205, 207	1001219764.....	525, 527
1001206112.....	859, 923	1001210870.....	181	1001215093.....	547	1001219765.....	529, 531
1001206633.....	697, 699	1001211020.....	553	1001215121.....	729	1001219863.....	434
1001206709.....	533	1001211427.....	55, 57	1001215208.....	777	1001219864.....	434
1001206725.....	83	1001211445.....	675	1001215212.....	547	1001219865.....	434
1001206744.....	481	1001211616.....	213	1001215256.....	533	1001219905.....	55
1001206954.....	659	1001211617.....	213	1001215319.....	229	1001219953.....	55
1001207171.....	750, 756	1001211693.....	705	1001215341.....	565, 567	1001220230.....	908
1001207173.....	789, 793, 865	1001211775.....	865	1001215531.....	349	1001220248.....	71
1001207217.....	904	1001211899.....	45	1001215539.....	547	1001220286.....	77
1001207325.....	559	1001211900.....	45	1001215693.....	813, 817, 819	1001220329.....	337, 363
1001207594.....	847, 849	1001211907.....	434	1001215802.....	547	1001220338.....	359, 361
1001207788.....	553	1001212011.....	355	1001215941.....	199, 924	1001220339.....	339, 359
1001207789.....	553	1001212047.....	365	1001216263.....	453	1001220456.....	569, 571
1001207790.....	553	1001212049.....	365	1001216265.....	451	1001220457.....	505, 569
1001207866.....	81, 83	1001212184.....	541	1001216267.....	453	1001220507.....	487
1001207898.....	261, 281	1001212369.....	369	1001216269.....	453	1001220540.....	335
1001207899.....	283, 315	1001212418.....	587, 589	1001216270.....	451	1001220641.....	71
1001207956.....	481	1001212468.....	441	1001216331.....	595	1001220643.....	583, 585
1001208037.....	481	1001212470.....	725, 923	1001216333.....	599	1001220649.....	847
1001208308.....	434	1001212739.....	191, 193	1001216757.....	497	1001220650.....	847, 851
1001208451.....	603	1001212788.....	533, 535	1001216798.....	239	1001220717.....	725
1001208532.....	553	1001212789.....	535, 643	1001216799.....	239	1001220760.....	251
1001208534.....	553	1001212845.....	926	1001216803.....	497	1001220859.....	733
1001209097.....	749, 755	1001212880.....	533	1001216974.....	387, 391, 399	1001220861.....	733
1001209194.....	859, 923	1001212886.....	737	1001217226.....	595, 599	1001220942.....	509
1001209200.....	509	1001212920.....	213	1001217320.....	733	1001221041.....	157, 159, 179
1001209201.....	509	1001212921.....	213	1001217353.....	57	1001221052.....	409, 411
1001209202.....	509	1001212923.....	227	1001217482.....	561, 563	1001221054.....	419, 421
1001209203.....	509	1001212924.....	227	1001217552.....	511	1001221056.....	409, 419
1001209346.....	49	1001212925.....	227	1001217553.....	511	1001221057.....	411, 421
1001209357.....	683	1001213026.....	19, 505	1001217620.....	249, 251	1001221058.....	411, 421
1001209358.....	685	1001213265.....	473, 475	1001217623.....	683	1001221059.....	407, 416
1001209387.....	39	1001213286.....	926	1001217669.....	251		
1001209388.....	41	1001213306.....	547				
		1001213307.....	547				

SECTION 13 - SPECIAL OPTIONS

1001221087.....	321	1001226636.....	889	1001229955.....	887, 923	1001241881.....	571, 653
1001221157.....	321	1001226637.....	889	1001229981.....	253, 879	1001241950.....	499
1001221270.....	321	1001226681.....	227	1001230125.....	926	1001244192.....	809, 811
1001221295.....	407, 416	1001226797.....	225	1001230126.....	926	1001244193.....	809, 811
1001221318.....	849	1001226799.....	887	1001230163.....	355	1001244428.....	749
1001221319.....	849	1001226828.....	525	1001230188.....	926	1001244429.....	755
1001221321.....	321	1001226829.....	525, 529	1001230239.....	103	1001245694.....	926
1001221349.....	233	1001226947.....	603, 605	1001230241.....	103	1001247184.....	233
1001221383.....	233	1001227066.....	883, 885	1001230402.....	773	1001247279.....	227, 229
1001221493.....	221, 741, 743	1001227068.....	885	1001230403.....	773, 774	1001247421.....	871, 924
1001221734.....	321	1001227077.....	199	1001230404.....	774	1001247646.....	904, 908
1001221868.....	181	1001227090.....	237	1001230409.....	926	1001249078.....	83, 923
1001221928.....	539, 645	1001227133.....	434	1001230699.....	926	1001249249.....	83
1001221986.....	537, 539	1001227186.....	341	1001230850.....	851	1001249251.....	81
1001221987.....	533, 537	1001227187.....	345	1001230931.....	711	1001249695.....	926
1001221988.....	533	1001227188.....	345	1001230967.....	57	1001249941.....	927
1001221989.....	533	1001227266.....	885	1001230986.....	57	1001250161.....	385
1001222188.....	29	1001227287.....	904, 908	1001231057.....	926	1001250276.....	81
1001222190.....	29	1001227297.....	887, 889	1001231110.....	926	1001250475.....	85, 923
1001222455.....	709	1001227334.....	59, 61, 63	1001231138.....	926	1001250708.....	43, 63
1001222460.....	161	1001227337.....	59	1001231385.....	43	1001251518.....	871
1001222603.....	499, 923	1001227440.....	529	1001231393.....	643	1001252304.....	926
1001222606.....	497, 923	1001227670.....	89, 105, 107, 109, 117, 119, 121, 123, 125, 132, 135, 153	1001231397.....	773, 774, 865	1001253661.....	575, 577
1001222650.....	904, 908	1001227802.....	343	1001231398.....	773, 774, 865	1001254185.....	887, 893
1001222741.....	349	1001227945.....	483	1001231400.....	773, 774, 865	1001254389.....	926
1001223109.....	547	1001227964.....	199	1001231401.....	773, 774	1001254390.....	926
1001223265.....	434	1001228132.....	411, 421	1001231402.....	774	1001254400.....	926
1001223435.....	113	1001228140.....	411, 421	1001231404.....	774, 865	1001255519.....	573
1001223453.....	904, 908	1001228141.....	411, 421	1001231406.....	774, 865	1001255520.....	573
1001223455.....	709, 710, 711, 712	1001228147.....	411, 421	1001231407.....	200, 771	1001255522.....	573
1001223456.....	708	1001228248.....	181	1001231483.....	200, 773	1001255536.....	573, 575
1001223457.....	708, 709	1001228427.....	111	1001231692.....	103	1001255568.....	573
1001223618.....	207, 659	1001228504.....	557	1001231801.....	904	1001255581.....	781
1001223622.....	659	1001228643.....	199	1001231801.....	904	1001256073.....	341
1001223628.....	207	1001228727.....	159	1001232033.....	887	1001256974.....	501, 923
1001223645.....	207	1001228728.....	159, 747	1001232288.....	737, 739	1001257071.....	501
1001223869.....	199, 207	1001228732.....	747, 767	1001232298.....	887, 891	1001257088.....	487, 923
1001223874.....	199	1001228733.....	747, 763	1001232500.....	103	1001257330.....	483, 485
1001223902.....	61	1001228738.....	855	1001232509.....	243, 677	1001257348.....	489, 923
1001223903.....	837, 923	1001228739.....	785, 855	1001232850.....	181	1001258099.....	926
1001223920.....	61	1001228741.....	785, 799	1001232988.....	83	1001258277.....	783, 787
1001223948.....	61	1001228743.....	691	1001233024.....	243	1001258278.....	785, 791
1001223968.....	725, 727	1001228744.....	691, 693	1001233189.....	926	1001258512.....	101
1001223983.....	61	1001228860.....	73	1001233430.....	911	1001258664.....	101
1001224127.....	837	1001228872.....	195, 922	1001233558.....	908	1001258712.....	705, 721
1001224128.....	837	1001228989.....	809, 811	1001234395.....	83	1001258713.....	705, 708
1001224450J.....	41	1001228993.....	926	1001234455.....	39	1001258719.....	859, 867
1001224598.....	281	1001229057.....	63	1001234555.....	37, 39	1001258749.....	859
1001224938.....	315	1001229073.....	926	1001235963.....	37, 39	1001259205.....	859, 865
1001224944.....	527, 637	1001229075.....	926	1001237897.....	229	1001259214.....	101
1001224945.....	531, 639	1001229104.....	926	1001238470.....	195	1001259224.....	861
1001224946.....	571	1001229107.....	883	1001238560.....	99, 151	1001259225.....	101
1001225317.....	323	1001229201.....	317	1001238565.....	95, 97, 99	1001259231.....	859
1001225390.....	529	1001229212.....	926	1001238566.....	151	1001259241.....	573
1001225392.....	525	1001229216.....	926	1001238570.....	151	1001259242.....	573
1001225393.....	525, 529	1001229216.....	926	1001238653.....	95	1001259246.....	859, 861
1001225656.....	643	1001229324.....	926	1001238655.....	97	1001259256.....	859
1001226328.....	883, 923	1001229422.....	509	1001238781.....	191	1001259258.....	573, 859
1001226400.....	885	1001229532.....	926	1001239878.....	231	1001262959.....	927
1001226481.....	434	1001229543.....	343	1001239879.....	231	1001262960.....	883
1001226523.....	169	1001229576.....	926	1001239961.....	926	1001262963.....	883
1001226533.....	901	1001229609.....	37	1001241308.....	351	1001265343.....	843
1001226536.....	901	1001229707.....	915	1001241590.....	699	1001265344.....	49
1001226537.....	901	1001229811.....	926	1001241591.....	699	1001265372.....	926
1001226557.....	507	1001229812.....	926	1001241610.....	859, 863	1001268341.....	926
		1001229813.....	926	1001241836.....	37	1001270117.....	377

SECTION 13 - SPECIAL OPTIONS

1001270466.....	705	2130404 ...	483, 527, 531, 557, 567, 575	3290401....	407, 416, 441, 869	4031608.....	439	
1001270467.....	777	2130406.....	189, 575	3290405....	351, 695, 841, 843	4031608001.....	434	
1001270485.....	835	2130408.....	567	3290501.....	705, 871	4031708.....	837	
1001273075.....	681	2130606.....	539, 571	3290505 77, 83, 199, 501, 735	3290507.....	83	4031708001.....	429
1001278028.....	695	2130808 ...	281, 315, 483	3290601....	151, 416, 441, 453, 473, 481, 669, 671, 695, 705, 841	4031712.....	509	
1001284531.....	161	2131010 ...	509, 529, 531	3290605.....	39, 237, 434, 441, 447, 695, 769, 841	4031910.....	463, 465	
1001284536.....	225	2131212 ...	527, 531, 543, 557, 603	3290606.....	507	4031912.....	583, 587	
1001284538.....	157, 159	2131216.....	189	3290607.....	813, 819	4031918....	513, 517, 521	
1001285934.....	745	2132016.....	571	3290801....	197, 199, 207, 343, 469, 745, 747, 805, 837	4031921.....	525, 529	
1001286174.....	747	2144603.....	253	3290805....	195, 233, 475, 523, 573, 781	4032010.....	55	
1001288070.....	387	2144606.....	177	3290806.....	361	4032314.....	57	
1001293067.....	225	2150406.....	563	3291001....	171, 181, 197, 199, 237, 735, 813, 819	4060919.....	19	
1001293068.....	225	2150606.....	123	3291005....	177, 197, 199, 237, 559, 573, 737	4109801.....	904, 908	
1001293070.....	157, 159	2150608.....	189	3291201.....	145, 209	4110422.....	103, 153	
1001293972.....	735, 745, 747	2150808 ...	281, 315, 589	3291205.....	55, 815	4240018.....	533, 553	
1001294815.....	915	2151010 ...	515, 519, 523	3291605.....	55, 117, 119, 121, 167	4240032.....	883, 887	
1060379.....	99, 101	2151212.....	543	3311005.....	859	4240099....	533, 547, 881	
1060626.....	679, 881	2151616.....	213, 571	3311405.....	99	4280307.....	31	
1062255 ...	181, 195, 209, 213, 221, 235, 239, 243, 553, 677, 741, 745, 747, 887	2152020.....	25	3311502.....	151	4360475....	733, 861, 923	
10713707.....	777	2160016 .	59, 65, 67, 559, 595, 599	3311508.....	679	4360657.....	859, 924	
10725554.....	269, 295	2170104.....	193	3332011.....	335	4360658.....	479, 922	
10732931.....	653	2170106.....	571	3391410.....	151	4460183.....	861	
10837953.....	653	2170112.....	571	3421453.....	99	4460225.....	708, 709	
120034.....	705	2170206.....	123, 571	3422661.....	101	4460234.....	705, 887	
1320022.....	416	2170208.....	483	3440620.....	103	4460265.....	708	
1320060.....	209	2170216.....	213	3520028.....	481	4460267.....	708, 709	
1670836.....	904, 908	2170316.....	189	3520072.....	99	4460268....	708, 709, 710	
1701500.....	904, 908	2170410.....	529	3520193.....	59	4460320.....	709, 861	
1701509.....	99	2170704.....	189	3520198.....	99	4460321.....	773	
1702773.....	95, 97	2170706.....	573	3740080....	199, 865, 923	4460343.....	708, 709	
1704260.....	733, 861	2170712.....	573	3760170.....	99	4460424.....	710	
1704277.....	99	2170716.....	213	3790152.....	207	4460434.....	708	
1704885.....	95, 97	2170804.....	585	3820020.....	99	4460458... 710, 713, 750, 756, 773, 796, 800, 807, 877		
1706296.....	904	2170806.....	281, 315	3900357.....	769	4460464... 689, 693, 703, 710, 712, 713, 721, 723, 727, 743, 750, 756, 765, 767, 771, 773, 789, 793, 796, 800, 807, 825, 829, 833, 857, 863, 865, 867, 873, 879, 885, 889, 891		
1706299.....	904	2171816.....	547	3900379.....	47, 459	4460465 ... 699, 709, 711, 712, 713, 721, 731, 749, 750, 751, 755, 756, 757, 773, 787, 788, 789, 791, 792, 793, 795, 796, 797, 799, 800, 801, 825, 829, 830, 833, 857, 865, 867, 877, 889, 891, 893, 897		
1706300.....	904	2171832.....	547	3911010.....	859	4460466... 689, 693, 699, 709, 710, 711, 712, 713, 721, 727, 743, 749, 750, 751, 752, 755, 756, 757, 758, 773, 787, 788, 789, 791, 792, 793, 795, 796, 799, 800, 801, 807, 817, 825, 829, 863, 865, 869, 889, 891, 893, 897		
1706301.....	904	2172106.....	573	39844923.....	295	4460475.....	773	
1706302.....	151, 904	2172110.....	509	3986405.....	255	4460496.....	705	
1706306.....	904	2172116.....	213	3986610.....	401			
1706768.....	904	2172410.....	529	3986643.....	401			
1706850.....	904	2200223.....	197, 199	4000015.....	923			
1706892.....	95	2220238.....	557	4010416.....	841, 843			
1707078.....	904	2220239.....	25, 643	4010416.....	841, 843			
2080040.....	99	2220240.....	25	4010510.....	497, 499			
2080078.....	361	2220767.....	209	4010608002.....	341, 343, 434, 453, 455			
2080086.....	341	2220811.....	251	4010610.....	695, 841			
2080087.....	341	2220883.....	655	4010610002.....	431, 434, 453, 481			
2080092.....	375	2220886.....	655	4010612002.....	345, 434, 441, 445, 447			
2110406.....	551, 581	2221221.....	573	4031205.....	745, 747			
2110408.....	585	2400060.....	889	4031607 25, 29, 501, 745, 747				
2110410.....	189	24921332.....	225					
2110606.....	67, 123, 551, 557, 575, 581	2560122.....	573					
2110610.....	519, 523	2580040.....	677					
2110806.....	603	2600281.....	99					
2110808....	557, 567, 589	2720160.....	533					
2110810.....	581, 643	2902443.....	750, 757					
2111010... 193, 509, 515, 519, 523, 557, 581, 599		2920207.....	813					
2111012.....	571	2920208.....	813					
2111212.....	571	2940074.....	99, 923					
2111216.....	189	3020037.....	249					
2111616....	213, 251, 581	31200160.....	95					
		31200386.....	97					
		314689.....	57					
		3251813.....	904, 908					

SECTION 13 - SPECIAL OPTIONS

4460497.....705	791, 792, 793, 817,	4811900 ... 23, 27, 45, 49,	70005495.....923
4460508....689, 693, 750,	829, 830	51, 55, 57, 73, 75, 183,	70005504..... 163, 924
756, 761, 763	4460943 ... 689, 693, 712,	195, 197, 199, 211,	70005505..... 163
4460509....751, 757, 788,	721, 731	219, 225, 227, 233,	70005507..... 163, 164
792, 795, 799	4460944 ... 709, 711, 712,	241, 343, 349, 369,	70005510..... 163
4460518....712, 773, 789,	749, 750, 751, 755,	383, 387, 391, 399,	70005511..... 163
793	756, 757, 758, 796,	416, 451, 461, 463,	70005513..... 163
4460536....713, 765, 767,	800, 801, 825, 829, 893	465, 469, 473, 483,	70005522..... 164, 923
797, 801, 833	4460945 ... 713, 752, 758,	507, 513, 517, 523,	70005523..... 164, 924
4460539....711, 712, 713,	773, 825	533, 535, 541, 549,	70005524..... 164, 923
749, 750, 751, 755,	4460970 ... 750, 756, 787,	561, 573, 603, 669,	70005544..... 164
756, 757, 758, 773,	791, 796, 800, 817	671, 681, 745, 747,	70005548..... 164
787, 791, 796, 800,	4460979 751, 757	777, 781, 805, 835, 837,	70005549..... 164, 922
801, 825, 829, 833	4460984 789, 793	859, 869	70005556..... 164, 924
4460608.....749, 755	4460994 710	4811902 . 37, 41, 63, 207,	70005557..... 164
4460670.....889	4461000 733	215, 217, 225, 407,	70005558..... 164
4460705.....709	4461006 ... 749, 751, 755,	416, 451, 453, 509	70005559..... 164, 924
4460742.....207, 773	757	4812000 ... 25, 39, 45, 49,	70005730..... 163
4460744.....710	4461008 749, 755	55, 57, 59, 61, 63, 65,	70006144..... 163
4460746.....710, 713	4461015 721, 788, 792	67, 71, 83, 171, 177,	70006427..... 655
4460748....710, 750, 756,	4461017 ... 689, 693, 761,	183, 209, 225, 237,	70020276..... 255
796, 800	763, 795, 799	481, 483, 507, 543,	70020438..... 605, 621
4460761.....773	4461018 ... 751, 757, 795,	547, 555, 559, 565,	70020476..... 601
4460789.....723	799	569, 573, 695, 701,	70020555... 105, 147, 149
4460809.....773	4461054 ... 749, 755, 795,	735, 737, 745, 747,	70020764... 633, 635, 922
4460836.....709	796, 799, 800	777, 813, 819, 841, 851	70020867..... 661, 665
4460884....721, 773, 788,	4461070 752, 757	4812002 ... 23, 37, 41, 43,	70020922..... 481
792, 795, 799, 825,	4461071 751, 757	45, 65, 67, 171, 181,	70021251..... 389
829, 857, 869, 897	4461095 751, 757	197, 199	70021252..... 389
4460891....699, 712, 713,	4461115 712, 713, 807	481210027, 55, 167, 209,	70021314..... 395
721, 750, 751, 752,	4461118 723, 795, 799	225, 579, 735	70021316..... 395
756, 757, 758, 773,	4461174 681, 683, 685	4812102 27, 197, 199,	70021317..... 393
787, 788, 789, 791,	4461262 ... 703, 708, 712,	323, 815	70021318..... 393
792, 793, 795, 796,	795, 799	4812300 55, 57, 167, 249	70021319..... 393, 397
799, 800, 829, 857,	4461290 739, 788, 792	4812500 333, 335	70021321..... 397
867, 877	4641520 585, 661	4831400 407, 416, 441	70021322..... 393
4460892.....752, 756	4711000 859	4831600 25, 745, 747	70021323..... 397
4460894....709, 711, 731,	4711400 99	4831700 43, 231, 453,	70021324..... 397
750, 756, 789, 793,	471678 371	481, 777	70021325..... 397
795, 799, 817, 825, 865	4740274 197, 199	4831900 ... 215, 217, 407,	70021326..... 397
4460897....699, 710, 721,	4740532 187, 191	416, 473, 769	70021327..... 397
731, 743, 752, 756,	4740550 197, 199	4832100 197, 199	70021328..... 397
757, 787, 788, 789,	4761400 841	4871700 783, 785	70021330..... 397
791, 792, 793, 857,	4761700 547	4892600 263, 285	70021340..... 813, 819
867, 879	4807718 363	4921614 879	70021341..... 813, 819
4460899....723, 727, 789,	4811400 ... 117, 119, 121,	5220600 811	70021349..... 89, 93, 125,
793, 795, 799, 829,	407, 416, 441, 479,	5220800 673, 675, 679	153
863, 865	695, 841, 843, 869	5240600 837	70021350..... 89, 93
4460906.....709	481160077, 83, 179, 199,	5240800 511	70021367..... 93
4460928....712, 788, 792,	434, 733, 735, 871	5241000 237	70021387..... 153
829	4811700 ... 27, 31, 39, 43,	5241200 145	70021397..... 153
4460929.....857	47, 83, 151, 169, 225,	5241400 253	70021415..... 153
4460930....712, 789, 793,	233, 237, 341, 343,	5242400 151, 559	70021422..... 93
795, 796, 800, 891	371, 416, 429, 431,	5250608 425	70021440..... 617, 619
4460931....689, 693, 712,	441, 453, 455, 473,	5251012 161	70021444..... 619
796, 800, 825, 891	477, 481, 507, 537,	5271609 871	70021445..... 619
4460932....703, 721, 743,	565, 669, 671, 695,	5272012 851	70021446..... 619
771, 788, 792, 795,	705, 737, 745, 747,	643191201 708, 787, 791	70021447..... 619
799, 807, 845, 873	769, 783, 785, 809,	643201301 708, 787, 791	70021448..... 619
4460933....709, 751, 757,	811, 813, 819, 823,	70002963 .. 645, 655, 922	70021451..... 619
787, 789, 791, 793,	841, 849, 859	70004387 645	70021452..... 619
796, 800, 889	4811700001 434	70004512 163, 922	70021531..... 633, 635
4460941....721, 723, 743,	4811702 ... 175, 375, 453,	70004595 649, 922	70021606..... 287
796, 800, 817, 857	473, 477, 483	70005191 164	70021613..... 287
4460942....709, 721, 752,	4811702001 343, 345,	70005440 577	70021979..... 153
758, 787, 788, 789,	434, 499	70005490 163	70022007..... 653
		70005492 163	70022008..... 653

SECTION 13 - SPECIAL OPTIONS

70022010	653	70024538	131	70026011	163	70026631	255
70022014	653	70024721	127, 132	70026081	203	70026745 ..	105, 147, 149
70022019	653	70024733	613	70026210	164, 924	70026746 ..	105, 147, 149
70022034	389	70024734	611, 613, 623, 625	70026238	273, 299	70026747	287
70022140	269, 295	70024772	127, 132	70026249	621	70026748	287
70022528	153	70024847	653	70026251	621	70026750	271
70022726	629, 922	70024848	275	70026253	621	70026777	653
70022765	725, 922	70024849	275	70026260 ...	273, 299, 301	70026778	653
70022773	277, 289	70024856	401	70026261 ...	273, 299, 303	70026779	653
70022938 ..	111, 113, 127, 132	70024857	401	70026262	275	70026781	653
70023179	401	70024858	401	70026263	275	70026783	653
70023181	401	70024859	401	70026264	275	70026784	653
70023182	401	70024861	401	70026265	279, 305	70026838	601, 605
70023184	401	70024881 ..	273, 299, 307	70026266 ...	279, 305, 307	70026892	255
70023186	401	70024918	163, 923	70026292	715, 922	70026896	255
70023189	401	70024945	629	70026293	717, 923	70026897	255
70023469	269, 295	70024946	629	70026294	779, 922	70026898	255
70023489	297	70024961	163	70026295	779, 922	70026901	255
70023490	271, 297	70025012	273	70026296	779, 922	70026904	255
70023493	297	70025014	273	70026297	779, 922	70026908	255
70023494	269, 295	70025153	163, 922	70026312	655	70026909	255
70023916	605	70025242	164	70026314	655	70026911	255
70024004	271	70025335	267, 293	70026315	655	70026927	256
70024035	607	70025337	297	70026353	203	70027022	275, 287
70024059	153	70025338	297	70026354	203	70027092	275
70024064	153	70025339	271, 297	70026359	203	70027105	271, 297
70024107	401, 924	70025339	271, 297	70026369	653	70027109	255
70024123 ..	113, 127, 131, 613	70025483	389	70026370	653	70027110	255
70024129 ..	611, 613, 623, 625	70025485	389	70026372	653	70027134	653
70024130 ..	111, 113, 127, 132, 613	70025486	389, 923	70026373	653	70027180 ..	137, 139, 141, 143
70024142	625	70025489	389	70026376	653	70027317	275, 287
70024146 ..	273, 299, 309	70025490	389	70026379	653	70027392	393, 395
70024147 ..	273, 299, 309	70025491	389	70026383	653	70027393	395
70024164	615	70025535	164	70026395	173	70027394	395
70024165	615	70025539	395, 923	70026396	173	70027395	393
70024166	615	70025561	273, 299	70026434	475	70027395	163, 924
70024167	615	70025562	273, 299	70026469	113, 611	70027417	163
70024168	615	70025590	597	70026470	113	70027420	163
70024201	653	70025614	597, 607	70026471	113, 131	70027426	163, 923
70024210	275, 287	70025707	164	70026472	113, 131	70027567	163
70024213	275	70025722	163	70026473	113, 131	70027595	631
70024215	275	70025737	163, 924	70026474	113	70027596	635
70024216	287	70025743	163	70026475	113	70027598	629
70024224	605	70025755	163	70026476	113, 131	70027601	627
70024228	605	70025757	163	70026477 ...	111, 113, 641	70027657	163
70024229	605	70025760	164	70026478	113	70027773	89
70024230	605	70025761	164	70026479	111, 113	70027796	275
70024231	605	70025763	163	70026480	111, 113	70027801	605
70024234	605	70025765	163	70026481 ..	111, 113, 127, 131	70027806	926
70024235	605	70025768	163	70026482 ..	111, 113, 127, 131	70027862	255
70024236	605	70025772	163	70026483	111	70027879	123
70024237	605	70025775	163	70026496	611	70027880	123
70024459	401	70025780	164, 923	70026497	611	70027881	123
70024474	164	70025786	163	70026498	611	70027882	123
70024484	163	70025816	471	70026499	611	70027887	123
70024487	163	70025817	471	70026498	611	70027888	123
70024489	163	70025850	173, 922	70026499	611	70027889	123
70024493	163	70025851	173, 922	70026500	611	70027890	123
70024494	163	70025854	653	70026501	131, 611	70027896	123
70024495	163	70025856	271	70026502 ...	611, 623, 625	70027899	123
70024504	163, 923	70025859	475	70026503	611	70027986 ..	277, 289, 923
70024505	164, 924	70025860	475	70026504	127, 611	70027989	125
70024507	163, 924	70025877	164	70026505	611	7002821	927
		70025884	279, 305	70026506	611	7002823	927
		70025887	269, 295	70026582 ...	661, 665, 922	70028243	649
		70025970	275	70026614 ...	111, 113, 641	70028253	131
		70026002	273, 299	70026616	113		

SECTION 13 - SPECIAL OPTIONS

70028254.....	623	70028352.....	185	70028499.....	93	70028604.....	125
70028255.....	623	70028353.....	185	70028500.....	93	70028605.....	125
70028256.....	623, 625	70028354.....	185	70028501.....	93	70028606.....	125
70028257.....	623, 625	70028355.....	185	70028502.....	649	70028607.....	125
70028258.....	623, 625	70028357.....	185	70028503.....	649	70028609.....	617
7002826.....	927	70028358.....	185	70028504.....	649	70028610.....	617
70028262.....	131	70028359.....	185	70028505.....	123	70028611.....	617
70028263.....	111	70028360.....	185	70028506.....	123	70028612.....	619
70028267.....	127, 132	70028361.....	647	70028507.....	123	70028613.....	619
70028270.....	623	70028362.....	621	70028508.....	123	70028614.....	619
70028281.....	639, 922	70028364.....	605	70028509.....	123	70028615.....	89
70028282.....	527, 637, 639	70028367.....	605	70028510.....	123	70028616.....	89
70028285.....	663	70028368.....	605	70028511.....	123	70028617.....	89
70028286.....	653	70028376.....	601	70028512.....	123	70028618.....	89
70028287.....	653	70028377.....	601	70028513.....	123	70028619.....	89
70028288.....	653	70028378.....	601	70028514.....	657, 922	70028620.....	89
70028289.....	653	70028379.....	601	70028515.....	657	70028621.....	89
70028295.....	653	70028380.....	601	70028516.....	657	70028622.....	89
70028296.....	653	70028381.....	475	70028517.....	657	70028623.....	89
70028297.....	653	70028382.....	475	70028525.....	125	70028624.....	89
70028298.....	653	70028383.....	475, 923	70028526.....	125	70028625.....	89
70028299.....	653	70028384.....	601	70028546.....	723	70028626.....	89
70028300.....	653	70028387.....	273, 299	70028548.....	203	70028627.....	89
70028307.....	597	70028388.....	267, 273, 293, 299	70028549.....	203	70028628.....	89
70028308.....	597	70028389.....	267, 273, 293, 299	70028550.....	203	70028629.....	89
70028309.....	597, 607			70028554.....	89, 105, 125, 153	70028630.....	89
70028310.....	597, 607			70028563.....	111	70028631.....	89
70028311.....	597	70028390.....	269, 271	70028564.....	111	70028632.....	89
70028312.....	597	70028391.....	269	70028565.....	111	70028633.....	89
70028314.....	607	70028392.....	273, 299	70028566.....	111	70028634.....	90
70028315.....	607	70028393.....	277, 289	70028567.....	111	70028635.....	89
70028316.....	607	70028394.....	277, 289	70028568.....	111	70028636.....	89
70028317.....	607	70028396.....	273, 299	70028569.....	111	70028637.....	89
70028318.....	607	70028397.....	299	70028570.....	111	70028638.....	89
70028319.....	607	70028398.....	295, 297	70028571.....	111	70028648.....	131
70028320.....	607	70028399.....	295	70028572.....	111, 609	70028649.....	131
70028321.....	607	70028400.....	299	70028573.....	111, 641	70028650.....	131
70028322.....	607	70028401.....	269, 295	70028574.....	111	70028651.....	131
70028323.....	607	70028405.....	131	70028575.....	111	70028652.....	131, 623
70028324.....	597, 607	70028406.....	131	70028576.....	111	70028653.....	131, 625
70028325.....	597	70028410.....	629	70028577.....	111	70028654.....	131
70028326.....	401, 924	70028411.....	629	70028578.....	111	70028655.....	131
70028327.....	185	70028412.....	631	70028579.....	111	70028656.....	131
70028328.....	185	70028413.....	631	70028580.....	111	70028657.....	131
70028329.....	185	70028414.....	649	70028581.....	609	70028658.....	131
70028330.....	185	70028415.....	649	70028582.....	609	70028659.....	131
70028331.....	185	70028416.....	649	70028583.....	609	70028660.....	131
70028332.....	185	70028417.....	163	70028584.....	609	70028661.....	131
70028333.....	185	70028418.....	163	70028585.....	609	70028662.....	131
70028334.....	185	70028419.....	163	70028586.....	609	70028663.....	131
70028335.....	185	70028420.....	627	70028587.....	609	70028664.....	131
70028336.....	185	70028421.....	651	70028588.....	609, 613	70028665.....	131
70028337.....	185	70028422.....	605	70028589.....	111, 641	70028666.....	131
70028338.....	185	70028485.....	89, 93, 125	70028591.....	125	70028667.....	131
70028339.....	185	70028486.....	93, 125	70028592.....	125	70028668.....	131
70028340.....	185	70028487.....	93	70028593.....	125	70028669.....	131
70028341.....	185	70028488.....	93, 125	70028594.....	125	70028670.....	131
70028342.....	185	70028489.....	89, 93	70028595.....	125	70028671.....	131
70028343.....	185	70028490.....	89, 93	70028596.....	125	70028672.....	113, 127, 131
70028344.....	185	70028491.....	93	70028597.....	125	70028673.....	131
70028345.....	185	70028492.....	93	70028598.....	125	70028674.....	131
70028346.....	185	70028493.....	93	70028599.....	125, 617	70028675.....	131
70028347.....	185	70028494.....	93	70028600.....	125	70028676.....	131
70028348.....	185	70028495.....	89, 93, 125	70028601.....	125	70028677.....	131
70028349.....	185	70028496.....	89, 93, 125	70028602.....	125	70028678.....	132
70028350.....	185	70028497.....	93	70028603.....	125, 619	70028679.....	132
70028351.....	185	70028498.....	93			70028680.....	132

SECTION 13 - SPECIAL OPTIONS

70028681	132	70028823	255	7022390.....	639	80204281	275, 287
70028682	132	70028824	255	7024947.....	631	80214120	273, 299
70028683	132	70028825	255	7026731.....	313	80233218	473
70028684	132	70028826	255	7028621.....	401	80264002	395
70028685	132	70028827	255	7028714.....	273, 299	80264004	395
70028686	132	70028828	255	7028715.....	273, 299	80333151	473
70028687	127, 132	70028829	255	7028716.....	273, 299	80333184	573
70028688	127, 132	70028830	255	7028733.....	273, 299	8034697	653
70028689	127, 132	70028831	255	7029127.....	277, 289	80633195	383
70028690	132	70028832	255	7029288.....	267, 293	80604017	731
70028691	623, 625	70028833	255	7029290.....	307	80604021	897
70028692	625	70028834	255	7029307.....	277, 289	806253	51
70028693	625	70028835	255	7029317.....	273	806264	51
70028694	625	70028836	255	7029486.....	429, 431, 913	80963055	752, 757
70028695	132	70028837	255	7029520.....	149	80963056	751, 757
70028696	132	70028838	255	7029702.....	125	80963067	750, 757
70028697 ..	113, 128, 132	70028839	255	7029703.....	125	80983191 .	715, 717, 719, 922
70028701	127	70028840	255	7029704.....	125	82033995	195, 235
70028702	127	70028841	256	7029709.....	89	8220035	771
70028703	127	70028842	256	7029711 .	89, 93, 125, 153	8220043	761, 763
70028704	127, 613	70028843	256	7029712.....	89	8220045	743
70028705	127	70028844	256	7029733.....	299, 313	8220051 ...	710, 711, 787, 791
70028706	127	70028845	256	7029734.....	275, 287	8220097	750, 756
70028707	127	70028846	256	7029735.....	275, 287	8220098	750, 756
70028708	127	70028847	256	7029743.....	273	8220108	739, 771
70028709	127	70028848	256	7029767.....	389	8220116	789, 793
70028710	127	70028860	153	7029785.....	287	8220124	749, 755
70028711	127	70028861	153	7029787.....	275	8220375	710
70028712	127	70028862	153	7029969.....	813	8229234 ...	774, 865, 922
70028713	127	70028863	153	7029970.....	813	8229235	773, 922
70028714	127	70028864	153	7029971.....	813, 819	8229242 ...	715, 717, 889, 922
70028715	127	70028865	153	7169541.....	199	8229244 ...	719, 779, 922
70028716	127	70028866	153	7300435.....	167	8229245 ...	715, 779, 922
70028717	127	70028867	153	77133136.....	509	8229247 ...	717, 779, 922
70028718	127	70028902	655	77133137.....	509	8229261	773, 922
70028719	127	70028903	655	77133497.....	509	8275212	225
70028720	127	70028904	655	77213042.....	225	8278020	197, 199
70028721	127	70028905	655	8000565.....	815	8305919 ...	175, 223, 375, 434, 453
70028722	127	70029016	605	8000759.....	361	8307219	223
70028723	127	70029017	605	8000803.....	343	8310382	101
70028724	127	70029018	605	8002200.....	59, 61, 63	8310559	355
70028725	127	70029019	605	8004398.....	361	8310686	583, 587
70028726	127	70029868	653	8005901.....	431	8342813	35
70028727	127	70029870	653	8006258.....	603	8405006 ...	209, 533, 573
70028728	613	70029871	653	8008175.....	277, 289	8405007 ...	209, 541, 547, 553
70028729	613	70029872	653	8008640.....	59, 61, 63	8405009 ...	209, 227, 473
70028730	613	70029873	653	80203020.....	255	8405101	209
70028731	613	70029874	653	80203021.....	255	8405102	213
70028732	613	70029941	607	80204002.....	267, 293	8405104	209
70028733	613	70030102	577	80204005...	267, 293, 311	8405201 ...	209, 434, 437
70028734	128	70030103	577	80204007.....	255	8405402	169
70028749	113	70030104	577	80204012.....	299	8406105	167
70028750	113	70030353	221, 741	80204016.....	255	8406112	241
70028751	113	70030355	221, 741	80204033.....	269, 295	8406201	533, 573
70028752	113	70030356	221, 741	80204035.....	269, 295	8406202	513, 517
70028753	113	70030365	273	80204043.....	269, 295	8410009 ...	235, 407, 416
70028767	131	70031088	163	80204048.....	269, 295	8410013 ...	195, 533, 547
70028768	131	7004275	927	80204060.....	275	842005389, 93, 111, 113,	123, 125, 127, 132, 153
70028770	623	7004276	927	80204065.....	273, 299	842005589, 93, 111, 113,	123, 125, 127, 132, 153
70028771	625	70050473	653	80204071.....	273, 299	8424233	547
70028801	256, 924	70050475	653	80204076.....	273, 299		
70028817	255	7010543	645	80204108.....	275		
70028818	255	70124445	163	80204117 ...	275, 287, 307		
70028819	255	70126616	163	80204143.....	277, 289		
70028820	255	7016331	163, 922	80204144.....	277, 289		
70028821	255	7020208	163	80204176.....	255		
70028822	255	7020442	163	80204215.....	255		

SECTION 13 - SPECIAL OPTIONS

8430032.....	533	90554017	125	91403448	103	91514143.....	271
8430033.....	581	90554020	125, 153	91403530	75	91514146.....	255, 311
8430034.....	551, 575	90554042	89, 93, 125,	91474364	255	91514147.....	311
8430081.....	533	153		91474512	267, 293	91514148.....	311
8466306.....	381	90554045	89, 93, 125,	91504107	731	91514149... 273, 299, 311	
8584003.....	895	153, 617, 619		91513266	323	91514151.....	275
85941018.....	533	90554054	153	91514081	273, 299	91514154... 255, 275, 287	
8769123.....	517, 521	90554065	89	91514082	273, 299	91514159.....	275, 287
8769126.....	517, 521	90554066	89	91514083	273	91514174.....	273, 299
8769146.....	509	90554067	89, 125	91514084	273	91514175... 273, 299, 309	
8769152.....	509	91013191	796, 800	91514089 . 267, 273, 275,		91514177... 273, 299, 309	
8769199.....	509	91013192 . 788, 789, 792,		293		91514178.....	273, 299
8770030.....	571	793		91514090	307	91514179.....	273, 299
8770075.....	511	91043125 . 511, 515, 519,		91514095	273, 299	91514180.....	273, 299
8770104.....	571	523		91514098	267, 293	91514181.....	273, 299
8770286.....	571	91043126 . 511, 515, 519,		91514101	267, 293	91514184.....	273, 313
8786549.....	317, 319, 321	523		91514111	301, 303	91514185.....	273, 313
88662434.....	533, 553	9106-3039.....	553	91514112	273, 299	91514186.....	273, 313
8880219-OM.....	259	9106-3040.....	553	91514117	273, 299	91514189.....	273, 299
8896941.....	927	91083106	547	91514118	323	91574001.....	615
90206196.....	45	91163268	225	91514123	269	943191201.....	708
90206198.....	533	91403193	247	91514130	269, 295	AU2105.....	904, 908
90206202.....	19	91403413	153	91514133	269, 295	N.S.S. 117, 119, 121, 645	
90554016.....	147	91403414	153	91514134	269, 295		



**Corporate Office
JLG Industries, Inc.
1 JLG Drive
McConnellsburg, PA 17233-9533 USA
☎ (717) 485-5161 (Corporate)
☎ (877) 554-5438 (Customer Support)
📠 (717) 485-6417**

**Visit our website for JLG Worldwide Locations.
www.jlg.com**



OSHKOSH™