



Illustrated Parts Manual

Models 1644

**PVC
2105**

**P/N
31211649**

June 15, 2023 - Rev D



EFFECTIVITY PAGE

May 1, 2021 - A - Original Issue of Manual (Manual Edited to 1001195000 Revision AG)

November 1, 2021 - B - Revised Manual (Manual Edited to 1001195000 Revision AG)

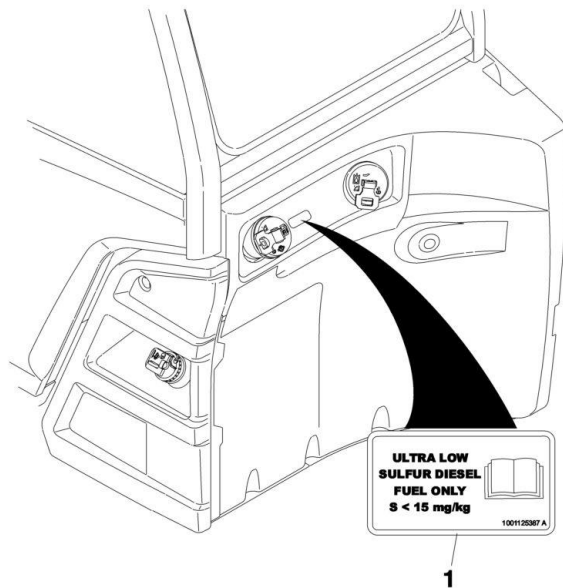
March 31, 2022 - C - Revised Manual (Manual Edited to 1001195000 Revision AG)

June 15, 2023 - D - Revised Manual (Manual Edited to 1001195000 Revision AG)

Machine Configuration

Two configurations of each machine are included in this manual. Determine if machine is equipped with Ultra Sulfur Fuel Decal (1) as indicated below.

- If equipped with the Ultra Low Sulfur decal, all specific references to this machine configuration will be referred to as Ultra Low Sulfur (ULS) from this point forward.
- If not equipped with the Ultra Low Sulfur decal, all specific references to this machine configuration will be referred to as Low Sulfur (LS) from this point forward.



GENERAL INFORMATION

6) NON-SERVICED PARTS

In some instances, it is necessary to display non-serviced parts, assemblies or installations. In the case of assemblies and installations there will be a Ref in the Qty. column. In case of parts that are not available for service within assemblies or components, there will be a NSS (Not Sold Separately) or NLA (No Longer Available) listed in the Qty. column of the manual.

7) PARTS LIST ITEM NUMBERS

Numbers shown in the item# column correspond to numbers used in the associated illustration (s). Item numbers which are missing from the sequence in the parts list are not used on that page.

8) INDENTED PARTS DESCRIPTION

An indented part description is included in the item under which it is indented.

9) ABBREVIATION AND SYMBOLS

AC.....	Alternating Current	L.....	Liter
ADE.....	Advanced Design Electronics	LB(LBS).....	Pounds
AG.....	Agricultural	LCD.....	Liquid Crystal Display
ANSI.....	American National Standards Institute	LED.....	Light Emitting Diodes
AR.....	As Required	LH.....	Left Hand
ASSY.....	Assembly	LRC.....	Low Rated Countries
AUS.....	Australia	LSS.....	Load Sensing System
AUX.....	Auxiliary	M(m).....	Metric/Meter
AWG.....	American Wire Gauge	MM(mm).....	Milimeter
B/M.....	Bill of Material	mA.....	Miliamps
CAC.....	Charge Air Cooler	NLA.....	No Longer Available
CE.....	European Conformity	NPT.....	National Pipe Threads
CCW.....	Counter Clockwise	NSS.....	Not Sold Separately
CM.....	Centimeter	OD.....	Outside Diameter
CW.....	Clockwise	ORB.....	O-Ring Boss
CSA.....	Canadian Standards Association	ORFS.....	O-Ring Face Seal
CYL.....	Cylinder	OZ (oz).....	Ounces
DIA.....	Diameter	PG.....	Page
DC.....	Direct Current	PN.....	Part Number
DEF.....	Diesel Exhaust Fluid	QT/qt.).....	Quarts
EMS.....	Emergency Stop	QTY.....	Quantity
ENG.....	Engine	REF.....	Reference
FT(ft).....	Feet	REV.....	Revision Level
GA(Ga).....	Gauge	RH.....	Right Hand
HRC.....	High Rated Countries	SAE.....	Society of Automotive Engineers
HVAC.....	Heating, Ventilating, and Air Conditioning	SN.....	Serial Number
HYD.....	Hydraulic	SPEC(S).....	Specifications
Hz.....	Hertz	T/T.....	Turntable
ID.....	Inside Diameter	UGM.....	Universal Ground Module
IN.....	inches	V.....	Volts
ISO.....	International Organization for Standards	W.....	Watts
JIC.....	Joint Industry Council	#.....	Number
KG.....	Kilogram		

10) ILLUSTRATION REFERENCE LETTERS

When necessary, illustrations may contain reference letters that are intended to track information (i. e. hoses, harnesses) from one point to another or to track visual enlargement of components to show details that may be located in another area on the illustration.

Note: Due to continuous product improvements, JLG Industries, Inc. reserves the right to make specification changes without prior notification. Contact JLG Industries, Inc. for updated information.

TABLE OF CONTENTS

SECTION 1 - FRAME AND ATTACHING PARTS.....	19
FIGURE 1-1. GROMMETS INSTALLATION	20
FIGURE 1-2. TANKS INSTALLATION.....	22
FIGURE 1-3. HYDRAULIC TANK INSTALLATION	24
FIGURE 1-4. HYDRAULIC TANK ASSEMBLY.....	26
FIGURE 1-5. FUEL TANK INSTALLATION.....	28
FIGURE 1-6. FUEL TANK ASSEMBLY	30
FIGURE 1-7. TANK SUPPORT INSTALLATION.....	32
FIGURE 1-8. LOCKING FUEL CAP	34
FIGURE 1-9. PAD LOCK.....	36
FIGURE 1-10. ENGINE ENCLOSURE & HOOD INSTALLATION.....	38
FIGURE 1-11. ENGINE HOOD ASSEMBLY	40
FIGURE 1-12. ENGINE ENCLOSURE ASSEMBLY	42
FIGURE 1-13. COVER INSTALLATION (ULS).....	44
FIGURE 1-14. FRAME COVER INSTALLATION	46
FIGURE 1-15. FRONT LOWER COVER INSTALLATION	48
FIGURE 1-16. MIRRORS INSTALLATION.....	50
FIGURE 1-17. WHEEL CHOCKS INSTALLATION.....	52
SECTION 2 - BOOM.....	55
FIGURE 2-1. BOOM INSTALLATION.....	56
FIGURE 2-2. BOOM ASSEMBLY.....	58
FIGURE 2-3. FIRST BOOM SECTION ASSEMBLY.....	60
FIGURE 2-4. SECOND BOOM SECTION ASSEMBLY.....	62
FIGURE 2-5. THIRD BOOM SECTION ASSEMBLY	64
FIGURE 2-6. COUPLER INSTALLATION (MANUAL).....	66
FIGURE 2-7. COUPLER INSTALLATION (HYDRAULIC)	68
FIGURE 2-8. COUPLING LOCKING VALVE & CYLINDER ASSEMBLY	70
FIGURE 2-9. MANUAL COUPLER PIN HOLDER INSTALLATION.....	72
FIGURE 2-10. BOOM PROP INSTALLATION	74
FIGURE 2-11. BOOM PROP BRACKET ASSEMBLY	76
FIGURE 2-12. BOOM BRUSHES INSTALLATION	78
SECTION 3 - ATTACHMENTS	81
FIGURE 3-1. ATTACHMENT RECOGNITION INSTALLATION - COMPLETE	82
FIGURE 3-2. ATTACHMENT RECOGNITION INSTALLATION.....	84
FIGURE 3-3. ATTACHMENT RECOGNITION RECEIVER	86
FIGURE 3-4. ATTACHMENT RECOGNITION ANTENNA	88
FIGURE 3-5. BALE HANDLER (ROUND BALES).....	90
FIGURE 3-6. BALE HANDLER (SQUARE BALES).....	94
FIGURE 3-7. BASKET, PERSONNEL (1.2MX2.4M) (DOMESTIC).....	96
FIGURE 3-8. BASKET, PERSONNEL (1.2MX2.4M) (FRENCH LANGUAGE)	98
FIGURE 3-9. BASKET ASSEMBLY - FORK MOUNTED	100
FIGURE 3-10. BASKET DOCKING STATION.....	102
FIGURE 3-11. BOOM - TRUSS (3.6TON FORK MOUNTED).....	104

TABLE OF CONTENTS

FIGURE 3-12. BOOM - TRUSS (7.6 TON)	106
FIGURE 3-13. BUCKET (2.6 YD ³ /2.0M ³)	108
FIGURE 3-14. BUCKET (5.23 YD ³)	110
FIGURE 3-15. BUCKET - 4 IN 1 (1.3 YD ³ /1.0M ³)	112
FIGURE 3-16. BUCKET - GRAPPLE (1.7 YD ³ /1.3M ³)	114
FIGURE 3-17. BUCKET - FORK MOUNTED (1.0M ³)	116
FIGURE 3-18. CARRIAGE ASSEMBLY (60IN/1524MM)	118
FIGURE 3-19. CARRIAGE ASSEMBLY (72IN/1829MM)	120
FIGURE 3-20. CARRIAGE ASSEMBLY (87IN/2290MM)	122
FIGURE 3-21. CARRIAGE ASSEMBLY - DUAL FORK POSITIONING CARRIAGE (72IN/1829MM)	124
FIGURE 3-22. CARRIAGE ASSEMBLY - DUAL FORK POSITIONING SIDE SHIFT CARRIAGE (75IN/1899MM)	126
FIGURE 3-23. CARRIAGE ASSEMBLY - LOG HANDLER CARRIAGE	128
FIGURE 3-24. CARRIAGE ASSEMBLY - PIPE HANDLER CARRIAGE	132
FIGURE 3-25. CARRIAGE ASSEMBLY - STEEL COIL HANDLER CARRIAGE	136
FIGURE 3-26. FORK - PALLET (2.25X6X48)	138
FIGURE 3-27. FORK - PALLET (2.25X6X60)	140
FIGURE 3-28. FORK - PALLET (2.25X6X72)	142
FIGURE 3-29. FORK - PALLET (2.25X6X96)	144
FIGURE 3-30. FORK RETENTION INSTALLATION	146
FIGURE 3-31. HOOK - CRANK (7.6 TON)	148
FIGURE 3-32. HOOK - FORK MOUNTED	150
FIGURE 3-33. HOPPER - TRASH	152
FIGURE 3-34. WINCH - COUPLER MOUNTED	154
SECTION 4 - ENGINE AND ATTACHING PARTS	157
FIGURE 4-1. ENGINE POD COMPONENT INSTALLATION (ULS)	158
FIGURE 4-2. ENGINE POD COMPONENT INSTALLATION (MINING) (ULS)	160
FIGURE 4-3. ENGINE INSTALLATION (ULS)	162
FIGURE 4-4. ENGINE ASSEMBLY (ULS)	164
FIGURE 4-5. ENGINE MOUNT INSTALLATION	168
FIGURE 4-6. AIR INTAKE INSTALLATION (ULS)	170
FIGURE 4-7. AIR CLEANER INSTALLATION	172
FIGURE 4-8. AIR CLEANER ASSEMBLY	174
FIGURE 4-9. AIR INTAKE DUCT INSTALLATION	176
FIGURE 4-10. PRIMARY FUEL FILTER INSTALLATION (ULS)	178
FIGURE 4-11. REMOTE FUEL PUMP INSTALLATION	180
FIGURE 4-12. FUEL LINES INSTALLATION (ULS)	182
FIGURE 4-13. HYDROSTATIC ADAPTOR INSTALLATION	184
FIGURE 4-14. DUAL DRIVE SUPPORT ASSEMBLY	186
FIGURE 4-15. HYDROSTATIC DRIVE PUMP INSTALLATION	188
FIGURE 4-16. HYDROSTATIC DRIVE PUMP ASSEMBLY	190
FIGURE 4-17. IMPLEMENT PUMP INSTALLATION	192
FIGURE 4-18. IMPLEMENT PUMP ASSEMBLY	194
FIGURE 4-19. DEF COOLANT LINES INSTALLATION (ULS)	196
FIGURE 4-20. COOLING PACKAGE INSTALLATION (ULS & NO HIGH AMBIENT)	198

TABLE OF CONTENTS

FIGURE 4-21. COOLING PACKAGE INSTALLATION (ULS ASOV).....	200
FIGURE 4-22. RADIATOR - COOLING PACKAGE.....	204
FIGURE 4-23. RADIATOR LINES INSTALLATION (ALL EXCEPT ULS & LS ASOV)	206
FIGURE 4-24. RADIATOR LINES INSTALLATION (ULS ASOV).....	208
FIGURE 4-25. COOLANT LINES INSTALLATION.....	210
FIGURE 4-26. SURGE TANK INSTALLATION	212
FIGURE 4-27. TRANSMISION OIL COOLER LINES INSTALLATION.....	214
FIGURE 4-28. FAN GUARD INSTALLATION	216
FIGURE 4-29. FAN GUARD (REVERSING) INSTALLATION.....	218
FIGURE 4-30. COOLING FAN INSTALLATION.....	220
FIGURE 4-31. COOLING FAN (REVERSING) INSTALLATION	222
FIGURE 4-32. COOLING FAN COVER (REVERSING) INSTALLATION.....	224
FIGURE 4-33. EXHAUST INSTALLATION (ULS)	226
FIGURE 4-34. DEF TANK INSTALLATION.....	228
FIGURE 4-35. DEF TANK ASSEMBLY	230
FIGURE 4-36. DEF LINES INSTALLATION	232
FIGURE 4-37. DEF CONTROL MODULE INSTALLATION.....	234
FIGURE 4-38. HEATER LINES INSTALLATION (ULS)	236
FIGURE 4-39. A/C PUMP INSTALLATION	238
FIGURE 4-40. A/C LINES INSTALLATION	240
FIGURE 4-41. BLOCK HEATER INSTALLATION (115V) (ULS).....	242
FIGURE 4-42. HEATED BREATHER TUBE INSTALLATION	244
SECTION 5 - DRIVE TRAIN	247
FIGURE 5-1. DRIVETRAIN INSTALLATION.....	248
FIGURE 5-2. HYDROSTATIC MOTOR INSTALLATION.....	250
FIGURE 5-3. HYDROSTATIC MOTOR ASSEMBLY	252
FIGURE 5-4. GEARBOX INSTALLATION.....	254
FIGURE 5-5. GEAR BOX	256
FIGURE 5-6. DRIVE SHAFT INSTALLATION.....	260
FIGURE 5-7. FRONT AXLE INSTALLATION	262
FIGURE 5-8. FRONT AXLE MOUNTING INSTALLATION.....	264
FIGURE 5-9. FRONT AXLE	266
FIGURE 5-10. FRONT AXLE, CENTRAL HOUSING	268
FIGURE 5-11. FRONT AXLE, DIFFERENTIAL	270
FIGURE 5-12. DIFFERENTIAL KIT	272
FIGURE 5-13. FRONT AXLE, HUB REDUCTION.....	274
FIGURE 5-14. FRONT AXLE, BRAKES	276
FIGURE 5-15. FRONT AXLE, STEERING	278
FIGURE 5-16. FRONT AXLE, TRUNION	280
FIGURE 5-17. FRONT AXLE LINES INSTALLATION.....	282
FIGURE 5-18. REAR AXLE INSTALLATION	284
FIGURE 5-19. REAR AXLE MOUNTING INSTALLATION	286
FIGURE 5-20. REAR AXLE, BRAKES	288
FIGURE 5-21. REAR AXLE, STEERING.....	290
FIGURE 5-22. REAR AXLE.....	292

TABLE OF CONTENTS

FIGURE 5-23. REAR AXLE, CENTRAL HOUSING	294
FIGURE 5-24. REAR AXLE, DIFFERENTIAL	296
FIGURE 5-25. DIFFERENTIAL KIT.....	298
FIGURE 5-26. REAR AXLE, HUB REDUCTION.....	300
FIGURE 5-27. STEERING CASE ASSEMBLY (LH STEER LINK).....	302
FIGURE 5-28. STEERING CASE ASSEMBLY (RH STEER LINK).....	304
FIGURE 5-29. REAR AXLE, TRUNION	306
FIGURE 5-30. TRUNION KIT.....	308
FIGURE 5-31. RING GEAR SUPPORT KIT.....	310
FIGURE 5-32. REDUCTION BUSHING KIT	312
FIGURE 5-33. PLANET GEAR CARRIER KIT.....	314
FIGURE 5-34. REAR AXLE LINES INSTALLATION.....	316
FIGURE 5-35. TIRE/WHEEL SET (AIR 17.5-25 - 20 PLY)	318
FIGURE 5-36. TIRE/WHEEL SET (FOAM 17.5-25 - 20 PLY).....	320
FIGURE 5-37. TIRE/WHEEL SET (AIR 17.5 R25 - RADIAL).....	322
FIGURE 5-38. FENDER INSTALLATION	324
FIGURE 5-39. RH FENDER ASSEMBLY	326
FIGURE 5-40. LH FENDER ASSEMBLY.....	328
SECTION 6 - CAB	331
FIGURE 6-1. CAB MOUNTING INSTALLATION	332
FIGURE 6-2. FRONT CAB MOUNT BRACKET INSTALLATION	334
FIGURE 6-3. CAB MOUNTS INSTALLATION	336
FIGURE 6-4. CAB COMPONENTS INSTALLATION	338
FIGURE 6-5. CAB INSTALLATION.....	340
FIGURE 6-6. CAB ASSEMBLY.....	342
FIGURE 6-7. DOOR INSTALLATION	344
FIGURE 6-8. DOOR ASSEMBLY	346
FIGURE 6-9. CAB DOOR	348
FIGURE 6-10. DOOR UPPER GLASS ASSEMBLY	350
FIGURE 6-11. CAB LATCH ASSEMBLY	352
FIGURE 6-12. CAB DOOR TRIGGER ASSEMBLY.....	354
FIGURE 6-13. DOOR STRAP INSTALLATION	356
FIGURE 6-14. CAB PLUG GROUP	358
FIGURE 6-15. REAR WINDOW INSTALLATION	360
FIGURE 6-16. REAR WINDOW GROUP	362
FIGURE 6-17. REAR WIPER INSTALLATION	364
FIGURE 6-18. REAR WINDOW RELEASE INSTALLATION (ANSI - ENGLISH)	366
FIGURE 6-19. REAR WINDOW RELEASE INSTALLATION (ENGLISH/FREMCH).....	368
FIGURE 6-20. REAR WINDOW EXIT DECAL INSTALLATION.....	370
FIGURE 6-21. FRONT WIPER INSTALLATION.....	372
FIGURE 6-22. WASHER TANK INSTALLATION.....	374
FIGURE 6-23. WASHER BOTTLE	376
FIGURE 6-24. FRONT COVER INSTALLATION.....	378
FIGURE 6-25. FRONT DUCT COVER.....	380
FIGURE 6-26. FILTER TRAY PANEL.....	382

TABLE OF CONTENTS

FIGURE 6-27. LEVEL INDICATOR INSTALLATION.....	384
FIGURE 6-28. SUSPENSION KIT.....	386
FIGURE 6-29. BASIC MIRROR INSTALLATION.....	388
FIGURE 6-30. MULTIFUNCTION DISPLAY INSTALLATION.....	390
FIGURE 6-31. SEAT INSTALLATION (CLOTH).....	392
FIGURE 6-32. SEAT ASSEMBLY.....	394
FIGURE 6-33. SEAT INSTALLATION (AIR SUSPENSION - STANDARD).....	396
FIGURE 6-34. SEAT ASSEMBLY (AIR SUSPENSION - STANDARD).....	398
FIGURE 6-35. UPPER SEAT ASSEMBLY.....	400
FIGURE 6-36. SEAT INSTALLATION (AIR SUSPENSION - PREMIUM).....	402
FIGURE 6-37. SEAT ASSEMBLY (AIR SUSPENSION - PREMIUM).....	404
FIGURE 6-38. SEAT BELT INSTALLATION (3IN).....	406
FIGURE 6-39. SEAT BELT INSTALLATION (2IN).....	408
FIGURE 6-40. HEATER INSTALLATION.....	410
FIGURE 6-41. HEATER ASSEMBLY (Prior to SN 0160110782).....	412
FIGURE 6-42. HEATER ASSEMBLY (SN 0160110782 to Present).....	414
FIGURE 6-43. HEATER (Prior to SN 0160110782).....	416
FIGURE 6-44. HEATER (SN 0160110782 to Present).....	418
FIGURE 6-45. HEATER AND A/C INSTALLATION.....	420
FIGURE 6-46. HEATER AND A/C ASSEMBLY (Prior to SN 0160110782).....	424
FIGURE 6-47. HEATER AND A/C ASSEMBLY (SN 0160110782 to Present).....	426
FIGURE 6-48. HEATER AND A/C (Prior to SN 0160110782).....	428
FIGURE 6-49. HEATER AND A/C (SN 0160110782 to Present).....	430
FIGURE 6-50. CAB CONDENSER ASSEMBLY.....	432
FIGURE 6-51. CONDENSER.....	434
FIGURE 6-52. A/C RECEIVER DRIER.....	436
FIGURE 6-53. HEADLINER INSTALLATION.....	438
FIGURE 6-54. HEADLINER/RADIO READY PACKAGE INSTALLATION.....	440
FIGURE 6-55. CAB TRIM INSTALLATION.....	442
FIGURE 6-56. DASH COVER ASSEMBLY.....	446
FIGURE 6-57. REAR PANEL COVER ASSEMBLY.....	448
FIGURE 6-58. ADJUSTABLE ARMREST INSTALLATION.....	450
FIGURE 6-59. ARMREST.....	452
FIGURE 6-60. FIXED ARMREST BRACKET.....	454
FIGURE 6-61. MOVING ARMREST BRACKET.....	456
FIGURE 6-62. ROOF WIPER INSTALLATION.....	458
FIGURE 6-63. ROOF CAP INSTALLATION (NO A/C).....	460
FIGURE 6-64. ROOF CAP INSTALLATION (A/C).....	462
FIGURE 6-65. RETRACTABLE SUNSCREEN INSTALLATION.....	464
FIGURE 6-66. FLOOR MAT INSTALLATION.....	466
FIGURE 6-67. ENCLOSED CAB FRONT COVER INSTALLATION.....	468
FIGURE 6-68. CAB GUARD INSTALLATION (TOP).....	470
FIGURE 6-69. CAB GUARD INSTALLATION (FRONT).....	472
FIGURE 6-70. CAB GUARD INSTALLATION (TOP AND FRONT).....	474
SECTION 7 - CONTROLS.....	477

TABLE OF CONTENTS

FIGURE 7-1. ACCELERATOR PEDAL INSTALLATION.....	478
FIGURE 7-2. ACCELERATOR PEDAL.....	480
FIGURE 7-3. BRAKE PEDAL INSTALLATION	482
FIGURE 7-4. BRAKE PEDAL ASSEMBLY	484
FIGURE 7-5. BRAKE SENSOR INSTALLATION.....	486
FIGURE 7-6. SWITCH PLATE ASSEMBLY	488
FIGURE 7-7. PARK BRAKE INSTALLATION	490
FIGURE 7-8. TILT STEERING COLUMN INSTALLATION	492
FIGURE 7-9. TILT STEERING COLUMN	494
FIGURE 7-10. COLUMN SHIFT INSTALLATION (2 SPEED).....	496
FIGURE 7-11. COLUMN SHIFT INSTALLATION (0 SPEED).....	498
FIGURE 7-12. STEERING WHEEL INSTALLATION	500
FIGURE 7-13. STEERING WHEEL.....	502
FIGURE 7-14. HORN BUTTON INSTALLATION.....	504
FIGURE 7-15. JOYSTICK INSTALLATION (2 SPEED)	506
FIGURE 7-16. JOYSTICK INSTALLATION.....	508
FIGURE 7-17. WIPER-TURN SWITCH INSTALLATION	510
SECTION 8 - HYDRAULIC CIRCUITS	513
FIGURE 8-1. MAIN HYDRAULIC INSTALLATION.....	514
FIGURE 8-2. BOOM HYDRAULIC LINES INSTALLATION	516
FIGURE 8-3. BOOM HYDRAULIC INSTALLATION.....	518
FIGURE 8-4. BOOM AUX HYDRAULIC INSTALLATION (MANUAL - SINGLE).....	520
FIGURE 8-5. BOOM AUX HYDRAULIC INSTALLATION (MANUAL - TWIN).....	522
FIGURE 8-6. BOOM AUX DIVERTER VALVE/FITINGS ASSEMBLY (MANUAL - TWIN).....	524
FIGURE 8-7. BOOM AUX HYDRAULIC INSTALLATION (HYDRAULIC - SINGLE).....	526
FIGURE 8-8. BOOM AUX DIVERTER VALVE/FITINGS ASSEMBLY (HYDRAULIC - SINGLE)	528
FIGURE 8-9. BOOM AUX HYDRAULIC INSTALLATION (HYDRAULIC - TWIN).....	530
FIGURE 8-10. BOOM AUX DIVERTER VALVE/FITINGS ASSEMBLY (HYDRAULIC - TWIN)	532
FIGURE 8-11. BOOM RAISE HOSE INSTALLATION (NO RIDE CONTROL).....	534
FIGURE 8-12. BOOM RAISE COUNTERBALANCE VALVE/FITTINGS ASSEMBLY (NO RIDE CONTROL).....	536
FIGURE 8-13. BOOM RAISE HOSE INSTALLATION (RIDE CONTROL)	538
FIGURE 8-14. BOOM RAISE RIDE & FLOAT VALVE/FITTING ASSEMBLY (RIDE CONTROL)	540
FIGURE 8-15. CAB HYDRUALIC INSTALLATION	542
FIGURE 8-16. CAB HYDRUALICS CHECK VALVE INSTALLATION.....	544
FIGURE 8-17. CAB HYDRAULICS SOLENOID INSTALLATION	546
FIGURE 8-18. CAB HYDRAULICS SOLENOID FITTINGS INSTALLATION	548
FIGURE 8-19. CHARGE FILTER LINES INSTALLATION	550
FIGURE 8-20. CHARGE FILTER INSTALLATION	552
FIGURE 8-21. CHARGE FILTER ASSEMBLY.....	554
FIGURE 8-22. ENGINE BAY HYDRAULIC INSTALLATION.....	556
FIGURE 8-23. ENGINE BAY INCHING VALVE INSTALLATION.....	558
FIGURE 8-24. ENGINE BAY INCHING VALVE/FITINGS ASSEMBLY	560
FIGURE 8-25. FRAME HYDRAULIC INSTALLATION	562
FIGURE 8-26. FRAME MANIFOLD INSTALLATION	564
FIGURE 8-27. FRAME MANIFOLD/FITTINGS ASSEMBLY	566

TABLE OF CONTENTS

FIGURE 8-28. FRAME LEVEL INSTALLATION.....	568
FIGURE 8-29. FRAME LEVEL CYLINDER INSTALLATION.....	570
FIGURE 8-30. FRAME LEVEL COUNTERBALANCE VALVE/FITTINGS ASSEMBLY	572
FIGURE 8-31. FRAME LEVEL CONTROL VALVE INSTALLATION.....	574
FIGURE 8-32. FRAME LEVEL CONTROL VALVE/FITTINGS ASSEMBLY.....	576
FIGURE 8-33. MAIN CONTROL VALVE INSTALLATION.....	578
FIGURE 8-34. MAIN CONTROL VALVE/FITTINGS ASSEMBLY	580
FIGURE 8-35. MANUAL PUMP (LIFT/TELE) INSTALLATION - REMOTE CONTROL EMERGENCY LOWERING	582
FIGURE 8-36. MANUAL LIFT/TELE VALVE & FITTING ASSEMBLY.....	584
FIGURE 8-37. MANUAL LIFT/TELEVALVE ASSEMBLY	586
FIGURE 8-38. PRIORITY VALVE INSTALLATION.....	588
FIGURE 8-39. PRIORITY VALVE/FITTINGS ASSEMBLY.....	590
FIGURE 8-40. REMOTE GREASE INSTALLATION	592
FIGURE 8-41. SPEED CONTROL VALVE INSTALLATION	594
FIGURE 8-42. SPEED CONTROL VALVE/FITTINGS ASSEMBLY	596
FIGURE 8-43. STEERING SELECT VALVE INSTALLATION.....	598
FIGURE 8-44. STEERING SELECT VALVE/FITTINGS ASSEMBLY.....	600
SECTION 9 - HYDRAULIC COMPONENTS.....	603
FIGURE 9-1. CYLINDER INSTALLATION - BOOM LIFT & COMPENSATION CYLINDER.....	604
FIGURE 9-2. CYLINDER INSTALLATION - BOOM LIFT	606
FIGURE 9-3. CYLINDER ASSEMBLY - BOOM LIFT	608
FIGURE 9-4. CYLINDER INSTALLATION - BOOM COMPENSATION	610
FIGURE 9-5. CYLINDER ASSEMBLY - BOOM COMPENSATION (Prior to SN 0160110257).....	612
FIGURE 9-6. CYLINDER ASSEMBLY - BOOM COMPENSATION (SN 0160110257 to Present).....	614
FIGURE 9-7. CYLINDER INSTALLATION - BOOM EXTEND/RETRACT CYLINDER	616
FIGURE 9-8. CYLINDER ASSEMBLY - BOOM EXTEND/RETRACT CYLINDER (Prior to SN 0160110257)	618
FIGURE 9-9. CYLINDER ASSEMBLY - BOOM EXTEND/RETRACT CYLINDER (SN 0160110257 to Present).....	620
FIGURE 9-10. CYLINDER ASSEMBLY - BOOM TILT	624
FIGURE 9-11. CYLINDER ASSEMBLY - BUCKET (4 IN 1 BUCKET).....	626
FIGURE 9-12. CYLINDER ASSEMBLY - BUCKET (GRAPPLE BUCKET)	628
FIGURE 9-13. CYLINDER ASSEMBLY - CARRIAGE (LOG HANDLER CYLINDER).....	630
FIGURE 9-14. CYLINDER ASSEMBLY - COUPLER LOCKING (Prior to SN 0160110257)	632
FIGURE 9-15. CYLINDER ASSEMBLY - COUPLER LOCKING (SN 0160110257 to Present).....	634
FIGURE 9-16. CYLINDER ASSEMBLY - FORK POSITIONING	636
FIGURE 9-17. CYLINDER INSTALLATION - FORK POSITIONING SIDE SHIFT	638
FIGURE 9-18. CYLINDER ASSEMBLY - FRAME LEVEL (Prior to SN 016110257)	640
FIGURE 9-19. CYLINDER ASSEMBLY - FRAME LEVEL (SN 016110257 to Present)	642
FIGURE 9-20. CYLINDER ASSEMBLY - PIPE HANDLER CARRIAGE (UPPER).....	644
FIGURE 9-21. CYLINDER ASSEMBLY - PIPE HANDLER CARRIAGE (LOWER)	646
FIGURE 9-22. MOTOR ASSEMBLY - HYDROSTATIC.....	648
FIGURE 9-23. PUMP ASSEMBLY - HYDROSTATIC.....	650
FIGURE 9-24. PUMP ASSEMBLY - IMPLEMENT	652
FIGURE 9-25. VALVE ASSEMBLY - BOOM AUX DIVERTER VALVE (HYDRAULIC - SINGLE & TWIN)	654
FIGURE 9-26. VALVE ASSEMBLY - BOOM AUX DIVERTER VALVE (MANUAL & HYDRAULIC -TWIN).....	656
FIGURE 9-27. VALVE ASSEMBLY - BOOM RAISE COUNTERBALANCE VALVE (NO RIDE CONTROL).....	658

TABLE OF CONTENTS

FIGURE 9-28. VALVE ASSEMBLY - BOOM RAISE RIDE & FLOAT VALVE (RIDE CONTROL).....	660
FIGURE 9-29. VALVE ASSEMBLY - BUCKET (5.23 YD ³ /4.0M ³)	662
FIGURE 9-30. VALVE ASSEMBLY - CAB HYDRAULICS CHECK VALVE	664
FIGURE 9-31. VALVE ASSEMBLY - CAB HYDRAULICS SOLENOID VALVE	666
FIGURE 9-32. VALVE ASSEMBLY - ENGINE BAY INCHING VALVE	668
FIGURE 9-33. VALVE ASSEMBLY - FRAME LEVEL CONTROL	670
FIGURE 9-34. VALVE ASSEMBLY - FRAME LEVEL COUNTERBALANCE.....	672
FIGURE 9-35. VALVE ASSEMBLY - MAIN CONTROL	674
FIGURE 9-36. VALVE ASSEMBLY - PRIORITY VALVE	676
FIGURE 9-37. VALVE ASSEMBLY - RADIATOR HOSE SHUT-OFF VALVE	678
FIGURE 9-38. VALVE ASSEMBLY - RADIATOR HOSE ASO VALVE	680
FIGURE 9-39. VALVE ASSEMBLY - SPEED CONTROL	682
FIGURE 9-40. VALVE ASSEMBLY - STEER.....	684
FIGURE 9-41. VALVE ASSEMBLY - STEERING SELECT VALVE	686
SECTION 10 - ELECTRICAL.....	689
FIGURE 10-1. ALARM INSTALLATION - BACK UP	690
FIGURE 10-2. ALARM INSTALLATION (BACK UP - WHITE NOISE)	692
FIGURE 10-3. BATTERY INSTALLATION.....	694
FIGURE 10-4. BATTERY (DUAL) INSTALLATION.....	696
FIGURE 10-5. BATTERY (ARCTIC) PACKAGE INSTALLATION (115V)	698
FIGURE 10-6. BATTERIES (ARCTIC) INSTALLATION (115V)	700
FIGURE 10-7. BEACON INSTALLATION (LED).....	702
FIGURE 10-8. BEACON (REMOTE BOOM CONTROL) INSTALLATION	704
FIGURE 10-9. BEACON (LED) (REMOTE BOOM CONTROL) INSTALLATION	706
FIGURE 10-10. BOOM HARNESS INSTALLATION	708
FIGURE 10-11. BOOM HARNESS	710
FIGURE 10-12. BOOM HARNESS INSTALLATION.....	712
FIGURE 10-13. BOOM HARNESS	714
FIGURE 10-14. BOOM ANGLE SENSOR INSTALLATION (NO LMIS)	716
FIGURE 10-15. BOOM AUX HARNESS INSTALLATION.....	718
FIGURE 10-16. BOOM AUX HARNESS	720
FIGURE 10-17. BOOM RETRACT SENSOR INSTALLATION	722
FIGURE 10-18. BOOM RETRACT PROXIMITY SENSOR HARNESS.....	724
FIGURE 10-19. CAB ELECTRICAL INSTALLATION (Prior to SN 0160110782)	726
FIGURE 10-20. CAB ELECTRICAL INSTALLATION (SN 0160110782 to Present)	728
FIGURE 10-21. CAB HARNESS.....	730
FIGURE 10-22. CAB - STANDARD ELECTRICAL BOARD ASSEMBLY	738
FIGURE 10-23. CAB - OPTION 1 ELECTRICAL BOARD ASSEMBLY	740
FIGURE 10-24. CAB - OPTION 2 ELECTRICAL BOARD ASSEMBLY	742
FIGURE 10-25. CAB OPTION HARNESS	744
FIGURE 10-26. CAB - A/C OPTION HARNESS	746
FIGURE 10-27. CAB - DASH ELECTRICAL INSTALLATION.....	748
FIGURE 10-28. CAB - IGNITION SWITCH HARNESS.....	750
FIGURE 10-29. CAB - LIGHT SWITCH INSTALLATION	752
FIGURE 10-30. CAB - SEAT ADAPTOR HARNESS	754

TABLE OF CONTENTS

FIGURE 10-31. CAB - EXTERNAL EMERGENCY STOP INSTALLATION	756
FIGURE 10-32. ENGINE - ENGINE BAY ELECTRICAL INSTALLATION (ULS)	758
FIGURE 10-33. ENGINE - ENGINE POD ELECTRICAL INSTALLATION (ULS).....	760
FIGURE 10-34. ENGINE - DEF PURGE LIGHT HARNESS	762
FIGURE 10-35. ENGINE - FAN (REVERSE COOLING) INSTALLATION.....	764
FIGURE 10-36. ENGINE - FAN (REVERSE COOLING) HARNESS.....	766
FIGURE 10-37. ENGINE WIRING INSTALLATION (ULS)	768
FIGURE 10-38. ENGINE WIRING INSTALLATION (MINING) (ULS).....	770
FIGURE 10-39. ENGINE HARNESS (ULS).....	772
FIGURE 10-40. ENGINE HARNESS (MINING) (ULS)	778
FIGURE 10-41. ENGINE - FUEL PUMP HARNESS	784
FIGURE 10-42. ENGINE - FUEL PUMP HARNESS (MINING) (ULS).....	786
FIGURE 10-43. ENGINE - GLOW PLUG RELAY HARNESS	788
FIGURE 10-44. ENGINE - GLOW PLUG RELAY HARNESS (MINING) (ULS).....	790
FIGURE 10-45. ENGINE ECU INSTALLATION	792
FIGURE 10-46. ENGINE - AIR SHUTOFF VALVE HARNESS	794
FIGURE 10-47. ENGINE - AIR SHUT OFF VALVE HARNESS (ENGINE)	796
FIGURE 10-48. FRAME ELECTRICAL INSTALLATION (Prior to SN 0160110782)	800
FIGURE 10-49. FRAME ELECTRICAL INSTALLATION (SN 0160110782 to Present).....	802
FIGURE 10-50. FRAME - POWER DISTRIBUTION ELECTRICAL BOX.....	804
FIGURE 10-51. FRAME - REAR FRAME MODULE INSTALLATION (Prior to SN 0160110782).....	806
FIGURE 10-52. FRAME - REAR FRAME MODULE INSTALLATION (SN 0160110782 to Present).....	808
FIGURE 10-53. FRAME WIRING INSTALLATION.....	810
FIGURE 10-54. FRAME WIRING INSTALLATION, MINING (ULS).....	812
FIGURE 10-55. FRAME - FRONT FRAME HARNESS	814
FIGURE 10-56. FRAME - FRONT FRAME HARNESS, MINING	818
FIGURE 10-57. FRAME - REAR FRAME HARNESS.....	822
FIGURE 10-58. FRAME - REAR FRAME HARNESS, MINING.....	826
FIGURE 10-59. HVAC ACTUATOR HARNESS (Prior to SN 0160110782)	830
FIGURE 10-60. HVAC ACTUATOR HARNESS (SN 0160110782 to Present).....	832
FIGURE 10-61. LIGHTS - BOOM WORK LIGHTS (LED).....	834
FIGURE 10-62. LIGHTS - BOOM WORK LIGHT INSTALLATION (LED).....	836
FIGURE 10-63. LIGHTS - BOOM WORKLIGHTS HARNESS.....	838
FIGURE 10-64. LIGHTS - CAB WORKLIGHTS INSTALLATION (NO A/C - LED)	840
FIGURE 10-65. LIGHTS - CAB WORKLIGHTS INSTALLATION (A/C - LED).....	842
FIGURE 10-66. LIGHTS - DRIVING LIGHT INSTALLATION (RH DIP).....	844
FIGURE 10-67. LIGHTS - DRIVING LIGHT BRACKET ASSEMBLY (RH DIP).....	846
FIGURE 10-68. LIGHTS - DRIVING HEADLIGHT HARNESS	848
FIGURE 10-69. LIGHTS - DRIVING LIGHT INSTALLATION (LED) (RH DIP)	850
FIGURE 10-70. LMIS CONTROL PACKAGE INSTALLATION	852
FIGURE 10-71. LMIS TILT SENSOR INSTALLATION.....	854
FIGURE 10-72. LMIS - PLATFORM READY HARNESS	856
FIGURE 10-73. LMIS WIRING INSTALLATION.....	858
FIGURE 10-74. LMIS CHASSIS OPTION HARNESS.....	860
FIGURE 10-75. LMIS BOOM HARNESS	864

TABLE OF CONTENTS

FIGURE 10-76. LMIS CONTROLLER INSTALLATION (Prior to SN 0160110782).....	866
FIGURE 10-77. LMIS CONTROLLER INSTALLATION (SN 0160110782 to Present).....	868
FIGURE 10-78. LMIS CABLE REEL INSTALLATION.....	870
FIGURE 10-79. LMIS INSTALLATION (HIGH END DISPLAY).....	872
FIGURE 10-80. LMIS BOOM ANGLE SENSOR INSTALLATION.....	874
FIGURE 10-81. LMIS BEACON LIGHT INSTALLATION	876
FIGURE 10-82. LMIS BEACON OPTION HARNESS	878
FIGURE 10-83. LSI INSTALLATION.....	880
FIGURE 10-84. LSI DISPLAY INSTALLATION.....	882
FIGURE 10-85. LSI SENSOR INSTALLATION.....	884
FIGURE 10-86. MAIN ELECTRICAL INSTALLATION (ULS).....	886
FIGURE 10-87. MAIN ELECTRICAL INSTALLATION, MINING (ULS).....	888
FIGURE 10-88. RALP PLATFORM HARNESS	890
FIGURE 10-89. REMOTE CONTROL (BOOM)	892
FIGURE 10-90. REMOTE CONTROL EMERGENCY STOP SWITCH INSTALLATION.....	894
FIGURE 10-91. REMOTE CONTROL KEY HARNESS	896
FIGURE 10-92. REMOTE CONTROL POWER HARNESS	898
FIGURE 10-93. REMOTE CONTROL EMERGENCY LOWERING HARNESS	900
FIGURE 10-94. REVERSE CAMERA INSTALLATION.....	902
FIGURE 10-95. REVERSE SENSOR INSTALLATION.....	904
FIGURE 10-96. REVERSE SENSOR HARNESS	906
FIGURE 10-97. RIDE CONTROL WIRING INSTALLATION.....	908
FIGURE 10-98. RIDE CONTROL HARNESS (BOOM).....	910
FIGURE 10-99. SPEED HARNESS (VEHICLE SPEED)	912
FIGURE 10-100. TANK HEATER INSTALLATION - HYDRAULIC TANK (115V).....	914
FIGURE 10-101. TELEMATICS (CLEARSKY) INSTALLATION 3-WIRE (ANSI).....	916
FIGURE 10-102. TELEMATICS HARNESS.....	918
FIGURE 10-103. TELEMATICS (CLEARSKY) INSTALLATION (4G CANBUS)	920
FIGURE 10-104. TELEMATIC 4WARD HARNESS (CLEARSKY 2).....	922
FIGURE 10-105. TELEMATICS OPTION HARNESS	924
FIGURE 10-106. TELEMATICS ADAPTER HARNESS	926
FIGURE 10-107. TELEMATICS READY INSTALLATION	928
FIGURE 10-108. TELEMATICS READY HARNESS.....	930
SECTION 11 - DECALS	933
FIGURE 11-1. 1644 DECAL INSTALLATION	934
FIGURE 11-2. DECAL INSTALLATION (ENGLISH)	936
FIGURE 11-3. DECAL INSTALLATION (ENGLISH/FRENCH)	940
FIGURE 11-4. CAPACITY CHART	944
FIGURE 11-5. CAPACITY CHART - REMOTE BOOM CONTROL.....	946
FIGURE 11-6. CAPACITY CHART HOLDER INSTALLATION	948
FIGURE 11-7. CLEARSKY DECAL INSTALLATION	950
FIGURE 11-8. REVERSE SENSOR SYSTEM DECAL (ENGLISH).....	952
FIGURE 11-9. REVERSE SENSING SYSTEM DECAL (ENGLISH/FRENCH).....	954
SECTION 12 - RECOMMENDED SERVICE PARTS STOCK.....	957

TABLE OF CONTENTS

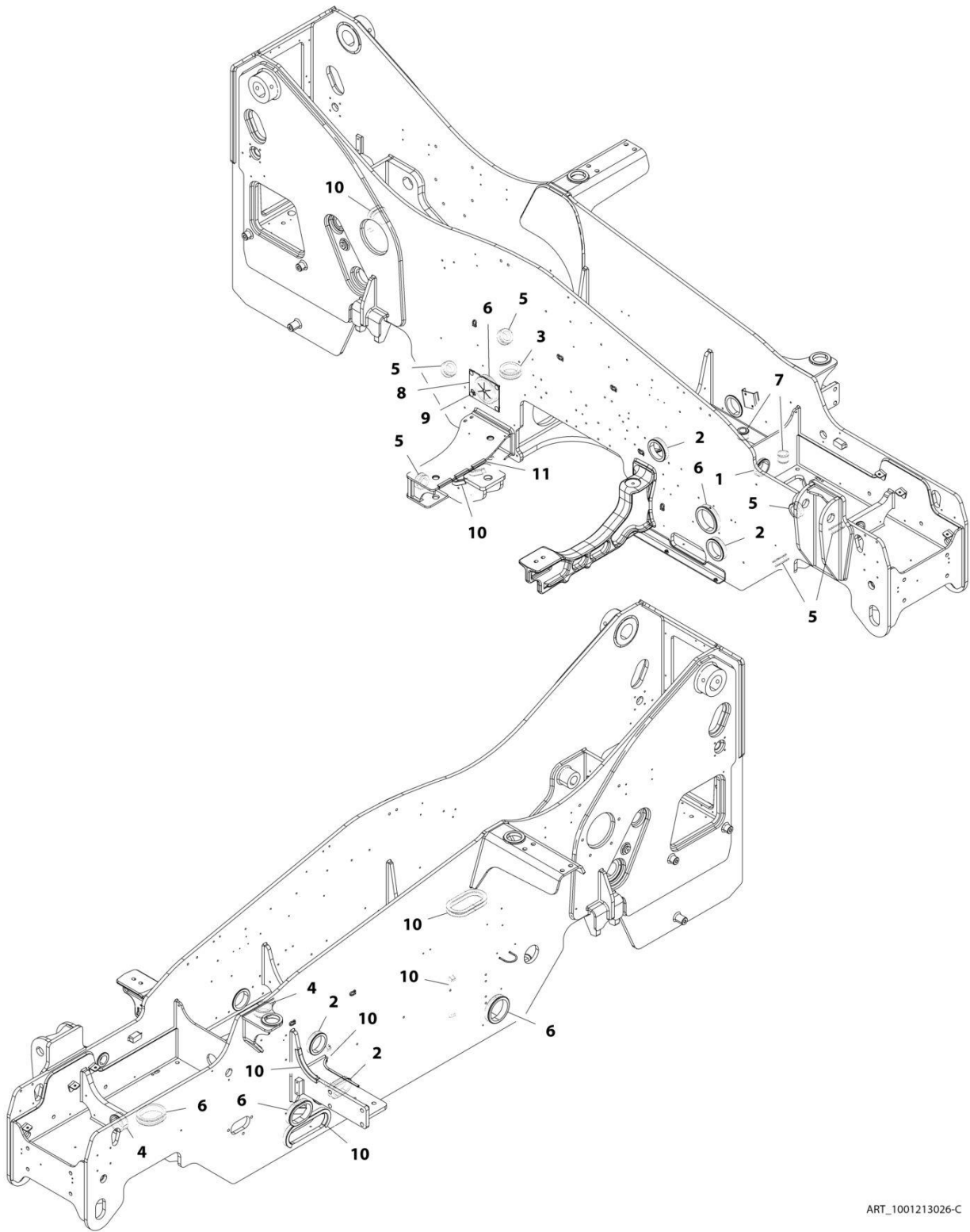
FIGURE 12-1. RECOMMENDED SERVICE PARTS STOCK	958
SECTION 13 - SPECIAL OPTIONS/ACCESSORIES/KITS	961
FIGURE 13-1. SPECIAL OPTIONS/ACCESSORIES/KITS	962
PART NUMBER INDEX	965

SECTION 1 - FRAME AND ATTACHING PARTS

SECTION 1 - FRAME AND ATTACHING PARTS

SECTION 1 - FRAME AND ATTACHING PARTS

FIGURE 1-1. GROMMETS INSTALLATION



ART_1001213026-C

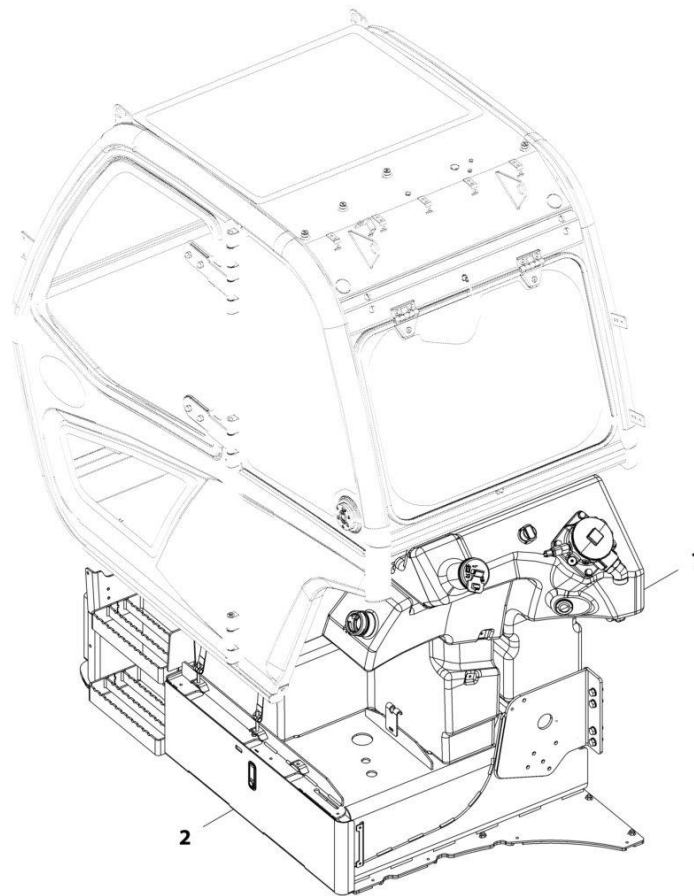
SECTION 1 - FRAME AND ATTACHING PARTS

FIGURE 1-1. GROMMETS INSTALLATION

ITEM	PART NUMBER	QTY	DESCRIPTION	REV
	1001213026	Ref	Grommets Installation	C
1	1001009018	1	Grommet	
2	1001028264	4	Grommet	
3	1001028291	1	Grommet	
4	1001028306	2	Grommet	
5	1001028308	6	Grommet	
6	1001028377	5	Grommet	
7	1001028400	2	Grommet	
8	1001175347	1	Grommet	
9	1001180306	4	Screw	
10	4060919	2030 mm	Trim,Hose Protection	
11	90206202	270 mm	Trim Lock	

SECTION 1 - FRAME AND ATTACHING PARTS

FIGURE 1-2. TANKS INSTALLATION



ART_1001185927-C

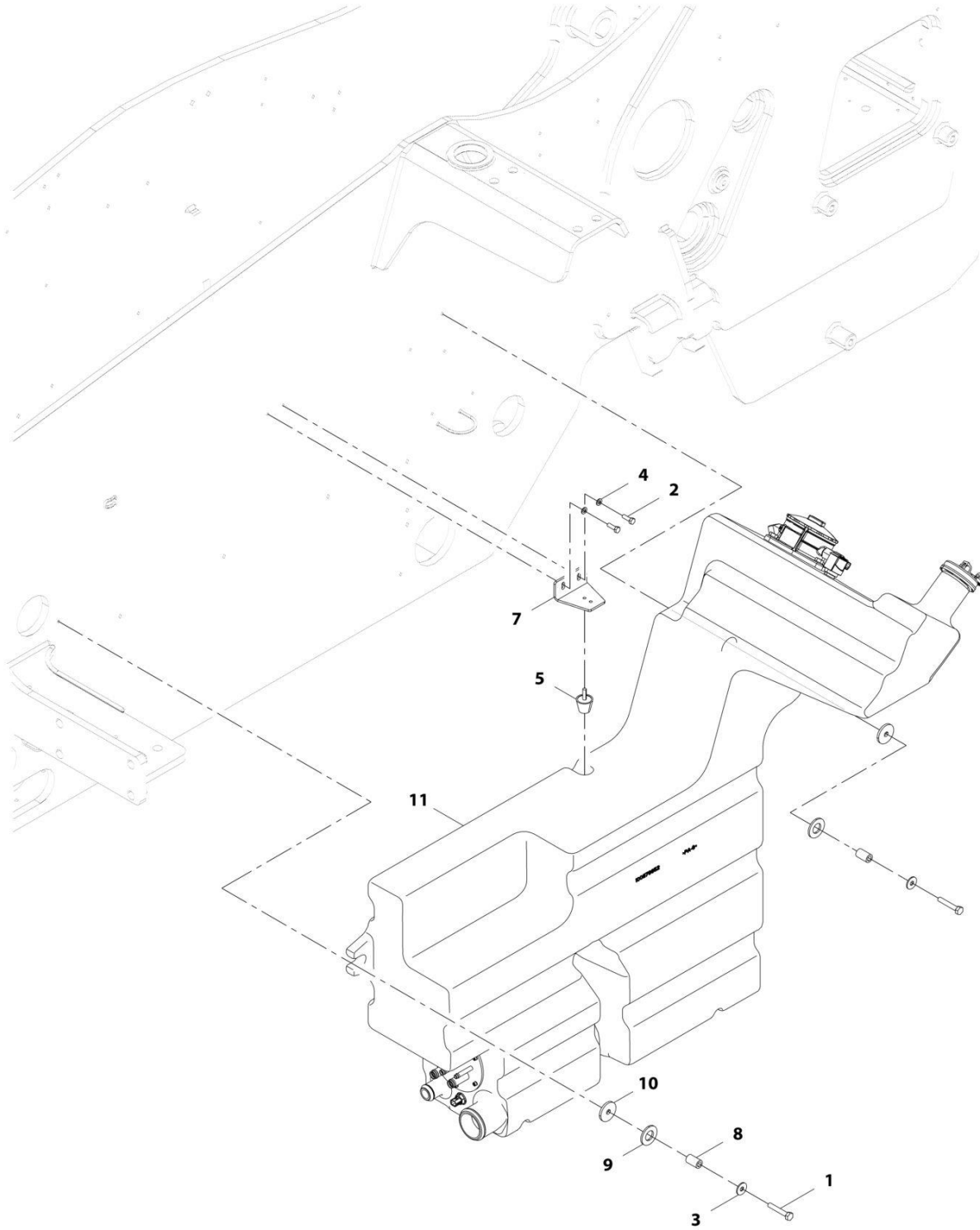
SECTION 1 - FRAME AND ATTACHING PARTS

FIGURE 1-2. TANKS INSTALLATION

ITEM	PART NUMBER	QTY	DESCRIPTION	REV
1	1001185927	Ref	Tank Installation	C
	1001179850	Ref	Installation, Hydraulic Tank (See Separate Breakdown in this Section)	
2	1001185929	Ref	Installation, Fuel Tank (See Separate Breakdown in this Section)	

SECTION 1 - FRAME AND ATTACHING PARTS

FIGURE 1-3. HYDRAULIC TANK INSTALLATION



ART_1001179850-C

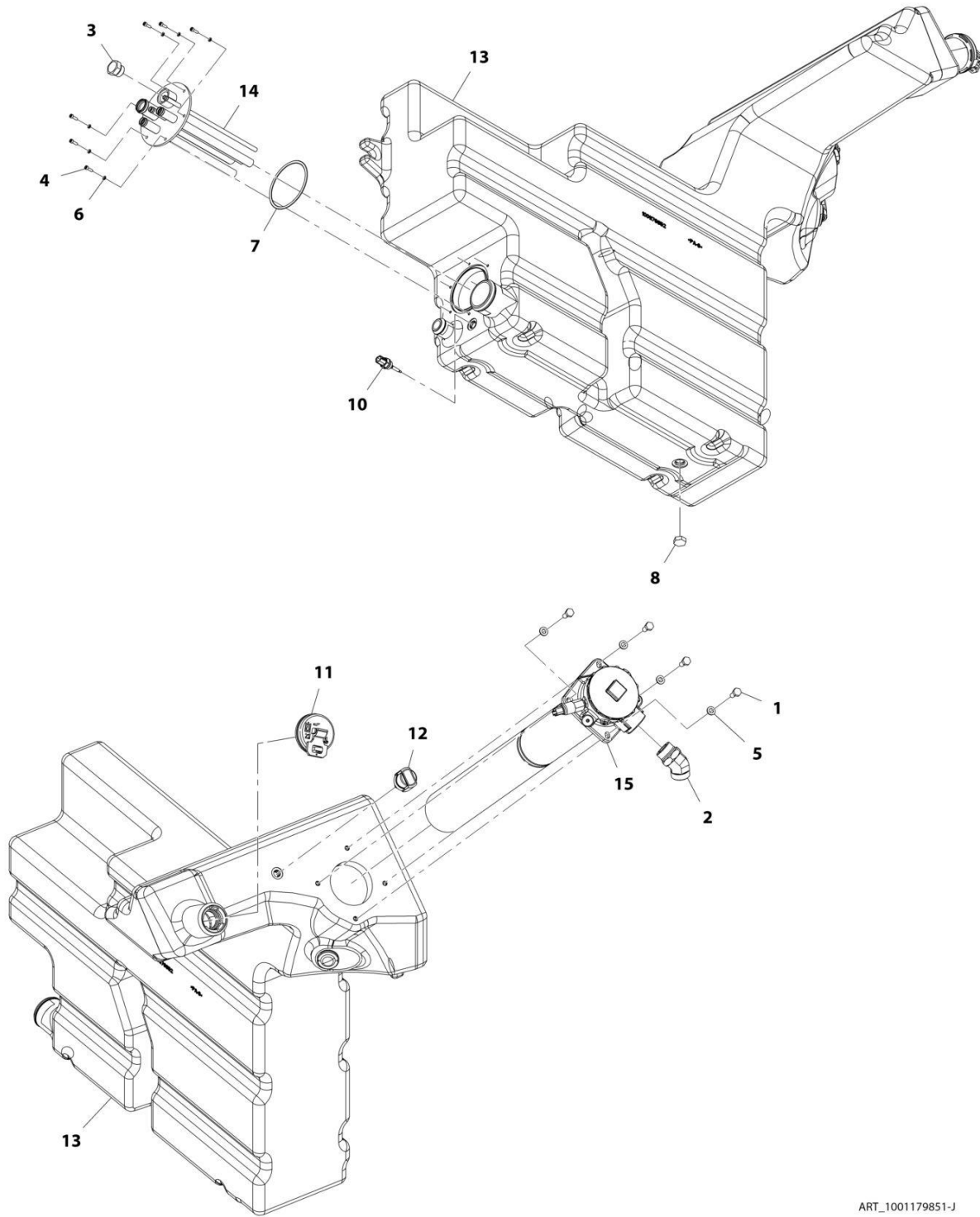
SECTION 1 - FRAME AND ATTACHING PARTS

FIGURE 1-3. HYDRAULIC TANK INSTALLATION

ITEM	PART NUMBER	QTY	DESCRIPTION	REV
	1001179850	Ref	Hydraulic Tank Installation	C
1	0701020	2	Bolt, M10X60	
2	0760812	2	Bolt, M8X25	
3	4812002	2	Washer, M10	
4	4811900	2	Washer, M8	
5	1001008575	1	Bumper, Conical	
7	1001177082	1	Bracket	
8	1001171179	2	Spacer	
9	1001172146	2	Washer, Rubber	
10	1001172147	2	Washer, M10	
11	1001179851	1	Assembly, Hydraulic Tank (See Separate Breakdown in this Section)	

SECTION 1 - FRAME AND ATTACHING PARTS

FIGURE 1-4. HYDRAULIC TANK ASSEMBLY



ART_1001179851-J

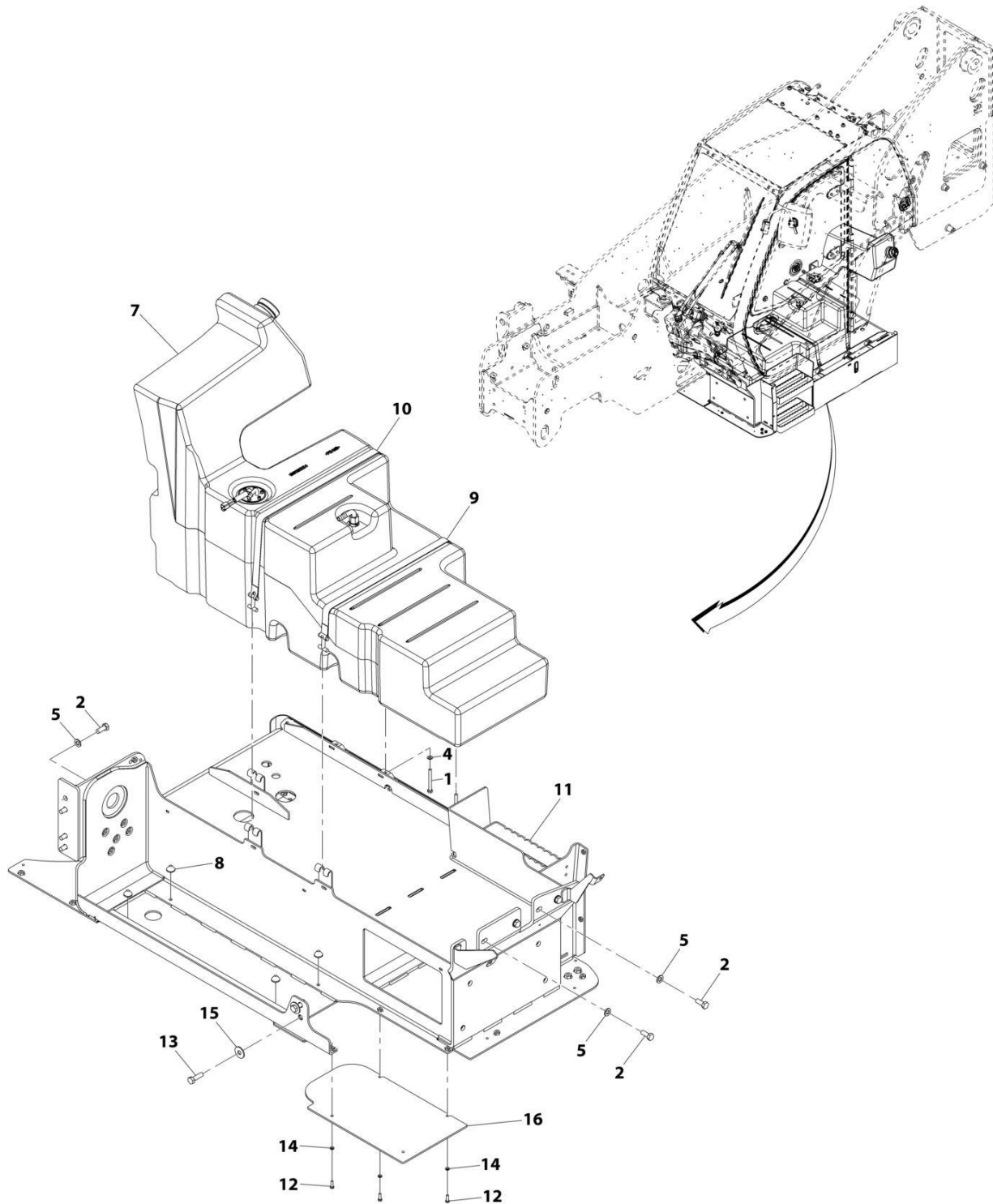
SECTION 1 - FRAME AND ATTACHING PARTS

FIGURE 1-4. HYDRAULIC TANK ASSEMBLY

ITEM	PART NUMBER	QTY	DESCRIPTION	REV
	1001179851	Ref	Hydraulic Tank Assembly	J
1	0761012	4	Bolt, M10X25	
2	2152020	1	Fitting, 45 ORFS	
3	2220240	1	Fitting, Straight	
4	4031607	6	Bolt, M5-.8X16	
5	4812000	4	Washer, M10	
6	4831600	6	Washer, Lock M5	
7	1001003301	1	Seal O-Ring	
8	2220239	1	Plug	
10	1001128478	1	Sensor	
11	1001194981	1	Cap, Hydraulic	
12	1001162662	1	Filter, Breather	
13	1001179852	1	Tank, Hydraulic	
14	1001191157	1	Manifold, Hydraulic Return	
15	1001191163	1	Filter	
15	1001191685	1	Element, Filter	

SECTION 1 - FRAME AND ATTACHING PARTS

FIGURE 1-5. FUEL TANK INSTALLATION



ART_1001185929-G

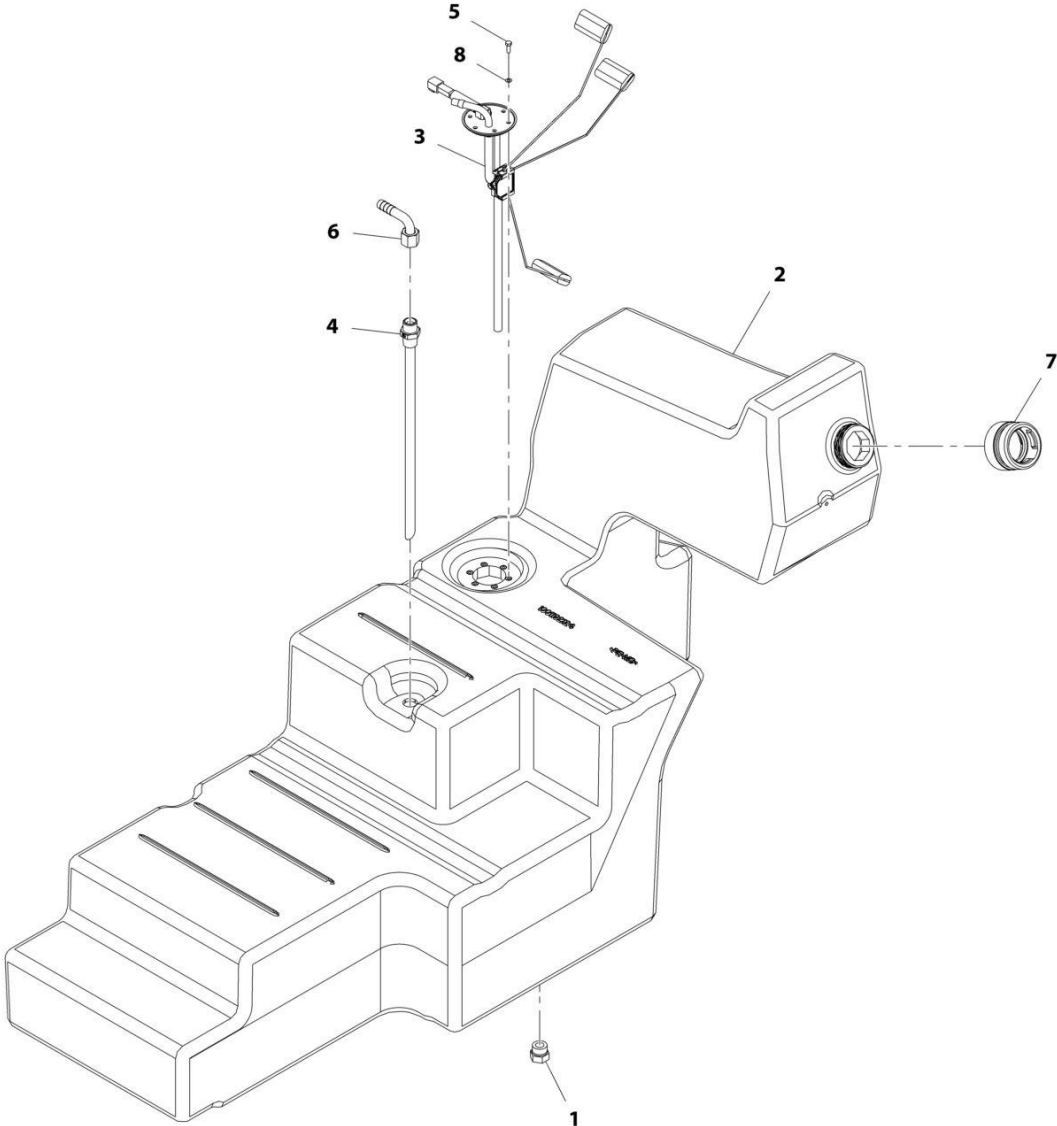
SECTION 1 - FRAME AND ATTACHING PARTS

FIGURE 1-5. FUEL TANK INSTALLATION

ITEM	PART NUMBER	QTY	DESCRIPTION	REV
	1001185929	Ref	Fuel Tank Installation	G
1	0760823	2	Bolt, M8X75	
2	0761214	8	Bolt, M12X30	
4	4811900	2	Washer, M8	
5	4812100	8	Washer, M12	
7	1001192125	1	Assembly, Fuel Tank (See Separate Breakdown in this Section)	
8	1001169454	4	Buffer	
9	1001178474	1	Strap	
10	1001178693	1	Strap	
11	1001185930	1	Installation, Tank Support (See Separate Breakdown in this Section)	
12	0700610	3	Bolt, M6X20	
13	0701216	2	Bolt, M12X40	
14	4811700	3	Washer, M6	
15	4812102	2	Washer, M12	
16	1001197480	1	Plate	

SECTION 1 - FRAME AND ATTACHING PARTS

FIGURE 1-6. FUEL TANK ASSEMBLY



ART_1001192125-C

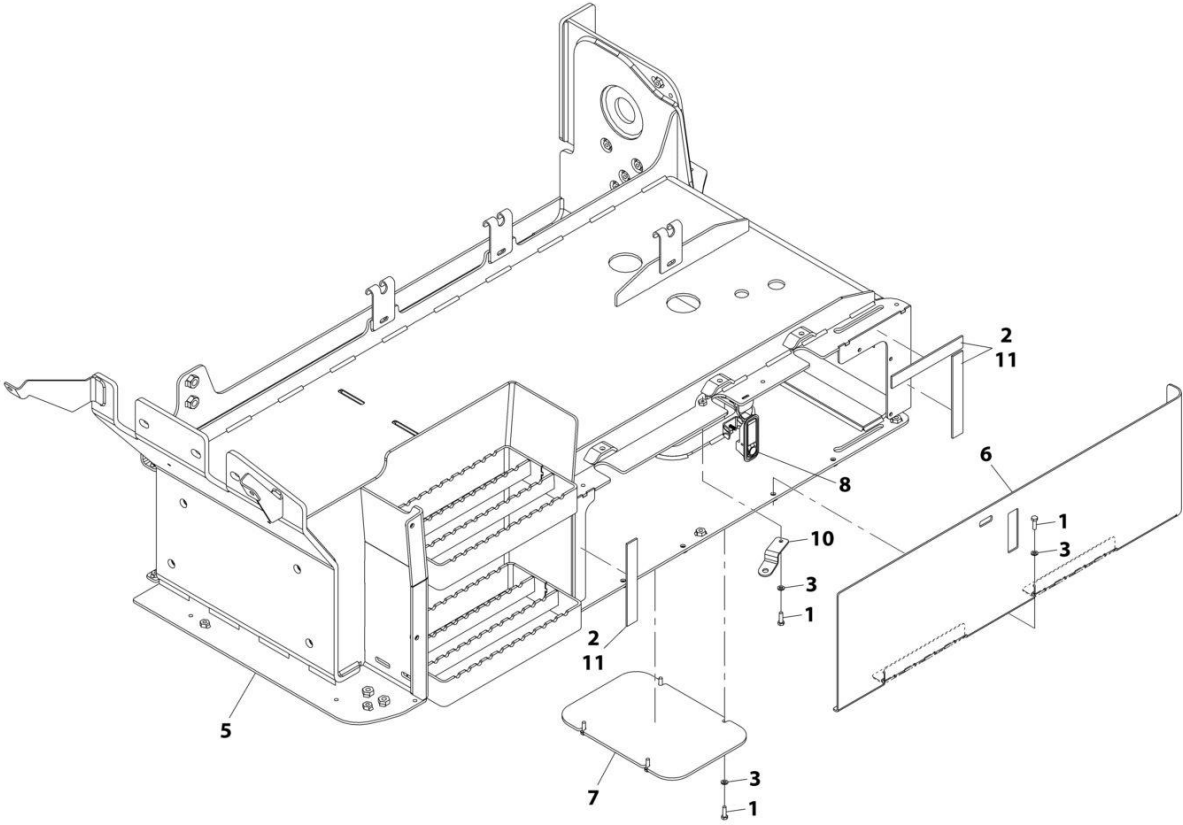
SECTION 1 - FRAME AND ATTACHING PARTS

FIGURE 1-6. FUEL TANK ASSEMBLY

ITEM	PART NUMBER	QTY	DESCRIPTION	REV
	1001192125	Ref	FUEL TANK ASSEMBLY	C
1	1001003427	1	Plug	
2	1001192124	1	Tank, Fuel	
3	1001222188	1	Pump, Fuel	
4	1001170106	1	Pipe, Fuel Supply	
5	4031607	6	Bolt, M5X16	
6	1001172693	1	Fitting, 90	
7	1001192392	1	Adapter	
8	1001222190	6	Washer	

SECTION 1 - FRAME AND ATTACHING PARTS

FIGURE 1-7. TANK SUPPORT INSTALLATION



ART_1001185930-K

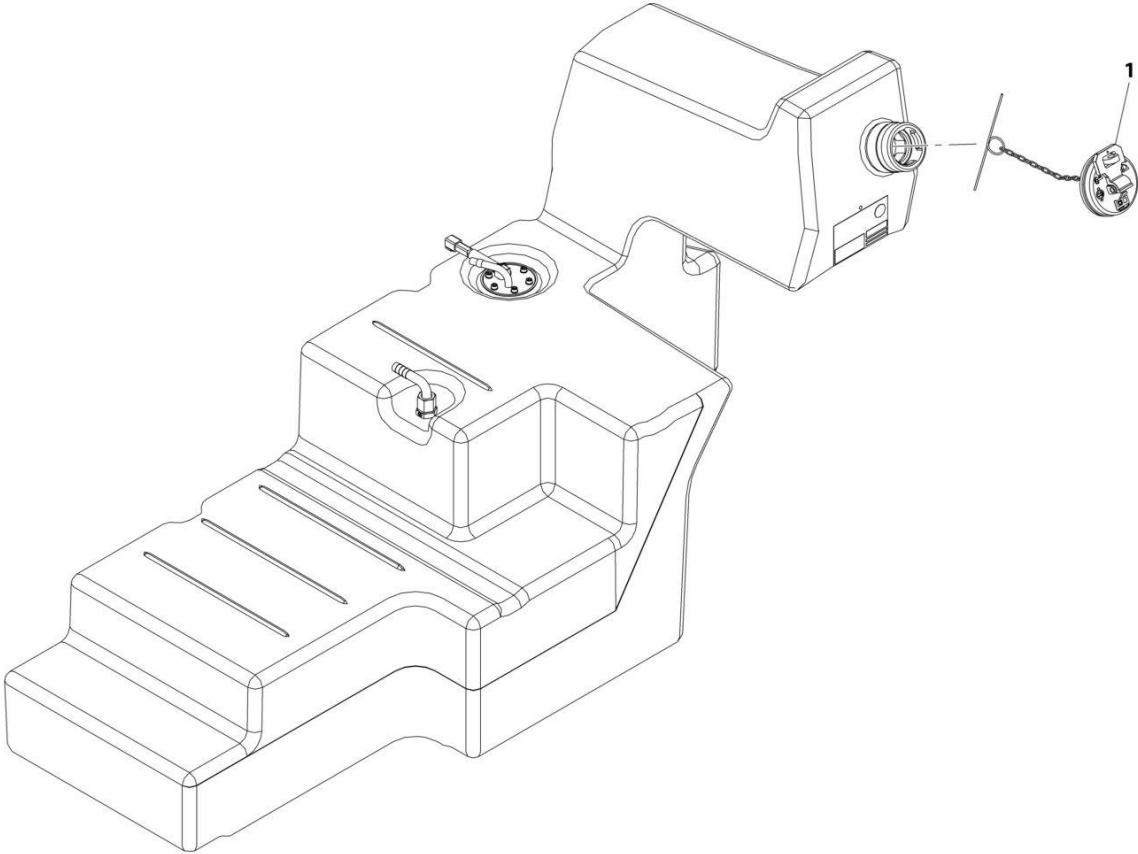
SECTION 1 - FRAME AND ATTACHING PARTS

FIGURE 1-7. TANK SUPPORT INSTALLATION

ITEM	PART NUMBER	QTY	DESCRIPTION	REV
	1001185930	Ref	Tank Support Installation	K
1	0700610	9	Bolt, M6X20	
2	4280307	3	Strip	
3	4811700	9	Washer, M6	
5	1001185931	1	Plate, Support	
6	1001185933	1	Cover	
7	1001185935	1	Cover	
8	1001189246	1	Latch, Locking	
10	1001197481	1	Plate	
11	0100081	AR	Compound, Locking	

SECTION 1 - FRAME AND ATTACHING PARTS

FIGURE 1-8. LOCKING FUEL CAP



ART_1001194980

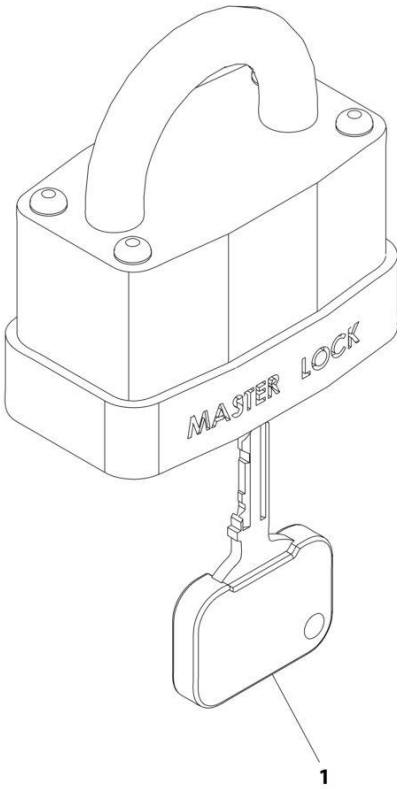
SECTION 1 - FRAME AND ATTACHING PARTS

FIGURE 1-8. LOCKING FUEL CAP

ITEM	PART NUMBER	QTY	DESCRIPTION	REV
1	1001194980	Ref	Locking Fuel Cap	A

SECTION 1 - FRAME AND ATTACHING PARTS

FIGURE 1-9. PAD LOCK



ART_1001102157-A

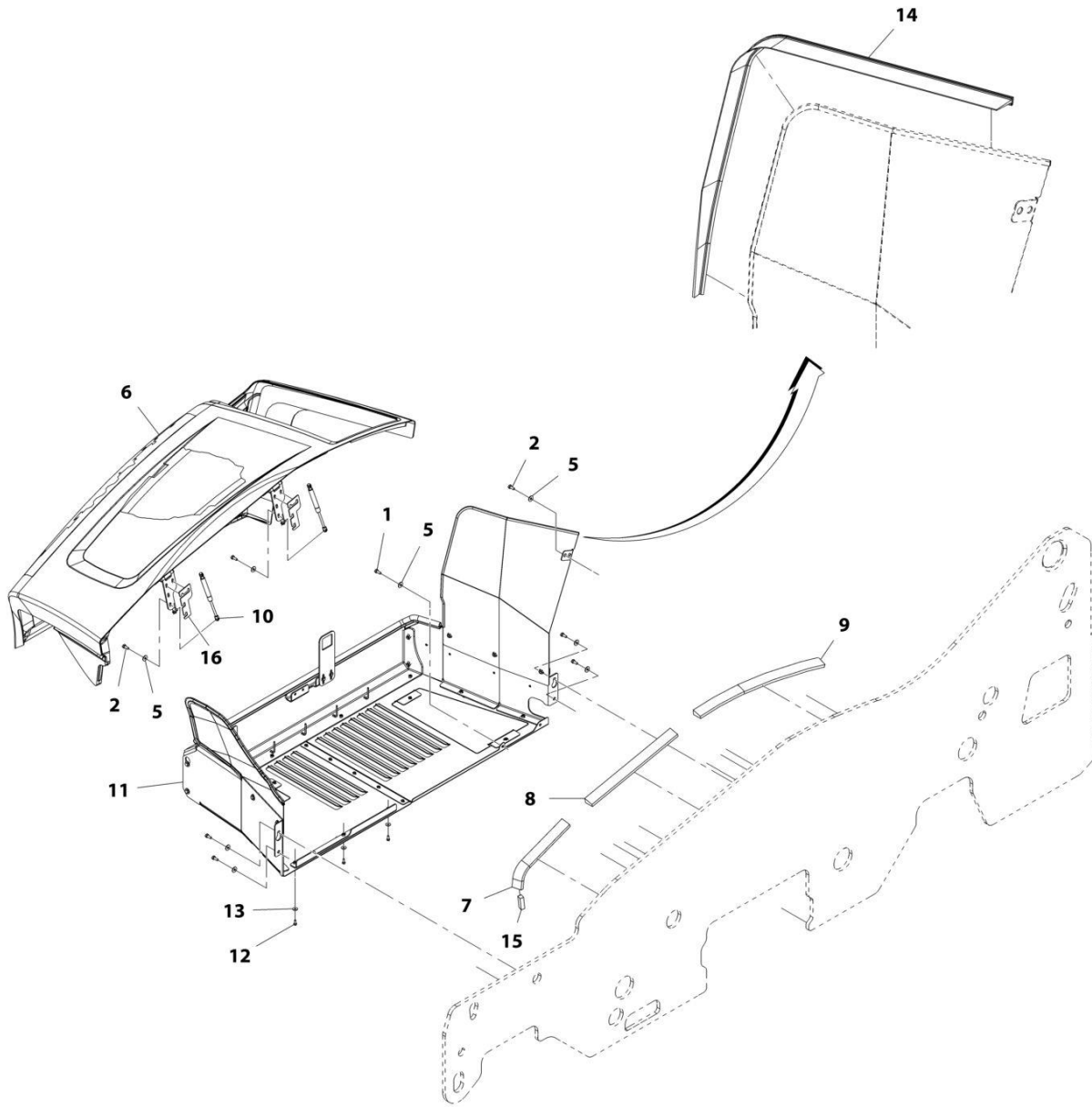
SECTION 1 - FRAME AND ATTACHING PARTS

FIGURE 1-9. PAD LOCK

ITEM	PART NUMBER	QTY	DESCRIPTION	REV
1	1001102157 8342813	Ref 1	Pad Lock Key	A

SECTION 1 - FRAME AND ATTACHING PARTS

FIGURE 1-10. ENGINE ENCLOSURE & HOOD INSTALLATION



ART_1001192320-J

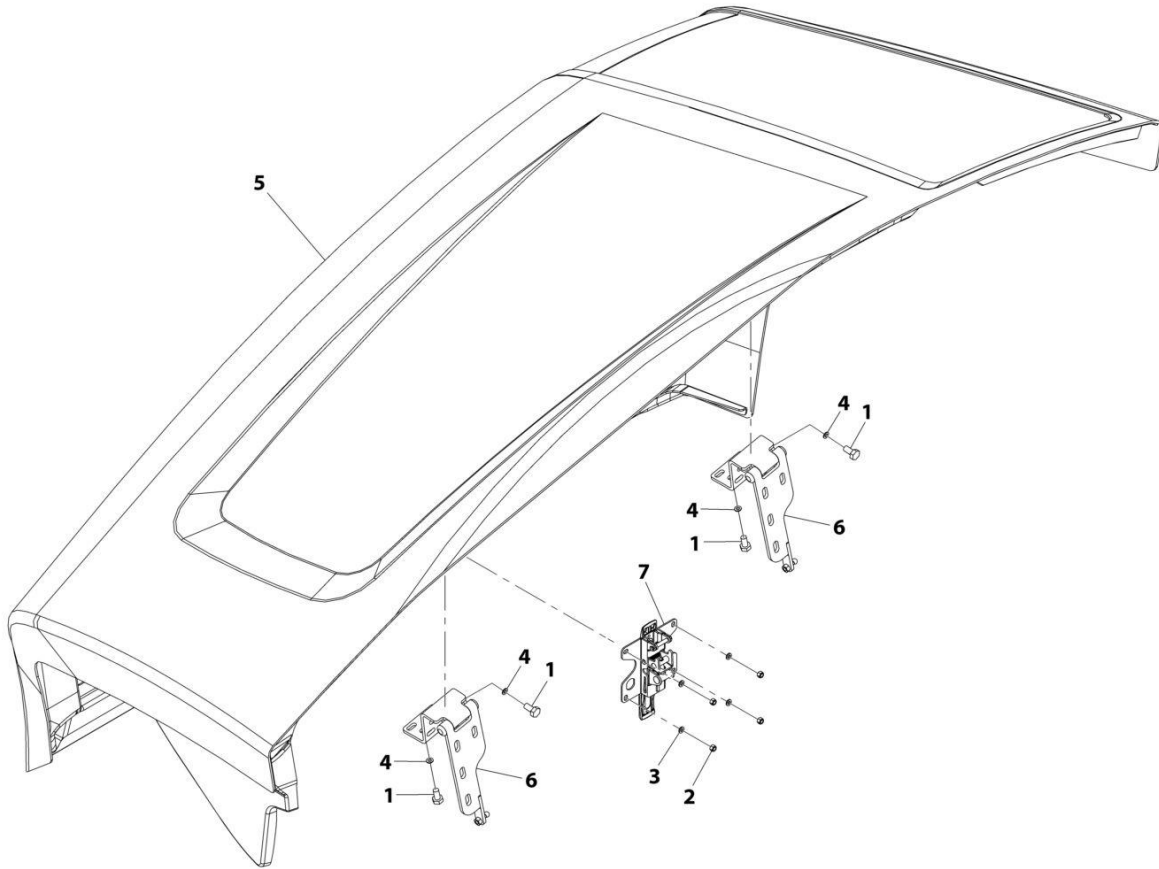
SECTION 1 - FRAME AND ATTACHING PARTS

FIGURE 1-10. ENGINE ENCLOSURE & HOOD INSTALLATION

ITEM	PART NUMBER	QTY	DESCRIPTION	REV
	1001192320	Ref	Engine Enclosure Installation	J
1	0761010	1	Bolt, M10X20	
2	0761012	11	Bolt, M10X25	
5	4812002	12	Washer, M10	
6	1001235963	1	Assembly, Hood (See Separate Breakdown in this Section)	
7	1001203932	1	Seal	
8	1001203933	1	Seal	
9	1001203934	1	Seal	
10	1001171885	2	Spring, Gas	
11	1001192622	1	Assembly, Engine Enclosure (See Separate Breakdown in this Section)	
12	0760810	3	Bolt, M8X20	
13	4811902	3	Washer, M8	
14	1001197339	1	Seal	
15	1001229609	1	Seal, Foam Gasket	
16	1001241836	AR	Shim	

SECTION 1 - FRAME AND ATTACHING PARTS

FIGURE 1-11. ENGINE HOOD ASSEMBLY



ART_1001235963-B

SECTION 1 - FRAME AND ATTACHING PARTS

FIGURE 1-11. ENGINE HOOD ASSEMBLY

ITEM	PART NUMBER	QTY	DESCRIPTION	REV
	1001235963	Ref	Hood Assembly	B
1	0761010	8	Bolt, M10X20	
2	3290605	4	Nut, Lock M6X1	
3	4811700	4	Washer, M6	
4	4812000	8	Washer, M10	
5	1001234455	1	Hood	
6	1001209387	2	Hinge, Hood	
7	1001132168	1	Latch, Hood	

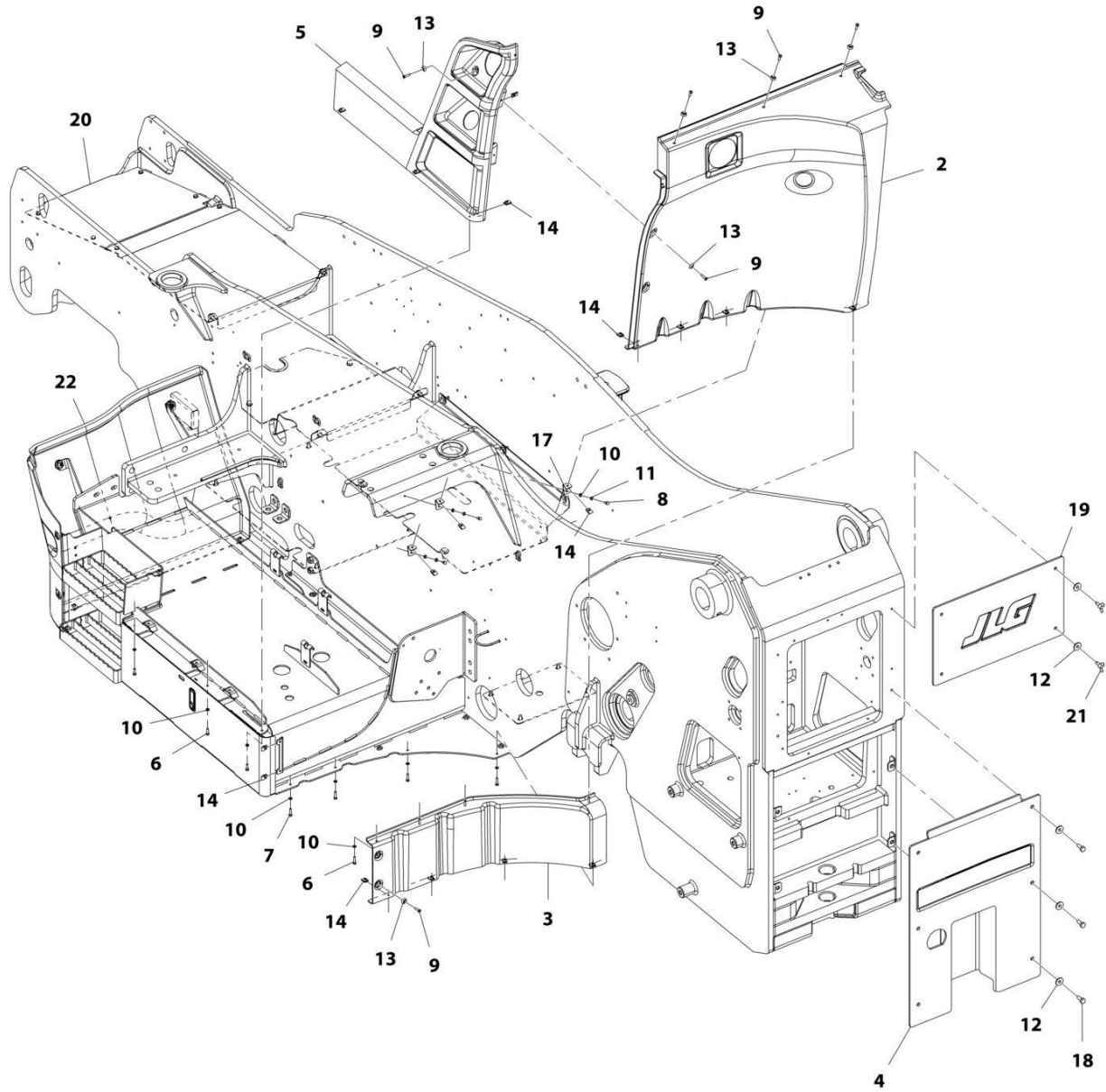
SECTION 1 - FRAME AND ATTACHING PARTS

FIGURE 1-12. ENGINE ENCLOSURE ASSEMBLY

ITEM	PART NUMBER	QTY	DESCRIPTION	REV
	1001192622	Ref	Engine Enclosure Assembly	I
1	0700814	2	Bolt, M8X30	
2	0701014	4	Bolt, M10X30	
3	0760807	5	Bolt, M8X14	
4	0761010	6	Bolt, M10X20	
5	4811902	19	Washer, M8	
7	1001003227	1573 mm	Seal	
8	1001204486	1785 mm	Seal	
9	1001209388	1	Latch, Hood	
10	1001169265	1	Plate, Access Panel	
11	1001219115	1	Panel, Front Wheel	
12	1001192627	1	Panel, Rear Cover	
19	0760808	12	Bolt, M8X16	
20	4812002	10	Washer, M10	
21	1001008999	1381 mm	Trim, Edge	
101	1001192631	1	Panel, Bottom Cover	
102	1001194969	1	Panel, Access	
103	1001219250	1	Panel, Bottom Front Cover	
201	1001192623J	1	Panel, Side Skirt	
202	1001224450J	1	Panel, Rear Skirt	
203	1001219113J	1	Panel, Front Skirt	

SECTION 1 - FRAME AND ATTACHING PARTS

FIGURE 1-13. COVER INSTALLATION (ULS)



ART_1001184869-J

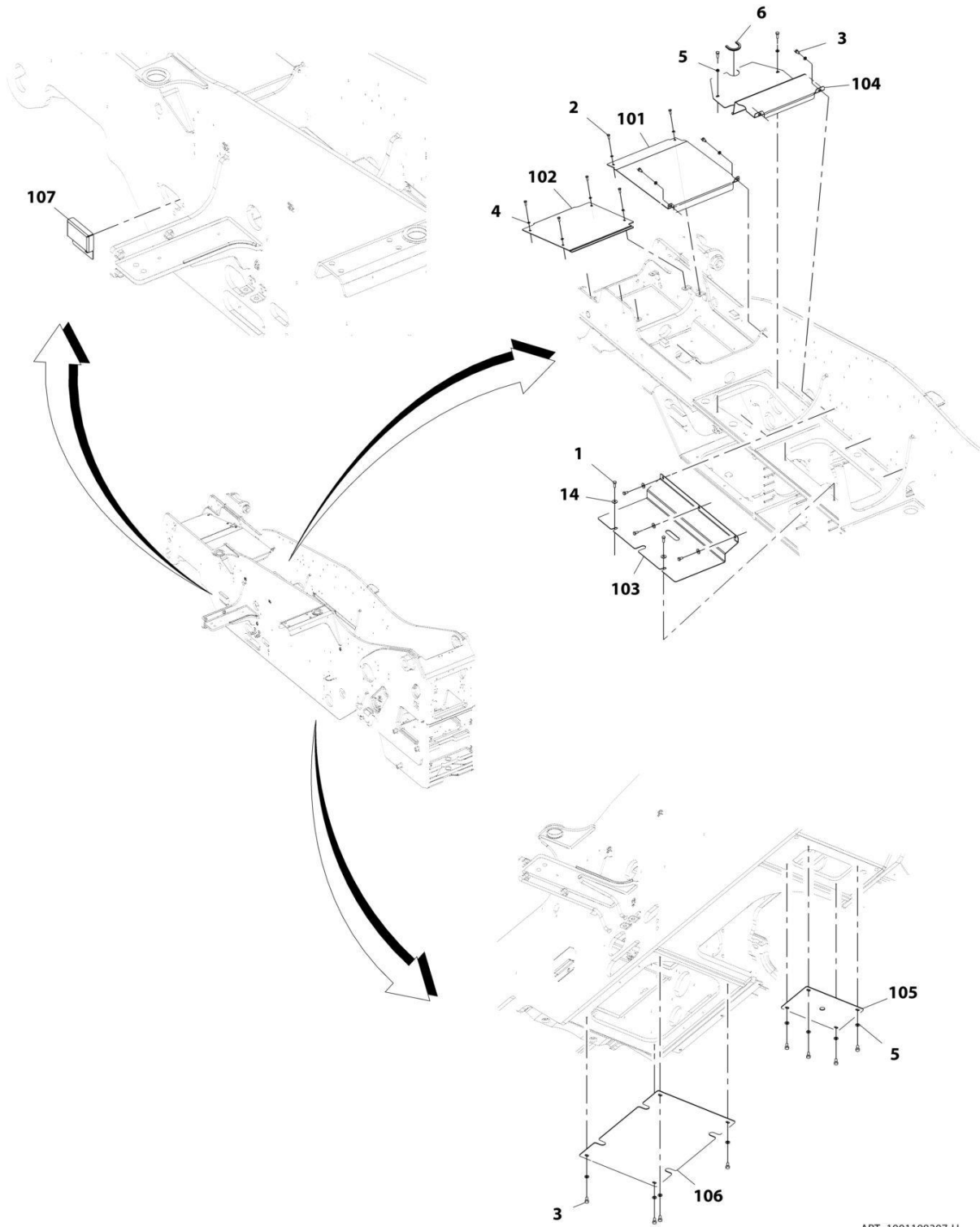
SECTION 1 - FRAME AND ATTACHING PARTS

FIGURE 1-13. COVER INSTALLATION (ULS)

ITEM	PART NUMBER	QTY	DESCRIPTION	REV
	1001184869	Ref	Cover Installation (ULS)	J
2	1001184872	1	Cover, Rear Tank	
3	1001184874	1	Cover, Lower Rear Tank	
4	1001213834	1	Cover, Rear Frame	
5	1001168758	1	Cover, Side Tank	
6	0700610	7	Bolt, M6X20	
7	0700612	4	Bolt, M6X25	
8	0760607	3	Bolt, M6X14	
9	0630576	9	Screw, M6X20	
10	4811700	14	Washer, M6	
11	4831700	3	Washer, Lock M6	
12	4812002	10	Washer, M10	
13	1001097540	9	Washer, M6	
14	1001130220	19	Nut, M6	
17	1001231385	3	Plate, Angle Mount	
18	0761012	6	Bolt, M10X25	
19	1001213833	1	Cover, Rear Frame	
20	1001198307	1	Installation, Frame Cover (See Separate Breakdown in this Section)	
21	1001250708	4	Bolt, M8X20	
22	1001201848	1	Installation, Front Lower Cover (See Separate Breakdown in this Section)	

SECTION 1 - FRAME AND ATTACHING PARTS

FIGURE 1-14. FRAME COVER INSTALLATION



ART_1001198307-H

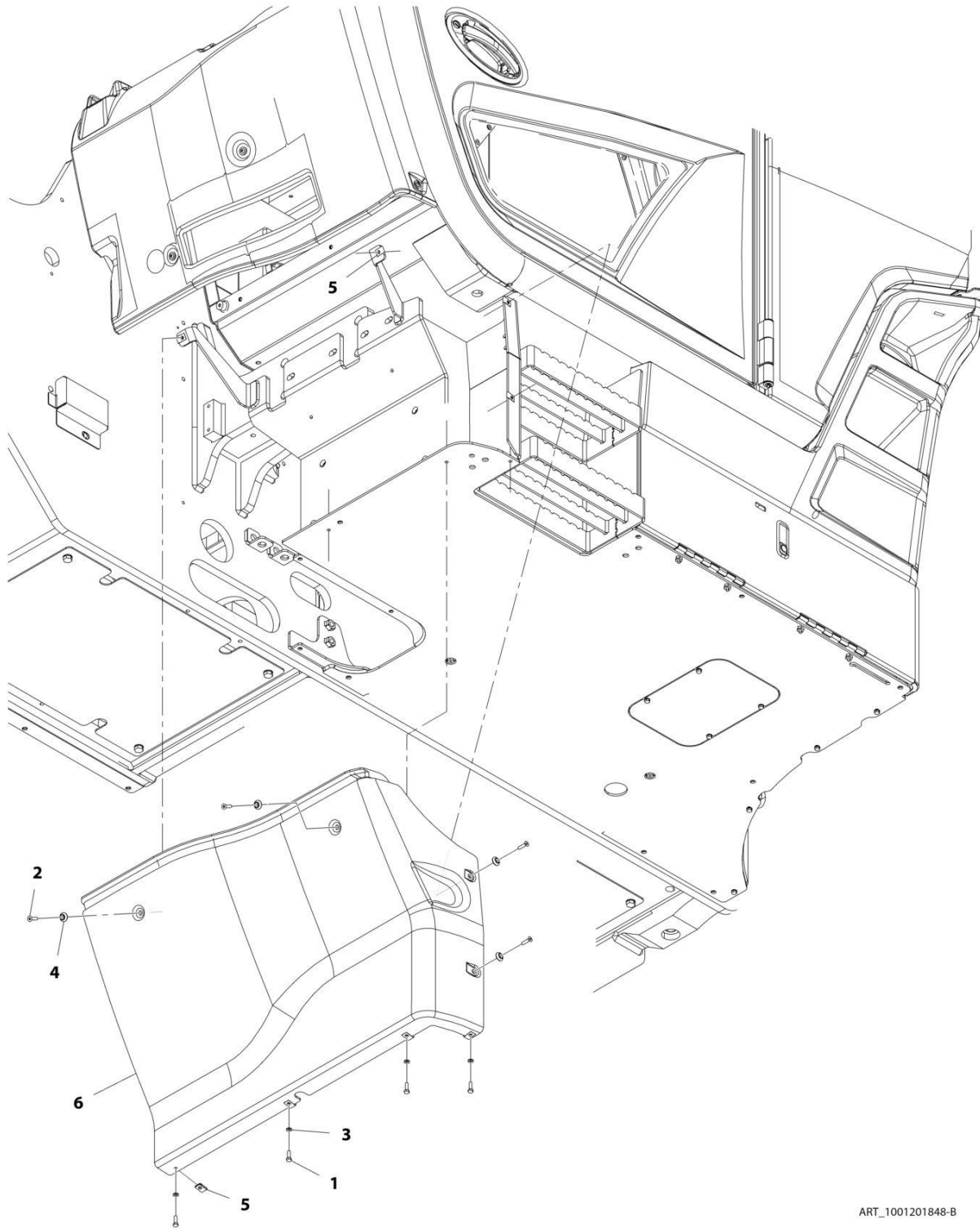
SECTION 1 - FRAME AND ATTACHING PARTS

FIGURE 1-14. FRAME COVER INSTALLATION

ITEM	PART NUMBER	QTY	DESCRIPTION	REV
	1001198307	Ref	Frame Cover Installation	H
1	0701014	4	Bolt, M10X30	
2	0760810	6	Bolt, M8X20	
3	0761010	15	Bolt, M10X20	
4	4811900	6	Washer, M8	
5	4812000	14	Washer, M10	
6	90206196	0.15 m	Gasket	
14	4812002	5	Washer, M10	
101	1001197056	1	Cover, Battery	
102	1001197057	1	Plate, Valve Cover	
103	1001197733	1	Plate, Frame Cover	
104	1001197734	1	Plate, Frame Cover	
105	1001211899	1	Plate, Frame Cover	
106	1001211900	1	Plate, Frame Cover	
107	1001218694	1	Cover	

SECTION 1 - FRAME AND ATTACHING PARTS

FIGURE 1-15. FRONT LOWER COVER INSTALLATION



ART_1001201848-B

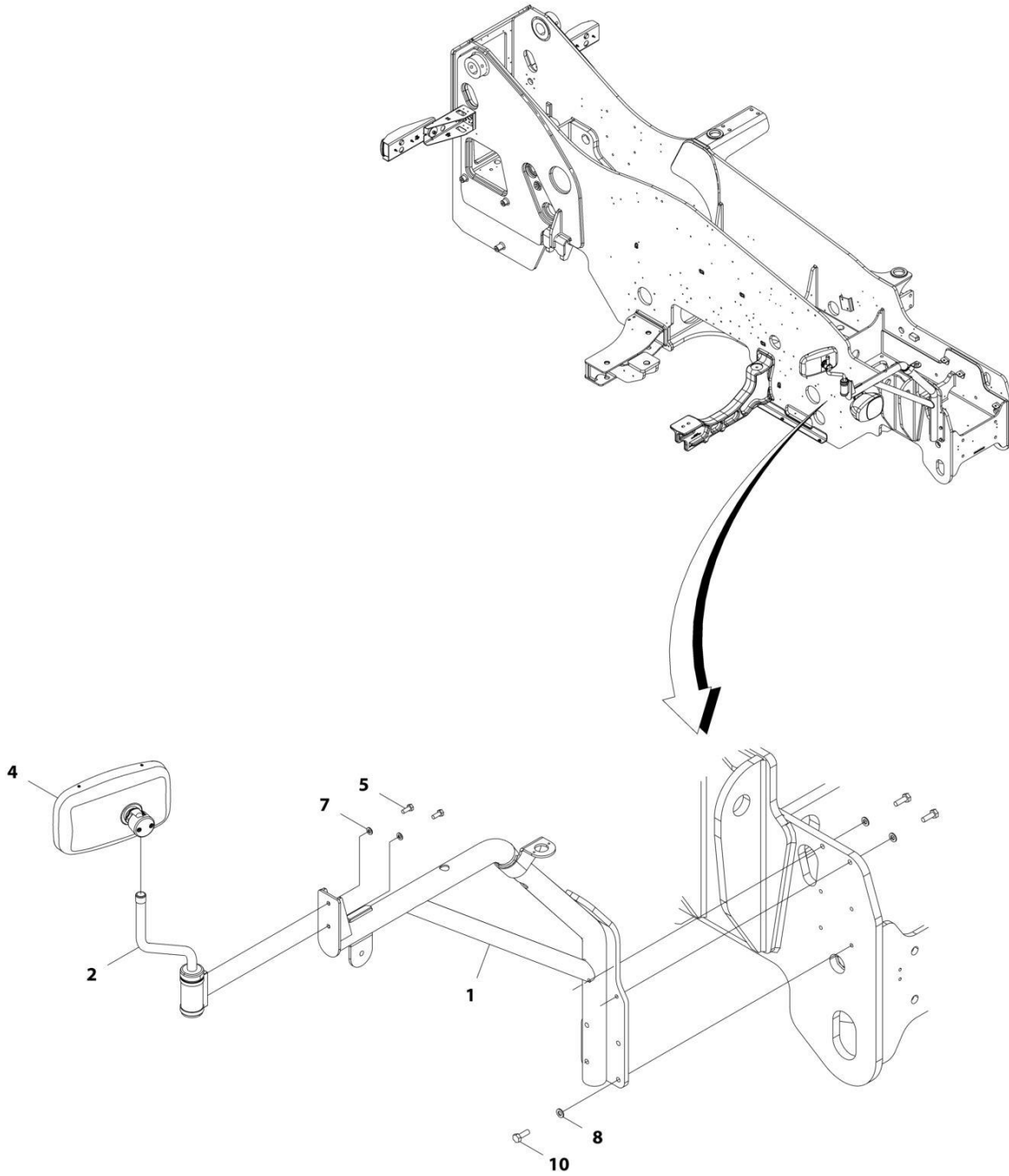
SECTION 1 - FRAME AND ATTACHING PARTS

FIGURE 1-15. FRONT LOWER COVER INSTALLATION

ITEM	PART NUMBER	QTY	DESCRIPTION	REV
	1001201848	Ref	Front Lower Cover Installation	B
1	0700610	4	Bolt, M6X20	
2	3900379	4	Screw, M6-1.00X25	
3	4811700	4	Washer, M6	
4	1001097540	4	Washer, M6	
5	1001130220	6	Nut, M6	
6	1001184871	1	Cover, Front Lower	

SECTION 1 - FRAME AND ATTACHING PARTS

FIGURE 1-16. MIRRORS INSTALLATION



ART_1001192324_F

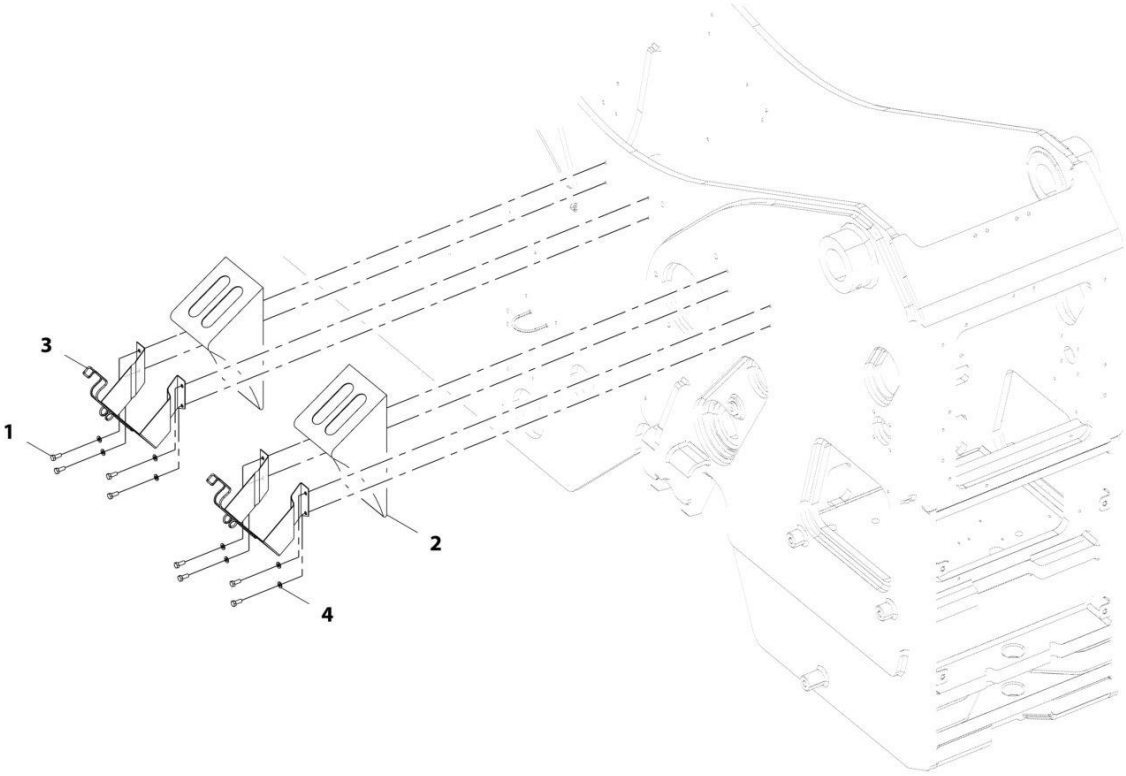
SECTION 1 - FRAME AND ATTACHING PARTS

FIGURE 1-16. MIRRORS INSTALLATION

ITEM	PART NUMBER	QTY	DESCRIPTION	REV
	1001192324	Ref	Mirror Installation	F
1	1001265344	1	Bracket	
2	1001209346	1	Bracket	
4	1001191635	1	Mirror, Convex	
5	0760810	2	Bolt, M8X20	
7	4811900	2	Bolt, M8X20	
8	4812000	6	Washer, M10	
10	0701014	6	Bolt, M10X30	

SECTION 1 - FRAME AND ATTACHING PARTS

FIGURE 1-17. WHEEL CHOCKS INSTALLATION



ART_1001192336-B

SECTION 1 - FRAME AND ATTACHING PARTS

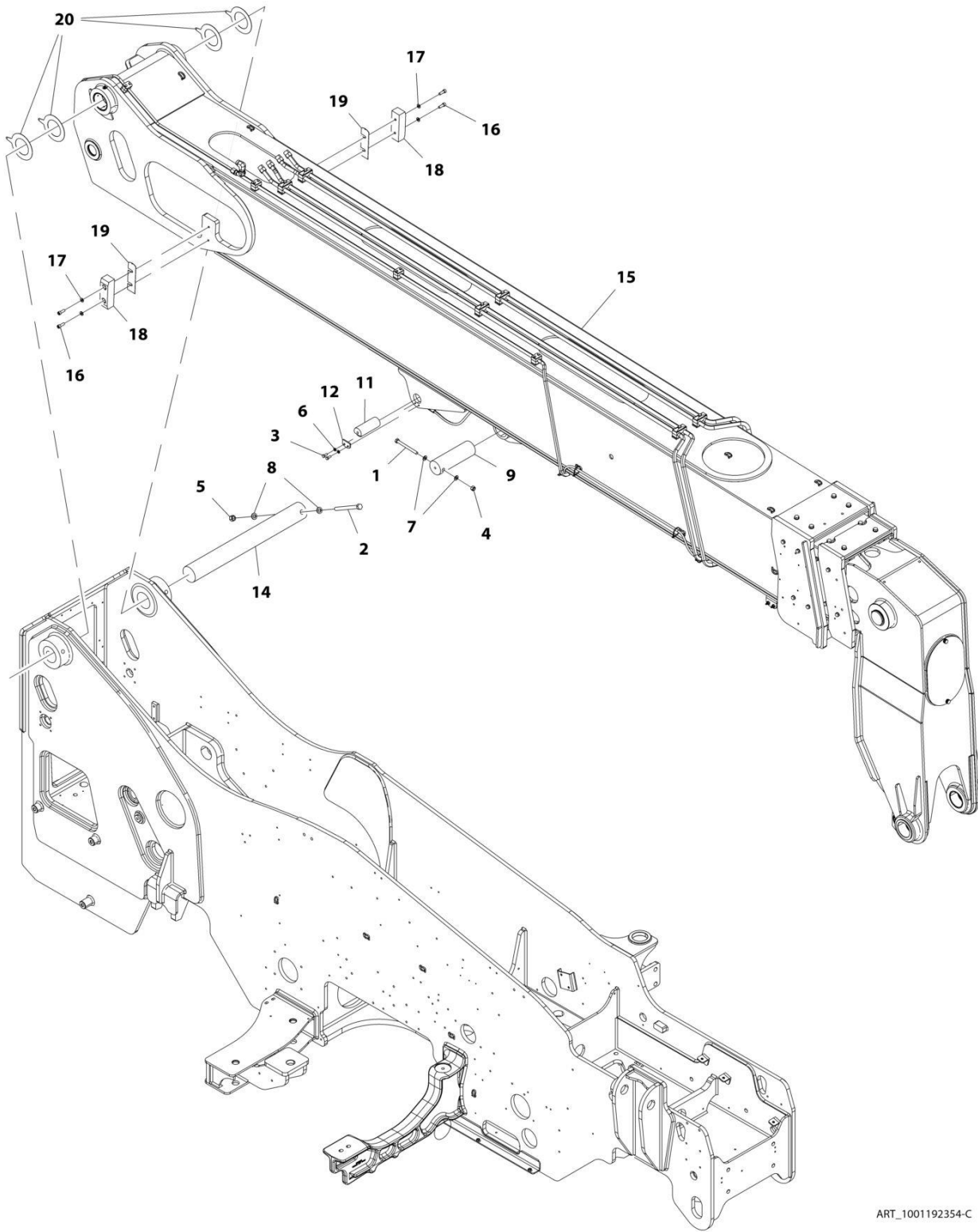
FIGURE 1-17. WHEEL CHOCKS INSTALLATION

ITEM	PART NUMBER	QTY	DESCRIPTION	REV
	1001192336	Ref	Wheel Chock Installation	B
1	0760810	8	Bolt, M8X20	
2	806253	2	Wedge	
3	806264	2	Holder, Wedge	
4	4811900	8	Washer, M8	

SECTION 2 - BOOM

SECTION 2 - BOOM

FIGURE 2-1. BOOM INSTALLATION



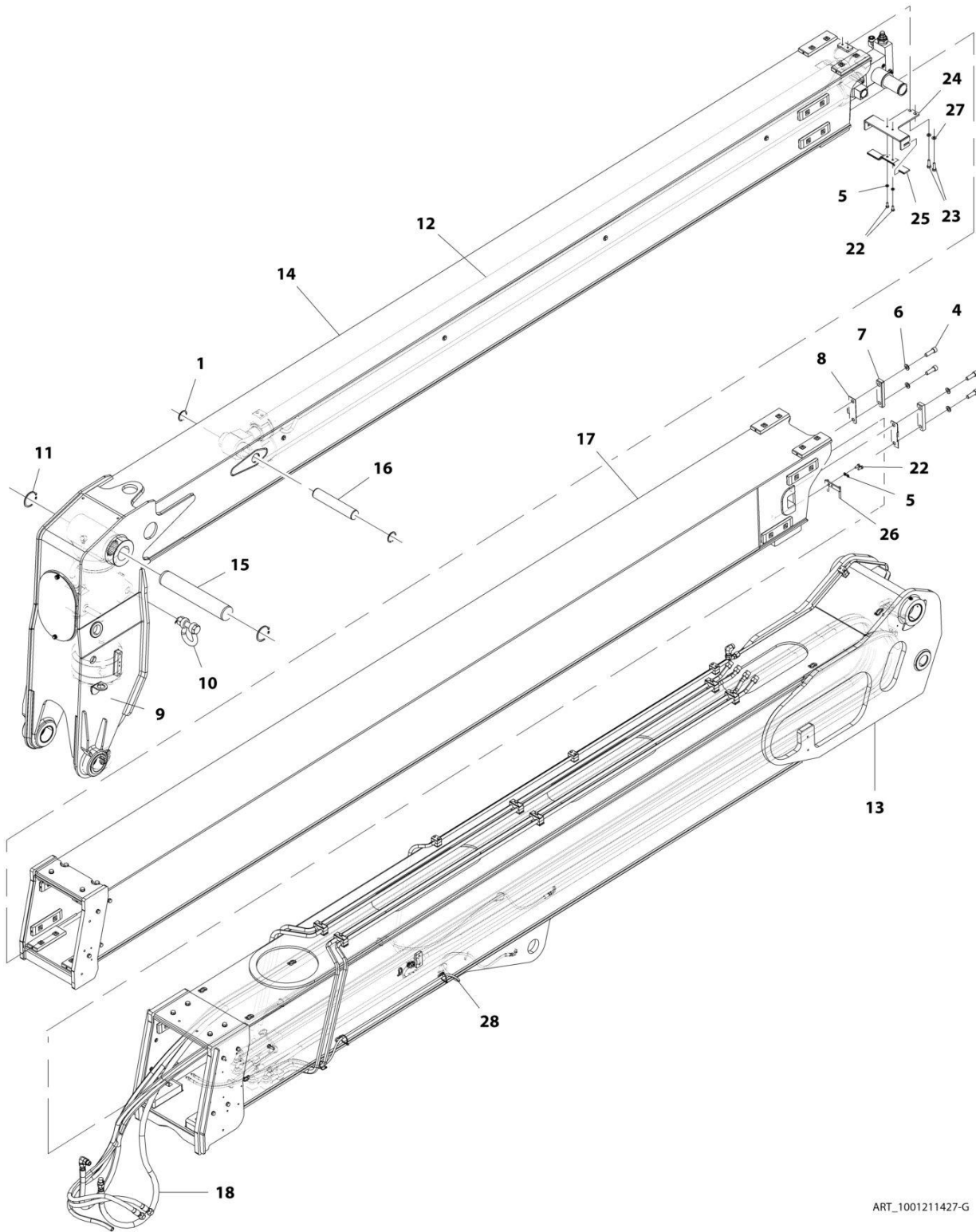
ART_1001192354-C

FIGURE 2-1. BOOM INSTALLATION

ITEM	PART NUMBER	QTY	DESCRIPTION	REV
	1001192354	Ref	Boom Installation	C
1	0711230	1	Bolt, M12X130	
2	0711635	1	Bolt, M16X180	
3	0760810	2	Bolt, M8X20	
4	3291205	1	Nut, Lock M12X1.75	
5	3291605	1	Nut, Lock M16X2	
6	4811900	2	Washer, M8	
7	4812100	2	Washer, M12	
8	4812300	2	Washer, M16	
9	1001190254	1	Pin, Lift Cylinder	
11	1001190256	1	Pin, Compensation Cylinder	
12	1001190257	1	Plate, Pin Retainer	
14	1001190260	1	Pin, Boom Pivot	
15	1001211427	1	Assembly, Boom (See Separate Breakdown in this Section)	
16	4032010	4	Bolt, M10X30	
17	4812000	4	Washer, M10	
18	1001195655	2	Pad, M44X50X160	
19	1001219905	AR	Shim, M50X169X1	
20	1001219953	AR	Shim, Boom Pivot	

SECTION 2 - BOOM

FIGURE 2-2. BOOM ASSEMBLY



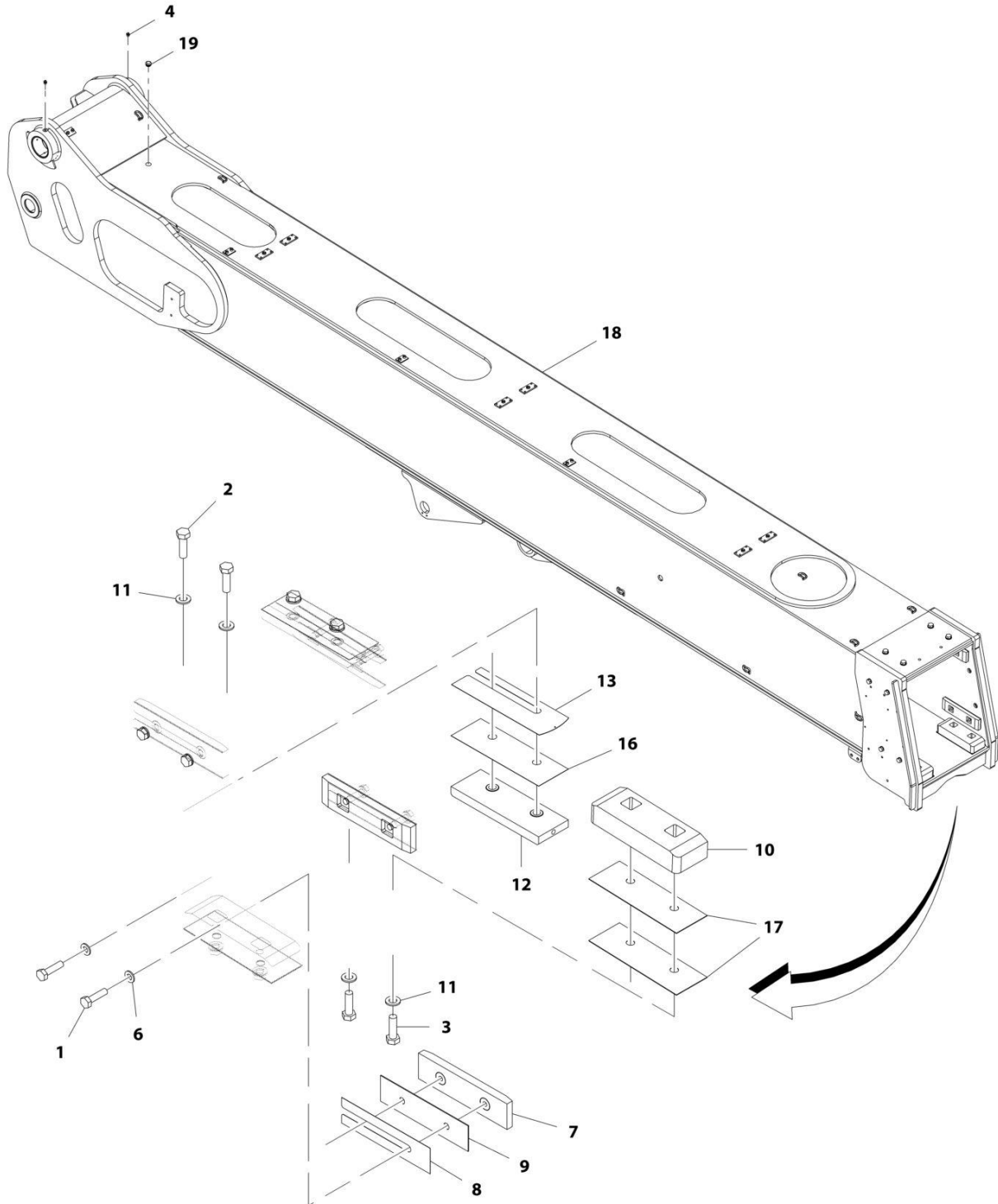
ART_1001211427-G

FIGURE 2-2. BOOM ASSEMBLY

ITEM	PART NUMBER	QTY	DESCRIPTION	REV
	1001211427	Ref	Boom Assembly	G
1	314689	2	Ring, Retaining M50	
4	4032314	4	Bolt, M16X50	
5	4811900	4	Washer, M8	
6	4812300	4	Washer, M16	
7	1001213959	2	Plate, Clamp	
8	1001213961	2	Plate, Trunion Block Guide	
9	1001174812	1	Cylinder, Tilt (See Separate Breakdown in Hydraulic Components Section)	
10	1001191110	1	Shackle	
11	1001197262	2	Ring, Snap M75	
12	1001199325	Ref	Installation, Extend/Retract Cylinder (See Separate Breakdown in Hydraulic Components Section)	
13	1001201266	1	Assembly, First Boom Section (See Separate Breakdown in this Section)	
14	1001203985	1	Assembly, Third Boom Section (See Separate Breakdown in this Section)	
15	1001203989	1	Pin, Tilt	
16	1001203990	1	Pin, Extend/Retract	
17	1001204177	1	Assembly, Second Boom Section (See Separate Breakdown in this Section)	
18	1001205375	Ref	Installation, Boom Hydraulic (See Separate Breakdown in Hydraulic Circuit Section)	
22	0760810	4	Bolt, M8X20	
23	0711015	2	Bolt, M10X35	
24	1001230986	1	Support, Hose	
25	1001230967	1	Plate, Support	
26	1001213462	1	Support, Hose	
27	4812000	2	Washer, M10	
28	1001217353	Ref	Installation, Remote Grease (See Separate Breakdown in Hydraulic Circuit Section)	

SECTION 2 - BOOM

FIGURE 2-3. FIRST BOOM SECTION ASSEMBLY



ART_1001201266-G

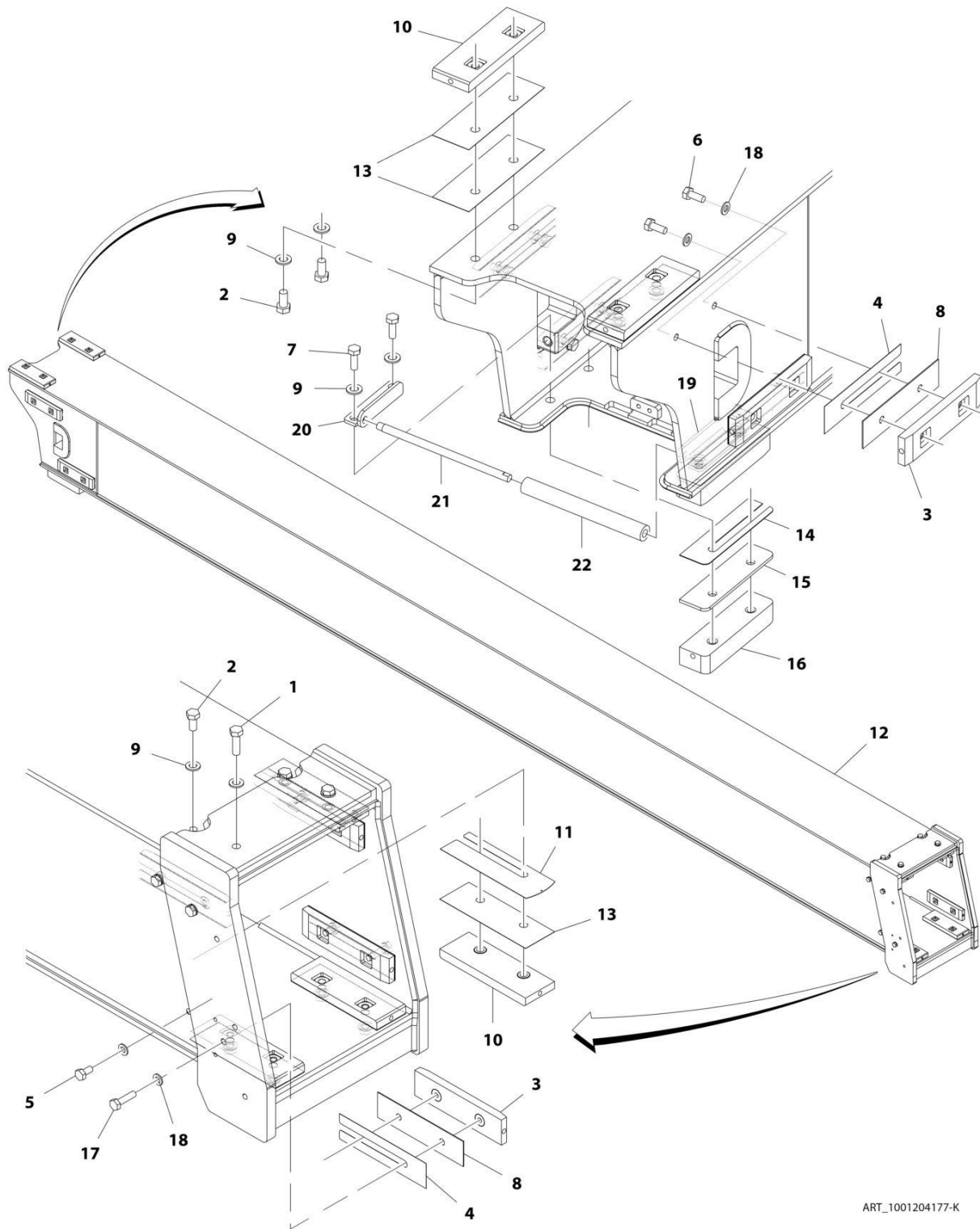
SECTION 2 - BOOM

FIGURE 2-3. FIRST BOOM SECTION ASSEMBLY

ITEM	PART NUMBER	QTY	DESCRIPTION	REV
	1001201266	Ref	First Boom Section Assembly	G
1	0711017	8	Bolt, M10X45	
2	0711216	4	Bolt, M12X40	
3	0711217	4	Bolt, M12X45	
4	2160016	2	Fitting, Grease	
6	4812000	AR	Washer, M10	
7	8002200	4	Pad, M15X50X200	
8	8008640	AR	Shim, M50X200X0.5	
9	1001003031	4	Shim, M50X198X1.5	
10	1001227337	2	Pad, M70X200X39	
11	1001125117	AR	Washer, M12	
12	1001227334	2	Pad, Wear	
13	1001195194	AR	Shim, M67X204X0.5	
16	1001195737	2	Shim	
17	1001201269	AR	Shim, M70X200X1	
18	1001201267J	1	Weldment, Boom	
19	3520193	1	Plug	

SECTION 2 - BOOM

FIGURE 2-4. SECOND BOOM SECTION ASSEMBLY



ART_1001204177-K

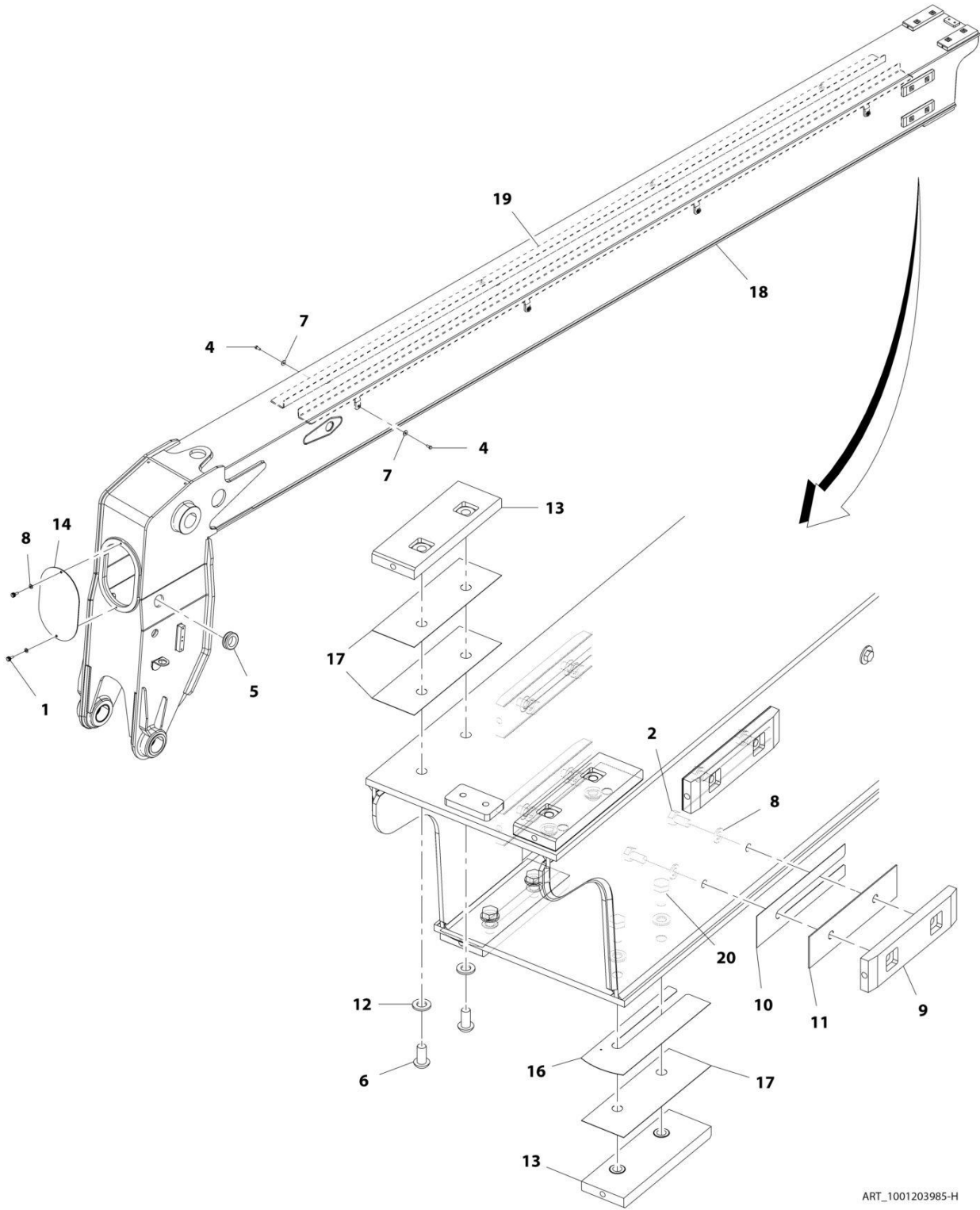
SECTION 2 - BOOM

FIGURE 2-4. SECOND BOOM SECTION ASSEMBLY

ITEM	PART NUMBER	QTY	DESCRIPTION	REV
	1001204177	Ref	Second Boom Section Assembly	K
1	0711216	4	Bolt, M12X40 Grade 10.9	
2	0771212	8	Bolt, M12X25 Grade 10.9	
3	8002200	8	Pad, M15X50X200	
4	8008640	AR	Shim, M50X200X0.5	
5	0771010	4	Bolt, M10X20 Grade 10.9	
6	0771012	8	Bolt, M10X25 Grade 10.9	
7	0711215	4	Bolt, M12X35 Grade 10.9	
8	1001003031	8	Shim, M50X198X1.5	
9	1001125117	AR	Washer, M12	
10	1001227334	6	Pad, M34X54X165	
11	1001195194	AR	Shim, M0.5X67X204	
12	1001204178	1	Boom, Second	
13	1001195737	AR	Shim	
14	1001204198	AR	Shim, M1X49X181	
15	1001204199	2	Shim, M49X181X5	
16	1001204200	2	Pad, M35X49X181	
17	0711016	4	Bolt, M10X40 Grade 10.9	
18	4812000	AR	Washer, M10	
19	1001223902	1	Bracket, RH	
20	1001223920	1	Bracket, LH	
21	1001223948	1	Pin	
22	1001223983	1	Roller	

SECTION 2 - BOOM

FIGURE 2-5. THIRD BOOM SECTION ASSEMBLY



ART_1001203985-H

SECTION 2 - BOOM

FIGURE 2-5. THIRD BOOM SECTION ASSEMBLY

ITEM	PART NUMBER	QTY	DESCRIPTION	REV
	1001203985	Ref	Third Boom Section Assembly	1
1	1001250708	1	Bolt M8 x 20	
2	0771010	8	Bolt, M10X20 Grade 10.9	
4	0760810	8	Bolt, M8X20	
5	1001188971	1	Grommet	
6	1001229057	4	Screw, M12X25	
7	4811902	8	Washer, M8	
8	4812000	AR	Washer, M10	
9	8002200	4	Pad, M15X50X200	
10	8008640	AR	Shim, M50X200X0.5	
11	1001003031	4	Shim, M50X198X1.5	
12	1001125117	AR	Washer, M12	
13	1001227334	4	Pad	
14	1001191789	1	Plate, Boom Front Cover	
16	1001195194	AR	Shim, M0.5X67X204	
17	1001195737	AR	Shim	
18	1001203986	1	Weldment, Third Boom Section	
19	1001203987	2	Bracket, Hose Support Tray	
20	0771212	4	Bolt, M12X25	

FIGURE 2-6. COUPLER INSTALLATION (MANUAL)

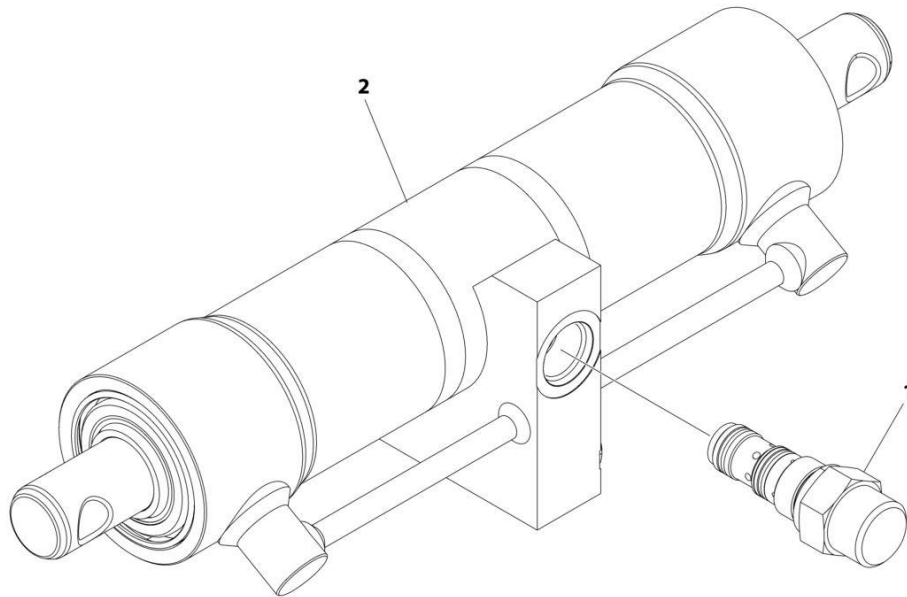
ITEM	PART NUMBER	QTY	DESCRIPTION	REV
	1001174104	Ref	Coupler Installation (Manual)	G
2	2160016	2	Fitting, Grease	
5	1001187820	1	Coupling, Manual	
6	1001187821	1	Pin	
8	1001187847	AR	Shim	
9	1001187848	AR	Shim	
10	1001190250	1	Pin, Tilt	
11	1001190264	1	Pin	
12	0761012	8	Bolt, M10X25	
13	4812000	4	Washer, M10	
14	1001200393	1	Plate, Front Cover	
15	1001210326	2	Plate	
16	1001003803	1	Pin	
17	4812002	4	Washer, M10	

FIGURE 2-7. COUPLER INSTALLATION (HYDRAULIC)

ITEM	PART NUMBER	QTY	DESCRIPTION	REV
	1001192358	Ref	Coupler Installation (Hydraulic)	D
2	0761012	8	Bolt, M10X25	
3	2110606	2	Fitting, Straight ORFS	
4	2160016	2	Fitting, Grease	
6	4812000	4	Washer, M10	
7	1001145391	1	Assembly, Coupler Locking Cylinder (See Separate Breakdown in this Section)	
8	1001187820	1	Carriage	
10	1001187847	AR	Shim, M76X115X1.5	
11	1001187848	AR	Shim, M81X120X1.5	
12	1001190250	1	Pin, Tilt	
13	1001190264	1	Pin, Coupler	
14	1001200393	1	Plate, Front Cover	
15	1001200395	2	Pin	
16	1001184610	2	Pin	
17	1001210326	2	Plate, Pin Retention	
18	4812002	4	Washer, M10	

SECTION 2 - BOOM

FIGURE 2-8. COUPLING LOCKING VALVE & CYLINDER ASSEMBLY



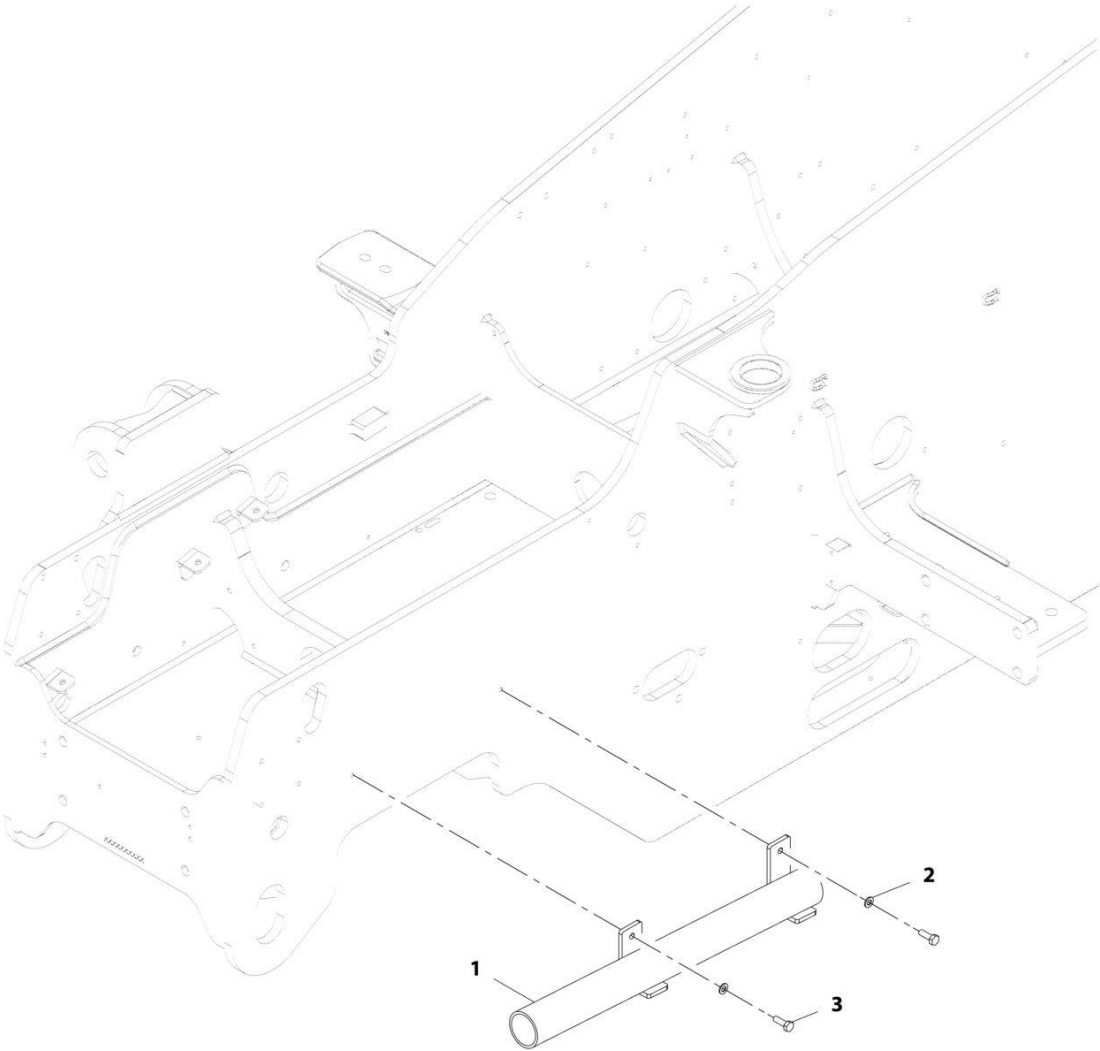
ART_1001145391_B

FIGURE 2-8. COUPLING LOCKING VALVE & CYLINDER ASSEMBLY

ITEM	PART NUMBER	QTY	DESCRIPTION	REV
	1001145391	Ref	Coupler Locking Cylinder Assembly	B
1	1001007056	1	Valve, Check	
2	1001145390	1	Cylinder, Coupler Locking (See Separate Breakdown in HYDRAULIC COMPONENTS Section) (Prior to SN 0160110254)	
2	1001267977	1	Cylinder, Coupler Locking (See Separate Breakdown in HYDRAULIC COMPONENTS Section) (SN 0160110254 to Present)	

SECTION 2 - BOOM

FIGURE 2-9. MANUAL COUPLER PIN HOLDER INSTALLATION



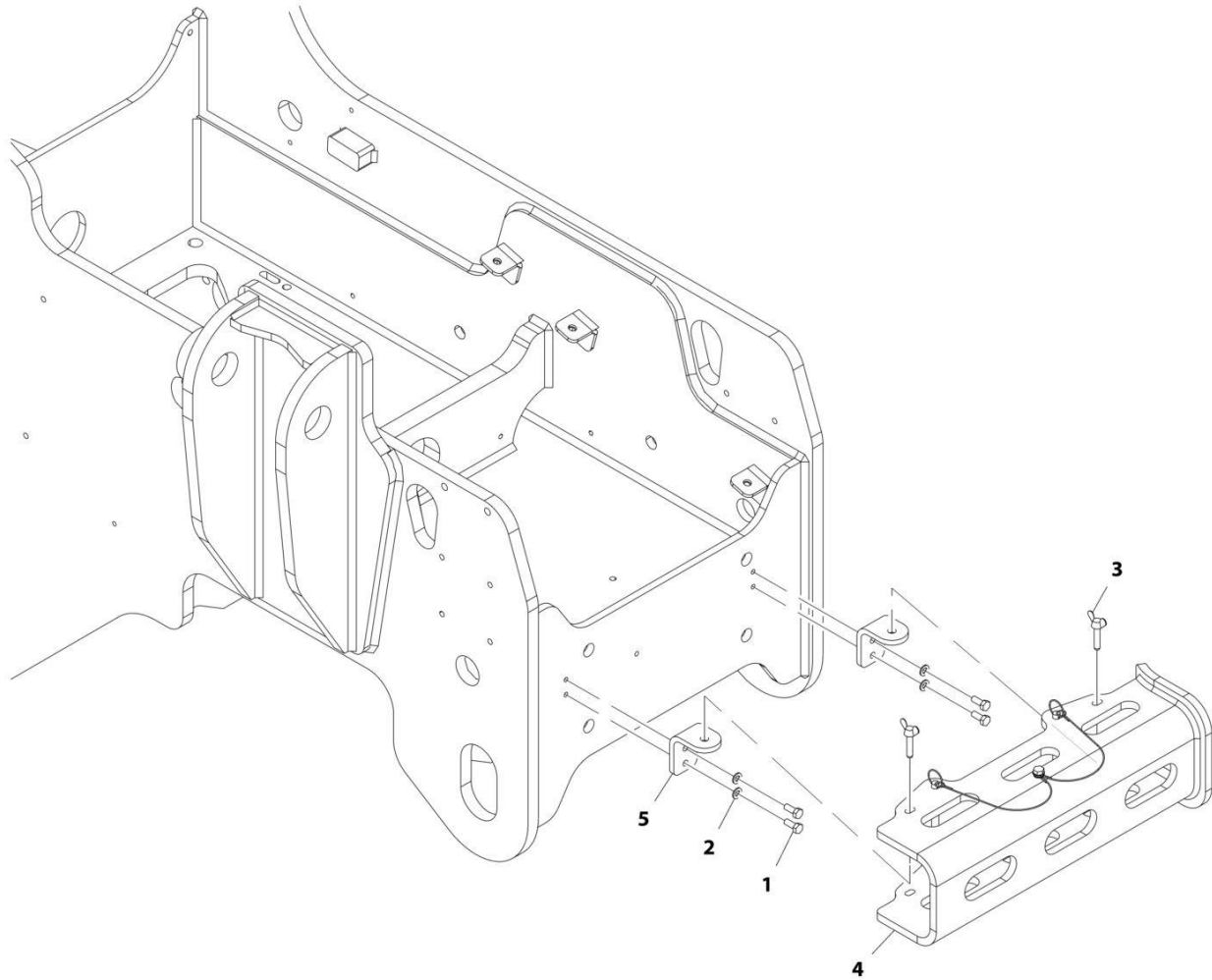
ART_1001220641-A

FIGURE 2-9. MANUAL COUPLER PIN HOLDER INSTALLATION

ITEM	PART NUMBER	QTY	DESCRIPTION	REV
	1001220641	Ref	Manual Coupler Pin Holder Installation	A
1	1001220248	1	Bracket, Pin Holder	
2	4812000	2	Washer, M10	
3	0701014	2	Bolt, M10X30	

SECTION 2 - BOOM

FIGURE 2-10. BOOM PROP INSTALLATION



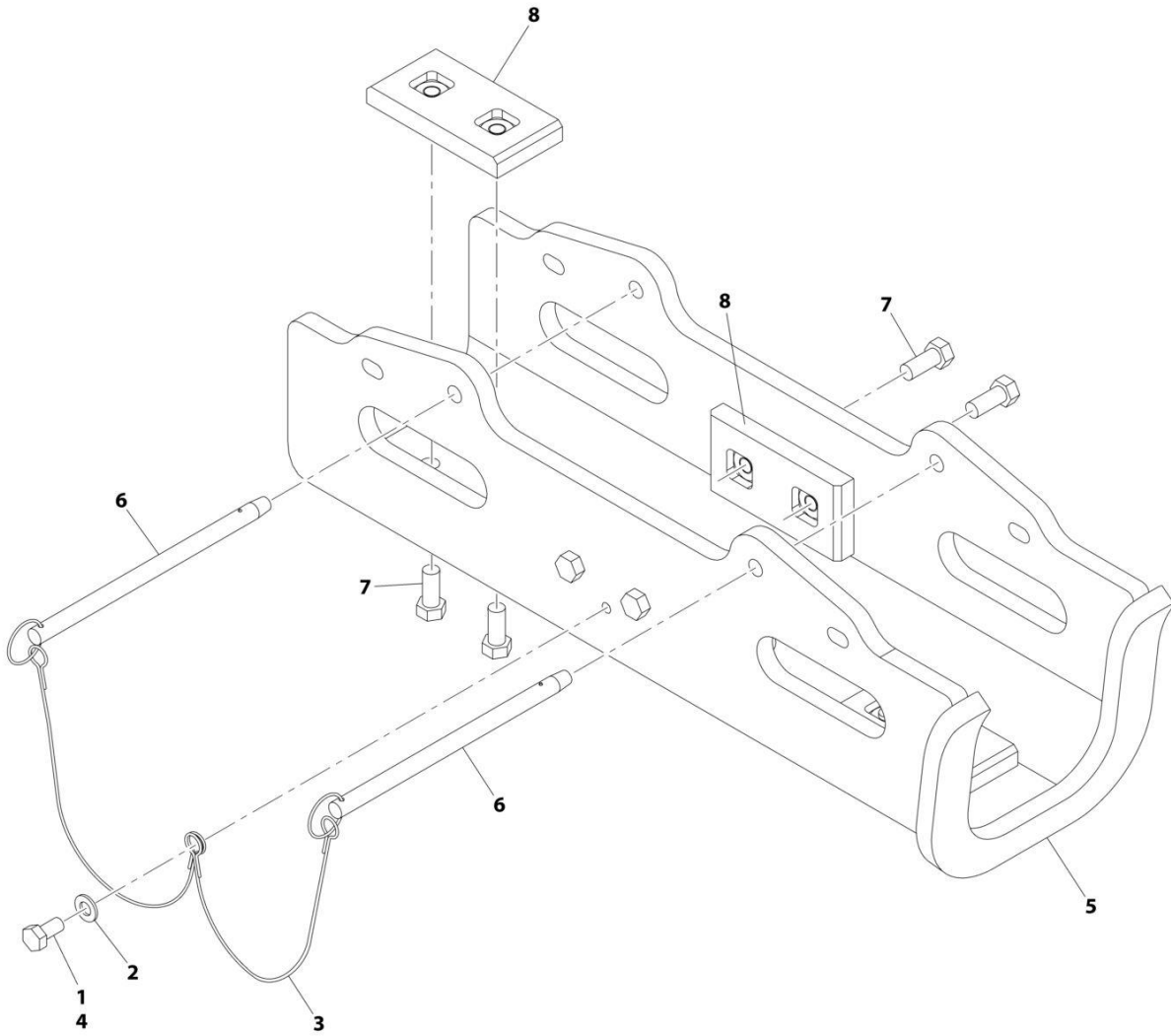
ART_1001174419-C

FIGURE 2-10. BOOM PROP INSTALLATION

ITEM	PART NUMBER	QTY	DESCRIPTION	REV
	1001174419	Ref	Boom Prop Installation	C
1	0760810	4	Bolt, M8X20	
2	4811900	4	Washer, M8	
3	1001228860	2	Bolt, Wing M8X30	
4	1001191035	1	Bracket, Boom Prop (See Separate Breakdown in this Section)	
5	1001193887	2	Bracket	

SECTION 2 - BOOM

FIGURE 2-11. BOOM PROP BRACKET ASSEMBLY



ART_1001191035-B

FIGURE 2-11. BOOM PROP BRACKET ASSEMBLY

ITEM	PART NUMBER	QTY	DESCRIPTION	REV
	1001191035	Ref	Boom Prop Bracket Assembly	B
1	0760808	1	Bolt, M8X16	
2	4811900	1	Washer, M8	
3	1001164183	2	Lanyard, Boom Prop	
4	1001095650	AR	Adhesive, Loctite	
5	1001191036	1	Support, Boom Prop	
6	1001191039	2	Pin	
7	0651607	8	Bolt, 3/8-24 X 7/8	
8	91403530	4	Bearing	

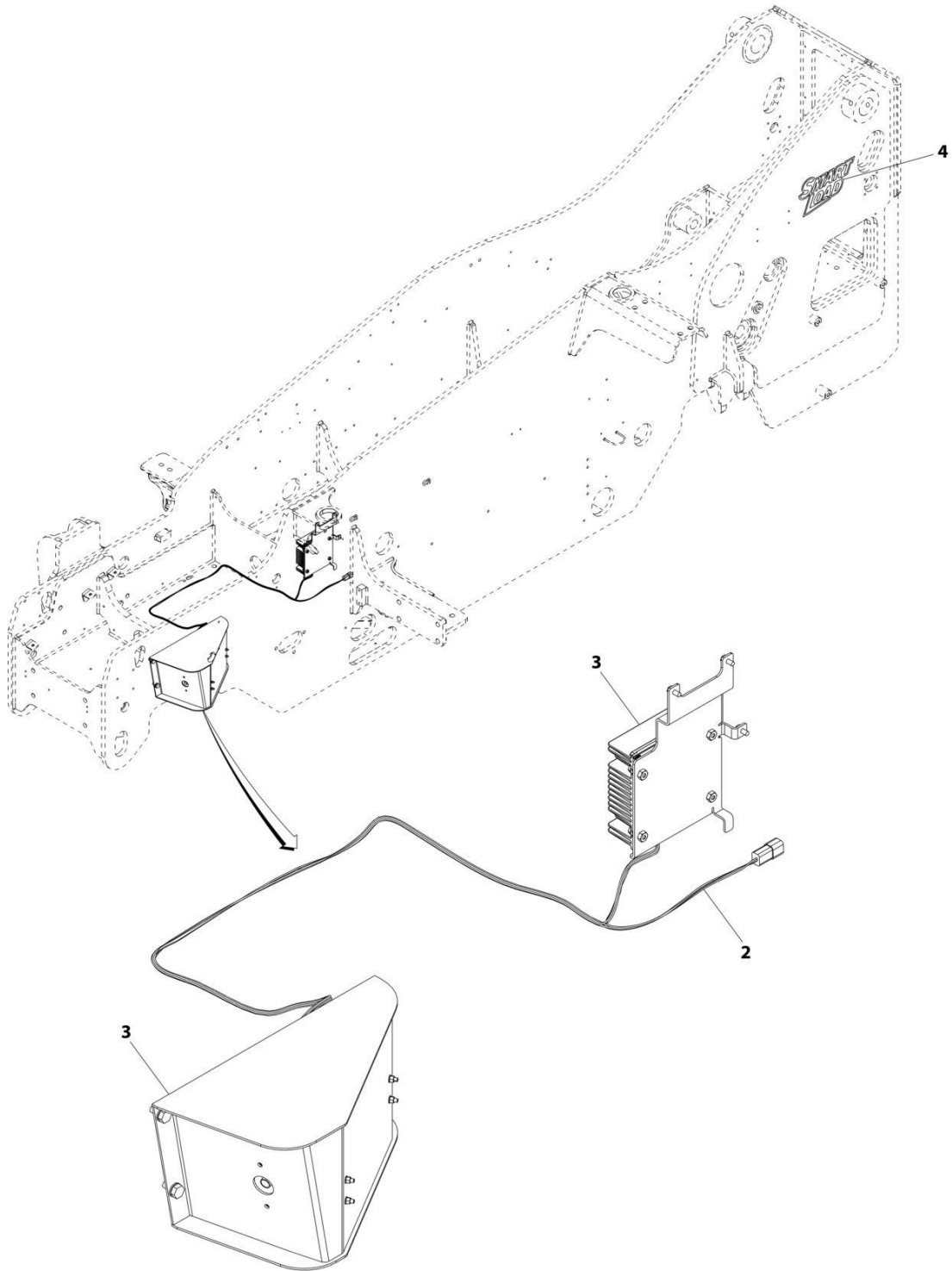
FIGURE 2-12. BOOM BRUSHES INSTALLATION

ITEM	PART NUMBER	QTY	DESCRIPTION	REV
	1001201432	Ref	Boom Brushes Installation	C
1	0701216	10	Bolt, M12X40	
3	0761210	2	Bolt, M12X20	
4	3290505	16	Nut, Lock M5X0.8	
5	4811600	16	Washer, M5	
6	1001125117	12	Washer, M12	
7	1001172995	2	Brush, Boom	
8	1001172999	1	Brush, Boom	
9	1001173679	1	Brush, Boom	
10	1001173739	2	Brush, Boom	
11	1001205619	1	Bracket, Boom Brush	
12	1001196879	1	Bracket, Boom Brush	
13	1001205621	1	Bracket, Boom Brush	
14	1001205622	1	Bracket, Boom Brush	
15	1001205627	2	Brush, Boom	
16	1001220286	10	Spacer	

SECTION 3 - ATTACHMENTS

SECTION 3 - ATTACHMENTS

FIGURE 3-1. ATTACHMENT RECOGNITION INSTALLATION - COMPLETE



ART_1001195881

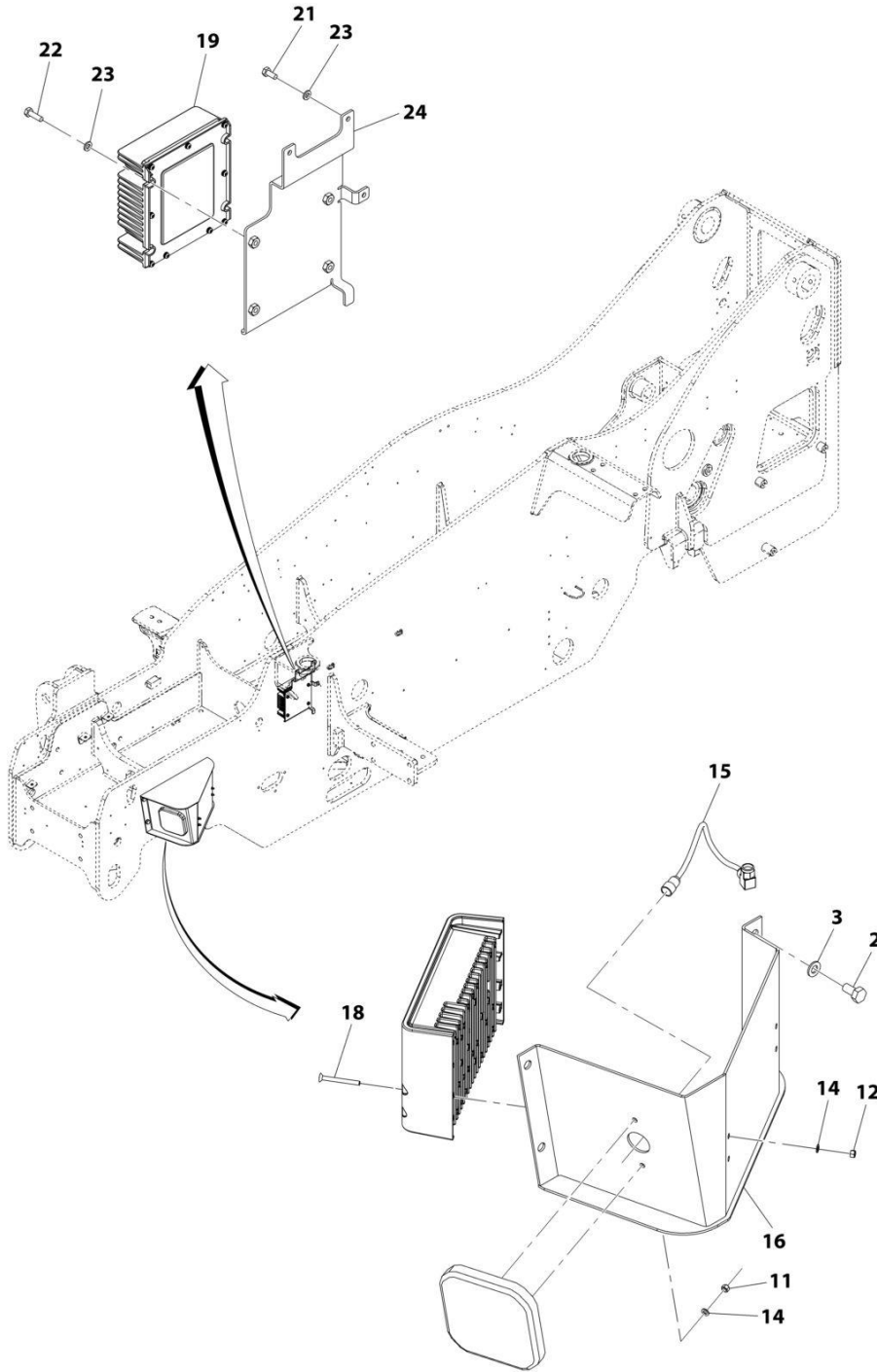
SECTION 3 - ATTACHMENTS

FIGURE 3-1. ATTACHMENT RECOGNITION INSTALLATION - COMPLETE

ITEM	PART NUMBER	QTY	DESCRIPTION	REV
	1001195881	Ref	Attachment Recognition Installation	F
2	1001249251	1	Cable	
3	1001207866	1	Installation, Components Attachment Recognition (See Separate Breakdown in this Section)	
4	1001250276	2	Decal, Smart Load	

SECTION 3 - ATTACHMENTS

FIGURE 3-2. ATTACHMENT RECOGNITION INSTALLATION



ART_1001207866_G

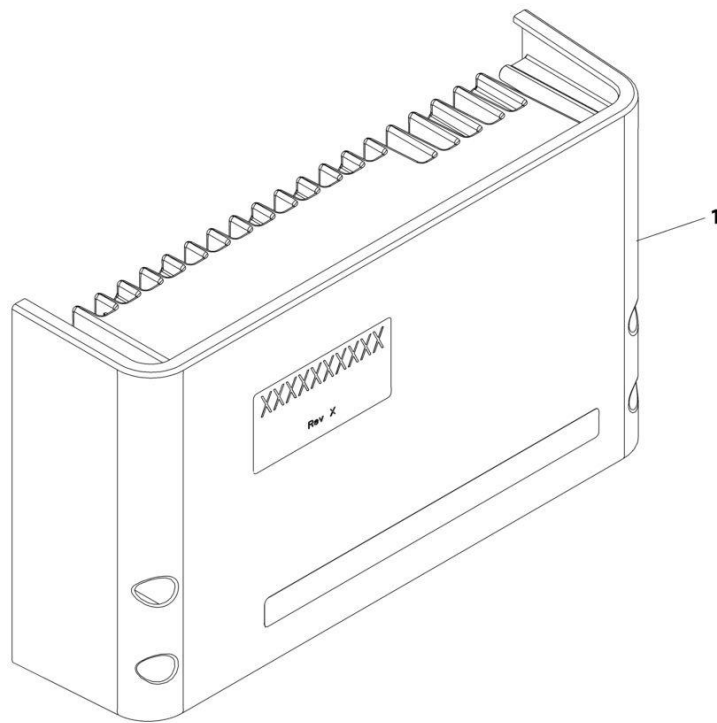
SECTION 3 - ATTACHMENTS

FIGURE 3-2. ATTACHMENT RECOGNITION INSTALLATION

ITEM	PART NUMBER	QTY	DESCRIPTION	REV
	1001207866	Ref	Components Attachment Recognition Installation	G
2	0761010	4	Bolt, M10X20	
3	4812000	4	Washer, M10	
11	3290505	2	Nut, Lock M5X0.8 Grade 8	
12	3290507	4	Nut, Lock M5X0.8	
14	4811600	6	Washer, M5	
15	1001206725	1	Cable	
16	1001232988	1	Bracket, Attachment Recognition	
18	1001234395	4	Screw, M5X50	
19	1001249078	1	Control, Voltage	
21	0760607	3	Bolt, M6X14	
22	0700610	4	Bolt, M6X20	
23	4811700	7	Washer M6	
24	1001249249	1	Bracket, Converter Support	

SECTION 3 - ATTACHMENTS

FIGURE 3-3. ATTACHMENT RECOGNITION RECEIVER



ART_1001250475-B

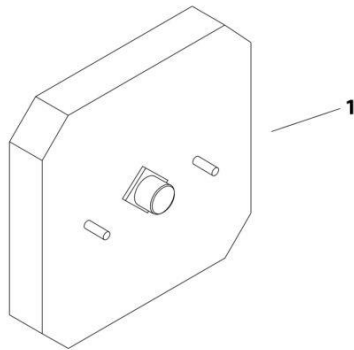
SECTION 3 - ATTACHMENTS

FIGURE 3-3. ATTACHMENT RECOGNITION RECEIVER

ITEM	PART NUMBER	QTY	DESCRIPTION	REV
	1001250475	1 Ref	ATTACHMENT RECOGNITION RECEIVER (FCC) No Serviceable Parts. Purchase complete assembly	B

SECTION 3 - ATTACHMENTS

FIGURE 3-4. ATTACHMENT RECOGNITION ANTENNA



ART_1001202730

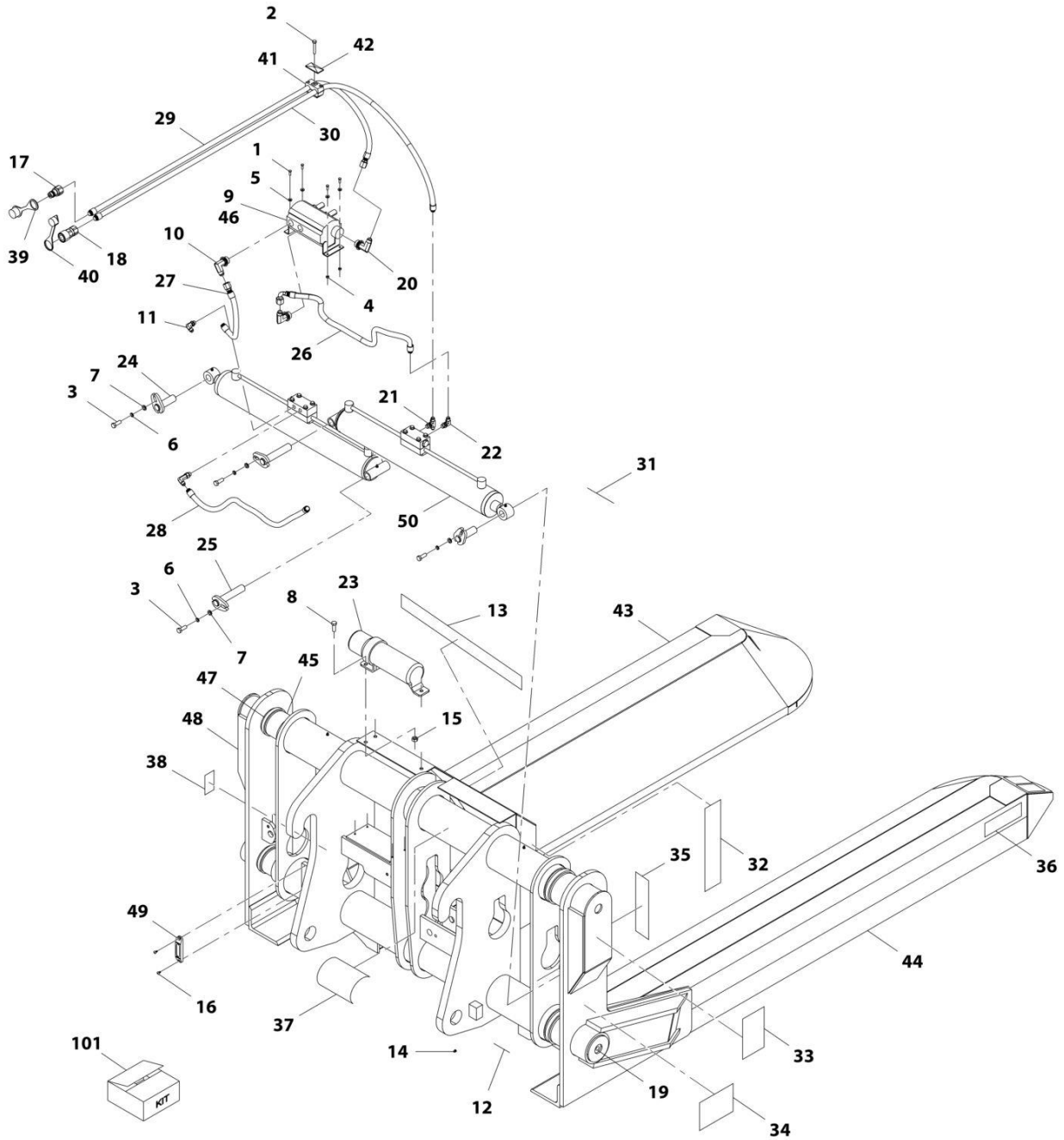
SECTION 3 - ATTACHMENTS

FIGURE 3-4. ATTACHMENT RECOGNITION ANTENNA

ITEM	PART NUMBER	QTY	DESCRIPTION	REV
	1001202730	1	ATTACHMENT RECOGNITION ANTENNA (FCC)	

SECTION 3 - ATTACHMENTS

FIGURE 3-5. BALE HANDLER (ROUND BALES)



ART_1001192649-D

SECTION 3 - ATTACHMENTS

FIGURE 3-5. BALE HANDLER (ROUND BALES)

ITEM	PART NUMBER	QTY	DESCRIPTION	REV
	1001192649	Ref	Bale Handler (round)	E
1	70027773	4	Bolt	
2	70028485	1	Screw	
3	70021349	4	Bolt, 3/8X1	
4	90554066	4	Nut	
5	90554067	4	Washer, Lock	
6	90554042	4	Washer, Lock	
7	70021350	4	Washer	
8	70028635	3	Bolt	
9	70028636	1	Plug w/O-Ring	
10	70028637	2	Fitting, 90	
11	90554065	1	Fitting, 90	
12	7029712	4	Decal, Grease	
13	70028638	1	Decal, Stand Clear Warning	
14	90554045	4	Fitting, Grease	
15	70028615	3	Nut	
16	70028554	2	Screw	
17	1001101041	1	Adapter, Male Quick Disconnect	
18	70028616	1	Fitting, Straight	
19	70028617	4	Plug	
20	70028618	1	Fitting, 90	
21	70028619	1	Fitting, Tee	
22	70028620	1	Fitting, 90	
23	1001101042	1	Adapter, Female Quick Disconnect	
24	70028489	2	Pin	
25	70028490	2	Pin	
26	70028621	1	Hose	
27	70028622	1	Hose	
28	70028623	1	Hose	
29	70028624	1	Hose	
30	7029709	1	Hose	
31	7029711	1	Decal, High Pressure Warning	
32	70028625	2	Decal, Pinch Point	
33	70028626	1	Decal, Transport Warning	
34	70028627	1	Decal, Safety Warning	
35	70028628	6	Decal, Red Reflexite	
36	70028629	6	Decal, Amber Reflexite	
37	70028630	1	Decal, Module Staging	
38	N.S.S.	1	Plate, Serial Number	
39	8420053	1	Cap, Dust	
40	8420055	1	Cap, Dust	
41	70028495	1	Clamp	
42	70028496	1	Plate, Clamp	
43	N.S.S.	1	Arm, RH	
44	N.S.S.	1	Arm, LH	
45	70028631	4	Wrap	
46	70028632	1	Valve, Flow Divider	
47	70028633	8	Clamp	
48	N.S.S.	1	Weldment	
49	1001227670	1	Tag, RFID	

SECTION 3 - ATTACHMENTS

ITEM	PART NUMBER	QTY	DESCRIPTION	REV
50	70028634	2	Assembly, Cylinder	
101	Kit	1	Kit, Seal	

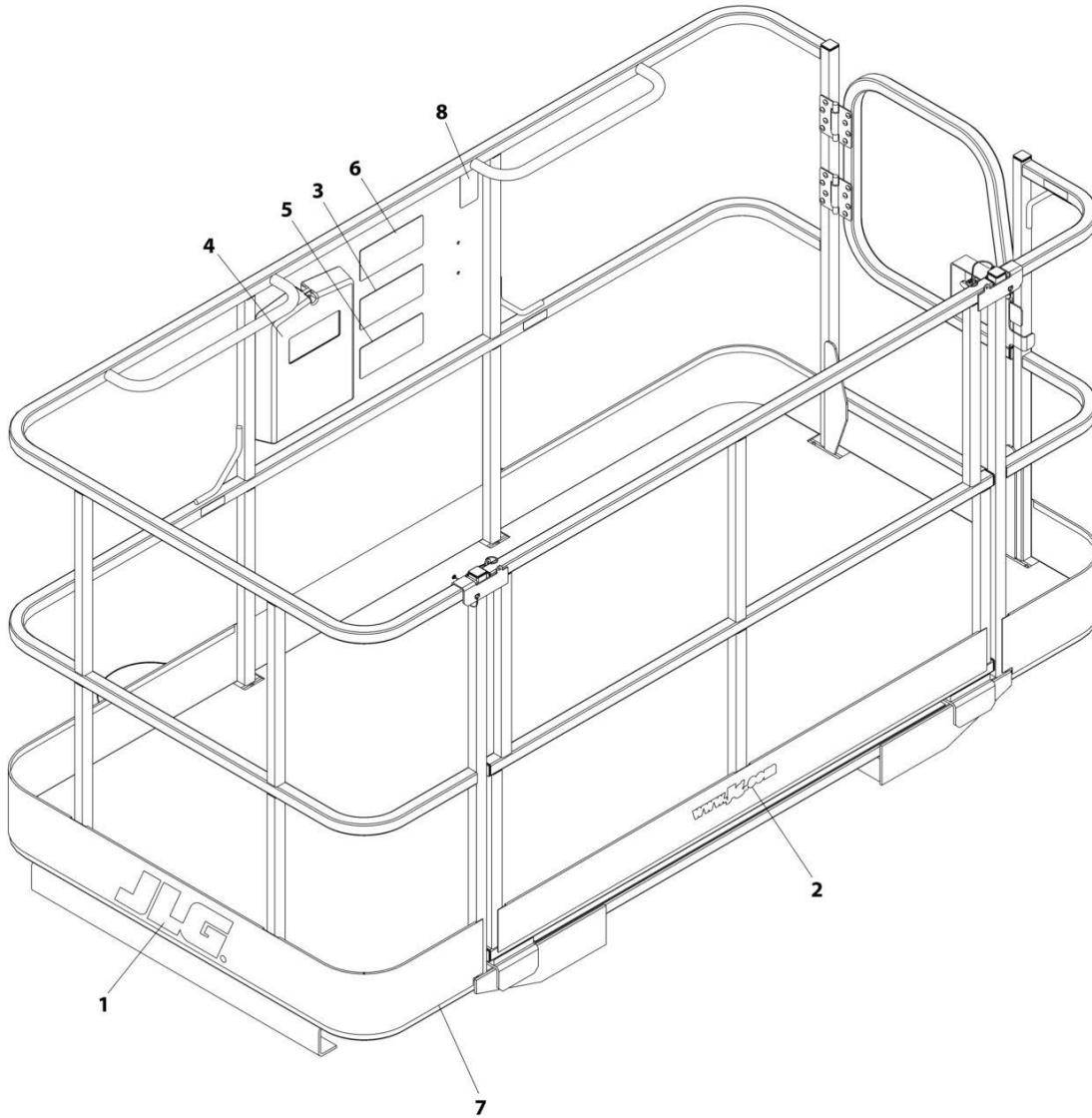
SECTION 3 - ATTACHMENTS

FIGURE 3-6. BALE HANDLER (SQUARE BALES)

ITEM	PART NUMBER	QTY	DESCRIPTION	REV
	1001192650	Ref	Bale Handler (square)	F
1	70028499	2	Spear	
2	70028500	2	Decal, Pinch Point	
3	70028485	2	Screw	
4	70021349	4	Bolt, 3/8X1	
5	70021422	2	Screw	
6	90554042	4	Washer, Lock 3/8	
7	70021350	4	Washer, Flat	
8	70021367	2	Nut, Lock 3/8	
9	90554045	4	Fitting, Grease	
10	N.S.S.	1	Weldment, Main Frame	
11	1001101041	1	Coupler, Male Hydraulic	
12	1001101042	1	Coupler, Female Hydraulic	
13	70028486	4	Fitting	
14	70028488	2	Fitting	
15	70028489	2	Pin	
16	70028490	2	Pin	
17	N.S.S.	1	Weldment, Left Bale Arm	
18	N.S.S.	1	Weldment, Right Bale Arm	
19	70028491	2	Hose	
20	7029711	1	Decal, High Pressure Warning	
21	N.S.S.	1	Plate, Serial Number	
22	8420053	1	Cap, Dust	
23	8420055	1	Cap, Dust	
25	70028495	2	Clamp	
26	70028496	2	Plate, Clamp	
28	70028497	2	Assembly, Cylinder	
29	70028498	1	Decal, Read Manual	
31	70028501	2	Decal, Falling Load	
32	70028487	2	Fitting, Tee	
33	70028492	1	Hose	
34	70028493	1	Hose	
101	70028494	1	Kit, Seal	

SECTION 3 - ATTACHMENTS

FIGURE 3-7. BASKET, PERSONNEL (1.2MX2.4M) (DOMESTIC)



ART_1001238653-A

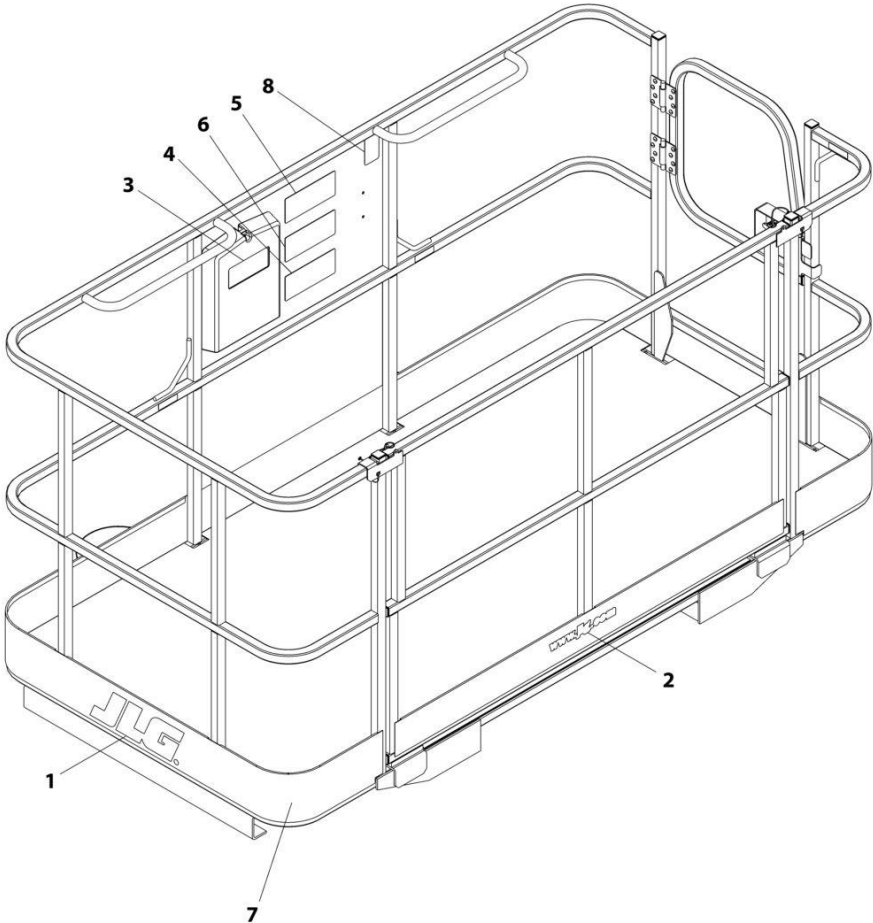
SECTION 3 - ATTACHMENTS

FIGURE 3-7. BASKET, PERSONNEL (1.2MX2.4M) (DOMESTIC)

ITEM	PART NUMBER	QTY	DESCRIPTION	REV
	1001238653	Ref	FORK MOUNTED PLATFORM	B
1	1702773	2	Decal, JLG	
2	1704885	1	Decal, Website	
3	1706892	1	Decal, Platform Warning	
4	31200160	1	Manual, Personnel Work Platform Operation and Safety	
5	1001092481	1	Decal, Warning Attachment	
6	1001092482	1	Decal, Platform Capacity	
7	1001238565	1	Platform, Fork Mounted (See Separate Breakdown in this Section)	
8	See Note	NSS	SN Plate (Note: Stamped Part - Not Available for Purchase)	

SECTION 3 - ATTACHMENTS

FIGURE 3-8. BASKET, PERSONNEL (1.2MX2.4M) (FRENCH LANGUAGE)



ART_1001238655-A

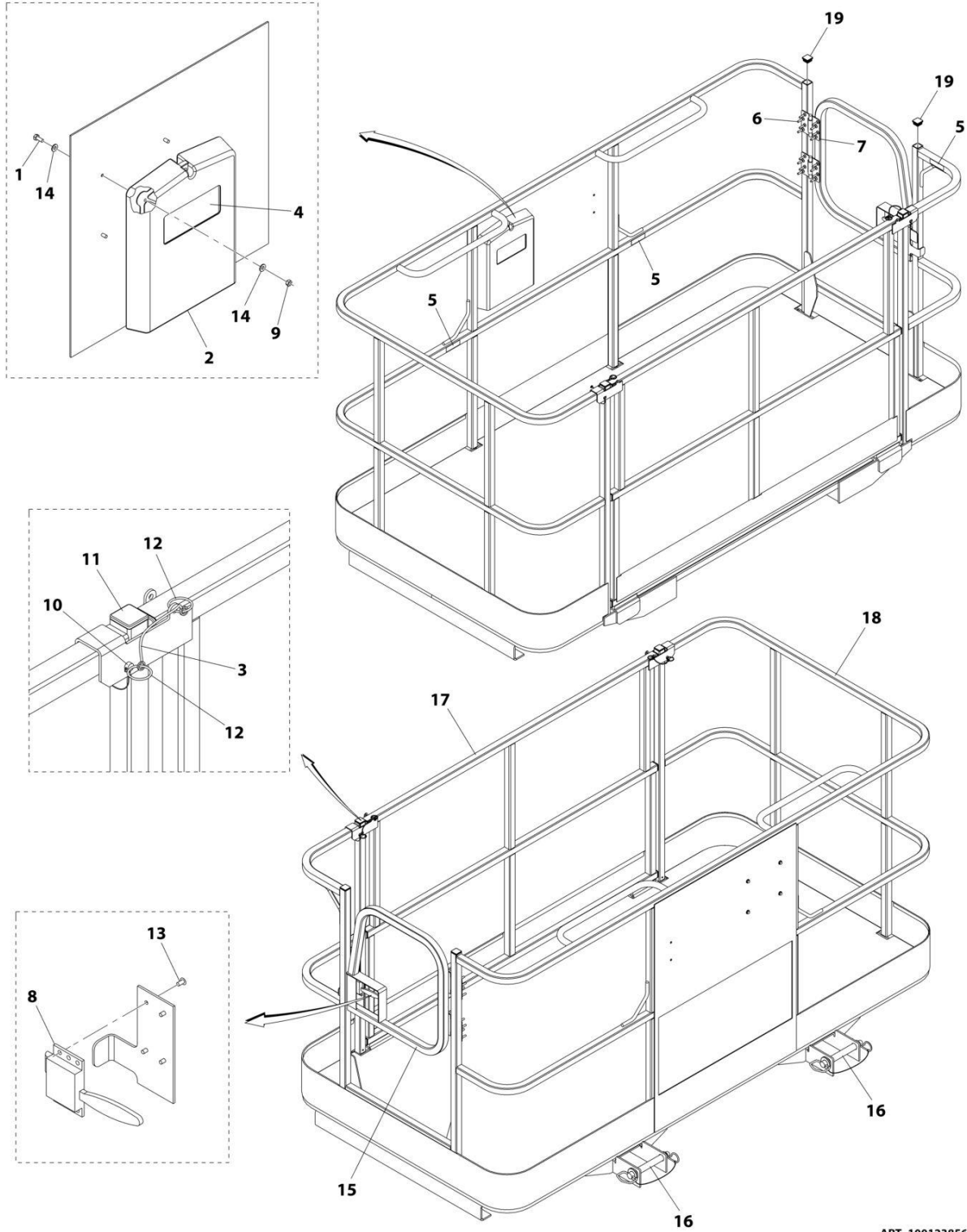
SECTION 3 - ATTACHMENTS

FIGURE 3-8. BASKET, PERSONNEL (1.2MX2.4M) (FRENCH LANGUAGE)

ITEM	PART NUMBER	QTY	DESCRIPTION	REV
	1001238655	Ref	BASKET, PERSONNEL	B
1	1702773	2	Decal, JLG	
2	1704885	1	Decal, Website	
3	31200386	1	Manual, Operation and Safety (French)	
4	1001096019	1	Decal, Warning Attachment (French)	
5	1001096020	1	Decal, Platform Capacity (French)	
6	1001096024	1	Decal, Platform Warning (French)	
7	1001238565	1	Platform, Fork Mounted (ANSI) (See Separate Breakdown in this Section)	
8	See Note	NSS	SN Plate (Note: Stamped Part - Not Available for Purchase)	

SECTION 3 - ATTACHMENTS

FIGURE 3-9. BASKET ASSEMBLY - FORK MOUNTED



ART_1001238565

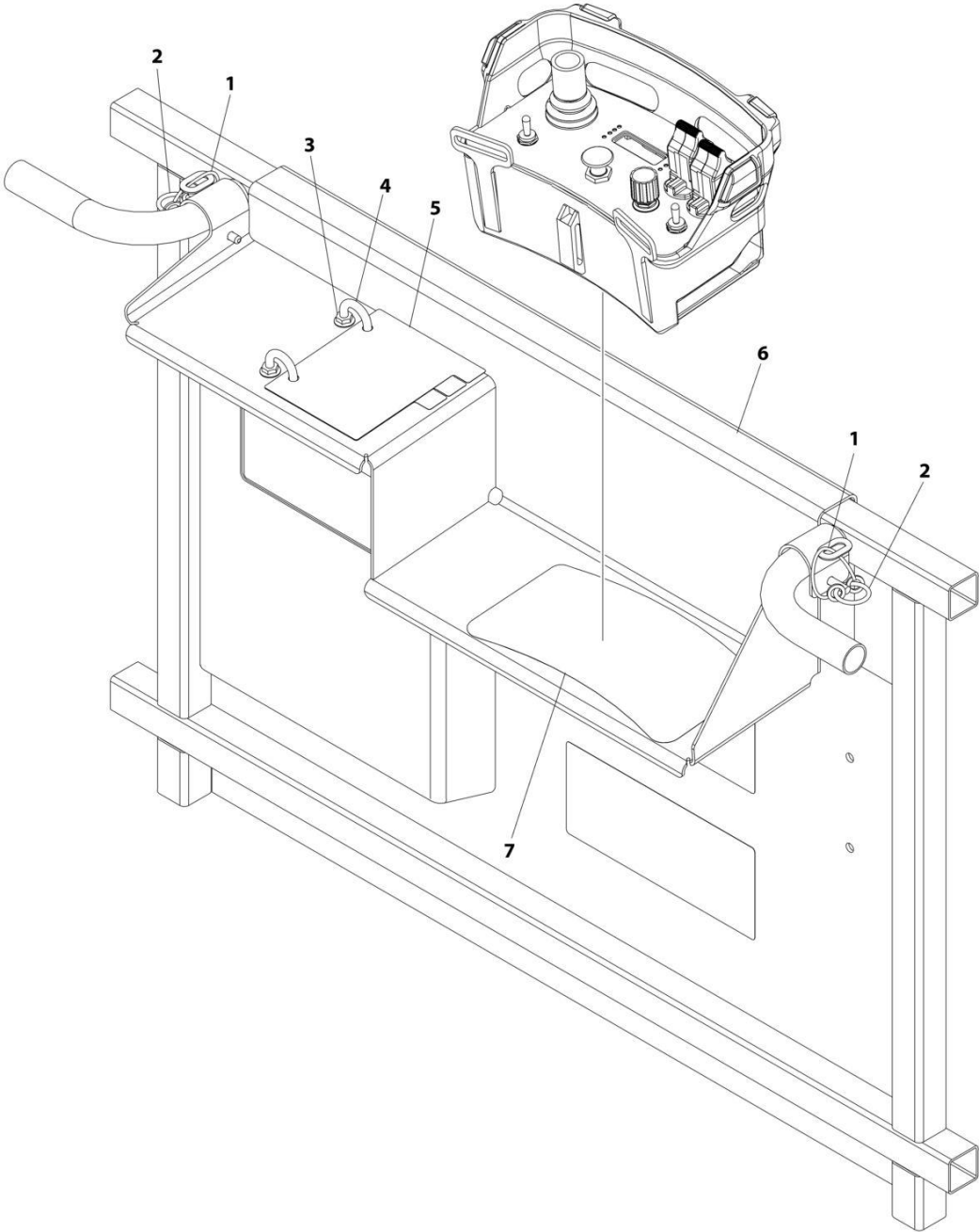
SECTION 3 - ATTACHMENTS

FIGURE 3-9. BASKET ASSEMBLY - FORK MOUNTED

ITEM	PART NUMBER	QTY	DESCRIPTION	REV
	1001238565	Ref	FORK MOUNTED PLATFORM ASSEMBLY	F
1	0641405	4	Bolt 1/4 x 5/8	
2	0860520	1	Box, Manual Storage	
3	1060379	2	Cable, Lanyard	
4	1701509	1	Decal, Manual	
5	1704277	3	Decal, Lanyard Attach	
6	2080040	16	Fastener	
7	2600281	2	Hinge	
8	2940074	1	Latch	
9	3311405	4	Nut 1/4	
10	3421453	2	Pin	
11	3520072	7	Plug	
12	3760170	4	Ring	
13	3820020	4	Rivet	
14	4711400	8	Washer 1/4	
15	1001144629J	1	Gate	
16	1001238560	2	Pin, Hitch	
17	1001095810	1	Gate	
18	See Note	NSS	Platform, Fork Mounted	
19	3520198	4	Plug	

SECTION 3 - ATTACHMENTS

FIGURE 3-10. BASKET DOCKING STATION



ART_1001258664

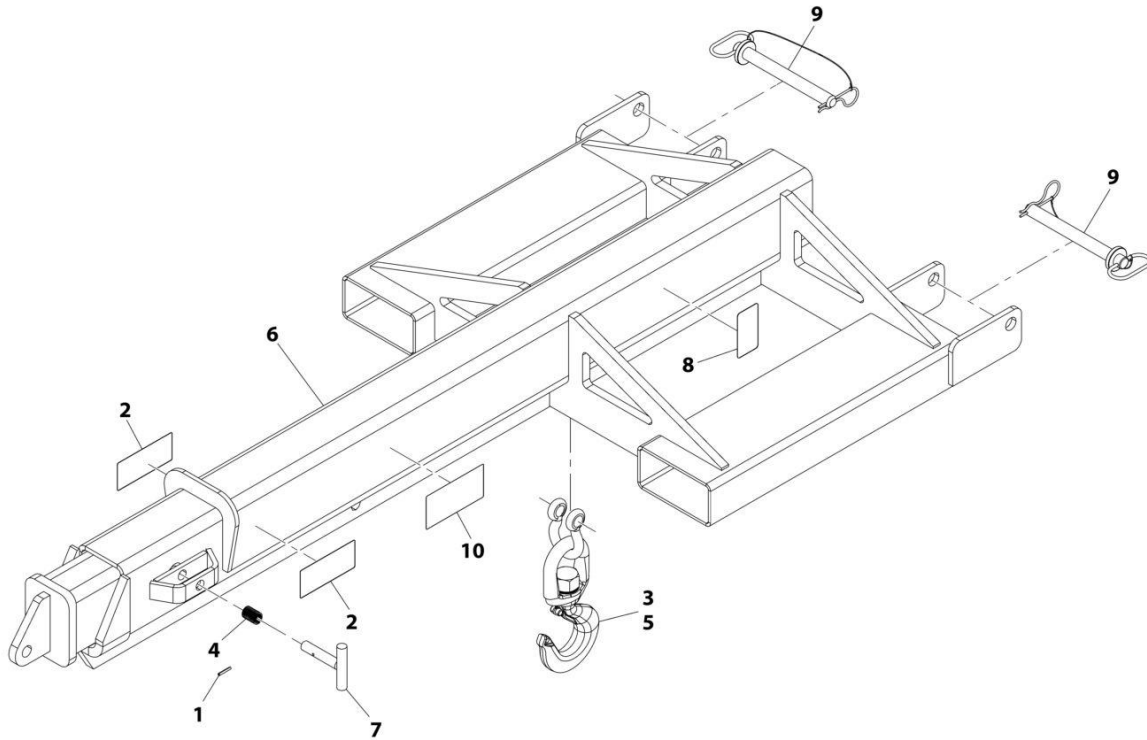
SECTION 3 - ATTACHMENTS

FIGURE 3-10. BASKET DOCKING STATION

ITEM	PART NUMBER	QTY	DESCRIPTION	REV
	1001258664	Ref	Basket Docking Station	A
1	1060379	2	Cable, Lanyard	
2	3422661	2	Pin, Quick Release	
3	8310382	8	Nut 1/4	
4	1001102844	2	U-Bolt 1/4X1-1/4	
5	1001258512	1	Load, Booklet Fork Platform	
6	1001259214	1	Bracket, Control Mount Weld	
7	1001259225	1	Decal, Remote Control	

SECTION 3 - ATTACHMENTS

FIGURE 3-11. BOOM - TRUSS (3.6TON FORK MOUNTED)



ART_1001230241-H

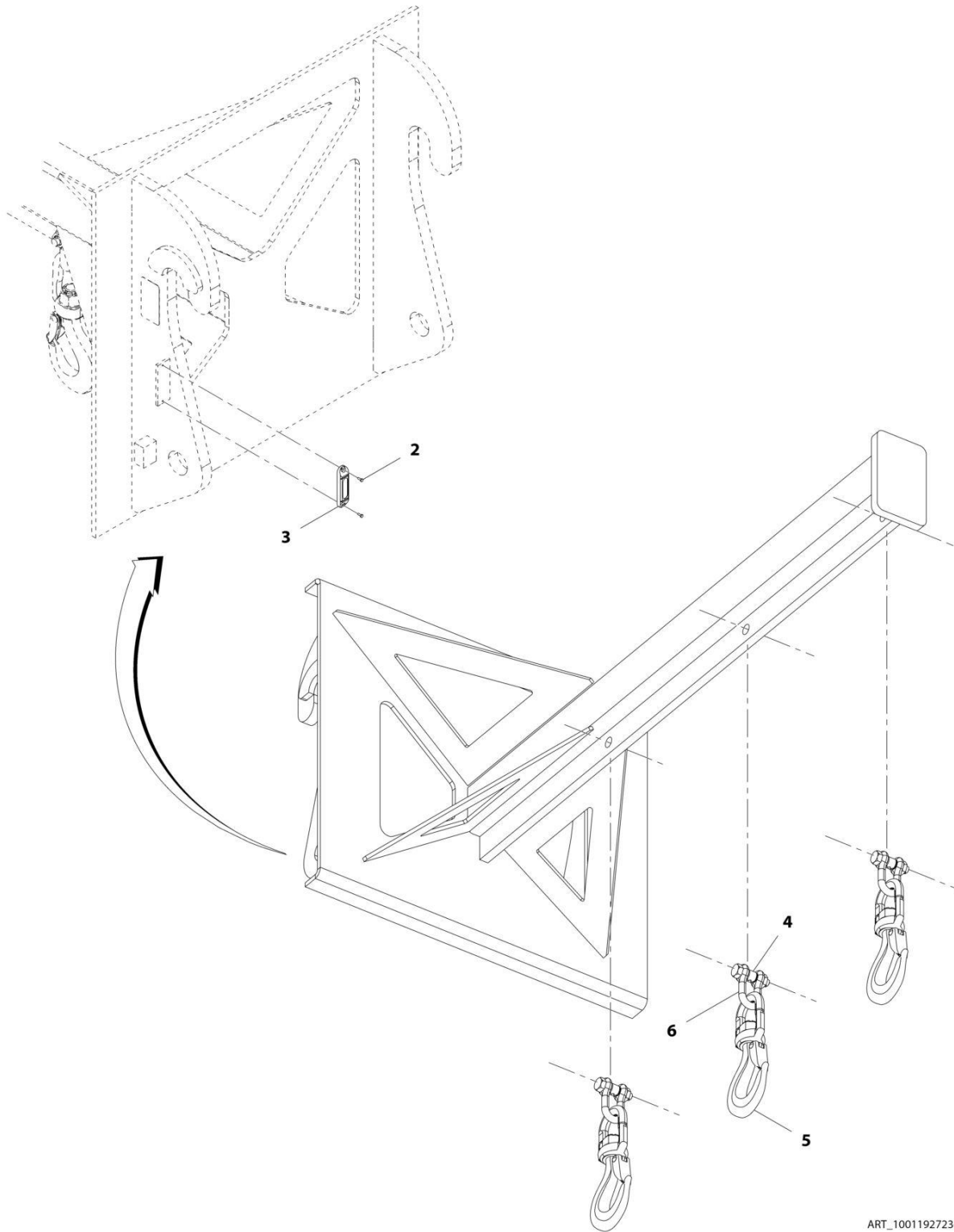
SECTION 3 - ATTACHMENTS

FIGURE 3-11. BOOM - TRUSS (3.6TON FORK MOUNTED)

ITEM	PART NUMBER	QTY	DESCRIPTION	REV
	1001230241	Ref	Adjustable Truss Boom Installation (Fork Mounted)	J
1	3440620	1	Pin	
2	4110422	2	Decal, Danger Swinging Loads	
3	91403448	1	Hook, Swivel	
4	1001128890	1	Spring	
5	1001146160	1	Shackle	
6	See Note	NSS	Boom, Truss - Adjustable (Note: Purchase Complete Assembly)	
7	1001230239	1	Pin	
8	See Note	NSS	SN Plate (Note:Stamped Part - Not Available for Purchase)	
9	1001231692	2	Pin	
10	1001232500	1	Decal, Load Capacities	

SECTION 3 - ATTACHMENTS

FIGURE 3-12. BOOM - TRUSS (7.6 TON)



ART_1001192723-F

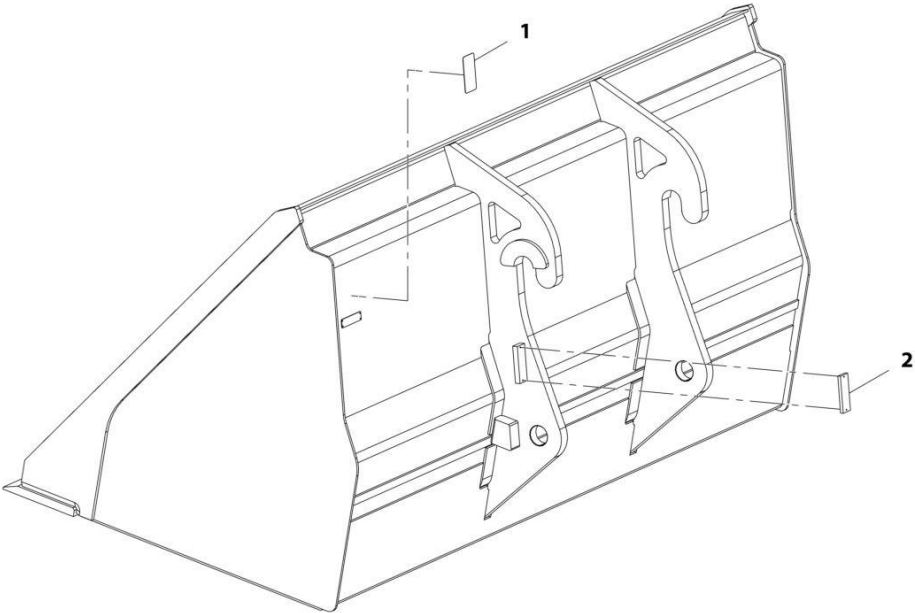
SECTION 3 - ATTACHMENTS

FIGURE 3-12. BOOM - TRUSS (7.6 TON)

ITEM	PART NUMBER	QTY	DESCRIPTION	REV
	1001192723	1	Truss Boom (7.6 ton)	G
2	70028554	2	Screw	
3	1001227670	1	Tag, RFID	
4	70020555	3	Bushing	
5	70026745	3	Hook	
6	70026746	3	Shackle, Chain	

SECTION 3 - ATTACHMENTS

FIGURE 3-13. BUCKET (2.6 YD³/2.0M³)



ART_1001192615-F

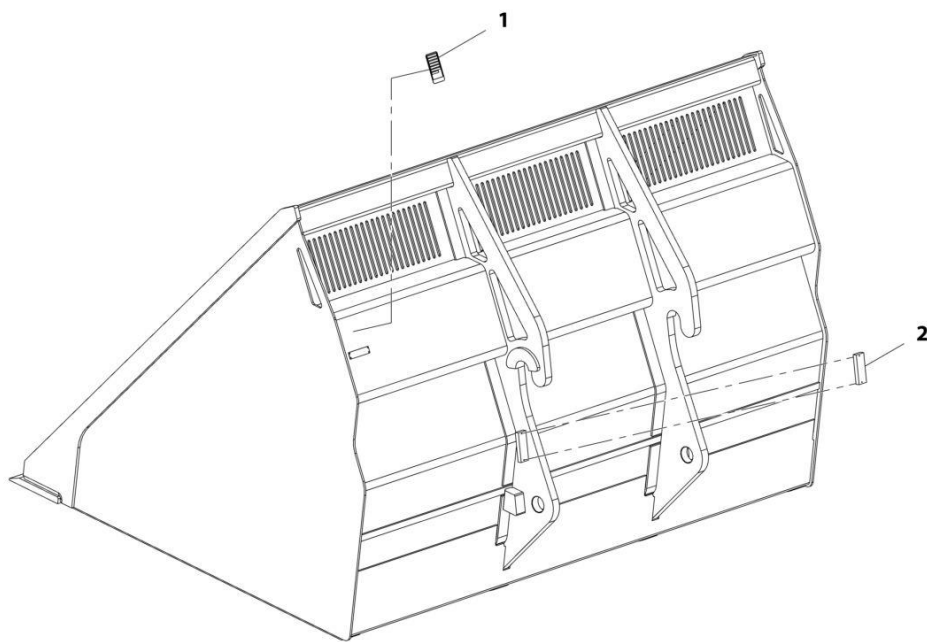
SECTION 3 - ATTACHMENTS

FIGURE 3-13. BUCKET (2.6 YD³/2.0M³)

ITEM	PART NUMBER	QTY	DESCRIPTION	REV
	1001192615	Ref	Bucket (2.6 yd ³ /2.0m ³)	G
1	N.S.S.	1	S/N Plate	
2	1001227670	1	Tag, RFID	

SECTION 3 - ATTACHMENTS

FIGURE 3-14. BUCKET (5.23 YD³)



ART_1001192616-E

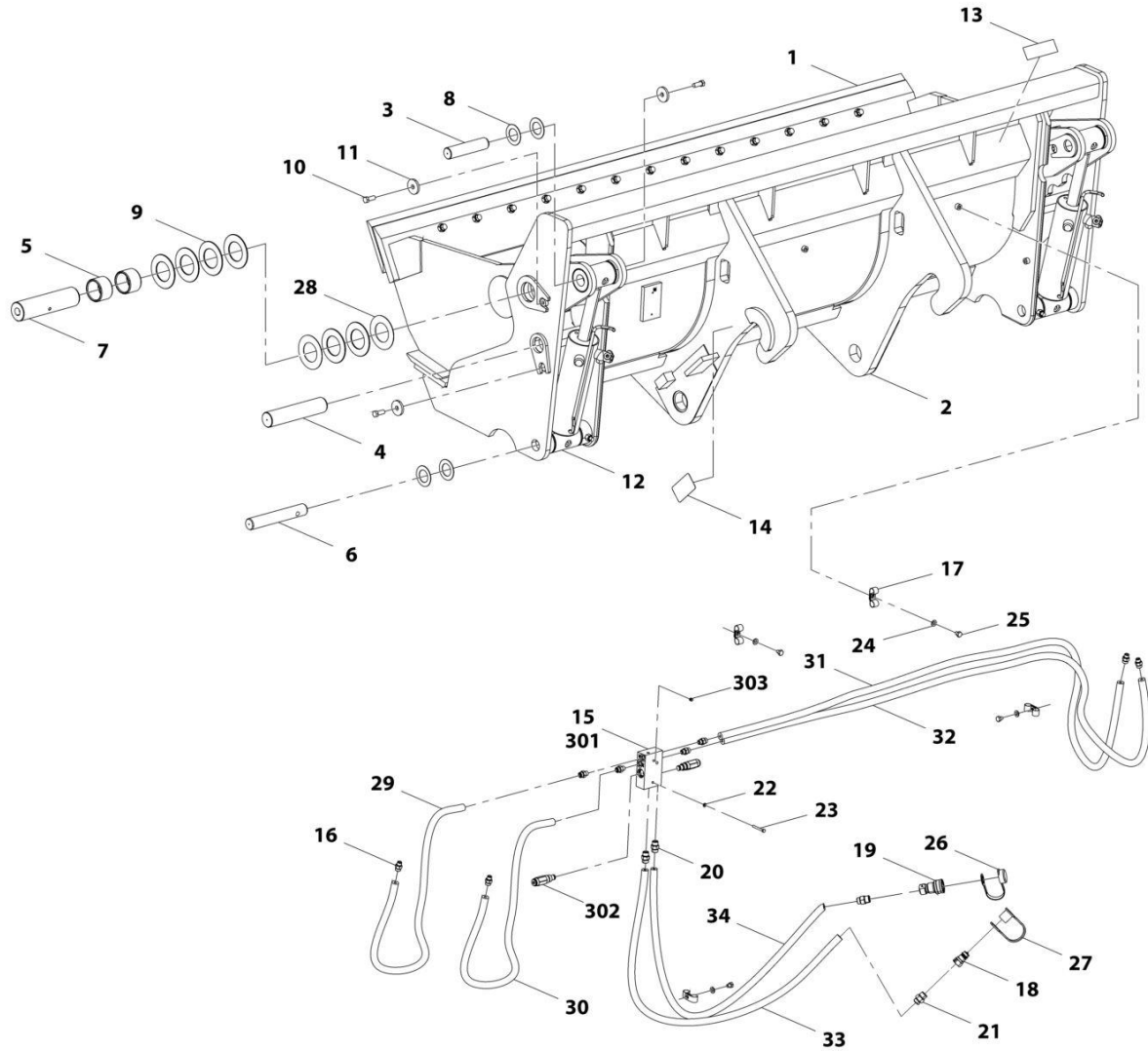
SECTION 3 - ATTACHMENTS

FIGURE 3-14. BUCKET (5.23 YD³)

ITEM	PART NUMBER	QTY	DESCRIPTION	REV
	1001192616	Ref	Bucket (5.23 yd ³ /4.0m ³)	F
1	N.S.S.	1	S/N Plate	
2	1001227670	1	Tag, RFID	

SECTION 3 - ATTACHMENTS

FIGURE 3-15. BUCKET - 4 IN 1 (1.3 YD³/1.0M³)



ART_1001228427-B

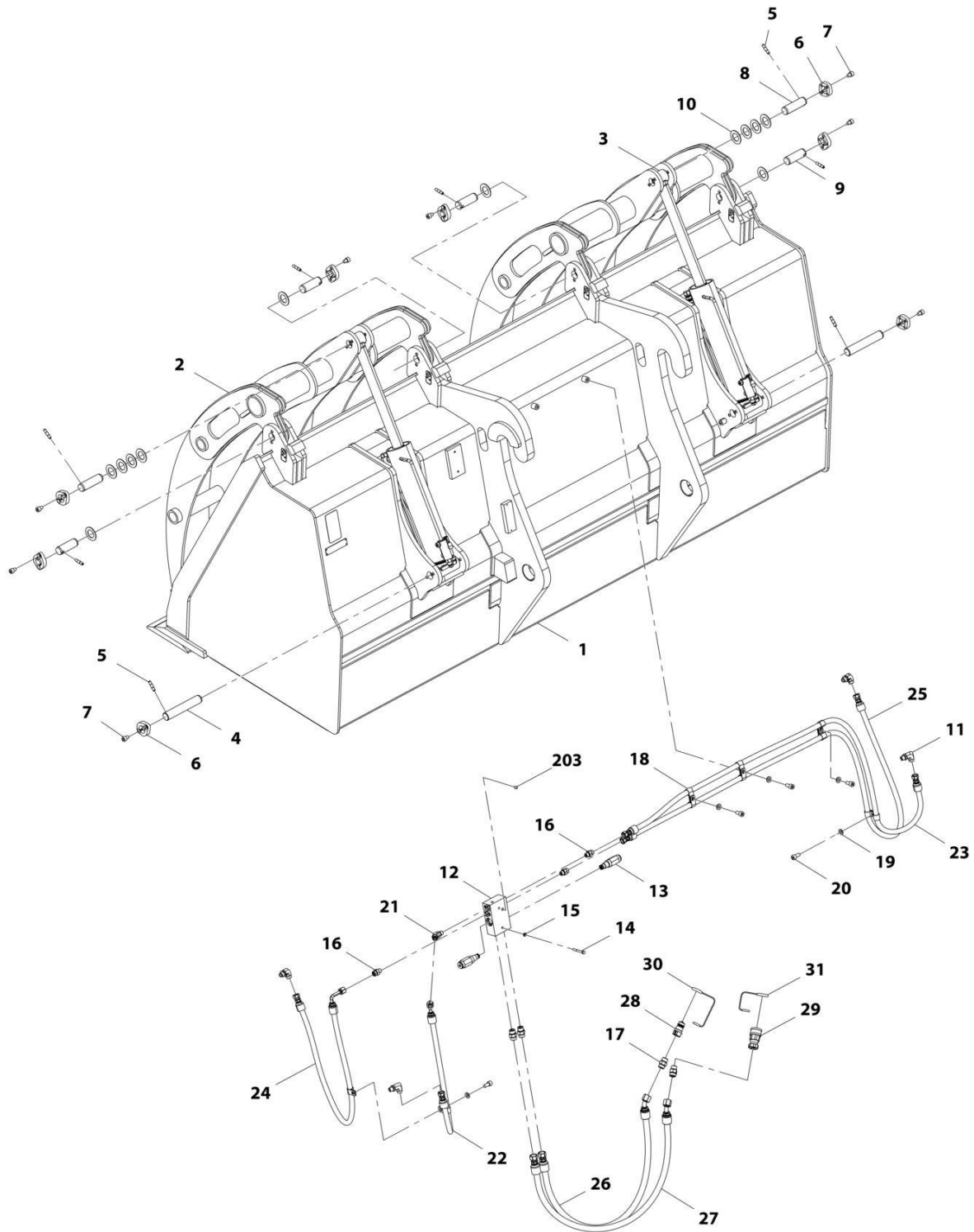
SECTION 3 - ATTACHMENTS

FIGURE 3-15. BUCKET - 4 IN 1 (1.3 YD³/1.0M³)

ITEM	PART NUMBER	QTY	DESCRIPTION	REV
	1001228427	Ref	4 in 1 Bucket (1.3 yd ³ /1.0m ³)	C
1	N.S.S.	1	Assembly, Front Bucket	
2	N.S.S.	1	Assembly, Back Bucket	
3	70028563	2	Pin	
4	70028564	2	Pin	
5	70028565	4	Bushing	
6	70028566	2	Pin	
7	70028567	2	Pin	
8	70028568	8	Shim	
9	70028569	6	Shim	
10	70028570	6	Capscrew	
11	70028571	6	Washer	
12	70028572	2	Assembly, 4 In 1 Bucket Cylinder (5.23 yd ³ /4.0m ³) (See Separate Breakdown in HYDRAULIC COMPONENTS Section)	
13	N.S.S.	1	Plate, Name	
14	N.S.S.	1	Plate, Serial Number	
15	70028573	1	Assembly, 4 In 1 Bucket Valve (5.23 yd ³ /4.0m ³)	
16	70024130	8	Fitting, Straight	
17	70026481	8	Clamp, Hose	
18	1001101041	1	Adapter, Male Quick Disconnect	
19	1001101042	1	Adapter, Female Quick Disconnect	
20	70022938	2	Fitting, Straight	
21	70028263	2	Fitting, Straight	
22	70026480	2	Washer, M6	
23	70026479	2	Bolt, M6X50	
24	70026482	4	Washer, M10	
25	70026483	4	Bolt, M10X16	
26	8420055	1	Plug, Dust	
27	8420053	1	Plug, Cap	
28	70028574	12	Shim	
29	70028575	1	Hose	
30	70028576	1	Hose	
31	70028577	1	Hose	
32	70028578	1	Hose	
33	70028579	1	Hose	
34	70028580	1	Hose	
301	70026477	1	Manifold	
302	70028589	2	Cartridge, Relief	
303	70026614	2	Plug	

SECTION 3 - ATTACHMENTS

FIGURE 3-16. BUCKET - GRAPPLE (1.7 YD³/1.3M³)



ART_1001223435-C

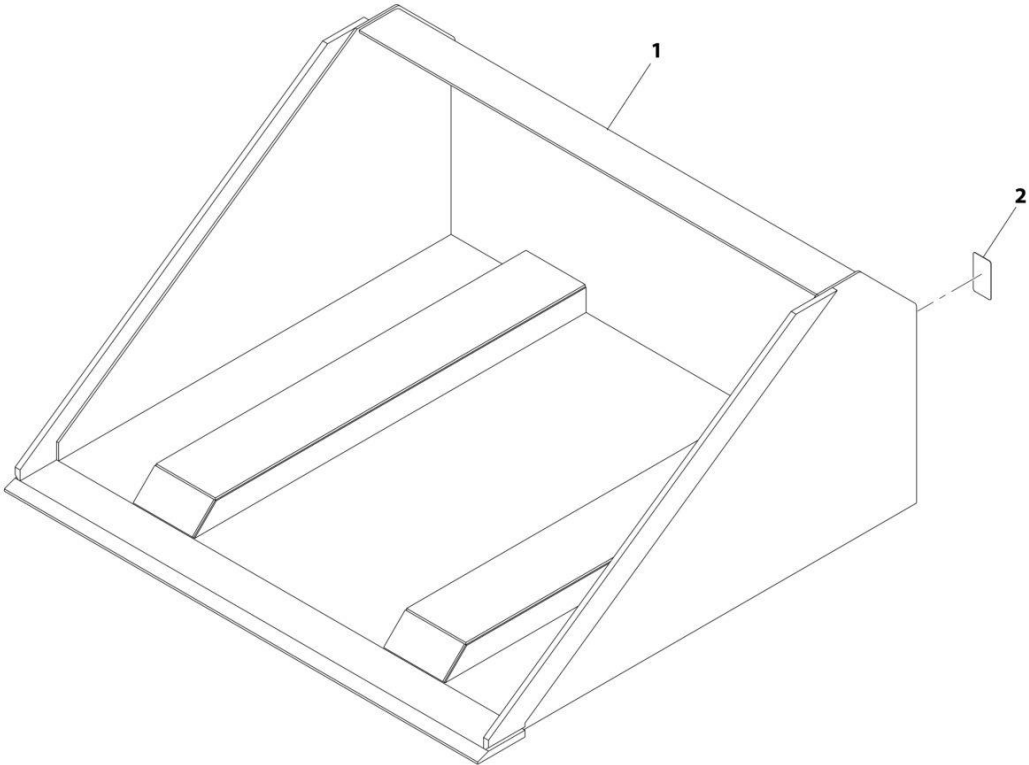
SECTION 3 - ATTACHMENTS

FIGURE 3-16. BUCKET - GRAPPLE (1.7 YD³/1.3M³)

ITEM	PART NUMBER	QTY	DESCRIPTION	REV
	1001223435	Ref	Grapple Bucket (1.7 yd ³ /1.3m ³)	D
1	N.S.S.	1	Bucket	
2	N.S.S.	1	Grapple	
3	70026469	2	Assembly, Cylinder, (See Separate Breakdown in HYDRAULIC COMPONENTS Section)	
4	70026470	2	Pin	
5	70026471	8	Pin Drive - Lock	
6	70026472	8	Retainer	
7	70026473	16	Capscrew, M10X12	
8	70026474	2	Pin	
9	70026475	4	Pin	
10	70026476	32	Shim	
11	70024123	4	Fitting, 90	
12	70026477	1	Manifold	
13	70026478	2	Cartridge, Relief Valve	
14	70026479	2	Bolt, M6X50	
15	70026480	2	Washer, M6	
16	70024130	3	Fitting, Straight	
17	70022938	4	Fitting, Straight	
18	70026481	10	Clamp, Hose	
19	70026482	5	Washer, M10	
20	70028672	5	Bolt, M10X20	
21	70026616	1	Fitting, 45	
22	70028749	1	Hose	
23	70028750	1	Hose	
24	70028751	1	Hose	
25	70028752	1	Hose	
26	70028753	1	Hose	
27	70028697	1	Hose	
28	1001101041	1	Adapter, Male Quick Disconnect	
29	1001101042	1	Adapter, Female Quick Disconnect	
30	8420053	1	Cap, Dust	
31	8420055	1	Plug, Dust	
203	70026614	2	Plug	

SECTION 3 - ATTACHMENTS

FIGURE 3-17. BUCKET - FORK MOUNTED (1.0M³)



ART_1001195970-D

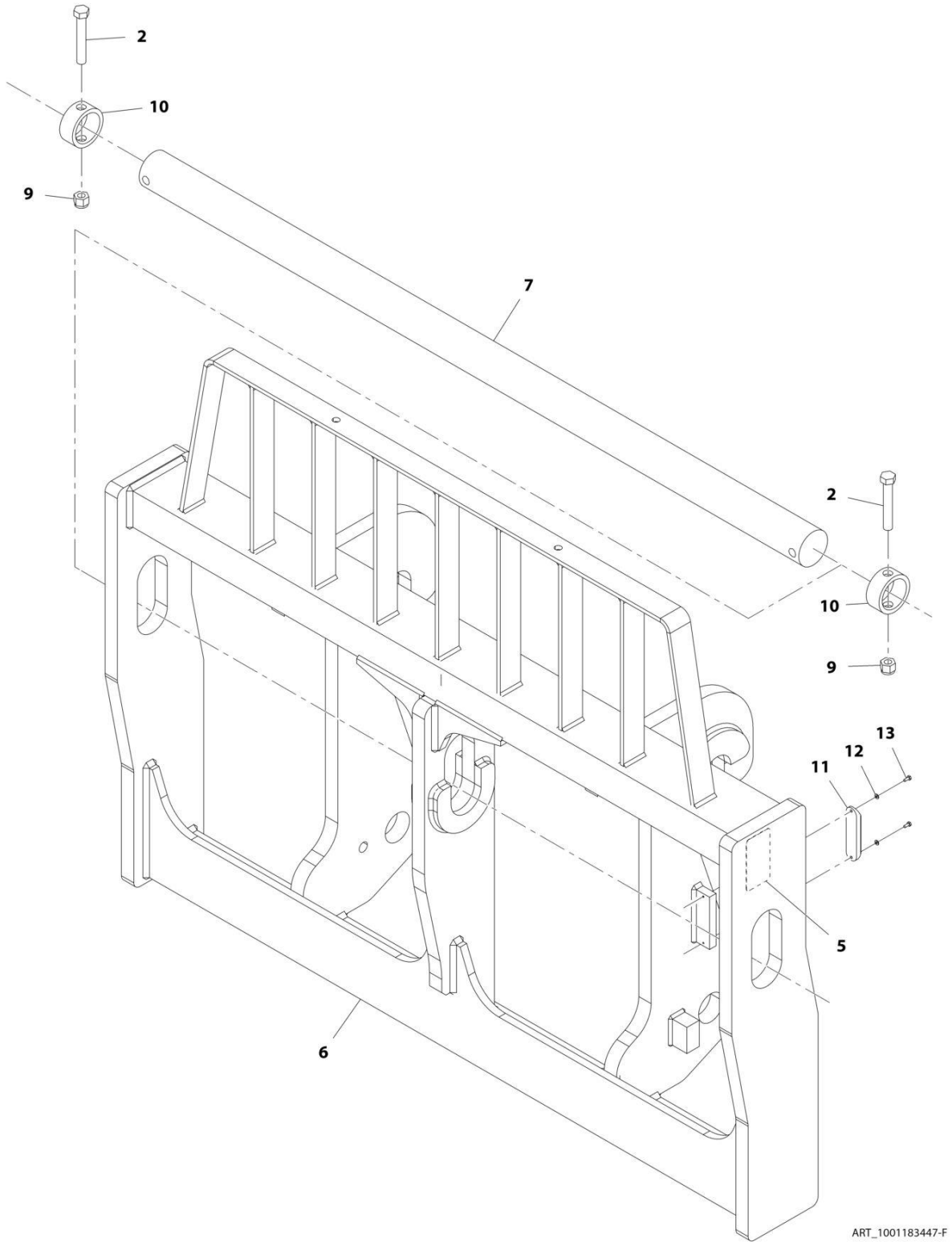
SECTION 3 - ATTACHMENTS

FIGURE 3-17. BUCKET - FORK MOUNTED (1.0M³)

ITEM	PART NUMBER	QTY	DESCRIPTION	REV
1	1001195970	Ref	Bucket 1.0 m ³ (Fork Mounted)	E
2	See Note	NSS	S/N Plate (Note: Stamped Part - Not Available for Purchase)	

SECTION 3 - ATTACHMENTS

FIGURE 3-18. CARRIAGE ASSEMBLY (60IN/1524MM)



ART_1001183447-F

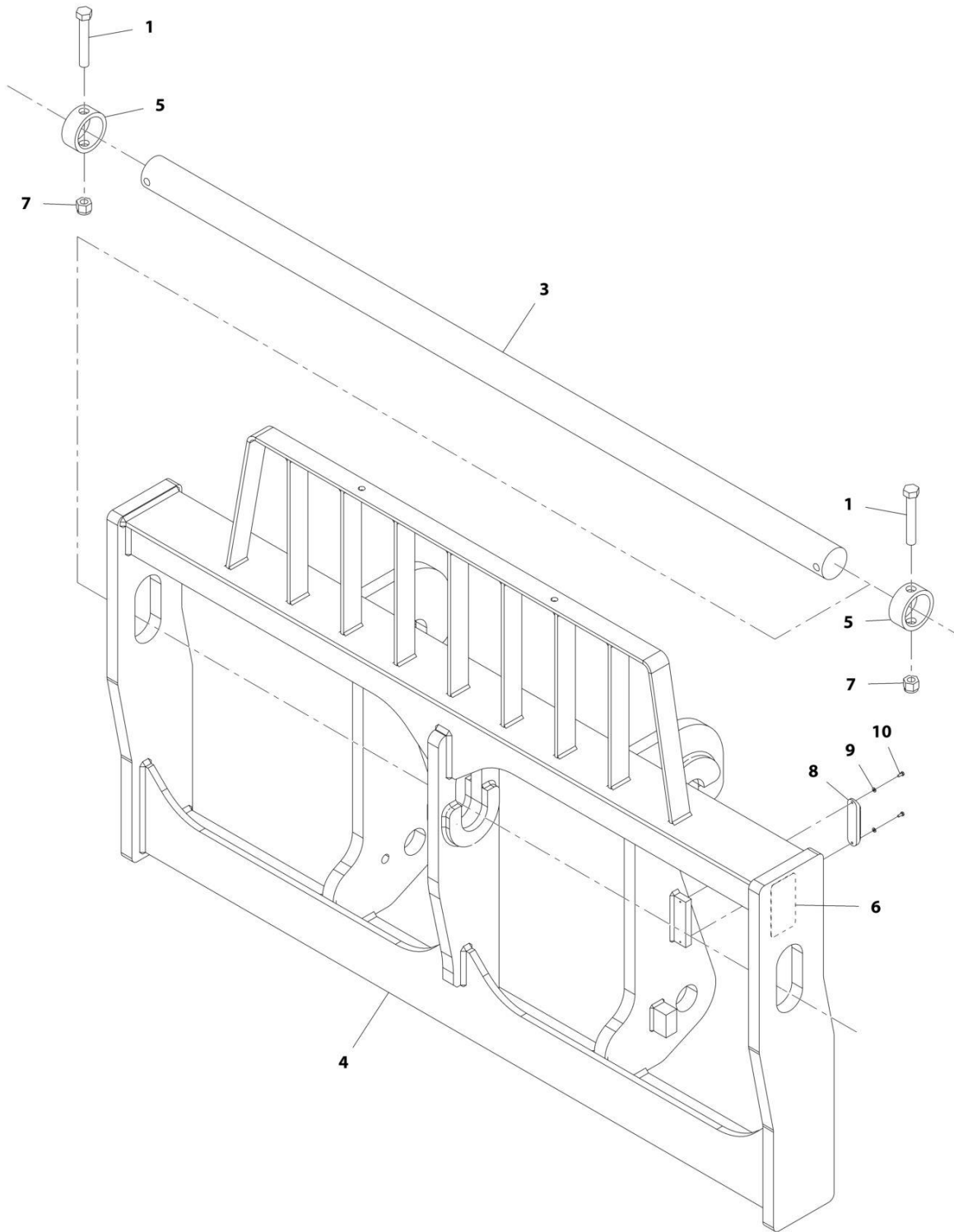
SECTION 3 - ATTACHMENTS

FIGURE 3-18. CARRIAGE ASSEMBLY (60IN/1524MM)

ITEM	PART NUMBER	QTY	DESCRIPTION	REV
	1001183447	1	Carriage Assembly (60in/1524mm)	F
2	0701628	2	Bolt, M16X110	
5	N.S.S.	1	S/N Plate	
6	N.S.S.	1	Weldment, Carriage	
7	1001191108	1	Pin	
9	3291605	2	Nut, Lock M16X2 Grade 8	
10	1001218755	2	Collar, Shaft	
11	1001227670	1	Tag, RFID	
12	4811400	2	Washer, M4	
13	0760405	2	Bolt, M4X10	

SECTION 3 - ATTACHMENTS

FIGURE 3-19. CARRIAGE ASSEMBLY (72IN/1829MM)



ART_1001214415-E

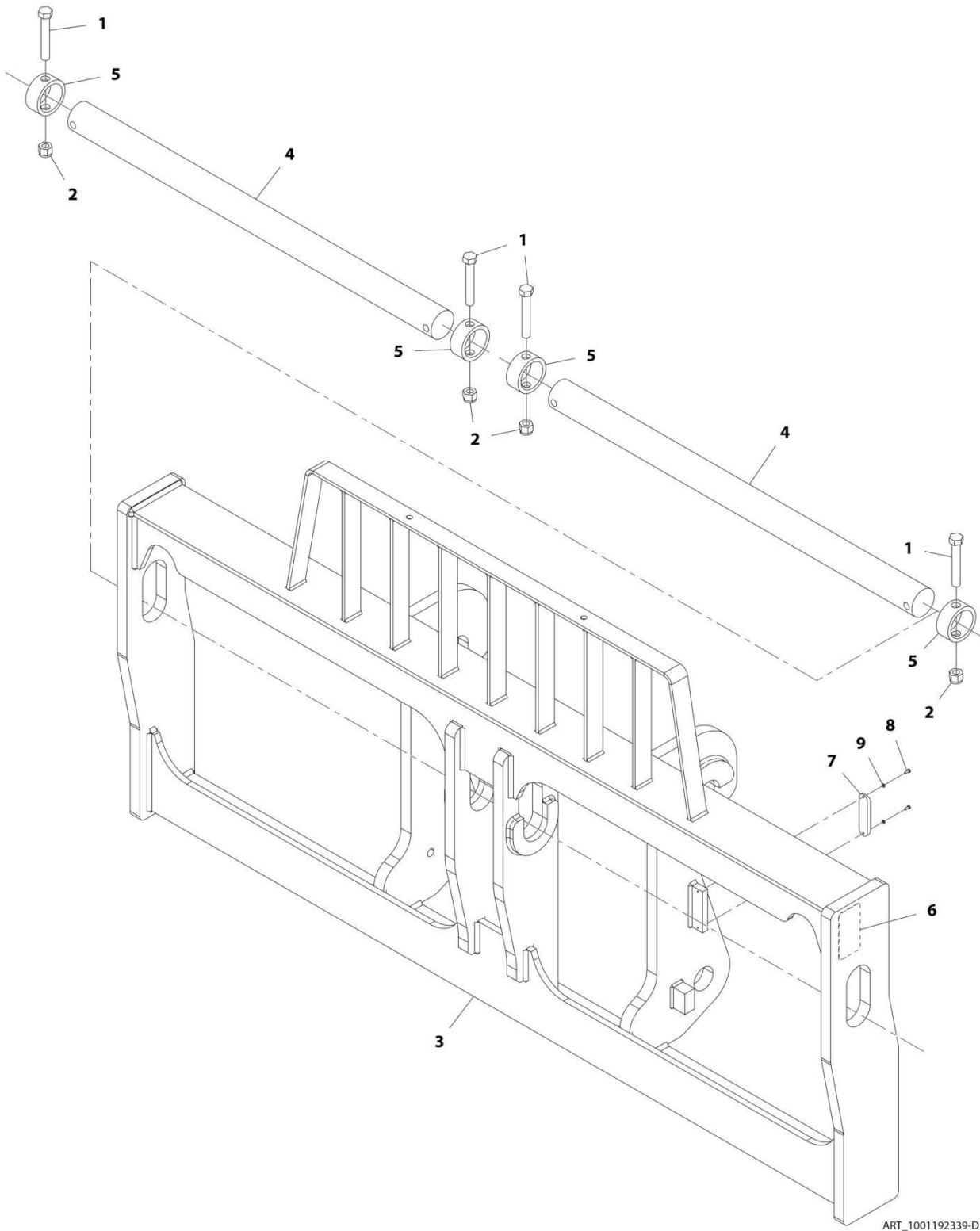
SECTION 3 - ATTACHMENTS

FIGURE 3-19. CARRIAGE ASSEMBLY (72IN/1829MM)

ITEM	PART NUMBER	QTY	DESCRIPTION	REV
	1001214415	Ref	Carriage Assembly (72in/1829mm)	E
1	0701628	2	Bolt, M16X110	
3	1001214254	1	Pin	
4	N.S.S.	1	Weldment, Carriage	
5	1001218755	2	Collar, Shaft	
6	N.S.S.	1	Plate, Serial Number	
7	3291605	2	Nut, Lock M16X2 Grade 8	
8	1001227670	1	Tag, RFID	
9	4811400	2	Washer, M4	
10	0760405	2	Bolt, M4X10	

SECTION 3 - ATTACHMENTS

FIGURE 3-20. CARRIAGE ASSEMBLY (87IN/2290MM)



ART_1001192339-D

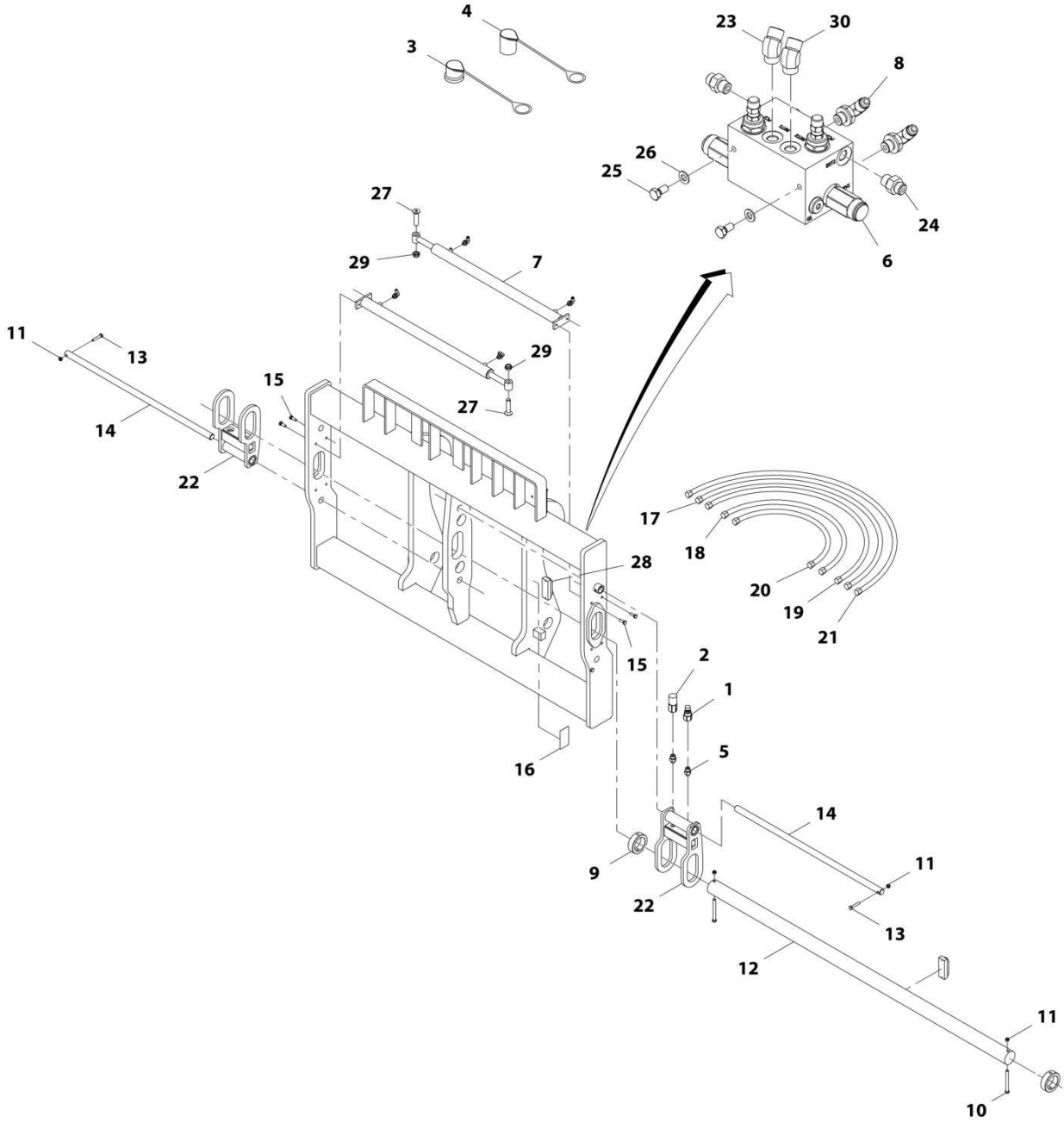
SECTION 3 - ATTACHMENTS

FIGURE 3-20. CARRIAGE ASSEMBLY (87IN/2290MM)

ITEM	PART NUMBER	QTY	DESCRIPTION	REV
	1001192339	1	Carriage Assembly (87in/2290mm)	D
1	0701628	4	Bolt, M16X110	
2	3291605	4	Nut, Lock M16X2 Grade 8	
3	N.S.S.	1	Weldment, Carriage	
4	1001218754	2	Pin	
5	1001218755	4	Collar, Shaft	
6	N.S.S.	1	Plate, Serial Number	
7	1001227670	1	Tag, RFID	
8	0760405	2	Bolt, M4X10	
9	4811400	2	Washer, M4	

SECTION 3 - ATTACHMENTS

FIGURE 3-21. CARRIAGE ASSEMBLY - DUAL FORK POSITIONING CARRIAGE (72IN/1829MM)



ART_1001192342-E

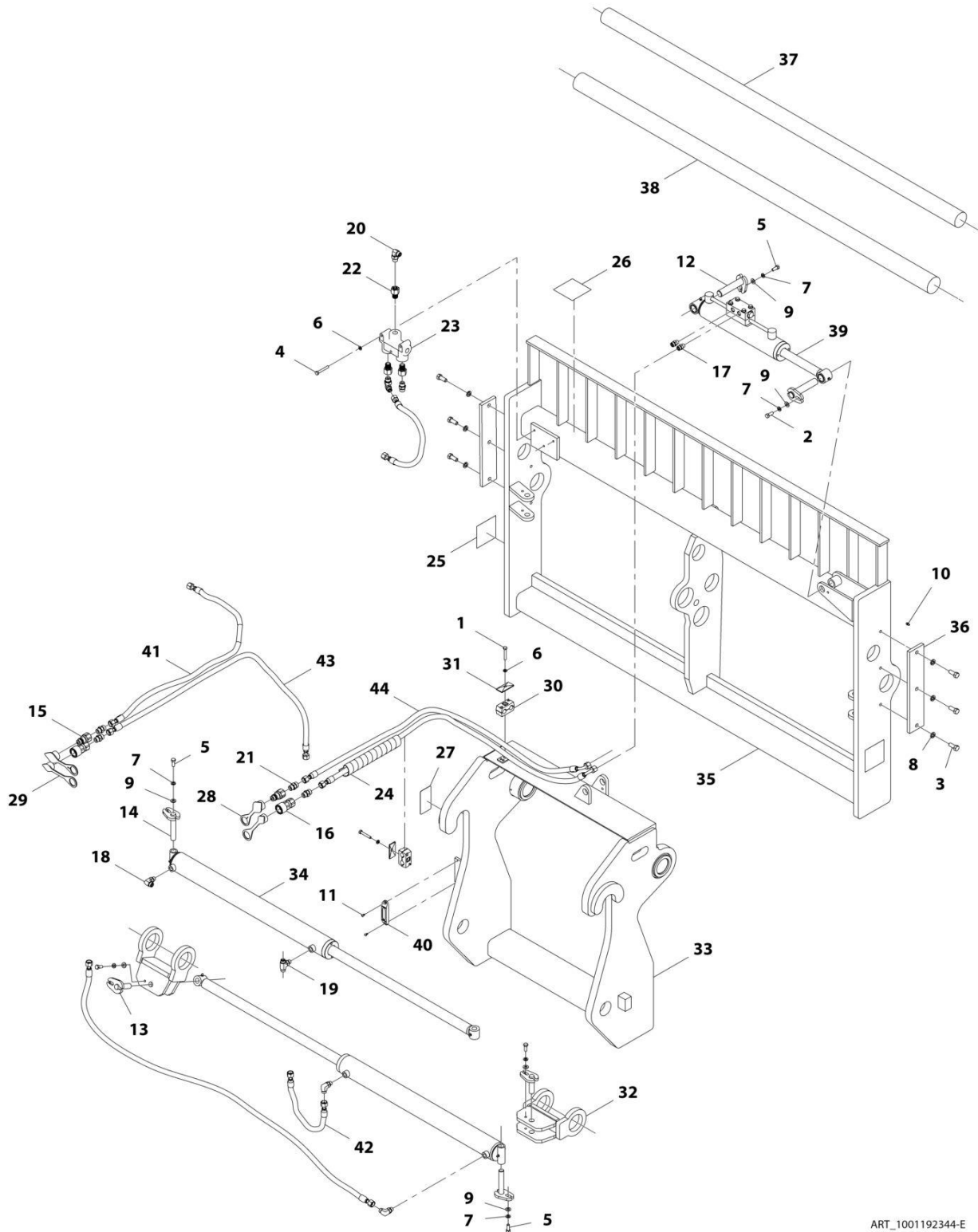
SECTION 3 - ATTACHMENTS

FIGURE 3-21. CARRIAGE ASSEMBLY - DUAL FORK POSITIONING CARRIAGE (72IN/1829MM)

ITEM	PART NUMBER	QTY	DESCRIPTION	REV
	1001192342	1	Dual Fork Positioning Carriage (72in/1829mm)	E
1	1001101041	1	Coupler, Male Hydraulic	
2	1001101042	1	Coupler, Female Hydraulic	
3	8420053	1	Cap	
4	8420055	1	Cap	
5	1001008834	2	Fitting, Straight	
6	70027896	1	Valve	
7	70028505	2	Cylinder, Forkpositioner	
8	2150606	4	Fitting, 45 ORFS	
9	70028506	2	Collar	
10	70027889	2	Bolt, M10x120	
11	70027890	4	Nut M10	
12	70028507	1	Shaft, Floating	
13	70027881	2	Bolt, M10x55	
14	70028508	2	Shaft, Forkpositioner	
15	70027880	4	Bolt, M10x30	
16	N.S.S.	1	S/N Plate	
17	70028509	1	Hose	
18	70028510	1	Hose	
19	70028511	1	Hose	
20	70028512	1	Hose	
21	70027899	2	Hose	
22	70028513	2	Cage, Fork	
23	2150606	1	Fitting, 45 ORFS	
24	2110606	2	Fitting, Straight ORFS	
25	70027882	2	Bolt, M8X16	
26	70027879	2	Washer	
27	70027888	3	Screw, Countersunk M20x80	
28	1001227670	1	Tag, RFID	
29	70027887	2	Nut, M20	
30	2170206	1	Fitting, 90 ORFS	

SECTION 3 - ATTACHMENTS

FIGURE 3-22. CARRIAGE ASSEMBLY - DUAL FORK POSITIONING SIDE SHIFT CARRIAGE (75IN/1899MM)



ART_1001192344-E

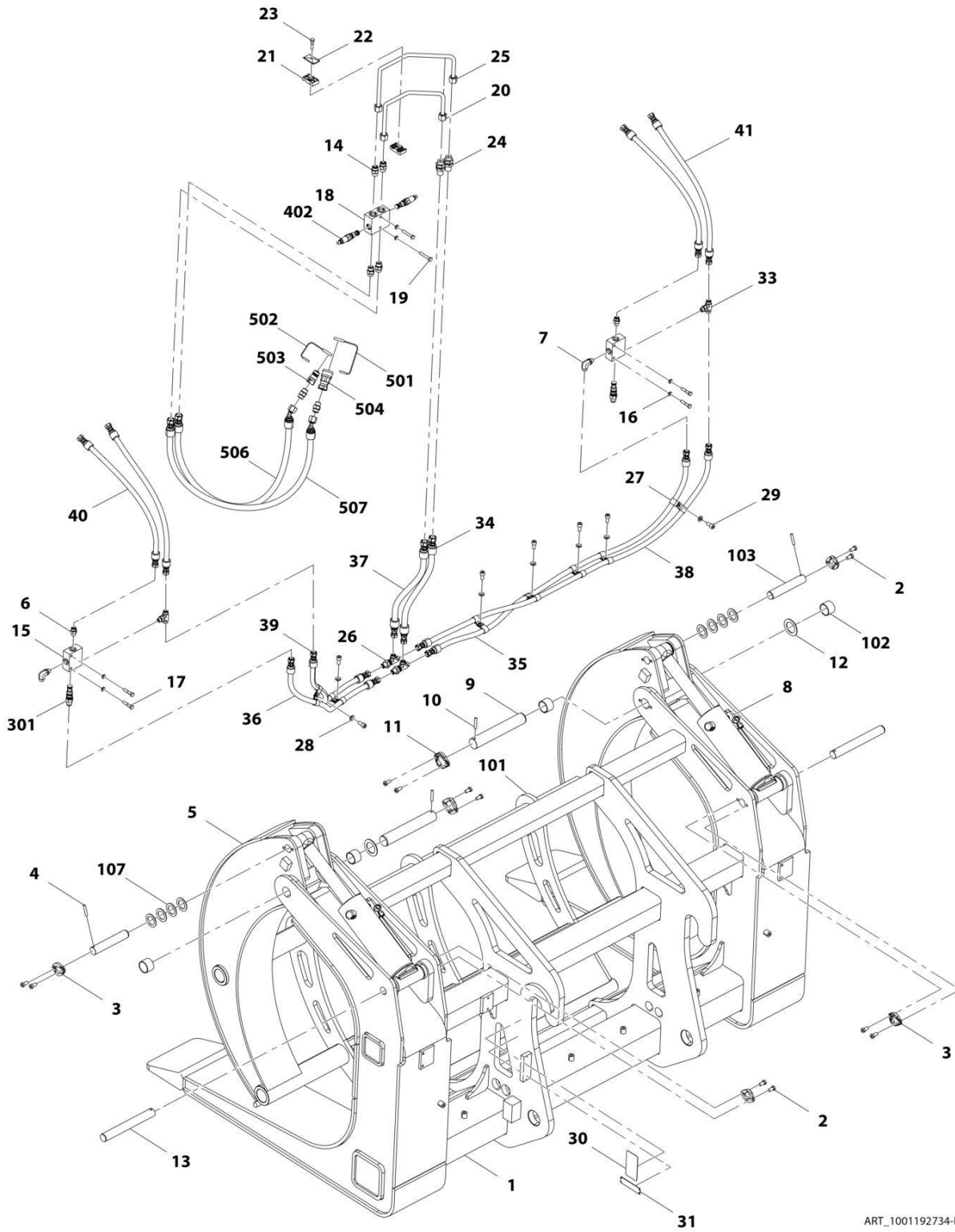
SECTION 3 - ATTACHMENTS

**FIGURE 3-22. CARRIAGE ASSEMBLY - DUAL FORK POSITIONING SIDE SHIFT CARRIAGE
(75IN/1899MM)**

ITEM	PART NUMBER	QTY	DESCRIPTION	REV
	1001192344	1	Dual Fork Positioning Side Shift Carriage (75in/1899mm)	F
1	70028485	2	Bolt	
2	70021349	1	Bolt, 3/8X1	
3	70027989	6	Bolt	
4	70028591	3	Bolt	
5	7029704	5	Bolt, 3/8-24X1	
6	90554067	5	Washer, Lock 5/16	
7	90554042	6	Washer, Lock 3/8	
8	90554020	6	Washer, Lock 1/2	
9	7029703	6	Washer, Flat	
10	90554045	1	Zerk, Grease	
11	70028554	2	Screw	
12	7029702	2	Pin	
13	70028592	2	Pin	
14	70028593	2	Pin	
15	1001101041	2	Adapter, Male Quick Disconnect	
16	1001101042	2	Adapter, Female Quick Disconnect	
17	70028486	2	Fitting	
18	70028525	3	Elbow, 90	
19	70028594	1	Fitting	
20	70028526	2	Elbow, 90	
21	70028488	5	Fitting	
22	70028595	3	Fitting	
23	70028596	1	Valve	
24	70028597	1	Protector, Hose	
25	90554017	2	Decal, Danger Pinch Point	
26	7029711	1	Decal, High Pressure	
27	N.S.S.	1	S/N Plate	
28	8420053	2	Plug, Dust	
29	8420055	2	Plug, Dust	
30	70028495	2	Clamp	
31	70028496	2	Plate, Clamp	
32	70028598	2	Clevis	
33	N.S.S.	1	Weldment	
34	70028599	2	Assembly, Fork Positioning Cylinder (See Separate Breakdown in HYDRAULIC COMPONENTS Section)	
35	N.S.S.	1	Weldment	
36	70028600	2	Pin	
37	70028601	1	Pin	
38	70028602	1	Pin	
39	70028603	1	Assembly, Side Shift Cylinder (See Separate Breakdown in HYDRAULIC COMPONENTS Section)	
40	1001227670	1	Tag, RFID	
41	70028604	2	Hose	
42	70028605	2	Hose	
43	70028606	1	Hose	
44	70028607	2	Hose	

SECTION 3 - ATTACHMENTS

FIGURE 3-23. CARRIAGE ASSEMBLY - LOG HANDLER CARRIAGE



ART_1001192734-D

SECTION 3 - ATTACHMENTS

FIGURE 3-23. CARRIAGE ASSEMBLY - LOG HANDLER CARRIAGE

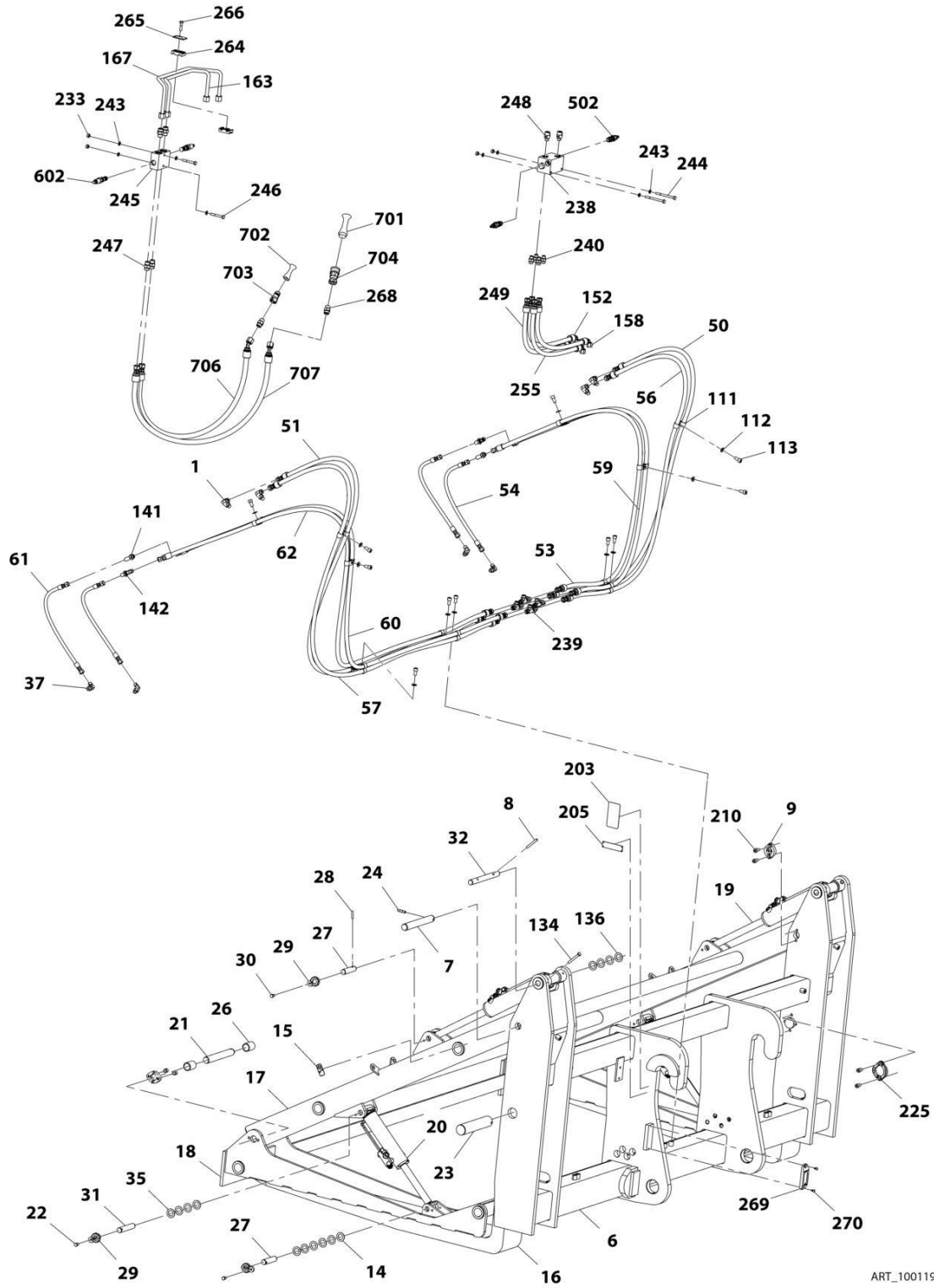
ITEM	PART NUMBER	QTY	DESCRIPTION	REV
	1001192734	Ref	Log Handler Carriage	E
1	N.S.S.	1	Frame	
2	70028701	8	Capscrew, M10X20	
3	70028702	2	Retainer	
4	70028703	4	Pin	
5	N.S.S.	1	Grapple	
6	70024130	2	Fitting, Straight	
7	70024123	2	Fitting, 90	
8	70028704	2	Assembly, Log Handler Carriage Cylinder (See Separate Breakdown in HYDRAULIC COMPONENTS Section)	
9	70028705	2	Pin	
10	70028706	2	Pin	
11	70028707	2	Retainer	
12	70028708	2	Shim	
13	70028709	2	Pin	
14	70022938	4	Fitting, Straight	
15	N.S.S.	2	Valve	
16	70024721	6	Washer, M8	
17	70028710	4	Capscrew	
18	N.S.S.	1	Valve, Relief	
19	70028711	2	Capscrew	
20	70028712	1	Pipe	
21	70028687	1	Clamp	
22	70028688	1	Plate, Cover	
23	70028689	1	Bolt, M8X35	
24	70028713	2	Fitting, Straight	
25	70028714	1	Pipe	
26	70028267	2	Fitting, Tee	
27	70026481	14	Clamp, Hose	
28	70026482	7	Washer, M10	
29	70028672	7	Bolt, M10X20	
30	N.S.S.	1	Plate, Serial Number	
31	N.S.S.	1	Plate, Name	
33	70028715	2	Fitting, Tee	
34	70028716	1	Hose	
35	70028717	1	Hose	
36	70028718	1	Hose	
37	70028719	1	Hose	
38	70028720	1	Hose	
39	70028721	1	Hose	
40	70028722	2	Hose	
41	70028723	2	Hose	
101	70028724	1	Arm	
102	70028725	4	Bearing	
103	70028726	2	Pin	
107	70028727	8	Shim	
301	70026504	2	Valve, Counterbalance	
402	70024772	2	Valve, Relief	
501	8420055	1	Plug, Dust	
502	8420053	1	Plug, Cap	

SECTION 3 - ATTACHMENTS

ITEM	PART NUMBER	QTY	DESCRIPTION	REV
503	1001101041	1	Adapter, Male Quick Disconnect	
504	1001101042	1	Adapter, Female Quick Disconnect	
506	70028734	1	Hose	
507	70028697	1	Hose	

SECTION 3 - ATTACHMENTS

FIGURE 3-24. CARRIAGE ASSEMBLY - PIPE HANDLER CARRIAGE



ART_1001192722-E

SECTION 3 - ATTACHMENTS

FIGURE 3-24. CARRIAGE ASSEMBLY - PIPE HANDLER CARRIAGE

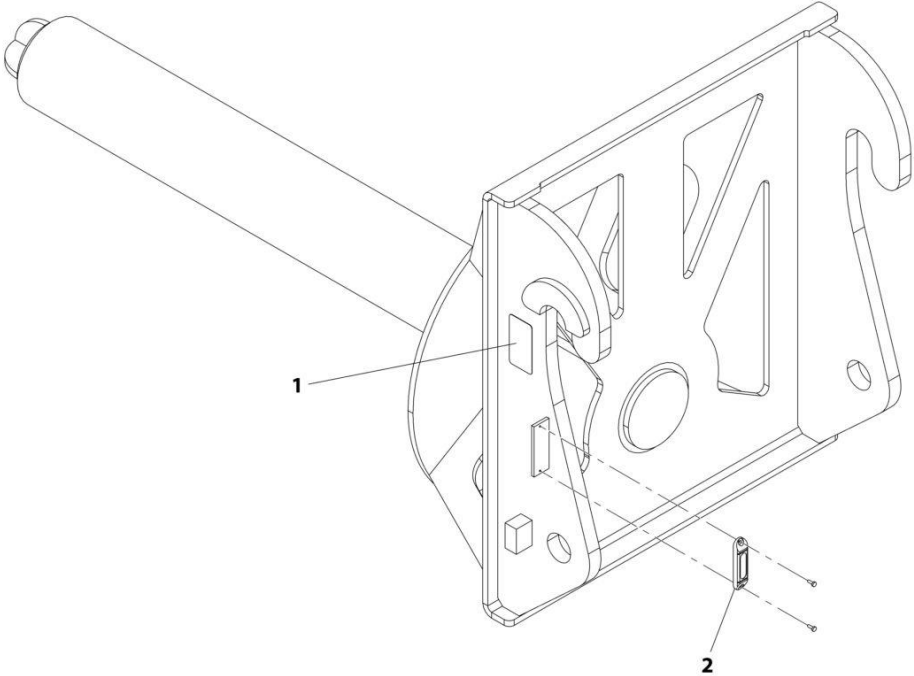
ITEM	PART NUMBER	QTY	DESCRIPTION	REV
	1001192722	Ref	Pipe Handler Carriage	F
1	70024123	4	Adapter, 90 (includes o-ring)	
6	N.S.S.	1	Carriage	
7	70028648	2	Pin	
8	70026471	4	Pin	
9	70026472	4	Retainer	
14	70026476	12	Shim	
15	70024538	2	Decal, Pinch Point	
16	70028649	2	Fork	
17	70028650	1	Arm	
18	70028651	1	Pad, Contact	
19	70028652	1	Assembly, Upper Cylinder (See Separate Breakdown in HYDRAULIC COMPONENTS Section)	
20	70028653	1	Assembly, Lower Cylinder (See Separate Breakdown in HYDRAULIC COMPONENTS Section)	
21	70028654	2	Pin	
22	70026473	4	Capscrew, M10X12	
23	70028655	2	Pin	
24	70028405	2	Pin	
26	70026501	8	Bushing	
27	70028656	4	Pin	
28	70028253	6	Pin	
29	70028262	6	Retainer	
30	70028657	6	Bolt, M8X16	
31	70028658	2	Pin	
32	70028659	2	Pin	
35	70028660	8	Shim	
37	70028661	4	Fittin, 90	
50	70028662	1	Hose	
51	70028663	1	Hose	
53	70028664	1	Hose	
54	70028665	2	Hose	
56	70028666	1	Hose	
57	70028667	1	Hose	
59	70028668	1	Hose	
60	70028669	1	Hose	
61	70028670	2	Hose	
62	70028671	1	Hose	
111	70026481	24	Clamp, Hose	
112	70026482	12	Washer	
113	70028672	12	Bolt, M10X20	
134	70028406	2	Capscrew	
136	70028767	4	Shim	
141	70028768	2	Fitting, Straight	
142	70028673	2	Fitting, 45	
152	70028674	1	Hose	
158	70028675	1	Hose	
163	70028676	1	Pipe	
167	70028677	1	Pipe	
203	N.S.S.	1	Plate, Serial Number	

SECTION 3 - ATTACHMENTS

ITEM	PART NUMBER	QTY	DESCRIPTION	REV
205	N.S.S.	1	Plate, Name	
210	70028678	8	Bolt	
225	70028679	2	Retainer	
233	70028680	6	Nut, M8	
238	N.S.S.	1	Valve	
239	70028267	4	Fitting, Straight	
240	70024130	4	Fitting, Straight	
243	70024721	8	Washer, M8	
244	70028681	2	Bolt, M8X90	
245	N.S.S.	1	Valve, Relief	
246	70028682	2	Bolt, M8X60	
247	70028683	2	Fitting, Straight	
248	70028684	2	Fitting, Straight	
249	70028685	1	Hose	
255	70028686	1	Hose	
264	70028687	1	Clamp	
265	70028688	1	Cover	
266	70028689	1	Bolt, M8X35	
268	70022938	4	Fitting, Straight	
269	1001227670	1	Tag, RFID	
270	70028690	2	Bolt, M4X16	
501	N.S.S.	1	Valve, Relief	
502	70024772	2	Valve, Cartridge	
601	N.S.S.	1	Valve, Sequence	
602	70028695	2	Valve, Cartridge	
701	8420055	1	Plug, Dust	
702	8420053	1	Plug, Cap	
703	1001101041	1	Adapter, Male Quick Disconnect	
704	1001101042	1	Adapter, Female Quick Disconnect	
706	70028696	1	Hose	
707	70028697	1	Hose	

SECTION 3 - ATTACHMENTS

FIGURE 3-25. CARRIAGE ASSEMBLY - STEEL COIL HANDLER CARRIAGE



ART_1001192735-F

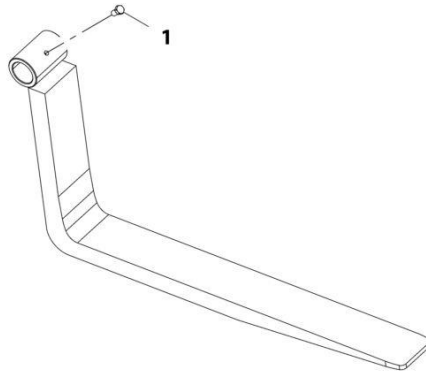
SECTION 3 - ATTACHMENTS

FIGURE 3-25. CARRIAGE ASSEMBLY - STEEL COIL HANDLER CARRIAGE

ITEM	PART NUMBER	QTY	DESCRIPTION	REV
	1001192735	1	Steel Coil Handler Carriage	G
1	N.S.S.	1	Plate, Serial Number	
2	1001227670	1	Tag, RFID	

SECTION 3 - ATTACHMENTS

FIGURE 3-26. FORK - PALLET (2.25X6X48)



ART_1001196952-B

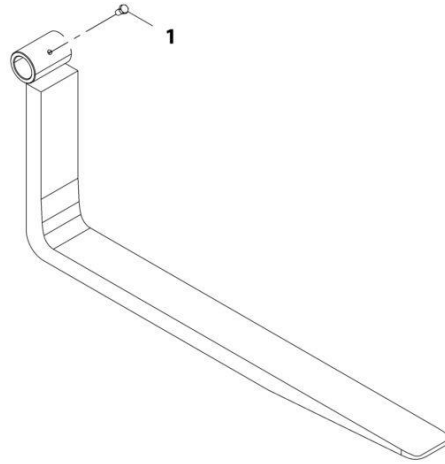
SECTION 3 - ATTACHMENTS

FIGURE 3-26. FORK - PALLET (2.25X6X48)

ITEM	PART NUMBER	QTY	DESCRIPTION	REV
1	1001196952	1	Pallet Fork (2.25X6X48)	B
	70027180	1	Screw, M16X30	
	Note	Ref	<p>FORKS RATED LESS THAN THE ATTACHMENT OR MACHINE'S CAPACITY DECREASES CAPACITY OF THE ATTACHMENT OR MACHINE TO THAT OF THE FORKS. FORKS RATED MORE THAN THE ATTACHMENT OR MACHINE'S CAPACITY DO NOT INCREASE ATTACHMENT OR MACHINE'S CAPACITY.</p>	
	Note	Ref	<p>PLEASE CONSULT JLG PARTS DEPARTMENT TO DETERMINE THE CORRECT FORKS APPLICABLE TO YOUR SPECIFIC CARRIAGE ASSEMBLY AND APPLICATION.</p>	

SECTION 3 - ATTACHMENTS

FIGURE 3-27. FORK - PALLET (2.25X6X60)



ART_1001196951-B

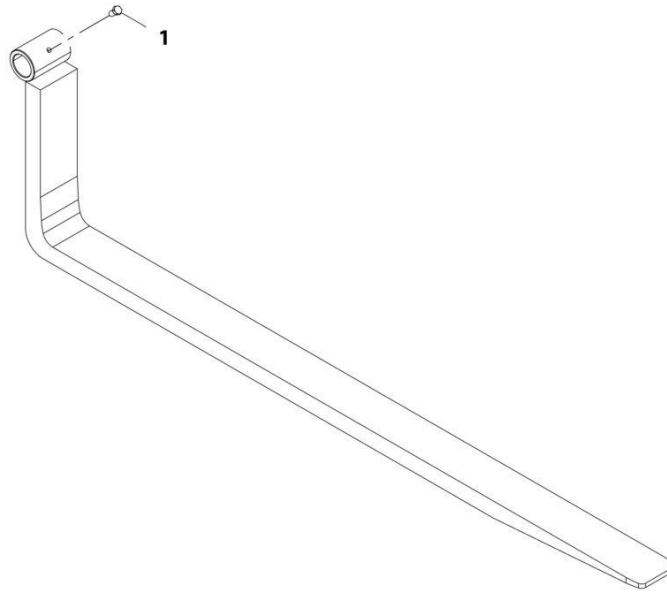
SECTION 3 - ATTACHMENTS

FIGURE 3-27. FORK - PALLET (2.25X6X60)

ITEM	PART NUMBER	QTY	DESCRIPTION	REV
1	1001196951	1	Pallet Fork (2.25X6X60)	B
	70027180	1	Screw, M16X30	
	Note	Ref	<p>FORKS RATED LESS THAN THE ATTACHMENT OR MACHINE'S CAPACITY DECREASES CAPACITY OF THE ATTACHMENT OR MACHINE TO THAT OF THE FORKS. FORKS RATED MORE THAN THE ATTACHMENT OR MACHINE'S CAPACITY DO NOT INCREASE ATTACHMENT OR MACHINE'S CAPACITY.</p>	
	Note	Ref	<p>PLEASE CONSULT JLG PARTS DEPARTMENT TO DETERMINE THE CORRECT FORKS APPLICABLE TO YOUR SPECIFIC CARRIAGE ASSEMBLY AND APPLICATION.</p>	

SECTION 3 - ATTACHMENTS

FIGURE 3-28. FORK - PALLET (2.25X6X72)



ART_1001196950-B

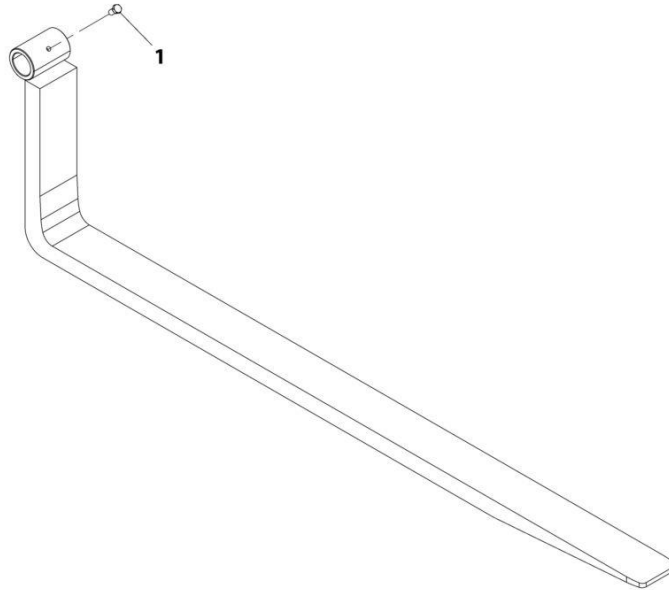
SECTION 3 - ATTACHMENTS

FIGURE 3-28. FORK - PALLET (2.25X6X72)

ITEM	PART NUMBER	QTY	DESCRIPTION	REV
1	1001196950	1	Pallet Fork (2.25X6X72)	B
	70027180	1 2	Screw, M16X30	
	Note	Ref	<p>FORKS RATED LESS THAN THE ATTACHMENT OR MACHINE'S CAPACITY DECREASES CAPACITY OF THE ATTACHMENT OR MACHINE TO THAT OF THE FORKS. FORKS RATED MORE THAN THE ATTACHMENT OR MACHINE'S CAPACITY DO NOT INCREASE ATTACHMENT OR MACHINE'S CAPACITY.</p>	
	Note	Ref	<p>PLEASE CONSULT JLG PARTS DEPARTMENT TO DETERMINE THE CORRECT FORKS APPLICABLE TO YOUR SPECIFIC CARRIAGE ASSEMBLY AND APPLICATION.</p>	

SECTION 3 - ATTACHMENTS

FIGURE 3-29. FORK - PALLET (2.25X6X96)



ART_1001196949-B

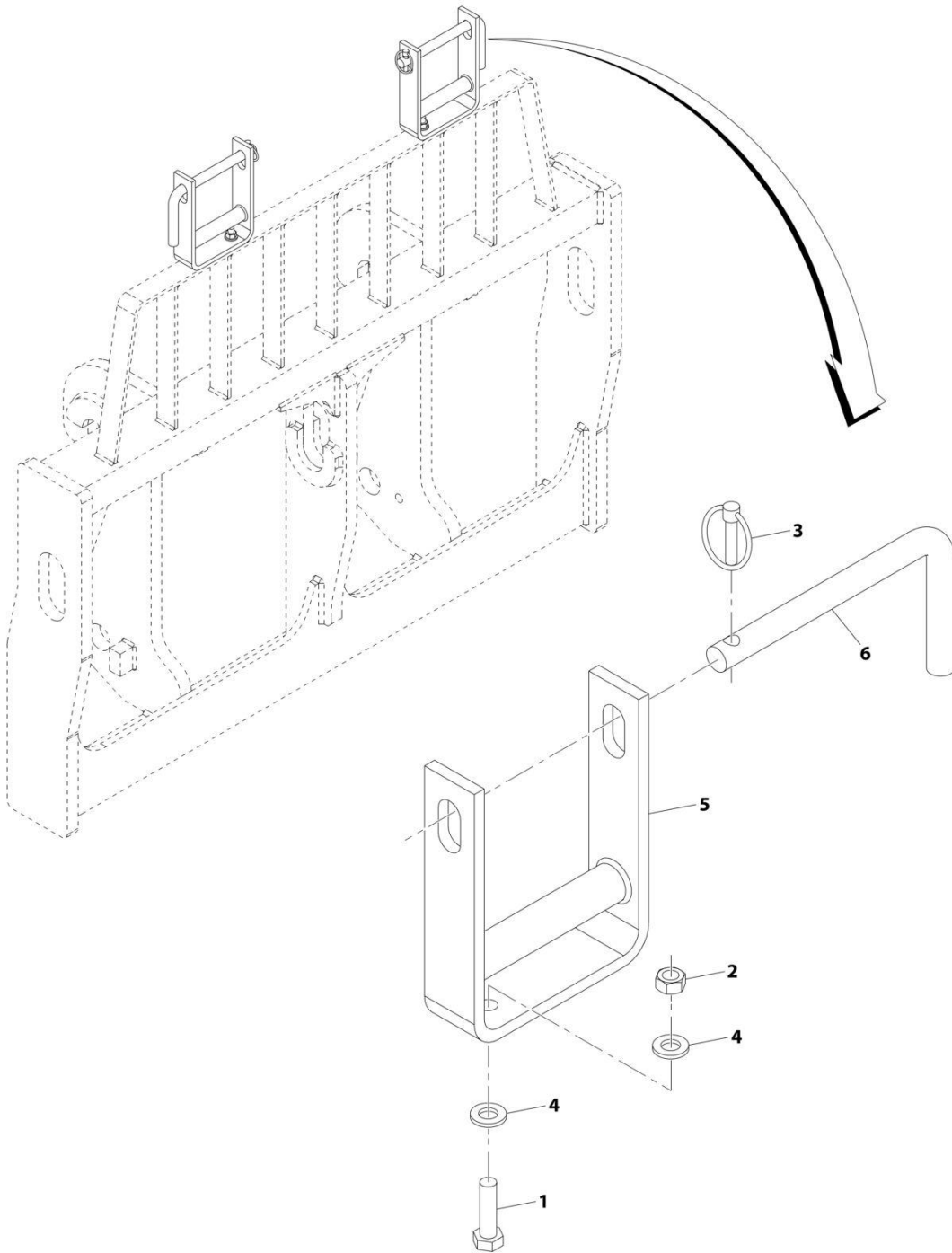
SECTION 3 - ATTACHMENTS

FIGURE 3-29. FORK - PALLET (2.25X6X96)

ITEM	PART NUMBER	QTY	DESCRIPTION	REV
1	1001196949	1	Pallet Fork (2.25X6X96)	B
	70027180	1 2	Screw, M16X30	
	Note	Ref	<p>FORKS RATED LESS THAN THE ATTACHMENT OR MACHINE'S CAPACITY DECREASES CAPACITY OF THE ATTACHMENT OR MACHINE TO THAT OF THE FORKS. FORKS RATED MORE THAN THE ATTACHMENT OR MACHINE'S CAPACITY DO NOT INCREASE ATTACHMENT OR MACHINE'S CAPACITY.</p>	
	Note	Ref	<p>PLEASE CONSULT JLG PARTS DEPARTMENT TO DETERMINE THE CORRECT FORKS APPLICABLE TO YOUR SPECIFIC CARRIAGE ASSEMBLY AND APPLICATION.</p>	

SECTION 3 - ATTACHMENTS

FIGURE 3-30. FORK RETENTION INSTALLATION



ART_1001196778-C

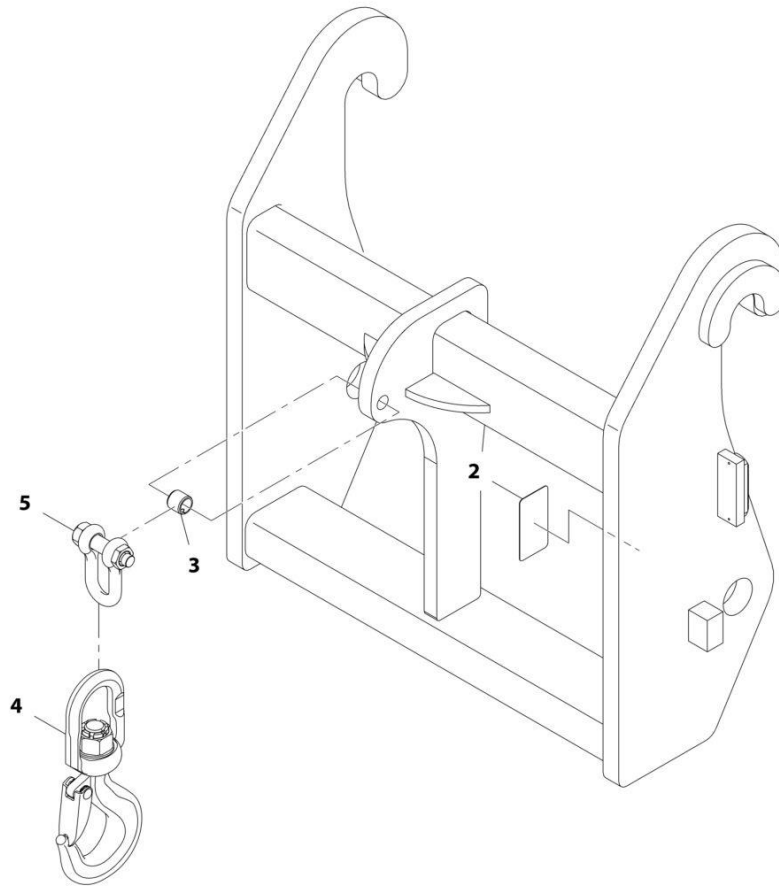
SECTION 3 - ATTACHMENTS

FIGURE 3-30. FORK RETENTION INSTALLATION

ITEM	PART NUMBER	QTY	DESCRIPTION	REV
	1001196778	Ref	Fork Retention Installation	C
1	0761217	1	Bolt, M12X45	
2	3291201	1	Nut, M12X1.75	
3	1001109387	1	Pin, Linch	
4	5241200	2	Washer, M12	
5	1001196779	1	Bracket, Fork Retention	
6	1001196782	1	Pin, Fork Retention	

SECTION 3 - ATTACHMENTS

FIGURE 3-31. HOOK - CRANK (7.6 TON)



ART_1001192700-E

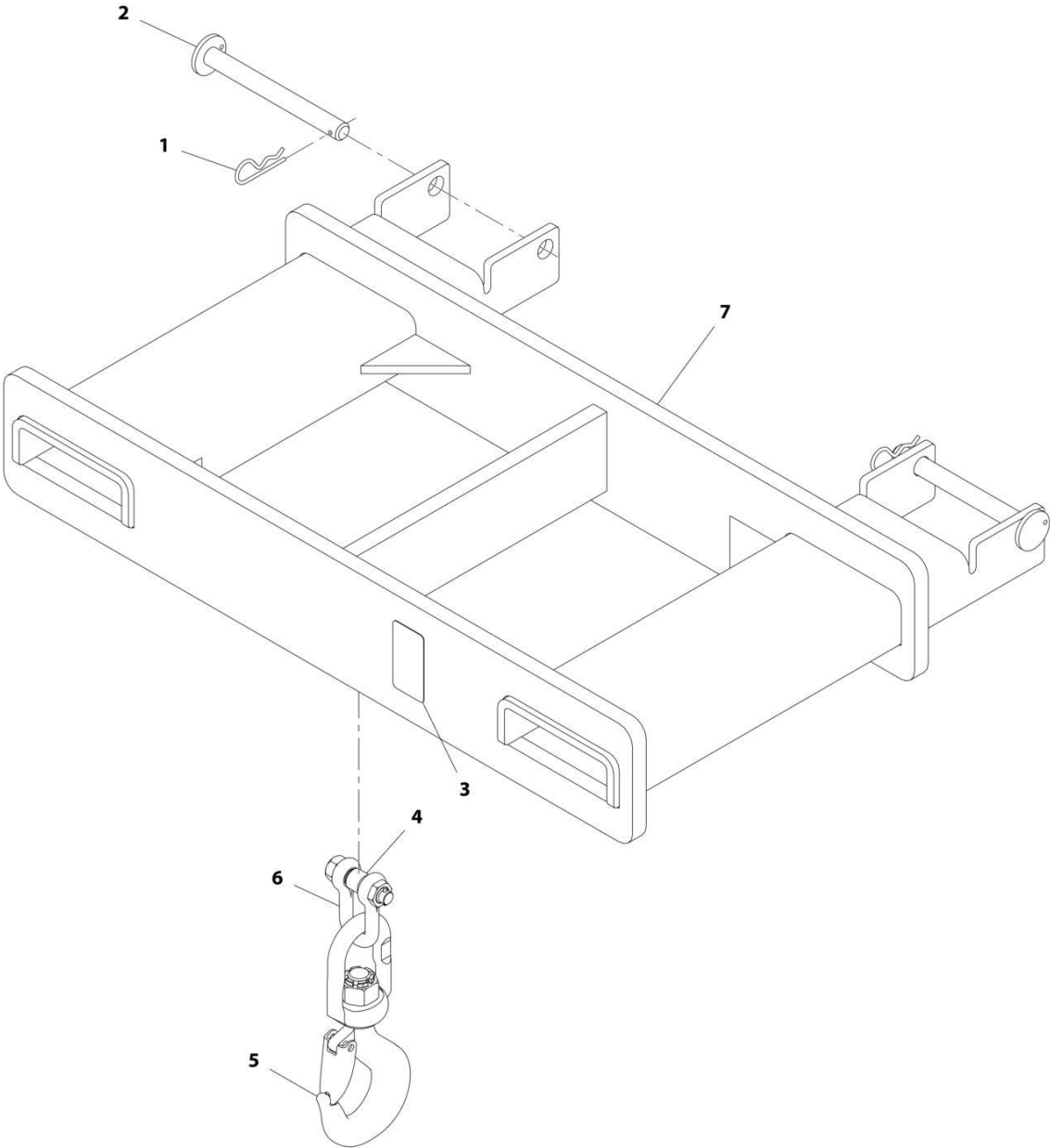
SECTION 3 - ATTACHMENTS

FIGURE 3-31. HOOK - CRANK (7.6 TON)

ITEM	PART NUMBER	QTY	DESCRIPTION	REV
	1001192700	1	Crane Hook (7.6 ton)	F
2	90554016	1	Decal, Made in USA	
3	70020555	1	Bushing	
4	70026745	1	Hook, Swivel	
5	70026746	1	Shackle, Chain	

SECTION 3 - ATTACHMENTS

FIGURE 3-32. HOOK - FORK MOUNTED



ART_1001193803-C

SECTION 3 - ATTACHMENTS

FIGURE 3-32. HOOK - FORK MOUNTED

ITEM	PART NUMBER	QTY	DESCRIPTION	REV
	1001193803	Ref	Hook Attach, Fork Mounted	D
1	7029520	2	Pin, Cotter	
2	1001093171	2	Pin	
3	N.S.S.	1	S/N Plate	
4	70020555	1	Bushing	
5	70026745	1	Hook	
6	70026746	1	Shackle, Chain	
7	N.S.S.	1	Weldment, Crane Hook	

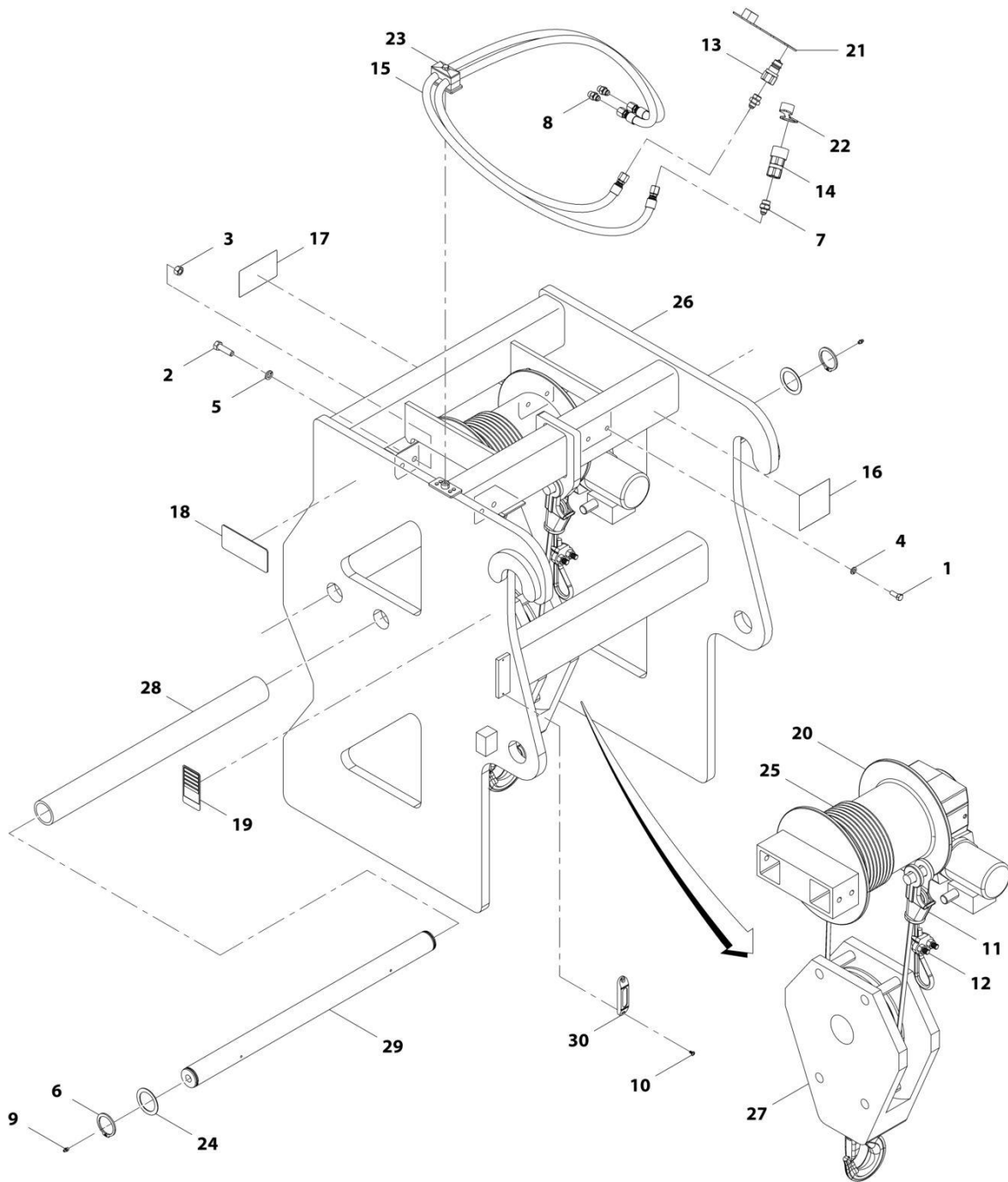
SECTION 3 - ATTACHMENTS

FIGURE 3-33. HOPPER - TRASH

ITEM	PART NUMBER	QTY	DESCRIPTION	REV
	1001238566	Ref	FORK MOUNTED TRASH HOPPER	C
1	0700614	4	Bolt M6 x 30	
2	3290601	4	Nut M6 x 1	
3	3391410	6	Pin	
4	4811700	8	Washer M6	
5	5242400	4	Washer M24	
6	1706302	2	Decal, Pinch Point	
7	0641510	2	Bolt 5/16 x 1-1/4	
8	3311502	2	Nut 5/16	
9	1001192711	1	Door Assembly	
10	1001192720	1	Hook Assembly	
11	See Note	NSS	Hopper, Trash (Note: Purchase Complete Assembly)	
12	1001192875	1	Tray Assembly	
13	1001192876	2	Arm, Swing	
14	1001192877	1	Rod, Swing	
15	1001238570	1	Bar	
16	1001193540	2	Pin	
17	1001193729	2	Plate	
18	1001198355	2	Spacer	
19	1001238560	2	Pin	
20	See Note	NSS	SN Plate (Note: Stamped Part - Not Available for Purchase)	
21	1001203503	1	Decal, Trash Hopper Operation	

SECTION 3 - ATTACHMENTS

FIGURE 3-34. WINCH - COUPLER MOUNTED



ART_1001192702-C

SECTION 3 - ATTACHMENTS

FIGURE 3-34. WINCH - COUPLER MOUNTED

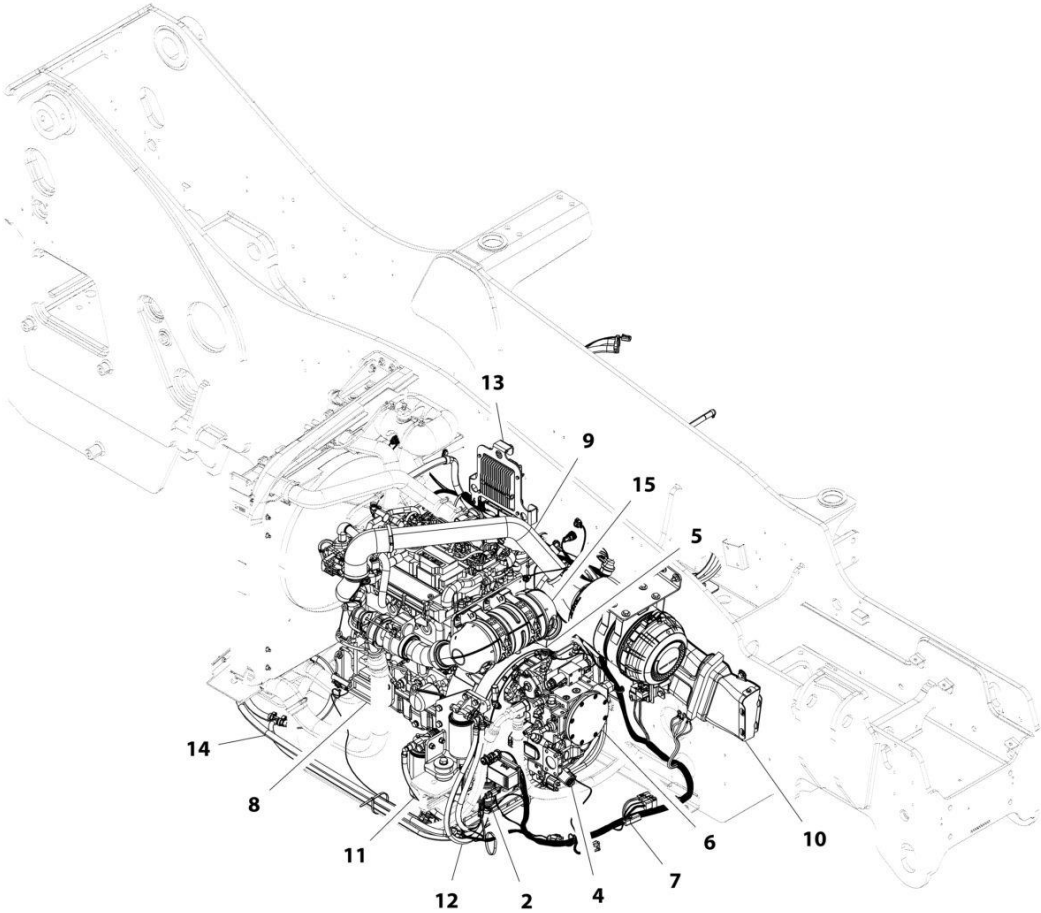
ITEM	PART NUMBER	QTY	DESCRIPTION	REV
	1001192702	Ref	Coupler Mounted Winch	D
1	70021349	4	Bolt, 3/8X1	
2	70024059	4	Bolt, 1/2X1-3/4	
3	90554054	4	Nut, 1/2	
4	90554042	4	Washer, Lock 3/8	
5	90554020	4	Washer, Lock 1/2	
6	70028860	4	Ring, Snap	
7	70021397	2	Fitting, Straight	
8	70021415	2	Fitting, Straight	
9	90554045	4	Grease, Fitting	
10	70028554	2	Screw	
11	70021979	1	Assembly, Socket (includes pin and cotter pin)	
12	70022528	1	Clamp	
13	91403414	1	Adapter, Male Quick Disconnect	
14	91403413	1	Adapter, Female Quick Disconnect	
15	70028861	2	Hose	
16	7029711	1	Decal, High Pressure	
17	70024064	1	Decal, Do Not Tow	
18	4110422	2	Decal, Warning Swinging Loads	
19	N.S.S.	1	Plate, Serial Number	
20	70028862	1	Winch	
21	8420053	1	Cap, Dust	
22	8420055	1	Cap, Dust	
23	70021387	1	Clamp, Hose	
24	70028863	4	Washer	
25	70028864	1	Cable	
26	N.S.S.	1	Weldment, Frame	
27	70028865	1	Hook	
28	70028866	2	Roller Tube, Winch	
29	70028867	2	Roller Bar, Winch	
30	1001227670	1	Tag, RFID	

SECTION 4 - ENGINE AND ATTACHING PARTS

SECTION 4 - ENGINE AND ATTACHING PARTS

SECTION 4 - ENGINE AND ATTACHING PARTS

FIGURE 4-1. ENGINE POD COMPONENT INSTALLATION (ULS)



ART_1001200443-D

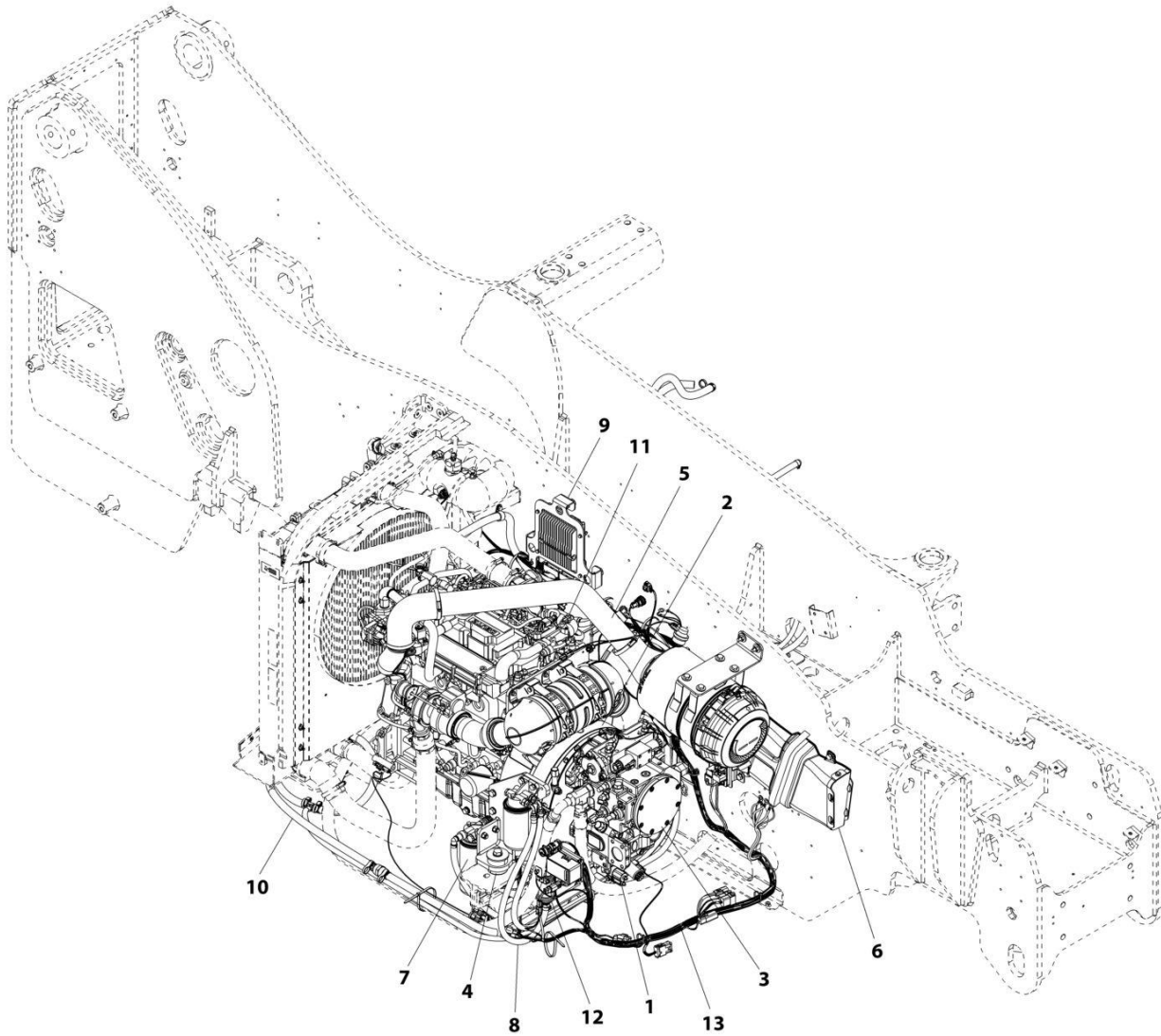
SECTION 4 - ENGINE AND ATTACHING PARTS

FIGURE 4-1. ENGINE POD COMPONENT INSTALLATION (ULS)

ITEM	PART NUMBER	QTY	DESCRIPTION	REV
	1001200443	Ref	Engine Pod Component Installation (ULS)	E
2	1001221041	1	Installation, Remote Fuel Pump (See Separate Breakdown in this Section)	
4	1001193393	1	Installation, Implement Pump (See Separate Breakdown in this Section)	
5	1001193703	1	Installation, Hydrostatic Adaptor (See Separate Breakdown in this Section)	
6	1001193704	1	Installation, Hydrostatic Drive Pump (See Separate Breakdown in this Section)	
7	1001200106	1	Installation, Engine Wiring (See Separate Breakdown in ELECTRICAL Section)	
8	1001200862	1	Installation, Engine Mount (See Separate Breakdown in this Section)	
9	1001200863	1	Installation, Air Intake (See Separate Breakdown in this Section)	
10	1001200864	1	Installation, Air Cleaner (See Separate Breakdown in this Section)	
11	1001200865	1	Installation, Primary Fuel Filter (See Separate Breakdown in this Section)	
12	1001200866	1	Installation, Fuel Lines (See Separate Breakdown in this Section)	
13	1001284538	1	Installation, Engine ECU (See Separate Breakdown in ELECTRICAL Section)	
14	1001293070	1	Installation, DEF Coolant Lines (See Separate Breakdown in this Section)	
15	1001201425	1	Installation, Engine (See Separate Breakdown in this Section)	

SECTION 4 - ENGINE AND ATTACHING PARTS

FIGURE 4-2. ENGINE POD COMPONENT INSTALLATION (MINING) (ULS)



ART_1001228727-A

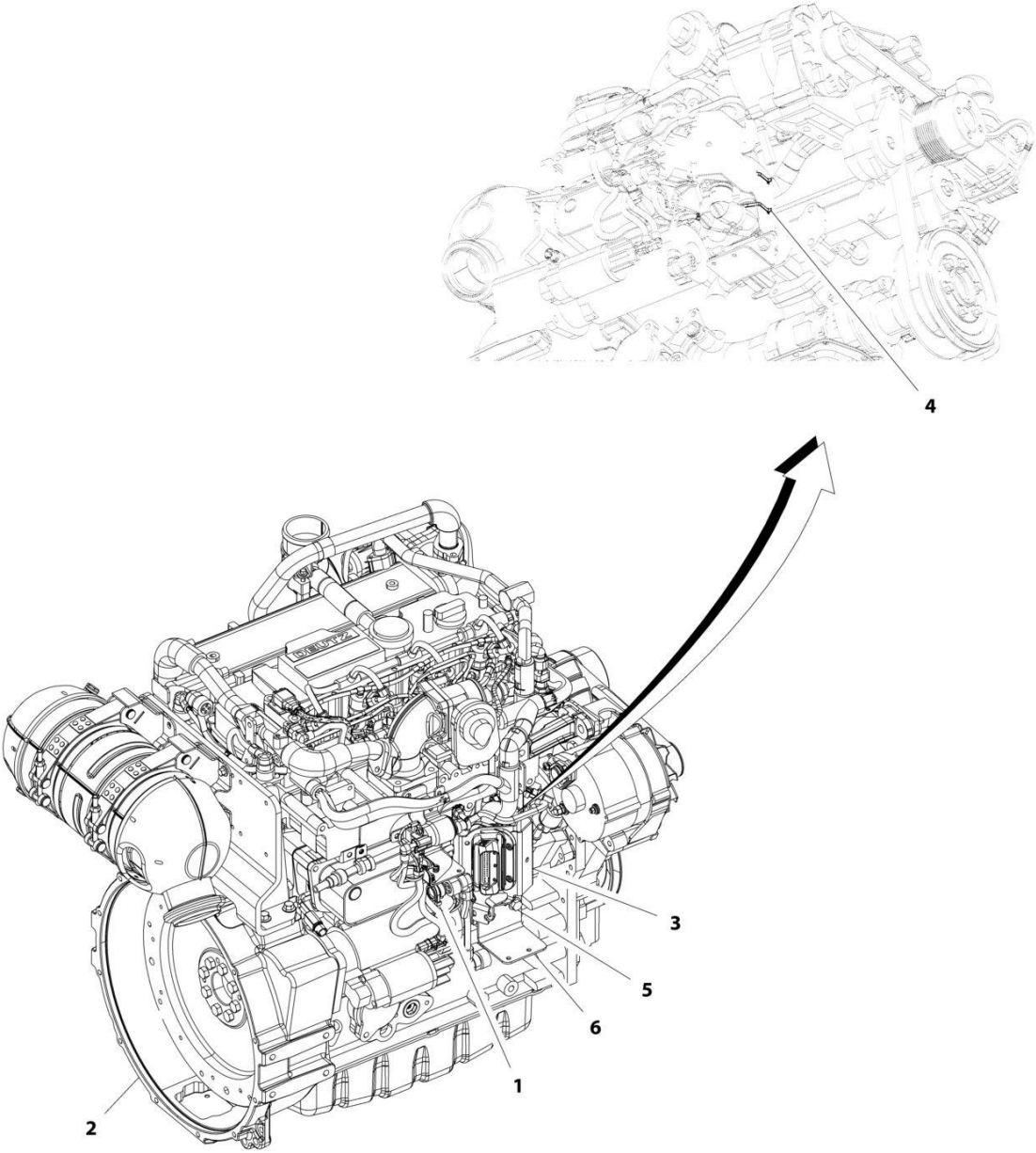
SECTION 4 - ENGINE AND ATTACHING PARTS

FIGURE 4-2. ENGINE POD COMPONENT INSTALLATION (MINING) (ULS)

ITEM	PART NUMBER	QTY	DESCRIPTION	REV
	1001228727	Ref	Engine Pod Component Installation (Mining) (ULS)	B
1	1001193393	1	Installation, Implement Pump (See Separate Breakdown in this Section)	
2	1001193703	1	Installation, Hydrostatic Adaptor (See Separate Breakdown in this Section)	
3	1001193704	1	Installation, Hydrostatic Drive Pump (See Separate Breakdown in this Section)	
4	1001200862	1	Installation, Engine Mount (See Separate Breakdown in this Section)	
5	1001200863	1	Installation, Air Intake (See Separate Breakdown in this Section)	
6	1001200864	1	Installation, Air Cleaner (See Separate Breakdown in this Section)	
7	1001200865	1	Installation, Primary Fuel Filter (See Separate Breakdown in this Section)	
8	1001200866	1	Installation, Fuel Lines (See Separate Breakdown in this Section)	
9	1001284538	1	Installation, Engine ECU (See Separate Breakdown in ELECTRICAL Section)	
10	1001293070	1	Installation, DEF Coolant Lines (See Separate Breakdown in this Section)	
11	1001201425	1	Installation, Engine (See Separate Breakdown in this Section)	
12	1001221041	1	Installation, Remote Fuel Pump (See Separate Breakdown in this Section)	
13	1001228728	1	Installation, Engine Wiring (See Separate Breakdown in ELECTRICAL Section)	

SECTION 4 - ENGINE AND ATTACHING PARTS

FIGURE 4-3. ENGINE INSTALLATION (ULS)



ART_1001201425-D

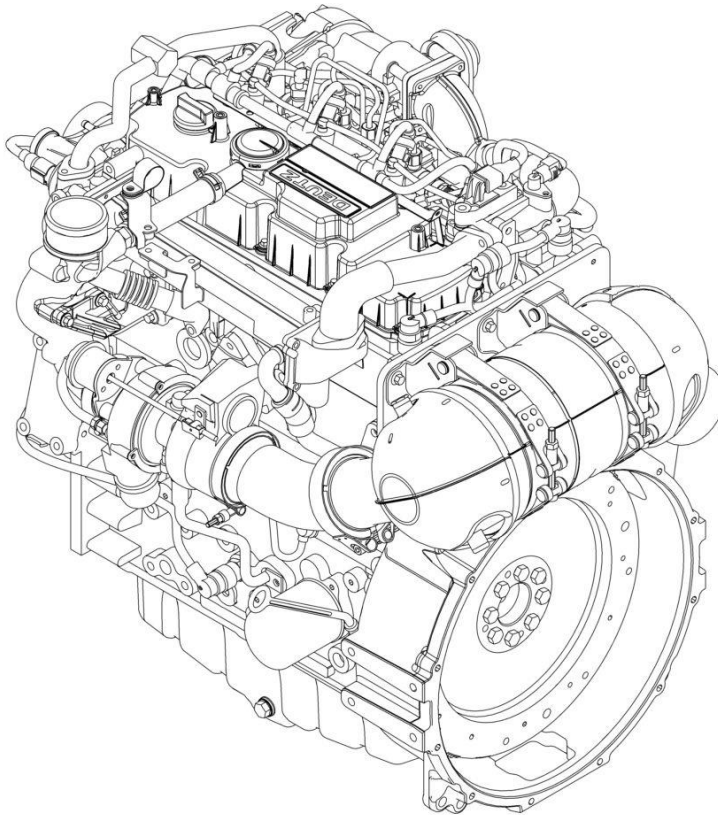
SECTION 4 - ENGINE AND ATTACHING PARTS

FIGURE 4-3. ENGINE INSTALLATION (ULS)

ITEM	PART NUMBER	QTY	DESCRIPTION	REV
	1001201425	Ref	Engine Installation (ULS)	F
1	1001004720	4	Strap, Cable	
2	1001284531	1	Engine (See Separate breakdown in this Section)	
3	1001202901	1	Bracket, ECU Connector	
4	1001008559	2	Strap, Cable	
5	5251012	2	Bolt, M10X25	
6	1001222460	1	Bracket, Fuel Supply	

SECTION 4 - ENGINE AND ATTACHING PARTS

FIGURE 4-4. ENGINE ASSEMBLY (ULS)



ART_1001197414_0

SECTION 4 - ENGINE AND ATTACHING PARTS

FIGURE 4-4. ENGINE ASSEMBLY (ULS)

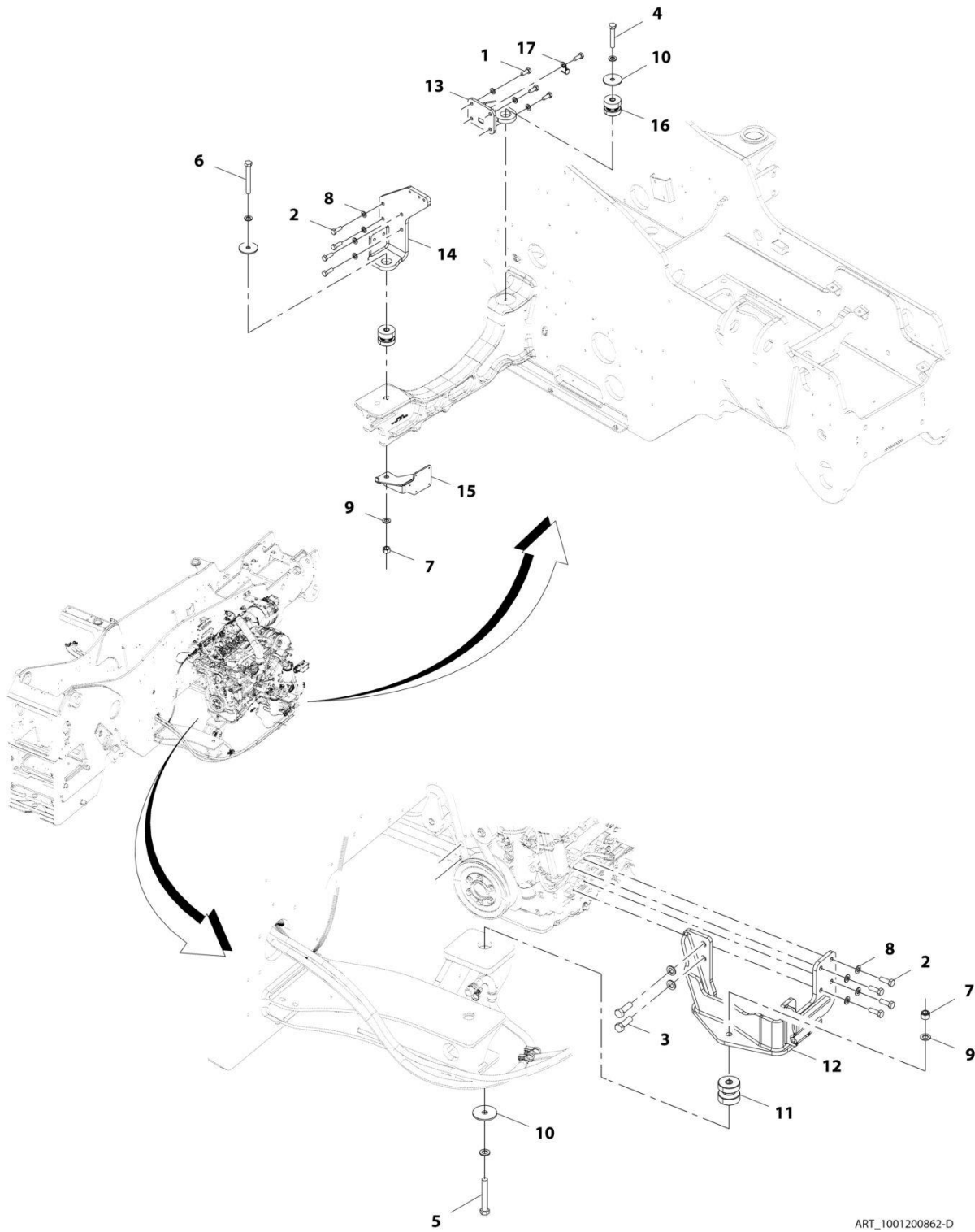
ITEM	PART NUMBER	QTY	DESCRIPTION	REV
	1001197414	Ref	ENGINE (100kW - ULS)	O
	70027657	1	Dipstick	
	7020442	1	O-Ring	
	70025755	1	Tube, Dipstick	
	70025765	1	Pan, Oil	
	70025786	1	Plug	
	70025757	1	Flywheel	
	7020208	1	Gear, Ring	
	70126616	1	Bearing	
	70027567	1	Belt	
	70025737	1	Sensor, Wheel	
	70025743	1	Pulley, V-Groove	
	70124445	1	Crankcase	
	70025763	1	Pump, Oil	
	70024494	1	Cooler, Oil	
	70024495	1	Gasket	
	7016331	1	Filter, Oil	
	70024504	1	Sensor, Pressure	
	70024489	1	Line, Lube	
	70005490	1	Line, Return	
	70005730	1	Pipe, Transfer	
	70025722	1	Line, Oil Suction	
	70024487	1	Pump, Fuel Injector	
	70027417	1	Filter, Fuel (Secondary)	
	70004512	1	Element, Fuel Filter (Secondary)	
	70024961	1	Filter, Fuel (Primary)	
	70025153	1	Element, Fuel Filter (Primary)	
	70006144	1	Pump, Fuel	
	70024507	1	Sensor, Pressure	
	70005492	1	Valve, Throttle	
	70025772	1	Manifold, Air Charge	
	70027420	1	Module, ECU	
	70026011	1	Pump, Water	
	70025775	1	Pulley, V-Ribbed Belt	
	70024918	1	Sensor, Temperature	
	70024493	1	Gasket	
	70005504	1	Sensor, Pressure	
	70005505	1	O-Ring	
	70027405	2	Sensor, Temperature	
	70005507	2	O-Ring	
	70005510	1	Manifold, Exhaust	
	70005511	1	Gasket	
	70027426	1	Module, EGR	
	70005513	1	Valve, Control	
	70025768	1	Valve, Shuttle	
	70028417	1	Turbocharger	
	70024484	1	Roller, Idler	
	70028418	1	Tensioner, Belt	
	70028419	1	Belt, V-Ribbed	
	70031088	1	Alternator	

SECTION 4 - ENGINE AND ATTACHING PARTS

ITEM	PART NUMBER	QTY	DESCRIPTION	REV
	70025535	1	Starter	
	70025780	1	Relay	
	70026210	1	Sensor, Speed	
	70005191	1	O-Ring	
	70025761	1	Connector	
	70024474	1	Plug, Glow	
	70025760	1	Rail, Connecting	
	70005544	1	Unit, Metering	
	70005548	1	Pump, DEF Supply	
	70005549	1	Filter, DEF	
	70005523	1	Sensor, Pressure	
	70024505	1	Sensor, Temperature	
	70005556	1	Sensor, Temperature	
	70005522	1	Sensor	
	70005524	1	Sensor	
	70005559	1	Sensor, Temperature	
	70005507	1	O-Ring	
	70005557	1	Pipe	
	70005558	1	Clip	
	70025877	3	Clamp	
	70025242	3	Gasket	
	70025707	1	Set, Gasket	

SECTION 4 - ENGINE AND ATTACHING PARTS

FIGURE 4-5. ENGINE MOUNT INSTALLATION



ART_1001200862-D

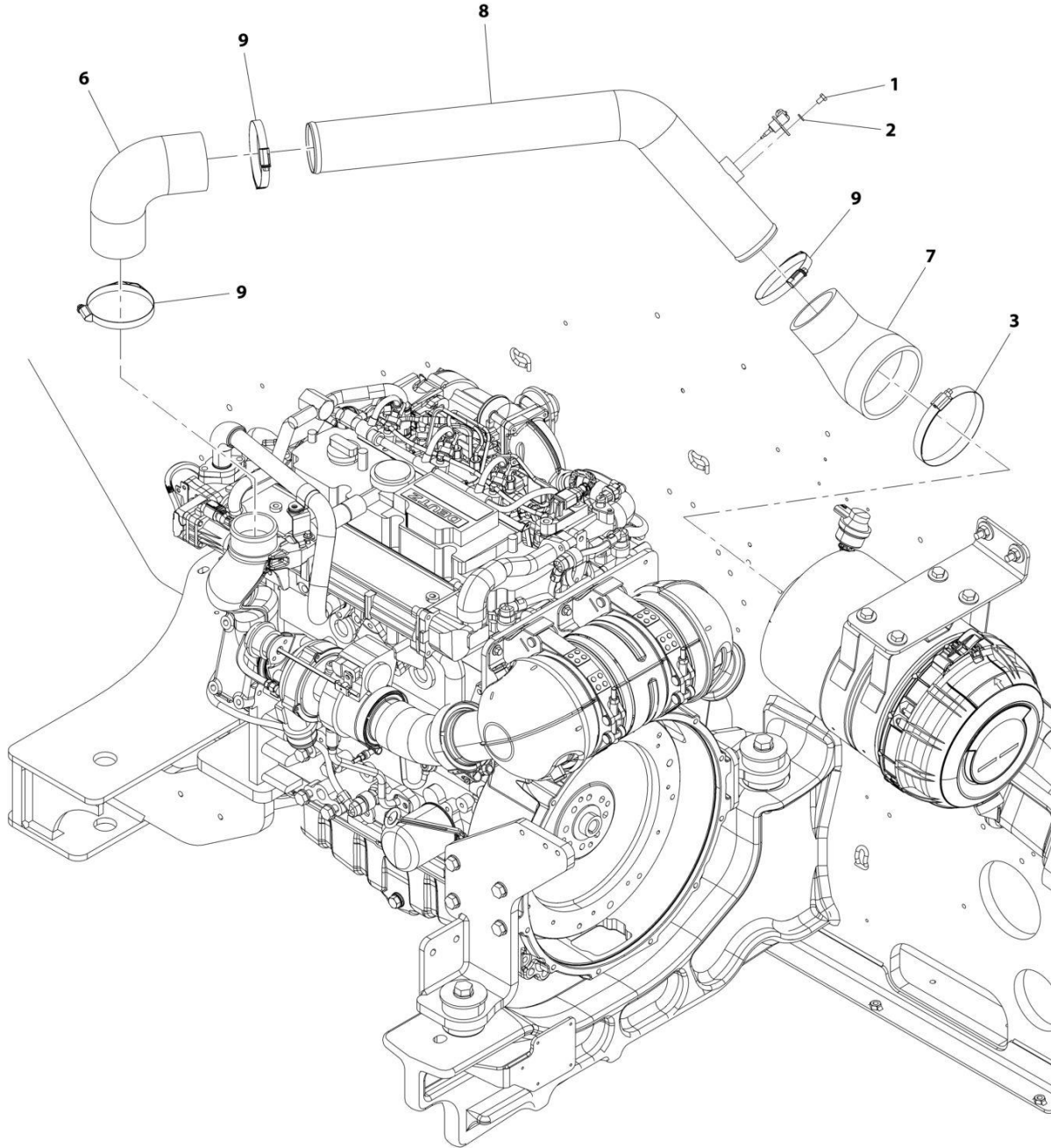
SECTION 4 - ENGINE AND ATTACHING PARTS

FIGURE 4-5. ENGINE MOUNT INSTALLATION

ITEM	PART NUMBER	QTY	DESCRIPTION	REV
	1001200862	Ref	Engine Mount Installation	D
1	0761214	4	Bolt, M12X30	
2	0761215	8	Bolt, M12X35	
3	0701618	2	Bolt M16 X 50	
4	0701626	1	Bolt, M16X90	
5	0701628	1	Bolt, M16X110	
6	0701630	1	Bolt, M16X130	
7	3291605	2	Nut, Lock M16X2	
8	4812100	11	Washer, M12	
9	4812300	7	Washer, M16	
10	7300435	3	Washer	
11	1001188757	1	Mount, Engine	
12	1001200871	1	Bracket, Engine Mount	
13	1001200872	1	Bracket, Engine Mount	
14	1001200873	1	Bracket, Engine Mount	
15	1001200874	1	Bracket, Fuel Pump	
16	1001197072	2	Mount, Engine	
17	8406105	1	Clip, Tube	

SECTION 4 - ENGINE AND ATTACHING PARTS

FIGURE 4-6. AIR INTAKE INSTALLATION (ULS)



ART_1001200863-B

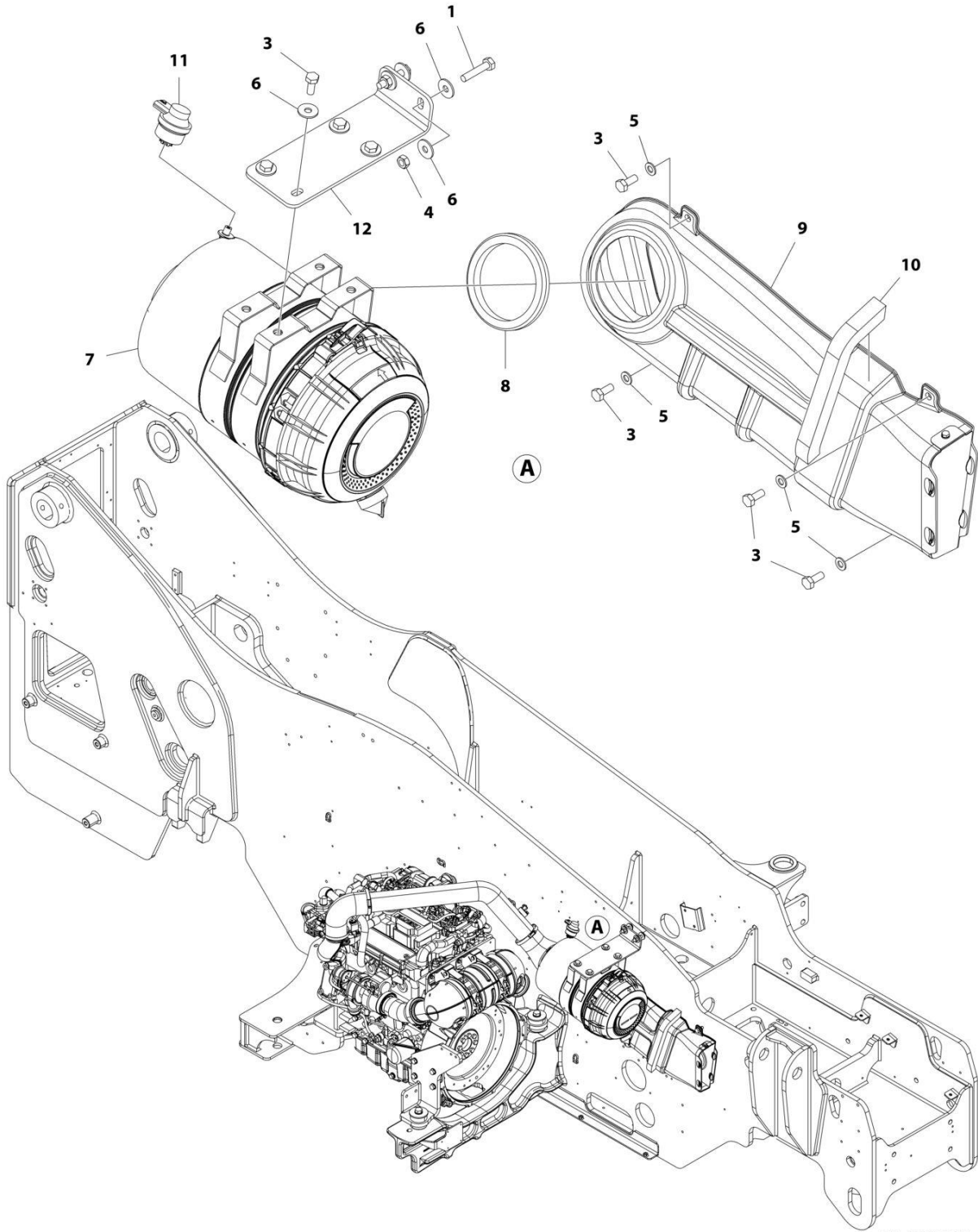
SECTION 4 - ENGINE AND ATTACHING PARTS

FIGURE 4-6. AIR INTAKE INSTALLATION (ULS)

ITEM	PART NUMBER	QTY	DESCRIPTION	REV
	1001200863	Ref	Air Intake Installation (ULS)	B
1	0760605	1	Bolt, M6X10	
2	4811700	1	Washer, M6	
3	8405402	1	Clamp	
6	1001182881	1	Hose	
7	1001200885	1	Hose	
8	1001200886	1	Tube	
9	1001226523	3	Clamp	

SECTION 4 - ENGINE AND ATTACHING PARTS

FIGURE 4-7. AIR CLEANER INSTALLATION



ART_1001200864

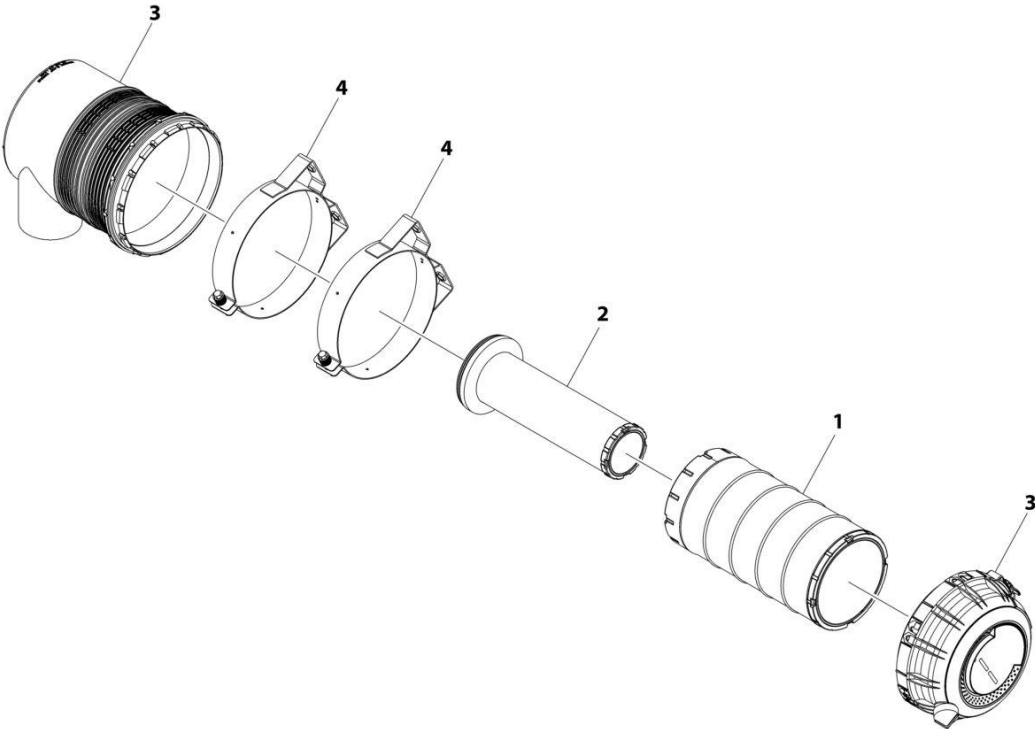
SECTION 4 - ENGINE AND ATTACHING PARTS

FIGURE 4-7. AIR CLEANER INSTALLATION

ITEM	PART NUMBER	QTY	DESCRIPTION	REV
	1001200864	Ref	AIR CLEANER INSTALLATION	D
1	0701018	2	Bolt M10 x 50	
3	0761012	8	Bolt M10 x 25	
4	3291001	2	Nut M10 x 1.5	
5	4812000	4	Washer M10	
6	4812002	8	Washer M10	
7	1001166565	1	Filter, Air Cleaner (See Separate Breakdown in this Section)	
8	1001183831	1	Grommet	
9	1001183835	1	Air Intake Duct Installation (See Separate Breakdown in this Section)	
10	1001186898	1	Seal	
11	1001166715	1	Indicator	
12	1001194534	1	Bracket, Air Cleaner Mount	

SECTION 4 - ENGINE AND ATTACHING PARTS

FIGURE 4-8. AIR CLEANER ASSEMBLY



ART_1001166565

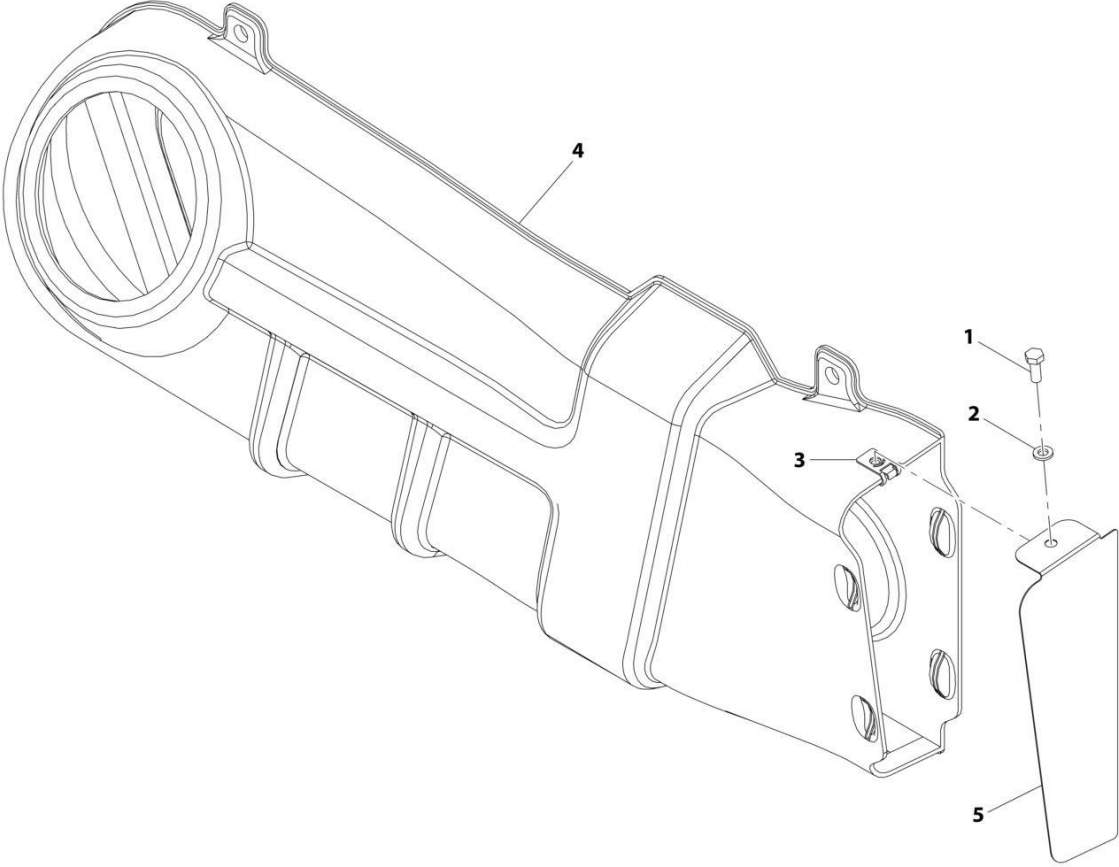
SECTION 4 - ENGINE AND ATTACHING PARTS

FIGURE 4-8. AIR CLEANER ASSEMBLY

ITEM	PART NUMBER	QTY	DESCRIPTION	REV
	1001166565	Ref	AIR FILTER ASSEMBLY (90/100KW)	F
1	70025850	1	Filter, Cylindrical Air Primary	
2	70025851	1	Filter, Cylindrical Air Secondary	
3	70026395	1	Cover	
4	70026396	2	Bracket	

SECTION 4 - ENGINE AND ATTACHING PARTS

FIGURE 4-9. AIR INTAKE DUCT INSTALLATION



ART_1001183835-C

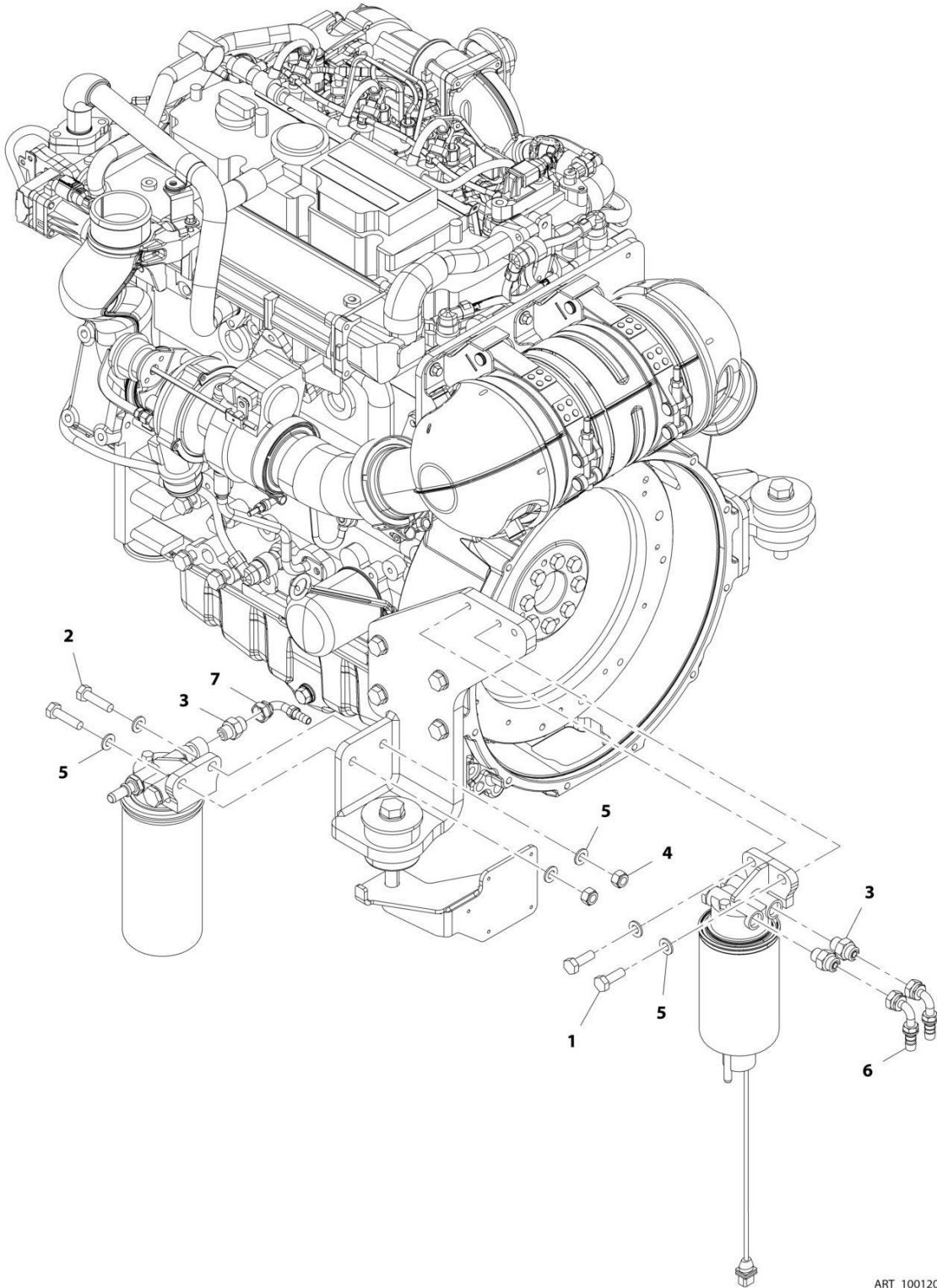
SECTION 4 - ENGINE AND ATTACHING PARTS

FIGURE 4-9. AIR INTAKE DUCT INSTALLATION

ITEM	PART NUMBER	QTY	DESCRIPTION	REV
	1001183835	Ref	Air Intake Duct Installation	C
1	0760608	1	Bolt, M6X16	
2	4811702	1	Washer, M6	
3	8305919	1	Nut	
4	1001183827	1	Duct	
5	1001183829	1	Plate	

SECTION 4 - ENGINE AND ATTACHING PARTS

FIGURE 4-10. PRIMARY FUEL FILTER INSTALLATION (ULS)



ART_1001200865-C

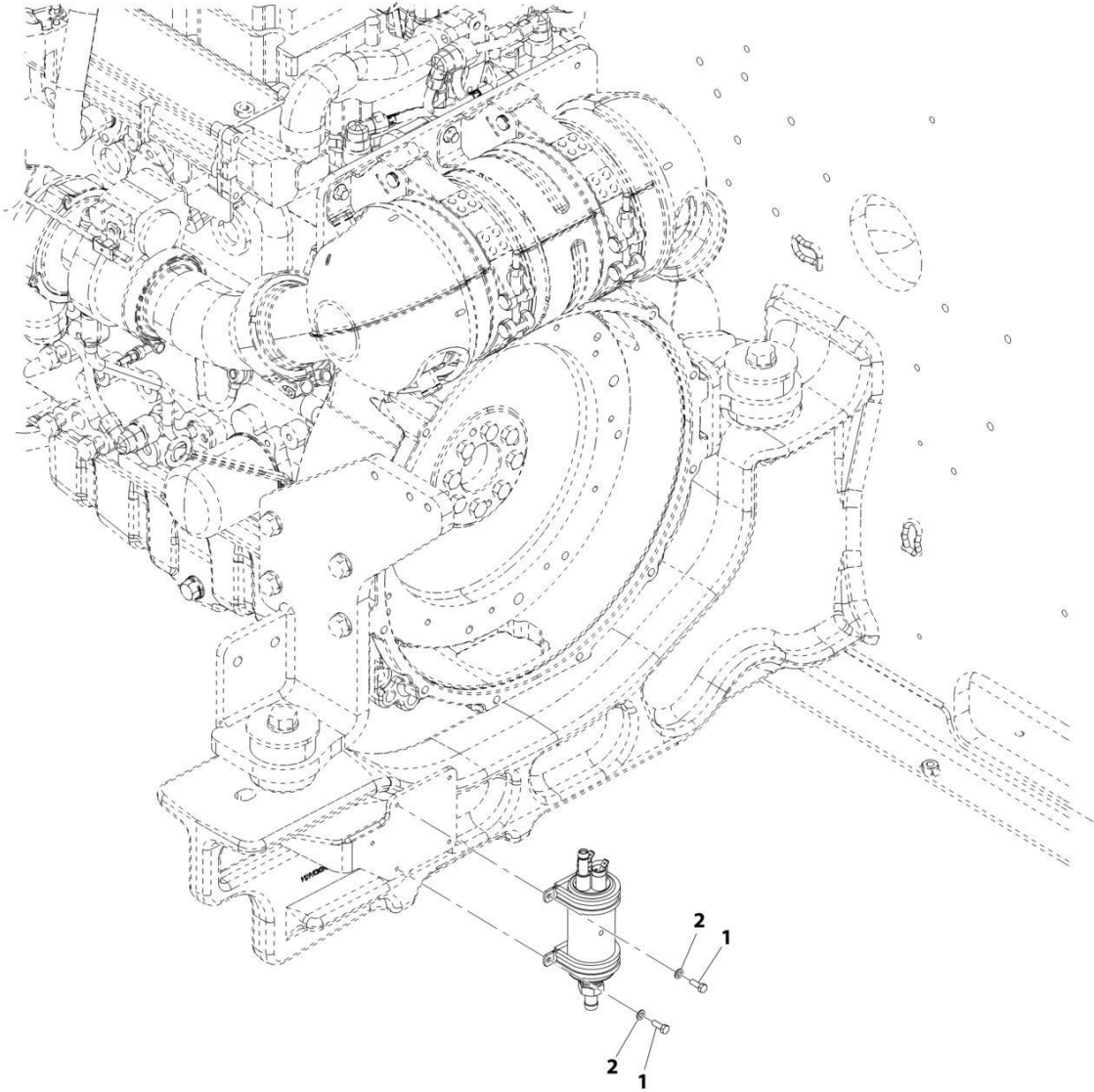
SECTION 4 - ENGINE AND ATTACHING PARTS

FIGURE 4-10. PRIMARY FUEL FILTER INSTALLATION (ULS)

ITEM	PART NUMBER	QTY	DESCRIPTION	REV
	1001200865	Ref	Primary Fuel Filter Installation	C
1	0701014	2	Bolt, M10X30	
2	0701016	2	Bolt, M10X40	
3	2144606	3	Fitting, Straight ORFS	
4	3291005	2	Nut, Lock M10X1.5	
5	4812000	6	Washer, M10	
6	1001095301	2	Fitting, 90 ORFS	
7	1001133793	1	Fitting, 90 ORFS	

SECTION 4 - ENGINE AND ATTACHING PARTS

FIGURE 4-11. REMOTE FUEL PUMP INSTALLATION



ART_1001221041-B

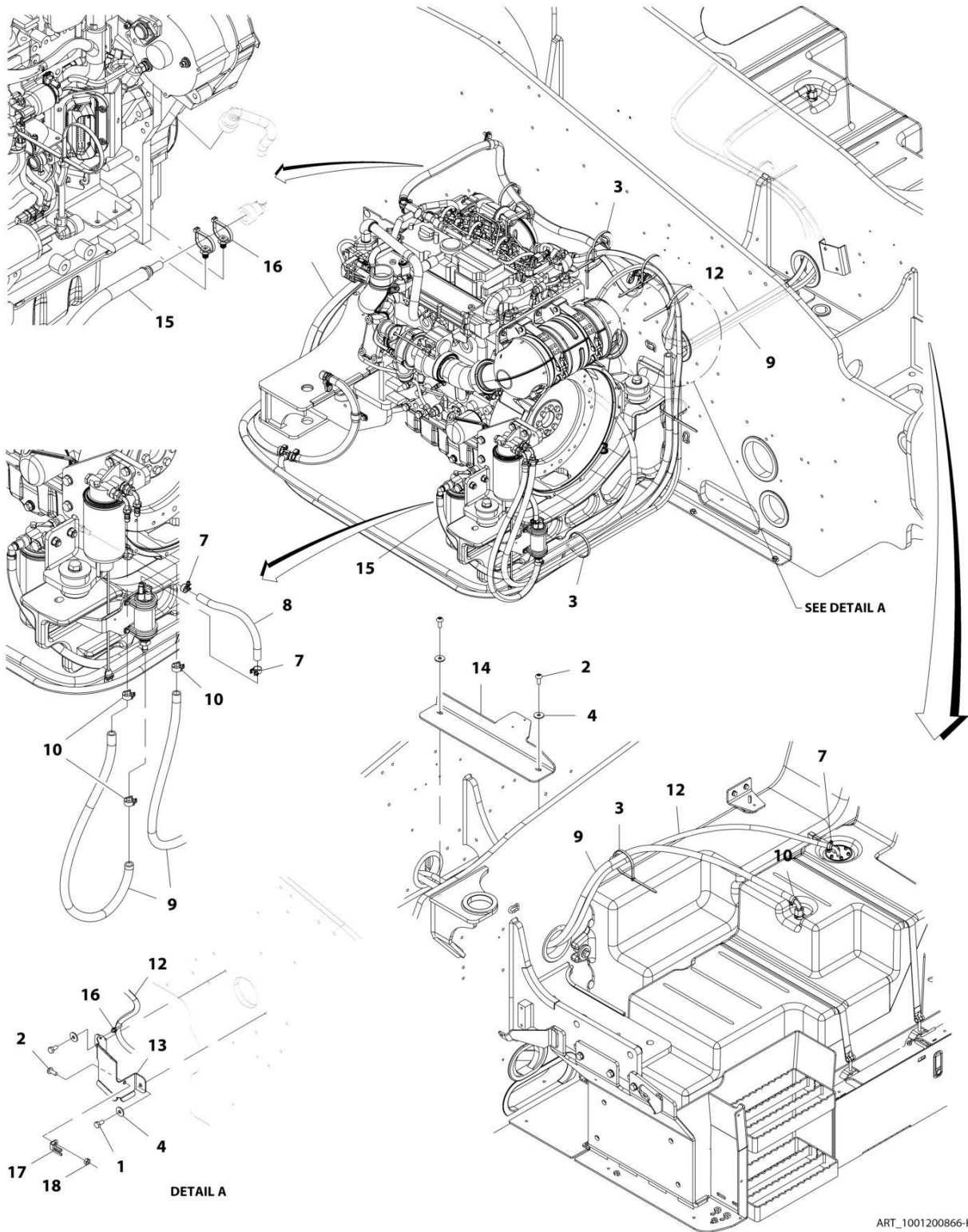
SECTION 4 - ENGINE AND ATTACHING PARTS

FIGURE 4-11. REMOTE FUEL PUMP INSTALLATION

ITEM	PART NUMBER	QTY	DESCRIPTION	REV
	1001221041	Ref	Remote Fuel Pump Installation	B
1	0760507	4	Bolt, M5X14	
2	4811600	4	Washer, M5	

SECTION 4 - ENGINE AND ATTACHING PARTS

FIGURE 4-12. FUEL LINES INSTALLATION (ULS)



ART_1001200866-K

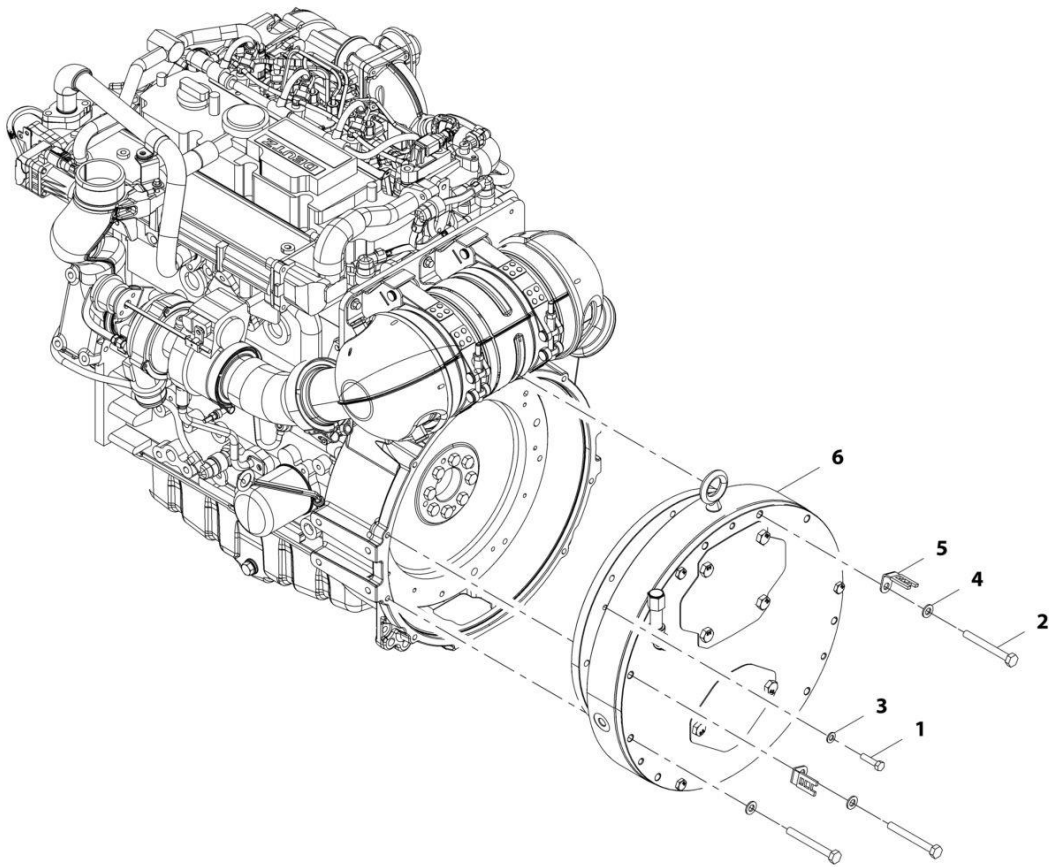
SECTION 4 - ENGINE AND ATTACHING PARTS

FIGURE 4-12. FUEL LINES INSTALLATION (ULS)

ITEM	PART NUMBER	QTY	DESCRIPTION	REV
	1001200866	Ref	Fuel Lines Installation	K
1	0761010	2	Bolt, M10X20	
2	1001009325	3	Screw	
3	1062255	6	Strap, Tie	
4	4812002	4	Washer, M10	
7	1001136975	3	Clamp	
8	1001165035	260 mm	Hose	
9	1001172755	4060 mm	Hose	
10	1001175568	4	Clip	
12	1001228248	1	Hose	
13	1001210870	1	Plate	
14	1001221868	1	Channel, Frame	
15	1001232850	1	Hose	
16	1001146588	3	Strap, Tie	
17	1001003305	1	Clip	
18	3291001	1	Nut, M10X1.5 Grade 8	

SECTION 4 - ENGINE AND ATTACHING PARTS

FIGURE 4-13. HYDROSTATIC ADAPTOR INSTALLATION



ART_1001193703-D

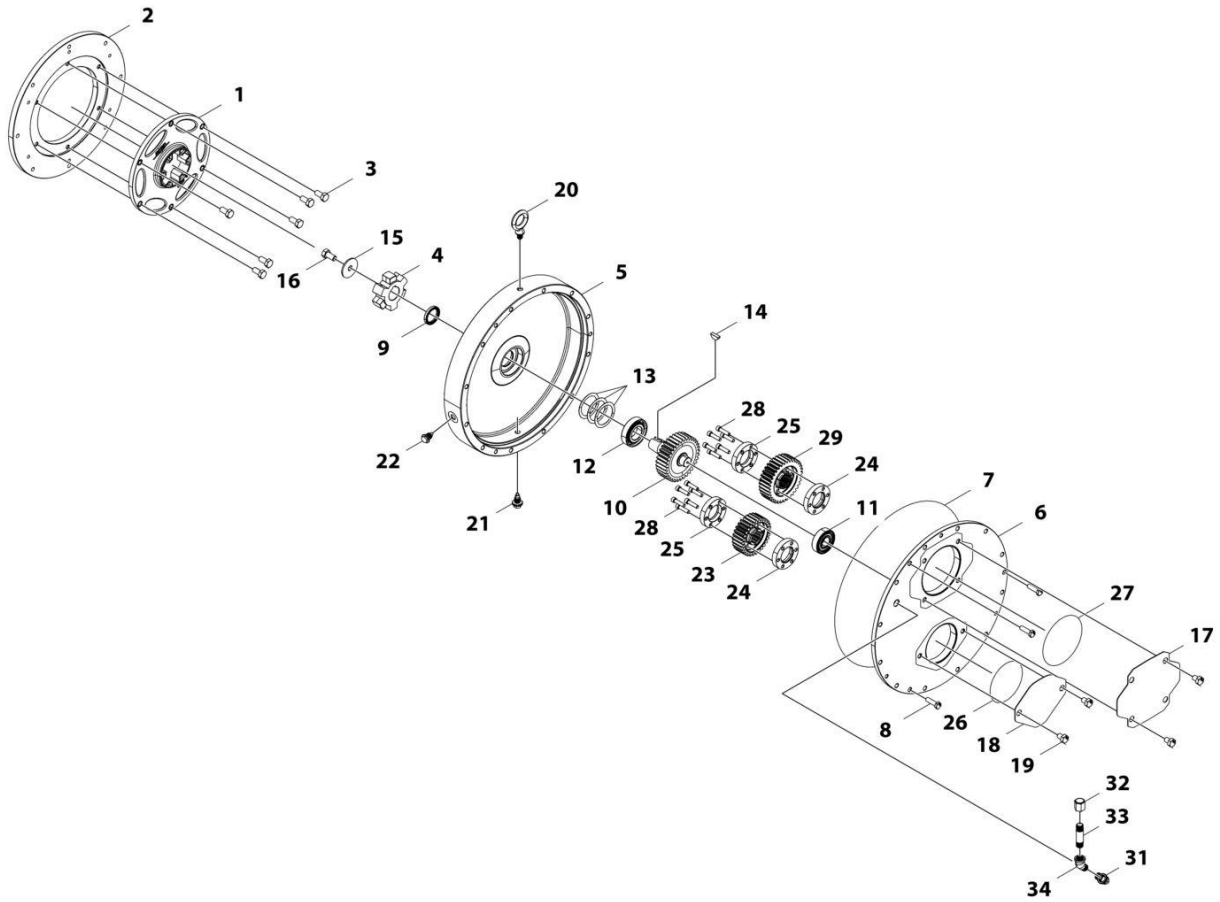
SECTION 4 - ENGINE AND ATTACHING PARTS

FIGURE 4-13. HYDROSTATIC ADAPTOR INSTALLATION

ITEM	PART NUMBER	QTY	DESCRIPTION	REV
	1001193703	Ref	Hydrostatic Adaptor Installation	D
1	0641510	6	Bolt, 5/16-18X1.25	
2	0701026	12	Bolt, M10X90	
3	4811900	6	Washer, M8	
4	4812000	10	Washer, M10	
5	1001003305	2	Clip	
6	1001193705	1	Assembly, Dual Drive Support (See Separate Breakdown in this Section)	

SECTION 4 - ENGINE AND ATTACHING PARTS

FIGURE 4-14. DUAL DRIVE SUPPORT ASSEMBLY



ART_1001193705

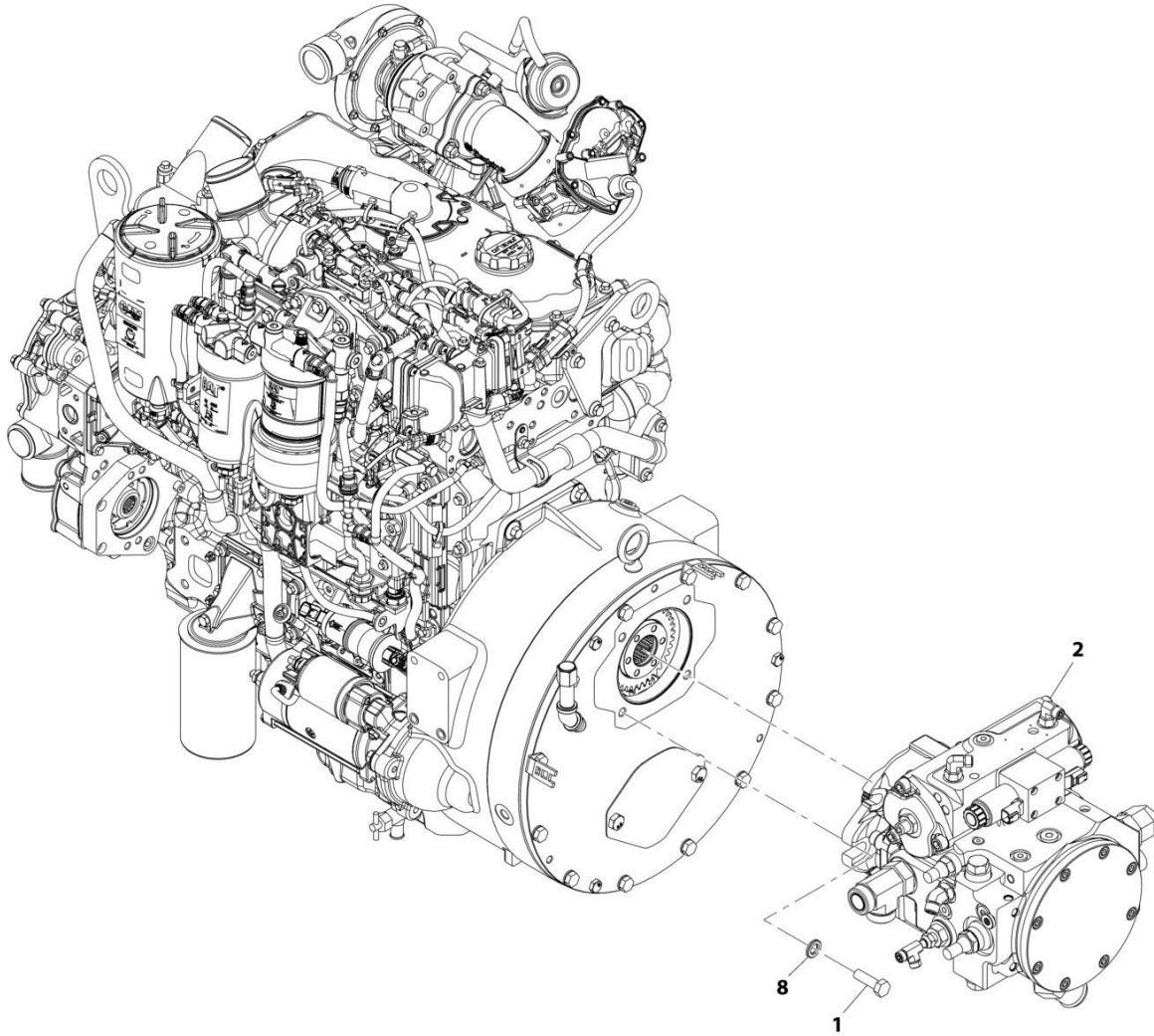
SECTION 4 - ENGINE AND ATTACHING PARTS

FIGURE 4-14. DUAL DRIVE SUPPORT ASSEMBLY

ITEM	PART NUMBER	QTY	DESCRIPTION	REV
	1001193705	Ref	Dual Drive Support Assembly	E
1	70028327	1	Plate, Flex	
2	70028328	1	Plate, Flywheel Adapter	
3	70028329	6	Bolt	
4	70028330	1	Hub, Flex	
5	70028331	1	Gear Box Half, Input Side	
6	70028332	1	Gear Box Half, Output Side	
7	70028333	1	O-Ring	
8	70028334	3	Bolt	
9	70028335	1	Seal, Shaft	
10	70028336	1	Gear, Input Shaft	
11	70028337	1	Bearing, Angular Contact	
12	70028338	1	Bearing, Angular Contact	
13	70028339	3	Washer	
14	70028340	1	Key	
15	70028341	1	Washer	
16	70028342	1	Bolt	
17	70028343	1	Cover, Pump Mount Implement	
18	70028344	1	Cover, Pump Mount Hydrastat	
19	70028345	6	Bolt	
20	70028346	1	Eyebolt, Modified	
21	70028347	1	Plug	
22	70028348	1	Plug	
23	70028349	1	Pump, Gear,30 Tooth	
24	70028350	2	Locking Ring, Tapered	
25	70028351	2	Locking Ring, Tapered	
26	70028352	1	O-Ring	
27	70028353	1	O-Ring	
28	70028354	12	Bolt	
29	70028355	1	Pump, Gear, 35 Tooth	
31	70028357	1	Adapter, 90	
32	70028358	1	Breather	
33	70028359	1	Nipple	
34	70028360	1	Adapter, 45	

SECTION 4 - ENGINE AND ATTACHING PARTS

FIGURE 4-15. HYDROSTATIC DRIVE PUMP INSTALLATION



ART-1001193704-D

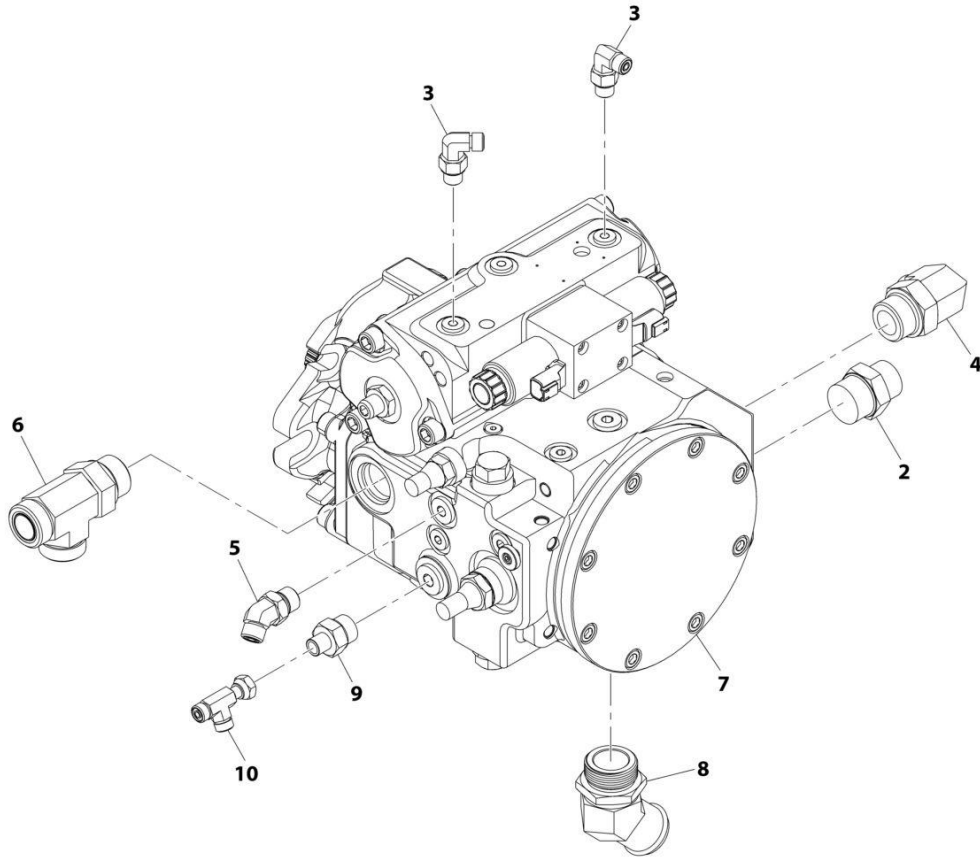
SECTION 4 - ENGINE AND ATTACHING PARTS

FIGURE 4-15. HYDROSTATIC DRIVE PUMP INSTALLATION

ITEM	PART NUMBER	QTY	DESCRIPTION	REV
	1001193704	Ref	Hydrostatic Drive Pump Installation	D
1	0711216	4	Bolt, M12X40	
2	1001210771	1	Assembly, Hydrostatic Drive Pump (See Separate Breakdown in this Section)	
8	4740532	4	Washer, M12	

SECTION 4 - ENGINE AND ATTACHING PARTS

FIGURE 4-16. HYDROSTATIC DRIVE PUMP ASSEMBLY



ART_1001210771-C

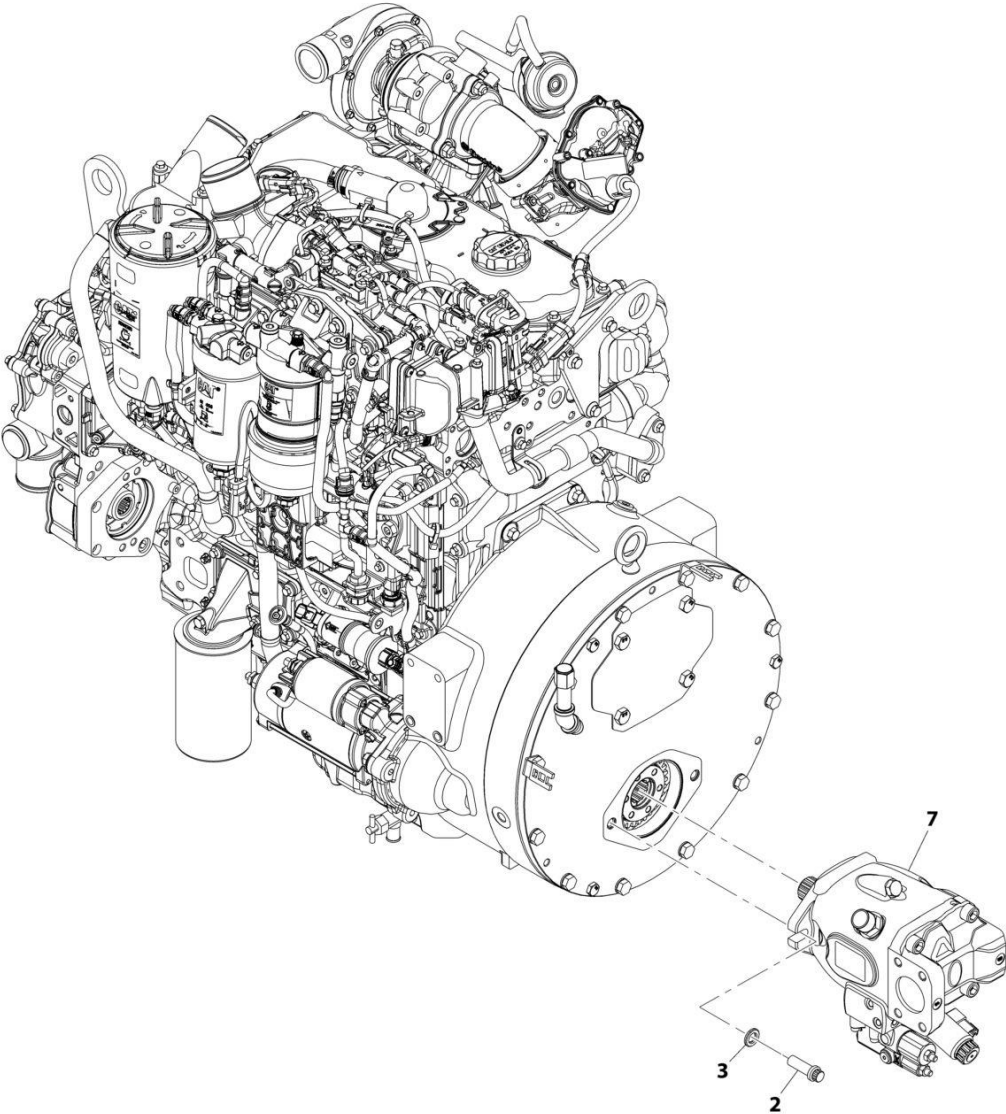
SECTION 4 - ENGINE AND ATTACHING PARTS

FIGURE 4-16. HYDROSTATIC DRIVE PUMP ASSEMBLY

ITEM	PART NUMBER	QTY	DESCRIPTION	REV
	1001210771	Ref	Hydrostatic Drive Pump Assembly	C
2	2111216	1	Fitting, Straight ORFS	
3	2130406	2	Fitting, 90 ORFS	
4	2131216	1	Fitting, 90 ORFS	
5	2150608	1	Fitting, 45 ORFS	
6	2170316	1	Fitting, TEE ORFS	
7	1001193307	1	Pump, Hydrostatic Drive (See Separate Breakdown in HYDRAULIC COMPONENTS Section)	
8	1001196664	1	Fitting, 45	
9	2110410	1	Fitting, Straight ORFS	
10	2170704	1	Fitting, Tee ORFS	

SECTION 4 - ENGINE AND ATTACHING PARTS

FIGURE 4-17. IMPLEMENT PUMP INSTALLATION



ART_1001193393-E

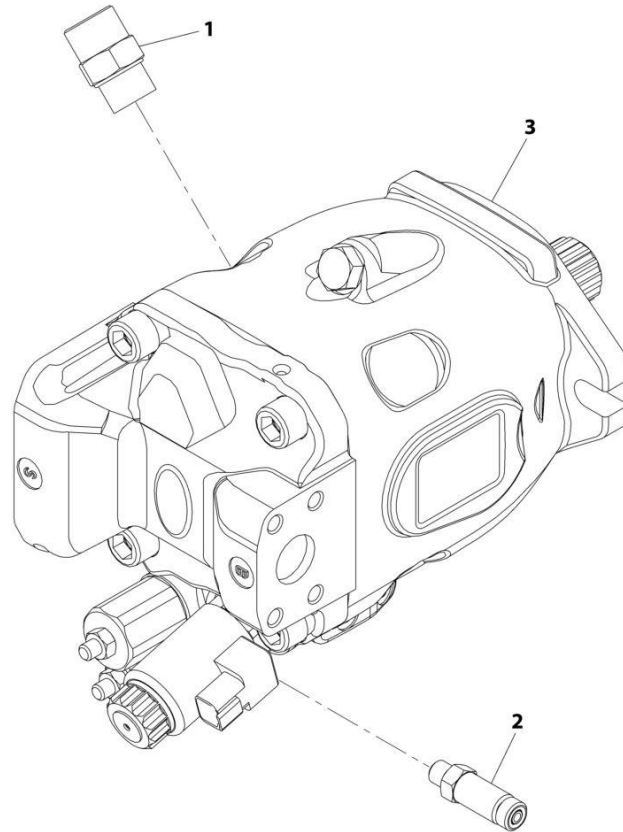
SECTION 4 - ENGINE AND ATTACHING PARTS

FIGURE 4-17. IMPLEMENT PUMP INSTALLATION

ITEM	PART NUMBER	QTY	DESCRIPTION	REV
	1001193393	Ref	Implement Pump Installation	E
2	1001238781	2	Screw Flange	
3	4740532	2	Washer	
7	1001212739	1	Assembly, Implement Pump (See Separate Breakdown in this Section)	

SECTION 4 - ENGINE AND ATTACHING PARTS

FIGURE 4-18. IMPLEMENT PUMP ASSEMBLY



ART_1001212739-A

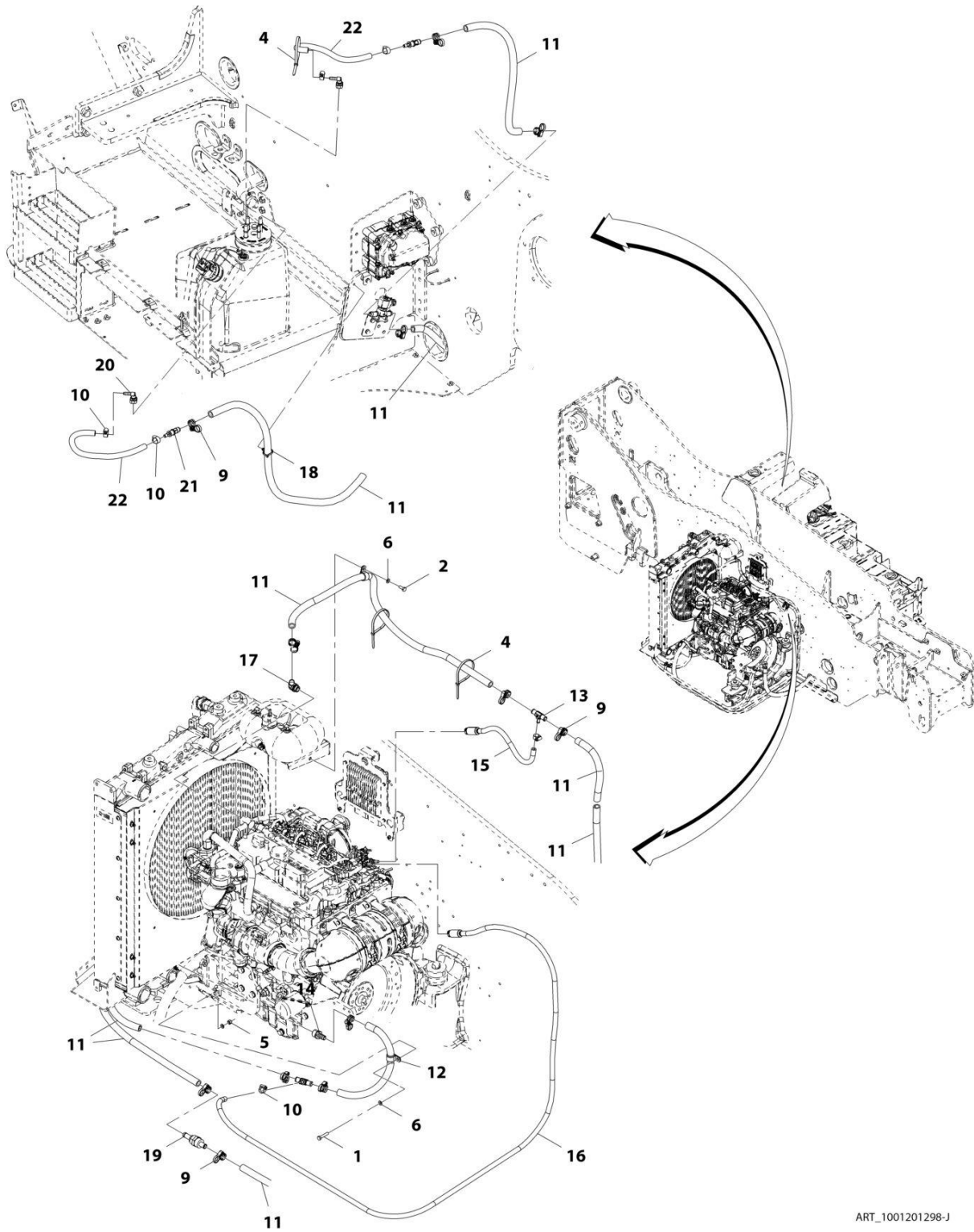
SECTION 4 - ENGINE AND ATTACHING PARTS

FIGURE 4-18. IMPLEMENT PUMP ASSEMBLY

ITEM	PART NUMBER	QTY	DESCRIPTION	REV
	1001212739	Ref	Implement Pump Assembly	A
1	2111010	1	Fitting, Straight ORFS	
2	2170104	1	Fitting, Straight ORFS	
3	1001180070	1	Pump, Implement (See Separate Breakdown in HYDRAULIC COMPONENTS Section)	

SECTION 4 - ENGINE AND ATTACHING PARTS

FIGURE 4-19. DEF COOLANT LINES INSTALLATION (ULS)



ART_1001201298-J

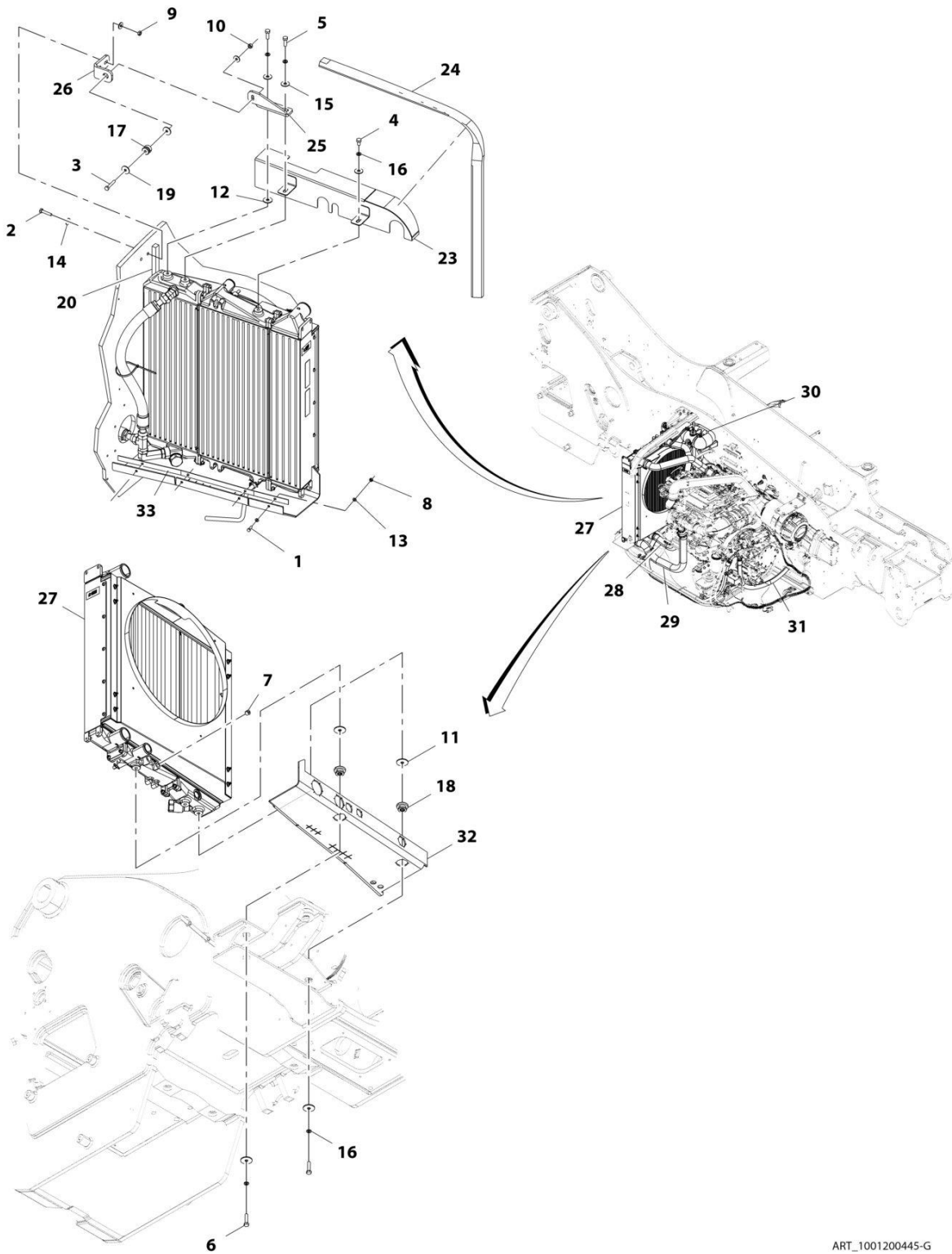
SECTION 4 - ENGINE AND ATTACHING PARTS

FIGURE 4-19. DEF COOLANT LINES INSTALLATION (ULS)

ITEM	PART NUMBER	QTY	DESCRIPTION	REV
	1001201298	Ref	DEF Coolant Lines Installation (ULS)	J
1	0700816	1	Bolt, M8X40	
2	0760810	1	Bolt, M8X20	
4	1062255	AR	Strap, Tie	
5	3290805	1	Nut, M8X1.25	
6	4811900	3	Washer, M8	
9	1001202526	12	Clamp	
10	8410013	6	Clamp	
11	82033995	9365 mm	Hose	
12	1001100319	2	Clip	
13	1001162212	2	Pipe	
14	1001167409	1	Pipe	
15	1001201299	1	Hose	
16	1001201300	1	Hose	
17	1001203005	1	Fitting, 45	
18	1001146588	1	Strap, Tie	
19	1001228872	1	Filter	
20	1001155823	2	Coupling	
21	1001238470	2	Adapter	
22	1001181625	870 mm	Hose	

SECTION 4 - ENGINE AND ATTACHING PARTS

FIGURE 4-20. COOLING PACKAGE INSTALLATION (ULS & NO HIGH AMBIENT)



ART_1001200445-G

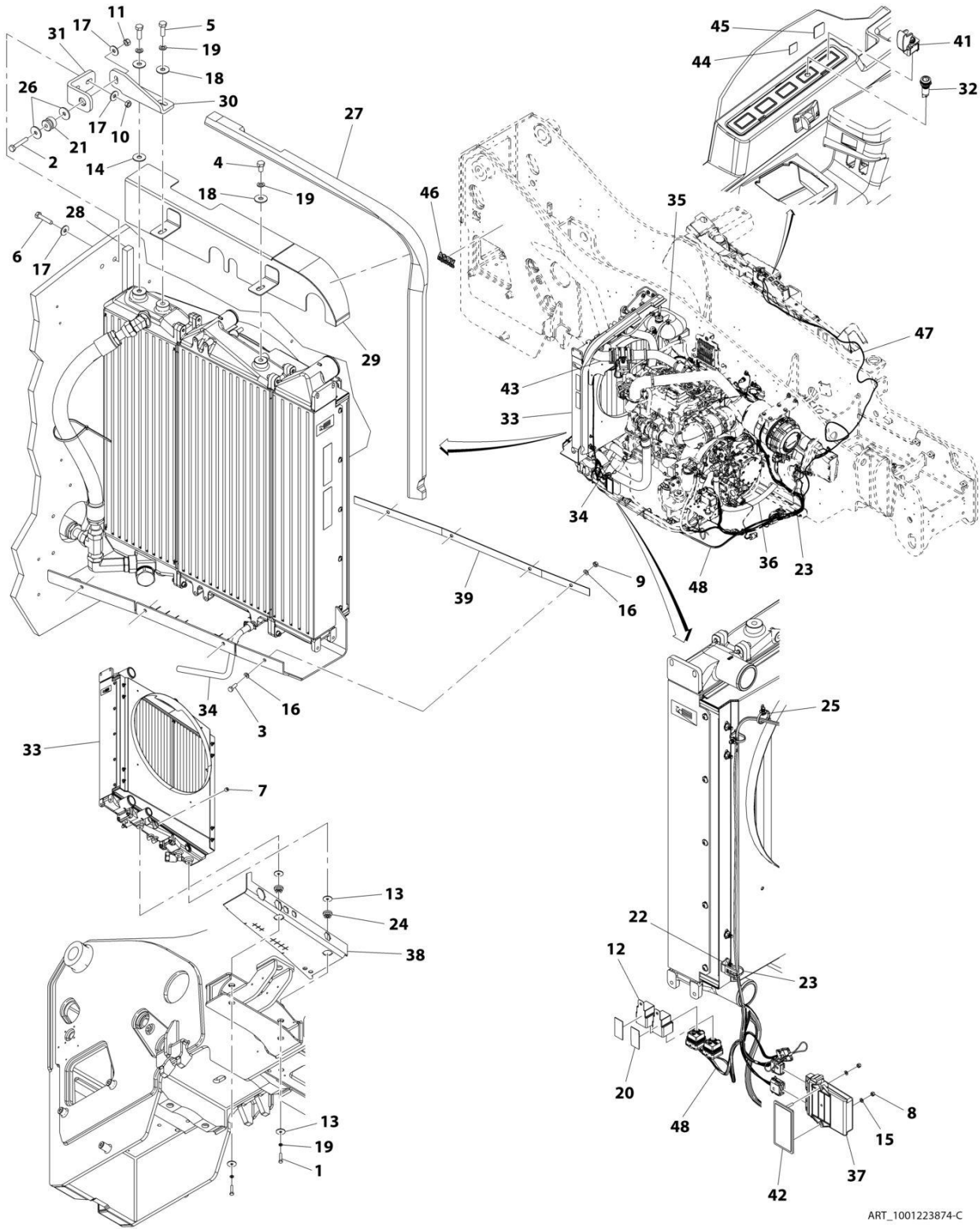
SECTION 4 - ENGINE AND ATTACHING PARTS

FIGURE 4-20. COOLING PACKAGE INSTALLATION (ULS & NO HIGH AMBIENT)

ITEM	PART NUMBER	QTY	DESCRIPTION	REV
	1001200445	Ref	Cooling Package Installation	G
1	0760812	4	Bolt,M8X25	
2	0701018	2	Bolt, M10X50	
3	0701020	1	Bolt, M10X60	
4	0761210	1	Bolt, M12X20	
5	0761215	2	Bolt, M12X35	
6	0761218	2	Bolt, M12X50	
7	2200223	1	Plug	
8	3290801	4	Nut, M8X1.25	
9	3291001	2	Nut, M10X1.5	
10	3291005	1	Nut, Lock M10X1.5	
11	4740274	4	Washer	
12	4740550	1	Washer, M12	
13	4811900	8	Washer, M8	
14	4812002	5	Washer, M10	
15	4812102	3	Washer, M12	
16	4832100	5	Washer, Lock M12	
17	8278020	1	Mount	
18	1001114803	2	Mount	
19	1001155540	2	Washer	
20	1001173457	1	Seal	
23	1001196191	1	Bracket, Air Baffle	
24	1001173452	1	Seal	
25	1001200498	1	Bracket, Radiator	
26	1001200499	1	Bracket, Frame	
27	1001201301	1	Radiator, (See Separate Breakdown in this Section)	
28	1001201302	Ref	Installation, Coolant Lines (See Separate Breakdown in this Section)	
29	1001201303	Ref	Installation, Radiator Lines (See Separate Breakdown in this Section)	
30	1001201304	Ref	Installation, Surge Tank (See Separate Breakdown in this Section)	
31	1001201305	Ref	Installation, Transmission Oil Cooler Lines (See Separate Breakdown in this Section)	
32	1001203947	1	Panel, Air Dam	
33	1001203948	1	Plate, Air Dam	

SECTION 4 - ENGINE AND ATTACHING PARTS

FIGURE 4-21. COOLING PACKAGE INSTALLATION (ULS ASOV)



SECTION 4 - ENGINE AND ATTACHING PARTS

FIGURE 4-21. COOLING PACKAGE INSTALLATION (ULS ASOV)

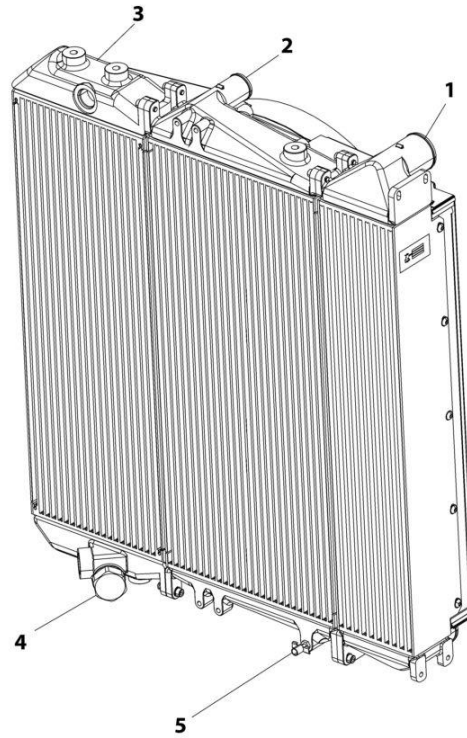
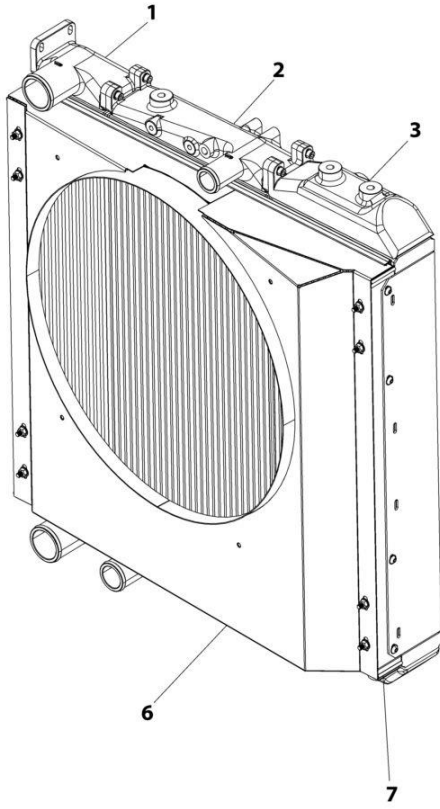
ITEM	PART NUMBER	QTY	DESCRIPTION	REV
	1001223874	Ref	Cooling Package Installation	C
1	0701018	2	Bolt, M10X50	
2	0701020	1	Bolt, M10X60	
3	0760812	4	Bolt, M8X25	
4	0761210	1	Bolt, M12X20	
5	0761215	2	Bolt, M12X35	
6	0761218	2	Bolt, M12X50	
7	2200223	1	Plug	
8	3290505	2	Nut, M5X0.8	
9	3290801	4	Nut, M8X1.25	
10	3291001	2	Nut, M10X1.5	
11	3291005	1	Nut, Lock M10X1.5	
12	3740080	2	Relay	
13	4740274	4	Washer	
14	4740550	1	Washer, M12	
15	4811600	2	Washer, M5	
16	4811900	8	Washer, M8	
17	4812002	5	Washer, M10	
18	4812102	3	Washer, M12	
19	4832100	5	Washer, Lock M12	
20	7169541	AR	Tape	
21	8278020	1	Mount	
22	1001003305	1	Clip	
23	1001008559	4	Strap, Cable	
24	1001114803	2	Mount	
25	1001146588	2	Strap, Cable	
26	1001155540	2	Washer	
27	1001173452	1	Seal, Foam Gasket	
28	1001173457	1	Seal	
29	1001196191	1	Bracket, Air Baffle	
30	1001200498	1	Bracket, Radiator	
31	1001200499	1	Bracket, Frame	
32	1001200631	1	Lamp, LED Indicator	
33	1001201301	1	Radiator, (See Separate Breakdown in this Section)	
34	1001201302	Ref	Installation, Coolant Lines (See Separate Breakdown in this Section)	
35	1001201304	Ref	Installation, Surge Tank (See Separate Breakdown in this Section)	
36	1001201305	Ref	Installation, Transmission Oil Cooler Lines (See Separate Breakdown in this Section)	
37	1001203181	1	Accessory, Control	
38	1001203947	1	Panel, Air Dam	
39	1001203948	1	Plate, Air Dam	
41	1001215941	1	Switch	
42	1001219082	1	Bracket	
43	1001223869	1	Installation, Radiator Lines (See Separate Breakdown in this Section)	
44	1001227077	1	Decal, Air Shut Off	
45	1001227964	1	Decal, ASOV Test	
46	1001228643	1	Decal, ASOV Equipped	

SECTION 4 - ENGINE AND ATTACHING PARTS

ITEM	PART NUMBER	QTY	DESCRIPTION	REV
47	1001231407	1	Harness, POSI Air Shutoff (See Separate Breakdown in Electrical Section)	
48	1001231483	1	Harness, POSI Air Shutoff (See Separate Breakdown in Electrical Section)	

SECTION 4 - ENGINE AND ATTACHING PARTS

FIGURE 4-22. RADIATOR - COOLING PACKAGE



ART_1001201301

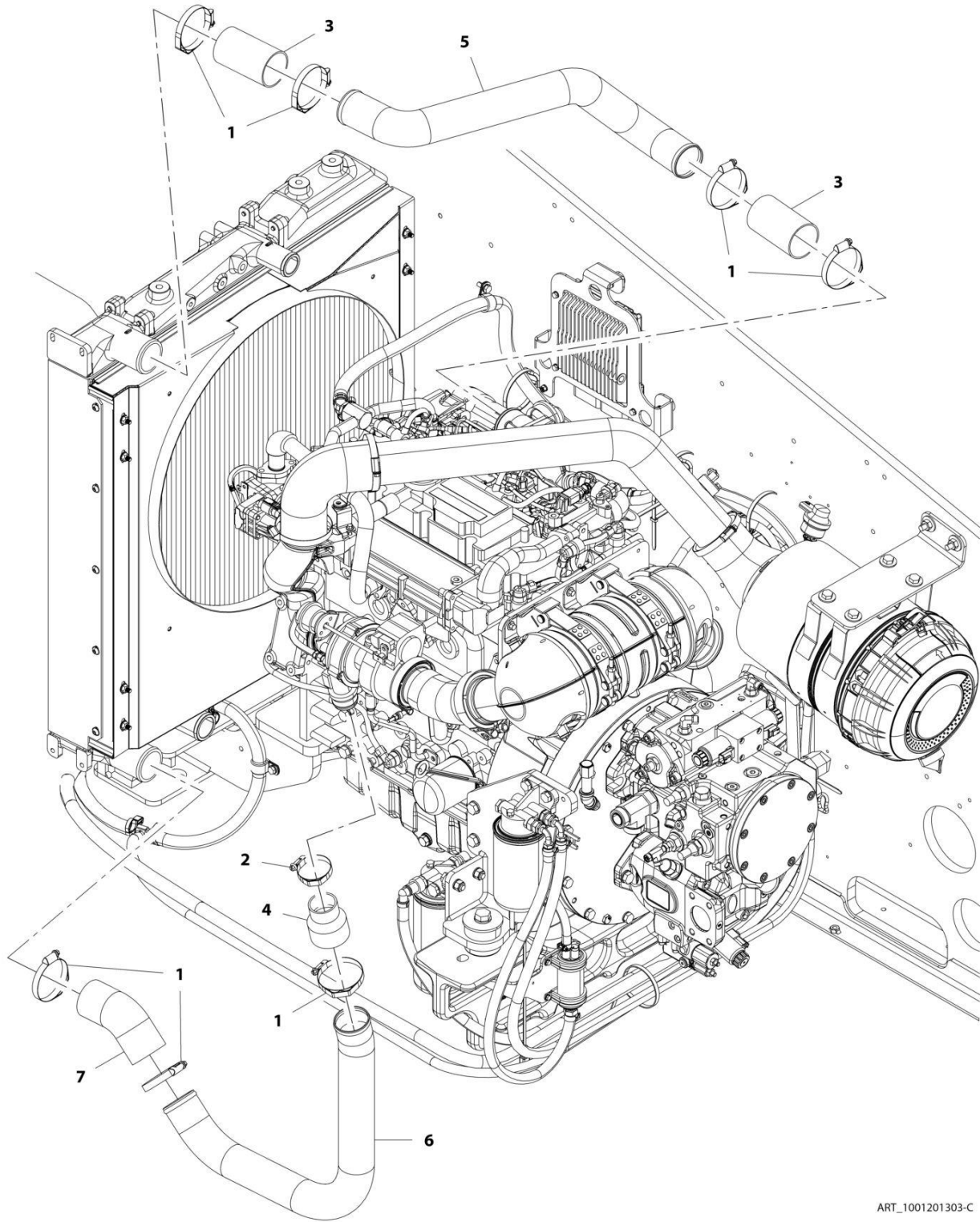
SECTION 4 - ENGINE AND ATTACHING PARTS

FIGURE 4-22. RADIATOR - COOLING PACKAGE

ITEM	PART NUMBER	QTY	DESCRIPTION	REV
	1001201301	Ref	RADIATOR COOLLING PACKAGE	D
1	70026353	1	Cooler, Air Charge	
2	70026354	1	Radiator	
3	70028550	1	Cooler, Hydraulic Oil	
4	70028548	1	Valve, Bypass	
5	70026081	1	Petcock	
6	70028549	1	Shroud	
7	70026359	2	Bracket, Shroud Mounting	

SECTION 4 - ENGINE AND ATTACHING PARTS

FIGURE 4-23. RADIATOR LINES INSTALLATION (ALL EXCEPT ULS & LS ASOV)



ART_1001201303-C

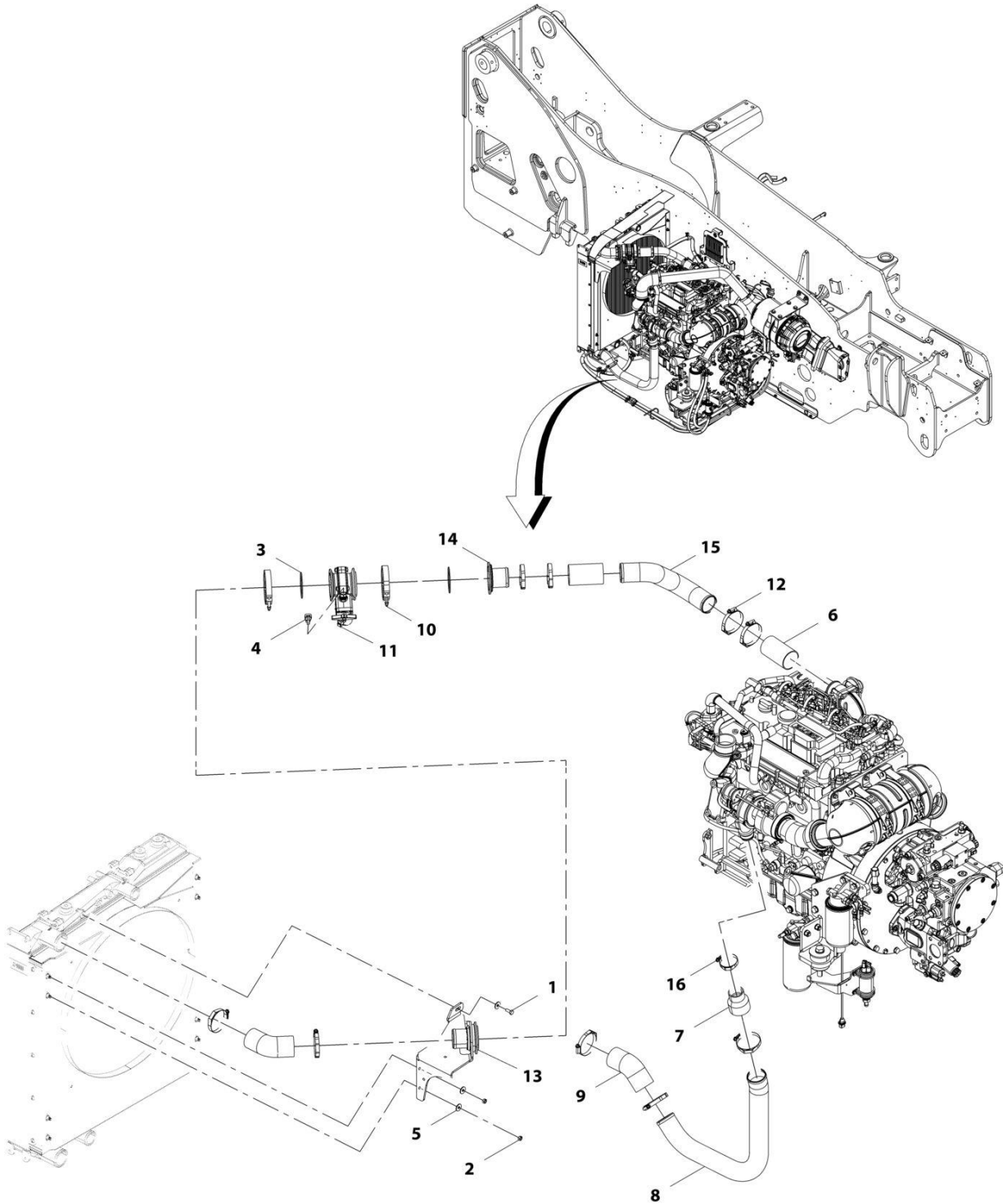
SECTION 4 - ENGINE AND ATTACHING PARTS

FIGURE 4-23. RADIATOR LINES INSTALLATION (ALL EXCEPT ULS & LS ASOV)

ITEM	PART NUMBER	QTY	DESCRIPTION	REV
	1001201303	Ref	Radiator Lines Installation	C
1	1001215022	7	Clamp	
2	1001215024	1	Clamp	
3	1001114495	2	Hose	
4	1001173528	1	Coupling, Reducer	
5	1001201314	1	Pipe	
6	1001201315	1	Pipe	
7	1001201316	1	Elbow, 45	

SECTION 4 - ENGINE AND ATTACHING PARTS

FIGURE 4-24. RADIATOR LINES INSTALLATION (ULS ASOV)



ART_1001223869-B

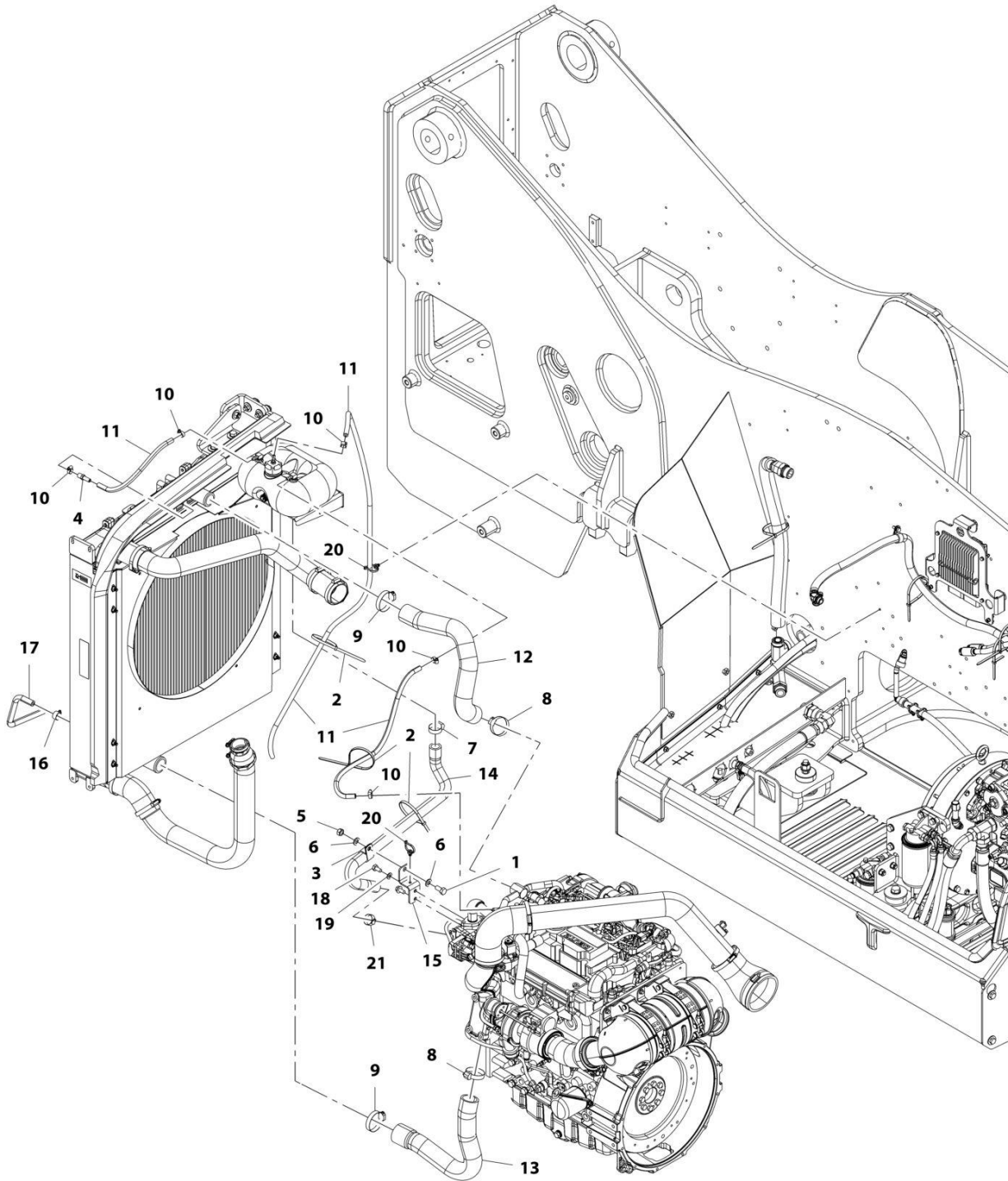
SECTION 4 - ENGINE AND ATTACHING PARTS

FIGURE 4-24. RADIATOR LINES INSTALLATION (ULS ASOV)

ITEM	PART NUMBER	QTY	DESCRIPTION	REV
	1001223869	Ref	CAC Lines Installation	B
1	0760810	1	Bolt, M8X20	
2	3290801	2	Nut, M8X1.25	
3	3790152	2	Ring	
4	4460742	1	Connector	
5	4811902	3	Washer, M8	
6	1001114495	2	Hose	
7	1001173528	1	Fitting, Straight	
8	1001201315	1	Pipe	
9	1001201316	2	Hose	
10	1001202247	2	Clamp	
11	1001204032	1	Valve, Shut Off (See Separate Breakdown in HYDRAULIC COMPONENTS Section)	
12	1001215022	9	Clamp	
13	1001223618	1	Valve, ASO (See Separate Breakdown in HYDRAULIC COMPONENTS Section)	
14	1001223628	1	Valve, ASO	
15	1001223645	1	Pipe	
16	1001215024	1	Clamp	

SECTION 4 - ENGINE AND ATTACHING PARTS

FIGURE 4-25. COOLANT LINES INSTALLATION



ART_1001201302-E

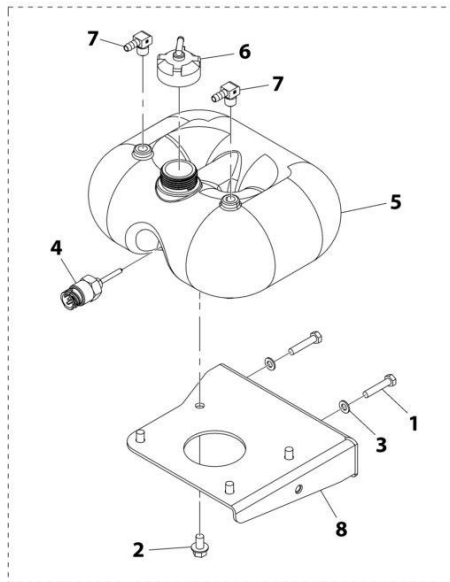
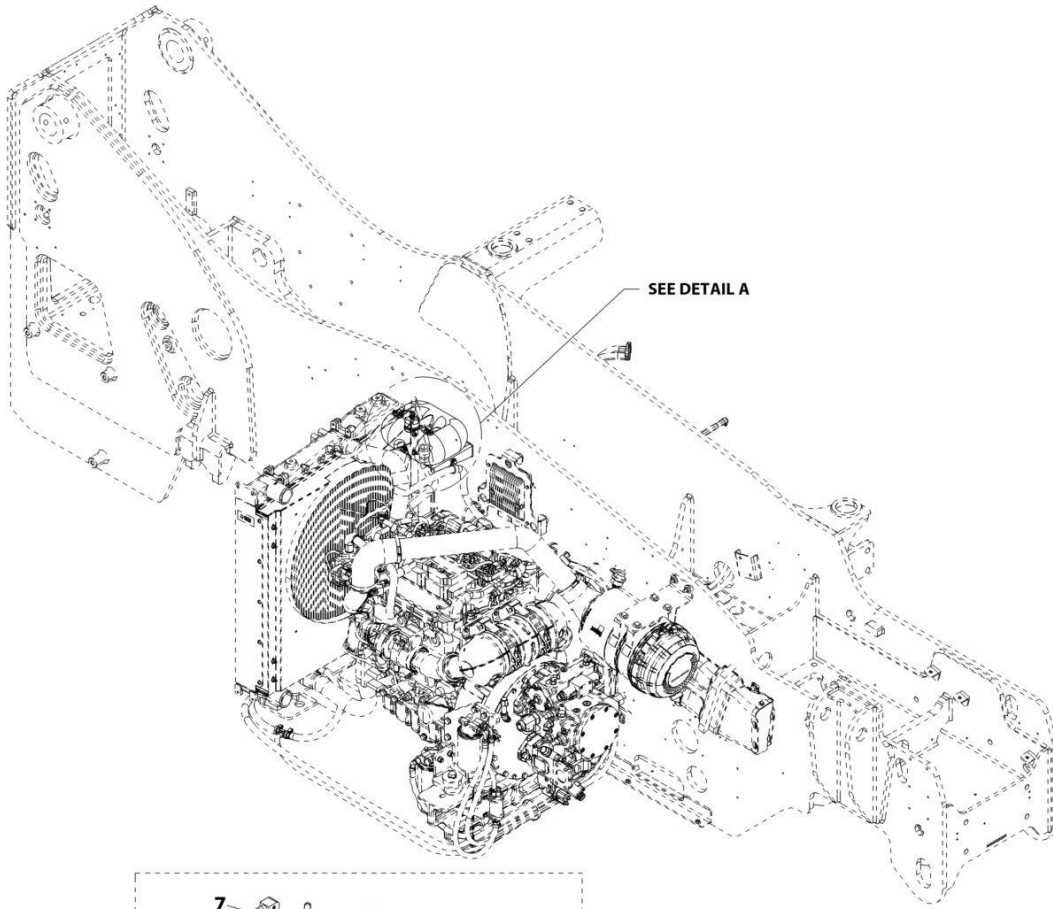
SECTION 4 - ENGINE AND ATTACHING PARTS

FIGURE 4-25. COOLANT LINES INSTALLATION

ITEM	PART NUMBER	QTY	DESCRIPTION	REV
	1001201302	Ref	Coolant Lines Installation	E
1	0761212	1	Bolt, M12X25	
2	1062255	3	Strap, Tie	
3	1320060	1	Clamp, Hose	
4	2220767	1	Fitting	
5	3291201	1	Nut, M12	
6	4812100	2	Washer, M12	
7	8405101	1	Clamp, Gear	
8	8405104	2	Clamp, Gear	
9	8405201	2	Clamp, Gear	
10	8405009	5	Clamp, Gear	
11	1001180542	2465 mm	Hose	
12	1001217762	1	Hose	
13	1001201309	1	Hose	
14	1001217763	1	Hose	
15	1001217761	1	Bracket	
16	8405006	1	Clamp, Gear	
17	1001180553	370 mm	Hose	
18	0761010	1	Bolt, M12X20	
19	4812000	1	Washer, M10	
20	1001146588	2	Strap, Tie	
21	8405007	1	Clamp, Gear	

SECTION 4 - ENGINE AND ATTACHING PARTS

FIGURE 4-26. SURGE TANK INSTALLATION



DETAIL A

ART_1001201304-B

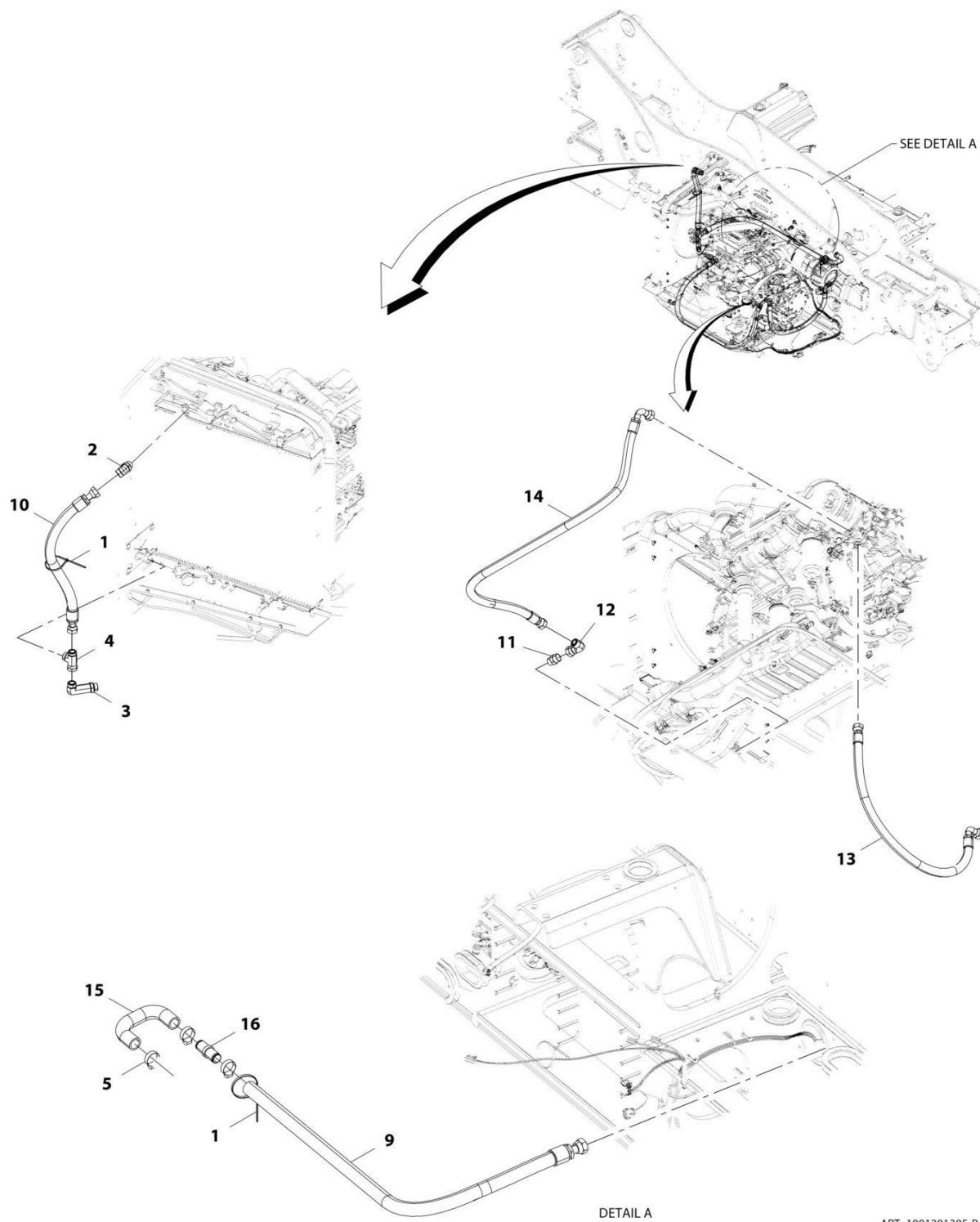
SECTION 4 - ENGINE AND ATTACHING PARTS

FIGURE 4-26. SURGE TANK INSTALLATION

ITEM	PART NUMBER	QTY	DESCRIPTION	REV
	1001201304	Ref	Surge Tank Installation	B
1	0700816	2	Bolt, M8X40	
2	0791605	4	Screw	
3	4811900	2	Washer, M8	
4	1001138827	1	Sensor, Coolant Level	
5	1001128144	1	Tank, Coolant	
6	1001128341	1	Cap	
7	1001169368	2	Fitting, Hose Barb	
8	1001201317	1	Bracket, Coolant Tank	

SECTION 4 - ENGINE AND ATTACHING PARTS

FIGURE 4-27. TRANSMISION OIL COOLER LINES INSTALLATION



DETAIL A

ART_1001201305-B

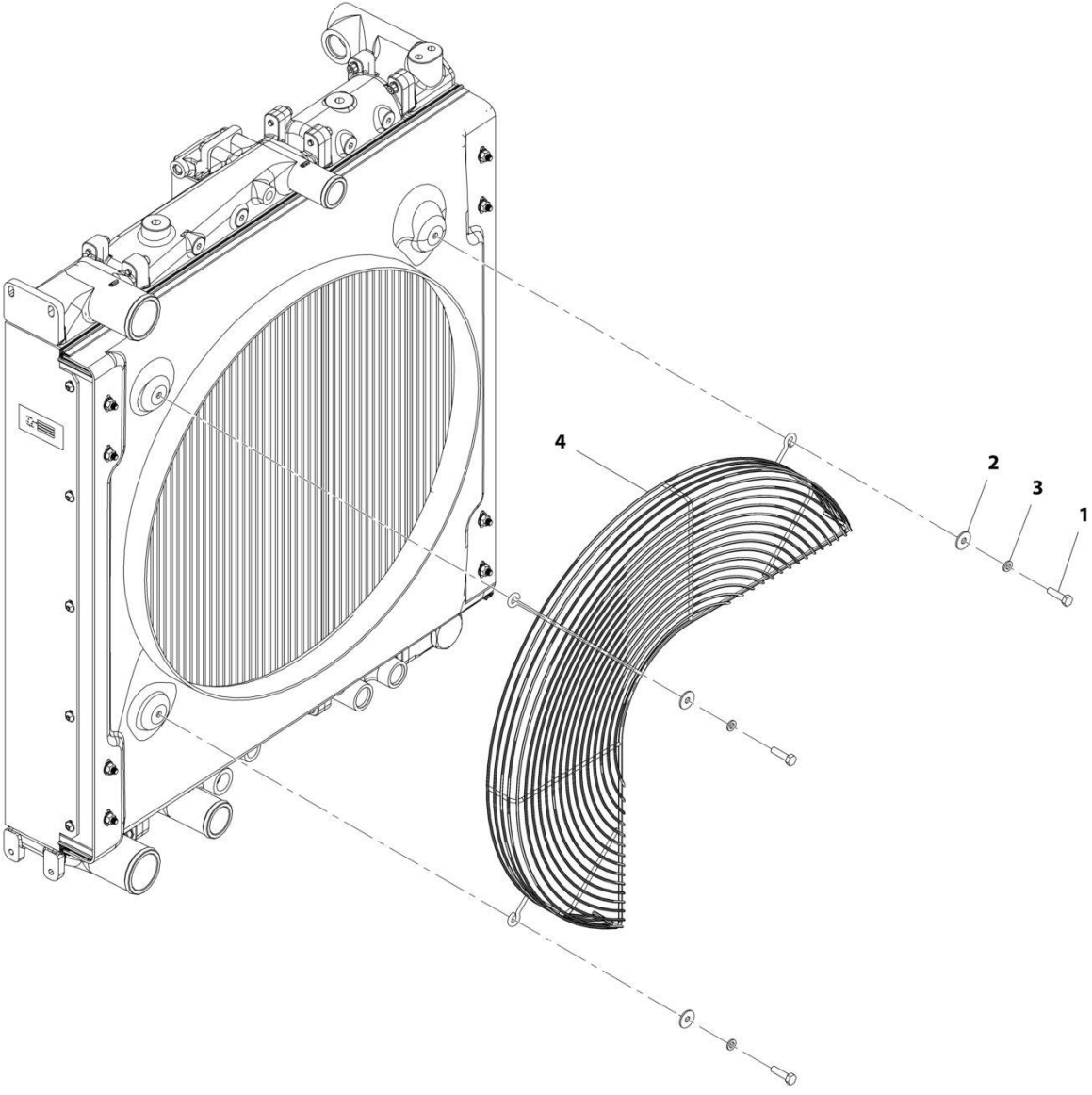
SECTION 4 - ENGINE AND ATTACHING PARTS

FIGURE 4-27. TRANSMISION OIL COOLER LINES INSTALLATION

ITEM	PART NUMBER	QTY	DESCRIPTION	REV
	1001201305	Ref	Transmission Oil Cooler Lines Installation	B
1	1062255	AR	Strap, Tie	
2	2151616	1	Fitting, 45 ORFS	
3	2170216	1	Fitting, 90 ORFS	
4	2170716	1	Fitting, Tee ORFS	
5	8405102	3	Clamp, Gear	
9	1001205564	1	Hose	
10	1001205565	1	Hose	
11	2111616	1	Fitting, Straight ORFS	
12	2172116	1	Fitting, 90 ORFS	
13	1001211616	1	Hose	
14	1001211617	1	Hose	
15	1001212920	1	Hose	
16	1001212921	1	Fitting, Straight	

SECTION 4 - ENGINE AND ATTACHING PARTS

FIGURE 4-28. FAN GUARD INSTALLATION



ART_1001160420-D

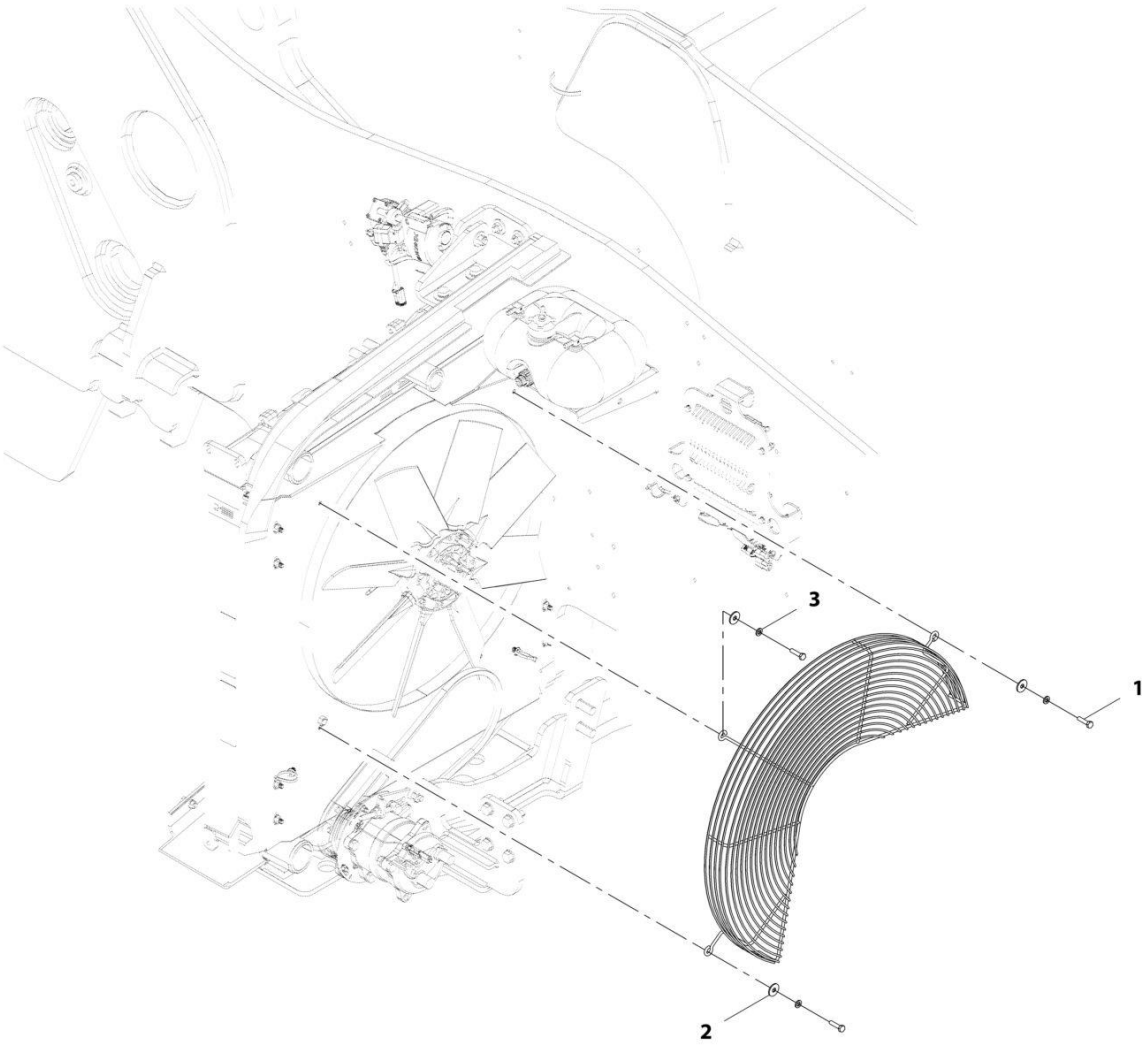
SECTION 4 - ENGINE AND ATTACHING PARTS

FIGURE 4-28. FAN GUARD INSTALLATION

ITEM	PART NUMBER	QTY	DESCRIPTION	REV
	1001160420	Ref	Fan Guard Installation	D
1	0700814	3	Bolt, M8X30	
2	4811902	3	Washer, M8	
3	4831900	3	Washer, Lock M8	
4	1001167186	1	Grill	

SECTION 4 - ENGINE AND ATTACHING PARTS

FIGURE 4-29. FAN GUARD (REVERSING) INSTALLATION



ART_1001217754-B

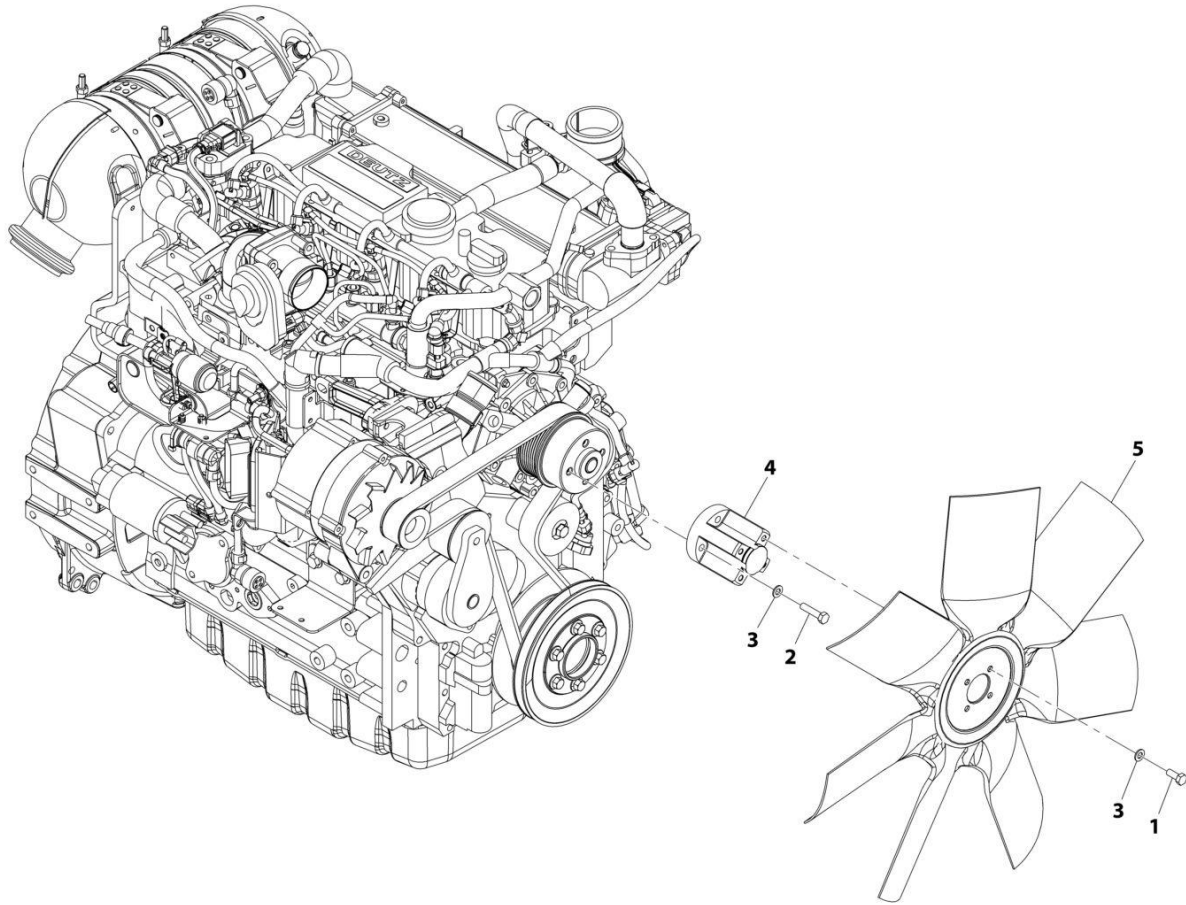
SECTION 4 - ENGINE AND ATTACHING PARTS

FIGURE 4-29. FAN GUARD (REVERSING) INSTALLATION

ITEM	PART NUMBER	QTY	DESCRIPTION	REV
	1001217754	1	Fan Guard (Reversing) Installation	B
1	0700814	3	Bolt, M8X30	
2	4811902	3	Washer, M8	
3	4831900	3	Washer, Lock M8	
4	1001217755	1	Grill	

SECTION 4 - ENGINE AND ATTACHING PARTS

FIGURE 4-30. COOLING FAN INSTALLATION



ART_1001214123-A

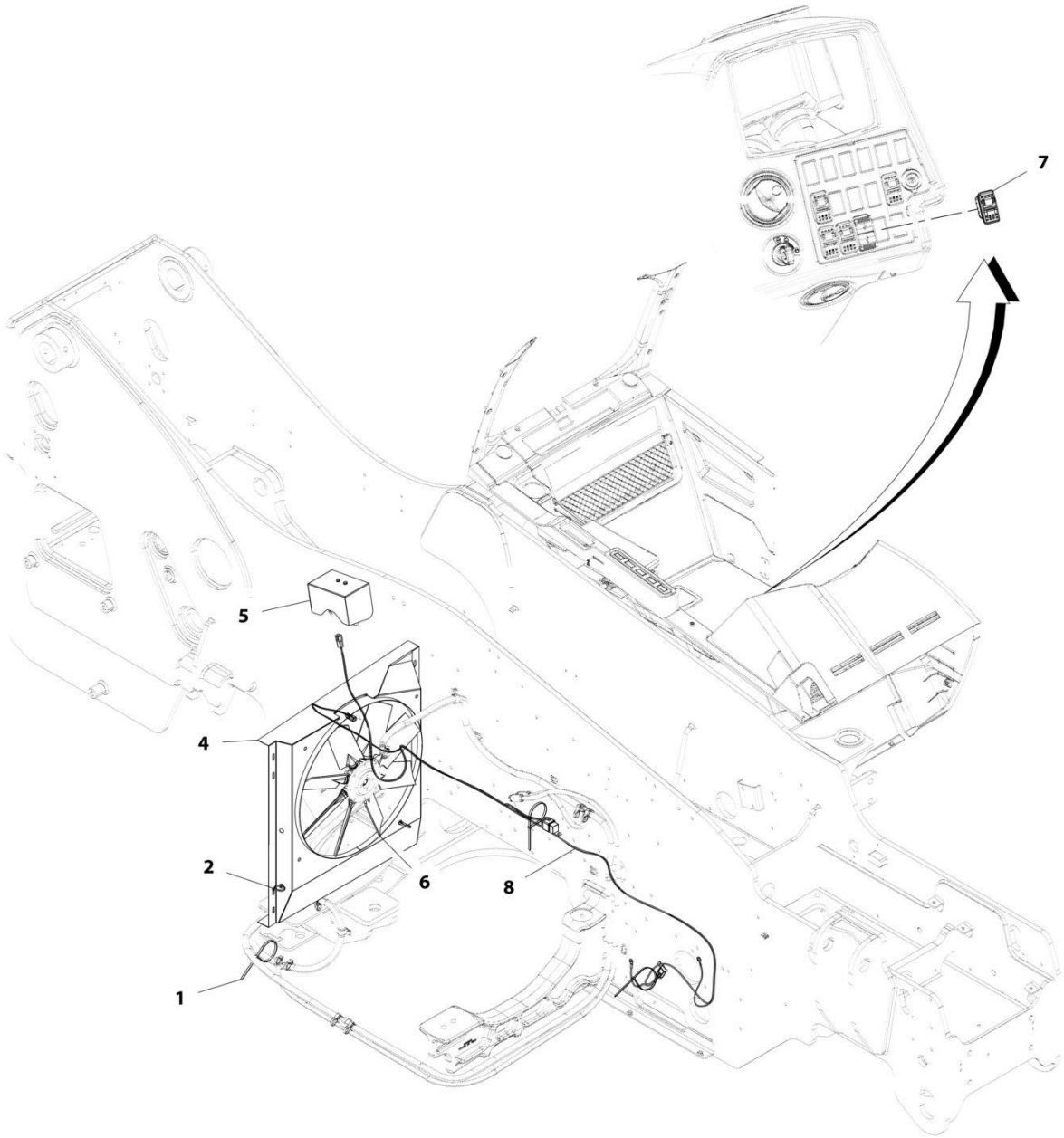
SECTION 4 - ENGINE AND ATTACHING PARTS

FIGURE 4-30. COOLING FAN INSTALLATION

ITEM	PART NUMBER	QTY	DESCRIPTION	REV
	1001214123	Ref	Cooling Fan Installation	A
1	0760810	4	Bolt, M8X20	
2	0770815	4	Bolt, M8X35 Grade 10.9	
3	4811900	8	Washer, M8	
4	1001170311	1	Adapter, Fan	
5	1001185026	1	Fan	

SECTION 4 - ENGINE AND ATTACHING PARTS

FIGURE 4-31. COOLING FAN (REVERSING) INSTALLATION



ART_1001217753-C

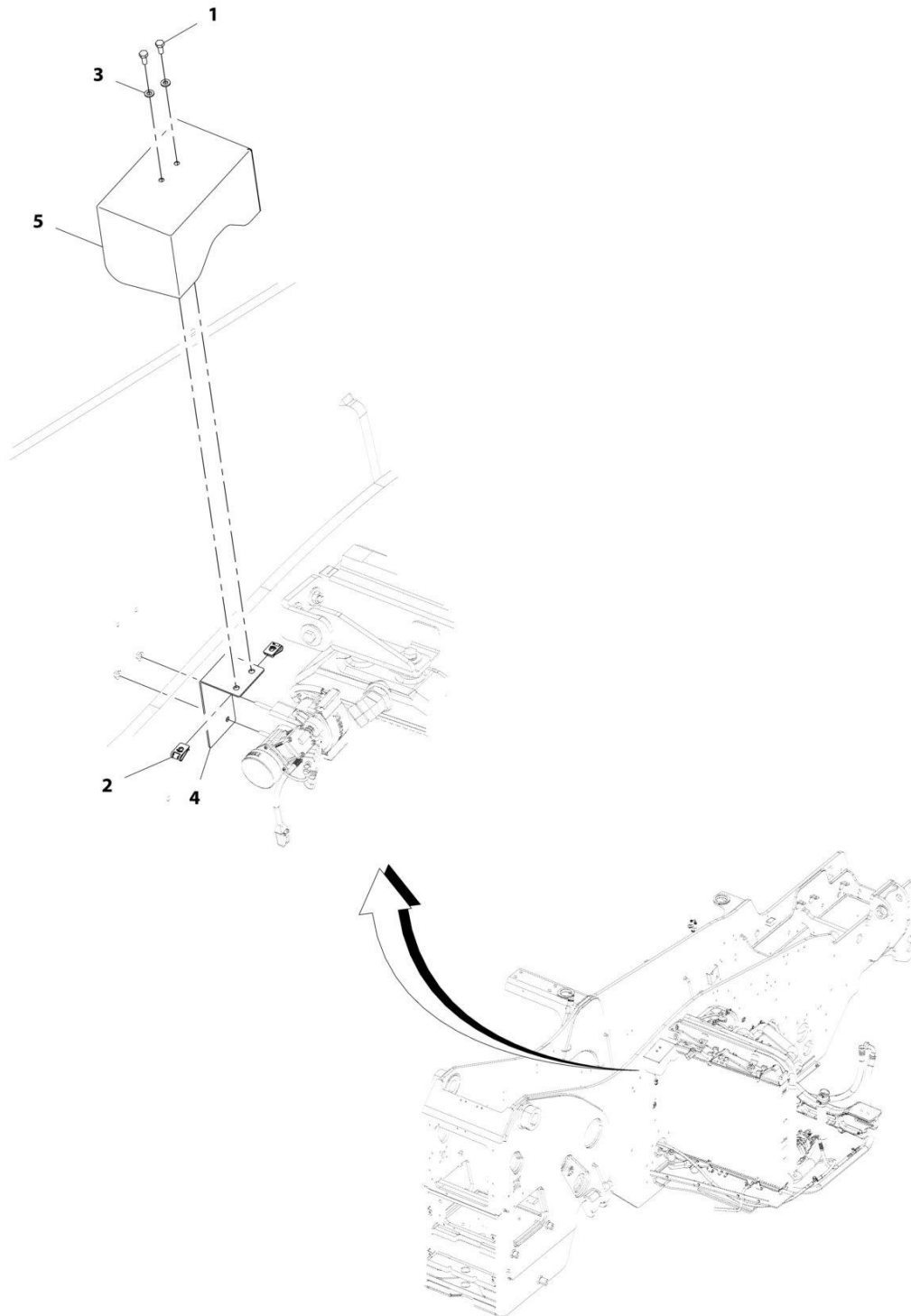
SECTION 4 - ENGINE AND ATTACHING PARTS

FIGURE 4-31. COOLING FAN (REVERSING) INSTALLATION

ITEM	PART NUMBER	QTY	DESCRIPTION	REV
	1001217753	Ref	Reverse Cooling Fan Installation	C
1	1062255	3	Strap, Tie	
2	1001146588	2	Strap, Fir Tree Cable Tie	
4	1001217756	1	Shroud	
5	1001217757	1	Installation, Cover (See Separate Breakdown in this Section)	
6	1001217760	1	Kit, Reversing Fan	
6	70030353	1	Pneumatic Line	
6	70030355	1	Fan, Reverse	
6	70030356	1	Compressor	
7	1001145204	1	Switch	
8	1001221493	1	Harness, Reversing Fan (See Separate Breakdown in ELECTRICAL Section)	

SECTION 4 - ENGINE AND ATTACHING PARTS

FIGURE 4-32. COOLING FAN COVER (REVERSING) INSTALLATION



ART_1001217757-A

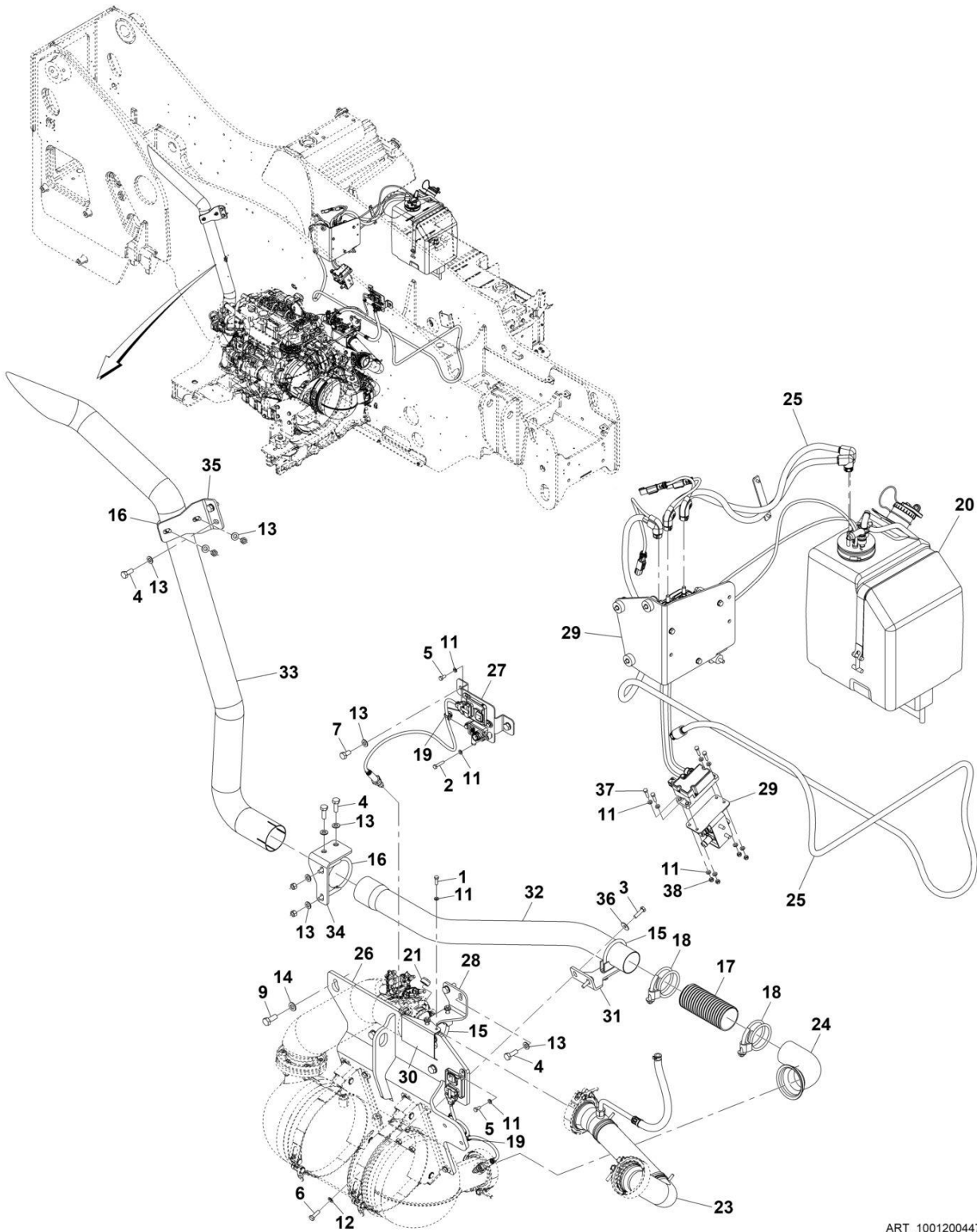
SECTION 4 - ENGINE AND ATTACHING PARTS

FIGURE 4-32. COOLING FAN COVER (REVERSING) INSTALLATION

ITEM	PART NUMBER	QTY	DESCRIPTION	REV
	1001217757	Ref	Compressor Cover Installation	A
1	0760607	2	Bolt, M6X14	
2	8305919	2	Nut, M6	
3	8307219	2	Washer, M6	
4	1001217758	1	Bracket	
5	1001217759	1	Cover	

SECTION 4 - ENGINE AND ATTACHING PARTS

FIGURE 4-33. EXHAUST INSTALLATION (ULS)



ART_1001200447-I

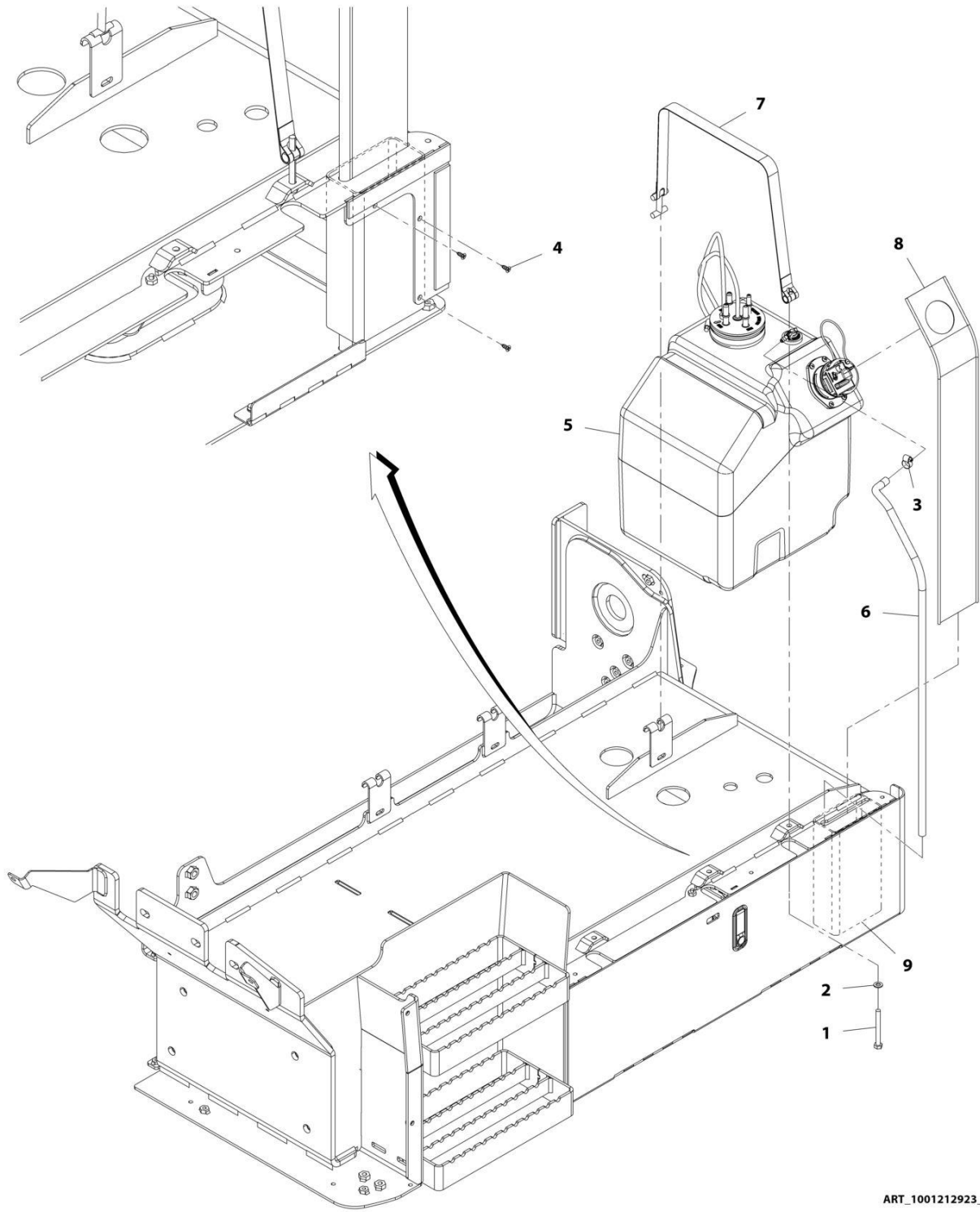
SECTION 4 - ENGINE AND ATTACHING PARTS

FIGURE 4-33. EXHAUST INSTALLATION (ULS)

ITEM	PART NUMBER	QTY	DESCRIPTION	REV
	1001200447	Ref	EXHAUST INSTALLATION (ULS)	K
1	0700610	1	Bolt M6 x 20	
2	0700614	1	Bolt M6 x 30	
3	0700814	2	Bolt M8 x 30	
4	0701014	6	Bolt M10 x 30	
5	0760607	4	Bolt M6 x 14	
6	0760812	8	Bolt M8 x 25	
7	0761010	2	Bolt M10 x 20	
9	0761214	4	Bolt M12 x 30	
11	4811700	6	Washer M6	
12	4811900	8	Washer M8	
13	4812000	12	Washer M10	
14	4812100	4	Washer M12	
15	8275212	2	Clamp	
16	24921332	2	Clamp	
17	77213042	1	Tube, Flexible	
18	91163268	2	Clamp	
19	1001146588	3	Tie-Strap	
20	1001293067	Ref	Installation, DEF Tank (See Separate Breakdown in this Section)	
23	1001199902	1	Pipe	
24	1001200249	1	Pipe	
25	1001293068	Ref	Installation, DEF Lines (See Separate Breakdown in this Section)	
26	1001201856	1	Bracket	
27	1001284536	1	Bracket	
28	1001201858	1	Support	
29	1001202018	Ref	Installation, DEF Control Module (See Separate Breakdown in this Section)	
30	1001202021	1	Plate	
31	1001202899	1	Bracket	
32	1001204411	1	Pipe	
33	1001226797	1	Pipe, Tail	
34	1001204413	1	Bracket	
35	1001204414	1	Bracket	
36	4811902	2	Washer M8	
39	1001004720	AR	Tie-Strap	

SECTION 4 - ENGINE AND ATTACHING PARTS

FIGURE 4-34. DEF TANK INSTALLATION



ART_1001212923_F

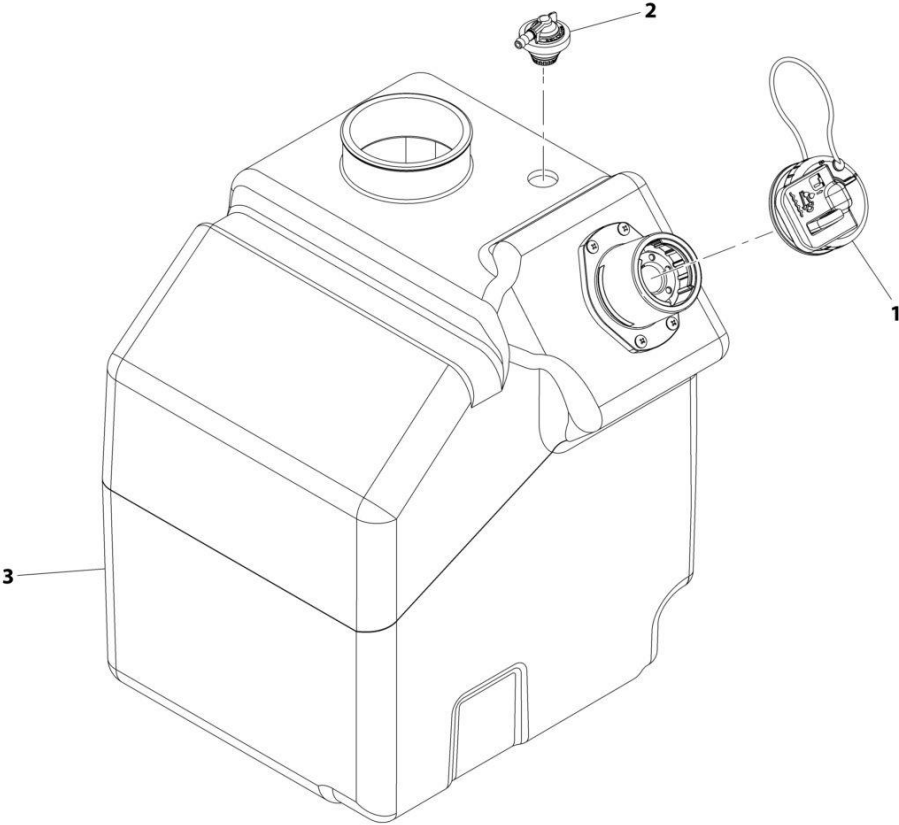
SECTION 4 - ENGINE AND ATTACHING PARTS

FIGURE 4-34. DEF TANK INSTALLATION

ITEM	PART NUMBER	QTY	DESCRIPTION	REV
	1001212923	Ref	DEF Tank Installation	F
1	0760823	1	Bolt, M8X75	
2	4811900	1	Washer, M8	
3	8405009	1	Clamp	
4	1001226681	3	Screw	
5	1001247279	1	Assembly, DEF Tank (See Separate Breakdown in this Section)	
6	1001175201	813 mm	Hose	
7	1001178791	1	Strap, Tank	
8	1001212924	1	Guard, Spill	
9	1001212925	1	Tube, Drain	

SECTION 4 - ENGINE AND ATTACHING PARTS

FIGURE 4-35. DEF TANK ASSEMBLY



ART_1001247279-B

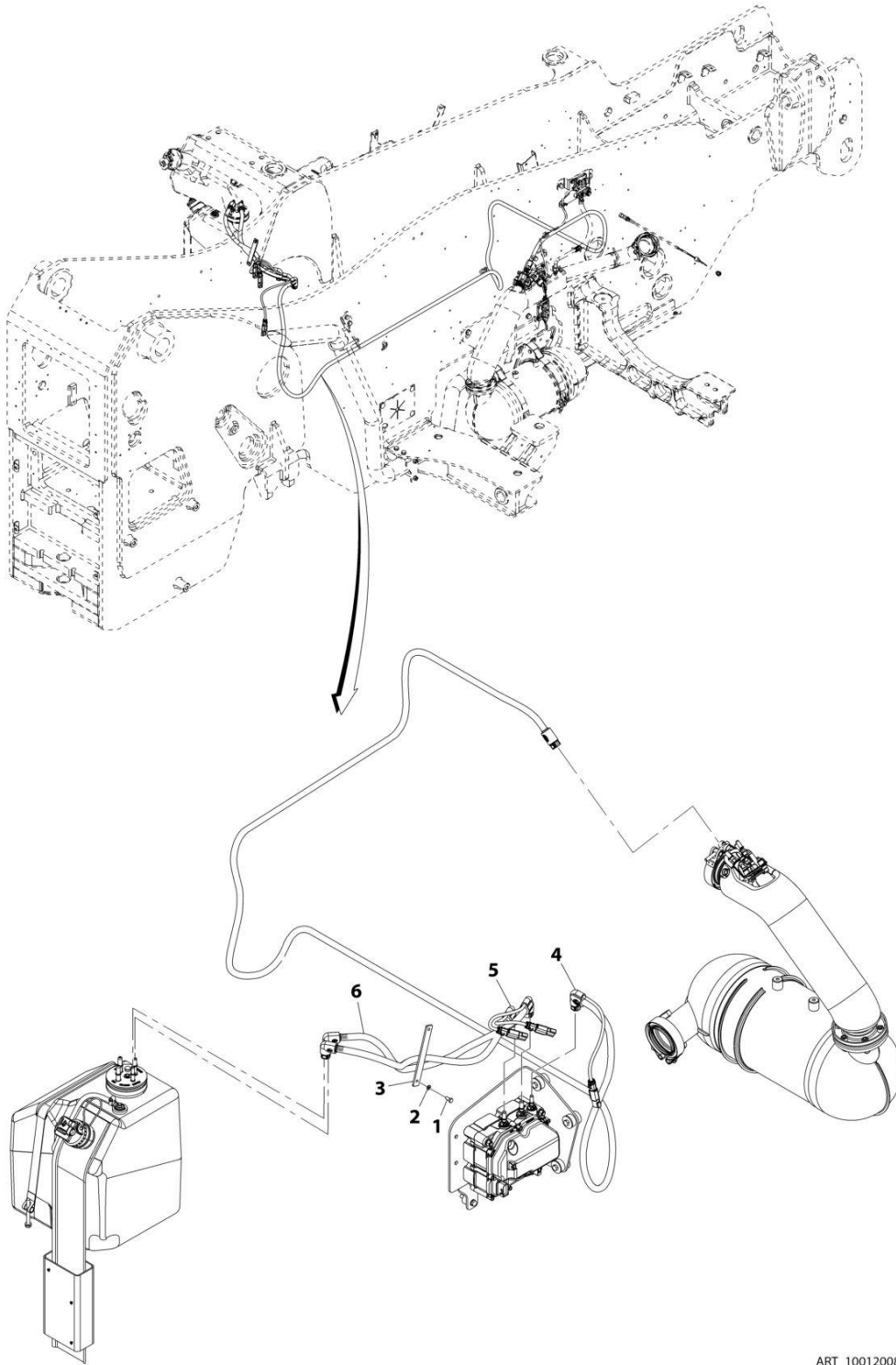
SECTION 4 - ENGINE AND ATTACHING PARTS

FIGURE 4-35. DEF TANK ASSEMBLY

ITEM	PART NUMBER	QTY	DESCRIPTION	REV
	1001247279	Ref	DEF Tank Assembly	B
1	1001174795	1	Reutter Cap Assembly	
2	1001215319	1	DEF Breather Valve	
3	1001237897	NLA	DEF Tank (Use PN 1001247279)	

SECTION 4 - ENGINE AND ATTACHING PARTS

FIGURE 4-36. DEF LINES INSTALLATION



ART_1001200867-E

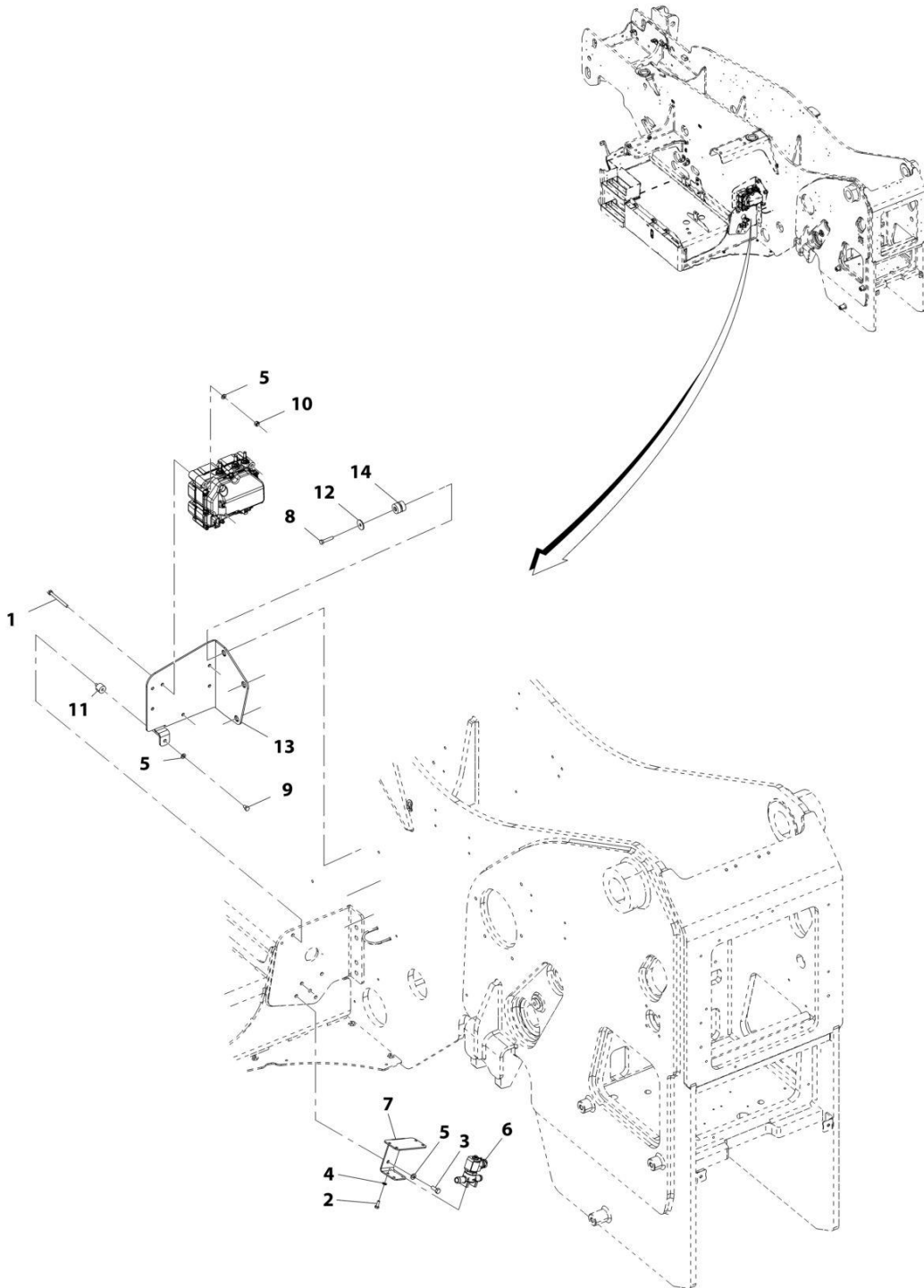
SECTION 4 - ENGINE AND ATTACHING PARTS

FIGURE 4-36. DEF LINES INSTALLATION

ITEM	PART NUMBER	QTY	DESCRIPTION	REV
	1001200867	Ref	DEF Lines Installation	E
1	0760607	2	Bolt, M6X14	
2	4831700	2	Washer, Lock M6	
3	1001173873	1	Plate	
4	1001180437	1	Hose	
5	1001239879	1	Hose	
6	1001239878	1	Hose	

SECTION 4 - ENGINE AND ATTACHING PARTS

FIGURE 4-37. DEF CONTROL MODULE INSTALLATION



ART_1001202018-F

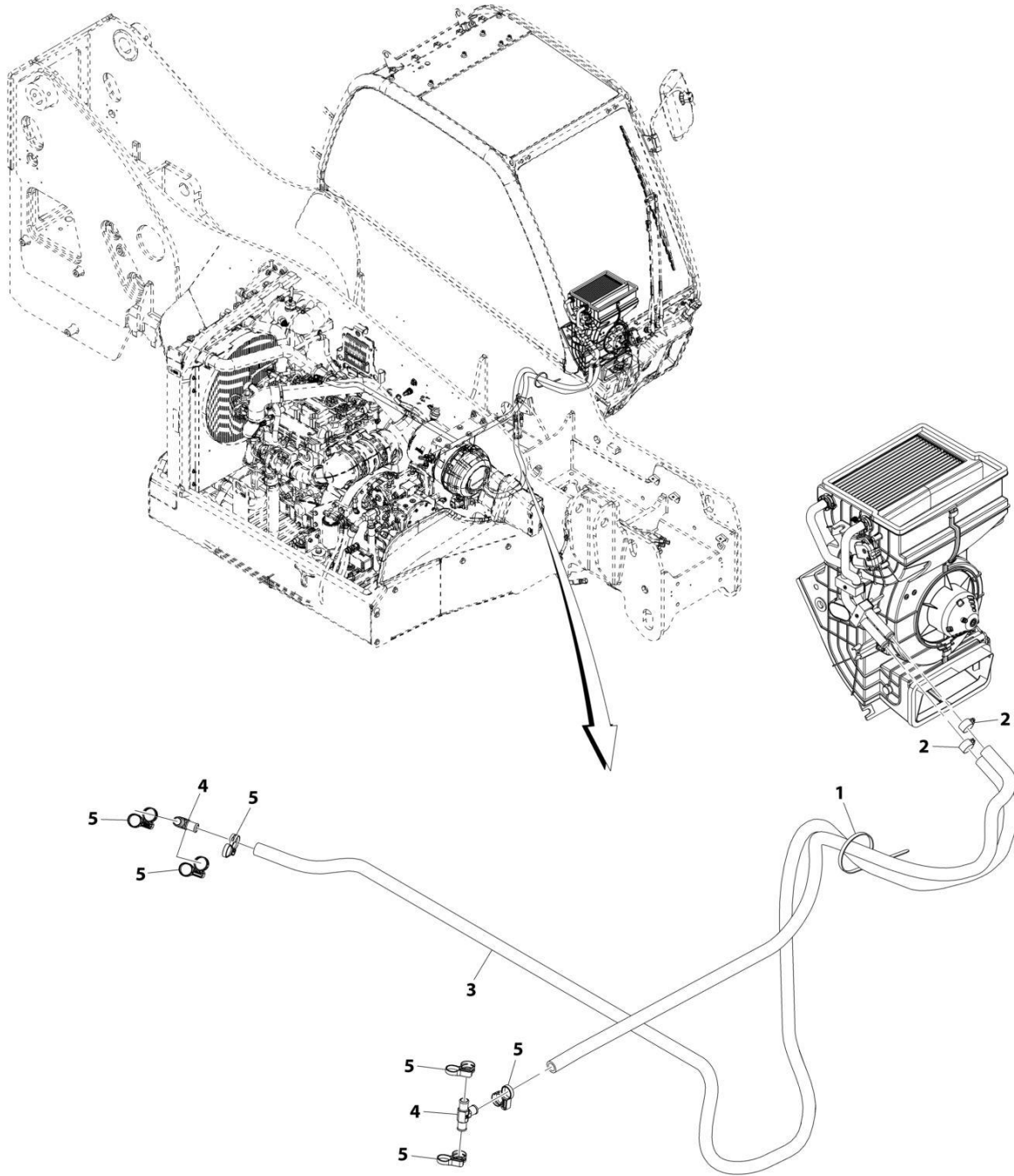
SECTION 4 - ENGINE AND ATTACHING PARTS

FIGURE 4-37. DEF CONTROL MODULE INSTALLATION

ITEM	PART NUMBER	QTY	DESCRIPTION	REV
	1001202018	Ref	DEF Control Module Installation	F
1	0700826	3	Bolt, M8X90	
2	0760608	4	Bolt, M6X16	
3	0760810	2	Bolt, M8X20	
4	4811700	4	Washer, M6	
5	4811900	9	Washer, M8	
6	1001199670	1	Valve, DEF Tank Coolant Flow	
7	1001247184	1	Bracket	
8	0700816	3	Bolt, M8X40	
9	0760806	1	Bolt, M8X12	
10	3290805	3	Nut, Lock M8X1.25 Grade 8	
11	1001179907	1	Mount, Isolator	
12	1001195089	3	Washer	
13	1001221349	1	Bracket	
14	1001221383	3	Mount, Isolator	

SECTION 4 - ENGINE AND ATTACHING PARTS

FIGURE 4-38. HEATER LINES INSTALLATION (ULS)



ART_1001200451-D

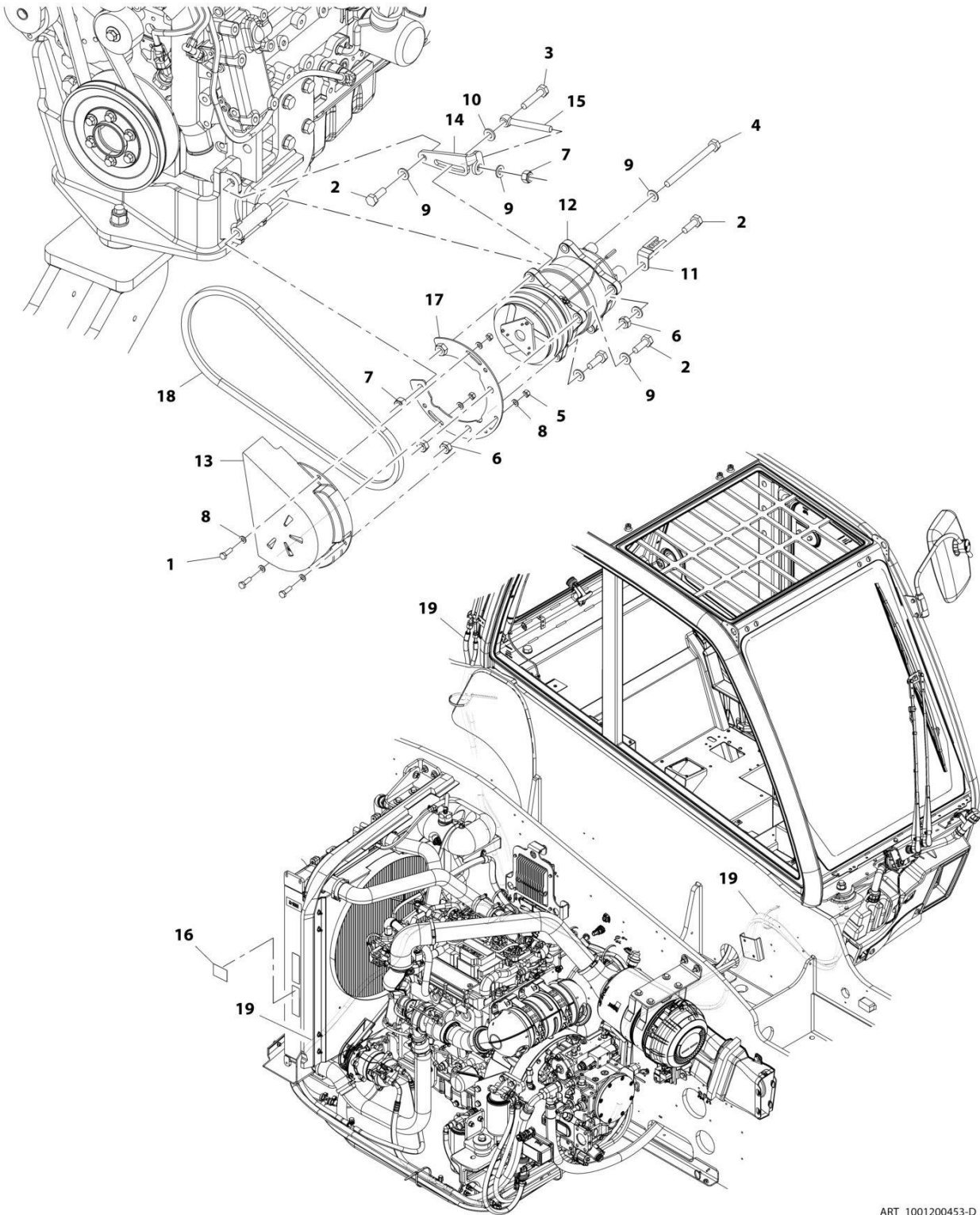
SECTION 4 - ENGINE AND ATTACHING PARTS

FIGURE 4-38. HEATER LINES INSTALLATION (ULS)

ITEM	PART NUMBER	QTY	DESCRIPTION	REV
	1001200451	Ref	Heater Lines Installation (ULS)	D
1	1062255	AR	Strap, Tie	
2	8410009	2	Clamp	
3	82033995	4620 mm	Hose	
4	1001170432	2	Fitting, Tee	
5	1001202526	6	Clamp	

SECTION 4 - ENGINE AND ATTACHING PARTS

FIGURE 4-39. A/C PUMP INSTALLATION



ART_1001200453-D

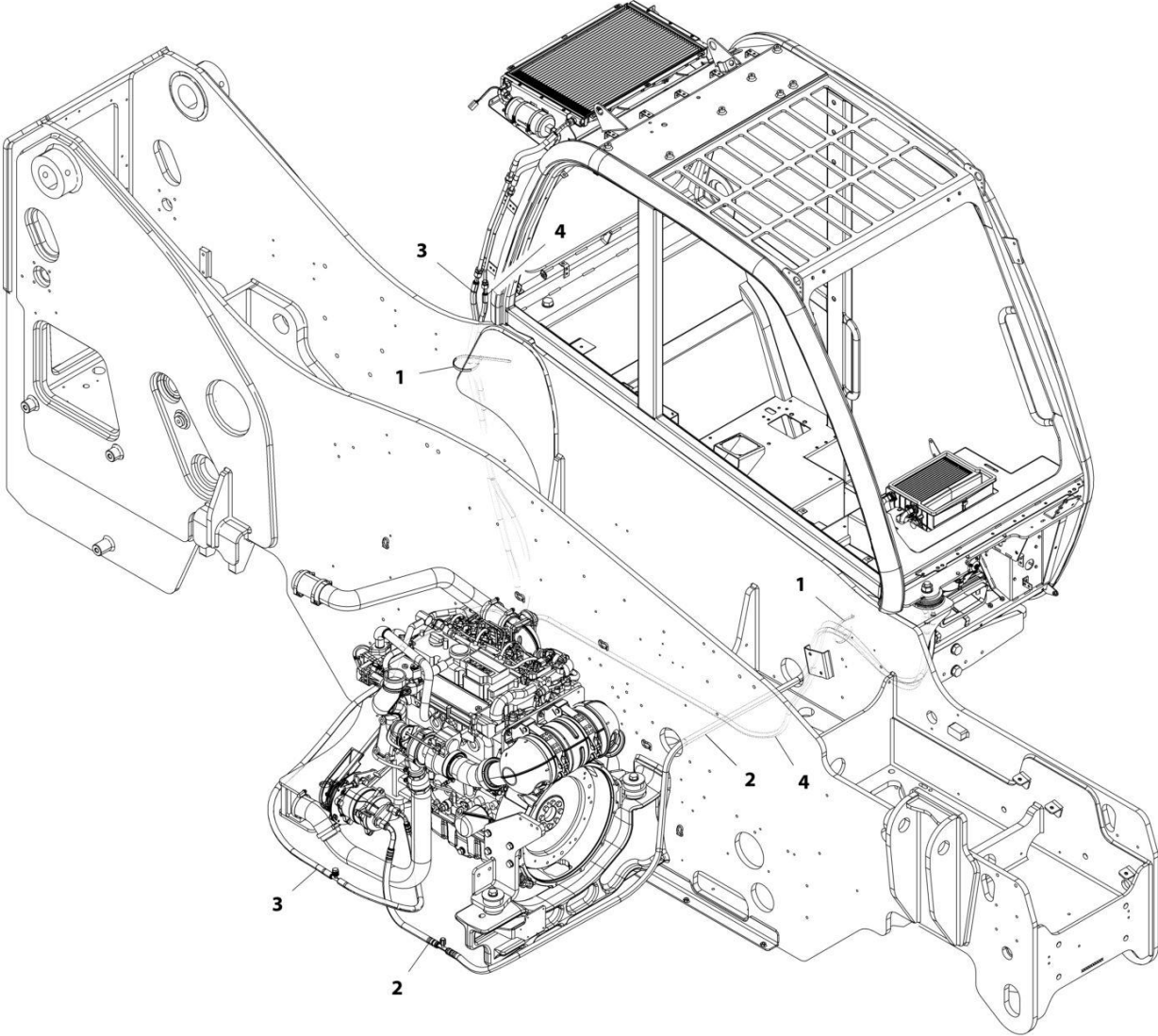
SECTION 4 - ENGINE AND ATTACHING PARTS

FIGURE 4-39. A/C PUMP INSTALLATION

ITEM	PART NUMBER	QTY	DESCRIPTION	REV
	1001200453	Ref	A/C Pump Installation	D
1	0700610	3	Bolt, M6X20	
2	0701014	4	Bolt, M10X30	
3	0701018	1	Bolt, M10X50	
4	0711030	1	Bolt, M10X130 Grade 10.9	
5	3290605	3	Nut, Lock M6X1	
6	3291001	3	Nut, M10X1.5	
7	3291005	2	Nut, lock M10X1.5	
8	4811700	6	Washer, M6	
9	4812000	6	Washer, M10	
10	5241000	1	Washer, M10	
11	1001003305	1	Clip	
12	1001107339	1	Compressor, A/C Clutch	
13	1001138945	1	Cover, Compressor	
14	1001188855	1	Plate, A/C Belt Tensioner	
15	1001188856	1	Rod, Tensioner	
16	1001227090	1	Decal, A/C Installation	
17	1001193797	1	Support, Cover	
18	1001200701	1	Belt, Drive	
19	1001202321	1	A/C Lines Installation (See Separate Breakdown in this Section)	

SECTION 4 - ENGINE AND ATTACHING PARTS

FIGURE 4-40. A/C LINES INSTALLATION



ART_1001202321-D

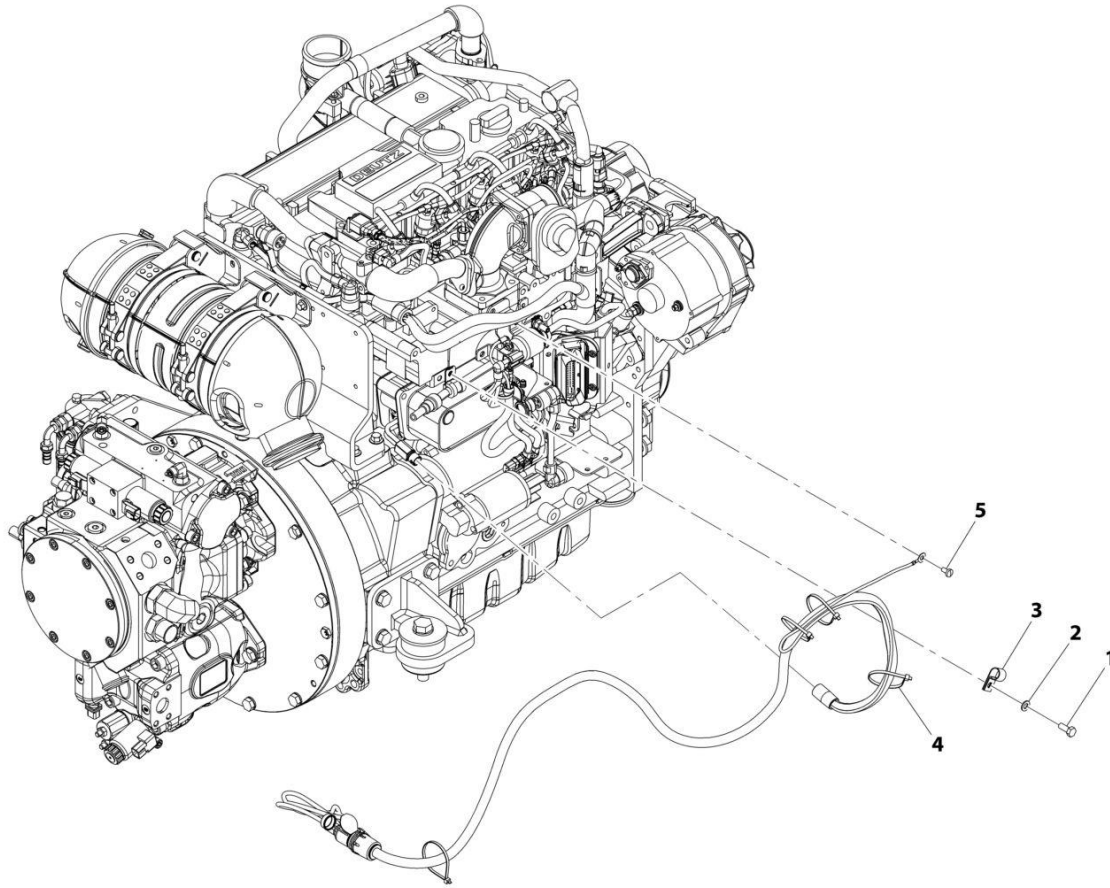
SECTION 4 - ENGINE AND ATTACHING PARTS

FIGURE 4-40. A/C LINES INSTALLATION

ITEM	PART NUMBER	QTY	DESCRIPTION	REV
	1001202321	Ref	A/C Lines Installation	D
1	1062255	2	Strap, Tie	
2	1001216798	1	Hose	
3	1001216799	1	Hose	
4	1001202325	1	Hose	

SECTION 4 - ENGINE AND ATTACHING PARTS

FIGURE 4-41. BLOCK HEATER INSTALLATION (115V) (ULS)



ART_1001214349-C

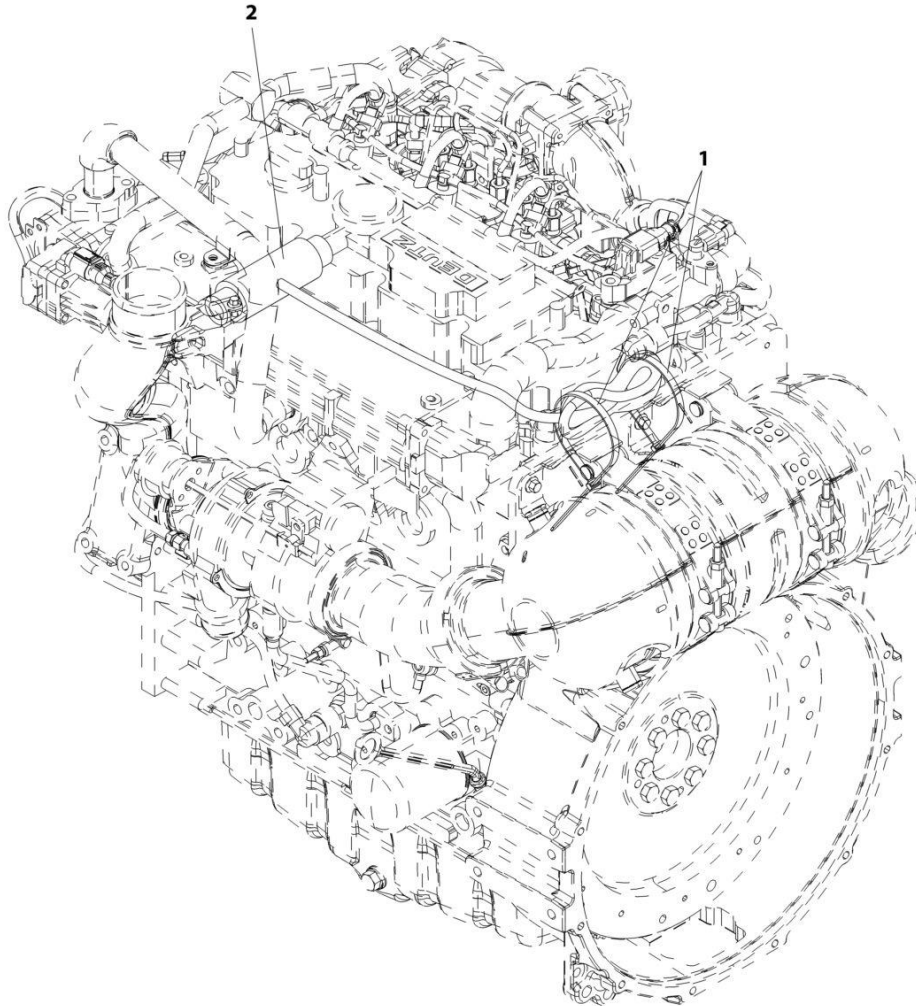
SECTION 4 - ENGINE AND ATTACHING PARTS

FIGURE 4-41. BLOCK HEATER INSTALLATION (115V) (ULS)

ITEM	PART NUMBER	QTY	DESCRIPTION	REV
	1001214349	Ref	Block Heater Installation (115V) (ULS)	C
1	0760810	1	Bolt, M8X20	
2	4811900	1	Washer, M8	
3	8406112	1	Clip	
4	1001008559	4	Strap, Cable	
5	1001099566	1	Screw, M6-1X12	

SECTION 4 - ENGINE AND ATTACHING PARTS

FIGURE 4-42. HEATED BREATHER TUBE INSTALLATION



ART_1001233024-A

SECTION 4 - ENGINE AND ATTACHING PARTS

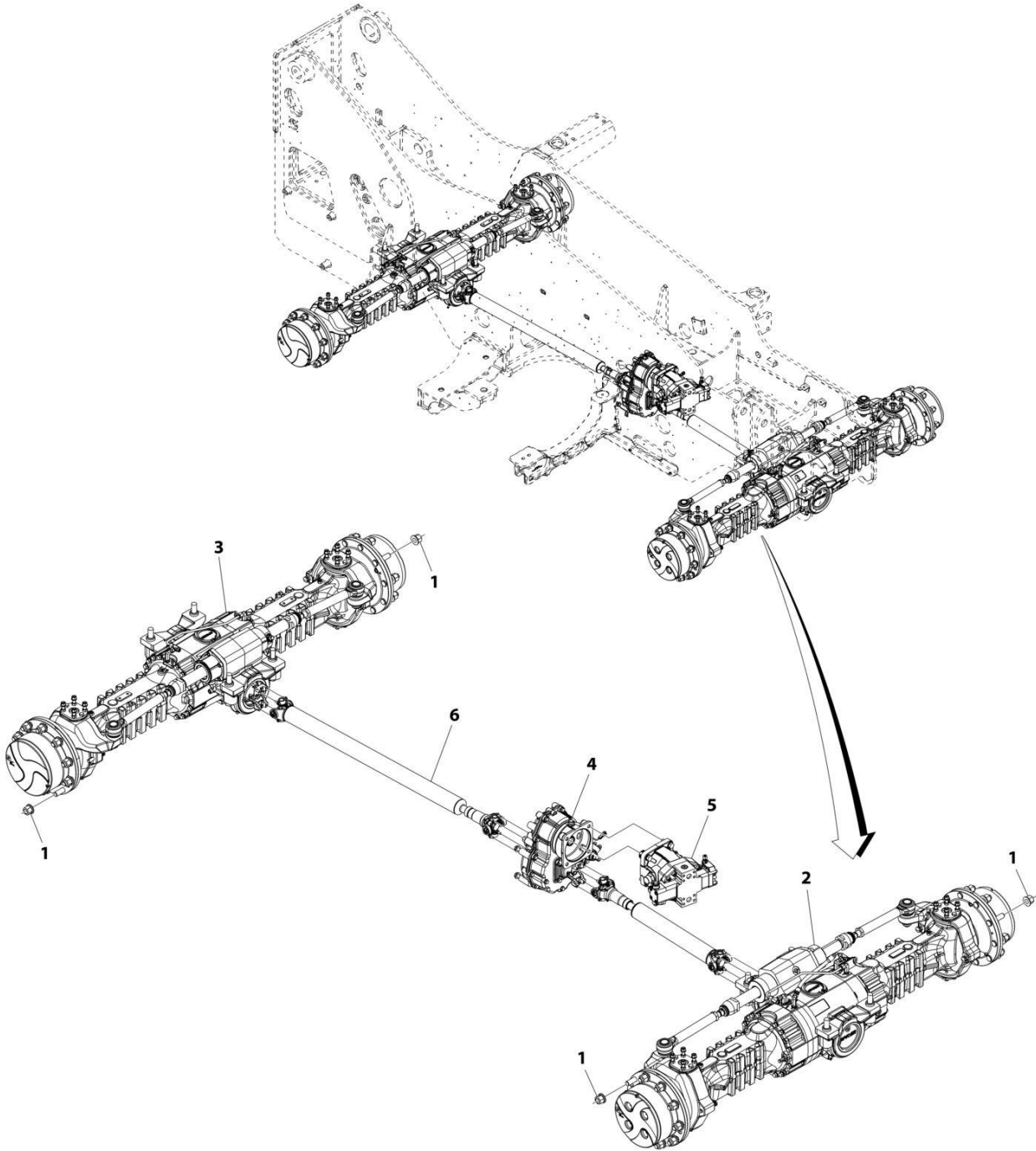
FIGURE 4-42. HEATED BREATHER TUBE INSTALLATION

ITEM	PART NUMBER	QTY	DESCRIPTION	REV
	1001233024	Ref	Heated Breather Tube Installation	A
1	1062255	2	Strap, Tie	
2	1001232509	1	Hose	

SECTION 5 - DRIVE TRAIN

SECTION 5 - DRIVE TRAIN

FIGURE 5-1. DRIVETRAIN INSTALLATION



ART_1001184976-B

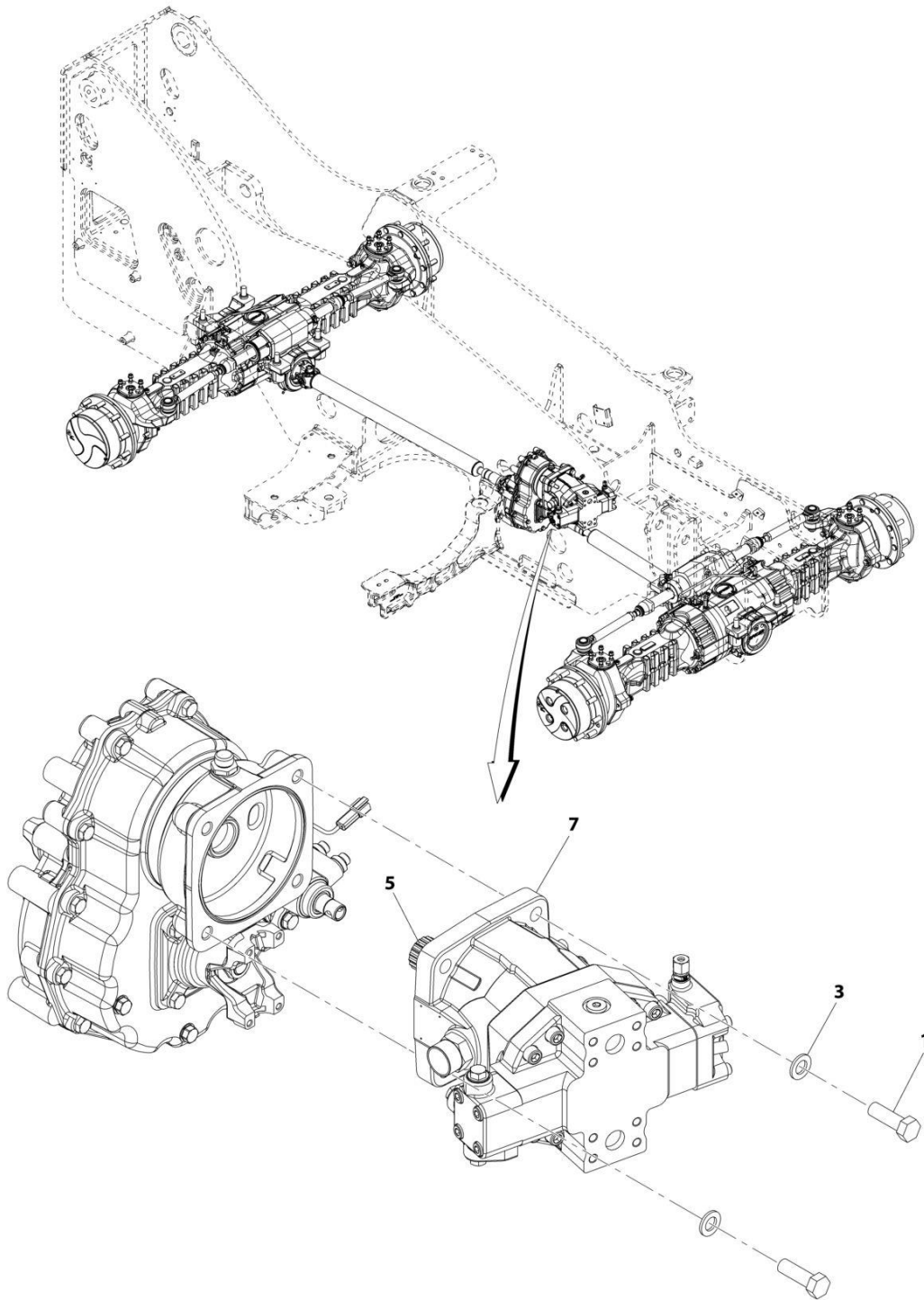
SECTION 5 - DRIVE TRAIN

FIGURE 5-1. DRIVETRAIN INSTALLATION

ITEM	PART NUMBER	QTY	DESCRIPTION	REV
	1001184976	Ref	Drivetrain Installation	B
1	91403193	40	Nut, Lug M22X1.5	
2	1001184977	Ref	Installation, Front Axle (See Separate Breakdown in this Section)	
3	1001184978	Ref	Installation, Rear Axle (See Separate Breakdown in this Section)	
4	1001184979	Ref	Installation, Gearbox (See Separate Breakdown in this Section)	
5	1001184980	Ref	Installation, Hydrostatic Motor (See Separate Breakdown in this Section)	
6	1001184981	Ref	Installation, Drive Shaft (See Separate Breakdown in this Section)	

SECTION 5 - DRIVE TRAIN

FIGURE 5-2. HYDROSTATIC MOTOR INSTALLATION



ART_1001184980-D

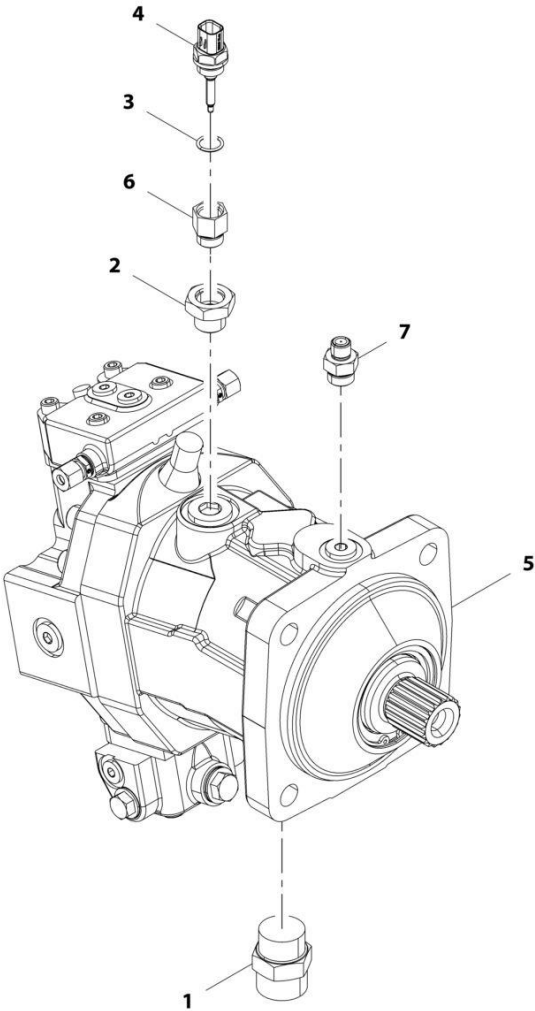
SECTION 5 - DRIVE TRAIN

FIGURE 5-2. HYDROSTATIC MOTOR INSTALLATION

ITEM	PART NUMBER	QTY	DESCRIPTION	REV
	1001184980	Ref	Hydrostatic Motor Installation	D
1	0771618	4	Bolt, M16X50	
3	4812300	4	Washer, M16	
5	3020037	AR	Lube, Grease	
7	1001217620	1	Assembly, Hydrostatic Drive Motor (See Separate Breakdown in this Section)	

SECTION 5 - DRIVE TRAIN

FIGURE 5-3. HYDROSTATIC MOTOR ASSEMBLY



ART_1001217620-B

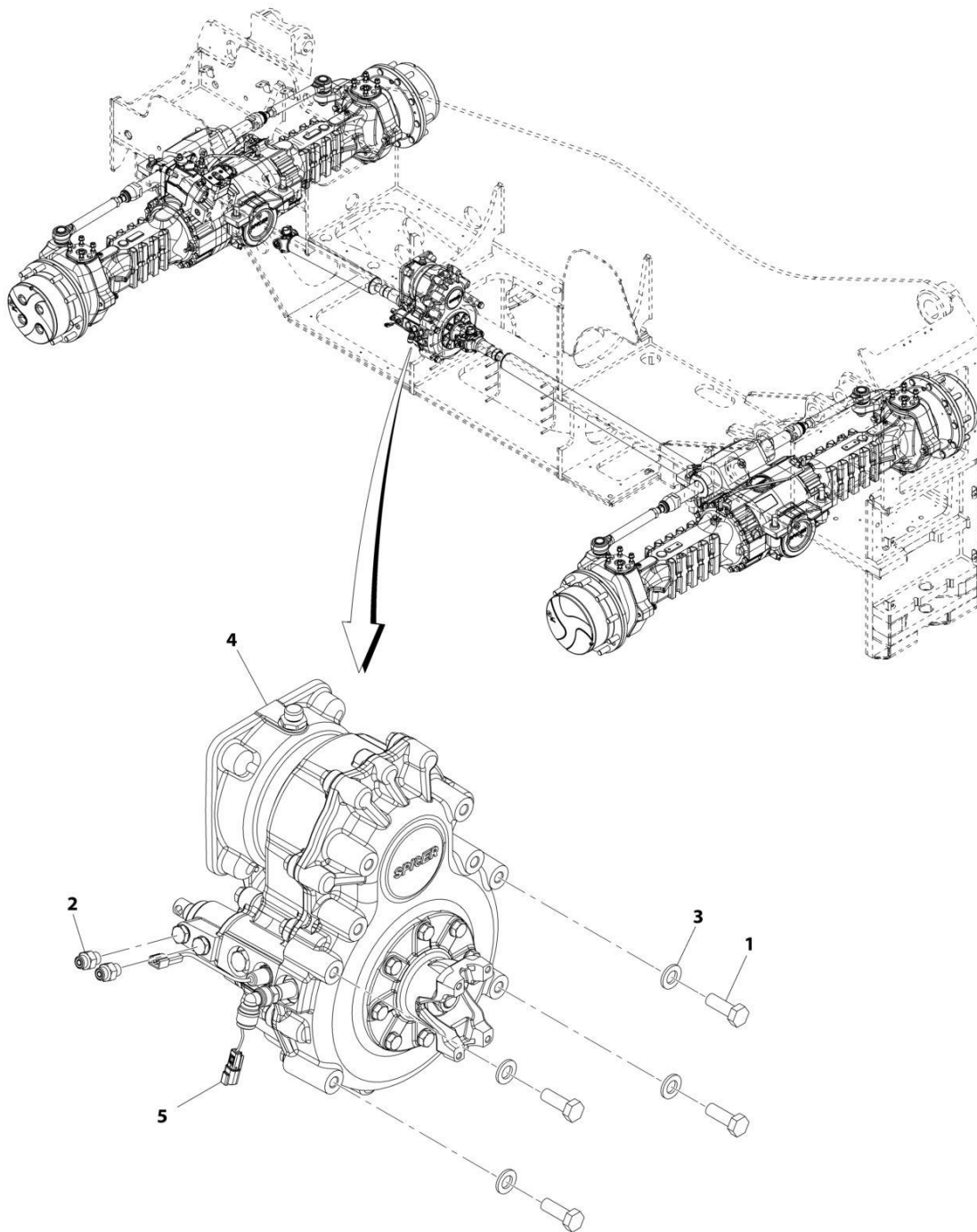
SECTION 5 - DRIVE TRAIN

FIGURE 5-3. HYDROSTATIC MOTOR ASSEMBLY

ITEM	PART NUMBER	QTY	DESCRIPTION	REV
	1001217620	Ref	Hydrostatic Motor Assembly	B
1	2111616	1	Fitting, Straight ORFS	
2	2220811	1	Fitting, Straight	
3	1001009163	1	O-Ring	
4	1001128478	1	Sensor	
5	1001193308	1	Motor, Hydrostatic (See Separate Breakdown in HYDRAULIC COMPONENTS Section)	
6	1001220760	1	Fitting, Straight	
7	1001217669	1	Fitting, Straight	

SECTION 5 - DRIVE TRAIN

FIGURE 5-4. GEARBOX INSTALLATION



ART_1001184979-E

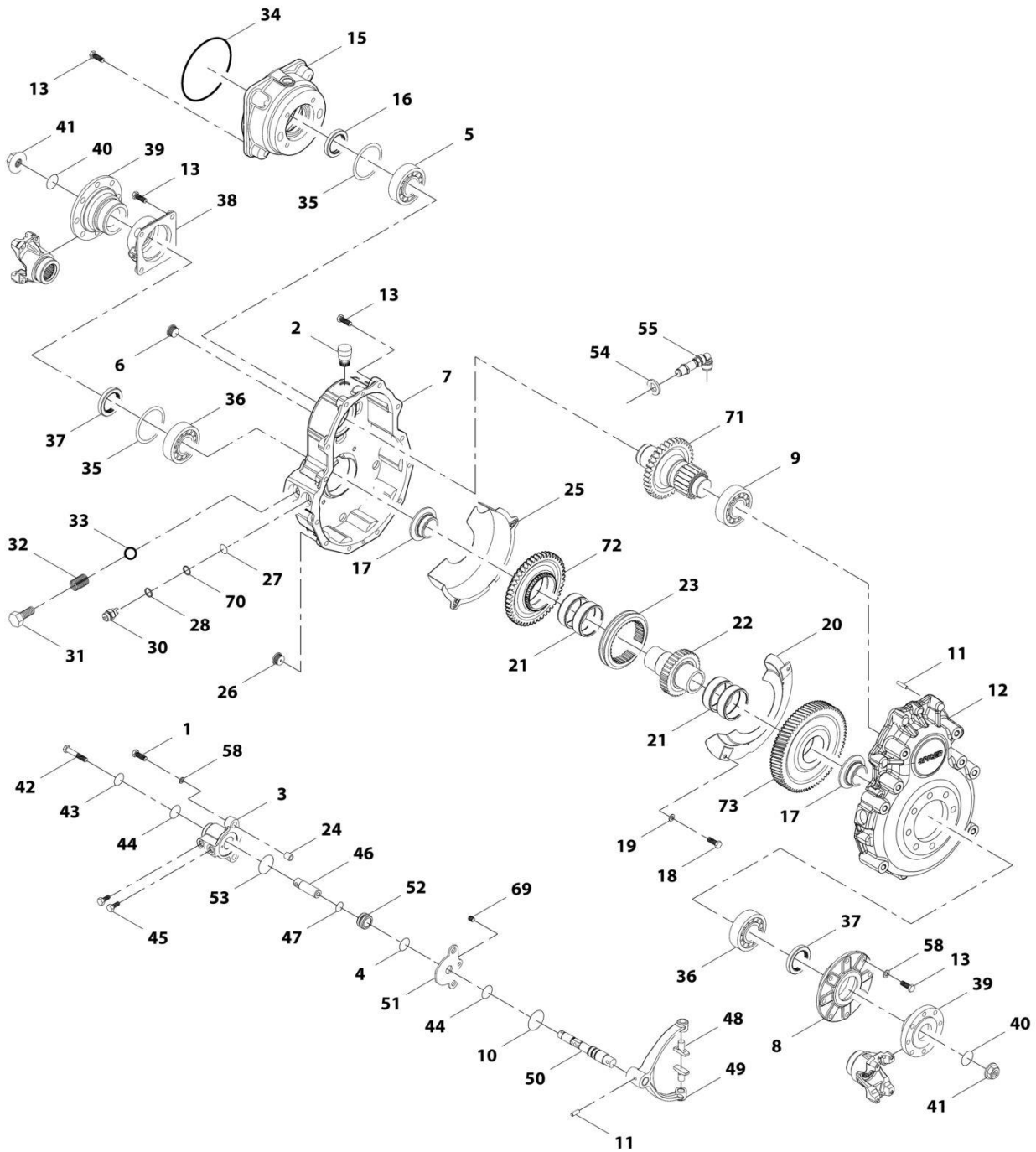
SECTION 5 - DRIVE TRAIN

FIGURE 5-4. GEARBOX INSTALLATION

ITEM	PART NUMBER	QTY	DESCRIPTION	REV
	1001184979	Ref	Gearbox Installation	E
1	0771416	4	Bolt, M14-2X40 Grade 10.9	
2	2144603	1	Fitting, Straight ORFS	
3	5241400	4	Washer, M14	
4	1001184986	1	Gearbox (See Separate Breakdown in this Section)	
5	1001229981	1	Harness, Vehicle Speed Pigtail (See Separate Breakdown in ELECTRICAL Section)	

SECTION 5 - DRIVE TRAIN

FIGURE 5-5. GEAR BOX



ART_1001184986-D

SECTION 5 - DRIVE TRAIN

FIGURE 5-5. GEAR BOX

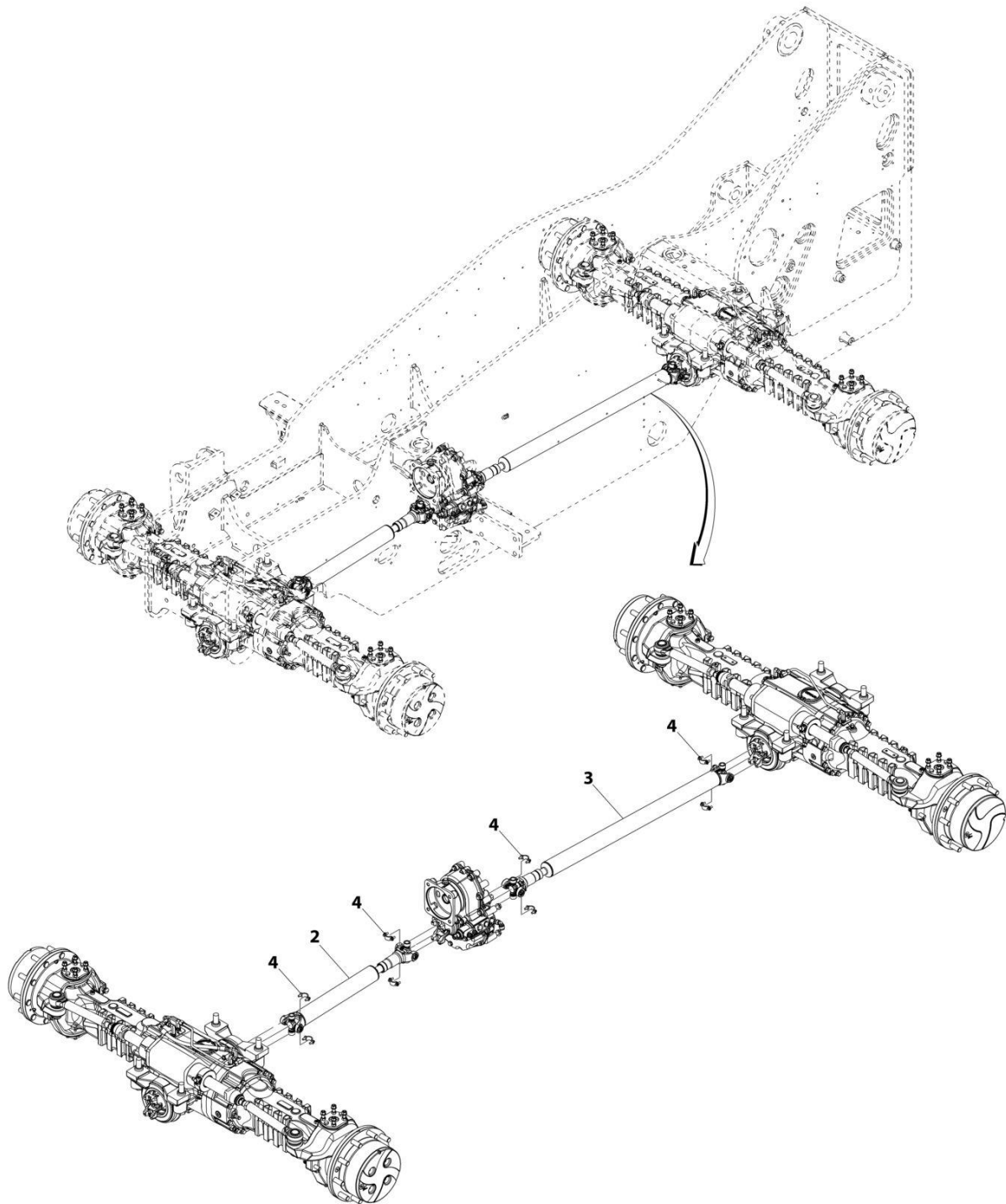
ITEM	PART NUMBER	QTY	DESCRIPTION	REV
	1001184986	Ref	Gear box	D
1	70028817	2	Bolt	
2	70028818	1	Plug	
3	70028819	1	Cylinder	
4	70028820	1	O-Ring	
5	91514146	1	Bearing, Ball	
6	80204016	1	Plug	
7	70028821	1	Housing	
8	70028822	1	Cover	
9	70026904	1	Bearing, Ball	
10	3986405	1	O-Ring	
11	70026892	3	Dowel	
12	70028823	1	Housing	
13	70026911	28	Bolt	
15	70026897	1	Cover	
16	70026896	1	Seal	
17	70028824	2	Spacer	
18	70026909	2	Bolt	
19	70027110	2	Washer, Lock	
20	70028825	1	Plate, Cover	
21	70028826	4	Bearing	
22	70028827	1	Shaft	
23	70028828	1	Sleeve	
24	70028829	2	Pin	
25	70026908	1	Sheet	
26	80204007	1	Plug	
27	1001081085	1	O-Ring	
28	80203020	1	Washer	
30	70028830	1	Switch	
31	70028831	1	Bolt	
32	80203021	1	Spring	
33	70020276	1	Ball, Detend	
34	80204176	1	O-Ring	
35	70027862	2	Kit, Shim	
36	91474364	2	Bearing, Ball	
37	70026901	2	Seal	
38	70028832	1	Cover	
39	70026898	2	Flange	
40	80204215	2	O-Ring	
41	70026631	2	Nut	
42	70028833	1	Bolt	
43	70028834	1	O-Ring	
44	70028835	2	Sleeve	
45	91514154	2	Bolt	
46	70028836	1	Bar	
47	70027109	1	O-Ring	
48	70028837	2	Pin	
49	70028838	1	Fork, Selector	
50	70028839	1	Shaft	
51	70028840	1	Plate, Cover	

SECTION 5 - DRIVE TRAIN

ITEM	PART NUMBER	QTY	DESCRIPTION	REV
52	70028841	1	Piston	
53	70028842	1	O-Ring	
54	70028844	1	Washer	
55	70028801	1	Sensor, Speed	
58	70028843	10	Washer	
69	70028845	1	Bolt	
70	70026927	1	Washer, Seal	
71	70028846	1	Shaft, Input	
72	70028847	1	Gear	
73	70028848	1	Gear	

SECTION 5 - DRIVE TRAIN

FIGURE 5-6. DRIVE SHAFT INSTALLATION



ART_1001184981-B

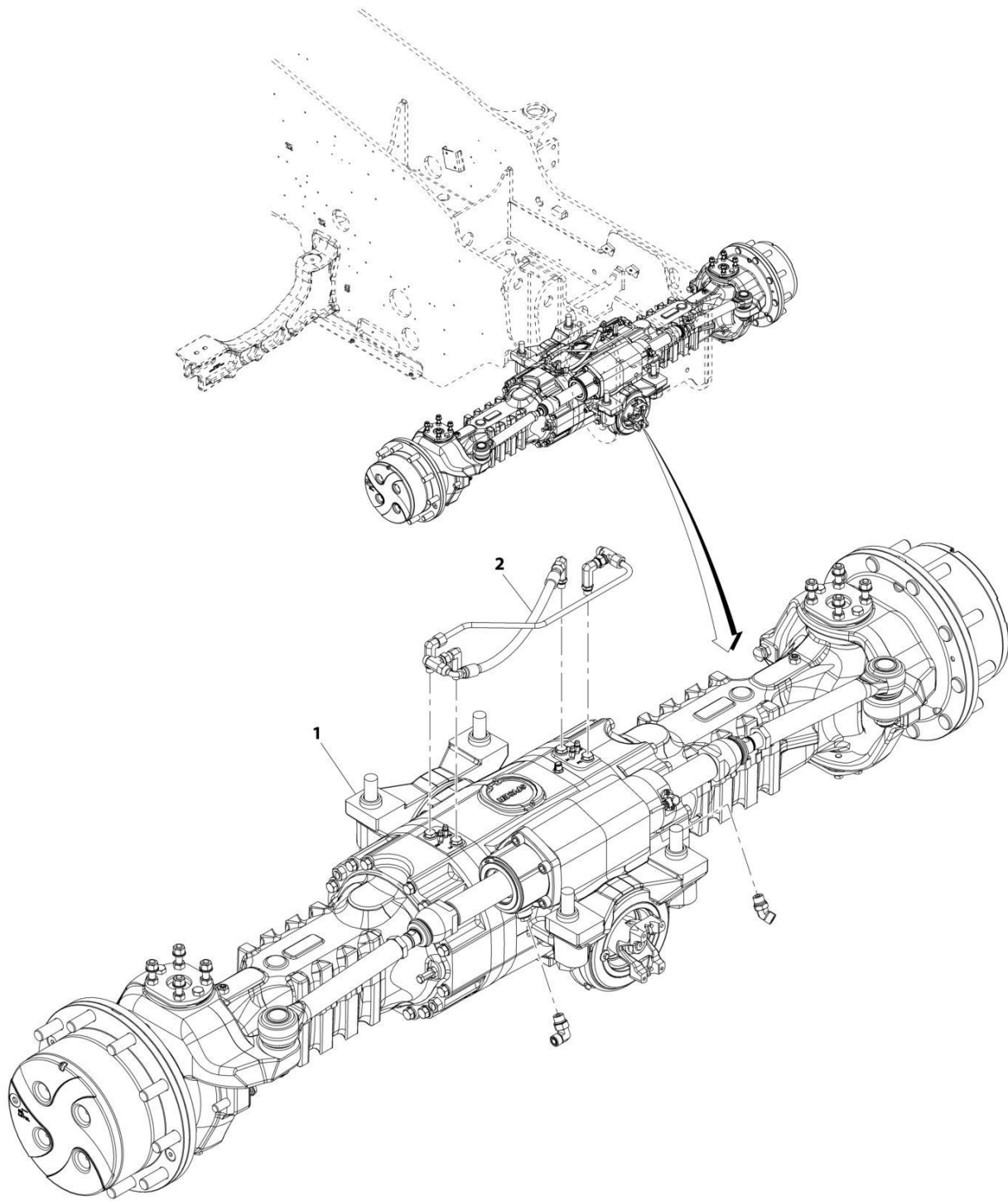
SECTION 5 - DRIVE TRAIN

FIGURE 5-6. DRIVE SHAFT INSTALLATION

ITEM	PART NUMBER	QTY	DESCRIPTION	REV
	1001184981	Ref	Drive Shaft Installation	B
2	1001184987	1	Assembly, Drive Shaft	
3	1001184988	1	Assembly, Drive Shaft	
4	8880219-OM	4	Kit, Strap	

SECTION 5 - DRIVE TRAIN

FIGURE 5-7. FRONT AXLE INSTALLATION



ART_1001184977-B

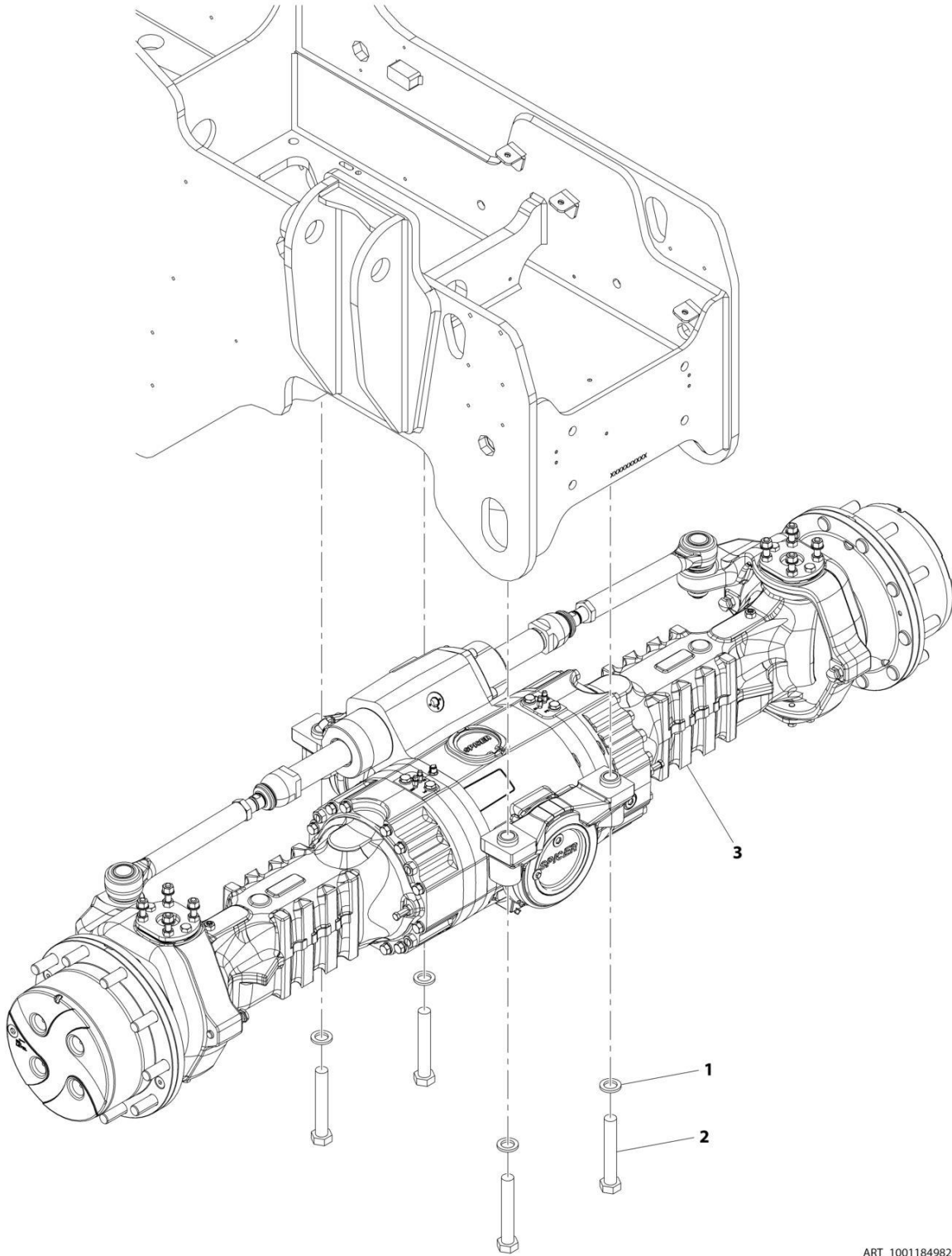
SECTION 5 - DRIVE TRAIN

FIGURE 5-7. FRONT AXLE INSTALLATION

ITEM	PART NUMBER	QTY	DESCRIPTION	REV
1	1001184977	Ref	Front Axle Installation	B
	1001184982	Ref	Installation, Front Axle Mounting (See Separate Breakdown in this Section)	
2	1001207898	Ref	Installation, Front Axle Lines (See Separate Breakdown in this Section)	

SECTION 5 - DRIVE TRAIN

FIGURE 5-8. FRONT AXLE MOUNTING INSTALLATION



ART_1001184982-B

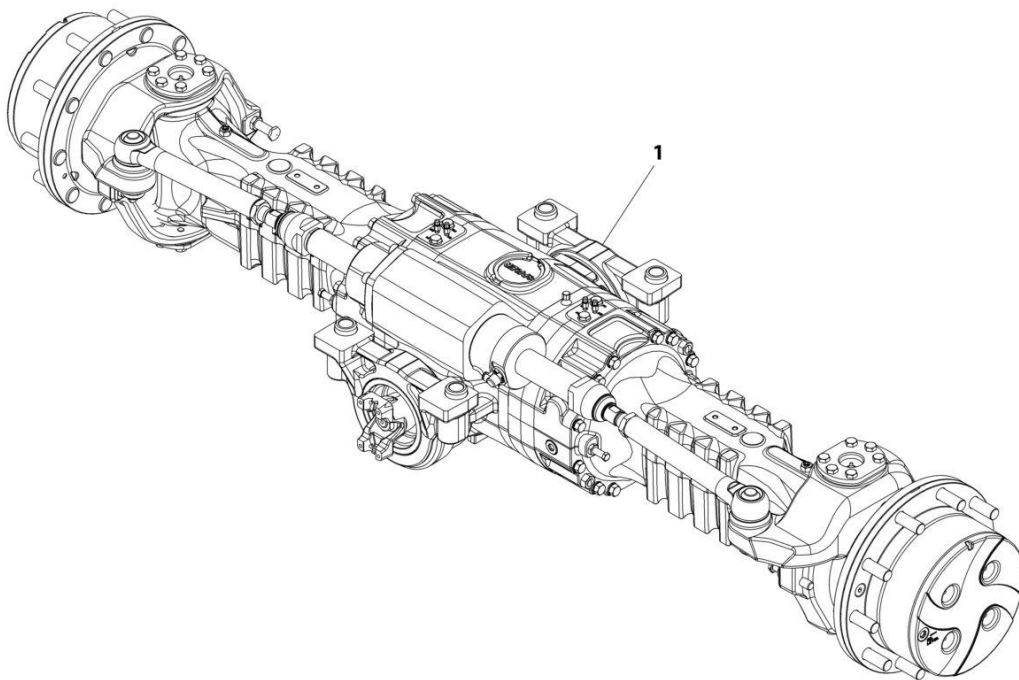
SECTION 5 - DRIVE TRAIN

FIGURE 5-8. FRONT AXLE MOUNTING INSTALLATION

ITEM	PART NUMBER	QTY	DESCRIPTION	REV
	1001184982	Ref	Front Axle Mounting Installation	B
1	4892600	4	Washer	
2	1001097587	4	Bolt, M24-3X150 Grade 10.9	
3	1001184984	1	Axle, Front (See Separate Breakdown in this Section)	

SECTION 5 - DRIVE TRAIN

FIGURE 5-9. FRONT AXLE



ART_1001184984-F

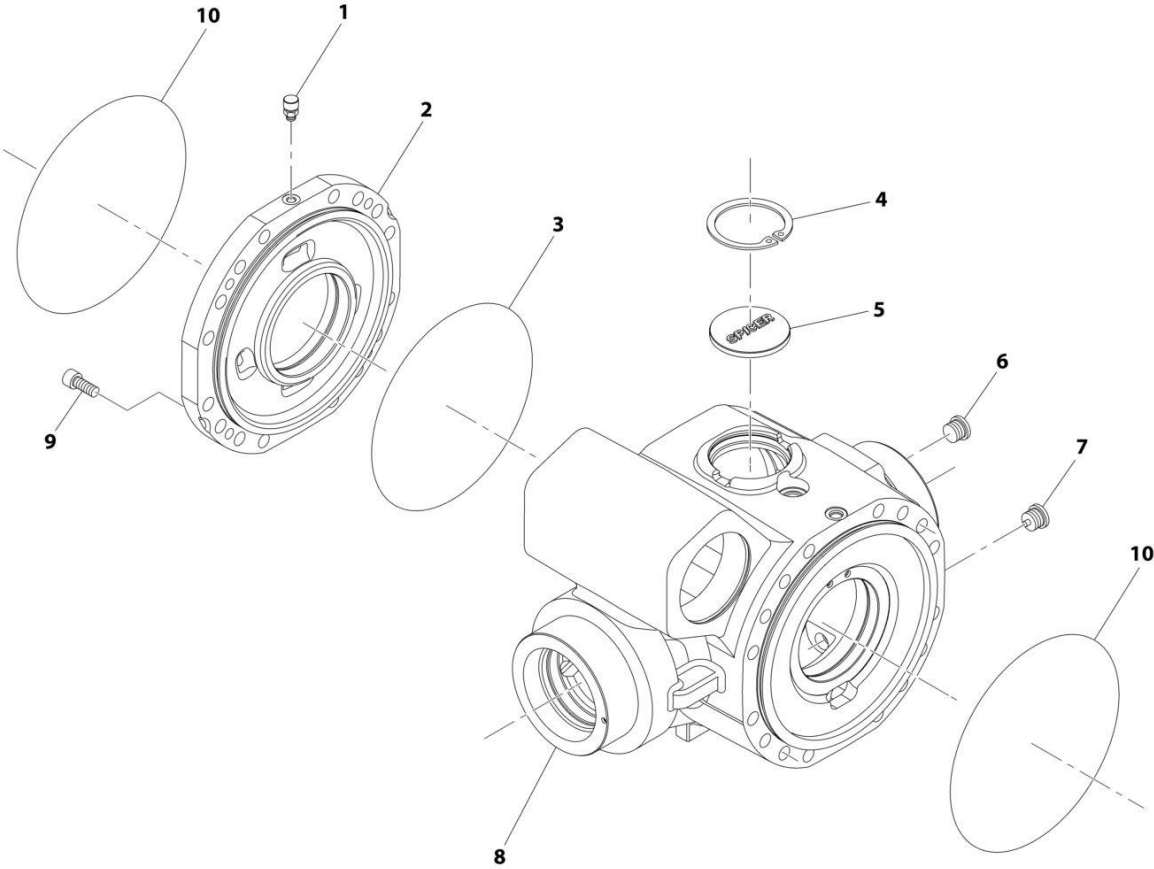
SECTION 5 - DRIVE TRAIN

FIGURE 5-9. FRONT AXLE

ITEM	PART NUMBER	QTY	DESCRIPTION	REV
	1001184984	Ref	Front Axle	F
		Ref	Front Axle, Central Housing (See Separate Breakdown in this Section)	
		Ref	Front Axle, Differential (See Separate Breakdown in this Section)	
		Ref	Front Axle, Hub Reduction (See Separate Breakdown in this Section)	
		Ref	Front Axle, Brakes (See Separate Breakdown in this Section)	
		Ref	Front Axle, Steering (See Separate Breakdown in this Section)	
		Ref	Front Axle, Trunnion (See Separate Breakdown in this Section)	

SECTION 5 - DRIVE TRAIN

FIGURE 5-10. FRONT AXLE, CENTRAL HOUSING



ART_1001184984_1-F

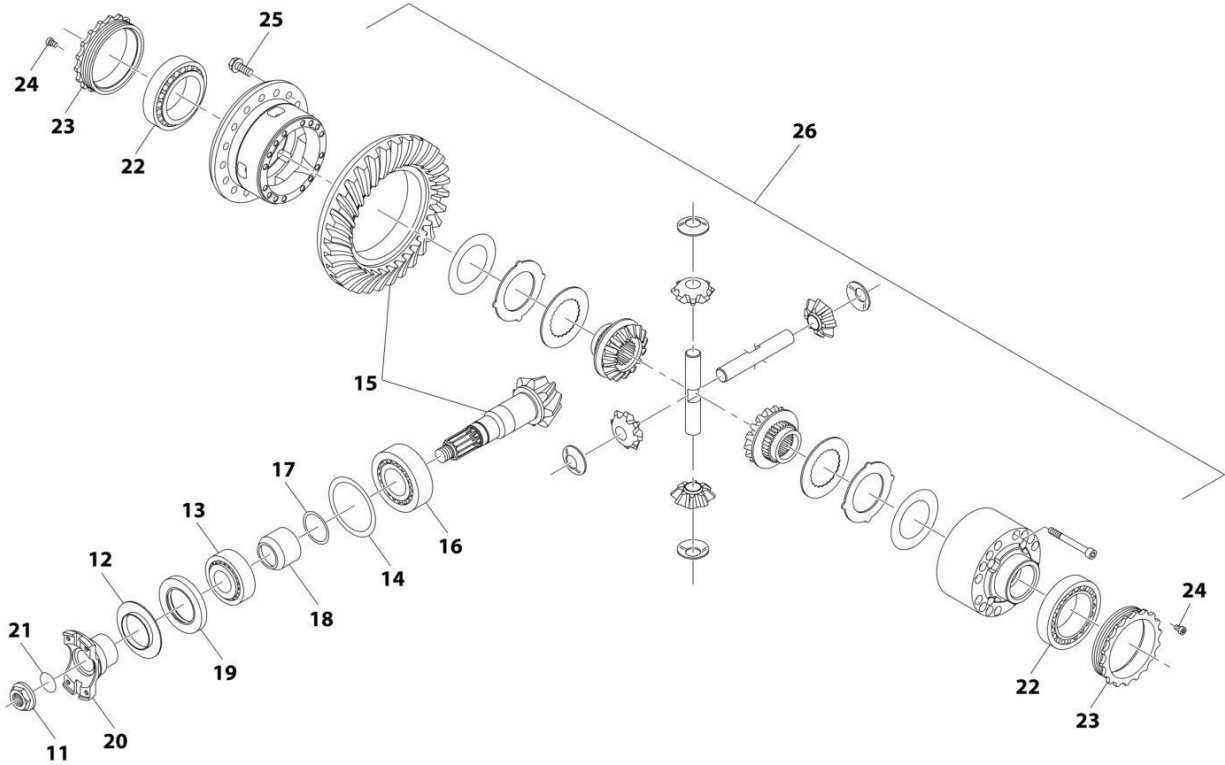
SECTION 5 - DRIVE TRAIN

FIGURE 5-10. FRONT AXLE, CENTRAL HOUSING

ITEM	PART NUMBER	QTY	DESCRIPTION	REV
	1001184984	Ref	Front Axle, Central Housing	F
1	91474512	1	Vent	
2	7029288	1	Cover, Intermediate	
3	80204002	1	O-Ring	
4	80204005	1	Circlip	
5	91514098	1	Plug	
6	70028389	1	Plug	
7	70028388	1	Plug	
8	70025335	1	Housing	
9	91514101	4	Bolt	
10	91514089	2	O-Ring	

SECTION 5 - DRIVE TRAIN

FIGURE 5-11. FRONT AXLE, DIFFERENTIAL



ART_1001184984_2-F

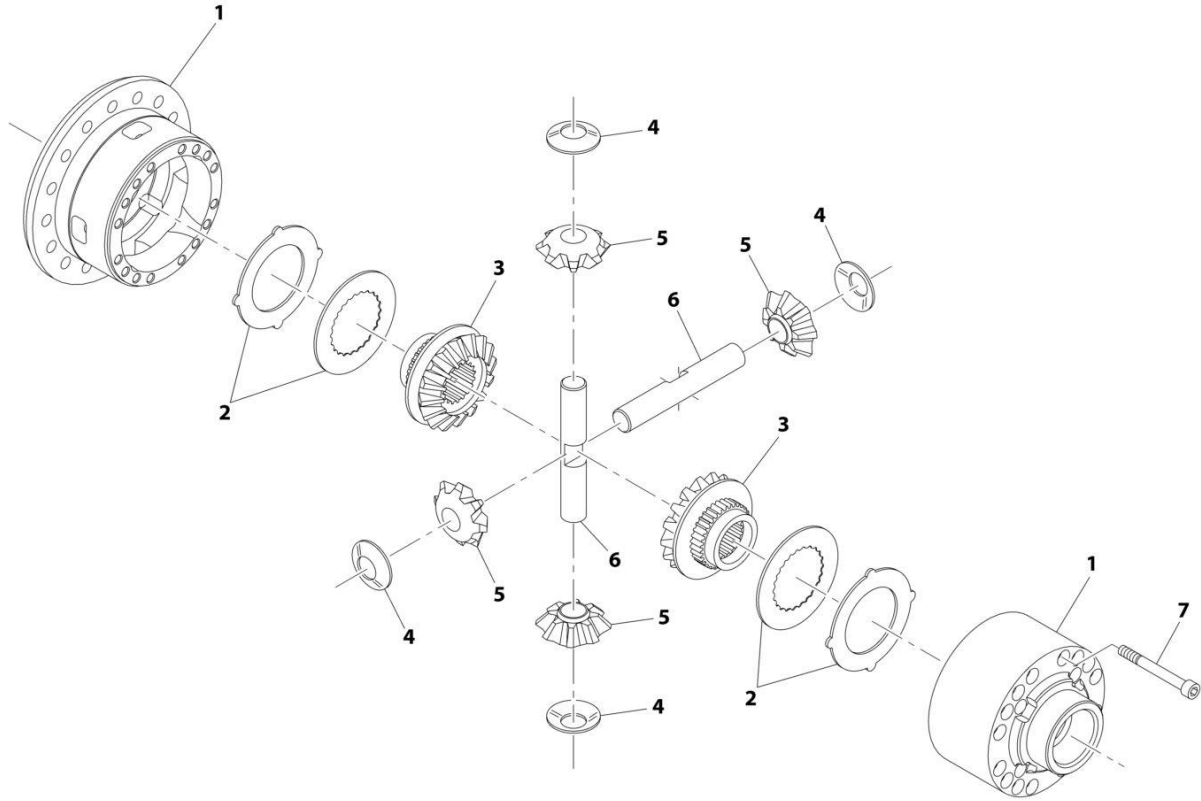
SECTION 5 - DRIVE TRAIN

FIGURE 5-11. FRONT AXLE, DIFFERENTIAL

ITEM	PART NUMBER	QTY	DESCRIPTION	REV
	1001184984	Ref	Front Axle, Differential	F
11	80204043	1	Nut	
12	91514130	1	Plate, Cover	
13	80204048	1	Bearing, Tape Roller	
14	70023469	1	Shim	
15	70028391	1	Gear, Bevel Set	
16	80204035	1	Bearing, Tape Roller	
17	70023494	1	Ring	
18	70022140	1	Spacer	
19	70025887	1	Seal	
20	70028401	1	Flange	
21	10725554	1	O-Ring	
22	80204033	2	Bearing, Tape Roller	
23	91514133	2	Nut, Ring	
24	91514134	2	Bolt	
25	91514123	16	Bolt	
26	70028390	1	Kit, Differential (See Separate Breakdown in this Section)	

SECTION 5 - DRIVE TRAIN

FIGURE 5-12. DIFFERENTIAL KIT



ART_70028390

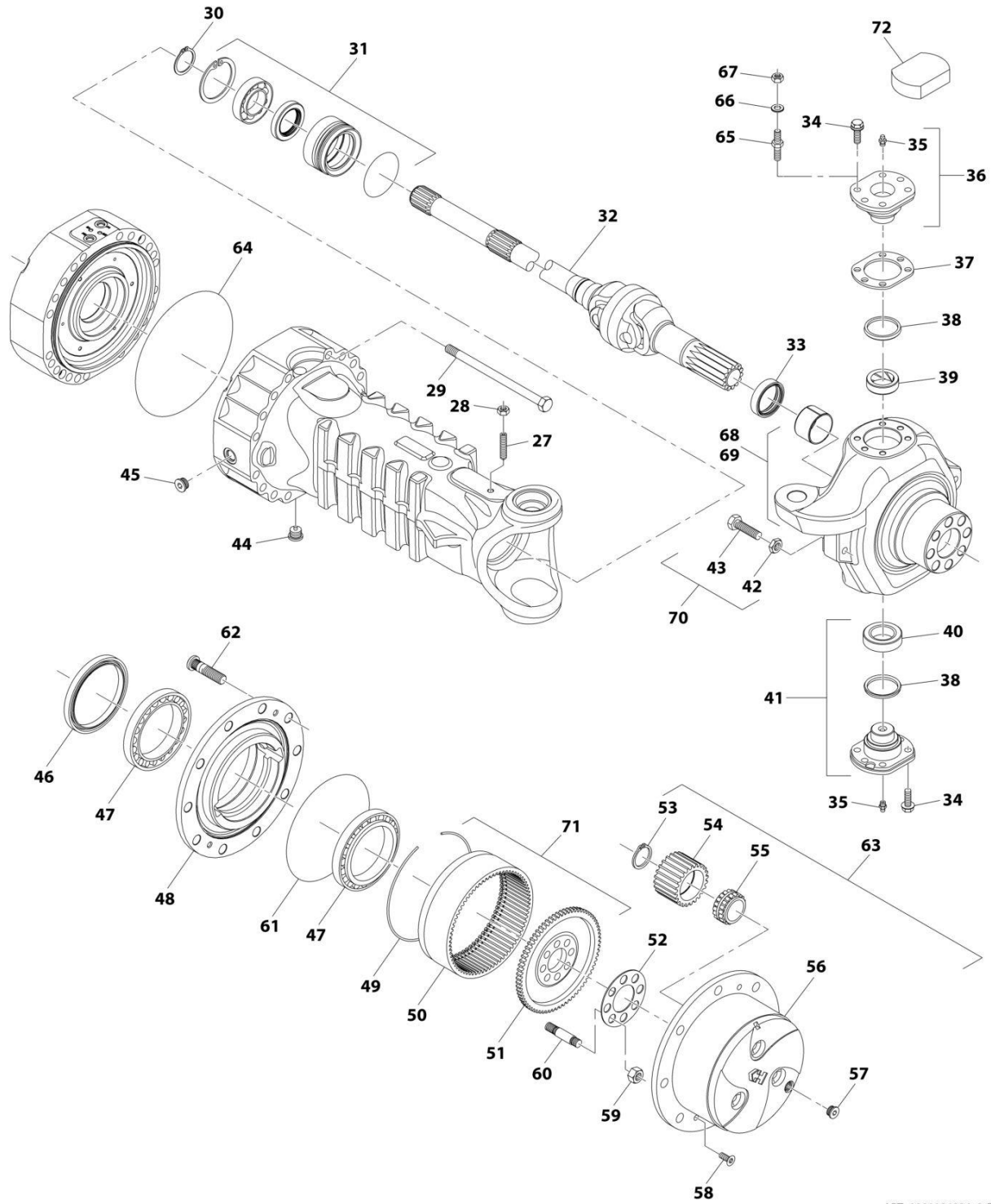
SECTION 5 - DRIVE TRAIN

FIGURE 5-12. DIFFERENTIAL KIT

ITEM	PART NUMBER	QTY	DESCRIPTION	REV
	70028390	Ref	Differential Kit	
1	70024004	2	Carrier, Differential	
2	70026750	2	Disc, Clutch	
3	70025856	2	Gear, Differential Side	
4	70027105	4	Washer, Friction	
5	70025339	4	Pinion, Differential	
6	70023490	2	Shaft, Differential	
7	91514143	15	Bolt	

SECTION 5 - DRIVE TRAIN

FIGURE 5-13. FRONT AXLE, HUB REDUCTION



ART_1001184984_3-F

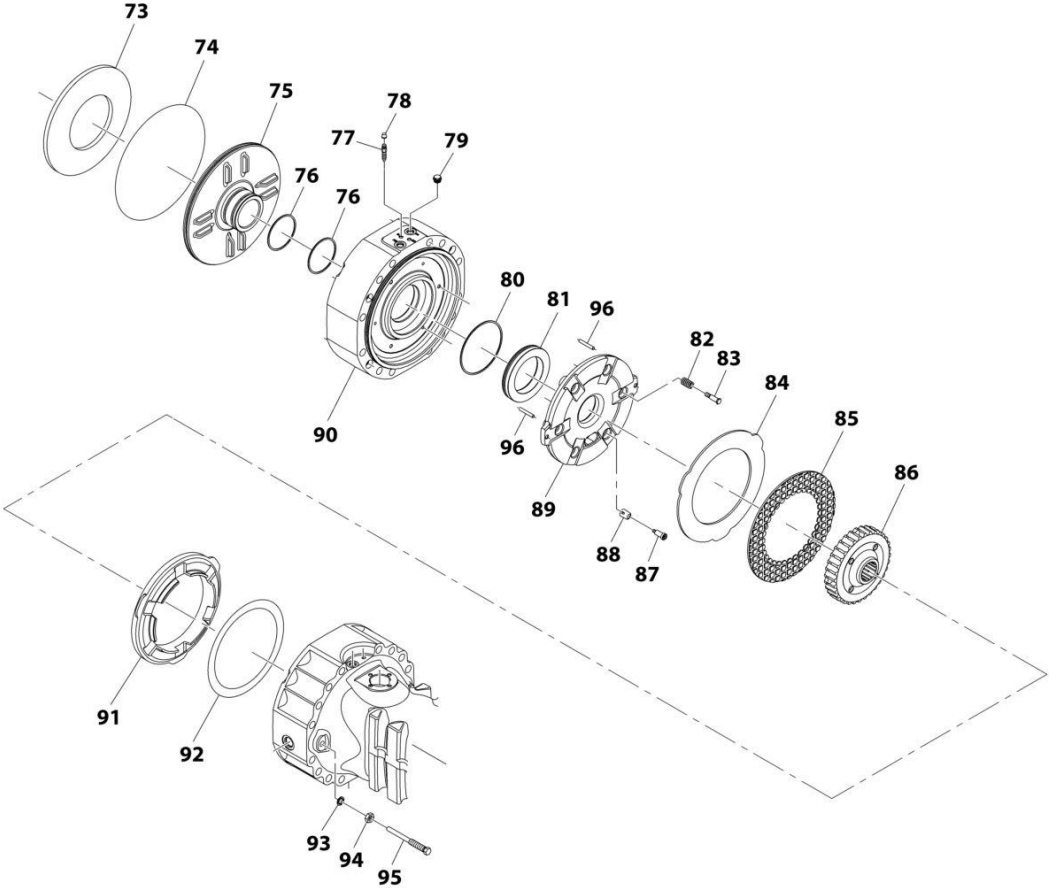
SECTION 5 - DRIVE TRAIN

FIGURE 5-13. FRONT AXLE, HUB REDUCTION

ITEM	PART NUMBER	QTY	DESCRIPTION	REV
	1001184984	Ref	Front Axle, Hub Reduction	F
27	91514081	2	Bolt	
28	91514082	2	Nut	
29	70025012	24	Bolt	
30	80204071	2	Circlip	
31	91514149	2	Kit, Reduction Bushing (See Separate Breakdown in this Section)	
32	70028396	2	Joint, Double Universal	
33	70026238	2	Seal	
34	70025562	20	Bolt	
35	70024881	2	Fitting, Grease	
36	91514112	2	Pin	
37	70025561	1	Shim	
38	7028716	2	Seal, Dust	
39	7028714	2	Bushing	
40	91514095	2	Bearing	
41	7028715	2	Pin	
42	80204065	4	Nut	
43	91514117	4	Bolt	
44	70028388	2	Plug	
45	70028389	2	Plug	
46	70026002	2	Seal	
47	80204076	4	Bearing, Taper Roller	
48	91514174	2	Hub, Wheel	
49	91514175	2	Circlip	
50	70024147	2	Gear, Ring	
51	91514177	2	Support, Ring Gear	
52	91514178	2	Plate	
53	91514184	8	Circlip	
54	91514185	8	Gear, Planet	
55	91514186	8	Bearing	
56	7029317	2	Carrier, Planet Gear	
57	70028387	2	Plug	
58	91514189	4	Bolt, Countersunk	
59	91514179	16	Nut	
60	91514180	16	Stud	
61	91514181	2	O-Ring	
62	80214120	NLA	Stud, Wheel (Use PN 70030365)	
62	70030365	20	Stud, Wheel	
63	7029743	2	Kit, Planet Gear Carrier	
64	91514089	2	O-Ring	
65	70025014	8	Stud	
66	91514084	8	Washer	
67	91514083	8	Nut	
68	70026260	1	Steering Case Assembly (LH Steer Link) (See Separate Breakdown in this Section)	
69	70026261	1	Steering Case Assembly (RH Steer Link) (See Separate Breakdown in this Section)	
70	7028733	4	Bolt, Steering Adjust	
71	70024146	2	Kit, Ring Gear Support (See Separate Breakdown in this Section)	
72	70028392	2	Cover	

SECTION 5 - DRIVE TRAIN

FIGURE 5-14. FRONT AXLE, BRAKES



ART_1001184984_4-F

SECTION 5 - DRIVE TRAIN

FIGURE 5-14. FRONT AXLE, BRAKES

ITEM	PART NUMBER	QTY	DESCRIPTION	REV
	1001184984	Ref	Front Axle, Brakes	F
73	91514151	2	Washer	
74	91514089	2	O-Ring	
75	70027092	2	Piston	
76	70026262	4	Seal	
77	80204281	4	Bolt, Bleeding	
78	80204117	4	Plug	
79	91514154	4	Plug	
80	70026263	2	Seal	
81	70027796	2	Piston	
82	91514159	6	Spring	
83	70024210	6	Bolt, Adjusting	
84	70027022	6	Disc, Intermediate Brake	
85	7029735	6	Disc, Brake	
86	7029734	2	Bushing, Reduction	
87	7029787	6	Bolt, Adjusting	
88	70027317	6	Spring	
89	70024849	2	Disc, Intermediate Brake	
90	70024848	2	Cover	
91	70026264	2	Spacer	
92	70025970	1	Shim	
93	80204108	4	Washer, Lock	
94	80204060	4	Nut	
95	70024213	4	Bolt	
96	70024215	4	Dowel	

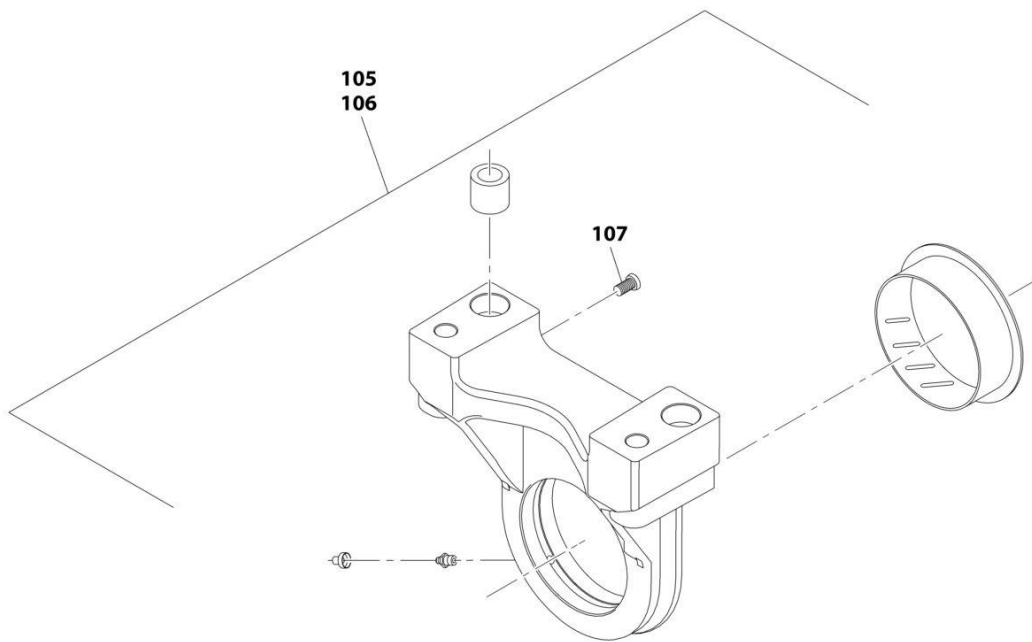
SECTION 5 - DRIVE TRAIN

FIGURE 5-15. FRONT AXLE, STEERING

ITEM	PART NUMBER	QTY	DESCRIPTION	REV
	1001184984	Ref	Front Axle, Steering	F
97	70028393	1	Cylinder	
98	80204143	2	O-Ring	
99	70028394	2	Rod, Articulated Tie	
99	70022773	2	Nut	
100	80204144	5	Bolt	
101	8008175	2	Bolt	
102	70027986	1	Optical Sensor	
103	7029307	1	Plug	
104	7029127	1	Kit, Seal	

SECTION 5 - DRIVE TRAIN

FIGURE 5-16. FRONT AXLE, TRUNION



ART_1001184984_6-F

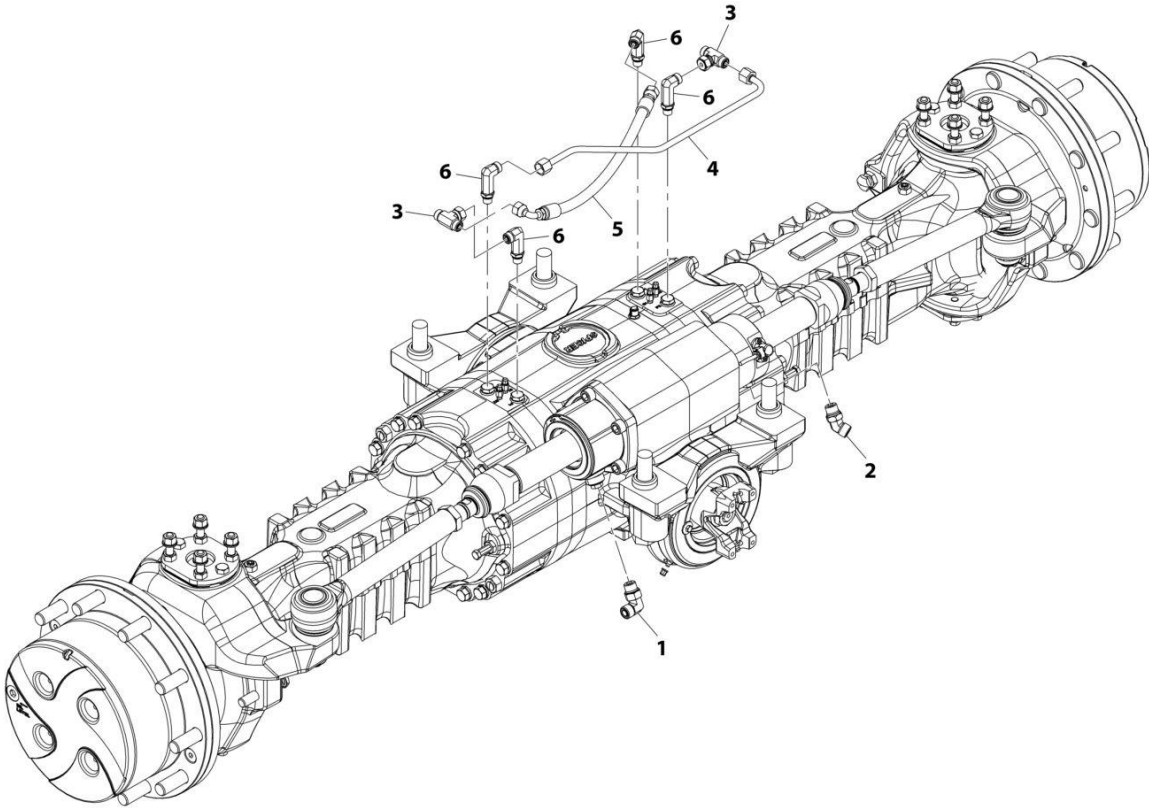
SECTION 5 - DRIVE TRAIN

FIGURE 5-16. FRONT AXLE, TRUNION

ITEM	PART NUMBER	QTY	DESCRIPTION	REV
	1001184984	Ref	Front Axle, Trunion	F
105	70026266	1	Kit, Trunion (See Separate Breakdown in this Section)	
106	70026265	1	Support	
107	70025884	1	Bolt	

SECTION 5 - DRIVE TRAIN

FIGURE 5-17. FRONT AXLE LINES INSTALLATION



ART_1001207898-C

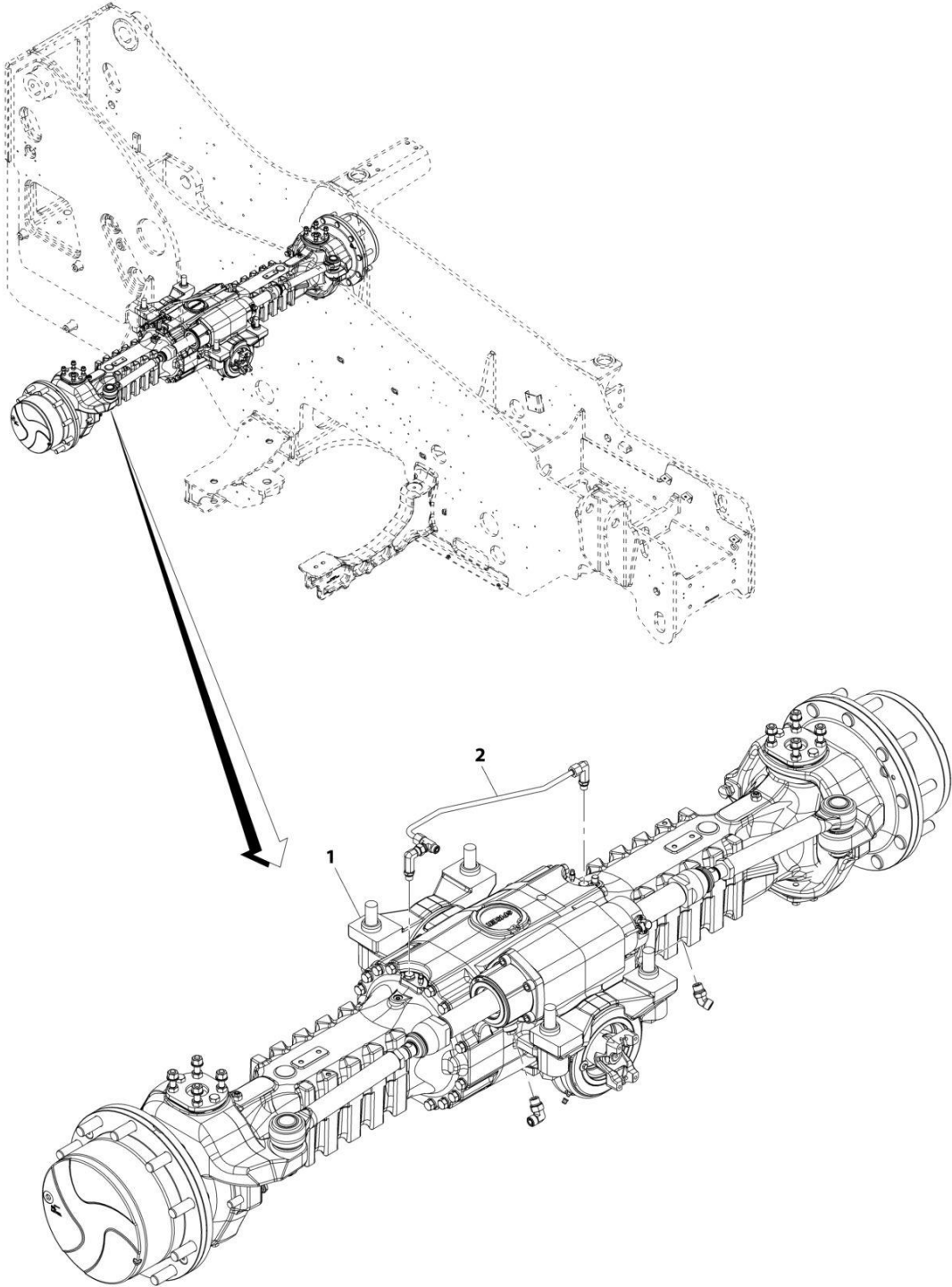
SECTION 5 - DRIVE TRAIN

FIGURE 5-17. FRONT AXLE LINES INSTALLATION

ITEM	PART NUMBER	QTY	DESCRIPTION	REV
	1001207898	Ref	Front Axle Lines Installation	C
1	2130808	1	Fitting, 90 ORFS	
2	2150808	1	Fitting, 45 ORFS	
3	2170806	2	Fitting, Tee ORFS	
4	1001224598	1	Tube	
5	1001210281	1	Hose	
6	1001210769	4	Fitting, 90 ORFS	

SECTION 5 - DRIVE TRAIN

FIGURE 5-18. REAR AXLE INSTALLATION



ART_1001184978-B

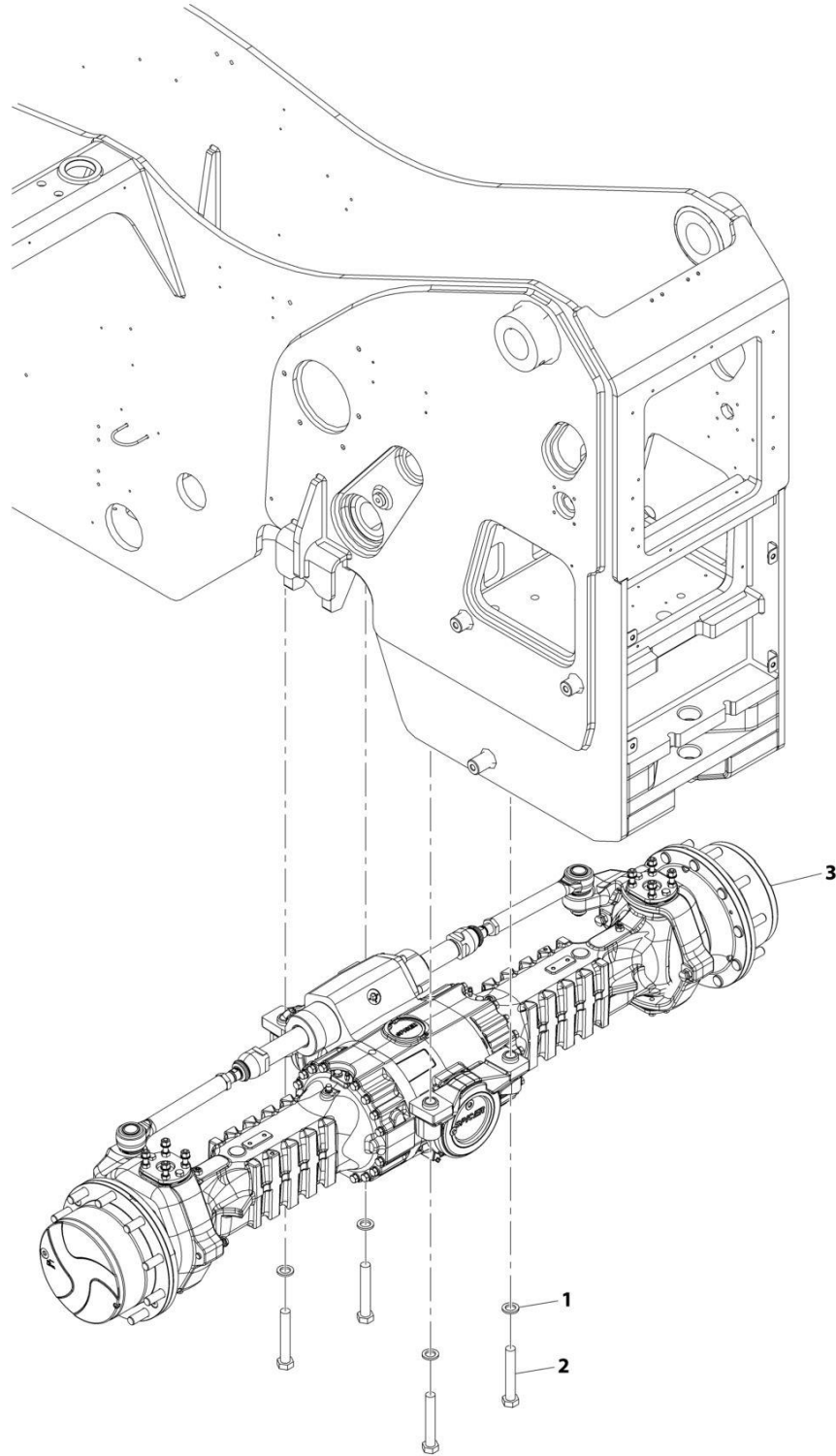
SECTION 5 - DRIVE TRAIN

FIGURE 5-18. REAR AXLE INSTALLATION

ITEM	PART NUMBER	QTY	DESCRIPTION	REV
1	1001184978	Ref	Rear Axle Installation	B
	1001184983	Ref	Installation, Rear Axle Mounting (See Separate Breakdown in this Section)	
2	1001207899	Ref	Installation, Rear Axle Lines (See Separate Breakdown in this Section)	

SECTION 5 - DRIVE TRAIN

FIGURE 5-19. REAR AXLE MOUNTING INSTALLATION



ART_1001184983-B

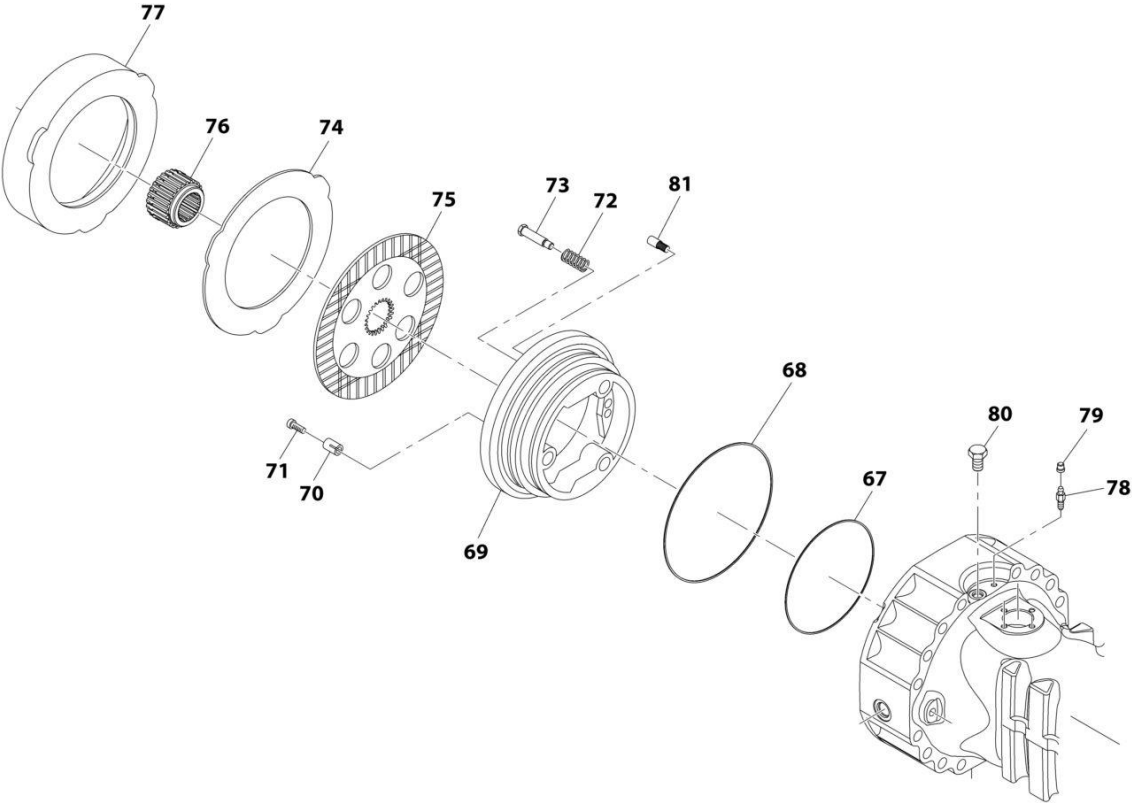
SECTION 5 - DRIVE TRAIN

FIGURE 5-19. REAR AXLE MOUNTING INSTALLATION

ITEM	PART NUMBER	QTY	DESCRIPTION	REV
	1001184983	Ref	Rear Axle Mounting Installation	B
1	4892600	4	Washer	
2	1001097587	4	Bolt, M24-3X150 Grade 10.9	
3	1001184985	Ref	Axle, Rear (See Separate Breakdown in this Section)	

SECTION 5 - DRIVE TRAIN

FIGURE 5-20. REAR AXLE, BRAKES



ART_1001184985_4-F

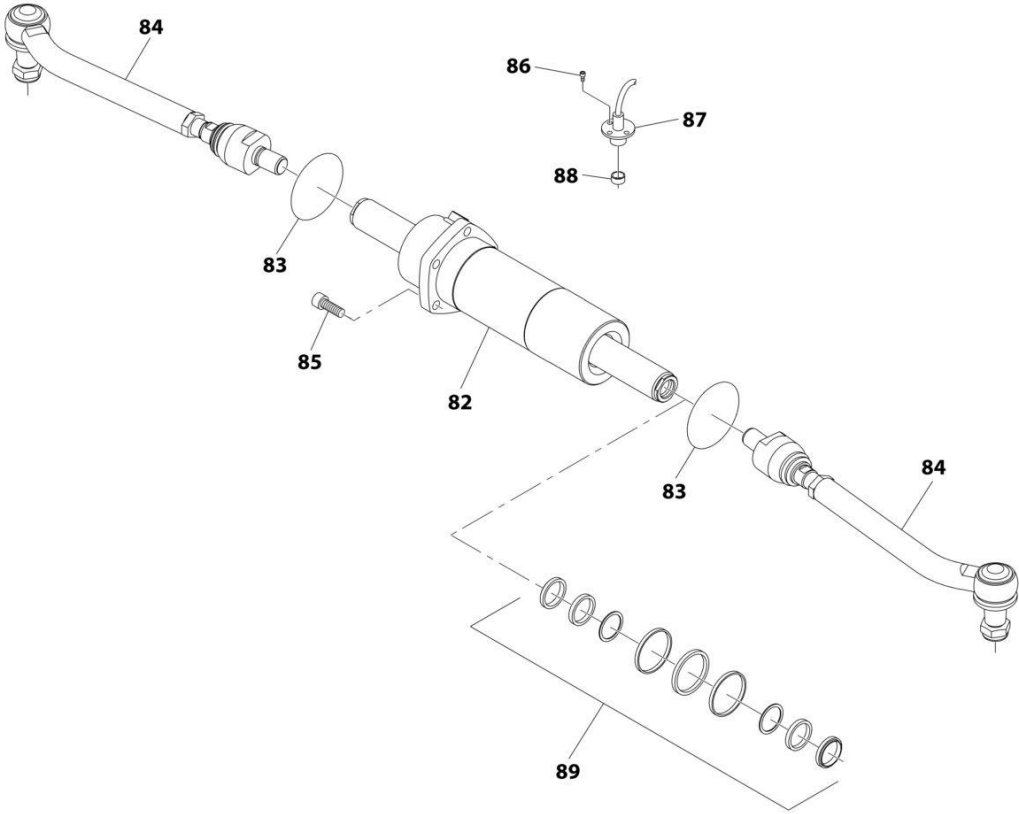
SECTION 5 - DRIVE TRAIN

FIGURE 5-20. REAR AXLE, BRAKES

ITEM	PART NUMBER	QTY	DESCRIPTION	REV
	1001184985	Ref	Rear Axle, Brakes	F
67	70026747	2	Seal	
68	70026748	2	Seal	
69	70024216	2	Piston	
70	70027317	6	Spring	
71	7029785	6	Bolt, Adjusting	
72	91514159	6	Spring	
73	70024210	6	Bolt, Adjusting	
74	70027022	6	Disc, Intermediate Brake	
75	7029735	6	Disc, Brake	
76	7029734	2	Bushing, Reduction	
77	70021606	2	Spacer	
78	80204281	2	Bolt, Bleeding	
79	80204117	2	Plug	
80	91514154	2	Bolt	
81	70021613	2	Bolt, Pilot	

SECTION 5 - DRIVE TRAIN

FIGURE 5-21. REAR AXLE, STEERING



ART_1001184985_5-F

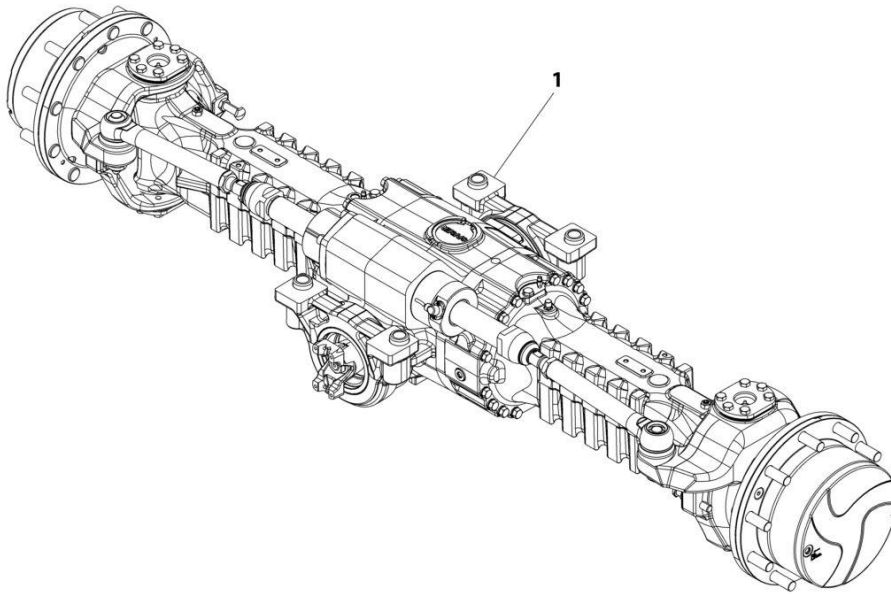
SECTION 5 - DRIVE TRAIN

FIGURE 5-21. REAR AXLE, STEERING

ITEM	PART NUMBER	QTY	DESCRIPTION	REV
	1001184985	Ref	Rear Axle, Steering	F
82	70028393	1	Cylinder	
83	80204143	2	O-Ring	
84	70028394	2	Rod, Articulated Tie	
84	70022773	2	Nut	
85	80204144	5	Bolt	
86	8008175	2	Bolt	
87	70027986	1	Sensor, Optical	
88	7029307	1	Plug	
89	7029127	1	Kit, Seal	

SECTION 5 - DRIVE TRAIN

FIGURE 5-22. REAR AXLE



ART_1001184985-F

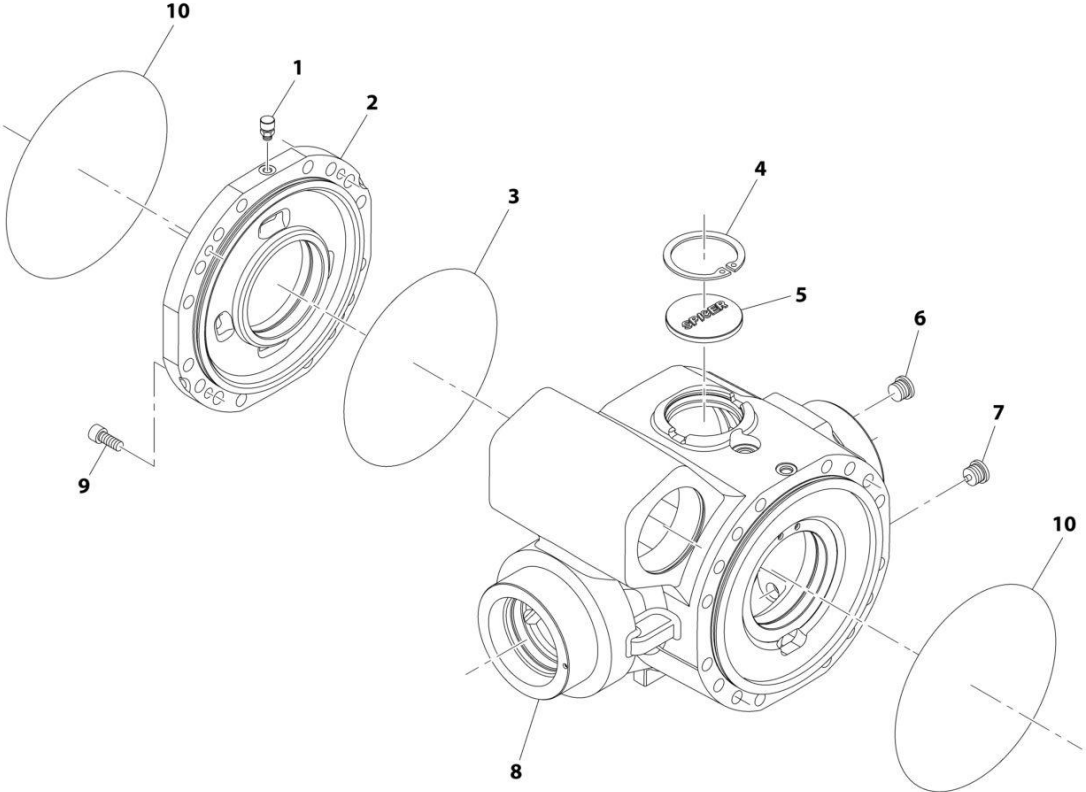
SECTION 5 - DRIVE TRAIN

FIGURE 5-22. REAR AXLE

ITEM	PART NUMBER	QTY	DESCRIPTION	REV
1	1001184985	Ref	Rear Axle	F
		Ref	Rear Axle, Central Housing (See Separate Breakdown in this Section)	
		Ref	Rear Axle, Differential (See Separate Breakdown in this Section)	
		Ref	Rear Axle, Hub Reduction (See Separate Breakdown in this Section)	
		Ref	Rear Axle, Brakes (See Separate Breakdown in this Section)	
		Ref	Rear Axle, Steering (See Separate Breakdown in this Section)	
		Ref	Rear Axle, Trunnion (See Separate Breakdown in this Section)	

SECTION 5 - DRIVE TRAIN

FIGURE 5-23. REAR AXLE, CENTRAL HOUSING



ART_1001184985_1-F

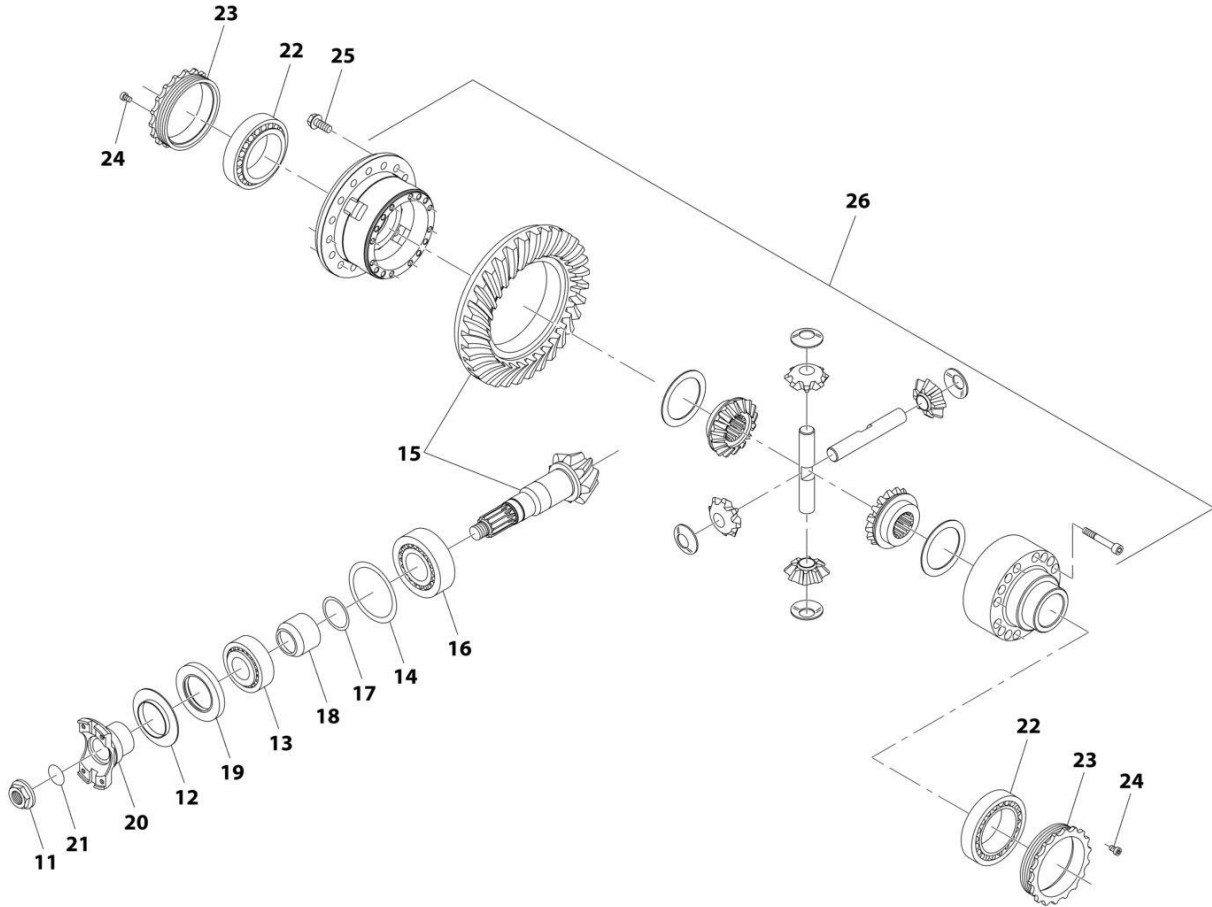
SECTION 5 - DRIVE TRAIN

FIGURE 5-23. REAR AXLE, CENTRAL HOUSING

ITEM	PART NUMBER	QTY	DESCRIPTION	REV
	1001184985	Ref	Rear Axle, Central Housing	F
1	91474512	1	Vent	
2	7029288	1	Cover, Intermediate	
3	80204002	1	O-Ring	
4	80204005	1	Circlip	
5	91514098	1	Plug	
6	70028389	1	Plug	
7	70028388	1	Plug	
8	70025335	1	Housing	
9	91514101	4	Bolt	
10	91514089	2	O-Ring	

SECTION 5 - DRIVE TRAIN

FIGURE 5-24. REAR AXLE, DIFFERENTIAL



ART_1001184985_2-F

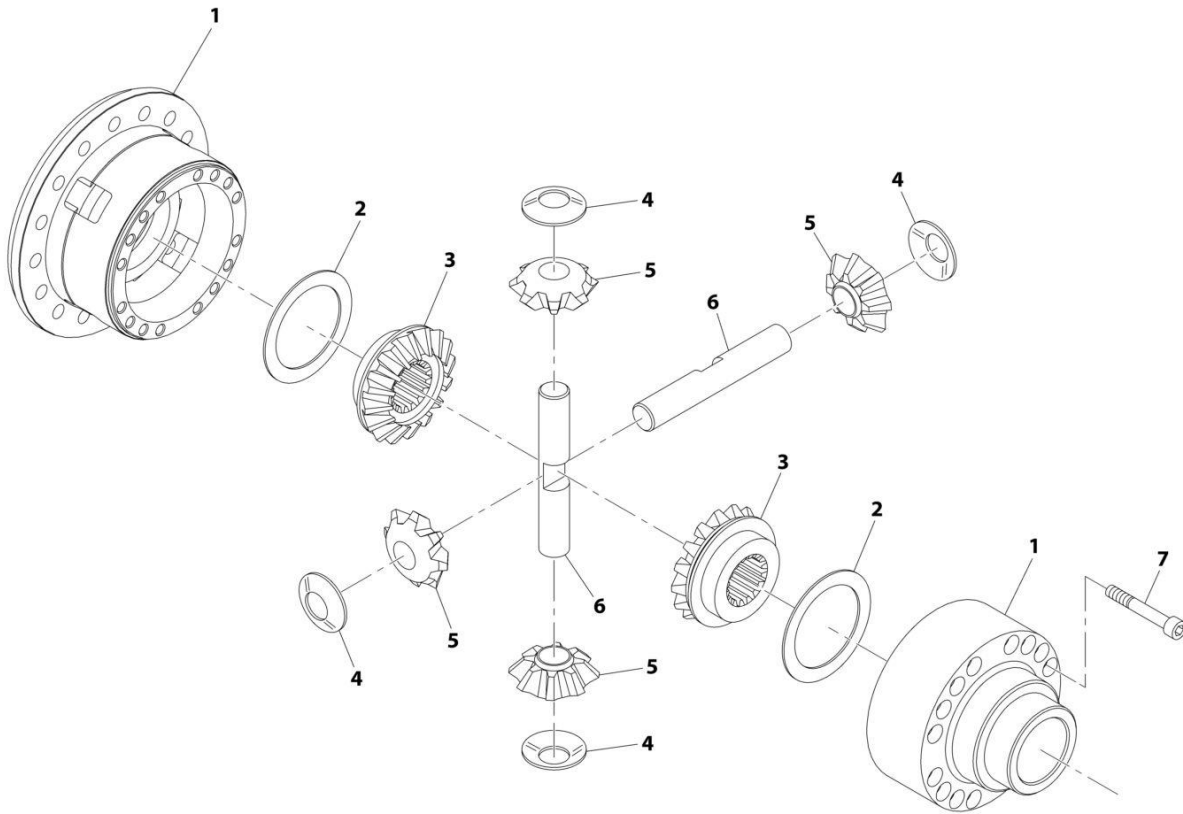
SECTION 5 - DRIVE TRAIN

FIGURE 5-24. REAR AXLE, DIFFERENTIAL

ITEM	PART NUMBER	QTY	DESCRIPTION	REV
	1001184985	Ref	Rear Axle, Differential	F
11	80204043	1	Nut	
12	91514130	1	Plate, Cover	
13	80204048	1	Bearing, Taper Roller	
14	70023469	1	Shim	
15	70028399	1	Gear, Bevel Set	
16	80204035	1	Bearing, Taper Roller	
17	70023494	1	Ring	
18	70022140	1	Spacer	
19	70025887	1	Seal	
20	70028401	1	Flange	
21	10725554	1	O-Ring	
22	80204033	2	Bearing, Taper Roller	
23	91514133	2	Nut, Ring	
24	91514134	2	Bolt	
25	39844923	16	Bolt	
26	70028398	1	Kit, Differential (See Separate Breakdown in this Section)	

SECTION 5 - DRIVE TRAIN

FIGURE 5-25. DIFFERENTIAL KIT



ART_70028398

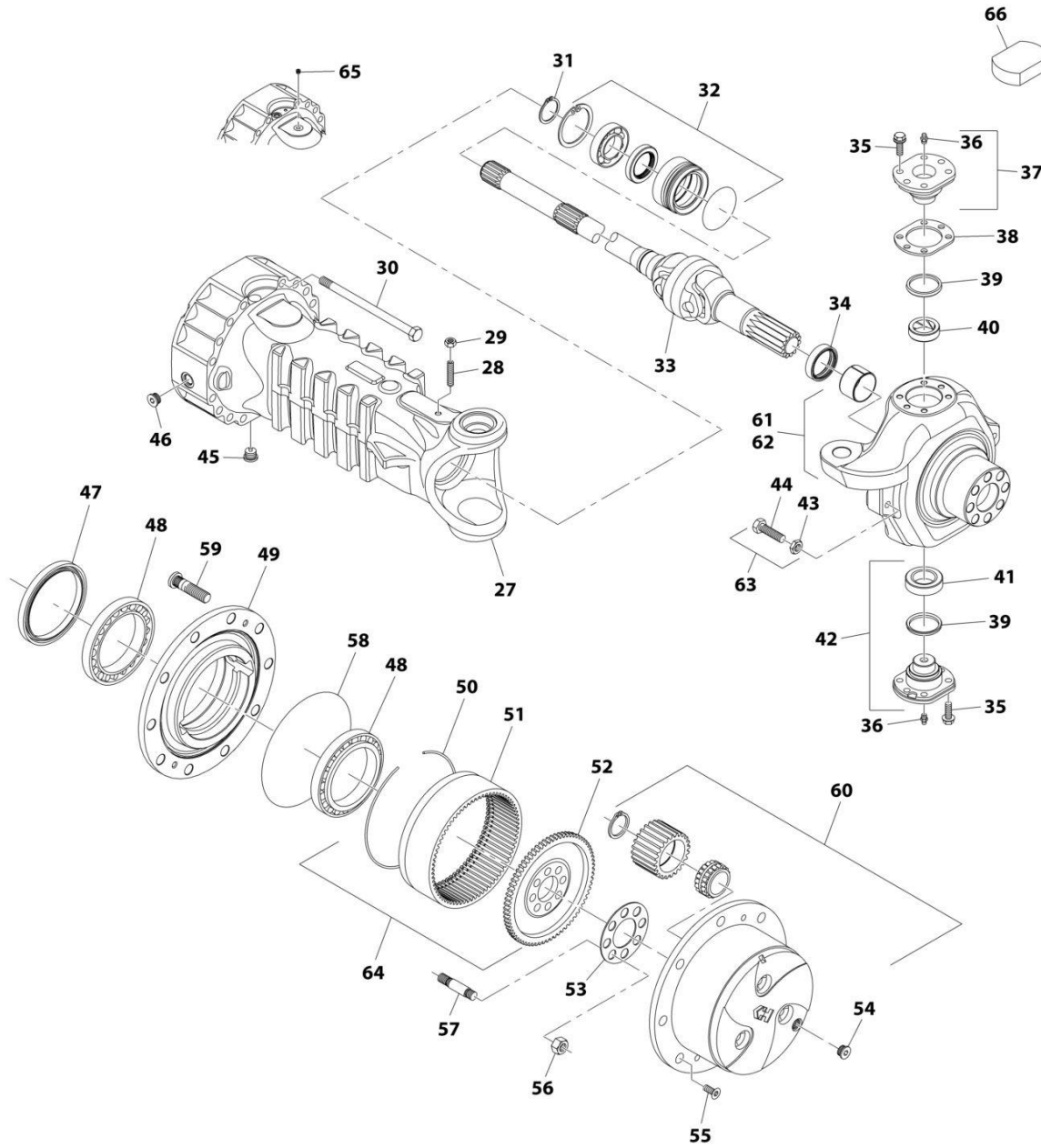
SECTION 5 - DRIVE TRAIN

FIGURE 5-25. DIFFERENTIAL KIT

ITEM	PART NUMBER	QTY	DESCRIPTION	REV
	70028398	Ref	Differential Kit	
1	70025337	1	Carrier, Differential	
2	70023493	2	Washer, Friction	
3	70025338	2	Gear, Differential Side	
4	70027105	4	Washer, Friction	
5	70025339	4	Pinion, Differential	
6	70023490	2	Shaft, Differential	
7	70023489	15	Bolt	

SECTION 5 - DRIVE TRAIN

FIGURE 5-26. REAR AXLE, HUB REDUCTION



ART_1001184985_3-F

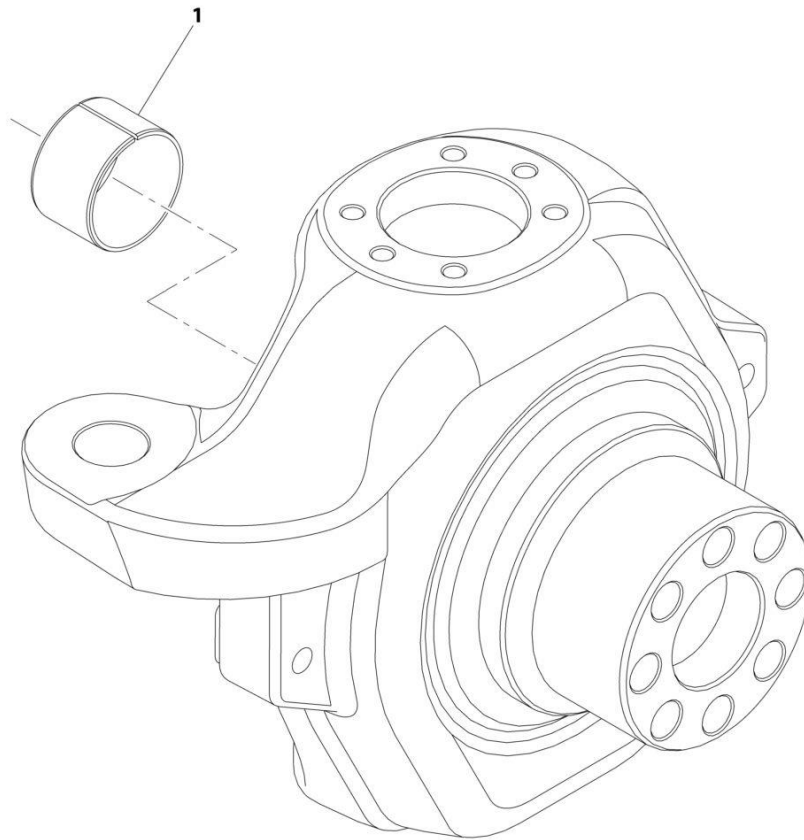
SECTION 5 - DRIVE TRAIN

FIGURE 5-26. REAR AXLE, HUB REDUCTION

ITEM	PART NUMBER	QTY	DESCRIPTION	REV
	1001184985	Ref	Rear Axle, Hub Reduction	F
27	70028400	2	Case, Axle	
28	91514081	2	Bolt	
29	91514082	2	Nut	
30	70028397	32	Bolt	
31	80204071	2	Circlip	
32	91514149	2	Kit, Reduction Bushing (See Separate Breakdown in this Section)	
33	70028396	2	Joint, Double Universal	
34	70026238	2	Seal	
35	70025562	20	Bolt	
36	70024881	2	Fitting, Grease	
37	91514112	2	Pin	
38	70025561	1	Shim	
39	7028716	2	Seal, Dust	
40	7028714	2	Bushing	
41	91514095	2	Bearing	
42	7028715	2	Pin	
43	80204065	4	Nut	
44	91514117	4	Bolt	
45	70028388	2	Plug	
46	70028387	2	Plug	
47	70026002	2	Seal	
48	80204076	4	Bearing, Taper Roller	
49	91514174	2	Hub, Wheel	
50	91514175	2	Circlip	
51	70024147	2	Gear, Ring	
52	91514177	2	Gear, Ring Support	
53	91514178	2	Plate, Locking	
54	70028389	2	Plug	
55	91514189	4	Bolt, Countersunk	
56	91514179	16	Nut	
57	91514180	16	Stud	
58	91514181	2	O-Ring	
59	80214120	20	Stud	
60	7029733	2	Kit, Planet Gear Carrier (See Separate Breakdown in this Section)	
61	70026260	1	Steering Case Assembly (LH Steer Link) (See Separate Breakdown in this Section)	
62	70026261	1	Steering Case Assembly (RH Steer Link) (See Separate Breakdown in this Section)	
63	7028733	4	Bolt, Steering Adjust	
64	70024146	2	Kit, Ring Gear Support (See Separate Breakdown in this Section)	
65	80204012	2	Plug	
66	70028392	2	Cover	

SECTION 5 - DRIVE TRAIN

FIGURE 5-27. STEERING CASE ASSEMBLY (LH STEER LINK)



ART_70026260

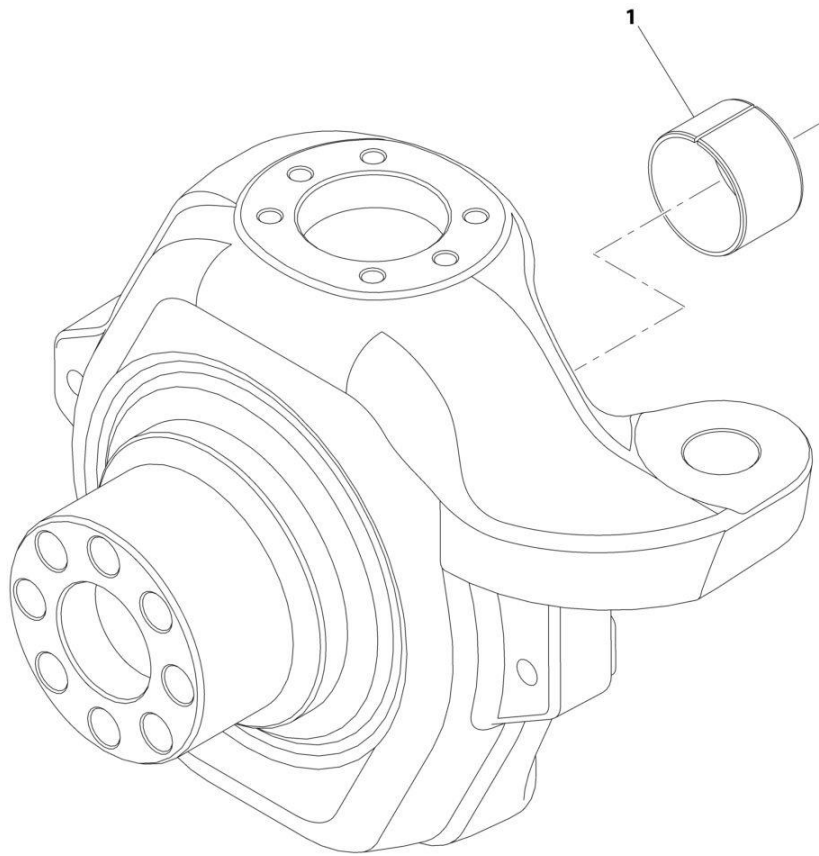
SECTION 5 - DRIVE TRAIN

FIGURE 5-27. STEERING CASE ASSEMBLY (LH STEER LINK)

ITEM	PART NUMBER	QTY	DESCRIPTION	REV
1	70026260 91514111	Ref 1	STEERING CASE ASSEMBLY (LH STEER LINK) Bushing, Thrust	

SECTION 5 - DRIVE TRAIN

FIGURE 5-28. STEERING CASE ASSEMBLY (RH STEER LINK)



ART_70026261

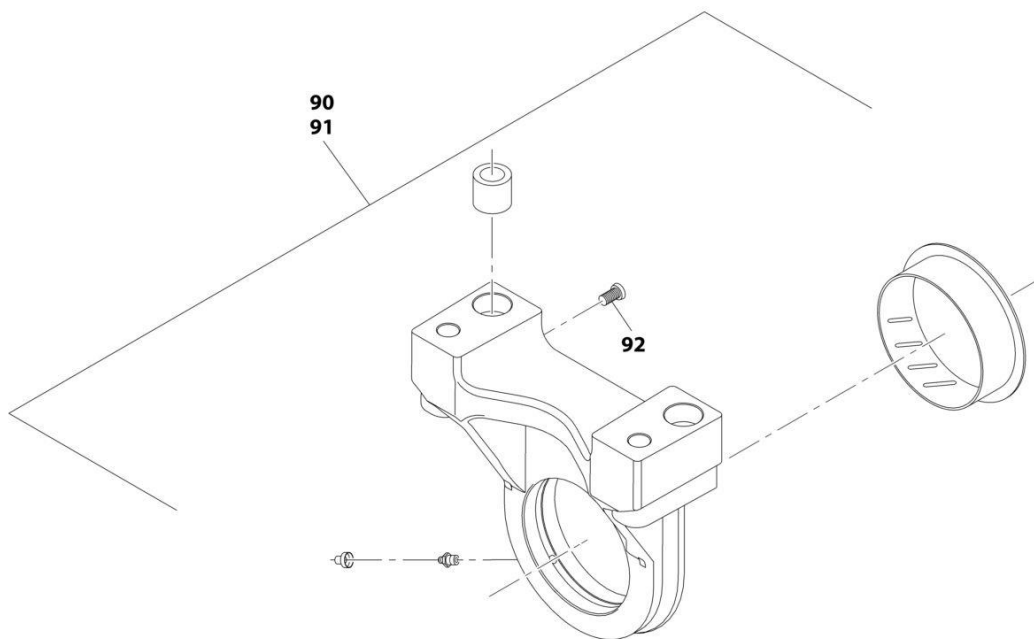
SECTION 5 - DRIVE TRAIN

FIGURE 5-28. STEERING CASE ASSEMBLY (RH STEER LINK)

ITEM	PART NUMBER	QTY	DESCRIPTION	REV
1	70026261 91514111	Ref 1	STEERING CASE ASSEMBLY (RH STEER LINK) Bushing, Thrust	

SECTION 5 - DRIVE TRAIN

FIGURE 5-29. REAR AXLE, TRUNION



ART_1001184985_6-F

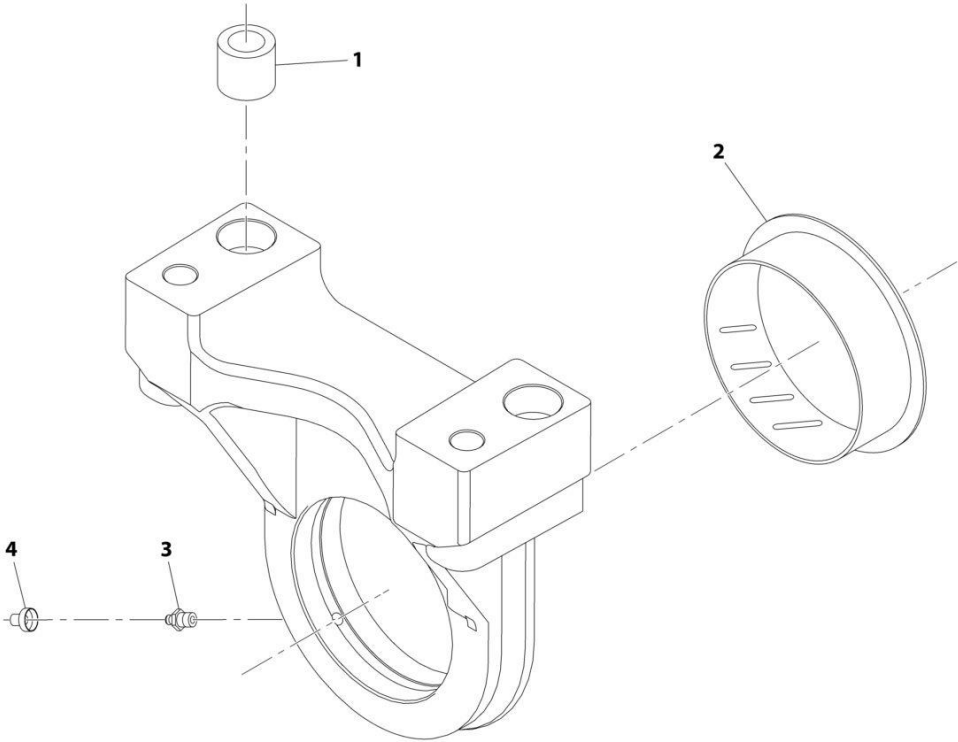
SECTION 5 - DRIVE TRAIN

FIGURE 5-29. REAR AXLE, TRUNION

ITEM	PART NUMBER	QTY	DESCRIPTION	REV
	1001184985	Ref	Rear Axle, Trunion	F
90	70026266	1	Kit, Trunion (See Separate Breakdown in this Section)	
91	70026265	1	Support	
92	70025884	1	Bolt	

SECTION 5 - DRIVE TRAIN

FIGURE 5-30. TRUNION KIT



ART_70026266

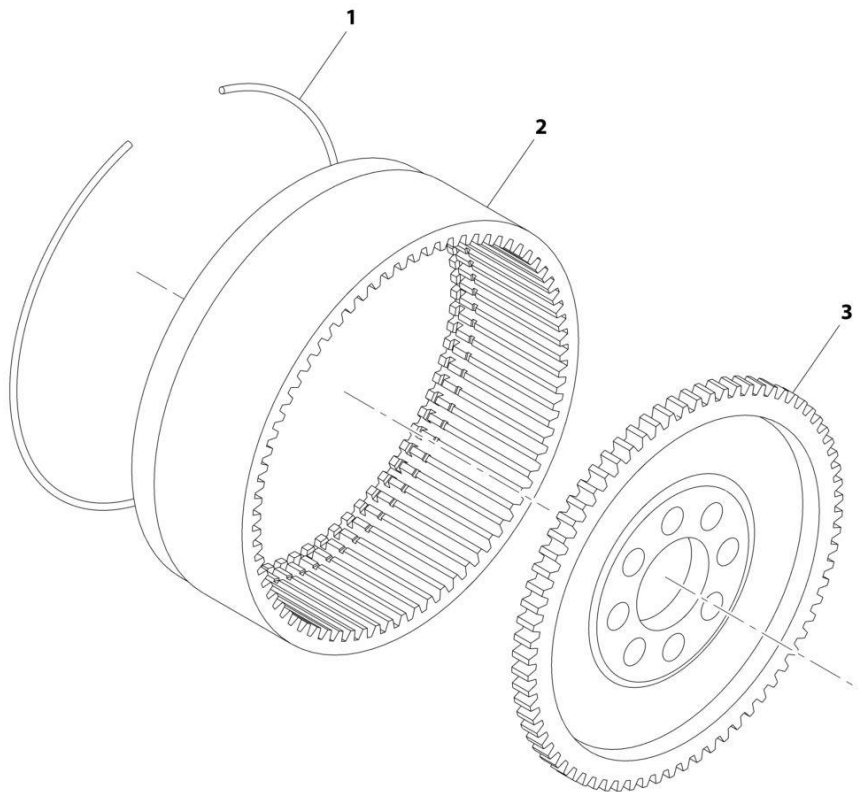
SECTION 5 - DRIVE TRAIN

FIGURE 5-30. TRUNION KIT

ITEM	PART NUMBER	QTY	DESCRIPTION	REV
	70026266	Ref	Trunion Kit	
1	7029290	2	Bushing, Reduction	
2	91514090	1	Bushing, Thrust	
3	70024881	1	Fitting, Grease	
4	80204117	1	Plug	

SECTION 5 - DRIVE TRAIN

FIGURE 5-31. RING GEAR SUPPORT KIT



ART_70024146

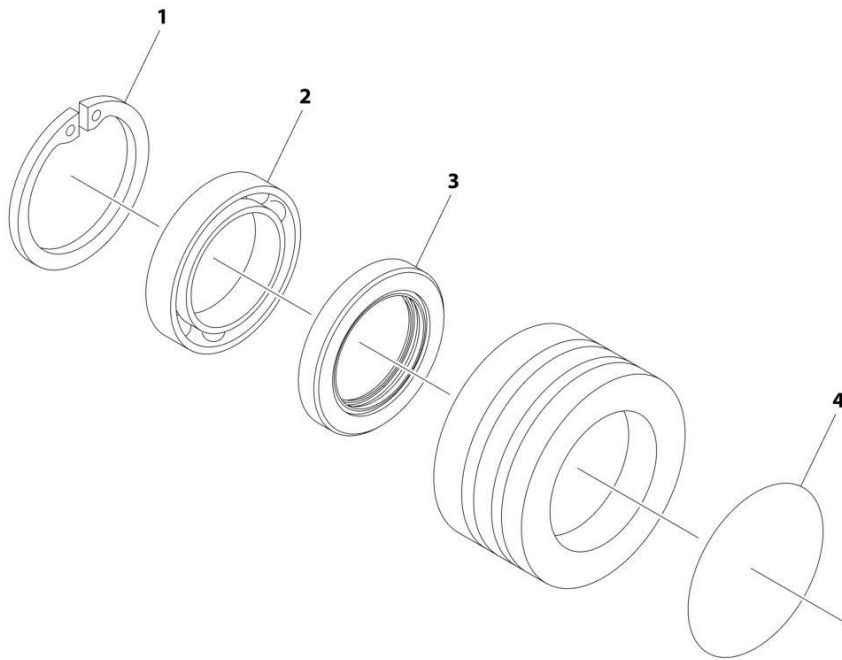
SECTION 5 - DRIVE TRAIN

FIGURE 5-31. RING GEAR SUPPORT KIT

ITEM	PART NUMBER	QTY	DESCRIPTION	REV
	70024146	Ref	Ring Gear Support Kit	
1	91514175	1	Circlip	
2	70024147	1	Gear, Ring	
3	91514177	1	Gear, Ring Support	

SECTION 5 - DRIVE TRAIN

FIGURE 5-32. REDUCTION BUSHING KIT



ART_91514149

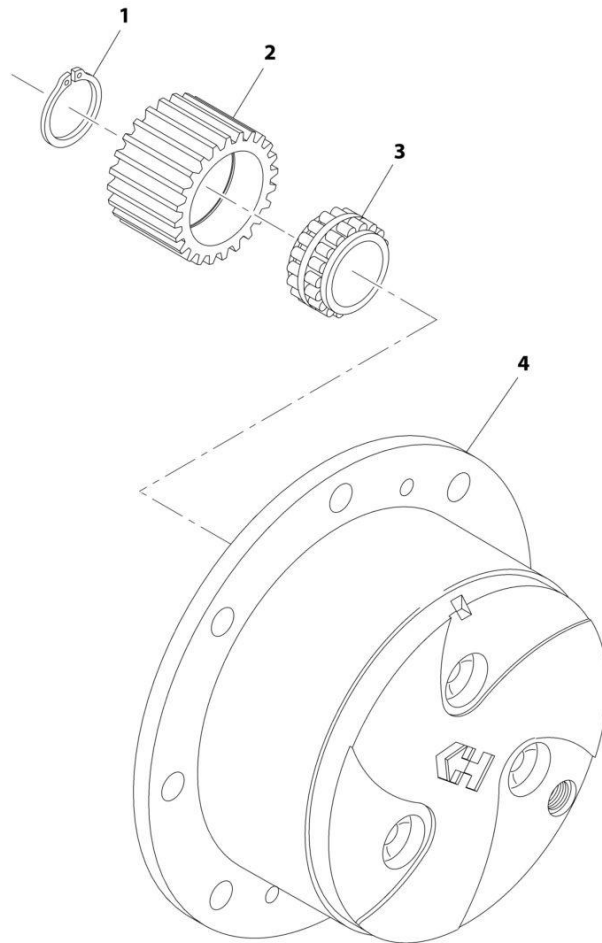
SECTION 5 - DRIVE TRAIN

FIGURE 5-32. REDUCTION BUSHING KIT

ITEM	PART NUMBER	QTY	DESCRIPTION	REV
	91514149	Ref	Reduction Bushing Kit	
1	80204005	2	Circlip	
2	91514146	2	Bearing, Ball	
3	91514147	2	Seal	
4	91514148	2	O-Ring	

SECTION 5 - DRIVE TRAIN

FIGURE 5-33. PLANET GEAR CARRIER KIT



ART_7029733

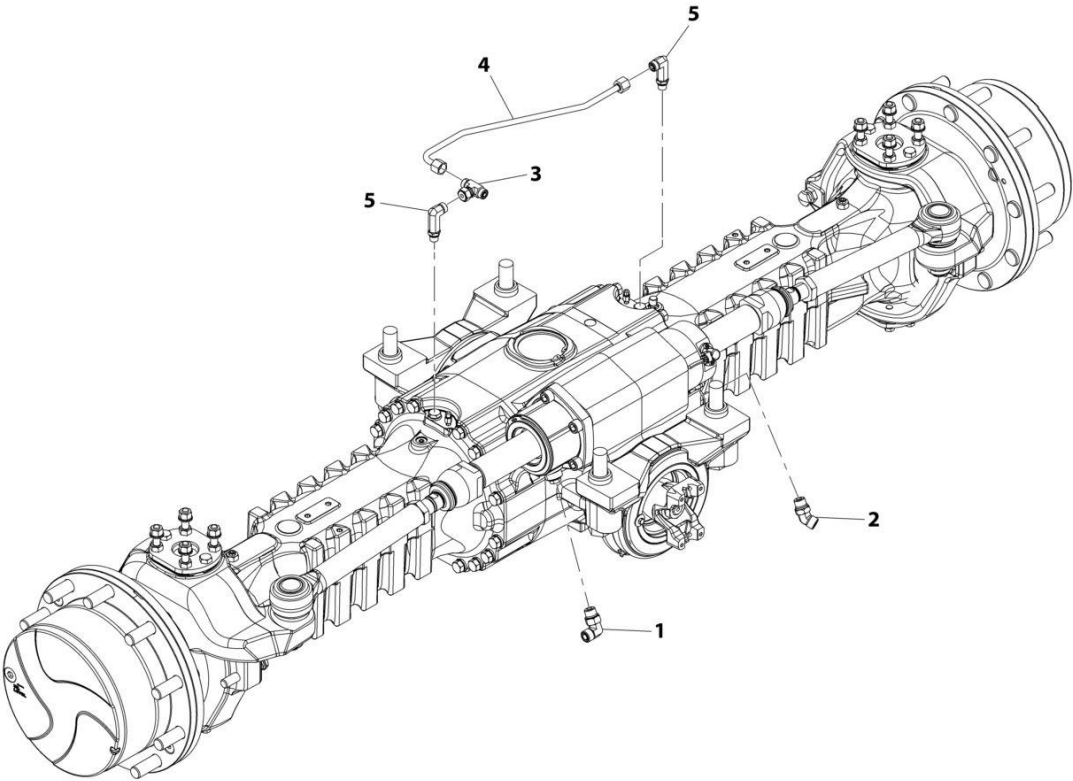
SECTION 5 - DRIVE TRAIN

FIGURE 5-33. PLANET GEAR CARRIER KIT

ITEM	PART NUMBER	QTY	DESCRIPTION	REV
	7029733	Ref	Planet Gear Carrier Kit	
1	91514184	3	Circlip	
2	91514185	6	Gear, Planet	
3	91514186	6	Bearing	
4	7026731	1	Carrier, Planet Gear	

SECTION 5 - DRIVE TRAIN

FIGURE 5-34. REAR AXLE LINES INSTALLATION



ART_1001207899-C

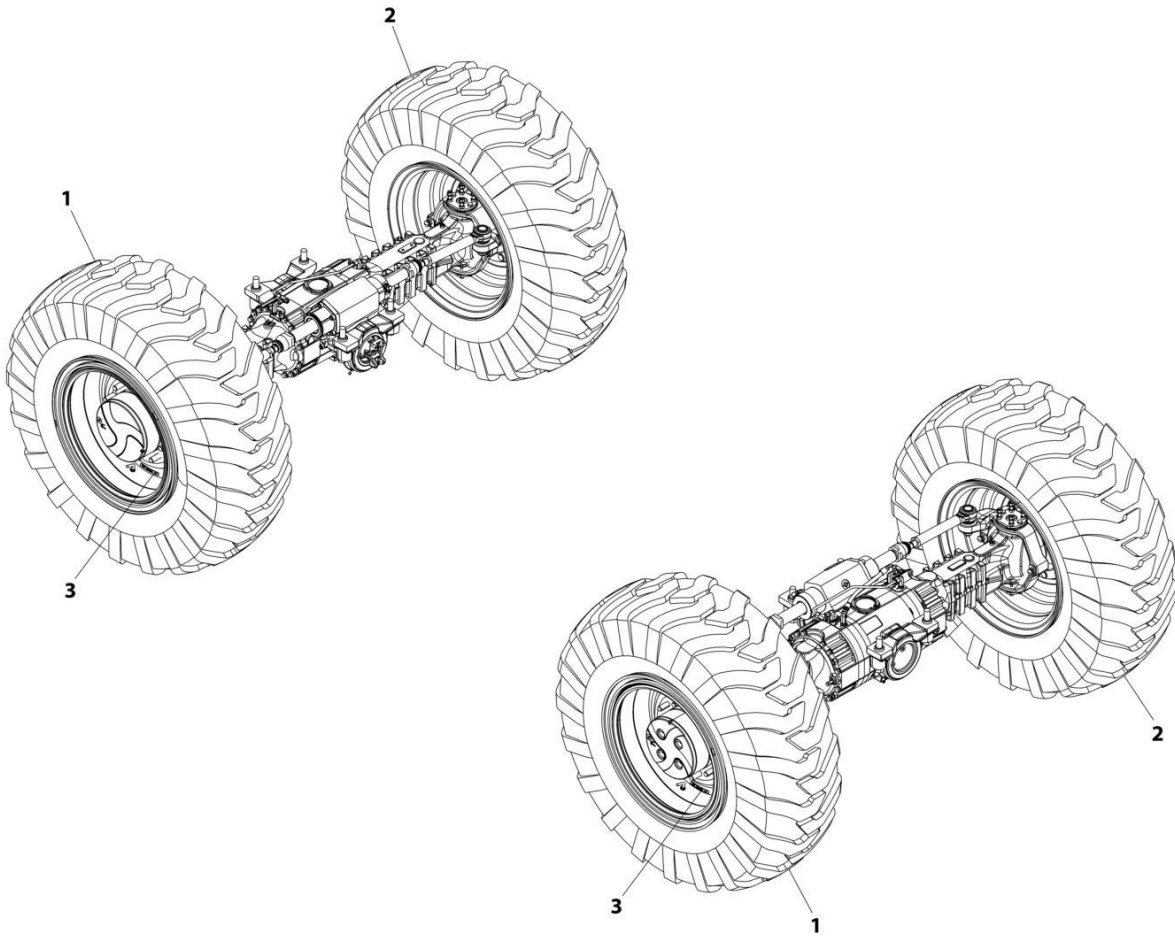
SECTION 5 - DRIVE TRAIN

FIGURE 5-34. REAR AXLE LINES INSTALLATION

ITEM	PART NUMBER	QTY	DESCRIPTION	REV
	1001207899	Ref	Rear Axle Lines Installation	C
1	2130808	1	Fitting, 90 ORFS	
2	2150808	1	Fitting, 45 ORFS	
3	2170806	1	Fitting, Tee ORFS	
4	1001224938	1	Tube	
5	1001210769	2	Fitting, 90 ORFS	

SECTION 5 - DRIVE TRAIN

FIGURE 5-35. TIRE/WHEEL SET (AIR 17.5-25 - 20 PLY)



ART_1001192168-C

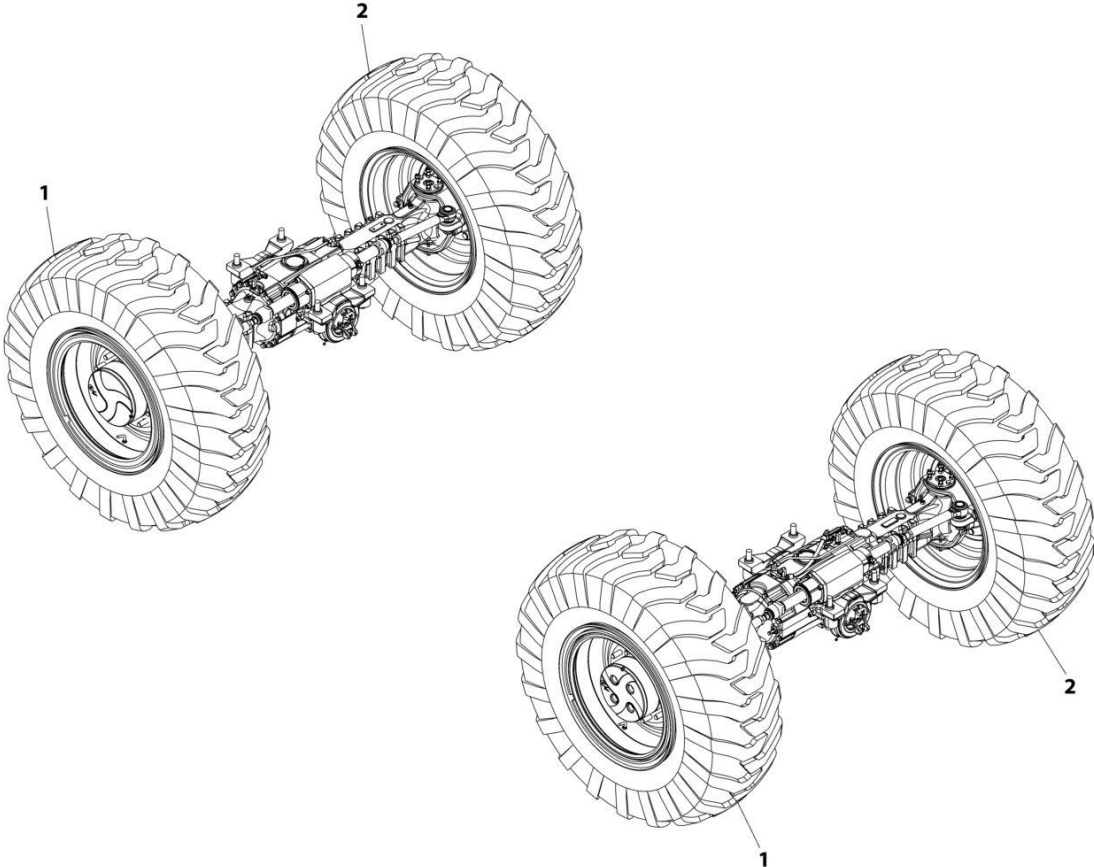
SECTION 5 - DRIVE TRAIN

FIGURE 5-35. TIRE/WHEEL SET (AIR 17.5-25 - 20 PLY)

ITEM	PART NUMBER	QTY	DESCRIPTION	REV
	1001192168	1	Tire/Wheel Set (Air 17.5-25 - 20 PLY)	C
1	1001192177	2	Assembly, Right Tire/Wheel (Air 17.5-25 - 20 PLY)	
1	8786549	1	Valve, Stem	
1	1001187423	1	Tire, 17.5-25 20 PLY	
1	1001189288J	1	Wheel, 25X14.0 DTU 10 Hole	
2	1001192178	2	Assembly, Left Tire/Wheel (Air 17.5-25 - 20 PLY)	
2	8786549	1	Valve, Stem	
2	1001187423	1	Tire, 17.5-25 20 PLY	
2	1001189288J	1	Wheel, 25X14.0 DTU 10 Hole	
3	1001229201	4	Decal	

SECTION 5 - DRIVE TRAIN

FIGURE 5-36. TIRE/WHEEL SET (FOAM 17.5-25 - 20 PLY)



ART_1001192170-A

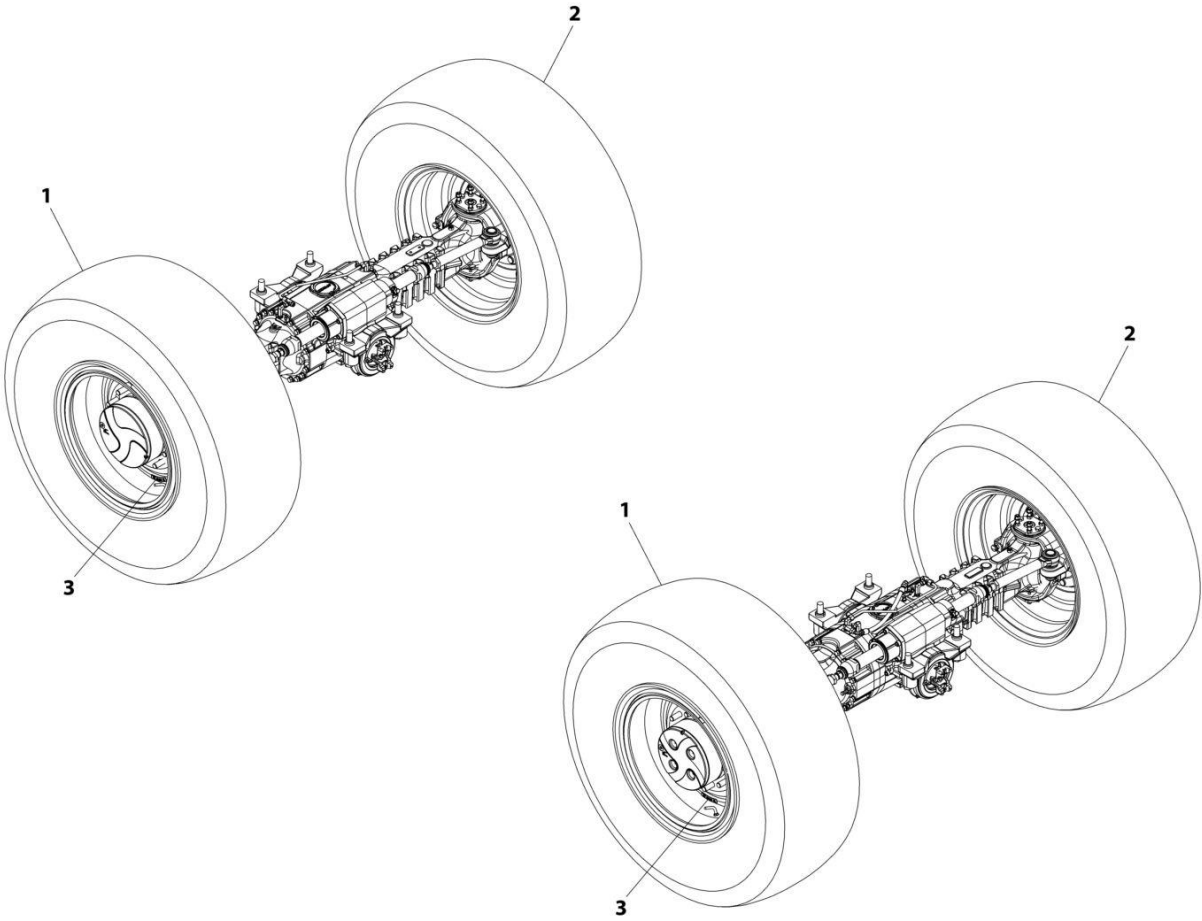
SECTION 5 - DRIVE TRAIN

FIGURE 5-36. TIRE/WHEEL SET (FOAM 17.5-25 - 20 PLY)

ITEM	PART NUMBER	QTY	DESCRIPTION	REV
	1001192170	1	Tire/Wheel Set (Foam 17.5-25 - 20 PLY)	A
		Ref	Note: Requires ballast/foam filling to manufacturer's specifications prior to installing on a machine. Refer to Service and Maintenance Manuals. Purchase individual tire and/or rim only if able to foam fill tire and wheel assembly, otherwise, purchase complete.	
1	1001192180	2	Assembly, Right Tire/Wheel (Foam 17.5-25 - 20 PLY)	
1	8786549	1	Valve, Stem	
1	1001187423	1	Tire, 17.5-25 20 PLY	
1	1001189288J	1	Wheel, 25X14.0 DTU 10 Hole	
2	1001192181	2	Assembly, Left Tire/Wheel (Foam 17.5-25 - 20 PLY)	
2	8786549	1	Valve, Stem	
2	1001187423	1	Tire, 17.5-25 20 PLY	
2	1001189288J	1	Wheel, 25X14.0 DTU 10 Hole	

SECTION 5 - DRIVE TRAIN

FIGURE 5-37. TIRE/WHEEL SET (AIR 17.5 R25 - RADIAL)



ART_1001221270-A

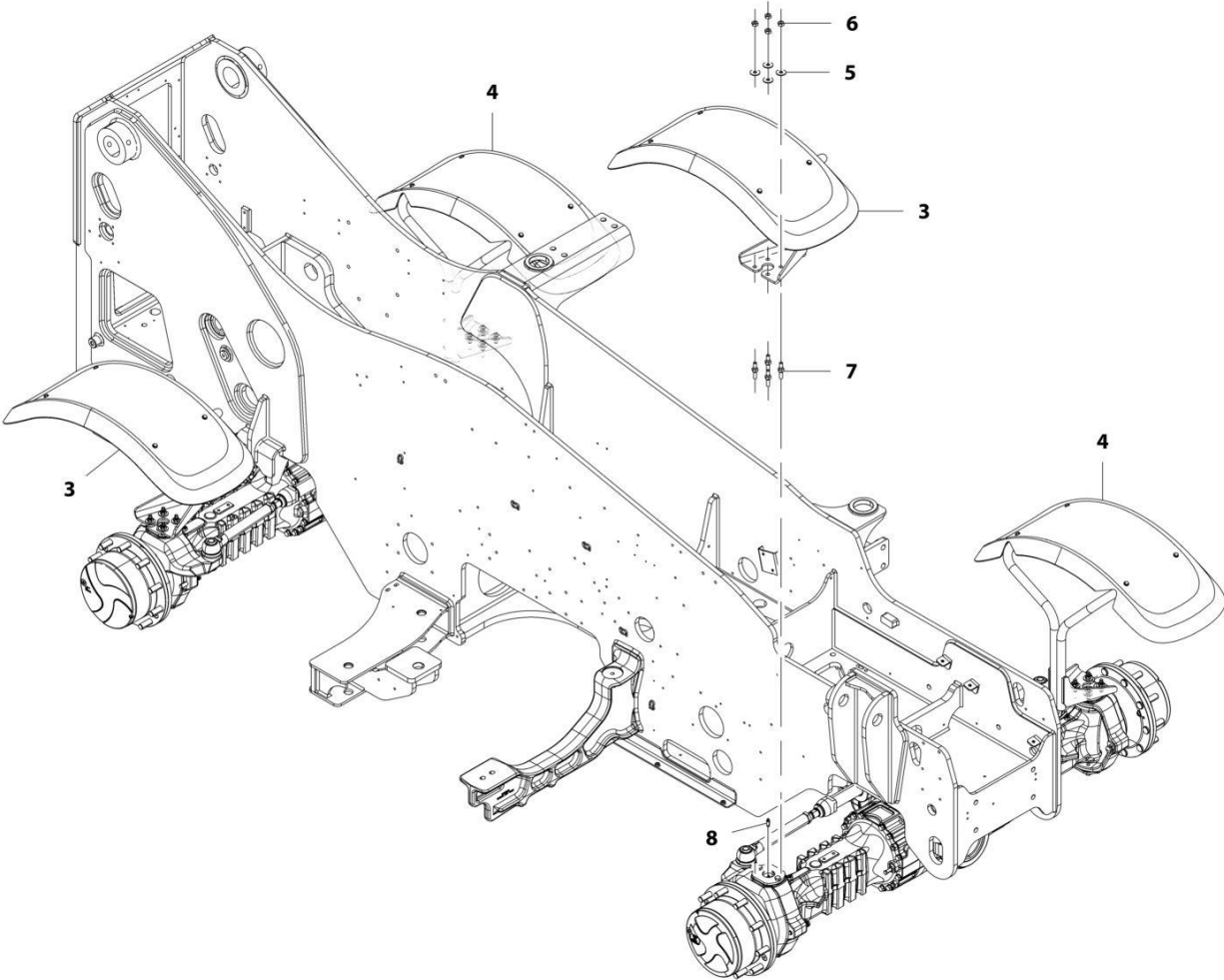
SECTION 5 - DRIVE TRAIN

FIGURE 5-37. TIRE/WHEEL SET (AIR 17.5 R25 - RADIAL)

ITEM	PART NUMBER	QTY	DESCRIPTION	REV
	1001221270	1	Tire/Wheel Set (Air 17.5 R25 - Radial)	A
1	1001221157	2	Assembly, Right Tire/Wheel (Air 17.5 R25 - Radial)	
1	8786549	1	Valve, Stem	
1	1001221087	1	Tire, 17.5 R25 Radial	
1	1001189288J	1	Wheel, 25X14.0 DTU 10 Hole	
2	1001221321	2	Assembly, Left Tire/Wheel (Air 17.5 R25 - Radial)	
2	8786549	1	Valve, Stem	
2	1001221087	1	Tire, 17.5 R25 Radial	
2	1001189288J	1	Wheel, 25X14.0 DTU 10 Hole	
3	1001221734	4	Decal	

SECTION 5 - DRIVE TRAIN

FIGURE 5-38. FENDER INSTALLATION



ART_1001174129-E

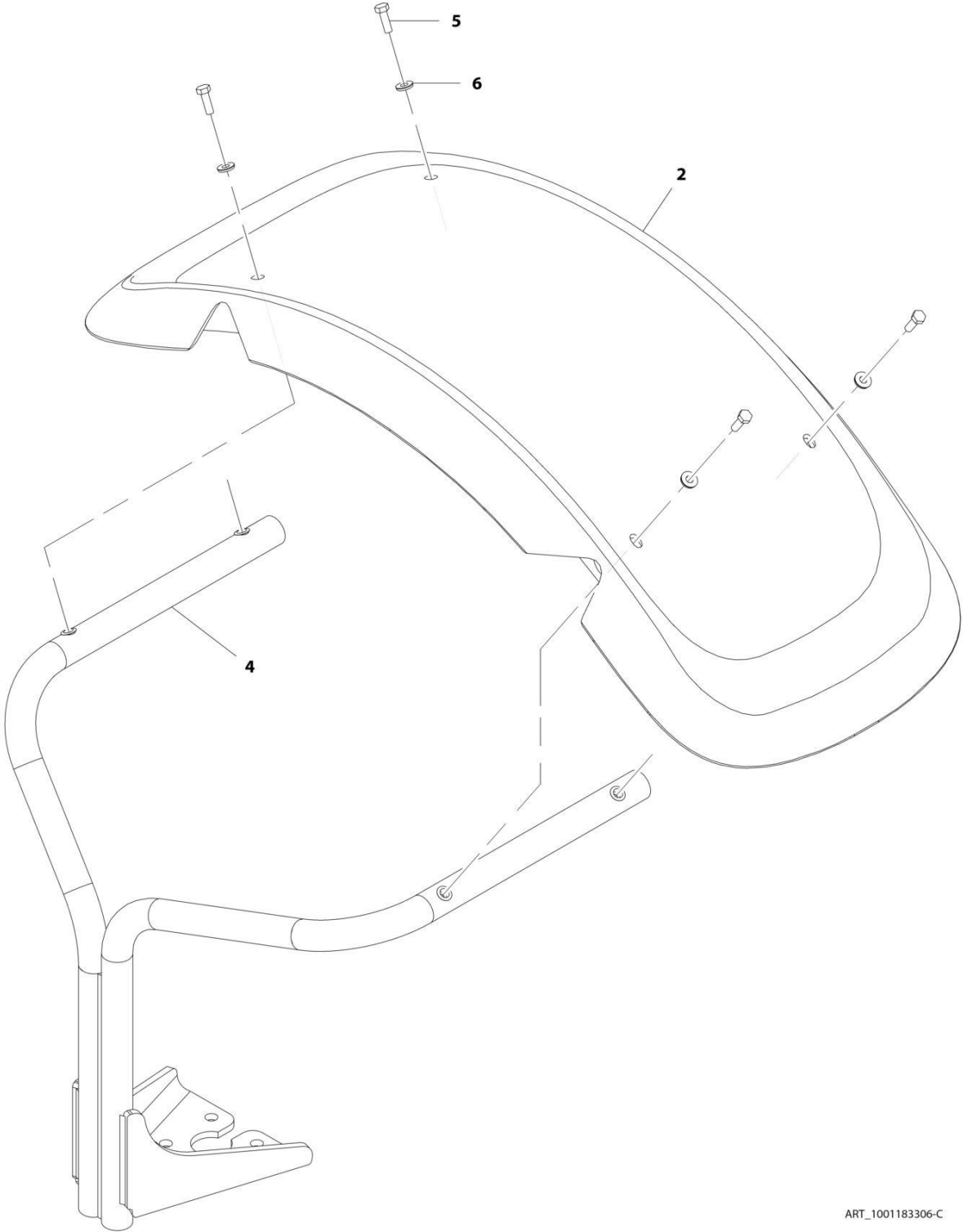
SECTION 5 - DRIVE TRAIN

FIGURE 5-38. FENDER INSTALLATION

ITEM	PART NUMBER	QTY	DESCRIPTION	REV
	1001174129	Ref	Fender Installation	E
3	1001183306	2	Assembly, RH Fender (See Separate Breakdown in this Section)	
4	1001183307	2	Assembly, LH Fender (See Separate Breakdown in this Section)	
5	4812102	16	Washer, M12	
6	91513266	16	Nut, M12X1.25	
7	91514118	16	Stud, Fender	
8	1001225317	4	Fitting, Grease	

SECTION 5 - DRIVE TRAIN

FIGURE 5-39. RH FENDER ASSEMBLY



ART_1001183306-C

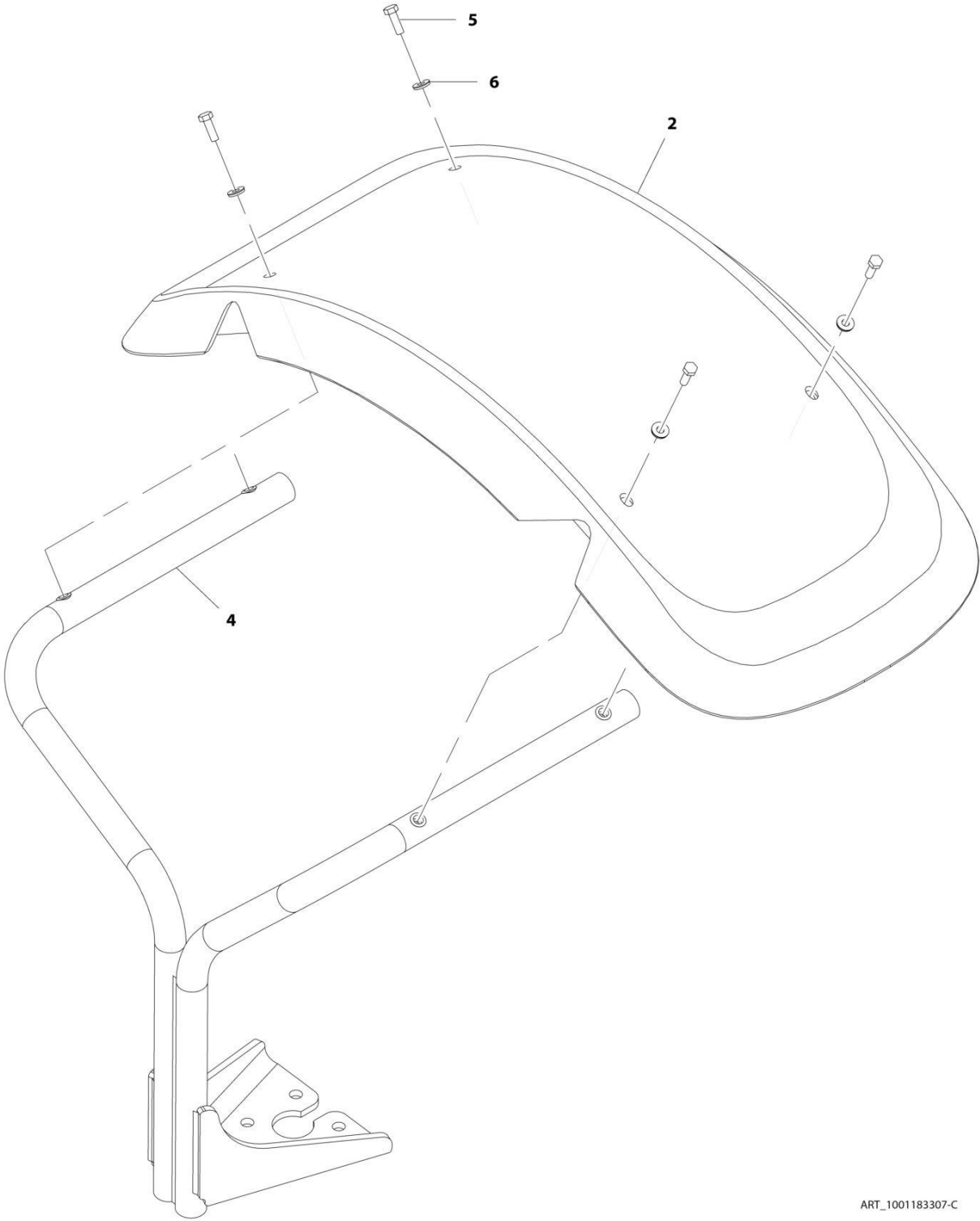
SECTION 5 - DRIVE TRAIN

FIGURE 5-39. RH FENDER ASSEMBLY

ITEM	PART NUMBER	QTY	DESCRIPTION	REV
	1001183306	Ref	RH Fender Assembly	C
2	1001168264	1	Fender	
4	1001183308	1	Bracket	
5	0760812	4	Bolt, M8X25	
6	1001202786	4	Washer	

SECTION 5 - DRIVE TRAIN

FIGURE 5-40. LH FENDER ASSEMBLY



ART_1001183307-C

SECTION 5 - DRIVE TRAIN

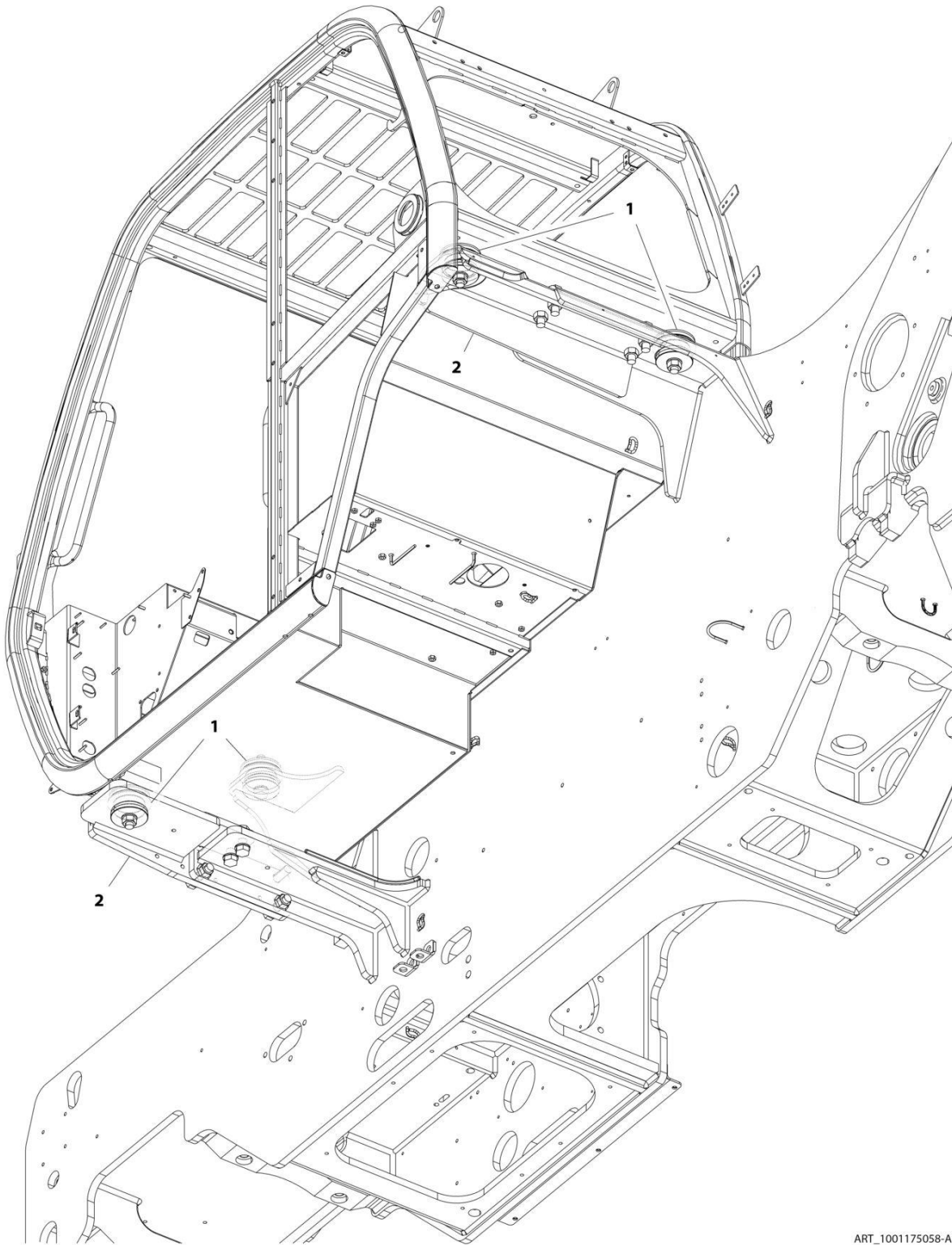
FIGURE 5-40. LH FENDER ASSEMBLY

ITEM	PART NUMBER	QTY	DESCRIPTION	REV
	1001183307	Ref	LH Fender Assembly	C
2	1001168264	1	Fender	
4	1001183309	1	Bracket	
5	0760812	4	Bolt, M8X25	
6	1001202786	4	Washer	

SECTION 6 - CAB

SECTION 6 - CAB

FIGURE 6-1. CAB MOUNTING INSTALLATION



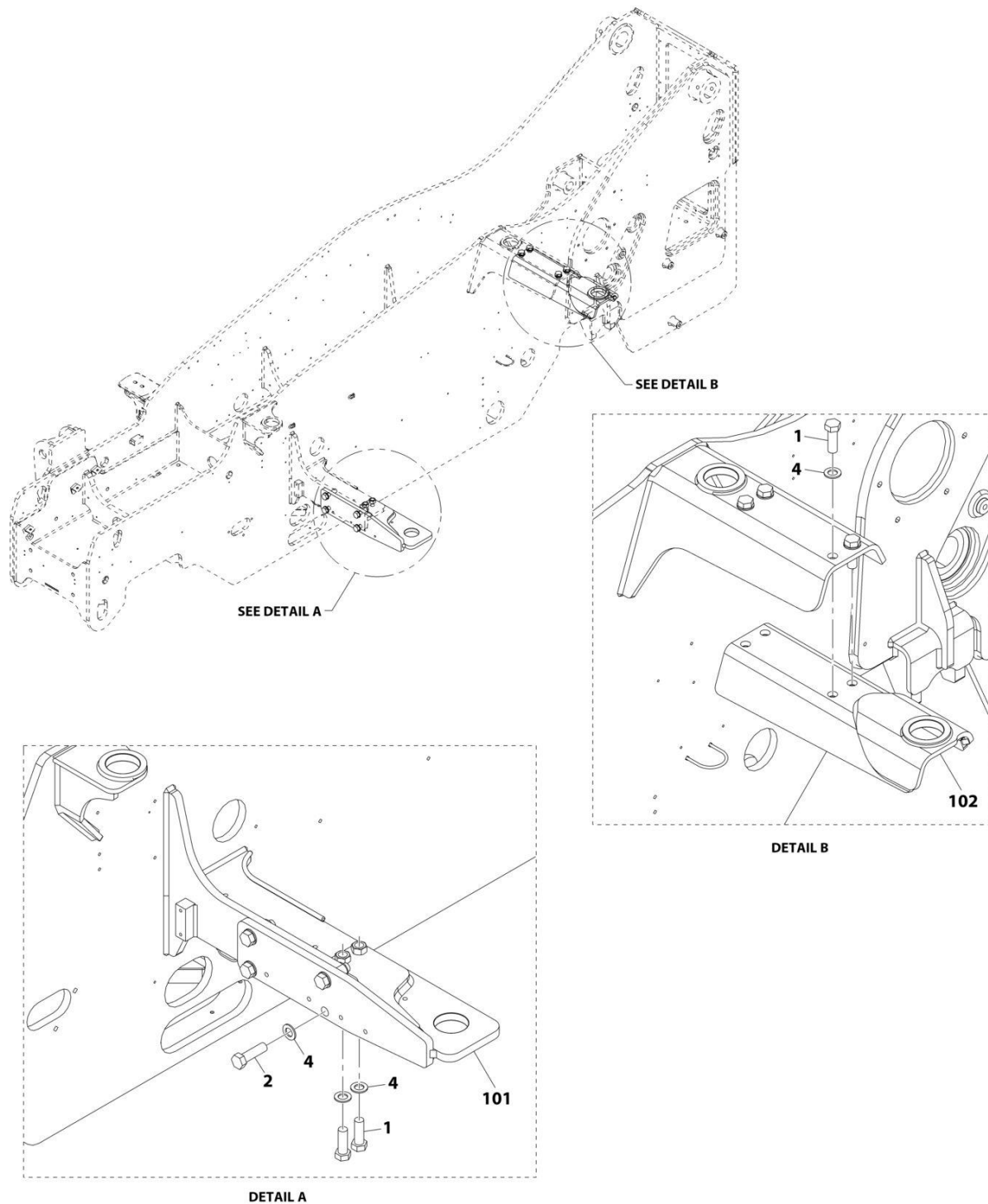
ART_1001175058-A

FIGURE 6-1. CAB MOUNTING INSTALLATION

ITEM	PART NUMBER	QTY	DESCRIPTION	REV
1	1001175058	Ref	Cab Mounting Installation	A
	1001155446	Ref	Installation, Cab Mount (See Separate Breakdown in this Section)	
	1001191255	Ref	Installation, Front Cab Mount Bracket (See Separate Breakdown in this Section)	

SECTION 6 - CAB

FIGURE 6-2. FRONT CAB MOUNT BRACKET INSTALLATION



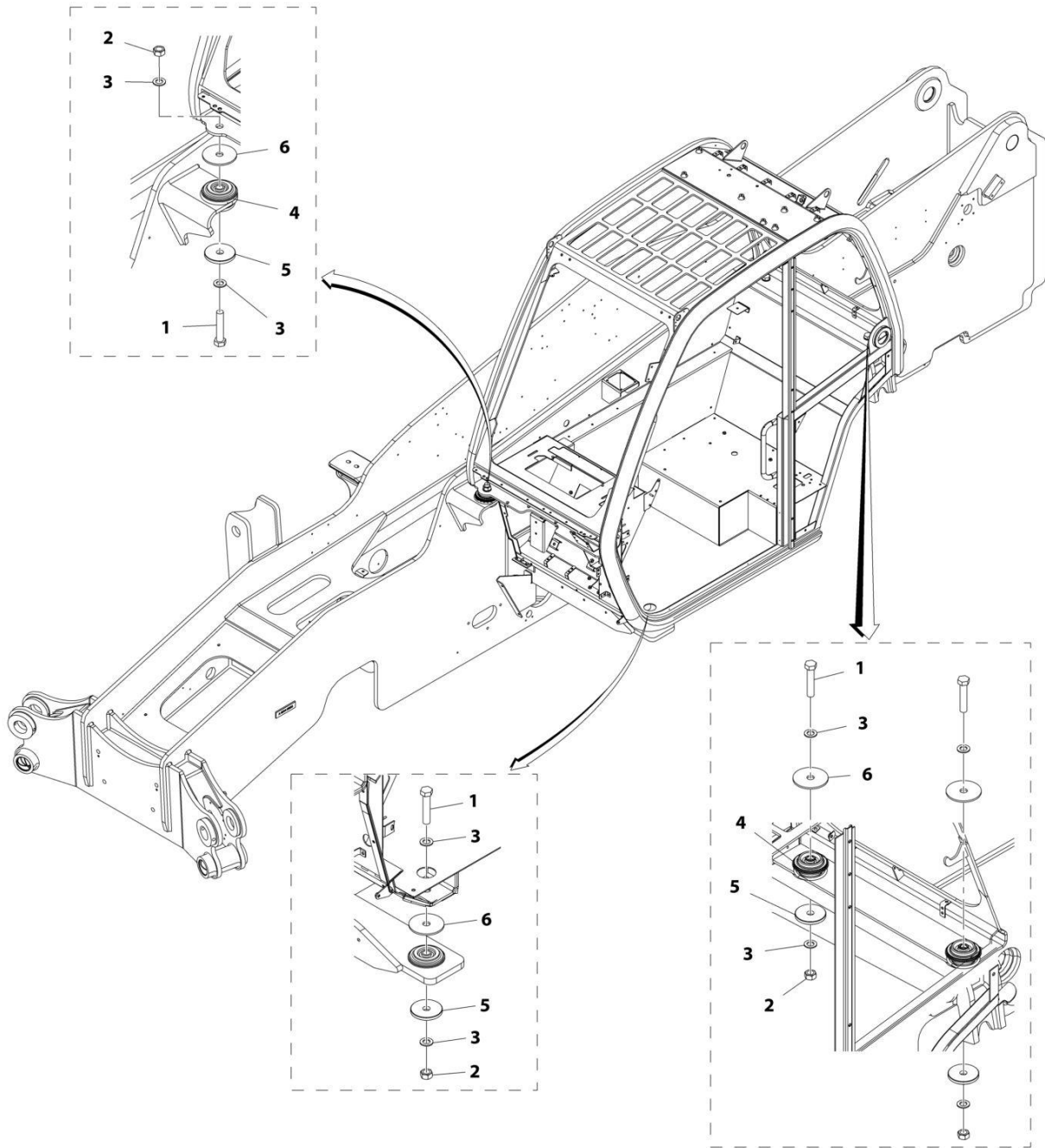
ART_1001191255-E

FIGURE 6-2. FRONT CAB MOUNT BRACKET INSTALLATION

ITEM	PART NUMBER	QTY	DESCRIPTION	REV
	1001191255	Ref	Front Cab Mount Bracket Installation	E
1	0712020	6	Bolt, M20X60	
2	0712022	4	Bolt, M20X70	
4	4812500	10	Washer, M20	
101	1001191256	1	Bracket	
102	1001191257	1	Bracket	

SECTION 6 - CAB

FIGURE 6-3. CAB MOUNTS INSTALLATION



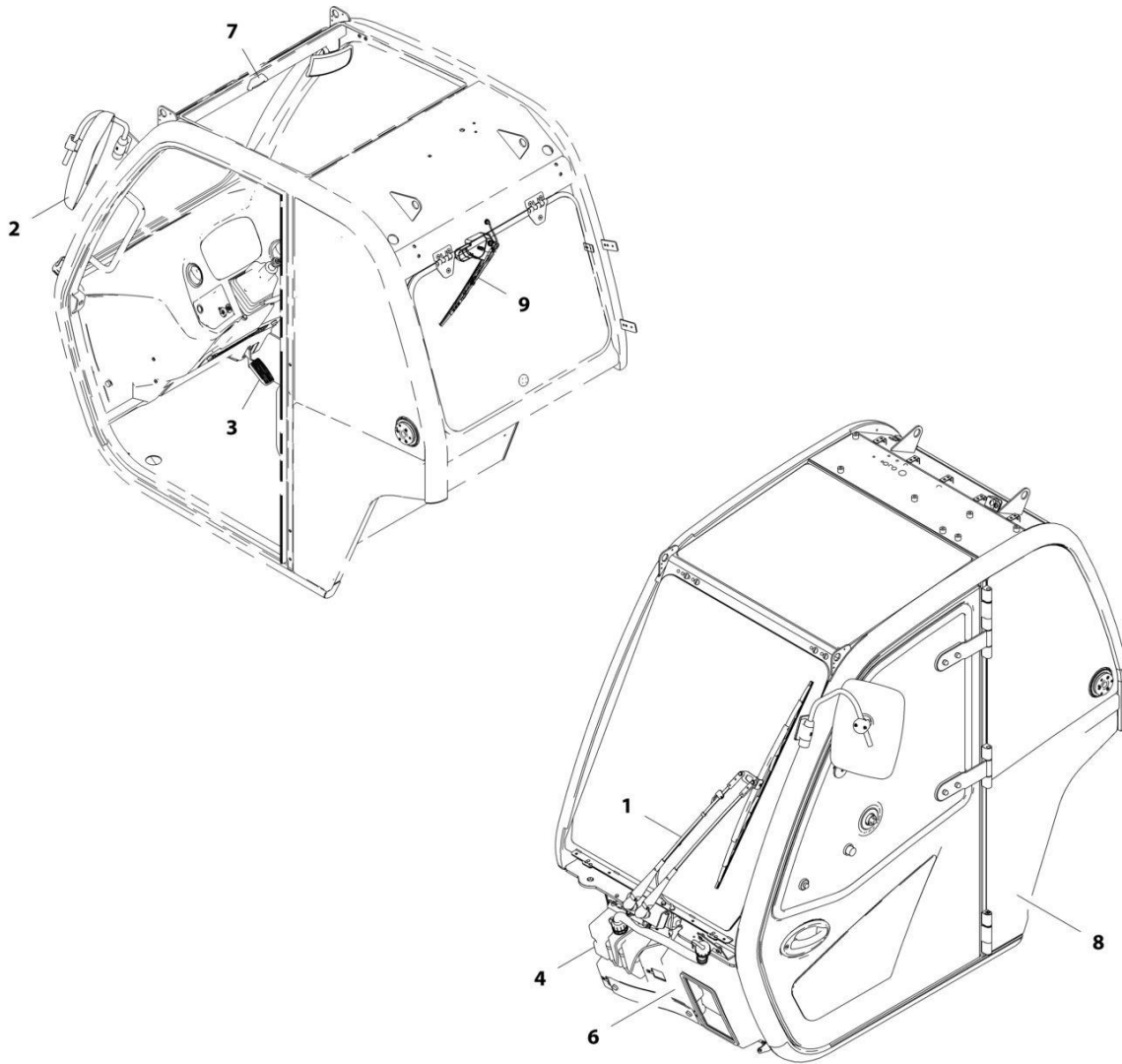
ART_1001155446-E

FIGURE 6-3. CAB MOUNTS INSTALLATION

ITEM	PART NUMBER	QTY	DESCRIPTION	REV
	1001155446	Ref	Cab Mounts Installation	E
1	0712027	4	Bolt, M20X100	
2	3332011	4	Nut, M20X2.5	
3	4812500	8	Washer, M20	
4	1001166754	4	Mount, Cab Isolation	
5	1001166755	4	Washer, Cab Rebound	
6	1001220540	4	Washer, Cab Mount	

SECTION 6 - CAB

FIGURE 6-4. CAB COMPONENTS INSTALLATION



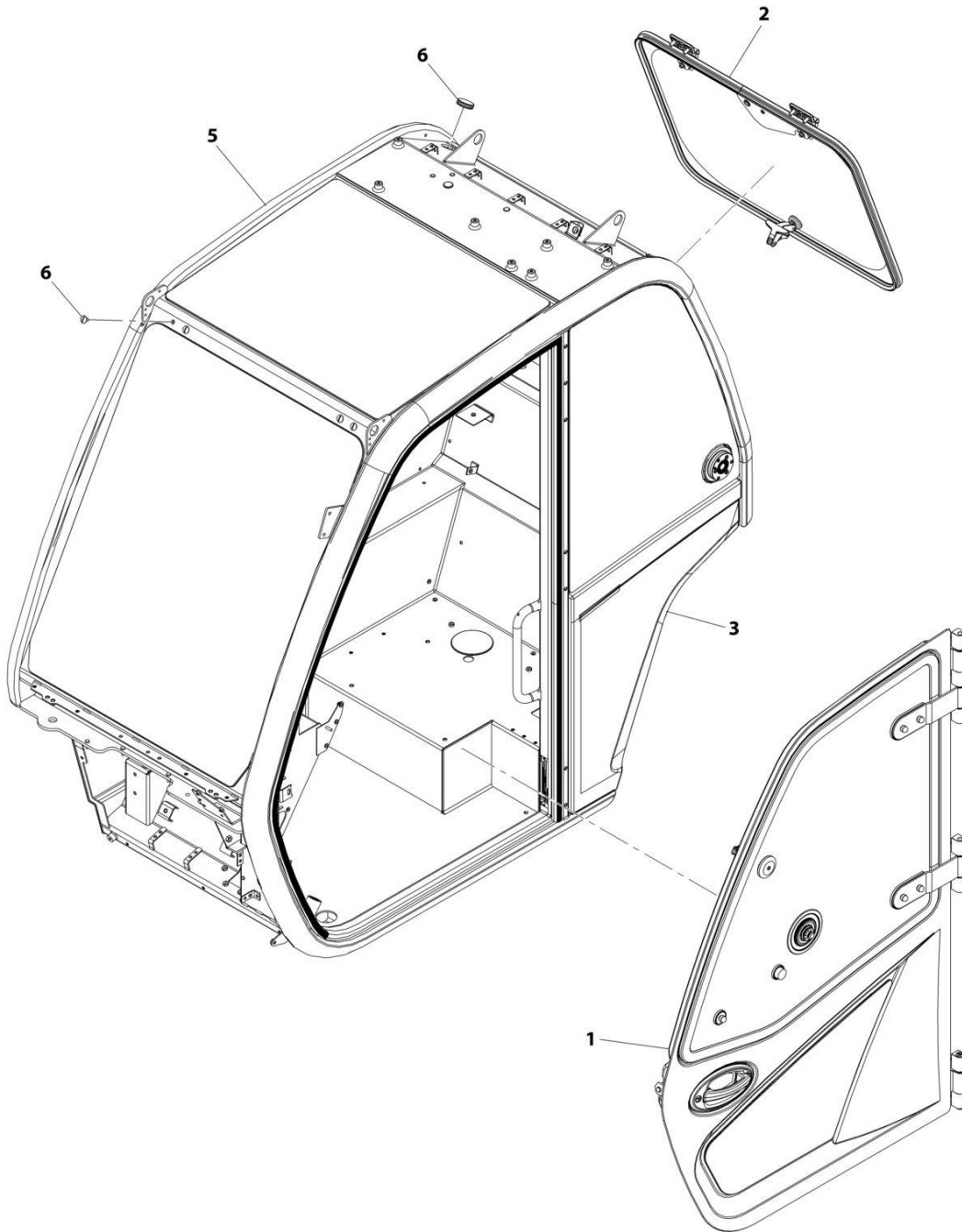
ART_1001194698

FIGURE 6-4. CAB COMPONENTS INSTALLATION

ITEM	PART NUMBER	QTY	DESCRIPTION	REV
	1001194698	Ref	Cab Components Installation	G
1	1001155447	Ref	Installation, Front Wiper (See Separate Breakdown in this Section)	
2	1001160508	Ref	Installation, Basic Mirror (See Separate Breakdown in this Section)	
3	1001161499	Ref	Installation, Accelerator Pedal (See Separate Breakdown in CONTROLS Section)	
4	1001162789	Ref	Installation, Washer Tank (See Separate Breakdown in this Section)	
6	1001170366	Ref	Installation, Front Cover (See Separate Breakdown in this Section)	
7	1001172401	Ref	Installation, Level Indicator (See Separate Breakdown in this Section)	
8	1001194699	Ref	Installation, Cab (See Separate Breakdown in this Section)	
9	1001220329	Ref	Installation, Rear Wiper (See Separate Breakdown in this Section)	

SECTION 6 - CAB

FIGURE 6-5. CAB INSTALLATION



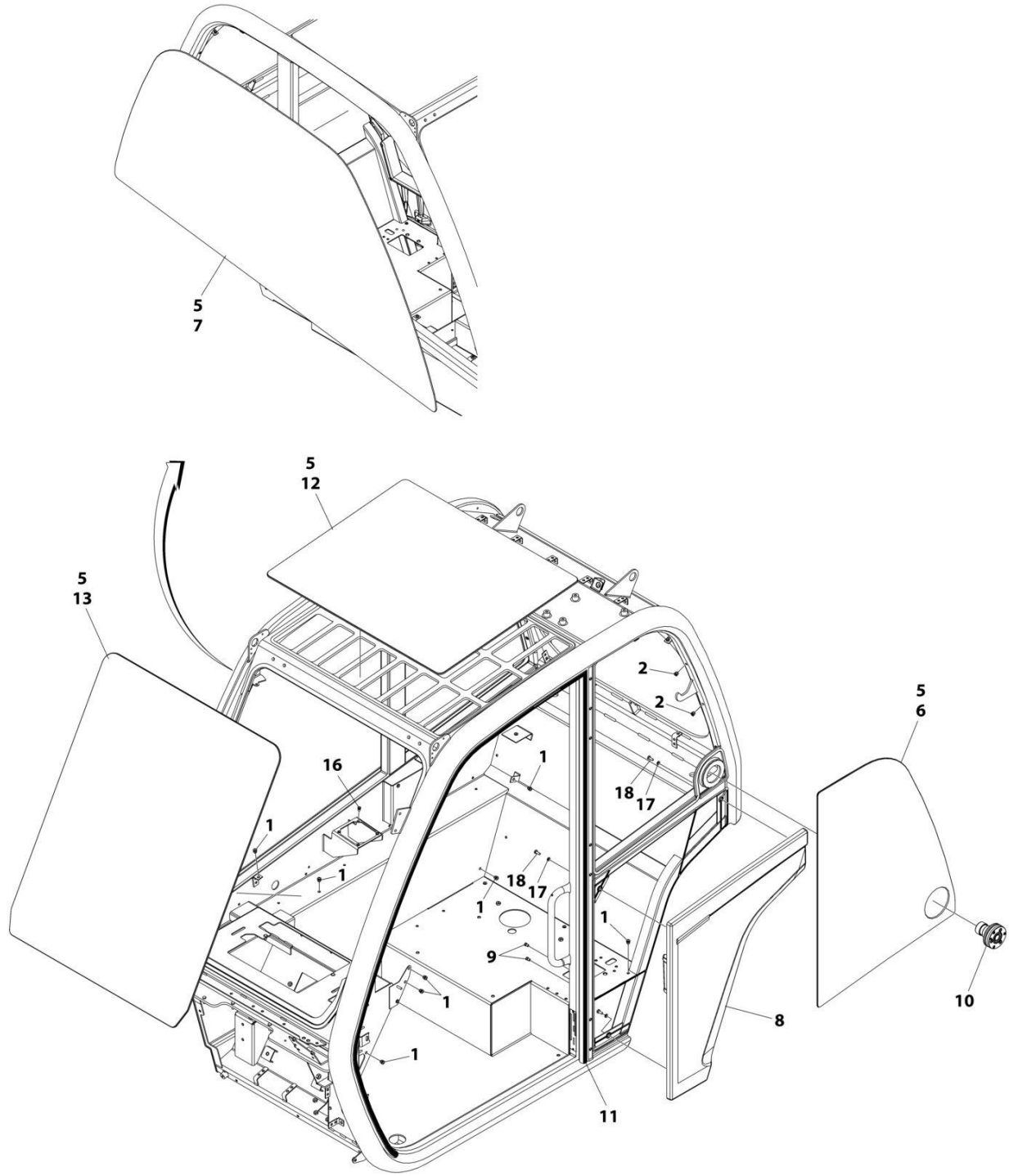
ART_1001194699

FIGURE 6-5. CAB INSTALLATION

ITEM	PART NUMBER	QTY	DESCRIPTION	REV
	1001194699	Ref	Cab Installation	L
1	1001155228	1	Installation, Cab Door (See Separate Breakdown in this Section)	
2	1001220339	1	Installation, Rear Window (See Separate Breakdown in this Section)	
3	1001194700	1	Assembly, Cab Group (See Separate Breakdown in this Section)	
5	N.S.S.	1	Weldment, Cab	
6	1001195814	1	Group, Cab Plug (See Separate Breakdown in this Section)	

SECTION 6 - CAB

FIGURE 6-6. CAB ASSEMBLY



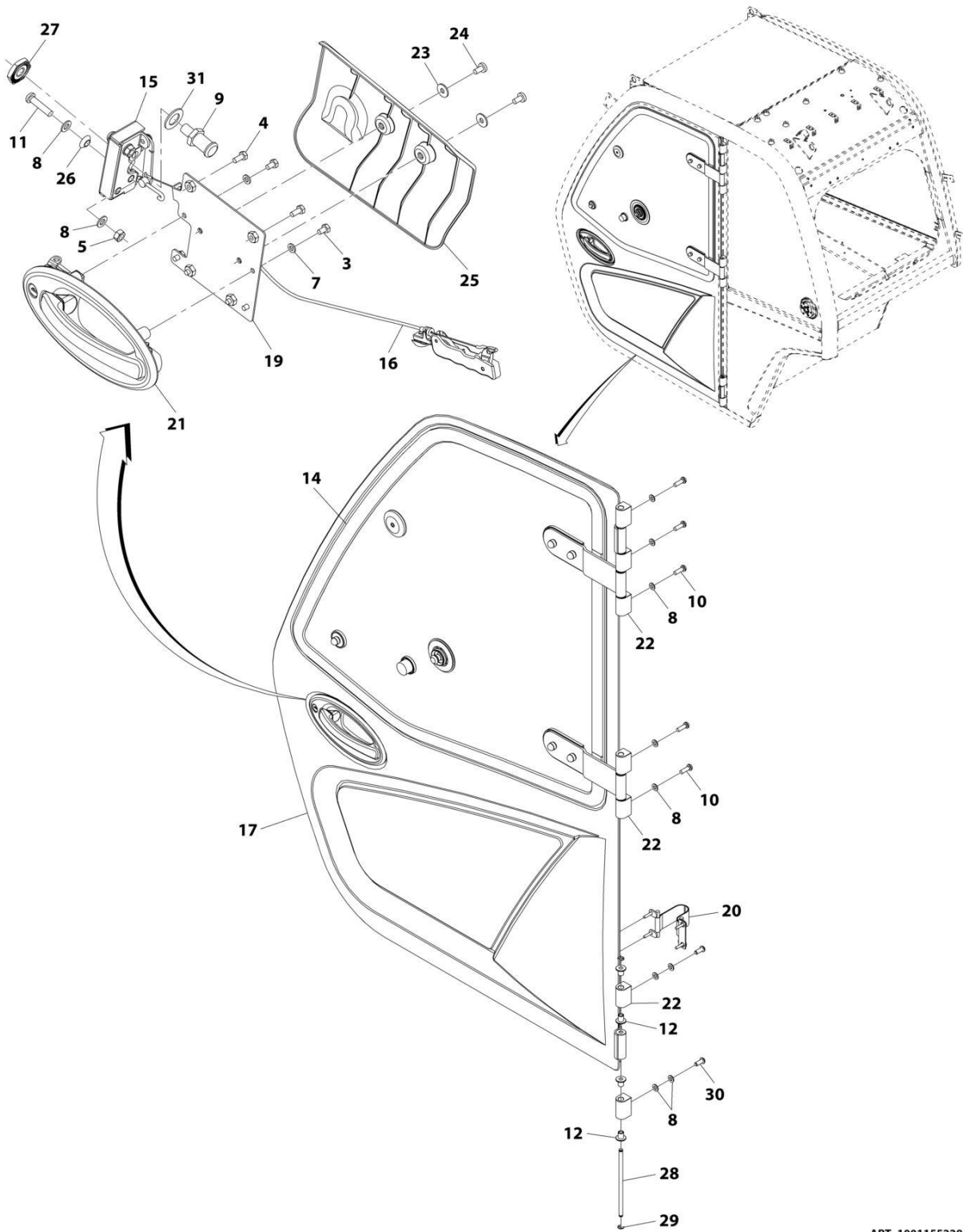
ART_1001194700_G

FIGURE 6-6. CAB ASSEMBLY

ITEM	PART NUMBER	QTY	DESCRIPTION	REV
	1001194700	Ref	Cab Assembly	G
1	2080086	25	Rivnut M6 x 1	
2	2080087	16	Rivnut M8 x 1.25	
5	1001111317	AR	Compound, Locking	
6	1001152915	1	Glass, LH Screen	
7	1001152947	1	Glass, RH Screen	
8	1001256073	1	Panel, Cab Quarter	
9	1001172193	2	Rivnut M5 x 0.8	
10	1001174320	1	Latch, Top Window	
11	1001227186	1	Seal, Cab Door	
12	1001178159	1	Glass, Roof Laminated	
13	1001178160	1	Glass, Front Laminated	
16	1001195878	4	Rivnut M5 x 0.8	
17	4811700	3	Washer M6	
18	4010608002	3	Screw M6 x 16	

SECTION 6 - CAB

FIGURE 6-7. DOOR INSTALLATION



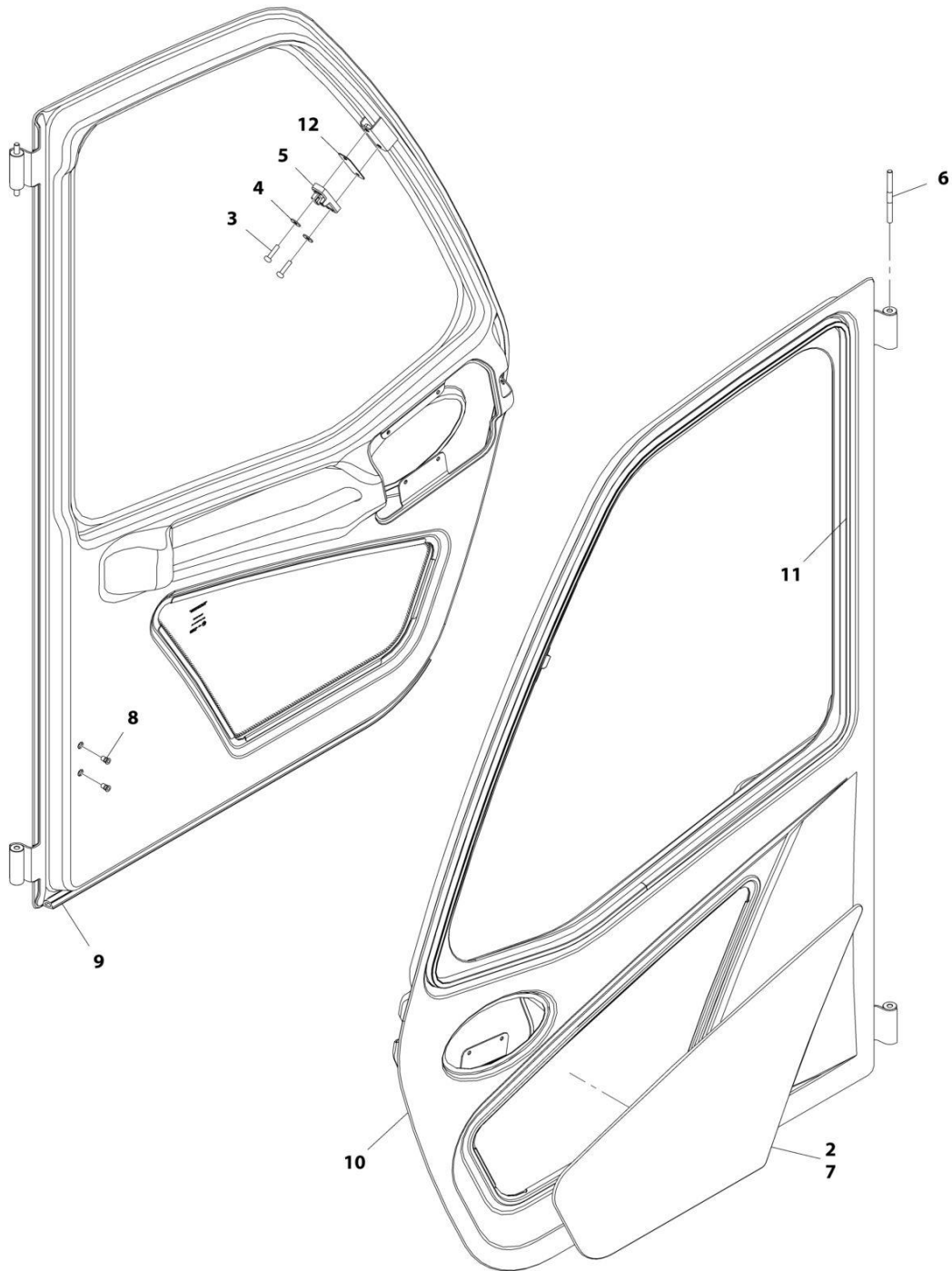
ART_1001155228

FIGURE 6-7. DOOR INSTALLATION

ITEM	PART NUMBER	QTY	DESCRIPTION	REV
	1001155228	Ref	Door Installation	Q
3	0760605	4	Bolt, M6X10	
4	0760607	4	Bolt, M6X14	
5	3290801	2	Nut, M8X1.25 Grade 8	
7	4811700	4	Washer, M6	
8	4811900	13	Washer, M8	
9	8000803	1	Pin, Door Striker	
10	1001008988	5	Screw M8X25	
11	1001047062	2	Screw, M8X35	
12	1001107192	10	Sleeve, Hinge	
14	1001205532	1	Assembly, Door Upper Glass (See Separate Breakdown in this Section)	
15	1001192766	1	Assembly, Cab Latch (See Separate Breakdown in this Section)	
16	1001167958	1	Assembly, Cab Door Trigger (See Separate Breakdown in this Section)	
17	1001170114	1	Assembly, Door (See Separate Breakdown in this Section)	
19	1001173298	1	Bracket	
20	1001174295	1	Installation, Door Strap (See Separate Breakdown in this Section)	
21	1001192646	1	Handle, Exterior Door	
22	1001229543	7	Block, Hinge (Rounded Top/Bottom Edge)	
22	1001170601J	7	Block, Hinge (Square Top/Bottom Edge)	
23	4811702001	2	Washer, M6	
24	4010608002	2	Screw, Posi-Drive, M6X16	
25	1001175477	1	Cover, Cab Door Interior	
26	1001184439	2	Bushing	
27	1001192309	1	Nut, M12X1	
28	1001213791	1	Pin	
29	0498748	2	Washer, Lock M7	
30	1001164726	2	Bolt, M8X20	
31	1001227802	1	Washer	

SECTION 6 - CAB

FIGURE 6-8. DOOR ASSEMBLY



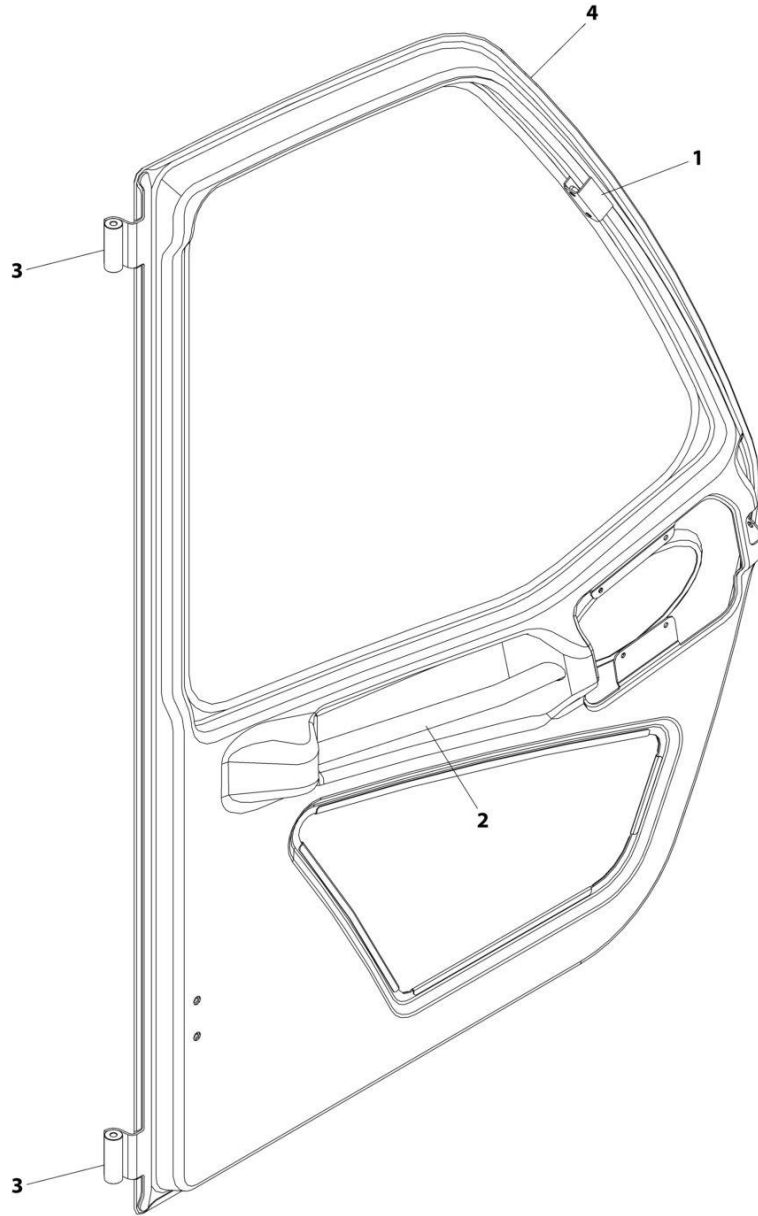
ART_1001170114

FIGURE 6-8. DOOR ASSEMBLY

ITEM	PART NUMBER	QTY	DESCRIPTION	REV
	1001170114	Ref	Door Assembly	K
2	1001111317	AR	Compound, Locking	
3	4010612002	2	Screw, M6X25	
4	4811702001	2	Washer, M6	
5	1001165276	1	Plate, Window Latch Striker	
6	1001166634	1	Pin, Hinge	
7	1001169880	1	Window, Lower Glass	
8	1001172193	2	Rivnut, M5X0.8	
9	1001227188	1	Seal, Cab Door	
10	1001170113J	1	Door, Cab (See Separate Breakdown in this Section)	
11	1001227187	1	Seal, Cab Door Window	
12	1001193210	AR	Shim, Window Latch	

SECTION 6 - CAB

FIGURE 6-9. CAB DOOR



ART_1001170113J-E

FIGURE 6-9. CAB DOOR

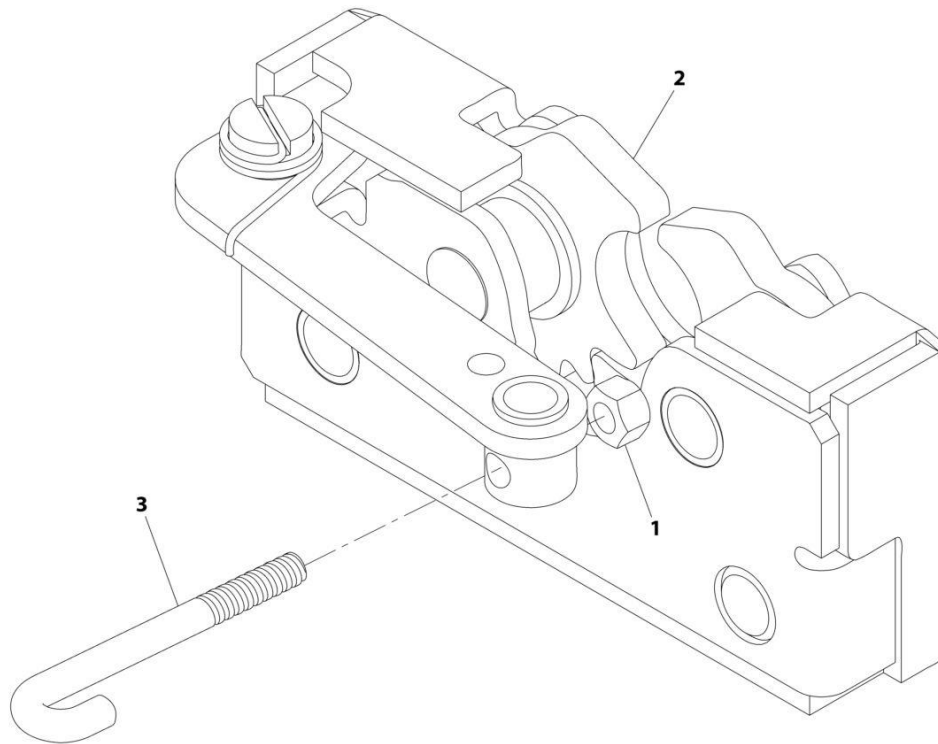
ITEM	PART NUMBER	QTY	DESCRIPTION	REV
	1001170113J	Ref	Cab Door	E
1	1001169883	1	Bracket, Window Latch	
2	1001169885	1	Handle, Interior Door	
3	1001171037	1	Plate, Hinge	
4	1001171635	1	Frame, Door	

FIGURE 6-10. DOOR UPPER GLASS ASSEMBLY

ITEM	PART NUMBER	QTY	DESCRIPTION	REV
	1001205532	Ref	Door Upper Glass Assembly	G
1	0760812	1	Bolt, M8X25	
2	0760815	5	Bolt, M8X35	
3	4811900	11	Washer, 8MM	
4	1001002946	4	Mount, Hinge	
5	1001002947	1	Mount, Hinge	
6	1001002953	2	Mount, Rubber	
7	1001002957	2	Mount, Latch	
8	1001008857	5	Nut, Lock	
9	1001096365	11	Cap, M8	
10	1001141246	3	Mount, Rubber	
11	1001165275	1	Latch, Window	
12	1001166634	2	Pin, Hinge	
13	1001170944	1	Panel, Window Surround	
14	1001174321	1	Striker, Top Window	
15	1001204066	1	Glass, Window	
16	1001204115	2	Hinge	
17	1001222741	1	Buffer, Cab	
18	1001204120	1	Handle	
19	1001213331	1	Gasket	
20	1001215531	AR	Adhesive	

SECTION 6 - CAB

FIGURE 6-11. CAB LATCH ASSEMBLY



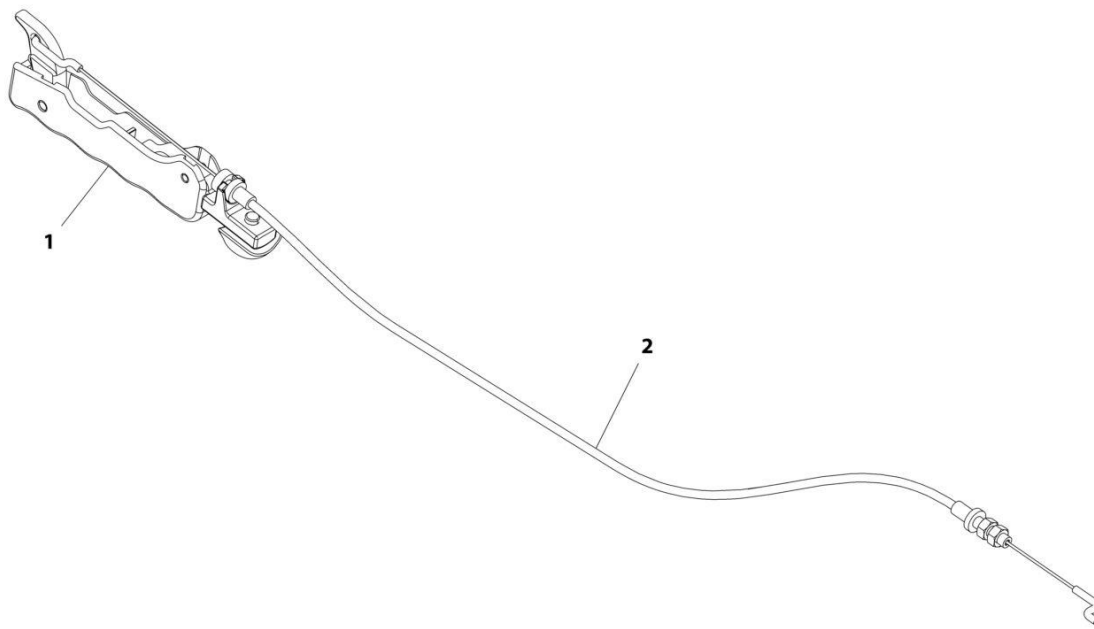
ART_1001192766_C

FIGURE 6-11. CAB LATCH ASSEMBLY

ITEM	PART NUMBER	QTY	DESCRIPTION	REV
	1001192766	Ref	Cab Latch Assembly	C
1	3290405	1	Nut, M4X0.7 Grade 8	
2	1001192643	1	Latch	
3	1001241308	1	Link, Door Handle	

SECTION 6 - CAB

FIGURE 6-12. CAB DOOR TRIGGER ASSEMBLY



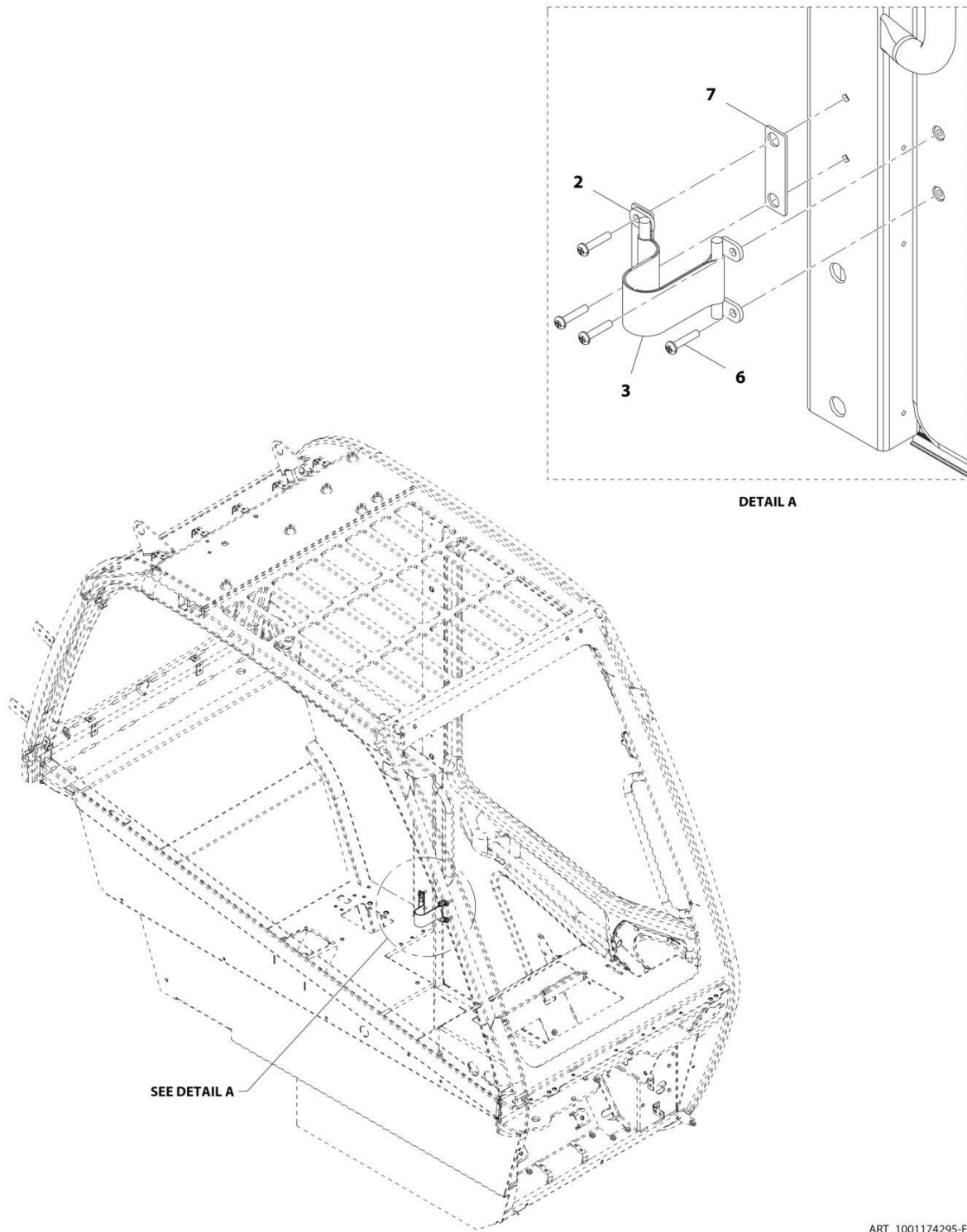
ART_1001167958-E

FIGURE 6-12. CAB DOOR TRIGGER ASSEMBLY

ITEM	PART NUMBER	QTY	DESCRIPTION	REV
	1001167958	Ref	Cab Door Trigger Assembly	E
1	1001167937	1	Trigger, Cab Interior Release	
2	1001192644	1	Cable, Cab Latch Release	

SECTION 6 - CAB

FIGURE 6-13. DOOR STRAP INSTALLATION



SEE DETAIL A

DETAIL A

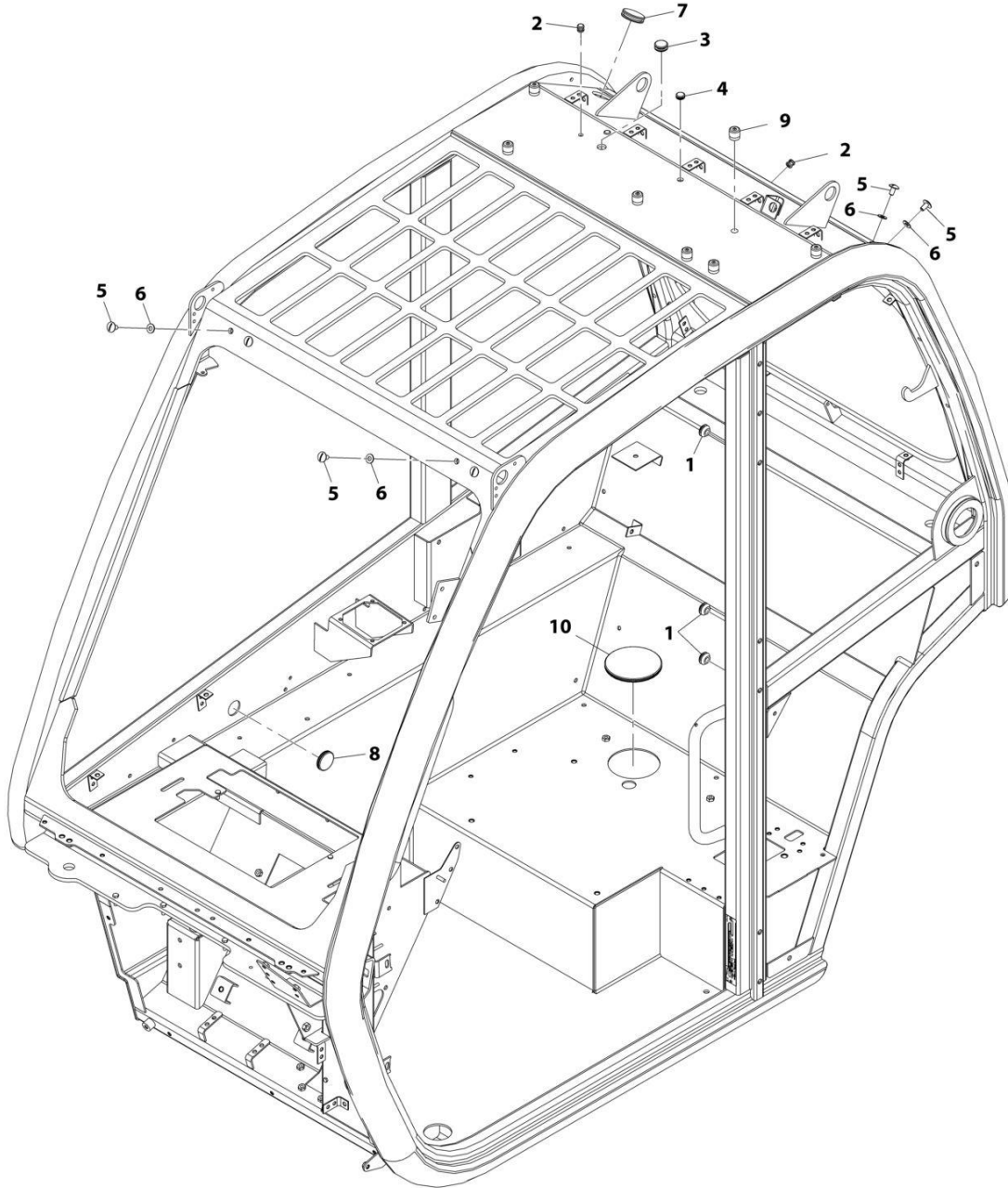
ART_1001174295-F

FIGURE 6-13. DOOR STRAP INSTALLATION

ITEM	PART NUMBER	QTY	DESCRIPTION	REV
	1001174295	Ref	Door Strap Installation	F
2	1001230163	2	Bracket, Strap Holder	
3	1001212011	1	Strap, Door Hold Open	
6	8310559	4	Screw	
7	1001191091	1	Plate, Cab Door Strap	

SECTION 6 - CAB

FIGURE 6-14. CAB PLUG GROUP



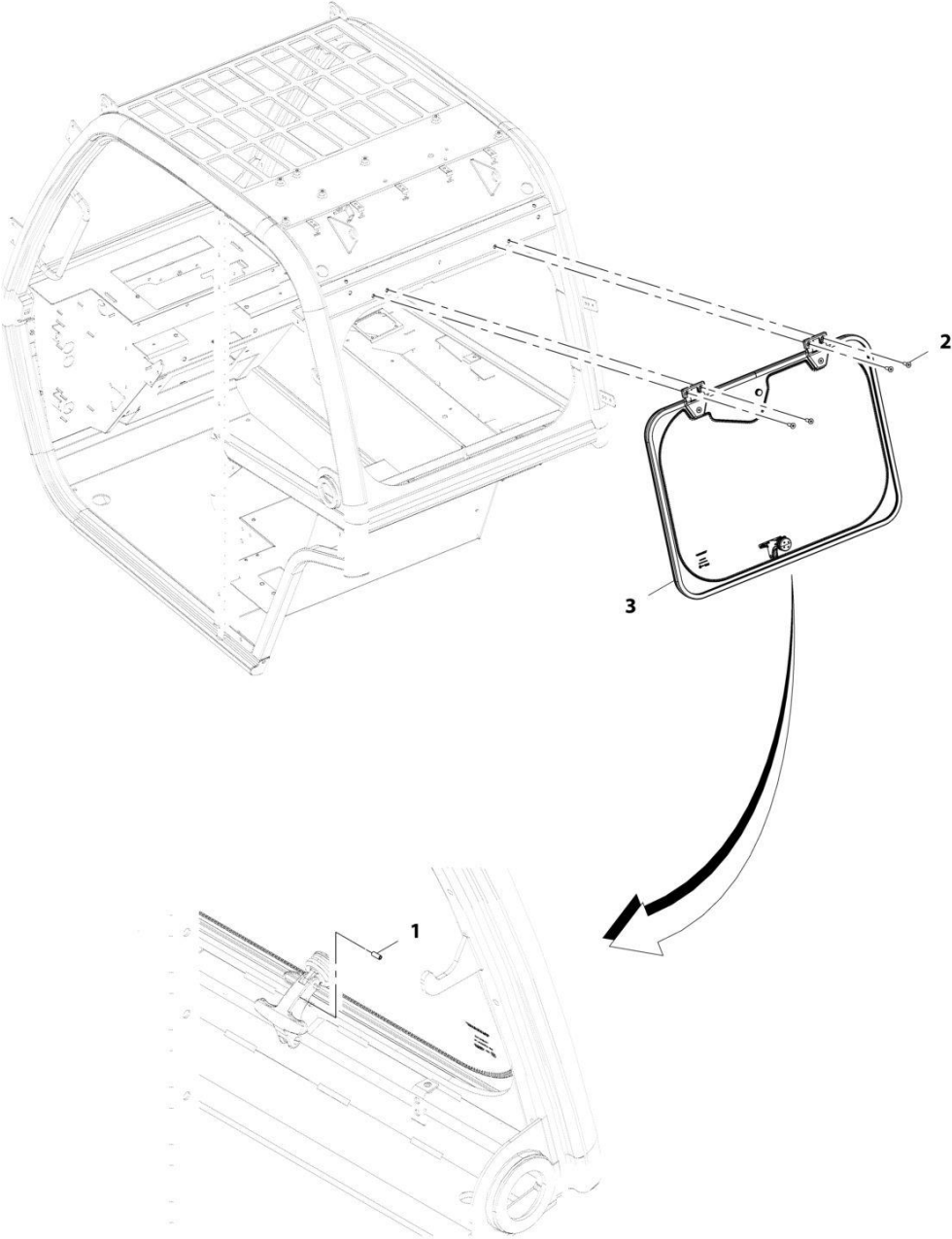
ART_1001195814-C

FIGURE 6-14. CAB PLUG GROUP

ITEM	PART NUMBER	QTY	DESCRIPTION	REV
	1001195814	Ref	Cab Plug Group	C
1	1001143200	7	Plug	
2	1001176272	3	Plug	
3	1001176273	1	Plug	
4	1001176626	1	Plug	
5	1001181920	8	Screw, Nylon M8X16	
6	1001181921	8	Washer, Rubber M8	
7	1001182123	2	Plug	
8	1001182139	1	Plug	
9	1001219220	7	Plug	
10	1001209899	1	Plug	

SECTION 6 - CAB

FIGURE 6-15. REAR WINDOW INSTALLATION



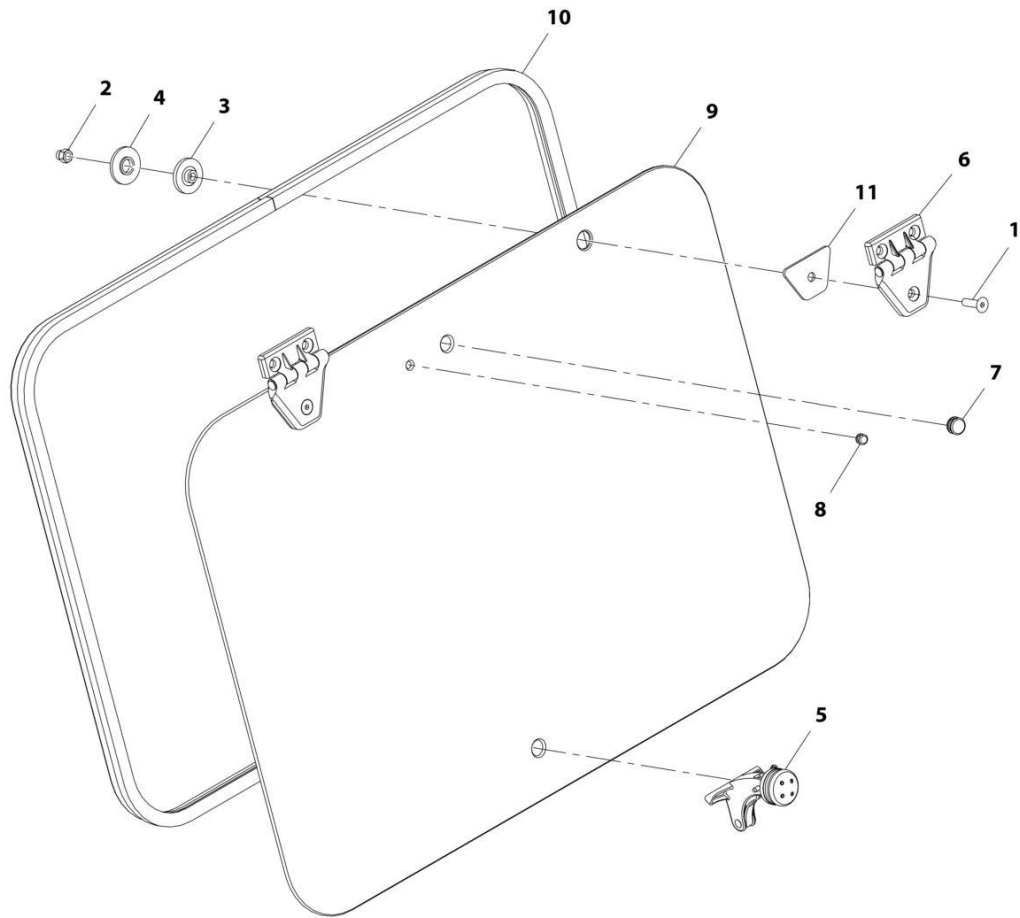
ART_1001220339-A

FIGURE 6-15. REAR WINDOW INSTALLATION

ITEM	PART NUMBER	QTY	DESCRIPTION	REV
	1001220339	Ref	Rear Window Installation	A
1	1001003043	1	Pin, Spring	
2	1001097586	4	Screw, M8X1.25	
3	1001220338	1	Assembly, Rear Window (See Separate Breakdown in this Section)	

SECTION 6 - CAB

FIGURE 6-16. REAR WINDOW GROUP



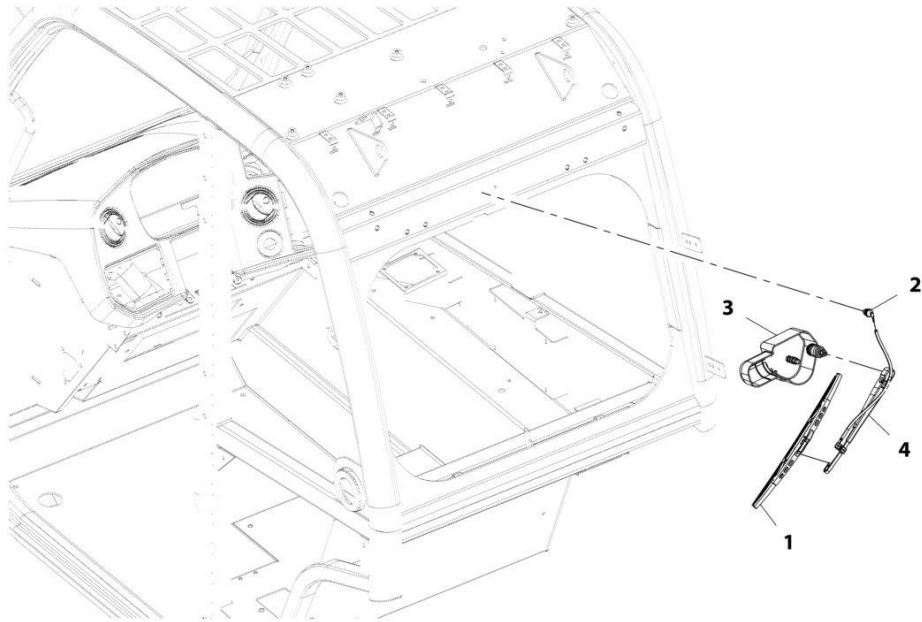
ART_1001220338-A

FIGURE 6-16. REAR WINDOW GROUP

ITEM	PART NUMBER	QTY	DESCRIPTION	REV
	1001220338	Ref	Rear Window Group	A
1	2080078	2	Fastener, M8X30	
2	3290806	2	Nut, M8X1.25 Grade 8	
3	8000759	2	Spacer	
4	8004398	2	Spacer	
5	1001005368	1	Latch, Window	
6	1001139568	2	Hinge	
7	1001171182	1	Grommet	
8	1001171183	1	Grommet	
9	1001178680	1	Glass, Rear Window	
10	1001178681	1	Seal	
11	1001181411	2	Gasket, Rear Window Hinge	

SECTION 6 - CAB

FIGURE 6-17. REAR WIPER INSTALLATION



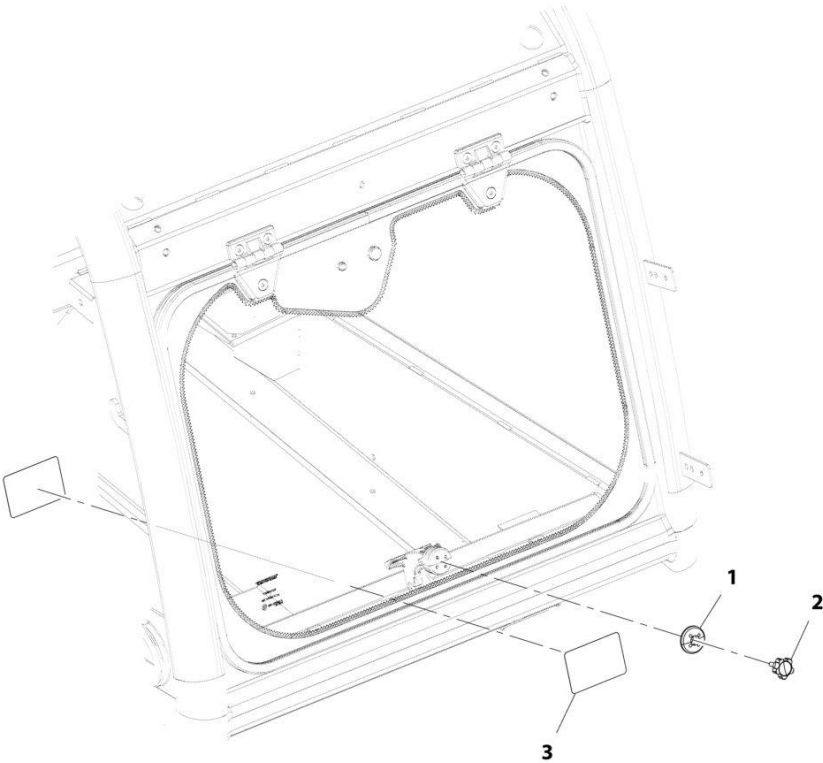
ART_1001220329-A

FIGURE 6-17. REAR WIPER INSTALLATION

ITEM	PART NUMBER	QTY	DESCRIPTION	REV
	1001220329	Ref	Rear Wiper Installation	A
1	4807718	1	Wiper Blade, Oslv Italia	
2	1001090343	1	Connector	
3	1001139552	1	Motor, Wiper, Rear Window	
4	1001141312	1	Blade, Arm, Rear Window	

SECTION 6 - CAB

FIGURE 6-18. REAR WINDOW RELEASE INSTALLATION (ANSI - ENGLISH)



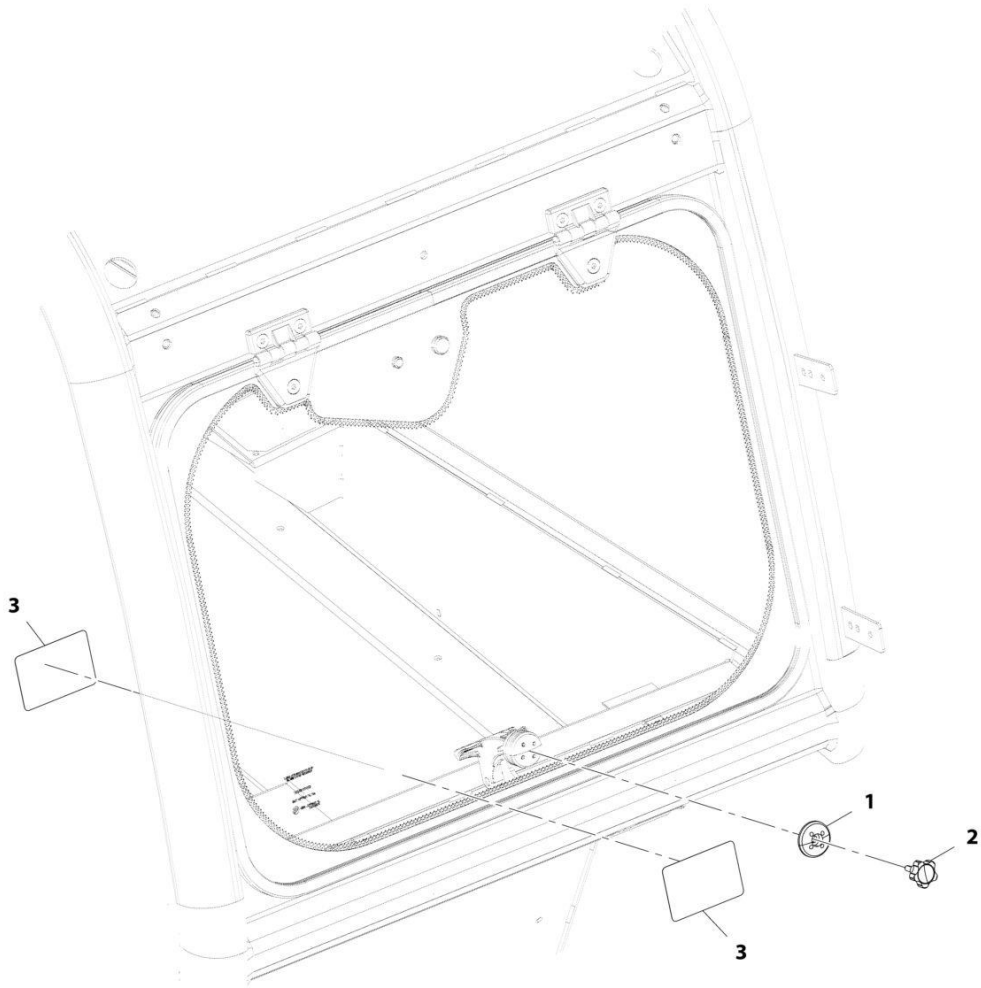
ART_1001212047-A

FIGURE 6-18. REAR WINDOW RELEASE INSTALLATION (ANSI - ENGLISH)

ITEM	PART NUMBER	QTY	DESCRIPTION	REV
	1001212047	Ref	External Window Release Installation (ANSI)	A
1	1001179008	1	Cap, Latch Window	
2	1001179009	1	Cap, Knob M6	
3	1001212049	2	Decal, Emergency Exit	

SECTION 6 - CAB

FIGURE 6-19. REAR WINDOW RELEASE INSTALLATION (ENGLISH/FREMCH)



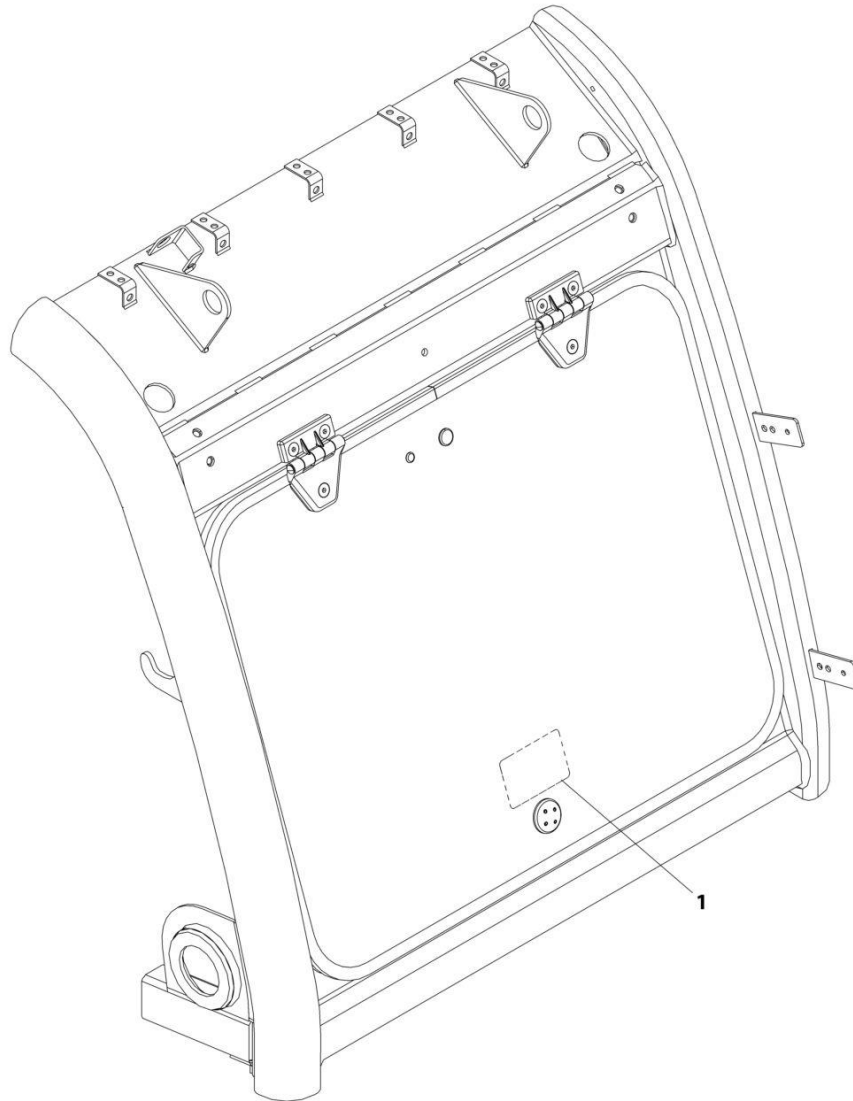
ART_1001178826-C

FIGURE 6-19. REAR WINDOW RELEASE INSTALLATION (ENGLISH/FRENCH)

ITEM	PART NUMBER	QTY	DESCRIPTION	REV
	1001178826	Ref	External Window Release Installation (English/French)	C
1	1001179008	1	Cap, Latch Window	
2	1001179009	1	Knob	
3	1001204709	2	Decal, Emergency Exit (English/French)	

SECTION 6 - CAB

FIGURE 6-20. REAR WINDOW EXIT DECAL INSTALLATION



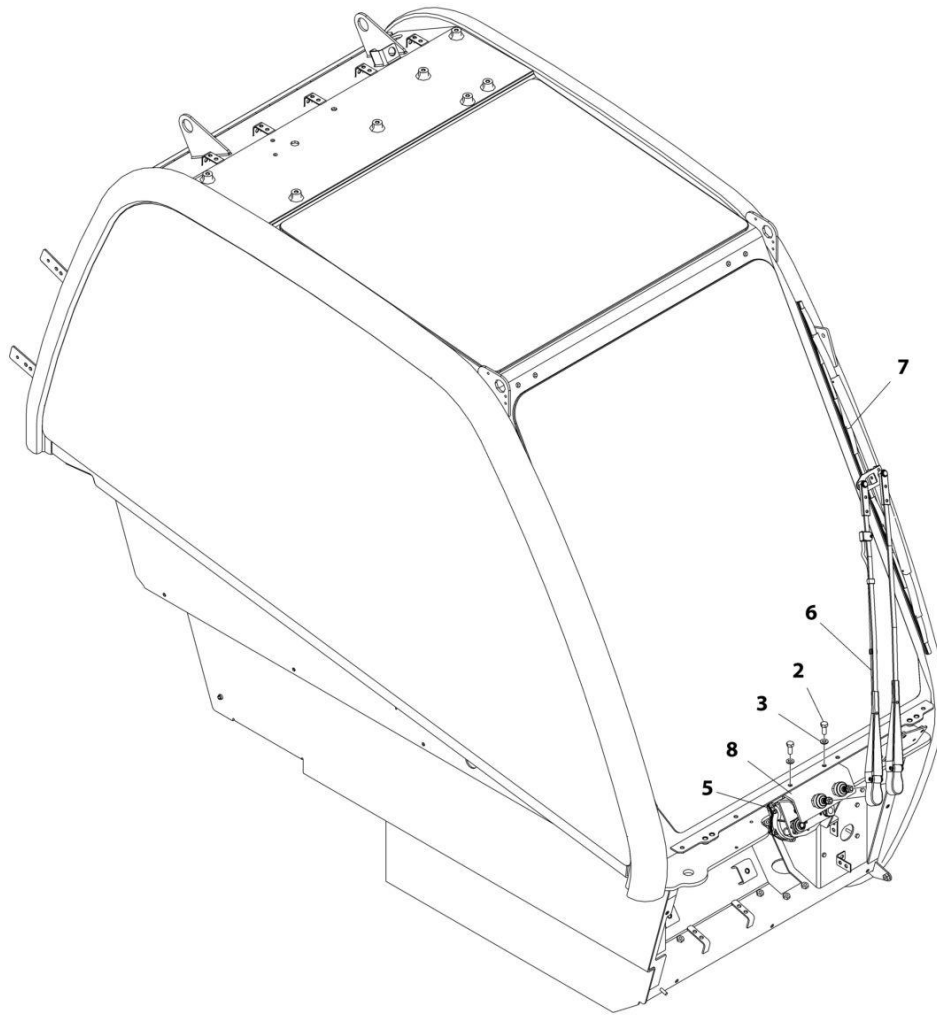
ART_1001204598

FIGURE 6-20. REAR WINDOW EXIT DECAL INSTALLATION

ITEM	PART NUMBER	QTY	DESCRIPTION	REV
1	1001204598 8005870	Ref 1	Rear Window Exit Decal Installation Decal, Emergency Exit	B

SECTION 6 - CAB

FIGURE 6-21. FRONT WIPER INSTALLATION



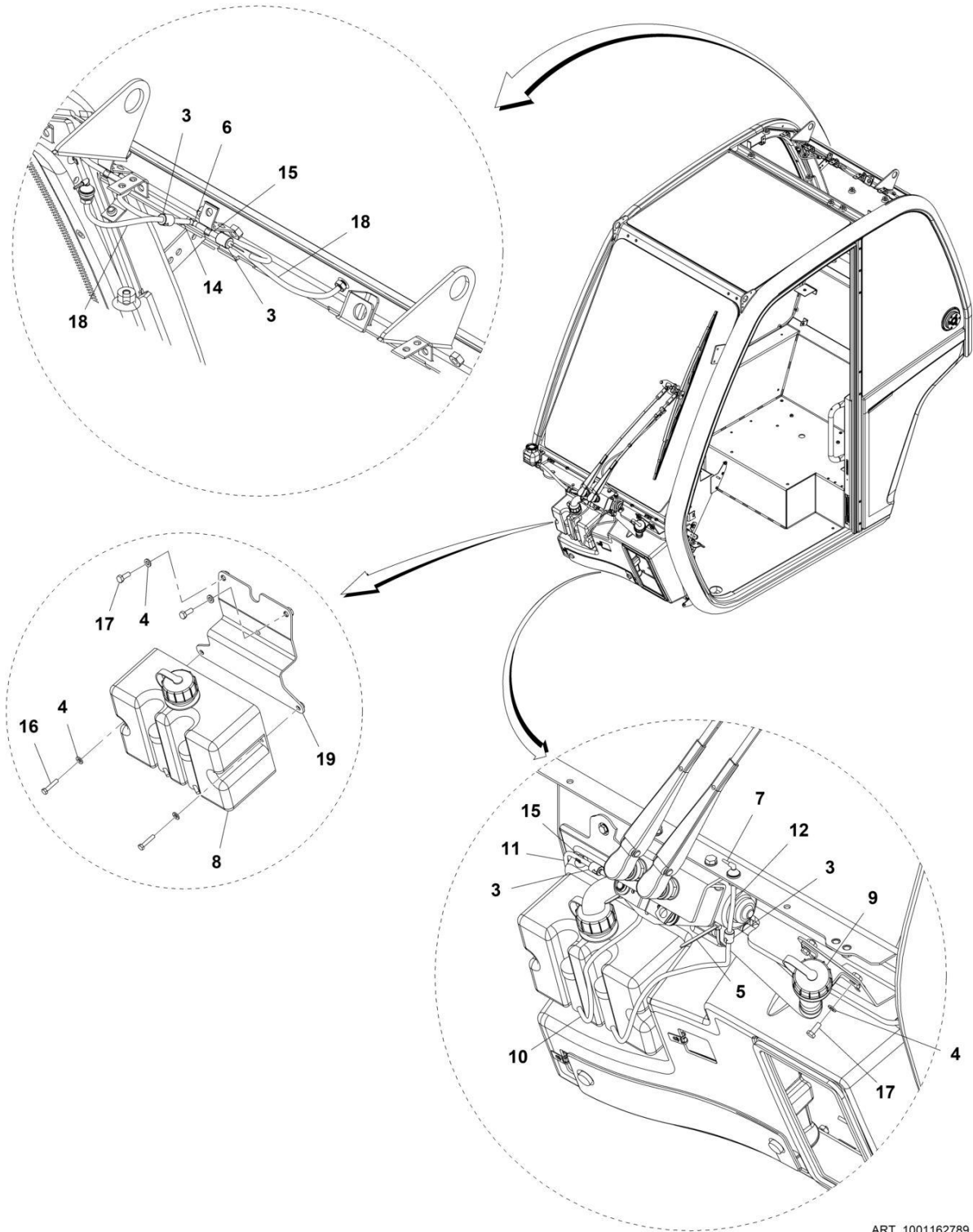
ART_1001155447-G

FIGURE 6-21. FRONT WIPER INSTALLATION

ITEM	PART NUMBER	QTY	DESCRIPTION	REV
	1001155447	Ref	Front Wiper Installation	G
2	0760810	2	Bolt, M8X20	
3	4811900	2	Washer, M8	
5	1001214092	1	Motor, Front Wiper	
6	1001212369	1	Arm, Front Wiper	
7	1001141281	1	Blade, Wiper	
8	1001165637	1	Bracket	

SECTION 6 - CAB

FIGURE 6-22. WASHER TANK INSTALLATION



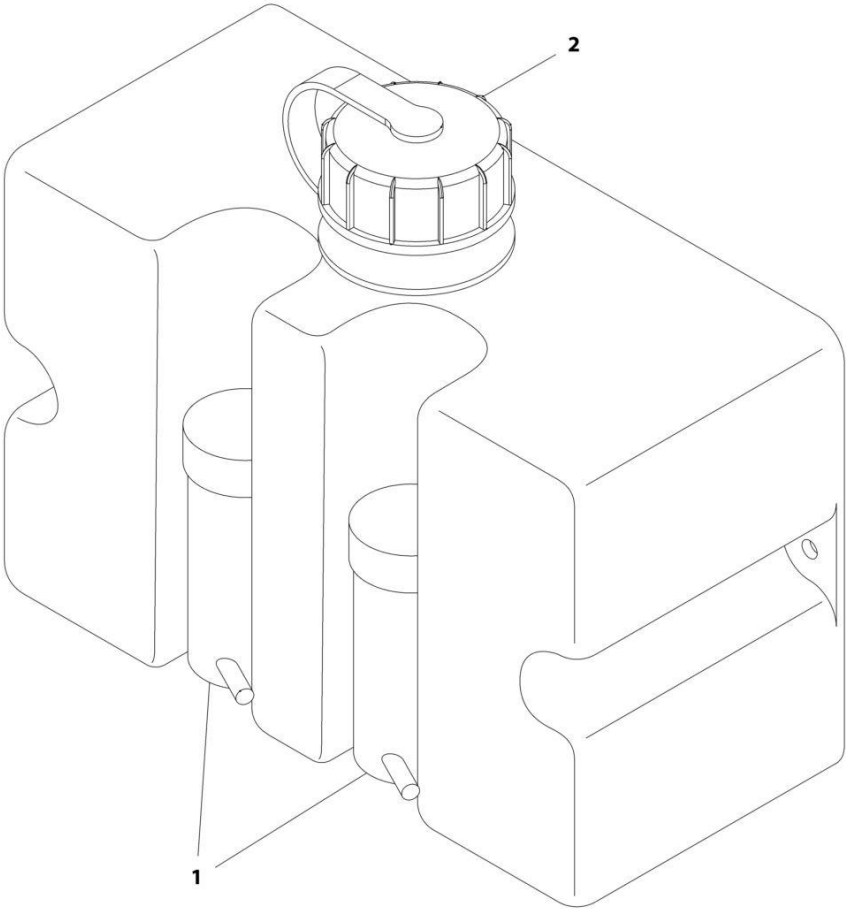
ART_1001162789

FIGURE 6-22. WASHER TANK INSTALLATION

ITEM	PART NUMBER	QTY	DESCRIPTION	REV
	1001162789	Ref	Washer Tank Installation	M
3	1001201331	4	Valve, Check	
4	4811700	6	Washer, M6	
5	471678	2	Strap, Tie	
6	1001008742	1	Coupling, Tee	
8	1001165269	1	Bottle, Washer (See Separate Breakdown in this Section)	
9	1001165270	1	Hose, Washer Filler	
10	1001165351	2	Hose	
11	1001165407	1	Hose	
12	1001165416	1	Hose	
14	1001165455	2	Hose	
15	1001165458	16	Hose	
16	0760512	2	Bolt M5X25	
17	0760608	4	Bolt, M6X16	
18	1001178123	2	Hose	
19	1001171756	1	Bracket	

SECTION 6 - CAB

FIGURE 6-23. WASHER BOTTLE



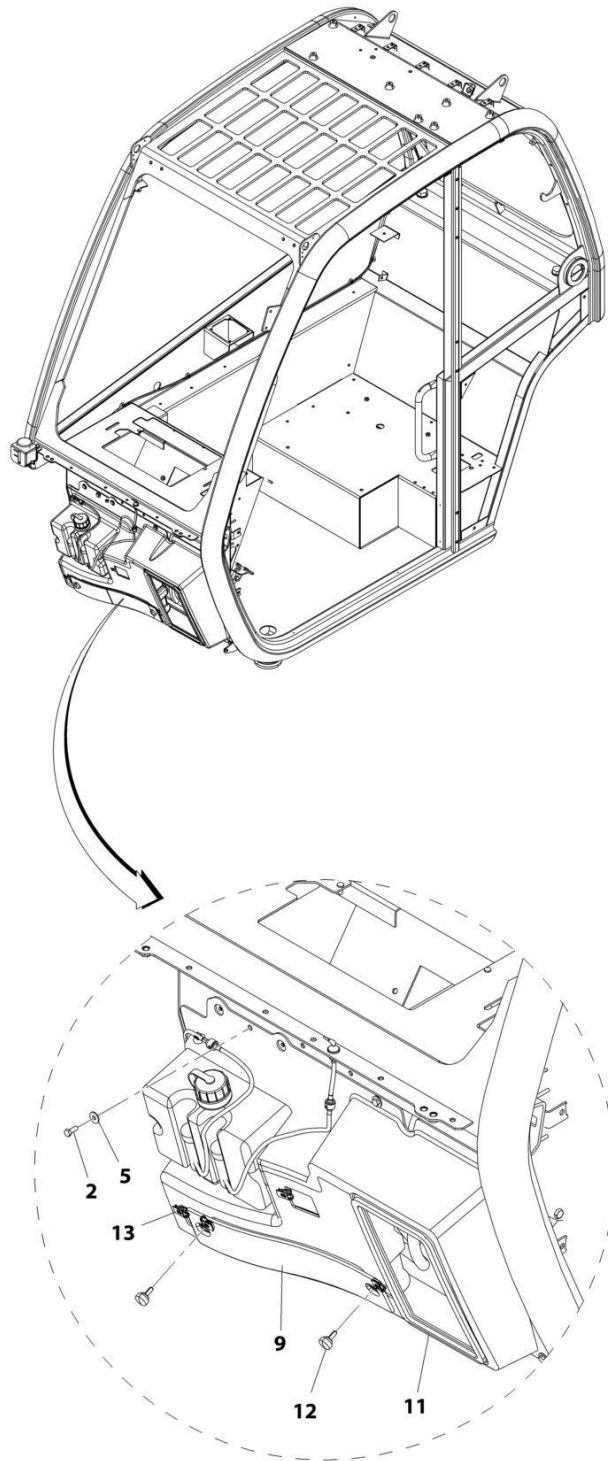
ART_1001165269-B

FIGURE 6-23. WASHER BOTTLE

ITEM	PART NUMBER	QTY	DESCRIPTION	REV
	1001165269	Ref	Washer Bottle	B
1	1001165327	2	Pump, Washer	
2	1001165273	1	Cap, Washer	

SECTION 6 - CAB

FIGURE 6-24. FRONT COVER INSTALLATION



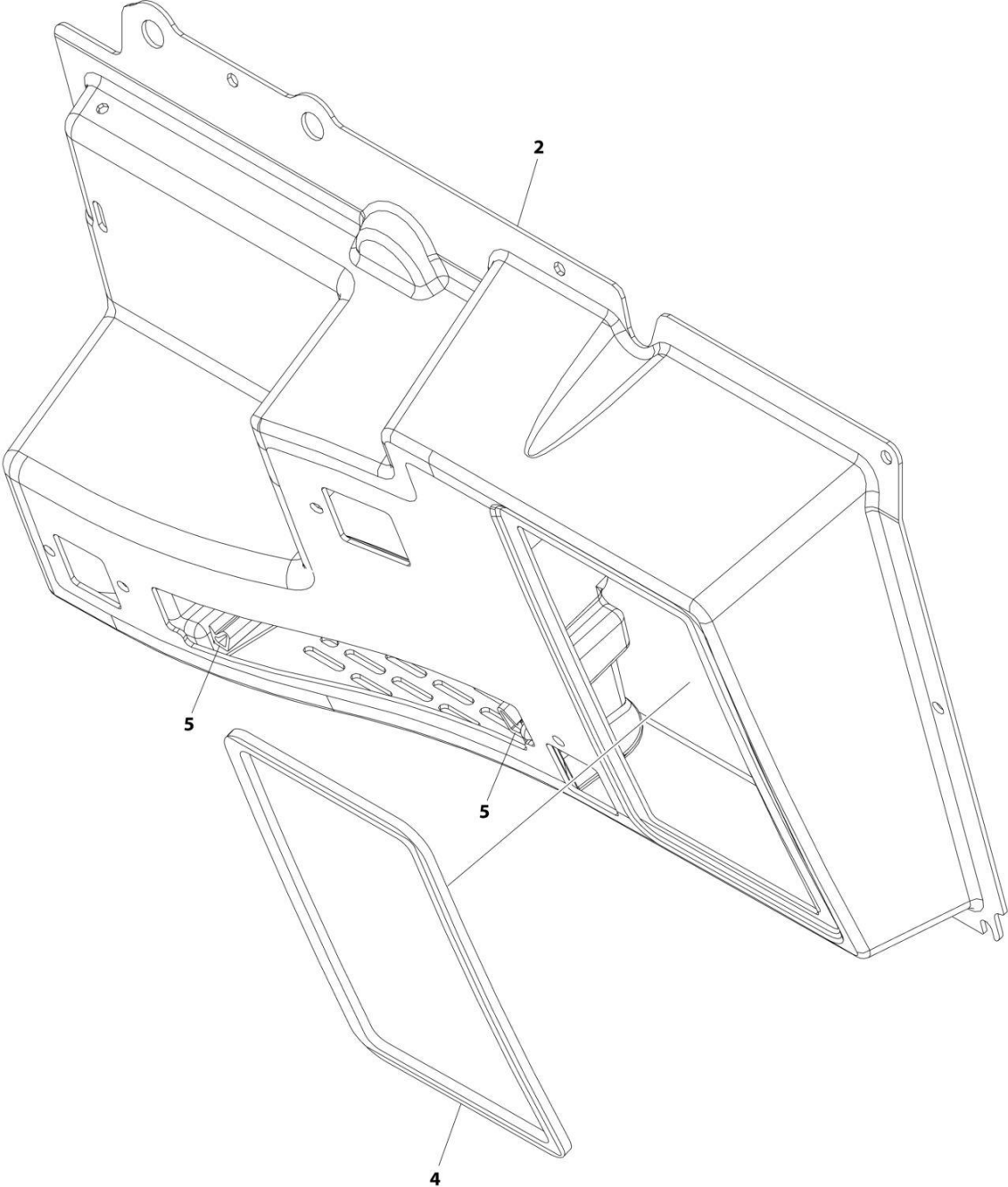
ART_1001170366-G

FIGURE 6-24. FRONT COVER INSTALLATION

ITEM	PART NUMBER	QTY	DESCRIPTION	REV
	1001170366	Ref	Front Cover Installation	G
2	0760608	7	Bolt, M6X16	
5	4811702	7	Washer, M6	
9	1001175471	1	Panel, Filter Tray (See Separate Breakdown in this Section)	
11	1001176121	1	Cover, Front Duct (See Separate Breakdown in this Section)	
12	2080092	2	Thumb Screw, M6X16	
13	8305919	4	Nut, M6	

SECTION 6 - CAB

FIGURE 6-25. FRONT DUCT COVER



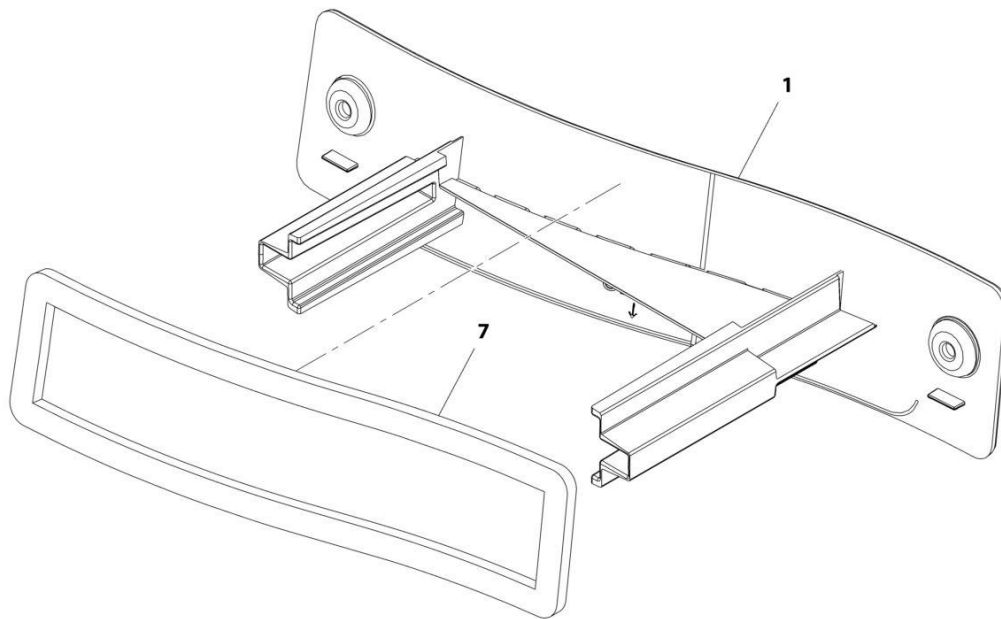
ART_1001176121

FIGURE 6-25. FRONT DUCT COVER

ITEM	PART NUMBER	QTY	DESCRIPTION	REV
	1001176121	Ref	FRONT DUCT COVER	H
2	1001170326	1	Cover, Front	
4	1001175470	1	Seal, Front Cab Panel	
5	1001270117	AR	Seal, Bulb	

SECTION 6 - CAB

FIGURE 6-26. FILTER TRAY PANEL



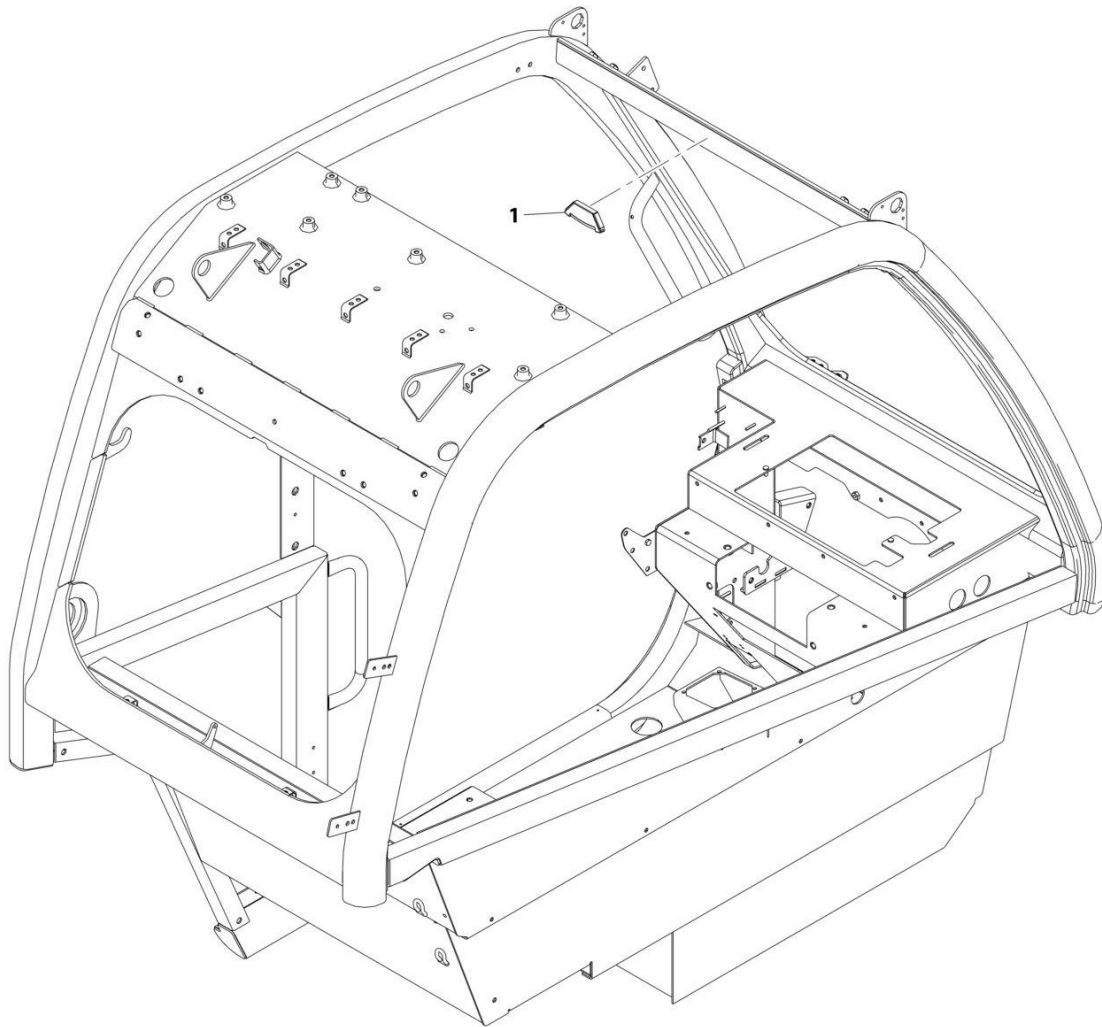
ART_1001175471-D

FIGURE 6-26. FILTER TRAY PANEL

ITEM	PART NUMBER	QTY	DESCRIPTION	REV
	1001175471	Ref	Filter Tray Panel	D
1	1001170993	1	Panel, Front Inlet	
7	1001171767	1	Cab, Front Panel Seal	

SECTION 6 - CAB

FIGURE 6-27. LEVEL INDICATOR INSTALLATION



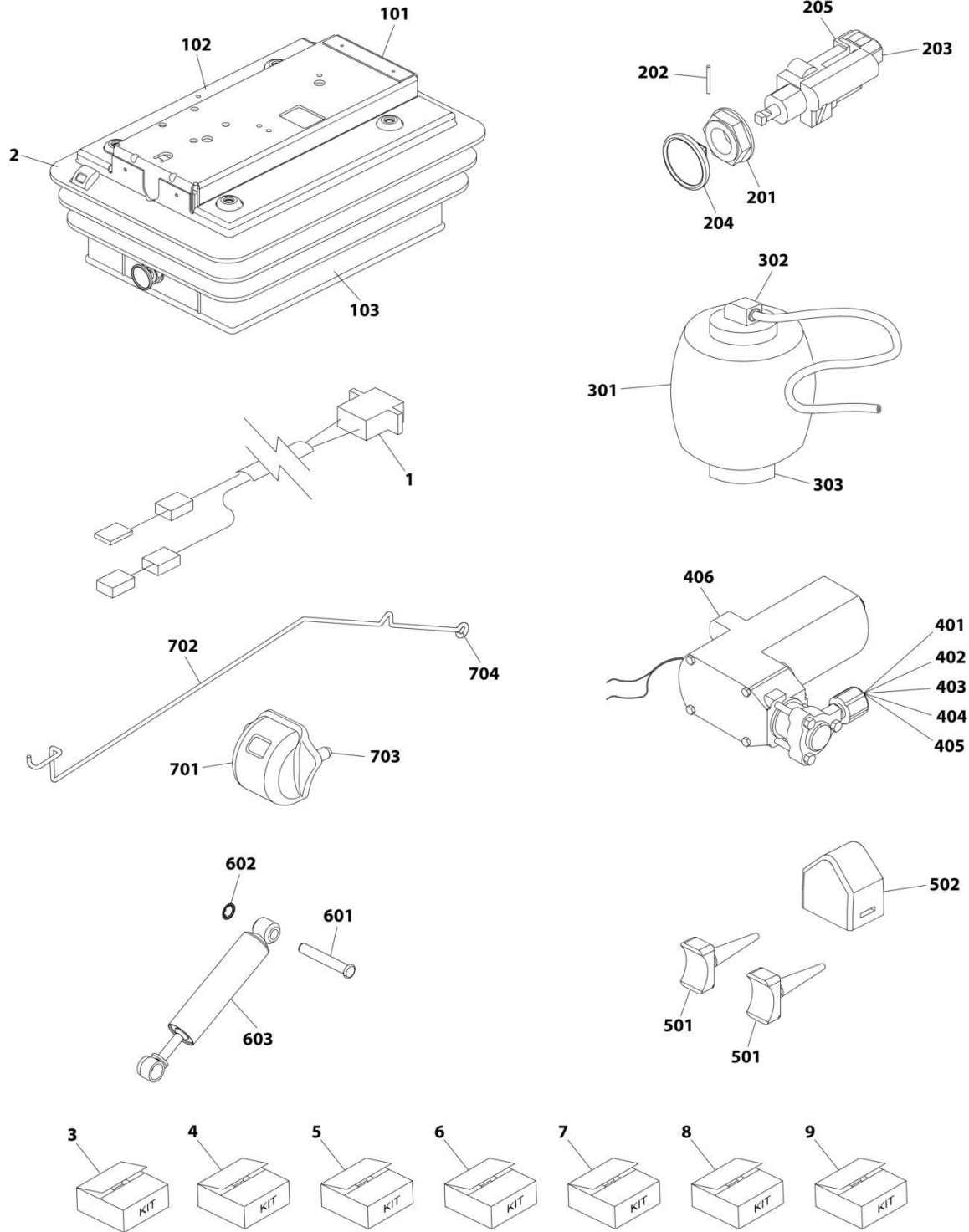
ART_1001172401-C

FIGURE 6-27. LEVEL INDICATOR INSTALLATION

ITEM	PART NUMBER	QTY	DESCRIPTION	REV
1	1001172401 8466306	Ref 1	Level Indicator Installation Gauge, Tilt Angle	C

SECTION 6 - CAB

FIGURE 6-28. SUSPENSION KIT



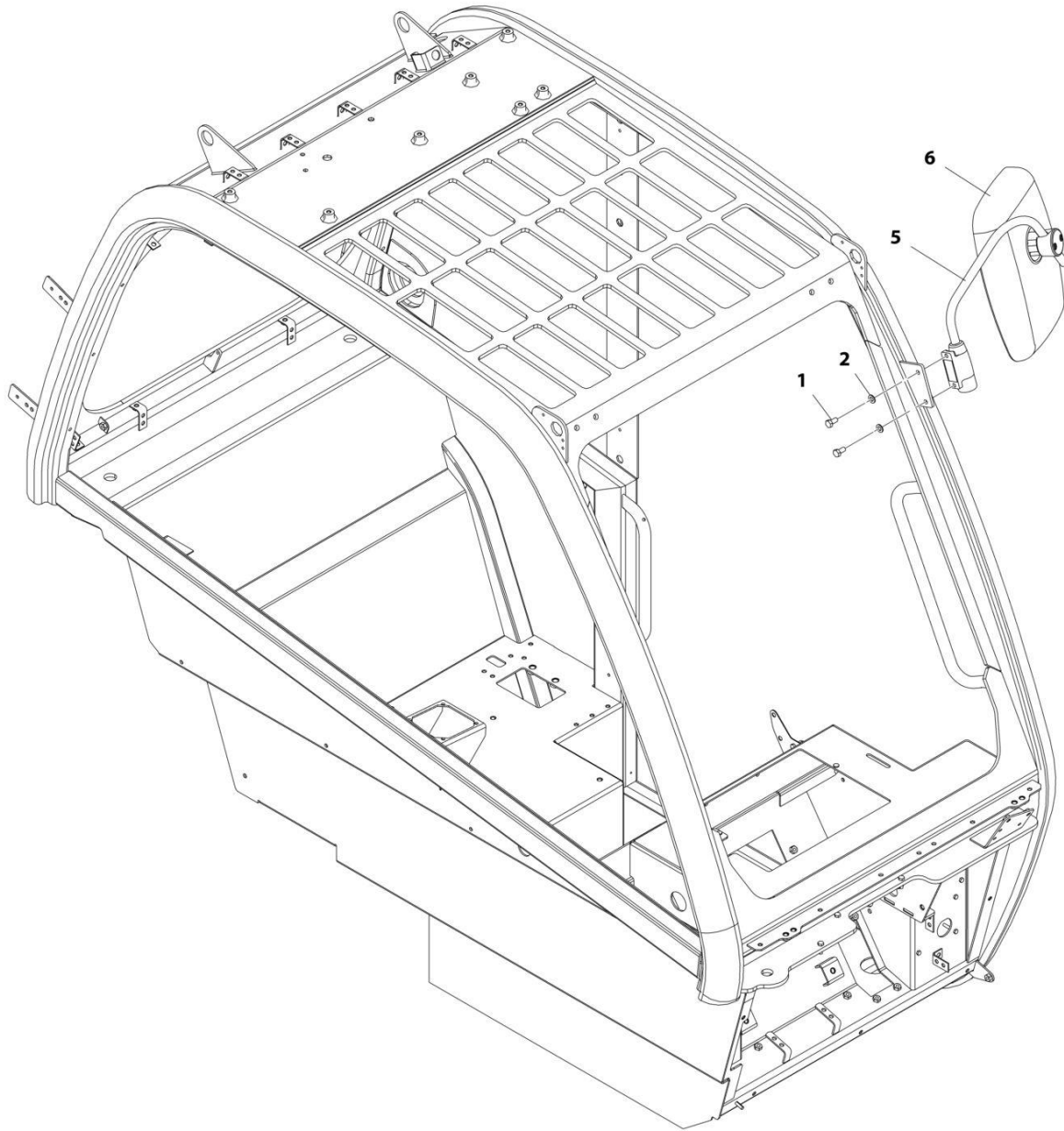
ART_70021319

FIGURE 6-28. SUSPENSION KIT

ITEM	PART NUMBER	QTY	DESCRIPTION	REV
	70021319	Ref	Suspension Kit	
1	70021330	1	Lead, Fly	
2	N.S.S.	1	Suspension	
3	70021321	1	Kit, Suspension Cover (includes items 101 thru 103)	
4	70021323	1	Kit, Air Valve (includes items 201 thru 205)	
5	70021324	1	Kit, Air Spring (includes items 301 thru 303)	
6	70021325	1	Kit, Compressor (includes items 401 thru 406)	
7	70021326	1	Kit, Upstop/Bumpstop (includes items 501 & 502)	
8	70021327	1	Kit, Damper (includes items 601 thru 603)	
9	70021328	1	Kit, Ride Indicator (includes items 701 thru 704)	
101	N.S.S.	6	Clip, Cover	
102	N.S.S.	1	Cover, Suspension	
103	N.S.S.	5	Clip, Cover	
201	N.S.S.	1	Nut, Air Valve	
202	N.S.S.	1	Pin, Retaining	
203	N.S.S.	1	Valve, Combination	
204	N.S.S.	1	Knob	
205	N.S.S.	2	Tie, Plastic	
301	N.S.S.	1	Spring, Air	
302	N.S.S.	1	Clip	
303	N.S.S.	1	Screw, Countersunk Self Tapping	
401	N.S.S.	1	Clip	
402	N.S.S.	1	Pad	
403	N.S.S.	1	Loom	
404	N.S.S.	2	Tie, Cable	
405	N.S.S.	3	Tie, Plastic	
406	N.S.S.	1	Compressor (with Elbow)	
501	N.S.S.	2	Upstop	
502	N.S.S.	1	Bumpstop	
601	N.S.S.	2	Pin	
602	N.S.S.	2	Washer, Starlock	
603	N.S.S.	1	Damper	
701	N.S.S.	1	Indicator, Ride	
702	N.S.S.	1	Wire, Ride Indicator	
703	N.S.S.	2	Washer, Starlock	
704	N.S.S.	1	Washer, Grip M4	

SECTION 6 - CAB

FIGURE 6-29. BASIC MIRROR INSTALLATION



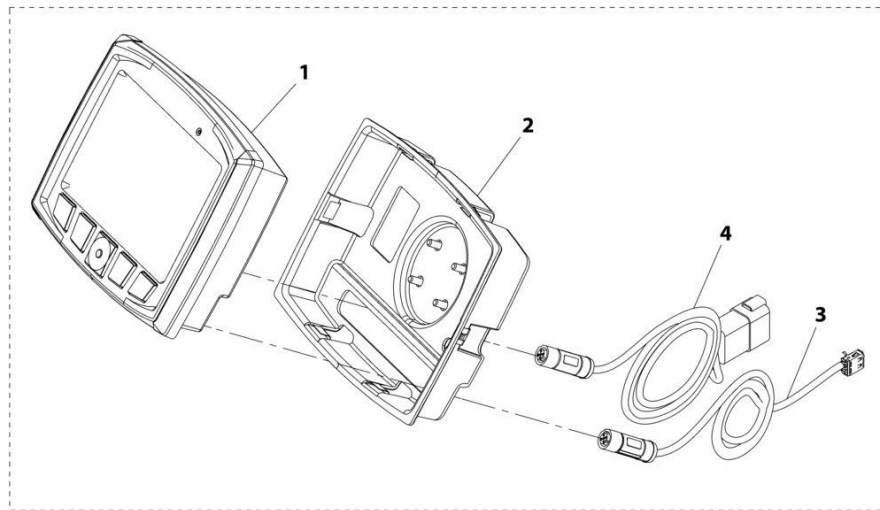
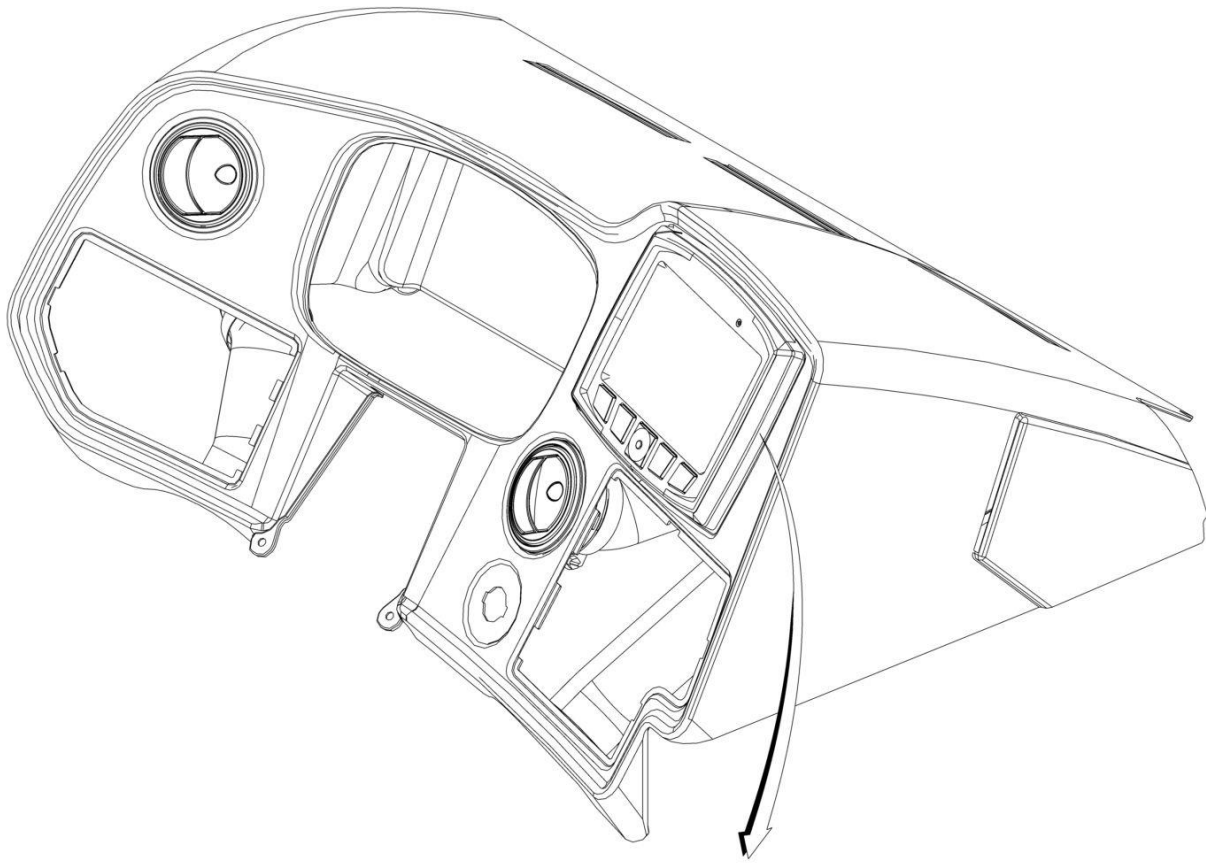
ART_1001160508-E

FIGURE 6-29. BASIC MIRROR INSTALLATION

ITEM	PART NUMBER	QTY	DESCRIPTION	REV
	1001160508	Ref	Basic Mirror Installation	E
1	0760808	2	Bolt, M8X16	
2	4811900	2	Washer, M8	
5	1001164655	1	Bracket	
6	80363195	1	Mirror	

SECTION 6 - CAB

FIGURE 6-30. MULTIFUNCTION DISPLAY INSTALLATION



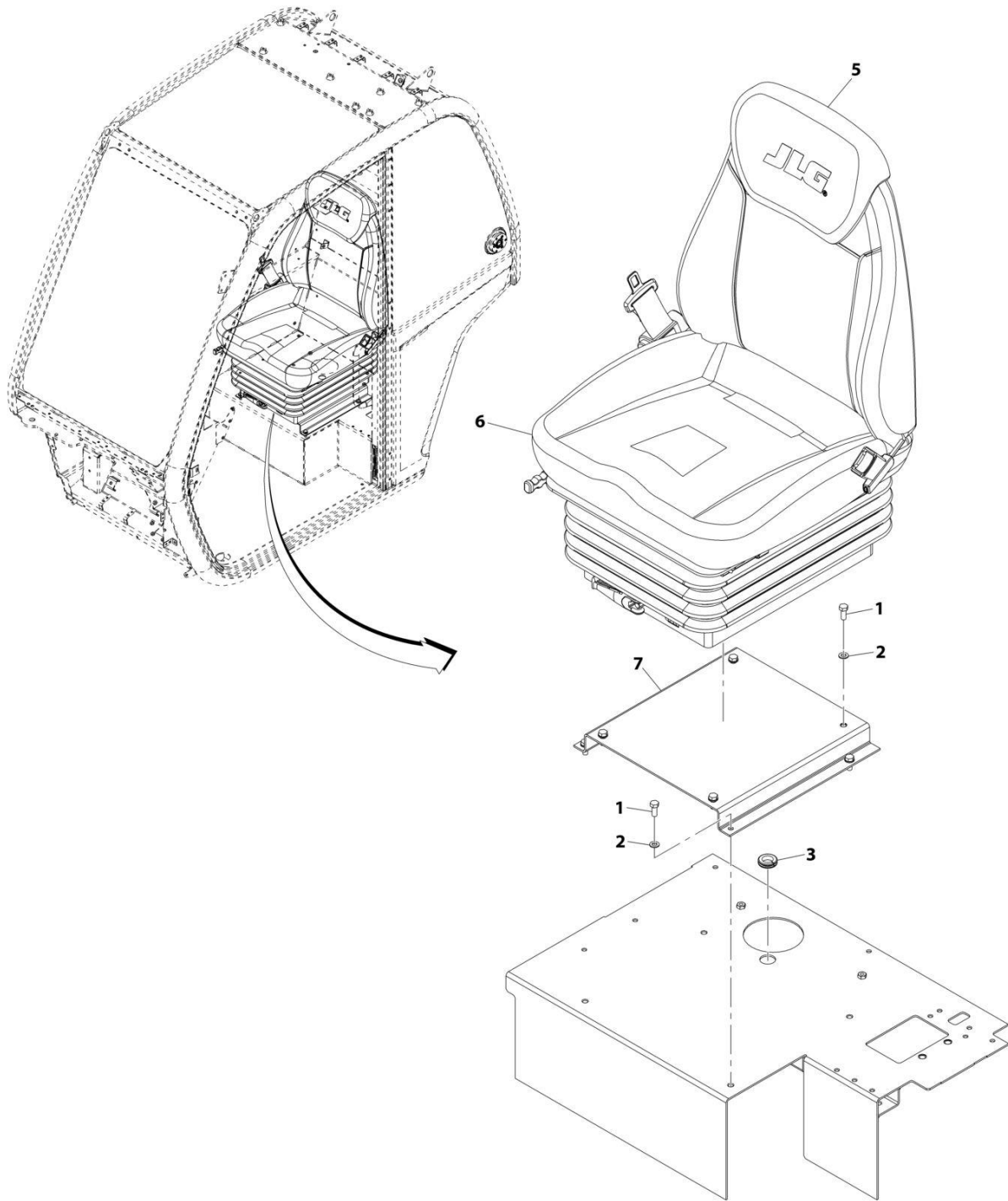
ART_1001176338-C

FIGURE 6-30. MULTIFUNCTION DISPLAY INSTALLATION

ITEM	PART NUMBER	QTY	DESCRIPTION	REV
	1001176338	Ref	Multifunction Display Installation	C
1	1001250161	1	Display	
2	1001178783	1	Bezel	
3	1001180682	1	Cable	
4	1001180683	1	Cable, Video	

SECTION 6 - CAB

FIGURE 6-31. SEAT INSTALLATION (CLOTH)



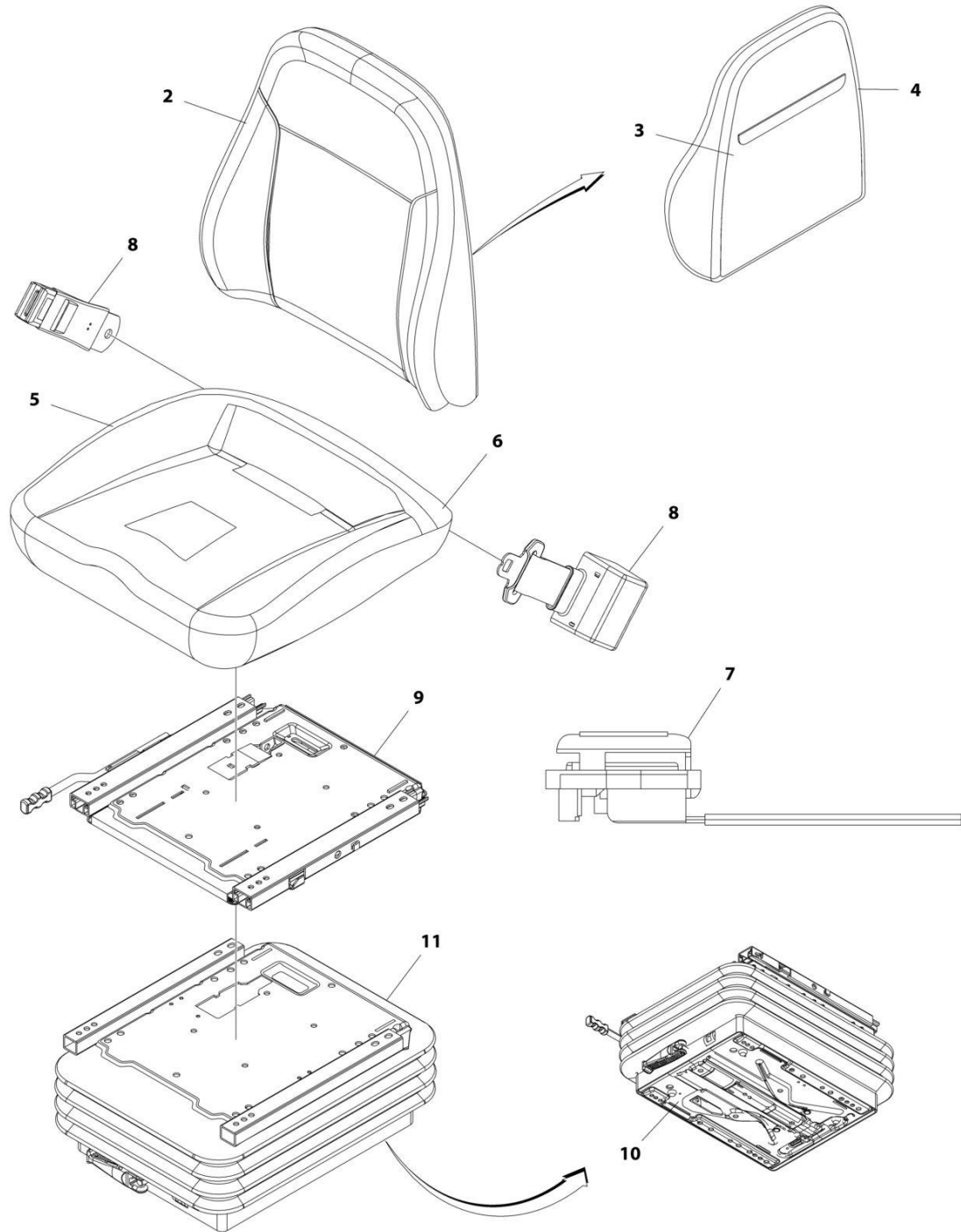
ART_1001158601-D

FIGURE 6-31. SEAT INSTALLATION (CLOTH)

ITEM	PART NUMBER	QTY	DESCRIPTION	REV
	1001158601	Ref	Seat Installation (Cloth)	E
1	0760810	8	Bolt, M8X20	
2	4811900	8	Washer, M8	
3	1001216974	1	Grommet	
5	1001119467	1	Headrest, Cloth	
6	1001288070	1	Assembly, Seat (See Separate Breakdown in this Section)	
7	1001158738C	1	Plinth, Seat	

SECTION 6 - CAB

FIGURE 6-32. SEAT ASSEMBLY



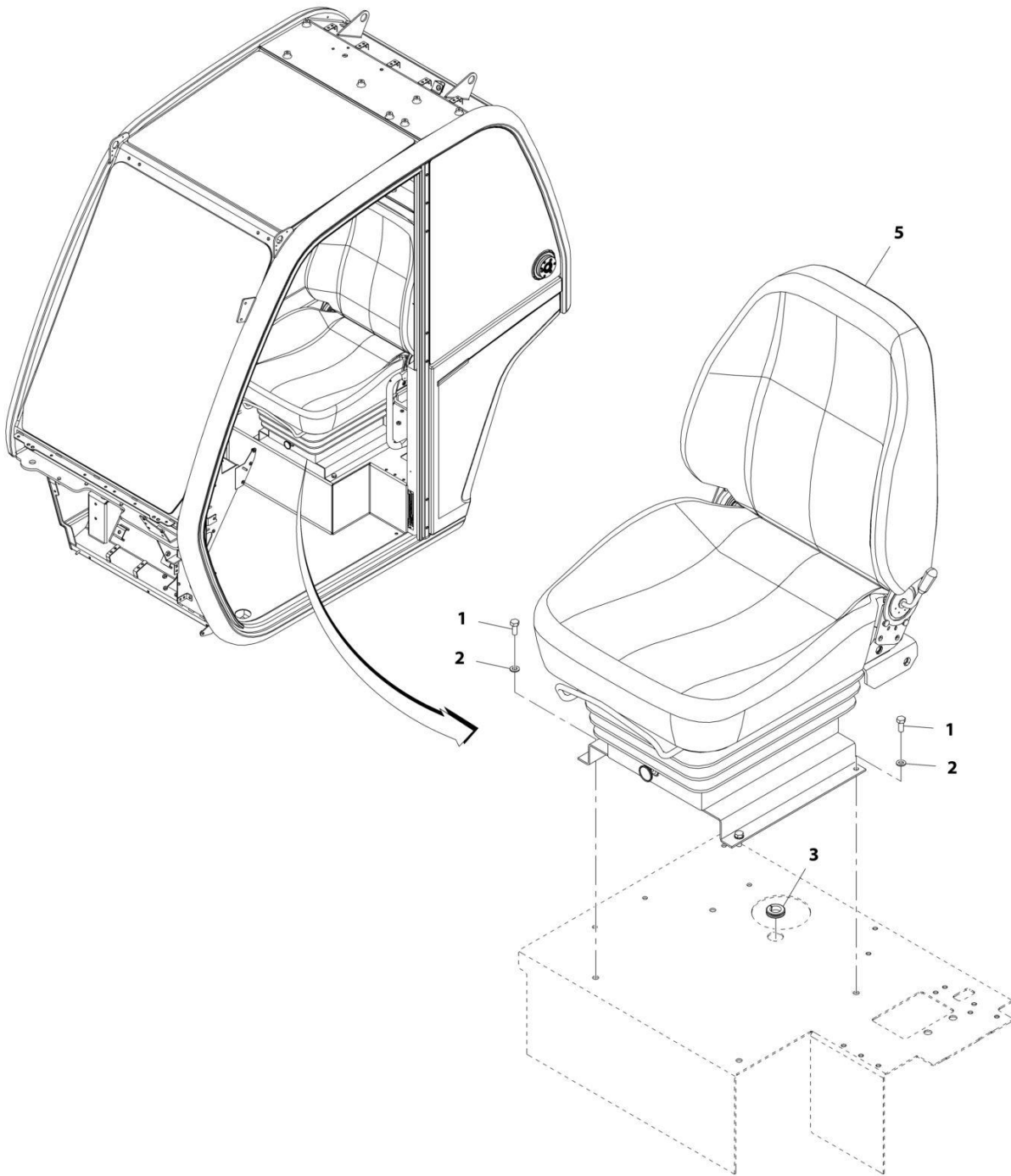
ART_1001150294

FIGURE 6-32. SEAT ASSEMBLY

ITEM	PART NUMBER	QTY	DESCRIPTION	REV
	1001150294	Ref	CLOTH SEAT	F
2	70025489	1	Fabric, Upper Seat	
3	70025490	1	Cover, Back	
4	70025483	1	Foam, Back	
5	70025491	1	Cover, Seat	
6	70025485	1	Foam, Seat	
7	70025486	1	Switch, Contact	
8	7029767	1	Belt, Seat	
9	70021252	1	Rail, Slide	
10	70021251	1	Unit, Suspension	
11	70022034	1	Cover, Rubber	

SECTION 6 - CAB

FIGURE 6-33. SEAT INSTALLATION (AIR SUSPENSION - STANDARD)



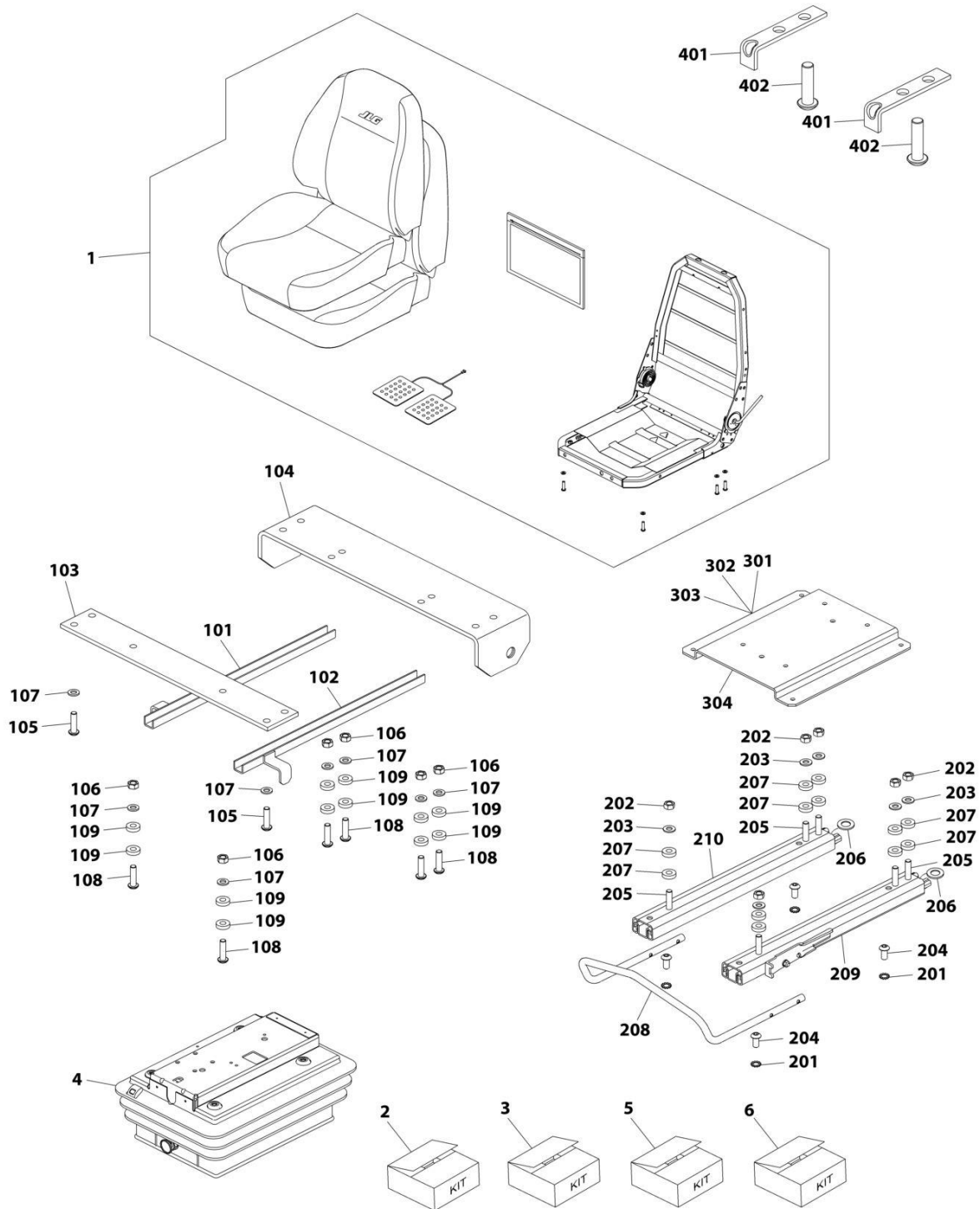
ART_1001158596-D

FIGURE 6-33. SEAT INSTALLATION (AIR SUSPENSION - STANDARD)

ITEM	PART NUMBER	QTY	DESCRIPTION	REV
	1001158596	Ref	Seat Installation (Air Suspension - Standard)	D
1	0760810	4	Bolt, M8X20	
2	4811900	4	Washer, M8	
3	1001216974	1	Grommet	
5	1001165573	1	Assembly, Seat (See Separate Breakdown in this Section)	

SECTION 6 - CAB

FIGURE 6-34. SEAT ASSEMBLY (AIR SUSPENSION - STANDARD)



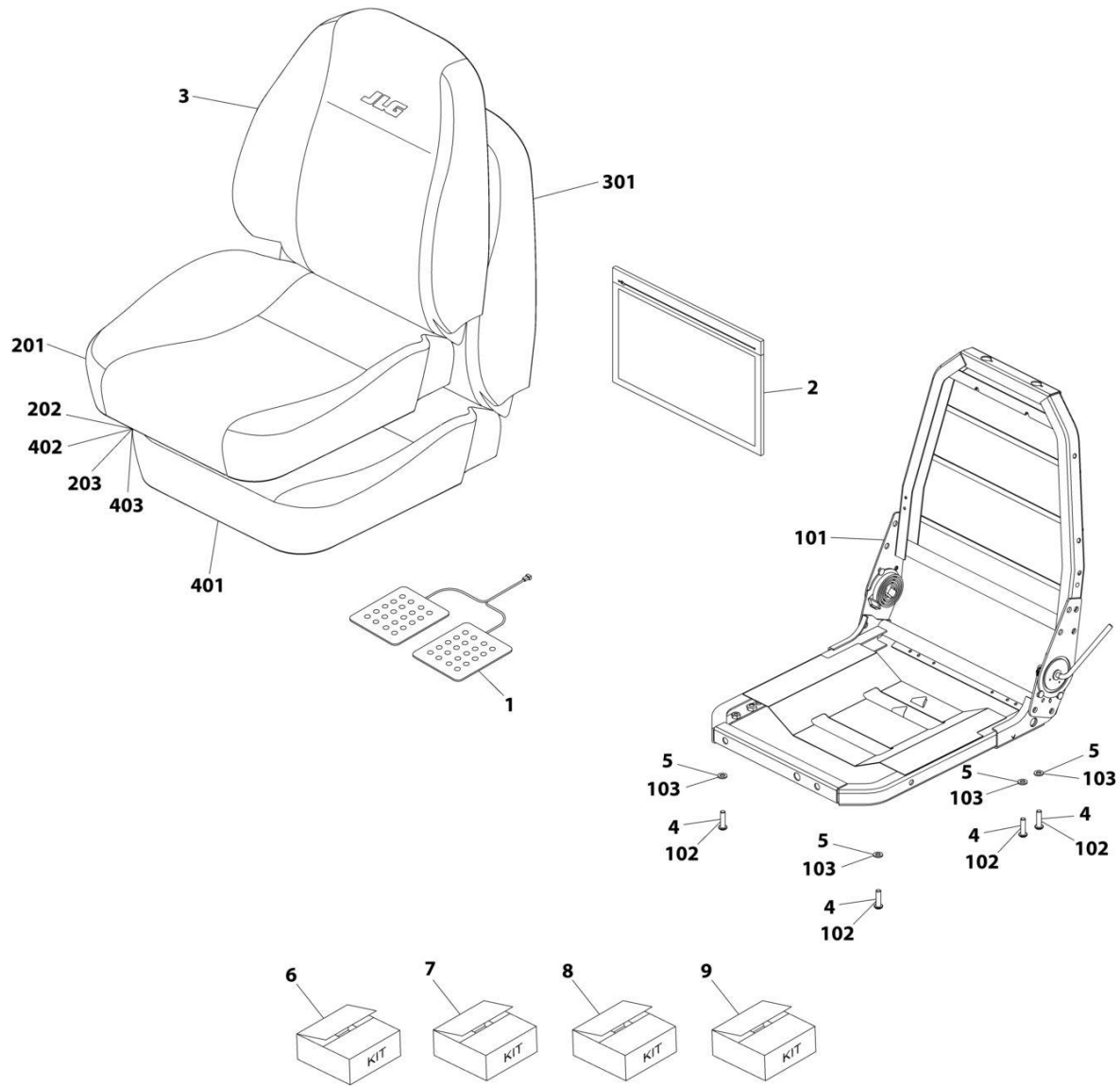
ART_1001165573-C

FIGURE 6-34. SEAT ASSEMBLY (AIR SUSPENSION - STANDARD)

ITEM	PART NUMBER	QTY	DESCRIPTION	REV
	1001165573	Ref	Seat Assembly (Air Suspension - Standard)	C
1	70027392	1	Assembly, Upper Seat (See Separate Breakdown in this Section)	
2	70021317	1	Kit, Cross Strap (includes items 101 thru 109)	
3	70021318	1	Kit, Fore and Aft Adjustment (includes items 201 thru 210)	
4	70021319	1	Kit, Suspension (See Separate Breakdown in this Section)	
5	70027395	1	Kit, Adapter Plate (includes items 301 thru 304)	
6	70021322	1	Kit, Slide Rail Stop (includes items 401 & 402)	
101	N.S.S.	1	Channel	
102	N.S.S.	1	Channel	
103	N.S.S.	1	Plate, Strap	
104	N.S.S.	1	Plate, Strap	
105	N.S.S.	4	Bolt, M8X25	
106	N.S.S.	6	Nut, M8	
107	N.S.S.	10	Washer	
108	N.S.S.	6	Bolt, M8X30	
109	N.S.S.	12	Spacer	
201	N.S.S.	4	Washer, Spring M8	
202	N.S.S.	1	Nut, M8	
203	N.S.S.	1	Washer	
204	N.S.S.	1	Bolt, M8X16	
205	N.S.S.	1	Bolt, M8X30	
206	N.S.S.	1	Washer	
207	N.S.S.	1	Spacer	
208	N.S.S.	1	Handle	
209	N.S.S.	1	Rail, Slide	
210	N.S.S.	1	Rail, Slide	
301	N.S.S.	1	Bolt, M8X25	
302	N.S.S.	1	Bolt, M8X16	
303	N.S.S.	1	Washer	
304	N.S.S.	1	Plate, Adapter	
401	N.S.S.	1	Stop, Sliderrail	
402	N.S.S.	1	Bolt, M8X16	

SECTION 6 - CAB

FIGURE 6-35. UPPER SEAT ASSEMBLY



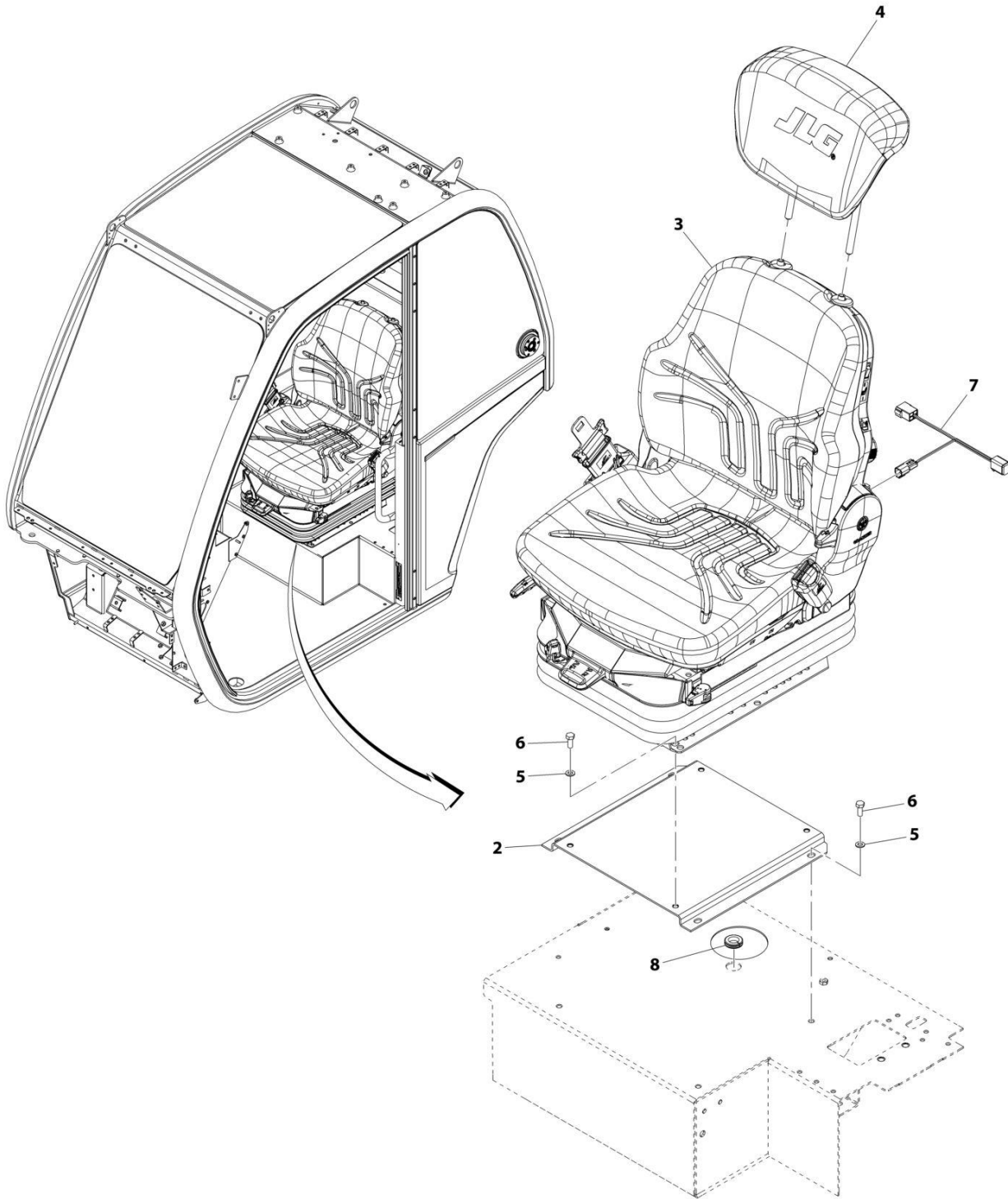
ART_70027392

FIGURE 6-35. UPPER SEAT ASSEMBLY

ITEM	PART NUMBER	QTY	DESCRIPTION	REV
	70027392	Ref	Upper Seat Assembly	
1	70025539	1	Pad, Sensor	
2	70021316	1	Bag	
3	70027393	1	Cover, Back	
4	N.S.S.	4	Bolt, M8X25	
5	N.S.S.	4	Washer	
6	70021314	1	Kit, Frame (includes items 101 thru 103)	
7	70027394	1	Kit, Bottom Seat Cover (includes items 201 thru 203)	
8	80264002	1	Kit, Back Foam (includes items 301 thru 303)	
9	80264004	1	Kit, Seat Foam (includes items 401 thru 403)	
101	N.S.S.	1	Frame, Seat	
102	N.S.S.	4	Bolt, M8X25	
103	N.S.S.	4	Washer	
201	N.S.S.	1	Cover, Seat	
202	N.S.S.	2	Clip	
203	N.S.S.	17	Clip	
301	N.S.S.	1	Foam, Back	
302	N.S.S.	3	Bar, Trim	
303	N.S.S.	4	Ring	
401	N.S.S.	1	Foam, Seat	
402	N.S.S.	2	Clip	
403	N.S.S.	17	Clip	

SECTION 6 - CAB

FIGURE 6-36. SEAT INSTALLATION (AIR SUSPENSION - PREMIUM)



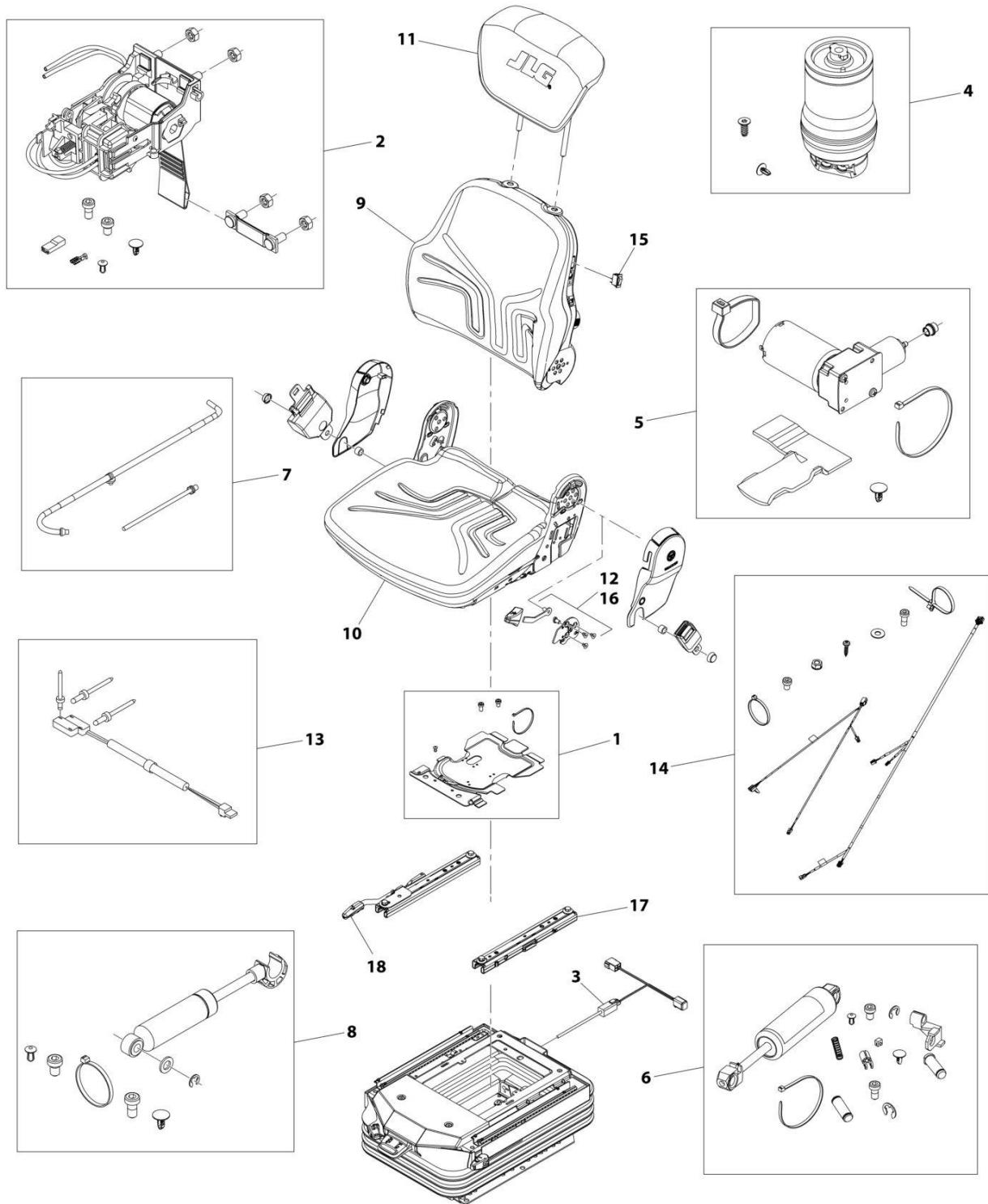
ART_1001182530-F

FIGURE 6-36. SEAT INSTALLATION (AIR SUSPENSION - PREMIUM)

ITEM	PART NUMBER	QTY	DESCRIPTION	REV
	1001182530	Ref	Seat Installation (Air Suspension - Premium)	F
2	1001158736C	1	Plinth, Seat	
3	1001169135	1	Assembly, Seat (See Separate Breakdown in this Section)	
4	1001182529	1	Headrest	
5	4811900	8	Washer, M8	
6	0760810	8	Bolt, M8X20	
7	1001168531	1	Harness, Seat Adaptor (See Separate Breakdown in ELECTRICAL Section)	
8	1001216974	1	Grommet	

SECTION 6 - CAB

FIGURE 6-37. SEAT ASSEMBLY (AIR SUSPENSION - PREMIUM)



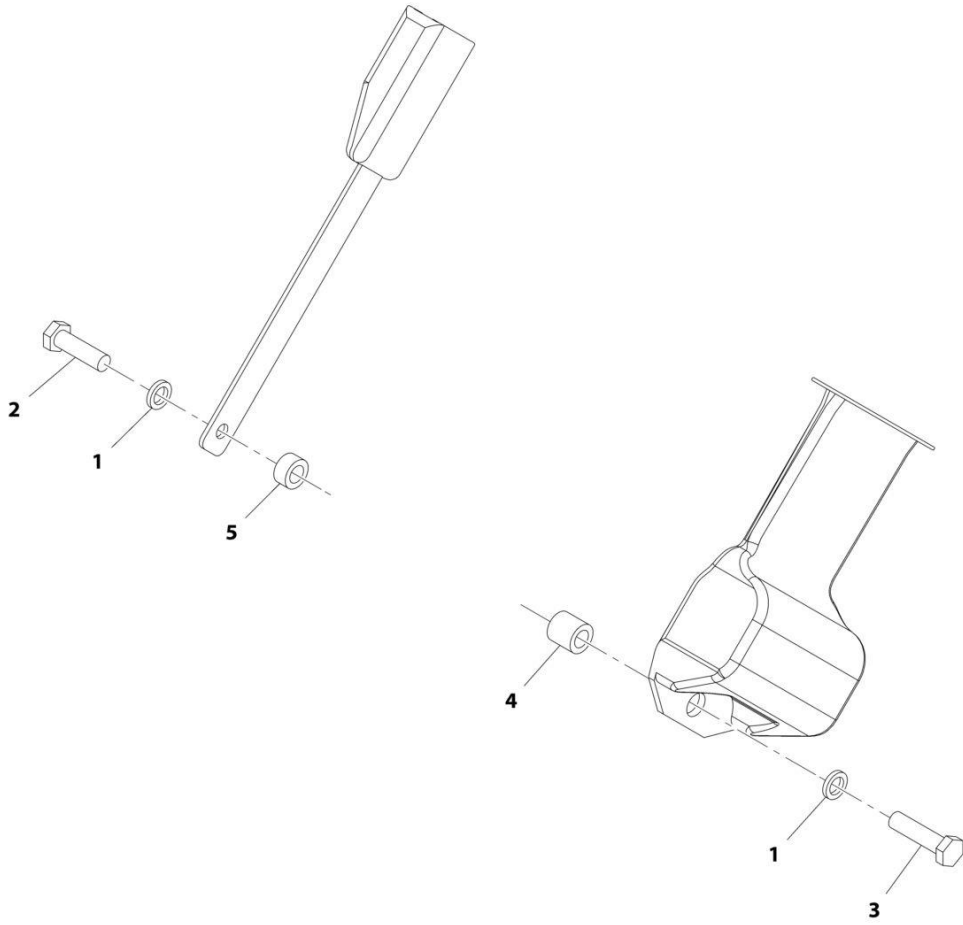
ART_1001169135-B

FIGURE 6-37. SEAT ASSEMBLY (AIR SUSPENSION - PREMIUM)

ITEM	PART NUMBER	QTY	DESCRIPTION	REV
	1001169135	Ref	Seat Assembly (Air Suspension - Premium)	B
1	70024856	1	Cover	
2	70023182	1	Control Level Kit	
3	70023186	1	Wiring Harness, Air/Safeswitch	
4	70023184	1	Air Spring Kit	
5	70024857	1	Compressor, 12V	
6	70023181	1	Shock Absorber Kit	
7	70024459	1	Air Tubes Kit	
8	70023189	2	Shock Absorber Kit	
9	70023179	1	Back Cushion Kit	
10	70024858	1	Seat Cushion Kit	
11	1001182529	1	Headrest, Cloth	
12	70024859	1	Backrest Actuator	
13	70028326	1	Switch	
14	70024861	1	Wiring Harness	
15	70024107	1	Switch, Heater	
16	7028621	1	Handle, Backrest Angle Adjust	
17	3986643	1	Adjust Slide Kit	
18	3986610	1	Handle	

SECTION 6 - CAB

FIGURE 6-38. SEAT BELT INSTALLATION (3IN)



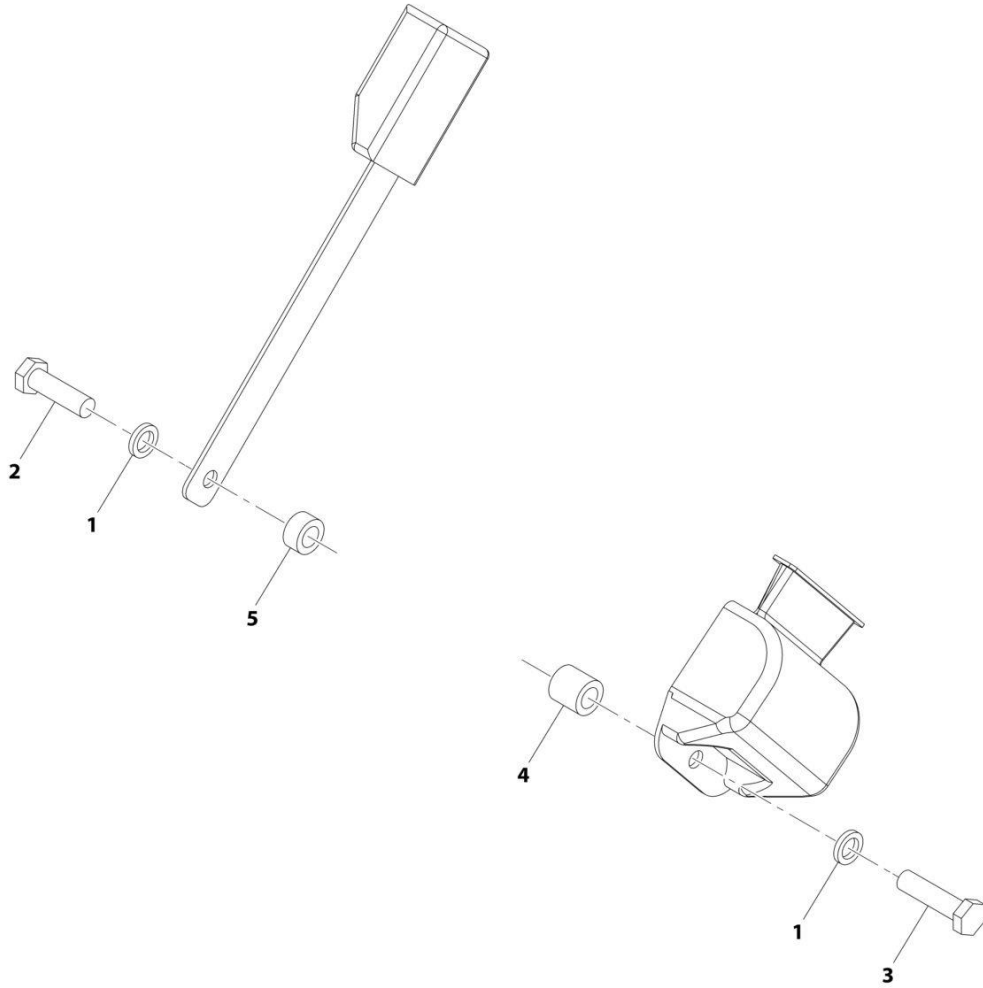
ART_1001006731-B

FIGURE 6-38. SEAT BELT INSTALLATION (3IN)

ITEM	PART NUMBER	QTY	DESCRIPTION	REV
	1001006731	Ref	Seat Belt Installation (3IN)	B
1	1001010646	2	Washer	
2	1001010647	1	Bolt	
3	1001010648	1	Bolt	
4	1001010649	1	Spacer	
5	1001010650	1	Spacer	

SECTION 6 - CAB

FIGURE 6-39. SEAT BELT INSTALLATION (2IN)



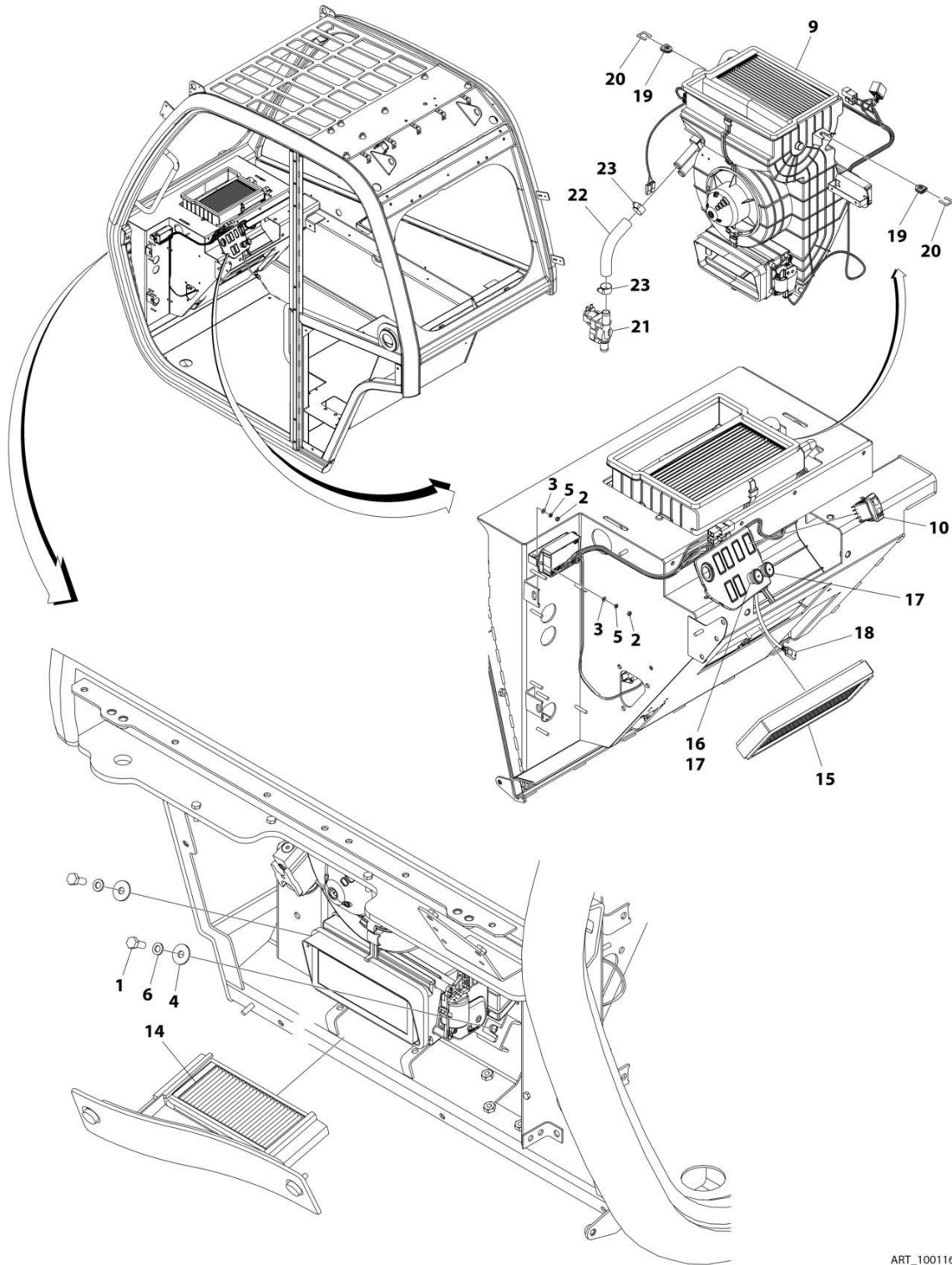
ART_1001006730

FIGURE 6-39. SEAT BELT INSTALLATION (2IN)

ITEM	PART NUMBER	QTY	DESCRIPTION	REV
	1001006730	Ref	Seat Belt Installation (2IN)	H
1	1001010646	2	Washer	
2	1001010647	1	Bolt	
3	1001010648	1	Bolt	
4	1001010649	1	Spacer, Shim	
5	1001010650	1	Spacer, Shim	

SECTION 6 - CAB

FIGURE 6-40. HEATER INSTALLATION



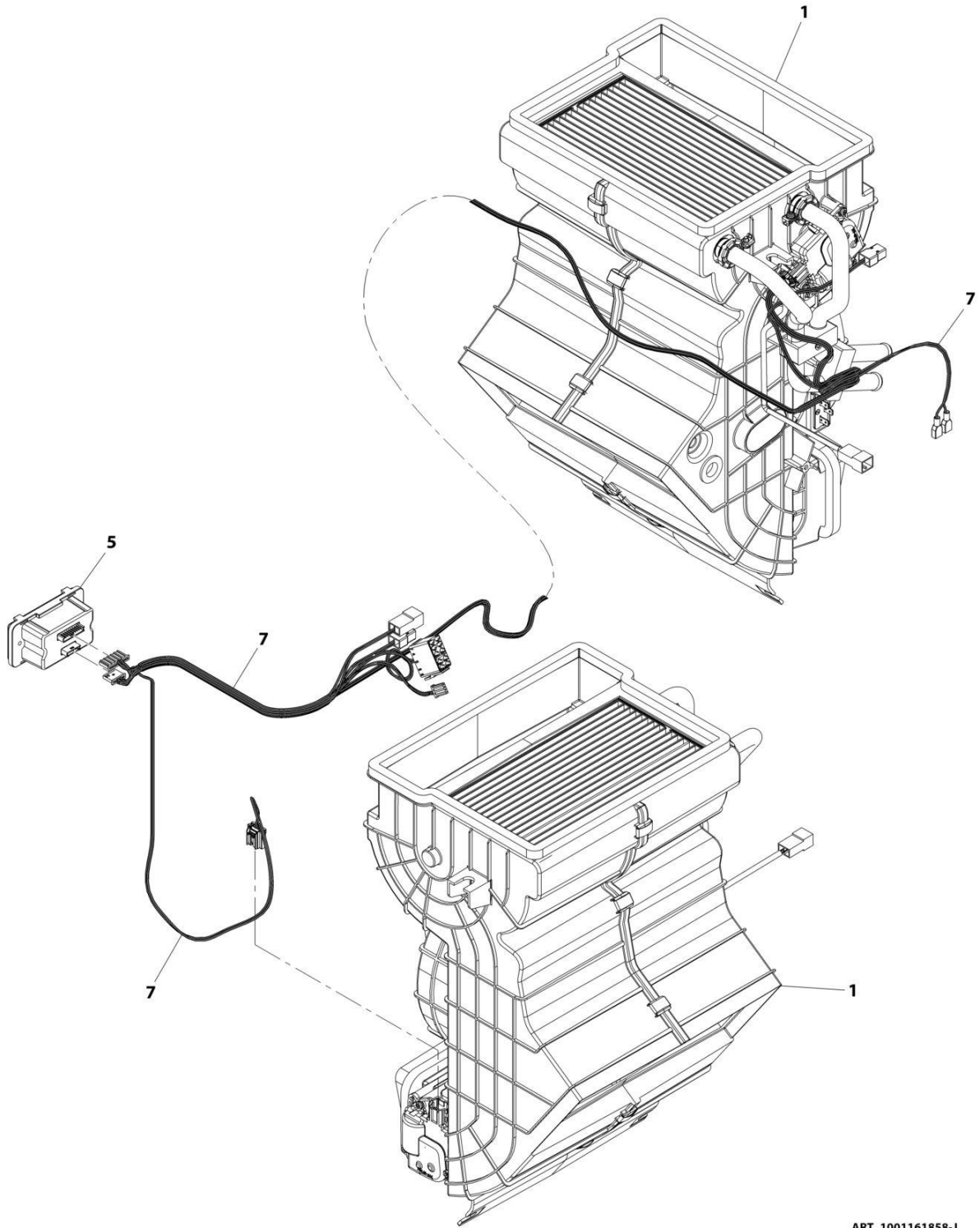
ART_1001160043-L

FIGURE 6-40. HEATER INSTALLATION

ITEM	PART NUMBER	QTY	DESCRIPTION	REV
	1001160043	Ref	HEATER INSTALLATION	L
1	0760810	2	Bolt M8 x 20	
2	3290401	4	Nut M4	
3	4811400	4	Washer M4	
4	4811902	2	Washer M8	
5	4831400	4	Washer M4	
6	4831900	2	Washer M8	
9	1001268827	1	Assembly, Heater (See Separate Breakdown in this Section)	
10	1001159925	1	Switch, HVAC Recycle	
14	1001218996	1	Filter, HVAC Air	
15	1001172553	1	Filter, HVAC Recirculation Air	
16	1001172547	1	Switch, HVAC Rotary 3 Speed	
17	1001172550	2	Knob, HVAC Control	
18	1001270976	1	Cable, HVAC	
19	1001188590	2	Grommet	
20	1001218542	2	Shim	
21	1001221059	1	Valve, Water	
22	1001221295	1	House	
23	8410009	2	Clamp	

SECTION 6 - CAB

FIGURE 6-41. HEATER ASSEMBLY (Prior to SN 0160110782)



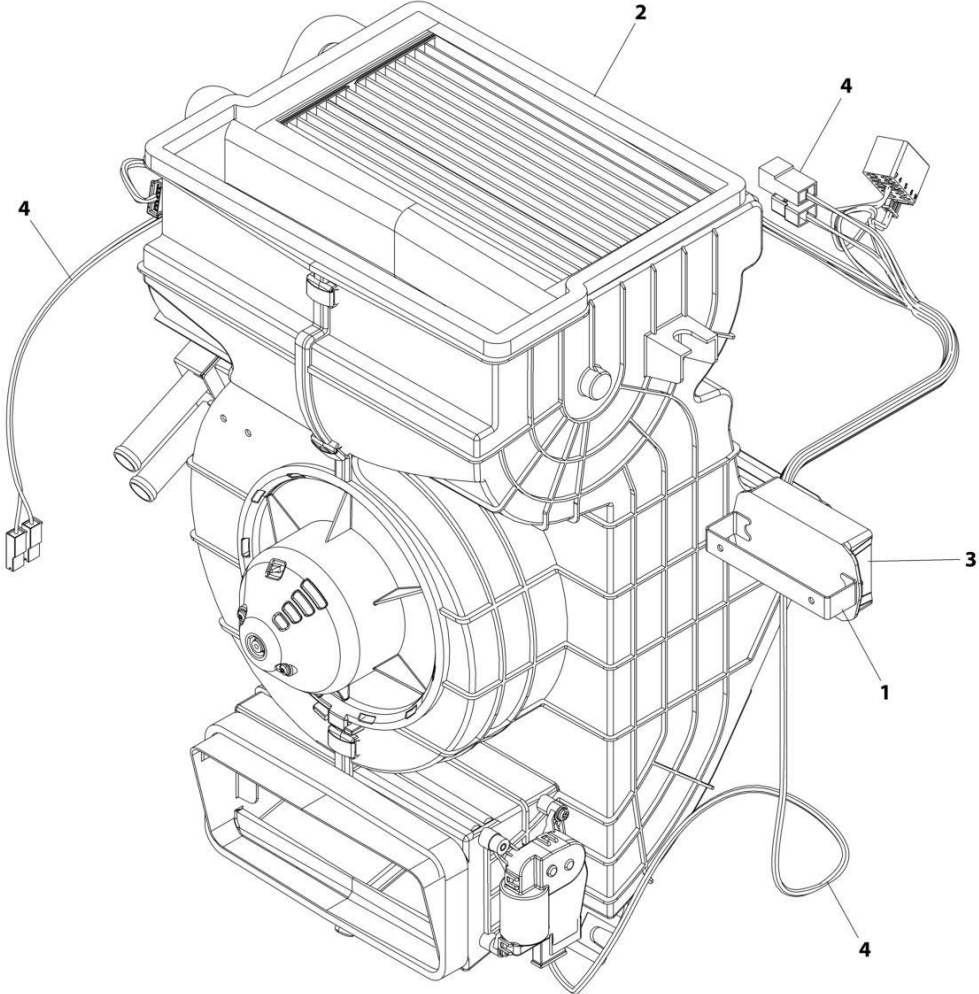
ART_1001161858-J

SECTION 6 - CAB**FIGURE 6-41. HEATER ASSEMBLY (Prior to SN 0160110782)**

ITEM	PART NUMBER	QTY	DESCRIPTION	REV
	1001161858	Ref	Heater Assembly	J
1	1001221052	1	Heater, Cab (See Separate Breakdown in this Section)	
5	1001172551	1	Actuator, HVAC Cab	
7	1001221056	1	Harness, HVAC Actuator (See Separate Breakdown in ELECTRICAL Section)	

SECTION 6 - CAB

FIGURE 6-42. HEATER ASSEMBLY (SN 0160110782 to Present)



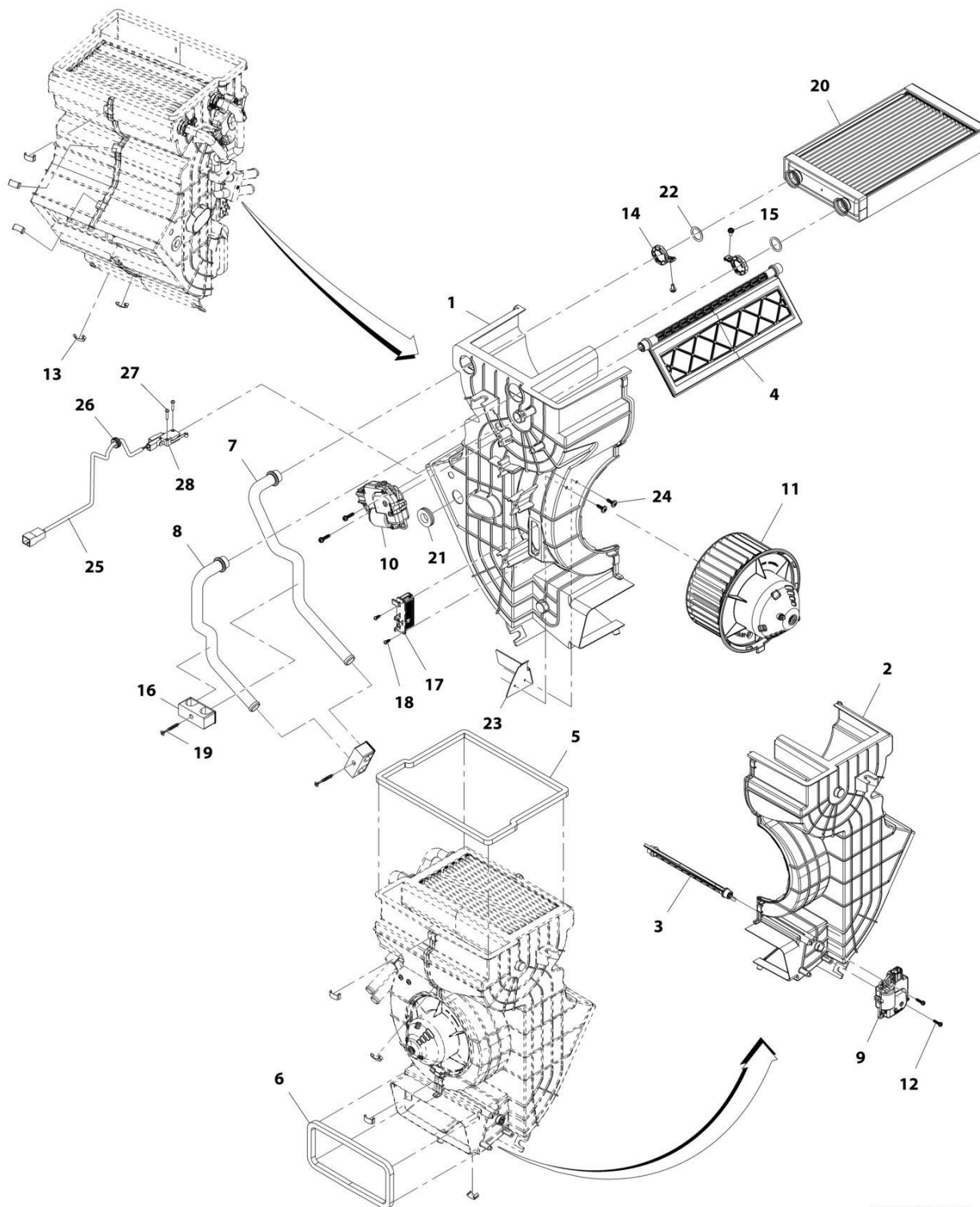
ART_1001268827

FIGURE 6-42. HEATER ASSEMBLY (SN 0160110782 to Present)

ITEM	PART NUMBER	QTY	DESCRIPTION	REV
	1001268827	Ref	HEATER ASSEMBLY	B
1	1001264976	1	Bracket	
2	1001268828	1	Heater, Cab (See Separate Breakdown in this Section)	
3	1001268829	1	Actuator, HVAC Cab	
4	1001268830	1	Harness, HVAC Actuator (See Separate Breakdown in ELECTRICAL Section)	

SECTION 6 - CAB

FIGURE 6-43. HEATER (Prior to SN 0160110782)



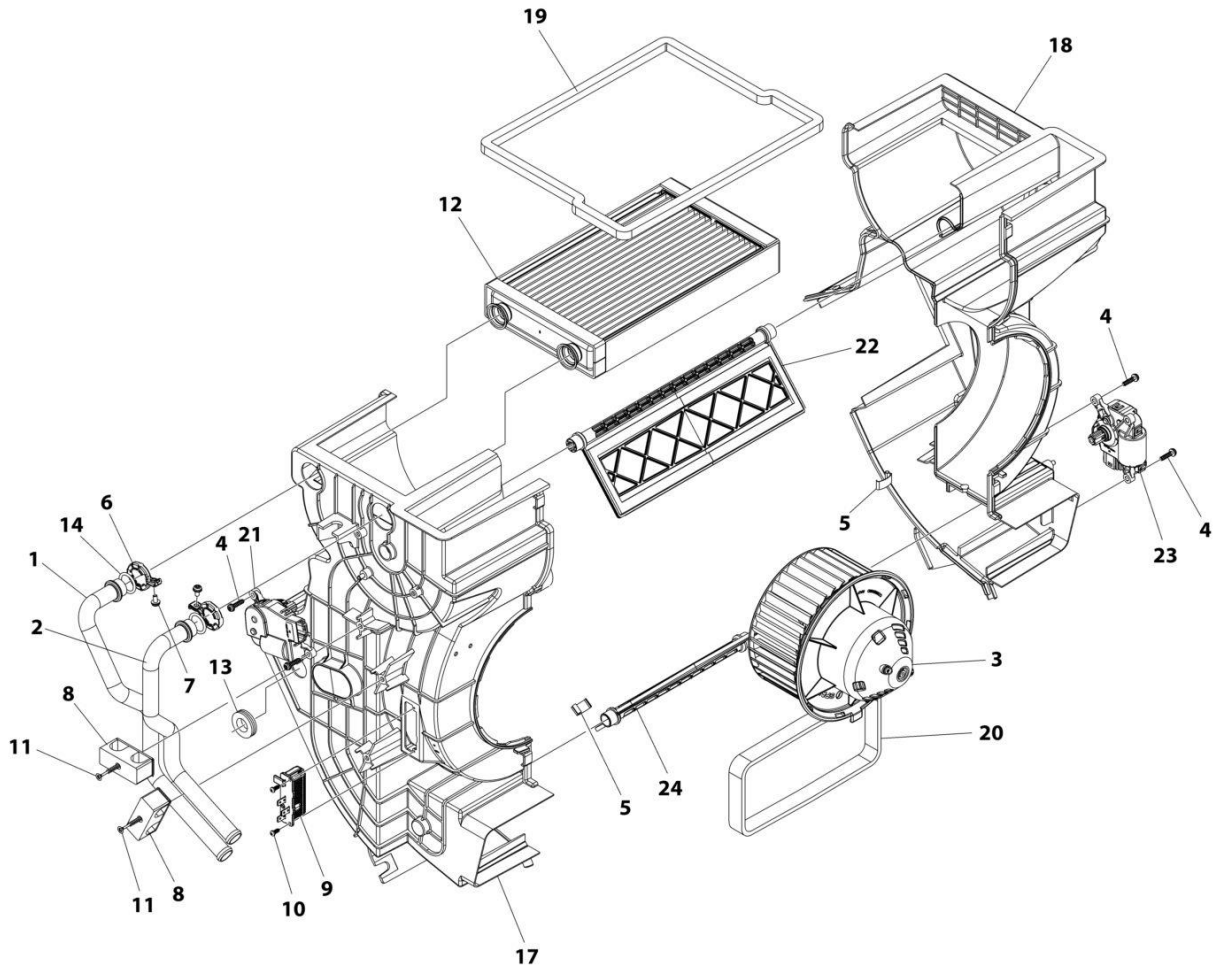
ART_1001221052-C

FIGURE 6-43. HEATER (Prior to SN 0160110782)

ITEM	PART NUMBER	QTY	DESCRIPTION	REV
	1001221052	Ref	Heater	D
1	1001166091	1	Housing, RH	
2	1001166092	1	Housing, LH	
3	1001184275	1	Flap, Recirculation with Foam	
4	1001184278	1	Flap, Mixing with Foam	
5	1001184294	1	Foam, Air Outlet	
6	1001184295	1	Foam, Air Inlet	
7	1001184296	1	Pipe, Water	
8	1001184297	1	Pipe, Water	
9	1001188577	1	Actuator, Fresh/Recirculation Air	
10	1001188578	1	Actuator, Hot/Cold	
11	1001188594	1	Fan, 12V	
12	1001188602	4	Screw	
13	1001188603	9	Clamp	
14	1001188604	2	Clamp	
15	1001188610	2	Screw	
16	1001188612	2	Clamp	
17	1001188614	1	Resistor	
18	1001188720	2	Screw	
19	1001188725	2	Screw	
20	1001188729	1	Radiator, Heater Core	
21	1001188733	1	Grommet	
22	1001189025	2	O-Ring	
23	1001221057	1	Plate	
24	1001221058	2	Screw	
25	1001228132	1	Harness, HVAC Sensor	
26	1001228140	1	Grommet	
27	1001228141	2	Screw	
28	1001228147	1	Valve, Water	

SECTION 6 - CAB

FIGURE 6-44. HEATER (SN 0160110782 to Present)



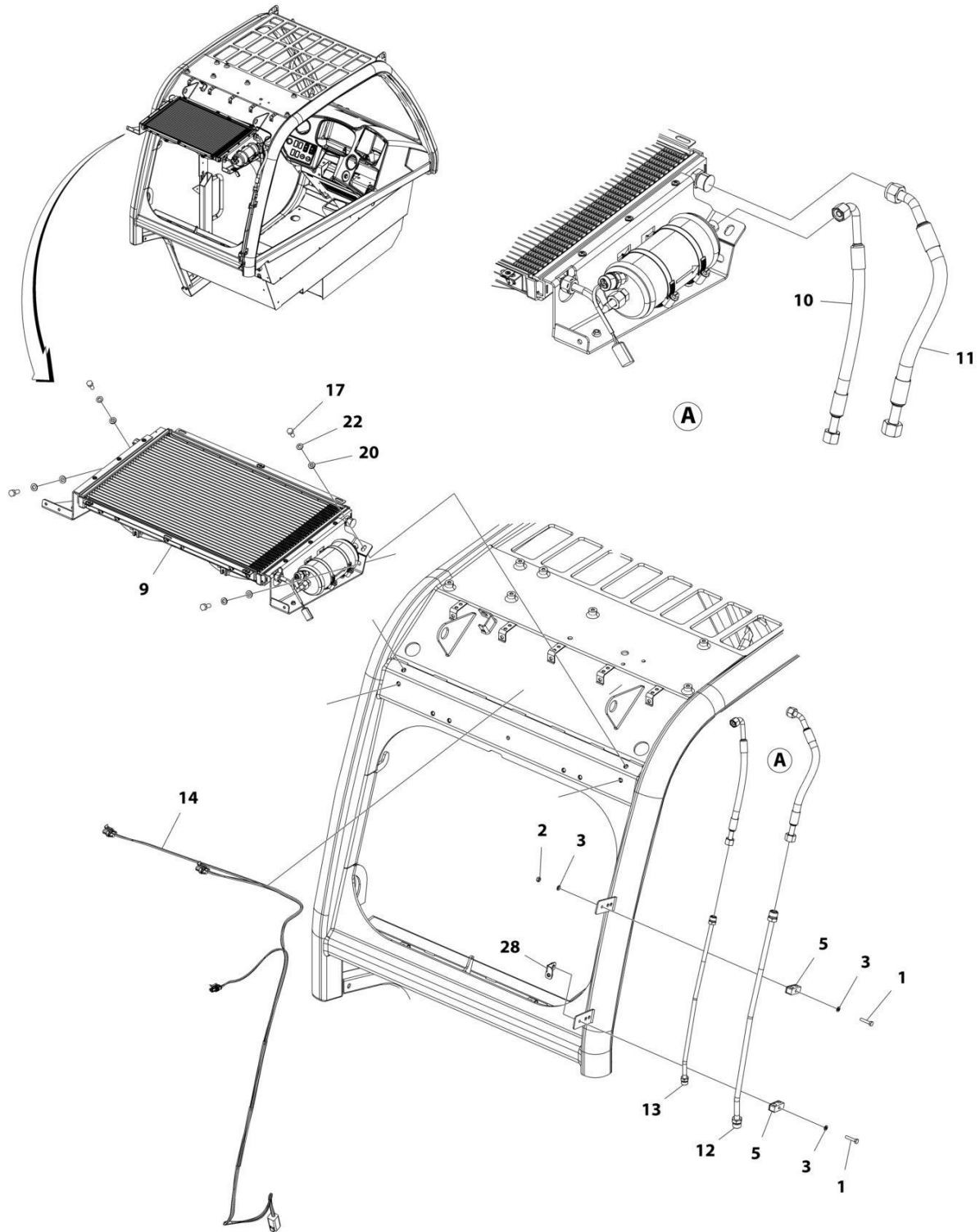
ART_1001268828

FIGURE 6-44. HEATER (SN 0160110782 to Present)

ITEM	PART NUMBER	QTY	DESCRIPTION	REV
	1001268828	Ref	HEATER	B
1	1001184296	1	Pipe, Water	
2	1001184297	1	Pipe, Water	
3	1001188594	1	Fan, 12V	
4	1001188602	4	Screw	
5	1001188603	9	Clamp	
6	1001188604	2	Clamp	
7	1001188610	2	Screw	
8	1001188612	2	Clamp	
9	1001188614	1	Resistor	
10	1001188720	2	Screw	
11	1001188725	2	Screw	
12	1001188729	1	Radiator, Heater Core	
13	1001188733	1	Grommet	
14	1001189025	2	O-Ring	
17	1001269555	1	Housing, RH	
18	1001269556	1	Housing, LH	
19	1001269558	1	Foam, Air Outlet	
20	1001269559	1	Foam, Air Inlet	
21	1001269560	1	Actuator, Fresh/Recirculation Air	
22	1001269561	1	Flap, Mixing	
23	1001269563	1	Actuator, Fresh/Recirculation Air	
24	1001269564	1	Flap, HVAC Fresh	

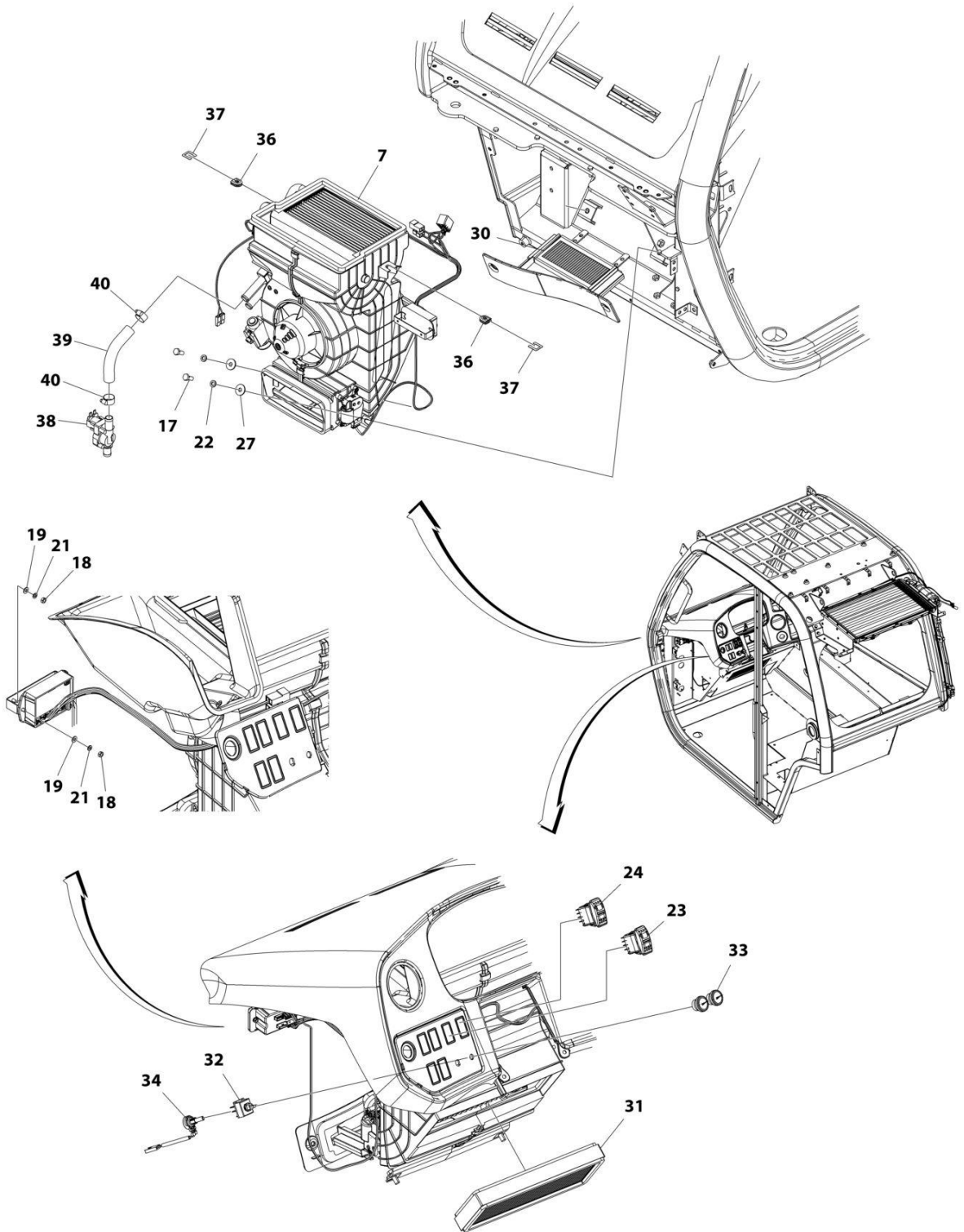
SECTION 6 - CAB

FIGURE 6-45. HEATER AND A/C INSTALLATION



ART_1001160042_O_10F2

SECTION 6 - CAB



ART_1001160042_O_20F2

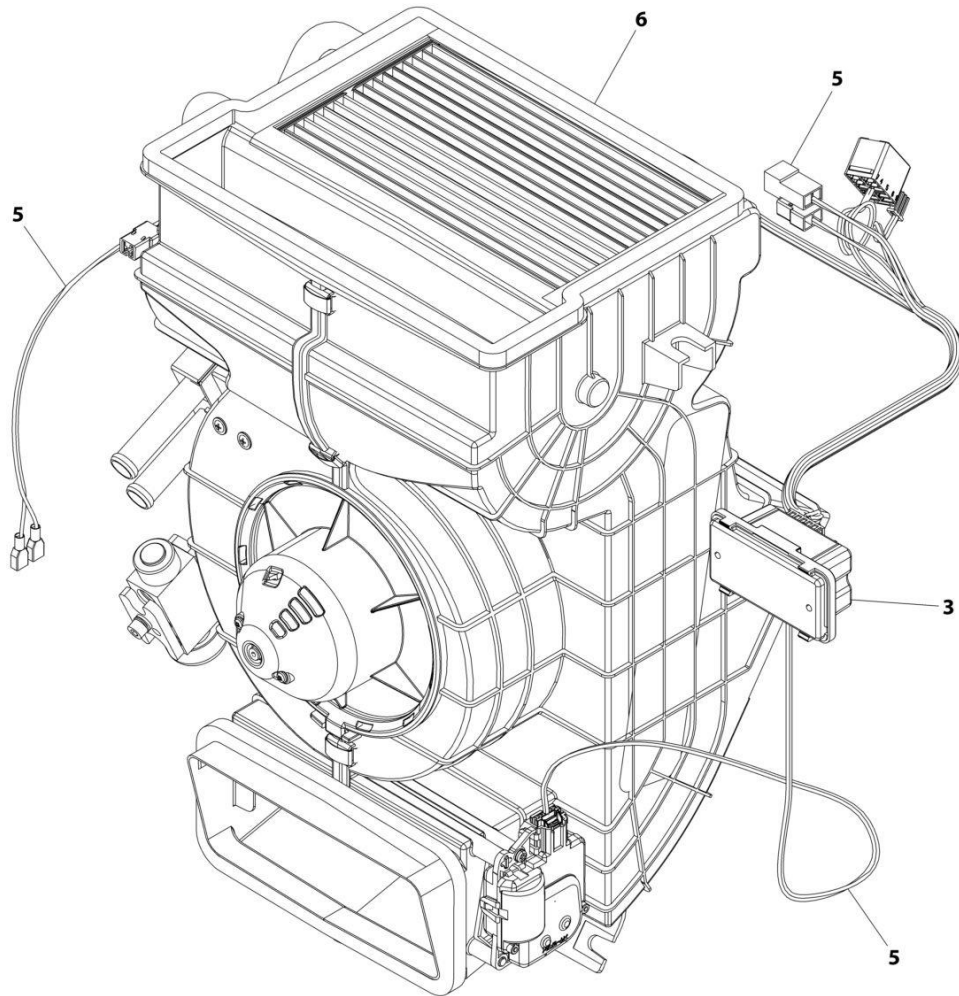
SECTION 6 - CAB

FIGURE 6-45. HEATER AND A/C INSTALLATION

ITEM	PART NUMBER	QTY	DESCRIPTION	REV
	1001160042	Ref	HEATER AND A/C INSTALLATION (CAB PARTS)	O
1	0700614	2	Bolt M6 x 30	
2	3290601	1	Nut M6	
3	4811700	3	Washer M6	
5	1001145539	2	Support, Pipe	
7	1001268831	1	Assembly, Heater and A/C (See Separate Breakdown in this Section)	
9	1001162953	1	Assembly, Cab Condenser (See Separate Breakdown in this Section)	
10	1001168327	1	Hose	
11	1001168330	1	Hose	
12	1001168331	1	Tube	
13	1001168456	1	Tube	
14	1001169151	1	Harness, A/C Option (See Separate Breakdown in ELECTRICAL Section)	
17	0760810	6	Bolt M8 x 20 GR8.8	
18	3290401	4	Nut M4	
19	4811400	4	Washer M4	
20	4811900	4	Washer M8	
21	4831400	4	Washer M4	
22	4831900	6	Washer M8	
23	1001159925	1	Switch, HVAC Recycle	
24	1001160326	1	Switch, HVAC On/Off	
27	4811902	2	Washer M8	
28	1001178170	1	Bracket	
30	1001218996	1	Filter, HVAC Fresh Air	
31	1001172553	1	Filter, HVAC Air Recirculation	
32	1001172547	1	Switch, HVAC Rotary 3 Speed	
33	1001172550	2	Knob, HVAC Control	
34	1001270976	1	Cable, HVAC	
35	1320022	1	Clamp	
36	1001188590	2	Grommet	
37	1001218542	2	Shim	
38	1001221059	1	Valve, Water	
39	1001221295	1	Hose	
40	8410009	2	Clamp	

SECTION 6 - CAB

FIGURE 6-46. HEATER AND A/C ASSEMBLY (Prior to SN 0160110782)



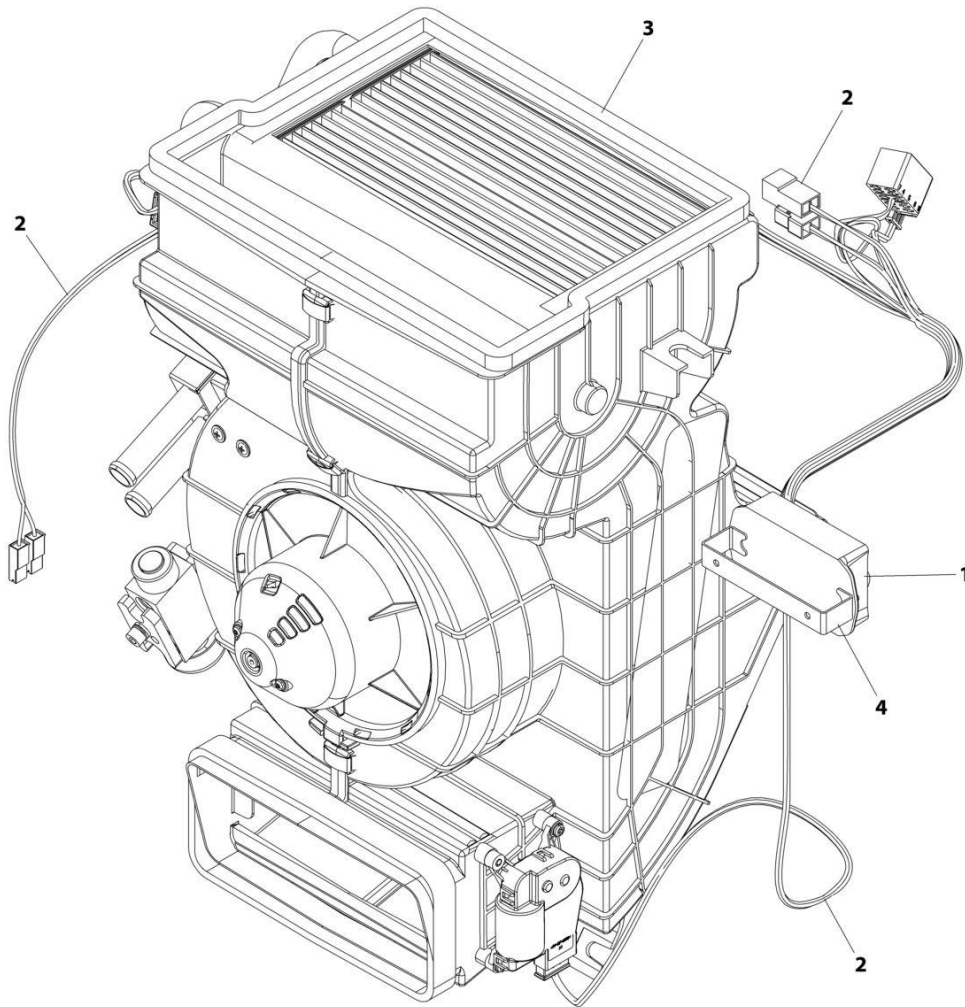
ART_1001188303-G

SECTION 6 - CAB**FIGURE 6-46. HEATER AND A/C ASSEMBLY (Prior to SN 0160110782)**

ITEM	PART NUMBER	QTY	DESCRIPTION	REV
	1001188303	Ref	Heater and A/C Assembly	H
3	1001172551	1	Actuator, HVAC Cab	
5	1001221056	1	Harness, HVAC Actuator (See Separate Breakdown in ELECTRICAL Section)	
6	1001221054	1	Heater and A/C (See Separate Breakdown in this Section)	

SECTION 6 - CAB

FIGURE 6-47. HEATER AND A/C ASSEMBLY (SN 0160110782 to Present)



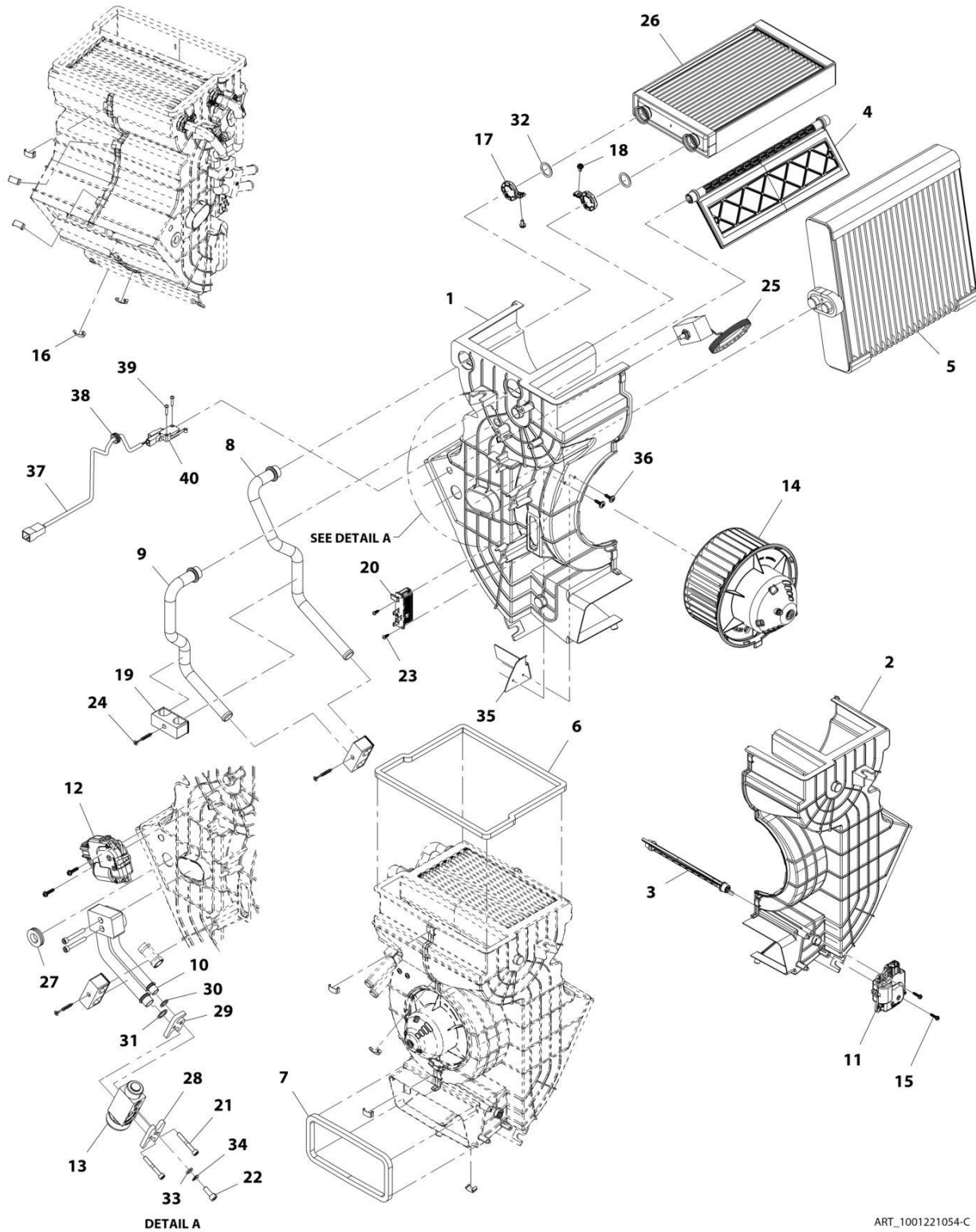
ART_1001268831

SECTION 6 - CAB**FIGURE 6-47. HEATER AND A/C ASSEMBLY (SN 0160110782 to Present)**

ITEM	PART NUMBER	QTY	DESCRIPTION	REV
	1001268831	Ref	HEATER AND A/C ASSEMBLY	B
1	1001268829	1	Actuator, HVAC Cab	
2	1001268830	1	Harness, HVAC Actuator (See Separate Breakdown in this Section)	
3	1001268832	1	Heater and A/C (See Separate Breakdown in this Section)	
4	1001264976	1	Bracket	

SECTION 6 - CAB

FIGURE 6-48. HEATER AND A/C (Prior to SN 0160110782)



ART_1001221054-C

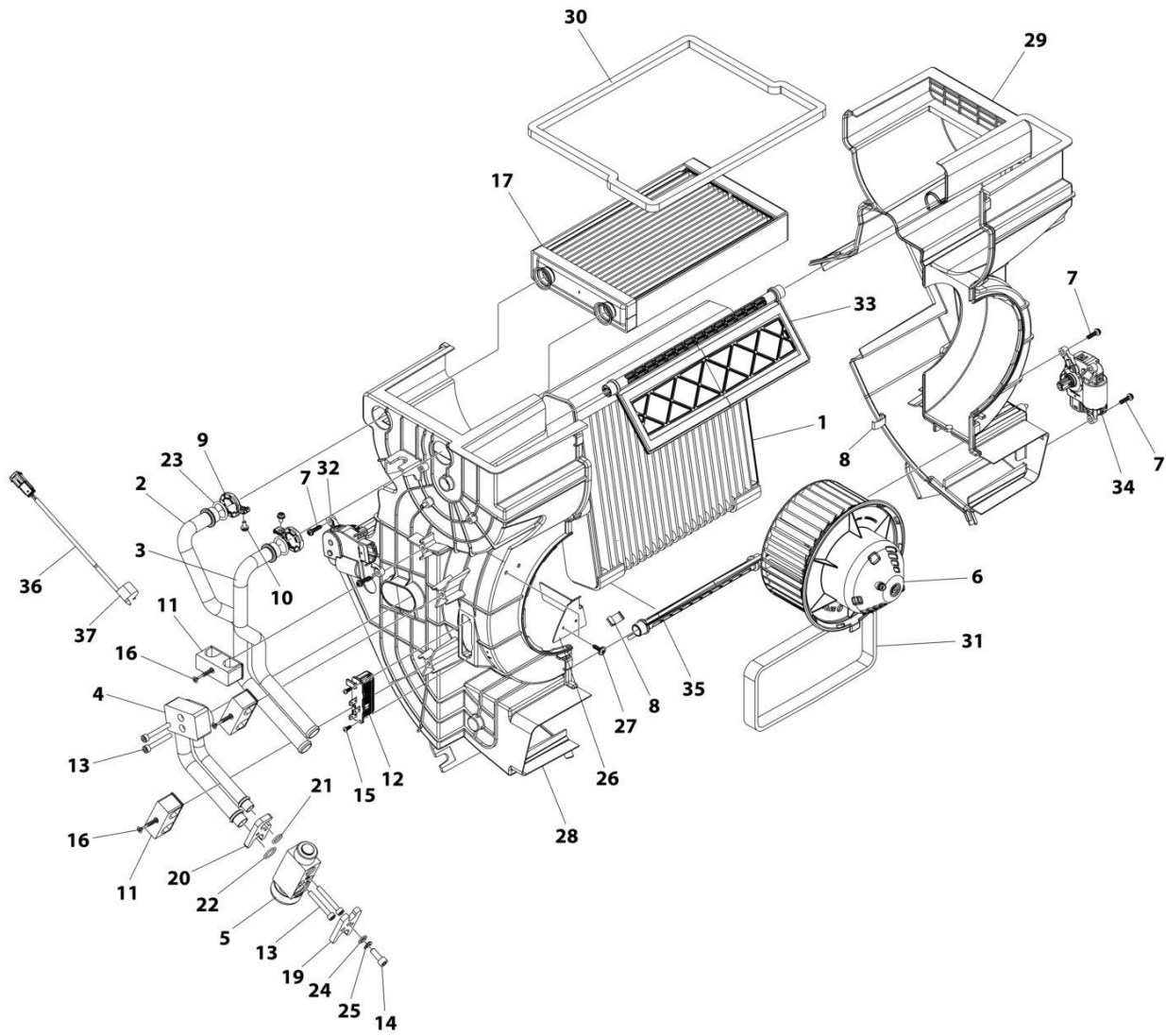
SECTION 6 - CAB

FIGURE 6-48. HEATER AND A/C (Prior to SN 0160110782)

ITEM	PART NUMBER	QTY	DESCRIPTION	REV
	1001221054	Ref	Heater and A/C	D
1	1001166091	1	Housing, HVAC RH	
2	1001166092	1	Housing, HVAC LH	
3	1001184275	1	Foam, Heater Flap	
4	1001184278	1	Foam, Heater Mixing Flap	
5	1001184280	1	Evaporator, Heater	
6	1001184294	1	Seal, Heater Foam	
7	1001184295	1	Seal, Air Inlet Foam	
8	1001184296	1	Pipe, Heater Water	
9	1001184297	1	Pipe, Heater Water	
10	1001184427	1	Pipe, Heater	
11	1001188577	1	Actuator, Fresh/Recirculation Air	
12	1001188578	1	Actuator, Hot/Cold Mixing	
13	1001188592	1	Valve, HVAC Expansion	
14	1001188594	1	Fan, HVAC Centrifugal 12V	
15	1001188602	4	Screw, M4	
16	1001188603	9	Clamp, HVAC Case	
17	1001188604	2	Clamp, HVAC Pipe	
18	1001188610	2	Screw, M4X0.7	
19	1001188612	3	Clamp, Pipe	
20	1001188614	1	Resistor	
21	1001188618	4	Screw, M5	
22	1001188619	1	Screw, M6	
23	1001188720	2	Screw, M2.9X9.5	
24	1001188725	3	Screw, M4X35	
25	1001188728	1	Sensor, HVAC Thermostat	
26	1001188729	1	Radiator, Heater Core	
27	1001188733	1	Grommet	
28	1001188817	1	Clamp, Hose	
29	1001188818	1	Clamp, HVAC EVAP/Valve	
30	1001189023	1	O-Ring	
31	1001189024	1	O-Ring	
32	1001189025	2	O-Ring	
33	1001189048	1	Washer	
34	1001189054	1	Washer, Spring	
35	1001221057	1	Plate	
36	1001221058	2	Screw	
37	1001228132	1	Harness, HVAC Sensor	
38	1001228140	1	Grommet	
39	1001228141	2	Screw	
40	1001228147	1	Valve, Water Sensor	

SECTION 6 - CAB

FIGURE 6-49. HEATER AND A/C (SN 0160110782 to Present)



ART_1001268832

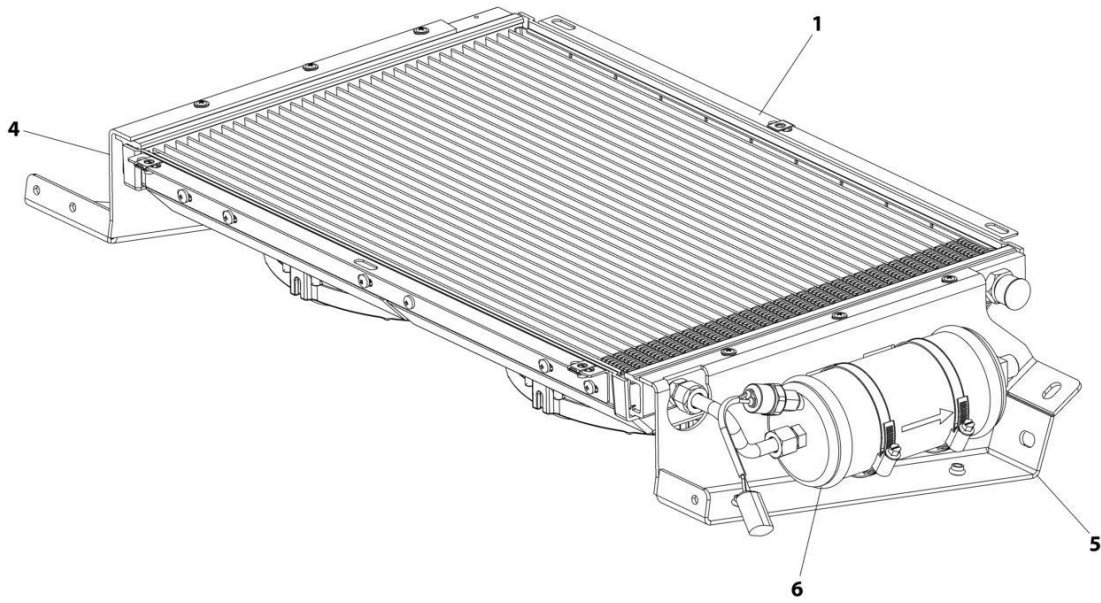
SECTION 6 - CAB

FIGURE 6-49. HEATER AND A/C (SN 0160110782 to Present)

ITEM	PART NUMBER	QTY	DESCRIPTION	REV
	1001268832	Ref	HEATER AND A/C	B
1	1001184280	1	Evaporator, Heater	
2	1001184296	1	Pipe, Heater Water	
3	1001184297	1	Pipe, Heater Water	
4	1001184427	1	Pipe, Heater	
5	1001188592	1	Valve, HVAC Expansion	
6	1001188594	1	Fan, HVAC Centrifugal 12V	
7	1001188602	4	Screw M4	
8	1001188603	9	Clamp, HVAC Case	
9	1001188604	2	Clamp, HVAC Pipe	
10	1001188610	2	Screw M4	
11	1001188612	3	Clamp, Pipe	
12	1001188614	1	Resistor	
13	1001188618	4	Screw M5	
14	1001188619	1	Screw M6	
15	1001188720	2	Screw M2.9 x 9.5	
16	1001188725	3	Screw M4 x 35	
17	1001188729	1	Radiator, Heater Core	
19	1001188817	1	Clamp, Hose	
20	1001188818	1	Clamp, HVAC EVAP/Valve	
21	1001189023	1	O-Ring	
22	1001189024	1	O-Ring	
23	1001189025	2	O-Ring	
24	1001189048	1	Washer	
25	1001189054	1	Washer, Spring	
26	1001221057	1	Plate	
27	1001221058	2	Screw	
28	1001269555	1	Housing, HVAC RH	
29	1001269556	1	Housing, HVAC LH	
30	1001269558	1	Seal, Heater Outlet Foam	
31	1001269559	1	Seal, Air Inlet Foam	
32	1001269560	1	Actuator, Hot/Cold Mixing	
33	1001269561	1	Foam, Heater Mixing Flap	
34	1001269563	1	Actuator, Fresh/Recirculation Air	
35	1001269564	1	Foam, Heater Mixing Flap	
36	1001269578	1	Temperature Sensor	
37	1001269579	1	Clamp, Temperature Sensor	

SECTION 6 - CAB

FIGURE 6-50. CAB CONDENSER ASSEMBLY



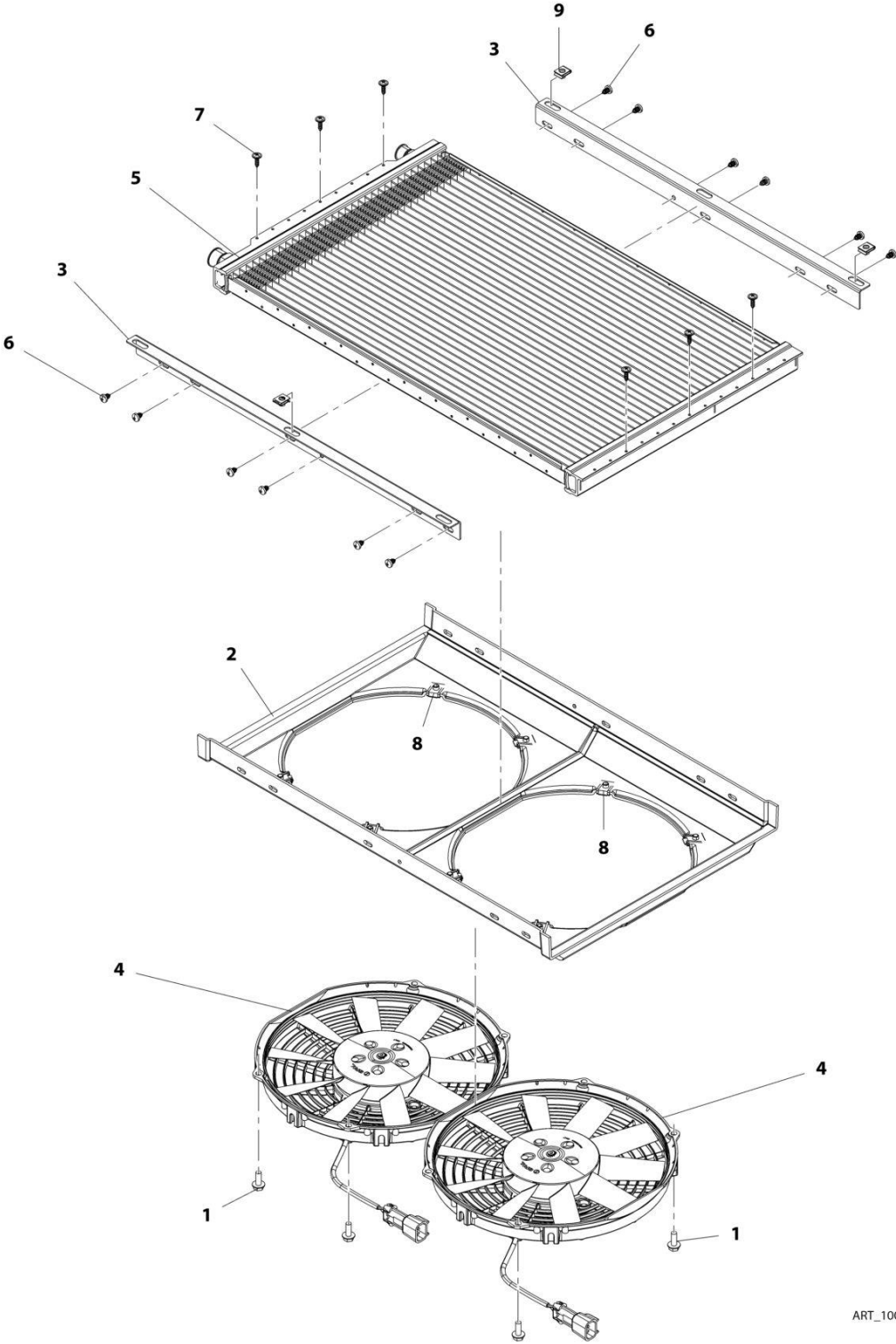
ART_1001162953

FIGURE 6-50. CAB CONDENSER ASSEMBLY

ITEM	PART NUMBER	QTY	DESCRIPTION	REV
	1001162953	Ref	Cab Condenser Assembly	G
1	1001167266	1	Condenser (See Separate Breakdown in this Section)	
4	1001179080	1	Bracket	
5	1001179081	1	Bracket	
6	1001179130	1	Drier, A/C Receiver (See Separate Breakdown in this Section)	

SECTION 6 - CAB

FIGURE 6-51. CONDENSER



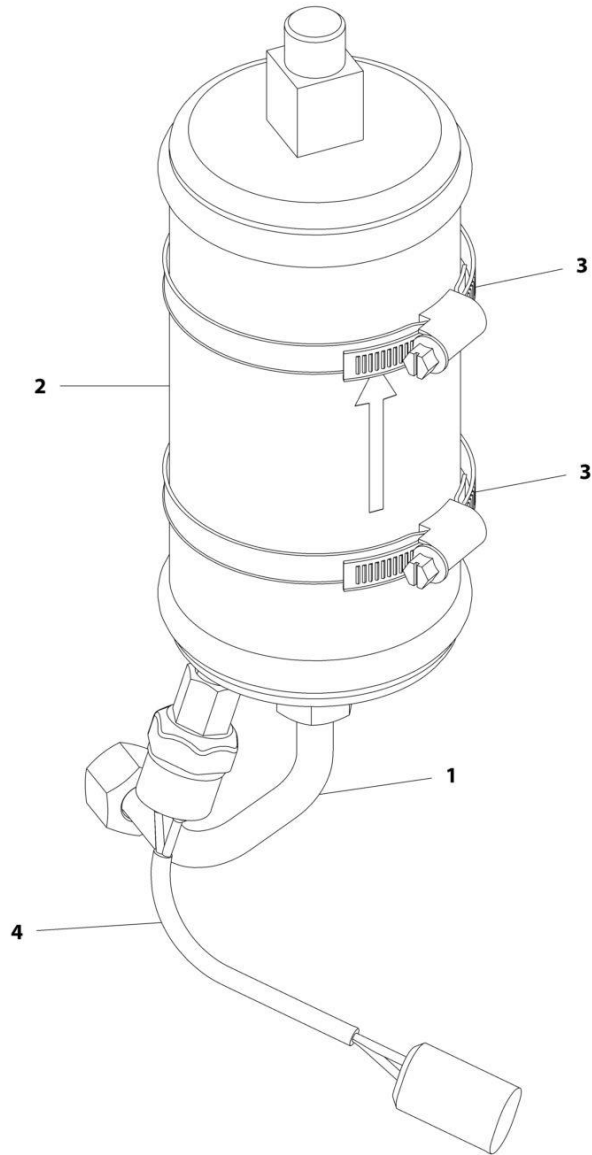
ART_1001167266-C

FIGURE 6-51. CONDENSER

ITEM	PART NUMBER	QTY	DESCRIPTION	REV
	1001167266	Ref	Condenser	C
1	5250608	8	Bolt, M6X16	
2	1001195342	1	Bracket, Condenser Fan Mount	
3	1001195343	2	Support, Condenser	
4	1001195345	2	Fan, Condenser	
5	1001195346	1	Condenser	
6	1001195385	12	Screw, M3.9X9.5	
7	1001195386	6	Screw, M4.2X16	
8	1001195437	8	Clip, M6X1	
9	1001195438	3	Clip, M6X1	

SECTION 6 - CAB

FIGURE 6-52. A/C RECEIVER DRIER



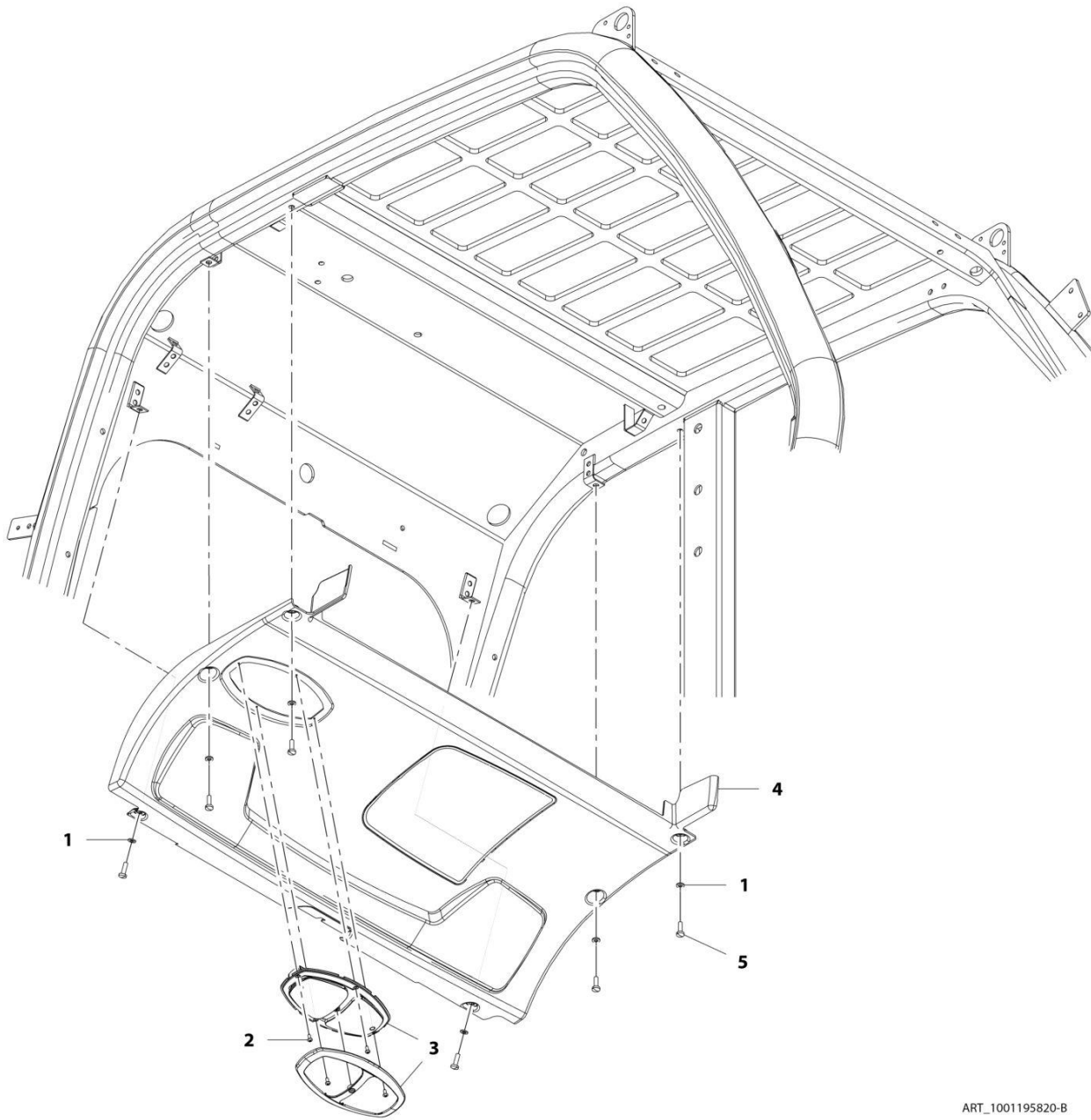
ART_1001179130-B

FIGURE 6-52. A/C RECEIVER DRIER

ITEM	PART NUMBER	QTY	DESCRIPTION	REV
	1001179130	Ref	A/C Receiver Drier	B
1	1001184403	1	Tube, Heater	
2	1001184404	1	Receiver, Heater Drier	
3	1001184405	2	Clamp	
4	1001184406	1	Connector, Heater	

SECTION 6 - CAB

FIGURE 6-53. HEADLINER INSTALLATION



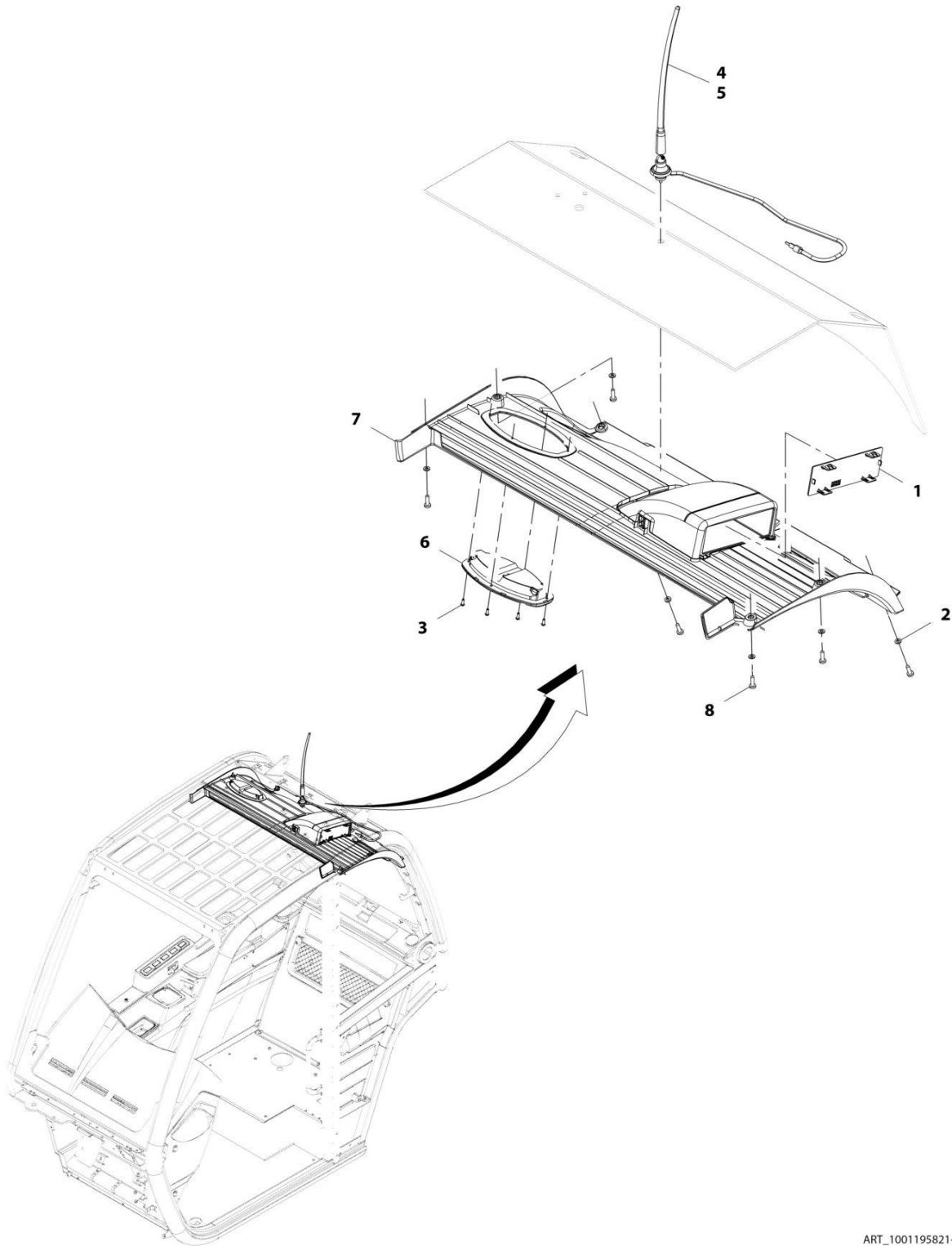
ART_1001195820-B

FIGURE 6-53. HEADLINER INSTALLATION

ITEM	PART NUMBER	QTY	DESCRIPTION	REV
	1001195820	Ref	Headliner Installation	C
1	4811700	6	Washer, M6	
2	7029486	4	Screw	
3	1001167015	1	Lamp, Dome	
4	1001195822	1	Panel, Headliner	
5	4031708001	1	Cap Screw M6 x 20	

SECTION 6 - CAB

FIGURE 6-54. HEADLINER/RADIO READY PACKAGE INSTALLATION



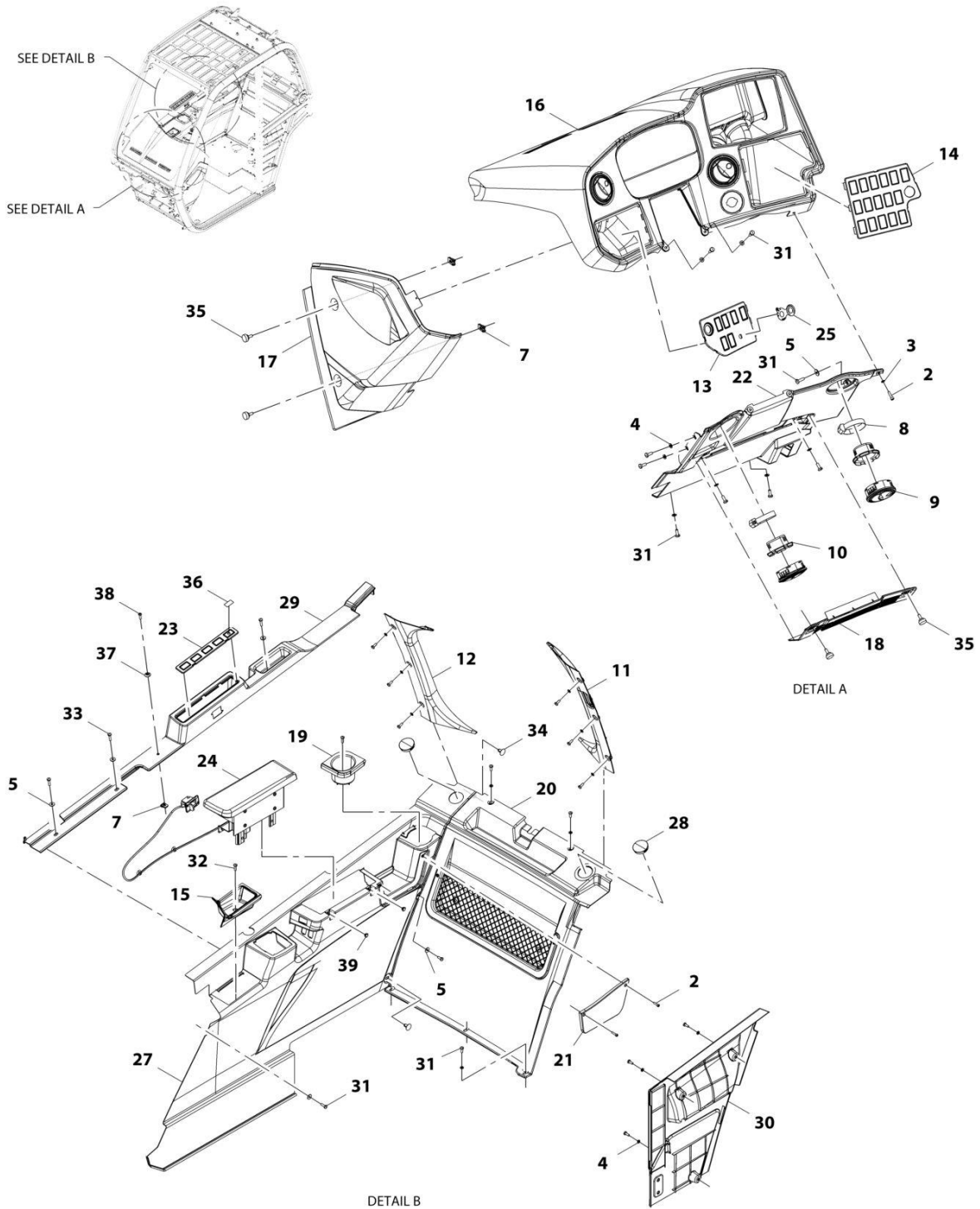
ART_1001195821-B

FIGURE 6-54. HEADLINER/RADIO READY PACKAGE INSTALLATION

ITEM	PART NUMBER	QTY	DESCRIPTION	REV
	1001195821	Ref	Headliner/Radio Ready Package Installation	B
1	1001200968	1	Plate	
2	4811700	6	Washer, 6M	
3	7029486	4	Screw	
4	8005901	1	Antenna	
5	1001116128	AR	Sealant, Polysiloxane	
6	1001167015	1	Lamp	
7	1001195823	1	Cover, Headliner	
8	4010610002	6	Screw, M6X20	

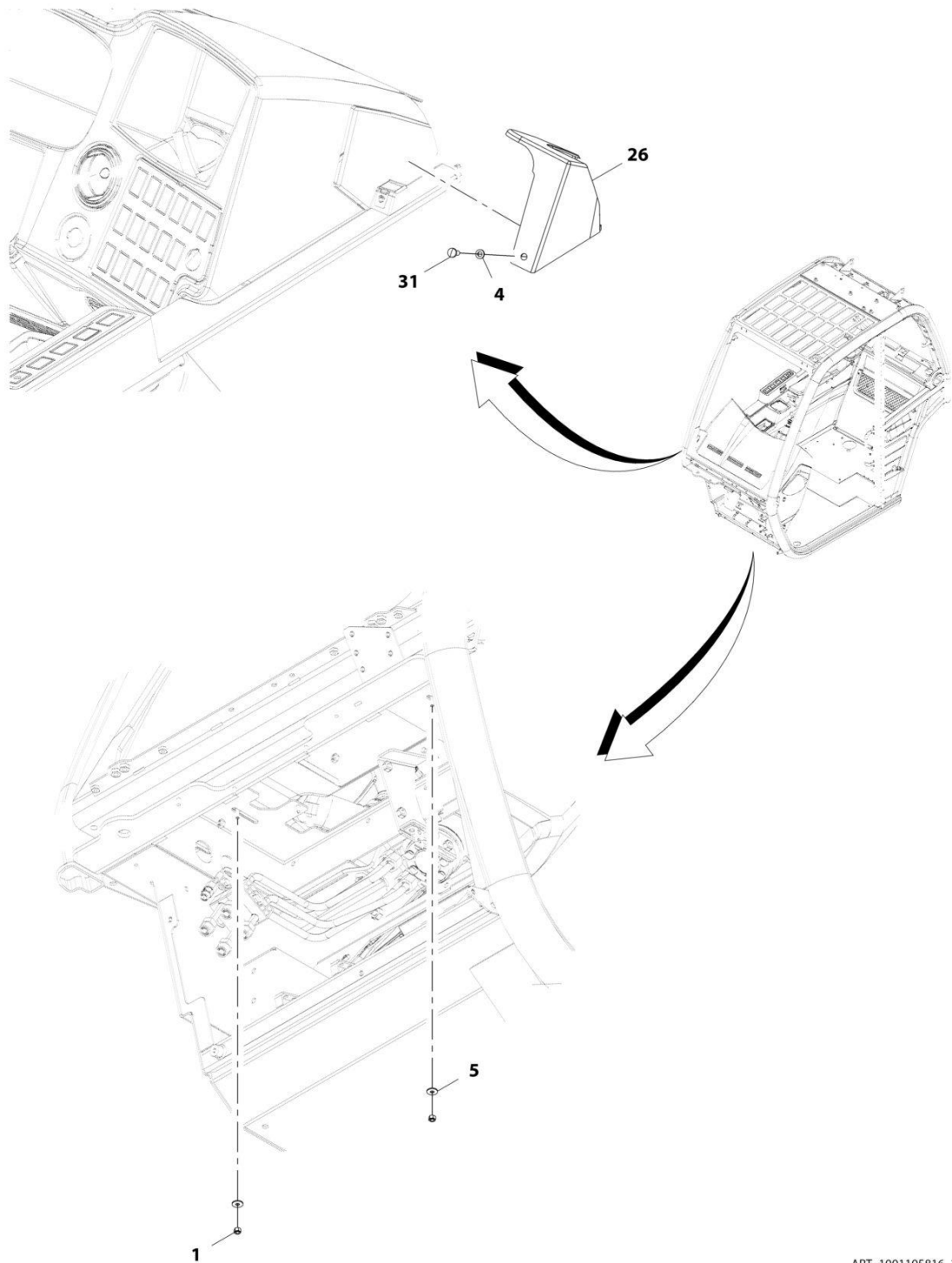
SECTION 6 - CAB

FIGURE 6-55. CAB TRIM INSTALLATION



ART_1001195816_1-I

SECTION 6 - CAB



ART_1001195816_2-I

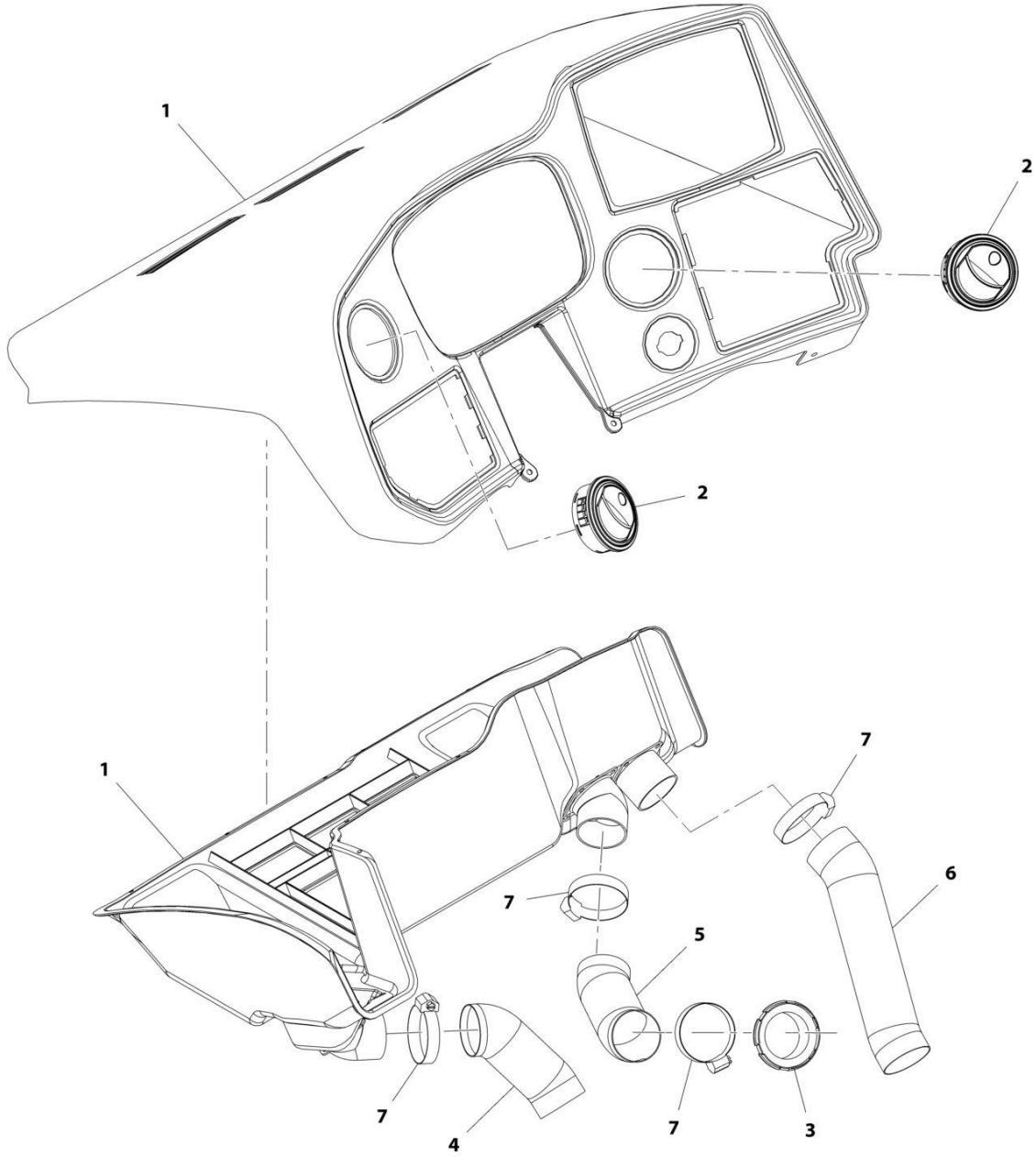
SECTION 6 - CAB

FIGURE 6-55. CAB TRIM INSTALLATION

ITEM	PART NUMBER	QTY	DESCRIPTION	REV
	1001195816	Ref	Cab Trim Installation	I
1	3290605	2	Nut, Lock M6X1	
2	4031608001	3	Screw, M5X20	
3	4811600	1	Washer, M5	
4	4811700001	23	Washer, M6	
5	4811702001	7	Washer, M6	
7	8305919	2	Nut, M6	
8	8405201	2	Clamp	
9	1001147449	2	Vent	
10	1001149278	2	Connector, Vent	
11	1001161252	1	Cover, LH C-Post	
12	1001161253	1	Cover, RH C-Post	
13	1001219864	1	Plate, Switch	
14	1001219865	1	Plate, Switch	
15	1001169603	1	Tray	
16	1001169604	1	Assembly, Dash Cover (See Separate Breakdown in this Section)	
17	1001161855	1	Cover, Side Dash	
18	1001170504	1	Cover, Recirculation Grille	
19	1001170518	1	Holder, Cup	
20	1001170519	1	Assembly, Rear Panel Cover (See Separate Breakdown in this Section)	
21	1001173965	1	Bezel, Net	
22	1001175903	1	Cover, Lower Dash	
23	1001219863	1	Plate, Switch	
24	1001181726	1	Installation, Armrest (See Separate Breakdown in this Section)	
25	1001184975	1	Decal, HVAC	
26	1001185870	1	Cover, Lower A-Post	
27	1001189182	1	Cover, RH Side	
28	1001223265	2	Grommet	
29	1001195817	1	Cover, RH Extension	
30	1001195818	1	Panel, LH Side	
31	4010608002	26	Screw, M6X16	
32	4010610002	1	Screw, M6X20	
33	4010612002	3	Screw, M6X25	
34	1001211907	2	Screw	
35	1001208308	4	Thumb Screw, M6X15	
36	1001226481	1	Decal, Blank	
37	1001098150	1	Washer, M6	
38	1001132564	1	Screw, M6X20	
39	1001227133	2	Grommet	

SECTION 6 - CAB

FIGURE 6-56. DASH COVER ASSEMBLY



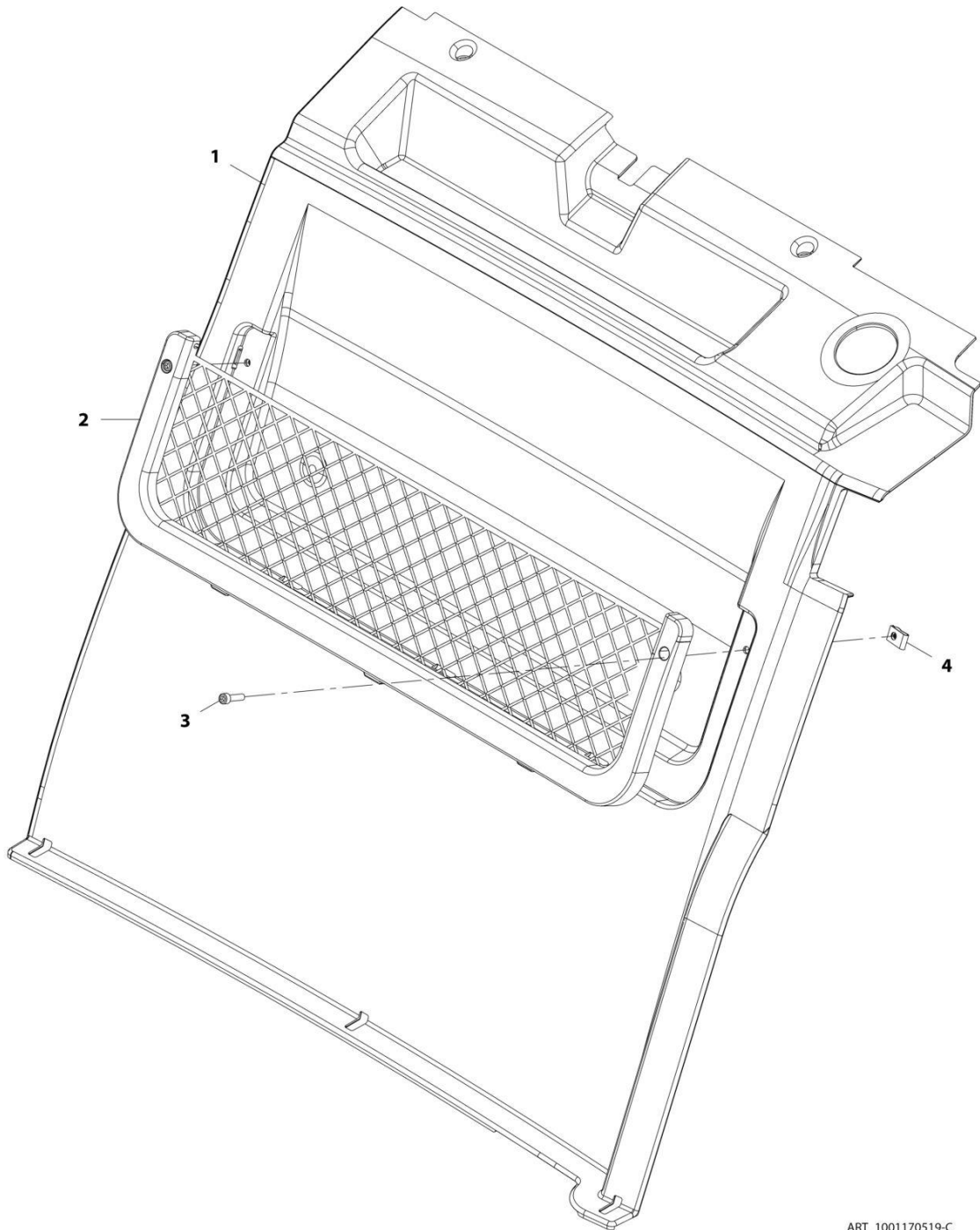
ART_1001169604-B

FIGURE 6-56. DASH COVER ASSEMBLY

ITEM	PART NUMBER	QTY	DESCRIPTION	REV
	1001169604	Ref	Dash Cover Assembly (Construction)	B
1	1001161851	1	Panel, Top Dash	
2	1001147449	2	Vent, Air	
3	1001149278	1	Vent, Connector	
4	1001174652	1	Hose	
5	1001174653	1	Hose	
6	1001174655	1	Hose	
7	8405201	4	Clamp, Gear	

SECTION 6 - CAB

FIGURE 6-57. REAR PANEL COVER ASSEMBLY



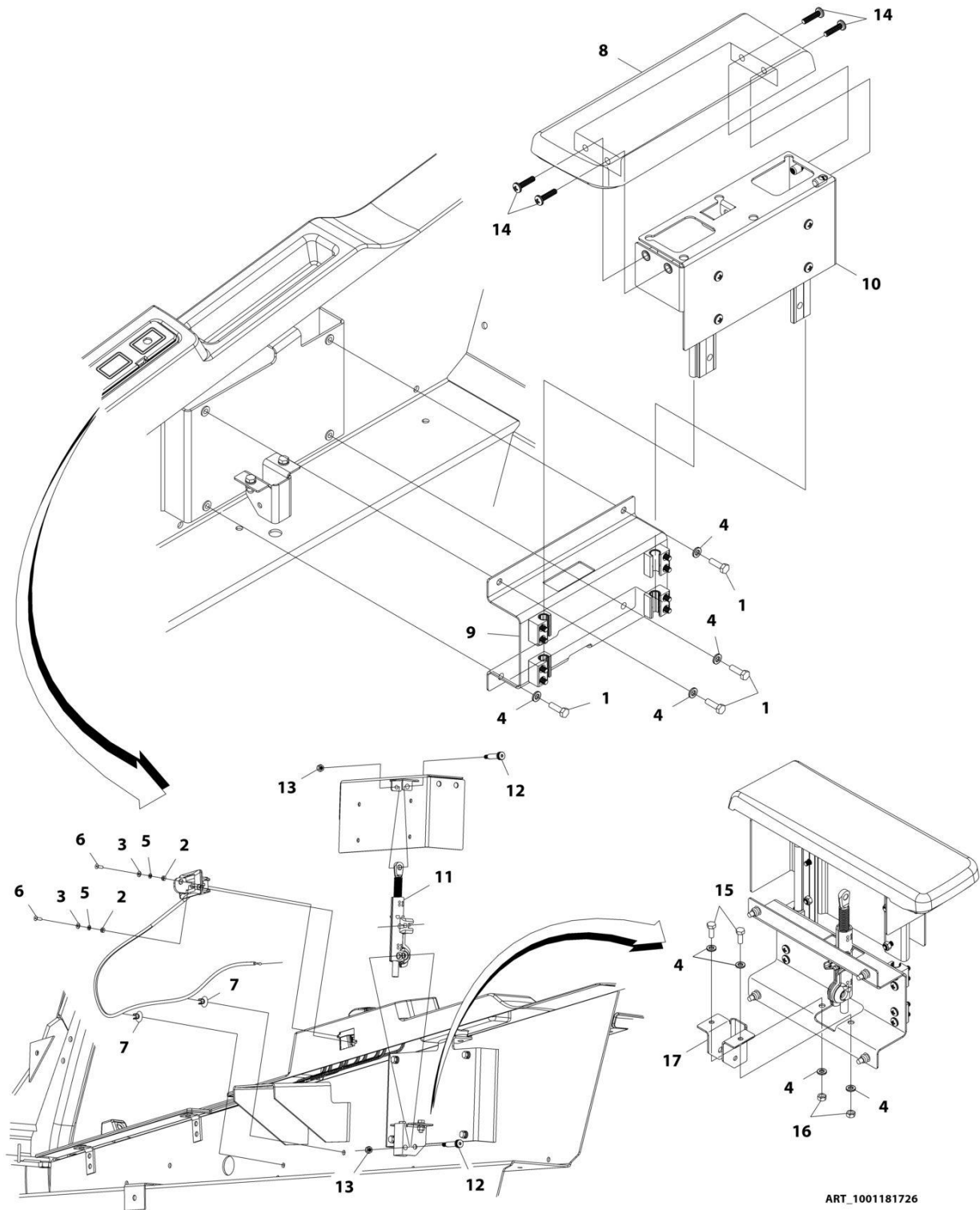
ART_1001170519-C

FIGURE 6-57. REAR PANEL COVER ASSEMBLY

ITEM	PART NUMBER	QTY	DESCRIPTION	REV
	1001170519	Ref	Rear Panel Cover Assembly	C
1	1001161067	1	Panel, Rear	
2	1001170514	1	Storage Net, Rear Panel	
3	4031608	2	Bolt, M5X20	
4	1001183550	2	Nut, Cage M5	

SECTION 6 - CAB

FIGURE 6-58. ADJUSTABLE ARMREST INSTALLATION



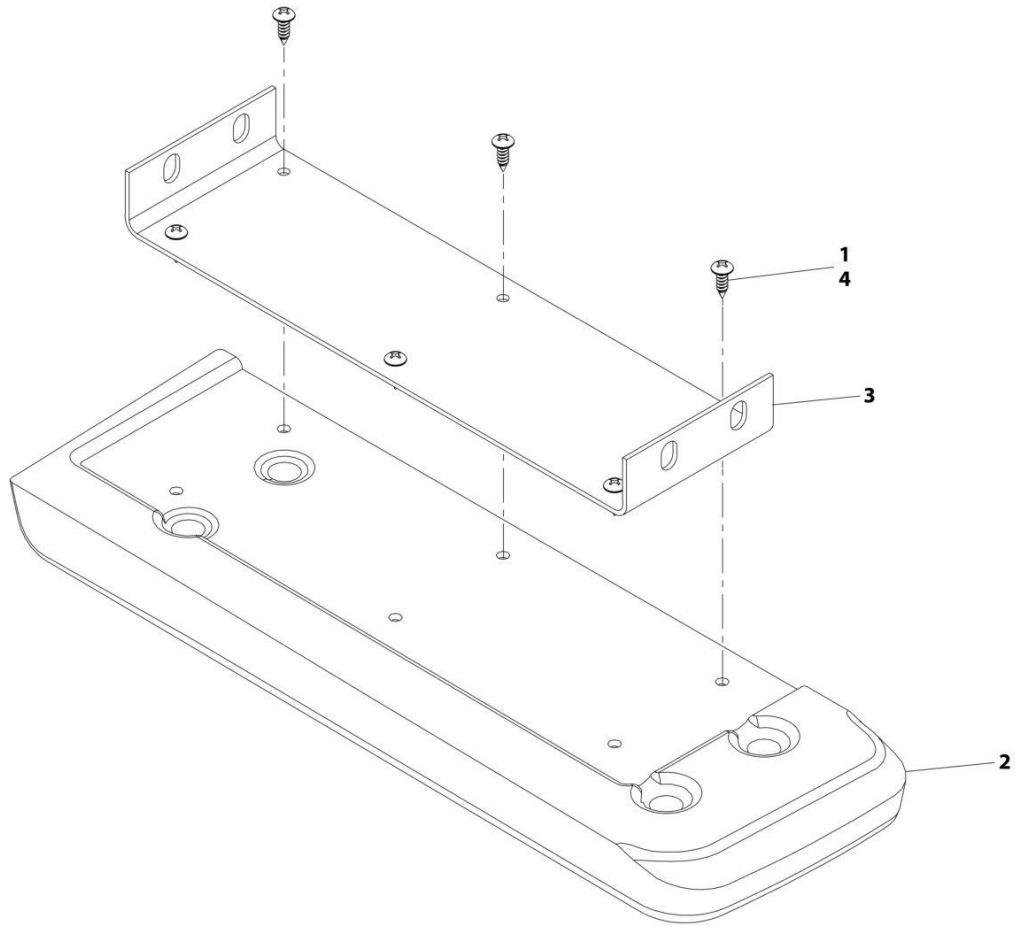
ART_1001181726

FIGURE 6-58. ADJUSTABLE ARMREST INSTALLATION

ITEM	PART NUMBER	QTY	DESCRIPTION	REV
	1001181726	Ref	Adjustable Armrest Installation	F
1	0700610	4	Bolt, M6X20	
2	3290401	2	Nut, M4X0.7	
3	4811400	2	Washer, M4	
4	4811700	8	Washer, M6	
5	4831400	2	Washer, Lock M4	
6	1001097244	2	Screw, M4X12	
7	1001165458	4	Hose	
8	1001191281	1	Armrest (See Separate Breakdown in this Section)	
9	1001191283	1	Bracket, Fixed Armrest (See Separate Breakdown in this Section)	
10	1001191284	1	Bracket, Moving Armrest (See Separate Breakdown in this Section)	
11	1001191285	1	Spring	
12	1001191370	2	Screw, M6	
13	3290605	2	Nut, M6X1 Grade 8	
14	4010612002	4	Screw, M6X25	
15	0760608	2	Bolt, M6X16	
16	3290601	2	Nut, M6X1	
17	1001212468	1	Bracket, Locking Spring Mount	

SECTION 6 - CAB

FIGURE 6-59. ARMREST



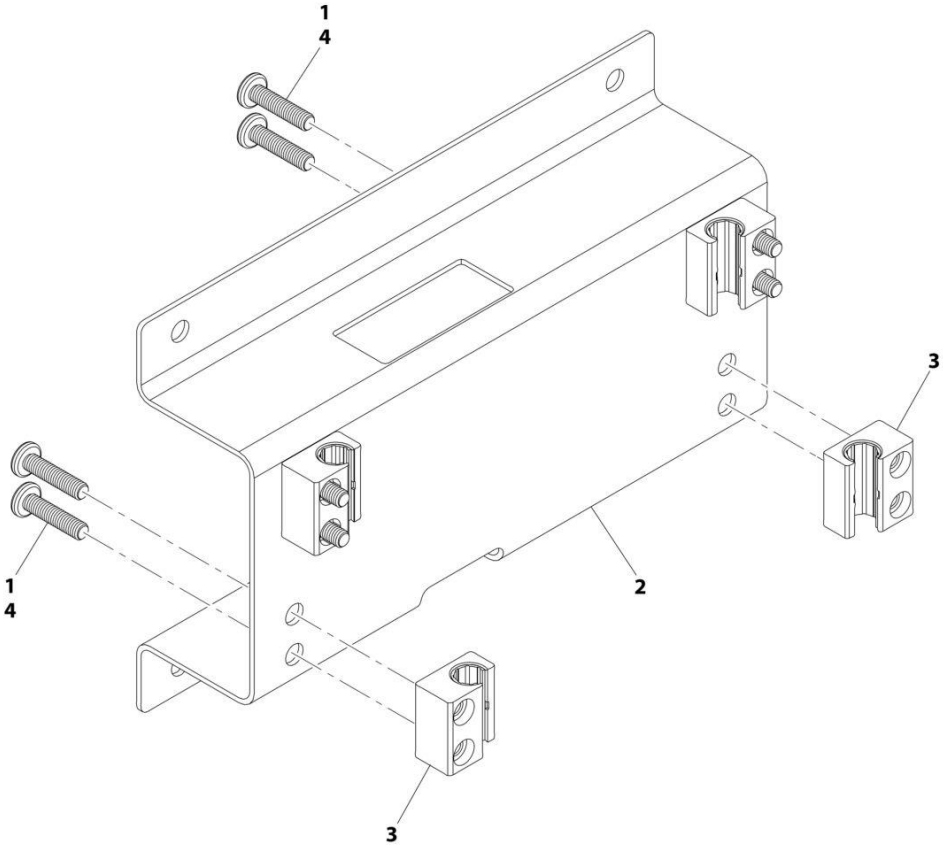
ART_1001191281

FIGURE 6-59. ARMREST

ITEM	PART NUMBER	QTY	DESCRIPTION	REV
	1001191281	Ref	Armrest	E
1	1001095650	AR	Adhesive	
2	1001179484	1	Armrest, Cab	
3	1001191282	1	Bracket, Armrest Pad	
4	1001192240	6	Screw	

SECTION 6 - CAB

FIGURE 6-60. FIXED ARMREST BRACKET



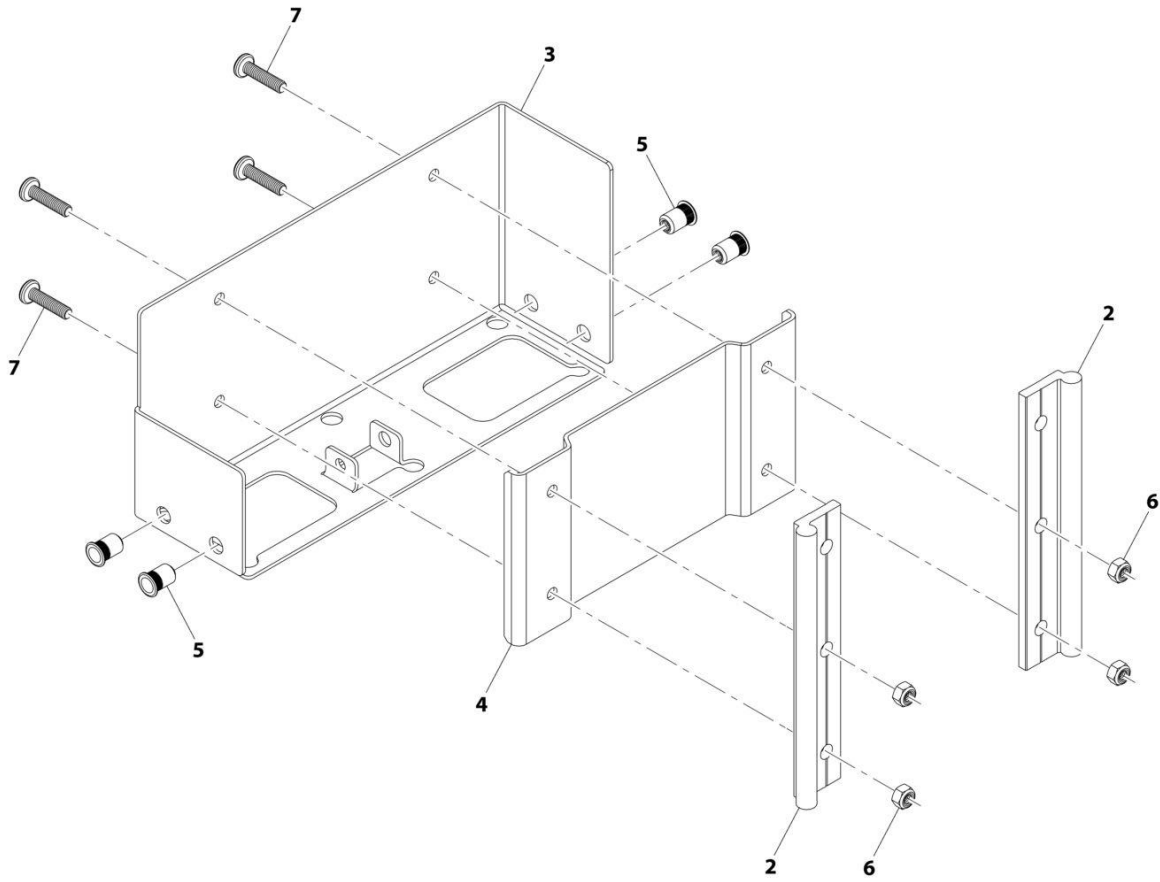
ART_1001191283-B

FIGURE 6-60. FIXED ARMREST BRACKET

ITEM	PART NUMBER	QTY	DESCRIPTION	REV
	1001191283	Ref	Fixed Armrest Bracket	B
1	1001095650	AR	Adhesive	
2	1001183597	1	Armrest Bracket	
3	1001191310	4	Slide Block	
4	4010612002	8	Screw	

SECTION 6 - CAB

FIGURE 6-61. MOVING ARMREST BRACKET



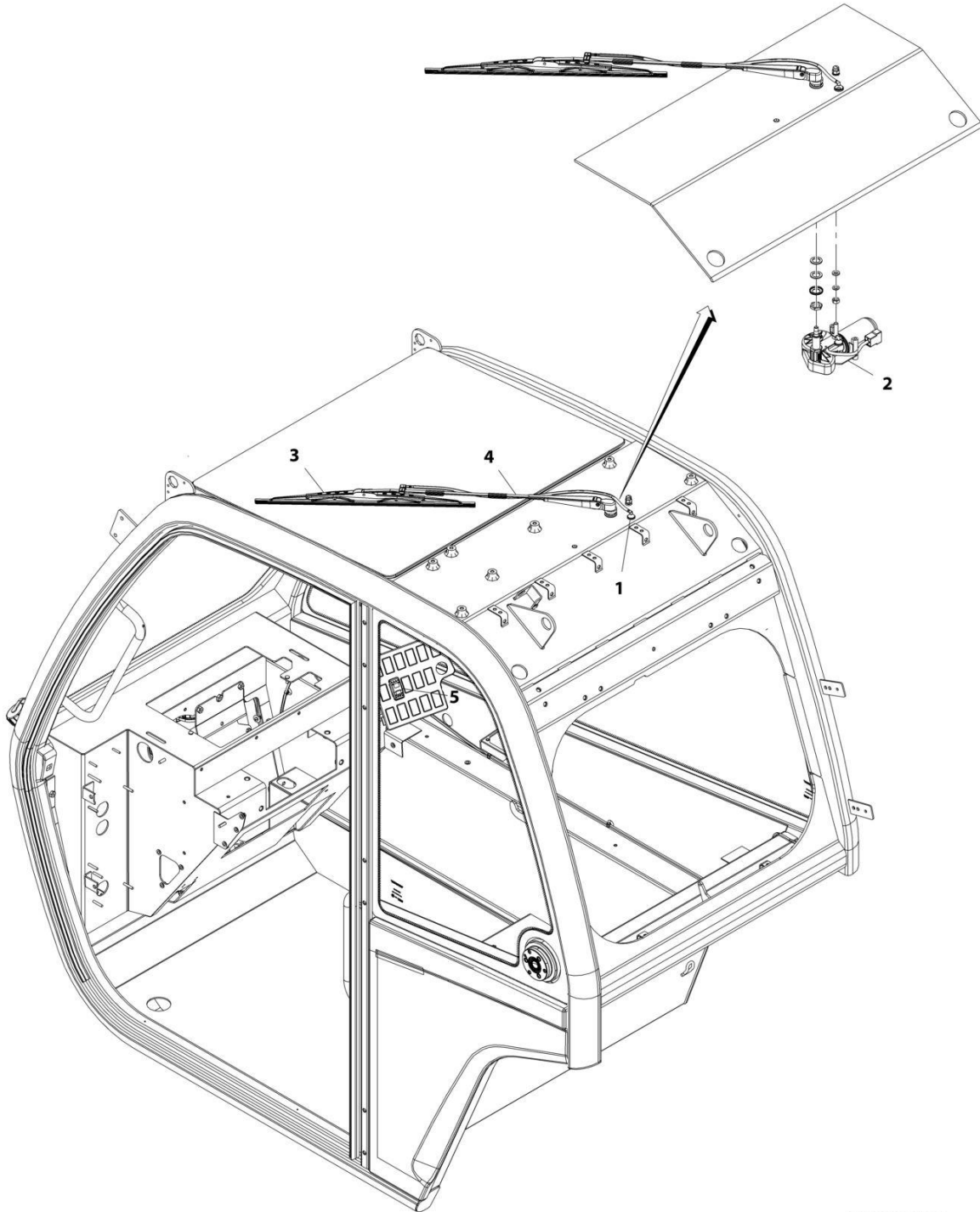
ART_1001191284-B

FIGURE 6-61. MOVING ARMREST BRACKET

ITEM	PART NUMBER	QTY	DESCRIPTION	REV
	1001191284	Ref	Moving Armrest Bracket	B
2	1001191311	2	Side Rail	
3	1001191312	1	Armrest Mount Bracket	
4	1001191313	1	Spacer Block Plate	
5	1001191959	4	Rivenut M6 X 1	
6	3290605	4	Nut, Lock M6X1	
7	4010612002	4	Screw, M6X25	

SECTION 6 - CAB

FIGURE 6-62. ROOF WIPER INSTALLATION



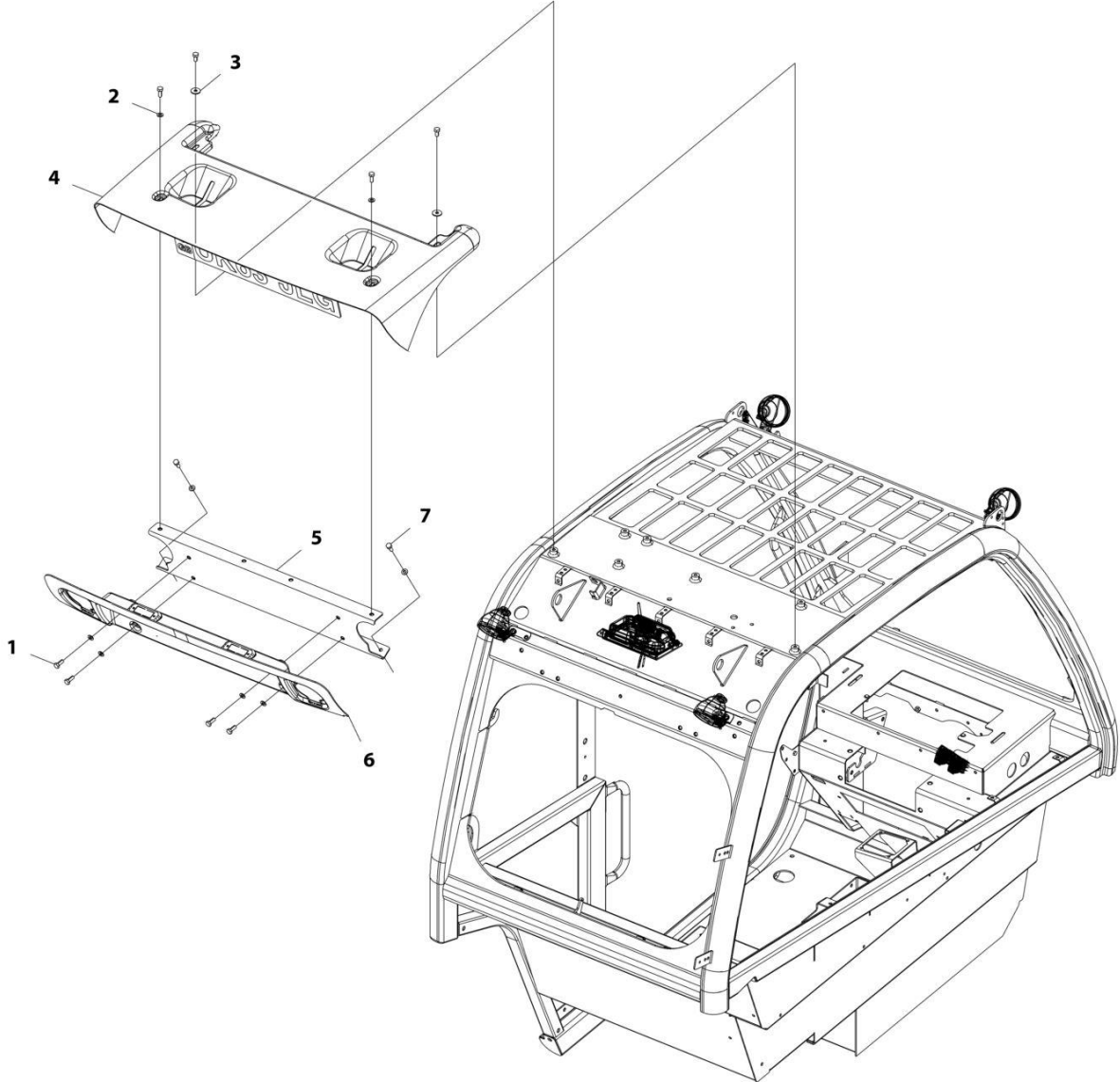
ART_1001155486-B

FIGURE 6-62. ROOF WIPER INSTALLATION

ITEM	PART NUMBER	QTY	DESCRIPTION	REV
	1001155486	Ref	Roof Wiper Installation	B
1	1001090343	1	Connector	
2	1001139551	1	Motor, Roof Wiper	
3	1001141313	1	Blade, Roof Wiper	
4	1001141311	1	Arm, Roof Wiper Blade	
5	1001159736	1	Switch, Roof Wiper	

SECTION 6 - CAB

FIGURE 6-63. ROOF CAP INSTALLATION (NO A/C)



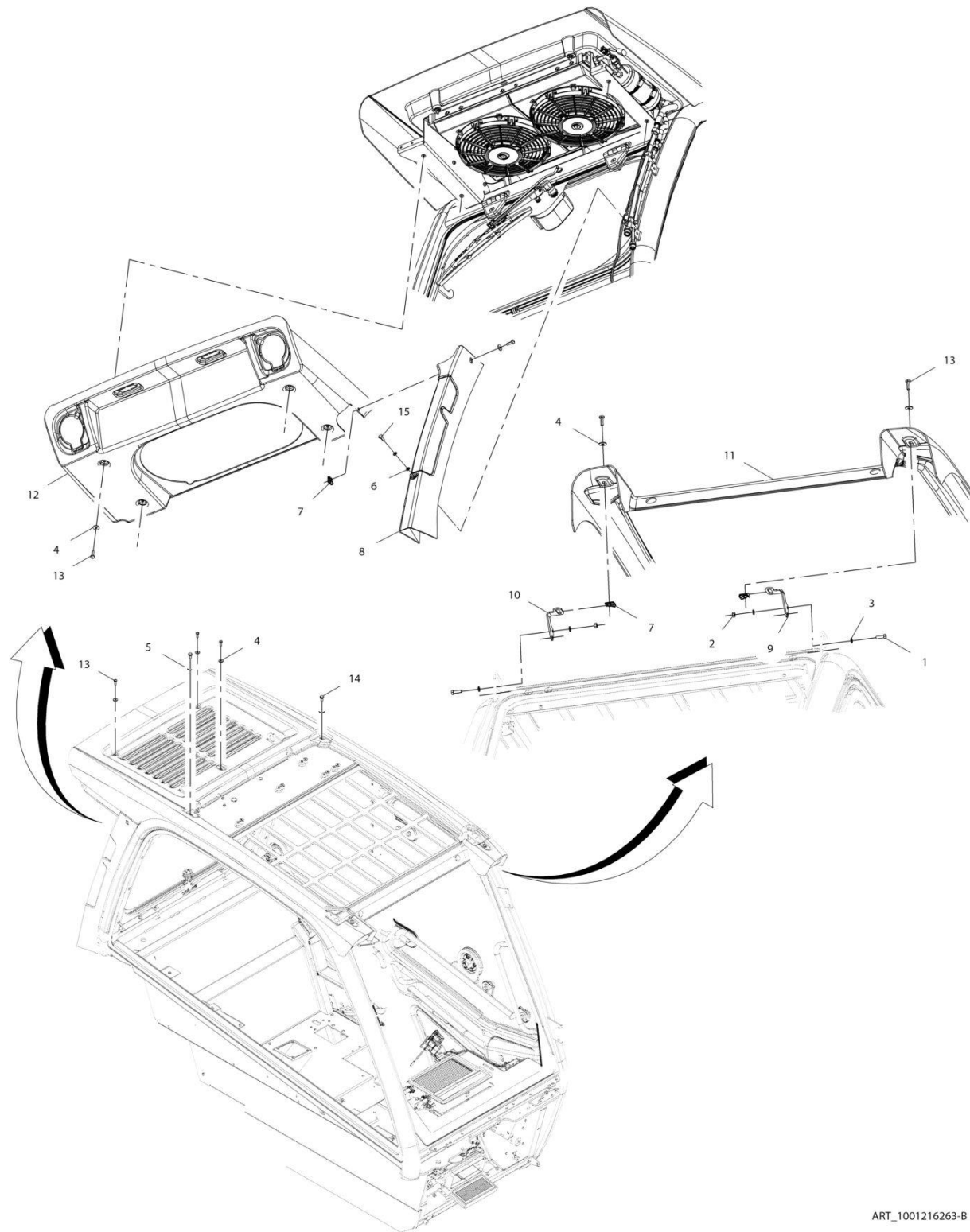
ART_1001216265

FIGURE 6-63. ROOF CAP INSTALLATION (NO A/C)

ITEM	PART NUMBER	QTY	DESCRIPTION	REV
	1001216265	Ref	Roof Cap Installation (No A/C)	B
1	0760810	8	Bolt, M8X20	
2	4811900	8	Washer, M8	
3	4811902	2	Washer, M8	
4	1001182330	1	Cover, Short Upper Roof Cap	
5	1001185633	1	Bracket, Roof Cap Mount	
6	1001216270	1	Cover, Short Lower Roof Cap	
7	0760808	2	Bolt, M8X16	

SECTION 6 - CAB

FIGURE 6-64. ROOF CAP INSTALLATION (A/C)



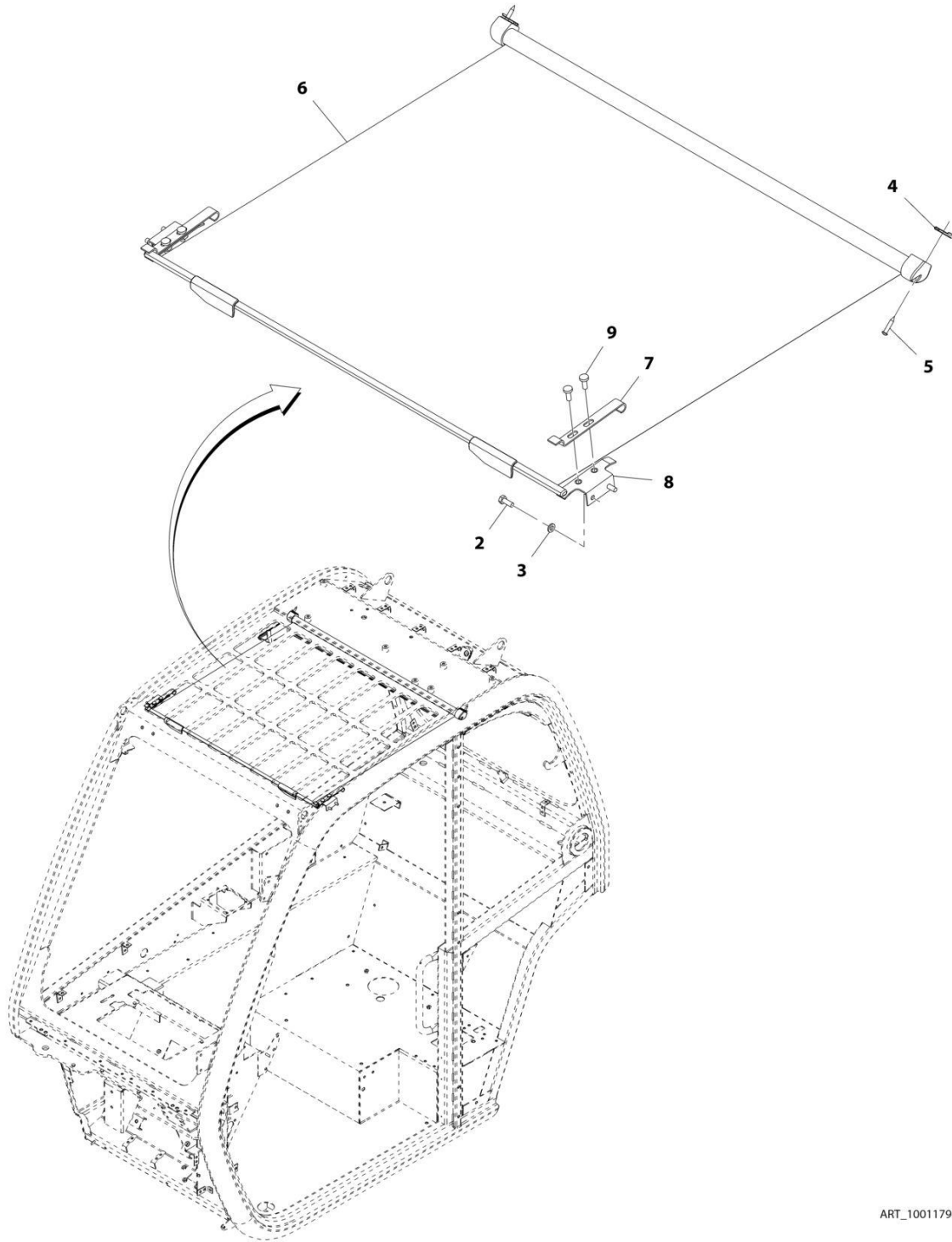
ART_1001216263-B

FIGURE 6-64. ROOF CAP INSTALLATION (A/C)

ITEM	PART NUMBER	QTY	DESCRIPTION	REV
	1001216263	Ref	Roof Cap (A/C) Installation	B
1	0700610	4	Bolt, M6X20	
2	3290601	4	Nut, M6X1	
3	4811700	9	Washer, M6	
4	4811702	10	Washer, M6	
5	4811902	2	Washer, M8	
6	4831700	1	Washer, Lock M6	
7	8305919	3	Nut, M6	
8	1001174741	1	Cover	
9	1001174800	1	Bracket	
10	1001174801	1	Bracket	
11	1001216267	1	Cover, Upper Roof Cap	
12	1001216269	1	Cover, Lower Roof Cap	
13	4010610002	10	Screw, Posi-Drive M6X20	
14	0760808	2	Bolt, M8X16	
15	4010608002	1	Screw, M6X16	

SECTION 6 - CAB

FIGURE 6-65. RETRACTABLE SUNSCREEN INSTALLATION



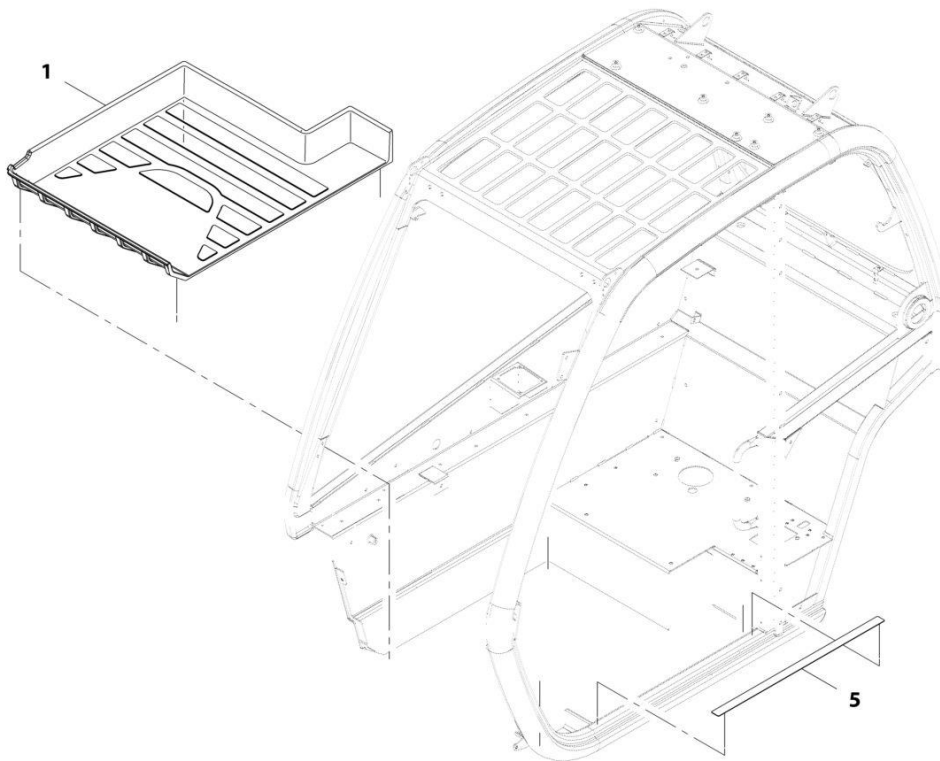
ART_1001179482-D

FIGURE 6-65. RETRACTABLE SUNSCREEN INSTALLATION

ITEM	PART NUMBER	QTY	DESCRIPTION	REV
	1001179482	Ref	Retractable Sunscreen Installation	D
2	0760608	4	Bolt, M6X16	
3	4811700	4	Washer, M6	
4	1001111076	2	Nut, Spire	
5	1001111147	2	Screw, Self Tapping	
6	1001179483	1	Cab, Sun Blind	
7	1001209463	2	Bracket	
8	1001166385	2	Bracket	
9	4010608002	4	Screw, Posi-Drive M6X16	

SECTION 6 - CAB

FIGURE 6-66. FLOOR MAT INSTALLATION



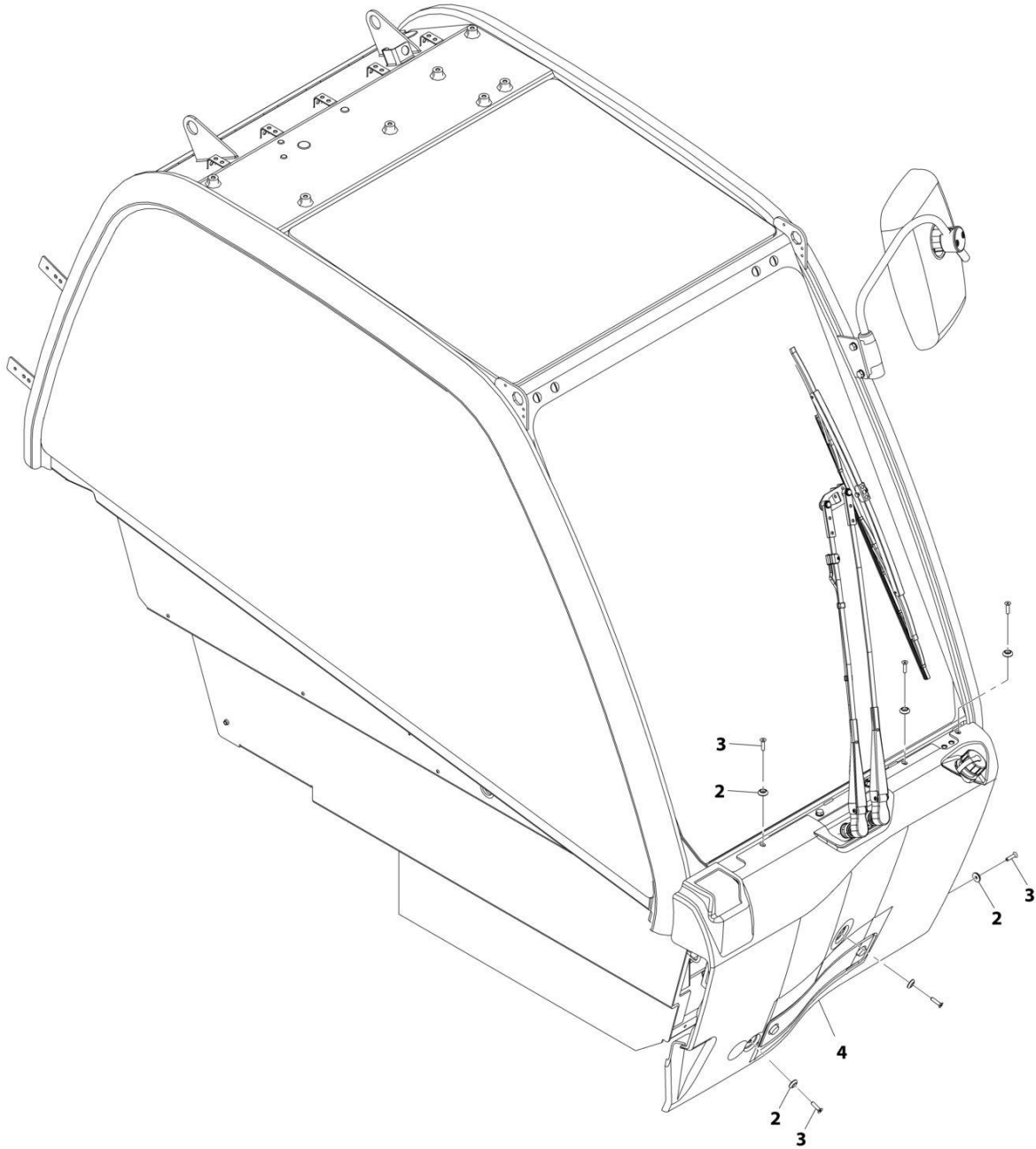
ART_1001161080-E

FIGURE 6-66. FLOOR MAT INSTALLATION

ITEM	PART NUMBER	QTY	DESCRIPTION	REV
	1001161080	Ref	Floor Mat Installation	E
1	1001161078	1	Cab, Floor Mat	
5	1001197259	1	Tape, Frame Non Skid	

SECTION 6 - CAB

FIGURE 6-67. ENCLOSED CAB FRONT COVER INSTALLATION



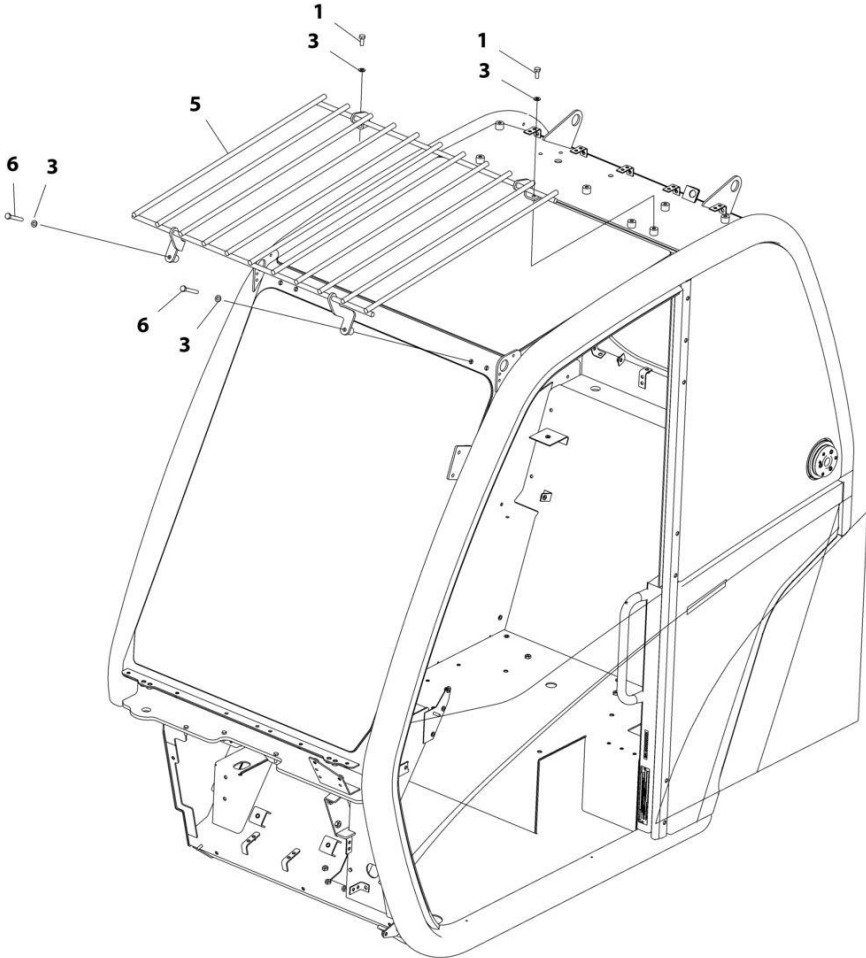
ART_1001179592-G

FIGURE 6-67. ENCLOSED CAB FRONT COVER INSTALLATION

ITEM	PART NUMBER	QTY	DESCRIPTION	REV
	1001179592	Ref	Enclosed Cab Front Cover Installation	G
2	1001097540	6	Washer, M6	
3	3900379	6	Screw, M6-1X25 Grade 10.9	
4	1001170325	1	Cover, Front	

SECTION 6 - CAB

FIGURE 6-68. CAB GUARD INSTALLATION (TOP)



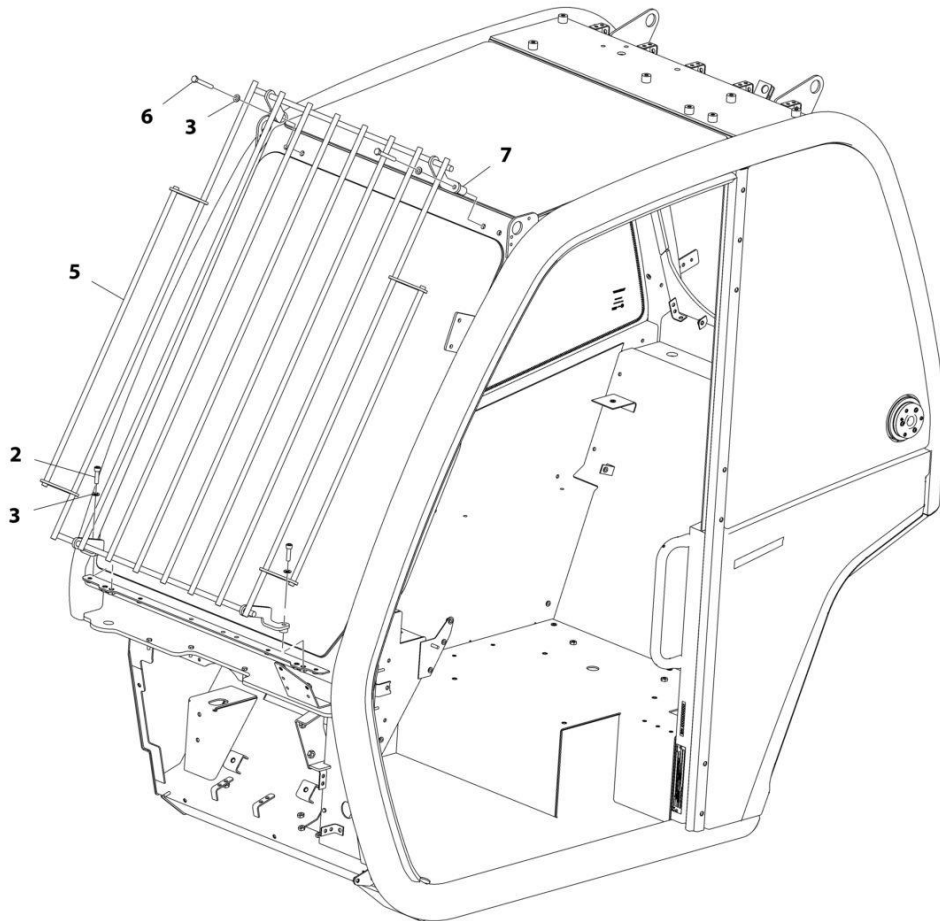
ART_1001160496

FIGURE 6-68. CAB GUARD INSTALLATION (TOP)

ITEM	PART NUMBER	QTY	DESCRIPTION	REV
	1001160496	Ref	Cab Guard Installation (Top)	G
1	0760810	2	Bolt, M8X20	
3	4811900	4	Washer, M8	
5	1001160503	1	Guard, Top Screen	
6	0700820	2	Bolt, M8X60	

SECTION 6 - CAB

FIGURE 6-69. CAB GUARD INSTALLATION (FRONT)



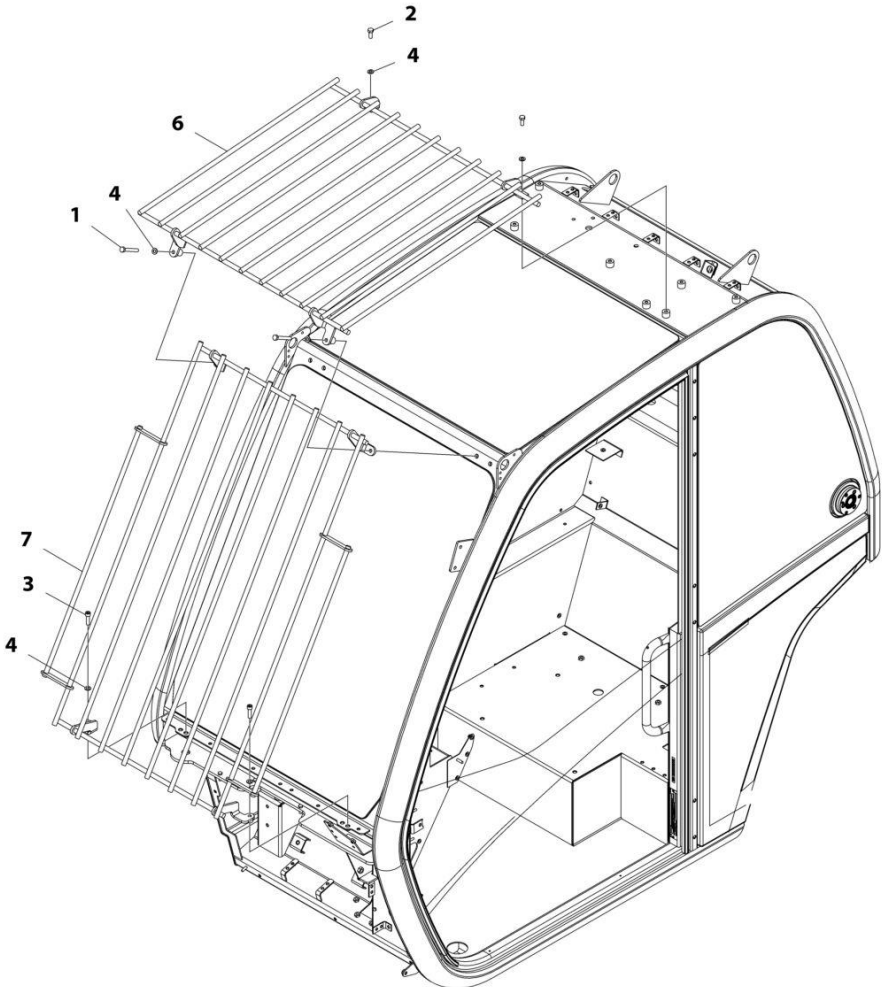
ART_1001160506-G

FIGURE 6-69. CAB GUARD INSTALLATION (FRONT)

ITEM	PART NUMBER	QTY	DESCRIPTION	REV
	1001160506	Ref	Cab Guard Installation (Front)	G
2	4031910	2	Bolt, M8X30	
3	4811900	4	Washer, M8	
5	1001180263	1	Guard, Front Screen	
6	0700820	2	Bolt, M8X60	
7	1001173257	2	Spacer	

SECTION 6 - CAB

FIGURE 6-70. CAB GUARD INSTALLATION (TOP AND FRONT)



ART_1001172774

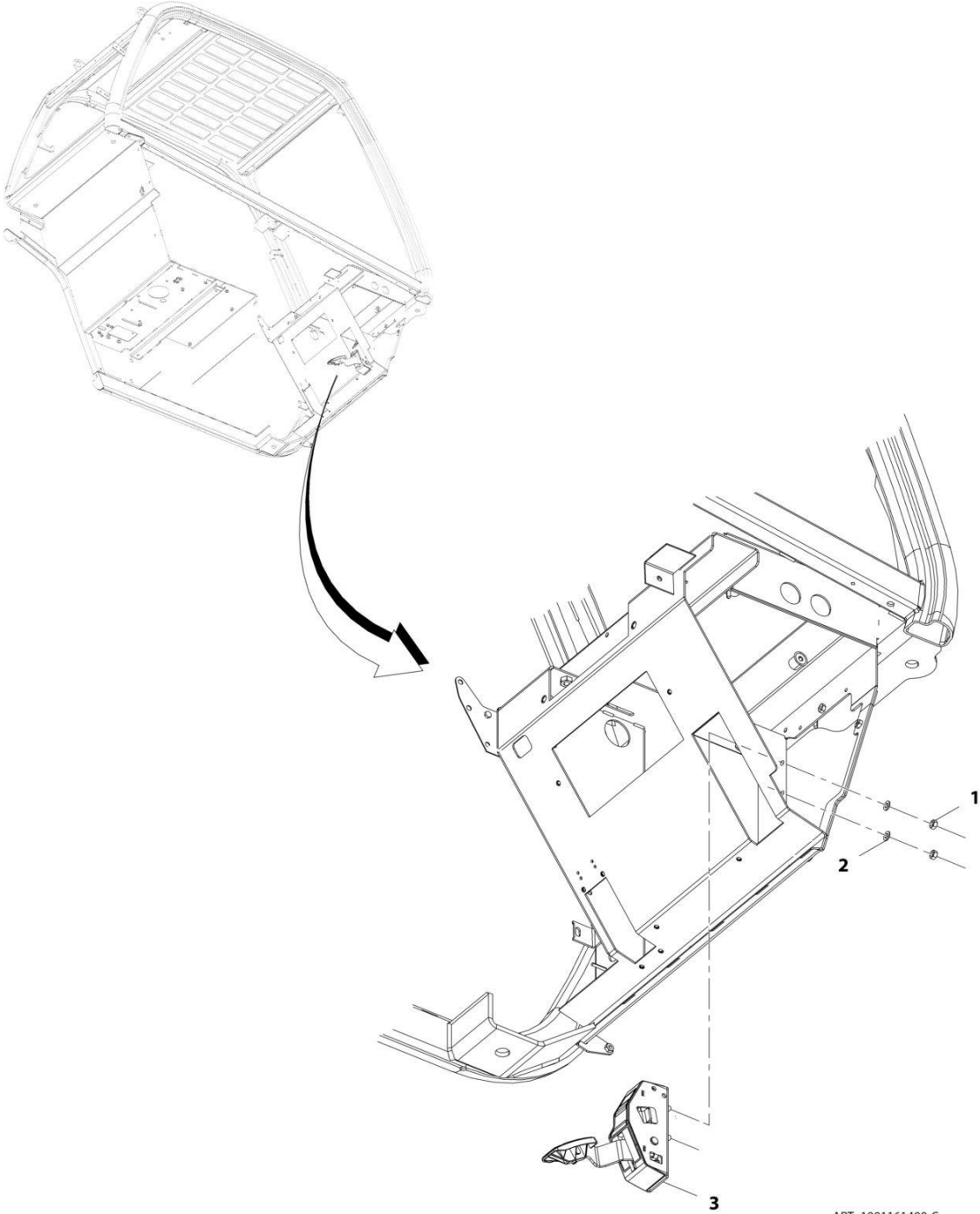
FIGURE 6-70. CAB GUARD INSTALLATION (TOP AND FRONT)

ITEM	PART NUMBER	QTY	DESCRIPTION	REV
	1001172774	Ref	CAB GUARD INSTALLATION (TOP AND FRONT)	G
1	0700820	2	Bolt M8 x 60	
2	0760810	2	Bolt M8 x 20	
3	4031910	2	Bolt M8 x 30	
4	4811900	6	Washer M8	
6	1001160503	1	Guard, Top Screen	
7	1001180263	1	Guard, Front Screen	

SECTION 7 - CONTROLS

SECTION 7 - CONTROLS

FIGURE 7-1. ACCELERATOR PEDAL INSTALLATION



ART_1001161499-C

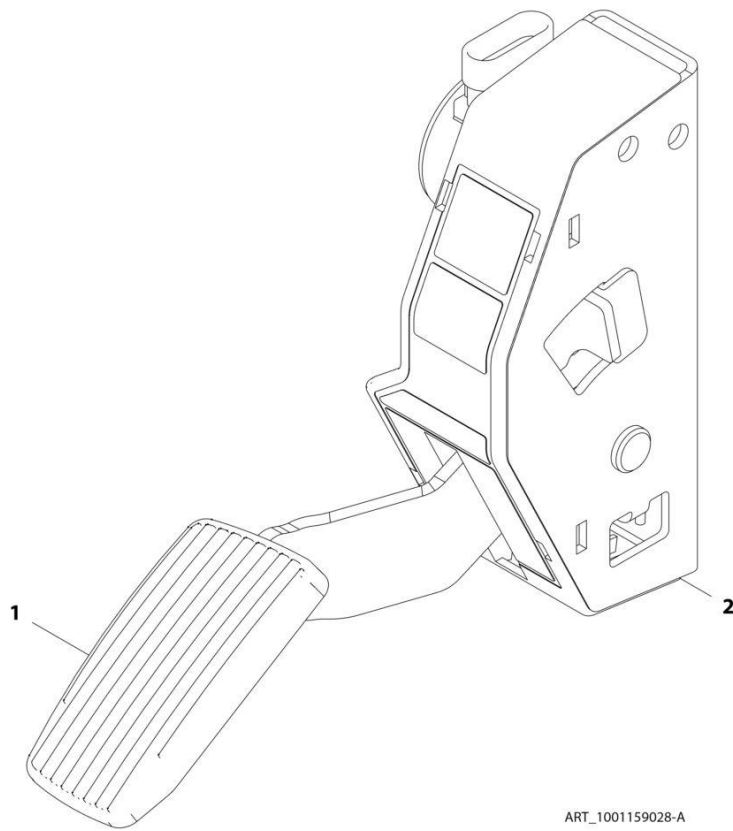
SECTION 7 - CONTROLS

FIGURE 7-1. ACCELERATOR PEDAL INSTALLATION

ITEM	PART NUMBER	QTY	DESCRIPTION	REV
	1001161499	Ref	Accelerator Pedal Installation	C
1	3290801	2	Nut, M8X1.25	
2	4811900	2	Washer, M8	
3	1001159028	1	Pedal, Accelerator (See Separate Breakdown in this Section)	

SECTION 7 - CONTROLS

FIGURE 7-2. ACCELERATOR PEDAL



ART_1001159028-A

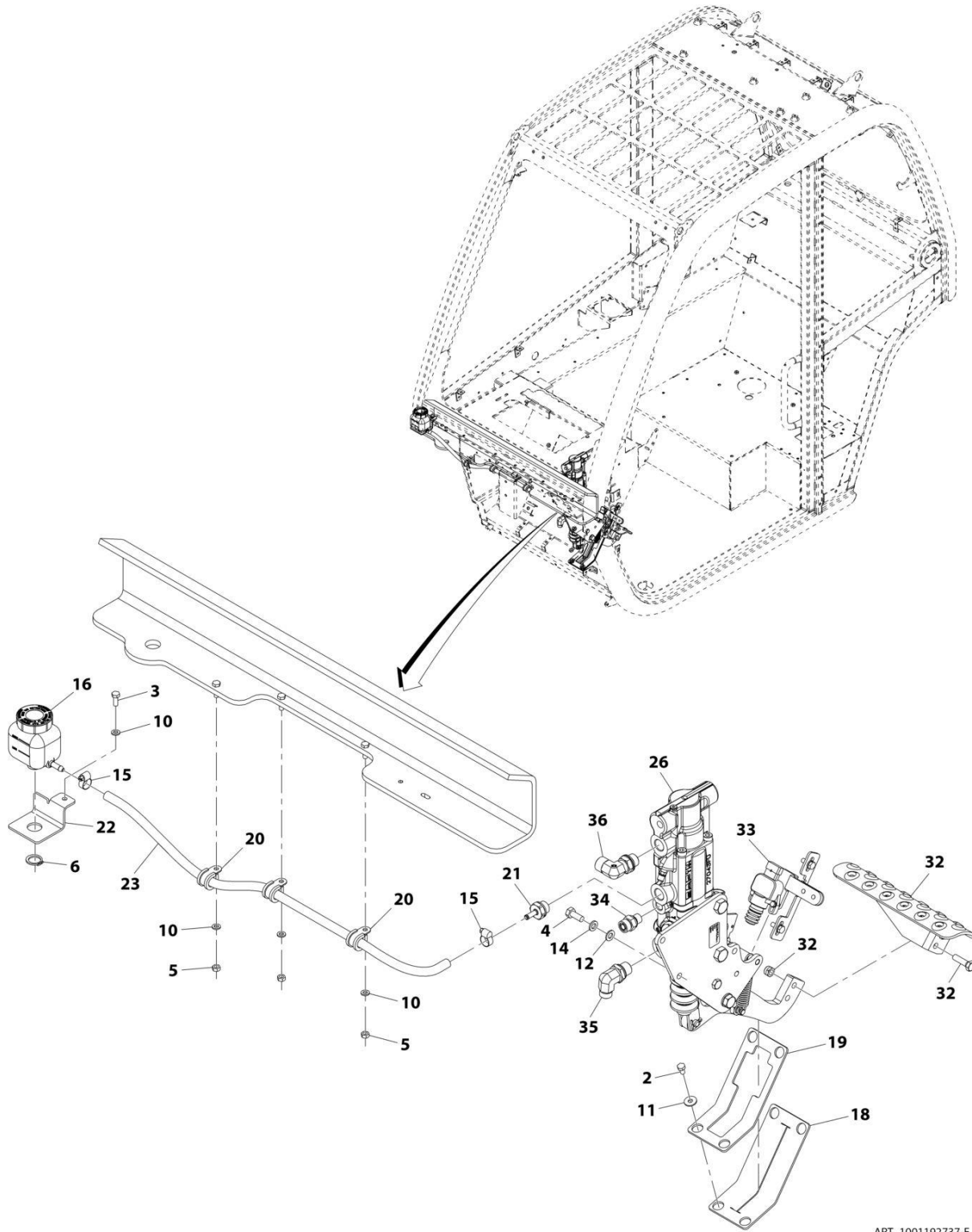
SECTION 7 - CONTROLS

FIGURE 7-2. ACCELERATOR PEDAL

ITEM	PART NUMBER	QTY	DESCRIPTION	REV
	1001159028	Ref	Accelerator Pedal	A
1	70025816	1	Pad, Rubber	
2	70025817	1	Cover, Rubber	

SECTION 7 - CONTROLS

FIGURE 7-3. BRAKE PEDAL INSTALLATION



ART_1001192737-E

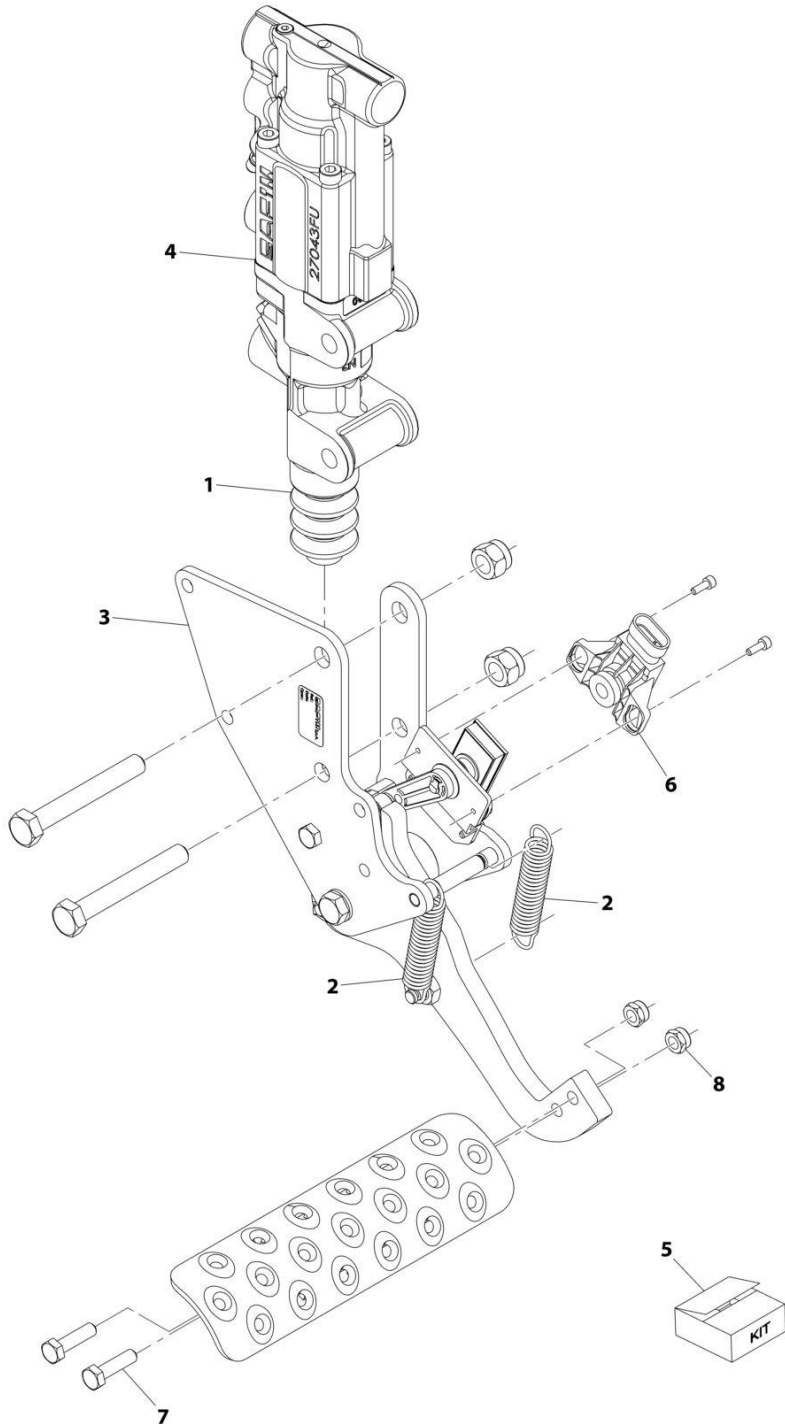
SECTION 7 - CONTROLS

FIGURE 7-3. BRAKE PEDAL INSTALLATION

ITEM	PART NUMBER	QTY	DESCRIPTION	REV
	1001192737	Ref	Brake Pedal Installation	E
2	0760605	4	Bolt, M6X10	
3	0760608	1	Bolt, M6X16	
4	0760810	3	Bolt, M8X20	
5	3290601	3	Nut, M6X1	
6	3760348	1	Ring, Retaining	
10	4811700	4	Washer, M6	
11	4811702	4	Washer, M6	
12	4811900	3	Washer, M8	
14	4831900	3	Washer, Lock M8	
15	8405009	2	Clamp	
16	1001214220	1	Reservoir, Brake	
18	1001162920	1	Seal	
19	1001162922	1	Plate	
20	1001170231	3	Clip	
21	1001171874	1	Fitting, Straight	
22	1001172088	1	Bracket	
23	1001172094	1	Hose	
26	1001213265	1	Assembly, Brake Pedal (See Separate Breakdown in this Section)	
32	1001197139	1	Plate, Brake Pedal	
33	1001205061	Ref	Installation, Brake Sensor (See Separate Breakdown in this Section)	
34	80233218	1	Fitting, Straight ORFS	
35	80333151	1	Fitting, 90 ORFS	
36	1001168054	1	Fitting, 90 ORFS	

SECTION 7 - CONTROLS

FIGURE 7-4. BRAKE PEDAL ASSEMBLY



ART_1001213265-A

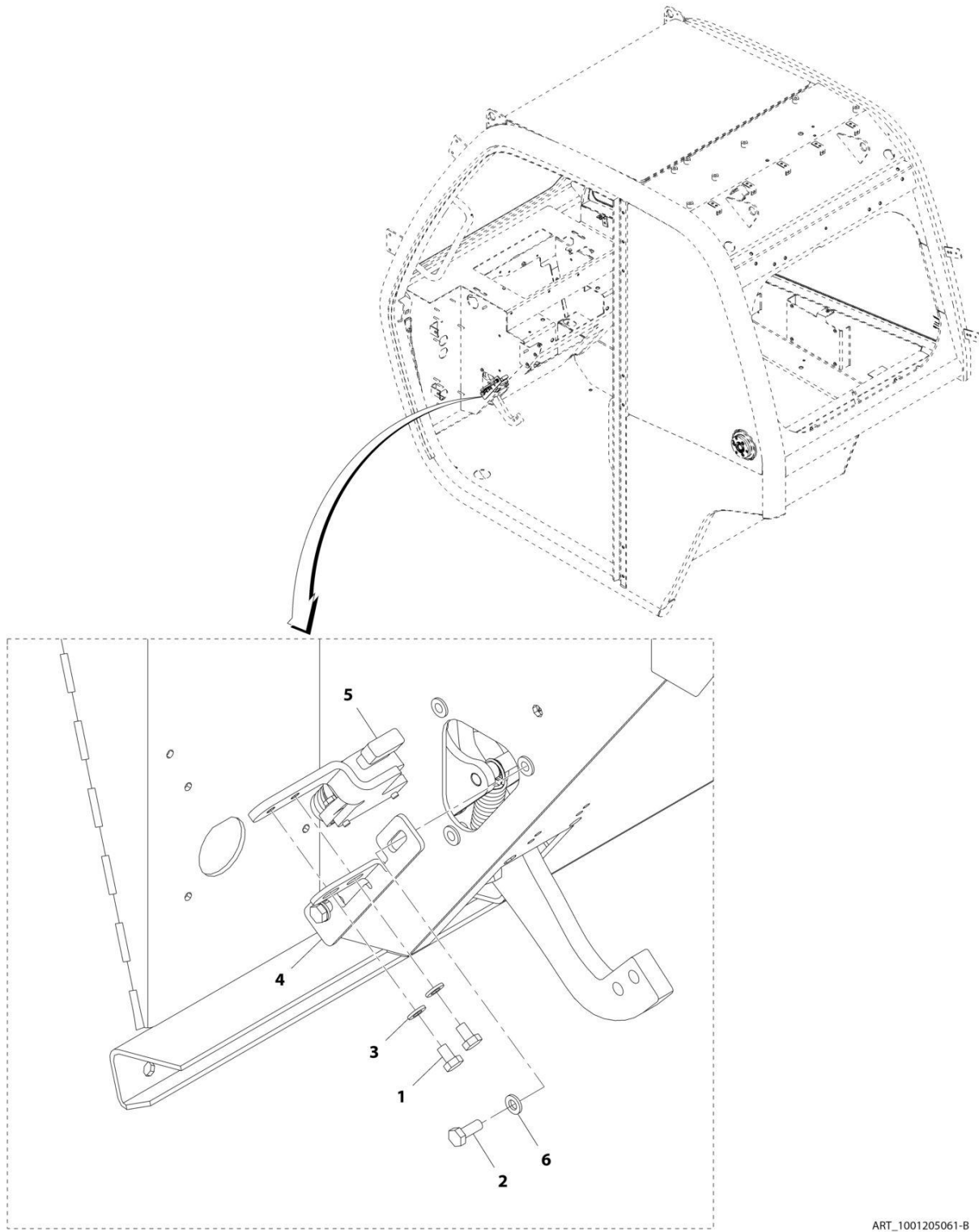
SECTION 7 - CONTROLS

FIGURE 7-4. BRAKE PEDAL ASSEMBLY

ITEM	PART NUMBER	QTY	DESCRIPTION	REV
	1001213265	Ref	Brake Pedal Assembly	A
1	70025859	1	Cover, Dust	
2	70025860	2	Spring, Return	
3	70028381	1	Support, Pedal	
4	70028382	1	Cylinder, Master	
5	70026434	1	Kit, Seal	
6	70028383	1	Sensor, Angle	
7	0770814	2	Bolt, M8X30 Grade 10.9	
8	3290805	2	Nut, Lock M8X1.25 Grade 8	

SECTION 7 - CONTROLS

FIGURE 7-5. BRAKE SENSOR INSTALLATION



ART_1001205061-B

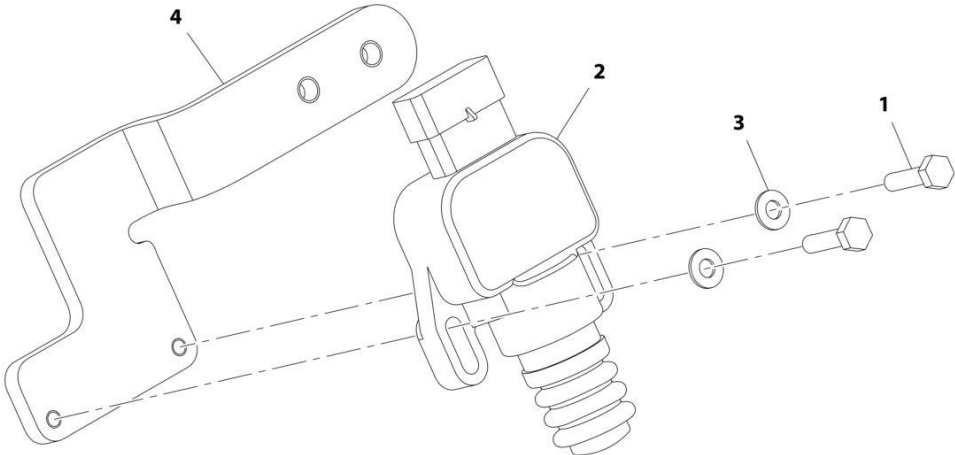
SECTION 7 - CONTROLS

FIGURE 7-5. BRAKE SENSOR INSTALLATION

ITEM	PART NUMBER	QTY	DESCRIPTION	REV
	1001205061	Ref	Brake Sensor Installation	B
1	0760605	2	Bolt, M6X10	
2	0760608	2	Bolt, M6X16	
3	4811700	2	Washer, M6	
4	1001201499	1	Plate, Switch Adjustment	
5	1001201501	1	Assembly, Switch Plate (See Separate Breakdown in this Section)	
6	4811702	2	Washer, M6	

SECTION 7 - CONTROLS

FIGURE 7-6. SWITCH PLATE ASSEMBLY



ART_1001201501-A

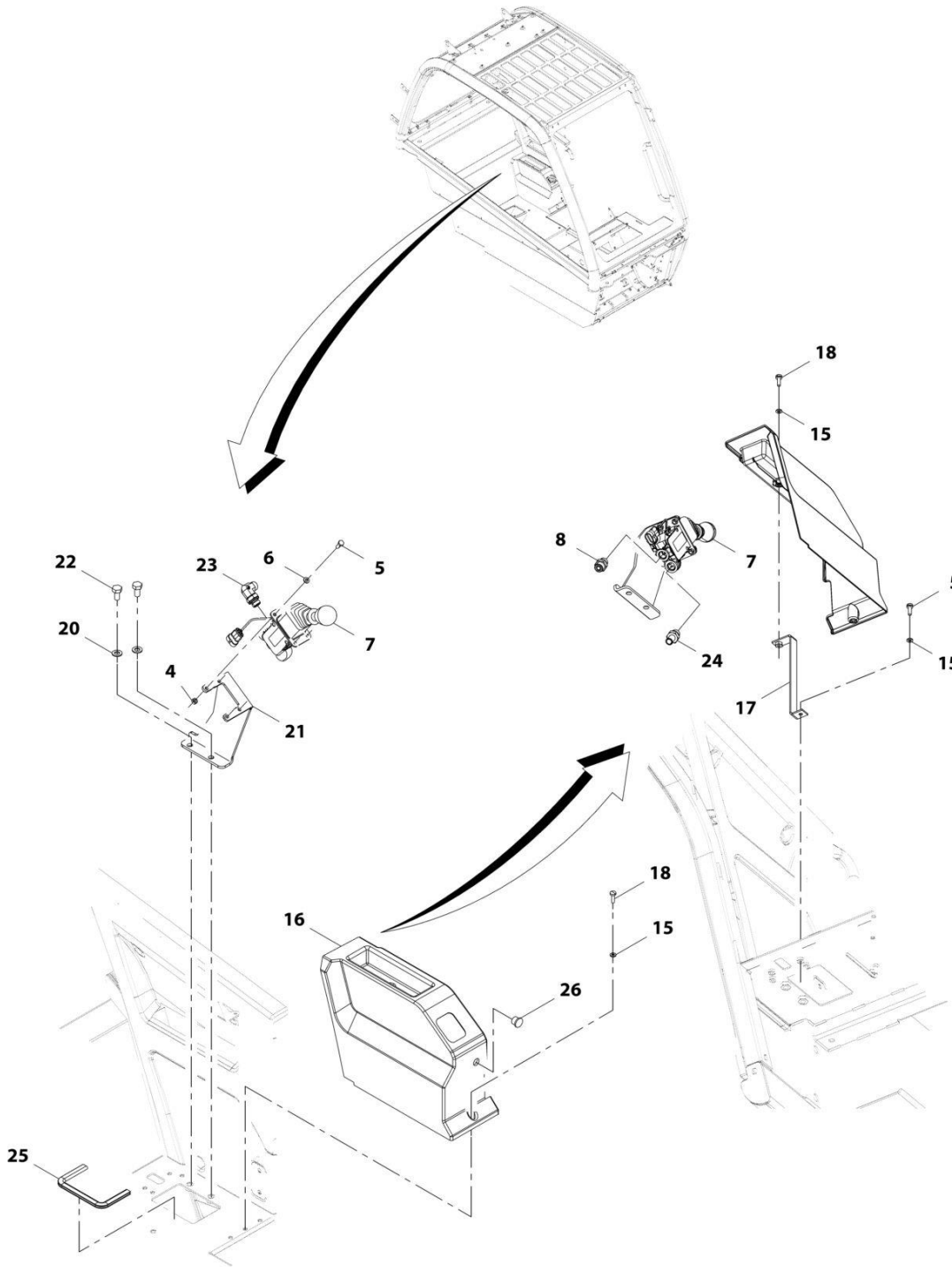
SECTION 7 - CONTROLS

FIGURE 7-6. SWITCH PLATE ASSEMBLY

ITEM	PART NUMBER	QTY	DESCRIPTION	REV
	1001201501	Ref	Switch Plate Assembly	A
1	0700408	2	Bolt, M4X16	
2	4360658	1	Sensor, Brake	
3	4811400	2	Washer, M4	
4	1001201500	1	Plate	

SECTION 7 - CONTROLS

FIGURE 7-7. PARK BRAKE INSTALLATION



ART_1001162062-M

SECTION 7 - CONTROLS

FIGURE 7-7. PARK BRAKE INSTALLATION

ITEM	PART NUMBER	QTY	DESCRIPTION	REV
	1001162062	Ref	Park Brake Installation	M
4	3290601	4	Nut, M6X1	
5	0760608	5	Bolt, M6X16	
6	4831700	4	Washer, Lock M6	
7	1001207956	1	Hydraulic Hand Brake	
7	70020922	1	Kit, Seal	
8	1001101702	1	Fitting, Straight ORFS	
15	4811700	3	Washer, M6	
16	1001193474	1	Panel	
17	1001195254	1	Bracket	
18	4010610002	2	Screw, M6X20	
20	4812000	2	Washer, M10	
21	1001191915	1	Bracket	
22	0761010	2	Bolt, M10X20	
23	1001125222	1	Fitting, 90 ORFS	
24	1001206744	1	Fitting, Grease	
25	1001208037	1	Seal	
26	3520028	1	Plug	

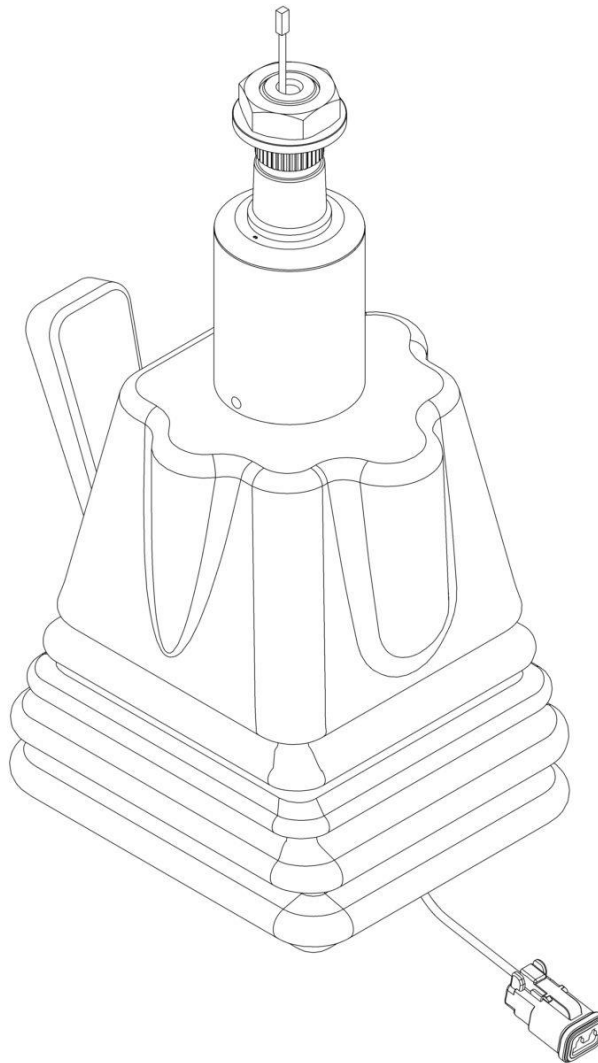
SECTION 7 - CONTROLS

FIGURE 7-8. TILT STEERING COLUMN INSTALLATION

ITEM	PART NUMBER	QTY	DESCRIPTION	REV
	1001192410	Ref	Tilt Steering Column Installation	1
1	0700824	1	Bolt M8 x 80	
2	0760608	1	Bolt M6 x 16	
3	0761012	8	Bolt M10 x 25	
4	2130404	1	Fitting, 90 ORFS	
5	2130808	2	Fitting, 90 ORFS	
6	2170208	2	Fitting, 90 ORFS	
7	4811702	1	Washer M6	
8	4811900	1	Washer M8	
9	4812000	8	Washer M10	
10	1001004640	4	Clamp	
11	1001095650	AR	Adhesive (Not Shown)	
13	1001257330	1	Column, Tilt Steering (See Separate Breakdown in this Section)	
14	1001156265	1	Bracket, Support	
15	1001161672	1	Pipe	
16	1001161896	1	Pipe	
17	1001161897	1	Pipe	
18	1001161898	1	Pipe	
19	1001168142	1	Bracket	
20	1001168151	1	Bracket	
21	1001178670	1	Valve, Steer (See Separate Breakdown in HYDRAULICS COMPONENTS Section)	
22	1001194282	1	Pipe	
25	1001227945	1	Valve, Check	

SECTION 7 - CONTROLS

FIGURE 7-9. TILT STEERING COLUMN



ART_1001257330

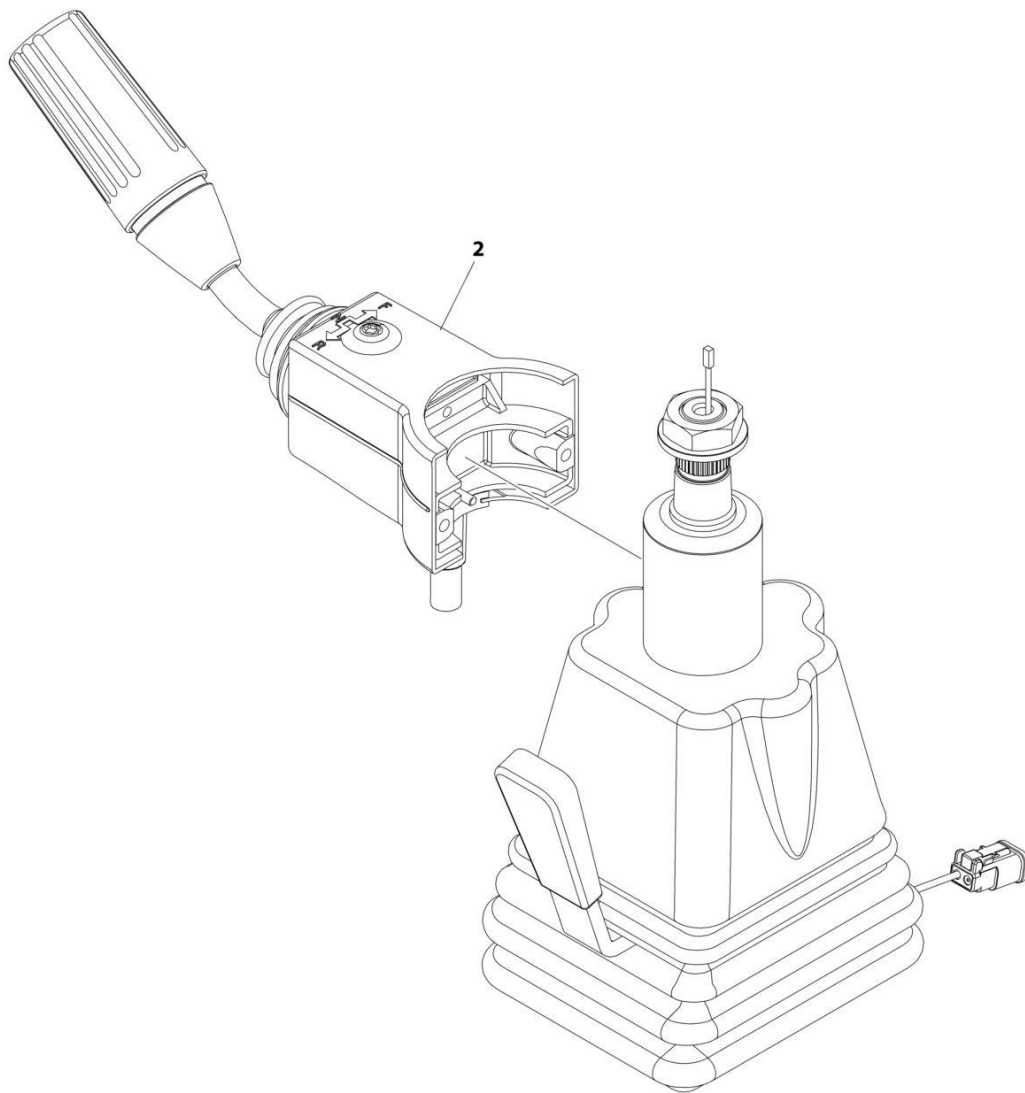
SECTION 7 - CONTROLS

FIGURE 7-9. TILT STEERING COLUMN

ITEM	PART NUMBER	QTY	DESCRIPTION	REV
	1001257330	Ref Ref	TILT STEERING COLUMN Note: No Service Parts Available - Purchase Complete Assembly	A

SECTION 7 - CONTROLS

FIGURE 7-10. COLUMN SHIFT INSTALLATION (2 SPEED)



ART_1001220507_B

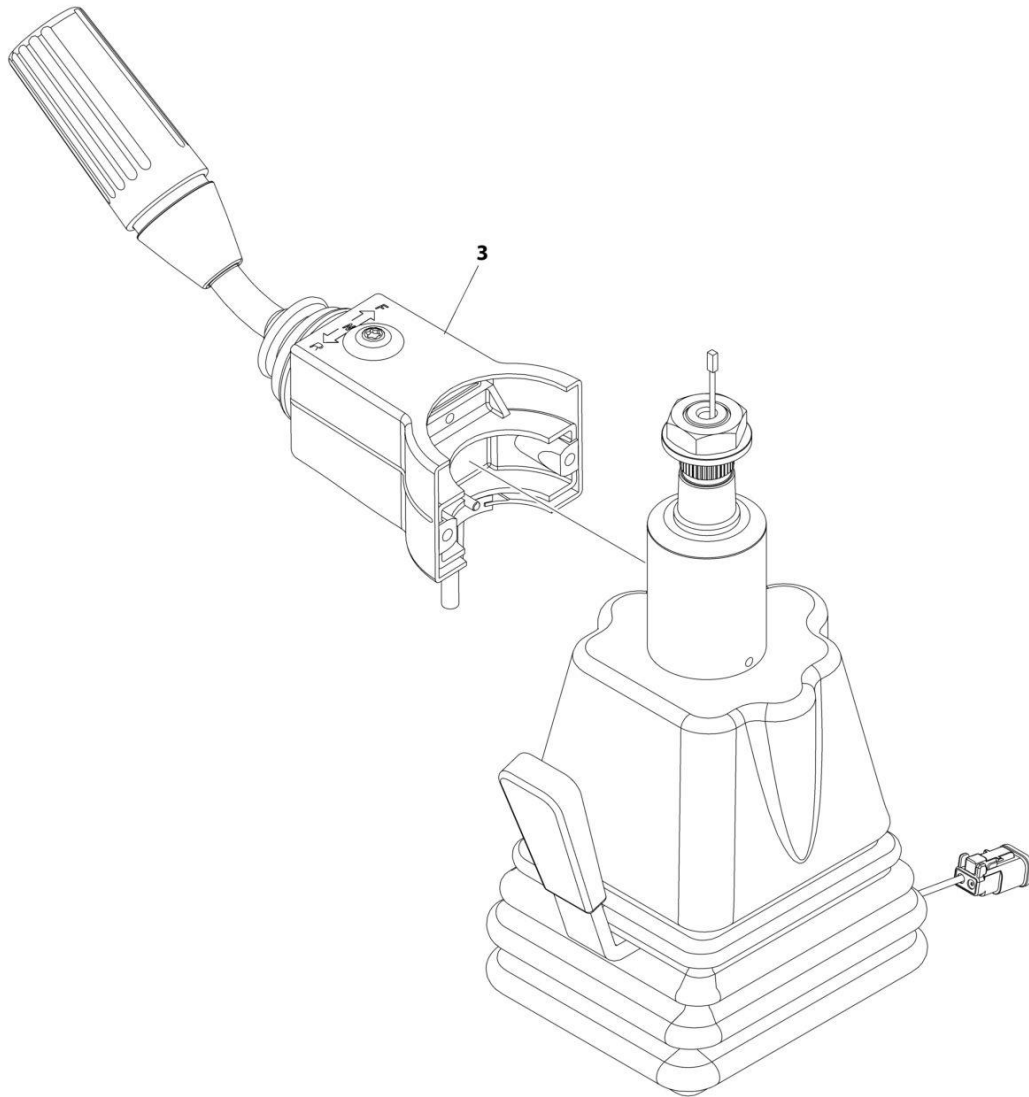
SECTION 7 - CONTROLS

FIGURE 7-10. COLUMN SHIFT INSTALLATION (2 SPEED)

ITEM	PART NUMBER	QTY	DESCRIPTION	REV
2	1001220507 1001257088	Ref 1	Column Shift Installation (2 Speed) Lever, FNR (2 Speed)	B

SECTION 7 - CONTROLS

FIGURE 7-11. COLUMN SHIFT INSTALLATION (0 SPEED)



ART_1001179931_D

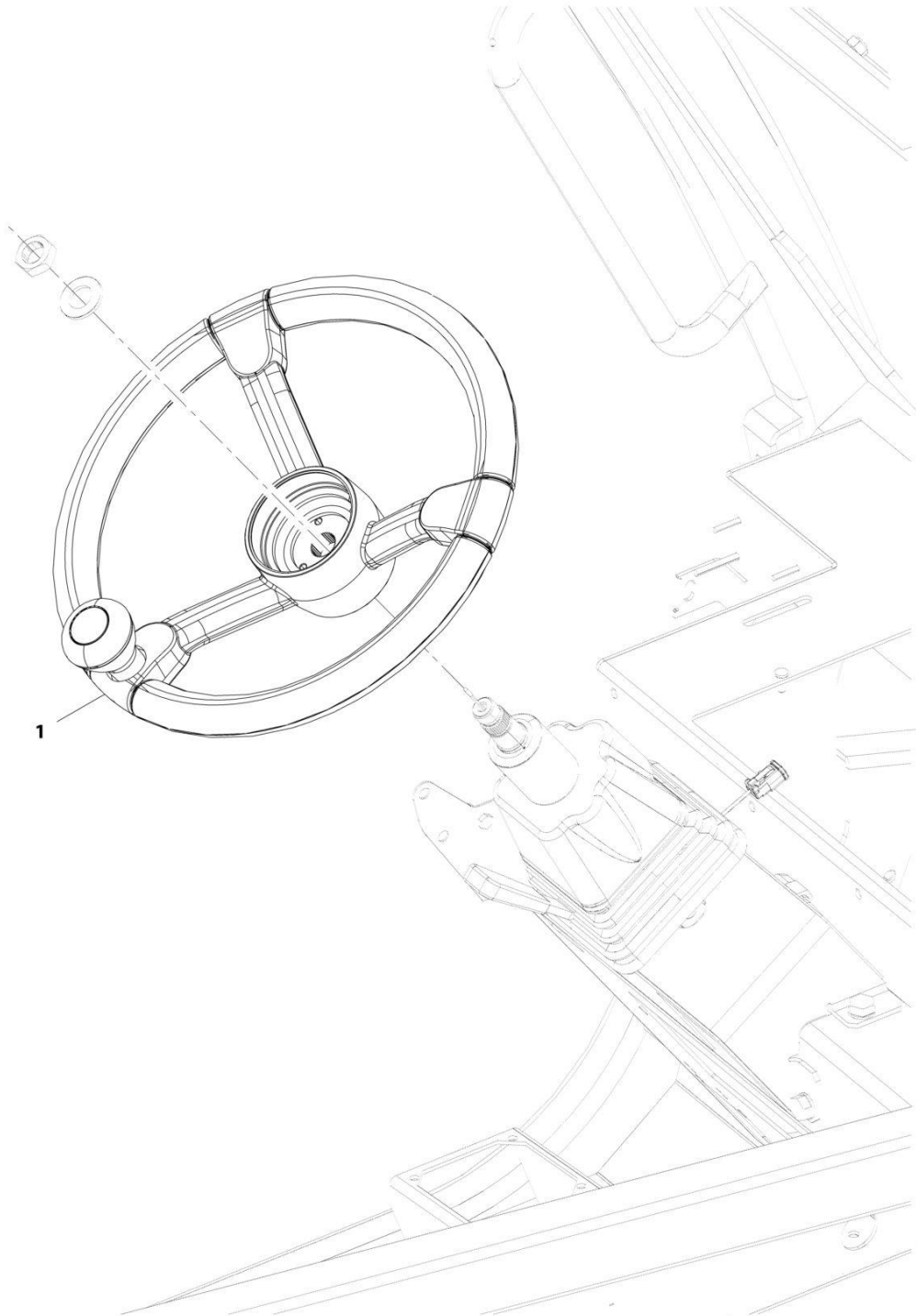
SECTION 7 - CONTROLS

FIGURE 7-11. COLUMN SHIFT INSTALLATION (0 SPEED)

ITEM	PART NUMBER	QTY	DESCRIPTION	REV
3	1001179931 1001257348	Ref 1	Column Shift Installation (0 Speed) Lever, FNR (0 Speed)	D

SECTION 7 - CONTROLS

FIGURE 7-12. STEERING WHEEL INSTALLATION



ART_1001169751-C

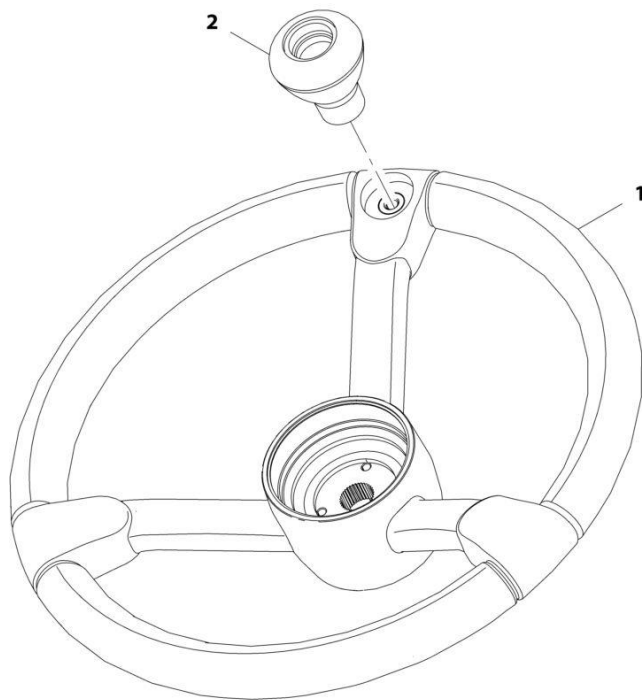
SECTION 7 - CONTROLS

FIGURE 7-12. STEERING WHEEL INSTALLATION

ITEM	PART NUMBER	QTY	DESCRIPTION	REV
1	1001169751 1001169354	Ref 1	Steering Wheel Installation Wheel, Steering (See Separate Breakdown in this Section)	C

SECTION 7 - CONTROLS

FIGURE 7-13. STEERING WHEEL



ART_1001169354-D

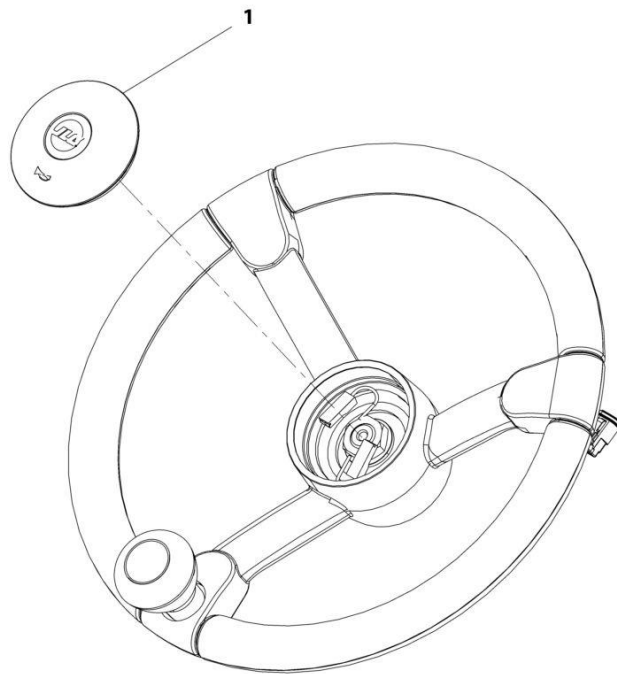
SECTION 7 - CONTROLS

FIGURE 7-13. STEERING WHEEL

ITEM	PART NUMBER	QTY	DESCRIPTION	REV
	1001169354	Ref	Steering Wheel	D
1	1001169367	1	Wheel, Steering	
2	1001169355	1	Handle, Steer Spinner	

SECTION 7 - CONTROLS

FIGURE 7-14. HORN BUTTON INSTALLATION



ART_1001169763-A

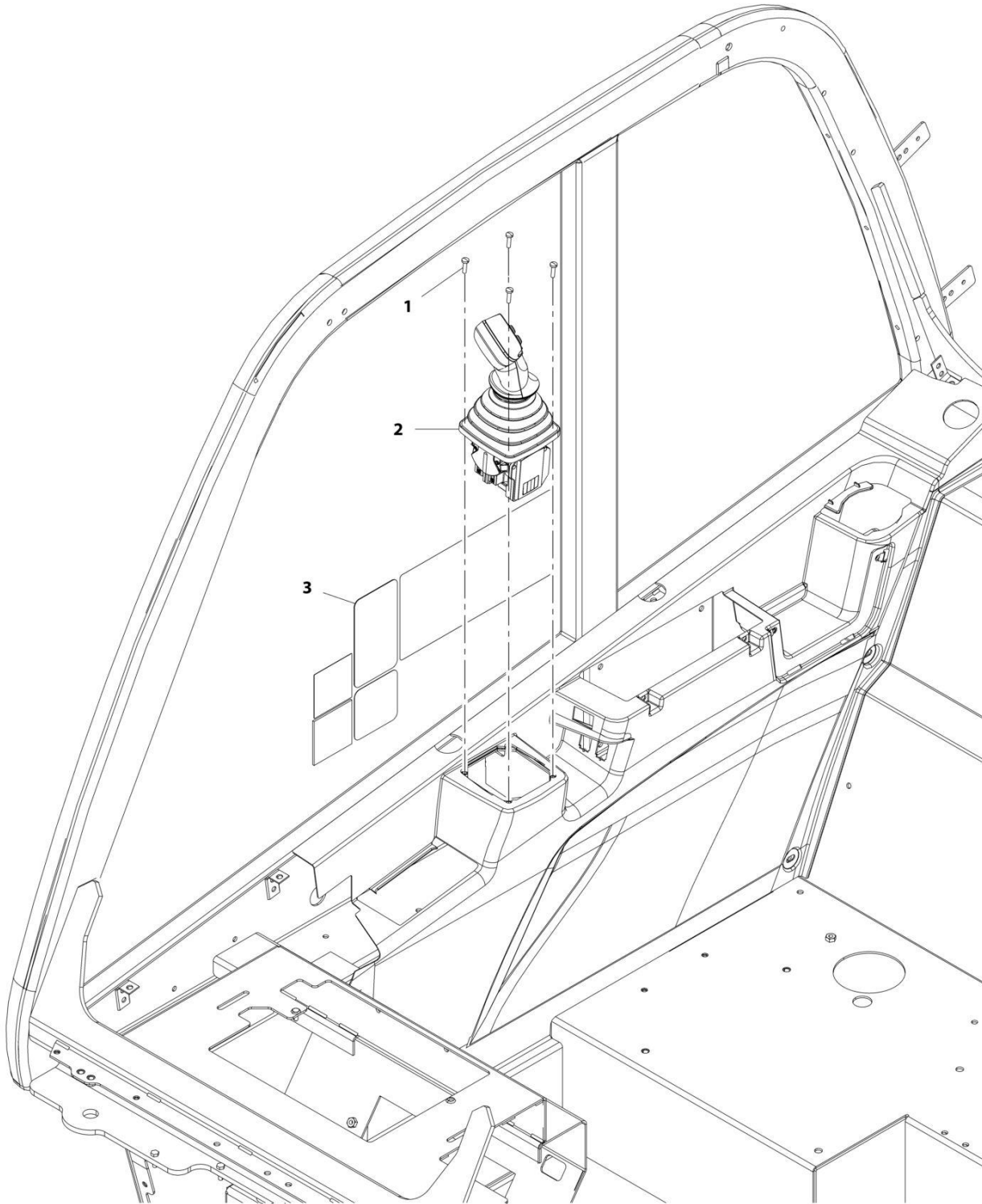
SECTION 7 - CONTROLS

FIGURE 7-14. HORN BUTTON INSTALLATION

ITEM	PART NUMBER	QTY	DESCRIPTION	REV
1	1001169763 1001169268	Ref 1	Horn Button Installation Button, Horn	A

SECTION 7 - CONTROLS

FIGURE 7-15. JOYSTICK INSTALLATION (2 SPEED)



ART_1001216757-B

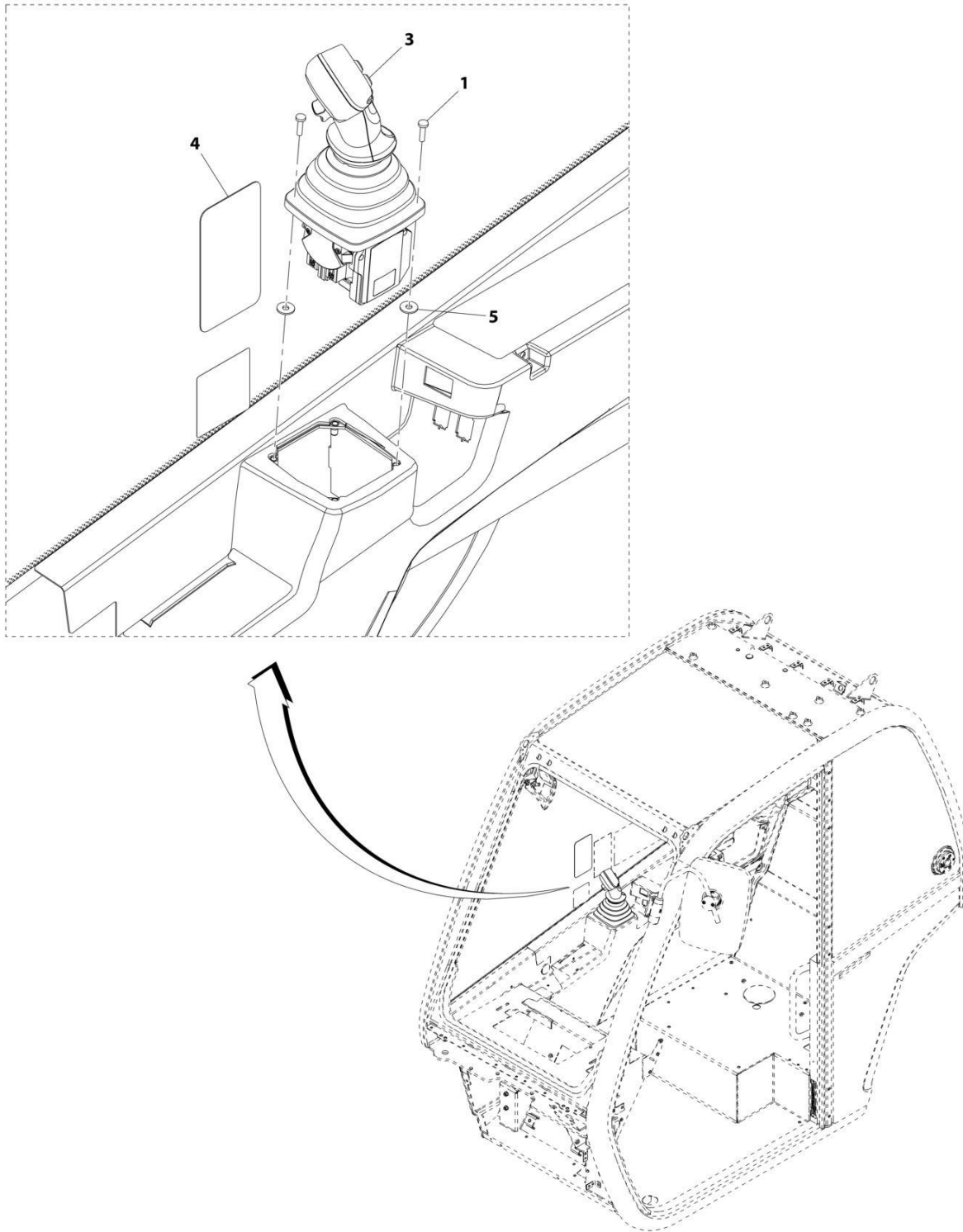
SECTION 7 - CONTROLS

FIGURE 7-15. JOYSTICK INSTALLATION (2 SPEED)

ITEM	PART NUMBER	QTY	DESCRIPTION	REV
	1001216757	Ref	Joystick Installation (2 Speed)	C
1	4010510	4	Screw, M5X20	
2	1001222606	1	Joystick, 2R2B	
3	1001216803	1	Decal	

SECTION 7 - CONTROLS

FIGURE 7-16. JOYSTICK INSTALLATION



ART_1001167004-G

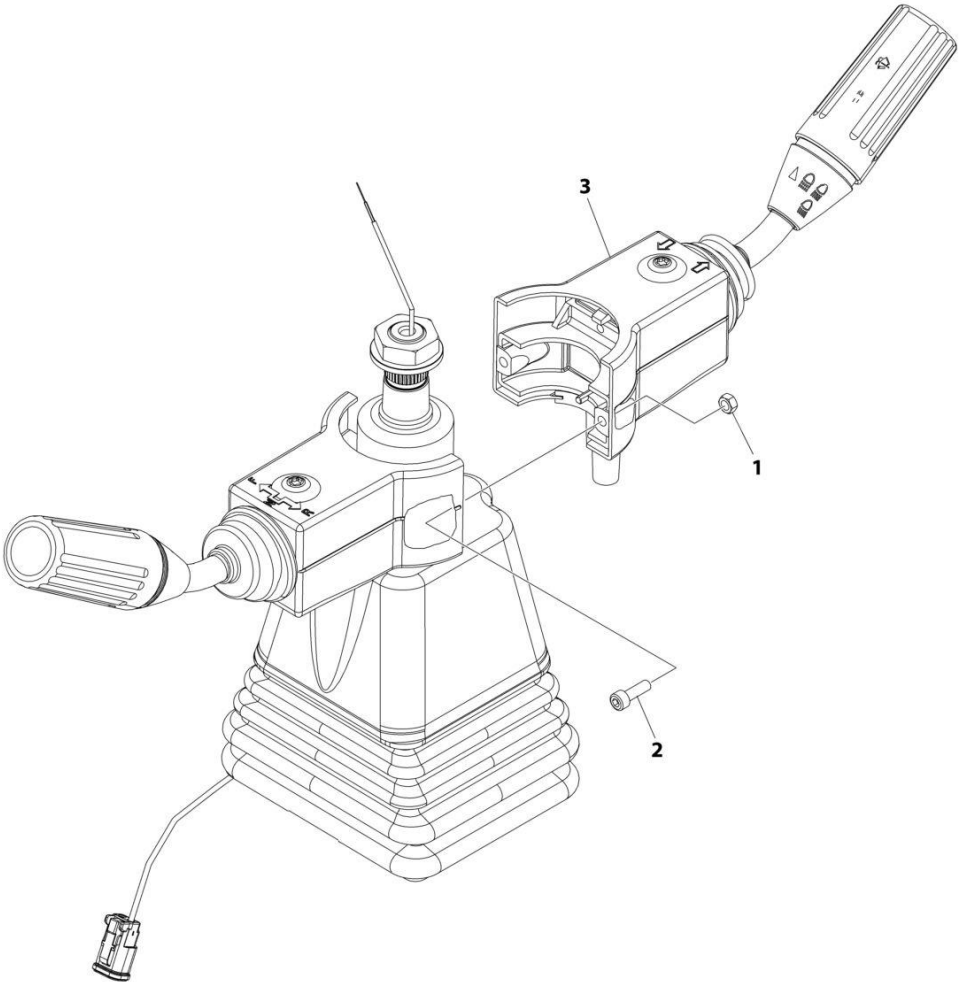
SECTION 7 - CONTROLS

FIGURE 7-16. JOYSTICK INSTALLATION

ITEM	PART NUMBER	QTY	DESCRIPTION	REV
	1001167004	Ref	Joystick Installation	G
1	4010510	4	Screw, M5X20	
3	1001222603	1	Joystick	
4	1001241950	1	Decal, Joystick	
5	4811702001	AR	Washer, M6	

SECTION 7 - CONTROLS

FIGURE 7-17. WIPER-TURN SWITCH INSTALLATION



ART_1001257071

SECTION 7 - CONTROLS

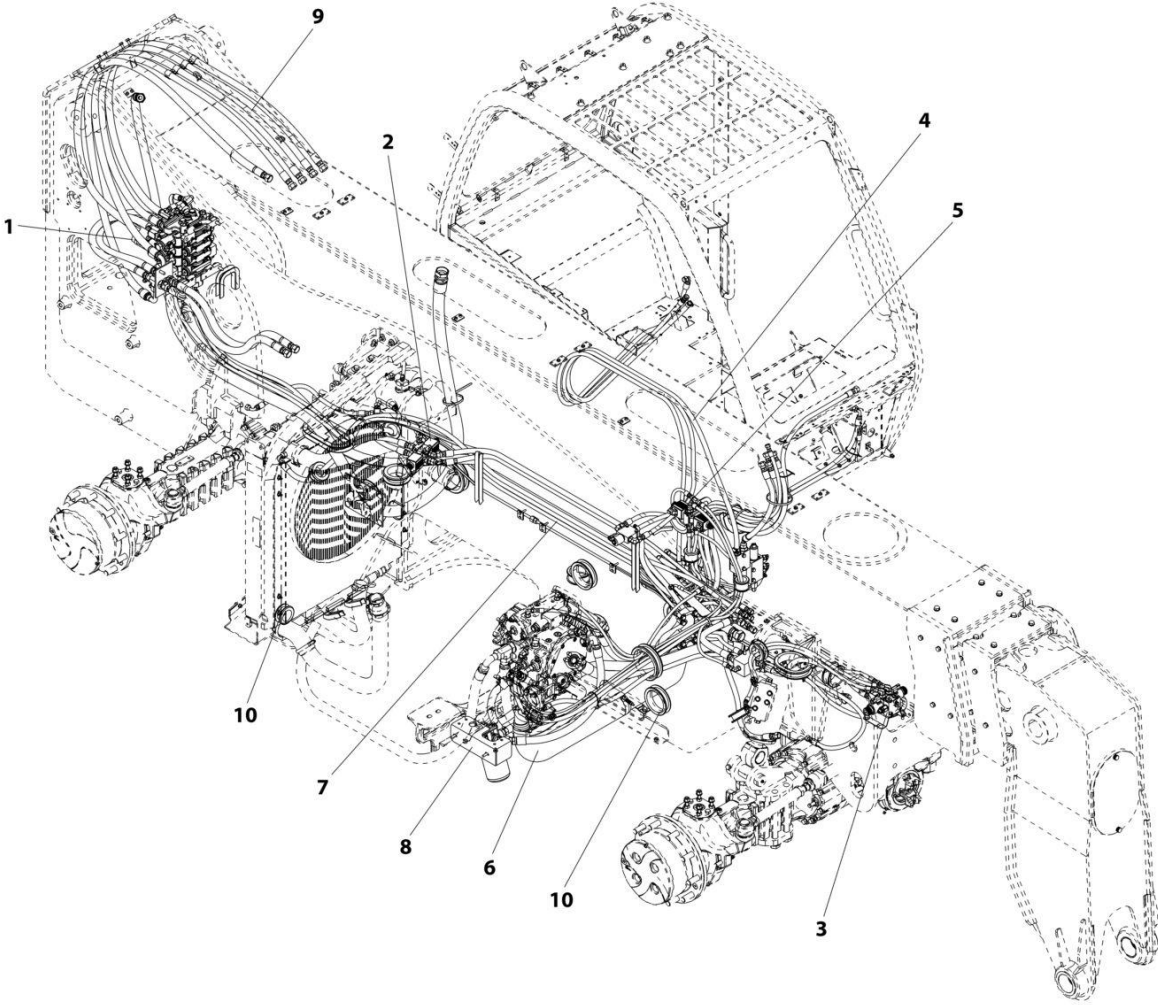
FIGURE 7-17. WIPER-TURN SWITCH INSTALLATION

ITEM	PART NUMBER	QTY	DESCRIPTION	REV
	1001257071	Ref	Wiper-Turn Switch Installation	B
1	3290505	2	Nut, Lock M5	
2	4031607	2	Capscrew M5 x 16	
3	1001256974	1	Switch, Turn-Wiper	

SECTION 8 - HYDRAULIC CIRCUITS

SECTION 8 - HYDRAULIC CIRCUITS

FIGURE 8-1. MAIN HYDRAULIC INSTALLATION



ART_1001202645-D

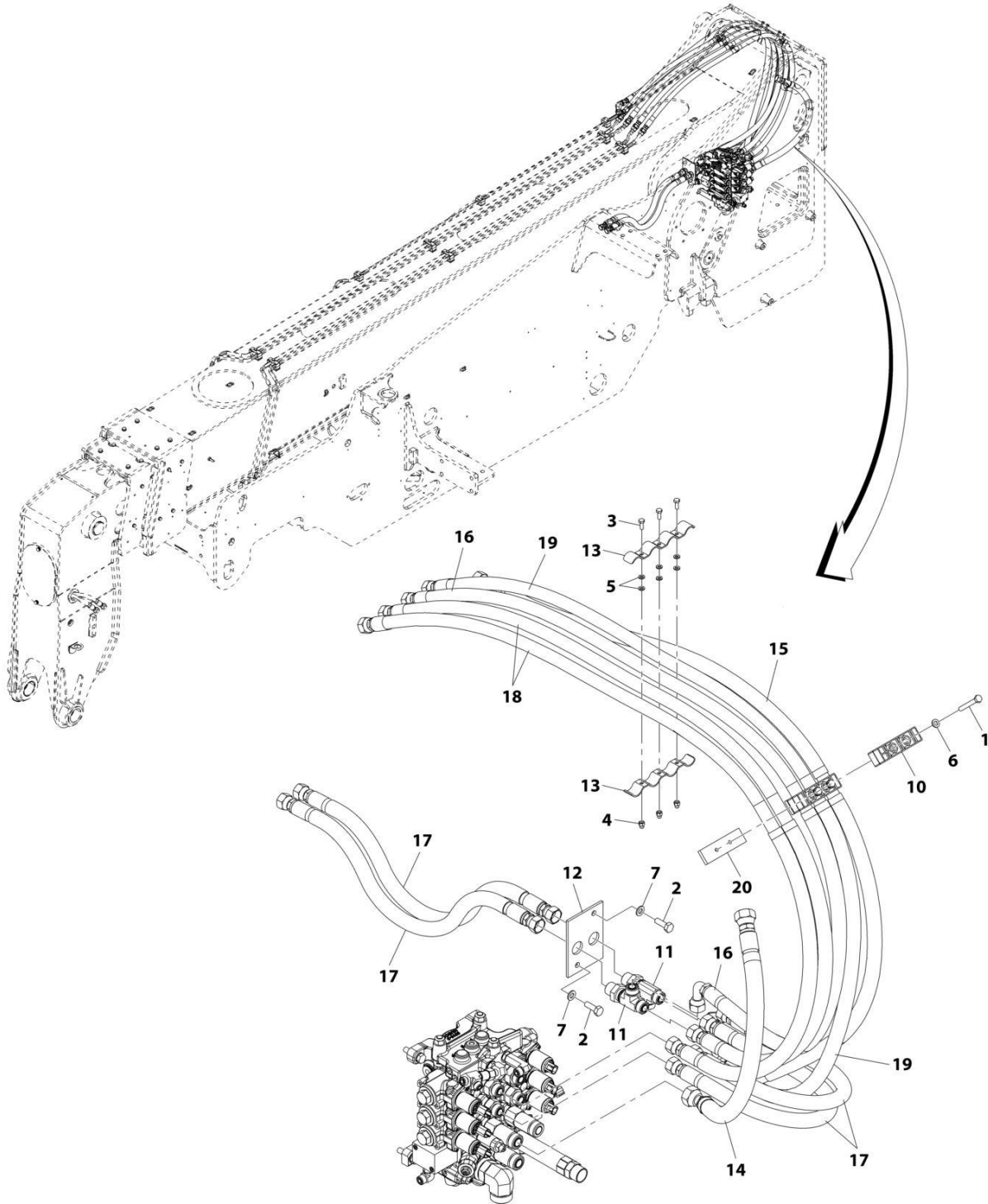
SECTION 8 - HYDRAULIC CIRCUITS

FIGURE 8-1. MAIN HYDRAULIC INSTALLATION

ITEM	PART NUMBER	QTY	DESCRIPTION	REV
1	1001202645	Ref	Main Hydraulic Installation	D
	1001220457	Ref	Installation, Main Control Valve (See Separate Breakdown in this Section)	
2	1001193516	Ref	Installation, Steering Select Valve (See Separate Breakdown in this Section)	
3	1001193517	Ref	Installation, Frame Level Valve (See Separate Breakdown in this Section)	
4	1001193709	Ref	Installation, Cab Hydraulics (See Separate Breakdown in this Section)	
5	1001197196	Ref	Installation, Speed Control Valve (See Separate Breakdown in this Section)	
6	1001202024	Ref	Installation, Engine Bay Hydraulic (See Separate Breakdown in this Section)	
7	1001202025	Ref	Installation, Frame Hydraulics (See Separate Breakdown in this Section)	
8	1001202026	Ref	Installation, Charge Filter Lines (See Separate Breakdown in this Section)	
9	1001210522	Ref	Installation, Boom Lines (See Separate Breakdown in this Section)	
10	1001213026	Ref	Installation, Grommets (See Separate Breakdown in Frame and Attaching Parts Section)	

SECTION 8 - HYDRAULIC CIRCUITS

FIGURE 8-2. BOOM HYDRAULIC LINES INSTALLATION



ART_1001210522-F

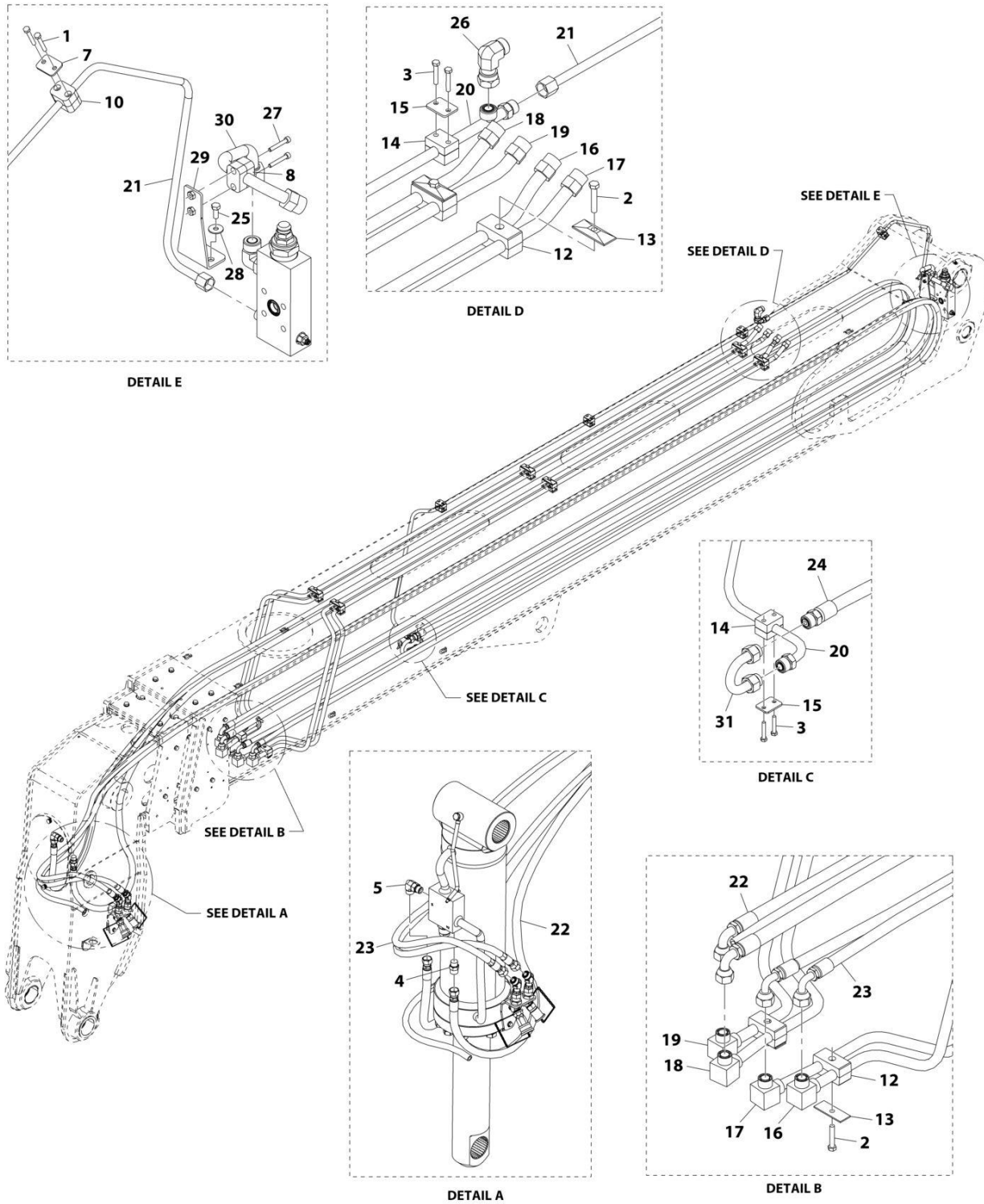
SECTION 8 - HYDRAULIC CIRCUITS

FIGURE 8-2. BOOM HYDRAULIC LINES INSTALLATION

ITEM	PART NUMBER	QTY	DESCRIPTION	REV
	1001210522	Ref	Boom Hydraulic Lines Installation	F
1	0700821	4	Bolt, M8X65	
2	0701014	2	Bolt, M10X30	
3	0760608	3	Bolt, M6X16	
4	3290606	3	Nut, M6X1	
5	4811700	6	Washer, M6	
6	4811900	4	Washer, M8	
7	4812000	2	Washer, M10	
10	1001098128	2	Clamp	
11	1001192096	2	Fitting, Tee ORFS	
12	1001197011	1	Plate	
13	1001205618	2	Clamp	
14	1001210271	1	Hose	
15	1001210523	1	Hose	
16	1001210524	1	Hose	
17	1001210525	4	Hose	
18	1001210526	2	Hose	
19	1001218997	1	Hose	
20	1001226557	2	Plate	

SECTION 8 - HYDRAULIC CIRCUITS

FIGURE 8-3. BOOM HYDRAULIC INSTALLATION



ART_1001205375-F

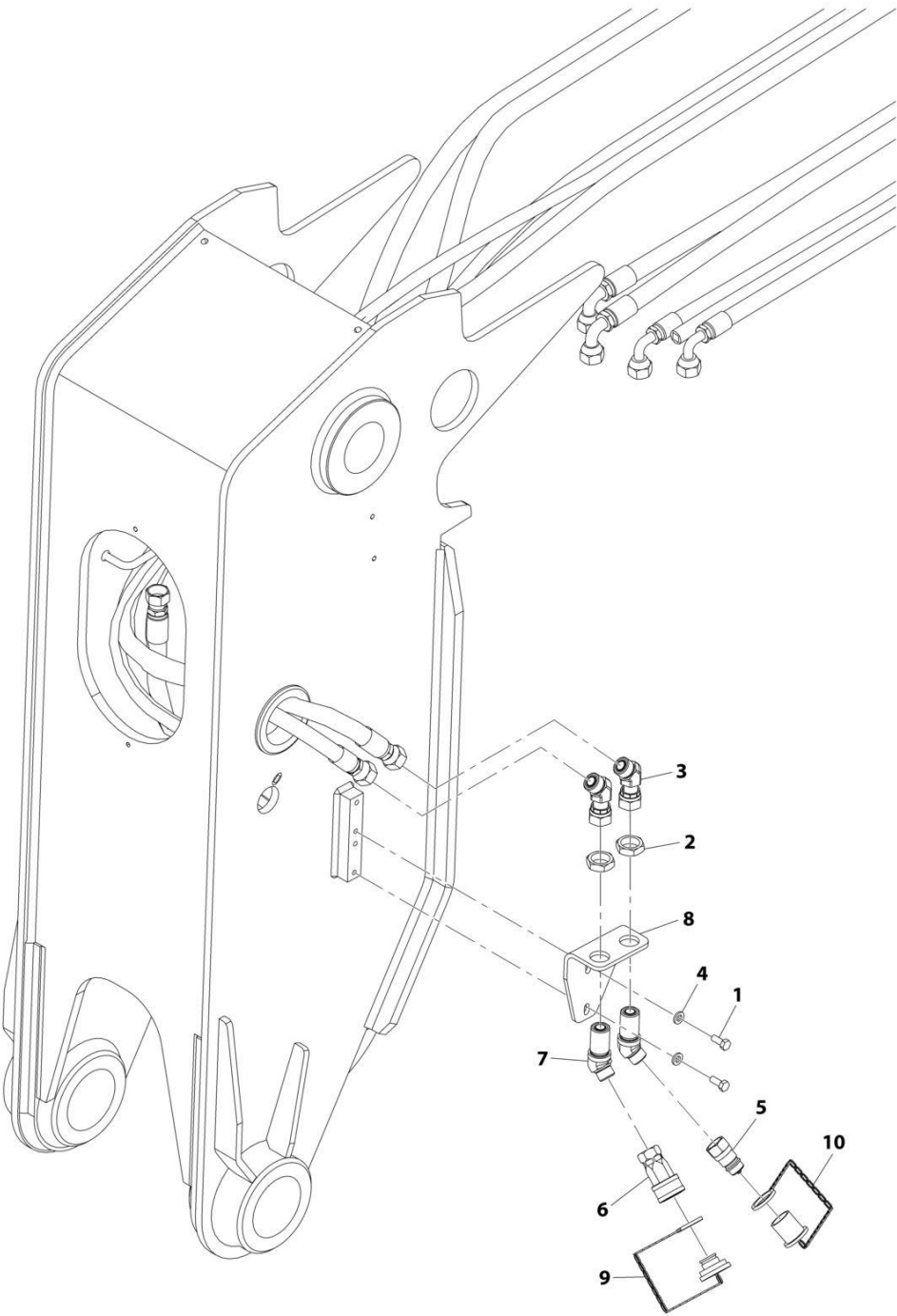
SECTION 8 - HYDRAULIC CIRCUITS

FIGURE 8-3. BOOM HYDRAULIC INSTALLATION

ITEM	PART NUMBER	QTY	DESCRIPTION	REV
	1001205375	Ref	Boom Hydraulic Installation	F
1	0700616	2	Bolt, M6X40	
2	0700817	8	Bolt, M8X45	
3	0760615	8	Bolt, M6X35	
4	2111010	1	Fitting, Straight ORFS	
5	2131010	1	Fitting, 90 ORFS	
7	8769146	1	Plate, Cover	
8	8769152	1	Clamp	
10	8769199	1	Clamp	
12	77133136	8	Clamp	
13	77133137	8	Plate, Cover	
14	77133497	4	Clamp	
15	1001105093	4	Plate, Cover	
16	1001209201	1	Pipe	
17	1001209200	1	Pipe	
18	1001209202	1	Pipe	
19	1001209203	1	Pipe	
20	1001205380	1	Pipe	
21	1001205381	1	Tube	
22	1001210568	1	Hose	
23	1001210569	1	Hose	
24	1001229422	1	Hose	
25	0760810	2	Bolt, M8X20	
26	2172110	1	Fitting, 90 ORFS	
27	4031712	2	Bolt, M6X40	
28	4811902	2	Washer, M8	
29	1001209972	1	Bracket	
30	1001210270	1	Tube	
31	1001220942	1	Pipe	

SECTION 8 - HYDRAULIC CIRCUITS

FIGURE 8-4. BOOM AUX HYDRAULIC INSTALLATION (MANUAL - SINGLE)



ART_1001192363-D

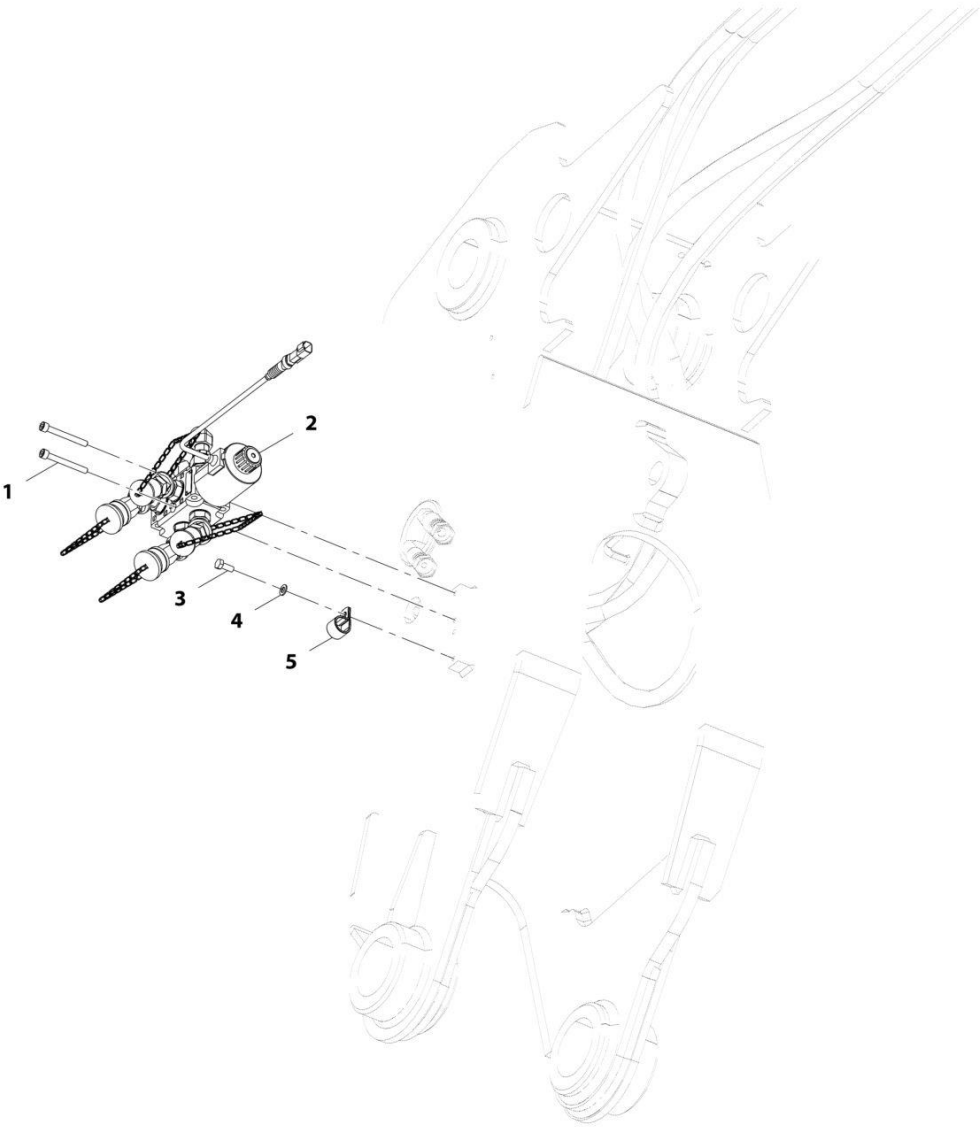
SECTION 8 - HYDRAULIC CIRCUITS

FIGURE 8-4. BOOM AUX HYDRAULIC INSTALLATION (MANUAL - SINGLE)

ITEM	PART NUMBER	QTY	DESCRIPTION	REV
	1001192363	Ref	Boom Aux Hydraulic Installation (Manual - Single)	D
1	0760810	2	Bolt, M8X20	
2	8770075	2	Fitting, ORFS	
3	1001147416	2	Fitting, 45 ORFS	
4	5240800	2	Washer, M8	
5	1001101041	1	Coupling, Male Quick Disconnect	
6	1001101042	1	Coupling, Female Quick Disconnect	
7	1001217553	2	Fitting, 45 ORFS	
8	1001217552	1	Bracket	
9	91043125	1	Plug	
10	91043126	1	Cap, Dust	

SECTION 8 - HYDRAULIC CIRCUITS

FIGURE 8-5. BOOM AUX HYDRAULIC INSTALLATION (MANUAL - TWIN)



ART_1001192366-C

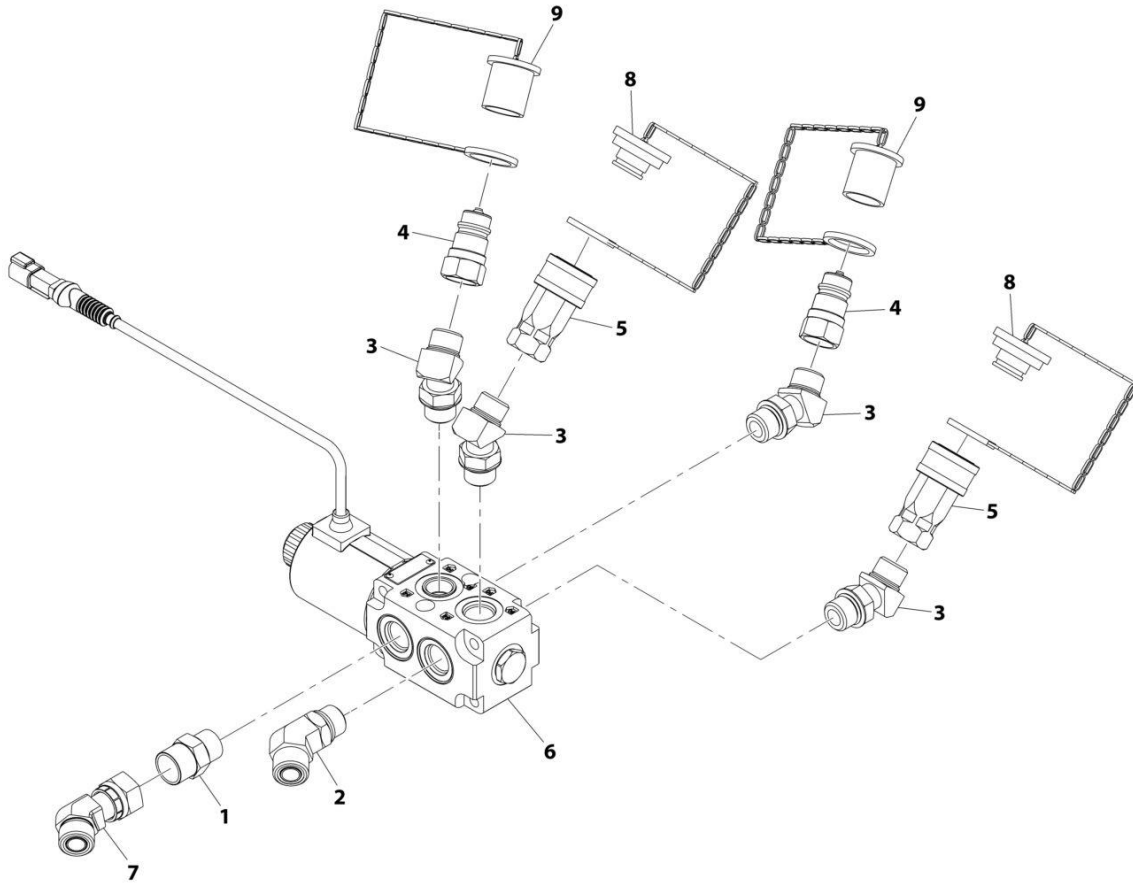
SECTION 8 - HYDRAULIC CIRCUITS

FIGURE 8-5. BOOM AUX HYDRAULIC INSTALLATION (MANUAL - TWIN)

ITEM	PART NUMBER	QTY	DESCRIPTION	REV
	1001192366	Ref	Boom Aux Hydraulic Installation (Manual - Twin)	C
1	4031918	2	Bolt, M8X70	
2	1001213318	1	Assembly, Diverter Valve (manual - twin) (See Separate Breakdown in this Section)	
3	0760810	1	Bolt, M8X20	
4	4811900	1	Washer, M8	
5	8406202	1	CLIP,TUBE 7/8"	

SECTION 8 - HYDRAULIC CIRCUITS

FIGURE 8-6. BOOM AUX DIVERTER VALVE/FITINGS ASSEMBLY (MANUAL - TWIN)



ART_1001213318-B

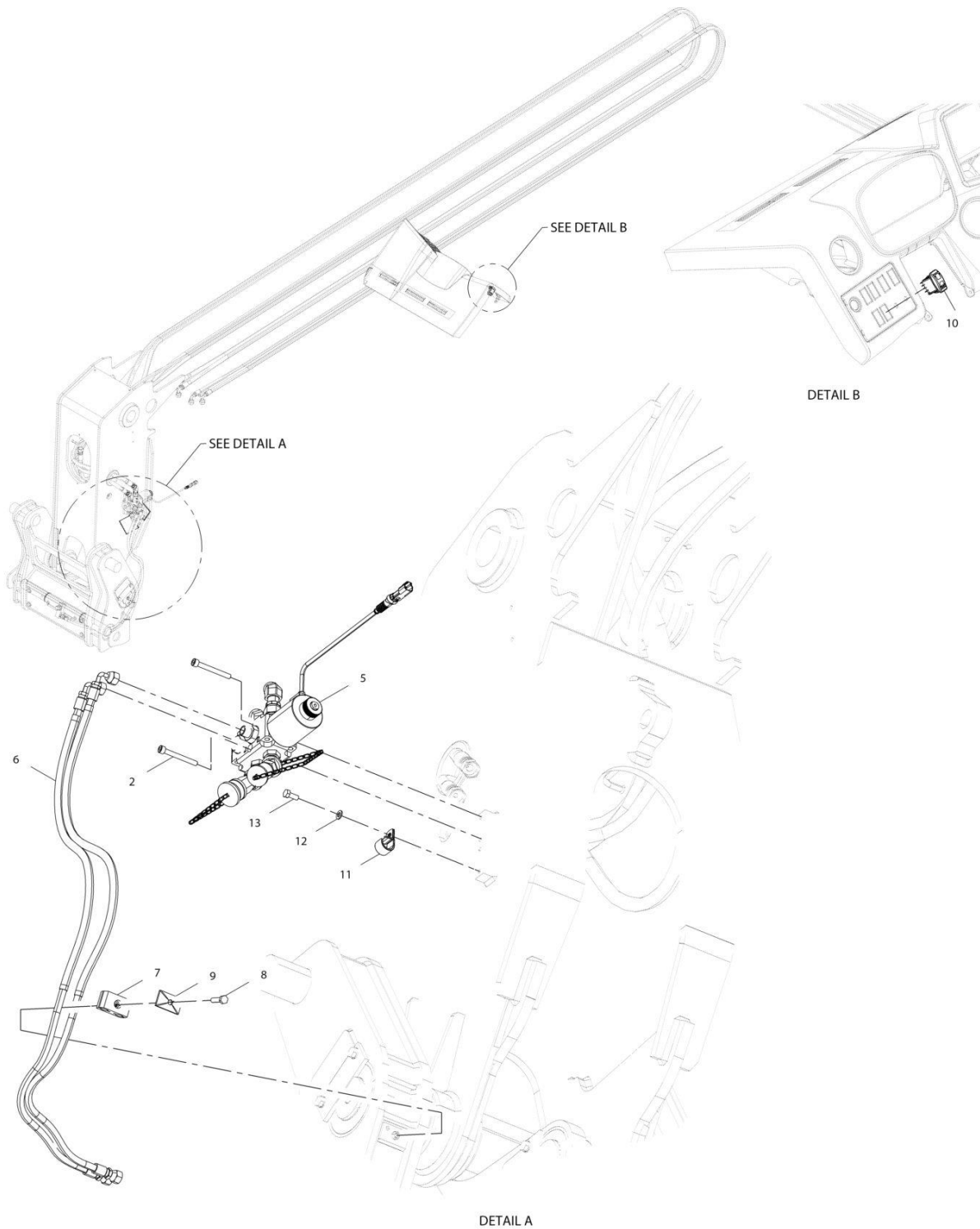
SECTION 8 - HYDRAULIC CIRCUITS

FIGURE 8-6. BOOM AUX DIVERTER VALVE/FITINGS ASSEMBLY (MANUAL - TWIN)

ITEM	PART NUMBER	QTY	DESCRIPTION	REV
	1001213318	Ref	Diverter Valve Assembly	B
1	2111010	1	Fitting, Straight ORFS	
2	2151010	1	Fitting, 45 ORFS	
3	1001005904	4	Fitting, 45	
4	1001101041	2	Adapter, Male Quick Disconnect	
5	1001101042	2	Adapter, Female Quick Disconnect	
6	1001110023	1	Valve, Diverter (See Separate Breakdown in HYDRAULIC COMPONENTS Section)	
7	1001147416	1	Fitting, 45 ORFS	
8	91043125	2	Plug	
9	91043126	2	Cap	

SECTION 8 - HYDRAULIC CIRCUITS

FIGURE 8-7. BOOM AUX HYDRAULIC INSTALLATION (HYDRAULIC - SINGLE)



ART_1001192365-E

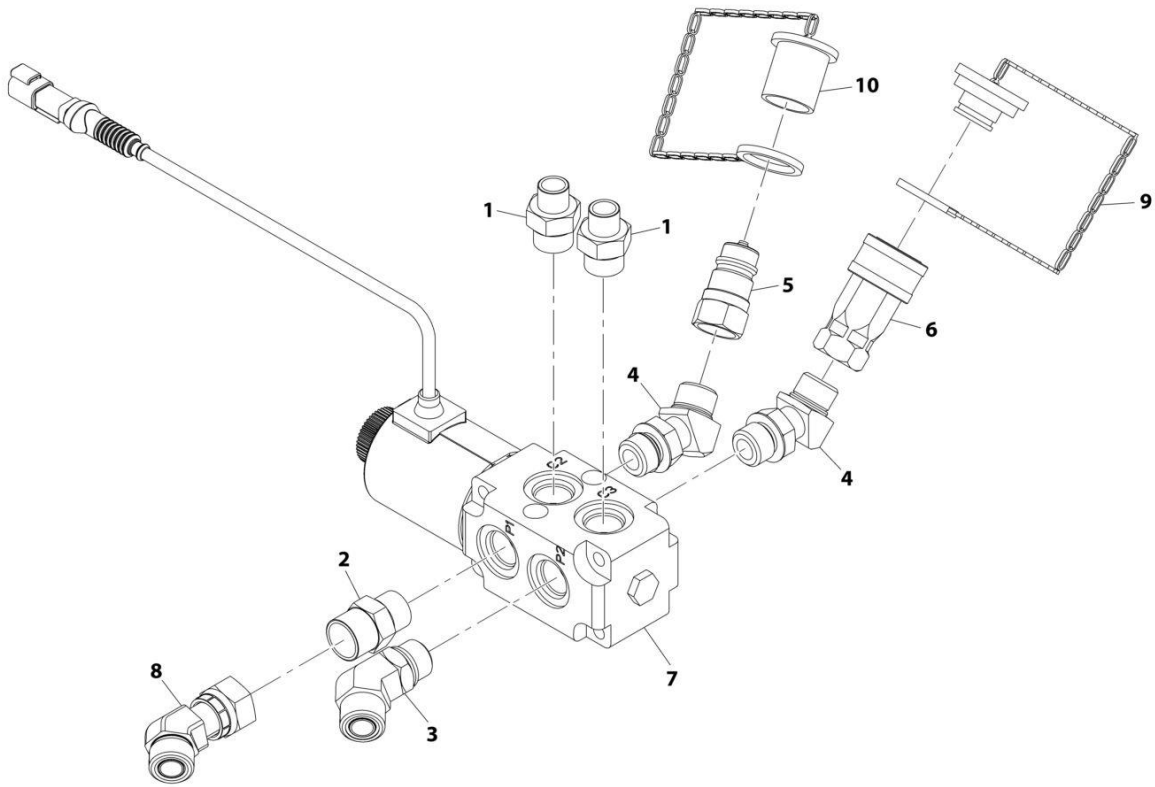
SECTION 8 - HYDRAULIC CIRCUITS

FIGURE 8-7. BOOM AUX HYDRAULIC INSTALLATION (HYDRAULIC - SINGLE)

ITEM	PART NUMBER	QTY	DESCRIPTION	REV
	1001192365	Ref	Boom Aux Hydraulic Installation (Hydraulic - Single)	E
2	4031918	2	Bolt, M8X70	
5	1001213317	1	Assembly, Diverter Valve (Hydraulic - Single) (See Separate Breakdown in this Section)	
6	1001193111	2	Hose	
7	8769126	1	Clamp	
8	0760815	1	Bolt, M8X35	
9	8769123	1	Plate, Cover	
10	1001080375	1	Switch	
11	8406202	1	CLIP,TUBE 7/8"	
12	4811900	1	Washer, M8	
13	0760810	1	Bolt, M8X20	

SECTION 8 - HYDRAULIC CIRCUITS

FIGURE 8-8. BOOM AUX DIVERTER VALVE/FITINGS ASSEMBLY (HYDRAULIC - SINGLE)



ART_1001213317-B

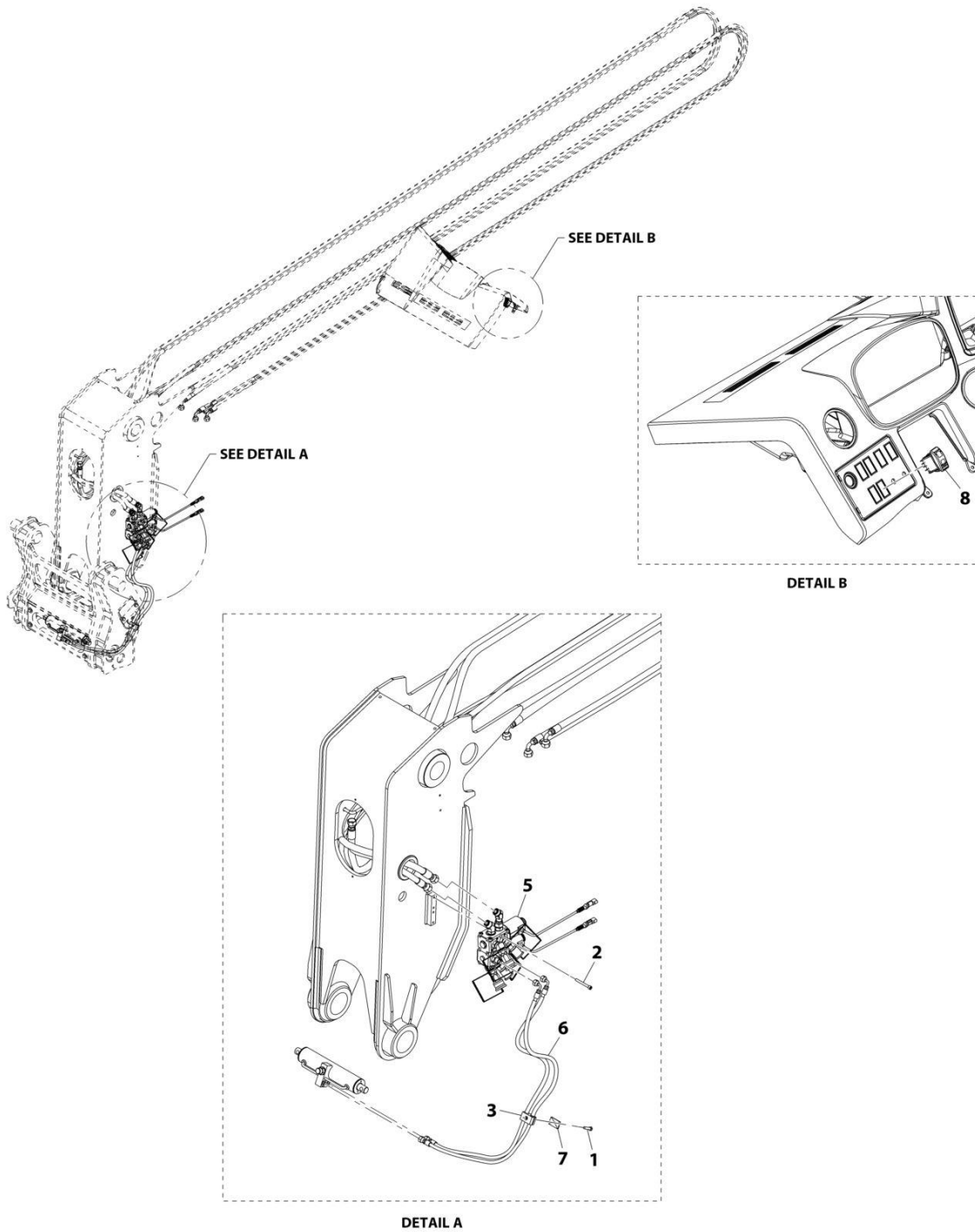
SECTION 8 - HYDRAULIC CIRCUITS

FIGURE 8-8. BOOM AUX DIVERTER VALVE/FITINGS ASSEMBLY (HYDRAULIC - SINGLE)

ITEM	PART NUMBER	QTY	DESCRIPTION	REV
	1001213317	Ref	Diverter Valve Assembly	B
1	2110610	2	Fitting, Straight ORFS	
2	2111010	1	Fitting, Straight ORFS	
3	2151010	1	Fitting, 45 ORFS	
4	1001005904	2	Fitting, 45	
5	1001101041	1	Fitting, Male Quick Disconnect	
6	1001101042	1	Fitting, Female Quick Disconnect	
7	1001104477	1	Valve, Divertor (See Separate Breakdown in HYDRAULIC COMPONENTS Section)	
8	1001147416	1	Fitting, 45 ORFS	
9	91043125	1	Plug	
10	91043126	1	Cap, Dust	

SECTION 8 - HYDRAULIC CIRCUITS

FIGURE 8-9. BOOM AUX HYDRAULIC INSTALLATION (HYDRAULIC - TWIN)



ART_1001192367-C

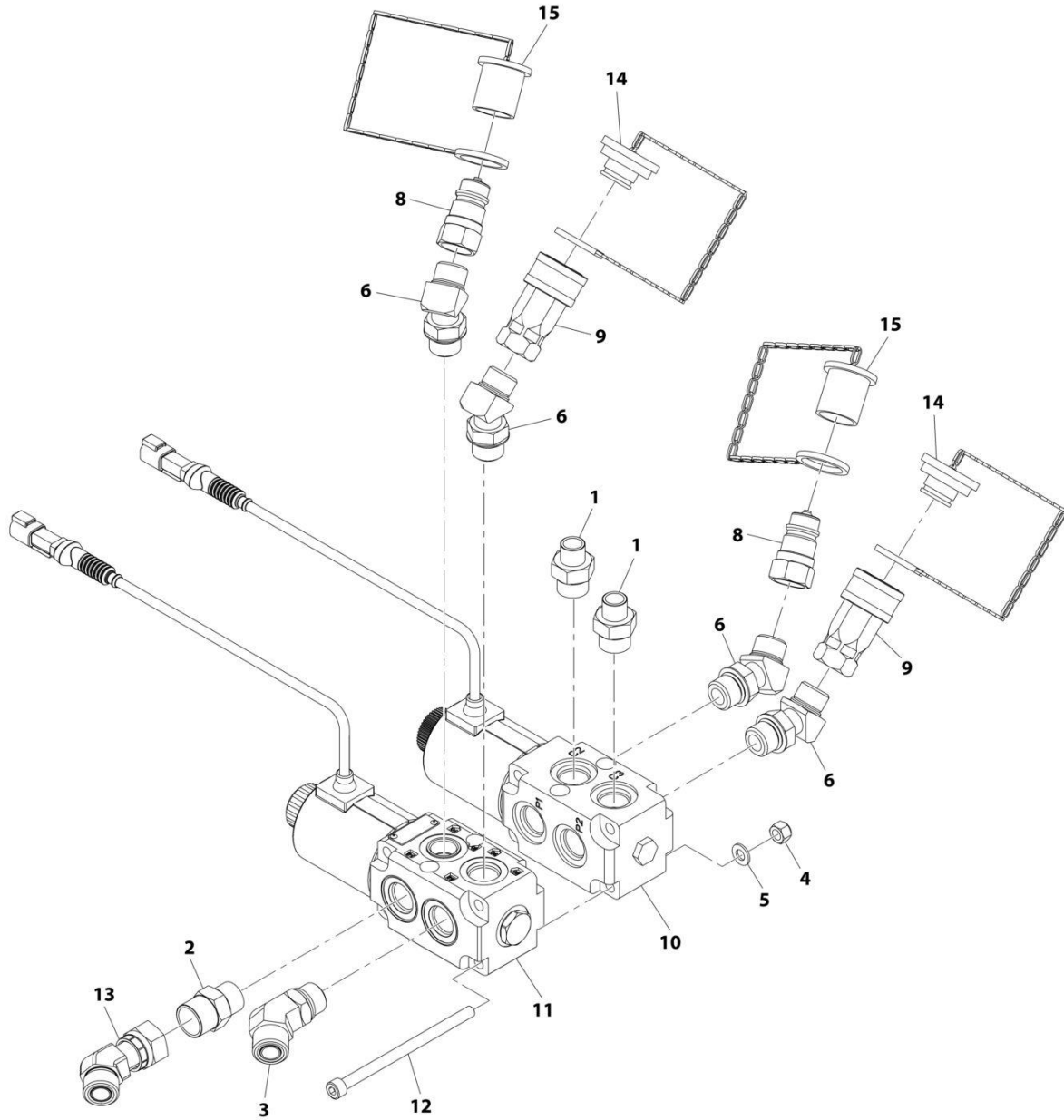
SECTION 8 - HYDRAULIC CIRCUITS

FIGURE 8-9. BOOM AUX HYDRAULIC INSTALLATION (HYDRAULIC - TWIN)

ITEM	PART NUMBER	QTY	DESCRIPTION	REV
	1001192367	Ref	Boom Aux Hydraulic Installation (Hydraulic - Twin)	C
1	0760815	1	Bolt, M8X35	
2	4031918	3	Bolt, M8X70	
3	8769126	1	Clamp	
5	1001213319	1	Assembly, Diverter Valve (Hydraulic - Twin) (See Separate Breakdown in this Section)	
6	1001193111	2	Hose	
7	8769123	1	Plate, Cover	
8	1001080375	1	Switch	

SECTION 8 - HYDRAULIC CIRCUITS

FIGURE 8-10. BOOM AUX DIVERTER VALVE/FITINGS ASSEMBLY (HYDRAULIC - TWIN)



ART_1001213319-C

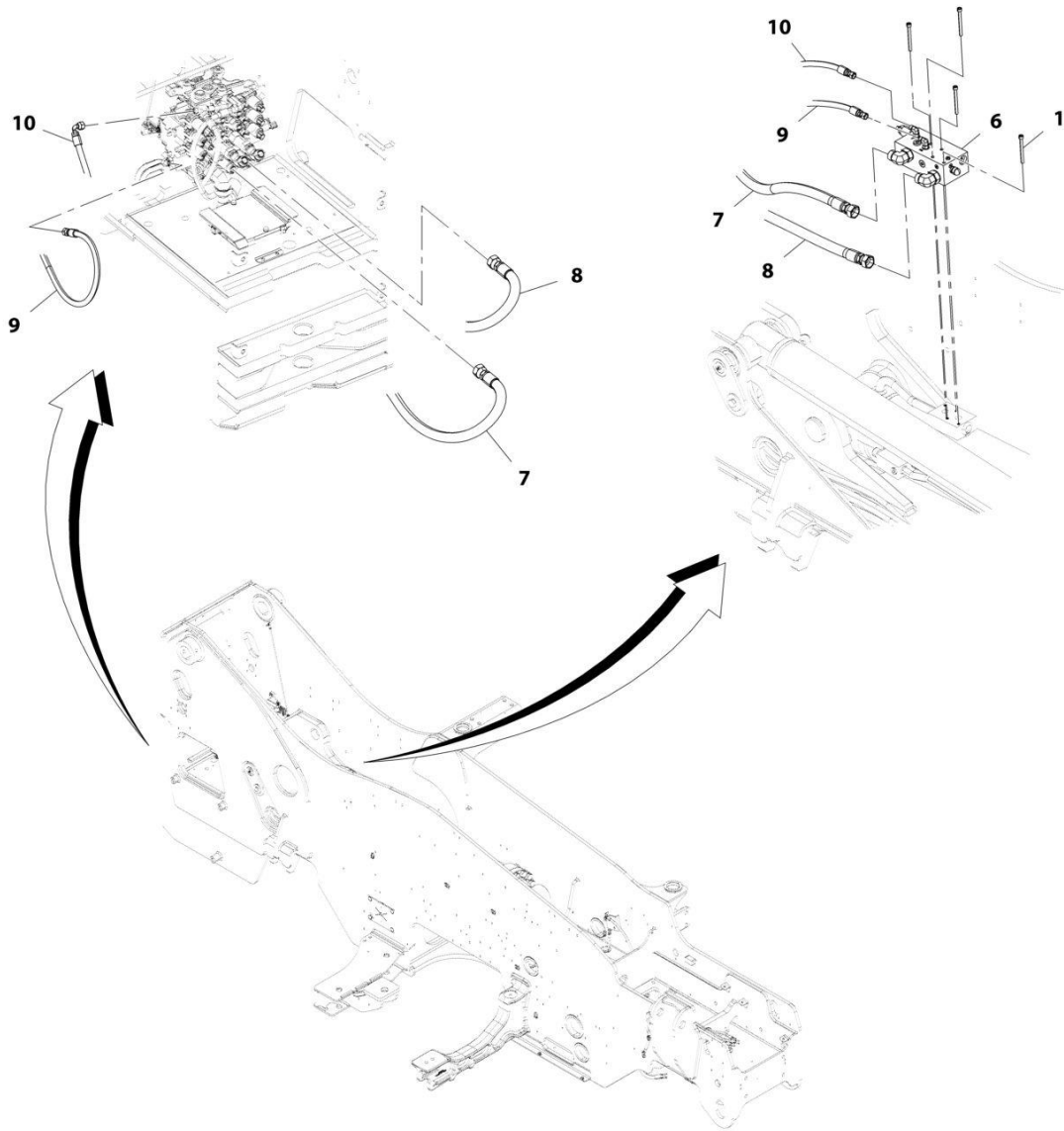
SECTION 8 - HYDRAULIC CIRCUITS

FIGURE 8-10. BOOM AUX DIVERTER VALVE/FITINGS ASSEMBLY (HYDRAULIC - TWIN)

ITEM	PART NUMBER	QTY	DESCRIPTION	REV
	1001213319	Ref	Diverter Valve Assembly	C
1	2110610	2	Fitting, Straight ORFS	
2	2111010	1	Fitting, Straight ORFS	
3	2151010	1	Fitting, 45 ORFS	
4	3290805	4	Nut, Lock M8X1.25	
5	4811900	4	Washer, M8	
6	1001005904	4	Fitting, 45	
8	1001101041	2	Fitting, Male Quick Disconnect	
9	1001101042	2	Fitting, Female Quick Disconnect	
10	1001104477	1	Valve, Divertor (See Separate Breakdown in HYDRAULIC COMPONENTS Section)	
11	1001110023	1	Valve, Divertor (See Separate Breakdown in HYDRAULIC COMPONENTS Section)	
12	1001110115	4	Bolt, M8X100	
13	1001147416	1	Fitting, 45 ORFS	
14	91043125	2	Plug	
15	91043126	2	Cap	

SECTION 8 - HYDRAULIC CIRCUITS

FIGURE 8-11. BOOM RAISE HOSE INSTALLATION (NO RIDE CONTROL)



ART_1001194702-F

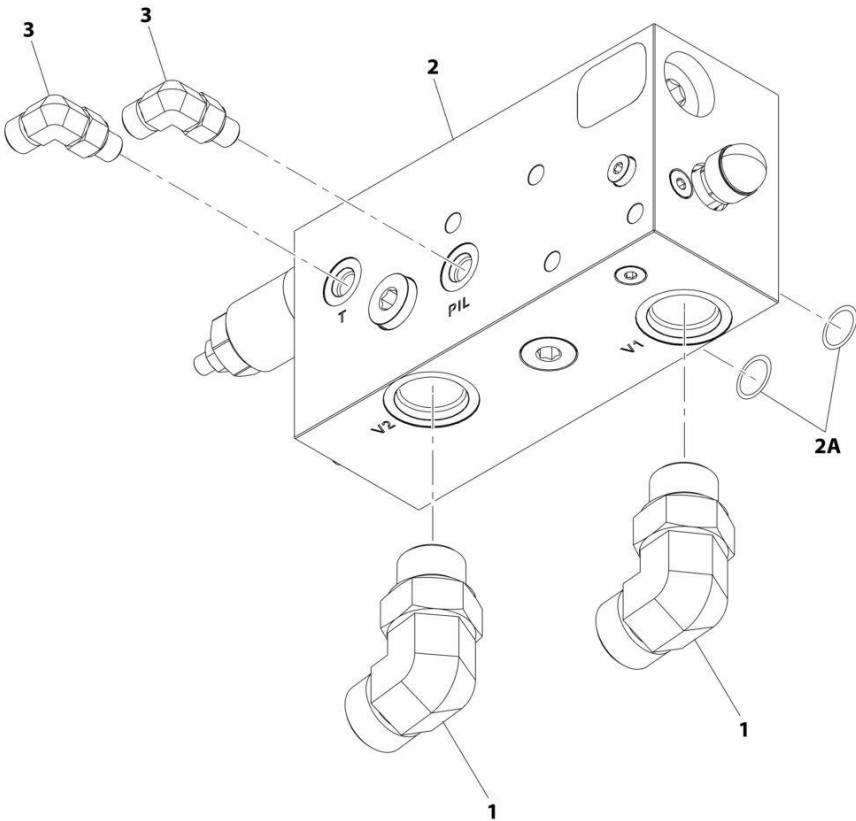
SECTION 8 - HYDRAULIC CIRCUITS

FIGURE 8-11. BOOM RAISE HOSE INSTALLATION (NO RIDE CONTROL)

ITEM	PART NUMBER	QTY	DESCRIPTION	REV
	1001194702	Ref	Boom Raise Hose Installation (no Ride Control)	F
1	4031921	4	Bolt, M8X85	
6	1001219764	1	Valve, Boom Raise Counterbalance (no Ride Control) (See Separate Breakdown in this Section)	
7	1001225392	1	Hose, ORFS	
8	1001225393	1	Hose, ORFS	
9	1001226828	1	Hose, ORFS	
10	1001226829	1	Hose, ORFS	

SECTION 8 - HYDRAULIC CIRCUITS

FIGURE 8-12. BOOM RAISE COUNTERBALANCE VALVE/FITTINGS ASSEMBLY (NO RIDE CONTROL)



ART_1001219764-C

SECTION 8 - HYDRAULIC CIRCUITS

FIGURE 8-12. BOOM RAISE COUNTERBALANCE VALVE/FITTINGS ASSEMBLY (NO RIDE CONTROL)

ITEM	PART NUMBER	QTY	DESCRIPTION	REV
	1001219764	Ref	Boom Raise Counterbalance Valve (no Ride Control)	C
1	2131212	2	Fitting, 90 ORFS	
2	1001224944	1	Valve, GLS	
2A	70028282	2	O-ring	
3	2130404	2	Fitting, 90 ORFS	

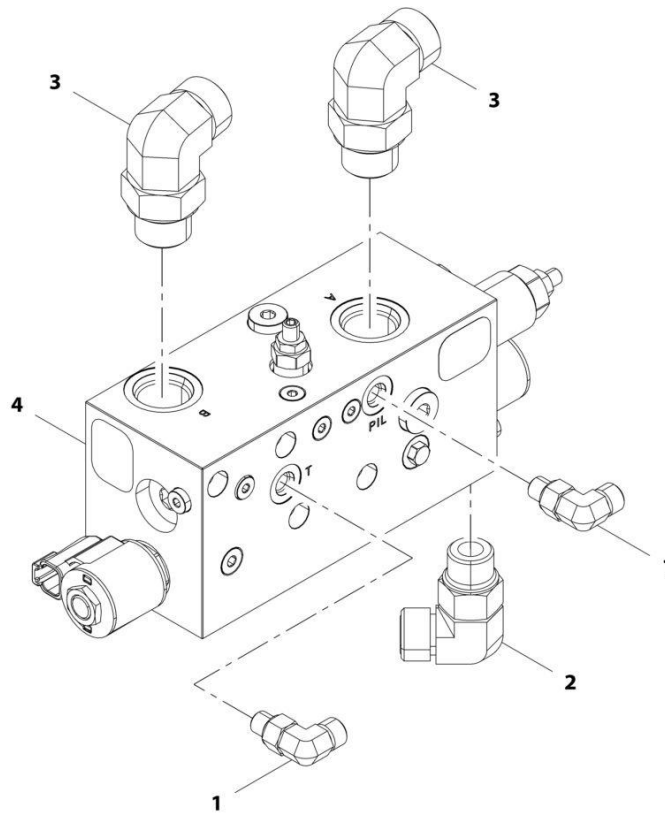
SECTION 8 - HYDRAULIC CIRCUITS

FIGURE 8-13. BOOM RAISE HOSE INSTALLATION (RIDE CONTROL)

ITEM	PART NUMBER	QTY	DESCRIPTION	REV
	1001192520	Ref	Boom Raise Hose Installation (Ride Control)	D
2	2131010	1	Fitting, 90 ORFS	
4	2170410	1	Fitting, Tee ORFS	
5	2172410	1	Fitting, Straight ORFS	
6	4031921	4	Bolt, M8X85	
8	1001214829	2	Clamp	
10	1001219765	1	Assembly, Ride and Float Valve (See Separate Breakdown in this Section)	
11	1001192771	1	Cylinder, Piston	
12	1001192772	1	Cylinder, Piston	
13	1001225390	1	Pipe	
14	1001196402	2	Bumper	
15	1001200105	1	Installation, Ride Control Wiring (See Separate Breakdown in ELECTRICAL Section)	
16	1001202020	1	Valve, MCV Tank Cartridge	
17	1001225393	1	Hose	
18	1001226829	2	Hose	
19	1001227440	1	Hose	

SECTION 8 - HYDRAULIC CIRCUITS

FIGURE 8-14. BOOM RAISE RIDE & FLOAT VALVE/FITTING ASSEMBLY (RIDE CONTROL)



ART_1001219765-B

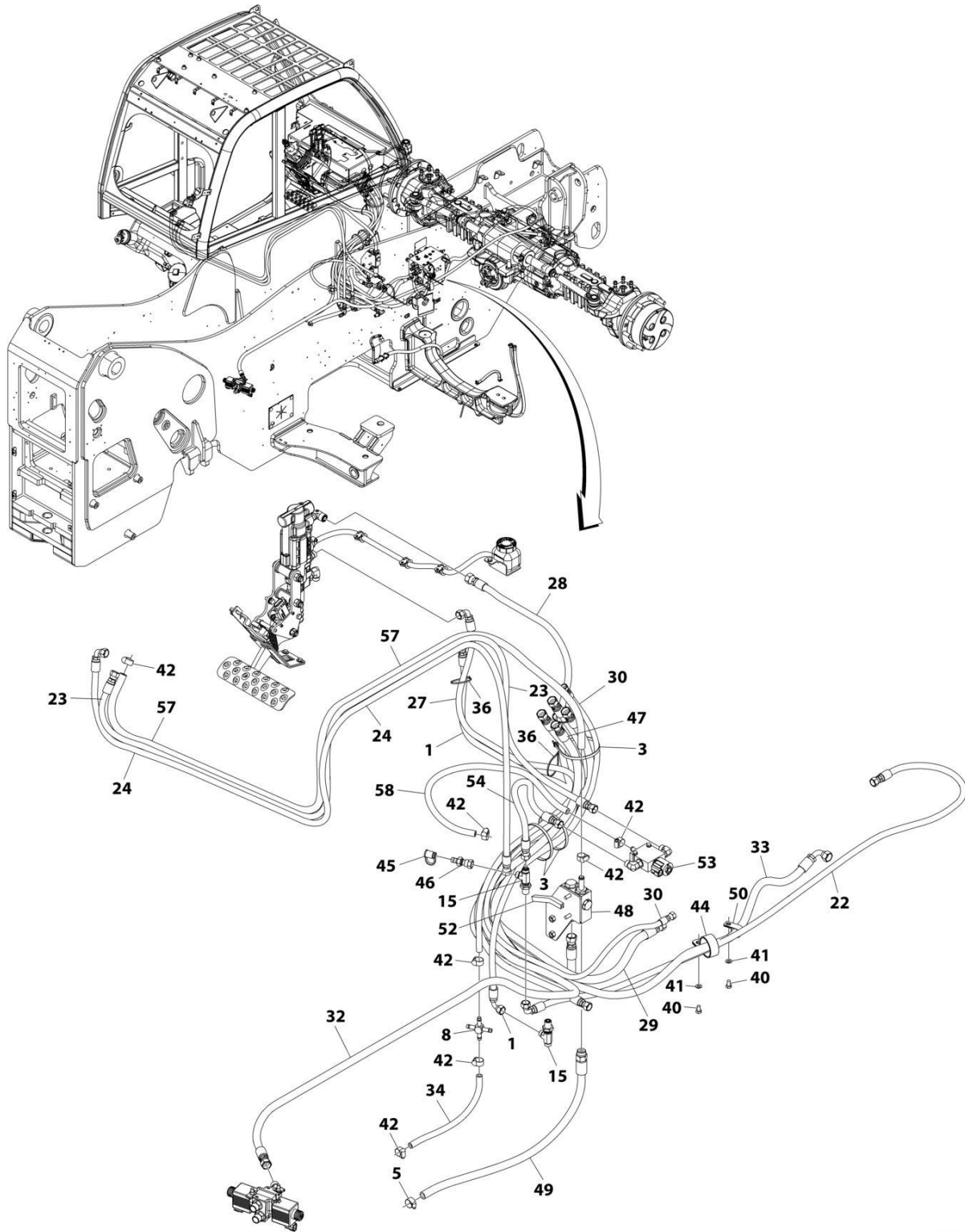
SECTION 8 - HYDRAULIC CIRCUITS

FIGURE 8-14. BOOM RAISE RIDE & FLOAT VALVE/FITTING ASSEMBLY (RIDE CONTROL)

ITEM	PART NUMBER	QTY	DESCRIPTION	REV
	1001219765	Ref	Ride and Float Valve Assembly	B
1	2130404	2	Fitting, 90 ORFS	
2	2131010	1	Fitting, 90 ORFS	
3	2131212	2	Fitting, 90 ORFS	
4	1001224945	1	Valve, Boom Raise (See Separate Breakdown in HYDRAULIC COMPONENTS Section)	

SECTION 8 - HYDRAULIC CIRCUITS

FIGURE 8-15. CAB HYDRUALIC INSTALLATION



ART_1001193709

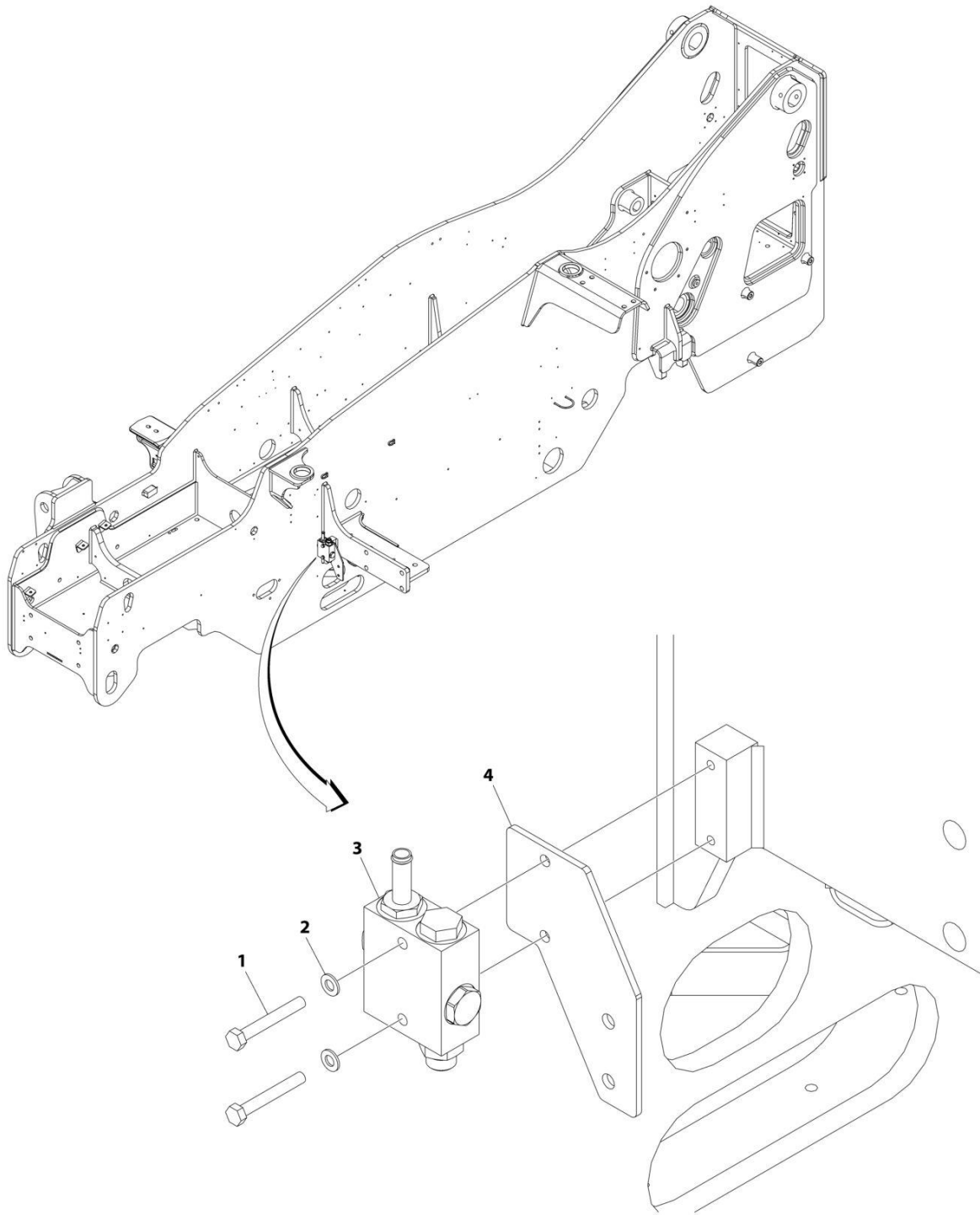
SECTION 8 - HYDRAULIC CIRCUITS

FIGURE 8-15. CAB HYDRUALIC INSTALLATION

ITEM	PART NUMBER	QTY	DESCRIPTION	REV
	1001193709	Ref	CAB HYDRUALIC INSTALLATION	J
1	1001196989	1	Hose	
3	4240018	3	Strap, Cable	
5	8405006	1	Clamp	
8	1001215256	1	Fitting, Cross Barb	
15	88662434	2	Fitting, Tee ORFS	
22	1001210800	1	Hose	
23	1001221989	1	Hose	
24	1001210327	1	Hose	
27	1001206709	1	Hose	
28	1001210282	1	Hose	
29	1001196992	1	Hose	
30	1001196993	1	Hose	
32	1001196995	1	Hose	
33	1001196996	1	Hose	
34	1001196997	1	Hose	
36	4240099	3	Tie, Wire	
40	0760807	2	Bolt M8 x 14	
41	4811900	2	Washer M8	
42	8410013	7	Clamp	
44	85941018	1	Clamp	
45	8430032	1	Plug	
46	8430081	1	Fitting, Straight ORFS	
47	1001204152	1	Hose	
48	1001212788	Ref	Installation, Check Valve (See Separate Breakdown in this Section)	
49	1001212880	1	Hose	
50	8406201	1	Clip	
52	90206198	186 mm	Compound, Locking	
53	1001221987	Ref	Installation, Solenoid Valve (See Separate Breakdown in this Section)	
54	1001221988	1	Hose	
57	2720160	2290 mm	Hose	
58	1001008654	750 mm	Hose	

SECTION 8 - HYDRAULIC CIRCUITS

FIGURE 8-16. CAB HYDRUALICS CHECK VALVE INSTALLATION



ART_1001212788

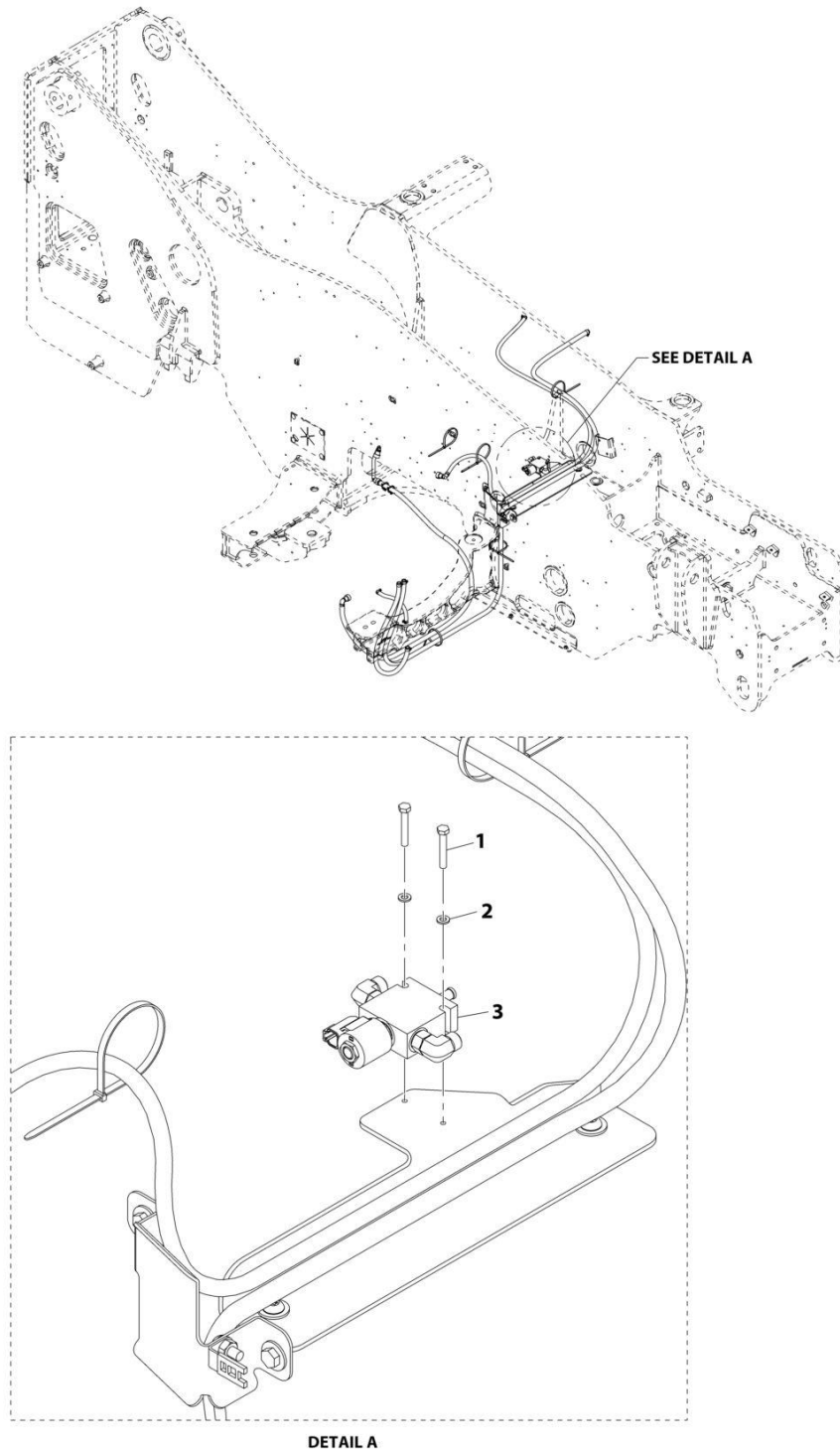
SECTION 8 - HYDRAULIC CIRCUITS

FIGURE 8-16. CAB HYDRUALICS CHECK VALVE INSTALLATION

ITEM	PART NUMBER	QTY	DESCRIPTION	REV
	1001212788	Ref	CAB HYDRUALICS CHECK VALVE INSTALLATION	B
1	0700820	2	Bolt M8 x 60	
2	4811900	2	Washer M8	
3	1001212789	1	Assembly, Check Valve (See Separate Breakdown in HYDRAULIC COMPONENTS Section)	
4	1001219659	1	Plate	

SECTION 8 - HYDRAULIC CIRCUITS

FIGURE 8-17. CAB HYDRAULICS SOLENOID INSTALLATION



ART_1001221987-A

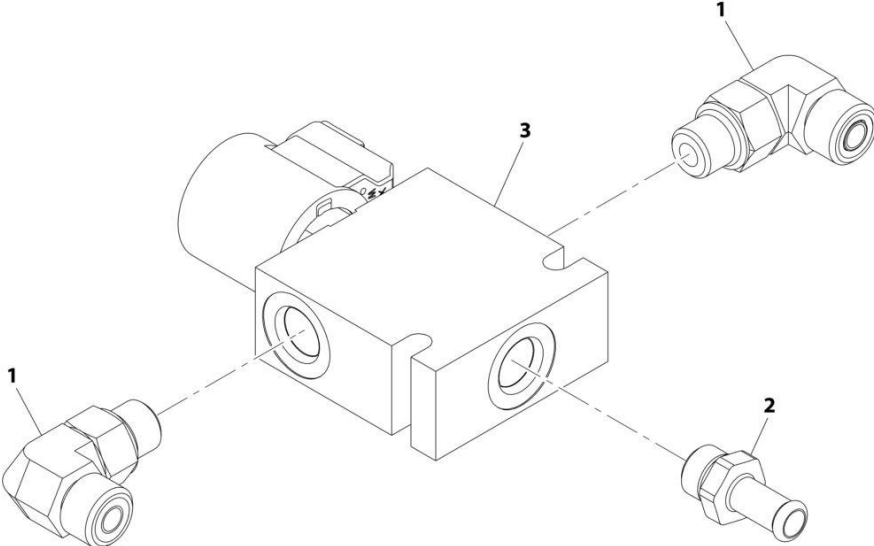
SECTION 8 - HYDRAULIC CIRCUITS

FIGURE 8-17. CAB HYDRAULICS SOLENOID INSTALLATION

ITEM	PART NUMBER	QTY	DESCRIPTION	REV
	1001221987	Ref	Solenoid Valve Installation	A
1	0700616	2	Bolt, M6X40	
2	4811700	2	Washer, M6	
3	1001221986	1	Assembly, Solenoid Valve (See Separate Breakdown in this Section)	

SECTION 8 - HYDRAULIC CIRCUITS

FIGURE 8-18. CAB HYDRAULICS SOLENOID FITTINGS INSTALLATION



ART_1001221986-A

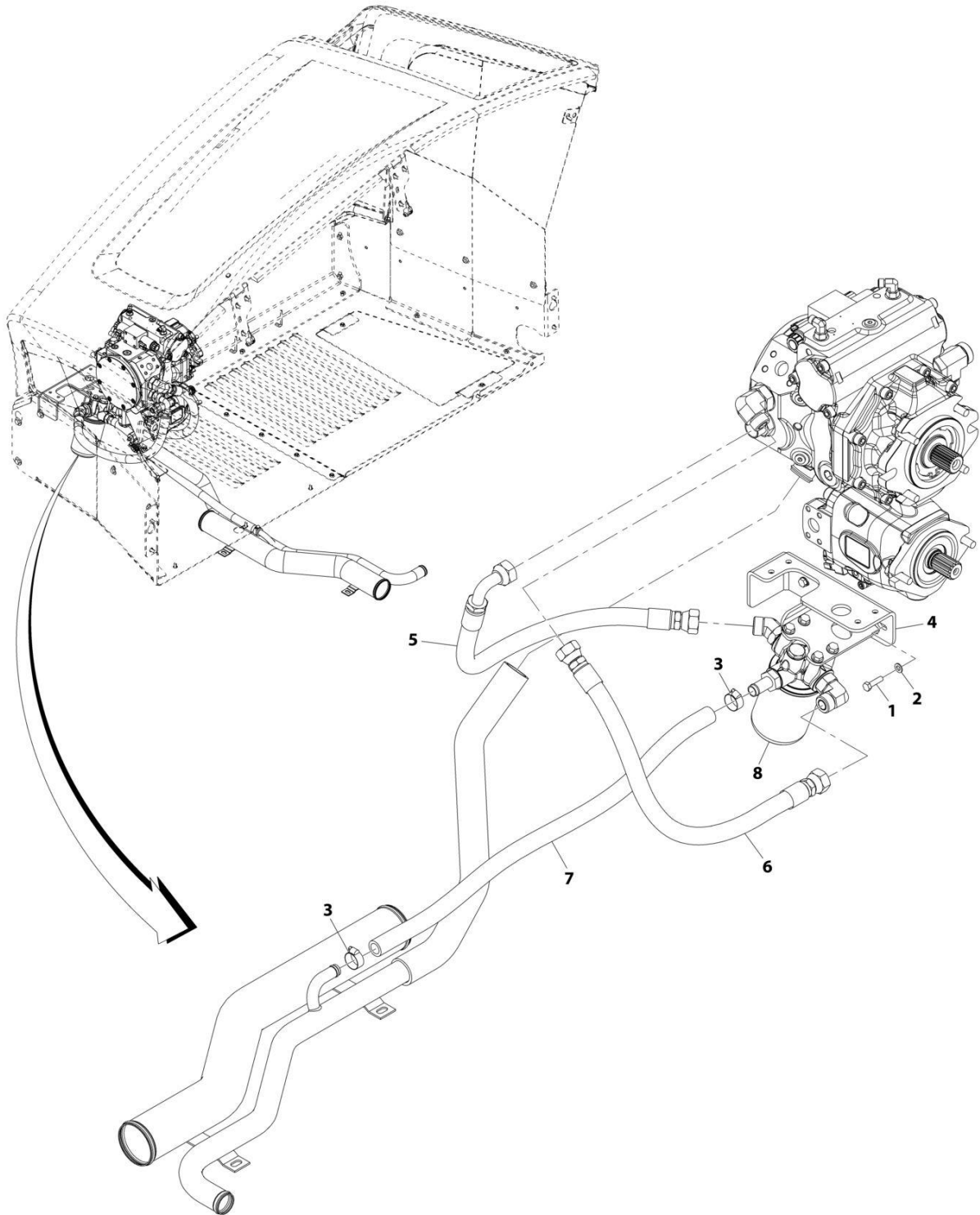
SECTION 8 - HYDRAULIC CIRCUITS

FIGURE 8-18. CAB HYDRAULICS SOLENOID FITTINGS INSTALLATION

ITEM	PART NUMBER	QTY	DESCRIPTION	REV
1	1001221986 2130606	Ref 2	Solenoid Valve/Fittings Assembly Fitting, 90 ORFS	A
2	1001168030	1	Fitting, Hose Barb	
3	1001221928	1	Valve, Solenoid (See Separate Breakdown in HYDRAULIC COMPONENTS Section)	

SECTION 8 - HYDRAULIC CIRCUITS

FIGURE 8-19. CHARGE FILTER LINES INSTALLATION



ART_1001202026-B

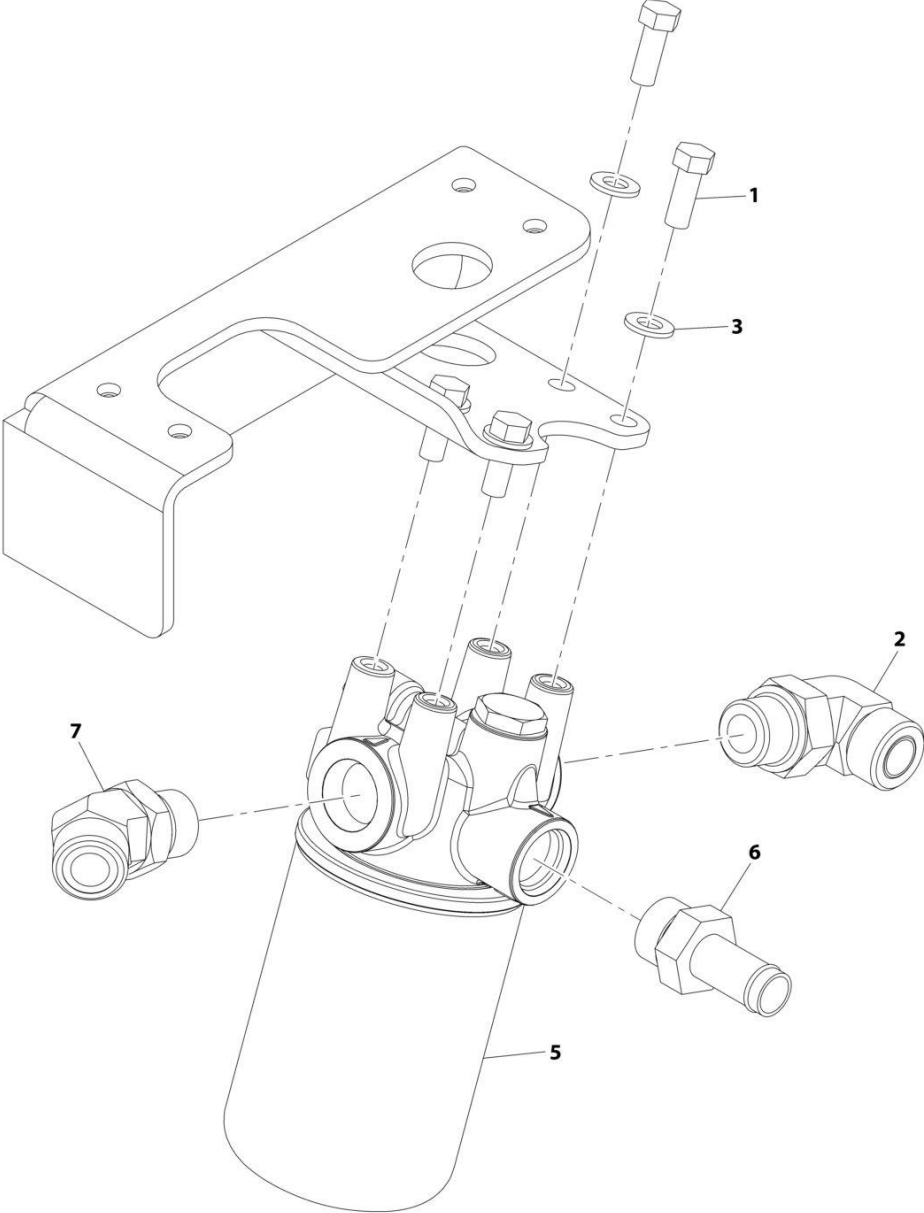
SECTION 8 - HYDRAULIC CIRCUITS

FIGURE 8-19. CHARGE FILTER LINES INSTALLATION

ITEM	PART NUMBER	QTY	DESCRIPTION	REV
	1001202026	Ref	Charge Filter Lines Installation	B
1	0700814	2	Bolt, M8X30	
2	4811900	2	Washer, M8	
3	8405007	2	Clamp	
4	1001212184	1	Bracket	
5	1001195433	1	Hose	
6	1001195434	1	Hose	
7	1001195435	1	Hose	
8	1001195430	Ref	Installation, Charge Filter (See Separate Breakdown in this Section)	

SECTION 8 - HYDRAULIC CIRCUITS

FIGURE 8-20. CHARGE FILTER INSTALLATION



ART_1001195430-C

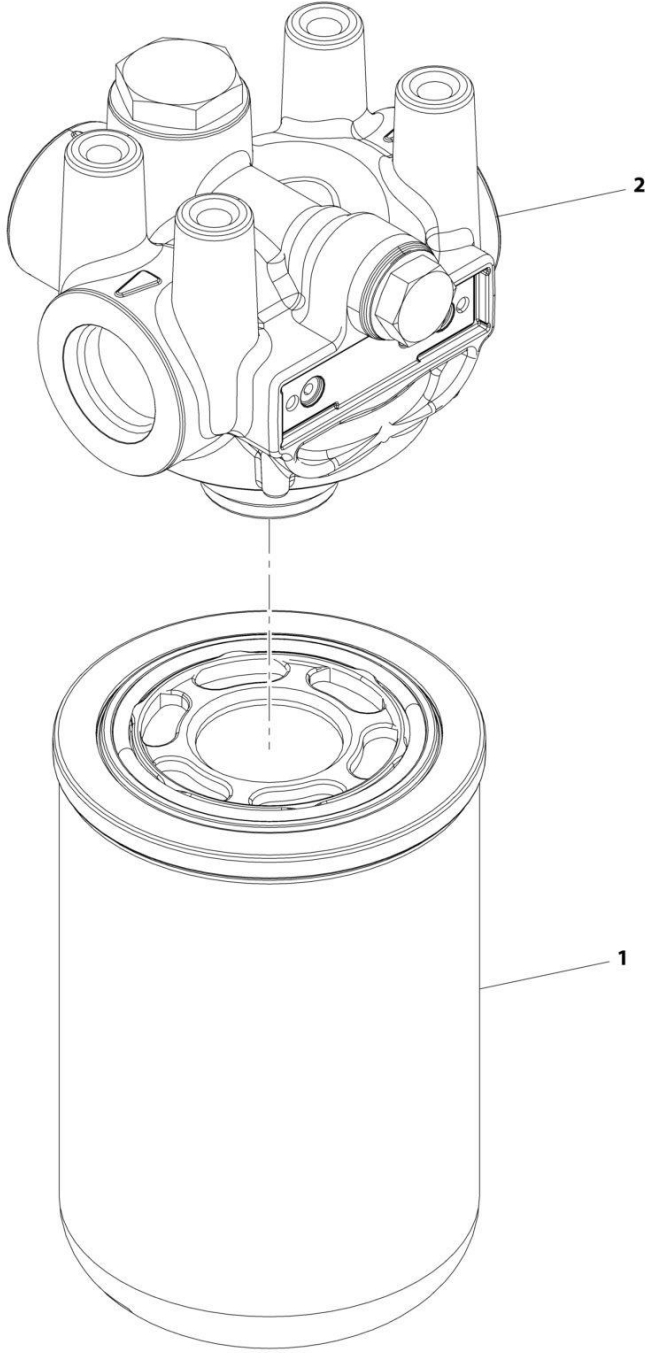
SECTION 8 - HYDRAULIC CIRCUITS

FIGURE 8-20. CHARGE FILTER INSTALLATION

ITEM	PART NUMBER	QTY	DESCRIPTION	REV
	1001195430	Ref	Charge Filter Installation	C
1	0641608	4	Bolt, 3/8-16X1	
2	2131212	1	Fitting, 90 ORFS	
3	4812000	4	Washer, M10	
5	1001141976	1	Assembly, Charge Filter (See Separate Breakdown in this Section)	
6	1001183700	1	Fitting, Barb	
7	2151212	1	Fitting, 45 ORFS	

SECTION 8 - HYDRAULIC CIRCUITS

FIGURE 8-21. CHARGE FILTER ASSEMBLY



ART_1001141976-A

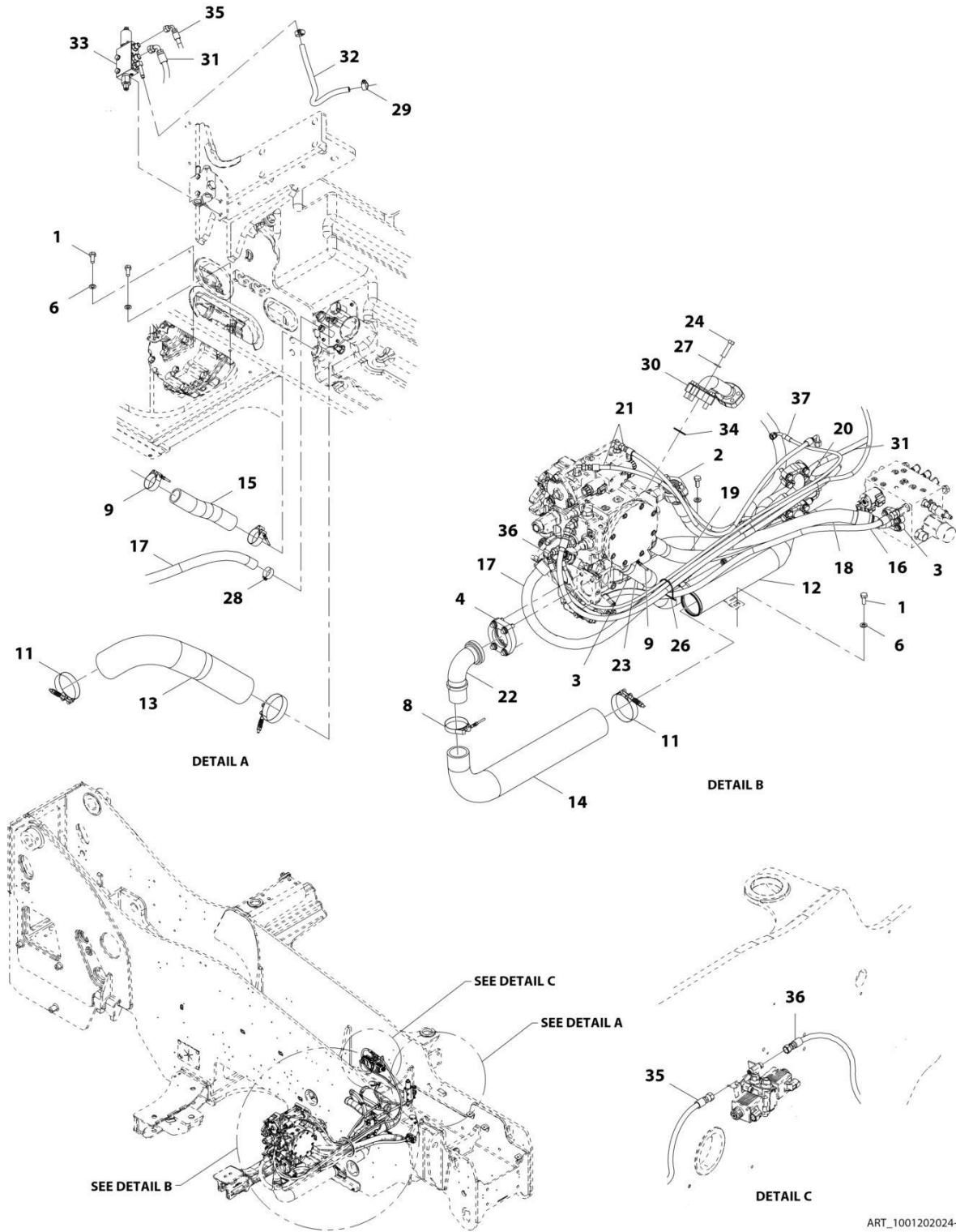
SECTION 8 - HYDRAULIC CIRCUITS

FIGURE 8-21. CHARGE FILTER ASSEMBLY

ITEM	PART NUMBER	QTY	DESCRIPTION	REV
	1001141976	Ref	Implement Pump Filter Assembly	A
1	1001141461	1	Filter	
2	1001141462	1	Pump, Filter	

SECTION 8 - HYDRAULIC CIRCUITS

FIGURE 8-22. ENGINE BAY HYDRAULIC INSTALLATION



ART_1001202024-G

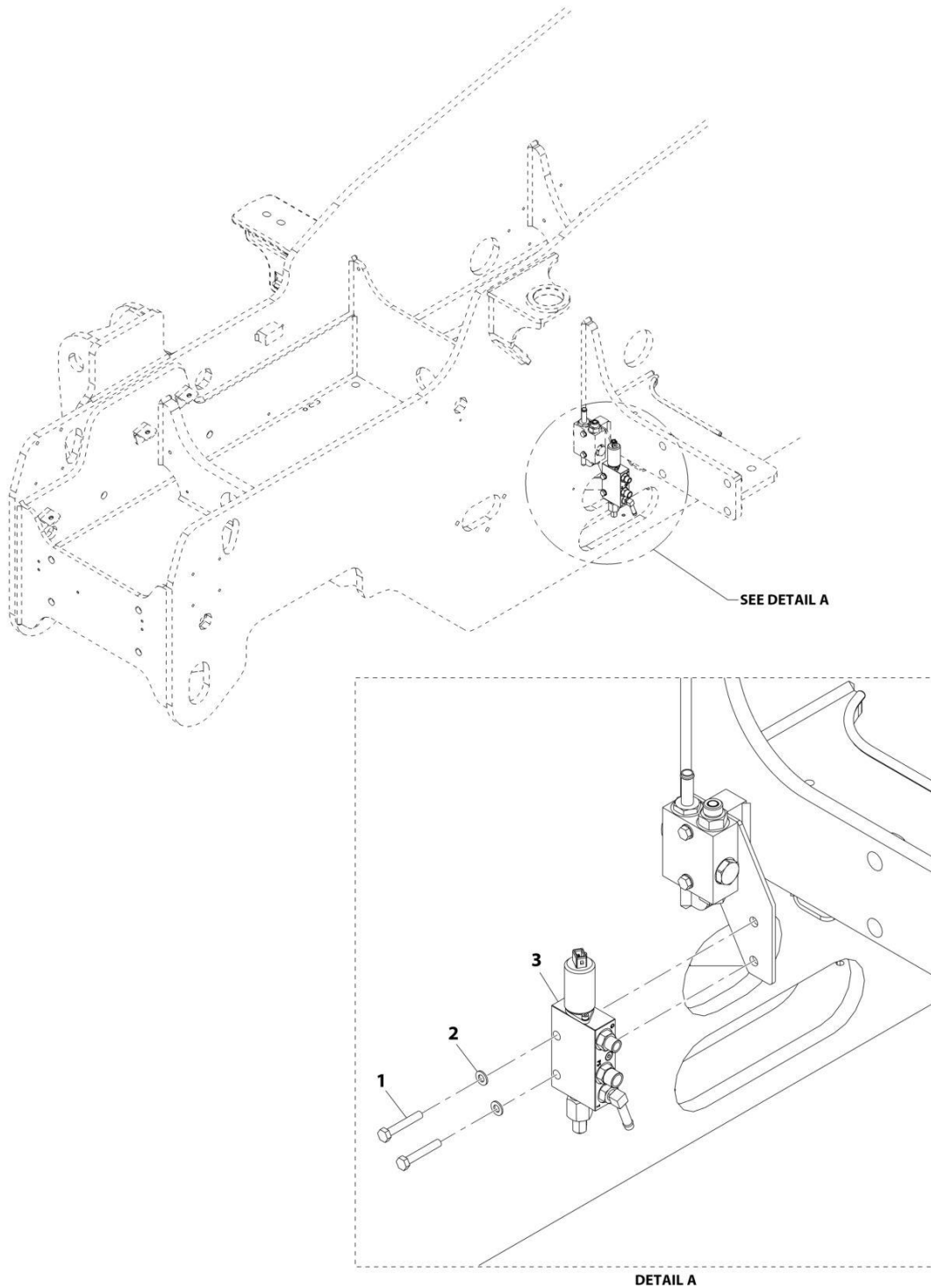
SECTION 8 - HYDRAULIC CIRCUITS

FIGURE 8-22. ENGINE BAY HYDRAULIC INSTALLATION

ITEM	PART NUMBER	QTY	DESCRIPTION	REV
	1001202024	Ref	Engine Bay Installation	G
1	0761012	4	Bolt, M10X25	
2	1001217948	4	Kit, Flange (includes mounting hardware and o-ring)	
3	2171816	2	Kit, Flange (includes mounting hardware and o-ring)	
4	2171832	1	Kit, Flange (includes mounting hardware and o-ring)	
6	4812000	4	Washer, M10	
8	1001005438	1	Clamp	
9	1001014231	4	Clamp	
11	1001186843	3	Clamp	
12	1001187272	1	Pipe	
13	1001187273	1	Hose	
14	1001187275	1	Hose	
15	1001193461	1	Hose	
16	1001196959	1	Hose	
17	1001215802	1	Hose	
18	1001214431	1	Hose	
19	1001214430	1	Hose	
20	1001214429	1	Hose	
21	1001215539	2	Hose	
22	8424233	1	Fitting, 90	
23	1001202027	1	Hose	
24	0681714	4	Bolt, 7/16-14X1 3/4 Grade 8	
26	4240099	AR	Tie, Wire	
27	4761700	4	Washer, Lock 7/16	
28	8405007	1	Clamp	
29	8410013	2	Clamp	
30	1001200870	1	Fitting, 90	
31	1001213306	1	Hose	
32	1001213307	1	Hose	
33	1001213308	1	Installation, Inching Valve (See Separate Breakdown in this Section)	
34	91083106	1	O-Ring	
35	1001215093	1	Hose	
36	1001215212	1	Hose	
37	1001223109	1	Hose	

SECTION 8 - HYDRAULIC CIRCUITS

FIGURE 8-23. ENGINE BAY INCHING VALVE INSTALLATION



ART_1001213308-A

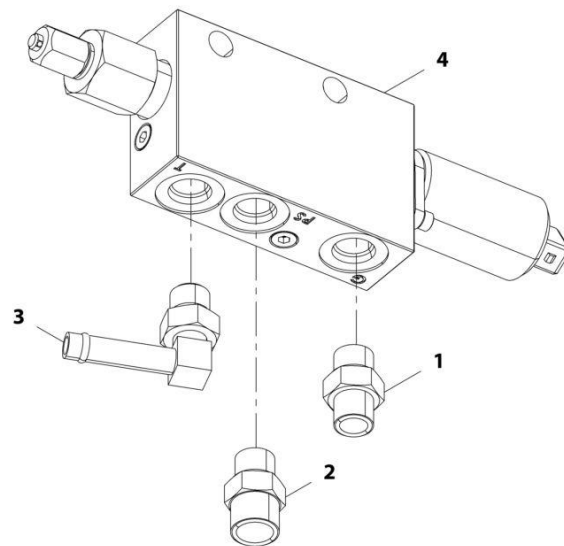
SECTION 8 - HYDRAULIC CIRCUITS

FIGURE 8-23. ENGINE BAY INCHING VALVE INSTALLATION

ITEM	PART NUMBER	QTY	DESCRIPTION	REV
	1001213308	Ref	Inching Valve Installation	A
1	0700818	2	Bolt, M8X50	
2	4811900	2	Washer, M8	
3	1001213309	1	Assembly, Inching Valve (See Separate Breakdown in this Section)	

SECTION 8 - HYDRAULIC CIRCUITS

FIGURE 8-24. ENGINE BAY INCHING VALVE/FITINGS ASSEMBLY



ART_1001213309-B

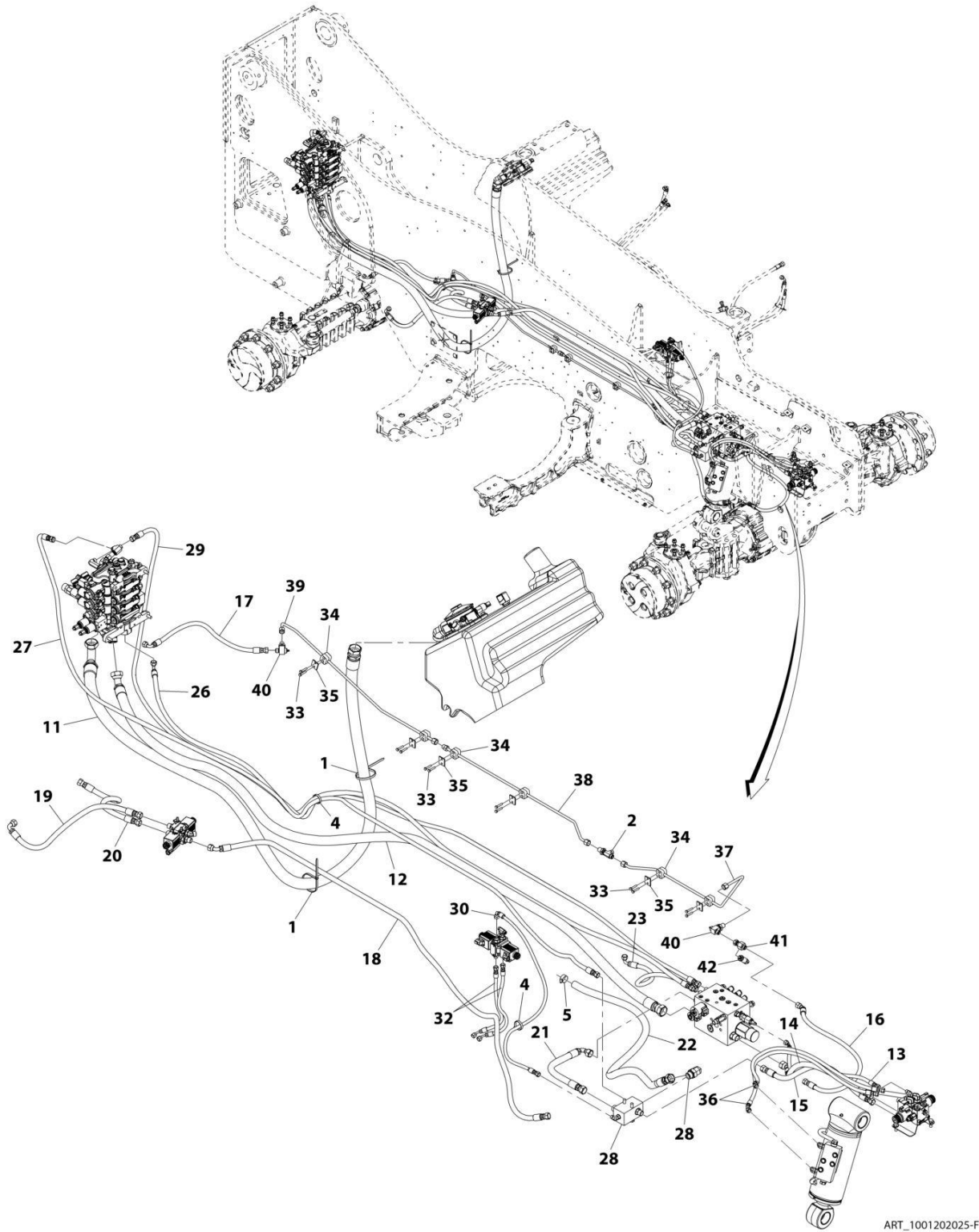
SECTION 8 - HYDRAULIC CIRCUITS

FIGURE 8-24. ENGINE BAY INCHING VALVE/FITINGS ASSEMBLY

ITEM	PART NUMBER	QTY	DESCRIPTION	REV
	1001213309	Ref	Inching Valve Assembly	B
1	2110406	1	Fitting, Straight ORFS	
2	2110606	1	Fitting, Straight ORFS	
3	8430034	1	Elbow, 90	
4	1001213311	1	Valve, Inching (See Separate Breakdown in HYDRAULIC COMPONENTS Section)	

SECTION 8 - HYDRAULIC CIRCUITS

FIGURE 8-25. FRAME HYDRAULIC INSTALLATION



ART_1001202025-F

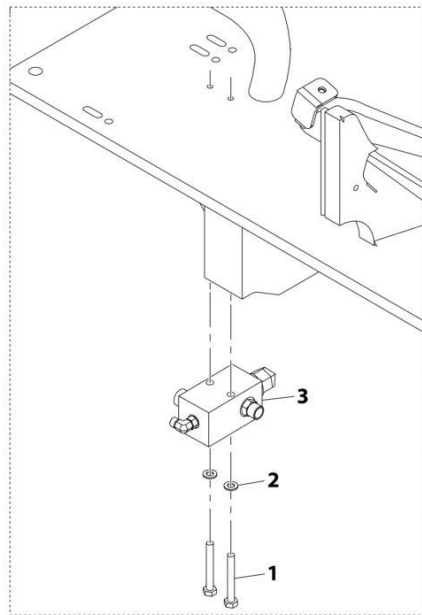
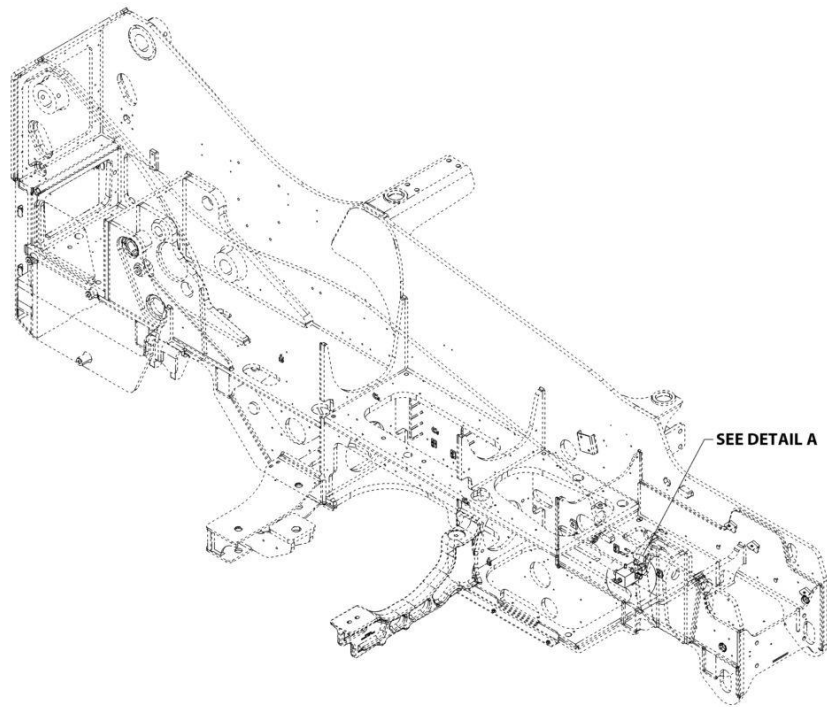
SECTION 8 - HYDRAULIC CIRCUITS

FIGURE 8-25. FRAME HYDRAULIC INSTALLATION

ITEM	PART NUMBER	QTY	DESCRIPTION	REV
	1001202025	Ref	Frame Hydraulic Installation	F
1	1062255	2	Strap, Tie	
2	88662434	1	Fitting, Tee ORFS	
4	4240018	2	Strap, Tie	
5	8405007	1	Clamp	
11	1001196964	1	Hose	
12	1001196967	1	Hose	
13	1001210635	1	Hose	
14	1001196969	1	Hose	
15	1001196970	1	Hose	
16	1001208532	1	Hose	
17	1001208534	1	Hose	
18	1001196973	1	Hose	
19	1001196974	1	Hose	
20	1001196975	1	Hose	
21	1001196976	1	Hose	
22	1001196977	1	Hose	
23	1001196978	1	Hose	
26	1001196981	1	Hose	
27	1001196982	1	Hose	
28	1001197197	Ref	Installation, Manifold (See Separate Breakdown in this Section)	
29	1001197199	1	Hose	
30	1001197200	1	Hose	
32	1001211020	2	Hose	
33	0700614	12	Bolt, M6X30	
34	9106-3040	6	Clamp	
35	9106-3039	6	Plate, Cover	
36	1001205573	2	Hose	
37	1001207788	1	Pipe	
38	1001207789	1	Pipe	
39	1001207790	1	Pipe	
40	1001210797	2	Bleeder, Brake	
41	1001111140	1	Fitting, ORFS	
42	1001147340	1	Sensor, Pressure	

SECTION 8 - HYDRAULIC CIRCUITS

FIGURE 8-26. FRAME MANIFOLD INSTALLATION



DETAIL A

ART_1001197197-B

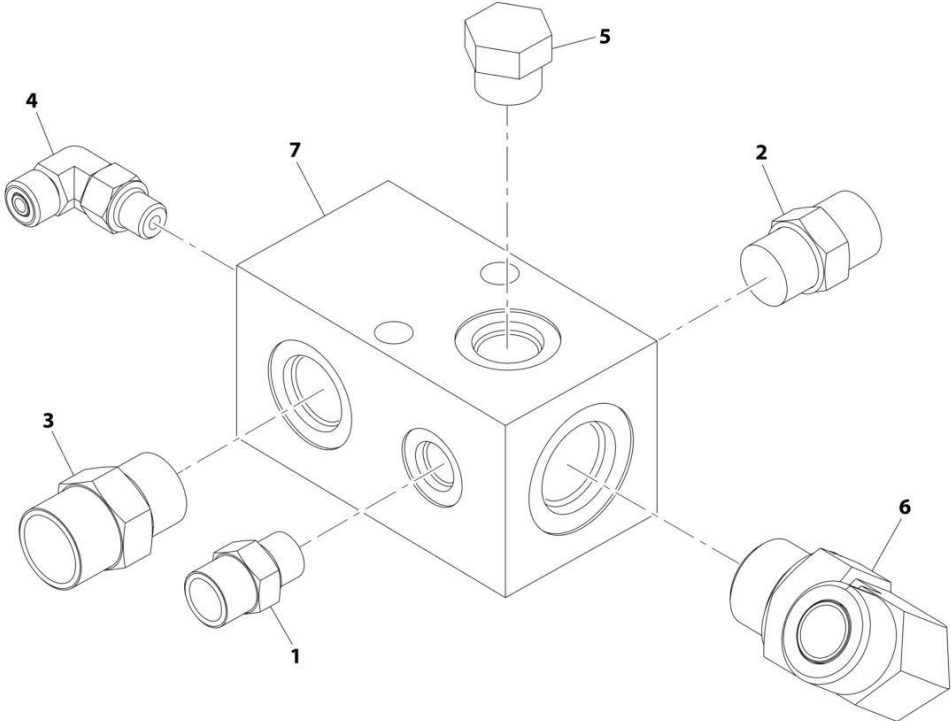
SECTION 8 - HYDRAULIC CIRCUITS

FIGURE 8-26. FRAME MANIFOLD INSTALLATION

ITEM	PART NUMBER	QTY	DESCRIPTION	REV
	1001197197	Ref	Manifold Installation	B
1	0701024	2	Bolt, M10X80	
2	4812000	2	Washer, M10	
3	1001197198	1	Assembly, Manifold (See Separate Breakdown in this Section)	

SECTION 8 - HYDRAULIC CIRCUITS

FIGURE 8-27. FRAME MANIFOLD/FITTINGS ASSEMBLY



ART_1001197198-D

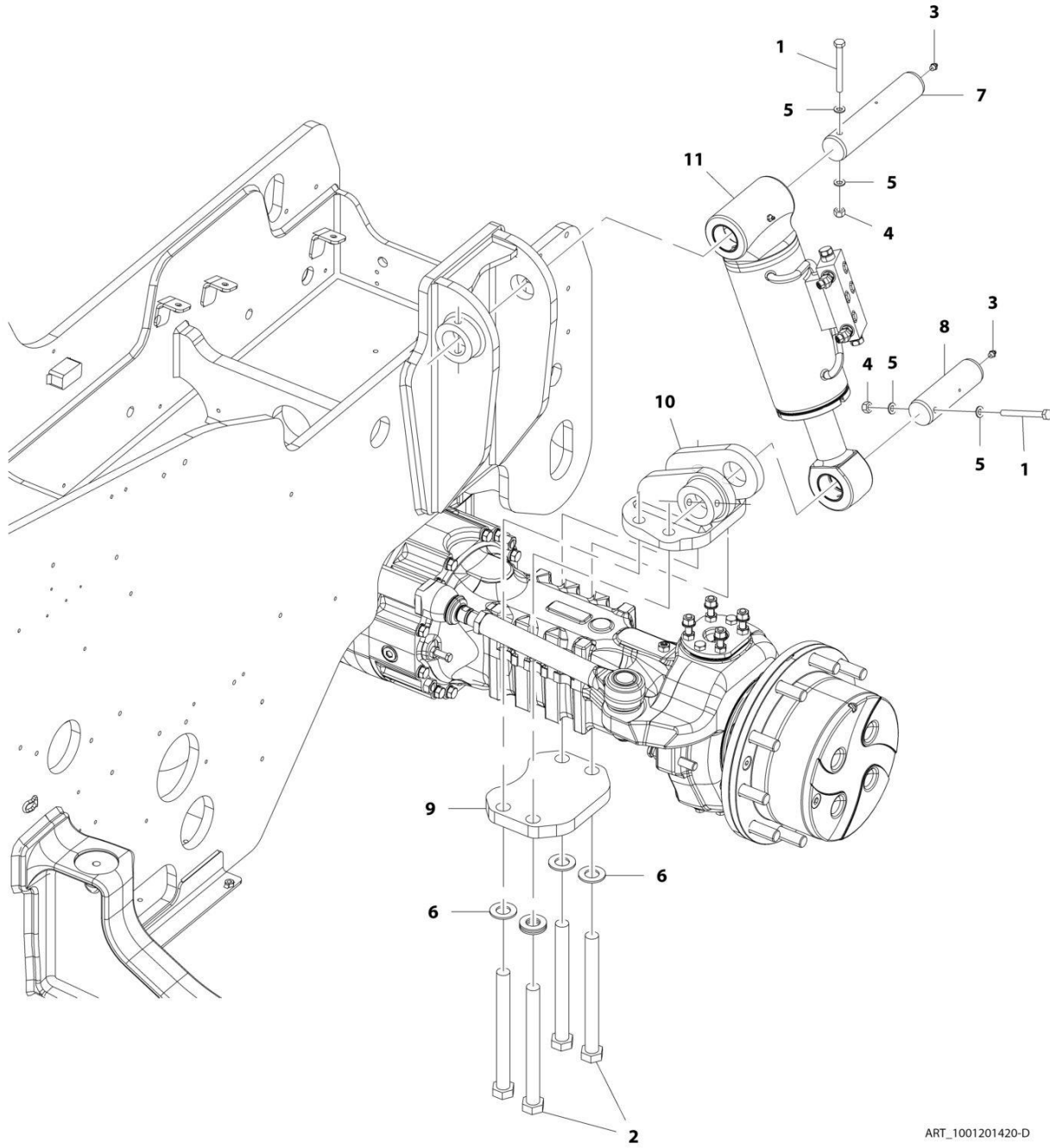
SECTION 8 - HYDRAULIC CIRCUITS

FIGURE 8-27. FRAME MANIFOLD/FITTINGS ASSEMBLY

ITEM	PART NUMBER	QTY	DESCRIPTION	REV
	1001197198	Ref	Manifold Assembly	D
1	2110606	1	Fitting, Straight ORFS	
2	2110808	1	Fitting, Straight ORFS	
3	2111010	1	Fitting, Straight ORFS	
4	2130404	1	Fitting, 90 ORFS	
5	2220238	1	Plug	
6	2131212	1	Fitting, 90 ORFS	
7	1001228504	1	Manifold	

SECTION 8 - HYDRAULIC CIRCUITS

FIGURE 8-28. FRAME LEVEL INSTALLATION



ART_1001201420-D

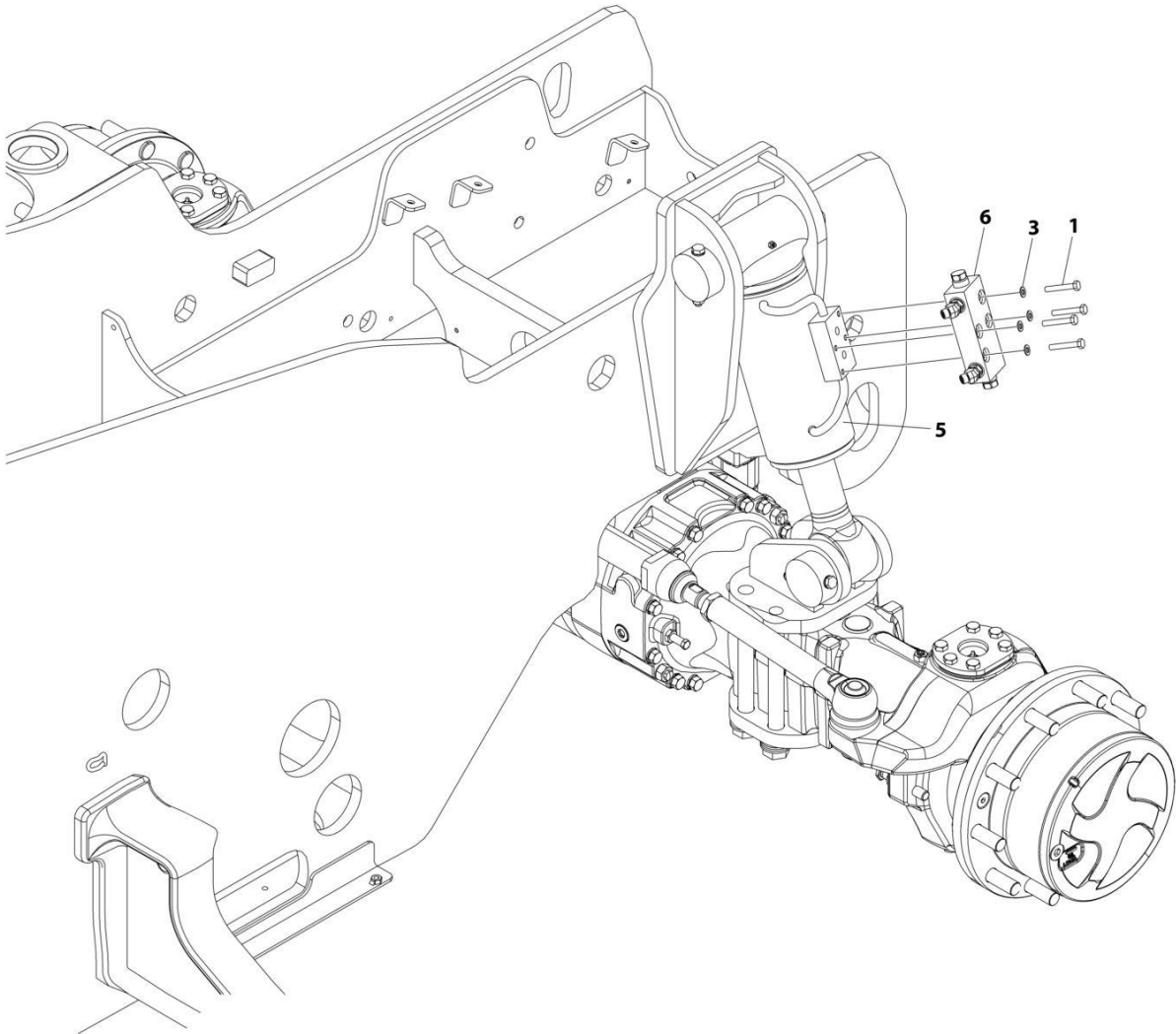
SECTION 8 - HYDRAULIC CIRCUITS

FIGURE 8-28. FRAME LEVEL INSTALLATION

ITEM	PART NUMBER	QTY	DESCRIPTION	REV
	1001201420	Ref	Frame Level Installation	D
1	0701027	2	Bolt, M10X100	
2	0712442	4	Bolt, M24X250 Grade 10.9	
3	2160016	2	Fitting, Grease	
4	3291005	2	Nut, Lock M0X1.5 Grade 8	
5	4812000	4	Washer, M10	
6	5242400	6	Washer, M24	
7	1001164971	1	Pin	
8	1001164972	1	Pin	
9	1001207325	1	Plate, Sway Bottom	
10	1001200226	1	Bracket, Axle Sway	
11	1001201074	Ref	Installation, Frame Level Cylinder (See Separate Breakdown in this Section)	

SECTION 8 - HYDRAULIC CIRCUITS

FIGURE 8-29. FRAME LEVEL CYLINDER INSTALLATION



ART_1001201074_C

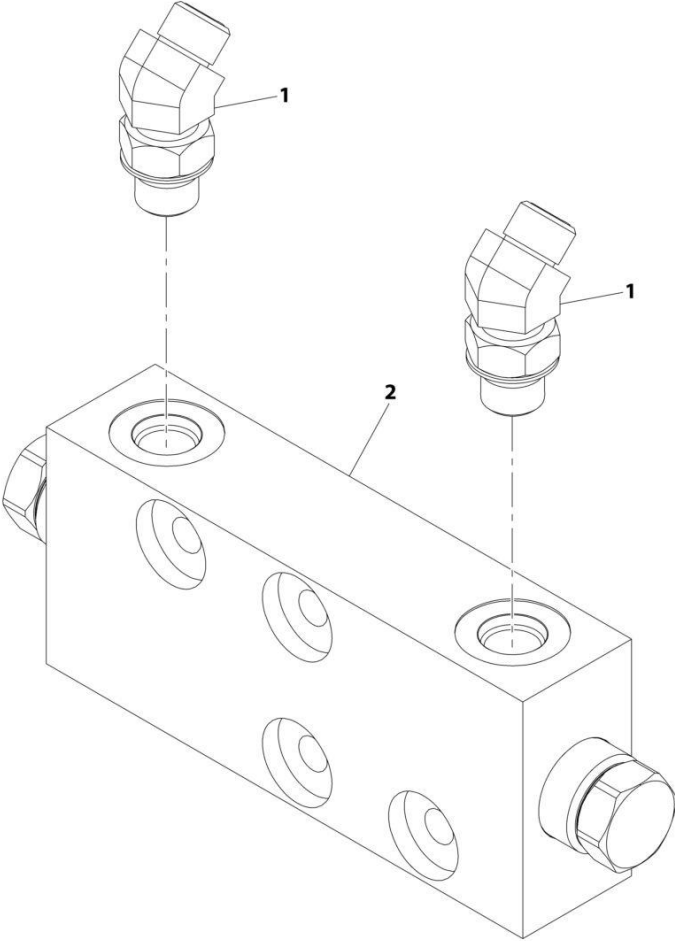
SECTION 8 - HYDRAULIC CIRCUITS

FIGURE 8-29. FRAME LEVEL CYLINDER INSTALLATION

ITEM	PART NUMBER	QTY	DESCRIPTION	REV
	1001201074	Ref	Frame Level Cylinder Installation	C
1	0700818	4	Bolt M8 x 50	
3	4811900	4	Washer M8	
5	1001201073	1	Cylinder, Frame Level (See Separate Breakdown in HYDRAULIC COMPONENTS Section) (Prior to SN 0160110254)	
5	1001267973	1	Cylinder, Frame Level (See Separate Breakdown in HYDRAULIC COMPONENTS Section) (SN 0160110254 to Present)	
6	1001217482	1	Assembly, Frame Level Valve (See Separate Breakdown in this Section)	

SECTION 8 - HYDRAULIC CIRCUITS

FIGURE 8-30. FRAME LEVEL COUNTERBALANCE VALVE/FITTINGS ASSEMBLY



ART_1001217482-A

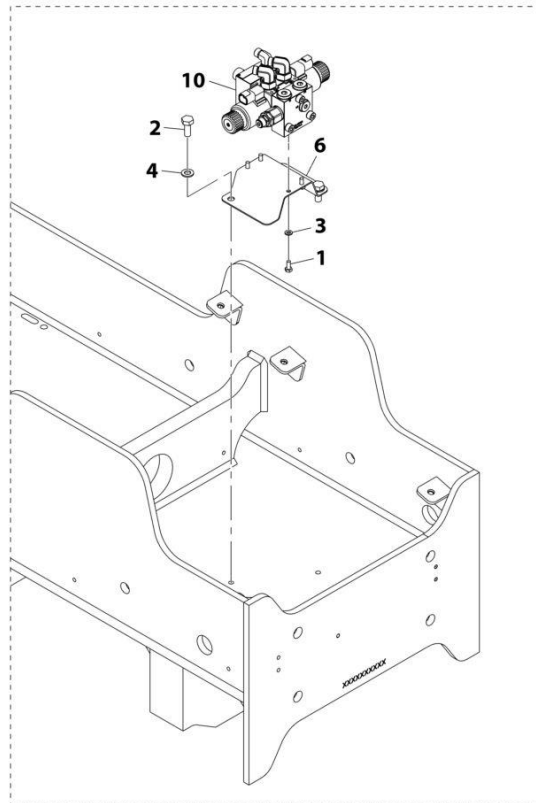
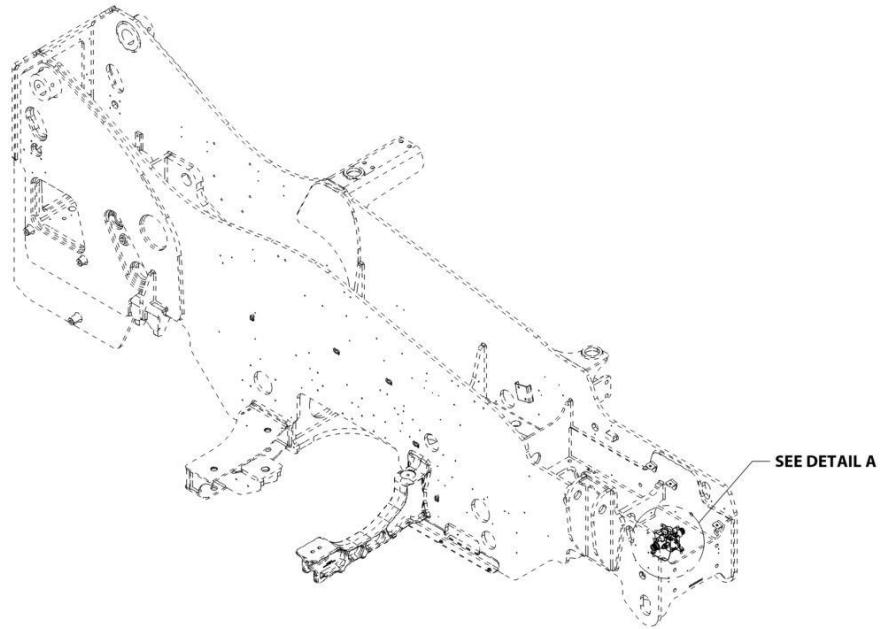
SECTION 8 - HYDRAULIC CIRCUITS

FIGURE 8-30. FRAME LEVEL COUNTERBALANCE VALVE/FITTINGS ASSEMBLY

ITEM	PART NUMBER	QTY	DESCRIPTION	REV
1	1001217482	Ref	Frame Level Valve Assembly	A
2	2150406	2	Fitting, 45 ORFS	
2	1001168599	1	Valve, Counterbalance (See Separate Breakdown in the HYDRAULIC COMPONENTS Section)	

SECTION 8 - HYDRAULIC CIRCUITS

FIGURE 8-31. FRAME LEVEL CONTROL VALVE INSTALLATION



DETAIL A

ART_1001193517-D

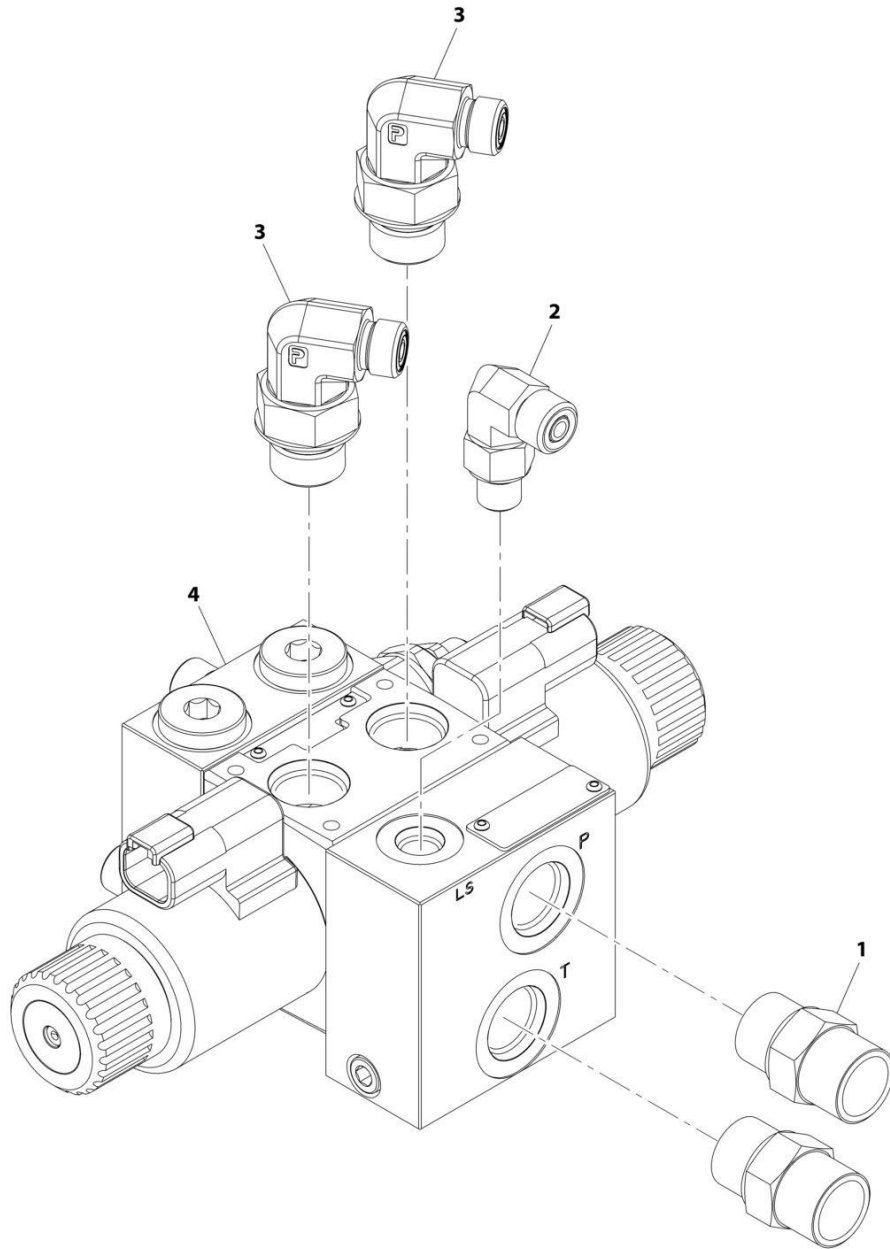
SECTION 8 - HYDRAULIC CIRCUITS

FIGURE 8-31. FRAME LEVEL CONTROL VALVE INSTALLATION

ITEM	PART NUMBER	QTY	DESCRIPTION	REV
	1001193517	Ref	Frame Level Valve Installation	D
1	0760607	4	Bolt, M6X14	
2	0761012	2	Bolt, M10X25	
3	4811700	4	Washer, M6	
4	4812000	2	Washer, M10	
6	1001195733	1	Bracket	
10	1001215341	1	Assembly, Frame Level Valve (See Separate Breakdown in this Section)	

SECTION 8 - HYDRAULIC CIRCUITS

FIGURE 8-32. FRAME LEVEL CONTROL VALVE/FITTINGS ASSEMBLY



ART_1001215341-B

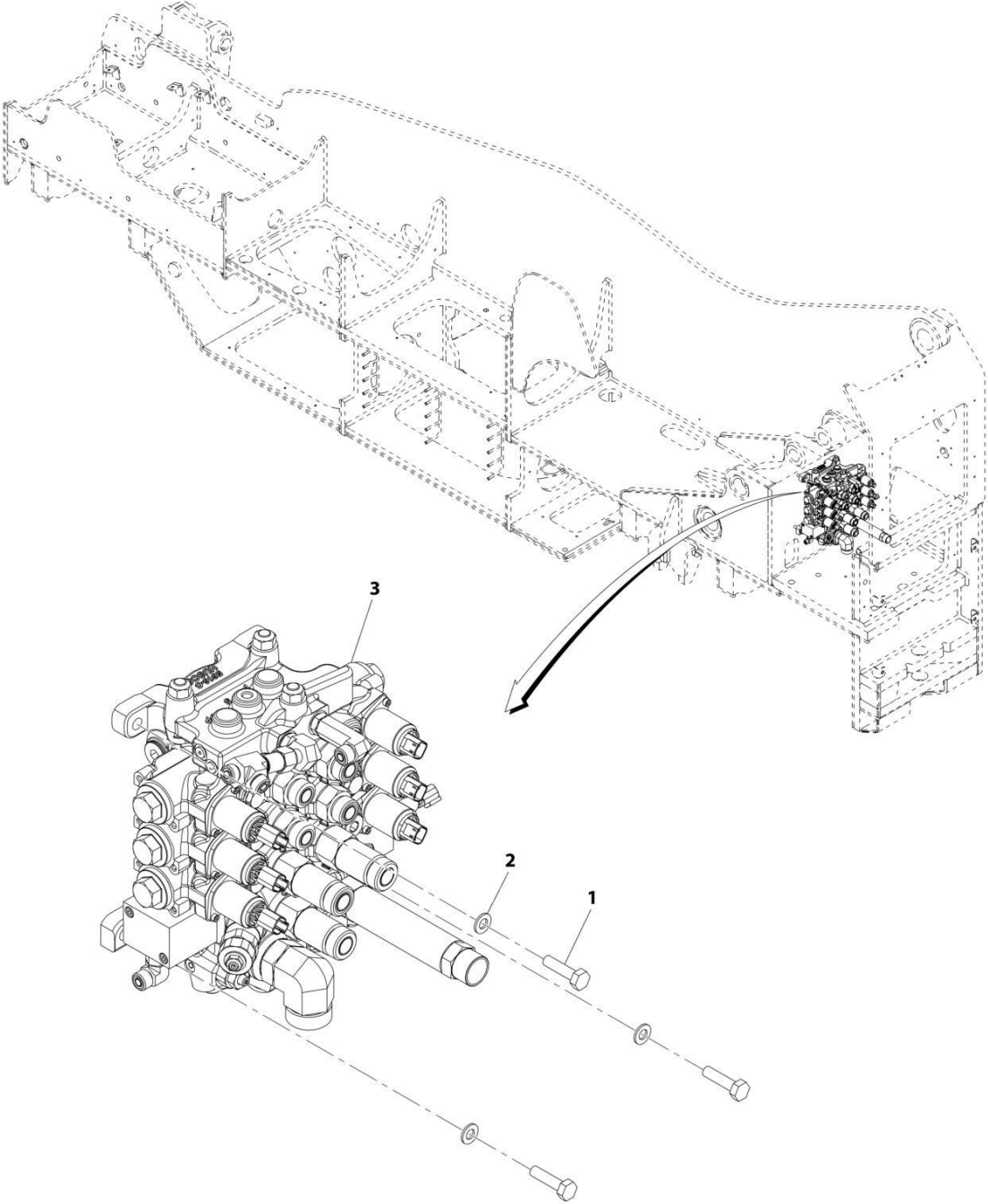
SECTION 8 - HYDRAULIC CIRCUITS

FIGURE 8-32. FRAME LEVEL CONTROL VALVE/FITTINGS ASSEMBLY

ITEM	PART NUMBER	QTY	DESCRIPTION	REV
	1001215341	Ref	Frame Level Valve Assembly	B
1	2110808	2	Fitting, Straight ORFS	
2	2130404	1	Fitting, 90 ORFS	
3	2130408	2	Fitting, 90 ORFS	
4	1001219615	1	Valve, Frame Level (See Separate Breakdown in HYDRAULIC COMPONENTS Section)	

SECTION 8 - HYDRAULIC CIRCUITS

FIGURE 8-33. MAIN CONTROL VALVE INSTALLATION



ART_1001220457-A

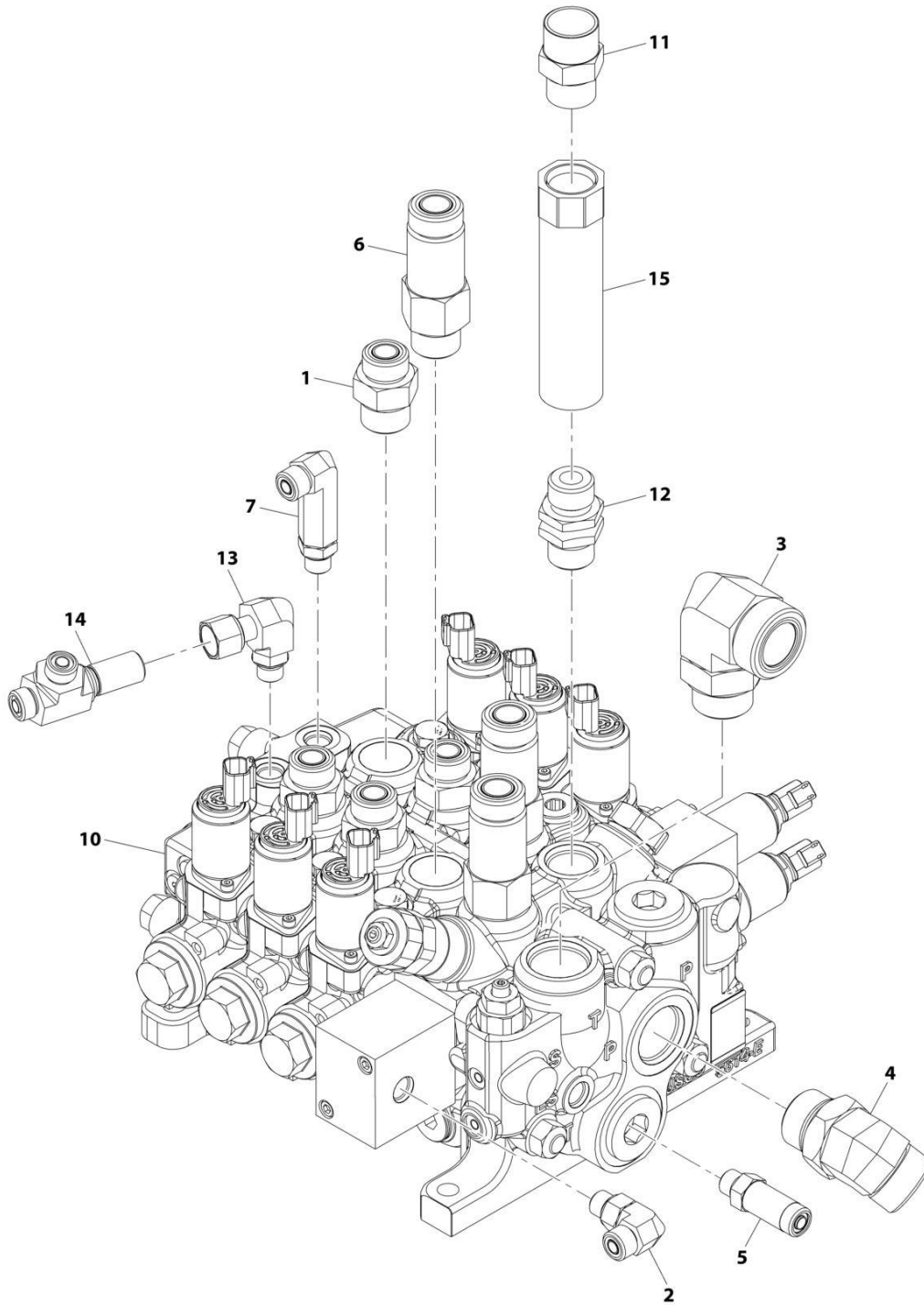
SECTION 8 - HYDRAULIC CIRCUITS

FIGURE 8-33. MAIN CONTROL VALVE INSTALLATION

ITEM	PART NUMBER	QTY	DESCRIPTION	REV
	1001220457	Ref	Main Control Valve Installation	A
1	0701016	3	Bolt, M10X40	
2	4812000	3	Washer, M10	
3	1001220456	1	Assembly, Main Control Valve (See Separate Breakdown in this Section)	

SECTION 8 - HYDRAULIC CIRCUITS

FIGURE 8-34. MAIN CONTROL VALVE/FITTINGS ASSEMBLY



ART_1001220456_C

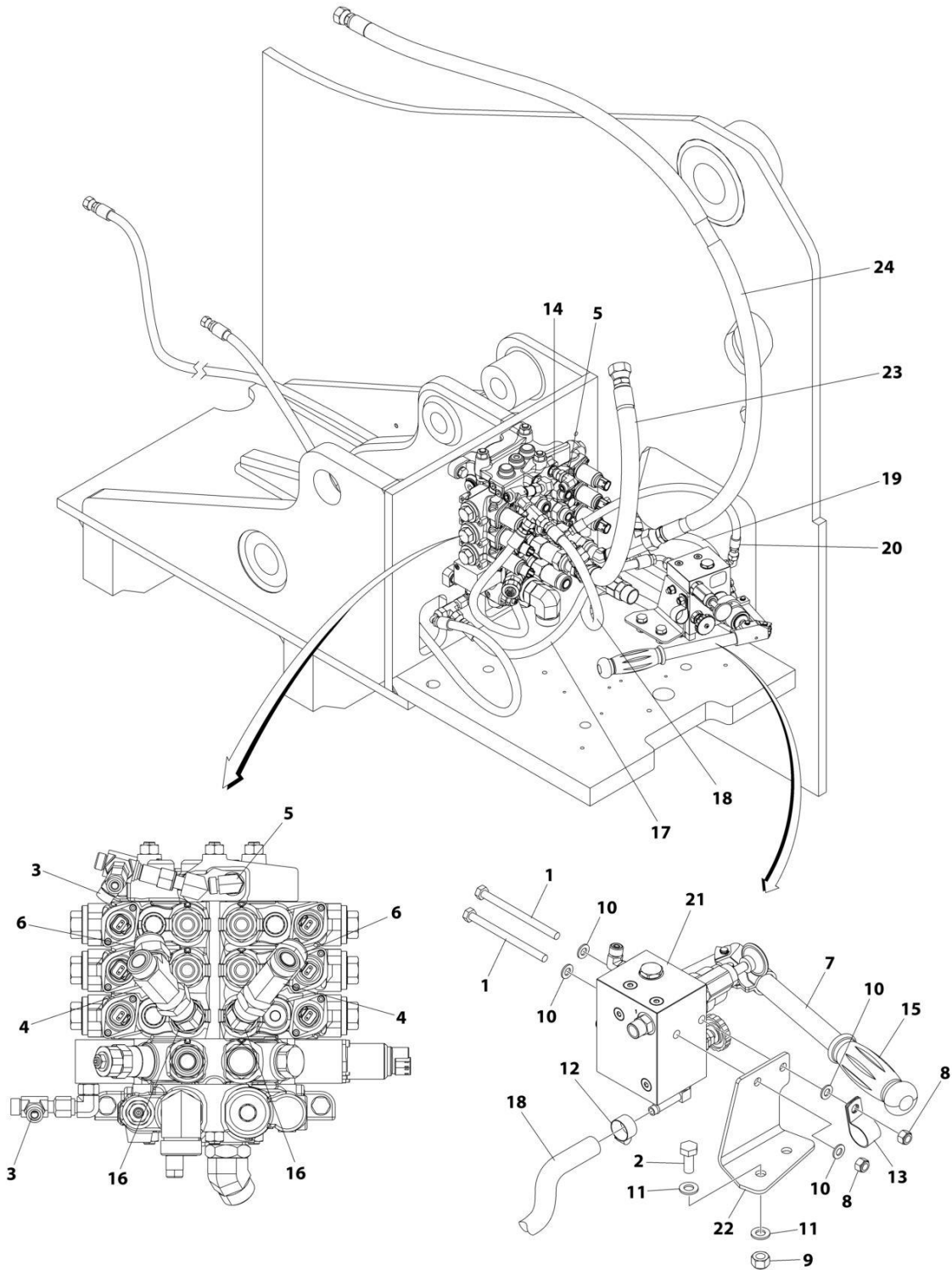
SECTION 8 - HYDRAULIC CIRCUITS

FIGURE 8-34. MAIN CONTROL VALVE/FITTINGS ASSEMBLY

ITEM	PART NUMBER	QTY	DESCRIPTION	REV
	1001220456	Ref	Main Control Valve Assembly	C
1	2111012	4	Fitting, Straight ORFS	
2	2130606	1	Fitting, 90 ORFS	
3	2132016	1	Fitting, 90 ORFS	
4	2151616	1	Fitting, 45 ORFS	
5	2170106	1	Fitting, Straight ORFS	
6	2170112	3	Fitting, Straight ORFS	
7	2170206	1	Fitting, 90 ORFS	
10	1001241881	1	Valve, Main Control (See Separate Breakdown in Hydraulic Components Section)	
11	2111212	1	Fitting, Straight ORFS	
12	8770030	1	Fitting, Straight ORFS	
13	8770104	1	Fitting, 90 ORFS	
14	8770286	1	Fitting, 90 ORFS	
15	1001224946	1	Valve, Check	

SECTION 8 - HYDRAULIC CIRCUITS

FIGURE 8-35. MANUAL PUMP (LIFT/TELE) INSTALLATION - REMOTE CONTROL EMERGENCY LOWERING



ART_1001259258-A

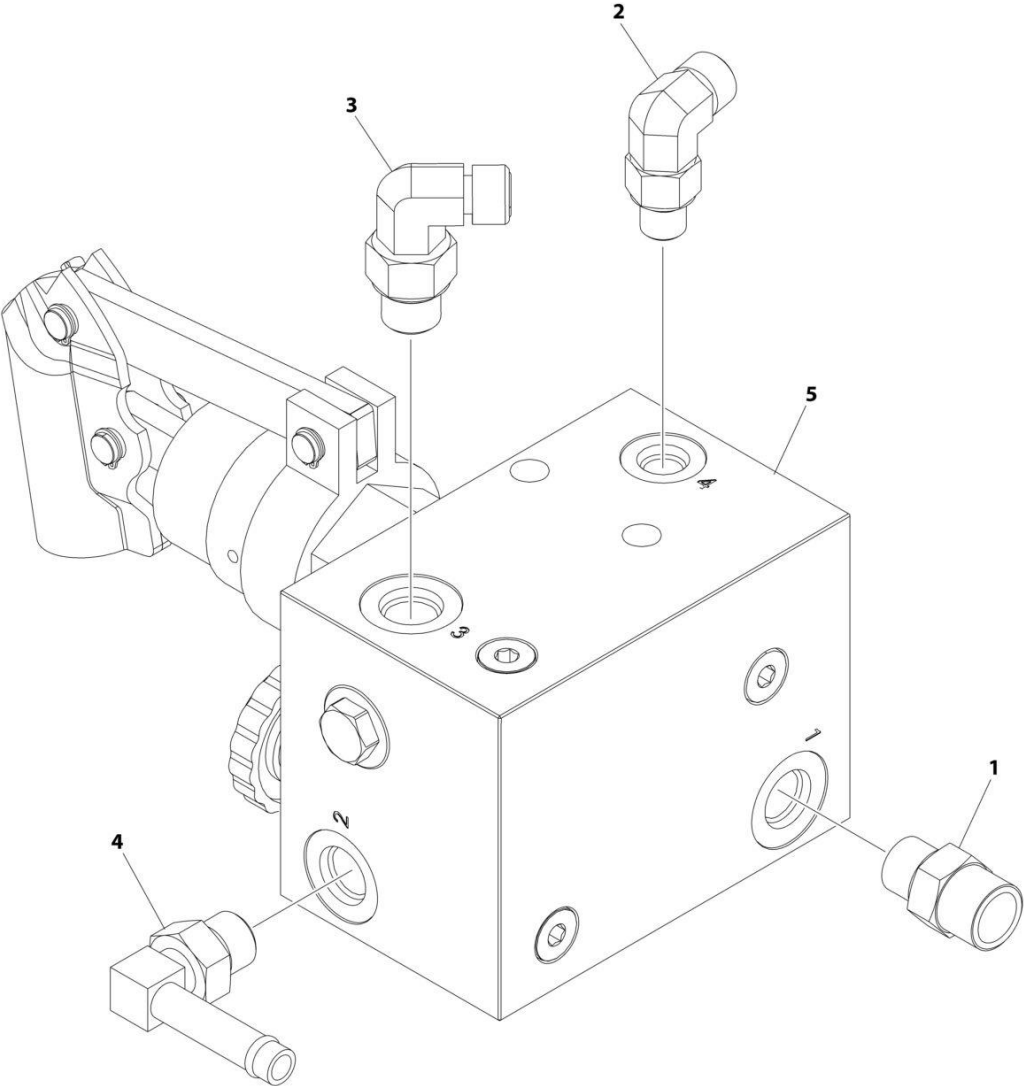
SECTION 8 - HYDRAULIC CIRCUITS

FIGURE 8-35. MANUAL PUMP (LIFT/TELE) INSTALLATION - REMOTE CONTROL EMERGENCY LOWERING

ITEM	PART NUMBER	QTY	DESCRIPTION	REV
	1001259258	Ref	Manual Pump (Lift/Tele) Installation	A
1	0700828	2	Bolt M8 x 110	
2	0761012	2	Bolt M10 x 25	
3	2170706	2	Fitting, Tee ORFS/FSORFS/ORFS	
4	2170712	2	Fitting, Tee ORFS/FSORFS/ORFS	
5	2172106	1	Fitting, 90 ORFS/FSORFS	
6	2221221	2	Fitting, Straight ORFS/FSORFS	
7	2560122	1	Handle	
8	3290805	2	Nut M8	
9	3291005	2	Nut M10	
10	4811900	4	Washer M8	
11	4812000	4	Washer M10	
12	8405006	1	Clamp	
13	8406201	1	Clip	
14	80333184	1	Fitting, Check	
15	1001114761	1	Grip, Handle	
16	1001151238	2	Fitting, 45 ORFS/FSORFS	
17	1001255519	1	Hose	
18	1001255520	1	Hose	
19	1001255521	1	Hose	
20	1001255522	1	Hose	
21	1001255536	1	Valve and Fittings Assembly (Manual Lift/Tele) (See Separate Breakdown in this Section)	
22	1001255568	1	Plate	
23	1001259241	1	Hose	
24	1001259242	1	Hose	

SECTION 8 - HYDRAULIC CIRCUITS

FIGURE 8-36. MANUAL LIFT/TELE VALVE & FITTING ASSEMBLY



ART_1001255536

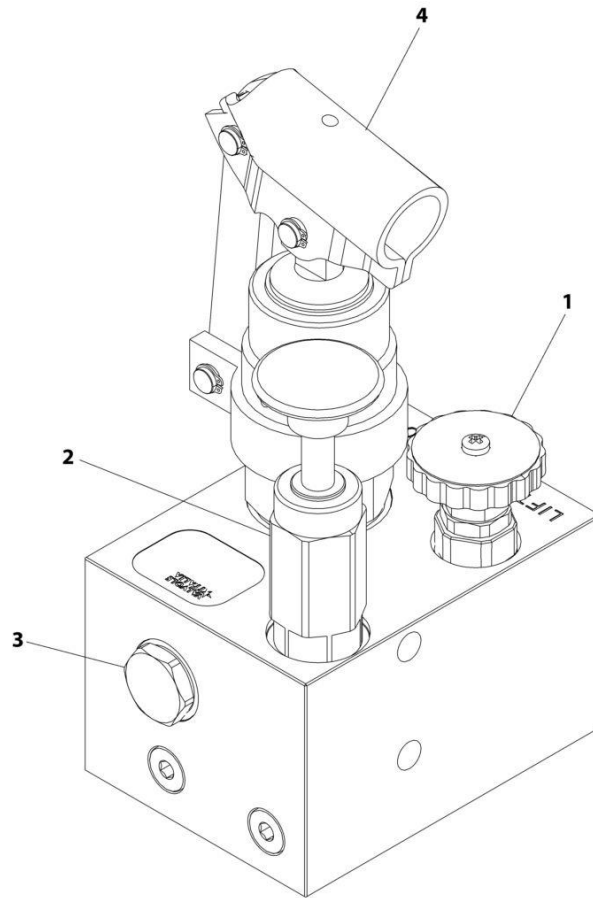
SECTION 8 - HYDRAULIC CIRCUITS

FIGURE 8-36. MANUAL LIFT/TELE VALVE & FITTING ASSEMBLY

ITEM	PART NUMBER	QTY	DESCRIPTION	REV
	1001255536	Ref	Valve & Fitting Assembly - Manual Lift/Tele	A
1	2110606	1	Fitting, Straight ORFS/ORB	
2	2130404	1	Fitting, 90 ORFS/ORB	
3	2130406	1	Fitting, 90 ORFS/ORB	
4	8430034	1	Fitting, 90	
5	1001253661	1	Valve Assembly - Lift/Tele (See Separate Breakdown in this Section)	

SECTION 8 - HYDRAULIC CIRCUITS

FIGURE 8-37. MANUAL LIFT/TELEVALVE ASSEMBLY



ART_1001253661

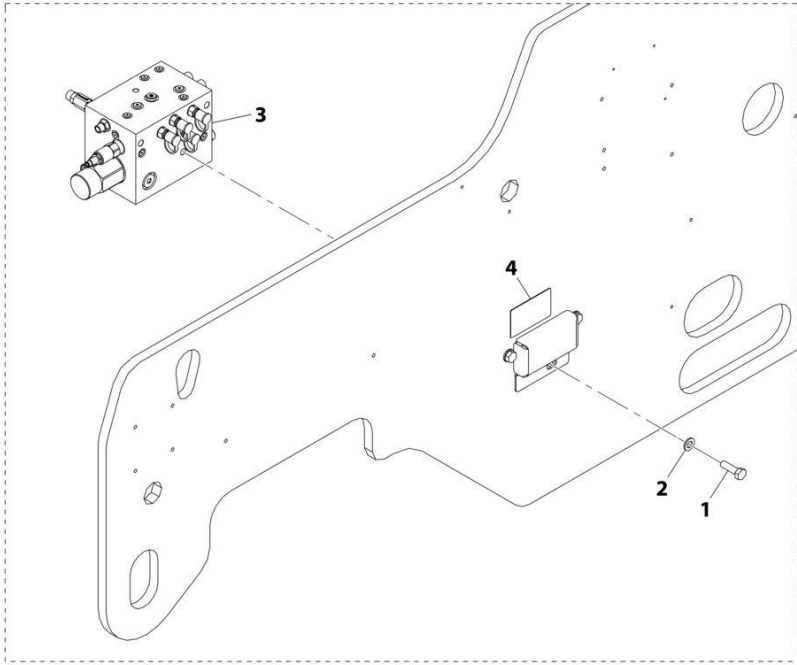
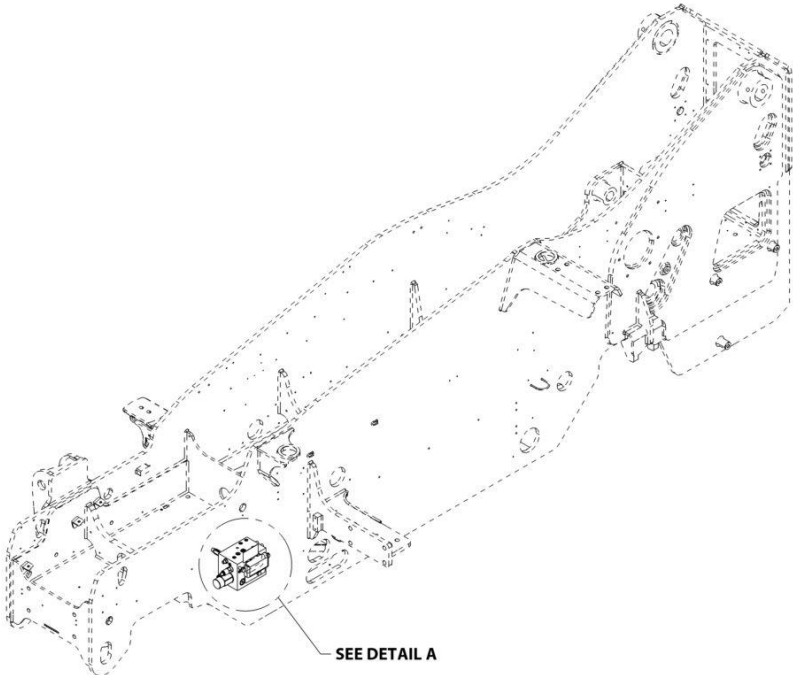
SECTION 8 - HYDRAULIC CIRCUITS

FIGURE 8-37. MANUAL LIFT/TELEVALVE ASSEMBLY

ITEM	PART NUMBER	QTY	DESCRIPTION	REV
	1001253661	Ref	VALVE ASSEMBLY - MANUAL LIFT/TELE	A
1	70030102	1	Valve, Poppet	
2	70030104	1	Cartridge, Hand Pump	
3	70030103	1	Valve, Check	
4	70005440	1	Cartridge, Hand Pump	

SECTION 8 - HYDRAULIC CIRCUITS

FIGURE 8-38. PRIORITY VALVE INSTALLATION



ART_1001192885-B

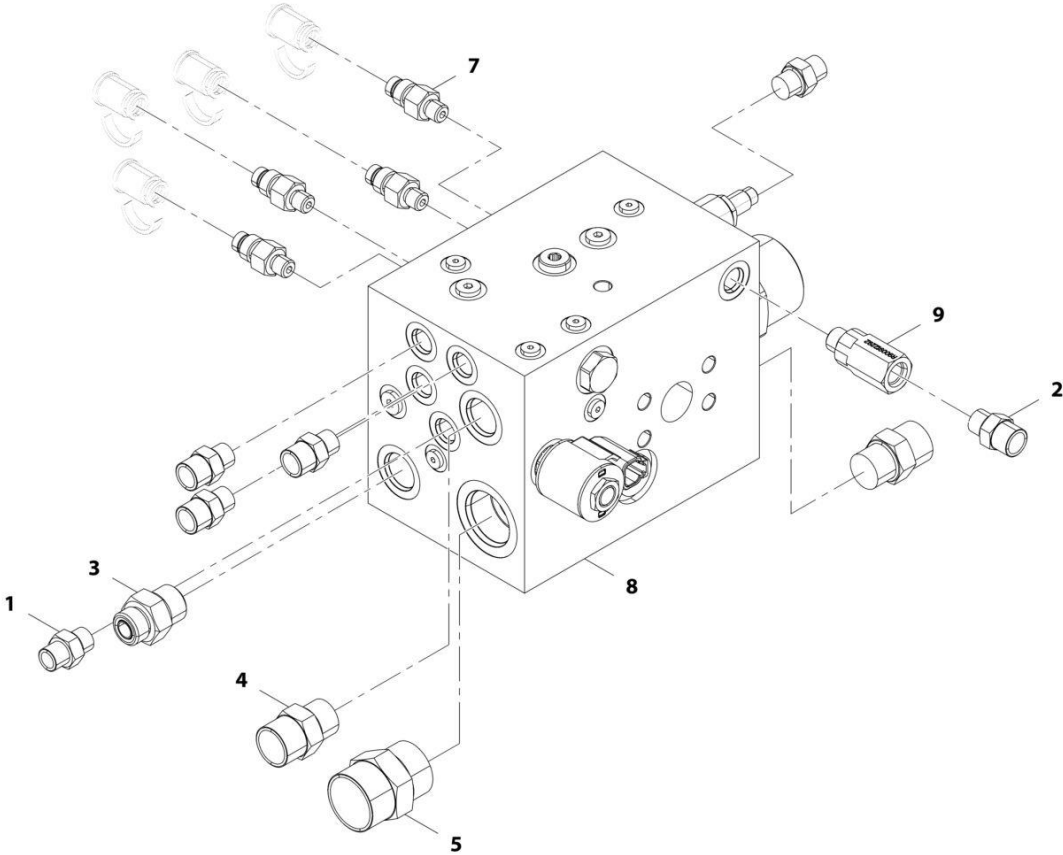
SECTION 8 - HYDRAULIC CIRCUITS

FIGURE 8-38. PRIORITY VALVE INSTALLATION

ITEM	PART NUMBER	QTY	DESCRIPTION	REV
	1001192885	Ref	Priority Manifold Installation	B
1	0701216	3	Bolt, M12X40	
2	4812100	3	Washer, M12	
3	1001192886	1	Assembly, Priority Valve (See Separate Breakdown in this Section)	
4	1001192887	1	Decal	

SECTION 8 - HYDRAULIC CIRCUITS

FIGURE 8-39. PRIORITY VALVE/FITTINGS ASSEMBLY



ART_1001192886-D

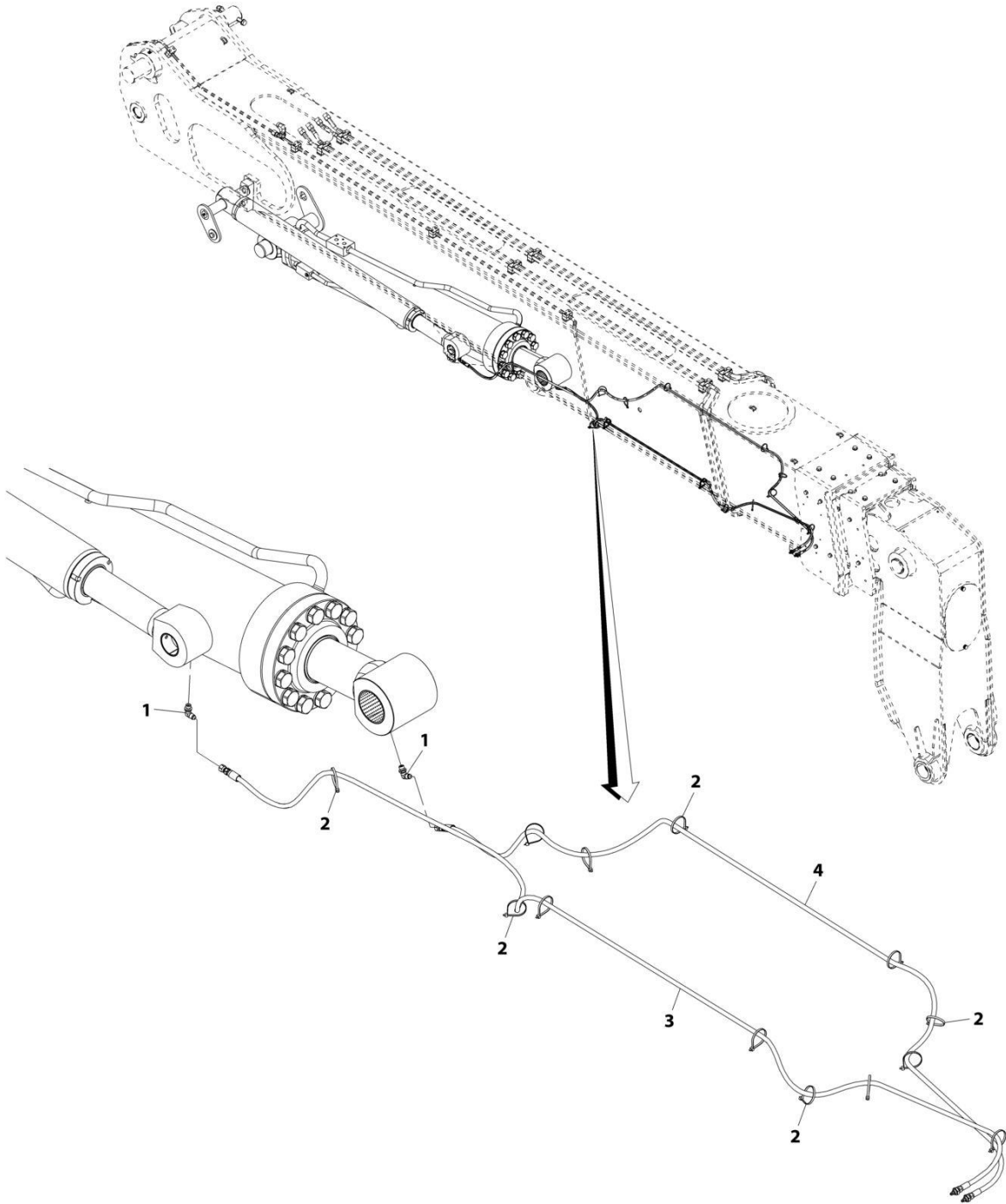
SECTION 8 - HYDRAULIC CIRCUITS

FIGURE 8-39. PRIORITY VALVE/FITTINGS ASSEMBLY

ITEM	PART NUMBER	QTY	DESCRIPTION	REV
	1001192886	Ref	Priority Valve Assembly	D
1	2110406	2	Fitting, Straight ORFS	
2	2110606	4	Fitting, Straight ORFS	
3	2110810	1	Fitting, Straight ORFS	
4	2111010	2	Fitting, Straight ORFS	
5	2111616	1	Fitting, Straight ORFS	
7	8430033	4	Fitting, Straight	
8	1001192888	1	Assembly, Priority Valve (See Separate Breakdown in HYDRAULIC COMPONENTS Section)	
9	1001187355	1	Valve, Check	

SECTION 8 - HYDRAULIC CIRCUITS

FIGURE 8-40. REMOTE GREASE INSTALLATION



ART_1001217353-B

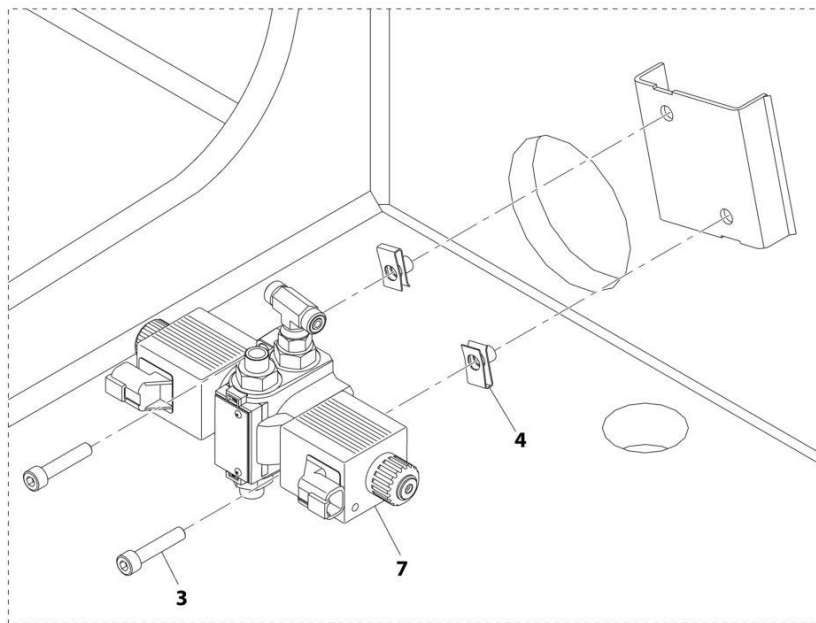
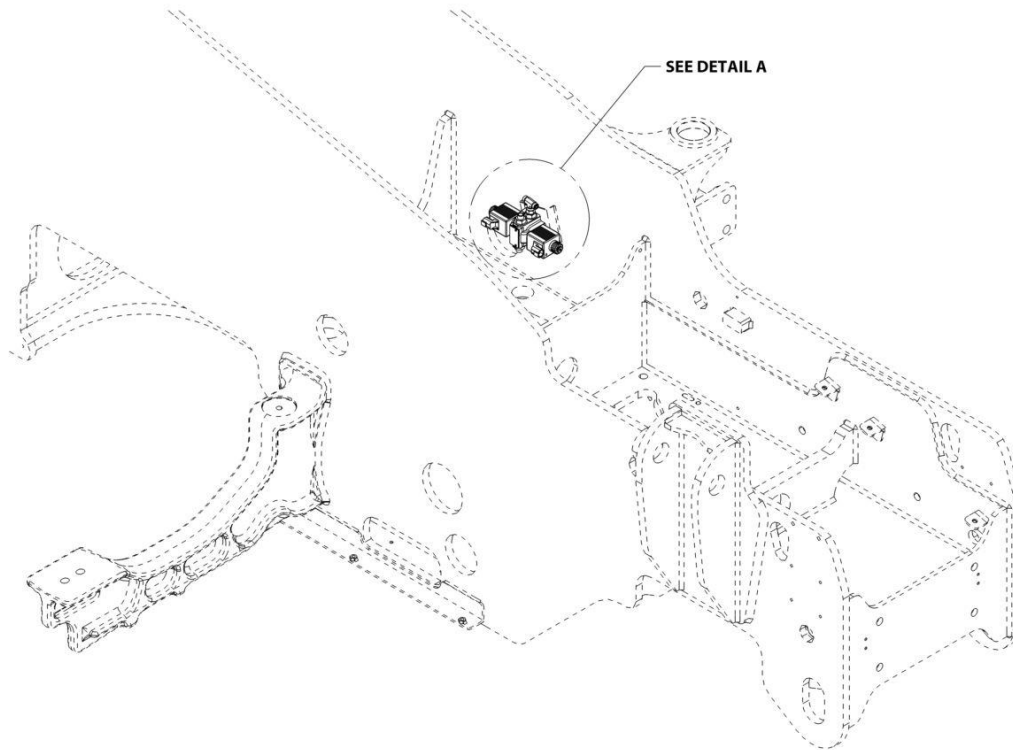
SECTION 8 - HYDRAULIC CIRCUITS

FIGURE 8-40. REMOTE GREASE INSTALLATION

ITEM	PART NUMBER	QTY	DESCRIPTION	REV
	1001217353	Ref	Remote Grease Installation	B
1	8770215	2	Fitting, 90 ORFS	
2	1001008559	13	Strap, Cable	
3	1001217355	1	Hose	
4	1001217354	1	Hose	

SECTION 8 - HYDRAULIC CIRCUITS

FIGURE 8-41. SPEED CONTROL VALVE INSTALLATION



DETAIL A

ART_1001197196-B

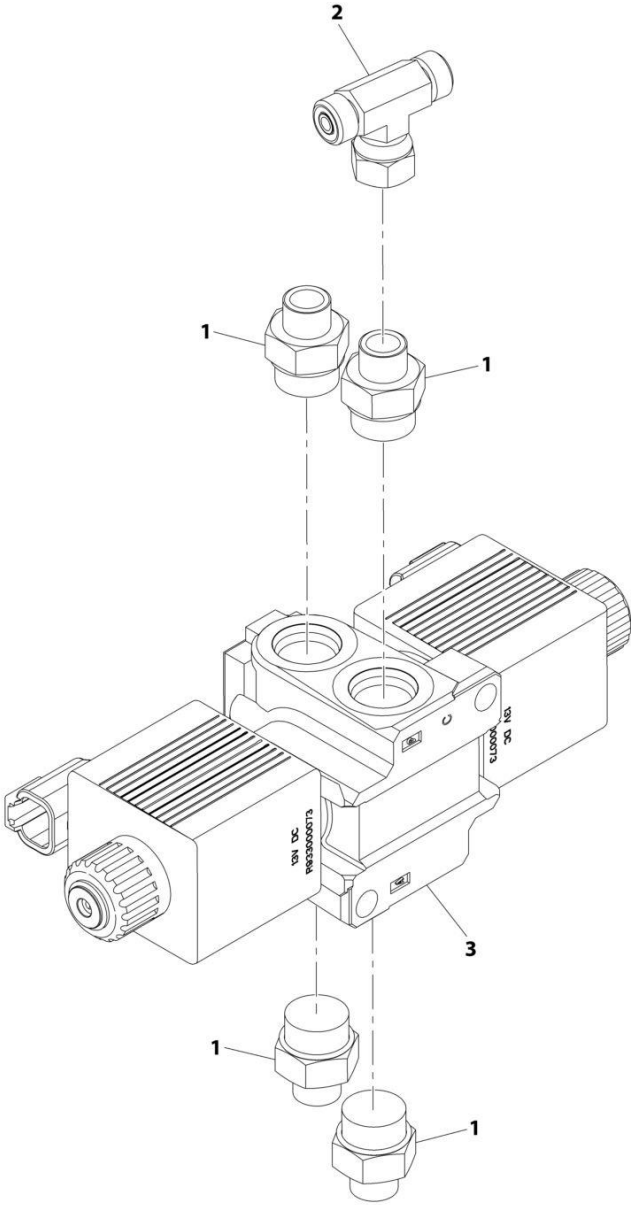
SECTION 8 - HYDRAULIC CIRCUITS

FIGURE 8-41. SPEED CONTROL VALVE INSTALLATION

ITEM	PART NUMBER	QTY	DESCRIPTION	REV
	1001197196	Ref	Speed Control Valve Installation	B
3	4031912	2	Bolt, M8X40	
4	8310686	2	Nut, M8X12.5	
7	1001220643	1	Assembly, Speed Control Valve (See Separate Breakdown in this Section)	

SECTION 8 - HYDRAULIC CIRCUITS

FIGURE 8-42. SPEED CONTROL VALVE/FITTINGS ASSEMBLY



ART_1001220643-A

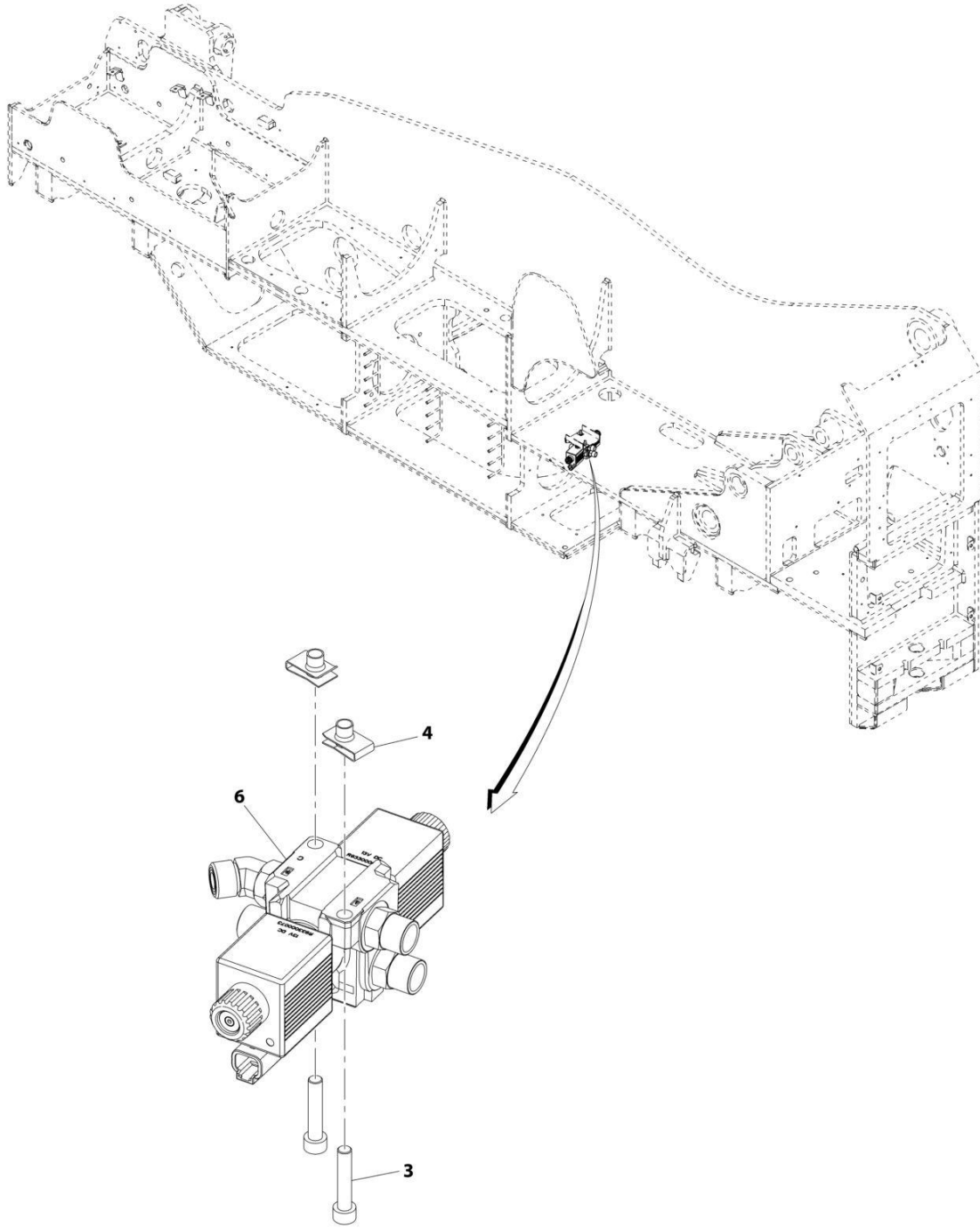
SECTION 8 - HYDRAULIC CIRCUITS

FIGURE 8-42. SPEED CONTROL VALVE/FITTINGS ASSEMBLY

ITEM	PART NUMBER	QTY	DESCRIPTION	REV
	1001220643	Ref	Speed Control Valve Assembly	A
1	2110408	4	Fitting, Straight ORFS	
2	2170804	1	Fitting, Tee	
3	4641520	1	Valve, Speed Control (See Separate Breakdown in HYDRAULIC COMPONENTS Section)	

SECTION 8 - HYDRAULIC CIRCUITS

FIGURE 8-43. STEERING SELECT VALVE INSTALLATION



ART_1001193516-B

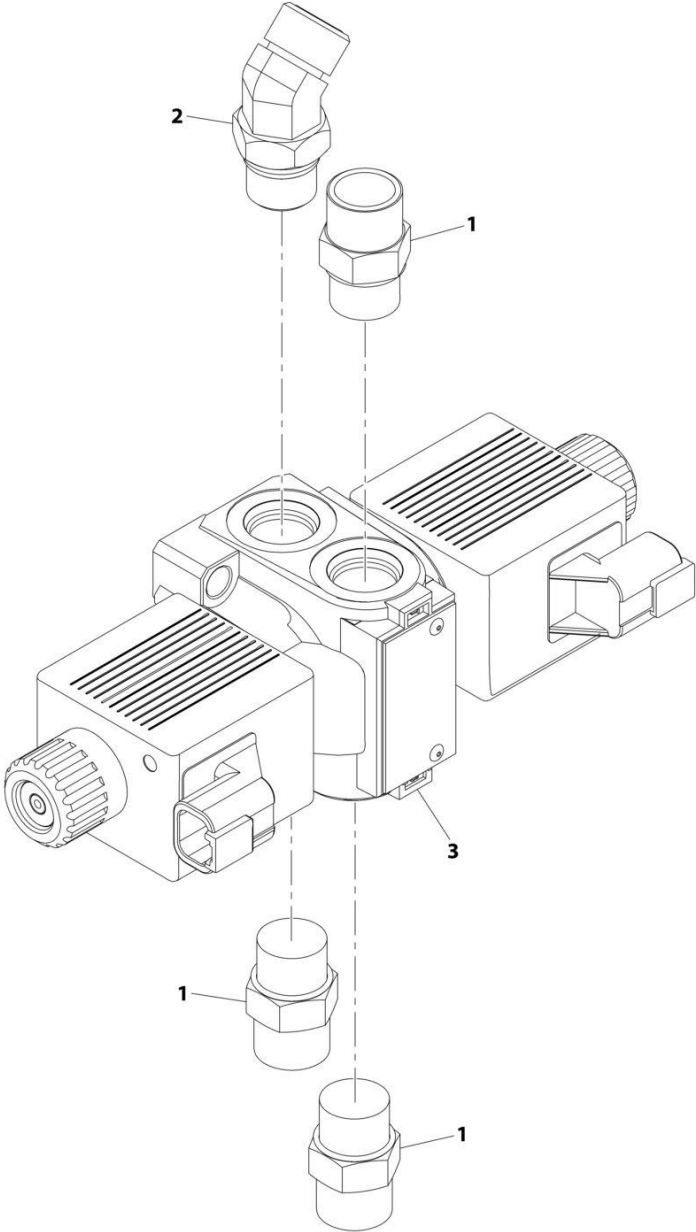
SECTION 8 - HYDRAULIC CIRCUITS

FIGURE 8-43. STEERING SELECT VALVE INSTALLATION

ITEM	PART NUMBER	QTY	DESCRIPTION	REV
	1001193516	Ref	Steering Select Valve Installation	B
3	4031912	2	Bolt, M8X40	
4	8310686	2	Nut, M8X12.5	
6	1001212418	1	Assembly, Steering Select Valve (See Separate Breakdown in this Section)	

SECTION 8 - HYDRAULIC CIRCUITS

FIGURE 8-44. STEERING SELECT VALVE/FITTINGS ASSEMBLY



ART_1001212418-A

SECTION 8 - HYDRAULIC CIRCUITS

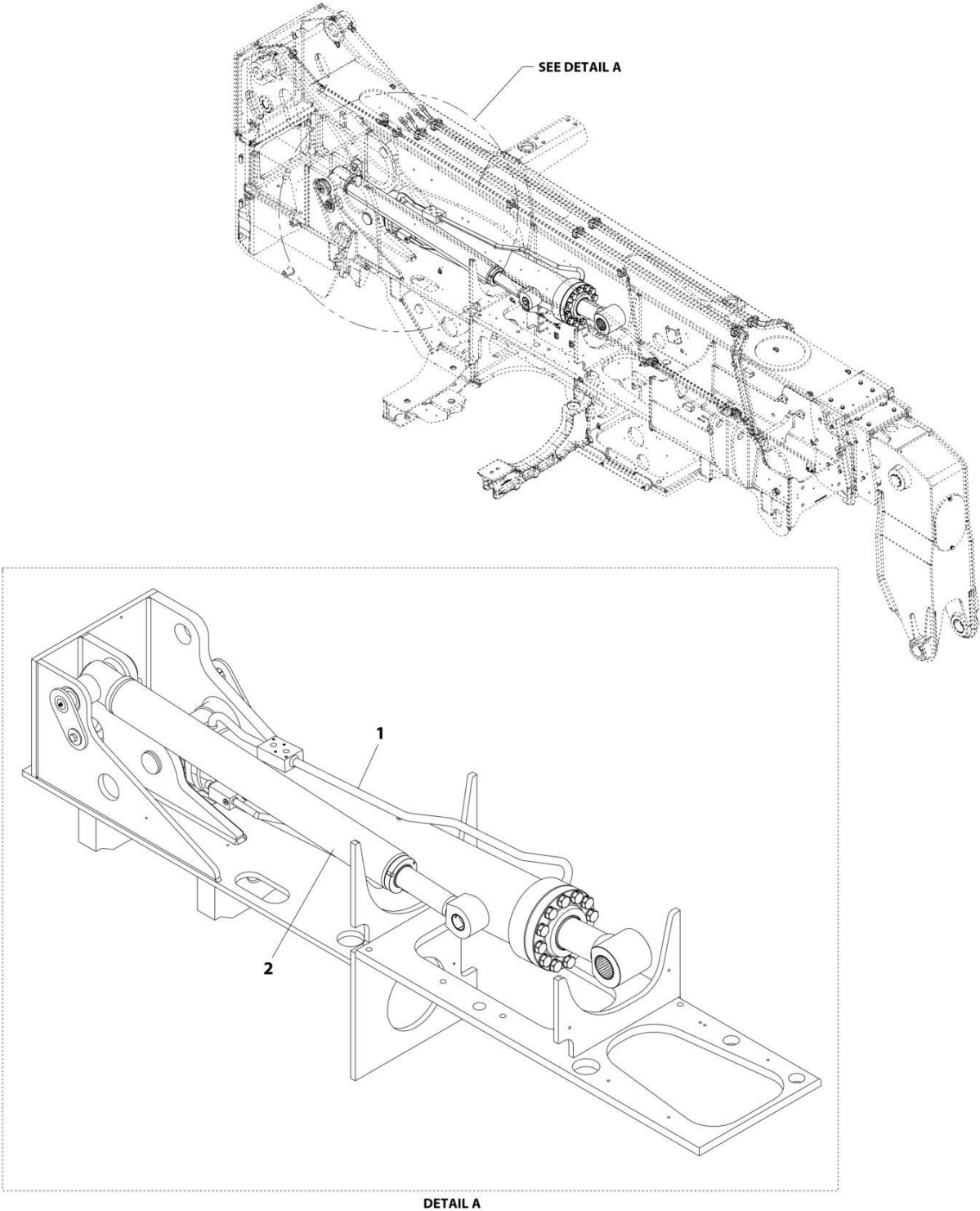
FIGURE 8-44. STEERING SELECT VALVE/FITTINGS ASSEMBLY

ITEM	PART NUMBER	QTY	DESCRIPTION	REV
	1001212418	Ref	Steering Select Valve Assembly	A
1	2110808	3	Fitting, Straight ORFS	
2	2150808	1	Fitting, 45 ORFS	
3	1001153748	1	Valve, Steering Select (See Separate Breakdown in HYDRAULIC COMPONENTS Section)	

SECTION 9 - HYDRAULIC COMPONENTS

SECTION 9 - HYDRAULIC COMPONENTS

FIGURE 9-1. CYLINDER INSTALLATION - BOOM LIFT & COMPENSATION CYLINDER



ART_1001192427-B

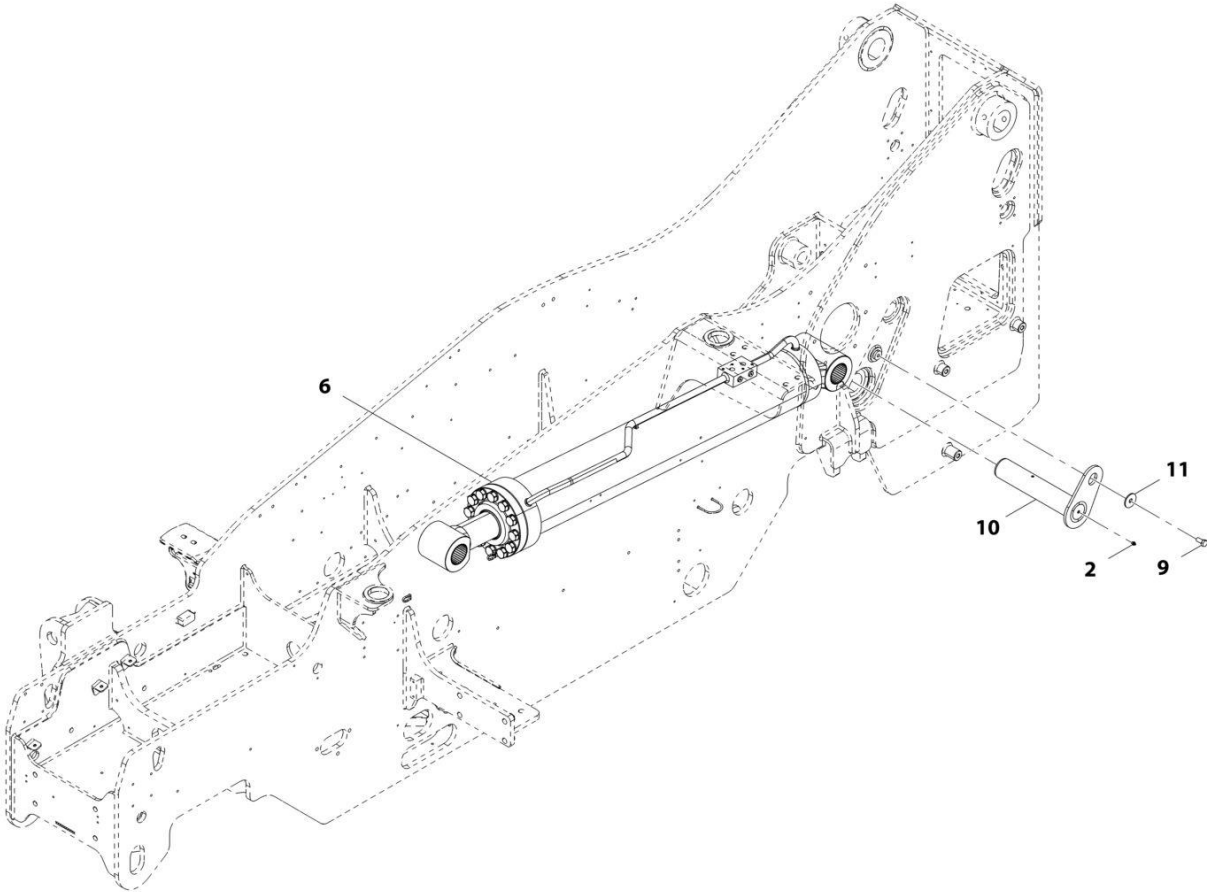
SECTION 9 - HYDRAULIC COMPONENTS

FIGURE 9-1. CYLINDER INSTALLATION - BOOM LIFT & COMPENSATION CYLINDER

ITEM	PART NUMBER	QTY	DESCRIPTION	REV
1	1001192427	Ref	Cylinder Group Installation	B
	1001198577	Ref	Installation, Lift Cylinder (See Separate Breakdown in this Section)	
	1001198578	ref	Installation, Compensation Cylinder (See Separate Breakdown in this Section)	

SECTION 9 - HYDRAULIC COMPONENTS

FIGURE 9-2. CYLINDER INSTALLATION - BOOM LIFT



ART_1001198577-C

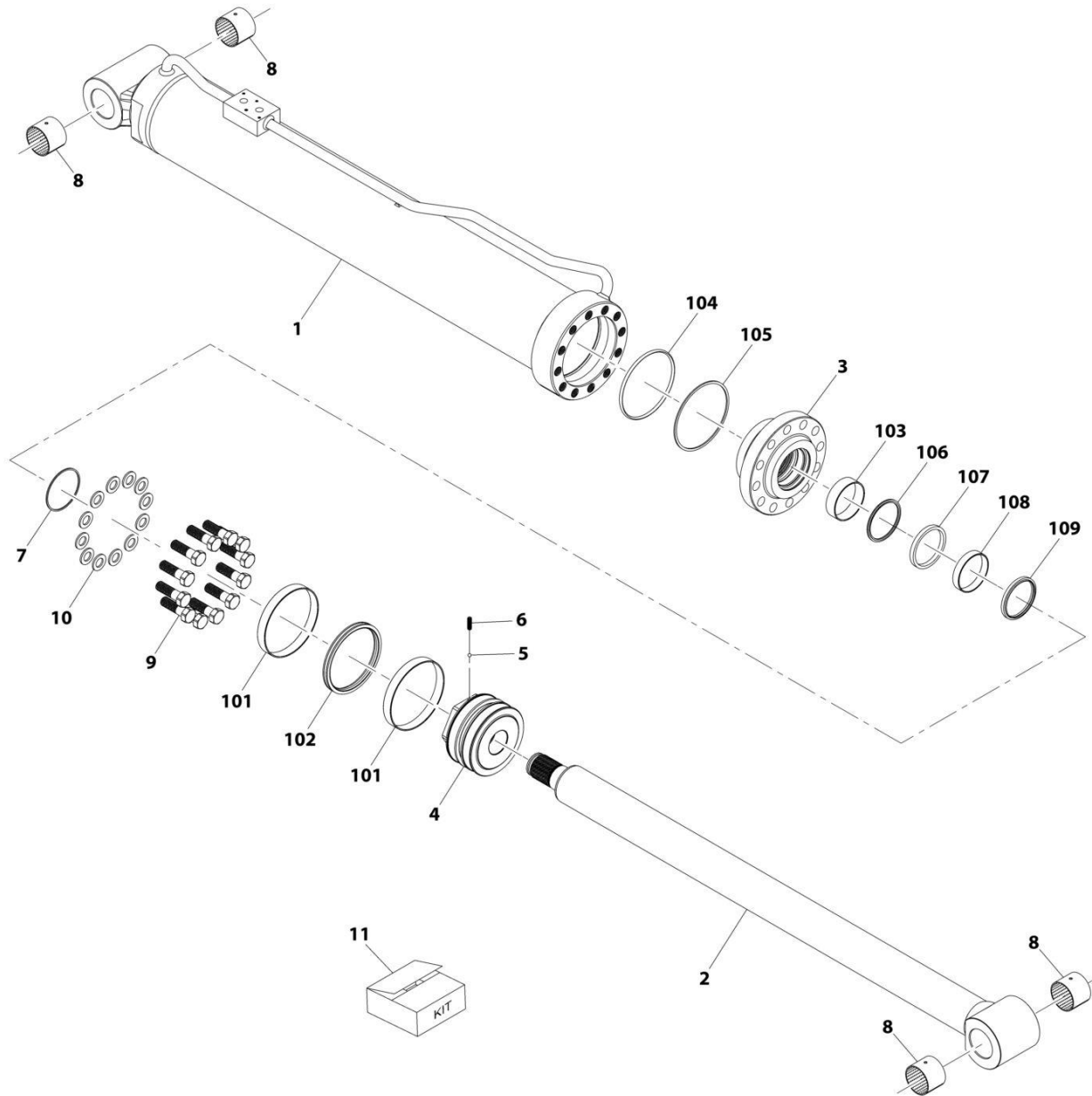
SECTION 9 - HYDRAULIC COMPONENTS

FIGURE 9-2. CYLINDER INSTALLATION - BOOM LIFT

ITEM	PART NUMBER	QTY	DESCRIPTION	REV
	1001198577	Ref	Lift Cylinder Installation	C
2	2160016	1	Fitting, Grease	
6	1001198715	1	Cylinder, Lift (See Separate Breakdown in this Section)	
9	0771414	1	Bolt, M14X30	
10	1001216331	1	Pin	
11	1001217226	1	Washer	

SECTION 9 - HYDRAULIC COMPONENTS

FIGURE 9-3. CYLINDER ASSEMBLY - BOOM LIFT



ART_1001198715-G

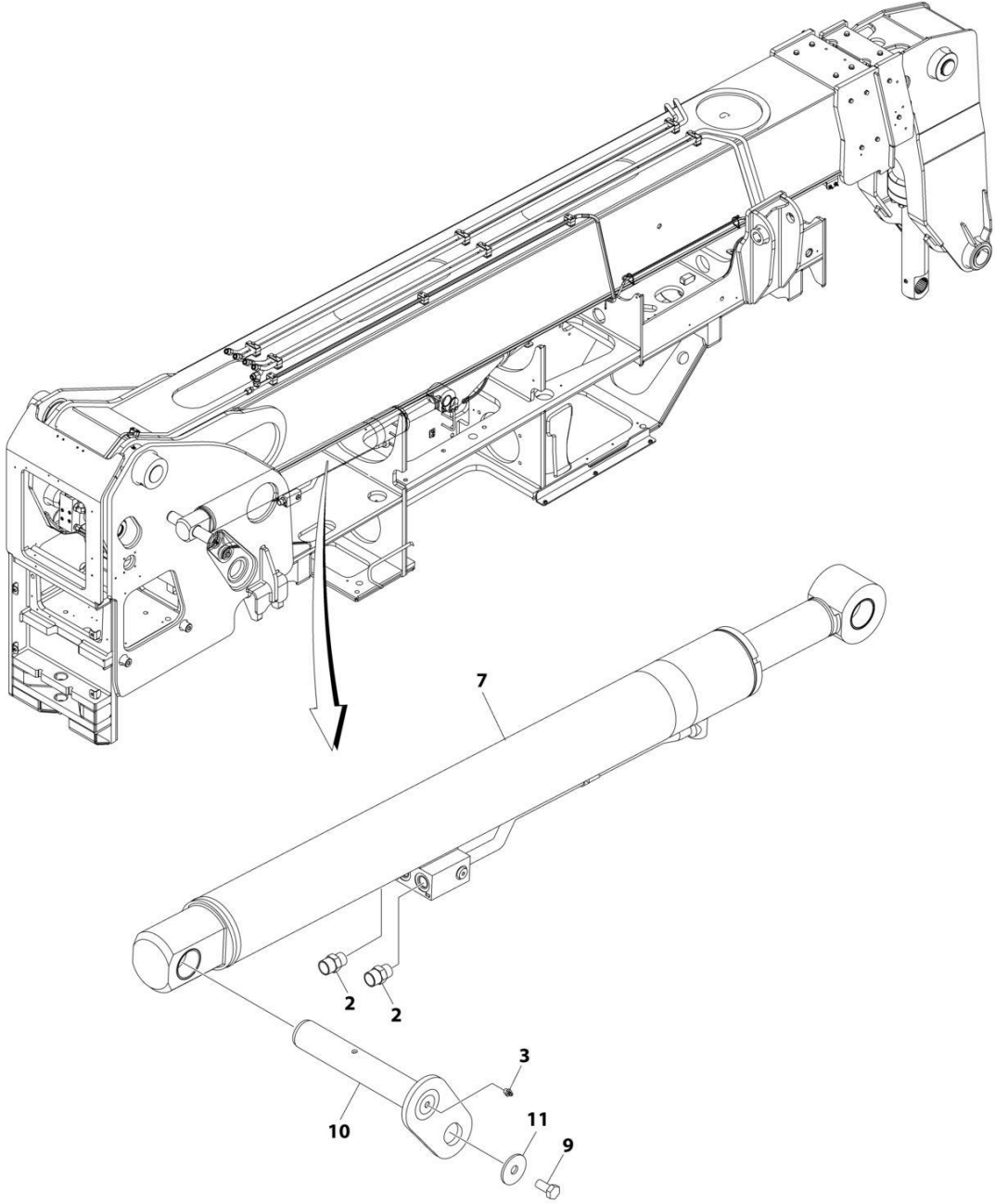
SECTION 9 - HYDRAULIC COMPONENTS

FIGURE 9-3. CYLINDER ASSEMBLY - BOOM LIFT

ITEM	PART NUMBER	QTY	DESCRIPTION	REV
	1001198715	Ref	Lift Cylinder	G
		Ref	Note: Original Cylinder May Have Been Replaced with Service Replacement. Identify PN Stamped on Cylinder Before Ordering Parts.	
1	N.S.S.	1	Barrel	
2	70028325	1	Rod	
3	70028307	1	Guide, Rod	
4	70028308	1	Piston	
5	70025614	1	Bearing	
6	70028309	1	Screw, Locking	
7	70025590	1	Ring, Snap	
8	70028310	4	Bushing	
9	70028311	12	Bolt	
10	70028312	12	Washer	
11	70028324	1	Kit, Seal (includes items 101 thru 109)	
101	Kit	2	Ring, Piston	
102	Kit	1	Seal	
103	Kit	1	Wiper, Rod	
104	Kit	1	O-Ring	
105	Kit	1	Ring, Backup	
106	Kit	1	Seal	
107	Kit	1	Seal	
108	Kit	1	Wiper, Rod	
109	Kit	1	Seal	

SECTION 9 - HYDRAULIC COMPONENTS

FIGURE 9-4. CYLINDER INSTALLATION - BOOM COMPENSATION



ART_1001198578_D

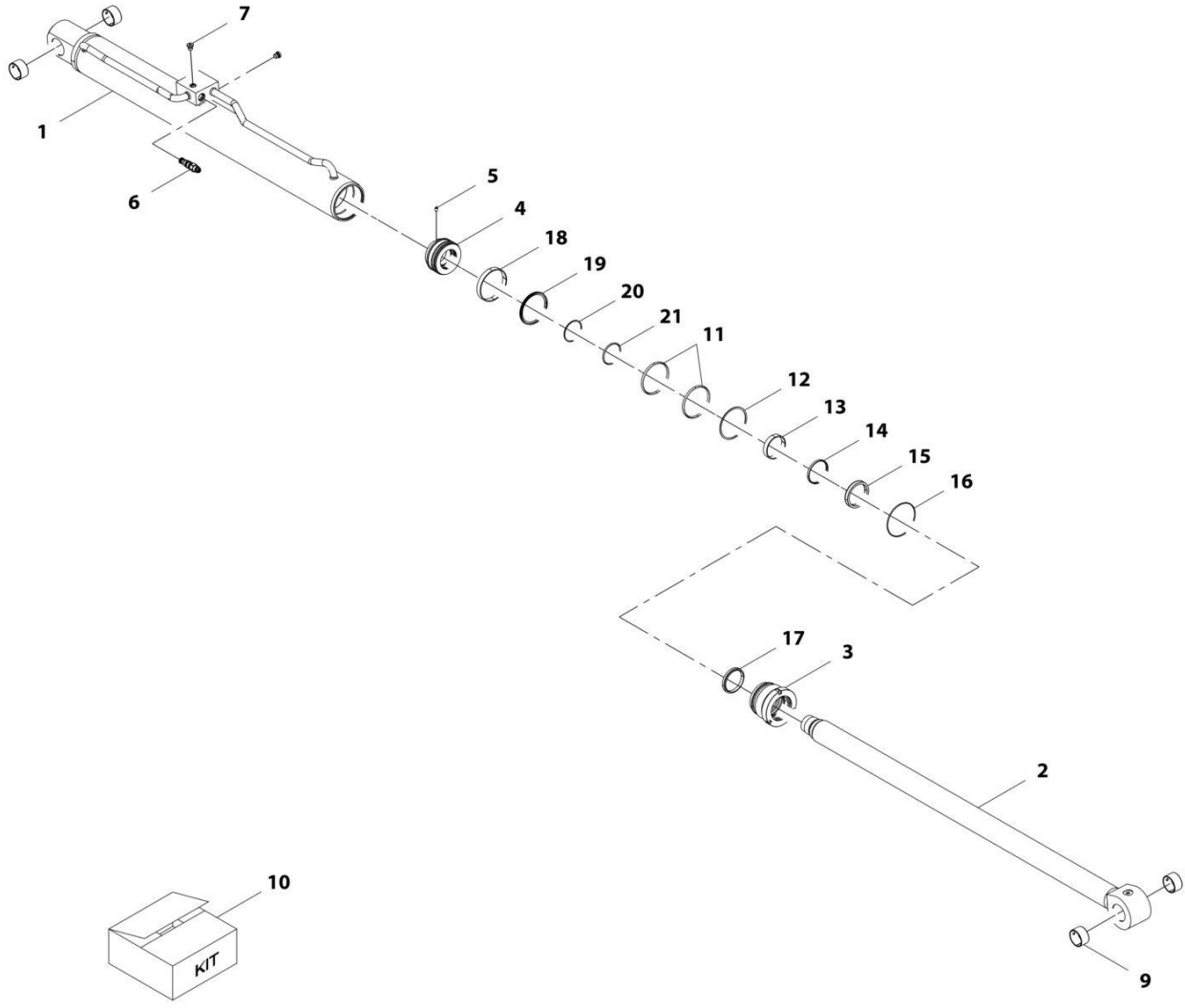
SECTION 9 - HYDRAULIC COMPONENTS

FIGURE 9-4. CYLINDER INSTALLATION - BOOM COMPENSATION

ITEM	PART NUMBER	QTY	DESCRIPTION	REV
	1001198578	Ref	Compensation Cylinder Installation	D
2	2111010	2	Fitting, Straight ORFS	
3	2160016	1	Fitting, Grease	
7	1001198717	1	Cylinder, Compensation (See Separate Breakdown in this Section) (Prior to SN 0160110254)	
7	1001267979	1	Cylinder, Compensation (See Separate Breakdown in this Section) (SN 0160110254 to Present)	
9	0771414	1	Bolt M14 x 30	
10	1001216333	1	Pin	
11	1001217226	1	Washer	

SECTION 9 - HYDRAULIC COMPONENTS

FIGURE 9-5. CYLINDER ASSEMBLY - BOOM COMPENSATION (Prior to SN 0160110257)



ART_1001198717-E

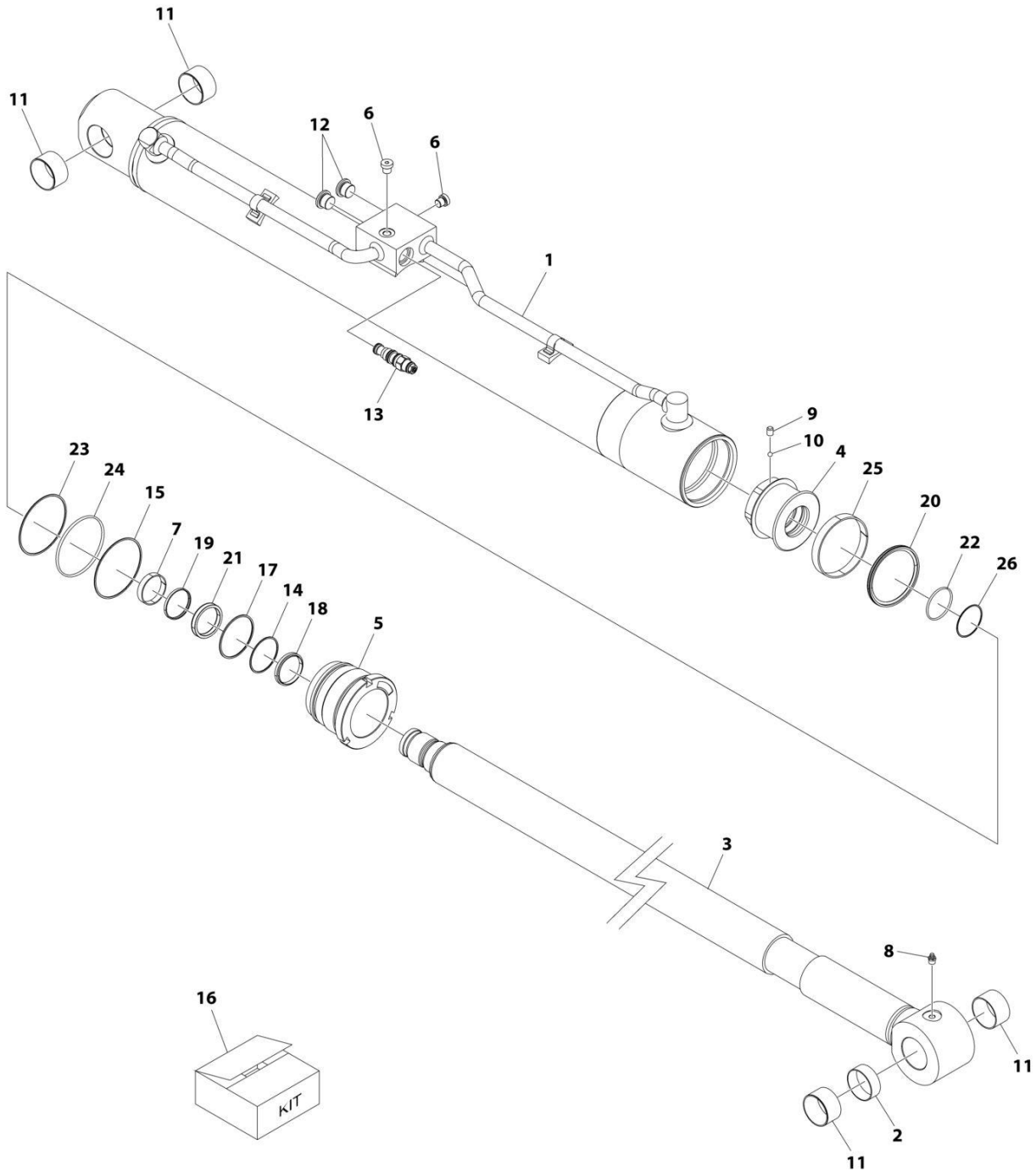
SECTION 9 - HYDRAULIC COMPONENTS

FIGURE 9-5. CYLINDER ASSEMBLY - BOOM COMPENSATION (Prior to SN 0160110257)

ITEM	PART NUMBER	QTY	DESCRIPTION	REV
	1001198717	Ref	Cylinder, Compensation	E
		Ref	Note: Original Cylinder May Have Been Replaced with Service Replacement. Identify PN Stamped on Cylinder Before Ordering Parts.	
1	N.S.S.	1	Barrel	
2	70028376	1	Rod	
3	70028377	1	Guide, Rod	
4	70028378	1	Piston	
5	70026838	1	Screw	
6	70028384	1	Valve	
7	70028379	2	Plug	
9	70020476	4	Bushing	
10	70028380	1	Kit, Seal (includes items 11 thru 21)	
11	Kit	2	O-Ring	
12	Kit	1	Ring, Backup	
13	Kit	1	Bearing	
14	Kit	1	Buffer	
15	Kit	1	O-Ring	
16	Kit	1	Seal, Rod	
17	Kit	1	Wiper	
18	Kit	1	Bearing	
19	Kit	1	Seal, Piston	
20	Kit	1	Ring, Backup	
21	Kit	1	O-Ring	

SECTION 9 - HYDRAULIC COMPONENTS

FIGURE 9-6. CYLINDER ASSEMBLY - BOOM COMPENSATION (SN 0160110257 to Present)



ART_1001267979

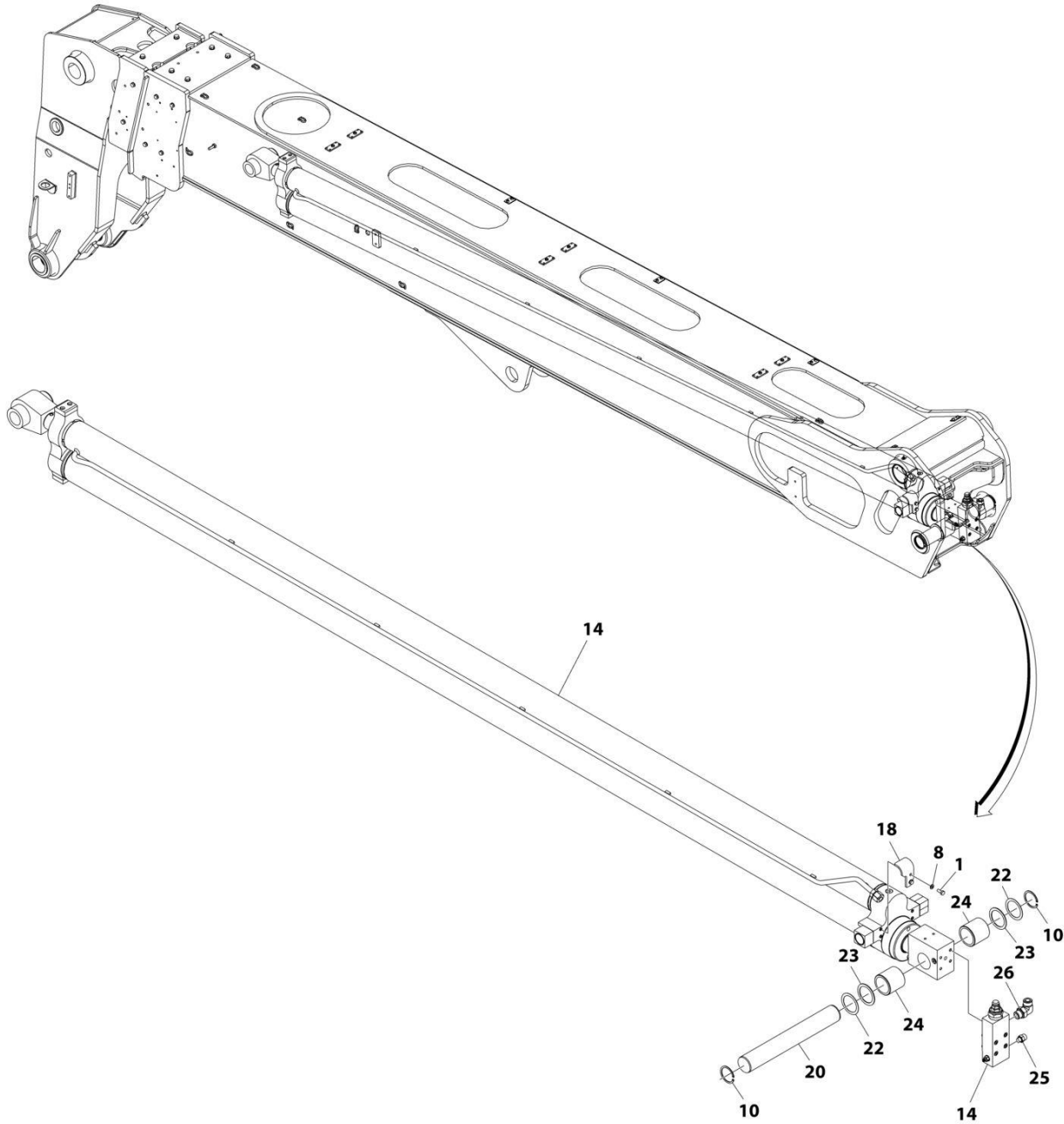
SECTION 9 - HYDRAULIC COMPONENTS

FIGURE 9-6. CYLINDER ASSEMBLY - BOOM COMPENSATION (SN 0160110257 to Present)

ITEM	PART NUMBER	QTY	DESCRIPTION	REV
	1001267979	Ref	COMPENSATION CYLINDER	A
		Ref	Note: Original Cylinder May Have Been Replaced with Service Replacement. Identify PN Stamped on Cylinder Before Ordering Parts.	
1	See Note	NSS	Barrel (Note: No Service Parts Available)	
2	70031298	1	Bushing	
3	70031299	1	Rod	
4	70031300	1	Piston	
5	70031301	1	Guide Bushing	
6	70031302	2	Plug	
7	70031303	1	Sliding Bushing	
8	70031304	1	Grease Fitting	
9	70031305	1	Set Screw	
10	70031306	1	Steel Ball	
11	70031307	4	Bushing	
12	2220887	2	Plug	
13	70028384	1	Balance Valve	
14	70031308	1	Ring	
15	70031309	1	Ring, Snap	
16	70031310	1	Seal Kit (Includes Items #17-26)	
17	See Note	NSS	Ring, Back-Up (Note: Use Item 16)	
18	See Note	NSS	Ring, Wiper (Note: Use Item 16)	
19	See Note	NSS	Ring, Buffer (Note: Use Item 16)	
20	See Note	NSS	Seal, Piston (Note: Use Item 16)	
21	See Note	NSS	Seal, Rod (Note: Use Item 16)	
22	See Note	NSS	O-Ring (Note: Use Item 16)	
23	See Note	NSS	O-Ring (Note: Use Item 16)	
24	See Note	NSS	Ring, Wear (Note: Use Item 16)	
25	See Note	NSS	Ring, Back-Up (Note: Use Item 16)	

SECTION 9 - HYDRAULIC COMPONENTS

FIGURE 9-7. CYLINDER INSTALLATION - BOOM EXTEND/RETRACT CYLINDER



ART_1001199325_J

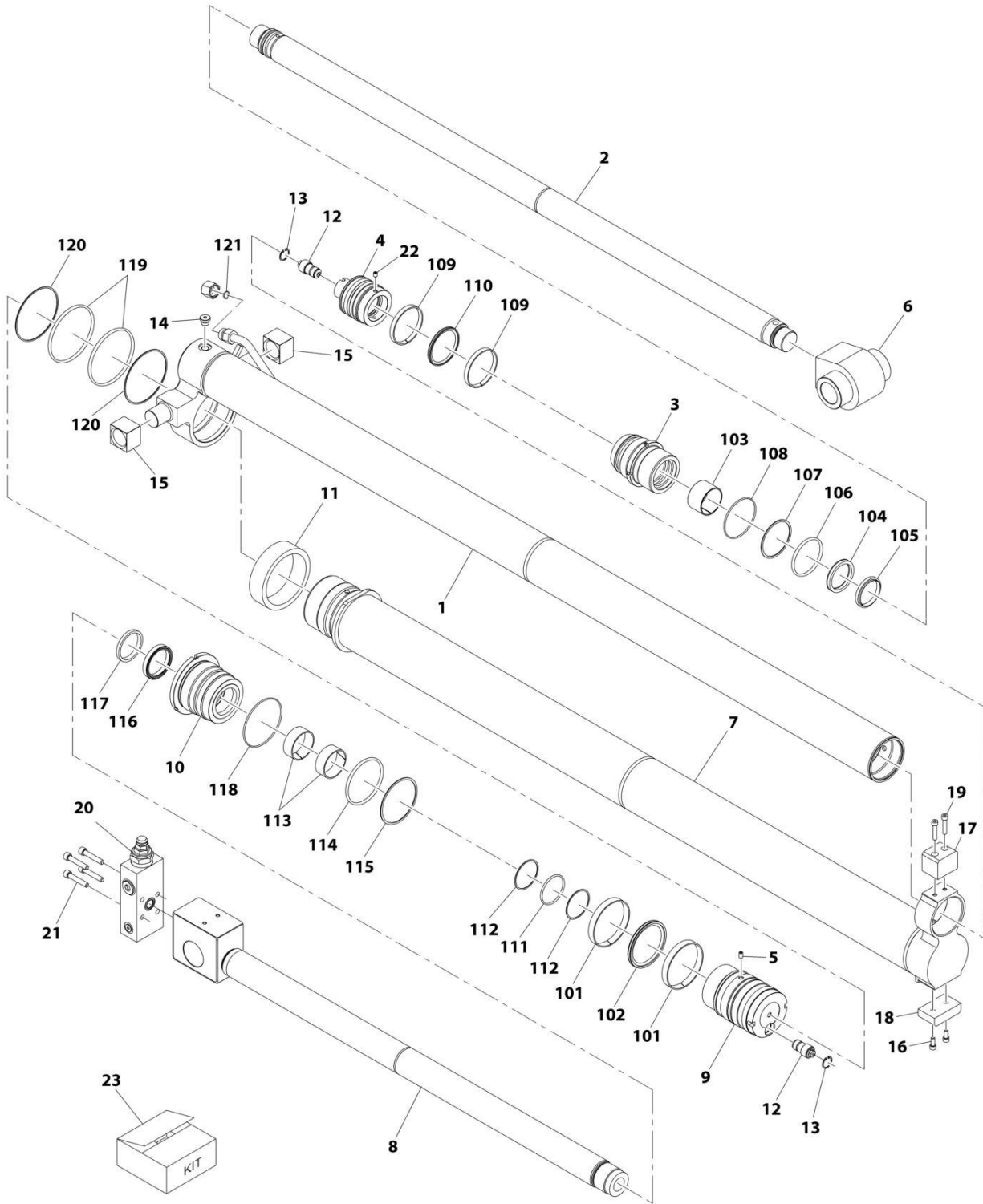
SECTION 9 - HYDRAULIC COMPONENTS

FIGURE 9-7. CYLINDER INSTALLATION - BOOM EXTEND/RETRACT CYLINDER

ITEM	PART NUMBER	QTY	DESCRIPTION	REV
	1001199325	Ref	Extend/Retract Cylinder Installation	1
1	0760810	2	Bolt, M8X20	
8	4811900	2	Washer, M8	
10	8006258	2	Ring, Retaining	
14	1001226947	1	Cylinder, Extend/Retract (See Separate Breakdown in this Section) (Prior to SN 0160110257)	
14	1001267975	1	Cylinder, Extend/Retract (See Separate Breakdown in this Section) (SN 0160110257 to Present)	
18	1001213562	1	Plate	
20	1001205528	1	Pin	
22	1001100166	2	Shim	
23	1001100169	2	Shim	
24	1001208451	2	Spacer, M70X5X72	
25	2110806	1	Fitting, Straight ORFS	
26	2131212	1	Fitting, 90 ORFS	

SECTION 9 - HYDRAULIC COMPONENTS

FIGURE 9-8. CYLINDER ASSEMBLY - BOOM EXTEND/RETRACT CYLINDER (Prior to SN 0160110257)



ART_1001226947-A

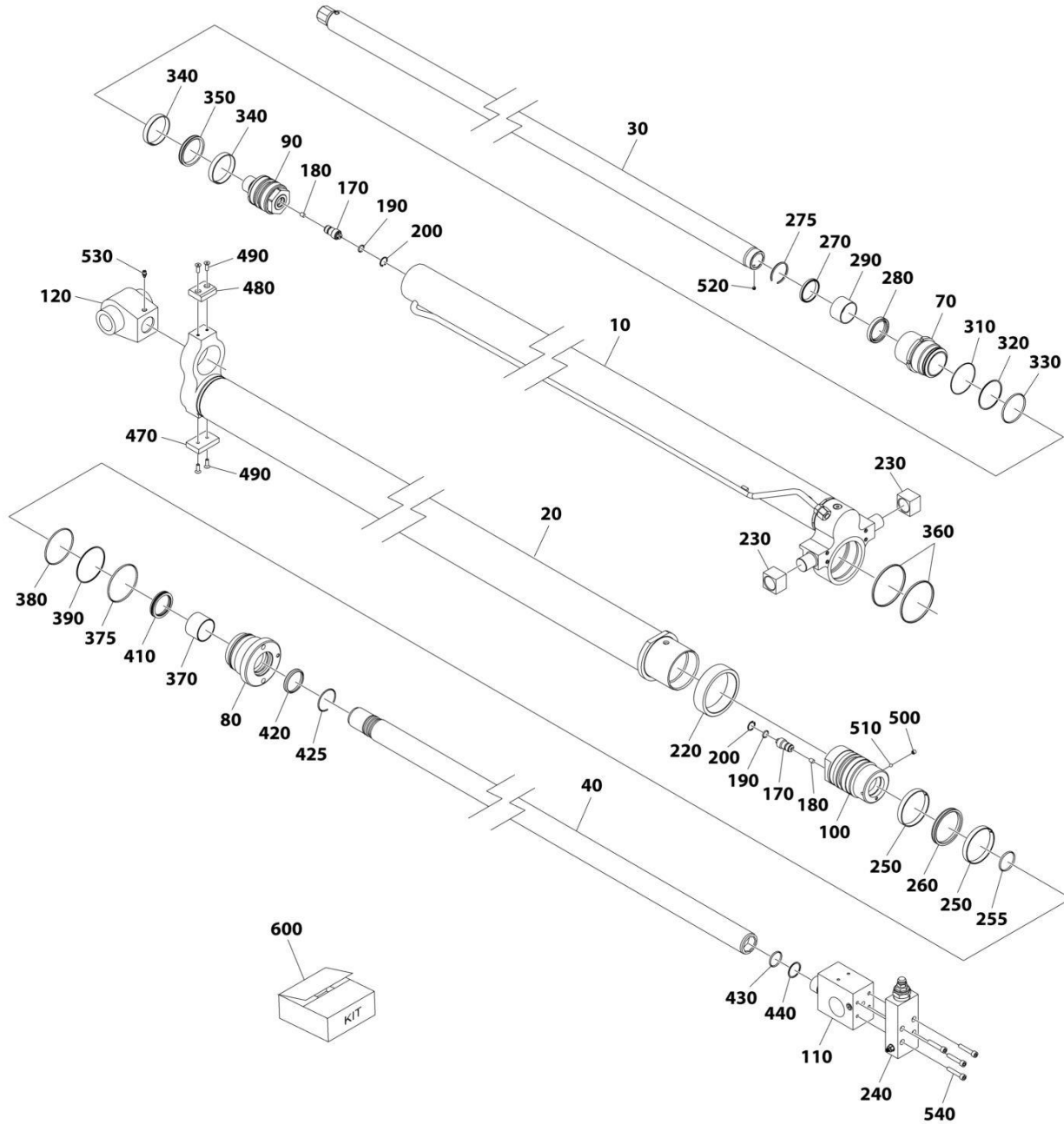
SECTION 9 - HYDRAULIC COMPONENTS

FIGURE 9-8. CYLINDER ASSEMBLY - BOOM EXTEND/RETRACT CYLINDER (Prior to SN 0160110257)

ITEM	PART NUMBER	QTY	DESCRIPTION	REV
	1001226947	Ref	Extend/Retract Cylinder	A
		Ref	Note: Original Cylinder May Have Been Replaced with Service Replacement. Identify PN Stamped on Cylinder Before Ordering Parts.	
1	N.S.S.	1	Barrel Assembly	
2	70029016	1	Rod Assembly	
3	70024228	1	Rod Guide	
4	70024229	1	Piston	
5	70020438	1	Screw	
6	70028364	1	Rod Eye	
7	N.S.S.	1	Barrel Assembly	
8	70029017	1	Rod Assembly	
9	70024236	1	Piston	
10	70024235	1	Rod Guide	
11	70024234	1	Spacer	
12	70024230	2	Valve	
13	70024231	2	Circlip	
14	70024237	1	Plug	
15	70027801	2	Trunnion Bearing	
16	70029018	2	Screw	
17	70028368	1	Wear Pad	
18	70028367	1	Wear Pad	
19	70029019	2	Screw	
20	1001200111	1	Valve, Counterbalance (Sold as Assembly Only)	
20	70028422	1	O-Ring (Between Valve & Rod)	
21	70023916	4	Screw	
22	70026838	1	Screw	
23	70024224	1	Seal Kit, Cylinder	
101	Kit	2	Bearing	
102	Kit	1	Piston Seal	
103	Kit	1	Bearing	
104	Kit	1	Rod Seal	
105	Kit	1	Wiper	
106	Kit	1	O-Ring	
107	Kit	1	Back up ring	
108	Kit	1	O-Ring	
109	Kit	2	Bearing	
110	Kit	1	Piston Seal	
111	Kit	1	O-Ring	
112	Kit	2	Back up ring	
113	Kit	2	Bearing	
114	Kit	1	O-Ring	
115	Kit	1	Back up ring	
116	Kit	1	Rod Seal	
117	Kit	1	Wiper	
118	Kit	1	O-Ring	
119	Kit	2	O-Ring	
120	Kit	2	Back up ring	
121	Kit	1	O-Ring	

SECTION 9 - HYDRAULIC COMPONENTS

FIGURE 9-9. CYLINDER ASSEMBLY - BOOM EXTEND/RETRACT CYLINDER (SN 0160110257 to Present)



ART_1001267975

SECTION 9 - HYDRAULIC COMPONENTS

FIGURE 9-9. CYLINDER ASSEMBLY - BOOM EXTEND/RETRACT CYLINDER (SN 0160110257 to Present)

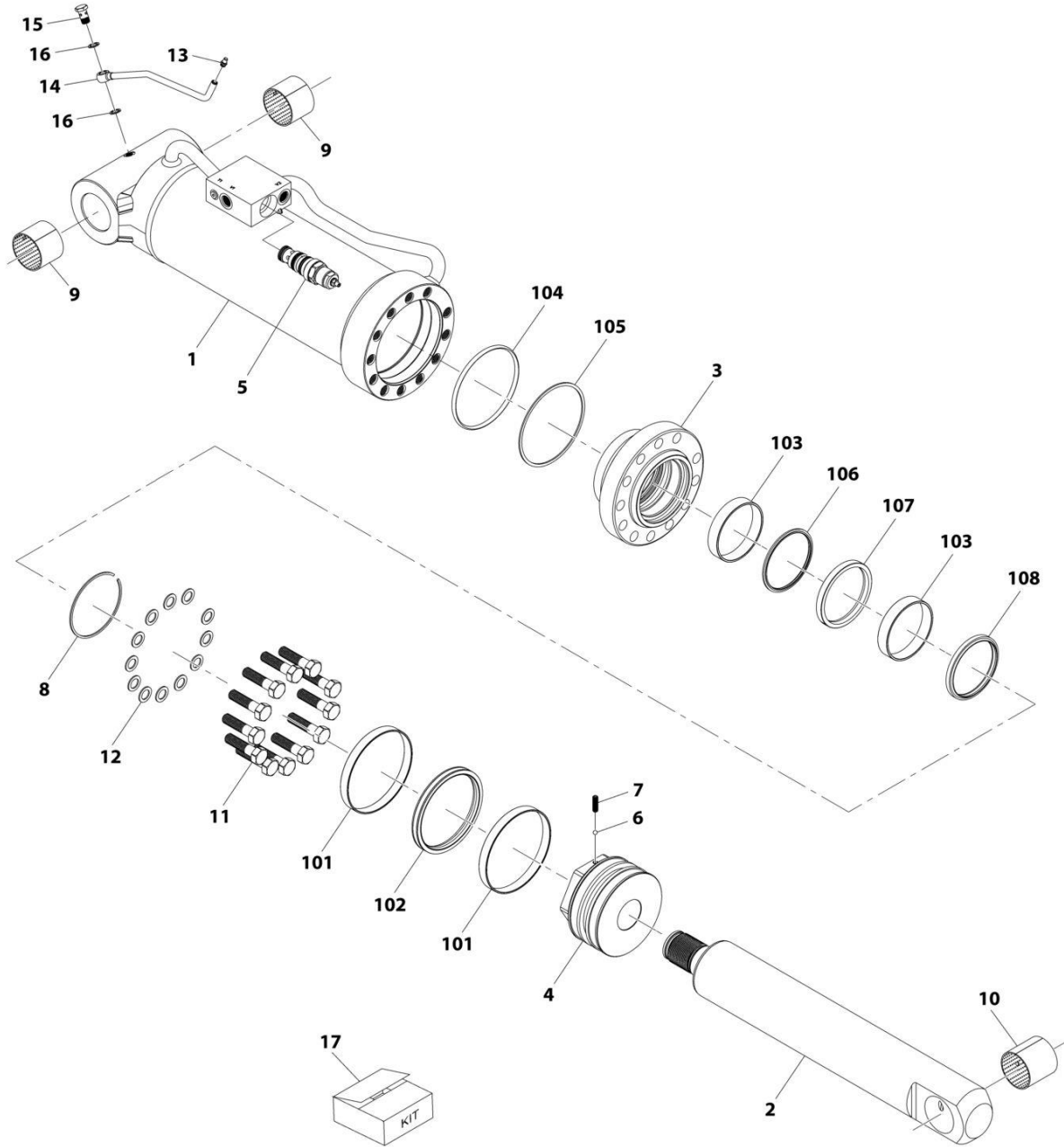
ITEM	PART NUMBER	QTY	DESCRIPTION	REV
	1001267975	Ref	CYLINDER ASSEMBLY - TELESCOPE	A
		Ref	Note: Original Cylinder May Have Been Replaced with Service Replacement. Identify PN Stamped on Cylinder Before Ordering Parts.	
10	See Note	NSS	Barrel (Note: Use PN 1001267975)	
20	See Note	NSS	Barrel (Note: Use PN 1001267975)	
30	See Note	NSS	Rod (Note: Use PN 1001267975)	
40	See Note	NSS	Rod (Note: Use PN 1001267975)	
70	70031058	1	Head	
80	70031059	1	Head	
90	70031060	1	Piston	
100	70031061	1	Piston	
110	See Note	NSS	Block, Valve (Note: Use PN 1001267975)	
120	70031062	1	End, Rod	
170	70027087	2	Valve, Check	
180	70031063	2	Filter	
190	70031064	2	Washer	
200	70027074	2	Circlip	
220	70031065	1	Spacer	
230	70031066	2	Bushing	
240	1001200111	1	Valve Assembly (Note: No Service Parts Available. Purchase Complete Assembly)	
250	See Note	NSS	Ring, Piston (Note: Use Item 600)	
255	See Note	NSS	Seal (Note: Use Item 600)	
260	See Note	NSS	Seal, Piston (Note: Use Item 600)	
270	See Note	NSS	Wiper (Note: Use Item 600)	
275	70002222	1	Ring, Retaining	
280	See Note	NSS	Seal, Head (Note: Use Item 600)	
290	70031067	1	Bushing	
310	See Note	NSS	O-Ring (Note: Use Item 600)	
320	See Note	NSS	Ring, Back-up (Note: Use Item 600)	
330	See Note	NSS	O-Ring (Note: Use Item 600)	
340	See Note	NSS	Ring, Piston (Note: Use Item 600)	
350	See Note	NSS	Seal, Piston (Note: Use Item 600)	
360	See Note	NSS	Seal (Note: Use Item 600)	
370	70031068	1	Bushing	
375	See Note	NSS	O-Ring (Note: Use Item 600)	
380	See Note	NSS	O-Ring (Note: Use Item 600)	
390	See Note	NSS	Ring, Back-up (Note: Use Item 600)	
410	See Note	NSS	Seal, Head (Note: Use Item 600)	
420	See Note	NSS	Wiper (Note: Use Item 600)	
425	70002222	1	Ring, Retaining	
430	See Note	NSS	O-Ring (Note: Use Item 600)	
440	See Note	NSS	Ring, Back-up (Note: Use Item 600)	
470	70031017	1	Guide	
480	70031069	1	Guide	
490	70031018	4	Screw M8 x 25	
500	70031070	1	Setscrew M10 x 14	
510	70025614	1	Ball 8mm	

SECTION 9 - HYDRAULIC COMPONENTS

ITEM	PART NUMBER	QTY	DESCRIPTION	REV
520	70022702	1	Setscrew M8 x 8	
530	70031071	1	Setscrew M8 x 18	
540	70031072	4	Capscrew M10 x 55	
600	70031073	1	Seal Kit - 1001267975 Cylinder (Includes Items 250-270, 280, 310-360, 375-420, 430 & 440)	

SECTION 9 - HYDRAULIC COMPONENTS

FIGURE 9-10. CYLINDER ASSEMBLY - BOOM TILT



ART_1001174812-F

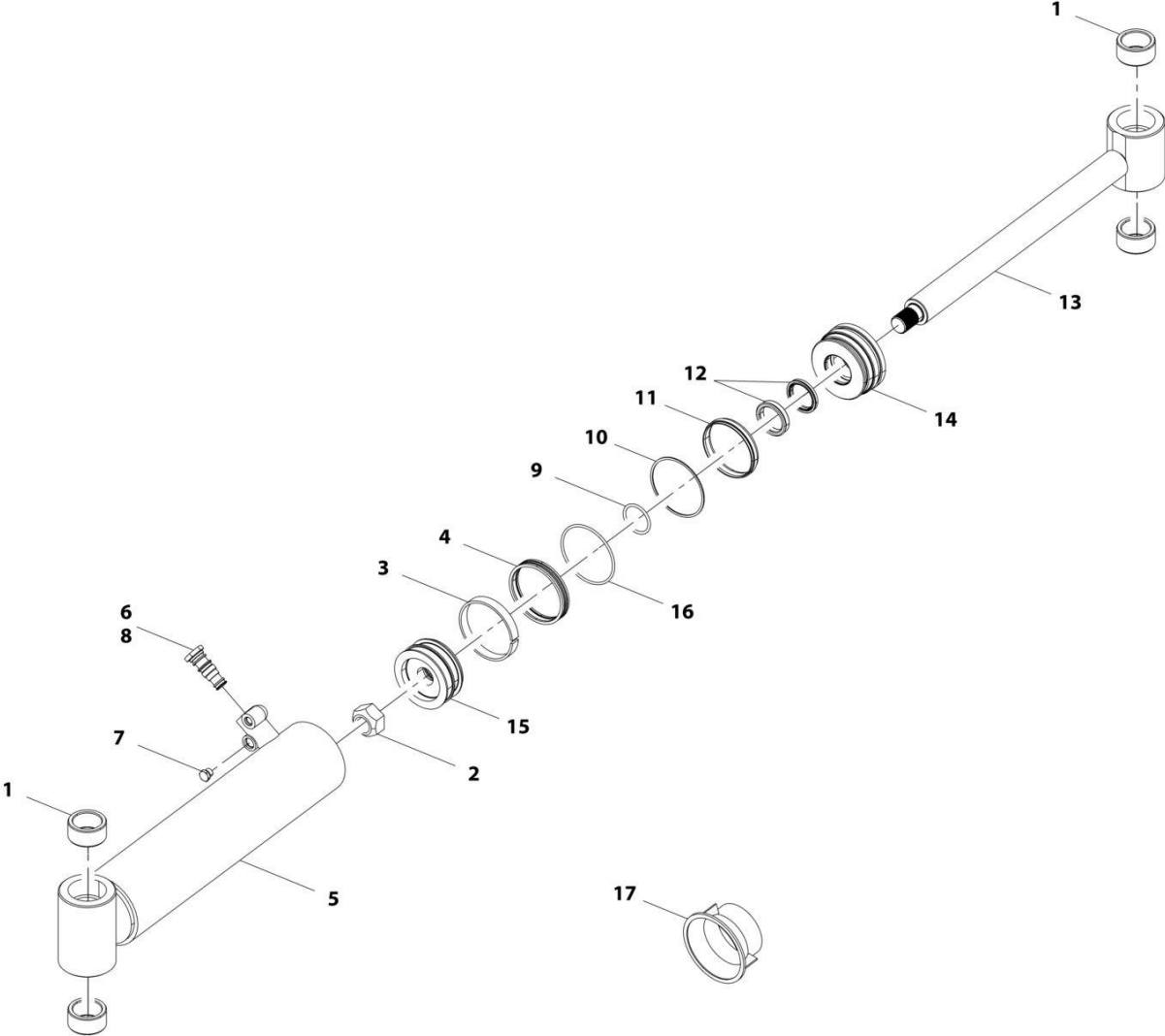
SECTION 9 - HYDRAULIC COMPONENTS

FIGURE 9-10. CYLINDER ASSEMBLY - BOOM TILT

ITEM	PART NUMBER	QTY	DESCRIPTION	REV
	1001174812	Ref	Tilt Cylinder	F
		Ref	Note: Original Cylinder May Have Been Replaced with Service Replacement. Identify PN Stamped on Cylinder Before Ordering Parts.	
1	N.S.S.	1	Barrel	
2	70028314	1	Rod	
3	70028315	1	Piston	
4	70028316	1	Head	
5	70028317	1	Valve, Counterbalance	
6	70025614	1	Bearing	
7	70028309	1	Screw, Locking	
8	70028318	1	Ring, Snap	
9	70028310	2	Bushing	
10	70028319	1	Bushing	
11	70028320	12	Bolt	
12	70028321	12	Washer	
13	70029941	2	Fitting, Grease	
14	70028322	1	Pipe	
15	70024035	1	Screw	
16	70028323	2	Washer	
17	70028324	1	Kit, Seal (includes items 101 thru 108)	
101	Kit	2	Ring, Piston	
102	Kit	1	Seal, Piston	
103	Kit	2	Ring, Rod	
104	Kit	1	"O" Ring	
105	Kit	1	Ring, Back-Up	
106	Kit	1	Seal, Rod	
107	Kit	1	Seal, Rod	
108	Kit	1	Wiper	

SECTION 9 - HYDRAULIC COMPONENTS

FIGURE 9-11. CYLINDER ASSEMBLY - BUCKET (4 IN 1 BUCKET)



ART_70028572-D

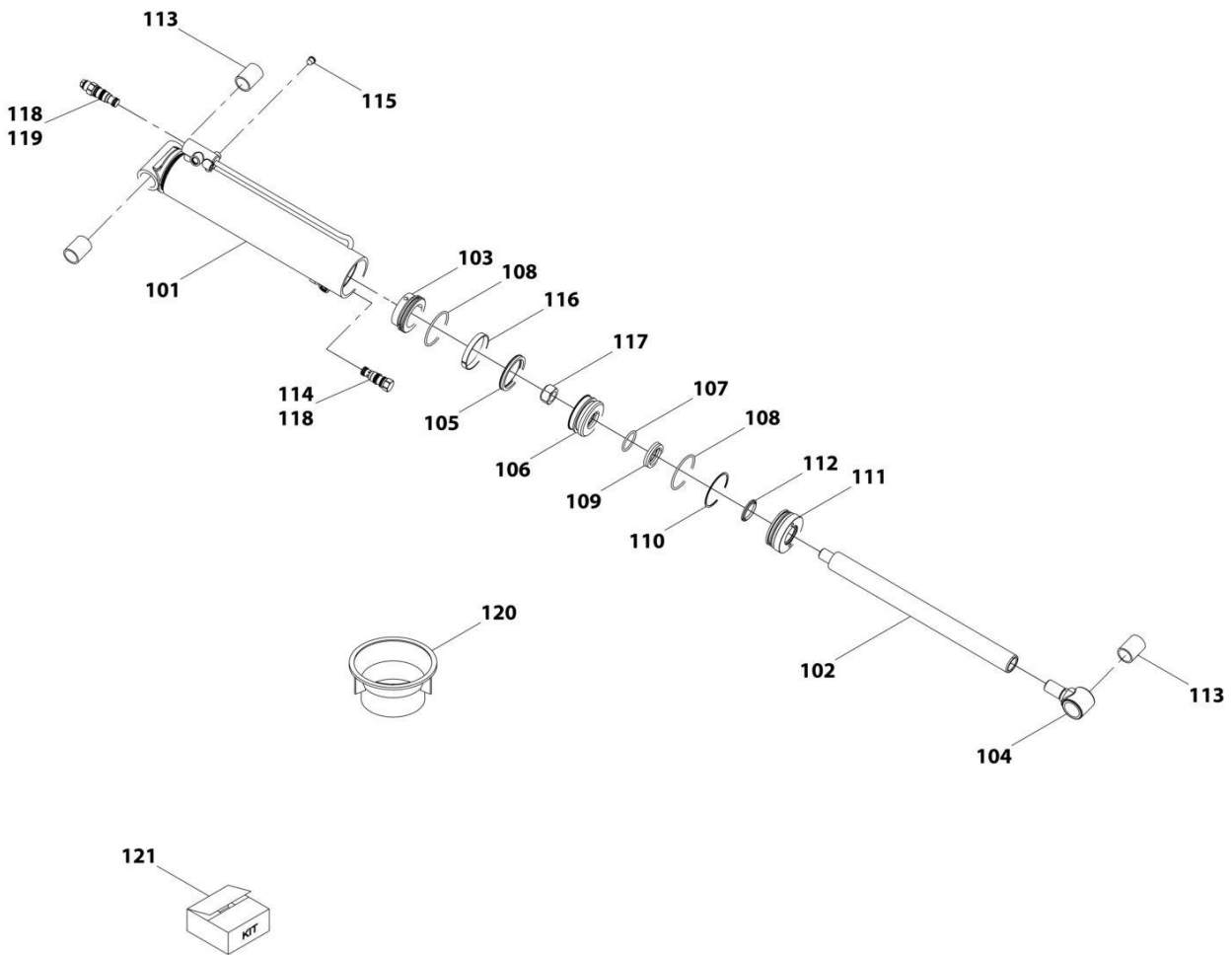
SECTION 9 - HYDRAULIC COMPONENTS

FIGURE 9-11. CYLINDER ASSEMBLY - BUCKET (4 IN 1 BUCKET)

ITEM	PART NUMBER	QTY	DESCRIPTION	REV
	70028572	Ref	Cylinder Assembly	D
		Ref	Note: Original Cylinder May Have Been Replaced with Service Replacement. Identify PN Stamped on Cylinder Before Ordering Parts.	
1	70028581	4	Bearing	
2	70028582	1	Nut	
3	N.S.S.	1	Ring, Wear	
4	N.S.S.	1	Seal	
5	N.S.S.	1	Assembly, Barrel	
6	Kit	1	Kit, Check Valve	
7	70028583	1	Fitting, Straight	
8	70028584	1	Valve, Check	
9	N.S.S.	1	O-Ring	
10	N.S.S.	1	Ring, Back-up	
11	N.S.S.	1	Seal	
12	N.S.S.	2	Wiper	
13	70028585	1	Rod	
14	70028586	1	Retainer	
15	70028587	1	Piston	
16	N.S.S.	1	O-Ring	
17	70028588	1	Tool, Seal Loader	

SECTION 9 - HYDRAULIC COMPONENTS

FIGURE 9-12. CYLINDER ASSEMBLY - BUCKET (GRAPPLE BUCKET)



ART_70026469-C

SECTION 9 - HYDRAULIC COMPONENTS

FIGURE 9-12. CYLINDER ASSEMBLY - BUCKET (GRAPPLE BUCKET)

ITEM	PART NUMBER	QTY	DESCRIPTION	REV
	70026469	Ref	Cylinder Assembly	C
		Ref	Note: Original Cylinder May Have Been Replaced with Service Replacement. Identify PN Stamped on Cylinder Before Ordering Parts.	
101	N.S.S.	1	Barrel	
102	70026496	1	Rod	
103	70026497	1	Spacer	
104	70026498	1	End, Rod	
105	Kit	1	Seal	
106	70026499	1	Piston	
107	Kit	1	O-Ring	
108	Kit	2	O-Ring	
109	Kit	1	Ring, Backup	
110	Kit	1	Seal	
111	70026500	1	Retainer	
112	Kit	1	Wiper	
113	70026501	3	Bushing	
114	70026502	1	Valve, Check	
115	70024129	4	Plug	
116	Kit	1	Ring, Wear	
117	70026503	1	Nut	
118	70024734	2	Kit, Check Valve Service	
119	70026504	1	Valve, Counterbalance	
120	70026505	1	Tool, Seal Loader	
121	70026506	1	Kit, Service	

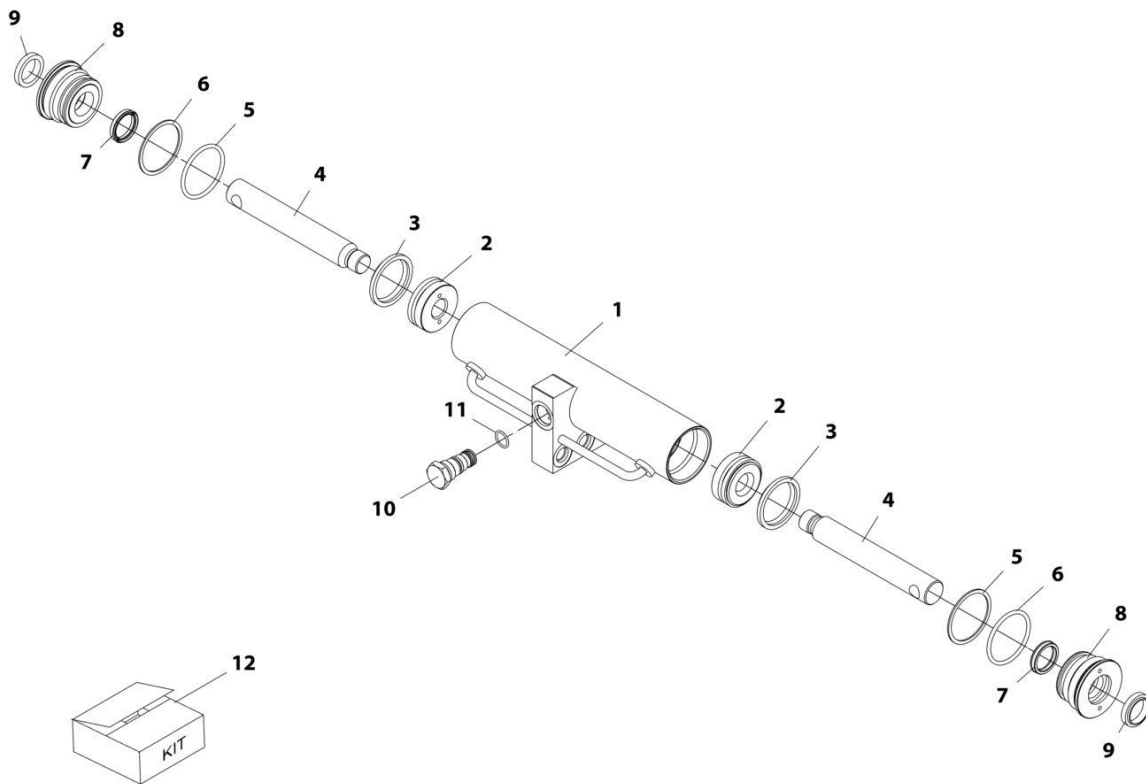
SECTION 9 - HYDRAULIC COMPONENTS

FIGURE 9-13. CYLINDER ASSEMBLY - CARRIAGE (LOG HANDLER CYLINDER)

ITEM	PART NUMBER	QTY	DESCRIPTION	REV
	70028704	Ref	Log Handler Carriage Cylinder Assembly	C
		Ref	Note: Original Cylinder May Have Been Replaced with Service Replacement. Identify PN Stamped on Cylinder Before Ordering Parts.	
201	N.S.S.	1	Barrel	
202	70028728	1	Rod	
203	70028729	2	Bushing	
204	N.S.S.	1	Ring, Wear	
205	N.S.S.	1	Seal	
206	70028730	1	Piston	
207	N.S.S.	1	O-Ring	
208	N.S.S.	1	Seal	
209	N.S.S.	1	Seal	
210	70028731	1	Retainer	
211	N.S.S.	1	Wiper	
212	N.S.S.	1	End, Rod (included with item 202)	
213	70024733	1	Valve, Check	
214	70024129	2	Plug	
215	70024123	1	Fitting, 90	
216	70024130	1	Fitting, Straight	
217	70024734	1	Kit, Check Valve	
218	70028732	1	Nut	
219	70028729	1	Bushing (included with item 202)	
220	70028588	1	Tool, Seal Loader	
221	70028733	1	Kit, Seal (includes items 204, 205, 207, 208, 208, 211, 220)	

SECTION 9 - HYDRAULIC COMPONENTS

FIGURE 9-14. CYLINDER ASSEMBLY - COUPLER LOCKING (Prior to SN 0160110257)



ART_1001145390-A

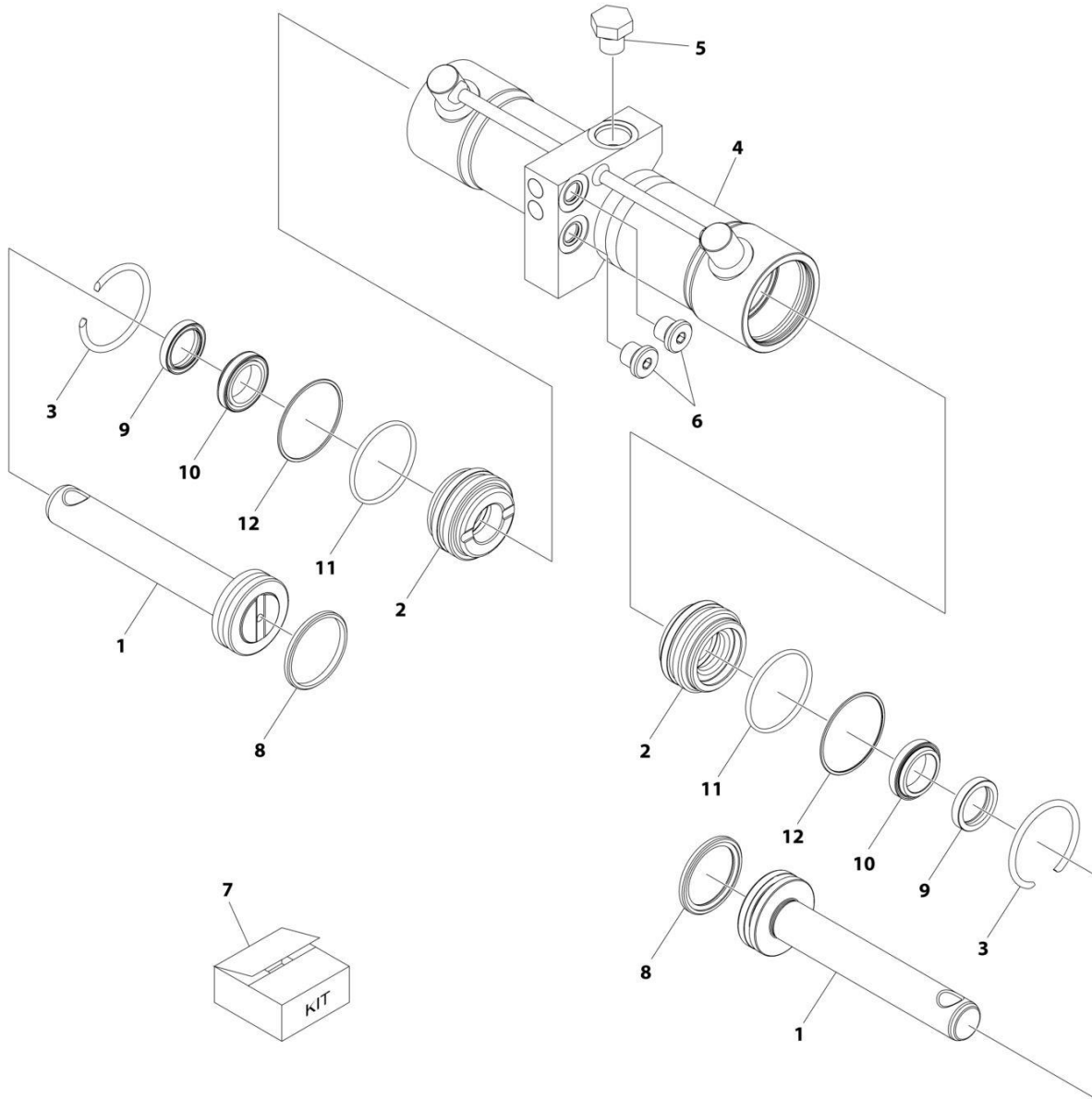
SECTION 9 - HYDRAULIC COMPONENTS

FIGURE 9-14. CYLINDER ASSEMBLY - COUPLER LOCKING (Prior to SN 0160110257)

ITEM	PART NUMBER	QTY	DESCRIPTION	REV
	1001145390	Ref	Coupler Locking Cylinder	A
		Ref	Note: Original Cylinder May Have Been Replaced with Service Replacement. Identify PN Stamped on Cylinder Before Ordering Parts.	
1	70024164	2	Body	
2	70024165	2	Piston	
3	Kit	2	Seal, Piston	
4	70024166	2	Rod	
5	Kit	2	O-Ring	
6	Kit	2	Ring, Backup	
7	Kit	2	Seal, Rod	
8	70024167	2	Gland	
9	Kit	2	Seal, Wiper	
10	1001007056	1	Valve, Check	
11	91574001	1	Seal, Check Valve	
12	70024168	1	Kit, Seal (includes items 3, 5, 6, 7 & 9)	

SECTION 9 - HYDRAULIC COMPONENTS

FIGURE 9-15. CYLINDER ASSEMBLY - COUPLER LOCKING (SN 0160110257 to Present)



ART_1001267977

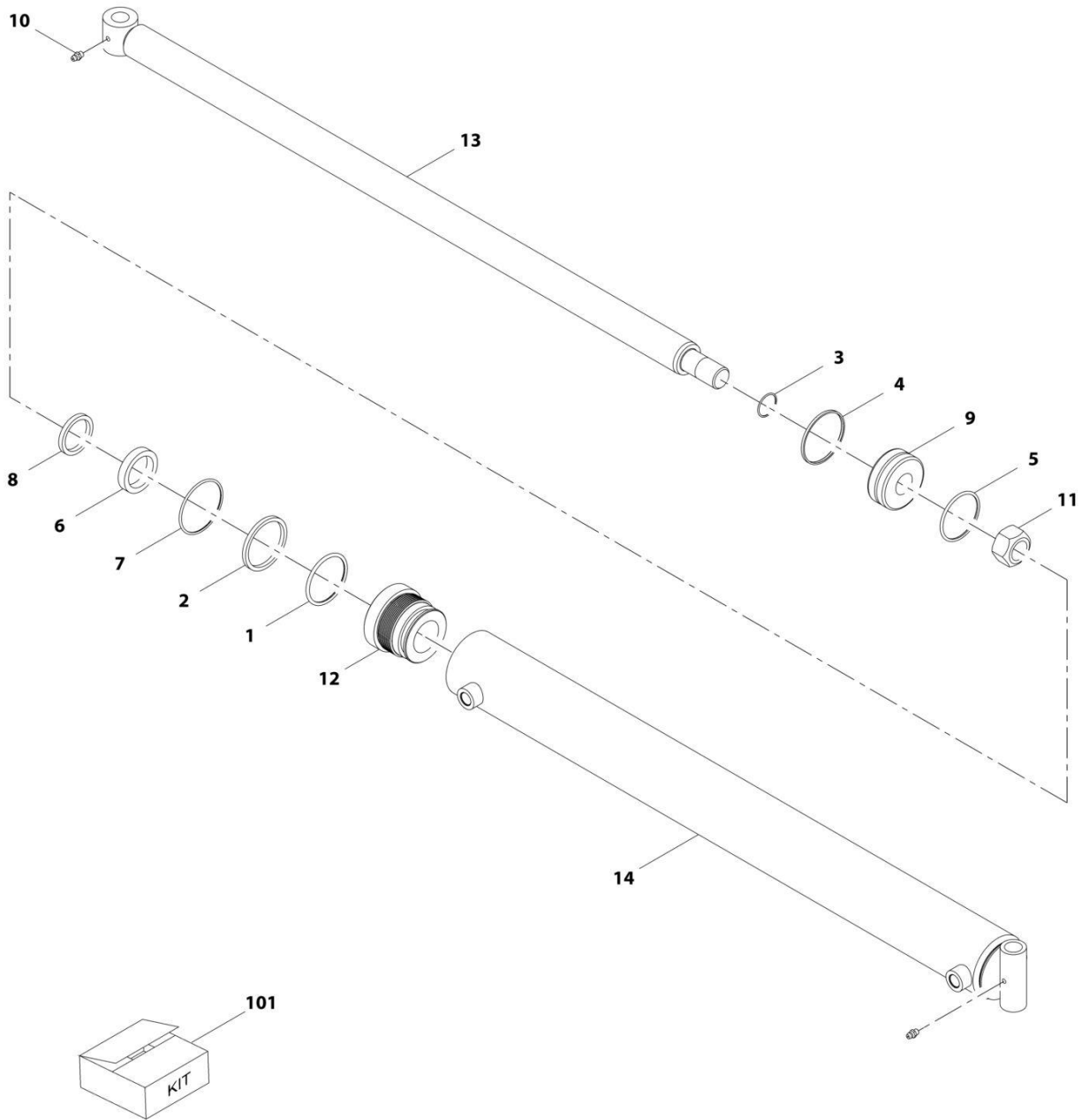
SECTION 9 - HYDRAULIC COMPONENTS

FIGURE 9-15. CYLINDER ASSEMBLY - COUPLER LOCKING (SN 0160110257 to Present)

ITEM	PART NUMBER	QTY	DESCRIPTION	REV
	1001267977	Ref	COUPLER LOCKING CYLINDER	B
		Ref	Note: Original Cylinder May Have Been Replaced with Service Replacement. Identify PN Stamped on Cylinder Before Ordering Parts.	
1	70031293	2	Rod	
2	70031294	2	Bushing	
3	70031295	2	Ring, Snap	
4	See Note	NSS	Barrel (Note: Not Sold Separately, Purchase 1001267977)	
5	70031296	1	Plug	
6	2220885	2	Plug	
7	70031297	1	Seal Kit (Includes Items 8-12)	
8	See Note	2	Seal, Piston (Note: Use Item 7)	
9	See Note	2	Seal, Rod (Note: Use Item 7)	
10	See Note	2	Ring, Wiper (Note: Use Item 7)	
11	See Note	2	O-Ring (Note: Use Item 7)	
12	See Note	2	Ring, Backup (Note: Use Item 7)	

SECTION 9 - HYDRAULIC COMPONENTS

FIGURE 9-16. CYLINDER ASSEMBLY - FORK POSITIONING



ART_70028599-C

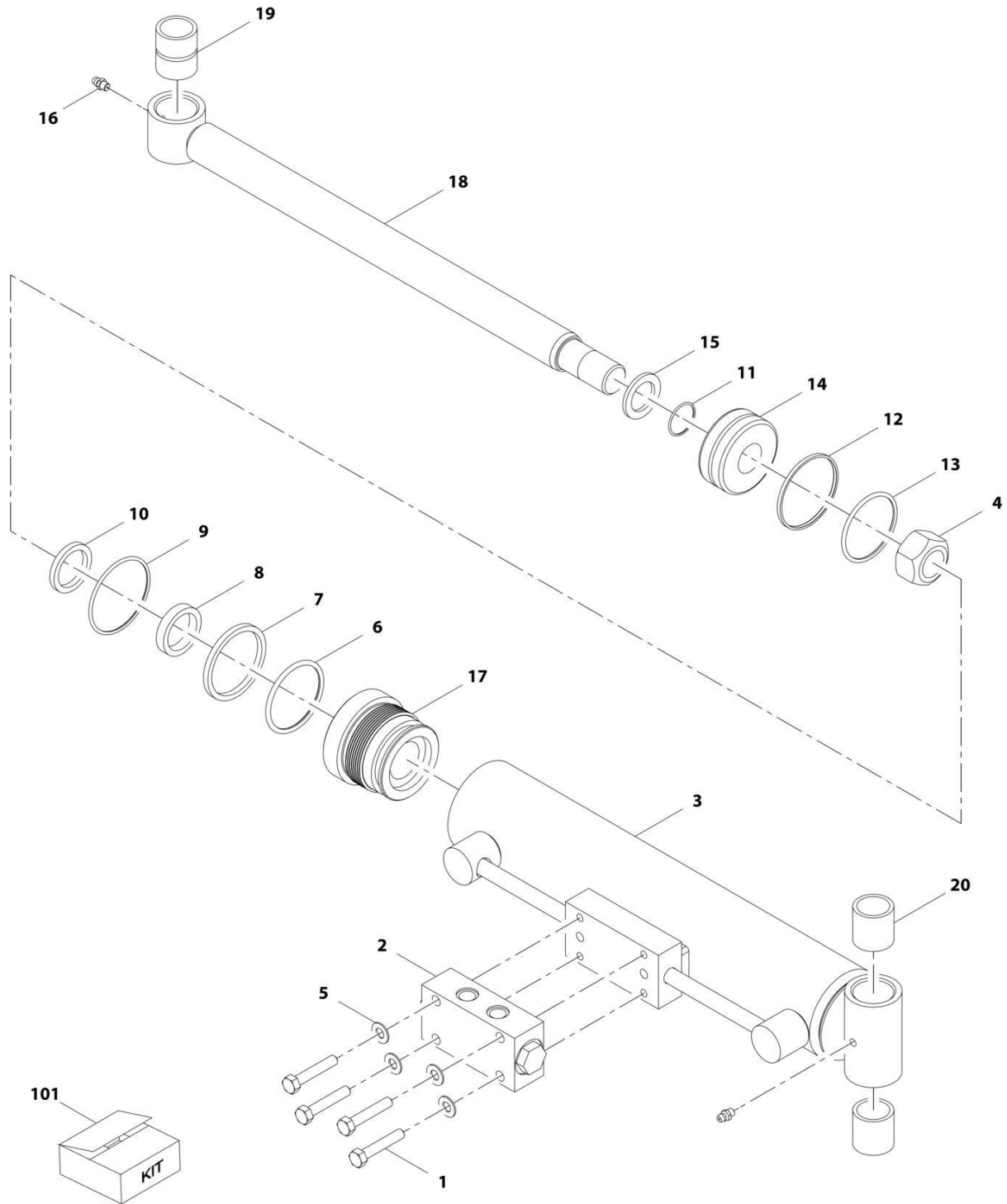
SECTION 9 - HYDRAULIC COMPONENTS

FIGURE 9-16. CYLINDER ASSEMBLY - FORK POSITIONING

ITEM	PART NUMBER	QTY	DESCRIPTION	REV
	70028599	Ref	Fork Positioning Cylinder Assembly	C
		Ref	Note: Original Cylinder May Have Been Replaced with Service Replacement. Identify PN Stamped on Cylinder Before Ordering Parts.	
1	Kit	1	O-Ring	
2	Kit	1	O-Ring	
3	Kit	1	O-Ring	
4	Kit	1	Seal	
5	Kit	1	O-Ring	
6	Kit	1	Seal	
7	Kit	1	O-Ring	
8	Kit	1	Seal	
9	70028609	1	Piston, Cylinder	
10	90554045	2	Fitting, Grease	
11	70021440	1	Nut	
12	70028610	1	Gland, Cylinder	
13	70028611	1	Rod	
14	N.S.S.	1	Tube	
101	Kit	1	Kit, Seal	

SECTION 9 - HYDRAULIC COMPONENTS

FIGURE 9-17. CYLINDER INSTALLATION - FORK POSITIONING SIDE SHIFT



ART_70028603-C

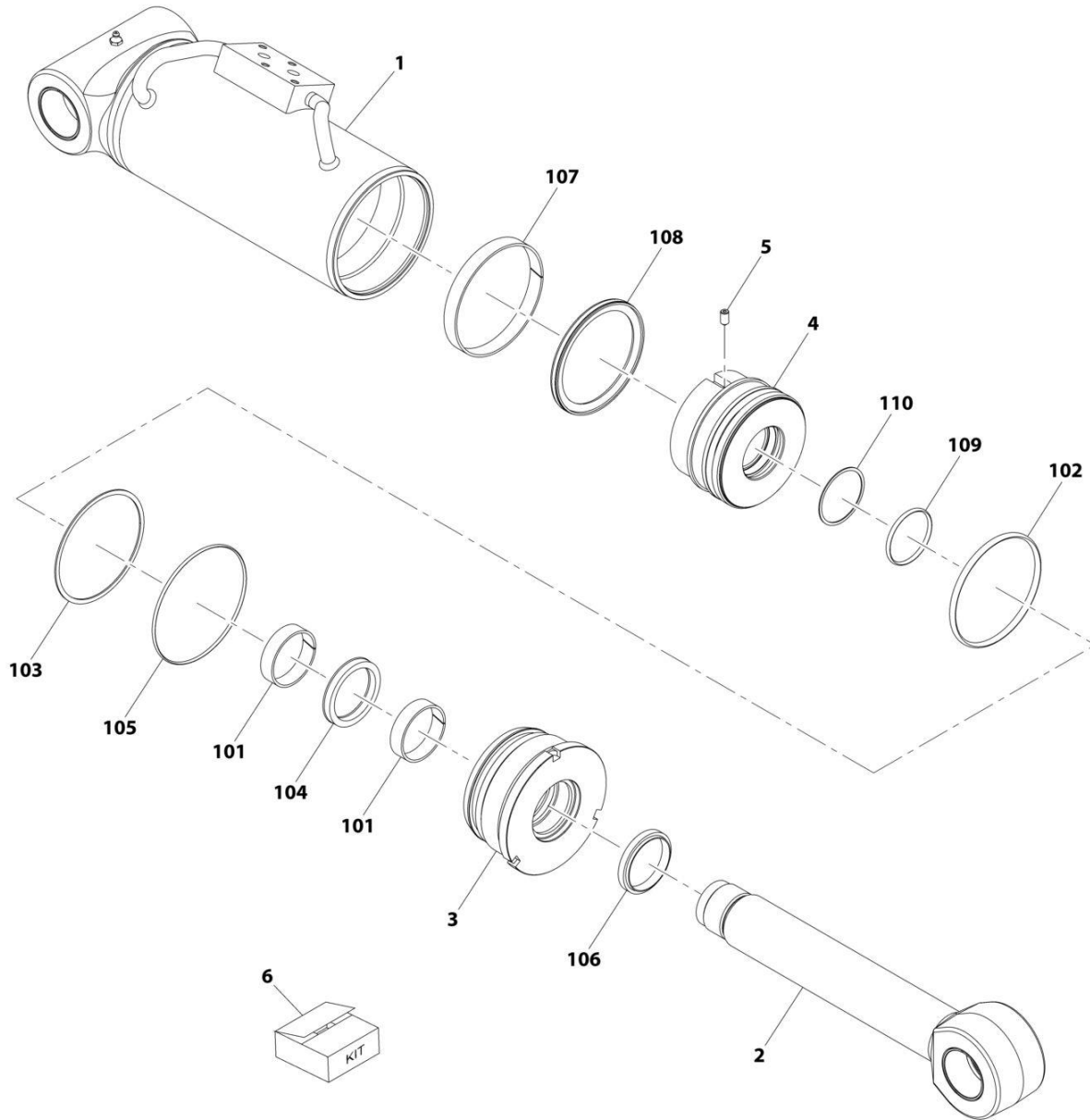
SECTION 9 - HYDRAULIC COMPONENTS

FIGURE 9-17. CYLINDER INSTALLATION - FORK POSITIONING SIDE SHIFT

ITEM	PART NUMBER	QTY	DESCRIPTION	REV
	70028603	Ref	Side Shift Cylinder Assembly	C
		Ref	Note: Original Cylinder May Have Been Replaced with Service Replacement. Identify PN Stamped on Cylinder Before Ordering Parts.	
1	70028612	4	Bolt	
2	70028613	1	Valve	
3	N.S.S.	1	Tube	
4	70021440	1	Nut	
5	70028614	4	Washer, Flat	
6	Kit	1	O-Ring	
7	Kit	1	O-Ring	
8	Kit	1	Seal	
9	Kit	1	O-Ring	
10	Kit	1	Seal	
11	Kit	1	O-Ring	
12	Kit	1	Seal	
13	Kit	1	O-Ring	
14	70021451	1	Piston	
15	70021444	1	Spacer	
16	90554045	2	Fitting, Grease	
17	70021446	1	Gland, Cylinder	
18	70021445	1	Rod	
19	70021447	1	Bushing	
20	70021448	2	Bushing	
101	70021452	1	Kit, Seal (includes items 6 thru 13)	

SECTION 9 - HYDRAULIC COMPONENTS

FIGURE 9-18. CYLINDER ASSEMBLY - FRAME LEVEL (Prior to SN 016110257)



ART_1001201073-E

SECTION 9 - HYDRAULIC COMPONENTS

FIGURE 9-18. CYLINDER ASSEMBLY - FRAME LEVEL (Prior to SN 016110257)

ITEM	PART NUMBER	QTY	DESCRIPTION	REV
	1001201073	Ref	Frame Level Cylinder	E
		Ref	Note: Original Cylinder May Have Been Replaced with Service Replacement. Identify PN Stamped on Cylinder Before Ordering Parts.	
1	N.S.S.	1	Barrel	
2	70028362	1	Rod	
3	70026249	1	Head	
4	70026251	1	Piston	
5	70020438	1	Screw, Locking	
6	70026253	1	Seal kit (includes items 101 thru 110)	
101	Kit	2	Bearing	
102	Kit	1	O-Ring	
103	Kit	1	Backup Ring	
104	Kit	1	Rod Seal	
105	Kit	1	O-Ring	
106	Kit	1	Wiper	
107	Kit	1	Bearing	
108	Kit	1	Piston Seal	
109	Kit	1	O-Ring	
110	Kit	1	Backup Ring	

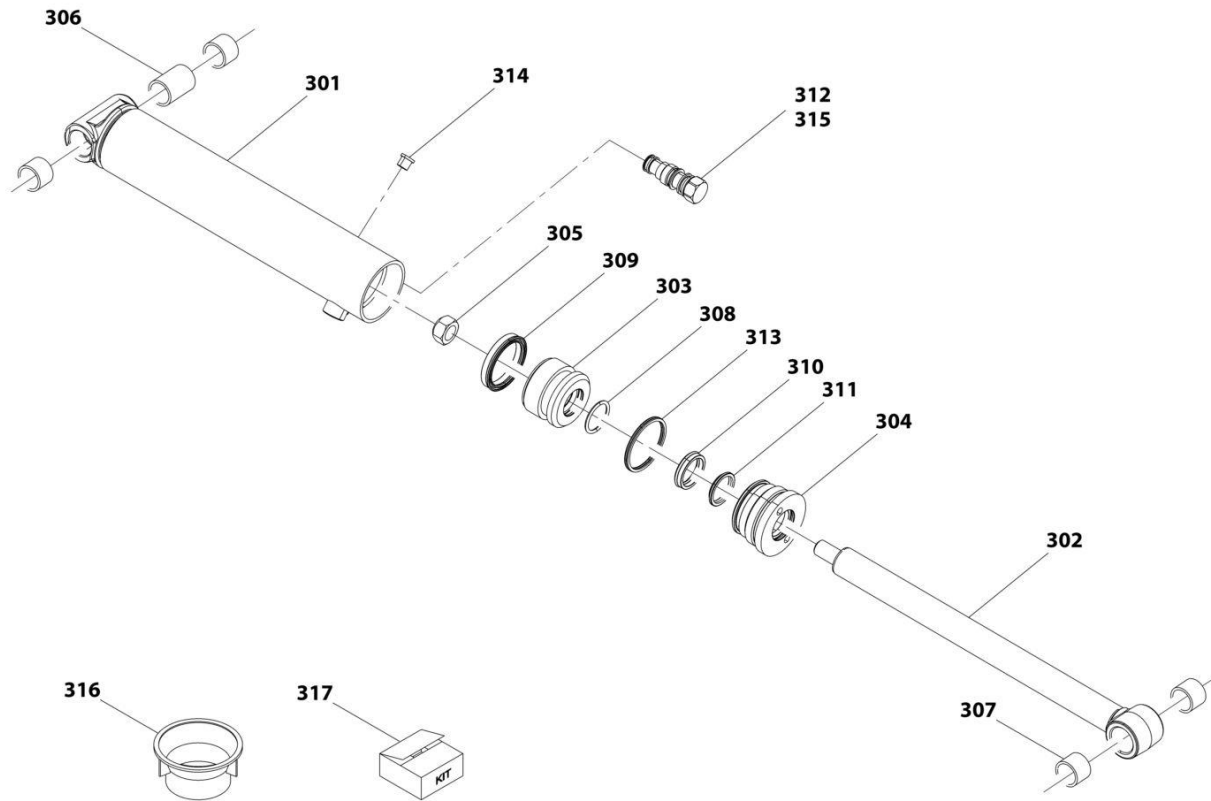
SECTION 9 - HYDRAULIC COMPONENTS

FIGURE 9-19. CYLINDER ASSEMBLY - FRAME LEVEL (SN 016110257 to Present)

ITEM	PART NUMBER	QTY	DESCRIPTION	REV
	1001267973	Ref	CYLINDER ASSEMBLY	B
		Ref	Note: Original Cylinder May Have Been Replaced with Service Replacement. Identify PN Stamped on Cylinder Before Ordering Parts.	
1	See Note	NSS	Barrel (Note: Use PN 1001267973)	
2	70030388	1	Head	
3	70030389	1	Piston	
4	70030403	1	Rod	
10	See Note	NSS	Seal, Dual (Note: Use Item 100)	
11	See Note	NSS	Seal, Rod (Note: Use Item 100)	
12	See Note	NSS	O-Ring (Note: Use Item 100)	
13	See Note	NSS	Wiper (Note: Use Item 100)	
14	See Note	NSS	Seal, Piston (Note: Use Item 100)	
15	See Note	NSS	Ring, Wear (Note: Use Item 100)	
19	See Note	NSS	Ring, Wear (Note: Use Item 100)	
23	See Note	NSS	Seal, Environmental (Note: Use Item 100)	
25	70030391	1	Nut 1-3/4	
30	70030404	1	Fitting, Grease	
35		Ref	Bolt M8 x 1-1/4	
36		Ref	Plate, Shipping	
37	70030392	1	Mask, Wiper	
41		Ref	Gasket, Shipping	
45	70030393	4	Bushing	
100	70030394	1	Seal Kit (Includes Items 10, 11, 12, 13, 14, 15, 19 & 23)	

SECTION 9 - HYDRAULIC COMPONENTS

FIGURE 9-20. CYLINDER ASSEMBLY - PIPE HANDLER CARRIAGE (UPPER)



ART_70028652-D

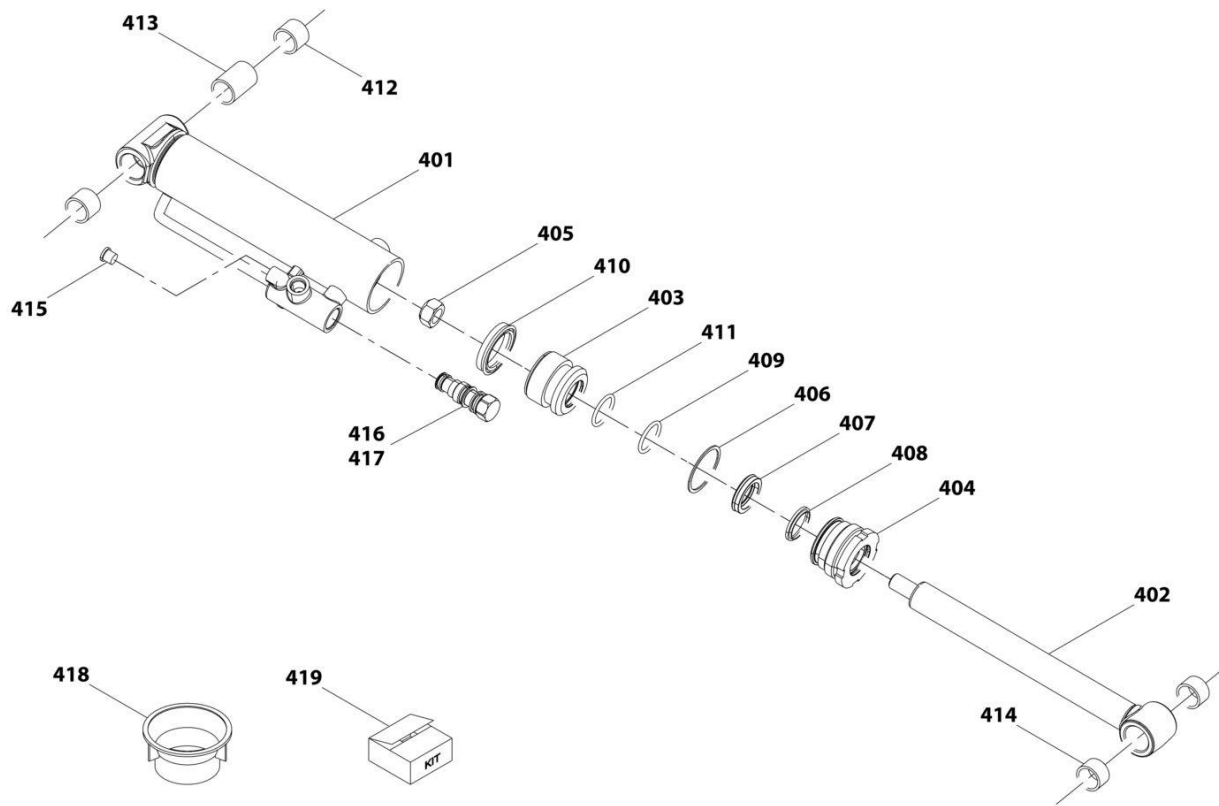
SECTION 9 - HYDRAULIC COMPONENTS

FIGURE 9-20. CYLINDER ASSEMBLY - PIPE HANDLER CARRIAGE (UPPER)

ITEM	PART NUMBER	QTY	DESCRIPTION	REV
	70028652	Ref	Upper Cylinder Assembly	D
		Ref	Note: Original Cylinder May Have Been Replaced with Service Replacement. Identify PN Stamped on Cylinder Before Ordering Parts.	
301	N.S.S.	1	Barrel	
302	70028270	1	Rod	
303	70028254	1	Piston	
304	70028255	1	Retainer	
305	70028258	1	Nut	
306	70028257	1	Spacer	
307	70028256	4	Bushing	
308	N.S.S.	1	O-Ring	
309	N.S.S.	1	Seal	
310	N.S.S.	1	Seal	
311	N.S.S.	1	Wiper	
312	70026502	1	Valve, Check	
313	N.S.S.	1	Seal	
314	70024129	2	Plug	
315	70024734	1	Kit, Check Valve	
316	70028691	1	Tool, Seal Loader	
317	70028770	1	Kit, Seal	

SECTION 9 - HYDRAULIC COMPONENTS

FIGURE 9-21. CYLINDER ASSEMBLY - PIPE HANDLER CARRIAGE (LOWER)



ART_70028653-D

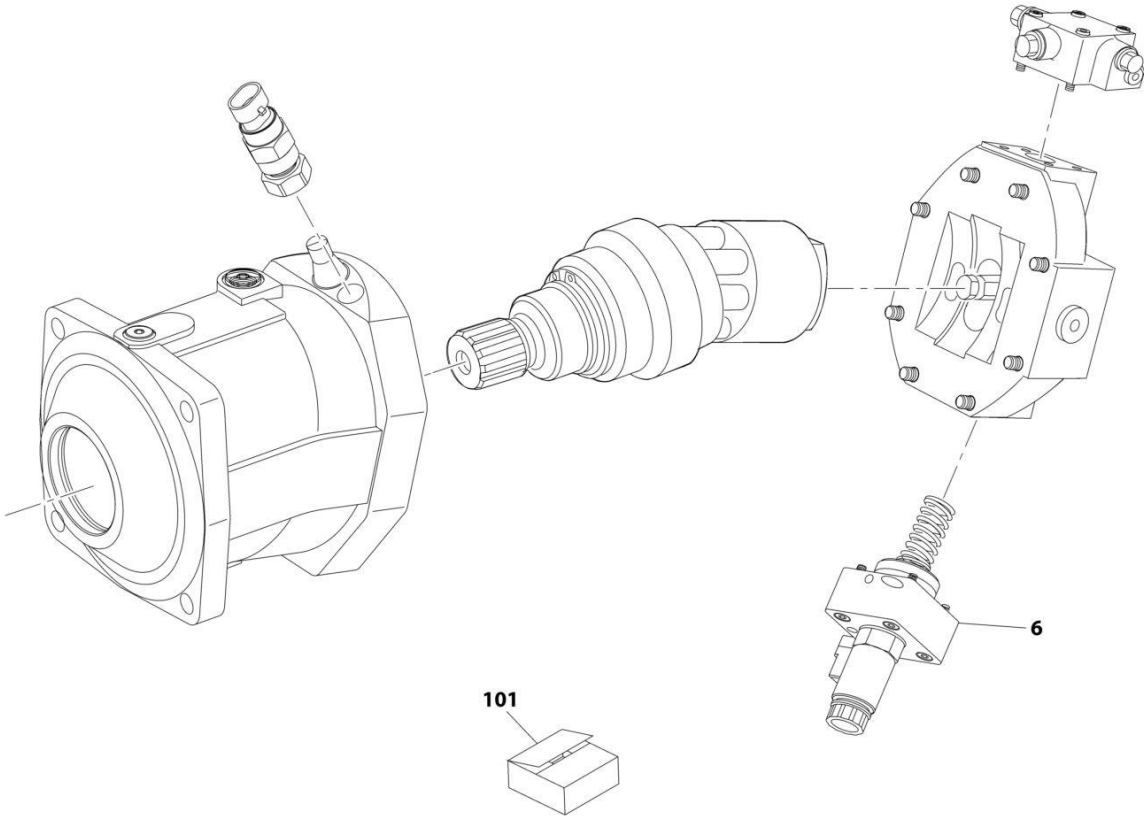
SECTION 9 - HYDRAULIC COMPONENTS

FIGURE 9-21. CYLINDER ASSEMBLY - PIPE HANDLER CARRIAGE (LOWER)

ITEM	PART NUMBER	QTY	DESCRIPTION	REV
	70028653	Ref	Lower Cylinder Assembly	D
		Ref	Note: Original Cylinder May Have Been Replaced with Service Replacement. Identify PN Stamped on Cylinder Before Ordering Parts.	
401	N.S.S.	1	Barrel	
402	70028692	1	Rod	
403	70024142	1	Piston	
404	70028693	1	Retainer	
405	70028258	1	Nut	
406	N.S.S.	1	Ring, Backup	
407	N.S.S.	1	Seal	
408	N.S.S.	1	Wiper	
409	N.S.S.	1	O-Ring	
410	N.S.S.	1	Seal	
411	N.S.S.	1	O-Ring	
412	70028256	2	Bushing	
413	70028257	1	Spacer	
414	70028694	2	Bushing	
415	70024129	2	Plug	
416	70026502	1	Valve, Check	
417	70024734	1	Kit, Check Valve	
418	70028691	1	Tool, Seal Loader	
419	70028771	1	Kit, Seal	

SECTION 9 - HYDRAULIC COMPONENTS

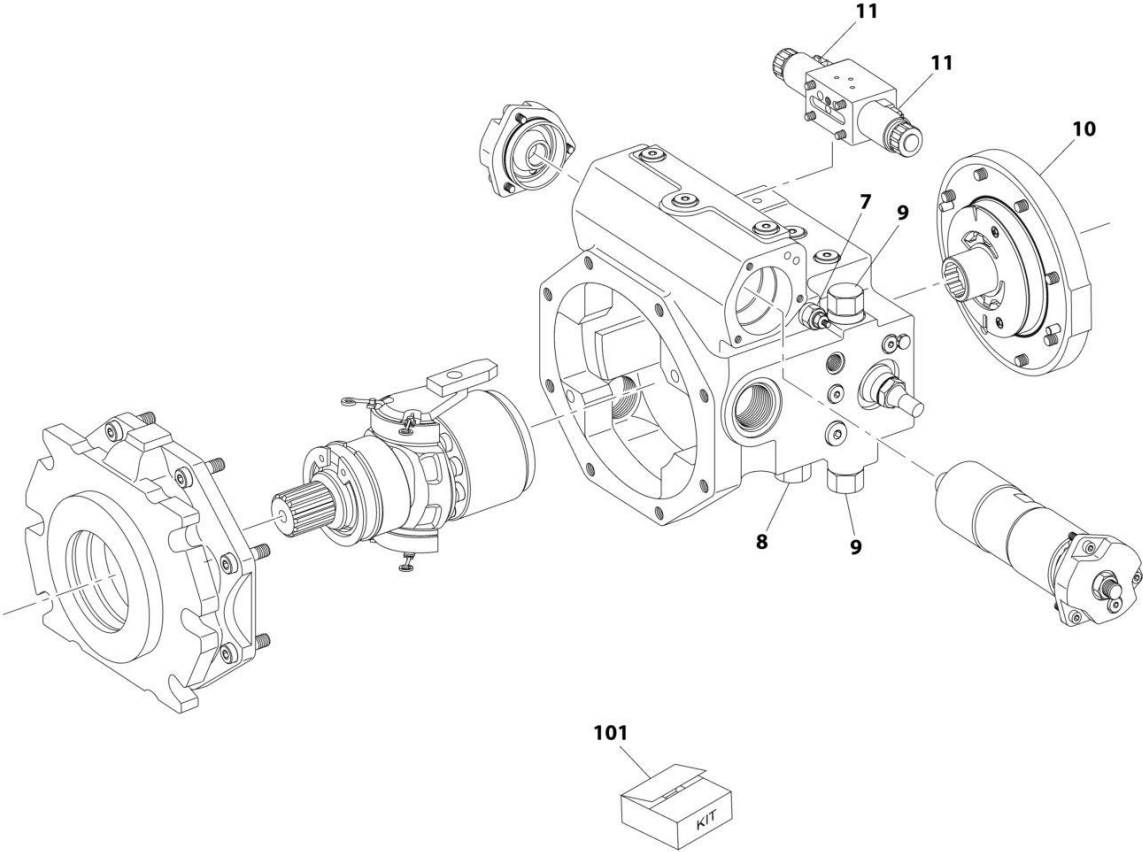
FIGURE 9-22. MOTOR ASSEMBLY - HYDROSTATIC



ART_1001193308-C

SECTION 9 - HYDRAULIC COMPONENTS

FIGURE 9-23. PUMP ASSEMBLY - HYDROSTATIC



ART_1001193307-D

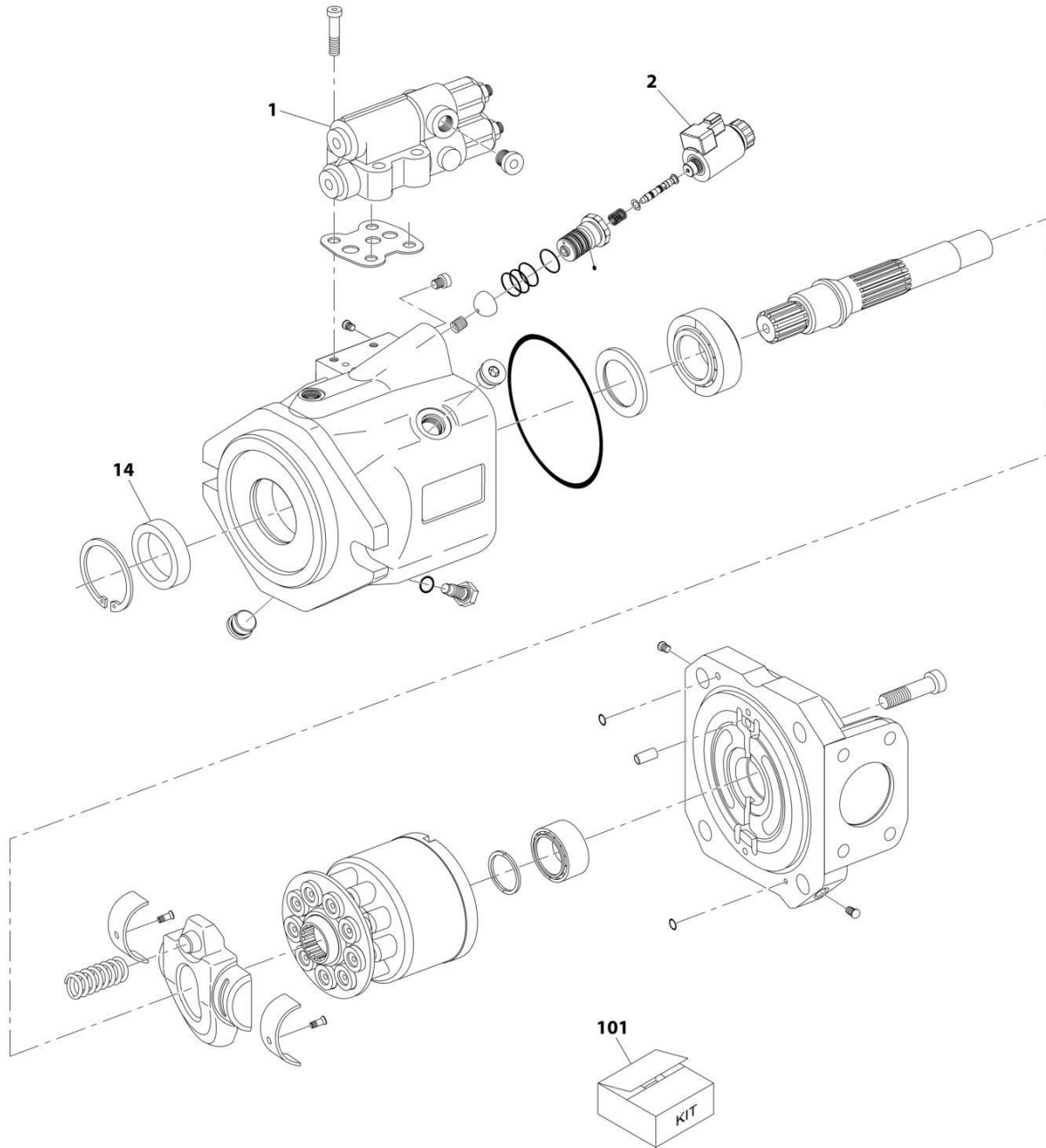
SECTION 9 - HYDRAULIC COMPONENTS

FIGURE 9-23. PUMP ASSEMBLY - HYDROSTATIC

ITEM	PART NUMBER	QTY	DESCRIPTION	REV
	1001193307	Ref	Hydrostatic Pump	D
7	70024946	1	Valve, Relief	
8	70027598	1	Valve, Pressure Override	
9	70024945	2	Valve, Relief	
10	70028411	1	Pump, Charge	
11	70022726	2	Solenoid	
101	70028410	1	Kit, Seal	
	Kit	1	Seal, Shaft	
	Kit	2	Retaining Ring	
	Kit	2	O-Ring	
	Kit	1	O-Ring	
	Kit	2	Seal, Rod	
	Kit	1	Nut, Sealing	
	Kit	3	O-Ring	
	Kit	2	O-Ring	
	Kit	1	O-Ring	
	Kit	2	Nut, Sealing	
	Kit	1	O-Ring	
	Kit	1	O-Ring	
	Kit	1	O-Ring	
	Kit	1	O-Ring	
	Kit	1	O-Ring	
	Kit	1	O-Ring	
	Kit	1	O-Ring	
	Kit	1	O-Ring	
	Kit	1	O-Ring	
	Kit	1	O-Ring	
	Kit	1	O-Ring	
	Kit	1	Kit, Seal	
	Kit	1	O-Ring	
	Kit	1	O-Ring	
	Kit	1	O-Ring	
	Kit	1	O-Ring	
	Kit	1	O-Ring	
	Kit	1	O-Ring	
	Kit	1	O-Ring	
	Kit	1	Seal	
	Kit	1	Seal	
	Kit	1	O-Ring	
	Kit	2	O-Ring	
	Kit	2	O-Ring	
	Kit	2	O-Ring	
	Kit	2	O-Ring	

SECTION 9 - HYDRAULIC COMPONENTS

FIGURE 9-24. PUMP ASSEMBLY - IMPLEMENT



ART_1001180070-F

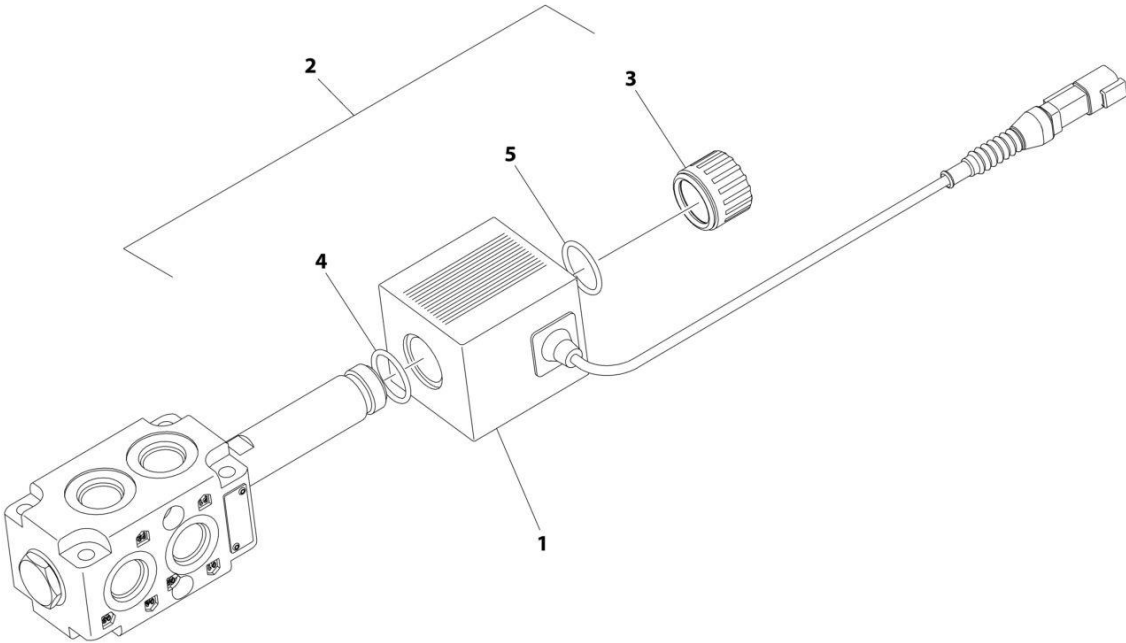
SECTION 9 - HYDRAULIC COMPONENTS

FIGURE 9-24. PUMP ASSEMBLY - IMPLEMENT

ITEM	PART NUMBER	QTY	DESCRIPTION	REV
	1001180070	1	Implement Pump	F
1	70027595	1	Controller, DSR	
2	70028412	1	Controller, EK	
14	7024947	1	Seal, Shaft	
101	70028413	1	Kit, Seal	
	Kit	1	Seal	
	Kit	1	Plug	
	Kit	2	Plug	
	Kit	2	O-Ring	
	Kit	1	O-Ring	

SECTION 9 - HYDRAULIC COMPONENTS

FIGURE 9-25. VALVE ASSEMBLY - BOOM AUX DIVERTER VALVE (HYDRAULIC - SINGLE & TWIN)



ART_1001104477

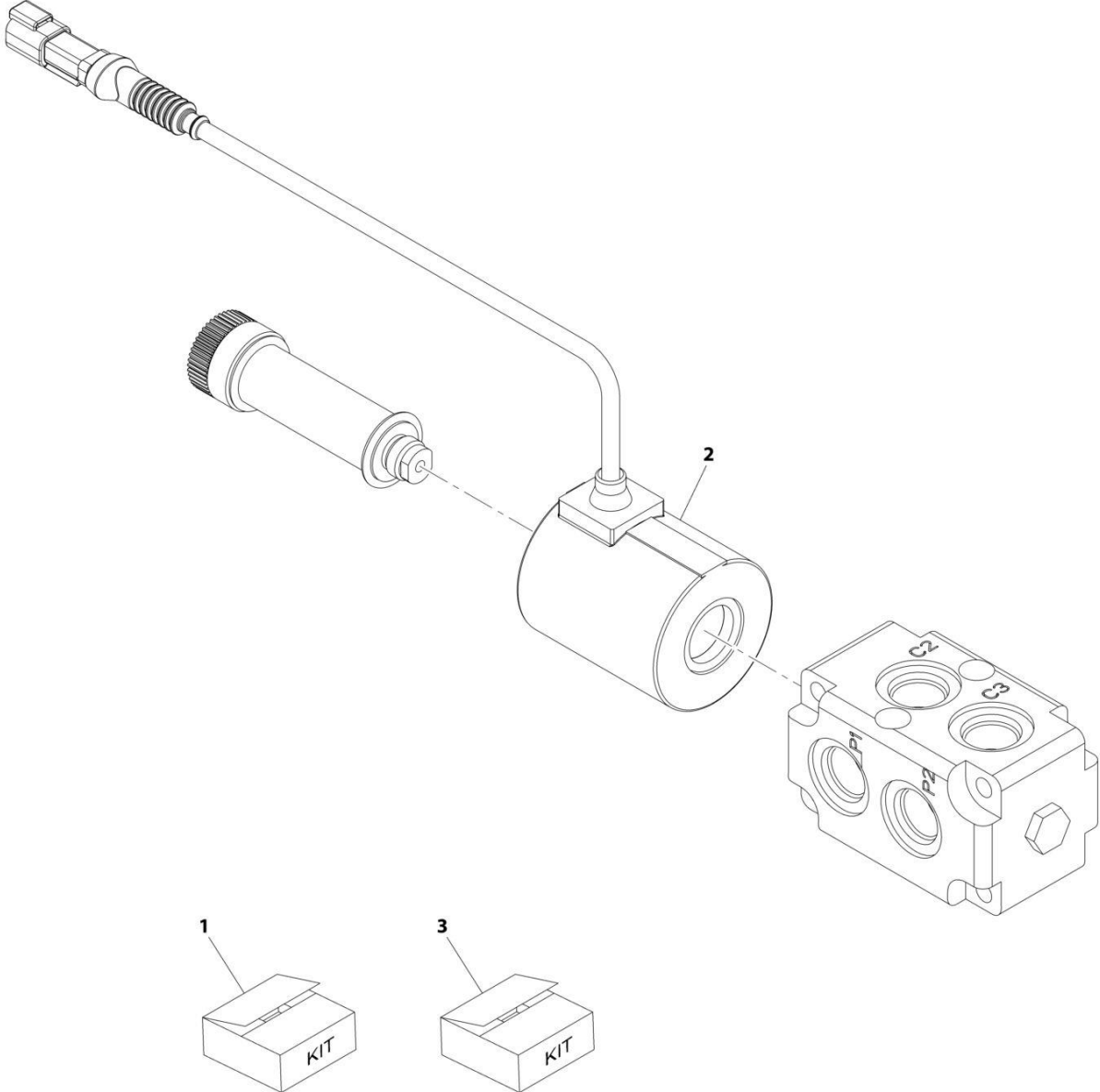
SECTION 9 - HYDRAULIC COMPONENTS

FIGURE 9-25. VALVE ASSEMBLY - BOOM AUX DIVERTER VALVE (HYDRAULIC - SINGLE & TWIN)

ITEM	PART NUMBER	QTY	DESCRIPTION	REV
	1001104477	Ref	DIVERTOR VALVE	D
1	70020764	1	Coil	
2	70021531	1	Retainer Kit (Includes Items 3-5)	
3	Kit	1	Nut	
4	Kit	1	O-Ring	
5	Kit	1	O-Ring	

SECTION 9 - HYDRAULIC COMPONENTS

FIGURE 9-26. VALVE ASSEMBLY - BOOM AUX DIVERTER VALVE (MANUAL & HYDRAULIC -TWIN)



ART_100110023-B

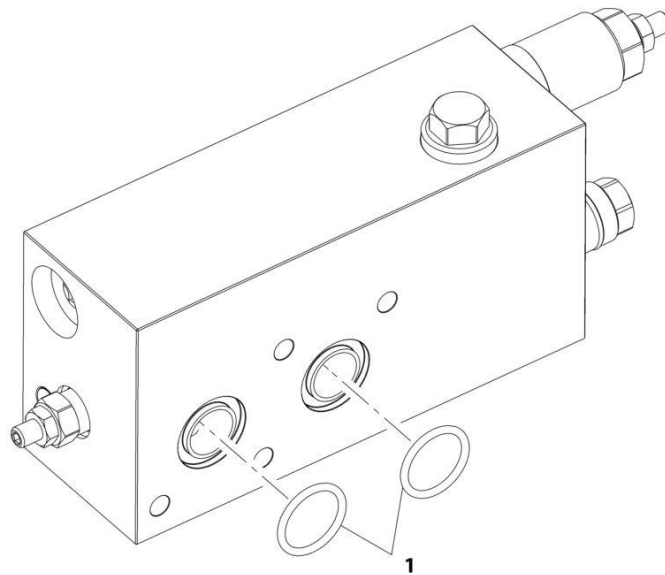
SECTION 9 - HYDRAULIC COMPONENTS

FIGURE 9-26. VALVE ASSEMBLY - BOOM AUX DIVERTER VALVE (MANUAL & HYDRAULIC -TWIN)

ITEM	PART NUMBER	QTY	DESCRIPTION	REV
	1001110023	Ref	Divertor Valve	B
1	70027596	1	Kit, Seal	
	Kit	2	O-Ring	
2	70020764	1	Coil	
3	70021531	1	Kit, Coil Nut	
	N.S.S.	1	O-Ring	
	N.S.S.	1	O-Ring	
	N.S.S.	1	Nut	

SECTION 9 - HYDRAULIC COMPONENTS

FIGURE 9-27. VALVE ASSEMBLY - BOOM RAISE COUNTERBALANCE VALVE (NO RIDE CONTROL)



ART_1001224944-C

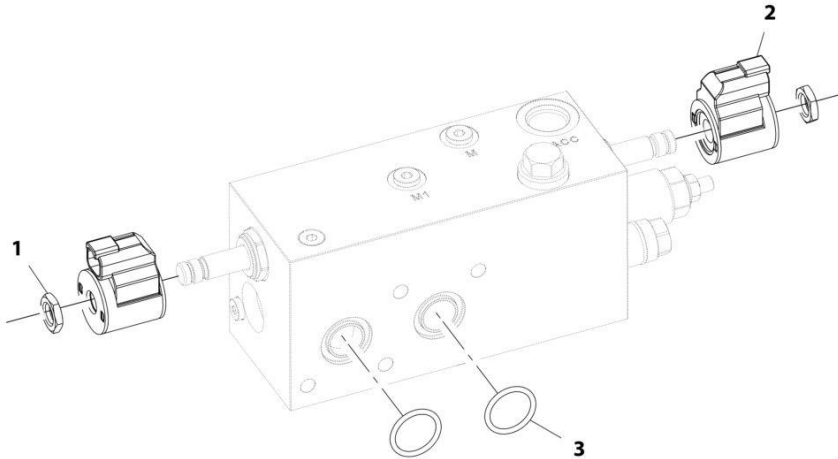
SECTION 9 - HYDRAULIC COMPONENTS

FIGURE 9-27. VALVE ASSEMBLY - BOOM RAISE COUNTERBALANCE VALVE (NO RIDE CONTROL)

ITEM	PART NUMBER	QTY	DESCRIPTION	REV
1	1001224944 70028282	Ref 1	Counterbalance Valve O-Ring	C

SECTION 9 - HYDRAULIC COMPONENTS

FIGURE 9-28. VALVE ASSEMBLY - BOOM RAISE RIDE & FLOAT VALVE (RIDE CONTROL)



ART_1001224945-C

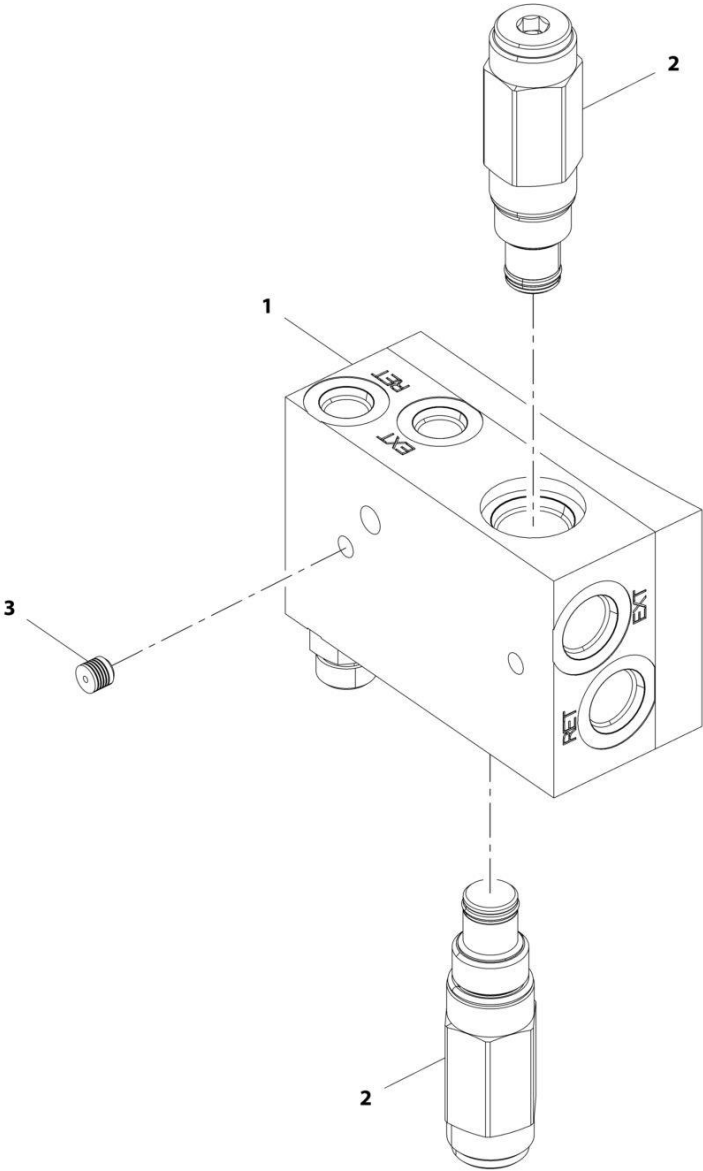
SECTION 9 - HYDRAULIC COMPONENTS

FIGURE 9-28. VALVE ASSEMBLY - BOOM RAISE RIDE & FLOAT VALVE (RIDE CONTROL)

ITEM	PART NUMBER	QTY	DESCRIPTION	REV
	1001224945	Ref	Boom Raise Valve (Ride Control)	C
1	7022390	2	Nut	
2	70028281	2	Coil	
3	70028282	2	O-Ring	

SECTION 9 - HYDRAULIC COMPONENTS

FIGURE 9-29. VALVE ASSEMBLY - BUCKET (5.23 YD³/4.0M³)



ART_70028573-D

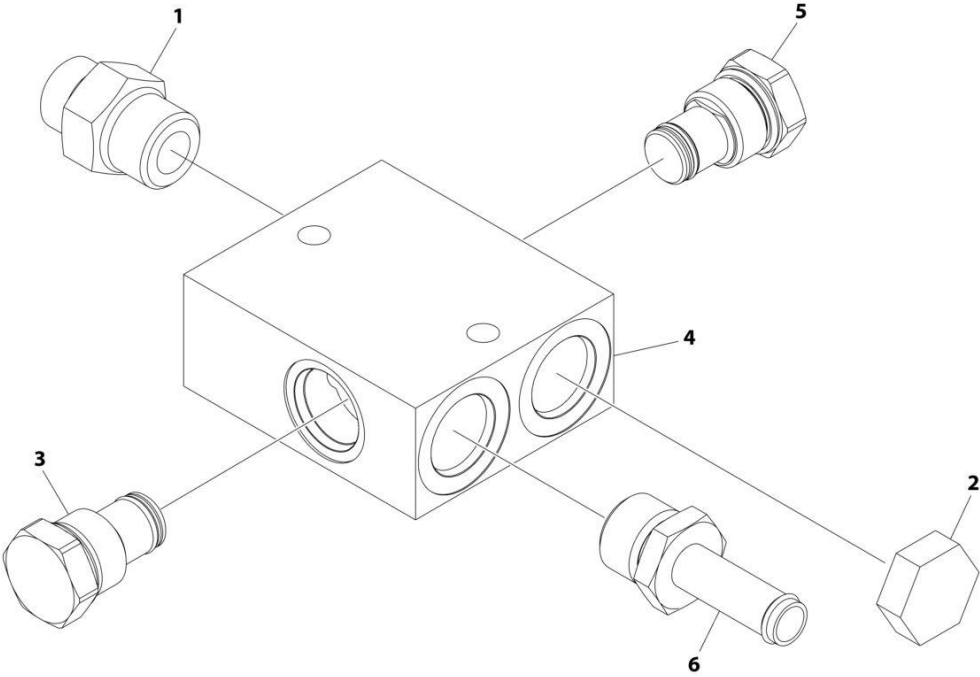
SECTION 9 - HYDRAULIC COMPONENTS

FIGURE 9-29. VALVE ASSEMBLY - BUCKET (5.23 YD³/4.0M³)

ITEM	PART NUMBER	QTY	DESCRIPTION	REV
	70028573	Ref	Valve Assembly, Bucket (5.23 YD ³ /4.0M ³)	D
1	70026477	1	Manifold	
2	70028589	2	Cartridge, Relief	
3	70026614	2	Plug	

SECTION 9 - HYDRAULIC COMPONENTS

FIGURE 9-30. VALVE ASSEMBLY - CAB HYDRAULICS CHECK VALVE



ART_1001212789

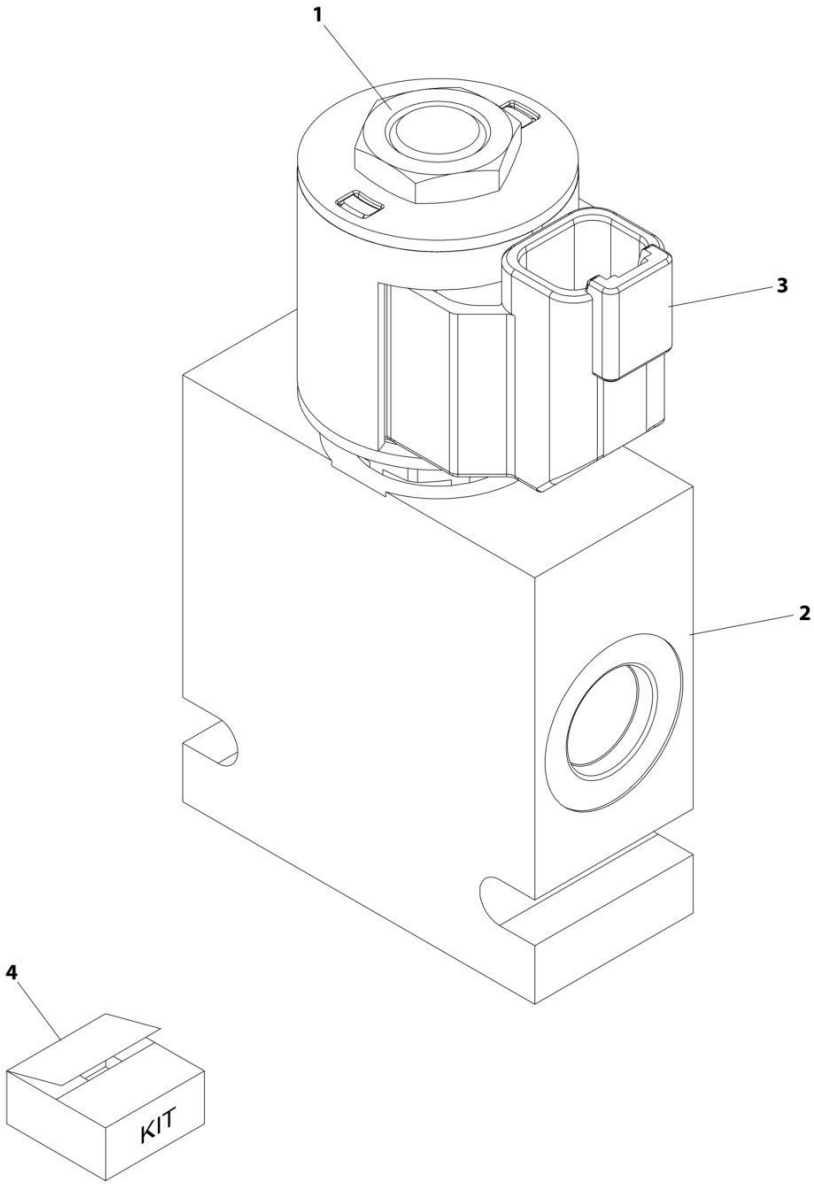
SECTION 9 - HYDRAULIC COMPONENTS

FIGURE 9-30. VALVE ASSEMBLY - CAB HYDRAULICS CHECK VALVE

ITEM	PART NUMBER	QTY	DESCRIPTION	REV
	1001212789	Ref	VALVE ASSEMBLY - CAB HYDRAULICS CHECK VALVE	E
1	2110810	1	Fitting, Straight ORFS	
2	2220239	1	Plug	
3	1001231393	1	Valve, Check	
4	1001210780	1	Manifold, Dual Check Valve	
5	1001210801	1	Valve, Check	
6	1001225656	1	Fitting, Barb	

SECTION 9 - HYDRAULIC COMPONENTS

FIGURE 9-31. VALVE ASSEMBLY - CAB HYDRAULICS SOLENOID VALVE



ART_1001221928-A

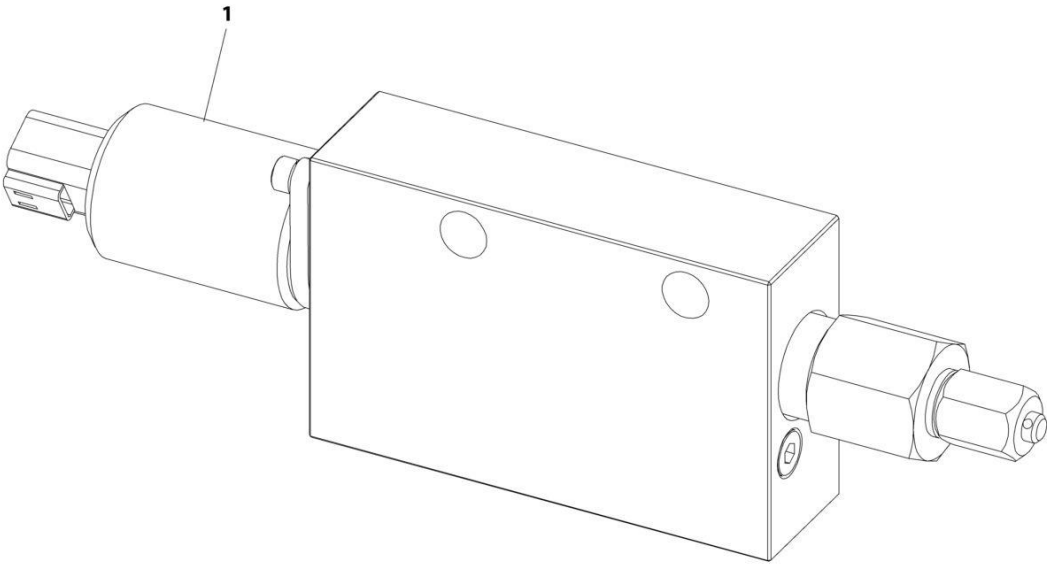
SECTION 9 - HYDRAULIC COMPONENTS

FIGURE 9-31. VALVE ASSEMBLY - CAB HYDRAULICS SOLENOID VALVE

ITEM	PART NUMBER	QTY	DESCRIPTION	REV
	1001221928	Ref	Solenoid Valve	A
1	70004387	1	Cartridge	
2	N.S.S.	Ref	Body	
3	70002963	1	Coil	
4	7010543	1	Kit, Seal	

SECTION 9 - HYDRAULIC COMPONENTS

FIGURE 9-32. VALVE ASSEMBLY - ENGINE BAY INCHING VALVE



ART_1001213311-B

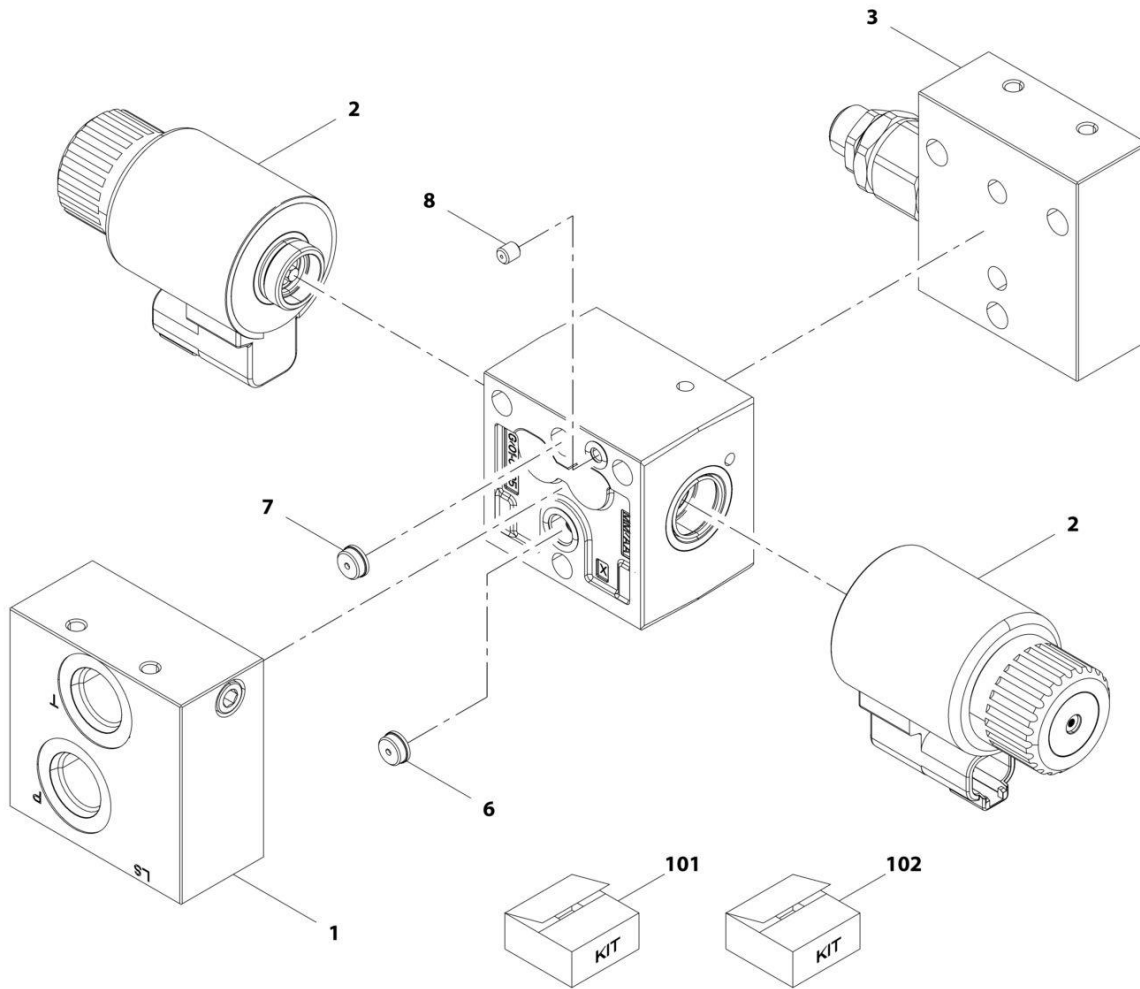
SECTION 9 - HYDRAULIC COMPONENTS

FIGURE 9-32. VALVE ASSEMBLY - ENGINE BAY INCHING VALVE

ITEM	PART NUMBER	QTY	DESCRIPTION	REV
1	1001213311 70028361	Ref 1	Inching Valve Valve, Proportional	B

SECTION 9 - HYDRAULIC COMPONENTS

FIGURE 9-33. VALVE ASSEMBLY - FRAME LEVEL CONTROL



ART_1001219615-D

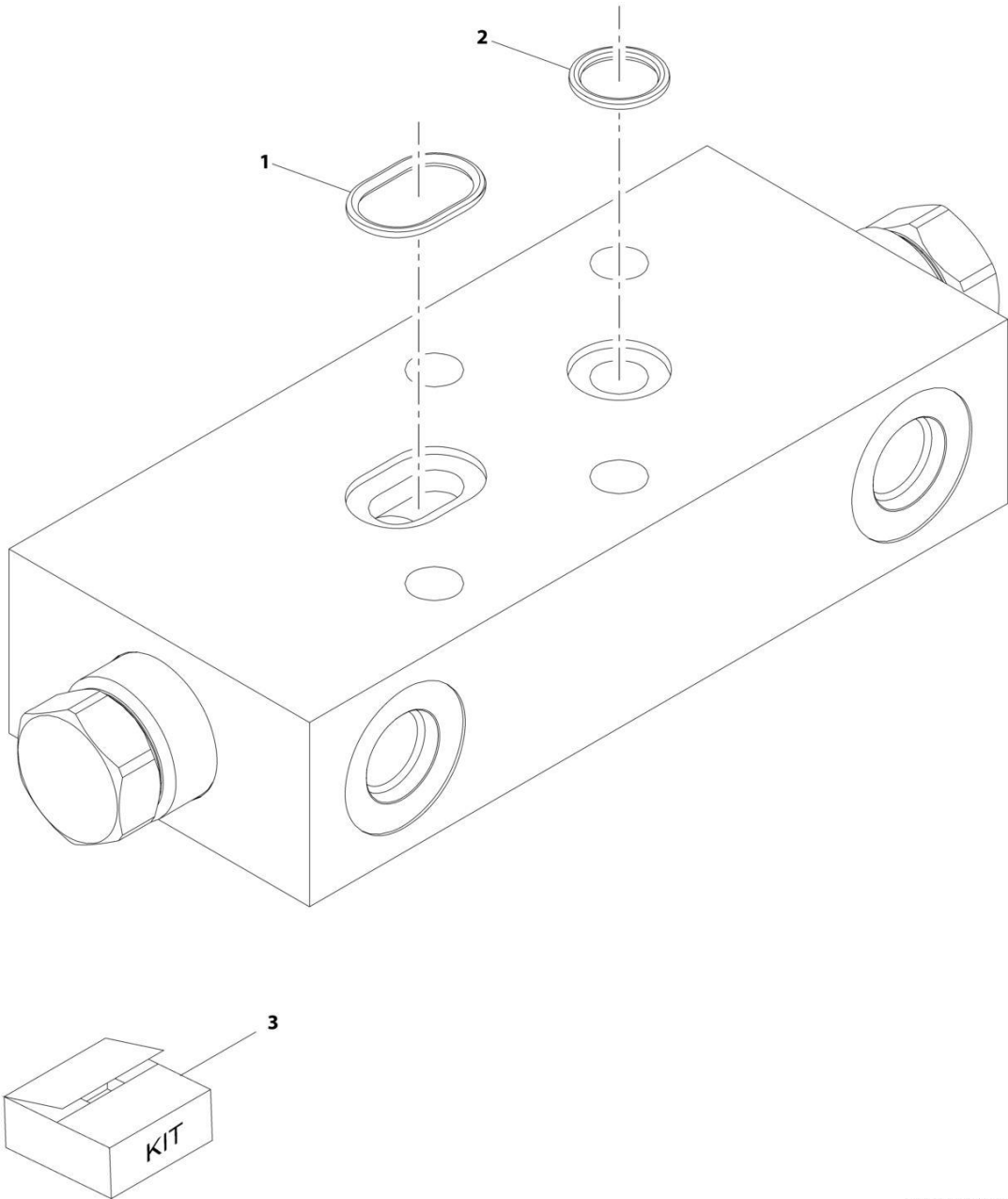
SECTION 9 - HYDRAULIC COMPONENTS

FIGURE 9-33. VALVE ASSEMBLY - FRAME LEVEL CONTROL

ITEM	PART NUMBER	QTY	DESCRIPTION	REV
	1001219615	Ref	Frame Level Valve	D
1	70028414	1	Valve, Section	
2	70004595	2	Coil	
3	70028504	1	Plate	
6	70028415	1	Screw	
7	70028243	1	Screw	
8	70028416	1	Screw	
101	70028502	2	Kit, Coil Nut	
	Kit	1	Nut	
	Kit	1	O-Ring	
102	70028503	1	Kit, Bolt and Seal	
	Kit	3	Bolt	
	Kit	3	Washer	
	Kit	2	O-Ring	
	Kit	4	O-Ring	
	Kit	2	O-Ring	

SECTION 9 - HYDRAULIC COMPONENTS

FIGURE 9-34. VALVE ASSEMBLY - FRAME LEVEL COUNTERBALANCE



ART_1001168599-C

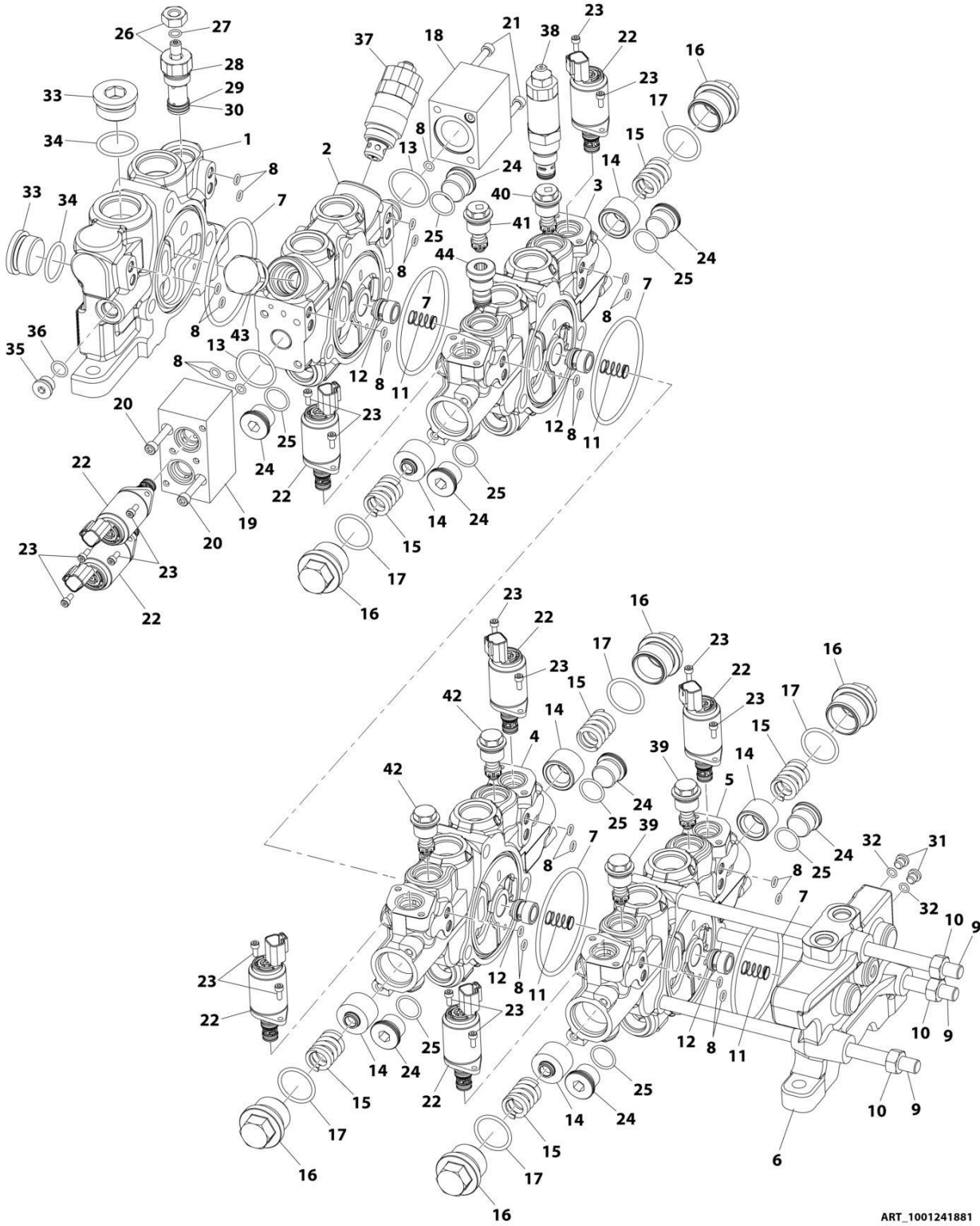
SECTION 9 - HYDRAULIC COMPONENTS

FIGURE 9-34. VALVE ASSEMBLY - FRAME LEVEL COUNTERBALANCE

ITEM	PART NUMBER	QTY	DESCRIPTION	REV
	1001168599	Ref	Counterbalance Valve	C
1	Kit	1	O-Ring	
2	Kit	1	O-Ring	
3	70028421	1	Kit, Seal (includes items 1 thru 2)	

SECTION 9 - HYDRAULIC COMPONENTS

FIGURE 9-35. VALVE ASSEMBLY - MAIN CONTROL



ART_1001241881

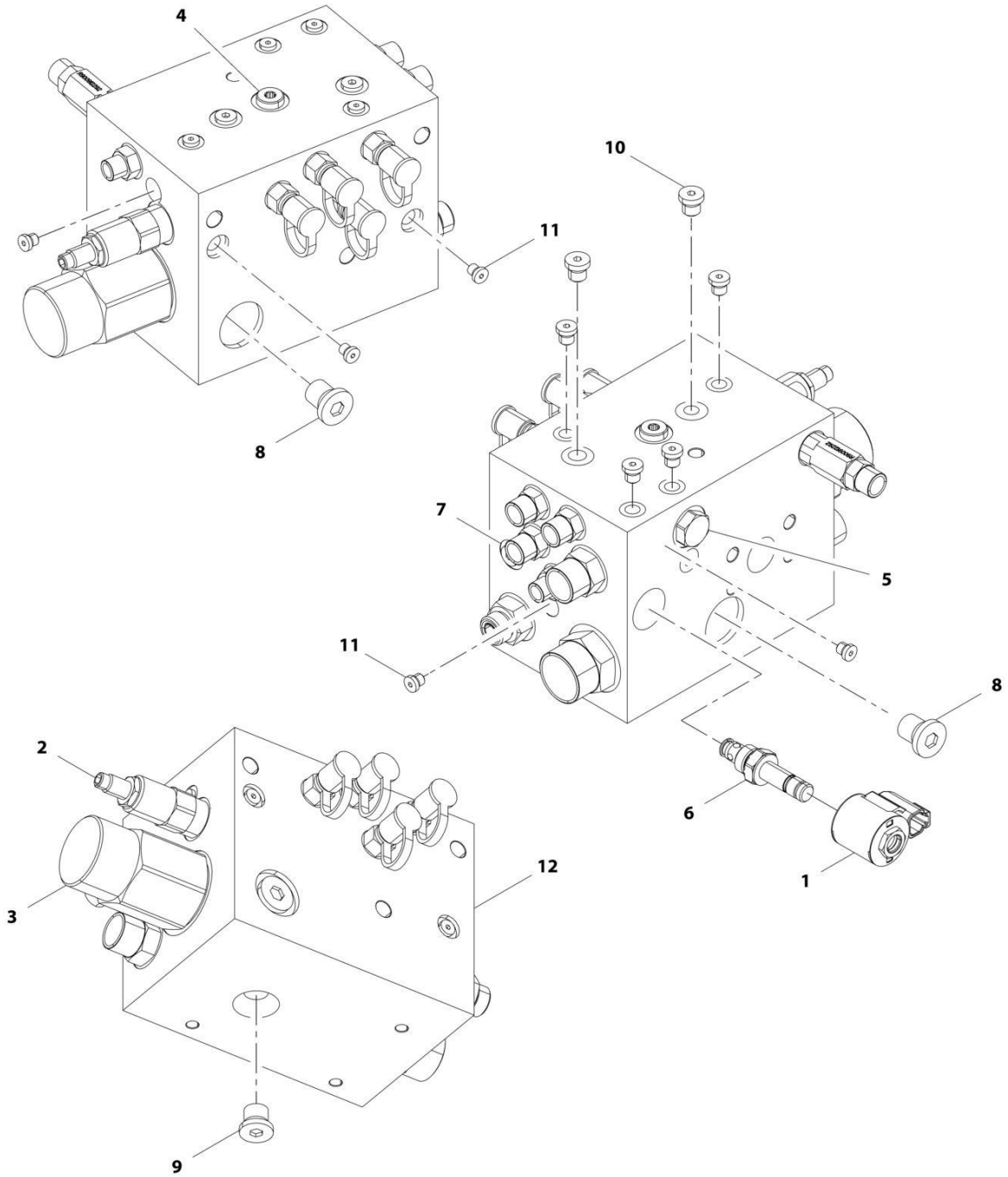
SECTION 9 - HYDRAULIC COMPONENTS

FIGURE 9-35. VALVE ASSEMBLY - MAIN CONTROL

ITEM	PART NUMBER	QTY	DESCRIPTION	REV
	1001241881	Ref	MAIN CONTROL VALVE ASSEMBLY	A
1	70028300	1	Inlet Section Assembly	
2	70029868	1	Lift Section Assembly	
3	70029870	1	Extend/Retract Section Assembly	
4	70029871	1	Tilt Section Assembly	
5	70029872	1	Aux Section Assembly	
6	70022007	1	Outlet Section Assembly	
7	8034697	5	O-Ring	
8	70026369	24	O-Ring	
9	70028299	3	Tie Rod	
10	70022019	6	Nut-Metric	
11	70025854	4	Spring	
12	70028287	4	Poppet, CV	
13	70026784	2	O-Ring	
14	70026781	6	Spring Seat	
15	70026783	6	Spring	
16	70026778	6	Plug Assembly, Special	
17	70026779	6	O-Ring	
18	70029873	1	End Cap	
19	70028295	1	End Cap Assembly, Solenoid	
20	70028298	2	Screw	
21	70026383	8	Screw	
22	70029874	8	Solenoid-Cartridge Valve	
23	70022014	16	Screw	
24	70024847	8	Plug Assembly	
25	70026777	8	O-Ring	
26	70028286	1	Drain Regulator Assembly	
27	70026373	1	O-Ring	
28	70026370	1	O-Ring	
29	70026376	1	Back-Up Ring	
30	70026370	1	O-Ring	
31	70026379	2	Plug	
32	70026372	2	O-Ring	
33	70050473	2	Plug Assembly	
34	10732931	2	O-Ring	
35	70050475	1	Plug	
36	70024201	1	O-Ring	
37	70028288	1	Relief Valve Assembly	
38	70028289	1	Relief Valve Assembly (Note: General Drawing - This part does ot to this valve)	
39	70028296	2	Relief Valve Assembly	
40	70027134	1	Relief Valve Assembly	
41	70028297	1	Relief Valve Assembly (Note: General Drawing - This part does ot to this valve)	
42	70022010	2	Relief Valve Assembly	
43	10837953	1	Shut-Off Plug Assembly	
44	70022008	1	Shut-Off Plug Assembly	

SECTION 9 - HYDRAULIC COMPONENTS

FIGURE 9-36. VALVE ASSEMBLY - PRIORITY VALVE



ART_1001192888-E

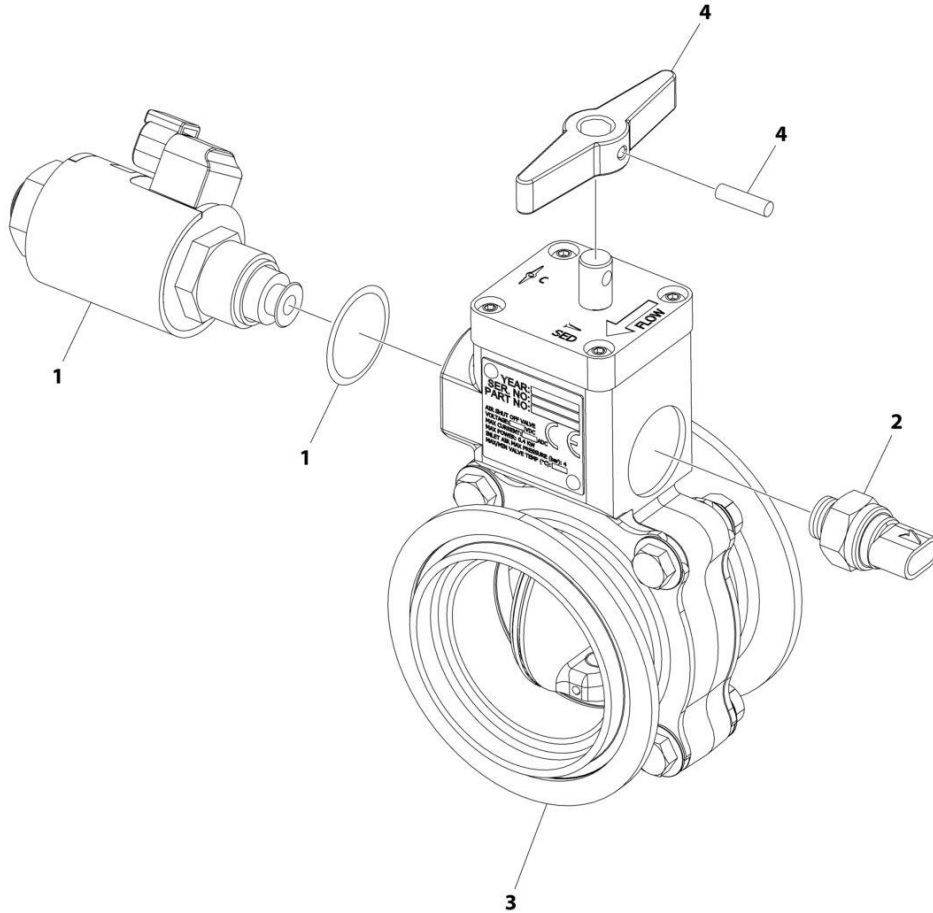
SECTION 9 - HYDRAULIC COMPONENTS

FIGURE 9-36. VALVE ASSEMBLY - PRIORITY VALVE

ITEM	PART NUMBER	QTY	DESCRIPTION	REV
	1001192888	Ref	Priority Valve Assembly	E
1	70028905	1	Cartridge	
2	70028904	1	Cartridge	
3	70028903	1	Cartridge	
4	70026312	1	Cartridge	
5	70028902	1	Cartridge	
6	70002963	1	Coil	
7	70006427	1	Orifice	
8	70026314	2	Plug	
9	2220886	1	Plug	
10	2220883	3	Plug	
11	70026315	9	Plug	
12	N.S.S.	1	Block	

SECTION 9 - HYDRAULIC COMPONENTS

FIGURE 9-37. VALVE ASSEMBLY - RADIATOR HOSE SHUT-OFF VALVE



ART_1001204032_C

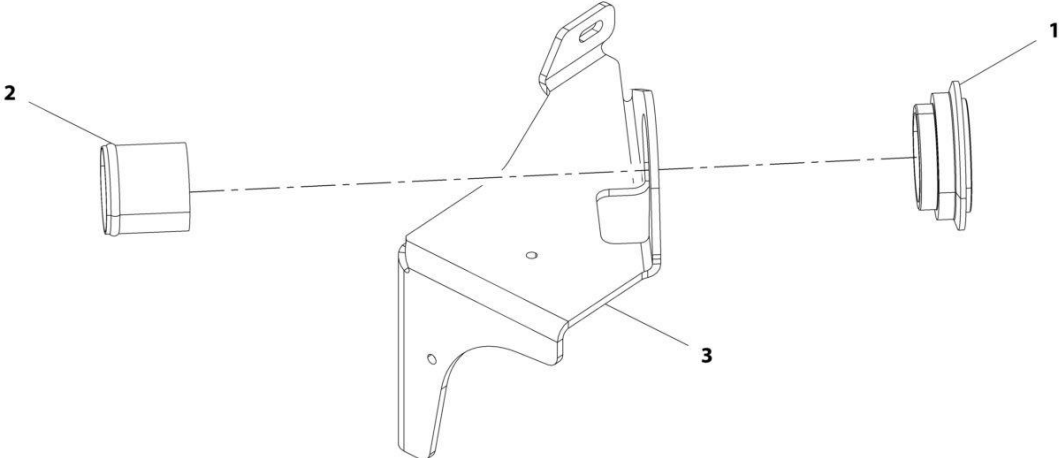
SECTION 9 - HYDRAULIC COMPONENTS

FIGURE 9-37. VALVE ASSEMBLY - RADIATOR HOSE SHUT-OFF VALVE

ITEM	PART NUMBER	QTY	DESCRIPTION	REV
	1001204032	Ref	Air Shut Off Valve	C
1	70028514	1	Kit, Solenoid 12V (Includes Solenoid, Coil, O-Ring)	
2	70028515	1	Kit, Switch (Includes Ball Switch & O-Ring)	
3	70028516	1	Kit, Flange and Hardware (Includes Flanges (Male & Female) & Mounting Hardware)	
4	70028517	1	Kit, Handle (Includes Handle & Pin)	

SECTION 9 - HYDRAULIC COMPONENTS

FIGURE 9-38. VALVE ASSEMBLY - RADIATOR HOSE ASO VALVE



ART_1001223618-A

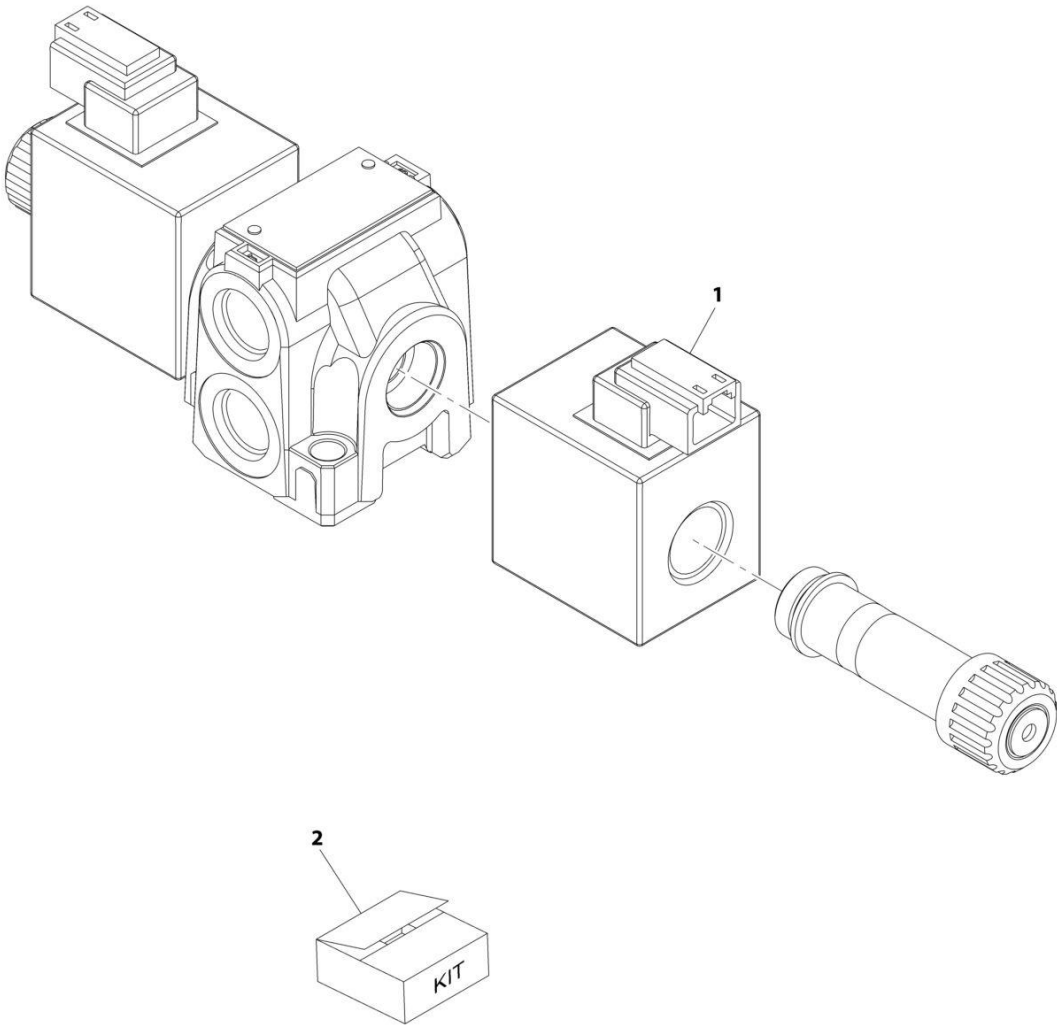
SECTION 9 - HYDRAULIC COMPONENTS

FIGURE 9-38. VALVE ASSEMBLY - RADIATOR HOSE ASO VALVE

ITEM	PART NUMBER	QTY	DESCRIPTION	REV
	1001223618	Ref	ASO Valve	A
1	1001204057	1	Plate	
2	1001206954	1	Tube	
3	1001223622	1	Bracket	

SECTION 9 - HYDRAULIC COMPONENTS

FIGURE 9-39. VALVE ASSEMBLY - SPEED CONTROL



ART_4641520-B

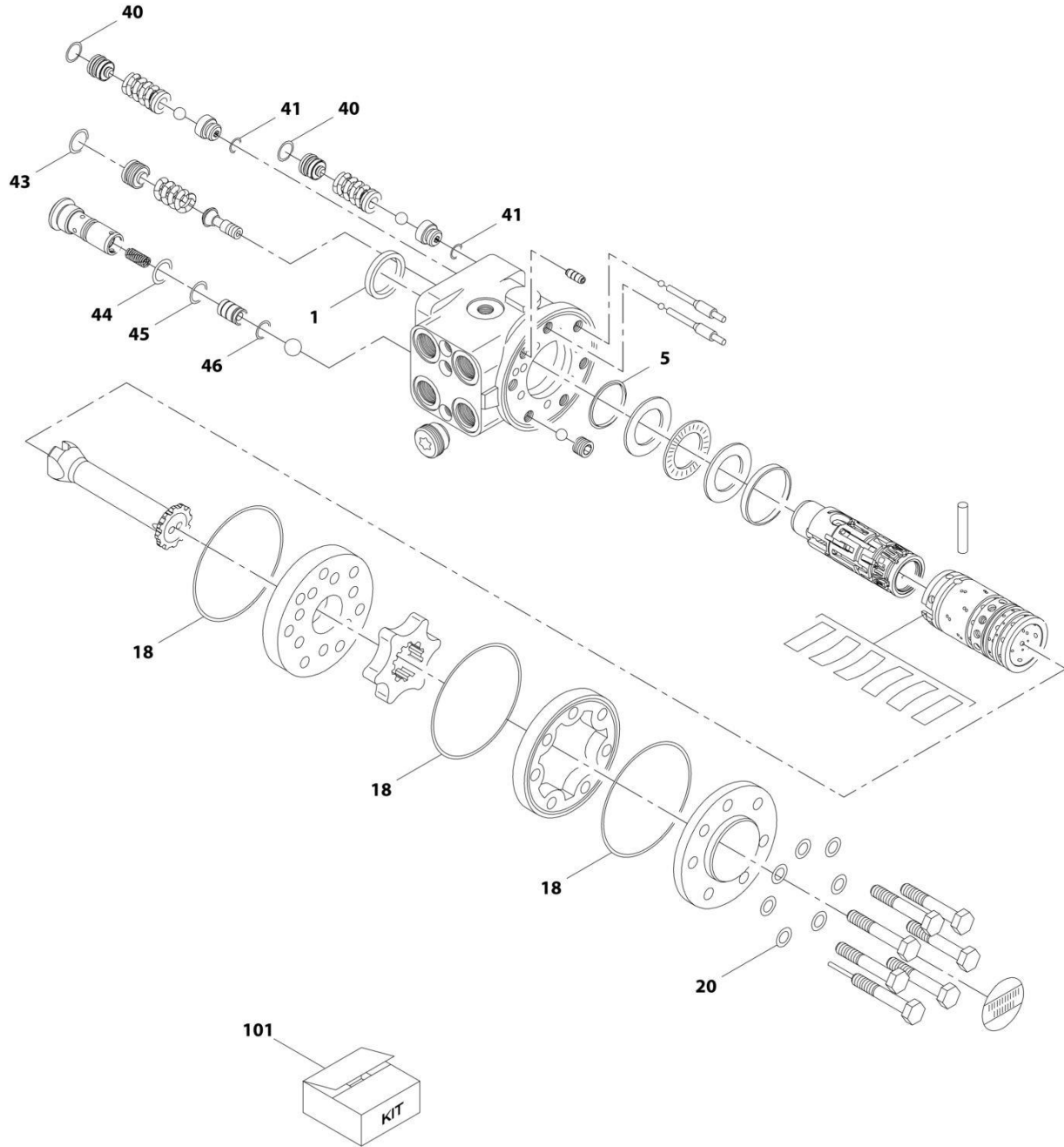
SECTION 9 - HYDRAULIC COMPONENTS

FIGURE 9-39. VALVE ASSEMBLY - SPEED CONTROL

ITEM	PART NUMBER	QTY	DESCRIPTION	REV
	4641520	Ref	Speed Control Valve	B
1	70026582	1	SOLENOID	
2	70020867	1	Kit, Coil Nut	
	N.S.S.	1	Seal	
	N.S.S.	1	Seal	
	N.S.S.	1	Nut, Coil	

SECTION 9 - HYDRAULIC COMPONENTS

FIGURE 9-40. VALVE ASSEMBLY - STEER



ART_1001178670-B

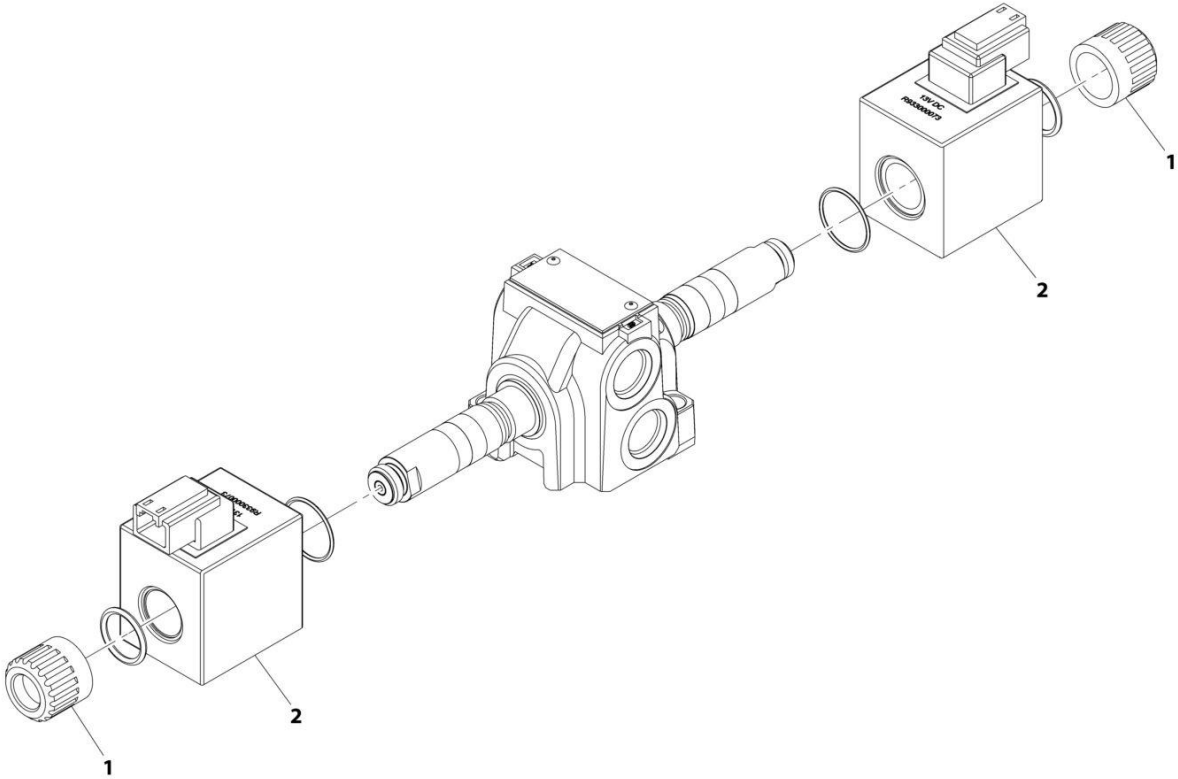
SECTION 9 - HYDRAULIC COMPONENTS

FIGURE 9-40. VALVE ASSEMBLY - STEER

ITEM	PART NUMBER	QTY	DESCRIPTION	REV
	1001178670	Ref	Steer Unit Valve	B
1	Kit	2	Ring, Dust Seal	
5	Kit	2	Seal, Shaft	
18	Kit	2	O-Ring	
20	Kit	2	Washer	
40	Kit	2	O-Ring	
41	Kit	2	O-Ring	
43	Kit	2	O-Ring	
44	Kit	2	O-Ring	
45	Kit	2	O-Ring	
46	Kit	2	O-Ring	
101	70028285	1	Kit, Seal (includes items 1, 5, 18, 20, 40, 41 and 43 thru 46)	

SECTION 9 - HYDRAULIC COMPONENTS

FIGURE 9-41. VALVE ASSEMBLY - STEERING SELECT VALVE



ART_1001153748-C

SECTION 9 - HYDRAULIC COMPONENTS

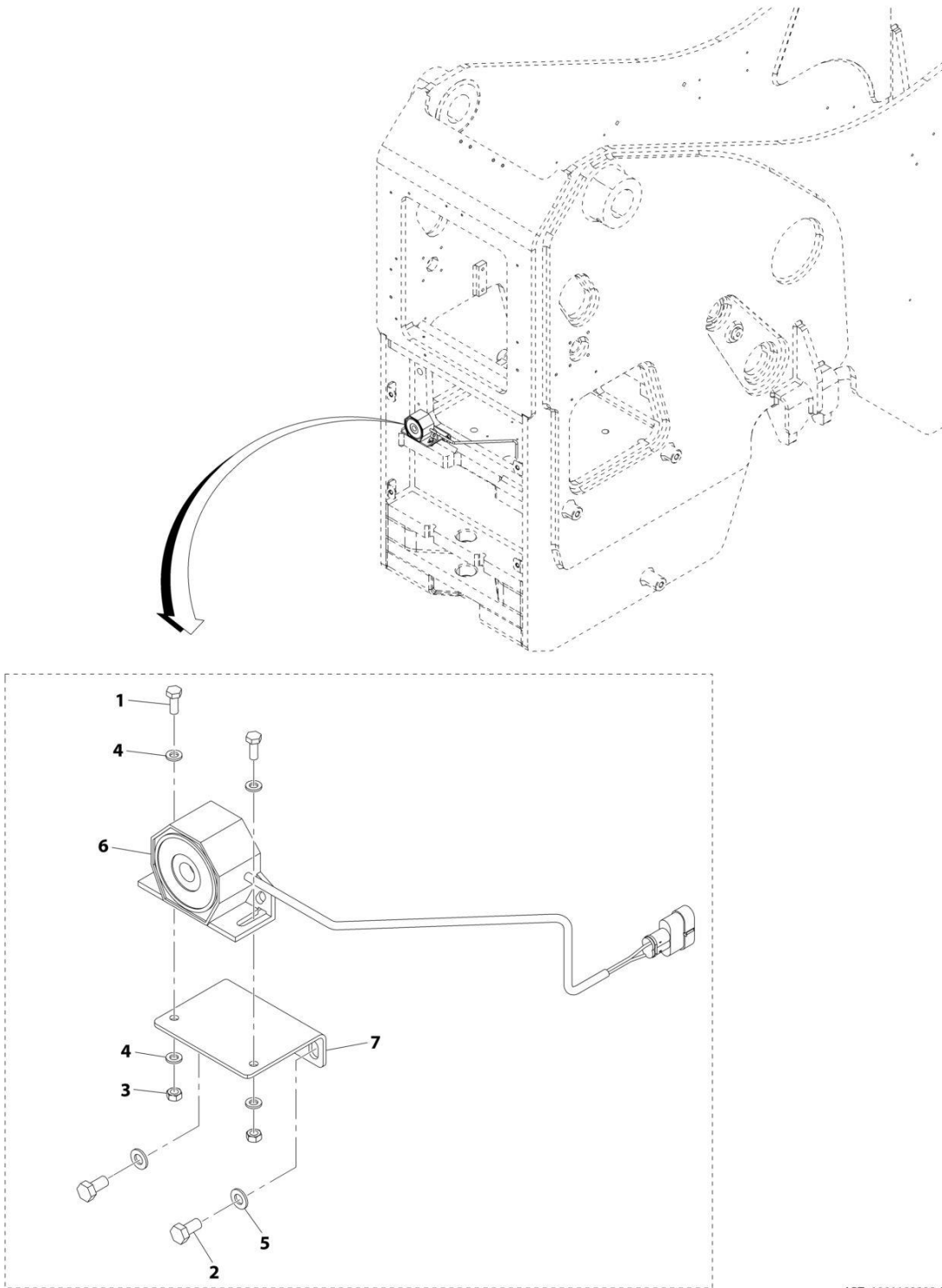
FIGURE 9-41. VALVE ASSEMBLY - STEERING SELECT VALVE

ITEM	PART NUMBER	QTY	DESCRIPTION	REV
	1001153748	Ref	Steering Select Valve	C
1	70020867	2	Nut, Coil	
2	70026582	2	Coil	

SECTION 10 - ELECTRICAL

SECTION 10 - ELECTRICAL

FIGURE 10-1. ALARM INSTALLATION - BACK UP



ART_1001192323-D

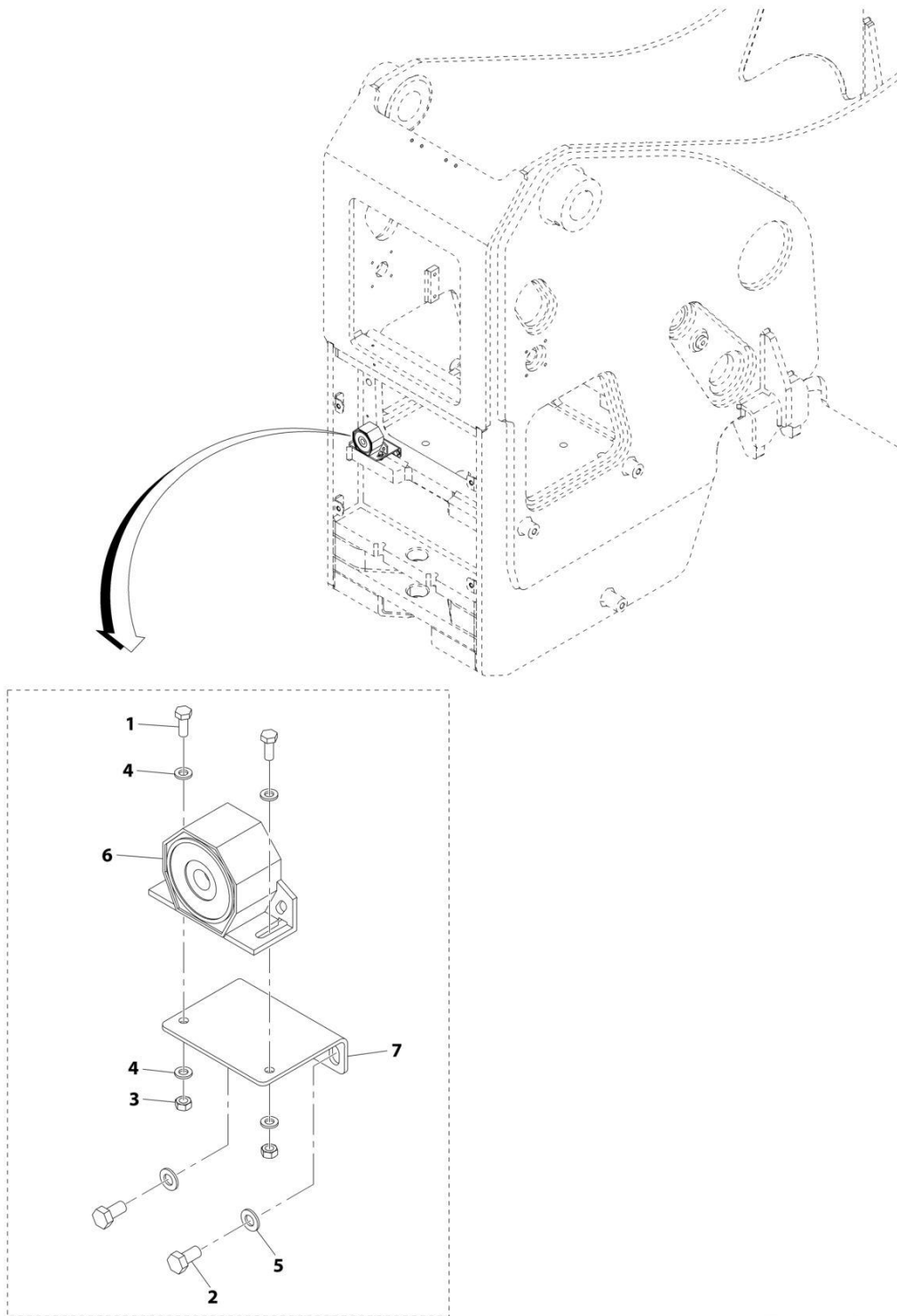
SECTION 10 - ELECTRICAL

FIGURE 10-1. ALARM INSTALLATION - BACK UP

ITEM	PART NUMBER	QTY	DESCRIPTION	REV
	1001192323	Ref	Backup Alarm Installation	D
1	0760608	2	Bolt, M6X16	
2	0760808	2	Bolt, M8X16	
3	3290601	2	Nut, M6X1	
4	4811700	4	Washer, M6	
5	4811900	2	Washer, M8	
6	1001101808	1	Alarm, Backup	
7	1001193698	1	Bracket	

SECTION 10 - ELECTRICAL

FIGURE 10-2. ALARM INSTALLATION (BACK UP - WHITE NOISE)



ART_1001195263-B

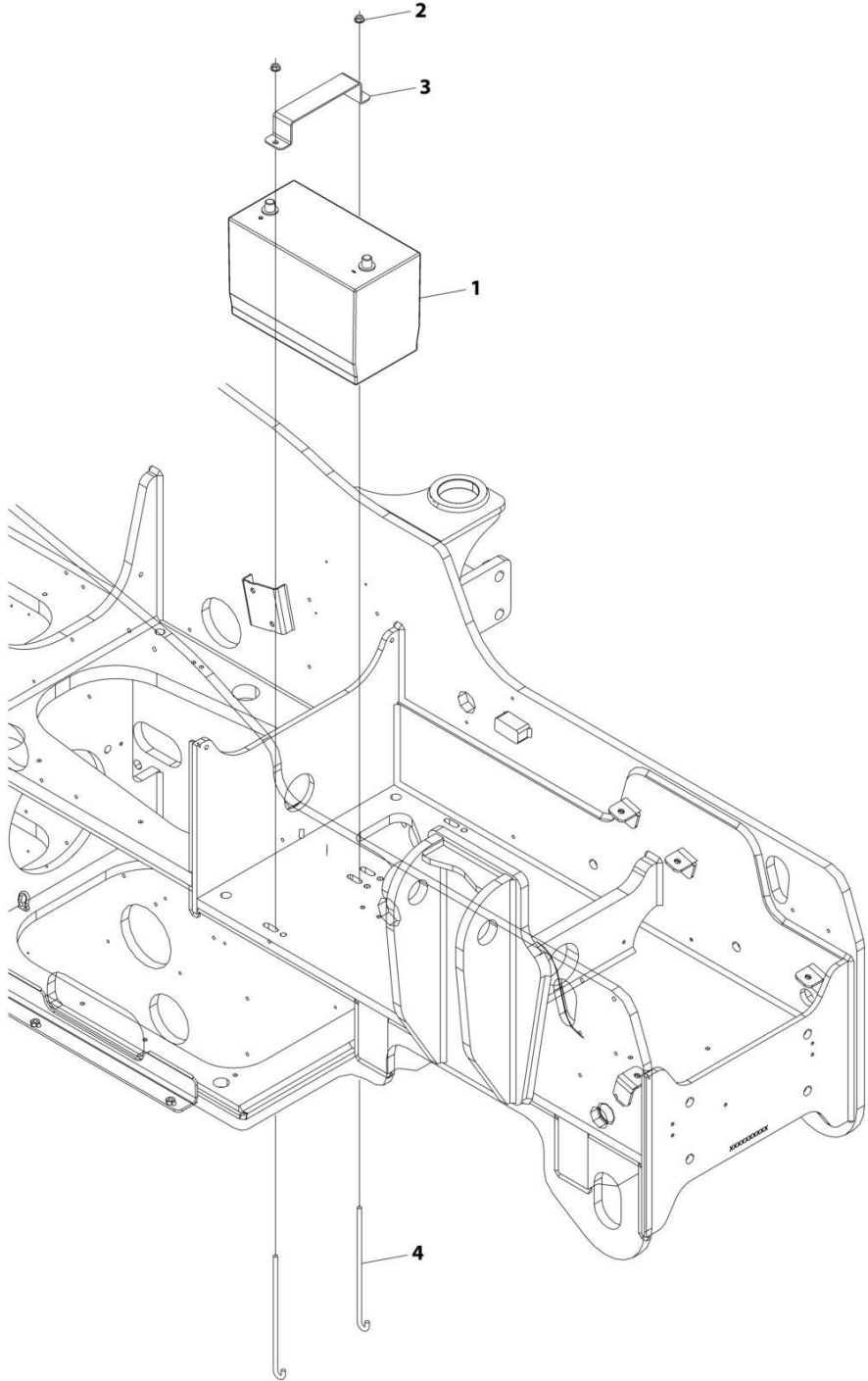
SECTION 10 - ELECTRICAL

FIGURE 10-2. ALARM INSTALLATION (BACK UP - WHITE NOISE)

ITEM	PART NUMBER	QTY	DESCRIPTION	REV
	1001195263	Ref	Backup Alarm Installation (White Noise)	B
1	0760608	2	Bolt, M6X16	
2	0760808	2	Bolt, M8X16	
3	3290601	2	Nut, M6X1	
4	4811700	4	Washer, M6	
5	4811900	2	Washer, M8	
6	1001165827	1	Alarm, Backup (White Noise)	
7	1001193698	1	Bracket	

SECTION 10 - ELECTRICAL

FIGURE 10-3. BATTERY INSTALLATION



ART_1001186855

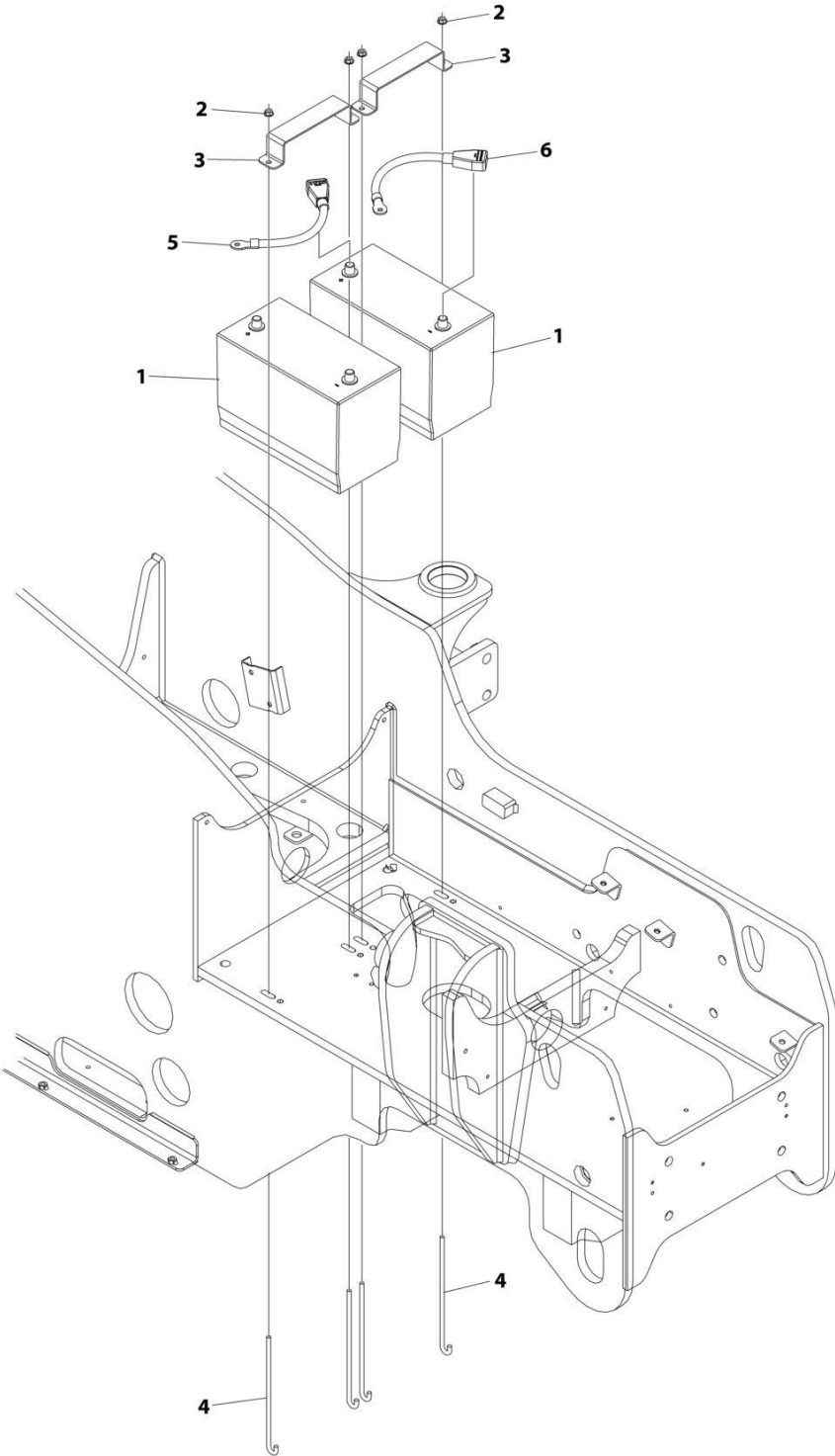
SECTION 10 - ELECTRICAL

FIGURE 10-3. BATTERY INSTALLATION

ITEM	PART NUMBER	QTY	DESCRIPTION	REV
	1001186855	Ref	Battery Installation	B
1	0400075	1	Battery, 12V	
2	5220800	2	Nut, Ripp M8	
3	1001160927	1	Plate	
4	1001160928	2	J-Bolt (270mm Length)	
4	1001181961	2	J-Bolt (220mm Length)	

SECTION 10 - ELECTRICAL

FIGURE 10-4. BATTERY (DUAL) INSTALLATION



ART_1001211445_D

SECTION 10 - ELECTRICAL

FIGURE 10-4. BATTERY (DUAL) INSTALLATION

ITEM	PART NUMBER	QTY	DESCRIPTION	REV
	1001211445	Ref	Dual Battery Installation	D
1	0400075	2	Battery, 12V	
2	5220800	4	Nut Ripp M8	
3	1001160927	2	Plate	
4	1001160928	4	J-Bolt (270mm Length)	
4	1001181961	4	J-Bolt (220mm Length)	
5	1001203557	1	Cable, Positive Battery	
6	1001203558	1	Cable, Negative Battery	

SECTION 10 - ELECTRICAL

FIGURE 10-5. BATTERY (ARCTIC) PACKAGE INSTALLATION (115V)



ART_1001186856-D

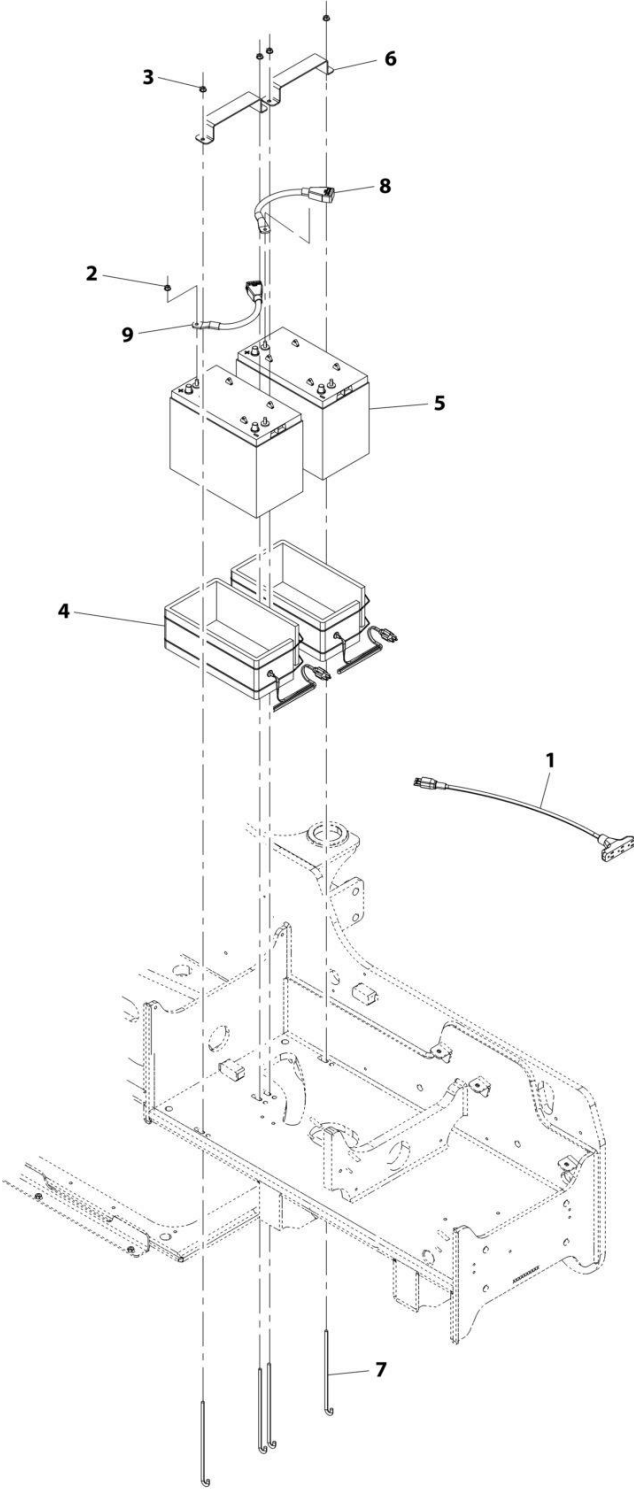
SECTION 10 - ELECTRICAL

FIGURE 10-5. BATTERY (ARCTIC) PACKAGE INSTALLATION (115V)

ITEM	PART NUMBER	QTY	DESCRIPTION	REV
	1001186856	Ref	Arctic Battery Package Installation (115V)	D
1	1001195582	1	Installation, Arctic Battery Package (115V) (See Separate Breakdown in this Section)	
2	1001195593	1	Installation, Hydraulic Tank Heater (115V) (See Separate Breakdown in this Section)	
3	2580040	1	Heater, Engine Oil Pan	
4	1062255	2	Tie, Strap	
5	1001232509	1	Tube, Heated Breather	

SECTION 10 - ELECTRICAL

FIGURE 10-6. BATTERIES (ARCTIC) INSTALLATION (115V)



ART_1001195582-B

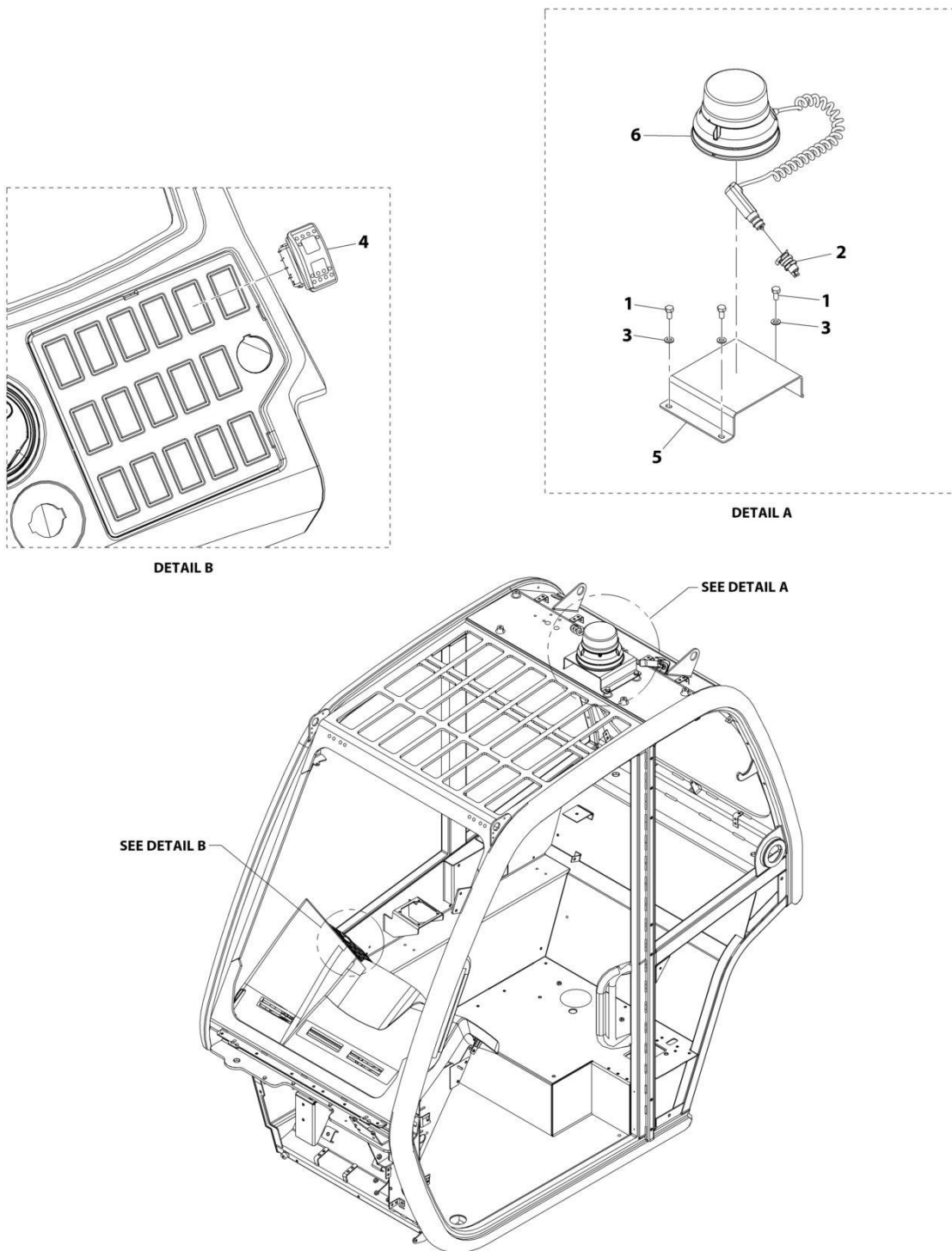
SECTION 10 - ELECTRICAL

FIGURE 10-6. BATTERIES (ARCTIC) INSTALLATION (115V)

ITEM	PART NUMBER	QTY	DESCRIPTION	REV
	1001195582	Ref	Arctic Batteries Installation (115V)	B
1	1060626	1	Cord, 3-Way Extension	
2	3311508	2	Nut 5/16	
3	5220800	4	Nut M8	
4	1001093564	2	Heater, Battery	
5	1001098762	2	Battery 12V	
6	1001160927	2	Plate, Battery Hold Down	
7	1001160928	4	J-Bolt	
8	1001172495	1	Cable, Positive Battery	
9	1001172496	1	Cable, Negative Battery	

SECTION 10 - ELECTRICAL

FIGURE 10-7. BEACON INSTALLATION (LED)



ART_1001195883-A

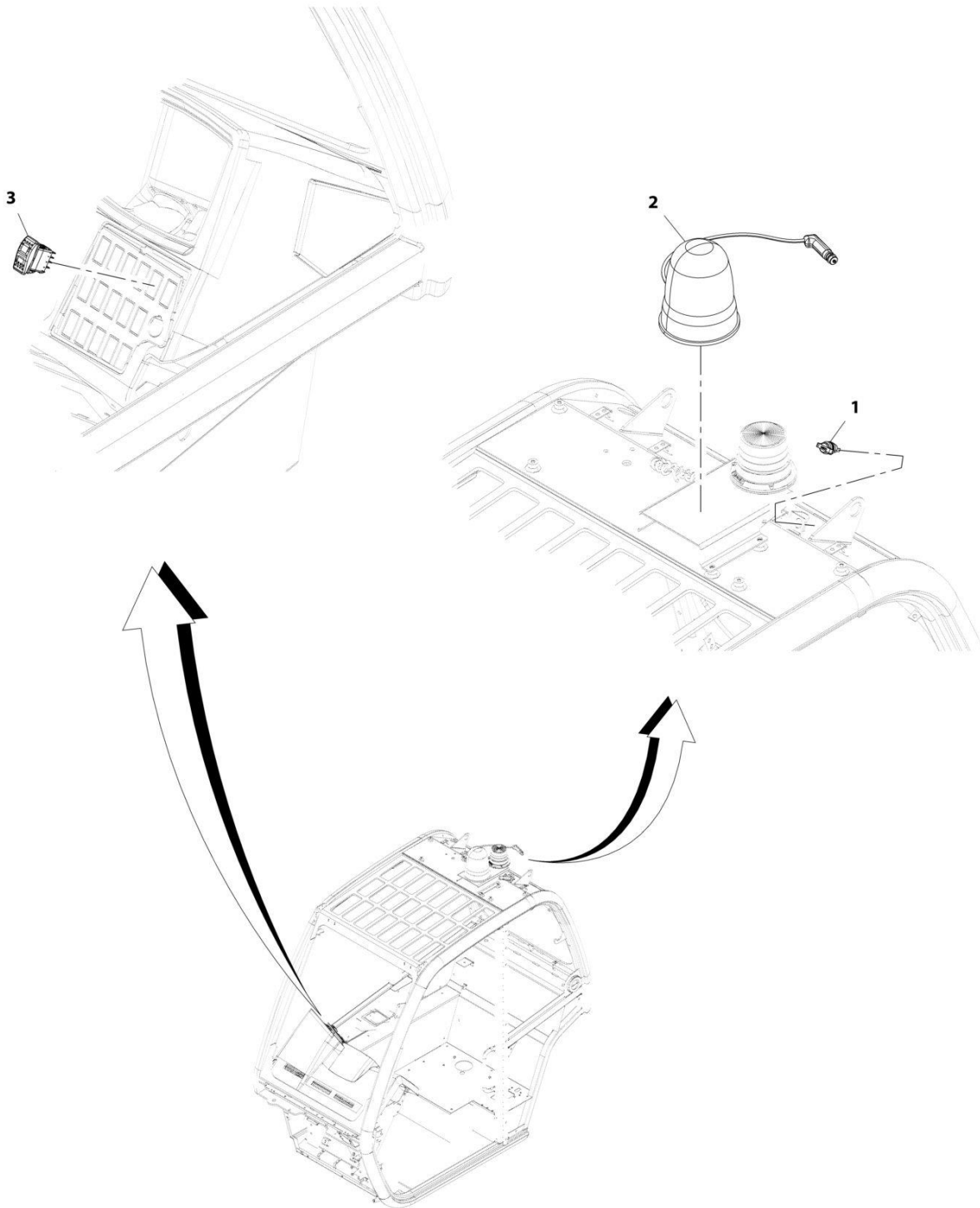
SECTION 10 - ELECTRICAL

FIGURE 10-7. BEACON INSTALLATION (LED)

ITEM	PART NUMBER	QTY	DESCRIPTION	REV
	1001195883	Ref	BEACON INSTALLATION (LED)	B
1	0760808	3	Bolt M8 x 16	
2	4461174	1	Terminal	
3	4811900	3	Washer M8	
4	1001159738	1	Switch, Beacon	
5	1001174796	1	Bracket	
	1001273075	1	Light, Beacon (LED)	

SECTION 10 - ELECTRICAL

FIGURE 10-8. BEACON (REMOTE BOOM CONTROL) INSTALLATION



ART_1001209357-B

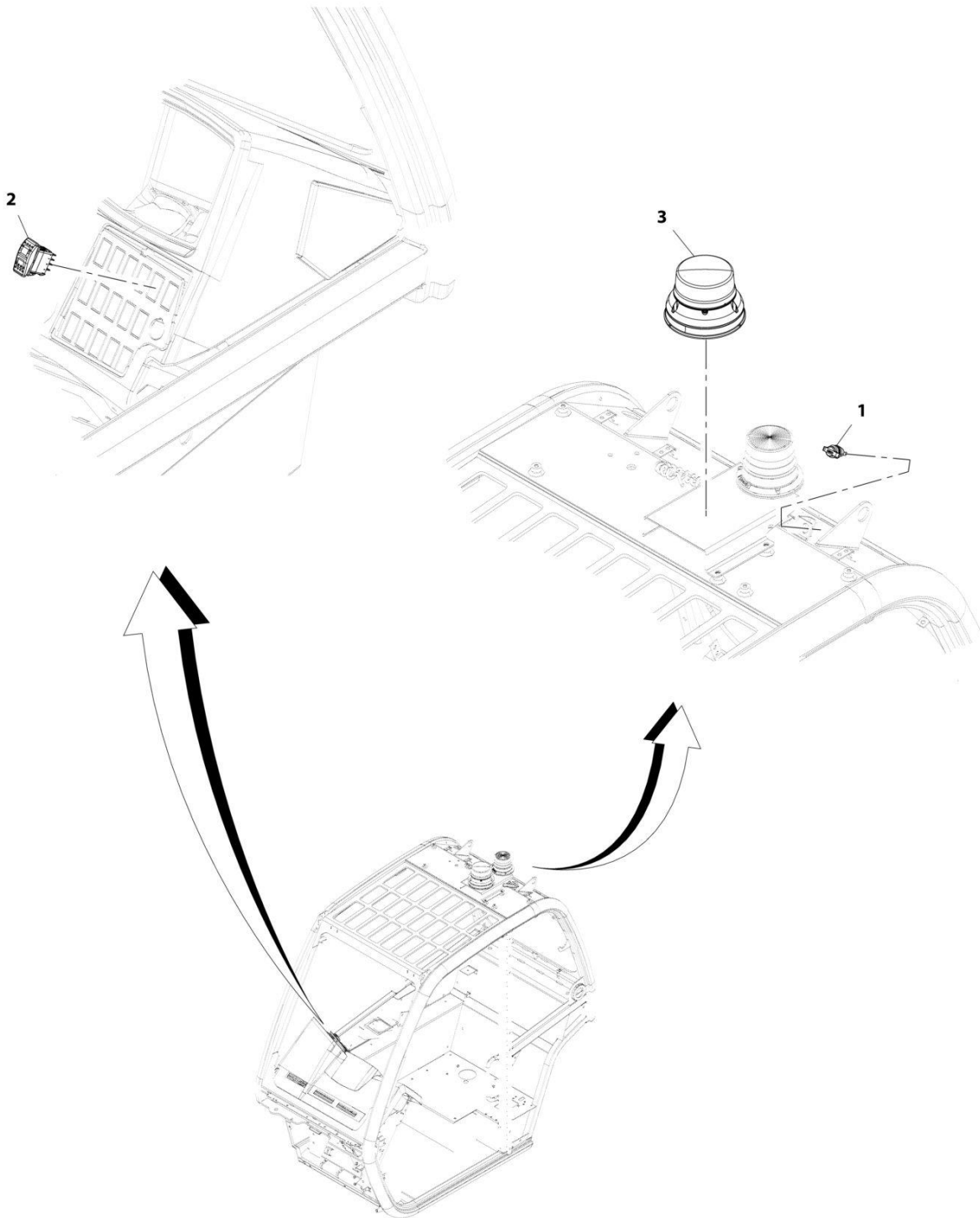
SECTION 10 - ELECTRICAL

FIGURE 10-8. BEACON (REMOTE BOOM CONTROL) INSTALLATION

ITEM	PART NUMBER	QTY	DESCRIPTION	REV
	1001209357	Ref	Beacon (Remote Boom Control) Installation	B
1	4461174	1	Terminal, 12 Volt	
2	1001217623	1	Light, Warning	
3	1001159738	1	Switch, Beacon	

SECTION 10 - ELECTRICAL

FIGURE 10-9. BEACON (LED) (REMOTE BOOM CONTROL) INSTALLATION



ART_1001209358-A

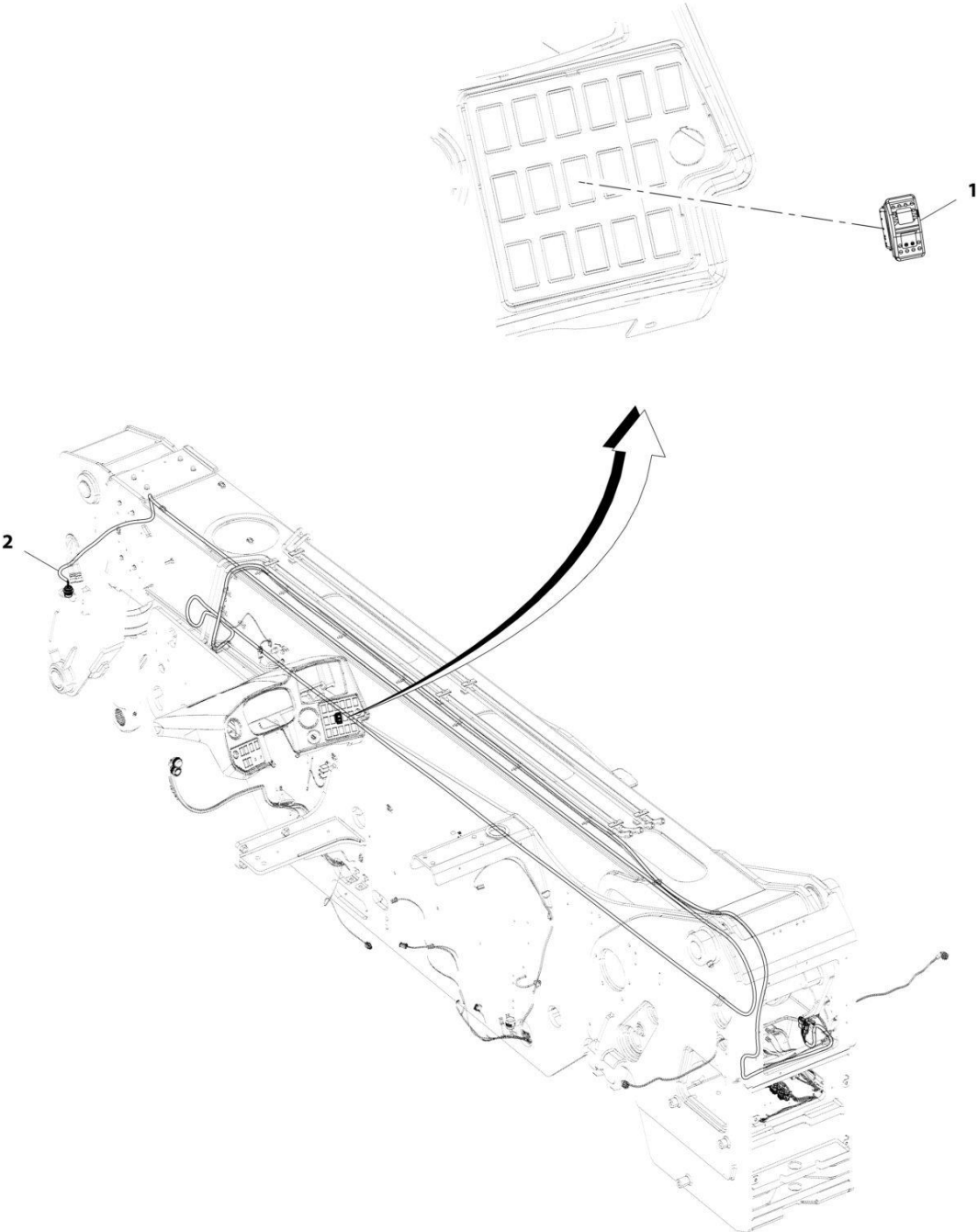
SECTION 10 - ELECTRICAL

FIGURE 10-9. BEACON (LED) (REMOTE BOOM CONTROL) INSTALLATION

ITEM	PART NUMBER	QTY	DESCRIPTION	REV
	1001209358	Ref	BEACON (LED) (REMOTE BOOM CONTROL) INSTALLATION	A
1	4461174	1	Terminal, 12 Volt	
2	1001159738	1	Switch, Beacon	
3	1001198893	1	Light, Warning	

SECTION 10 - ELECTRICAL

FIGURE 10-10. BOOM HARNESS INSTALLATION



ART_1001192575-B

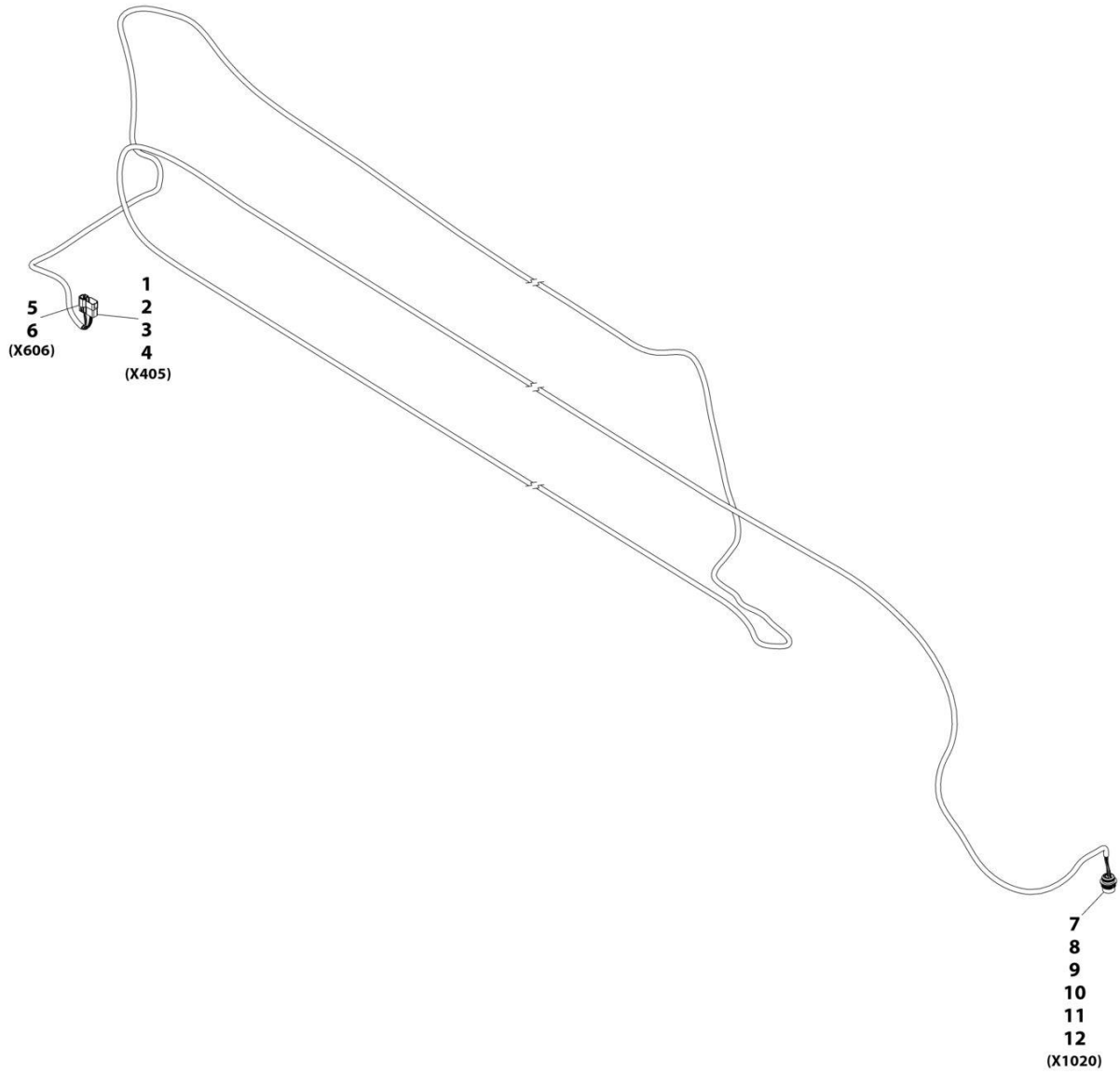
SECTION 10 - ELECTRICAL

FIGURE 10-10. BOOM HARNESS INSTALLATION

ITEM	PART NUMBER	QTY	DESCRIPTION	REV
	1001192575	Ref	Boom Harness Installation	B
1	1001159746	1	Switch, Aux Electric	
2	1001201124	1	Harness, Boom (See Separate Breakdown in this Section)	

SECTION 10 - ELECTRICAL

FIGURE 10-11. BOOM HARNESS



ART_1001201124-B

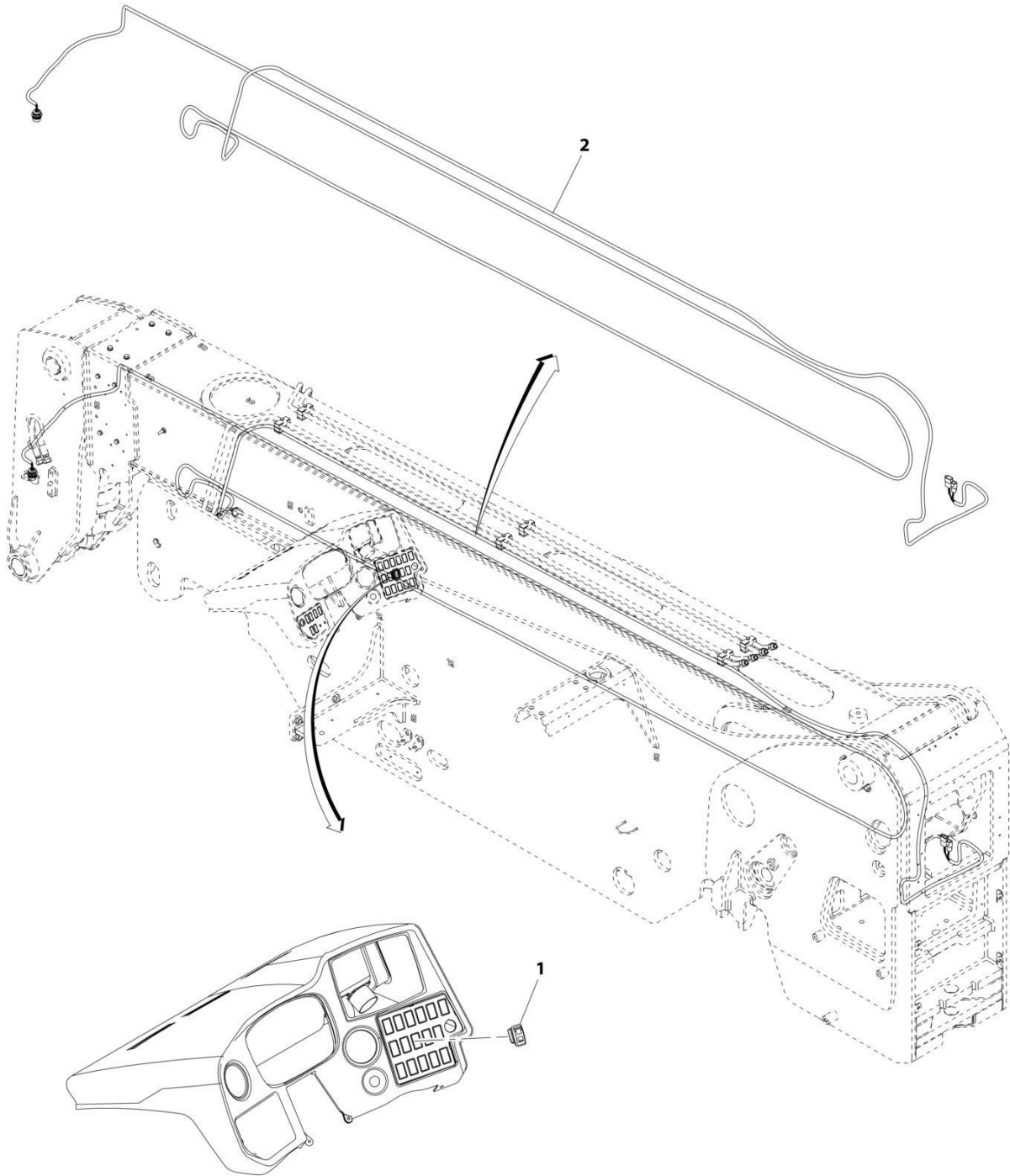
SECTION 10 - ELECTRICAL

FIGURE 10-11. BOOM HARNESS

ITEM	PART NUMBER	QTY	DESCRIPTION	REV
	1001201124	Ref	Boom Harness	B
1	4460931	1	Connector	
2	4460943	2	Terminal	
3	4460464	4	Terminal	
4	4460466	2	Plug	
5	4461017	1	Connector	
6	4460508	2	Terminal	
7	1001112612	1	Connector	
8	1001183221	1	Boot	
9	1001157891	2	Terminal	
10	4460464	4	Terminal	
11	4460943	2	Terminal	
12	4460466	1	Plug	

SECTION 10 - ELECTRICAL

FIGURE 10-12. BOOM HARNESS INSTALLATION



ART_1001228743-A

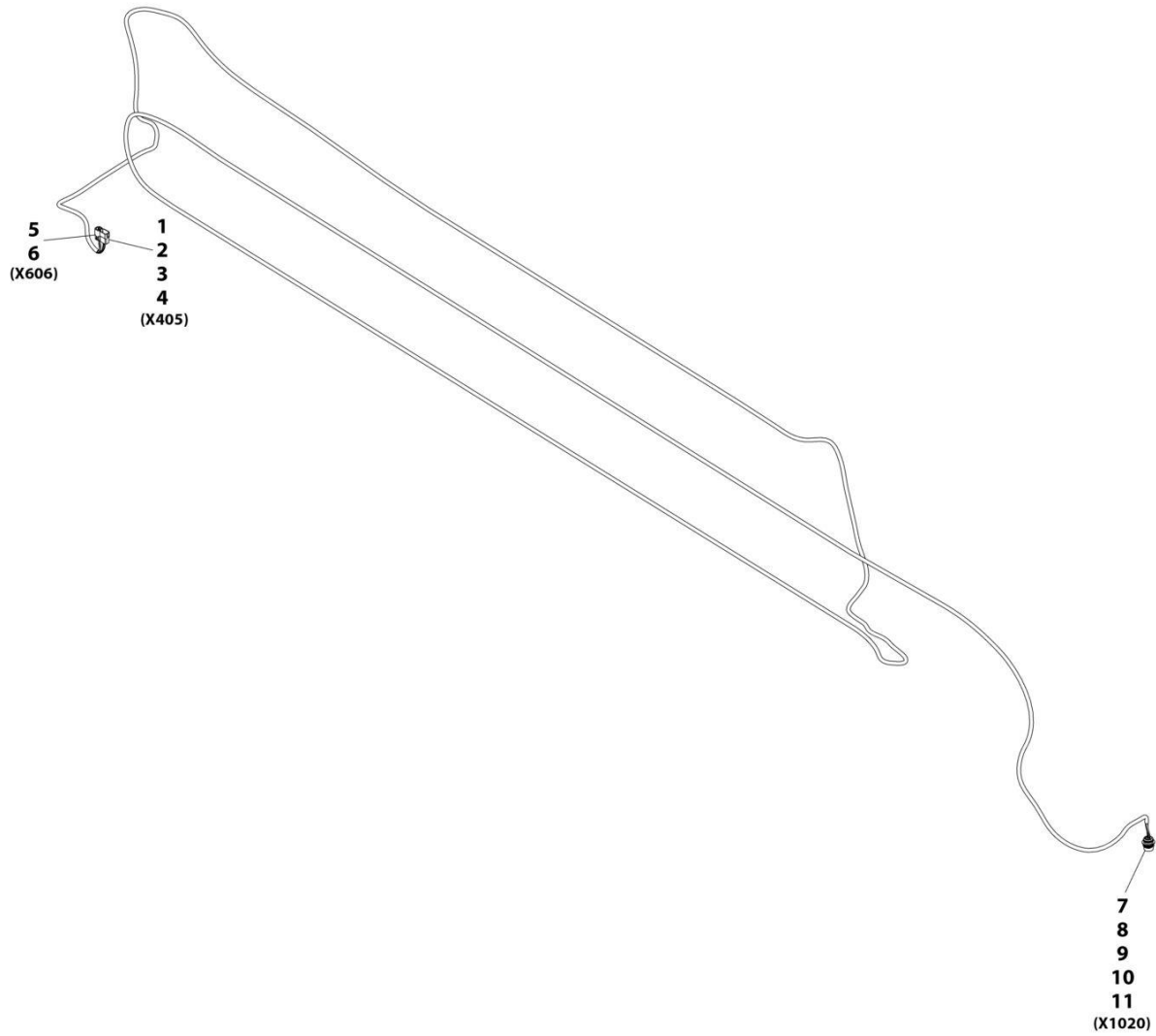
SECTION 10 - ELECTRICAL

FIGURE 10-12. BOOM HARNESS INSTALLATION

ITEM	PART NUMBER	QTY	DESCRIPTION	REV
	1001228743	Ref	Boom Harness Installation	A
1	1001159746	1	Switch, Aux Electric	
2	1001228744	1	Harness, Boom (See Separate Breakdown in this Section)	

SECTION 10 - ELECTRICAL

FIGURE 10-13. BOOM HARNESS



ART_1001228744-A

SECTION 10 - ELECTRICAL

FIGURE 10-13. BOOM HARNESS

ITEM	PART NUMBER	QTY	DESCRIPTION	REV
	1001228744	Ref	Boom Harness	A
1	4460931	1	Connector	
2	4460943	2	Terminal	
3	4460464	4	Terminal	
4	4460466	2	Plug	
5	4461017	1	Connector	
6	4460508	2	Terminal	
7	1001112612	1	Connector	
8	1001157891	2	Terminal	
9	4460464	4	Terminal	
10	4460943	2	Terminal	
11	4460466	1	Plug	

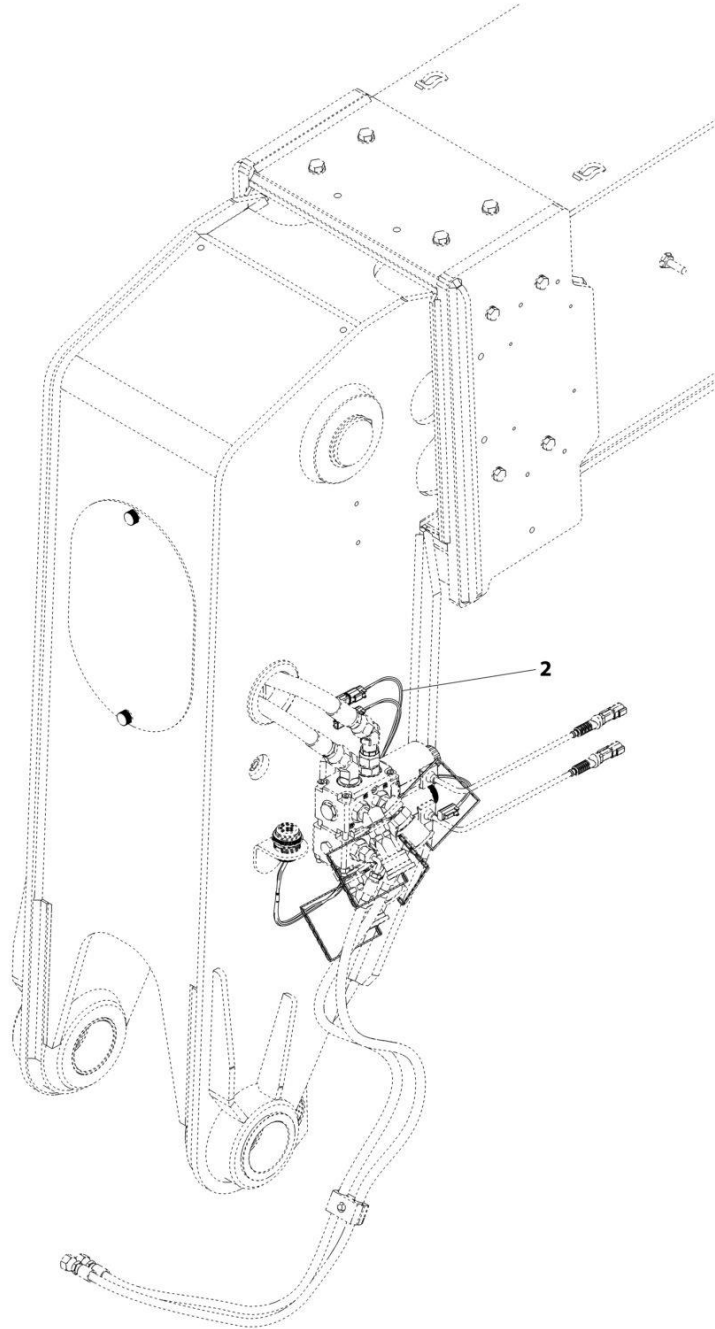
SECTION 10 - ELECTRICAL

FIGURE 10-14. BOOM ANGLE SENSOR INSTALLATION (NO LMIS)

ITEM	PART NUMBER	QTY	DESCRIPTION	REV
	1001192430	Ref	BOOM ANGLE SENSOR INSTALLATION (NO LMIS)	E
1	0761008	2	Bolt M10X16	
2	3290405	2	Nut, Lock M4	
3	3290601	2	Nut M6	
4	1001278028	1	Sensor, Angle	
5	4010610	1	Screw M6X20	
6	4811400	2	Washer M4	
7	4812000	2	Washer M10	
8	1001103156	1	Pin	
9	1001103300	1	Fitting, Ball Joint	
10	1001126837	2	Screw M4X16	
11	1001134274	1	Clevis	
12	1001213775	1	Bracket	
13	1001195731	1	Link	
14	1001195732	1	Rod	
15	3290605	1	Nut, Lock M6	
16	4811700	1	Washer M6	

SECTION 10 - ELECTRICAL

FIGURE 10-15. BOOM AUX HARNESS INSTALLATION



ART_1001192370-C

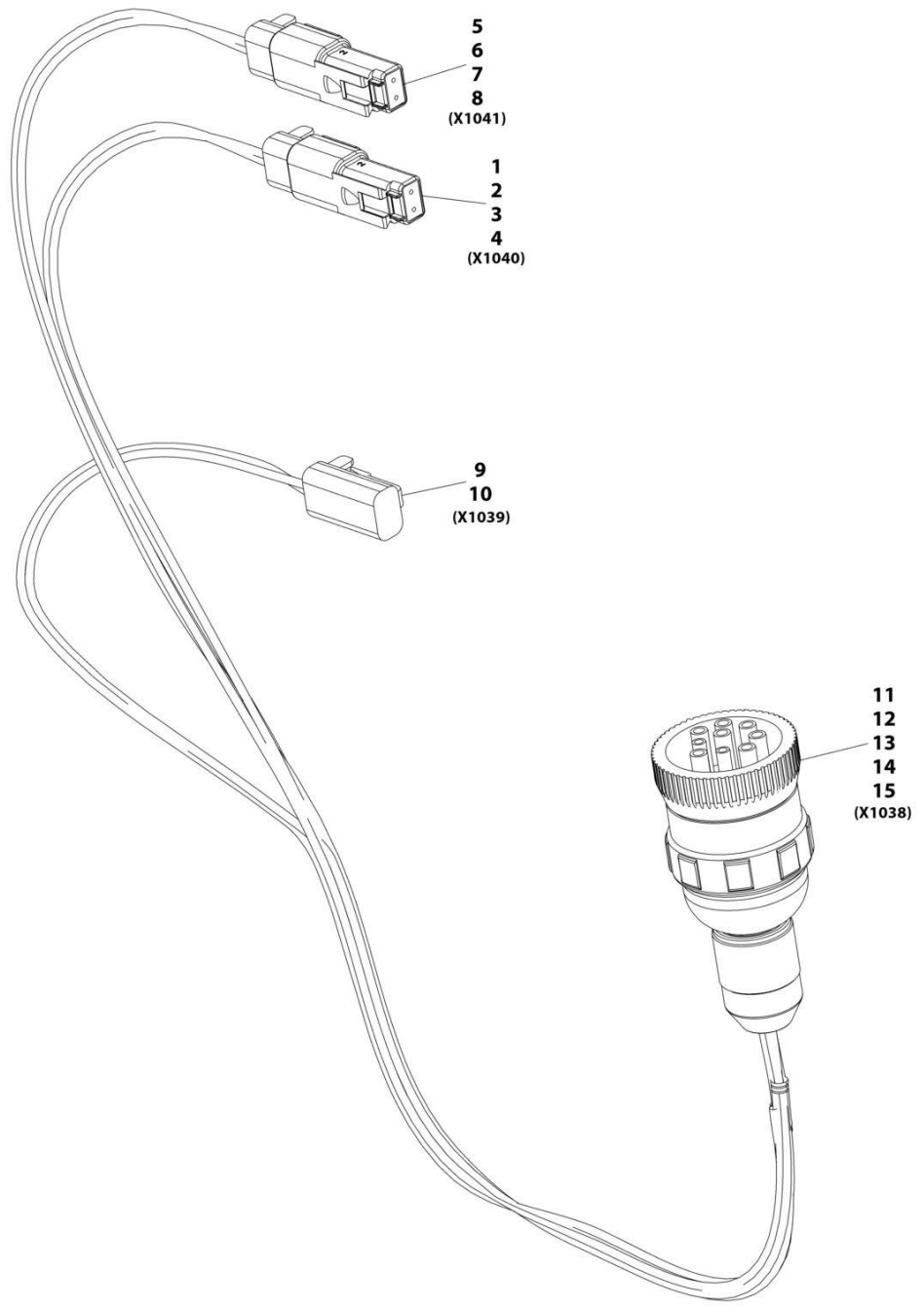
SECTION 10 - ELECTRICAL

FIGURE 10-15. BOOM AUX HARNESS INSTALLATION

ITEM	PART NUMBER	QTY	DESCRIPTION	REV
2	1001192370 1001206633	Ref 1	Boom Aux Harness Installation Harness, Boom AUX (See Separate Breakdown in this Section)	C

SECTION 10 - ELECTRICAL

FIGURE 10-16. BOOM AUX HARNESS



ART_1001206633-C

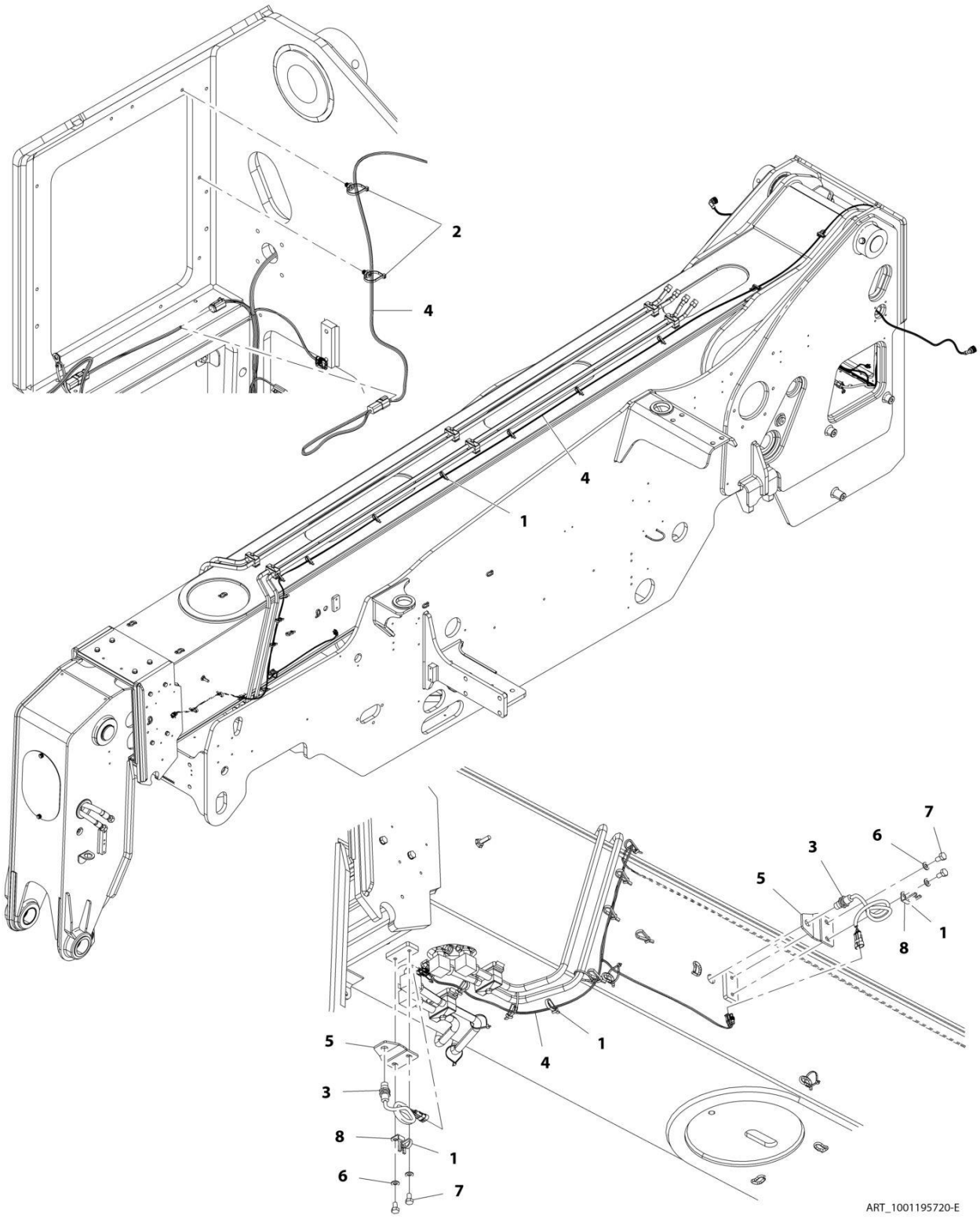
SECTION 10 - ELECTRICAL

FIGURE 10-16. BOOM AUX HARNESS

ITEM	PART NUMBER	QTY	DESCRIPTION	REV
	1001206633	Ref	Boom Aux Harness	C
1	4460891	1	Connector	
2	4460897	1	Mating Connector	
3	4460466	1	Plug	
4	4460465	2	Terminal	
5	4460891	1	Connector	
6	4460897	1	Mating Connector	
7	4460466	1	Terminal	
8	4460465	2	Terminal	
9	4460891	1	Connector	
10	4460465	2	Terminal	
11	1001112796	1	Connector	
12	4460465	4	Terminal	
13	4460466	5	Plug	
14	1001241590	1	Backshell	
15	1001241591	1	Nut	

SECTION 10 - ELECTRICAL

FIGURE 10-17. BOOM RETRACT SENSOR INSTALLATION



ART_1001195720-E

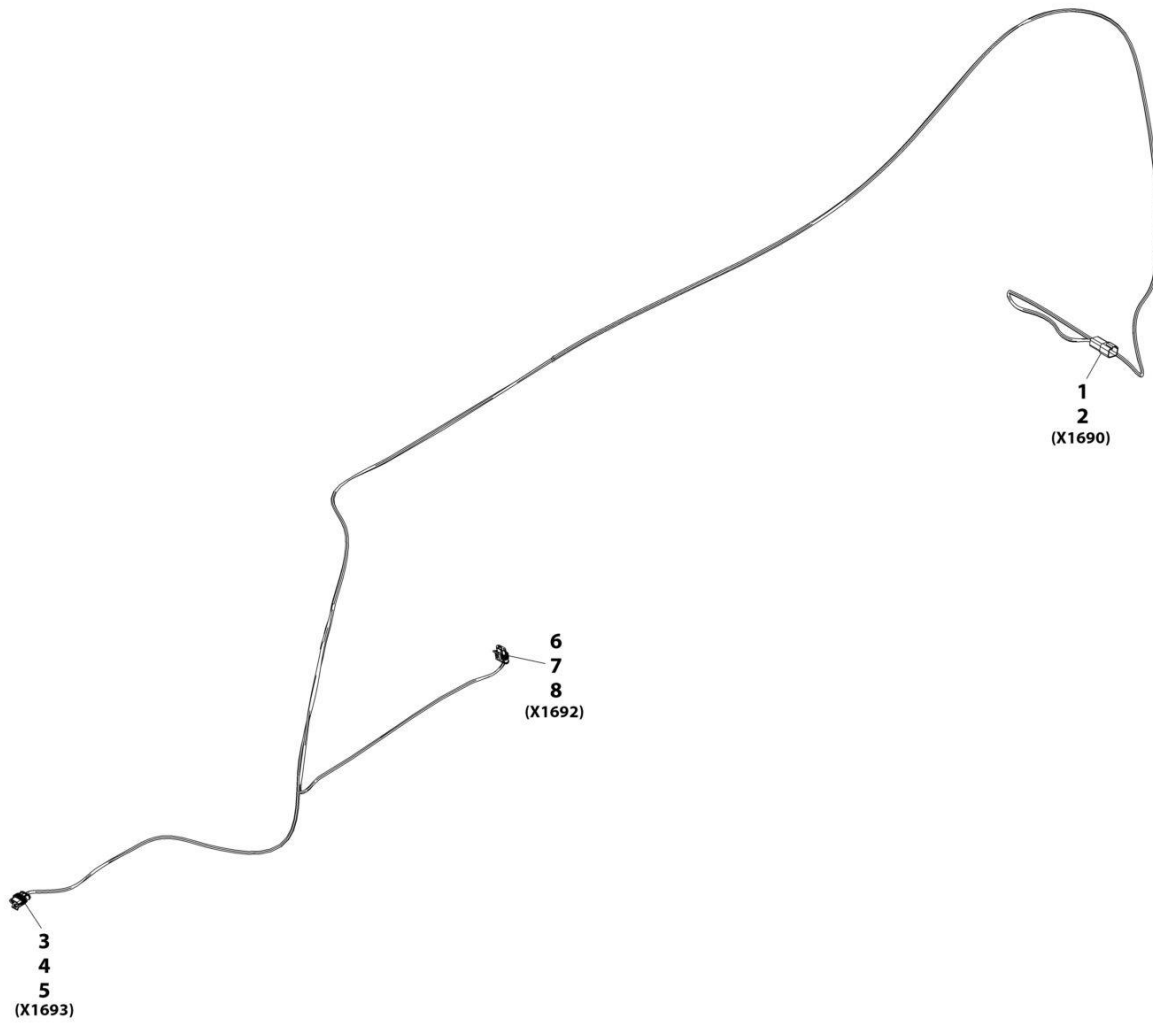
SECTION 10 - ELECTRICAL

FIGURE 10-17. BOOM RETRACT SENSOR INSTALLATION

ITEM	PART NUMBER	QTY	DESCRIPTION	REV
	1001195720	Ref	Boom Retract Sensor Installation	E
1	1001008923	19	Strap, Cable	
2	1001146588	2	Strap, Fir Tree Cable Tie	
3	1001183024	2	Sensor	
4	1001195953	1	Harness, Proximity Sensor	
5	1001210567	2	Bracket	
6	4812000	4	Washer, M10	
7	0761009	4	Bolt	
8	1001003305	2	Clip	

SECTION 10 - ELECTRICAL

FIGURE 10-18. BOOM RETRACT PROXIMITY SENSOR HARNESS



ART_1001195953-G

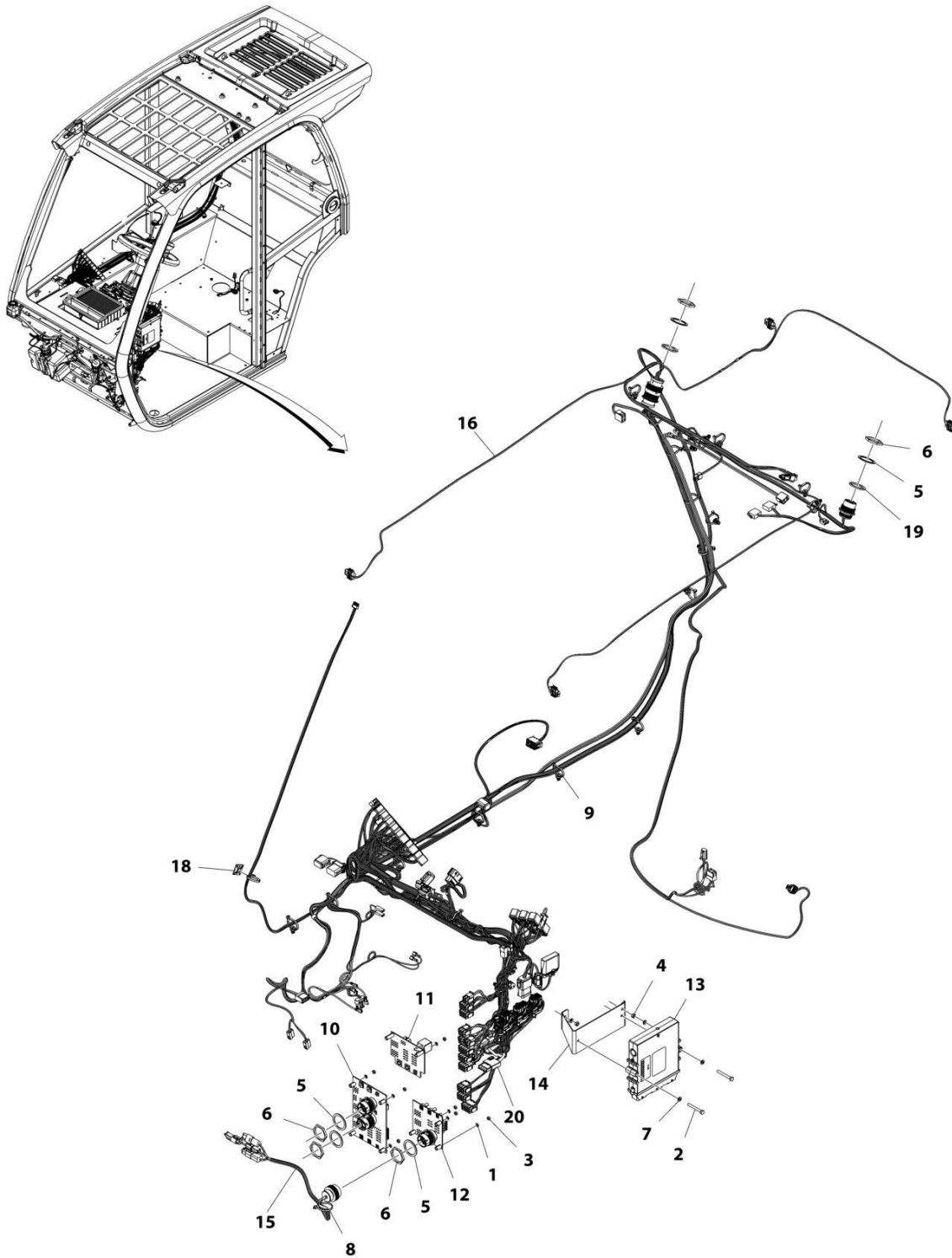
SECTION 10 - ELECTRICAL

FIGURE 10-18. BOOM RETRACT PROXIMITY SENSOR HARNESS

ITEM	PART NUMBER	QTY	DESCRIPTION	REV
	1001195953	Ref	Proximity Sensor Harness	G
1	4460932	1	Connector	
2	4460464	4	Terminal	
3	4461262	1	Connector	
4	1001107854	3	Terminal	
5	1001104498	3	Terminal Seal	
6	4461262	1	Connector	
7	1001107854	3	Terminal	
8	1001104498	3	Terminal Seal	

SECTION 10 - ELECTRICAL

FIGURE 10-19. CAB ELECTRICAL INSTALLATION (Prior to SN 0160110782)



ART_1001192558_K

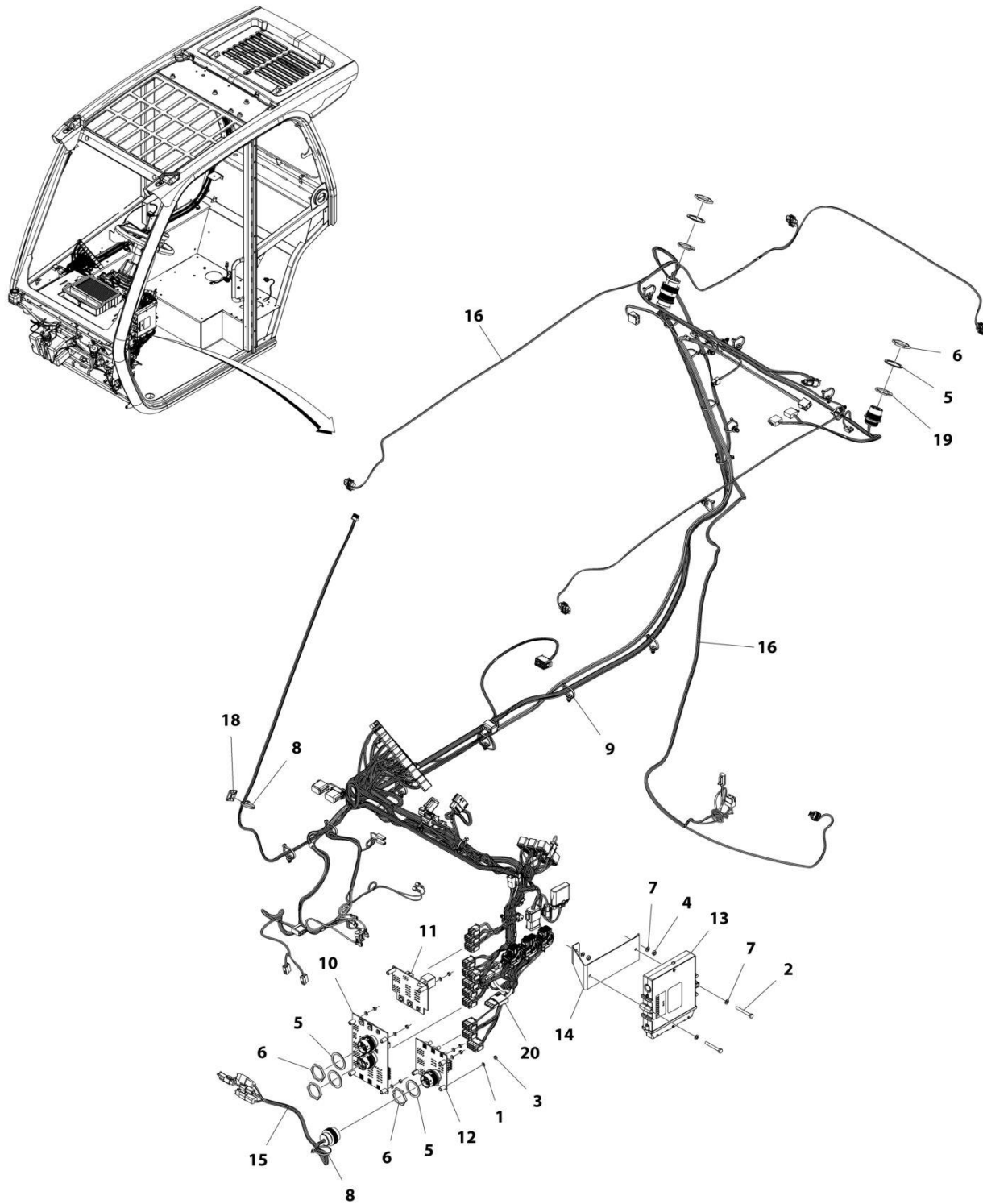
SECTION 10 - ELECTRICAL

FIGURE 10-19. CAB ELECTRICAL INSTALLATION (Prior to SN 0160110782)

ITEM	PART NUMBER	QTY	DESCRIPTION	REV
	1001192558	Ref	Cab Electrical Installation	K
1	120034	7	Washer, Plastic	
2	0700618	2	Bolt M6 x 50	
3	3290501	7	Nut M5 x 0.8	
4	3290601	2	Nut M6 x 1	
5	4460496	5	Washer, Terminal Lock	
6	4460497	5	Nut, Terminal	
7	4811700	4	Washer M6	
8	1001008559	2	Strap, Cable Tie	
9	1001146588	24	Strap, Cable Tie	
10	1001161769	1	Assembly, Standard Electrical Board (See Separate Breakdown in this Section)	
11	1001161770	1	Assembly, Option 1 Electrical Board (See Separate Breakdown in this Section)	
12	1001161771	1	Assembly, Option 2 Electrical Board (See Separate Breakdown in this Section)	
13	1001162249	1	Module, Cab Control	
14	1001178933	1	Bracket	
15	1001258712	1	Harness, Cab Option LBP (See Separate Breakdown in this Section)	
16	1001258713	1	Harness, Cab (See Separate Breakdown in this Section)	
18	4460234	1	Terminal, Mount Cable Tie	
19	1001211693	2	Seal	
20	1001213988	1	Cable, Communication Analyzer	

SECTION 10 - ELECTRICAL

FIGURE 10-20. CAB ELECTRICAL INSTALLATION (SN 0160110782 to Present)



ART_1001192558_L

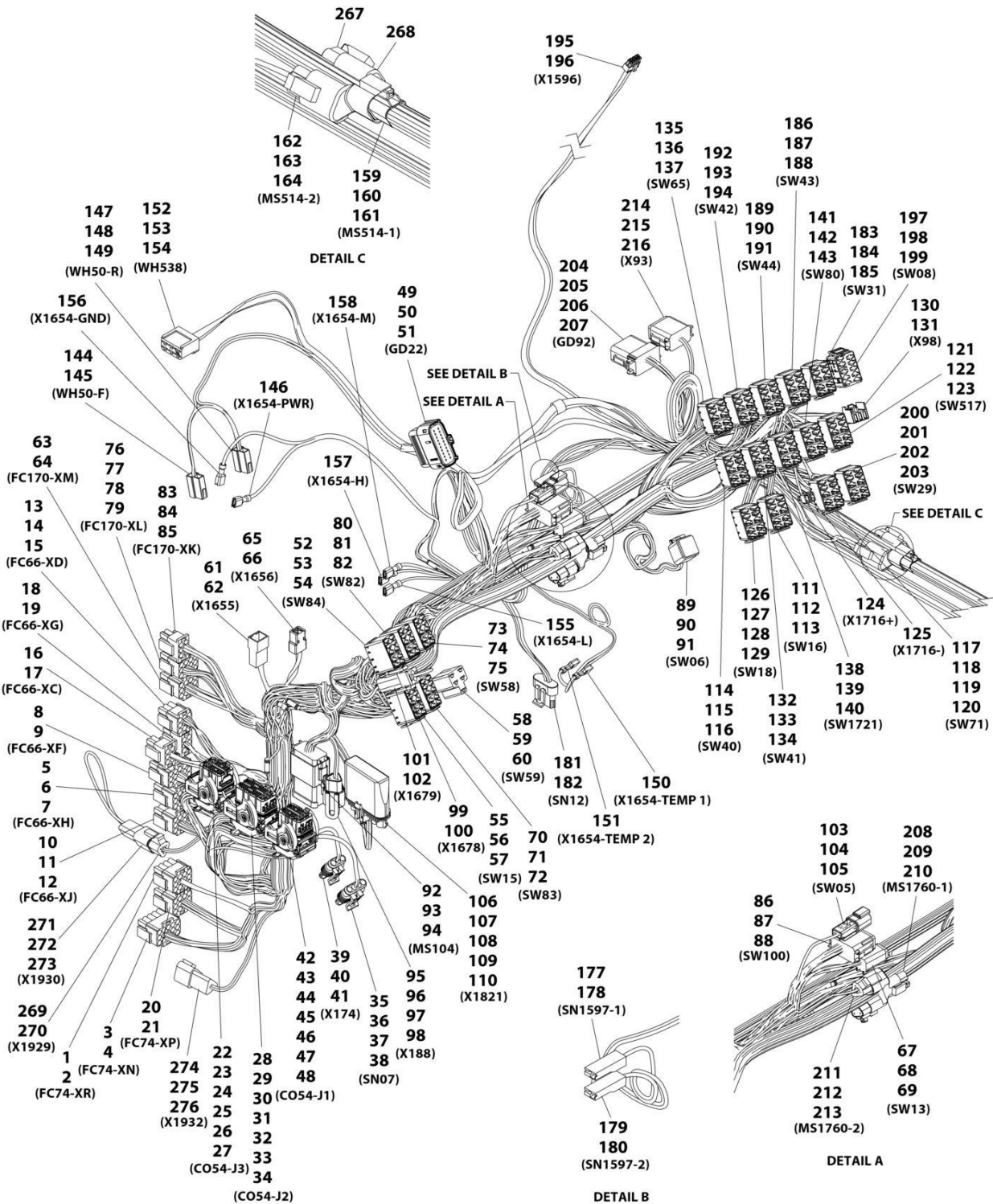
SECTION 10 - ELECTRICAL

FIGURE 10-20. CAB ELECTRICAL INSTALLATION (SN 0160110782 to Present)

ITEM	PART NUMBER	QTY	DESCRIPTION	REV
	1001192558	Ref	CAB ELECTRICAL INSTALLATION	L
1	120034	7	Washer, Plastic	
2	0700618	2	Bolt M6 x 50	
3	3290501	7	Nut M5	
4	3290601	2	Nut M6	
5	4460496	5	Washer, Terminal Lock	
6	4460497	5	Nut, Terminal	
7	4811700	4	Washer M6	
8	1001008559	2	Strap, Cable Tie	
9	1001146588	24	Strap, Cable Tie	
10	1001161769	1	Assembly, Standard Electrical Board (See Separate Breakdown in this Section)	
11	1001161770	1	Assembly, Option 1 Electrical Board (See Separate Breakdown in this Section)	
12	1001161771	1	Assembly, Option 2 Electrical Board (See Separate Breakdown in this Section)	
13	1001270466	1	Module, Cab Control	
14	1001178933	1	Bracket	
15	1001258712	1	Harness, Cab Option LBP (See Separate Breakdown in this Section)	
16	1001258713	1	Harness, Cab (See Separate Breakdown in this Section)	
18	4460234	1	Terminal, Mount Cable Tie	
19	1001211693	2	Seal	
20	1001213988	1	Cable, Communication Analyzer	

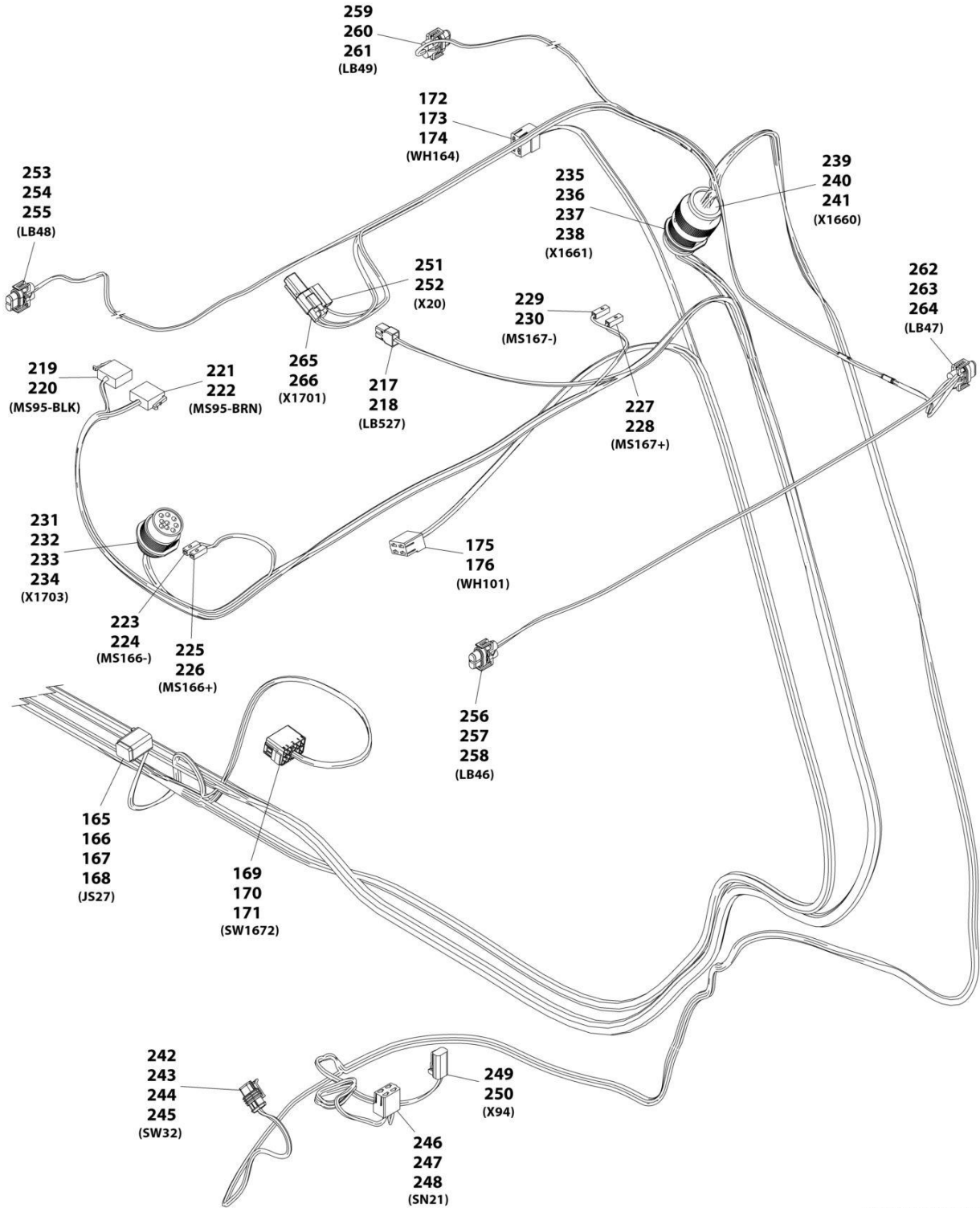
SECTION 10 - ELECTRICAL

FIGURE 10-21. CAB HARNESS



ART_1001258713_10F2

SECTION 10 - ELECTRICAL



ART_1001258713_2OF2

SECTION 10 - ELECTRICAL

FIGURE 10-21. CAB HARNESS

ITEM	PART NUMBER	QTY	DESCRIPTION	REV
	1001258713	Ref	Cab Harness	B
1	4460343	1	Connector	
2	4460267	3	Terminal	
3	4460434	1	Connector	
4	4460268	9	Terminal	
5	4460343	1	Connector	
6	4460268	8	Terminal	
7	10011223457	1	Terminal	
8	4460434	1	Connector	
9	4460268	15	Terminal	
10	4460343	1	Connector	
11	4460267	8	Terminal	
12	1001223456	1	Terminal	
13	4460265	1	Connector	
14	1001223457	3	Terminal	
15	4460268	6	Terminal	
16	4460225	1	Connector	
17	4460267	5	Terminal	
18	4460225	1	Connector	
19	4460268	5	Terminal	
20	4460343	1	Connector	
21	4460268	8	Terminal	
22	1001161959	1	Connector	
23	943191201	1	Cover	
24	1001161100	10	Plug	
25	1001161097	14	Terminal	
26	1001161098	1	Terminal	
27	1001161101	7	Plug	
28	1001160502	1	Connector	
29	643201301	1	Cover	
30	1001161097	19	Terminal	
31	1001161100	19	Plug	
32	1001161098	5	Terminal	
33	1001161099	1	Terminal	
34	1001161101	2	Plug	
35	1001103012	1	Connector	
36	1001116698	2	Plug	
37	1001116697	2	Terminal	
38	1001104498	2	Terminal Seal	
39	4461262	1	Connector	
40	1001107854	3	Terminal	
41	1001104498	3	Terminal Seal	
42	1001160498	1	Connector	
43	643191201	1	Cover	
44	1001161097	19	Terminal	
45	1001161100	5	Plug	
46	1001161098	5	Terminal	
47	1001161101	2	Plug	
48	1001161099	1	Terminal	
49	1001162886	1	Connector	

SECTION 10 - ELECTRICAL

ITEM	PART NUMBER	QTY	DESCRIPTION	REV
50	1001163340	13	Plug	
51	1001162887	7	Terminal	
52	1001117081	1	Connector	
53	1001116723	6	Terminal	
54	1001222455	1	Terminal	
55	1001117081	1	Connector	
56	1001116723	6	Terminal	
57	1001223455	1	Terminal	
58	1001173411	1	Connector	
59	1001116716	3	Terminal	
60	1001104519	3	Terminal	
61	1001116999	1	Connector	
62	1001116700	4	Terminal	
63	4460343	1	Connector	
64	4460267	7	Terminal	
65	1001116991	1	Connector	
66	1001116723	2	Terminal	
67	4460933	1	Connector	
68	4460466	5	Plug	
69	4460465	7	Terminal	
70	1001117081	1	Connector	
71	1001116723	6	Terminal	
72	1001223455	1	Terminal	
73	1001117081	1	Connector	
74	1001116723	4	Terminal	
75	1001118384	2	Terminal	
76	4460343	1	Connector	
77	4460268	8	Terminal	
78	4460906	1	Terminal	
79	1001223457	1	Terminal	
80	1001117081	1	Connector	
81	1001116723	6	Terminal	
82	1001223455	1	Terminal	
83	4460225	1	Connector	
84	4460267	5	Terminal	
85	4460705	1	Terminal	
86	4460836	1	Connector	
87	4460942	4	Terminal	
88	4460465	8	Terminal	
89	4460894	1	Connector	
90	4460465	4	Terminal	
91	4460466	2	Plug	
92	4460933	1	Connector	
93	1001125677	1	Mating Connector	
94	4460465	12	Terminal	
95	1001116812	1	Connector	
96	1001144296	1	Cap	
97	4460944	2	Terminal	
98	4460466	1	Plug	
99	4460320	1	Connector	
100	4460267	2	Terminal	

SECTION 10 - ELECTRICAL

ITEM	PART NUMBER	QTY	DESCRIPTION	REV
101	4460424	1	Connector	
102	4460268	2	Terminal	
103	4460897	1	Connector	
104	4460464	1	Terminal	
105	4460466	1	Plug	
106	4460744	1	Connector	
107	8220375	1	Cap	
108	4460748	2	Plug	
109	4460746	4	Terminal	
110	4460458	4	Seal	
111	1001117081	1	Connector	
112	1001116723	6	Terminal	
113	1001223455	1	Terminal	
114	1001117081	1	Connector	
115	1001116723	6	Terminal	
116	1001118384	4	Terminal	
117	1001117081	1	Connector	
118	1001116723	6	Terminal	
119	1001118384	2	Terminal	
120	1001223455	2	Terminal	
121	1001117081	1	Connector	
122	1001116723	6	Terminal	
123	1001223455	1	Terminal	
124	1001194421	1	Terminal	
125	1001194421	1	Terminal	
126	1001117081	1	Connector	
127	1001116723	6	Terminal	
128	1001223455	3	Terminal	
129	1001118384	2	Terminal	
130	1001118684	1	Connector	
131	1001116754	2	Terminal	
132	1001117081	1	Connector	
133	1001116723	4	Terminal	
134	1001118384	3	Terminal	
135	1001117081	1	Connector	
136	1001116723	5	Terminal	
137	1001223455	1	Terminal	
138	1001117081	1	Connector	
139	1001116723	6	Terminal	
140	1001118384	1	Terminal	
141	1001117081	1	Connector	
142	1001116723	6	Terminal	
143	1001223455	1	Terminal	
144	4460994	1	Connector	
145	1001118384	2	Terminal	
146	8220051	1	Terminal	
147	4460994	1	Connector	
148	1001118384	1	Terminal	
149	1001116723	2	Terminal	
150	1001194421	1	Terminal	
151	1001194421	1	Terminal	

SECTION 10 - ELECTRICAL

ITEM	PART NUMBER	QTY	DESCRIPTION	REV
152	1001116997	1	Connector	
153	1001118384	4	Terminal	
154	1001116723	1	Terminal	
155	8220051	1	Terminal	
156	8220051	1	Terminal	
157	8220051	1	Terminal	
158	8220051	1	Terminal	
159	1001116812	1	Connector	
160	4460944	2	Terminal	
161	4460466	1	Plug	
162	4460539	1	Connector	
163	4460944	2	Terminal	
164	4460466	1	Plug	
165	4460894	1	Connector	
166	4460465	3	Terminal	
167	4460466	1	Plug	
168	4460944	2	Terminal	
169	1001117081	1	Connector	
170	1001116723	2	Terminal	
171	1001223455	4	Terminal	
172	1001116986	1	Connector	
173	1001117011	1	Mating Connector	
174	1001118384	4	Terminal	
175	1001116986	1	Connector	
176	1001118384	4	Terminal	
177	1001116995	1	Connector	
178	1001118379	1	Terminal	
179	1001116995	1	Connector	
180	1001118379	1	Terminal	
181	1001230931	1	Connector	
182	1001116748	6	Terminal	
183	1001117081	1	Connector	
184	1001116723	4	Terminal	
185	1001118384	2	Terminal	
186	1001117081	1	Connector	
187	1001116723	4	Terminal	
188	1001118384	2	Terminal	
189	1001117081	1	Connector	
190	1001116723	4	Terminal	
191	1001118384	2	Terminal	
192	1001117081	1	Connector	
193	1001116723	4	Terminal	
194	1001118384	2	Terminal	
195	1001150735	1	Connector	
196	1001150737	7	Terminal	
197	1001117079	1	Connector	
198	1001223455	2	Terminal	
199	1001116723	6	Terminal	
200	1001117081	1	Connector	
201	1001116723	8	Terminal	
202	1001118384	1	Terminal	

SECTION 10 - ELECTRICAL

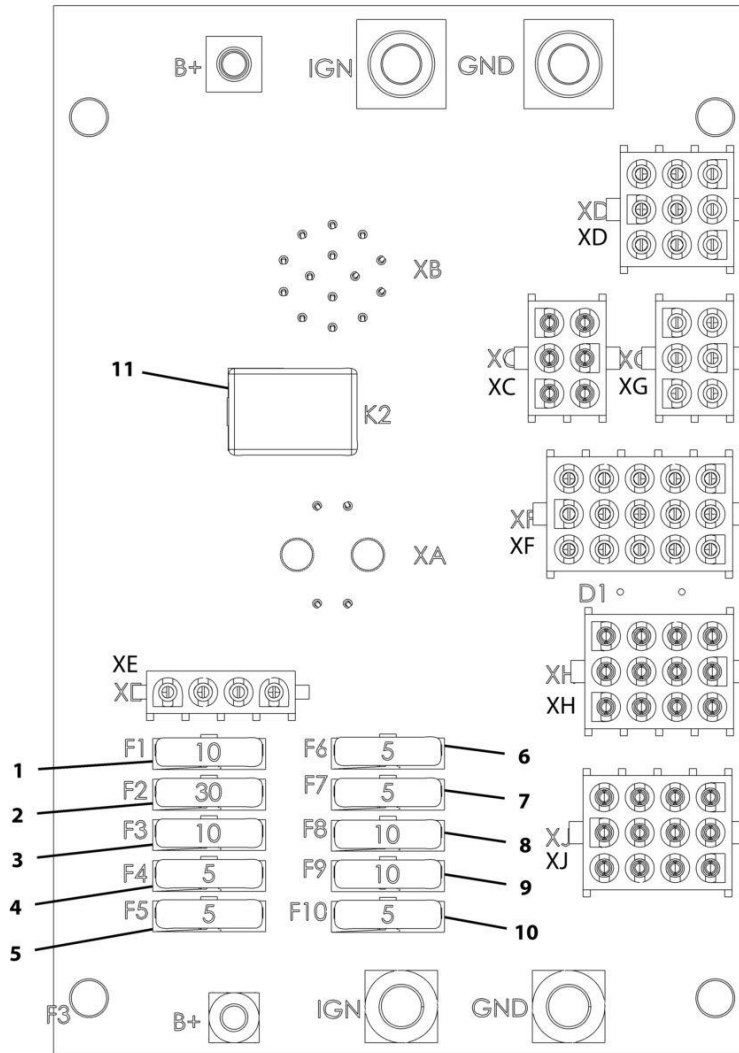
ITEM	PART NUMBER	QTY	DESCRIPTION	REV
203	1001223455	1	Terminal	
204	1001176333	1	Connector	
205	4460466	11	Plug	
206	4460465	3	Terminal	
207	4460944	4	Terminal	
208	1001116812	1	Connector	
209	4460944	2	Terminal	
210	4460466	1	Plug	
211	4460539	1	Connector	
212	4460944	2	Terminal	
213	4460466	1	Plug	
214	4460930	1	Connector	
215	4460931	1	Mating Connector	
216	4460466	6	Plug	
217	1001116991	1	Connector	
218	1001118384	2	Terminal	
219	1001116985	1	Connector	
220	1001118386	3	Terminal	
221	1001116984	1	Connector	
222	1001118386	4	Terminal	
223	1001116998	1	Connector	
224	1001118387	1	Terminal	
225	1001116998	1	Connector	
226	1001118387	1	Terminal	
227	1001116998	1	Connector	
228	1001118387	1	Terminal	
229	1001116998	1	Connector	
230	1001118387	1	Terminal	
231	1001112612	1	Connector	
232	4460464	3	Terminal	
233	4460943	2	Terminal	
234	4460466	4	Plug	
235	1001137000	1	Connector	
236	4460928	3	Terminal	
237	1001126008	12	Terminal	
238	4460518	6	Plug	
239	1001136999	1	Connector	
240	1001126011	15	Terminal	
241	4460518	6	Plug	
242	4461262	1	Connector	
243	1001107854	2	Terminal	
244	1001104499	1	Terminal	
245	1001104498	2	Terminal Seal	
246	1001116986	1	Connector	
247	1001118384	3	Terminal	
248	1001116723	1	Terminal	
249	4460891	1	Connector	
250	4460465	2	Terminal	
251	4460944	1	Connector	
252	1001118384	2	Terminal	
253	4461115	1	Connector	

SECTION 10 - ELECTRICAL

ITEM	PART NUMBER	QTY	DESCRIPTION	REV
254	4460746	2	Terminal	
255	4460458	2	Terminal Seal	
256	4461115	1	Connector	
257	4460746	2	Terminal	
258	4460458	2	Terminal Seal	
259	4461115	1	Connector	
260	4460746	2	Terminal	
261	4460458	2	Terminal Seal	
262	4461115	1	Connector	
263	4460746	2	Terminal	
264	4460458	2	Terminal Seal	
265	4460891	1	Connector	
266	4460465	2	Terminal	
267	1001116815	1	Connector	
268	4460945	1	Connector, 3 Way	
269	4460539	1	Connector	
270	4460465	2	Terminal	
271	4460536	1	Connector	
272	4460464	2	Terminal	
273	4460466	1	Plug	
274	4460536	1	Connector	
275	4460464	2	Terminal	
276	4460466	1	Plug	

SECTION 10 - ELECTRICAL

FIGURE 10-22. CAB - STANDARD ELECTRICAL BOARD ASSEMBLY



ART_1001161769-C

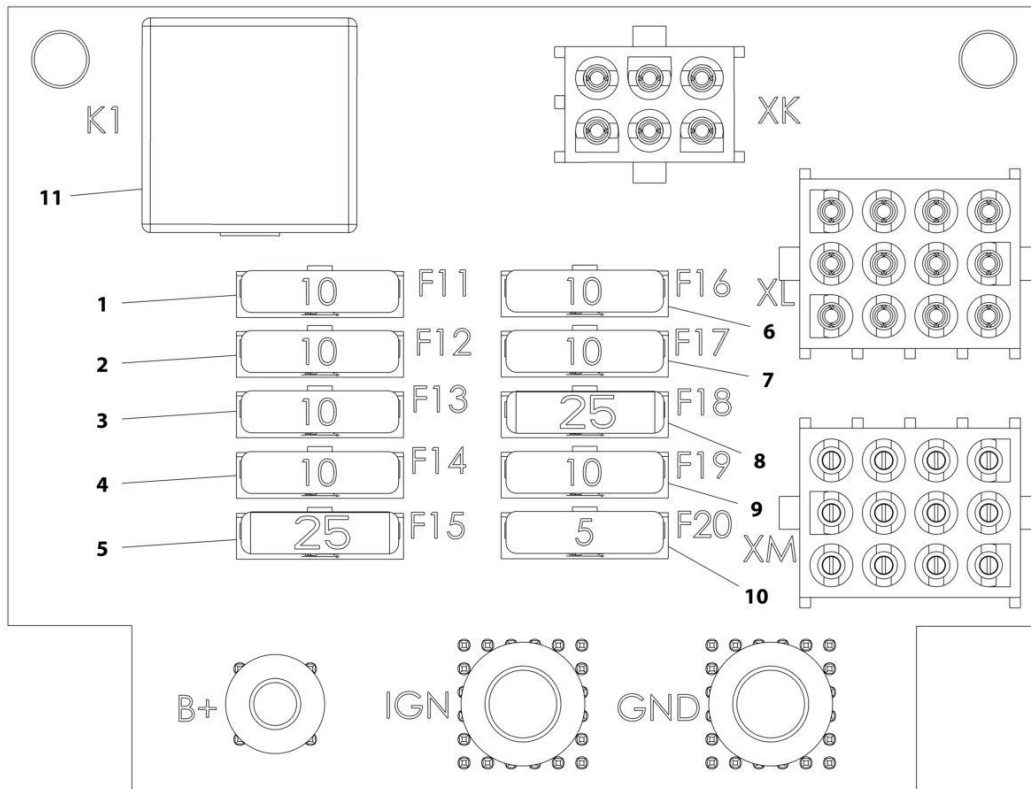
SECTION 10 - ELECTRICAL

FIGURE 10-22. CAB - STANDARD ELECTRICAL BOARD ASSEMBLY

ITEM	PART NUMBER	QTY	DESCRIPTION	REV
	1001161769	Ref	Standard Electrical Board Assembly	C
1	80983191	1	Fuse, 10AMP	
2	8229245	1	Fuse, 30AMP	
3	80983191	1	Fuse, 10AMP	
4	8229242	1	Fuse, 5AMP	
5	8229242	1	Fuse, 5AMP	
6	8229242	1	Fuse, 5AMP	
7	8229242	1	Fuse, 5AMP	
8	80983191	1	Fuse, 10AMP	
9	80983191	1	Fuse, 10AMP	
10	8229242	1	Fuse, 5AMP	
11	70026292	1	Fuse, 35AMP	

SECTION 10 - ELECTRICAL

FIGURE 10-23. CAB - OPTION 1 ELECTRICAL BOARD ASSEMBLY



ART_1001161770-C

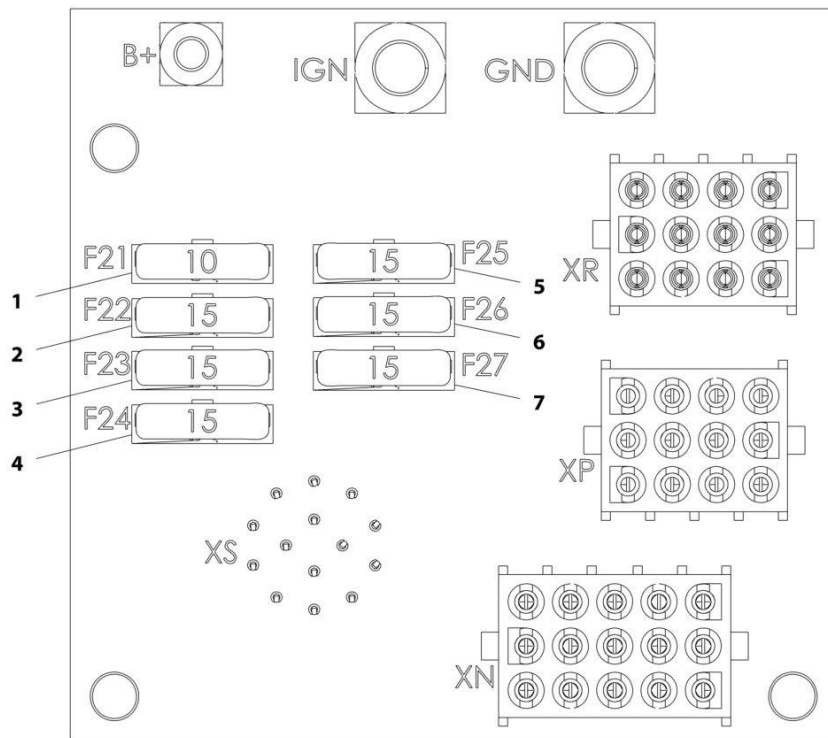
SECTION 10 - ELECTRICAL

FIGURE 10-23. CAB - OPTION 1 ELECTRICAL BOARD ASSEMBLY

ITEM	PART NUMBER	QTY	DESCRIPTION	REV
	1001161770	Ref	Option 1 Electrical Board Assembly	C
1	80983191	1	Fuse, 10AMP	
2	80983191	1	Fuse, 10AMP	
3	80983191	1	Fuse, 10AMP	
4	80983191	1	Fuse, 10AMP	
5	8229247	1	Fuse, 25AMP	
6	80983191	1	Fuse, 10AMP	
7	80983191	1	Fuse, 10AMP	
8	8229247	1	Fuse, 25AMP	
9	80983191	1	Fuse, 10AMP	
10	8229242	1	Fuse, 5AMP	
11	70026293	1	Fuse, 50AMP	

SECTION 10 - ELECTRICAL

FIGURE 10-24. CAB - OPTION 2 ELECTRICAL BOARD ASSEMBLY



ART_1001161771-B

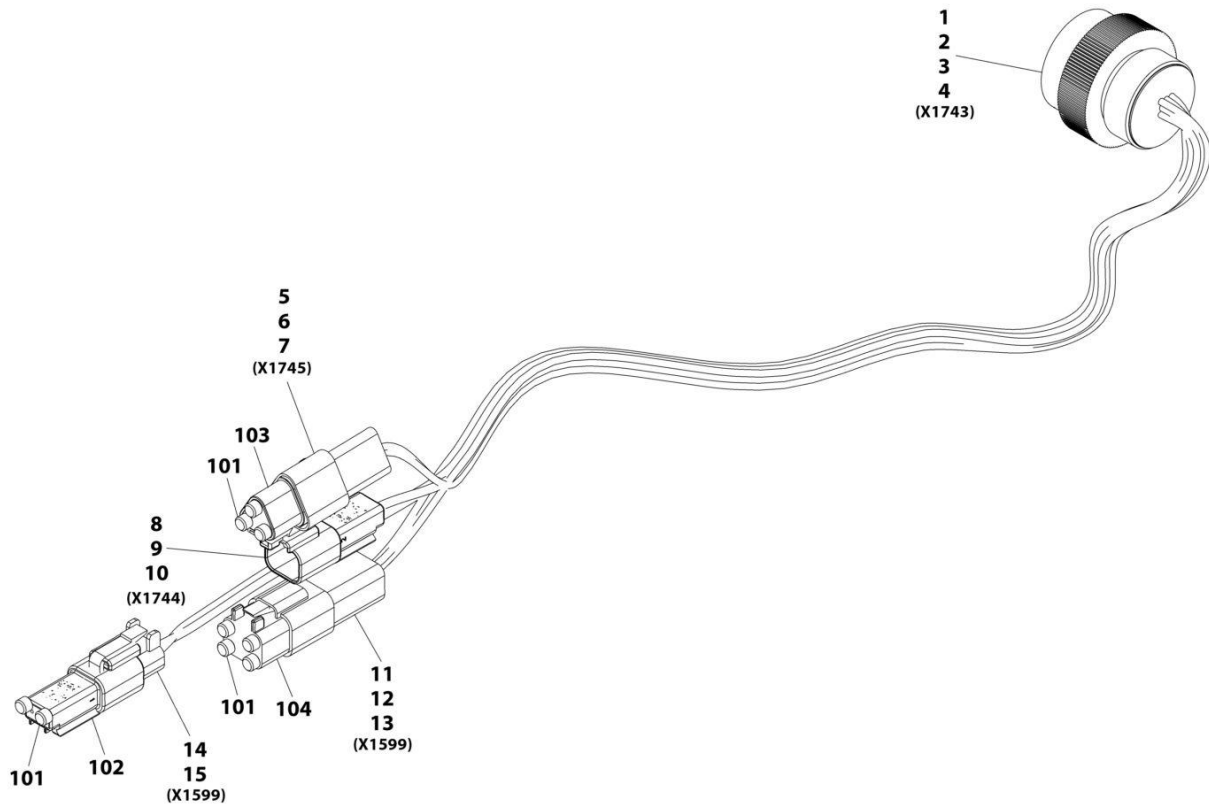
SECTION 10 - ELECTRICAL

FIGURE 10-24. CAB - OPTION 2 ELECTRICAL BOARD ASSEMBLY

ITEM	PART NUMBER	QTY	DESCRIPTION	REV
	1001161771	Ref	Option 2 Electrical Board Assembly	B
1	80983191	1	Fuse, 10AMP	
2	8229244	1	Fuse, 15AMP	
3	8229244	1	Fuse, 15AMP	
4	8229244	1	Fuse, 15AMP	
5	8229244	1	Fuse, 15AMP	
6	8229244	1	Fuse, 15AMP	
7	8229244	1	Fuse, 15AMP	

SECTION 10 - ELECTRICAL

FIGURE 10-25. CAB OPTION HARNESS



ART_1001258712

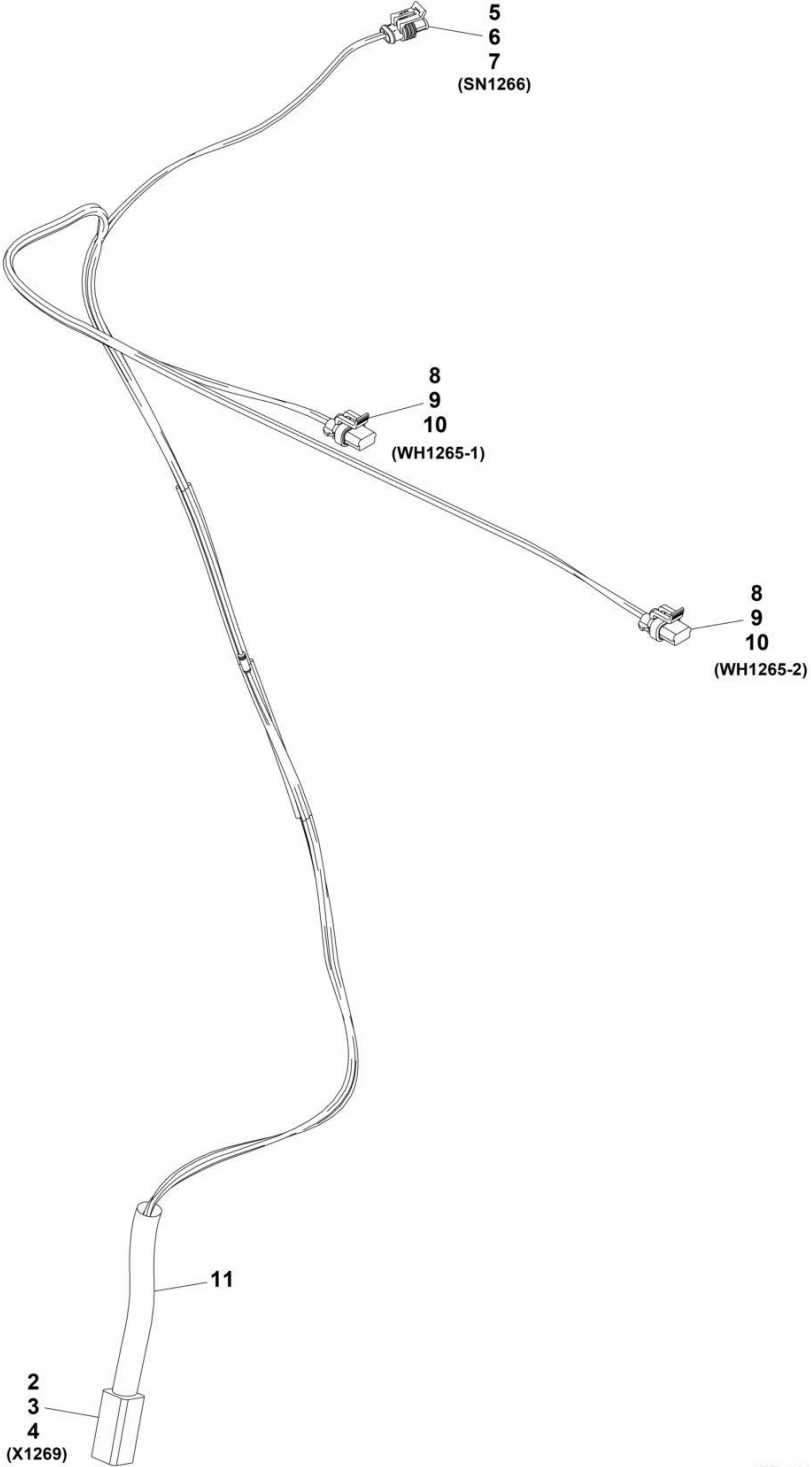
SECTION 10 - ELECTRICAL

FIGURE 10-25. CAB OPTION HARNESS

ITEM	PART NUMBER	QTY	DESCRIPTION	REV
	1001258712	Ref	Cab Option Harness	A
1	4461015	1	Connector	
2	4460465	5	Terminal	
3	4460466	6	Plug	
4	4460942	1	Terminal	
5	1001144147	1	Connector	
6	4460943	2	Terminal	
7	4460466	1	Plug	
8	4460897	1	Connector	
9	4460941	1	Terminal	
10	4460466	1	Plug	
11	4460932	1	Connector	
12	4460464	3	Terminal	
13	4460466	1	Plug	
14	4460891	1	Plug, Male	
15	4460465	2	Socket, Female	
101	4460466	9	Plug, Terminal	
102	4460884	1	Plug, Male - 4 Position	
103	1001116812	1	Plug, Male - 3 Position	
104	4460897	2	Plug, Male - 2 Position	

SECTION 10 - ELECTRICAL

FIGURE 10-26. CAB - A/C OPTION HARNESS



ART_1001169151

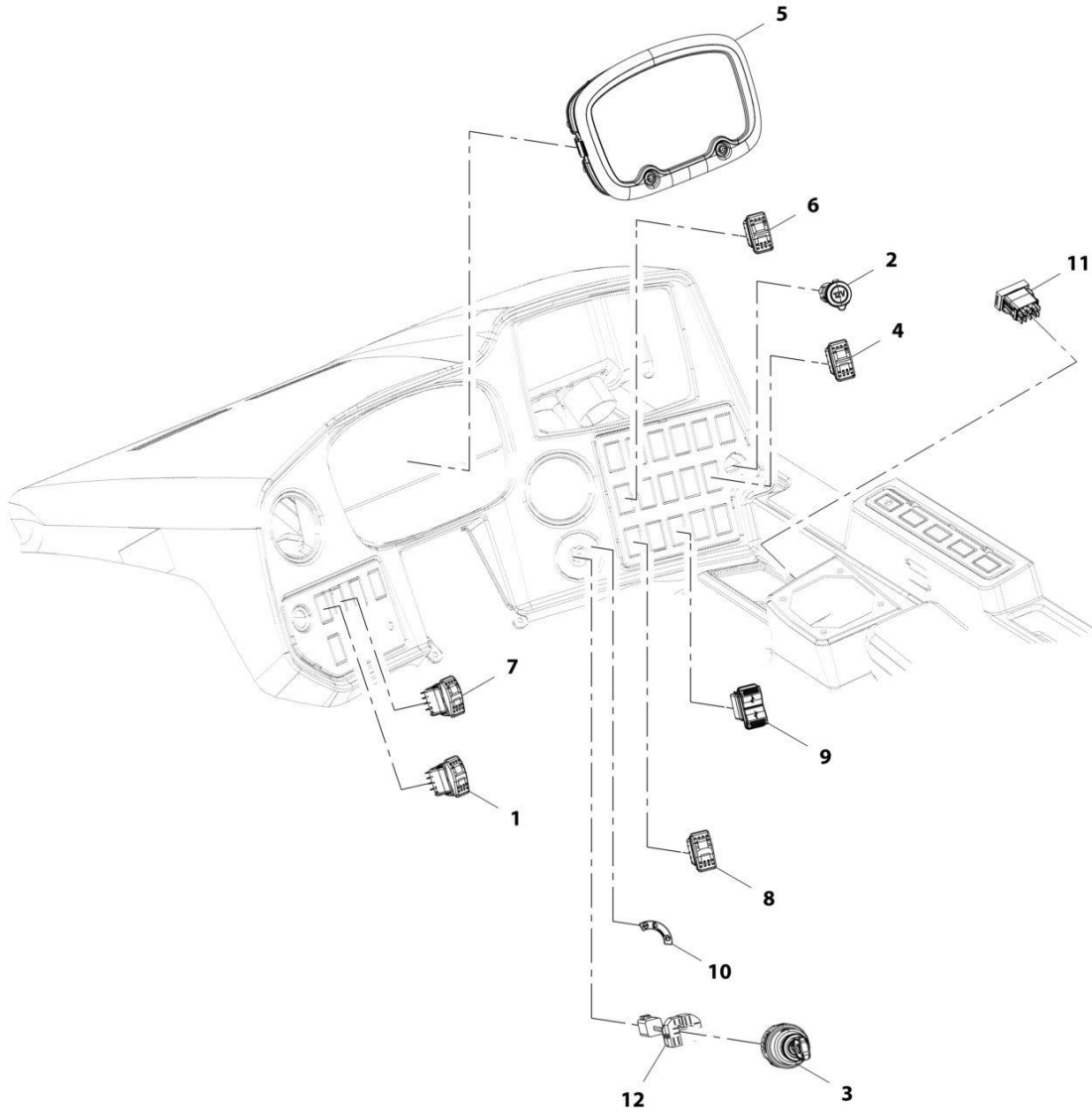
SECTION 10 - ELECTRICAL

FIGURE 10-26. CAB - A/C OPTION HARNESS

ITEM	PART NUMBER	QTY	DESCRIPTION	REV
	1001169151	Ref	A/C Option Harness	G
2	4460899	1	Connector	
3	4460941	4	Terminal	
4	4460464	2	Terminal	
5	4461118	1	Connector	
6	1001107854	2	Terminal	
7	1001116763	2	Seal	
8	1001117021	2	Connector	
9	1001116747	4	Terminal	
10	4460789	4	Seal	
11	70028546	1	Backshell	

SECTION 10 - ELECTRICAL

FIGURE 10-27. CAB - DASH ELECTRICAL INSTALLATION



ART_1001220717-C

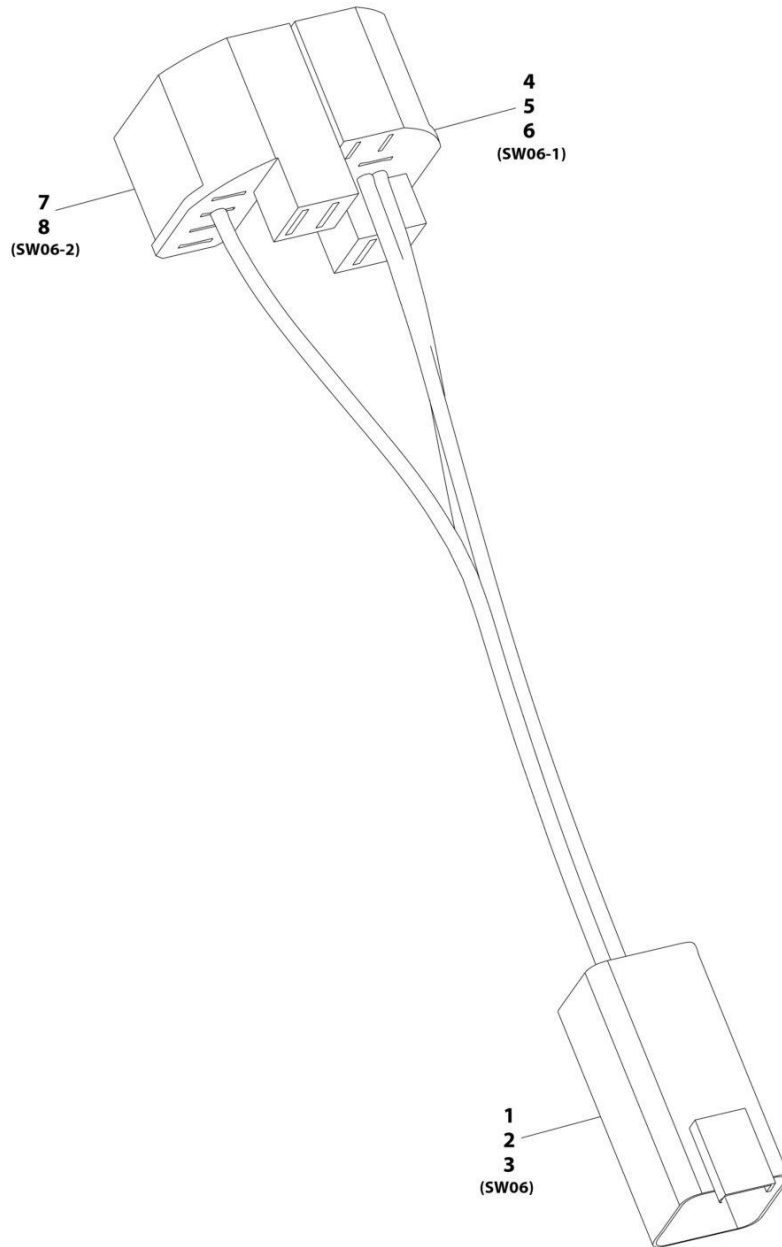
SECTION 10 - ELECTRICAL

FIGURE 10-27. CAB - DASH ELECTRICAL INSTALLATION

ITEM	PART NUMBER	QTY	DESCRIPTION	REV
	1001220717	Ref	Dash Electrical Installation	C
1	1001080978	1	Switch, Lift/Loader	
2	1001095804	1	Connector, 12V Power Socket	
3	1001102502	1	Switch, 4 Position Key	
3	70022765	1	Key, Ignition (set of 2)	
4	1001104654	1	Switch, AUX Decomp	
5	1001158146	1	Cluster, Electrical Gauge	
6	1001159735	1	Switch, Rear Wiper	
7	1001159741	1	Switch, Constant AUX	
8	1001159849	1	Switch, Steer Mode	
9	1001174712	1	Charger, USB	
10	1001181531	1	Decal, Ignition Switch	
11	1001212470	1	Switch, Frame Level	
12	1001223968	1	Harness, Ignition Switch (See Separate Breakdown in this Section)	

SECTION 10 - ELECTRICAL

FIGURE 10-28. CAB - IGNITION SWITCH HARNESS



ART_1001223968-A

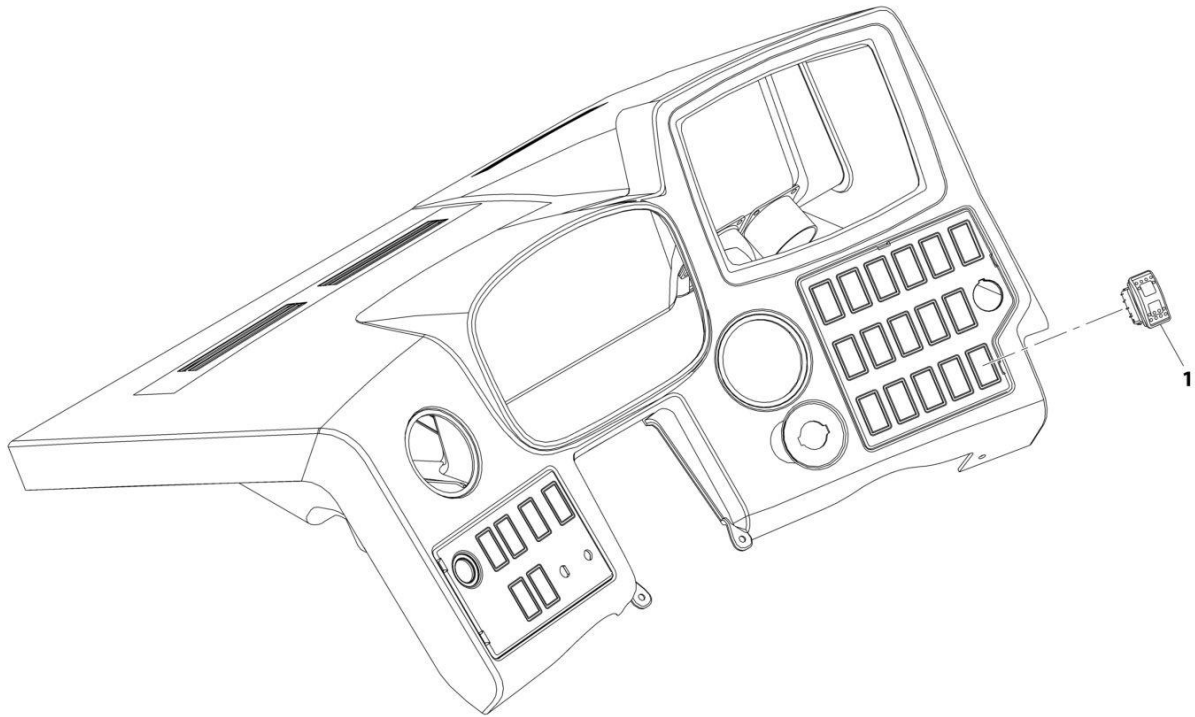
SECTION 10 - ELECTRICAL

FIGURE 10-28. CAB - IGNITION SWITCH HARNESS

ITEM	PART NUMBER	QTY	DESCRIPTION	REV
	1001223968	Ref	Ignition Switch Harness	A
1	4460899	1	Connector	
2	4460464	3	Terminal	
3	4460466	3	Plug	
4	1001118685	1	Connector	
5	1001104519	1	Terminal	
6	1001118383	1	Terminal	
7	1001117121	1	Connector	
8	1001104519	1	Terminal	

SECTION 10 - ELECTRICAL

FIGURE 10-29. CAB - LIGHT SWITCH INSTALLATION



ART_1001215121-A

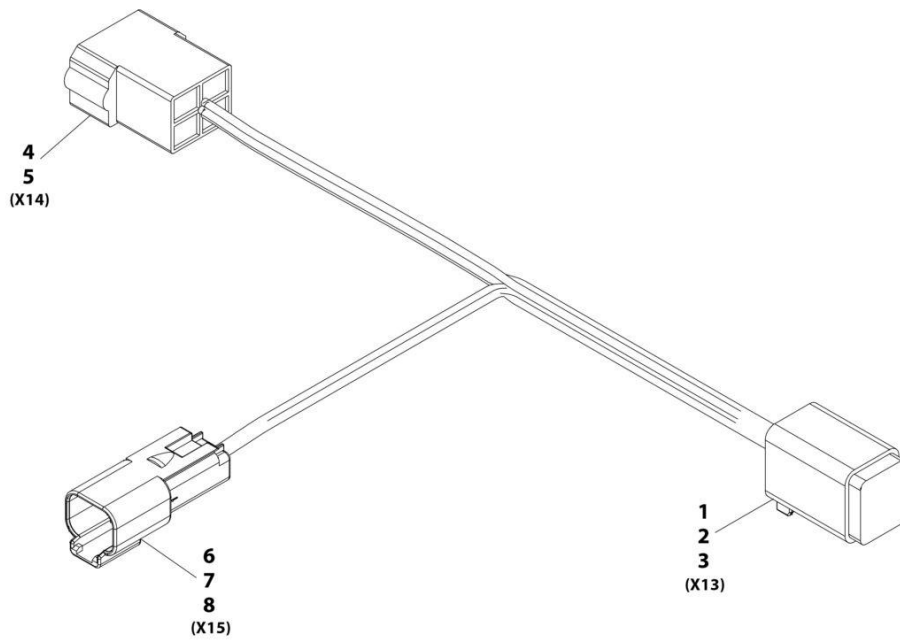
SECTION 10 - ELECTRICAL

FIGURE 10-29. CAB - LIGHT SWITCH INSTALLATION

ITEM	PART NUMBER	QTY	DESCRIPTION	REV
1	1001215121 1001163639	Ref 1	Light Switch Installation Switch, Light	A

SECTION 10 - ELECTRICAL

FIGURE 10-30. CAB - SEAT ADAPTOR HARNESS



ART_1001168531-A

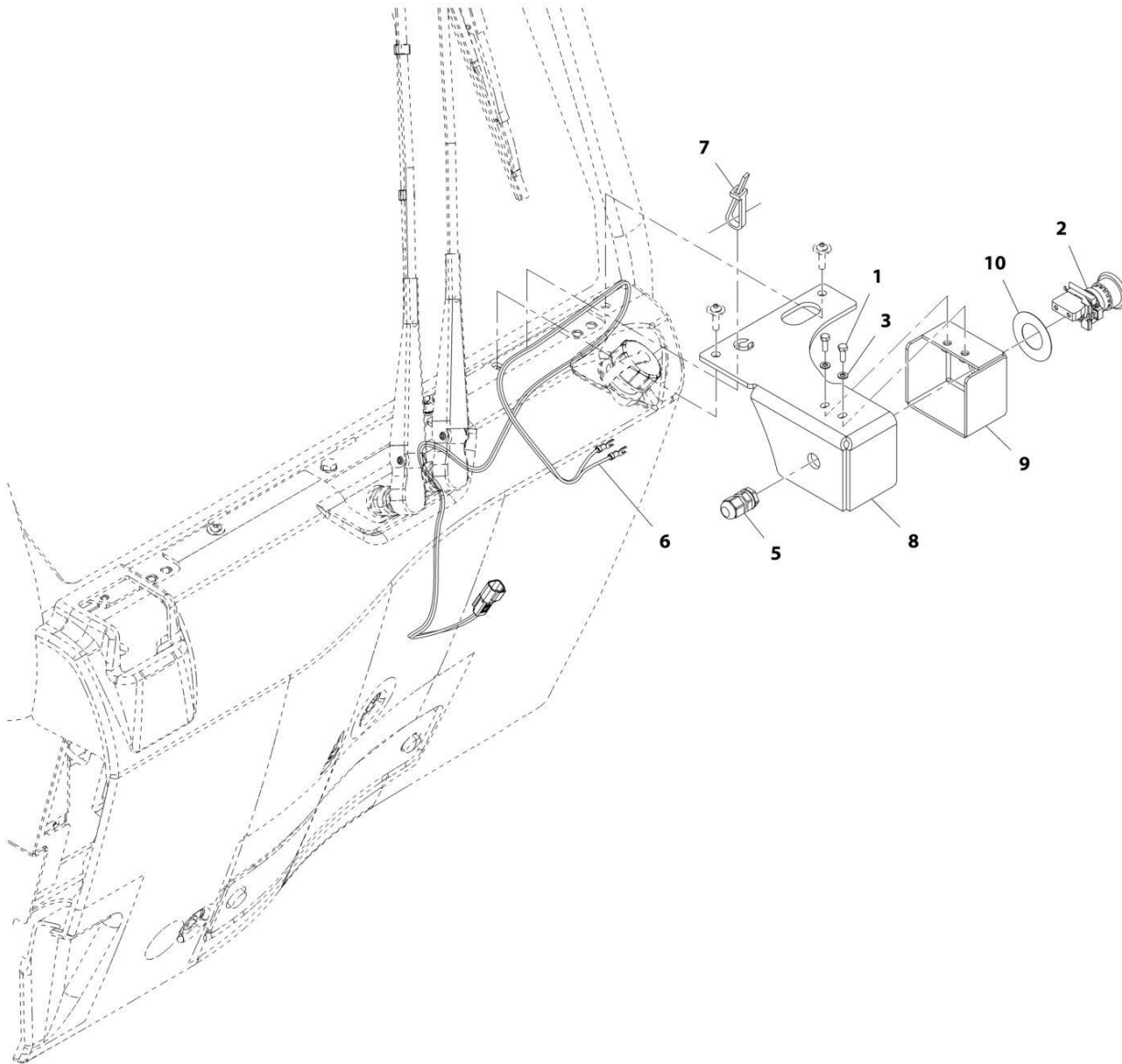
SECTION 10 - ELECTRICAL

FIGURE 10-30. CAB - SEAT ADAPTOR HARNESS

ITEM	PART NUMBER	QTY	DESCRIPTION	REV
	1001168531	Ref	Seat Adaptor Harness	A
1	4460894	1	Connector	
2	91504107	1	Lock, Connector	
3	4460465	6	Terminal	
4	1001117011	1	Connector	
5	1001116700	3	Terminal	
6	4460897	1	Connector	
7	80604017	1	Lock, Connector	
8	4460943	2	Terminal	

SECTION 10 - ELECTRICAL

FIGURE 10-31. CAB - EXTERNAL EMERGENCY STOP INSTALLATION



ART_1001195721-C

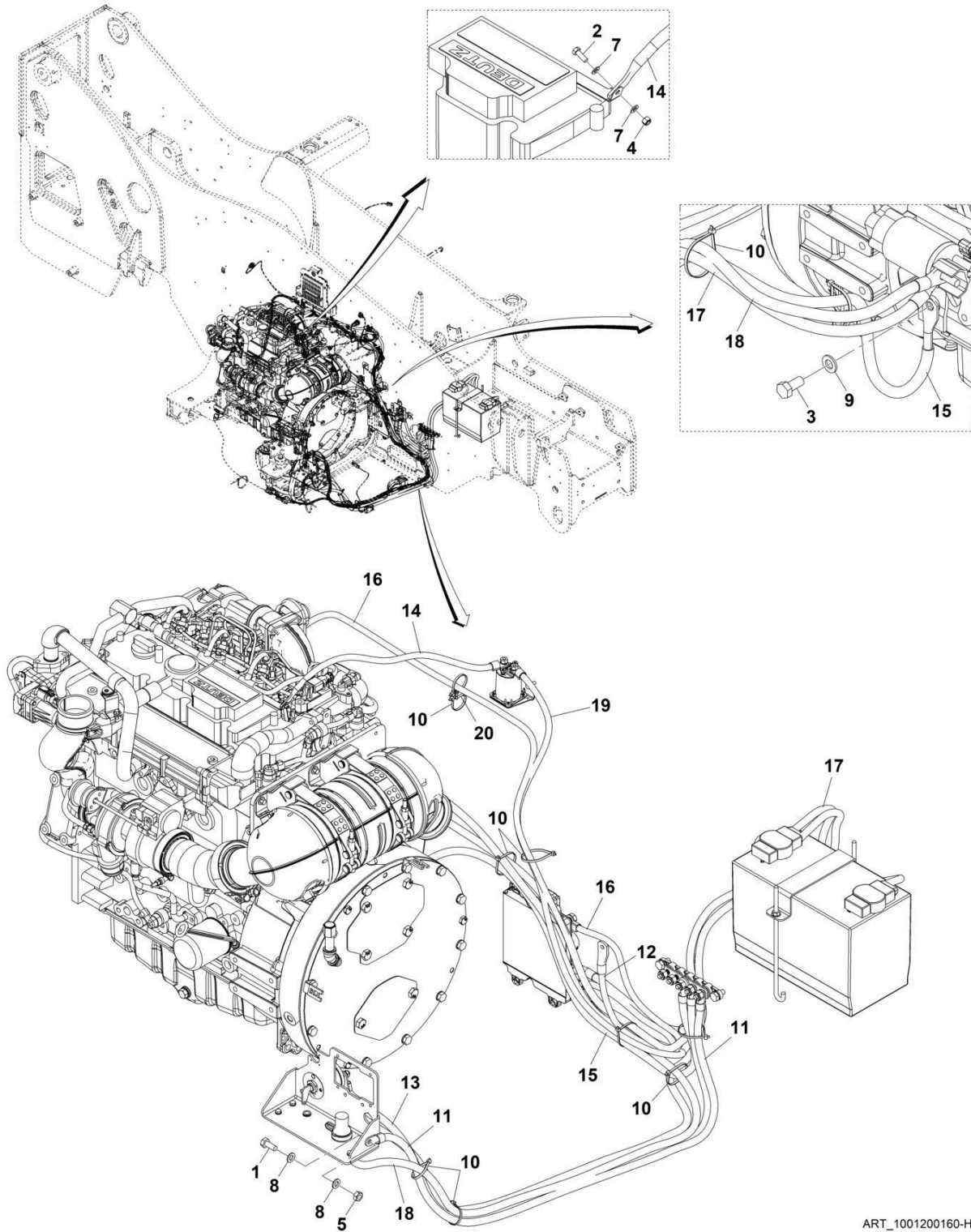
SECTION 10 - ELECTRICAL

FIGURE 10-31. CAB - EXTERNAL EMERGENCY STOP INSTALLATION

ITEM	PART NUMBER	QTY	DESCRIPTION	REV
	1001195721	Ref	Emergency Stop External Installation	C
1	0760507	2	Bolt, M5X14	
2	4360475	1	Switch, E-Stop	
3	4811600	2	Washer, M5	
5	4461000	1	Connector	
6	1001217320	1	Harness, External EMS	
7	1001008559	1	Strap, Tie	
8	1001220859	1	Bracket	
9	1001220861	1	Shield	
10	1704260	1	Decal, EMS	

SECTION 10 - ELECTRICAL

FIGURE 10-32. ENGINE - ENGINE BAY ELECTRICAL INSTALLATION (ULS)



ART_1001200160-H

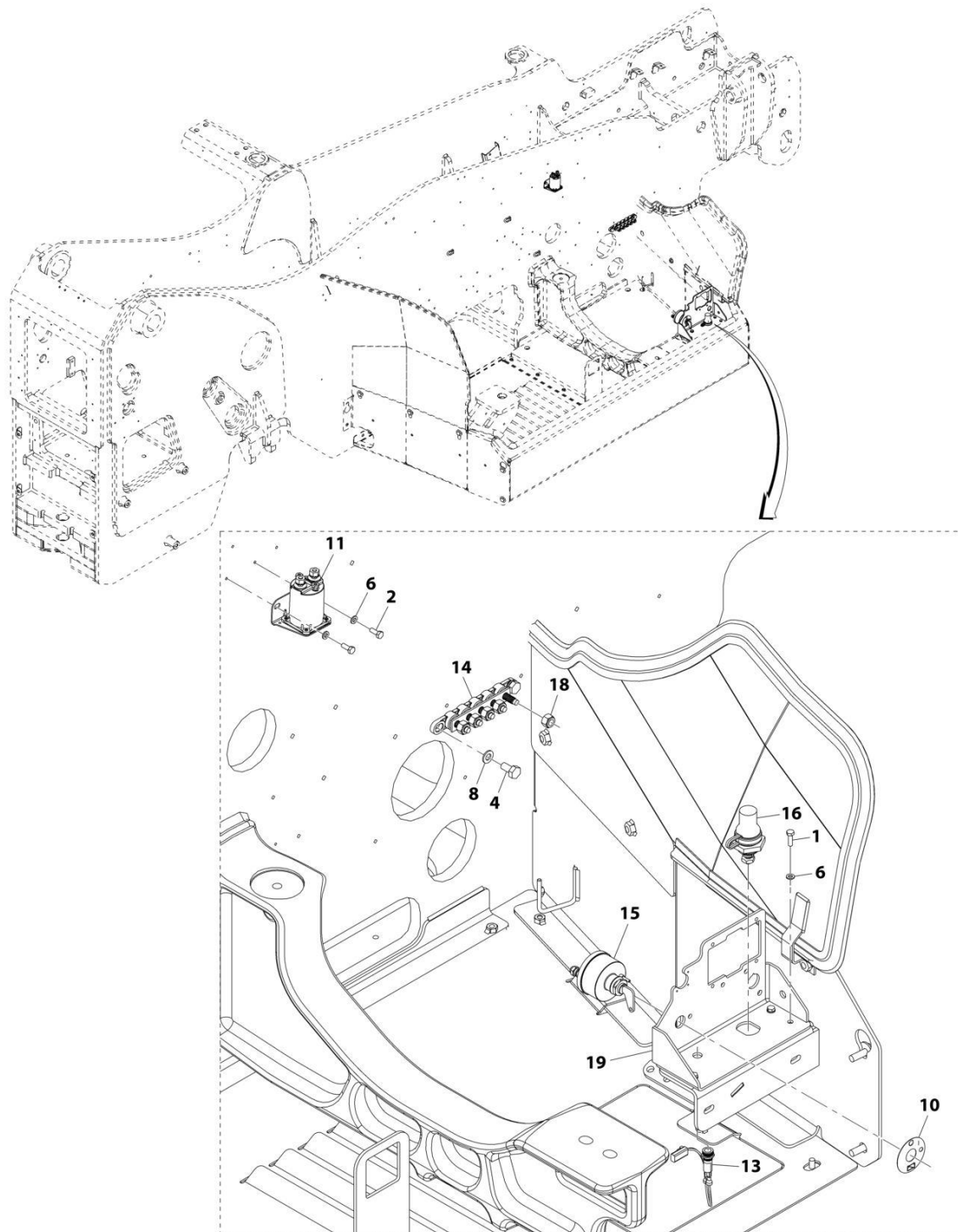
SECTION 10 - ELECTRICAL

FIGURE 10-32. ENGINE - ENGINE BAY ELECTRICAL INSTALLATION (ULS)

ITEM	PART NUMBER	QTY	DESCRIPTION	REV
	1001200160	Ref	Engine Bay Electrical Installation	I
1	0761012	1	Bolt, M10X25	
2	0760507	1	Bolt, M5X14	
3	0761212	1	Bolt, M12X25	
4	3290505	1	Nut, Lock M5X0.8	
5	3291001	1	Nut, M10X1.5	
7	4811600	2	Washer, M5	
8	4812000	2	Washer, M10	
9	4812100	1	Washer, M12	
10	1001008559	10	Tie, Strap	
11	1001194103	1	Cable	
12	1001194244	1	Cable	
13	1001196502	1	Cable	
14	1001200161	1	Cable	
15	1001200162	1	Cable	
16	1001200164	1	Cable	
17	1001200165	1	Cable	
18	1001200166	1	Cable	
19	1001200167	1	Cable	
20	1001004723	1	Saddle	
21	1001293972	1	Cable, ECM Power (Not Shown)	

SECTION 10 - ELECTRICAL

FIGURE 10-33. ENGINE - ENGINE POD ELECTRICAL INSTALLATION (ULS)



ART_1001202172-C

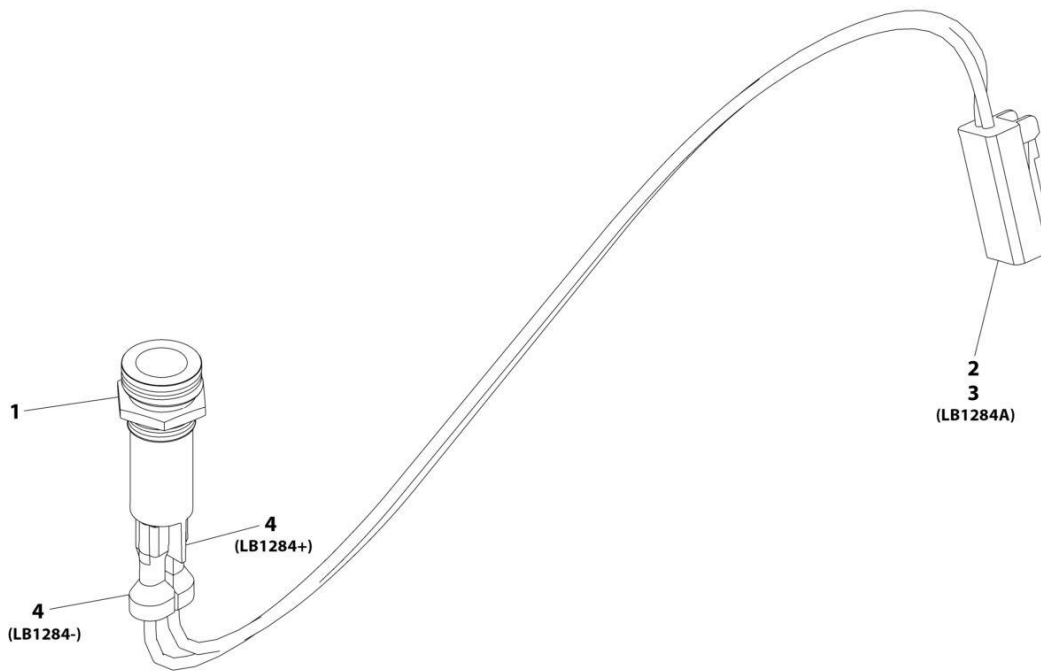
SECTION 10 - ELECTRICAL

FIGURE 10-33. ENGINE - ENGINE POD ELECTRICAL INSTALLATION (ULS)

ITEM	PART NUMBER	QTY	DESCRIPTION	REV
	1001202172	Ref	Engine Pod Electrical Installation (ULS)	C
1	0700610	4	Bolt, M6X20	
2	0760608	2	Bolt, M6X16	
4	0761010	2	Bolt, M10X20	
6	4811700	6	Washer, M6	
8	4812000	2	Washer, M10	
10	1001008540	1	Plate	
11	1001117308	1	Relay	
13	1001232288	1	Harness, DEF Purge Light (See Separate Breakdown in this Section)	
14	1001181128	1	Bussbar	
15	1001192142	1	Switch, Disconnect	
16	1001193993	1	Terminal, Battery	
18	3291005	5	Nut, Lock M10X1.5	
19	1001212886	1	Bracket	

SECTION 10 - ELECTRICAL

FIGURE 10-34. ENGINE - DEF PURGE LIGHT HARNESS



ART_1001232288-A

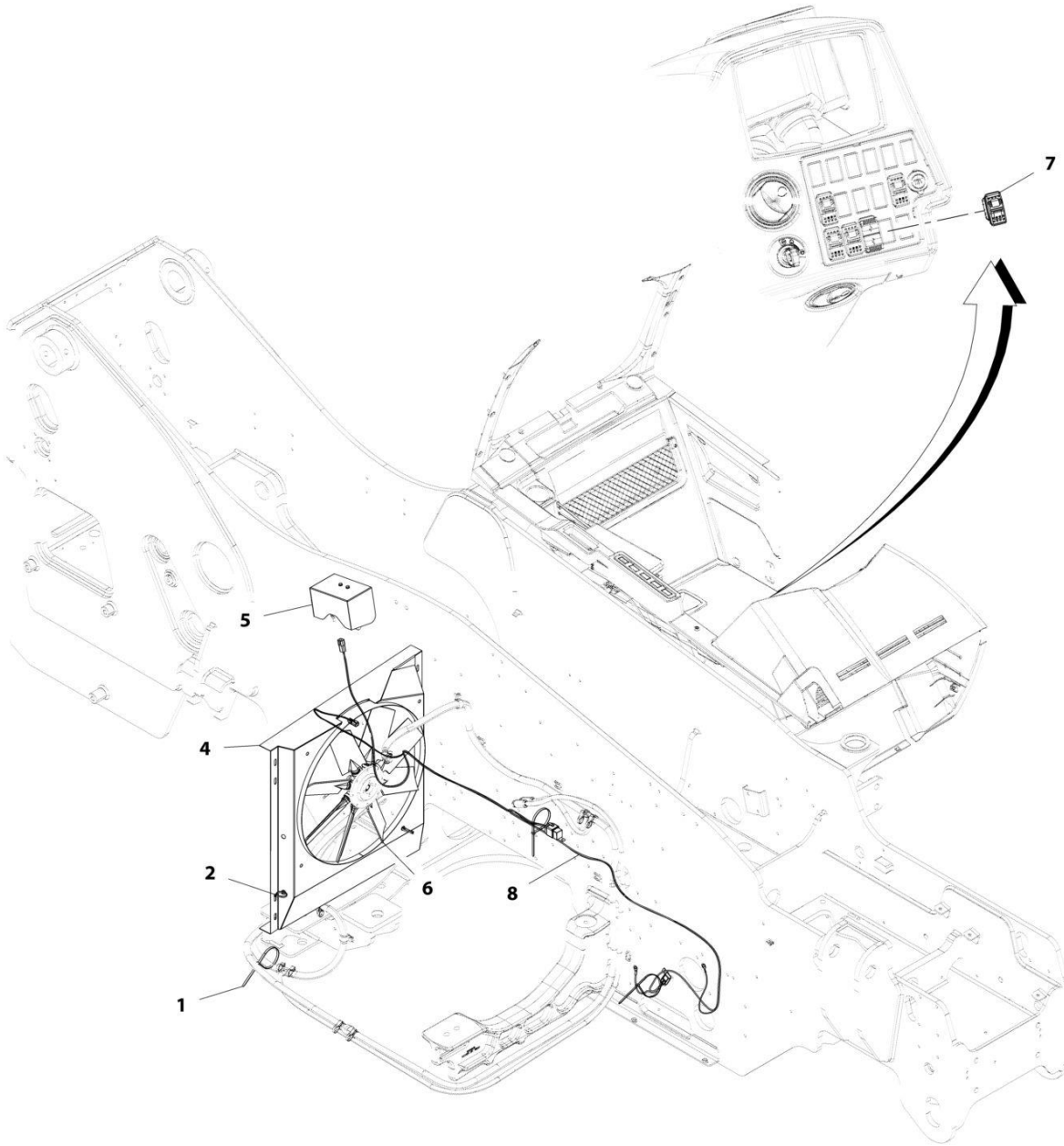
SECTION 10 - ELECTRICAL

FIGURE 10-34. ENGINE - DEF PURGE LIGHT HARNESS

ITEM	PART NUMBER	QTY	DESCRIPTION	REV
	1001232288	Ref	DEF Purge Light Harness	A
1	1001169825	1	LED Lamp 12V	
2	4461290	1	Connector	
3	1001126008	2	Terminal	
4	8220108	2	Connector	

SECTION 10 - ELECTRICAL

FIGURE 10-35. ENGINE - FAN (REVERSE COOLING) INSTALLATION



ART_1001217753-C

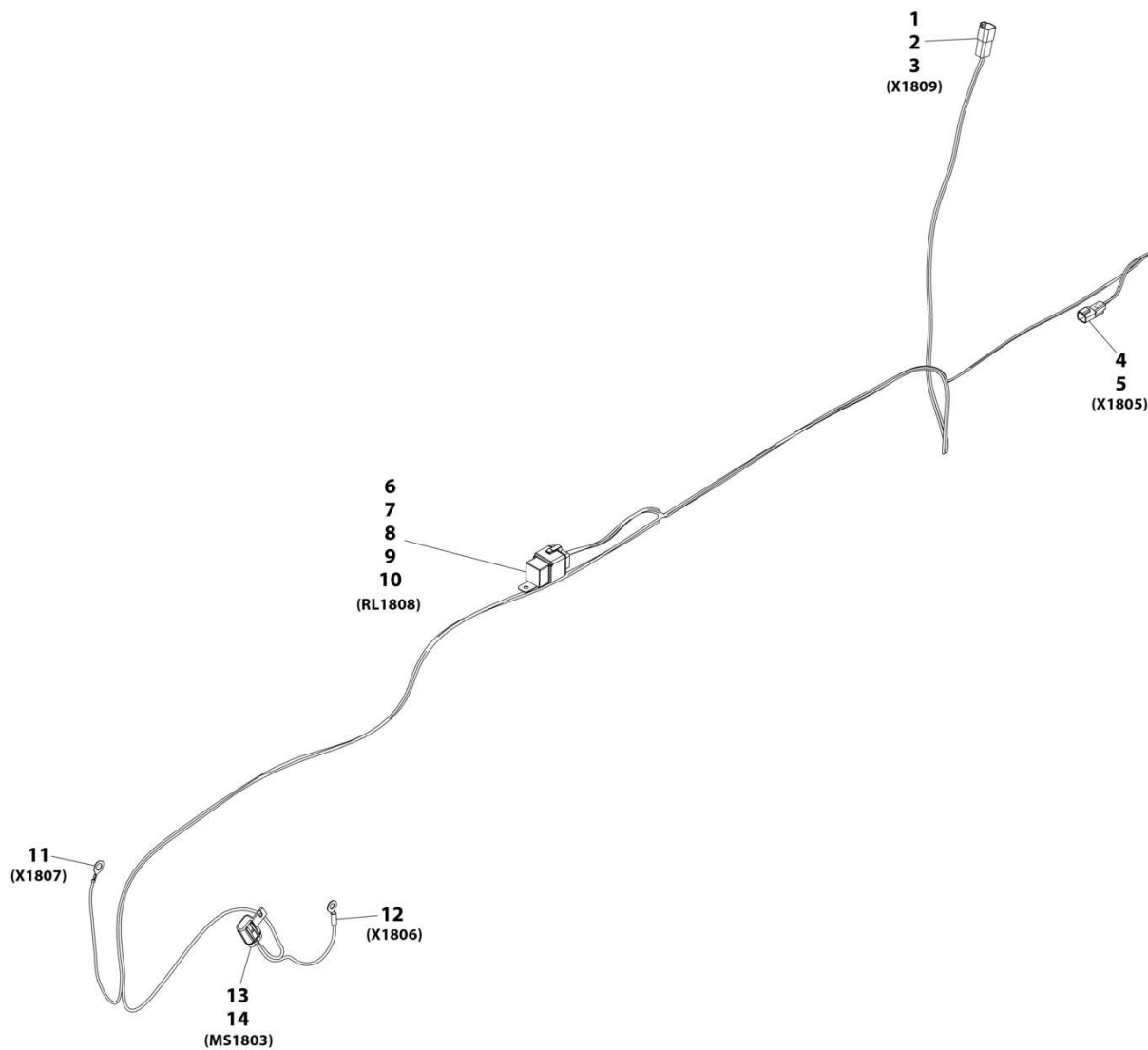
SECTION 10 - ELECTRICAL

FIGURE 10-35. ENGINE - FAN (REVERSE COOLING) INSTALLATION

ITEM	PART NUMBER	QTY	DESCRIPTION	REV
	1001217753	Ref	Reverse Cooling Fan Installation	C
1	1062255	3	Strap, Tie	
2	1001146588	2	Strap, Fir Tree Cable Tie	
4	1001217756	1	Shroud	
5	1001217757	1	Installation, Cover (See Separate Breakdown in this Section)	
6	1001217760	1	Kit, Reversing Fan	
6	70030353	1	Pneumatic Line	
6	70030355	1	Fan, Reverse	
6	70030356	1	Compressor	
7	1001145204	1	Switch	
8	1001221493	1	Harness, Reversing Fan (See Separate Breakdown in ELECTRICAL Section)	

SECTION 10 - ELECTRICAL

FIGURE 10-36. ENGINE - FAN (REVERSE COOLING) HARNESS



ART_1001221493-B

SECTION 10 - ELECTRICAL

FIGURE 10-36. ENGINE - FAN (REVERSE COOLING) HARNESS

ITEM	PART NUMBER	QTY	DESCRIPTION	REV
	1001221493	Ref	Reversing Fan Harness	B
1	4460932	1	Connector	
2	4460941	2	Terminal	
3	4460466	2	Plug	
4	4460897	1	Connector	
5	4460464	2	Terminal	
6	1001118282	1	Connector	
7	1001116734	1	Terminal	
8	1001116732	2	Terminal	
9	1001128128	1	Plug	
10	1001116733	1	Terminal	
11	1001187078	1	Ring Terminal	
12	8220045	1	Ring Terminal	
13	1001117024	1	Connector	
14	1001116734	2	Terminal	

SECTION 10 - ELECTRICAL

FIGURE 10-37. ENGINE WIRING INSTALLATION (ULS)



ART_1001200106-H

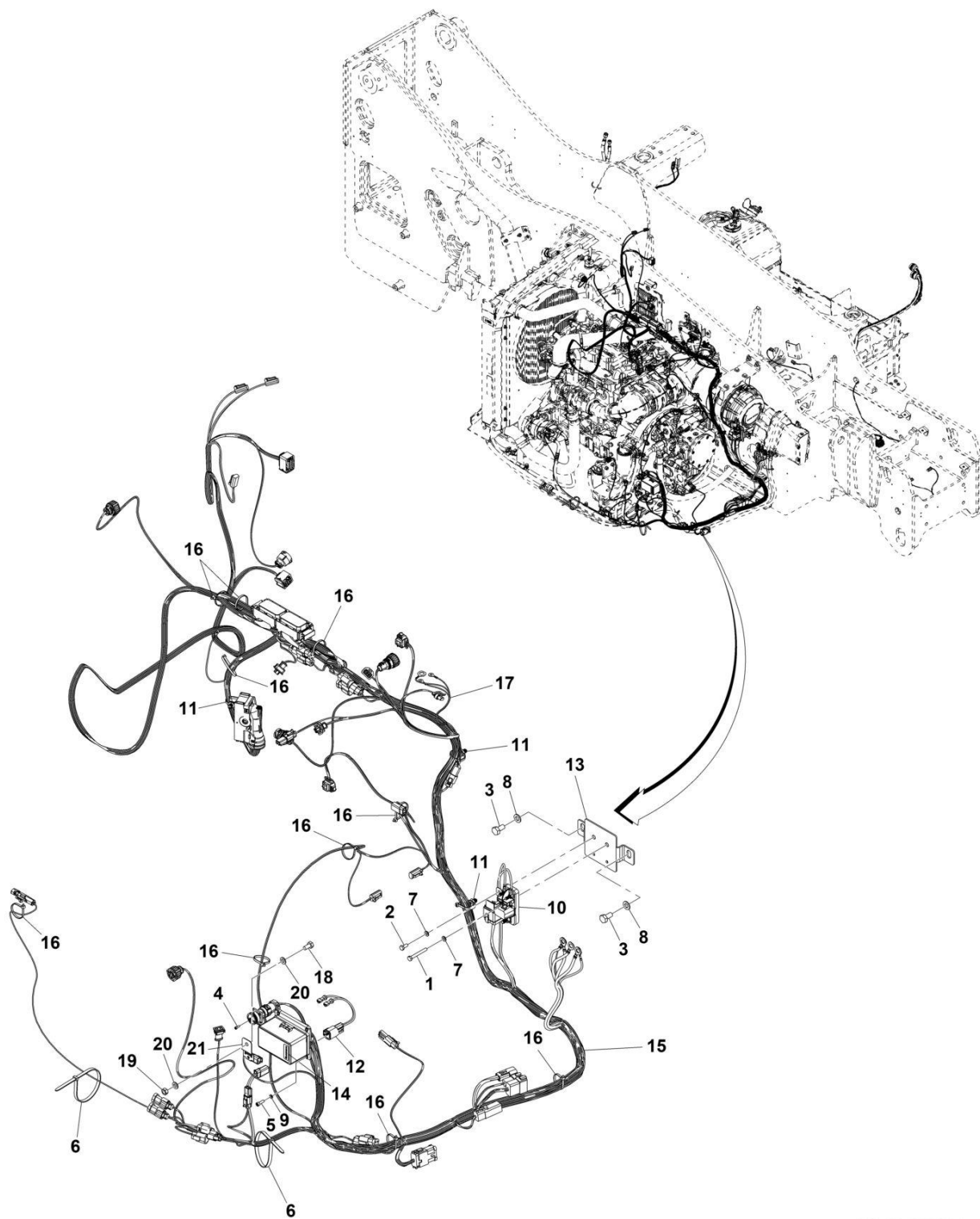
SECTION 10 - ELECTRICAL

FIGURE 10-37. ENGINE WIRING INSTALLATION (ULS)

ITEM	PART NUMBER	QTY	DESCRIPTION	REV
	1001200106	Ref	Engine Wiring Installation (ULS)	1
1	0700618	1	Bolt, M6X50	
2	0760607	1	Bolt, M6X14	
3	0761010	2	Bolt M10X20	
4	4031205	3	Bolt, M3X10	
5	4031607	4	Bolt, M5-0.8X16	
7	4811700	2	Washer, M6	
8	4812000	2	Washer, M10	
9	4831600	4	Washer, Lock M5	
10	1001131177	1	Fuse	
11	1001146588	3	Strap, Cable Tie	
12	1001182929	1	Harness, Fuel Pump (See Separate Breakdown in this Section)	
13	1001189046	1	Bracket	
14	1001191546	1	Decal, Fuse	
15	1001285934	1	Harness, Engine (See Separate Breakdown in this Section)	
16	1001008559	11	Strap, Cable	
17	1001182930	1	Harness, Glow Plug Relay (See Separate Breakdown in this Section)	
18	1062255	2	Strap, Tie	
19	0700808	1	Bolt, M8X16	
20	3290801	1	Nut, M8X1.25	
21	4811900	2	Washer, M8	
22	1001153749	1	Clip	
23	1001293972	1	Cable, ECM Power (Not Shown)	

SECTION 10 - ELECTRICAL

FIGURE 10-38. ENGINE WIRING INSTALLATION (MINING) (ULS)



ART_1001228728_C

SECTION 10 - ELECTRICAL

FIGURE 10-38. ENGINE WIRING INSTALLATION (MINING) (ULS)

ITEM	PART NUMBER	QTY	DESCRIPTION	REV
	1001228728	Ref	Engine Wiring Installation (Mining) (ULS)	C
1	0700618	1	Bolt, M6X50	
2	0760607	1	Bolt, M6X14	
3	0761010	2	Bolt, M10X20	
4	4031205	3	Bolt, M3X10	
5	4031607	4	Bolt, M5X16	
6	1062255	2	Strap, Tie	
7	4811700	2	Washer, M6	
8	4812000	2	Washer, M10	
9	4831600	4	Washer, Lock M5	
10	1001131177	1	Fuse	
11	1001146588	3	Strap, Cable Tie	
12	1001228733	1	Harness, Fuel Pump (See Separate Breakdown in this Section)	
13	1001189046	1	Bracket	
14	1001191546	1	Decal, Fuse	
15	1001286174	1	Harness, Engine (Mining) (ULS) (See Separate Breakdown in this Section)	
16	1001008559	11	Strap, Cable	
17	1001228732	1	Harness, Glow Plug Relay (See Separate Breakdown in this Section)	
18	0700808	1	Bolt, M8X16	
19	3290801	1	Nut, M8X1.25	
20	4811900	2	Washer, M8	
21	1001153749	1	Clip	
22	1001293972	1	Cable, ECM Power (Not Shown)	

SECTION 10 - ELECTRICAL

FIGURE 10-39. ENGINE HARNESS (ULS)

ITEM	PART NUMBER	QTY	DESCRIPTION	REV
	1001244428	Ref	Engine Harness (ULS)	A
1	1001202723	1	Connector	
2	1001167623	5	Plug	
3	1001166555	13	Terminal	
4	1001167621	50	Terminal	
5	1001167622	37	Plug	
6	4460539	1	Connector	
7	4460465	3	Terminal	
8	1001126487	1	Connector	
9	1001167635	2	Terminal	
10	1001126485	2	Terminal Seal	
11	1001167631	1	Connector	
12	1001167630	4	Terminal	
13	1001126485	4	Terminal Seal	
14	1001187070	1	Ring Terminal	
15	1001148842	1	Connector	
16	1001148841	3	Terminal	
17	1001135651	1	Plug	
18	1001135650	3	Terminal Seal	
19	1001202722	1	Connector	
20	1001166551	6	Terminal	
21	1001126353	6	Terminal Seal	
22	1001167622	58	Plug	
23	1001167621	21	Terminal	
24	1001167623	6	Plug	
25	1001138116	1	Connector	
26	1001133715	3	Terminal	
27	1001135650	4	Terminal Seal	
28	1001126487	1	Connector	
29	1001167634	2	Terminal	
30	1001126485	2	Terminal Seal	
31	1001209097	1	Connector	
32	8220124	2	Terminal	
33	4460608	2	Terminal Seal	
34	1001126362	1	Connector	
35	1001166556	26	Terminal	
36	1001126393	36	Terminal Seal	
37	1001126391	19	Plug	
38	4461008	2	Plug	
39	4461006	2	Terminal Seal	
40	4461054	2	Terminal Wire Seal	
41	1001166543	4	Terminal	
42	1001166774	10	Terminal	
43	1001126487	1	Connector	
44	1001167634	2	Terminal	
45	1001126485	2	Terminal Seal	
46	1001116812	1	Connector	
47	4460944	2	Terminal	
48	4460466	1	Plug	
49	4460539	1	Connector	

SECTION 10 - ELECTRICAL

ITEM	PART NUMBER	QTY	DESCRIPTION	REV
50	4460944	2	Terminal	
51	4460466	1	Plug	
52	4460891	1	Connector	
53	4460465	2	Terminal	
54	4460539	1	Connector	
55	4460944	2	Terminal	
56	4460466	1	Plug	
57	1001116812	1	Connector	
58	4460944	2	Terminal	
59	4460466	1	Plug	
60	1001116811	1	Connector	
61	1001150610	2	Terminal	
62	4460508	1	Terminal	
63	4460466	1	Plug	
64	1001144147	1	Connector	
65	4460464	2	Terminal	
66	4460466	1	Plug	
67	4460894	1	Connector	
68	4460466	1	Plug	
69	4460465	5	Terminal	
70	1001126245	1	Connector	
71	1001126008	2	Terminal	
72	1001167629	1	Connector	
73	1001167630	4	Terminal	
74	1001126485	4	Terminal Seal	
75	1001207171	1	Ring Terminal, (with boot)	
76	1001207171	1	Ring Terminal, (with boot)	
77	1001118282	1	Connector	
78	1001116734	2	Terminal	
79	1001116732	2	Terminal	
80	1001128128	1	Plug	
81	1001187080	1	Ring Terminal	
82	1001187080	1	Ring Terminal	
83	1001187078	1	Ring Terminal	
84	1001187080	1	Ring Terminal	
85	1001187080	1	Ring Terminal	
86	4460970	1	Connector	
87	4460464	9	Terminal	
88	4460466	3	Plug	
89	1001167616	1	Connector	
90	1001190921	1	Fuse Box Foam Seal	
91	4460748	7	Plug	
92	8220097	23	Terminal	
93	1001175265	19	Terminal Seal	
94	8220098	9	Terminal	
95	4460458	11	Terminal Seal	
96	1001116725	6	Terminal	
97	80963067	1	Terminal Seal	
98	1001190037	5	Terminal Seal	
99	1001190921	1	Fuse Box Foam Seal	
100	2902443	1	Connector	

SECTION 10 - ELECTRICAL

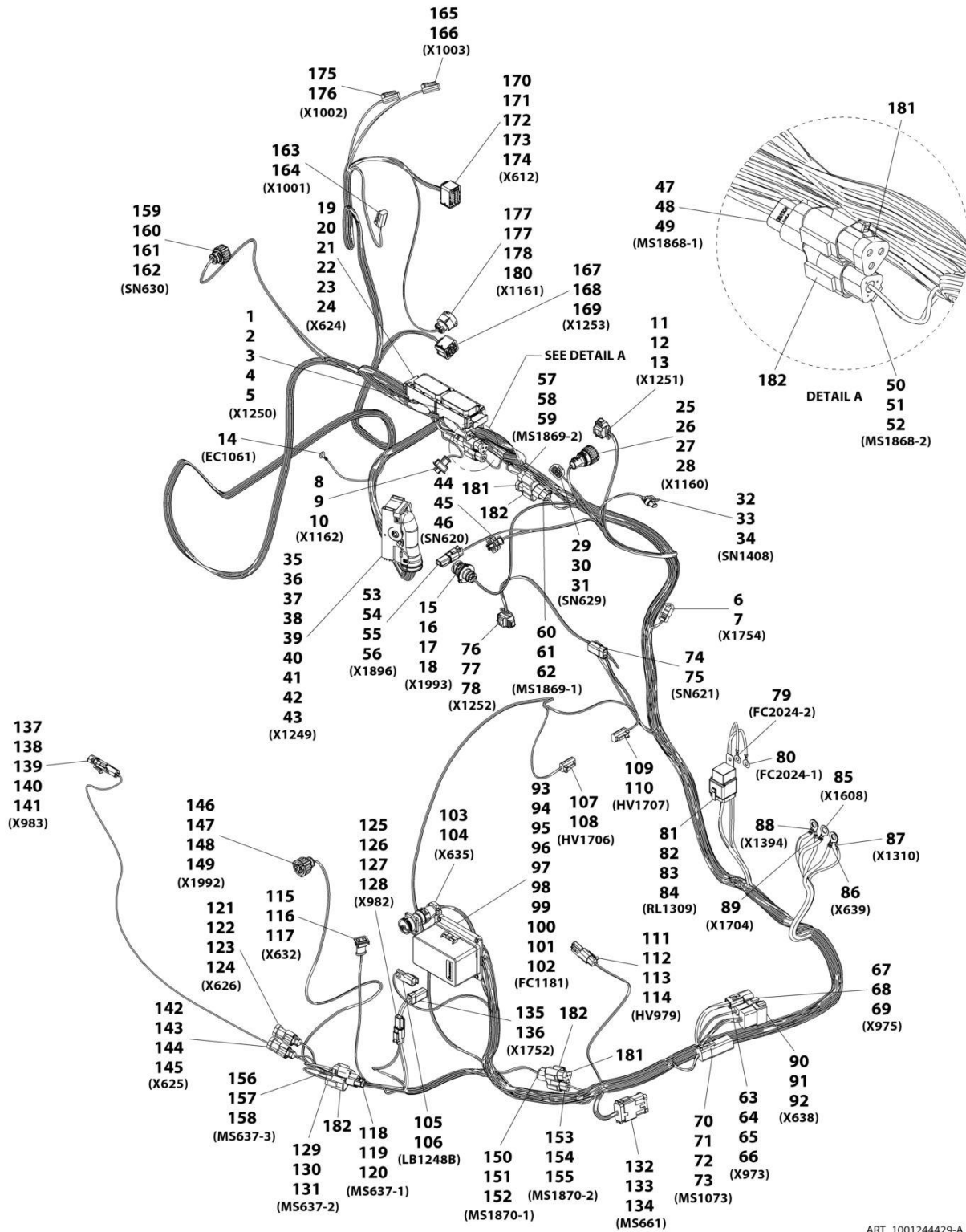
ITEM	PART NUMBER	QTY	DESCRIPTION	REV
101	4461071	6	Terminal	
102	1001153612	1	Connector	
103	1001126011	2	Terminal	
104	4460891	1	Connector	
105	4460465	2	Terminal	
106	4460891	1	Connector	
107	4460465	2	Terminal	
108	4460891	1	Connector	
109	4460465	2	Terminal	
110	1001167636	1	Connector	
111	1001166707	2	Terminal	
112	4461006	2	Terminal Seal	
113	4461095	1	Connector	
114	4460944	2	Terminal	
115	4460466	1	Plug	
116	4461095	1	Connector	
117	4460944	2	Terminal	
118	4460466	1	Plug	
119	4460891	1	Connector	
120	4460465	2	Terminal	
121	4460539	1	Connector	
122	4460944	2	Terminal	
123	4460466	1	Plug	
124	4460933	1	Connector	
125	4460465	12	Terminal	
126	4461018	1	Connector	
127	4460509	2	Terminal	
128	80963056	1	Connector	
129	4460979	1	Terminal	
130	1001175265	1	Terminal Seal	
131	4461095	1	Connector	
132	4460944	2	Terminal	
133	4460466	1	Plug	
134	1001133714	1	Connector	
135	1001133715	3	Terminal	
136	1001135650	3	Terminal Seal	
137	1001135651	1	Plug	
138	1001116812	1	Connector	
139	4460944	2	Terminal	
140	4460466	1	Plug	
141	4460539	1	Connector	
142	4460944	2	Terminal	
143	4460466	1	Plug	
144	1001116812	1	Connector	
145	4460944	2	Terminal	
146	4460466	1	Plug	
147	1001133714	1	Connector	
148	1001133715	3	Terminal	
149	1001135650	3	Terminal Seal	
150	1001135651	1	Plug	
151	4460891	1	Connector	

SECTION 10 - ELECTRICAL

ITEM	PART NUMBER	QTY	DESCRIPTION	REV
152	4460942	2	Terminal	
153	4460891	1	Connector	
154	4460942	2	Terminal	
155	1001167528	1	Connector	
156	1001167528	3	Terminal	
157	1001137578	3	Seal	
158	1001165194	1	Connector	
159	1001126391	2	Plug	
160	1001166556	8	Terminal	
161	1001166774	2	Terminal	
162	1001126393	10	Terminal Seal	
163	4460891	1	Connector	
164	4460942	2	Terminal	
165	1001167620	1	Connector	
166	1001176004	2	Terminal	
167	1001176002	2	Terminal Seal	
168	1001167624	2	Plug	
169	4460466	6	Plug	
170	4460892	1	Mating Connector	
171	4460897	3	Mating Connector	
172	4460945	4	Connector, 3 Way	
173	4461070	2	Terminator Resistor	
174	80963055	1	Mating Connector	
175	1001116727	1	Plug	
176	1001116815	3	Connector	
177	1001125677	1	Mating Connector	
178	1001187882	1	Cover	

SECTION 10 - ELECTRICAL

FIGURE 10-40. ENGINE HARNESS (MINING) (ULS)



ART_1001244429-A

SECTION 10 - ELECTRICAL

FIGURE 10-40. ENGINE HARNESS (MINING) (ULS)

ITEM	PART NUMBER	QTY	DESCRIPTION	REV
	1001244429	Ref	Engine Harness (Mining) (ULS)	A
1	1001202723	1	Connector	
2	1001167623	5	Plug	
3	1001166555	13	Terminal	
4	1001167621	50	Terminal	
5	1001167622	37	Plug	
6	4460539	1	Connector	
7	4460465	3	Terminal	
8	1001126487	1	Connector	
9	1001167635	2	Terminal	
10	1001126485	2	Terminal Seal	
11	1001167631	1	Connector	
12	1001167630	4	Terminal	
13	1001126485	4	Terminal Seal	
14	1001187070	1	Ring Terminal	
15	1001148842	1	Connector	
16	1001148841	3	Terminal	
17	1001135651	1	Plug	
18	1001135650	3	Terminal Seal	
19	1001202722	1	Connector	
20	1001166551	6	Terminal	
21	1001126353	6	Terminal Seal	
22	1001167622	58	Plug	
23	1001167621	21	Terminal	
24	1001167623	6	Plug	
25	1001138116	1	Connector	
26	1001187882	1	Cover	
27	1001133715	3	Terminal	
28	1001135650	4	Terminal Seal	
29	1001126487	1	Connector	
30	1001167634	2	Terminal	
31	1001126485	2	Terminal Seal	
32	1001209097	1	Connector	
33	8220124	2	Terminal	
34	4460608	2	Terminal Seal	
35	1001126362	1	Connector	
36	1001166556	26	Terminal	
37	1001126393	36	Terminal Seal	
38	1001126391	20	Plug	
39	4461008	2	Plug	
40	4461006	2	Seal	
41	4461054	2	Terminal Wire Seal	
42	1001166543	4	Terminal	
43	1001166774	10	Terminal	
44	1001126487	1	Connector	
45	1001167634	2	Terminal	
46	1001126485	2	Terminal Seal	
47	1001116812	1	Connector	
48	4460944	2	Terminal	
49	4460466	1	Plug	

SECTION 10 - ELECTRICAL

ITEM	PART NUMBER	QTY	DESCRIPTION	REV
50	4460539	1	Connector	
51	4460944	2	Terminal	
52	4460466	1	Plug	
53	4460891	1	Connector	
54	4460897	1	Mating Connector	
55	4460465	2	Terminal	
56	4460466	2	Plug	
57	4460539	1	Connector	
58	4460944	2	Terminal	
59	4460466	1	Plug	
60	1001116812	1	Connector	
61	4460944	2	Terminal	
62	4460466	1	Plug	
63	1001116811	1	Connector	
64	1001150610	2	Terminal	
65	4460508	1	Terminal	
66	4460466	1	Plug	
67	1001144147	1	Connector	
68	4460464	2	Terminal	
69	4460466	1	Plug	
70	4460894	1	Connector	
71	4460892	1	Mating Connector	
72	4460466	1	Plug	
73	4460465	5	Terminal	
74	1001126245	1	Connector	
75	1001126008	2	Terminal	
76	1001167629	1	Connector	
77	1001167630	4	Terminal	
78	1001126485	4	Terminal Seal	
79	1001207171	1	Ring Terminal, (with boot)	
80	1001207171	1	Ring Terminal, (with boot)	
81	1001118282	1	Connector	
82	1001116734	2	Terminal	
83	1001116732	2	Terminal	
84	1001128128	1	Plug	
85	1001187080	1	Ring Terminal	
86	1001187080	1	Ring Terminal	
87	1001187078	1	Ring Terminal	
88	1001187080	1	Ring Terminal	
89	1001187080	1	Ring Terminal	
90	4460970	1	Connector	
91	4460464	9	Terminal	
92	4460466	3	Plug	
93	1001167616	1	Connector	
94	1001190921	1	Fuse Box Foam Seal	
95	4460748	12	Plug	
96	8220097	23	Terminal	
97	1001175265	21	Terminal Seal	
98	8220098	9	Terminal	
99	4460458	11	Terminal Seal	
100	1001116725	6	Terminal	

SECTION 10 - ELECTRICAL

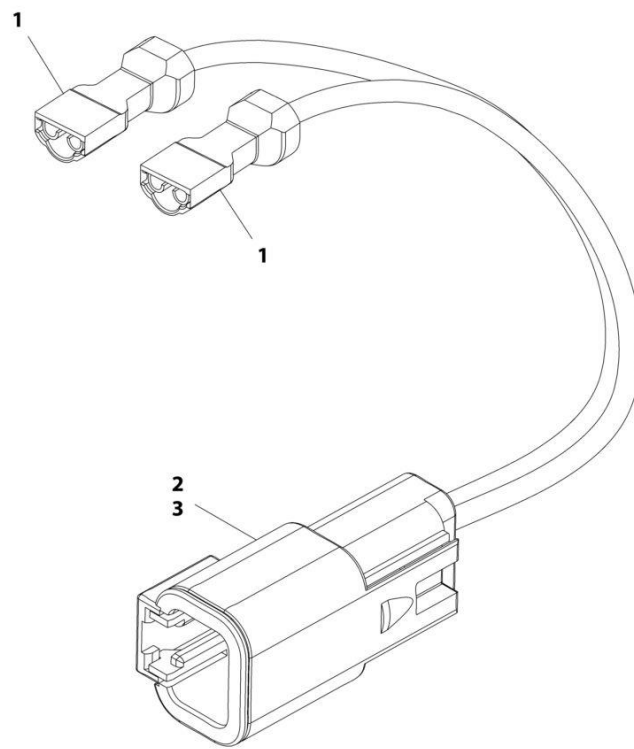
ITEM	PART NUMBER	QTY	DESCRIPTION	REV
101	80963067	1	Terminal Seal	
102	1001190037	5	Terminal Seal	
103	2902443	1	Connector	
104	4461071	6	Terminal	
105	1001153612	1	Connector	
106	1001126011	2	Terminal	
107	4460891	1	Connector	
108	4460465	2	Terminal	
109	4460891	1	Connector	
110	4460465	2	Terminal	
111	4460891	1	Connector	
112	4460465	2	Terminal	
113	4460897	1	Mating Connector	
114	4460466	2	Plug	
115	1001167636	1	Connector	
116	1001166707	2	Terminal	
117	4461006	2	Terminal Seal	
118	1001116812	1	Connector	
119	4460944	2	Terminal	
120	4460466	1	Plug	
121	4461095	1	Connector	
122	4461070	1	Terminator Resistor	
123	4460944	2	Terminal	
124	4460466	1	Plug	
125	4460891	1	Connector	
126	4460897	1	Mating Connector	
127	4460465	2	Terminal	
128	4460466	2	Plug	
129	4460539	1	Connector	
130	4460944	2	Terminal	
131	4460466	1	Plug	
132	4460933	1	Connector	
133	1001125677	1	Mating Connector	
134	4460465	12	Terminal	
135	4461018	1	Connector	
136	4460509	2	Terminal	
137	80963056	1	Connector	
138	80963055	1	Mating Connector	
139	4460979	1	Terminal	
140	1001175265	1	Terminal Seal	
141	1001116727	1	Plug	
142	4461095	1	Connector	
143	4461070	1	Terminator Resistor	
144	4460944	2	Terminal	
145	4460466	1	Plug	
146	1001133714	1	Connector	
147	1001133715	3	Terminal	
148	1001135650	3	Terminal Seal	
149	1001135651	1	Plug	
150	1001116812	1	Connector	
151	4460944	2	Terminal	

SECTION 10 - ELECTRICAL

ITEM	PART NUMBER	QTY	DESCRIPTION	REV
152	4460466	1	Plug	
153	4460539	1	Connector	
154	4460944	2	Terminal	
155	4460466	1	Plug	
156	1001116812	1	Connector	
157	4460944	2	Terminal	
158	4460466	1	Plug	
159	1001133714	1	Connector	
160	1001133715	3	Terminal	
161	1001135650	3	Terminal Seal	
162	1001135651	1	Plug	
163	4460891	1	Connector	
164	4460942	2	Terminal	
165	4460891	1	Connector	
166	4460942	2	Terminal	
167	1001167528	1	Connector	
168	1001166704	4	Terminal	
169	1001137578	4	Terminal Seal	
170	1001165194	1	Connector	
171	1001126391	2	Plug	
172	1001166556	8	Terminal	
173	1001166774	2	Terminal	
174	1001126393	10	Terminal Seal	
175	4460891	1	Connector	
176	4460942	2	Terminal	
177	1001167620	1	Connector	
178	1001176004	2	Terminal	
179	1001176002	2	Terminal Seal	
180	1001167624	2	Plug	
181	1001116815	3	Connector	
182	4460945	4	Connector, 3 Way	

SECTION 10 - ELECTRICAL

FIGURE 10-41. ENGINE - FUEL PUMP HARNESS



ART_1001182929-E

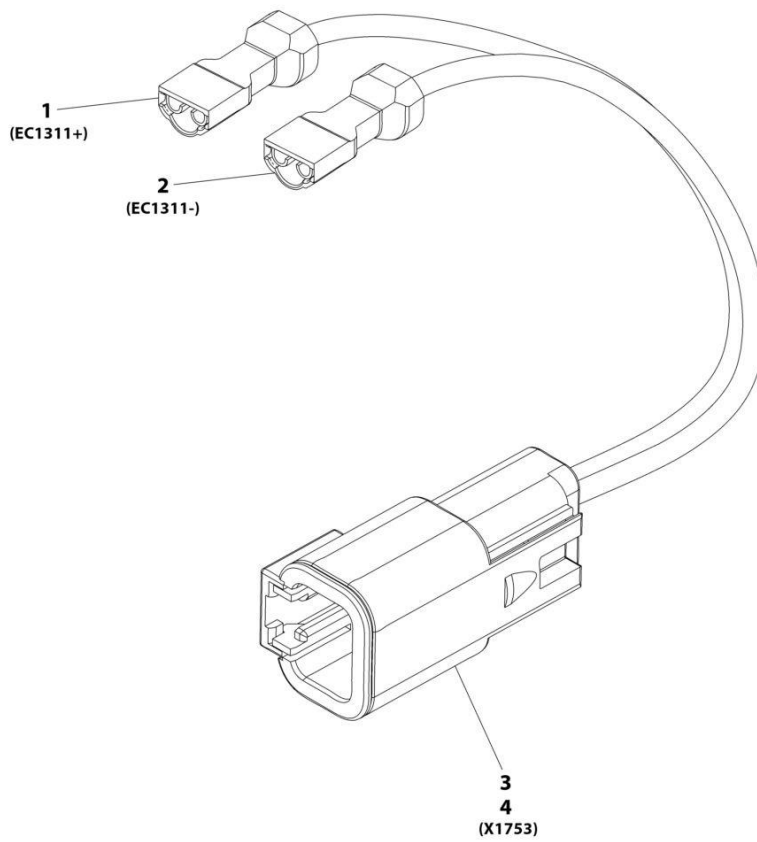
SECTION 10 - ELECTRICAL

FIGURE 10-41. ENGINE - FUEL PUMP HARNESS

ITEM	PART NUMBER	QTY	DESCRIPTION	REV
	1001182929	Ref	Fuel Pump Harness	E
1	8220043	2	Connector	
2	4461017	1	Connector	
3	4460508	2	Terminal	

SECTION 10 - ELECTRICAL

FIGURE 10-42. ENGINE - FUEL PUMP HARNESS (MINING) (ULS)



ART_1001228733-A

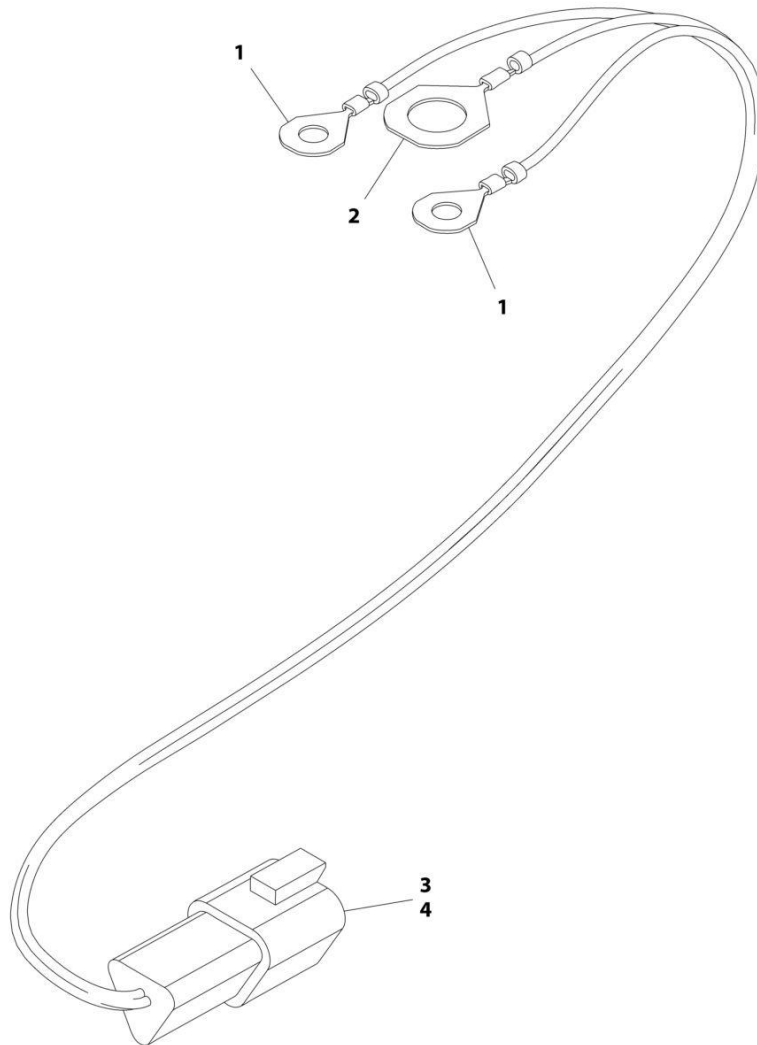
SECTION 10 - ELECTRICAL

FIGURE 10-42. ENGINE - FUEL PUMP HARNESS (MINING) (ULS)

ITEM	PART NUMBER	QTY	DESCRIPTION	REV
	1001228733	Ref	Fuel Pump Harness (Mining) (ULS)	A
1	8220043	1	Connector	
2	8220043	1	Connector	
3	4461017	1	Connector	
4	4460508	2	Terminal	

SECTION 10 - ELECTRICAL

FIGURE 10-43. ENGINE - GLOW PLUG RELAY HARNESS



ART_1001182930-C

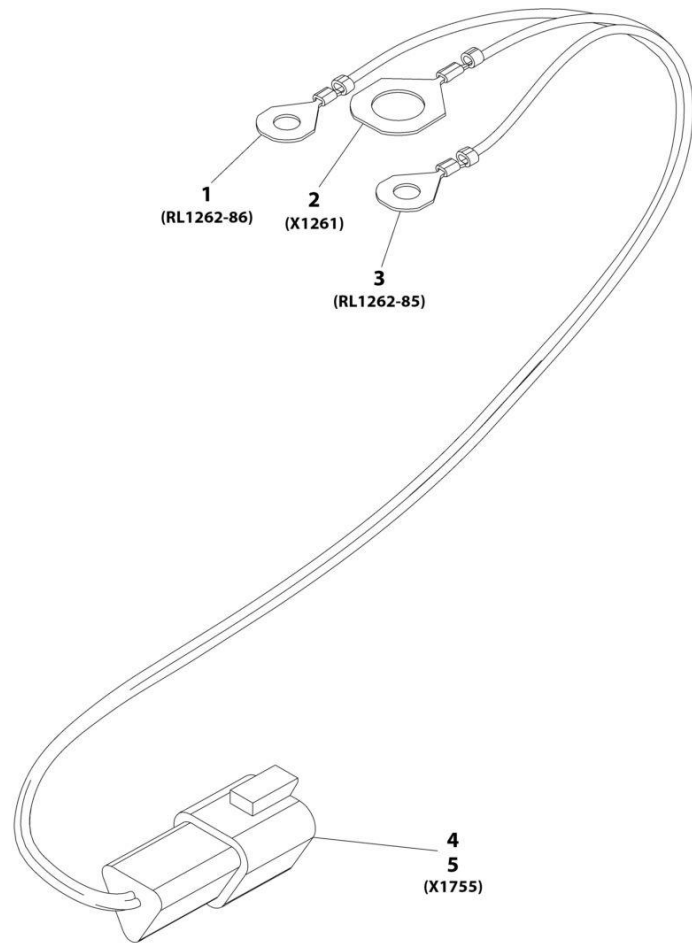
SECTION 10 - ELECTRICAL

FIGURE 10-43. ENGINE - GLOW PLUG RELAY HARNESS

ITEM	PART NUMBER	QTY	DESCRIPTION	REV
	1001182930	Ref	Glow Plug Relay Harness	C
1	1001187070	2	Ring, Terminal	
2	1001187077	1	Ring, Terminal	
3	4460536	1	Connector	
4	4460464	3	Terminal	

SECTION 10 - ELECTRICAL

FIGURE 10-44. ENGINE - GLOW PLUG RELAY HARNESS (MINING) (ULS)



ART_1001228732-A

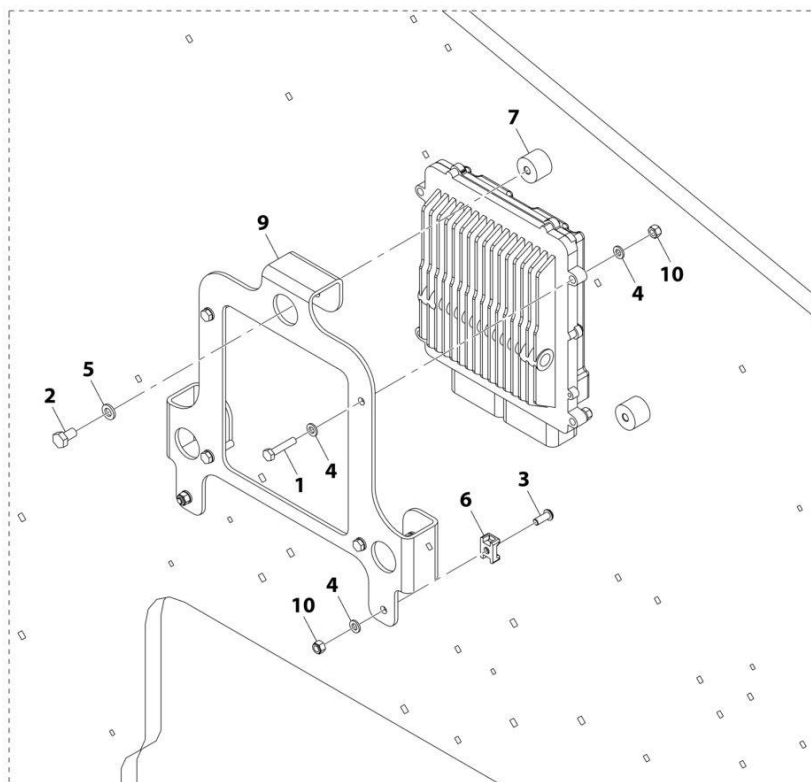
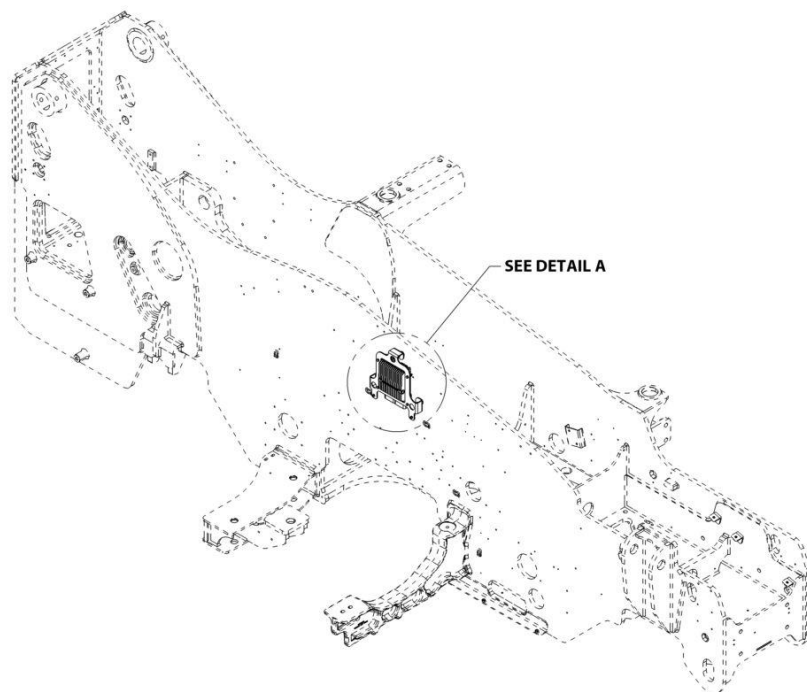
SECTION 10 - ELECTRICAL

FIGURE 10-44. ENGINE - GLOW PLUG RELAY HARNESS (MINING) (ULS)

ITEM	PART NUMBER	QTY	DESCRIPTION	REV
	1001228732	Ref	Glow Plug Relay Harness (Mining) (ULS)	A
1	1001187070	1	Ring, Terminal	
2	1001187077	1	Ring, Terminal	
3	1001187070	1	Ring, Terminal	
4	4460536	1	Connector	
5	4460464	3	Terminal	

SECTION 10 - ELECTRICAL

FIGURE 10-45. ENGINE ECU INSTALLATION



DETAIL A

ART_1001200869-B

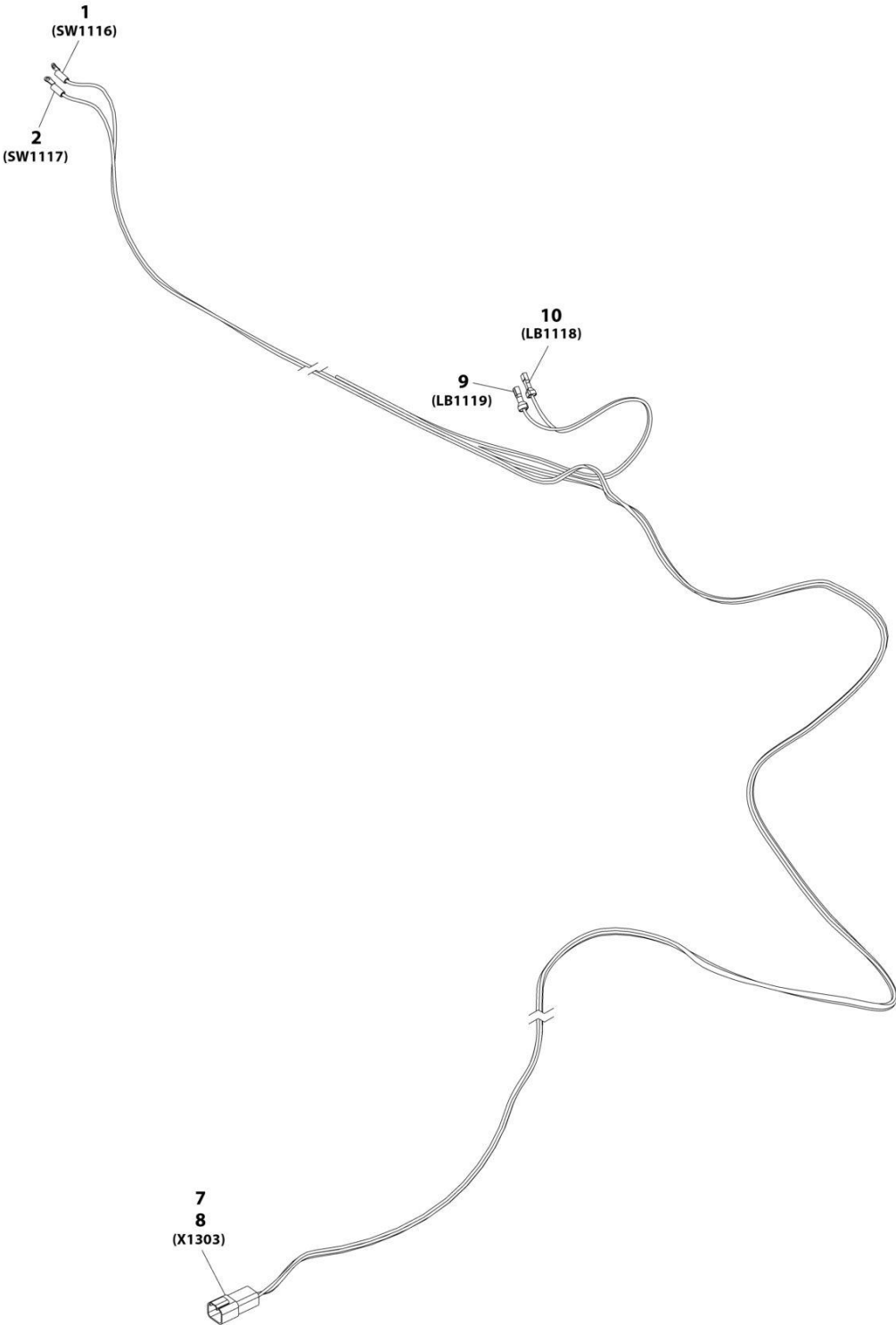
SECTION 10 - ELECTRICAL

FIGURE 10-45. ENGINE ECU INSTALLATION

ITEM	PART NUMBER	QTY	DESCRIPTION	REV
	1001200869	Ref	Engine ECU Installation	B
1	0700614	4	Bolt, M6X30	
2	0760807	3	Bolt, M8X14	
3	3900357	2	Capscrew, M6X16	
4	4811700	10	Washer, M6	
5	4831900	3	Washer, Lock M8	
6	1001138645	2	Mount, Cable Tie	
7	1001179907	3	Mount, Isolator	
9	1001210397	1	Plate	
10	3290605	6	Nut, Lock M6X1	

SECTION 10 - ELECTRICAL

FIGURE 10-46. ENGINE - AIR SHUTOFF VALVE HARNESS



ART_1001231407-C

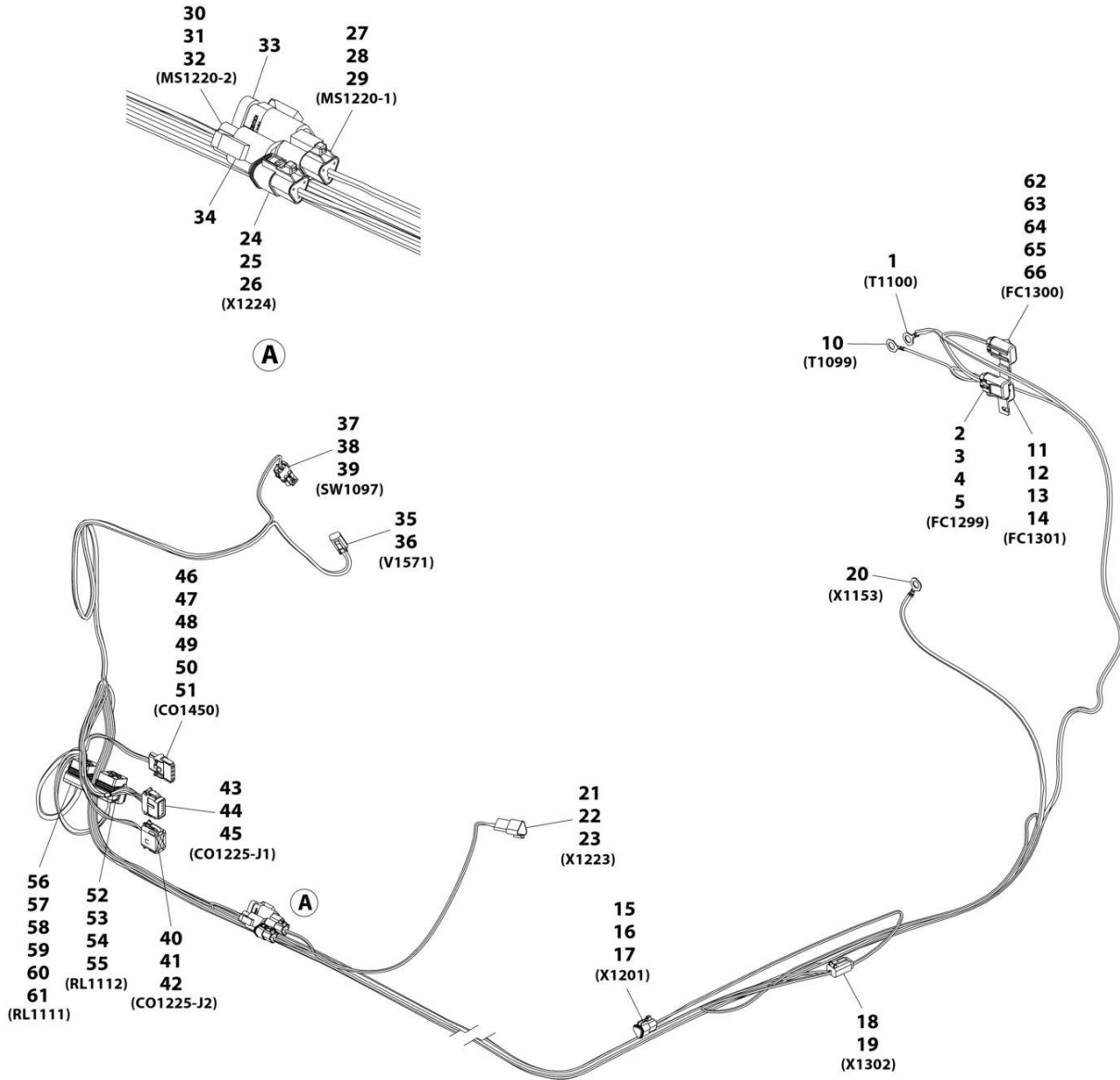
SECTION 10 - ELECTRICAL

FIGURE 10-46. ENGINE - AIR SHUTOFF VALVE HARNESS

ITEM	PART NUMBER	QTY	DESCRIPTION	REV
	1001231407	1	Air Shutoff Valve Harness	C
1	8220035	1	Terminal, Ring	
2	8220035	1	Terminal, Ring	
7	4460932	1	Connector	
8	4460464	4	Pin	
9	8220108	1	Connector, Female	
10	8220108	1	Connector, Female	

SECTION 10 - ELECTRICAL

FIGURE 10-47. ENGINE - AIR SHUT OFF VALVE HARNESS (ENGINE)



ART_1001231483_D

SECTION 10 - ELECTRICAL

FIGURE 10-47. ENGINE - AIR SHUT OFF VALVE HARNESS (ENGINE)

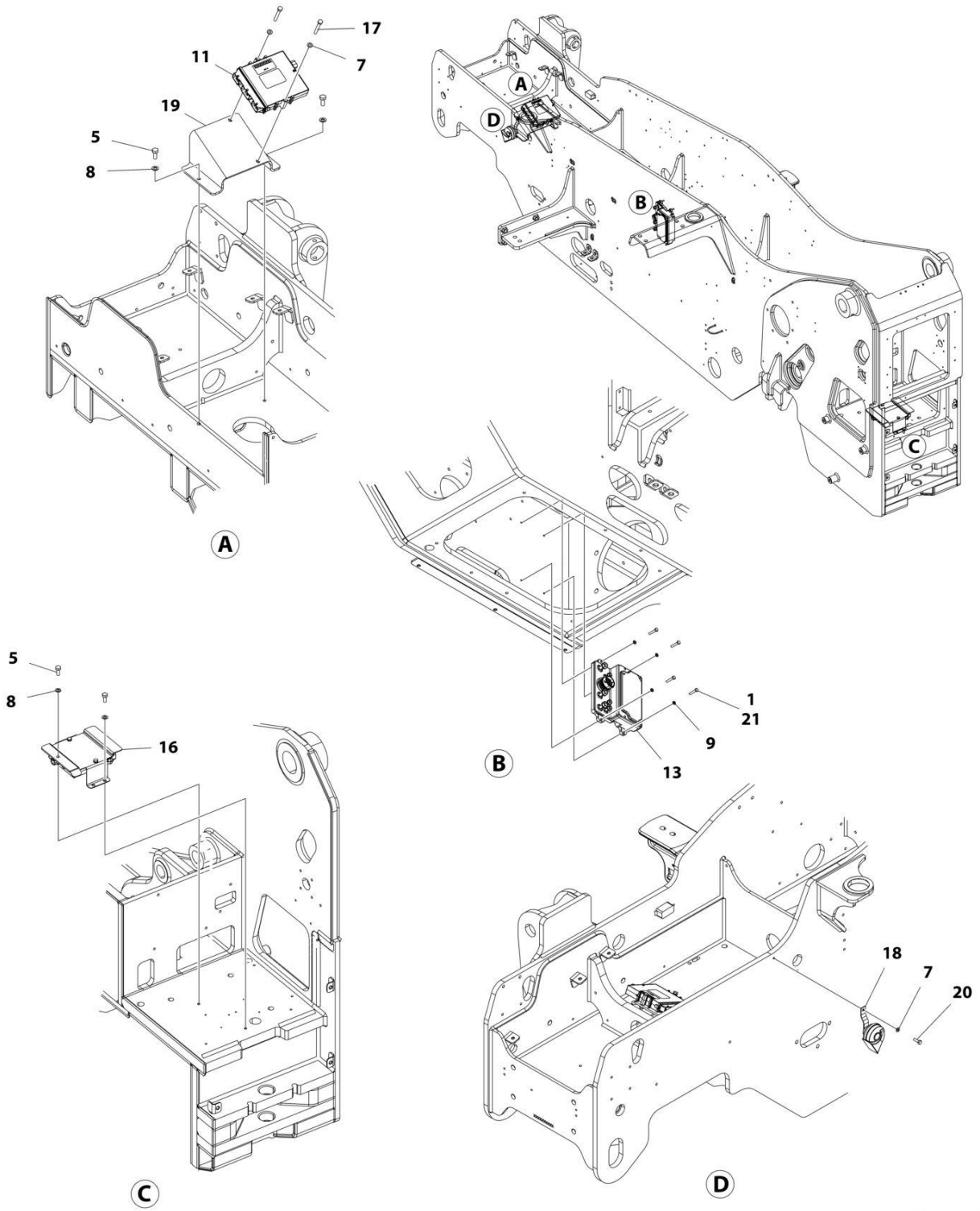
ITEM	PART NUMBER	QTY	DESCRIPTION	REV
	1001231483	Ref	Air Shut Off Valve Harness (Engine)	D
1	1001187079	1	Terminal, Ring	
2	1001231397	1	Connector	
3	8229235	1	Fuse, 20amp	
4	1001231401	2	Terminal	
5	1001230402	2	Seal	
10	1001187078	1	Terminal, Ring	
11	1001231397	1	Connector	
12	8229261	1	Fuse, 5amp	
13	1001231400	2	Terminal	
14	1001230403	2	Seal	
15	1001116812	1	Connector	
16	4460465	2	Terminal	
17	4460466	1	Plug	
18	4460884	1	Connector	
19	4460465	4	Terminal	
20	1001187079	1	Terminal, Ring	
21	1001144147	1	Connector	
22	4460464	2	Terminal	
23	4460466	1	Plug	
24	1001116812	1	Connector	
25	4460465	2	Terminal	
26	4460466	1	Plug	
27	1001116812	1	Connector	
28	4460465	2	Terminal	
29	4460466	1	Plug	
30	4460539	1	Connector	
31	4460465	2	Terminal	
32	4460466	1	Plug	
33	1001116815	1	Connector, 3 Pin	
34	4460945	1	Terminal, 3 Way "T" Receptacle	
35	4460891	1	Connector	
36	1001157890	2	Terminal	
37	4460742	1	Connector	
38	4460475	2	Terminal	
39	4460458	2	Plug	
40	1001116774	1	Connector	
41	4460518	8	Plug	
42	1001126008	4	Terminal	
43	1001116808	1	Connector	
44	1001126008	9	Terminal	
45	4460518	3	Plug	
46	4460761	1	Connector	
47	4460321	1	Terminal	
48	1001118378	4	Terminal	
49	4460809	4	Plug	
50	1001143551	1	Seal	
51	1001218358	1	Lanyard Rope	
52	1001231398	1	Connector	
53	1001231400	4	Terminal	

SECTION 10 - ELECTRICAL

ITEM	PART NUMBER	QTY	DESCRIPTION	REV
54	1001231404	4	Seal	
55	1001231406	1	Plug	
56	1001231398	1	Connector	
57	1001231401	2	Terminal	
58	1001231402	2	Seal	
59	1001231400	2	Terminal	
60	1001231404	2	Seal	
61	1001231406	1	Plug	
62	1001231397	1	Connector	
63	8229234	1	Fuse, 10amp	
64	1001231400	2	Terminal	
65	1001230403	1	Seal	
66	1001230404	1	Seal	

SECTION 10 - ELECTRICAL

FIGURE 10-48. FRAME ELECTRICAL INSTALLATION (Prior to SN 0160110782)



ART_1001183272

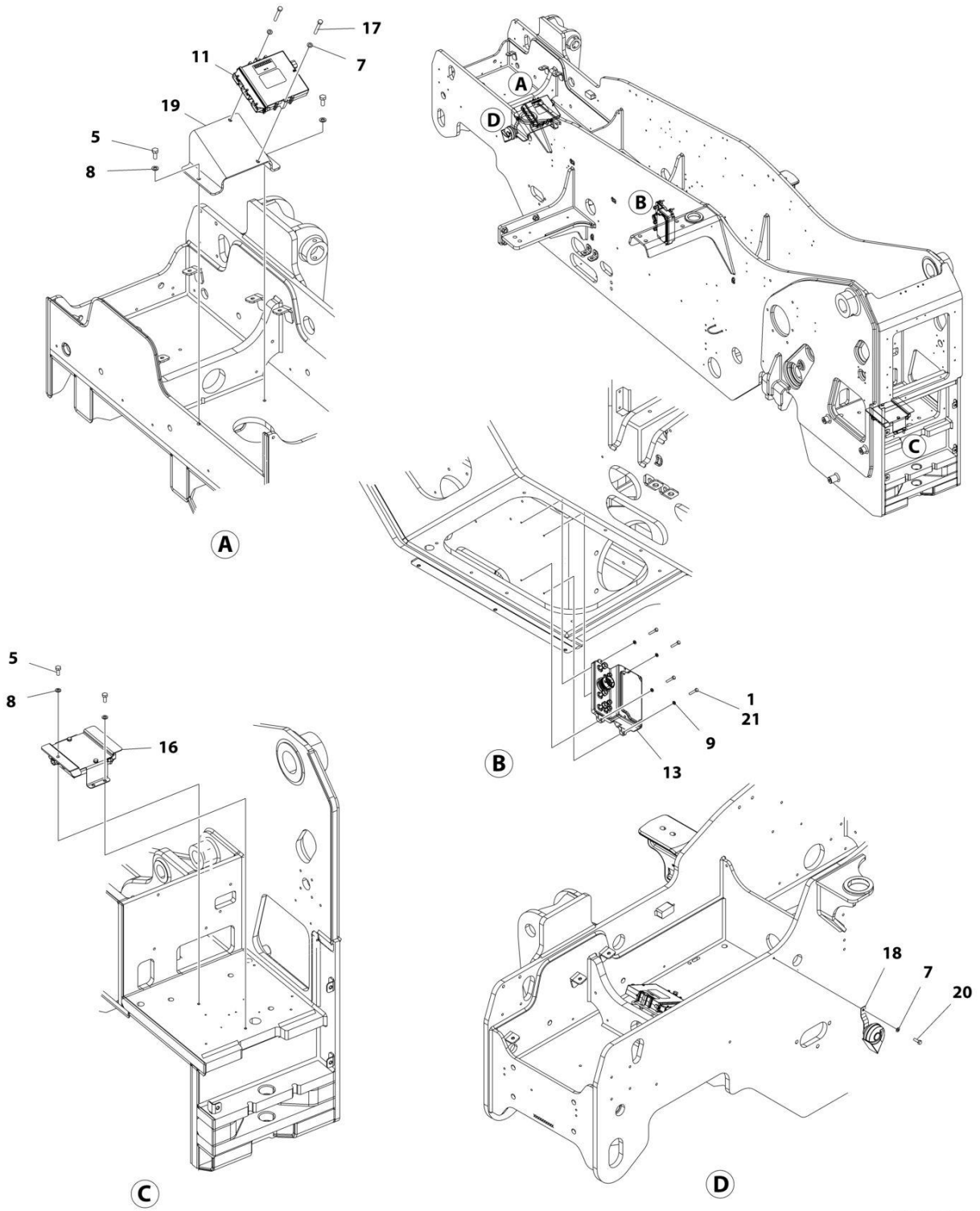
SECTION 10 - ELECTRICAL

FIGURE 10-48. FRAME ELECTRICAL INSTALLATION (Prior to SN 0160110782)

ITEM	PART NUMBER	QTY	DESCRIPTION	REV
	1001183272	Ref	FRAME ELECTRICAL INSTALLATION	H
1	0700614	4	Bolt M6 x 30	
5	0761012	4	Bolt M10 x 25	
7	4811900	3	Washer M8	
8	4812000	4	Washer M10	
9	4831700	4	Washer M6	
11	1001162253	1	Control, Front Frame Module	
13	1001164402	1	Box, Power Distribution Electrical (See Separate Breakdown in this Section)	
16	1001210770	1	Installation, Rear Frame Module (See Separate Breakdown in this Section)	
17	0700820	2	Bolt M8 x 60	
18	10713707	1	Horn	
19	1001215208	1	Bracket	
20	0760812	1	Bolt M8 x 25	
21	1001180620	AR	Adhesive, Loctite	

SECTION 10 - ELECTRICAL

FIGURE 10-49. FRAME ELECTRICAL INSTALLATION (SN 0160110782 to Present)



ART_1001183272_I

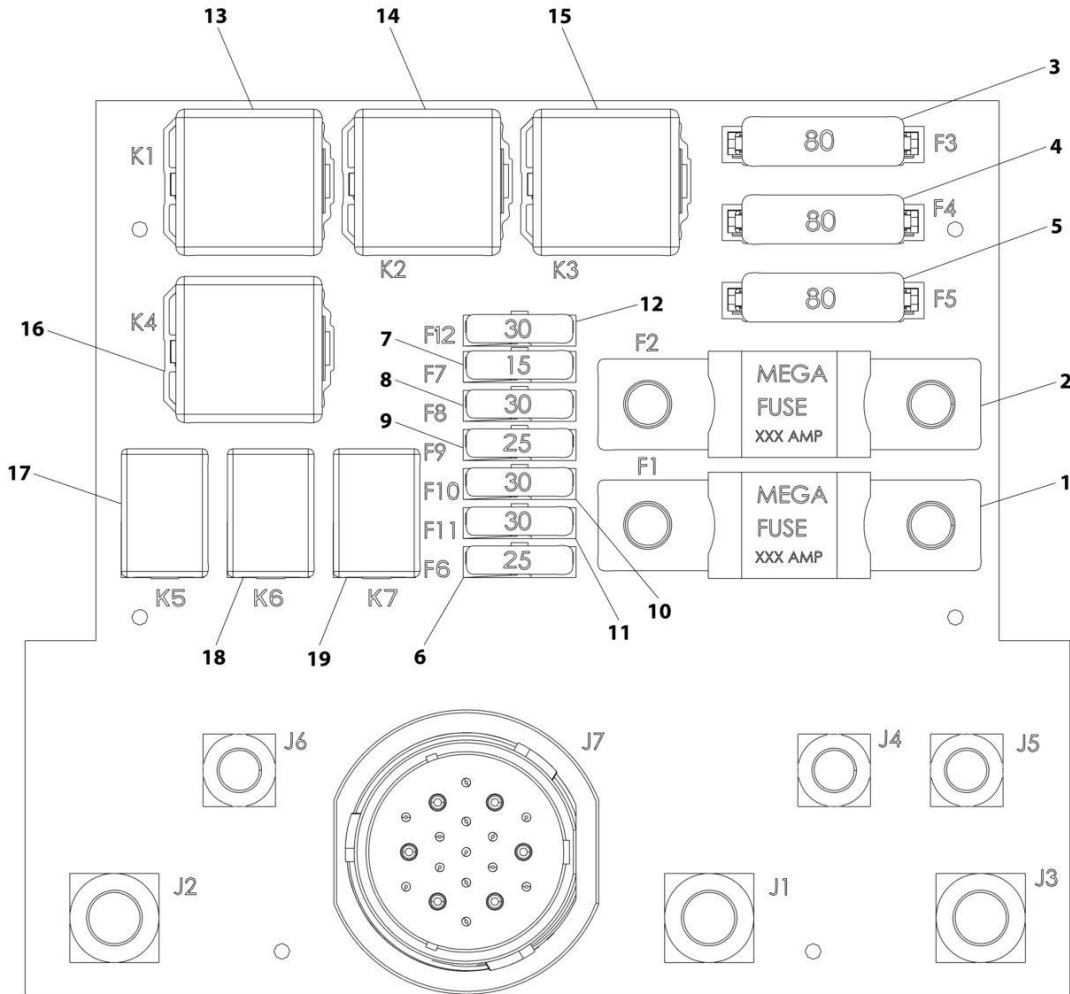
SECTION 10 - ELECTRICAL

FIGURE 10-49. FRAME ELECTRICAL INSTALLATION (SN 0160110782 to Present)

ITEM	PART NUMBER	QTY	DESCRIPTION	REV
	1001183272	Ref	FRAME ELECTRICAL INSTALLATION	I
1	0700614	4	Bolt M6 x 30	
5	0761012	4	Bolt M10 x 25	
7	4811900	3	Washer M8	
8	4812000	4	Washer M10	
9	4831700	4	Washer M6	
11	1001270467	1	Control, Front Frame Module	
13	1001164402	1	Box, Power Distribution Electrical (See Separate Breakdown in this Section)	
16	1001210770	1	Installation, Rear Frame Module (See Separate Breakdown in this Section)	
17	0700820	2	Bolt M8 x 60	
18	10713707	1	Horn	
19	1001215208	1	Bracket	
20	0760812	1	Bolt M8 x 25	
21	1001180620	AR	Adhesive, Loctite	

SECTION 10 - ELECTRICAL

FIGURE 10-50. FRAME - POWER DISTRIBUTION ELECTRICAL BOX



ART_1001164402-G

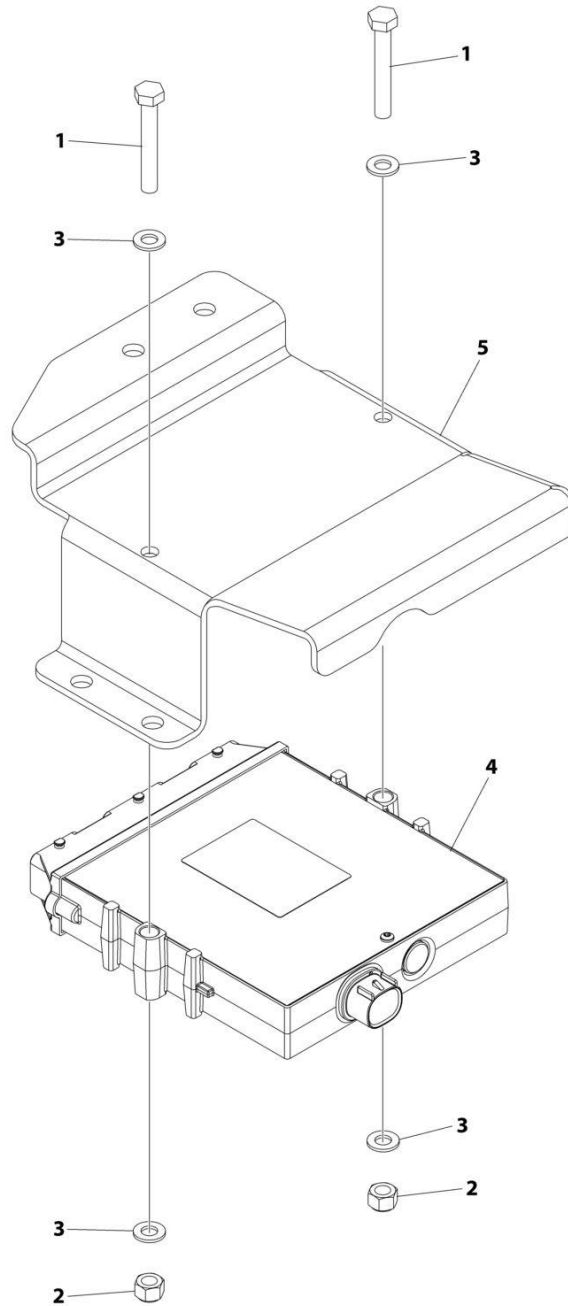
SECTION 10 - ELECTRICAL

FIGURE 10-50. FRAME - POWER DISTRIBUTION ELECTRICAL BOX

ITEM	PART NUMBER	QTY	DESCRIPTION	REV
	1001164402	Ref	Power Distribution Electrical Box	G
1	1001095336	1	Fuse, 150AMP	
2	70026296	1	Fuse, 200AMP	
3	70026297	1	Fuse, 80AMP	
4	70026297	1	Fuse, 80AMP	
5	70026297	1	Fuse, 80AMP	
6	8229247	1	Fuse, 25AMP	
7	8229244	1	Fuse, 15AMP	
8	8229245	1	Fuse, 30AMP	
9	8229247	1	Fuse, 25AMP	
10	8229245	1	Fuse, 30AMP	
11	8229245	1	Fuse, 30AMP	
12	8229245	1	Fuse, 30AMP	
13	70026294	1	Fuse, 70AMP	
14	70026294	1	Fuse, 70AMP	
15	70026294	1	Fuse, 70AMP	
16	70026294	1	Fuse, 70AMP	
17	70026295	1	Fuse, 35AMP	
18	70026295	1	Fuse, 35AMP	
19	70026295	1	Fuse, 35AMP	

SECTION 10 - ELECTRICAL

FIGURE 10-51. FRAME - REAR FRAME MODULE INSTALLATION (Prior to SN 0160110782)



ART_1001210770_D

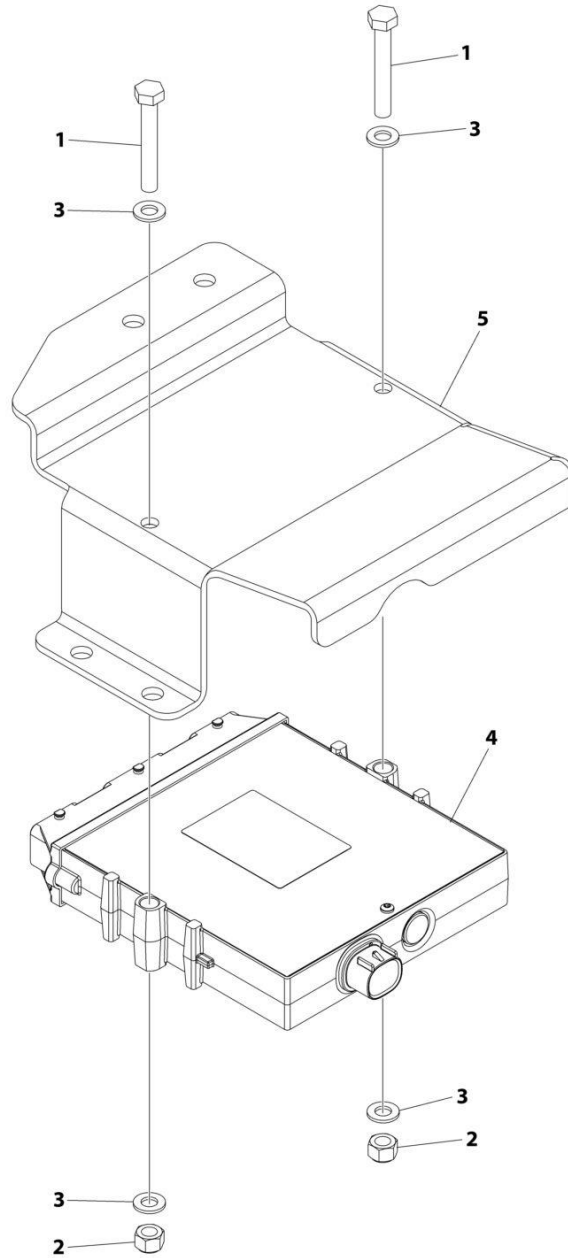
SECTION 10 - ELECTRICAL

FIGURE 10-51. FRAME - REAR FRAME MODULE INSTALLATION (Prior to SN 0160110782)

ITEM	PART NUMBER	QTY	DESCRIPTION	REV
	1001210770	Ref	Rear Frame Module Installation	D
1	0700819	2	Bolt M8 x 55	
2	3290805	2	Nut M8 x 1.25	
3	4811900	4	Washer M8	
4	1001162256	1	Control, Rear Frame Module	
5	1001255581	1	Bracket	

SECTION 10 - ELECTRICAL

FIGURE 10-52. FRAME - REAR FRAME MODULE INSTALLATION (SN 0160110782 to Present)



ART_1001210770_E

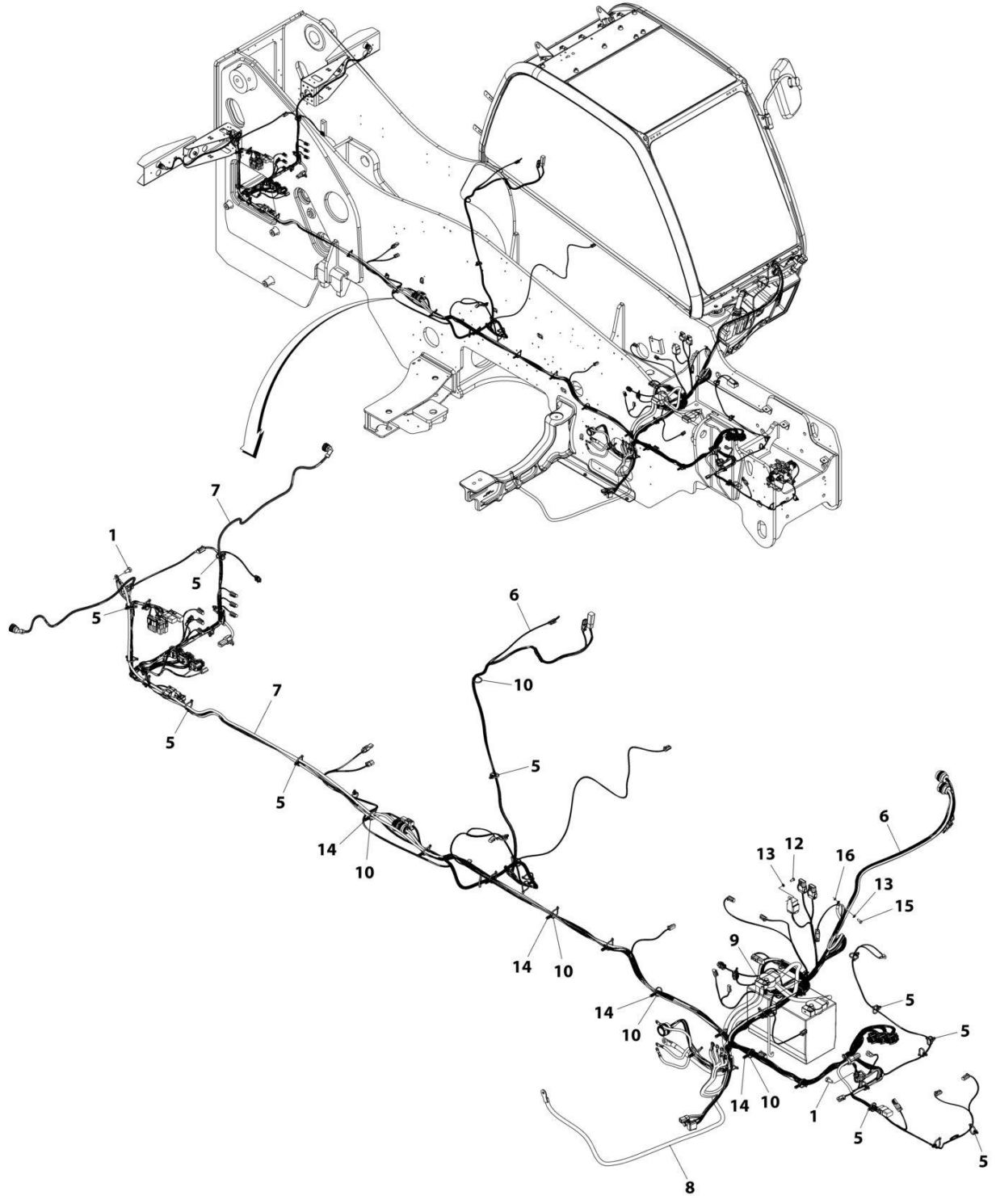
SECTION 10 - ELECTRICAL

FIGURE 10-52. FRAME - REAR FRAME MODULE INSTALLATION (SN 0160110782 to Present)

ITEM	PART NUMBER	QTY	DESCRIPTION	REV
	1001210770	Ref	REAR FRAME MODULE INSTALLATION	E
1	0700819	2	Bolt M8 x 55	
2	3290805	2	Nut M8 x 1.25	
3	4811900	4	Washer M8	
4	1001270468	1	Control, Rear Frame Module	
5	1001255581	1	Bracket	

SECTION 10 - ELECTRICAL

FIGURE 10-53. FRAME WIRING INSTALLATION



ART_1001200159_H

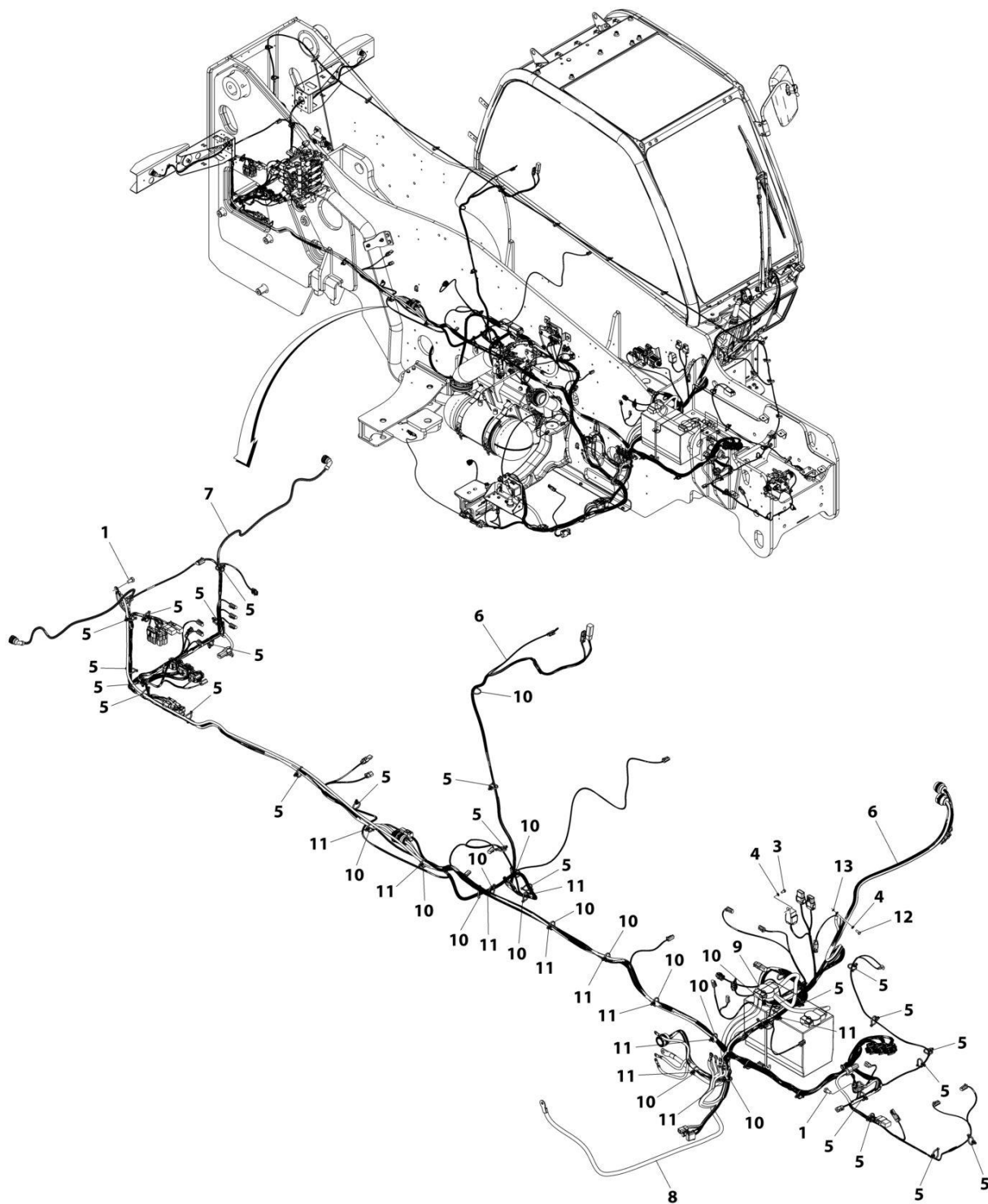
SECTION 10 - ELECTRICAL

FIGURE 10-53. FRAME WIRING INSTALLATION

ITEM	PART NUMBER	QTY	DESCRIPTION	REV
	1001200159	Ref	Frame Wiring Installation	H
1	0761010	2	Bolt M10 x 20	
5	1001146588	25	Tie, Cable	
6	1001258277	1	Harness, Front Frame (See Separate Breakdown in this Section)	
7	1001184397	1	Harness, Rear Frame (See Separate Breakdown in this Section)	
8	1001200168	1	Cable, Negative Battery	
9	1001200169	1	Cable, Positive Battery	
10	1001008559	16	Strap, Cable	
12	0760607	1	Bolt M6 x 14	
13	4811700	2	Washer M6	
14	1001202986	13	Strap Push Mount	
15	0760608	1	Bolt M6 x 16	
16	4871700	1	Washer M6	

SECTION 10 - ELECTRICAL

FIGURE 10-54. FRAME WIRING INSTALLATION, MINING (ULS)



ART_1001228739_C

SECTION 10 - ELECTRICAL

FIGURE 10-54. FRAME WIRING INSTALLATION, MINING (ULS)

ITEM	PART NUMBER	QTY	DESCRIPTION	REV
	1001228739	Ref	Frame Wiring Installation, Mining (ULS)	C
1	0761010	2	Bolt M10 x 20	
3	0760607	1	Bolt M6 x 14	
4	4811700	2	Washer M6	
5	1001146588	25	Tie, Cable	
6	1001258278	1	Harness, Front Frame (See Separate Breakdown in this Section)	
7	1001228741	1	Harness, Rear Frame (See Separate Breakdown in this Section)	
8	1001200168	1	Cable, Negative Battery	
9	1001200169	1	Cable, Positive Battery	
10	1001008559	16	Strap, Cable	
11	1001202986	13	Push Mount, Strap	
12	0760608	1	Bolt M6 x 16	
13	4871700	1	Washer M6	

SECTION 10 - ELECTRICAL

FIGURE 10-55. FRAME - FRONT FRAME HARNESS

ITEM	PART NUMBER	QTY	DESCRIPTION	REV
	1001258277	Ref	Front Frame Harness	B
1	4460891	1	Connector	
2	4460897	1	Mating Connector	
3	4460466	2	Plug	
4	4460465	2	Terminal	
5	1001161957	1	Connector	
6	643191201	1	Cover	
7	1001161100	12	Plug	
8	1001161097	12	Terminal	
9	1001161101	5	Plug	
10	1001161098	3	Terminal	
11	1001161963	1	Connector	
12	643201301	1	Cover	
13	1001161097	21	Terminal	
14	1001161100	19	Plug	
15	1001161099	6	Terminal	
16	1001161098	1	Terminal	
17	1001161101	1	Plug	
18	1001160500	1	Connector	
19	643191201	1	Cover	
20	1001161097	10	Terminal	
21	1001161100	15	Plug	
22	1001161099	7	Terminal	
23	4460933	1	Connector	
24	4460970	1	Mating Connector	
25	4460466	2	Plug	
26	4460942	10	Terminal	
27	4460466	2	Plug	
28	1001160509	1	Connector	
29	1001160510	1	Terminal	
30	1001175267	1	Seal	
31	1001187080	1	Ring Terminal	
32	4460891	1	Connector	
33	4460465	2	Terminal	
34	4460891	1	Connector	
35	4460465	2	Terminal	
36	1001187080	1	Ring Terminal	
37	1001187079	1	Ring Terminal	
38	1001187079	1	Ring Terminal	
39	4460539	1	Connector	
40	4460465	3	Terminal	
41	8220051	1	Ring Terminal	
42	1001187073	1	Ring Terminal	
43	4460539	1	Connector	
44	4460465	3	Terminal	
45	4460933	1	Connector	
46	4460465	11	Terminal	
47	4460466	1	Plug	
48	1001116812	1	Connector	
49	4460465	2	Terminal	

SECTION 10 - ELECTRICAL

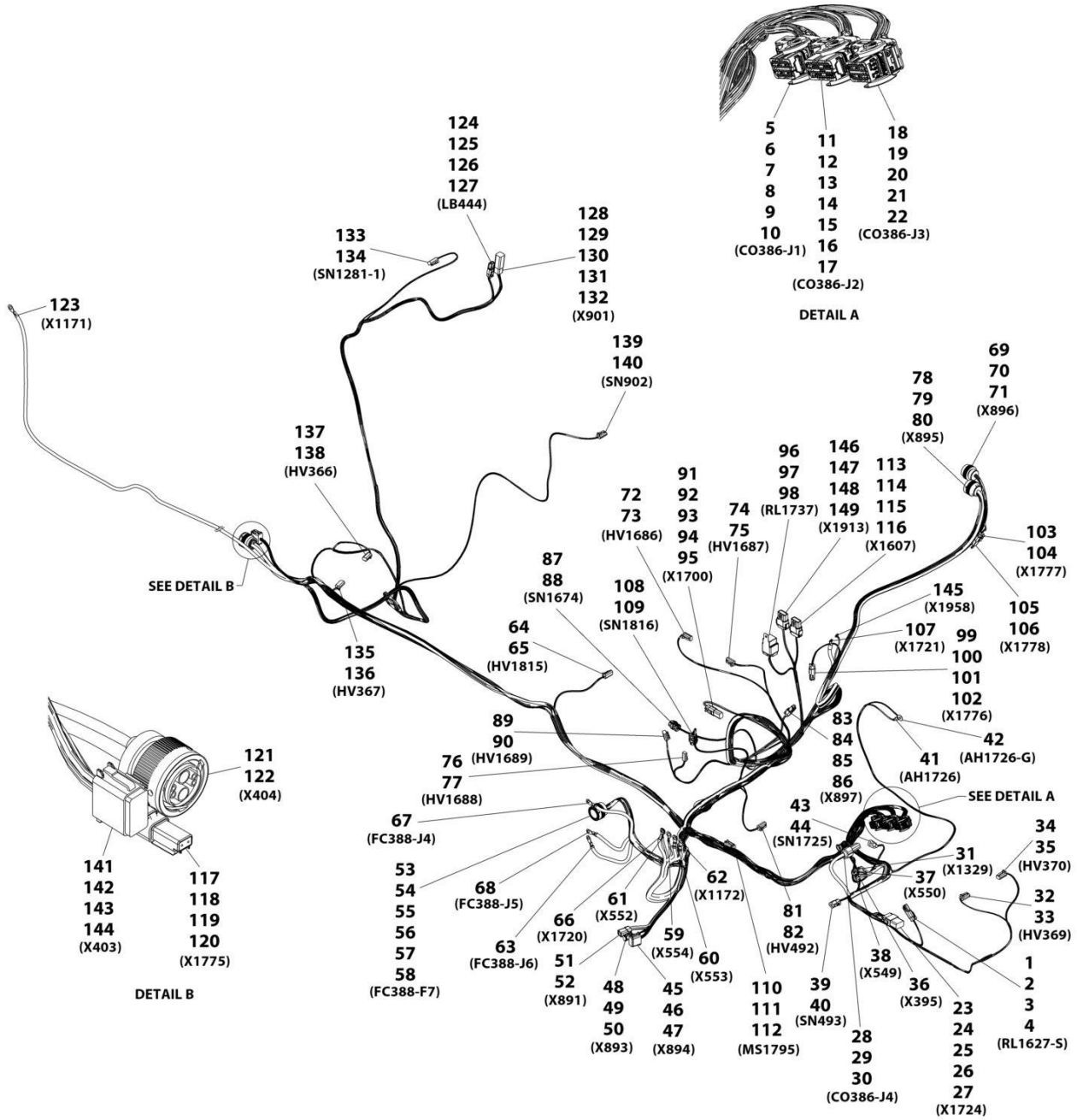
ITEM	PART NUMBER	QTY	DESCRIPTION	REV
50	4460466	1	Plug	
51	1001116810	1	Connector	
52	1001150611	4	Terminal	
53	1001165309	1	Connector	
54	4460466	2	Plug	
55	4460465	9	Terminal	
56	4460942	2	Terminal	
57	4460509	3	Terminal	
58	1001150611	3	Terminal	
59	1001187079	1	Ring Terminal	
60	1001187076	1	Ring Terminal	
61	1001187079	1	Ring Terminal	
62	1001187076	1	Ring Terminal	
63	1001187075	1	Ring Terminal	
64	4460891	1	Connector	
65	4460465	2	Terminal	
66	1001117109	1	Ring Terminal	
67	1001187075	1	Ring Terminal	
68	1001187075	1	Ring Terminal	
69	4461015	1	Connector	
70	4460465	12	Terminal	
71	4460466	2	Plug	
72	4460891	1	Connector	
73	4460465	2	Terminal	
74	4460891	1	Connector	
75	4460465	2	Terminal	
76	4461290	1	Connector	
77	4460928	2	Terminal	
78	1001118323	1	Connector	
79	4460942	4	Terminal	
80	91013192	2	Terminal	
81	4460891	1	Connector	
82	4460465	2	Terminal	
83	4460891	1	Connector	
84	4460897	1	Mating Connector	
85	4460942	1	Terminal	
86	4460466	1	Plug	
87	1001116950	1	Connector	
88	4460465	2	Terminal	
89	4460891	1	Connector	
90	4460465	2	Terminal	
91	4460884	1	Connector	
92	4460932	1	Mating Connector	
93	4460466	1	Sealing Plug	
94	4460465	3	Terminal	
95	4460942	1	Terminal	
96	1001118202	1	Connector	
97	1001116732	4	Terminal	
98	1001128128	1	Plug	
99	4460891	1	Connector	
100	4460897	1	Mating Connector	

SECTION 10 - ELECTRICAL

ITEM	PART NUMBER	QTY	DESCRIPTION	REV
101	4460465	2	Terminal	
102	4460891	1	Connector	
103	4460465	2	Terminal	
104	4460897	1	Connector	
105	4460464	2	Terminal	
106	8220116	1	Ring Terminal	
107	1001116950	1	Connector	
108	4460465	2	Terminal	
109	4460930	1	Connector	
110	4460984	1	Mating Connector	
111	4460465	8	Terminal	
112	1001116774	1	Connector	
113	1001132169	1	Mating Connector	
114	4460518	7	Plug	
115	1001126008	5	Terminal	
116	4460891	1	Connector	
117	4460897	1	Mating Connector	
118	4460465	2	Terminal	
119	1001165310	1	Connector	
120	91013192	2	Terminal	
121	1001187076	1	Ring Terminal	
122	4460891	1	Connector	
123	4460897	1	Mating Connector	
124	4460942	2	Terminal	
125	4460894	1	Connector	
126	4460899	1	Mating Connector	
127	4460465	2	Terminal	
128	4460942	4	Terminal	
129	4460891	1	Connector	
130	4460465	2	Terminal	
131	4460891	1	Connector	
132	4460465	2	Terminal	
133	4460891	1	Connector	
134	4460465	2	Terminal	
135	4460891	1	Connector	
136	4460465	2	Terminal	
137	4460933	1	Connector	
138	4460465	6	Terminal	
139	4460942	1	Terminal	
140	4460466	5	Plug	
141	1001207173	1	Terminal, Ring	
142	1001116808	1	Connector	
143	1001132170	1	Mating Connector	
144	4460518	18	Plug	
145	1001126008	3	Terminal	

SECTION 10 - ELECTRICAL

FIGURE 10-56. FRAME - FRONT FRAME HARNESS, MINING



ART_1001258278

SECTION 10 - ELECTRICAL

FIGURE 10-56. FRAME - FRONT FRAME HARNESS, MINING

ITEM	PART NUMBER	QTY	DESCRIPTION	REV
	1001258278	Ref	Front Frame Harness, Mining	B
1	4460891	1	Connector	
2	4460897	1	Mating Connector	
3	4460466	2	Plug	
4	4460465	2	Terminal	
5	1001161957	1	Connector	
6	643191201	1	Cover	
7	1001161100	12	Plug	
8	1001161097	12	Terminal	
9	1001161101	5	Plug	
10	1001161098	3	Terminal	
11	1001161963	1	Connector	
12	643201301	1	Cover	
13	1001161097	22	Terminal	
14	1001161100	19	Plug	
15	1001161099	6	Terminal	
16	1001161098	1	Terminal	
17	1001161101	1	Plug	
18	1001160500	1	Connector	
19	643191201	1	Cover	
20	1001161097	10	Terminal	
21	1001161100	15	Plug	
22	1001161099	7	Terminal	
23	4460933	1	Connector	
24	4460970	1	Mating Connector	
25	4460466	2	Plug	
26	4460942	10	Terminal	
27	4460466	2	Plug	
28	1001160509	1	Connector	
29	1001160510	1	Terminal	
30	1001175267	1	Seal	
31	1001187080	1	Ring Terminal	
32	4460891	1	Connector	
33	4460465	2	Terminal	
34	4460891	1	Connector	
35	4460465	2	Terminal	
36	1001187080	1	Ring Terminal	
37	1001187079	1	Ring Terminal	
38	1001187079	1	Ring Terminal	
39	4460539	1	Connector	
40	4460465	3	Terminal	
41	8220051	1	Ring Terminal	
42	1001187073	1	Ring Terminal	
43	4460539	1	Connector	
44	4460465	3	Terminal	
45	4460933	1	Connector	
46	4460465	11	Terminal	
47	4460466	1	Plug	
48	1001116812	1	Connector	
49	4460465	2	Terminal	

SECTION 10 - ELECTRICAL

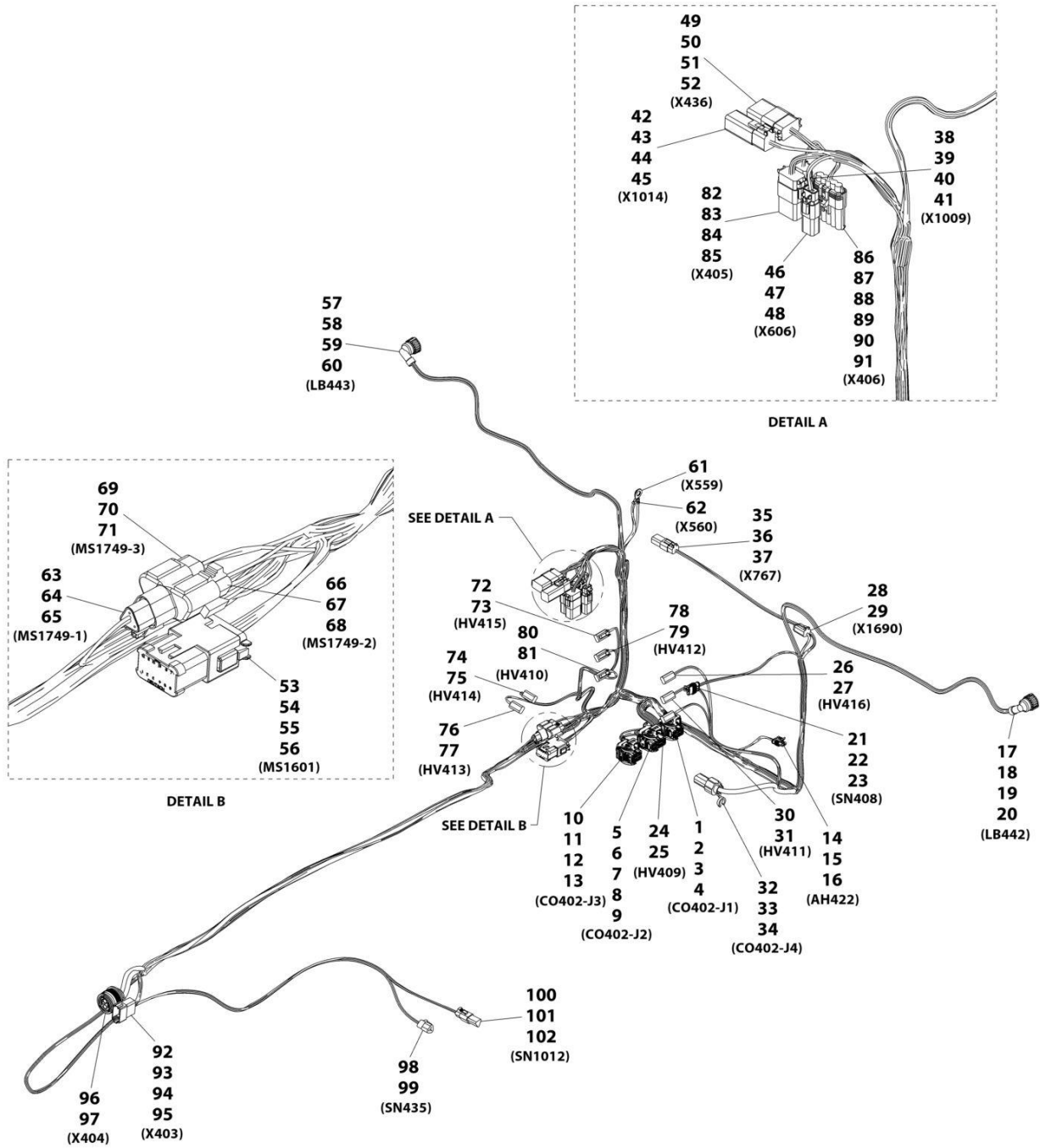
ITEM	PART NUMBER	QTY	DESCRIPTION	REV
50	4460466	1	Plug	
51	1001116810	1	Connector	
52	1001150611	4	Terminal	
53	1001165309	1	Connector	
54	4460466	2	Plug	
55	4460465	9	Terminal	
56	4460942	2	Terminal	
57	4460509	3	Terminal	
58	1001150611	3	Terminal	
59	1001187079	1	Ring Terminal	
60	1001187076	1	Ring Terminal	
61	1001187079	1	Ring Terminal	
62	1001187076	1	Ring Terminal	
63	1001187075	1	Ring Terminal	
64	4460891	1	Connector	
65	4460465	2	Terminal	
66	1001117109	1	Ring Terminal	
67	1001187075	1	Ring Terminal	
68	1001187075	1	Ring Terminal	
69	4461015	1	Connector	
70	4460465	12	Terminal	
71	4460466	2	Plug	
72	4460891	1	Connector	
73	4460465	2	Terminal	
74	4460891	1	Connector	
75	4460465	2	Terminal	
76	4461290	1	Connector	
77	4460928	2	Terminal	
78	1001118323	1	Connector	
79	4460942	4	Terminal	
80	91013192	2	Terminal	
81	4460891	1	Connector	
82	4460465	2	Terminal	
83	4460891	1	Connector	
84	4460897	1	Mating Connector	
85	4460942	1	Terminal	
86	4460466	1	Plug	
87	1001116950	1	Connector	
88	4460465	2	Terminal	
89	4460891	1	Connector	
90	4460465	2	Terminal	
91	4460884	1	Connector	
92	4460932	1	Mating Connector	
93	4460466	1	Sealing Plug	
94	4460465	3	Terminal	
95	4460942	1	Terminal	
96	1001118282	1	Connector	
97	1001116732	4	Terminal	
98	1001128128	1	Plug	
99	4460891	1	Connector	
100	4460897	1	Mating Connector	

SECTION 10 - ELECTRICAL

ITEM	PART NUMBER	QTY	DESCRIPTION	REV
101	4460465	2	Terminal	
102	4460466	1	Plug	
103	4460891	1	Connector	
104	4460465	2	Terminal	
105	4460897	1	Connector	
106	4460464	2	Terminal	
107	8220116	1	Ring Terminal	
108	1001116950	1	Connector	
109	4460465	2	Terminal	
110	4460930	1	Connector	
111	4460984	1	Mating Connector	
112	4460465	8	Terminal	
113	1001116774	1	Connector	
114	1001132169	1	Mating Connector	
115	4460518	7	Plug	
116	1001126008	5	Terminal	
117	4460891	1	Connector	
118	4460897	1	Mating Connector	
119	4460465	2	Terminal	
120	4460466	1	Plug	
121	1001165310	1	Connector	
122	91013192	2	Terminal	
123	1001187076	1	Ring Terminal	
124	4460891	1	Connector	
125	4460897	1	Mating Connector	
126	4460942	2	Terminal	
127	4460466	1	Plug	
128	4460894	1	Connector	
129	4460899	1	Mating Connector	
130	4460466	1	Plug	
131	4460465	2	Terminal	
132	4460942	4	Terminal	
133	4460891	1	Connector	
134	4460465	2	Terminal	
135	4460891	1	Connector	
136	4460465	2	Terminal	
137	4460891	1	Connector	
138	4460465	2	Terminal	
139	4460891	1	Connector	
140	4460465	2	Terminal	
141	4460933	1	Connector	
142	4460465	6	Terminal	
143	4460942	1	Terminal	
144	4460466	5	Plug	
145	1001207173	1	Terminal, Ring	
146	1001116808	1	Connector	
147	1001132170	1	Mating Connector	
148	4460518	18	Plug	
149	1001126008	3	Terminal	

SECTION 10 - ELECTRICAL

FIGURE 10-57. FRAME - REAR FRAME HARNESS



ART_1001184397-1

SECTION 10 - ELECTRICAL

FIGURE 10-57. FRAME - REAR FRAME HARNESS

ITEM	PART NUMBER	QTY	DESCRIPTION	REV
	1001184397	Ref	Rear Frame Harness	I
1	1001161957	1	Connector	
2	1001161097	6	Terminal	
3	1001161100	18	Plug	
4	1001161101	8	Plug	
5	1001161963	1	Connector	
6	1001161097	26	Terminal	
7	1001161100	14	Plug	
8	1001161099	6	Terminal	
9	1001161101	2	Plug	
10	1001160500	1	Connector	
11	1001161100	18	Plug	
12	1001161097	6	Terminal	
13	1001161099	8	Terminal	
14	4461118	1	Connector	
15	1001107854	2	Terminal	
16	1001116763	2	Terminal Seal	
17	1001116996	1	Connector	
18	1001118392	6	Terminal	
19	1001116696	1	Plug	
20	4461054	6	Terminal Seal	
21	4461262	1	Connector	
22	1001107854	3	Terminal	
23	1001104498	3	Terminal Seal	
24	4460891	1	Connector	
25	4460465	2	Terminal	
26	4460891	1	Connector	
27	4460465	2	Terminal	
28	4460884	1	Connector	
29	4460465	4	Terminal	
30	4460891	1	Connector	
31	4460465	2	Terminal	
32	1001160509	1	Connector	
33	1001160510	1	Terminal	
34	1001175267	1	Terminal Seal	
35	4460884	1	Connector	
36	4460932	1	Mating Connector	
37	4460465	4	Terminal	
38	4460884	1	Connector	
39	4460932	1	Mating Connector	
40	4460466	2	Plug	
41	4460465	2	Terminal	
42	4460894	1	Connector	
43	4460899	1	Mating Connector	
44	4460466	3	Plug	
45	4460465	3	Terminal	
46	4461018	1	Connector	
47	4461017	1	Mating Connector	
48	4460509	2	Terminal	
49	4460930	1	Connector	

SECTION 10 - ELECTRICAL

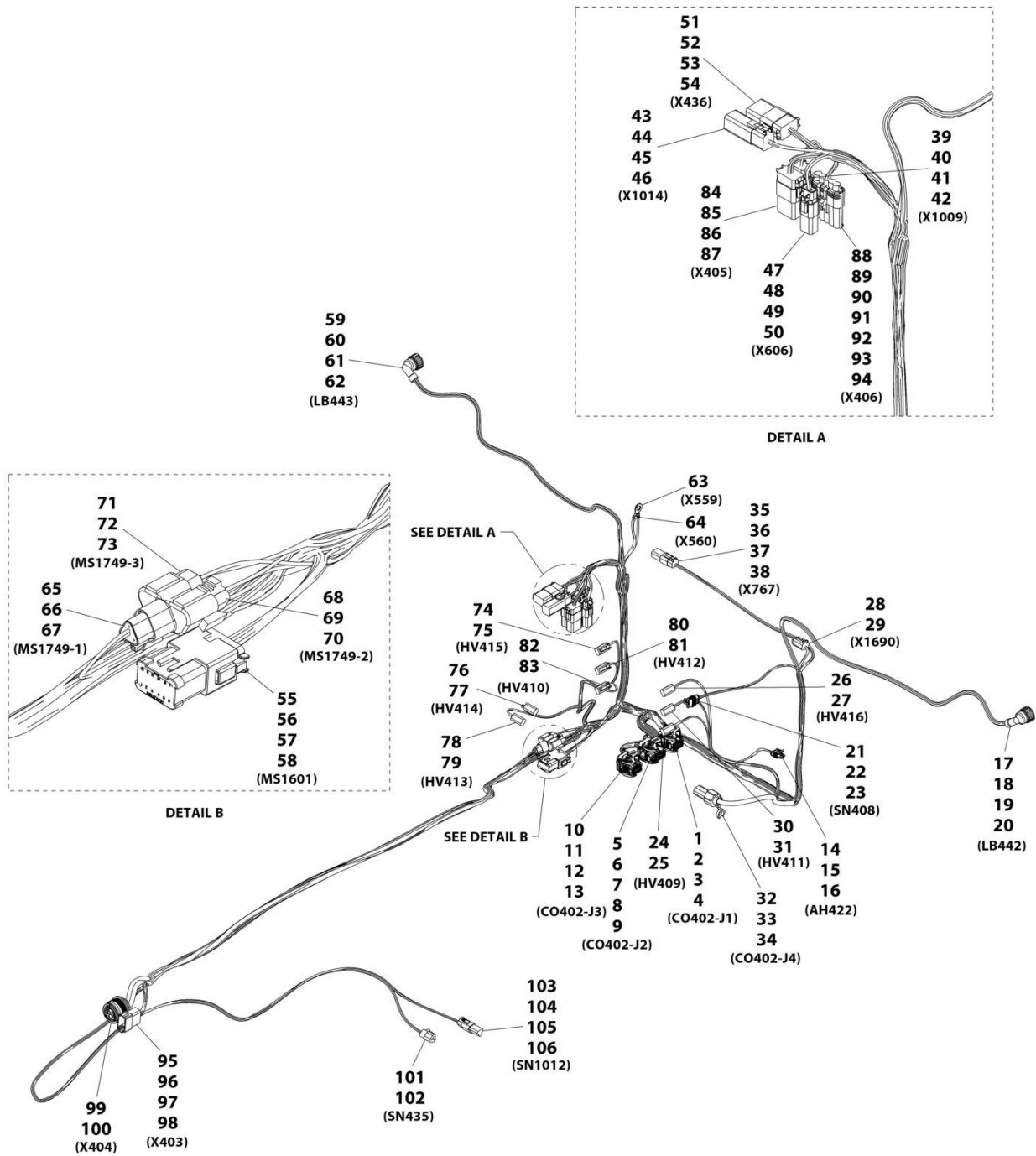
ITEM	PART NUMBER	QTY	DESCRIPTION	REV
50	4460931	1	Mating Connector	
51	4460466	2	Plug	
52	4460465	6	Terminal	
53	4460933	1	Connector	
54	1001125677	1	Bussbar Connector	
55	4460465	10	Terminal	
56	4460466	2	Plug	
57	1001116996	1	Connector	
58	1001118392	6	Terminal	
59	1001116696	1	Plug	
60	4461054	6	Terminal Seal	
61	1001187080	1	Ring Terminal	
62	1001187079	1	Ring Terminal	
63	1001116812	1	Connector	
64	4460944	2	Terminal	
65	4460466	1	Plug	
66	4460539	1	Connector	
67	4460944	2	Terminal	
68	4460466	1	Plug	
69	1001116812	1	Connector	
70	4460944	2	Terminal	
71	4460466	1	Plug	
72	4460891	1	Connector	
73	4460465	2	Terminal	
74	4460891	1	Connector	
75	4460465	2	Terminal	
76	4460891	1	Connector	
77	4460465	2	Terminal	
78	4460891	1	Connector	
79	4460465	2	Terminal	
80	4460891	1	Connector	
81	4460465	2	Terminal	
82	4460930	1	Connector	
83	4460931	1	Mating Connector	
84	4460466	2	Plug	
85	4460465	6	Terminal	
86	1001121726	1	Connector	
87	1001121727	1	Mating Connector	
88	1001116728	4	Terminal	
89	4460748	1	Plug	
90	1001175265	3	Terminal Seal	
91	4460458	1	Terminal Seal	
92	4460970	1	Connector	
93	4460464	6	Terminal	
94	4460941	1	Terminal	
95	4460466	5	Plug	
96	1001165311	1	Connector	
97	91013191	2	Terminal	
98	4460539	1	Connector	
99	4460944	3	Terminal	
100	4460539	1	Connector	

SECTION 10 - ELECTRICAL

ITEM	PART NUMBER	QTY	DESCRIPTION	REV
101	4460536	1	Mating Connector	
102	4460465	3	Terminal	

SECTION 10 - ELECTRICAL

FIGURE 10-58. FRAME - REAR FRAME HARNESS, MINING



ART_1001228741-A

SECTION 10 - ELECTRICAL

FIGURE 10-58. FRAME - REAR FRAME HARNESS, MINING

ITEM	PART NUMBER	QTY	DESCRIPTION	REV
	1001228741	Ref	Front Frame Harness, Mining	A
1	1001161957	1	Connector	
2	1001161097	6	Terminal	
3	1001161100	18	Plug	
4	1001161101	8	Plug	
5	1001161963	1	Connector	
6	1001161097	26	Terminal	
7	1001161100	14	Plug	
8	1001161099	6	Terminal	
9	1001161101	2	Plug	
10	1001160500	1	Connector	
11	1001161100	18	Plug	
12	1001161097	6	Terminal	
13	1001161099	8	Terminal	
14	4461118	1	Connector	
15	1001107854	2	Terminal	
16	1001116763	2	Terminal Seal	
17	1001116996	1	Connector	
18	1001118392	6	Terminal	
19	1001116696	1	Plug	
20	4461054	6	Terminal Seal	
21	4461262	1	Connector	
22	1001107854	3	Terminal	
23	1001104498	3	Terminal Seal	
24	4460891	1	Connector	
25	4460465	2	Terminal	
26	4460891	1	Connector	
27	4460465	2	Terminal	
28	4460884	1	Connector	
29	4460465	4	Terminal	
30	4460891	1	Connector	
31	4460465	2	Terminal	
32	1001160509	1	Connector	
33	1001160510	1	Terminal	
34	1001175267	1	Terminal Seal	
35	4460884	1	Connector	
36	4460932	1	Mating Connector	
37	4460465	4	Terminal	
38	4460466	1	Plug	
39	4460884	1	Connector	
40	4460932	1	Mating Connector	
41	4460466	2	Plug	
42	4460465	2	Terminal	
43	4460894	1	Connector	
44	4460899	1	Mating Connector	
45	4460466	3	Plug	
46	4460465	3	Terminal	
47	4461018	1	Connector	
48	4461017	1	Mating Connector	
49	4460509	2	Terminal	

SECTION 10 - ELECTRICAL

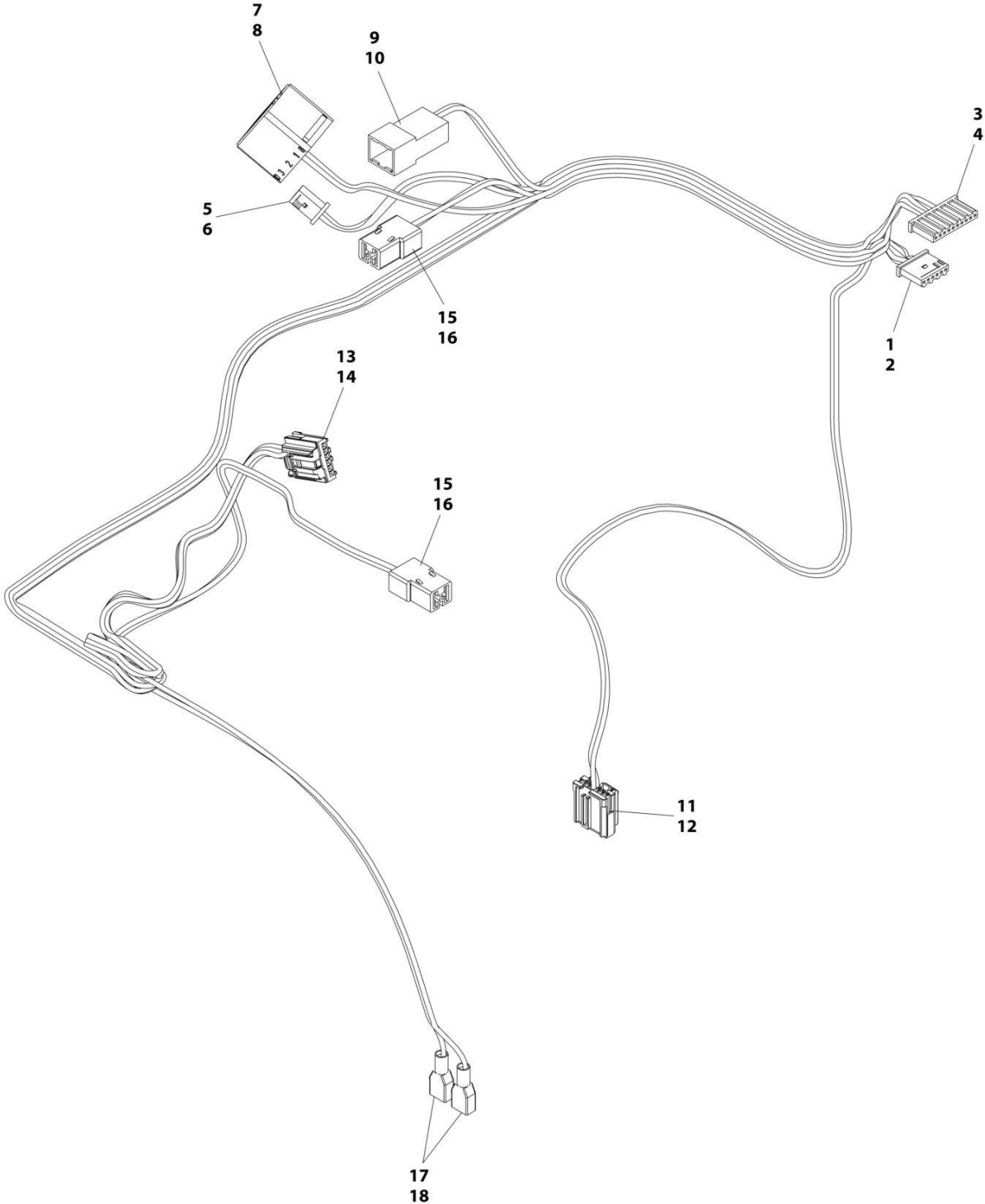
ITEM	PART NUMBER	QTY	DESCRIPTION	REV
51	4460930	1	Connector	
52	4460931	1	Mating Connector	
53	4460466	2	Plug	
54	4460465	6	Terminal	
55	4460933	1	Connector	
56	1001125677	1	Bussbar Connector	
57	4460465	10	Terminal	
58	4460466	2	Plug	
59	1001116996	1	Connector	
60	1001118392	6	Terminal	
61	1001116696	1	Plug	
62	4461054	6	Terminal Seal	
63	1001187080	1	Ring Terminal	
64	1001187079	1	Ring Terminal	
65	1001116812	1	Connector	
66	4460944	2	Terminal	
67	4460466	1	Plug	
68	4460539	1	Connector	
69	4460944	2	Terminal	
70	4460466	1	Plug	
71	1001116812	1	Connector	
72	4460944	2	Terminal	
73	4460466	1	Plug	
74	4460891	1	Connector	
75	4460465	2	Terminal	
76	4460891	1	Connector	
77	4460465	2	Terminal	
78	4460891	1	Connector	
79	4460465	2	Terminal	
80	4460891	1	Connector	
81	4460465	2	Terminal	
82	4460891	1	Connector	
83	4460465	2	Terminal	
84	4460930	1	Connector	
85	4460931	1	Mating Connector	
86	4460466	2	Plug	
87	4460465	6	Terminal	
88	1001121726	1	Connector	
89	1001121727	1	Mating Connector	
90	1001116728	4	Terminal	
91	1001116727	1	Plug	
92	4460748	1	Plug	
93	1001175265	3	Terminal Seal	
94	4460458	1	Terminal Seal	
95	4460970	1	Connector	
96	4460464	6	Terminal	
97	4460941	1	Terminal	
98	4460466	5	Plug	
99	1001165311	1	Connector	
100	91013191	2	Terminal	
101	4460539	1	Connector	

SECTION 10 - ELECTRICAL

ITEM	PART NUMBER	QTY	DESCRIPTION	REV
102	4460944	3	Terminal	
103	4460539	1	Connector	
104	4460536	1	Mating Connector	
105	4460466	1	Plug	
106	4460465	3	Terminal	

SECTION 10 - ELECTRICAL

FIGURE 10-59. HVAC ACTUATOR HARNESS (Prior to SN 0160110782)



ART_1001221056

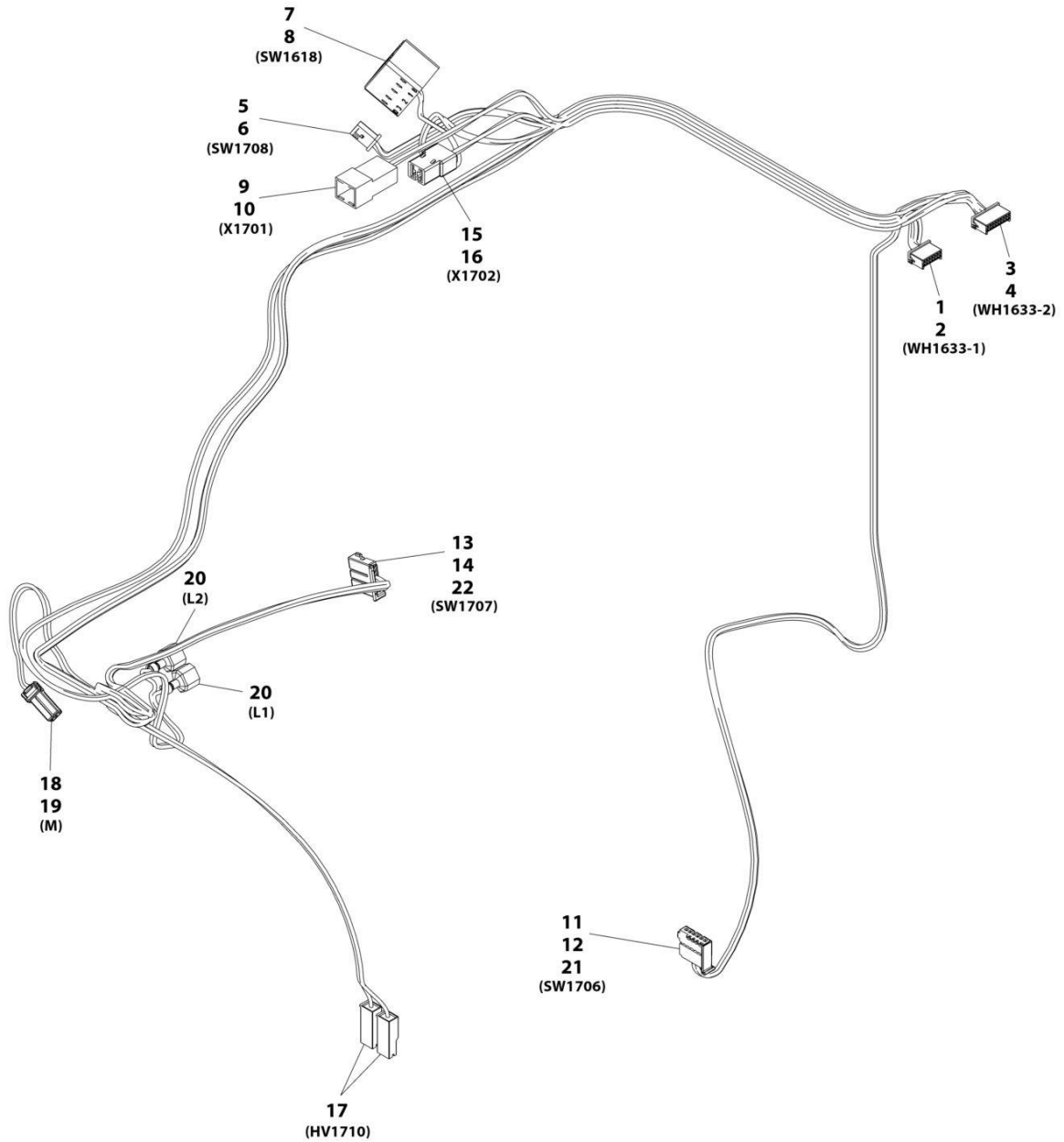
SECTION 10 - ELECTRICAL

FIGURE 10-59. HVAC ACTUATOR HARNESS (Prior to SN 0160110782)

ITEM	PART NUMBER	QTY	DESCRIPTION	REV
	1001221056	Ref	HVAC ACTUATOR HARNESS	E
		Ref	Note: No Other Service Parts Available At Time of Printing.	
1		Ref	Connector	
2		Ref	Terminal	
3		Ref	Connector	
4		Ref	Terminal	
5	1001184473	1	Connector	
6		Ref	Terminal	
7		Ref	Connector	
8		Ref	Connector	
9	1001116999	1	Connector	
10	7029668	2	Terminal	
11		Ref	Connector	
12		Ref	Terminal	
13		Ref	Connector	
14		Ref	Terminal	
15	1001116991	2	Connector	
16		Ref	Terminal	
17	8220108	2	Connector	
18		Ref	Terminal	

SECTION 10 - ELECTRICAL

FIGURE 10-60. HVAC ACTUATOR HARNESS (SN 0160110782 to Present)



ART_1001268830

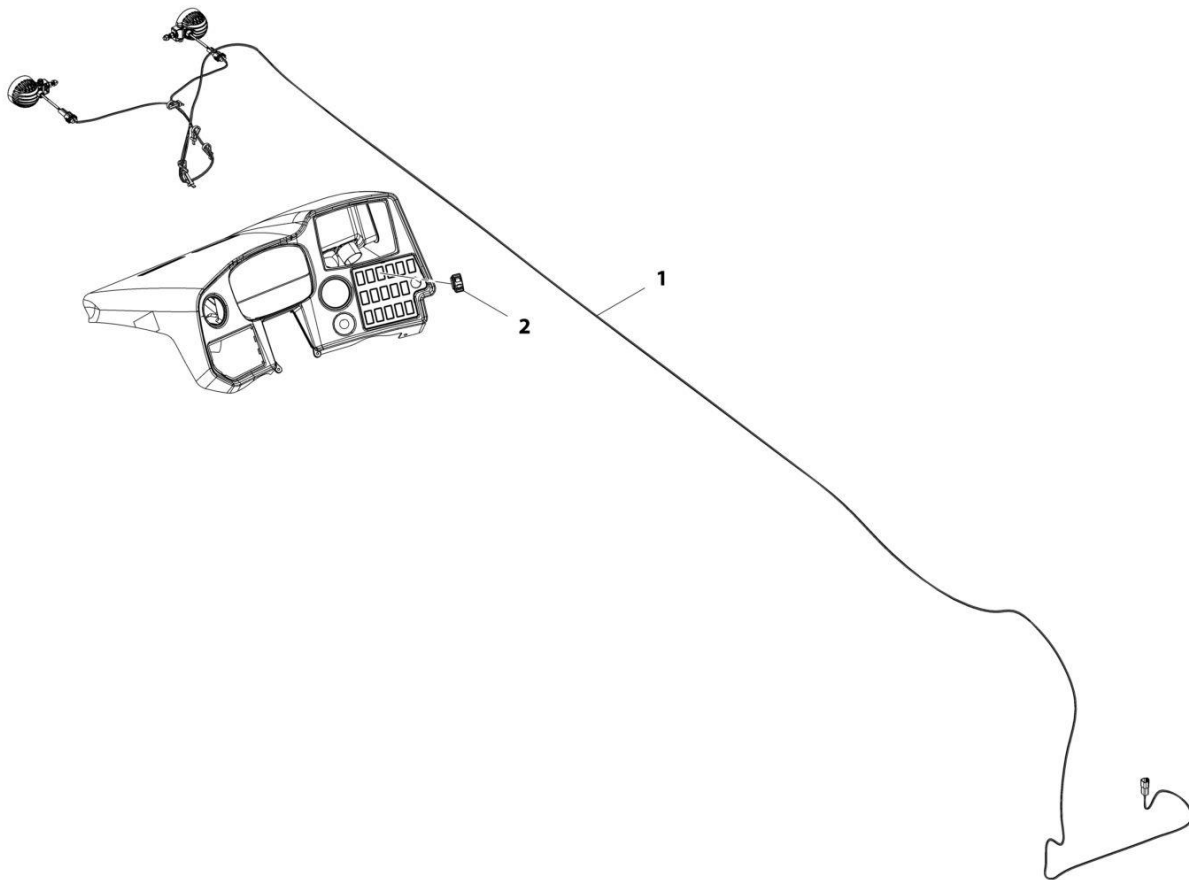
SECTION 10 - ELECTRICAL

FIGURE 10-60. HVAC ACTUATOR HARNESS (SN 0160110782 to Present)

ITEM	PART NUMBER	QTY	DESCRIPTION	REV
	1001268830	Ref	CAB HVAC ACTUATOR HARNESS	B
1	1001274536	1	Connector	
2	1001274543	10	Terminal	
3	1001274537	1	Connector	
4	1001274543	8	Terminal	
5	1001184473	1	Connector	
6	1001184479	3	Terminal	
7	1001274533	1	Connector	
8	1001274539	4	Terminal	
9	1001116999	1	Connector	
10	1001274540	2	Terminal	
11	1001274534	1	Connector	
12	1001274541	2	Terminal	
13	1001274534	1	Connector	
14	1001274541	5	Terminal	
15	1001116991	1	Connector	
16	1001116720	2	Terminal	
17	1001274535	2	Connector	
18	1001274538	1	Connector	
19	1001274544	2	Terminal	
20	8220050	2	Terminal	
21	1001274553	1	Retainer	
22	1001274553	1	Retainer	

SECTION 10 - ELECTRICAL

FIGURE 10-61. LIGHTS - BOOM WORK LIGHTS (LED)



ART_1001209427-B

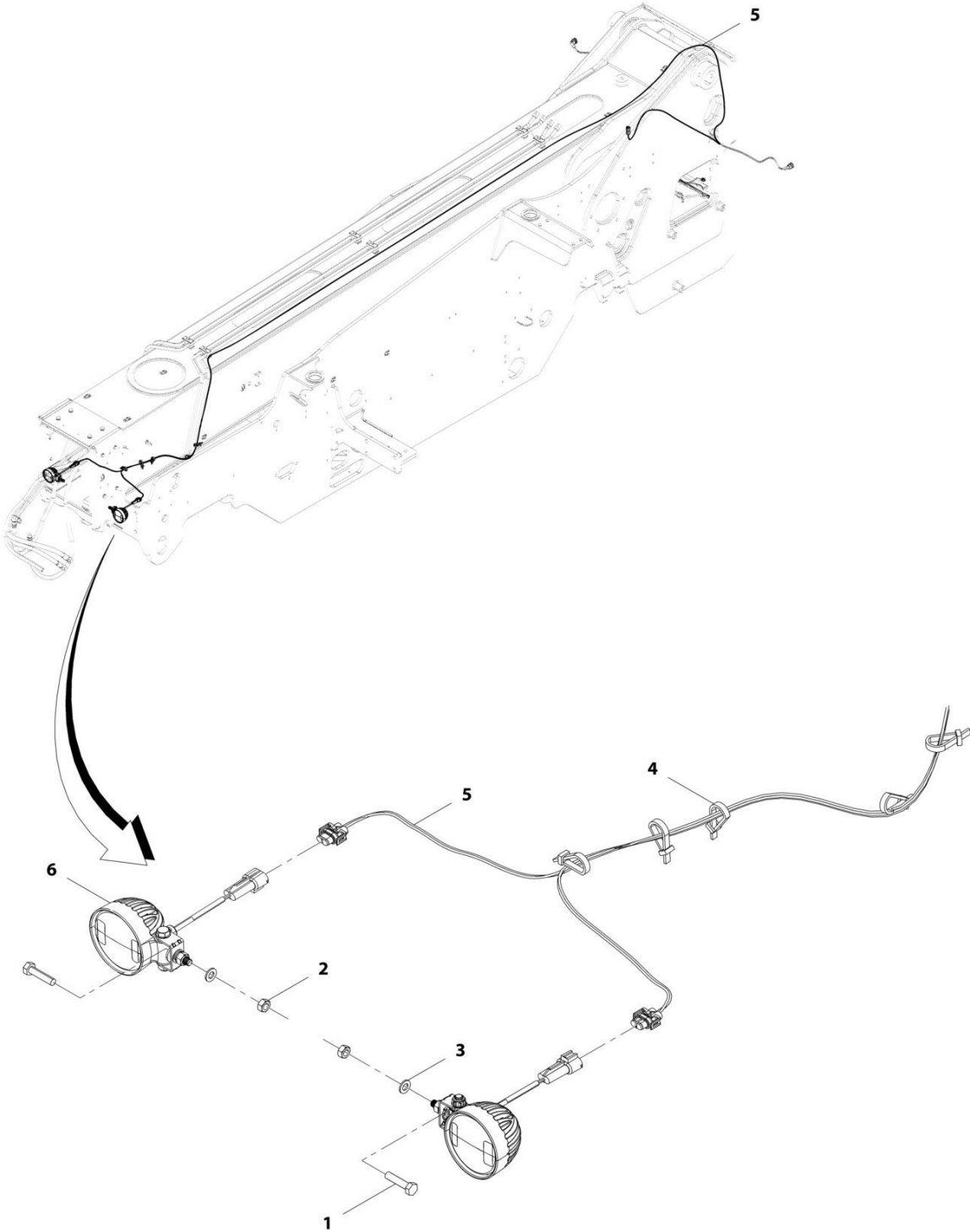
SECTION 10 - ELECTRICAL

FIGURE 10-61. LIGHTS - BOOM WORK LIGHTS (LED)

ITEM	PART NUMBER	QTY	DESCRIPTION	REV
	1001209427	Ref	Boom Work Lights (LED)	B
1	1001159739	1	Switch, Boom Worklights	
2	1001209456	1	Installation, LED Boom Work lights (See Separate Breakdown in this Section)	

SECTION 10 - ELECTRICAL

FIGURE 10-62. LIGHTS - BOOM WORK LIGHT INSTALLATION (LED)



ART_1001209456-C

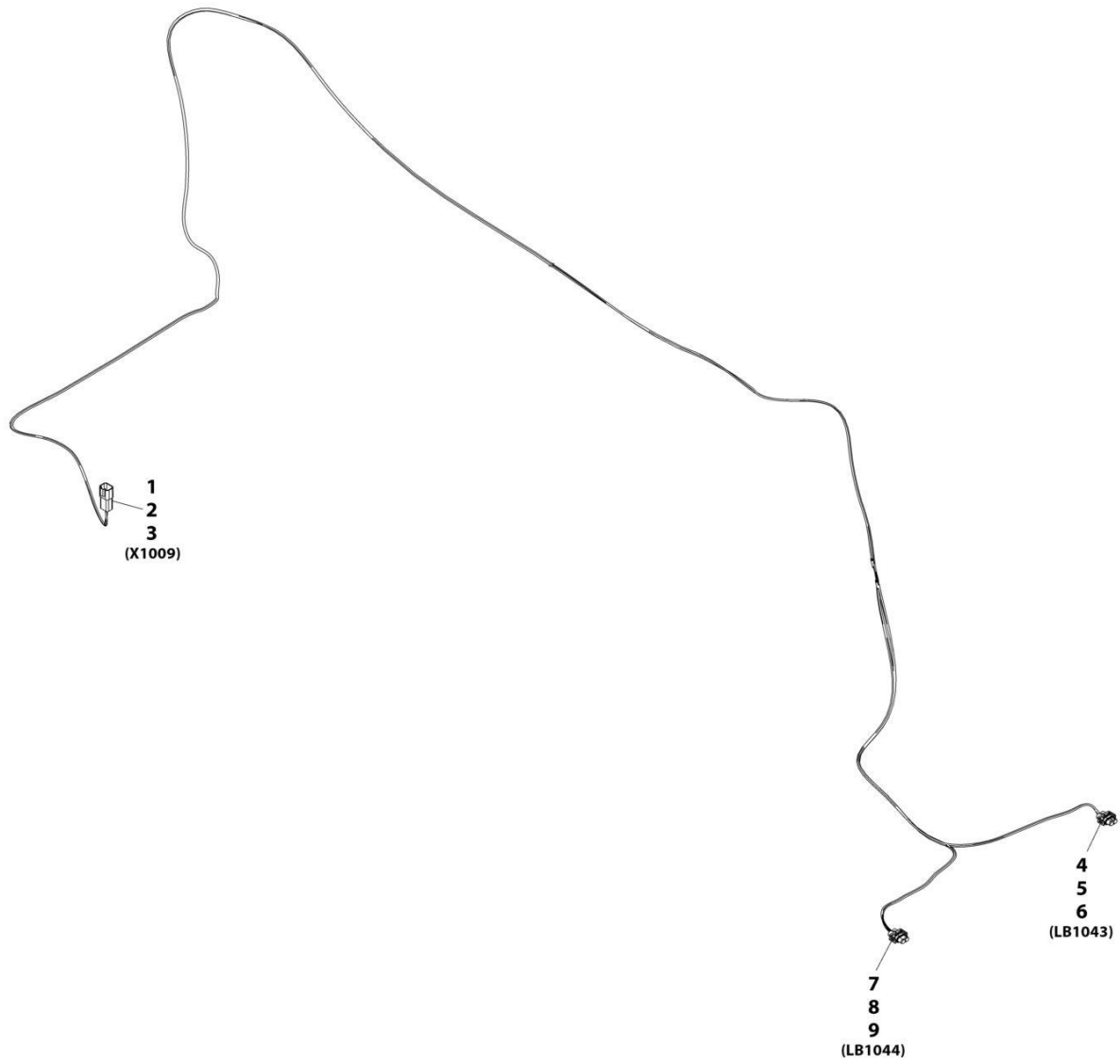
SECTION 10 - ELECTRICAL

FIGURE 10-62. LIGHTS - BOOM WORK LIGHT INSTALLATION (LED)

ITEM	PART NUMBER	QTY	DESCRIPTION	REV
	1001209456	Ref	Boom Work Light Installation (LED)	C
1	0700815	2	Bolt, M8X35	
2	3290801	2	Nut, M8X1.25	
3	4811900	2	Washer, M8	
4	1001008923	5	Strap, Cable	
5	1001184796	1	Harness, Boom Work Lights (See Separate Breakdown in this Section)	
6	1001203640	2	Lamp, LED Worklight	

SECTION 10 - ELECTRICAL

FIGURE 10-63. LIGHTS - BOOM WORKLIGHTS HARNESS



ART_1001184796-E

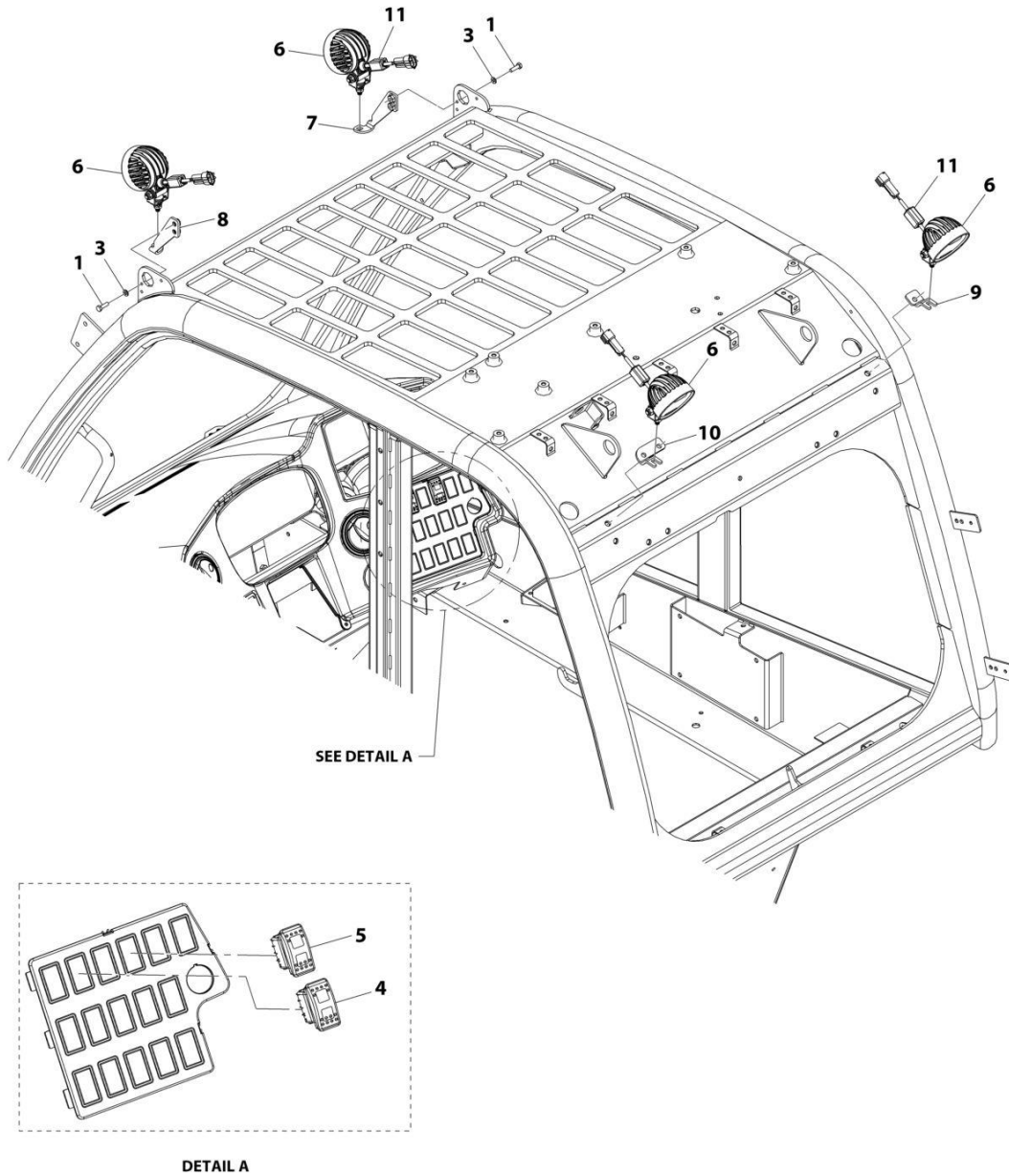
SECTION 10 - ELECTRICAL

FIGURE 10-63. LIGHTS - BOOM WORKLIGHTS HARNESS

ITEM	PART NUMBER	QTY	DESCRIPTION	REV
	1001184796	Ref	Boom Worklights Harness	E
1	4460932	1	Connector	
2	4460464	2	Terminal	
3	4460466	2	Plug	
4	4461115	1	Connector	
5	1001116728	2	Terminal	
6	4460458	2	Terminal Seal	
7	4461115	1	Connector	
8	1001116728	2	Terminal	
9	4460458	2	Terminal Seal	

SECTION 10 - ELECTRICAL

FIGURE 10-64. LIGHTS - CAB WORKLIGHTS INSTALLATION (NO A/C - LED)



ART_1001200538-D

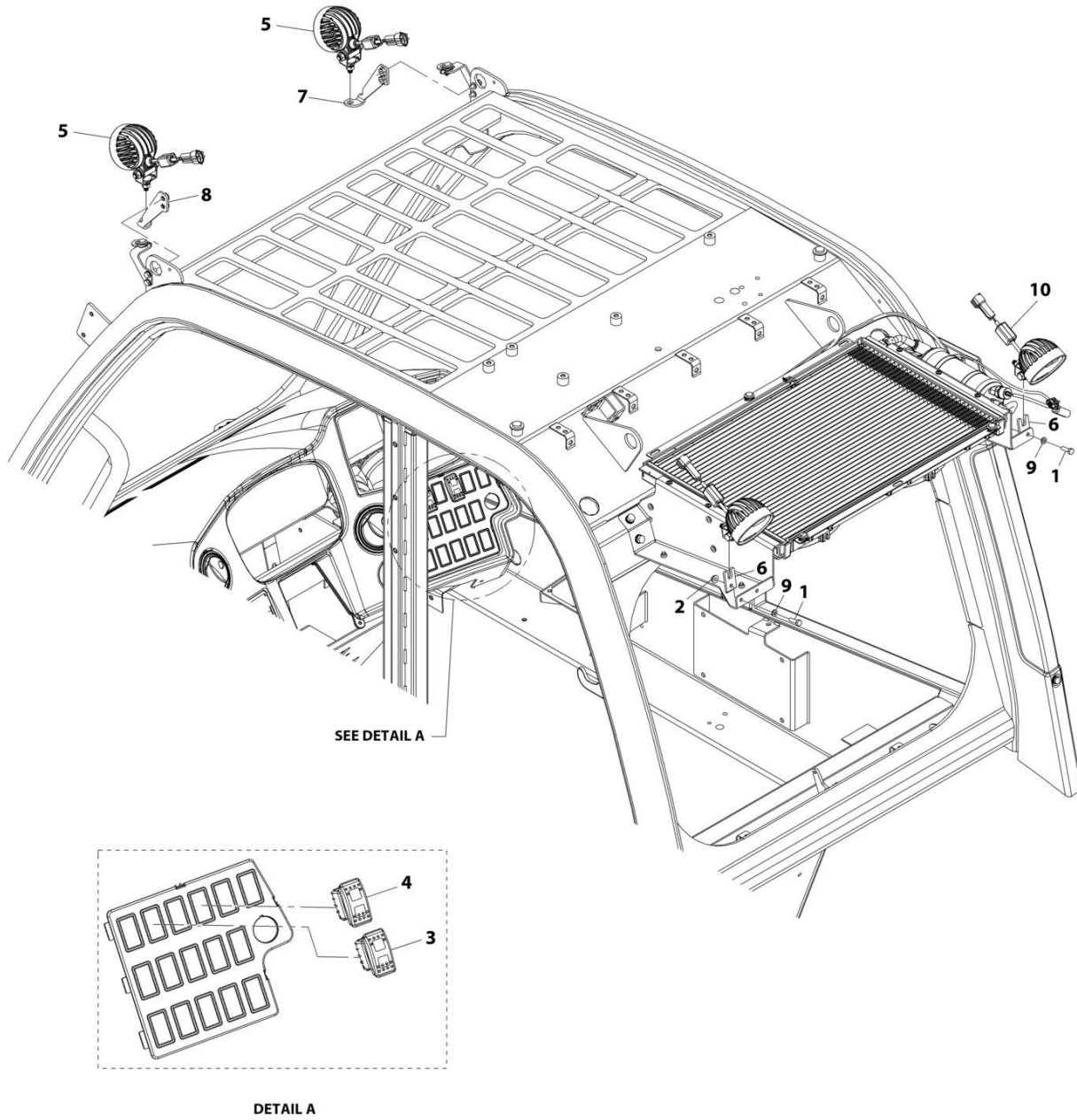
SECTION 10 - ELECTRICAL

FIGURE 10-64. LIGHTS - CAB WORKLIGHTS INSTALLATION (NO A/C - LED)

ITEM	PART NUMBER	QTY	DESCRIPTION	REV
	1001200538	Ref	Cab Worklights Installation (No A/C - LED)	D
1	0700610	4	Bolt, M6X20	
3	4811700	4	Washer, M6	
4	1001159845	1	Switch, Front Worklights	
5	1001159846	1	Switch, Rear Worklights	
6	1001203640	4	Lamp, LED Work Light	
7	1001244193	1	Support, LED Work Light RH	
8	1001244192	1	Support, LED Work Light LH	
9	1001204528	1	Support, LED Work Light RH	
10	1001204530	1	Support, LED Work Light LH	
11	1001228989	4	Harness, Ferrite	

SECTION 10 - ELECTRICAL

FIGURE 10-65. LIGHTS - CAB WORKLIGHTS INSTALLATION (A/C - LED)



ART_1001200539-D

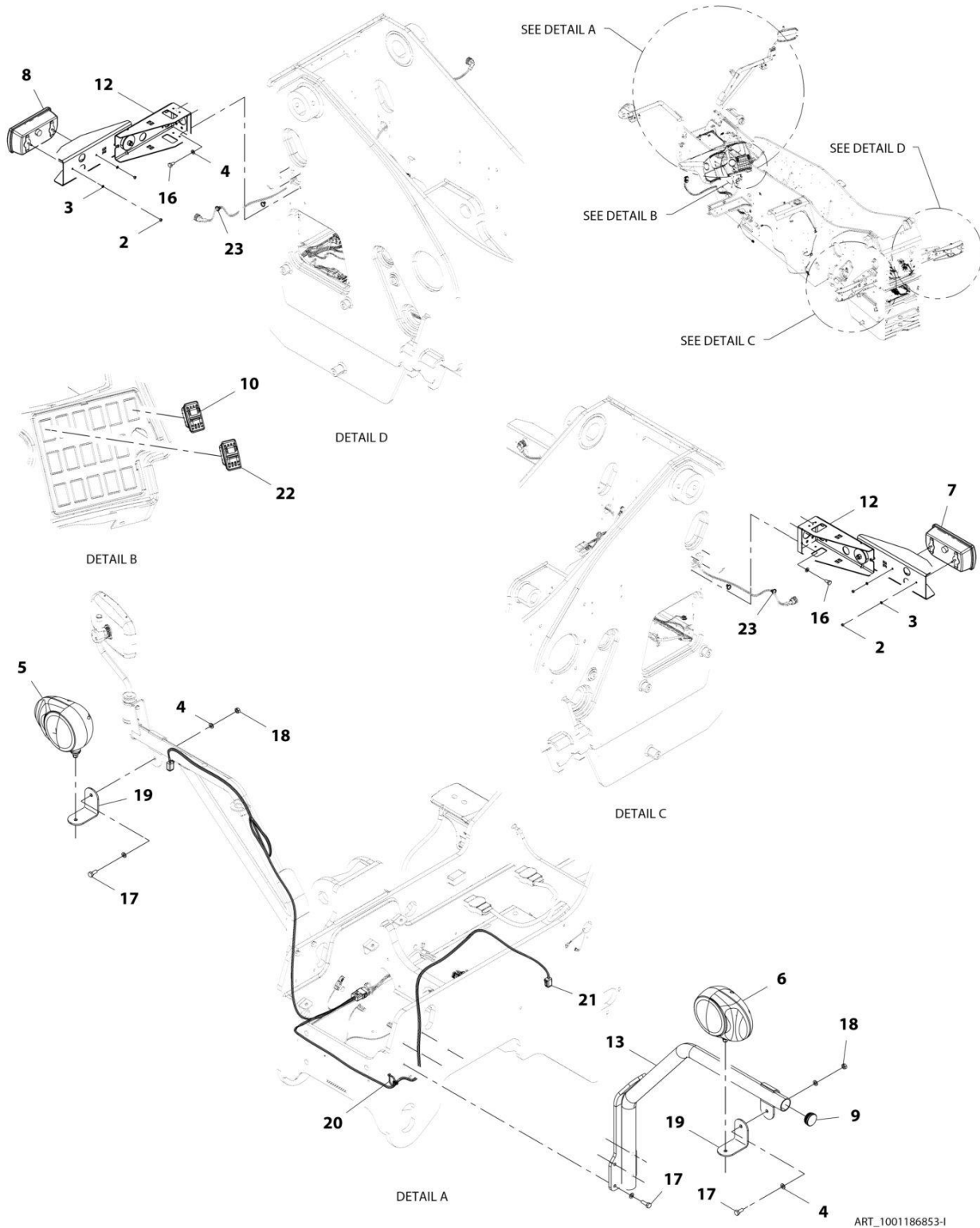
SECTION 10 - ELECTRICAL

FIGURE 10-65. LIGHTS - CAB WORKLIGHTS INSTALLATION (A/C - LED)

ITEM	PART NUMBER	QTY	DESCRIPTION	REV
	1001200539	Ref	Cab Worklights Installation (A/C - LED)	D
1	0700610	2	Bolt, M6X20	
2	5220600	2	Nut, M6	
3	1001159845	1	Switch, Front Worklights	
4	1001159846	1	Switch, Rear Worklights	
5	1001203640	4	Lamp, LED Work Light	
6	1001204060	2	Bracket	
7	1001244193	1	Support, LED Work Light RH	
8	1001244192	1	Support, LED Work Light LH	
9	4811700	2	Washer, M6	
10	1001228989	4	Harness, Ferrite	

SECTION 10 - ELECTRICAL

FIGURE 10-66. LIGHTS - DRIVING LIGHT INSTALLATION (RH DIP)



ART_1001186853-I

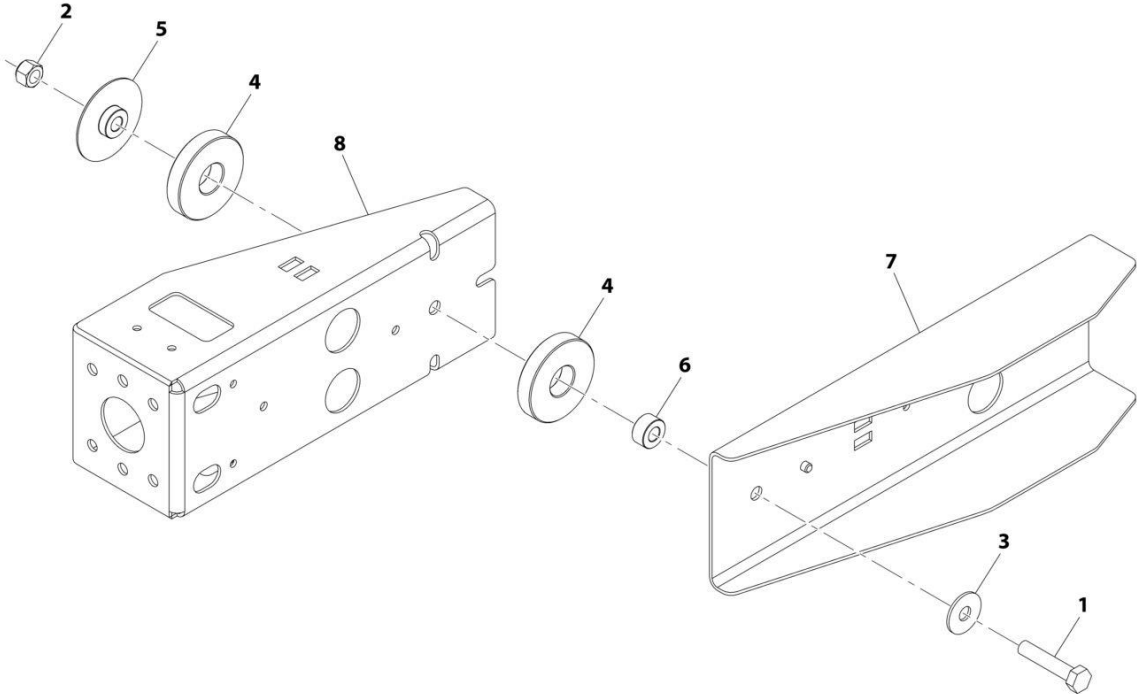
SECTION 10 - ELECTRICAL

FIGURE 10-66. LIGHTS - DRIVING LIGHT INSTALLATION (RH DIP)

ITEM	PART NUMBER	QTY	DESCRIPTION	REV
	1001186853	Ref	Driving Light Installation (RH Dip)	1
2	3290607	4	Nut, Lock M6X1	
3	4811700	4	Washer, M6	
4	4812000	16	Washer, M10	
5	2920208	1	Light, Driving (RH) (RH Dip)	
	7029969	1	Bulb, 4W	
	7029970	1	Bulb, 55W	
	7029971	1	Bulb, 21W	
6	2920207	1	Light, Driving (LH) (RH Dip)	
	7029969	1	Bulb, 4W	
	7029970	1	Bulb, 55W	
	7029971	1	Bulb, 21W	
7	1001091715	1	Light, Rear (LH)	
	70021341	1	Bulb, 5W	
	70021340	1	Bulb, 21W	
	7029971	1	Bulb, 21W	
8	1001091716	1	Light, Rear (RH)	
	70021341	1	Bulb, 5W	
	70021340	1	Bulb, 21W	
	7029971	1	Bulb, 21W	
9	1001209697	1	Cap	
10	1001159734	1	Switch, Hazard	
12	1001183112	2	Assembly, Rear Light Bracket (See Separate Breakdown in this Section)	
13	1001206100	1	Bracket	
16	0761010	8	Bolt, M10X20	
17	0701014	6	Bolt, M10X30	
18	3291001	2	Nut, M10X1.5	
19	1001203368	2	Bracket	
20	1001146588	1	Strap, Tie	
21	1001215693	1	Harness, Headlight (See Separate Breakdown in this Section)	
22	1001159737	1	Switch, Fog Lights	
23	1001008559	4	Strap, Cable	

SECTION 10 - ELECTRICAL

FIGURE 10-67. LIGHTS - DRIVING LIGHT BRACKET ASSEMBLY (RH DIP)



ART_1001183112-C

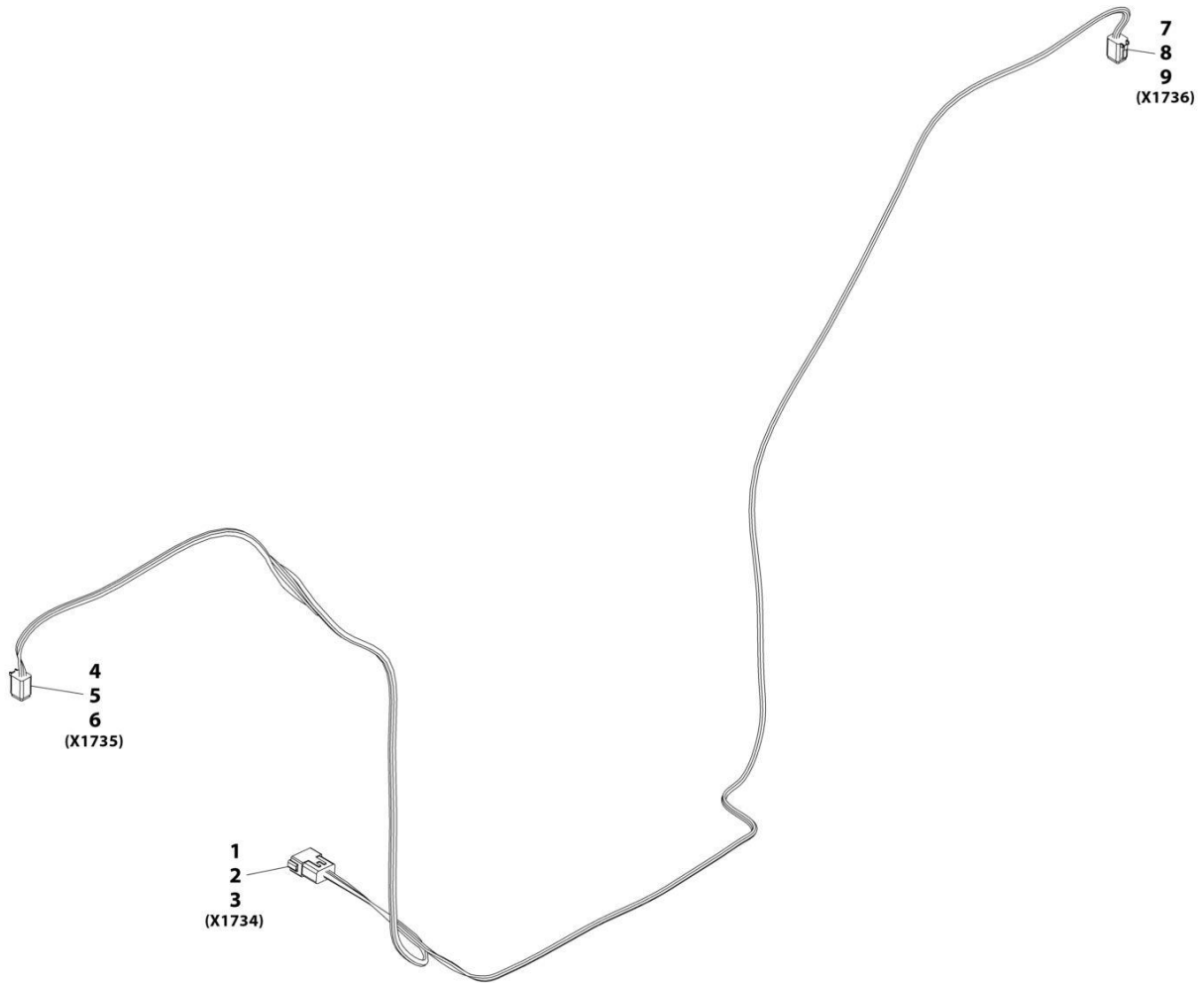
SECTION 10 - ELECTRICAL

FIGURE 10-67. LIGHTS - DRIVING LIGHT BRACKET ASSEMBLY (RH DIP)

ITEM	PART NUMBER	QTY	DESCRIPTION	REV
	1001183112	Ref	Rear Light Bracket Assembly	C
1	0701220	1	Bolt, M12X60	
2	3291205	1	Nut, Lock M12X1.75	
3	4812102	1	Washer, M12	
4	8000565	2	Washer, Rubber	
5	1001182490	1	Washer, Top Hat	
6	1001182495	1	Washer	
7	1001196217	1	Bracket	
8	1001196100	1	Bracket	

SECTION 10 - ELECTRICAL

FIGURE 10-68. LIGHTS - DRIVING HEADLIGHT HARNESS



ART_1001215693-C

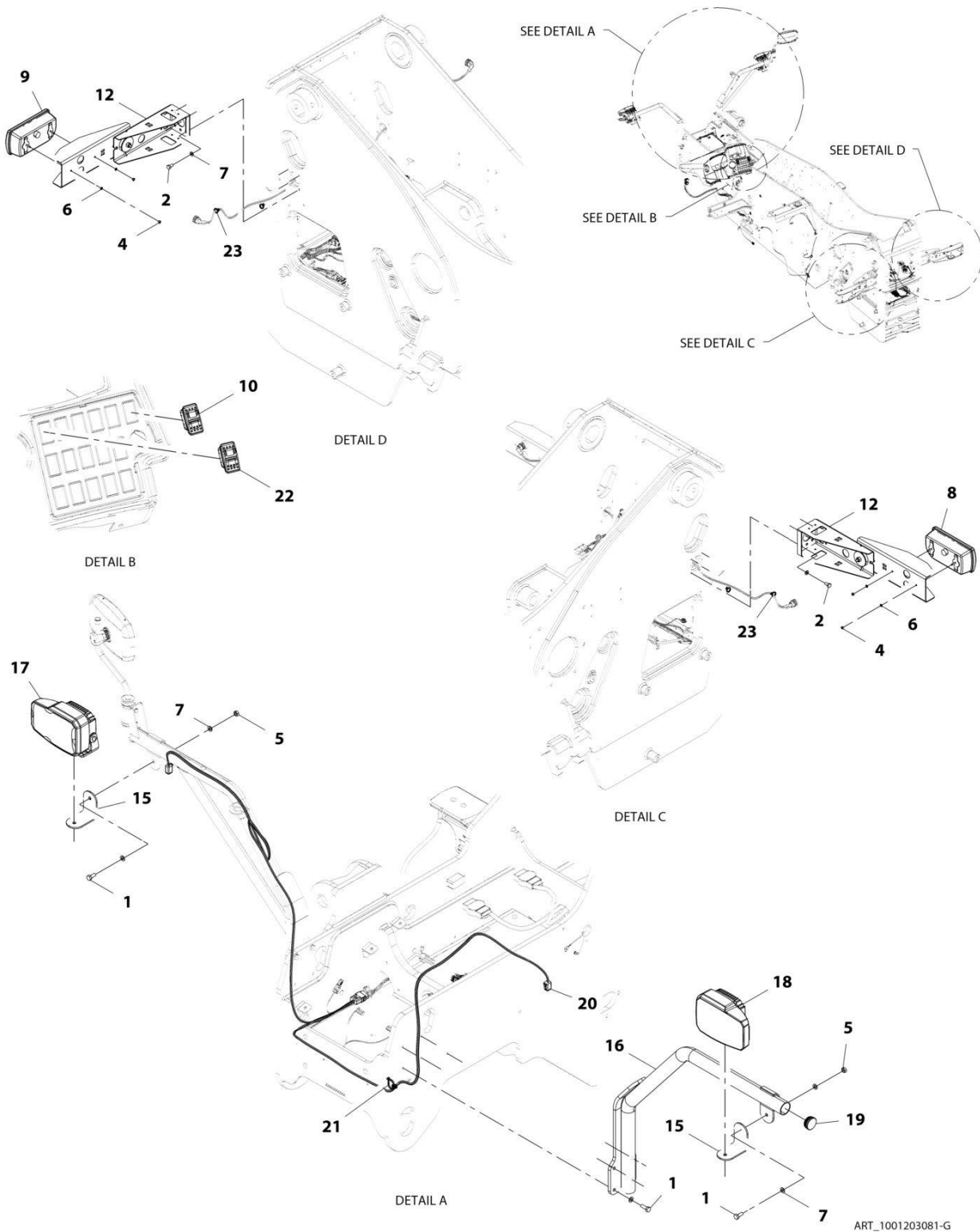
SECTION 10 - ELECTRICAL

FIGURE 10-68. LIGHTS - DRIVING HEADLIGHT HARNESS

ITEM	PART NUMBER	QTY	DESCRIPTION	REV
	1001215693	Ref	Headlight Harness	C
1	4460970	1	Connector	
2	4460941	10	Terminal	
3	4460466	2	Plug	
4	4460894	1	Connector	
5	4460942	5	Terminal	
6	4460466	1	Plug	
7	4460894	1	Connector	
8	4460942	5	Terminal	
9	4460466	1	Plug	

SECTION 10 - ELECTRICAL

FIGURE 10-69. LIGHTS - DRIVING LIGHT INSTALLATION (LED) (RH DIP)



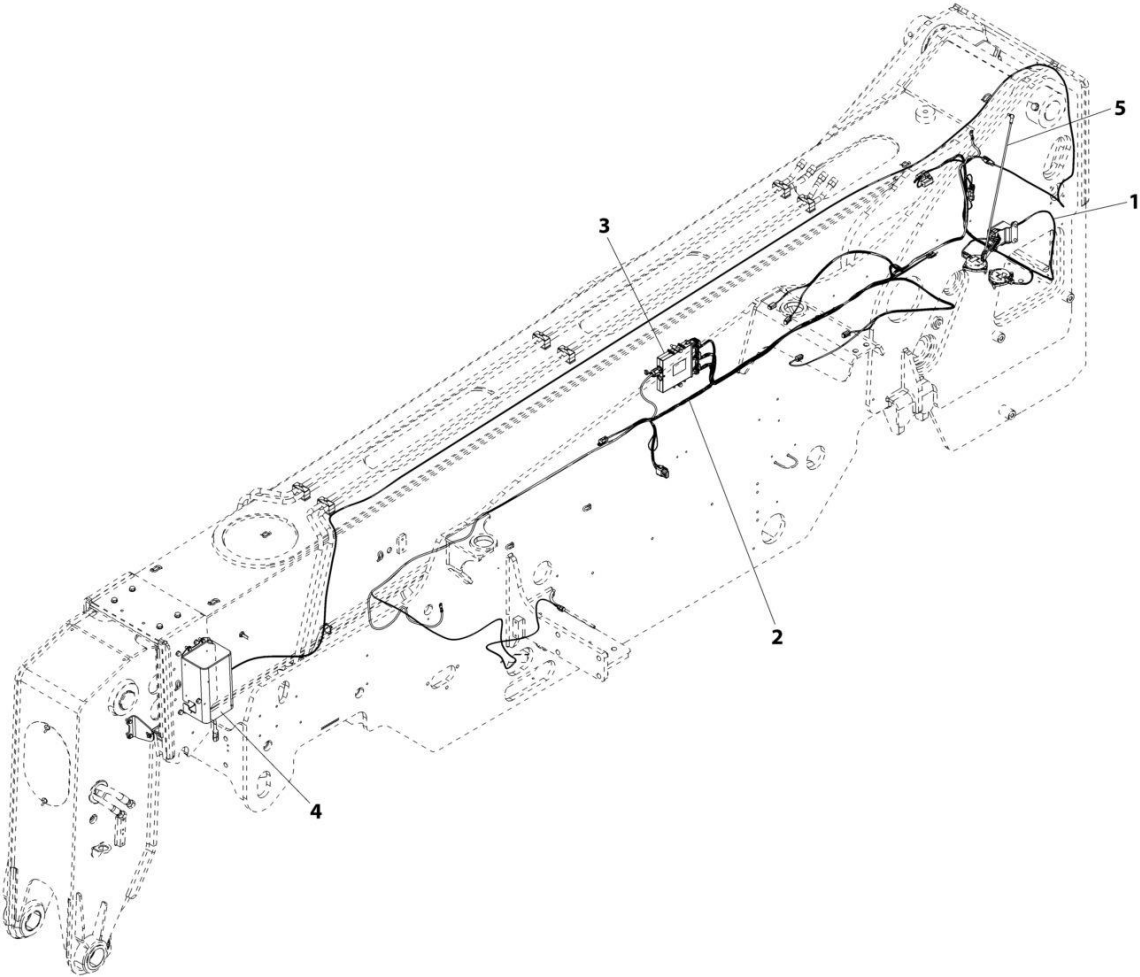
SECTION 10 - ELECTRICAL

FIGURE 10-69. LIGHTS - DRIVING LIGHT INSTALLATION (LED) (RH DIP)

ITEM	PART NUMBER	QTY	DESCRIPTION	REV
	1001203081	Ref	Driving Light Installation (LED) (RH Dip)	G
1	0701014	6	Bolt, M10X30	
2	0761010	8	Bolt, M10X20	
4	3290607	4	Bolt, M6X1	
5	3291001	2	Nut, M10X1.5	
6	4811700	4	Washer, M6	
7	4812000	16	Washer, M10	
8	1001091715	1	Light, Rear (LH)	
	70021341	1	Bulb, 5W	
	70021340	1	Bulb, 21W	
	7029971	1	Bulb, 21W	
9	1001091716	1	Light, Rear (RH)	
	70021341	1	REPLACEMENT BULB, 12V-5W	
	70021340	1	Bulb, 21W	
	7029971	1	Bulb, 21W	
10	1001159734	1	Switch, Hazard	
12	1001183112	2	Assembly, Rear Light Bracket (See Separate Breakdown in this Section)	
15	1001203368	2	Bracket	
16	1001206100	1	Bracket	
17	1001209690	1	Light, Driving (RH - LED) (RH Dip)	
18	1001209691	1	Light, Driving (LH - LED) (LH Dip)	
19	1001209697	1	Cap	
20	1001215693	1	Harness, Headlights (See Separate Breakdown in this Section)	
21	1001146588	1	Strap, Cable Tie	
22	1001159737	1	Switch, Fog Lights	
23	1001008559	4	Strap, Cable Tie	

SECTION 10 - ELECTRICAL

FIGURE 10-70. LMIS CONTROL PACKAGE INSTALLATION



ART_1001192431

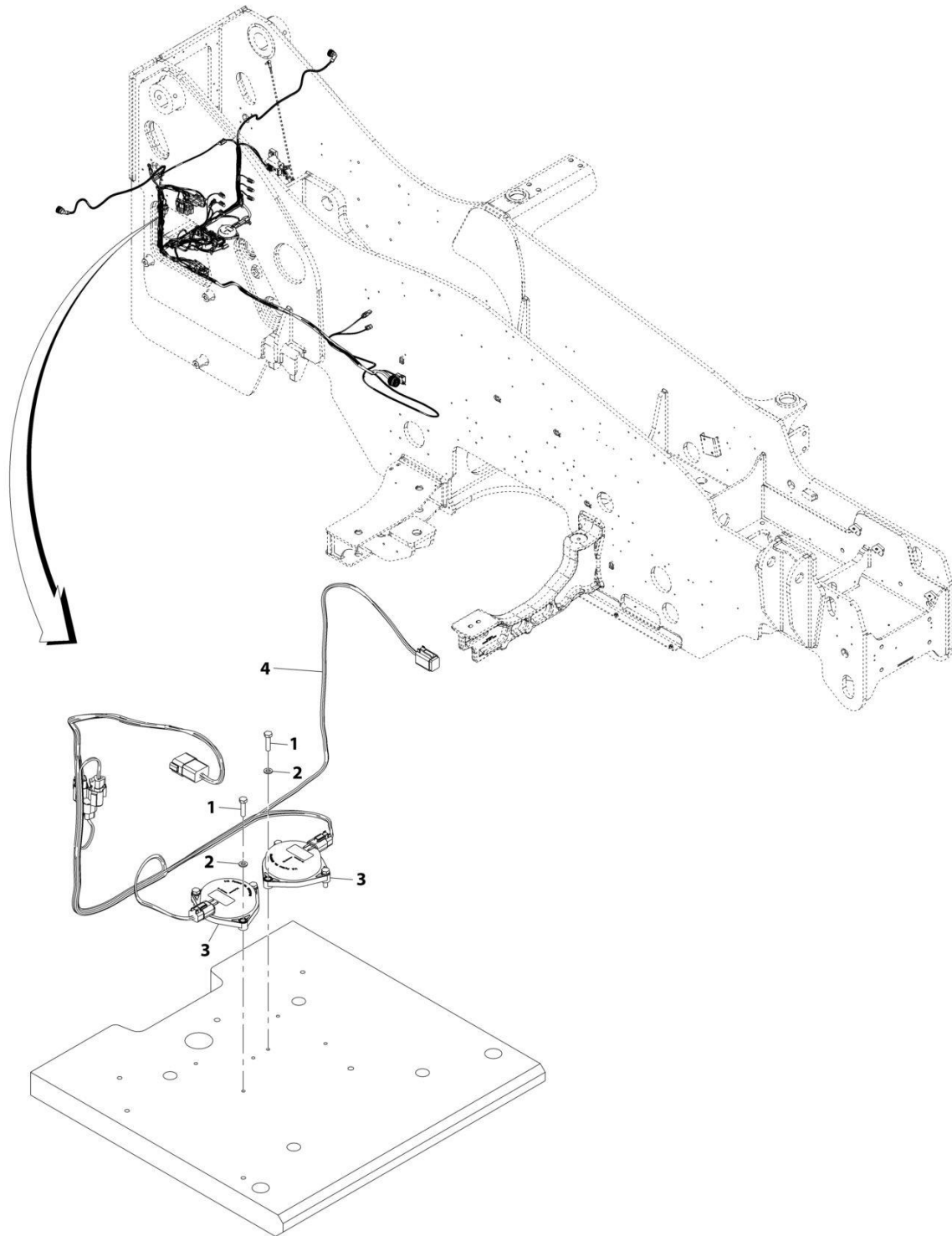
SECTION 10 - ELECTRICAL

FIGURE 10-70. LMIS CONTROL PACKAGE INSTALLATION

ITEM	PART NUMBER	QTY	DESCRIPTION	REV
	1001192431	Ref	LMIS Control Package Installation	E
1	1001195200	1	Installation, Tilt Sensor (See Separate Breakdown in this Section)	
2	1001195201	1	Installation, LMIS Wiring (See Separate Breakdown in this Section)	
3	1001195471	1	Installation, LMIS Controller (See Separate Breakdown in this Section)	
4	1001195473	1	Installation, LMIS Cable Reel (See Separate Breakdown in this Section)	
5	1001195590	1	Installation, Boom Angle Sensor (LMIS) (See Separate Breakdown in this Section)	

SECTION 10 - ELECTRICAL

FIGURE 10-71. LMIS TILT SENSOR INSTALLATION



ART_1001195200-B

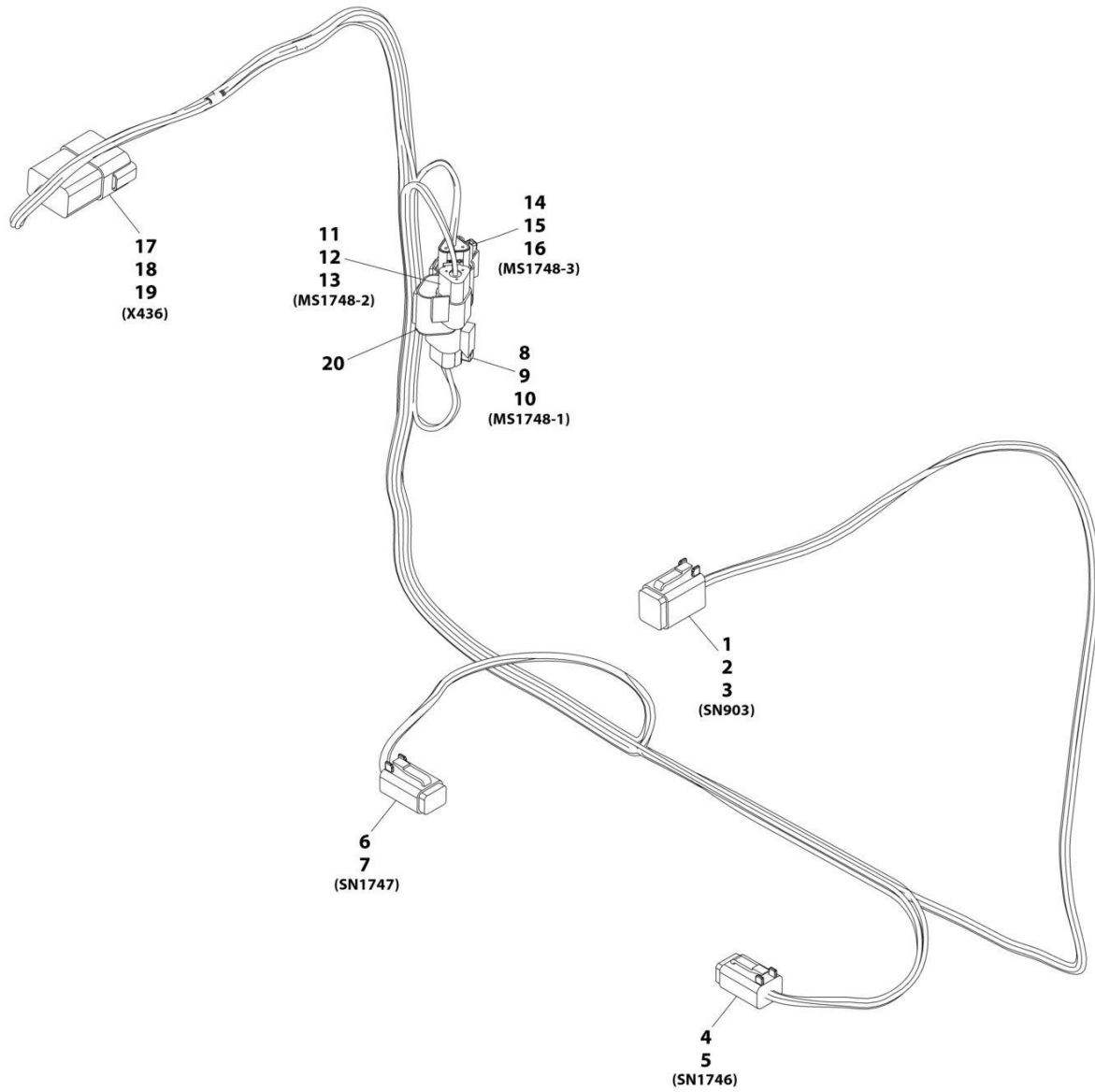
SECTION 10 - ELECTRICAL

FIGURE 10-71. LMIS TILT SENSOR INSTALLATION

ITEM	PART NUMBER	QTY	DESCRIPTION	REV
	1001195200	Ref	Tilt Sensor Installation	B
1	0700612	6	Bolt, M6X25	
2	4811700	6	Washer, M6	
3	1001163095	2	Sensor, Tilt	
4	1001195202	1	Harness, Platform Ready (See Separate Breakdown in this Section)	

SECTION 10 - ELECTRICAL

FIGURE 10-72. LMIS - PLATFORM READY HARNESS



ART_1001195202-A

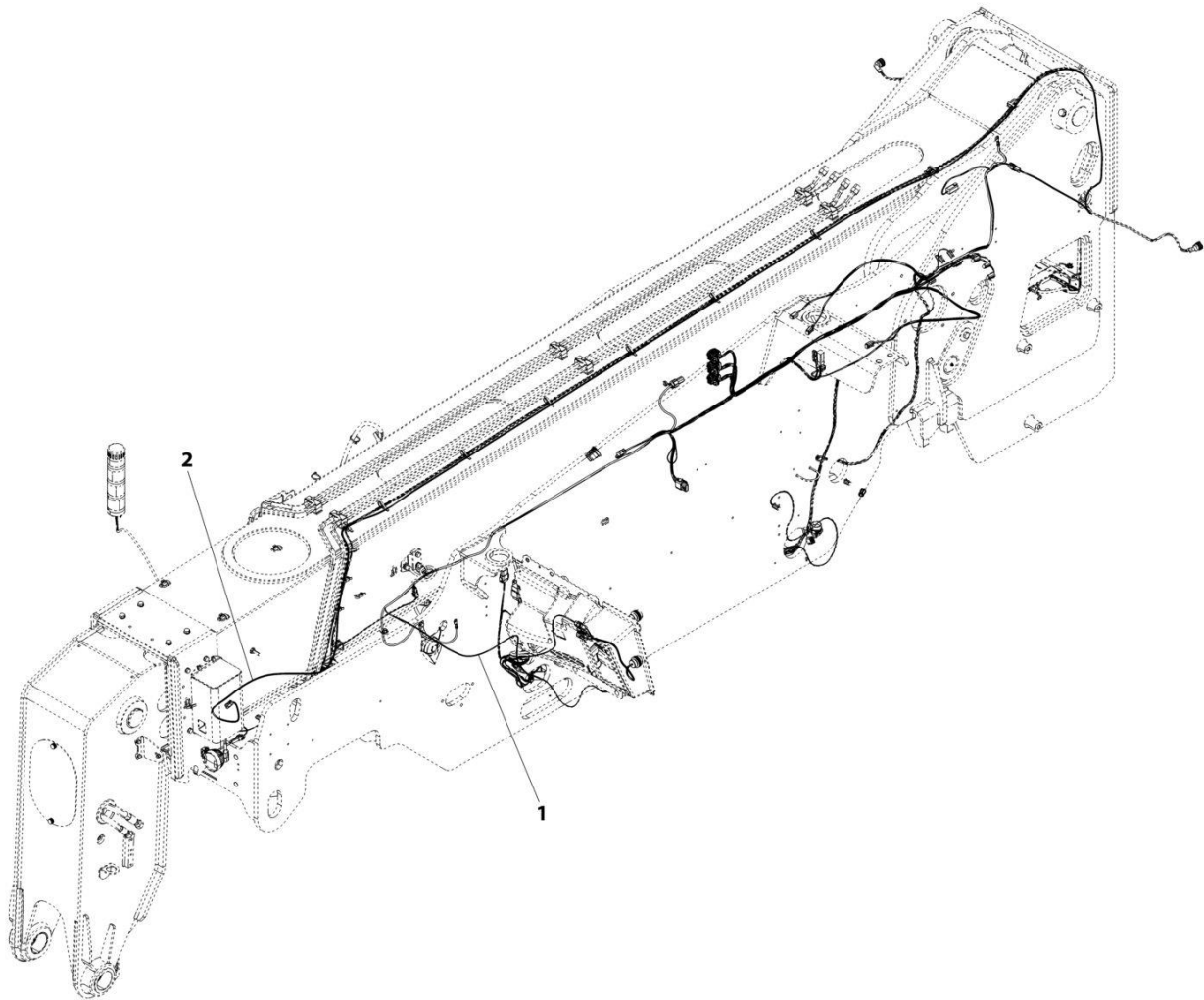
SECTION 10 - ELECTRICAL

FIGURE 10-72. LMIS - PLATFORM READY HARNESS

ITEM	PART NUMBER	QTY	DESCRIPTION	REV
	1001195202	Ref	Platform Ready Harness	A
1	4460894	1	Connector	
2	4460465	4	Terminal	
3	4460466	2	Plug	
4	4460884	1	Connector	
5	4460944	4	Terminal	
6	4460884	1	Connector	
7	4460944	4	Terminal	
8	1001116812	1	Connector	
9	4460944	2	Terminal	
10	4460466	1	Plug	
11	4460539	1	Connector	
12	4460944	2	Terminal	
13	4460466	1	Plug	
14	1001116812	1	Connector	
15	4460944	2	Terminal	
16	4460466	1	Plug	
17	4460931	1	Connector	
18	4460464	6	Terminal	
19	4460466	2	Plug	
20	4460945	1	Connector, 3 Way	

SECTION 10 - ELECTRICAL

FIGURE 10-73. LMIS WIRING INSTALLATION



ART_1001195201-F

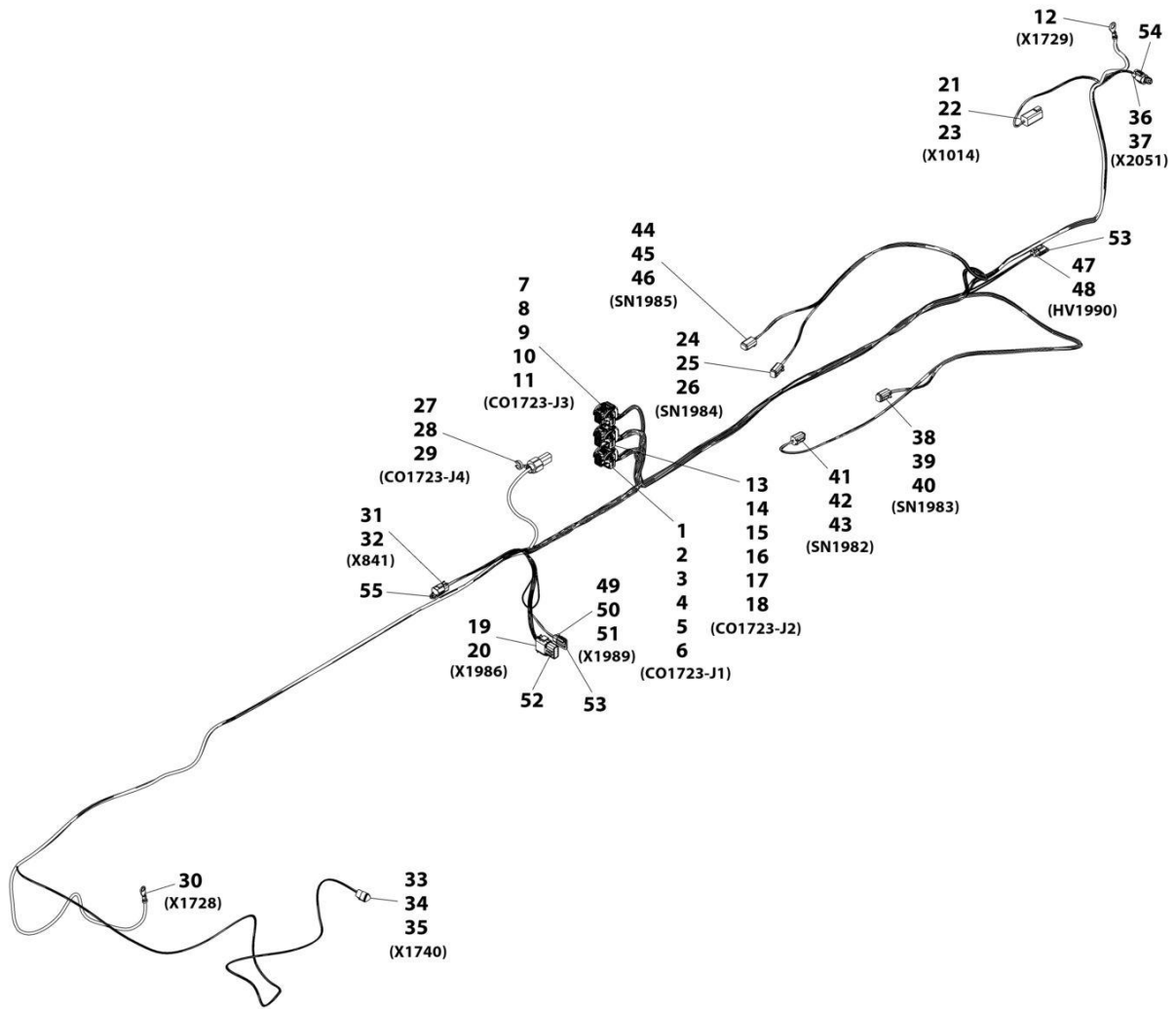
SECTION 10 - ELECTRICAL

FIGURE 10-73. LMIS WIRING INSTALLATION

ITEM	PART NUMBER	QTY	DESCRIPTION	REV
1	1001195201	Ref	LMIS Wiring Installation	F
	1001184795	1	Harness, Chassis Option (See Separate Breakdown in this Section)	
2	1001192619	1	Harness, LMIS Boom (See Separate Breakdown in this Section)	

SECTION 10 - ELECTRICAL

FIGURE 10-74. LMIS CHASSIS OPTION HARNESS



ART_1001184795-G

SECTION 10 - ELECTRICAL

FIGURE 10-74. LMIS CHASSIS OPTION HARNESS

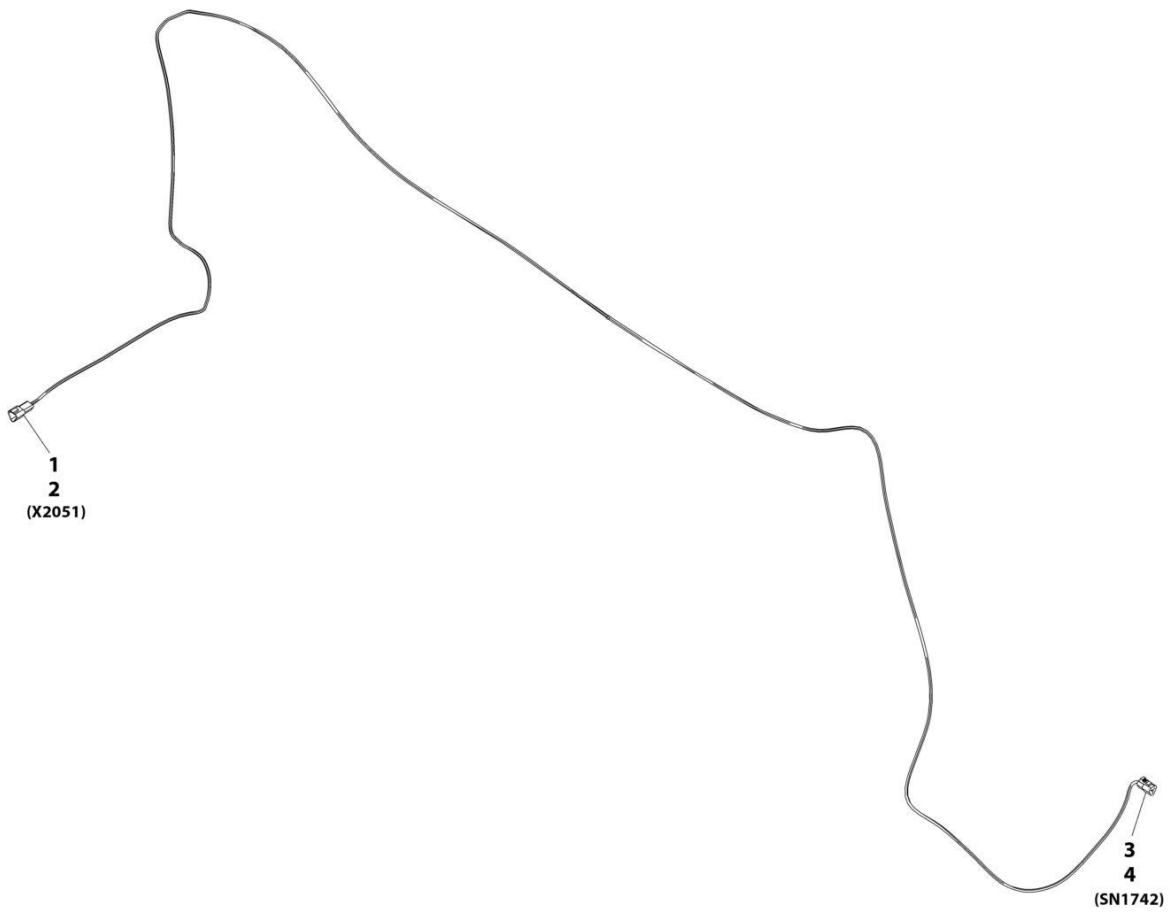
ITEM	PART NUMBER	QTY	DESCRIPTION	REV
	1001184795	Ref	LMIS Chassis Option Harness	G
1	1001161957	1	Connector	
2	1001161097	17	Terminal	
3	1001161100	7	Plug	
4	1001161101	2	Plug	
5	1001161098	2	Terminal	
6	1001161099	4	Terminal	
7	1001160500	1	Connector	
8	1001161100	16	Plug	
9	1001161097	8	Terminal	
10	1001161101	7	Plug	
11	1001161098	1	Terminal	
12	1001187076	1	Ring Terminal	
13	1001161963	1	Connector	
14	1001161097	24	Terminal	
15	1001161100	16	Plug	
16	1001161095	1	Terminal	
17	1001161099	3	Terminal	
18	1001161101	4	Plug	
19	1001116774	1	Connector	
20	4460928	12	Terminal	
21	4460899	1	Connector	
22	4460464	3	Terminal	
23	4460466	3	Plug	
24	4460884	1	Connector	
25	4460942	1	Terminal	
26	4460465	3	Terminal	
27	1001160509	1	Connector	
28	1001160510	1	Terminal	
29	1001175266	1	Terminal Seal	
30	1001187075	1	Ring Terminal	
31	4460884	1	Connector	
32	4460465	4	Terminal	
33	1001116812	1	Connector	
34	4460944	2	Terminal	
35	4460466	1	Plug	
36	4460539	1	Connector	
37	4460465	3	Terminal	
38	4460884	1	Connector	
39	4460942	1	Terminal	
40	4460465	3	Terminal	
41	4460884	1	Connector	
42	4460942	1	Terminal	
43	4460465	3	Terminal	
44	4460884	1	Connector	
45	4460942	1	Terminal	
46	4460465	3	Terminal	
47	4460891	1	Connector	
48	4460465	2	Terminal	
49	4460891	1	Connector	

SECTION 10 - ELECTRICAL

ITEM	PART NUMBER	QTY	DESCRIPTION	REV
50	4460465	1	Terminal	
51	4460942	1	Terminal	

SECTION 10 - ELECTRICAL

FIGURE 10-75. LMIS BOOM HARNESS



ART_1001192619-D

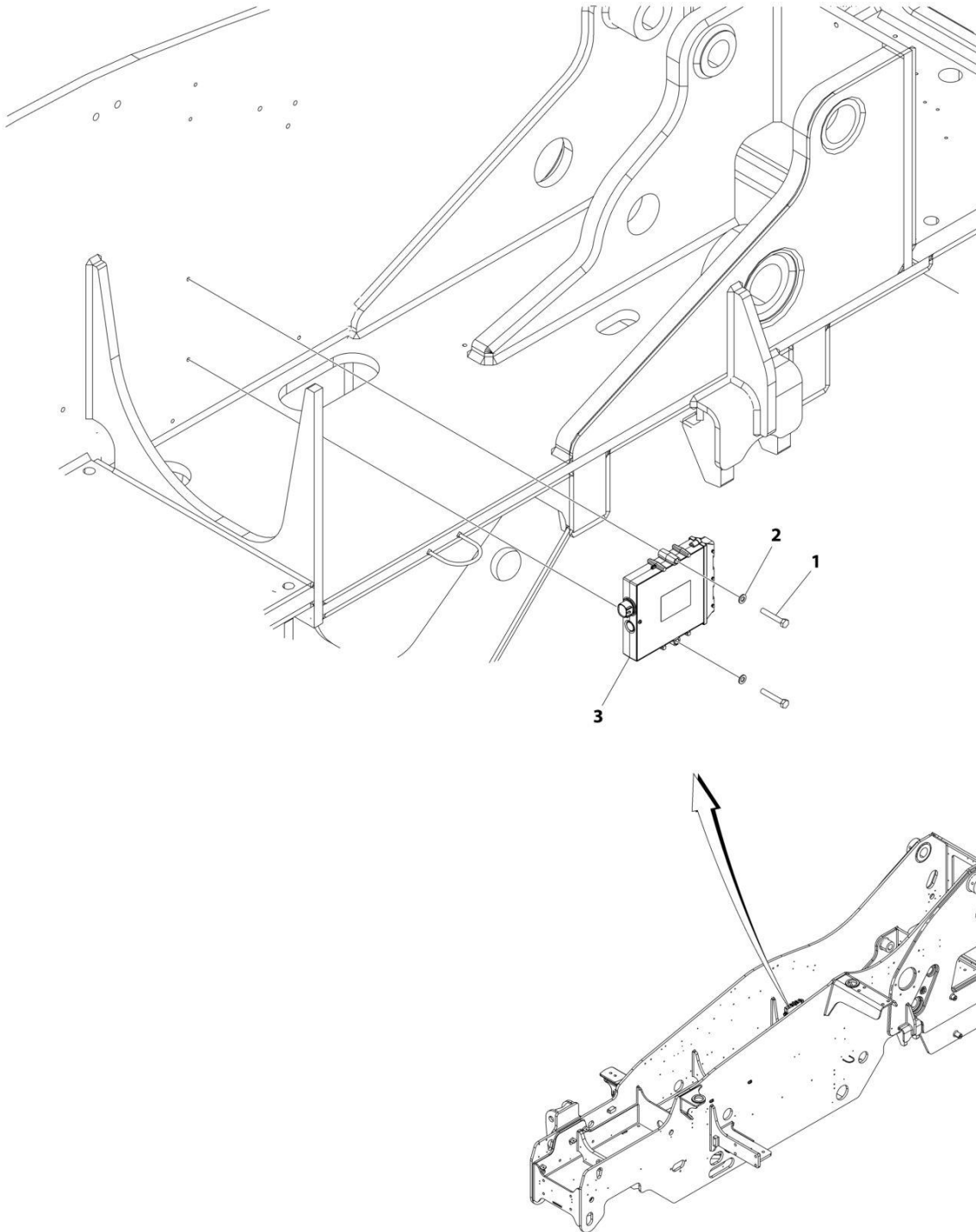
SECTION 10 - ELECTRICAL

FIGURE 10-75. LMIS BOOM HARNESS

ITEM	PART NUMBER	QTY	DESCRIPTION	REV
	1001192619	Ref	LMIS Boom Harness	D
1	4460536	1	Connector	
2	4460464	3	Terminal	
3	4460539	1	Connector	
4	4460465	3	Terminal	

SECTION 10 - ELECTRICAL

FIGURE 10-76. LMIS CONTROLLER INSTALLATION (Prior to SN 0160110782)



ART_1001195471

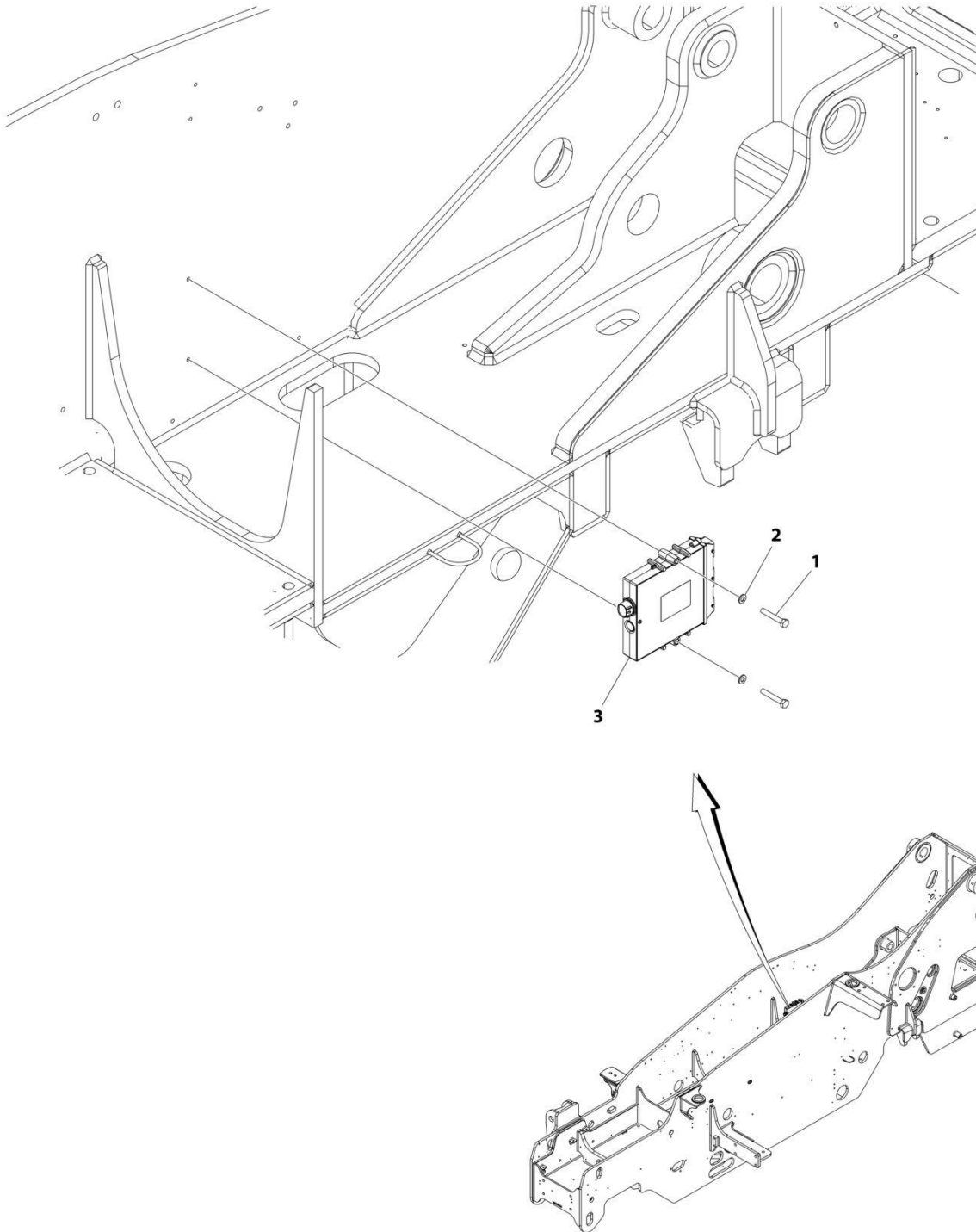
SECTION 10 - ELECTRICAL

FIGURE 10-76. LMIS CONTROLLER INSTALLATION (Prior to SN 0160110782)

ITEM	PART NUMBER	QTY	DESCRIPTION	REV
	1001195471	Ref	LMIS CONTROLLER INSTALLATION	B
1	0700818	2	Bolt M8 x 50	
2	4811900	2	Washer M8	
3	1001179901	1	Module, LMIS Control	

SECTION 10 - ELECTRICAL

FIGURE 10-77. LMIS CONTROLLER INSTALLATION (SN 0160110782 to Present)



ART_1001195471_C

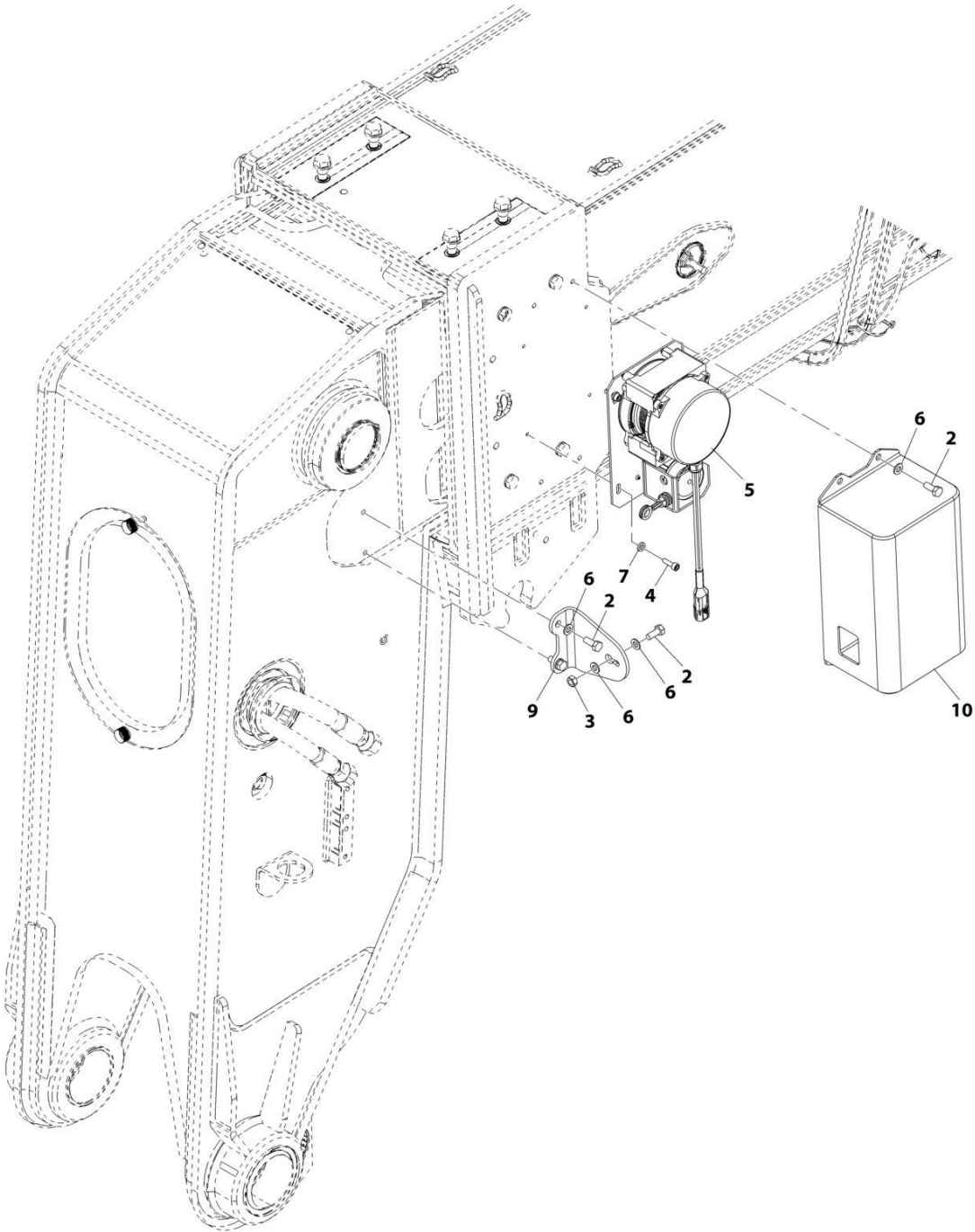
SECTION 10 - ELECTRICAL

FIGURE 10-77. LMIS CONTROLLER INSTALLATION (SN 0160110782 to Present)

ITEM	PART NUMBER	QTY	DESCRIPTION	REV
	1001195471	Ref	LMIS CONTROLLER INSTALLATION	C
1	0700818	2	Bolt M8 x 50	
2	4811900	2	Washer M8	
3	1001270485	1	Module, LMIS Control	

SECTION 10 - ELECTRICAL

FIGURE 10-78. LMIS CABLE REEL INSTALLATION



ART_1001195473

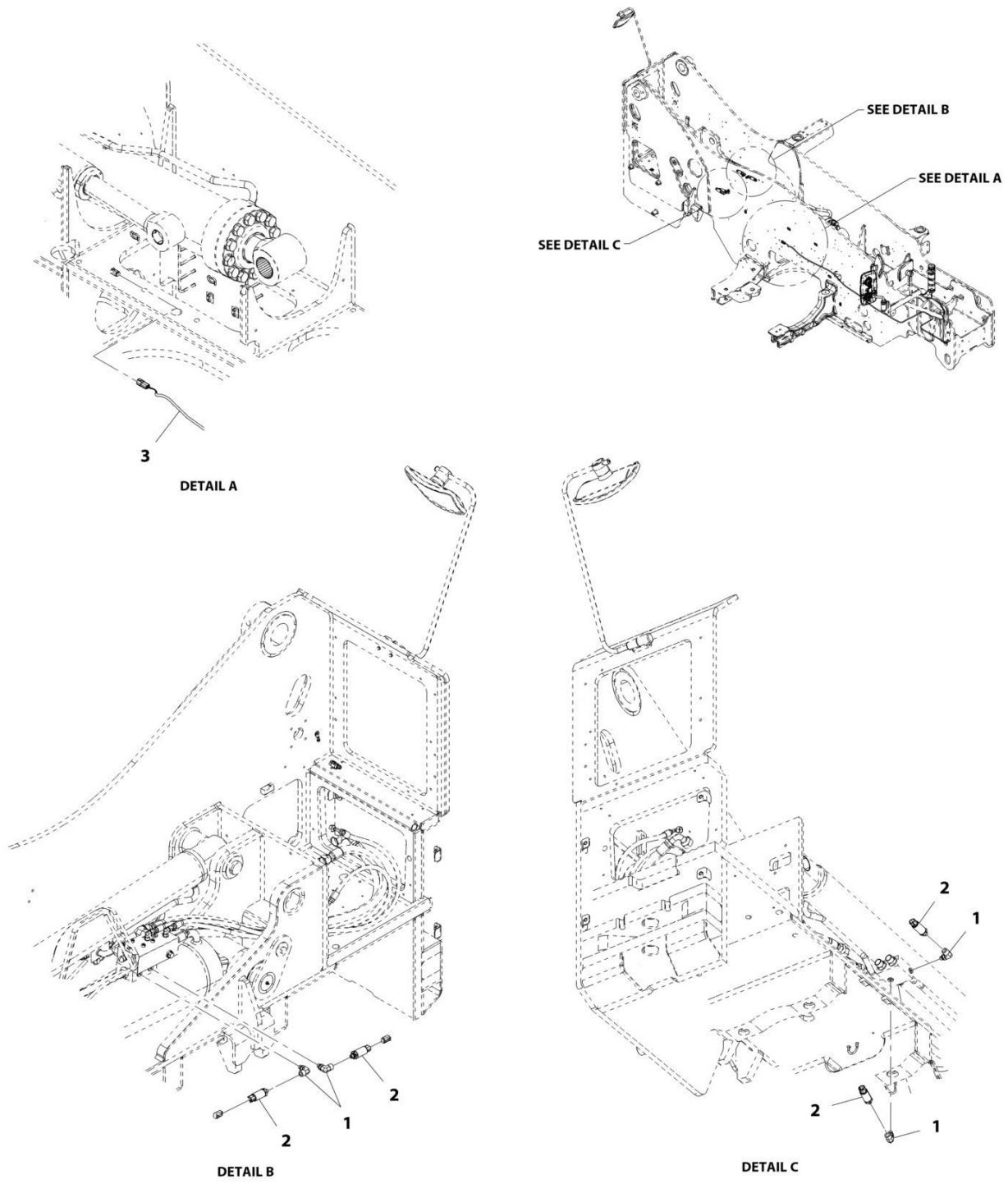
SECTION 10 - ELECTRICAL

FIGURE 10-78. LMIS CABLE REEL INSTALLATION

ITEM	PART NUMBER	QTY	DESCRIPTION	REV
	1001195473	Ref	LMIS Cable Reel Installation	E
2	0760810	7	Bolt, M8X20	
3	3290801	1	Nut, M8X1.25	
4	4031708	4	Screw, M6X20	
5	1001223903	1	Sensor, Boom Length	
6	4811900	8	Washer, M8	
7	5240600	4	Washer, M6	
9	1001224127	1	Bracket	
10	1001224128	1	Panel	

SECTION 10 - ELECTRICAL

FIGURE 10-79. LMIS INSTALLATION (HIGH END DISPLAY)



ART_1001183549-C

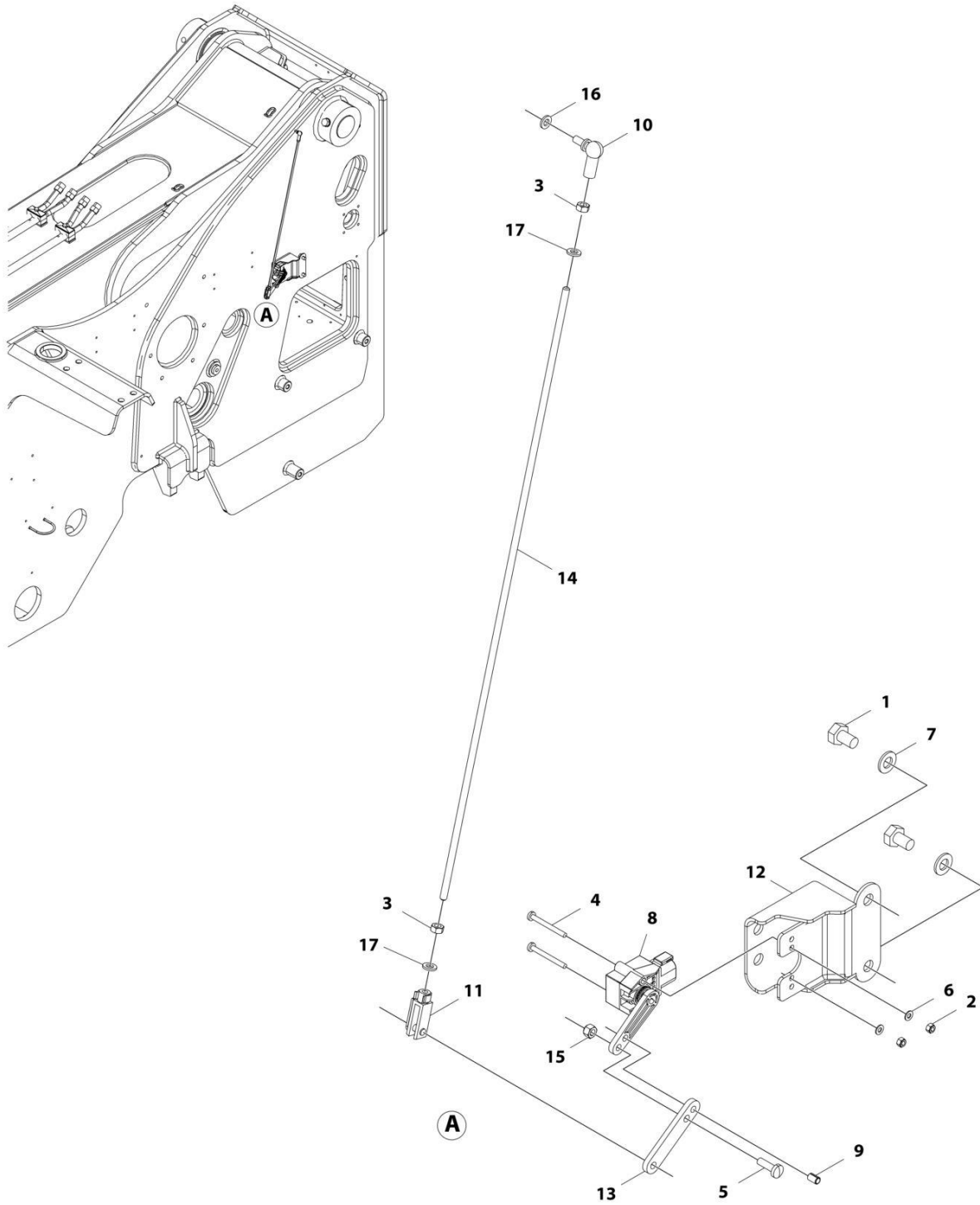
SECTION 10 - ELECTRICAL

FIGURE 10-79. LMIS INSTALLATION (HIGH END DISPLAY)

ITEM	PART NUMBER	QTY	DESCRIPTION	REV
	1001183549	Ref	LMIS Installation (High End Display)	C
1	1001101855	4	Fitting, 90	
2	1001162885	4	Sensor, LMIS	
3	1001195591	1	Installation, LMIS Beacon Light (See Separate Breakdown in this Section)	

SECTION 10 - ELECTRICAL

FIGURE 10-80. LMIS BOOM ANGLE SENSOR INSTALLATION



ART_1001195590

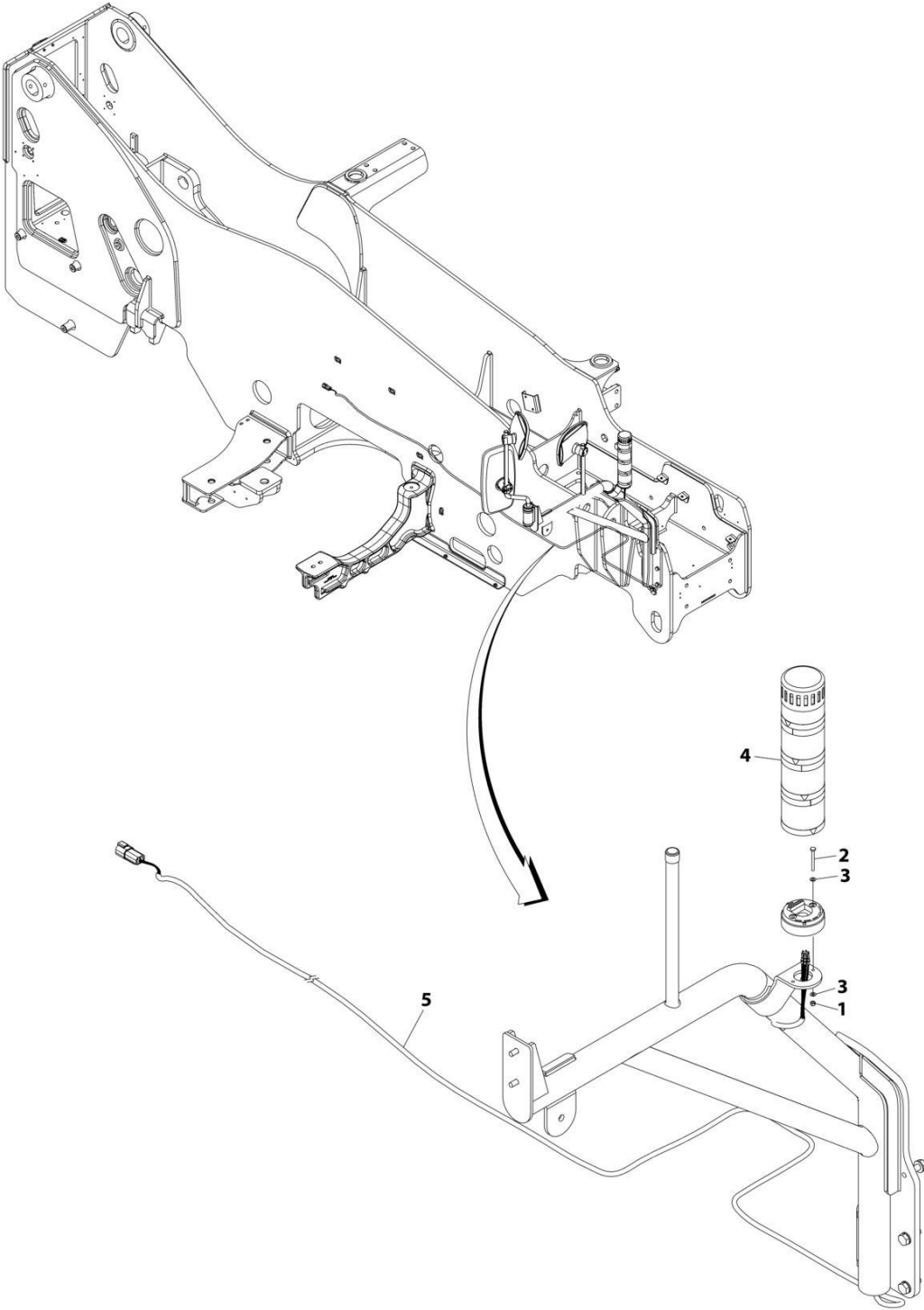
SECTION 10 - ELECTRICAL

FIGURE 10-80. LMIS BOOM ANGLE SENSOR INSTALLATION

ITEM	PART NUMBER	QTY	DESCRIPTION	REV
	1001195590	Ref	BOOM ANGLE SENSOR INSTALLATION (LMIS)	E
1	0761008	2	Bolt M10 x 16	
2	3290405	2	Nut M4	
3	3290601	2	Nut M6 x 1	
4	4010416	2	Screw M4 x 40	
5	4010610	1	Screw M6 x 20	
6	4811400	2	Washer M4	
7	4812000	2	Washer M10	
8	1001099717	1	Sensor, Boom Angle	
9	1001103156	1	Pin	
10	1001103300	1	Fitting, Ball Joint	
11	1001134274	1	Clevis	
12	1001213775	1	Bracket	
13	1001195731	1	Link, Boom Angle Sensor	
14	1001195732	1	Rod	
15	3290605	1	Nut M6 x 1	
16	4811700	1	Washer M6	
17	4761400	2	Washer 1/4	

SECTION 10 - ELECTRICAL

FIGURE 10-81. LMIS BEACON LIGHT INSTALLATION



ART_1001195591_E

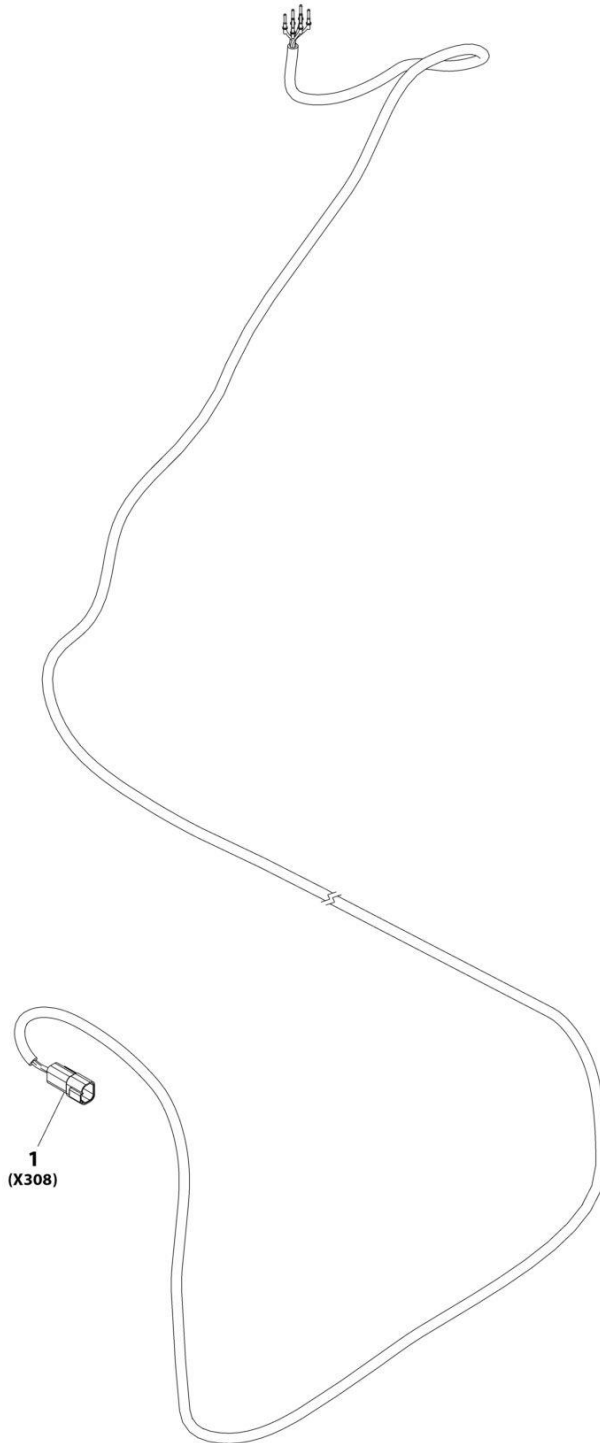
SECTION 10 - ELECTRICAL

FIGURE 10-81. LMIS BEACON LIGHT INSTALLATION

ITEM	PART NUMBER	QTY	DESCRIPTION	REV
	1001195591	Ref	LMIS Beacon Light Installation	E
1	3290405	2	Nut M4	
2	4010416	2	Screw, M4X40	
3	4811400	4	Washer, M4	
	1001265343	1	Light, LMIS Beacon	
5	1001117247	1	Harness, LMIS Beacon Option (See Separate Breakdown in this Section)	
7	1001146588	1	Tie-Strap (Not Shown)	

SECTION 10 - ELECTRICAL

FIGURE 10-82. LMIS BEACON OPTION HARNESS



1
(X308)

ART_1001117247

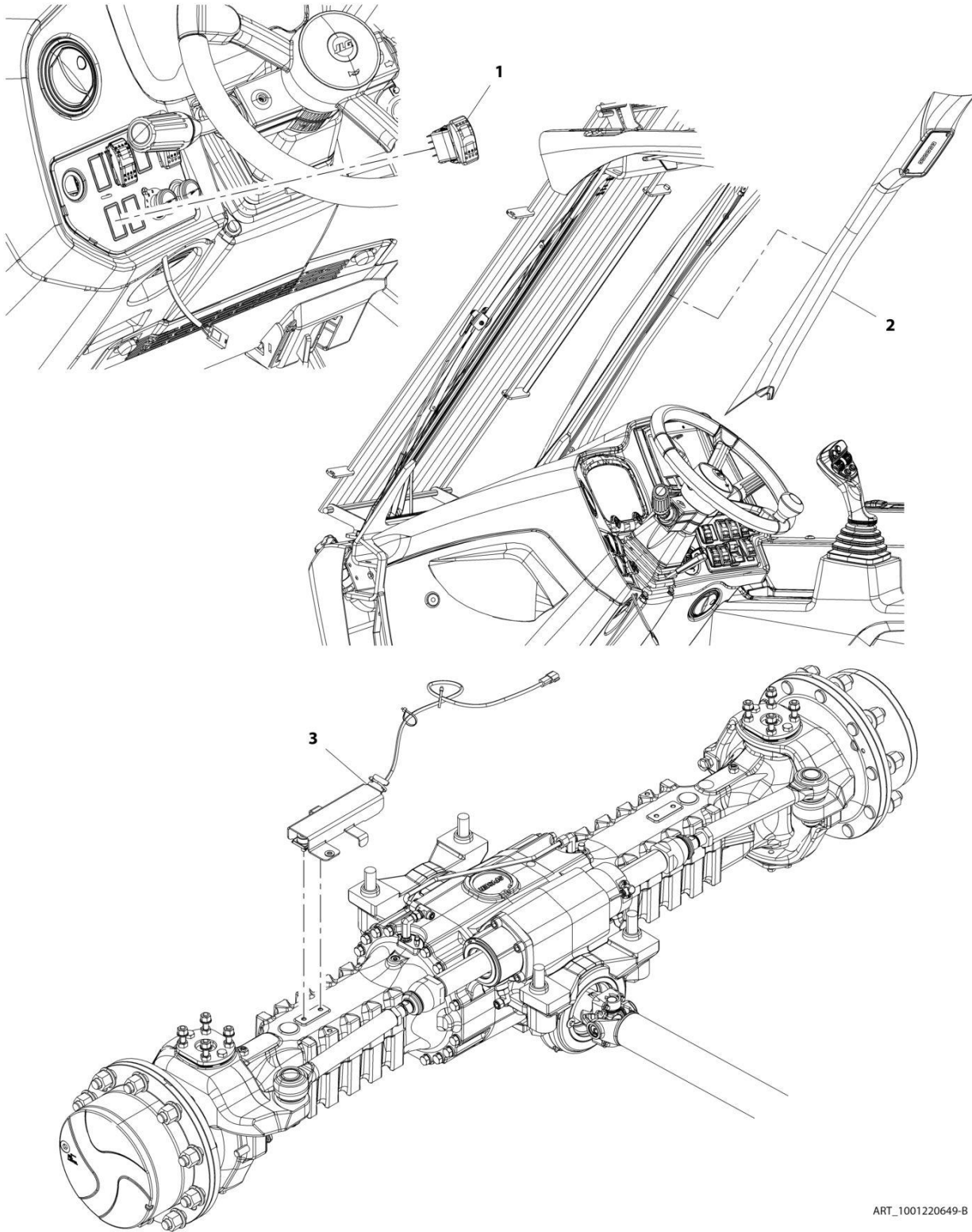
SECTION 10 - ELECTRICAL

FIGURE 10-82. LMIS BEACON OPTION HARNESS

ITEM	PART NUMBER	QTY	DESCRIPTION	REV
1	1001117247 4460932	Ref 1	LMIS Beacon Option Harness Connector	D

SECTION 10 - ELECTRICAL

FIGURE 10-83. LSI INSTALLATION



ART_1001220649-B

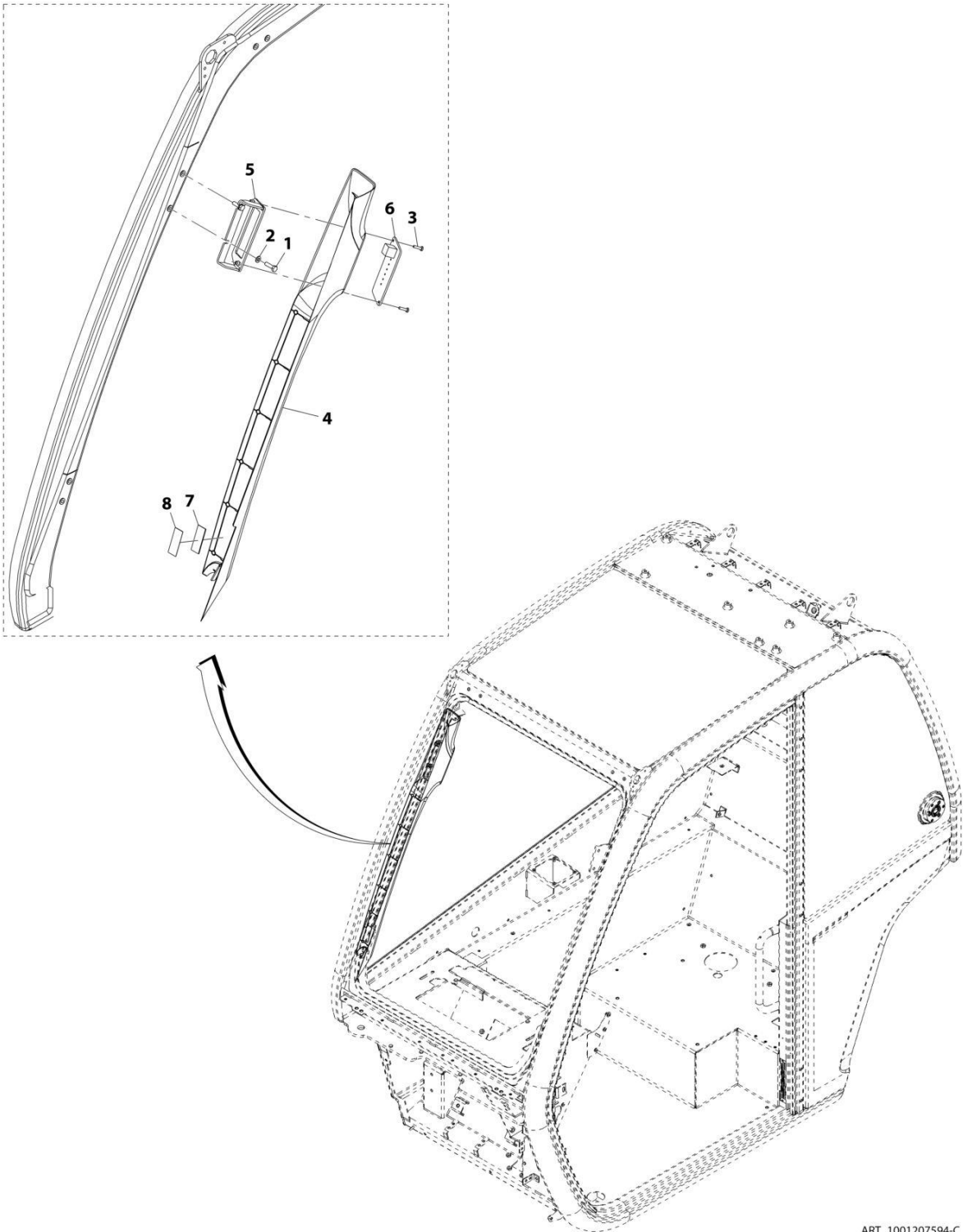
SECTION 10 - ELECTRICAL

FIGURE 10-83. LSI INSTALLATION

ITEM	PART NUMBER	QTY	DESCRIPTION	REV
	1001220649	Ref	LSI Installation	B
1	1001159742	1	Switch, LSI Override	
2	1001207594	Ref	Installation, LSI Display (See Separate Breakdown in this Section)	
3	1001220650	Ref	Installation, LSI Sensor (See Separate breakdown in this Section)	

SECTION 10 - ELECTRICAL

FIGURE 10-84. LSI DISPLAY INSTALLATION



ART_1001207594-C

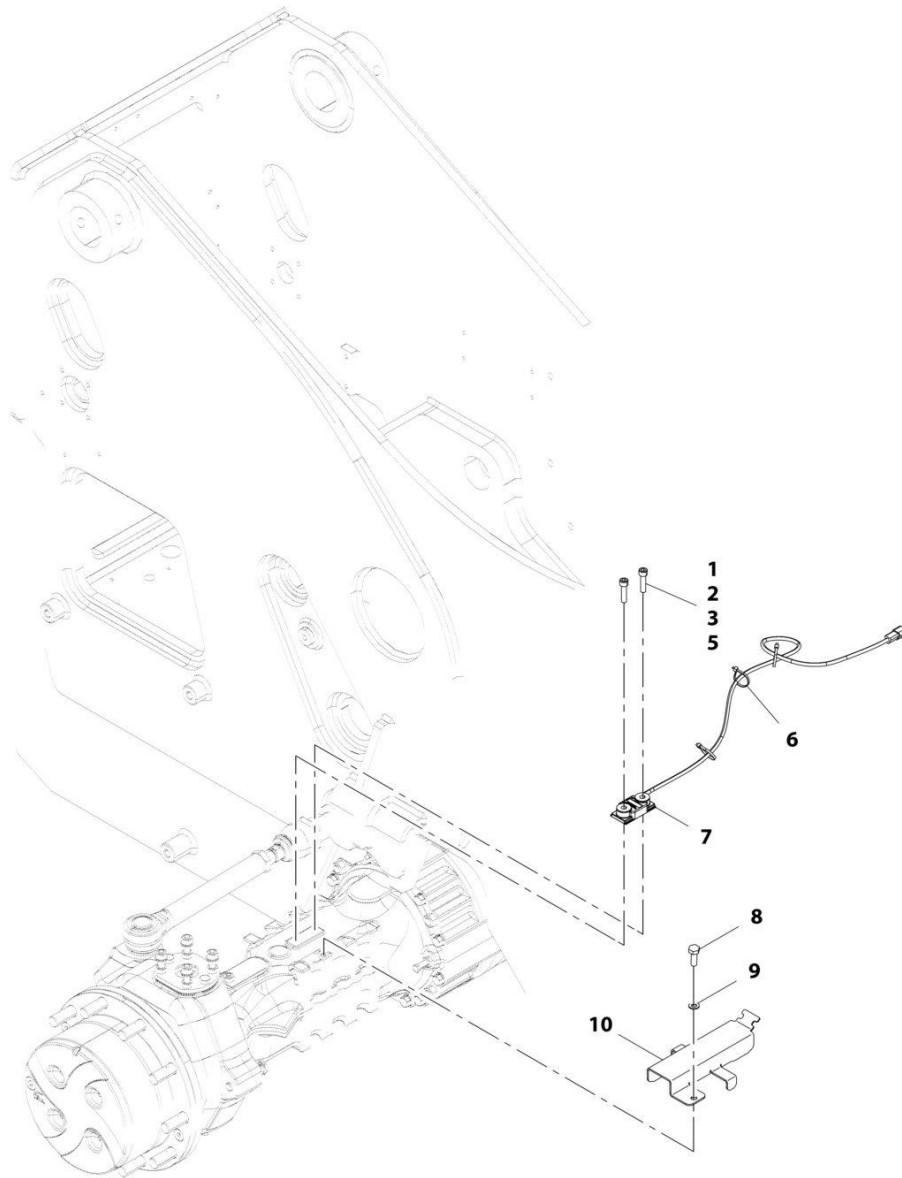
SECTION 10 - ELECTRICAL

FIGURE 10-84. LSI DISPLAY INSTALLATION

ITEM	PART NUMBER	QTY	DESCRIPTION	REV
	1001207594	Ref	LSI Display Installation	C
1	0760610	2	Bolt, M6X20	
2	4811700	2	Washer, M6	
3	1001126837	2	Screw, M4X16	
4	1001182839	1	Cover	
5	1001214401	1	Bracket	
6	1001213752	1	Display, LSI	
7	1001221318	1	Tape, Hook Fastener	
8	1001221319	1	Tape, Hook Fastener	

SECTION 10 - ELECTRICAL

FIGURE 10-85. LSI SENSOR INSTALLATION



ART_1001220650-B

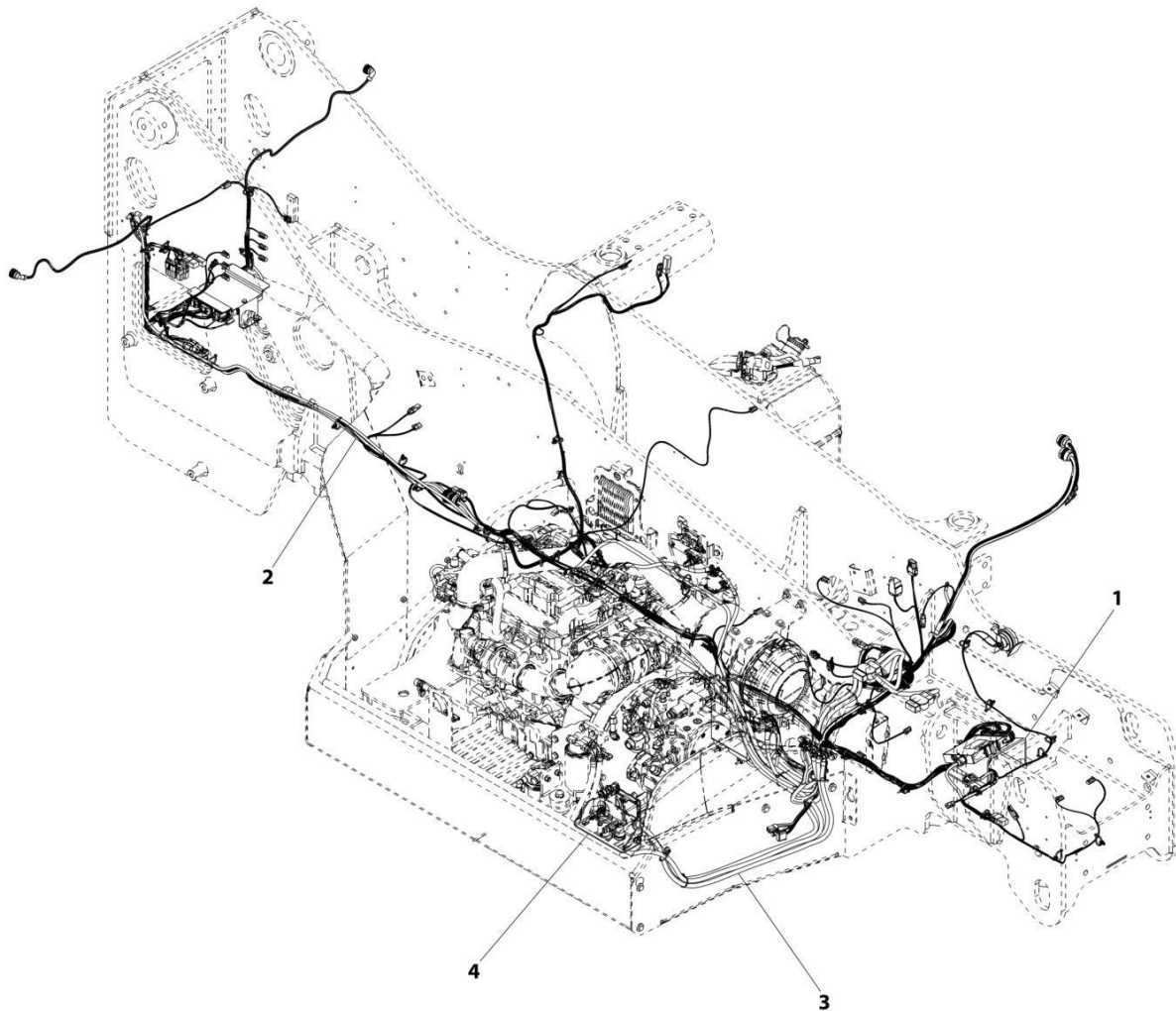
SECTION 10 - ELECTRICAL

FIGURE 10-85. LSI SENSOR INSTALLATION

ITEM	PART NUMBER	QTY	DESCRIPTION	REV
	1001220650	Ref	LSI Sensor Installation	B
1	5272012	2	Bolt, M10X40	
2	1001116128	AR	Sealant	
3	1001125465	AR	Compound, Locking	
5	1001129425	AR	Compound, Locking	
6	1001008559	3	Strap, Cable	
7	1001160730	1	Sensor, LSI	
8	0761010	1	Bolt, M10X20	
9	4812000	1	Washer, M10	
10	1001230850	1	Bracket, LSI Cover	

SECTION 10 - ELECTRICAL

FIGURE 10-86. MAIN ELECTRICAL INSTALLATION (ULS)



ART_1001192537-B

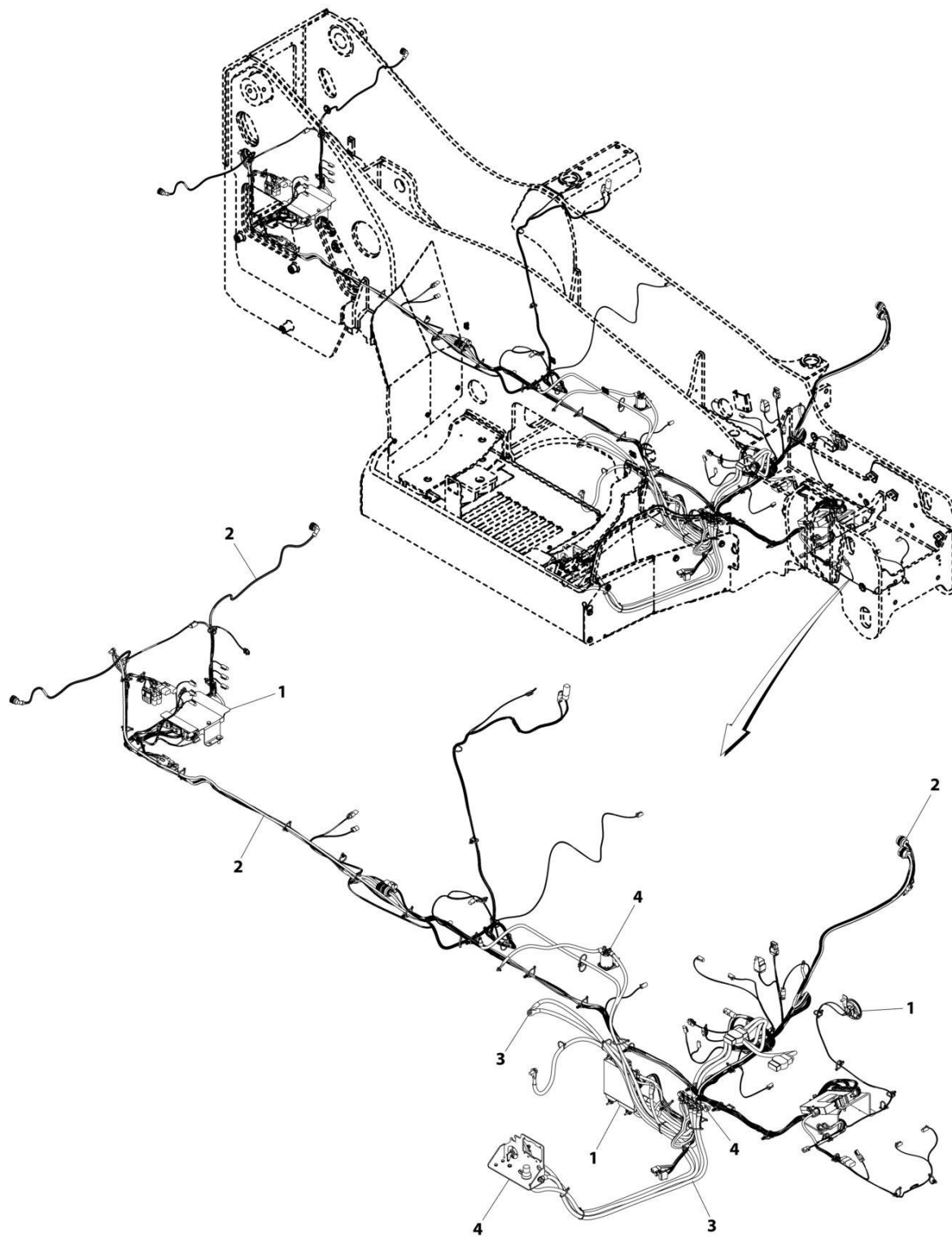
SECTION 10 - ELECTRICAL

FIGURE 10-86. MAIN ELECTRICAL INSTALLATION (ULS)

ITEM	PART NUMBER	QTY	DESCRIPTION	REV
1	1001192537	Ref	Main Electrical Installation (ULS)	B
	1001183272	Ref	Installation, Frame Electrical (See Separate Breakdown in this Section)	
2	1001200159	Ref	Installation, Frame Wiring (See Separate Breakdown in this Section)	
3	1001200160	Ref	Installation, Engine Bay Electrical	
4	1001202172	Ref	Installation, Engine Pod Electrical (ULS) (See Separate Breakdown in this Section)	

SECTION 10 - ELECTRICAL

FIGURE 10-87. MAIN ELECTRICAL INSTALLATION, MINING (ULS)



ART_1001228738-A

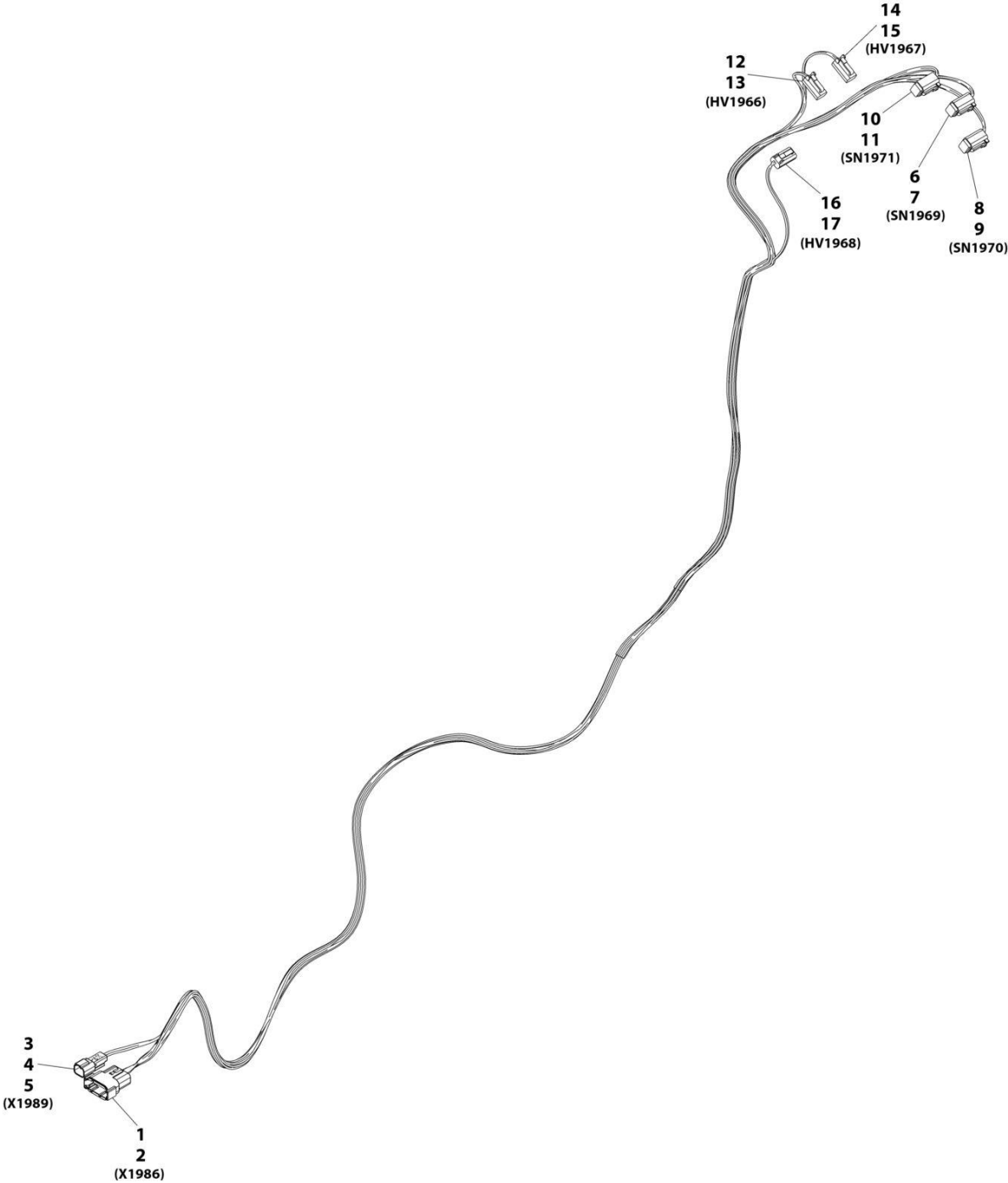
SECTION 10 - ELECTRICAL

FIGURE 10-87. MAIN ELECTRICAL INSTALLATION, MINING (ULS)

ITEM	PART NUMBER	QTY	DESCRIPTION	REV
1	1001228738	Ref	Main Electrical Installation, Mining (ULS)	A
	1001183272	Ref	Installation, Frame Electrical (See Separate Breakdown in this Section)	
2	1001228739	Ref	Installation, Frame Wiring (See Separate Breakdown in this Section)	
3	1001200160	Ref	Installation, Engine Bay Electrical	
4	1001202172	Ref	Installation, Engine Pod Electrical (ULS) (See Separate Breakdown in this Section)	

SECTION 10 - ELECTRICAL

FIGURE 10-88. RALP PLATFORM HARNESS



ART_1001193566-C

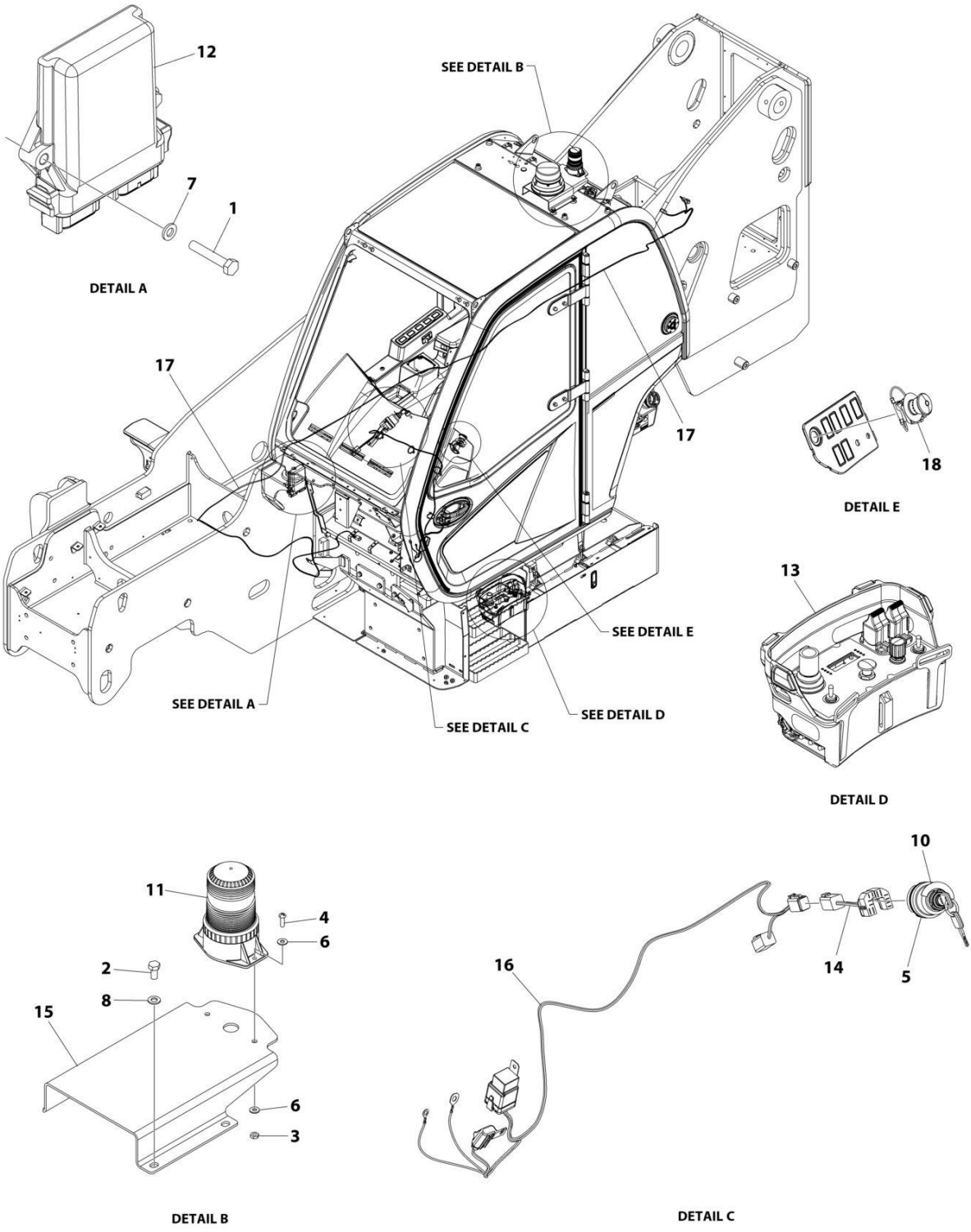
SECTION 10 - ELECTRICAL

FIGURE 10-88. RALP PLATFORM HARNESS

ITEM	PART NUMBER	QTY	DESCRIPTION	REV
	1001193566	Ref	Platform Harness (RALP)	C
1	1001132169	1	Connector	
2	4460929	12	Terminal	
3	4460897	1	Connector	
4	4460464	1	Terminal	
5	4460941	1	Terminal	
6	4460884	1	Connector	
7	4460465	4	Terminal	
8	4460884	1	Connector	
9	4460465	4	Terminal	
10	4460884	1	Connector	
11	4460465	4	Terminal	
12	4460891	1	Connector	
13	4460465	2	Terminal	
14	4460891	1	Connector	
15	4460465	2	Terminal	
16	4460891	1	Connector	
17	4460465	2	Terminal	

SECTION 10 - ELECTRICAL

FIGURE 10-89. REMOTE CONTROL (BOOM)



ART_1001259256

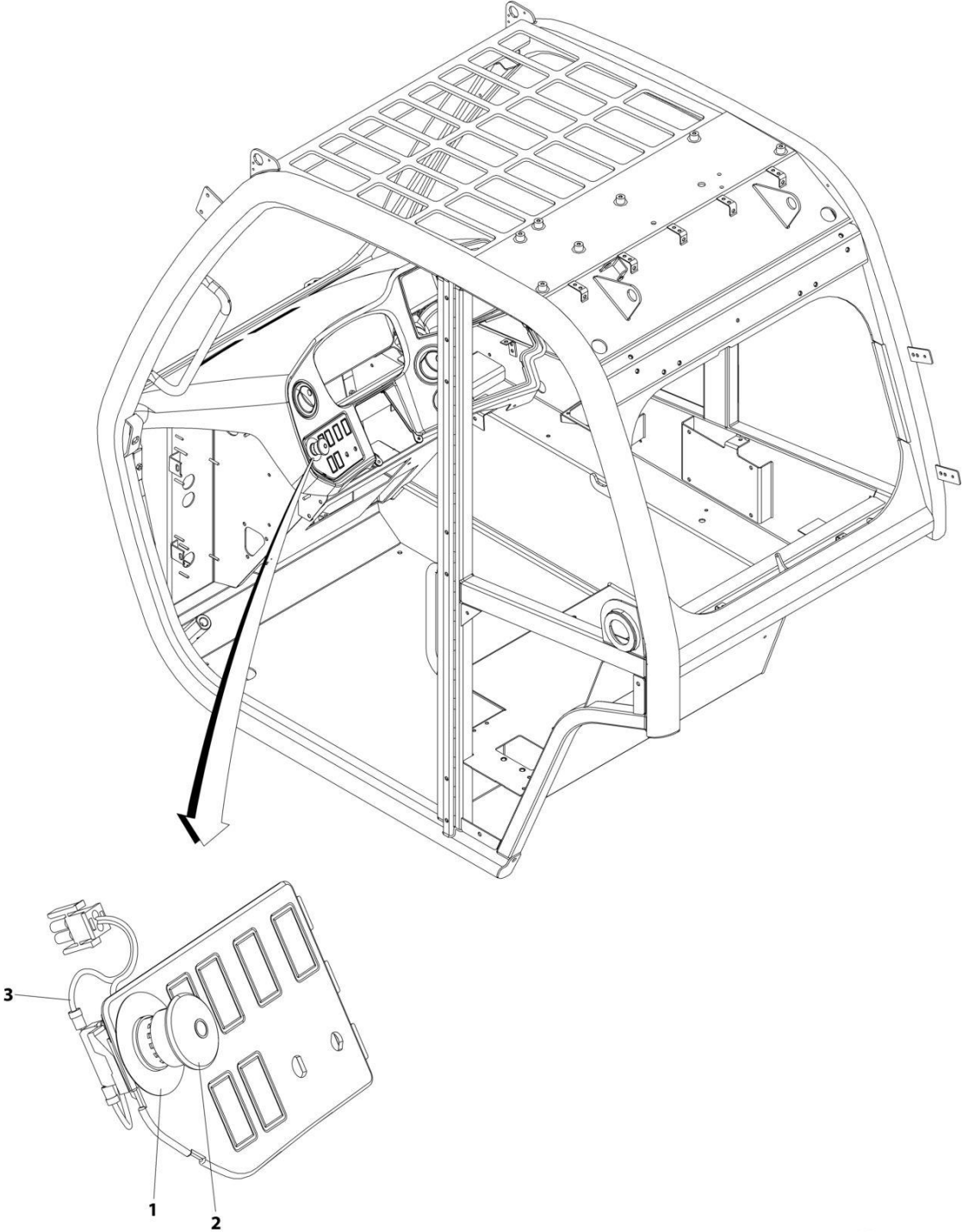
SECTION 10 - ELECTRICAL

FIGURE 10-89. REMOTE CONTROL (BOOM)

ITEM	PART NUMBER	QTY	DESCRIPTION	REV
	1001259256	Ref	Remote Control (Boom)	A
1	0760615	2	Bolt M6 x 35	
2	0760808	3	Bolt M8 x 16	
3	3311005	2	Nut #10	
4	3911010	2	Screw #10X5/8	
5	4360657	1	Switch, Ignition	
6	4711000	4	Washer #10	
7	4811700	2	Washer M6	
8	4811900	3	Washer M8	
9	1001008559	4	Strap, As-Cable (Not Shown)	
10	1001181516	1	Decal - Platform Ignition Switch	
11	1001200910	1	Light, Beacon (Blue)	
12	1001206112	1	Control, Remote Controller	
13	1001209194	1	Control, Remote	
14	1001241610	1	Harness, Key (See Separate Breakdown in this Section)	
15	1001258749	1	Bracket, Roof Beacon	
16	1001259205	1	Harness, Remote Control Power (See Separate Breakdown in this Section)	
17	1001259231	1	Installation, Harness (Emergency Lowering - Frame)	
17	1001008559	1	Strap, As-Cable (Not Shown)	
17	1001258719	1	Harness, Emergency Lowering - Frame (See Separate Breakdown in this Section)	
18	1001259246	1	Installation, Emergency Stop Switch (See Separate Breakdown in this Section)	
19	1001259258	1	Installation, Manual Pump (Lift/Tele) (Not Shown) (See Separate Breakdown in HYDRAULIC Section)	

SECTION 10 - ELECTRICAL

FIGURE 10-90. REMOTE CONTROL EMERGENCY STOP SWITCH INSTALLATION



ART_1001259246

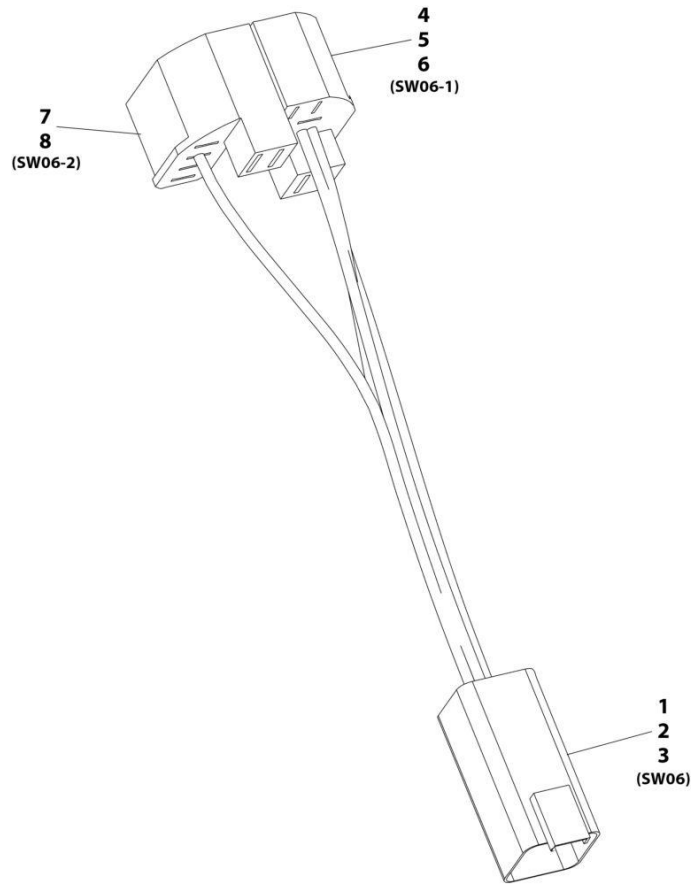
SECTION 10 - ELECTRICAL

FIGURE 10-90. REMOTE CONTROL EMERGENCY STOP SWITCH INSTALLATION

ITEM	PART NUMBER	QTY	DESCRIPTION	REV
	1001259246	Ref	Remote Control Emergency Stop Switch Installation	A
1	1704260	1	Decal - Emergency Stop	
2	4360475	1	Switch, Emergency Stop	
3	1001259224	1	Harness, EMS Switch	
3	4460320	1	Connector	
3	4460183	2	Terminal	

SECTION 10 - ELECTRICAL

FIGURE 10-91. REMOTE CONTROL KEY HARNESS



ART_1001241610-A

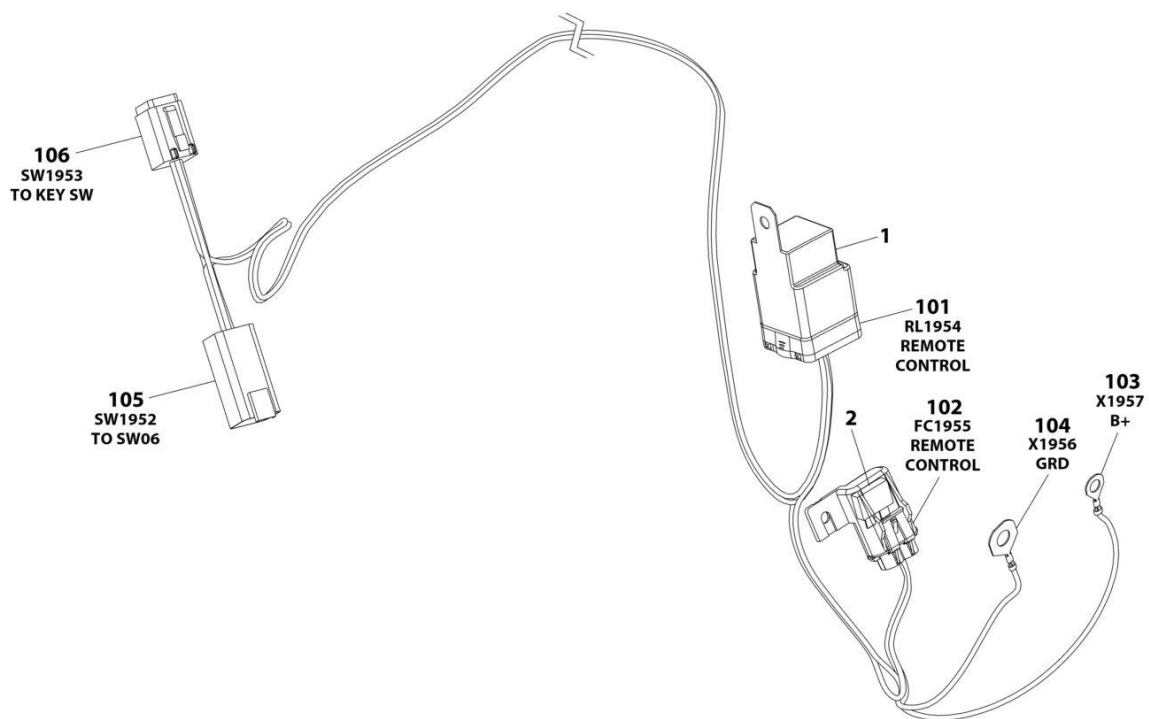
SECTION 10 - ELECTRICAL

FIGURE 10-91. REMOTE CONTROL KEY HARNESS

ITEM	PART NUMBER	QTY	DESCRIPTION	REV
	1001241610	Ref	Key Harness	A
1	4460899	1	Connector	
2	4460464	4	Terminal	
3	4460466	2	Plug	
4	1001118685	1	Connector	
5	1001104519	2	Terminal	
6	1001118383	1	Terminal	
7	1001117121	1	Connector	
8	1001104519	1	Terminal	

SECTION 10 - ELECTRICAL

FIGURE 10-92. REMOTE CONTROL POWER HARNESS



ART_1001259205

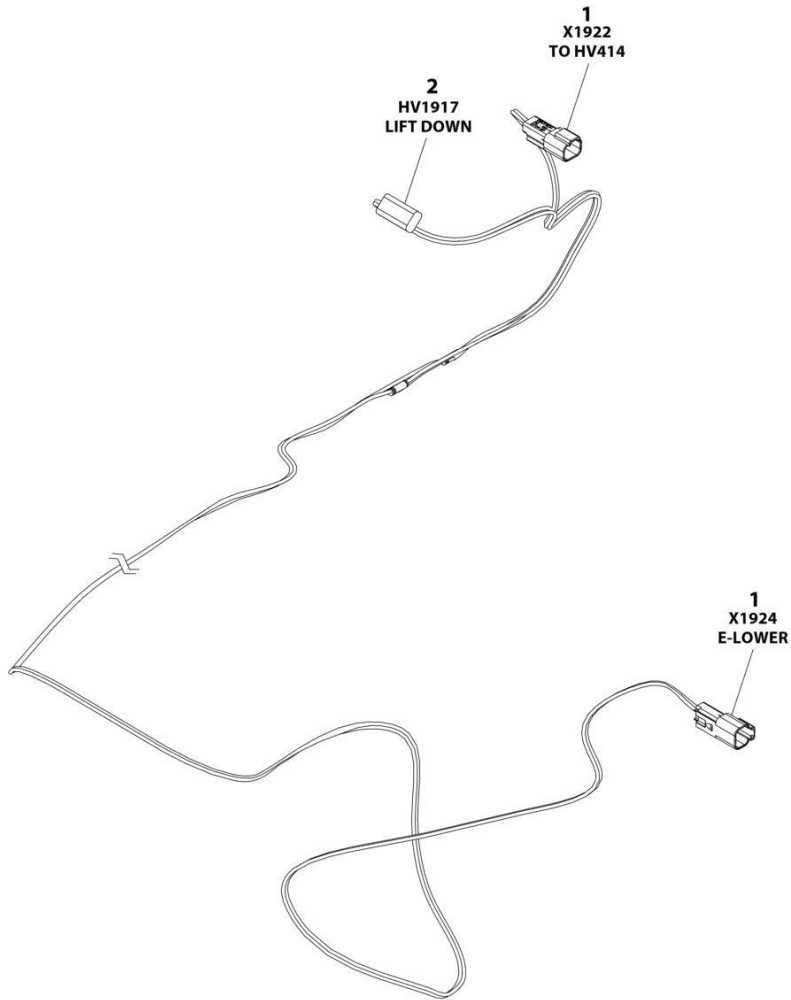
SECTION 10 - ELECTRICAL

FIGURE 10-92. REMOTE CONTROL POWER HARNESS

ITEM	PART NUMBER	QTY	DESCRIPTION	REV
	1001259205	Ref	Remote Control Power Harness	A
1	3740080	1	Relay	
2	8229234	1	Fuse, 10Amp	
101	1001231398	1	Connector, Relay	
101	1001231400	4	Terminal	
101	1001231404	4	Seal, Terminal	
101	1001231406	1	Plug, Terminal	
102	1001231397	1	Connector - 2 Position	
102	1001231400	2	Terminal	
102	1001231404	2	Seal, Terminal	
103	1001207173	1	Terminal, Ring	
104	1001211775	1	Terminal, Ring	
105	4460899	1	Receptacle, Female - 6 Position	
105	4460464	4	Pin, Male	
105	4460466	2	Plug, Terminal	
106	4460894	1	Plug, Male - 6 Position	
106	4460465	4	Socket, Female	
106	4460466	2	Plug, Terminal	

SECTION 10 - ELECTRICAL

FIGURE 10-93. REMOTE CONTROL EMERGENCY LOWERING HARNESS



ART_1001258719

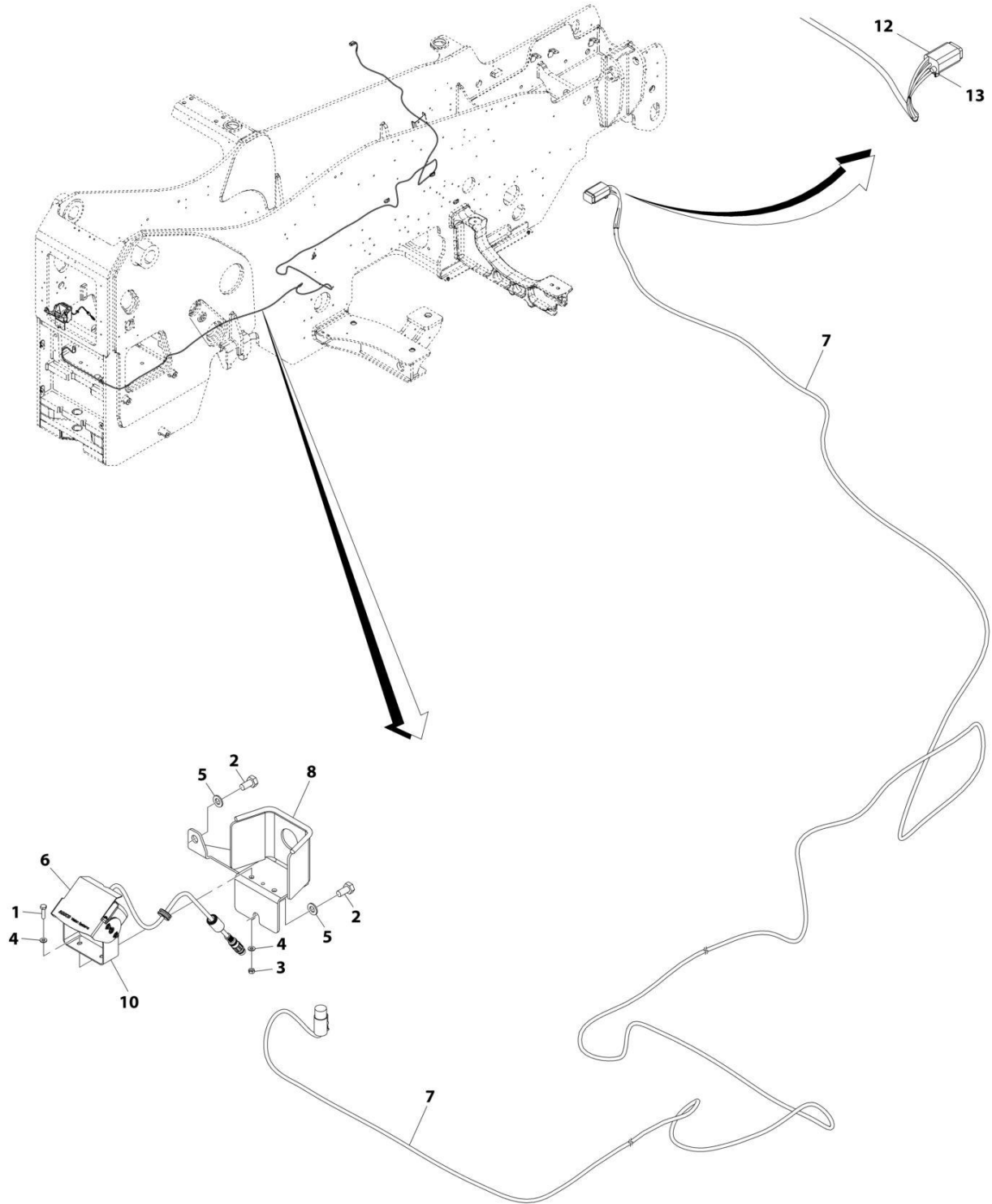
SECTION 10 - ELECTRICAL

FIGURE 10-93. REMOTE CONTROL EMERGENCY LOWERING HARNESS

ITEM	PART NUMBER	QTY	DESCRIPTION	REV
	1001258719	Ref	Remote Control Emergency Lowering Harness	A
1	4460897	2	Receptacle, Female - 2 Position	
1	4460464	4	Pin, Male	
2	4460891	1	Plug, Male - 2 Position	
2	4460465	2	Socket, Male	

SECTION 10 - ELECTRICAL

FIGURE 10-94. REVERSE CAMERA INSTALLATION



ART_1001192321-G

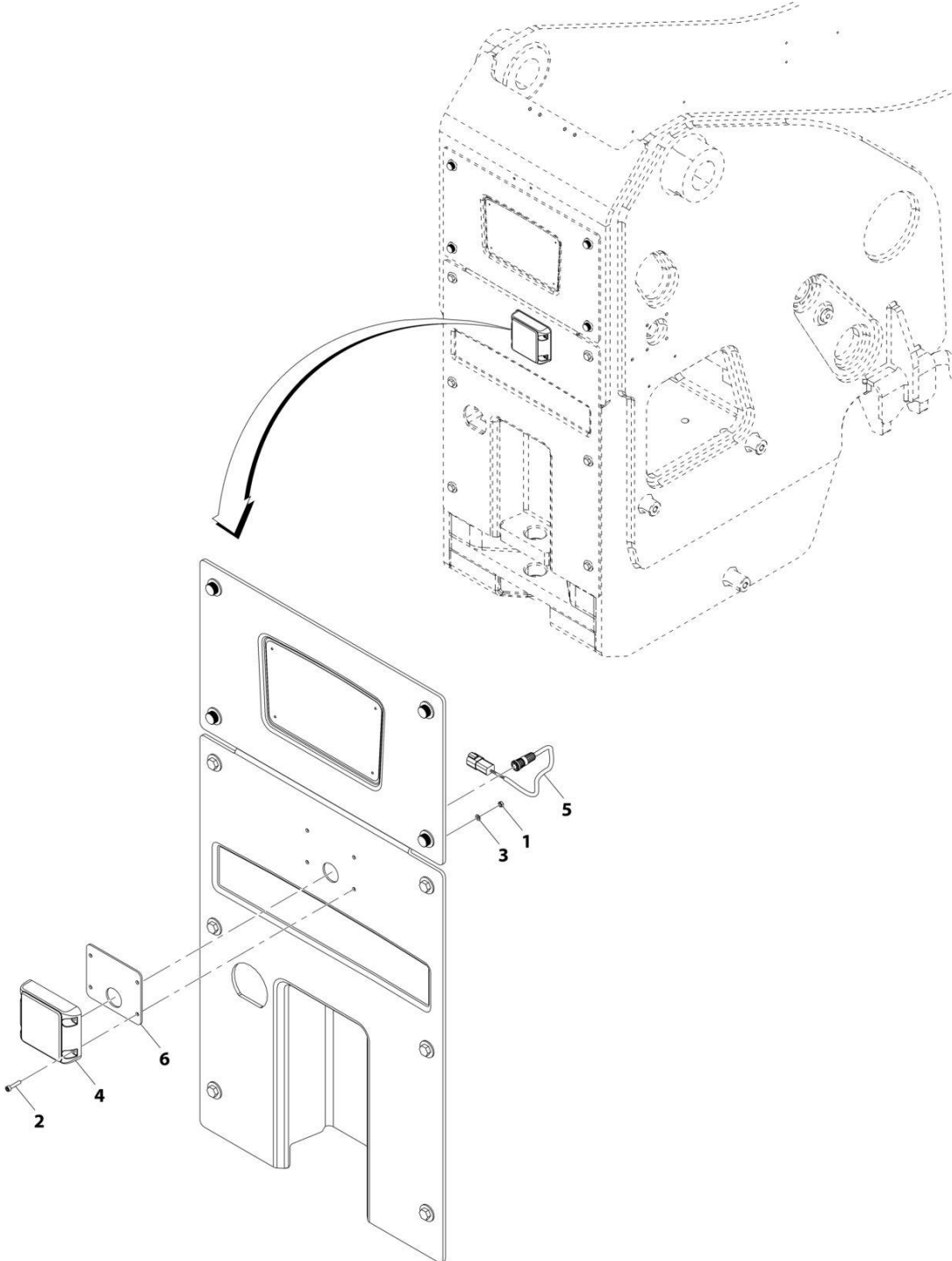
SECTION 10 - ELECTRICAL

FIGURE 10-94. REVERSE CAMERA INSTALLATION

ITEM	PART NUMBER	QTY	DESCRIPTION	REV
	1001192321	Ref	Reverse Camera Installation	G
1	0700408	2	Bolt, M4X16	
2	0760808	2	Bolt, M8X16	
3	3290401	2	Nut, M4X0.7	
4	4811400	4	Washer, M4	
5	4811900	2	Washer, M8	
6	1001167017	1	Camera, Reverse	
7	1001171962	1	Cable, Camera	
8	1001205307	1	Bracket	
10	1001202621	1	Bracket	
12	4460884	1	Connector	
13	4460466	1	Terminal	

SECTION 10 - ELECTRICAL

FIGURE 10-95. REVERSE SENSOR INSTALLATION



ART_1001192322-F

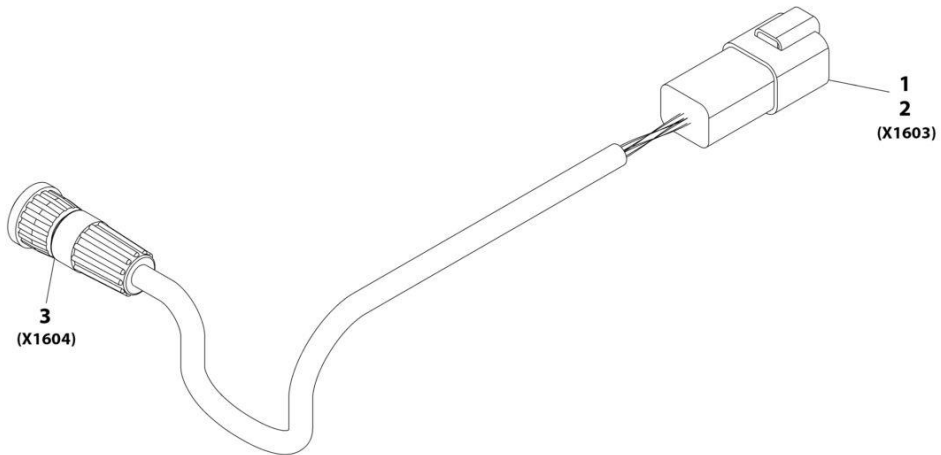
SECTION 10 - ELECTRICAL

FIGURE 10-95. REVERSE SENSOR INSTALLATION

ITEM	PART NUMBER	QTY	DESCRIPTION	REV
	1001192322	Ref	Reverse Sensor Installation	F
1	3290501	4	Nut, M5X0.8	
2	5271609	4	Screw, M5X25	
3	4811600	4	Washer, M5	
4	1001247421	1	Sensor, Reverse	
5	1001175776	1	Harness, Reverse Sensor (See Separate Breakdown in this Section)	
6	1001251518	1	Plate	

SECTION 10 - ELECTRICAL

FIGURE 10-96. REVERSE SENSOR HARNESS



ART_1001175776-C

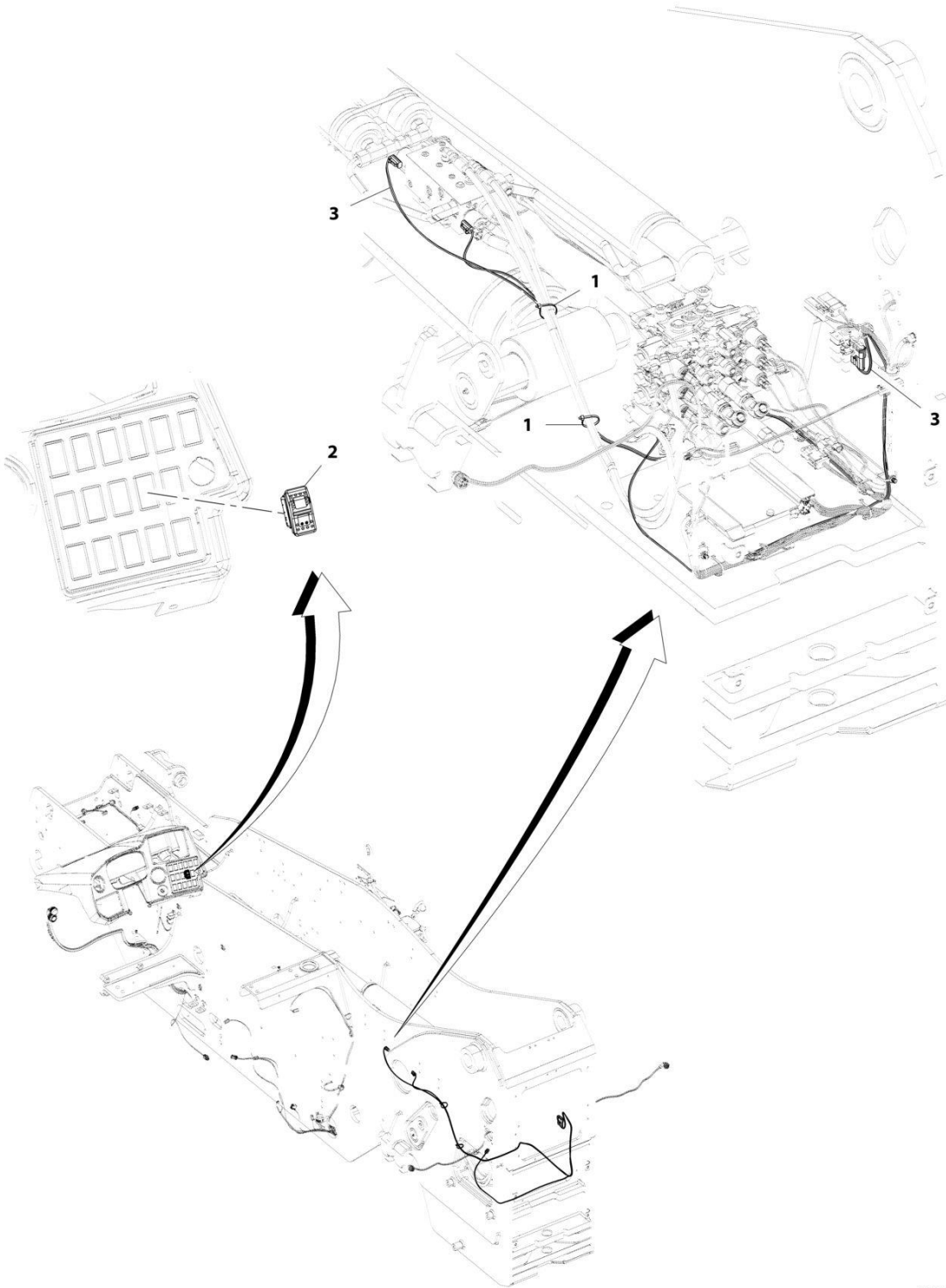
SECTION 10 - ELECTRICAL

FIGURE 10-96. REVERSE SENSOR HARNESS

ITEM	PART NUMBER	QTY	DESCRIPTION	REV
	1001175776	Ref	Reverse Sensor Harness	C
1	4460932	1	Connector	
2	4460464	4	Terminal	
3	1001175733	1	Connector	

SECTION 10 - ELECTRICAL

FIGURE 10-97. RIDE CONTROL WIRING INSTALLATION



ART_1001200105-B

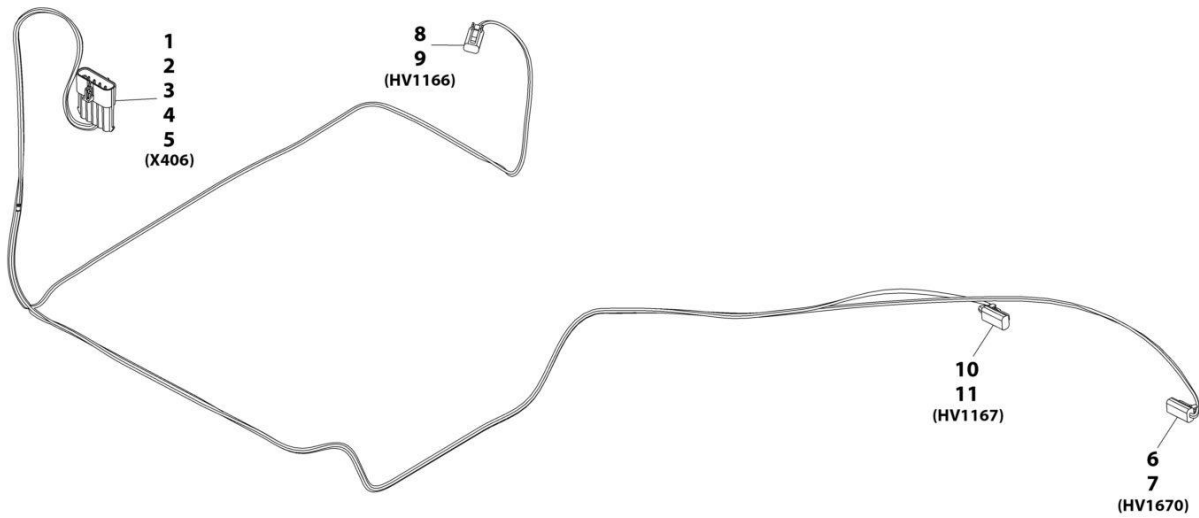
SECTION 10 - ELECTRICAL

FIGURE 10-97. RIDE CONTROL WIRING INSTALLATION

ITEM	PART NUMBER	QTY	DESCRIPTION	REV
	1001200105	Ref	Ride Control Wiring Installation	B
1	1001008559	2	Strap, Cable Tie	
2	1001159745	1	Switch, Boom Ride	
3	1001197668	1	Harness, Boom Ride Float (See Separate Breakdown in this Section)	

SECTION 10 - ELECTRICAL

FIGURE 10-98. RIDE CONTROL HARNESS (BOOM)



ART_1001197668-D

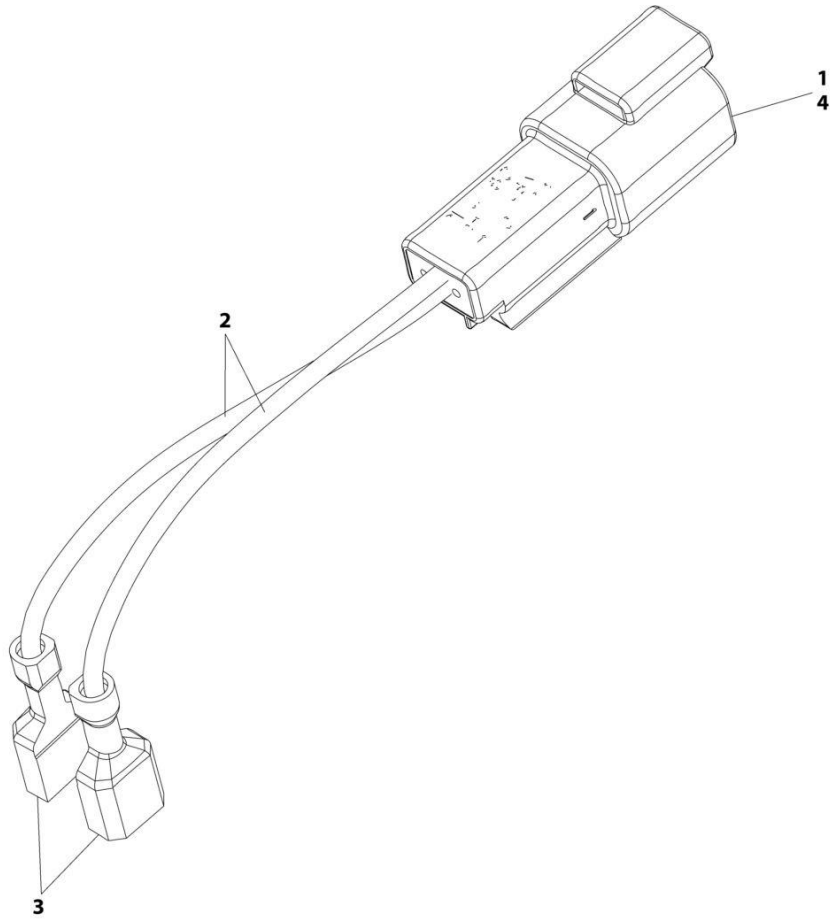
SECTION 10 - ELECTRICAL

FIGURE 10-98. RIDE CONTROL HARNESS (BOOM)

ITEM	PART NUMBER	QTY	DESCRIPTION	REV
	1001197668	Ref	Boom Ride Control Harness	D
1	1001121727	1	Connector	
2	1001116745	3	Terminal	
3	1001116729	1	Terminal	
4	4460458	4	Terminal Seal	
5	1001116727	1	Plug	
6	4460891	1	Connector	
7	4460465	2	Terminal	
8	4460891	1	Connector	
9	4460465	2	Terminal	
10	4460891	1	Connector	
11	4460465	2	Terminal	

SECTION 10 - ELECTRICAL

FIGURE 10-99. SPEED HARNESS (VEHICLE SPEED)



ART_1001229981-A

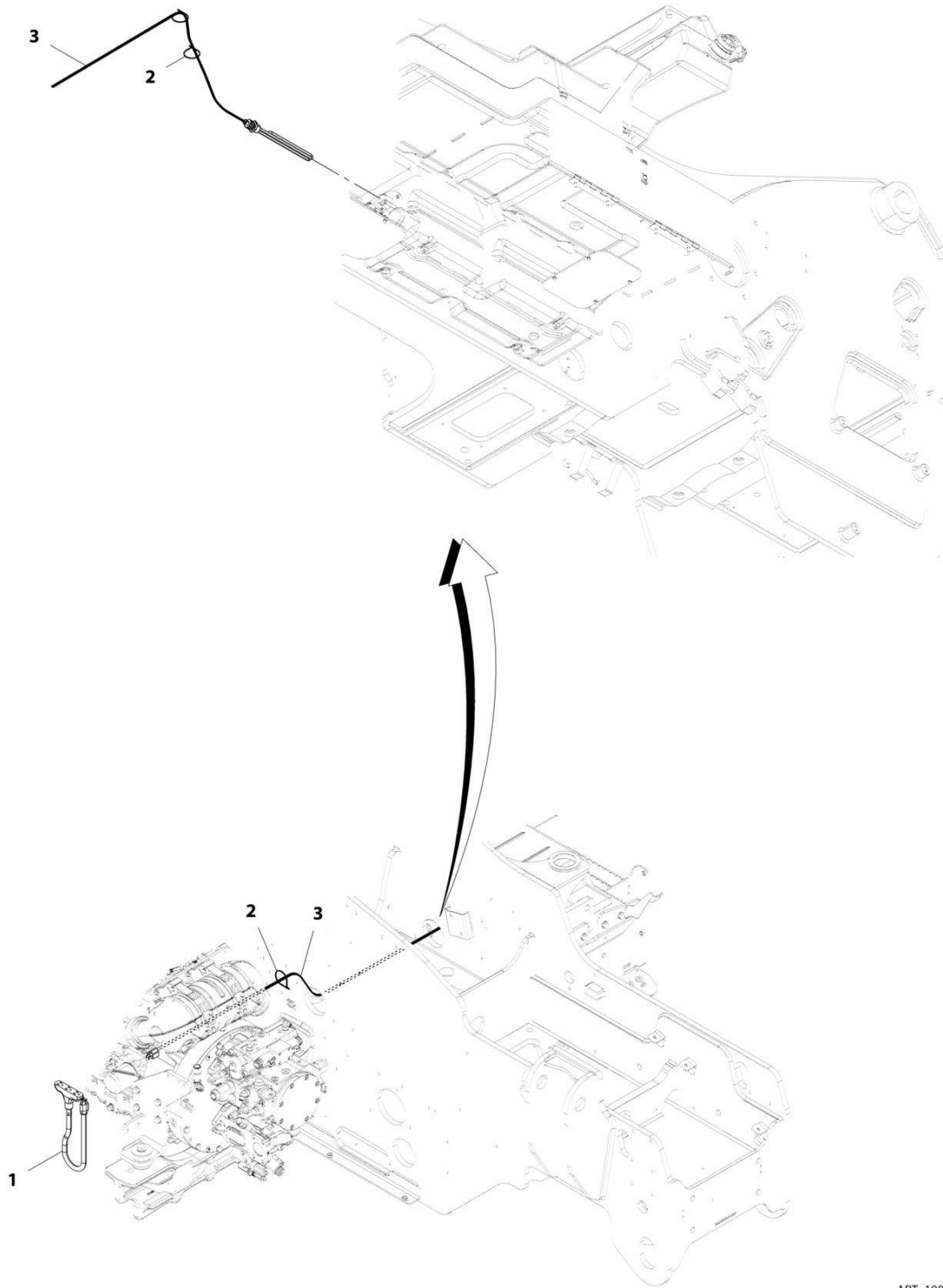
SECTION 10 - ELECTRICAL

FIGURE 10-99. SPEED HARNESS (VEHICLE SPEED)

ITEM	PART NUMBER	QTY	DESCRIPTION	REV
	1001229981	Ref	Vehicle Speed Pigtail Harness	A
1	4460464	2	Terminal	
2	4921614	200 mm	Wire, 18GA White	
3	1001194421	2	Terminal	
4	4460897	1	Connector	

SECTION 10 - ELECTRICAL

FIGURE 10-100. TANK HEATER INSTALLATION - HYDRAULIC TANK (115V)



ART_1001195593-B

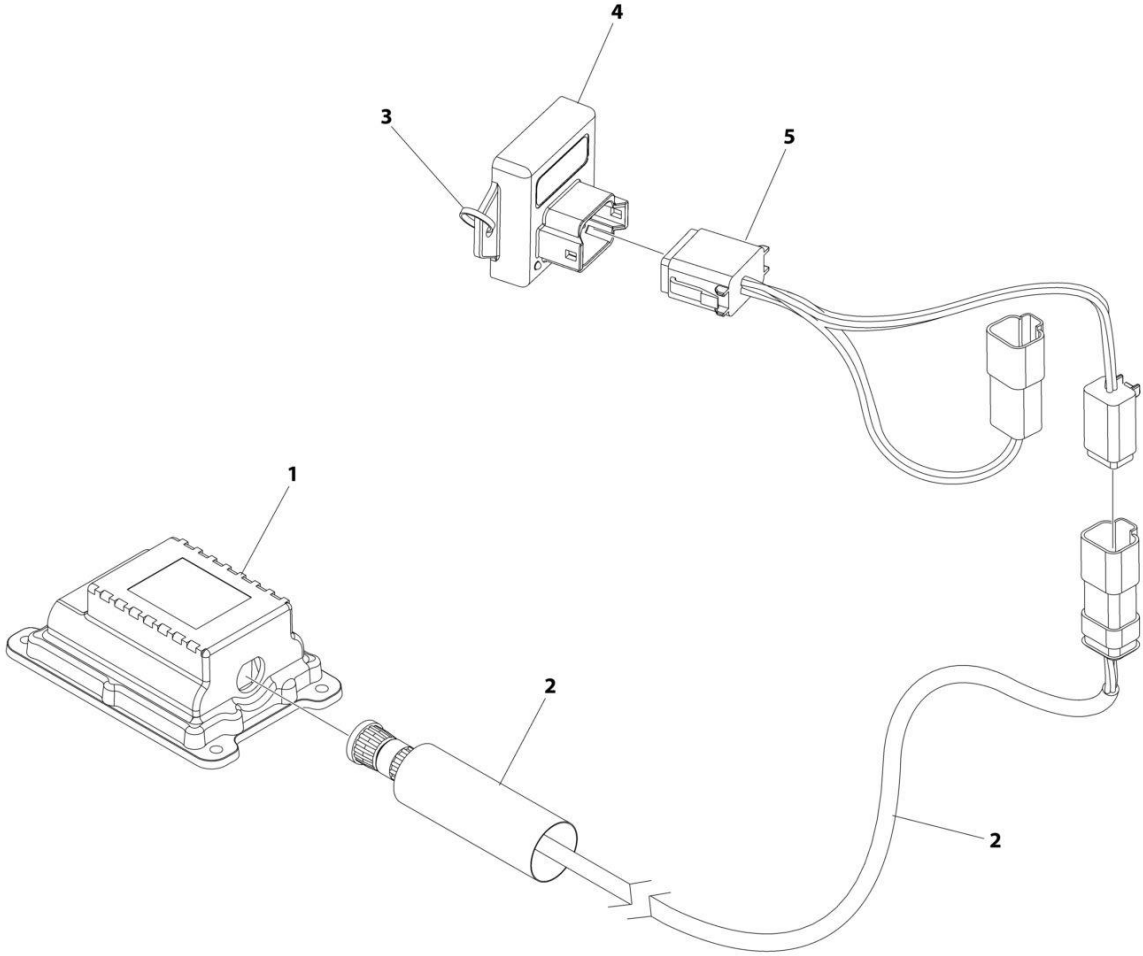
SECTION 10 - ELECTRICAL

FIGURE 10-100. TANK HEATER INSTALLATION - HYDRAULIC TANK (115V)

ITEM	PART NUMBER	QTY	DESCRIPTION	REV
	1001195593	Ref	Hydraulic Tank Heater Installation (115V)	B
1	1060626	1	Cord, 3-Way Extension	
2	4240099	AR	Tie, Wire	
3	1001105886	1	Heater, Immersion	

SECTION 10 - ELECTRICAL

FIGURE 10-101. TELEMATICS (CLEARSKY) INSTALLATION 3-WIRE (ANSI)



ART_1001229107

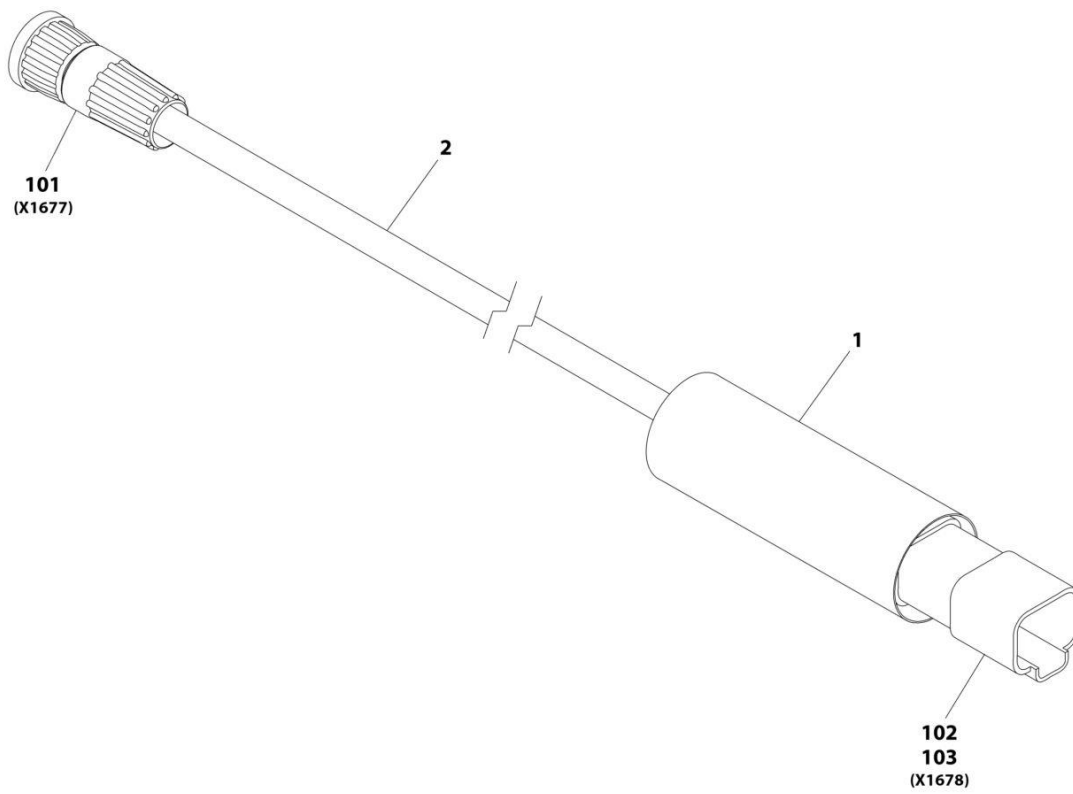
SECTION 10 - ELECTRICAL

FIGURE 10-101. TELEMATICS (CLEARSKY) INSTALLATION 3-WIRE (ANSI)

ITEM	PART NUMBER	QTY	DESCRIPTION	REV
	1001229107	Ref	CLEARSKY INSTALLATION 3-WIRE	D
1	1001226328	1	Module, 3W TCU	
2	1001227066	1	Telematics ClearSky Harness (See Separate Breakdown in this Section)	
3	4240032	AR	Tie-Strap	
4	1001262960	1	Voltage Regulator	
5	1001262963	1	Harness, Xirgo Jumper	

SECTION 10 - ELECTRICAL

FIGURE 10-102. TELEMATICS HARNESS



ART_1001227066-A

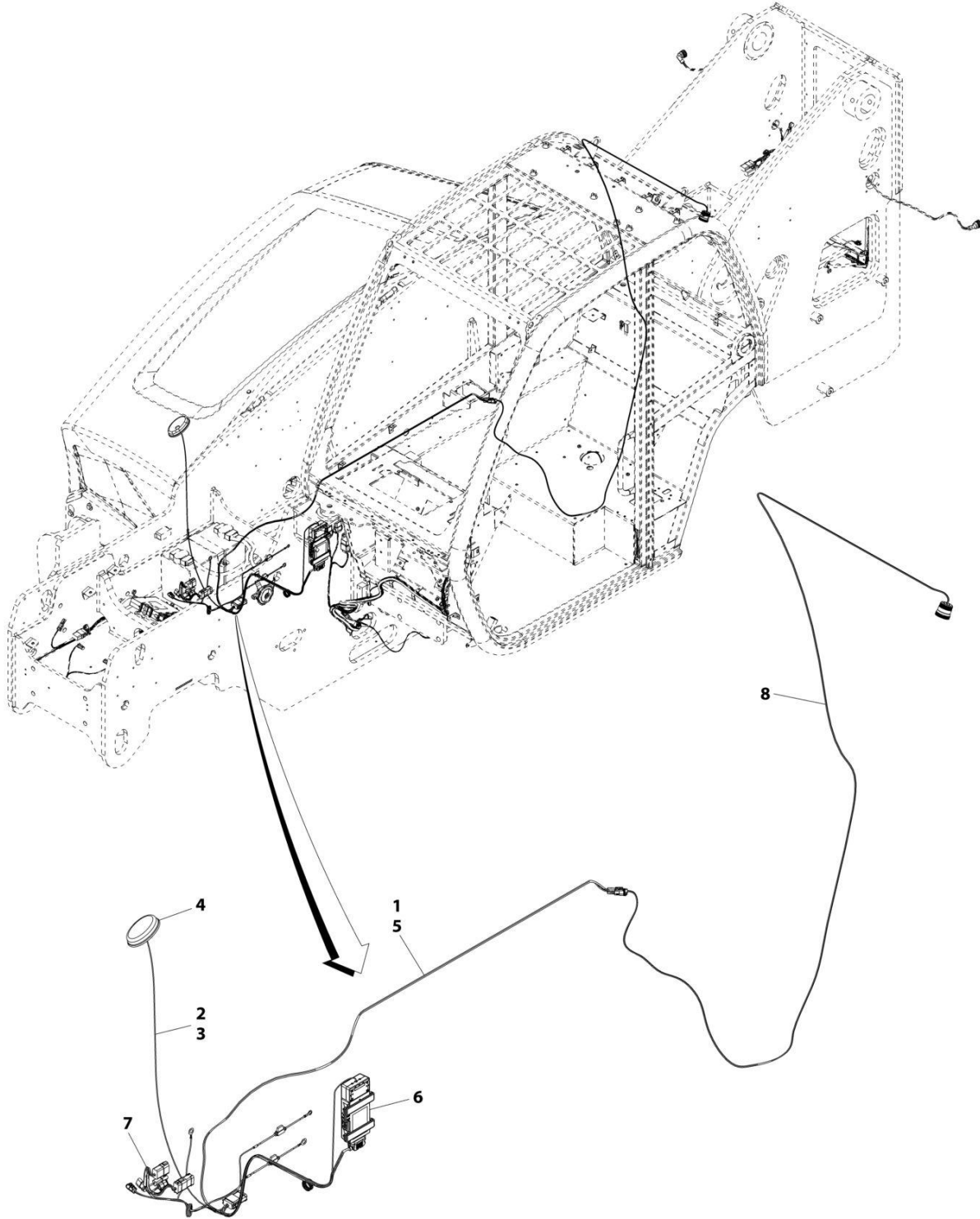
SECTION 10 - ELECTRICAL

FIGURE 10-102. TELEMATICS HARNESS

ITEM	PART NUMBER	QTY	DESCRIPTION	REV
	1001227066	Ref	CLEARSKY TELEMATICS HARNESS	A
1	1001226400	0.33 ft	Insulate, Heat Shrink	
2	1001227068	3.3 ft	Cable	
101	1001227266	1	Connector	
102	1001129407	1	Connector	
103	4460464	4	Terminal	

SECTION 10 - ELECTRICAL

FIGURE 10-103. TELEMATICS (CLEARSKY) INSTALLATION (4G CANBUS)



ART_1001232033-B

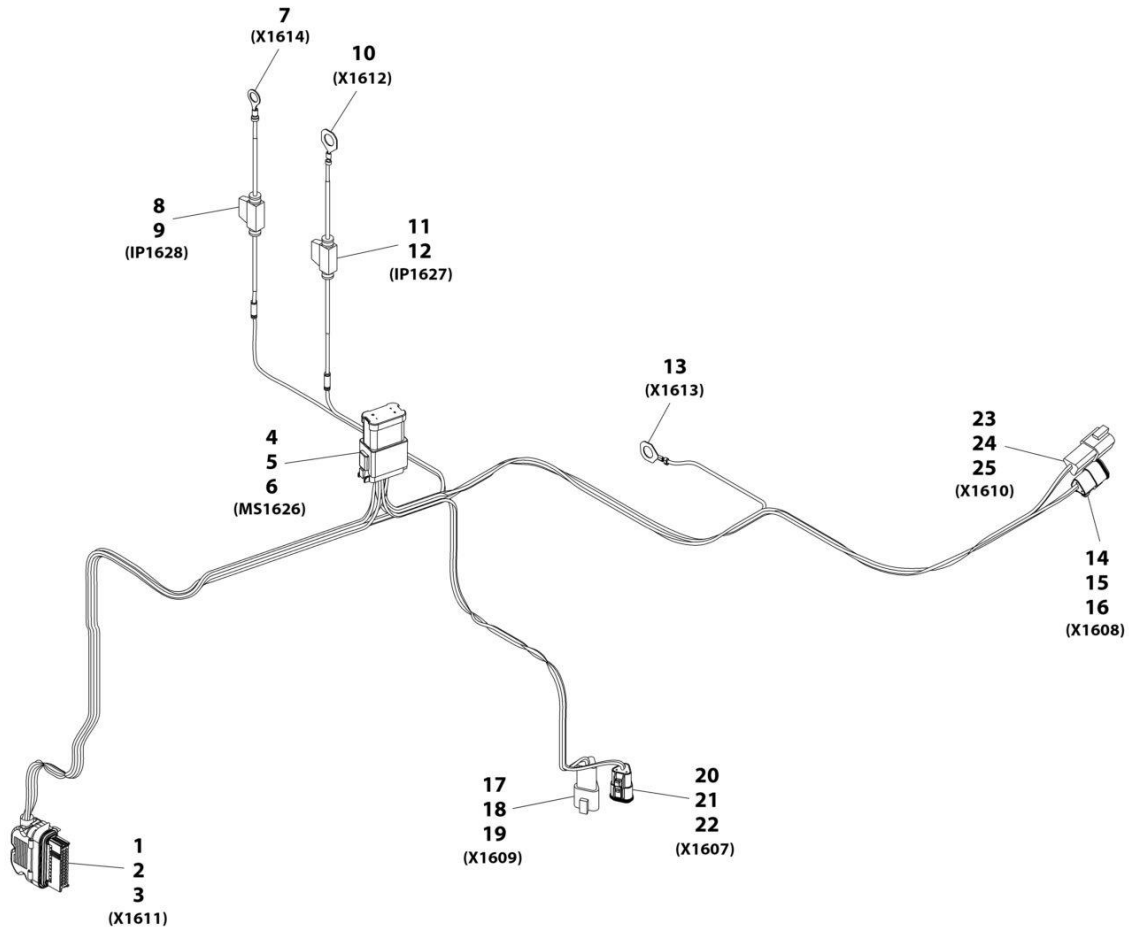
SECTION 10 - ELECTRICAL

FIGURE 10-103. TELEMATICS (CLEARSKY) INSTALLATION (4G CANBUS)

ITEM	PART NUMBER	QTY	DESCRIPTION	REV
	1001232033	Ref	Clearsky Installation	B
1	1062255	AR	Strap, Tie	
2	4240032	AR	Strap, Tie	
3	4460234	AR	Mount, Cable Tie	
4	1001226799	1	Antenna	
5	1001227297	1	Harness, Clearsky (See Separate Breakdown in this Section)	
6	1001229955	1	Module	
7	1001232298	1	Harness, Telematics Option (See Separate Breakdown in this Section)	
8	1001254185	1	Harness, Adapter (See Separate Breakdown in this Section)	

SECTION 10 - ELECTRICAL

FIGURE 10-104. TELEMATIC 4WARD HARNESS (CLEARSKY 2)



ART_1001227297

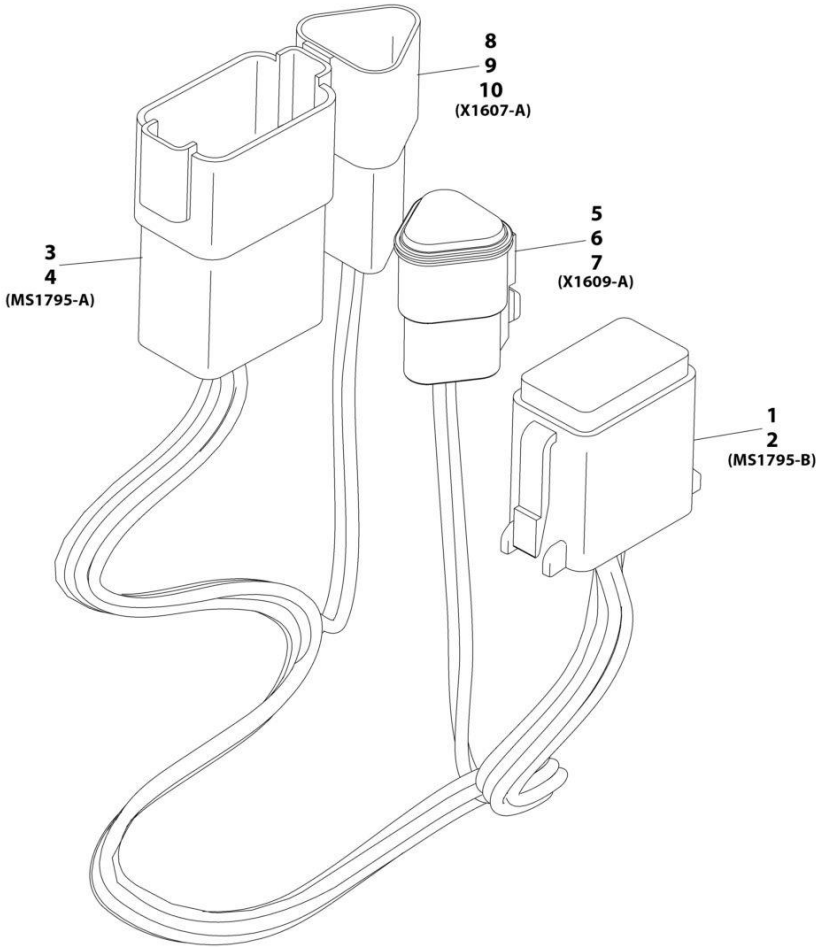
SECTION 10 - ELECTRICAL

FIGURE 10-104. TELEMATIC 4WARD HARNESS (CLEARSKY 2)

ITEM	PART NUMBER	QTY	DESCRIPTION	REV
	1001227297	Ref	TELEMATIC 4WARD HARNESS (CLEARSKY 2)	C
1	1001226636	1	Connector	
2	1001226637	7	Terminal	
3	1001116731	17	Plug	
4	4460933	1	Connector	
5	4460465	12	Terminal	
6	1001200206	1	Connector, DT 12 Pin 4X3 Buss	
7	4460670	1	Connector	
8	2400060	1	Connector	
9	8229242	1	Fuse, 5amp	
10	1001187078	1	Connector	
11	2400060	1	Connector	
12	8229242	1	Fuse, 5amp	
13	1001187077	1	Connector	
14	1001116812	1	Connector	
15	4460465	2	Terminal	
16	4460466	1	Plug	
17	1001144147	1	Connector	
18	4460464	2	Terminal	
19	4460466	1	Plug	
20	1001116812	1	Connector	
21	4460465	2	Terminal	
22	4460466	1	Plug	
23	1001144147	1	Connector	
24	4460464	2	Terminal	
25	4460466	1	Plug	

SECTION 10 - ELECTRICAL

FIGURE 10-105. TELEMATICS OPTION HARNESS



ART_1001232298-A

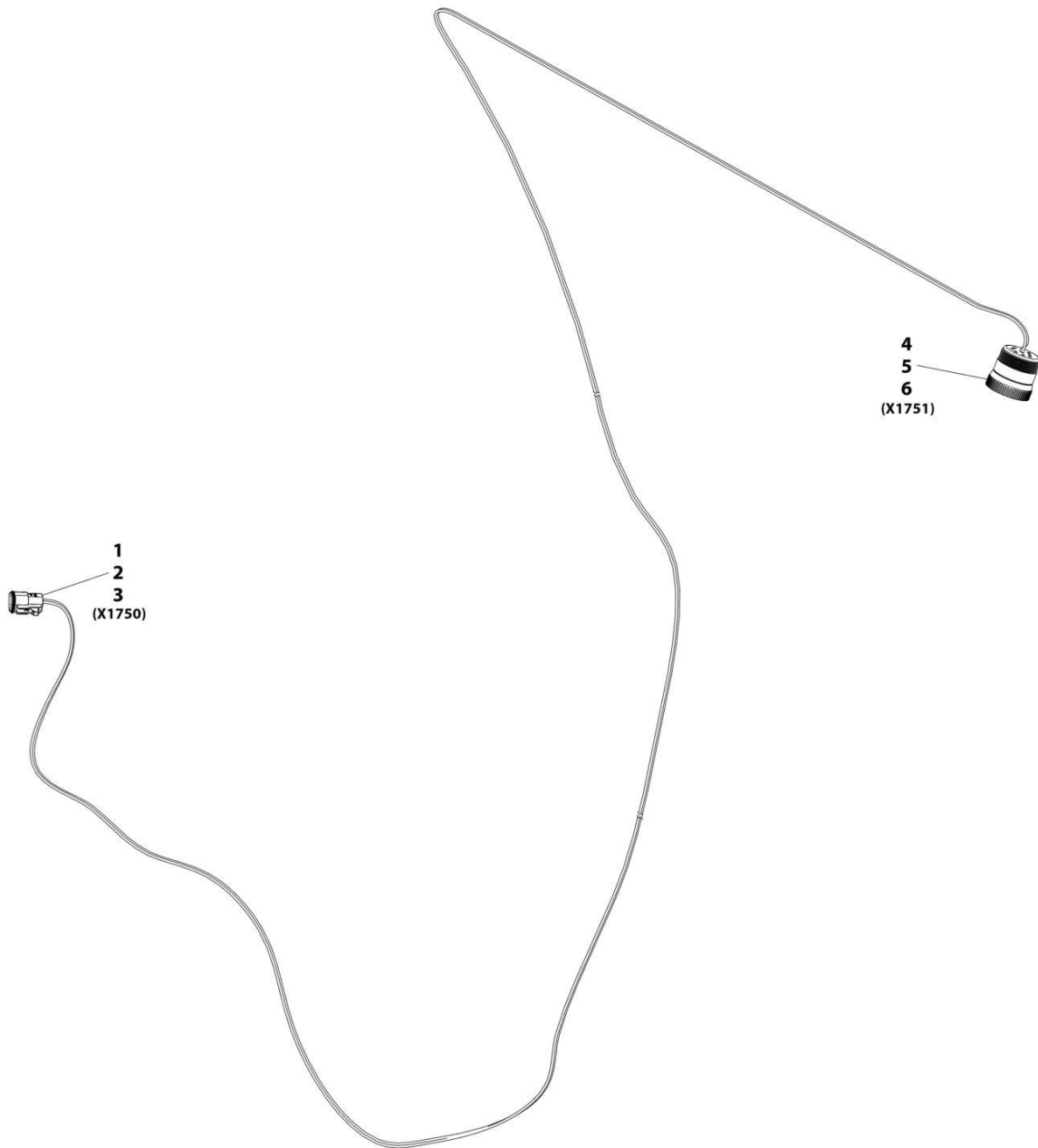
SECTION 10 - ELECTRICAL

FIGURE 10-105. TELEMATICS OPTION HARNESS

ITEM	PART NUMBER	QTY	DESCRIPTION	REV
	1001232298	Ref	Telematics Option Harness	A
1	4460930	1	Connector	
2	4460465	8	Terminal	
3	4460931	1	Mating Connector	
4	4460464	8	Terminal	
5	1001116812	1	Connector	
6	4460465	2	Terminal	
7	4460466	1	Plug	
8	1001144147	1	Connector	
9	4460464	2	Terminal	
10	4460466	1	Plug	

SECTION 10 - ELECTRICAL

FIGURE 10-106. TELEMATICS ADAPTER HARNESS



ART_1001254185-A

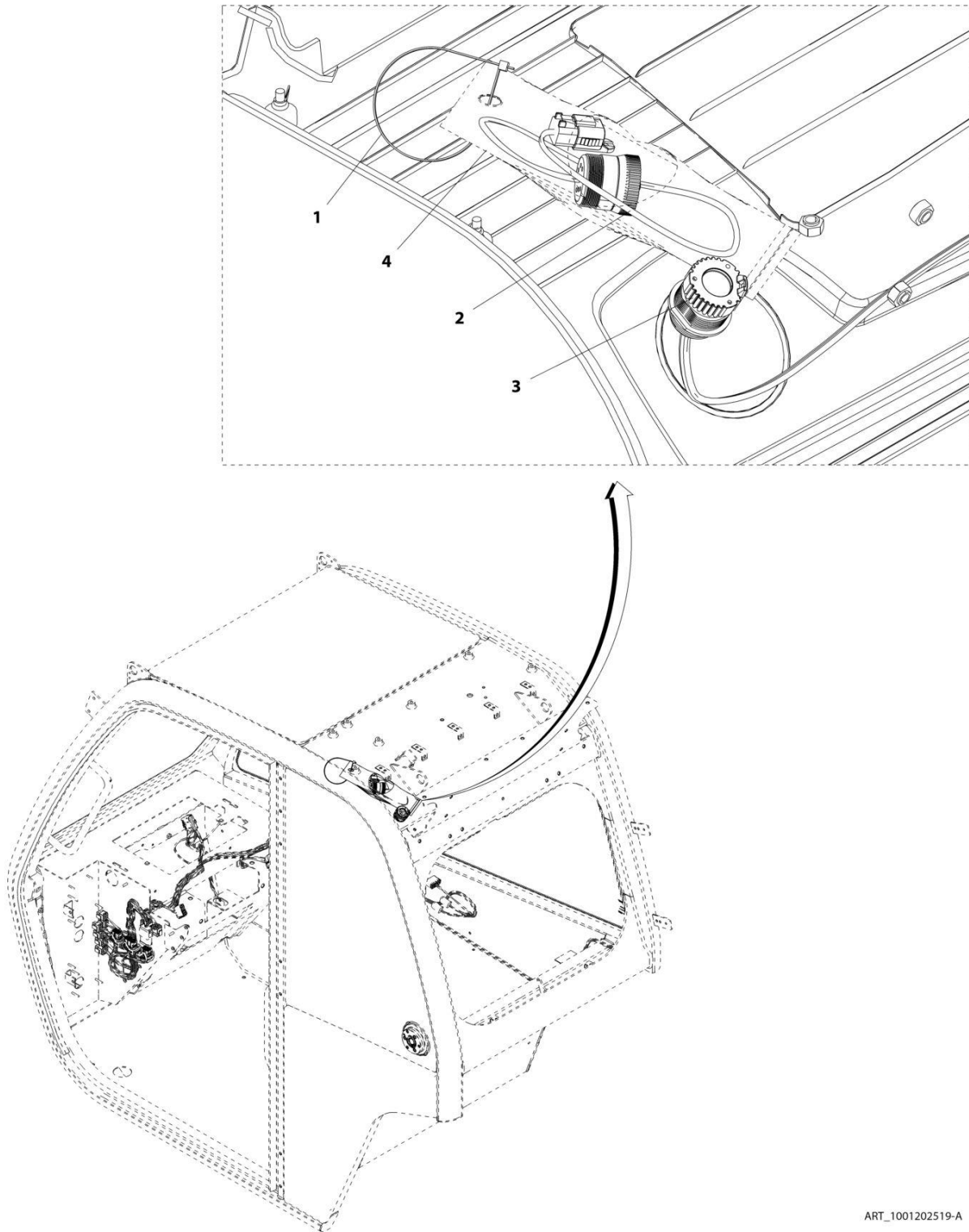
SECTION 10 - ELECTRICAL

FIGURE 10-106. TELEMATICS ADAPTER HARNESS

ITEM	PART NUMBER	QTY	DESCRIPTION	REV
	1001254185	Ref	TELEMATICS ADAPTER HARNESS	A
1	1001116812	1	Connector	
2	4460465	2	Terminal	
3	4460466	1	Plug	
4	1001112796	1	Connector	
5	4460944	2	Terminal	
6	4460466	7	Plug	

SECTION 10 - ELECTRICAL

FIGURE 10-107. TELEMATICS READY INSTALLATION



ART_1001202519-A

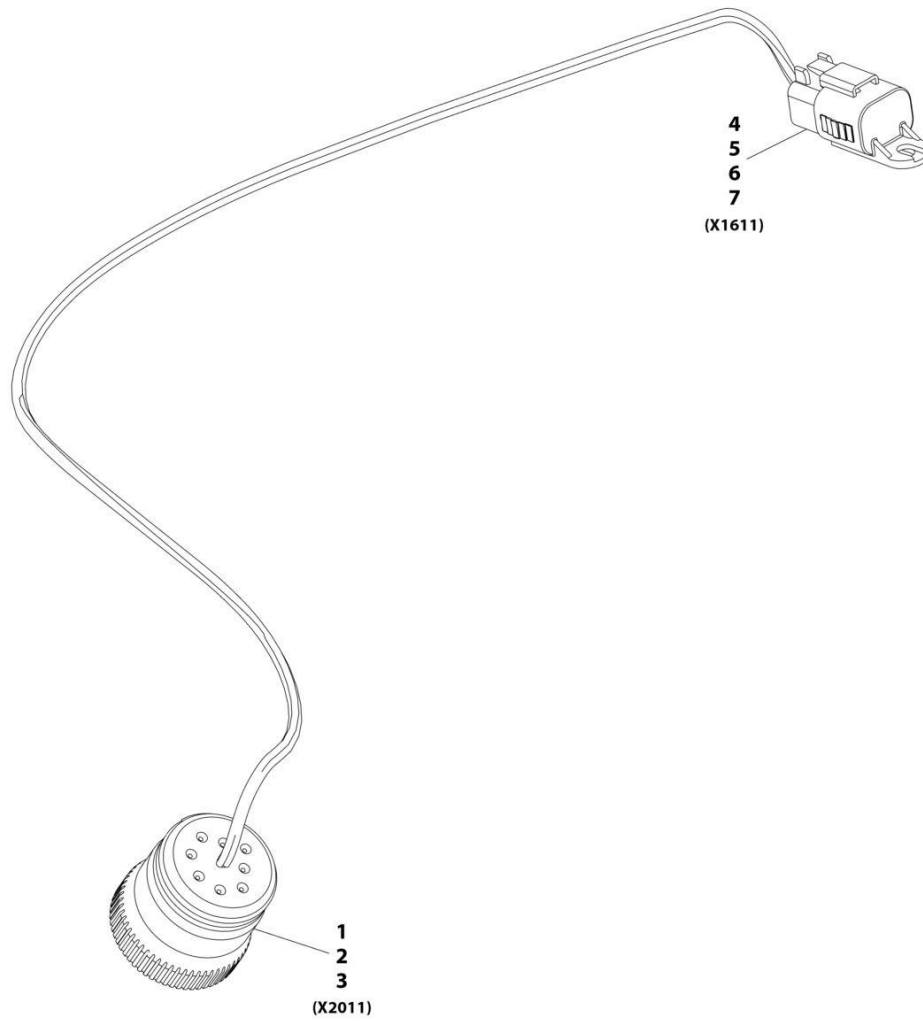
SECTION 10 - ELECTRICAL

FIGURE 10-107. TELEMATICS READY INSTALLATION

ITEM	PART NUMBER	QTY	DESCRIPTION	REV
	1001202519	Ref	Telematics Ready Installation	A
1	8584003	1	Strap, Tie	
2	1001196289	1	Harness, Telematics Ready (See Separate Breakdown in ELECTRICAL Section)	
3	1001201162	1	Cap	
4	1001202617	1	Bag	

SECTION 10 - ELECTRICAL

FIGURE 10-108. TELEMATICS READY HARNESS



ART_1001196289-A

SECTION 10 - ELECTRICAL

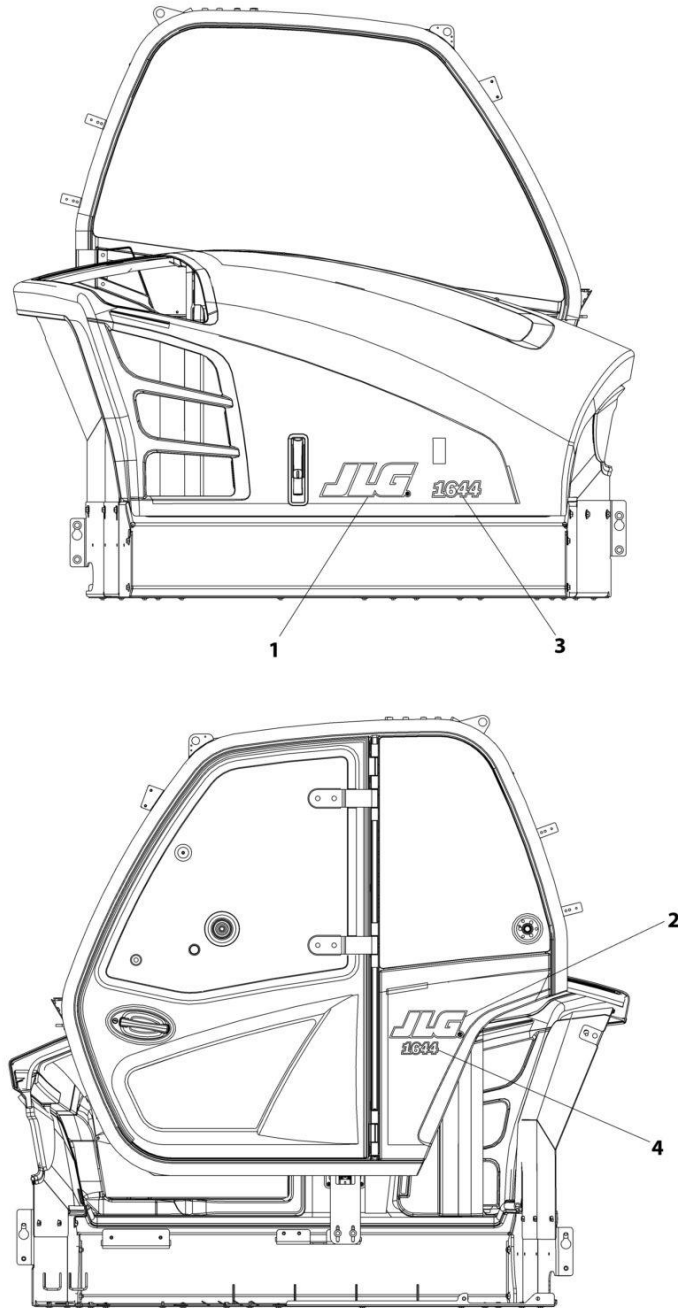
FIGURE 10-108. TELEMATICS READY HARNESS

ITEM	PART NUMBER	QTY	DESCRIPTION	REV
	1001196289	Ref	Telematics Ready Harness	A
1	1001112796	1	Connector	
2	4460465	3	Terminal	
3	4460466	6	Plug	
4	4460884	1	Connector	
5	80604021	1	Lock, Connector	
6	4460465	3	Terminal	
7	4460466	1	Terminal	

SECTION 11 - DECALS

SECTION 11 - DECALS

FIGURE 11-1. 1644 DECAL INSTALLATION



ART_1001226533-A

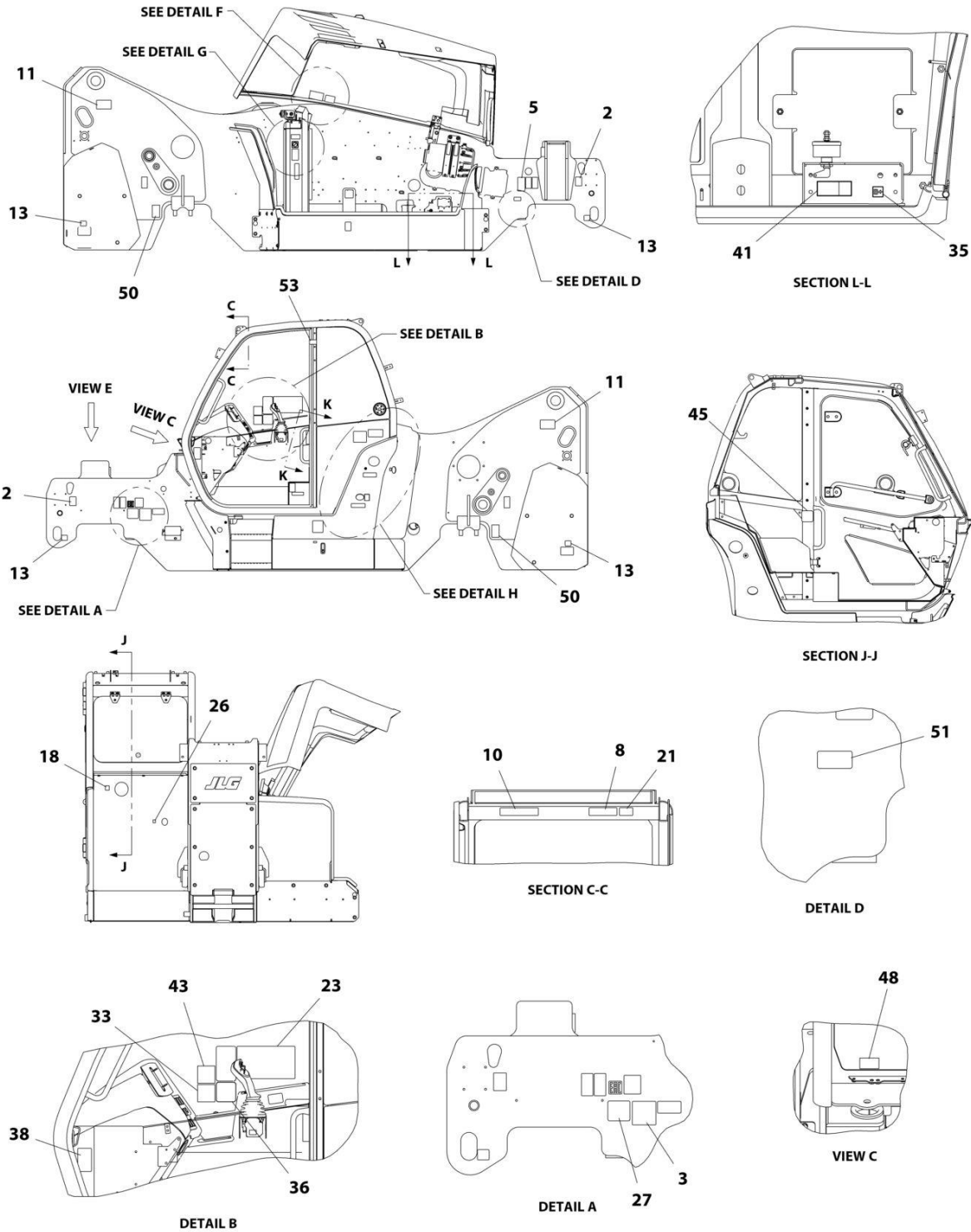
SECTION 11 - DECALS

FIGURE 11-1. 1644 DECAL INSTALLATION

ITEM	PART NUMBER	QTY	DESCRIPTION	REV
	1001226533	Ref	1644 Decal Installation	A
1	1001160775	1	Decal, JLG 5 Black	
2	1001169674	1	Decal, JLG M100X285	
3	1001226536	1	Decal, JLG 1644 Hood	
4	1001226537	1	Decal, JLG 1644 Cab	

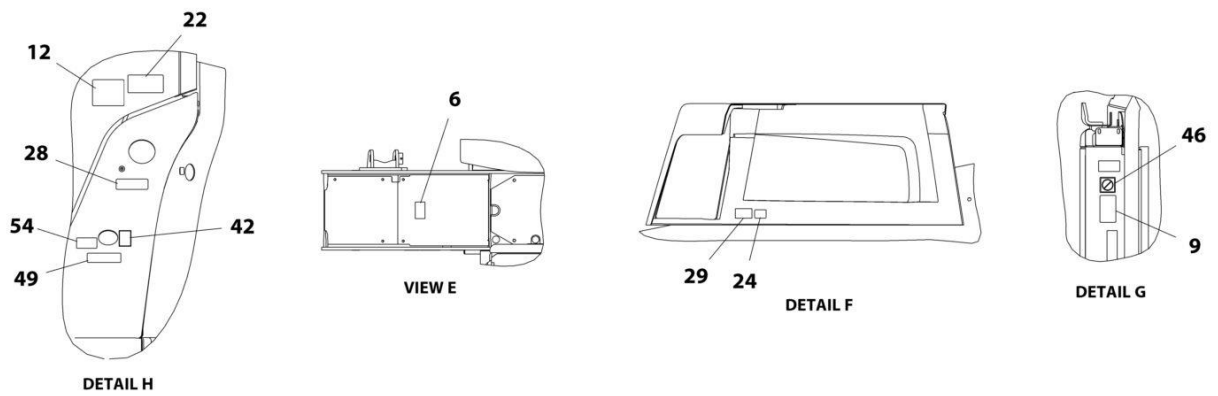
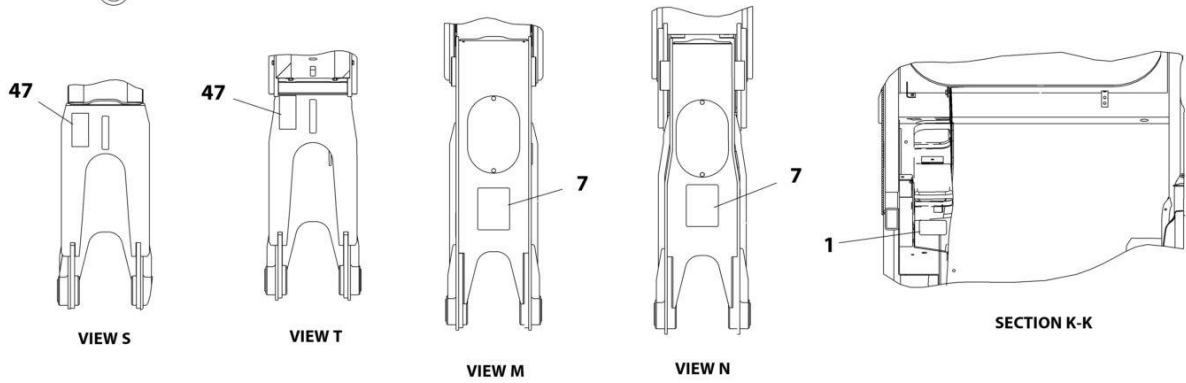
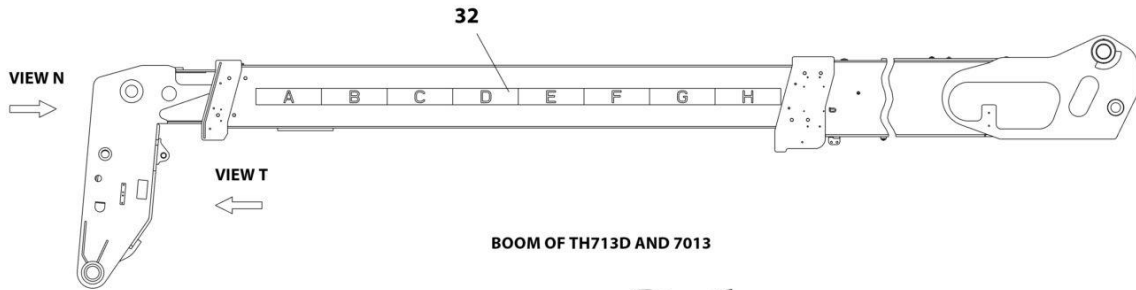
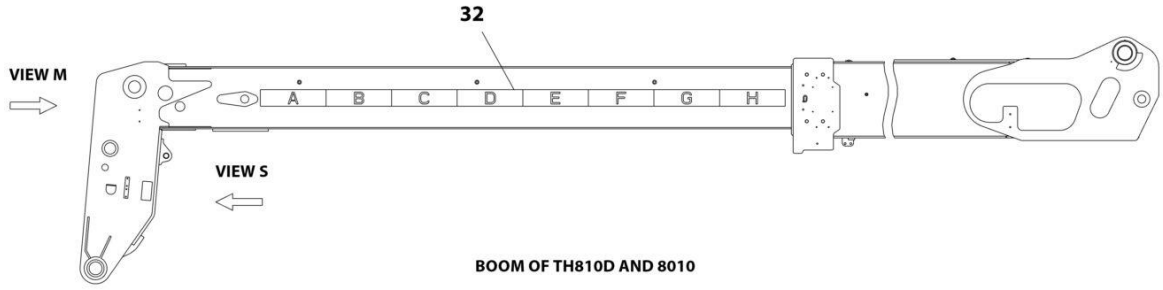
SECTION 11 - DECALS

FIGURE 11-2. DECAL INSTALLATION (ENGLISH)



ART_1001192745_1-K

SECTION 11 - DECALS



ART_1001192745_2-K

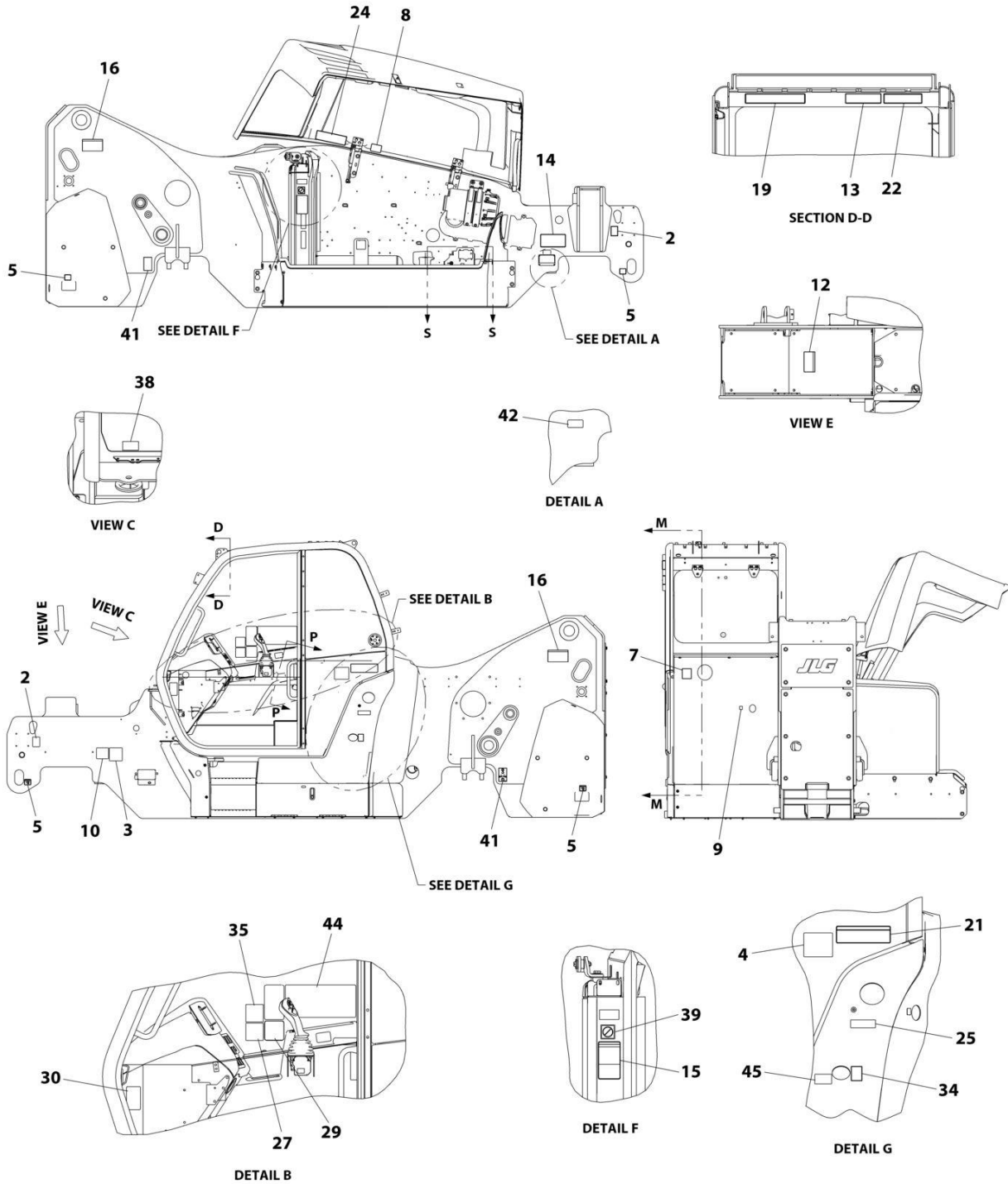
SECTION 11 - DECALS

FIGURE 11-2. DECAL INSTALLATION (ENGLISH)

ITEM	PART NUMBER	QTY	DESCRIPTION	REV
	1001192745	Ref	Decal Installation (English)	K
1	1670836	1	Cover, Boom	
2	1701500	2	Decal, Lift	
3	See Note	NSS	Decal, Bar Code (Note: Not Available for Purchase)	
5	1706300	1	Decal, Ether Warning	
6	1706296	1	Decal, Battery Warning	
7	1001195849	1	Decal, Carry Personnel	
8	1706299	1	Decal, Contacting Power Lines Warning	
9	1706301	1	Decal, Keep Clear Of Rotating Parts Warning	
10	1706306	1	Decal, Tip Over Warning	
11	1706302	2	Decal, Pinch Point Boom Holes	
12	3251813	1	Decal, USA	
13	4109801	4	Decal, Tie Down Point	
18	1001094708	1	Decal, Hydraulic Oil	
21	1706850	1	Decal, Crush Hazard Warning	
22	1706768	1	Decal, Vehicle Roll Away	
23	1707078	1	Decal, Warning/Danger	
24	1001109053	1	Decal, Coolant Fill	
26	1001130323	1	Decal, Oil Level	
27	1001131271	1	Decal, Patent	
28	1001218704	1	Decal, Ultra Low Sulfur Diesel	
29	1001139578	1	Decal, Hot Fluid Warning	
32	1001171277	1	Decal, Boom Extend	
33	1001172035	1	Decal, No Weld or Drill	
35	1001184632	1	Decal, Battery Positive	
36	1001188372	1	Decal, Sway	
38	1001191229	1	Decal, Fuse Panel	
41	1001195855	1	Decal, Battery Disconnect	
42	1001196806	1	Decal, Diesel Exhaust Fluid	
43	1001227287	1	Decal, Manual	
45	1001214206	1	Decal, Park Brake	
46	AU2105	1	Decal, No Karcher	
47	1001207217	1	Decal, Danger Swinging Loads	
48	1001218659	1	Decal, Brake Fluid	
49	1001219212	1	Decal, DEF Fluid	
50	1001222650	2	Decal, Axle Lift	
51	1001223453	1	DECAL,ICES (CAN)	
53	1001231801	1	Decal, Warning Prop 65	
54	1001247646	1	Decal, DEF Min. Refill Volume	

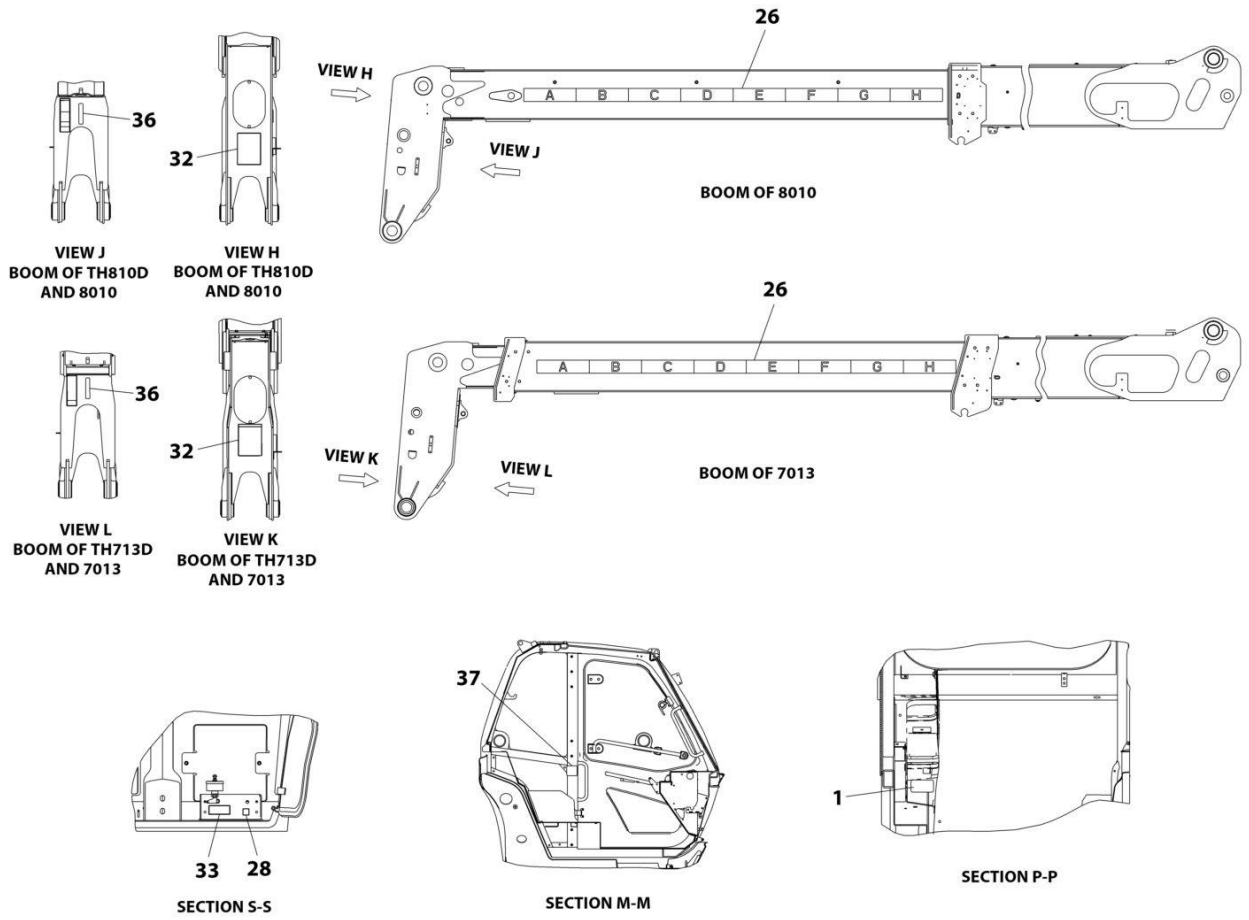
SECTION 11 - DECALS

FIGURE 11-3. DECAL INSTALLATION (ENGLISH/FRENCH)



ART_1001220230_1-J

SECTION 11 - DECALS



ART_1001220230_2-J

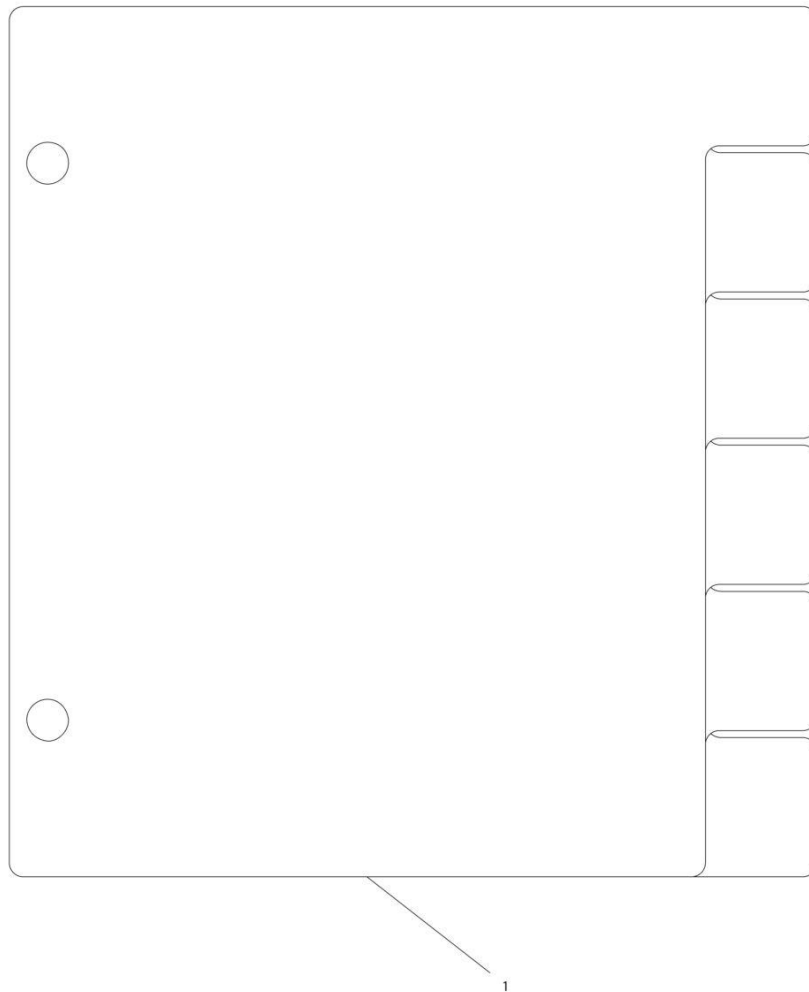
SECTION 11 - DECALS

FIGURE 11-3. DECAL INSTALLATION (ENGLISH/FRENCH)

ITEM	PART NUMBER	QTY	DESCRIPTION	REV
	1001220230	Ref	Decal Installation (English/French)	J
1	1670836	1	Cover, Boom	
2	1701500	2	Decal, Lift	
3	See Note	NSS	Decal, Bar Code (Note: Not Available for Purchase)	
4	3251813	1	Decal, USA	
5	4109801	4	Decal, Tie Down Point	
7	1001094708	1	Decal, Hydraulic Oil	
8	1001109053	1	Decal, Coolant Fill	
9	1001130323	1	Decal, Oil Level	
10	1001131271	1	Decal, Patent Telehandlers USA/Canada	
12	1001163174	1	Decal, Battery Warning	
13	1001163210	1	Decal, Electrocutation Hazard	
14	1001163212	1	Decal, Warning No Either	
15	1001163222	1	Decal, Moving Parts	
16	1001163223	2	Decal, Pinch Point	
19	1001163285	1	Decal, Warning Tip Over	
21	1001163300	1	Decal, No Riders	
22	1001163304	1	Decal, Warning Crushing Hazard	
24	1001163323	1	Decal, Warning Hot Fluid	
25	1001163355	1	Decal, Ultra Low Sulfur Diesel	
26	1001171277	1	Decal, Boom Extend	
27	1001172035	1	Decal, No Weld or Drill	
28	1001184632	1	Decal, Battery Positive	
29	1001188372	1	Decal, Sway	
30	1001191229	1	Decal, Fuse Panel	
32	1001195851	1	Decal, Carry Personnel	
33	1001195855	1	Decal, Battery Disconnect	
34	1001196806	1	Decal, Diesel Exhaust Fluid	
35	1001227287	1	Decal, Manual	
36	1001209625	1	Decal, Danger Swinging Loads	
37	1001214206	1	Decal, Park Brake	
38	1001219211	1	Decal, Brake Fluid	
39	AU2105	1	Decal, No Karcher	
41	1001222650	2	Decal, Axle Lift	
42	1001223453	1	Decal, ICES	
44	1001233558	1	Decal, Warning/Danger - Cab	
45	1001247646	1	Decal, DEF Min. Refill Volume	

SECTION 11 - DECALS

FIGURE 11-4. CAPACITY CHART



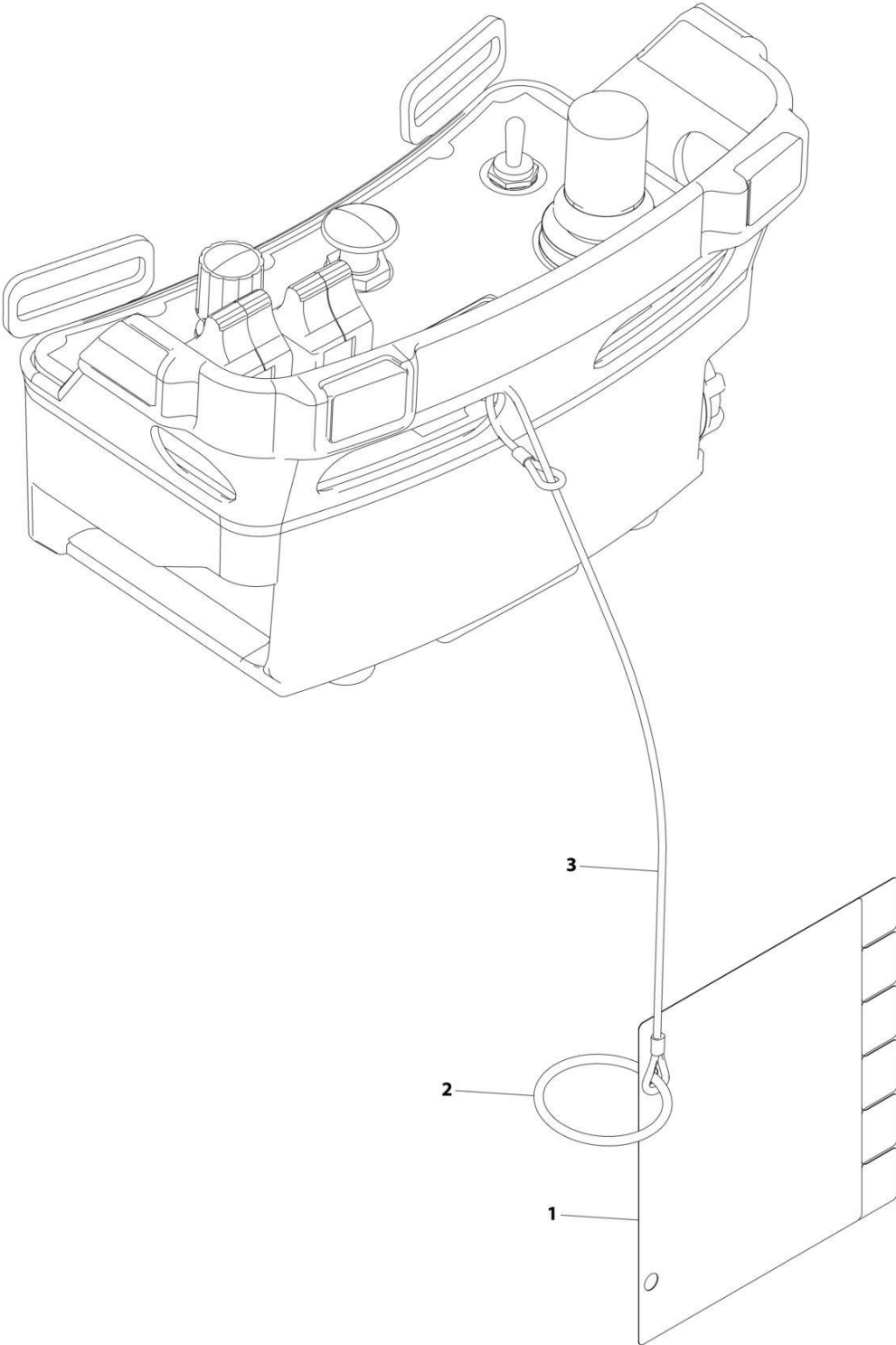
ART_1001233430-B

FIGURE 11-4. CAPACITY CHART

ITEM	PART NUMBER	QTY	DESCRIPTION	REV
1	1001233430	1	CAPACITY CHART	G

SECTION 11 - DECALS

FIGURE 11-5. CAPACITY CHART - REMOTE BOOM CONTROL



ART_1001275904

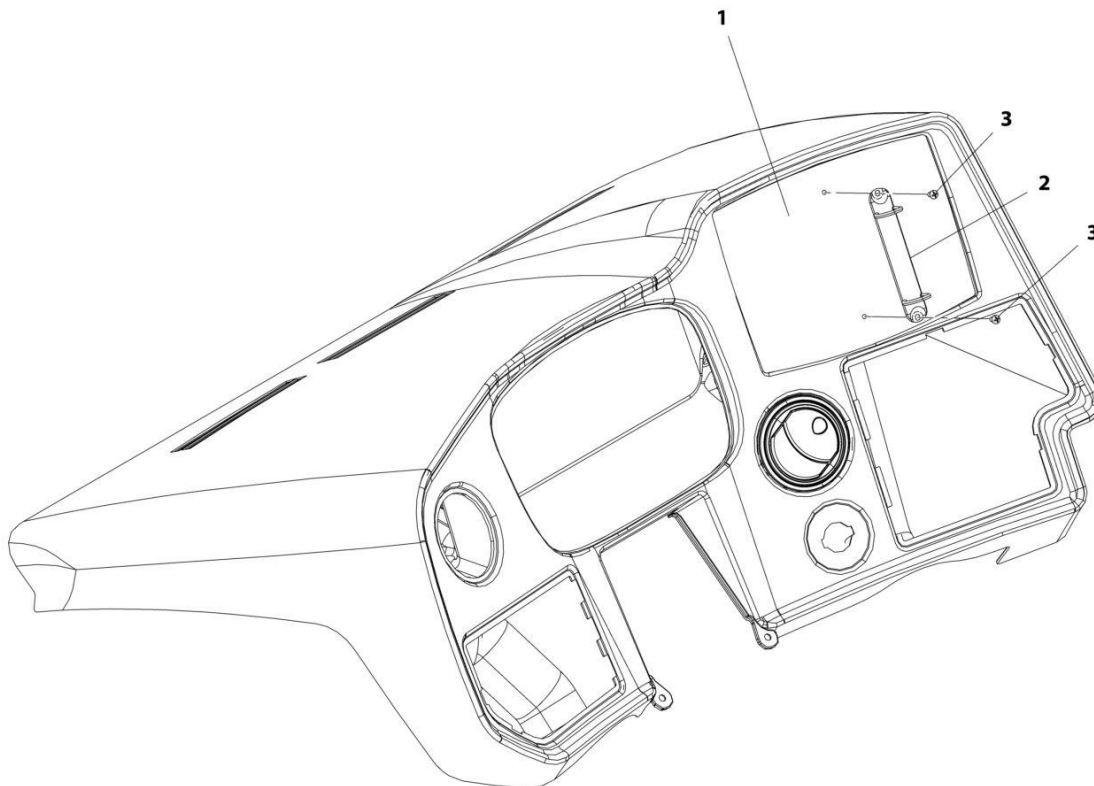
SECTION 11 - DECALS

FIGURE 11-5. CAPACITY CHART - REMOTE BOOM CONTROL

ITEM	PART NUMBER	QTY	DESCRIPTION	REV
	1001275904	Ref	CAPACITY CHART - REMOTE BOOM CONTROL	A
1	1001275725	1	Capacity Chart	
2	1001271061	1	Clip	
3	1060799	1	Cable, Lanyard	

SECTION 11 - DECALS

FIGURE 11-6. CAPACITY CHART HOLDER INSTALLATION



ART_1001178706-A

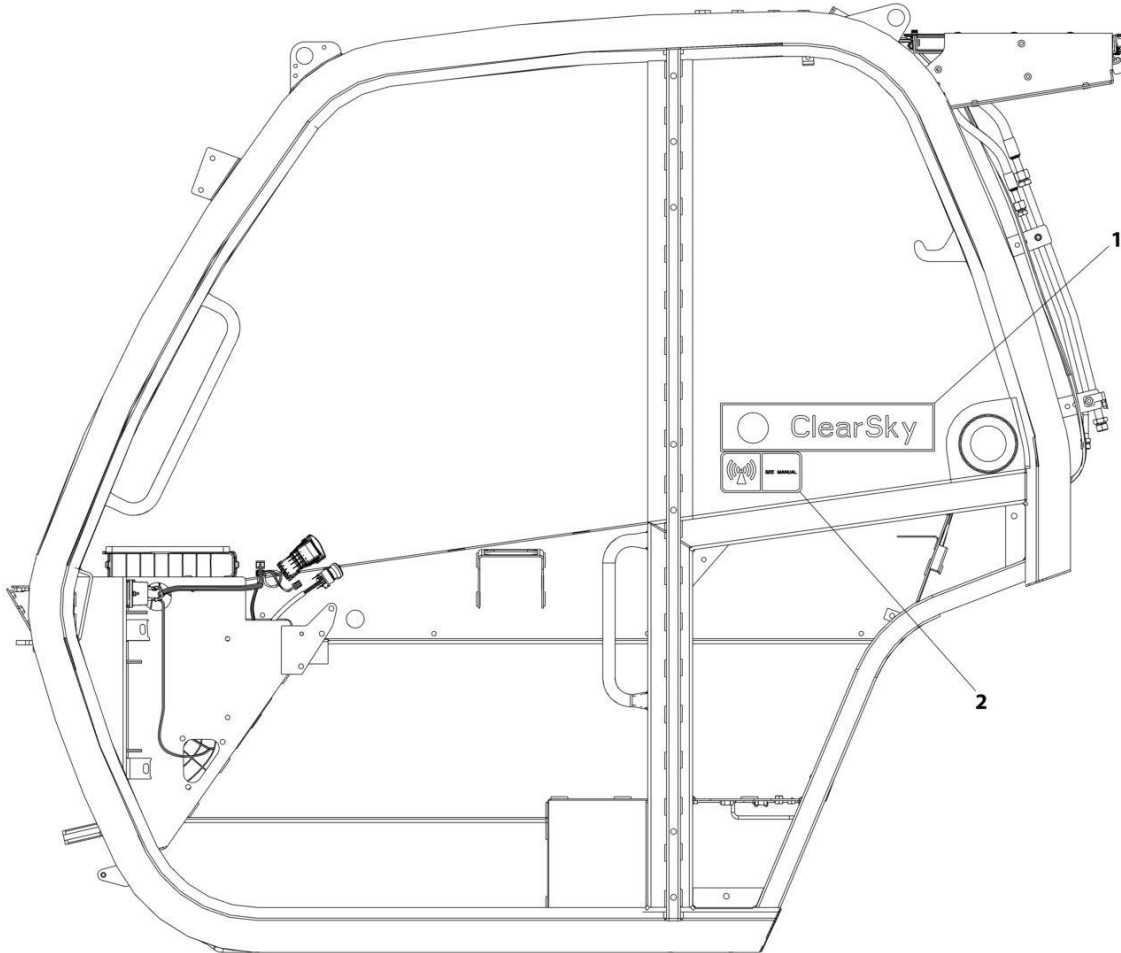
SECTION 11 - DECALS

FIGURE 11-6. CAPACITY CHART HOLDER INSTALLATION

ITEM	PART NUMBER	QTY	DESCRIPTION	REV
	1001178706	Ref	Capacity Chart Holder Installation	A
1	1001179297	1	Load Chart, Bezel	
2	1001005960	1	Holder	
3	7029486	2	Screw	

SECTION 11 - DECALS

FIGURE 11-7. CLEARSKY DECAL INSTALLATION



ART_1001229707

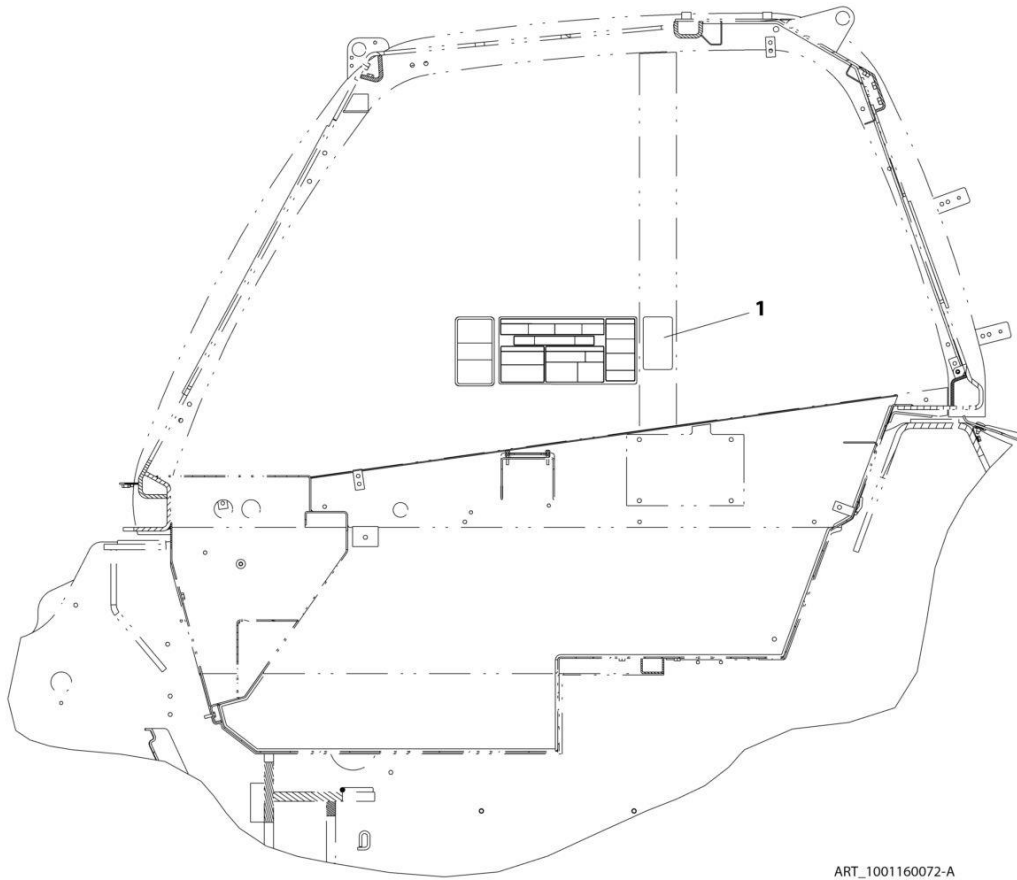
SECTION 11 - DECALS

FIGURE 11-7. CLEARSKY DECAL INSTALLATION

ITEM	PART NUMBER	QTY	DESCRIPTION	REV
	1001229707	Ref	Clearsky Decal Installation	C
1	1001294815	1	Decal - ClearSky	
2	1001120989	1	Radio Frequency Decal	

SECTION 11 - DECALS

FIGURE 11-8. REVERSE SENSOR SYSTEM DECAL (ENGLISH)



ART_1001160072-A

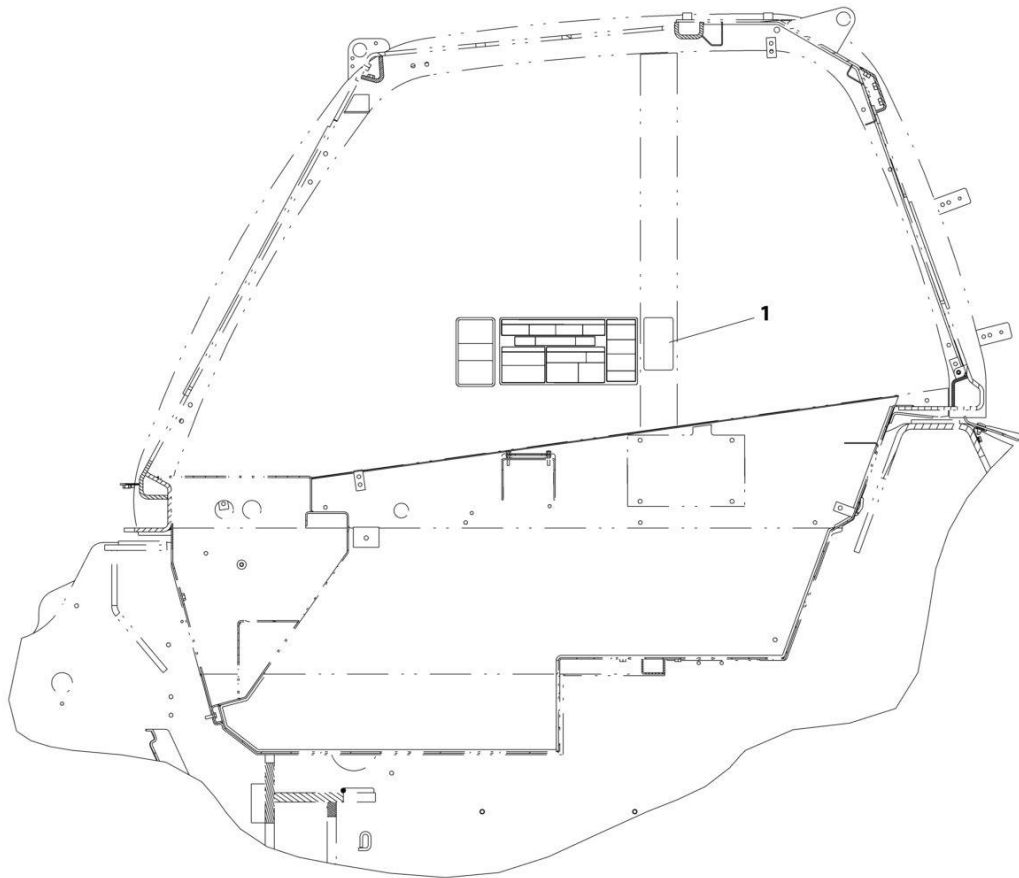
SECTION 11 - DECALS

FIGURE 11-8. REVERSE SENSOR SYSTEM DECAL (ENGLISH)

ITEM	PART NUMBER	QTY	DESCRIPTION	REV
1	1001160072	1	Reverse Sensor System Decal (English)	A

SECTION 11 - DECALS

FIGURE 11-9. REVERSE SENSING SYSTEM DECAL (ENGLISH/FRENCH)



ART_1001160945-A

SECTION 11 - DECALS

FIGURE 11-9. REVERSE SENSING SYSTEM DECAL (ENGLISH/FRENCH)

ITEM	PART NUMBER	QTY	DESCRIPTION	REV
1	1001160945	1	Reverse Sensor System Decal (ENGLISH/FRENCH)	A

SECTION 12 - RECOMMENDED SERVICE PARTS STOCK

SECTION 12 - RECOMMENDED SERVICE PARTS STOCK

SECTION 12 - RECOMMENDED SERVICE PARTS STOCK

FIGURE 12-1. RECOMMENDED SERVICE PARTS STOCK

ITEM	PART NUMBER	QTY	DESCRIPTION	REV
		Ref	Note: The following list will service one machine (built to current production per date on the front cover) with emergency repair parts which can be installed in the field. Parts from the list should be replaced when inventory is depleted to keep service parts stock supplied. For further information, contact your JLG dealer or the JLG Industries Parts Department.	
	70020764	1	Coil (Boom Aux Diverter Valve)	
	70028281	1	Coil (Boom Raise Ride & Float Valve)	
	70002963	1	Coil (Cab Hydraulics & Priority Valve)	
	70004595	1	Coil (Frame Level Control)	
	70026582	1	Coil (Speed Control / Steering Select Valve)	
	1001206112	1	Control, Remote Controller (Boom)	
	1001249078	1	Control, Voltage (Attachment Recognition Installation)	
	1001159028	1	Controller, Accelerator Pedal	
	1001213265	1	Controller, Brake Pedal	
	1001257348	1	Controller, FNR (0 Speed)	
	1001257088	1	Controller, FNR (2 Speed)	
	1001222603	1	Controller, Joystick	
	1001222606	1	Controller, Joystick, 2R2B (2 Speed)	
	1001209194	1	Controller, Remote (Boom)	
	1001191685	12	Element, Hydraulic Filter (Hydraulic Tank)	
	70025153	12	Element, Fuel Filter (Primary) (Engine Assembly)	
	70004512	12	Element, Fuel Filter (Secondary) (Engine Assembly)	
	1001162662	12	Filter, Breather (Hydraulic Tank)	
	1001141461	12	Filter, Charge (Charge Filter Assembly)	
	70025850	12	Filter, Cylindrical Air Primary (Air Cleaner)	
	70025851	12	Filter, Cylindrical Air Secondary (Air Cleaner)	
	7016331	12	Filter, Oil (Engine Assembly)	
	8229242	2	Fuse, 5A (Standard Electrical Board Assembly, Option 1 Board & Clearsky 2 Harness))	
	8229261	2	Fuse, 5A (ASOV Harness)	
	80983191	2	Fuse, 10A (Standard Electrical Board Assembly, Option 1 Board & Option 2 Board))	
	8229234	2	Fuse, 10A (Remote Control Power Harness)	
	8229244	2	Fuse, 15A (Option 2 Board & Frame Power Distribution Box)	
	8229235	2	Fuse, 20A (ASOV Harness)	
	8229247	2	Fuse, 25A (Option 1 Board & Frame Power Distribution Box)	
	8229245	2	Fuse, 30A (Standard Electrical Board Assembly & Frame Power Distribution Box)	
	70026297	2	Fuse, 80A (Frame Power Distribution Box)	
	1001095336	2	Fuse, 150A (Frame Power Distribution Box)	
	70026296	2	Fuse, 200A (Frame Power Distribution Box)	
	1001131177	2	Fuse, Power Module (Engine Wiring Installation)	
	70022765	1	Key, Ignition (set of 2) (Dash Electrical Installation)	
	2940074	1	Latch (Fork Mounted Basket)	
	1001203181	1	Module, Accessory Control (Cooling Package)	
	1001250475	1	Module, Attachment Recognition Receiver (FCC)	
	1001270466	1	Module, Cab Control (Cab Electrical)	
	1001229955	1	Module, Dual CAN TCU (ClearSky CANBUS)	
	70027426	1	Module, EGR (Engine Assembly)	

SECTION 12 - RECOMMENDED SERVICE PARTS STOCK

ITEM	PART NUMBER	QTY	DESCRIPTION	REV
	70005495	1	Module, Engine Control (Engine Assembly)	
	1001270467	1	Module, Front Frame Control	
	1001270485	1	Module, LMIS Control	
	1001270468	1	Module, Rear Frame Control	
	1001226328	1	Module, 3W TCU (ClearSky 3-Wire)	
	70025780	1	Relay (Engine Assembly)	
	3740080	1	Relay (Cooling Package & Remote Control Power Harness)	
	1001117308	1	Relay (Engine Pod Electrical Installation)	
	70026292	1	Relay, 35A (Standard Electrical Board Assembly)	
	70026295	1	Relay, 35A (Frame Power Distribution Box)	
	70026293	1	Relay, 50A (Option 1 Board)	
	70026294	1	Relay, 70A (Frame Power Distribution Box)	
	70028383	1	Sensor, Angle (Brake)	
	4000015	1	Sensor, Boom Angle (No LMIS) (Boom Angle Sensor Installation)	
	1001099717	1	Sensor, Boom Angle (LMIS) (LMIS Boom Angle Sensor Installation)	
	1001223903	1	Sensor, Boom Length (LMIS Cable Reel Installation)	
	1001138827	1	Sensor, Coolant Level (Surge Tank)	
	70025539	1	Sensor, Dual Pad (Seat)	
	1001162885	1	Sensor, LMIS (LMIS Installation) (High End Display)	
	1001160730	1	Sensor, LSI (LSI Sensor Installation)	
	1001147340	1	Sensor, Pressure (Frame Hydraulic)	
	1001183024	1	Sensor, Proximity (Boom Retract)	
	1001247421	1	Sensor, Reverse	
	1001128478	1	Sensor, Temperature (Hydraulic Tank)	
	1001163095	1	Sensor, Tilt (LMIS Tilt Sensor Installation)	
	1001104654	1	Switch, Aux Decomp	
	1001159746	1	Switch, Aux Electric	
	1001159738	1	Switch, Beacon	
	1001159745	1	Switch, Boom Ride	
	1001159739	1	Switch, Boom Worklights	
	4360658	1	Switch, Brake Light	
	1001159741	1	Switch, Constant AUX	
	70025486	1	Switch, Contact (Standard Seat)	
	1001192142	1	Switch, Disconnect (Engine Pod Electrical Installation)	
	70028326	1	Switch, Driver Presence (Premium Air Suspension Seat)	
	4360475	1	Switch, E-Stop (External Emergency Stop Installation)	
	1001159737	1	Switch, Fog Lights	
	1001212470	1	Switch, Frame Level	
	1001159845	1	Switch, Front Worklights	
	1001159734	1	Switch, Hazard	
	70024107	1	Switch, Heater (Premium Air Suspension Seat)	
	1001169268	1	Switch, Horn Button	
	1001160326	1	Switch, HVAC On/Off (Heater and A/C)	
	1001159925	1	Switch, HVAC Recycle (Heater and A/C)	
	1001172547	1	Switch, HVAC Rotary 3 Speed (Heater and A/C)	
	4360657	1	Switch, Ignition (Remote Control Boom)	
	1001080978	1	Switch, Lift/Loader	
	1001163639	1	Switch, Light (Cab Light Switch)	
	1001159742	1	Switch, LSI Override	
	1001080375	1	Switch, Quick Coupler	
	1001159735	1	Switch, Rear Wiper	

SECTION 12 - RECOMMENDED SERVICE PARTS STOCK

ITEM	PART NUMBER	QTY	DESCRIPTION	REV
	1001159846	1	Switch, Rear Worklights	
	1001145204	1	Switch, Reversing Fan (Reversing Cooling Fan)	
	1001159736	1	Switch, Roof Wiper	
	1001159849	1	Switch, Steer Mode	
	1001215941	1	Switch, Toggle SPST (ASOV)	
	1001256974	1	Switch, Turn-Wiper	
	1001102502	1	Switch, 4 Position Key	

SECTION 13 - SPECIAL OPTIONS/ACCESSORIES/KITS

SECTION 13 - SPECIAL OPTIONS/ACCESSORIES/KITS

SECTION 13 - SPECIAL OPTIONS/ACCESSORIES/KITS

FIGURE 13-1. SPECIAL OPTIONS/ACCESSORIES/KITS

ITEM	PART NUMBER	QTY	DESCRIPTION	REV
		Ref	Note: This list is to accommodate machines ordered with special equipment. Options may not be applicable to all models. For more specific parts information contact JLG Parts Department.	
		Ref	SPECIAL OPTIONS/ACCESSORIES/KITS	
	1001233189	Ref	Air Shutoff Valve (ASOV) Kit	
	1001229073	Ref	Boom Kit - 1644/7013H	
	1001229212	Ref	Boom Brushes Kit - 1644/7013H	
	1001231057	Ref	Boom Prop Kit	
	1001229075	Ref	Boom Wear Pad Kit - 1644/7013H	
	1001213286	Ref	Cab Display Kit	
	1001199382	Ref	Cab Guard Kit - Roof/Front Combo	
	1001212845	Ref	Cab Guard Kit - Front	
	1001199380	Ref	Cab Guard Kit - Roof	
	1001268341	Ref	Camera (Rear View) Add-on Kit(Dealer Installed)	
	1001229811	Ref	Camera Kit - Reverse Camera	
	1001229532	Ref	Cold Weather Kit - 115V	
	1001229813	Ref	Cold Weather Kit - 230V	
	1001245694	Ref	DEF Tank/Heater Service Kit	
	1001148902	Ref	Electrical Connector Kit - Amp/Tyco Electrical Connectors	
	1001148903	Ref	Electrical Connector Kit - Deutsch DT Electrical Connectors	
	1001148904	Ref	Electrical Connector Kit - Deutsch HD Electrical Connectors	
	1001148905	Ref	Electrical Connector Kit - Packard Electrical Connectors	
	1001148906	Ref	Electrical Connector Kit - Various Electrical Connectors	
	1001230409	Ref	Emergency Stop Switch Kit - External	
	1001229812	Ref	Engine Block Heater Kit - 115V	
	1001230125	Ref	Engine Block Heater Kit - 230V	
	70027806	Ref	Extend/Retract Cylinder Seal Kit	
	1001229576	Ref	Fender Kit	
	1001258099	Ref	Fire Extinguisher Installation	
	1001239961	Ref	Fire Extinguisher Kit	
	1001230126	Ref	Heat to Heat/AC Upgrade Kit	
	1001274891	Ref	Joystick Kit - 2 Speed FNR with Clamp	
	1001274892	Ref	Joystick Kit - 0 Speed FNR with Lights	
	1001230188	Ref	Light Kit - Beacon/Strobe (LED)	
	1001199376	Ref	Light Kit - Beacon/Strobe	
	1001231110	Ref	Light Kit - Drive/Road Lights (RH)	
	1001231138	Ref	Light Kit - Drive/Road Lights (LED) (RH)	
	1001229104	Ref	Light Kit - Work Lights	
	1001230699	Ref	Radio Ready Kit	
	1001199364	Ref	Reversing Sensing Kit (PVC1911)	
	1001252304	Ref	Reversing Sensing Kit (PVC2005)	
	1001199328	Ref	Roof Wiper Kit	
	1001228993	Ref	Service Kits	H
	1001265372	Ref	Telematics Harness Kit (NA)	
	1001229216	Ref	Telematics Kit (Long Roof) (NA)	
	1001229324	Ref	Telematics Kit (Short Roof) (NA)	
	1001254389	Ref	Telematics Kit - Canbus (NA)	
	1001254390	Ref	Telematics Kit - Canbus (CE)	
	1001254400	Ref	Telematics Kit - Canbus Extension	

SECTION 13 - SPECIAL OPTIONS/ACCESSORIES/KITS

ITEM	PART NUMBER	QTY	DESCRIPTION	REV
		Ref	Tools:	
	1001249695	Ref	Analyzer and Cable Kit	
	1001249941	Ref	Analyzer and Cable Kit (Battery Powered)	
	7002821	Ref	Crimper (For Wire to Pin/Socket Connections)	
	7002823	Ref	Extractor (For Removal of Pin/Socket from Connectors)	
	8896941	Ref	Wire Stripper	
	7004275	Ref	Seal Tool 1" (For Cylinders)	
	7004276	Ref	Seal Tool 1 1/2" (For Cylinders)	
	7002826	Ref	Seal Tool 2" (For Cylinders)	
	1001262959	Ref	Voltage Regulator for ClearSky/Telematics Add-on Kit (Dealer Installed)	
	1001214167	Ref	Window (Rear) Release Kit	

SECTION 13 - SPECIAL OPTIONS/ACCESSORIES/KITS

PART NUMBER INDEX

SECTION 13 - SPECIAL OPTIONS/ACCESSORIES/KITS

0100081.....33	0760605 ... 171, 345, 483, 487	1001004723 759	1001098762.....701
0400075.....695, 697	0760607 45, 85, 225, 227, 233, 345, 575, 769, 771, 811, 813	1001005368 363	1001099566.....243
0498748.....345	0760608 ... 177, 235, 375, 379, 451, 465, 483, 487, 491, 493, 517, 691, 693, 761, 811, 813	1001005438 557	1001099717..... 875, 959
0630576.....45	0760610 883	1001005904 525, 529, 533	1001100166.....617
0641405.....101	0760615 519, 893	1001005960 949	1001100169.....617
0641510.....153, 185	0760806 235	1001006730 409	1001100319.....197
0641608.....553	0760807 43, 543, 793	1001006731 407	1001101041..91, 95, 113, 115, 125, 127, 130, 134, 521, 525, 529, 533
0651607.....77	0760808 43, 77, 389, 461, 463, 691, 693, 703, 893, 903	1001007056 71, 633	1001101042..91, 95, 113, 115, 125, 127, 130, 134, 521, 525, 529, 533
0681714.....557	0760810 ... 39, 47, 51, 53, 57, 59, 65, 75, 197, 209, 221, 235, 243, 373, 393, 397, 403, 411, 422, 461, 471, 475, 483, 519, 521, 523, 527, 617, 871	1001008540 761	1001101702.....491
0700408.....489, 903	0760812 25, 199, 201, 227, 327, 329, 351, 801, 803	1001008559 163, 201, 243, 593, 727, 729, 757, 759, 769, 771, 811, 813, 845, 851, 885, 893, 909	1001101808.....691
0700610....29, 33, 45, 49, 85, 227, 239, 451, 463, 761, 841, 843	0760815 351, 527, 531	1001008575 25	1001101855.....873
0700612.....45, 855	0760823 29, 229	1001008654 543	1001102157.....37
0700614....153, 227, 422, 563, 793, 801, 803	0761008 717, 875	1001008742 375	1001102502.....749, 960
0700616.....519, 547	0761009 723	1001008834 125	1001102844.....103
0700618....727, 729, 769, 771	0761010 ... 39, 41, 43, 47, 85, 183, 211, 227, 491, 761, 769, 771, 811, 813, 845, 851, 885	1001008857 351	1001103012.....732
0700808.....769, 771	0761012 ... 27, 39, 45, 67, 69, 173, 493, 557, 575, 583, 759, 801, 803	1001008923 723, 837	1001103156.....717, 875
0700814.....43, 217, 219, 227, 551	0761210 79, 199, 201	1001008988 345	1001103300.....717, 875
0700815.....837	0761212 211, 759	1001008999 43	1001104477.....529, 533, 655
0700816.....197, 213, 235	0761214 29, 169, 227	1001009018 21	1001104498.....725, 732, 736, 823, 827
0700817.....519	0761215 169, 199, 201	1001009163 253	1001104499.....736
0700818....559, 571, 867, 869	0761217 147	1001009325 183	1001104519.....733, 751, 897
0700819.....807, 809	0761218 199, 201	1001010646 407, 409	1001104654.....749, 959
0700820....471, 473, 475, 545, 801, 803	0770814 485	1001010647 407, 409	1001105093.....519
0700821.....517	0770815 221	1001010648 407, 409	1001105886.....915
0700822.....493	0771010 63, 65	1001010649 407, 409	1001107192.....345
0700826.....235	0771012 63	1001010650 407, 409	1001107339.....239
0700828.....583	0771212 63, 65	1001014231 557	1001107854.....725, 732, 736, 747, 823, 827
0701014....43, 47, 51, 73, 179, 227, 239, 517, 845, 851	0771414 607, 611	1001028264 21	1001107854.....725, 732, 736, 747, 823, 827
0701015.....179, 579	0771416 255	1001028291 21	1001109053.....938, 942
0701018....173, 199, 201, 239	0771618 251	1001028306 21	1001109387.....147
0701020.....25, 199, 201	0791605 213	1001028308 21	1001110023.....525, 533, 657
0701024.....565	0860520 101	1001028377 21	1001110115.....533
0701026.....185	1001002946 351	1001028400 21	100111076.....465
0701027.....569	1001002947 351	1001047062 345	1001111076.....465
0701216.....29, 79, 589	1001002953 351	1001080375 527, 531, 959	1001111140.....563
0701220.....847	1001002957 351	1001080978 749, 959	1001111147.....465
0701618.....169	1001003031 61, 63, 65	1001081085 257	1001111317.....343, 347
0701626.....169	1001003043 361	1001090343 365, 459	1001112612.....711, 715, 736
0701628....119, 121, 123, 169	1001003227 43	1001091715 845, 851	1001112796.....721, 927, 931
0701630.....169	1001003301 27	1001091716 845, 851	1001114495.....207, 209
0711015.....59	1001003305 183, 185, 201, 239, 723	1001092481 97	1001114761.....583
0711016.....63	1001003427 31	1001092482 97	1001114803.....199, 201
0711017.....61	1001003803 67	1001093171 151	1001116128.....441, 885
0711030.....239	1001004640 493	1001093564 701	1001116696.....823, 824, 827, 828
0711215.....63	1001004720 163, 227	1001094708 938, 942	1001116697.....732
0711216.....61, 63, 189		1001095301 179	1001116698.....732
0711217.....61		1001095336 805, 958	1001116700.....733, 755
0711230.....57		1001095650 77, 453, 455, 493	1001116716.....733
0711635.....57		1001095804 749	1001116720.....833
0712020.....335		1001095810 101	1001116723.....733, 734, 735, 736
0712022.....335		1001096019 99	1001116725.....774, 780
0712027.....337		1001096020 99	1001116727.....776, 781, 828, 911
0712442.....569		1001096024 99	1001116728.....824, 828, 839
0760405....119, 121, 123		1001096365 351	1001116729.....911
0760507....181, 757, 759		1001097244 451	
0760512.....375		1001097540 .. 45, 49, 469	
		1001097586 361	
		1001097587 265, 287	
		1001098128 517	
		1001098150 444	

SECTION 13 - SPECIAL OPTIONS/ACCESSORIES/KITS

1001116731 923	1001121726..... 824, 828	1001141311.....459	1001159737 845, 851, 959
1001116732 767, 774, 780, 816, 820	1001121727..... 824, 828, 911	1001141312.....365	1001159738 703, 705, 707, 959
1001116733 767	10011223457..... 732	1001141313.....459	1001159739 835, 959
1001116734 767, 774, 780	1001125117..... 61, 63, 65, 79	1001141461.....555, 958	1001159741 749, 959
1001116745 911	1001125222..... 491	1001141462.....555	1001159742 881, 959
1001116747 747	1001125465.....885	1001141976.....553, 555	1001159745 909, 959
1001116748 735	1001125677..... 733, 776, 781, 824, 828	1001143200.....359	1001159746 709, 713, 959
1001116754 734	1001126008..... 736, 763, 774, 780, 797, 817, 821	1001143551.....797	1001159845 841, 843, 959
1001116763 747, 823, 827	1001126011..... 736, 775, 781	1001144147.....745, 774, 780, 797, 923, 925	1001159846 841, 843, 960
1001116774 797, 817, 821, 861	1001126245..... 774, 780	1001144296.....733	1001159849 749, 960
1001116808 797, 817, 821	1001126353..... 773, 779	1001144629J.....101	1001159925 411, 422, 959
1001116810 816, 820	1001126362..... 773, 779	1001145204.....223, 765, 960	1001160042 422
1001116811 774, 780	1001126391..... 773, 776, 779, 782	1001145390.....71, 633	1001160043 411
1001116812 733, 735, 736, 745, 773, 774, 775, 779, 780, 781, 782, 797, 815, 819, 824, 828, 857, 861, 923, 925, 927	1001126393..... 773, 776, 779, 782	1001145391.....69, 71	1001160072 953
1001116815 737, 776, 782, 797	1001126485..... 773, 774, 779, 780	1001145539.....422	1001160326 422, 959
1001116950 816, 817, 820, 821	1001126487..... 773, 779	1001146160.....105	1001160420 217
1001116984 736	1001126837..... 717, 883	1001146588..... 183, 197, 201, 211, 223, 227, 723, 727, 729, 765, 769, 771, 811, 813, 845, 851, 877	1001160496 471
1001116985 736	1001128128..... 767, 774, 780, 816, 820	1001147340.....563, 959	1001160498 732
1001116986 735, 736	1001128144.....213	1001147416.....521, 525, 529, 533	1001160500 815, 819, 823, 827, 861
1001116991 733, 736, 831, 833	1001128341.....213	1001147449.....444, 447	1001160502 732
1001116995 735	1001128478.27, 253, 959	1001148841.....773, 779	1001160503 471, 475
1001116996 823, 824, 827, 828	1001128890.....105	1001148842.....773, 779	1001160506 473
1001116997 735	1001129407.....919	1001148902.....962	1001160508 339, 389
1001116998 736	1001129425.....885	1001148903.....962	1001160509 815, 819, 823, 827, 861
1001116999 733, 831, 833	1001130220.....45, 49	1001148904.....962	1001160510 815, 819, 823, 827, 861
1001117011 735, 755	1001130323.....938, 942	1001148905.....962	1001160730 885, 959
1001117021 747	1001131177.....769, 771, 958	1001148906.....962	1001160775 935
1001117024 767	1001131271.....938, 942	1001149278.....444, 447	1001160927 695, 697, 701
1001117079 735	1001132168.....41	1001150294.....395	1001160928 695, 697, 701
1001117081 733, 734, 735	1001132169.....817, 821, 891	1001150610.....774, 780	1001160945 955
1001117109 816, 820	1001132170.....817, 821	1001150611.....816, 820	1001161067 449
1001117121 751, 897	1001132564.....444	1001150735.....735	1001161078 467
1001117247 877, 879	1001133714.....775, 781, 782	1001150737.....735	1001161080 467
1001117308 761, 959	1001133715.....773, 775, 779, 781, 782	1001151238.....583	1001161095 861
1001118202 816	1001133793.....179	10011512915.....343	1001161097 732, 815, 819, 823, 827, 861
1001118282 767, 774, 780, 820	1001134274.....717, 875	1001152947.....343	1001161098 732, 815, 819, 861
1001118323 816, 820	1001135650..... 773, 775, 779, 781, 782	1001153612.....775, 781	1001161099 732, 815, 819, 823, 827, 861
1001118378 797	1001135651..... 773, 775, 779, 781, 782	1001153748.....601, 687	1001161100 732, 815, 819, 823, 827, 861
1001118379 735	1001136975.....183	1001153749.....769, 771	1001161101 732, 815, 819, 823, 827, 861
1001118383 751, 897	1001136999.....736	1001155228.....341, 345	1001161252 444
1001118384 733, 734, 735, 736	1001137000.....736	1001155446.....333, 337	1001161253 444
1001118386 736	1001137578.....776, 782	1001155447.....339, 373	1001161499 339, 479
1001118387 736	1001138116.....773, 779	1001155486.....459	1001161672 493
1001118392 823, 824, 827, 828	1001138645.....793	1001155540.....199, 201	1001161769 727, 729, 739
1001118684 734	1001138827.....213, 959	1001155542.....197	1001161770 727, 729, 741
1001118685 751, 897	1001138945.....239	1001155823.....197	1001161771 727, 729, 743
1001119467 393	1001139551.....459	1001156265.....493	1001161851 447
1001120989 951	1001139552.....365	1001157890.....797	1001161855 444
	1001139568.....363	1001157891.....711, 715	
	1001139578.....938	1001157899.....711, 715	
	1001141246.....351	1001158146.....749	
	1001141281.....373	1001158596.....397	
		1001158601.....393	
		1001158736C.....403	
		1001158738C.....393	
		1001159028.....479, 481, 958	
		1001159734.....845, 851, 959	
		1001159735.....749, 959	
		1001159736.....459, 960	

SECTION 13 - SPECIAL OPTIONS/ACCESSORIES/KITS

1001161858.....413	1001166556..... 773, 776, 779, 782	1001170311 221	1001174812.....59, 625
1001161896.....493	1001166565..... 173, 175	1001170325 469	1001175058.....333
1001161897.....493	1001166634..... 347, 351	1001170326 381	1001175201.....229
1001161898.....493	1001166704..... 782	1001170366 339, 379	1001175265..... 774, 775, 780, 781, 824, 828
1001161957.....815, 819, 823, 827, 861	1001166707..... 775, 781	1001170432 237	1001175266.....861
1001161959.....732	1001166715..... 173	1001170504 444	1001175267.....815, 819, 823, 827
1001161963.....815, 819, 823, 827, 861	1001166754..... 337	1001170514 449	1001175347.....21
1001162062.....491	1001166755..... 337	1001170518 444	1001175470.....381
1001162212.....197	1001166774..... 773, 776, 779, 782	1001170519 444, 449	1001175471..... 379, 383
1001162249.....727	1001167004..... 509	1001170601J..... 345	1001175477.....345
1001162253.....801	1001167015..... 439, 441	1001170944 351	1001175568.....183
1001162256.....807	1001167017..... 903	1001170993 383	1001175733.....907
1001162662.....27, 958	1001167015..... 439, 441	1001171037 349	1001175776.....905, 907
1001162789.....339, 375	1001167186..... 217	1001171179 25	1001175903.....444
1001162885.....873, 959	1001167266..... 433, 435	1001171182 363	1001176002.....776, 782
1001162886.....732	1001167409..... 197	1001171183 363	1001176004.....776, 782
1001162887.....733	1001167528..... 776, 782	1001171277 938, 942	1001176121.....379, 381
1001162920.....483	1001167616..... 774, 780	1001171635 349	1001176272.....359
1001162922.....483	1001167620..... 776, 782	1001171756 375	1001176273.....359
1001162953.....422, 433	1001167621..... 773, 779	1001171767 383	1001176333.....736
1001163095.....855, 959	1001167622..... 773, 779	1001171874 483	1001176338.....391
1001163174.....942	1001167623..... 773, 779	1001171885 39	1001176626.....359
1001163210.....942	1001167624..... 776, 782	1001171962 903	1001177082.....25
1001163212.....942	1001167629..... 774, 780	1001172035 938, 942	1001178123.....375
1001163222.....942	1001167630..... 773, 774, 779, 780	1001172088 483	1001178159.....343
1001163223.....942	1001167631..... 773, 779	1001172094 483	1001178160.....343
1001163285.....942	1001167633..... 773, 779	1001172146 25	1001178170.....422
1001163300.....942	1001167634..... 773, 779	1001172147 25	1001178171.....29
1001163304.....942	1001167635..... 773, 779	1001172193 343, 347	1001178474.....29
1001163323.....942	1001167636..... 775, 781	1001172401 339, 385	1001178670.....493, 685
1001163340.....733	1001167937..... 355	1001172495 701	1001178680.....363
1001163355.....942	1001167958..... 345, 355	1001172496 701	1001178681.....363
1001163639.....753, 959	1001168030..... 549	1001172547 411, 422, 959	1001178693.....29
1001164183.....77	1001168054..... 483	1001172550 411, 422	1001178706.....949
1001164402.....801, 803, 805	1001168142..... 493	1001172551 413, 425	1001178783.....391
1001164655.....389	1001168151..... 493	1001172553 411, 422	1001178791.....229
1001164726.....345	1001168264..... 327, 329	1001172693 31	1001178826.....369
1001164971.....569	1001168327..... 422	1001172755 183	1001178933.....727, 729
1001164972.....569	1001168330..... 422	1001172774 475	1001179008.....367, 369
1001165035.....183	1001168331..... 422	1001172995 79	1001179009.....367, 369
1001165194.....776, 782	1001168456..... 422	1001172999 79	1001179080.....433
1001165269.....375, 377	1001168531..... 403, 755	1001173257 473	1001179081.....433
1001165270.....375	1001168599..... 573, 673	1001173298 345	1001179130.....433, 437
1001165273.....377	1001168758..... 45	1001173411 733	1001179297.....949
1001165275.....351	1001169135..... 403, 405	1001173452 199, 201	1001179297.....949
1001165276.....347	1001169151..... 422, 747	1001173457 199, 201	1001179482.....465
1001165309.....816, 820	1001169265..... 43	1001173528 207, 209	1001179483.....465
1001165310.....817, 821	1001169268..... 505, 959	1001173679 79	1001179484.....453
1001165311.....824, 828	1001169354..... 501, 503	1001173739 79	1001179592.....469
1001165327.....377	1001169355..... 503	1001173873 233	1001179850.....23, 25
1001165351.....375	1001169367..... 503	1001173965 444	1001179851.....25, 27
1001165407.....375	1001169368..... 213	1001174104 67	1001179852.....27
1001165416.....375	1001169454..... 29	1001174129 325	1001179901.....867
1001165455.....375	1001169603..... 444	1001174295 345, 357	1001179907.....235, 793
1001165458.....375, 451	1001169604..... 444, 447	1001174320 343	1001179931.....499
1001165573.....397, 399	1001169674..... 935	1001174321 351	1001180070.....195, 653
1001165637.....373	1001169751..... 501	1001174419 75	1001180263.....473, 475
1001165827.....693	1001169763..... 505	1001174652 447	1001180306.....21
1001166091.....417, 429	1001169825..... 763	1001174653 447	1001180437.....233
1001166092.....417, 429	1001169880..... 347	1001174655 447	1001180542.....211
1001166385.....465	1001169883..... 349	1001174712 749	1001180553.....211
1001166543.....773, 779	1001169885..... 349	1001174741 463	1001180620.....801, 803
1001166551.....773, 779	1001170106..... 31	1001174795 231	1001180682.....391
1001166555.....773, 779	1001170113J.... 347, 349	1001174796 703	1001180683.....391
	1001170114..... 345, 347	1001174800 463	1001181128.....761
	1001170231..... 483	1001174801 463	1001181411.....363
			1001181516.....893

SECTION 13 - SPECIAL OPTIONS/ACCESSORIES/KITS

1001181531 749	1001184980.....249, 251	1001188610.....417, 419,	1001191789 65
1001181625 197	1001184981.....249, 261	429, 431	1001191915 491
1001181726 444, 451	1001184982.....263, 265	1001188612.....417, 419,	1001191959 457
1001181920 359	1001184983.....285, 287	429, 431	1001192096 517
1001181921 359	1001184984.....265, 267,	1001188614.....417, 419,	1001192124 31
1001181961 695, 697	269, 271, 275, 277,	429, 431	1001192125 29, 31
1001182123 359	279, 281	1001188618.....429, 431	1001192142 761, 959
1001182139 359	1001184985.....287, 289,	1001188619.....429, 431	1001192168 319
1001182330 461	291, 293, 295, 297,	1001188720.....417, 419,	1001192170 321
1001182490 847	301, 307	429, 431	1001192177 319
1001182495 847	1001184986.....255, 257	1001188725.....417, 419,	1001192178 319
1001182529 403, 405	1001184987.....261	429, 431	1001192180 321
1001182530 403	1001184988.....261	1001188728.....429	1001192181 321
1001182839 883	1001185026.....221	1001188729.....417, 419,	1001192240 453
1001182881 171	1001185633.....461	429, 431	1001192309 345
1001182929 769, 785	1001185870.....444	1001188733.....417, 419,	1001192320 39
1001182930 769, 789	1001185927.....23	429	1001192321 903
1001183024 723, 959	1001185929.....23, 29	1001188757.....169	1001192322 905
1001183112 845, 847,	1001185930.....29, 33	1001188817.....429, 431	1001192323 691
851	1001185931.....33	1001188818.....429, 431	1001192324 51
1001183221 711	1001185933.....33	1001188855.....239	1001192336 53
1001183272 801, 803,	1001185935.....33	1001188856.....239	1001192339 123
887, 889	1001186843.....557	1001188971.....65	1001192342 125
1001183306 325, 327	1001186853.....845	1001189023.....429, 431	1001192344 127
1001183307 325, 329	1001186855.....695	1001189024.....429, 431	1001192354 57
1001183308 327	1001186856.....699	1001189025.....417, 419,	1001192358 69
1001183309 329	1001186898.....173	429, 431	1001192363 521
1001183447 119	1001187070.....773, 779,	1001189046.....769, 771	1001192365 527
1001183549 873	789, 791	1001189048.....429, 431	1001192366 523
1001183550 449	1001187073.....815, 819	1001189054.....429, 431	1001192367 531
1001183597 455	1001187075.....816, 820,	1001189182.....444	1001192370 719
1001183700 553	861	1001189246.....33	1001192392 31
1001183827 177	1001187076.....816, 817,	1001189288J.....319, 321,	1001192410 493
1001183829 177	820, 821, 861	323	1001192427 605
1001183831 173	1001187077.....789, 791,	1001190037.....774, 781	1001192430 717
1001183835 173, 177	923	1001190250.....67, 69	1001192431 853
1001184275 417, 429	1001187078.....767, 774,	1001190254.....57	1001192520 539
1001184278 417, 429	780, 797, 923	1001190256.....57	1001192537 887
1001184280 429, 431	1001187079.....797, 815,	1001190257.....57	1001192558 727, 729
1001184294 417, 429	816, 819, 820, 824, 828	1001190260.....57	1001192575 709
1001184295 417, 429	1001187080.....774, 780,	1001190264.....67, 69	1001192615 109
1001184296 417, 419,	815, 819, 824, 828	1001190921.....774, 780	1001192616 111
429, 431	1001187272.....557	1001191035.....75, 77	1001192619 859, 865
1001184297 417, 419,	1001187273.....557	1001191036.....77	1001192622 39, 43
429, 431	1001187275.....557	1001191039.....77	1001192623J 43
1001184397 811, 823	1001187355.....591	1001191091.....357	1001192627 43
1001184403 437	1001187423.....319, 321	1001191108.....119	1001192631 43
1001184404 437	1001187820.....67, 69	1001191110.....59	1001192643 353
1001184405 437	1001187821.....67	1001191157.....27	1001192644 355
1001184406 437	1001187847.....67, 69	1001191163.....27	1001192646 345
1001184427 429, 431	1001187848.....67, 69	1001191229.....938, 942	1001192649 91
1001184439 345	1001187882.....776, 779	1001191255.....333, 335	1001192650 95
1001184473 831, 833	1001188303.....425	1001191256.....335	1001192700 149
1001184479 833	1001188372.....938, 942	1001191257.....335	1001192702 155
1001184610 69	1001188577.....417, 429	1001191281.....451, 453	1001192711 153
1001184632 938, 942	1001188578.....417, 429	1001191282.....453	1001192720 153
1001184795 859, 861	1001188590.....411, 422	1001191283.....451, 455	1001192722 133
1001184796 837, 839	1001188592.....429, 431	1001191284.....451, 457	1001192723 107
1001184869 45	1001188594.....417, 419,	1001191285.....451	1001192734 129
1001184871 49	429, 431	1001191310.....455	1001192735 137
1001184872 45	1001188602.....417, 419,	1001191311.....457	1001192737 483
1001184874 45	429, 431	1001191312.....457	1001192745 938
1001184975 444	1001188603.....417, 419,	1001191313.....457	1001192766 345, 353
1001184976 249	429, 431	1001191370.....451	1001192771 539
1001184977 249, 263	1001188604.....417, 419,	1001191546.....769, 771	1001192772 539
1001184978 249, 285	429, 431	1001191635.....51	1001192875 153
1001184979 249, 255		1001191685.....27, 958	1001192876 153

SECTION 13 - SPECIAL OPTIONS/ACCESSORIES/KITS

1001192877.....153	1001195655.....57	1001197200.....563	1001200870.....557
1001192885.....589	1001195720.....723	1001197259.....467	1001200871.....169
1001192886.....589, 591	1001195721.....757	1001197262.....59	1001200872.....169
1001192887.....589	1001195731.....717, 875	1001197339.....39	1001200873.....169
1001192888.....591, 677	1001195732.....717, 875	1001197414.....165	1001200874.....169
1001193111.....527, 531	1001195733.....575	1001197480.....29	1001200885.....171
1001193210.....347	1001195737.....61, 63, 65	1001197481.....33	1001200886.....171
1001193307.....191, 651	1001195814.....341, 359	1001197668.....909, 911	1001200910.....893
1001193308.....253, 649	1001195816.....444	1001197733.....47	1001200968.....441
1001193393.....159, 161, 193	1001195817.....444	1001197734.....47	1001201073.....571, 641
1001193461.....557	1001195818.....444	1001198307.....45, 47	1001201074.....569, 571
1001193474.....491	1001195820.....439	1001198355.....153	1001201124.....709, 711
1001193516.....515, 599	1001195821.....441	1001198577.....605, 607	1001201162.....929
1001193517.....515, 575	1001195822.....439	1001198578.....605, 611	1001201266.....59, 61
1001193540.....153	1001195823.....441	1001198715.....607, 609	1001201267J.....61
1001193566.....891	1001195849.....938	1001198717.....611, 613	1001201269.....61
1001193698.....691, 693	1001195851.....942	1001198893.....707	1001201298.....197
1001193703.....159, 161, 185	1001195855.....938, 942	1001199325.....59, 617	1001201299.....197
1001193704.....159, 161, 189	1001195878.....343	1001199328.....962	1001201300.....197
1001193705.....185, 187	1001195881.....83	1001199364.....962	1001201301.....199, 201, 205
1001193709.....515, 543	1001195883.....703	1001199376.....962	1001201302.....199, 201, 211
1001193729.....153	1001195953.....723, 725	1001199380.....962	1001201303.....199, 207
1001193797.....239	1001195970.....117	1001199382.....962	1001201304.....199, 201, 213
1001193803.....151	1001196100.....847	1001199670.....235	1001201305.....199, 201, 215
1001193887.....75	1001196191.....199, 201	1001199902.....227	1001201309.....211
1001193993.....761	1001196217.....847	1001200105.....539, 909	1001201314.....207
1001194103.....759	1001196289.....929, 931	1001200106.....159, 769	1001201315.....207, 209
1001194244.....759	1001196402.....539	1001200111.....619, 621	1001201316.....207, 209
1001194282.....493	1001196502.....759	1001200159.....811, 887	1001201317.....213
1001194421.....734, 913	1001196664.....191	1001200160.....759, 887, 889	1001201331.....375
1001194534.....173	1001196778.....147	1001200161.....759	1001201420.....569
1001194698.....339	1001196779.....147	1001200162.....759	1001201425.....159, 161, 163
1001194699.....339, 341	1001196782.....147	1001200164.....759	1001201432.....79
1001194700.....341, 343	1001196806.....938, 942	1001200165.....759	1001201499.....487
1001194702.....535	1001196879.....79	1001200166.....759	1001201500.....489
1001194969.....43	1001196949.....145	1001200167.....759	1001201501.....487, 489
1001194980.....35	1001196950.....143	1001200168.....811, 813	1001201848.....45, 49
1001194981.....27	1001196951.....141	1001200169.....811, 813	1001201856.....227
1001195089.....235	1001196952.....139	1001200206.....923	1001201858.....227
1001195194.....61, 63, 65	1001196959.....557	1001200226.....569	1001202018.....227, 235
1001195200.....853, 855	1001196964.....563	1001200249.....227	1001202020.....539
1001195201.....853, 859	1001196967.....563	1001200393.....67, 69	1001202021.....227
1001195202.....855, 857	1001196969.....563	1001200395.....69	1001202024.....515, 557
1001195254.....491	1001196970.....563	1001200443.....159	1001202025.....515, 563
1001195263.....693	1001196973.....563	1001200445.....199	1001202026.....515, 551
1001195342.....435	1001196974.....563	1001200447.....227	1001202027.....557
1001195343.....435	1001196975.....563	1001200451.....237	1001202172.....761, 887, 889
1001195345.....435	1001196976.....563	1001200453.....239	1001202247.....209
1001195346.....435	1001196977.....563	1001200498.....199, 201	1001202321.....239, 241
1001195385.....435	1001196978.....563	1001200499.....199, 201	1001202325.....241
1001195386.....435	1001196981.....563	1001200538.....841	1001202519.....929
1001195430.....551, 553	1001196982.....563	1001200539.....843	1001202526.....197, 237
1001195433.....551	1001196989.....543	1001200631.....201	1001202617.....929
1001195434.....551	1001196992.....543	1001200701.....239	1001202621.....903
1001195435.....551	1001196993.....543	1001200862.....159, 161, 169	1001202645.....515
1001195437.....435	1001196995.....543	1001200863.....159, 161, 171	1001202722.....773, 779
1001195438.....435	1001196996.....543	1001200864.....159, 161, 173	1001202723.....773, 779
1001195471.....853, 867, 869	1001196997.....543	1001200865.....159, 161, 179	1001202730.....89
1001195473.....853, 871	1001197011.....517	1001200866.....159, 161, 183	1001202786.....327, 329
1001195582.....699, 701	1001197056.....47	1001200867.....233	1001202899.....227
1001195590.....853, 875	1001197057.....47	1001200869.....793	1001202901.....163
1001195591.....873, 877	1001197072.....169		
1001195593.....699, 915	1001197139.....483		
	1001197196.....515, 595		
	1001197197.....563, 565		
	1001197198.....565, 567		
	1001197199.....563		

SECTION 13 - SPECIAL OPTIONS/ACCESSORIES/KITS

1001202986 811, 813	1001207594..... 881, 883	1001211907.....444	1001215693 845, 849, 851
1001203005 197	1001207788.....563	1001212011.....357	1001215802 557
1001203081 851	1001207789.....563	1001212047.....367	1001215941 201, 960
1001203181 201, 958	1001207790.....563	1001212049.....367	1001216263 463
1001203368 845, 851	1001207866..... 83, 85	1001212184.....551	1001216265 461
1001203503 153	1001207898.....263, 283	1001212369.....373	1001216267 463
1001203557 697	1001207899.....285, 317	1001212418.....599, 601	1001216269 463
1001203558 697	1001207956.....491	1001212468.....451	1001216270 461
1001203640 837, 841, 843	1001208037.....491	1001212470749, 959	1001216331 607
1001203932 39	1001208308.....444	1001212739.....193, 195	1001216333 611
1001203933 39	1001208451.....617	1001212788.....543, 545	1001216757 507
1001203934 39	1001208532.....563	1001212789.....545, 665	1001216798 241
1001203947 199, 201	1001208534.....563	1001212845962	1001216799 241
1001203948 199, 201	1001209097.....773, 779	1001212880.....543	1001216803 507
1001203985 59, 65	1001209194.....893, 958	1001212886.....761	1001216974 393, 397, 403
1001203986 65	1001209200.....519	1001212920.....215	1001217226 607, 611
1001203987 65	1001209201.....519	1001212921.....215	1001217320 757
1001203989 59	1001209202.....519	1001212923.....229	1001217353 59, 593
1001203990 59	1001209203.....519	1001212924.....229	1001217354 593
1001204032 209, 679	1001209346.....51	1001212925.....229	1001217355 593
1001204057 681	1001209357.....705	1001213026.....21, 515	1001217482 571, 573
1001204060 843	1001209358.....707	1001213265.....483, 485, 958	1001217552 521
1001204066 351	1001209387.....41	1001213286.....962	1001217553 521
1001204115 351	1001209388.....43	1001213306.....557	1001217620 251, 253
1001204120 351	1001209427.....835	1001213307.....557	1001217623 705
1001204152 543	1001209456.....835, 837	1001213308.....557, 559	1001217669 253
1001204177 59, 63	1001209463.....465	1001213309.....559, 561	1001217753 223, 765
1001204178 63	1001209625.....942	1001213311.....561, 669	1001217754 219
1001204198 63	1001209690.....851	1001213317.....527, 529	1001217755 219
1001204199 63	1001209691.....851	1001213318.....523, 525	1001217756 223, 765
1001204200 63	1001209697.....845, 851	1001213319.....531, 533	1001217757 223, 225, 765
1001204411 227	1001209899.....359	1001213331.....351	1001217758 225
1001204413 227	1001209972.....519	1001213462.....59	1001217759 225
1001204414 227	1001210270.....519	1001213562.....617	1001217760 223, 765
1001204486 43	1001210271.....517	1001213752.....883	1001217761 211
1001204528 841	1001210281.....283	1001213755.....717, 875	1001217762 211
1001204530 841	1001210282.....543	1001213791.....345	1001217763 211
1001204598 371	1001210326.....67, 69	1001213799.....45	1001217948 557
1001204709 369	1001210327.....543	1001213833.....45	1001218358 797
1001205061 483, 487	1001210397.....793	1001213834.....45	1001218542 411, 422
1001205307 903	1001210522.....515, 517	1001213959.....59	1001218659 938
1001205375 59, 519	1001210523.....517	1001213961.....59	1001218694 47
1001205380 519	1001210524.....517	1001213988.....727, 729	1001218704 938
1001205381 519	1001210525.....517	1001214092.....373	1001218754 123
1001205528 617	1001210526.....517	1001214123.....221	1001218755 119, 121, 123
1001205532 345, 351	1001210567.....723	1001214220.....963	1001218996 411, 422
1001205564 215	1001210568.....519	1001214206.....938, 942	1001218997 517
1001205565 215	1001210569.....519	1001214220.....483	1001219082 201
1001205573 563	1001210635.....563	1001214254.....121	1001219113J 43
1001205618 517	1001210769.....283, 317	1001214349.....243	1001219115 43
1001205619 79	1001210770.....801, 803, 807, 809	1001214401.....883	1001219211 942
1001205621 79	1001210771.....189, 191	1001214415.....121	1001219212 938
1001205622 79	1001210780.....665	1001214429.....557	1001219220 359
1001205627 79	1001210797.....563	1001214430.....557	1001219250 43
1001206100 845, 851	1001210799.....563	1001214431.....557	1001219615 577, 671
1001206112 893, 958	1001210800.....543	1001214829.....539	1001219659 545
1001206633 719, 721	1001210801.....665	1001215022.....207, 209	1001219764 535, 537
1001206709 543	1001210807.....183	1001215024.....207, 209	1001219765 539, 541
1001206725 85	1001210870.....563	1001215093.....557	1001219863 444
1001206744 491	1001211020.....57, 59	1001215121.....753	1001219864 444
1001206954 681	1001211427.....57, 59	1001215208.....801, 803	1001219865 444
1001207171 774, 780	1001211445.....697	1001215212.....557	1001219905 57
1001207173 817, 821, 899	1001211616.....215	1001215256.....543	1001219953 57
1001207217 938	1001211617.....215	1001215319.....231	
1001207325 569	1001211693.....727, 729	1001215341.....575, 577	
	1001211775.....899	1001215531.....351	
	1001211899.....47	1001215539.....557	
	1001211900.....47		

SECTION 13 - SPECIAL OPTIONS/ACCESSORIES/KITS

1001220230.....942	1001223645.....209	1001228728.....161, 771	1001232288.....761, 763
1001220248.....73	1001223869.....201, 209	1001228732.....771, 791	1001232298.....921, 925
1001220286.....79	1001223874.....201	1001228733.....771, 787	1001232500.....105
1001220329.....339, 365	1001223902.....63	1001228738.....889	1001232509.....245, 699
1001220338.....361, 363	1001223903.....871, 959	1001228739.....813, 889	1001232850.....183
1001220339.....341, 361	1001223920.....63	1001228741.....813, 827	1001232988.....85
1001220456.....579, 581	1001223948.....63	1001228743.....713	1001233024.....245
1001220457.....515, 579	1001223968.....749, 751	1001228744.....713, 715	1001233189.....962
1001220507.....497	1001223983.....63	1001228860.....75	1001233430.....945
1001220540.....337	1001224127.....871	1001228872.....197	1001233558.....942
1001220641.....73	1001224128.....871	1001228989.....841, 843	1001234395.....85
1001220643.....595, 597	1001224450J.....43	1001228993.....962	1001234455.....41
1001220649.....881	1001224598.....283	1001229057.....65	1001235963.....39, 41
1001220650.....881, 885	1001224938.....317	1001229073.....962	1001237897.....231
1001220717.....749	1001224944.....537, 659	1001229075.....962	1001238470.....197
1001220760.....253	1001224945.....541, 661	1001229104.....962	1001238560.....101, 153
1001220859.....757	1001224946.....581	1001229107.....917	1001238565...97, 99, 101
1001220861.....757	1001225317.....325	1001229201.....319	1001238566.....153
1001220942.....519	1001225390.....539	1001229212.....962	1001238570.....153
1001221041.....159, 161, 181	1001225392.....535	1001229216.....962	1001238653.....97
1001221052.....413, 417	1001225393.....535, 539	1001229324.....962	1001238655.....99
1001221054.....425, 429	1001225656.....665	1001229422.....519	1001238781.....193
1001221056.....413, 425, 831	1001226328.....917, 959	1001229532.....962	1001239878.....233
1001221057.....417, 429, 431	1001226400.....919	1001229543.....345	1001239879.....233
1001221058.....417, 429, 431	1001226481.....444	1001229576.....962	1001239961.....962
1001221059.....411, 422	1001226523.....171	1001229609.....39	1001241308.....353
1001221087.....323	1001226533.....935	1001229707.....951	1001241590.....721
1001221157.....323	1001226536.....935	1001229811.....962	1001241591.....721
1001221270.....323	1001226537.....935	1001229812.....962	1001241610.....893, 897
1001221295.....411, 422	1001226557.....517	1001229813.....962	1001241836.....39
1001221318.....883	1001226636.....923	1001229955.....921, 958	1001241881.....581, 675
1001221319.....883	1001226637.....923	1001229981.....255, 913	1001241950.....509
1001221321.....323	1001226681.....229	1001230125.....962	1001244192.....841, 843
1001221321.....323	1001226797.....227	1001230126.....962	1001244193.....841, 843
1001221349.....235	1001226799.....921	1001230163.....357	1001244428.....773
1001221383.....235	1001226828.....535	1001230188.....962	1001244429.....779
1001221493.....223, 765, 767	1001226829.....535, 539	1001230239.....105	1001245694.....962
1001221734.....323	1001226947.....617, 619	1001230241.....105	1001247184.....235
1001221868.....183	1001227066.....917, 919	1001230402.....797	1001247279.....229, 231
1001221928.....549, 667	1001227068.....919	1001230403.....797, 798	1001247421.....905, 959
1001221986.....547, 549	1001227077.....201	1001230404.....798	1001247646.....938, 942
1001221987.....543, 547	1001227090.....239	1001230409.....962	1001249078.....85, 958
1001221988.....543	1001227133.....444	1001230699.....962	1001249249.....85
1001221989.....543	1001227186.....343	1001230850.....885	1001249251.....83
1001222188.....31	1001227187.....347	1001230931.....735	1001249695.....963
1001222190.....31	1001227188.....347	1001230967.....59	1001249941.....963
1001222455.....733	1001227266.....919	1001230986.....59	1001250161.....391
1001222460.....163	1001227287.....938, 942	1001231057.....962	1001250276.....83
1001222603.....509, 958	1001227297.....921, 923	1001231110.....962	1001250475.....87, 958
1001222606.....507, 958	1001227334.....61, 63, 65	1001231138.....962	1001250708.....45, 65
1001222650.....938, 942	1001227337.....61	1001231385.....45	1001251518.....905
1001222741.....351	1001227440.....539	1001231393.....665	1001252304.....962
1001223109.....557	1001227670 91, 107, 109, 111, 119, 121, 123, 125, 127, 134, 137, 155	1001231397.....797, 798, 899	1001253661.....585, 587
1001223265.....444	1001227802.....345	1001231398.....797, 798, 899	1001254185.....921, 927
1001223435.....115	1001227945.....493	1001231400.....797, 798, 899	1001254389.....962
1001223453.....938, 942	1001227964.....201	1001231401.....797, 798	1001254390.....962
1001223455.....733, 734, 735, 736	1001228132.....417, 429	1001231402.....798	1001254400.....962
1001223456.....732	1001228140.....417, 429	1001231404.....798, 899	1001255519.....583
1001223457.....732, 733	1001228141.....417, 429	1001231406.....798, 899	1001255520.....583
1001223618.....209, 681	1001228147.....417, 429	1001231407.....202, 795	1001255522.....583
1001223622.....681	1001228248.....183	1001231483.....202, 797	1001255536.....583, 585
1001223628.....209	1001228427.....113	1001231692.....105	1001255568.....583
	1001228504.....567	1001231801.....938	1001256073.....343
	1001228643.....201	1001232033.....921	1001256974.....511, 960
	1001228727.....161		1001257071.....511

SECTION 13 - SPECIAL OPTIONS/ACCESSORIES/KITS

1001257088 497, 958	1001274539..... 833	2110810..... 591, 665	2902443 774, 781
1001257330 493, 495	1001274540..... 833	2111010.... 195, 519, 525,	2920207 845
1001257348 499, 958	1001274541..... 833	529, 533, 567, 591, 611	2920208 845
1001258099 962	1001274543..... 833	2111012..... 581	2940074 101, 958
1001258277 811, 815	1001274544..... 833	2111212..... 581	3020037 251
1001258278 813, 819	1001274553..... 833	2111216..... 191	31200160 97
1001258512 103	1001274891..... 962	2111616.... 215, 253, 591	31200386 99
1001258664 103	1001274892..... 962	2130404.... 493, 537, 541,	314689 59
1001258712 727, 729,	1001275725..... 947	567, 577, 585	3251813 938, 942
745	1001275904..... 947	2130406..... 191, 585	3290401 ... 411, 422, 451,
1001258713 727, 729,	1001278028..... 717	2130408..... 577	903
732	1001284531..... 163	2130606..... 549, 581	3290405 ... 353, 717, 875,
1001258719 893, 901	1001284536..... 227	2130808.... 283, 317, 493	877
1001258749 893	1001284538.... 159, 161	2131010.... 519, 539, 541	3290501 727, 729, 905
1001259205 893, 899	1001285934..... 769	2131212.... 537, 541, 553,	3290505 79, 85, 201, 511,
1001259214 103	1001286174..... 771	567, 617	759
1001259224 895	1001288070..... 393	2131216..... 191	3290507 85
1001259225 103	1001293067..... 227	2132016..... 581	3290601 ... 153, 422, 451,
1001259231 893	1001293068..... 227	2144603..... 255	463, 483, 491, 691,
1001259241 583	1001293070.... 159, 161	2144606..... 179	693, 717, 727, 729, 875
1001259242 583	1001293972.... 759, 769,	2150406..... 573	3290605 41, 239, 444,
1001259246 893, 895	771	2150606..... 125	451, 457, 717, 793, 875
1001259256 893	1001294815..... 951	2150608..... 191	3290606 517
1001259258 583, 893	1060379 101, 103	2150808.... 283, 317, 601	3290607 845, 851
1001262959 963	1060626 701, 915	2151010.... 525, 529, 533	3290801 ... 199, 201, 209,
1001262960 917	1060799 947	2151212..... 553	345, 479, 769, 771,
1001262963 917	1062255 ... 183, 197, 211,	2151616..... 215, 581	837, 871
1001264976 415, 427	215, 223, 237, 241,	2152020..... 27	3290805 ... 197, 235, 485,
1001265343 877	245, 563, 699, 765,	2160016.. 61, 67, 69, 569,	533, 583, 807, 809
1001265344 51	769, 771, 921	607, 611	3290806 363
1001265372 962	10713707 801, 803	2170104..... 195	3291001 ... 173, 183, 199,
1001267973 571, 642	10725554 271, 297	2170106..... 581	201, 239, 759, 845, 851
1001267975 617, 621	10732931 675	2170112..... 581	3291005 ... 179, 199, 201,
1001267977 71, 635	10837953 675	2170206..... 125, 581	239, 569, 583, 761
1001267979 611, 615	120034 727, 729	2170208..... 493	3291201 147, 211
1001268341 962	1320022 422	2170216..... 215	3291205 57, 847
1001268827 411, 415	1320060 211	2170316..... 191	3291605 57, 119, 121,
1001268828 415, 419	1670836 938, 942	2170410..... 539	123, 169
1001268829 415, 427	1701500 938, 942	2170704..... 191	3311005 893
1001268830 415, 427,	1701509 101	2170706..... 583	3311405 101
833	1702773 97, 99	2170712..... 583	3311502 153
1001268831 422, 427	1704260 757, 895	2170716..... 215	3311508 701
1001268832 427, 431	1704277 101	2170804..... 597	3332011 337
1001269555 419, 431	1704885 97, 99	2170806..... 283, 317	3391410 153
1001269556 419, 431	1706296 938	2171816..... 557	3421453 101
1001269558 419, 431	1706299 938	2171832..... 557	3422661 103
1001269559 419, 431	1706300 938	2172106..... 583	3440620 105
1001269560 419, 431	1706301 938	2172110..... 519	3520028 491
1001269561 419, 431	1706302 153, 938	2172116..... 215	3520072 101
1001269563 419, 431	1706306 938	2172410..... 539	3520193 61
1001269564 419, 431	1706768 938	2200223..... 199, 201	3520198 101
1001269578 431	1706850 938	2202038..... 567	3740080 201, 899, 959
1001269579 431	1706892 97	2220239..... 27, 665	3760170 101
1001270117 381	1707078 938	2220240..... 27	3760348 483
1001270466 729, 958	2080040 101	2220767 211	3790152 209
1001270467 803, 959	2080078 363	2220811 253	3820020 101
1001270468 809, 959	2080086 343	2220883..... 677	3900357 793
1001270485 869, 959	2080087 343	2220885..... 635	3900379 49, 469
1001270976 411, 422	2080092 379	2220886..... 677	3911010 893
1001271061 947	2110406 561, 591	2220887 615	39844923 297
1001273075 703	2110408 597	2221221 583	3986405 257
1001274533 833	2110410 191	2400060..... 923	3986610 405
1001274534 833	2110606 69, 125, 561,	24921332..... 227	3986643 405
1001274535 833	567, 585, 591	2560122..... 583	4000015 959
1001274536 833	2110610 529, 533	2580040..... 699	4010416 875, 877
1001274537 833	2110806 617	2600281..... 101	4010510 507, 509
1001274538 833	2110808 ... 567, 577, 601	2720160..... 543	

SECTION 13 - SPECIAL OPTIONS/ACCESSORIES/KITS

4010608002.....343, 345, 444, 463, 465	773, 774, 775, 776, 779, 780, 781, 782, 797, 815, 816, 817, 819, 820, 821, 823, 824, 827, 828, 829, 839, 849, 857, 861, 897, 899, 903, 923, 925, 927, 931	4460932 ... 725, 745, 767, 795, 816, 820, 823, 827, 839, 879, 907	727, 729, 761, 769, 771, 793, 811, 813, 841, 843, 845, 851, 855, 875, 883, 893
4010610.....717, 875		4460933 ... 733, 775, 781, 815, 817, 819, 821, 824, 828, 923	4811700001.....444
4010610002.....441, 444, 463, 491		4460941 ... 745, 747, 767, 824, 828, 849, 891	4811702....177, 379, 463, 483, 487, 493
4010612002.....347, 444, 451, 455, 457		4460942 ... 733, 745, 776, 782, 815, 816, 817, 819, 820, 821, 849, 861, 862	4811702001.....345, 347, 444, 509
4031205.....769, 771	4460475 797	4460943 ... 711, 715, 736, 745, 755	4811900....25, 29, 47, 51, 53, 57, 59, 75, 77, 185, 197, 199, 201, 213, 221, 227, 229, 235, 243, 345, 351, 373, 389, 393, 397, 403, 422, 461, 471, 473, 475, 479, 483, 493, 517, 523, 527, 533, 543, 545, 551, 559, 571, 583, 617, 691, 693, 703, 769, 771, 801, 803, 807,809, 837, 867, 869, 871, 893, 903
4031607 27, 31, 511, 769, 771	4460496 727, 729	4460944 ... 733, 735, 736, 773, 774, 775, 779, 780, 781, 782, 824, 828, 829, 857, 861, 927	4811902...39, 43, 65, 209, 217, 219, 227, 411, 422, 461, 463, 519
4031608.....449	4460497 727, 729	4460945 ... 737, 776, 782, 797, 857	4812000....27, 41, 47, 51, 57, 59, 61, 63, 65, 67, 69, 73, 85, 173, 179, 185, 211, 227, 239, 491, 493, 517, 553, 557, 565, 569, 575, 579, 583, 717, 723, 759, 761, 769, 771, 801, 803, 845, 851, 875, 885
4031608001.....444	4460508 ... 711, 715, 774, 780, 785, 787	4460970 ... 774, 780, 815, 819, 824, 828, 849	4812002....25, 39, 43, 45, 47, 67, 69, 173, 183, 199, 201
4031708.....871	4460509 ... 775, 781, 816, 820, 823, 827	4460979 775, 781	4812100 29, 57, 169, 211, 227, 589, 759
4031708001.....439	4460518 ... 736, 797, 817, 821	4460984 817, 821	4812102.....29, 199, 201, 325, 847
4031712.....519	4460536 ... 737, 789, 791, 825, 829, 865	4460994 734	4812300.57, 59, 169, 251
4031910.....473, 475	4460539 ... 735, 736, 737, 773, 774, 775, 779, 780, 781, 782, 797, 815, 819, 824, 828, 829, 857, 861, 865	4461000 757	4812500.....335, 337
4031912.....595, 599		4461006 ... 773, 775, 779, 781	4831400....411, 422, 451
4031918.....523, 527, 531	4460608 773, 779	4461008 773, 779	4831600.....27, 769, 771
4031921.....535, 539	4460670 923	4461015 745, 816, 820	4831700.....45, 233, 463, 491, 801, 803
4032010.....57	4460705 733	4461017 ... 711, 715, 785, 787, 823, 827	4831900....217, 219, 411, 422, 483, 793
4032314.....59	4460742 209, 797	4461018 ... 775, 781, 823, 827	4832100.....199, 201
4060919.....21	4460744 734	4461054 ... 773, 779, 823, 824, 827, 828	4871700.....811, 813
4109801.....938, 942	4460746 734, 737	4461070 776, 781	4892600.....265, 287
4110422.....105, 155	4460748 ... 734, 774, 780, 824, 828	4461071 775, 781	4921614.....913
4240018.....543, 563	4460761 797	4461095 775, 781	5220600.....843
4240032.....917, 921	4460789 747	4461115 736, 737, 839	5220800....695, 697, 701
4240099.....543, 557, 915	4460809 797	4461118 747, 823, 827	5240600.....871
4280307.....33	4460836 733	4461174 703, 705, 707	5240800.....521
4360475.....757, 895, 959	4460884 ... 745, 797, 816, 820, 823, 827, 857, 861, 891, 903, 931	4461262 ... 725, 732, 736, 823, 827	5241000.....239
4360657893, 959	4460891 ... 721, 736, 737, 745, 774, 775, 776, 780, 781, 782, 797, 815, 816, 817, 819, 820, 821, 823, 824, 827, 828, 861, 891, 901, 911	4461290 763, 816, 820	5241200.....147
4360658489, 959	4460892 776, 780	4641520 597, 683	5241400.....255
4460183.....895	4460894 ... 733, 735, 755, 774, 780, 817, 821, 823, 827, 849, 857, 899	4711000 893	5242400.....153, 569
4460225.....732, 733	4460897 ... 721, 734, 745, 755, 767, 776, 780, 781, 815, 816, 817, 819, 820, 821, 891, 901, 913	4711400 101	5250608.....435
4460234.....727, 729, 921	4460899 ... 747, 751, 817, 821, 823, 827, 861, 897, 899	471678 375	5251012.....163
4460265.....732	4460906 733	4740274 199, 201	5271609.....905
4460267.....732, 733	4460928 ... 736, 816, 820, 861	4740532 189, 193	5272012.....885
4460268.....732, 733, 734	4460929 891	4740550 199, 201	
4460320.....733, 895	4460930 ... 736, 817, 821, 823, 824, 828, 925	4761400 875	
4460321797	4460931 ... 711, 715, 736, 824, 828, 857, 925	4761700 557	
4460343.....732, 733		4807718 365	
4460424.....734		4811400 ... 119, 121, 123, 411, 422, 451, 489, 717, 875, 877, 903	
4460434.....732		4811600 79, 85, 181, 201, 444, 757, 759, 905	
4460458....734, 737, 774, 780, 797, 824, 828, 839, 911		4811700 ... 29, 33, 41, 45, 49, 85, 153, 171, 227, 235, 239, 343, 345, 375, 422, 439, 441, 451, 463, 465, 483, 487, 491, 517, 547, 575, 691, 693, 717,	
4460464....711, 715, 725, 734, 736, 737, 745, 747, 751, 767, 774, 780, 789, 791, 795, 797, 817, 821, 824, 828, 839, 857, 861, 865, 891, 897, 899, 901, 907, 913, 919, 923, 925			
4460465....721, 733, 735, 736, 737, 745, 755, 773, 774, 775, 779, 780, 781, 797, 815, 816, 817, 819, 820, 821, 823, 824, 825, 827, 828, 829, 857, 861, 862, 865, 891, 899, 901, 911, 923, 925, 927, 931			
4460466....711, 715, 721, 733, 734, 735, 736, 737, 745, 751, 767,			

SECTION 13 - SPECIAL OPTIONS/ACCESSORIES/KITS

643191201 732, 815, 819	70021446 639	70024237 619	70025817 481
643201301 732, 815, 819	70021447 639	70024459 405	70025850 175, 958
70002222 621	70021448 639	70024474 166	70025851 175, 958
70002963 .. 667, 677, 958	70021451 639	70024484 165	70025854 675
70004387 667	70021452 639	70024487 165	70025856 273
70004512 165, 958	70021531 655, 657	70024489 165	70025859 485
70004595 671, 958	70021606 289	70024493 165	70025860 485
70005191 166	70021613 289	70024494 165	70025877 166
70005440 587	70021979 155	70024495 165	70025884 281, 307
70005490 165	70022007 675	70024504 165	70025887 271, 297
70005492 165	70022008 675	70024505 166	70025970 277
70005495 959	70022010 675	70024507 165	70026002 275, 301
70005504 165	70022014 675	70024538 133	70026011 165
70005505 165	70022019 675	70024721 129, 134	70026081 205
70005507 165, 166	70022034 395	70024733 631	70026210 166
70005510 165	70022140 271, 297	70024734 .. 629, 631, 645, 647	70026238 275, 301
70005511 165	70022528 155	70024772 129, 134	70026249 641
70005513 165	70022702 622	70024847 675	70026251 641
70005522 166	70022726 651	70024848 277	70026253 641
70005523 166	70022765 749, 958	70024849 277	70026260 .. 275, 301, 303
70005524 166	70022773 279, 291	70024856 405	70026261 .. 275, 301, 305
70005544 166	70022938 . 113, 115, 129, 134	70024857 405	70026262 277
70005548 166	70023179 405	70024858 405	70026263 277
70005549 166	70023181 405	70024859 405	70026264 277
70005556 166	70023182 405	70024861 405	70026265 281, 307
70005557 166	70023184 405	70024881 .. 275, 301, 309	70026266 .. 281, 307, 309
70005558 166	70023186 405	70024918 165	70026292 739, 959
70005559 166	70023189 405	70024945 651	70026293 741, 959
70005730 165	70023469 271, 297	70024946 651	70026294 805, 959
70006144 165	70023489 299	70024961 165	70026295 805, 959
70006427 677	70023490 273, 299	70025012 275	70026296 805, 958
70020276 257	70023493 299	70025014 275	70026297 805, 958
70020438 619, 641	70023494 271, 297	70025153 165, 958	70026312 677
70020476 613	70023916 619	70025242 166	70026314 677
70020555 .. 107, 149, 151	70024004 273	70025242 166	70026315 677
70020764 .. 655, 657, 958	70024035 625	70025335 269, 295	70026353 205
70020867 683, 687	70024059 155	70025337 299	70026354 205
70020922 491	70024064 155	70025338 299	70026359 205
70021251 395	70024107 405, 959	70025339 273, 299	70026369 675
70021252 395	70024123 . 115, 129, 133, 631	70025483 395	70026370 675
70021314 401	70024129 . 629, 631, 645, 647	70025485 395	70026372 675
70021316 401	70024130 . 113, 115, 129, 134, 631	70025486 395, 959	70026373 675
70021317 399	70024142 647	70025489 395	70026376 675
70021318 399	70024146 .. 275, 301, 311	70025490 395	70026379 675
70021319 387, 399	70024147 .. 275, 301, 311	70025491 395	70026383 675
70021321 387	70024164 633	70025535 166	70026395 175
70021322 399	70024165 633	70025539 401, 959	70026396 175
70021323 387	70024166 633	70025561 275, 301	70026434 485
70021324 387	70024167 633	70025562 275, 301	70026469 115, 629
70021325 387	70024168 633	70025590 609	70026470 115
70021326 387	70024201 675	70025614 ... 609, 621, 625	70026471 115, 133
70021327 387	70024210 277, 289	70025707 166	70026472 115, 133
70021328 387	70024213 277	70025722 165	70026473 115, 133
70021330 387	70024215 277	70025737 165	70026474 115
70021340 845, 851	70024216 289	70025743 165	70026475 115
70021341 845, 851	70024224 619	70025755 165	70026476 115, 133
70021349 91, 95, 127, 155	70024228 619	70025757 165	70026477 .. 113, 115, 663
70021350 91, 95	70024229 619	70025760 166	70026478 115
70021367 95	70024230 619	70025761 166	70026479 113, 115
70021387 155	70024231 619	70025763 165	70026480 113, 115
70021397 155	70024234 619	70025765 165	70026481 . 113, 115, 129, 133
70021415 155	70024235 619	70025768 165	70026482 . 113, 115, 129, 133
70021422 95	70024236 619	70025772 165	70026483 113
70021440 637, 639	70024238 619	70025775 165	70026496 629
70021444 639	70024239 619	70025780 166, 959	70026497 629
70021445 639	70024240 619	70025786 165	
	70024241 619	70025816 481	

SECTION 13 - SPECIAL OPTIONS/ACCESSORIES/KITS

70026498.....629	70027881.....125	70028338.....187	70028485.....91, 95, 127
70026499.....629	70027882.....125	70028339.....187	70028486.....95, 127
70026500.....629	70027887.....125	70028340.....187	70028487.....95
70026501.....133, 629	70027888.....125	70028341.....187	70028488.....95, 127
70026502...629, 645, 647	70027889.....125	70028342.....187	70028489.....91, 95
70026503.....629	70027890.....125	70028343.....187	70028490.....91, 95
70026504.....129, 629	70027896.....125	70028344.....187	70028491.....95
70026505.....629	70027899.....125	70028345.....187	70028492.....95
70026506.....629	70027986.....279, 291	70028346.....187	70028493.....95
70026582...683, 687, 958	70027989.....127	70028347.....187	70028494.....95
70026614...113, 115, 663	7002821.....963	70028348.....187	70028495.....91, 95, 127
70026616.....115	7002823.....963	70028349.....187	70028496.....91, 95, 127
70026631.....257	70028243.....671	70028350.....187	70028497.....95
70026745...107, 149, 151	70028253.....133	70028351.....187	70028498.....95
70026746...107, 149, 151	70028254.....645	70028352.....187	70028499.....95
70026747.....289	70028255.....645	70028353.....187	70028500.....95
70026748.....289	70028256.....645, 647	70028354.....187	70028501.....95
70026750.....273	70028257.....645, 647	70028355.....187	70028502.....671
70026777.....675	70028258.....645, 647	70028357.....187	70028503.....671
70026778.....675	7002826.....963	70028358.....187	70028504.....671
70026779.....675	70028262.....133	70028359.....187	70028505.....125
70026781.....675	70028263.....113	70028360.....187	70028506.....125
70026783.....675	70028267.....129, 134	70028361.....669	70028507.....125
70026784.....675	70028270.....645	70028362.....641	70028508.....125
70026838.....613, 619	70028281.....661, 958	70028364.....619	70028509.....125
70026892.....257	70028282..537, 659, 661	70028367.....619	70028510.....125
70026896.....257	70028285.....685	70028368.....619	70028511.....125
70026897.....257	70028286.....675	70028376.....613	70028512.....125
70026898.....257	70028287.....675	70028377.....613	70028513.....125
70026901.....257	70028288.....675	70028378.....613	70028514.....679
70026904.....257	70028289.....675	70028379.....613	70028515.....679
70026908.....257	70028295.....675	70028380.....613	70028516.....679
70026909.....257	70028296.....675	70028381.....485	70028517.....679
70026911.....257	70028297.....675	70028382.....485	70028525.....127
70026927.....258	70028298.....675	70028383.....485, 959	70028526.....127
70027022.....277, 289	70028299.....675	70028384.....613, 615	70028546.....747
70027074.....621	70028300.....675	70028387.....275, 301	70028548.....205
70027087.....621	70028307.....609	70028388.269, 275, 295, 301	70028549.....205
70027092.....277	70028308.....609	70028389.269, 275, 295, 301	70028550.....205
70027105.....273, 299	70028309.....609, 625	70028390.....271, 273	70028554....91, 107, 127, 155
70027109.....257	70028310.....609, 625	70028391.....271	70028563.....113
70027110.....257	70028311.....609	70028392.....275, 301	70028564.....113
70027134.....675	70028312.....609	70028393.....279, 291	70028565.....113
70027180..139, 141, 143, 145	70028314.....625	70028394.....279, 291	70028566.....113
70027317.....277, 289	70028315.....625	70028396.....275, 301	70028567.....113
70027392.....399, 401	70028316.....625	70028397.....301	70028568.....113
70027393.....401	70028317.....625	70028398.....297, 299	70028569.....113
70027394.....401	70028318.....625	70028399.....297	70028570.....113
70027395.....399	70028319.....625	70028400.....301	70028571.....113
70027405.....165	70028320.....625	70028401.....271, 297	70028572.....113, 627
70027417.....165	70028321.....625	70028405.....133	70028573.....113, 663
70027420.....165	70028323.....625	70028406.....133	70028574.....113
70027426.....165, 958	70028324.....609, 625	70028410.....651	70028575.....113
70027567.....165	70028325.....609	70028411.....651	70028576.....113
70027595.....653	70028326.....405, 959	70028412.....653	70028577.....113
70027596.....657	70028327.....187	70028413.....653	70028578.....113
70027598.....651	70028328.....187	70028414.....671	70028579.....113
70027601.....649	70028329.....187	70028415.....671	70028580.....113
70027657.....165	70028330.....187	70028416.....671	70028581.....627
70027773.....91	70028331.....187	70028417.....165	70028582.....627
70027796.....277	70028332.....187	70028418.....165	70028583.....627
70027801.....619	70028333.....187	70028419.....165	70028584.....627
70027806.....962	70028334.....187	70028420.....649	70028585.....627
70027862.....257	70028335.....187	70028421.....673	70028586.....627
70027879.....125	70028336.....187	70028422.....619	70028587.....627
70027880.....125	70028337.....187		70028588.....627, 631

SECTION 13 - SPECIAL OPTIONS/ACCESSORIES/KITS

70028589 113, 663	70028667 133	70028751 115	70030355 223, 765
70028591 127	70028668 133	70028752 115	70030356 223, 765
70028592 127	70028669 133	70028753 115	70030365 275
70028593 127	70028670 133	70028767 133	70030388 642
70028594 127	70028671 133	70028768 133	70030389 642
70028595 127	70028672 .. 115, 129, 133	70028770 645	70030391 642
70028596 127	70028673 133	70028771 647	70030392 642
70028597 127	70028674 133	70028801 258	70030393 642
70028598 127	70028675 133	70028817 257	70030394 642
70028599 127, 637	70028676 133	70028818 257	70030403 642
70028600 127	70028677 133	70028819 257	70030404 642
70028601 127	70028678 134	70028820 257	70031017 621
70028602 127	70028679 134	70028821 257	70031018 621
70028603 127, 639	70028680 134	70028822 257	70031058 621
70028604 127	70028681 134	70028823 257	70031059 621
70028605 127	70028682 134	70028824 257	70031060 621
70028606 127	70028683 134	70028825 257	70031061 621
70028607 127	70028684 134	70028826 257	70031062 621
70028609 637	70028685 134	70028827 257	70031063 621
70028610 637	70028686 134	70028828 257	70031064 621
70028611 637	70028687 129, 134	70028829 257	70031065 621
70028612 639	70028688 129, 134	70028830 257	70031066 621
70028613 639	70028689 129, 134	70028831 257	70031067 621
70028614 639	70028690 134	70028832 257	70031068 621
70028615 91	70028691 645, 647	70028833 257	70031069 621
70028616 91	70028692 647	70028834 257	70031070 621
70028617 91	70028693 647	70028835 257	70031071 622
70028618 91	70028694 647	70028836 257	70031072 622
70028619 91	70028695 134	70028837 257	70031073 622
70028620 91	70028696 134	70028838 257	70031088 165
70028621 91	70028697 .. 115, 130, 134	70028839 257	70031293 635
70028622 91	70028701 129	70028840 257	70031294 635
70028623 91	70028702 129	70028841 258	70031295 635
70028624 91	70028703 129	70028842 258	70031296 635
70028625 91	70028704 129, 631	70028843 258	70031297 635
70028626 91	70028705 129	70028844 258	70031298 615
70028627 91	70028706 129	70028845 258	70031299 615
70028628 91	70028707 129	70028846 258	70031300 615
70028629 91	70028708 129	70028847 258	70031301 615
70028630 91	70028709 129	70028848 258	70031302 615
70028631 91	70028710 129	70028860 155	70031303 615
70028632 91	70028711 129	70028861 155	70031304 615
70028633 91	70028712 129	70028862 155	70031305 615
70028634 92	70028713 129	70028863 155	70031306 615
70028635 91	70028714 129	70028864 155	70031307 615
70028636 91	70028715 129	70028865 155	70031308 615
70028637 91	70028716 129	70028866 155	70031309 615
70028638 91	70028717 129	70028867 155	70031310 615
70028648 133	70028718 129	70028902 677	7004275 963
70028649 133	70028719 129	70028903 677	7004276 963
70028650 133	70028720 129	70028904 677	70050473 675
70028651 133	70028721 129	70028905 677	70050475 675
70028652 133, 645	70028722 129	70029016 619	7010543 667
70028653 133, 647	70028723 129	70029017 619	70124445 165
70028654 133	70028724 129	70029018 619	70126616 165
70028655 133	70028725 129	70029019 619	7016331 165, 958
70028656 133	70028726 129	70029868 675	7020208 165
70028657 133	70028727 129	70029870 675	7020442 165
70028658 133	70028728 631	70029871 675	7022390 661
70028659 133	70028729 631	70029872 675	7024947 653
70028660 133	70028730 631	70029873 675	7026731 315
70028661 133	70028731 631	70029874 675	7028621 405
70028662 133	70028732 631	70029941 625	7028714 275, 301
70028663 133	70028733 631	70030102 587	7028715 275, 301
70028664 133	70028734 130	70030103 587	7028716 275, 301
70028665 133	70028749 115	70030104 587	7028733 275, 301
70028666 133	70028750 115	70030353 223, 765	7029127 279, 291

SECTION 13 - SPECIAL OPTIONS/ACCESSORIES/KITS

7029288.....269, 295	80204143..... 279, 291	8405101 211	91043126.. 521, 525, 529, 533
7029290.....309	80204144..... 279, 291	8405102 215	9106-3039563
7029307.....279, 291	80204176..... 257	8405104 211	9106-3040563
7029317.....275	80204215..... 257	8405201 211, 444, 447	91083106.....557
7029486.....439, 441, 949	80204281..... 277, 289	8405402 171	91163268.....227
7029520.....151	80214120..... 275, 301	8406105 169	91403193.....249
7029668.....831	80233218..... 483	8406112 243	91403413.....155
7029702.....127	80264002..... 401	8406201 543, 583	91403414.....155
7029703.....127	80264004..... 401	8406202 523, 527	91403448.....105
7029704.....127	80333151..... 483	8410009 237, 411, 422	91403530.....77
7029709.....91	80333184..... 583	8410013 197, 543, 557	91474364.....257
7029711.91, 95, 127, 155	8034697 675	842005391, 95, 113, 115, 125, 127, 129, 134, 155	91474512.....269, 295
7029712.....91	80363195..... 389	842005591, 95, 113, 115, 125, 127, 129, 134, 155	91504107.....755
7029733.....301, 315	80604017..... 755	8424233 557	91513266.....325
7029734.....277, 289	80604021..... 931	8430032 543	91514081.....275, 301
7029735.....277, 289	806253 53	8430033 591	91514082.....275, 301
7029743.....275	806264 53	8430034 561, 585	91514083.....275
7029767.....395	80963055..... 776, 781	8430081 543	91514084.....275
7029785.....289	80963056..... 775, 781	8466306 385	91514089.. 269, 275, 277, 295
7029787.....277	80963067 774, 781	8584003 929	91514090.....309
7029969.....845	80983191 . 739, 741, 743, 958	85941018 543	91514095.....275, 301
7029970.....845	82033995..... 197, 237	8769123 527, 531	91514098.....269, 295
7029971.....845, 851	8220035..... 795	8769126 527, 531	91514101.....269, 295
7169541.....201	8220043..... 785, 787	8769146 519	91514111.....303, 305
7300435.....169	8220045..... 767	8769152 519	91514112.....275, 301
77133136.....519	8220050..... 833	8769199 519	91514117.....275, 301
77133137.....519	8220051 ... 734, 735, 815, 819	8770030 581	91514118.....325
77133497.....519	8220097 774, 780	8770075 521	91514123.....271
77213042.....227	8220098 774, 780	8770104 581	91514130.....271, 297
8000565.....847	8220108 763, 795, 831	8770215 593	91514133.....271, 297
8000759.....363	8220116 817, 821	8770286 581	91514134.....271, 297
8000803.....345	8220124 773, 779	8786549 319, 321, 323	91514143.....273
8002200.....61, 63, 65	8220375 734	88662434 543, 563	91514146.....257, 313
8004398.....363	8229234 ... 798, 899, 958	8880219-OM 261	91514147.....313
8005870.....371	8229235 797, 958	8896941 963	91514148.....313
8005901.....441	8229242 ... 739, 741, 923, 958	90206196 47	91514149.. 275, 301, 313
8006258.....617	8229244 743, 805, 958	90206198 543	91514151.....277
8008175.....279, 291	8229245 739, 805, 958	90206202 21	91514154... 257, 277, 289
8008640.....61, 63, 65	8229247 ... 741, 805, 958	90554016 149	91514159.....277, 289
80203020.....257	8229261 797, 958	90554017 127	91514174.....275, 301
80203021.....257	8275212 227	90554020 127, 155	91514175... 275, 301, 311
80204002.....269, 295	8278020 199, 201	90554042 91, 95, 127, 155	91514177... 275, 301, 311
80204005... 269, 295, 313	8305919 ... 177, 225, 379, 444, 463	90554045 91, 95, 127, 155, 637, 639	91514178.....275, 301
80204007.....257	8307219 225	90554054 155	91514179.....275, 301
80204012.....301	8310382 103	90554065 91	91514180.....275, 301
80204016.....257	8310559 357	90554066 91	91514181.....275, 301
80204033.....271, 297	8310686 595, 599	90554067 91, 127	91514184.....275, 315
80204035.....271, 297	8342813 37	91013191 824, 828	91514185.....275, 315
80204043.....271, 297	8405006 211, 543, 583	91013192 . 816, 817, 820, 821	91514186.....275, 315
80204048.....271, 297	8405007 ... 211, 551, 557, 563	91043125 . 521, 525, 529, 533	91514189.....275, 301
80204060.....277	8405009 211, 229, 483		91574001.....633
80204065.....275, 301			943191201.....732
80204071.....275, 301			AU2105.....938, 942
80204076.....275, 301			N.S.S. 119, 121, 123, 667
80204108.....277			
80204117... 277, 289, 309			



**Corporate Office
JLG Industries, Inc.
1 JLG Drive
McConnellsburg, PA 17233-9533 USA
☎ (717) 485-5161 (Corporate)
☎ (877) 554-5438 (Customer Support)
📠 (717) 485-6417**

**Visit our website for JLG Worldwide Locations.
www.jlg.com**



OSHKOSH™