



Illustrated Parts Manual

Model 1250AJP

Prior to SN 0300201017

3121172

June 1, 2021 - Rev AG

ANSI

CE

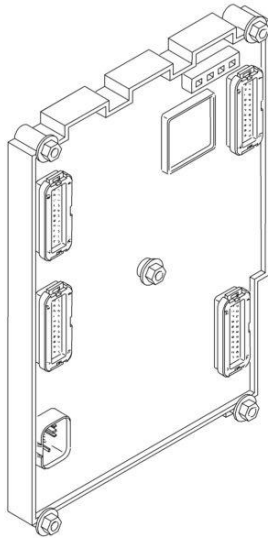


An Oshkosh Corporation Company

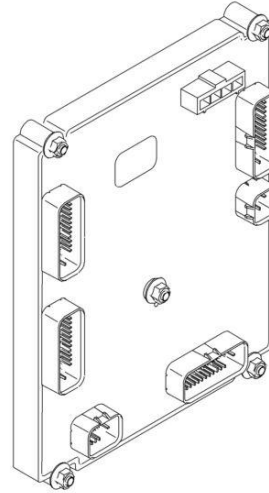
REVISION LOG

GROUND MODULE MODULE IDENTIFICATION

**MODULE ON MACHINES
"WITHOUT UGM"
(UNIVERSAL
GROUND MODULE)**



**MODULE ON MACHINES
"WITH UGM"
(UNIVERSAL
GROUND MODULE)**



- March 30, 2014 - A - Original Issue Of Manual (Edited to B/M 0010609 Revision 3)
- July 15, 2004 - B - Revised Manual (Edited to B/M 0010609 Revision 4)
- October 28, 2004 - C - Revised Manual (Edited to B/M 0010609 Revision 5)
- February 24, 2005 - D - Revised Manual (Edited to B/M 0010609 Revision 7)
- January 5, 2006 - E - Revised Manual (Edited to B/M 0010609 Revision 14)
- April 30, 2006 - F - Revised Manual (Edited to B/M 0010609 Revision 15)
- August 15, 2006 - G - Revised Manual (Edited to B/M 0010609 Revision 16)
- January 15, 2007 - H - Revised Manual (Edited to B/M 0010609 Revision 17)
- June 1, 2007 - I - Revised Manual (Edited to B/M 0010609 Revision 21)
- October 20, 2007 - J - Revised Manual (Edited to B/M 0010609 Revision 25)
- January 15, 2008 - K - Revised Manual (Edited to B/M 0010609 Revision 26)
- July 31, 2008 - L - Revised Manual (Edited to B/M 0010609 Revision 32)
- January 25, 2009 - M - Revised Manual (Edited to B/M 0010609 Revision 32)
- July 27, 2009 - N - Revised Manual (Edited to B/M 0010609 Revision 41)
- December 15, 2009 - O - Revised Manual (Edited to B/M 0010609 Revision 48)
- July 22, 2010 - P - Revised Manual (Edited to B/M 0010609 Revision 52)

REVISION LOG

February 23, 2011 - Q - Revised Manual (Edited to B/M 0010609 Revision 58)
May 25, 2011 - R - Revised Manual (Edited to B/M 0010609 Revision 58)
August 19, 2011 - S - Revised Manual (Edited to B/M 0010609 Revision 60)
January 23, 2012 - T - Revised Manual (Edited to B/M 0010609 Revision E)
June 22, 2012 - U - Revised Manual (Edited to B/M 0010609 Revision E)
August 17, 2012 - V - Revised Manual (Edited to B/M 0010609 Revision E)
December 20, 2012 - W - Revised Manual (Edited to B/M 0010609 Revision E)
April 19, 2013 - X - Revised Manual (Edited to B/M 0010609 Revision E)
August 15, 2013 - Y - Revised Manual (Edited to B/M 0010609 Revision E)
October 25, 2013 - Z - Revised Manual (Edited to B/M 0010609 Revision AI & 1001160110 Rev C)
November 1, 2014 - AA - Revised Manual (Edited to B/M 1001160110 Rev D)
November 15, 2015 - AB - Revised Manual (Edited to B/M 1001160110 Rev O)
January 29, 2016 - AC - Revised Manual (Edited to B/M 1001160110 Rev O)
May 27, 2016 - AD - Revised Manual (Revision 1)
December 5, 2016 - AE - Revised Manual (Revision 1)
August 25, 2018 - AF - Revised Manual (Revision 1)
June 1, 2021 - AG - Revised Manual (Edited to B/M 1001160110 Rev O)

GENERAL INFORMATION

SECTION 6 CYLINDER

FIGURE 6-3. LIFT CYLINDER ASSEMBLY

PG# Model Designation Manual #

SECTION 6 CYLINDER

FIGURE 6-3. LIFT CYLINDER ASSEMBLY

ITEM #	PART NUMBER	QTY.	DESCRIPTION	REV.
	1001140104	Ref	LIFT CYLINDER ASSEMBLY	B
1	0100011	AR	Compound, Locking	
2	0630535	3	Capscrew 1/4-20 x 1-1/8	
3	0791003	1	Screw #10-24 x 3/8	
4	0961897	1	Bushing, Tapered	
5	1320136	1	Clamp, Cable	
6	1663063	1	Head	
7	2220883	1	Plug, O-Ring	
8	2220885	2	Plug, O-Ring	
9	2220886	1	Plug, O-Ring	
10	3020039	AR	Lubricant	
11	3480282	1	Piston	
12	3760371	1	Ring, Washer	
13	3931420	8	Capscrew 1/4-20 x 1-1/4	
14	3931624	8	Capscrew 1/2-13 x 1-1/2	
15	3951003	1	Selfscrew #10-24 x 3/8	
16	4100099	1	Spacer	
17	4640999	1	Cartridge, Holding Valve (Non Vented)	
17	2900792	1	Kit, Seal - 4640999 Cartridge Valve	
18	4641248	1	Cartridge, Counterbalance Valve (Non Vented)	
18	70004186	1	Kit, Seal - 4641248 Cartridge Valve	
19	100117391	1	Sensor, Cylinder Length	
20	1001118070	1	Cap, Retainer	
21	1001118084	1	Barrel	
21A	0961950	2	Bushing	
22	1001118086	1	Rod	
22A	0961950	2	Bushing	
100	1001139996	1	Kit, Seal (Includes Items 101-109)	
101	See Note	2	Ring, Wear (Note: Use p/n 1001139996)	
102	See Note	1	Ring, Back-Up (Note: Use p/n 1001139996)	
103	See Note	2	Ring, Lock (Note: Use p/n 1001139996)	
104	See Note	2	Ring, Back-Up (Note: Use p/n 1001139996)	
105	See Note	2	O-Ring (Note: Use p/n 1001139996)	
106	See Note	1	O-Ring (Note: Use p/n 1001139996)	
107	See Note	1	Seal (Note: Use p/n 1001139996)	
108	See Note	1	Wiper, Rod (Note: Use p/n 1001139996)	
109	See Note	2	Seal (Note: Use p/n 1001139996)	
200	1001119105	1	Kit, Sensor Magnet (Includes Items 201-203)	
201	See Note	NSS	Steve, Spacer (Note: Use p/n 1001119105)	
202	1001118066	1	Magnet, Sensor	
203	1001118069	1	Ring, Internal Retaining	

Manual # Model Designation PG#

1) MACHINE IDENTIFICATION

Machines are identified by model and in some cases a combination of models, serial number (SN) or regional standard (i.e ANSI, CE, CSA). Components may also be identified by SN or manufacturer. common components that may be identified by these characteristics are engines and hydraulic components.

2) PARTS MANUAL ORGANIZATION

Product information in this manual is organized under section titles. Frame, Cylinder, Hydraulic and Electrical are a few examples. Each section is organized by figure and page number. The information within the Figure is then organized by item number, part number, description and corresponding illustration (s).

3) TABLE OF CONTENTS

A table of contents is found toward the beginning of the manual. Figure number, description and page number are provided for quick reference to the page containing the related information.

4) RECOMMENDED SPARE PARTS

The Recommended Spare Parts, located near the end of the manual, reference most frequently used maintenance parts.

5) PART NUMBER INDEX

A numerical index listing all part numbers and the corresponding page number(s) appears at the back of the manual.

GENERAL INFORMATION

6) NON-SERVICED PARTS

In some instances, it is necessary to display non-serviced parts, assemblies or installations. In the case of assemblies and installations there will be a Ref in the Qty column. In case of parts that are not available for service within assemblies or components, there will be a NSS (Not Sold Separately) or NLA (No Longer Available) listed in the Qty. column of the manual.

7) PARTS LIST ITEM NUMBERS

Numbers shown in the item# column correspond to numbers used in the associated illustration (s). Item numbers which are missing from the sequence in the parts list are not used on that page

8) INDENTED PARTS DESCRIPTION

An indented part description is included in the item under which it is indented.

9) ABBREVIATION AND SYMBOLS

AC.....	.. Alternating Current	LCD.....	.. Liquid Crystal Display
ADE.....	..Advanced Design Electronics	LED.....	.. Light Emitting Diodes
ANSI.....	..American National Standards Institute	LH.....	.. Left Hand
AR.....	..As Required	LSS.....	..Load Sensing System
ASSY.....	..Assembly	M(m).....	..Metric/Meter
AUX.....	..Auxiliary	MM (mm).....	..Milimeter
AWG.....	..American Wire Gauge	mA.....	..Miliamps
B/M.....	..Bill of Material	NLA.....No Longer Available
CE.....	..European Conformity	NPT.....	..National Pipe Threads
CCW.....	..Counter Clockwise	NSS.....Not Sold Separately
cm.....	..Centimeter	OD.....	..Outside Diameter
CW.....	..Clockwise	ORB.....	..O-Ring Boss
CSA.....	..Canadian Standards Association	ORFS.....	..O-Ring Face Seal
CYL.....	..Cylinder	OZ (oz).....	..Ounces
DIA.....	..Diameter	PG.....	..Page
DC.....	..Direct Current	P/N.....	..Part Number
EMS.....	..Emergency Stop	qt.....	..Quarts
ENG.....	..Engine	QTY.....	..Quantity
FT(ft).....	..Feet	REF.....	..Reference
GA(Ga).....	..Gauge	REV.....	..Revision Level
HYD.....	..Hydraulic	RH.....	..Right Hand
Hz.....	..Hertz	SAE.....	..Society of Automotive Engineers
ID.....	..Inside Diameter	SN.....	..Serial Number
in.....	..inches	SPEC(S).....Specifications
ISO.....	..International Organization for Standards	T/T.....	..Turntable
JIC.....	..Joint Industry Council	UGM.....	..Universal Ground Module
KG.....	..Kilogram	V.....	..Volts
L.....	..Liter	W.....	..Watts
LB.....	..Pounds	#.....	..Number

10) ILLUSTRATION REFERENCE LETTERS

When necessary, illustrations may contain reference letters that are intended to track information (i. e. hoses, harnesses) from one point to another or to track visual enlargement of components to show details that may be located in another area on the illustration.

Note: Due to continuous product improvements, JLG Industries, Inc. reserves the right to make specification changes without prior notification. Contact JLG Industries, Inc. for updated information.

TABLE OF CONTENTS

SECTION 1 - FRAME.....	11
FIGURE 1-1. AXLE INSTALLATIONS.....	12
FIGURE 1-2. STEER INSTALLATION.....	16
FIGURE 1-3. TIRE AND WHEEL DRIVE INSTALLATION.....	20
FIGURE 1-4. DRIVE HUB ASSEMBLY (Prior to SN 0300079667).....	24
FIGURE 1-5. DRIVE MOTOR ASSEMBLY (Prior to SN 0300079667).....	28
FIGURE 1-6. HUB AND MOTOR ASSEMBLY (SN 0300079667 through 0300083555).....	30
FIGURE 1-7. HUB AND MOTOR ASSEMBLY (SN 0300083556 through 0300103906).....	36
FIGURE 1-8. DRIVE HUB ASSEMBLY - BONFIGLIOLI (SN 0300103907 through 0300201017).....	40
FIGURE 1-9. DRIVE HUB ASSEMBLY - REGGIANA RIDUTTORI (SN 0300103907 through 0300201017).....	44
FIGURE 1-10. DRIVE MOTOR ASSEMBLY (SN 0300103907 through 0300201017).....	48
FIGURE 1-11. FRAME VALVES AND COVERS INSTALLATION.....	50
FIGURE 1-12. TRACTION VALVE ASSEMBLY (Prior to SN 0300103907).....	54
FIGURE 1-13. TRACTION VALVE ASSEMBLY (SN 0300103907 through 0300201017).....	56
SECTION 2 - TURNTABLE.....	59
FIGURE 2-1. VALVE, BATTERY, HORN AND AUXILIARY PUMP INSTALLATIONS.....	60
FIGURE 2-2. MAIN VALVE ASSEMBLY.....	66
FIGURE 2-3. TURNTABLE SWING DRIVE AND BEARING INSTALLATION.....	70
FIGURE 2-4. SWING MOTOR/HUB ASSEMBLY.....	72
FIGURE 2-5. CATERPILLAR DIESEL ENGINE INSTALLATION.....	78
FIGURE 2-6. DEUTZ BF4M2011 TIER II AND TD2011 TIER III/IVI ENGINE INSTALLATIONS.....	86
FIGURE 2-7. DEUTZ TD2011 TIER IVI FLEX AND TIER IVI-PRE ENGINE INSTALLATION.....	96
FIGURE 2-8. DEUTZ TCD2.9L4 ENGINE INSTALLATIONS.....	104
FIGURE 2-9. PUMP ASSEMBLY (REXROTH) (CATERPILLAR ENGINE MACHINES).....	116
FIGURE 2-10. PUMP ASSEMBLY (REXROTH) (DEUTZ ENGINE MACHINES).....	122
FIGURE 2-11. PUMP ASSEMBLY (SAUER TANDEM).....	128
FIGURE 2-12. PUMP ASSEMBLY (SAUER PISTON) (Prior to SN 0300200040).....	132
FIGURE 2-13. PUMP ASSEMBLY(SAUER PISTON) (SN 0300200040 through 0300201017).....	136
FIGURE 2-14. PUMP ASSEMBLY (SAUER GEAR).....	140
FIGURE 2-15. TANK INSTALLATION.....	142
FIGURE 2-16. ROTARY COUPLING AND COLLECTOR RING INSTALLATION.....	146
FIGURE 2-17. HYDRAULIC OIL COOLER INSTALLATION - CATERPILLAR AND DEUTZ BF4M2011 AND TD2011 ENGINES (OPTIONAL).....	148
FIGURE 2-18. HYDRAULIC OIL COOLER INSTALLATION - DEUTZ TCD2.9L4 ENGINES (OPTIONAL).....	150
FIGURE 2-19. GROUND CONTROLS INSTALLATION (WITHOUT UGM).....	152
FIGURE 2-20. GROUND CONTROLS INSTALLATION (WITH UGM).....	156
FIGURE 2-21. ACCESSORIES INSTALLATION.....	160
FIGURE 2-22. ENGINE TRAY JACK INSTALLATION.....	164
FIGURE 2-23. HOODS INSTALLATION.....	168
FIGURE 2-24. 2500W GENERATOR INSTALLATION - CATERPILLAR MACHINES (OPTIONAL).....	174
FIGURE 2-25. 2500W GENERATOR INSTALLATION - DEUTZ MACHINES (OPTIONAL).....	178
FIGURE 2-26. 4000W GENERATOR INSTALLATION - DEUTZ MACHINES.....	182
FIGURE 2-27. 7500W SKYPOWER GENERATOR INSTALLATION - CATERPILLAR MACHINES (OPTIONAL).....	186
FIGURE 2-28. 7500W SKYPOWER GENERATOR INSTALLATION - DEUTZ MACHINES (OPTIONAL).....	192

TABLE OF CONTENTS

FIGURE 2-29. CLEARSKY TELEMATICS INSTALLATION (WITHOUT UGM) (OPTIONAL).....	200
FIGURE 2-30. CLEARSKY TELEMATICS INSTALLATION (WITH UGM) (OPTIONAL)	204
SECTION 3 - BOOM.....	207
FIGURE 3-1. BOOM INSTALLATION	208
FIGURE 3-2. TOWER BOOM ASSEMBLY	212
FIGURE 3-3. MAIN BOOM ASSEMBLY	216
FIGURE 3-4. ACTUATOR ASSEMBLIES	222
FIGURE 3-5. POWER TRACK AND BOOM CLAMPS INSTALLATION (TOWER BOOM).....	226
FIGURE 3-6. POWER TRACK AND BOOM CLAMPS INSTALLATION (MAIN BOOM AND JIB)	228
FIGURE 3-7. BOOM SENSORS AND SWITCHES INSTALLATION	232
FIGURE 3-8. PLATFORM SUPPORT AND CONTROL VALVES INSTALLATIONS	236
SECTION 4 - PLATFORM	239
FIGURE 4-1. PLATFORM COMPONENTS INSTALLATION	240
FIGURE 4-2. PLATFORM COMPONENTS INSTALLATION (FALL ARREST PLATFORM)	244
FIGURE 4-3. PLATFORM CONSOLE ASSEMBLY	246
FIGURE 4-4. CONTROLLER ASSEMBLY (LIFT AND SWING)	250
FIGURE 4-5. CONTROLLER ASSEMBLY (LIFT AND SWING) (SN 0300188514 through 0300201017)	254
FIGURE 4-6. CONTROLLER ASSEMBLY (DRIVE AND STEER)	258
FIGURE 4-7. CONTROLLER ASSEMBLY (DRIVE AND STEER) (SN 0300188514 through 0300201017)	262
FIGURE 4-8. SOFT TOUCH SYSTEM INSTALLATION (OPTIONAL).....	264
FIGURE 4-9. SKYGLAZIER INSTALLATION.....	266
FIGURE 4-10. SKYWELDER/SKYCUTTER COMBO INSTALLATION (60HZ)	270
FIGURE 4-11. SKYWELDER INSTALLATION (50HZ).....	274
FIGURE 4-12. SKYWELDER INSTALLATION (60HZ).....	276
FIGURE 4-13. WELDER ASSEMBLY	278
FIGURE 4-14. SKYCUTTER INSTALLATION	280
FIGURE 4-15. PLASMA CUTTER ASSEMBLY	282
FIGURE 4-16. PIPE RACK INSTALLATION (ANSI SPEC).....	284
FIGURE 4-17. PIPE RACK INSTALLATION (AUSTRALIAN AND CE SPEC)	286
SECTION 5 - CYLINDER.....	289
FIGURE 5-1. AXLE EXTENSION CYLINDER ASSEMBLY (ORIGINAL EQUIPMENT).....	290
FIGURE 5-2. AXLE EXTENSION CYLINDER ASSEMBLY (SERVICE REPLACEMENT).....	292
FIGURE 5-3. AXLE LOCKOUT CYLINDER ASSEMBLY (ORIGINAL EQUIPMENT)	294
FIGURE 5-4. AXLE LOCKOUT CYLINDER ASSEMBLY (SERVICE REPLACEMENT)	296
FIGURE 5-5. PLATFORM LEVEL CYLINDER ASSEMBLY (WITHOUT ARCTIC PACKAGE) (ORIGINAL EQUIPMENT) (Prior to SN 0300080030)	298
FIGURE 5-6. PLATFORM LEVEL CYLINDER ASSEMBLY (WITHOUT ARCTIC PACKAGE) (ORIGINAL EQUIPMENT) (SN 0300080030 through 0300201017)	300
FIGURE 5-7. PLATFORM LEVEL CYLINDER ASSEMBLY (WITH ARCTIC PACKAGE) (ORIGINAL EQUIPMENT)	302
FIGURE 5-8. PLATFORM LEVEL CYLINDER ASSEMBLY (SERVICE REPLACEMENT).....	304
FIGURE 5-9. LIFT CYLINDER ASSEMBLY - MAIN BOOM (ORIGINAL EQUIPMENT)	306
FIGURE 5-10. LIFT CYLINDER ASSEMBLY - MAIN BOOM (SERVICE REPLACEMENT)	308
FIGURE 5-11. LIFT CYLINDER ASSEMBLY - MAIN BOOM (SERVICE REPLACEMENT)	310
FIGURE 5-12. LIFT CYLINDER ASSEMBLY - TOWER BOOM (ORIGINAL EQUIPMENT).....	312

TABLE OF CONTENTS

FIGURE 5-13. LIFT CYLINDER ASSEMBLY - TOWER BOOM (SERVICE REPLACEMENT)	314
FIGURE 5-14. LIFT CYLINDER ASSEMBLY - TOWER BOOM (SERVICE REPLACEMENT)	316
FIGURE 5-15. JIB CYLINDER ASSEMBLY (ORIGINAL EQUIPMENT).....	318
FIGURE 5-16. JIB CYLINDER ASSEMBLY (SERVICE REPLACEMENT).....	320
FIGURE 5-17. STEER CYLINDER ASSEMBLY (ORIGINAL EQUIPMENT).....	322
FIGURE 5-18. STEER CYLINDER ASSEMBLY (SERVICE REPLACEMENT).....	324
FIGURE 5-19. TELESCOPE CYLINDER ASSEMBLY - MAIN BOOM (ORIGINAL EQUIPMENT).....	326
FIGURE 5-20. TELESCOPE CYLINDER ASSEMBLY - MAIN BOOM (SERVICE REPLACEMENT)	330
FIGURE 5-21. TELESCOPE CYLINDER ASSEMBLY - TOWER BOOM (ORIGINAL EQUIPMENT)	332
FIGURE 5-22. TELESCOPE CYLINDER ASSEMBLY - TOWER BOOM (SERVICE REPLACEMENT).....	334
SECTION 6 - HYDRAULIC	337
FIGURE 6-1. HYDRAULIC DIAGRAM - BOOM	338
FIGURE 6-2. HYDRAULIC DIAGRAM - DRIVE	342
FIGURE 6-3. HYDRAULIC DIAGRAM - OSCILLATING AXLE.....	346
FIGURE 6-4. HYDRAULIC DIAGRAM - STEER	348
FIGURE 6-5. HYDRAULIC DIAGRAM - TURNTABLE	350
FIGURE 6-6. HYDRAULIC DIAGRAM - AUXILIARY POWER MOTOR.....	354
FIGURE 6-7. HYDRAULIC DIAGRAM LIST	356
SECTION 7 - ELECTRICAL	359
FIGURE 7-1. ELECTRICAL DIAGRAM LIST.....	360
FIGURE 7-2. HARNESS COMPONENTS INSTALLATION (WITHOUT UGM) (Prior to SN 0300087575).....	362
FIGURE 7-3. HARNESS COMPONENTS INSTALLATION (WITHOUT UGM) (SN 0300087575 through 0300201016)	378
FIGURE 7-4. HARNESS COMPONENTS INSTALLATION (WITH UGM).....	402
FIGURE 7-5. HARNESS COMPONENTS INSTALLATION (WITH UGM).....	426
SECTION 8 - DECALS.....	447
FIGURE 8-1. DECAL INSTALLATION - ANSI SPEC (Prior to SN 0300089066).....	448
FIGURE 8-2. DECAL INSTALLATION - ANSI SPEC (SN 0300089066 through 0300201017)	452
FIGURE 8-3. DECAL INSTALLATION - ANSI EXPORT SPEC (Prior to SN 0300089066)	456
FIGURE 8-4. DECAL INSTALLATION - ANSI EXPORT SPEC (SN 0300089066 through 0300201017)	460
FIGURE 8-5. DECAL INSTALLATION - AUSTRALIAN AND CE SPEC (Prior to SN 0300089066)	466
FIGURE 8-6. DECAL INSTALLATION - AUSTRALIAN AND CE SPEC (SN 0300089066 through 0300201017).....	470
SECTION 9 - RECOMMENDED SERVICE PARTS STOCK	473
FIGURE 9-1. MODEL 1250AJP STANDARD PARTS	474
FIGURE 9-2. MODEL 1250AJP VARIABLE PARTS	476
SECTION 10 - SPECIAL OPTIONS.....	477
FIGURE 10-1. SPECIAL OPTIONS.....	478
PART NUMBER INDEX	483

SECTION 1 - FRAME

FIGURE 1-1. AXLE INSTALLATIONS

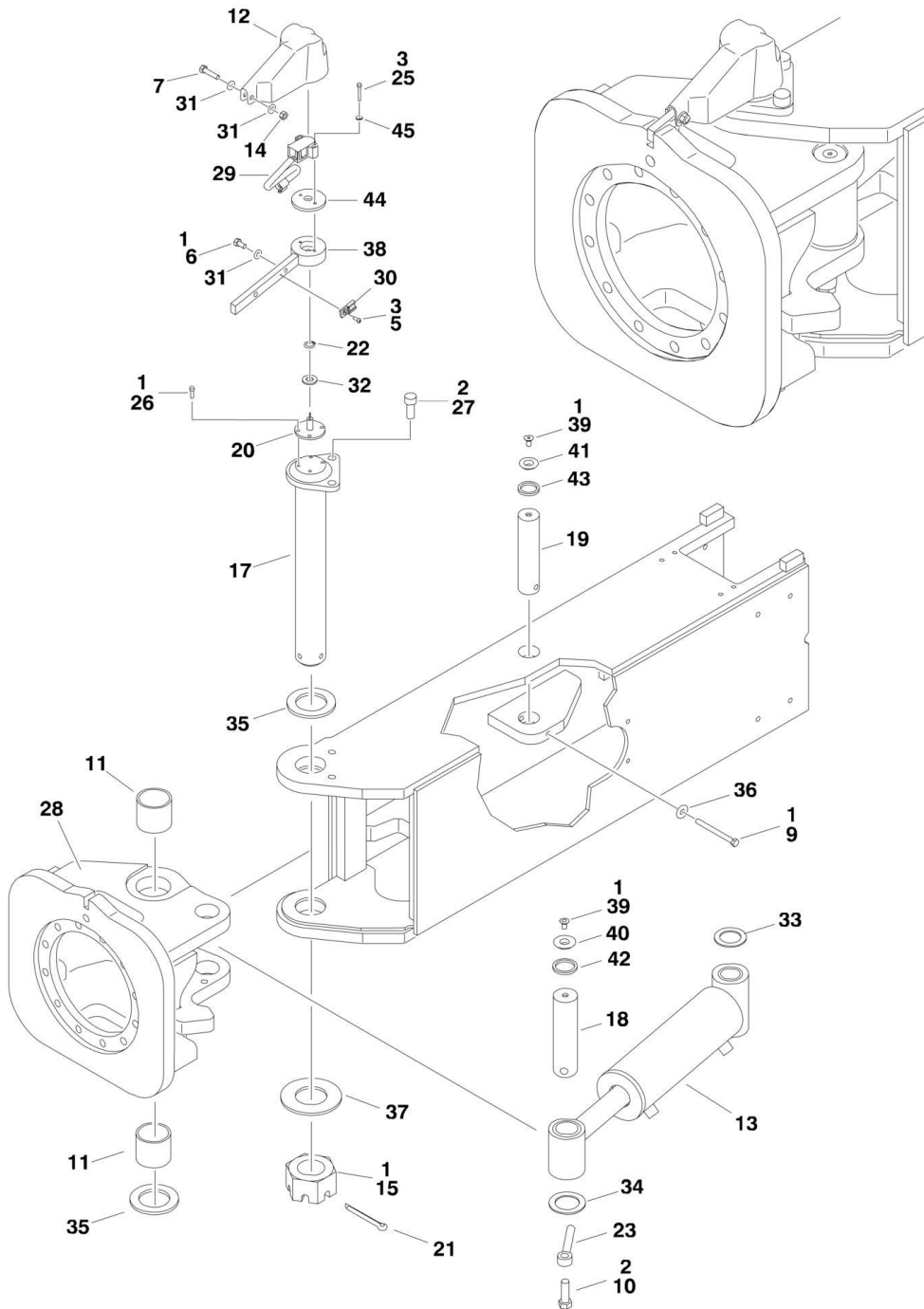
ITEM	PART NUMBER	QTY	DESCRIPTION	REV
		Ref	AXLE INSTALLATIONS - COMMON PARTS	
	0271934	Ref	Fixed Axle (Prior to SN 0300195073)	K
	1001173914	Ref	Fixed Axle (SN 0300195073 through 0300196323)	C
	0271934	Ref	Fixed Axle (SN 0300196324 through 0300201017)	L
	0271521	Ref	Oscillating Axle (Prior to SN 0300195073)	K
	1001173913	Ref	Oscillating Axle (SN 0300195073 through 0300196323)	C
	0271521	Ref	Oscillating Axle (SN 0300196324 through 0300201017)	L
1	0100011	AR	Compound, Locking	
2	0100019	AR	Compound, Locking	
3	0100081	AR	Adhesive #454	
4	0363037	4	Bar, Stop	
6	0641606	AR	Bolt 3/8in-16NC x 3/4in	
7	0641608	AR	Bolt 3/8in-16NC x 1in	
8	0641609	32	Bolt 3/8in-16NC x 1-1/8in	
9	0641611	16	Bolt 3/8in-16NC x 1-3/8in	
11	0641613	8	Bolt 3/8in-16NC x 1-5/8in	
13		Ref	Bolt Options:	
13	0641620	4	Fixed Axle - Bolt 3/8in-16NC x 2-1/2in	
13	0641624	4	Oscillating Axle - Bolt 3/8in-16NC x 3in	
14	0641808	8	Bolt 1/2in-13NC x 1in	
16	0642214	1	Bolt 3/4in-10NC x 1-3/4in	
17	0962033	2	Bushing	
18	1180358	4	Carrier (Prior to SN 0300195073, SN 0300196324 through 0300201017)	
18	7024365	AR	24 in Section Repair Kit (Includes Inner and Outer Links, Joining Bars and Rollers, and Assembling Hardware) (Prior to SN 0300195073, SN 0300196324 through 0300201017)	
18	7024366	1	Mounting Bracket Kit (Includes Mounting Brackets for Both Ends, 1 Roller Assembly and Assembling Hardware) (Prior to SN 0300195073, SN 0300196324 through 0300201017)	
19	1320263	4	Clamp, Cable	
20	1320298	4	Clamp, Hose	
21	1684102	NLA	Axle Extension Cylinder Assembly (Use P/n 1001228020) (See CYLINDER SECTION for Breakdown)	
22	3310805	8	Locknut #8-32NC	
23	3340881	8	Pad, Wear	
24	3340907	2	Pad, Axle (Use p/n 1001161401)	
25	3340946	8	Pad, Wear (Use p/n 1001161402)	
26	3340932	32	Pad, Wear (Use p/n 1001161403)	
27	3340939	8	Pad, Rubber	
28	3422918	1	Pin	
29	3422960	4	Pin	
30	3573294	4	Plate	
31	3573335	8	Plate	
32	3841287	1	Keeper, Pin	
33	3900270	4	Bolt, Shoulder 1/2in -13NC x 1-1/2in	
34	3930820	8	Capscrew #8-32NC x 1-1/4in	
37	4071035	2	Shim #18 Gauge	
38	4071036	4	Shim #11 Gauge	
39	4071054	8	Shim #18 Gauge	
40	4071055	12	Shim #11 Gauge	

SECTION 1 - FRAME

ITEM	PART NUMBER	QTY	DESCRIPTION	REV
41	4071039	AR	Shim #18 Gauge	
42	4071040	36	Shim #11 Gauge	
43	4071042	24	Shim #16 Gauge	
46		Ref	Switch, Limit Options:	
46	4360322	4	Switch, Limit (Use p/n 4360578) (Prior to SN 0300074420)	
46	4360549	4	Switch, Limit (Use p/n 4360578) (SN 0300074420 through 0300080868)	
46	4360578	4	Switch, Limit (SN 0300080869 through 0300201017)	
47	4711600	140	Flatwasher 3/8in Thin	
48	4740461	1	Thrustwasher	
49	4750800	8	Flatwasher #8 Regular	
50	4846637	4	Extension, Axle	
51	4846383	1	Box, Axle Pivot	
52	0681813	12	Bolt 1/2in-13NC x 1-5/8in (Grade 8)	
53	0681814	18	Bolt 1/2in-13NC x 1-3/4in (Grade 8)	
54	0681815	12	Bolt 1/2in-13NC x 1-7/8in (Grade 8)	
55	0681816	6	Bolt 1/2in-13NC x 2in (Grade 8)	
56	4711800	48	Flatwasher 1/2in Thin	
57	4460968	4	Connector, Strain Relief	
58	1001172319	8	Plate (SN 0300195073 through 0300196323)	
59	1001175069	4	Bracket, Hose Mount (SN 0300195073 through 0300196323)	
60	4240155	AR	Tie-Strap (Not Shown) (SN 0300195073 through 0300196323)	
		Ref	AXLE INSTALLATION - OPTIONAL PARTS	
	0271934	Ref	Fixed Axle (Prior to SN 0300195073)	K
	1001173914	Ref	Fixed Axle (SN 0300195073 through 0300196323)	C
	0271934	Ref	Fixed Axle (SN 0300196324 through 0300201017)	L
105	0363076	2	Bar, Stop	
115	0641814	4	Bolt 1/2in-13NC x 1-3/4in	
144	4071049	AR	Shim 11 Gauge	
145	4071050	AR	Shim 16 Gauge	
	0271521	Ref	Oscillating Axle (Prior to SN 0300195073)	K
	1001173913	Ref	Oscillating Axle (SN 0300195073 through 0300196323)	C
	0271521	Ref	Oscillating Axle (SN 0300196324 through 0300201017)	L
201 to 211		Ref	(Illustration and Parts List Usage)	
212	0642020	4	Bolt 5/8in-11NC x 2-1/2in	
217	1684081	NLA	Oscillating Axle Cylinder Assembly (Use p/n 1001228019) (See CYLINDER SECTION for Breakdown)	
220	3312005	4	Locknut 5/8in-11NC	
225	3422833	2	Pin	
226	3422915	2	Pin	
231	3841258	4	Keeper, Pin	
246	4712000	4	Flatwasher 5/8in Thin	
254	3520054	4	Plug	
	0274106	Ref	AXLE STOP BLOCKS INSTALLATION	A
301	0100019	AR	Compound, Locking	
302	3931816	4	Capscrew, Socket Head 1/2in-13NC x 1in	
303	4220235	2	Block, Stop	

SECTION 1 - FRAME

FIGURE 1-2. STEER INSTALLATION



SECTION 1 - FRAME

FIGURE 1-2. STEER INSTALLATION

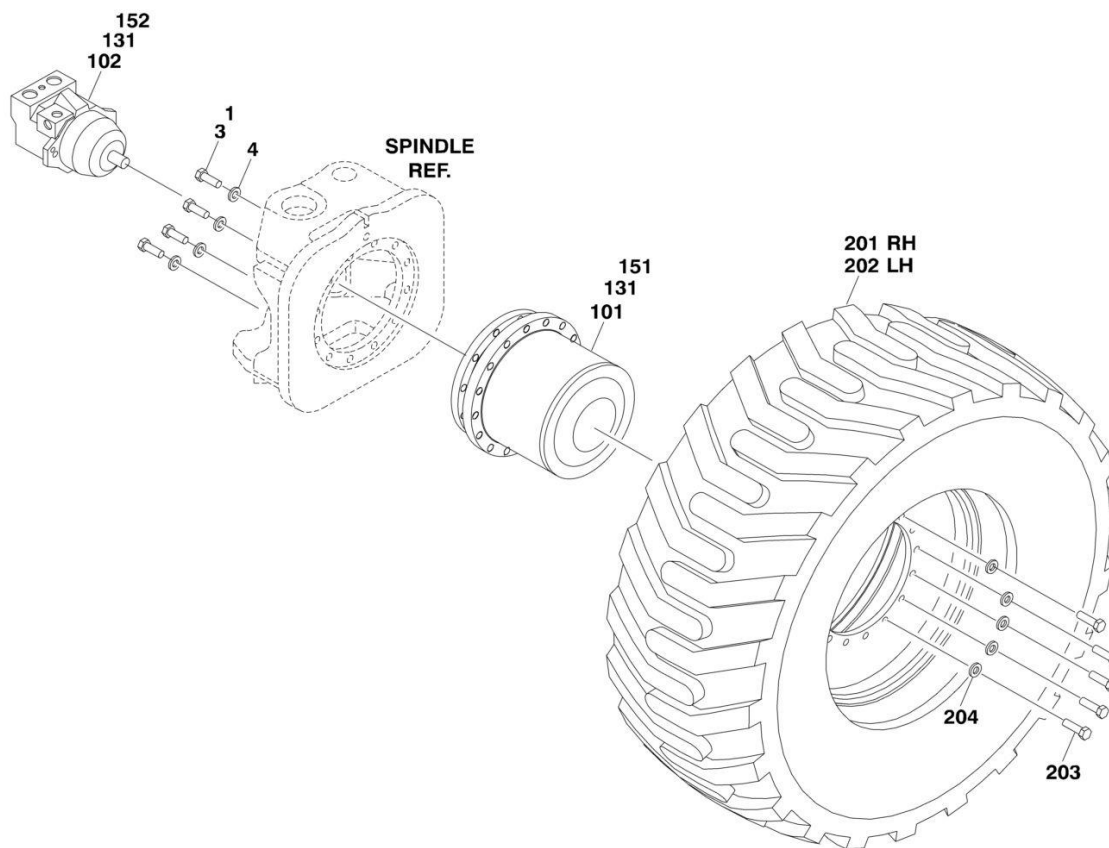
ITEM	PART NUMBER	QTY	DESCRIPTION	REV
	0271520	Ref	STEER INSTALLATION	H
1	0100011	AR	Compound, Locking	
2	0100019	AR	Compound, Locking	
3	0100035	AR	Compound, Locking	
5	0630464	4	Screw, Button Head #10-24NC x 1/2in	
6	0641505	4	Bolt 5/16in-18NC x 5/8in	
7	0641511	4	Bolt 5/16in-18NC x 1-3/8in	
9	0641634	4	Bolt 3/8in-16NC x 4-1/4in	
10	0642016	4	Bolt 5/8in-11NC x 2in	
11	0962423	8	Bushing	
12	1671040	4	Cover, Sensor	
13	1684314	NLA	Steer Cylinder Assembly (Use p/n 1001228031) (See Separate Breakdown in Cylinder Section)	
14	3311505	4	Locknut 5/16in-18NC	
15	3300464	4	Nut, Slotted	
17	3422917	4	Kingpin	
18	3422940	4	Pin, Steer Cylinder (Outer)	
19	3422941	4	Pin, Steer Cylinder (Inner)	
20		Ref	Pin, Sensor Options:	
20	3422942	4	Pin, Sensor (Use p/n 3423256) (Prior to SN 0300090594)	
20	3423256	4	Pin, Sensor (SN 0300090594 through 0300201017)	
21	3451214	4	Pin, Cotter 3/8in x 3-1/2in	
22	3760383	4	Ring, Retaining	
23	3841258	4	Keeper, Pin	
25	3931020	8	Capscrew #10-24NC x 1-1/4in	
26	3931412	16	Capscrew 1/4in-20NC x 3/4in	
27	3932024	8	Capscrew 5/8in-11NC x 1-1/2in	
28		Ref	Spindle Options:	
28	4130387	4	Spindle (Use p/n 1001099632) (Prior to SN 0300100131)	
28	4130416	4	Spindle (Use p/n 1001099632) (SN 0300100131 through 0300201017)	
29	4360505	4	Switch, Rotary Angle Sensor (Steer)	
30	4460914	4	Terminal	
31	4711500	12	Flatwasher 5/16in Thin	
32	4711800	4	Flatwasher 1/2in Thin	
33	4740181	4	Thrustwasher	
34	4740229	4	Thrustwasher	
35	4740505	8	Thrustwasher	
36	4751600	4	Flatwasher 3/8in Regular	
37	4755000	4	Flatwasher 2-1/2in Regular	
38		Ref	Arm, Steer Options:	
38	4846494	4	Arm, Steer (Use p/n 0200833) (Prior to SN 0300090594)	
38	0200833	4	Arm, Steer (SN 0300090594 through 0300201017)	
39	0741606	8	Screw, Countersunk 3/8in-16NC x 3/4in	
40	1120549	4	Cap, Seal (Outer)	
41	1120550	4	Cap, Seal (Inner)	
42	3960551	4	Seal (Outer)	
43	3960552	4	Seal (Inner)	
44	0080277	4	Adapter, Angle Sensor Pilot (SN 0300090594 through 0300201017)	

SECTION 1 - FRAME

ITEM	PART NUMBER	QTY	DESCRIPTION	REV
45	4750800	8	Flatwasher #8 Regular	

SECTION 1 - FRAME

FIGURE 1-3. TIRE AND WHEEL DRIVE INSTALLATION



SECTION 1 - FRAME

FIGURE 1-3. TIRE AND WHEEL DRIVE INSTALLATION

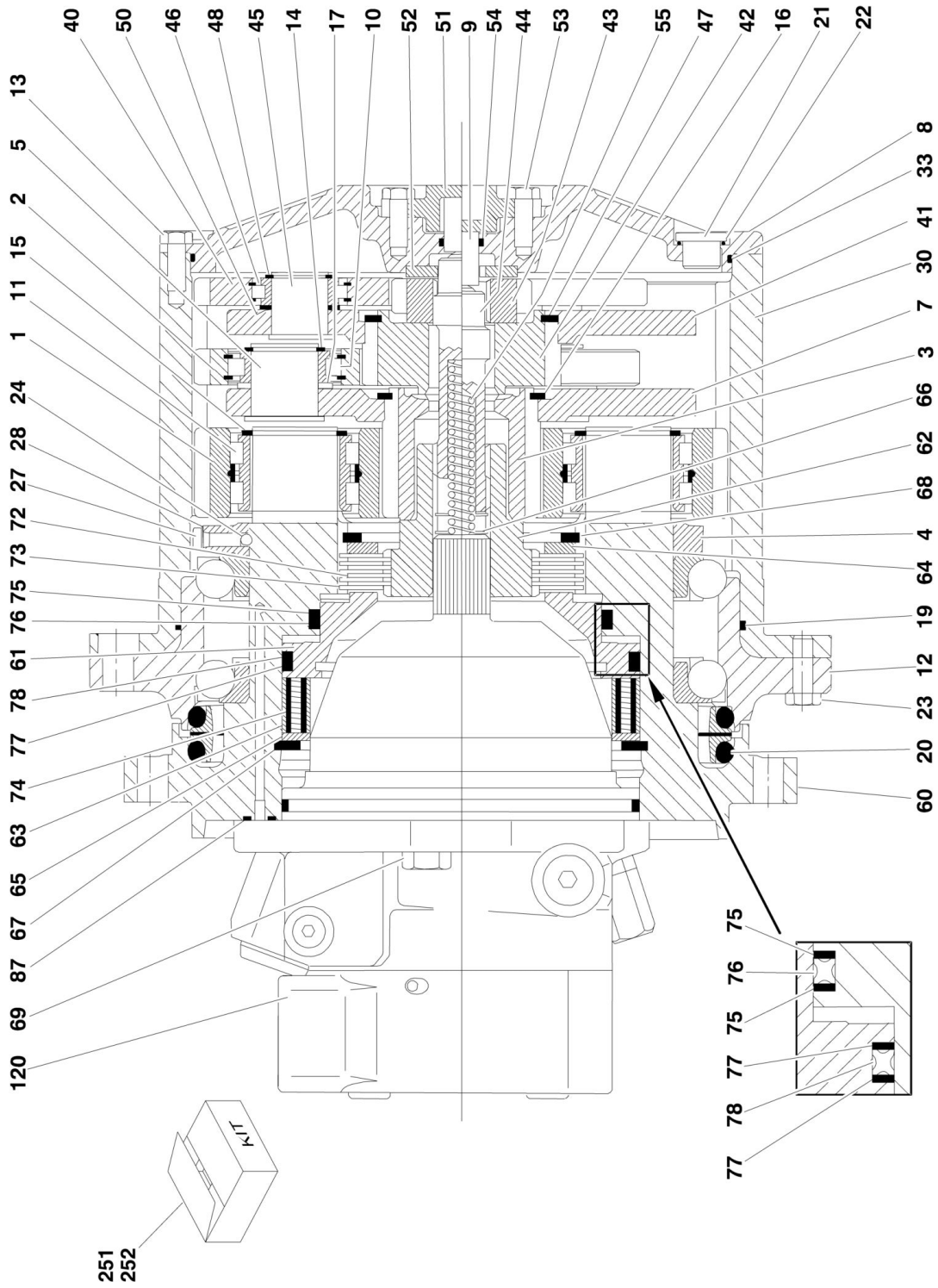
ITEM	PART NUMBER	QTY	DESCRIPTION	REV
		Ref	WHEEL DRIVE INSTALLATION	
	0271522	Ref	With Bonfiglioli Drive Hub (Prior to SN 0300103907)	E
	0275685	Ref	With Bonfiglioli Drive Hub (SN 0300103907 through 0300201017)	B
	1001104324	Ref	With Reggiana Riduttori Drive Hub	A
1	0100019	AR	Compound, Locking	
3	0701617	48	Bolt M16 x 45mm (12 Per Wheel)	
4	4892000	48	Flatwasher 5/8in Hardened (12 Per Wheel)	
	0272258	Ref	HUB AND MOTOR ASSEMBLY (Prior to SN 0300079667)	B
		Ref	Note: Original Equipment hub may have been replaced with Service Replacement. Refer to tag on hub for identification before ordering parts.	
101	2780248	4	Drive Hub Assembly (Use p/n 2780283 - See DRIVE HUB ASSEMBLY for Breakdown. See HUB AND MOTOR ASSEMBLY for replacement components for Service Replacement p/n 2780283.)	
102	3160291	4	Drive Motor Assembly (See DRIVE MOTOR ASSEMBLY for Breakdown)	
131		Ref	HUB AND MOTOR ASSEMBLY (SN 0300079667 through 0300103906)	
		Ref	Note: For Machines Built S/N 0300079596 to S/N 0300083552, Original Equipment may have been replaced with Service Replacement. Refer to tag on hub for identification before ordering parts.	
131	2780279	4	Hub and Motor Assembly (Use p/n 2780284 - See HUB AND MOTOR ASSEMBLY for Breakdown. See HUB AND MOTOR ASSEMBLY for replacement components for Service Replacement p/n 2780284.) (SN 0300079667 through 0300083555)	
131	2780284	4	Hub and Motor Assembly (See HUB AND MOTOR ASSEMBLY for Breakdown) (SN 0300083556 through 0300103906)	
		Ref	HUB AND MOTOR ASSEMBLY (SN 0300103907 through 0300201017)	
	2780286	Ref	With Bonfiglioli Drive Hub	
	1001104315	Ref	With Reggiana Riduttori Drive Hub	
151		Ref	Drive Hub Assembly Options:	
		Ref	Note: Various brands used on Machines Built S/N 0300103907 through 0300201016. When replacing complete hub, note that all 4 hubs must be the same brand.	
		Ref	Note: Various brands used on Machines Built S/N 0300103907 through 0300201016. Identify brand before ordering replacement parts.	
151	2780290	4	Bonfiglioli Hub (Use p/n 1001093243) (See DRIVE HUB ASSEMBLY - BONFIGLIOLI for Breakdown) (SN 0300103907 through 0300201017)	
151	1001104325	4	Reggiana Riduttori Hub (See DRIVE HUB ASSEMBLY - REGGIANA RIDUTTORI for Breakdown) (SN 0300079667 through 0300201017)	
152	3160339	4	Drive Motor Assembly (See DRIVE MOTOR ASSEMBLY for Breakdown)	
		Ref	TIRE AND WHEEL INSTALLATIONS	
	0271852	Ref	Foam-Filled Tires	B
	1001115961	Ref	Solid Tires	A
		Ref	Note: Assemblies may require ballast/foam filling to manufacturer's specifications prior to installing on a machine. Refer to Operation and Safety or Service and Maintenance	

SECTION 1 - FRAME

ITEM	PART NUMBER	QTY	DESCRIPTION	REV
			Manuals. Purchase individual tire and/or rim only if able to foam fill tire and wheel assembly, otherwise, purchase complete assembly.	
201		Ref	Right Side Tire and Wheel Assembly Options:	
201	0272055	2	Foam-Filled Tire and Wheel Assembly	
201	1001112716	2	Solid Tire and Wheel Assembly	
202		Ref	Left Side Tire and Wheel Assembly Options:	
202	0272056	2	Foam-Filled Tire and Wheel Assembly	
202	1001112669	2	Solid Tire and Wheel Assembly	
203	0701619	64	Bolt M16 x 55mm (16 Per Wheel)	
204	4892000	64	Flatwasher 5/8in Hardened (16 Per Wheel)	

SECTION 1 - FRAME

FIGURE 1-4. DRIVE HUB ASSEMBLY (Prior to SN 0300079667)



SECTION 1 - FRAME

FIGURE 1-4. DRIVE HUB ASSEMBLY (Prior to SN 0300079667)

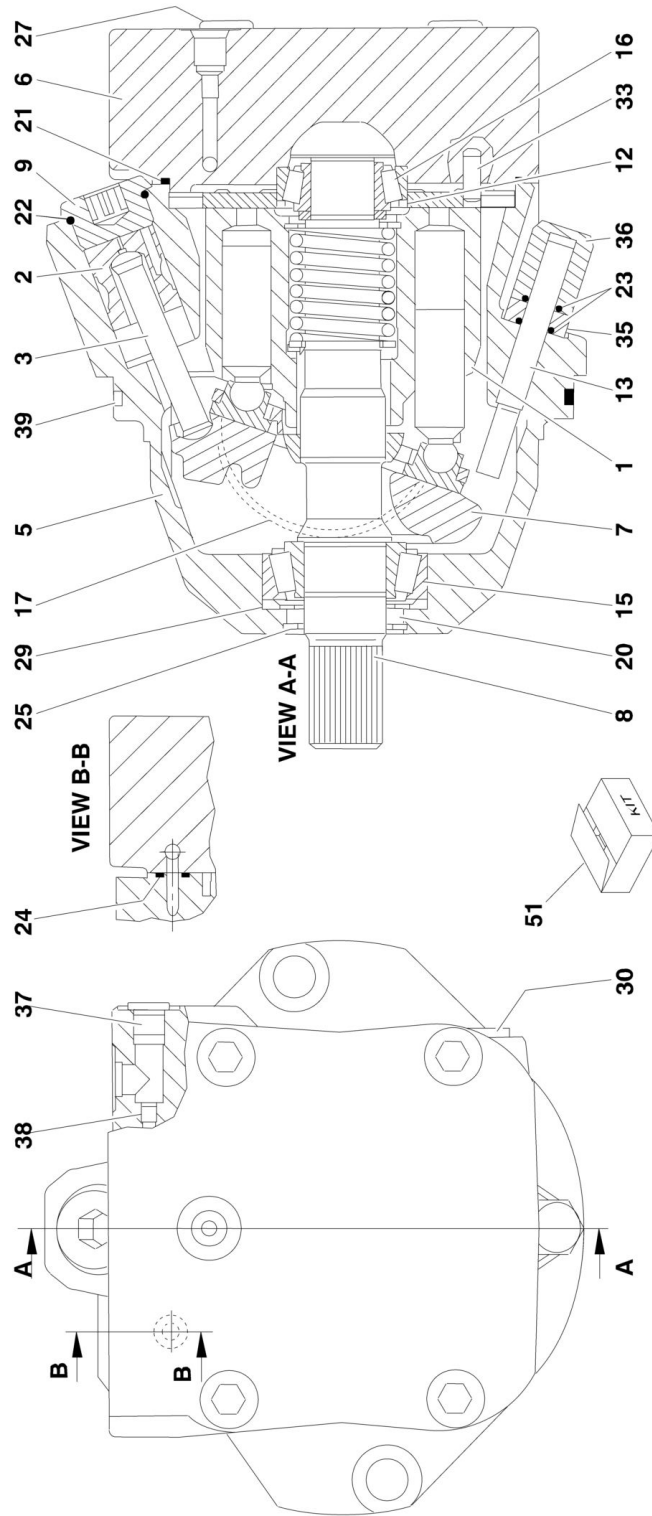
ITEM	PART NUMBER	QTY	DESCRIPTION	REV
	2780248	Ref	DRIVE HUB ASSEMBLY	C
		Ref	Note: Unless there is capability to torque shaft (item 4) to 626 ft/lbs. (850Nm) Repair beyond this level is NOT advised.	
		Ref	Note: Original Equipment p/n 2780248 hub may have been replaced with Service Replacement p/n 2780283. - See HUB AND MOTOR ASSEMBLY for Breakdown. Refer to tag on hub for identification before ordering parts.	
1	7024028	4	Gear, Planet	
2	7024029	3	Gear, Planet	
3	7022535	1	Gear, Sun	
4	7022536	1	Nut, Shaft	
5	7021388	3	Pin, Planet	
7	7022537	1	Carrier, Planet	
8	7022538	1	Cover	
9	7024967	1	Button, Thrust	
10	7024029	3	Bearing, Roller	
11	7024028	4	Bearing, Roller	
12	7022536	1	Bearing, Ball	
13	7022540	2	Bolt, Hex	
14	7024029	3	Ring, Retaining	
15	7024028	4	Ring, Retaining	
16	7022546	1	Ring, Retaining	
17	7024029	3	Ring, Stay	
19	7024966	1	O-Ring	
20	7024968	1	Seal, Face	
21	7022550	2	Plug	
22	7022540	2	Seal, Ring	
23	7022536	2	Bolt	
24	See Note	2	Ball (Note: Not Available for Purchase)	
27	See Note	2	Bolt (Note: Not Available for Purchase)	
28	See Note	2	Washer (Note: Not Available for Purchase)	
30	7022556	1	Gear, Ring	
33	7022540	1	O-Ring	
40	7024030	3	Gear, Planet	
41	7022559	1	Carrier, Planet	
42	7022560	1	Gear, Sun	
43	7022540	1	Gear, Sun	
44	7022540	1	Shaft, Input	
45	7011326	3	Pin, Planet	
46	7024030	3	Bearing, Roller	
47	7022564	1	Ring, Retaining	
48	7024030	3	Ring, Retaining	
50	7024030	3	Ring, Stay	
51	7022567	1	Cover	
52	7022568	1	Thrustwasher	
53	7022536	2	Bolt	
54	7022540	1	O-Ring	
55	7022540	1	Spring, Pressure	
60	7022572	1	Spindle	
61	7022573	1	Piston	

SECTION 1 - FRAME

ITEM	PART NUMBER	QTY	DESCRIPTION	REV
62	7022574	1	Coupler	
63	7022575	1	Ring, Locator	
64	7021354	1	Plate, Back-up	
65	7022576	1	Plate, Back-up	
66	7022577	1	Ring, Retaining	
67	7022578	1	Ring, Retaining	
68	7022509	1	Ring, Retaining	
69	7022579	2	Bolt	
72	7022580	4	Disc, Brake	
73	7022580	5	Disc, Brake	
74	7022580	16	Spring	
75	7022581	2	Ring, Back-up	
76	7022581	1	Seal	
77	7022581	2	Ring, Back-up	
78	7022581	1	Seal	
87	7024032	1	O-Ring	
120	See Note	1	Motor Assembly (Note: See Separate Parts List)	
121	7024031	1	O-Ring (Not Shown)	
224	7024969	2	Pin, Slotted (Not Shown)	
251	7022581	1	Kit 1 - Brake Seal Kit (Includes Items 75-78)	
252	7022580	1	Kit 2 - Brake Disc Kit (Includes Items 72-74)	
252	7022536	1	Kit 3 - Bearing Kit (Includes Items 4, 12, 23 & 53)	
252	7024030	1	Kit 4 - Planet Gear and Bearing Kit (Includes Items 40, 46, 48 & 50)	
252	7024029	1	Kit 5 - Planet Gear and Bearing Kit (Includes Items 2, 10, 14 & 17)	
252	7024028	1	Kit 6 - Planet Gear and Bearing Kit (Includes Items 1, 11 & 15)	
252	7022540	1	Kit 7 - Mechanical Disconnect Kit (Includes Items 13, 22, 33, 43, 44, 54 & 55)	

SECTION 1 - FRAME

FIGURE 1-5. DRIVE MOTOR ASSEMBLY (Prior to SN 0300079667)



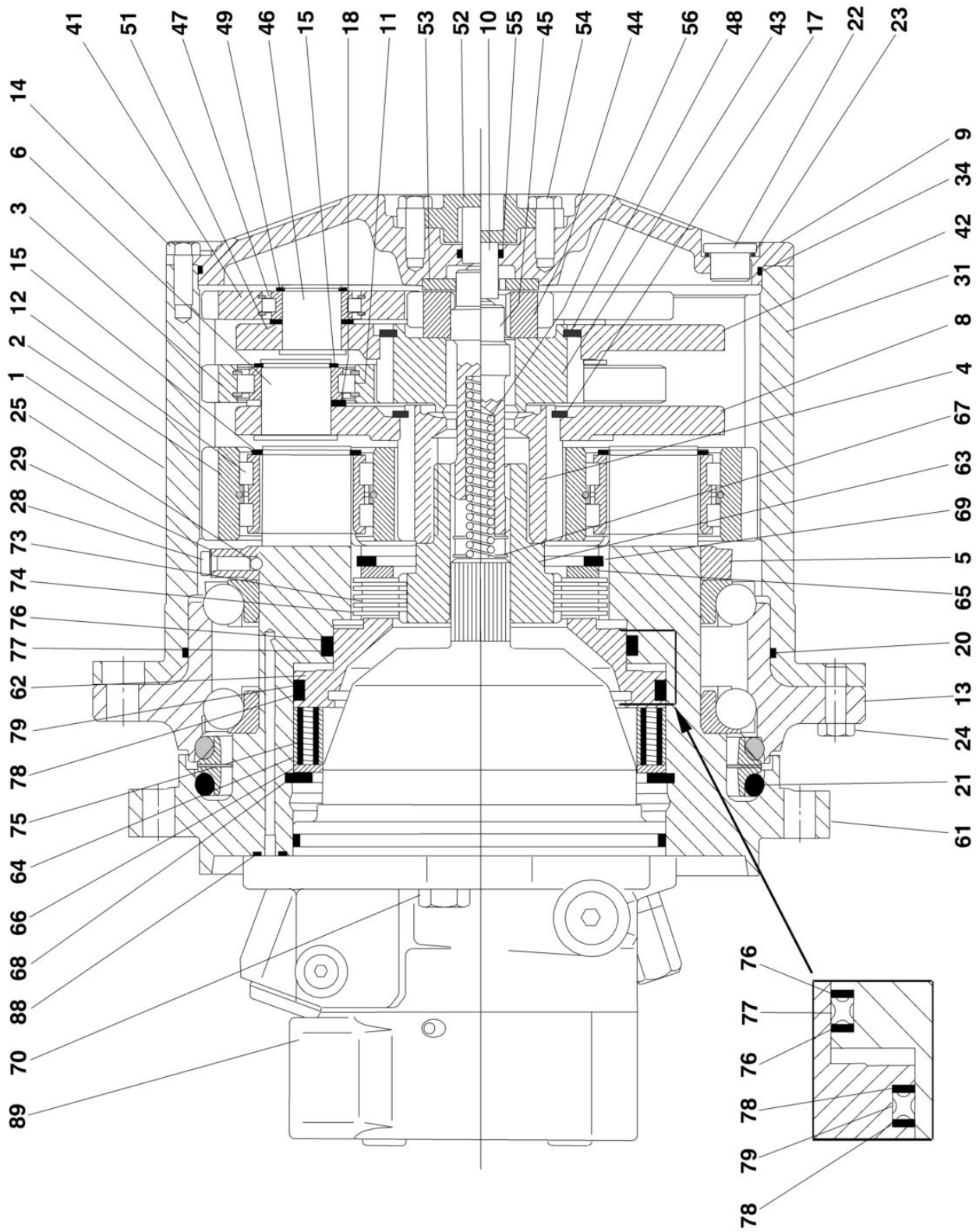
SECTION 1 - FRAME

FIGURE 1-5. DRIVE MOTOR ASSEMBLY (Prior to SN 0300079667)

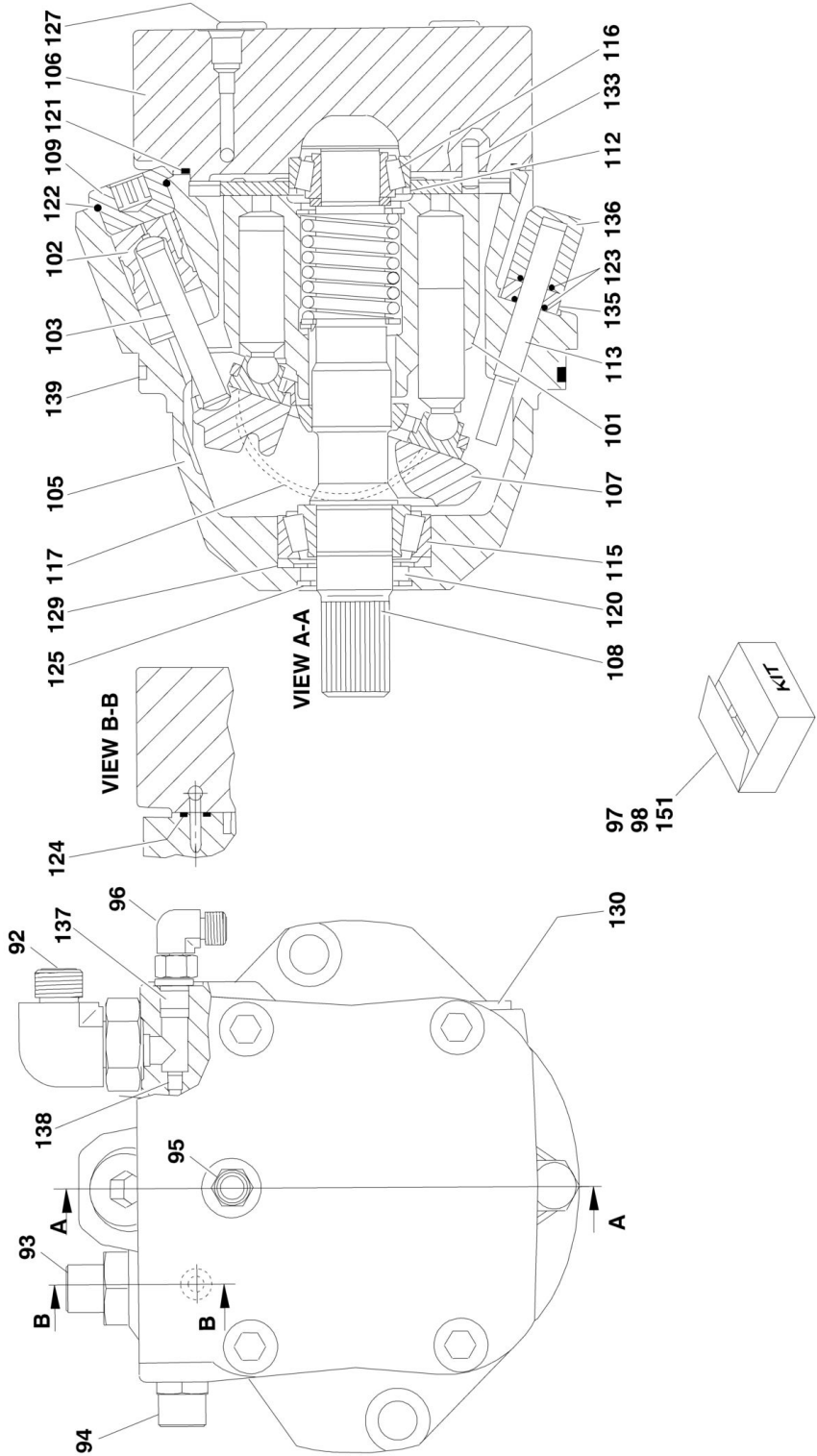
ITEM	PART NUMBER	QTY	DESCRIPTION	REV
	3160291	Ref	DRIVE MOTOR ASSEMBLY	C
1	7012716	1	Rotary Group Assembly	
2	See Note	1	Piston, Control (Note: Not Available - Purchase Complete	
3	See Note	1	Rod, Piston (Note: Not Available - Purchase Complete Motor)	
5	See Note	1	Housing (Note: Not Available - Purchase Complete Motor)	
6	See Note	1	Plate, Port (Note: Not Available - Purchase Complete Motor)	
7	7024036	1	Plate, Swash	
8	7024037	1	Driveshaft	
9	See Note	1	Plug, Screw (Note: Not Available for Purchase)	
12	7012704	1	Shim	
13	See Note	1	Stop Screw (Note: Not Available for Purchase)	
15	7024038	1	Bearing	
16	7012706	1	Bearing	
17	7024039	2	Shell, Cradle	
20	7024034	1	Seal, Shaft	
21	7024034	1	O-Ring	
22	7024034	1	O-Ring	
23	7024034	2	O-Ring	
24	7024034	1	Seal	
25	7012715	1	V-Ring	
27	7024040	4	Screw, Sockethead M12 x 60mm	
29	See Note	1	Ring, Stop (Note: Not Available for Purchase)	
30	See Note	1	Plug (Note: Not Available for Purchase)	
33	See Note	1	Pin, Dowel (Note: Not Available for Purchase)	
35	See Note	1	Nut M10 (Note: Not Available for Purchase)	
36	See Note	1	Nut, Cap M10 (Note: Not Available for Purchase)	
37	7024034	1	Plug	
38	7024041	1	Orifice	
39	7024034	1	O-Ring	
51	7024034	1	Seal Kit (Includes Items 20-24, 37 & 39)	

SECTION 1 - FRAME

FIGURE 1-6. HUB AND MOTOR ASSEMBLY (SN 0300079667 through 0300083555)



SECTION 1 - FRAME



SECTION 1 - FRAME

FIGURE 1-6. HUB AND MOTOR ASSEMBLY (SN 0300079667 through 0300083555)

ITEM	PART NUMBER	QTY	DESCRIPTION	REV
	2780279	Ref	DRIVE HUB AND MOTOR ASSEMBLY	B
		Ref	Note: For Machines Buil S/N 0300079667 to S/N 0300083556, Original Equipment p/n 2780279 may have been replaced with Service Replacement p/n 2780284 - See HUB AND MOTOR ASSEMBLY for Breakdown. Refer to tag on hub for identification before ordering parts.	
		Ref	Note: Unless there is capability to torque shaft (item 5) to 626 ft/lbs. (850Nm) Repair beyond this level is NOT advised.	
1	2780248	1	Hub, Torque	
2	7024028	4	Gear, Planet	
3	7024029	3	Gear, Planet	
4	7022535	1	Gear, Sun	
5	7022536	1	Nut, Shaft	
6	7021388	3	Pin, Planet	
8	7022537	1	Carrier, Planet	
9	7022538	1	Cover	
10	7024967	1	Button, Thrust	
11	7024029	3	Bearing, Roller	
12	7024028	4	Bearing, Roller	
13	7022536	1	Bearing, Ball	
14	7022540	2	Bolt, Hex	
15	7024029	3	Ring, Retaining	
16	7024028	4	Ring, Retaining	
17	7022546	1	Ring, Retaining	
18	7024029	3	Ring, Stay	
20	7024966	1	O-Ring	
21	7024968	1	Seal, Face	
22	7022550	2	Plug	
23	7022540	2	Seal, Ring	
24	7022536	2	Bolt	
25	See Note	2	Ball (Note: Not available for purchase)	
28	See Note	2	Bolt (Note: Not Available for Purchase)	
29	See Note	2	Washer (Note: Not Available for Purchase)	
31	7022556	1	Gear, Ring	
34	7022540	1	O-Ring	
41	7024030	3	Gear, Planet	
42	7022559	1	Carrier, Planet	
43	7022560	1	Gear, Sun	
44	7022540	1	Gear, Sun	
45	7022540	1	Shaft, Input	
46	7011326	3	Pin, Planet	
47	7024030	3	Bearing, Roller	
48	7022564	1	Ring, Retaining	
49	7024030	3	Ring, Retaining	
51	7024030	3	Ring, Stay	
52	7022567	1	Cover	
53	7022568	1	Thrustwasher	
54	7022536	2	Bolt	
55	7022540	1	O-Ring	
56	7022540	1	Spring, Pressure	
61	7022572	1	Spindle	

SECTION 1 - FRAME

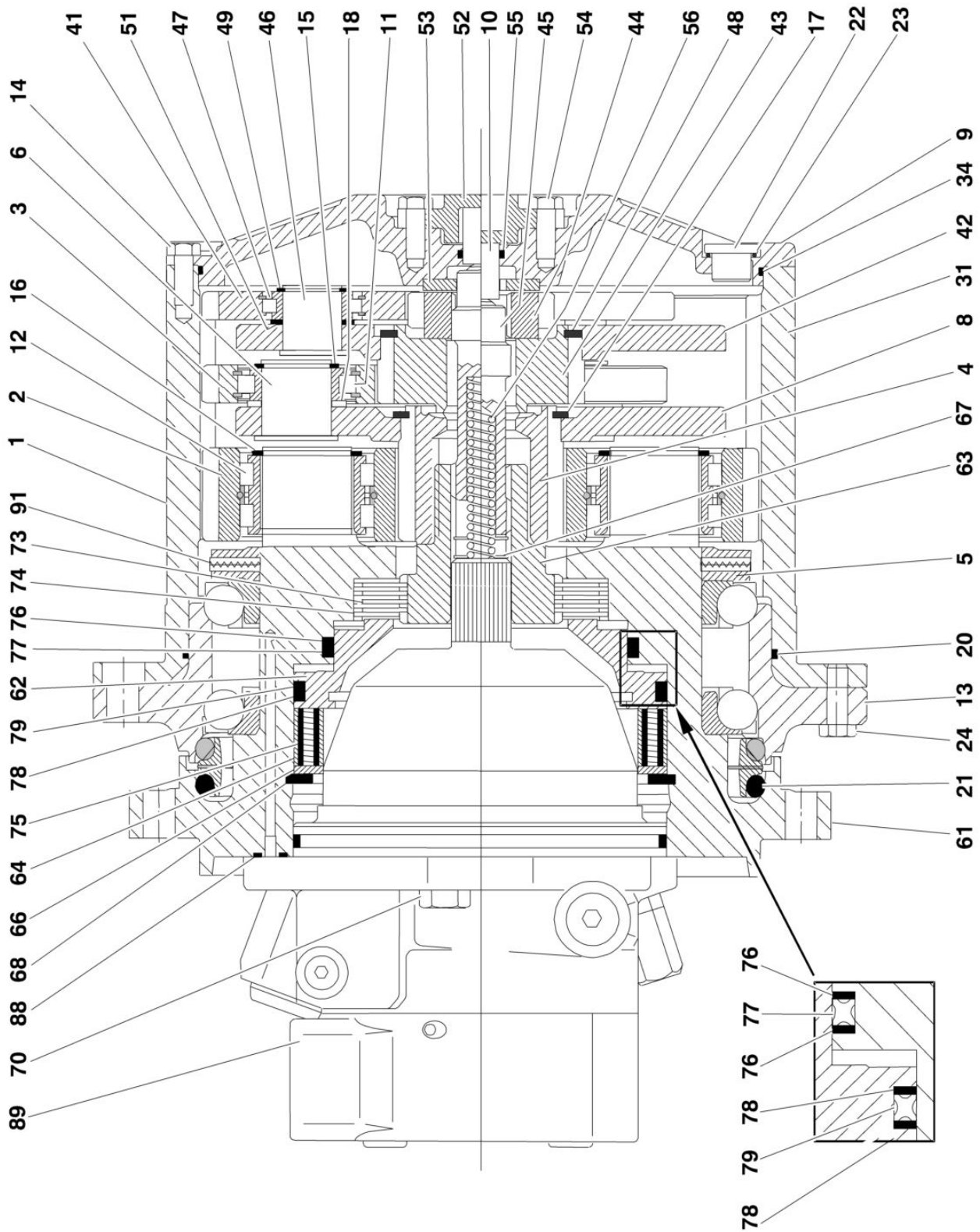
ITEM	PART NUMBER	QTY	DESCRIPTION	REV
62	7022573	1	Piston	
63	7022574	1	Coupler	
64	7022575	1	Ring, Locator	
65	7021354	1	Plate, Back-up	
66	7022576	1	Plate, Back-up	
67	7022577	1	Ring, Retaining	
68	7022578	1	Ring, Retaining	
69	7022509	1	Ring, Retaining	
70	7022579	2	Bolt	
73	7022580	4	Disc, Brake	
74	7022580	5	Disc, Brake	
75	7022580	16	Spring	
76	7022581	2	Ring, Back-up	
77	7022581	1	Seal	
78	7022581	2	Ring, Back-up	
79	7022581	1	Seal	
88	7024032	1	O-Ring	
89	3160291	1	Motor Assembly (Note: See Items 101 to 139 for Breakdown)	
90	7024031	1	O-Ring (Not Shown)	
91	7024969	2	Pin, Slotted (Not Shown)	
92	2130812	1	Fitting 90 Degree	
93	2110812	1	Fitting, Straight	
94	2110808	1	Fitting, Straight	
95	2110404	1	Fitting, Straight	
96	2130404	1	Fitting 90 Degree	
97	7022581	1	Kit 1 - Brake Seal Kit (Includes Items 76-79)	
98	7022580	1	Kit 2 - Brake Disc Kit (Includes Items 73-75)	
98	7022536	1	Kit 3 - Bearing Kit (Includes Items 5, 13, 24 & 54)	
98	7024030	1	Kit 4 - Planet Gear and Bearing Kit (Includes Items 41, 47, 49 & 51)	
98	7024029	1	Kit 5 - Planet Gear and Bearing Kit (Includes Items 3, 11, 15 & 18)	
98	7024028	1	Kit 6 - Planet Gear and Bearing Kit (Includes Items 2, 12 & 16)	
98	7022540	1	Kit 7 - Mechanical Disconnect Kit (Includes Items 14, 23, 34, 44, 45, 55 & 56)	
	3160291	Ref	DRIVE MOTOR ASSEMBLY	A
101	7012716	1	Rotary Group Assembly	
102	See Note	1	Piston, Control (Note: Not Available - Purchase Complete)	
103	See Note	1	Rod, Piston (Note: Not Available - Purchase Complete)	
105	See Note	1	Housing (Note: Not Available - Purchase Complete Motor)	
106	See Note	1	Plate, Port (Note: Not Available - Purchase Complete Motor)	
107	7024036	1	Plate, Swash	
108	7024037	1	Driveshaft	
109	See Note	1	Plug, Screw (Note: Not Available For Purchase)	
112	7012704	1	Shim	
113	See Note	1	Stop Screw (Note: Not Available For Purchase)	
115	7024038	1	Bearing	
116	7012706	1	Bearing	
117	7024039	2	Shell, Cradle	
120	7024034	1	Seal, Shaft	
121	7024034	1	O-Ring	
122	7024034	1	O-Ring	

SECTION 1 - FRAME

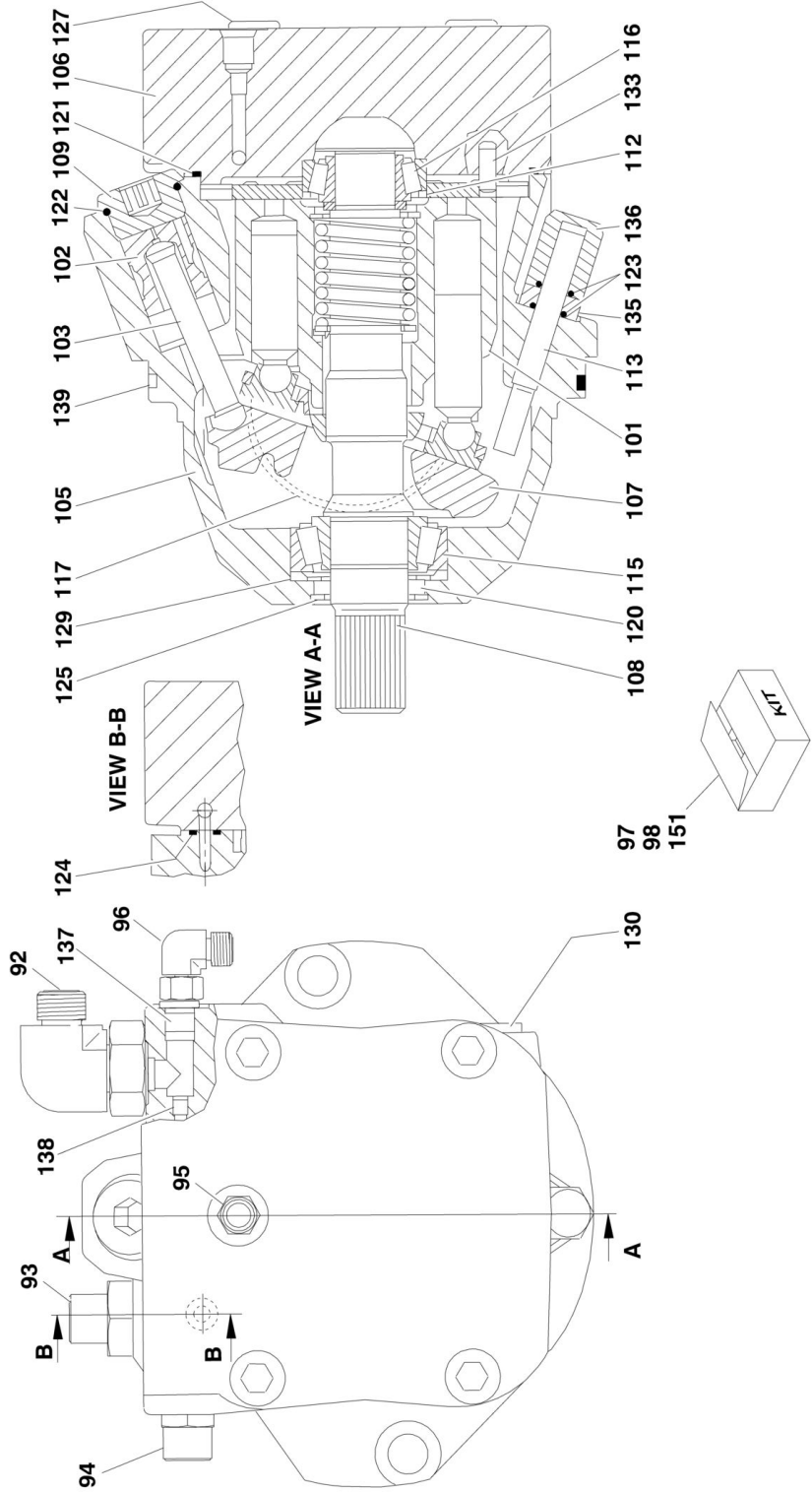
ITEM	PART NUMBER	QTY	DESCRIPTION	REV
123	7024034	2	O-Ring	
124	7024034	1	Seal	
125	7012715	1	V-Ring	
127	7024040	4	Screw, Socket Head M12 x 60mm	
129	See Note	1	Ring, Stop (Note: Not Available For Purchase)	
130	See Note	1	Plug (Note: Not Available For Purchase)	
133	See Note	1	Pin, Dowel (Note: Not Available For Purchase)	
135	See Note	1	Nut M10 (Note: Not Available For Purchase)	
136	See Note	1	Nut, Cap M10 (Note: Not Available For Purchase)	
137	7024034	1	Plug	
138	7024041	1	Orifice	
139	7024034	1	O-Ring	
151	7024034	1	Seal Kit (Includes Items 120-124, 137 & 139)	

SECTION 1 - FRAME

FIGURE 1-7. HUB AND MOTOR ASSEMBLY (SN 0300083556 through 0300103906)



SECTION 1 - FRAME



SECTION 1 - FRAME

FIGURE 1-7. HUB AND MOTOR ASSEMBLY (SN 0300083556 through 0300103906)

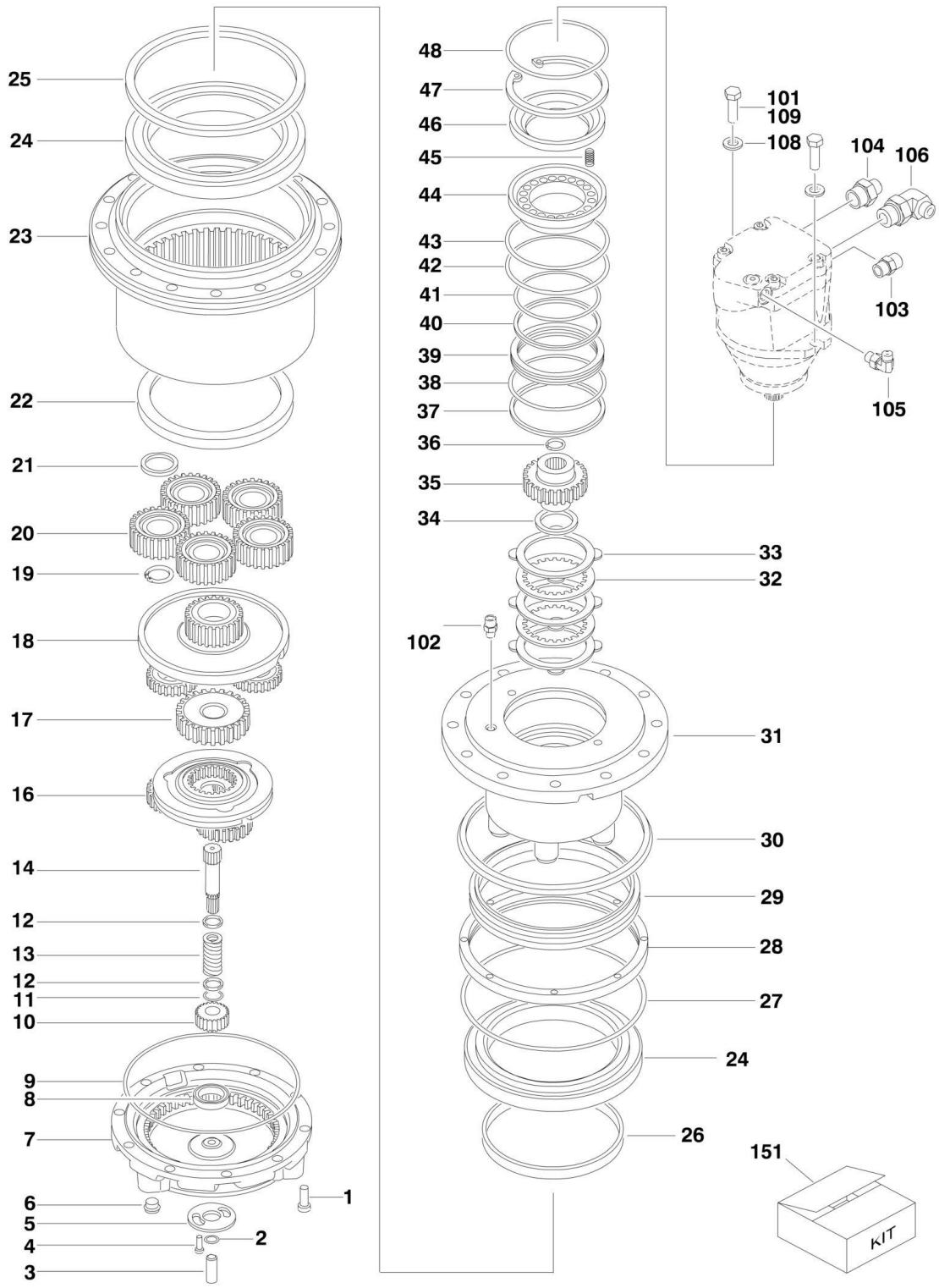
ITEM	PART NUMBER	QTY	DESCRIPTION	REV
	2780284	Ref	DRIVE HUB AND MOTOR ASSEMBLY	B
		Ref	Note: Unless there is capability to torque shaft (item 5) to 626 ft/lbs. (850Nm) Repair beyond this level is NOT advised.	
1	2780283	1	Hub, Torque	
2	7024028	4	Gear, Planet	
3	7024029	3	Gear, Planet	
4	7022535	1	Gear, Sun	
5	7024970	1	Nut, Shaft	
6	7021388	3	Pin, Planet	
8	7022537	1	Carrier, Planet	
9	7022538	1	Cover	
10	7024967	1	Button, Thrust	
11	7024029	3	Bearing, Roller	
12	7024028	4	Bearing, Roller	
13	7024971	1	Bearing, Ball	
14	See Note	12	Bolt, Hex (Note: Not Available For Purchase)	
15	7024029	3	Ring, Retaining	
16	7024028	4	Ring, Retaining	
17	7022546	1	Ring, Retaining	
18	7024029	3	Ring, Stay	
20	7024966	1	O-Ring	
21	7024968	1	Seal, Face	
22	7022550	2	Plug	
23	7024048	2	Seal, Ring	
24	See Note	2	Bolt (Note: Not Available For Purchase)	
31	7022556	1	Gear, Ring	
34	7024972	1	O-Ring	
41	7024030	3	Gear, Planet	
42	7022559	1	Carrier, Planet	
43	7022560	1	Gear, Sun	
44	7022561	1	Gear, Sun	
45	7024973	1	Shaft, Input	
46	7011326	3	Pin, Planet	
47	7024030	3	Bearing, Roller	
48	7022564	1	Ring, Retaining	
49	7024030	3	Ring, Retaining	
51	7024030	3	Ring, Stay	
52	7022567	1	Cover	
53	7022568	1	Thrustwasher	
54	See Note	2	Bolt (Note: Not Available For Purchase)	
55	7024974	1	O-Ring	
56	7024875	1	Spring, Pressure	
61	See Note	1	Spindle (Note: Not Available - Purchase Complete)	
62	7022573	1	Piston	
63	7022574	1	Coupler	
64	7024976	1	Ring, Spacer	
66	7024976	1	Plate, Back-up	
67	7022577	1	Ring, Retaining	
68	7022578	1	Ring, Retaining	
70	7022579	2	Bolt	

SECTION 1 - FRAME

ITEM	PART NUMBER	QTY	DESCRIPTION	REV
73	7024976	4	Disc, Brake	
74	7024976	5	Disc, Brake	
75	7024976	16	Spring	
76	7022581	2	Ring, Back-up	
77	7022581	1	Seal	
78	7022581	2	Ring, Back-up	
79	7022581	1	Seal	
88	7024976	1	O-Ring	
89	3160291	1	Motor Assembly (Note: See Items 101 to 139 for Breakdown)	
90	7024031	1	O-Ring (Not Shown)	
91	7024969	2	Pin, Slotted (Not Shown)	
92	2130812	1	Fitting 90 Degree	
93	2110812	1	Fitting, Straight	
94	2110808	1	Fitting, Straight	
95	2110404	1	Fitting, Straight	
96	2130404	1	Fitting 90 Degree	
97	7022581	1	Kit 1 - Brake Seal Kit (Includes Items 76-79)	
98	7024976	1	Kit 2 - Brake Disc Kit (Includes Items 64, 66, 73-75 & 88)	
98	7024030	1	Kit 3 - Planet Gear and Bearing Kit (Includes Items 41, 47, 49 & 51)	
98	7024029	1	Kit 4 - Planet Gear and Bearing Kit (Includes Items 3, 11, 15 & 18)	
98	7024028	1	Kit 6 - Planet Gear and Bearing Kit (Includes Items 2, 12 & 16)	
	3160291	Ref	DRIVE MOTOR ASSEMBLY	D
101	7012716	1	Rotary Group Assembly	
102	See Note	1	Piston, Control (Note: Not Available - Purchase Complete)	
103	See Note	1	Rod, Piston (Note: Not Available - Purchase Complete)	
105	See Note	1	Housing (Note: Not Available - Purchase Complete)	
106	See Note	1	Plate, Port (Note: Not Available - Purchase Complete)	
107	7024036	1	Plate, Swash	
108	7024037	1	Driveshaft	
109	See Note	1	Plug, Screw (Note: Not Available For Purchase)	
112	7012704	1	Shim	
113	See Note	1	Stop Screw (Note: Not Available For Purchase)	
115	7024038	1	Bearing	
116	7012706	1	Bearing	
117	7024039	2	Shell, Cradle	
120	7024034	1	Seal, Shaft	
121	7024034	1	O-Ring	
122	7024034	1	O-Ring	
123	7024034	2	O-Ring	
124	7024034	1	Seal	
125	7012715	1	V-Ring	
127	7024040	4	Screw, Socket Head M12 x 60mm	
129	See Note	1	Ring, Stop (Note: Not Available For Purchase)	
130	See Note	1	Plug (Note: Not Available For Purchase)	
133	See Note	1	Pin, Dowel (Note: Not Available For Purchase)	
135	See Note	1	Nut M10 (Note: Not Available For Purchase)	
136	See Note	1	Nut, Cap M10 (Note: Not Available For Purchase)	
137	7024034	1	Plug	
138	7024041	1	Orifice	
139	7024034	1	O-Ring	
151	7024034	1	Seal Kit (Includes Items 120-124, 137 & 139)	

SECTION 1 - FRAME

FIGURE 1-8. DRIVE HUB ASSEMBLY - BONFIGLIOLI (SN 0300103907 through 0300201017)



SECTION 1 - FRAME

FIGURE 1-8. DRIVE HUB ASSEMBLY - BONFIGLIOLI (SN 0300103907 through 0300201017)

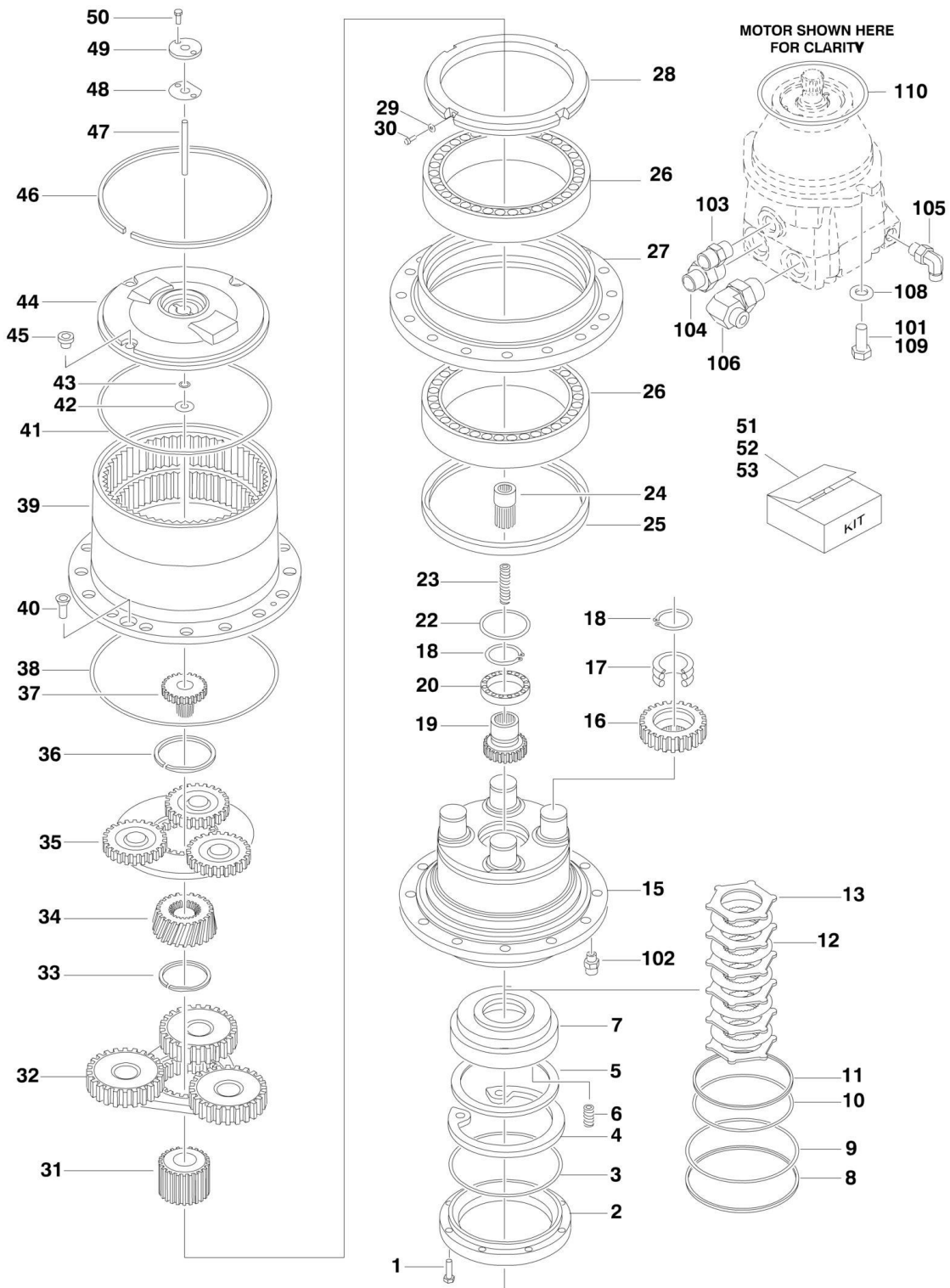
ITEM	PART NUMBER	QTY	DESCRIPTION	REV
		Ref	DRIVE HUB ASSEMBLY WITH FITTINGS AND HARDWARE	
	2780290	Ref	Drive Hub Assembly (SN 0300103907 through 0300130177)	B
	1001093243	Ref	Drive Hub Assembly (SN 0300130178 through 0300201017)	D
		Ref	Note: For Machines Built S/N 03001039076 to S/N 0300130178, Original Equipment may have been replaced with Service Replacement p/n 1001093243. Refer to tag on hub for identification before ordering parts.	
		Ref	Note: Various brands used on Machines Built S/N 0300103907 through 0300201016. Identify brand before ordering replacement parts.	
		Ref	Hub, Torque Options:	
	2780285	1	Hub, Bonfiglioli (Use p/n 1001093242) (SN 0300103907 through 0300130177)	
	1001093242	1	Hub, Bonfiglioli (SN 0300130178 through 0300201017)	
1	70000810	10	Bolt M10 x 25mm	
2	70000811	1	O-Ring	
3	70000812	1	Pin	
4	70000813	2	Bolt M8 x 16mm	
5		Ref	Cap, Disconnect Options:	
5	70000814	1	Cap, Disconnect (PN 2780285 Hub)	
5	70002393	1	Cap, Disconnect (PN 1001093242 Hub)	
6	See Note	2	Plug (Note: Not Available For Purchase)	
7	70000815	1	Cover Assembly (PN 2780285 Hub) (Includes Items 2-6 & 8)	
7	70002394	1	Cover Assembly (PN 1001093242 Hub) (Includes Items 2-6 & 8)	
8	70000816	1	Pad	
9	70000817	1	O-Ring	
10	70000818	1	Gear, Primary Sun	
11	70000819	1	Ring, Neoprene	
12	70000819	2	Washer	
13	70000819	1	Spring	
14	70000819	1	Shaft	
16	70000820	1	Reduction Assembly, Primary	
17	70000821	1	Gear, Secondary Sun	
18	70000822	1	Reduction Assembly, Secondary	
19	70000823	5	Snap Ring	
20	70000824	5	Gear Assembly, Planetary	
21	70000825	5	Spacer	
22	70000826	1	Nut	
23		Ref	Housing, Hub Options:	
23	See Note	1	Housing, Hub (PN 2780285 Hub) (Note: Not Available - Purchase Complete Assembly)	
23	70002395	1	Housing, Hub (PN 1001093242 Hub) (Includes Bearing)	
24	70000827	2	Roller Bearing (PN 2780285 Hub) (Shown)	
24	70002396	2	Circlip (PN 1001093242 Hub) (Not Shown)	
25	70000828	1	Spacer (PN 2780285 Hub Only)	
26	70000829	1	Spacer (PN 2780285 Hub Only)	
27	70000830	1	O-Ring (PN 2780285 Hub Only)	
28	70000831	1	Spacer (PN 2780285 Hub Only)	
29	70000832	1	Seal (PN 2780285 Hub)	
29	70002397	1	Seal (PN 1001093242 Hub)	

SECTION 1 - FRAME

ITEM	PART NUMBER	QTY	DESCRIPTION	REV
30	7000833	1	Ring, Sealing (PN 2780285 Hub Only)	
31	See Note	1	Spindle (Note: Not Available - Purchase Complete Assembly)	
32	7000834	4	Disc, Steel	
33	7000835	5	Disc, Lined	
34	7000836	1	Spacer	
35	7000837	1	Shaft, Brake (PN 2780285 Hub)	
35	70002398	1	Shaft, Brake (PN 1001093242 Hub)	
36	7000838	1	Snap Ring	
37	7000839	1	Ring, Backup	
38	7000840	1	O-Ring	
39	7000841	1	Spacer	
40	7000842	1	Ring, Backup	
41	7000843	1	O-Ring	
42	7000844	1	O-Ring	
43	7000845	1	Ring, Backup	
44	7000846	1	Piston, Brake	
45	7000847	15	Spring	
46	7000848	1	Plate, Spring Retainer	
47	7000849	1	Snap Ring	
48	7000850	1	O-Ring (PN 2780285 Hub) (Use p/n 3790158)	
48	70002399	1	O-Ring (PN 1001093242 Hub)	
101	0761215	2	Bolt M12 x 35mm	
102	2110404	1	Fitting, Adapter	
103	2110808	1	Fitting, Adapter	
104	2110812	1	Fitting, Adapter	
105	2130406	1	Fitting, 90 Degree Adapter	
106	2130812	1	Fitting, 90 Degree Adapter	
108	5241200	2	Flatwasher M12 Hardened	
109	0100011	AR	Compound, Locking	
110	3020008	17 oz	Lubricant HD 80W-90 (Not Shown)	
151	7000819	1	Brake Shaft Kit (Includes Items 11-14)	

SECTION 1 - FRAME

FIGURE 1-9. DRIVE HUB ASSEMBLY - REGGIANA RIDUTTORI (SN 0300103907 through 0300201017)



SECTION 1 - FRAME

FIGURE 1-9. DRIVE HUB ASSEMBLY - REGGIANA RIDUTTORI (SN 0300103907 through 0300201017)

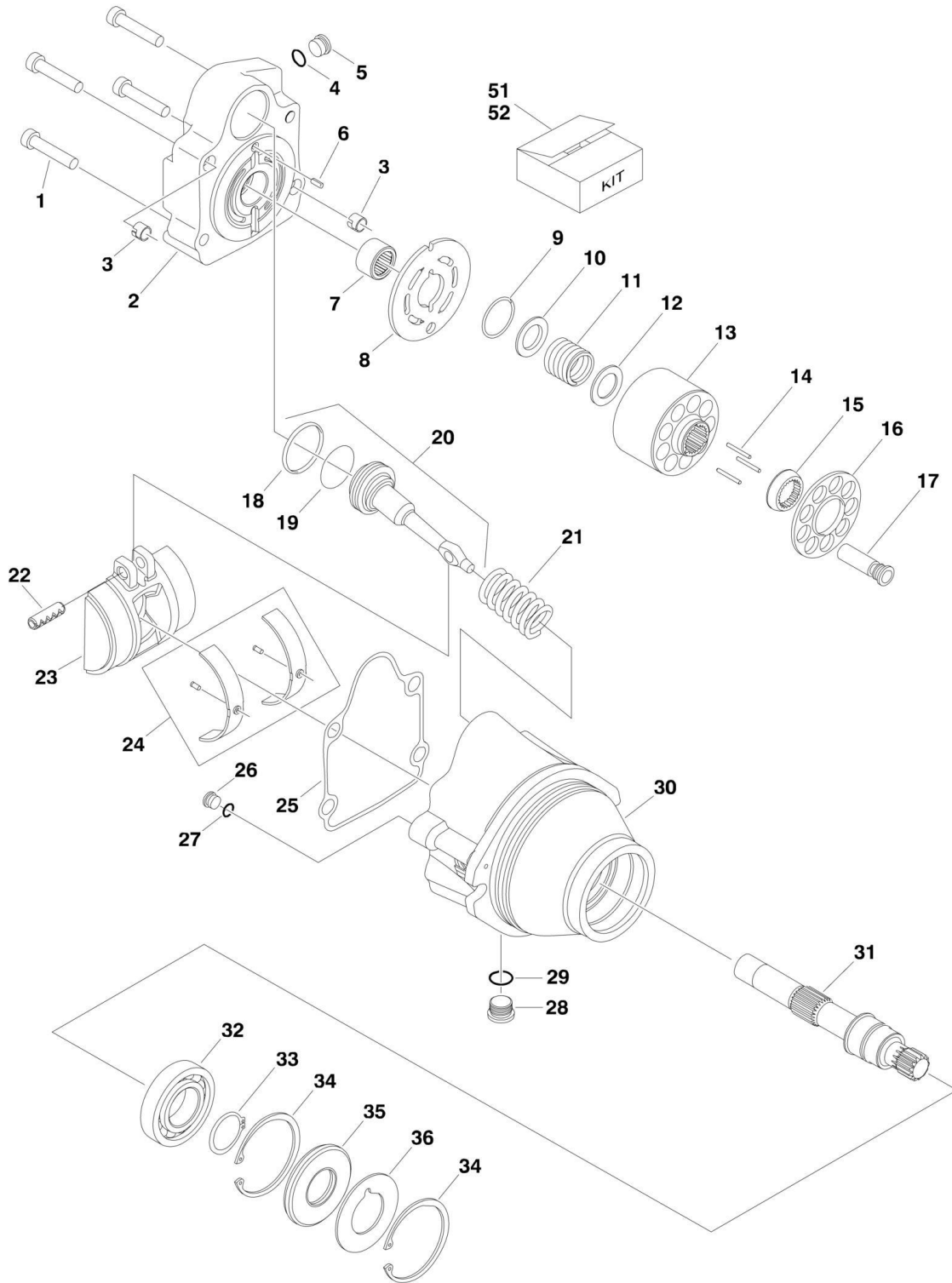
ITEM	PART NUMBER	QTY	DESCRIPTION	REV
	1001104325	Ref	DRIVE HUB ASSEMBLY WITH FITTINGS AND HARDWARE	D
		Ref		Note: Various brands used on Machines Built S/N 0300103907 through 0300201016. Identify brand before ordering replacement parts.
	1001101550	1	Hub, Torque	C
1	70002015	8	Bolt M8 x 25mm	
2	70002016	1	Ring, Motor Support	
3	70002248	1	O-Ring	
4	70002018	1	Snap Ring	
5	70002019	1	Retainer, Spring	
6	70002020	9	Spring	
7	70002021	1	Piston	
8	See Note	1	Ring, Backup (Note: Use Item 51 or 53.)	
9	See Note	1	O-Ring (Note: Use Item 51 or 53.)	
10	See Note	1	O-Ring (Note: Use Item 51 or 53.)	
11	See Note	1	Ring, Backup (Note: Use Item 51 or 53.)	
12	70002026	5	Disc, Friction	
13	70002027	6	Disc, Steel	
15	70002029	1	Spindle	
16	70002030	4	Gear, Planetary	
17	70002031	4	Bearing	
18	70002032	5	Snap Ring	
19	70002033	1	Gear, Brake/Input	
20	70002034	1	Bearing	
22	70002035	1	Ring, Wear	
23	70002036	1	Spring	
24	70002037	1	Shaft, Engagement	
25	70002248	1	Seal	
26	70002039	2	Bearing Assembly	
27	70002040	1	Support, Hub	
28	70002041	1	Nut, Retaining	
29	70002674	4	Washer (was p/n70002042)	
30	70002674	4	Screw (was p/n 70002043)	
31	70002044	1	Gear, Planetary Sun	
32	70002045	1	Reduction Assembly, Secondary	
33	70002046	1	Snap Ring	
34	70002047	1	Gear, Secondary Input Sun	
35	70002048	1	Reduction Assembly, Primary	
36	70002049	1	Snap Ring	
37	70002050	1	Gear, Primary Input Sun	
38	70002248	1	O-Ring	
39	See Note	1	Housing, Hub (Note: Not Available - Purchase Complete Assembly)	
40	70002052	2	Screw, Countersunk	
41	See Note	1	O-Ring (Note: Use Item 51 or 52.)	
42	70002247	1	Thrustwasher	
43	See Note	1	O-Ring (Note: Use Item 51 or 52.)	
44	70002247	1	Cover, Hub	
45	70002057	3	Plug	
46	70002247	1	Snap Ring	

SECTION 1 - FRAME

ITEM	PART NUMBER	QTY	DESCRIPTION	REV
47	70002247	1	Pin, Engagement	
48	See Note	1	Gasket (Note: Use Item 51 or 52.)	
49	70002247	1	Cover, Engagement	
50	70002247	2	Screw	
51	70002248	1	Seal Kit (Includes Items 3, 8-11, 25, 38, 41, 43 & 48)	
52	70002247	1	Cover Kit (Includes Items 41-50)	
53	70002249	1	Brake Kit (Includes Items 4-13)	
101	0761214	2	Bolt M12 x 30mm	
102	2110404	1	Fitting, Adapter	
103	2110808	1	Fitting, Adapter	
104	2110812	1	Fitting, Adapter	
105	2130406	1	Fitting, 90 Degree Adapter	
106	2130812	1	Fitting, 90 Degree Adapter	
108	5241200	2	Flatwasher M12 Hardened	
109	0100011	AR	Compound, Locking	
110	3790158	1	O-Ring	
111	3020008	17 oz	Lubricant HD 80W-90 (Not Shown)	

SECTION 1 - FRAME

FIGURE 1-10. DRIVE MOTOR ASSEMBLY (SN 0300103907 through 0300201017)



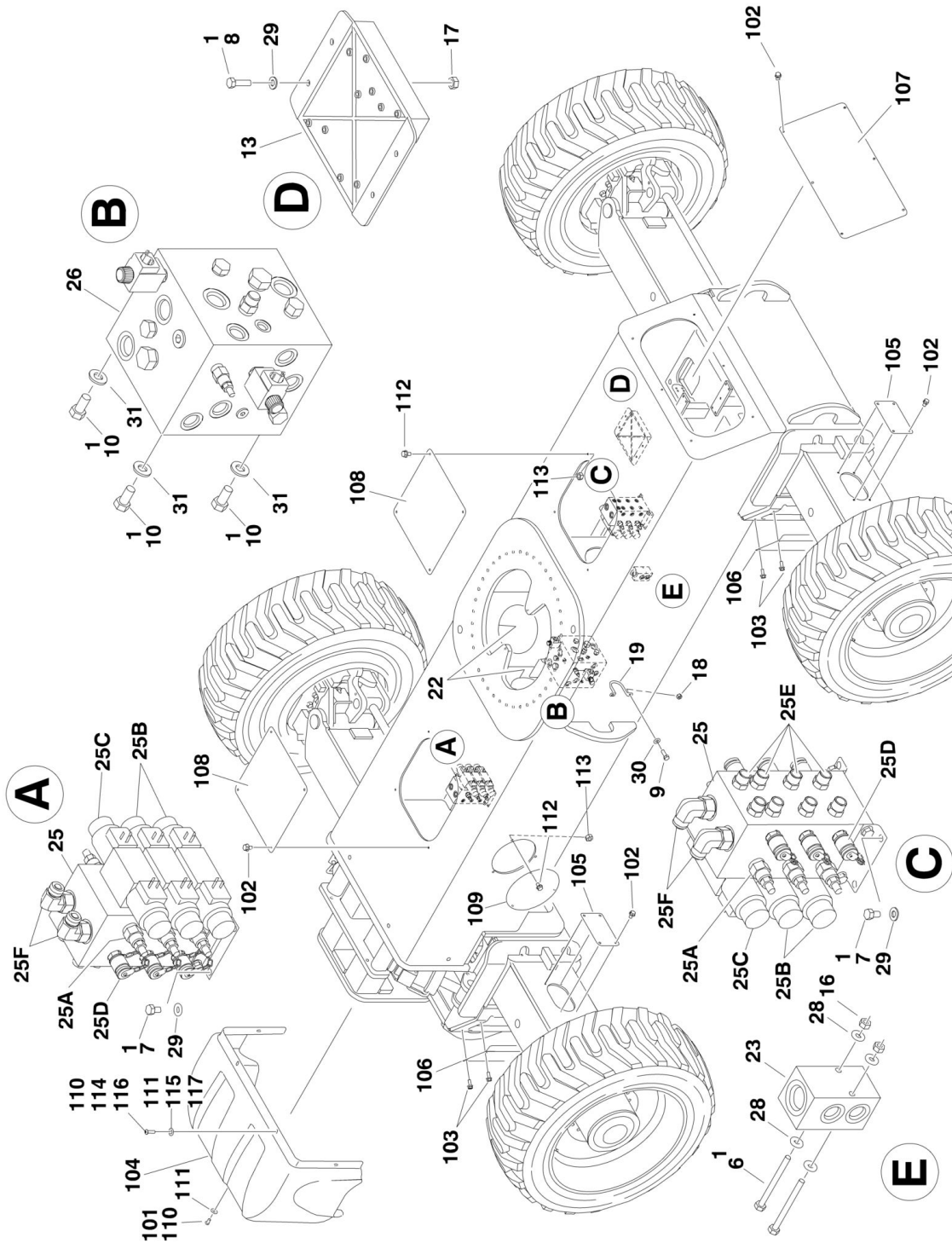
SECTION 1 - FRAME

FIGURE 1-10. DRIVE MOTOR ASSEMBLY (SN 0300103907 through 0300201017)

ITEM	PART NUMBER	QTY	DESCRIPTION	REV
	3160339	Ref	DRIVE MOTOR ASSEMBLY	B
1	7022368	4	Bolt	
2	70000859	1	End Cap, Motor	
3	70003628	2	Locating Pin	
4	70000862	1	O-Ring	
5	7007420	1	Plug (Includes Item 4)	
6	7007446	1	Pin, Dowel	
7	7021249	1	Bearing, Needle	
8	70000854	1	Plate, Valve	
9	7022311	1	Snap Ring	
10	7022314	1	Retainer, Spring	
11	7024867	1	Spring	
12	7024868	1	Washer (was p/n 7022313)	
13	70000855	1	Block, Cylinder	
14	7021275	3	Pin, Slipper	
15	70000856	1	Guide	
16	70000857	1	Retainer, Slipper	
17	7024865	9	Piston, Cylinder	
18	70000862	1	Ring, Piston	
19	70000862	1	O-Ring	
20	70000860	1	Piston, Servo (Includes Items 18 & 19)	
21	70000861	1	Spring	
22	See Note	1	Pin (Note: Not Available for Purchase)	
23	70000853	1	Swashplate	
24	70000852	1	Bearing Kit	
25	70000862	1	Gasket	
26	See Note	1	Plug (Note: Not Available for Purchase)	
27	70000862	1	O-Ring	
28	7022321	1	Plug (Includes Item 29)	
29	70000862	1	O-Ring	
30	See Note	1	Housing (Note: Not Available - Purchase Complete Motor)	
31	70000858	1	Shaft	
32	7007437	1	Bearing	
33	7007439	1	Snap Ring	
34	7007438	2	Snap Ring	
35	70000862	1	Seal	
36	7022371	1	Washer, Seal Support	
51	70000862	1	Kit 1 - Motor Seal Kit (Includes Items 4, 18, 19, 25, 27, 29 & 35)	
52	7027740	1	Kit 2 - Cylinder Block Kit (Includes Items 9 - 17)	

SECTION 1 - FRAME

FIGURE 1-11. FRAME VALVES AND COVERS INSTALLATION



SECTION 1 - FRAME

FIGURE 1-11. FRAME VALVES AND COVERS INSTALLATION

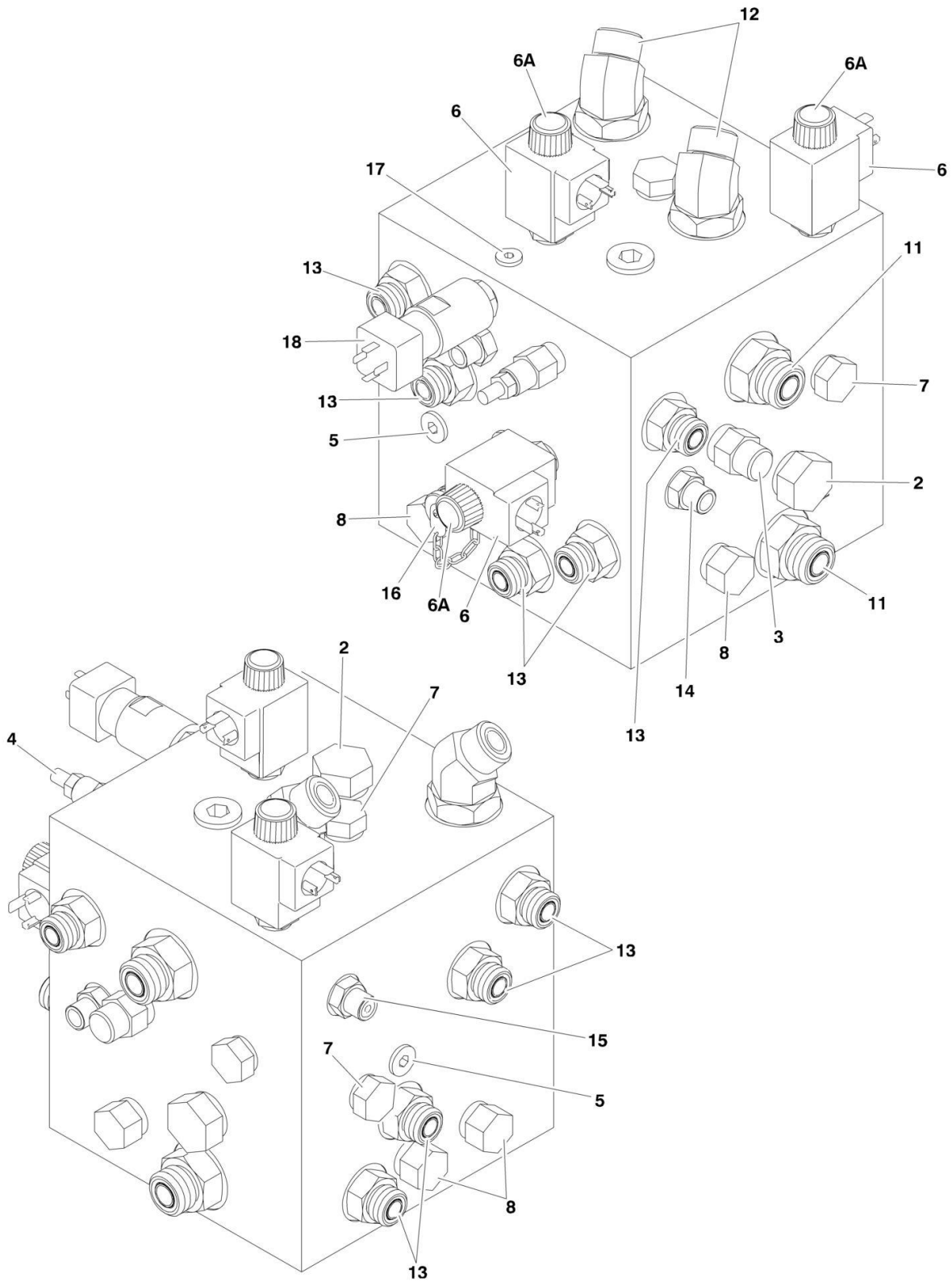
ITEM	PART NUMBER	QTY	DESCRIPTION	REV
	0273377	Ref	FRAME VALVES INSTALLATION	M
1	0100011	AR	Compound, Locking	
6	0641424	2	Bolt 1/4in-20NC x 3in	
7	0641504	8	Bolt 5/16in-18NC x 1/2in	
8	0641509	4	Bolt 5/16in-18NC x1-1/8in	
9	0641608	12	Bolt 3/8in-16NC x 1in	
10	0641808	4	Bolt 1/2in-13NC x 1in	
13	1600331	1	Module (Chassis) (Note: Control System must be recalibrated when Module is replaced) (Use p/n 1001112758) (Prior to 0300141570)	
13	2915024	1	Update Kit (Includes Cables, Programming Instructions and CD Software)	
16	3311405	2	Locknut 1/4in-20NC	
17	3311505	4	Locknut 5/16in-18NC	
18	3311605	4	Locknut 3/8in16NC	
19	3841340	2	Loop, Hose	
22	4060808	124 in/3.2m	Flex-Trim	
23	4641155	1	Manifold, Junction	
25	4641268	2	Valve Assembly - Steer	B
25A	7026028	12	Cartridge (6 Per Valve)	
25A	7011346	12	Seal Kit - Cartridge (1 Per Cartridge)	
25B	7024927	4	Valve (2 Per Valve)	
25B	7012773	4	Seal Kit - Cartridge (1 Per Cartridge)	
25B	7018991	8	Coil (2 Per Valve)	
25C	70001976	2	Valve (1 Per Valve) (was p/n 7012770)	
25C	7012773	2	Seal Kit - Cartridge (1 Per Cartridge)	
25C	7018991	4	Coil (2 Per Valve)	
25C	70001939	2	Orifice	
25D	2221086	6	Check, Pressure	
25E	2110606	8	Fitting, Straight	
25F	2130810	2	Fitting, 90 Degree	
26		Ref	Traction Valve Assembly Options:	
26	4641269	1	Traction Valve Assembly (See TRACTION VALVE ASSEMBLY for Breakdown) (Prior to SN 0300103907)	
26	4641454	1	Traction Valve Assembly (See TRACTION VALVE ASSEMBLY for Breakdown) (SN 0300103907 through 0300201017)	
28	4711400	8	Flatwasher 1/4in Thin	
29	4711500	16	Flatwasher 5/16in Thin	
30	4711600	8	Flatwasher 3/8in Thin	
31	4711800	4	Flatwasher 1/2in Thin	
		Ref	FRAME COVERS INSTALLATION	
	0271523	Ref	Frame Covers Installation (Prior to SN 0300195073)	D
	1001176346	Ref	Frame Covers Installation (SN 0300195073 through 0300201017)	C
101	0100011	AR	Compound, Locking	
102	0791604	AR	Screw 3/8in-16NC x 1/2in	
103	0791607	16	Screw 3/8in-16NC x 7/8in	
104	1670996	1	Cover, Front	
105	1671045	4	Plate, Cover (Axle Side)	
106	1671046	4	Plate, Cover (Axle Corner)	

SECTION 1 - FRAME

ITEM	PART NUMBER	QTY	DESCRIPTION	REV
107	1671047	1	Plate, Cover (Rear)	
108	1671048	2	Plate, Cover (Frame Top)	
109	1671049	4	Plate, Cover (Frame Side)	
110	3900283	AR	Screw, Button Head 3/8in-16NC x 3/4in	
111	4751600	AR	Flatwasher 3/8in Regular	
112	0791410	20	Screw, 1/4in-20NC x 1 1/4in (SN 0300195073 through 0300201017)	
113	8580420	40	Nut, well (SN 0300195073 through 0300201017)	
114	0641410	16	Bolt, 1/4in-20NC x 1 1/4in (SN 0300195073 through 0300201017)	
115	4751400	16	Flatwasher 1/8in Regular (SN 0300195073 through 0300201017)	
116	0641412	4	Bolt, 1/4in-20NC x 1 1/2in (SN 0300195073 through 0300201017)	
117	4740430	4	Flatwasher, Fender (SN 0300195073 through 0300201017)	

SECTION 1 - FRAME

FIGURE 1-12. TRACTION VALVE ASSEMBLY (Prior to SN 0300103907)



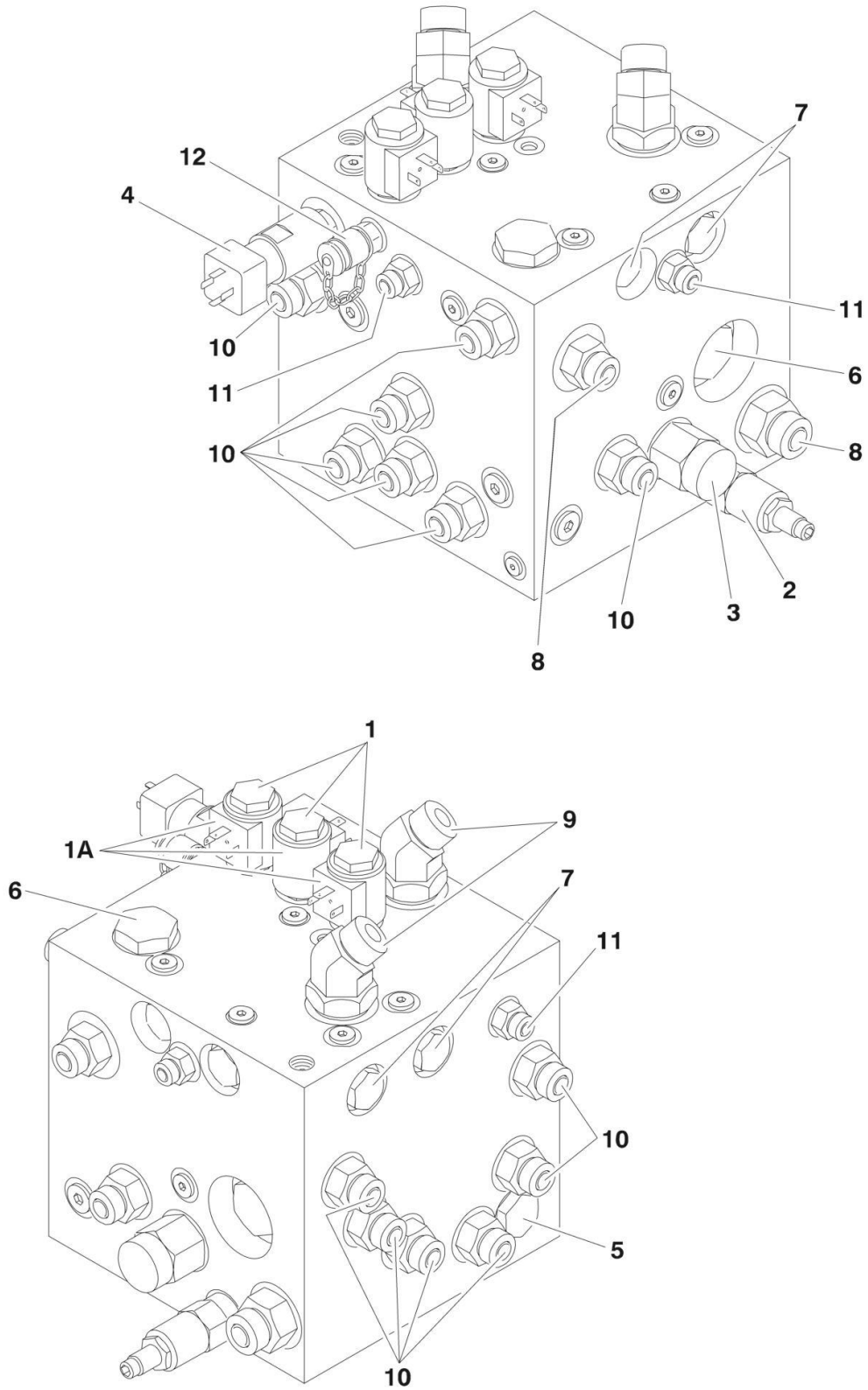
SECTION 1 - FRAME

FIGURE 1-12. TRACTION VALVE ASSEMBLY (Prior to SN 0300103907)

ITEM	PART NUMBER	QTY	DESCRIPTION	REV
	4641269	Ref	TRACTION VALVE ASSEMBLY	C
2	7026025	2	Cartridge, Valve (Flow Divider)	
2	70002519	2	Seal Kit - 7026025 Cartridge	
3	7026026	1	Cartridge, Valve (Shuttle)	
3	70002519	1	Seal Kit - 7026026 Cartridge	
4	7026027	1	Cartridge, Valve (Relief)	
4	7011346	1	Seal Kit - 7026027 Cartridge	
5	7018900	2	Orifice 1.2mm	
6	7024570	3	Cartridge, Valve (Steer, Brake and Lockout)	
6	70001930	3	Seal Kit - 7024570 Cartridge	
6A	7024571	3	Coil	
7	7011355	3	Cartridge, Valve (Shuttle)	
7	2900770	3	Seal Kit - 7011355 Cartridge	
8	7026012	4	Cartridge, Valve (Check)	
8	7011346	4	Seal Kit - 7026012 Cartridge	
11	2111012	2	Fitting, Straight	
12	2151012	2	Fitting, 45 Degree	
13	2110810	9	Fitting, Straight	
14	2110406	1	Fitting, Straight	
15	2180831	1	Fitting, Orifice	
16	2221086	1	Check, Pressure	
17	2220883	1	Fitting, Plug	
18	7024932	1	Switch, Pressure	

SECTION 1 - FRAME

FIGURE 1-13. TRACTION VALVE ASSEMBLY (SN 0300103907 through 0300201017)



SECTION 1 - FRAME

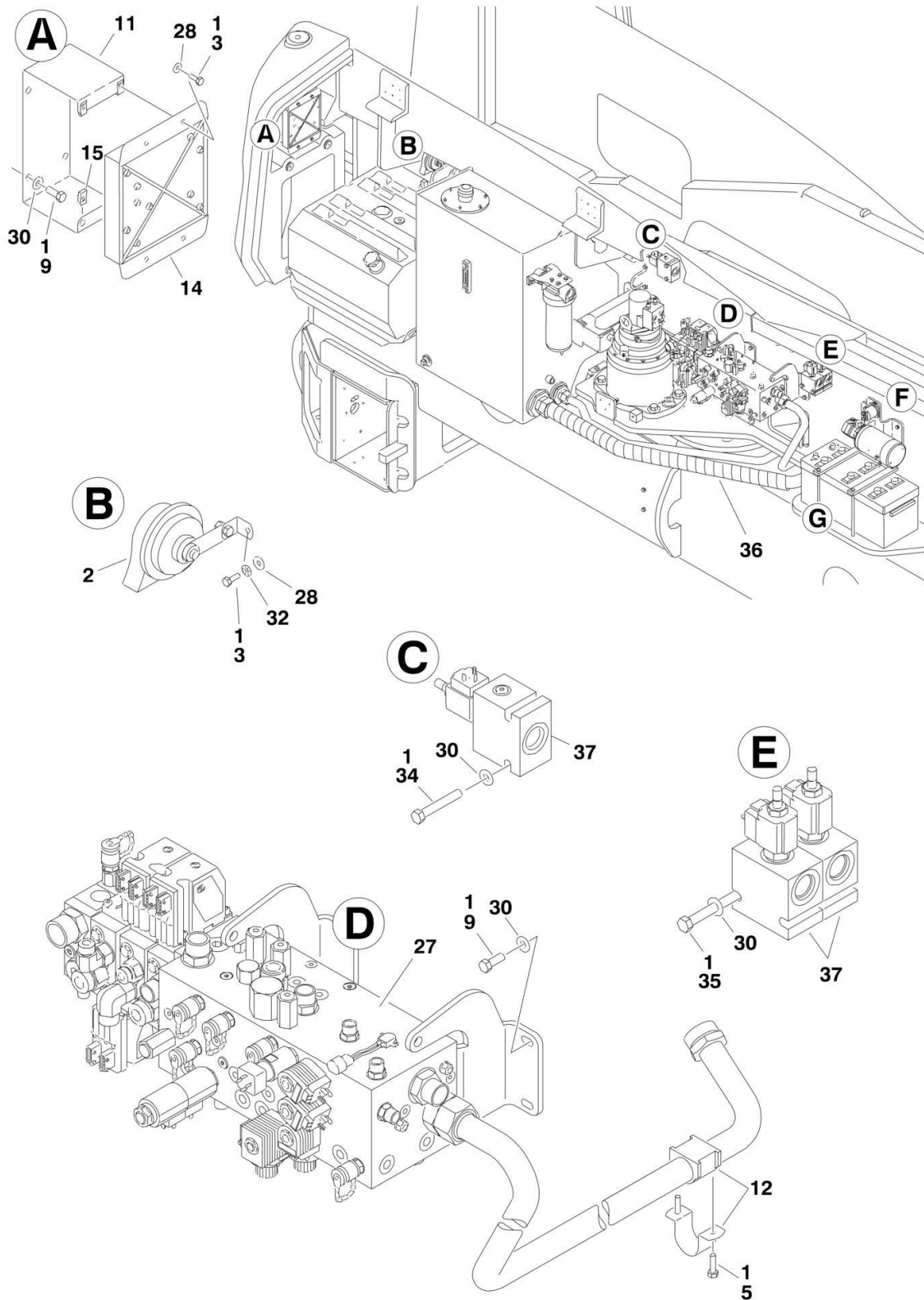
FIGURE 1-13. TRACTION VALVE ASSEMBLY (SN 0300103907 through 0300201017)

ITEM	PART NUMBER	QTY	DESCRIPTION	REV
	4641454	Ref	TRACTION VALVE ASSEMBLY	E
1	7012941	3	Cartridge, Valve (Steer, Brake and Axle Lockout)	
1	7010543	3	Seal Kit - 7012941 Cartridge	
1A	7012944	2	Coil	
2	70000801	1	Cartridge, Valve (Relief)	
2	7012998	1	Seal Kit - 70000801 Cartridge	
3	70000802	1	Cartridge, Valve (Pilot)	
3	7012942	1	Seal Kit - 70000802 Cartridge	
4	70000803	1	Pressure Switch	
5	70000804	1	Cartridge, Valve (Shuttle)	
5	70000805	1	Seal Kit - 70000804 Cartridge	
6	70000806	2	Cartridge, Valve (Flow Divider)	
6	7017405	2	Seal Kit - 70000806 Cartridge	
7	7012955	4	Cartridge, Valve (Check)	
7	7012967	4	Seal Kit - 7012955 Cartridge	
8	2111012	2	Fitting, Straight	
9	2151012	2	Fitting, 45 Degree	
10	2110810	13	Fitting, Straight	
11	2110406	3	Fitting, Straight	
12	2221086	1	Check, Pressure	
13	2220883	1	Plug, #4 (Not Shown)	

SECTION 2 - TURNTABLE

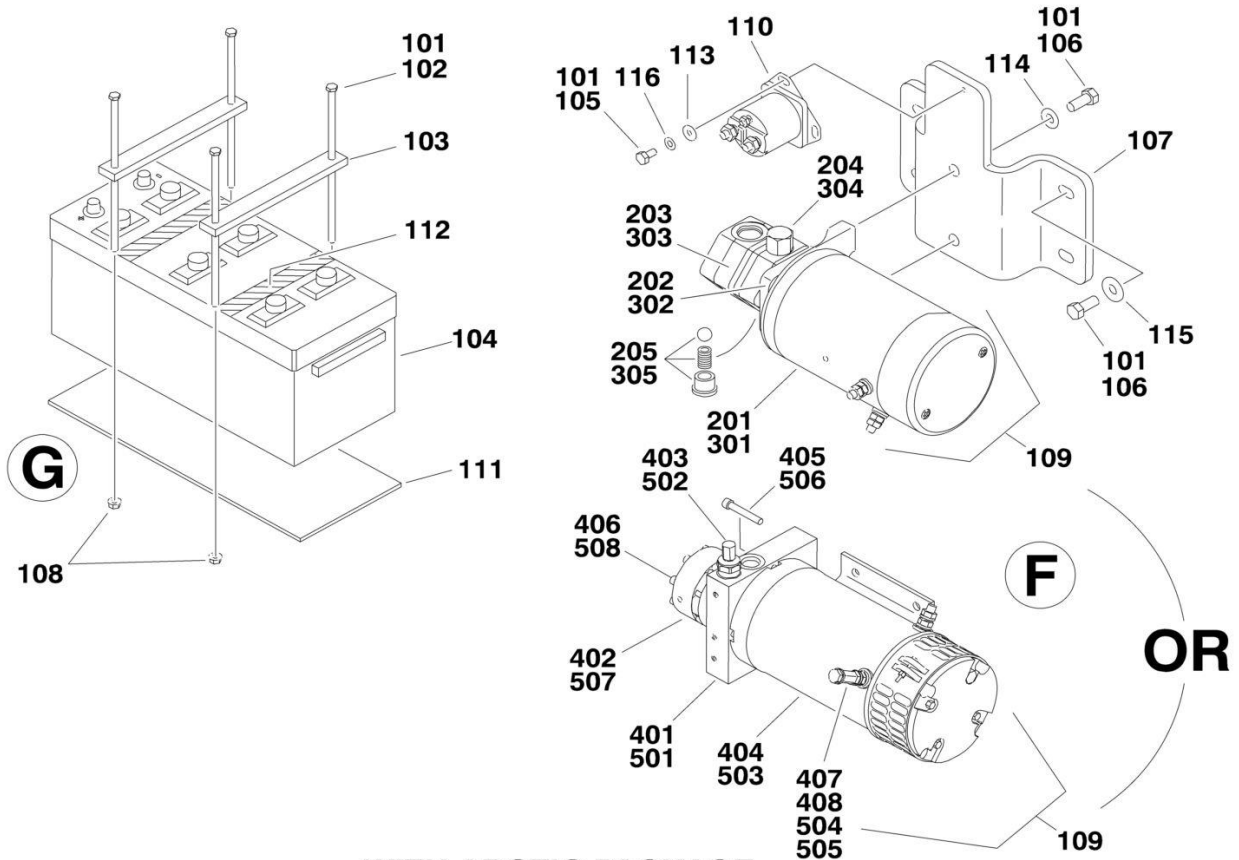
SECTION 2 - TURNTABLE

FIGURE 2-1. VALVE, BATTERY, HORN AND AUXILIARY PUMP INSTALLATIONS

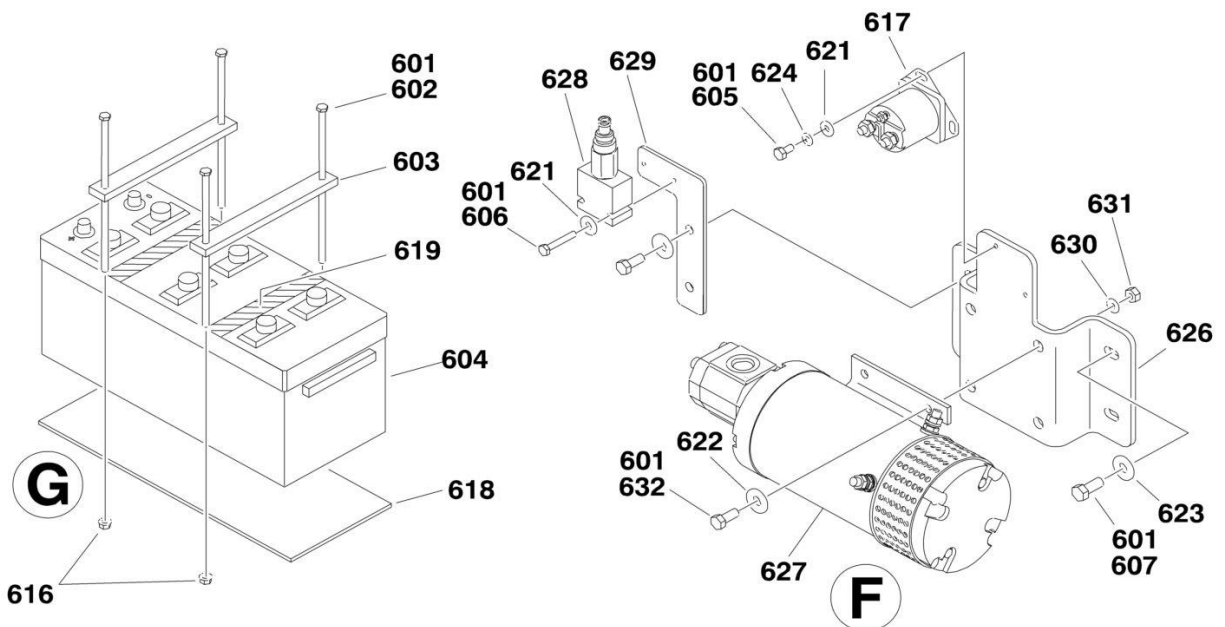


SECTION 2 - TURNTABLE

WITHOUT ARCTIC PACKAGE



WITH ARCTIC PACKAGE



SECTION 2 - TURNTABLE

FIGURE 2-1. VALVE, BATTERY, HORN AND AUXILIARY PUMP INSTALLATIONS

ITEM	PART NUMBER	QTY	DESCRIPTION	REV
	0273377	Ref	VALVES INSTALLATION - TURNTABLE MOUNTED	M
1	0100011	AR	Compound, Locking	
2	0140001	1	Horn	
3	0641406	5	Bolt 1/4in-20NC x 3/4in	
5	0641408	2	Bolt 1/4in-20NC x 1in	
9	0641608	8	Bolt 3/8in-16NC x 1in	
11	0902800	1	Bracket, Module Mounting	
12	1320322	1	Clamp	
14	1600332	1	Module, B.L.A.M. (1 Control System must be recalibrated when Module is replaced) (Use p/n 1001112757) (Prior to SN 0300141570)	
14	2915024	1	Update Kit (Includes Cables, Programming Instructions and CD Software)	
15	3300454	4	Nut, Special	
27		Ref	Main Valve Assembly Options (See MAIN VALVE ASSEMBLY for Breakdown):	
27	4641304	1	Valve, Main Control (Use p/n 1001103793) (Prior to SN 0300119708)	
27	1001103793	1	Valve, Main Control (SN 0300128768 through 0300201017)	
28	4711400	5	Flatwasher 1/4in Thin	
30	4711600	12	Flatwasher 3/8inThin	
32	4791400	1	Starwasher 1/4in	
34	0641620	2	Bolt 3/8in-16NC x 2 1/2in	
35	0641636	2	Bolt 3/8in-16NC x 4 1/2in	
36	3380523	1	Shield, Tube	
37		Ref	Enable Valve Assembly Options:	
37	See Note	3	Valve Assembly (was p/n 4641306, 4641381 & 4641391) (Prior to SN 0300131893)	
		Ref	NOTE: The above listed enable valves and any associated service parts are no longer available for service. Verify stamping on valve block. If valve is JLG P/N 4641306 (valve block stamped with P/N CP12673), JLG P/N 4641381 (valve block stamped with P/N HA1022) or JLG P/N 4641391 (valve block stamped with P/N HA60220) you must replace all 3 enable valves with JLG P/N 1001106391.	
		Ref	If your machine is already equipped with JLG P/N 1001106391 (valve block stamped with P/N HF46525-08) valves can then be replaced on an as required basis.	
37	1001106391	3	Valve, Solenoid (Use p/n 1001112850) (SN 0300131893 through 0300201017)	
37	7024890	1	Coil	
		Ref	BATTERY AND AUXILIARY PUMP INSTALLATION (WITHOUT COLD WEATHER PLUS PACKAGE)	
	0273418	Ref	Battery and Auxiliary Pump Installation (Prior to SN 0300167530)	E
	1001145323	Ref	Battery and Auxiliary Pump Installation (SN 0300167530 through 0300201017)	B
101	0100011	AR	Compound, Locking	
102	0236768	4	Rod, Hold-down	
103	0363062	2	Bar, Battery	
104	0400020	1	Battery	
105	0641404	2	Bolt 1/4in-20NC x 1/2in	
106	0641607	AR	Bolt 3/8in-16NC x 7/8in	

SECTION 2 - TURNTABLE

ITEM	PART NUMBER	QTY	DESCRIPTION	REV
107		Ref	Bracket Options:	
107	0902916	1	Bracket (Use with Auxiliary Pump p/n 3600342) (Prior to SN 0300103853)	
107	0903696	1	Bracket (Use with Auxiliary Pump p/n 3600465) (SN 0300103853 through 0300201017)	
108	3311608	4	Nut, Flange 3/8in-16NC	
109	See Note	1	Auxiliary Pump Assembly Options:	
		Ref	Note: Various pumps were used in production.	
		Ref	Note: For Machines Built Prior to S/N 0300103853, Purchase Bracket p/n 0903696 and Service Kit p/n 1001164700 as Service Replacement.	
		Ref	Note: For Machines Built S/N 0300103853 to S/N 0300179652, Use Kit p/n 1001164700 as Service Replacement.	
		Ref	Note: For replacement parts for existing pump assemblies see below:	
109	See Note	Ref	3600342 Assembly (Fenner Fluid Power/SPX Brand) (See Items 201-205 for Serviced Parts)	
109	See Note	1	3600465 Assembly (Haldex Brand) (See Items 301-305 for Serviced Parts)	
109	See Note	1	1001137442 Assembly (Bucher Brand with 3.02cc Pump) (See Items 401-408 for Serviced Parts)	
109	See Note	1	1001162880 Assembly (Bucher Brand with 3.50cc Pump) (See Items 501-508 for Serviced Parts)	
110	3740067	1	Relay	
111	3980006	1	Seat, battery	
112	4420037	17	Tape, Insulation	
		in/43cm		
113	4711400	2	Flatwasher 1/4in Thin	
114	4711600	AR	Flatwasher 3/8in Thin	
115	4751600	4	Flatwasher 3/8in Regular	
116	4791400	2	Starwasher 1/4in	
	3600342	Ref	AUXILIARY PUMP ASSEMBLY (FENNER FLUID POWER/SPX BRAND) REPLACEMENT PARTS	
201	7022207		Motor	
201	7013753	1	Brush Kit	
202	7016769	1	Bracket, Motor/Pump	
202	Not Required	0	Not Required	
202	7013711	1	Coupling	
203	7022215		Pump	
203	7013716	1	Seal, Shaft	
204	7013715	1	Ball	
204	7022227	1	Spring	
204	7022228	1	Screw, Valve Adjustment	
204	7022230	1	Cap, Relief Valve	
205	7022231	1	Ball and Spring Assembly	
205	7022229	1	Plug	
	3600465	Ref	AUXILIARY PUMP ASSEMBLY (HALDEX BRAND)	
301	7010924		Motor	
301	7010639	2	Brush	
301	7010640	8	Spring, Brush	
302	70000998	1	Coupling	
303	70001001		Pump	
303	70001000	1	Seal Kit	
304	See Note	1	Ball (Note: Not Available for Purchase)	

SECTION 2 - TURNTABLE

ITEM	PART NUMBER	QTY	DESCRIPTION	REV
	See Note	1	Spring (Note: Not Available for Purchase)	
	See Note	1	Screw, Valve Adjustment (Note: Not Available for Purchase)	
	See Note	1	Cap, Relief Valve (Note: Not Available for Purchase)	
305	See Note	1	Ball and Spring Assembly (Note: Not Available for Purchase)	
	See Note	1	Plug (Note: Not Available for Purchase)	
	1001137442	Ref	AUXILIARY PUMP ASSEMBLY (BUCHER BRAND WITH 3.02CC PUMP)	
401	1001164700	1	Base Assembly	
401	7026330	1	Seal, Shaft	
402	70004002	1	Pump	
403	1001164700	1	Valve, Relief	
404	70004003	1	Motor, Replacement	
405	70004004	4	Capscrew M5x65	
406	70004005	4	Capscrew 1/4x3	
407	70004006	1	Nut 3/8	
408	70004007	1	Bolt 3/8x3/4	
	1001162880	Ref	AUXILIARY PUMP ASSEMBLY (BUCHER BRAND WITH 3.50CC PUMP)	
501	1001164700	1	Base Assembly	
507	See Note	NSS	Valve, Relief (Use p/n 1001164700)	
503	See Note	1	Motor (Note: Not Available for Purchase)	
504	70004006	1	Nut 3/8	
505	70004007	1	Bolt 3/8x3/4	
506	70004005	4	Capscrew 1/4x3	
506	See Note	1	Sleeve (Note: Not Available for Purchase)	
507	See Note	1	Pump Assembly (Note: Not Available for Purchase)	
507	70005615	1	Seal, Shaft	
507	70005619	1	Bearing	
508	See Note	4	Screw M8 x 85mm (Note: Not Available for Purchase)	
		Ref	BATTERY AND AUXILIARY PUMP INSTALLATIONS (WITH COLD WEATHER PLUS PACKAGE)	
	1001133463	Ref	Battery and Auxiliary Pump Installation (Prior to SN 0300158094)	A
	1001139520	Ref	Battery and Auxiliary Pump Installation (SN 0300158094 through 0300201017)	A
601	0100011	AR	Compound, Locking	
602	0236768	4	Rod, Hold-down	
603	0363062	2	Bar, Battery	
604	0400020	1	Battery	
605	0641404	2	Bolt 1/4in-20NC x 1/2in	
606	0641413	2	Bolt 1/4in-20NC x 1-5/8in	
607	0641607	4	Bolt 3/8in-16NC x 7/8in	
616	3311608	4	Nut, Flange 3/8in-16NC	
617	3740067	1	Relay	
618	3980006	1	Seat, battery	
619	4420037	17	Tape, Insulation	
		in/43cm		
621	4711400	4	Flatwasher 1/4in Thin	
622	4711600	4	Flatwasher 3/8in Thin	
623	4751600	4	Flatwasher 3/8in Regular	
624	4791400	2	Starwasher 1/4in	
626	0903696	1	Bracket	
627		Ref	Auxiliary Pump Assemblies	

SECTION 2 - TURNTABLE

ITEM	PART NUMBER	QTY	DESCRIPTION	REV
627	1001133162	1	Auxiliary Pump Assembly (Use p/n 1001139878 - No Service Parts Available) (Prior to SN 0300158094)	
627	1001138838	1	Auxiliary Pump Assembly (SN 0300158094 through 0300201017)	
627	70003800	1	Motor (p/n 1001138838 Assembly)	
627	70003803	1	Pump Assembly (p/n 1001138838 Assembly)	
627	70003801	4	Capscrew 5/16in-18NC x 3/4in (Pump Mounting)	
627	70003802	4	Lockwasher 5/16in	
628	1001133163	1	Valve, Relief	
628	7023936	1	Seal Kit	
629	1001133593	1	Bracket	
630	4761600	4	Lockwasher 3/8in	
631	3311601	2	Nut 3/8in-16NC	
632	0641608	4	Bolt 3/8in-16NC x 1in	

SECTION 2 - TURNTABLE

FIGURE 2-2. MAIN VALVE ASSEMBLY

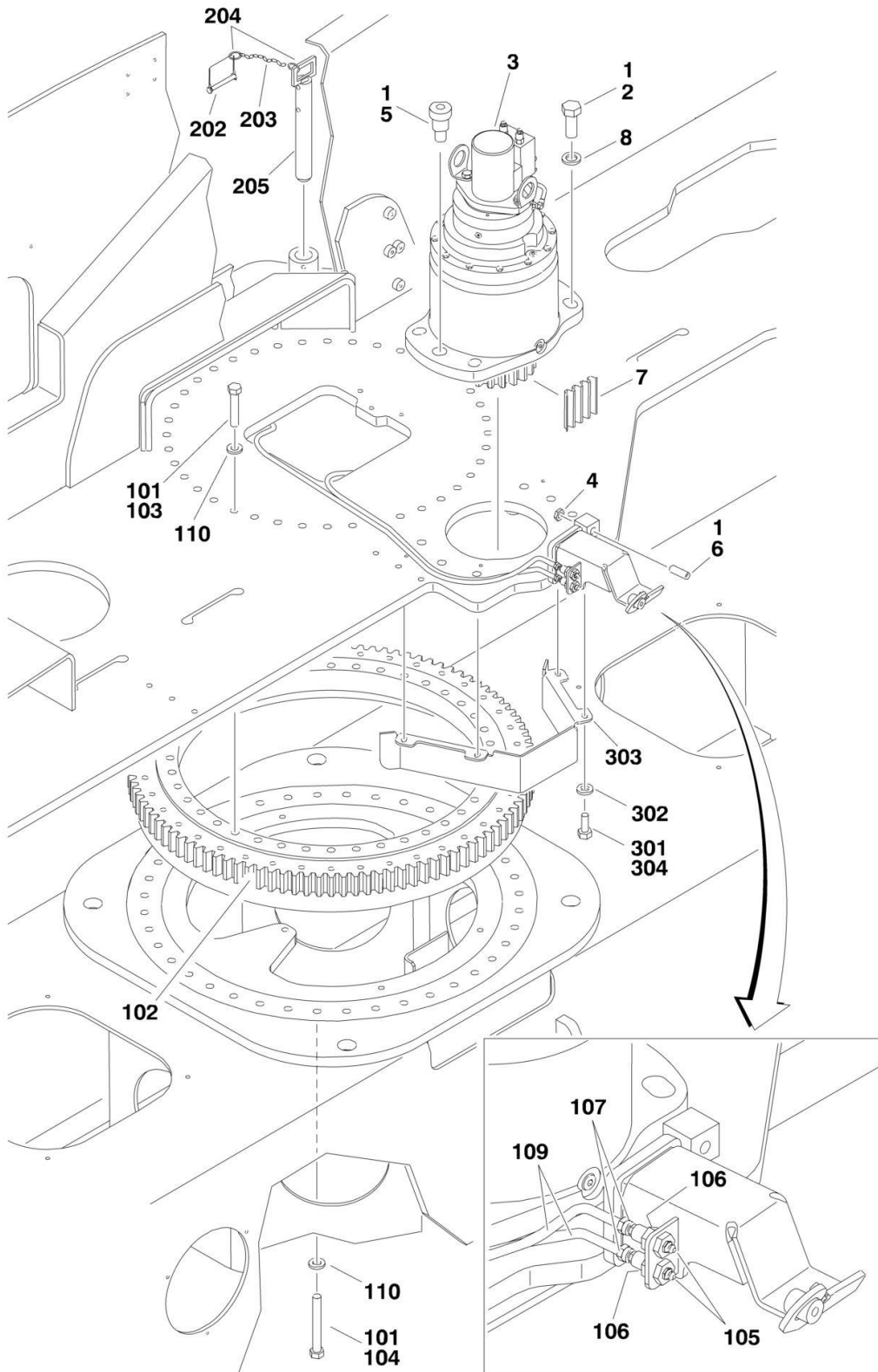
ITEM	PART NUMBER	QTY	DESCRIPTION	REV
		Ref	MAIN VALVE ASSEMBLY	
	4641304	Ref	Main Valve Assembly (Use p/n 1001103793) (Prior to SN 0300119708)	E
	1001099515	Ref	Main Valve Assembly (Use p/n 1001103793) (SN 0300119708 through 0300128767)	B
	1001103793	Ref	Main Valve Assembly (SN 0300128768 through 0300201017)	C
		Ref	MAIN VALVE BODY COMPONENTS	
1	7026684	4	Cartridge, Check Valve	
1	7026685	4	Seal Kit - Valve	
2	7026686	2	Cartridge, Relief Valve	
2	7026687	2	Seal Kit - Valve	
3	7026688	1	Cartridge, Check Valve	
3	7026689	1	Seal Kit - Valve	
4	7026690	3	Cartridge, Solenoid Valve Less Coil	
4	7026691	3	Seal Kit - Valve	
4	7027206	3	Coil	
5	7026692	2	Cartridge, Solenoid Valve Less Coil	
5	7026693	2	Seal Kit - Valve	
5	7027207	2	Coil	
6	7026694	1	Cartridge, Differential Sensing Valve	
6	7026695	1	Seal Kit - Valve	
7	7026696	1	Cartridge, Differential Sensing Valve	
7	7026697	1	Seal Kit - Valve	
8	7026698	1	Cartridge, Solenoid Valve Less Coil	
8	See Note	1	Seal Kit - Valve (Note: Not Available for Purchase)	
8	7027209	2	Coil	
9	7027882	1	Valve Assembly, Solenoid (was p/n 7026699)	
9	7026693	1	Seal Kit - Valve	
9	7027208	1	Coil	
10	7027200	2	Cartridge, Solenoid Valve	
10	7010697	2	Seal Kit - Valve	
10	7012943	2	Coil	
12	7027201	1	Cartridge, Check Valve	
12	7027202	1	Seal Kit - Valve	
13	7027203	1	Cartridge, Check Valve	
13	7026687	1	Seal Kit - Valve	
30	7027738	1	Switch, Thermostatic	
31	3930608	2	Screw, Countersunk #6-32NC x 1/2in	
32	7027204	2	Cartridge, Relief Valve	
32	7026687	2	Seal Kit - Valve	
33	1001104841	2	Lock Plate, Cartridge	
33	3941404	2	Screw, Self-Tapping	
		Ref	MAIN VALVE BODY FITTINGS	
101	2111210	1	Fitting, Straight	
102	2111010	2	Fitting, Straight	
103	2110606	5	Fitting, Straight	
104	2110406	2	Fitting, Straight	
105	2110404	2	Fitting, Straight	
106	2221086	5	Check, Pressure	
107	2112016	1	Fitting, Straight	

SECTION 2 - TURNTABLE

ITEM	PART NUMBER	QTY	DESCRIPTION	REV
108	2111216	1	Fitting, Straight	
109	2111212	1	Fitting, Straight	
110	2220887	1	Plug	
		Ref	PROPORTIONAL VALVE SECTION AND ADDITIONAL COMPONENTS	
201	7026671	2	Bracket	
203	Item 212	1	Spool Assembly (Tower Telescope) (was p/n 7026681)	
204	Item 212	2	Spool Assembly (Tower/Main Lift) (was p/n 7026682)	
205	7026672	1	Switch, Pressure	
206	Item 212	2	Valve, Shock (was p/n 7026673)	
207	Item 212	4	Valve, Shock (was p/n 7026674)	
208	Item 212	3	Cover (was p/n 7026675)	
208	8007894	AR	Seal Kit, Cover Mounting (1 per cover)	
209		Ref	Actuator, Electrical Options:	
209	70001873	3	Actuator, Electrical (was p/n 7026676) (Prior to SN 0300119708)	
209	70001873	3	Actuator, Electrical (SN 0300128768 through 0300201017)	
209	70001873	3	Actuator, Electrical (was p/n 70001420) (SN 0300119708 through 0300128767)	
209	8007954	AR	Seal Kit, Actuator Mounting (1 per actuator)	
210		Ref	Module, Pump Side Options:	
210	70001421	1	Module, Pump Side (was p/n 7026677) (Prior to SN 0300119708)	
210	70001421	1	Module, Pump Side (SN 0300119708 through 0300201017)	
210	8007939	1	Seal Kit, Pump Side Module (Internal Seals for Pump Side Module)	
211	7026678	1	Plug with Check Valve	
212	70002742	1	Module, Tower Lift (Includes Items 204, 207, 208, 210 Seal Kit and p/n 8007935 Seal Kit) (was p/n 7026679)	
212	70002743	1	Module, Tower Telescope (Includes Items 203, 206, 208, 210 Seal Kit and p/n 8007935 Seal Kit) (was p/n 7026679)	
212	70003043	1	Module, Main Lift (Includes Items 204, 207, 208, 210 Seal Kit and p/n 8007935 Seal Kit) (was p/n 7026679)	
212	8007935	AR	Seal Kit, Module Mounting (includes seals for one side of Module - requires four for complete valve)	
213	7026680	1	Tie-Rod Kit (Includes Hardware and Seals)	
214	See Note	1	Fitting, Adapter (Note: Not Available for Purchase)	
		Ref	PROPORTIONAL VALVE SECTION FITTINGS	
301	2111210	1	Fitting, Straight	
302	2111010	1	Fitting, Straight	
303	2131010	1	Fitting, 90 Degree	
304	2110810	1	Fitting, Straight	
305	2130810	1	Fitting, 90 Degree	
306	2111210	1	Fitting, Straight	
307	7026683	2	Fitting, Straight	
308	2221086	1	Check, Pressure	
309	2110404	1	Fitting, Straight	
310	2220888	1	Plug	

SECTION 2 - TURNTABLE

FIGURE 2-3. TURNTABLE SWING DRIVE AND BEARING INSTALLATION



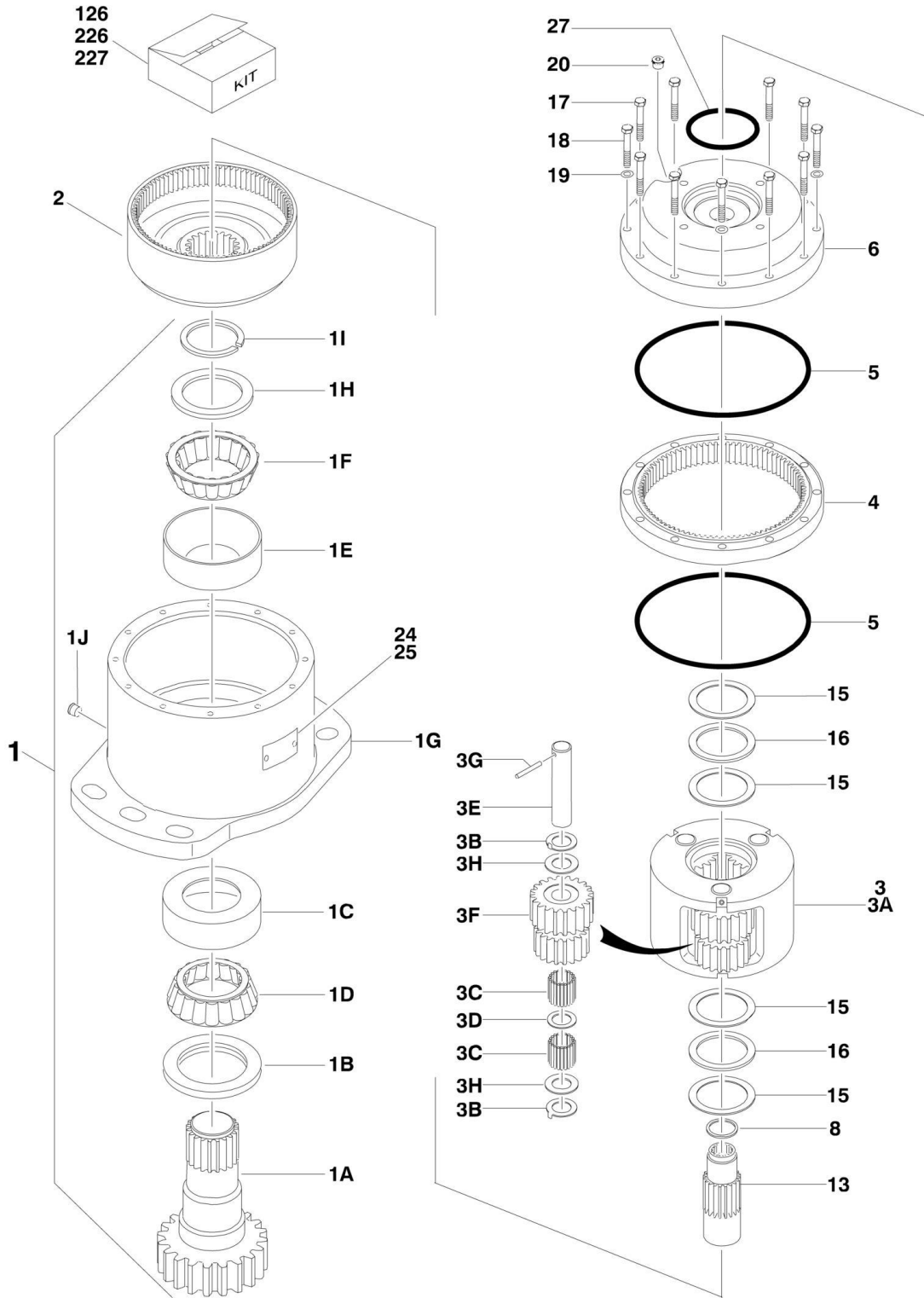
SECTION 2 - TURNTABLE

FIGURE 2-3. TURNTABLE SWING DRIVE AND BEARING INSTALLATION

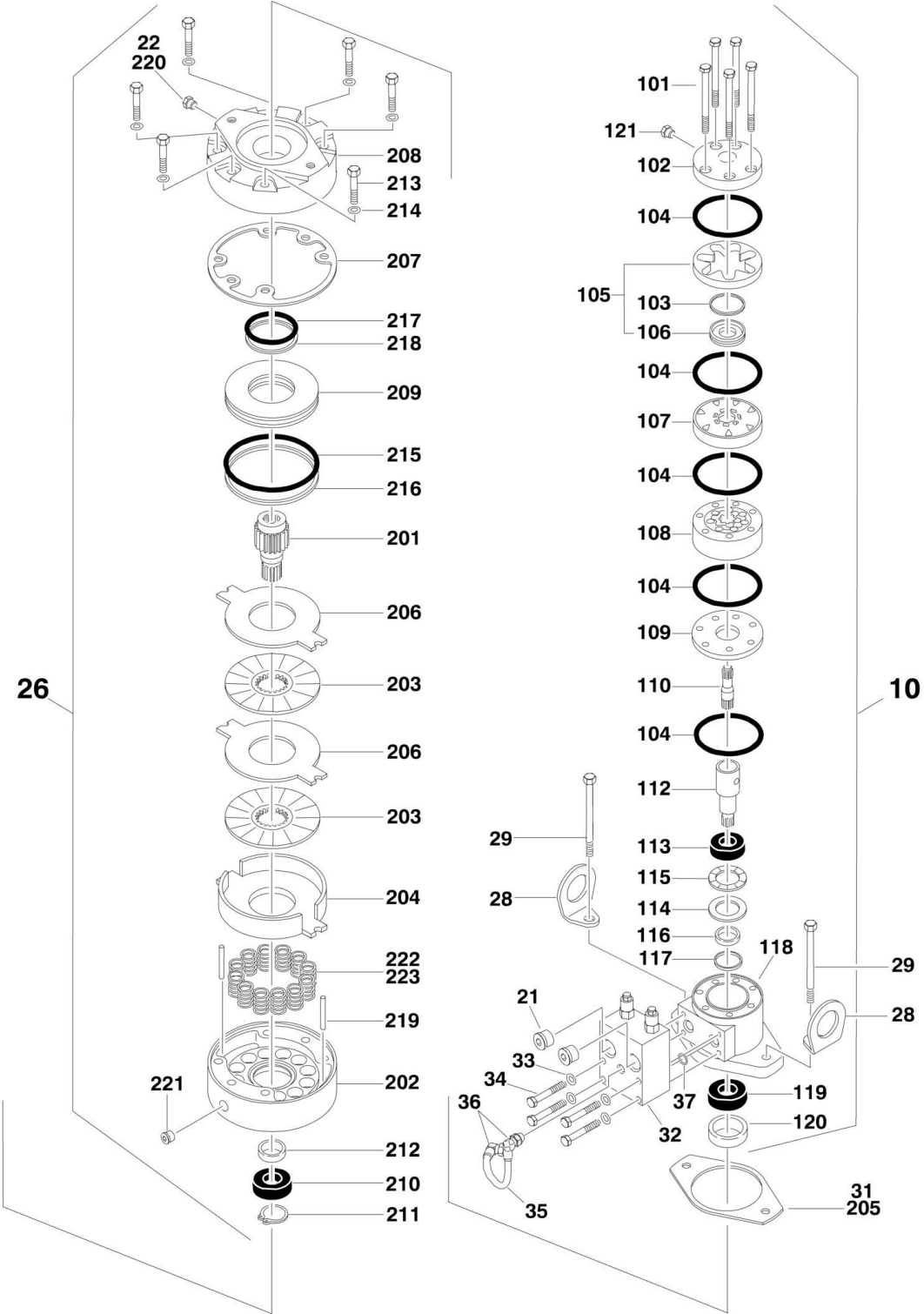
ITEM	PART NUMBER	QTY	DESCRIPTION	REV
	0271596	Ref	SWING DRIVE INSTALLATION	D
1	0100019	AR	Compound, Locking	
2	0682418	5	Bolt 7/8in-9NC x 2-1/4in (Grade 8)	
3		Ref	Swing Motor/Hub Assembly (See SWING MOTOR/HUB ASSEMBLY for Breakdown)	
3	3160302	1	Hub, Swing Drive (Use p/n 1001134098) (Prior to SN 0300151926)	
3	1001134098	1	Hub, Swing Drive (SN 0300151926 through 0300201017)	
4	3312002	1	Nut, Jam 5/8in-11NC	
5	3900223	1	Screw, Shoulder	
6	3952020	1	Setscrew 5/8in-11NC x 2-1/2in	
7	4071041	1	Shim	
8	4892400	5	Flatwasher 7/8in Hardened	
	0273451	Ref	TURNTABLE BEARING AND LUBE INSTALLATION	B
101	0100019	AR	Compound, Locking	
102	0440251	1	Bearing, Turntable	
103	0682026	40	Bolt 5/8in-11NC x 3-1/4in (Grade 8)	
104	0682040	40	Bolt 5/8in-11NC x 5in (Grade 8)	
105	2160002	2	Fitting, Grease	
106	2180344	2	Fitting, Bulkhead	
107	2220001	2	Fitting, Straight Swivel	
109	2750528	2	Hose	
110	4892000	80	Flatwasher 5/8in Hardened	
	0239842	Ref	TURNTABLE LOCK INSTALLATION	B
202	3421565	1	Pin, Snap	
203	1260017	9 in/23cm	Chain - #3	
204	3760170	2	Ring, Quick Release	
205	3421563	1	Pin, Turntable Lock	
	0271874	Ref	PINION SHIELD INSTALLATION	A
301	0100011	AR	Compound, Locking	
302	0641608	4	Bolt 3/8in-16NC x 1in	
303	3573355	1	Shield	
304	4751600	4	Flatwasher 3/8in Regular	

SECTION 2 - TURNTABLE

FIGURE 2-4. SWING MOTOR/HUB ASSEMBLY



SECTION 2 - TURNTABLE



SECTION 2 - TURNTABLE

FIGURE 2-4. SWING MOTOR/HUB ASSEMBLY

ITEM	PART NUMBER	QTY	DESCRIPTION	REV
		Ref	SWING MOTOR/HUB ASSEMBLIES	
	3160302	Ref	Swing Motor/Hub Assembly (Prior to SN 0300151926)	B
	1001134098	Ref	Swing Motor/Hub Assembly (SN 0300151926 through 0300201017)	C
		Ref	Note: Original Equipment p/n 3160302 may have been replaced with Service Replacement p/n 1001134098, identify component by brand before ordering parts.	
1	See Note	1	Housing/Shaft Assembly (Note: Not Available - Purchase	
1A	7024183	1	Shaft, Out put	
1B	7000236	1	Seal, Lip	
1C	1001091460	1	Cup, Bearing (was p/n 7000272 & p/n 90202500)	
1D	1001091460	1	Cone, Bearing (was p/n 7000273 & p/n 90202501)	
1E	1001091461	1	Cup, Bearing (was p/n 7000274)	
1F	1001091461	1	Cone, Bearing (was p/n 7000275 & p/n 90202503)	
1G	7024184	1	Housing	
1H	7000239	1	Thrustwasher	
1I	7000240	1	Ring, Retaining	
1J	7017072	1	Plug, Pipe	
2	7001917	1	Gear, Internal	
3	7001918	1	Carrier Assembly	
3A	7001900	1	Carrier	
3B	7007645	6	Washer, Tanged	
3C	7001902	84	Bearing, Needle	
3D	7007646	3	Thrustwasher	
3E	7001904	3	Shaft, Planet	
3F	7001927	3	Gear, Cluster	
3G	7001906	3	Rollpin	
3H	7007648	6	Washer	
4	7010467	1	Gear, Ring	
5	7000224	2	O-Ring	
6	7001920	1	Cover, Input	
8	7001922	1	Thrustwasher	
10	7024188	1	Motor Assembly (See Items 101-121 for Breakdown)	
13	7001921	1	Gear, Sun	
15	7000287	4	Thrustwasher	
16	7000288	2	Bearing, Thrust	
17	7001923	8	Bolt 3/8in-16NC x 3in (Grade 8)	
18	7001924	4	Bolt Shoulder 3/8in-16NC x 2-3/4in (Grade 8)	
19	7001929	4	Lockwasher (Used with Item 18 Only)	
20		Ref	Plug, Pipe Options:	
20	7001928	1	Used With Swing Motor/Hub Assembly p/n 3160302	
20	7017094	1	Used With Swing Motor/Hub Assembly p/n 1001134098	
21	7001926	2	Plug, Pipe	
22	7017082	1	Plug, Pipe	
24	See Note	1	Plate, ID (Note: Not Available for Purchase)	
25	7000281	2	Screw, Drive	
26		Ref	Brake Assembly Options (See Items 201-223 for Breakdown):	
26	7024182	1	Brake Assembly (Prior to SN 0300151926)	
26	70003524	1	Brake Assembly (SN 0300151926 through 0300201017)	
27	7024763	1	O-Ring	

SECTION 2 - TURNTABLE

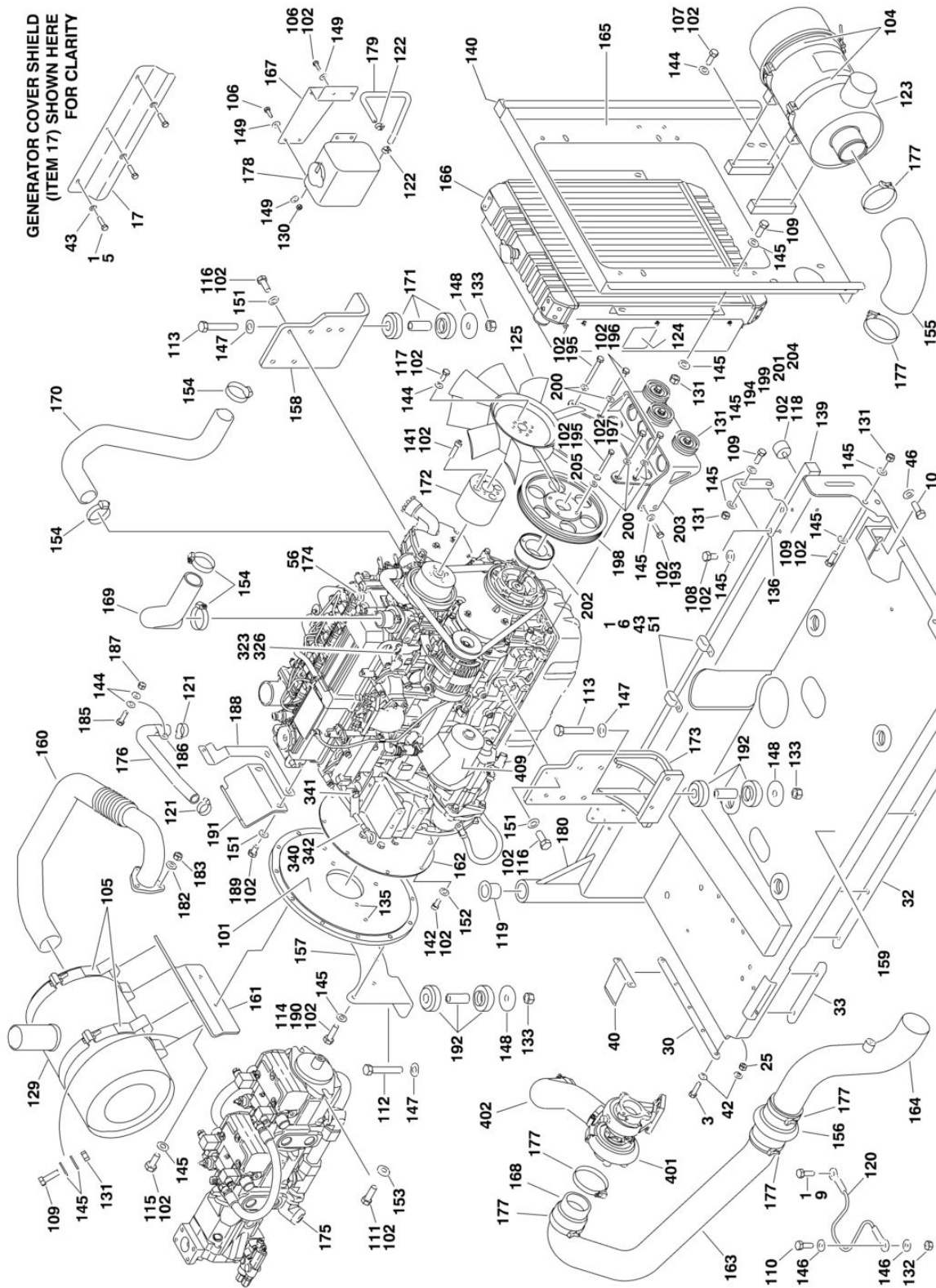
ITEM	PART NUMBER	QTY	DESCRIPTION	REV
28	See Note	2	Lug, Lifting (Note: Not Available for Purchase)	
29	7024185	2	Bolt 1/2in-13NC x 5in (Grade 8)	
31	7000731	1	Gasket	
32		Ref	Valve Options:	
32		Ref	Used With Swing Motor/Hub Assembly p/n 3160302	
32	4640741	1	Valve (was p/n 7024187)	
32	7011320	2	Cartridge	
32	2900770	2	Seal Kit - 7011320 Cartridge (1 Per Cartridge)	
32		Ref	Used With Swing Motor/Hub Assembly p/n 1001134098	
32	70003523	1	Valve	
32	70003629	2	Cartridge	
33	See Note	4	Lockwasher (Note: Not Available - Purchase Locally)	
34	7024135	4	Bolt 5/16in-18NC x 2-1/2in (Grade 8)	
35	7024186	1	Tube	
36	7017085	2	Elbow	
37	7000213	2	O-Ring	
	7024188	Ref	MOTOR ASSEMBLY	
101	7024391	5	Bolt	
102	7004035	1	Cover, End	
103	Item 126	1	Seal, Commutator	
104	Item 126	5	Seal, Ring	
105	7024453	1	Commutator and Ring Assembly (was p/n 7004037)	
106	7004453	1	Ring	
107	7024379		Manifold	
108	7024392	1	Rotor Set	
109	7024380	1	Plate, Wear	
110	7024393	1	Link, Drive	
112	7024395	1	Shaft, Coupling	
113	7024381	1	Bushing, Bronze	
114	7004043	1	Thrustwasher	
115	7004044	1	Bearing, Thrust	
116	Item 126		Seal, Inner	
117	Item 126	1	Washer, Back-up	
118	7024394	1	Housing	
119	7024390	1	Bearing	
120	Item 126	1	Seal	
121	7010795	1	Plug, O-Ring	
126	7024389	1	Seal Kit - 7024188 Motor (Includes Items 103, 104, 116, 117 & 120) (was p/n 7024396)	
		Ref	BRAKE ASSEMBLIES	
	7024182	Ref	Brake Assembly (Prior to SN 0300151926)	
	70003524	Ref	Brake Assembly (SN 0300151926 through 0300201017)	
201	7024189	1	Shaft	
202	See Note	1	Housing (Note: Not Available - Purchase Complete Assembly)	
203	Item 227	2	Plate, Friction	
204	Item 227	1	Plate, Pressure	
205	7000731	1	Gasket	
206	Item 227	2	Plate, Outer	
207	See Note	1	Gasket (Note: Use Item 226 or 227)	
208	7024191	1	Cylinder	
209	7024192	1	Piston	
210	Item 227	1	Bearing, Ball	

SECTION 2 - TURNTABLE

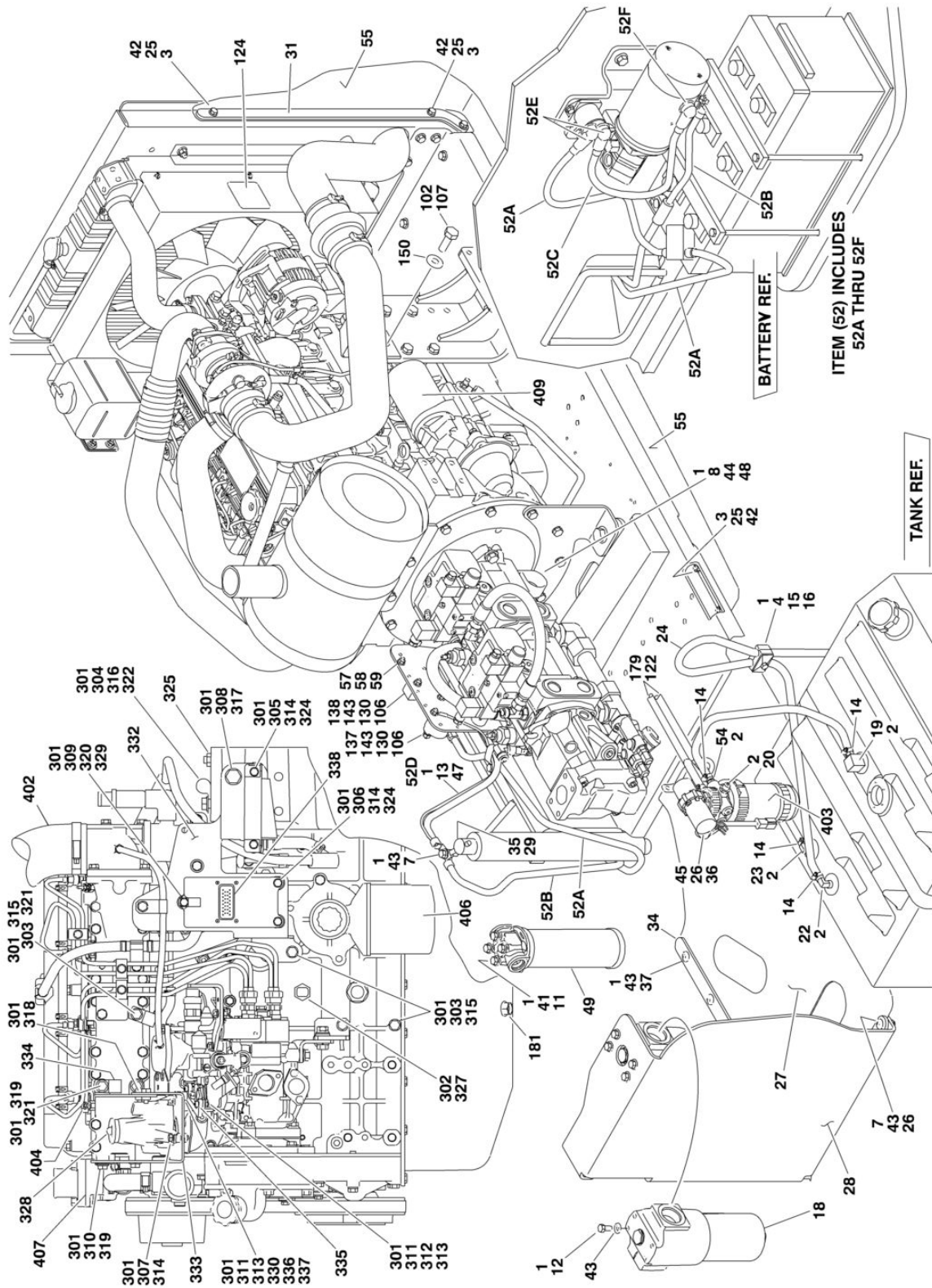
ITEM	PART NUMBER	QTY	DESCRIPTION	REV
211	Item 227	1	Ring, Retaining	
212	Item 227	1	Seal, Shaft	
213	See Note	6	Capscrew (Note: Not Available - Purchase Locally)	
214	See Note	6	Lockwasher (Note: Not Available - Purchase Locally)	
215	Item 226	1	O-Ring	
216	Item 226	1	Ring, Back-up	
217	Item 226	1	O-Ring	
218	Item 226	1	Ring, Back-up	
219	7024190	2	Pin, Dowel	
220	See Note	1	Plug (Note: Not Available - Purchase Locally)	
221	See Note	1	Plug (Note: Not Available - Purchase Locally)	
222	Item 227	AR	Spring (Natural)	
223	Item 227	AR	Spring, (Blue)	
226	7024194	1	Seal Kit - Brake (Includes Items 205, 207 & 215-218)	
227	7024196	NLA	Spring Kit - Brake (Includes 12 Natural Colored Springs) (was p/n 7024195) Note: Spring Kit p/n 7024195 no Longer Available, Purchase p/n 7024196 for Replacement.	
	7024196	1	Spring Kit - Brake (Includes 12 Natural and 2 Blue Colored Springs)	
	7024193	1	Friction Disc Kit - Brake (Includes Items 203, 204, 206 & 207)	
	7024197	1	Bearing Kit - Brake (Includes Items 207 & 210-212)	

SECTION 2 - TURNTABLE

FIGURE 2-5. CATERPILLAR DIESEL ENGINE INSTALLATION



SECTION 2 - TURNTABLE



SECTION 2 - TURNTABLE

FIGURE 2-5. CATERPILLAR DIESEL ENGINE INSTALLATION

ITEM	PART NUMBER	QTY	DESCRIPTION	REV
		Ref	CATERPILLAR DIESEL ENGINE INSTALLATION OPTIONS:	
	1001116110	Ref	With Skypower and Without Cold Weather Plus Package	C
	1001120524	Ref	With Skypower and With Cold Weather Plus Package	B
1	0100011	AR	Compound, Locking	
2	0100079	AR	Sealant, Pipe	
3	0641509	15	Bolt 5/16in-18NC x 1-1/8in	
4	0641511	1	Bolt 5/16in-18NC x 1-3/8in	
5	0641605	3	Bolt 3/8in-16NC x 5/8in	
6	0641608	3	Bolt 3/8in-16NC x 5/8in	
7	0641610	5	Bolt 3/8in-16NC x 1-1/4in	
8	0641806	1	Bolt 1/2in-13NC x 3/4in	
9	0641808	1	Bolt 1/2in-13NC x 1in	
10	0642010	1	Bolt 5/8in-11NC x 1-1/4in	
11	0641606	4	Bolt 3/8in-16NC x 3/4in	
12	0651606	4	Bolt 3/8in-24NF x 3/4in	
13	0761210	1	Bolt M12 x 20mm	
14	1320022	5	Clamp	
15	1320187	1	Clamp, Twin	
16	1320190	1	Cover, Clamp	
17	1671121	1	Cover, Generator	
18	2120218	1	Filter, High Pressure Hydraulic	
18	2120219	1	Element	
18	70001344	1	O-Ring, Bowl	
18	70006137	1	Seal Kit - Includes O-Ring (Element), O-Ring (Bowl), Back-up Ring (Bowl), Seal Ring (Indicator) and O-Ring (Indicator)	
19	2180348	1	Fitting, Barbed	
20	2220221	1	Fitting, Reducer	
21	2200222	1	Plug, Fuel Tank Drain (Not Shown)	
22	2220313	1	Fitting, 90 Degree Barbed	
23	2221176	1	Fitting, 90 Degree	
24	2750532	55 in/1.4m	Hose	
25	3311505	15	Locknut 5/16in-18NC	
26	3311605	6	Locknut 3/8in-16NC	
27	3380498	1	Panel, Noise Reduction	
28	3380723	1	Panel, Rubber Noise Reduction	
29	3422446	1	Pin	
30	3573644	1	Plate, Tray Clamp	
31	3573669	1	Plate, Clamp	
32	3573727	1	Plate, Tray Clamp	
33	3573728	1	Plate, Tray Clamp	
34	3574633	1	Plate, Tray Clamp	
35	3841143	1	Keeper, Pin	
36	3900232	2	Screw, Button Head 3/8in-16NC x 1-1/4in	
37	3900316	10	Screw, Button 3/8in-16NC x 1in	
38	4240018	AR	Strap, Tie (Not Shown)	
39	4240033	AR	Tie Strap (Not Shown)	
40	4341110	1	Support, Noise Panel	
41	4711600	4	Flatwasher 3/8in Thin	
42	4711500	30	Flatwasher 5/16in Thin	
43	4711600	20	Flatwasher 3/8in Thin	

SECTION 2 - TURNTABLE

ITEM	PART NUMBER	QTY	DESCRIPTION	REV
44	4711800	1	Flatwasher 1/2in Thin	
45	4751600	4	Flatwasher 3/8in Regular	
46	4752000	1	Flatwasher 5/8in Regular	
47	0761210	1	Flatwasher M12	
48	90028660	1	Clamp	
49	1001108617	1	Filter, Pressure	
49	70002231	1	Element, Filter	
51	1001116792	3	Clamp	
52	1001116814	1	Battery Cable Kit	
52A	7027036	1	Cable, Red (To Aux Pump Relay, Battery Positive Terminal, Glow Plug Solenoid and Starter)	
52B	7027009	1	Cable, Black (To Aux Pump, Battery Negative Terminal and Ground at Tray Pivot)	
52C	7027010	1	Cable, Red (Aux Pump Relay to Aux Pump)	
52D	7027039	1	Cable, Black (Tray Pivot to Engine Block)	
52E	See Note	NSS	Boot, Terminal (Red) (Note: Not Available for Purchase)	
52F	See Note	NSS	Boot, Square Terminal (Red) (Note: Not Available for Purchase)	
54	1001120492	2	Fitting, Straight	
55	3380473	1	Panel, Rubber	
56	1001116112	1	Engine, Caterpillar C3.4 Turbo (See Items 401 to 411 for Individually Serviced Components)	
57	4711000	2	Flatwasher #10 Thin	
58	0721006	1	Screw #10-24NC x 3/4in	
59	3311005	1	Locknut #10-24NC	
		Ref	CATERPILLAR DIESEL ENGINE ASSEMBLY OPTIONS:	
	1001116111	Ref	With Skypower and Without Cold Weather Plus Package	E
	1001120525	Ref	With Skypower and With Cold Weather Plus Package	C
101	0080181	1	Plate, Pump Mounting Adapter	
102	0100011	AR	Compound, Locking	
103	0100020	AR	Sealant, Pipe (Not Shown)	
104	0340003	2	Band, Air Cleaner	
105	0340051	2	Band, Muffler	
106	0641406	9	Bolt 1/4in-20NC x 3/4in	
107	0641506	6	Bolt 5/16in-18NC x 3/4in	
108	0641605	2	Bolt 3/8in-16NC x 5/8in	
109	0641608	19	Bolt 3/8in-16NC x 1in	
110	0641808	1	Bolt 1/2in-13NC x 1in	
111	0641812	2	Bolt 1/2in-13NC x 1-1/2in	
112	0642028	2	Bolt 5/8in-11NC x 3-1/2in	
113	0642030	2	Bolt 5/8in-11NC x 3-3/4in	
114	0701012	4	Bolt M10 x 25mm	
115	0701015	2	Bolt M10 x 35mm	
116	0711214	8	Bolt M12 x 30mm	
117	0760810	4	Bolt M8 x 20mm	
118	0940070	1	Bumper	
119	0961986	2	Bushing, Flanged	
120	1001131542	1	Lanyard	
121	1320017	2	Clamp	
122	1320022	4	Clamp	
123	1340065	1	Air Cleaner Assembly	
123	7003655	1	Element, Air Cleaner	
123	7015013	1	Baffle, Rubber	

SECTION 2 - TURNTABLE

ITEM	PART NUMBER	QTY	DESCRIPTION	REV
123	7015014	1	Clamp, Cap	
123	7015015	1	Cup	
123	7015003	1	Wingnut	
124	1703162	2	Decal - Fan Blade	
125	2060025	1	Fan	
126		Ref	Anti-Freeze Options (Not Shown):	
126	2300004	2.95 gl/11.17Li	Without Arctic Package	
126	2300041	2.95 gl/11.17Li	With Arctic Package	
127	3020016	2.64 gl/9.99Li	Oil, Motor 15W-40 (Not Shown)	
128	3020037	AR	Lube, Coupling Grease (Not Shown)	
129		Ref	Muffler Options:	
129	3220126	1	Standard Muffler	
129	3220130	1	Optional Catalytic Muffler	
129	70003555	1	Clamp	
130	3311405	7	Locknut 1/4in-20NC	
131	3311605	AR	Locknut 3/8in-16NC	
132	3311805	1	Locknut 1/2in-13NC	
133	3312005	4	Locknut 5/8in-11NC	
135	3520054	3	Plug	
136	3573412	1	Gusset	
137	3740067	1	Relay	
138	3740080	1	Relay	
139	3960543	1	Seal	
140	3960544	1	Seal	
141	4031911	4	Capscrew M8 x 35mm	
142	4032008	8	Capscrew M10 x 20mm	
143	4711400	6	Flatwasher 1/4in Thin	
144	4711500	AR	Flatwasher 5/16in Thin	
145	4711600	AR	Flatwasher 3/8in Thin	
146	4711800	2	Flatwasher 1/2in Thin	
147	4712000	4	Flatwasher 5/8in Thin	
148	4740242	4	Washer, Snubbing	
149	4751400	10	Flatwasher 1/4in Regular	
150	4751500	2	Flatwasher 5/16in Regular	
151	4812100	AR	Flatwasher M12	
152	4832000	8	Lockwasher M10	
153	4740171	2	Flatwasher 1/2in Hardened	
154	8405104	4	Clamp, Gear	
155	91083128	1	Elbow, 90 Degree	
156	91403244	1	Rubber, Straight Hump	
157	1001129023	1	Plate, Engine Mounting (Rear)	
158	1001129304	1	Mount, Motor (Front)	
159	1001116153	1	Tray, Engine	
160	1001116186	1	Tube, Exhaust	
161	1001116201	1	Plate, Muffler Mounting	
162	1001116278	1	Coupling, Pump	
163	1001116313	1	Tube, Air Intake	
164	1001116324	1	Tube, Air Intake	
165	1001116348	1	Plate, Radiator Mounting	

SECTION 2 - TURNTABLE

ITEM	PART NUMBER	QTY	DESCRIPTION	REV
166	1001116354	1	Radiator	
166	7027412	1	Cap, Radiator	
167	1001116367	1	Support, Tank Mounting	
168	1001116413	1	Hose, Air Intake Reducer	
169	1001116436	1	Hose, Radiator (Top)	
170	1001116437	1	Hose, Radiator (Bottom)	
171	1001116525	2	Mount, Left Side Engine	
172	1001116591	1	Spacer, Fan	
173	1001117546	1	Mount, Generator	
174	1001117874	1	Engine, Caterpillar C3.4 Turbo W/E Controls (See Items 301 to 342 for Individually Serviced Components)	
175	1001118368	1	Pump Assembly (Machines with Rexroth Pump Only) (See PUMP ASSEMBLY (REXROTH) for Breakdown)	
176	1001116836	AR	Hose, Air Intake	
177	1320058	1	Clamp	
178	1580011	1	Container, Coolant Overflow	
179	2720058	31.66 ft	Hose	
180	4060805	5 in/12.7cm	Flex-Trim	
181	4640750	1	Valve, Oil Drain	
182	4812000	3	Flatwasher M10	
183	1001121004	3	Nut M10 x 1.25	
185	0641508	AR	Bolt 5/16in-18NC x 1in	
186	1320130	1	Clamp	
187	3311505	AR	Locknut 5/16in-18NC	
188	1001125891	1	Bracket, Valve	
189	0761210	2	Bolt M12 x 20mm	
190	0701016	6	Bolt M10 x 40mm	
191	1001130161	1	Support, Muffler Mount	
192	1001130171	2	Mount, Right Side Engine	
193	0641610	4	Bolt 3/8in-16NC x 1-1/4in	
194	0641614	3	Bolt 3/8in-16NC x 1-3/4in	
195	0700822	5	Bolt M8 x 70mm	
196	0700823	2	Bolt M8 x 75mm	
197	0700824	1	Bolt M8 x 80mm	
198	3580321	1	Pulley, Engine	
199	4568735	3	Spacer, Pulley	
200	4811900	8	Flatwasher M8	
201	4891600	3	Flatwasher 3/8in Hardened	
202	1001117500	1	Spacer, Pulley	
203	1001117577	1	Support, Generator Pulleys	
204	1001129995	3	Pulley, Idler Grooved	
205	4831900	4	Lockwasher 8mm	
206	4240033	AR	Wire Tie (With Cold Weather Plus Package - Not Shown)	
207	1001119231	1	Heater, Block (With Cold Weather Plus Package - Not Shown)	
208	0641606	1	Bolt 3/8in-16NC x 3/4in (With Cold Weather Plus Package - Not Shown)	
209	1320223	1	J-Clip (With Cold Weather Plus Package - Not Shown)	
210	1702942	1	Decal - Engine Block Heater (With Cold Weather Plus Package - Not Shown)	
	1001117874	Ref	CATERPILLAR DIESEL ENGINE W/E CONTROLS	B
301	0100011	AR	Compound, Locking	

SECTION 2 - TURNTABLE

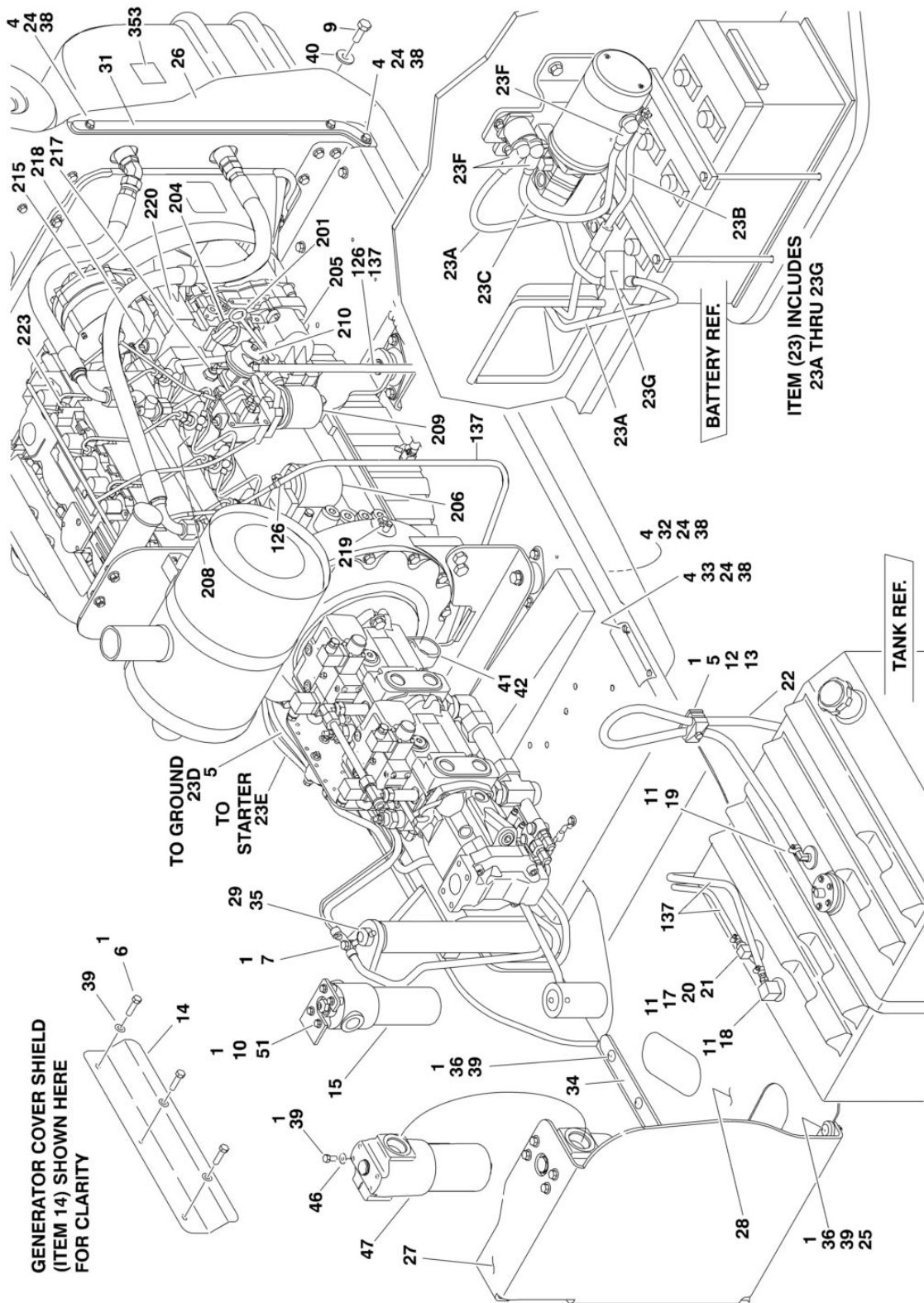
ITEM	PART NUMBER	QTY	DESCRIPTION	REV
302	0100020	AR	Sealant, Pipe	
303	0700808	3	Bolt M8 x 16mm	
304	0701010	2	Bolt M10 x 20mm	
305	0760606	2	Bolt M6 x 12mm	
306	0760610	2	Bolt M6 x 20mm	
307	0760612	3	Bolt M6 x 25mm	
308	0761210	2	Bolt M12 x 20mm	
309	1320224	1	Clamp	
310	1320263	1	Clamp	
311	3290501	3	Nut M5 x 0.8	
312	4031607	2	Capscrew M5 x 16mm	
313	4811600	3	Flatwasher M5	
314	4811700	8	Flatwasher M6	
315	4811900	3	Flatwasher M8	
316	4812000	AR	Flatwasher M10	
317	4812100	2	Flatwasher M12	
318	5250608	2	Bolt M6 x 16mm	
319	5250808	4	Bolt M8 x 16mm	
320	8303541	1	Bolt M6 x 1 x 35mm	
321	8406101	2	Tube, Clip	
322	8406105	2	Tube, Clip	
323	1001097553	1	Washer, Coolant Sensor	
324	1001112059	5	Bumper	
325	1001112068	1	Sensor, Speed	
326	1001112069	1	Sensor, Temperature	
327	1001112070	1	Switch, Oil Pressure	
328	1001112073	1	Actuator	
329	1001112570	1	Spacer, Nylon	
330	1001112592	1	Bearing	
332	1001120769	1	Bracket, ECM/Fuse Box	
333	1001120771	1	Bracket, Actuator	
334	1001120772	1	Bracket, Actuator	
335	1001120773	1	Link, Spacer	
336	1001120774	1	Bolt M5	
337	1001120775	1	Bracket, Actuator	
338	1001120810	1	Controller	
339	1001120776	1	Engine Harness (Not Shown - See ELECTRICAL SECTION for Breakdown)	
340	1001129361	1	Tube, Dipstick	
341	0761007	1	Bolt M10 x 14mm	
342	1001129360	1	Gauge, Dipstick	
	1001116112	Ref	CATERPILLAR ENGINE COMPONENTS	A
401	70002831	1	TurboCharger	
401	70002829	1	Gasket, TurboCharger Drain Pipe	
401	70002830	1	Gasket, TurboCharger	
402	70002832	1	Hose	
403	7026839	1	Pump, Fuel	
403	70002833	1	Ring, Retaining	
403	70002834	1	Bowl, Water Collect	
403	7026830	1	Element, Fuel/Water	
403	70002835	1	Seal Kit	
404	70002837	4	Plug, Glow	

SECTION 2 - TURNTABLE

ITEM	PART NUMBER	QTY	DESCRIPTION	REV
405	7026802	1	Flywheel W/Gear (Not Shown)	
405	7026803	1	Gear	
406	7026811	1	Filter, Oil	
406	7026812	1	O-Ring (Between Center Bolt and Oil Filter Bracket)	
406	7026813	1	O-Ring (Between Oil Filter Bracket and Engine)	
407	7026822	1	Thermostat	
407	7026820	1	Gasket, Thermostat (Between Housing and Cylinder Head)	
407	7026821	1	Gasket (Between Housing and Thermostat Cover)	
408	7026829	1	Gasket, Intake Manifold (Not Shown)	
409	7026833	1	Starter	
410	7026804	1	Gasket (Not Shown - Located Between Bell Housing and Engine Block)	
411	7026805	1	Seal, Rear Main (Not Shown)	
412	70005650	1	Gasket, Head (Not Shown)	

SECTION 2 - TURNTABLE

FIGURE 2-6. DEUTZ BF4M2011 TIER II AND TD2011 TIER III/VI ENGINE INSTALLATIONS



SECTION 2 - TURNTABLE

FIGURE 2-6. DEUTZ BF4M2011 TIER II AND TD2011 TIER III/VI ENGINE INSTALLATIONS

ITEM	PART NUMBER	QTY	DESCRIPTION	REV
		Ref	DEUTZ DIESEL ENGINE INSTALLATION OPTIONS:	
		Ref	Tier II (Prior to SN 0300087575)	
	0273426	Ref	Without Skypower	E
	0273411	Ref	With Skypower	E
		Ref	Tier II (SN 0300087575 through 0300127698)	
	0274577	Ref	Without Skypower and Without Cold Weather Plus Package	H
	0274578	Ref	With Skypower and Without Cold Weather Plus Package	H
	0275916	Ref	With Cold Weather Plus Package	B
		Ref	Tier III/IVi with Rexroth Pumps (SN 0300127699 through 0300201017)	
	1001098519	Ref	Without Skypower and Without Cold Weather Plus Package	D
	1001098518	Ref	With Skypower and Without Cold Weather Plus Package	D
	1001098520	Ref	With Cold Weather Plus Package	D
		Ref	Tier III/IVi with Sauer Pumps (SN 0300127699 through 0300201017)	
	1001107972	Ref	Without Skypower and Without Cold Weather Plus Package	B
	1001107974	Ref	With Skypower and Without Cold Weather Plus Package	B
	1001107976	Ref	With Cold Weather Plus Package	B
1	0100011	AR	Compound, Locking	
2	0100079	AR	Sealant, Pipe	
3	1702942	1	Decal, Block Heater (Cold Weather Package - Not Shown)	
4	0641509	15	Bolt 5/16in-18NC x 1-1/8in	
5	0641511	1	Bolt 5/16in-18NC x 1-3/8in	
6	0641605	3	Bolt 3/8in-16NC x 5/8in	
7	0641610	AR	Bolt 3/8in-16NC x 1-1/4in	
8	0641808	1	Bolt 1/2in-13NC x 1in	
9	0642010	AR	Bolt 5/8in-11NC x 1-1/4in	
10		Ref	Bolt Options:	
10	0651406	AR	Bolt 1/4in-28NF x 3/4in (Prior to SN 0300139396)	
10	0641606	AR	Bolt 3/8in-16NC x 3/4in (SN 0300139396 through 0300201017)	
11	1320022	3	Clamp	
12	1320187	1	Clamp, Twin	
13	1320190	1	Cover, Clamp	
14	1671121	1	Cover, Generator	
15	2120163	1	Filter, Pressure (Prior to SN 0300087575)	
15	2120150	1	Element, Filter	
15	7020020	1	Indicator, Clog	
15	7023206	1	O-Ring	
15	7023207	1	Ring, Back-up	
15	2120209	1	Filter, Pressure (SN 0300087575 through 0300139395)	
15	2120210	1	Element, Filter	
15	70000934	1	O-Ring, Filter Bowl	
15	1001108617	1	Filter, Pressure (SN 0300139396 through 0300201017)	
15	70002231	1	Element, Filter	
17	2220250	1	Fitting, Reducer Only (Prior to SN 0300087575)	
18	2180348	1	Fitting, Barbed	
19	2220313	1	Fitting, 90 Degree Barbed	
20		Ref	Fitting, 90 Degree Options:	

SECTION 2 - TURNTABLE

ITEM	PART NUMBER	QTY	DESCRIPTION	REV
20	2220459	1	Fitting, 90 Degree, 1/4 NPT / 1/8 NPT (Prior to SN 0300087575)	
20	2221176	1	Fitting, 90 Degree Elbow (SN 0300087575 through 0300201017)	
21	2220794	1	Fitting, Straight Barbed Only (Prior to SN 0300087575)	
22	2750532	55 in/1.4m	Hose	
23	2902292	1	Battery Cable Kit	
23A	7027008	1	Cable, Red (To Aux Pump Relay, Battery Positive Terminal and Start Relay)	
23B	7027009	1	Cable, Black (To Aux Pump, Battery Negative Terminal and Ground at Tray Pivot)	
23C	7027010	1	Cable, Red (Aux Pump Relay to Aux Pump)	
23D	7027011	1	Cable, Black (Tray Pivot to Engine Mount)	
23E	7024584	1	Cable, Red (Start Relay to Starter)	
23F	See Note	NSS	Boot, Terminal (Red) (Note: Not Available for Purchase)	
23G	See Note	NSS	Boot, Square Terminal (Red) (Note: Not Available for Purchase)	
24	3311505	15	Locknut 5/16in-18NC	
25	3311605	4	Locknut 3/8in-16NC	
26	3380473	1	Panel, Rubber	
27	3380723	1	Panel, Rubber Noise Reduction	
28	3380498	1	Panel, Noise Reduction	
29	3422446	1	Pin	
30	3573644	1	Plate, Tray Clamp	
31	3573669	1	Plate, Clamp	
32	3573727	1	Plate, Tray Clamp	
33	3573728	1	Plate, Tray Clamp	
34	3574633	1	Plate, Tray Clamp	
35	3841143	1	Keeper, Pin	
36	3900316	AR	Screw, Button 3/8in-16NC x 1in	
37	4711400	AR	Flatwasher 1/4in Thin	
38	4711500	30	Flatwasher 5/16in Thin	
39	4711600	AR	Flatwasher 3/8in Thin	
40	4752000	1	Flatwasher 5/8in Regular	
41	0641806	1	Bolt 1/2in-13NC x 3/4in	
42	90028660	1	Clamp	
43	0641410	4	Bolt 1/4in-20NC x 1-1/4in (SN 0300087575 through 0300201017)	
44	4240018	2	Strap, Tie (Not Shown) (SN 0300087575 through 0300201017)	
45	4341110	1	Support, Noise Panel (SN 0300089066 through 0300201017)	
46	0651606	4	Bolt 3/8in-24NF x 3/4in	
47	2120218	1	Filter, High Pressure Hydraulic	
47	2120219	1	Element	
47	70001344	1	O-Ring, Bowl	
47	70006137	1	Seal Kit - Includes O-Ring (Element), O-Ring (Bowl), Back-up Ring (Bowl), Seal Ring (Indicator) and O-Ring (Indicator)	
48	4240033	AR	Tie Strap (Not Shown) (SN 0300097977 through 0300201017)	
49	1320041	2	Clamp (SN 0300097977 through 0300201017)	
50	2200222	1	Plug, Fuel Tank Drain (Not Shown)	
51		Ref	Flatwasher Options:	
51	4711400	AR	Flatwasher 1/4in Thin (Prior to SN 0300139396)	
51	4711600	AR	Flatwasher 3/8in Thin (SN 0300139396 through 0300201017)	
		Ref	DEUTZ DIESEL ENGINE ASSEMBLY OPTIONS:	

SECTION 2 - TURNTABLE

ITEM	PART NUMBER	QTY	DESCRIPTION	REV
		Ref	Tier II (Prior to SN 0300087575)	
	0273421	Ref	Without Skypower	F
	0273410	Ref	With Skypower	F
		Ref	Note: S/N 0300085693 & S/N 0300085910 built with 0274580	
		Ref	Tier II (SN 0300087575 through 0300093355)	
	0274579	Ref	Without Skypower	B
	0274580	Ref	With Skypower	B
		Ref	Tier II (SN 0300093356 through 0300127698)	
	2000352	Ref	Without Skypower and Without Cold Weather Plus Package	C
	2000343	Ref	With Skypower and Without Cold Weather Plus Package	C
	2000399	Ref	With Cold Weather Plus Package	B
		Ref	Tier III/IVi With Rexroth Pumps) (SN 0300127699 through 0300201017)	
	1001098513	Ref	Without Skypower and Without Cold Weather Plus Package	F
	1001098530	Ref	With Skypower and Without Cold Weather Plus Package	G
	1001098531	Ref	With Cold Weather Plus Package	F
		Ref	Tier III/IVi With Sauer Pumps (SN 0300127699 through 0300201017)	
	1001107971	Ref	Without Skypower and Without Cold Weather Plus Package	F
	1001107973	Ref	With Skypower and Without Cold Weather Plus Package	F
	1001107975	Ref	With Cold Weather Plus Package	F
101	0080115	1	Elbow, Rubber (Prior to SN 0300127699)	
102		Ref	Spacer, Fan Options:	
102	0080237	1	Without Skypower and Without Cold Weather Plus Package	
102	0080244	1	With Skypower and Without Cold Weather Plus Package	
	0080244	1	With Cold Weather Plus Package	
103	0100011	AR	Compound, Locking	
104	0272060	1	Box, Air Intake	
105	0340003	2	Band, Air Cleaner	
106	0340051	2	Band, Muffler	
107	0641406	15	Bolt 1/4in-20NC x 3/4in	
108	0641506	5	Bolt 5/16in-18NC x 3/4in	
109	0641507	4	Bolt 5/16in-18NC x 7/8in	
110	0641605	4	Bolt 3/8in-16NC x 5/8in	
111	0641608	AR	Bolt 3/8in-16NC x 1in	
112	0641609	2	Bolt 3/8in-16NC x 1-1/8in	
113	0641610	4	Bolt 3/8in-16NC x 1-1/4in	
114	0641808	1	Bolt 1/2in-13NC x 1in	
115	0641814	2	Bolt 1/2in-13NC x 1-3/4in	
116	0641818	2	Bolt 1/2in-13NC x 2-1/4in	
117	0641826	2	Bolt 1/2in-13NC x 3-1/4in	
118	0700810	3	Bolt M8 x 20mm	
119	0701214	2	Bolt M12 x 30mm	
120	0701414	6	Bolt M14 x 30mm	
121		Ref	Bolt Options:	
121	0701414	AR	M14 x 30mm	
121	0701417	AR	M14 x 45mm	
122		Ref	Bracket, Muffler Options:	
122	0902747	1	Bracket, Muffler Mounting (Prior to SN 0300138470)	
122	1001112766	1	Bracket, Muffler Mounting (SN 0300138470 through 0300201017)	
123	0940070	1	Bumper	

SECTION 2 - TURNTABLE

ITEM	PART NUMBER	QTY	DESCRIPTION	REV
124	0961986	2	Bushing, Flanged	
125		Ref	Lanyard Options:	
125	1060637	Ref	16in/40.6cm Length (Prior to SN 0300183355)	
125	1001131542	Ref	13in/33cm Length (SN 0300183956 through 0300201017)	
126	1320022	AR	Clamp	
127	1320058	AR	Clamp	
128	1320060	1	Clamp	
129	1320223	1	J-Clip	
130	1340065	1	Air Cleaner Assembly	
130	7003655	1	Element, Air Cleaner	
130	7015013	1	Baffle, Rubber	
130	7015014	1	Clamp, Cap	
130	7015015	1	Cup	
130	7015003	1	Wingnut	
131	1671023	1	Shroud, Fan	
132	1703162	2	Decal - Fan Blade	
133		Ref	Engine Options: (See Items 201 to 223 for Individually Serviced Components)	
133	2000199	1	Engine, Deutz BF4M2011 Tier II (Prior to SN 0300087575)	
133	2000275	1	Engine, Deutz BF4M2011 Tier II (SN 0300087575 through 0300093355)	
133	2000340	1	Engine, Deutz BF4M2011 Tier II (SN 0300093356 through 0300127698)	
133	1001098601	1	Engine, Deutz Tier III TD2011L04O (SN 0300127699 through 0300201017)	
134	2060025	1	Fan	
135	2220451	1	Fitting, Straight	
136	2220498	1	Fitting, Straight	
137	2720058	34 ft/10.3m	Hose	
138	3020016	3.25 gl/12.3Li	Oil, Motor 15W-40 (Not Shown)	
139	2720488	1	Elbow, 45 Degree Air Intake (Prior to SN 0300127699)	
140	2720500	1	Hose, Oil Cooler (Top)	
141	2720501	1	Hose, Oil Cooler (Bottom)	
142	2750532	9 in/23cm	Hose	
143	2902065	1	Pump Coupling Kit	H
143A	2902065	1	Plate, Pump Mounting (Note: Not Available for Purchase.)	
143B	70000793	1	Coupling, Flex	
143C	See Note	8	Bolt M10 x 20mm Grade 10.9 (Note: Not Available - Purchase Locally)	
143D	See Note	12	Bolt M10 x 25mm Grade 10.9	
143E	See Note	12	Flatwasher M10 (Note: Not Available - Purchase Locally)	
144	3200362	2	Mount, Motor (Front)	
145	3200401	2	Mount, Motor (Rear)	
146		Ref	Muffler Options:	
146	3220126	1	Standard Muffler	
146	3220130	1	Optional Catalytic Muffler	
146	70003555	1	Clamp	
147	3300454	10	Nut	
148	3311405	5	Locknut 1/4in-20NC	
149	3311505	5	Locknut 5/16in-18NC	
150	3311605	AR	Locknut 3/8in-16NC	

SECTION 2 - TURNTABLE

ITEM	PART NUMBER	QTY	DESCRIPTION	REV
151	3311805	5	Locknut 1/2in-13NC	
152	3422532	1	Pin, Hitch	
153	3520054	2	Plug	
154	3537416	1	Plate, Mounting (Front Right)	
155	3539971	1	Bracket, Engine Mounting (Front)	
156	3573142	1	Bracket, Engine Mounting (Rear)	
157	3573411	2	Plate, Clamp	
158	3573412	1	Gusset	
159	3573529	1	Plate, Mounting (Front Left)	
160		Ref	Pulley Options:	
160	3580158	1	Without Skypower and Without Cold Weather Plus Package	
160	3580320	1	With Skypower and Without Cold Weather Plus Package	
	3580320	1	With Cold Weather Plus Package	
161	3600339	1	Pump Assembly (Machines with Rexroth Pump Only) (See PUMP ASSEMBLY (REXROTH) (DEUTZ ENGINE MACHINES) for Breakdown)	
162	3620041	1	Cooler, Engine Oil (Use p/n 1001145382)	
163	3740067	2	Relay	
164	3960543	1	Seal	
165	3960544	1	Seal	
166	4032022	4	Capscrew M10 x 90mm	
167	4060805	8 in/20cm	Flex-Trim	
168	4568291	1	Tube, Air Intake (Prior to SN 0300127699)	
169	4568292	1	Tube, Tuning (Prior to SN 0300127699)	
170	4568293	1	Pipe, Exhaust	
171	4640751	1	Valve, Oil Drain	
172	4711500	AR	Flatwasher 5/16in Thin	
173	4711600	AR	Flatwasher 3/8in Thin	
174	4711800	7	Flatwasher 1/2in Thin	
175	4740274	4	Washer, Snubbing	
176	4740518	10	Washer, Nylon	
177	4751400	20	Flatwasher 1/4in Regular	
178	4791400	4	Starwasher 1/4in	
179	4846552	1	Plate, Oil Cooler Mounting	
180	Not Required	0	Not Required	
180		Ref	Mount, Generator Options:	
180	4846945	1	With Skypower and Without Cold Weather Plus Package	
180	4846945	1	With Cold Weather Plus Package	
181	4846946	1	Tray	
182	4891800	2	Flatwasher 1/2in Hardened	
183		Ref	Relay Options:	
183		Ref	Without Skypower and Without Cold Weather Plus Package	
183	3740080	2	Relay, Weather Proof (SN 0300127699 through 0300201017)	
183	3740080	2	With Skypower & Without Cold Weather Plus Package	
183	3740080	2	With Cold Weather Plus Package	
184	Not Required	0	Not Required	
184		Ref	Cable, Jumper Options:	
184		Ref	Without Cold Weather Plus Package	
184	1060904	1	Cable, Jumper (Prior to SN 0300106319)	
184	4923592	1	Cable (SN 0300106319 through 0300201017)	
185	4240099	AR	Tie-Strap	

SECTION 2 - TURNTABLE

ITEM	PART NUMBER	QTY	DESCRIPTION	REV
186		Ref	Harness, Glow Plug Options (See ELECTRICAL SECTION for Breakdown):	
186	4922700	1	Harness, Glow Plug (Prior to SN 0300087575)	
186	Not Required	0	Not Required	
186	4923468	1	Harness, Glow Plug (SN 0300093356 through 0300201017)	
187	0761215	2	Capscrew M12 x 35mm	
188	2580062	1	Heater, Block with Cold Weather Plus Package - Not Shown (SN 0300100379 through 0300201017)	
189	4460234	3	Mount, Wire Tie (Used to Secure Block Heater Cord with Cold Weather Plus Package - Not Shown) (SN 0300100379 through 0300201017)	
190	4060804	1 ft/25cm	Flex-Trim (SN 0300127699 through 0300201017)	
191	1001092856	1	Hose, Air Intake (SN 0300127699 through 0300201017)	
192	8410013	1	Clamp, Gear (SN 0300127699 through 0300201017)	
193	1001112927	1	Gear Pump Assembly (Machines with Sauer Pumps Only) (See PUMP ASSEMBLY (SAUER GEAR) for Breakdown)	
194	4891600	2	Flatwasher 3/8in Hardened	
195	1001108616	1	Tandem Piston Pump Assembly (Machines with Sauer Pumps Only) (See PUMP ASSEMBLY (SAUER TANDEM) for Breakdown)	
196		Ref	Piston Pump Assembly Options:	
196	1001108888	NLA	Piston Pump Assembly (Machines with Sauer Pumps Only) (See PUMP ASSEMBLY (SAUER PISTON) for Breakdown) (Use p/n 1001171095) (Prior to SN 0300200040)	
196	1001171095	1	Piston Pump Assembly (Machines with Sauer Pumps Only) (See PUMP ASSEMBLY (SAUER PISTON) for Breakdown) (SN 0300200040 through 0300201017)	
197	3790152	1	O-Ring (Machines with Sauer Pumps Only)	
198	3790155	1	O-Ring (Machines with Sauer Pumps Only)	
		Ref	DEUTZ ENGINE COMPONENTS	
	2000199	Ref	Tier II (Prior to SN 0300085575, Excluding 0300085693 and 0300085910)	D
	2000275	Ref	Tier II (SN 0300085575 through 0300093355, Including 0300085693 and 0300085910)	B
	2000340	Ref	Tier II (SN 0300093356 through 0300127698)	B
	1001098601	Ref	Tier III/IVi (SN 0300127699 through 0300201017)	C
201	7027235	1	Dipstick	
201	70000044	1	O-Ring	
202	70003475	1	Thermostat (was p/n 7020459)	
202	7020460	1	Compression Spring	
203	70001870	1	Flywheel (Not Shown)	
203	7024579	1	Gear, Ring (Not Shown)	
204	7020465	1	Cap, Filler	
205		Ref	Pump, Oil Options:	
205	70000045	1	Pump, Oil (was p/n 7020484) (Prior to SN 0300127699)	
205	70001850	1	Pump, Oil (SN 0300127699 through 0300201017)	
205	7020468	1	Seal Between Oil Pump and Engine Block (Not Shown)	
206	7016331	1	Filter, Oil	
206	7027236	1	Sender, Temperature (Located near Oil Filter)	
208		Ref	Injector Pump Options:	
		Ref	Note: Series Letter is shown on label at base of Injector	
208		Ref	Injector Pump (Prior to SN 0300127699)	
208	7027237	AR	"A" Series	
208	7027614	AR	"B" Series	

SECTION 2 - TURNTABLE

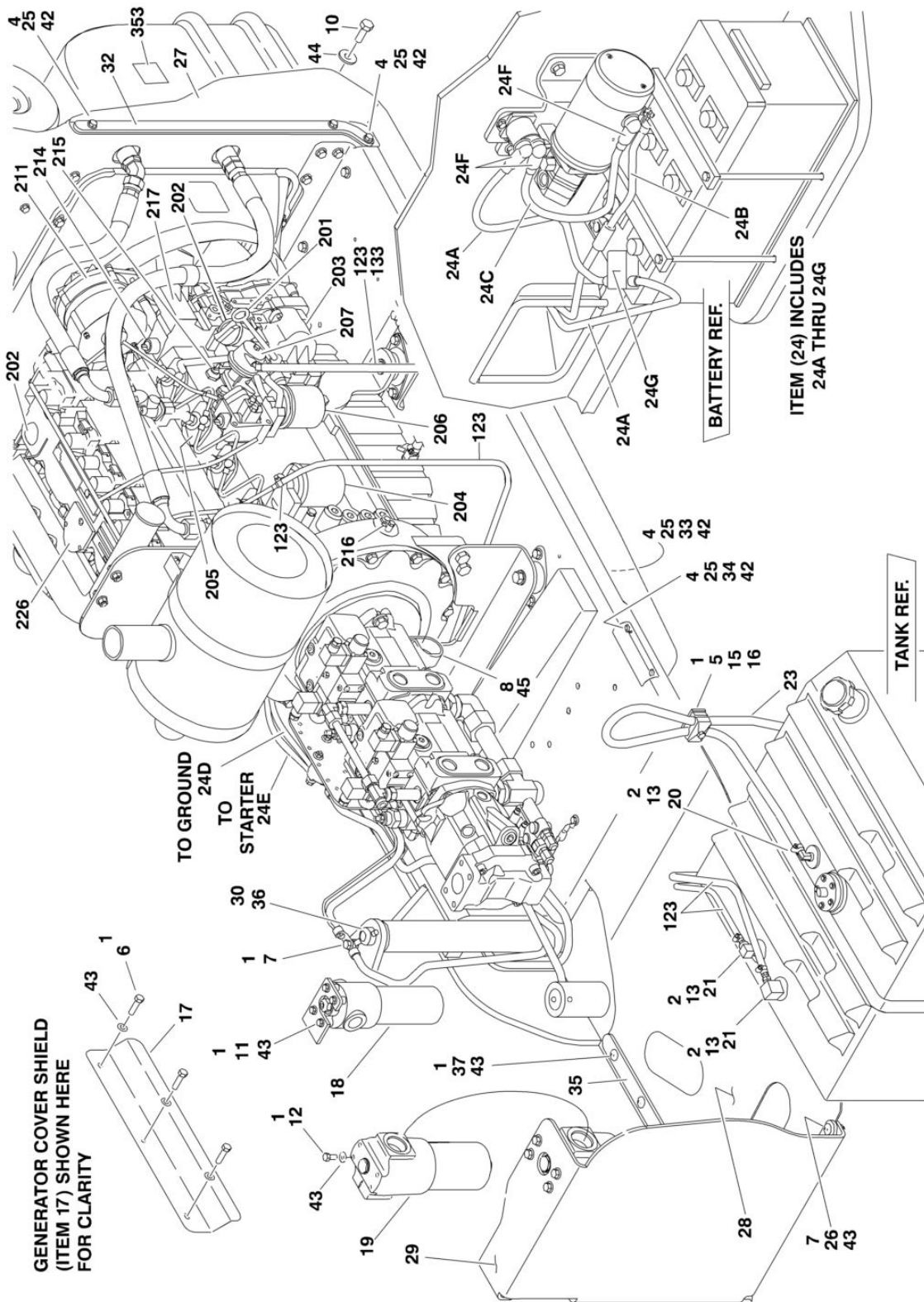
ITEM	PART NUMBER	QTY	DESCRIPTION	REV
208	7027615	AR	"C" Series	
208	7027616	AR	"D" Series	
208		Ref	Injector Pump (SN 0300127699 through 0300201017)	
208	70001128	AR	"A" Series	
208	70001129	AR	"B" Series	
208	70001130	AR	"C" Series	
208	70001131	AR	"D" Series	
208	7020447		Gasket (1 per Injector)	
209	7016328	1	Filter, Fuel	
210	70000916	1	Pump Fuel Supply (was p/n 7027238)	
210	70001435	1	Repair Kit	
210	70000917	1	O-Seal Between Fuel Pump and Engine Block (was p/n 7020411 - Not Shown)	
210	70000918	1	Sealing Ring (Not Shown)	
210	70000919	1	Pump, Hand (Not Shown)	
211	7027239	1	Solenoid, Start (Not Shown - Located near Throttle)	
212	7020414	1	V-Belt	
213	7020471	4	Gasket, Exhaust Manifold to Engine Block (Not Shown)	
213	7020486	1	Gasket, Exhaust Manifold to Exhaust Pipe (Not Shown)	
214	7027240	1	Turbocharger (Not Shown)	
214	70001857	1	Flange, Turbocharger (Not Shown)	
214	70001135	1	Gasket (Not Shown)	
215		Ref	Alternator Options:	
215	7000872	1	Alternator (Prior to SN 0300127699)	
215	7020464	1	Regulator, Voltage (Not Shown)	
215	70001867	1	Alternator (SN 0300127699 through 0300201017)	
215	70001868	1	Regulator, Voltage (Not Shown)	
216	7020479	1	Starter (Not Shown - Located on Right Side of Engine)	
216	7026608	1	Relay, Start (Not Shown)	
217		Ref	Sensor, Oil Pressure Options:	
217	7020461	1	2000199 Engine	
217	7027790	1	2000275, 2000340 & 1001098601 Engines	
218		Ref	Sensor, Temperature Options (Not Shown):	
218	7027241	1	2000199 Engine	
218	7027791	1	2000275, 2000340 & 1001098601 Engines	
219	7024565	1	Sensor, Speed	
220		Ref	Actuator, Throttle Options:	
220	7020458	1	2000199 Engine	
220	7027792	1	2000275, 2000340 & 1001098601 Engines	
220	7027276	2	Spring	
221	1600443	1	Module, EMR2 Controller (SN 0300085575 through 0300201017)	
222		Ref	Seal, Rear Main Options (Not Shown):	
222	See Note	1	2000199, 2000275 & 2000340 Engines (Note: Not Available for Purchase)	
222	70002718	1	1001098601 Engines	
223		Ref	Injector, Fuel Options:	
223	70003478	4	Injector, Fuel (Prior to SN 0300127699)	
223	70003135	4	Injector, Fuel (SN 0300127699 through 0300201017)	
223	70003136	1	Ring, Sealing	4
224		Ref	Valve, Breather Options (Located - Front Cover) (Not Shown):	

SECTION 2 - TURNTABLE

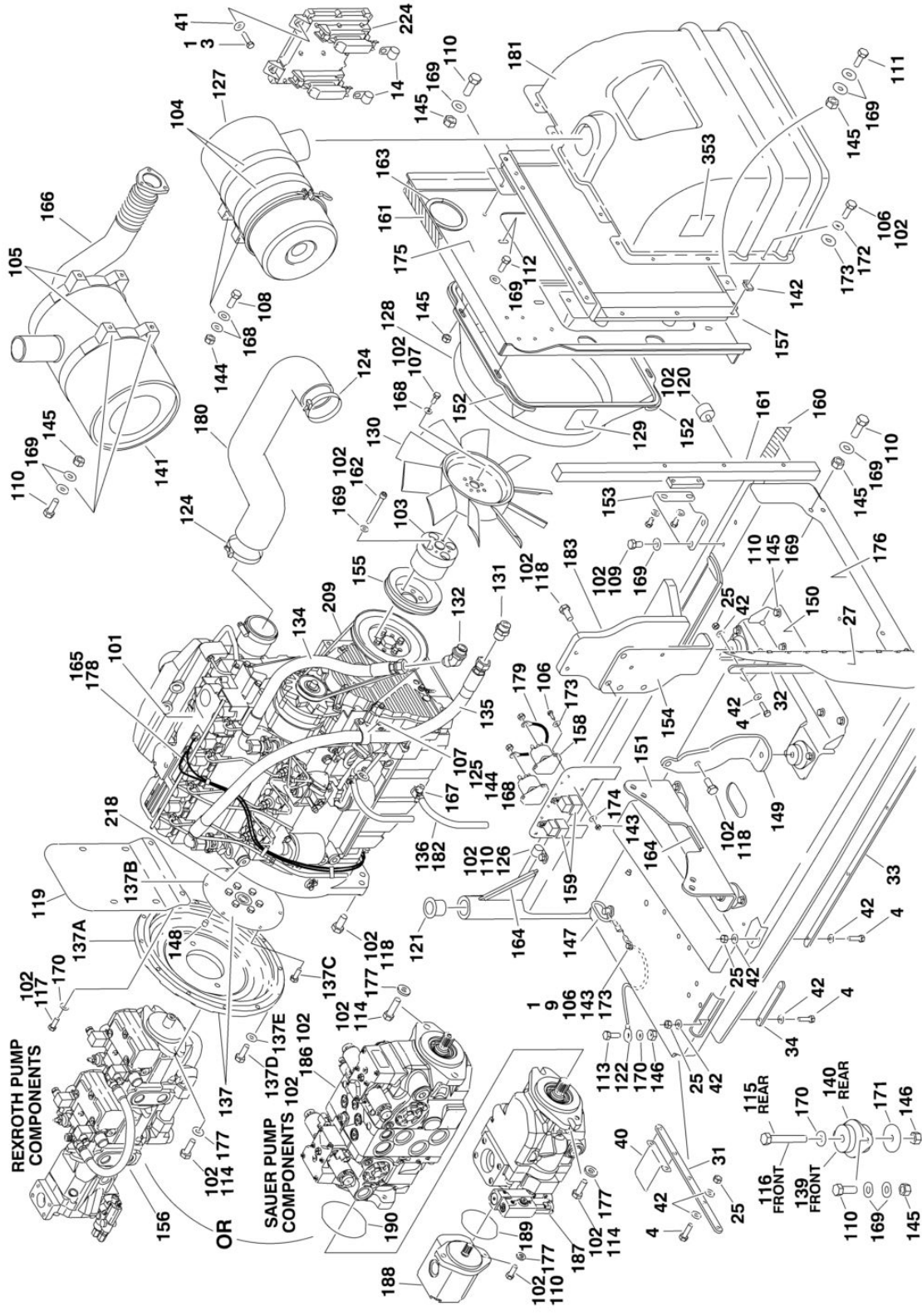
ITEM	PART NUMBER	QTY	DESCRIPTION	REV
224	See Note	1	2000199, 2000275 & 2000340 Engines (Note: Not Available for Purchase)	
224	70001847	1	1001098601 Engines	
224	70001126	1	O-Ring (Not Shown)	
225		Ref	Cap, Breather Options (Located in Cylinder Head Cover) (Not Shown):	
225	See Note	1	2000199, 2000275 & 2000340 Engines (Note: Not Available for Purchase)	
225	70001125	1	1001098601 Engines	
225	70001126	1	O-Ring (Not Shown)	
226		Ref	Gasket, Air Intake Manifold Options (Not Shown):	
226	See Note	4	2000199, 2000275 & 2000340 Engines (Note: Not Available for Purchase)	
226	70001871	4	1001098601 Engines	
227	70000345	4	Plug, Glow (Not Shown)	
228	70007353	1	Gasket Kit (Not Shown) 1001098601 Engine	
	1283409	Ref	DECALS INSTALLATION	
353	1001143852	1	Decal - EPA	

SECTION 2 - TURNTABLE

FIGURE 2-7. DEUTZ TD2011 TIER IVI FLEX AND TIER IVI-PRE ENGINE INSTALLATION



SECTION 2 - TURNTABLE



SECTION 2 - TURNTABLE

FIGURE 2-7. DEUTZ TD2011 TIER IVI FLEX AND TIER IVI-PRE ENGINE INSTALLATION

ITEM	PART NUMBER	QTY	DESCRIPTION	REV
		Ref	DEUTZ DIESEL ENGINE INSTALLATION OPTIONS:	
		Ref	Tier IVi Flex Engines with Rexroth Pumps	
	1001137805	Ref	Without Skypower and Without Cold Weather Plus Package	A
	1001137804	Ref	With Skypower and Without Cold Weather Plus Package	A
	1001137806	Ref	With Cold Weather Plus Package	A
		Ref	Tier IVi Flex Engines with Sauer Pumps	
	1001137808	Ref	Without Skypower and Without Cold Weather Plus Package	A
	1001137807	Ref	With Skypower and Without Cold Weather Plus Package	A
	1001137809	Ref	With Cold Weather Plus Package	A
		Ref	Tier IVi-PRE Engines with Rexroth Pumps (CE Spec Only)	
	1001144315	Ref	Without Skypower	A
	1001144314	Ref	With Skypower	A
		Ref	Tier IVi-PRE Engines with Sauer Pumps (CE Spec Only)	
	1001144318	Ref	Without Skypower	A
	1001144317	Ref	With Skypower	A
1	0100011	AR	Compound, Locking	
2	0100079	AR	Sealant, Pipe	
3	0641410	4	Bolt 1/4in-20NC x 1-1/4in	
4	0641509	15	Bolt 5/16in-18NC x 1-1/8in	
5	0641511	1	Bolt 5/16in-18NC x 1-3/8in	
6	0641605	3	Bolt 3/8in-16NC x 5/8in	
7	0641610	5	Bolt 3/8in-16NC x 1-1/4in	
8	0641806	1	Bolt 1/2in-13NC x 3/4in	
9	0641808	1	Bolt 1/2in-13NC x 1in	
10	0642010	1	Bolt 5/8in-11NC x 1-1/4in	
11	0641606	4	Bolt 3/8in-16NC x 3/4in	
12	0651606	4	Bolt 3/8in-24NF x 3/4in	
13	1320022	3	Clamp	
14	1320041	2	Clamp	
15	1320187	1	Clamp, Twin	
16	1320190	1	Cover, Clamp	
17	1671121	1	Cover, Generator	
18	1001108617	1	Filter, Pressure	
18	70002231	1	Element, Filter	
19	2120218	1	Filter, High Pressure Hydraulic	
19	2120219	1	Element	
19	70001344	1	O-Ring, Bowl	
19	70006137	1	Seal Kit - Includes O-Ring (Element), O-Ring (Bowl), Back-up Ring (Bowl), Seal Ring (Indicator) and O-Ring (Indicator)	
20	2180348	1	Fitting, Barbed	
21	2220313	1	Fitting, 90 Degree Barbed	
22	2221176	1	Fitting, 90 Degree	
23	2750532	55 in/1.4m	Hose	
24	2902292	1	Battery Cable Kit	
24A	7027008	1	Cable, Red (To Aux Pump Relay, Battery Positive Terminal and Start Relay)	
24B	7027009	1	Cable, Black (To Aux Pump, Battery Negative Terminal and Ground at Tray Pivot)	
24C	7027010	1	Cable, Red (Aux Pump Relay to Aux Pump)	
24D	7027011	1	Cable, Black (Tray Pivot to Engine Mount)	

SECTION 2 - TURNTABLE

ITEM	PART NUMBER	QTY	DESCRIPTION	REV
24E	7024584	1	Cable, Red (Start Relay to Starter)	
	See Note	NSS	Boot, Terminal (Red) (Note: Not Available for Purchase)	
24G	See Note	NSS	Boot, Square Terminal (Red) (Note: Not Available for Purchase)	
25	3311505	15	Locknut 5/16in-18NC	
26	3311605	4	Locknut 3/8in-16NC	
27	3380473	1	Panel, Rubber	
28	3380498	1	Panel, Noise Reduction	
29	3380723	1	Panel, Rubber Noise Reduction	
30	3422446	1	Pin	
31	3573644	1	Plate, Tray Clamp	
32	3573669	1	Plate, Clamp	
33	3573727	1	Plate, Tray Clamp	
34	3573728	1	Plate, Tray Clamp	
35	3574633	1	Plate, Tray Clamp	
36	3841143	1	Keeper, Pin	
37	3900316	10	Screw, Button 3/8in-16NC x 1in	
38	4240018	2	Strap, Tie (Not Shown)	
39	4240033	AR	Tie Strap (Not Shown)	
40	4341110	1	Support, Noise Panel	
41	4711400	4	Flatwasher 1/4in Thin	
42	4711500	30	Flatwasher 5/16in Thin	
43	4711600	29	Flatwasher 3/8in Thin	
44	4752000	1	Flatwasher 5/8in Regular	
45	90028660	1	Clamp	
47	2200222	1	Plug, Fuel Tank Drain (Not Shown)	
48	1702942	1	Decal, Block Heater (Cold Weather Package - Not Shown)	
		Ref	DEUTZ DIESEL ENGINE ASSEMBLY OPTIONS:	
		Ref	Tier IVi-Flex Engines with Rexroth Pumps	
	1001137786	Ref	Without Skypower and Without Cold Weather Plus Package	A
	1001137788	Ref	With Skypower and Without Cold Weather Plus Package	A
	1001137792	Ref	With Cold Weather Plus Package	A
		Ref	Tier IVi-Flex Engines with Sauer Pumps	
	1001137794	Ref	Without Skypower and Without Cold Weather Plus Package	A
	1001137796	Ref	With Skypower and Without Cold Weather Plus Package	A
	1001137800	Ref	With Cold Weather Plus Package	A
		Ref	Tier IVi-PRE Engines with Rexroth Pumps (CE Spec Only)	
	1001144301	Ref	Without Skypower	A
	1001144302	Ref	With Skypower	A
		Ref	Tier IVi-PRE Engines with Sauer Pumps (CE Spec Only)	
	1001144303	Ref	Without Skypower	A
	1001144304	Ref	With Skypower	A
101		Ref	Engine, Deutz Tier IVi-Flex Options (See Items 201 to 227 for Individually Serviced Components)	
101	1001137785	1	Engine, Deutz Tier IVi-Flex	
101	1001144300	1	Engine, Deutz Tier IVi-Pre	
102	0100011	AR	Compound, Locking	
103		Ref	Spacer, Fan Options:	
103	0080237	1	Without Skypower and Without Cold Weather Plus Package	
103	0080244	1	With Skypower and Without Cold Weather Plus Package	
	0080244	1	With Cold Weather Plus Package	
104	0340003	2	Band, Air Cleaner	

SECTION 2 - TURNTABLE

ITEM	PART NUMBER	QTY	DESCRIPTION	REV
105	0340051	2	Band, Muffler	
106	0641406	15	Bolt 1/4in-20NC x 3/4in	
107	0641506	5	Bolt 5/16in-18NC x 3/4in	
108	0641507	4	Bolt 5/16in-18NC x 7/8in	
109	0641605	4	Bolt 3/8in-16NC x 5/8in	
110	0641608	AR	Bolt 3/8in-16NC x 1in	
111	0641609	2	Bolt 3/8in-16NC x 1-1/8in	
112	0641610	4	Bolt 3/8in-16NC x 1-1/4in	
113	0641808	1	Bolt 1/2in-13NC x 1in	
113	0641812	1	Bolt 1/2in-13NC x 1-1/2in	
113	0641814	1	Bolt 1/2in-13NC x 1-3/4in	
113	0761215	1	Bolt M12 x 35mm	
115	0641818	2	Bolt 1/2in-13NC x 2-1/4in	
116	0641826	2	Bolt 1/2in-13NC x 3-1/4in	
117	0711214	2	Bolt M12 x 30mm	
118		Ref	Bolt Options:	
118	0711414	AR	Bolt M14 x 30mm	
118	0711417	AR	Bolt M14 x 45mm	
119	1001112766	1	Bracket, Muffler	
120	0940070	1	Bumper	
121	0961986	2	Bushing, Flanged	
122	1060637	1	Lanyard	
123	1320022	3	Clamp	
124	1320058	2	Clamp	
125	1320060	1	Clamp	
126	1320223	1	J-Clip	
127	1340065	1	Air Cleaner Assembly	
127	7003655	1	Element, Air Cleaner	
128	1671023	1	Shroud, Fan	
129	1703162	2	Decal - Fan Blade	
130	2060025	1	Fan	
131	2220451	1	Fitting, Straight	
132	2220498	1	Fitting, 45 Degree	
133	2720058	34 ft/10.3m	Hose	
134	2720500	1	Hose, Oil Cooler (Top)	
135	2720501	1	Hose, Oil Cooler (Bottom)	
136	2750532	9 in/23cm	Hose	
137	2902065	1	Pump Coupling Kit	G
137A	2902065	1	Plate, Pump Mounting (Note: Not Available for Purchase.)	
137B	70000793	1	Coupling, Flex	
137C	See Note	8	Bolt M10 x 20mm Grade 10.9 (Note: Not Available - Purchase Locally)	
137D	See Note	12	Bolt M10 x 25mm Grade 10.9 (Note: Not Available - Purchase Locally)	
137E	See Note	12	Flatwasher M10 (Note: Not Available - Purchase Locally)	
139	3200362	2	Mount, Motor (Front)	
140	3200401	2	Mount, Motor (Rear)	
141		Ref	Muffler Options:	
141	3220126	1	Standard Muffler	
141	3220130	1	Optional Catalytic Muffler	
141	70001017	1	Clamp	

SECTION 2 - TURNTABLE

ITEM	PART NUMBER	QTY	DESCRIPTION	REV
142	3300454	10	Nut	
143	3311405	5	Locknut 1/4in-20NC	
144	3311505	5	Locknut 5/16in-18NC	
145	3311605	30	Locknut 3/8in-16NC	
146	3311805	5	Locknut 1/2in-13NC	
147	3422532	1	Pin, Hitch	
148	3520054	2	Plug	
149	3537416	1	Plate, Mounting (Front Right)	
150	3539971	1	Bracket, Engine Mounting (Front)	
151	3573142	1	Bracket, Engine Mounting (Rear)	
152	3573411	2	Plate, Clamp	
153	3573412	1	Gusset	
154	3573529	1	Plate, Mounting (Front Left)	
155		Ref	Pulley Options:	
155	3580158	1	Without Skypower and Without Cold Weather Plus Package	
155	3580320	1	With Skypower and Without Cold Weather Plus Package	
	3580320	1	With Cold Weather Plus Package	
156	3600339	1	Pump Assembly - Rexroth (See PUMP ASSEMBLY (REXROTH) (DEUTZ ENGINE MACHINES) for Breakdown)	
157	3620041	1	Cooler, Engine Oil (Use p/n 1001145382)	
158	3740067	AR	Relay, Start	
159	3740080	2	Relay	
160	3960543	1	Seal	
161	3960544	1	Seal	
162	4032022	4	Capscrew M10 x 90mm	
163	4060804	1 ft/25cm	Flex-Trim	
164	4060805	8 in/20cm	Flex-Trim	
165	4240099	AR	Tie, Wire	
166	4568293	1	Pipe, Exhaust	
167	4640751	1	Valve, Oil Drain	
168	4711500	AR	Flatwasher 5/16in Thin	
169	4711600	AR	Flatwasher 3/8in Thin	
170	4711800	7	Flatwasher 1/2in Thin	
171	4740274	4	Washer, Snubbing	
172	4740518	10	Washer, Nylon	
173	4751400	20	Flatwasher 1/4in Regular	
174	4791400	4	Starwasher 1/4in	
175	4846552	1	Plate, Oil Cooler Mounting	
176	4846946	1	Tray	
177		Ref	Flatwasher Hardened Options:	
177	4891800	AR	1/2in	
177	4891600	AR	3/8in	
178	4923468	1	Harness, Glow Plugs	
179		Ref	Cable, Jumper Options:	
179	4923592	1	All except Cold Weather Plus Package	
179	1060904	1	With Cold Weather Plus Package	
180	1001092856	1	Hose, Air Intake	
181	0272060	1	Box, Air Intake	
182	8410013	1	Clamp, Gear	
183		Ref	Mount, Generator Options:	
183	Not Required	0	Without Skypower and Without Cold Weather Plus Package	
183	4846945	1	With Skypower and Without Cold Weather Plus Package	

SECTION 2 - TURNTABLE

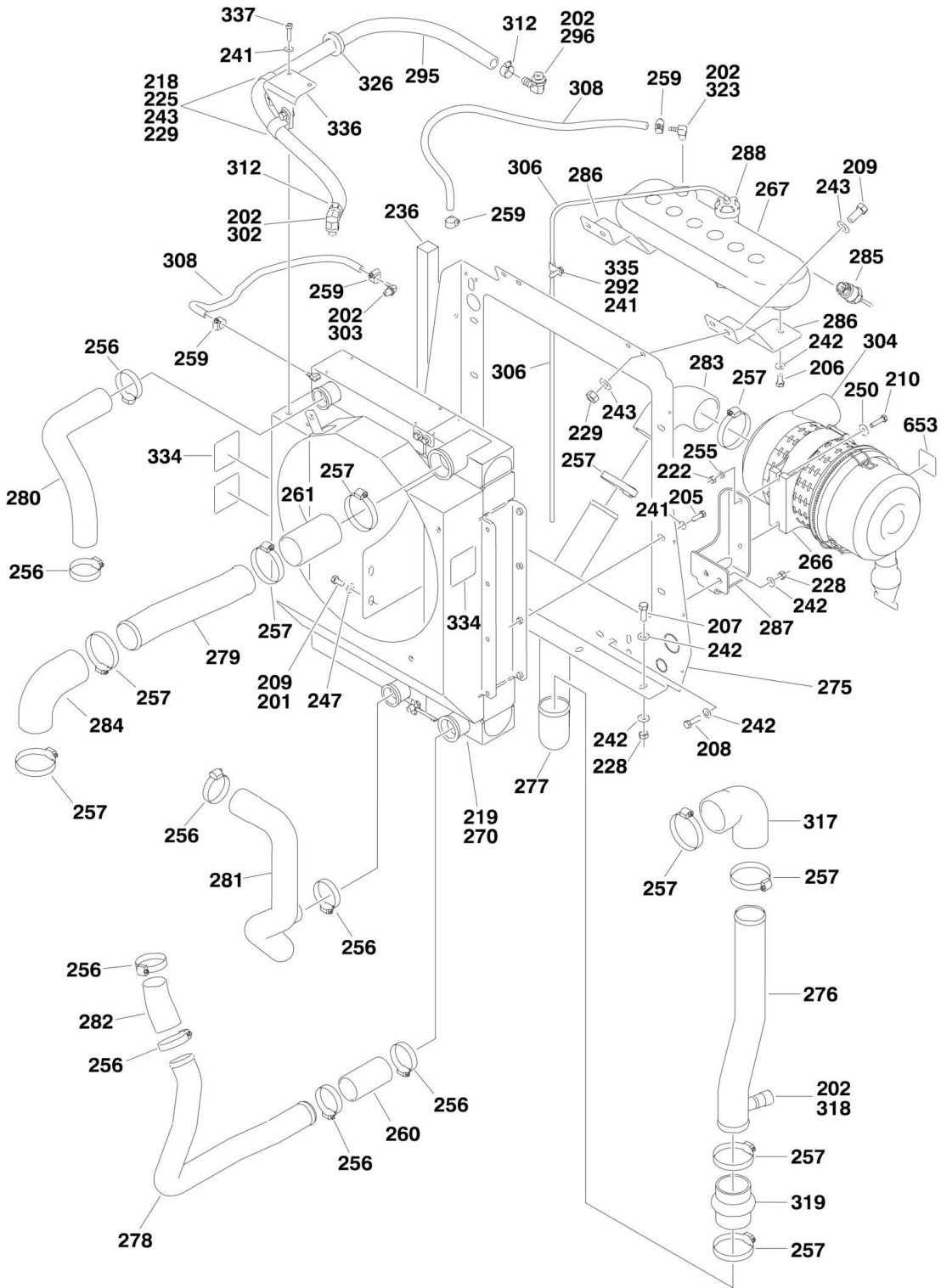
ITEM	PART NUMBER	QTY	DESCRIPTION	REV
183	4846945	1	With Cold Weather Plus Package	
184	2580062	1	Heater, Block (With Cold Weather Plus Package - Not Shown)	
185	4460234	3	Mount, Wire Tie (Used to Secure Block Heater Cord) (With Cold Weather Plus Package - Not Shown)	
186	1001108616	1	Pump Assembly - Sauer Tandem (See PUMP ASSEMBLY (SAUER TANDEM) for Breakdown)	
187		Ref	Pump Assembly - Sauer Piston Options:	
187	1001108888	NLA	Pump Assembly - Sauer Piston (See PUMP ASSEMBLY (SAUER PISTON) for Breakdown) (Use p/n 1001171095)	
187	1001171095	1	Pump Assembly - Sauer Piston (See PUMP ASSEMBLY (SAUER PISTON) for Breakdown)	
188	1001112927	1	Pump Assembly - Sauer Gear (See PUMP ASSEMBLY (SAUER GEAR) for Breakdown)	
189	3790152	1	O-Ring	
190	3790155	1	O-Ring	
		Ref	DEUTZ ENGINE COMPONENTS OPTIONS:	
	1001137785	Ref	Tier IVi-Flex Engines	B
	1001144300	Ref	Tier IVi-PRE Engines	B
201		Ref	Dipstick Options:	
201	70004313	1	Tier IVi-Flex Engines (Note: Not Available for Purchase)	
201	7027235	1	Tier IVi-PRE Engines	
201	70000044	1	O-Ring	
202	7020465	2	Cap, Filler	
203	70001850	1	Pump, Oil	
203	7020468	1	Seal Between Oil Pump and Engine Block (Not Shown)	
204	7016331	1	Filter, Oil	
204	70003472	1	Bracket, Oil Filter (includes Temperature Sensor Components)	
204	7027236	1	Sensor, Temperature	
204	700025082	1	Ring, Sealing	
204	70003473	1	Gasket, Bracket to Engine Block (Not Shown)	
205		Ref	Injector Pump Options:	
		Ref	Note: Series Letter is shown on label at base of Injector	
205	70001128	AR	"A" Series	
205	70001129	AR	"B" Series	
205	70001130	AR	"C" Series	
205	70001131	AR	"D" Series	
206	7016328	1	Filter, Fuel	
207	70000916	1	Pump Fuel Supply	
207	70001435	1	Repair Kit	
207	70000918	1	Sealing Ring (Not Shown)	
207	70000917	1	O-Seal Between Fuel Pump and Engine Block (Not Shown)	
207	70000919	1	Pump, Hand (Not Shown)	
209	7020414	1	V-Belt	
210	7020471	4	Gasket, Exhaust Manifold to Cylinder Head (Not Shown)	
210	7020486	1	Gasket, Exhaust Manifold to Exhaust Pipe (Not Shown)	
211		Ref	Alternator Options:	
211	70004292	1	Alternator for Tier IVi-Flex Engines	
211	70001867	1	Alternator for Tier IVi-PRE Engines	
211	70001868	1	Regulator, Voltage (Not Shown)	
211	70001866	1	Seal (Not Shown)	
212	7020479	1	Starter (Not Shown)	
212		Ref	Solenoid Options:	

SECTION 2 - TURNTABLE

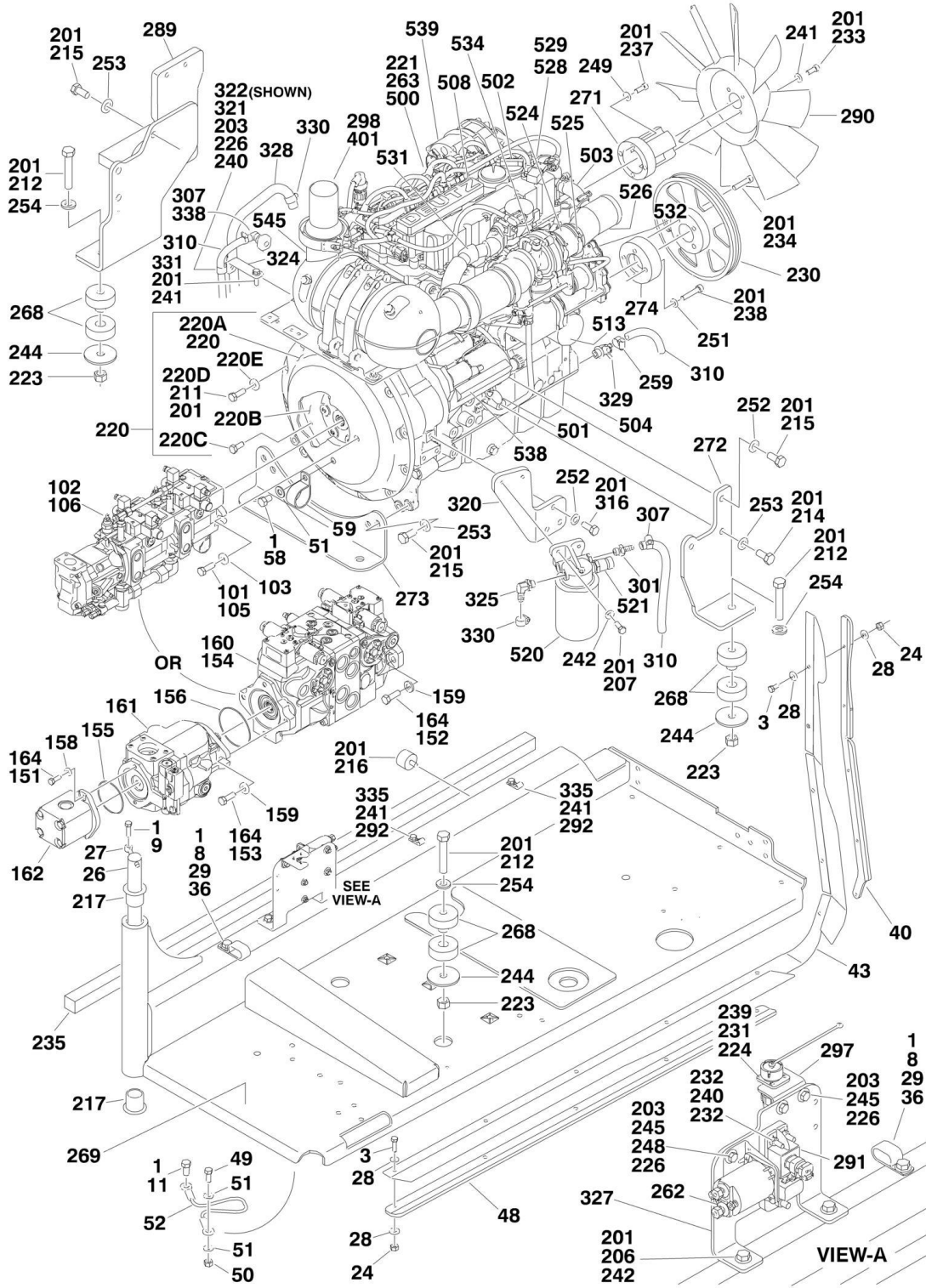
ITEM	PART NUMBER	QTY	DESCRIPTION	REV
212	70004058	1	Solenoid for Tier IVi-Flex Engines	
212	7026608	1	Solenoid for Tier IVi-PRE Engines	
214	7027791	1	Sender, Coolant Temperature	
215	7027790	1	Sensor, Oil Pressure	
216		Ref	Sensor, Speed Options:	
216	70004272	1	Sensor for Tier IVi-Flex Engines	
216	7024565	1	Sensor for Tier IVi-PRE Engines	
217	7027792	1	Actuator, Throttle	
217	7027276	2	Spring	
218		Ref	Thermostat Options:	
218	70003475	1	Thermostat for Tier IVi-Flex Engines	
218	7020459	1	Thermostat for Tier IVi-PRE Engines	
221	70001870	1	Flywheel (Not Shown)	
221	7024579	1	Gear, Ring (Not Shown)	
222	7027240	1	Turbocharger (Not Shown)	
222	70001857	1	Flange, Turbocharger (Not Shown)	
222	70001135	1	Gasket (Not Shown)	
224		Ref	Module, Engine Control Options:	
224	7027795	1	ECM for Tier IVi-Flex Engines	
224	1600443	1	ECM for Tier IVi-PRE Engines	
224	7027796	1	Harness, Controller (Not Shown)	
225		Ref	Gasket Options (Not Shown):	
225	70000068	1	Gasket, Breather Pipe	
225		Ref	Gasket, Cylinder Head	
225	70002415	1	1 Notch	
225	70002416	1	2 Notches	
225	70002417	1	3 Notches	
225	70001871	4	Gasket, Air Intake Manifold	
226	70001125	1	Cap, Breather (Located - Cylinder Head Cover)	
226	70001126	1	O-Ring (Not Shown)	
227	70000345	4	Plug, Glow (Not Shown)	
228	70001847	1	Valve, Breather (Located - Front Cover) (Not Shown)	
	1283409	Ref	DECALS INSTALLATION	
353	1001143852	1	Decal - EPA	

SECTION 2 - TURNTABLE

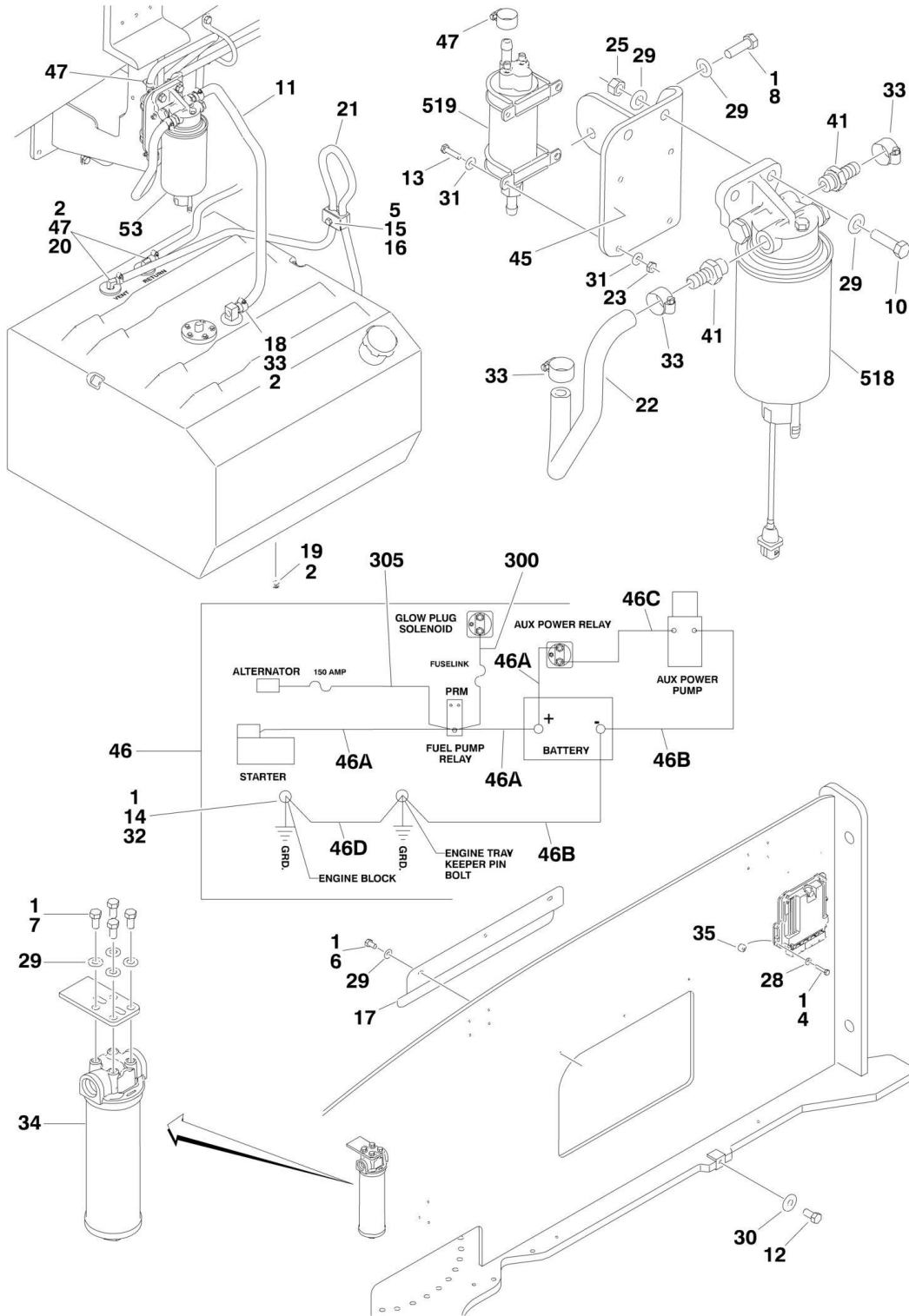
FIGURE 2-8. DEUTZ TCD2.9L4 ENGINE INSTALLATIONS



SECTION 2 - TURNTABLE



SECTION 2 - TURNTABLE



SECTION 2 - TURNTABLE

FIGURE 2-8. DEUTZ TCD2.9L4 ENGINE INSTALLATIONS

ITEM	PART NUMBER	QTY	DESCRIPTION	REV
		Ref	DEUTZ TCD2.9L4 ENGINE INSTALLATIONS	
	1001142375	Ref	Machines With Rexroth Pumps and Without Cold Weather Plus Package	H
	1001142377	Ref	Machines With Rexroth Pumps and With Cold Weather Plus Package	H
	1001142376	Ref	Machines With Sauer Pumps and Without Cold Weather Plus Package	H
	1001142378	Ref	Machines With Sauer Pumps and With Cold Weather Plus Package	H
1	0100011	AR	Compound, Locking	
2	0100079	AR	Sealant, Pipe	
3	0641408	10	Bolt 1/4in-20NC x 1in	
4	0641410	4	Bolt 1/4in-20NC x 1-1/4in	
5	0641511	1	Bolt 5/16in-18NC x 1-3/8in	
6	0641605	3	Bolt 3/8in-16NC x 5/8in	
7	0641606	4	Bolt 3/8in-16NC x 3/4in	
8	0641608	3	Bolt 3/8in-16NC x 1in	
9	0641610	1	Bolt 3/8in-16NC x 1-1/4in	
10	0641611	2	Bolt 3/8in-16NC x 1-1/4in	
11	0641808	AR	Bolt 1/2in-13NC x 1in	
12	0642010	1	Bolt 5/8in-11NC x 1-1/4in	
13		Ref	Bolt Options:	
13	0760410	4	Bolt M4 x 20mm (Prior to SN 0300182104)	
13	0721006	4	Screw #10-24NC x 3/4in (SN 0300182104 through 0300201017)	
14	0761210	1	Bolt M12 x 20mm	
15	1320187	1	Clamp	
16	1320190	1	Cover, Clamp	
17	1671121	1	Cover	
18	2180832	1	Fitting, Barbed	
19	2200222	1	Plug, Pipe	
20	2220313	2	Fitting, 90 Degree Barbed	
21	1001165035	4.5 ft/1.4m	Hose	
22	1001154405	1.9 ft/.6m	Hose	
23		Ref	Nut Options:	
23	3290405	4	Locknut M4 (Prior to SN 0300182104)	
23	3311001	4	Nut #10-24NC (SN 0300182104 through 0300201017)	
24	3311405	10	Locknut 1/4in-20NC	
25	3311605	2	Locknut 3/8in-16NC	
26	3422446	1	Pin, Pivot	
27	3841143	1	Pin, Keeper	
28	4711400	24	Flatwasher 1/4in Thin	
29	4711600	AR	Flatwasher 3/8in Thin	
30	4752000	1	Flatwasher 5/8in Regular	
31		Ref	Flatwasher Options:	
31	4811400	8	Flatwasher M4 (Prior to SN 0300182104)	
31	4711000	8	Flatwasher, #10 Thin (SN 0300182104 through 0300201017)	
32	4812100	1	Flatwasher M12	
33	8405006	2	Clamp	
34	1001108617	1	Hydraulic Pressure Filter Assembly	

SECTION 2 - TURNTABLE

ITEM	PART NUMBER	QTY	DESCRIPTION	REV
34	70002231	1	Element, Filter	
35	1001110425	4	Spacer	
36	1001116792	1	Clamp	
38	1001138491	1	Harness, Fuel (Not Shown - See ELECTRICAL SECTION for Breakdown)	
40	1001145089	1	Clamp	
41	1001141718	2	Fitting	
43	1001145560	1	Panel, Rubber	
45		Ref	Bracket Options:	
45	1001142446	1	Bracket, Mounting (Prior to SN 0300198046)	
45	1001140222	1	Bracket, Mounting (SN 0300198046 through 0300201017)	
46	1001142610	1	Battery Cable Kit	C
46A	7027046	1	Cable, Battery (Red) (Battery + to Relays and Starter)	
46A	70003951	NLA	Boot, Battery Terminal (Red) (No longer available)	
46A	See Note	NSS	Boot, Ring Terminal (Red) (Note: Not Available - Purchase Locally)	
46B	7027047	1	Cable, Battery (Black) (Battery - to Tray Pivot Grd) and Aux Pump	
46B	70003953	NLA	Boot, Battery Terminal (Black) (No longer available)	
46B	See Note	NSS	Boot, Ring Terminal (Black) (Note: Not Available - Purchase Locally)	
46C	7027048	1	Cable (Red) (Aux Relay to Aux Pump)	
46C	See Note	NSS	Boot, Ring Terminal (Red) (Note: Not Available - Purchase Locally)	
46D	7027049	1	Cable, Battery (Black) (Engine to Tray Pivot Grd)	
47	1320022	3	Clamp	
48	1001145842	1	Plate, Clamping	
49	0641708	1	Bolt 7/16in-14NC x 1in (Prior to SN 0300182104)	
50	3311705	1	Locknut 7/16in-14NC (Use p/n 3311805) (Prior to SN 0300182104)	
51	4711700	AR	Flatwasher 7/16in Thin (Use p/n 4711800) (Prior to SN 0300182104)	
52	1001131542	1	Lanyard	
53		Ref	Bracket, Fuel Pump Filter Assembly Options:	
53	1001165107	NLA	Bracket, Fuel Pump Filter Assembly (Use p/n 1001165101) (Prior to SN 0300198046)	
53	1001165101	1	Bracket, Fuel Pump Filter Assembly (SN 0300198046 through 0300201017)	
54	3380723	1	Panel, Noise Reduction	
55	0651606	4	Bolt, 3/8in-24NC x 3/4in	
56	2120218	1	Filter, High Pressure	
56	2120219	1	Element	
56	70001344	1	O-Ring, Bowl	
56	70006137	1	Seal Kit - Includes O-Ring (Element), O-Ring (Bowl), Back-up Ring (Bowl), Seal Ring (Indicator) and O-Ring (Indicator)	
57	3900316	5	Screw, Button head, 3/8in-16NC x 1in	
58	0641806	1	Bolt 1/2-13 x 3/4 (SN 0300198046 through 0300201017)	
59	90028660	1	Clamp (SN 0300198046 through 0300201017)	
		Ref	DEUTZ TCD2.9L4 ENGINE SUB-ASSEMBLIES	
	1001141812	Ref	Machines With Rexroth Pumps and Without Cold Weather Plus Package	N
	1001141813	Ref	Machines With Rexroth Pumps and With Cold Weather Plus Package	P
101	0641812	2	Bolt 1/2in-13NC x 1-1/2in	

SECTION 2 - TURNTABLE

ITEM	PART NUMBER	QTY	DESCRIPTION	REV
102	3020037	AR	Grease, Pump Coupling	
103	4740171	2	Flatwasher 1/2in Hardened	
105	0100011	AR	Compound, Locking	
106	1001152963	1	Pump Assembly - Rexroth (See PUMP ASSEMBLY (REXROTH) (DEUTZ ENGINE MACHINES for Breakdown)	
		Ref	DEUTZ TCD2.9L4 ENGINE SUB-ASSEMBLIES	
107	1001119456	1	Harness, Pump (Not Shown - See ELECTRICAL SECTION for Breakdown) (Prior to SN 0300187743)	
	1001134390	Ref	Machines With Sauer Pumps and Without Cold Weather Plus Package	M
	1001141745	Ref	Machines With Sauer Pumps and With Cold Weather Plus Package	M
151	0641608	2	Bolt 3/8in-16NC x 1in	
152	0641812	2	Bolt 1/2in-13NC x 1-1/2in	
153	0761215	2	Bolt M12 x 35mm	
154	3020037	AR	Grease, Pump Coupling	
155	3790152	1	O-Ring	
156	3790155	1	O-Ring	
158	4891600	2	Flatwasher 3/8in Hardened	
159	4891800	4	Flatwasher 1/2in Hardened	
160	1001108616	1	Pump Assembly - Sauer Tandem (See PUMP ASSEMBLY (SAUER TANDEM) for Breakdown)	
161		Ref	Pump Assembly - Sauer Piston Options:	
161	1001108888	NLA	Pump Assembly - Sauer Piston (See PUMP ASSEMBLY (SAUER PISTON) for Breakdown) (Use p/n 1001171095) (Prior to SN 0300200040)	
161	1001171095	1	Pump Assembly - Sauer Piston (See PUMP ASSEMBLY (SAUER PISTON) for Breakdown) (SN 0300200040 through 0300201017)	
162	1001112927	1	Pump Assembly - Sauer Gear (See PUMP ASSEMBLY (SAUER GEAR) for Breakdown)	
164	0100011	AR	Compound, Locking	
		Ref	DEUTZ TCD2.9L4 ENGINE ASSEMBLIES	
	1001134392	Ref	Machines Without Cold Weather Plus Package	W
	1001141746	Ref	Machines With Cold Weather Plus Package	U
201	0100011	AR	Compound, Locking	
202	0100020	AR	Sealant	
203	0641406	5	Bolt 1/4in-20NC x 3/4in	
205	0641508	8	Bolt 5/16in-18NC x 1in	
206	0641606	5	Bolt 3/8in-16NC x 3/4in	
207	0641608	9	Bolt 3/8in-16NC x 1in	
208	0641610	2	Bolt 3/8in-16NC x 1-1/4in	
209	0641708	6	Bolt 7/16in-14NC x 1in	
210	0700815	2	Bolt M8 x 35mm	
211	0771014	12	Bolt M10 x 30mm Grade 10.9	
212	0682028	4	Bolt 5/8in-11NC x 3-1/2in Grade 8	
214	0771212	2	Bolt M12 x 25mm Grade 10.9mm	
215	0771414	2	Bolt M14 x 30mm Grade 10.9	
216	0940070	1	Bumper	
217	0961986	2	Bushing, Flanged	
218	0641706	1	Bolt 7/16in-14NC x 3/4in	
219		Ref	Anti-freeze Options:	
219	2300004	3.2	Without Arctic Package	

gal/12.1L

SECTION 2 - TURNTABLE

ITEM	PART NUMBER	QTY	DESCRIPTION	REV
219	2300041	3.2 gal/12.1L	With Arctic Package	
220	2902065	1	Pump Coupling Kit	G
220A	2902065	1	Plate, Pump Mounting (Note: Not Available for Purchase.)	
220B	70000793	1	Coupling, Flex	
220C	See Note	8	Bolt M10 x 20mm Grade 10.9 (Note: Not Available - Purchase Locally)	
220D	See Note	12	Bolt M10 x 25mm Grade 10.9 (Note: Not Available - Purchase Locally)	
220E	See Note	12	Flatwasher M10 (Note: Not Available - Purchase Locally)	
221		Ref	Oil, Motor Options:	
221	1001136079	2.4 gal/9L	Without Arctic Package	
221	1001136172	2.4 gal/9L	With Arctic Package	
222	3290801	2	Nut M8	
223	3272001	4	Nut 5/8in-11NC Grade 8	
224	3310401	3	Nut #4-40NC	
225	8406302	2	Clamp	
226	3311405	6	Locknut 1/4in-20NC	
228	3311605	9	Locknut 3/8in-16NC	
229	3311705	5	Locknut 7/16in-14NC	
230	3580320	1	Pulley	
231	3910408	3	Screw #4-40NC x 1/2in	
232	3931432	1	Capscrew 1/4in-20NC x 2in	
233	3931512	4	Capscrew 5/16in-18NC x 3/4in	
234	3931628	4	Capscrew 3/8in-16NC x 1-3/4in	
235	3960543	1	Seal	
236	3960544	1	Seal	
237	4031914	4	Bolt M8 x 50mm	
238	4032014	4	Bolt M10 x 50mm	
239	4710400	3	Flatwasher #4 Thin	
240	4711400	3	Flatwasher 1/4in Thin	
241	4711500	AR	Flatwasher 5/16in Thin	
242	4711600	25	Flatwasher 3/8in Thin	
243	4711700	10	Flatwasher 7/16in Thin	
244	1001146219	4	Flatwasher Special	
245	4751400	8	Flatwasher 1/4in Regular	
247	4751700	2	Flatwasher 7/16in Regular	
248	4791400	2	Starwasher 1/4in	
249	4811900	4	Flatwasher M8	
250	4811902	2	Flatwasher M8	
251	4812000	4	Flatwasher M10	
252	4812100	4	Flatwasher M12	
253	4812200	9	Flatwasher M14	
254	4892000	4	Flatwasher 5/8in Hardened	
255	4831900	2	Lockwasher M8	
256	8405201	8	Clamp	
257	8405204	10	Clamp	
259	8410013	5	Clamp	
260	91563070	1	Coupling, Rubber	
261	1001114495	1	Hose	
262	1001117308	1	Relay	
263	1001128947	1	Engine, Deutz TD2.9L4	

SECTION 2 - TURNTABLE

ITEM	PART NUMBER	QTY	DESCRIPTION	REV
266	1001133634	1	Clamp	
267	1001133651	1	Tank, Surge (Prior to SN 0300187765)	
267	1001166393	1	Tank, Surge (SN 0300187765 through 0300201017)	
268	1001155575	4	Mount, Motor	
269	1001134485	1	Tray	
270	1001135090	1	Radiator	
271	1001135138	1	Spacer, Fan	
272	1001135560	1	Support, Engine	
273	1001135562	1	Support, Engine - Rear	
274	1001135679	1	Spacer, Pulley	
275	1001135680	1	Support, Radiator	
276	1001135901	1	Pipe, Air Intake	
277	1001135903	1	Pipe, Air Intake	
278	1001135913	1	Pipe, Turbo to Air Cleaner	
279	1001135914	1	Pipe, Air Cleaner to Intake	
280	1001135924	1	Hose, Radiator (Upper)	
281	1001135926	1	Hose, Radiator (Lower)	
282	1001135943	1	Coupling, Rubber	
283	1001135946	1	Elbow, Rubber	
284	1001136292	1	Pipe, 90 Degree	
285	1001136377	1	Sensor, Coolant Level	
286	1001136626	2	Bracket	
287	1001136665	1	Bracket	
288	1001136834	1	Cap, Tank	
289	1001142398	1	Support, Engine	
290	1001137276	1	Fan	
291	1001138228	1	Module, Power	
291	70023592	1	Fuse 20Amp (Switched Output)	
291	70023593	1	Fuse 30Amp (Battery Output)	
292	1001138253	5	Clamp	
294	1001138346	1	Harness, Engine (Not Shown - See ELECTRICAL SECTION for Breakdown)	
295	1001138524	1	Hose	
296	1001138559	1	Fitting, 90 Degree	
297	1001139240	1	Bracket	
298	1001153024	1	Pipe, Exhaust	
300	1001141304	1	Wire, Glow Plug	
301	1001141717	1	Fitting, Straight	
302	1001141719	1	Fitting, 90 Degree Barbed	
303	1001140564	1	Fitting, 90 Degree Barbed	
304	1001133633	1	Air Cleaner Assembly	
304	70024190	1	Element, Air Filter	
305	1001135779	1	Cable, Alternator Positive	
306	1001138248	4 ft/1.2m	Tubing	
307	1320022	2	Clamp	
308	2720015	4.5 ft/1.4m	Hose	
310	1001165035	30.5 ft/9.3m	Hose	
312	8405007	2	Clamp	
313	4240099	AR	Tie-Strap (Used to Secure Block Heater Cord) (With Cold Weather Plus Package - Not Shown)	

SECTION 2 - TURNTABLE

ITEM	PART NUMBER	QTY	DESCRIPTION	REV
314	4460234	3	Mount, Wire Tie (Used to Secure Block Heater Cord) (With Cold Weather Plus Package - Not Shown)	
315	1001140312	1	Heater, Block (With Cold Weather Plus Package - Not Shown)	
316	0761214	3	Bolt M12 x 30mm	
317	1001143341	1	Pipe, 90 Degree (Prior to SN 0300187765)	
317	1001165820	1	Pipe, Elbow (SN 0300187765 through 0300201017)	
318	1001143390	1	Indicator, Air Filter Service	
319	1001142637	1	Hose, Hump	
320	101142685	1	Bracket	
321	8406102	AR	Clip	
322	8406112	1	Clip	
323	1001134488	1	Fitting, 90 Degree Barbed	
324	1001138717	1	Bracket	
325	1001142501	1	Fitting, 90 Degree Barbed	
326	1001144089	1	Grommet	
327	1001145154	1	Plate, Mounting	
328	1001154405	5 ft/1.5m	Hose	
329	4640751	1	Valve, Oil Drain	
330	8405006	2	Clamp	
331	0760810	AR	Bolt M8 x 20mm	
332	1001148843	1	Harness, Fuel Filter (Not Shown - See ELECTRICAL SECTION for Breakdown)	
334	1703162	2	Decal - Fan	
335	0641503	3	Bolt 5/16in-18NC x 3/8in	
336	1001153387	1	Plate	
337	3931508	2	Capscrew 5/16in-18NC x 1/2in	
338	1001155823	1	Coupling	
339	0100062	AR	Adhesive, Loctite #680	
340	1001181895	AR	Adhesive, Loctite #640 (Not Shown - Apply to Block Heater)	
	1001139930	Ref	SPARK ARRESTER INSTALLATION (OPTIONAL)	
401	1001154157	1	Stack, Spark Arrester Exhaust	
500	1001128947	Ref	ENGINE COMPONENTS	J
501	70024904	1	Dipstick	
501	70024905	1	O-Ring	
502	7020465	2	Cap, Filler	
503	7002511	2	Clamp	
504	70025162	1	Pan, Oil	
504	70025088	2	Plug	
504	7020404	2	Washer, Sealing	
505	70001870	1	Flywheel (Not Shown)	
505	7024579	1	Gear, Ring (Not Shown)	
506	70024906	1	Gasket, Head (Not Shown)	
507	70025204	1	Shield, Heat (Not Shown)	
508	70025163	1	Cover, Valve	
508	70025205	1	Gasket	
508	70025206	1	Gasket, Small Valve Cover	
508	70025207	1	Gasket, Large Valve Cover	
508	70025208	1	Gasket	
509	70025076	1	Valve (Not Shown - Located on Right Side of Front Engine Cover)	
509	70025176	1	Spring	
509	70025082	1	Ring, Sealing	
509	70025091	1	Plug	

SECTION 2 - TURNTABLE

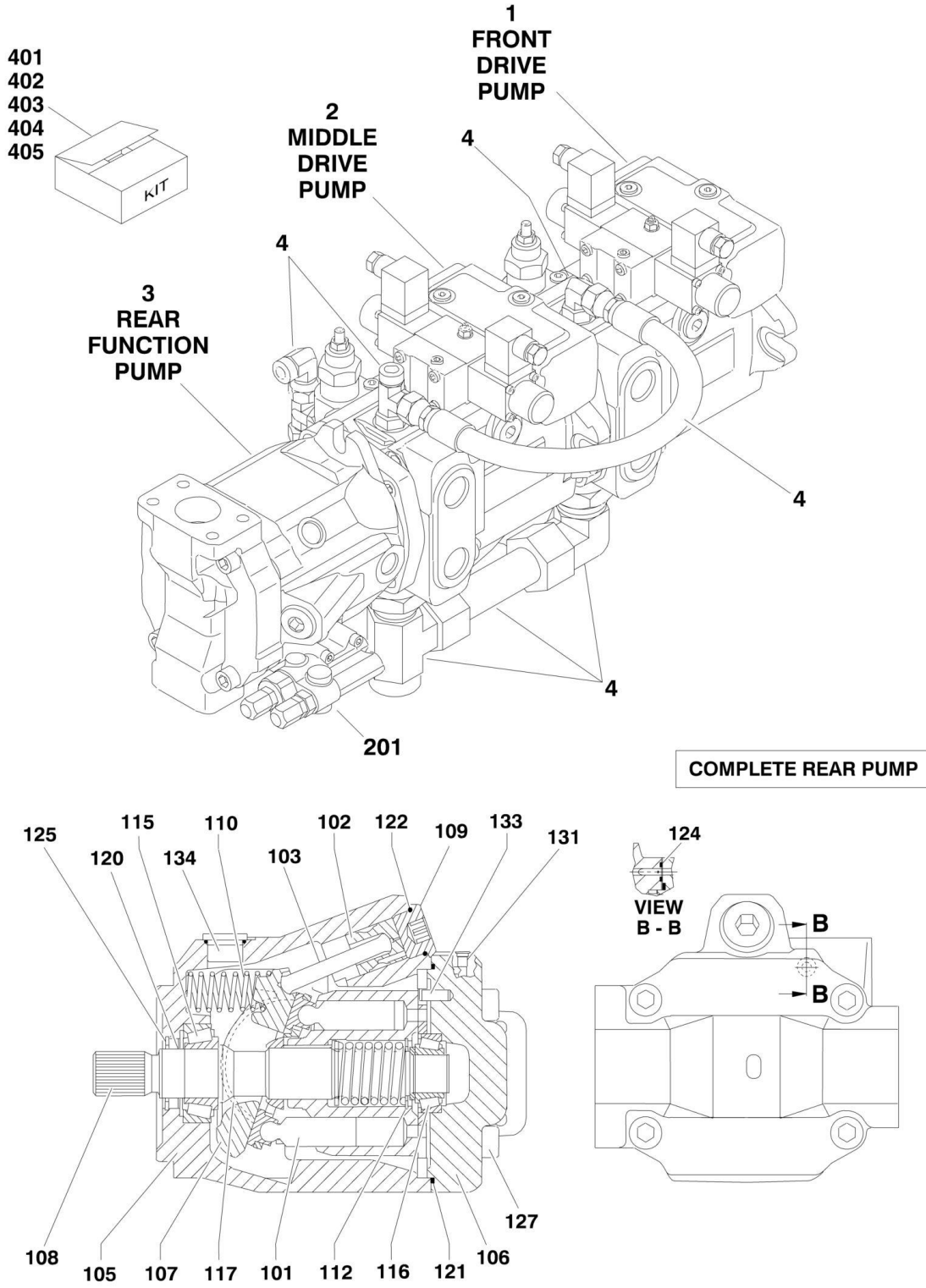
ITEM	PART NUMBER	QTY	DESCRIPTION	REV
510	70025190	1	Cover, Front (Not Shown - Located on Front of Engine)	
510	70024907	1	Gasket, Front Cover	
510	70004280	1	Seal, Shaft - Front	
511	70002718	1	Seal, Shaft - Rear (Not Shown)	
512	70025202	1	Pump, Oil Lube (Not Shown)	
512	70025135	1	O-Ring	
512	70025136	1	Gasket	
513	7016331	1	Filter, Oil	
513	70025137	1	Bushing	
514	70004275	1	Cooler, Engine Oil (Not Shown - Located on Right Side)	
514	70024925	1	Gasket	
515	70025171	1	Oil Suction Pump (Not Shown - Located Inside of Engine Oil Pan)	
516	70024924	1	Pump, Fuel (Not Shown - Located on Right Side)	
516	70025152	1	O-Ring	
516	70025080	1	Washer	
516	70024488	1	Spacer	
516	70024517	1	O-Ring	
517	70025181	4	Injector, Fuel (Not Shown - Located on Right Side)	
517	70025140	4	Washer, Sealing	
517	70025146	4	Clamp (Top of Injector)	
517	70025145	4	O-Ring	
517	70025154	4	Shoe, Clamping	
517	70000345	1	Plug, Glow (Not Shown)	
517	70025231	1	Harness, Glow Plug (Not Shown)	
518	70024961	1	Fuel Filter Assembly	
518	70025153	1	Filter, Fuel	
518	70024513	1	Cable, Sensor	
518	70025239	1	Ring, Sealing	
519	70024486	1	Pump, Fuel	
519	70025144	2	Clamp	
520	70025160	1	Filter with Head	
520	70025161	1	Filter, Fuel	
521	70024504	1	Sensor, Pressure	
521	70024920	1	O-Ring	
521	70025103	1	Retainer	
522	70025151	1	Rail, Fuel (Not Shown)	
522	70025235	1	Repair Kit	
523	70025182	1	Fuel Line - High Pressure (Cylinder 1 & 2) (Not Shown)	
523	70025183	1	Fuel Line - High Pressure (Cylinder 3 & 4) (Not Shown)	
523	70025184	1	Fuel Line - High Pressure (Supply) (Not Shown)	
524	70004501	1	Sleeve, Rubber	
525	70004502	1	Pipe, Intake	
526	70025112	2	Clamp	
527	70025210	1	ECU (Engine Control Unit)	
528	70024910	1	Pump, Water	
528	70025200	1	Ring, Sealing	
528	70025084	2	Plug	
528	7020492	2	Ring, Sealing	
529	70024473	1	Thermostat	
529	70025143	1	O-Ring	
529	70025142	1	Cover, Thermostat	

SECTION 2 - TURNTABLE

ITEM	PART NUMBER	QTY	DESCRIPTION	REV
530	70025177	1	Pipe (Not Shown - Located on Left Side)	
530	70025179	2	Gasket	
531	70025178	1	Pipe	
531	70025156	1	Valve, Shuttle	
531	70025179	2	Gasket	
531	70025180	1	Gasket	
532	70025203	1	Module, EGR	
532	70025155	1	Plug	
533	70004282	1	Manifold, Exhaust (Not Shown)	
533	70025164	1	Gasket, Exhaust Manifold to Head	
534	70004503	1	Turbocharger	
534	70024912	1	Gasket, Exhaust Manifold	
535	70025477	1	Tensioner, Belt (Not Shown - Located on Front of Engine)	
536	70024484	1	Idler Roller (Not Shown - Located on Front of Engine)	
537	70004277	1	Belt, Drive (Not Shown)	
538	70024915	1	Starter	
539	70025533	1	Generator	
539	70025149	1	Regulator, Voltage	
540	70004284	1	Harness, Engine (Not Shown)	
541	70024507	1	Sensor, Pressure (Not Shown - Located Top Rear)	
541	70025120	1	O-Ring	
542	70024503	1	(Not Shown - Located Left Side Front and Flywheel Housing)	
542	70024917	1	O-Ring	
543	70024918	1	Sender, Temperature (Not Shown - Located Top Front)	
544	70024919	1	Sensor, Pressure (Not Shown - Located on Right Side)	
544	70024920	1	O-Ring	
545	70005445	1	Outlet, Muffler	
546	70004279	1	Gasket Kit (Not Shown)	
547	70124530	1	Valve, Pressure Relief (Not Shown – Located on right rear of engine)	
547	70124538	1	Spring, Compression	
547	70104570	1	Ring, Sealing	
547	70025660	1	Screw	
	1283409	Ref	DECALS INSTALLATION	
653	1001143852	1	Decal - EPA	

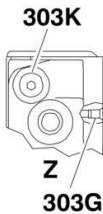
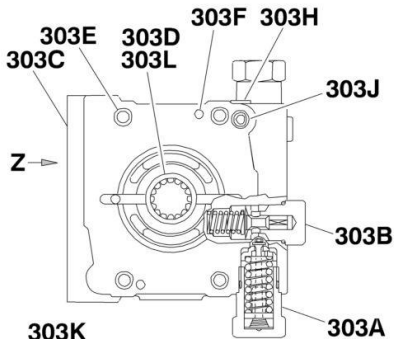
SECTION 2 - TURNTABLE

FIGURE 2-9. PUMP ASSEMBLY (REXROTH) (CATERPILLAR ENGINE MACHINES)

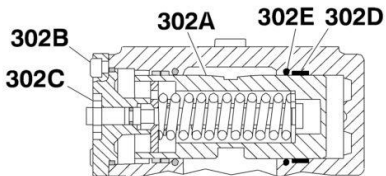


SECTION 2 - TURNTABLE

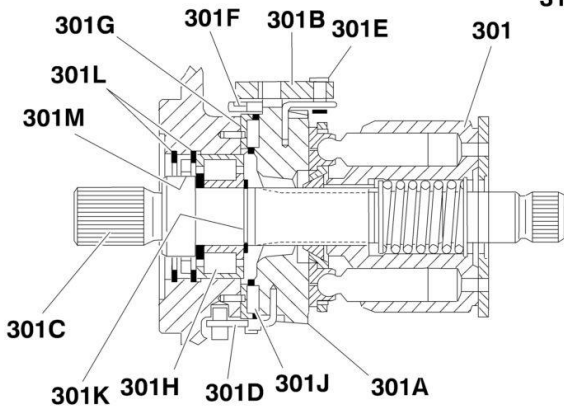
COMPLETE FRONT & MID PUMPS



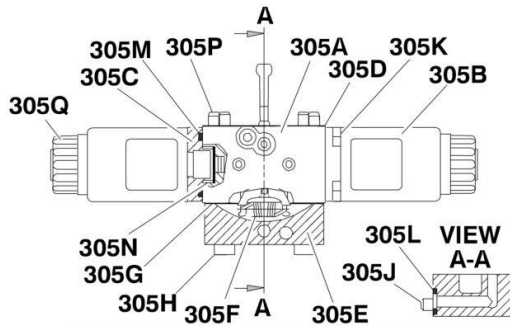
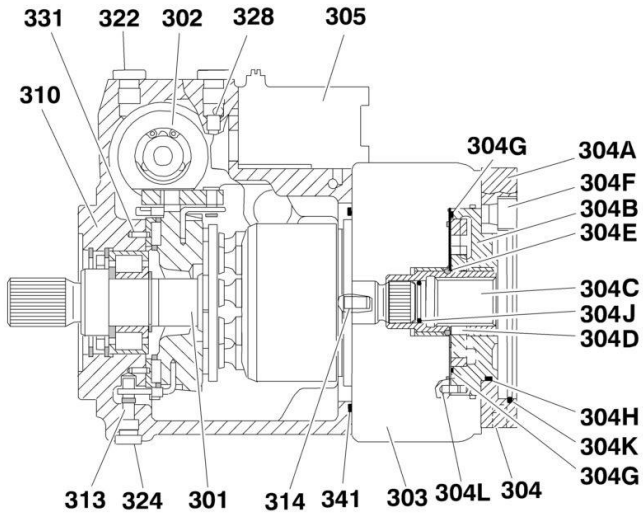
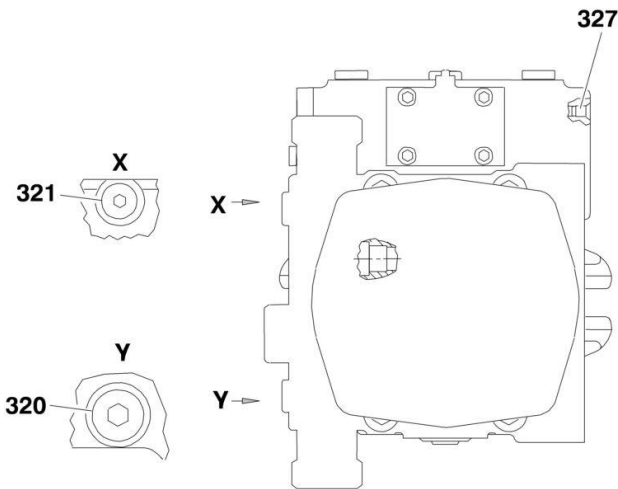
PORT PLATE SECTION FRONT & MID PUMPS (DETAIL OF ITEM 303)



HYD. CONTROL FRONT & MID PUMPS (DETAIL OF ITEM 302)



ROTARY GROUP FRONT & MID PUMPS (DETAIL OF ITEM 301)



CONTROL MODULE FRONT & MID PUMPS (DETAIL OF ITEM 305)

SECTION 2 - TURNTABLE

FIGURE 2-9. PUMP ASSEMBLY (REXROTH) (CATERPILLAR ENGINE MACHINES)

ITEM	PART NUMBER	QTY	DESCRIPTION	REV
	1001118368	Ref	PUMP ASSEMBLY	C
1	70003163	1	Front Drive Pump Assembly (Includes Items 301-341)	
2	70003164	1	Middle Drive Pump Assembly (Includes Items 301-341)	
3	7024044	1	Rear Function Pump Assembly (Includes Items 101-201)	
4	See Note	1	Hydraulic Kit (Includes all Rexroth Supplied Hydraulic Fittings, Hoses and Tubes) (Note: Not Available for Purchase)	
	7024044	Ref	REAR FUNCTION PUMP ASSEMBLY	
101	70003173	1	Rotary Section	
102	See Note	1	Piston, Control (Note: Not Available - Purchase Complete Assembly)	
103	See Note	1	Rod, Piston (Note: Not Available - Purchase Complete Assembly)	
105	See Note	1	Housing, Pump (Note: Not Available - Purchase Complete Assembly)	
106	See Note	1	Plate, Port (Note: Not Available - Purchase Complete Assembly)	
107	70003174	1	Plate, Swash	
108	70003175	1	Driveshaft	
109	See Note	1	Plug (Note: Not Available for Purchase)	
110	See Note	1	Spring (Note: Not Available for Purchase)	
112	7012709	1	Shim	
115	7024038	1	Bearing, Roller	
116	7012706	1	Bearing, Roller	
117	7024917	2	Shell, Cradle	
120	7024918	1	Seal, Shaft	
121	70003176	1	O-Ring	
122	7024920	1	O-Ring	
124	7024950	1	Seal	
125	70003177	1	Ring, Retaining	
127	See Note	4	Capscrew M12 x 45mm Grade 10.9 (Note: Not Available - Purchase Locally)	
131	See Note	1	Plug (Note: Not Available for Purchase)	
133	See Note	1	Pin, Dowel (Note: Not Available for Purchase)	
134	See Note	1	Plug (Note: Not Available for Purchase)	
201	7024913	Ref	Pilot Valve Assembly	
		Ref	Note: Two mounting designs of p/n 7024913 pilot valve exist. Early design uses qty. 3 o-rings. Late design uses qty. 1 sealing plate. Seal designs cannot be interchanged. Verify seal design before ordering.	
201	7024922	3	O-Ring (Seals between Pilot Valve and Rear Pump)	
201	70021867	1	Plate, Sealing (Seals between Pilot Valve and Rear Pump)	
		Ref	FRONT DRIVE PUMP ASSEMBLIES	
	70003163	Ref	Front Drive Pump Assembly	
	70003164	Ref	Middle Drive Pump Assembly	
301	7024064	1	Rotary Group	
301A	7024064	1	Cradle	
301B	7024064	1	Ring, Slide	
301C	7024064	1	Driveshaft	
301D	7024064	1	Wire	
301E	7024064	1	Pin, Joint	
301F	7024064	1	Wire	
301G	7024064	1	Liner, Bearing	
301H	7024064	1	Bearing, Roller	

SECTION 2 - TURNTABLE

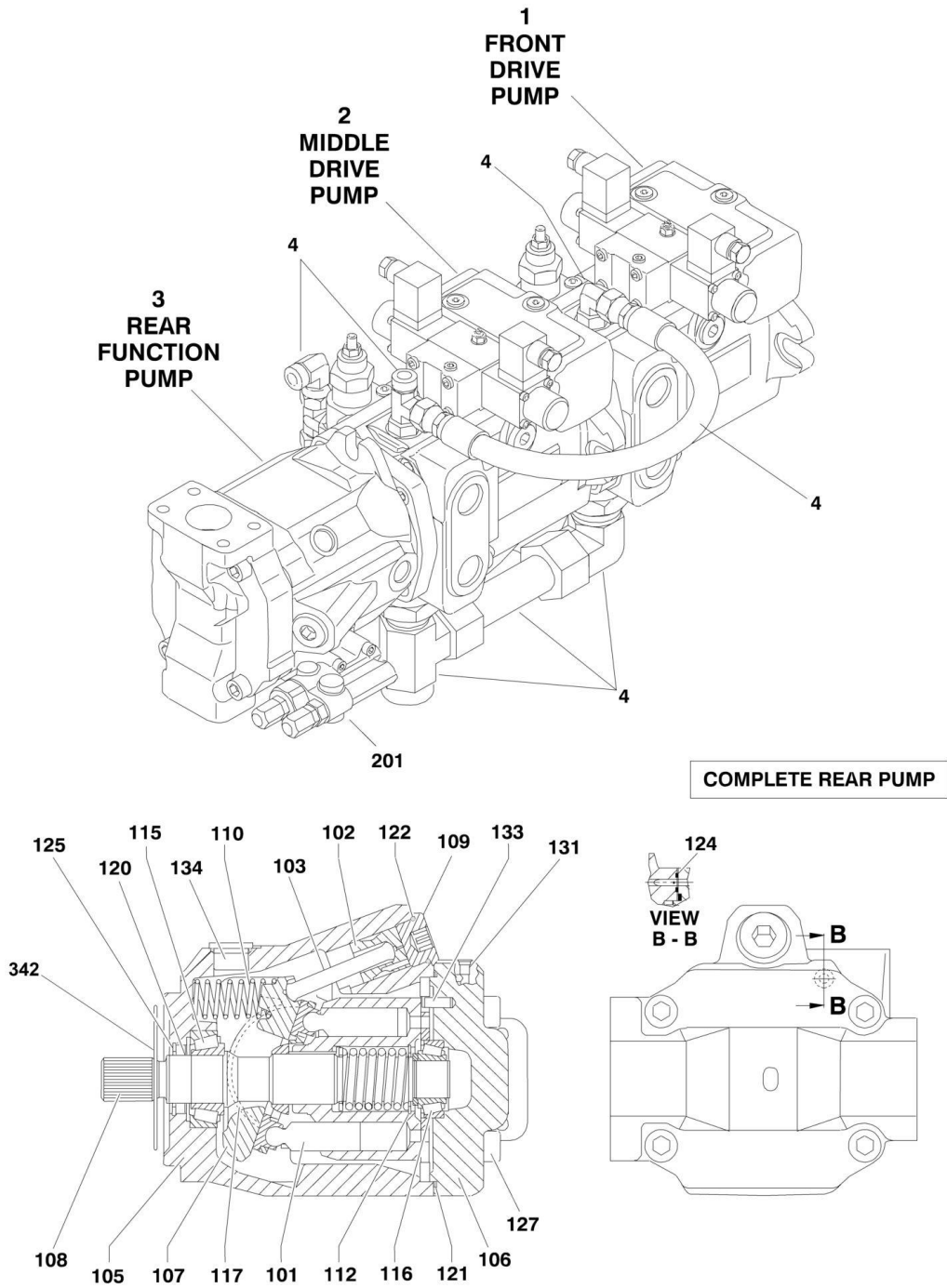
ITEM	PART NUMBER	QTY	DESCRIPTION	REV
301J	7024064	1 Set	Cradle Bearing Assembly	
301K	7024064	1	Ring, Retaining	
301L	70001968	2	Ring, Retaining	
301M	70003167	1	Seal, Shaft Ring	
302	7024065	1	Control Group - Hydraulic	
302A	7024065	1	Piston, Positioning - Complete	
302A	7024071	1	O-Ring, Outer Seal	
302A	7024072	1	O-Ring, Stem	
302B	See Note	4	Capscrew M6 x 12mm (Note: Not Available - Purchase Locally)	
302C	See Note	1	Nut (Note: Not Available - Purchase p/n 7024065)	
302D	70003168	2	Ring, Guide	
302E	70003168	2	Seal, O-Ring	
303		Ref	Port Plate Group Options:	
303	7024905	1	Front Drive Pump	
303	7024911	1	Middle Drive Pump	
303A	7024073	2	Cartridge, Relief Valve (High Pressure) Note: Sold as an Assembly Except Outer Seals.	
303A	7024075	1	O-Ring	
303A	7024076	1	Ring, Back-up	
303B		Ref	Cartridge Options:	
303B	7024907	1	Front Pump Cartridge (Lock Valve With Orifice) Note: Sold as an Assembly Except Outer Seal.	
303B	7024909	1	Screw, Locking	
303B	7024075	1	O-Ring	
303B	70020329	1	Middle Pump Cartridge (Pressure Relief Valve) Note: Sold as an Assembly Except Outer Seal.	
303B	70003172	1	Ring, Sealing (Steel)	
303B	7024077	1	O-Ring	
303C	See Note	1	Plate, Port (Note: Not Available - Purchase p/n 7024905 or 7024911)	
303D	See Note	1	Bushing, Bearing (Note: Not Available - Purchase p/n 7024905 or 7024911)	
303E	See Note	4	Capscrew M12 x 70mm Grade 10.9 (Note: Not Available - Purchase Locally)	
303F	70003169	2	Pin, Dowel	
303G	70003169	1	Pin, Break-Off	
303H	70003169	1	Screw, Locking M10 x 1	
303J	7024908	2	O-Ring	
303K	70003169	2	Screw, Locking 7/16in-20NF	
303L	See Note	1	Bearing, Roller (Note: Not Available - Purchase p/n 7024905 or 7024911)	
304	7024906	1	Internal Gear Pump	
304A	7024906	1	Flange, Intermediate	
304B	7024906	1	Internal Gear Pump Housing	
304C	7024906	1	Coupling, Driveshaft Through	
304D	7024079	1	Key, Driveshaft	
304E	80934174	1	Ring, Retaining	
304F	See Note	4	Capscrew M10 x 20mm (Note: Not Available - Purchase Locally)	
304G	7024080	2	Seal	
304H	7024081	1	O-Ring	
304J	7024906	1	Ring, Retaining	
304K	7024910	1	O-Ring	

SECTION 2 - TURNTABLE

ITEM	PART NUMBER	QTY	DESCRIPTION	REV
304L	7024906	1	Pin, Cylinder	
305	70003165	1	Control Module	
305A	See Note	1	Valve Body, Lever and Internal Components (Note: Not Available - Purchase Complete Module)	
305B	70003170	2	Coil, Solenoid	
305C	70003165	2	Spacer, Coil	
305D	70020336	1	Gasket	
305E	70003165	1	Cover W/Filter	
305F	70003165	1	Spring, Draw	
305G	70020336	1	Gasket	
305H	See Note	4	Capscrew M6 x 65mm (Note: Not Available - Purchase Locally)	
305J	See Note	1	Capscrew M6 x 45mm (Note: Not Available - Purchase Locally)	
305K	See Note	8	Capscrew M5 x 10mm (Note: Not Available - Purchase Locally)	
305L	70020336	1	O-Ring	
305M	70003165	2	O-Ring	
305N	70003165	2	Cup, Spring	
305P	70020336	2	Pin, Cylinder	
305Q	70003165	2	Nut, Coil	
310	See Note	1	Housing (Note: Not Available for Purchase)	
313	See Note	2	Pin, Dowel (Note: Not Available for Purchase)	
314	See Note	1	Pin, Cylinder (Note: Not Available for Purchase)	
320	See Note	1	Screw 7/8-14NF (Front Drive Pump Only) (Note: Not Available - Purchase Locally)	
321	See Note	1	Screw 9/16-18NF (Note: Not Available - Purchase Locally)	
322	See Note	1	Screw 7/16-20NF (Note: Not Available - Purchase Locally)	
324	See Note	1	Screw M10 x 1mm (Note: Not Available - Purchase Locally)	
327	70003166	1	Pin, Double Break-Off	
328	70003166	2	Orifice	
331	70003166	2	Pin, Clamping	
341	70003166	1	O-Ring	
		Ref	Seal Kit Options:	
401	70003167	1	Seal Kit - Drive Shaft (Includes Items 301L & 301M)	
402	70003168	1	Seal Kit - Control Group - Hydraulic (Includes Items 302B, 302D & 302E)	
403	70003169	1	Seal Kit - Port Plate Group (Includes Items 303F-303K)	
404	70020336	1	Seal Kit - Control Module (Includes Items 305D, 305G-305J, 305L & 305P)	
405	70003166	1	Seal Kit - Front Pump (Includes Items 320-322, 324, 327, 328, 331 & 341)	

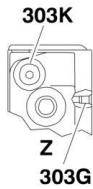
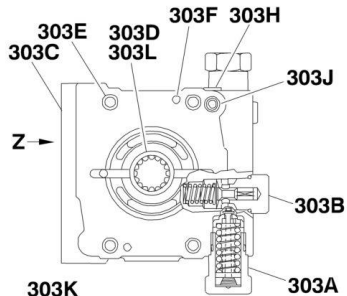
SECTION 2 - TURNTABLE

FIGURE 2-10. PUMP ASSEMBLY (REXROTH) (DEUTZ ENGINE MACHINES)

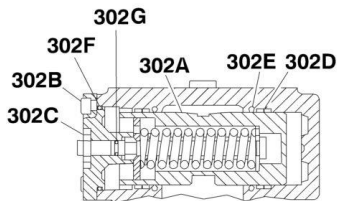


SECTION 2 - TURNTABLE

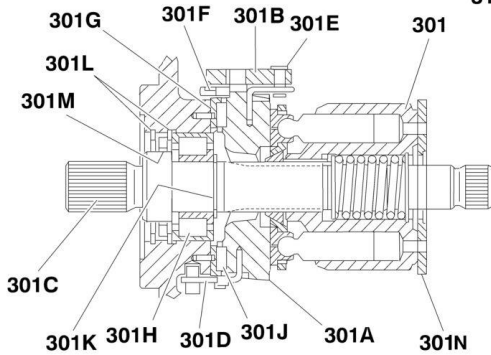
COMPLETE FRONT & MID PUMPS



PORT PLATE SECTION FRONT & MID PUMPS (DETAIL OF ITEM 303)

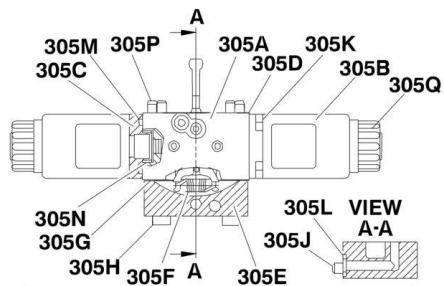
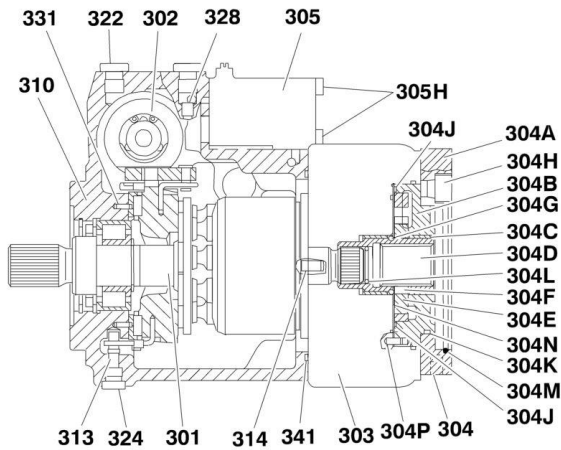
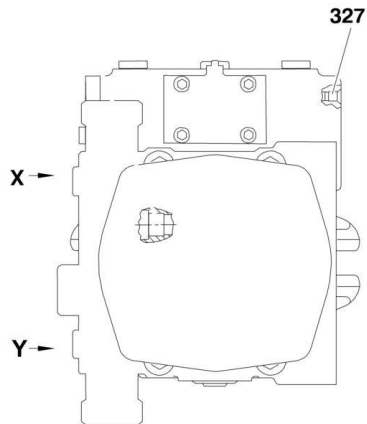
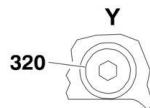
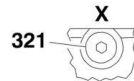


HYD. CONTROL FRONT & MID PUMPS (DETAIL OF ITEM 302)



ROTARY GROUP FRONT & MID PUMPS (DETAIL OF ITEM 301)

302H
303M
305R



CONTROL MODULE FRONT & MID PUMPS (DETAIL OF ITEM 305)

SECTION 2 - TURNTABLE

FIGURE 2-10. PUMP ASSEMBLY (REXROTH) (DEUTZ ENGINE MACHINES)

ITEM	PART NUMBER	QTY	DESCRIPTION	REV
		Ref	Pump Assembly	
	3600339	Ref	Machines with Deutz BF4M2011 & TD2011 Engines	D
	1001152963	Ref	Machines with Deutz TCD2.9L4 Engines	B
1		Ref	Front Drive Pump Assembly Options (Includes Items 301-341):	
1	7024042	1	Machines with Deutz BF4M2011 & TD2011 Engines	
1	70005481	1	Machines with Deutz TCD2.9L4 Engines (Note: Service Parts Not Available)	
2		Ref	Middle Drive Pump Assembly (Includes Items 301-341)	
2	7024043	1	Machines with Deutz BF4M2011 & TD2011 Engines	
2	70005482	1	Machines with Deutz TCD2.9L4 Engines (Note: Service Parts Not Available)	
3	7024044	1	Rear Function Pump Assembly (Includes Items 101-201)	
4	70001952	1	Hydraulic Kit (Includes all Rexroth Supplied Hydraulic Fittings, Hoses and Tubes)	
	7024044	Ref	REAR FUNCTION PUMP ASSEMBLY	
101	70003173	1	Rotary Section	
102	See Note	1	Piston, Control (Note: Not Available - Purchase Complete Assembly)	
103	See Note	1	Rod, Piston (Note: Not Available - Purchase Complete Assembly)	
105	See Note	1	Housing, Pump (Note: Not Available - Purchase Complete Assembly)	
106	See Note	1	Plate, Port (Note: Not Available - Purchase Complete Assembly)	
107	70003174	1	Plate, Swash	
108	70003175	1	Driveshaft	
109	See Note	1	Plug (Note: Not Available for Purchase)	
110	See Note	1	Spring (Note: Not Available for Purchase)	
112		Ref	Shim	
115	7024038	1	Bearing, Roller	
116	7012706	1	Bearing, Roller	
117	7024917	2	Shell, Cradle	
120	7024918	1	Seal, Shaft	
121	7024919	1	O-Ring	
122	7024920	1	O-Ring	
124	7024921	1	Seal	
125	70003177	1	V-Ring	
127	See Note	4	Capscrew M12 x 45mm Grade10.9 (Note: Not Available for Purchase)	
131	See Note	1	Plug (Note: Not Available for Purchase)	
133	See Note	1	Pin, Dowel (Note: Not Available for Purchase)	
134	See Note	1	Plug (Note: Not Available for Purchase)	
201	7024913	Ref	Pilot Valve Assembly	
		Ref	Note: Two mounting designs of p/n 7024913 pilot valve exist. Early design uses qty. 3 o-rings. Late design uses qty. 1 sealing plate. Seal designs cannot be interchanged. Verify seal design before ordering.	
201	7024922	3	O-Ring (Seals between Pilot Valve and Rear Pump)	
201	70021867	1	Plate, Sealing (Seals between Pilot Valve and Rear Pump)	
		Ref	FRONT DRIVE PUMP ASSEMBLIES	
	7024042	Ref	FRONT DRIVE PUMP ASSEMBLY (3600339 Pump)	
	70005480	Ref	FRONT DRIVE PUMP ASSEMBLY (1001152963 Pump)	
	7024043	Ref	MIDDLE DRIVE PUMP ASSEMBLY (3600339 Pump)	
	70005481	Ref	MIDDLE DRIVE PUMP ASSEMBLY (1001152963 Pump)	

SECTION 2 - TURNTABLE

ITEM	PART NUMBER	QTY	DESCRIPTION	REV
301	7024064	1	Rotary Group	
301A	7024064	1	Cradle	
301B	7024064	1	Ring, Slide	
301C	7023887	1	Driveshaft	
301D	7024064	1	Wire	
301E	7024064	1	Pin, Joint	
301F	7024064	1	Wire	
301G	7024064	1 Pair	Liner, Bearing	
301H	7024064	1	Bearing, Roller	
301J	7024064	1 Set	Cradle Bearing Assembly	
301K	70001968	1	Ring, Retaining	
301L	7024064	2	Ring, Retaining	
301M	70003167	1	Seal, Shaft Ring	
301N	70000950	1	Plate	
302	7024065	1	Control Group - Hydraulic	
302A	7024065	1	Piston, Positioning - Complete	
302A	7024071	1	O-Ring, Outer Seal	
302A	7024072	1	O-Ring, Stem	
302B	See Note	4	Capscrew M6 x 12mm (Note: Not Available - Purchase Locally)	
302C	7024065	1	Nut	
302D	7024065	2	Ring, Guide	
302E	7024065	2	Seal, O-Ring	
302F	7024071	1	O-Ring	
302G	7024072	1	O-Ring	
302H	7024006	1	Seal Kit - Control Section	
303	7024911	1	Port Plate Group (3600339 Pump)	
303	7024905	1	Port Plate Group (1001152963 Front)	
303	7024911	1	Port Plate Group (1001152963 Mid)	
303A	7024073	2	Cartridge, Relief Valve (High Pressure)	
303A	7024075	1	O-Ring	
303A	7024076	1	Ring, Back-up	
303B		Ref	Cartridge Options:	
303B	7024097	1	Front Pump Cartridge (Lock Valve With Orifice)	
303B	7024909	1	Screw, Locking	
303B	7024075	1	O-Ring	
303B	7023881	1	Middle Pump Cartridge (Pressure Relief Valve) (3600339 Pump)	
303B	70020329	1	Middle Pump Cartridge (Pressure Relief Valve) (1001152963 Pump)	
303B	7024909	1	Screw, Locking	
303B	7024077	1	O-Ring	
303C	7024911	1	Plate, Port	
303D	7024911	1	Bushing, Bearing	
303E	See Note	4	Capscrew M12 x 70mm Grade10.9 (Note: Not Available - Purchase Locally)	
303F	7024911	2	Pin, Dowel	
303G	70003340	1	Pin, Break-Off	
303H	See Note	1	Screw, Locking M10 x 1mm (Note: Not Available - Purchase Locally)	
303J	7024908	2	O-Ring	
303K	See Note	2	Screw, Locking 7/16in-20NF (Note: Not Available - Purchase Locally)	

SECTION 2 - TURNTABLE

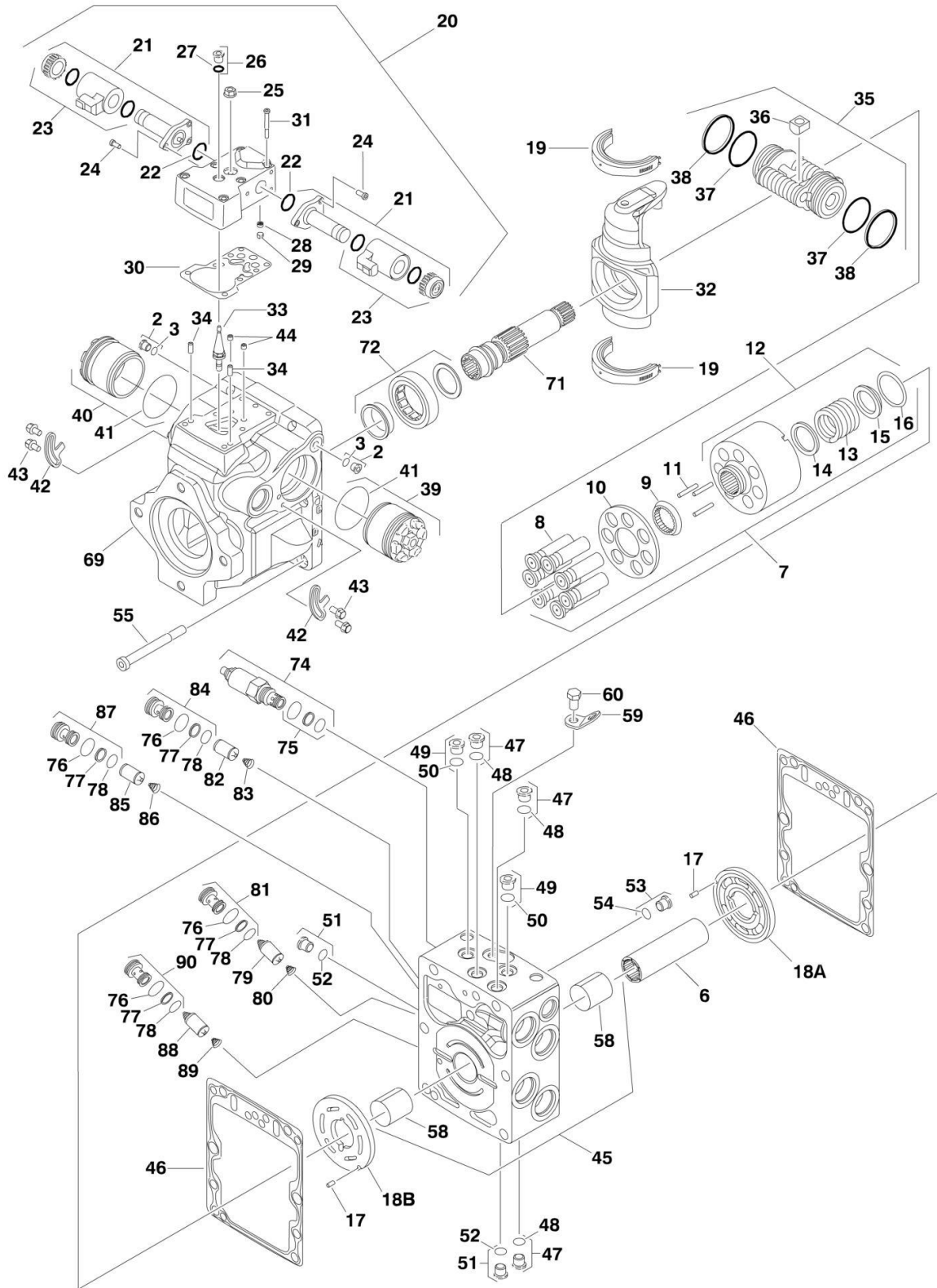
ITEM	PART NUMBER	QTY	DESCRIPTION	REV
303L	7024911	1	Bearing, Roller	
303M	7024006	1	Seal Kit - Port Plate Group	
304	7024906	1	Internal Gear Pump	
304A	7024906	1	Flange, Intermediate	
304B	7024906	1	Izp-Housing	
304C	7024906	1	Bushing, Bearing	
304D	7024906	1	Coupling, Driveshaft Through	
304E	7024078	1	Gear Set	
304F	7024079	1	Key, Driveshaft	
304G	7024906	1	Ring, Retaining	
304H	See Note	4	Capscrew M10 x 20mm (Note: Not Available - Purchase Locally)	
304J	7024080	2	Seal	
304K	7024081	1	O-Ring	
304L	7024906	1	Ring, Retaining	
304M	7024910	1	O-Ring (Purchase p/n 7024906)	
304N	7024005	1	Plate, Wear	
304P	7024906	1	Pin, Cylinder	
305	7024068	1	Control Module (3600339 Pump)	
305	70003165	1	Control Module (1001152963 Pump)	
305A	7024084	1	Valve Body, Lever and Internal Components (3600339 Pump)	
305A	See Note	1	Valve Body, Lever and Internal Components (1001152963 Pump) (Note: Purchase Item 305)	
305B	7024083	2	Coil, Solenoid (3600339 Pump)	
305B	70003170	2	Coil, Solenoid (1001152963 Pump)	
305C	See Note	2	Spacer, Coil (Note: Purchase Item 305)	
305D	7024085	1	Gasket (3600339 Pump)	
305D	See Note	1	Gasket (1001152963 Pump) (Note: Purchase Item 305R)	
305E	See Note	1	Cover (Note: Purchase Item 305)	
305F	See Note	1	Spring, Draw (Note: Purchase Item 305)	
305G	7024086	1	Gasket (3600339 Pump)	
305G	See Note	1	Gasket (1001152963 Pump) (Note: Purchase Item 305R)	
305H	80934644	4	Capscrew M6 x 65mm	
305J	See Note	1	Capscrew M6 x 45mm (Note: Not Available - Purchase Item 305)	
305K	See Note	8	Capscrew M5 x 10mm (Note: Not Available - Purchase Item 305)	
305L	7024087	1	O-Ring (3600339 Pump)	
305L	See Note	1	O-Ring (1001152963 Pump) (Note: Purchase Item 305R)	
305M	7024088	2	O-Ring (3600339 Pump)	
305M	See Note	2	O-Ring (1001152963 Pump) (Note: Purchase Item 305R)	
305N	7024089	2	Cup, Spring (3600339 Pump)	
305N	See Note	2	Cup, Spring (1001152963 Pump) (Note: Purchase Item 305)	
305P	See Note	1	Pin, Cylinder (Note: Purchase Item 305)	
305Q	70002569	2	Nut, Coil (3600339 Pump)	
305Q	See Note	2	Nut, Coil (1001152963 Pump) (Note: Purchase Item 305)	
305R	See Note	NLA	Seal Kit - Control Module (3600339 Pump) (Note: Purchase Individual Pieces)	
305R	70020336	1	Seal Kit - Control Module (1001152963 Pump)	
310	See Note	1	Housing (Note: Not Available for Purchase)	
313	See Note	2	Pin, Dowel (Note: Not Available for Purchase)	
314	See Note	1	Pin, Cylinder (Note: Not Available for Purchase)	

SECTION 2 - TURNTABLE

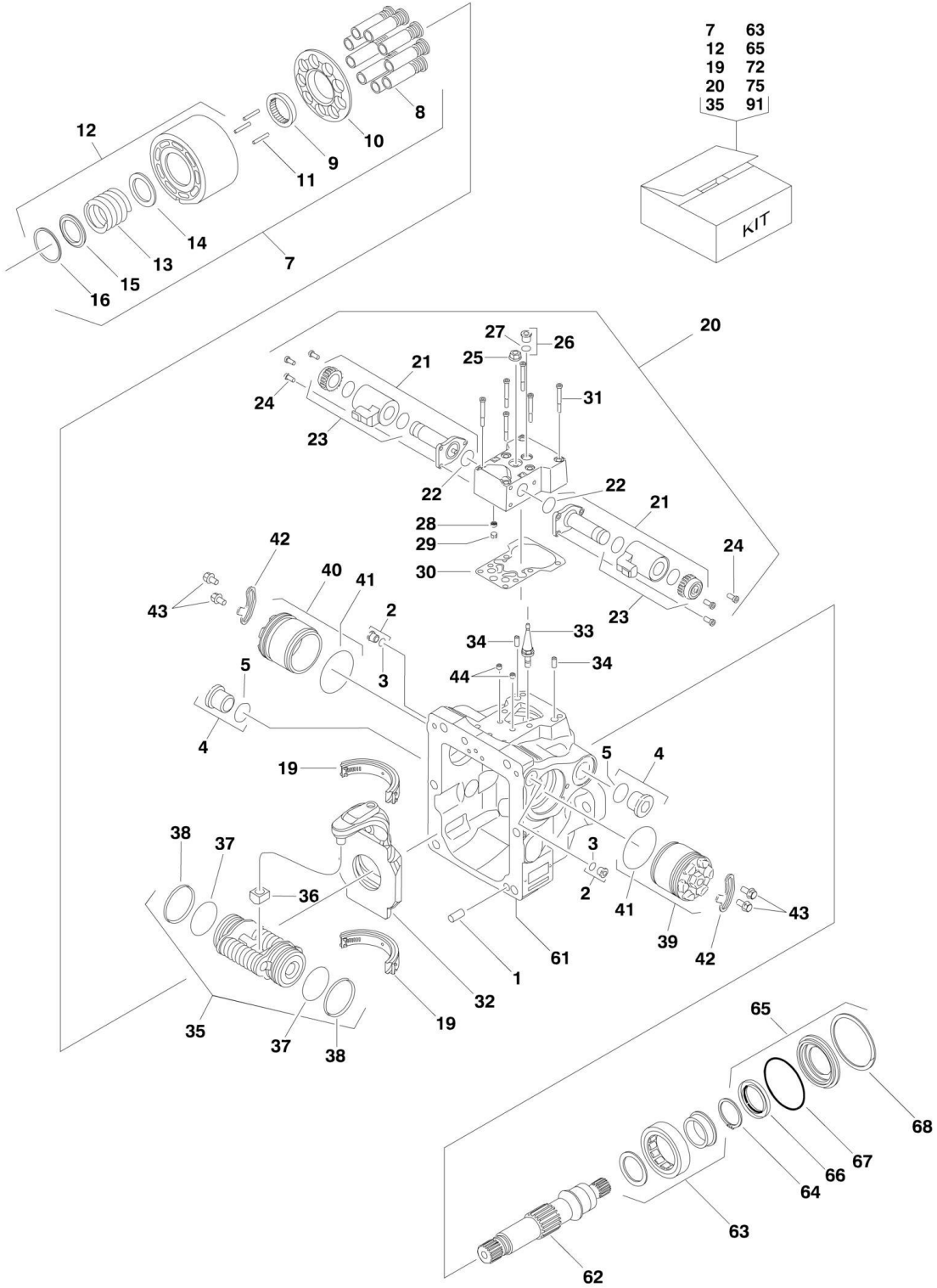
ITEM	PART NUMBER	QTY	DESCRIPTION	REV
320	7026980	1	Screw 7/8in-14NF (Front Drive Pump Only)	
321	80334079	1	Screw 9/16in-18NF	
322	See Note	1	Screw 7/16in-20NF (Note: Not Available - Purchase Locally)	
324	See Note	1	Screw M10 x 1mm (Note: Not Available - Purchase Locally)	
327	70003340	1	Pin, Double Break-Off	
328	7018936	2	Orifice	
331	7024096	2	Pin, Clamping (Note: Not Available for Purchase)	
341	7024069	1	O-Ring	
342	70007178	1	O-Ring	

SECTION 2 - TURNTABLE

FIGURE 2-11. PUMP ASSEMBLY (SAUER TANDEM)



SECTION 2 - TURNTABLE



SECTION 2 - TURNTABLE

FIGURE 2-11. PUMP ASSEMBLY (SAUER TANDEM)

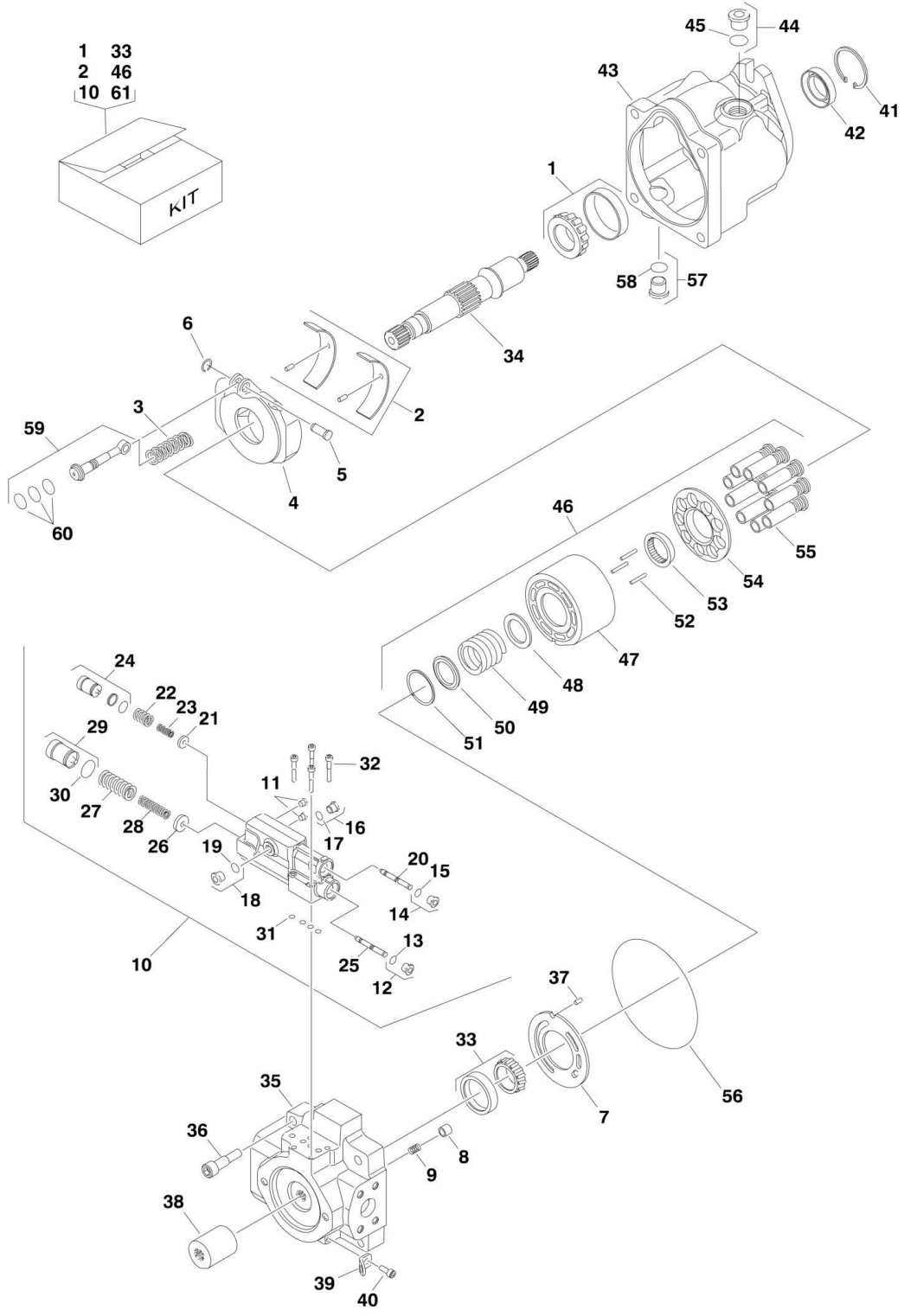
ITEM	PART NUMBER	QTY	DESCRIPTION	REV
	1001108616	Ref	PUMP ASSEMBLY (SAUER TANDEM)	A
1	70002132	4	Pin	
2	70002133	4	Plug Assembly (Includes Item 3)	
3	7007207	4	O-Ring (Part of Item 3)	
4	7007419	2	Plug Assembly (Includes Item 5)	
5	7007418	2	O-Ring (Part of Item 5)	
6	70002600	1	Coupling	
7	70002135	2	Cylinder Block Kit (Each Kit Includes Qty 1 of Items 8-10 & 12-16 & Qty 3 of Item 11)	
8	70002136	2	Piston Assembly Kit (Includes Qty 9 Piston Assemblies) (Part of Item 7)	
9	70002137	2	Guide, Slipper Retainer (Part of Item 7)	
10	70002138	2	Retainer, Slipper (Part of Item 7)	
11	7021275	6	Pin, Slipper Retainer Holddown (Part of Item 7)	
12	70002143	2	Cylinder Block Assembly (Includes Qty 1 of Item 13-16) (Part of Item 7)	
13	70002139	2	Spring (Part of Item 12)	
14	70002140	2	Washer (Part of Item 12)	
15	70002141	2	Washer (Part of Item 12)	
16	70002142	2	Ring, Retaining (Part of Item 12)	
17	7007446	2	Pin	
18		Ref	Plate, Valve Options:	
18A	70002601	1	Plate, CW Valve	
18B	70002602	1	Plate, CCW Valve	
19	70002145	2	Swashplate Bearing Kit (Includes Qty 2 Bearings)	
20	70002618	2	EDC Kit (Includes Items 21-31)	
21	70002619	4	Solenoid Valve Assy (Includes Item 22 & 23) (Part of Item 20)	
22	70002148	4	O-Ring (2 Per EDC Assembly) (Part of Item 21)	
23	70002620	4	Coil, Nut and Seals Kit (2 Per EDC Assembly) (Part of Item 21)	
24	70002150	12	Screw (Part of Item 20)	
25	7022301	2	Nut, Seal (Part of Item 20)	
26	70002151	2	Plug Assembly (Part of Item 20) (Includes Item 27)	
27	7007207	2	O-Ring (Part of Item 26)	
28	70002134	2	Screen (Part of Item 20)	
29	70002153	2	Ring, Locking (Part of Item 20)	
30	70002154	2	Gasket, Control (Part of Item 20)	
31	70002156	12	Capscrew (Part of Item 20)	
32	70002152	2	Swashplate	
33	70002155	2	Link, Swashplate	
34	70002157	4	Pin, Dowel	
35	70002158	2	Servo Piston Assembly (Includes Items 36-38)	
36	70002159	2	Block, Slider (Part of Item 35)	
37	70002160	2	O-Ring (Part of Item 35)	
38	70002161	2	Ring, Piston (Part of Item 35)	
39	70002162	2	Cylinder, Servo	
40	70002162	2	Cylinder, Servo	
41	70002163	4	O-Ring	
42	70002164	4	Plate, Locking	
43	70002165	8	Screw	
44	70002604	4	Orifice	

SECTION 2 - TURNTABLE

ITEM	PART NUMBER	QTY	DESCRIPTION	REV
45	70002605	1	Center Section Assembly (Includes Item 58)	
46	70002168	2	Gasket, End Cap	
47	70001958	2	Plug Assembly (Includes Item 48)	
48	7021256	2	O-Ring (Part of Item 47)	
49	70001958	2	Plug Assembly (Includes Item 50)	
50	7021256	2	O-Ring (Part of Item 49)	
51	70001958	2	Plug Assembly (Includes Item 52)	
52	7021256	2	O-Ring (Part of Item 51)	
53	70001958	2	Plug Assembly (Includes Item 54)	
54	7021256	2	O-Ring (Part of Item 53)	
55	70002606	4	Capscrew	
58	70002607	2	Bearing, Journal (Part of Item 45)	
59	7022608	1	Bracket, Lifting	
60	70002609	1	Screw	
61	See Note	1	Housing (Note: Not Available for Purchase)	
62	70002175	1	Shaft	
63	70002610	1	Ball Bearing Kit	
64	70007439	1	Ring, Retaining	
65	70002174	1	Shaft Seal Kit (Includes Items 66-68) (Note: This is a universal kit and will contain extra pieces that are not used on this pump assembly.)	
66	70002177	1	Seal, Lip	
67	70002178	1	O-Ring	
68	70002179	1	Ring, Retaining	
69	See Note	1	Housing (Note: Not Available for Purchase)	
71	70002612	1	Shaft	
72	70002610	1	Ball Bearing Kit	
74	70002621	1	High Pressure Relief Valve Cartridge Assy (Includes Item 75 & 76)	
75	70002622	1	Seal Kit - 70002621 Valve (Part of Item 74)	
76	7007415	1	O-Ring (Part of Item 79)	
77	7021293	1	Ring, Back-up (Part of Item 79)	
78	7022300	1	O-Ring (Part of Item 79)	
79	70002616	1	SCR Valve Assembly	
80	7024800	1	Spring	
81	7021265	1	Plug Assembly (Includes Qty 1 of Items 76-78)	
82	70002616	1	SCR Valve Assembly	
83	7024800	1	Spring	
84	7021265	1	Plug Assembly (Includes Qty 1 of Items 76-78)	
85	70002616	1	SCR Valve Assembly	
86	7024800	1	Spring	
87	70002617	1	Plug Assembly (Includes Qty 1 of Items 76-78)	
88	70002616	1	SCR Valve Assembly	
89	7024800	1	Spring	
90	7021265	1	Plug Assembly (Includes Qty 1 of Items 76-78)	
91	70002623	1	Overhaul Seal Kit (Includes Items 3, 5, 22, 27, 30, 37, 38, 41, 46, 48, 50, 52, 54, 66, 67, 75, 76, 77 & 78)	

SECTION 2 - TURNTABLE

FIGURE 2-12. PUMP ASSEMBLY (SAUER PISTON) (Prior to SN 0300200040)



SECTION 2 - TURNTABLE

FIGURE 2-12. PUMP ASSEMBLY (SAUER PISTON) (Prior to SN 0300200040)

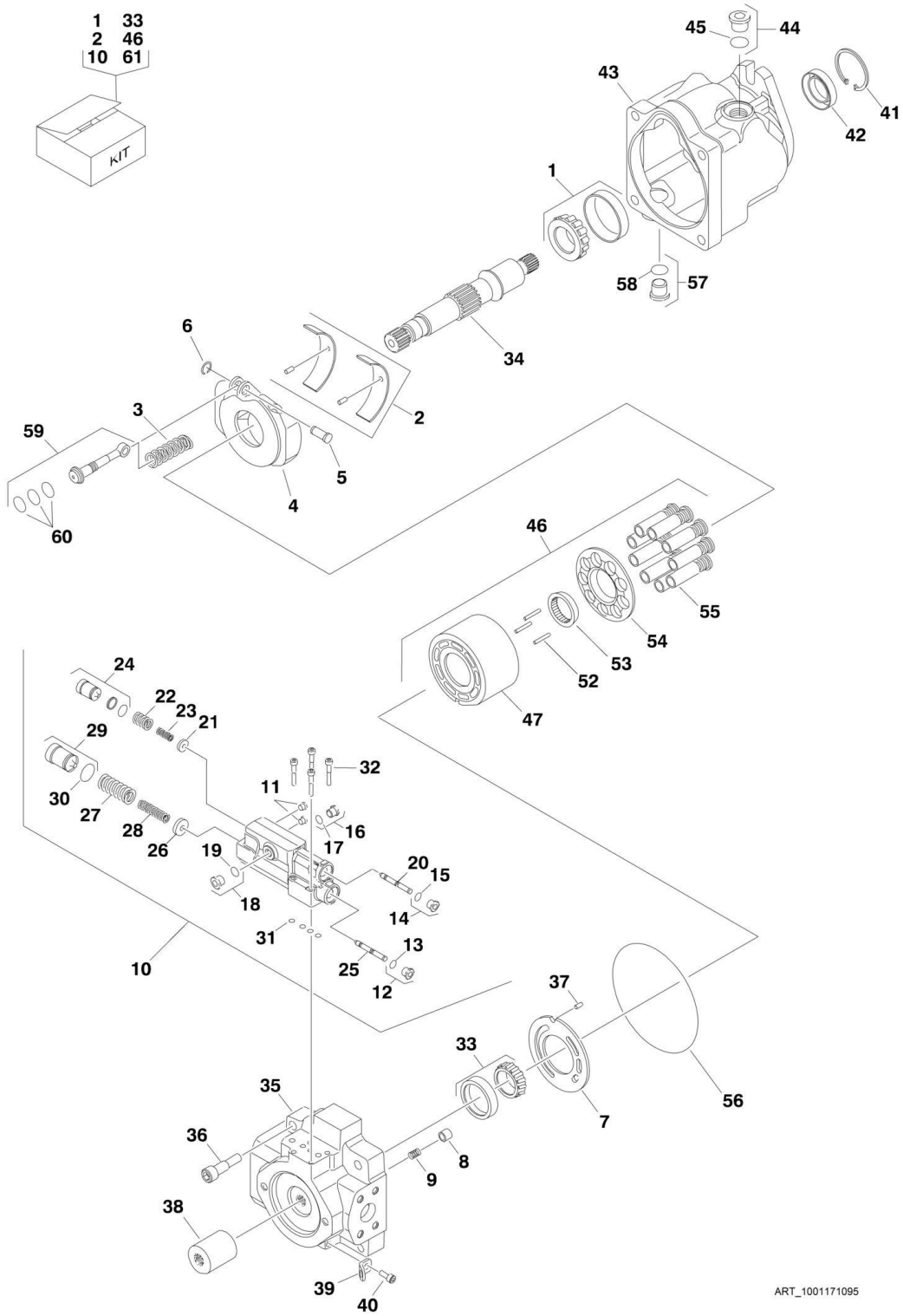
ITEM	PART NUMBER	QTY	DESCRIPTION	REV
	1001108888	Ref	PUMP ASSEMBLY (SAUER PISTON) (Prior to SN 0300200040)	B
1	70002578	1	Bearing Kit - Front (Includes Cup and Cone)	
2	70002579	1	Swashplate Bearing Kit (Includes Qty 2 Bearings and Retainer Pins)	
3	70002580	1	Spring, Bias	
4	70002581	1	Swashplate Assembly	
5	70002582	1	Shaft	
6	70002583	1	Ring, Retaining	
7	70002584	1	Plate, Valve	
8	70001956	1	Poppet, Check Valve	
9	70001955	1	Spring	
10	70022286	1	Control Kit (Includes Items 21-34)	
11	70022286	1	Setscrew	
12	70002133	1	Plug Assembly (Includes Item 13)	
13	7007207	1	O-Ring (Part of Item 12 & 61)	
14	70002133	1	Plug Assembly (Includes Item 15)	
15	7007207	1	O-Ring (Part of Item 14 & 61)	
16	70002133	1	Plug Assembly (Includes Item 17)	
17	7007207	1	O-Ring (Part of Item 16 & 61)	
18	70002133	1	Plug Assembly (Includes Item 19)	
19	7007207	1	O-Ring (Part of Item 18 & 61)	
20	70022286	1	Spool	
21	70022286	1	Guide, Spring LS	
22	70022286	1	Spring, Outer LS	
23	70022286	1	Spring, Inner LS	
24	See Note	1	Plug, Adjusting LS (Note: Not Available - Purchase p/n 70022286 or p/n 70002599)	
25	70022286	1	Spool, Control	
26	70022286	1	Guide, Spring PC	
27	70022286	1	Spring, Outer PC	
28	70022286	1	Spring, Inner PC	
29	70022286	1	Plug, Adjusting PC	
30	See Note	1	O-Ring (Note: Not Available - Purchase p/n 70022286 or p/n 70002599)	
31	See Note	4	Ring, Seal (Note: Not Available - Purchase p/n 70022286 or p/n 70002599)	
32	70022286	4	Capscrew	
33	70002585	1	Bearing Kit - Rear (Includes Cup and Cone)	
34	70002586	1	Shaft	
35	70002587	1	Cap, End	
36	70002588	4	Capscrew	
37	7007446	1	Pin, Slotted	
38	70002589	1	Coupling	
39	7022340	1	Bracket, Lifting	
40	70002590	1	Capscrew	
41	7023962	1	Ring, Retaining	
42	70022287	1	Seal, Lip	
43	See Note	1	Housing (Note: Not Available for Purchase)	
44	7023964	1	Plug Assembly (Includes Item 45)	
45	7007415	1	O-Ring (Part of Item 45 & 61)	

SECTION 2 - TURNTABLE

ITEM	PART NUMBER	QTY	DESCRIPTION	REV
46	70002596	1	Cylinder Block Kit (Includes Items 47-55)	
47	70002596	1	Cylinder	
48	7007429	1	Seat, Spring	
49	70002591	1	Spring	
50	7007427	1	Seat, Spring	
51	7007426	1	Ring, Retaining	
52	7021275	3	Pin, Hold-down	
53	70002592	1	Guide, Slipper Retainer	
54	70002593	1	Retainer, Slipper	
55	70002594	9	Piston Assembly	
56	70002595	1	Seal, End Cap	
57	7023964	1	Plug, O-Ring (Includes Item 58)	
58	7007415	1	O-Ring (Part of Item 57 & 61)	
59	70002597	1	Servo Piston Assembly (Includes Item 60)	
60	70002598	3	Ring, Piston (Part of Item 59 & 61)	
61	70002599	1	Complete Seal Kit (Includes Items 13, 15, 17, 19, 24, 30, 31, 42, 45,56, 58 & 60)	

SECTION 2 - TURNTABLE

FIGURE 2-13. PUMP ASSEMBLY(SAUER PISTON) (SN 0300200040 through 0300201017)



ART_1001171095

SECTION 2 - TURNTABLE

FIGURE 2-13. PUMP ASSEMBLY(SAUER PISTON) (SN 0300200040 through 0300201017)

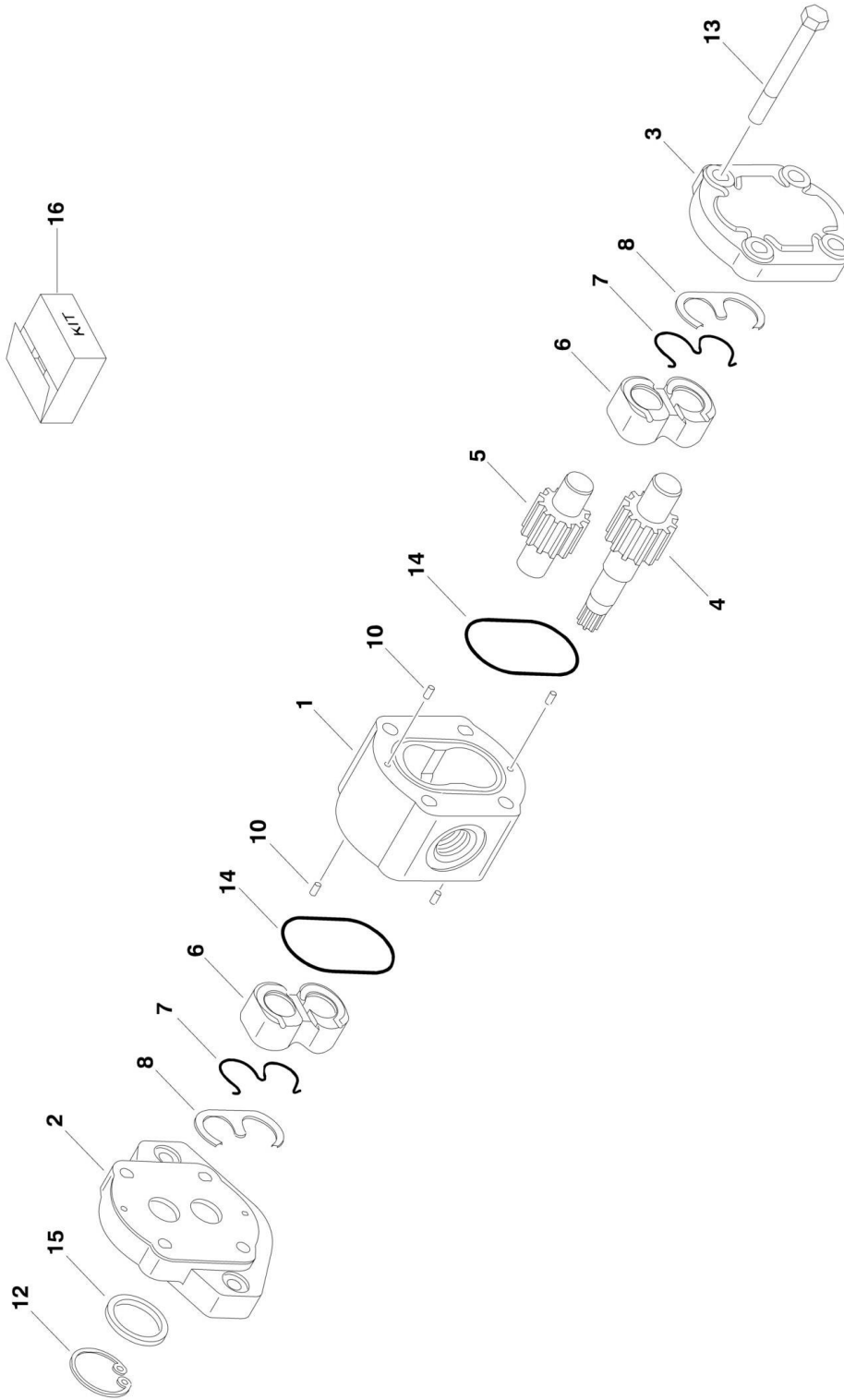
ITEM	PART NUMBER	QTY	DESCRIPTION	REV
	1001171095	Ref	PUMP ASSEMBLY (SAUER PISTON) (SN 0300200353 through 0300201017)	B
1	70002578	1	Bearing Kit - Front (Includes Cup and Cone)	
2	70004426	1	Swashplate Bearing Kit (Includes Qty 2 Bearings and Retainer Pins)	
3	70002580	1	Spring, Bias	
4	70004416	1	Swashplate Assembly	
5	70002582	1	Shaft	
6	70002583	1	Ring, Retaining	
7	70004417	1	Plate, Valve	
8	70001956	1	Poppet, Check Valve	
9	70001955	1	Spring	
10	70022286	1	Control Kit (Includes Items 11-32)	
11	Not Available	1	Setscrew (Purchase Item 10)	
12	70002133	1	Plug Assembly (Includes Item 13)	
13	7007207	1	O-Ring (Part of Item 12)	
14	70002133	1	Plug Assembly (Includes Item 15)	
15	7007207	1	O-Ring (Part of Item 14)	
16	70002133	1	Plug Assembly (Includes Item 17)	
17	7007207	1	O-Ring (Part of Item 16)	
18	70002133	1	Plug Assembly (Includes Item 19)	
19	7007207	1	O-Ring (Part of Item 18)	
20	Not Available	1	Spool (Purchase Item 10)	
21	Not Available	1	Guide, Spring LS (Purchase Item 10)	
22	Not Available	1	Spring, Outer LS (Purchase Item 10)	
23	Not Available	1	Spring, Inner LS (Purchase Item 10)	
24	Not Available	1	Plug, Adjusting LS (Purchase Item 10 or 61)	
25	Not Available	1	Spool, Control (Purchase Item 10)	
26	Not Available	1	Guide, Spring PC (Purchase Item 10)	
27	Not Available	1	Spring, Outer PC (Purchase Item 10)	
28	Not Available	1	Spring, Inner PC (Purchase Item 10)	
29	Not Available	1	Plug, Adjusting PC (Purchase Item 10)	
30	Not Available	1	O-Ring (Purchase Item 10 or 61)	
31	Not Available	4	Ring, Seal (Purchase Item 10 or 61)	
32	Not Available	4	Capscrew (Purchase Item 10)	
33	70002585	1	Bearing Kit - Rear (Includes Cup and Cone)	
34	70002586	1	Shaft	
35	70004420	1	Cap, End	
36	70002588	4	Capscrew	
37	7007446	1	Pin, Slotted	
38	70002589	1	Coupling	
39	7022340	1	Bracket, Lifting	
40	70002590	1	Capscrew	
41	7023962	1	Ring, Retaining	
42	Not Available	1	Seal, Lip (Purchase Item 61)	
43	Not Available	1	Housing	
44	7023964	1	Plug Assembly (Includes Item 45)	
45	7007415	1	O-Ring (Part of Item 44)	
46	70004423	1	Cylinder Block Kit (Includes Items 47-55)	
47	70004421	1	Cylinder	

SECTION 2 - TURNTABLE

ITEM	PART NUMBER	QTY	DESCRIPTION	REV
52	7021275	3	Pin, Hold-down	
53	70002592	1	Guide, Slipper Retainer	
54	70002593	1	Retainer, Slipper	
55	70004422	1	Piston Assembly	
56	Not Available	1	Seal, End Cap (Purchase Item 61)	
57	7023964	1	Plug, O-Ring (Includes Item 58)	
58	7007415	1	O-Ring (Part of Item 57)	
59	70005418	1	Servo Piston Assembly (Includes Item 60)	
60	Not Available	3	Ring, Piston (Part of Item 59) (Purchase Item 61)	
61	70002599	1	Complete Seal Kit (Includes Items 13, 15, 17, 19, 24, 30, 31, 42, 45, 56, 58 & 60)	

SECTION 2 - TURNTABLE

FIGURE 2-14. PUMP ASSEMBLY (SAUER GEAR)



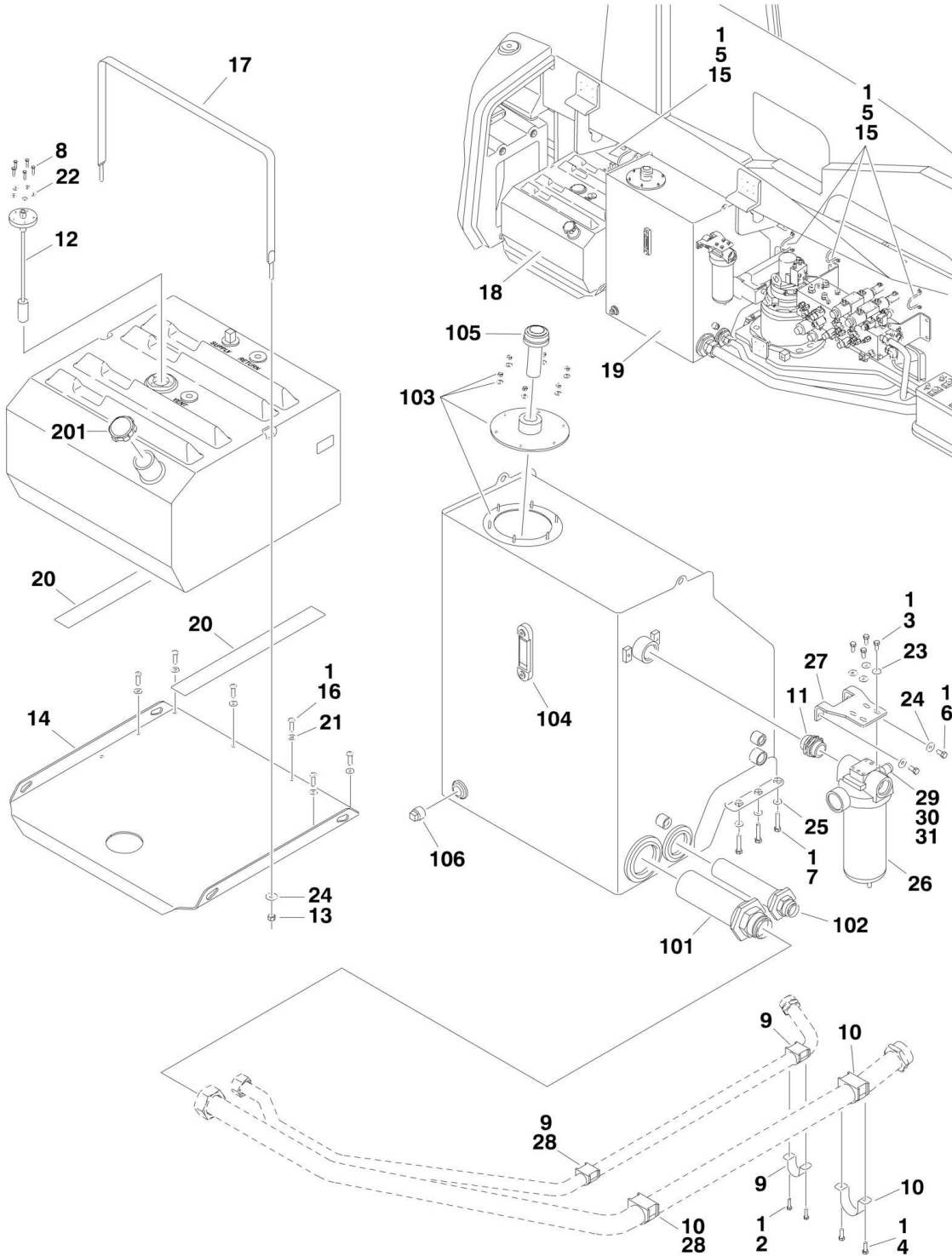
SECTION 2 - TURNTABLE

FIGURE 2-14. PUMP ASSEMBLY (SAUER GEAR)

ITEM	PART NUMBER	QTY	DESCRIPTION	REV
	1001112927	Ref	PUMP ASSEMBLY (SAUER GEAR)	A
1	1001112927	1	Body	
2	1001112927	1	Cover, Front	
3	1001112927	1	Cover, Rear	
4	1001112927	1	Shaft, Gear	
5	1001112927	1	Gear, Idler	
6	1001112927	2	Block, Bearing	
7	7007489	2	Ring, Anti-Extrusion	
8	7007489	2	Ring, Seal	
10	1001112927	4	Pin, Dowel	
12	70002576	1	Ring, Retaining	
13	1001112927	4	Capscrew	
14	7007489	2	O-Ring	
15	7007489	1	Seal, Lip (was p/n 70002577)	
16	7007489	1	Seal Kit - 1001112927 Pump (Includes Items 7, 8, 14 & 15)	

SECTION 2 - TURNTABLE

FIGURE 2-15. TANK INSTALLATION



SECTION 2 - TURNTABLE

FIGURE 2-15. TANK INSTALLATION

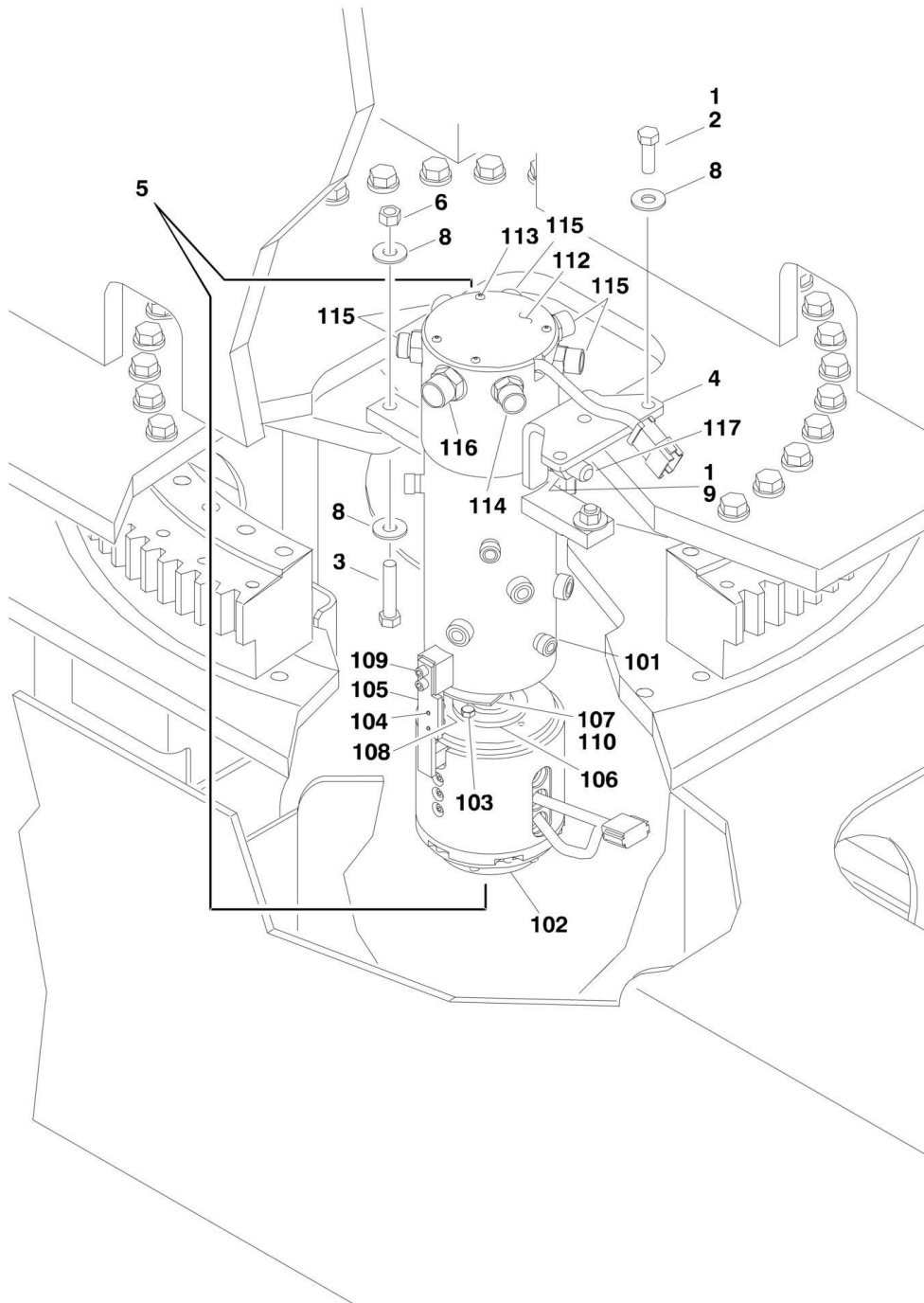
ITEM	PART NUMBER	QTY	DESCRIPTION	REV
	0273401	Ref	TANKS INSTALLATION	G
1	0100011	AR	Compound, Locking	
2	0641408	2	Bolt 1/4in-20NC x 1"	
3	0641506	4	Bolt 5/16in-18NC x 3/4in Only (Prior to SN 0300139396)	
4	0641508	2	Bolt 5/16in-18NC x 1in	
5	0641604	AR	Bolt 3/8in-16NC x 1/2in	
6	0641606	2	Bolt 3/8in-16NC x 3/4in Only (Prior to SN 0300139396)	
7	0641615	6	Bolt 3/8in-16NC x 1-7/8in	
8	0731007	5	Screw, Machine #10-32NF x 7/8in	
9	1320322	2	Clamp	
10	1320323	2	Clamp	
11	2220893	1	Fitting, Adapter	
12	2420191	1	Gauge, Fuel	
12	3960525	1	Gasket, Fuel Gauge	
13	3311601	2	Nut 3/8in-16NC	
14	3574494	1	Tray	
15	3841340	8	Loop, Hose	
16	3900232	6	Screw, Button Head 3/8in-16NC x 1-1/4in	
17	4240139	1	Strap, Tank	
18		Ref	Tank, Fuel Options:	
	4400439	NLA	Tank, Fuel (Prior to SN 0300189728)	
	1001160567	1	Tank, Fuel (SN 0300189728 through 0300201017)	
	70004414	1	Cap	
	7020043	1	Tube, Pick up	
19	4400462	1	Tank, Hydraulic Oil (See Items 101-106 for Breakdown)	
20	4420038	40 in/1m	Tape	
21	4711600	6	Flatwasher 3/8in Thin	
22	4751000	5	Flatwasher #10 Regular	
23	4751500	4	Flatwasher 5/16in Regular Only (Prior to SN 0300139396)	
24	4751600	AR	Flatwasher 3/8in Regular	
25	4891600	6	Flatwasher 3/8in Hardened	
26		Ref	Filter, Return Options:	
26	91403158	1	Filter (Prior to SN 0300139396)	
26	91403159	1	Element, Filter (Use p/n 1001093626)	
26	2120167	1	Filter (SN 0300139396 through 0300201017)	
26	2120168	1	Element, Filter	
26	7020021	1	Gauge, Pressure	
27	91471114	1	Bracket Only (Prior to SN 0300139396)	
28	0100081	AR	Loctite #454	
29	0100079	AR	Sealant, Thread	
30		Ref	Fitting, Diagnostic Options:	
	2221086	NLA	Fitting, Diagnostic (Prior to SN 0300192713)	
	1001119455	1	Fitting, Diagnostic (SN 0300192713 through 0300201017)	
31	1001119119	1	Fitting, Adapter	
	4400462	Ref	HYDRAULIC OIL TANK ASSEMBLY	D
101	7026599	1	Strainer, Suction	
102	7026600	1	Strainer, Suction	
103	7024439	1	Cover	
103	7024440	1	Gasket, Cover	
104	7024441	1	Gauge, Sight	

SECTION 2 - TURNTABLE

ITEM	PART NUMBER	QTY	DESCRIPTION	REV
105	7024444	1	Cap, Breather	
105	7024443	1	Neck Assembly	
105	7024445	1	Strainer	
106	7024446	2	Plug, Magnetic	
		Ref	FUEL TANK CAP INSTALLATION	
201		Ref	Cap Options:	
201	7016314	1	Standard Non-Locking (Part of Item 18)	
201	1120487	1	Optional Lockable	

SECTION 2 - TURNTABLE

FIGURE 2-16. ROTARY COUPLING AND COLLECTOR RING INSTALLATION



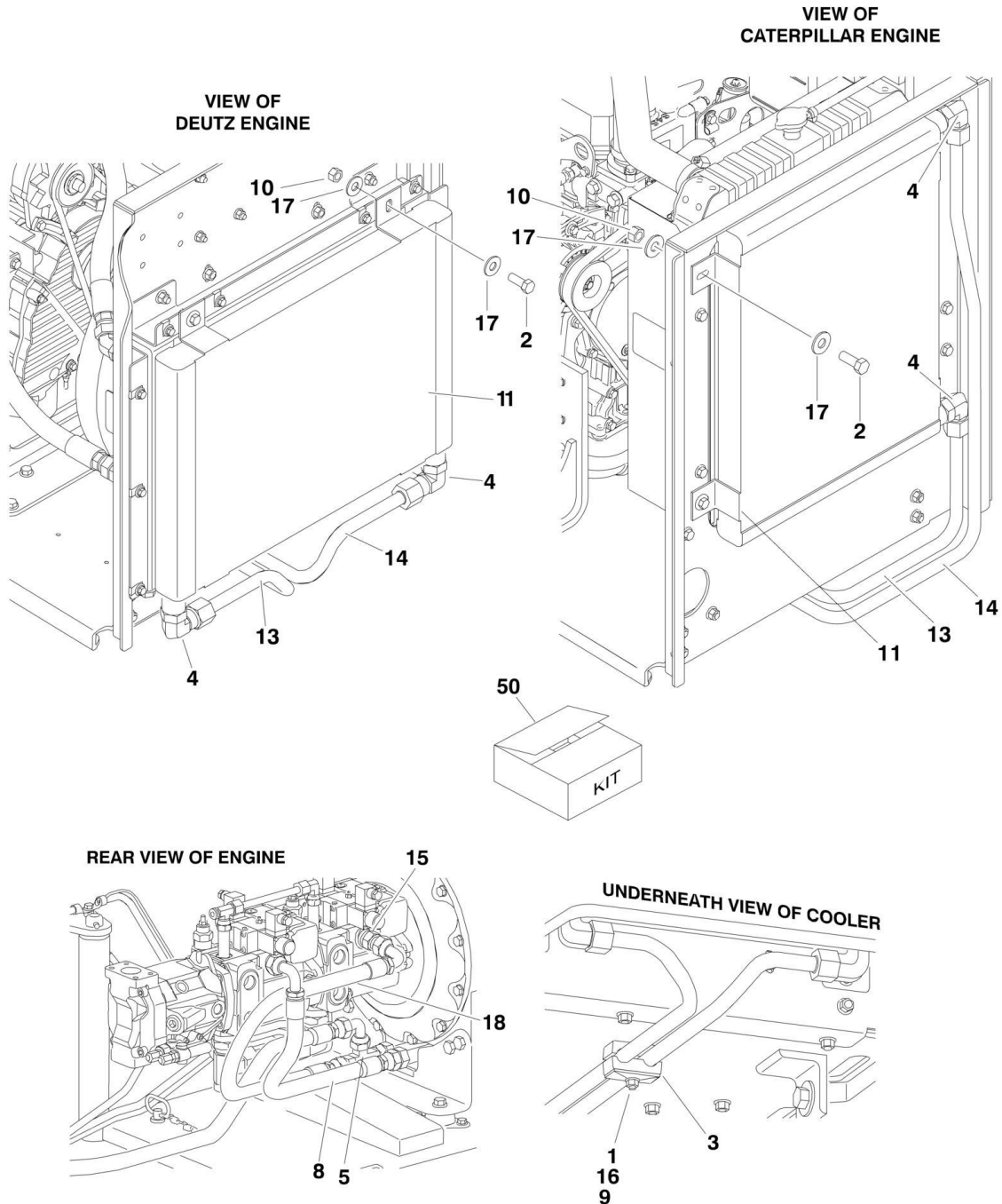
SECTION 2 - TURNTABLE

FIGURE 2-16. ROTARY COUPLING AND COLLECTOR RING INSTALLATION

ITEM	PART NUMBER	QTY	DESCRIPTION	REV
	0273349	Ref	ROTARY COUPLING AND COLLECTOR RING INSTALLATION	A
1	0100011	AR	Compound, Locking	
2	0641812	3	Bolt 1/2in-13NC x 1-1/2in	
3	0641820	2	Bolt 1/2in-13NC x 2-1/2in	
4	0902915	1	Bracket, Swivel	
5	1660256	1	Rotary Coupling and Collector Ring Assembly (See Items 101- 116 for Breakdown)	
6	3311805	2	Locknut 1/2in-13NC	
8	4751800	7	Flatwasher 1/2in Regular	
9	3322201	2	Nut 3/4in-16NC	
	1660256	Ref	ROTARY COUPLING AND COLLECTOR RING ASSEMBLY	D
101	7026665	1	Coupling, Rotary	
101	70001123	1	Seal Kit - Coupling	
102	7026029	1	Contactoer with Harness, Rotary Circuit (purchase Pins and Connector Separately)	
103	0641506	4	Bolt 5/16in-18NC x 3/4in	
104	3931512	2	Capscrew 5/16in-18NC x 3/4in	
105	70000780	1	Arm, Torque	
106	80334251	1	Adapter	
107	7026030	1	Plate, Cam	
108	7026031	1	Sensor, Proximity	
109	3931008	2	Capscrew #10-32NF x 1/2in	
110	7026032	1	Pin, Dowel	
112	1660256	1	Cover	
113	See Note	4	Screw, Button Head #10-32NF x 3/8in (Note: Not Available - Purchase Locally)	
114	2111212	1	Fitting, Straight	
115	2111010	5	Fitting, Straight	
116	2111012	1	Fitting, Straight	
117	70005456	1	Torque Arm	

SECTION 2 - TURNTABLE

FIGURE 2-17. HYDRAULIC OIL COOLER INSTALLATION - CATERPILLAR AND DEUTZ BF4M2011 AND TD2011 ENGINES (OPTIONAL)



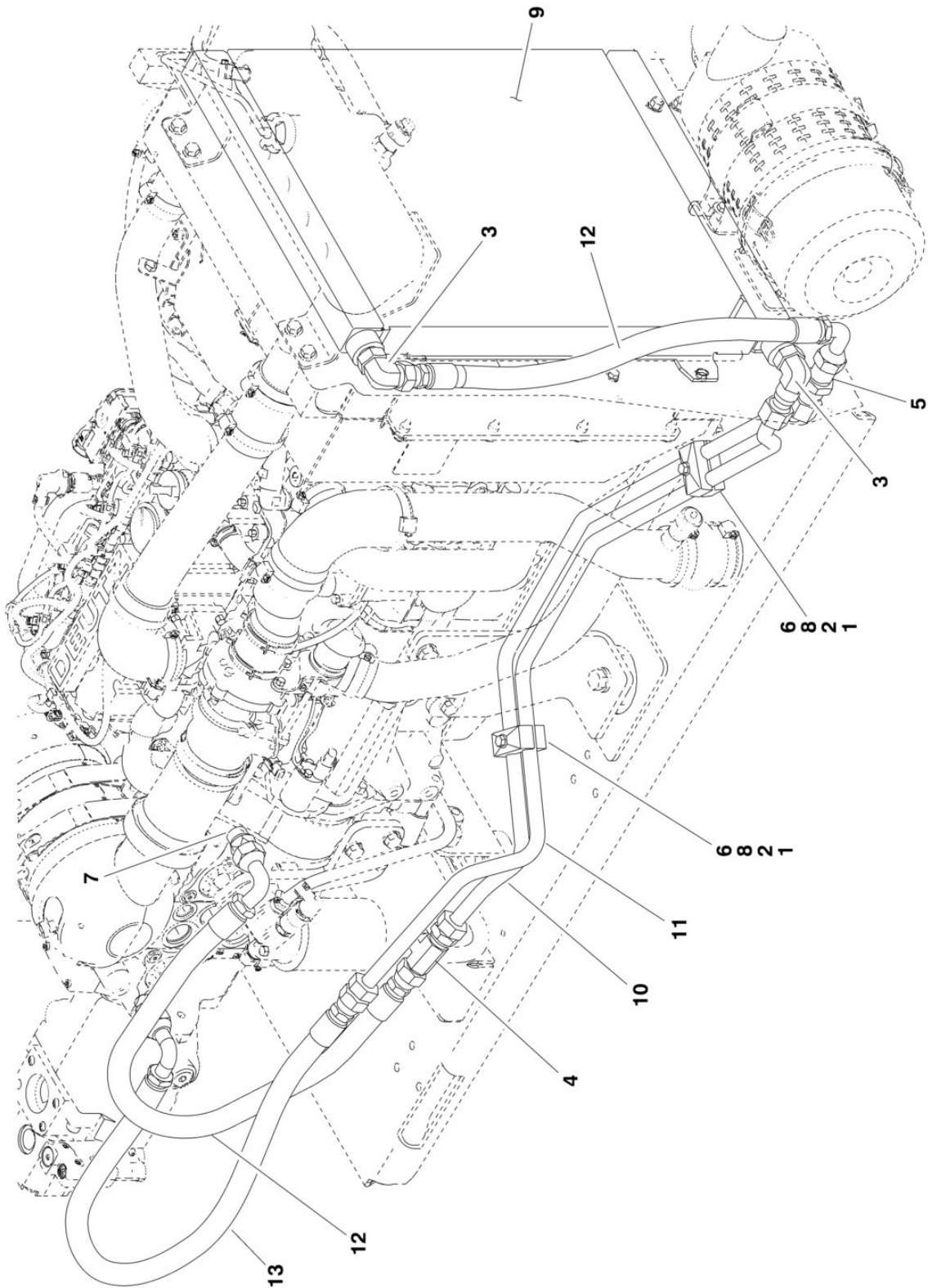
SECTION 2 - TURNTABLE

FIGURE 2-17. HYDRAULIC OIL COOLER INSTALLATION - CATERPILLAR AND DEUTZ BF4M2011 AND TD2011 ENGINES (OPTIONAL)

ITEM	PART NUMBER	QTY	DESCRIPTION	REV
		Ref	HYDRAULIC OIL COOLER INSTALLATION (OPTIONAL)	
	1001119859	Ref	Caterpillar Machines with Rexroth Pump	A
	0272080	Ref	Deutz BF4M2011 and TD2011 Engine Machines with Rexroth Pump	B
	1001118957	Ref	Deutz BF4M2011 and TD2011 Engine Machines with Sauer Pump	B
		Ref	Note: See Engine Installation for Engine Oil Cooler.	
1	0641520	2	Bolt 5/16in-18NC x 2-1/2in	
2	0641608	4	Bolt 3/8in-16NC x 1in	
3	1320162	2	Clamp, Hose	
4	2131212	2	Fitting, 90 Degree	
5	2170712	1	Fitting, Tee	
8		Ref	Hose Options:	
8	2753843	1	Caterpillar Machines with Rexroth Pump	
8	2753778	1	Deutz Machines with Rexroth Pump	
8	2753999	1	Deutz Machines with Sauer Pump	
9	3311505	2	Locknut 5/16in-18NC	
10	3311605	4	Locknut 3/8in-16NC	
11	3620034	1	Cooler, Hydraulic Oil	
13		Ref	Tube Options:	
13	1001120196	1	Caterpillar Machines	
13	4568426	1	Deutz Machines	
14		Ref	Tube Options:	
14	1001120195	1	Caterpillar Machines	
14	4568427	1	Deutz Machines	
15		Ref	Valve, Check Options:	
15	4641247	1	Machines with Rexroth Pump	
15	1001109677	1	Machines with Sauer Pump	
16	4711500	4	Flatwasher 5/16in Thin	
17	4751600	8	Flatwasher 3/8in Regular	
18		Ref	Hose Options:	
18	2753843	1	Deutz Machines with Rexroth Pump	
18	2753843	1	Caterpillar Machines with Rexroth Pump	
18	2753778	1	Deutz Machines with Sauer Pump	
50		Ref	Oil Cooler Add-on Kit Options (Includes Items 1-18):	
50	See Note	1	Caterpillar Machines (Note: Not available for purchase)	
50	1001120564	1	Deutz Machines	

SECTION 2 - TURNTABLE

FIGURE 2-18. HYDRAULIC OIL COOLER INSTALLATION - DEUTZ TCD2.9L4 ENGINES (OPTIONAL)



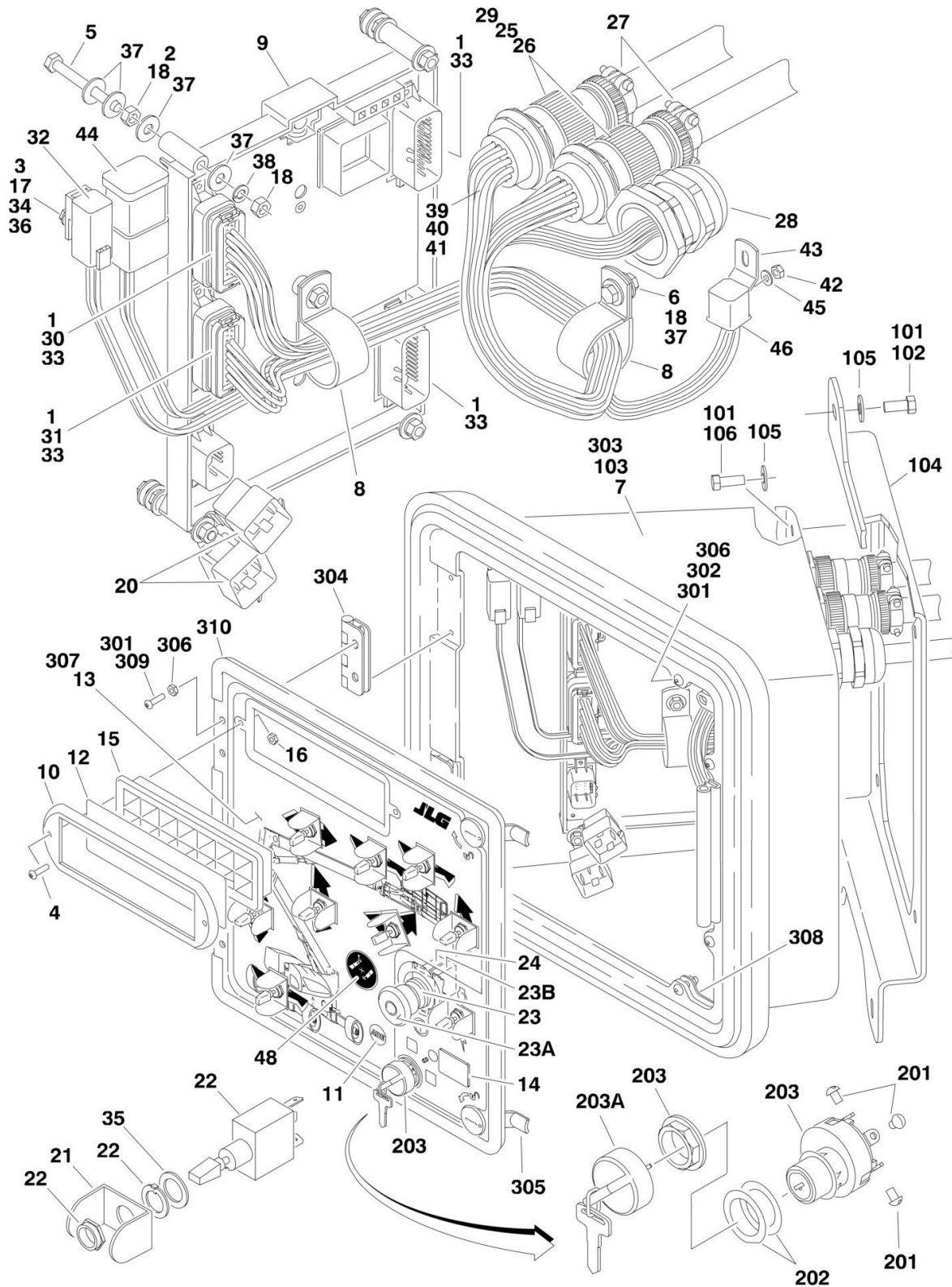
SECTION 2 - TURNTABLE

FIGURE 2-18. HYDRAULIC OIL COOLER INSTALLATION - DEUTZ TCD2.9L4 ENGINES (OPTIONAL)

ITEM	PART NUMBER	QTY	DESCRIPTION	REV
		Ref	HYDRAULIC OIL COOLER INSTALLATION (OPTIONAL)	
	1001139494	Ref	Deutz TCD2.9L4 Engine Machines with Rexroth Pump	D
	1001139492	Ref	Deutz TCD2.9L4 Engine Machines with Sauer Pump	E
		Ref	Note: See Engine Installation for Engine Oil Cooler.	
1	0641520	2	Bolt 5/16in-18NC x 2-1/2in	
2	1320162	2	Clamp, Hose	
3	2131212	2	Fitting, 90 Degree	
4	2170712	1	Fitting, Tee	
5	2171112	1	Fitting, Straight	
6	3311505	2	Locknut 5/16in-18NC	
7		Ref	Valve Options:	
7	4641247	1	Deutz Machines with Rexroth Pump	
7	1001109677	1	Deutz Machines with Sauer Pump	
8	4711500	4	Flatwasher 5/16in Thin	
9	1001135124	1	Cooler, Hydraulic Oil	
10		Ref	Tube Options:	
10	1001154214	1	Deutz Machines with Rexroth Pump	
10	1001139665	1	Deutz Machines with Sauer Pump	
11	1001139666	1	Tube	
12	1001143087	2	Hose	
13	1001143123	1	Hose	

SECTION 2 - TURNTABLE

FIGURE 2-19. GROUND CONTROLS INSTALLATION (WITHOUT UGM)



SECTION 2 - TURNTABLE

FIGURE 2-19. GROUND CONTROLS INSTALLATION (WITHOUT UGM)

ITEM	PART NUMBER	QTY	DESCRIPTION	REV
		Ref	NOTE: For Module Identification, refer to Revision Log page A.	
		Ref	GROUND CONTROLS ASSEMBLIES	
	0861629	Ref	Machines with Rexroth Pumps (Prior to SN 0300087575)	M
	0861750	Ref	Machines with Rexroth Pumps (SN 0300087575 through 0300201017)	K
		Ref	Note: S/N 0300085693 and S/N 0300085910 was built with 03000861750 Ground Control Box Also.	
	1001111545	Ref	Machines with Sauer Pumps	E
	1001121826	Ref	Light Panel Installation (All Specs Except Australian and CE)	A
	1001121827	Ref	Light Panel Installation (Australian and CE Specs)	A
1	0100048	AR	Grease, Dielectric	
2	0100081	AR	Loctite #454	
3	0630464	2	Screw, Button Head #10-24NC x 1/2in	
4	0630518	2	Screw, Button Head #10-24NC x 3/4in	
5	0630548	5	Screw, Self Tapping	
6	0641406	1	Bolt 1/4in-20NC x 3/4in	
7	0861628	1	Box Assembly (See Items 301-310 for Breakdown)	
8	1320095	2	Clamp	
9	1600333	1	Module, Ground Control (Note: Control System must be recalibrated when Module is replaced)	
9	2915024	1	Software Update Kit (Includes Cables, Programming Instructions and CD Software)	
9	1001155078	1	UGM Update Kit (Update machine to use UGM) (Includes new UGM Module p/n 1001119508, Software Cable Kit, Hardware and Instructions)	
9	1001155077	1	SkyGuard Update Kit (Adds SkyGuard Option) (Includes 1001155078 UGM Update Kit, Software Cable Kit, Hardware, Instructions, Platform Sensor and Alert Beacon)	
10	1670829	1	Bezel	
11	1705132	1	Decal - ADE	
12		Ref	Decal - Light Panel Options:	
12	1705974	1	All Specs Except Australian and CE Spec (Use p/n 100112283)	
12	1705974	1	Australian and CE Spec	
13	1705799	1	Decal - Lid	
14	2420172	1	Hourmeter	
15	2760105	1	Housing, Light	
16	3300408	2	Locknut, Nylon	
17	3311001	2	Nut #10-24NC	
18	3311401	11	Nut 1/4in-20NC	
20	3740049	2	Relay	
21	4060906	9	Guard, Switch	
22	4360328	9	Switch, Toggle	
23	4360475	1	Switch, Push-Pull Emergency	
23A	7020175	1	Cap	
23B	7020176	1	Block, Contact	
24	4360476	1	Block, Contact	
25	4460470	2	Nut, Terminal	
26	4460471	2	Washer, Terminal	
27	4460473	2	Clamp, Cable (Note: Now included with Boom Cable)	
28	4460526	1	Connector, Strain Relief	
29	4460865	1	Connector - 19 Pin (Note: Now included with Boom Cable)	

SECTION 2 - TURNTABLE

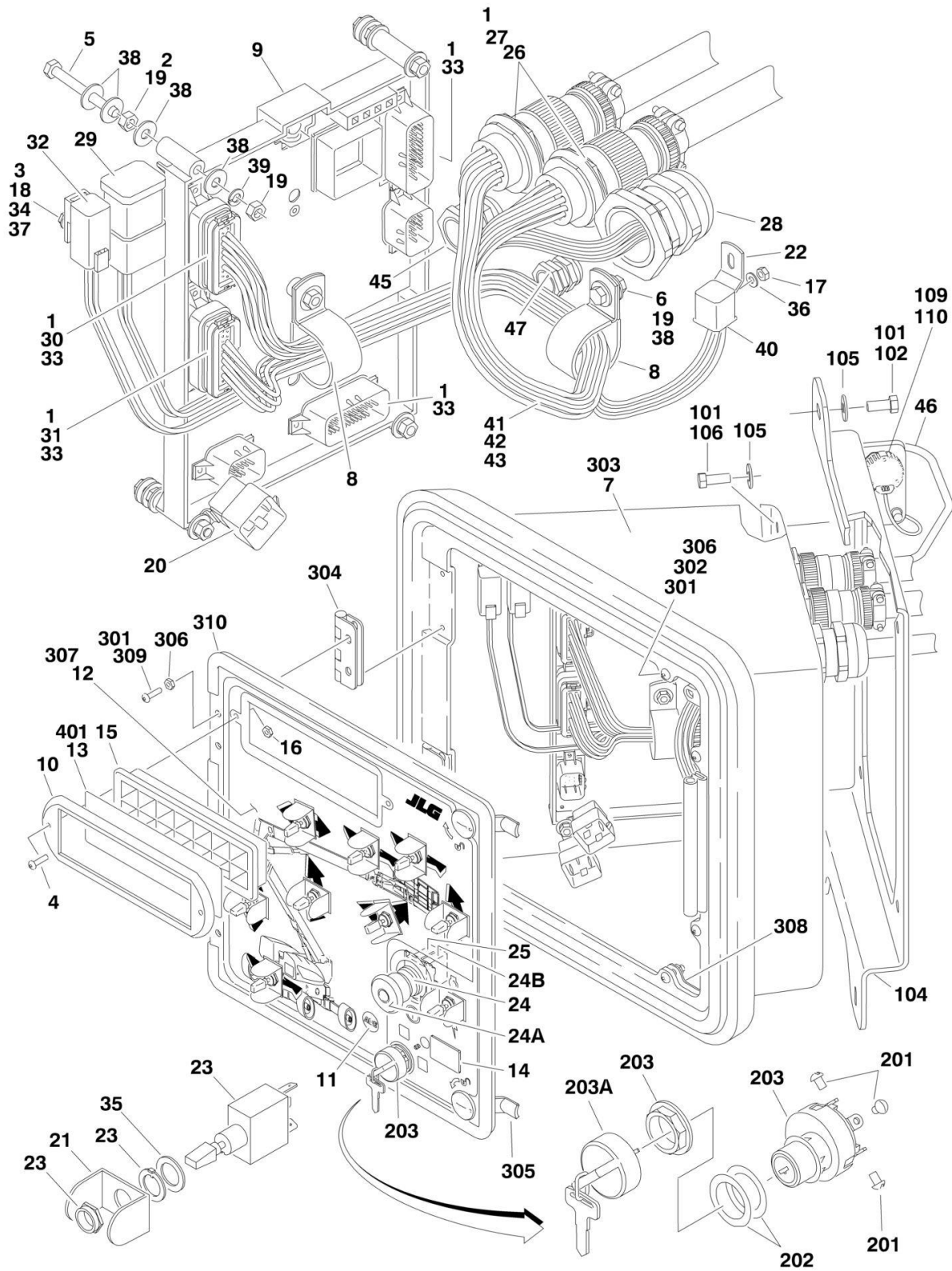
ITEM	PART NUMBER	QTY	DESCRIPTION	REV
30	4460874	1	Connector, White	
31	4460875	1	Connector, Gray	
32	4460892	1	Connector, Buss Bar - 6 Position	
33	4460905	4	Connector, Seal Plug	
34	4460914	2	Base, Terminal	
35	4740444	9	Washer	
36	4751000	2	Flatwasher #10 Regular	
37	4751400	22	Flatwasher 1/4in Regular	
38	4761400	5	Lockwasher 1/4in	
39		Ref	Harness, Engine Options (See ELECTRICAL SECTION for Breakdown):	
39	4922941	1	Machines with Rexroth Pumps (Prior to SN 0300087575)	
39	4923290	1	Machines with Rexroth Pumps (SN 0300087575 through 0300093355)	
39	4923377	1	Machines with Rexroth Pumps (SN 0300093356 through 0300201016)	
39	1001111546	1	Machines with Sauer Pumps	
40		Ref	Harness, Valve Options (See ELECTRICAL SECTION for Breakdown):	
40	4922942	1	Harness, Valve (Prior to SN 0300087575)	
40	4923274	1	Harness, Valve (Use p/n 4923397) (SN 0300087575 through 0300088931)	
40	4923397	1	Harness, Main Valve (SN 0300088932 through 0300201016)	
41		Ref	Harness, Ground Control Box Options (See Section ELECTRICAL SECTION for Breakdown):	
41	4922943	1	Harness, Main Terminal Box (Prior to SN 0300087575)	
41	4923291	1	Harness, Main Terminal Box (SN 0300087575 through 0300201016)	
42	3310601	1	Nut #6-32NC	
43	4340832	1	Mount, Relay	
44	4460837	1	Connector, Female - 12 Position	
45	4750600	1	Flatwasher #6 Regular	
46	4923036	1	Harness, Relay (Not Shown - See Section ELECTRICAL SECTION for Breakdown)	
48	1705999	1	Decal - Add-On (Prior to SN 0300087575)	
		Ref	GROUND CONTROL BOX INSTALLATION	
	0273363	Ref	Deutz Machines with Rexroth Pumps	E
	1001111544	Ref	Deutz Machines with Sauer Pumps	B
101	0100011	AR	Compound, Locking	
102	0641607	4	Bolt 3/8in-16NC x 7/8in	
104	3200455	1	Bracket, Mounting	
105	4751600	8	Flatwasher 3/8in Regular	
106	3931616	4	Capscrew, Socket Head 3/8in-16NC x 1in	
		Ref	KEYSWITCH INSTALLATION	
	0259666	Ref	ANSI and ANSI Export Spec	B
	0259667	Ref	Australian and CE Spec	B
201	3910804	6	Screw #8-32NC x 1/8in	
202	4070987	2	Shim .015 (Prior to SN 0300175707)	
202	1001151393	1	Shim .063 (SN 0300175707 through 0300201016)	
203		Ref	Keyswitch Options:	
203	4360469	1	ANSI and ANSI Export Spec	
203	4360470	1	Australian and CE Spec	
203A	2860030	1	Key, Replacement	

SECTION 2 - TURNTABLE

ITEM	PART NUMBER	QTY	DESCRIPTION	REV
	0861628	Ref	BOX ASSEMBLY	G
301	0100011	AR	Compound, Locking	
302	0630407	4	Screw, Button Head 1/4in-20NC x 5/8in	
303	0861628	1	Box	
304	2600279	2	Hinge	
305	2940139	2	Latch	
306	3311402	8	Nut, Jam 1/4in-20NC	
307	0861628	1	Lid	
308	3573144	2	Plate, Latch	
309	3900251	8	Screw, Button Head 1/4in-20NC x 3/8in	
310	3960418	53 in/1.4m	Seal	

SECTION 2 - TURNTABLE

FIGURE 2-20. GROUND CONTROLS INSTALLATION (WITH UGM)



SECTION 2 - TURNTABLE

FIGURE 2-20. GROUND CONTROLS INSTALLATION (WITH UGM)

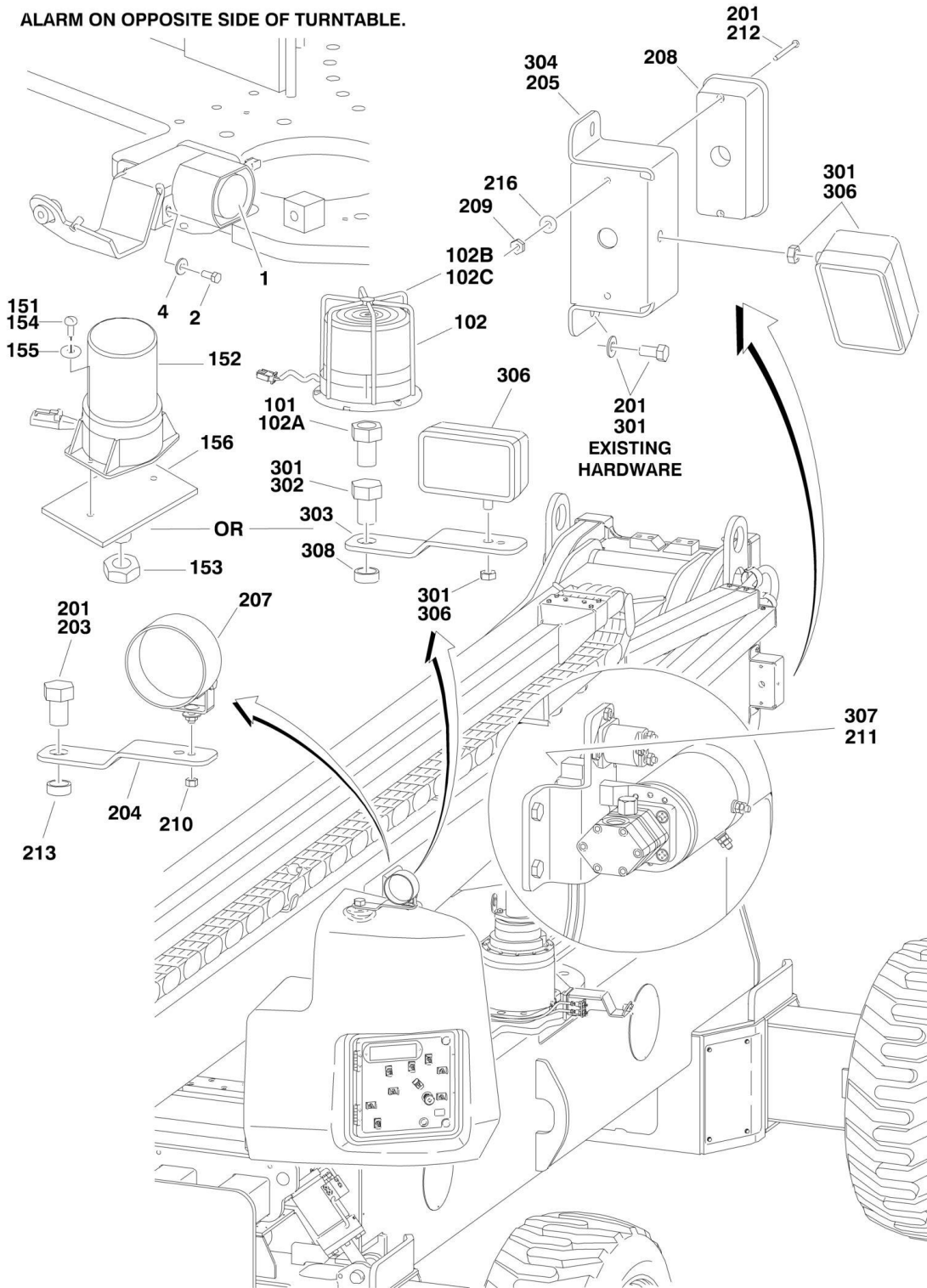
ITEM	PART NUMBER	QTY	DESCRIPTION	REV
		Ref	NOTE: For Module Identification, Refer To Revision Log Page A.	
	1001119376	Ref	GROUND CONTROLS ASSEMBLY	M
1	0100048	AR	Grease, Dielectric	
2	0100081	AR	Loctite #454	
3	0630464	2	Screw, Button Head #10-24NC x 1/2in	
4	0630518	2	Screw, Button Head #10-24NC x 3/4in	
5	0630548	5	Screw, Self Tapping	
6	0641406	1	Bolt 1/4in-20NC x 3/4in	
7	0861628	1	Box Assembly (See Items 301-310 for Breakdown)	
8	1320095	2	Clamp	
9	1001119508	1	Module, Ground Control (Note: Control System must be recalibrated when Module is replaced)	
10	1670829	1	Bezel	
11	1705132	1	Decal - ADE (Prior to SN 0300195995)	
12	1705799	1	Decal - Lid	
13	1705974	1	Decal - Light Panel (Prior to SN 0300151929)	
14	2420172	1	Hourmeter	
15	2760105	1	Housing, Light	
16	3300408	2	Locknut, Nylon	
17	3310601	1	Nut #6-32NC	
18	3311001	2	Nut #10-24NC	
19	3311401	11	Nut 1/4in-20NC	
20	3740049	1	Relay	
21	4060906	9	Guard, Switch	
22	4340832	1	Mount, Relay	
23	4360328	9	Switch, Toggle	
24	4360475	1	Switch, Push-Pull Emergency	
24A	7020175	1	Cap	
24B	7020176	1	Block, Contact	
25	4360476	1	Block, Contact	
26	4460470	2	Nut, Terminal	
27	4460471	2	Washer, Terminal	
28	4460526	1	Connector, Strain Relief	
29	4460837	1	Connector - 12 Pin	
30	4460874	1	Connector, White	
31	4460875	1	Connector, Gray	
32	4460892	1	Connector, Buss Bar - 6 Position	
33	4460905	4	Connector, Plug	
34	4460914	2	Base, Terminal	
35	4740444	9	Washer	
36	4750600	1	Flatwasher #6 Regular	
37	4751000	2	Flatwasher #10	
38	4751400	22	Flatwasher 1/4in Regular	
39	4761400	5	Lockwasher 1/4in Regular	
40	4923036	1	Harness, Relay (See ELECTRICAL SECTION for Breakdown)	
41	4923397	1	Harness, Valve (See ELECTRICAL SECTION for Breakdown)	
42		Ref	Harness, Engine Options (See ELECTRICAL SECTION for Breakdown):	
42	1001119529	1	Deutz Engine Machines	

SECTION 2 - TURNTABLE

ITEM	PART NUMBER	QTY	DESCRIPTION	REV
42	100119470	1	Caterpillar Engine Machines	
43	1001120181	1	Harness, Ground Control Box (See ELECTRICAL SECTION for Breakdown)	
45	4460425	1	Connector, Strain Relief	
46	1001114438	1	Harness, ClearSky Ready (See ELECTRICAL SECTION for Breakdown)	
47	4460428	1	Connector, Strain Relief	
		Ref	GROUND CONTROL BOX INSTALLATION	
	1001119354	Ref	Deutz BF4M2011 and TD2011 Engine Machines with Rexroth Pump	B
	1001119353	Ref	Deutz BF4M2011 and TD2011 Engine Machines with Sauer Pump	B
	1001138016	Ref	Deutz TCD2.9L4 Engine Machines	B
	1001119352	Ref	Caterpillar Engine Machines with Rexroth Pumps	B
101	0100011	AR	Compound, Locking	
102	0641607	5	Bolt 3/8in-16NC x 7/8in	
104	1001114487	1	Bracket, Mounting	
105	4751600	9	Flatwasher 3/8in Regular	
106	3931616	4	Capscrew, Socket Head 3/8in-16NC x 1in	
109	4460496	1	Terminal, Lockwasher	
110	4460497	1	Terminal, Nut	
		Ref	KEYSWITCH INSTALLATION	
	0259666	Ref	ANSI and ANSI Export Spec	B
	0259667	Ref	Australian Spec (Prior to SN 0300149098)	A
	0259666	Ref	Australian Spec (SN 0300149098 through 0300201017)	B
	0259667	Ref	CE Spec	B
201	3910804	6	Screw #8-32NC x 1/8in	
202	4070987	2	Shim .015 (Prior to SN 0300175707)	
202	1001151393	1	Shim .063 (SN 0300175707 through 0300201017)	
203		Ref	Keyswitch Options:	
203	4360469	1	ANSI and ANSI Export Spec	
203	4360470	1	Australian Spec (Prior to SN 0300149098)	
	4360469	1	Australian Spec (SN 0300149098 through 0300201017)	
203A	2860030	1	Key, Replacement	
	0861628	Ref	BOX ASSEMBLY	G
301	0100011	AR	Compound, Locking	
302	0630407	4	Screw, Button Head 1/4in-20NC x 5/8in	
303	0861628	1	Box	
304	2600279	2	Hinge	
305	2940139	2	Latch	
306	3311402	8	Nut, Jam 1/4in-20NC	
307	0861628	1	Lid	
308	3573144	2	Plate, Latch	
309	3900251	8	Screw, Button Head 1/4in-20NC x 3/8in	
310	3960418	53 in/1.4m	Seal	
		Ref	LIGHT PANEL INSTALLATIONS (SN 0300151929 through 0300201017)	
	1001121826	Ref	ANSI and ANSI Export Specs	A
	1001121827	Ref	Australian and CE Specs	A
401		Ref	Decal - Light Panel Options:	
401	1001122383	1	ANSI and ANSI Export Specs	
401	1705174	1	Australian and CE Specs	

SECTION 2 - TURNTABLE

FIGURE 2-21. ACCESSORIES INSTALLATION



SECTION 2 - TURNTABLE

FIGURE 2-21. ACCESSORIES INSTALLATION

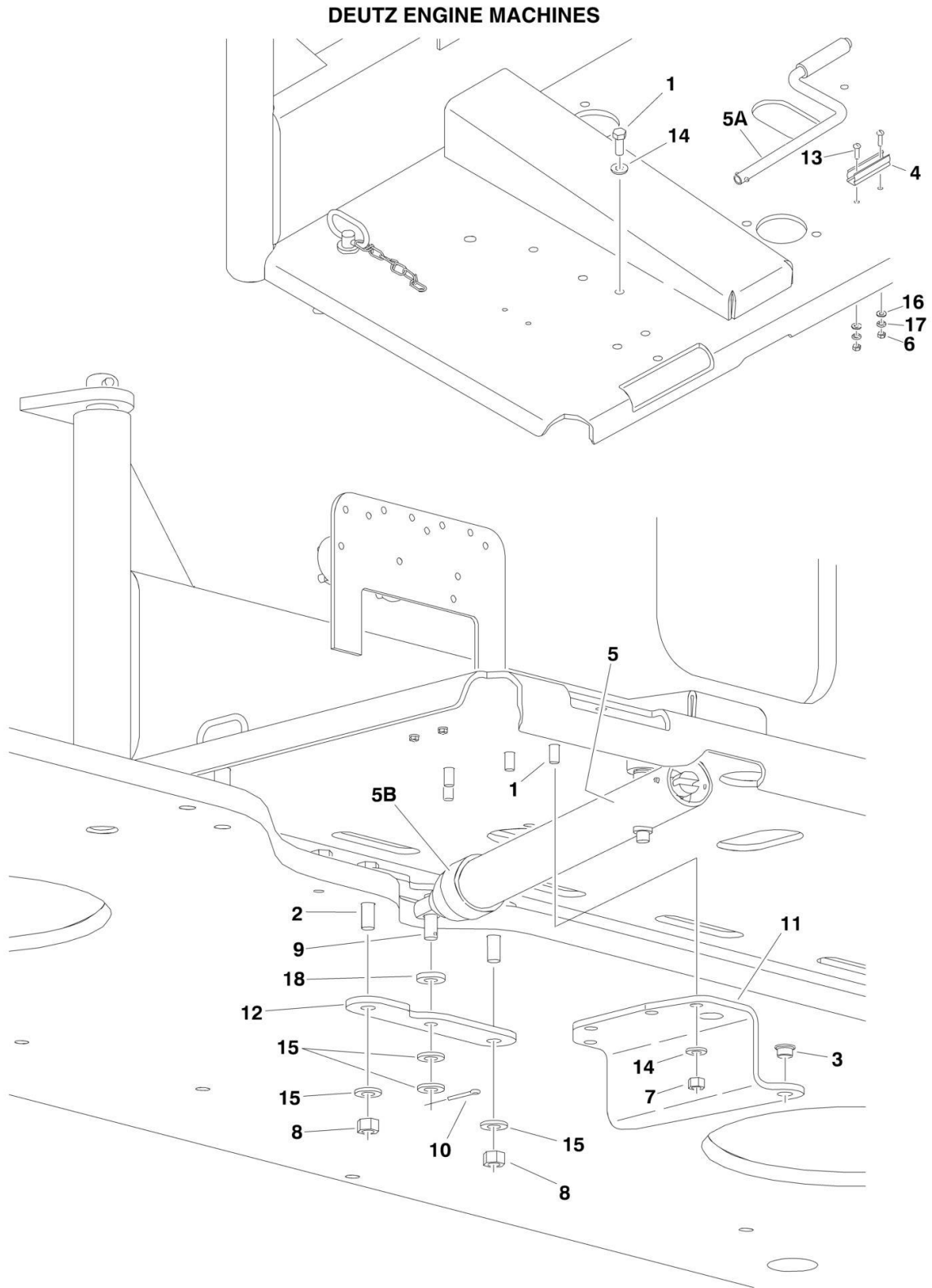
ITEM	PART NUMBER	QTY	DESCRIPTION	REV
	0273447	Ref	ALARMS INSTALLATION	
1	0257887	1	Alarm	
1	0140032	1	Alarm	
1	2820035	6 in/15cm	Loom	
1	4460424	1	Plug	
1	4460268	2	Socket, Female	
2		Ref	Bolt Options:	
2	0641507	2	Bolt 5/16in-18NC x 7/8in (Prior to SN 0300093356)	
2	0641506	2	Bolt 5/16in-18NC x 3/4in (SN 0300093356 through 0300201017)	
3	3311505	2	Locknut 5/16in-18NC (Prior to SN 0300093356)	
4	4751500	AR	Flatwasher 5/16in Regular	
	0271807	Ref	STROBE LIGHT INSTALLATION (AMBER) (OPTIONAL) (Prior to SN 0300171403)	C
		Ref	Note: If machine is equipped with BLUE Strobe Light, see SPECIAL OPTION SECTION SkyGuard Kit.	
101	0100011	AR	Compound, Locking	
102	0272507	1	Strobe Light Assembly/Guard/Harness Assy (Includes Items 102B & 102C)	
102A		Ref	Lamp, Strobe Options:	
102A	7016380	1	Bulb for ECCO Model 6640	
102A	70001941	1	Bulb for ECCO Model 6650	
102B		Ref	Adapter Options:	
102B	0630491	1	Guard used with ECCO Model 6640	
102B	0080241	1	Guard used with ECCO Model 6650	
102C		Ref	Guard Options:	
102C	4060907	1	Guard used with ECCO Model 6640	
102C	2920215	1	Guard used with ECCO Model 6650	A
	1001150406	Ref	STROBE LIGHT ASSEMBLY (AMBER)	C
		Ref	Note: If machine is equipped with BLUE Strobe Light, See SPECIAL OPTION SECTION SkyGuard Kit.	
151	0100035	AR	Compound, Locking	
152	2920161	1	Strobe Light/Harness Assembly	
152	7016319	1	Bulb	
152	7016372	1	Lens	
153	3312602	1	Nut, Jam 1in-8NC	
154	3900085	2	Screw #10-32 x 1/2in	
155	4751000	2	Flatwasher 1/4in Thin	
156	1001149994	1	Mount Strobe	
157	1001149818	1	Harness, Strobe Light Extension (Not Shown - See ELECTRICAL SECTION for Breakdown)	
	0273502	Ref	HEADLIGHT AND TAILLIGHTS INSTALLATION (OPTION)	C
201	0100011	AR	Compound, Locking	
202	0100035	AR	Compound, Locking	
203	0642612	2	Bolt 1in-8NC x 1-1/2in	
204	0902206	2	Bracket, Mounting	
205	0902953	2	Bracket, Mounting	
206	1705170		Decal - Lights (Not Shown - Located on Console)	
207	2920110	2	Headlight	
207	7016628	2	Bulb, Replacement (1 Per Headlight)	
208	2920113	2	Taillight	
209	3311001	4	Nut #10-24NC	

SECTION 2 - TURNTABLE

ITEM	PART NUMBER	QTY	DESCRIPTION	REV
210	3311605	2	Locknut 3/8in-16NC	
211	3740080	1	Relay, Bosch	
212	3911040	4	Screw #10-24NC x 2-1/2in	
213		Ref	Spacer Options:	
213	4220162	AR	Spacer (Prior to SN 0300184392)	
213	4892600	AR	Spacer (SN 0300184392 through 0300201017)	
214	4240033	AR	Tie-Strap (Not Shown)	
215	4360522	1	Switch, Push Button (Not Shown - Located on Console)	
216	4751000	4	Flatwasher #10 Regular	
218	1320301	2	Clamp (Not Shown - Located on Turntable Cover Plate)	
219	4460488	6	Base, Mounting (Not Shown - Located on Boom Rest Tube)	
	0273503	Ref	ILLUMINATION LIGHTS INSTALLATION (OPTION)	B
301	0100011	AR	Compound, Locking	
302	0642612	2	Bolt 1in-8NC x 1-1/2in	
303	0902206	2	Bracket, Mounting	
304	0902953	2	Bracket, Mounting	
305	1705170		Decal - Lights (Not Shown - Located on Console)	
306	2920157	4	Headlight	
306	7024452	4	Bulb, Replacement (1 Per Light)	
307	3740080	1	Relay, Bosch	
308	4220162	2	Spacer	
309	4240033	AR	Tie-Strap (Not Shown)	
310	4360522	1	Switch, Push Button (Not Shown - Located on Console)	
312	1320301	2	Clamp (Not Shown - Located on Turntable Cover Plate)	
313	4460488	6	Base, Mounting (Not Shown - Located on Boom Rest Tube)	

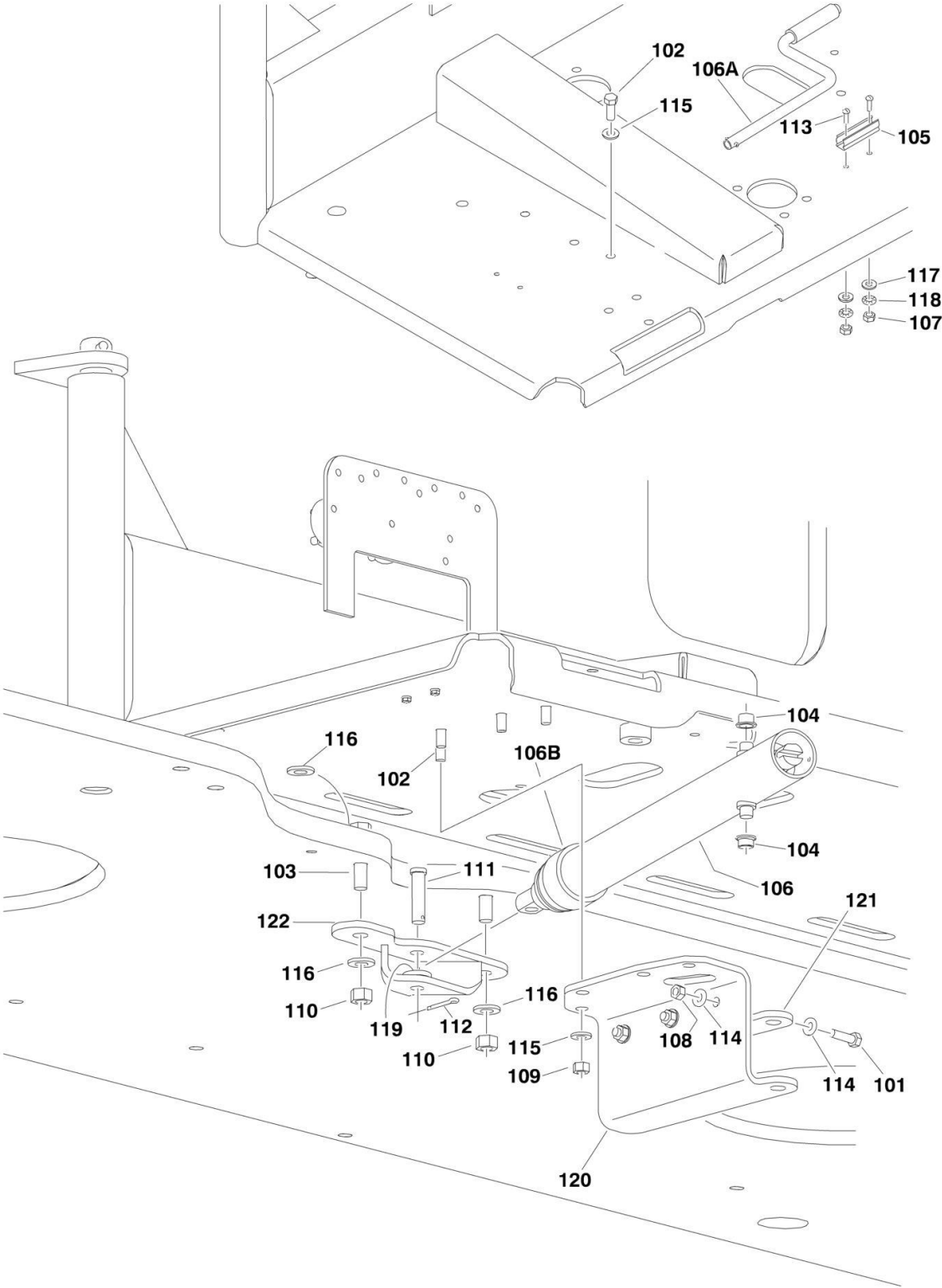
SECTION 2 - TURNTABLE

FIGURE 2-22. ENGINE TRAY JACK INSTALLATION



SECTION 2 - TURNTABLE

CATERPILLAR ENGINE MACHINES



SECTION 2 - TURNTABLE

FIGURE 2-22. ENGINE TRAY JACK INSTALLATION

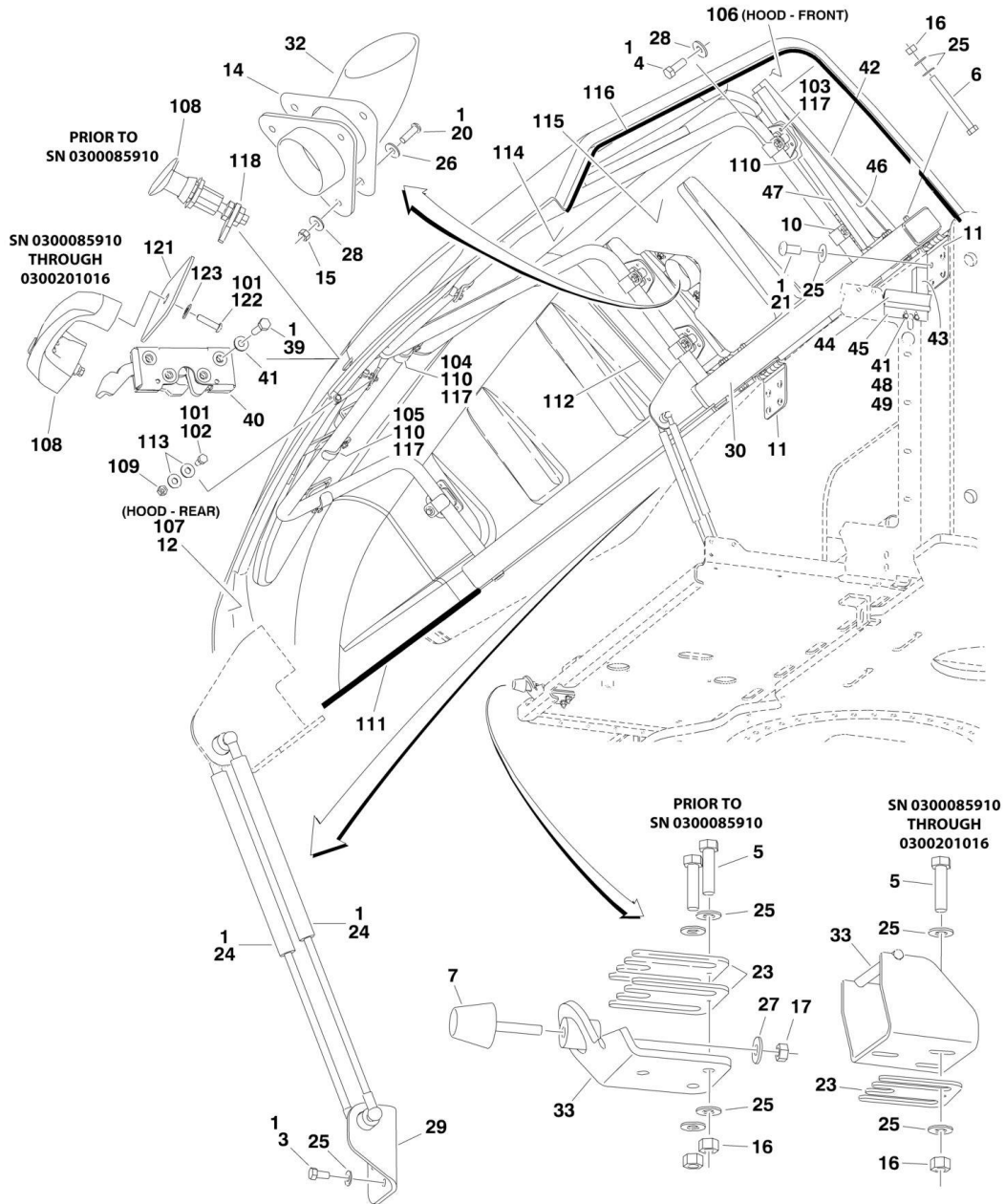
ITEM	PART NUMBER	QTY	DESCRIPTION	REV
	0273395	Ref	ENGINE TRAY JACK INSTALLATION (DEUTZ BF4M2011 and TD2011 ENGINES MACHINES)	B
1	0641608	4	Bolt 3/8in-16NC x 1in	
2	0641818	2	Bolt 1/2in-13NC x 2-1/4in	
3	0962051	2	Bearing, Flanged	
4	1380147	1	Clip, Spring	
5	2840016	1	Jack and Handle Assembly	
5A		Ref	Handle Options:	
5A	7016374	1	Burr Manufacturing Brand	
5A	7024598	1	Hammerblow Corp Brand	
5B	7016322	1	Wiper (Burr Manufacturing Brand Only)	
6	3310601	2	Nut #6-32NC	
7	3311605	4	Locknut 3/8in-16NC	
8	3311805	2	Locknut 1/2in-13NC	
9	3430816	1	Pin, Clevis	
10	3450404	1	Pin, Cotter 1/8in x 1in	
11	3537445	1	Bracket	
12	3574492	2	Plate	
13	3910608	2	Screw #6-32NC x 1/2in	
14	4711600	8	Flatwasher 3/8in Thin	
15	4711800	4	Flatwasher 1/2in Thin	
16	4750600	2	Flatwasher #6 Regular	
17	4770600	2	Starwasher #6	
18	4891800	1	Flatwasher 1/2in Hardened	
		Ref	ENGINE TRAY JACK INSTALLATION (DEUTZ TCD2.9L4 ENGINE AND CATERPILLAR ENGINE MACHINES)	
	1001131483	Ref	Caterpillar Engine Machines	A
	1001146050	Ref	Deutz TCD2.9L4 Engine Machines	B
101	0641509	3	Bolt 5/16in-18NC x 1-1/8in	
102	0641608	4	Bolt 3/8in-16NC x 1in	
103	0641816	2	Bolt 1/2in-13NC x 2in	
104	0962051	2	Bearing, Flanged	
105	1380147	1	Clip, Spring	
106	2840016	1	Jack and Handle Assembly	
106A		Ref	Handle Options:	
106A	7016374	1	Burr Manufacturing Brand (identified by 4in handle offset)	
106A	7024598	1	Hammerblow Corp Brand (identified by 4-1/2in handle offset)	
106B	7016322	1	Wiper (Burr Manufacturing Brand Only)	
107	3310601	2	Nut #6-32NC	
108	3311505	3	Locknut 5/16in-18NC	
109	3311605	4	Locknut 3/8in-16NC	
110	3311805	2	Locknut 1/2in-13NC	
111	3430816	1	Pin, Clevis	
112	3450404	1	Pin, Cotter 1/8in x 1in	
113	3910608	2	Screw #6-32NC x 1/2in	
114	4711500	6	Flatwasher 5/16in Thin	
115	4711600	8	Flatwasher 3/8in Thin	
116	4711800	4	Flatwasher 1/2in Thin	
117	4750600	2	Flatwasher #6 Regular	
118	4770600	2	Starwasher #6	

SECTION 2 - TURNTABLE

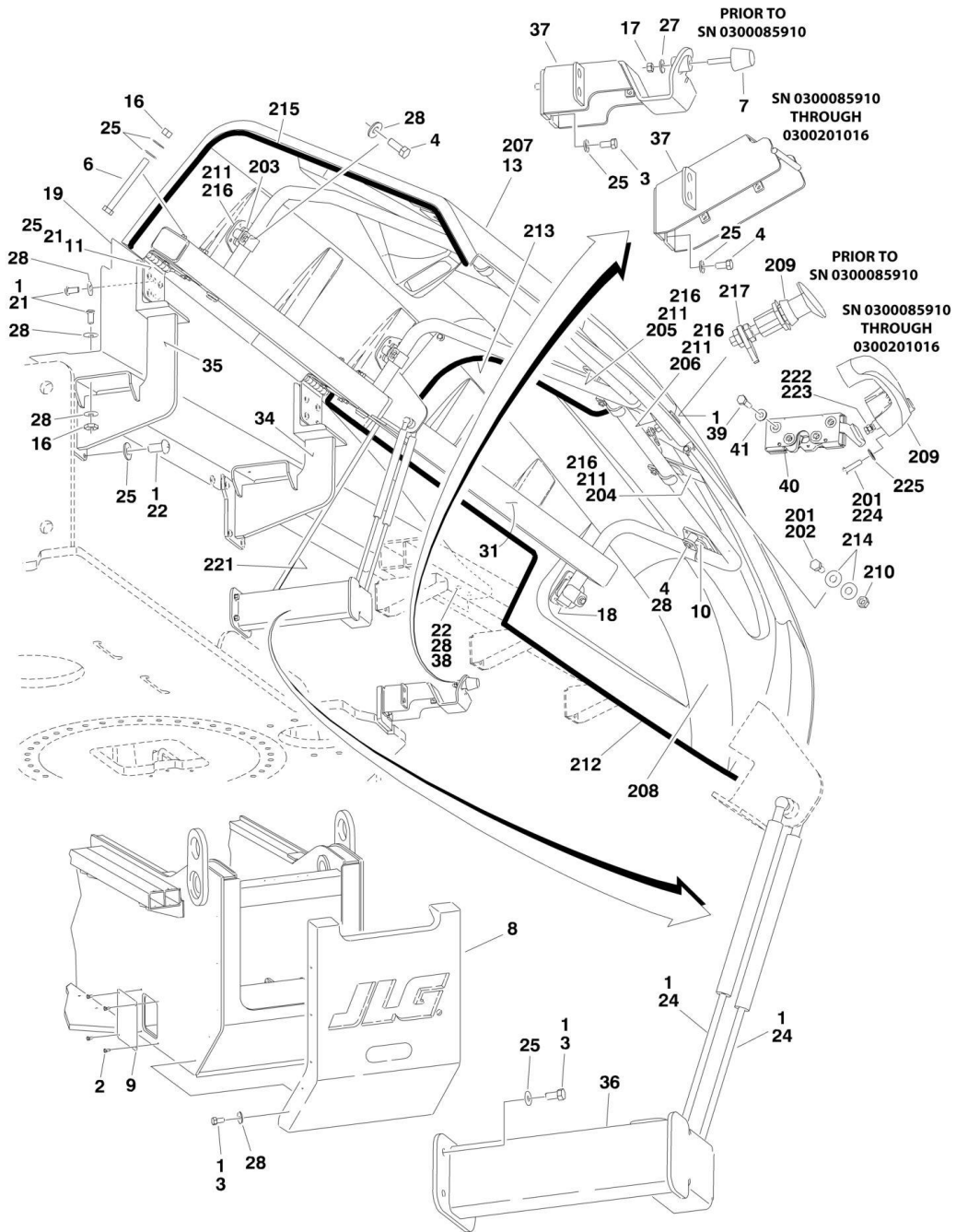
ITEM	PART NUMBER	QTY	DESCRIPTION	REV
119	4891800	1	Flatwasher 1/2in Hardened	
120		Ref	Plate, Jack Bracket Options:	
120	1001143298	1	Deutz TCD2.9L4 Engine Machines	
120	1001131481	1	Caterpillar Engine Machines	
121	1001131482	1	Plate, Jack Bracket	
122	1001135497	1	Support, Engine Tray Jack	

SECTION 2 - TURNTABLE

FIGURE 2-23. HOODS INSTALLATION



SECTION 2 - TURNTABLE



SECTION 2 - TURNTABLE

FIGURE 2-23. HOODS INSTALLATION

ITEM	PART NUMBER	QTY	DESCRIPTION	REV
		Ref	HOOD INSTALLATION	
	0273350	Ref	All Machines except Machines with Deutz TCD2.9L4 Engines	E
	1001142380	Ref	Machines with Deutz TCD2.9L4 Engines	C
1	0100011	AR	Compound, Locking	
2		Ref	Screw Options:	
2	0791604	8	Screw 3/8in-16NC x 1/2in (Prior to SN 0300085910)	
2	0791605	8	Screw 3/8in-16NC x 5/8in (SN 0300085910 through 0300201017)	
3	0641606	AR	Bolt 3/8in-16NC x 3/4in	
4	0641608	AR	Bolt 3/8in-16NC x 1in	
5		Ref	Bolt Options:	
5	0641612	3	Bolt 3/8in-16NC x 1-1/2in (Prior to SN 0300085910)	
5	0641610	3	Bolt 3/8in-16NC x 1-1/4in (SN 0300085910 through 0300201017)	
6	0641630	12	Bolt 3/8in-16NC x 3-3/4in	
7	0940088	2	Bumper (Prior to SN 0300085910)	
8	1671109	1	Cover, Turntable	
9	1671118	2	Cover, Pin Access	
10	2080051	16	Clamp	
11	2600280	4	Hinge	
12		Ref	Hood, Engine Side Options (See Items 101-123 for Breakdown):	
12	2680499	1	All Machines (Prior to SN 0300085910)	
12	1671192	1	Machines with Caterpillar, Deutz BF4M20111 and Deutz TD2011 Engines (SN 0300085910 through 0300201017)	
12	1001142023	1	Machines with Deutz TCD2.9L4 Engines	
		Ref	Note: Replacement Decals Must Be Ordered Separately -See DECAL SECTION.	
13		Ref	Hood, Tank Side Options (See Items 201-225 for Breakdown):	
13	2680500	1	Hood, Tank Side (Prior to SN 0300085910)	
13	1671194	1	Hood, Tank Side (SN 0300085910 through 0300201017)	
		Ref	Note: Replacement Decals Must Be Ordered Separately -See DECAL SECTION.	
14	2820141	1	Shield, Heat (Machines Caterpillar, Deutz BF4M20111 and Deutz TD2011 Engines Only)	
15	3311601	3	Nut 3/8in-16NC	
16	3311605	15	Locknut 3/8in-16NC	
17	3321501	2	Nut 5/16in-24NF (Prior to SN 0300085910)	
18	3520186	6	Plug	
19	3574533	1	Trough, Powertrack	
20	3900232	3	Screw, Button Head 3/8in-16NC x 1-1/4in	
21	3900283	29	Screw, Button Head 3/8in-16NC x 3/4in	
22	3900316	10	Screw, Button Head 3/8in-16NC x 1in	
23	4071048	AR	Shim	
24	4160194	4	Spring, Gas	
25	4711600	64	Flatwasher 1/4in Thin	
26	4740500	3	Washer, Nylon	
27	4751500	2	Flatwasher 5/16in Regular (Prior to SN 0300085910)	
28	4751600	47	Flatwasher 3/8in Regular	
29		Ref	Mount, Gas Spring Options:	
29	4846487	1	Weldment, Gas Spring Mounting (Use p/n 4341001) (Prior to SN 0300085910)	

SECTION 2 - TURNTABLE

ITEM	PART NUMBER	QTY	DESCRIPTION	REV
29	4341001	1	Weldment, Gas Spring Count (SN 0300085910 through 0300201017)	
30		Ref	Support, Engine Side Hood Options:	
30	4846491	1	Weld, Engine Side Hood Support (Prior to SN 0300085910)	
30	4340996	1	Weld, Engine Side Hood Support (SN 0300085910 through 0300201017)	
31		Ref	Support, Tank Side Hood Options:	
31	4846492	1	Weld, Tank Side Hood Support (Prior to SN 0300085910)	
31	4340995	1	SUPT/MNT, Tank Side Hood (SN 0300085910 through 0300201017)	
32		Ref	Stack, Exhaust Options:	
32	4846503	1	Machines with Caterpillar, Deutz BF4M20111 and Deutz TD2011 Engines	
32	1001142181	1	Machines with Deutz TCD2.9L4 Engines	
33		Ref	Bracket, Latch Options:	
33	4846709	1	Weldment, Engine Side Hood Latch (Prior to SN 0300085910)	
33	0903154	1	Bracket, Engine Side Striker (SN 0300085910 through 0300201017)	
34	4846871	1	Support, Front Hood	
35	4846872	1	Support, Rear Hood	
36		Ref	Mount, Gas Spring Options:	
36	4340743	1	Mounting, Tank Side Gas Spring (Use p/n 4341000) (Prior to SN 0300085910)	
36	4341000	1	Mount, Tank Side Gas Spring (SN 0300085910 through 0300201017)	
37		Ref	Latch, Hood Options:	
37	4846953	1	Weldment, Tank Side Hood Latch (Prior to SN 0300085910)	
37	0903157	1	Bracket, Tank Side Striker (SN 0300085910 through 0300201017)	
38	88662523	2	Nut, Tinnerman Only (SN 0300079667 through 0300201017)	
39	0641408	8	Bolt 1/4in-20NC x 1in (SN 0300085910 through 0300201017)	
40	2940173	2	Latch, Rotary (SN 0300085910 through 0300201017)	
41	4711400	AR	Flatwasher 1/4in Thin (SN 0300085910 through 0300201017)	
42	1001142144	1	Bracket (Machines with Deutz TCD2.9L4 Engines Only)	
43	1001146132	1	Seal (Machines with Deutz TCD2.9L4 Engines Only)	
44	1001146178	1	Seal (Machines with Deutz TCD2.9L4 Engines Only)	
45	1001146183	1	Plate (Machines with Deutz TCD2.9L4 Engines Only)	
46	1001146142	1	Seal (Machines with Deutz TCD2.9L4 Engines Only)	
47	1001140485	1	Seal (Machines with Deutz TCD2.9L4 Engines Only)	
48	0641406	2	Bolt 1/4in-20NC x 3/4in	
49	3311405	2	Locknut 1/4in-20NC	
		Ref	ENGINE SIDE HOOD ASSEMBLIES	
	2680499	Ref	All Machines (Prior to SN 0300085910)	D
	1671192	Ref	Machines with Caterpillar, Deutz BF4M20111 and Deutz TD2011 Engines (SN 0300085910 through 0300201017)	B
	1001142023		Machines with Deutz TCD2.9L4 Engines	C
		Ref	Note: Replacement Decals Must Be Ordered Separately - See DECAL SECTION.	
101	0100011	AR	Compound, Locking	
102		Ref	Bolt 5/16in-18NC Options:	
102	0641506	10	Bolt 5/16in-18NC x 3/4in	
102	0641510	10	Bolt 5/16in-18NC x 1-1/4in	
103	0902746	7	Bracket	
104		Ref	Bracket Options:	

SECTION 2 - TURNTABLE

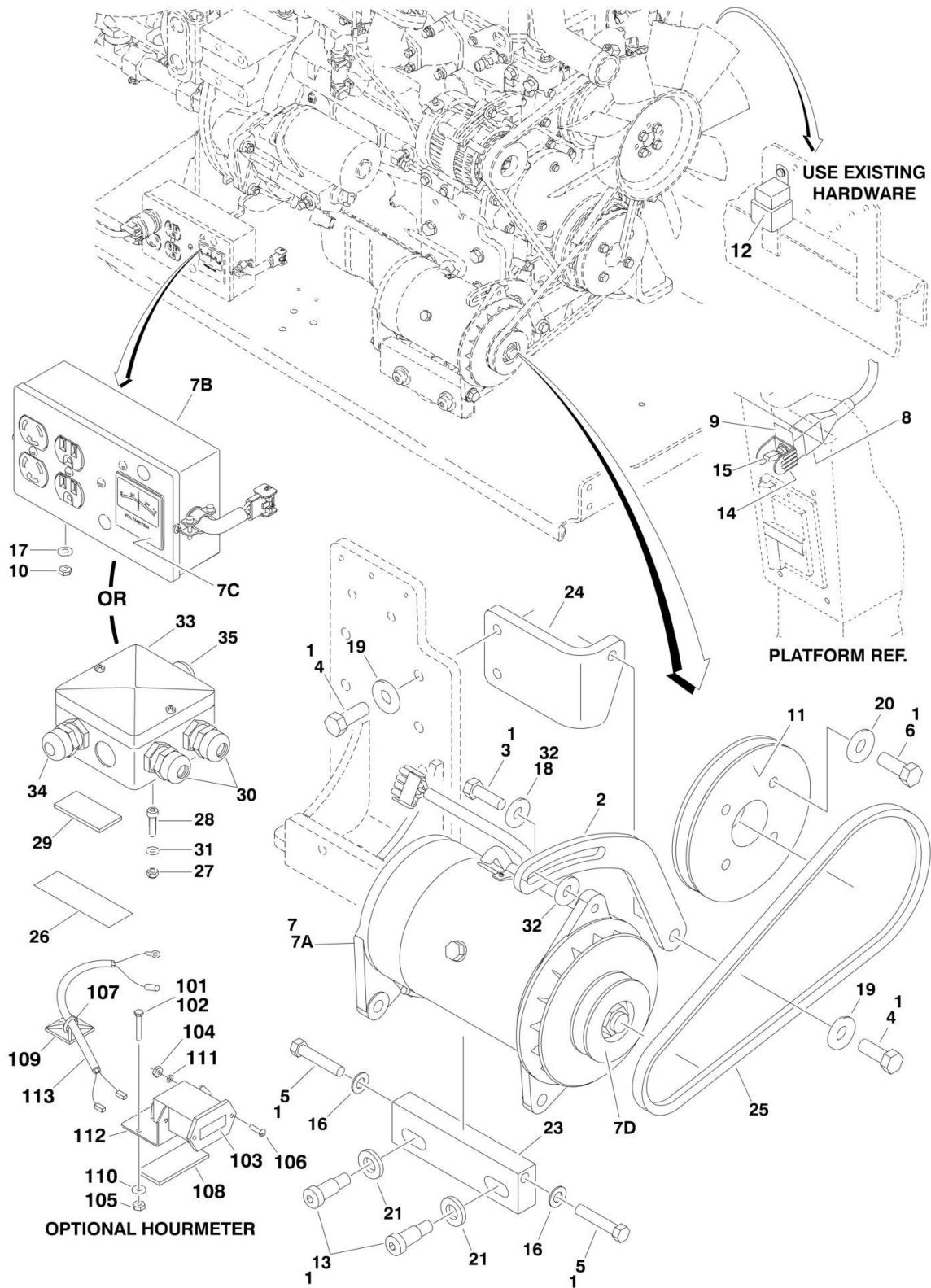
ITEM	PART NUMBER	QTY	DESCRIPTION	REV
104	0902760	1	Bracket, Hood (Prior to SN 0300085910)	
104	0903161	1	Bracket, Hood (SN 0300085910 through 0300201017)	
105	0902761	1	Bracket	
106		Ref	Hood - Front Options:	
		Ref	Note: When installing a replacement hood, heat shields (items 114 & 115) must be installed on the replacement hood before being place in service. Only p/n 1001097956 hood includes the heat shield insulation. For all other hoods, heat shield must be purchased separately.	
106	2680495	1	All Machines (Prior to SN 0300085910)	
	1671191	1	Machines with Caterpillar, Deutz BF4M20111 and Deutz TCD2011 Engines (Includes Items 14, 26, 106, 114 & 115) (Use p/n 1001097956) (SN 0300085910 through 0300201017)	
106	1001142021	1	Machines with Deutz TCD2.9L4 Engines	
107	2680496	1	Hood - Rear	
108		Ref	Hardware Options:	
108	7027859	1	Latch (was p/n 2940124) (Prior to SN 0300085910)	
108	2560187	1	Handle, Push Button (SN 0300085910 through 0300201017)	
109	3311501	10	Nut 5/16in-18NC	
110	3340877	9	Pad	
111	3960464	12 ft/3.7m	Seal, Hood	
112	4060806	49 in/1.3m	Flex-Trim	
113	4751500	20	Flatwasher 5/16in Regular	
114		Ref	Shield, Heat Options:	
114	2820145	1	Machines with Caterpillar, Deutz BF4M20111 and Deutz TCD2011 Engines	
114	1001152566	1	Machines with Deutz TCD2.9L4 Engines	
114	1001117140	1	Tape, Aluminized	
115		Ref	Shield, Heat Options:	
115	2820146	1	Machines with Caterpillar, Deutz BF4M20111 and Deutz TCD2011 Engines	
115	1001152566	1	Machines with Deutz TCD2.9L4 Engines	
115	1001117140	1	Tape, Aluminized	
116	4060804	61 in/1.6m	Flex-Trim	
117	0100081	AR	Adhesive	
118	0902874	1	Pawl, Latch (Prior to SN 0300085910)	
119	0760608	1	Screw M6 x 16mm (SN 0300085910 through 0300201017)	
120	3290601	1	Nut M6 (SN 0300085910 through 0300201017)	
121	3575782	1	Plate, Handle Backing (SN 0300085910 through 0300201017)	
122	3900363	2	Screw M6 x 1x25mm (SN 0300085910 through 0300201017)	
123	4811900	2	Flatwasher M8 (SN 0300085910 through 0300201017)	
		Ref	TANK SIDE HOOD ASSEMBLIES	
	2680500	Ref	Hood, Tank Side (Prior to SN 0300085910)	E
	1671194	Ref	Hood, Tank Side (SN 0300085910 through 0300201017)	A
		Ref	Note: Replacement Decals Must Be Ordered Separately - See DECAL SECTION.	
201	0100011	AR	Compound, Locking	
202	0641506	9	Bolt 5/16in-18NC x 3/4in	
203	0902746	4	Bracket	
204	0902762	1	Bracket	
205	0902763	1	Bracket	
206		Ref	Bracket Options:	
206	0902764	1	Bracket, Hood (Prior to SN 0300085910)	

SECTION 2 - TURNTABLE

ITEM	PART NUMBER	QTY	DESCRIPTION	REV
206	0903162	1	Bracket, Hood (SN 0300085910 through 0300201017)	
207		Ref	Hood - Front Options:	
207	2680497	1	Hood, Tank Side Front (Prior to SN 0300085910)	
207	1671193	1	Cover, Tank Side Front (SN 0300085910 through 0300201017)	
208	2680498	1	Hood - Rear	
209		Ref	Hardware Options:	
209	7027859	1	Latch (was p/n 2940124) (Prior to SN 0300085910)	
209	2560187	1	Handle, Push Button (SN 0300085910 through 0300201017)	
210	3311501	9	Nut 5/16in-18NC	
211	3340877	7	Pad	
212	3960464	149	Seal, Hood	
		in/3.8m		
213	4060806	40 in/1.2m	Flex-Trim	
214	4751500	18	Flatwasher 5/16in Regular	
215	4060804	53 in/1.4m	Flex-Trim	
216	0100081	AR	Adhesive	
217	0902874	1	Pawl, Latch (Prior to SN 0300085910)	
221	4240150	1	Strap, Ground	
222	0760608	1	Screw M6 x 16mm (SN 0300085910 through 0300201017)	
223	3290601	1	Nut M6 (SN 0300085910 through 0300201017)	
224	3900363	2	Screw M6 x 1x25mm (SN 0300085910 through 0300201017)	
225	4811900	2	Flatwasher M8 (SN 0300085910 through 0300201017)	

SECTION 2 - TURNTABLE

FIGURE 2-24. 2500W GENERATOR INSTALLATION - CATERPILLAR MACHINES (OPTIONAL)



SECTION 2 - TURNTABLE

FIGURE 2-24. 2500W GENERATOR INSTALLATION - CATERPILLAR MACHINES (OPTIONAL)

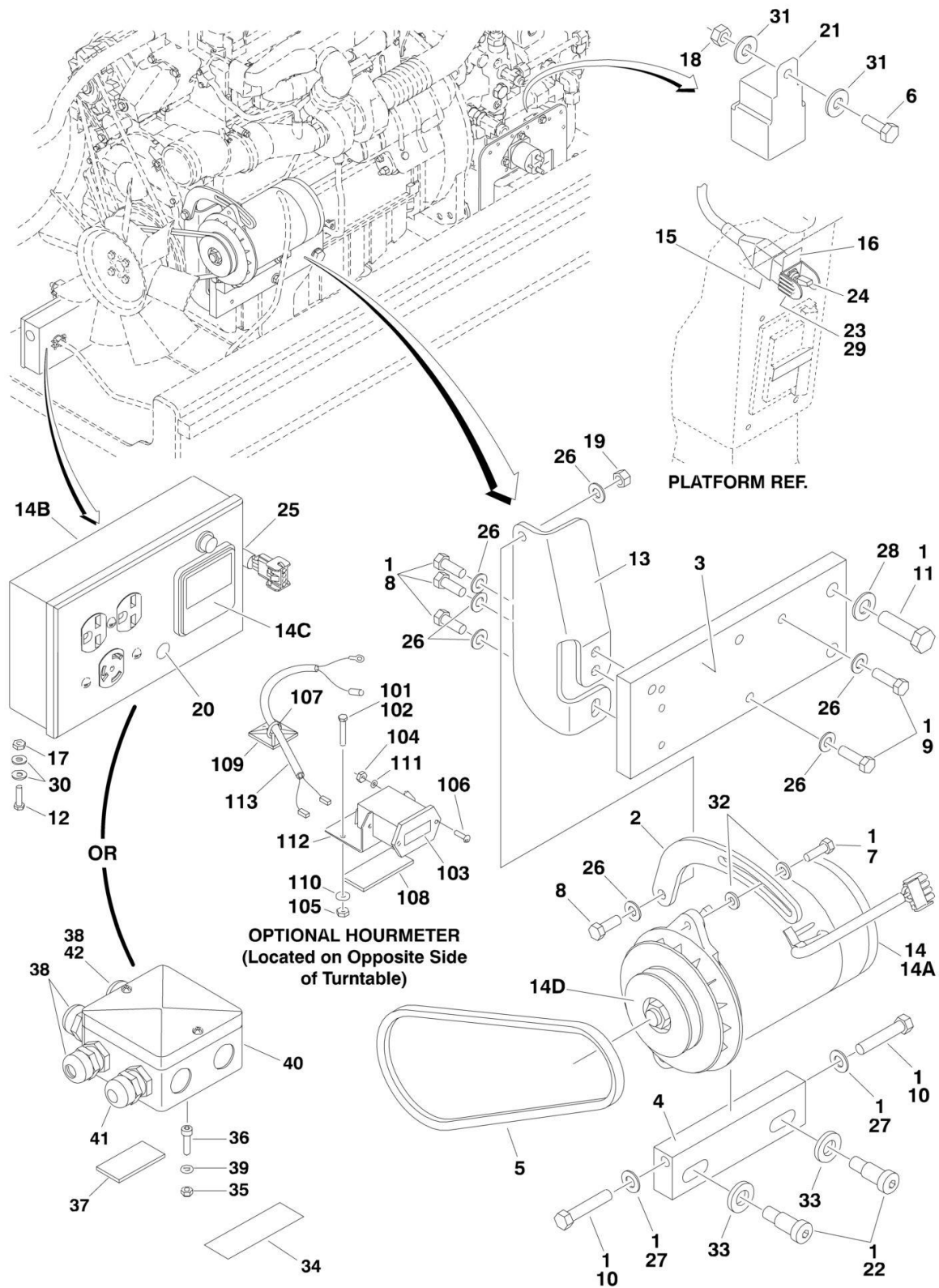
ITEM	PART NUMBER	QTY	DESCRIPTION	REV
		Ref	2500W GENERATOR INSTALLATION	
	1001117509	Ref	110Volt - 60Hz (ANSI and ANSI Export Specs)	B
	1001122227	Ref	110Volt - 50Hz (CE Spec)	A
	1001122225	Ref	220Volt - 50Hz (CE Spec)	A
1	0100011	AR	Compound, Locking	
2	0200530	1	Arm, Adjusting	
3	0641508	1	Bolt 5/16in-18NC x 1in	
4	0641608	3	Bolt 3/8in-16NC x 1in	
5	0641718	2	Bolt 7/16in-14NC x 2-1/14in	
6	0700816	4	Bolt M8 x 40mm	
7		Ref	Generator and Control Box Assembly Options:	
7	2460055	1	110V/60Hz Assembly (ANSI and ANSI Export Specs)	
7	2460049	1	110V/50Hz Assembly (CE Spec)	
7	1001100321	1	220V/50Hz Assembly (CE Spec)	
7A		Ref	Generator Options:	
7A	7012558	1	110V/60Hz	
7A	2460049	1	110V/50Hz	
7A	1001100321	1	220V/50Hz	
		Ref	Note: Replacement generators come standard with p/n 3580134 pulley. This pulley may not be correct for all applications. Refer to pulley options below for correct pulley.	
7A	7012513	4	Cap, Brush Holder	
7A	7020108	4	Brush	
7A	7020109	4	Holder, Brush	
7A	7012514	1	Fan	
7A	7020190	2	Bearing	
7A	7020110	1	End Bell, Front	
7A	7020111	1	End Bell, Rear	
7B	7019680	1	Box, Control - 110V/60Hz (ANSI and ANSI Export Specs Only)	
7B	4360542	1	Breaker, Circuit	
7B	4460190	AR	Receptacle, Double (110V)	
7B	4460027	AR	Receptacle, Double Twist Lock (110V)	
7C	2420203	AR	Voltmeter - 110V/60Hz (ANSI and ANSI Export Specs Only)	
7D		Ref	Pulley Options:	
7D	3580276	1	110V/60Hz	
7D	3580134	1	110V/50Hz	
7D	7027887	1	Key, Woodruff	
8	2820031	AR	Heatshrink	
9	3251102	1	Nameplate - Generator	
10	3311005	2	Locknut #10-24NC	
11	3580322	1	Pulley	
12	3740080	1	Relay	
13	3900322	2	Screw, Socket Head Shoulder	
14	4060802	1	Guard, Switch	
15	4360336	1	Switch, Toggle	
16	4711700	2	Flatwasher 7/16in Thin	
17	4751000	2	Flatwasher #10 Regular	
18	4751500	1	Flatwasher 5/16in Regular	

SECTION 2 - TURNTABLE

ITEM	PART NUMBER	QTY	DESCRIPTION	REV
19	4751600	3	Flatwasher 3/8in Regular	
20	4811900	4	Flatwasher M8	
21	4892000	2	Flatwasher 5/8in Hardened	
23	1001117641	1	Bar, Adjusting	
24	1001118180	1	Support, Adjusting	
25		Ref	Belt Options:	
25	0480122	1	ANSI and ANSI Export Specs	
25	0480124	1	CE Spec	
26		Ref	Decal, Voltage - 220V Options (CE Spec Only)	
27	3290505	1	Locknut M5 (CE Spec Only)	
28	4031608	1	Screw M5 x 20mm (CE Spec Only)	
29	4420060	1	Tape, Double-Sided (CE Spec Only)	
30	4460968	2	Relief, Strain (CE Spec Only)	
31	4811600	1	Flatwasher M5 (CE Spec Only)	
32	4891500	2	Flatwasher 5/16in Hardened (CE Spec Only)	
33	1001099869	1	Box, Junction (CE Spec Only)	
34	1001100234	1	Light, Red (CE Spec Only)	
35	1001122404	1	Relief, Strain (CE Spec Only)	
	1001094475	Ref	HOURMETER INSTALLATION (OPTIONAL)	B
101	0100011	AR	Compound, Locking	
102	0720808	1	Screw #8-32 x 1in	
103	2420165	1	Hourmeter	
104	3310604	2	Nut #6-32	
105	3310805	1	Locknut #8-32	
106	3910608	2	Screw #6-32 x 1/2in	
107	4240032	4	Strap, Tie	
108	4420060	3 in/7cm	Tape, Double-Sided	
109	4460234	3	Mount, Tie Strap	
110	4750800	1	Flatwasher #8	
111	4760600	2	Lockwasher #6	
112	1001094375	1	Bracket, Hourmeter	
113	1001094509	1	Harness, Hourmeter	
114	4460018	1	Splice, Butt (Not Shown)	

SECTION 2 - TURNTABLE

FIGURE 2-25. 2500W GENERATOR INSTALLATION - DEUTZ MACHINES (OPTIONAL)



SECTION 2 - TURNTABLE

FIGURE 2-25. 2500W GENERATOR INSTALLATION - DEUTZ MACHINES (OPTIONAL)

ITEM	PART NUMBER	QTY	DESCRIPTION	REV
		Ref	Note: For Module Identification, refer to Revision Log page A.	
		Ref	2500W GENERATOR INSTALLATION	
		Ref	110Volt - 60Hz (ANSI and ANSI Export Specs)	
	0272094	Ref	Without UGM (Prior to SN 0300082503)	D
	0274083	Ref	Without UGM (SN 0300082503 through 0300201017)	B
	1001125425	Ref	With UGM	A
		Ref	110Volt - 50Hz (CE Spec)	
	0272715	Ref	Without UGM (Prior to SN 0300082503)	B
	0274101	Ref	Without UGM (SN 0300082503 through 0300129828)	B
	1001100500	Ref	Without UGM (SN 0300129829 through 0300201017)	C
	1001125429	Ref	With UGM	A
		Ref	220Volt - 50Hz (CE Spec)	
	0272095	Ref	Without UGM (Prior to SN 0300082503)	C
	0274100	Ref	Without UGM (SN 0300082503 through 0300129828)	A
	1001100501	Ref	Without UGM (SN 0300129829 through 0300201017)	C
	1001125426	Ref	With UGM	A
1	0100011	AR	Compound, Locking	
2	0200742	1	Arm, Adjusting	
3	0363081	1	Bar, Mounting	
4	0363082	1	Bar, Adjusting	
5		Ref	Belt Options:	
5	0480127	1	ANSI and ANSI Export Specs	
5	0480122	1	CE Spec	
6	0641406	1	Bolt 1/4in-20NC x 3/4in	
7	0641508	1	Bolt 5/16in-18NC x 1in	
8	0641608	4	Bolt 3/8in-16NC x 1in	
9	0641610	2	Bolt 3/8in-16NC x 1-1/4in	
10	0641718	2	Bolt 7/16in-14NC x 2-1/14in	
11	0701418	2	Bolt M14 x 50mm	
12	0721006	2	Screw #10-24NC x 3/4in (Prior to SN 0300080338)	
13	0902813	1	Bracket, Arm Mounting	
14		Ref	Generator and Control Box Assembly Options:	
14		Ref	110V/60Hz Assembly (ANSI and ANSI Export Specs)	
14	2460032	1	Generator, 110V 60Hz (Use p/n 2460055) (Prior to SN 0300080338)	
14	2460055	1	Generator, 110V 60Hz (SN 0300080338 through 0300201017)	
14		Ref	110V/50Hz Assembly (CE Spec)	
14	2460039	1	Generator, 220V 50Hz (Use p/n 2460056) (Prior to SN 0300080338)	
14	2460057	1	Generator, 110V 50Hz (SN 0300080338 through 0300129805)	
14	2460049	1	Generator Only (SN 0300129806 through 0300201017)	
14		Ref	220V/50Hz Assembly (CE Spec)	
14	2460013	1	Generator, 220V 50Hz (Use p/n 2460056) (Prior to SN 0300080338)	
14	2460056	1	Generator, 220V 50Hz (SN 0300080338 through 0300129805)	
14	1001100321	1	Generator, 250VAC 50HZ (CE), Powermite 3.5 Pulley (Generator Only) (SN 0300129806 through 0300201017)	
14A		Ref	Generator Options:	

SECTION 2 - TURNTABLE

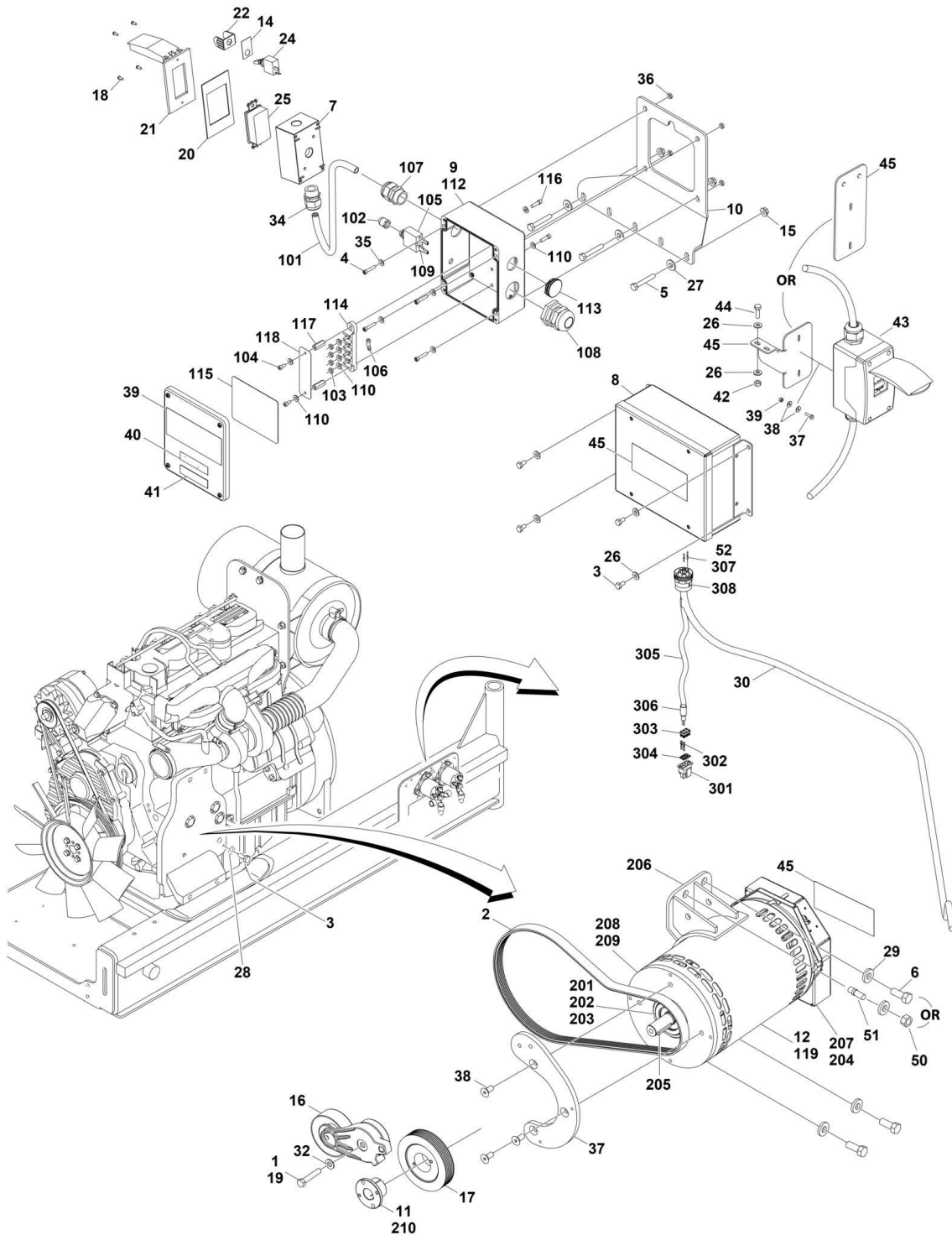
ITEM	PART NUMBER	QTY	DESCRIPTION	REV
14A	7012558	1	110V/60Hz	
14A	2460049	1	110V/50Hz	
14A	1001100321	1	220V/50Hz	
		Ref	Note: Replacement generators come standard with p/n 3580134 pulley. This pulley may not be correct for all applications. Refer to pulley options below for correct pulley.	
14A	7012513	4	Cap, Brush Holder	
14A	7020108	4	Brush	
14A	7020109	4	Holder, Brush	
14A	7012514	1	Fan	
14A	7020190	2	Bearing	
14A	7020110	1	End Bell, Front	
14A	7020111	1	End Bell, Rear	
14B		Ref	Box, Control Options (Not Used on CE Spec Machines): (SN 0300129806 through 0300201017)	
14B	7003657	1	110V/60Hz (Prior to SN 0300080338)	
14B	7019680	1	110V/60Hz (SN 0300080338 through 0300201017)	
14B	70002239	1	110V/50Hz (Prior to SN 0300080338)	
14B	70002235	1	220V/50Hz (Prior to SN 0300080338)	
14B	70000127	1	220V/50Hz (SN 0300080338 through 0300129805)	
14B		Ref	Breaker, Circuit Options:	
14B	4360542	1	110V/60Hz	
14B	70002240	1	110V/50Hz (Prior to SN 0300080338)	
14B	70000126	1	220V/50Hz (Prior to SN 0300129806)	
14B	4460190	AR	Receptacle, Double (110V)	
14B	4460027	AR	Receptacle, Double Twist Lock (110V)	
14B	70000124	1	Receptacle, Double (220V)	
14B	70000125	1	Receptacle, Single Twist Lock (220V)	
14B	2920162	1	Lamp Assembly (Prior to SN 0300080338)	
14B	7020191	1	Switch, Toggle (Prior to SN 0300080338)	
14C		Ref	Voltmeter Options (Not Used on CE Spec Machines): (SN 0300129806 through 0300201017)	
14C	2420203	1	110V	
14C	7020192	1	220V	
14D		Ref	Pulley Options:	
14D	3580276	1	110V/60Hz	
14D	3580134	1	110V/50Hz	
14D	7027887	1	Key, Woodruff	
15	2820031	AR	Heatshrink	
16	3251102	1	Nameplate - Generator	
17	3311005	2	Locknut #10-24NC	
18	3311405	1	Locknut 1/4in-20NC	
19	3311605	1	Locknut 3/8in-16NC	
20	3520028	1	Plug (Prior to SN 0300080338)	
21	3740080	1	Relay	
22	3900322	2	Screw, Socket Head Shoulder	
23	4060802	1	Guard, Switch	
24	4360336	1	Switch, Toggle	
25	4460023	1	Connector, Terminal (Prior to SN 0300080338)	
26	4711600	7	Flatwasher 3/8in Thin	
27	4711700	2	Flatwasher 7/16in Thin	

SECTION 2 - TURNTABLE

ITEM	PART NUMBER	QTY	DESCRIPTION	REV
28	4711900	2	Flatwasher 9/16in Thin	
29	4740397	1	Spacer	
30	4751000	6	Flatwasher #10 Regular	
31	4751400	2	Flatwasher 1/4in Regular	
32	4891500	2	Flatwasher 5/16in Hardened	
33	4892000	2	Flatwasher 5/8in Hardened	
34		Ref	Decal, Voltage Options (CE Spec Only):	
34	1705325	1	110V	
34	3252507	1	220V	
35	3290505	1	Locknut M5 (CE Spec Only)	
36	4031608	1	Screw M5 x 20mm (CE Spec Only)	
37	4420060	1	Tape, Double-Sided (CE Spec Only)	
38	4460968	3	Relief, Strain (CE Spec Only)	
39	4811600	1	Flatwasher M5 (CE Spec Only)	
40	1001099869	1	Box, Junction (CE Spec Only)	
41		Ref	Light, Red Options (CE Spec Only):	
41	1001100233	1	110V	
41	1001100234	1	220V	
42	0962449	1	Bushing, Silicone (CE Spec Only)	
	1001094475	Ref	HOURLY METER INSTALLATION (OPTIONAL)	B
101	0100011	AR	Compound, Locking	
102	0720808	1	Screw #8-32 x 1in	
103	2420165	1	Hourmeter	
104	3310604	2	Nut #6-32	
105	3310805	1	Locknut #8-32	
106	3910608	2	Screw #6-32 x 1/2in	
107	4240032	4	Strap, Tie	
108	4420060	3 in/7cm	Tape, Double-Sided	
109	4460234	3	Mount, Tie Strap	
110	4750800	1	Flatwasher #8 Regular	
111	4760600	2	Lockwasher #6	
112	1001094375	1	Bracket, Hourmeter	
113	1001094509	1	Harness, Hourmeter	
114	4460018	1	Splice, Butt (Not Shown)	

SECTION 2 - TURNTABLE

FIGURE 2-26. 4000W GENERATOR INSTALLATION - DEUTZ MACHINES



ART_1001139958

SECTION 2 - TURNTABLE

FIGURE 2-26. 4000W GENERATOR INSTALLATION - DEUTZ MACHINES

ITEM	PART NUMBER	QTY	DESCRIPTION	REV
		Ref	4000W GENERATOR INSTALLATION - DEUTZ	
	1001139958	Ref	60Hz Spec	A
	1001171130	Ref	60Hz Spec (TCD2.9L4 Engines)	A
	1001139959	Ref	50Hz Spec (Prior to SN 0300193554)	D
	1001180019	Ref	50Hz Spec (SN 0300193554 through 0300201017)	A
	1001180219	Ref	50Hz Spec (TCD2.9L4 Engines)	A
		Ref	Note: See ELECTRICAL SECTION for Boom Cable Installation.	
1	0100011	AR	Compound, Locking	
2		Ref	Belt, Generator Options:	
2	0480128	1	60Hz Spec	
2	1001142645	1	60Hz Spec (TCD2.9L4 Engines)	
2	1001136356	1	50Hz Spec	
2	1001136357	1	50Hz Spec (TCD2.9L4 Engines)	
3	0641404	5	Bolt 1/4in-20NC x 1/2in	
4	3931016	4	Screw, Socket head, 1/4in-20NC x 1in	
5	0641516	3	Bolt, 5/16in-18NC x 2in	
6	0641810	4	Bolt 1/2in-13NC x 1-1/4in	
7		Ref	Box, Switch-Weatherhead Options:	
7	0860038	1	60Hz Spec	
7	See Note	1	50Hz Spec (Note: Not Available - Purchase Locally)	
8	1001138566	1	Box, Generator Control	
9		Ref	Box, Junction Assembly Options (See items 101-128 for Breakdown):	
9	1001152457	1	60Hz Spec	
9	1001152458	1	50Hz Spec	
10	0902888	1	Bracket, Generator Junction Box	
11	0962520	1	Bushing, Taper	
12		Ref	Generator, 4000W Assembly Options: (See items 200 – 213 for Breakdown)	
12	1001129858	1	60Hz Spec	
12	1001140346	1	60Hz Spec (TCD2.9L4 Engines)	
12	1001138565	1	50Hz Spec	
12	1001140347	1	50Hz Spec (TCD2.9L4 Engines)	
13	2820031	AR	Insulator, Heat Shrink (Not Shown - Located at Toggle Switch))	
14	3251102	1	Nameplate, Generator	
15	3311508	3	Nut, 5/16in-18NC Serrated Flange	
16	3580317	1	Pully, Belt Tensioner	
17		Ref	Pully, Generator Options:	
17	3580318	1	60Hz Spec	
17	3580319	1	50Hz Spec	
18	3910606	4	Screw, Round Head 6-32NC x 3/8in (60Hz Spec Only)	
19	0641616	AR	Bolt, 3/8-16NC x 2in	
19	0641618	1	Bolt 3/8-16 x 2-1/4 (TCD2.9L4 Engines)	
20	3960422	1	Gasket, AC Receptacle (60Hz Spec Only)	
21	1001110873	1	Cover, Gang Vertical Receptacle GFCI (60Hz Spec Only)	
22	4060802	1	Guard, Switch	
23	4240018	AR	Strap, Tie (Not Shown)	
24	4360336	1	Switch, Toggle	
25	4460346	1	Terminal, Receptacle (60Hz Spec Only)	
26	4711400	AR	Flatwasher 1/4in Thin	

SECTION 2 - TURNTABLE

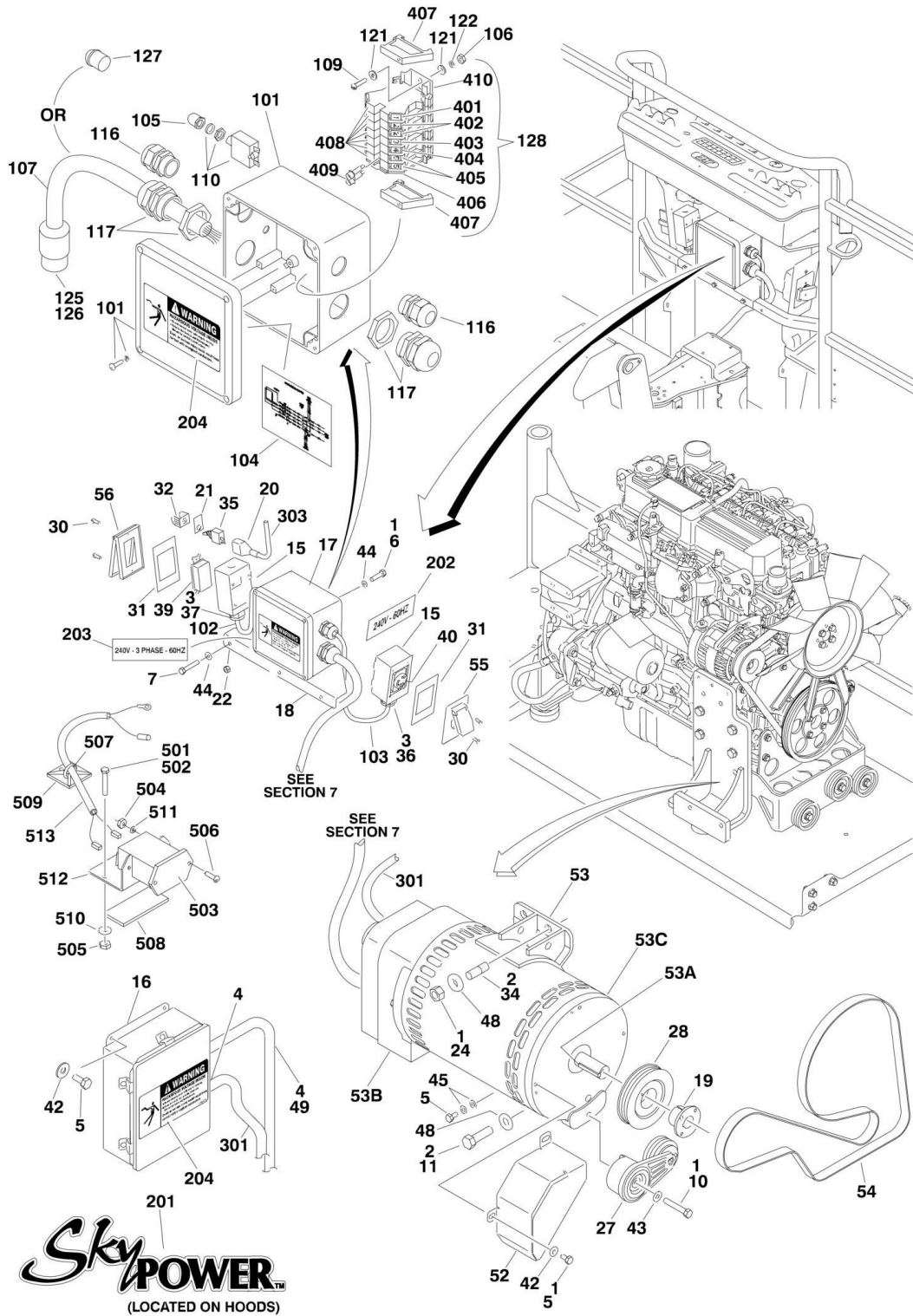
ITEM	PART NUMBER	QTY	DESCRIPTION	REV
27	4751500	AR	Flatwasher 5/16in Regular	
28	4791400	2	Starwasher 1/4in	
29	4891800	4	Flatwasher 1/2in Hardened	
30	1001152533	1	Harness, Generator Cable (See items 301-308 for Breakdown)	
31		Ref	Diagram, Generator Wiring Options (Not Shown):	
31	1001153257	1	60HZ Specs	
31	1001132055	1	60HZ Specs (TCD2.9L4 Engines)	
32	4711600	1	Flatwasher 3/8in Thin	
33	0100020	AR	Sealant, Pipe (Not Shown)	
34	4460071	1	Connector, Strain Relief (60Hz Spec Only)	
35	4751000	AR	Flatwasher #10, Wide	
36	3311005	4	Lock nut, 10-24NC GR2	
37		Ref	Mount, Generator Tensioner Options:	
37	1001139357	1	60Hz / 50Hz Spec	
37	1001138011	1	60Hz / 50Hz Spec (TCD2.9L4 Engines)	
38	0741607	3	Screw, Flat head, 3/8-16NC x .88in	
39		Ref	Decal, Hazardous Voltage Options:	
39	1705387	3	60Hz Spec	
39	1705489	3	50Hz Spec	
40	3251243	1	Decal, 120V-60Hz (60Hz Spec Only)	B
40	3251242	1	Decal, 240V-50Hz (50Hz Spec Only)	B
41	1705374	1	Decal, 240V-60Hz (60Hz Spec Only)	
42	3311405	2	Locknut, 1/4-20NC GR2	
43	1001165368	1	Kit, Box and Breaker (50Hz Spec Only)	
43	1001109475	NLA	Breaker, 16 Amp (Use p/n 1001181045)	
43	0861880	1	Box	
43	4460956	1	Barrier, Terminal	
43	1060545	12 ft /3.66m	Cable, 10/3	
43	1001101191	2	Connector, Strain Relief	
43	4460957	1	Block, Terminal	
43	1001109482	NLA	Breaker, 30mA (Use p/n 1001181045)	
43	1001181045	1	Breaker, Double 30mAmp/16Amp	
44	0641407	2	Bolt, 1/4-20NC x 7/8in (50Hz Spec Only)	
45		Ref	Bracket Options:	
45	1001094915	1	Bracket (50Hz Spec Only)	
45	1001096172	1	Bracket (50Hz Spec Only) (TCD2.9L4 Engines)	
46	4010408	2	Screw M4 x 16	
47	1001091102	4	Washer M4	
48	3290405	2	Nut, Lock M4	
49	0100019	AR	Compound, Locking (TCD2.9L4 Engines)	
50	3311801	2	Nut 1/2-13 (TCD2.9L4 Engines)	
51	4300157	2	Stud (TCD2.9L4 Engines)	
52	0100048	AR	Grease, Dielectric	
		Ref	JUNCTION BOX ASSEMBLY	
	1001152457	Ref	60HZ Spec	
	1001152458	Ref	50Hz Spec	
101	1001179154	2.5 ft	Cable, 12/3	
102	3300396	1	Cover, Fuse	
103	3311001	4	Nut, 10-24UNC GR2	
104	3900300	2	Screw, Spec, Cap	
105	4360070	1	Circuit Breaker, 15 AMP	

SECTION 2 - TURNTABLE

ITEM	PART NUMBER	QTY	DESCRIPTION	REV
106	4460068	3	Terminal, Ring	
107	4460425	1	Terminal, Strain Relief	
108	4460426	1	Connector, Strain Relief	
109	4460483	2	Terminal	
110	4711000	AR	Flatwasher, #10 Thin	
112	1001152456	1	Box, Junction	
113		Ref	Plug, Hole Pluggit Options:	
113	1001152525	1	60Hz Spec	
113	1001155813	1	50Hz Spec	
113	1001148648	1	50Hz Spec	
114	1001152530	1	Terminal, Block, 4 pole	
115	1001153260	1	Decal, Wiring 4000W Generator	
116	3900267	2	Screw, Spec, Cap	
117	1001158008	2	Standoff, female, threaded	
118	1001158363	1	Plate, Cover, PVC	
		Ref	4000W GENERATOR ASSEMBLY	
	1001129858	Ref	60Hz Spec	
	1001140346	Ref	60Hz Spec (TCD2.9L4 Engines)	
	1001138565	Ref	50Hz Spec	
	1001140347	Ref	50Hz Spec (TCD2.9L4 Engines)	
201	70003709	1	Ring, Retaining	
202	70003708	1	Ring, Retaining	
203	70001966	1	Bearing, Ball	
204	70004092	1	Endbell	
205		Ref	Key Options:	
205	70004171	1	60Hz / 50Hz Spec	
205	70004099	1	60Hz / 50Hz Spec (TCD2.9L4 Engines)	
206		Ref	Stator, Generator 4000W Options:	
206	70004684	1	60Hz Spec	
206	70004687	1	60Hz Spec (TCD2.9L4 Engines)	
206	70004677	1	50Hz Spec	
206	70004686	1	50Hz Spec (TCD2.9L4 Engines)	
207	70004678	1	Endbell	
208	70004680	1	Enclosure	
209		Ref	Cover, Enclosure	
209	70004685	1	60Hz Spec	
209	70004681	1	50Hz Spec	
209	70004682	1	Protector, Supplementary, Manual reset	
210		Ref	Bushing, Strain Relief Options:	
210	70004098	1	60Hz Spec	
210	70004683	1	50Hz Spec	
210	70004676	1	Rotor Assembly	
	1001152533	Ref	GENERATOR HARNESS CABLE	
301	4460225	1	Socket, Female	
302	4460268	2	Plug, Male 6 Position (Use with 4460225)	
303	4460807	1	Seal, Plug (Use with 4460225)	
304	4460808	1	Seal, Interface (Use with 4460225)	
305	1060341	8 ft	Cable, 16/2	
306	2820019	AR	Insulator, Heat Shrink	
307	4460465	2	Socket, Female	
308	7733233	1	Connector, Deutsch HD16-6-96S	

SECTION 2 - TURNTABLE

FIGURE 2-27. 7500W SKYPOWER GENERATOR INSTALLATION - CATERPILLAR MACHINES (OPTIONAL)



SECTION 2 - TURNTABLE

FIGURE 2-27. 7500W SKYPOWER GENERATOR INSTALLATION - CATERPILLAR MACHINES (OPTIONAL)

ITEM	PART NUMBER	QTY	DESCRIPTION	REV
		Ref	7500W SKYPOWER GENERATOR INSTALLATION	
	1001117508	Ref	60Hz Spec	E
	1001121889	Ref	50Hz Spec	B
		Ref	Note: See ELECTRICAL SECTION for Boom Cable Installation.	
1	0100011	AR	Compound, Locking	
2	0100019	AR	Compound, Locking	
3	0100020	AR	Sealant, Pipe (Not Shown)	
4	0100048	AR	Grease, Dielectric	
5	0641404	AR	Bolt 1/4in-20NC x 1/2in	
6	0641508	4	Bolt 5/16in-18NC x 1in	
7	0641516	3	Bolt 5/16in-18NC x 2in	
10	0641618	1	Bolt 3/8in-16NC x 2-1/4in	
11	0641810	2	Bolt 1/2in-13NC x 1-1/4in	
15		Ref	Box, Switch-Weatherhead Options:	
15	0860038	2	60Hz Spec	
15	See Note	2	50Hz Spec (Note: Not Available - Purchase Locally)	
16		Ref	Box, Generator Control Options:	
16	0861538	1	60Hz Spec	
16	0861572	1	50Hz Spec	
16	7024488	1	Card, Circuit - Generator Power (Not Shown)	
16	See Note	1	Fuse (Note: Not Available - Purchase Locally)	
16	7024489	1	Card, Circuit - Control (Not Shown)	
		Ref	Note: Same Circuit Card (P/N 7024489) is used for both 60Hz and 50Hz. When replacing card, rocker switch on card must be set for required application.	
16	70000619	1	Harness, Circuit Card	
17		Ref	Junction Box Assembly Options (See Items 101-128 for Breakdown):	
17	0861542	1	60Hz Spec	
17	0861567	1	50Hz Spec	
18	0902888	1	Bracket, Generator Junction Box	
19	0962520	1	Bushing, Taper	
20	2820031	AR	Insulator, Heat Shrink	
21	3251102	1	Nameplate, Generator	
22	3311508	3	Nut 5/16in-18NC Serrated Flange	
24	3311801	2	Nut 1/2in-13NC	
27		Ref	Pulley, Belt Tensioner Options:	
27	3580317	1	Pulley Belt Tensioner (Prior to SN 0300149098)	
27	1001129733	1	Pulley Belt Tensioner (SN 0300149098 through 0300201017)	
28		Ref	Pulley, Generator Options:	
28	3580318	1	60Hz Spec	
28	3580319	1	50Hz Spec	
30	3910606	AR	Screw, Round Head #6-32NC x 3/8in	
31		Ref	Gasket, AC Receptacle Options:	
31	3960422	2	60Hz Spec	
31	See Note	2	50Hz Spec (Note: Not Available - Purchase Locally)	
32	4060802	1	Guard, Switch	
33	4240018	AR	Strap, Tie (Not Shown)	
34	4300157	2	Stud	

SECTION 2 - TURNTABLE

ITEM	PART NUMBER	QTY	DESCRIPTION	REV
35	4360336	1	Switch, Toggle	
36		Ref	Connector, Strain Relief Options:	
36	4460051	1	60Hz Spec	
36	See Note	1	50Hz Spec (Note: Not Available - Purchase Locally)	
37	4460071	1	Connector, Strain Relief	
38	4460315	2	Terminal, Spade (Not Shown - Use 1 each with items 30 & 31) (Prior to SN 0300181891)	
39		Ref	Terminal, Receptacle Options:	
39	4460346	1	60Hz Spec	
39	See Note	1	50Hz Spec (Note: Not Available - Purchase Locally)	
40		Ref	Receptacle Options:	
40	4460958	1	60Hz Spec	
40	See Note	1	50Hz Spec (Note: Not Available - Purchase Locally)	
42	4711400	AR	Flatwasher 1/4in Thin	
43	4711600	AR	Flatwasher 3/8in Thin	
44	4751500	7	Flatwasher 5/16in Regular	
45	4791400	2	Starwasher 1/4in	
48	4891800	4	Flatwasher 1/2in Hardened	
49	4922972	1	Harness, Generator Cable	A
49	4460225	1	Plug, Male 6 Position (Plugs into Generator)	
49	4460226	6	Socket, Female (Use with 4460225)	
49	4460807	1	Seal, Plug (Use with 4460225)	
49	4460808	1	Seal, Interface (Use with 4460225)	
52	1001118599	1	Shield, Pulley (Prior to SN 0300172508)	
53	1001119250	1	Generator, 7500W	
53	70003631	1	Brushholder Assembly (Not Shown) (was p/n 7024484)	
53	70001966	1	Bearing, Ball Radial (Located In Belt Tensioner Endbell - Not Shown)	
53	7027799	1	Block, Connector 6 Position (Not Shown)	
53	70002460	1	Nut, Brass (Attaches p/n 7027799 to Cover) (Not Shown)	
53	7024485	1	Breaker, Circuit 30Amp (Not Shown)	
53	70001696	1	Boot, Breaker (Not Shown)	
53	70002297	AR	Stud 1/4in-20NC x 12-7/8in (Not Shown)	
53	7026188	1	Clamp, Cable (Not Shown)	
53	7026597	1	Connector with Leads (Not Shown)	
53	70001100	1	Rotor/Armature (Not Shown)	
53	70001384	1	Bearing, Ball Radial (Not Shown)	
53	70003451	1	Stator (Not Shown)	
53	70004170	1	Plate, End Panel (Not Shown) (was p/n 70001972)	
53	70000863	1	Fan (Not Shown)	
53	70001974	1	Decal - Terminal Connections (Not Shown)	
53A	70004171	1	Key (was p/n 7024561)	
53B	70004170	1	Endbell, Rear (Brush Block End) (was p/n 70001385)	
53B	70003452	1	Shroud, Endbell Panel	
53C	70003450	1	Endbell, Front (Tensioner End)	
53D	70001973	1	Decal - Warning Moving Parts (Not Shown)	
54		Ref	Belt, Generator Options:	
54	1001119966	1	60Hz Spec	
54	1001121931	1	50Hz Spec	
55		Ref	Cover, Receptacle Options:	
55	1001110872	1	60Hz Spec (Top Hinged)	
55	See Note	1	50Hz Spec (Note: Not Available - Purchase Locally)	

SECTION 2 - TURNTABLE

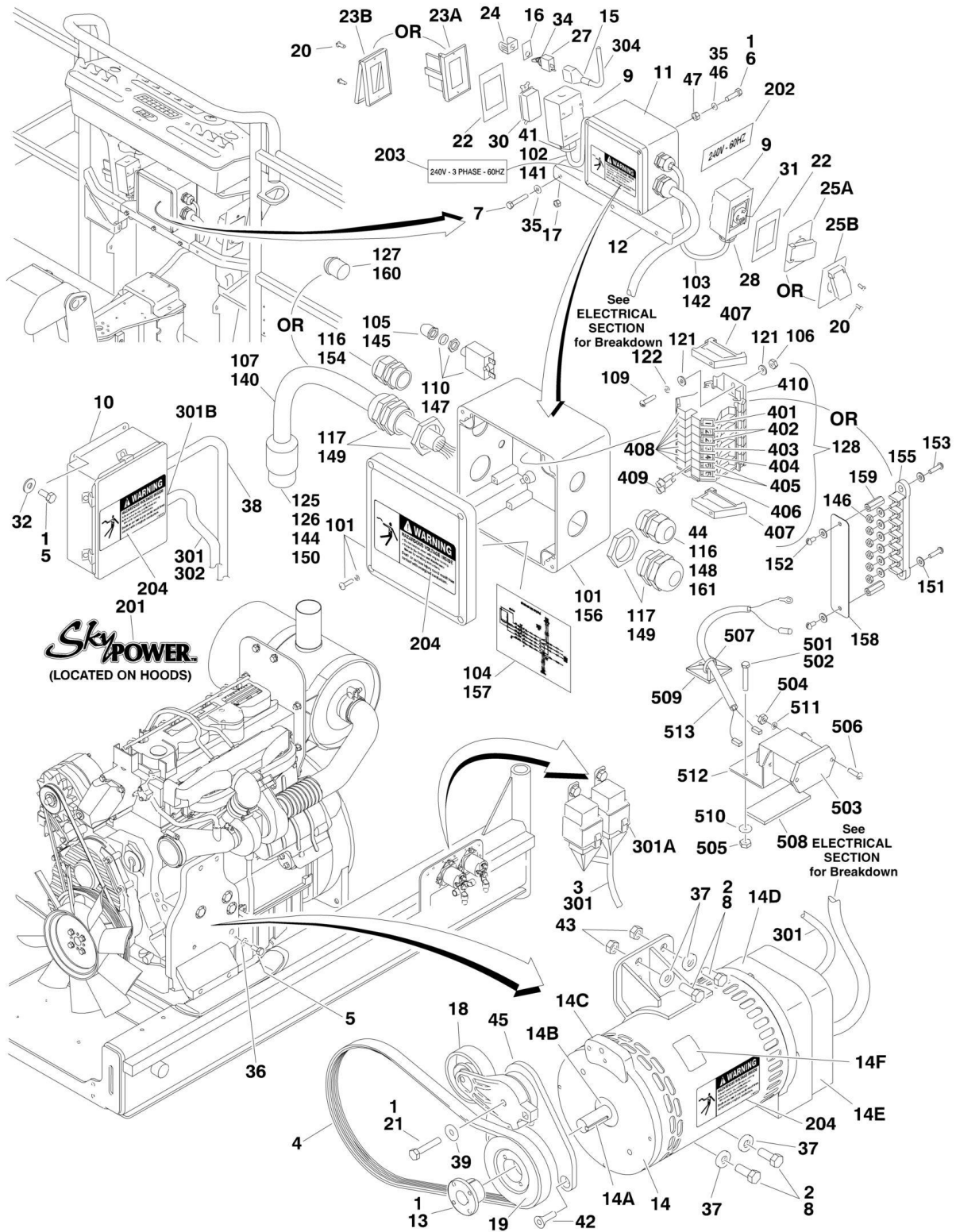
ITEM	PART NUMBER	QTY	DESCRIPTION	REV
56		Ref	Shield, Receptacle Cover Options:	
56	1001110873	1	60Hz Spec (Top Hinged)	
56	See Note	1	50Hz Spec (Note: Not Available - Purchase Locally)	
		Ref	JUNCTION BOX ASSEMBLY	
	0861542	1	60HZ SPEC	D
	0861567	1	50Hz Spec	B
101	0861541	1	Box, Junction	
102		Ref	Cable, Electrical 12/3	
102	1060494	2 ft/.6m	60Hz Spec	
102	See Note	2 ft/.6m	50Hz Spec (Note: Not Available - Purchase Locally)	
103		Ref	Cable, Electrical 10/3	
103	1060708	2.5 ft/.76m	60Hz Spec	
103	See Note	2.5 ft/.76m	50Hz Spec (Note: Not Available - Purchase Locally)	
104	1705376	1	Decal - Wiring Schematic	
105	3300396	1	Cover, Fuse	
106	3310601	2	Nut #6-32NC	
107	1060343	1.5 ft/.46m	Cable, Electrical 10/4 (60Hz Spec Only)	
109	3910610	2	Bolt #6-32NC x 5/8in	
110	4360070	1	Circuit Breaker - 15 Amp	
116	4460425	2	Strain Relief, Terminal	
117	4460426	2	Connector, Strain Relief	
121	4750600	4	Flatwasher #6 Regular	
122	4760600	2	Lockwasher #6	
123	4461001	2	Connector, Terminal (Not Shown - Located on Terminal Block)	
125	1671092	1	Cover (60Hz Spec Only)	
126	4460963	1	Connector (60Hz Spec Only)	
127	3520189	1	Plug (50Hz Spec Only)	
128	1001121340	1	Terminal Block Assembly (See Items 401-410 for Breakdown)	
		Ref	DECAL INSTALLATION	
	0272435	1	60Hz Spec	B
	0272589	1	50Hz Spec	A
201	1705460	2	Decal - SkyPower	
202	1705374	1	Decal - 240V - 60Hz (60Hz Spec Only)	
203		Ref	Decal - 240V - 3 Phase Options:	
203	1705375	1	60Hz Spec	
203	1705461	1	50Hz Spec	
204		Ref	Decal, Hazardous Voltage Options:	
204	1705387	3	60Hz Spec	
204	1705489	3	50Hz Spec	
	1001122528	Ref	ELECTRICAL DIAGRAM COMPONENTS	B
301	1001119968	1	Generator Harness	C
301A	4460967	1	Plug, Male - 3 Position (Not Shown)	
301A	4460465	6	Socket, Female	
301B	1001117078	1	Fuseholder w/Fuse (Not Shown)	
303	4922641	1	Switch Harness	
	1001121340	Ref	TERMINAL BLOCK ASSEMBLY	A
401	70002818	2	Marker Strip #1	
402	70002819	4	Marker Strip #2	
403	70002820	2	Marker Strip #3	

SECTION 2 - TURNTABLE

ITEM	PART NUMBER	QTY	DESCRIPTION	REV
404	70002821	2	Marker Strip #4	B
405	70002822	4	Marker Strip #5	
406	70002823	1	Terminal, End Barrier	
407	70002824	2	Terminal, End Block	
408	70002825	7	Terminal, Block	
409	70002826	2	Terminal, Cross Connector Jumper	
410	3641533	1	Rail, Relay	
	1001094475	Ref	HOURLY METER INSTALLATION	
501	0100011	AR	Compound, Locking	
502	0720808	1	Screw #8-32 x 1 in	
503	2420165	1	Hourmeter	
504	3310604	2	Nut #6-32	
505	3310805	1	Locknut #8-32	
506	3910608	2	Screw #6-32 x 1/2in	
507	4240032	4	Strap, Tie	
508	4420060	3 in/7cm	Tape, Double-Sided	
509	4460234	3	Mount, Tie Strap	
510	4750800	1	Flatwasher #8 Regular	
511	4760600	2	Lockwasher #6	
512	1001094375	1	Bracket, Hourmeter	
513	1001094509	1	Harness, Hourmeter	
514	4460018	1	Splice, Butt (Not Shown)	

SECTION 2 - TURNTABLE

FIGURE 2-28. 7500W SKYPOWER GENERATOR INSTALLATION - DEUTZ MACHINES (OPTIONAL)



SECTION 2 - TURNTABLE

FIGURE 2-28. 7500W SKYPOWER GENERATOR INSTALLATION - DEUTZ MACHINES (OPTIONAL)

ITEM	PART NUMBER	QTY	DESCRIPTION	REV
		Ref	7500W SKYPOWER GENERATOR INSTALLATION	
	0273455	Ref	60Hz Spec (Without UGM)	H
	1001125427	Ref	60Hz Spec (With UGM and BF4M2011 & TD2011 Engines)	C
	1001137590	Ref	60Hz Spec (With UGM and TCD2.9L4 Engines)	D
	0273456	Ref	50Hz Spec (Without UGM)	F
	1001125428	Ref	50Hz Spec (With UGM and BF4M2011 & TD2011 Engines)	B
	1001137591	Ref	50Hz Spec (With UGM and TCD2.9L4 Engines)	B
		Ref	Note: See ELECTRICAL SECTION for Boom Cable Installation.	
		Ref	Note: For Module Identification, refer to Revision Log page A.	
1	0100011	AR	Compound, Locking	
2	0100019	AR	Compound, Locking	
3	0100048	AR	Grease, Dielectric	
4		Ref	Belt, Generator Options:	
4	0480128	1	60Hz Spec (BF4M2011 & TD2011 Engines)	
4	1001142645	1	60Hz Spec (TCD2.9L4 Engines)	
4	0480129	1	50Hz Spec (BF4M2011 & TD2011 Engines)	
4	1001136357	1	50Hz Spec (TCD2.9L4 Engines)	
5	0641404	AR	Bolt 1/4in-20NC x 1/2in	
6		Ref	Bolt Options:	
	0641508	AR	5/16in-18NC x 1in	
	3931016	AR	10-24NC x 1in	
7	0641516	3	Bolt 5/16in-18NC x 2in	
8	0641810	AR	Bolt 1/2in-13NC x 1-1/4in	
8	4300157	AR	Stud 1/2in-13NC (Not Shown)	
9		Ref	Box, Switch Options:	
9	0860038	AR	60Hz Spec	
9	See Note	AR	50Hz Spec (Note: Not Available - Purchase Locally)	
10		Ref	Box, Generator Control Options:	
10	0861538	1	60Hz Spec	
10	0861572	1	50Hz Spec	
10	7024488	1	Card, Circuit - Generator Power (Not Shown)	
10	See Note	1	Fuse (Note: Not Available - Purchase Locally)	
10	7024489	1	Card, Circuit - Control (Not Shown)	
		Ref	Note: Same Circuit Card (P/N 7024489) is used for both 60Hz & 50Hz. When replacing card, rocker switch on card must be set for required application.	
10	70000619	1	Harness, Circuit Card	
11		Ref	Junction Box Assembly Options (See Items 101-128 for Breakdown): (Prior to SN 0300182753)	
11	0861542	1	60Hz Spec (BF4M2011 & TD2011 Engines)	
11	1001142914	1	60Hz Spec (TCD2.9L4 Engines)	
11	0861567	1	50Hz Spec	
11		Ref	Junction Box Assembly Options (See Items 140-161 for Breakdown): (SN 0300182753 through 0300201017)	
11	1001157592	1	60Hz Spec (BF4M2011 & TD2011 and TCD2.9L4 Engines)	
11	1001157525	1	50Hz Spec	
12	0902888	1	Bracket, Generator Junction Box	
13	0962520	1	Bushing, Taper	
14		Ref	Generator, 7500W Options:	

SECTION 2 - TURNTABLE

ITEM	PART NUMBER	QTY	DESCRIPTION	REV
14	2460048	1	Deutz BF4M2011 & TD2011 Engines	
14	1001136988	1	Deutz TCD2.9L4 Engines	
14	70001100	1	Rotor (Includes p/n 70001384 & 70000863) (Not Shown)	
14	70001384	1	Bearing, Shaft (Rear) (Not Shown)	
14	70000863	1	Fan, Generator (Not Shown)	
14		Ref	Stator Options (Not Shown):	
14	70002088	1	2460048 Generator	
14	70004093	1	1001136988 Generator	
14	70002297	2	Stud 1/4in-20NC x 12-7/8in (Not Shown)	
14	70003631	1	Brushholder Assembly (Not Shown) (was p/n 7024484)	
14A		Ref	Key Options:	
14A	70004171	1	2460048 Generator (was p/n 7024561)	
14A	70004099	1	1001136988 Generator	
14B	70001966	1	Bearing, Ball Radial (Located in Belt Tensioner Endbell)	
14B	70003709	1	Ring, Retaining (Small)	
14B	70003708	1	Ring, Retaining (Large)	
14C		Ref	Endbell, Belt Tensioner Options:	
14C	70001953	1	2460048 Generator	
14C	70004092	1	1001136988 Generator	
14D		Ref	Endbell, Brush Block Options:	
14D	70004169	1	2460048 Generator (was p/n 70001385)	
14D	70004094	1	1001136988 Generator	
14E		Ref	Shroud Assembly Options:	
14E	70004169	1	2460048 Generator (was p/n 70002290)	
14E	70004096	1	1001136988 Generator	
14E	7027799	1	Block, Connector 6 Position (Not Shown)	
14E	70002460	6	Nut, Brass (Attaches p/n 7027799 to Cover) (Not Shown)	
14E	7024485	1	Breaker, Circuit 30Amp (Not Shown)	
14E	70001696	1	Boot, Breaker (was p/n 7024486) (Not Shown)	
14E	7026597	1	Connector, W/Leads (Not Shown)	
14E	7026626	1	Connector with Pins (Not Shown)	
14E		Ref	Clamp, Cable Options (Not Shown):	
14E	7026188	1	2460048 Generator	
14E	70004098	1	1001136988 Generator	
14E		Ref	Plate, End Panel Options (Not Shown):	
14E	70002255	1	2460048 Generator	
14E	70004095	1	1001136988 Generator	
14E		Ref	Insulator, End Panel Options (Not Shown):	
14E	See Note	1	2460048 Generator (Note: Not Available for Purchase)	
14E	70004097	1	1001136988 Generator	
14E	70001974	1	Decal - Terminal Connections (Not Shown)	
14F	70001973	1	Decal - Warning Moving Parts	
15	2820031	AR	Insulator, Heat Shrink	
16	3251102	1	Nameplate, Generator	
17	3311508	3	Nut, 5/16in-18NC Serrated Flange	
18	3580317	1	Pulley, Belt Tensioner	
19		Ref	Pulley, Generator Options:	
19	3580318	1	60Hz Spec	
19	3580319	1	50Hz Spec	
20	3910606	AR	Screw, Round Head #6-32NC x 3/8in	
21	0641618	1	Bolt 3/8in-16NC x 2in	

SECTION 2 - TURNTABLE

ITEM	PART NUMBER	QTY	DESCRIPTION	REV
22		Ref	Gasket, AC Receptacle Options:	
22	3960422	AR	60Hz Spec	
22	See Note	AR	50Hz Spec (Note: Not Available - Purchase Locally)	
23		Ref	Shield, Receptacle Cover Options:	
23	See Note	1	50Hz Spec (Note: Not Available - Purchase Locally)	
23A	4060700	1	Shield, Recpt Cover, 60Hz Spec (Side Hinged) (Prior to SN 0300138291)	
23B	1001110873	1	Cover, VERT Gang Receptacle Self Closing 60Hz Spec (Top Hinged) (SN 0300138291 through 0300201017)	
24	4060802	1	Guard, Switch	
25		Ref	Cover, Receptacle Options:	
25	See Note	1	50Hz Spec (Note: Not Available - Purchase Locally)	
25A	4061043	1	60Hz Spec with Deutz BF4M2011 & TD2011 Engines Only (Side Hinged) (Prior to SN 0300138291)	
25B	1001110872	1	60Hz Spec with Deutz BF4M2011 & TD2011 Engines Only (Top Hinged) (Prior to SN 0300182753)	
26	4240018	AR	Strap, Tie (Not Shown)	
27	4360336	1	Switch, Toggle	
28		Ref	Connector, Strain Relief Options (Deutz BF4M2011 & TD2011 Engines Only):	
28	4460051	1	60Hz Spec (Prior to SN 0300182753)	
28	See Note	1	50Hz Spec (Note: Not Available - Purchase Locally)	
29	4460315	2	Terminal, Spade (Not Shown - Use 1 each with items 30 & 31) (Prior to SN 0300181891)	
30		Ref	Terminal, Receptacle Options:	
30	4460346	1	60Hz Spec	
30	See Note	1	50Hz Spec (Note: Not Available - Purchase Locally)	
31		Ref	Receptacle Options (Deutz BF4M2011 & TD2011 Engines)	
31	4460958	1	60Hz Spec (Prior to SN 0300182753)	
31	See Note	1	50Hz Spec	
32	4711400	4	Flatwasher 1/4in Thin	
34		Ref	Spacer, Washer Options:	
34	4740397	AR	Spacer, Washer (Prior to SN 0300182753)	
34	4751500	AR	Spacer, Washer (SN 0300182753 through 0300201017)	
35	4751500	AR	Flatwasher 5/16in Regular	
36	4791400	2	Starwasher 1/4in	
37	4891800	4	Flatwasher 1/2in Hardened	
38	4922972	1	Harness, Generator Cable	A
38	4460225	1	Plug, Male 6 Position (Plugs into Generator)	
38	4460226	6	Socket, Female (Use with 4460225)	
38	4460807	1	Seal, Plug (Use with 4460225)	
38	4460808	1	Seal, Interface (Use with 4460225)	
39	4711600	1	Flatwasher 3/8in Thin	
40	0100020	AR	Sealant, Pipe (Not Shown)	
41	4460071	1	Connector, Strain Relief	
42	0741607	3	Screw, Countersunk Flathead 3/8in-16NC x 7/8in	
43	3311801	2	Nut 1/2in-13NC	
44	3520192	1	Plug, Hole (Deutz TCD2.9L4 Engines Only) (Prior to SN 0300182753)	
45	1001138011	1	Bracket (Deutz TCD2.9L4 Engines Only)	
46	4751000	AR	Flat Washer #10 Regular	
47	3311005	AR	Nut #10-24NC	
		Ref	JUNCTION BOX ASSEMBLY (Prior to SN 0300182753)	

SECTION 2 - TURNTABLE

ITEM	PART NUMBER	QTY	DESCRIPTION	REV
	0861542	Ref	60Hz Spec (BF4M2011 & TD2011 Engines)	D
	1001142914	Ref	60Hz Spec (TCD2.9L4 Engines)	A
	0861567	Ref	50Hz Spec	B
101	0861541	1	Box, Junction	
102		Ref	Cable, Electrical 12/3	
102	1060494	2 ft/.6m	60Hz Spec	
102	See Note	2 ft/.6m	50Hz Spec (Note: Not Available - Purchase Locally)	
103		Ref	Cable, Electrical 10/3	
103	1060708	2.5 ft/.76m	60Hz Spec (BF4M2011 & TD2011 Engines)	
103	Not Required		60Hz Spec (TCD2.9L4 Engines)	
103	See Note	2.5 ft/.76m	50Hz Spec (Note: Not Available - Purchase Locally)	
104	1705376	1	Decal - Wiring Schematic	
105	3300396	1	Cover, Fuse	
106	3310601	2	Nut #6-32NC	
107	1060343	1.5 ft/.46m	Cable, Electrical 10/4 (60Hz Spec Only)	
109	3910610	2	Bolt #6-32NC x 5/8in	
110	4360070	1	Circuit Breaker - 15 Amp	
116	4460425	2	Strain Relief, Terminal	
116	3520192	1	Plug (60Hz Deutz TCD2.9L4 Engines Only)	
117	4460426	2	Connector, Strain Relief	
121	4750600	4	Flatwasher #6 Regular	
122	4760600	2	Lockwasher #6	
123	4461001	2	Connector, Terminal (Not Shown - Located on Terminal Block)	
125	1671092	1	Cover (60Hz Spec Only)	
126	4460963	1	Connector (60Hz Spec Only)	
127	3520189	1	Plug (50Hz Spec Only)	
128		Ref	Terminal Block Assembly (See Items 401-410 for Breakdown):	
		Ref	JUNCTION BOX ASSEMBLY (SN 0300182753 through 0300201017)	
	1001157592	Ref	60Hz Specs	C
	1001157525	Ref	50Hz Specs	B
140	1060343	1.5 ft/.46m	Cable, Electrical 10/4 (60Hz Spec Only)	
141		Ref	Cable, Electrical 12/3	
142	1001179154	2.5 ft/.76m	60Hz Spec	
143	Not Available	1	50Hz Spec (Supply Locally)	
144	1671092	1	Cover (60Hz Spec Only)	
145	3300396	1	Cover, Fuse	
146	3311001	6	Nut, #10-24	
147	4360070	1	Circuit Breaker - 15 Amp	
148	4460425	1	Strain Relief, Terminal	
149	4460426	2	Connector, Strain Relief	
150	4460963	1	Connector (60Hz Spec Only)	
151	4711000	10	Washer, #10	
152	10702077	2	Screw, #10-32 x 3/8	
153	10702082	2	Screw, #10-24 x 3/4	
154	1001152525	1	Plug	
155	1001157520	1	Block, Terminal	
156	1001157521	1	Box, Junction	

SECTION 2 - TURNTABLE

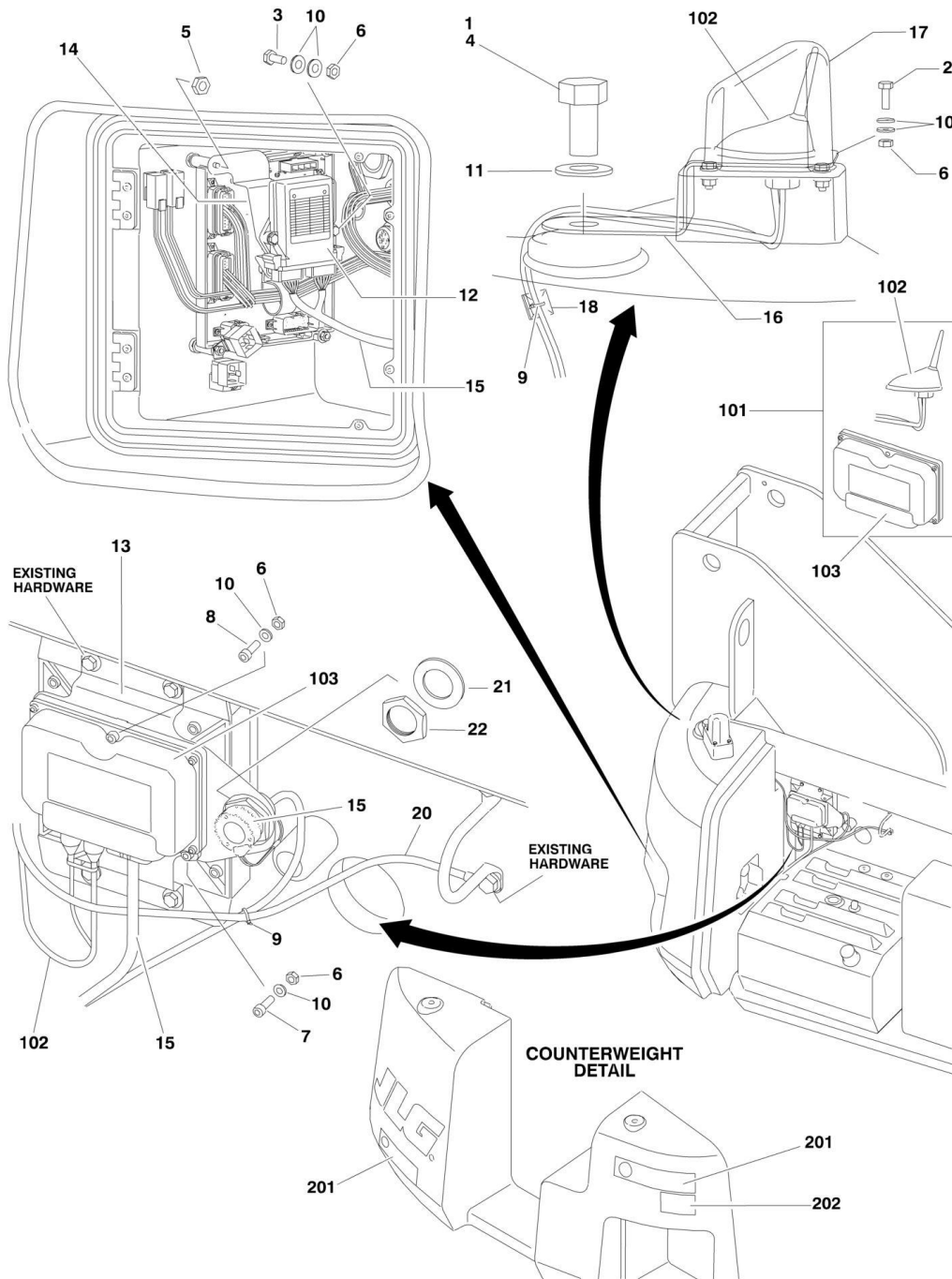
ITEM	PART NUMBER	QTY	DESCRIPTION	REV
157	1001157528	1	Decal - Wiring Schematic	
158	1001158007	1	Cover, PVC	
159	1001158008	2	Stand-Off	
160	3520189	1	Plug (50Hz Spec Only)	
161	3520192	1	Plug	
		Ref	DECAL INSTALLATION	
	0272435	1	60Hz Spec	B
	0272589	1	50Hz Spec	A
201	1705460	2	Decal - SkyPower	
202	1705374	1	Decal - 240V - 60Hz (60Hz Spec Only)	
203		Ref	Decal - 240V - 3 Phase Options:	
203	1705375	1	60Hz Spec	
203	1705461	1	50Hz Spec	
204		Ref	Decal, Hazardous Voltage Options:	
204	1705387	3	60Hz Spec	
204	1705489	3	50Hz Spec	
		Ref	ELECTRICAL DIAGRAM COMPONENTS	
		Ref	Note: For Module Identification, refer to Revision Log page A.	
	4933264	Ref	Without UGM	C
	1001122528	Ref	With UGM	B
301	4922757	1	Generator Harness (Without UGM)	3-C
301A	4460374	2	Plug, Sealed Relay	
301A	4460375	7	Terminal	
301B	4460967	1	Plug, Male - 3 Position (Not Shown)	
301B	4460465	3	Socket, Female	
301C	2400060	1	Fuseholder (Not Shown)	
301C	2400064	1	Fuse- 5 Amp (Not Shown)	
302	1001119968	1	Generator Harness (With UGM)	B
302A	4460967	1	Plug, Male - 3 Position (Not Shown)	
302A	4460465	6	Socket, Female	
302B	1001117078	1	Fuseholder w/Fuse (Not Shown)	
304	4922641	1	Switch Harness	
		Ref	TERMINAL BLOCK ASSEMBLY	
	See Note	Ref	Gray Terminal Block Assembly (Note: Complete Assembly Not Available - Purchase Individual Components)	
	1001121340	Ref	Tan Terminal Block Assembly	A
401		Ref	Marker Strip #1 Options:	
401	4460411	2	Gray Terminal Block Assembly	
401	70002818	2	Tan Terminal Block Assembly	
402		Ref	Marker Strip #2 Options:	
402	4460412	4	Gray Terminal Block Assembly	
402	70002819	4	Tan Terminal Block Assembly	
403		Ref	Marker Strip #3 Options:	
403	4460413	2	Gray Terminal Block Assembly	
403	70002820	2	Tan Terminal Block Assembly	
404		Ref	Marker Strip #4 Options:	
404	4460414	2	Gray Terminal Block Assembly	
404	70002821	2	Tan Terminal Block Assembly	
405		Ref	Marker Strip #5 Options:	
405	4460415	4	Gray Terminal Block Assembly	
405	70002822	4	Tan Terminal Block Assembly	
406		Ref	Terminal, End Barrier Options:	

SECTION 2 - TURNTABLE

ITEM	PART NUMBER	QTY	DESCRIPTION	REV
406	4460956	1	Gray Terminal Block Assembly	
406	70002823	1	Tan Terminal Block Assembly	
407		Ref	Terminal, End Block Options:	
407	4460607	2	Gray Terminal Block Assembly	
407	70002824	2	Tan Terminal Block Assembly	
408		Ref	Terminal, Block Options:	
408	4460957	7	Gray Terminal Block Assembly	
408	70002825	7	Tan Terminal Block Assembly	
409		Ref	Terminal, Cross Connector Jumper Options:	
409	4461001	2	Gray Terminal Block Assembly	
409	70002826	2	Tan Terminal Block Assembly	
410	3641533	1	Rail, Relay	
	1001094475	Ref	HOURLMETER INSTALLATION	B
501	0100011	AR	Compound, Locking	
502	0720808	1	Screw #8-32 x 1 in	
503	420165	1	Hourmeter	
504	3310604	2	Nut #6-32	
505	3310805	1	Locknut #8-32	
506	3910608	2	Screw #6-32 x 1/2in	
507	4240032	4	Strap, Tie	
508	4420060	3 in/7cm	Tape, Double-Sided	
509	4460234	3	Mount, Tie Strap	
510	4750800	1	Flatwasher #8 Regular	
511	4760600	2	Lockwasher #6	
512	1001094375	1	Bracket, Hourmeter	
513	1001094509	1	Harness, Hourmeter	
514	4460018	1	Splice, Butt (Not Shown)	

SECTION 2 - TURNTABLE

FIGURE 2-29. CLEARSKY TELEMATICS INSTALLATION (WITHOUT UGM) (OPTIONAL)



SECTION 2 - TURNTABLE

FIGURE 2-29. CLEARSKY TELEMATICS INSTALLATION (WITHOUT UGM) (OPTIONAL)

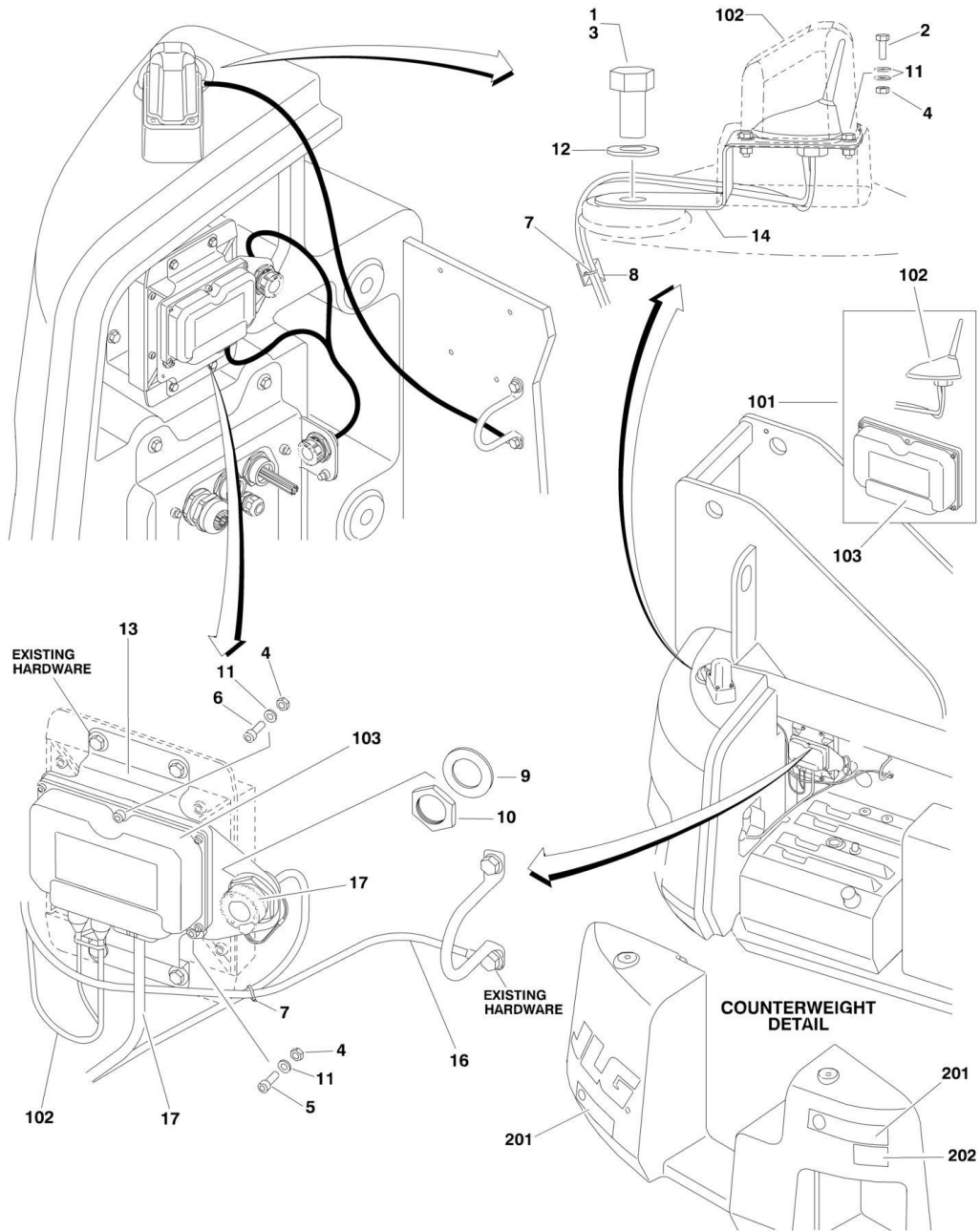
ITEM	PART NUMBER	QTY	DESCRIPTION	REV
		Ref	NOTE: Clearsky Telematics is Standard Equipment on Machines S/N 139299 to Present Delivered In North American.	
		Ref	NOTE: For Module Identification, Refer to Revision Log Page A.	
	1001100441	Ref	CLEARSKY TELEMATICS INSTALLATION	C
1	0100011	AR	Compound, Locking	
2	0641406	4	Bolt 1/4in-20NC x 3/4in	
3	0641410	2	Bolt 1/4in-20NC x 1-1/4in	
4	0642612	1	Bolt 1in-8NC x 1-1/2in	
5	3311402	2	Nut, Jam 1/4in-20NC	
6	3311405	9	Locknut 1/4in-20NC	
7	3931412	2	Capscrew 1/4in-20NC x 3/4in	
8	3931416	2	Capscrew 1/4in-20NC x 1in	
9	4240033	AR	Strap, Tie	
10	4711400	15	Flatwasher 1/4in Thin	
11	4712600	1	Flatwasher 1in Thin	
12	1001100062	1	Module	
13	1001100432	1	Support, Controller	
14	1001100434	1	Mount, Module	
15	1001100468	1	Harness, Telematics (See ELECTRICAL SECTION for Breakdown)	
16	1001100672	1	Mount, Antenna	
17	1001100876	1	Cover	
18	4460488	2	Mount, Tie Strap	
20	1001103356	1	Ground Wire	
21	4460496	1	Lockwasher, Strain Relief	
22	4460497	1	Nut, Strain Relief	
		Ref	CLEARSKY TELEMATICS CONTROLLERS (Factory Installed)	
	1001102839	Ref	ANSI Spec	B
	1001102840	Ref	ANSI Export/Australian/CE/Japanese Specs	B
	1001104734	Ref	CSA Specs	B
101		Ref	Controller, Telematic Kit Options (Includes Items 102 & 103):	
101	1001100352	1	ANSI Spec	
101	1001102831	1	ANSI Export/ Australian/ CE/ Japanese Specs	
101	1001104735	1	CSA Specs	
102	70002296	1	Antenna and Harness	
103		Ref	Controller, Telematics Options:	
103	70002293	1	ANSI Spec	
103	70002295	1	ANSI Export/ Australian/ CE/ Japanese Specs	
103	70002294	1	CSA Specs	
		Ref	CLEARSKY TELEMATICS DECALS	
	1001116242	Ref	ANSI Spec	A
		Ref	ANSI Export/Australian/CE/Japanese Specs	
	1001116243	Ref	CSA Specs	A
201	1001116208	2	Decal - ClearSky	
202		Ref	Decal - Radio Frequency Device Options:	
202	1001116217	1	ANSI Spec	
202	See Note	1	ANSI Export/ Australian/ CE/ Japanese Specs (Note: Not Available for Purchase)	
202	1001116222	1	CSA Specs	

SECTION 2 - TURNTABLE

ITEM	PART NUMBER	QTY	DESCRIPTION	REV
		Ref	CLEARSKY TELEMATICS KITS (Dealer Installed) (Not Shown)	
	1001117250	Ref	ANSI Spec	
	1001139145	Ref	Australian Spec Only	
	1001117256	Ref	CSA Spec	

SECTION 2 - TURNTABLE

FIGURE 2-30. CLEARSKY TELEMATICS INSTALLATION (WITH UGM) (OPTIONAL)



SECTION 2 - TURNTABLE

FIGURE 2-30. CLEARSKY TELEMATICS INSTALLATION (WITH UGM) (OPTIONAL)

ITEM	PART NUMBER	QTY	DESCRIPTION	REV
		Ref	NOTE: For Module Identification, Refer to Revision Log Page A.	
	1001112987	Ref	CLEARSKY TELEMATICS INSTALLATION	B
1	0100011	AR	Compound, Locking	
2	0641406	4	Bolt 1/4in-20NC x 3/4in	
3	0642612	1	Bolt 1in-8NC x 1-1/2in	
4	3311405	7	Locknut 1/4in-20NC	
5	3931412	2	Capscrew 1/4in-20NC x 3/4in	
6	3931416	1	Capscrew 1/4in-20NC x 1in	
7	4240033	AR	Strap, Tie	
8	4460488	2	Mount, Tie Strap	
9	4460496	1	Lockwasher, Strain Relief	
10	4460497	1	Nut, Strain Relief	
11	4711400	11	Flatwasher 1/4in Thin	
12	4712600	1	Flatwasher 1in Thin	
13	1001100432	1	Support, Controller	
14	1001100672	1	Mount, Antenna	
15	1001100876	1	Cover	
16	1001103356	1	Ground Wire	
17	1001111914	1	Harness, Telematics (See ELECTRICAL SECTION for Breakdown)	
		Ref	CLEARSKY TELEMATICS CONTROLLERS (Factory Installed)	
	1001112988	Ref	ANSI Spec	A
	1001127092	Ref	ANSI Export (Brazil and New Zealand Spec Only)	A
	1001132730	Ref	Australian Spec	A
	1001112989	Ref	CE Spec	A
	1001112973	Ref	CSA Spec	A
101		Ref	Controller, Telematic Kit Options (Includes Items 102 & 103):	
101	1001100352	1	ANSI Spec	
101	1001102831	1	ANSI Export (Brazil, CE and New Zealand Specs Only)	
101	1001132733	1	Australian Spec	
101	1001104735	1	CSA Spec	
102	1001100443	1	Antenna and Harness	
103		Ref	Controller, Telematics Options:	
103	70002293	1	ANSI Spec	
103	70002295	1	ANSI Export (Brazil, CE and New Zealand Specs Only)	
103	70003617	1	Australian Spec	
103	70002294	1	CSA Spec	
	1001120995	Ref	CLEARSKY TELEMATICS DECALS	A
201	1001116208	2	Decal - ClearSky	
202	1001120989	1	Decal - Radio Frequency Device	
		Ref	CLEARSKY TELEMATICS KITS (Dealer Installed) (Not Shown)	
	1001119938	Ref	ANSI Spec	
	1001138187	Ref	ANSI Export Spec	
	1001138188	Ref	Australian Spec	
	1001134839	Ref	CE Spec	
	1001119946	Ref	CSA Spec	

SECTION 3 - BOOM

SECTION 3 - BOOM

FIGURE 3-1. BOOM INSTALLATION

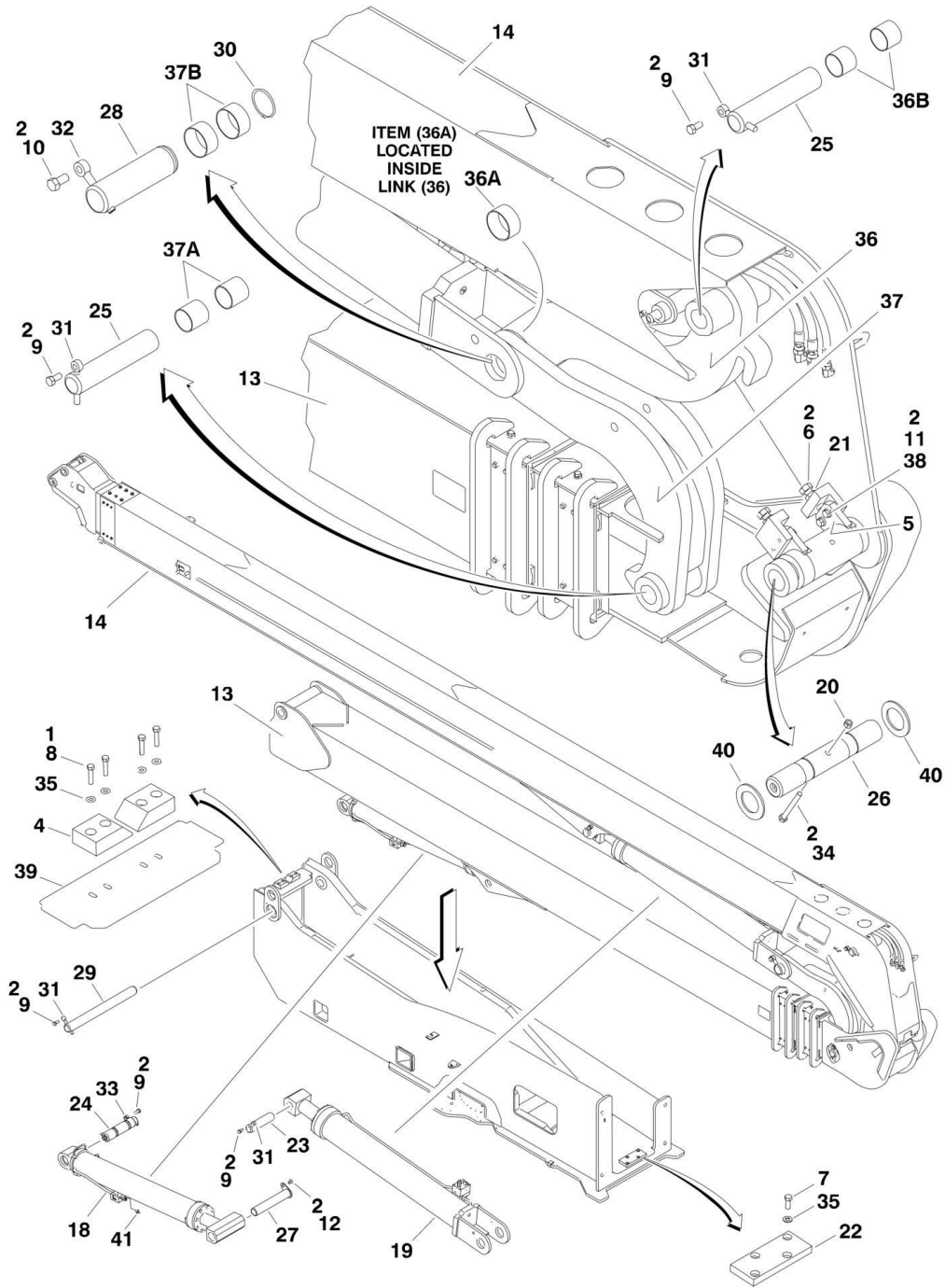


FIGURE 3-1. BOOM INSTALLATION

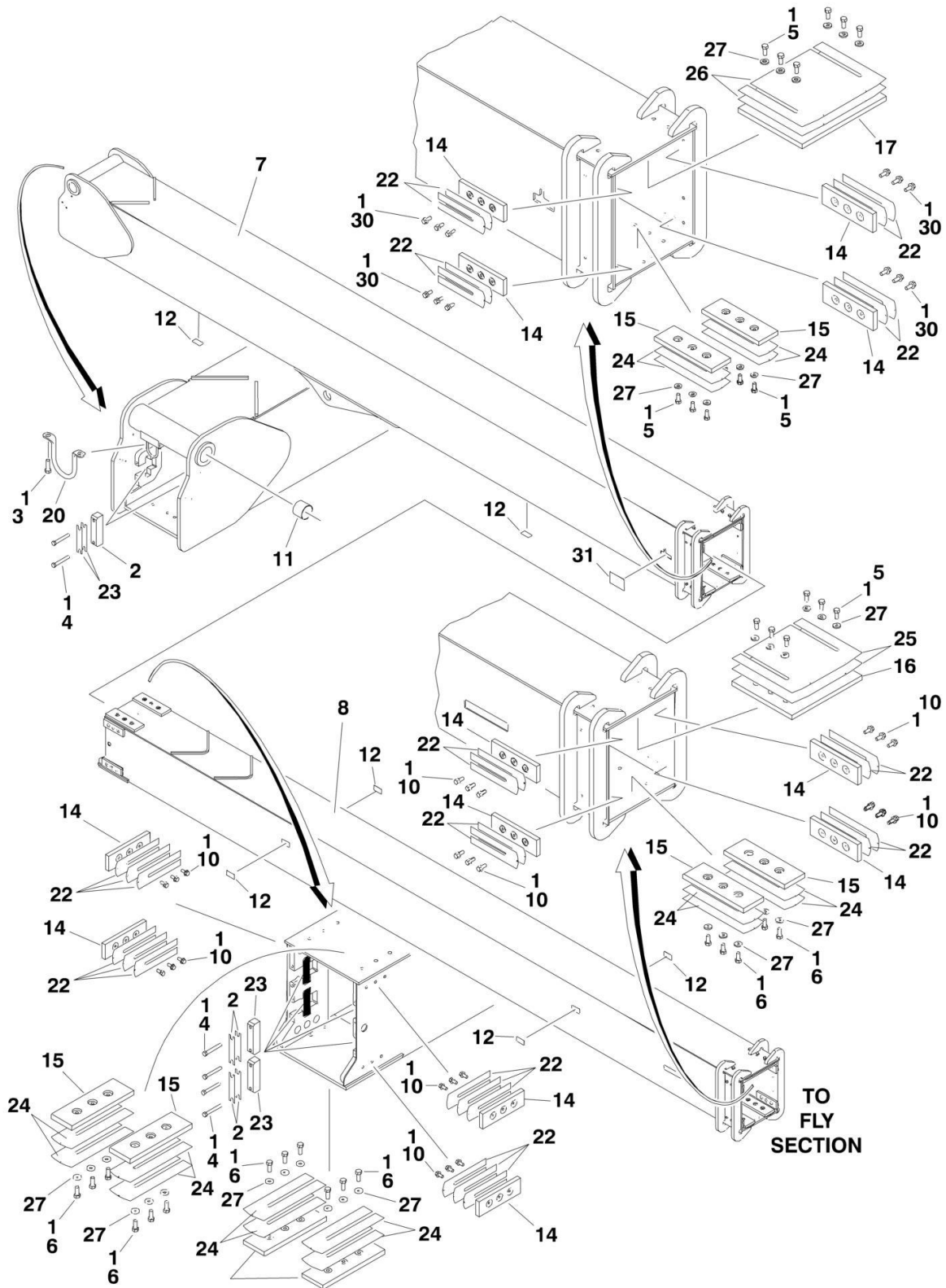
ITEM	PART NUMBER	QTY	DESCRIPTION	REV
		Ref	BOOM INSTALLATIONS	
	0272979	Ref	Without Arctic Package (Prior to SN 0300144623)	L
	1001120653	Ref	Without Arctic Package (SN 0300144623 through 0300201017)	A
	1001138811	Ref	With Arctic Package	A
1	0100011	AR	Compound, Locking	
2	0100019	AR	Compound, Locking	
4	0561380	2	Rest, Boom	
5	0561547	2	Block, Clamping	
6	0630575	2	Bolt 1in-8NC x 3in (Use p/n 0642624)	
7	0641608	4	Bolt 3/8in-16NC x 1in	
8	0641613	4	Bolt 3/8in-16NC x 1-5/8in	
9	0642212	5	Bolt 3/4in-10NC x 1-1/2in	
10	0642616	1	Bolt 1in-8NC x 2in	
11	0682016	4	Bolt 5/8in-11NC x 2in (Grade 8)	
12	0742210	1	Screw, Countersunk 3/4in-10NC x 1-1/4in	
13	0801370	1	Tower Boom Assembly (See TOWER BOOM ASSEMBLY for Breakdown)	
14		Ref	Main Boom Assembly (See MAIN BOOM ASSEMBLY for Breakdown)	
14	0801371	1	Without Arctic Package	
14	1001138812	1	With Arctic Package	
18		Ref	Tower Lift Cylinder Assembly Options (See CYLINDER SECTION for Breakdown):	
18	1684292	NLA	Cylinder - Tower Lift (Use p/n 1001119233) (Prior to SN 0300144623)	
18	1001118753	NLA	Cylinder - Tower Lift (Use p/n 1001228077) (SN 0300144623 through 0300201017)	
19	1684318	NLA	Main Lift Cylinder Assembly (Use p/n 1001228078) (See CYLINDER SECTION for Breakdown)	
20	3272001	1	Nut 5/8in-11NC Grade 8	
21	3312602	2	Nut, Jam 1in-8NC	
22	3340927	1	Pad	
23	3422920	1	Pin	
24		Ref	Pin, Load Sensing Options:	
24	3423068	1	Pin, Load Sensing (Use p/n 2915045) (Prior to SN 0300080347)	
24	3423195	1	Pin, Load Sensing (Use p/n 2915045) (SN 0300080347 through 0300085914)	
24	3423209	1	Pin, Load Sensing (SN 0300085914 through 0300201017)	
25	3423061	1	Pin	
26	3423062	1	Pin	
27	3423063	1	Pin	
28	3423064	1	Pin	
29	3423065	1	Pin	
30	3760475	1	Ring, Retaining	
31	3841287	4	Keeper, Pin	
32	3841356	1	Keeper, Pin	
33	3841581	1	Keeper, Pin	
34	0682048	1	Bolt 5/8in-11NC x 6in Grade 8	
35	4711600	8	Flat Washer 3/8in Regular	
36	3010133	1	Link, Upper	

SECTION 3 - BOOM

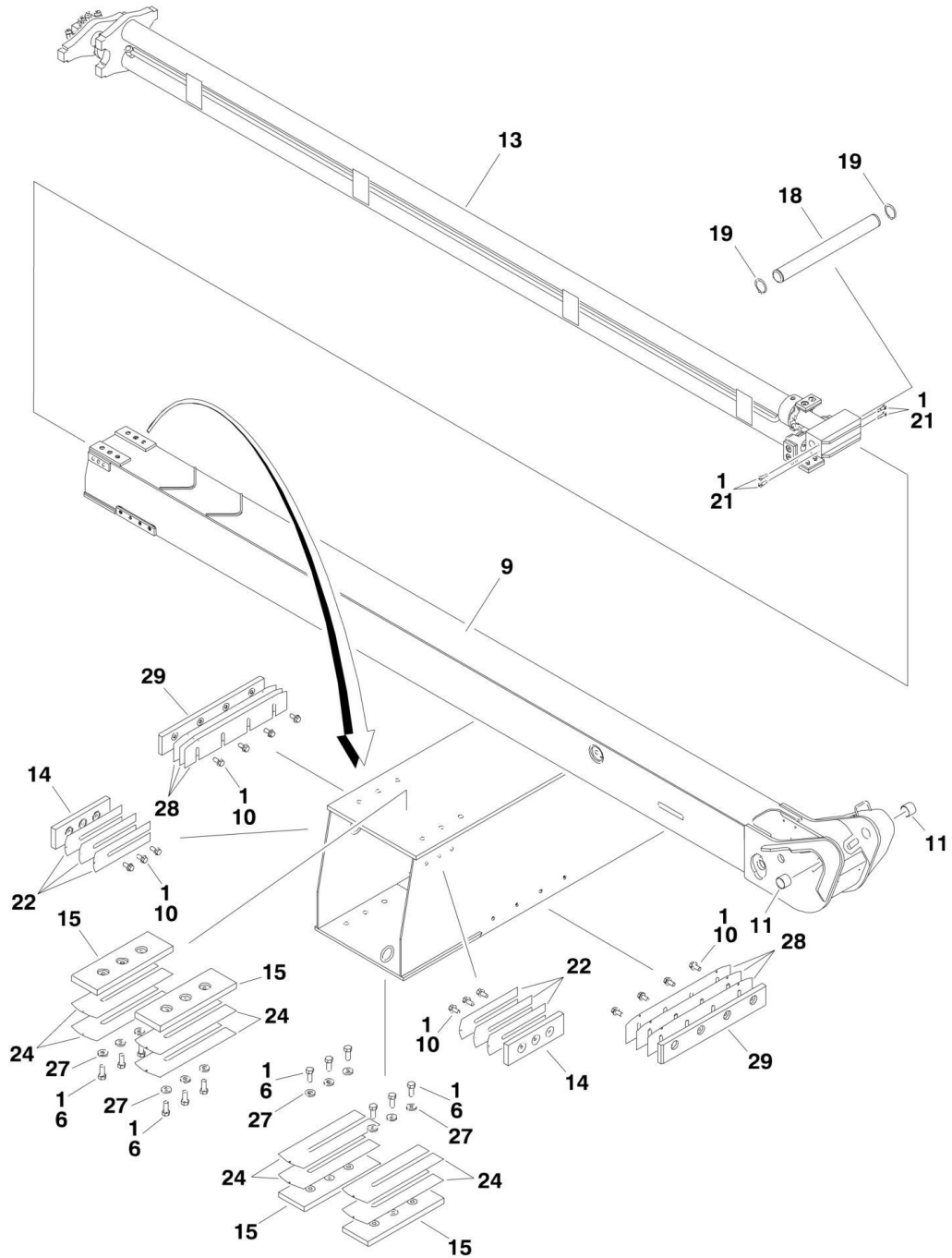
ITEM	PART NUMBER	QTY	DESCRIPTION	REV
36A	0440273	1	Bearing	
36B	0962297	2	Bushing	
37	3010134	1	Link, Lower	
37A	0962033	2	Bushing	
37B	0962122	2	Bushing	
38	4892000	4	Flat Washer 5/8in Hardened	
39	3380547	1	Deflector	
40	4740492	AR	Thrust Washer (SN 0300087737 through 0300201017)	
41	1001119614	1	Switch, Pressure Transducer	
42	1001120161	1	Harness, Pressure Transducer (Not Shown - See ELECTRICAL SECTION for Breakdown)	

SECTION 3 - BOOM

FIGURE 3-2. TOWER BOOM ASSEMBLY



SECTION 3 - BOOM



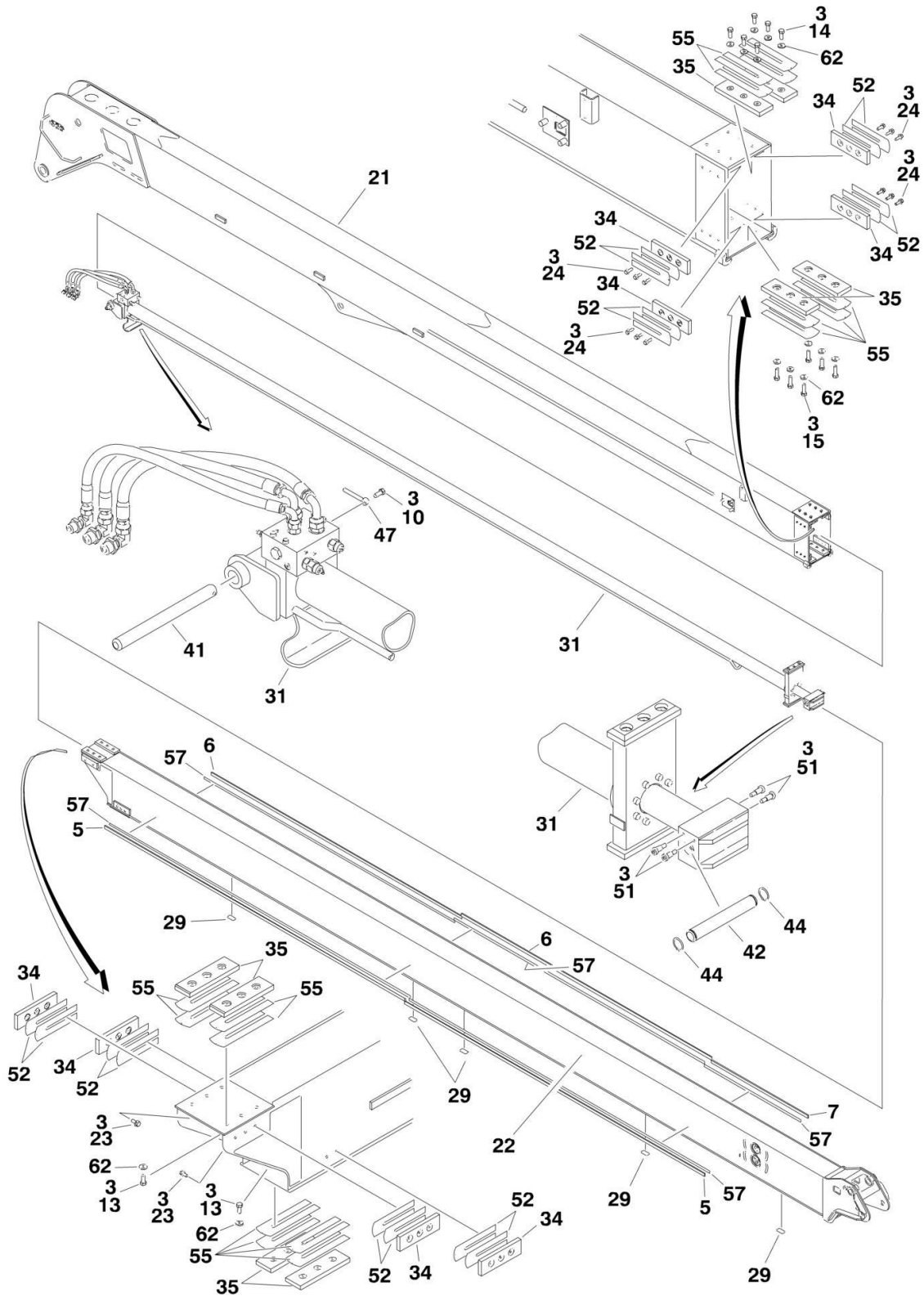
SECTION 3 - BOOM

FIGURE 3-2. TOWER BOOM ASSEMBLY

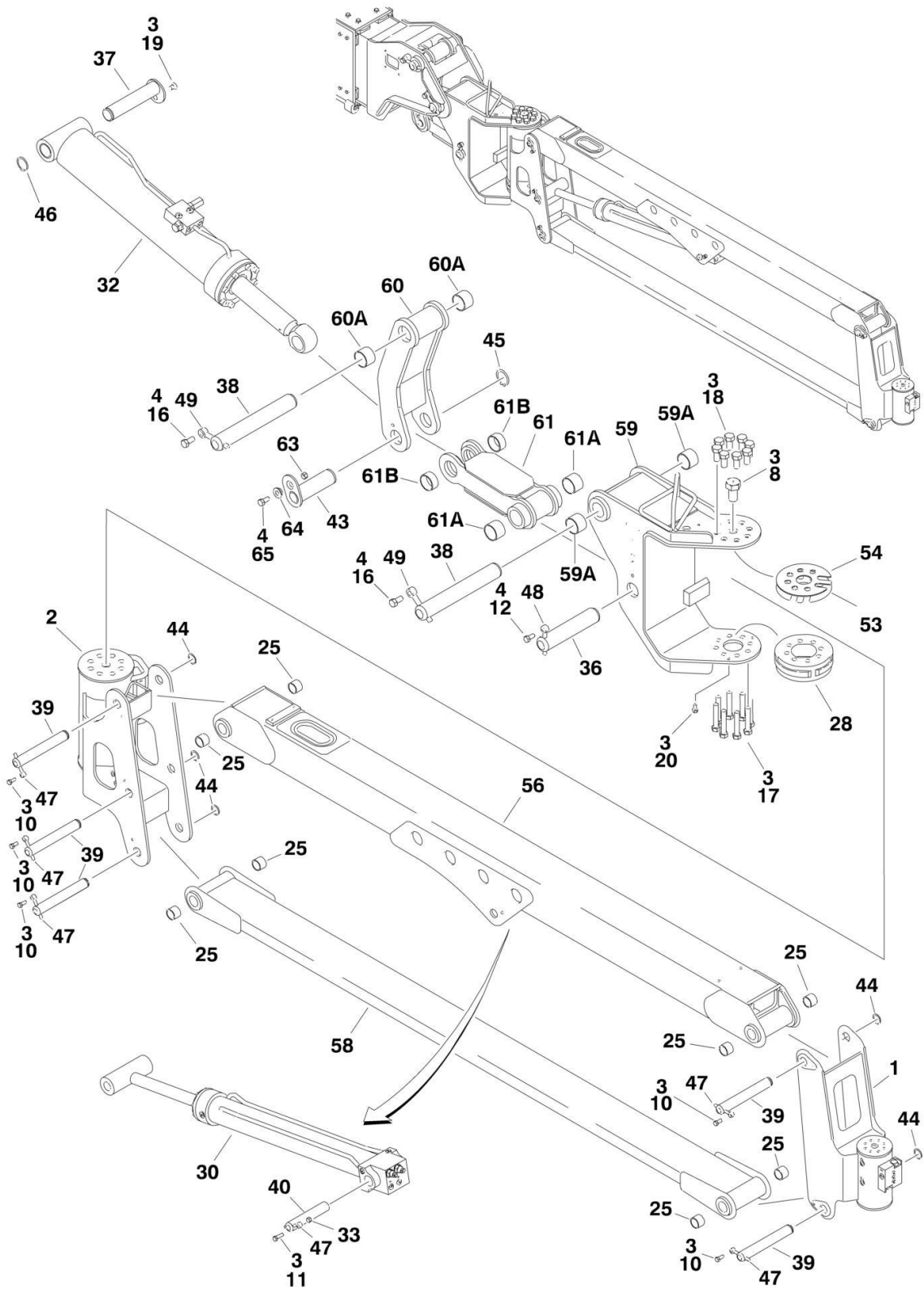
ITEM	PART NUMBER	QTY	DESCRIPTION	REV
	0801370	Ref	BOOM ASSEMBLY	D
1	0100011	AR	Compound, Locking	
2	0561533	6	Block, Trunnion Keeper	
3	0641604	2	Bolt 3/8in-16NC x 1/2in	
4	0641622	12	Bolt 3/8in-16NC x 2-3/4in	
5	0641809	18	Bolt 1/2in-13NC x 1-1/8in	
6	0641810	30	Bolt 1/2in-13NC x 1-1/4in	
7	0801365	1	Base, Boom	
8	0801366	1	Mid, Boom	
9	0801367	1	Fly, Boom	
10	0811606	38	Screw 3/8in-16NC x 3/4in	
11	0962297	4	Bushing	
12	1670836	6	Cover Only (Prior to SN 0300120859)	
13	1684320	NLA	Tower Telescope Cylinder Assembly (Use p/n 1001228032) (See CYLINDER SECTION for Breakdown)	
14	3340878	14	Pad, Wear	
15	3340978	12	Pad, Wear	
16	3340979	1	Pad, Wear	
17	3340980	1	Pad, Wear	
18	3423066	1	Pin	
19	3760133	2	Ring, Retaining	
20	3811340	1	Loop, Hose	
21	3900269	4	Bolt, Shoulder 1/2in-13NC x 1in	
22	4070864	34	Shim #16 Gauge	
23	4071031	12	Shim, Trunion Keeper	
24	4071067	24	Shim #18 Gauge	
25	4071069	2	Shim #18 Gauge	
26	4071071	2	Shim #18 Gauge	
27	4891800	48	Flat Washer 1/2in Hardened	
28	4071081	6	Shim #18 Gauge	
29	4700014	2	Pad, Wear	
30	0811607	12	Screw 3/8in-16NC x 7/8in	
31	1671013	1	Cover	

SECTION 3 - BOOM

FIGURE 3-3. MAIN BOOM ASSEMBLY



SECTION 3 - BOOM



SECTION 3 - BOOM

FIGURE 3-3. MAIN BOOM ASSEMBLY

ITEM	PART NUMBER	QTY	DESCRIPTION	REV
		Ref	MAIN BOOM ASSEMBLY	
	0801371	Ref	Without Arctic Package	P
	1001138812	Ref	With Arctic Package	A
1		Ref	Actuator Assembly Options (Platform Rotate) (See ACTUATOR ASSEMBLIES for Breakdown):	
1	See Note	1	Actuator Assembly (was p/n 0060063) (Prior to SN 0300119708)	
1	1001097643	1	Actuator Assembly (SN 0300119708 through 0300201017)	
2		Ref	Actuator Assembly Options (Jib Rotate) (See ACTUATOR ASSEMBLIES for Breakdown):	
2	See Note	1	Actuator Assembly (was p/n 0060064) (Note: See ACTUATOR ASSEMBLIES for ordering information.) (Prior to SN 0300119708)	
2	1001097619	1	Actuator, Jib Rotator (SN 0300119708 through 0300201017)	
3	0100011	AR	Compound, Locking (Not Shown)	
4	0100019	AR	Compound, Locking (Not Shown)	
5	0362943	2	Bar, Fiberglass (Use p/n 1001106483)	
6	0363218	2	Bar, Fiberglass (Use p/n 1001106475)	
7	0363219	1	Bar, Fiberglass (Use p/n 1001106476)	
8	0630558	1	Bolt, Special	
10	0641607	6	Bolt 3/8in-16NC x 7/8in	
11	0641610	1	Bolt 3/8in-16NC x 1-1/4in	
12	0641808	1	Bolt 1/2in-13NC x 1-1/8in	
13	0641809	12	Bolt 1/2in-13NC x 1in	
14	0641810	6	Bolt 1/2in-13NC x 1-1/4in	
15	0641813	6	Bolt 1/2in-13NC x 1-5/8in	
16	0642010	2	Bolt 5/8in-11NC x 1-1/4in	
17	0682028	8	Bolt 5/8in-11NC x 3-1/2in Grade 8	
18	0682212	8	Bolt 3/4in-10NC x 1-1/2in Grade 8	
19	0741806	1	Screw, Flathead 1/2in-13NC x 3/4in	
20	0791606	2	Screw 3/8in-16NC x 3/4in	
21		Ref	Base, Boom Options:	
21	0801368	1	Boom, Main Base Boom Weldment (Use p/n 0801497) (Prior to SN 0300083153)	
21	0801497	1	Boom, Main Base Boom Weldment (SN 0300083153 through 0300201017)	
22	0801369	1	Fly, Boom	
23	0811606	12	Screw 3/8in-16NC x 3/4in	
24	0811607	12	Screw 3/8in-16NC x 7/8in	
25	0961951	8	Bushing	
28	1100141	1	Cam	
29	1670836	5	Cover (Prior to SN 0300120859)	
30		Ref	Jib Cylinder Assembly Options (See CYLINDER SECTION for Breakdown):	
30	1684173	NLA	Without Arctic Package (Use p/n 1001228025)	
30	1001138803	NLA	With Arctic Package (Use p/n 1001228025)	
31		Ref	Telescope Cylinder Assembly Options: (See CYLINDER SECTION for Breakdown)	
31	1684319	NLA	Telescope Cylinder Assembly (Use p/n 1001228080) (Prior to SN 0300188193)	
31	1001175888	NLA	Telescope Cylinder Assembly (Use p/n 1001228080) (SN 0300188193 through 0300201017)	

SECTION 3 - BOOM

ITEM	PART NUMBER	QTY	DESCRIPTION	REV
32		Ref	Platform Level Cylinder Assembly Options (See CYLINDER SECTION for Breakdown):	
32	1684343	NLA	Without Arctic Package (Use p/n 1001228034) (Prior to SN 0300080030)	
32	1684430	NLA	Without Arctic Package (Use p/n 1001228034) (SN 0300080030 through 0300201017)	
32	1001138813	NLA	With Arctic Package (Use p/n 1001228034)	
33	3311605	1	Locknut 3/8in-16NC	
34	3340878	8	Pad, Wear	
35	3340974	8	Pad, Wear	
36	3422178	1	Pin	
37	3422937	1	Pin	
38		Ref	Pin Options:	
38	3422953	2	Pin, Nickel Plated (Prior to SN 0300160658)	
38	1001119899	2	Pin, Nickel Plated (SN 0300160658 through 0300201017)	
39	3422957	5	Pin	
40	3422958	1	Pin	
41	3423058	1	Pin	
42	3423059	1	Pin	
43		Ref	Pin Options:	
43	3423060	1	Pin, Level Links (Prior to SN 0300080869)	
43	3423190	1	Pin, Level Links (SN 0300080869 through 0300201017)	
44	3760133	7	Ring, Retaining	
45	3760217	1	Ring, Retaining	
46	3760233	1	Ring, Retaining	
47	3841143	7	Keeper, Pin	
48	3841203	1	Keeper, Pin	
49	3841258	2	Keeper, Pin	
51	3900259	4	Bolt, Shoulder	
52	4070864	16	Shim #18 Gauge	
53	4071044	1	Shim #18 Gauge	
54	4071045	1	Shim #11 Gauge	
55	4071073	16	Shim #18 Gauge	
56	4846482	1	Link, Jib (Upper)	
57	4420060	52 ft/16m	Tape, Double-Sided	
58		Ref	Link, Jib (Lower) Options:	
58	4846483	1	Weldment, Lower Jib Link (Use p/n 0801550) (Prior to SN 0300099389)	
58	0801550	1	Weldment, Lower Jib Link (SN 0300099389 through 0300201017)	
59	4630006	1	Pivot	
59A	0962224	2	Bearing	
60		Ref	Link (Upper) Options:	
60	3010135	1	Link, Inner Level (Prior to SN 0300080869)	
60	3010142	1	Link, Inner Level (SN 0300080869 through 0300201017)	
60A	0962224	2	Bearing	
61	3010136	1	Link (Lower)	
61A	0962224	2	Bearing	
61B	0962556	2	Bearing	
62	4891800	24	Flat Washer 1/2in Hardened	
63	3272001	1	Nut 5/8in-11NC (SN 0300080869 through 0300201017)	
64	4100101	1	Sleeve, Pin Retainer (SN 0300080869 through 0300201017)	

SECTION 3 - BOOM

ITEM	PART NUMBER	QTY	DESCRIPTION	REV
65		Ref	Hardware Options:	
65	0741806	1	Screw, Flathead 1/2in-13NC x 3/4in (Prior to SN 0300080869)	
65	0682014	1	Bolt 5/8in-11NC x 1-3/4in (SN 0300080869 through 0300201017)	
66	3020042	AR	Lube, Super (Not Shown)	

SECTION 3 - BOOM

FIGURE 3-4. ACTUATOR ASSEMBLIES

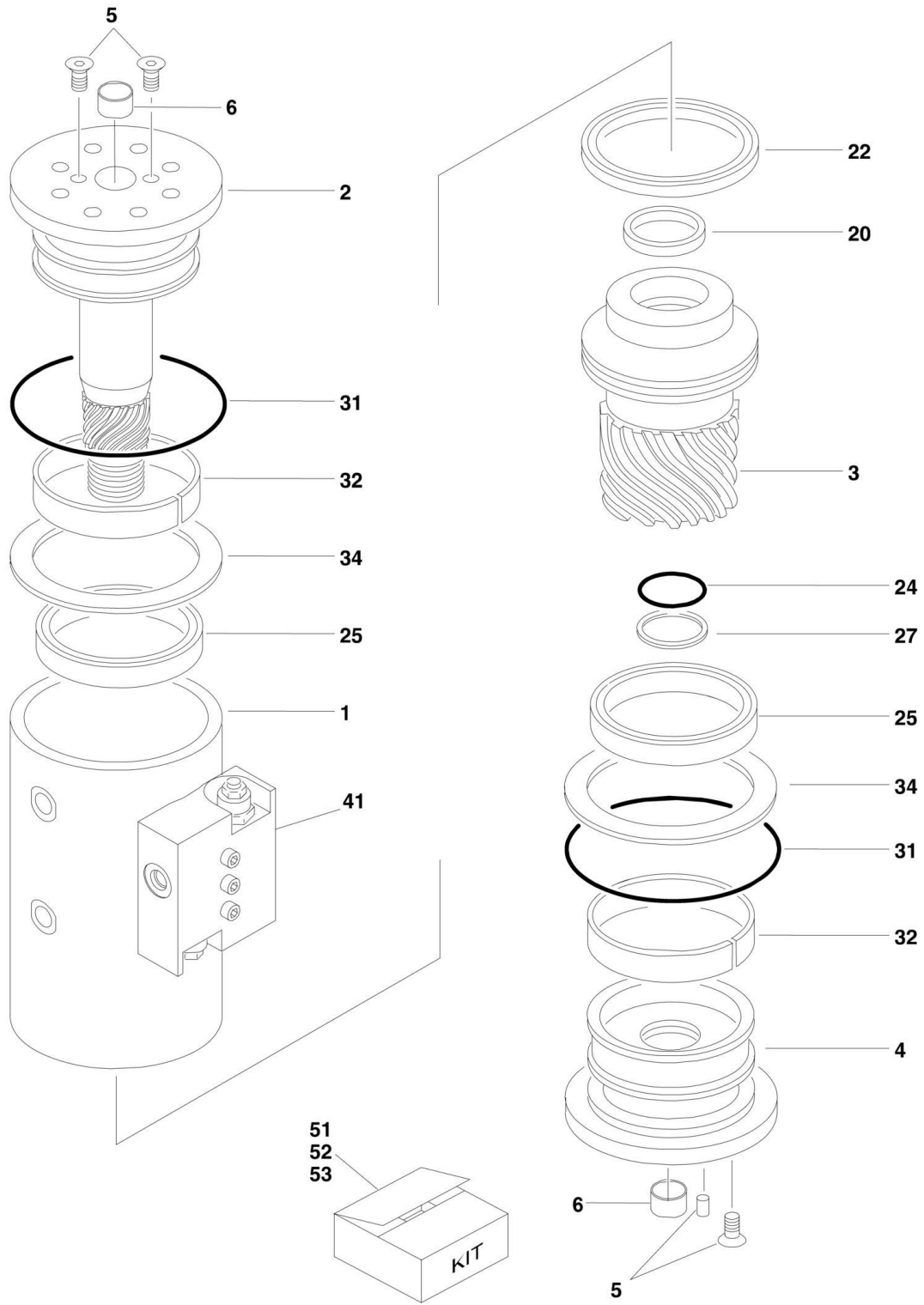


FIGURE 3-4. ACTUATOR ASSEMBLIES

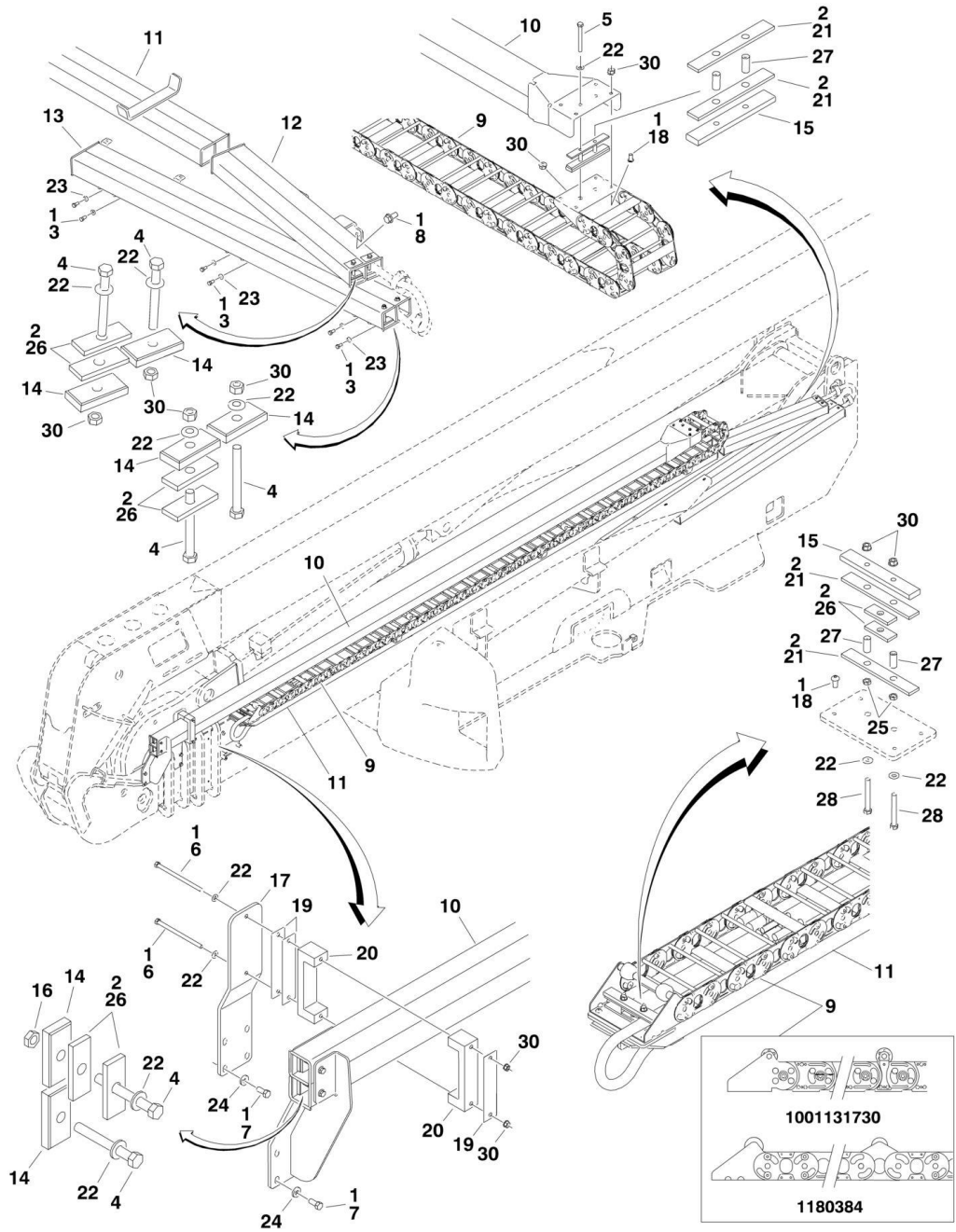
ITEM	PART NUMBER	QTY	DESCRIPTION	REV
		Ref	ACTUATOR ASSEMBLIES	
		Ref	Platform Rotate	
	See Notes 1 AND 2	Ref	Platform Rotate (See Notes 1 & 2) (was 2-Port Design p/n 0060063) (Prior to SN 0300119708)	F
	1001097643	Ref	Platform Rotate (3-Port Design) (SN 03000119708 through 0300201017)	A
		Ref	Jib Rotate	
	See Notes 1 AND 3	Ref	Jib Rotate (See Notes 1 & 3) (was 2-Port Design p/n 0060064) (Prior to SN 0300119708)	I
	1001097619	Ref	Jib Rotate (3-Port Design) (SN 03000119708 through 0300201017)	A
		Ref	Note 1: Verify Motion Control Valve Design Before Ordering Parts.	
		Ref	Note 2: Platform Rotator - 2-Port Motion Control Valve Platform Rotator no longer available. Must upgrade to 3-Port design. Purchase Rotator p/n 1001097643, Rotator Service Replacement Kit p/n 1001097785, and Jib Rotator Motion Control Valve p/n 70002859.	
		Ref	Note 3: Jib Rotator - 2-Port Motion Control Valve Jib Rotator no longer available. Must upgrade to 3-Port design. Purchase Rotator p/n 1001097619, Rotator Service Replacement Kit p/n 1001097785, and Platform Rotator Motion Control Valve p/n 70001639.	
1	See Note	1	Case/Bracket Weldment (Note: Not Available - Purchase Complete Assembly)	
2		Ref	Shaft Options:	
2	7017162	1	0060063 & 1001097643 Platform Rotator	
2	7017191	1	0060064 & 1001097619 Jib Rotator	
3		Ref	Sleeve, Piston Options:	
3	7017163	1	0060063 & 1001097643 Platform Rotator	
3	7017187	1	0060064 & 1001097619 Jib Rotator	
4		Ref	Cap, End Options:	
4	7017164	1	0060063 & 1001097643 Platform Rotator	
4	7017188	1	0060064 & 1001097619 Jib Rotator	
5	See Note	AR	Screw (Note: See Item 53 for Replacement Options)	
5	See Note	AR	Dowel Pin (Note: See Item 53 for Replacement Options)	
6	7017195	2	Bushing	
20	See Note	1	Seal, Rod (Note: See Item 51 for Replacement Options)	
22	See Note	1	Seal, Piston (Note: See Item 51 for Replacement Options)	
24	See Note	1	Seal, Cap (Note: See Item 51 for Replacement Options)	
25	See Note	2	Packing, Bearing (Note: See Item 51 for Replacement Options)	
27	See Note	1	Ring, Cap Back-Up (Note: See Item 51 for Replacement Options)	
31	See Note	2	Seal (Note: See Item 51 for Replacement Options)	
32	See Note	2	Bearing, Shaft (Note: See Item 52 for Replacement Options)	
34	See Note	2	Thrust Washer (Note: See Item 52 for Replacement Options)	
41		Ref	Motion Control Valve Assembly Options (Cartridges not serviced separately.):	
41	See Note	1	0060063 Platform Rotator (was 2-Port Design p/n 7017172)	
41	70001639	1	1001097643 Platform Rotator	
41	See Note	1	0060064 Jib Rotator (was 2-Port Design p/n 7017190)	
41	70002859	1	1001097619 Jib Rotator (was p/n 70001641)	
		Ref	Note: 2-Port Design Motion Control Valves no longer available. Must upgrade to 3-Port design. Purchase	

SECTION 3 - BOOM

ITEM	PART NUMBER	QTY	DESCRIPTION	REV
			Platform Motion Control Valve p/n 70001639, Jib Motion Control Valve p/n 70002859, and Rotator Service Replacement Kit p/n 1001097785.	
51		Ref	Seal Kit Options: (Includes Items 20, 22, 24, 25, 27 & 31)	
51		Ref	0060063 & 1001097643 Platform Rotator	
51	7017158	1	Standard	
51	70000342	1	Cold Climate	
51		Ref	0060064 & 1001097619 Jib Rotator	
51	7017184	1	Standard	
51	70000796	1	Cold Climate	
52		Ref	Bearing Kit Options: (Includes Items 32 & 34)	
52	7017159	1	0060063 & 1001097643 Platform Rotator	
52	7017185	1	0060064 & 1001097619 Jib Rotator	
53		Ref	Hardware Kit Options: (Includes Item 5 and Plugs)	
53	7017142	1	0060063 & 1001097643 Platform Rotator	
53	70001640	1	0060064 Platform Rotator	
	70001640	1	1001097619 Jib Rotator	

SECTION 3 - BOOM

FIGURE 3-5. POWER TRACK AND BOOM CLAMPS INSTALLATION (TOWER BOOM)



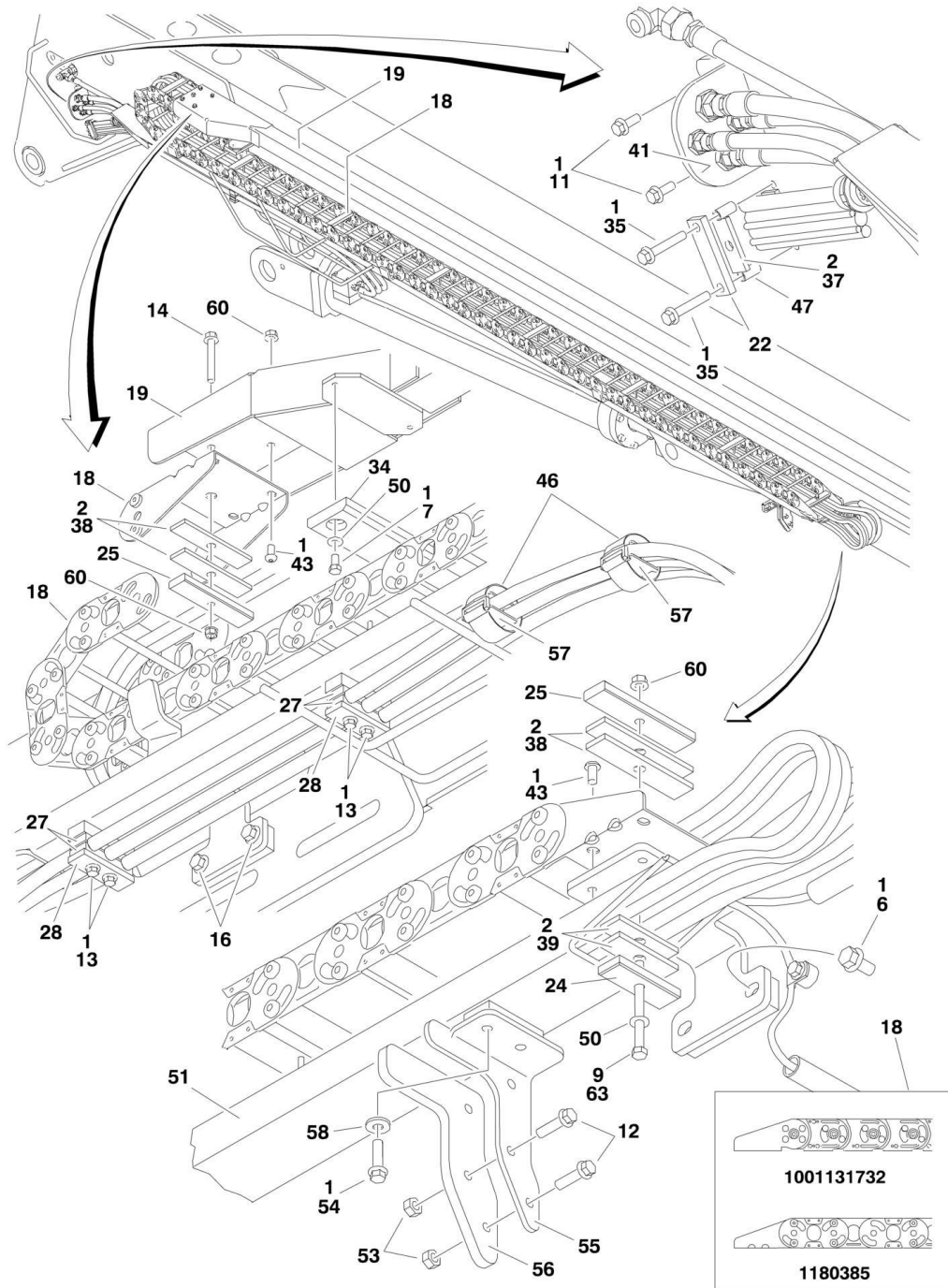
SECTION 3 - BOOM

FIGURE 3-5. POWER TRACK AND BOOM CLAMPS INSTALLATION (TOWER BOOM)

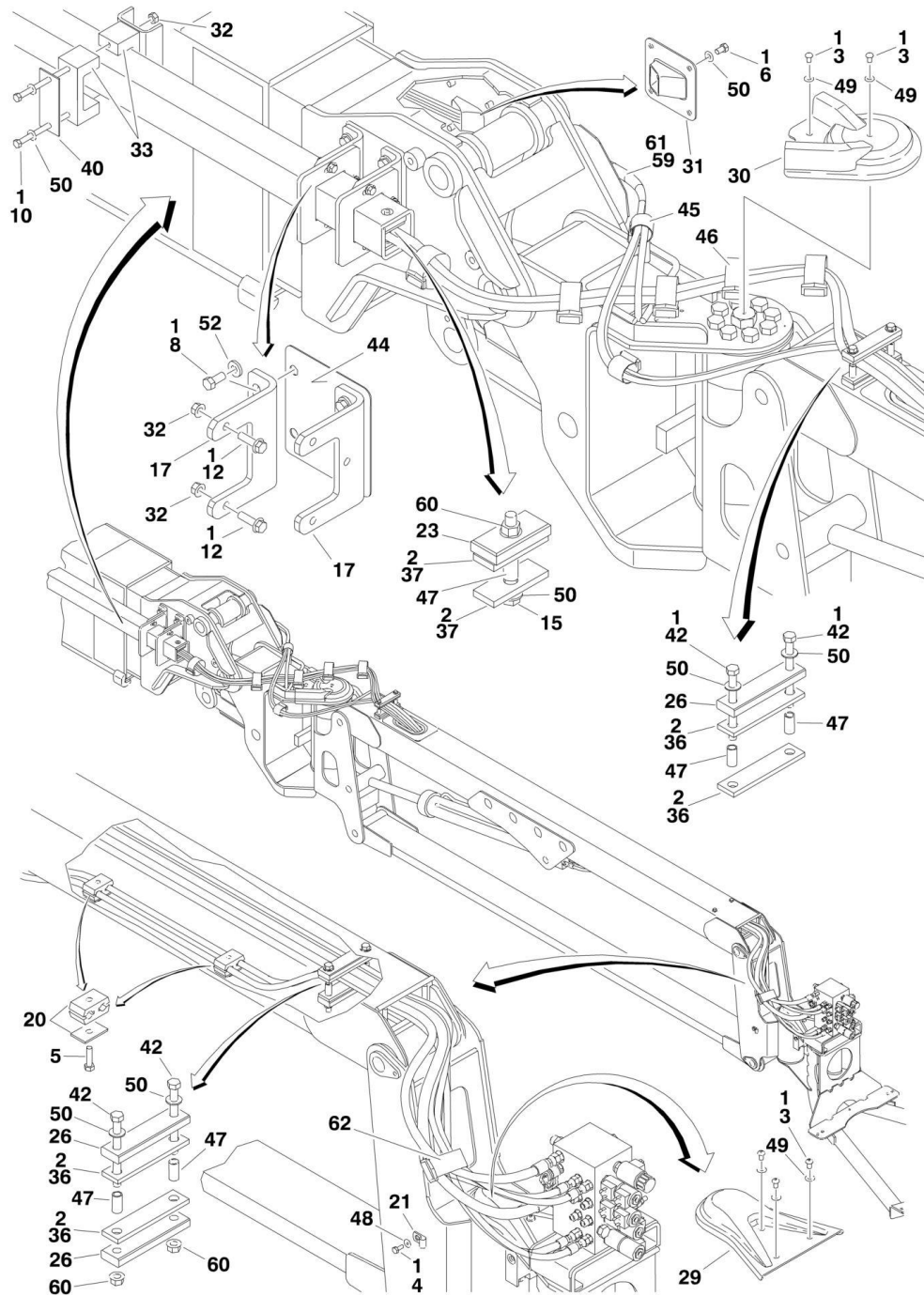
ITEM	PART NUMBER	QTY	DESCRIPTION	REV
	0273360	Ref	POWER TRACK INSTALLATION (TOWER BOOM)	F
1	0100011	AR	Compound, Locking	
2	0100081	AR	Adhesive #454	
3	0641606	6	Bolt 3/8in-16NC x 3/4in	
4	0641628	6	Bolt 3/8in-16NC x 3-1/2in	
5	0630539	2	Bolt 3/8in-16NC x 3-1/2in	
6	0641652	2	Bolt 3/8in-16NC x 6-1/2in	
7	0641809	8	Bolt 1/2in-13NC x 1-1/8in	
8	0791808	12	Screw 1/2in-13NC x 1in	
9		Ref	Carrier, Tower Options:	
9		Ref	Note: Original Equipment Power Track may have been replaced with Service Replacement. Visually identify component before ordering replacement parts.	
9	1180384	1	Power Track, Tower Hose (Use p/n 1001131730) (Prior to SN 0300154934)	
9	1001131730	1	Power Track, Tower Hose (SN 0300154934 through 0300201017)	
9		Ref	Repair Section Kit, (Includes Inner and Outer Links, Joining Bars and Rollers, and Assembling Hardware)	
9	70000506	AR	Repair Section for 1180384 Power Track	
9	70003919	AR	Repair Section for 1001131730 Power Track	
9		Ref	Mounting Bracket Kit (Includes Mounting Brackets for Both Ends, 1 Roller Assembly and Assembling Hardware)	
9	70000505	1	Kit for 1180384 Power Track	
9	70003920	1	Kit for 1001131730 Power Track	
10	1180387	1	Tube, Push (Upper Tower Boom)	
11	1180388	1	Tube, Carrier (Lower Tower Boom)	
12	1180389	1	Tube, Carrier (T/T to Tower Boom)	
13	1180390	1	Tube, Carrier (Turntable)	
14	1320288	6	Clamp, Bar	
15	1320328	2	Clamp, Bar	
16	3311608	6	Nut, Flanged 3/8in-16NC	
17	3574644	1	Plate, Support	
18	3900283	8	Screw, Button Head 3/8in-16NC x 3/4in	
19	4071076	3	Shim	
20	4220189	2	Block, Support	
21	4220190	4	Pad, Rubber	
22	4711600	12	Flat Washer 3/8in Thin	
23	4891600	6	Flat Washer 3/8in Hardened	
24	4891800	8	Flat Washer 1/2in Hardened	
25	3311602	2	Nut, Jam 3/8in-16NC	
26	3340941	8	Pad, Rubber	
27	4562516	3 in/7.6cm	Tubing, Poly	
28		Ref	Bolt Options:	
28	0630577	2	Bolt 3/8in-16NC x 3in (Prior to SN 0300081013)	
28	0630593	2	Bolt 3/8in-16NC x 3-1/4in (SN 0300081013 through 0300201017)	
29	4240155	AR	Strap, 8in Cinch (Not Shown)	
30		Ref	Nut Options:	
30	3311608	10	Nut, Flanged 3/8in-16NC (Prior to SN 0300081013)	
30	3300492	10	Locknut, Nylon Insert (SN 0300081013 through 0300201017)	

SECTION 3 - BOOM

FIGURE 3-6. POWER TRACK AND BOOM CLAMPS INSTALLATION (MAIN BOOM AND JIB)



SECTION 3 - BOOM



SECTION 3 - BOOM

FIGURE 3-6. POWER TRACK AND BOOM CLAMPS INSTALLATION (MAIN BOOM AND JIB)

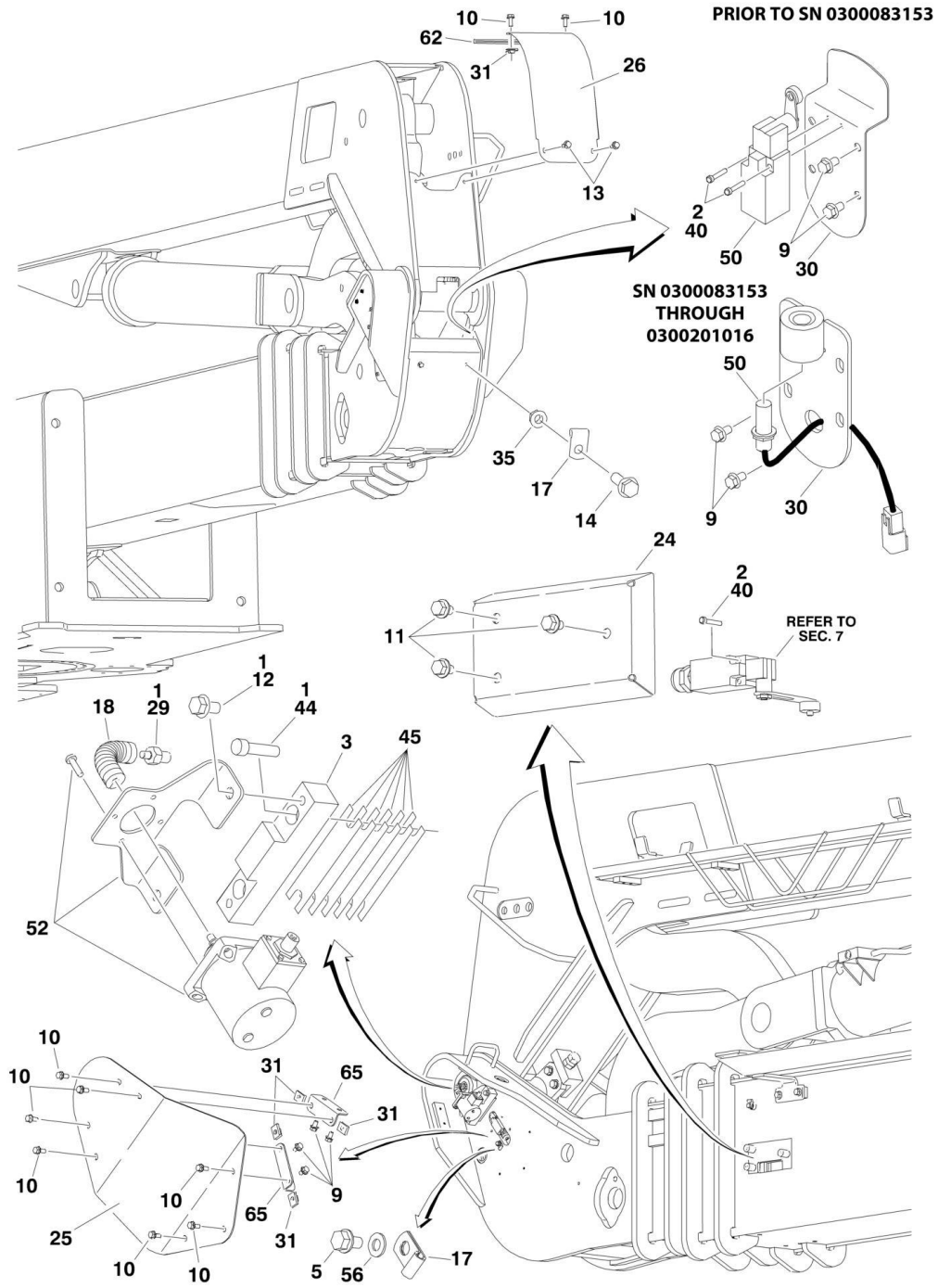
ITEM	PART NUMBER	QTY	DESCRIPTION	REV
	0273361	Ref	POWER TRACK INSTALLATION	I
1	0100011	AR	Compound, Locking	
2	0100081	AR	Adhesive #454	
3	0630467	6	Screw, Button 5/16in-18NC x 1/2in	
4	0641406	AR	Bolt 1/4in-20NC x 3/4in	
5	0791510	2	Screw 5/16in-18NC x 1-1/4in	
6	0641605	4	Bolt 3/8in-16NC x 5/8in	
7	0641606	2	Bolt 3/8in-16NC x 3/4in	
8	0641809	4	Bolt 1/2in-13NC x 1-1/8in	
9	0641638	1	Bolt 3/8in-16NC x 4-3/4in	
10	0641644	2	Bolt 3/8in-16NC x 5-1/2in	
11	0791608	2	Screw 3/8in-16NC x 1in	
12	0791610	10	Screw 3/8in-16NC x 1-1/4in	
13	0791616	4	Screw 3/8in-16NC x 2in	
14	0791622	1	Screw 3/8in-16NC x 2-3/4in	
15	0641626	1	Bolt 3/8in-16NC x 3-1/4in	
16	0791808	8	Screw 1/2in-13NC x 1in	
17	0902932	2	Bracket, Mounting	
18		Ref	Carrier (Main Boom) Options:	
18		Ref	Note: Original Equipment Power Track may have been replaced with Service Replacement. Visually identify component before ordering replacement parts.	
18	1180385	1	Power Track, Main Cable, 1250AJP (Use p/n 1001131732) (Prior to SN 0300154934)	
18	1001131732	1	Power Track, Main Cable, 1250AJP (SN 0300154934 through 0300201017)	
18		Ref	Repair Section Kit (Includes Inner and Outer Links, Joining Bars and Rollers, and Assembling Hardware)	
18	70000512	AR	Repair Section for 1180385 Power Track	
18	70003913	AR	Repair Section for 1001131732 Power Track	
18		Ref	Mounting Bracket Kit (Includes Mounting Brackets for Both Ends, 1 Roller Assembly and Assembling Hardware)	
18	70000511	1	Mounting Feet Kit for 1180385 Power Track	
18	70003916	1	Mounting Feet Kit for 1001131732 Power Track	
18	70003914	1	Roller Link Section Kit for 1001131732 Power Track	
19	1180386	1	Tube, Push (Upper Main Boom)	
20	1320159	2	Clamp, Hose	
21	1320263	2	Clamp, Hose	
22	1320277	1	Clamp, Hose	
23	1320288	1	Clamp, Hose	
24	1320289	1	Clamp, Hose	
25	1320294	2	Clamp, Bar	
26	1320296	3	Clamp, Bar	
27	1320325	2	Clamp, Block	
28	1320327	2	Clamp, Cover Plate	
29	1670964	1	Cover, Support/Rotator	
30	1671122	1	Cover, Jib Pivot	
31	2540044	1	Guide, Hose	
32	3311608	12	Nut, Flanged 3/8in-16NC	
33	3340764	2	Pad, Push Tube	
34	3340787	1	Pad, Wear	

SECTION 3 - BOOM

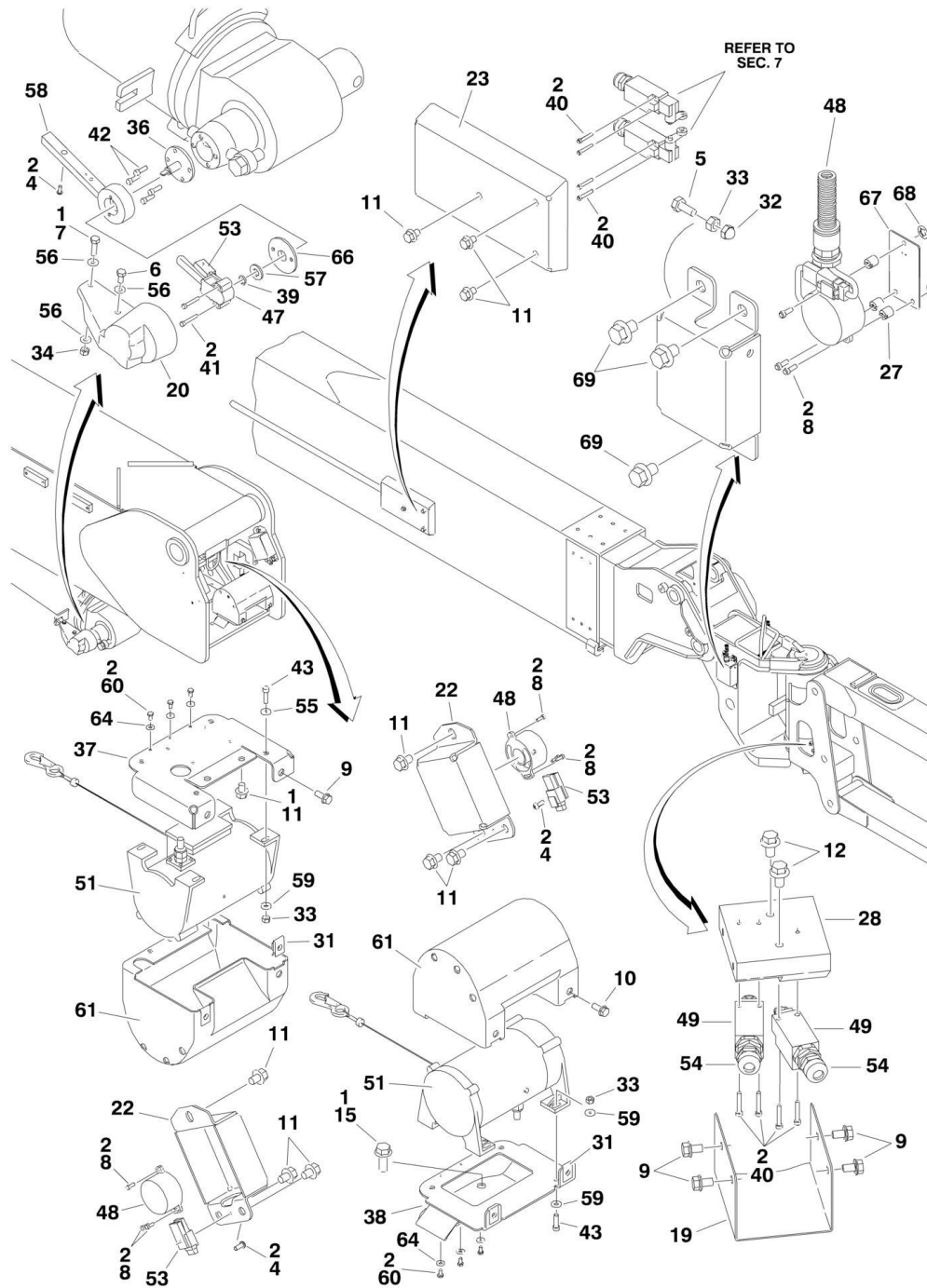
ITEM	PART NUMBER	QTY	DESCRIPTION	REV
35	0791618	2	Screw 3/8in-16NC x 2-1/4in	
36	3340934	4	Pad, Clamp	
37	3340941	4	Pad, Rubber	
38	3340942	4	Pad, Rubber	
39	3340943	2	Pad, Rubber	
40	3538758	1	Plate, Backing	
41	3574606	1	Plate, Bulkhead Mounting	
42	3900260	4	Capscrew 3/8in-16NC x 4in	
43	3900283	8	Screw, Button Head 3/8in-16NC x 3/4in	
44	4071072	1	Shim, Adjusting 16Ga	
45	4240153	AR	Tie-Strap, 4in	
46	4240155	AR	Tie-Strap, 8in	
47	4562516	7 in/18.cm	Tubing, Poly	
48	4711400	AR	Flat Washer 1/4in Thin	
49	4711500	6	Flat Washer 5/16in Thin	
50	4711600	18	Flat Washer 3/8in Thin	
51	4846920	1	Tube, Carrier (Lower Main Boom)	
52	4891800	4	Flat Washer 1/2in Hardened	
53	3311605	4	Locknut 3/8in-16NC	
54	0811605	2	Screw 3/8in-16NC x 5/8in	
55	0902965	1	Bracket, Push Tube Guide	
56	4220197	1	Pad, Guide Tube	
57	4340750	4	Support, Hose (Prior to SN 0300081013)	
58	4891600	2	Flat Washer, 3/8in Hardened	
59	4100063	1	Sleeve (SN 0300081013 through 0300201017)	
60		Ref	Nut Options:	
60	3311608	5	Nut, Flanged 3/8in-16NC (Prior to SN 0300081013)	
60	3300492	5	Locknut, Nylon Insert (SN 0300081013 through 0300201017)	
61	4240033	AR	Tie-Strap, 7in (SN 0300081013 through 0300201017)	
62		Ref	Tie-Strap Options:	
62	4240155	1	Tie-Strap, 8in (Prior to SN 0300084824)	
62	4240156	1	Tie-Strap, 12in (SN 0300084824 through 0300201017)	
63	0641636	1	Bolt 3/8in-16NC x 4-1/2in (SN 0300084824 through 0300201017)	
64	1321385	1	Clamp, Hose Retaining (Located at Platform Rotator - Not Shown)	

SECTION 3 - BOOM

FIGURE 3-7. BOOM SENSORS AND SWITCHES INSTALLATION



SECTION 3 - BOOM



SECTION 3 - BOOM

FIGURE 3-7. BOOM SENSORS AND SWITCHES INSTALLATION

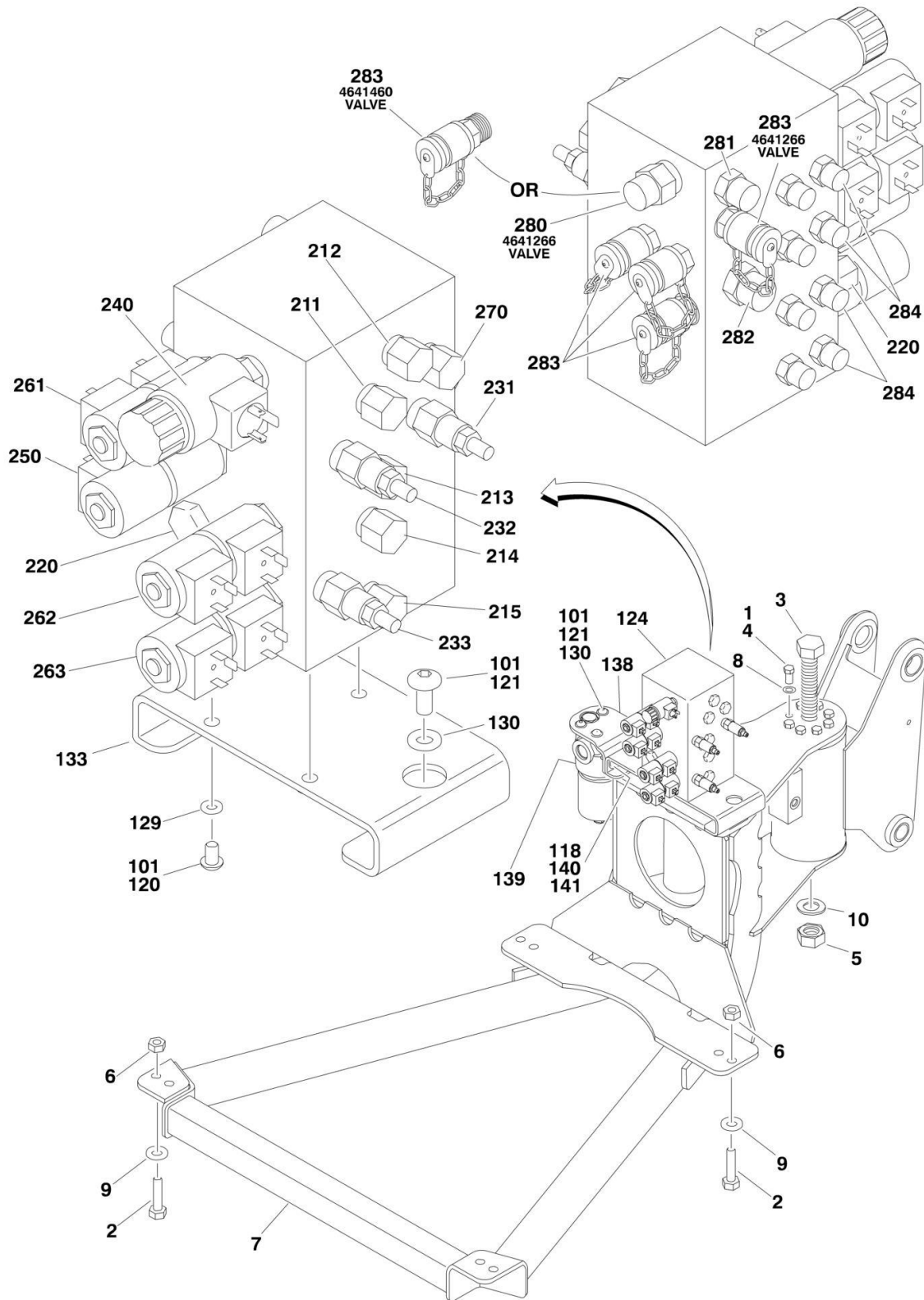
ITEM	PART NUMBER	QTY	DESCRIPTION	REV
	0273121	Ref	BOOM SENSORS AND SWITCHES INSTALLATION	P
1	0100011	AR	Compound, Locking	
2	0100035	AR	Compound, Locking	
3	0363224	2	Bar, Sensor Mounting	
4	0630464	3	Screw, Button Head #10-24NC x 1/2in	
5	0641405	2	Bolt 1/4in-20NC x 5/8in	
6	0641505	1	Bolt 5/16in-18NC x 5/8in	
7	0641509	1	Bolt 5/16in-18NC x 1-1/8in (Prior to SN 0300078050)	
8	3930606	12	Capscrew #6-32NC x 3/8in	
9	0791504	17	Screw 5/16in-18NC x 1/2in	
10	0791506	20	Screw 5/16in-18NC x 3/4in	
11	0791604	26	Screw 3/8in-16NC x 1/2in	
12	0791605	6	Screw 3/8in-16NC x 5/8in	
13	0791606	2	Screw 3/8in-16NC x 3/4in	
14	0791608	2	Screw 3/8in-16NC x 1in	
15	0791810	2	Screw 1/2in-13NC x 1-1/4in	
16	4240018	AR	Tie-Strap (Not Shown)	
17	1320301	7	Clamp, Hose	
18	1660261	2	Coupling, Rotary Sensor	
19	1671039	1	Cover, Jib Switch	
20	1671040	1	Cover, Sensor	
21	1671044	2	Cover, Level Sensor	
22	1671112	2	Cover, Angle Sensor	
23	1671113	2	Cover, Limit Switch	
24	1671117	1	Cover, Limit Switch	
25	3380528	2	Cover, Rotary Sensor	
26	1671123	1	Cover, Main Base Hose	
27	2080068	6	Fastener, Insert 1/4in-20NC (Prior to SN 0300088385)	
28	3200433	1	Mount, Jib Switch	
29	3200458	2	Mount, Coupling	
30		Ref	Mount Options:	
30	3200460	1	Boom Angle Switch (Prior to SN 0300083153)	
30	4340959	1	Sensor Mount Weldment (SN 0300083153 through 0300201017)	
31	3300364	14	Nut, Tinnerman 5/16in-18NC	
32	3300430	2	Nut, Acorn 1/4in-20NC	
33	3311405	10	Locknut 1/4in-20NC	
34	3311505	1	Locknut 5/16in-18NC Only (Prior to SN 0300078050)	
35	3311608	2	Nut, Flanged 3/8in-16NC	
36		Ref	Pin, Sensor Options (Note: Control System must be recalibrated when Switch is replaced):	
36	3422942	1	Pin, Sensor (Prior to SN 0300090594)	
36	3423256	1	Pin, Angle Sensor (SN 0300090594 through 0300201017)	
37	4340810	1	Mount, Sensor (Upper)	
38	4340811	1	Mount, Sensor (Lower)	
39	3760383	1	Ring	
40	3930816	14	Capscrew #8-32NC x 1in	
41	3931020	2	Capscrew #10-24NC x 1-1/4in	
42	3931412	4	Capscrew 1/4in-20NC x 3/4in	
43	3931414	8	Capscrew 1/4in-20NC x 7/8in	

SECTION 3 - BOOM

ITEM	PART NUMBER	QTY	DESCRIPTION	REV
44	3931624	4	Capscrew 3/8in-16NC x 1-1/2in	
45	4071031	12	Shim, Trunnion Keeper	
46	4240033	AR	Tie-Strap (Not Shown)	
47	4360505	1	Switch, Rotary Angle Sensor (Note: Control System must be recalibrated when Switch is replaced)	
48		Ref	Switch, Digital Angle Sensor (Note: Control System must be Recalibrated when Switch is Replaced)	
48	4360545	4	Switch, Angle Sensor-Digital (Use p/n 1001147479) (Prior to SN 0300141600)	
48	4360545	4	Switch, Angle Sensor-Digital (Use p/n 1001133329) (SN 0300141600 through 0300156985)	
48	1001133329	4	Switch, Angle Sensor-Digital (SN 0300156986 through 0300184659)	
48	1001147479	4	Switch, Angle Sensor-Digital (SN 0300184659 through 0300201017)	
49	4360548	2	Switch, Plunger	
50		Ref	Switch, Options:	
50	4360549	1	Switch, Lever (Use p/n 4360578) (Prior to SN 0300079320)	
50	4360578	1	Switch, Lever (SN 0300079320 through 0300083152)	
50	4000008	1	Sensor, Proximity Assy (SN 0300083153 through 0300201017)	
51	4360552	2	Switch, Boom Length (Note: Control System must be Recalibrated when Switch is Replaced)	
52		Ref	Switch, Rotary Transducer Options (Note: Control System must be Recalibrated when Switch is Replaced)	
52	4360556	2	Switch, Rotary Transducer, (Use p/n 4360622) (Prior to SN 0300087575)	
52	4360622	2	Switch, Rotary Transducer (SN 0300087575 through 0300201017)	
53	4460914	3	Terminal, Base	
54	4460968	3	Connector, Strain Relief	
55	4711400	8	Flat Washer 1/4in Thin	
56	4711500	2	Flat Washer 5/16in Thin	
57	4711800	1	Flat Washer 1/2in Thin	
58	4846494	1	Arm	
59	4891400	8	Flat Washer 1/4in Hardened	
60	0721003	6	Screw #10-24NC x 3/8in	
61	1671142	2	Cover, Length Sensor	
62	3960389	11	Seal	
		in/28cm		
63	3960571	1	Seal, Gasket	
64	4751000	6	Flat Washer #10 Regular	
65	4340861	4	Plate, Mounting	
66	0080277	1	Adapter, Angle Sensor Pilot (SN 0300088385 through 0300201017)	
67	4341158	2	Mount, Sensor (SN 0300088385 through 0300201017)	
68	8310070	6	Pushnut 3/8in (SN 0300088385 through 0300201017)	
69		Ref	Screw Options:	
69	0791604	6	Screw 3/8in-16NC x 1/2in (Prior to SN 0300088385)	
69	0791605	6	Screw 3/8in-16NC x 5/8in (SN 0300088385 through 0300201017)	

SECTION 3 - BOOM

FIGURE 3-8. PLATFORM SUPPORT AND CONTROL VALVES INSTALLATIONS



SECTION 3 - BOOM

FIGURE 3-8. PLATFORM SUPPORT AND CONTROL VALVES INSTALLATIONS

ITEM	PART NUMBER	QTY	DESCRIPTION	REV
		Ref	PLATFORM SUPPORT INSTALLATIONS (SIDE ENTRY PLATFORM)	
	0272070	Ref	Machines without Load Sensing and without SkyGlazier	F
	See Note	Ref	Machines without Load Sensing and with SkyGlazier (Note: For Replacement Parts, Contact JLG Customer Service and Request Manual p/n 3124242.)	
	See Note	Ref	Machines with Load Sensing and without SkyGlazier (Note: For Replacement Parts, Contact JLG Customer Service and Request Manual p/n 3124287.)	
	See Note	Ref	Machines with Load Sensing and with SkyGlazier (Note: For Replacement Parts, Contact JLG Customer Service and Request Manual p/n 3124287.)	
1	0100011	AR	Compound, Locking	
2	0641812	8	Bolt 1/2in-13NC x 1-1/2in	
3	0642684	1	Bolt 1in-8NC x 10-1/4in	
4	0681608	8	Bolt 3/8in-16NC x 1in	
5	3300243	1	Locknut 1in-8NC	
6	3311805	8	Locknut 1/2in-13NC	
7	4846573	1	Support	
8	4891600	8	Flat Washer 3/8in Hardened	
9	4891800	8	Flat Washer 1/2in Hardened	
10	4892600	2	Flat Washer 1in Hardened	
	0273377	Ref	CONTROL VALVE INSTALLATION	M
101	0100011	AR	Compound, Locking	
118	3311605	2	Locknut 3/8in-16NC	
120	3900210	3	Screw, Button Head 5/16in-18NC x 3/4in	
121	3900283	AR	Screw, Button Head 3/8in-16NC x 3/4in	
124		Ref	Platform Valve Options (See Items 211 thru 284 for Breakdown):	
124	See Note	1	Valve, Platform Control (was p/n 4641266) (Note: If machine is not equipped with hydraulic filter (item# 139), purchase p/n 2915201. If machine is equipped with hydraulic filter (Item# 139), purchase p/n 4641460.) (Prior to SN 0300099915)	
124	4641460	1	Valve, Platform Control (SN 0300099915 through 0300201017)	
129	4711500	3	Flat Washer 5/16in Thin	
130	4711600	AR	Flat Washer 3/8in Thin	
133		Ref	Plate, Valve Mounting Options:	
133	4846685	1	Mount, Valve (Use p/n 4341264) (Prior to SN 0300093313)	
133	4341264	1	Mount, Valve (SN 0300093313 through 0300201017)	
138	0903530	1	Bracket, Filter Mounting	
139	2120217	1	Filter, Pressure	
139	70002097	1	Element	
139	70004328	1	Plug, Indicator	
140	3900232	2	Screw, Button Head 3/8in-16NC x 1-1/4in	
141	4751600	4	Flat Washer 3/8in Regular	
		Ref	PLATFORM VALVE ASSEMBLY	
	4641266	Ref	Valve, Platform Control (Prior to SN 0300099915)	C
	4641460	Ref	Valve, Platform Control (SN 0300099915 through 0300201017)	C
211	7026018	1	Valve, Cartridge	
211	7011346	1	Seal Kit - Valve	
212	7026019	1	Valve, Cartridge (Flow Control)	
212	7011346	1	Seal Kit - Valve	
213	7026020	1	Valve, Cartridge (Rotate)	

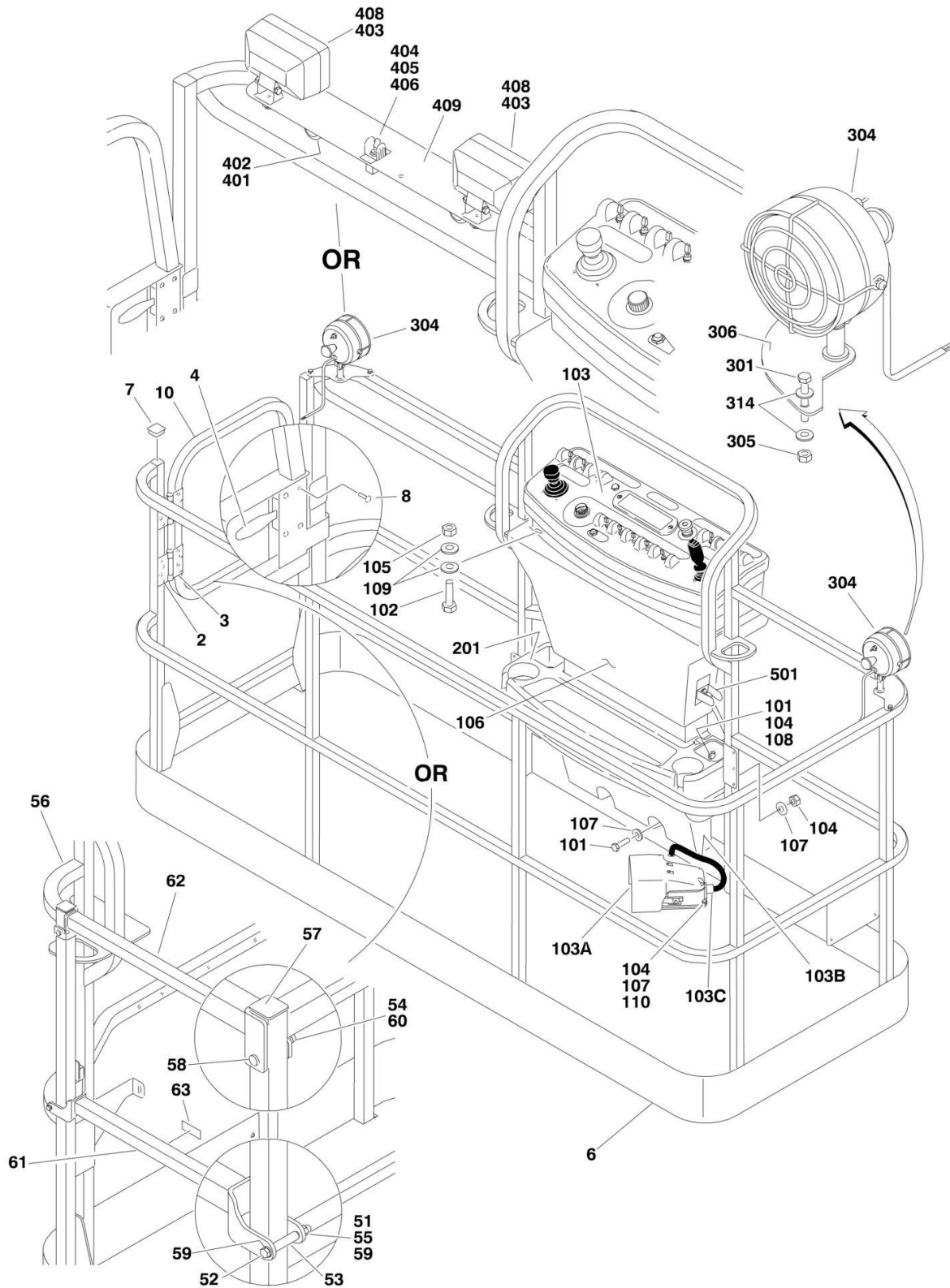
SECTION 3 - BOOM

ITEM	PART NUMBER	QTY	DESCRIPTION	REV
213	7011346	1	Seal Kit - Valve	
214	7026021	1	Valve, Cartridge (Jib Swing)	
214	7011346	1	Seal Kit - Valve	
215	7026019	1	Valve, Cartridge (Jib Lift)	
215	7011346	1	Seal Kit - Valve	
220	7011355	1	Valve, Cartridge (Jib)	
220	2900770	1	Seal Kit - Valve	
231	7024572	1	Valve, Relief Cartridge (Platform Level Up)	
231	7011346	1	Seal Kit - Valve	
232	7024572	1	Valve, Relief Cartridge (Platform Level Down)	
232	7011346	1	Seal Kit - Valve	
233	7024572	1	Valve, Relief Cartridge (Jib Up/Down)	
233	7011346	1	Seal Kit - Valve	
240	7026022	1	Valve, Cartridge (Dump)	
240	2900770	1	Seal Kit - Valve	
240	7024571	1	Coil	
250	7023922	1	Valve, Cartridge (Platform Rotate	
250	7017402	1	Seal Kit - Valve	
250	7012944	2	Coil	
261	7023922	1	Valve, Cartridge (Platform Level)	
261	7017402	1	Seal Kit - Valve	
261	7012944	2	Coil	
262	7023922	1	Valve, Cartridge (Jib Swing)	
262	7017402	1	Seal Kit - Valve	
262	7012944	2	Coil	
263	7023922	1	Valve, Cartridge (Jib Lift)	
263	7017402	1	Seal Kit - Valve	
263	7012944	2	Coil	
270	7026023	1	Valve, Cartridge (Check)	
270	7011346	1	Seal Kit - Valve	
280	7026024	1	Valve, Cartridge (Filter) (4641266 Valve Only)	
280		Ref	Note: Remove & Discard Element When Replacing Cartridge	
280	7011311	1	Seal Kit - Valve	
281	2110606	1	Fitting, Straight	
282		Ref	Fitting Options:	
282	2110808	1	Straight Fitting (Prior to SN 0300119708)	
282	4641255	1	Check Valve (SN 0300119708 through 0300201017)	
283	2221086	4	Check, Pressure	
284	2110404	8	Fitting, Straight	

SECTION 4 - PLATFORM

SECTION 4 - PLATFORM

FIGURE 4-1. PLATFORM COMPONENTS INSTALLATION



SECTION 4 - PLATFORM

FIGURE 4-1. PLATFORM COMPONENTS INSTALLATION

ITEM	PART NUMBER	QTY	DESCRIPTION	REV
		Ref	PLATFORM ASSEMBLIES	
		Ref	8ft (2.44m) with No Mesh	
	3510822	Ref	Platform, 36X96 Gate (Use p/n 1001144023) (Prior to SN 0300168212)	J
	1001144023	Ref	Platform, 36X96 Gate (SN 0300168212 through 0300201017)	B
		Ref	6ft (1.83m) with No Mesh	
	3510833	Ref	Platform, 36X72 Gate (Use p/n 1001144024) (Prior to SN 0300168212)	I
	1001144024	Ref	Platform, 36X72 Gate (SN 0300168212 through 0300201017)	B
		Ref	Note: Platform and Mesh must be ordered separately for Platforms with Mesh. See SPECIAL OPTIONS SECTION for Mesh Installations.	
		Ref	Note: For Fall Arrest Platform Machines See SPECIAL OPTIONS SECTION.	
		Ref	Note: Replacement Decals Must Be Ordered Separately - See DECALS SECTION.	
		Ref	Note: When replacing 8ft/2.44m platform with Soft Touch option, new Soft Touch Rail p/n 4846673 must be purchased to accommodate limit switch locations.	
		Ref	Note: When replacing platform on machines with SkyCutter option, new bracket p/n 1001145405 must be purchased to accommodate SkyCutter components.	
2	2080040	16	Fastener, Huck	
3	2600281	2	Hinge, Self-Closing	
4	2940074	1	Latch	
6	See Note	1	Platform Weldment (Note: Not Available - Purchase Platform Assembly)	
7		Ref	Cap-Plug Options:	
7	3520072	1	Plug-Spec, Cap (Prior to SN 0300162288)	
7	1001144630	1	Cap, Square Tubing (SN 0300162288 through 0300201017)	
8	3820020	4	Rivet	
10		Ref	Gate Weldment Options:	
10	4846452	1	Weld, Platf. Gate (Prior to SN 0300162288)	
10	1001144629	1	Gate, Weldment (SN 0300162288 through 0300201017)	
11	3520198	2	Square Tube - Plug	
		Ref	PLATFORM ASSEMBLY WITH DROP-BAR	
		Ref	6ft x 3ft (1.83m x .91m)	
	1001138434	Ref	Platform, 36X72 Dropbar, (Use p/n 1001144021) (Prior to SN 0300168212)	B
	1001144021	Ref	Platform, 36X72 Dropbar (SN 0300168212 through 0300201017)	B
		Ref	8ft x 3ft (2.44m x .91m)	
	1001138430	Ref	Platform, 36X96 Dropbar, (Use p/n 1001144022) (Prior to SN 0300168212)	B
	1001144022	Ref	Platform, 36X96 Dropbar (SN 0300168212 through 0300201017)	B
		Ref	Note: Replacement Decals Must Be Ordered Separately - See DECALS.	
		Ref	Note: When replacing 8ft/2.44m platform with Soft Touch option, new Soft Touch Rail p/n 4846673 must be purchased to accommodate limit switch locations.	

SECTION 4 - PLATFORM

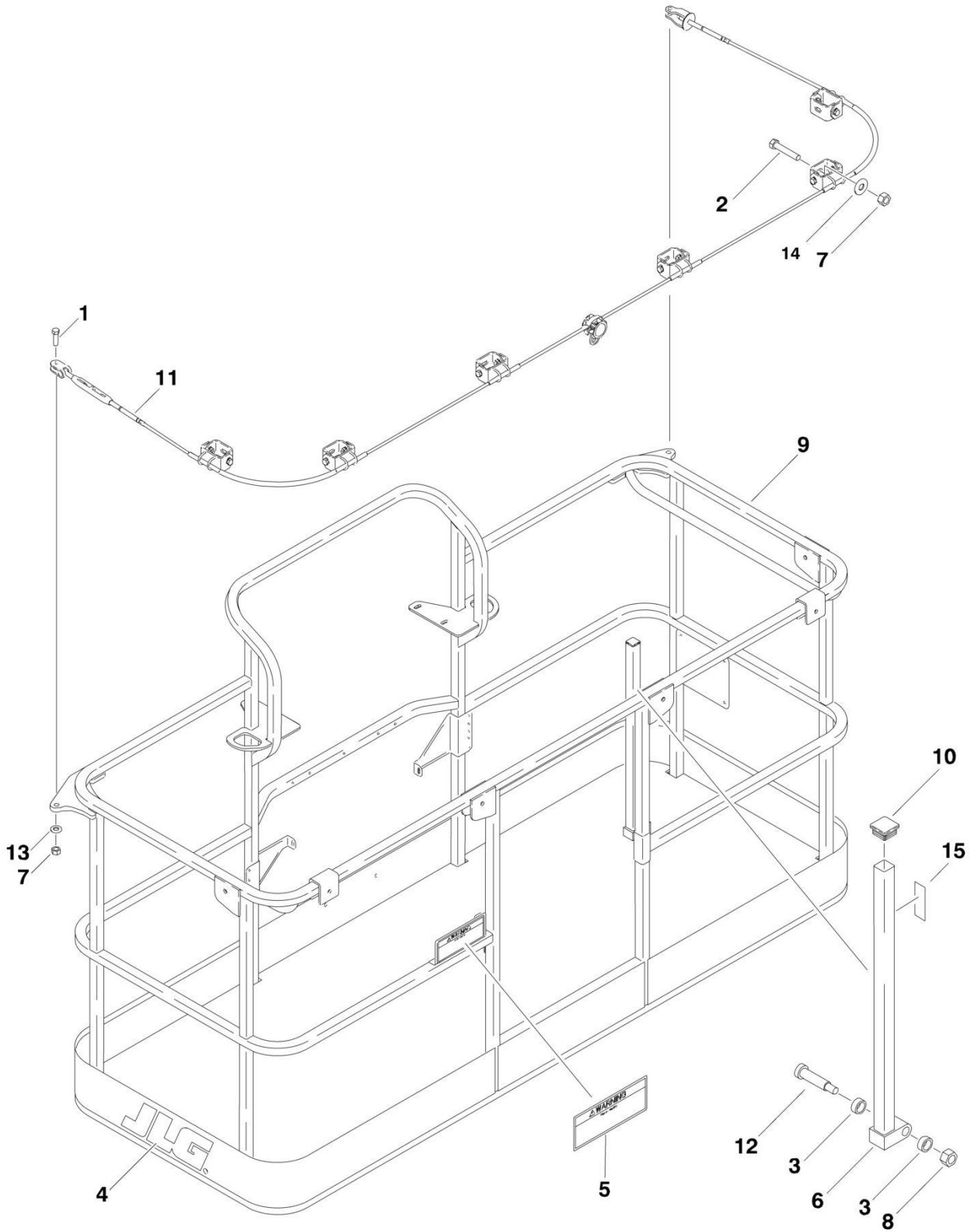
ITEM	PART NUMBER	QTY	DESCRIPTION	REV
		Ref	Note: When replacing platform on machines with SkyCutter option, new bracket p/n 1001145405 must be purchased to accommodate SkyCutter components.	
51	0100011	AR	Compound, Locking	
52	0641418	2	Bolt 1/4in-20NC x 2-1/4in	
53	0961845	2	Bushing	
54	3290606	2	Nut M6	
55	3300151	2	Nut, Acorn	
56	See Note	1	Platform Weldment (Note: Not Available - Purchase Platform Assembly)	
57	3520198	2	Cap-Plug	
58	4010618	2	Screw M6 x 50mm	
59	4711400	4	Flatwasher 1/4in Thin	
60	4811700	2	Flatwasher M6	
61	1001138494	1	Bar, Drop	
62	1001138514	1	Rail (Top)	
63	1001140429	1	Decal - Drop-Bar	
		Ref	FOOTSWITCH AND COVERS INSTALLATION	
	0273400	Ref	Install, Console Box, (Use p/n 1001145785) (Prior to SN 0300170097)	C
	1001145785	Ref	Install, Console Box, (SN 0300170097 through 0300201017)	B
101	0641406	4	Bolt 1/4in-20NC x 3/4in	
102	0641610	4	Bolt 3/8in-16NC x 1-1/4in	
103		Ref	Platform Console Box Assembly (See PLATFORM CONSOLE ASSEMBLY for Breakdown)	
103	0861631	1	Box, Console, (Use p/n 1001146161) (Prior to SN 0300170097)	
103	1001146161	1	Box, Console (Use p/n 1001166665) (SN 0300170097 through 0300188513)	
103	1001166665	1	Box, Console (SN 0300188514 through 0300201017)	
103		Ref	Footswitch Assembly Options:	
103	0272970	1	Assembly, Foot Switch (Prior to SN 0300167892)	B
103	1001117174	1	Elec, Assy, Footswitch (SN 0300167892 through 0300201017)	B
		Ref	Note: Assembly p/n 0272970 may use either p/n 4360031 or p/n 1001117320 Footswitch. If Original Equipment was replaced as an "assembly," p/n 1001117320 may have been used as part of the Service Replacement. Identify component before ordering parts.	
103A		Ref	Footswitch Options:	
103A	4360031	1	Footswitch (Prior to SN 0300143790)	
103A	7000625	2	Block, Contact (4360031 Footswitch)	
103A	1001117320	1	Footswitch (SN 0300143790 through 0300167891)	
103A	70003483	1	Block, Contact (1001117320 Footswitch)	
103A	1001117172	1	Footswitch (SN 0300167892 through 0300201017)	
103A	70002902	1	Switch, 20Amp	
103A	70002903	1	Gasket	
103A	70002904	4	Replacement Kit, Bolt	
103A	70002905	1	Cover, Aluminum	
103B	1060918	7 ft/2.14m	Cable, Electrical - 18/3	
103C	4460071	1	Connector, Strain Relief	
104	3311405	7	Locknut 1/4in-20NC	
105	3311605	4	Locknut 3/8in-16NC	
106	3380434	1	Panel, Molded	

SECTION 4 - PLATFORM

ITEM	PART NUMBER	QTY	DESCRIPTION	REV
107	4740362	7	Washer, Fender	
108	4751400	4	Flatwasher 1/4in Regular	
109	4751600	8	Flatwasher 3/8in Regular	
110	0641408	3	Bolt 1/4in-20NC x 1in	
		Ref	TRAY INSTALLATIONS	
201	1580012	1	Tray, Storage (Center)	
202	1580013	1	Tray, Storage (Rail Mounted - Not Shown) (Optional)	
	0273465	Ref	WORKLIGHTS INSTALLATION (OPTIONAL)	C
301		Ref	Hardware Options:	
301	0641414	4	Bolt 1/4in-20NC x 1-3/4in (Prior to SN 0300105421)	
301	2080040	4	Fastener, Huck (SN 0300105421 through 0300201017)	
304	2920140	2	Worklight	
304	7016399	2	Bulb, Replacement (1 Per Light)	
305	3311405	4	Locknut 1/4in-20NC (Prior to SN 0300105421)	
306	3536089	2	Plate, Lamp Mounting	
314	4711400	8	Flatwasher 1/4in Thin (Prior to SN 0300105421)	
	0273466	Ref	FLOODLIGHTS INSTALLATION (OPTIONAL)	B
401	0641518	2	Bolt 5/16in-18NC x 2-1/4in	
402	2560173	2	Handle, Star Knob	
403	2920157	2	Floodlight	
403	7024452	2	Bulb, Replacement (1 Per Light)	
404	3250585	1	Nameplate - Lights On	
405	4060802	1	Guard, Switch	
406	4360336	1	Switch, Toggle	
407	4420037	AR	Tape, Insulation (Not Shown)	
408	4751800	2	Flatwasher 1/2in Regular	
409	4846561	1	Mount, Light	
		Ref	2500W GENERATOR INSTALLATION (OPTIONAL)	
	0272094	Ref	110Volt - 60Hz (ANSI Spec)	C
	0272715	Ref	110Volt - 50Hz (ANSI Export Only)	A
	0272095	Ref	220Volt - 50Hz (ANSI Export Only)	B
501	4360336	1	Switch, Toggle	
501	4740397	1	Bushing	
501	4060802	1	Guard, Switch	
501	3251102	1	Decal - Generator ON/OFF	

SECTION 4 - PLATFORM

FIGURE 4-2. PLATFORM COMPONENTS INSTALLATION (FALL ARREST PLATFORM)



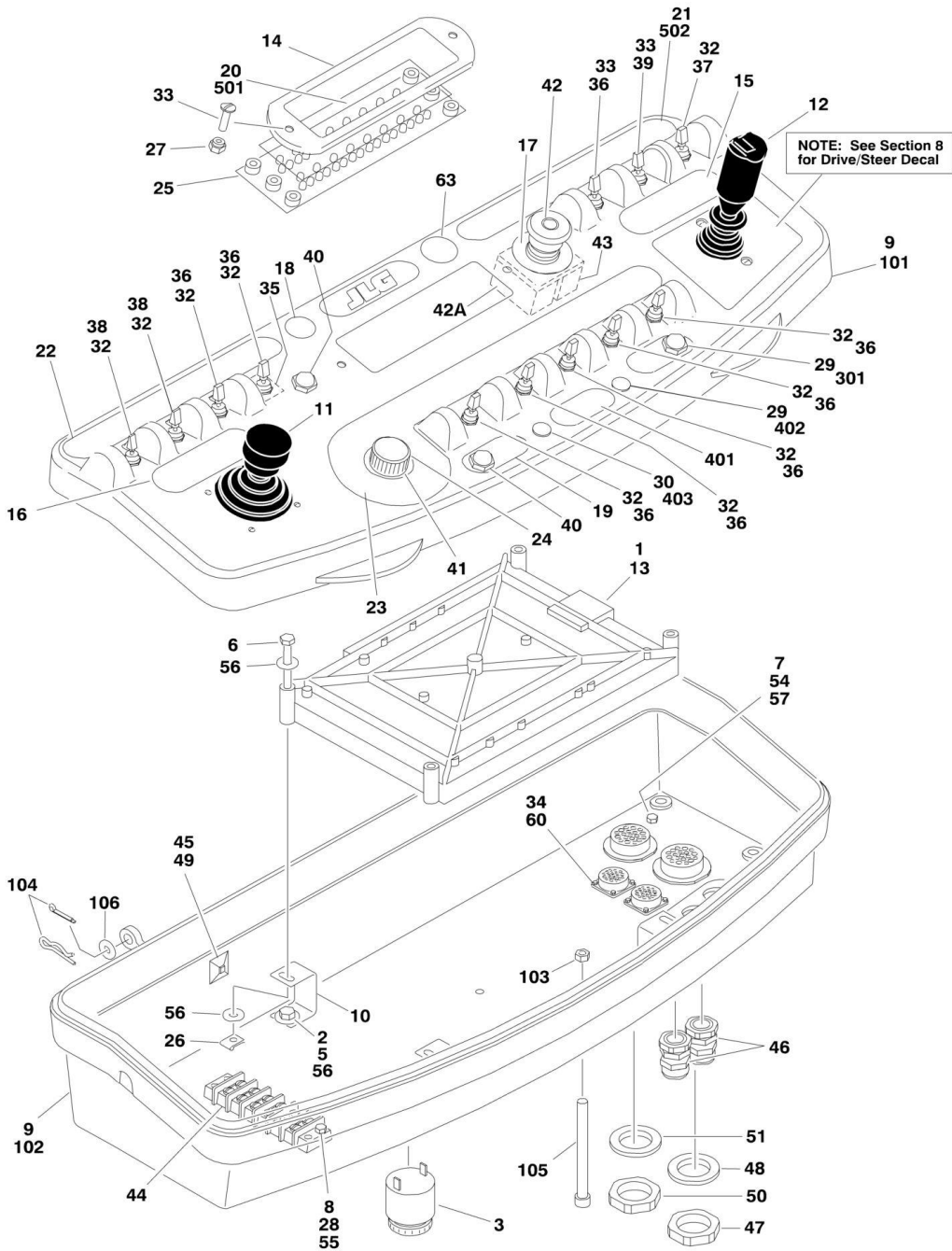
SECTION 4 - PLATFORM

FIGURE 4-2. PLATFORM COMPONENTS INSTALLATION (FALL ARREST PLATFORM)

ITEM	PART NUMBER	QTY	DESCRIPTION	REV
		Ref	PLATFORM ASSEMBLY (FALL ARREST) (OPTIONAL)	
	3510884	Ref	ANSI and ANSI Export Spec - 6ft (1.88m) (Prior to SN 0300186692)	E
	1001144597	Ref	ANSI and ANSI Export Spec - 6ft (1.88m) (SN 0300186692 through 0300201017)	C
	3510868	Ref	ANSI and CSA Spec - 8ft (2.44m) (Prior to SN 0300186692)	E
	1001144596	Ref	ANSI and CSA Spec - 8ft (2.44m) (SN 0300186692 through 0300201017)	C
		Ref	Note: Replacement Decals Must Be Ordered Separately - See DECALS SECTION.	
1	0681814	2	Bolt 1/2in-13NC x 1-3/4in	
2	0681822	AR	Bolt 1/2in-13NC x 2-3/4in	
3	0962270	2	Bearing	
4	1702773	1	Decal - JLG	
5	1705014	1	Decal - Safety	
6	2410014	1	Gate Weldment	
7	3271805	AR	Locknut 1/2in-13NC	
8	3311605	1	Locknut 3/8in-16NC	
9	See Note	1	Platform Weldment (Note: Not Available - Purchase Platform Assembly)	
10	3520072	1	Cap-Plug	
11		Ref	Cable, Fall Arrest Options:	
11	1060919	1	Cable, Fall Arrest 6ft (1.88m)	
11	3890040	1	Cable, Fall Arrest 8ft (2.44m)	
12	3900054	1	Bolt 1/2in-13NC x 1-3/4in	
13	4711800	2	Flatwasher 1/2in Thin	
14	4751800	AR	Flatwasher 1/2in Regular	
15	1706385	1	Decal - Drop Bar	

SECTION 4 - PLATFORM

FIGURE 4-3. PLATFORM CONSOLE ASSEMBLY



SECTION 4 - PLATFORM

FIGURE 4-3. PLATFORM CONSOLE ASSEMBLY

ITEM	PART NUMBER	QTY	DESCRIPTION	REV
		Ref	CONSOLE BOX ASSEMBLY	
	0861631	Ref	Console Box Assembly (Prior to SN 0300170097)	L
	1001146161	Ref	Console Box Assembly (SN 0300170097 through 0300188513)	C
	1001166665	Ref	Console Box Assembly (SN 0300188514 through 0300201017)	A
1	0100048	AR	Grease, Dielectric	
2	0100081	AR	Loctite 454	
3	0140011	1	Alarm	
5	0641404	4	Bolt 1/4in-20NC x 1/2in	
6	0641414	4	Bolt 1/4in-20NC x 1-3/4in	
7	0720804	1	Screw #8-32NC x 1/2in	
8	0721006	AR	Bolt #10-24NC x 3/4in	
9	0861630	1	Box, Console (See Items 101-106 for Breakdown)	
10		Ref	Bracket, Support Options:	
10	0902751	4	Bracket, Support (Prior to SN 0300188514)	
10	1001172760	4	Bracket, Support (SN 0300188514 through 0300201017)	
11		Ref	Controller Assembly (Lift and Swing) Options (See CONTROLLER ASSEMBLY (LIFT & SWING) for Breakdown):	
11	1600317	1	Controller Assembly (Use p/n 1001129555) (Prior to SN 0300146297)	
11	1001118417	1	Controller Assembly (Use p/n 1001129555) (SN 0300146297 through 0300188513)	
11	1001166539	1	Controller Assembly (SN 0300188514 through 0300201017)	
12		Ref	Controller Assembly (Drive and Steer) Options (See CONTROLLER ASSEMBLY (DRIVE & STEER) for Breakdown):	
12	1600318	NLA	Controller Assembly (Use p/n 1001212415) (Prior to SN 0300146297)	
12	1001118416	NLA	Controller Assembly (Use p/n 1001212415) (SN 0300146297 through 0300188513)	
12	1001166538	NLA	Controller Assembly (Use p/n 1001212415) (SN 0300188514 through 0300201017)	
13	1600343	1	Module, Platform Control (Note: Control System needs recalibrated when replaced)	
13	2915024	1	Update Kit (Includes Cables, Programming Instructions and CD Software)	
14		Ref	Bezel Options:	
14	1670829	1	Cover, light housing, (Use p/n 1671176) (Prior to SN 0300081224)	
14	1671176	1	Cover, Light Housing (SN 0300081224 through 0300201017)	
15	1702565	1	Decal (Drive and Steer)	
16	1702566	1	Decal (Lift and Swing)	
17	1704260	1	Decal (EMS)	
18	1705132	1	Decal (ADE)	
19	1705171	1	Decal (Jib Stow)	
20	1705973	1	Decal (Platform Display) (Prior to SN 0300143402)	
21	1705174	1	Decal (Stop) (Prior to SN 0300143402)	
22	1705744	1	Decal (Horn)	
23	1705745	1	Decal (Function Speed)	
24	2560136	1	Handle, Knob	
25	2920154	1	Panel, LED Light	
26	3300353	4	Nut, Tinnerman	
27	3300408	2	Insert, Nylon	
28	3311005	AR	Nut #10-24NC	

SECTION 4 - PLATFORM

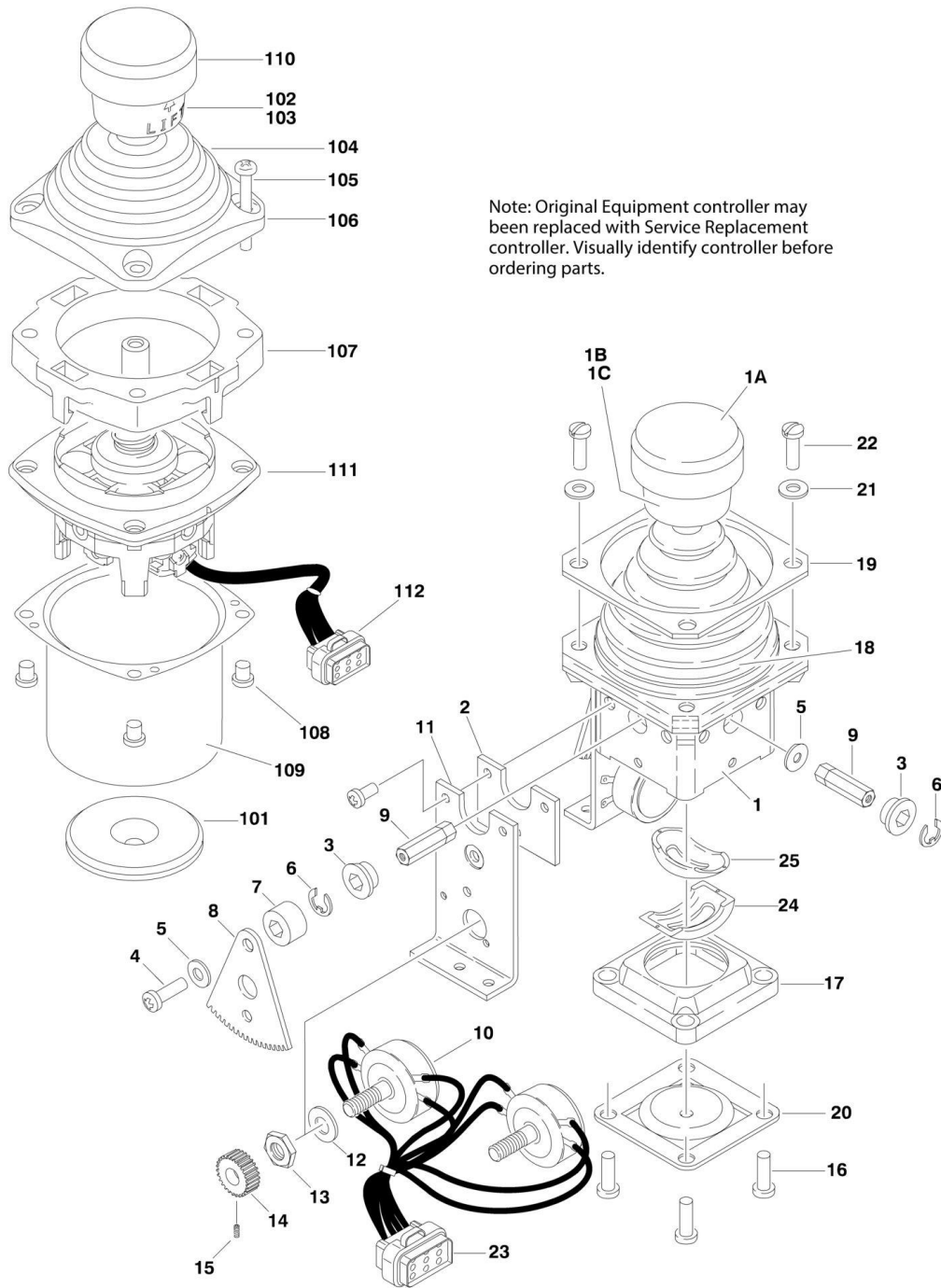
ITEM	PART NUMBER	QTY	DESCRIPTION	REV
29	3520026	2	Plug, Hole	
30	3520027	1	Plug, Hole	
31	3520054	1	Plug, Hole	
32	3790012	11	O-Ring	
33	3900183	2	Screw, Button Head #10-24NC x 1-1/4in	
34	3900349	8	Capscrew M2.5	
35	4071074	1	Shim	
36	4360328	7	Switch, Toggle	
37	4360330	1	Switch, Toggle	
38	4360331	2	Switch, Toggle	
39	4360336	1	Switch, Toggle	
40	4360387	2	Switch, Pushbutton	
41	4360407	1	Controller, Speed	
	See Note	1	Gasket "Top Hat" (Included with Switch) (Note: Not Available - Purchase Complete Controller.)	
41	70003784	1	Seal	
42	4360475	1	Switch, Emergency Stop	
42	7020175	1	Cap, Red	
42A	7020176	1	Contact Block	
43	4360476	1	Block, Contact	
44	4460007	1	Bar, Buss	
45	4460234	3	Tie-Strap	
46	4460428	2	Connector, Strain Relief	
47	4460470	1	Nut, Terminal	
48	4460471	1	Lockwasher, Terminal	
49	4460488	1	Base, Mounting (Prior to SN 0300135110)	
50	4460496	1	Nut, Terminal	
51	4460497	1	Lockwasher, Terminal	
52	4460708	2	Connector, Female - 15 Position (Not Shown - See ELECTRICAL SECTION for Location)	
53	4460905	5	Plug, Seal (Not Shown - See ELECTRICAL SECTION for Location)	
54	4750800	1	Flatwasher #8 Regular	
55	4751000	AR	Flatwasher #10 Regular	
56	4751400	8	Flatwasher 1/4in Regular	
57	4760800	1	Lockwasher #8	
58	4922666	1	Harness, Analyzer Cable (Not Shown - See ELECTRICAL SECTION for Breakdown)	
59		Ref	Harness, Console Box Options (Not Shown - See ELECTRICAL SECTION for Breakdown):	
59	4922945	1	Harness, Console Box (Prior to SN 0300093313)	
59	4923448	1	Harness, Console Box (SN 0300093313 through 0300201017)	
60	3300482	2	Nut M2.5	
61	0100009	AR	Sealant (Not Shown)	
63	1671314	1	Cover, Hole (SN 0300093313 through 0300201017)	
	0861630	Ref	CONSOLE BOX ASSEMBLY	F
101	See Note	1	Platform Weldment (Note: Not Available - Purchase Assembly)	
102	See Note	1	Platform Weldment (Note: Not Available - Purchase Assembly)	
103	3311601	1	Nut 3/8in-16NC	
104		Ref	Pin Options:	
104	3420156	2	Pin, Cotter (Prior to SN 0300088157)	
104	3470003	2	Pin, Hair (SN 0300088157 through 0300201017)	

SECTION 4 - PLATFORM

ITEM	PART NUMBER	QTY	DESCRIPTION	REV
105	0630568	1	Screw 3/8in-16NC x 4-1/2in	
106	4711500	2	Flatwasher 5/16in Thin	
	0273446	Ref	TOWER SWITCH INSTALLATION	A
201	4360328	1	Switch, Toggle	
201	3790012	1	O-Ring	
		Ref	CHASSIS LIGHTS COMPONENTS INSTALLATIONS	
	0273502	Ref	Headlights and Taillights Installation	C
	0273503	Ref	Chassis Illumination Lights Installation	B
301	4360522	1	Switch, Pushbutton	
301	1705170	1	Decal - Lights	
		Ref	SOFT TOUCH SYSTEM INSTALLATIONS OPTIONS:	
	0273824	Ref	6ft/1.8m Platforms	B
	0272427	Ref	8ft/2.4m Platforms	D
	1001108256	Ref	6ft/1.8m Platforms (W/Fall Arrest)	A
401	1702938	1	Decal, Soft Touch Override	
402	4360387	1	Switch, Push Button	
403	2920028	1	Lamp, Indicator	
403	2920029	1	Bulb	
		Ref	PLATFORM LIGHT PANEL INSTALLATIONS (SN 0300143402 through 0300201017)	
	1001121826	Ref	ANSI and ANSI Export Spec	A
	1001121827	Ref	Australian and CE Spec	A
501		Ref	Decal (Platform Display) Options:	
501	1001122384	1	ANSI and ANSI Export Spec	
501	1705973	1	Australian and CE Spec	
502		Ref	Decal (Stop) Options:	
502	1001122611	1	ANSI and ANSI Export Spec	
502	1705174	1	Australian and CE Spec	

SECTION 4 - PLATFORM

FIGURE 4-4. CONTROLLER ASSEMBLY (LIFT AND SWING)



Note: Original Equipment controller may be replaced with Service Replacement controller. Visually identify controller before ordering parts.

SECTION 4 - PLATFORM

FIGURE 4-4. CONTROLLER ASSEMBLY (LIFT AND SWING)

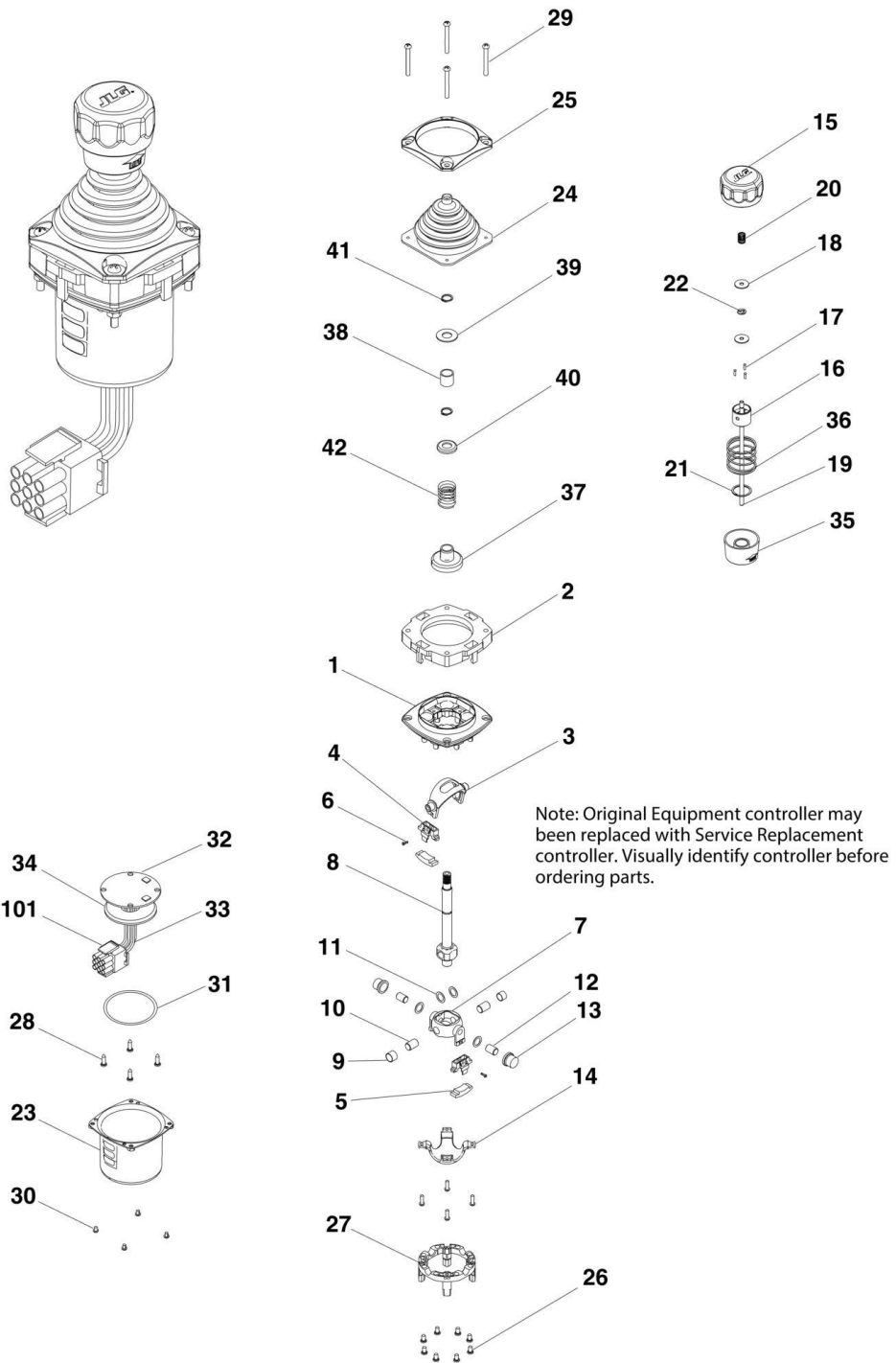
ITEM	PART NUMBER	QTY	DESCRIPTION	REV
		Ref	Note: Original Equipment controller may have been replaced with Service Replacement controller. Visually identify controller before ordering parts.	
	1600317	Ref	CONTROLLER ASSEMBLY (Prior to SN 0300146297)	C
		Ref	Note: Use p/n 1001129555 as replacement.	
1	7019141	1	Mechanical Assembly (Includes Base, Handle Stem and Items 1A, 1B, 1C & 18)	
1A	7019197	1	Handle Cap and Rod	
1B	7003928	1	Spring	
1C	7022808	1	Cap, Lift	
2	7019171	2	Plate	
3	7019111	4	Bearing, Gear	
4	7019143	2	Screw	
5	7019144	2	Spacer, Cam	
6	7019145	4	E-Clip	
7	7019174	2	Spacer	
8	7003977	2	Gear, Drive	
9		Ref	Shaft Options:	
9	7019147	2	Shaft, Short	
9	7019177	2	Shaft, Long	
10	7022818	2	Potentiometer	
11	7019142	2	Plate	
12	7003992	2	Washer	
13	7003993	2	Nut	
14	7003976	2	Gear, Slave	
15	7019149	2	Setscrew	
16	7022816	4	Screw	
17	7019150	1	Gate	
18	7022814	1	Boot	
19	7022815	1	Bezel	
20	See Note	NLA	Center, Detent (Note: Use p/n 1001129555)	
21	7003953	4	Washer	
22	7022817	4	Screw	
23	7022819	1	Plug, Male 8 Position (Natural)	
23	4460871	8	Socket, Female	
24	7019122	1	Gimble, Outer	
25	7019123	1	Gimble, Inner	
	1001118417	Ref	CONTROLLER ASSEMBLY (SN 0300146297 through 0300188513)	E
		Ref	Note: Use p/n 1001129555 Kit as replacement.	
101	70002730	1	Gasket	
102	7003928	1	Spring	
103	7022808	1	Cap, Lift	
104	70002731	1	Boot	
105	70002732	4	Screw	
106	7022815	1	Bezel	
107	70002733	1	Adapter	
108	70002734	4	Screw	
109	70002735	1	Can, Enclosure	
110	70002906	1	CAP	

SECTION 4 - PLATFORM

ITEM	PART NUMBER	QTY	DESCRIPTION	REV
111	See Note	NLA	Mechanical Assembly (Note: Use p/n 1001129555)	
112	7022819	1	Plug, Male 8 Position (Natural) (Not Shown)	
112	4460871	6	Socket, Female	

SECTION 4 - PLATFORM

FIGURE 4-5. CONTROLLER ASSEMBLY (LIFT AND SWING) (SN 0300188514 through 0300201017)



SECTION 4 - PLATFORM

FIGURE 4-5. CONTROLLER ASSEMBLY (LIFT AND SWING) (SN 0300188514 through 0300201017)

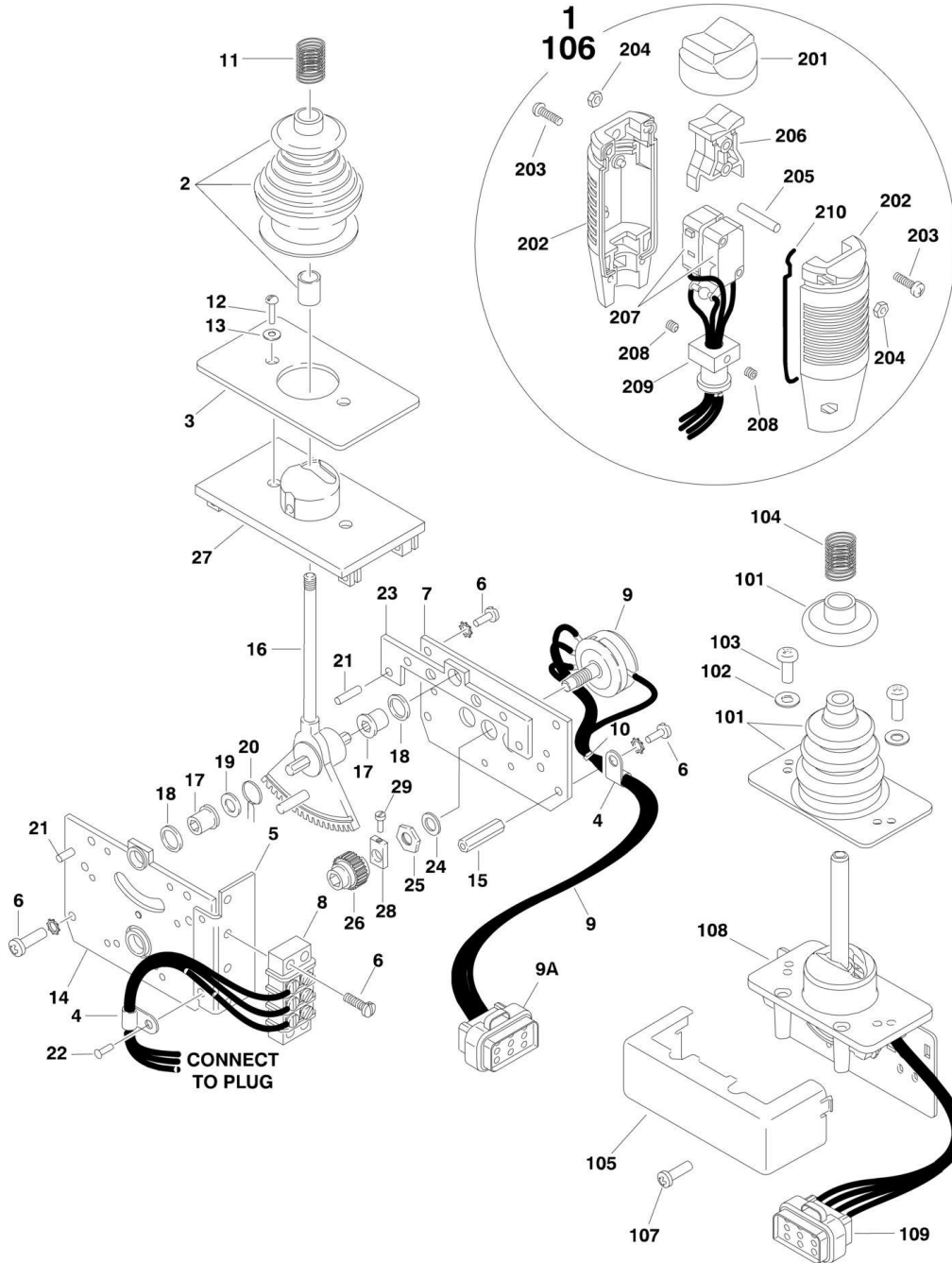
ITEM	PART NUMBER	QTY	DESCRIPTION	REV
		Ref	Note: Original Equipment controller may have been replaced with a Service Replacement controller. Visually identify controller before ordering parts.	
	1001166539	Ref	CONTROLLER ASSEMBLY - LIFT AND SWING (SN 0300188514 through 0300201017)	A
		Ref	Note: Use p/n 1001129555 as replacement.	
1	See Note	1	Main Cast Body (Note: Not Available - Purchase Complete Assembly)	
2	70004752	1	Adapter	
3	See Note	1	Pivot Arm, Plastic (Note: Not Available - Purchase Complete Assembly)	
4	See Note	2	Holder, Magnet (Note: Not Available - Purchase Complete Assembly)	
5	See Note	2	Arc, Magnet (Note: Not Available - Purchase Complete Assembly)	
6	See Note	2	Screw (Note: Not Available for Purchase)	
7	See Note	1	Pivot Arm, Cast (Note: Not Available - Purchase Complete Assembly)	
8	See Note	1	Shaft, Main (Note: Not Available - Purchase Complete Assembly)	
9	See Note	2	Bearing (Note: Not Available - Purchase Complete Assembly)	
10	See Note	2	Pin (Note: Not Available - Purchase Complete Assembly)	
11	See Note	4	Shim (Note: Not Available - Purchase Complete Assembly)	
12	See Note	2	Pin (Note: Not Available - Purchase Complete Assembly)	
13	See Note	2	Bearing (Note: Not Available - Purchase Complete Assembly)	
14	See Note	1	Dome, Centering (Note: Not Available - Purchase Complete Assembly)	
15	70004753	1	Cap	
16	70004754	1	Insert, Cap	
17	70004755	3	Pin	
18	70004756	2	Washer	
19	70004757	1	Pin, Centering	
20	70004758	1	Spring	
21	70004759	1	Ring, Retaining	
22	70004760	1	E-Ring	
23	70004761	1	Can, Enclosure	
24	70004762	1	Boot	
25	70004763	1	Bezel	
26	See Note	8	Screw (Note: Not Available for Purchase)	
27	See Note	1	Base Mounting (Note: Not Available - Purchase Complete Assembly)	
28	See Note	4	Screw (Note: Not Available for Purchase)	
29	70004764	4	Screw	
30	70004765	4	Screw	
31	70004766	1	O-Ring	
32	See Note	1	Plate (Note: Not Available - Purchase Complete Assembly)	
33	See Note	1	Harness (Note: Not Available - Purchase Complete Assembly)	
34	70004767	1	Gromment, Rubber	
35	70004768	1	Housing	
36	70004769	1	Spring	
37	70004770	1	Stopper	
38	70004771	1	Spacer	
39	70004772	1	Washer	
70	70004773	1	Disc	

SECTION 4 - PLATFORM

ITEM	PART NUMBER	QTY	DESCRIPTION	REV
41	70004774	2	Ring, Retaining	
42	70004775	1	Spring	
101	4460265	1	Connector - 9 Position	
101	4460226	6	Socket, Female	

SECTION 4 - PLATFORM

FIGURE 4-6. CONTROLLER ASSEMBLY (DRIVE AND STEER)



SECTION 4 - PLATFORM

FIGURE 4-6. CONTROLLER ASSEMBLY (DRIVE AND STEER)

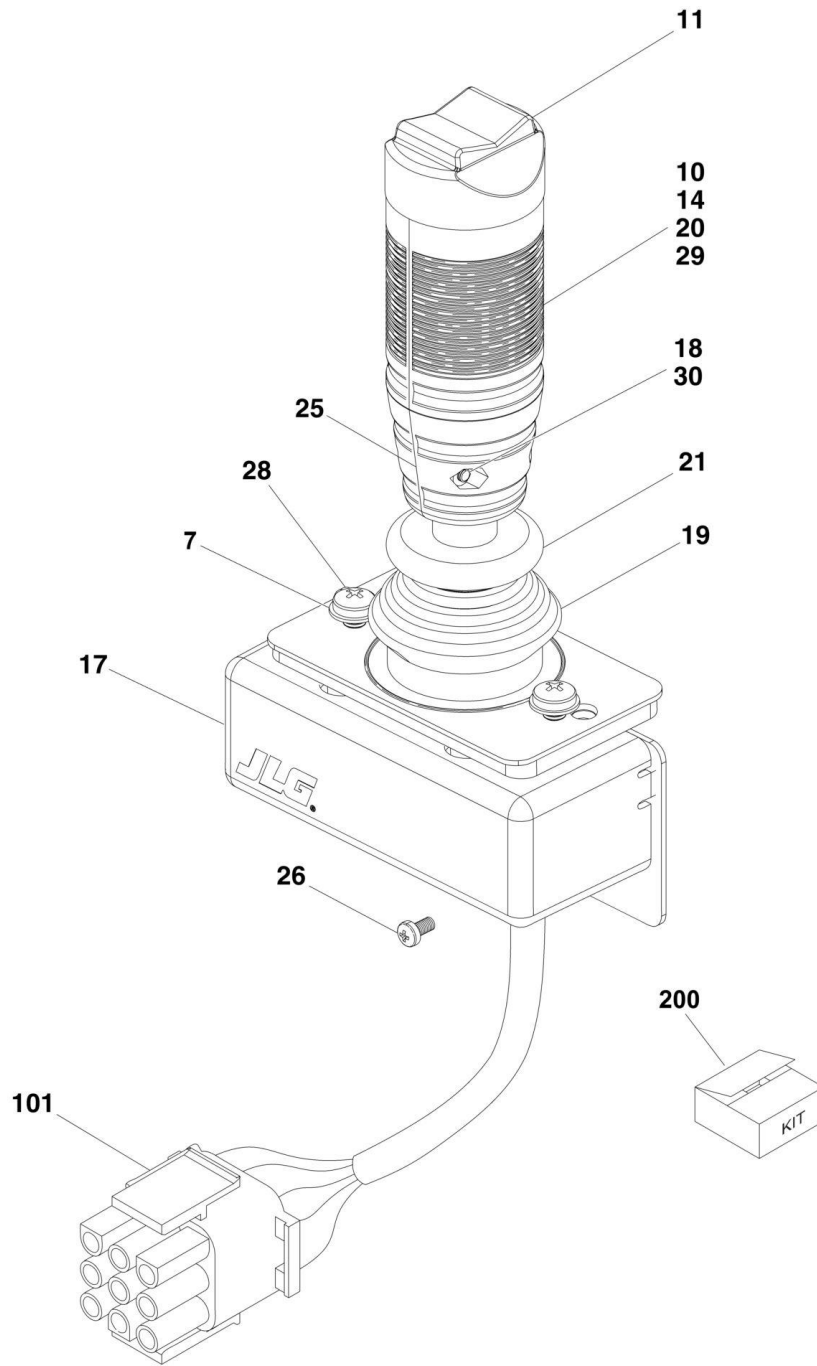
ITEM	PART NUMBER	QTY	DESCRIPTION	REV
		Ref	Note: Original Equipment controller may have been replaced with Service Replacement controller. Visually identify controller before ordering parts.	
	1600318	Ref	CONTROLLER ASSEMBLIES	D
		Ref	Controller Assembly (Original Equipment) (Prior to SN 0300146297)	
		Ref	Note: Use p/n 1001212415 for Replacement.	
1	7022812	1	Handle Assembly (See Items 201-210 for Breakdown)	
2	7019161	1	Boot and Sleeve	
3	7003933	1	Gasket	
4	7019154	2	Clamp, Wire	
5	7022823	1	Bracket, Mounting	
6	7003994	1	Screw	
7	7022822	1	Plate, Pot Mounting	
8	7003986	1	Strip, Terminal - 3 Position	
9	7022824	1	Electric Assembly	
9A	1001113961	1	Plug, Male - 8 Position (Black) (was p/n 7022825)	
9A	4460871	7	Socket, Female	
10	7019151	AR	Tie-Strap	
11	7019162	1	Spring	
12	7003969	2	Screw	
13	7003941	2	Washer	
14	See Note	1	Plate, Mounting (Left Side) (Note: Not available for purchase)	
15	7019115	2	Stand-Off	
16	7019155	1	Shaft 8mm	
17	7019111	2	Bearing	
18	7019110	2	Spacer, Head Gear	
19	7019112	1	Washer	
20	7003946	1	Spring, Return	
21	7019103	4	Pin	
22	See Note	1	Rivet (Note: Not Available - Purchase Locally)	
23	7019168	1	Plate, Mounting (Right Side)	
24	7003992	1	Washer	
25	7003993	1	Nut	
26	7003935	1	Gear, Slave	
27	7019160	1	Plate, Base	
28	7019114	1	Coupling	
29	See Note	1	Cup Screw	
	1001118416	Ref	Controller Assembly:	B
		Ref	Controller Assembly (Service Replacement) (Prior to SN 0300146297)	
		Ref	Controller Assembly (Original Equipment) (SN 0300146297 through 0300188513)	
		Ref	Note: Use p/n 1001212415 for Replacement.	
101	70002724	1	Boot and Control Lock Assembly	
102	7003941	2	Washer	
103	70002725	2	Screw	
104	7019162	1	Spring	
105	70002726	1	Enclosure	
106	70002727	1	Handle Assembly (See Items 201-210 for Breakdown)	
107	70002728	1	Screw	

SECTION 4 - PLATFORM

ITEM	PART NUMBER	QTY	DESCRIPTION	REV
108	See Note	1	Mechanical Assembly (Note: Not Available - Purchase Complete Controller)	
109	1001113961	1	Plug, Male - 8 Position (Black) (was p/n 7022825)	
109	4460871	7	Socket, Female	
		Ref	HANDLE ASSEMBLIES	
	7022812	Ref	Controller Assembly p/n 1600318	
	70002727	Ref	Controller Assembly p/n 1001118416	
201	7003972	1	Boot, Switch	
202	7003973	2	Half, Handle	
203	7003980	4	Screw	
204	7019167	4	Nut	
205	7019164	1	Axle	
206	7019165	1	Rocker	
207		Ref	Wiring Assembly Options:	
207	7019196	1	Controller Assembly p/n 1600318	
207	7019166	2	Switch, Micro	
207	70002729	1	Controller Assembly p/n 1001118416	
207	7003982	2	Switch, Micro	
208	7003983	2	Setscrew	
209	7019194	1	Coupling	
210	7003989	2	Gasket	

SECTION 4 - PLATFORM

FIGURE 4-7. CONTROLLER ASSEMBLY (DRIVE AND STEER) (SN 0300188514 through 0300201017)



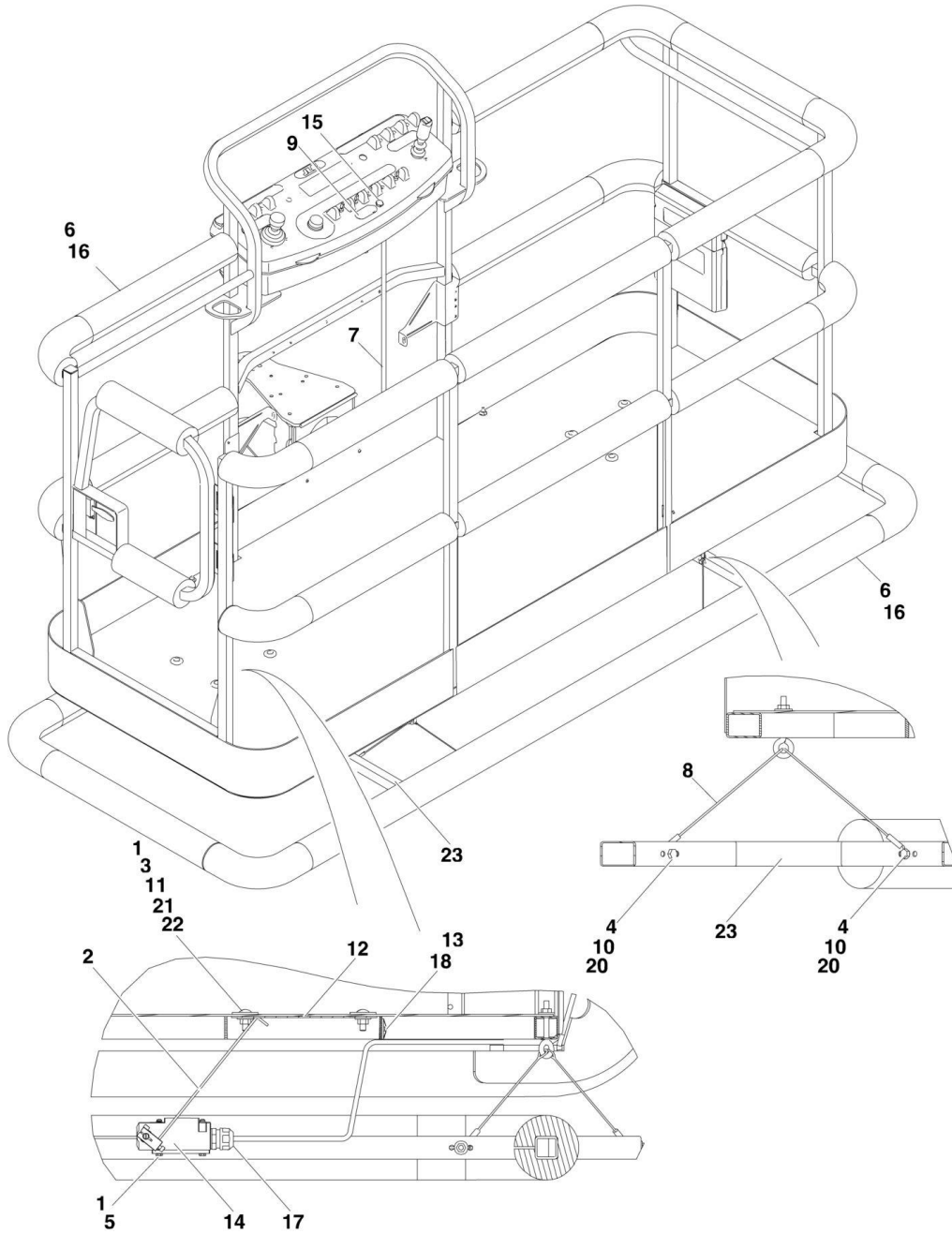
SECTION 4 - PLATFORM

FIGURE 4-7. CONTROLLER ASSEMBLY (DRIVE AND STEER) (SN 0300188514 through 0300201017)

ITEM	PART NUMBER	QTY	DESCRIPTION	REV
	1001166538	Ref	CONTROLLER ASSEMBLY - DRIVE AND STEER (SN 0300188514 through 0300201017)	A
		Ref	Note: Use p/n 1001212415 for Replacement.	
7	70004738	2	Washer	
10	70004739	1	Roller	
11	70004740	1	Boot, Switch	
14	70004741	2	Half, Handle	
17	70004742	1	Enclosure	
18	70004743	4	Nut	
19	70004744	NLA	Boot, Controller	
20	70004745	NLA	Tube, Locking	
21	70004746	NLA	Disc, Locking	
25	70004747	2	Seal, Rope	
26	70004748	1	Screw, M3 x 6mm	
28	70004749	2	Screw, M5 x 20mm	
29	70004750	1	Pin, Dowel	
30	70004751	4	Screw, M3 x 16mm	
101	4460265	1	Connector - 9 Position	
101	4460226	7	Socket, Female	
200	70005230	1	Boot Kit (Includes Items 19-21)	

SECTION 4 - PLATFORM

FIGURE 4-8. SOFT TOUCH SYSTEM INSTALLATION (OPTIONAL)



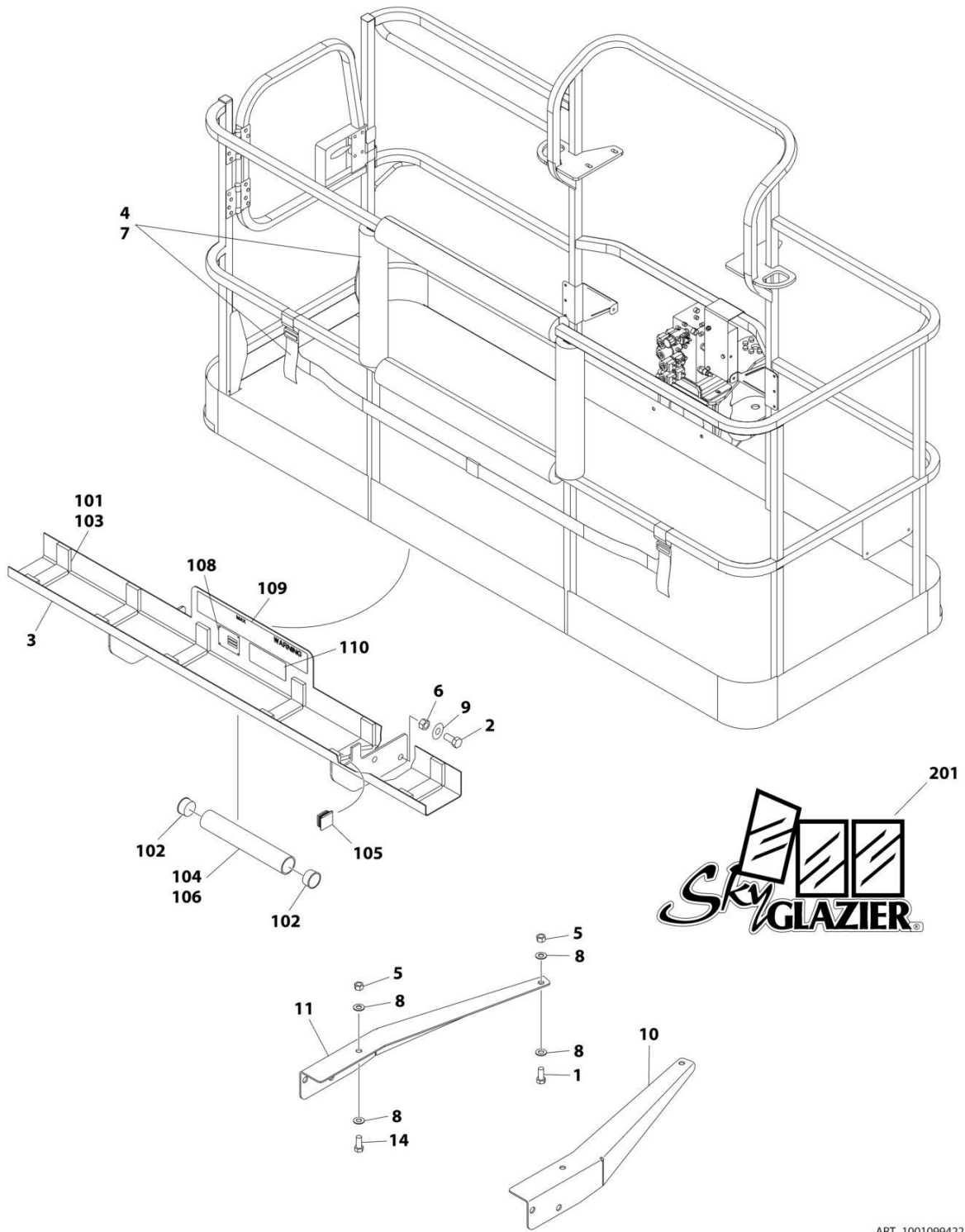
SECTION 4 - PLATFORM

FIGURE 4-8. SOFT TOUCH SYSTEM INSTALLATION (OPTIONAL)

ITEM	PART NUMBER	QTY	DESCRIPTION	REV
		Ref	SOFT TOUCH SYSTEM INSTALLATION OPTIONS:	
	0273824	Ref	6ft/1.8m Platforms	B
	0272427	Ref	8ft/2.4m Platforms	E
	1001108256	Ref	6ft/1.8m Platforms (W/Fall Arrest)	A
1	0100011	AR	Compound, Locking	
2	0200048	2	Arm, Switch	
3	0630462	8	Bolt, Carriage	
4	0641414	8	Bolt 1/4in -20NC x 1 3/4in	
5	0721005	4	Bolt #10-20NC x 5/8in	
6		Ref	Bumper Kit Options:	
6	0940134	1	6ft/1.8m Platforms	
6	0940103	1	8ft/2.4m Platforms	
6	0940177	1	6ft/1.8m Platforms (W/Fall Arrest)	
6	0940092	AR	Bumper (Corner)	
6	0940094	AR	Bumper (12ft Length)	
7	1060341	23 ft/7m	Cable, Electrical - 16/2	
8	1060903	4	Wire Rope and Eyebolt Assembly	
9	1702938	1	Decal - Soft Touch Override	
10	3311401	8	Nut 1/4in-20NC	
11	3311501	8	Nut 5/16in-18NC	
12		Ref	Plate, Switch Strike Options:	
12	3575359	2	6ft/1.8m Platforms	
12	3574091	2	8ft/2.4m Platforms	
13	4240099	7	Tie-Strap	
14	4360057	2	Switch, Limit	
15	4360387	1	Switch, Push Button	
16	4420068	AR	Tape, Adhesive	
17	4460049	2	Connector, Strain Relief	
18	4460234	7	Mount, Tie-Strap	
19	4460425	1	Connector, Strain Relief	
20	4751400	8	Flatwasher 1/4in	
21	4751500	12	Flatwasher 5/16in	
22	4751800	8	Flatwasher 1/2in	
23		Ref	Rail, Soft Touch Options:	
23	3641589	1	6ft/1.8m Platforms	
23	4846673	1	8ft/2.4m Platforms	
23	3641569	1	6ft/1.8m Platforms (W/Fall Arrest)	

SECTION 4 - PLATFORM

FIGURE 4-9. SKYGLAZIER INSTALLATION



ART_1001099422

SECTION 4 - PLATFORM

FIGURE 4-9. SKYGLAZIER INSTALLATION

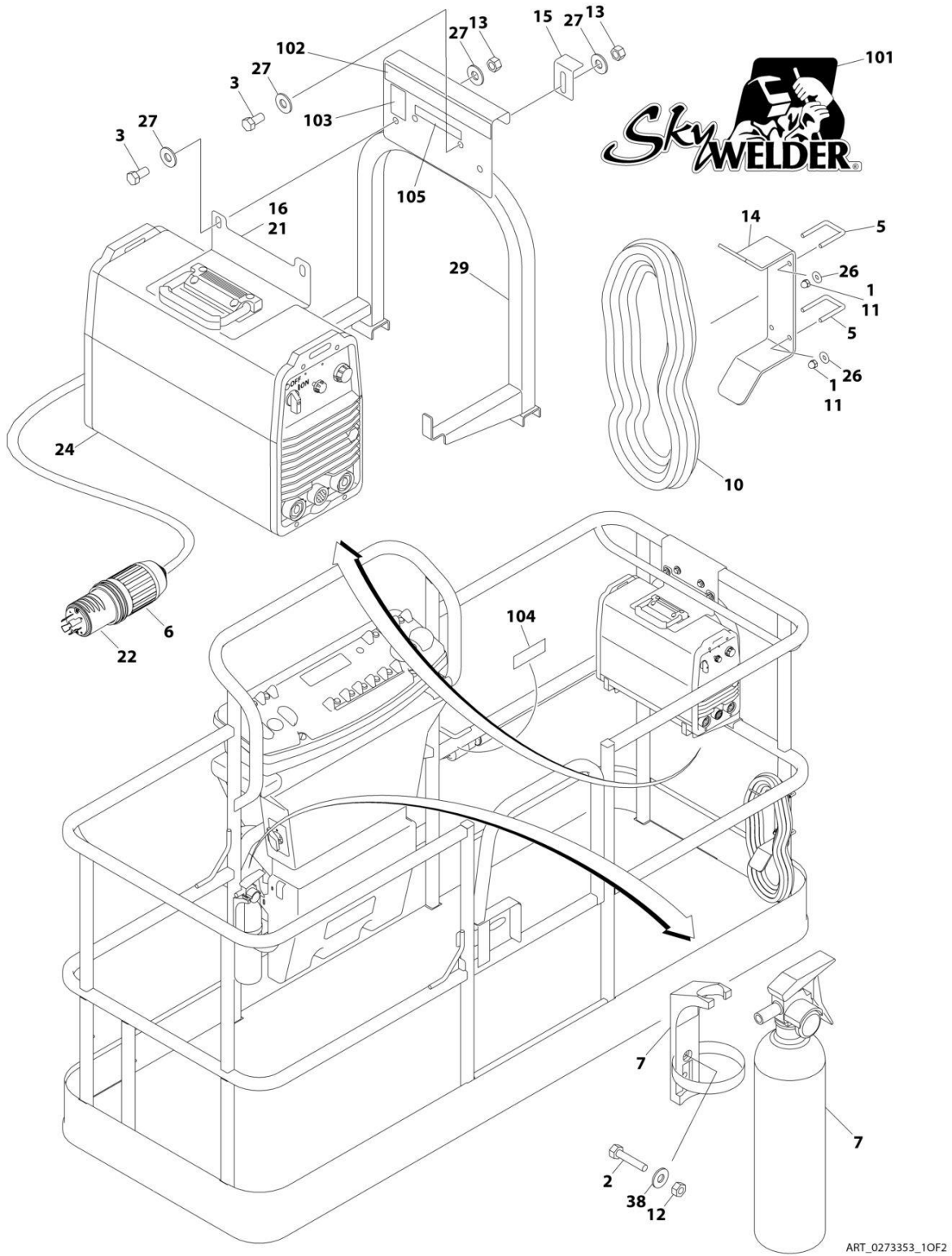
ITEM	PART NUMBER	QTY	DESCRIPTION	REV
	1001101422	Ref	SKYGLAZIER INSTALLATION (ANSI AND CSA SPECS)	C
	1001102647	Ref	SKYGLAZIER INSTALLATION (AUSTRALIAN SPEC)	C
	1001099422	Ref	SKYGLAZIER INSTALLATION (BRAZIL SPEC)	C
	1001099436	Ref	SKYGLAZIER INSTALLATION (FRENCH SPEC)	C
	1001099437	Ref	SKYGLAZIER INSTALLATION (GERMAN SPEC)	C
	1001099439	Ref	SKYGLAZIER INSTALLATION (ITALIAN SPEC)	C
	1001099421	Ref	SKYGLAZIER INSTALLATION (LATIN AMERICAN SPEC)	C
	1001099438	Ref	SKYGLAZIER INSTALLATION (PORTUGUESE SPEC)	C
	1001099435	Ref	SKYGLAZIER INSTALLATION (SPANISH SPEC)	C
	1001115604	Ref	SKYGLAZIER INSTALLATION (SWEDISH SPEC)	B
	1001099440	Ref	SKYGLAZIER INSTALLATION (UK SPEC)	C
1	0642012	2	Bolt 5/8 x 1-1/2	
1	0642026	2	Bolt 5/8 x 3-1/4	
2	0642212	4	Bolt 3/4 x 1-1/2	
3	1001101421	1	Tray Assembly (ANSI, Australian and CSA Specs) (See Items 101-110 for Breakdown)	
3	0272951	1	Tray Assembly (Brazil Spec) (See Items 101-110 for Breakdown)	
3	0272949	1	Tray Assembly (French Spec) (See Items 101-110 for Breakdown)	
3	0272950	1	Tray Assembly (German Spec) (See Items 101-110 for Breakdown)	
3	0272952	1	Tray Assembly (Italian Spec) (See Items 101-110 for Breakdown)	
3	0272948	1	Tray Assembly (Latin American Spec) (See Items 101-110 for Breakdown)	
3	0273406	1	Tray Assembly (Portuguese Spec) (See Items 101-110 for Breakdown)	
3	0273405	1	Tray Assembly (Spanish Spec) (See Items 101-110 for Breakdown)	
3	1001115603	1	Tray Assembly (Swedish Spec) (See Items 101-110 for Breakdown)	
3	0273404	1	Tray Assembly (UK Spec) (See Items 101-110 for Breakdown)	
4	2902212	1	Bumpers and Strap Kit	
4	0940102	1	Bumper Only	
4	4240149	1	Strap Only	
5	3312005	4	Nut 5/8	
5	1001149924	AR	Nut, Plastic 5/8	
6	3312205	4	Nut 3/4	
7	4420014	AR	Tape	
8	4712000	6	Washer 5/8	
9	4712200	8	Washer 3/4	
10	1001099367	1	Support	
11	1001099366	1	Support	
14	8310129	2	Bolt 5/8 x 2-1/2	
14	0642026	2	Bolt 5/8 x 3-1/4	
14	8310230	2	Bolt 5/8 x 4	
	1001101421	Ref	TRAY ASSEMBLY (ANSI, AUSTRALIAN AND CSA SPECS)	E
	0272951	Ref	TRAY ASSEMBLY (BRAZIL SPEC)	E
	0272949	Ref	TRAY ASSEMBLY (FRENCH SPEC)	D
	0272950	Ref	TRAY ASSEMBLY (GERMAN SPEC)	D
	0272952	Ref	TRAY ASSEMBLY (ITALIAN SPEC)	D
	0272948	Ref	TRAY ASSEMBLY (LATIN AMERICAN SPEC)	E
	0273406	Ref	TRAY ASSEMBLY (PORTUGUESE SPEC)	D

SECTION 4 - PLATFORM

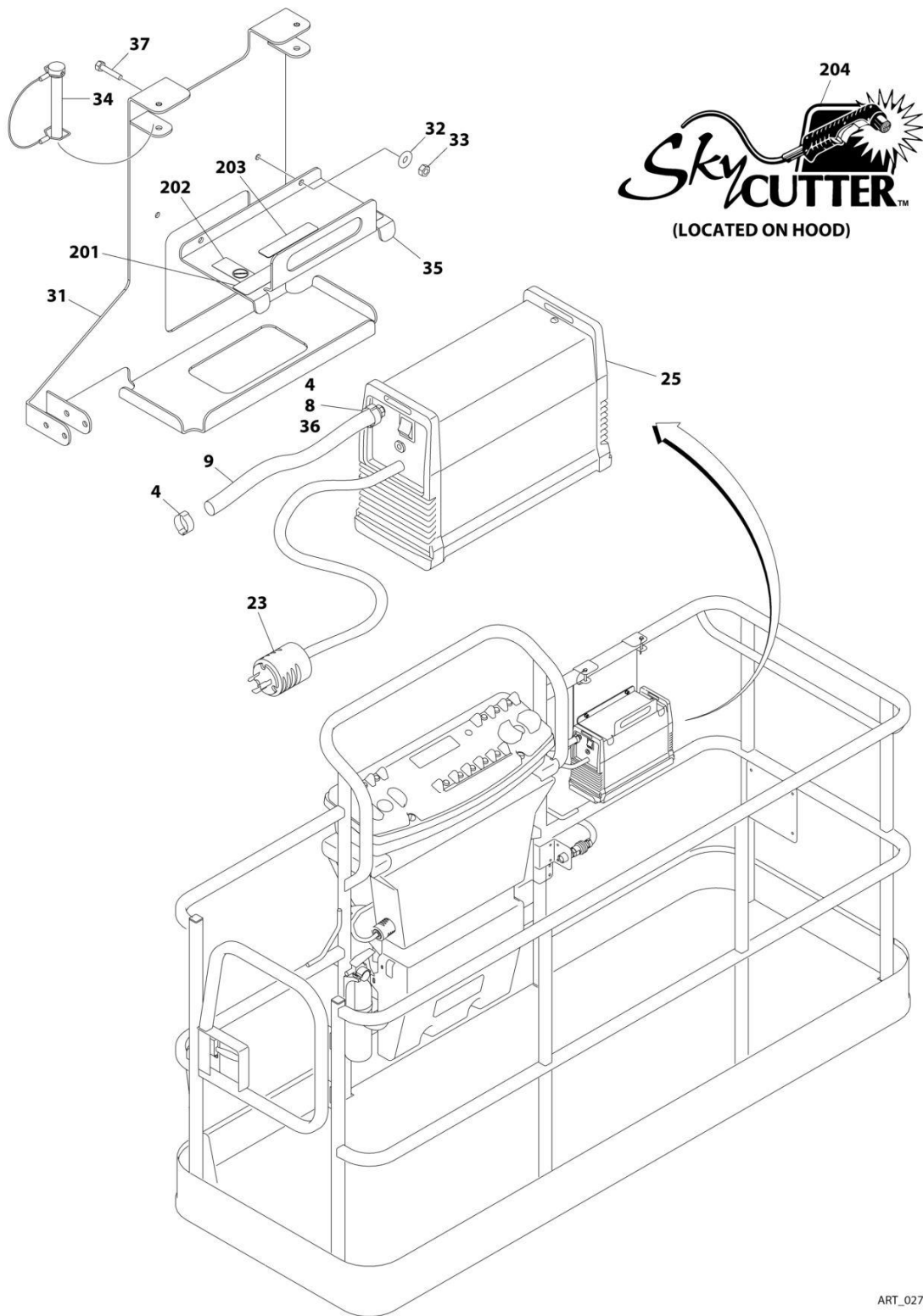
ITEM	PART NUMBER	QTY	DESCRIPTION	REV
	0273405	Ref	TRAY ASSEMBLY (SPANISH SPEC)	D
	1001115603	Ref	TRAY ASSEMBLY (SWEDISH SPEC)	C
	0273404	Ref	TRAY ASSEMBLY (UK SPEC)	D
101	0100081	AR	Adhesive	
102	1120555	2	Cap, Tube	
103	3340956	1	Pad Kit	
104	3460334	1	Tube	
105	3520071	2	Plug	
106	4420066	AR	Tape, Double Sided	
108	See Note	NSS	Nameplate - Serial Number (Note: Not Available for Purchase)	
109	1001163131	1	Decal - Glazier Capacity (ANSI, Austrian & CSA Specs)	
109	1001163297	2	Decal - Glazier Capacity (Brazil Spec)	
109	1001163293	2	Decal - Glazier Capacity (French Spec)	
109	1001163298	2	Decal - Glazier Capacity (German Spec)	
109	1001163287	2	Decal - Glazier Capacity (Italian Spec)	
109	1001163296	2	Decal - Glazier Capacity (Latin American Spec)	
109	1001163289	2	Decal - Glazier Capacity (Portuguese Spec)	
109	1001163288	2	Decal - Glazier Capacity (Spanish Spec)	
109	1001163292	2	Decal - Glazier Capacity (Swedish Spec)	
109	1001163295	2	Decal - Glazier Capacity (UK Spec)	
110	1701509	2	Decal - Manual	
	0272418	Ref	SKYGLAZIER DECAL INSTALLATION	4
201	1705358	2	Decal - SkyGlazier	

SECTION 4 - PLATFORM

FIGURE 4-10. SKYWELDER/SKYCUTTER COMBO INSTALLATION (60HZ)



SECTION 4 - PLATFORM



ART_0273353_20F2

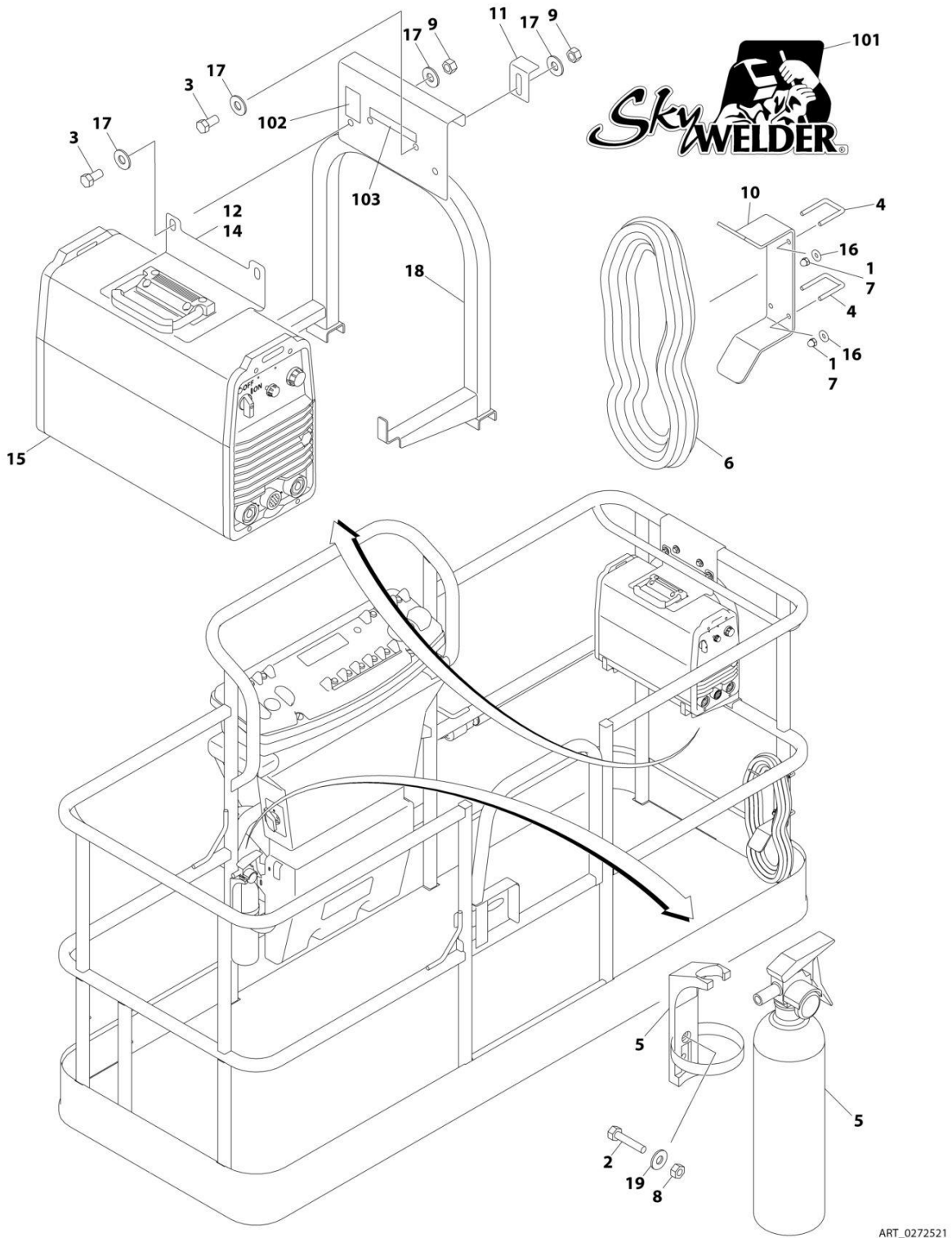
SECTION 4 - PLATFORM

FIGURE 4-10. SKYWELDER/SKYCUTTER COMBO INSTALLATION (60HZ)

ITEM	PART NUMBER	QTY	DESCRIPTION	REV
	0273353	Ref	SKYWELDER/SKYCUTTER COMBO INSTALLATION (60HZ)	G
		Ref	Note: ANSI, ANSI Export and CSA Spec Only.	
1	0100011	AR	Compound, Locking	
2	0630518	2	Screw #10 x 3/4	
3	0641606	4	Bolt 3/8 x 3/4	
4	1320177	2	Clamp	
5	1320302	2	Clamp	
6	1671093	1	Cover, Plug	
7	2030010	1	Extinguisher, Fire	
8	2180832	1	Fitting, Barbed/NPT	
9	2720160	4.5 ft /1.37m	Hose	
10	2902217	1	Weld Leads Kit	
11	3300151	4	Nut 1/4	
12	3311005	2	Nut #10	
13	3311605	4	Nut 3/8	
14	3573400	1	Bracket	
15	3577121	2	Angle	
16	3573642	1	Plate	
20	4240099	AR	Tie-Strap (Not Shown)	
21	4420037	2.36 ft /.71m	Tape	
22	4460962	1	Plug, Twist Lock	
23	4460971	1	Plug, Twist Lock	
24	4530028	1	Welder Assembly (See WELDER ASSEMBLY for Breakdown)	
25	1001098012	1	Plasma Cutter Assembly (See PLASMA CUTTER ASSEMBLY for Breakdown)	
26	4751400	4	Washer 1/4	
27	4751600	8	Washer 3/8	
29	4846627	1	Support	
31	1001145405	1	Bracket	
32	4811700	2	Washer M6	
33	3290605	2	Nut M6	
34	3421453	3	Pin	
35	3576799	1	Plate, Hold-Down	
36	0100020	1	Sealant	
37	4010608	2	Screw M6 x 16	
38	4751000	2	Washer #10	
	0272448	Ref	SKYWELDER DECAL INSTALLATION	A
101	1705355	2	Decal - SkyWelder	
102	1702868	1	Decal - No Hands	
103	1705305	1	Decal - Weld Leads	
104	1705375	1	Decal - 240V - 3 Phase - 60Hz	
105	1705466	1	Decal - Weight	
	0272599	Ref	SKYCUTTER DECAL INSTALLATION	A
201	1702868	1	Decal - No Hands	
202	1705305	1	Decal - Weld Leads	
203	1705466	1	Decal - Weight	
204	1705490	2	Decal - SkyCutter	

SECTION 4 - PLATFORM

FIGURE 4-11. SKYWELDER INSTALLATION (50HZ)



ART_0272521

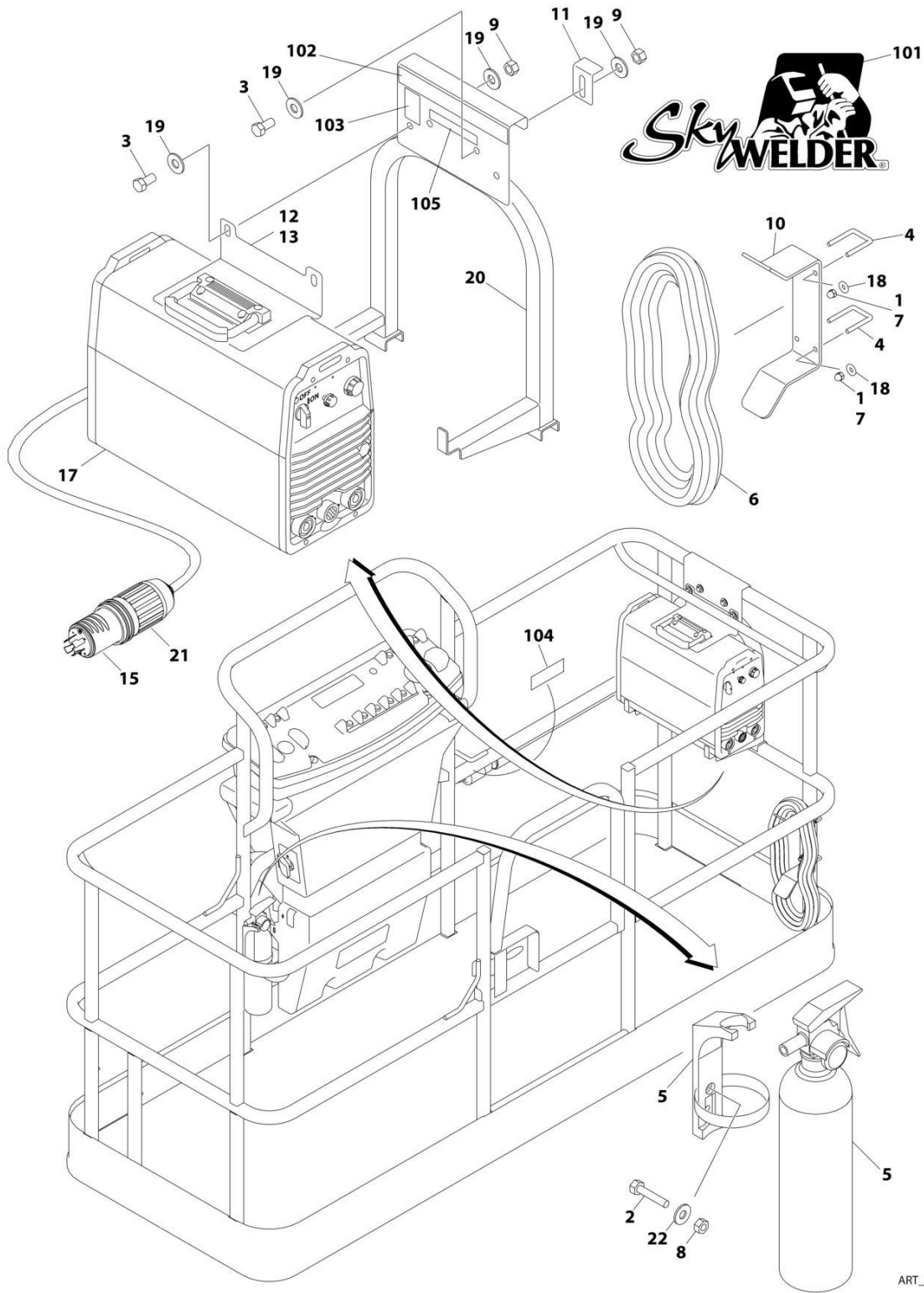
SECTION 4 - PLATFORM

FIGURE 4-11. SKYWELDER INSTALLATION (50HZ)

ITEM	PART NUMBER	QTY	DESCRIPTION	REV
	0272521	Ref	SKYWELDER INSTALLATION (50HZ)	F
		Ref	Note: Australian, CE and Japanese Specs Only.	
1	0100011	AR	Compound, Locking	
2	0630518	2	Screw #10 x 3/4	
3	0641606	4	Bolt 3/8 x 3/4	
4	1320302	2	U-Clamp	
5	2030010	1	Extinguisher, Fire	
6	2902217	1	Weld Leads Kit	
7	3300151	4	Nut 1/4	
8	3311005	2	Nut #10	
9	3311605	4	Nut 3/8	
10	3573400	1	Bracket	
11	3577121	2	Angle	
12	3573642	1	Plate	
13	4240099	AR	Tie-Strap (Not Shown)	
14	4420037	AR	Tape	
15	4530028	1	Welder Assembly (See WELDER ASSEMBLY for Breakdown)	
16	4751400	4	Washer 1/4	
17	4751600	8	Washer 3/8	
18	4846627	1	Support	
19	4751000	2	Washer #10	
	0272588	Ref	SKYWELDER DECAL INSTALLATION	A
101	1705355	2	Decal - SkyWelder	
102	1705305	1	Decal - Weld Lead	
103	1705466	1	Decal - Weight	

SECTION 4 - PLATFORM

FIGURE 4-12. SKYWELDER INSTALLATION (60HZ)



ART_0272254

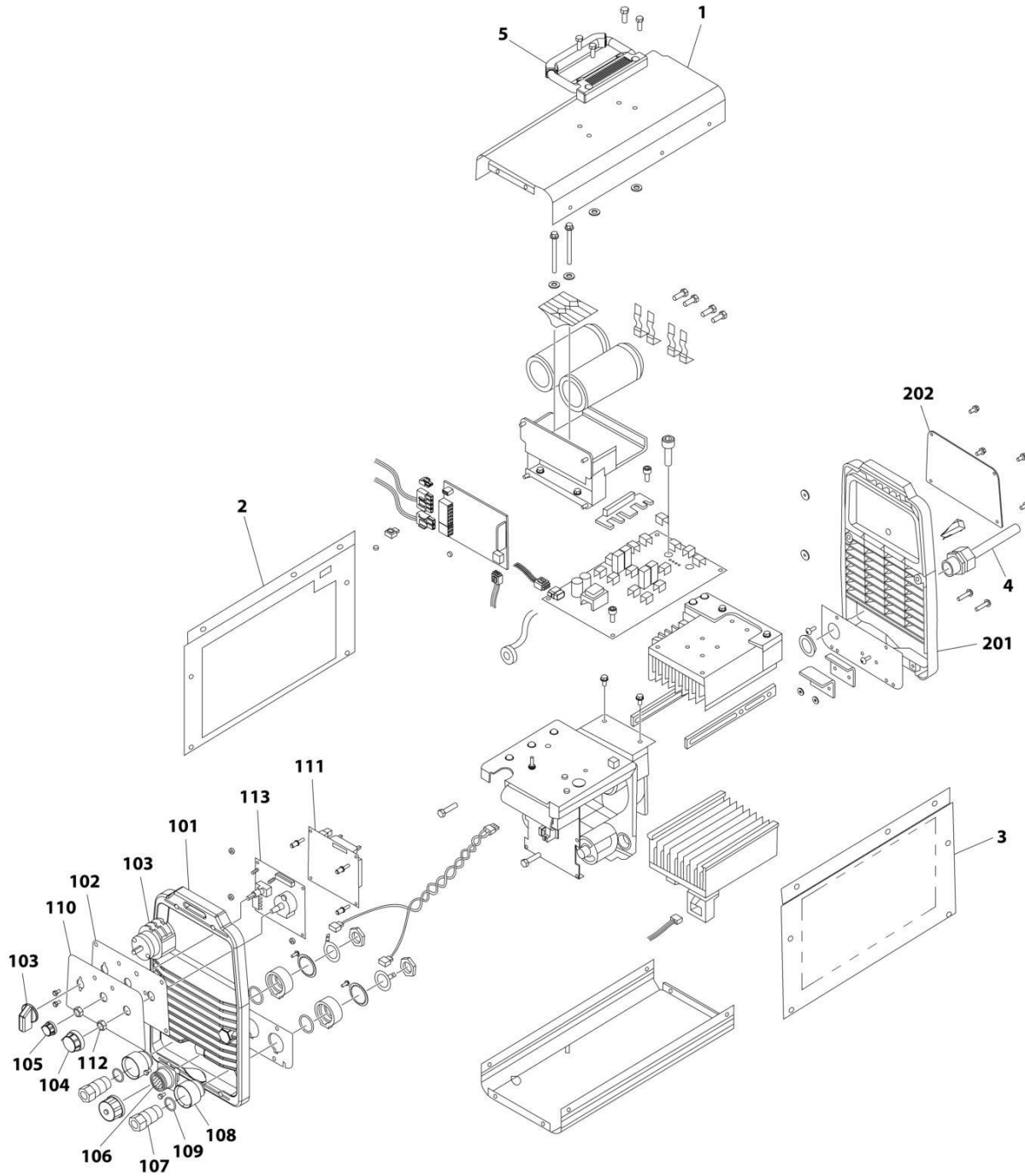
SECTION 4 - PLATFORM

FIGURE 4-12. SKYWELDER INSTALLATION (60HZ)

ITEM	PART NUMBER	QTY	DESCRIPTION	REV
	0272254	Ref	SKYWELDER INSTALLATION (60HZ)	I
		Ref	Note: ANSI, ANSI Export and CSA Specs Only.	
1	0100011	AR	Compound, Locking	
2	0630518	2	Screw #10 x 3/4	
3	0641606	4	Bolt 3/8 x 3/4	
4	1320302	2	U-Clamp	
5	2030010	1	Extinguisher, Fire	
6	2902217	1	Weld Leads Kit	
7	3300151	4	Nut 1/4	
8	3311005	2	Nut #10	
9	3311605	4	Nut 3/8	
10	3573400	1	Bracket	
11	3577121	2	Angle	
12	3573642	1	Plate	
13	4420037	AR	Tape	
14	4240099	AR	Tie-Strap (Not Shown)	
15	4460962	1	Plug, Male Twistlock	
17	4530028	1	Welder Assembly (See WELDER ASSEMBLY for Breakdown)	
18	4751400	4	Washer 1/4	
19	4751600	8	Washer 3/8	
20	4846627	1	Support	
21	1671093	1	Cover, Plug	
22	4751000	2	Washer #10	
	0272448	Ref	SKYWELDER DECAL INSTALLATION	A
101	1705355	2	Decal - SkyWelder	
102	1702868	1	Decal - No Hands	
103	1705305	1	Decal - Weld Lead	
104	1705375	1	Decal - 240V - 3 Phase - 60Hz	
105	1705466	1	Decal - Weight	

SECTION 4 - PLATFORM

FIGURE 4-13. WELDER ASSEMBLY



ART_4530028

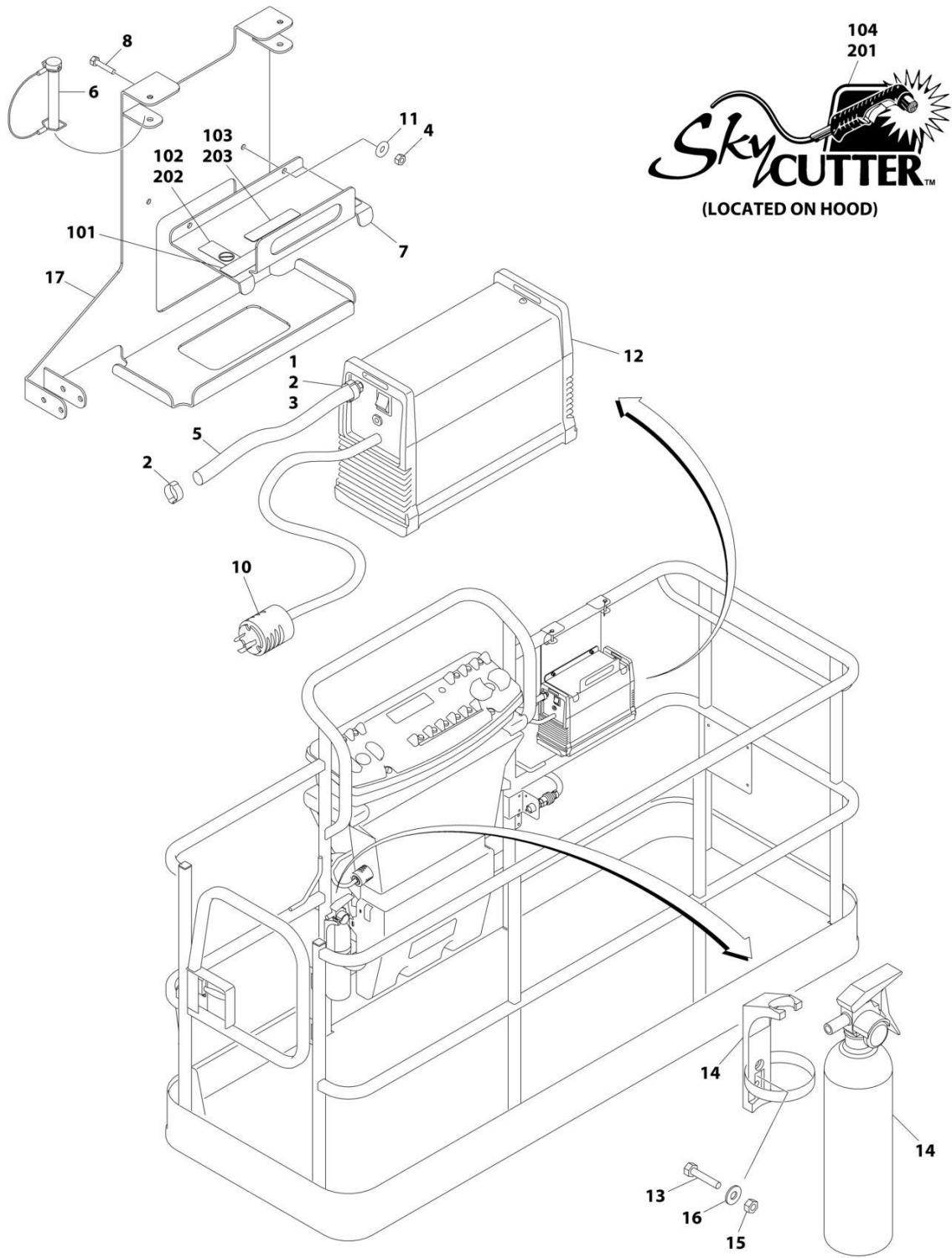
SECTION 4 - PLATFORM

FIGURE 4-13. WELDER ASSEMBLY

ITEM	PART NUMBER	QTY	DESCRIPTION	REV
	4530028	Ref	WELDER ASSEMBLY	A
		Ref	Note: For Other Components, contact your Miller Welder Dealer.	
1	7027773	1	Cover, Top	
1	7027774	1	Decal - Static Precautionary Warning	
2	See Note	NSS	Panel, LH Side (Note: Part of Item 1. Purchase Item 1)	
3	See Note	NSS	Panel, RH Side (Note: Part of Item 1. Purchase Item 1)	
4	7024467	1	Cable, Power	
4	7027775	1	Decal - Electrical Shock Warning (Not Shown)	
5	7027776	1	Handle, Carrying	
101	7024462	1	Panel, Front	
102	7024463	1	Panel, Console	
103	7024469	1	Switch with Lead	
104	7024470	1	Knob	
105	7024471	1	Knob	
106	7024472	1	Receptacle with Leads and Plugs	
107	7024473	2	Receptacle, Twistlock Female	
108	7024474	2	Insulator	
109	7024475	2	O-Ring	
110	7027777	1	Nameplate	
111	7027779	1	Circuit Card Assembly (Process Control)	
112	7024478	2	Nut	
113	7027778	1	Circuit Card Assembly (Operator Interface)	
201	7024462	1	Panel, Rear	
202	7027780	1	Panel, Cover	

SECTION 4 - PLATFORM

FIGURE 4-14. SKYCUTTER INSTALLATION



ART_1001098149

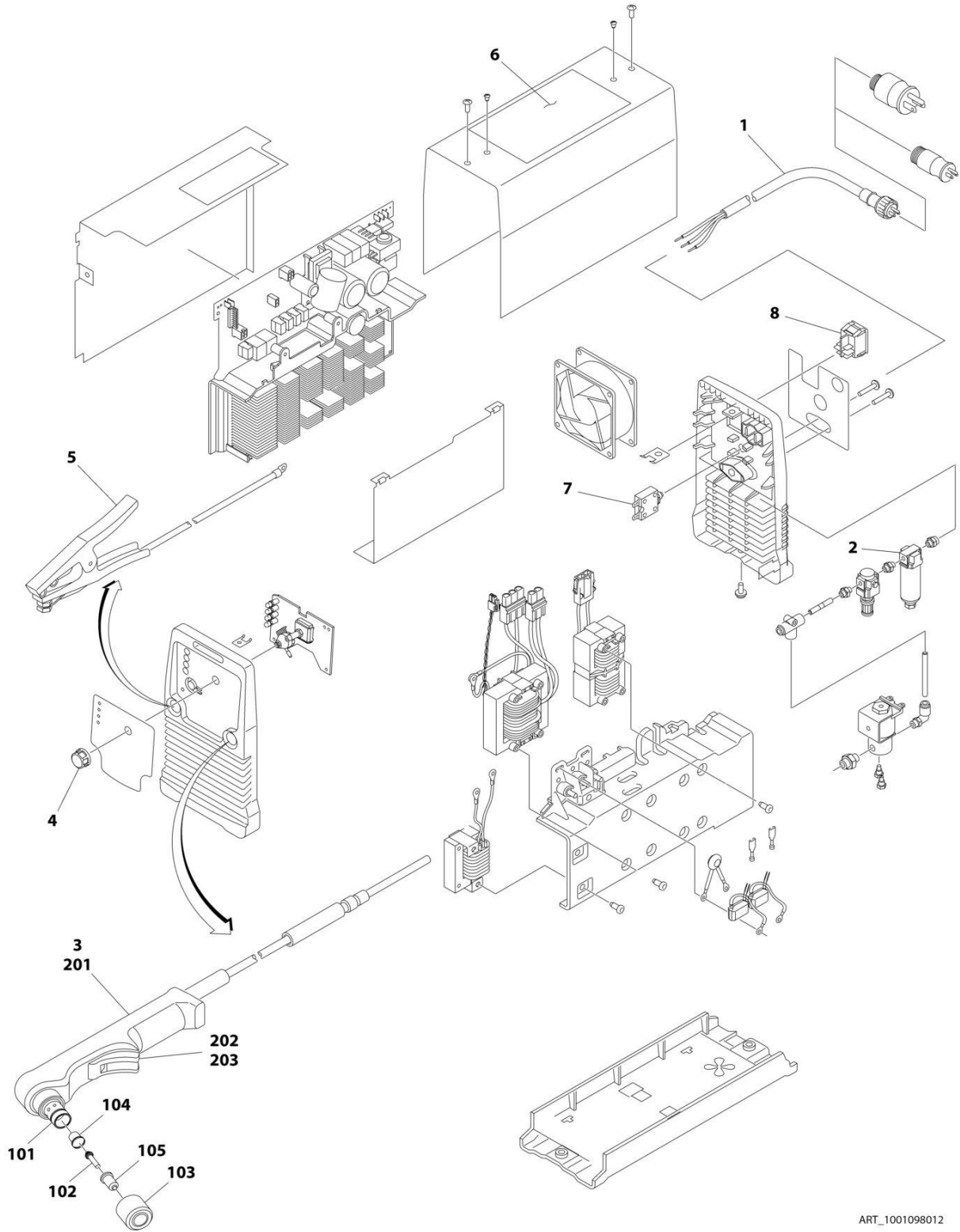
SECTION 4 - PLATFORM

FIGURE 4-14. SKYCUTTER INSTALLATION

ITEM	PART NUMBER	QTY	DESCRIPTION	REV
	1001098149	Ref	SKYCUTTER INSTALLATION	D
		Ref	Note: ANSI, ANSI Export, CSA and Japanese Specs Only.	
		Ref	Note: When replacing platform on machines with SkyCutter option, new bracket p/n 1001145405 must be purchased to accommodate SkyCutter components.	
1	0100020	AR	Sealant	
2	1320177	2	Clamp, Hose	
3	2180832	1	Fitting, NPT/Barbed	
4	3290605	2	Nut M6	
5	2720160	3 ft/.9m	Hose	
6	3421453	3	Pin	
7	3576799	1	Plate, Hold-Down	
8	4010608	2	Screw M6 x 16	
10	4460971	1	Plug, Twistlock	
11	4811700	2	Washer M6	
12	1001098012	1	Plasma Cutter Assembly (See PLASMA CUTTER ASSEMBLY for Breakdown)	
13	0630518	2	Screw #10 x 3/4	
14	2030010	1	Extinguisher, Fire	
15	3311005	2	Nut #10	
16	4751000	2	Washer #10	
17	1001145405	1	Support	
	0272599	Ref	SKYCUTTER DECAL INSTALLATION (ANSI, ANSI EXPORT AND CSA SPECS)	A
101	1702868	1	Decal - No Hands	
102	1705305	1	Decal - Weld Lead	
103	1705466	1	Decal - Weight	
104	1705490	2	Decal - SkyCutter	
	0272607	Ref	SKYCUTTER DECAL INSTALLATION (JAPANESE SPECS)	A
201	1705490	2	Decal - SkyCutter	
202	1705305	1	Decal - Weld Lead	
203	1705466	1	Decal - Weight	

SECTION 4 - PLATFORM

FIGURE 4-15. PLASMA CUTTER ASSEMBLY



ART_1001098012

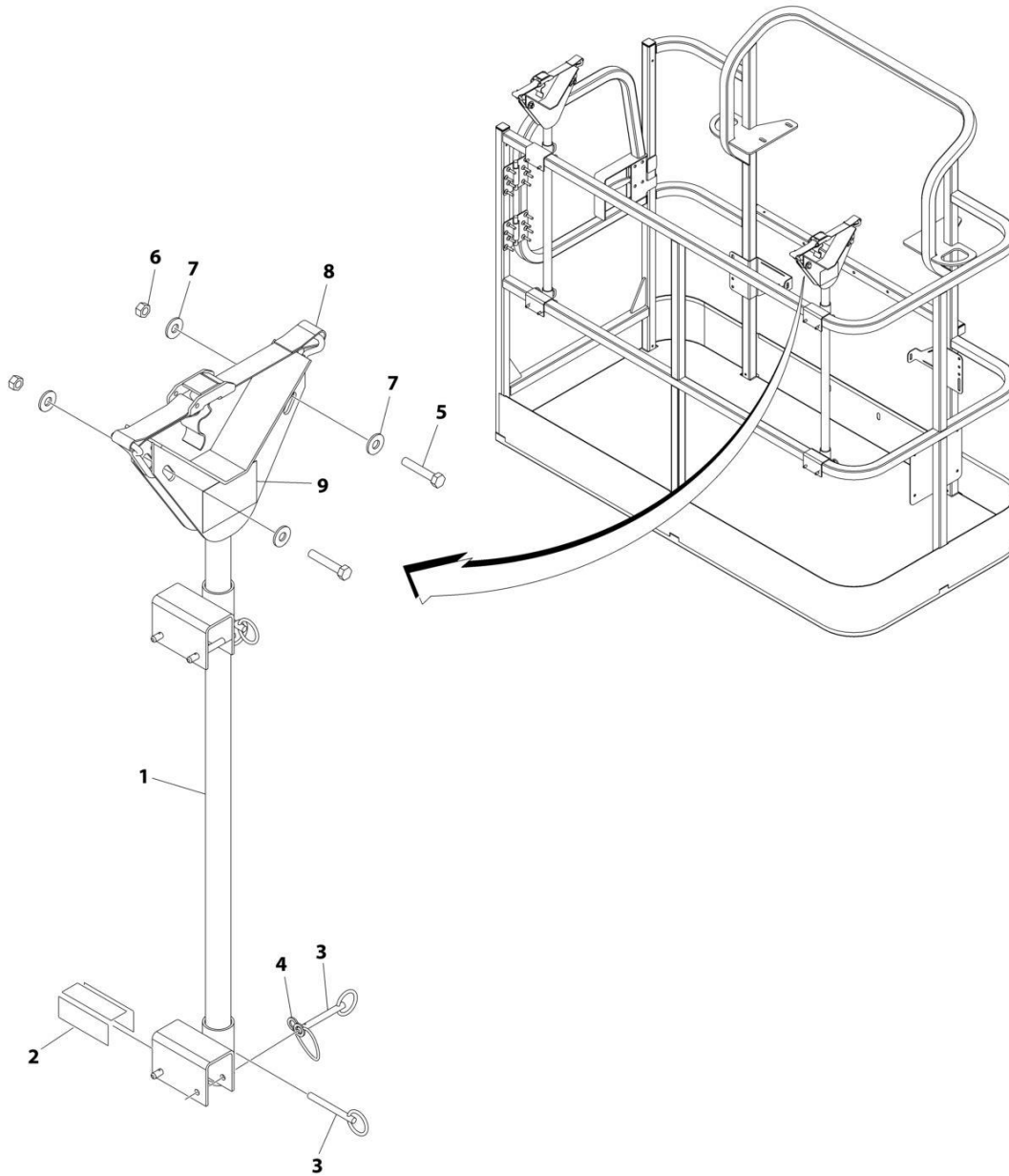
SECTION 4 - PLATFORM

FIGURE 4-15. PLASMA CUTTER ASSEMBLY

ITEM	PART NUMBER	QTY	DESCRIPTION	REV
	1001098012	Ref	PLASMA CUTTER ASSEMBLY	A
		Ref	Note: For Other Components, contact your Miller Welder Dealer.	
1	70001424	1	Cable, Power	
1	70001425	1	Decal - Voltage Warning	
2	70001427	1	Filter, Regulator	
3	70001428	1	Torch Assembly (See Items 101-203 for Breakdown)	
4	7024471	1	Knob	
5	70001429	1	Clamp with Cable	
6	70001430	1	Decal - Caution	
7	70001431	1	Breaker, Circuit	
8	70001432	1	Switch, Rocker	
	70001428	Ref	TORCH ASSEMBLY	
101	7024530	1	O-Ring	
102	7024531	1	Electrode	
103	7024532	1	Cup, Retaining	
104	7024533	1	Swirl Ring	
105	7024534	1	Tip	
201	7024535	1	Handle, Torch	
202	7024536	1	Switch	
203	7024537	1	Trigger	

SECTION 4 - PLATFORM

FIGURE 4-16. PIPE RACK INSTALLATION (ANSI SPEC)



ART_0257728

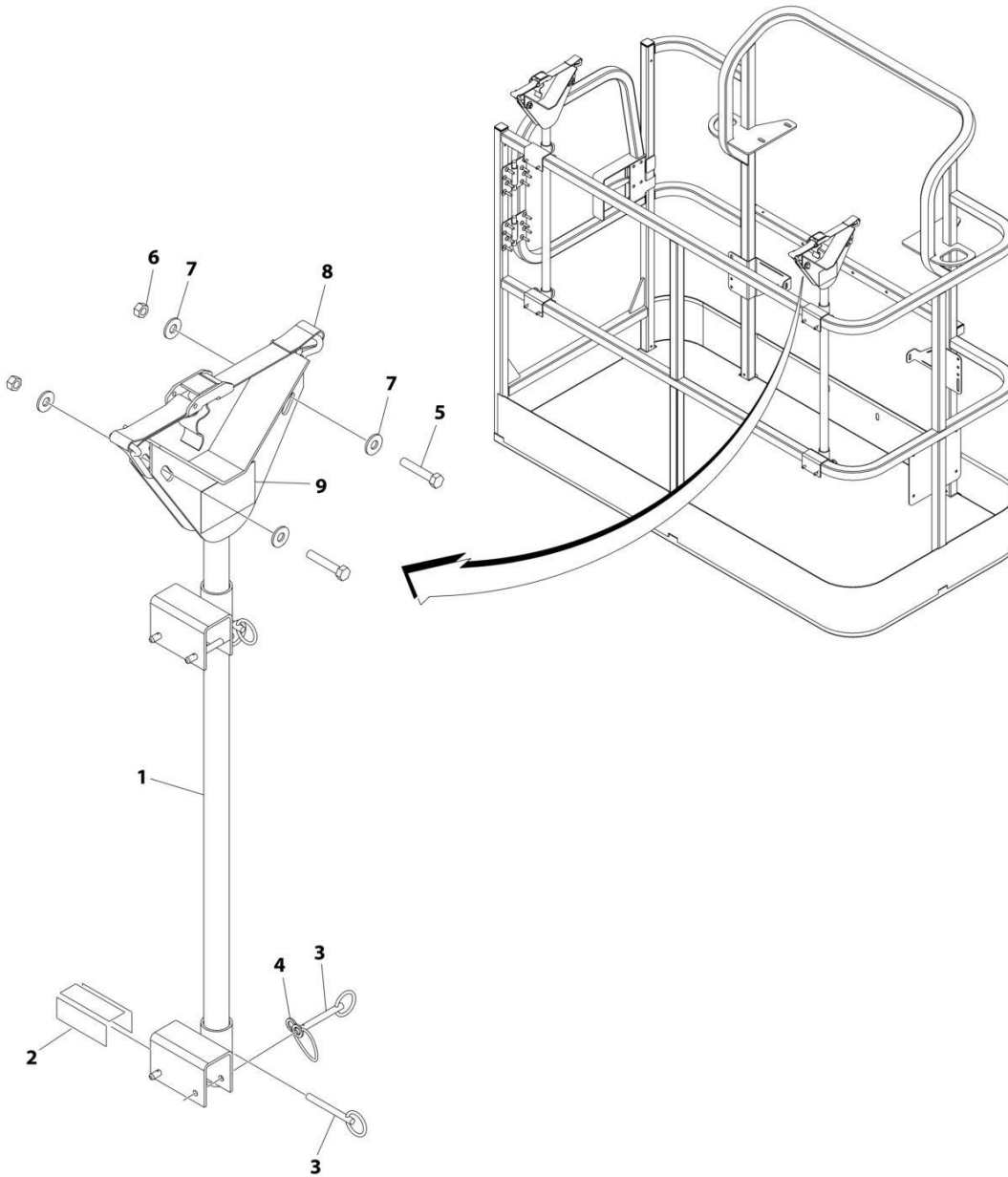
SECTION 4 - PLATFORM

FIGURE 4-16. PIPE RACK INSTALLATION (ANSI SPEC)

ITEM	PART NUMBER	QTY	DESCRIPTION	REV
	0257728	Ref	PIPE RACK INSTALLATION (ANSI SPEC)	2/C
1	4845582	2	Rack, Pipe	
2	4420062	AR	Tape	
3	3422661	10	Pin	
4	1060379	4	Lanyard	
5	0641514	4	Bolt 5/16 x 1-3/4	
6	3311505	4	Nut 5/16	
7	4751500	8	Washer 5/16	
8	0480100	2	Tie-Down	
9	1703683	2	Decal - Capacity	

SECTION 4 - PLATFORM

FIGURE 4-17. PIPE RACK INSTALLATION (AUSTRALIAN AND CE SPEC)



ART_0274661

SECTION 4 - PLATFORM

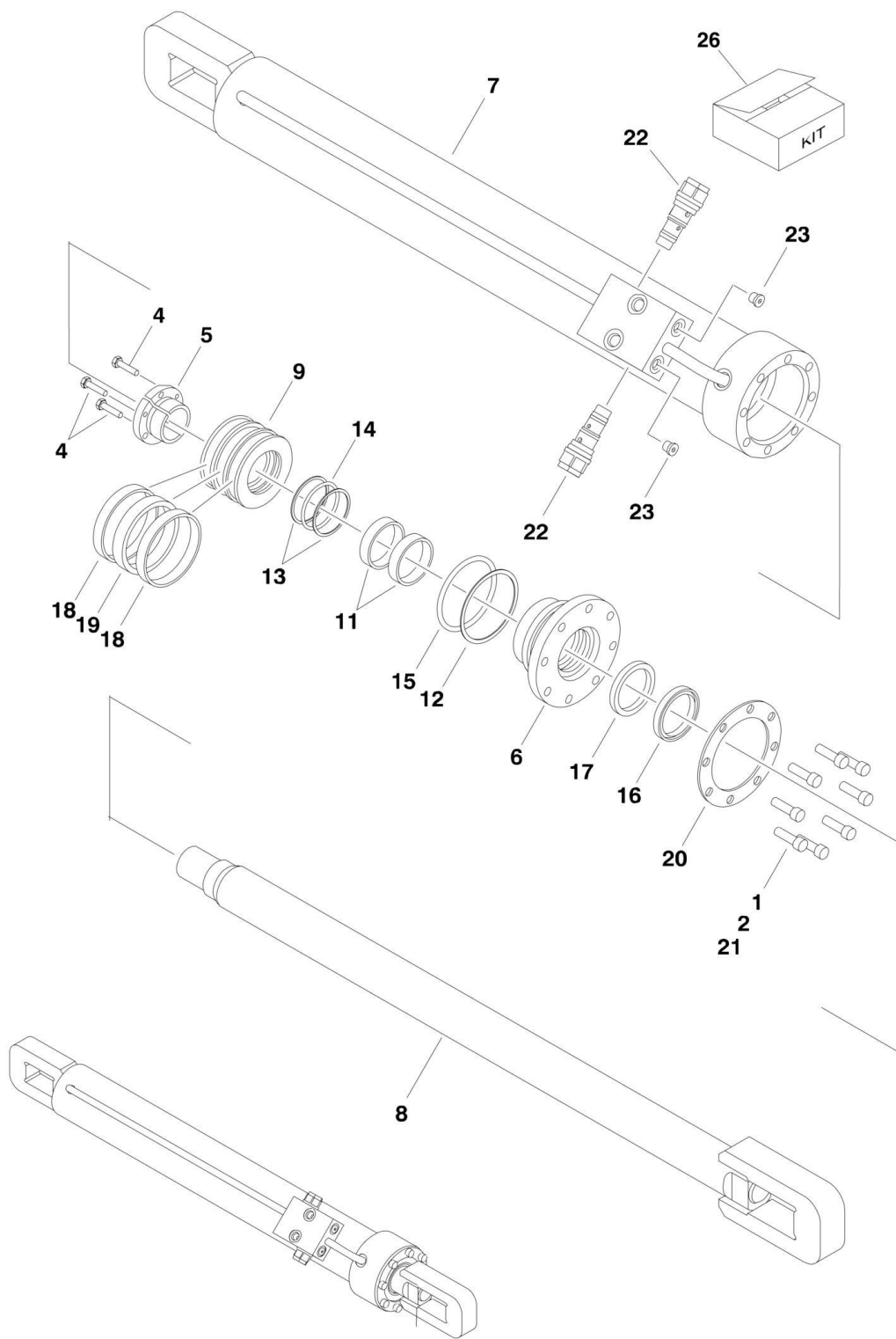
FIGURE 4-17. PIPE RACK INSTALLATION (AUSTRALIAN AND CE SPEC)

ITEM	PART NUMBER	QTY	DESCRIPTION	REV
	0274661	Ref	PIPE RACK INSTALLATION (AUSTRALIAN AND CE SPEC)	1/A
1	4845582	2	Rack, Pipe	
2	4420062	AR	Tape	
3	3422661	10	Pin	
4	1060379	4	Lanyard	
5	0641514	4	Bolt 5/16 x 1-3/4	
6	3311505	4	Nut 5/16	
7	4751500	8	Washer 5/16	
8	0480100	2	Tie-Down	
9	1706510	2	Decal - Capacity	

SECTION 5 - CYLINDER

SECTION 5 - CYLINDER

FIGURE 5-1. AXLE EXTENSION CYLINDER ASSEMBLY (ORIGINAL EQUIPMENT)



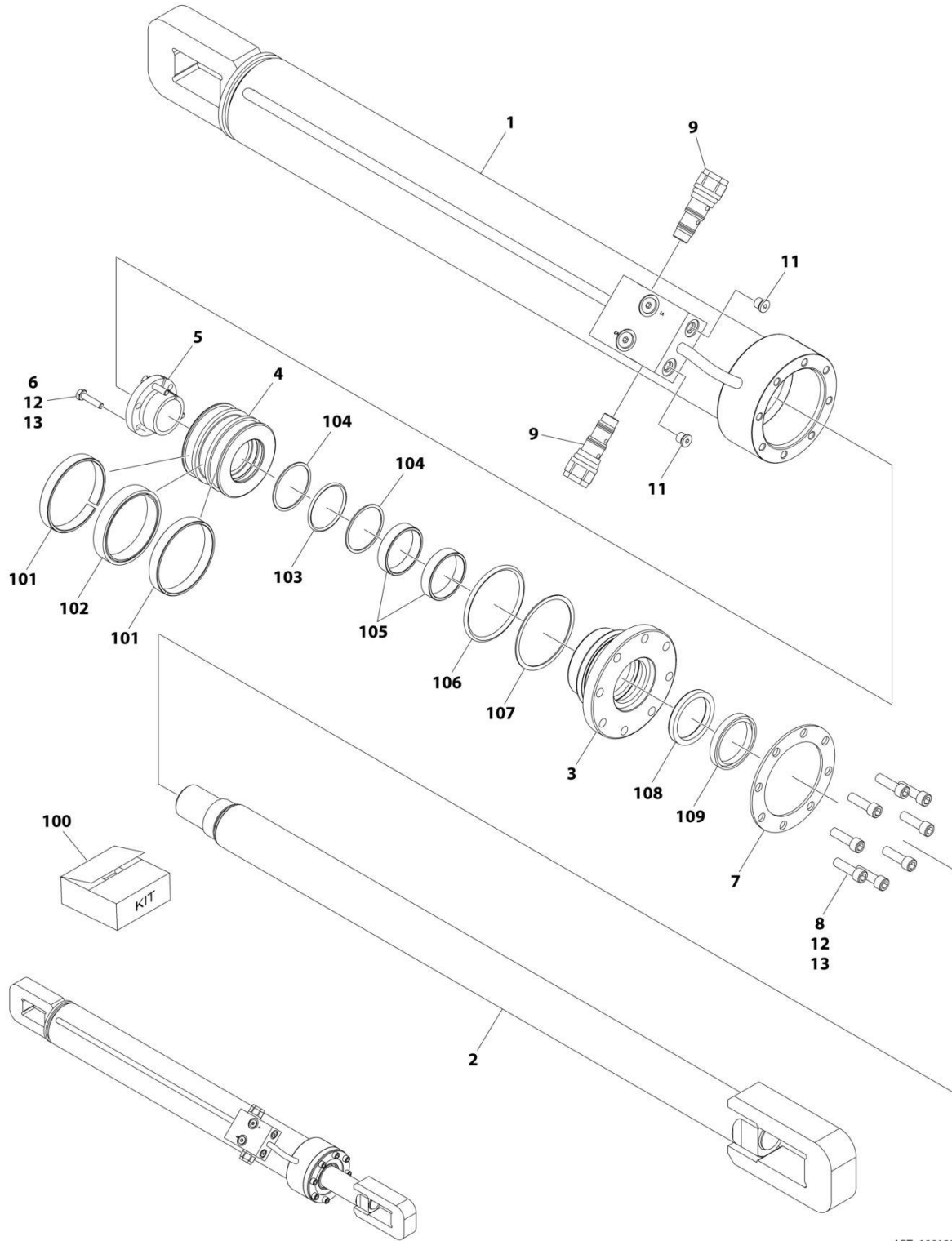
SECTION 5 - CYLINDER

FIGURE 5-1. AXLE EXTENSION CYLINDER ASSEMBLY (ORIGINAL EQUIPMENT)

ITEM	PART NUMBER	QTY	DESCRIPTION	REV
	1684102	Ref	AXLE EXTENSION CYLINDER ASSEMBLY	D
		Ref	Note: Original Cylinder may have been replaced with Service Replacement. Identify PN Stamped on Cylinder Before Ordering Parts.	
1	0100011	AR	Compound, Locking	
2	0100038	AR	Primer, Locking	
4	0630535	3	Capscrew 1/4 x 1-1/8	
5	0961896	1	Bushing, Tapered	
6	1683056	1	Head	
7	1684103	1	Barrel	
8	1684105	1	Rod	
9	3480272	1	Piston	
11	See Note	NSS	Ring, Wear (Note: Use Item 26)	
12	See Note	NSS	Ring, Back-Up (Note: Use Item 26)	
13	See Note	NSS	Ring, Back-Up (Note: Use Item 26)	
14	See Note	NSS	O-Ring (Note: Use Item 26)	
15	See Note	NSS	O-Ring (Note: Use Item 26)	
16	See Note	NSS	Wiper, Rod (Note: Use Item 26)	
17	See Note	NSS	Seal (Note: Use Item 26)	
18	See Note	NSS	Ring, Wear (Note: Use Item 26)	
19	See Note	NSS	T-Seal (Note: Use Item 26)	
20	3760369	1	Ring, Washer	
21	3931620	8	Bolt 3/8 x 1-1/4	
22	4640509	2	Cartridge, Holding Valve	
22	2900792	2	Seal Kit - 4640509 Cartridge Valve	
23	2220883	2	Plug, O-Ring	
26	2901773	1	Seal Kit (Includes Items 11-19)	

SECTION 5 - CYLINDER

FIGURE 5-2. AXLE EXTENSION CYLINDER ASSEMBLY (SERVICE REPLACEMENT)



ART_1001228020

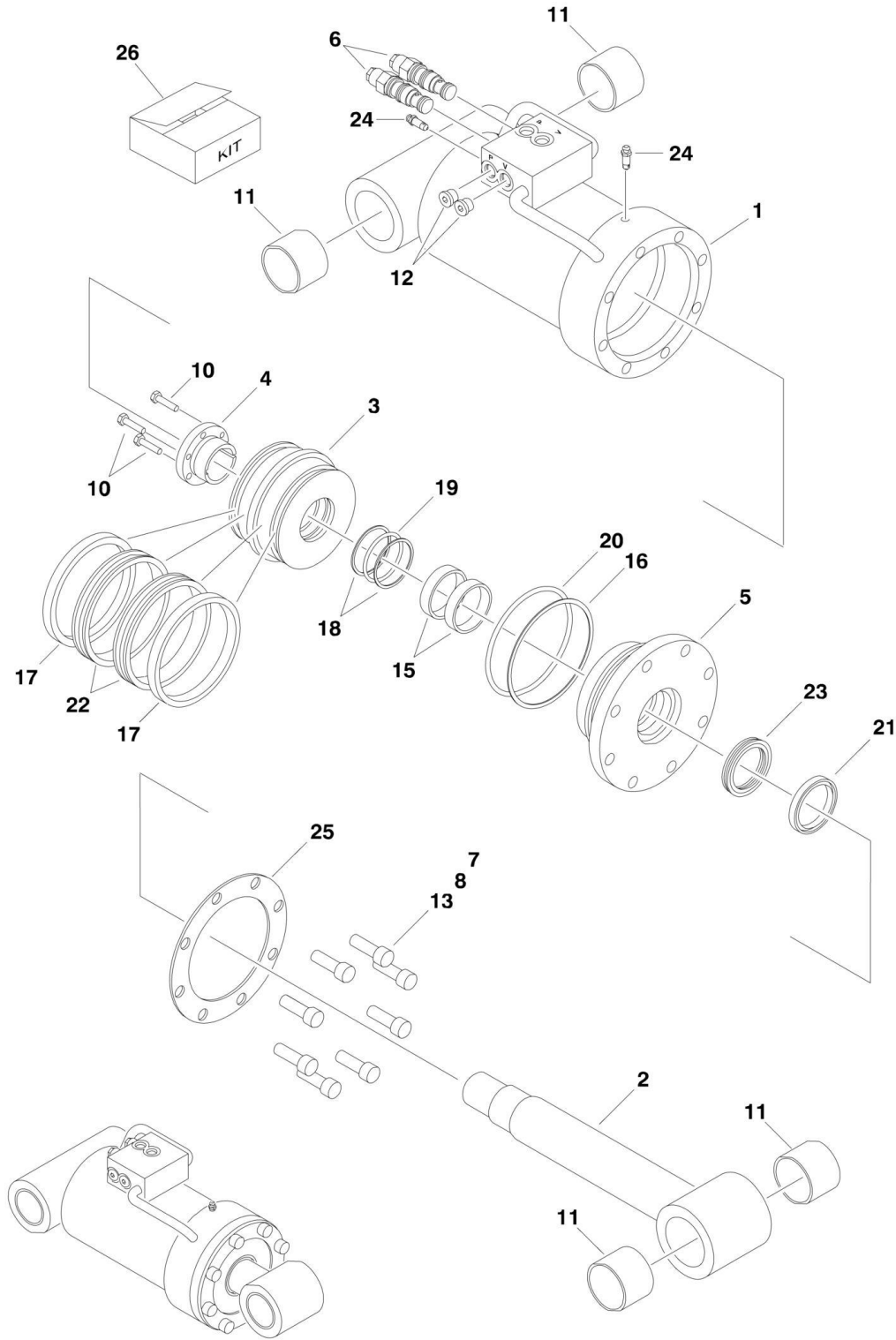
SECTION 5 - CYLINDER

FIGURE 5-2. AXLE EXTENSION CYLINDER ASSEMBLY (SERVICE REPLACEMENT)

ITEM	PART NUMBER	QTY	DESCRIPTION	REV
	1001228020	Ref	AXLE EXTENSION CYLINDER ASSEMBLY	E
		Ref	Note: Original Cylinder May Have Been Replaced with Service Replacement. Identify PN Stamped on Cylinder Before Ordering Parts.	
1	See Note	NSS	Barrel (Note: Not Available for Purchase)	
2	70006363	1	Rod	
3	70006362	1	Head	
4	70006361	1	Piston	
5	70006360	1	Bushing, Tapered	
6	0630535	3	Capscrew 1/4 x 1-1/8	
7	70006359	1	Ring, Washer	
8	3931620	8	Bolt 3/8 x 1-1/4	
9	4640509	2	Cartridge, Holding Valve	
9	2900792	2	Seal Kit - 4640509 Cartridge Valve (1 Per Valve)	
11	2220883	2	Plug, O-Ring	
12	0100011	AR	Compound, Locking	
13	0100038	AR	Primer, Locking	
100	2901773	1	Seal Kit (Includes Items 101-109)	
101	See Note	NSS	Ring, Wear (Note: Use Item 100)	
102	See Note	NSS	T-Seal (Note: Use Item 100)	
103	See Note	NSS	O-Ring (Note: Use Item 100)	
104	See Note	NSS	Ring, Back-up (Note: Use Item 100)	
105	See Note	NSS	Ring, Wear (Note: Use Item 100)	
106	See Note	NSS	O-Ring (Note: Use Item 100)	
107	See Note	NSS	Ring, Back-up (Note: Use Item 100)	
108	See Note	NSS	Seal (Note: Use Item 100)	
109	See Note	NSS	Wiper, Rod (Note: Use Item 100)	

SECTION 5 - CYLINDER

FIGURE 5-3. AXLE LOCKOUT CYLINDER ASSEMBLY (ORIGINAL EQUIPMENT)



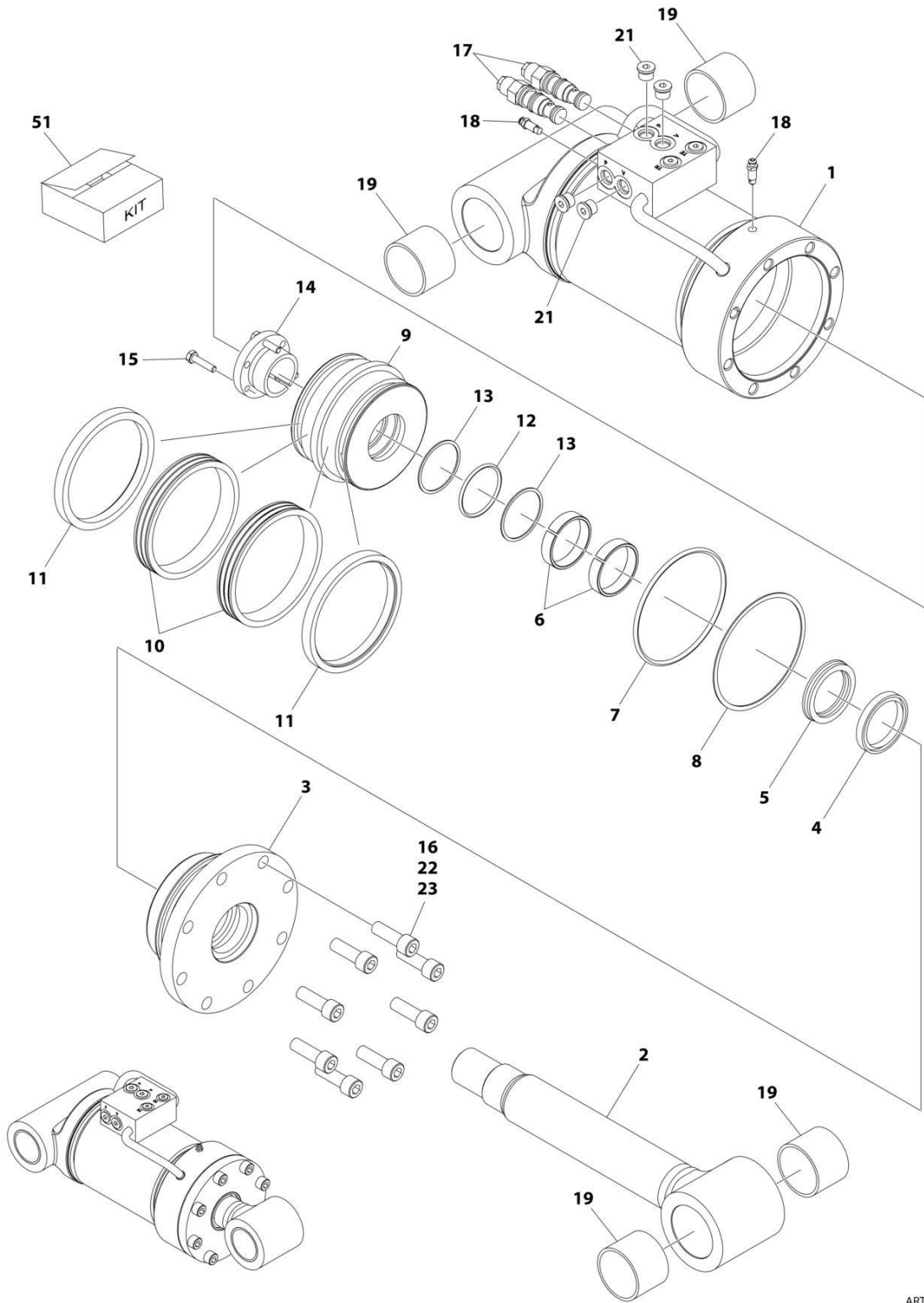
SECTION 5 - CYLINDER

FIGURE 5-3. AXLE LOCKOUT CYLINDER ASSEMBLY (ORIGINAL EQUIPMENT)

ITEM	PART NUMBER	QTY	DESCRIPTION	REV
	1684081	Ref	AXLE LOCKOUT CYLINDER ASSEMBLY	E
1	1684082	1	Barrel Weldment	
2	1684083	1	Rod Weldment	
3	3480269	1	Piston	
4	0961896	1	Bushing	
5	1683062	1	Head	
6		Ref	Cartridge, Valve Options: (Counterbalance)	
6	4640936	2	Cartridge, Valve (Counterbalance) (Prior to SN 0300073034)	
6	4641276	2	Cartridge, Valve (Counterbalance) (SN 0300073034 through 0300201017)	
6	2900770	2	Seal Kit - 4640936 Valve (1 Per Assembly)	
7	0100011	AR	Compound, Locking	
8	0100038	AR	Primer, Locking	
10	0630535	3	Bolt 1/4 x 1-1/8	
11	0961950	4	Bearing	
12	2220885	2	Plug, O-Ring	
13	3931824	8	Capscrew 1/2 x 1-1/2	
15	See Note	NSS	Ring, Wear (Note: Use Item 26)	
16	See Note	NSS	Ring, Back-Up (Note: Use Item 26)	
17	See Note	NSS	Ring, Lock (Note: Use Item 26)	
18	See Note	NSS	Ring, Back-Up (Note: Use Item 26)	
19	See Note	NSS	O-Ring (Note: Use Item 26)	
20	See Note	NSS	O-Ring (Note: Use Item 26)	
21	See Note	NSS	Wiper (Note: Use Item 26)	
22	See Note	NSS	Seal (Note: Use Item 26)	
23	See Note	NSS	Seal Rod (Note: Use Item 26)	
24	4640858	2	Valve, Bleeder	
25	3760371	1	Ring, Washer	
26	2902087	1	Seal Kit (Includes Items 15-23)	

SECTION 5 - CYLINDER

FIGURE 5-4. AXLE LOCKOUT CYLINDER ASSEMBLY (SERVICE REPLACEMENT)



ART_1001228019

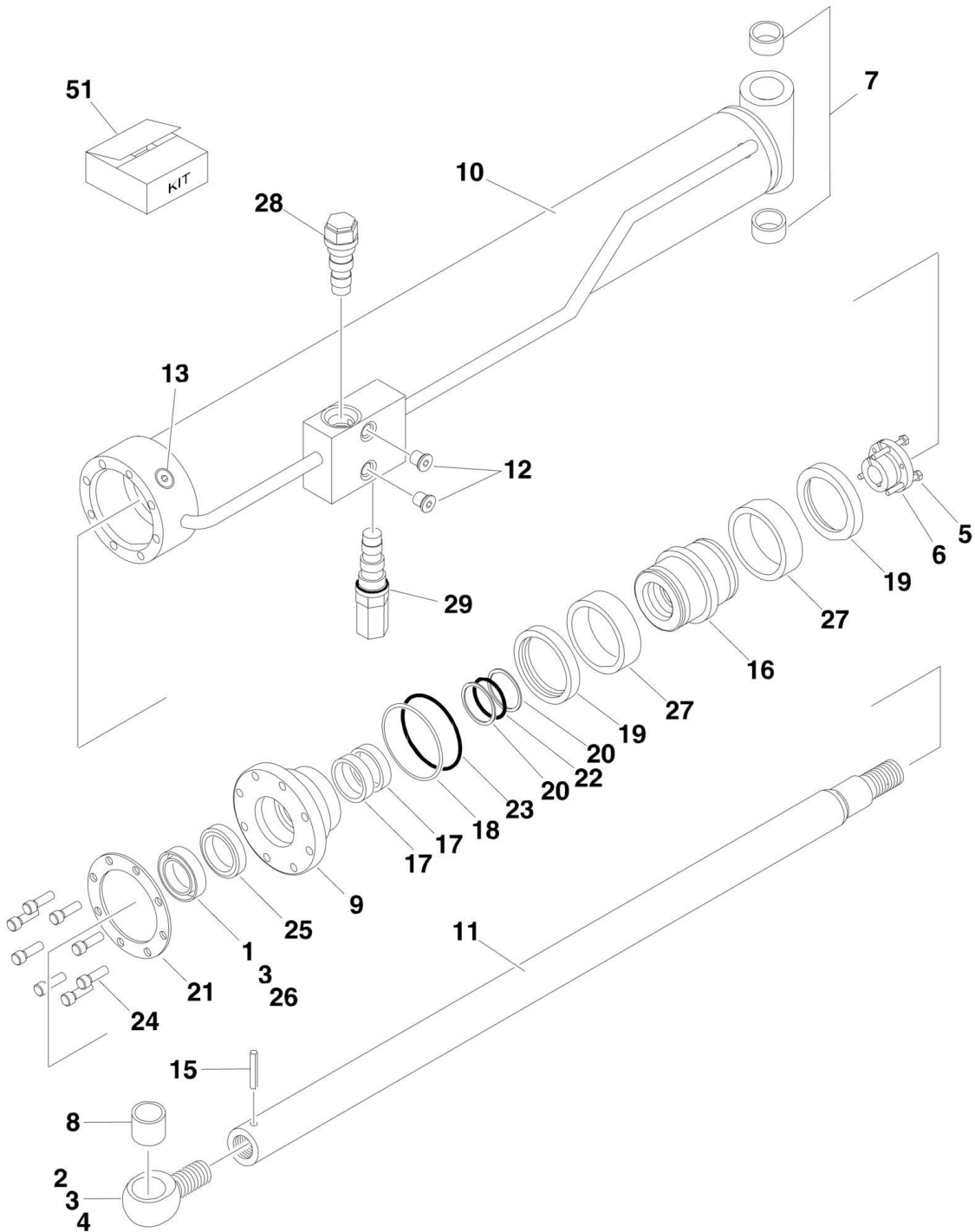
SECTION 5 - CYLINDER

FIGURE 5-4. AXLE LOCKOUT CYLINDER ASSEMBLY (SERVICE REPLACEMENT)

ITEM	PART NUMBER	QTY	DESCRIPTION	REV
	1001228019	Ref	AXLE LOCKOUT CYLINDER ASSEMBLY	D
		Ref	Note: Original Cylinder May Have Been Replaced with Service Replacement. Identify PN Stamped on Cylinder Before Ordering Parts.	
1	See Note	NSS	Barrel (Note: Not Available for Purchase)	
2	70006520	1	Rod	
3	70006474	1	Head	
4	See Note	NSS	Wiper (Note: Use Item 51)	
5	See Note	NSS	Seal, Rod (Note: Use Item 51)	
6	See Note	NSS	Ring, Wear (Note: Use Item 51)	
7	See Note	NSS	O-Ring (Note: Use Item 51)	
8	See Note	NSS	Ring, Back-up (Note: Use Item 51)	
9	70006473	1	Piston	
10	See Note	NSS	Seal (Note: Use Item 51)	
11	See Note	NSS	Ring, Lock (Note: Use Item 51)	
12	See Note	NSS	O-Ring (Note: Use Item 51)	
13	See Note	NSS	Ring, Back-up (Note: Use Item 51)	
14	0961896	1	Bushing	
15	0630535	3	Bolt 1/4 x 1-1/8	
16	3931824	8	Bolt 1/2 x 1-1/2	
17	4641276	2	Cartridge, Valve Options: (Counterbalance)	
17	2900770	2	Seal Kit - 4641276 Valve (1 Per Assembly)	
18	4640858	2	Valve, Bleeder	
19	0961950	4	Bearing	
21	2220885	4	Plug, O-Ring	
22	0100011	AR	Compound, Locking	
23	0100038	AR	Primer, Locking	
51	2902087	1	Seal Kit (Includes Items 4-8 & 10-13)	

SECTION 5 - CYLINDER

FIGURE 5-5. PLATFORM LEVEL CYLINDER ASSEMBLY (WITHOUT ARCTIC PACKAGE) (ORIGINAL EQUIPMENT) (Prior to SN 0300080030)



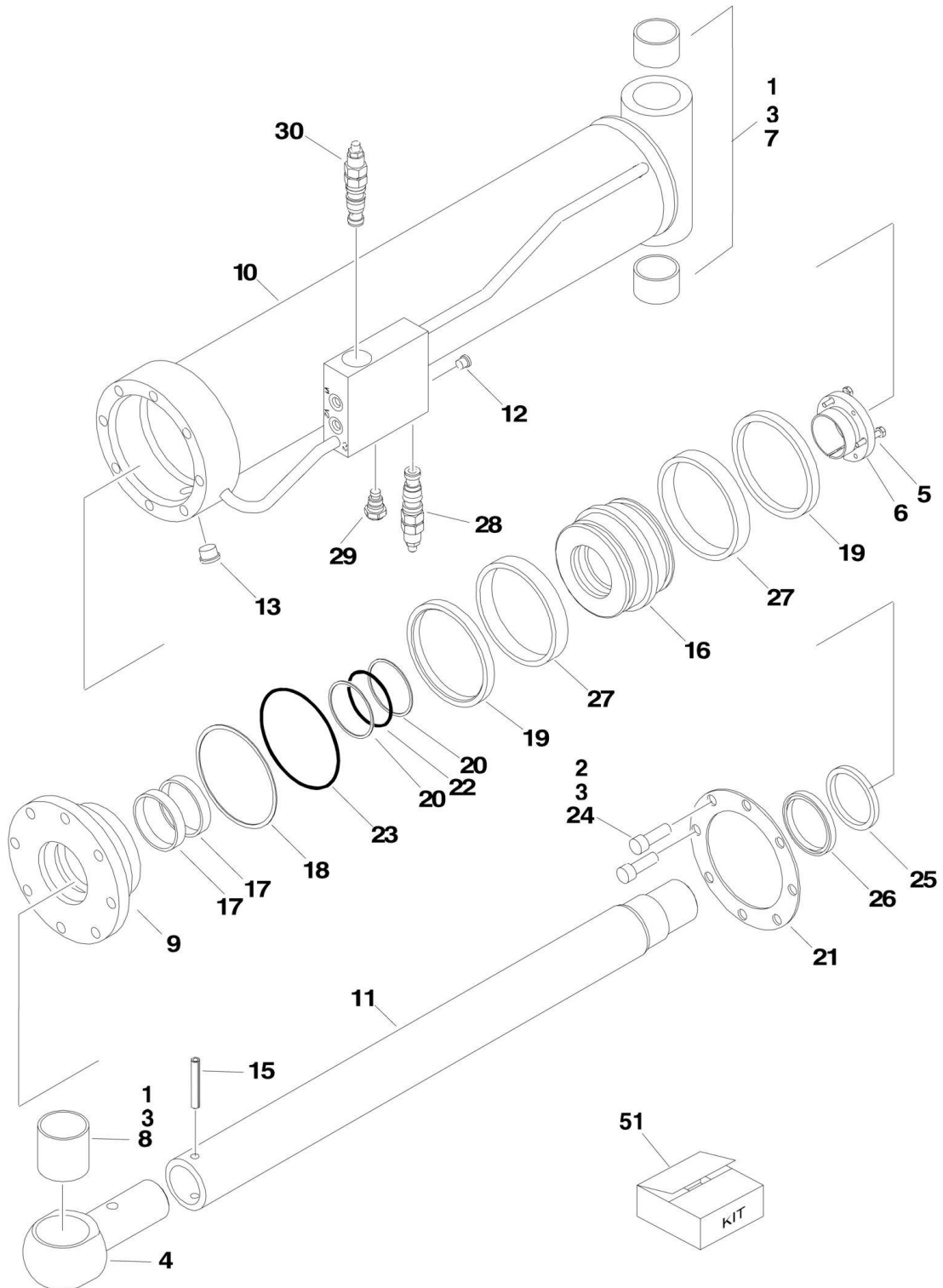
SECTION 5 - CYLINDER

FIGURE 5-5. PLATFORM LEVEL CYLINDER ASSEMBLY (WITHOUT ARCTIC PACKAGE) (ORIGINAL EQUIPMENT) (Prior to SN 0300080030)

ITEM	PART NUMBER	QTY	DESCRIPTION	REV
	1684343	Ref	PLATFORM LEVEL CYLINDER ASSEMBLY	D
		Ref	Note: Original Equipment Cylinder may have been replaced with Service Replacement p/n 1684430 - see next figure. Identify p/n stamped on cylinder before ordering parts.	
1	0100011	AR	Compound, Locking	
2	0100019	AR	Compound, Locking	
3	0100038	AR	Primer, Locking	
4	0561546	1	Link, Rod	
5	0630535	3	Capscrew 1/4 x 1-1/8	
6	0961897	1	Bushing, Tapered	
7	0961949	2	Bushing	
8	0962561	1	Bushing	
9	1683063	1	Head	
10	1684344	1	Barrel Weldment	
11	1684346	1	Rod Weldment	
12	2220885	2	Plug, O-Ring	
13	2220886	1	Plug, O-Ring	
15	3441240	1	Rollpin	
16	3480282	1	Piston	
17	See Note	NSS	Ring, Wear (Note: Use Item 51)	
18	See Note	NSS	Ring, Back-Up (Note: Use Item 51)	
19	See Note	NSS	Ring, Lock (Note: Use Item 51)	
20	See Note	NSS	Ring, Back-Up (Note: Use Item 51)	
21	3760371	1	Ring, Washer	
22	See Note	NSS	O-Ring (Note: Use Item 51)	
23	See Note	NSS	O-Ring (Note: Use Item 51)	
24	3931824	8	Capscrew 1/2 x 1-1/2	
25	See Note	NSS	Seal, Rod (Note: Use Item 51)	
26	See Note	NSS	Wiper, Rod (Note: Use Item 51)	
27	See Note	NSS	Ring, Guide (Note: Use Item 51)	
28	4640509	1	Cartridge, Holding Valve (Non Vented)	
28	2900792	1	Seal Kit - 4640509 Cartridge	
29	4641354	1	Cartridge, Holding Valve (Non Vented)	
29	2900792	1	Seal Kit - 4641354 Cartridge	
51	2902285	1	Seal Kit (Includes Items 17-20, 22, 23 & 25-27)	

SECTION 5 - CYLINDER

FIGURE 5-6. PLATFORM LEVEL CYLINDER ASSEMBLY (WITHOUT ARCTIC PACKAGE) (ORIGINAL EQUIPMENT) (SN 0300080030 through 0300201017)



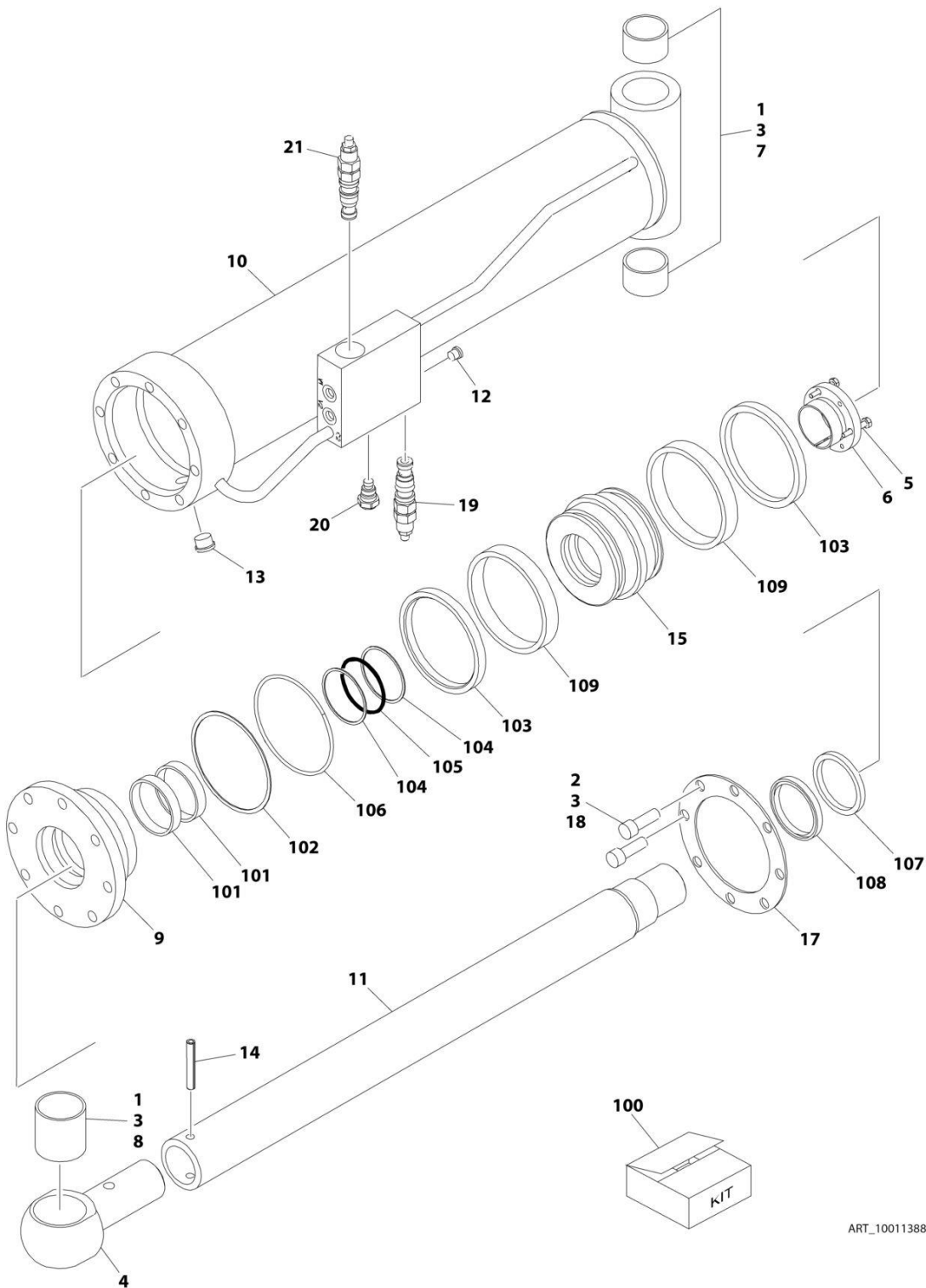
SECTION 5 - CYLINDER

FIGURE 5-6. PLATFORM LEVEL CYLINDER ASSEMBLY (WITHOUT ARCTIC PACKAGE) (ORIGINAL EQUIPMENT) (SN 0300080030 through 0300201017)

ITEM	PART NUMBER	QTY	DESCRIPTION	REV
		Ref	PLATFORM LEVEL CYLINDER ASSEMBLIES	
	1684430	Ref	Without Arctic Package	D
	1001138813	Ref	With Arctic Package	B
1	0100011	AR	Compound, Locking	
2	0100019	AR	Compound, Locking	
3	0100038	AR	Primer, Locking	
4	0561546	1	Link, Rod	
5	0630535	3	Capscrew 1/4 x 1-1/8	
6	0961897	1	Bushing, Tapered	
7	0961949	2	Bushing	
8	0962561	1	Bushing	
9	1683063	1	Head	
10	0370025	1	Barrel Weldment	
11	1684346	1	Rod Weldment	
12	2220883	1	Plug, O-Ring	
13	2220886	1	Plug, O-Ring	
15	3441240	1	Rollpin	
16	3480282	1	Piston	
17	See Note	NSS	Ring, Wear (Note: Use Item 51)	
18	See Note	NSS	Ring, Back-up (Note: Use Item 51)	
19	See Note	NSS	Ring, Lock (Note: Use Item 51)	
20	See Note	NSS	Ring, Back-up (Note: Use Item 51)	
21	3760371	1	Ring, Washer	
22	See Note	NSS	O-Ring (Note: Use Item 51)	
23	See Note	NSS	O-Ring (Note: Use Item 51)	
24	3931824	8	Capscrew 1/2in-13NC x 1-1/2in	
25	See Note	NSS	Seal, Rod (Note: Use Item 51)	
26	See Note	NSS	Wiper, Rod (Note: Use Item 51)	
27	See Note	NSS	Ring, Guide (Note: Use Item 51)	
28	4641386	1	Cartridge, Holding Valve (Vented)	
28	7011376	1	Seal Kit - 4641386 Cartridge (1 Per Cartridge)	
29	4641388	1	Cartridge, Holding Valve	
29	7011353	1	Seal Kit - 4641388 Cartridge (1 Per Cartridge)	
30	4641393	1	Cartridge, Holding Valve (Vented)	
30	7011376	1	Seal Kit - 4641393 Cartridge (1 Per Cartridge)	
51		Ref	Seal Kit Options (Includes Items 17-20, 22, 23 & 25-27):	
51	2902285	1	Without Arctic Package	
51	1001138814	1	With Arctic Package	

SECTION 5 - CYLINDER

FIGURE 5-7. PLATFORM LEVEL CYLINDER ASSEMBLY (WITH ARCTIC PACKAGE) (ORIGINAL EQUIPMENT)



ART_1001138813

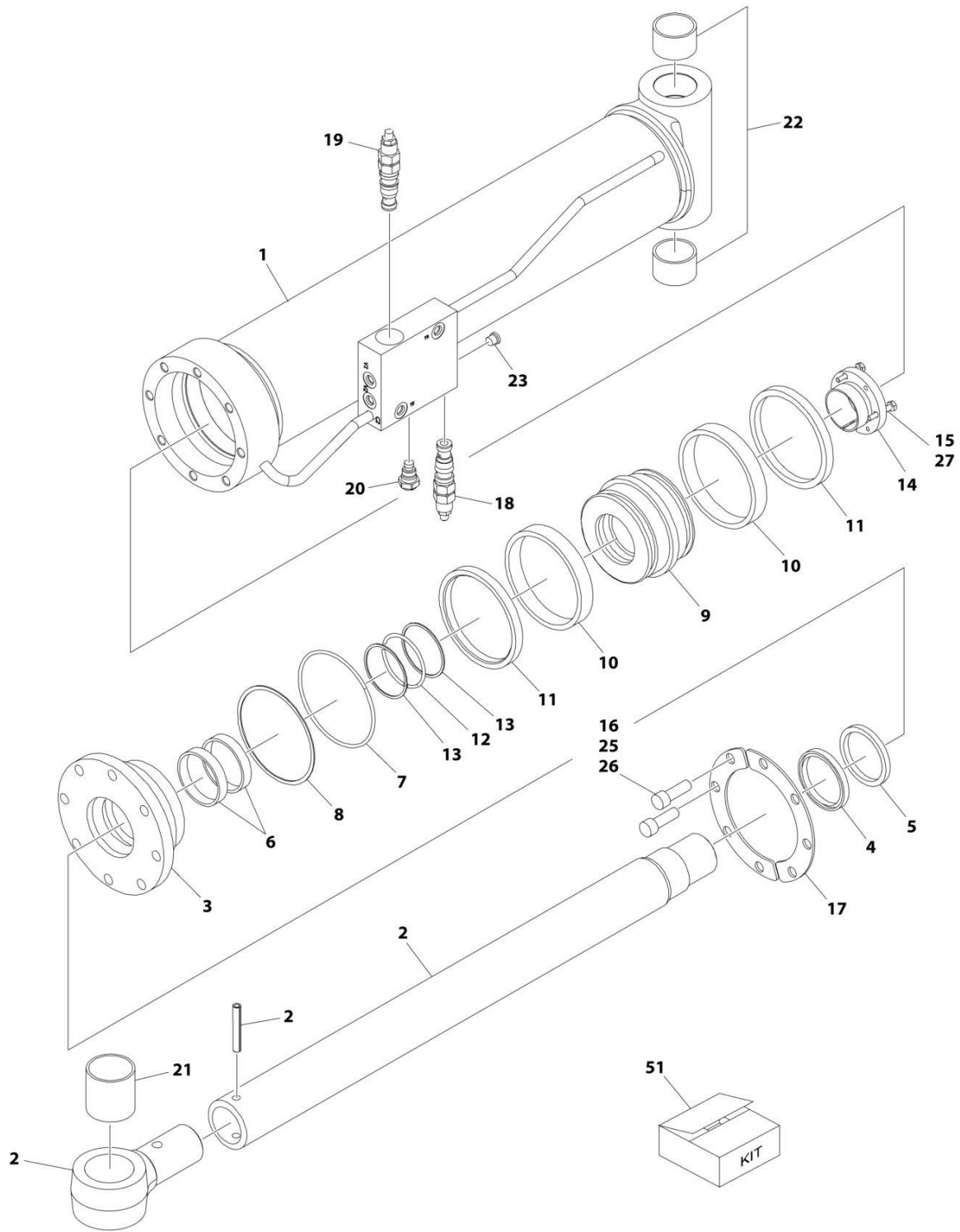
SECTION 5 - CYLINDER

FIGURE 5-7. PLATFORM LEVEL CYLINDER ASSEMBLY (WITH ARCTIC PACKAGE) (ORIGINAL EQUIPMENT)

ITEM	PART NUMBER	QTY	DESCRIPTION	REV
	1001138813	Ref	PLATFORM LEVEL CYLINDER ASSEMBLY	C
		Ref	Note: Original Cylinder may have been replaced with Service Replacement. Identify PN Stamped on Cylinder Before Ordering Parts.	
1	0100011	AR	Compound, Locking	
2	0100019	AR	Compound, Locking	
3	0100038	AR	Primer, Locking	
4	0561546	1	Link, Rod	
5	0630535	3	Capscrew 1/4 x 1-1/8	
6	0961897	1	Bushing, Tapered	
7	0961949	2	Bushing	
8	0962561	1	Bushing	
9	1683063	1	Head	
10	0370025	1	Barrel Weldment	
11	1684346	1	Rod Weldment	
12	2220883	1	Plug, O-Ring	
13	2220886	1	Plug, O-Ring	
14	3441240	1	Rollpin	
15	3480282	1	Piston	
17	3760371	1	Ring, Washer	
18	3931824	8	Capscrew 1/2 x 1-1/2	
19	4641386	1	Cartridge, Holding Valve (Vented)	
19	7011376	1	Seal Kit - 4641386 Cartridge (1 Per Cartridge)	
20	4641388	1	Cartridge, Holding Valve	
20	7011353	1	Seal Kit - 4641388 Cartridge (1 Per Cartridge)	
21	4641393	1	Cartridge, Holding Valve (Vented)	
21	7011376	1	Seal Kit - 4641393 Cartridge (1 Per Cartridge)	
100	1001138814	1	Seal Kit (Includes Items 101-109)	
101	See Note	NSS	Ring, Wear (Note: Use Item 100)	
102	See Note	NSS	Ring, Back-up (Note: Use Item 100)	
103	See Note	NSS	Ring, Lock (Note: Use Item 100)	
104	See Note	NSS	Ring, Back-up (Note: Use Item 100)	
105	See Note	NSS	O-Ring (Note: Use Item 100)	
106	See Note	NSS	O-Ring (Note: Use Item 100)	
107	See Note	NSS	Seal, Rod (Note: Use Item 100)	
108	See Note	NSS	Wiper, Rod (Note: Use Item 100)	
109	See Note	NSS	Ring, Guide (Note: Use Item 100)	

SECTION 5 - CYLINDER

FIGURE 5-8. PLATFORM LEVEL CYLINDER ASSEMBLY (SERVICE REPLACEMENT)



ART_1001228034

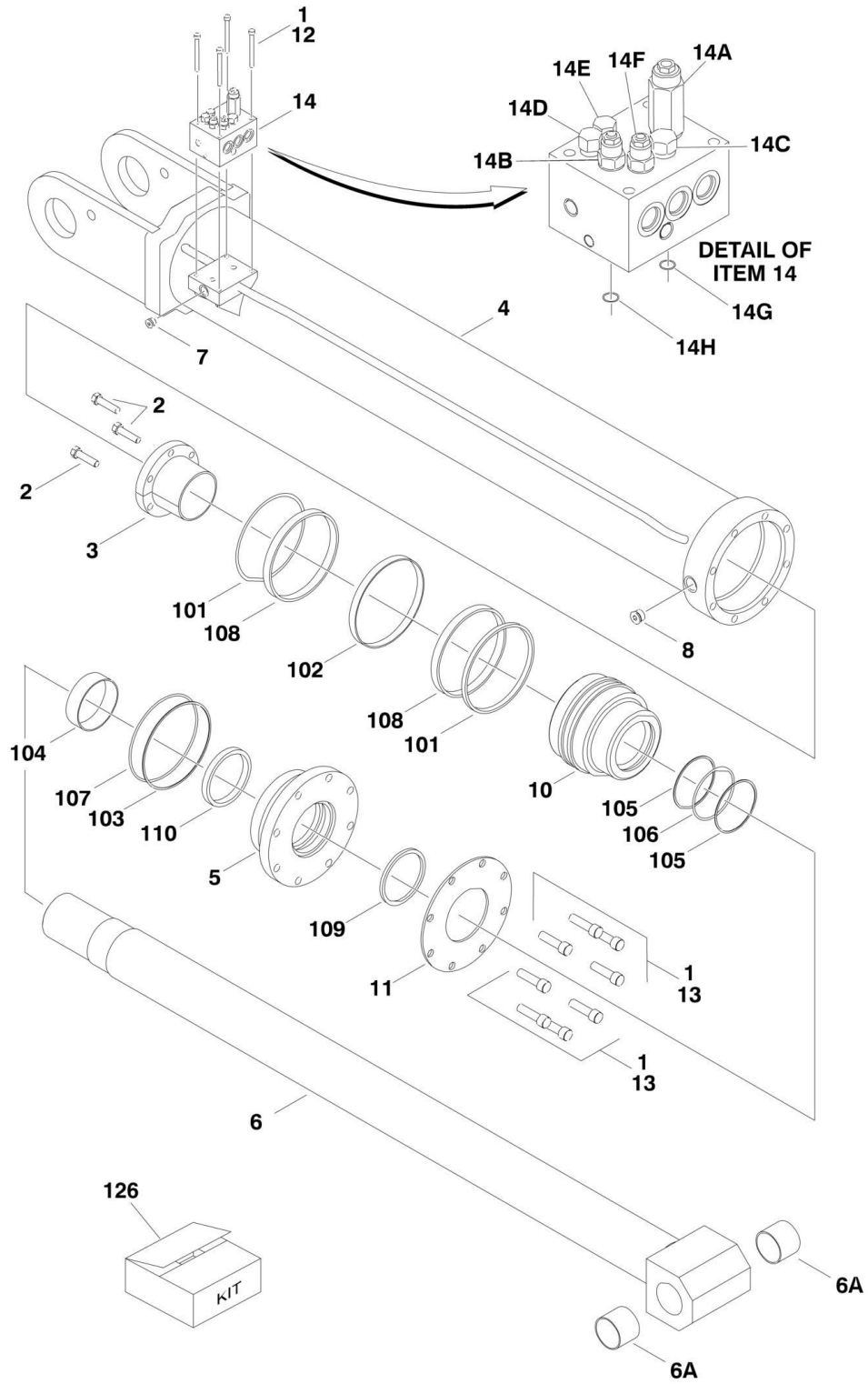
SECTION 5 - CYLINDER

FIGURE 5-8. PLATFORM LEVEL CYLINDER ASSEMBLY (SERVICE REPLACEMENT)

ITEM	PART NUMBER	QTY	DESCRIPTION	REV
	1001228034	Ref	PLATFORM LEVEL CYLINDER ASSEMBLY	E
		Ref	Note: Original Cylinder May Have Been Replaced with Service Replacement. Identify PN Stamped on Cylinder Before Ordering Parts.	
1	See Note	NSS	Barrel (Note: Not Available for Purchase)	
2	70006496	1	Rod	
3	70006495	1	Head	
4	See Note	NSS	Wiper, Rod (Note: Use Item 51)	
5	See Note	NSS	Seal, Rod (Note: Use Item 51)	
6	See Note	NSS	Ring, Wear (Note: Use Item 51)	
7	See Note	NSS	O-Ring (Note: Use Item 51)	
8	See Note	NSS	Ring, Back-up (Note: Use Item 51)	
9	70006494	1	Piston	
10	See Note	NSS	Ring, Guide (Note: Use Item 51)	
11	See Note	NSS	Ring, Lock (Note: Use Item 51)	
12	See Note	NSS	O-Ring (Note: Use Item 51)	
13	See Note	NSS	Ring, Back-up (Note: Use Item 51)	
14	0961897	1	Bushing, Tapered	
15	0630535	3	Capscrew 1/4 x 1-1/8	
16	3931824	8	Capscrew 1/2 x 1-1/2	
17	70007049	1	Ring, Washer	
18	4641386	1	Cartridge, Holding Valve (Vented)	
18	7011376	1	Seal Kit - 4641386 Cartridge (1 Per Cartridge)	
19	4641393	1	Cartridge, Holding Valve (Vented)	
19	7011376	1	Seal Kit - 4641393 Cartridge (1 Per Cartridge)	
20	4641388	1	Cartridge, Holding Valve	
20	7011353	1	Seal Kit - 4641388 Cartridge (1 Per Cartridge)	
21	0962561	1	Bushing	
22	0961949	2	Bushing	
23	2220883	5	Plug, O-Ring	
24	2220886	AR	Plug, O-Ring	
25	0100011	AR	Compound, Locking	
26	0100038	AR	Primer, Locking	
27	0100019	AR	Compound, Locking	
51	2902285	1	Seal Kit (Includes Items 4-8 & 10-13)	

SECTION 5 - CYLINDER

FIGURE 5-9. LIFT CYLINDER ASSEMBLY - MAIN BOOM (ORIGINAL EQUIPMENT)



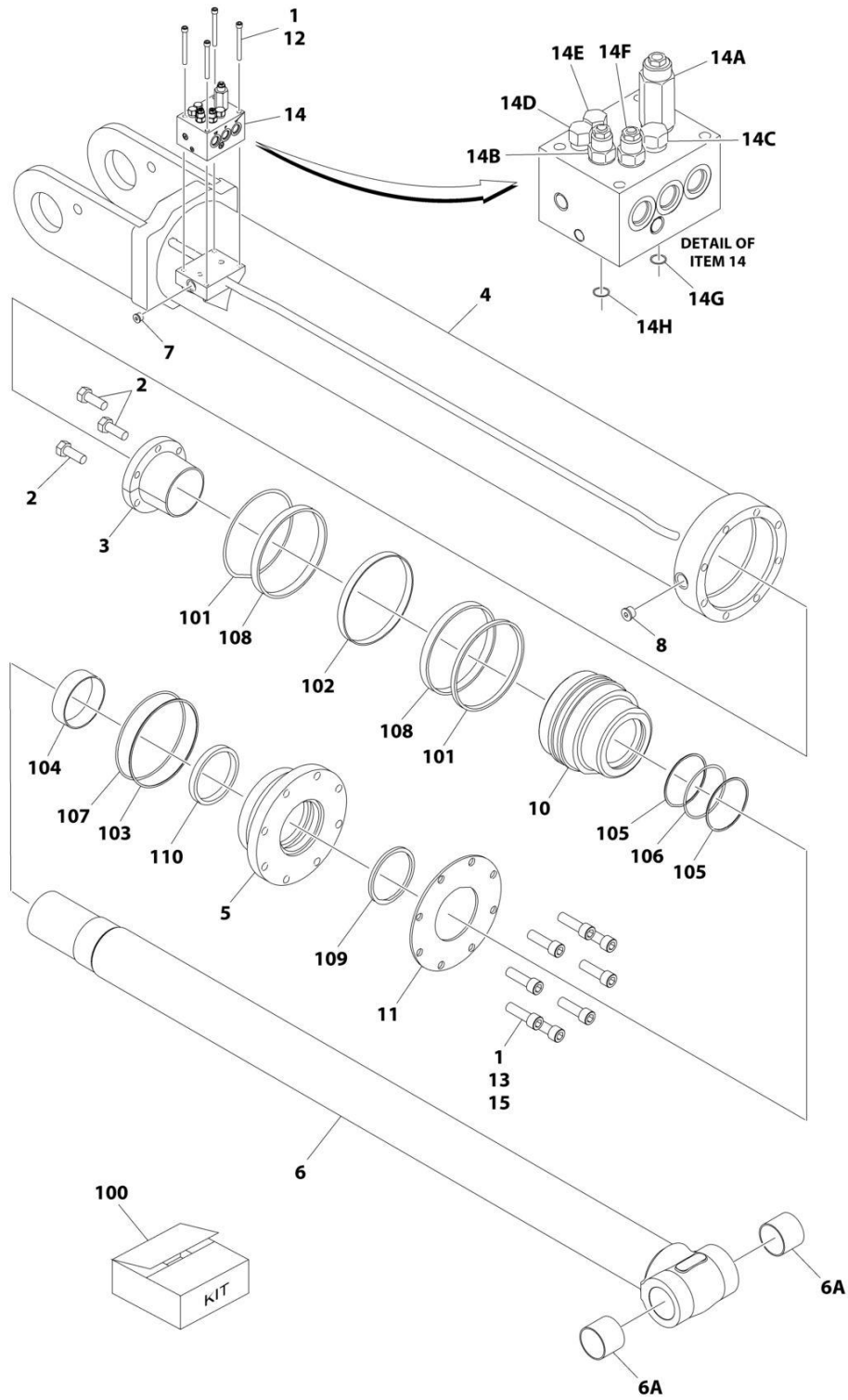
SECTION 5 - CYLINDER

FIGURE 5-9. LIFT CYLINDER ASSEMBLY - MAIN BOOM (ORIGINAL EQUIPMENT)

ITEM	PART NUMBER	QTY	DESCRIPTION	REV
	1684318	Ref	LIFT CYLINDER ASSEMBLY	F
1	0100011	AR	Compound, Locking	
2	0630537	3	Capscrew	
3	0962562	1	Bushing, Tapered	
4	1684334	1	Barrel	
5	1684336	1	Head	
6	1684337	1	Rod	
6A	0962297	2	Bushing	
7	2220886	2	Plug, O-Ring	
8	2220888	1	Plug, O-Ring	
10	3480281	1	Piston	
11	3760375	1	Ring, Washer	
12	3931660	4	Capscrew 3/8 x 3-3/4	
13	3932244	8	Capscrew 3/4 x 2-3/4	
14	4641339	1	Valve Block Assembly (Use p/n 4641370)	A
14A	4641340	1	Cartridge, Valve	
14A	7011367	1	Seal Kit - 4641340 Cartridge Valve	
14B	4640938	1	Cartridge, Valve	
14B	2900770	1	Seal Kit - 4640938 Cartridge Valve	
14C	7011362	1	Cartridge, Valve	
14C	7011311	1	Seal Kit - 7011362 Cartridge Valve	
14D	7011365	1	Cartridge, Valve	
14D	7011346	1	Seal Kit - 7011365 Cartridge Valve	
14E	7011364	1	Cartridge, Valve	
14E	7011346	1	Seal Kit - 7011364 Cartridge Valve	
14F	7011375	1	Cartridge, Valve	
14F	2900770	1	Seal Kit - 7011375 Cartridge Valve	
14G	70000777	1	O-Ring	
14H	70000778	1	O-Ring	
101	See Note	NSS	Ring, Lock (Note: Use Item 126)	
102	See Note	NSS	Ring, Wear (Note: Use Item 126)	
103	See Note	NSS	Ring, Back-Up (Note: Use Item 126)	
104	See Note	NSS	Ring, Wear (Note: Use Item 126)	
105	See Note	NSS	Ring, Back-Up (Note: Use Item 126)	
106	See Note	NSS	O-Ring (Note: Use Item 126)	
107	See Note	NSS	O-Ring (Note: Use Item 126)	
108	See Note	NSS	Ring, Hydrolock (Note: Use Item 126)	
109	See Note	NSS	Ring, Wiper (Note: Use Item 126)	
110	See Note	NSS	Seal, Rod (Note: Use Item 126)	
126	2902286	NLA	Seal Kit (Includes Item 101-110) (Use p/n 1001174326)	
126	1001174326	1	Seal Kit (Includes Item 101-110)	

SECTION 5 - CYLINDER

FIGURE 5-10. LIFT CYLINDER ASSEMBLY - MAIN BOOM (SERVICE REPLACEMENT)



ART_1001165510

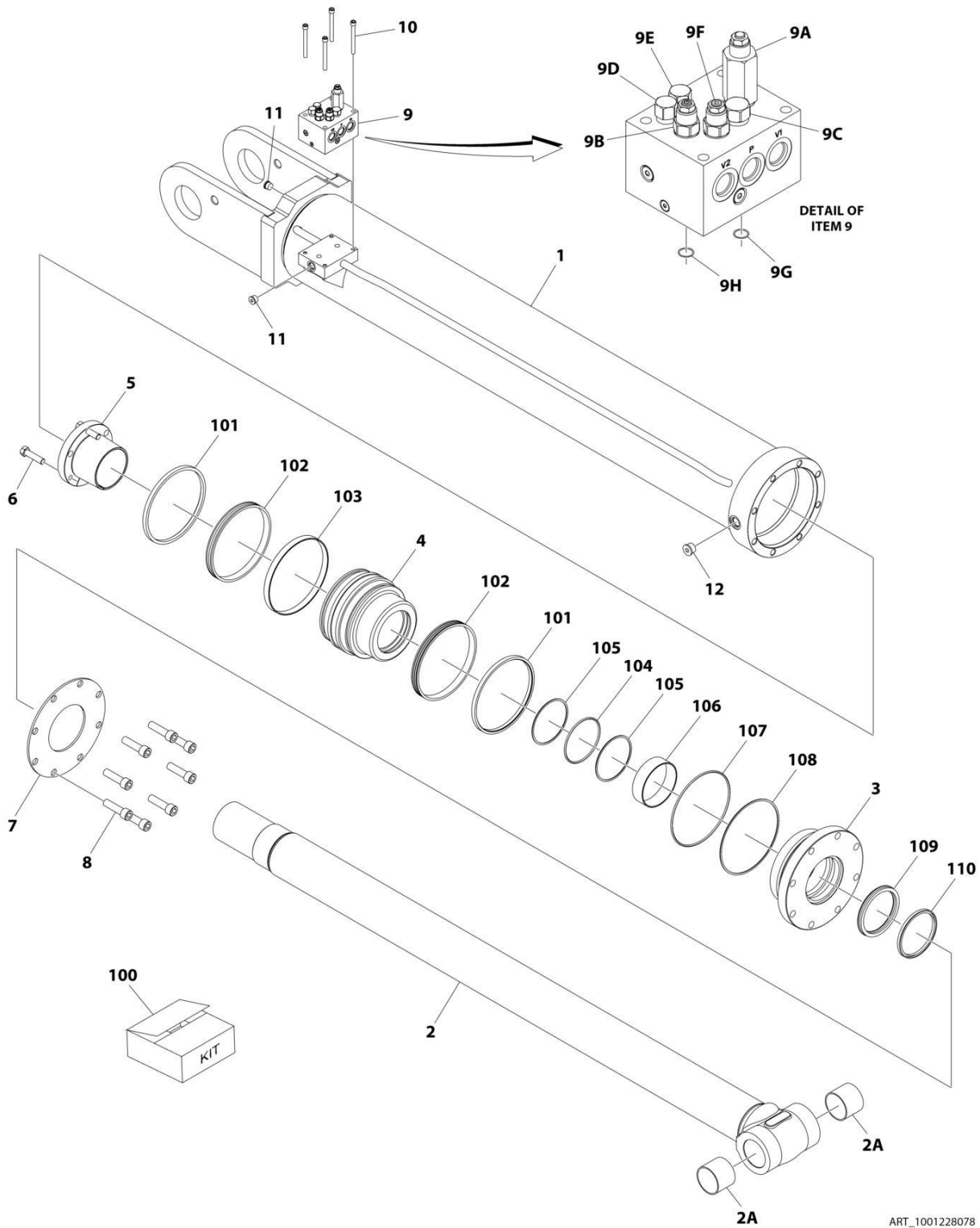
SECTION 5 - CYLINDER

FIGURE 5-10. LIFT CYLINDER ASSEMBLY - MAIN BOOM (SERVICE REPLACEMENT)

ITEM	PART NUMBER	QTY	DESCRIPTION	REV
	1001165510	Ref	LIFT CYLINDER ASSEMBLY - MAIN BOOM	C
		Ref	Note: Original Cylinder may have been replaced with Service Replacement. Identify PN Stamped on Cylinder Before Ordering Parts.	
1	0100011	AR	Compound, Locking	
2	0630573	3	Capscrew	
3	0962562	1	Bushing, Tapered	
4	1684334	1	Barrel	
5	1684336	1	Head	
6	1001165511	1	Rod	
6A	0962297	2	Bushing	
7	2220886	2	Plug, O-Ring	
8	2220888	1	Plug, O-Ring	
10	3480281	1	Piston	
11	3760375	1	Ring, Washer	
12	3931660	4	Capscrew 3/8 x 3-3/4	
13	3932244	8	Capscrew 3/4 x 2-3/4	
14	4641370	1	Valve Block Assembly	A
14A	4641340	1	Cartridge, Valve	
14A	7011367	1	Seal Kit - 4641340 Cartridge Valve	
14B	4640938	1	Cartridge, Valve	
14B	2900770	1	Seal Kit - 4640938 Cartridge Valve	
14C	7011362	1	Cartridge, Valve	
14C	7011311	1	Seal Kit - 7011362 Cartridge Valve	
14D	7011365	1	Cartridge, Valve	
14D	7011346	1	Seal Kit - 7011365 Cartridge Valve	
14E	7011364	1	Cartridge, Valve	
14E	7011346	1	Seal Kit - 7011364 Cartridge Valve	
14F	7011375	1	Cartridge, Valve	
14F	2900770	1	Seal Kit - 7011375 Cartridge Valve	
14G	70000777	1	O-Ring	
14H	70000778	1	O-Ring	
15	0100038	AR	Primer, Locking	
100	1001174326	1	Seal Kit (Includes Items 101-110)	
101	See Note	NSS	Ring, Lock (Note: Use Item 100)	
102	See Note	NSS	Ring, Wear (Note: Use Item 100)	
103	See Note	NSS	Ring, Back-up (Note: Use Item 100)	
104	See Note	NSS	Ring, Wear (Note: Use Item 100)	
105	See Note	NSS	Ring, Back-up (Note: Use Item 100)	
106	See Note	NSS	O-Ring (Note: Use Item 100)	
107	See Note	NSS	O-Ring (Note: Use Item 100)	
108	See Note	NSS	Ring, Hydrolock (Note: Use Item 100)	
109	See Note	NSS	Ring, Wiper (Note: Use Item 100)	
110	See Note	NSS	Seal, Rod (Note: Use Item 100)	

SECTION 5 - CYLINDER

FIGURE 5-11. LIFT CYLINDER ASSEMBLY - MAIN BOOM (SERVICE REPLACEMENT)



ART_1001228078

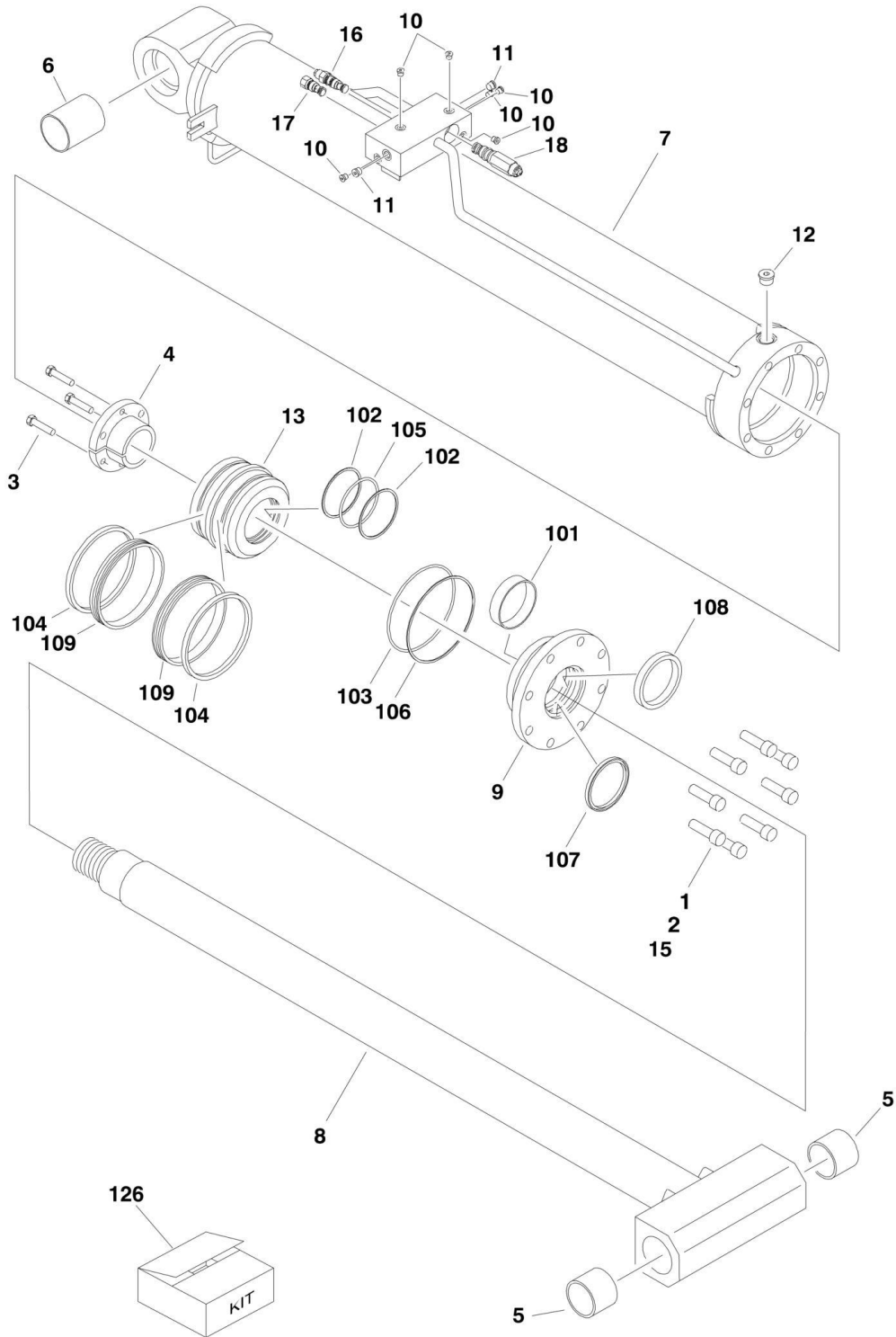
SECTION 5 - CYLINDER

FIGURE 5-11. LIFT CYLINDER ASSEMBLY - MAIN BOOM (SERVICE REPLACEMENT)

ITEM	PART NUMBER	QTY	DESCRIPTION	REV
	1001228078	Ref	LIFT CYLINDER ASSEMBLY - MAIN BOOM	B
		Ref	Note: Original Cylinder may have been replaced with Service Replacement. Identify PN Stamped on Cylinder Before Ordering Parts.	
1	See Note	NSS	Barrel (Note: Not Available for Purchase)	
2	70006383	1	Rod	
2A	0962297	2	Bushing	
3	70006382	1	Head	
4	70006381	1	Piston	
5	70006365	1	Bushing, Tapered	
6	0630573	3	Capscrew	
7	70006380	1	Ring, Washer	
8	3932244	8	Capscrew 3/4 x 2-3/4	
9	4641370	1	Valve Block Assembly	A
9A	4641340	1	Cartridge, Valve	
9A	7011367	1	Seal Kit - 4641340 Cartridge Valve	
9B	4640938	1	Cartridge, Valve	
9B	2900770	1	Seal Kit - 4640938 Cartridge Valve	
9C	7011362	1	Cartridge, Valve	
9C	7011311	1	Seal Kit - 7011362 Cartridge Valve	
9D	7011365	1	Cartridge, Valve	
9D	7011346	1	Seal Kit - 7011365 Cartridge Valve	
9E	7011364	1	Cartridge, Valve	
9E	7011346	1	Seal Kit - 7011364 Cartridge Valve	
9F	7011375	1	Cartridge, Valve	
9F	2900770	1	Seal Kit - 7011375 Cartridge Valve	
9G	70000777	1	O-Ring	
9H	70000778	1	O-Ring	
10	3931660	4	Capscrew 3/8 x 3-3/4	
11	2220886	2	Plug, O-Ring	
12	2220888	1	Plug, O-Ring	
100	1001174326	1	Seal Kit (Includes Items 101-110)	
101	See Note	NSS	Ring, Lock (Note: Use Item 100)	
102	See Note	NSS	Ring, Hydrolock (Note: Use Item 100)	
103	See Note	NSS	Ring, Wear (Note: Use Item 100)	
104	See Note	NSS	O-Ring (Note: Use Item 100)	
105	See Note	NSS	Ring, Back-up (Note: Use Item 100)	
106	See Note	NSS	Ring, Wear (Note: Use Item 100)	
107	See Note	NSS	O-Ring (Note: Use Item 100)	
108	See Note	NSS	Ring, Back-up (Note: Use Item 100)	
109	See Note	NSS	Seal, Rod (Note: Use Item 100)	
110	See Note	NSS	Ring, Wiper (Note: Use Item 100)	

SECTION 5 - CYLINDER

FIGURE 5-12. LIFT CYLINDER ASSEMBLY - TOWER BOOM (ORIGINAL EQUIPMENT)



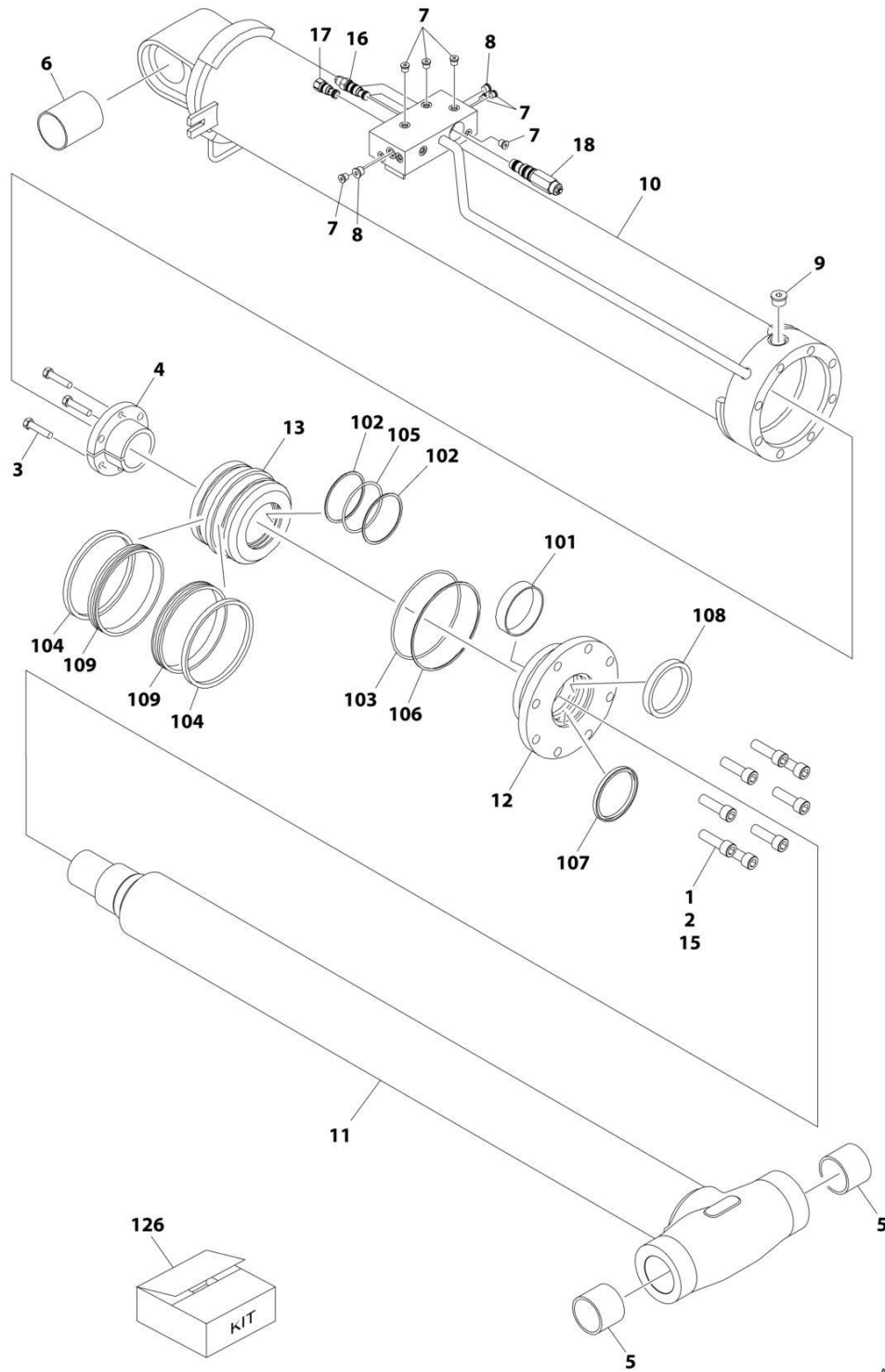
SECTION 5 - CYLINDER

FIGURE 5-12. LIFT CYLINDER ASSEMBLY - TOWER BOOM (ORIGINAL EQUIPMENT)

ITEM	PART NUMBER	QTY	DESCRIPTION	REV
		Ref	LIFT CYLINDER ASSEMBLIES	
	See Note	Ref	Note: P/N was 1684292. When replacing complete cylinder, use P/N 1001119233. (Prior to S/N 0300144623)	H
	1001118753	Ref	Lift Cylinder Assemblies (SN 0300144623 through 0300201017)	C
1	0100011	AR	Compound, Locking	
2	0100038	AR	Primer, Locking	
3	0630537	3	Capscrew	
4	0961901	1	Bushing, Tapered	
5	0962297	2	Bushing	
6	0962552	1	Bushing	
7		Ref	Barrel Options:	
7	1684293	1	Barrel (Prior to SN 0300144623)	
7	1001118754	1	Barrel (SN 0300144623 through 0300201017)	
8		Ref	Rod Options:	
8	1684295	1	Rod (Prior to SN 0300144623)	
8	1001118756	1	Rod (SN 0300144623 through 0300201017)	
9		Ref	Head Options:	
9	1684297	1	Head (Prior to SN 0300144623)	
9	1001118761	1	Head (SN 0300144623 through 0300201017)	
10	2220883	AR	Plug	
11	2220885	2	Plug	
12	2220888	1	Plug	
13	3480280	1	Piston	
15	3932240	8	Capscrew 3/4 x 2-1/2	
16		Ref	Cartridge, Valve Options:	
16	4640938	1	Valve, Counterbalance (Prior to SN 0300144623)	
16	1001120140	1	Valve, Counterbalance (SN 0300144623 through 0300201017)	
16	2900770	1	Seal Kit - 4640938 & 1001120140 Cartridge Valve	
17	4641285	1	Cartridge, Valve	
17	7011311	1	Seal Kit - 4641285 Cartridge Valve	
18		Ref	Cartridge, Valve Options:	
18	4641340	1	Valve, Counterbalance (Prior to SN 0300144623)	
18	1001120141	1	Valve, Counterbalance (SN 0300144623 through 0300201017)	
18	7011367	1	Seal Kit - 4641340 & 1001120141 Cartridge Valve	
101	See Note	NSS	Ring, Wear (Note: Use Item 126)	
102	See Note	NSS	Ring, Back-up (Note: Use Item 126)	
103	See Note	NSS	Ring, Back-up (Note: Use Item 126)	
104	See Note	NSS	Ring, Lock (Note: Use Item 126)	
105	See Note	NSS	O-Ring (Note: Use Item 126)	
106	See Note	NSS	O-Ring (Note: Use Item 126)	
107	See Note	NSS	Ring, Wiper (Note: Use Item 126)	
108	See Note	NSS	Seal, Rod (Note: Use Item 126)	
109	See Note	NSS	Ring, Hydrolock (Note: Use Item 126)	
126		Ref	Seal Kit Options:	
126	2902265	1	Seal Kit (Use p/n 1001119979) (Includes Items 101-109) (Prior to SN 0300144623)	
126	1001118762	1	Seal, Kit (Includes Items 101-109) (SN 0300144623 through 0300201017)	

SECTION 5 - CYLINDER

FIGURE 5-13. LIFT CYLINDER ASSEMBLY - TOWER BOOM (SERVICE REPLACEMENT)



ART_1001165507

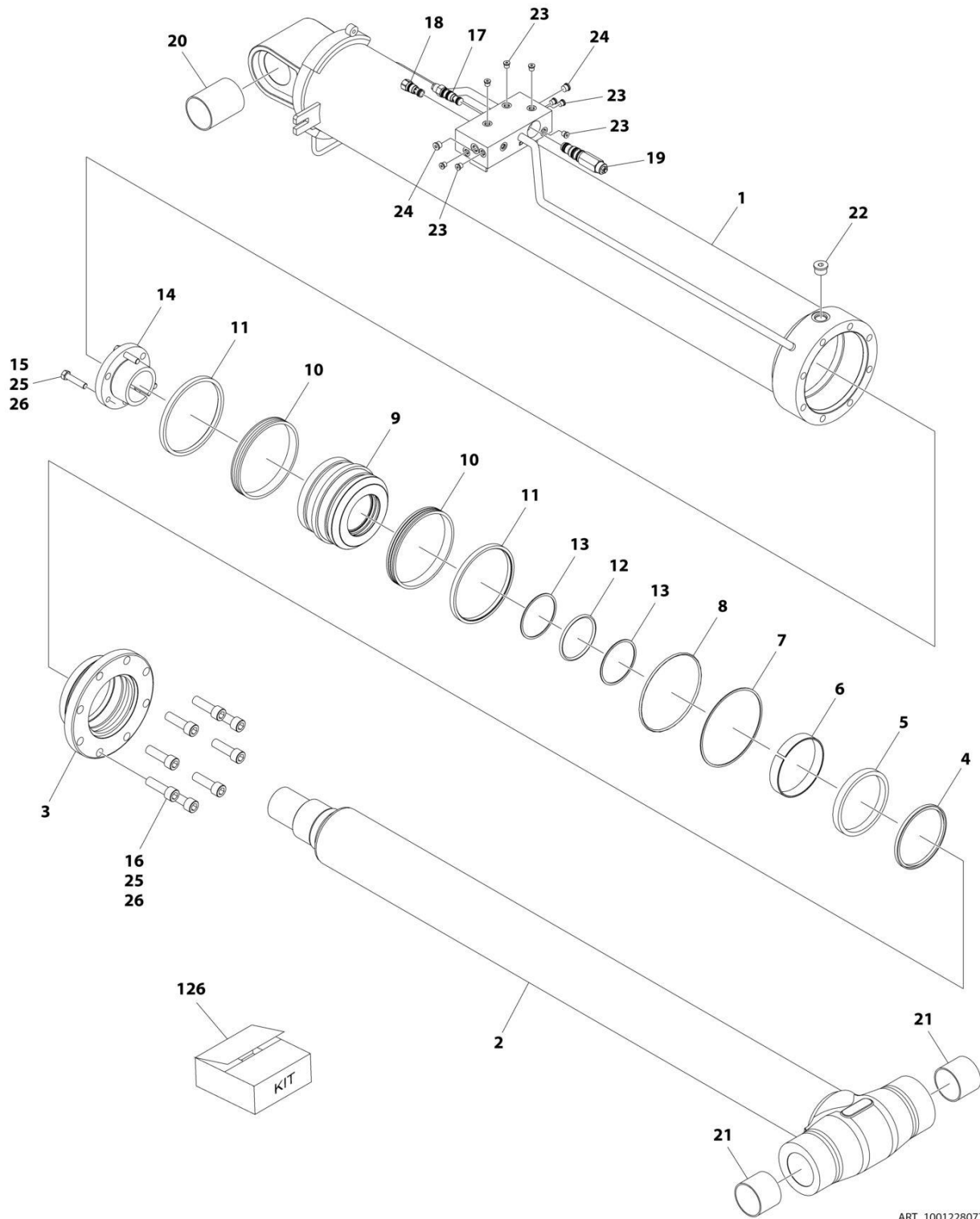
SECTION 5 - CYLINDER

FIGURE 5-13. LIFT CYLINDER ASSEMBLY - TOWER BOOM (SERVICE REPLACEMENT)

ITEM	PART NUMBER	QTY	DESCRIPTION	REV
	1001165507	Ref	LIFT CYLINDER ASSEMBLY - TOWER BOOM	C
		Ref	Note: Original Cylinder may have been replaced with Service Replacement. Identify PN Stamped on Cylinder Before Ordering Parts.	
1	0100011	AR	Compound, Locking	
2	0100038	AR	Primer, Locking	
3	0630537	3	Capscrew	
4	0961901	1	Bushing, Tapered	
5	0962297	2	Bushing	
6	0962552	1	Bushing	
7	2220883	8	Plug, O-Ring	
8	2220885	2	Plug, O-Ring	
9	2220888	1	Plug, O-Ring	
10	1001165508	1	Barrel	
11	1001165509	1	Rod	
12	1001118761	1	Head	
13	3480280	1	Piston	
15	3932240	8	Capscrew 3/4 x 2-1/2	
16	1001120140	1	Cartridge, Valve	
16	2900770	1	Seal Kit - 1001120140 Cartridge Valve	
17	4641285	1	Cartridge, Valve	
17	7011311	1	Seal Kit - 4641285 Cartridge Valve	
18	1001120141	1	Cartridge, Valve	
18	7011367	1	Seal Kit - 1001120141 Cartridge Valve	
101	See Note	NSS	Ring, Wear (Note: Use Item 126)	
102	See Note	NSS	Ring, Back-up (Note: Use Item 126)	
103	See Note	NSS	Ring, Back-up (Note: Use Item 126)	
104	See Note	NSS	Ring, Lock (Note: Use Item 126)	
105	See Note	NSS	O-Ring (Note: Use Item 126)	
106	See Note	NSS	O-Ring (Note: Use Item 126)	
107	See Note	NSS	Ring, Wiper (Note: Use Item 126)	
108	See Note	NSS	Seal, Rod (Note: Use Item 126)	
109	See Note	NSS	Ring, Hydrolock (Note: Use Item 126)	
126	1001118762	1	Seal Kit (Includes Items 101-109)	

SECTION 5 - CYLINDER

FIGURE 5-14. LIFT CYLINDER ASSEMBLY - TOWER BOOM (SERVICE REPLACEMENT)



ART_1001228077

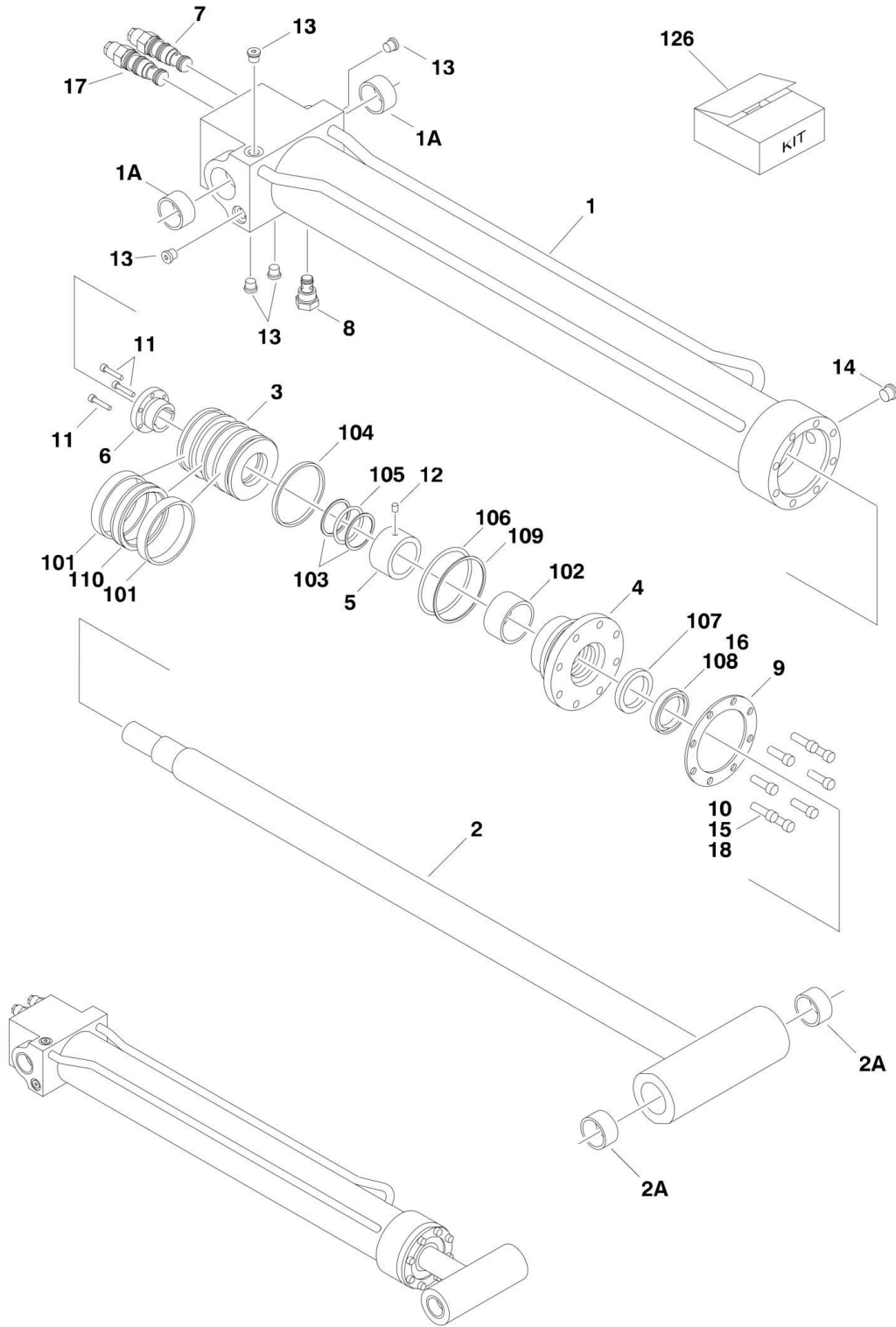
SECTION 5 - CYLINDER

FIGURE 5-14. LIFT CYLINDER ASSEMBLY - TOWER BOOM (SERVICE REPLACEMENT)

ITEM	PART NUMBER	QTY	DESCRIPTION	REV
	1001228077	Ref	LIFT CYLINDER ASSEMBLY - TOWER BOOM	C
		Ref	Note: Original Cylinder May Have Been Replaced with Service Replacement. Identify PN Stamped on Cylinder Before Ordering Parts.	
1	See Note	NSS	Barrel (Note: Not Available for Purchase)	
2	70006509	1	Rod	
3	70006508	1	Head	
4	See Note	NSS	Ring, Wiper (Note: Use Item 126)	
5	See Note	NSS	Seal, Rod (Note: Use Item 126)	
6	See Note	NSS	Ring, Wear (Note: Use Item 126)	
7	See Note	NSS	O-Ring (Note: Use Item 126)	
8	See Note	NSS	Ring, Back-up (Note: Use Item 126)	
9	70006507	1	Piston	
10	See Note	NSS	Ring, Hydrolock (Note: Use Item 126)	
11	See Note	NSS	Ring, Lock (Note: Use Item 126)	
12	See Note	NSS	O-Ring (Note: Use Item 126)	
13	See Note	NSS	Ring, Back-up (Note: Use Item 126)	
14	0961901	1	Bushing, Tapered	
15	0630537	3	Capscrew	
16	3932240	8	Capscrew 3/4 x 2-1/2	
17	1001120140	1	Cartridge, Valve	
17	2900770	1	Seal Kit - 1001120140 Cartridge Valve	
18	4641285	1	Cartridge, Valve	
18	7011311	1	Seal Kit - 4641285 Cartridge Valve	
19	1001120141	1	Cartridge, Valve	
19	7011367	1	Seal Kit - 1001120141 Cartridge Valve	
20	0962552	1	Bushing	
21	0962297	2	Bushing	
22	2220888	1	Plug, O-Ring	
23	2220883	9	Plug, O-Ring	
24	2220885	2	Plug, O-Ring	
25	0100011	AR	Compound, Locking	
26	0100038	AR	Primer, Locking	
126	1001118762	1	Seal Kit (Includes Items 4-8 & 10-13)	

SECTION 5 - CYLINDER

FIGURE 5-15. JIB CYLINDER ASSEMBLY (ORIGINAL EQUIPMENT)



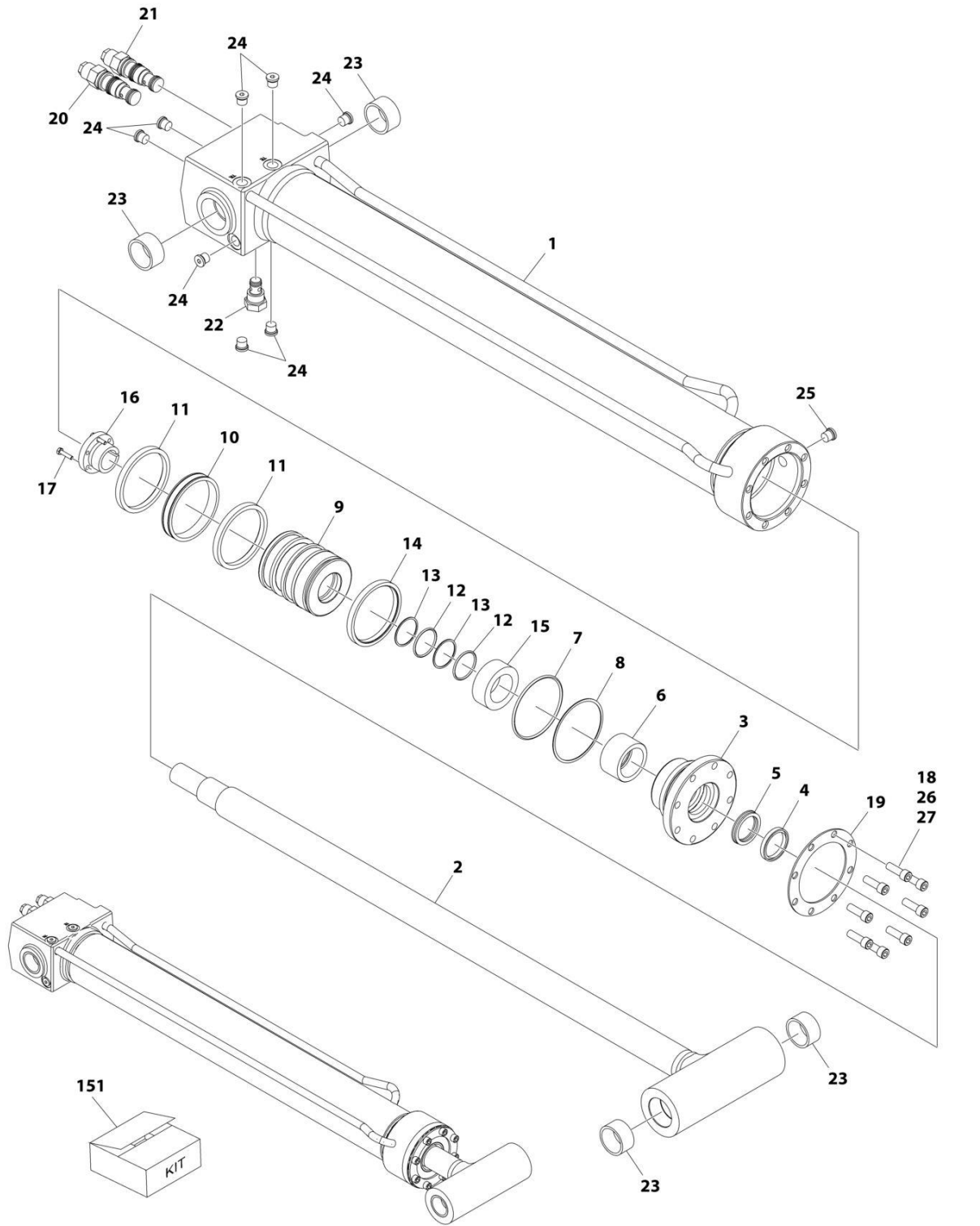
SECTION 5 - CYLINDER

FIGURE 5-15. JIB CYLINDER ASSEMBLY (ORIGINAL EQUIPMENT)

ITEM	PART NUMBER	QTY	DESCRIPTION	REV
		Ref	JIB CYLINDER ASSEMBLY	
	1684173	Ref	Without Arctic Package	G
	1001138803	Ref	With Arctic Package	A
1	1684174	1	Barrel Weldment	
1A	0962257	2	Bushing	
2	1684176	1	Rod Weldment	
2A	0962257	2	Bushing	
3	3480271	1	Piston	
4	1683053	1	Head	
5		Ref	Spacer Options:	
5	4566471	1	Sleeve, Spacer (Use p/n 4566471) (Prior to SN 0300079667)	
5	4100100	1	Sleeve, Spacer (SN 0300079667 through 0300201017)	
6	0961893	1	Bushing, Tapered	
7	4640452	1	Cartridge, Counterbalance (Port above V2)	
7	2900770	1	Seal Kit - 4640452 Cartridge Valve (1 Per Valve)	
8	4641114	1	Cartridge, Restricted/Check	
8	7012967	1	Seal Kit - 4641114 Cartridge Valve (1 Per Valve)	
9	3760368	1	Ring, Washer	
10	3931516	8	Capscrew 5/16 x 1	
11	0630534	3	Capscrew #10 x 1	
12	3900141	1	Setscrew 1/4 x 1/2 (Prior to SN 0300079667)	
13	2220883	5	Plug, O-Ring	
14	2220885	1	Plug, O-Ring	
15	0100011	AR	Compound, Locking	
16	0100063	AR	Adhesive (Prior to SN 0300079667)	
17	4641260	1	Cartridge, Counterbalance (Port above V1)	
17	2900770	1	Seal Kit - 4641260 Cartridge Valve (1 Per Valve)	
18	0100038	AR	Primer, Locking	
101	See Note	NSS	Ring, Wear (Note: Use Item 126)	
102	See Note	NSS	Ring, Wear (Note: Use Item 126)	
103	See Note	NSS	Ring, Back-up (Note: Use Item 126)	
104	See Note	NSS	Seal (Note: Use Item 126)	
105	See Note	NSS	O-Ring (Note: Use Item 126)	
106	See Note	NSS	O-Ring (Note: Use Item 126)	
107	See Note	NSS	Seal (Note: Use Item 126)	
108	See Note	NSS	Wiper, Rod (Note: Use Item 126)	
109	See Note	NSS	Ring, Back-up (Note: Use Item 126)	
110	See Note	NSS	Seal (Note: Use Item 126)	
126		Ref	Seal Kit Options (Includes Items 101-110):	
126	2902092	1	Seal Kit - Without Arctic Package	
126	1001138805	1	Seal Kit - With Arctic Package	

SECTION 5 - CYLINDER

FIGURE 5-16. JIB CYLINDER ASSEMBLY (SERVICE REPLACEMENT)



ART_1001228025

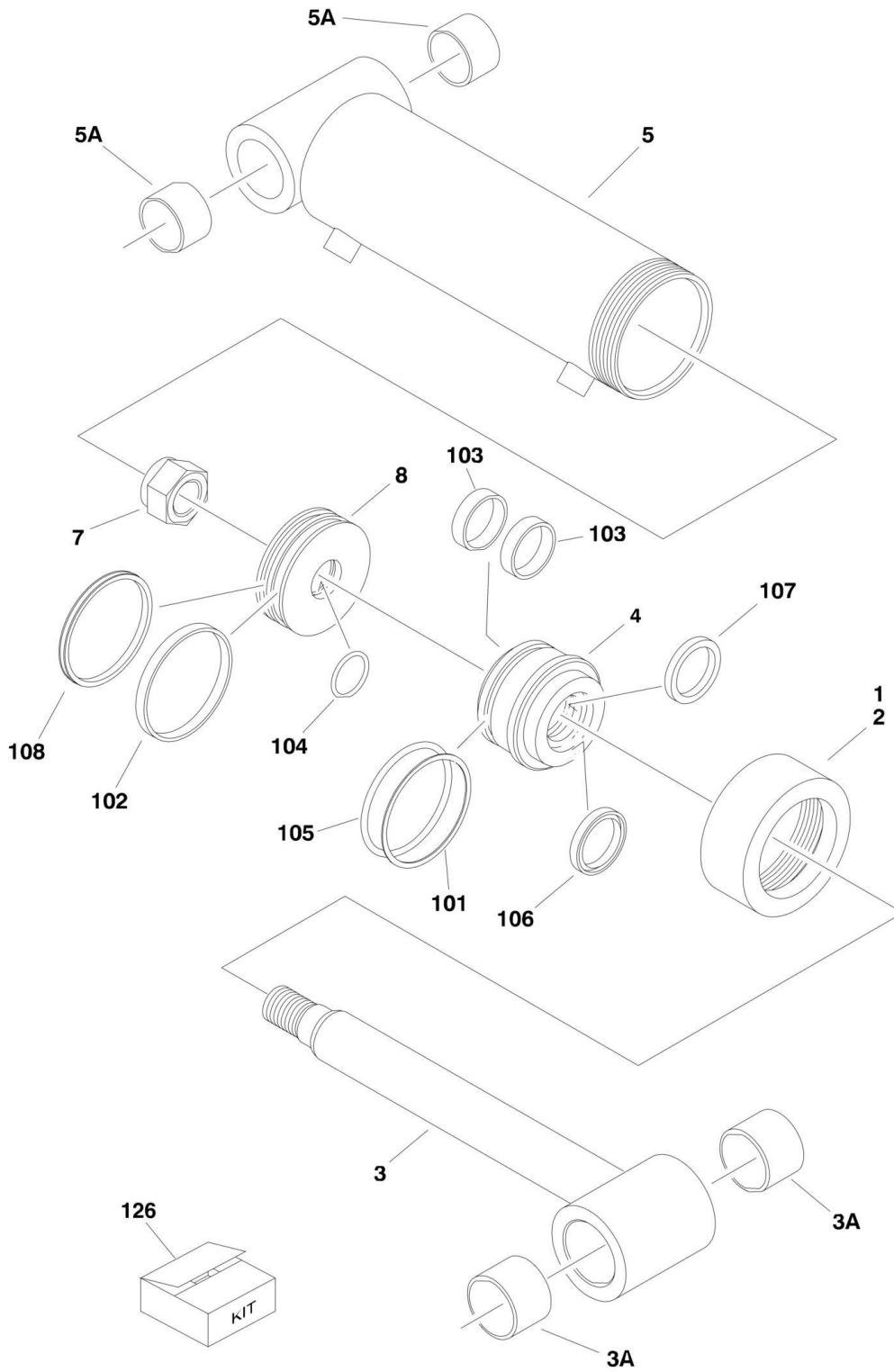
SECTION 5 - CYLINDER

FIGURE 5-16. JIB CYLINDER ASSEMBLY (SERVICE REPLACEMENT)

ITEM	PART NUMBER	QTY	DESCRIPTION	REV
	1001228025	Ref	JIB CYLINDER ASSEMBLY	G
		Ref	Note: Original Cylinder May Have Been Replaced with Service Replacement. Identify PN Stamped on Cylinder Before Ordering Parts.	
1	See Note	NSS	Barrel (Note: Not Available for Purchase)	
2	70006526	1	Rod	
3	70006525	1	Head	
4	See Note	NSS	Wiper, Rod (Note: Use Item 151)	
5	See Note	NSS	Seal (Note: Use Item 151)	
6	See Note	NSS	Ring, Wear (Note: Use Item 151)	
7	See Note	NSS	O-Ring (Note: Use Item 151)	
8	See Note	NSS	Ring, Back-up (Note: Use Item 151)	
9	70006524	1	Piston	
10	See Note	NSS	Seal (Note: Use Item 151)	
11	See Note	NSS	Ring, Wear (Note: Use Item 151)	
12	See Note	NSS	O-Ring (Note: Use Item 151)	
13	See Note	NSS	Ring, Back-up (Note: Use Item 151)	
14	See Note	NSS	Seal (Note: Use Item 151)	
15	70006523	1	Spacer	
16	0961893	1	Bushing, Tapered	
17	0630534	3	Capscrew #10 x 1	
18	3931516	8	Capscrew 5/16 x 1	
19	3760368	1	Ring, Washer	
20	4641260	1	Cartridge, Counterbalance (Port above V1)	
20	2900770	1	Seal Kit - 4641260 Cartridge Valve (1 Per Valve)	
21	4640452	1	Cartridge, Counterbalance (Port above V2)	
21	2900770	1	Seal Kit - 4640452 Cartridge Valve (1 Per Valve)	
22	4641114	1	Cartridge, Restricted/Check	
22	7012967	1	Seal Kit - 4641114 Cartridge Valve (1 Per Valve)	
23	0962257	4	Bushing	
24	2220883	8	Plug, O-Ring	
25	2220885	AR	Plug, O-Ring	
26	0100011	AR	Compound, Locking	
27	0100038	AR	Primer, Locking	
151	1001138805	1	Seal Kit (Includes Items 4-8 & 10-14)	

SECTION 5 - CYLINDER

FIGURE 5-17. STEER CYLINDER ASSEMBLY (ORIGINAL EQUIPMENT)



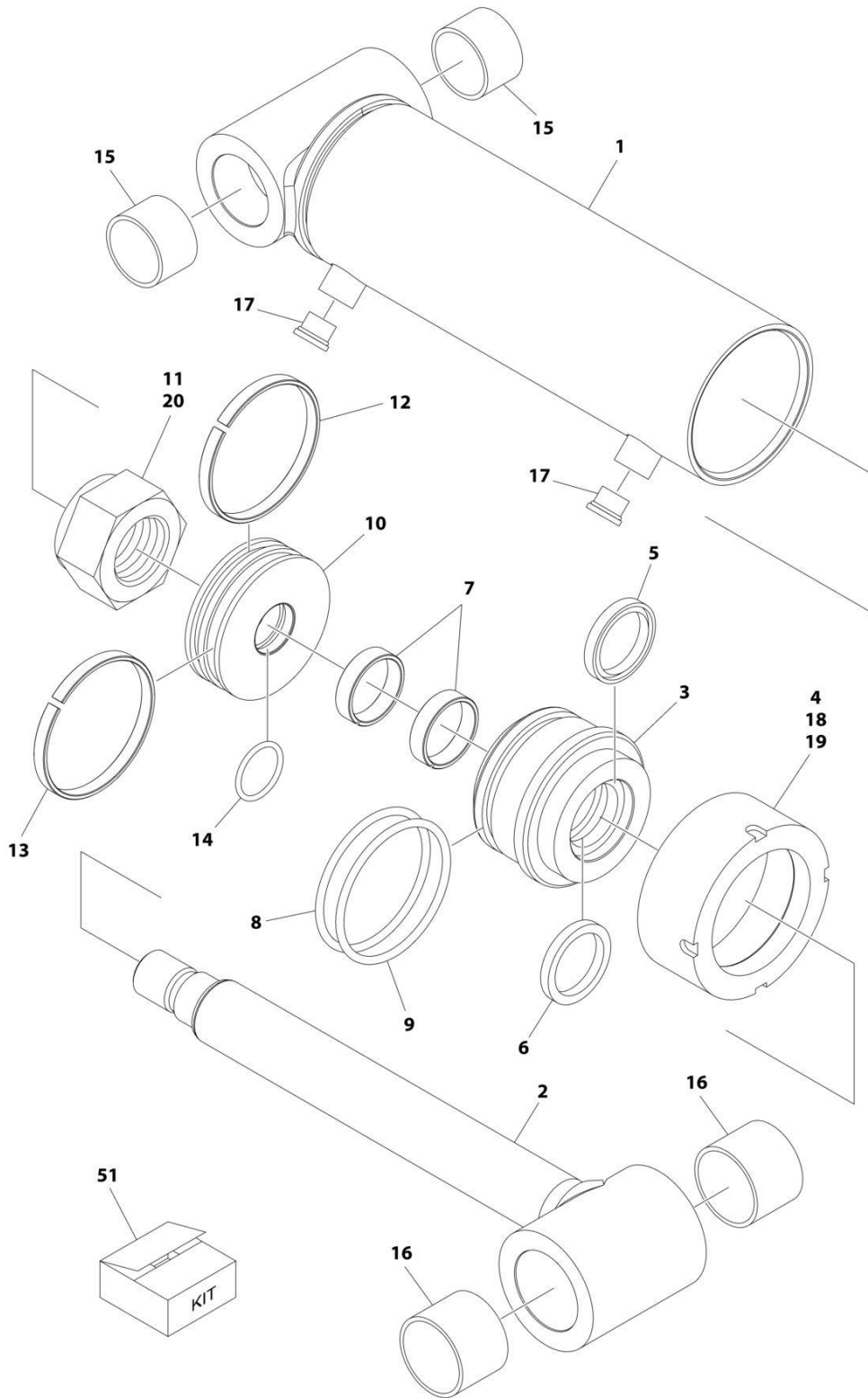
SECTION 5 - CYLINDER

FIGURE 5-17. STEER CYLINDER ASSEMBLY (ORIGINAL EQUIPMENT)

ITEM	PART NUMBER	QTY	DESCRIPTION	REV
	1684314	Ref	STEER CYLINDER ASSEMBLY	B
1	0100035	AR	Compound, Locking	
2	1120094	1	Cap, Cylinder	
3	1684275	1	Rod	
3A	0961950	2	Bushing	
4	1684315	1	Head	
5	1684317	1	Barrel	
5A	0961949	2	Bushing	
7	3300465	1	Nut	
8	3480278	1	Piston	
101	See Note	NSS	Ring, Back-up (Note: Use Item 126)	
102	See Note	NSS	Ring, Wear (Note: Use Item 126)	
103	See Note	NSS	Ring, Wear (Note: Use Item 126)	
104	See Note	NSS	O-Ring (Note: Use Item 126)	
105	See Note	NSS	O-Ring (Note: Use Item 126)	
106	See Note	NSS	Wiper (Note: Use Item 126)	
107	See Note	NSS	Seal, Rod (Note: Use Item 126)	
108	See Note	NSS	Seal, Piston (Note: Use Item 126)	
126	2902257	1	Seal Kit (Includes Items 101-108)	

SECTION 5 - CYLINDER

FIGURE 5-18. STEER CYLINDER ASSEMBLY (SERVICE REPLACEMENT)



ART_1001228031

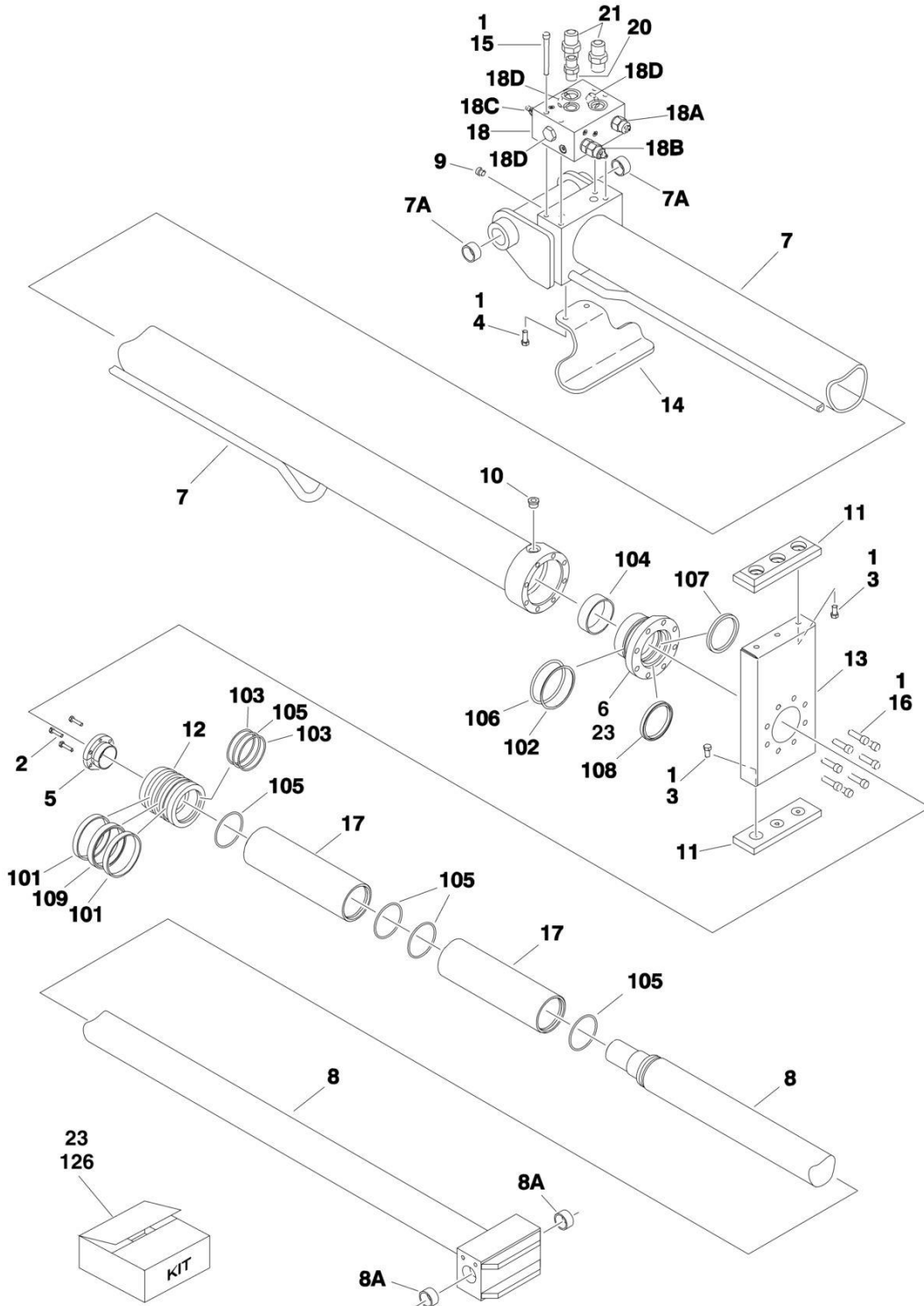
SECTION 5 - CYLINDER

FIGURE 5-18. STEER CYLINDER ASSEMBLY (SERVICE REPLACEMENT)

ITEM	PART NUMBER	QTY	DESCRIPTION	REV
	1001228031	Ref	STEER CYLINDER ASSEMBLY	C
		Ref	Note: Original Cylinder May Have Been Replaced with Service Replacement. Identify PN Stamped on Cylinder Before Ordering Parts.	
1	See Note	NSS	Barrel (Note: Not Available for Purchase)	
2	70006493	1	Rod	
3	70006492	1	Head	
4	70006491	1	Cap, Cylinder	
5	See Note	NSS	Wiper (Note: Use Item 51)	
6	See Note	NSS	Seal, Piston (Note: Use Item 51)	
7	See Note	NSS	Ring, Wear (Note: Use Item 51)	
8	See Note	NSS	O-Ring (Note: Use Item 51)	
9	See Note	NSS	Ring, Back-up (Note: Use Item 51)	
10	70006490	1	Piston	
11	3300465	1	Nut	
12	See Note	1	Seal (Note: Use Item 51)	
13	See Note	1	Ring, Wear (Note: Use Item 51)	
14	See Note	1	O-Ring (Note: Use Item 51)	
15	0961949	2	Bushing	
16	0961950	2	Bushing	
17	2220885	2	Plug (With O-Ring)	
18	0100011	AR	Compound, Locking	
19	0100038	AR	Primer, Locking	
20	0100019	AR	Compound, Locking	
51	2902257	1	Seal Kit (Includes Items 5-9 & 12-14)	

SECTION 5 - CYLINDER

FIGURE 5-19. TELESCOPE CYLINDER ASSEMBLY - MAIN BOOM (ORIGINAL EQUIPMENT)



SECTION 5 - CYLINDER

FIGURE 5-19. TELESCOPE CYLINDER ASSEMBLY - MAIN BOOM (ORIGINAL EQUIPMENT)

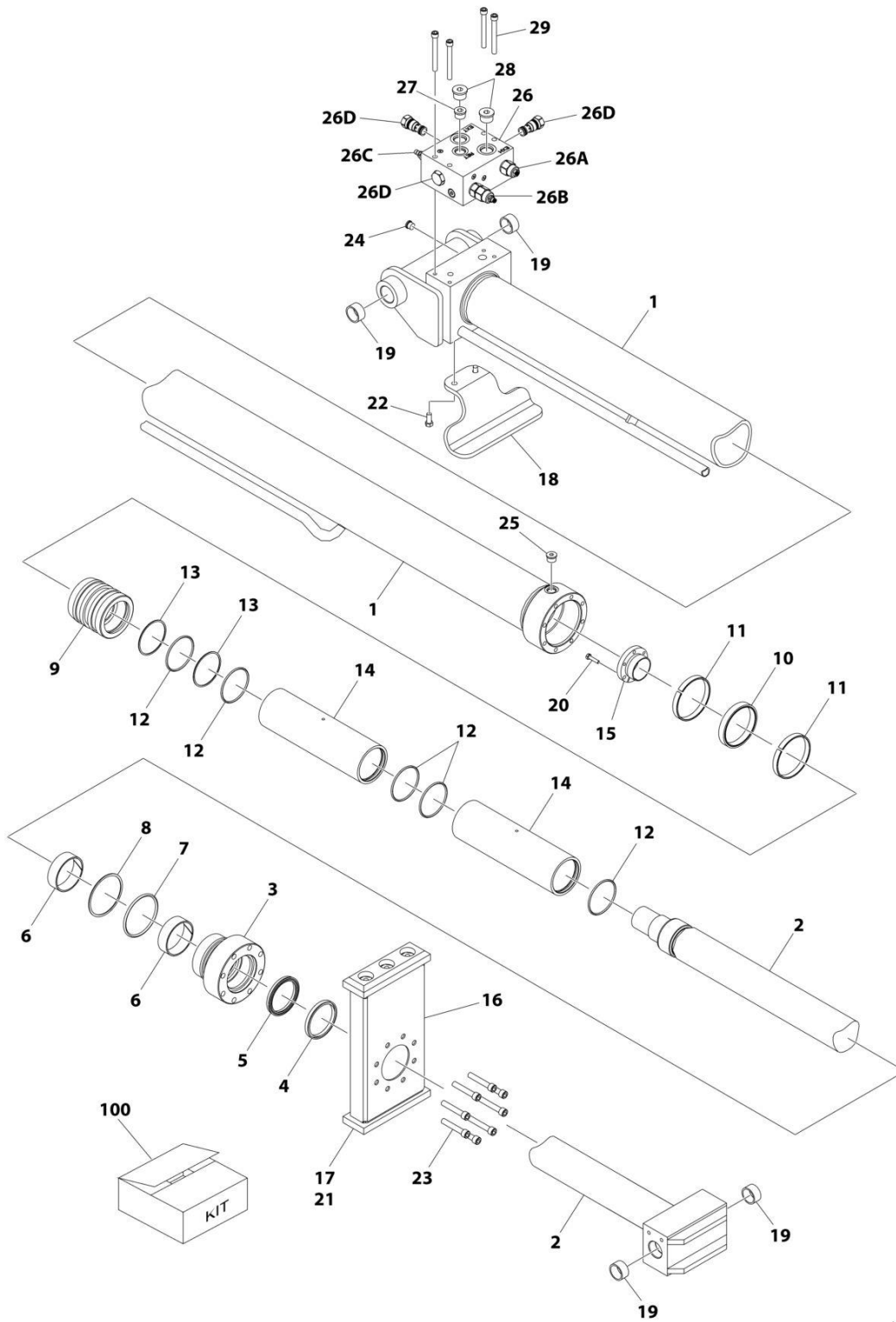
ITEM	PART NUMBER	QTY	DESCRIPTION	REV
		Ref	TELESCOPE CYLINDER ASSEMBLY	
	1684319	1	Telescope Cylinder Assembly (Use p/n 1001175888) (Prior to SN 0300188193)	F
	1001175888	1	Telescope Cylinder Assembly (SN 0300188193 through 0300201017)	B
1	0100011	AR	Compound, Locking	
2	0630535	3	Capscrew	
3	0641606	6	Bolt 3/8 x 3/4	
4	0641607	2	Bolt 3/8 x 7/8	
5	0961897	1	Bushing, Tapered	
6		Ref	Head, Cylinder Options:	
6	1683077	1	Head, Cylinder (Prior to SN 0300188193)	
6	1001175884	1	Head, Cylinder (SN 0300188193 through 0300201017)	
7	1684323	1	Barrel	
7A	0962257	2	Bushing	
8	1684325	1	Rod	
8A	0962257	2	Bushing	
9	2220885	1	Plug	
10	2220886	1	Plug	
11	3340982	2	Pad, Wear	
12	3480266	1	Piston	
13	3574580	1	Plate, Wear Pad Mount	
14	3574586	1	Plate, Tele Foot	
15	3931656	4	Capscrew 3/8 x 3-1/2	
16		Ref	Capscrew Options:	
16	3931724	AR	Capscrew 7/16 x 1-1/2 (Prior to SN 0300188193)	
16	3931740	AR	Capscrew 7/16 x 2-1/2 (SN 0300188193 through 0300201017)	
17	4568808	2	Spacer	
18	4641288	1	Valve Assembly	
18A	7011372	1	Cartridge	
18A	2900789	1	Seal Kit - 7011372 Cartridge Valve	
18B	7011370	1	Cartridge	
18B	7011371	1	Seal Kit - 7011370 Cartridge Valve	
18C	7011369	1	Cartridge	
18C	7011311	1	Seal Kit - 7011369 Cartridge Valve	
18D	7011368	3	Cartridge	
18D	7011351	3	Seal Kit - 7011368 Cartridge Valve (1 per Cartridge)	
20	2111010	1	Fitting, Straight	
21	2111212	2	Fitting, Straight	
23	1001177348	1	Kit, Service (for 1001175884 Cylinder Head replacement)	
101	See Note	NSS	Ring, Wear (Note: Use Item 126)	
102	See Note	NSS	Ring, Back-Up (Note: Use Item 126)	
103	See Note	NSS	Ring, Back-Up (Note: Use Item 126)	
104	See Note	NSS	Ring, Wear (Note: Use Item 126)	
105	See Note	NSS	O-Ring (Note: Use Item 126)	
106	See Note	NSS	O-Ring (Note: Use Item 126)	
107	See Note	NSS	Seal, Rod (Note: Use Item 126)	
108	See Note	NSS	Wiper, Rod (Note: Use Item 126)	
109	See Note	NSS	T-Seal (Note: Use Item 126)	
126		Ref	Seal Kit Options: (Includes Item 101 - 109)	

SECTION 5 - CYLINDER

ITEM	PART NUMBER	QTY	DESCRIPTION	REV
126	2902284	1	Seal Kit (Prior to SN 0300188193)	
126	1001175887	1	Seal Kit (SN 0300188193 through 0300201017)	

SECTION 5 - CYLINDER

FIGURE 5-20. TELESCOPE CYLINDER ASSEMBLY - MAIN BOOM (SERVICE REPLACEMENT)



ART_1001228080

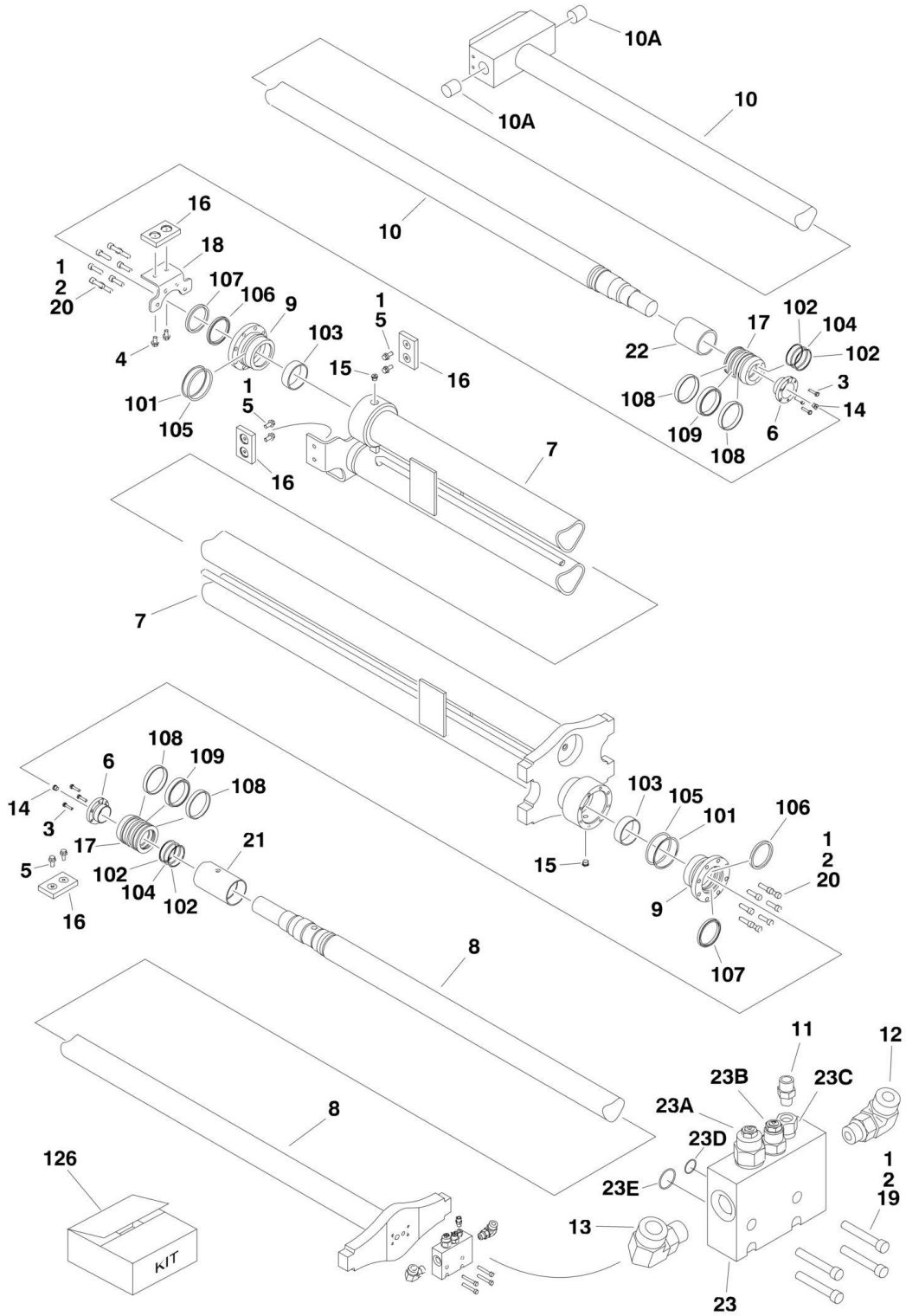
SECTION 5 - CYLINDER

FIGURE 5-20. TELESCOPE CYLINDER ASSEMBLY - MAIN BOOM (SERVICE REPLACEMENT)

ITEM	PART NUMBER	QTY	DESCRIPTION	REV
	1001228080	Ref	TELESCOPE CYLINDER ASSEMBLY - MAIN BOOM	D
		Ref	Note: Original Cylinder May Have Been Replaced with Service Replacement. Identify PN Stamped on Cylinder Before Ordering Parts.	
1	See Note	NSS	Barrel (Note: Not Available for Purchase)	
2	70006693	1	Rod	
3	70006694	1	Head	
4	See Note	NSS	Wiper (Note: Use Item 100)	
5	See Note	NSS	Seal, Rod (Note: Use Item 100)	
6	See Note	NSS	Ring, Wear (Note: Use Item 100)	
7	See Note	NSS	O-Ring (Note: Use Item 100)	
8	See Note	NSS	Ring, Back-up (Note: Use Item 100)	
9	70006695	1	Piston	
10	See Note	NSS	Seal (Note: Use Item 100)	
11	See Note	NSS	Ring, Wear (Note: Use Item 100)	
12	See Note	NSS	O-Ring (Note: Use Item 100)	
13	See Note	NSS	Ring, Back-up (Note: Use Item 100)	
14	70006696	1	Spacer	
15	0961897	1	Bushing, Tapered	
16	3574580	1	Plate, Wear Pad Mount	
17	3340982	2	Pad, Wear	
18	3574586	1	Plate, Tele Foot	
19	0962257	4	Bushing	
20	0630535	3	Capscrew 1/4 x 1-1/8	
21	0641606	6	Bolt 3/8 x 3/4	
22	0641607	2	Bolt 3/8 x 7/8	
23	3931740	8	Capscrew 7/16 x 2-1/2	
24	2220885	1	Plug, O-Ring	
25	2220886	1	Plug, O-Ring	
26	4641288	1	Valve Assembly	
26A	7011372	1	Cartridge	
26A	2900789	1	Seal Kit - 7011372 Cartridge Valve	
26B	7011370	1	Cartridge	
26B	7011371	1	Seal Kit - 7011370 Cartridge Valve	
26C	7011369	1	Cartridge	
26C	7011311	1	Seal Kit - 7011369 Cartridge Valve	
26D	7011368	3	Cartridge	
26D	7011351	3	Seal Kit - 7011368 Cartridge Valve (1 Per Cartridge)	
27	2111010	1	Fitting, Straight ORFS/ORB	
28	2111212	2	Fitting, Straight ORFS/ORB	
29	3931656	4	Capscrew 3/8 x 3-1/2	
100	1001175887	1	Seal Kit (Includes Items 4-8 & 10-13)	

SECTION 5 - CYLINDER

FIGURE 5-21. TELESCOPE CYLINDER ASSEMBLY - TOWER BOOM (ORIGINAL EQUIPMENT)



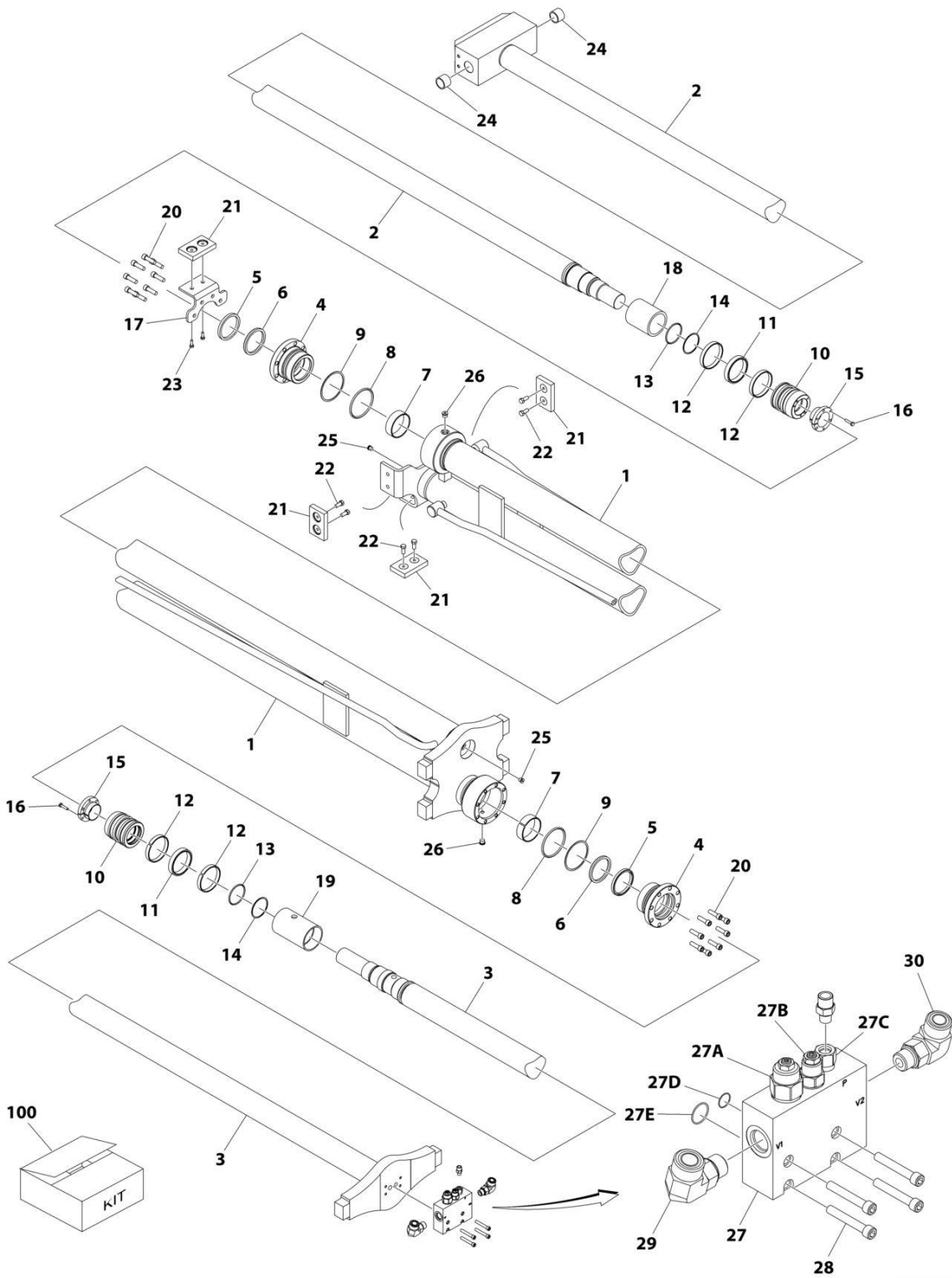
SECTION 5 - CYLINDER

FIGURE 5-21. TELESCOPE CYLINDER ASSEMBLY - TOWER BOOM (ORIGINAL EQUIPMENT)

ITEM	PART NUMBER	QTY	DESCRIPTION	REV
	1684320	Ref	TELESCOPE CYLINDER ASSEMBLY	E
1	0100011	AR	Compound, Locking	
2	0100038	AR	Primer, Locking	
3	0630535	6	Capscrew 1/4 x 1-1/8	
4	0791606	2	Screw 3/8 x 3/4	
5	0791607	6	Screw 3/8 x 7/8	
6	0961897	1	Bushing, Tapered	
7	1684328	1	Barrel	
8	1684330	1	Rod	
9	1683441	2	Head	
10	1684342	1	Rod	
10A	0961951	2	Bushing	
11	2110404	1	Fitting, Straight	
12	2131008	1	Fitting, 90 degree	
13	2131210	1	Fitting, 90 degree	
14	2220883	2	Plug	
15	2220885	2	Plug	
16	3340763	4	Pad, Wear	
17	3480205	2	Piston	
18	3574630	1	Bracket, Wear Pad Mounting	
19	3931532	4	Capscrew 5/16 x 2	
20	3931724	16	Capscrew 7/16 x 1-1/2	
21	4568811	1	Spacer	
22	4568819	1	Spacer	
23	4641298	1	Valve Assembly	
23A	7011359	1	Cartridge, Valve	
23A	2900789	1	Seal Kit - 7011359 Valve	
23B	4641162	1	Cartridge, Valve (was p/n 7011360)	
23B	2900770	1	Seal Kit - 7011360 & 4641162 Valve	
23C	7011361	1	Cartridge, Flow-Through Valve	
23C	7011346	1	Seal Kit - 7011361 Valve	
23D	70000778	1	O-Ring	
23E	70000777	1	O-Ring	
101	See Note	NSS	Ring, Back-Up (Qty 1 per Kit) (Note: Use Item 126)	
102	See Note	NSS	Ring, Back-Up (Qty 2 per Kit) (Note: Use Item 126)	
103	See Note	NSS	Ring, Wear (Qty 1 per Kit) (Note: Use Item 126)	
104	See Note	NSS	O-Ring (Qty 1 per Kit) (Note: Use Item 126)	
105	See Note	NSS	O-Ring (Qty 1 per Kit) (Note: Use Item 126)	
106	See Note	NSS	Seal (Qty 1 per Kit) (Note: Use Item 126)	
107	See Note	NSS	Wiper, Rod (Qty 1 per Kit) (Note: Use Item 126)	
108	See Note	NSS	Ring, Wear (Qty 2 per Kit) (Note: Use Item 126)	
109	See Note	NSS	Seal (Qty 1 per Kit) (Note: Use Item 126)	
126	2902291	2	Seal Kit (Includes Items 101-109)	
		Ref	Note: Two kits required to rebuild this double barreled cylinder - One kit required for each barrel of the cylinder.	

SECTION 5 - CYLINDER

FIGURE 5-22. TELESCOPE CYLINDER ASSEMBLY - TOWER BOOM (SERVICE REPLACEMENT)



ART_1001228032

SECTION 5 - CYLINDER

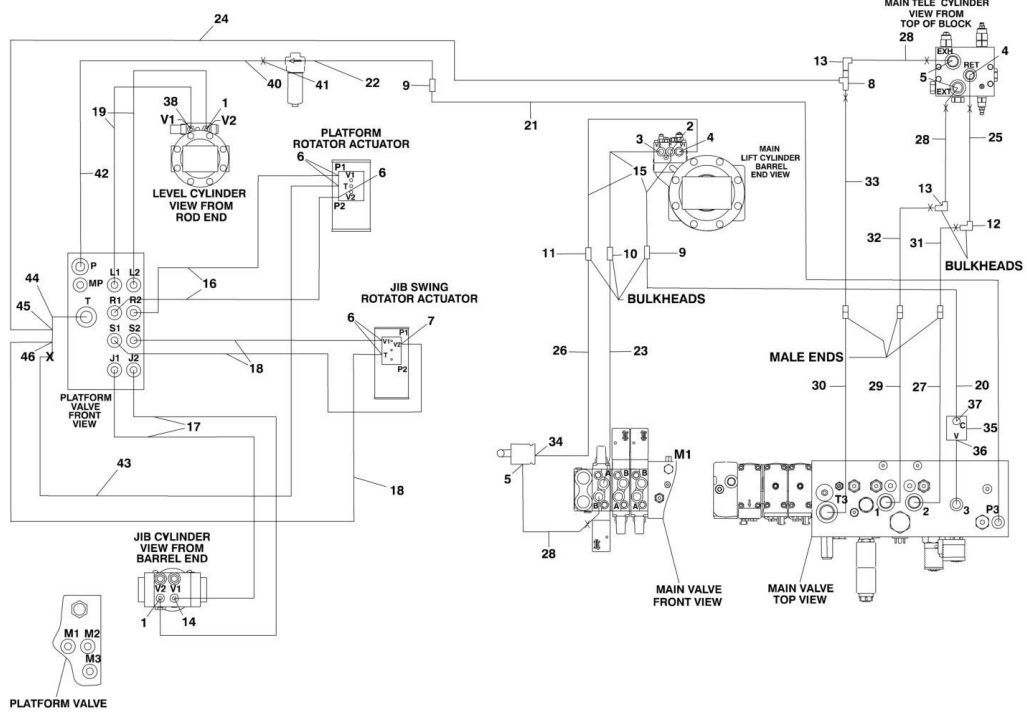
FIGURE 5-22. TELESCOPE CYLINDER ASSEMBLY - TOWER BOOM (SERVICE REPLACEMENT)

ITEM	PART NUMBER	QTY	DESCRIPTION	REV
	1001228032	Ref	TELESCOPE CYLINDER ASSEMBLY - TOWER BOOM	C
		Ref	Note: Original Cylinder May Have Been Replaced with Service Replacement. Identify PN Stamped on Cylinder Before Ordering Parts.	
1	See Note	NSS	Barrel (Note: Not Available for Purchase)	
2	70006713	1	Rod	
3	70006714	1	Rod	
4	70006715	2	Head	
5	See Note	NSS	Wiper (Note: Use Item 100)	
6	See Note	NSS	Seal, Rod (Note: Use Item 100)	
7	See Note	NSS	Ring, Wear (Note: Use Item 100)	
8	See Note	NSS	O-Ring (Note: Use Item 100)	
9	See Note	NSS	Ring, Back-up (Note: Use Item 100)	
10	70006716	2	Piston	
11	See Note	NSS	Seal (Note: Use Item 100)	
12	See Note	NSS	Ring, Wear (Note: Use Item 100)	
13	See Note	NSS	O-Ring (Note: Use Item 100)	
14	See Note	NSS	Ring, Back-up (Note: Use Item 100)	
15	0961897	2	Bushing, Tapered	
16	0630535	6	Capscrew 1/4 x 1-1/8	
17	3574630	1	Bracket, Wear Pad Mounting	
18	70006717	1	Spacer	
19	70006718	1	Spacer	
20	3931724	16	Capscrew 7/16 x 1-1/2	
21	3340763	4	Pad, Wear	
22	0641607	6	Bolt 3/8 x 7/8	
23	0641606	2	Bolt 3/8 x 3/4	
24	0961951	2	Bushing	
25	2220883	2	Plug, O-Ring	
26	2220885	2	Plug, O-Ring	
27	4641298	1	Valve Assembly	
27A	7011359	1	Cartridge, Valve	
27A	2900789	1	Seal Kit - 7011359 Valve	
27B	4641162	1	Cartridge, Valve (was p/n 7011360)	
27B	2900770	1	Seal Kit - 7011360 & 4641162 Valve	
27C	7011361	1	Cartridge, Flow-Through Valve	
27C	7011346	1	Seal Kit - 7011361 Valve	
27D	70000778	1	O-Ring	
27E	70000777	1	O-Ring	
28	3931532	4	Capscrew 5/16 x 2	
29	2131210	1	Fitting, 90 ORFS/ORB	
30	2131008	1	Fitting, 90 ORFS/ORB	
100	2902291	2	Seal Kit (Includes Items 5-9 & 11-14)	
		Ref	Note: Two kits required to rebuild this double barreled cylinder - One kit required for each barrel of the cylinder.	

SECTION 6 - HYDRAULIC

SECTION 6 - HYDRAULIC

SN 0300119708 THROUGH 0300201016



SECTION 6 - HYDRAULIC

FIGURE 6-1. HYDRAULIC DIAGRAM - BOOM

ITEM	PART NUMBER	QTY	DESCRIPTION	REV
		Ref	HYDRAULIC DIAGRAM - BOOM	
	1283457	Ref	Hydraulic Diagram for Caterpillar Engine Machines with Rexroth Pumps	J
	1283457	Ref	Hydraulic Diagram for Deutz BF4M2011 & TD2011 Engine Machines with Rexroth Pumps	J
	1001152971	Ref	Hydraulic Diagram for Deutz TCD2.9L4 Engine Machines with Rexroth Pumps	A
	2792628	Ref	Hydraulic Diagram (with 2-Port Design Rotators) (Prior to SN 0300119708)	9
	1001098027	Ref	Hydraulic Diagram (with 3-Port Design Rotators) (SN 0300119708 through 0300201017)	B
	1001110252	Ref	Hydraulic Diagram for Machines with Sauer Pumps	J
	1001111084	Ref	All Machines	B
1	2110404	2	Fitting, Straight	
2	2110610	1	Fitting, Straight	
3	2110810	1	Fitting, Straight	
4	2111010	AR	Fitting, Straight	
5	2111212	AR	Fitting, Straight	
6	2150404	AR	Fitting, 45	
6		Ref	Fitting (Prior to SN 0300119708)	
6		Ref	Fitting (SN 0300119708 through 0300201017)	
7	2170204	1	Fitting, 90	
8	2170712	1	Fitting, Tee	
9	2171306	2	Fitting, 45	
10	2171308	1	Fitting, 45	
11	2171310	1	Fitting, 45	
12	2171210	1	Fitting, 90	
13	2171212	2	Fitting, 90	
14	2180830	1	Fitting, Straight	
15	2720516	1	Hose	
16	2753545	2	Hose	
17	2753717	2	Hose	
18	2753716	AR	Hose	
18		Ref	Hose (Prior to SN 0300119708)	
18		Ref	Hose (SN 0300119708 through 0300201017)	
19	2753897	2	Hose	
20	2753978	1	Hose	
21	2754123	1	Hose	
22	2754124	1	Hose	
23	2753985	1	Hose	
24	2753986	1	Hose	
25	2753987	1	Hose	
26	2753994	1	Hose	
27	2753993	1	Hose	
28	2753998	AR	Hose	
28		Ref	Hose (Prior to SN 0300119708)	
28		Ref	Hose (SN 0300119708 through 0300201017)	
29	2754002	1	Hose	
30	2754003	1	Hose	
31	2754010	1	Hose	
32	2754011	1	Hose	

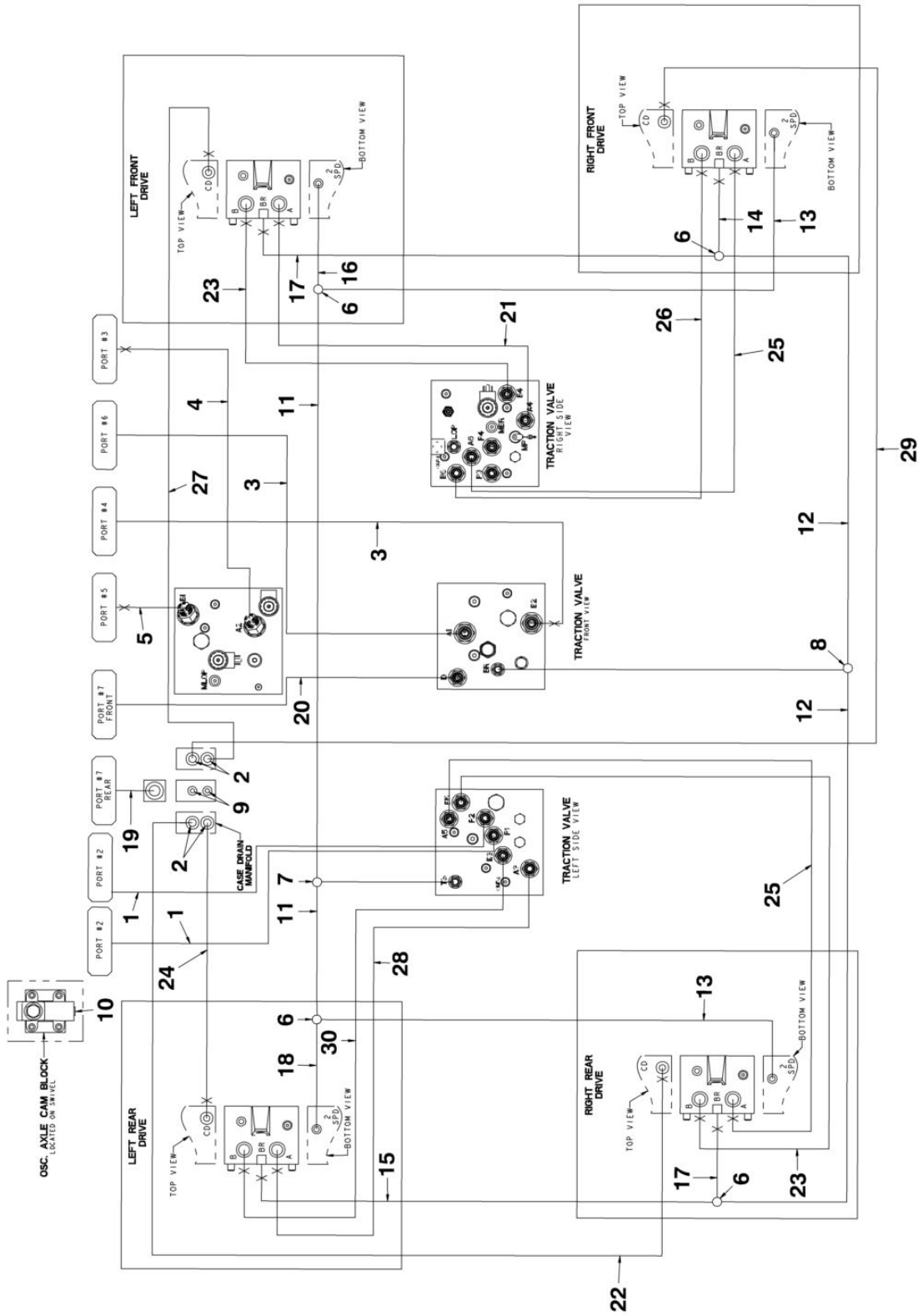
SECTION 6 - HYDRAULIC

ITEM	PART NUMBER	QTY	DESCRIPTION	REV
33	2753999	1	Hose	
34	2111012	1	Fitting, Straight	
35	4641372	1	Valve, Double Check	
35A	7027284	1	Cartridge	
35A	7011346	1	Seal Kit - 7027284 Cartridge	
35B	7027285	1	Cartridge	
35B	7011311	1	Seal Kit - 7027285 Cartridge	
36	2221123	1	Fitting, Straight	
37		Ref	Fitting, 90 Options:	
37	2130830	1	Fitting, 90 (Prior to SN 0300119708)	
37	2130606	1	Fitting, 90 (SN 0300119708 through 0300201017)	
38		Ref	Fitting, Straight Options:	
38	2110404	1	Fitting, Straight (Prior to SN 0300080030)	
38	2180830	1	Fitting, Straight (SN 0300080030 through 0300201017)	
40	2110612	1	Fitting, Straight	
41	2130612	1	Fitting, 90	
42	2717059	1	Hose	
43	2754288	1	Hose (SN 0300119708 through 0300201017)	
44	2170708	1	Fitting, Swivel Nut Run Tee (SN 0300119708 through 0300201017)	
45	1001097820	1	Fitting, Adapter (SN 0300119708 through 0300201017)	
46	2170704	1	Fitting, Swivel Nut Run Tee (SN 0300119708 through 0300201017)	
		Ref	Hose Kit Options:	
	2902486	1	Hose Kit (includes items 20-24, 26, 27, 29 & 30) (SN 0300089066 through 0300119707)	
	1001098244	1	Hose Kit (includes items 20-24, 26, 27, 29 & 30) (SN 0300119708 through 0300201017)	

SECTION 6 - HYDRAULIC

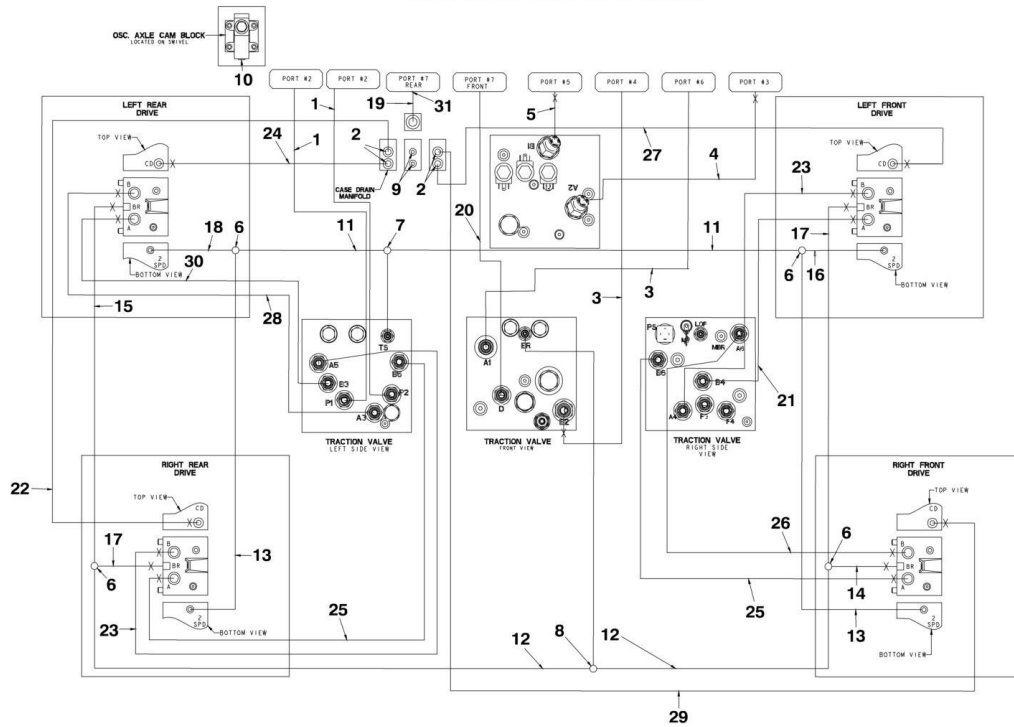
FIGURE 6-2. HYDRAULIC DIAGRAM - DRIVE

PRIOR TO S/N 0300103907



SECTION 6 - HYDRAULIC

SN 0300103907 THROUGH 0300201016



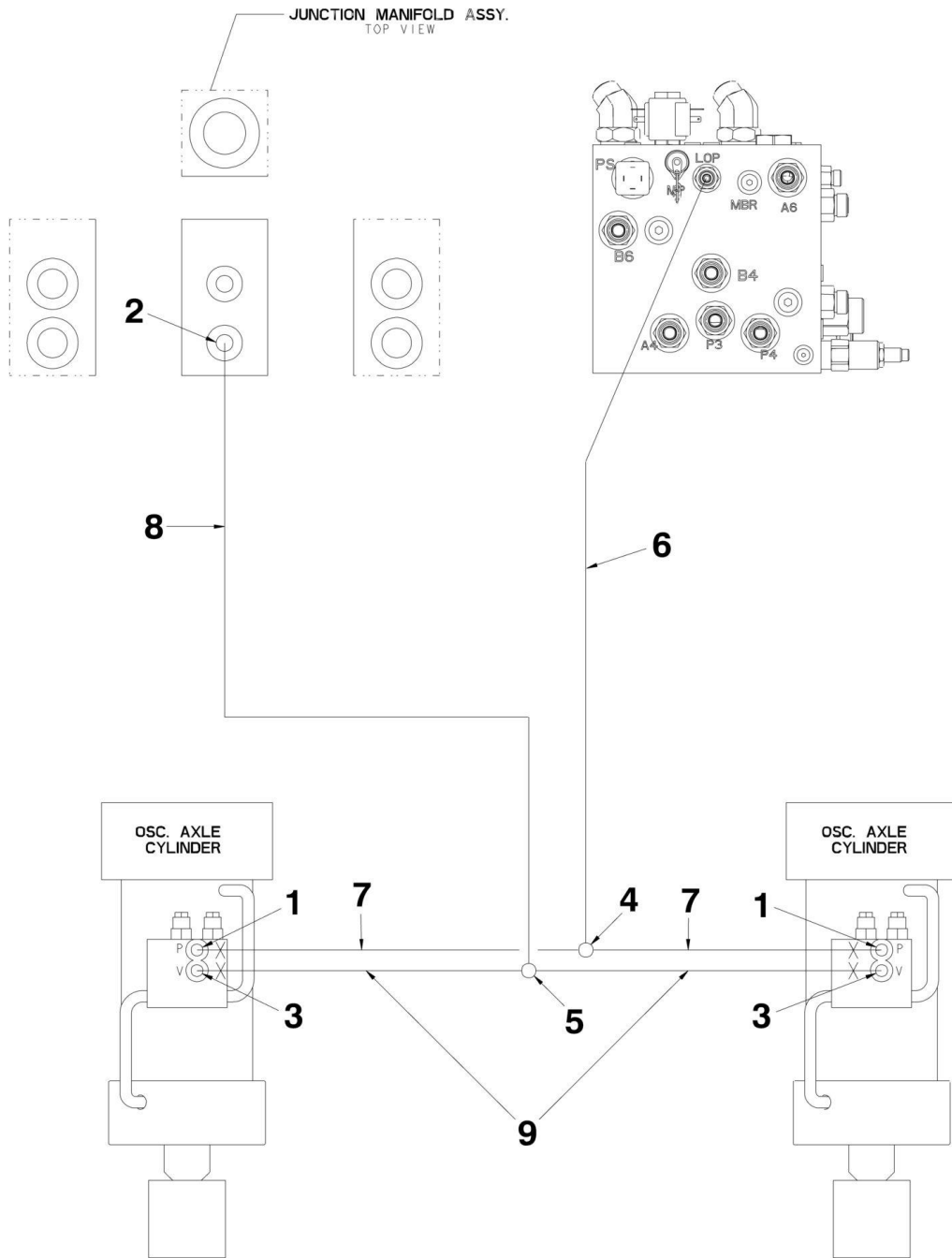
SECTION 6 - HYDRAULIC

FIGURE 6-2. HYDRAULIC DIAGRAM - DRIVE

ITEM	PART NUMBER	QTY	DESCRIPTION	REV
		Ref	HYDRAULIC DIAGRAM - DRIVE	
	1283457	Ref	Hydraulic Diagram for Caterpillar Engine Machines with Rexroth Pumps	J
	1283457	Ref	Hydraulic Diagram for Deutz BF4M2011 & TD2011 Engine Machines with Rexroth Pumps	J
	1001152971	Ref	Hydraulic Diagram for Deutz TCD2.9L4 Engine Machines with Rexroth Pumps	A
	2792645	Ref	Hydraulic Diagram (Prior to SN 0300103907)	6
	2792772	Ref	Hydraulic Diagram (SN 0300103907 through 0300201017)	4
	1001110252	Ref	Hydraulic Diagram for Machines with Sauer Pumps	J
	1001111082	Ref	All Machines	2
1	2753685	2	Hose	
2	2110808	4	Fitting, Straight	
3	2753703	2	Hose	
4	2753764	1	Hose	
5	2753768	1	Hose	
6	2170504	4	Fitting, Tee	
7	2170704	1	Fitting, Tee	
8	2170804	1	Fitting, Tee	
9	2220235	2	Plug	
10	2220238	1	Plug	
11		Ref	Hose Options:	
11	2753722	2	Hose (Prior to SN 0300103907)	
11	2753541	2	Hose (SN 0300103907 through 0300201017)	
12	2753545	2	Hose	
13		Ref	Hose Options:	
13	2753720	2	Hose (Prior to SN 0300103907)	
13	2753677	2	Hose (SN 0300103907 through 0300201017)	
14	2753714	1	Hose	
15	2753713	1	Hose	
16		Ref	Hose Options:	
16	2753721	1	Hose (Prior to SN 0300103907)	
16	2753716	1	Hose (SN 0300103907 through 0300201017)	
17	2753715	2	Hose	
18		Ref	Hose Options:	
18	2753724	1	Hose (Prior to SN 0300103907)	
18	2753552	1	Hose (SN 0300103907 through 0300201017)	
19	2753752	1	Hose	
20	2753582	1	Hose	
21	2753756	1	Hose	
22	2753747	1	Hose	
23	2753757	2	Hose	
24	2753748	1	Hose	
25	2753759	2	Hose	
26	2753760	1	Hose	
27	2753749	1	Hose	
28	2753761	1	Hose	
29	2753750	1	Hose	
30	2753762	1	Hose	
31	2110812		Fitting, Straight	

SECTION 6 - HYDRAULIC

FIGURE 6-3. HYDRAULIC DIAGRAM - OSCILLATING AXLE



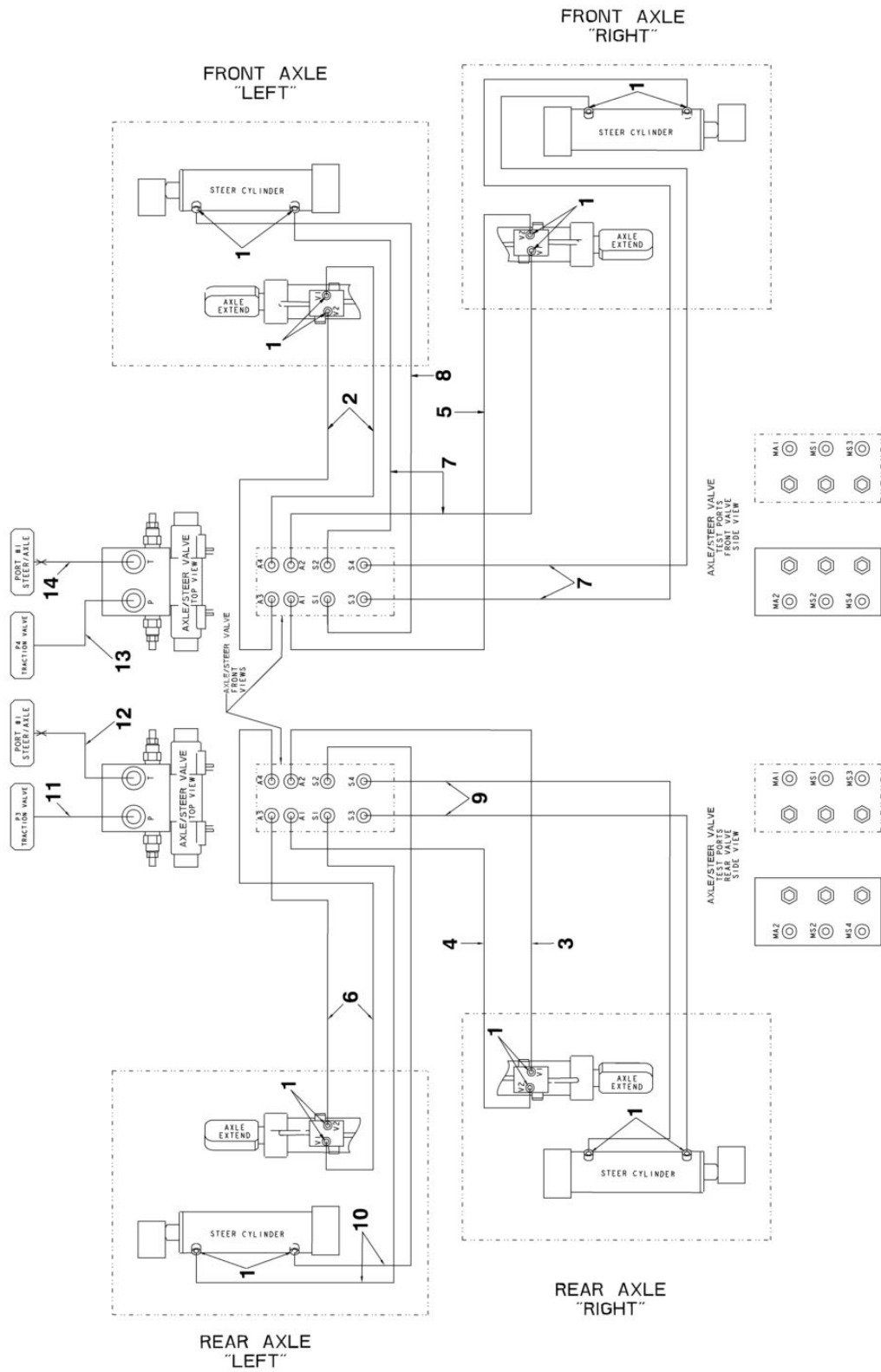
SECTION 6 - HYDRAULIC

FIGURE 6-3. HYDRAULIC DIAGRAM - OSCILLATING AXLE

ITEM	PART NUMBER	QTY	DESCRIPTION	REV
		Ref	HYDRAULIC DIAGRAM - OSCILLATING AXLE	
	1283457	Ref	Hydraulic Diagram for Caterpillar Engine Machines with Rexroth Pumps	J
	1283457	Ref	Hydraulic Diagram for Deutz BF4M2011 & TD2011 Engine Machines with Rexroth Pumps	J
	1001152971	Ref	Hydraulic Diagram for Deutz TCD2.9L4 Engine Machines with Rexroth Pumps	A
	2792647	Ref	All Machines	4
	1001110252	Ref	Hydraulic Diagram for Machines with Sauer Pumps	J
	1001111081	Ref	All Machines	1
1	2110406	2	Fitting, Straight	
2	2110604	1	Fitting, Straight	
3	2110606	2	Fitting, Straight	
4	2170504	1	Fitting, Tee	
5	2170506	1	Fitting, Tee	
6	2753726	1	Hose	
7	2753719	2	Hose	
8	2753727	1	Hose	
9	2753729	2	Hose	

SECTION 6 - HYDRAULIC

FIGURE 6-4. HYDRAULIC DIAGRAM - STEER



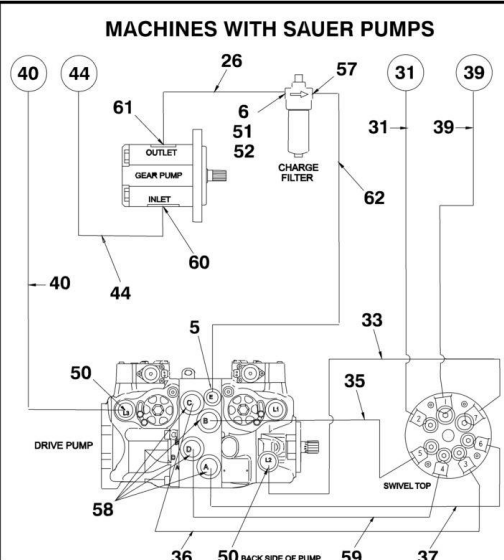
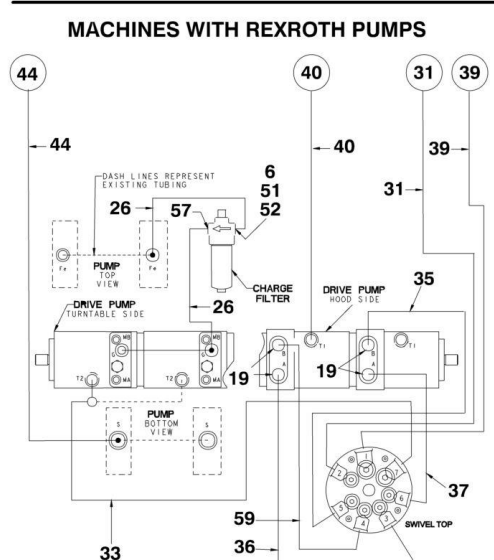
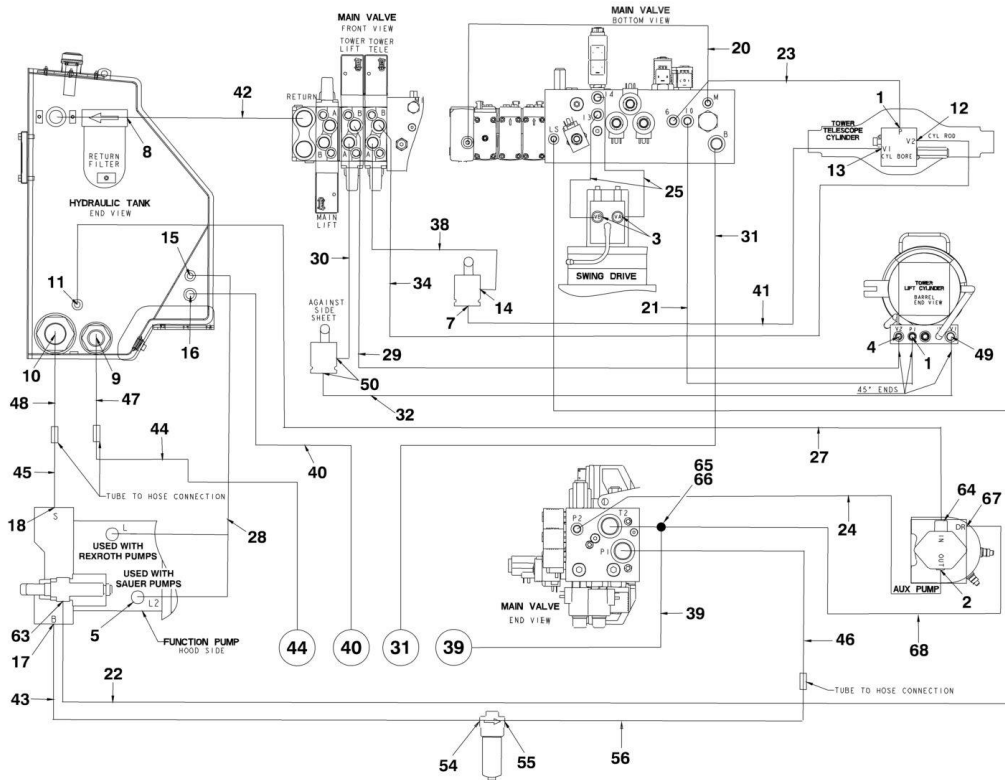
SECTION 6 - HYDRAULIC

FIGURE 6-4. HYDRAULIC DIAGRAM - STEER

ITEM	PART NUMBER	QTY	DESCRIPTION	REV
		Ref	HYDRAULIC DIAGRAM - STEER	
	1283457	Ref	Hydraulic Diagram for Caterpillar Engine Machines with Rexroth Pumps	J
	1283457	Ref	Hydraulic Diagram for Deutz BF4M2011 & TD2011 Engine Machines with Rexroth Pumps	J
	1001152971	Ref	Hydraulic Diagram for Deutz TCD2.9L4 Engine Machines with Rexroth Pumps	A
	2792646	Ref	Hydraulic Diagram (Prior to SN 0300103907)	4
	2792773	Ref	Hydraulic Diagram (SN 0300103907 through 0300201017)	2
	1001110252	Ref	Hydraulic Diagram for Machines with Sauer Pumps	J
	1001111081	Ref	All Machines	1
1	2130606	16	Fitting, 90 Degree	
2	2753732	2	Hose	
3	2753733	1	Hose	
4	2753728	1	Hose	
5	2753734	1	Hose	
6	2753735	2	Hose	
7	2753736	4	Hose	
8	2753737	1	Hose	
9	2753738	2	Hose	
10	2753739	2	Hose	
11	2753753	1	Hose	
12	2753742	1	Hose	
13	2753754	1	Hose	
14	2753743	1	Hose	

SECTION 6 - HYDRAULIC

FIGURE 6-5. HYDRAULIC DIAGRAM - TURNTABLE



SECTION 6 - HYDRAULIC

FIGURE 6-5. HYDRAULIC DIAGRAM - TURNTABLE

ITEM	PART NUMBER	QTY	DESCRIPTION	REV
		Ref	HYDRAULIC DIAGRAMS - TURNTABLE	
		Ref	Rexroth Pumps	
	1283457	Ref	Hydraulic Diagram for Caterpillar, Deutz BF4M2011 & TD2011 Engine Machines	J
	2792627	Ref	Hydraulic Diagram (Prior to SN 0300085693)	2
	2792716	Ref	Hydraulic Diagram (SN 0300085693 through 0300167529)	B
	1001145321	Ref	Hydraulic Diagram (SN 0300167530 through 0300201017)	B
	1001152971	Ref	Hydraulic Diagram for Deutz TCD2.9L4 Engine Machines	A
	1001153188	Ref	Hydraulic Diagram	B
		Ref	Sauer Pumps	
	1001110252	Ref	Hydraulic Diagram	J
	1001110290	Ref	All Machines (Prior to SN 0300167530)	C
	1001145322	Ref	All Machines (SN 0300167530 through 0300201017)	C
1	2110404	1	Fitting, Straight	
2	2110608	1	Fitting, Straight	
3	2110610	2	Fitting, Straight	
4	2110808	1	Fitting, Straight	
5	2110810	AR	Fitting, Straight	
6	2220811	1	Fitting, Reducer	
7	2111212	1	Fitting, Straight	
8	2111620	1	Fitting, Straight	
9	2112020	1	Fitting, Straight	
10	2113232	1	Fitting, Straight	
11	2130808	1	Fitting, 90 degree	
12	2131008	1	Fitting, 90 Degree	
13	2131210	1	Fitting, 90 Degree	
14	2131212	1	Fitting, 90 Degree	
15	2150808	1	Fitting, 45 Degree	
16	2151212	1	Fitting, 45 Degree	
17	2220478	1	Flange Kit	
18		Ref	Flange Kit Options:	
18	2220737	1	Machines with Rexroth Pumps	
18	1001110604	1	Machines with Sauer Pumps	
19	2221117	4	Flange Kit (Machines with Rexroth Pumps Only)	
20	2753546	1	Hose	
21	2753975	1	Hose	
22	2753976	1	Hose	
23	2753977	1	Hose	
24	2753673	1	Hose	
25	2753979	2	Hose	
26	2753746	2	Hose	
27	2753590	1	Hose	
28		Ref	Hose Options:	
28	2753741	1	Machines with Rexroth Pumps	
28	1001109439	1	Machines with Sauer Pumps	
29	2753984	1	Hose	
30	2753988	1	Hose	
31	2753989	1	Hose	
32	2753990	1	Hose	
33	2753991	1	Hose	

SECTION 6 - HYDRAULIC

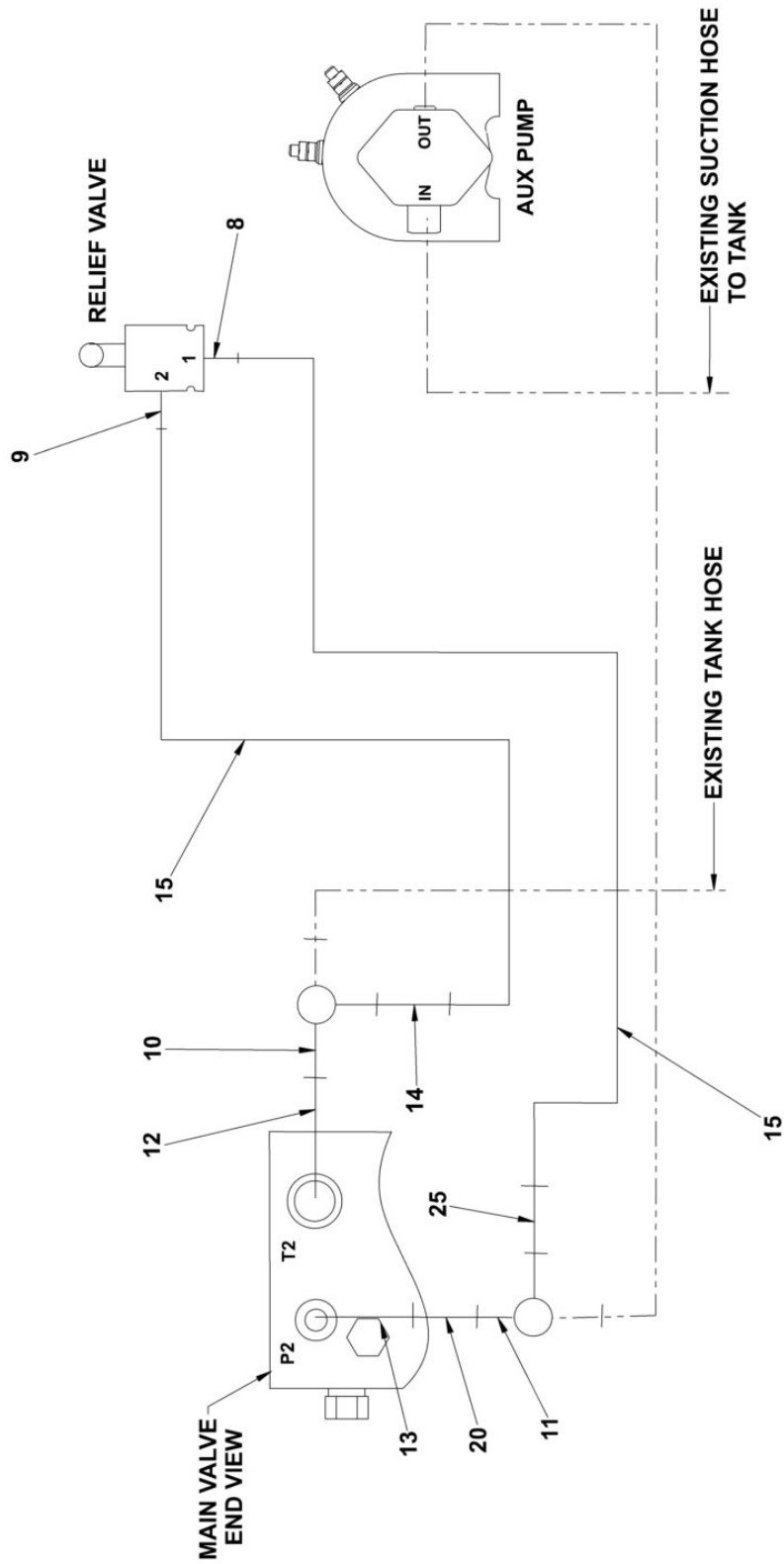
ITEM	PART NUMBER	QTY	DESCRIPTION	REV
34	2753992	1	Hose	
35		Ref	Hose Options:	
35	2753995	1	Machines with Rexroth Pumps	
35	1001109468	1	Machines with Sauer Pumps	
36		Ref	Hose Options:	
36	2753996	1	Machines with Rexroth Pumps	
36	1001119296	1	Machines with Sauer Pumps	
37		Ref	Hose	
37	2753997	1	Machines with Rexroth Pumps	
37	1001109471	1	Machines with Sauer Pumps	
38	2753843	1	Hose	
39	2753999	1	Hose	
40		Ref	Hose Options:	
40	2754000	1	Machines with Rexroth Pumps	
40	1001119171	1	Machines with Sauer Pumps (Prior to SN 0300182104)	
40	1001176982	1	Machines with Sauer Pumps (SN 0300182104 through 0300201017)	
41	2754001	1	Hose	
42	2754004	1	Hose	
43		Ref	Hose Options:	
43	See Note	1	Models Prior to August 2006 (Note: If machine is equipped with hydraulic filter in this circuit use part# 2754870. If machine is not equipped with hydraulic filter in this circuit use part# 2754005.)	
43	2754870	1	Models August 2006 to SN 0300201017	
44		Ref	Hose Options:	
44	2754006	1	Caterpillar Engine Machines with Rexroth Pumps	
44	1001153186	1	Deutz TCD2.9L4 Engine Machines with Rexroth Pumps	
44	1001109438	1	Machines with Sauer Pumps	
45		Ref	Hose	
45	2754007	1	Machines with Rexroth Pumps	
45	1001109465	1	Machines with Sauer Pumps	
46		Ref	Tube Options:	
46	4568862	1	Tube (Prior to SN 0300182104)	
46	1001173889	1	Tube (SN 0300182104 through 0300201017)	
47	4568849	1	Tube	
48	4568815	1	Tube	
49	2111010	1	Fitting, Straight	
50	2111012	AR	Fitting, Straight	
51	2170308	1	Fitting, Tee (SN 0300085693 through 0300201017)	
52	2170908	1	Fitting, Cap (SN 0300085693 through 0300201017)	
54	2131620	1	Fitting, 90 Degree	
55	2132020	1	Fitting, 90 Degree	
56		Ref	Hose Options:	
56	2754869	1	Hose (Prior to SN 0300182104)	
56	1001173890	1	Hose (SN 0300182104 through 0300201017)	
57		Ref	Fitting Options:	
57	2110812	1	Fitting, Straight	
57	2130812	1	Fitting, 90 Degree	
58	2111016	2	Fitting, Straight	
59		Ref	Hose Options:	
59	2753995	1	Machines with Rexroth Pumps	

SECTION 6 - HYDRAULIC

ITEM	PART NUMBER	QTY	DESCRIPTION	REV
59	1001109470	1	Machines with Sauer Pumps	
60	2111616	1	Fitting, Straight (Machines with Sauer Pumps)	
61	2110812	1	Fitting, Straight (Machines with Sauer Pumps)	
62	1001104577	1	Hose (Machines with Sauer Pumps)	
63	2130404	1	Fitting, 90 Degree (Machines with Sauer Pumps)	
64		Ref	Fitting, Straight Options:	
64	2110810	1	Adpt, St S Orfs/Orb 8-10 Fg (Prior to SN 0300167530)	
64	2110808	1	Adpt, St S Orfs/Orb 8-8 Fg (SN 0300167530 through 0300201017)	
65	2170712	1	Fitting, Tee (SN 0300182104 through 0300201017)	
66	2221221	1	Fitting, Straight (SN 0300182104 through 0300201017)	
67	2130406	1	Fitting, 90 Degree Adapter (SN 0300182104 through 0300201017)	
68	1001103977	1 in	Hose (SN 0300182104 through 0300201017)	

SECTION 6 - HYDRAULIC

FIGURE 6-6. HYDRAULIC DIAGRAM - AUXILIARY POWER MOTOR



SECTION 6 - HYDRAULIC

FIGURE 6-6. HYDRAULIC DIAGRAM - AUXILIARY POWER MOTOR

ITEM	PART NUMBER	QTY	DESCRIPTION	REV
	1001139520	Ref	HYDRAULIC DIAGRAM - AUXILIARY POWER MOTOR	A
8	2110406	1	Fitting, Straight	
9	2130406	1	Fitting, 90 Degree	
10	2170312	1	Fitting, Tee	
11	2170506	1	Fitting, Tee	
12	2220550	1	Fitting, Straight	
13	2221123	1	Fitting, Straight	
14	2221221	1	Fitting, Straight	
15	2753781	2	Hose	
20	4641316	1	Valve, Check	
25	1001092764	1	Fitting, Tube End Reducer	

SECTION 6 - HYDRAULIC

FIGURE 6-7. HYDRAULIC DIAGRAM LIST

ITEM	PART NUMBER	QTY	DESCRIPTION	REV
		Ref	HYDRAULIC DIAGRAM - BOOM	
	1283457	Ref	Hydraulic Diagram for Caterpillar Engine Machines with Rexroth Pumps	
	1283374	Ref	Hydraulic Diagram for Caterpillar Engine Machines with Rexroth Pumps	
	1283457	Ref	Hydraulic Diagram for Deutz BF4M2011 AND TD2011 Engine Machines with Rexroth Pumps	
	1283374	Ref	Hydraulic Diagram for Deutz BF4M2011 & TD2011 Engine Machines with Rexroth Pumps	
	1001152971	Ref	Hydraulic Diagram for Deutz TCD2.9L4 Engine Machines with Rexroth Pumps	
	2792628	Ref	Prior to SN 0300119708 (with 2-Port Design Rotators)	
	1001098027	Ref	SN 0300119708 through 0300201017 (with 3-Port Design Rotators)	
	1001110252	Ref	Hydraulic Diagram for Machines with Sauer Pumps	
	1001111084	Ref	All Machines	
		Ref	HYDRAULIC DIAGRAM - DRIVE	
	1283457	1	Hydraulic Diagram for Caterpillar Engine Machines with Rexroth Pumps	
	1283374	1 ref	Hydraulic Diagram for Caterpillar Engine Machines with Rexroth Pumps	
	1283457	Ref	Hydraulic Diagram for Deutz BF4M2011 & TD2011 Engine Machines with Rexroth Pumps	
	1283374	Ref	Hydraulic Diagram for Deutz BF4M2011 & TD2011 Engine Machines with Rexroth Pumps	
	1001152971	Ref	Hydraulic Diagram for Deutz TCD2.9L4 Engine Machines with Rexroth Pumps	
	2792645	Ref	Hydraulic Diagram (Prior to SN 0300103907)	
	2792772	Ref	Hydraulic Diagram (SN 0300103907 through 0300201017)	
	1001110252	Ref	Hydraulic Diagram for Machines with Sauer Pumps	
	1001111082	Ref	All Machines	
		Ref	HYDRAULIC DIAGRAM - OSCILLATING AXLE	
	1283457	Ref	Hydraulic Diagram for Caterpillar Engine Machines with Rexroth Pumps	
	1283374	Ref	Hydraulic Diagram for Caterpillar Engine Machines with Rexroth Pumps	
	1283457	Ref	Hydraulic Diagram for Deutz BF4M2011 & TD2011 Engine Machines with Rexroth Pumps	
	1283374	Ref	Hydraulic Diagram for Deutz BF4M2011 & TD2011 Engine Machines with Rexroth Pumps	
	1001152971	Ref	Hydraulic Diagram for Deutz TCD2.9L4 Engine Machines with Rexroth Pumps	
	2792647	Ref	All Machines	
	1001110252	Ref	Hydraulic Diagram for Machines with Sauer Pumps	
	1001111081	Ref	All Machines	
		Ref	HYDRAULIC DIAGRAM - STEER	
	1283457	Ref	Hydraulic Diagram for Caterpillar Engine Machines with Rexroth Pumps	
	1283374	Ref	Hydraulic Diagram for Caterpillar Engine Machines with Rexroth Pumps	
	1283457	Ref	Hydraulic Diagram for Deutz BF4M2011 & TD2011 Engine Machines with Rexroth Pumps	

SECTION 6 - HYDRAULIC

ITEM	PART NUMBER	QTY	DESCRIPTION	REV
	1283374	Ref	Hydraulic Diagram for Deutz BF4M2011 & TD2011 Engine Machines with Rexroth Pumps	
	1001152971	Ref	Hydraulic Diagram for Deutz TCD2.9L4 Engine Machines with Rexroth Pumps	
	2792646	Ref	Hydraulic Diagram (Prior to SN 0300103907)	
	2792773	Ref	Hydraulic Diagram (SN 0300103907 through 0300201017)	
	1001110252	Ref	Hydraulic Diagram for Machines with Sauer Pumps	
	1001111081	Ref	All Machines	
		Ref	HYDRAULIC DIAGRAMS - TURNTABLE	
	1283457	Ref	Hydraulic Diagram for Caterpillar Engine Machines with Rexroth Pumps	
	1283457	Ref	Hydraulic Diagram for Deutz BF4M2011 & TD2011 Engine Machines with Rexroth Pumps	
	1001152971	Ref	Hydraulic Diagram for Deutz TCD2.9L4 Engine Machines with Rexroth Pumps	
	2792627	Ref	Hydraulic Diagram (Prior to SN 0300085693)	
	2792716	Ref	Hydraulic Diagram (SN 0300085693 through 0300167529)	
	1001145321	Ref	Hydraulic Diagram (Caterpillar Engines) (SN 0300167530 through 0300201017)	
	1001145321	Ref	Hydraulic Diagram (Deutz BF4M2011 & TD2011 Engines)	
	1001153188	Ref	Hydraulic Diagram (Deutz TCD2.9L4 Engines) (SN 0300167530 through 0300201017)	
	1001110252	Ref	Hydraulic Diagram for Machines with Sauer Pumps	
	1001110290	Ref	All Machines (Prior to SN 0300167530)	
	1001145322	Ref	All Machines (SN 0300167530 through 0300201017)	
	1001139520	Ref	HYDRAULIC DIAGRAMS - AUXILIARY POWER MOTOR (MACHINES WITH COLD WEATHER PLUS PACKAGE)	
	2792565	Ref	HYDRAULIC DIAGRAM - WELDER	
		Ref	HYDRAULIC SCHEMATIC - OIL COOLER	
	1001119859	Ref	Caterpillar Engine Machines with Rexroth Pumps	
	0272080	Ref	Deutz Engine Machines with Rexroth Pumps	
	1001118957	Ref	Deutz Engine Machines with Sauer Pumps	
		Ref	HYDRAULIC SCHEMATIC - STANDARD	
	2792527	Ref	Hydraulic Schematic (Prior to SN 0300103907)	
	2792771	Ref	Hydraulic Schematic (SN 0300103907 through 0300139395)	
	1001110761	Ref	Hydraulic Schematic (SN 0300139396 through 0300201017)	

SECTION 7 - ELECTRICAL

SECTION 7 - ELECTRICAL

FIGURE 7-1. ELECTRICAL DIAGRAM LIST

ITEM	PART NUMBER	QTY	DESCRIPTION	REV
		Ref	Note: Diagrams not shown are available from the JLG Service Department.	
		Ref	CHASSIS ILLUMINATION LIGHTS ELECTRICAL DIAGRAM OPTIONS:	
	4933262	Ref	Chassis Illumination Lights Electrical Diagram (Prior to SN 0300076217)	
	4933314	Ref	Chassis Illumination Lights Electrical Diagram (SN 0300076217 through 0300201016)	
	1001102417	Ref	CLEARSKY TELEMATICS ELECTRICAL SCHEMATICS	
	0272066	Ref	COLD WEATHER KIT WITH ETHER WIRING DIAGRAM	
	0272068	Ref	COLD WEATHER KIT WITH ETHER WIRING DIAGRAM	
		Ref	GENERATOR (2500W) ELECTRICAL DIAGRAM	
		Ref	Note: For Module Identification, Refer To Revision Log Page A.	
		Ref	Without UGM	
	4933215	Ref	110Volt (Prior to SN 0300079611)	
	4933216	Ref	220Volt (Prior to SN 0300079611)	
	4933300	Ref	110/220Volt (SN 0300079611 through 0300122914)	
	4933300	Ref	110/220Volt - 60Hz (SN 0300122915 through 0300201016)	
	1001100027	Ref	110/220Volt - 50Hz (SN 0300122915 through 0300201016)	
		Ref	With UGM	
	1001120381	Ref	Caterpillar/Deutz Engine - 110/220Volt - 60Hz	
	1001120382	Ref	Deutz Engine - 110/220Volt - 50Hz	
	1001122424	Ref	Caterpillar Engine - 110/220Volt - 50Hz	
		Ref	4000W Generators	
	1001153257	Ref	Deutz Engine – 60Hz (ANSI Export / CE / Japanese Spec)	
	1001162901	Ref	Deutz Engine – 50Hz (ANSI Export / CE / Japanese Spec)	
	1001162899	Ref	Deutz Engine – 50Hz (Australian Spec)	
	1001162900	Ref	Deutz Engine – 50Hz (CE Spec)	
	1001122528	Ref	Caterpillar/Deutz Engine (Prior to SN 0300182753)	
	1001157770	Ref	Caterpillar, Deutz TD2011 Engine and Deutz TCD2.9L4 Engines Machines (SN 0300182753 through 0300201016)	
	4933217	Ref	GLOW PLUGS ELECTRICAL DIAGRAM	
		Ref	GROUND CONTROL BOX ELECTRICAL DIAGRAM	
		Ref	Note: For Module Identification, refer to Revision Log page A.	
		Ref	Without UGM	
	4933297	Ref	Without UGM (Prior to SN 0300087575)	
	4933342	Ref	Without UGM (SN 0300087575 through 0300201016)	
		Ref	Note: S/N 0300085693 & S/N 0300085910 was built with the EMR2 Deutz Engine.	
	1001119567	Ref	With UGM	
		Ref	HEADLIGHT AND TAILLIGHTS ELECTRICAL DIAGRAM OPTIONS:	
	4933253	Ref	Headlight and Tailights Electrical Diagram (Prior to SN 0300076217)	
	4933311	Ref	Headlight and Tailights Electrical Diagram (SN 0300076217 through 0300201016)	
	Not Available	Ref	PLATFORM ELECTRICAL DIAGRAM	
	4933249	Ref	PLATFORM FLOODLIGHTS ELECTRICAL DIAGRAM	
	0273465	Ref	PLATFORM WORKLIGHTS ELECTRICAL DIAGRAM	
		Ref	STANDARD ELECTRICAL SCHEMATIC OPTIONS:	

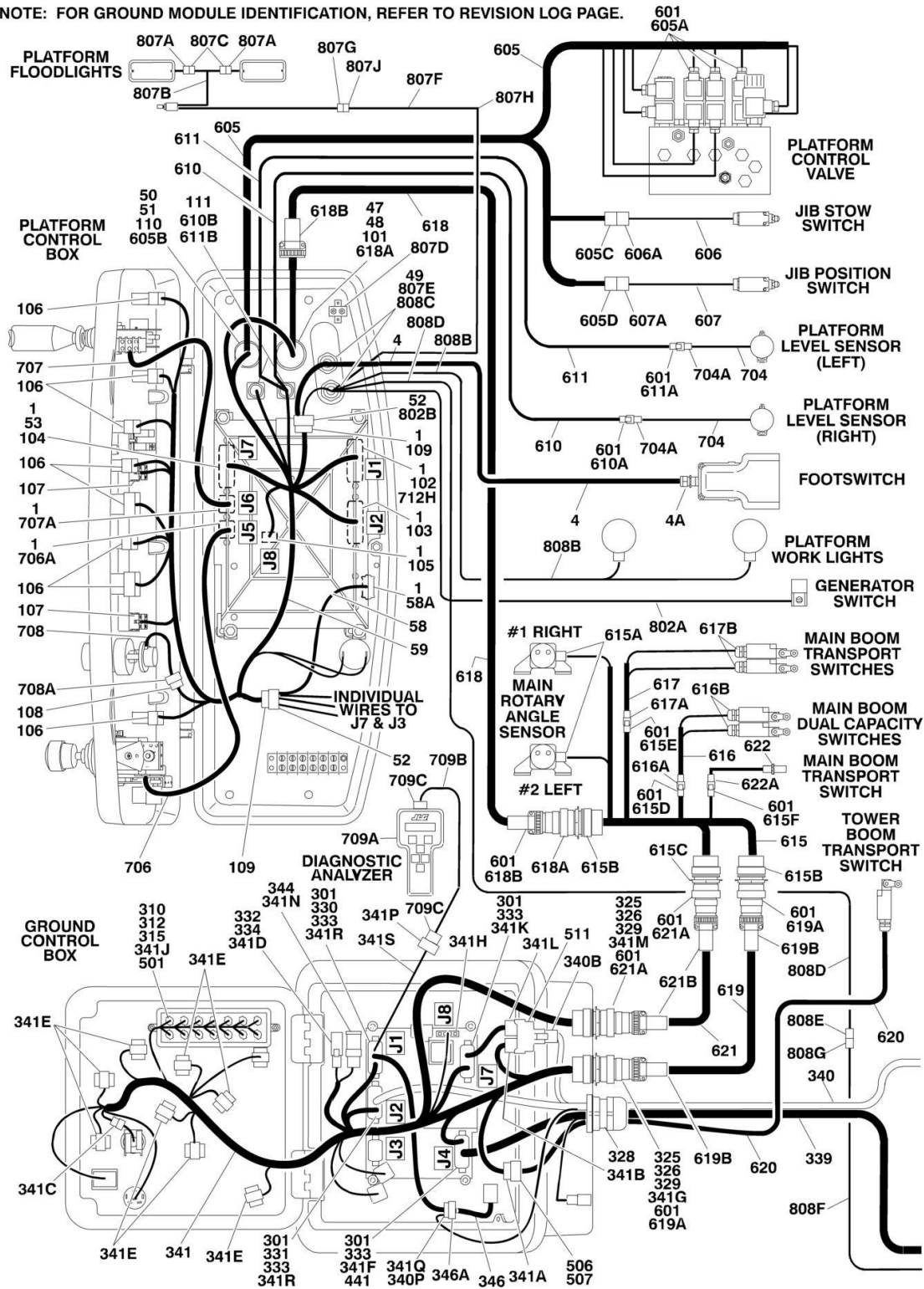
SECTION 7 - ELECTRICAL

ITEM	PART NUMBER	QTY	DESCRIPTION	REV
		Ref	Note: For Module Identification, refer to Revision Log page A. Without UGM Standard Electrical Schematic (Prior to SN 0300087575) Standard Electrical Schematic (SN 0300087575 through 0300201016) Note: S/N 0300085693 & S/N 0300085910 was built with the EMR2 Deutz Engine. With UGM	
	1870179	Ref		
	1870197	Ref		
		Ref		
		Ref		
	1001119861	Ref		

SECTION 7 - ELECTRICAL

FIGURE 7-2. HARNESS COMPONENTS INSTALLATION (WITHOUT UGM) (Prior to SN 0300087575)

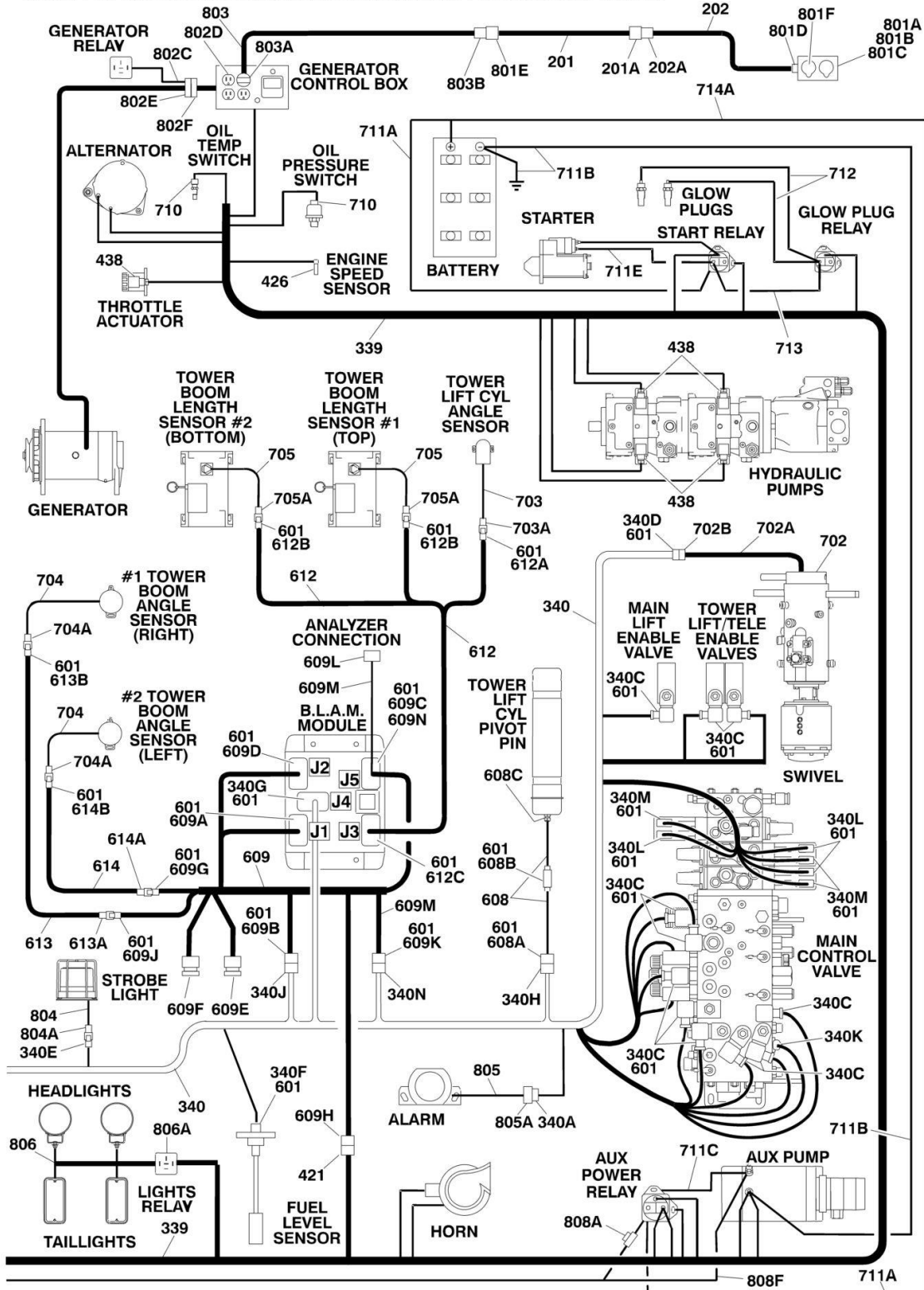
NOTE: FOR GROUND MODULE IDENTIFICATION, REFER TO REVISION LOG PAGE.



NOTE: FOR GROUND MODULE IDENTIFICATION, REFER TO REVISION LOG PAGE A.

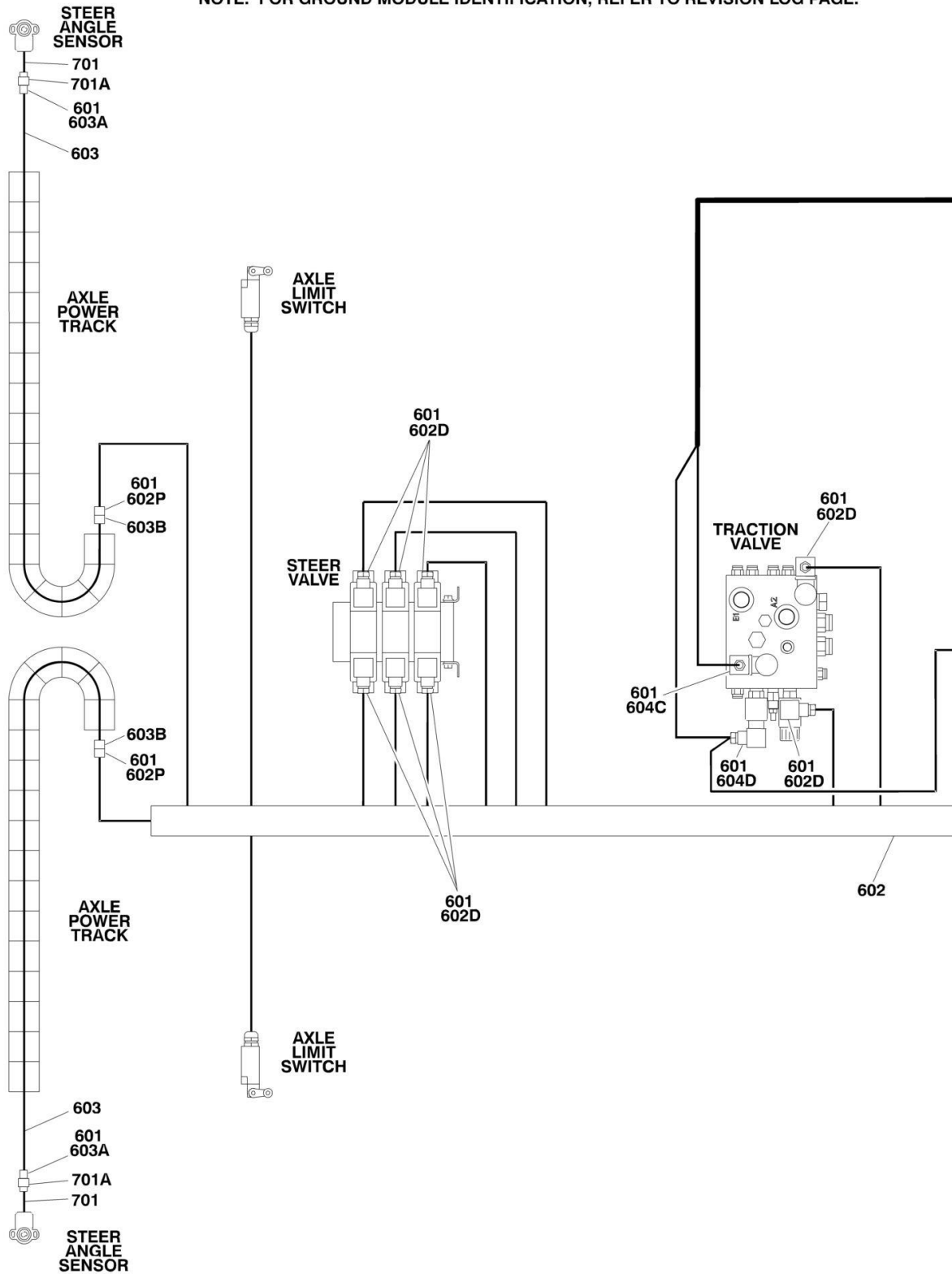
SECTION 7 - ELECTRICAL

NOTE: FOR GROUND MODULE IDENTIFICATION, REFER TO REVISION LOG PAGE.



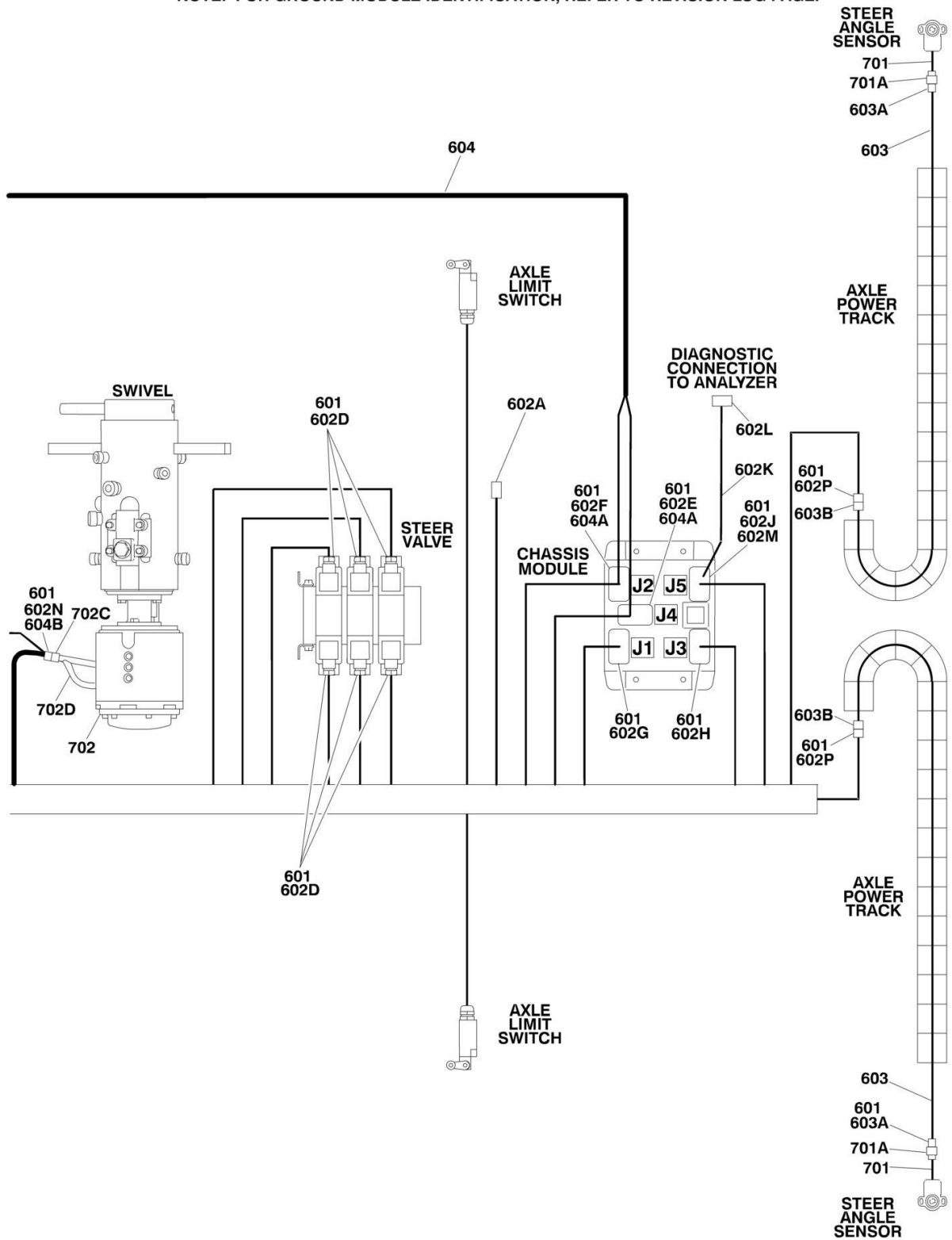
SECTION 7 - ELECTRICAL

NOTE: FOR GROUND MODULE IDENTIFICATION, REFER TO REVISION LOG PAGE.



SECTION 7 - ELECTRICAL

NOTE: FOR GROUND MODULE IDENTIFICATION, REFER TO REVISION LOG PAGE.



SECTION 7 - ELECTRICAL

FIGURE 7-2. HARNESS COMPONENTS INSTALLATION (WITHOUT UGM) (Prior to SN 0300087575)

ITEM	PART NUMBER	QTY	DESCRIPTION	REV
		Ref	NOTE: FOR MODULE IDENTIFICATION, REFER TO REVISION LOG PAGE A.	
		Ref	HARNESS COMPONENTS INSTALLATION	
		Ref	PLATFORM CONSOLE BOX COMPONENTS	
1	0100048	AR	Grease, Dielectric	
4	0272970	1	Footswitch and Harness Assembly	
4	1060918	7 ft/2.14m	Cable, Electrical - 18/3	
4A	4460071	1	Connector, Strain Relief	
46	4460428	2	Connector, Strain Relief	
47	4460470	1	Nut, Terminal	
48	4460471	1	Lockwasher, Terminal	
50	4460496	1	Lockwasher, Terminal	
51	4460497	1	Nut, Terminal	
52	4460708	2	Receptacle, Female - 15 Position	
53	4460905	5	Seal, Plug	
58	4922666	1	Harness, Analyzer Cable	2-B
58	4460226	4	Socket, Female (Not Shown - Located at J2)	
58A	4460761	1	Connector, Female - 4 Position	
58A	4460227	4	Pin, Male	
59	4922945	1	Harness, Platform Box (See Items 101-111 for Breakdown)	
	4922945	Ref	PLATFORM BOX HARNESS ASSEMBLY	F
101	4460866	1	Connector - 19 Pin	
101	4460464	7	Pin, Male Deutsch 16 Ga	
101	4460508	4	Pin, Male Deutsch 12 Ga	
101	4460943	3	Pin, Male 16 Ga (Gold Plated - Used on 3 Wire Canbus Cable)	
102	4460874	1	Connector - 35 Position (Natural)	
102	4460871	29	Socket, Female	
102	4460905	4	Plug	
103	4460876	1	Connector - 35 Position (Blue)	
103	4460871	34	Socket, Female	
103	4460905	1	Plug	
104	4460873	1	Connector - 35 Position (Black)	
104	4460871	29	Socket, Female	
104	4460905	12	Plug	
105	4460879	1	Connector, Male - 2 Position	
105	4460887	2	Terminal (12 Gauge)	
106	4460418	12	Connector, Female - 6 Position	
106	4460419	36	Socket, Female	
107	4460225	4	Plug, Male - 6 Position	
107	4460226	21	Terminal (16 Gauge)	
108	4460225	1	Plug, Male - 6 Position	
108	4460227	5	Pin, Male	
109	4460434	2	Plug, Male - 15 Position	
109	4460227	13	Pin, Male	
110	4460925	1	Connector - 21 Pin	
110	4460929	13	Pin, Male Deutsch 16 Ga	
110	4460466	8	Plug	
111	See Note	2	Connector, 6 Position, (Note: Not available for purchase)	
		Ref	BOOM CABLES INSTALLATION	
	0273474	Ref	ANSI and ANSI Export Specs Without SkyPower	A

SECTION 7 - ELECTRICAL

ITEM	PART NUMBER	QTY	DESCRIPTION	REV
	0273476	Ref	ANSI and ANSI Export Specs With SkyPower	A
	0273475	Ref	Australian and CE Specs Without SkyPower	A
201		Ref	Tower Boom AC Harness Options:	
201	See Note	Ref	ANSI and ANSI Export Specs Without SkyPower(10/3 Cable - was p/n 4922980)	B
		Ref	Note: Order p/n 4923642, 4923643 & 4460205 for service replacement of p/n 4922980.	
201	4922963	Ref	ANSI and ANSI Export Specs With SkyPower (8/5 Cable)	B
	See Note	Ref	Australian & CE Specs Without SkyPower (10/3 Cable -was p/n 4922982)	
		Ref	Note: Order p/n 4923640, 4923641 & 4460709 for service replacement of p/n 4922982.	
201A		Ref	Receptacle, Female Options:	
201A	4460134	1	ANSI and ANSI Export Specs Without SkyPower	
201A	4460960	1	ANSI and ANSI Export Specs With SkyPower	
201A	4460710	1	Australian and CE Specs Without SkyPower	
202		Ref	Main Boom AC Harness Options:	
202	4922981	Ref	ANSI and ANSI Export Specs Without SkyPower (10/3 Cable)	A
202	4922962	Ref	ANSI and ANSI Export Specs With SkyPower (8/5 Cable)	B
202	4922983	Ref	Australian and CE Specs Without SkyPower (10/3 Cable)	A
202A		Ref	Plug, Male Options:	
202A	4460205	1	ANSI and ANSI Export Specs Without SkyPower	
202A	4460959	1	Australian and CE Specs With SkyPower	
202A	4460709	1	Australian and CE Specs Without SkyPower	
	0861629	Ref	GROUND CONTROL BOX COMPONENTS	M
301	0100048	AR	Grease, Dielectric	
310	1670829	1	Bezel	
312	1705974	1	Decal - Light Panel	
315	2760105	1	Housing, Light	
325	4460470	2	Nut, Terminal	
326	4460471	2	Washer, Terminal	
328	4460526	1	Connector, Strain Relief	
330	4460874	1	Connector, White/Natural - 35 Position	
331	4460875	1	Connector, Gray - 35 Position	
332	4460892	1	Connector, Buss Bar - 6 Position	
333	4460905	4	Plug, Connector	
334	4460914	2	Base, Terminal	
339	4922941	1	Harness, Engine (See Items 401-441 for Breakdown)	
340	4922942	1	Valve Harness Assembly	G
340A	4460320	1	Plug, Male - 2 Position	
340A	4460267	2	Pin, Male	
340B	4460965	1	Plug, Male - 3 Position	
340B	4460944	3	Socket, Female	
340B	4922099	19.8 ft/6m	Cable, Electrical 18/3	
340C	4460880	16	DIN Connector	
340D	4460836	1	Plug, Male - 12 Position (Black)	
340D	4460466	4	Plug, Socket	
340D	4460465	3	Socket, Female	
340D	4460942	2	Socket, Female 14-16 GA	
340D	4460944	3	Socket, Female 16-18 GA (Gold)	
340E	4460424	1	Connector, Female - 2 Position	
340E	4460268	2	Socket, Female	

SECTION 7 - ELECTRICAL

ITEM	PART NUMBER	QTY	DESCRIPTION	REV
340F	4460843	1	Plug, Male - 2 Position	
340F	4460842	2	Socket, Female	
340G	4460930	1	Plug, Male - 8 Position	
340G	4460944	5	Socket, Female (Gold)	
340G	4460466	3	Plug, Socket	
340H	4460931	1	Connector, Female - 8 Position (Gray)	
340H	4460943	5	Pin, Male (Gold)	
340H	4460466	3	Plug, Socket	
340J	4460933	1	Plug, Male - 12 Position (Gray)	
340J	4460465	7	Socket, Female	
340J	4460942	5	Socket, Female 14-16 GA	
340K	4460891	3	Plug, Male - 2 Position	
340K	4460465	2	Socket, Female	
340L	4461004	3	Plug, Male - 4 Position (Black)	
340L	4461005	12	Terminal	
340M	4461007	3	Plug, Male - 4 Position (Gray)	
340M	4461008	12	Plug, Hole	
340M	4461006	12	Seal	
340N	4460536	1	Connector, Female - 3 Position	
340N	4460943	3	Pin, Male (Gold)	
340N	1060698	AR	Cable 18/4	
340P	4460944	2	Socket, Female	
341	4922943	1	Ground Control Box Harness Assembly	G
341	3990001	2	Diode - 3 Amp (Not Shown - Located at Power Down Relay)	
341A	4460225	1	Plug, Male - 6 Position	
341A	4460227	6	Pin, Male	
341B	4460965	1	Plug, Male - 3 Position (Blue Lock)	
341B	4460944	3	Socket, Female	
341B	4922099	2 ft/.6m	Cable, Can-Buss	
341C	2400066	1	Fuseholder with Cover	
341C	2400065	1	Fuse	
341D	4460894	1	Plug, Male - 6 Position	
341D	4460465	1	Socket, Female 16-18GA	
341D	4460942	2	Socket, Female 14GA	
341E	4460418	8	Connector, Female - 6 Position	
341E	4460419	24	Socket, Female	
341F	4460876	1	Connector, Blue - 35 Position	
341F	4460871	29	Socket, Female	
341G	4460866	1	Connector - 19 Pin	
341G	4460464	10	Pin, Male Deutsch 16 Ga	
341G	4460508	3	Pin, Male Deutsch 12 Ga	
341H	4460878	1	Plug, Male - 4 Position	
341H	4460887	3	Terminal (12 Gauge)	
341J	4120035	10	Base, Light	
341J	4460634	11	Terminal (16 Gauge)	
341J	4460635	9	Terminal (12 Gauge)	
341K	4460873	1	Connector, Black - 35 Position	
341K	4460871	9	Socket, Female	
341L	4460966	1	Plug, Male - 3 Position (Green Lock)	
341L	4460944	3	Socket, Female	
341L	4922099	2 ft/.6m	Cable, Can-Buss	

SECTION 7 - ELECTRICAL

ITEM	PART NUMBER	QTY	DESCRIPTION	REV
341M	4460613	1	Connector - 21 Pin	
341M	4460464	8	Pin, Male Deutsch 16 Ga	
341M	4460941	2	Pin, Male Deutsch 14 Ga	
341N	4460836	1	Plug, Male - 12 Position	
341N	4460465	5	Socket, Female 16-18GA	
341N	4460942	1	Socket, Female 14GA	
341P	4460761	1	Connector, Female - 4 Position	
341P	4460227	4	Pin, Male	
341Q	4460930	1	Plug, Male - 8 Position	
341Q	4460944	6	Socket, Female 16-18GA Gold	
341R	4460871	18	Socket, Female	
341S	1060698	3 ft/.9m	Cable 18/4	
344	4460837	1	Receptacle, Female - 12 Position	
346	4923036	1	Relay and Harness	B
346	3740143	1	Relay	
346A	4460931	1	Receptacle, Female - 8 Position	
346A	4460943	8	Pin, Male	
347	4933297	1	Ground Control Wiring Diagram (See Items 501-511 for Breakdown)	
	4922941	Ref	ENGINE HARNESS ASSEMBLY	E
421	4460899	1	Connector, Female - 6 Position	
421	4460464	AR	Pin, Male	
421	4460466	2	Plug, Terminal	
426	4460890	1	Connector, Female - 2 Position	
426	4460889	2	Terminal	
438	4460880	AR	DIN Connector without Diode	
441	4460887	1	Terminal, Molex	
441	4460871	AR	Socket, Female	
441	4460508	1	Terminal, Deutsch	
	4933297	Ref	GROUND CONTROL BOX WIRING DIAGRAM	F
501	2920129	9	Bulb, Light	
506	4460226	6	Socket, Female	
507	4460224	1	Connector, Female - 6 Position	
511	4460945	1	Connector, Female - 3 Way	
	0273445	Ref	WIRING HARNESSES INSTALLATION	G
601	0100048	AR	Grease, Dielectric	
602	4922696	1	Chassis Harness Assembly	3-D
602A	4460894	1	Plug, Male - 6 Position	
602A	4460465	6	Socket, Female	
602A	4460892	1	Connector, Buss Bar - 6 Position	
602C	4460894	1	Plug, Male - 6 Position (Not Shown)	
602C	4460465	6	Socket, Female	
602C	4460892	1	Connector, Buss Bar - 6 Position	
602D	4460880	14	DIN Connector	
602E	4460930	1	Connector, Gray - 8 Position	
602E	4460465	3	Socket, Female	
602E	4460466	5	Plug, Terminal	
602F	4460836	1	Connector, Black - 12 Position	
602F	4460465	6	Socket, Female	
602F	4460466	6	Plug, Terminal	
602G	4460933	1	Connector, Gray - 12 Position	
602G	4460465	8	Socket, Female	

SECTION 7 - ELECTRICAL

ITEM	PART NUMBER	QTY	DESCRIPTION	REV
602G	4460466	4	Plug, Terminal	
602H	4460934	1	Connector, Green - 12 Position	
602H	4460944	12	Socket, Female	
602J	4460935	1	Connector, Brown - 12 Position	
602J	4460465	8	Socket, Female	
602K	4922705	1	Analyzer Harness	2-B
602L	4460761	1	Connector, Female	
602L	4460227	4	Pin, Male	
602M	4460465	4	Socket, Female	
602N	4460950	1	Connector, Female - 12 Position	
602N	4460464	6	Pin, Male 16-18 GA	
602N	4460943	3	Pin, Male 16-18 GA (Gold)	
602N	4460941	2	Pin, Male 14-16GA	
602P	4460884	4	Connector, Gray - 4 Position	
602P	4460944	16	Socket, Female	
603	4922718	4	Axle Power Track Harness Assembly	B
603A	4460539	1 Per Assy	Plug, Male - 3 Position	
603A	4460944	3 Per Assy	Socket, Female	
603B	4460932	1 Per Assy	Connector, Female - 4 Position	
603B	4460943	4 Per Assy	Pin, Male	
604	4922767	1	Lockout Valve Harness	2-C
604A	4460465	3	Socket, Female	
604B	4460464	1	Pin, Male	
604C	4460880	2	Connector, DIN	
604D	4460449	2	Connector, DIN	
605	4922777	1	Platform Valve Harness	1-C
605A	4460880	9	DIN Connector	
605B	4460926	1	Connector - 21 Position	
605B	4460928	13	Socket, Female	
605B	4460466	8	Plug, Hole	
605C	4460897	1	Connector, Female - 2 Position	
605C	4460464	2	Pin, Male	
605D	4460891	1	Plug, Male - 2 Position	
605D	4460465	2	Socket, Female	
606	4922784	1	Jib Stow Switch Harness	B
606A	4460891	1	Plug, Male - 2 Position	
606A	4460465	2	Socket, Female	
607	4922785	1	Dual Capacity Jib Position Switch Harness	B
607A	4460897	1	Connector, Female - 2 Position	
607A	4460464	2	Pin, Male	
608		Ref	Load Sensing Pin Harness Options:	
608	4922826	1	Harness Load Sensing Pin (Prior to SN 0300085914)	C
608	4923256	1	Harness Load Sensing Pin (SN 0300085914 through 0300087575)	B
608A	4460930	1	Connector, Gray - 8 Position	
608A	4460465	4	Socket, Female	
608A	4460466	3	Plug, Sealing	
608B	See Note	1	Filter Module (Note: Not Available for Purchase) (Prior to SN 0300085914)	

SECTION 7 - ELECTRICAL

ITEM	PART NUMBER	QTY	DESCRIPTION	REV
608C	See Note	1	Connector, Female - 4 Position (Note: Not Available for Purchase)	B
608C	See Note	4	Terminal (Note: Not Available for Purchase)	
608D	1001096076	1	Decal, Troubleshooting (Not Shown - 4923256 Harness Only)	
609	4922946	1	B.L.A.M. Harness	
609A	4460933	1	Plug, Male - 12 Position (Gray)	
609A	4460466	7	Plug, Seal	
609A	4460944	3	Socket, Female	
609A	4460465	1	Socket, Female	
609A	4460942	1	Socket, Female	
609B	4460970	1	Plug, Female - 12 Position	
609B	4460943	3	Pin, Male (Gold)	
609B	4460464	6	Pin, Male	
609B	4460941	3	Pin, Male	
609C	4460935	1	Plug, Male - 12 Position (Green)	
609C	4460466	5	Plug, Seal	
609C	4460465	2	Socket, Female	
609D	4460836	1	Plug, Male - 12 Position (Black)	
609D	4460466	8	Plug, Seal	
609D	4460944	2	Socket, Female	
609D	4460465	2	Socket, Female	
609E	4460836	1	Plug, Male - 12 Position (Black)	
609E	4460466	6	Plug, Seal	
609E	4460944	5	Socket, Female	
609E	4460465	1	Socket, Female	
609E	4460837	1	Receptacle, Female - 12 Position Buss Bar	
609F	4460836	1	Plug, Male - 12 Position (Black)	
609F	4460466	8	Plug, Seal	
609F	4460465	4	Socket, Female	
609F	4460942	2	Socket, Female	
609F	4460837	2	Receptacle, Female - 12 Position Buss Bar	
609G	4460884	1	Plug, Male 4 Position (Gray)	
609G	4460944	4	Socket, Female	
609H	4460894	1	Plug, Male - 6 Position (Gray)	
609H	4460465	5	Socket, Female	
609J	4460932	1	Plug, Male - 4 Position (Gray)	
609J	4460943	4	Pin, Male	
609K	4460539	1	Plug, Male - 4 Position	
609K	4460944	3	Socket, Female	
609L	4460761	1	Connector, Female - 4 Position	
609L	4460227	4	Pin, Male	
609M	1060698	28 in/71cm	Cable, Electrical 18/4	
609N	4460944	4	Socket, Female	E
610	4922947	1	Harness, Tilt Sensor #1 (Right)	
610A	4460911	1	Plug, Male - 3 Position	
610A	4460912	1	Lock, Wedge	
610A	4460918	3	Pin, Male	
610A	1320309	1	Clamp, Cable	
610A	1560012	1	Nut, Conduit	
610A	1560011	1	Connector, Conduit	
610B	4461013	3	Socket, Female	

SECTION 7 - ELECTRICAL

ITEM	PART NUMBER	QTY	DESCRIPTION	REV
611	4922948	1	Harness, Tilt Sensor #2 (Left)	E
611A	4460911	1	Plug, Male - 3 Position	
611A	4460912	1	Lock, Wedge	
611A	4460918	3	Pin, Male	
611A	1320309	1	Clamp, Cable	
611A	1560012	1	Nut, Conduit	
611A	1560011	1	Connector, Conduit	
611B	4461013	3	Socket, Female	
612	4922949	1	Harness, Tower Boom Length Sensors	B
612A	4460539	1	Plug, Male - 3 Position	
612A	4460942	3	Socket, Female (Gold)	
612B	4460539	2	Plug, Male - 3 Position	
612B	4460944	6	Socket, Female (Gold)	
612C	4460934	1	Plug, Male - 12 Position	
612C	4460944	11	Socket, Female (Gold)	
612C	4460466	1	Plug	
613	4922950	1	Harness, B.L.A.M. to #1 Tower Boom Angle Sensor (Right Side)	B
613A	4460884	1	Plug, Male - 4 Position	
613A	4460944	4	Socket, Female (Gold)	
613B	4460911	1	Plug, Male - 3 Position	
613B	4460918	3	Socket, Female	
613B	4460912	1	Lock, Wedge - Position	
614	4922951	1	Harness, B.L.A.M. to #2 Tower Boom Angle Sensor (Left Side)	C
614A	4460932	1	Receptacle, Female - 4 Position	
614A	4460943	4	Pin, Male (Gold)	
614B	4460911	1	Plug, Male - 3 Position	
614B	4460918	3	Socket, Female	
614B	4460912	1	Lock, Wedge - Position	
615		Ref	Harness, Tower Boom Fly to Main Boom Base Options:	
615	4922952	1	Harness Tower Fly To Main Base (Prior to SN 0300083153)	F
615	4923241	1	Harness Tower Fly/Main Boom (SN 0300083153 through 0300087575)	B
615A	4461009	2	Plug, Male - 5 Position	
615B	4460866	2	Connector - 19 Position	
615B	4460465	24	Socket, Female 16-18 Gauge	
615B	4460509	8	Socket, Female 10-12 Gauge	
615B	4460943	AR	Pin, Male (Gold)	
615B	4460466	AR	Seal, Plug	
615C	4460613	1	Connector - 21 Position	
615C	4460464	8	Pin, Male 16-18 Gauge	
615C	4460508	AR	Pin, Male 12-14 Gauge	
615C	4460466	AR	Seal, Plug	
615D	4460539	1	Plug, Male - 3 Position	
615D	4460944	3	Socket, Female (Gold)	
615E	4460536	1	Receptacle, Female - 3 Position	
615E	4460943	3	Pin, Male (Gold)	
615F	4461077	1	Plug, Male (SN 0300083153 through 0300087575)	
615F	4460918	4	Socket, Female (Gold) (SN 0300083153 through 0300087575)	
616		Ref	Harness, Main Boom Dual Capacity Switches Options:	
616	4922953	1	Limit Switch Harness, Dual Capacity (Use p/n 4923170) (Prior to SN 0300079667)	

SECTION 7 - ELECTRICAL

ITEM	PART NUMBER	QTY	DESCRIPTION	REV
616	4923170	1	Limit Switch Harness,Dual Capacity (SN 0300079667 through 0300087575)	C
616A	4460536	1	Receptacle, Female - 3 Position	
616A	4460943	3	Pin, Male (Gold)	
616B	4460968	2	Connector, Strain Relief	
616B		Ref	Switch, Limit Options:	
616B	4360549	2	Switch, Limit (Use p/n 4360578) (Prior to SN 0300079667)	
616B	4360578	2	Switch,Limit (SN 0300079667 through 0300087575)	
617		Ref	Harness, Main Boom Transport Switches Options:	
617	4922954	1	Limit Switch Harness, Boom Transport Length (Use p/n 4923171) (Prior to SN 0300079667)	
617	4923171	1	Limit Switch Harness,Boom Transport Length (SN 0300079667 through 0300087575)	C
617A	4460539	1	Plug, Male - 3 Position	
617A	4460944	3	Socket, Female (Gold)	
617B	4460968	2	Connector, Strain Relief	
617B		Ref	Switch, Limit Options:	
617B	4360549	2	Switch, Limit (Use p/n 4360578) (Prior to SN 0300079667)	
617B	4360578	2	Switch,Limit (SN 0300079667 through 0300087575)	
618	4922955	1	Harness, Main Boom Base to Platform	C
618A	4460865	2	Connector - 19 Position	
618A	4460465	22	Socket, Female	
618A	4460509	8	Socket, Female	
618A	4460466	8	Seal, Plug	
618B	4460473	2	Clamp, Cable	
619	4922956	1	Harness, Tower Boom Fly to MTB	D
619A	4460865	1	Connector - 19 Position	
619A	4460465	11	Socket, Female	
619A	4460509	4	Socket, Female	
619A	4460466	4	Seal, Plug	
619B	4460473	2	Clamp, Cable	
620		Ref	Harness, Tower Boom Transport Length Switch Options:	
620	4922957	1	Harness, Tower Boom Transport Length Limit Switch (Use p/n 4923169) (Prior to SN 0300079667)	C
620	4923169	1	Harness,Tower Boom Transport Length Limit Switch (SN 0300079667 through 0300087575)	A
620		Ref	Switch, Limit Options:	
620	4360551	1	Switch, Limit (Use p/n 4360579) (Prior to SN 0300079667)	
620	4360579	1	Switch,Limit - Adj Lever (SN 0300079667 through 0300087575)	
620	4460968	1	Connector, Strain Relief	
621	4922958	1	Harness, Tower Boom Fly to MTB	C
621A	4461003	2	Connector - 21 Position	
621A	4460465	22	Socket, Female	
621A	4460509	8	Socket, Female	
621A	4460466	12	Seal, Plug	
621B	4460473	2	Clamp, Cable	
622		Ref	Harness and Switch Main Boom Transport Angle	
622	Not Required	0	Prior to SN 0300083153 (was hardwire from item 615)	
622	4000008	1	Sensor Proximity Assembly (Includes Switch) (SN 0300083153 through 0300087575)	
622A	4461076	1	Receptacle, Female - 4 Position	
622A	4460917	4	Pin, Male (Gold)	

SECTION 7 - ELECTRICAL

ITEM	PART NUMBER	QTY	DESCRIPTION	REV
		Ref	STANDARD HARNESS COMPONENTS	
701	See Note	4	Steer Angle Sensor Harness (Note: Not Available for Purchase)	
701	4460536	1 Per Assy	Receptacle, Female - 3 Position	
701	4460464	3 Per Assy	Pin, Male	
702	1660256	1	Coupling Electrical Components	
702A	See Note	1	Coupling Turntable Harness (Note: Not Available for Purchase)	
702B	4460837	1	Connector, Female - 12 Position	
702B	4460466	4	Plug, Socket	
702B	4460464	3	Pin, Male 16-18 GA	
702B	4460943	3	Pin, Male 16-18 GA (Gold)	
702B	4460941	2	Pin, Male 14-16GA	
702C	See Note	1	Coupling Frame Harness (Note: Not Available for Purchase)	
702D	4460836	1	Plug, Male - 12 Position	
702D	4460465	6	Socket, Female 16-18 GA	
702D	4460942	2	Socket, Female 14-16 GA	
702D	4460944	3	Socket, Female 16-18 GA (Gold)	
702D	4460466	1	Plug, Socket	
703	4360505	1	Tower Lift Cylinder Angle Sensor Harness (Includes Switch)	
703A	4460536	1	Receptacle, Female - 3 Position	
703A	4460464	3	Pin, Male	
704		Ref	Platform Level Sensor and Tower Boom Angle Sensor Harnesses (Includes Switch)	
704	4360545	4	Switch, Angle Sensor-Digital (Use p/n 1001133329) (Prior to SN 0300156986)	
704	1001133329	4	Switch Angle Sensor-Digital (SN 0300156986 through 0300184658)	
704	1001133329	4	Switch Angle Sensor-Digital (Use 1001147479) (SN 0300184659 through 0300087575)	
704A	4460910	4	Connector, Female Deutsch - 3 Position	
704A	4460917	12	Pin, Male	
704A	4460913	4	Lock, Wedge	
705	4360552	2	Tower Boom Length Sensor Harness (Includes Switch)	
705A	4460536	2	Receptacle, Female - 3 Position	
705A	4460464	6	Pin, Male	
706	See Note	1	Controller Harness Assembly (Lift and Swing) (Note: Not Available for Purchase)	
706A	7022819	1	Plug, Male - 8 Position (Natural)	
706A	4460871	8	Socket, Female	
707	7022824	1	Controller Harness/Circuit Board Assembly (Drive and Steer)	
707A	1001113961	1	Plug, Male - 8 Position (Black) (was p/n 7022825)	
707A	4460871	7	Socket, Female	
708	See Note	1	Speed Control Harness (Note: Not Available for Purchase)	
708A	4460224	1	Connector, Female - 6 Position	
708A	4460226	5	Socket, Female	
709	0272621	1	Control System Analyzer Installation	A
	2901443	1	Analyzer/Cable Kit	1
709A	1600244	1	Analyzer	
709B	1060633	1	Cable, Analyzer	1-A
709C	4460321	2	Plug, Male	
709C	4460226	8	Socket, Female	
710	See Note	AR	Deutz Harness (Note: Not Available for Purchase)	

SECTION 7 - ELECTRICAL

ITEM	PART NUMBER	QTY	DESCRIPTION	REV
710	7020488	2	Connector, Switch	
711	2902292	1	Battery Cable Kit	B
711A	7027008	1	Cable, Red (To Aux Pump Relay, Battery Positive Terminal and Start Relay)	
711B	7027009	1	Cable, Black (To Aux Pump, Battery Negative Terminal and Ground at Tray Pivot)	
711C	7027010	1	Cable, Red (Aux Pump Relay to Aux Pump)	
711D	7027011	1	Cable, Black (Tray Pivot to Engine Mount) (Not Shown)	
711E	7024584	1	Cable, Red (Start Relay to Starter)	
712	4922700	1	Glow Plugs Harness	2-B
713	1060904	1	Glow Plugs Jumper Cable	C
		Ref	OPTIONAL HARNESS COMPONENTS	
801		Ref	AC to Platform Receptacle Components Options:	
801	0273462	Ref	110V GFI Receptacle (ANSI and CSA Specs)	A
801	0273463	Ref	220V GFI Receptacle (ANSI and CSA Specs)	A
801	0273461	Ref	220V GFI Receptacle (ANSI Export, Australian and CE Specs)	B
801A		Ref	Box, Switch Options:	
801A	0860038	1	ANSI and CSA Specs	
801A	See Note	1	ANSI Export, Australian and CE Specs (Note: Not Available - Purchase Locally)	
801B		Ref	Gasket, Cover Options:	
801B	3960422	1	ANSI and CSA Specs	
801B	See Note	1	ANSI Export, Australian and CE Specs (Note: Not Available - Purchase Locally)	
801C		Ref	Shield, Cover Options:	
801C	4060700	1	110V GFI Receptacle (ANSI and CSA Specs)	
801C	4060092	1	220V GFI Receptacle (ANSI and CSA Specs)	
801C	See Note	1	ANSI Export, Australian and CE Specs (Note: Not Available - Purchase Locally)	
801D		Ref	Connector, Strain Relief Options:	
801D	4460051	1	ANSI and CSA Specs	
801D	See Note	1	ANSI Export, Australian and CE Specs (Note: Not Available - Purchase Locally)	
801E		Ref	Plug, Male Options:	
801E	4460205	1	110V GFI Plug (ANSI and CSA Specs)	
801E	4460709	1	220V GFI Plug (ANSI and CSA Specs)	
801E	See Note	1	220V GFI Plug (ANSI Export, Australian and CE Specs (Note: Not Available - Purchase Locally)	
801F		Ref	Receptacle Options:	
801F	4460346	1	110V GFI Receptacle (ANSI and CSA Specs)	
801F	4460125	1	220V GFI Receptacle (ANSI and CSA Specs)	
801F	See Note	1	ANSI Export, Australian and CE Specs (Note: Not Available - Purchase Locally)	
802		Ref	Generator Electrical Components	
802	4933216	AR	110V - 60Hz (Prior to SN 0300079611)	
802	4933215	AR	220V - 50Hz/60Hz (Prior to SN 0300079611)	
802	4933300	AR	110V/220V - 50Hz/60Hz (SN 0300079611 through 0300087575)	
802	3990010	1	Diode - 6 Amp (Not Shown) (Prior to SN 0300079611)	
802A	4922641	1	Harness - On/Off Switch	
802B	4460226	2	Socket, Female	
802C		Ref	Powermite Control Box to Relay Harness Options:	
802C	4922482	1	Harness MTB and ENGINE For Generator (Prior to SN 0300079611)	

SECTION 7 - ELECTRICAL

ITEM	PART NUMBER	QTY	DESCRIPTION	REV
802C	4922970	1	Wire MTB and Engine For Generator (SN 0300079611 through 0300057575)	B
802C	4460374	1	Plug, Sealed	
802C	4460375	4	Terminal	
802D	4460027	1	Receptacle, Twist Lock (110V Only)	
802E	4460961	1	Connector, Female - 4 Position (SN 0300079611 through 0300087575)	
802E	4460705	4	Pin, Male	
802F	4460321	1	Connector, Male - 4 Position (SN 0300079611 through 0300087575)	
802F	4460906	4	Socket, Female	
		Ref	Note: Harness used to connect AC at platform harness to generator receptacle to power platform receptacle.	
803	4921829		110V GFI Receptacle (ANSI and CSA Specs)	-
803	4921954		220V GFI Receptacle (ANSI and CSA Specs)	2
803	4921956		220V GFI Receptacle ANSI Export, Australian and CE Specs	1
803		Ref	Cable, Electrical - 12/3 Options:	
803	1060494	20 ft/6.1m	ANSI Spec	
803	1060461	20 ft/6.1m	ANSI Export Spec	
803A		Ref	Plug, Male Options:	
803A	4460205	1	110V GFI (ANSI Spec)	
803A	4460233	1	220V GFI (ANSI Spec)	
803A	See Note	1	ANSI Export Spec (Note: Not Available - Purchase Locally)	
803B		Ref	Receptacle, Female Options:	
803B	4460134	1	110V GFI (ANSI Spec)	
803B	4460701	1	220V GFI (ANSI Spec)	
803B	See Note	1	ANSI Export Spec (Note: Not Available - Purchase Locally)	
804		Ref	Strobe Light Harness (Includes Strobe Light) Options:	C
	0272507	1	Strobe Light Harness (Includes Strobe Light) (Prior to SN 0300190450)	
	1001149818	1	Strobe Light Harness (SN 0300190450 through 0300087575)	B
804A	4460320	1	Connector, Female - 2 Position	
804A	4460267	2	Pin, Male	
805	See Note	1	Alarm Harness (Includes Alarm) (Note: Not Available for Purchase)	
805A	4460424	1	Plug, Male - 2 Position	
805A	4460268	2	Socket, Female	
806	4922738	1	Headlight and Taillight and Chassis Illumination Lights Harness	1/A
806A	4460374	1	Plug, Sealed	
807		Ref	Floodlights Harness Components	
807A	4460320	2	Plug, Male - 2 Position	
807A	4460227	4	Pin, Male	
807B	4922764	1	Floodlight Harness (Lights to Switch)	
807C	4460424	2	Connector, Female - 2 Position	
807C	4460226	4	Socket, Female	
807D	4360232	1	Breaker, Circuit - 15 Amp	
807E	4460425	1	Connector, Strain Relief	
807F	4922990	1	Light Harness (Main Boom) (Use p/n 1001098451)	A
807G	4460459	1	Plug, Male - 3 Position (4922990 Harness)	
807G	4460790	3	Socket, Female (4922990 Harness)	
807G	4460458	3	Seal, Terminal (4922990 Harness)	
807G	1001098234	1	Connector, Female (1001098449 Harness)	
807H	4922991	1	Light Harness (Tower Boom) (Use p/n 1001098450)	A

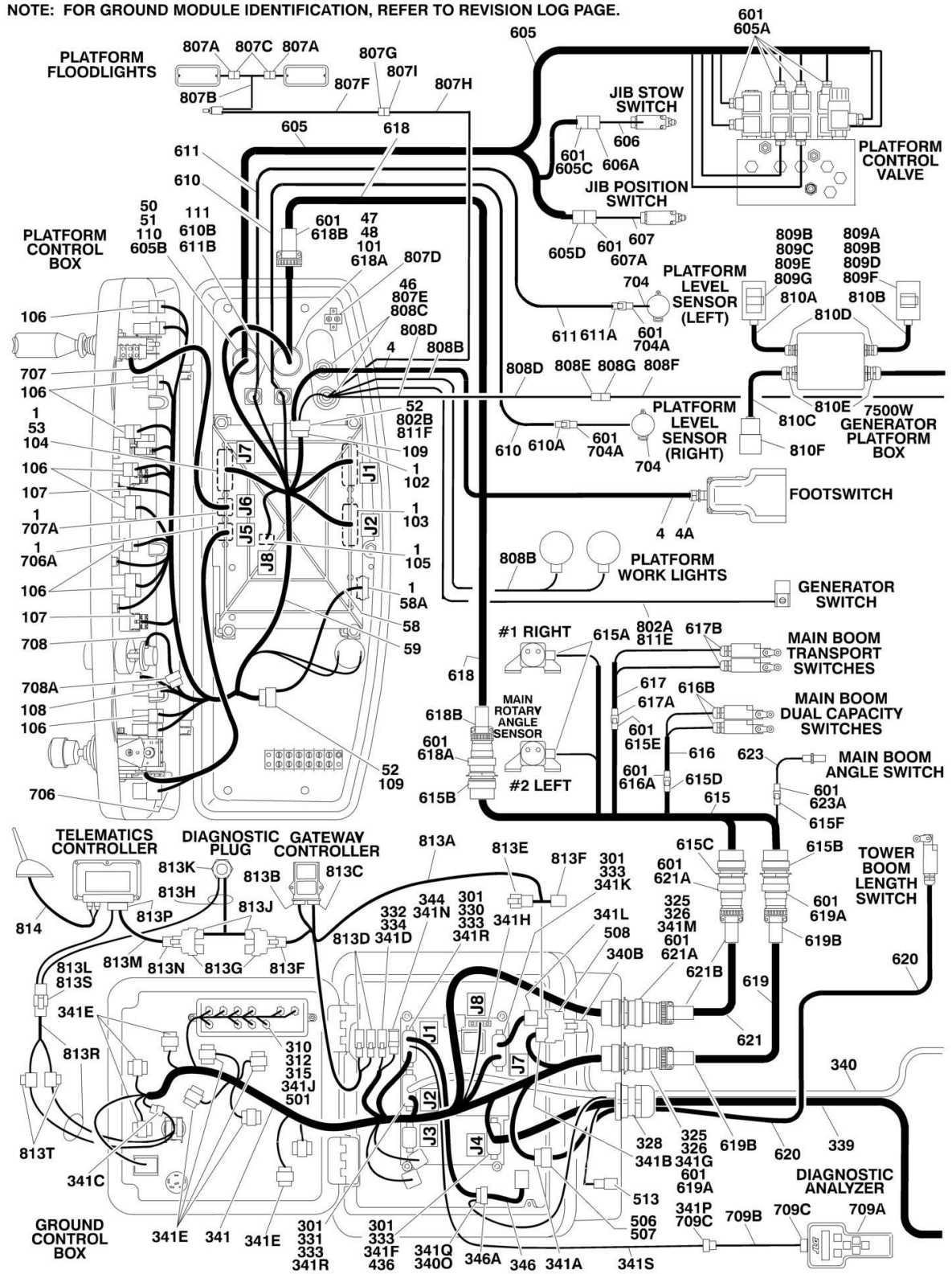
SECTION 7 - ELECTRICAL

ITEM	PART NUMBER	QTY	DESCRIPTION	REV
807J	4460476	1	Receptacle, Female - 3 Position (4922991 Harness)	
807J	4460850	3	Pin, Male (4922991 Harness)	
807J	4460458	3	Seal, Terminal (4922991 Harness)	
807J	1001098349	1	Connector, Male (1001098448 Harness)	
808		Ref	Work Lights Harness Components	
808A	2400066	1	Fuseholder	
808A	2400070	AR	Fuse 20 Amp	
808B	See Note	2	Work Light Harness (Supplied with Work Light) (Note: Not Available for Purchase)	
808C	4460426	1	Connector, Strain Relief	
808D	4922990	1	Light Harness (Main Boom) (Use p/n 1001098451)	A
808E	4460459	1	Plug, Male - 3 Position (4922990 Harness)	
808E	4460790	3	Socket, Female (4922990 Harness)	
808E	4460458	3	Seal, Terminal (4922990 Harness)	
808E	1001098234	1	Connector, Female (1001098449 Harness)	
808F	4922991	1	Light Harness (Tower Boom) (Use p/n 1001098450)	A
808G	4460476	1	Receptacle, Female - 3 Position (4922991 Harness)	
808G	4460850	3	Pin, Male (4922991 Harness)	
808G	4460458	3	Seal, Terminal (4922991 Harness)	
808G	1001098349	1	Connector, Male (1001098448 Harness)	
		Ref	TOOLS (NOT SHOWN)	
	7002821	1	Crimper (For Wire to Pin/Socket Connections)	
	7002823	1	Extractor (For Removal of Pin/Socket from Connectors)	
	4460467	1	Extractor, Pin (Blue 16-18 Gauge) (For Removal of Pin/Socket from Connectors)	
	4460510	1	Extractor, Pin (Yellow 12-14 Gauge) (For Removal of Pin/Socket from Connectors)	
	7002828	1	Stripper, Wire	

SECTION 7 - ELECTRICAL

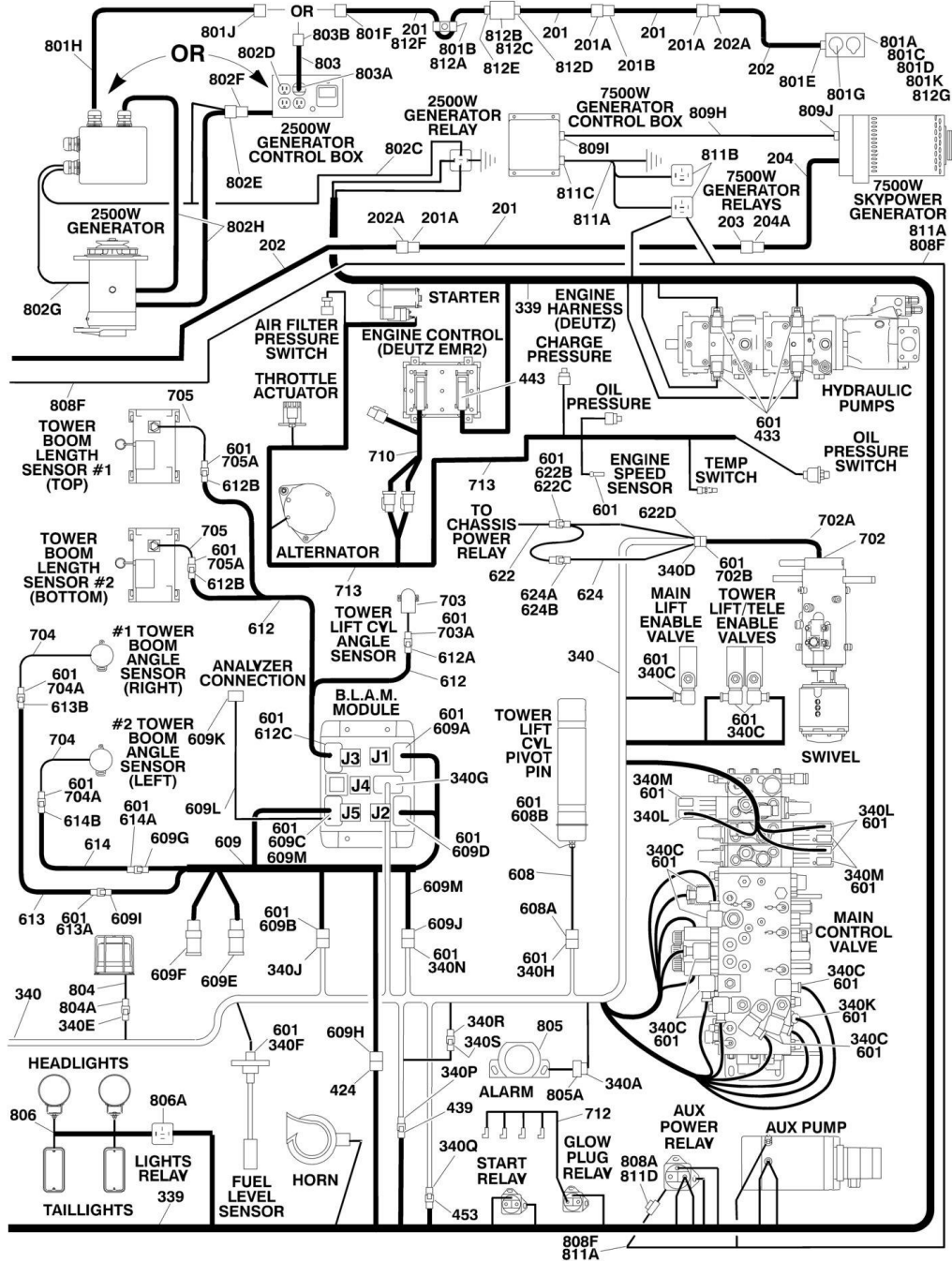
FIGURE 7-3. HARNESS COMPONENTS INSTALLATION (WITHOUT UGM) (SN 0300087575 through 0300201016)

NOTE: FOR GROUND MODULE IDENTIFICATION, REFER TO REVISION LOG PAGE.



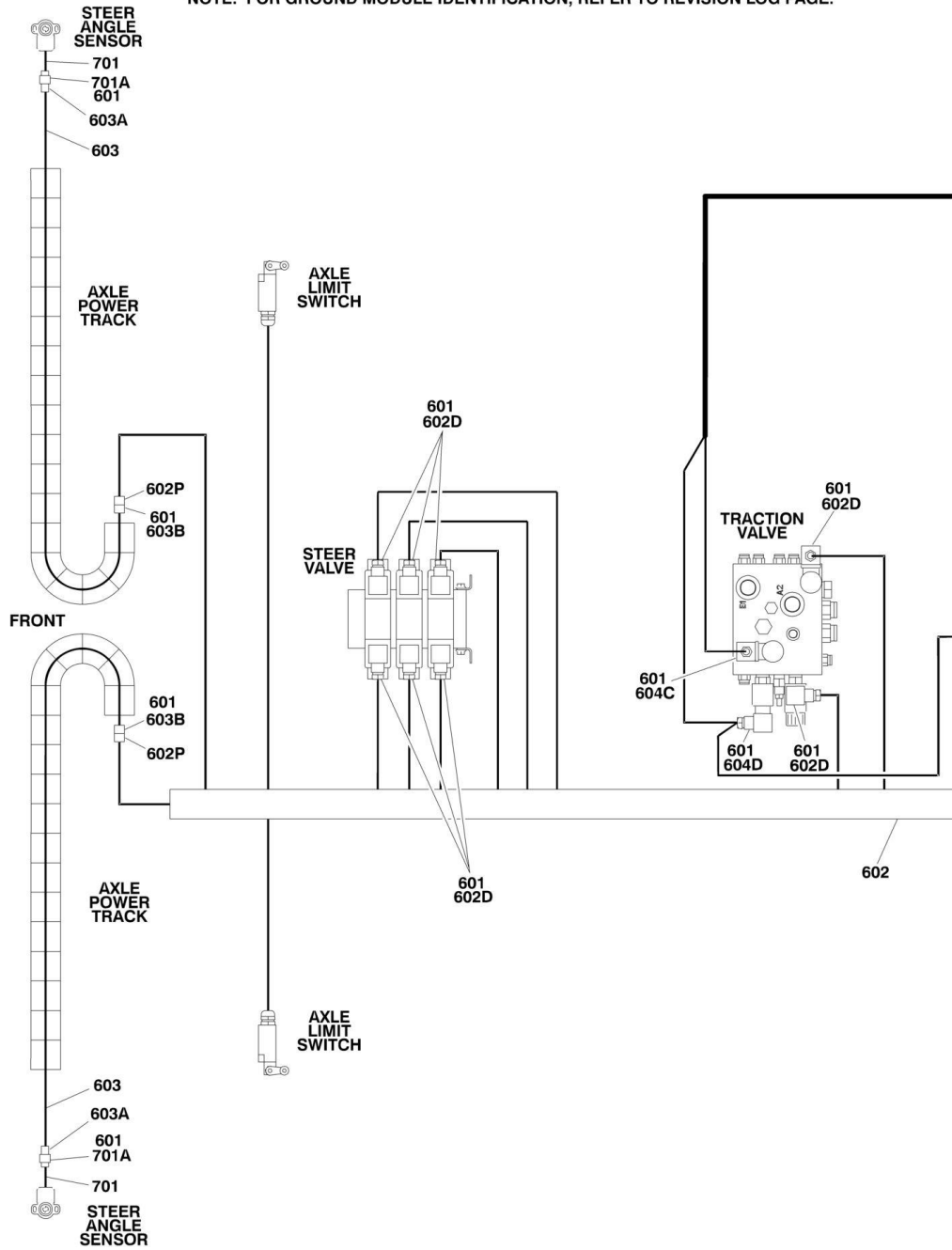
SECTION 7 - ELECTRICAL

NOTE: FOR GROUND MODULE IDENTIFICATION, REFER TO REVISION LOG PAGE.



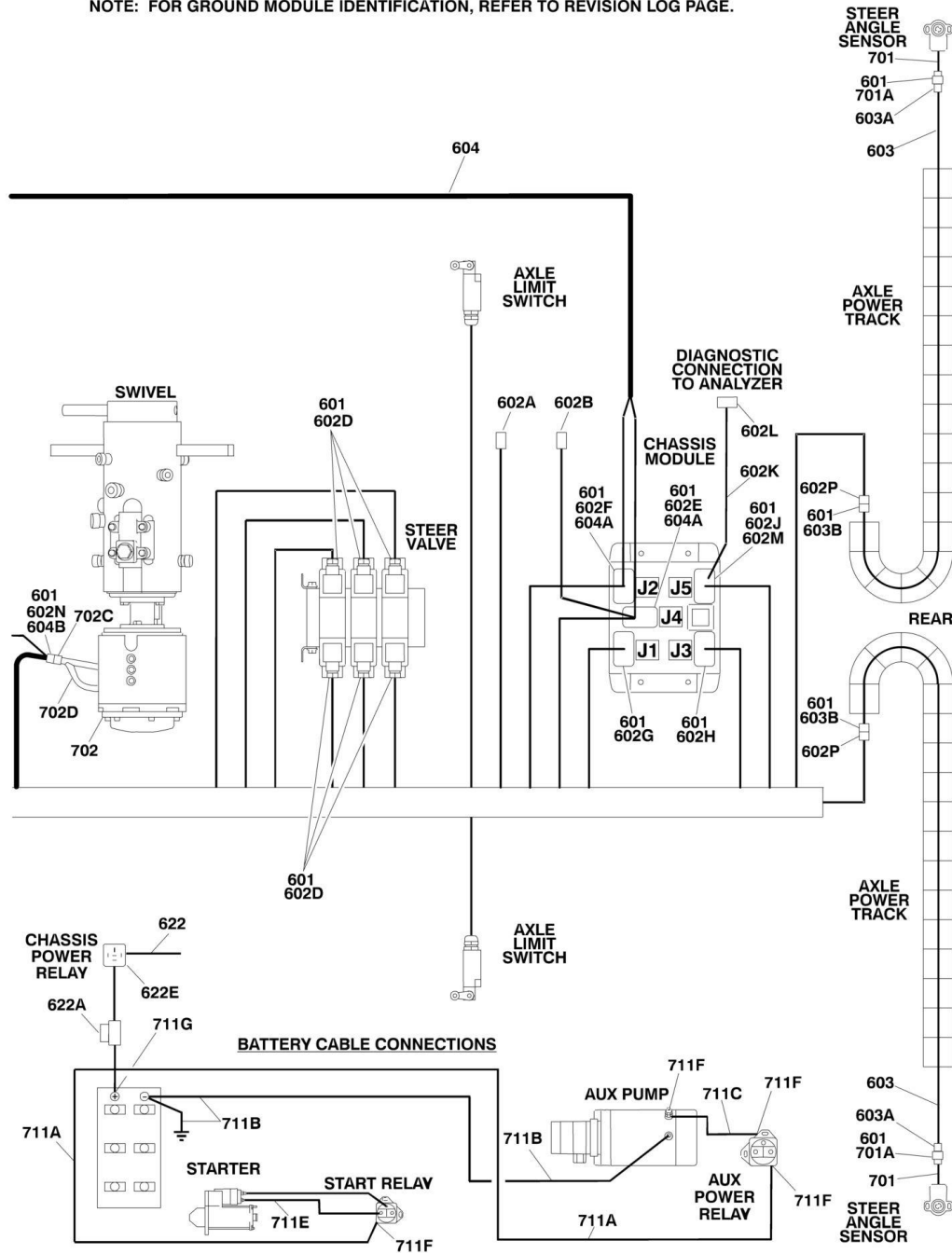
SECTION 7 - ELECTRICAL

NOTE: FOR GROUND MODULE IDENTIFICATION, REFER TO REVISION LOG PAGE.



SECTION 7 - ELECTRICAL

NOTE: FOR GROUND MODULE IDENTIFICATION, REFER TO REVISION LOG PAGE.



SECTION 7 - ELECTRICAL

FIGURE 7-3. HARNESS COMPONENTS INSTALLATION (WITHOUT UGM) (SN 0300087575 through 0300201016)

ITEM	PART NUMBER	QTY	DESCRIPTION	REV
		Ref	NOTE: S/N 0300085693 & S/N 0300085910 WERE BUILT WITH THE EMR2 DEUTZ ENGINE.	
		Ref	NOTE: FOR MODULE IDENTIFICATION, REFER TO REVISION LOG PAGE A.	
		Ref	PLATFORM CONSOLE BOX COMPONENTS	
1	0100048	AR	Grease, Dielectric	
4	0272970	1	Footswitch and Harness Assembly	
4	1060918	7 ft/2.14m	Cable, Electrical - 18/3	
4A	4460071	1	Connector, Strain Relief	
46	4460428	2	Connector, Strain Relief	
47	4460470	1	Nut, Terminal	
48	4460471	1	Lockwasher, Terminal	
50	4460496	1	Lockwasher, Terminal	
51	4460497	1	Nut, Terminal	
52	4460708	2	Receptacle, Female - 15 Position	
53	4460905	5	Seal, Plug	
58	4922666	1	Harness, Analyzer Cable	2-B
58	4460226	4	Socket, Female (Not Shown - Located at J2)	
58A	4460761	1	Connector, Female - 4 Position	
58A	4460227	4	Pin, Male	
59		Ref	Harness, Platform Box Options (See Items 101-111 for Breakdown):	
59	4922945	1	HARNESS,CONSOLE BOX (Use p/n 4923448) (Prior to SN 0300093313)	
59	4923448	1	HARNESS,CONSOLE BOX (SN 0300093313 through 0300201016)	
		Ref	PLATFORM BOX HARNESS ASSEMBLY	
	See Note	Ref	Note: Was p/n 4922945. When replacing complete harness use p/n 4923448. (Prior to S/N 0300093313)	F
	4923448	Ref	Harness, Console Box (SN 0300093313 through 0300201016)	3-B
101	4460866	1	Connector - 19 Pin	
101	4460464	7	Pin, Male Deutsch 16 Ga	
101	4460508	4	Pin, Male Deutsch 12 Ga	
101	4460943	3	Pin, Male 16 Ga (Gold Plated - Used on 3 Wire Canbus Cable)	
102	4460874	1	Connector - 35 Position (Natural)	
102	4460871	AR	Socket, Female	
102	4460905	AR	Plug	
103	4460876	1	Connector - 35 Position (Blue)	
103	4460871	AR	Socket, Female	
103	4460905	AR	Plug	
104	4460873	1	Connector - 35 Position (Black)	
104	4460871	AR	Socket, Female	
104	4460905	AR	Plug	
105	4460879	1	Connector, Male - 2 Position	
105	4460887	2	Terminal (12 Gauge)	
106	4460418	12	Connector, Female - 6 Position	
106	4460419	36	Socket, Female	
107	4460225	5	Plug, Male - 6 Position	
107	4460226	21	Terminal (16 Gauge)	
108	4460225	1	Plug, Male - 6 Position	

SECTION 7 - ELECTRICAL

ITEM	PART NUMBER	QTY	DESCRIPTION	REV
108	4460227	5	Pin, Male	
109	4460434	2	Plug, Male - 15 Position	
109	4460227	13	Pin, Male	
110	4460925	1	Connector - 21 Pin	
110	4460929	13	Pin, Male Deutsch 16 Ga	
110	4460466	8	Plug	
111	1001121616	2	Connector, 6 Position	
111	1001121615	2	Base, Mounting	
		Ref	BOOM CABLES INSTALLATION	
	0273474	Ref	ANSI and ANSI Export Specs Without SkyPower	B
	0273476	Ref	ANSI and ANSI Export Specs With SkyPower	B
	0273475	Ref	Australian and CE Specs Without SkyPower	B
	0273476	Ref	Australian and CE Specs With SkyPower	B
201		Ref	Tower Boom AC Harness Options:	
201		Ref	ANSI and ANSI Export Specs Without SkyPower (10/3 Cable) Options:	A
201	See Note	1	Component (was p/n 4922980) (Prior to SN 0300101601)	
		Ref	Note: Order p/n 4923642, 4923643 & 4460205 for service replacement of p/n 4922980.	
201		Ref	Components (SN 0300101601 through 0300201016)	
201	4923642	1	Harness, Upper (Located in Tower Boom)	
201	4923643	1	Harness, Lower (Located in Turntable)	
201	See Note	Ref	ANSI and ANSI Export Specs With SkyPower (8/5 Cable)	A
		Ref	(Note: Use Item 204)	
201		Ref	Australian and CE Specs Without SkyPower (10/3 Cable) Options:	A
		Ref	Note: Order p/n 4923640, 4923641 & 4460709 for service replacement of p/n 4922982.	
201		Ref	Components: (SN 0300101601 through 0300201016)	
201	4923640	1	Harness, Upper (Located in Tower Boom)	
201	4923641	1	Harness, Lower (Located in Turntable)	
201A		Ref	Receptacle, Male Options:	
201A	4460134	AR	ANSI and ANSI Export Specs Without SkyPower	
201A	4460959	AR	ANSI and ANSI Export Specs With SkyPower	
201A	4460710	AR	Australian and CE Specs Without SkyPower	
201A	1671092	AR	Cover, Female Connector (With SkyPower Only)	
201B		Ref	Plug, Male Options:	
201B	4460205	1	ANSI and ANSI Export Specs Without SkyPower	
201B	4460709	1	Australian and CE Specs Without SkyPower	
202		Ref	Main Boom AC Harness Options:	
202	4922981	Ref	ANSI and ANSI Export Specs Without SkyPower (10/3 Cable)	A
202	4922963	Ref	ANSI and ANSI Export Specs With SkyPower (8/5 Cable) (Prior to SN 0300090177)	C
202	4922962	Ref	ANSI and ANSI Export Specs With SkyPower (8/5 Cable) (SN 0300090177 through 0300201016)	B
202	4922983	Ref	Australian and CE Specs Without SkyPower (10/3 Cable)	A
202A		Ref	Plug, Female Options:	
202A	4460205	1	ANSI and ANSI Export Specs Without SkyPower	
202A	4460960	1	ANSI and ANSI Export Specs With SkyPower	
202A	4460709	1	Australian and CE Specs Without SkyPower	
202A	1671093	1	Cover, Male Connector (With SkyPower Only)	
202A	4460960	1	Australian and CE Specs With SkyPower	

SECTION 7 - ELECTRICAL

ITEM	PART NUMBER	QTY	DESCRIPTION	REV
203	4460959	1	Receptacle, Male (With SkyPower Only) (SN 0300090177 through 0300201016)	
203	1671093	1	Cover, Male Connector (With SkyPower Only)	
204	4923385	1	Turntable Cable Harness (With SkyPower Only) (SN 0300090177 through 0300201016)	A
204A	4460960	1	Plug, Female (With SkyPower Only)	
204A	1671092	1	Cover, Female Connector (With SkyPower Only)	
		Ref	GROUND CONTROL BOX COMPONENTS	
	0861750	Ref	Machines with Rexroth Pumps	K
	1001111545	Ref	Machines with Sauer Pumps	E
301	0100048	AR	Grease, Dielectric	
310	1670829	1	Bezel	
312	1705974	1	Decal - Light Panel	
315	2760105	1	Housing, Light	
325	4460470	2	Nut, Terminal	
326	4460471	2	Washer, Terminal	
328	4460526	1	Connector, Strain Relief	
330	4460874	1	Connector, White/Natural - 35 Position	
331	4460875	1	Connector, Gray - 35 Position	
332	4460892	1	Connector, Buss Bar - 6 Position	
333	4460905	4	Plug, Connector	
334	4460914	2	Base, Terminal	
339		Ref	Harness, Engine Options (See Items 401-453 for Breakdown):	
339	4923290	1	Harness (Machines with Rexroth Pumps) (Prior to SN 0300093356)	
339	4923377	1	Harness (Machines with Rexroth Pumps) (SN 0300093356 through 0300201016)	
339	1001111546	1	Harness (Machines with Sauer Pumps)	
340		Ref	Valve Harness Assembly Options:	
340	4923274	1	Harness, Main Valve (Prior to SN 0300088932)	B
340	4923397	1	Harness, Main Valve (SN 0300088932 through 0300201016)	C
340A	4460320	1	Plug, Male - 2 Position	
340A	4460267	2	Pin, Male	
340B	4460965	1	Plug, Male - 3 Position	
340B	4460944	3	Socket, Female	
340B	4922099	19.8 ft/6m	Cable, Electrical 18/3	
340C	4460880	14	DIN Connector	
340D	4460836	1	Plug, Male - 12 Position (Black)	
340D	4460466	4	Plug, Socket	
340D	4460465	3	Socket, Female	
340D	4460942	2	Socket, Female 14-16 GA	
340D	4460944	3	Socket, Female 16-18 GA (Gold)	
340E	4460424	1	Connector, Female - 2 Position	
340E	4460268	2	Socket, Female	
340F	4460843	1	Plug, Male - 2 Position	
340F	4460842	2	Socket, Female	
340G	4460930	1	Plug, Male - 8 Position	
340G	4460944	5	Socket, Female (Gold)	
340G	4460466	3	Plug, Socket	
340G	0840062	1	Boot, Deutsch	
340H	4460931	1	Connector, Female - 8 Position (Gray)	
340H	4460943	5	Pin, Male (Gold)	

SECTION 7 - ELECTRICAL

ITEM	PART NUMBER	QTY	DESCRIPTION	REV
340H	4460466	3	Plug, Socket	
340J	4460933	1	Plug, Male - 12 Position (Gray)	
340J	4460465	7	Socket, Female	
340J	4460942	5	Socket, Female 14-16 GA	
340K	4460891	3	Plug, Male - 2 Position	
340K	4460465	2	Socket, Female	
340L	4461004	3	Plug, Male - 4 Position (Black)	
340L	4461005	12	Terminal	
340L	4461006	12	Seal	
340M	4461007	3	Plug, Male - 4 Position (Gray)	
340M	4461008	12	Plug, Hole	
340N	4460536	1	Connector, Female - 3 Position	
340N	4460943	3	Pin, Male (Gold)	
340N	1060698	AR	Cable 18/4	
340O	4460944	2	Socket, Female	
340P	4460539	1	Plug, Male - 3 Position	
340P	4460944	3	Socket, Female (Gold)	
340Q	4460536	1	Connector, Female - 3 Position	
340Q	4460943	3	Pin, Male (Gold)	
340R	4460539	1	Plug, Male - 3 Position (SN 0300088932 through 0300201016)	
340R	4460944	3	Socket, Female (Gold)	
340S	4460536	1	Connector, Female - 3 Position (SN 0300088932 through 0300201016)	
340S	4460943	3	Pin, Male (Gold)	
341	4923291	1	Ground Control Box Harness Assembly	C
341	3990001	2	Diode - 3 Amp (Not Shown - Located at Power Down Relay)	
341A	4460225	1	Plug, Male - 6 Position	
341A	4460227	5	Pin, Male	
341B	4460965	1	Plug, Male - 3 Position (Blue Lock)	
341B	4460944	3	Socket, Female	
341B	4922099	2 ft/.6m	Cable, Can-Buss	
341C	2400066	1	Fuseholder with Cover	
341C	2400065	1	Fuse	
341D	4460894	1	Plug, Male - 6 Position	
341D	4460465	1	Socket, Female 16-18GA	
341E	4460418	9	Connector, Female - 6 Position	
341E	4460419	25	Socket, Female	
341F	4460876	1	Connector, Blue - 35 Position	
341F	4460871	33	Socket, Female	
341G	4460866	1	Connector - 19 Pin	
341G	4460464	10	Pin, Male Deutsch 16 Ga	
341G	4460508	3	Pin, Male Deutsch 12 Ga	
341H	4460878	1	Plug, Male - 4 Position	
341H	4460887	3	Terminal (12 Gauge)	
341J	4120035	10	Base, Light	
341J	4460634	10	Terminal (16 Gauge)	
341J	4460635	10	Terminal (12 Gauge)	
341K	4460873	1	Connector, Black - 35 Position	
341K	4460871	14	Socket, Female	
341L	4460966	1	Plug, Male - 3 Position (Green Lock)	
341L	4460944	3	Socket, Female	

SECTION 7 - ELECTRICAL

ITEM	PART NUMBER	QTY	DESCRIPTION	REV
341L	4922099	2 ft/.6m	Cable, Can-Buss	
341M	4460613	1	Connector - 21 Pin	
341M	4460464	8	Pin, Male Deutsch 16 Ga	
341M	4460941	2	Pin, Male Deutsch 14 Ga	
341N	4460836	1	Plug, Male - 12 Position	
341N	4460465	3	Socket, Female 16-18GA	
341P	4460761	1	Connector, Female - 4 Position	
341P	4460227	4	Pin, Male	
341Q	4460930	1	Plug, Male - 8 Position	
341Q	4460944	6	Socket, Female 16-18GA Gold	
341R	4460871	10	Socket, Female	
341S	1060698	3 ft/.9m	Cable 18/4	
341T	1001096076	1	Decal, Troubleshooting (Not Shown)	
344	4460837	1	Receptacle, Female - 12 Position	
346	4923036	1	Relay and Harness	B
346	3740143	1	Relay	
346A	4460931	1	Receptacle, Female - 8 Position	
346A	4460943	8	Pin, Male	
347	4933342	1	Ground Control Wiring Diagram (See Items 501-513 for Breakdown)	
		Ref	ENGINE HARNESS ASSEMBLY	
	4923290	Ref	Harness (Machines with Rexroth Pumps) (Prior to SN 0300093356)	B
	4923377	Ref	Harness (Machines with Rexroth Pumps) (SN 0300093356 through 0300201016)	C
	1001111546	Ref	Harness (Machines with Sauer Pumps)	C
424	4460899	1	Connector, Female - 6 Position	
424	4460464	5	Pin, Male	
424	4460466	2	Plug, Terminal	
433		Ref	Pump Connector Options:	
433	4460880	4	DIN Connector without Diode (Rexroth Pumps)	
433	4460891	4	Plug, Male - 2 Position (Sauer Pumps)	
433	4460465	8	Socket, Female (Sauer Pumps)	
436	4460887	1	Terminal, Molex	
436	4460871	8	Socket, Female	
436	4460508	1	Terminal, Deutsch	
436	4460465	1	Socket, Female 16-20GA	
439	4460536	1	Connector, Female - 3 Position	
439	4460943	3	Pin, Male (Gold)	
443	4461052	1	Connector, Female - 25 Position	
443	4461005	5	Terminal	
443	4461006	5	Seal	
443	4461054	2	Seal, Terminal	
443	4461060	2	Terminal (Tin)	
443	4461053	1	Cover, Plug	
443	4461008	18	Plug, Hole	
453	4460539	1	Plug, Male - 3 Position	
453	4460944	3	Socket, Female (Gold)	
	4933342	Ref	GROUND CONTROL BOX WIRING DIAGRAM	C
501	2920129	10	Bulb, Light	
506	4460224	1	Connector, Female - 6 Position	
507	4460226	5	Socket, Female	

SECTION 7 - ELECTRICAL

ITEM	PART NUMBER	QTY	DESCRIPTION	REV
508	4460945	1	Connector, Female - 3 Way	
513	2902443	1	Receptacle Kit	
513	4461071	8	Socket, Female	
513	4461072	1	Receptacle	
513	4461073	1	Cap, Dust	
513	4461074	1	Shell, Black	
	0274670	Ref	WIRING HARNESES INSTALLATION	D
601	0100048	AR	Grease, Dielectric	
602	4922696	1	Chassis Harness Assembly	3-D
602A	4460894	1	Plug, Male - 6 Position	
602A	4460465	6	Socket, Female	
602A	4460892	1	Connector, Buss Bar - 6 Position	
602C	4460894	1	Plug, Male - 6 Position (Not Shown)	
602C	4460465	6	Socket, Female	
602C	4460892	1	Connector, Buss Bar - 6 Position	
602D	4460880	14	DIN Connector	
602E	4460930	1	Connector, Gray - 8 Position	
602E	4460465	3	Socket, Female	
602E	4460466	5	Plug, Terminal	
602F	4460836	1	Connector, Black - 12 Position	
602F	4460465	6	Socket, Female	
602F	4460466	6	Plug, Terminal	
602G	4460933	1	Connector, Gray - 12 Position	
602G	4460465	8	Socket, Female	
602G	4460466	4	Plug, Terminal	
602H	4460934	1	Connector, Green - 12 Position	
602H	4460944	12	Socket, Female	
602J	4460935	1	Connector, Brown - 12 Position	
602J	4460465	8	Socket, Female	
602K	4922705	1	Analyzer Harness	2-B
602L	4460761	1	Connector, Female	
602L	4460227	4	Pin, Male	
602M	4460465	4	Socket, Female	
602N	4460950	1	Connector, Female - 12 Position	
602N	4460464	6	Pin, Male 16-18 GA	
602N	4460943	3	Pin, Male 16-18 GA (Gold)	
602N	4460941	2	Pin, Male 14-16GA	
602P	4460884	4	Connector, Gray - 4 Position	
602P	4460944	16	Socket, Female	
603	4922718	4	Axle Power Track Harness Assembly	B
603A	4460539	1 Per Assy	Plug, Male - 3 Position	
603A	4460944	3 Per Assy	Socket, Female	
603B	4460932	1 Per Assy	Connector, Female - 4 Position	
603B	4460943	4 Per Assy	Pin, Male	
604	4922767	1	Lockout Valve Harness	2-C
604A	4460465	3	Socket, Female	
604B	4460464	1	Pin, Male	
604C	4460880	2	Connector, DIN	

SECTION 7 - ELECTRICAL

ITEM	PART NUMBER	QTY	DESCRIPTION	REV
604D	4460449	2	Connector, DIN	
605	4922777	1	Platform Valve Harness	1-C
605A	4460880	9	DIN Connector	
605B	4460926	1	Connector - 21 Position	
605B	4460928	13	Socket, Female	
605B	4460466	8	Plug, Hole	
605C	4460897	1	Connector, Female - 2 Position	
605C	4460464	2	Pin, Male	
605D	4460891	1	Plug, Male - 2 Position	
605D	4460465	2	Socket, Female	
606	4922784	1	Jib Stow Switch Harness	B
606A	4460891	1	Plug, Male - 2 Position	
606A	4460465	2	Socket, Female	
607	4922785	1	Dual Capacity Jib Position Switch Harness	B
607A	4460897	1	Connector, Female - 2 Position	
607A	4460464	2	Pin, Male	
608	4923256	1	Load Sensing Pin Harness	B
608A	4460930	1	Connector, Gray - 8 Position	
608A	4460465	4	Socket, Female	
608A	4460466	3	Plug, Sealing	
608B	See Note	1	Connector, Female - 4 Position (Note: Not available for purchase)	
608B	See Note	4	Terminal (Note: Not Available for Purchase)	
608C	1001096076	1	Decal, Troubleshooting (Not Shown)	
609	4922946	1	B.L.A.M. Harness	B
609A	4460933	1	Plug, Male - 12 Position (Gray)	
609A	4460466	7	Plug, Seal	
609A	4460944	3	Socket, Female	
609A	4460465	1	Socket, Female	
609A	4460942	1	Socket, Female	
609B	4460970	1	Plug, Female - 12 Position	
609B	4460943	3	Pin, Male (Gold)	
609B	4460464	6	Pin, Male	
609B	4460941	3	Pin, Male	
609C	4460935	1	Plug, Male - 12 Position (Green)	
609C	4460466	5	Plug, Seal	
609C	4460465	2	Socket, Female	
609D	4460836	1	Plug, Male - 12 Position (Black)	
609D	4460466	8	Plug, Seal	
609D	4460944	2	Socket, Female	
609D	4460465	2	Socket, Female	
609E	4460836	1	Plug, Male - 12 Position (Black)	
609E	4460466	6	Plug, Seal	
609E	4460944	5	Socket, Female	
609E	4460465	1	Socket, Female	
609E	4460837	1	Receptacle, Female - 12 Position Buss Bar	
609F	4460836	1	Plug, Male - 12 Position (Black)	
609F	4460466	8	Plug, Seal	
609F	4460465	4	Socket, Female	
609F	4460942	2	Socket, Female	
609F	4460837	2	Receptacle, Female - 12 Position Buss Bar	
609G	4460884	1	Plug, Male 4 Position (Gray)	

SECTION 7 - ELECTRICAL

ITEM	PART NUMBER	QTY	DESCRIPTION	REV
609G	4460944	4	Socket, Female	
609H	4460894	1	Plug, Male - 6 Position (Gray)	
609H	4460465	5	Socket, Female	
609I	4460932	1	Plug, Male - 4 Position (Gray)	
609I	4460943	4	Pin, Male	
609J	4460539	1	Plug, Male - 4 Position	
609J	4460944	3	Socket, Female	
609K	4460761	1	Connector, Female - 4 Position	
609K	4460227	4	Pin, Male	
609L	1060698	28	Cable, Electrical 18/4	
		in/71cm		
609M	4460944	4	Socket, Female	
610	4922947	1	Harness, Tilt Sensor #1 (Right)	E
610A	4460911	1	Plug, Male - 3 Position	
610A	4460912	1	Lock, Wedge	
610A	4460918	3	Pin, Male	
610A	1320309	1	Clamp, Cable	
610A	1560012	1	Nut, Conduit	
610A	1560011	1	Connector, Conduit	
610B	4461013	3	Socket, Female	
611	4922948	1	Harness, Tilt Sensor #2 (Left)	E
611A	4460911	1	Plug, Male - 3 Position	
611A	4460912	1	Lock, Wedge	
611A	4460918	3	Pin, Male	
611A	1320309	1	Clamp, Cable	
611A	1560012	1	Nut, Conduit	
611A	1560011	1	Connector, Conduit	
611B	4461013	3	Socket, Female	
612	4922949	1	Harness, Tower Boom Length Sensors	B
612A	4460539	1	Plug, Male - 3 Position	
612A	4460942	3	Socket, Female (Gold)	
612B	4460539	2	Plug, Male - 3 Position	
612B	4460944	6	Socket, Female (Gold)	
612C	4460934	1	Plug, Male - 12 Position	
612C	4460944	11	Socket, Female (Gold)	
612C	4460466	1	Plug	
613	4922950	1	Harness, B.L.A.M. to #1 Tower Boom Angle Sensor (Right Side)	B
613A	4460884	1	Plug, Male - 4 Position	
613A	4460944	4	Socket, Female (Gold)	
613B	4460911	1	Plug, Male - 3 Position	
613B	4460918	3	Socket, Female	
613B	4460912	1	Lock, Wedge - Position	
614	4922951	1	Harness, B.L.A.M. to #2 Tower Boom Angle Sensor (Left Side)	C
614A	4460932	1	Receptacle, Female - 4 Position	
614A	4460943	4	Pin, Male (Gold)	
614B	4460911	1	Plug, Male - 3 Position	
614B	4460918	3	Socket, Female	
614B	4460912	1	Lock, Wedge - Position	
615	4923373	1	Harness, Tower Boom Fly to Main Boom Base	B
615A	4461009	2	Plug, Male - 5 Position	
615B	4460866	2	Connector - 19 Position	
615B	4460465	24	Socket, Female 16-18 Gauge	

SECTION 7 - ELECTRICAL

ITEM	PART NUMBER	QTY	DESCRIPTION	REV
615B	4460509	8	Socket, Female 10-12 Gauge	
615B	4460943	9	Pin, Male (Gold)	
615B	4460466	17	Seal, Plug	
615C	4460613	1	Connector - 21 Position	
615C	4460464	8	Pin, Male 16-18 Gauge	
615C	4460508	AR	Pin, Male 12-14 Gauge	
615C	4460466	AR	Seal, Plug	
615D	4460539	1	Plug, Male - 3 Position	
615D	4460944	3	Socket, Female (Gold)	
615E	4460536	1	Receptacle, Female - 3 Position	
615E	4460943	3	Pin, Male (Gold)	
615F	4461077	1	Plug, Male	
615F	4460918	4	Socket, Female (Gold)	
616	4923170	1	Harness, Main Boom Dual Capacity Switch	C
616A	4460536	1	Receptacle, Female - 3 Position	
616A	4460943	3	Pin, Male (Gold)	
616B	4460968	2	Connector, Strain Relief	
616B	4360578	2	Switch, Limit	
617	4923171	1	Harness, Main Boom Transport Switches	C
617A	4460539	1	Plug, Male - 3 Position	
617A	4460944	3	Socket, Female (Gold)	
617B	4460968	2	Connector, Strain Relief	
617B	4360578	2	Switch, Limit	
618	4922955	1	Harness, Main Boom Base to Platform	C
618A	4460865	2	Connector - 19 Position	
618A	4460465	22	Socket, Female	
618A	4460509	8	Socket, Female	
618A	4460466	8	Seal, Plug	
618B	4460473	2	Clamp, Cable	
619	4922956	1	Harness, Tower Boom Fly to MTB	D
619A	4460865	1	Connector - 19 Position	
619A	4460465	11	Socket, Female	
619A	4460509	4	Socket, Female	
619A	4460466	4	Seal, Plug	
619B	4460473	2	Clamp, Cable	
620	4923169	1	Harness, Tower Boom Transport Length Switch	A
620	4360579	1	Switch, Limit	
620	4460968	1	Connector, Strain Relief	
621	4922958	1	Harness, Tower Boom Fly to MTB	C
621A	4461003	2	Connector - 21 Position	
621A	4460465	22	Socket, Female	
621A	4460509	8	Socket, Female	
621A	4460466	12	Seal, Plug	
621B	4460473	2	Clamp, Cable	
622	4923382	1	Harness Chassis Power Distribution	B
622A	2400066	1	Fuseholder	
622A	2400065	1	Fuse 30 Amp	
622B	4460891	1	Plug, Male - 2 Position	
622C	4460897	1	Connector, Female - 2 Position	
622C	4460464	2	Pin, Male	
622D	4460942	2	Socket, Female 14-16 GA	

SECTION 7 - ELECTRICAL

ITEM	PART NUMBER	QTY	DESCRIPTION	REV
622E	4460374	1	Plug, Sealed	
622E	4460375	5	Terminal	
623	4000008	1	Harness and Switch Main Boom Transport Angle (Includes Switch)	
623A	4461076	1	Receptacle, Female - 4 Position	
623A	4460917	4	Pin, Male (Gold)	
624	4923396	1	Harness, Cam Refit	D
624A	4460539	1	Plug, Male - 3 Position	
624A	4460465	3	Socket, Female 16-18 GA	
624B	4460536	1	Receptacle, Female - 3 Position	
624B	4460464	3	Pin, Male 16-20 GA	
		Ref	STANDARD HARNESS COMPONENTS	
701	See Note	4	Steer Angle Sensor Harness (Note: Not Available for Purchase)	
701A	4460536	1 Per Assy	Receptacle, Female - 3 Position	
701A	4460464	3 Per Assy	Pin, Male	
702	1660256	1	Coupling Electrical Components	
702A	See Note	1	Coupling Turntable Harness (Note: Not Available for Purchase)	
702B	4460837	1	Connector, Female - 12 Position	
702B	4460466	4	Plug, Socket	
702B	4460464	3	Pin, Male 16-18 GA	
702B	4460943	3	Pin, Male 16-18 GA (Gold)	
702B	4460941	2	Pin, Male 14-16GA	
702C	See Note	1	Coupling Frame Harness (Note: Not Available for Purchase)	
702D	4460836	1	Plug, Male - 12 Position	
702D	4460465	6	Socket, Female 16-18 GA	
702D	4460942	2	Socket, Female 14-16 GA	
702D	4460944	3	Socket, Female 16-18 GA (Gold)	
702D	4460466	1	Plug, Socket	
703	4360505	1	Tower Lift Cylinder Angle Sensor Harness (Includes Switch)	
703A	4460536	1	Receptacle, Female - 3 Position	
	4460464	3	Pin, Male	
704		Ref	Platform Level Sensor and Tower Boom Angle Sensor Harnesses (Includes Switch)	
	4360545	1	Switch,Angle Sensor-Digital, (Use p/n 1001133329) (Prior to SN 0300156986)	
704	1001133329	4	Switch Angle Sensor-Digital (SN 0300156986 through 0300184658)	
704	1001133329	4	Switch Angle Sensor-Digital, (Use 1001147479) (SN 0300184659 through 0300201016)	
704A	4460910	4	Connector, Female Deutsch - 3 Position	
704A	4460917	12	Pin, Male	
704A	4460913	4	Lock, Wedge	
705	4360552	2	Tower Boom Length Sensor Harness (Includes Switch)	
705A	4460536	2	Receptacle, Female - 3 Position	
705A	4460464	6	Pin, Male	
706	See Note	1	Controller Harness Assembly (Lift and Swing) (Note: Not Available for Purchase)	
706A	7022819	1	Connector, Male - 8 Position (Natural)	
706A	4460871	8	Socket, Female	
707	7022824	1	Controller Harness/Circuit Board Assembly (Drive and Steer)	
707A	7022825	1	Plug, Male - 8 Position (Black) (Use p/n 1001113961)	
707A	4460871	7	Socket, Female	

SECTION 7 - ELECTRICAL

ITEM	PART NUMBER	QTY	DESCRIPTION	REV
708	See Note	1	Speed Control Harness (Note: Not Available for Purchase)	
708A	4460224	1	Connector, Female - 6 Position	
708A	4460226	5	Socket, Female	
709	0272621	1	Control System Analyzer Installation	A
709	2901443	1	Analyzer/Cable Kit	1
709A	1600244	1	Analyzer	
709B	1060633	1	Cable, Analyzer	1-A
709C	4460321	2	Plug, Male	
709C	4460226	8	Socket, Female	
710	7027796	1	Deutz Harness	
710	7020488	2	Connector, Switch	
711	2902292	1	Battery Cable Kit (Not Shown)	B
711A	7027008	1	Cable, Red (To Aux Pump Relay, Battery Positive Terminal and Start Relay) (Not Shown)	
711B	7027009	1	Cable, Black (To Aux Pump, Battery Negative Terminal and Ground at Tray Pivot) (Not Shown)	
711C	7027010	1	Cable, Red (Aux Pump Relay to Aux Pump) (Not Shown)	
711D	7027011	1	Cable, Black (Tray Pivot to Engine Mount) (Not Shown)	
711E	7024584	1	Cable, Red (Start Relay to Starter) (Not Shown)	
712	4923468	1	Harness, Glow Plug (SN 0300093356 through 0300201016)	
713		Ref	Deutz Harness Options:	
713	See Note	1	Deutz Tier II Engines (Note: Not Available for Purchase)	
713	70001869	1	Deutz Tier III Engines	
713	70001872	1	Deutz Tier IVi	
		Ref	OPTIONAL HARNESS COMPONENTS	
801		Ref	AC to Platform Receptacle Components Options:	
801		Ref	ANSI Spec	
801	0273462	Ref	110V GFI Receptacle	B
801	0273463	Ref	220V GFI Receptacle	A
801		Ref	ANSI Export and Australian Specs	
801	0273461	Ref	110V (No Plug or Receptacle)	B
801		Ref	CE Spec	
801		Ref	110V	
801	1001091969	Ref	IEC Yellow Receptacle and Plug without 2500W Generator	B
801	1001100326	Ref	IEC Yellow Receptacle with 2500W Generator	C
801		Ref	220V	
801	1001091973	Ref	CEE 7 Post Ground Receptacle and Plug (2x4 Box) without 2500W Generator	C
801	1001100331	Ref	CEE 7 Post Ground Receptacle (2x4 Box) with 2500W Generator	C
801	1001091974	Ref	CEE 7 Side Ground Receptacle and Plug (2x4 Box) without 2500W Generator	C
801	1001100333	Ref	CEE 7 Side Ground Receptacle (2x4 Box) with 2500W Generator	C
801	1001091975	Ref	AFSINT 107 Keyed Ground Receptacle and Plug (2x4 Box) without 2500W Generator	C
801	1001100337	Ref	AFSINT 107 Keyed Ground Receptacle (2x4 Box) with 2500W Generator	C
801	1001091970	Ref	IEC Blue Receptacle and Plug without 2500W Generator	B
801	1001100327	Ref	IEC Blue Receptacle with 2500W Generator	C
801	1001091971	Ref	CEE 7 Post Ground Receptacle and Plug (70mm x 70mm Box) without 2500W Generator	B
801	1001100328	Ref	CEE 7 Post Ground Receptacle (70mm x 70mm Box) with 2500W Generator	C

SECTION 7 - ELECTRICAL

ITEM	PART NUMBER	QTY	DESCRIPTION	REV
801	1001091972	Ref	CEE 7 Side Ground Receptacle and Plug (70mm x 70mm Box) without 2500W Generator	B
801	1001100329	Ref	CEE 7 Side Ground Receptacle (70mm x 70mm Box) with 2500W Generator	C
801A		Ref	Box, Switch Options:	
801A	0860038	1	0273462 & 0273463 Installations	
801A	See Note	1	0273461 Installation (Note: Not Available - Purchase Locally)	
801A	0861731	1	1001091973, 1001091974, 1001091975, 1001100331, 1001100333 & 1001100337 Installations	
801A	0861781	1	1001091969, 1001091970, 1001100326 & 1001100327 Installations	
		Ref	1001091971, 1001091972, 1001100328 & 1001100329 Installations (Note: Was p/n 0861782 which is no longer available. Use p/n 1001141970 CEE 7 Side Ground Service Kit or p/n 1001141971 CEE 7 Post Ground Service Kit. Kits includes Box p/n 1001141967 and items 801D, 801F, 801G & 801J.)	
801A	1001141967	1	1001100343, 1001100344, 1001141970 & 1001141971 Kits	
801B	1320041	1	Clamp, Cable (0273461, 0273462 & 0273463 Installations)	
801C		Ref	Gasket, Cover Options:	
801C	3960422	1	0273462 & 0273463 Installations	
801C	Not Required	0	Not Required	
801C	See Note	1	0273461 Installation (Note: Not Available -Purchase Locally)	
801D		Ref	Shield, Cover Options:	
801D	4060700	1	0273462 Installation (Prior to SN 0300138291)	
801D	1001110873	1	0273462 Installation (SN 0300138291 through 0300201016)	
801D	4060092	1	0273463 Installation	
801D	See Note	1	0273461 Installation (Note: Not Available -Purchase Locally)	
	See Note		1001091973, 1001091974, 1001091975, 1001091969, 1001091970, 1001091971, 1001091972, 1001100331, 1001100333, 1001100337, 1001100326, 1001100327, 1001100328 & 1001100329 Installations (Note: Partof Receptacle - Purchase item #801G)	
801E		Ref	Connector, Strain Relief Options:	
801E	4460051	1	0273462 & 0273463 Installations	
801E	See Note	1	0273461 Installation (Note: Not Available -Purchase Locally)	
801E		Ref	1001091973, 1001091974, 1001091975, 1001100331, 1001100333 & 1001100337 Installations	
801E	1001101196	1	Adapter	
801E	4460662	1	Strain Relief (Use p/n 1001101191)	
801E		Ref	1001091969, 1001091970, 1001091971, 1001091972, 1001100326, 1001100327, 1001100328 & 1001100329 Installations	
801E	1001101197	1	Adapter	
801F		Ref	Plug, Male Options (Not used with 2500W Generators):	
801F	4460205	1	0273462 Installation	
801F	4460709	1	0273463 Installation	
801F	See Note	1	0273461 Installation (Note: Not Available -Purchase Locally)	
801F	4461202	1	1001091973 & 1001091971 Installations and 1001100343 & 1001141971 Kits	

SECTION 7 - ELECTRICAL

ITEM	PART NUMBER	QTY	DESCRIPTION	REV
801F	4461205	1	1001091974 & 1001091972 Installations and 1001100344 & 1001141970 Kits	
801F	4461249	1	1001091975 Installation	
801F	4461196	1	1001091969 Installation	
801F	4461199	1	1001091970 Installation	
801G		Ref	Receptacle Options:	
801G	4460346	1	0273462 Installation	
801G	4460125	1	0273463 Installation	
801G	See Note	1	0273461 Installation (Note: Not Available -Purchase Locally)	
801G	4461244	1	1001091973 & 1001100331 Installations	
801G	4461245	1	1001091974 & 1001100333 Installations	
801G	4461246	1	1001091975 & 1001100337 Installations	
801G	4461198	1	1001091969 & 1001100326 Installations	
801G	4461201	1	1001091970 & 1001100327 Installations	
801G	4461204	1	1001091971 & 1001100328 Installations (Use p/n 1001100343)	
801G	4461207	1	1001091972 & 1001100329 Installations (Use p/n 1001100344)	
801G	1001141968	1	1001100343 & 1001141971 Kits	
801G	1001141969	1	1001100344 & 1001141970 Kits	
801H		Ref	Cable, Electrical 12/3 Options: (SN 0300137490 through 0300201016)	
801H	Not Required	0	0273462, 0273463, 0273461, 1001091969, 1001091970, 1001091971, 1001091972, 1001091973, 1001091974 & 1001091975	
801H	1060908	10 ft/3m	1001100326, 1001100327, 1001100328, 1001100329, 1001100331, 1001100333 & 1001100337 Installations	
801J		Ref	Receptacle, Female Options (With Powermite Generator Control Box Only): (SN 0300137836 through 0300201016)	
801J	4461197	1	1001100326 Installation	
801J	4461200	1	1001100327 Installation	
801J	4461203	1	1001100328 & 1001100331 Installations and 1001100343 & 1001141971 Kits	
801J	4461206	1	1001100329 & 1001100333 Installations and 1001100344 & 1001141970 Kits	
801J	4461250	1	1001100337 Installation	
801K		Ref	Receptacle Box Kit Options:	
801K		Ref	Without Powermite Generator	
801K	0275216	1	Kit for 110V IEC Yellow (Includes Items 801A, 801D, 801F & 801G) (1001091969 Installation)	1
801K	0275217	1	Kit for 220V IEC Blue (Includes Items 801A, 801D, 801F & 801G) (1001091970 Installation)	1
801K	0275218	1	Kit for 220V CEE 7 Post Ground (Includes Items 801A, 801D, 801F, 801G & 801J) (1001091971 Installation) (Use p/n 1001100343)	B/2
801K	0275219	1	Kit for 220V CEE 7 Side Ground (Includes Items 801A, 801D, 801F, 801G & 801J) (1001091972 Installation) (Use p/n 1001100344)	2
801K	0275452	1	Kit for 220V CEE 7 Post Ground (Includes Items 801A, 801D, 801F & 801G) (1001091973 Installation)	1
801K	0275453	1	Kit for 220V CEE 7 Side Ground (Includes Items 801A, 801D, 801F & 801G) (1001091974 Installation)	1
801K	0275454	1	Kit for 220V AFSINT 107 Keyed Ground (Includes Items 801A, 801D, 801F & 801G) (1001091975 Installation)	1
801K		Ref	With Powermite Generator	

SECTION 7 - ELECTRICAL

ITEM	PART NUMBER	QTY	DESCRIPTION	REV
801K	1001100341	1	Kit for 110V IEC Yellow (Includes Items 801A, 801D, 801F, 801G & 801J) (1001100326 Installation)	2
801K	1001100342	1	Kit for 220V IEC Blue (Includes Items 801A, 801D, 801F, 801G & 801J) (1001100327 Installation)	2
801K	1001091971	1	Kit for 220V CEE 7 Post Ground (Includes Items 801A, 801D, 801F, 801G & 801J) (1001100328 Installation) (Use p/n 1001100343 Kit)	B
801K	1001091970	1	Kit for 220V CEE 7 Side Ground (Includes Items 801A, 801D, 801F, 801G & 801J) (1001100329 Installation) (Use p/n 1001100344 Kit)	B
801K	1001100345	1	Kit for 220V CEE 7 Post Ground (Includes Items 801A, 801D, 801F, 801G & 801J) (1001100331 Installation)	2
801K	1001100347	1	Kit for 220V CEE 7 Side Ground (Includes Items 801A, 801D, 801F, 801G & 801J) (1001100333 Installation)	2
801K	1001100346	1	Kit for 220V AFSINT 107 Keyed Ground (Includes Items 801A, 801D, 801F, 801G & 801J) (1001100337 Installation)	2
802		Ref	Generator Electrical Components	
802	4933216	AR	Generator Electrical Components, 110V (SN 0300087575 through 0300122914)	
802	4933300	AR	Generator Electrical Components, 110V/220V (SN 0300087575 through 0300122914)	B
802	1001100027	AR	Generator Electrical Components, 110V/220V - 50Hz (SN 0300122915 through 0300201016)	
802A	4922641	1	Harness - On/Off Switch	
802B	4460226	2	Socket, Female	
802C	4922970	1	Powermite Control Box to Relay Harness	B
802C	4460374	1	Plug, Sealed	
802C	4460375	4	Terminal	
802D	4460027	1	Receptacle, Twist Lock (110V Only)	
802E	4460961	1	Connector, Female - 4 Position (60Hz Only)	
802E	4460705	4	Pin, Male	
802F	4460321	1	Connector, Male - 4 Position (60Hz Only)	
802F	4460906	4	Socket, Female	
802G	1001100305	1	Harness, Generator Ground (50Hz Only) (SN 0300122915 through 0300136123)	
802H	7020193	1	Harness, Generator Ground Power (50Hz Only)	
		Ref	Note: Harness used to connect AC at platform harness to generator receptacle.	
803	4921829		110V GFI Receptacle (ANSI and CSA Specs)	-
803	4921954		220V GFI Receptacle (ANSI and CSA Specs)	2
803	4921956		220V GFI Receptacle ANSI Export, Australian & CE Specs	1
803		Ref	Cable, Electrical - 12/3 Options:	
803	1060494	20 ft/6.1m	ANSI Spec	
803	1060461	20 ft/6.1m	ANSI Export Spec	
803A		Ref	Plug, Male Options:	
803A	4460205	1	110V GFI (ANSI Spec)	
803A	4460233	1	220V GFI (ANSI Spec)	
803A	See Note	1	ANSI Export Spec (Note: Not Available -Purchase Locally)	
803B		Ref	Receptacle, Female Options:	
803B	4460134	1	110V GFI (ANSI Spec)	
803B	4460701	1	220V GFI (ANSI Spec)	
803B	See Note	1	ANSI Export Spec (Note: Not Available -Purchase Locally)	
804		Ref	Strobe Light Harness (Includes Strobe Light) Options:	C

SECTION 7 - ELECTRICAL

ITEM	PART NUMBER	QTY	DESCRIPTION	REV
	0272507	1	Strobe Light Harness (Includes Strobe Light) (Prior to SN 0300190450)	
	1001149818	1	Strobe Light Harness (SN 0300190450 through 0300201016)	B
804A	4460320	1	Connector, Female - 2 Position	
804A	4460267	2	Pin, Male	
805	See Note	1	Alarm Harness (Includes Alarm) (Note: Not Available for Purchase)	
805A	4460424	1	Plug, Male - 2 Position	
805A	4460268	2	Socket, Female	
806	4922738	1	Headlight and Taillight and Chassis Illumination Lights Harness	1-A
806A	4460374	1	Plug, Sealed	
807		Ref	Floodlights Harness Components	
807A	4460320	2	Plug, Male - 2 Position	
807A	4460227	4	Pin, Male	
807B	4922764	1	Floodlight Harness (Lights to Switch)	
807C	4460424	2	Connector, Female - 2 Position	
807C	4460226	4	Socket, Female	
807D	4360232	1	Breaker, Circuit - 15 Amp	
807E	4460425	1	Connector, Strain Relief	
807F		Ref	Light Harness Options (Main Boom):	
807F	4922990	1	Harness, Upper Platform Light (Use p/n 1001098451) (Prior to SN 0300117602)	A
807F	1001098449	1	Harness, Upper Platform Light (SN 0300117602 through 0300201016)	A
807G	4460459	1	Plug, Male - 3 Position (4922990 Harness)	
807G	4460790	3	Socket, Female (4922990 Harness)	
807G	4460458	3	Seal, Terminal (4922990 Harness)	
807G	1001098234	1	Connector, Female (1001098449 Harness)	
807H		Ref	Light Harness Options (Tower Boom):	
807H	4922991	1	Harness, Lower Platform Light (Use p/n 1001098450) (Prior to SN 0300117602)	A
807H	1001098448	1	Harness, Lower Platform Light (SN 0300117602 through 0300201016)	A
807I	4460476	1	Receptacle, Female - 3 Position (4922991 Harness)	
807I	4460850	3	Pin, Male (4922991 Harness)	
807I	4460458	3	Seal, Terminal (4922991 Harness)	
807I	1001098349	1	Connector, Male (1001098448 Harness)	
808		Ref	Work Lights Harness Components	
808A	2400066	1	Fuseholder	
808A	2400070	AR	Fuse 20 Amp	
808B	Not Available	2	Work Light Harness (Supplied with Work Light)	
808C	4460426	1	Connector, Strain Relief	
808D		Ref	Light Harness Options (Main Boom):	
808D	4922990	1	Harness, Upper Platform Light (Use p/n 1001098451) (Prior to SN 0300117602)	A
808D	1001098449	1	Harness, Upper Platform Light (SN 0300117602 through 0300201016)	A
808E	4460459	1	Plug, Male - 3 Position (4922990 Harness)	
808E	4460790	3	Socket, Female (4922990 Harness)	
808E	4460458	3	Seal, Terminal (4922990 Harness)	
808E	1001098234	1	Connector, Female (1001098449 Harness)	
808F		Ref	Light Harness Options (Tower Boom):	

SECTION 7 - ELECTRICAL

ITEM	PART NUMBER	QTY	DESCRIPTION	REV
808F	4922991	1	Harness, Lower Platform Light (Use p/n 1001098450) (Prior to SN 0300117602)	A
808F	1001098448	1	Harness, Lower Platform Light (SN 0300117602 through 0300201016)	A
808G	4460476	1	Receptacle, Female - 3 Position (4922991 Harness)	
808G	4460850	3	Pin, Male (4922991 Harness)	
808G	4460458	3	Seal, Terminal (4922991 Harness)	
808G	1001098349	1	Connector, Male (1001098448 Harness)	
808H	2820035	9 ft/2.8m	Tubing, Insulate (SN 0300105421 through 0300201016)	
809		Ref	7500W SkyPower Generator Installations	
809	0273455	Ref	60Hz	H
809	0273456	Ref	50Hz	F
809B		Ref	Gasket Options:	
809B	3960422	2	60Hz Spec	
809B	See Note	2	50Hz Spec (Note: Not Available - Purchase Locally)	
809C		Ref	Cover, Receptacle Options:	
809C	4060700	1	Shield, Recpt Cover 60Hz Spec (Prior to SN 0300138291)	
809C	1001110873	1	Shield, Recpt Cover 60Hz Spec (SN 0300138291 through 0300201016)	
809C	See Note	1	50Hz Spec (Note: Not Available - Purchase Locally)	
809D		Ref	Cover, Receptacle Options:	
809D	4061043	1	Cover, Receptacle 60Hz Spec (Prior to SN 0300138291)	
809D	1001110872	1	Cover, Receptacle 60Hz Spec (SN 0300138291 through 0300201016)	
809D	See Note	1	50Hz Spec (Note: Not Available - Purchase Locally)	
809E		Ref	Receptacle Options:	
809E	4460346	1	60Hz Spec	
809E	See Note	1	50Hz Spec (Note: Not Available - Purchase Locally)	
809F	4460051	1	Connector, Strain Relief	
809G	4460071	1	Connector, Strain Relief	
809H	4922972	1	Harness, Generator	B
809I	77363233	1	Plug, Male - 6 Position	
809I	4460465	6	Socket, Female	
809J	4460225	1	Plug, Male - 6 Position	
809J	4460226	6	Socket, Female	
810		Ref	7500W SkyPower Generator Junction Box Components	
810	0861542	Ref	60Hz Spec	C
810	0861567	Ref	50Hz Specs	B
810A		Ref	Cable, Electrical 12/3	
810A	1060494	2 ft/.6m	60Hz Spec	
810A	See Note	2 ft/.6m	50Hz Spec (Note: Not Available - Purchase Locally)	
810B		Ref	Cable, Electrical 10/3	
810B	1060708	2.5 ft/.76m	60Hz Spec	
810B	See Note	2.5 ft/.76m	50Hz Spec (Note: Not Available - Purchase Locally)	
810C	1060343	1.5 ft/.46m	Cable, Electrical 10/4 (60Hz Spec Only)	
810D	4460425	2	Connector, Strain Relief	
810E		Ref	Component Options:	
810E	4460426	2	Connector, Strain Relief (60Hz Spec Only)	
810E	4460426	1	Connector, Strain Relief (50Hz Spec Only)	
810E	3520189	1	Plug (50Hz Spec Only)	

SECTION 7 - ELECTRICAL

ITEM	PART NUMBER	QTY	DESCRIPTION	REV
810F	1671092	1	Cover (60Hz Spec Only)	
810F	4460963	1	Connector (60Hz Spec Only)	
811	4933264	Ref	7500W Generator Electrical Diagram Components	C
811A	4922757	1	Generator Harness	3/C
811B	4460374	2	Plug, Sealed Relay	
811B	4460375	7	Terminal	
811C	4460967	1	Plug, Male - 3 Position	
811C	4460465	3	Socket, Female	
811D	2400060	1	Fuseholder	
811D	2400064	1	Fuse - 5 Amp	
811E	4922641	1	Switch Harness	
811F	4460226	2	Socket, Female	
812		Ref	AC Breaker Box Installation (CE Spec) Options:	
812	1001096163	Ref	Without Powermite Generator Control Box	C
812	1001109557	Ref	With Powermite Generator Control Box	A
812A	1320041	1	Clamp, Cable	
812B	1001096172	1	Bracket, Circuit Breaker Box	
812C		Ref	Box Kit, Circuit Breaker Options:	
812C	1001096070	1	Without Powermite Generator Control Box (Use p/n 1001109654) (SN 0300087575 through 0300136325)	
812C	1001109654	1	Without Powermite Generator Control Box (SN 0300136326 through 0300201016)	
812C	1001109648	1	With Powermite Generator Control Box	
812C	See Note	1	Machines with 1 Circuit Breaker	
		Ref	Note: Kit with a single large breaker. Replace with 2 breakers. For machines WITH Powermite Generator Control Box use qty 1 each of p/ns 1001109447 & 1001109482. For machines WITHOUT Powermite Generator Control Box use qty 1 each of p/ns 1001109475 & 1001109482.	
812C		Ref	Machines with 2 Circuit Breakers	
812C	1001109475	NLA	Breaker 16A (Use p/n 1001181045 - 16Amp/30mAmp Combination)	
812C	1001109477	NLA	Breaker 10A (Use p/n 1001181046 - 10Amp/30mAmp Combination)	
812C	1001109482	NLA	Breaker 30mA (Use p/n 1001181046 - 10Amp/30mAmp Combination or p/n 1001181045 - 16Amp/30mAmp Combination)	
812C	0861880	1	Box, Breaker	
812C	4460956	1	Barrier, Terminal Block End	
812C	4460957	1	Block, Terminal	
812D	1001101191	1	Connector, Strain Relief	
812E	1001097150		Connector, Strain Relief	
812F	1060908	12 ft/3.6m	Cable, Electrical 12/3	
812G	0903484	1	Bracket, AC Receptacle	
813	1001100468	1	ClearSky Telematics Harness (Standard on Machines delivered in North America. Optional on all other machines.) (SN 0300139299 through 0300201016)	G
813A	1001100468	1	Harness, Telematics Gateway Controller	
813B	4460909	1	Plug, Male - 12 Position (Black)	
813B	Not Available	1	Socket	
813B	4460916	11	Plug, Seal	
813B	4460915	1	Wedge Lock	
813C	4460908	1	Plug, Male - 12 Position (Gray)	

SECTION 7 - ELECTRICAL

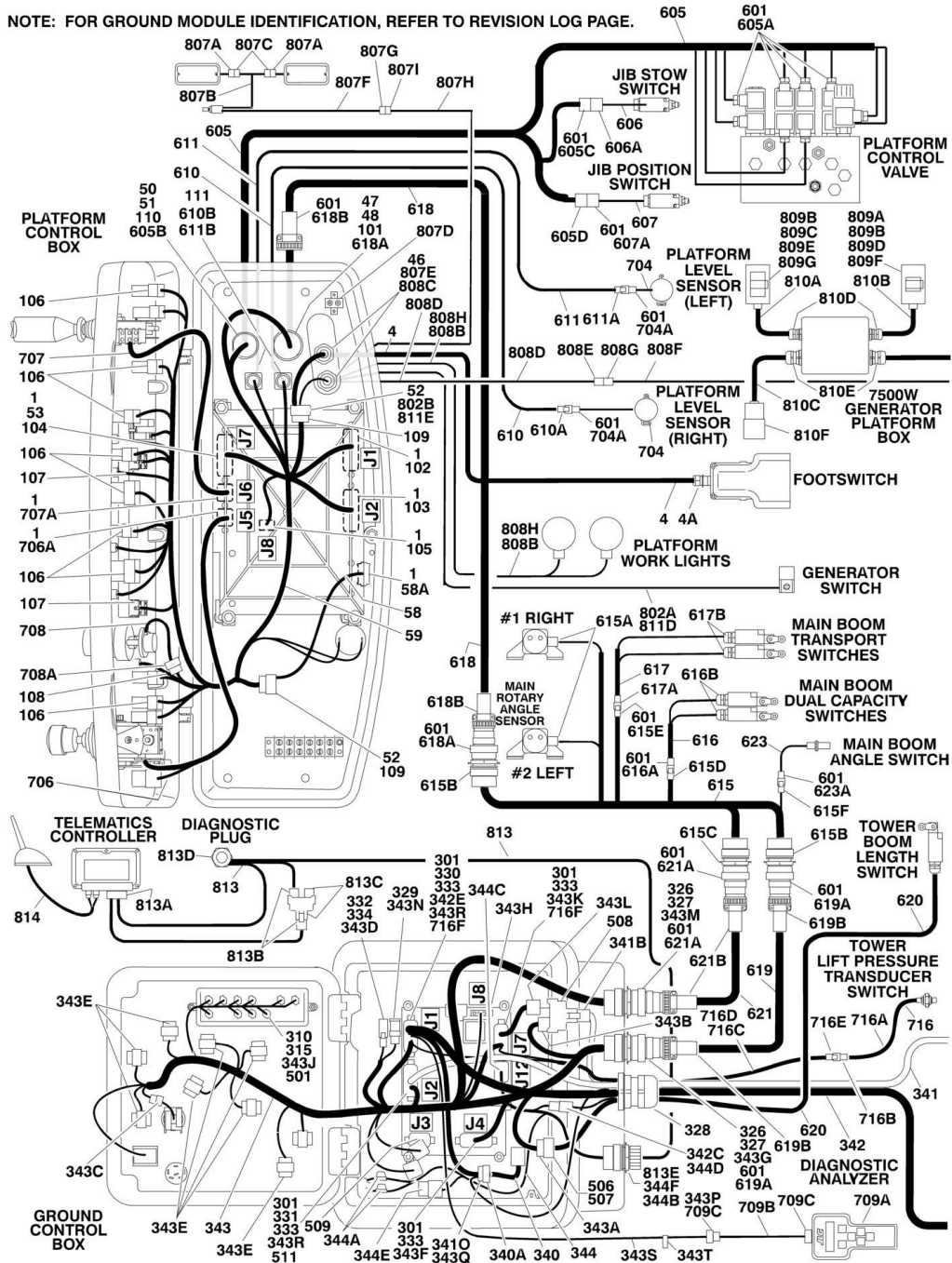
ITEM	PART NUMBER	QTY	DESCRIPTION	REV
813C	See Note	6	Socket (Note: Not Available for Purchase)	
813C	4460916	6	Plug, Seal	
813C	4460915	1	Wedge Lock	
813D	4460892	2	Connector, Bussbar (Includes Wedge Lock)	
813D	4460894	2	Plug, Male - 6 Position (Includes Wedge Lock)	
813D	4460465	4	Socket	
813D	4460916	8	Plug, Seal	
813D	See Note	1	Wedge Lock	
		Ref	(Note: Not Available individually Purchase P/Ns 4460892 or 4460894)	
813E	77363243	2	Receptacle, Female - 3 Position	
813E	4460943	4	Pin	
813E	77363245	1	Wedge Lock (Note: Not Available individually Purchase P/Ns 4460892 or 4460894)	
813F	4460539	2	Plug, Male - 3 Position (Includes Wedge Lock and Seal)	
813F	4460944	6	Socket	
813F	77363244	2	Wedge Lock (Note: Not Available individually Purchase P/Ns 4460892 or 4460894)	
813G	4460945	2	Bulkhead, 3 Way Female	
813G	See Note	2	Plug, Male - 3 Position with 120 ohm Resistor (Note: Not Available for Purchase)	
813G	See Note	1	Wedge Lock (Note: Not Available for Purchase)	
813H	1001100468	1	Harness, Telematics Diagnostic	
813J	4460539	2	Plug, Male - 3 Position (Includes Wedge Lock and Seal)	
813J	4460944	6	Socket	
813J	77363244	2	WEDGE LOCK	
813K	1001112612	1	Connector, Diagnostic	
813K	4460943	2	Pin	
813K	4460464	2	Pin	
813K	4460466	2	Plug, Seal	
813K	1001106736	1	Cap, Dust	
813L	4460897	1	Plug, Male - 2 Position (Includes Wedge Lock and Seal)	
813L	4460464	2	Pin	
813L	See Note	1	Wedge Lock (Note: Not Available for Purchase)	
813M	1001100468	1	Harness, Telematics Controller	
813N	4460539	1	Plug, Male - 3 Position (Includes Wedge Lock and Seal)	
813N	4460944	3	Socket	
813N	See Note	1	Wedge Lock (Note: Not Available for Purchase)	
813P	70020808	1	Plug, Male - 23 Position	
813P	4460871	5	Socket	
813P	4460905	18	Plug, Seal	
813R	1001100468	1	Harness, Telematics Fuse	
813S	4460891	1	Connector, Female - 2 Position (Includes Wedge Lock and Seal)	
813S	4460465	2	Socket	
813S	See Note	1	Wedge Lock (Note: Not Available for Purchase)	
813T	2400060	2	Fuseholder with Cover	
813T	2400064	2	Fuse 5 Amp	
814	70002296	1	Harness, Telematics Antenna (Includes Antenna) (Note: No other parts available)	
		Ref	TOOLS (NOT SHOWN)	
	7002821	1	Crimper (For Wire to Pin/Socket Connections)	
	7002823	1	Extractor (For Removal of Pin/Socket from Connectors)	

SECTION 7 - ELECTRICAL

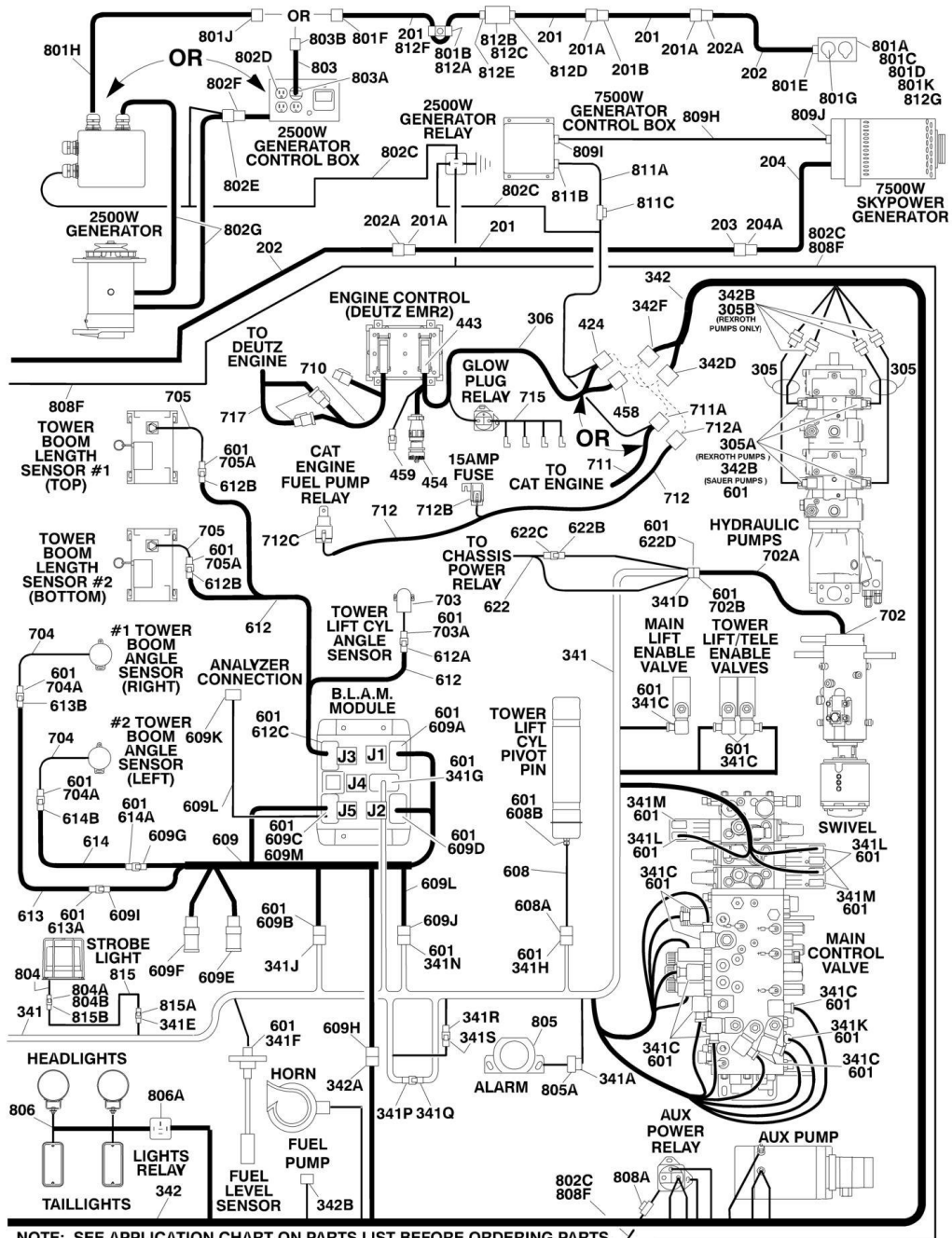
ITEM	PART NUMBER	QTY	DESCRIPTION	REV
	4460467	1	Extractor, Pin (Blue 16-18 Gauge) (For Removal of Pin/Socket from Connectors)	
	4460510	1	Extractor, Pin (Yellow 12-14 Gauge) (For Removal of Pin/Socket from Connectors)	
	7002828	1	Stripper, Wire	

SECTION 7 - ELECTRICAL

FIGURE 7-4. HARNESS COMPONENTS INSTALLATION (WITH UGM)



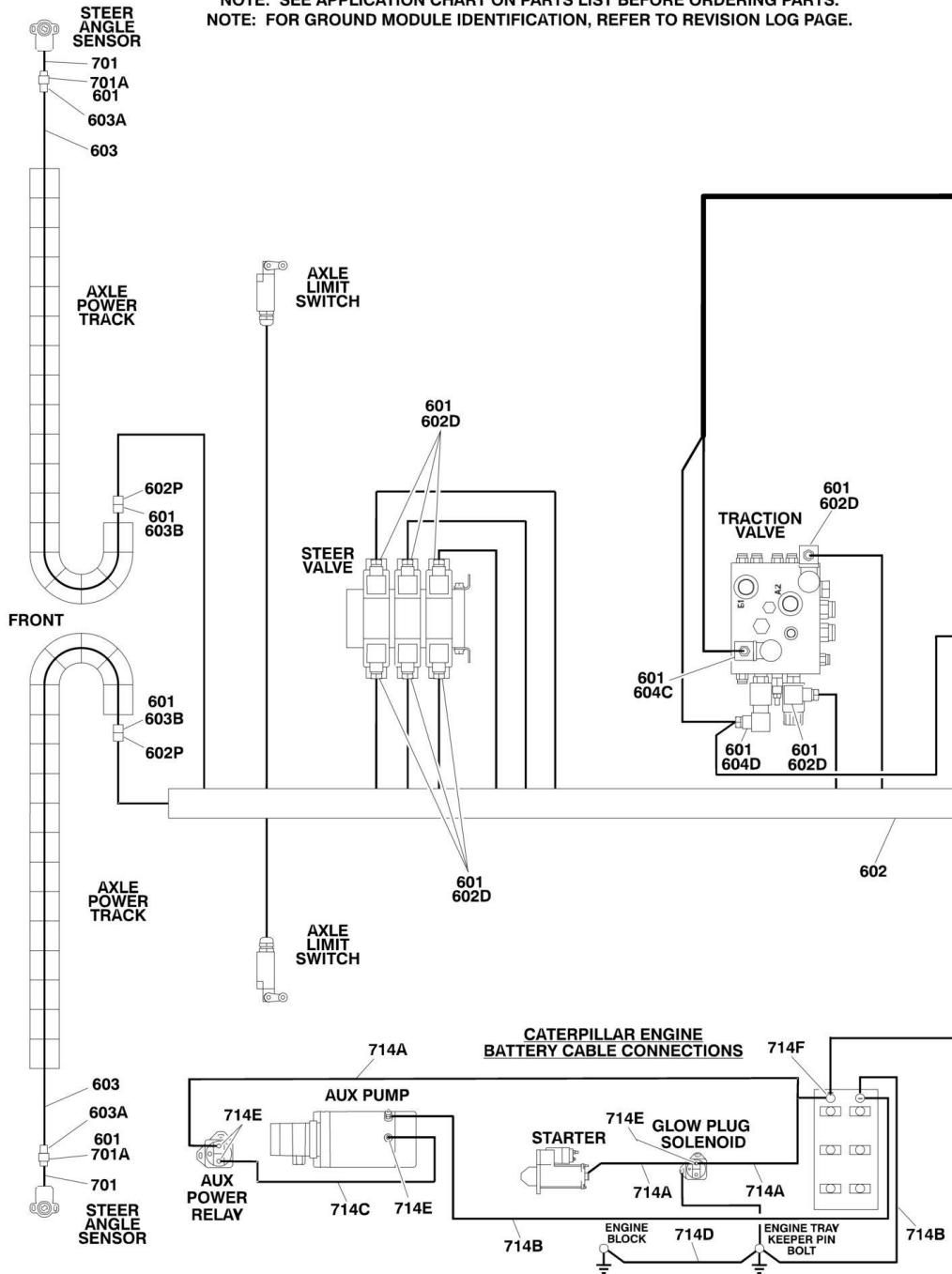
SECTION 7 - ELECTRICAL



NOTE: SEE APPLICATION CHART ON PARTS LIST BEFORE ORDERING PARTS.
 NOTE: FOR GROUND MODULE IDENTIFICATION, REFER TO REVISION LOG PAGE.

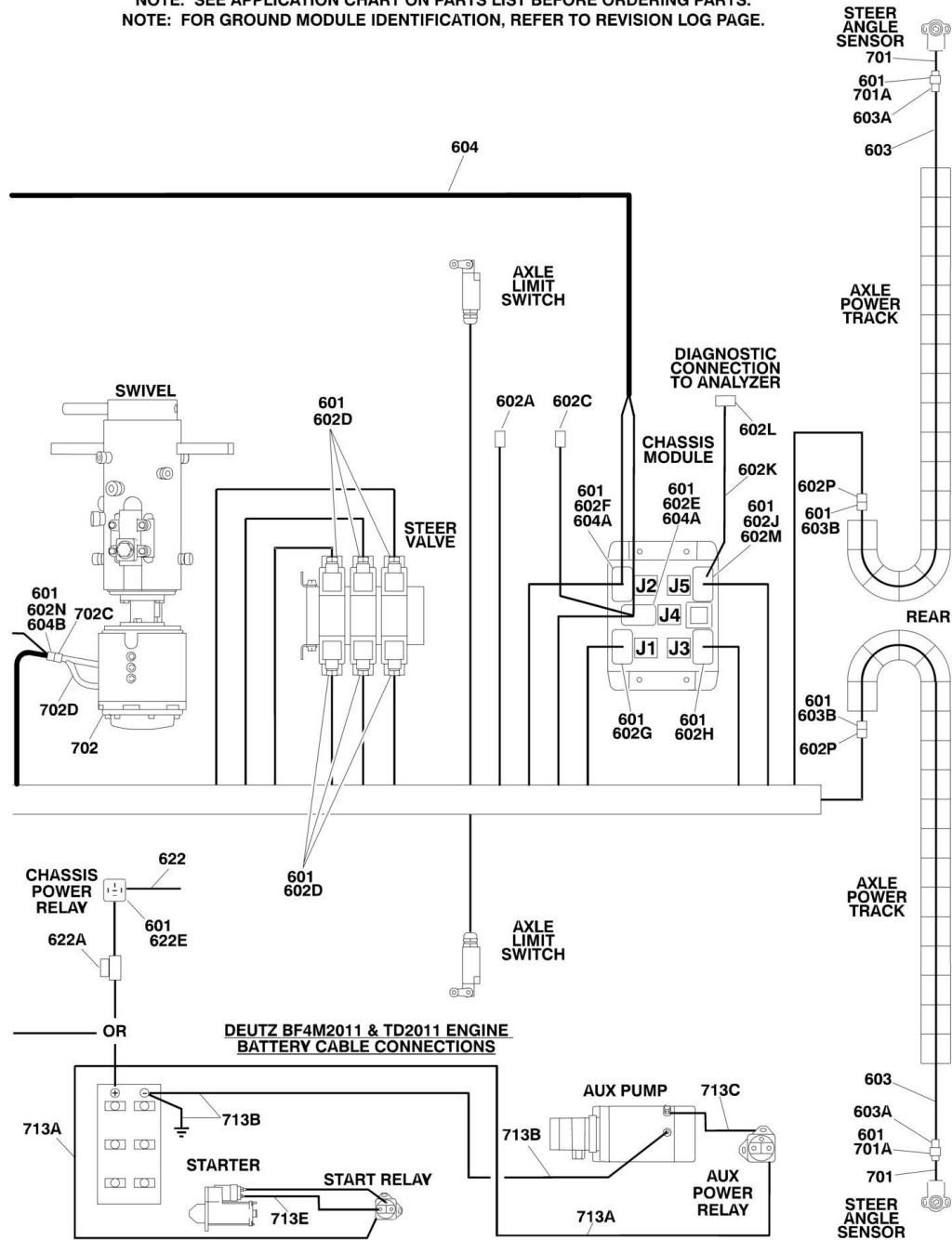
SECTION 7 - ELECTRICAL

NOTE: SEE APPLICATION CHART ON PARTS LIST BEFORE ORDERING PARTS.
 NOTE: FOR GROUND MODULE IDENTIFICATION, REFER TO REVISION LOG PAGE.



SECTION 7 - ELECTRICAL

NOTE: SEE APPLICATION CHART ON PARTS LIST BEFORE ORDERING PARTS.
 NOTE: FOR GROUND MODULE IDENTIFICATION, REFER TO REVISION LOG PAGE.



SECTION 7 - ELECTRICAL

FIGURE 7-4. HARNESS COMPONENTS INSTALLATION (WITH UGM)

ITEM	PART NUMBER	QTY	DESCRIPTION	REV
		Ref	APPLICATION CHART - USE THIS FIGURE FOR:	
		Ref	Caterpillar Engine Machines with UGM	
		Ref	Deutz BF4M2011 and TD2011 Engine Machines with UGM	
		Ref	Note: For Module Identification, refer to Revision Log page A.	
		Ref	PLATFORM CONSOLE BOX COMPONENTS	
1	0100048	AR	Grease, Dielectric	
4	0272970	1	Footswitch and Harness Assembly	
4	1060918	7 ft/2.14m	Cable, Electrical - 18/3	
4A	4460071	1	Connector, Strain Relief	
46	4460428	2	Connector, Strain Relief	
47	4460470	1	Nut, Terminal	
48	4460471	1	Lockwasher, Terminal	
50	4460496	1	Lockwasher, Terminal	
51	4460497	1	Nut, Terminal	
52	4460708	2	Receptacle, Female - 15 Position	
53	4460905	5	Seal, Plug	
58	4922666	1	Harness, Analyzer Cable	2-B
58	4460226	4	Socket, Female (Not Shown - Located at J2)	
58A	4460761	1	Connector, Female - 4 Position	
58A	4460227	4	Pin, Male	
59	4923448	1	Harness, Platform Box (See Items 101-111 for Breakdown)	
	4923448	Ref	PLATFORM BOX HARNESS ASSEMBLY	3-B
101	4460866	1	Connector - 19 Pin	
101	4460464	7	Pin, Male Deutsch 16 Ga	
101	4460508	4	Pin, Male Deutsch 12 Ga	
101	4460943	3	Pin, Male 16 Ga (Gold Plated - Used on 3 Wire Canbus Cable)	
102	4460874	1	Connector - 35 Position (Natural)	
102	4460871	AR	Socket, Female	
102	4460905	AR	Plug	
103	4460876	1	Connector - 35 Position (Blue)	
103	4460871	AR	Socket, Female	
103	4460905	AR	Plug	
104	4460873	1	Connector - 35 Position (Black)	
104	4460871	AR	Socket, Female	
104	4460905	AR	Plug	
105	4460879	1	Connector, Male - 2 Position	
105	4460887	2	Terminal (12 Gauge)	
106	4460418	12	Connector, Female - 6 Position	
106	4460419	36	Socket, Female	
107	4460225	4	Plug, Male - 6 Position	
107	4460226	21	Terminal (16 Gauge)	
108	4460225	1	Plug, Male - 6 Position	
108	4460227	5	Pin, Male	
109	4460434	2	Plug, Male - 15 Position	
109	4460227	13	Pin, Male	
110	4460925	1	Connector - 21 Pin	
110	4460929	13	Pin, Male Deutsch 16 Ga	
110	4460466	8	Plug	
111	1001121616	2	Connector, 6 Position	
111	1001121615	2	Base, Mounting	

SECTION 7 - ELECTRICAL

ITEM	PART NUMBER	QTY	DESCRIPTION	REV
		Ref	BOOM CABLES INSTALLATION	
	0273474	Ref	ANSI, ANSI Export, CSA and Japanese Specs Without 4000W or 7500W Generator	B
	0273475	Ref	Australian and CE Specs Without 4000W or 7500W Generator	D
	1001161049	Ref	ANSI, ANSI Export, CSA and Japanese Specs With 4000W Generator	A
	1001180951	Ref	Australian, CE and Japanese Specs With 4000W Generator	A
	0273476	Ref	ANSI and ANSI Export Specs With 7500W Generator	C
201		Ref	Tower Boom AC Harness Options:	
201		Ref	Without 4000W or 7500W Generator	
201	4923642	1	Harness, Upper (Located in Tower Boom) (ANSI, ANSI Export, CSA and Japanese Specs)	
201	4923643	1	Harness, Lower (Located in Turntable) (ANSI, ANSI Export, CSA and Japanese Specs)	
201	4923640	1	Harness, Upper (Located in Tower Boom) (Australian and CE Specs)	
201	4923641	1	Harness, Lower (Located in Turntable) (Australian and CE Specs)	
201	See Note	Ref	With 4000W Generator	
201	1001161043	1	Harness, Upper (Located in Tower Boom) (ANSI, ANSI Export, CSA and Japanese Specs)	
201	4923640	1	Harness, Upper (Located in Tower Boom) (Australian, CE and Japanese Specs)	
201		Ref	With 7500W Generator	
201	4923384	1	Harness, Upper (Located in Tower Boom) (ANSI and ANSI Export Specs)	
201A		Ref	Receptacle, Female Options:	
201A	4460134	AR	ANSI, ANSI Export, CSA and Japanese Specs (Without 4000W or 7500W Generator)	
201A	4460710	AR	Australian and CE Specs (Without 4000W or 7500W Generator)	
201A	4460960	1	ANSI and ANSI Export Specs (With 7500W Generator)	
201A	1671093	AR	Cover, Female Connector	
201B		Ref	Plug, Male Options:	
201B	4460205	1	ANSI and ANSI Export Specs (Without 4000W or 7500W Generator)	
201B	4460709	1	Australian and CE Specs (Without 4000W or 7500W Generator)	
201B	1671092	1	Cover, Male Connector (Without 4000W or 7500W Generator)	
202		Ref	Main Boom AC Harness Options:	
202	4922981	Ref	ANSI, ANSI Export, CSA and Japanese Specs (Without 4000W or 7500W Generator) (10/3 Cable)	A
202	4922983	Ref	Australian and CE Specs (Without 4000W or 7500W Generator) (10/3 Cable)	B
202	1001161042	Ref	ANSI, ANSI Export, CSA and Japanese Specs (With 4000W Generator) (8/4 Cable)	A
202	4922983	Ref	Australian, CE and Japanese Specs (With 4000W Generator) (10/3 Cable)	B
202	4922962	Ref	ANSI and ANSI Export Specs (With 7500W Generator) (8/5 Cable)	C
202A		Ref	Plug, Female Options:	
202A	4460205	1	ANSI, ANSI Export, CSA and Japanese Specs (Without 4000W or 7500W Generator)	
202A	4460709	1	Australian and CE Specs (Without 4000W or 7500W Generator)	

SECTION 7 - ELECTRICAL

ITEM	PART NUMBER	QTY	DESCRIPTION	REV
202A	4460962	1	ANSI, ANSI Export, CSA and Japanese (With 4000W Generator Only)	
202A	4460709	1	Australian, CE and Japanese Specs (With 4000W Generator)	
202A	4460959	1	ANSI and ANSI Export Specs (With 7500W Generator Only)	
202A	1671092	1	Cover, Male Connector (Australian and CE Specs Without SkyPower Only)	
203		Ref	Plug, Male Options:	
203	4460962	1	ANSI, ANSI Export, CSA and Japanese Specs (With 4000W Generator Only)	
203	4460959	1	ANSI and ANSI Export Specs (With 7500W Generator)	
203	1671092	1	Cover, Male Connector (With 4000W and 7500W Generator Only)	
204		Ref	Turntable Cable Harness Options:	
204	1001161045	1	ANSI, ANSI Export, CSA and Japanese Specs (With 4000W Generator Only)	A
204	4923385	1	ANSI and ANSI Export Specs (With 7500W Generator Only)	B
204A	4460963	1	Plug, Female (With 4000W Generator Only)	
204A	4460960	1	Plug, Female (With 7500W Generator Only)	
204A	1671093	1	Cover, Female Connector (With 4000W and 7500W Generator Only)	
	1001119376	Ref	GROUND CONTROL BOX COMPONENTS	M
301	0100048	AR	Grease, Dielectric	
305	1001119456	2	Harness, Pump Adapter (Machines with Rexroth Pumps Only) (P/N 1001119456 Includes 2 Adapter Harnesses. Total of qty 4 required)	B
305A	4460880	4	DIN Connector (1 per Harness)	
305B	4460897	4	Connector, Female - 2 Position	
	4460464	8	Pin, Male	
306	1001119470	1	Harness, Deutz Engine (See Items 401-459 for Breakdown)	
310	1670829	1	Bezel	
315	2760105	1	Housing, Light	
326	4460470	2	Nut, Terminal	
327	4460471	2	Washer, Terminal	
328	4460526	1	Connector, Strain Relief	
329	4460837	1	Receptacle, Female - 12 Position	
330	4460874	1	Connector, White/Natural - 35 Position	
331	4460875	1	Connector, Gray - 35 Position	
332	4460892	1	Connector, Buss Bar - 6 Position	
333	4460905	4	Plug, Connector	
334	4460914	2	Base, Terminal	
340	4923036	1	Relay and Harness	B
340	3740143	1	Relay	
340A	4460931	1	Receptacle, Female - 8 Position	
340A	4460943	8	Pin, Male	
341	4923397	1	Valve Harness Assembly	B
341A	4460320	1	Plug, Male - 2 Position	
341A	4460267	2	Pin, Male	
341B	4460965	1	Plug, Male - 3 Position	
341B	4460944	3	Socket, Female	
341C	4460880	14	DIN Connector	
341D	4460836	1	Plug, Male - 12 Position (Black)	
341D	4460466	4	Plug, Socket	

SECTION 7 - ELECTRICAL

ITEM	PART NUMBER	QTY	DESCRIPTION	REV
341D	4460465	3	Socket, Female	
341D	4460942	2	Socket, Female 14-16 GA	
341D	4460944	3	Socket, Female 16-18 GA (Gold)	
341E	4460424	1	Connector, Female - 2 Position	
341E	4460268	2	Socket, Female	
341F	4460843	1	Plug, Male - 2 Position	
341F	4460842	2	Socket, Female	
341G	4460930	1	Plug, Male - 8 Position	
341G	4460944	5	Socket, Female (Gold)	
341G	4460466	3	Plug, Socket	
341G	0840062	1	Boot, Deutsch	
341H	4460931	1	Connector, Female - 8 Position (Gray)	
341H	4460943	5	Pin, Male (Gold)	
341H	4460466	3	Plug, Socket	
341J	4460933	1	Plug, Male - 12 Position (Gray)	
341J	4460465	7	Socket, Female	
341J	4460942	5	Socket, Female 14-16 GA	
341K	4460891	1	Plug, Male - 2 Position	
341K	4460465	2	Socket, Female	
341L	4461004	3	Plug, Male - 4 Position (Black)	
341L	4461005	12	Terminal	
341L	4461006	12	Seal	
341M	4461007	3	Plug, Male - 4 Position (Gray)	
341M	4461008	12	Plug, Hole	
341N	4460536	1	Connector, Female - 3 Position	
341N	4460943	3	Pin, Male (Gold)	
341N	1060698	AR	Cable 18/4	
341O	4460944	2	Socket, Female	
341P	4460539	1	Plug, Male - 3 Position	
341P	4460944	3	Socket, Female (Gold)	
341Q	4460536	1	Connector, Female - 3 Position	
341Q	4460943	3	Pin, Male (Gold)	
341R	4460539	1	Plug, Male - 3 Position	
341R	4460944	3	Socket, Female (Gold)	
341S	4460536	1	Connector, Female - 3 Position	
341S	4460943	3	Pin, Male (Gold)	
342	1001119529	1	Harness, Ground Control to Engine	D
342A	4460899	1	Connector, Female - 6 Position	
342A	4460464	5	Pin, Male	
342A	4460466	1	Plug, Terminal	
342B	4460891	5	Plug, Male - 2 Position	
342B	4460465	10	Socket, Female	
342C	4460539	1	Plug, Male - 3 Position	
342C	4460944	3	Socket, Female (Gold)	
342D	4460931	1	Connector, Female - 8 Position	
342D	4460464	AR	Pin, Male	
342D	4460466	1	Plug, Terminal (Prior to SN 0300170411)	
342E	4460871	AR	Socket, Female	
342F	4460899	1	Connector, Female - 6 Position	
342F	4460464	5	Pin, Male	
342F		Ref	Terminal Options:	

SECTION 7 - ELECTRICAL

ITEM	PART NUMBER	QTY	DESCRIPTION	REV
342F	4460466	1	Plug, Terminal (Prior to SN 0300162288)	B
342F	4460943	1	Pin, Male (Gold) (SN 0300162288 through 0300201016)	
343	1001120181	1	Ground Control Box Harness Assembly	
343	3990001	2	Diode - 3 Amp (Not Shown - Located at Power Down Relay)	
343A	4460225	1	Plug, Male - 6 Position	
343A	4460227	5	Pin, Male	
343B	4460965	1	Plug, Male - 3 Position (Blue Lock)	
343B	4460944	3	Socket, Female	
343B	4922099	2 ft/.6m	Cable, Can-Buss	
343C	2400066	1	Fuseholder with Cover	
343C	2400065	1	Fuse	
343D	4460894	1	Plug, Male - 6 Position	
343D	4460465	1	Socket, Female 16-18GA	
343E	4460418	9	Connector, Female - 6 Position	
343E	4460419	25	Socket, Female	
343F	4460876	1	Connector, Blue - 35 Position	
343F	4460871	33	Socket, Female	
343G	4460866	1	Connector - 19 Pin	
343G	4460464	10	Pin, Male Deutsch 16 Ga	
343G	4460508	3	Pin, Male Deutsch 12 Ga	
343H	4460878	1	Plug, Male - 4 Position	
343H	4460887	3	Terminal (12 Gauge)	
343J	4120035	10	Base, Light	
343J	4460634	10	Terminal (16 Gauge)	
343J	4460635	10	Terminal (12 Gauge)	
343K	4460873	1	Connector, Black - 35 Position	
343K	4460871	14	Socket, Female	
343L	4460966	1	Plug, Male - 3 Position (Green Lock)	
343L	4460944	3	Socket, Female	
343L	4922099	2 ft/.6m	Cable, Can-Buss	
343M	4460613	1	Connector - 21 Pin	
343M	4460464	8	Pin, Male Deutsch 16 Ga	
343M	4460941	2	Pin, Male Deutsch 14 Ga	
343N	4460836	1	Plug, Male - 12 Position	
343N	4460465	3	Socket, Female 16-18GA	
343P	4460761	1	Connector, Female - 4 Position	
343P	4460227	4	Pin, Male	
343Q	4460930	1	Plug, Male - 8 Position	
343Q	4460944	6	Socket, Female 16-18GA Gold	
343R	4460871	17	Socket, Female	
343S	1060698	3 ft/.9m	Cable 18/4	
343T	1001096076	1	Decal, Troubleshooting (Not Shown)	A
344	1001114438	1	Harness, ClearSky Ready	
344A	2400060	2	Fuseholder with Cover	
344A	2400064	2	Fuse 5Amp	
344B	1001112612	1	Receptacle, Female - 9 Position	
344B	4460464	6	Pin, Male	
344B	4460466	3	Plug, Sealing	
344C	1001113961	1	Plug, Male - 8 Position	
344C	4460871	5	Socket, Female	
344C	4460905	3	Plug, Sealing	

SECTION 7 - ELECTRICAL

ITEM	PART NUMBER	QTY	DESCRIPTION	REV
344D	4460536	1	Receptacle, Female - 3 Position	
344D	4460464	3	Pin, Male	
344E	4460933	1	Plug, Male - 12 Position	
344E	4460465	9	Socket, Female	
344E	4460466	3	Plug, Sealing	
344E	4460898	1	Connector, Female Bussbar - 9 Position	
344F	1001106736	1	Cap, Dust	
345	1001119567	1	Ground Control Wiring Diagram (Not Shown - See Items 501-511 for Breakdown)	
	1001119470	Ref	DEUTZ ENGINE HARNESS ASSEMBLY	B
424	4460894	1	Connector, Female - 6 Position	
424	4460465	2	Socket, Female	
424	4460944	3	Socket, Female	
424	4460466	1	Plug, Seal	
443	4461052	1	Connector, Female - 25 Position	
443	4461005	5	Terminal	
443	4461006	5	Seal	
443	4461054	2	Seal, Terminal	
443	4461060	2	Terminal (Tin)	
443	4461053	1	Cover, Plug	
443	4461008	18	Plug, Hole	
454	4461095	1	Plug, Male - 3 Position	
454	4460944	3	Socket, Female	
454	4461070	1	Receptacle, Female with Resistor - 3 Position	
458	4460930	1	Connector, Female - 8 Position	
458	4460465	2	Socket, Female	
458	4460466	6	Plug, Seal	
459	2902443	1	Receptacle Kit	
459	4461071	8	Socket, Female	
459	4461072	1	Receptacle	
459	4461073	1	Cap, Dust	
459	4461074	1	Shell, Black	
459	4460944	3	Socket, Female (Gold)	
	1001119567	Ref	GROUND CONTROL BOX WIRING DIAGRAM	D
501	2920129	10	Bulb, Light	
506	4460224	1	Connector, Female - 6 Position	
507	4460226	5	Socket, Female	
508	4460945	1	Connector, Female - 3 Way	
509	4460872	1	Plug, Male - 14 Position	
509	4460871	AR	Socket, Female	
509	4460905	AR	Plug, Sealing	
511	1001129334	1	Harness, Jumper	
511	4460871	5	Socket, Female	
	0274670	Ref	WIRING HARNESES INSTALLATION	D
601	0100048	AR	Grease, Dielectric	
602	4922696	1	Chassis Harness Assembly	3-D
602A	4460894	1	Plug, Male - 6 Position	
602A	4460465	6	Socket, Female	
602A	4460892	1	Connector, Buss Bar - 6 Position	
602C	4460894	1	Plug, Male - 6 Position (Not Shown)	
602C	4460465	6	Socket, Female	
602C	4460892	1	Connector, Buss Bar - 6 Position	

SECTION 7 - ELECTRICAL

ITEM	PART NUMBER	QTY	DESCRIPTION	REV
602D	4460880	14	DIN Connector	
602E	4460930	1	Connector, Gray - 8 Position	
602E	4460465	3	Socket, Female	
602E	4460466	5	Plug, Terminal	
602F	4460836	1	Connector, Black - 12 Position	
602F	4460465	6	Socket, Female	
602F	4460466	6	Plug, Terminal	
602G	4460933	1	Connector, Gray - 12 Position	
602G	4460465	8	Socket, Female	
602G	4460466	4	Plug, Terminal	
602H	4460934	1	Connector, Green - 12 Position	
602H	4460944	12	Socket, Female	
602J	4460935	1	Connector, Brown - 12 Position	
602J	4460465	8	Socket, Female	
602K	4922705	1	Analyzer Harness	2-B
602L	4460761	1	Connector, Female	
602L	4460227	4	Pin, Male	
602M	4460465	4	Socket, Female	
602N	4460950	1	Connector, Female - 12 Position	
602N	4460464	6	Pin, Male 16-18 GA	
602N	4460943	3	Pin, Male 16-18 GA (Gold)	
602N	4460941	2	Pin, Male 14-16GA	
602P	4460884	4	Connector, Gray - 4 Position	
602P	4460944	16	Socket, Female	
603	4922718	4	Axle Power Track Harness Assembly	B
603A	4460539	1 Per Assy	Plug, Male - 3 Position	
603A	4460944	3 Per Assy	Socket, Female	
603B	4460932	1 Per Assy	Connector, Female - 4 Position	
603B	4460943	4 Per Assy	Pin, Male	
604	4922767	1	Lockout Valve Harness	2-C
604A	4460465	3	Socket, Female	
604B	4460464	1	Pin, Male	
604C	4460880	2	Connector, DIN	
604D	4460449	2	Connector, DIN	
605	4922777	1	Platform Valve Harness	1-C
605A	4460880	9	DIN Connector	
605B	4460926	1	Connector - 21 Position	
605B	4460928	13	Socket, Female	
605B	4460466	8	Plug, Hole	
605C	4460897	1	Connector, Female - 2 Position	
605C	4460464	2	Pin, Male	
605D	4460891	1	Plug, Male - 2 Position	
605D	4460465	2	Socket, Female	
606	4922784	1	Jib Stow Switch Harness	B
606A	4460891	1	Plug, Male - 2 Position	
606A	4460465	2	Socket, Female	
607	4922785	1	Dual Capacity Jib Position Switch Harness	B
607A	4460897	1	Connector, Female - 2 Position	

SECTION 7 - ELECTRICAL

ITEM	PART NUMBER	QTY	DESCRIPTION	REV
607A	4460464	2	Pin, Male	
608	4923256	1	Load Sensing Pin Harness	B
608A	4460930	1	Connector, Gray - 8 Position	
608A	4460465	4	Socket, Female	
608A	4460466	3	Plug, Sealing	
608B	See Note	1	Connector, Female - 4 Position, (Note: Not Available for purchase)	
608B	See Note	4	Terminal, (Note: Not available for purchase)	
609	4922946	1	B.L.A.M. Harness	B
609A	4460933	1	Plug, Male - 12 Position (Gray)	
609A	4460466	7	Plug, Seal	
609A	4460944	3	Socket, Female	
609A	4460465	1	Socket, Female	
609A	4460942	1	Socket, Female	
609B	4460837	1	Plug, Female - 12 Position	
609B	4460943	3	Pin, Male (Gold)	
609B	4460464	6	Pin, Male	
609B	4460941	3	Pin, Male	
609C	4460935	1	Plug, Male - 12 Position (Green)	
609C	4460466	5	Plug, Seal	
609C	4460465	2	Socket, Female	
609D	4460836	1	Plug, Male - 12 Position (Black)	
609D	4460466	8	Plug, Seal	
609D	4460944	2	Socket, Female	
609D	4460465	2	Socket, Female	
609E	4460836	1	Plug, Male - 12 Position (Black)	
609E	4460466	6	Plug, Seal	
609E	4460944	5	Socket, Female	
609E	4460465	1	Socket, Female	
609E	4460837	1	Receptacle, Female - 12 Position Buss Bar	
609F	4460836	1	Plug, Male - 12 Position (Black)	
609F	4460466	8	Plug, Seal	
609F	4460465	4	Socket, Female	
609F	4460942	2	Socket, Female	
609F	4460837	2	Receptacle, Female - 12 Position Buss Bar	
609G	4460884	1	Plug, Male 4 Position (Gray)	
609G	4460944	4	Socket, Female	
609H	4460894	1	Plug, Male - 6 Position (Gray)	
609H	4460465	5	Socket, Female	
609H	4460466	2	Plug, Seal	
609I	4460932	1	Plug, Male - 4 Position (Gray)	
609I	4460943	4	Pin, Male	
609J	4460539	1	Plug, Male - 3 Position	
609J	4460944	3	Socket, Female	
609K	4460761	1	Connector, Female - 4 Position	
609K	4460227	4	Pin, Male	
609L	1060698	28	Cable, Electrical 18/4	
		in/71cm		
609M	4460944	4	Socket, Female	
610	4922947	1	Harness, Tilt Sensor #1 (Right)	E
610A	4460911	1	Plug, Male - 3 Position	
610A	4460912	1	Lock, Wedge	

SECTION 7 - ELECTRICAL

ITEM	PART NUMBER	QTY	DESCRIPTION	REV
610A	4460918	3	Pin, Male	
610A	1320309	1	Clamp, Cable	
610A	1560012	1	Nut, Conduit	
610A	1560011	1	Connector, Conduit	
610B	4461013	3	Socket, Female	
611	4922948	1	Harness, Tilt Sensor #2 (Left)	E
611A	4460911	1	Plug, Male - 3 Position	
611A	4460912	1	Lock, Wedge	
611A	4460918	3	Pin, Male	
611A	1320309	1	Clamp, Cable	
611A	1560012	1	Nut, Conduit	
611A	1560011	1	Connector, Conduit	
611B	4461013	3	Socket, Female	
612	4922949	1	Harness, Tower Boom Length Sensors	B
612A	4460539	1	Plug, Male - 3 Position	
612A	4460942	3	Socket, Female (Gold)	
612B	4460539	2	Plug, Male - 3 Position	
612B	4460944	6	Socket, Female (Gold)	
612C	4460934	1	Plug, Male - 12 Position	
612C	4460944	11	Socket, Female (Gold)	
612C	4460466	1	Plug	
613	4922950	1	Harness, B.L.A.M. to #1 Tower Boom Angle Sensor (Right Side)	B
613A	4460884	1	Plug, Male - 4 Position	
613A	4460944	4	Socket, Female (Gold)	
613B	4460911	1	Plug, Male - 3 Position	
613B	4460918	3	Socket, Female	
613B	4460912	1	Lock, Wedge - Position	
614	4922951	1	Harness, B.L.A.M. to #2 Tower Boom Angle Sensor (Left Side)	C
614A	4460932	1	Receptacle, Female - 4 Position	
614A	4460943	4	Pin, Male (Gold)	
614B	4460911	1	Plug, Male - 3 Position	
614B	4460918	3	Socket, Female	
614B	4460912	1	Lock, Wedge - Position	
615	4923373	1	Harness, Tower Boom Fly to Main Boom Base	B
615A	4461009	2	Plug, Male - 5 Position	
615B	4460866	2	Connector - 19 Position	
615B	4460465	24	Socket, Female 16-18 Gauge	
615B	4460509	8	Socket, Female 10-12 Gauge	
615B	4460943	9	Pin, Male (Gold)	
615B	4460466	17	Seal, Plug	
615C	4460613	1	Connector - 21 Position	
615C	4460464	8	Pin, Male 16-18 Gauge	
615C	4460508	AR	Pin, Male 12-14 Gauge	
615C	4460466	AR	Seal, Plug	
615D	4460539	1	Plug, Male - 3 Position	
615D	4460944	3	Socket, Female (Gold)	
615E	4460536	1	Receptacle, Female - 3 Position	
615E	4460943	3	Pin, Male (Gold)	
615F	4461077	1	Plug, Male	
615F	4460918	4	Socket, Female (Gold)	
616	4923170	1	Harness, Main Boom Dual Capacity Switch	C

SECTION 7 - ELECTRICAL

ITEM	PART NUMBER	QTY	DESCRIPTION	REV
616A	4460536	1	Receptacle, Female - 3 Position	
616A	4460943	3	Pin, Male (Gold)	
616B	4460968	2	Connector, Strain Relief	
616B	4360578	2	Switch, Limit	
617	4923171	1	Harness, Main Boom Transport Switches	C
617A	4460539	1	Plug, Male - 3 Position	
617A	4460944	3	Socket, Female (Gold)	
617B	4460968	2	Connector, Strain Relief	
617B	4360578	2	Switch, Limit	
618	4922955	1	Harness, Main Boom Base to Platform	C
618A	4460865	2	Connector - 19 Position	
618A	4460465	22	Socket, Female	
618A	4460509	8	Socket, Female	
618A	4460466	8	Seal, Plug	
618B	4460473	2	Clamp, Cable	
619	4922956	1	Harness, Tower Boom Fly to MTB	D
619A	4460865	1	Connector - 19 Position	
619A	4460465	11	Socket, Female	
619A	4460509	4	Socket, Female	
619A	4460466	4	Seal, Plug	
619B	4460473	2	Clamp, Cable	
620	4923169	1	Harness, Tower Boom Transport Length Switch	A
620	4360579	1	Switch, Limit	
620	4460968	1	Connector, Strain Relief	
621	4922958	1	Harness, Tower Boom Fly to MTB	C
621A	4461003	2	Connector - 21 Position	
621A	4460465	22	Socket, Female	
621A	4460509	8	Socket, Female	
621A	4460466	12	Seal, Plug	
621B	4460473	2	Clamp, Cable	
622	4923382	1	Harness Chassis Power Distribution	B
622A	2400066	1	Fuseholder	
622A	2400065	1	Fuse 30 Amp	
622B	4460891	1	Plug, Male - 2 Position	
622C	4460897	1	Connector, Female - 2 Position	
622C	4460464	2	Pin, Male	
622D	4460942	2	Socket, Female 14-16 GA	
622E	4460374	1	Plug, Sealed	
622E	4460375	5	Terminal	
623	4000008	1	Harness and Switch Main Boom Transport Angle (Includes Switch)	
623A	4461076	1	Receptacle, Female - 4 Position	
623A	4460917	4	Pin, Male (Gold)	
		Ref	STANDARD HARNESS COMPONENTS	
701	See Note	4	Steer Angle Sensor Harness, (Note: Not available for purchase)	
701A	4460536	1 Per Assy	Receptacle, Female - 3 Position	
701A	4460464	3 Per Assy	Pin, Male	
702	1660256	1	Coupling Electrical Components	
702A	See Note	1	Coupling Turntable Harness, (Note: Not available for purchase)	
702B	4460837	1	Connector, Female - 12 Position	
702B	4460466	4	Plug, Socket	

SECTION 7 - ELECTRICAL

ITEM	PART NUMBER	QTY	DESCRIPTION	REV
702B	4460464	3	Pin, Male 16-18 GA	
702B	4460943	3	Pin, Male 16-18 GA (Gold)	
702B	4460941	2	Pin, Male 14-16GA	
702C	See Note	1	Coupling Frame Harness, (Note: Not available for purchase)	
702D	4460836	1	Plug, Male - 12 Position	
702D	4460465	6	Socket, Female 16-18 GA	
702D	4460942	2	Socket, Female 14-16 GA	
702D	4460944	3	Socket, Female 16-18 GA (Gold)	
702D	4460466	1	Plug, Socket	
703	4360505	1	Tower Lift Cylinder Angle Sensor Harness (Includes Switch)	
703A	4460536	1	Receptacle, Female - 3 Position	
703A	4460464	3	Pin, Male	
704		Ref	Platform Level Sensor and Tower Boom Angle Sensor Harnesses (Includes Switch)	
704	4360545	1	Switch, Digital Angle Sensor, (Use p/n 1001133329) (Prior to SN 0300156986)	
704	1001133329	4	Switch Angle Sensor-Digital (SN 0300156986 through 0300184658)	
704	1001133329	4	Switch Angle Sensor-Digital, (Use 1001147479) (SN 0300184659 through 0300201016)	
704A	4460910	4	Connector, Female Deutsch - 3 Position	
704A	4460917	12	Pin, Male	
704A	4460913	4	Lock, Wedge	
705	4360552	2	Tower Boom Length Sensor Harness (Includes Switch)	
705A	4460536	2	Receptacle, Female - 3 Position	
705A	4460464	6	Pin, Male	
706	See Note	1	Controller Harness Assembly (Lift and Swing)	
706A	7022819	1	Connector, Male - 8 Position (Natural)	
706A	4460871	8	Socket, Female	
707	7022824	1	Controller Harness/Circuit Board Assembly (Drive and Steer)	
707A	1001113961	1	Plug, Male - 8 Position (Black) (was p/n 7022825)	
707A	4460871	7	Socket, Female	
708	See Note	1	Speed Control Harness	
708A	4460224	1	Connector, Female - 6 Position	
708A	4460226	5	Socket, Female	
709	0272621	1	Control System Analyzer Installation	A
709	2901443	1	Analyzer/Cable Kit	1
709A	1600244	1	Analyzer	
709B	1060633	1	Cable, Analyzer	1-A
709C	4460321	2	Plug, Male	
709C	4460226	8	Socket, Female	
709C	70003407	2	Backshell	
710	7027796	1	Deutz Harness Components	
710	7020488	2	Connector, Switch	
711	1001120776	1	Caterpillar Harness Components	A
711A	See Note	1	Connector, Female - 6 Position	
712	1001119995	1	Caterpillar Electric Fuel Pump Harness Components	A
712A	4460930	1	Plug, Male - 8 Position	
712A	4460944	6	Socket, Female 16-18GA Gold	
712A	4460465	2	Socket, Female	
712B	1001117024	1	Connector, Metri-Pack 15Amp Fuse	
712C	1001117057	1	Connector, Metri-Pack - 4 Position	

SECTION 7 - ELECTRICAL

ITEM	PART NUMBER	QTY	DESCRIPTION	REV
713	2902292	1	Deutz Engine Battery Cable Kit (Not Shown)	D
713A	7027008	1	Cable, Red (To Aux Pump Relay, Battery Positive Terminal and Start Relay) (Not Shown)	
713B	7027009	1	Cable, Black (To Aux Pump, Battery Negative Terminal and Ground at Tray Pivot) (Not Shown)	
713C	7027010	1	Cable, Red (Aux Pump Relay to Aux Pump) (Not Shown)	
713D	7027011	1	Cable, Black (Tray Pivot to Engine Mount) (Not Shown)	
713E	7024584	1	Cable, Red (Start Relay to Starter) (Not Shown)	
713F	See Note	NLA	Boot, Terminal (Red) (No longer available)	
713G	See Note	NLA	Boot, Square Terminal (Red) (No longer available)	
714	1001116814	1	Caterpillar Engine Battery Cable Kit (Not Shown)	B
714A	7027036	1	Cable, Red (To Aux Pump Relay, Battery Positive Terminal, Glow Plug Solenoid and Starter) (Not Shown)	
714B	7027037	1	Cable, Black (To Aux Pump, Battery Negative Terminal and Ground at Tray Pivot) (Not Shown)	
714C	7027038	1	Cable, Red (Aux Pump Relay to Aux Pump) (Not Shown)	
714D	7027011	1	Cable, Black (Tray Pivot to Engine Block) (Not Shown)	
714E	See Note	NLA	Boot, Terminal (Red) (No longer available)	
714F	See Note	NLA	Boot, Square Terminal (Red) (No longer available)	
715	4923468	1	Harness, Glow Plug	
716	1001120161	1	Harness, Pressure Transducer	
716A	1001120634	1	Cable, Shielded M12	
716B	4460536	1	Receptacle, Female - 3 Position	
716B	4460464	3	Pin, Male	
716C	1001120681	1	Harness, Pressure Transducer	
716D	1060981	20 ft/6.1m	Cable, Electrical 18/3	
716E	4460539	1	Plug, Male - 3 Position	
716E	4460465	3	Socket, Female	
716F	4460871	4	Socket, Female	
717		Ref	Deutz Harness Options:	
717	70001869	1	Deutz Tier III Engines	
717	70001872	1	Deutz Tier IVi	
717	70004061	1	Deutz Harness to Alternator	
717	70004271	1	Deutz Harness to Starter	
		Ref	OPTIONAL HARNESS COMPONENTS	
801		Ref	AC to Platform Receptacle Components Options:	
801		Ref	ANSI Spec	
801	0273462	Ref	110V GFI Receptacle	B
801	0273463	Ref	220V GFI Receptacle	A
801		Ref	ANSI Export and Australian Specs	
801	0273461	Ref	110V (No Plug or Receptacle)	C
801		Ref	CE Spec	
801		Ref	110V	
801	1001091969	Ref	IEC Yellow Receptacle and Plug without 2500W Generator	B
801	1001100326	Ref	IEC Yellow Receptacle with 2500W Generator	C
801		Ref	220V	
801	1001091973	Ref	CEE 7 Post Ground Receptacle and Plug (2x4 Box) without 2500W Generator	C
801	1001100331	Ref	CEE 7 Post Ground Receptacle (2x4 Box) with 2500W Generator	C
801	1001091974	Ref	CEE 7 Side Ground Receptacle and Plug (2x4 Box) without 2500W Generator	C

SECTION 7 - ELECTRICAL

ITEM	PART NUMBER	QTY	DESCRIPTION	REV
801	1001100333	Ref	CEE 7 Side Ground Receptacle (2x4 Box) with 2500W Generator	C
801	1001091975	Ref	AFSINT 107 Keyed Ground Receptacle and Plug (2x4 Box) without 2500W Generator	C
801	1001100337	Ref	AFSINT 107 Keyed Ground Receptacle (2x4 Box) with 2500W Generator	C
801	1001091970	Ref	IEC Blue Receptacle and Plug without 2500W Generator	B
801	1001100327	Ref	IEC Blue Receptacle with 2500W Generator	C
801	1001091971	Ref	CEE 7 Post Ground Receptacle and Plug (70mm x 70mm Box) without 2500W Generator	B
801	1001100328	Ref	CEE 7 Post Ground Receptacle (70mm x 70mm Box) with 2500W Generator	C
801	1001091972	Ref	CEE 7 Side Ground Receptacle and Plug (70mm x 70mm Box) without 2500W Generator	B
801	1001100329	Ref	CEE 7 Side Ground Receptacle (70mm x 70mm Box) with 2500W Generator	C
801A		Ref	Box, Switch Options:	
801A	0860038	1	0273462 & 0273463 Installations	
801A	See Note	1	0273461 Installation, (Note: Not Available - Purchase Locally)	
		Ref	(Note: Not Available - Purchase Locally)	
801A	0861731	1	1001091973, 1001091974, 1001091975, 1001100331, 1001100333 & 1001100337 Installations	
801A	0861781	1	1001091969, 1001091970, 1001100326 & 1001100327 Installations	
		Ref	1001091971, 1001091972, 1001100328 & 1001100329 Installations (Note: Was p/n 0861782 which is no longer available. Use p/n 1001141970 CEE 7 Side Ground Service Kit or p/n 1001141971 CEE 7 Post Ground Service Kit. Kits includes Box p/n 1001141967 and items 801D, 801F, 801G & 801J.)	
801A	1001141967	1	1001100343, 1001100344, 1001141970 & 1001141971 Kits	
801B	1320041	1	Clamp, Cable (0273461, 0273462 & 0273463 Installations)	
801C		Ref	Gasket, Cover Options:	
801C	3960422	1	0273462 & 0273463 Installations	
801C	See Note	1	0273461 Installation	
801C	Not Required		1001091973, 1001091974, 1001091975, 1001091969, 1001091970, 1001091971, 1001091972, 1001100331, 1001100333, 1001100337, 1001100326, 1001100327, 1001100328 & 1001100329 Installations	
801D		Ref	Shield, Cover Options:	
801D	1001110873	1	0273462 Installation	
801D	4060092	1	0273463 Installation	
801D	See Note	1	0273461 Installation, (Note: Cover included with Receptacle - Purchase Receptacle)	
		Ref	(Note: Cover included with Receptacle - Purchase Receptacle)	
801E		Ref	Connector, Strain Relief Options:	
801E	4460051	1	0273462 & 0273463 Installations	
801E	See Note	1	0273461 Installation, (Note: Cover included with Receptacle - Purchase Receptacle)	
801E		Ref	1001091973, 1001091974, 1001091975, 1001100331, 1001100333 & 1001100337 Installations	
801E	1001101196	1	Adapter	
801E	1001101191	1	Strain Relief	

SECTION 7 - ELECTRICAL

ITEM	PART NUMBER	QTY	DESCRIPTION	REV
801E		Ref	1001091969, 1001091970, 1001091971, 1001091972, 1001100326, 1001100327, 1001100328 & 1001100329 Installations	
801E	1001101197	1	Adapter	
801F		Ref	Plug, Male Options (Not used with 2500W Generators):	
801F	4460205	1	0273462 Installation	
801F	4460709	1	0273463 Installation	
801F	See Note	1	0273461 Installation, (Note: Cover included with Receptacle - Purchase Receptacle)	
801F	4461202	1	1001091973 & 1001091971 Installations & 1001100343 & 1001141971 Kits	
801F	4461205	1	1001091974 & 1001091972 Installations & 1001100344 & 1001141970 Kits	
801F	4461249	1	1001091975 Installation	
801F	4461196	1	1001091969 Installation	
801F	4461199	1	1001091970 Installation	
801G		Ref	Receptacle Options:	
801G	4460346	1	0273462 Installation	
801G	4460125	1	0273463 Installation	
801G	See Note	1	0273461 Installation, (Note: Cover included with Receptacle - Purchase Receptacle)	
801G	4461244	1	1001091973 & 1001100331 Installations	
801G	4461245	1	1001091974 & 1001100333 Installations	
801G	4461246	1	1001091975 & 1001100337 Installations	
801G	4461198	1	1001091969 & 1001100326 Installations	
801G	4461201	1	1001091970 & 1001100327 Installations	
801G	4461204	1	1001091971 & 1001100328 Installations (Use p/n 1001100343)	
801G	4461207	1	1001091972 & 1001100329 Installations (Use p/n 1001100344)	
801G	1001141968	1	1001100343 & 1001141971 Kits	
801G	1001141969	1	1001100344 & 1001141970 Kits	
801H		Ref	Cable, Electrical 12/3 Options:	
801H	Not Required		0273462, 0273463, 0273461, 1001091969, 1001091970, 1001091971, 1001091972, 1001091973, 1001091974 & 1001091975	
801H	1060908	10 ft/3m	1001100326, 1001100327, 1001100328, 1001100329, 1001100331, 1001100333 & 1001100337 Installations	
801J		Ref	Receptacle, Female Options (With Powermite Generator Control Box Only):	
801J	4461197	1	1001100326 Installation	
801J	4461200	1	1001100327 Installation	
801J	4461203	1	1001100328 & 1001100331 Installations & 1001100343 & 1001141971 Kits	
801J	4461206	1	1001100329 & 1001100333 Installations & 1001100344 & 1001141970 Kits	
801J	4461250	1	1001100337 Installation	
801K		Ref	Receptacle Box Kit Options:	
801K		Ref	Without Powermite Generator	
801K	0275216	1	Kit for 110V IEC Yellow (Includes Items 801A, 801D, 801F & 801G) (1001091969 Installation)	1
801K	0275217	1	Kit for 220V IEC Blue (Includes Items 801A, 801D, 801F & 801G) (1001091970 Installation)	1

SECTION 7 - ELECTRICAL

ITEM	PART NUMBER	QTY	DESCRIPTION	REV
801K	0275218	1	Kit for 220V CEE 7 Post Ground (Includes Items 801A, 801D, 801F, 801G & 801J) (1001091971 Installation) (Use p/n 1001100343)	B-2
801K	0275219	1	Kit for 220V CEE 7 Side Ground (Includes Items 801A, 801D, 801F, 801G & 801J) (1001091972 Installation) (Use p/n 1001100344)	B-2
801K	0275452	1	Kit for 220V CEE 7 Post Ground (Includes Items 801A, 801D, 801F & 801G) (1001091973 Installation)	1
801K	0275453	1	Kit for 220V CEE 7 Side Ground (Includes Items 801A, 801D, 801F & 801G) (1001091974 Installation)	1
801K	0275454	1	Kit for 220V AFSINT 107 Keyed Ground (Includes Items 801A, 801D, 801F & 801G) (1001091975 Installation)	1
801K		Ref	With Powermite Generator	
801K	1001100341	1	Kit for 110V IEC Yellow (Includes Items 801A, 801D, 801F, 801G & 801J) (1001100326 Installation)	2
801K	1001100342	1	Kit for 220V IEC Blue (Includes Items 801A, 801D, 801F, 801G & 801J) (1001100327 Installation)	2
801K	1001091971	1	Kit for 220V CEE 7 Post Ground (Includes Items 801A, 801D, 801F, 801G & 801J) (1001100328 Installation) (Use p/n 1001100343 Kit)	B
801K	1001091970	1	Kit for 220V CEE 7 Side Ground (Includes Items 801A, 801D, 801F, 801G & 801J) (1001100329 Installation) (Use p/n 1001100344 Kit)	B
801K	1001100345	1	Kit for 220V CEE 7 Post Ground (Includes Items 801A, 801D, 801F, 801G & 801J) (1001100331 Installation)	2
801K	1001100347	1	Kit for 220V CEE 7 Side Ground (Includes Items 801A, 801D, 801F, 801G & 801J) (1001100333 Installation)	2
801K	1001100346	1	Kit for 220V AFSINT 107 Keyed Ground (Includes Items 801A, 801D, 801F, 801G & 801J) (1001100337 Installation)	2
802		Ref	Generator Electrical Components	
802	1001120381	AR	Caterpillar/Deutz Engine -110V/220V - 60Hz	
802	1001120382	AR	Deutz Engine - 110V/220V - 50Hz	
802	1001122424	AR	Caterpillar Engine - 110V/220V - 50Hz	
802A	4922641	1	Harness - On/Off Switch	
802B	4460226	2	Socket, Female	
802C	1001120378	1	Powermite Control Box to Relay Harness	
802C	4460374	1	Plug, Sealed	
802C	4460375	4	Terminal	
802C	4460465	1	Socket, Female 16-18 GA	
802D	4460027	1	Receptacle, Twist Lock (110V Only)	
802E	4460961	1	Connector, Female - 4 Position (60Hz Only)	
802E	4460705	4	Pin, Male	
802F	4460321	1	Connector, Male - 4 Position (60Hz Only)	
802F	4460906	4	Socket, Female	
802G	7020193	1	Harness, Generator Ground Power	
		Ref	Note: Harness used to connect AC at platform harness to generator receptacle.	
803	4921829		110V GFI Receptacle (ANSI and CSA Specs)	-
803	4921954		220V GFI Receptacle (ANSI and CSA Specs)	2
803	4921956		220V GFI Receptacle ANSI Export, Australian and CE Specs	1
803		Ref	Cable, Electrical - 12/3 Options:	
803	1060494	20 ft/6.1m	ANSI Spec	
803	1060461	20 ft/6.1m	ANSI Export Spec	
803A		Ref	Plug, Male Options:	

SECTION 7 - ELECTRICAL

ITEM	PART NUMBER	QTY	DESCRIPTION	REV
803A	4460205	1	110V GFI (ANSI Spec)	
803A	4460233	1	220V GFI (ANSI Spec)	
803A	See Note	1	ANSI Export Spec	
803B		Ref	Receptacle, Female Options:	
803B	4460134	1	110V GFI (ANSI Spec)	
803B	4460701	1	220V GFI (ANSI Spec)	
803B	See Note	1	ANSI Export Spec	
804		Ref	Strobe Light Harness (Includes Strobe Light) Options:	
804	0272507	1	Assembly, Strobe Lamp (Prior to SN 0300171403)	B
804	2920161	1	Lamp, Strobe Beacon (SN 0300171403 through 0300201016)	B
804A	4460320	1	Connector, Female - 2 Position (Strobe Light - 0272507)	
804A	4460267	2	Pin, Male (Strobe Light - 0272507)	
804B	4460891	1	Connector, Male - 2 Position (Strobe Light - 2920161)	
804B	4460465	2	Socket, Female (Strobe Light - 2920161)	
805	See Note	1	Alarm Harness (Includes Alarm)	
805A	4460424	1	Plug, Male - 2 Position	
805A	4460268	2	Socket, Female	
806	4922738	1	Headlight and Taillight and Chassis Illumination Lights Harness	1-A
806A	4460374	1	Plug, Sealed	
807		Ref	Floodlights Harness Components	
807A	4460320	2	Plug, Male - 2 Position	
807A	4460227	4	Pin, Male	
807B	4922764	1	Floodlight Harness (Lights to Switch)	
807C	4460424	2	Connector, Female - 2 Position	
807C	4460226	4	Socket, Female	
807D	4360232	1	Breaker, Circuit - 15 Amp	
807E	4460425	1	Connector, Strain Relief	
807F	1001098449	1	Light Harness (Main Boom)	A
807G	1001098234	1	Connector, Female	
807H	1001098448	1	Light Harness (Tower Boom)	A
807I	1001098349	1	Connector, Male	
808		Ref	Work Lights Harness Components	
808A	2400066	1	Fuseholder	
808A	2400070	AR	Fuse 20 Amp	
808B	See Note	2	Work Light Harness (Supplied with Work Light)	
808C	4460426	1	Connector, Strain Relief	
808D	1001098449	1	Light Harness (Main Boom)	A
808E	1001098234	1	Connector, Female	
808F	1001098448	1	Light Harness (Tower Boom)	A
808G	1001098349	1	Connector, Male	
808H	2820035	9 ft/2.8m	Tubing, Insulate	
809		Ref	7500W SkyPower Generator Installations	
809		Ref	Deutz Engine	
809	1001125427	Ref	60Hz	B
809	1001125428	Ref	50Hz	B
809		Ref	Caterpillar Engine	
809	1001117508	Ref	60Hz	E
809	1001121889	Ref	50Hz	B
809A		Ref	Receptacle, Female Twist-Lock Options:	
809A	4460958	1	60Hz Spec (Prior to SN 0300182753)	
809A	See Note	1	50Hz Spec	

SECTION 7 - ELECTRICAL

ITEM	PART NUMBER	QTY	DESCRIPTION	REV
809B		Ref	Gasket Options:	
809B	3960422	2	60Hz Spec	
809B	See Note	2	50Hz Spec	
809C		Ref	Cover, Receptacle Options:	
809C	1001110873	1	60Hz Spec	
809C	See Note	1	50Hz Spec	
809D		Ref	Cover, Receptacle Options:	
809D	1001110872	1	60Hz Spec (Prior to SN 0300182753)	
809D	See Note	1	50Hz Spec	
809E		Ref	Receptacle Options:	
809E	4460346	1	60Hz Spec	
809E	See Note	1	50Hz Spec	
809F	4460051	1	Connector, Strain Relief (Prior to SN 0300182753)	
809G	4460071	1	Connector, Strain Relief	
809H	4922972	1	Harness, Generator	B
809I	77363233	1	Plug, Male - 6 Position	
809I	4460465	6	Socket, Female	
809J	4460225	1	Plug, Male - 6 Position	
809J	4460226	6	Socket, Female	
810		Ref	7500W SkyPower Generator Junction Box Components	
810	0861542	Ref	60Hz Spec	C
810	0861567	Ref	50Hz Specs	B
810A		Ref	Cable, Electrical 12/3	
810A	1060494	2 ft/.6m	60Hz Spec	
810A	See Note	2 ft/.6m	50Hz Spec	
810B		Ref	Cable, Electrical 10/3	
810B	1060708	2.5 ft/.76m	60Hz Spec	
810B	See Note	2.5 ft/.76m	50Hz Spec	
810C	1060343	1.5 ft/.46m	Cable, Electrical 10/4 (60Hz Spec Only)	
810D	4460425	2	Connector, Strain Relief	
810E		Ref	Component Options:	
810E	4460426	2	Connector, Strain Relief (60Hz Spec Only)	
810E	4460426	1	Connector, Strain Relief (50Hz Spec Only)	
810E	3520189	1	Plug (50Hz Spec Only)	
810F	1671092	1	Cover (60Hz Spec Only)	
810F	4460963	1	Connector (60Hz Spec Only)	
811	1001122528	Ref	7500W Generator Electrical Diagram Components	B
811A	1001119968	1	Generator Harness	C
811B	4460967	1	Plug, Male - 3 Position	
811B	4460465	3	Socket, Female	
811C	1001117078	1	Connector, Metri-Pack W/5Amp Fuse	
811D	4922641	1	Switch Harness	
811E	4460226	2	Socket, Female	
812		Ref	AC Breaker Box Installation (CE Spec) Options:	
812	1001096163	Ref	Without Powermite Generator Control Box	C
812	1001109557	Ref	With Powermite Generator Control Box	A
812A	1320041	1	Clamp, Cable	
812B	1001096172	1	Bracket, Circuit Breaker Box	
812C		Ref	Box Kit, Circuit Breaker Options:	

SECTION 7 - ELECTRICAL

ITEM	PART NUMBER	QTY	DESCRIPTION	REV
812C	1001109654	1	Without Powermite Generator Control Box	
812C	1001109648	1	With Powermite Generator Control Box	
812C	See Note	1	Machines with 1 Circuit Breaker	
		Ref	Note: Kit with a single large breaker. Replace with 2 breakers. For machines WITH Powermite Generator Control Box use qty 1 each of p/ns 1001109447 & 1001109482. For machines WITHOUT Powermite Generator Control Box use qty 1 each of p/ns 1001109475 & 1001109482.	
812C		Ref	Machines with 2 Circuit Breakers	
812C	1001109475	NLA	Breaker 16A (Use p/n 1001181045 - 16Amp/30mAmp Combination)	
812C	1001109477	NLA	Breaker 10A (Use p/n 1001181046 - 10Amp/30mAmp Combination)	
812C	1001109482	NLA	Breaker 30mA (Use p/n 1001181046 - 10Amp/30mAmp Combination or p/n 1001181045 - 16Amp/30mAmp Combination)	
812C	0861880	1	Box, Breaker	
812C	4460956	1	Barrier, Terminal Block End	
812C	4460957	1	Block, Terminal	
812D	1001101191	1	Connector, Strain Relief	
812E	1001097150		Connector, Strain Relief	
812F	1060908	12 ft/3.6m	Cable, Electrical 12/3	
812G	0903484	1	Bracket, AC Receptacle	
813	1001111914	1	ClearSky Telematics Harness (Standard on Machines delivered in North America. Optional on all other machines.)	B
813A	70020808	1	Plug, Male - 23 Position	
813A	4460871	5	Socket	
813A	4460905	18	Plug, Seal	
813B	4460539	2	Plug, Male - 3 Position (Includes Wedge Lock and Seal)	
813B	4460944	6	Socket	
813B	77363244	2	WEDGE LOCK	
813C	4460945	1	Bulkhead, 3 Way Female	
813C	1001129408	1	Plug, Male - 3 Position with 120 ohm Resistor (Includes Wedge Lock)	
813D	1001112612	1	Connector, Diagnostic	
813D	4460943	2	Pin	
813D	4460464	2	Pin	
813D	4460466	2	Plug, Seal	
813D	1001106736	1	Cap, Dust	
813E	1001112796	1	Connector, Diagnostic	
813E	4460944	2	Socket	
813E	4460466	2	Plug, Seal	
814	70002296	1	Harness, Telematics Antenna (Includes Antenna) (Note: No other parts available)	B
815	1001149818	1	Strobe Light Harness (SN 0300171640 through 0300201016)	A
815A	4460320	1	Connector, Female - 2 Position	
815A	4460267	2	Pin, Male	
815B	4460897	1	Connector, Female - 2 Position	
815B	4460464	2	Pin, Male	
		Ref	TOOLS (NOT SHOWN)	
	7002821	1	Crimper (For Wire to Pin/Socket Connections)	
	7002823	1	Extractor (For Removal of Pin/Socket from Connectors)	

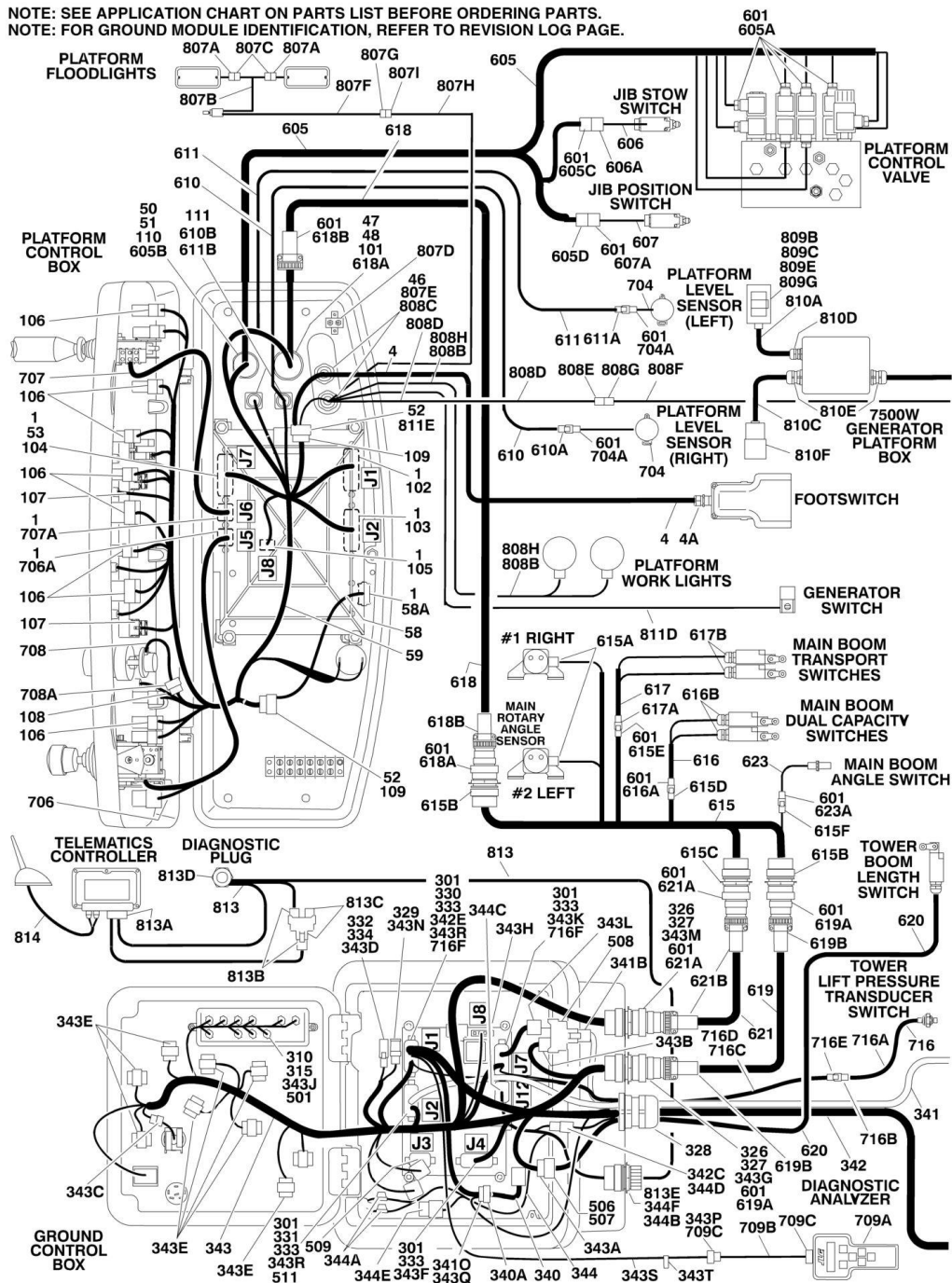
SECTION 7 - ELECTRICAL

ITEM	PART NUMBER	QTY	DESCRIPTION	REV
	4460467	1	Extractor, Pin (Blue 16-18 Gauge) (For Removal of Pin/Socket from Connectors)	
	4460510	1	Extractor, Pin (Yellow 12-14 Gauge) (For Removal of Pin/Socket from Connectors)	
	7002828	1	Stripper, Wire	

SECTION 7 - ELECTRICAL

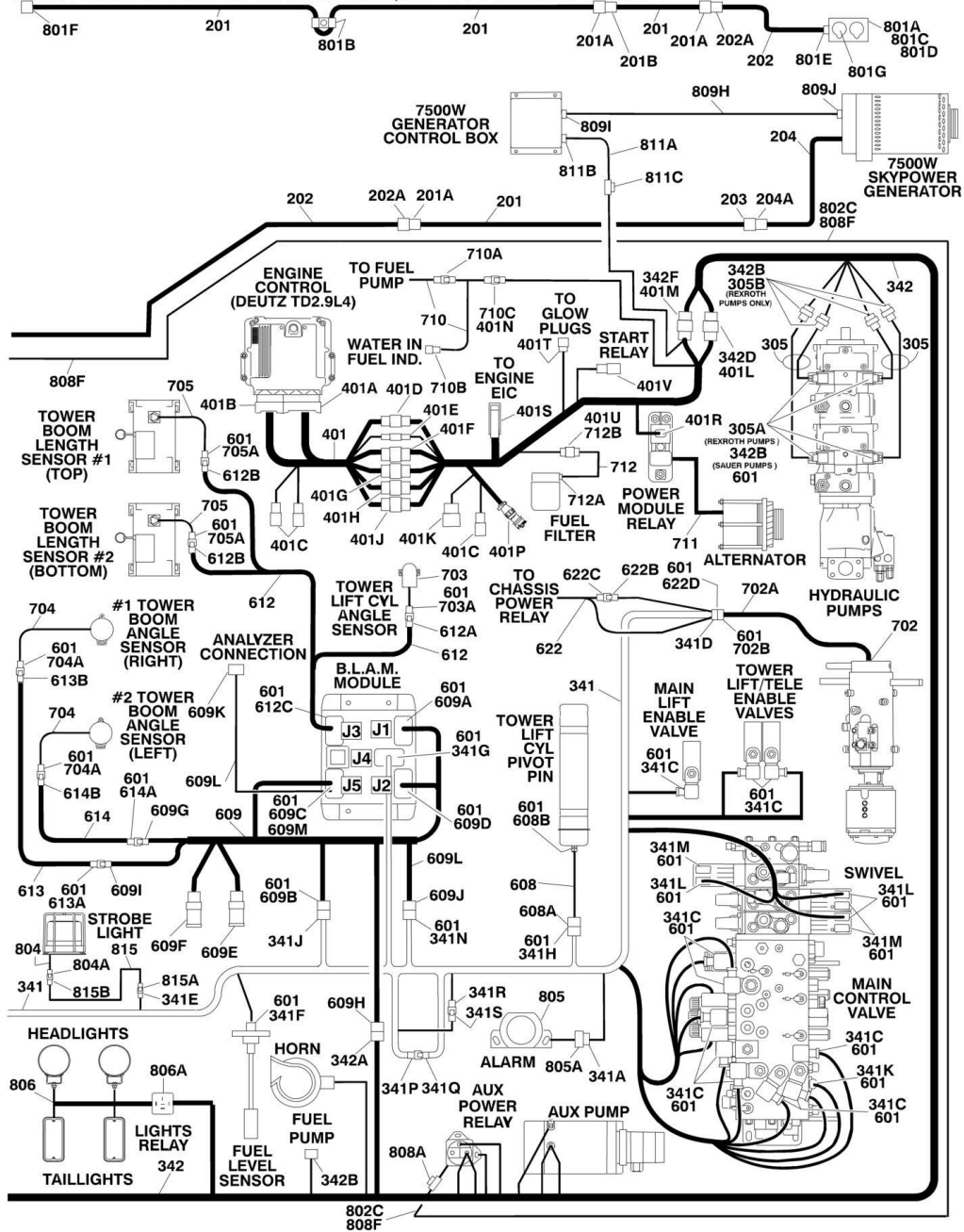
FIGURE 7-5. HARNESS COMPONENTS INSTALLATION (WITH UGM)

NOTE: SEE APPLICATION CHART ON PARTS LIST BEFORE ORDERING PARTS.
 NOTE: FOR GROUND MODULE IDENTIFICATION, REFER TO REVISION LOG PAGE.



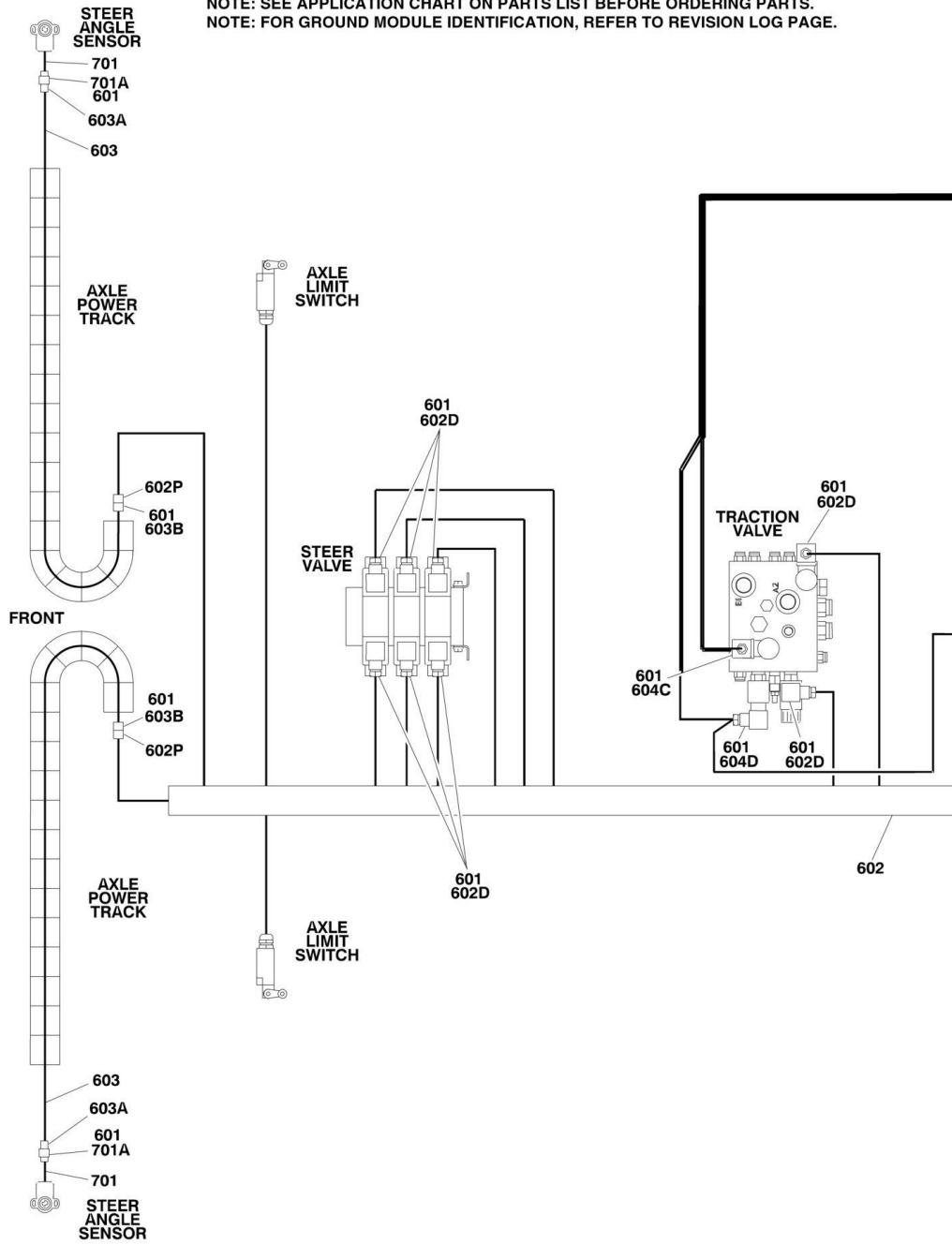
SECTION 7 - ELECTRICAL

NOTE: SEE APPLICATION CHART ON PARTS LIST BEFORE ORDERING PARTS.
NOTE: FOR GROUND MODULE IDENTIFICATION, REFER TO REVISION LOG PAGE.



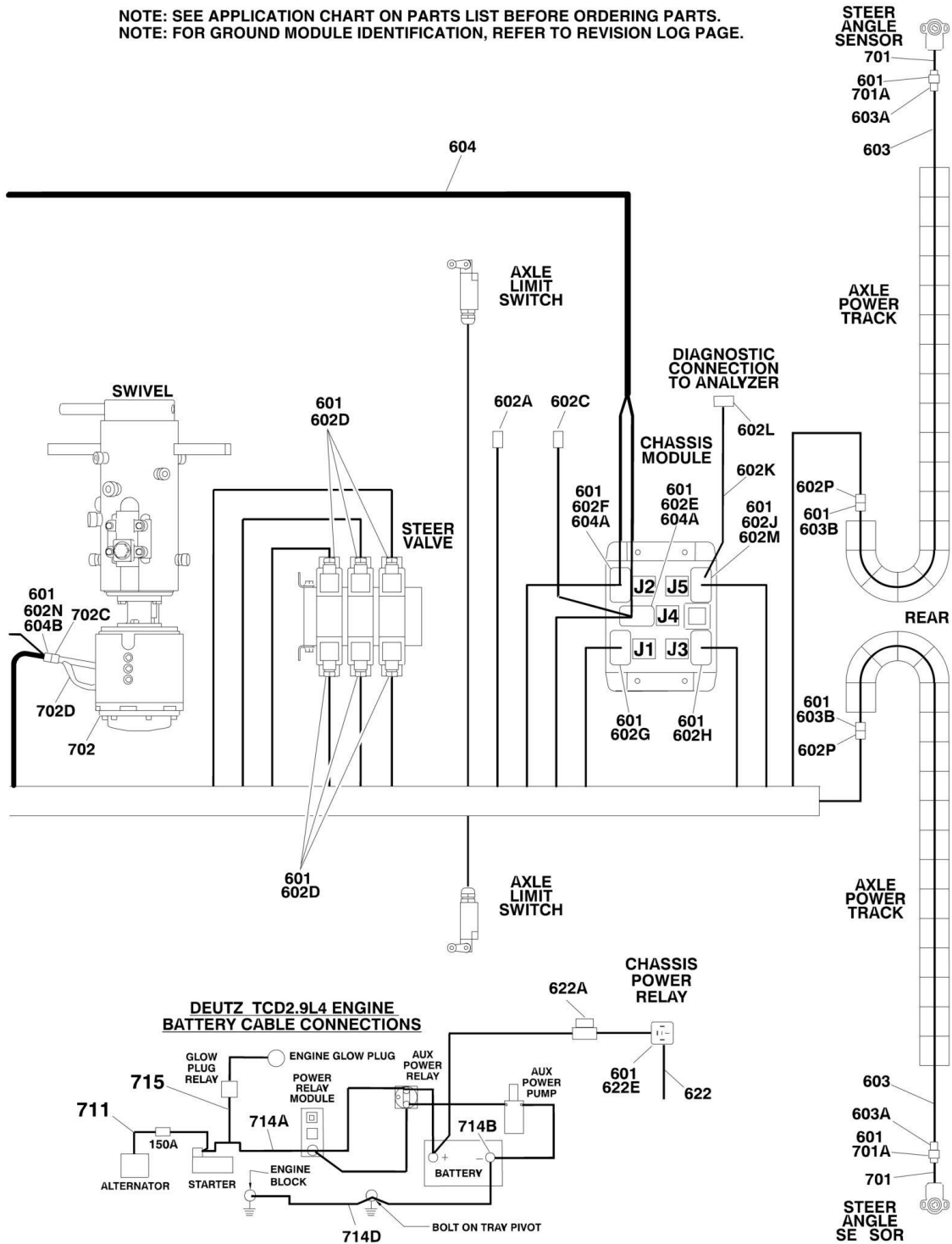
SECTION 7 - ELECTRICAL

NOTE: SEE APPLICATION CHART ON PARTS LIST BEFORE ORDERING PARTS.
 NOTE: FOR GROUND MODULE IDENTIFICATION, REFER TO REVISION LOG PAGE.



SECTION 7 - ELECTRICAL

NOTE: SEE APPLICATION CHART ON PARTS LIST BEFORE ORDERING PARTS.
 NOTE: FOR GROUND MODULE IDENTIFICATION, REFER TO REVISION LOG PAGE.



SECTION 7 - ELECTRICAL

FIGURE 7-5. HARNESS COMPONENTS INSTALLATION (WITH UGM)

ITEM	PART NUMBER	QTY	DESCRIPTION	REV
		Ref	APPLICATION CHART - USE THIS FIGURE FOR:	
		Ref	Deutz TCD2.9L4 Engine Machines with UGM	
		Ref	PLATFORM CONSOLE BOX COMPONENTS	
1	0100048	AR	Grease, Dielectric	
4	0272970	1	Footswitch and Harness Assembly	
4	1060918	7 ft/2.14m	Cable, Electrical - 18/3	
4A	4460071	1	Connector, Strain Relief	
46	4460428	2	Connector, Strain Relief	
47	4460470	1	Nut, Terminal	
48	4460471	1	Lockwasher, Terminal	
50	4460496	1	Lockwasher, Terminal	
51	4460497	1	Nut, Terminal	
52	4460708	2	Receptacle, Female - 15 Position	
53	4460905	5	Seal, Plug	
58	4922666	1	Harness, Analyzer Cable	2-B
58	4460226	4	Socket, Female (Not Shown - Located at J2)	
58A	4460761	1	Connector, Female - 4 Position	
58A	4460227	4	Pin, Male	
59	4923448	1	Harness, Platform Box (See Items 101-111 for Breakdown)	
	4923448	Ref	PLATFORM BOX HARNESS ASSEMBLY	3-B
101	4460866	1	Connector - 19 Pin	
101	4460464	7	Pin, Male Deutsch 16 Ga	
101	4460508	4	Pin, Male Deutsch 12 Ga	
101	4460943	3	Pin, Male 16 Ga (Gold Plated - Used on 3 Wire Canbus Cable)	
102	4460874	1	Connector - 35 Position (Natural)	
102	4460871	AR	Socket, Female	
102	4460905	AR	Plug	
103	4460876	1	Connector - 35 Position (Blue)	
103	4460871	AR	Socket, Female	
103	4460905	AR	Plug	
104	4460873	1	Connector - 35 Position (Black)	
104	4460871	AR	Socket, Female	
104	4460905	AR	Plug	
105	4460879	1	Connector, Male - 2 Position	
105	4460887	2	Terminal (12 Gauge)	
106	4460418	12	Connector, Female - 6 Position	
106	4460419	36	Socket, Female	
107	4460225	4	Plug, Male - 6 Position	
107	4460226	21	Terminal (16 Gauge)	
108	4460225	1	Plug, Male - 6 Position	
108	4460227	5	Pin, Male	
109	4460434	2	Plug, Male - 15 Position	
109	4460227	13	Pin, Male	
110	4460925	1	Connector - 21 Pin	
110	4460929	13	Pin, Male Deutsch 16 Ga	
110	4460466	8	Plug	
111	1001121616	2	Connector, 6 Position	
111	1001121615	2	Base, Mounting	
		Ref	BOOM CABLES INSTALLATION	

SECTION 7 - ELECTRICAL

ITEM	PART NUMBER	QTY	DESCRIPTION	REV
	0273474	Ref	ANSI, ANSI Export, CSA and Japanese Specs Without 4000W or 7500W Generator	B
	0273475	Ref	Australian and CE Specs Without 4000W or 7500W Generator	D
	1001161049	Ref	ANSI, ANSI Export, CSA and Japanese Specs With 4000W Generator	A
	1001180951	Ref	Australian, CE and Japanese Specs With 4000W Generator	A
	0273476	Ref	ANSI and ANSI Export Specs With 7500W Generator	C
201		Ref	Tower Boom AC Harness Options:	
201		Ref	Without 4000W or 7500W Generator	
201	4923642	1	Harness, Upper (Located in Tower Boom) (ANSI, ANSI Export, CSA and Japanese Specs)	
201	4923643	1	Harness, Lower (Located in Turntable) (ANSI, ANSI Export, CSA and Japanese Specs)	
201	4923640	1	Harness, Upper (Located in Tower Boom) (Australian and CE Specs)	
201	4923641	1	Harness, Lower (Located in Turntable) (Australian and CE Specs)	
201		Ref	With 4000W Generator	
201	1001161043	1	Harness, Upper (Located in Tower Boom) (ANSI, ANSI Export, CSA and Japanese Specs)	
201	4923640	1	Harness, Upper (Located in Tower Boom) (Australian, CE and Japanese Specs)	
201		Ref	With 7500W Generator	
201	4923384	1	Harness, Upper (Located in Tower Boom) (ANSI and ANSI Export Specs)	
201A		Ref	Receptacle, Female Options:	
201A	4460134	AR	ANSI, ANSI Export, CSA and Japanese Specs (Without 4000W or 7500W Generator)	
201A	4460710	AR	Australian and CE Specs (Without 4000W or 7500W Generator)	
201A	4460963	AR	ANSI, ANSI Export, CSA and Japanese Specs (With 4000W Generator)	
201A	4460710	AR	Australian, CE and Japanese Specs (With 4000W Generator)	
201A	4460960	AR	ANSI and ANSI Export Specs (With 7500W Generator)	
201A	1671093	AR	Cover, Female Connector	
201B		Ref	Plug, Male Options:	
201B	4460205	1	ANSI and ANSI Export Specs (Without 4000W or 7500W Generator)	
201B	4460709	1	Australian and CE Specs (Without 4000W or 7500W Generator)	
201B	1671092	1	Cover, Male Connector (Without 4000W or 7500W Generator)	
202		Ref	Main Boom AC Harness Options:	
202	4922981	Ref	ANSI, ANSI Export, CSA and Japanese Specs (Without 4000W or 7500W Generator) (10/3 Cable)	A
202	4922983	Ref	Australian and CE Specs (Without 4000W or 7500W Generator) (10/3 Cable)	B
202	1001161042	Ref	ANSI, ANSI Export, CSA and Japanese Specs (With 4000W Generator) (8/4 Cable)	A
202	4922983	Ref	Australian, CE and Japanese Specs (With 4000W Generator) (10/3 Cable)	B
202	4922962	Ref	ANSI and ANSI Export Specs (With 7500W Generator) (8/5 Cable)	C
202A		Ref	Plug, Female Options:	

SECTION 7 - ELECTRICAL

ITEM	PART NUMBER	QTY	DESCRIPTION	REV
202A	4460205	1	ANSI, ANSI Export, CSA and Japanese Specs (Without 4000W or 7500W Generator)	
202A	4460709	1	Australian and CE Specs (Without 4000W or 7500W Generator)	
202A	4460962	1	ANSI, ANSI Export, CSA and Japanese (With 4000W Generator Only)	
202A	4460709	1	Australian, CE and Japanese Specs (With 4000W Generator)	
202A	4460959	1	ANSI and ANSI Export Specs (With 7500W Generator Only)	
202A	1671092	1	Cover, Male Connector (Australian and CE Specs Without 4000W or 7500W Generator Only)	
203		Ref	Plug, Male Options:	
203	4460962	1	ANSI, ANSI Export, CSA and Japanese Specs (With 4000W Generator Only)	
203	4460959	1	ANSI and ANSI Export Specs (With 7500W Generator)	
203	1671092	1	Cover, Male Connector (With 4000W and 7500W Generator Only)	
204		Ref	Turntable Cable Harness Options:	
204	1001161045	1	ANSI, ANSI Export, CSA and Japanese Specs (With 4000W Generator Only)	A
204	4923385	1	ANSI and ANSI Export Specs (With 7500W Generator Only)	B
204A	4460963	1	Plug, Female (With 4000W Generator Only)	
204A	4460960	1	Plug, Female (With 7500W Generator Only)	
204A	1671093	1	Cover, Female Connector (With 4000W and 7500W Generator Only)	
	1001119376	Ref	GROUND CONTROL BOX COMPONENTS	M
301	0100048	AR	Grease, Dielectric	
305	1001119456	2	Harness, Pump Adapter (Machines with Rexroth Pumps Only) (P/N 1001119456 Includes 2 Adapter Harnesses. Total of qty 4 required)	B
305A	4460880	4	DIN Connector (1 per Harness)	
305B	4460897	4	Connector, Female - 2 Position	
305B	4460464	8	Pin, Male	
310	1670829	1	Bezel	
315	2760105	1	Housing, Light	
326	4460470	2	Nut, Terminal	
327	4460471	2	Washer, Terminal	
328	4460526	1	Connector, Strain Relief	
329	4460837	1	Receptacle, Female - 12 Position	
330	4460874	1	Connector, White/Natural - 35 Position	
331	4460875	1	Connector, Gray - 35 Position	
332	4460892	1	Connector, Buss Bar - 6 Position	
333	4460905	4	Plug, Connector	
334	4460914	2	Base, Terminal	
340	4923036	1	Relay and Harness	B
340	3740143	1	Relay	
340A	4460931	1	Receptacle, Female - 8 Position	
340A	4460943	8	Pin, Male	
341	4923397	1	Valve Harness Assembly	B
341A	4460320	1	Plug, Male - 2 Position	
341A	4460267	2	Pin, Male	
341B	4460965	1	Plug, Male - 3 Position	
341B	4460944	3	Socket, Female	
341C	4460880	14	DIN Connector	

SECTION 7 - ELECTRICAL

ITEM	PART NUMBER	QTY	DESCRIPTION	REV
341D	4460836	1	Plug, Male - 12 Position (Black)	
341D	4460466	4	Plug, Socket	
341D	4460465	3	Socket, Female	
341D	4460942	2	Socket, Female 14-16 GA	
341D	4460944	3	Socket, Female 16-18 GA (Gold)	
341E	4460424	1	Connector, Female - 2 Position	
341E	4460268	2	Socket, Female	
341F	4460843	1	Plug, Male - 2 Position	
341F	4460842	2	Socket, Female	
341G	4460930	1	Plug, Male - 8 Position	
341G	4460944	5	Socket, Female (Gold)	
341G	4460466	3	Plug, Socket	
341G	0840062	1	Boot, Deutsch	
341H	4460931	1	Connector, Female - 8 Position (Gray)	
341H	4460943	5	Pin, Male (Gold)	
341H	4460466	3	Plug, Socket	
341J	4460933	1	Plug, Male - 12 Position (Gray)	
341J	4460465	7	Socket, Female	
341J	4460942	5	Socket, Female 14-16 GA	
341K	4460891	1	Plug, Male - 2 Position	
341K	4460465	2	Socket, Female	
341L	4461004	3	Plug, Male - 4 Position (Black)	
341L	4461005	12	Terminal	
341L	4461006	12	Seal	
341M	4461007	3	Plug, Male - 4 Position (Gray)	
341M	4461008	12	Plug, Hole	
341N	4460536	1	Connector, Female - 3 Position	
341N	4460943	3	Pin, Male (Gold)	
341N	1060698	AR	Cable 18/4	
341O	4460944	2	Socket, Female	
341P	4460539	1	Plug, Male - 3 Position	
341P	4460944	3	Socket, Female (Gold)	
341Q	4460536	1	Connector, Female - 3 Position	
341Q	4460943	3	Pin, Male (Gold)	
341R	4460539	1	Plug, Male - 3 Position	
341R	4460944	3	Socket, Female (Gold)	
341S	4460536	1	Connector, Female - 3 Position	
341S	4460943	3	Pin, Male (Gold)	
342	1001119529	1	Harness, Ground Control to Engine	D
342A	4460899	1	Connector, Female - 6 Position	
342A	4460464	5	Pin, Male	
342A	4460466	1	Plug, Terminal	
342B	4460891	5	Plug, Male - 2 Position	
342B	4460465	10	Socket, Female	
342C	4460539	1	Plug, Male - 3 Position	
342C	4460944	3	Socket, Female (Gold)	
342D	4460931	1	Connector, Female - 8 Position	
342D	4460464	AR	Pin, Male	
342D	4460466	1	Plug, Terminal (Prior to SN 0300170411)	
342E	4460871	AR	Socket, Female	
342F	4460899	1	Connector, Female - 6 Position	

SECTION 7 - ELECTRICAL

ITEM	PART NUMBER	QTY	DESCRIPTION	REV
342F	4460464	5	Pin, Male	
342F		Ref	Terminal Options:	
342F	4460466	1	Plug, Terminal (Prior to SN 0300162288)	
342F	4460943	1	Pin, Male (Gold) (SN 0300162288 through 0300201016)	
343	1001120181	1	Ground Control Box Harness Assembly	B
343	3990001	2	Diode - 3 Amp (Not Shown - Located at Power Down Relay)	
343A	4460225	1	Plug, Male - 6 Position	
343A	4460227	5	Pin, Male	
343B	4460965	1	Plug, Male - 3 Position (Blue Lock)	
343B	4460944	3	Socket, Female	
343B	4922099	2 ft/.6m	Cable, Can-Buss	
343C	2400066	1	Fuseholder with Cover	
343C	2400065	1	Fuse	
343D	4460894	1	Plug, Male - 6 Position	
343D	4460465	1	Socket, Female 16-18GA	
343E	4460418	9	Connector, Female - 6 Position	
343E	4460419	25	Socket, Female	
343F	4460876	1	Connector, Blue - 35 Position	
343F	4460871	33	Socket, Female	
343G	4460866	1	Connector - 19 Pin	
343G	4460464	10	Pin, Male Deutsch 16 Ga	
343G	4460508	3	Pin, Male Deutsch 12 Ga	
343H	4460878	1	Plug, Male - 4 Position	
343H	4460887	3	Terminal (12 Gauge)	
343J	4120035	10	Base, Light	
343J	4460634	10	Terminal (16 Gauge)	
343J	4460635	10	Terminal (12 Gauge)	
343K	4460873	1	Connector, Black - 35 Position	
343K	4460871	14	Socket, Female	
343L	4460966	1	Plug, Male - 3 Position (Green Lock)	
343L	4460944	3	Socket, Female	
343L	4922099	2 ft/.6m	Cable, Can-Buss	
343M	4460613	1	Connector - 21 Pin	
343M	4460464	8	Pin, Male Deutsch 16 Ga	
343M	4460941	2	Pin, Male Deutsch 14 Ga	
343N	4460836	1	Plug, Male - 12 Position	
343N	4460465	3	Socket, Female 16-18GA	
343P	4460761	1	Connector, Female - 4 Position	
343P	4460227	4	Pin, Male	
343Q	4460930	1	Plug, Male - 8 Position	
343Q	4460944	6	Socket, Female 16-18GA Gold	
343R	4460871	17	Socket, Female	
343S	1060698	3 ft/.9m	Cable 18/4	
343T	1001096076	1	Decal, Troubleshooting (Not Shown)	
344	1001114438	1	Harness, ClearSky Ready	A
344A	2400060	2	Fuseholder with Cover	
344A	2400064	2	Fuse 5Amp	
344B	1001112612	1	Receptacle, Female - 9 Position	
344B	4460464	6	Pin, Male	
344B	4460466	3	Plug, Sealing	
344C	1001113961	1	Plug, Male - 8 Position	

SECTION 7 - ELECTRICAL

ITEM	PART NUMBER	QTY	DESCRIPTION	REV
344C	4460871	5	Socket, Female	
344C	4460905	3	Plug, Sealing	
344D	4460536	1	Receptacle, Female - 3 Position	
344D	4460464	3	Pin, Male	
344E	4460933	1	Plug, Male - 12 Position	
344E	4460465	9	Socket, Female	
344E	4460466	3	Plug, Sealing	
344E	4460898	1	Connector, Female Bussbar - 9 Position	
344F	1001106736	1	Cap, Dust	
345	1001119567	1	Ground Control Wiring Diagram (Not Shown - See Items 501 thru 511 for Breakdown)	
401	1001138346	Ref	ENGINE HARNESS ASSEMBLY	E
401A	1001133956	1	Connector (Includes Cover, Locks and Retention Plate)	
401A	1001126352	6	Terminal	
401A	1001126353	6	Seal, Terminal	
401A	1001126384	18	Terminal	
401A	1001126351	1	Terminal	
401A	1001126356	65	Plug, Seal	
401A	1001126357	3	Plug, Seal	
401B	1001133957	1	Connector (Includes Cover, Locks and Retention Plate)	
401B	1001126384	17	Terminal	
401B	1001126351	13	Terminal	
401B	1001126356	18	Plug, Seal	
401B	1001126357	8	Plug, Seal	
401C	4461070	3	Receptacle, Female With Resistor (3 Position)	
401C	4461095	6	Plug, Male - 3 Position	
401C	4460944	6	Socket, Female	
401C	4460466	2	Seal, Plug	
401D	4460930	1	Plug, Male - 8 Position	
401D	4460944	5	Socket, Female (Gold)	
401D	4460465	2	Socket, Female	
401D	4460466	1	Seal, Plug	
401D	4460931	1	Receptacle, Female - 8 Position	
401D	4460943	8	Pin, Male (Gold)	
401D	4460464	8	Pin, Male	
401E	1001116707	1	Plug, Male - 1 Position	
401E	91143340	1	Terminal	
401E	1001116967	1	Receptacle, Female - 1 Position	
401E	91143339	1	Terminal	
401F	4460935	1	Plug, Brown - 12 Position	
401F	4460465	12	Socket, Female	
401F	4460982	1	Receptacle, Female - 12 Position	
401F	4460464	12	Pin, Male	
401G	4460933	1	Plug, Gray - 12 Position	
401G	4460942	12	Socket, Female	
401G	4460970	1	Receptacle, Female - 12 Position	
401G	4460941	12	Pin, Male	
401H	4460934	1	Plug, Green - 12 Position	
401H	4460465	10	Socket, Female	
401H	4460466	2	Seal, Plug	
401H	1001152762	1	Receptacle, Female - 12 Position	
401H	4460464	10	Pin, Male	

SECTION 7 - ELECTRICAL

ITEM	PART NUMBER	QTY	DESCRIPTION	REV
401J	4460836	1	Plug, Black - 12 Position	
401J	4460465	8	Socket, Female	
401J	4460466	4	Seal, Plug	
401J	4460950	1	Receptacle, Female - 12 Position	
401J	4460464	8	Pin, Male	
401K	80484084	1	Receptacle, Female - 8 Position	
401K	8229242	1	Fuse - 5A	
401K	80983191	1	Fuse - 10A	
401K	1001147264	1	Cap	
401K	1001116727	8	Plug	
401K	4460458	4	Seal	
401L	4460894	1	Plug, Male - 6 Position	
401L	4460465	3	Socket, Female	
401L	4460944	2	Socket, Female	
401L	4460466	1	Seal, Plug	
401M	4460930	1	Connector, Female - 8 Position	
401M	4460465	1	Socket, Female	
401M	4460466	7	Plug, Seal	
401N	4460884	1	Plug, Male - 4 Position	
401N	4460465	2	Socket, Female	
401N	4460942	2	Socket, Female	
401P	2902443	1	Kit, Receptacle	
401P	4461071	8	Terminal, Female (Gold)	
401P	4461072	1	Connector, Flange Mount	
401P	4461073	1	Connector, Dust Cap	
401P	4461074	1	Connector, Shell	
401R	1001116952	1	Plug, Male - 2 Position	
401R	4460465	2	Socket, Female	
401S	1001126362	1	Receptacle, Female - 62 Position	
401S	1001126363	33	Terminal	
401S	1001126364	33	Seal	
401S	1001126391	23	Plug	
401S	4461008	4	Plug, Cavity	
401S	1001126365	2	Terminal	
401S	4461054	2	SEAL	
401T	1001142938	1	Plug, Male - 2 Position	
401T	1001142940	2	Terminal, Female	
401T	1001142941	2	Seal	
401U	1001133714	1	Plug, Male - 4 Position	
401U	1001133715	3	Terminal, Female	
401U	1001135650	3	Seal	
401V	1001138110	1	Plug, Male - 2 Position	
401V	1001138111	2	Socket, Female	
401V	1001138113	2	Seal	
	1001119567	Ref	GROUND CONTROL BOX WIRING DIAGRAM	D
501	2920129	10	Bulb, Light	
506	4460224	1	Connector, Female - 6 Position	
507	4460226	5	Socket, Female	
508	4460945	1	Connector, Female - 3 Way	
509	4460872	1	Plug, Male - 14 Position	
509	4460871	AR	Socket, Female	

SECTION 7 - ELECTRICAL

ITEM	PART NUMBER	QTY	DESCRIPTION	REV
509	4460905	AR	Plug, Sealing	
511	1001129334	1	Harness, Jumper	
511	4460871	5	Socket, Female	
	0274670	Ref	WIRING HARNESES INSTALLATION	D
601	0100048	AR	Grease, Dielectric	
602	4922696	1	Chassis Harness Assembly	3-D
602A	4460894	1	Plug, Male - 6 Position	
602A	4460465	6	Socket, Female	
602A	4460892	1	Connector, Buss Bar - 6 Position	
602C	4460894	1	Plug, Male - 6 Position (Not Shown)	
602C	4460465	6	Socket, Female	
602C	4460892	1	Connector, Buss Bar - 6 Position	
602D	4460880	14	DIN Connector	
602E	4460930	1	Connector, Gray - 8 Position	
602E	4460465	3	Socket, Female	
602E	4460466	5	Plug, Terminal	
602F	4460836	1	Connector, Black - 12 Position	
602F	4460465	6	Socket, Female	
602F	4460466	6	Plug, Terminal	
602G	4460933	1	Connector, Gray - 12 Position	
602G	4460465	8	Socket, Female	
602G	4460466	4	Plug, Terminal	
602H	4460934	1	Connector, Green - 12 Position	
602H	4460944	12	Socket, Female	
602J	4460935	1	Connector, Brown - 12 Position	
602J	4460465	8	Socket, Female	
602K	4922705	1	Analyzer Harness	2-B
602L	4460761	1	Connector, Female	
602L	4460227	4	Pin, Male	
602M	4460465	4	Socket, Female	
602N	4460950	1	Connector, Female - 12 Position	
602N	4460464	6	Pin, Male 16-18 GA	
602N	4460943	3	Pin, Male 16-18 GA (Gold)	
602N	4460941	2	Pin, Male 14-16GA	
602P	4460884	4	Connector, Gray - 4 Position	
602P	4460944	16	Socket, Female	
603	4922718	4	Axle Power Track Harness Assembly	B
603A	4460539	1 Per Assy	Plug, Male - 3 Position	
603A	4460944	3 Per Assy	Socket, Female	
603B	4460932	1 Per Assy	Connector, Female - 4 Position	
603B	4460943	4 Per Assy	Pin, Male	
604	4922767	1	Lockout Valve Harness	2-C
604A	4460465	3	Socket, Female	
604B	4460464	1	Pin, Male	
604C	4460880	2	Connector, DIN	
604D	4460449	2	Connector, DIN	
605	4922777	1	Platform Valve Harness	1-C
605A	4460880	9	DIN Connector	

SECTION 7 - ELECTRICAL

ITEM	PART NUMBER	QTY	DESCRIPTION	REV
605B	4460926	1	Connector - 21 Position	
605B	4460928	13	Socket, Female	
605B	4460466	8	Plug, Hole	
605C	4460897	1	Connector, Female - 2 Position	
605C	4460464	2	Pin, Male	
605D	4460891	1	Plug, Male - 2 Position	
605D	4460465	2	Socket, Female	
606	4922784	1	Jib Stow Switch Harness	B
606A	4460891	1	Plug, Male - 2 Position	
606A	4460465	2	Socket, Female	
607	4922785	1	Dual Capacity Jib Position Switch Harness	B
607A	4460897	1	Connector, Female - 2 Position	
607A	4460464	2	Pin, Male	
608	4923256	1	Load Sensing Pin Harness	B
608A	4460930	1	Connector, Gray - 8 Position	
608A	4460465	4	Socket, Female	
608A	4460466	3	Plug, Sealing	
608B	See Note	1	Connector, Female - 4 Position (Note: Not Available for Purchase)	
608B	See Note	4	Terminal (Note: Not Available for Purchase)	
609	4922946	1	B.L.A.M. Harness	B
609A	4460933	1	Plug, Male - 12 Position (Gray)	
609A	4460466	7	Plug, Seal	
609A	4460944	3	Socket, Female	
609A	4460465	1	Socket, Female	
609A	4460942	1	Socket, Female	
609B	4460837	1	Plug, Female - 12 Position	
609B	4460943	3	Pin, Male (Gold)	
609B	4460464	6	Pin, Male	
609B	4460941	3	Pin, Male	
609C	4460935	1	Plug, Male - 12 Position (Green)	
609C	4460466	5	Plug, Seal	
609C	4460465	2	Socket, Female	
609D	4460836	1	Plug, Male - 12 Position (Black)	
609D	4460466	8	Plug, Seal	
609D	4460944	2	Socket, Female	
609D	4460465	2	Socket, Female	
609E	4460836	1	Plug, Male - 12 Position (Black)	
609E	4460466	6	Plug, Seal	
609E	4460944	5	Socket, Female	
609E	4460465	1	Socket, Female	
609E	4460837	1	Receptacle, Female - 12 Position Buss Bar	
609F	4460836	1	Plug, Male - 12 Position (Black)	
609F	4460466	8	Plug, Seal	
609F	4460465	4	Socket, Female	
609F	4460942	2	Socket, Female	
609F	4460837	2	Receptacle, Female - 12 Position Buss Bar	
609G	4460884	1	Plug, Male 4 Position (Gray)	
609G	4460944	4	Socket, Female	
609H	4460894	1	Plug, Male - 6 Position (Gray)	
609H	4460465	5	Socket, Female	
609H	4460466	2	Plug, Seal	

SECTION 7 - ELECTRICAL

ITEM	PART NUMBER	QTY	DESCRIPTION	REV
609I	4460932	1	Plug, Male - 4 Position (Gray)	
609I	4460943	4	Pin, Male	
609J	4460539	1	Plug, Male - 3 Position	
609J	4460944	3	Socket, Female	
609K	4460761	1	Connector, Female - 4 Position	
609K	4460227	4	Pin, Male	
609L	1060698	28	Cable, Electrical 18/4	
		in/71cm		
609M	4460944	4	Socket, Female	
610	4922947	1	Harness, Tilt Sensor #1 (Right)	E
610A	4460911	1	Plug, Male - 3 Position	
610A	4460912	1	Lock, Wedge	
610A	4460918	3	Pin, Male	
610A	1320309	1	Clamp, Cable	
610A	1560012	1	Nut, Conduit	
610A	1560011	1	Connector, Conduit	
610B	4461013	3	Socket, Female	
611	4922948	1	Harness, Tilt Sensor #2 (Left)	E
611A	4460911	1	Plug, Male - 3 Position	
611A	4460912	1	Lock, Wedge	
611A	4460918	3	Pin, Male	
611A	1320309	1	Clamp, Cable	
611A	1560012	1	Nut, Conduit	
611A	1560011	1	Connector, Conduit	
611B	4461013	3	Socket, Female	
612	4922949	1	Harness, Tower Boom Length Sensors	B
612A	4460539	1	Plug, Male - 3 Position	
612A	4460942	3	Socket, Female (Gold)	
612B	4460539	2	Plug, Male - 3 Position	
612B	4460944	6	Socket, Female (Gold)	
612C	4460934	1	Plug, Male - 12 Position	
612C	4460944	11	Socket, Female (Gold)	
612C	4460466	1	Plug	
613	4922950	1	Harness, B.L.A.M. to #1 Tower Boom Angle Sensor (Right Side)	B
613A	4460884	1	Plug, Male - 4 Position	
613A	4460944	4	Socket, Female (Gold)	
613B	4460911	1	Plug, Male - 3 Position	
613B	4460918	3	Socket, Female	
613B	4460912	1	Lock, Wedge - Position	
614	4922951	1	Harness, B.L.A.M. to #2 Tower Boom Angle Sensor (Left Side)	C
614A	4460932	1	Receptacle, Female - 4 Position	
614A	4460943	4	Pin, Male (Gold)	
614B	4460911	1	Plug, Male - 3 Position	
614B	4460918	3	Socket, Female	
614B	4460912	1	Lock, Wedge - Position	
615	4923373	1	Harness, Tower Boom Fly to Main Boom Base	B
615A	4461009	2	Plug, Male - 5 Position	
615B	4460866	2	Connector - 19 Position	
615B	4460465	24	Socket, Female 16-18 Gauge	
615B	4460509	8	Socket, Female 10-12 Gauge	
615B	4460943	9	Pin, Male (Gold)	
615B	4460466	17	Seal, Plug	

SECTION 7 - ELECTRICAL

ITEM	PART NUMBER	QTY	DESCRIPTION	REV
615C	4460613	1	Connector - 21 Position	
615C	4460464	8	Pin, Male 16-18 Gauge	
615C	4460508	AR	Pin, Male 12-14 Gauge	
615C	4460466	AR	Seal, Plug	
615D	4460539	1	Plug, Male - 3 Position	
615D	4460944	3	Socket, Female (Gold)	
615E	4460536	1	Receptacle, Female - 3 Position	
615E	4460943	3	Pin, Male (Gold)	
615F	4461077	1	Plug, Male	
615F	4460918	4	Socket, Female (Gold)	
616	4923170	1	Harness, Main Boom Dual Capacity Switch	C
616A	4460536	1	Receptacle, Female - 3 Position	
616A	4460943	3	Pin, Male (Gold)	
616B	4460968	2	Connector, Strain Relief	
616B	4360578	2	Switch, Limit	
617	4923171	1	Harness, Main Boom Transport Switches	C
617A	4460539	1	Plug, Male - 3 Position	
617A	4460944	3	Socket, Female (Gold)	
617B	4460968	2	Connector, Strain Relief	
617B	4360578	2	Switch, Limit	
618	4922955	1	Harness, Main Boom Base to Platform	C
618A	4460865	2	Connector - 19 Position	
618A	4460465	22	Socket, Female	
618A	4460509	8	Socket, Female	
618A	4460466	8	Seal, Plug	
618B	4460473	2	Clamp, Cable	
619	4922956	1	Harness, Tower Boom Fly to MTB	D
619A	4460865	1	Connector - 19 Position	
619A	4460465	11	Socket, Female	
619A	4460509	4	Socket, Female	
619A	4460466	4	Seal, Plug	
619B	4460473	2	Clamp, Cable	
620	4923169	1	Harness, Tower Boom Transport Length Switch	A
620	4360579	1	Switch, Limit	
620	4460968	1	Connector, Strain Relief	
621	4922958	1	Harness, Tower Boom Fly to MTB	C
621A	4461003	2	Connector - 21 Position	
621A	4460465	22	Socket, Female	
621A	4460509	8	Socket, Female	
621A	4460466	12	Seal, Plug	
621B	4460473	2	Clamp, Cable	
622	4923382	1	Harness Chassis Power Distribution	B
622A	2400066	1	Fuseholder	
622A	2400065	1	Fuse 30 Amp	
622B	4460891	1	Plug, Male - 2 Position	
622C	4460897	1	Connector, Female - 2 Position	
622C	4460464	2	Pin, Male	
622D	4460942	2	Socket, Female 14-16 GA	
622E	4460374	1	Plug, Sealed	
622E	4460375	5	Terminal	
623	4000008	1	Harness and Switch Main Boom Transport Angle (Includes Switch)	

SECTION 7 - ELECTRICAL

ITEM	PART NUMBER	QTY	DESCRIPTION	REV
623A	4461076	1	Receptacle, Female - 4 Position	
623A	4460917	4	Pin, Male (Gold)	
		Ref	STANDARD HARNESS COMPONENTS	
701	See Note	4	Steer Angle Sensor Harness (Note: Not Available for Purchase)	
701A	4460536	1 Per Assy	Receptacle, Female - 3 Position	
701A	4460464	3 Per Assy	Pin, Male	
702	1660256	1	Coupling Electrical Components	
702A	See Note	1	Coupling Turntable Harness (Note: Not Available for Purchase)	
702B	4460837	1	Connector, Female - 12 Position	
702B	4460466	4	Plug, Socket	
702B	4460464	3	Pin, Male 16-18 GA	
702B	4460943	3	Pin, Male 16-18 GA (Gold)	
702B	4460941	2	Pin, Male 14-16GA	
702C	See Note	1	Coupling Frame Harness	
702D	4460836	1	Plug, Male - 12 Position	
702D	4460465	6	Socket, Female 16-18 GA	
702D	4460942	2	Socket, Female 14-16 GA	
702D	4460944	3	Socket, Female 16-18 GA (Gold)	
702D	4460466	1	Plug, Socket	
703	4360505	1	Tower Lift Cylinder Angle Sensor Harness (Includes Switch)	
703A	4460536	1	Receptacle, Female - 3 Position	
703A	4460464	3	Pin, Male	
704		Ref	Platform Level Sensor and Tower Boom Angle Sensor Harnesses (Includes Switch)	
704	4360545	4	Switch, Angle Sensor-Digital, (Use p/n 1001133329) (Prior to SN 0300156986)	
704	1001133329	4	Switch Angle Sensor-Digital (SN 0300156986 through 0300184658)	
704	1001133329	4	Switch, Angle Sensor-Digital, (Use 1001147479) (SN 0300184659 through 0300201016)	
704A	4460910	4	Connector, Female Deutsch - 3 Position	
704A	4460917	12	Pin, Male	
704A	4460913	4	Lock, Wedge	
705	4360552	2	Tower Boom Length Sensor Harness (Includes Switch)	
705A	4460536	2	Receptacle, Female - 3 Position	
705A	4460464	6	Pin, Male	
706	See Note	1	Controller Harness Assembly (Lift and Swing) (Note: Not Available for Purchase)	
706A	7022819	1	Connector, Male - 8 Position (Natural)	
706A	4460871	8	Socket, Female	
707	7022824	1	Controller Harness/Circuit Board Assembly (Drive and Steer)	
707A	1001113961	1	Plug, Male - 8 Position (Black) (was p/n 7022825)	
707A	4460871	7	Socket, Female	
708	See Note	1	Speed Control Harness (Note: Not Available for Purchase)	
708A	4460224	1	Connector, Female - 6 Position	
708A	4460226	5	Socket, Female	
709	0272621	1	Control System Analyzer Installation	A
709	2901443	1	Analyzer/Cable Kit	1
709A	1600244	1	Analyzer	
709B	1060633	1	Cable, Analyzer	1-A
709C	4460321	2	Plug, Male	

SECTION 7 - ELECTRICAL

ITEM	PART NUMBER	QTY	DESCRIPTION	REV
709C	4460226	8	Socket, Female	
709C	70003407	2	Backshell	
710	1001138491		Fuel Harness Components	C
710A	4460897	1	Receptacle, Female - 2 Position	
710A	4460941	2	Pin, Male	
710A	4460891	1	Plug, Male - 2 Position	
710A	4460942	2	Socket, Female	
710B	1001116983	1	Receptacle, Female - 2 Position	
710B	1001116710	2	Terminal	
710B	4461054	2	Seal	
710C	4460932	1	Receptacle, Female - 4 Position	
710C	4460941	2	Pin, Male	
710C	4460464	2	Pin, Male	
711	1001135779	1	Alternator Positive Cable	
712	1001148843	1	Fuel Filter Harness	A
712A	1001148842	1	Receptacle, Female - 2 Position	
712A	1001148841	4	Pin, Male	
712A	1001135650	4	Seal	
712B	1001133714	1	Plug, Male - 2 Position	
712B	1001133715	4	Socket, Female	
712B	1001135650	4	SEAL	
713	1001142610	1	Battery Cable Kit (Not Shown)	C
713A	7027046	1	Cable, Battery (Red) (Battery + to Relays and Starter) (Not Shown)	
713A	70003951	NLA	Boot, Battery Terminal (Red) (No longer available)	
713A	See Note	NSS	Boot, Ring Terminal (Red) (Not Shown) (Note: Not Available - Purchase Locally)	
		Ref	(Note: Not Available - Purchase Locally)	
713B	7027047	1	Cable, Battery (Black) (Battery - to Tray Pivot Grd) and Aux Pump (Not Shown)	
713B	70003953	NLA	Boot, Battery Terminal (Black) (No longer available)	
713B	See Note	NSS	Boot, Ring Terminal (Black) (Not Shown) (Note: Not Available - Purchase Locally)	
713C	7027048	1	Cable (Red) (Aux Relay to Aux Pump) (Not Shown)	
713C	See Note	NSS	Boot, Ring Terminal (Red) (Not Shown)(Note: Not Available - Purchase Locally)	
713D	7027049	1	Cable, Battery (Black) (Engine to Tray Pivot Grd) (Not Shown)	
714	1001142610	1	Battery Cable Kit	C
714A	7027046	1	Cable, Battery (Red) (Battery + to Relays and Starter)	
714A	70003951	NLA	Boot, Battery Terminal (Red), (No longer available)	
714A	See Note	NSS	Boot, Ring Terminal (Red) (Note: Not Available - Purchase Locally)	
714B	7027047	1	Cable, Battery (Black) (Battery - to Tray Pivot Grd) and Aux Pump	
714B	70003953	NLA	Boot, Battery Terminal (Black), (No longer available)	
714B	See Note	NSS	Boot, Ring Terminal (Black) (Note: Not Available - Purchase Locally)	
714C	7027048	1	Cable (Red) (Aux Relay to Aux Pump)	
714C	See Note	NSS	Boot, Ring Terminal (Red) (Note: Not Available - Purchase Locally)	
714D	7027049	1	Cable, Battery (Black) (Engine to Tray Pivot Grd)	
715	1001141304	1	Wire, Glow Plug	
716	1001120161	1	Harness, Pressure Transducer	A

SECTION 7 - ELECTRICAL

ITEM	PART NUMBER	QTY	DESCRIPTION	REV
716A	1001120634	1	Cable, Shielded M12	
716B	4460536	1	Receptacle, Female - 3 Position	
716B	4460464	3	Pin, Male	
716C	1001120681	1	Harness, Pressure Transducer	
716D	1060981	20 ft/6.1m	Cable, Electrical 18/3	
716E	4460539	1	Plug, Male - 3 Position	
716E	4460465	3	Socket, Female	
716F	4460871	4	Socket, Female	
		Ref	OPTIONAL HARNESS COMPONENTS	
801		Ref	AC to Platform Receptacle Components Options (Optional on Machines without SkyPower):	
801		Ref	ANSI Spec	
801	0273462	Ref	110V GFI Receptacle	B
801	0273463	Ref	220V GFI Receptacle	A
801		Ref	ANSI Export Specs	
801	0273461	Ref	110V (No Plug or Receptacle)	C
801A		Ref	Box, Switch Options:	
801A	0860038	1	0273462 & 0273463 Installations	
801A	See Note	1	0273461 Installation (Note: Not Available -Purchase Locally)	
801B	1320041	1	Clamp, Cable	
801C		Ref	Gasket, Cover Options:	
801C	3960422	1	0273462 & 0273463 Installations	
801C	See Note	1	0273461 Installation (Note: Not Available -Purchase Locally)	
801D		Ref	Shield, Cover Options:	
801D	1001110873	1	0273462 Installation	
801D	4060092	1	0273463 Installation	
801D	See Note	1	0273461 Installation (Note: Not Available -Purchase Locally)	
801E		Ref	Connector, Strain Relief Options:	
801E	4460051	1	0273462 & 0273463 Installations	
801E	See Note	1	0273461 Installation (Note: Not Available - Purchase Locally)	
801F		Ref	Plug, Male Options:	
801F	4460205	1	0273462 Installation	
801F	4460709	1	0273463 Installation	
801F	See Note	1	0273461 Installation (Note: Not Available - Purchase Locally)	
801G		Ref	Receptacle Options:	
801G	4460346	1	0273462 Installation	
801G	4460125	1	0273463 Installation	
801G	See Note	1	0273461 Installation (Note: Not Available - Purchase Locally)	
804	2920161	1	Strobe Light Harness (Includes Strobe Light)	B
804A	4460891	1	Connector, Male - 2 Position	
804A	4460465	2	Socket, Female	
805	See Note	1	Alarm Harness (Includes Alarm) (Note: Not Available for Purchase)	
805A	4460424	1	Plug, Male - 2 Position	
805A	4460268	2	Socket, Female	
806	4922738	1	Headlight and Taillight and Chassis Illumination Lights Harness	1-A
806A	4460374	1	Plug, Sealed	
807		Ref	Floodlights Harness Components	
807A	4460320	2	Plug, Male - 2 Position	
807A	4460227	4	Pin, Male	
807B	4922764	1	Floodlight Harness (Lights to Switch)	
807C	4460424	2	Connector, Female - 2 Position	
807C	4460226	4	Socket, Female	

SECTION 7 - ELECTRICAL

ITEM	PART NUMBER	QTY	DESCRIPTION	REV
807D	4360232	1	Breaker, Circuit - 15 Amp	
807E	4460425	1	Connector, Strain Relief	
807F	1001098449	1	Light Harness (Main Boom)	A
807G	1001098234	1	Connector, Female	
807H	1001098448	1	Light Harness (Tower Boom)	A
807I	1001098349	1	Connector, Male	
808		Ref	Work Lights Harness Components	
808A	2400066	1	Fuseholder	
808A	2400070	AR	Fuse 20 Amp	
808B	See Note	2	Work Light Harness (Supplied with Work Light) (Note: Not Available for Purchase)	
808C	4460426	1	Connector, Strain Relief	
808D	1001098449	1	Light Harness (Main Boom)	A
808E	1001098234	1	Connector, Female	
808F	1001098448	1	Light Harness (Tower Boom)	A
808G	1001098349	1	Connector, Male	
808H	2820035	9 ft/2.8m	Tubing, Insulate	
809		Ref	4000W Generator Installations	
809	1001171131	Ref	240V Receptacle W/GFIC Installation (Not Shown)	
809		Ref	7500W SkyPower Generator Installations	
809		Ref	Deutz TCD2.9L4 Engines	
809	1001137590	Ref	60Hz Spec	A
809	1001137591	Ref	50Hz Spec	A
809	1001159121	Ref	240V Receptacle W/GFIC Installation (Not Shown)	B
809B		Ref	Gasket Options:	
809B	3960422	1	60Hz Spec	
809B	See Note	1	50Hz Spec (Note: Not Available - Purchase Locally)	
809C		Ref	Cover, Receptacle Options:	
809C	1001110873	1	60Hz Spec	
809C	See Note	1	50Hz Spec	
809E		Ref	Receptacle Options:	
809E	4460346	1	60Hz Spec	
809E	See Note	1	50Hz Spec (Note: Not Available - Purchase Locally)	
809G	4460071	1	Connector, Strain Relief	
809H	4922972	1	Harness, Generator	B
809I	77363233	1	Plug, Male - 6 Position	
809I	4460465	6	Socket, Female	
809J	4460225	1	Plug, Male - 6 Position	
809J	4460226	6	Socket, Female	
810	1001142914	Ref	7500W SkyPower Generator Junction Box Components	A
810A		Ref	Cable, Electrical 12/3	
810A	1060494	2 ft/.6m	60Hz Spec	
810A	See Note	2 ft/.6m	50Hz Spec (Note: Not Available - Purchase Locally)	
810C	1060343	1.5 ft/.46m	Cable, Electrical 10/4 (60Hz Spec Only)	
810D	4460425	1	Connector, Strain Relief	
810E		Ref	Component Options:	
810E	4460426	2	Connector, Strain Relief (60Hz Spec Only)	
810E	4460426	1	Connector, Strain Relief (50Hz Spec Only)	
810E	3520189	1	Plug (50Hz Spec Only)	
810F	1671092	1	Cover (60Hz Spec Only)	
810F	4460963	1	Connector (60Hz Spec Only)	

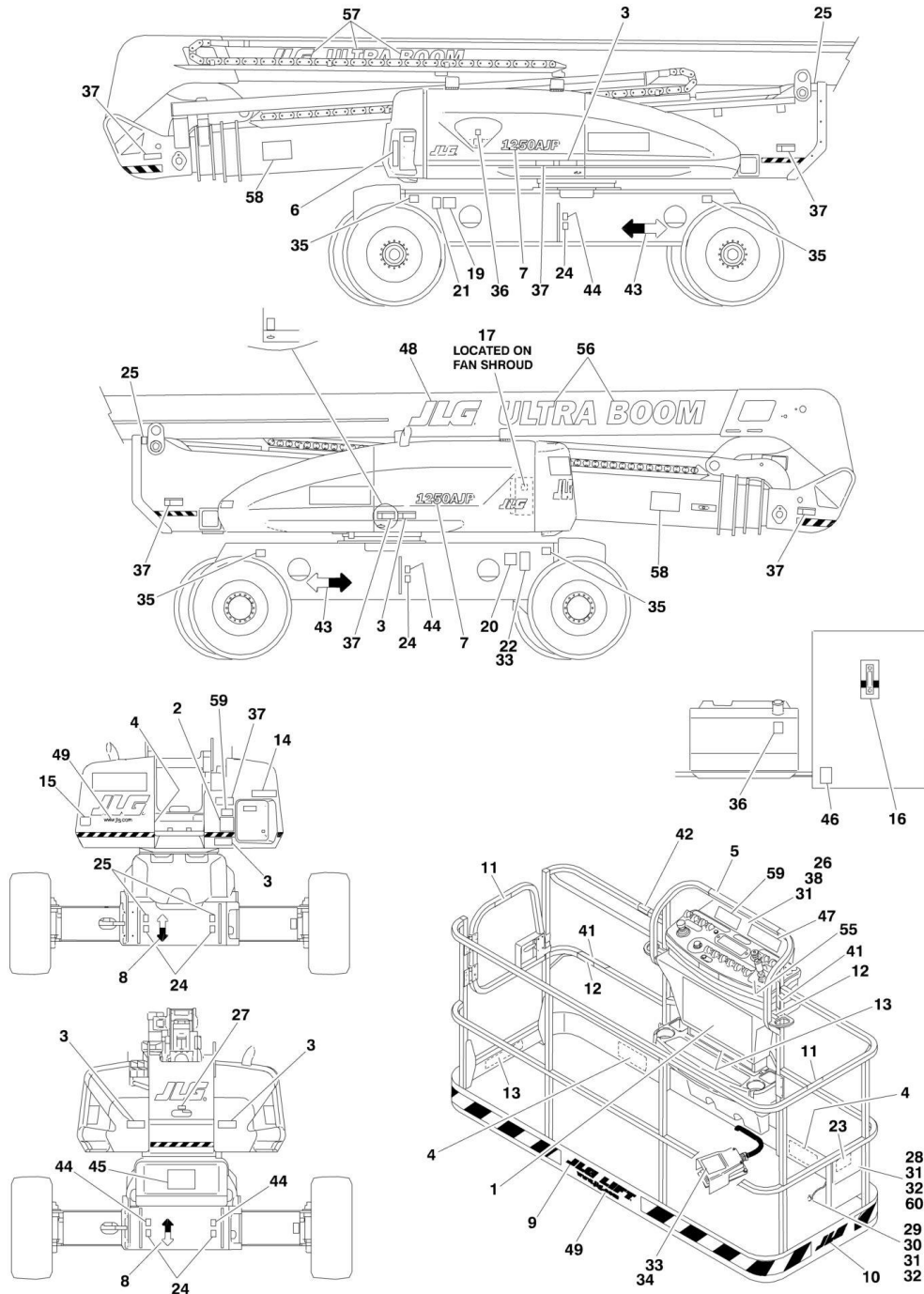
SECTION 7 - ELECTRICAL

ITEM	PART NUMBER	QTY	DESCRIPTION	REV
811	1001122528	Ref	7500W Generator Electrical Diagram Components	B
811A	1001119968	1	Generator Harness	C
811B	4460967	1	Plug, Male - 3 Position	
811B	4460465	3	Socket, Female	
811C	1001117078	1	Connector, Metri-Pack W/5Amp Fuse	
811D	4922641	1	Switch Harness	
811E	4460226	2	Socket, Female	
813	1001111914	1	ClearSky Telematics Harness	B
813A	70020808	1	Plug, Male - 23 Position	
813A	4460871	5	Socket	
813A	4460905	18	Plug, Seal	
813B	4460539	2	Plug, Male - 3 Position (Includes Wedge Lock and Seal)	
813B	4460944	6	Socket	
813B	77363244	2	Wedge Lock	
813C	4460945	1	Bulkhead, 3 Way Female	
813C	1001129408	1	Plug, Male - 3 Position with 120 ohm Resistor (Includes Wedge Lock)	
813D	1001112612	1	Connector, Diagnostic	
813D	4460943	2	Pin	
813D	4460464	2	Pin	
813D	4460466	2	Plug, Seal	
813D	1001106736	1	Cap, Dust	
813E	1001112796	1	Connector, Diagnostic	
813E	4460944	2	Socket	
813E	4460466	2	Plug, Seal	
814	70002296	1	Harness, Telematics Antenna (Includes Antenna) (Note: No other parts available)	B
815	1001149818	1	Strobe Light Harness	A
815A	4460320	1	Connector, Female - 2 Position	
815A	4460267	2	Pin, Male	
815B	4460897	1	Connector, Female - 2 Position	
815B	4460464	2	Pin, Male	
		Ref	TOOLS (NOT SHOWN)	
	7002821	1	Crimper (For Wire to Pin/Socket Connections)	
	7002823	1	Extractor (For Removal of Pin/Socket from Connectors)	
	4460467	1	Extractor, Pin (Blue 16-18 Gauge) (For Removal of Pin/Socket from Connectors)	
	4460510	1	Extractor, Pin (Yellow 12-14 Gauge) (For Removal of Pin/Socket from Connectors)	
	7002828	1	Stripper, Wire	

SECTION 8 - DECALS

SECTION 8 - DECALS

FIGURE 8-1. DECAL INSTALLATION - ANSI SPEC (Prior to SN 0300089066)



SECTION 8 - DECALS

FIGURE 8-1. DECAL INSTALLATION - ANSI SPEC (Prior to SN 0300089066)

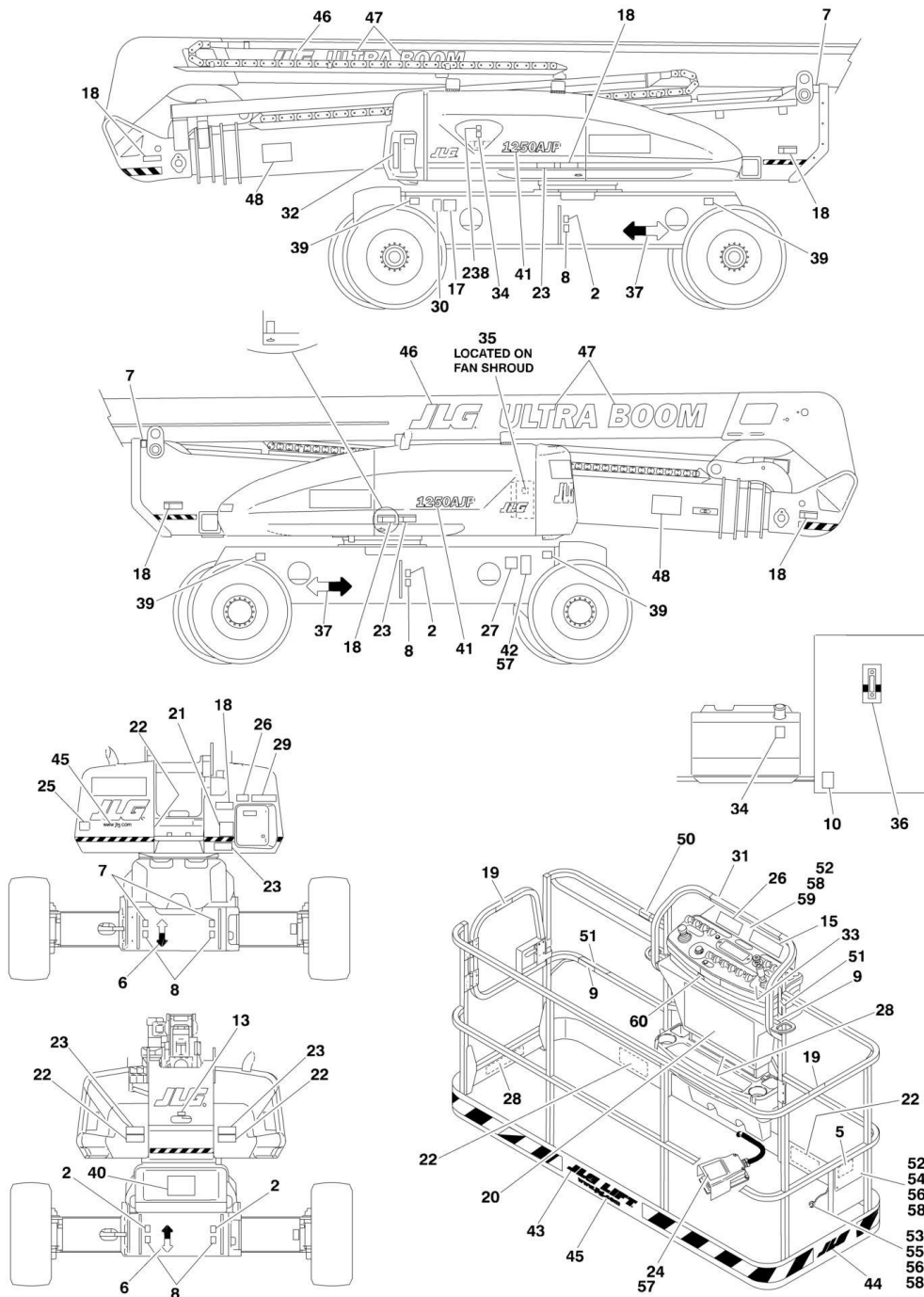
ITEM	PART NUMBER	QTY	DESCRIPTION	REV
		Ref	STANDARD DECAL INSTALLATIONS	
	0273600	Ref	Decals - JLG (Prior to SN 0300086366)	3
	0274730	Ref	Decals - JLG (SN 0300086366 through 0300089066)	1
	0273578	Ref	ANSI Decals	8
1	1703797	1	Decal - Danger/Warning (Platform)	
2	1705336	1	Decal - Danger/Warning (Ground Control)	
3	1703805	5	Decal - Danger/Electrocution	
4	1703804	3	Decal - Warning Crushing	
5	1705867	1	Decal - Legend (Platform)	
6	1705868	1	Decal - Legend (Ground Control)	
7	1705840	2	Decal - Model 1250AJP	
8	1701529	2	Decal - Arrow	
9	1702774	1	Decal - JLG Lift (3.5in)	
10	1702773	1	Decal - JLG (5in)	
11	1702868	2	Decal - No Hands	
12	1704277	3	Decal - Attach Lanyard Here	
13	1705168	AR	Decal - Capacity (Platform)	
14	1705181	1	Decal - Capacity (Ground Control)	
15	3251813	1	Decal - USA	
16	1705511	1	Decal - Oil Level	
17	1704972	1	Decal - Warning Explosion/Fire	
19	1702153	1	Decal - Inspection	
20	See Note	1	Decal - Bar Code (Note: Not available for purchase)	
21	1700584	1	Decal - Patent	
22	See Note	1	Nameplate - Serial Number (Note: Not Available for Purchase)	
23	1701509	1	Decal - Manual	
24	1702300	6	Decal - Tie Down	
25	1701500	4	Decal - Lift	
26	0641406	3	Bolt 1/4in-20NC x 3/4in	
27	3251243	1	Nameplate - 120V-60Hz	
28	0860520	1	Box, Manual Storage	
29	1060279	1	Cable, Lanyard	
30	0641408	1	Bolt 1/4in-20NC x 1in	
31	4751400	9	Flatwasher 1/4in Regular	
32	3311405	5	Locknut 1/4in-20NC	
33	3820001	4	Rivet	
34	3252347	1	Decal - Footswitch (Part of Footswitch Assembly)	
35	1703483	4	Decal - Maximum Tire Load	
36	1701505	2	Decal - Fuel	
37	1703953	7	Decal - Warning/Crushing	
38	3380474	1	Plate, Decal Mount	
41	1703175	2	Decal - Lanyard Attach (GM Spec Only)	
42	1702962	1	Decal - Warning (Proposition 65) (California Spec Only)	
43	1701501	4	Decal - Arrow	
44	1701499	4	Decal - No Lift	
45	1705838	1	Decal - Lift Diagram	
46	1704412	1	Decal - Hydraulic Oil Chart	
47	1705337	1	Decal - Tip Over	
48	1705864	1	Decal - JLG	
49	1704885	2	Decal - www.jlg.com	

SECTION 8 - DECALS

ITEM	PART NUMBER	QTY	DESCRIPTION	REV
55	1705351	1	Decal - Drive/Steer Instructions	
56	1705865	1	Decal - Ultra Boom (12in Height)	
57	1705866	1	Decal - Ultra Boom (8in Height) (Prior to SN 0300086366)	
58	1703959	2	Decal - Quikstik	
59	1705492	2	Decal - Tip Over Hazard	
60	0641406	4	Bolt 1/4in-20NC x 3/4in (SN 0300080699 through 0300089066)	

SECTION 8 - DECALS

FIGURE 8-2. DECAL INSTALLATION - ANSI SPEC (SN 0300089066 through 0300201017)



SECTION 8 - DECALS

FIGURE 8-2. DECAL INSTALLATION - ANSI SPEC (SN 0300089066 through 0300201017)

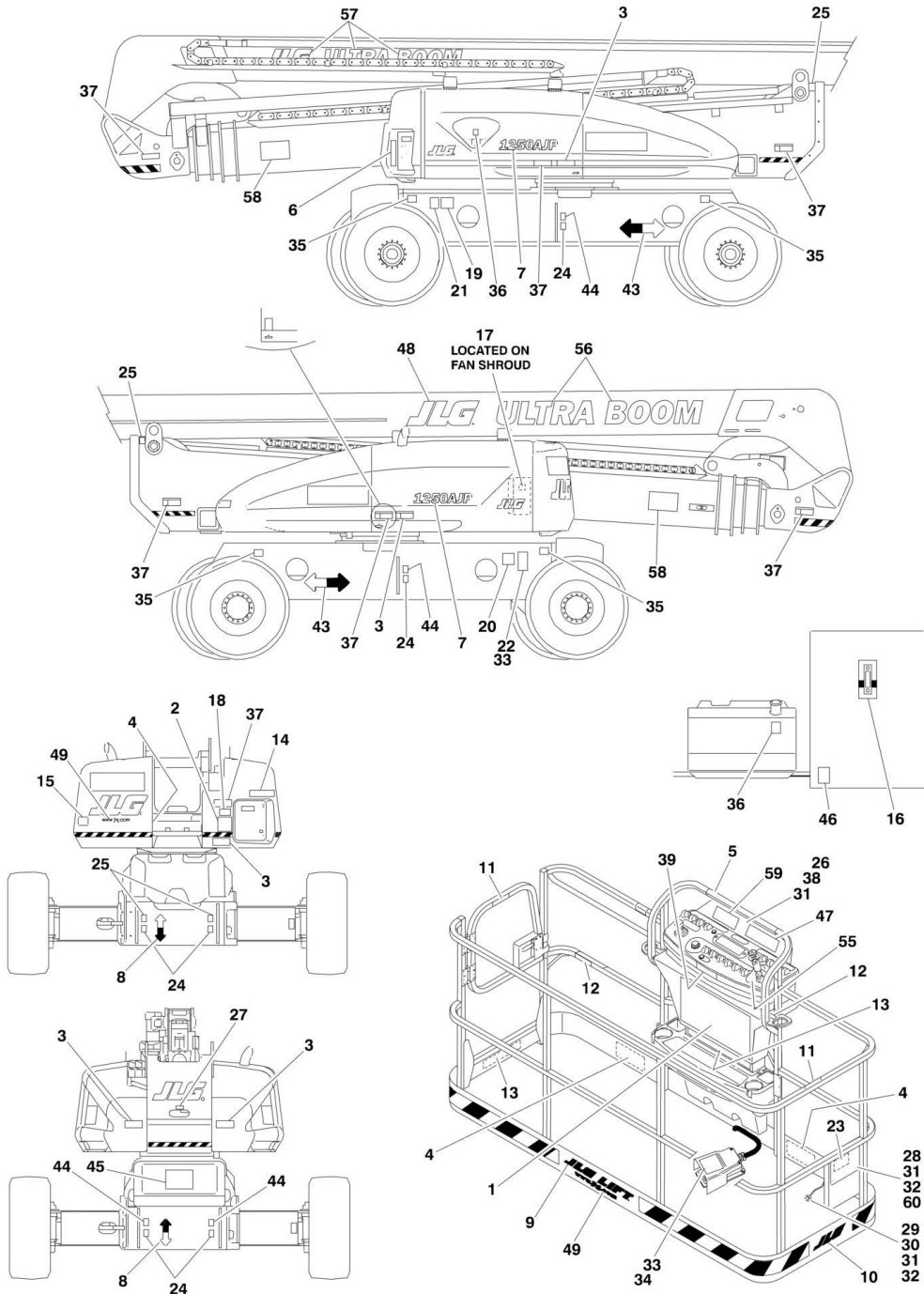
ITEM	PART NUMBER	QTY	DESCRIPTION	REV
		Ref	STANDARD DECAL INSTALLATIONS	
	0274730	Ref	Decals - JLG	B
	0274722	Ref	ANSI Decals	B
2	1701499	4	Decal - No Lift	
5	1701509	1	Decal - Manual	
6	1701529	2	Decal - Arrow	
7	1703811	4	Decal - Tie Down/Lift	
8	1703814	AR	Decal - Tie Down	
9	1704277	4	Decal - Attach Lanyard Here	
10	1704412	1	Decal - Hydraulic Oil Chart	
13	3251243	1	Nameplate - 120V-60Hz	
15	1705337	1	Decal - Tip Over	
17	1702153	1	Decal - Inspection (SN 0300089066 through 0300134664)	
18	1703953	4	Decal - Warning/Crushing	
19	1702868	2	Decal - No Hands	
20	1703797	1	Decal - Danger/Warning (Platform)	
21	1705336	1	Decal - Danger/Warning (Ground Control)	
22	1703804	6	Decal - Warning Crushing	
23	1703805	5	Decal - Danger/Electrocution	
24	3252347	1	Decal - Footswitch	
25	3251813	1	Decal - USA	
26	1705492	2	Decal - Tip Over Hazard	
27	See Note	1	Decal - Bar Code (Note: Not available for purchase)	
28		Ref	Decal - Capacity (Platform) Options:	
28	1705168	2	Dual Capacity (DOM), Decal (SN 0300089066 through 0300142967)	
28	1001122369	2	Decal, Warning Dual Cap, (ANSI) 500/1000LBS (SN 0300142968 through 0300201017)	
29		Ref	Decal - Capacity (Ground Control) Options:	
29	1705181	1	Decal - Capacity (Ground Control) (SN 0300089066 through 0300142967)	
29	1001122376	1	Decal, Warning Dual Cap, (ANSI)500/1000LBS (SN 0300142968 through 0300201017)	
30		Ref	Decal - Patent Options:	
30	1700584	1	Decal - Patent (SN 0300089066 through 0300151353)	
30	1001131269	1	Decal - Patent (SN 0300151354 through 0300201017)	
31		Ref	Decal - Legend (Platform) Options:	
31	1705867	1	Decal - Legend (Platform) (Use p/n 1705761) (SN 0300089066 through 0300093312)	
31	1706751	1	Decal - Legend (Platform) (SN 0300093313 through 0300201017)	
32	1705868	1	Decal - Legend (Ground Control)	
33	1705351	1	Decal - Drive/Steer Instructions	
34	1701505	2	Decal - Fuel	
35	1704972	1	Decal - Warning Explosion/Fire	
36	1705511	1	Decal - Oil Level	
37	1701501	4	Decal - Arrow	
39	1703483	4	Decal - Tire Load	
40	1705838	1	Decal - Lift Diagram	
41	1705840	2	Decal - Model 1250AJP	
42	See Note	1	Nameplate - Serial Number (Note: Not Available for Purchase)	

SECTION 8 - DECALS

ITEM	PART NUMBER	QTY	DESCRIPTION	REV
43	1702774	1	Decal - JLG Lift (3.5in)	
44	1702773	1	Decal - JLG (5in)	
45	1704885	Ref	Decal - www.jlg.com Options:	
45	1704885	2	Decal (Prior to SN 0300173632)	
45	1704885	1	Decal (SN 0300173632 through 0300201017)	
46	1705864	2	Decal - JLG	
47	1705865	2	Decal - Ultra Boom (12in Height)	
48	1703959	2	Decal - Quikstik	
50	1702962	1	Decal - Warning (Proposition 65) (California Spec Only)	
51	1703175	1	Decal - Lanyard Attach (GM Spec Only)	
52	0641406	AR	Bolt 1/4in-20NC x 3/4in	
53	0641408	1	Bolt 1/4in-20NC x 1in (SN 0300089066 through 0300143927)	
54	0860520	1	Box, Manual Storage	
55	1060279	1	Cable, Lanyard (SN 0300089066 through 0300143927)	
56	3311405	AR	Locknut 1/4in-20NC	
57	3820001	2	Rivet	
58	4751400	AR	Flatwasher 1/4in Regular	
59	3380474	1	Plate, Decal Mount	
60	1001094055	1	Decal, Troubleshooting	
238	1001125387	1	Decal, Fuel Specification (Machines with Deutz TCD2.9L4 Engine Only)	

SECTION 8 - DECALS

FIGURE 8-3. DECAL INSTALLATION - ANSI EXPORT SPEC (Prior to SN 0300089066)



SECTION 8 - DECALS

FIGURE 8-3. DECAL INSTALLATION - ANSI EXPORT SPEC (Prior to SN 0300089066)

ITEM	PART NUMBER	QTY	DESCRIPTION	REV
		Ref	STANDARD DECAL INSTALLATIONS	
	0273600	Ref	Decals - JLG (Prior to SN 0300086366)	3
	0274730	Ref	Decals - JLG (SN 0300086366 through 0300089066)	1
	0273580	Ref	Brazil Spec Decals (Portuguese/English)	7
	0273581	Ref	Chinese Spec Decals (Chinese/English)	7
	0273584	Ref	CSA Spec Decals (English/French)	7
	0273583	Ref	Japanese Spec Decals (Japanese/English)	3
	0273582	Ref	Korean Spec Decals (Korean/English)	7
	0273579	Ref	Latin American Spec Decals (Spanish/English)	6
1		Ref	Decal - Danger/Warning (Platform) Options:	
1	1705895	1	Brazil Spec Decals (Portuguese/English)	
1	1703925	1	Chinese Spec Decals (Chinese/English)	
1	1703924	1	CSA Spec Decals (English/French)	
1	1703926	1	Japanese Spec Decals (Japanese/English)	
1	1703927	1	Korean Spec Decals (Korean/English)	
1	1703923	1	Latin American Spec Decals (Spanish/English)	
2		Ref	Decal - Danger/Warning (Ground Control) Options:	
2	1705896	1	Brazil Spec Decals (Portuguese/English)	
2	1705348	1	Chinese Spec Decals (Chinese/English)	
2	1705347	1	CSA Spec Decals (English/French)	
2	1705344	1	Japanese Spec Decals (Japanese/English)	
2	1705345	1	Korean Spec Decals (Korean/English)	
2	1705917	1	Latin American Spec Decals (Spanish/English)	
3		Ref	Decal - Danger/Electrocution Options:	
3	1705897	5	Brazil Spec Decals (Portuguese/English)	
3	1703937	5	Chinese Spec Decals (Chinese/English)	
3	1703936	5	CSA Spec Decals (English/French)	
3	1703938	5	Japanese Spec Decals (Japanese/English)	
3	1703939	5	Korean Spec Decals (Korean/English)	
3	1703935	5	Latin American Spec Decals (Spanish/English)	
4		Ref	Decal - Warning Crushing Options:	
4	1705898	3	Brazil Spec Decals (Portuguese/English)	
4	1703949	3	Chinese Spec Decals (Chinese/English)	
4	1703948	3	CSA Spec Decals (English/French)	
4		Ref	Japanese Spec Decals (Japanese/English)	
4	1703951	3	Korean Spec Decals (Korean/English)	
4	1703947	3	Latin American Spec Decals (Spanish/English)	
5	1705867	1	Decal - Legend (Platform)	
6	1705868	1	Decal - Legend (Ground Controls)	
7	1705840	2	Decal - 1205AJP Model Designation	
8	1701529	2	Decal - Arrow	
9	1702774	1	Decal - JLG Lift (3.5in)	
10	1702773	1	Decal - JLG (5in)	
11		Ref	Decal - No Hands Options	
11	1705967	2	Brazil Spec Decals (Portuguese/English)	
11	1705968	2	Chinese Spec Decals (Chinese/English)	
11	1704000	2	CSA Spec (English/French)	
11		Ref	Japanese Spec Decals (Japanese/English)	
11	1705969	2	Korean Spec Decals (Korean/English)	
11	1704001	2	Latin American Spec Decals (Spanish/English)	

SECTION 8 - DECALS

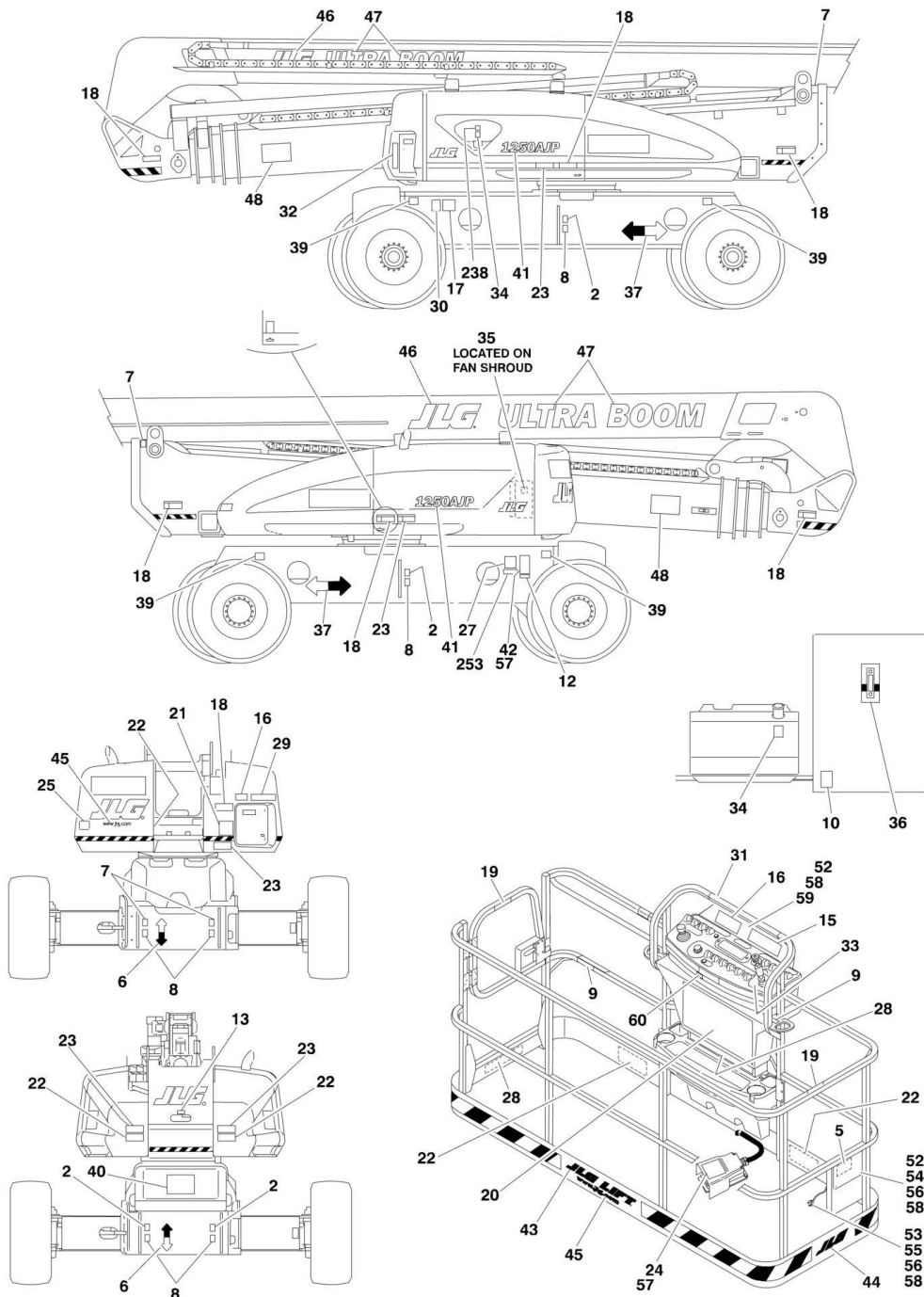
ITEM	PART NUMBER	QTY	DESCRIPTION	REV
12	1704277	3	Decal - Attach Lanyard Here	
13		Ref	Decal - Capacity (Platform) Options:	
13	1705899	2	Brazil Spec Decals (Portuguese/English)	
13	1705334	2	Chinese Spec Decals (Chinese/English)	
13	1705333	2	CSA Spec Decals (English/French)	
13	1705330	2	Japanese Spec Decals (Japanese/English)	
13	1705331	2	Korean Spec Decals (Korean/English)	
13	1705908	2	Latin American Spec Decals (Spanish/English)	
14		Ref	Decal - Capacity (Ground Control) Options:	
14	1705900	1	Brazil Spec Decals (Portuguese/English)	
14	1705478	1	Chinese Spec Decals (Chinese/English)	
14	1705477	1	CSA Spec Decals (English/French)	
14	1705480	1	Japanese Spec Decals (Japanese/English)	
14	1705481	1	Korean Spec Decals (Korean/English)	
14	1705919	1	Latin American Spec Decals (Spanish/English)	
15		Ref	Decal - USA Options:	
15	3251813	1	All Spec Decals Except Korean Spec Decals	
16	1705511	1	Decal - Oil Level	
17		Ref	Decal - Warning Explosion/Fire Options	
17	1706059	1	Brazil Spec Decals (Portuguese/English)	
17	1706060	1	Chinese Spec Decals (Chinese/English)	
17	1706064	1	CSA Spec Decals (English/French)	
17		Ref	Japanese Spec Decals (Japanese/English)	
17	1706061	1	Korean Spec Decals (Korean/English)	
17	1706063	1	Latin American Spec Decals (Spanish/English)	
18		Ref	Decal - Tip-Over Hazard Options:	
18	1705907	1	Brazil Spec Decals (Portuguese/English)	
18	1705508	1	Chinese Spec Decals (Chinese/English)	
18	1705506	1	CSA Spec Decals (English/French)	
18		Ref	Japanese Spec Decals (Japanese/English)	
18	1705503	1	Korean Spec Decals (Korean/English)	
18	1705916	1	Latin American Spec Decals (Spanish/English)	
19		Ref	Decal - Inspection Options:	
19	1705901	1	Brazil Spec Decals (Portuguese/English)	
19	1704006	1	CSA Spec Decals (English/French)	
19	1704007	1	Latin American Spec Decals (Spanish/English)	
20	See Note	1	Decal - Bar Code (Note: Not available for purchase)	
21	1700584	1	Decal - Patent	
22	See Note	1	Nameplate - Serial Number (Note: Not Available for Purchase)	
23	1701509	1	Decal - Manual	
24	1702300	6	Decal - Tie Down	
25	1701500	4	Decal - Lift	
26	0641406	3	Bolt 1/4in-20NC x 3/4in	
27	3251243	1	Nameplate - 120V-60Hz	
28	0860520	1	Box, Manual Storage	
29	1060279	1	Cable, Lanyard	
30	0641408	1	Bolt 1/4in-20NC x 1in	
31	4751400	9	Flatwasher 1/4in Regular	
32	3311405	5	Locknut 1/4in-20NC	
33	3820001	4	Rivet	
34		Ref	Decal - Footswitch Options:	

SECTION 8 - DECALS

ITEM	PART NUMBER	QTY	DESCRIPTION	REV
34	1705902	1	Brazil Spec Decals (Portuguese/English)	
34	1703982	1	Chinese Spec Decals (Chinese/English)	
34	1703984	1	CSA Spec Decals (English/French)	
34	1703980	1	Japanese Spec Decals (Japanese/English)	
34	1703981	1	Korean Spec Decals (Korean/English)	
34	1703983	1	Latin American Spec Decals (Spanish/English)	
35	1703483	4	Decal - Maximum Tire Load	
36	1701505	2	Decal - Fuel	
37		Ref	Decal - Warning/Crushing Options:	
37	1705903	7	Brazil Spec Decals (Portuguese/English)	
37	1703943	7	Chinese Spec Decals (Chinese/English)	
37	1703942	7	CSA Spec Decals (English/French)	
37	1703944	7	Japanese Spec Decals (Japanese/English)	
37	1703945	7	Korean Spec Decals (Korean/English)	
37	1703941	7	Latin American Spec Decals (Spanish/English)	
38	3572327	1	Plate, Decal Mount	
39		Ref	Decal - CSA Options:	
39	1705514	1	CSA Spec Decals (English/French)	
43	1701501	4	Decal - Arrow	
44	1701499	4	Decal - No Lift	
45	1705838	1	Decal - Lift Diagram	
46	1704412	1	Decal - Hydraulic Oil Chart	
47		Ref	Decal - Tip Over Options:	
47	1705904	1	Brazil Spec Decals (Portuguese/English)	
47	1705342	1	Chinese Spec Decals (Chinese/English)	
47	1705341	1	CSA Spec Decals (English/French)	
47	1705338	1	Japanese Spec Decals (Japanese/English)	
47	1705339	1	Korean Spec Decals (Korean/English)	
47	1705909	1	Latin American Spec Decals (Spanish/English)	
48	1705432	2	Decal - JLG Lift (16in)	
49	1704885	2	Decal - www.jlg.com	
55		Ref	Decal - Drive/Steer Instructions Options:	
55	1705905	1	Brazil Spec Decals (Portuguese/English)	
55	1705430	1	Chinese Spec Decals (Chinese/English)	
55	1705429	1	CSA Spec Decals (English/French)	
55	1705426	1	Japanese Spec Decals (Japanese/English)	
55	1705427	1	Korean Spec Decals (Korean/English)	
55	1705910	1	Latin American Spec Decals (Spanish/English)	
56	1705865	1	Decal - Ultra Boom (12in Height)	
57	1705866	1	Decal - Ultra Boom (8in Height) (Prior to SN 0300086366)	
58	1703959	2	Decal - Quikstik	
59		Ref	Decal - Tip Over Hazard Options:	
59	1705906	1	Brazil Spec Decals (Portuguese/English)	
59	1705507	1	Chinese Spec Decals (Chinese/English)	
59	1705505	1	CSA Spec Decals (English/French)	
59	1705493	1	Japanese Spec Decals (Japanese/English)	
59	1705503	1	Korean Spec Decals (Korean/English)	
59	1705915	1	Latin American Spec Decals (Spanish/English)	
60	0641406	4	Bolt 1/4in-20NC x 3/4in (SN 0300080699 through 0300089066)	

SECTION 8 - DECALS

FIGURE 8-4. DECAL INSTALLATION - ANSI EXPORT SPEC (SN 0300089066 through 0300201017)



SECTION 8 - DECALS

FIGURE 8-4. DECAL INSTALLATION - ANSI EXPORT SPEC (SN 0300089066 through 0300201017)

ITEM	PART NUMBER	QTY	DESCRIPTION	REV
		Ref	STANDARD DECAL INSTALLATIONS	
	0274730	Ref	Decals - JLG	B
	0274722	Ref	ANSI Spec Decals (English)	B
	0274725	Ref	Brazil Spec Decals (Portuguese/English)	B
	0274724	Ref	Chinese Spec Decals (Chinese/English)	B
	0274727	Ref	CSA Spec Decals (English/French)	B
	0274729	Ref	Japanese Spec Decals (Japanese/English)	B
	0274723	Ref	Korean Spec Decals (Korean/English)	B
	0274726	Ref	Latin American Spec Decals (Spanish/English)	B
2	1701499	4	Decal - No Lift	
5	1701509	1	Decal - Manual	
6	1701529	2	Decal - Arrow	
7	1703811	4	Decal - Tie Down/Lift	
8	1703814	6	Decal - Tie Down	
9	1704277	4	Decal - Attach Lanyard Here	
10	1704412	1	Decal - Hydraulic Oil Chart	
12		Ref	Decal - CSA Options:	
12	1705514	1	CSA Spec Decals (English/French)	
13	3251243	1	Nameplate - 120V-60Hz	
15		Ref	Decal - Tip Over Options:	
15	1705337	AR	ANSI Spec Decals (English)	
15	1705904	AR	Brazil Spec Decals (Portuguese/English)	
15		Ref	Chinese Spec Decals (Chinese/English) Options:	
15	1705342	AR	Simplified (SN 0300089066 through 0300143401)	
15	1001117034	AR	Traditional (SN 0300143402 through 0300201017)	
15	1705341	AR	CSA Spec Decals (English/French)	
15	1705338	AR	Japanese Spec Decals (Japanese/English)	
15	1705339	AR	Korean Spec Decals (Korean/English)	
15	1705909	AR	Latin American Spec Decals (Spanish/English)	
16		Ref	Decal - Tip Over Hazard Options:	
16	1705492	AR	ANSI Spec Decals (English)	
16	1705906	AR	Brazil Spec Decals (Portuguese/English)	
16		Ref	Chinese Spec Decals (Chinese/English) Options:	
16	1705507	AR	Simplified (SN 0300089066 through 0300143401)	
16	1001117035	AR	Traditional (SN 0300143402 through 0300201017)	
16	1705505	AR	CSA Spec Decals (English/French)	
16	1705493	AR	Japanese Spec Decals (Japanese/English)	
16	1705503	AR	Korean Spec Decals (Korean/English)	
16	1705915	AR	Latin American Spec Decals (Spanish/English)	
17		Ref	Decal - Inspection Options:	
17	1705901	1	Brazil Spec Decals (Portuguese/English) (SN 0300089066 through 0300151354)	
17	1704006	1	CSA Spec Decals (English/French) (SN 0300089066 through 0300151354)	
17	1704007	1	Latin American Spec Decals (Spanish/English) (SN 0300089066 through 0300151354)	
18		Ref	Decal - Warning/Crushing Options:	
18	1703953	4	ANSI Spec Decals (English)	
18	1705903	4	Brazil Spec Decals (Portuguese/English)	
18	1703943	4	Chinese Spec Decals (Chinese/English)	

SECTION 8 - DECALS

ITEM	PART NUMBER	QTY	DESCRIPTION	REV
18	1703942	4	CSA Spec Decals (English/French)	
18	1703944	4	Japanese Spec Decals (Japanese/English)	
18	1703945	4	Korean Spec Decals (Korean/English)	
18	1703941	4	Latin American Spec Decals (Spanish/English)	
19		Ref	Decal - No Hands Options	
19	1702868	2	ANSI Spec Decals (English)	
19	1705967	2	Brazil Spec Decals (Portuguese/English)	
19		Ref	Chinese Spec Decals (Chinese/English) Options:	
19	1705968	2	Simplified (SN 0300089066 through 0300143401)	
19	1001116846	2	Traditional (SN 0300143402 through 0300201017)	
19	1704000	2	CSA Spec (English/French)	
19		Ref	Japanese Spec Decals (Japanese/English)	
19	1705969	2	Korean Spec Decals (Korean/English)	
19	1704001	2	Latin American Spec Decals (Spanish/English)	
20		Ref	Decal - Danger/Warning (Platform) Options:	
20	1703797	1	ANSI Spec Decals (English)	
20	1705895	1	Brazil Spec Decals (Portuguese/English)	
20	1703925	1	Chinese Spec Decals (Chinese/English)	
20	1703924	1	CSA Spec Decals (English/French)	
20	1703926	1	Japanese Spec Decals (Japanese/English)	
20	1703927	1	Korean Spec Decals (Korean/English)	
20	1703923	1	Latin American Spec Decals (Spanish/English)	
21		Ref	Decal - Danger/Warning (Ground Control) Options:	
21	1705336	1	ANSI Spec Decals (English)	
21	1705896	1	Brazil Spec Decals (Portuguese/English)	
21		Ref	Chinese Spec Decals (Chinese/English) Options:	
21	1705348	1	Simplified (SN 0300089066 through 0300143401)	
21	1001116849	1	Traditional (SN 0300143402 through 0300201017)	
21	1705347	1	CSA Spec Decals (English/French)	
21	1705344	1	Japanese Spec Decals (Japanese/English)	
21	1705345	1	Korean Spec Decals (Korean/English)	
21	1705917	1	Latin American Spec Decals (Spanish/English)	
22		Ref	Decal - Warning Crushing Options:	
22	1703804	6	ANSI Spec Decals (English)	
22	1705898	6	Brazil Spec Decals (Portuguese/English)	
22	1703949	6	Chinese Spec Decals (Chinese/English)	
22	1703948	6	CSA Spec Decals (English/French)	
22	1703950	6	Japanese Spec Decals (Japanese/English)	
22	1703951	6	Korean Spec Decals (Korean/English)	
22	1703947	6	Latin American Spec Decals (Spanish/English)	
23		Ref	Decal - Danger/Electrocution Options:	
23	1703805	5	ANSI Spec Decals (English)	
23	1705897	5	Brazil Spec Decals (Portuguese/English)	
23		Ref	Chinese Spec Decals (Chinese/English) Options:	
23	1703937	5	Simplified (SN 0300089066 through 0300143401)	
23	1001116851	5	Traditional (SN 0300143402 through 0300201017)	
23	1703936	5	CSA Spec Decals (English/French)	
23	1703938	5	Japanese Spec Decals (Japanese/English)	
23	1703939	5	Korean Spec Decals (Korean/English)	
23	1703935	5	Latin American Spec Decals (Spanish/English)	
24		Ref	Decal - Footswitch Options:	

SECTION 8 - DECALS

ITEM	PART NUMBER	QTY	DESCRIPTION	REV
24	1705902	1	Brazil Spec Decals (Portuguese/English)	
24	1703982	1	Chinese Spec Decals (Chinese/English)	
24	1703984	1	CSA Spec Decals (English/French)	
24	1703980	1	Japanese Spec Decals (Japanese/English)	
24	1703981	1	Korean Spec Decals (Korean/English)	
24	1703983	1	Latin American Spec Decals (Spanish/English)	
25		Ref	Decal - USA Options:	
25	3251813	1	All Spec Decals Except Korean Spec Decals	
27	See Note	1	Decal - Bar Code (Note: Not available for Purchase)	
28		Ref	Decal - Capacity (Platform) Options:	
28		Ref	Decal - Capacity (Platform) (SN 0300089066 through 0300142967)	
28	1705168	2	ANSI Spec Decals (English)	
28	1705899	2	Brazil Spec Decals (Portuguese/English)	
28	1705334	2	Chinese Spec Decals (Chinese/English)	
28	1705333	2	CSA Spec Decals (English/French)	
28	1705330	2	Japanese Spec Decals (Japanese/English)	
28	1705331	2	Korean Spec Decals (Korean/English)	
28	1705908	2	Latin American Spec Decals (Spanish/English)	
28		Ref	Decal - Capacity (Platform) (SN 0300142968 through 0300201017)	
28	1001122369	2	ANSI Spec Decals (English)	
28	1001122372	2	Brazil Spec Decals (Portuguese/English)	
28	1001122371	2	Chinese Spec Decals (Chinese/English)	
28	1001122374	2	CSA Spec Decals (English/French)	
28	1001122375	2	Japanese Spec Decals (Japanese/English)	
28	1001122370	2	Korean Spec Decals (Korean/English)	
28	1001122373	2	Latin American Spec Decals (Spanish/English)	
29		Ref	Decal - Capacity (Ground Control) Options:	
29		Ref	Decal - Capacity (Ground Control) (SN 0300089066 through 0300142967)	
29	1705181	1	ANSI Spec Decals (English)	
29	1705900	1	Brazil Spec Decals (Portuguese/English)	
29	1705478	1	Chinese Spec Decals (Chinese/English)	
29	1705477	1	CSA Spec Decals (English/French)	
29	1705480	1	Japanese Spec Decals (Japanese/English)	
29	1705481	1	Korean Spec Decals (Korean/English)	
29	1705919	1	Latin American Spec Decals (Spanish/English)	
29		Ref	Decal - Capacity (Ground Control) (SN 0300142968 through 0300201017)	
29	1001122376	1	ANSI Spec Decals (English)	
29	1001122379	1	Brazil Spec Decals (Portuguese/English)	
29	1001122378	1	Chinese Spec Decals (Chinese/English)	
29	1001122381	1	CSA Spec Decals (English/French)	
29	1001122382	1	Japanese Spec Decals (Japanese/English)	
29	1001122377	1	Korean Spec Decals (Korean/English)	
29	1001122380	1	Latin American Spec Decals (Spanish/English)	
30		Ref	Decal - Patent Options:	
30	1700584	1	All Specs Except CSA Spec (SN 0300089066 through 0300151353)	
30	1001131269	1	CSA Spec (SN 0300151354 through 0300201017)	
31		Ref	Decal - Legend (Platform) Options:	

SECTION 8 - DECALS

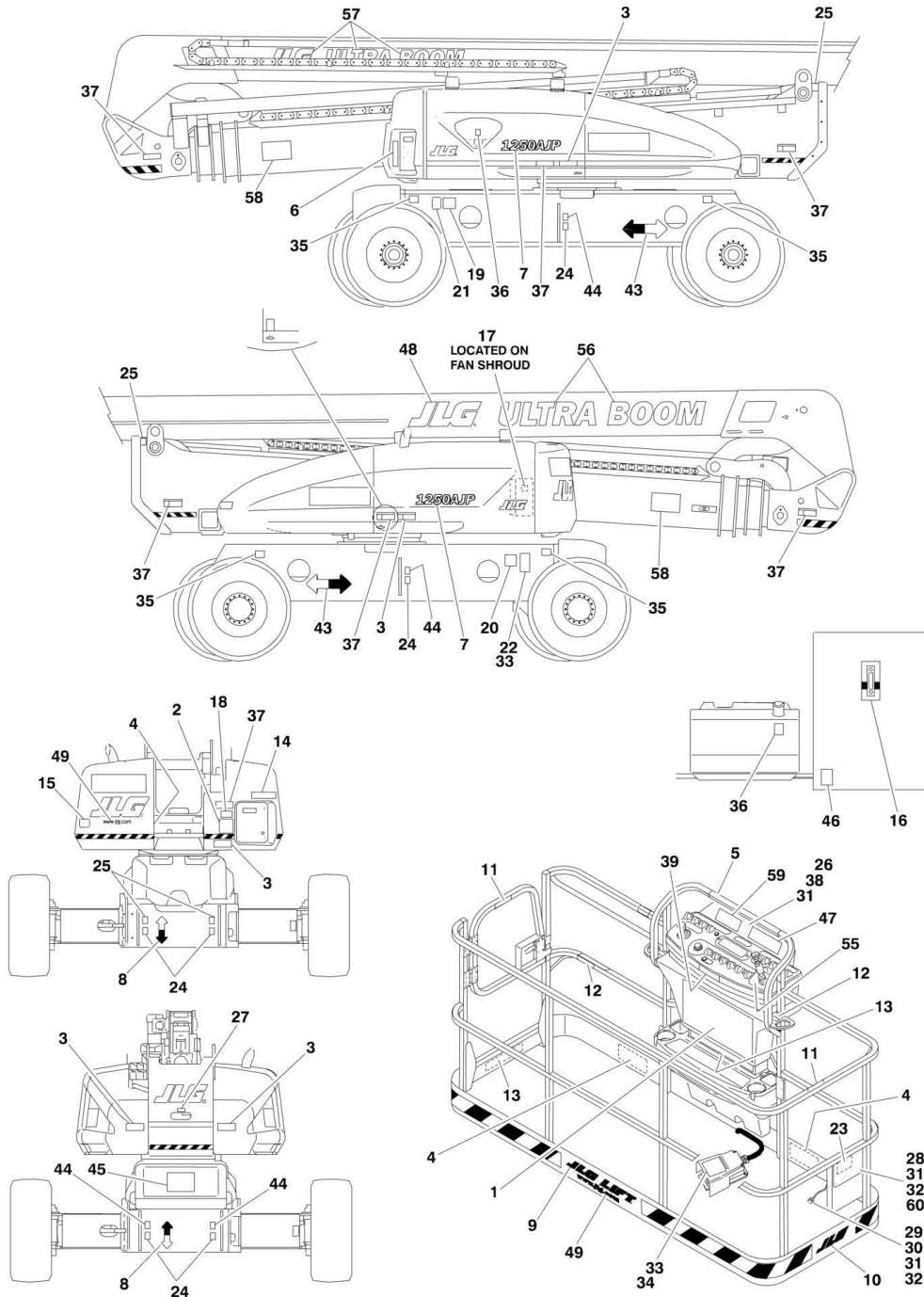
ITEM	PART NUMBER	QTY	DESCRIPTION	REV
31	1705867	1	Decal - Legend (Platform) (Use p/n 1706751) (SN 0300089066 through 0300093312)	
31	1706751	1	Decal - Legend (Platform) (SN 0300093313 through 0300201017)	
32	1705868	1	Decal - Legend (Ground Controls)	
33		Ref	Decal - Drive/Steer Instructions Options:	
33	1705351	1	ANSI Spec Decals (English)	
33	1705905	1	Brazil Spec Decals (Portuguese/English)	
33	1705430	1	Chinese Spec Decals (Chinese/English)	
33	1705429	1	CSA Spec Decals (English/French)	
33	1705426	1	Japanese Spec Decals (Japanese/English)	
33	1705427	1	Korean Spec Decals (Korean/English)	
33	1705910	1	Latin American Spec Decals (Spanish/English)	
34	1701505	2	Decal - Fuel	
35		Ref	Decal - Warning Explosion/Fire Options	
35	1704972	1	ANSI Spec Decals (English)	
35	1706059	1	Brazil Spec Decals (Portuguese/English)	
35	1706060	1	Chinese Spec Decals (Chinese/English)	
35	1706064	1	CSA Spec Decals (English/French)	
35	1704972	1	Japanese Spec Decals (Japanese/English)	
35	1706061	1	Korean Spec Decals (Korean/English)	
35	1706063	1	Latin American Spec Decals (Spanish/English)	
36	1705511	1	Decal - Oil Level	
37	1701501	4	Decal - Arrow	
39	1703483	4	Decal - Tire Load	
40	1705838	1	Decal - Lift Diagram	
41	1705840	2	Decal - 1250AJP Model Designation	
42	See Note	1	Nameplate - Serial Number (Note: Not Available for Purchase)	
43	1702774	1	Decal - JLG Lift (3.5in)	
44	1702773	1	Decal - JLG (5in)	
45	1704885	AR	Decal - www.jlg.com Options:	
45		Ref	Decal (SN 0300089066 through 0300173631)	
45		Ref	Decal (SN 0300173632 through 0300201017)	
46	1705864	2	Decal - JLG	
47	1705865	2	Decal - Ultra Boom (12in Height)	
48	1703959	2	Decal - Quikstik	
52	0641406	AR	Bolt 1/4in-20NC x 3/4in	
53	0641408	1	Bolt 1/4in-20NC x 1in (SN 0300089066 through 0300143927)	
54	0860520	1	Box, Manual Storage	
55	1060279	1	Cable, Lanyard (SN 0300089066 through 0300143927)	
56	3311405	AR	Locknut 1/4in-20NC	
57	3820001	AR	Rivet	
58	4751400	AR	Flatwasher 1/4in Regular	
59		Ref	Plate, Decal Mount Options:	
59	3572327	1	All Spec Decals Except ANSI Spec Decals	
59	3380474	1	ANSI Spec	
60	1001094055	1	Decal, Troubleshooting	
238		Ref	Decal, Fuel Specification Options:	
238	1001125387	1	Decal, Fuel Specification (Machines with Deutz TCD2.9L4 Engine Only)	
238	1001139654	1	Decal, Fuel Specification (Machines with Deutz TCD2.9L4 Engine Only) (Japanese Spec Only)	

SECTION 8 - DECALS

ITEM	PART NUMBER	QTY	DESCRIPTION	REV
253	1001143852	1	Decal - Emissions Compliance on All Specs except CSA Specs (SN 0300166770 through 0300201017)	

SECTION 8 - DECALS

FIGURE 8-5. DECAL INSTALLATION - AUSTRALIAN AND CE SPEC (Prior to SN 0300089066)



SECTION 8 - DECALS

FIGURE 8-5. DECAL INSTALLATION - AUSTRALIAN AND CE SPEC (Prior to SN 0300089066)

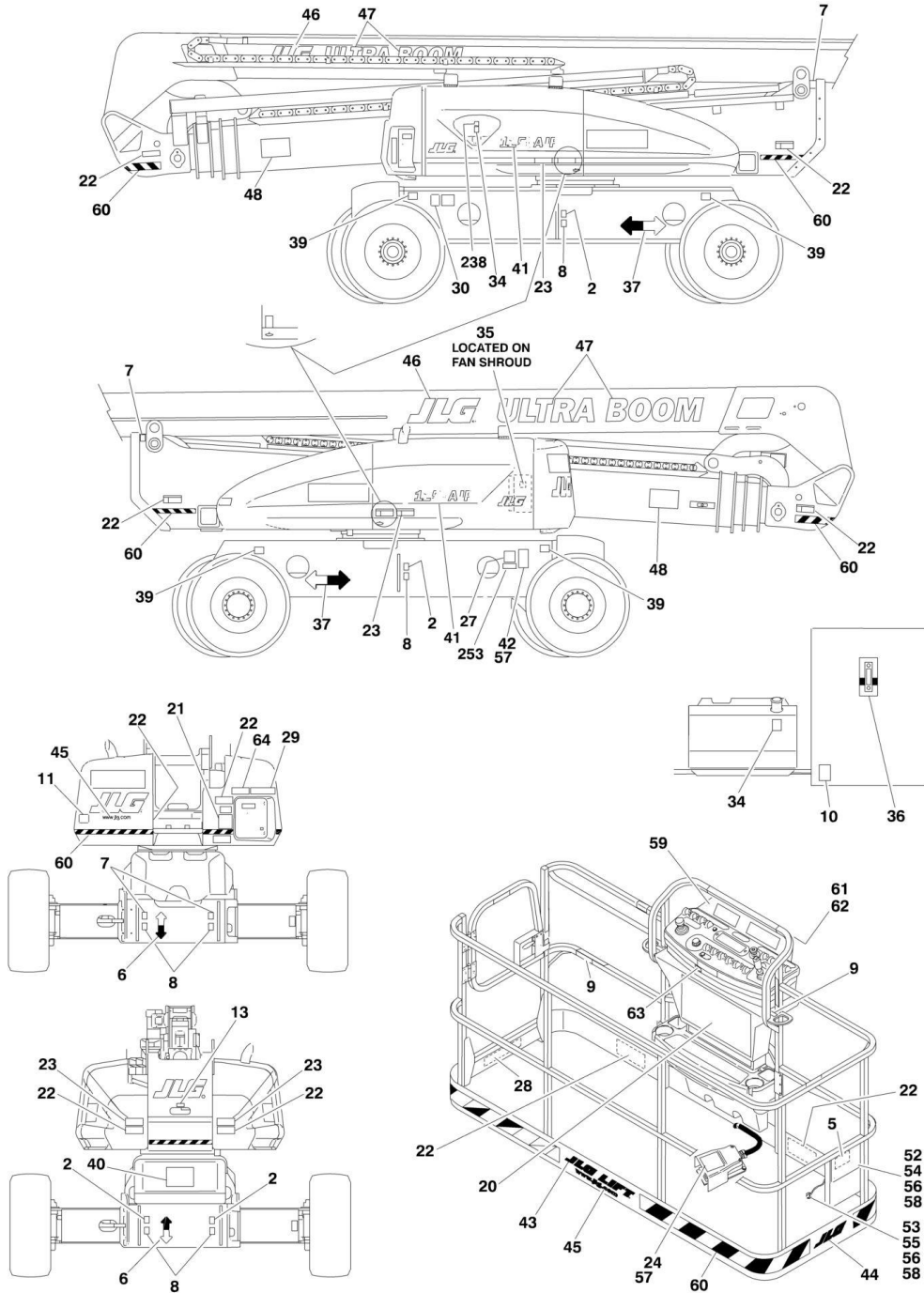
ITEM	PART NUMBER	QTY	DESCRIPTION	REV
		Ref	STANDARD DECAL INSTALLATIONS	
	0273600	Ref	Decals - JLG (Prior to SN 0300086366)	3
	0274730	Ref	Decals - JLG (SN 0300086366 through 0300089066)	1
	0273585	Ref	Australian and CE Spec Decals	11
1	1705893	1	Decal - Danger/Warning (Platform)	
2	1705822	1	Decal - Danger/Warning (Ground Control)	
3	1705961	4	Decal - Danger Electrocution	
4	1701518	10	Decal - Warning Crushing	
7	1705840	2	Decal - Model 1250AJP	
8	1701529	2	Decal - Arrow	
9	1702774	1	Decal - JLG Lift (3.5in)	
10	1702773	1	Decal - JLG (5in)	
12	1704277	3	Decal - Attach Lanyard Here	
14		Ref	Decal - Capacity (Ground Control)	
14	1705181	1	Decal - Capacity (Prior to SN 0300079191)	
14	1706228	1	Decal - Capacity (Use p/n 1705468) (SN 0300079191 through 0300081889)	
14	1705468	1	Decal - Capacity (SN 0300081890 through 0300089066)	
15	1705084	1	Decal - Sound Power Level	
16	1705511	1	Decal - Oil Level	
17		Ref	Decal - Warning Explosion/Fire Options:	
17	1704972	1	Warning Decal, Glow Plugs (Prior to SN 0300079139)	
17	1706098	1	Decal, Warning Ether Start (SN 0300079139 through 0300089066)	
20	See Note	1	Decal - Bar Code (Note: Not available for Purchase)	
21	1700584	1	Decal - Patent	
22	See Note	1	Nameplate - Serial Number (Note: Not Available for Purchase)	
23	1701509	1	Decal - Manual	
24	1702300	6	Decal - Tie Down	
25	1701500	4	Decal - Lift	
26 to 27		Ref	(Illustration and Parts List Usage)	
28	0860520	1	Box, Manual Storage	
29	1060279	1	Cable, Lanyard	
30	0641408	1	Bolt 1/4in-20NC x 1in	
31	4751400	6	Flatwasher 1/4in Regular	
32	3311405	5	Locknut 1/4in-20NC	
33	3820001	4	Rivet	
34	1705828	1	Decal - Footswitch	
35	1703483	4	Decal - Maximum Tire Load	
36	1701505	2	Decal - Fuel	
40	4420051	29 ft/8.8m	Decal - Warning Stripes	
43	1701501	4	Decal - Arrow	
44	1701499	4	Decal - No Lift	
45	1705838	1	Decal - Lift Diagram	
46	1704412	1	Decal - Hydraulic Oil Chart	
48	1705864	1	Decal - JLG	
49	1704885	2	Decal - www.jlg.com	
56	1705865	1	Decal - Ultra Boom (12in Height)	
57	1705866	1	Decal - Ultra Boom (8in Height) (Prior to SN 0300086366)	
58	1703959	2	Decal - Quikstik	

SECTION 8 - DECALS

ITEM	PART NUMBER	QTY	DESCRIPTION	REV
60	0641406	4	Bolt 1/4in-20NC x 3/4in (SN 0300080699 through 0300089066)	

SECTION 8 - DECALS

FIGURE 8-6. DECAL INSTALLATION - AUSTRALIAN AND CE SPEC (SN 0300089066 through 0300201017)



SECTION 8 - DECALS

FIGURE 8-6. DECAL INSTALLATION - AUSTRALIAN AND CE SPEC (SN 0300089066 through 0300201017)

ITEM	PART NUMBER	QTY	DESCRIPTION	REV
		Ref	STANDARD DECAL INSTALLATIONS	
	0274730	Ref	Decals - JLG	B
	0274728	Ref	CE Spec Decals	B
	0274728	Ref	Australian Spec Decals (Prior to SN 0300138369)	9
	1001114383	Ref	Australian Spec Decals (SN 0300138369 through 0300089066)	B
2	1701499	4	Decal - No Lift	
5	1701509	1	Decal - Manual	
6	1701529	2	Decal - Arrow	
7	1703811	4	Decal - Tie Down/Lift	
8	1703814	6	Decal - Tie Down	
9	1704277	4	Decal - Attach Lanyard Here	
10	1704412	1	Decal - Hydraulic Oil Chart	
11		Ref	Decal - Sound Power Level Options:	
11	1705084	1	Decal, Decibel Level (SN 0300089066 through 0300128767)	
11	1705515	1	Decal, Sound Power (SN 0300128768 through 0300089066)	
20	1705921	1	Decal - Tipping/Electrical (Platform)	
21	1705822	1	Decal - Electrical/Safety (Ground Control)	
22	1701518	10	Decal - Warning Crushing	
23	1705961	5	Decal - Danger Electrocution	
24	1705828	1	Decal - Footswitch	
28	1706770	1	Decal - Capacity (Platform) (SN 0300090801 through 0300089066)	
29	1705468	1	Decal - Capacity (Ground Control)	
30	1700584	1	Decal - Patent (SN 0300089066 through 0300151354)	
31	1702784	1	Decal - Legend (Platform) (SN 0300089066 through 0300090801)	
32	1703808	1	Decal - Legend (Ground Control) (SN 0300089066 through 0300090801)	
34	1701505	2	Decal - Fuel	
35	1706098	1	Decal - Warning Explosion/Fire	
36	1705511	1	Decal - Oil Level	
37	1701501	4	Decal - Arrow	
39	1703483	4	Decal - Tire Load	
40	1705838	1	Decal - Lift Diagram	
41	1705840	2	Decal - Model 1250AJP	
42	Not Available	1	Nameplate - Serial Number	
43	1702774	1	Decal - JLG Lift (3.5in)	
44	1702773	1	Decal - JLG (5in)	
45	1704885	AR	Decal - www.jlg.com Options:	
45		Ref	Decal (SN 0300089066 through 0300173631)	
45		Ref	Decal (SN 0300173632 through 0300201017)	
46	1705864	2	Decal - JLG	
47	1705865	2	Decal - Ultra Boom (12in Height)	
48	1703959	2	Decal - Quikstik	
52	0641406	4	Bolt 1/4in-20NC x 3/4in	
53	0641408	1	Bolt 1/4in-20NC x 1in	
54	0860520	1	Box, Manual Storage	
55	1060279	1	Cable, Lanyard	
56	3311405	5	Locknut 1/4in-20NC	

SECTION 8 - DECALS

ITEM	PART NUMBER	QTY	DESCRIPTION	REV
57	3820001	2	Rivet	
58	4751400	AR	Flatwasher 1/4in Regular	
59	3380474	1	Plate, Decal Mount (SN 0300089066 through 0300103772)	
60	4420051	29 ft/8.8m	Decal - Warning Stripes	
61	3520174	3	Plug 3/16in	
62	0100048	AR	Lubricant, Silicone	
63	1001094055	1	Decal, Troubleshooting	
64	1001112551	1	Decal, Emergency Controls (Australian Spec Only) (SN 0300138369 through 0300201017)	
238	1001139654	1	Decal, Fuel Specification (Machines with Deutz TCD2.9L4 Engine Only)	
253	1001143852	1	Decal - Emissions Compliance (SN 0300166770 through 0300201017)	

SECTION 9 - RECOMMENDED SERVICE PARTS STOCK

SECTION 9 - RECOMMENDED SERVICE PARTS STOCK

SECTION 9 - RECOMMENDED SERVICE PARTS STOCK

FIGURE 9-1. MODEL 1250AJP STANDARD PARTS

ITEM	PART NUMBER	QTY	DESCRIPTION	REV
	Note	Ref	Note: The following list will service one machine (built to current production per date on the front cover) with emergency repair parts which can be installed in the fields. Parts from the list should be replaced when inventory is depleted to keep service parts stock supplied. For further information, contact your JLG dealer or the JLG Industries Parts Department.	
		Ref	STANDARD PARTS	
	7024365	1	Axle Powertrack Repair Kit	
	7018991	1	Coil	
	7012944	1	Coil	
	7024890	1	Coil	
	7012943	1	Coil	
	7027206	1	Coil	
	7027207	1	Coil	
	7027208	1	Coil	
	7027209	1	Coil	
	3740067	1	Relay	
	3740080	1	Relay	
	2120219	12	Element, High Pressure Filter	
	70002231	12	Element, Pressure Filter	
	2120168	12	Element, Hydraulic Oil Filter	
	7024444	12	Breather, Hydraulic Oil Tank	
	3740049	1	Relay	
	4360328	1	Switch, Toggle	
	4360475	1	Switch, Mushroom	
	4360476	1	Contact, Switch Block	
	2860030	1	Key, Replacement	
	70003919	1	Boom Powertrack Repair Kit	
	70003913	1	Boom Powertrack Repair Kit	
	7024571	1	Coil	
	70002097	12	Element, Pressure Filter	
	2940074	1	Latch, Platform	
	4360336	1	Switch, Toggle	
	4360330	1	Switch, Toggle	
	4360331	1	Switch, Toggle	
	4360387	1	Switch, Push Button	
	1001166539	1	Controller, Lift and Swing	
	1001166538	1	Controller, Drive and Steer	
	3990001	2	Diode - 3 Amp	
	3740143	1	Relay	

SECTION 9 - RECOMMENDED SERVICE PARTS STOCK

FIGURE 9-2. MODEL 1250AJP VARIABLE PARTS

ITEM	PART NUMBER	QTY	DESCRIPTION	REV
	Note	Ref	Note: The following list will service one machine (built to current production per date on the front cover) with emergency repair parts which can be installed in the fields. Parts from the list should be replaced when inventory is depleted to keep service parts stock supplied. For further information, contact your JLG dealer or the JLG Industries Parts Department.	
		Ref	VARIABLE PARTS	
	4360578	1	Switch, Lever (If Desired for Service Testing)	
	4360505	1	Switch, Rotary Angle Sensor (If Desired for Service Testing)	
	1001112758	1	Module, Chassis (If Desired for Service Testing)	
	1001112757	1	Module, B.L.A.M. (If Desired for Service Testing)	
	7027239	1	Relay	
	7026608	1	Relay	
	1001117308	1	Relay	
	7003655	12	Element, Caterpillar Air Filter	
	7003655	12	Element, Deutz BF4M2011 & TD2011 Air Filter	
	70024190	12	Element, Deutz TCD2.9L4 Air Filter	
	7026830	12	Element, Caterpillar Engine Fuel/Water	
	70002231	12	Element, Deutz TCD2.9L4 Engine Fuel/Water	
	7026811	12	Element, Caterpillar Engine Oil Filter	
	7016331	12	Element, Deutz Engine Oil Filter	
	7016328	12	Element, Deutz Engine Fuel	
	1001119508	1	Module, Ground Control (If Desired for Service Testing)	
	4360469	1	Switch, Key (ANSI, ANSI Export and Australian Spec)	
	4360470	1	Switch, Key (CE Spec)	
	4360522	1	Switch, Push Button (Headlights/Chassis Illumination Lights Options)	
	3740080	1	Relay (Headlights/Chassis Illumination Lights Options)	
	3740080	1	Relay (110V/220V Generator Options)	
	4360336	1	Switch, Toggle (Generator Options)	
	4000008	1	Sensor, Proximity (If Desired for Service Testing)	
	1001147479	1	Switch, Digital Angle Sensor (If Desired for Service Testing)	
	4360548	1	Switch, Plunger (If Desired for Service Testing)	
	4360552	1	Switch, Boom Length (If Desired for Service Testing)	
	4360622	1	Switch, Rotary Transducer (If Desired for Service Testing)	
	4360336	1	Switch, Toggle (Floodlights Options)	
	0272970	1	Footswitch (If Desired for Service Testing)	
	1600343	1	Module, Platform Control (If Desired for Service Testing)	
	4360057	1	Switch, Limit (If Desired for Service Testing)	
	4360579	1	Switch, Limit (If Desired for Service Testing)	
	4360232	1	Breaker, Circuit - 15 Amp (Floodlights Options)	
	2400070	2	Fuse (Worklights Options)	
	2400064	2	Fuse (7500W SkyPower Generator/ClearSky Telematics Options)	

SECTION 10 - SPECIAL OPTIONS

SECTION 10 - SPECIAL OPTIONS

FIGURE 10-1. SPECIAL OPTIONS

ITEM	PART NUMBER	QTY	DESCRIPTION	REV
		Ref	MISCELLANEOUS SPECIAL OPTIONS	
	Note	Ref	Note: This is to accommodate machines ordered with special equipment. Options may not be applicable to all models. For more specific parts information contact JLG Parts Department.	
	1001233047	Ref	Air Breather Heater (Deutz T4F Engines)	
	1340067	Ref	Air Cleaner Pre-Cleaner	
	0273464	Ref	Airline Installation, 1/2 in	
	0271803	Ref	Bellows, Cylinder (Fixed Axle)	
	0271804	Ref	Bellows, Cylinder (Oscillating Axle)	
	0273471	Ref	Bellows, Cylinder (Boom)	
	1001206796	Ref	Belt & Fan Shield Add-on Kit (Deutz T4f Engines)	
	1001206794	Ref	Belt & Fan Shield Add-on Kit (Deutz T4i Engines)	
	1001306146	Ref	Boom Angle Sensor Kit	
	0273513	Ref	Boom Wipers Installation	
	0256789	Ref	Camera Mounting Installation	
		Ref	ClearSky Add-on Options:	
	1001117250	Ref	ClearSky Add-on Kit (Gold USA Specs - Non-UGM)	
	1001119938	Ref	ClearSky Add-on Kit (Gold USA Specs - UGM)	
	1001117256	Ref	ClearSky Add-on Kit (Gold Canada Specs - Non-UGM)	
	1001119946	Ref	ClearSky Add-on Kit (Gold Canada Specs - UGM)	
	1001118234	Ref	ClearSky Add-on Kit (Bronze USA Specs - Non-ADE)	
	1001118235	Ref	ClearSky Add-on Kit (Bronze Canada Specs - Non-ADE)	
	0273862	Ref	Cold Weather Package (110V)	
	0274885	Ref	Cold Weather Transformer Installation	
		Ref	Decals Installations	
	1702788	Ref	Biodegradable Hydraulic Fluid	
	0257195	Ref	Government Warranty Decal	
	1001143081	Ref	Hewitt Decals Installation (English)	
	1001143516	Ref	Hewitt Decals Installation (French)	
	1703175	Ref	Lanyard Attachment Decal (GM K-1 Spec)	
	1001140649	Ref	Leavitt Decals Installation	
	1001104378	Ref	NES Decals Installation	
		Ref	No Hands Decal Options (Used with Soft Touch System and Platform Mesh Installations.):	
	1702868	2	ANSI and ANSI Export Spec (English)	
	1704000	2	CSA Spec (French/English)	
	1704001	2	ANSI Export Spec (Spanish/English)	
	1705969	2	ANSI Export Spec (Korean/English)	
	1705967	2	ANSI Export Spec (Portuguese/English)	
	1001104379	Ref	RSC Decals Installation	
	0272599	Ref	SkyCutter (ANSI and ANSI Export Specs)	
	0272607	Ref	SkyCutter (Australian and CE Specs)	
	0272418	Ref	SkyGlazier	
	0272589	Ref	SkyPower 50Hz	
	0272435	Ref	SkyPower 60Hz	
	0272448	Ref	SkyWelder (ANSI and ANSI Export Specs)	
	0272588	Ref	SkyWelder (Australian and CE Specs)	
	1001120567	Ref	Sunbelt Rentals Decals Installation	
	1001151113	Ref	Titan Rentals Decals Installation	

SECTION 10 - SPECIAL OPTIONS

ITEM	PART NUMBER	QTY	DESCRIPTION	REV
	1705307	1	Tool Location	
	1001120729	Ref	United Rentals Decals Installation	
	4420051	Ref	Warning Stripe Decals	
		Ref	Decal Kits Options:	
	2902307	Ref	Decal Kit - Country Spec (ANSI and ANSI Export)	
	2902329	Ref	Decal Kit - Country Spec (Australian and CE)	
	2902312	Ref	Decal Kit - Country Spec (Brazil)	
	2902309	Ref	Decal Kit- Country Spec (Chinese)	
	2902322	Ref	Decal Kit- Country Spec (CSA)	
	2902308	Ref	Decal Kit- Country Spec (Japanese)	
	2902310	Ref	Decal Kit- Country Spec (Korean)	
	2902311	Ref	Decal Kit- Country Spec (Latin America)	
	2902303	Ref	Decal Kit - Master	
	2902303	Ref	Decal Kit - Master (Australian and CE Spec) (SN 0300089066 through 0300128767)	
	1001104650	Ref	Decal Kit - Master (Australian and CE Spec) (SN 0300128768 through 0300201017)	
	1001193641	Ref	Decal Kit - Machine (Prior to SN 0300089066)	
	1001193642	Ref	Decal Kit - Machine (SN 0300089066 through 0300201017)	
	1001108708	Ref	Decal Kit - Platform (ANSI Specs)	
	1001109181	Ref	Decal Kit - Platform Console Box (ANSI Specs)	
	2902356	Ref	Decal Kit - Tire Load	
		Ref	Electrical Connector Kits	
	1001148902	Ref	Amp/Tyco Electrical Connector Kit	
	1001148903	Ref	Deutsch DT Electrical Connector Kit	
	1001148904	Ref	Deutsch HD Electrical Connector Kit	
	1001148905	Ref	Packard Electrical Connector Kit	
	1001148906	Ref	Various Electrical Connectors Kit	
	0272068	Ref	Ether Start Installation	
	1001109621	Ref	Exhaust Raincap Installation	
	1120423	1	Raincap	
	1001109619	1	Tube, Exhaust Stack	
	1001145708	Ref	Fan Guard Installation (Deutz TCD2.9L4 Engines Only)	
	3510864	Ref	Fall Arrest Platform Installation	
		Ref	Filter Kits:	
		Ref	Combined Filter Kit Options (Hydraulic/Air and Fuel/Engine Oil):	
		Ref	Deutz TD2011 Engine Machines:	
	2915134	NLA	Combined Filter Kit, B-C26, (Use p/n 1001111008) (Prior to SN 0300087575)	
	1001111008	1	Combined Filter Kit, B-C26 (Prior to SN 0300087575)	
	1001114133	NLA	Combined Filter Kit, B-C27, (Use p/n 1001111009) (SN 0300087575 through 0300099915)	
	1001111009	1	Combined Filter Kit, B-C27 (SN 0300087575 through 0300099915)	
	1001114134	NLA	Combined Filter Kit, B-C27, (Use p/n 1001111009) (SN 0300087575 through 0300099915)	
	1001111009	1	Combined Filter Kit, B-C27 (SN 0300087575 through 0300099915)	
	1001115330	1	Kit (Service), Combined, Filter Kit (SN 0300099915 through 0300139396)	
	1001137028	1	Kit (Service), Combined, Filter B-C45 (SN 0300139396 through 0300201017)	
		Ref	Caterpillar Engine Machines:	

SECTION 10 - SPECIAL OPTIONS

ITEM	PART NUMBER	QTY	DESCRIPTION	REV
	1001137030	1	Kit (Service), Combined, Filter B-C47 (SN 0300139396 through 0300201017)	
		Ref	Caterpillar, Deutz TD2011, Deutz TCD2.9L4 Engines - Hydraulic/Air Filter Options:	
	1001109712	1	Kit (Service), Boom Hydraulic/Air B-HA19 Filter (Prior to SN 0300087575)	
	1001109713	1	Kit (Service), Boom Hydraulic/Air B-HA20 Filter (SN 0300087575 through 0300099914)	
	1001115329	1	Kit (Service), Boom Hydraulic/Air Filter Kit (SN 0300099915 through 03000139395)	
	1001137023	1	Kit (Service), Boom Hydraulic/Air Filter B-HA30 (SN 03000139396 through 0300201017)	
	1001110133	1	Caterpillar, Deutz TD2011, Deutz TCD2.9L4 Engines - Fuel/Engine Oil Filter	
		Ref	Deutz TCD 2.9L4 Engine Machine	
	1001204046	1	Engine – Water/Fuel Filter	
	1001182242	1	Engine - Fuel/Engine Oil Filter C-FE1	
	1001139099	Ref	Fire Extinguisher Installation	
		Ref	Fluids	
	2300040	Ref	Conditioner, Diesel Fuel	
		Ref	Coolant, Antifreeze (GM Engines)	
	2300004	Ref	Machines without Arctic Package	
	2300041	Ref	Machines with Arctic Package	
	3020008	Ref	Drive Hub Lubricant	
		Ref	Engine Oil	
	3020016	Ref	Motor Oil 15W-40	
	2300040	Ref	Conditioner, Diesel Fuel	
		Ref	Hydraulic Fluids:	
	2300014	Ref	Mobil 424	
	2300029	Ref	Mobil EAL ISO 46 Bio	
	2300016	Ref	Mobil DTE 10 EXCEL 32	
	2300019	Ref	Quaker State Quintolubric 888-46 Fire Resistant	
	2300039	Ref	Exxon Univis Hvl 26 (Machines with Arctic Package)	
		Ref	Foot Switch Shield Options:	
	3380652	Ref	Panel, Foot Switch (Prior to SN 0300167531)	
		Ref	Hose Kits:	
	1001204899	Ref	Hose Kit - Platform Valve (Prior to SN 0300119708)	
	1001204898	Ref	Hose Kit - Platform Valve (SN 0300119708 through 0300201017)	
	1001193806	Ref	Hose Kit - Power Track	
	1001241418	Ref	Hostile Environment Add-on Kit	
	1001148971	Ref	Lanyard Kit (Bolt On)	
	1001116420	Ref	Platform Cable Carrier Installation (36 in Platform)	
	0258703	Ref	Platform Console Cover Installation	
	1001205175	Ref	Platform Console Cover Add-on Kit (Steel)	
		Ref	Platform Entry Kits	
	1001142504	Ref	Drop Bar (Replacing Swing Gate with Drop Bar)	
	1001142505	Ref	Swing Gate (Replacing Drop Bar with Swing Gate)	
	1001116420	1 Ref	Platform Ladder Carrier Installation (36 in Platform)	
		Ref	Platform Mesh to Mid Rail Installations (ANSI, ANSI Export, Australian and CSA Specs)	
	1001138773	Ref	36in x 8ft (91.5cm x 2.44m)	
	1001138772	Ref	36in x 6ft (91.5cm x 1.83m)	

SECTION 10 - SPECIAL OPTIONS

ITEM	PART NUMBER	QTY	DESCRIPTION	REV
		Ref	Platform Mesh to Mid Rail Add-On Kit (ANSI, ANSI Export, Australian and CSA Specs)	
	1001214540	Ref	Mesh to Top Rail - 36in x 8ft (91.5cm x 2.44m) with Gate	
	1001214548	Ref	Mesh to Top Rail - 36in x 6ft (91.5cm x 1.83m) with Gate	
		Ref	Platform Mesh to Top Rail Installations (ANSI, ANSI Export and CSA Specs)	
	0273145	Ref	36in x 8ft (91.5cm x 2.44m)	
	0273149	Ref	36in x 6ft (91.5cm x 1.83m)	
		Ref	Platform Mesh to Top Rail Add-On Kit (ANSI, ANSI Export and CSA Specs)	
	1001214561	Ref	Platform Mesh to Top Rail - 36in x 8ft (91.5cm x 2.44m) with Gate	
	1001214562	Ref	Platform Mesh to Top Rail - 36in x 6ft (91.5cm x 1.83m) with Gate	
	1001149730	Ref	Platform Mid Rail Repair Kit	
		Ref	Platform Rail Extensions	
	0272733	Ref	6ft Platform	
	1001110058	Ref	6ft Platform (Brandenburg Guard)	
	0272725	Ref	8ft Platform	
		Ref	SkyGuard Component Options:	
	1001206547	Ref	SkyGuard Complete Add-On Kit - Machines Requiring UGM Upgrade (Blue Beacon)	
	1001158077	NLA	SkyGuard Complete Add-On Kit - Machines Requiring UGM Upgrade (Blue Beacon) (Use p/n 1001206547)	
	1001209481	Ref	SkyGuard Complete Add-On Kit (Blue Beacon)	
	1001208923	NLA	SkyGuard Complete Add-On Kit (Blue Beacon) (Use p/n 1001209481)	
	1001210029	Ref	SkyGuard Complete Add-On Kit - Machines Requiring UGM Upgrade (Red Beacon)	
	1001210042	Ref	SkyGuard Complete Add-On Kit (Red Beacon)	
	1001137672	Ref	SkyGuard Platform Sensor Kit	
	1001186431	2	Sensor Relay	
	1001206544	Ref	SkyGuard Strobe Light Kit (Blue Beacon)	
	1001155079	NLA	SkyGuard Strobe Light Kit (Blue Beacon) (Use p/n 1001206544)	
	1001210028	Ref	SkyGuard Strobe Light Kit (Red Beacon)	
	1001176372	Ref	SkyGuard Removal Plug Kit	
	1001228964	Ref	Telematic Retrofit Harness Kit (Machines with UGM)	
	1001108504	Ref	Tie-Down (Additional) Kit - Frame Mounted	
		Ref	Tools For Service:	
	2901443	1	Analyzer Kit	
	3128444	1	CD, Troubleshooting	
	7002821	Ref	Crimper, Wire	
	7002823	Ref	Pin Extractor - Universal (For Electrical Connectors with Pins and Sockets)	
	4460467	1	Extractor - 16-18 Gauge (For Removal of Pin/Sockets from Deutsch Connectors)	
	4460510	1	Extractor - 12-14 Gauge (For Removal of Pin/Sockets from Deutsch Connectors)	
	7016654	Ref	Screwdriver, Magnetic	
	7002822	Ref	Screwdriver, Pontimeter	
	7004275	Ref	Seal Tool 1 in (For Cylinders)	
	7004276	Ref	Seal Tool 1-1/2 in (For Cylinders)	
	7002828	Ref	Stripper, Wire	

SECTION 10 - SPECIAL OPTIONS

ITEM	PART NUMBER	QTY	DESCRIPTION	REV
	7016655	1	Wire Rope Sheave Gauge	
	1001106846	1	Sleeve, Cylinder Head Installation (Tower Lift Cylinder)	
	1001106847	1	Sleeve, Cylinder Piston Installation (Tower Lift Cylinder)	
	1001106848	1	Gauge, Go - No Go (Tower Lift Cylinder)	
	1001107000	1	Sleeve, Cylinder Head Installation (Main Lift Cylinder)	
	1001107001	1	Sleeve, Cylinder Piston Installation (Main Lift Cylinder)	
	1001107002	1	Gauge, Go - No Go (Main Lift Cylinder)	
	1001107143	1	Sleeve, Cylinder Head Installation (Tower Telescope Cylinder)	
	1001107145	1	Sleeve, Cylinder Piston Installation (Tower Telescope Cylinder)	
	1001107146	1	Gauge, Go - No Go (Tower Telescope Cylinder)	
	1001107147	1	Gauge, Go - No Go (Tower Telescope Cylinder)	
	1001137005	1	Software Cable Kit (Service Kit)	
	70004185	1	Torque Multiplier	
	70004646	1	Puller	
	70004647	1	Seal Tool for Lifetine Seal Assembly	
	70004648	1	Puller for Brade Disassembly	
	2915072	1	Turntable Bearing Kit	
	1001155078	Ref	UGM Upgrade Kit (Retrofits Non-UGM machines to use UGM)	
	1001241275	Ref	Wear Pad Kit - Axle (ANSI Specs)	
	1001119136	Ref	Wear Pad Kit - Boom (Includes Pads, Shims & Hardware) (ANSI Specs)	
	0273467	Ref	Weld Leads at Platform Installation	

PART NUMBER INDEX

SECTION 10 - SPECIAL OPTIONS

0080115	90	0272055	22	0273471	478	0480128	183, 193
0080181	81	0272056	22	0273474 .366, 383, 407, 431		0480129	193
0080237	90, 99	0272060	90, 101	0273475 .367, 383, 407, 431		0561380	209
0080241	161	0272066	360	0273476 .367, 383, 407, 431		0561533	214
0080244	90, 99	0272068	360, 479	0273502	161, 249	0561546	299, 301, 303
0080277	17, 235	0272070	237	0273503	162, 249	0561547	209
0100009	248	0272080	149, 357	0273513	478	0630407	155, 158
0100011 ..13, 17, 42, 46, 51,		0272094	179, 243	0273578	449	0630462	265
62, 64, 71, 80, 81, 83, 88,		0272095	179, 243	0273579	457	0630464... 17, 153, 157, 234	
90, 98, 99, 107, 109, 143,		0272254	277	0273580	457	0630467	230
147, 154, 155, 158, 161,		0272258	21	0273581	457	0630491	161
162, 170, 171, 172, 175,		0272418	268, 478	0273582	457	0630518 153, 157, 272, 275,	
176, 179, 181, 183, 187,		0272427	249, 265	0273583	457	277, 281	
190, 193, 198, 201, 205,		0272435	189, 197, 478	0273584	457	0630534	319, 321
209, 214, 218, 227, 230,		0272448	272, 277, 478	0273585	467	0630535 291, 293, 295, 297,	
234, 237, 242, 265, 272,		0272507 .161, 376, 396, 421		0273600	449, 457, 467	299, 301, 303, 305, 327,	
275, 277, 291, 293, 295,		0272521	275	0273824	249, 265	331, 333, 335	
297, 299, 301, 303, 305,		0272588	275, 478	0273862	478	0630537 .307, 313, 315, 317	
307, 309, 313, 315, 317,		0272589	189, 197, 478	0274083	179	0630539	227
319, 321, 325, 327, 333		0272599	272, 281, 478	0274100	179	0630548	153, 157
0100019 ..13, 14, 17, 21, 71,		0272607	281, 478	0274101	179	0630558	218
184, 187, 193, 209, 218,		0272621 .374, 392, 416, 441		0274106	14	0630568	249
299, 301, 303, 305, 325		0272715	179, 243	0274577	88	0630573	309, 311
010002081, 84, 109, 184,		0272725	481	0274578	88	0630575	209
187, 195, 272, 281		0272733	481	0274579	90	0630577	227
0100035 ...17, 161, 234, 323		0272948	267	0274580	90	0630593	227
0100038 291, 293, 295, 297,		0272949	267	0274661	287	0641404... 62, 64, 183, 187,	
299, 301, 303, 305, 309,		0272950	267	0274670	387, 411, 437	193, 247	
313, 315, 317, 319, 321,		0272951	267	0274722	453, 461	0641405	234
325, 333		0272952	267	0274723	461	0641406.... 62, 81, 90, 100,	
0100048 153, 157, 184, 187,		0272970 242, 366, 382, 406,		0274724	461	109, 153, 157, 171, 179,	
193, 247, 366, 367, 369,		430, 476		0274725	461	201, 205, 230, 242, 449,	
382, 384, 387, 406, 408,		0272979	209	0274726	461	450, 454, 458, 459, 464,	
411, 430, 432, 437, 472		0273121	234	0274727	461	468, 471	
0100062	112	0273145	481	0274728	471	0641407	184
0100063	319	0273149	481	0274729	461	0641408.. 62, 107, 143, 171,	
010007980, 88, 98, 107, 143		0273349	147	0274730 449, 453, 457, 461,		243, 449, 454, 458, 464,	
0100081 ..13, 143, 153, 157,		0273350	170	467, 471		467, 471	
172, 173, 227, 230, 247,		0273353	272	0274885	478	064141052, 89, 98, 107, 201	
268		0273360	227	0275216	394, 419	0641412	52
0140001	62	0273361	230	0275217	394, 419	0641413	64
0140011	247	0273363	154	0275218	394, 420	0641414	243, 247, 265
0140032	161	0273377	51, 62, 237	0275219	394, 420	0641418	242
0200048	265	0273395	166	0275452	394, 420	0641424	51
0200530	175	0273400	242	0275453	394, 420	0641503	112
0200742	179	0273401	143	0275454	394, 420	0641504	51
0200833	17	0273404	267, 268	0275685	21	0641505	17, 234
0236768	62, 64	0273405	267, 268	0275916	88	0641506... 81, 90, 100, 143,	
0239842	71	0273406	267	0340003	81, 90, 99	147, 161, 171, 172	
0256789	478	0273410	90	0340051	81, 90, 100	0641507	90, 100, 161
0257195	478	0273411	88	0362943	218	0641508.. 83, 109, 143, 175,	
0257728	285	0273418	62	0363037	13	179, 187, 193	
0257887	161	0273421	90	0363062	62, 64	0641509 51, 80, 88, 98, 166,	
0258703	480	0273426	88	0363076	14	234	
0259666	154, 158	0273445	369	0363081	179	0641510	171
0259667	154, 158	0273446	249	0363082	179	0641511 .17, 80, 88, 98, 107	
0271520	17	0273447	161	0363218	218	0641514	285, 287
0271521	13, 14	0273451	71	0363219	218	0641516	183, 187, 193
0271522	21	0273455	193, 397	0363224	234	0641518	243
0271523	51	0273456	193, 397	0370025	301, 303	0641520	149, 151
0271596	71	0273461 .375, 392, 417, 443		0400020	62, 64	0641604	143, 214
0271803	478	0273462 .375, 392, 417, 443		0440251	71	0641605.. 80, 81, 88, 90, 98,	
0271804	478	0273463 .375, 392, 417, 443		0440273	210	100, 107, 230	
0271807	161	0273464	478	0480100	285, 287	0641606.. 13, 80, 83, 88, 98,	
0271852	21	0273465	243, 360	0480122	176, 179	107, 109, 143, 170, 227,	
0271874	71	0273466	243	0480124	176	230, 272, 275, 277, 327,	
0271934	13, 14	0273467	482	0480127	179	331, 335	

SECTION 10 - SPECIAL OPTIONS

0641607 62, 64, 154, 158, 218, 327, 331, 335	0682026 71	0801368.....218	0961901313, 315, 317
0641608 .. 13, 51, 62, 65, 71, 80, 81, 90, 100, 107, 109, 149, 166, 170, 175, 179, 209	0682028109, 218	0801369.....218	0961949 299, 301, 303, 305, 323, 325
0641609 13, 90, 100	0682040 71	0801370..... 209, 214	0961950 .295, 297, 323, 325
0641610 .. 80, 83, 88, 90, 98, 100, 107, 109, 170, 179, 218, 242	0682048 209	0801371..... 209, 218	0961951218, 333, 335
0641611 13, 107	0682212 218	0801497..... 218	0961986 81, 91, 100, 109
0641612 170	0682418 71	0801550..... 219	0962033 13, 210
0641613 13, 209	0700808 84	0811605..... 231	0962051166
0641614 83	0700810 90	0811606..... 214, 218	0962122210
0641615 143	0700815 109	0811607..... 214, 218	0962224219
0641616 183	0700816 175	0840062..... 384, 409, 433	0962257 .319, 321, 327, 331
0641618 183, 187, 194	0700822 83	0860038 183, 187, 193, 375, 393, 418, 443	0962270245
0641620 13, 62	0700823 83	0860520 449, 454, 458, 464, 467, 471	0962297 210, 214, 307, 309, 311, 313, 315, 317
0641622 214	0700824 83	0861538..... 187, 193	096242317
0641624 13	0701010 84	0861541..... 189, 196	0962449181
0641626 230	0701012 81	0861542 187, 189, 193, 196, 397, 422	0962520183, 187, 193
0641628 227	0701015 81	0861567 187, 189, 193, 196, 397, 422	0962552313, 315, 317
0641630 170	0701016 83	0861572..... 187, 193	0962556219
0641634 17	0701017 90	0861628. 153, 155, 157, 158	0962561 .299, 301, 303, 305
0641636 62, 231	0701018 179	0861629 153, 367	0962562307, 309
0641638 230	0701019 21	0861630 247, 248	1001091102184
0641644 230	0701020 22	0861631 242, 247	100109146074
0641652 227	0711214 81, 100	0861731 393, 418	100109146174
0641706 109	0711414 100	0861750 153, 384	1001091969392, 417
0641708 108, 109	0720804 247	0861781 393, 418	1001091970 ..392, 395, 418, 420
0641718 175, 179	0720808 .176, 181, 190, 198	0861880..... 184, 398, 423	1001091971 ..392, 395, 418, 420
0641806 80, 89, 98, 108	0721003 235	0902206..... 161, 162	1001091972393, 418
0641808 .. 13, 51, 80, 81, 88, 90, 98, 100, 107, 218	0721005 265	0902746 171, 172	1001091973392, 417
0641809 .214, 218, 227, 230	0721006 .. 81, 107, 179, 247	0902747 90	1001091974392, 417
0641810 183, 187, 193, 214, 218	0731007 143	0902751 247	1001091975392, 418
0641812 .. 81, 100, 108, 109, 147, 237	0741606 17	0902760 172	1001092764355
0641813 218	0741607 184, 195	0902761 172	100109285693, 101
0641814 14, 90, 100	0741806218, 220	0902762 172	100109324241
0641816 166	0742210 209	0902763 172	100109324341
0641818 90, 100, 166	0760410 107	0902764 172	1001094055 ...454, 464, 472
0641820 147	0760606 84	0902800..... 62	1001094375 ..176, 181, 190, 198
0641826 90, 100	0760608172, 173	0902813..... 179	1001094475 ..176, 181, 190, 198
064201080, 88, 98, 107, 218	0760610 84	0902874..... 172, 173	1001094509 ..176, 181, 190, 198
0642012 267	0760612 84	0902888..... 183, 187, 193	1001094915184
0642016 17	0760810 81, 112	0902915..... 147	1001096070398
0642020 14	0761007 84	0902916..... 63	1001096076 ..371, 386, 388, 410, 434
0642026 267	0761210 .80, 81, 83, 84, 107	0902932..... 230	1001096163398, 422
0642028 81	076121446, 112	0902953 161, 162	1001096172 ...184, 398, 422
0642030 81	076121542, 93, 100, 109	0902965 231	1001097150398, 423
0642212 209, 267	0771014 109	0903154..... 171	100109755384
0642214 13	0771212 109	0903157..... 171	1001097619218, 223
0642612 .161, 162, 201, 205	0771414 109	0903161 172	1001097643218, 223
0642616 209	0791410 52	0903162 173	1001097820341
0642684 237	0791504 234	0903484..... 398, 423	1001098012 ...272, 281, 283
0651406 88	0791506 234	0903530..... 237	1001098027340, 356
0651606 80, 89, 98, 108	0791510 230	0903696..... 63, 64	1001098149281
0681608 237	0791604 ...51, 170, 234, 235	0940070..... 81, 90, 100, 109	1001098234 ..376, 377, 396, 421, 444
0681813 14	0791605170, 234, 235	0940088..... 170	1001098244341
0681814 14, 245	0791606218, 234, 333	0940092..... 265	1001098349 ..377, 396, 397, 421, 444
0681815 14	079160751, 333	0940094..... 265	1001098448 ..396, 397, 421, 444
0681816 14	0791608230, 234	0940102..... 267	1001098449 ...396, 421, 444
0681822 245	0791610 230	0940103..... 265	100109851390
0682014 220	0791616 230	0940134..... 265	
0682016 209	0791618 231	0940177..... 265	
	0791622 230	0961845..... 242	
	0791808227, 230	0961893..... 319, 321	
	0791810 234	0961896..... 291, 295, 297	
	0801365 214	0961897 299, 301, 303, 305, 327, 331, 333, 335	
	0801366 214		
	0801367 214		

SECTION 10 - SPECIAL OPTIONS

1001098518.....	88	1001104650.....	479	1001111084.....	340, 356	1001116814.....	81, 417
1001098519.....	88	1001104734.....	201	1001111544.....	154	1001116836.....	83
1001098520.....	88	1001104735.....	201, 205	1001111545.....	153, 384	1001116846.....	462
1001098530.....	90	1001104841.....	67	1001111546... 154, 384, 386		1001116849.....	462
1001098531.....	90	1001106391.....	62	1001111914... 205, 423, 445		1001116851.....	462
1001098601.....	91, 93	1001106736.. 399, 411, 423,		1001112059.....	84	1001116952.....	436
1001099366.....	267	435, 445		1001112068.....	84	1001116967.....	435
1001099367.....	267	1001106846.....	482	1001112069.....	84	1001116983.....	442
1001099421.....	267	1001106847.....	482	1001112070.....	84	1001117024.....	416
1001099422.....	267	1001106848.....	482	1001112073.....	84	1001117034.....	461
1001099435.....	267	1001107000.....	482	1001112551.....	472	1001117035.....	461
1001099436.....	267	1001107001.....	482	1001112570.....	84	1001117057.....	416
1001099437.....	267	1001107002.....	482	1001112592.....	84	1001117078.. 189, 197, 422,	
1001099438.....	267	1001107143.....	482	1001112612.. 399, 410, 423,		445	
1001099439.....	267	1001107145.....	482	434, 445		1001117140.....	172
1001099440.....	267	1001107146.....	482	1001112669.....	22	1001117172.....	242
1001099515.....	67	1001107147.....	482	1001112716.....	22	1001117174.....	242
1001099869.....	176, 181	1001107971.....	90	1001112757.....	476	1001117250.....	202, 478
1001100027.....	360, 395	1001107972.....	88	1001112758.....	476	1001117256.....	202, 478
1001100062.....	201	1001107973.....	90	1001112766.....	90, 100	1001117308.....	110, 476
1001100233.....	181	1001107974.....	88	1001112796.....	423, 445	1001117320.....	242
1001100234.....	176, 181	1001107975.....	90	1001112927... 93, 102, 109,		1001117500.....	83
1001100305.....	395	1001107976.....	88	141		1001117508.....	187, 421
1001100321... 175, 179, 180		1001108256.....	249, 265	1001112973.....	205	1001117509.....	175
1001100326.....	392, 417	1001108504.....	481	1001112987.....	205	1001117546.....	83
1001100327.....	392, 418	1001108616.... 93, 102, 109,		1001112988.....	205	1001117577.....	83
1001100328.....	392, 418	130		1001112989.....	205	1001117641.....	176
1001100329.....	393, 418	1001108617. 81, 88, 98, 107		1001113961.. 259, 260, 374,		1001117874.....	83
1001100331.....	392, 417	1001108708.....	479	410, 416, 434, 441		1001118180.....	176
1001100333.....	392, 418	1001108888... 93, 102, 109,		1001114133.....	479	1001118234.....	478
1001100337.....	392, 418	133		1001114134.....	479	1001118235.....	478
1001100341.....	395, 420	1001109181.....	479	1001114383.....	471	1001118368.....	83, 118
1001100342.....	395, 420	1001109438.....	352	1001114438... 158, 410, 434		1001118416.....	247, 259
1001100345.....	395, 420	1001109439.....	351	1001114487.....	158	1001118417.....	247, 251
1001100346.....	395, 420	1001109465.....	352	1001114495.....	110	1001118599.....	188
1001100347.....	395, 420	1001109468.....	352	1001115329.....	480	1001118753.....	209, 313
1001100352.....	201, 205	1001109470.....	353	1001115330.....	479	1001118754.....	313
1001100432.....	201, 205	1001109471.....	352	1001115603.....	267, 268	1001118756.....	313
1001100434.....	201	1001109475... 184, 398, 423		1001115604.....	267	1001118761.....	313, 315
1001100441.....	201	1001109477.....	398, 423	1001115961.....	21	1001118762... 313, 315, 317	
1001100443.....	205	1001109482... 184, 398, 423		1001116110.....	80	1001118957.....	149, 357
1001100468... 201, 398, 399		1001109557.....	398, 422	1001116111.....	81	1001119119.....	143
1001100500.....	179	1001109619.....	479	1001116112.....	81, 84	1001119136.....	482
1001100501.....	179	1001109621.....	479	1001116153.....	82	1001119171.....	352
1001100672.....	201, 205	1001109648.....	398, 423	1001116186.....	82	1001119231.....	83
1001100876.....	201, 205	1001109654.....	398, 423	1001116201.....	82	1001119250.....	188
1001101191... 184, 398, 418,		1001109677.....	149, 151	1001116208.....	201, 205	1001119296.....	352
423		1001109712.....	480	1001116217.....	201	1001119352.....	158
1001101196.....	393, 418	1001109713.....	480	1001116222.....	201	1001119353.....	158
1001101197.....	393, 419	1001110058.....	481	1001116242.....	201	1001119354.....	158
1001101421.....	267	1001110133.....	480	1001116243.....	201	1001119376... 157, 408, 432	
1001101422.....	267	1001110252.. 340, 344, 347,		1001116278.....	82	1001119455.....	143
1001101550.....	45	349, 351, 356, 357		1001116313.....	82	1001119456... 109, 408, 432	
1001102417.....	360	1001110290.....	351, 357	1001116324.....	82	1001119470... 158, 408, 411	
1001102647.....	267	1001110425.....	108	1001116348.....	82	1001119508.....	157, 476
1001102831.....	201, 205	1001110604.....	351	1001116354.....	83	1001119529... 157, 409, 433	
1001102839.....	201	1001110761.....	357	1001116367.....	83	1001119567.. 360, 411, 435,	
1001102840.....	201	1001110872.. 188, 195, 397,		1001116413.....	83	436	
1001103356.....	201, 205	422		1001116420.....	480	1001119614.....	210
1001103793.....	62, 67	1001110873.. 183, 189, 195,		1001116436.....	83	1001119859.....	149, 357
1001103977.....	353	393, 397, 418, 422, 443,		1001116437.....	83	1001119861.....	361
1001104315.....	21	444		1001116525.....	83	1001119899.....	219
1001104324.....	21	1001111008.....	479	1001116591.....	83	1001119938.....	205, 478
1001104325.....	21, 45	1001111009.....	479	1001116707.....	435	1001119946.....	205, 478
1001104378.....	478	1001111081.. 347, 349, 356,		1001116710.....	442	1001119966.....	188
1001104379.....	478	357		1001116727.....	436	1001119968.. 189, 197, 422,	
1001104577.....	353	1001111082.....	344, 356	1001116792.....	81, 108	445	

SECTION 10 - SPECIAL OPTIONS

1001119995.....	416	1001126351.....	435	1001135924.....	111	1001139145.....	202
1001120140... 313, 315, 317		1001126352.....	435	1001135926.....	111	1001139240.....	111
1001120141... 313, 315, 317		1001126353.....	435	1001135943.....	111	1001139357.....	184
1001120161... 210, 417, 442		1001126356.....	435	1001135946.....	111	1001139492.....	151
1001120181... 158, 410, 434		1001126357.....	435	1001136079.....	110	1001139494.....	151
1001120195.....	149	1001126362.....	436	1001136172.....	110	1001139520.....	64, 355, 357
1001120196.....	149	1001126363.....	436	1001136292.....	111	1001139654.....	464, 472
1001120378.....	420	1001126364.....	436	1001136356.....	183	1001139665.....	151
1001120381.....	360, 420	1001126365.....	436	1001136357.....	183, 193	1001139666.....	151
1001120382.....	360, 420	1001126384.....	435	1001136377.....	111	1001139930.....	112
1001120492.....	81	1001126391.....	436	1001136626.....	111	1001139958.....	183
1001120524.....	80	1001127092.....	205	1001136665.....	111	1001139959.....	183
1001120525.....	81	1001128947.....	110, 112	1001136834.....	111	1001140222.....	108
1001120564.....	149	1001129023.....	82	1001136988.....	194	1001140312.....	112
1001120567.....	478	1001129304.....	82	1001137005.....	482	1001140346.....	183, 185
1001120634.....	417, 443	1001129334.....	411, 437	1001137023.....	480	1001140347.....	183, 185
1001120653.....	209	1001129360.....	84	1001137028.....	479	1001140429.....	242
1001120681.....	417, 443	1001129361.....	84	1001137030.....	480	1001140485.....	171
1001120729.....	479	1001129408.....	423, 445	1001137276.....	111	1001140564.....	111
1001120769.....	84	1001129733.....	187	1001137442.....	64	1001140649.....	478
1001120771.....	84	1001129858.....	183, 185	1001137590.....	193, 444	1001141304.....	111, 442
1001120772.....	84	1001129995.....	83	1001137591.....	193, 444	1001141717.....	111
1001120773.....	84	1001130161.....	83	1001137672.....	481	1001141718.....	108
1001120774.....	84	1001130171.....	83	1001137785.....	99, 102	1001141719.....	111
1001120775.....	84	1001131269.....	453, 463	1001137786.....	99	1001141745.....	109
1001120776.....	84, 416	1001131481.....	167	1001137788.....	99	1001141746.....	109
1001120810.....	84	1001131482.....	167	1001137792.....	99	1001141812.....	108
1001120989.....	205	1001131483.....	166	1001137794.....	99	1001141813.....	108
1001120995.....	205	1001131542.....	81, 91, 108	1001137796.....	99	1001141967.....	393, 418
1001121004.....	83	1001131730.....	227	1001137800.....	99	1001141968.....	394, 419
1001121340.....	189, 197	1001131732.....	230	1001137804.....	98	1001141969.....	394, 419
1001121615... 383, 406, 430		1001132055.....	184	1001137805.....	98	1001142021.....	172
1001121616... 383, 406, 430		1001132730.....	205	1001137806.....	98	1001142023.....	170, 171
1001121826... 153, 158, 249		1001132733.....	205	1001137807.....	98	1001142144.....	171
1001121827... 153, 158, 249		1001133162.....	65	1001137808.....	98	1001142181.....	171
1001121889.....	187, 421	1001133163.....	65	1001137809.....	98	1001142375.....	107
1001121931.....	188	1001133329... 235, 374, 391,		1001138011.....	184, 195	1001142376.....	107
1001122225.....	175	416, 441		1001138016.....	158	1001142377.....	107
1001122227.....	175	1001133463.....	64	1001138110.....	436	1001142378.....	107
1001122369.....	453, 463	1001133593.....	65	1001138111.....	436	1001142380.....	170
1001122370.....	463	1001133633.....	111	1001138113.....	436	1001142398.....	111
1001122371.....	463	1001133634.....	111	1001138187.....	205	1001142446.....	108
1001122372.....	463	1001133651.....	111	1001138188.....	205	1001142501.....	112
1001122373.....	463	1001133714.....	436, 442	1001138228.....	111	1001142504.....	480
1001122374.....	463	1001133715.....	436, 442	1001138248.....	111	1001142505.....	480
1001122375.....	463	1001133956.....	435	1001138253.....	111	1001142610.....	108, 442
1001122376.....	453, 463	1001133957.....	435	1001138346.....	111, 435	1001142637.....	112
1001122377.....	463	1001134098.....	71, 74	1001138430.....	241	1001142645.....	183, 193
1001122378.....	463	1001134390.....	109	1001138434.....	241	1001142914... 193, 196, 444	
1001122379.....	463	1001134392.....	109	1001138491.....	108, 442	1001142938.....	436
1001122380.....	463	1001134485.....	111	1001138494.....	242	1001142940.....	436
1001122381.....	463	1001134488.....	112	1001138514.....	242	1001142941.....	436
1001122382.....	463	1001134839.....	205	1001138524.....	111	1001143081.....	478
1001122383.....	158	1001135090.....	111	1001138559.....	111	1001143087.....	151
1001122384.....	249	1001135124.....	151	1001138565.....	183, 185	1001143123.....	151
1001122404.....	176	1001135138.....	111	1001138566.....	183	1001143298.....	167
1001122424.....	360, 420	1001135497.....	167	1001138717.....	112	1001143341.....	112
1001122528... 189, 197, 360,		1001135560.....	111	1001138772.....	480	1001143390.....	112
422, 445		1001135562.....	111	1001138773.....	480	1001143516.....	478
1001122611.....	249	1001135650.....	436, 442	1001138803.....	218, 319	1001143852... 95, 103, 114,	
1001125387.....	454, 464	1001135679.....	111	1001138805.....	319, 321	465, 472	
1001125425.....	179	1001135680.....	111	1001138811.....	209	1001144021.....	241
1001125426.....	179	1001135779.....	111, 442	1001138812.....	209, 218	1001144022.....	241
1001125427.....	193, 421	1001135901.....	111	1001138813... 219, 301, 303		1001144023.....	241
1001125428.....	193, 421	1001135903.....	111	1001138814.....	301, 303	1001144024.....	241
1001125429.....	179	1001135913.....	111	1001138838.....	65	1001144089.....	112
1001125891.....	83	1001135914.....	111	1001139099.....	480	1001144300.....	99, 102

SECTION 10 - SPECIAL OPTIONS

1001144301.....	99	1001154214.....	151	1001175888.....	218, 327	1060918 242, 366, 382, 406,	
1001144302.....	99	1001154405.....	107, 112	1001176346.....	51	430	
1001144303.....	99	1001155077.....	153	1001176372.....	481	1060919.....	245
1001144304.....	99	1001155078.....	153, 482	1001176982.....	352	1060981.....	417, 443
1001144314.....	98	1001155079.....	481	1001177348.....	327	10702077.....	196
1001144315.....	98	1001155575.....	111	1001179154.....	184, 196	10702082.....	196
1001144317.....	98	1001155813.....	185	1001180019.....	183	1100141.....	218
1001144318.....	98	1001155823.....	112	1001180219.....	183	1120094.....	323
1001144596.....	245	1001157520.....	196	1001180951.....	407, 431	1120423.....	479
1001144597.....	245	1001157521.....	196	1001181045.....	184	1120487.....	144
1001144629.....	241	1001157525.....	193, 196	1001181895.....	112	1120549.....	17
1001144630.....	241	1001157528.....	197	1001182242.....	480	1120550.....	17
1001145089.....	108	1001157592.....	193, 196	1001186431.....	481	1120555.....	268
1001145154.....	112	1001157770.....	360	1001193641.....	479	1180358.....	13
1001145321.....	351, 357	1001158007.....	197	1001193642.....	479	1180384.....	227
1001145322.....	351, 357	1001158008.....	185, 197	1001193806.....	480	1180385.....	230
1001145323.....	62	1001158077.....	481	1001204046.....	480	1180386.....	230
1001145405.....	272, 281	1001158363.....	185	1001204898.....	480	1180387.....	227
1001145560.....	108	1001159121.....	444	1001204899.....	480	1180388.....	227
1001145708.....	479	1001160567.....	143	1001205175.....	480	1180389.....	227
1001145785.....	242	1001161042.....	407, 431	1001206544.....	481	1180390.....	227
1001145842.....	108	1001161043.....	407, 431	1001206547.....	481	1260017.....	71
1001146050.....	166	1001161045.....	408, 432	1001206794.....	478	1283374.....	356, 357
1001146132.....	171	1001161049.....	407, 431	1001206796.....	478	1283409.....	95, 103, 114
1001146142.....	171	1001162880.....	64	1001208923.....	481	1283457 340, 344, 347, 349,	
1001146161.....	242, 247	1001162899.....	360	1001209481.....	481	351, 356, 357	
1001146178.....	171	1001162900.....	360	1001210028.....	481	1320017.....	81
1001146183.....	171	1001162901.....	360	1001210029.....	481	1320022.. 80, 81, 88, 91, 98,	
1001146219.....	110	1001163131.....	268	1001210042.....	481	100, 108, 111	
1001147264.....	436	1001163287.....	268	1001214540.....	481	1320041... 89, 98, 393, 398,	
1001147479.....	235, 476	1001163288.....	268	1001214548.....	481	418, 422, 443	
1001148648.....	185	1001163289.....	268	1001214561.....	481	1320058.....	83, 91, 100
1001148841.....	442	1001163292.....	268	1001214562.....	481	1320060.....	91, 100
1001148842.....	442	1001163293.....	268	1001228019.....	297	1320095.....	153, 157
1001148843.....	112, 442	1001163295.....	268	1001228020.....	293	1320130.....	83
1001148902.....	479	1001163296.....	268	1001228025.....	321	1320159.....	230
1001148903.....	479	1001163297.....	268	1001228031.....	325	1320162.....	149, 151
1001148904.....	479	1001163298.....	268	1001228032.....	335	1320177.....	272, 281
1001148905.....	479	1001164700.....	64	1001228034.....	305	1320187.....	80, 88, 98, 107
1001148906.....	479	1001165035.....	107, 111	1001228077.....	317	1320190.....	80, 88, 98, 107
1001148971.....	480	1001165101.....	108	1001228078.....	311	1320223.....	83, 91, 100
1001149730.....	481	1001165107.....	108	1001228080.....	331	1320224.....	84
1001149818...161, 376, 396,		1001165368.....	184	1001228964.....	481	1320263.....	13, 84, 230
423, 445		1001165507.....	315	1001233047.....	478	1320277.....	230
1001149924.....	267	1001165508.....	315	1001241275.....	482	1320288.....	227, 230
1001149994.....	161	1001165509.....	315	1001241418.....	480	1320289.....	230
1001150406.....	161	1001165510.....	309	1001306146.....	478	1320294.....	230
1001151113.....	478	1001165511.....	309	101142685.....	112	1320296.....	230
1001151393.....	154, 158	1001165820.....	112	1060279 449, 454, 458, 464,		1320298.....	13
1001152456.....	185	1001166393.....	111	467, 471		1320301.....	162, 234
1001152457.....	183, 184	1001166538... 247, 263, 474		1060341.....	185, 265	1320302.....	272, 275, 277
1001152458.....	183, 184	1001166539... 247, 255, 474		1060343 189, 196, 397, 422,		1320309 371, 372, 389, 414,	
1001152525.....	185, 196	1001166665.....	242, 247	444		439	
1001152530.....	185	1001171095.... 93, 102, 109,		1060379.....	285, 287	1320322.....	62, 143
1001152533.....	184, 185	137		1060461.....	376, 395, 420	1320323.....	143
1001152566.....	172	1001171130.....	183	1060494 189, 196, 376, 395,		1320325.....	230
1001152762.....	435	1001171131.....	444	397, 420, 422, 444		1320327.....	230
1001152963.....	109, 124	1001172319.....	14	1060545.....	184	1320328.....	227
1001152971...340, 344, 347,		1001172760.....	247	1060633... 374, 392, 416, 441		1321385.....	231
349, 351, 356, 357		1001173889.....	352	1060637.....	91, 100	1340065.....	81, 91, 100
1001153024.....	111	1001173890.....	352	1060698 368, 369, 371, 385,		1340067.....	478
1001153186.....	352	1001173913.....	13, 14	386, 389, 409, 410, 413,		1380147.....	166
1001153188.....	351, 357	1001173914.....	13, 14	433, 434, 439		1560011 371, 372, 389, 414,	
1001153257.....	184, 360	1001174326... 307, 309, 311		1060708. 189, 196, 397, 422		439	
1001153260.....	185	1001175069.....	14	1060903.....	265	1560012 371, 372, 389, 414,	
1001153387.....	112	1001175884.....	327	1060904.....	92, 101, 375	439	
1001154157.....	112	1001175887.....	328, 331	1060908... 394, 398, 419, 423		1580011.....	83

SECTION 10 - SPECIAL OPTIONS

1580012.....	243	1684297.....	313	1703938.....	457, 462	1705430.....	459, 464
1580013.....	243	1684314.....	17, 323	1703939.....	457, 462	1705432.....	459
1600244.....	374, 392, 416, 441	1684315.....	323	1703941.....	459, 462	1705460.....	189, 197
1600317.....	247, 251	1684317.....	323	1703942.....	459, 462	1705461.....	189, 197
1600318.....	247, 259	1684318.....	209, 307	1703943.....	459, 461	1705466.....	272, 275, 277, 281
1600331.....	51	1684319.....	218, 327	1703944.....	459, 462	1705468.....	467, 471
1600332.....	62	1684320.....	214, 333	1703945.....	459, 462	1705477.....	458, 463
1600333.....	153	1684323.....	327	1703947.....	457, 462	1705478.....	458, 463
1600343.....	247, 476	1684325.....	327	1703948.....	457, 462	1705480.....	458, 463
1600443.....	94, 103	1684328.....	333	1703949.....	457, 462	1705481.....	458, 463
1660256.....	147, 374, 391, 415, 441	1684330.....	333	1703950.....	462	1705489.....	184, 189, 197
1660261.....	234	1684334.....	307, 309	1703951.....	457, 462	1705490.....	272, 281
1670829.....	153, 157, 247, 367, 384, 408, 432	1684336.....	307, 309	1703953.....	449, 453, 461	1705492.....	450, 453, 461
1670836.....	214, 218	1684337.....	307	1703959.....	450, 454, 459, 464, 467, 471	1705493.....	459, 461
1670964.....	230	1684342.....	333	1703980.....	459, 463	1705503.....	458, 459, 461
1670996.....	51	1684343.....	219, 299	1703981.....	459, 463	1705505.....	459, 461
1671013.....	214	1684344.....	299	1703982.....	459, 463	1705506.....	458
1671023.....	91, 100	1684346.....	299, 301, 303	1703982.....	459, 463	1705507.....	459, 461
1671039.....	234	1684430.....	219, 301	1703983.....	459, 463	1705508.....	458
1671040.....	17, 234	1700584.....	449, 453, 458, 463, 467, 471	1703984.....	459, 463	1705511.....	449, 453, 458, 464, 467, 471
1671044.....	234	1701499.....	449, 453, 459, 461, 467, 471	1704000.....	457, 462, 478	1705514.....	459, 461
1671045.....	51	1701500.....	449, 458, 467	1704001.....	457, 462, 478	1705515.....	471
1671046.....	51	1701501.....	449, 453, 459, 464, 467, 471	1704006.....	458, 461	1705744.....	247
1671047.....	52	1701505.....	449, 453, 459, 464, 467, 471	1704260.....	247	1705745.....	247
1671048.....	52	1701509.....	268, 449, 453, 458, 461, 467, 471	1704277.....	449, 453, 458, 461, 467, 471	1705799.....	153, 157
1671049.....	52	1701518.....	467, 471	1704412.....	449, 453, 459, 461, 467, 471	1705822.....	467, 471
1671092.....	189, 196, 383, 384, 398, 407, 408, 422, 431, 432, 444	1701518.....	467, 471	1704885.....	449, 454, 459, 464, 467, 471	1705828.....	467, 471
1671093.....	272, 277, 383, 384, 407, 408, 431, 432	1701529.....	449, 453, 457, 461, 467, 471	1704972.....	449, 453, 464, 467	1705838.....	449, 453, 459, 464, 467, 471
1671109.....	170	1702153.....	449, 453	1705014.....	245	1705840.....	449, 453, 457, 464, 467, 471
1671112.....	234	1702300.....	449, 458, 467	1705084.....	467, 471	1705865.....	450, 454, 459, 464, 467, 471
1671113.....	234	1702565.....	247	1705132.....	153, 157, 247	1705866.....	450, 459, 467
1671117.....	234	1702566.....	247	1705168.....	449, 453, 463	1705867.....	449, 453, 457, 464
1671118.....	170	1702773.....	245, 449, 454, 457, 464, 467, 471	1705170.....	161, 162, 249	1705868.....	449, 453, 457, 464
1671121.....	80, 88, 98, 107	1702774.....	449, 454, 457, 464, 467, 471	1705171.....	247	1705893.....	467
1671122.....	230	1702784.....	471	1705181.....	449, 453, 463, 467	1705895.....	457, 462
1671123.....	234	1702788.....	478	1705305.....	272, 275, 277, 281	1705896.....	457, 462
1671142.....	235	1702868.....	272, 277, 281, 449, 453, 462, 478	1705307.....	479	1705897.....	457, 462
1671176.....	247	1702938.....	249, 265	1705325.....	181	1705898.....	457, 462
1671191.....	172	1702942.....	83, 88, 99	1705330.....	458, 463	1705899.....	458, 463
1671192.....	170, 171	1702962.....	449, 454	1705331.....	458, 463	1705900.....	458, 463
1671193.....	173	1703162.....	82, 91, 100, 112	1705333.....	458, 463	1705901.....	458, 461
1671194.....	170, 172	1703175.....	449, 454, 478	1705334.....	458, 463	1705902.....	459, 463
1671314.....	248	1703483.....	449, 453, 459, 464, 467, 471	1705336.....	449, 453, 462	1705903.....	459, 461
1683053.....	319	1703683.....	285	1705337.....	449, 453, 461	1705904.....	459, 461
1683056.....	291	1703797.....	449, 453, 462	1705338.....	459, 461	1705905.....	459, 464
1683062.....	295	1703804.....	449, 453, 462	1705339.....	459, 461	1705906.....	459, 461
1683063.....	299, 301, 303	1703805.....	449, 453, 462	1705341.....	459, 461	1705907.....	458
1683077.....	327	1703808.....	471	1705342.....	459, 461	1705908.....	458, 463
1683441.....	333	1703811.....	453, 461, 471	1705344.....	457, 462	1705909.....	459, 461
1684081.....	14, 295	1703814.....	453, 461, 471	1705345.....	457, 462	1705910.....	459, 464
1684082.....	295	1703923.....	457, 462	1705347.....	457, 462	1705915.....	459, 461
1684083.....	295	1703924.....	457, 462	1705348.....	457, 462	1705916.....	458
1684102.....	13, 291	1703925.....	457, 462	1705351.....	450, 453, 464	1705917.....	457, 462
1684103.....	291	1703926.....	457, 462	1705355.....	272, 275, 277	1705919.....	458, 463
1684105.....	291	1703927.....	457, 462	1705358.....	268	1705921.....	471
1684173.....	218, 319	1703935.....	457, 462	1705374.....	184, 189, 197	1705961.....	467, 471
1684174.....	319	1703936.....	457, 462	1705375.....	189, 197, 272, 277	1705967.....	457, 462, 478
1684176.....	319	1703937.....	457, 462	1705376.....	189, 196	1705968.....	457, 462
1684275.....	323			1705387.....	184, 189, 197	1705969.....	457, 462, 478
1684292.....	209			1705426.....	459, 464	1705973.....	247, 249
1684293.....	313			1705427.....	459, 464	1705974.....	153, 157, 367, 384
1684295.....	313			1705429.....	459, 464		

SECTION 10 - SPECIAL OPTIONS

1705999	154	2130808	351	2221176	80, 89, 98	2753703	344
1706059	458, 464	2130810	51, 68	2221221	353, 355	2753713	344
1706060	458, 464	2130812	33, 39, 42, 46, 352	2300004	82, 109, 480	2753714	344
1706061	458, 464	2130830	341	2300014	480	2753715	344
1706063	458, 464	2131008	333, 335, 351	2300016	480	2753716	340, 344
1706064	458, 464	2131010	68	2300019	480	2753717	340
1706098	467, 471	2131210	333, 335, 351	2300029	480	2753719	347
1706228	467	2131212	149, 151, 351	2300039	480	2753720	344
1706385	245	2131620	352	2300040	480	2753721	344
1706510	287	2132020	352	2300041	82, 110, 480	2753722	344
1706751	453, 464	2150404	340	2400060	197, 398, 399, 410, 434	2753724	344
1706770	471	2150808	351	2400064	197, 398, 399, 410, 434, 476	2753726	347
1870179	361	2151012	55, 57	2400065	368, 385, 390, 410, 415, 434, 440	2753727	347
1870197	361	2151212	351	2400066	368, 377, 385, 390, 396, 410, 415, 421, 434, 440, 444	2753728	349
2000199	91, 93	2160002	71	2400070	377, 396, 421, 444, 476	2753729	347
2000275	91, 93	2170204	340	2410014	245	2753732	349
2000340	91, 93	2170308	352	2420165	176, 181, 190	2753733	349
2000343	90	2170312	355	2420172	153, 157	2753734	349
2000352	90	2170504	344, 347	2420191	143	2753735	349
2000399	90	2170506	347, 355	2420203	175, 180	2753736	349
2030010	272, 275, 277, 281	2170704	341, 344	2460013	179	2753737	349
2060025	82, 91, 100	2170708	341	2460032	179	2753738	349
2080040	241, 243	2170712	149, 151, 340, 353	2460039	179	2753739	349
2080051	170	2170804	344	2460048	194	2753741	351
2080068	234	2170908	352	2460049	175, 179, 180	2753742	349
2110404	33, 39, 42, 46, 67, 68, 238, 333, 340, 341, 351	2171112	151	2460055	175, 179	2753743	349
211040655, 57, 67, 347, 355		2171210	340	2460056	179	2753746	351
2110604	347	2171212	340	2460057	179	2753747	344
2110606	51, 67, 238, 347	2171306	340	2540044	230	2753748	344
2110608	351	2171308	340	2560136	247	2753749	344
2110610	340, 351	2171310	340	2560173	243	2753750	344
2110612	341	2180344	71	2560187	172, 173	2753752	344
2110808	33, 39, 42, 46, 238, 344, 351, 353	2180348	80, 88, 98	2580062	93, 102	2753753	349
2110810	55, 57, 68, 340, 351, 353	2180830	340, 341	2600279	155, 158	2753754	349
2110812	33, 39, 42, 46, 344, 352, 353	2180831	55	2600280	170	2753756	344
2111010	67, 68, 147, 327, 331, 340, 352	2180832	107, 272, 281	2600281	241	2753757	344
2111012	55, 57, 147, 341, 352	2200222	80, 89, 99, 107	2680495	172	2753759	344
2111016	352	2220001	71	2680496	172	2753760	344
2111210	67, 68	2220221	80	2680497	173	2753761	344
2111212	68, 147, 327, 331, 340, 351	2220235	344	2680498	173	2753762	344
2111216	68	2220238	344	2680499	170, 171	2753764	344
2111616	353	2220250	88	2680500	170, 172	2753768	344
2111620	351	2220313	80, 88, 98, 107	2717059	341	2753778	149
2112016	67	2220451	91, 100	2720015	111	2753781	355
2112020	351	2220459	89	2720058	83, 91, 100	2753843	149, 352
2113232	351	2220478	351	2720160	272, 281	2753897	340
2120150	88	2220498	91, 100	2720488	91	2753975	351
2120163	88	2220550	355	2720500	91, 100	2753976	351
2120167	143	2220737	351	2720501	91, 100	2753977	351
2120168	143, 474	2220794	89	2720516	340	2753978	340
2120209	88	2220811	351	2750528	71	2753979	351
2120210	88	2220883	55, 57, 291, 293, 301, 303, 305, 313, 315, 317, 319, 321, 333, 335	2750532	80, 89, 91, 98, 100	2753984	351
2120217	237	2220886	299, 301, 303, 305, 307, 309, 311, 327, 331	2753541	344	2753985	340
2120218	80, 89, 98, 108	2220887	68	2753545	340, 344	2753986	340
212021980, 89, 98, 108, 474		2220888	68, 307, 309, 311, 313, 315, 317	2753546	351	2753987	340
2130404	33, 39, 353	2220893	143	2753552	344	2753988	351
2130406	42, 46, 353, 355	2221086	51, 55, 57, 67, 68, 143, 238	2753582	344	2753989	351
2130606	341, 349	2221117	351	2753590	351	2753990	351
2130612	341	2221123	341, 355	2753673	351	2753991	351
				2753677	344	2753992	352
				2753685	344	2753993	340
						2753994	340
						2753995	352
						2753996	352
						2753997	352
						2753998	340
						2753999	149, 341, 352

SECTION 10 - SPECIAL OPTIONS

2754000.....	352	2902308.....	479	3300243.....	237	3340946.....	13
2754001.....	352	2902309.....	479	3300353.....	247	3340956.....	268
2754002.....	340	2902310.....	479	3300364.....	234	3340974.....	219
2754003.....	340	2902311.....	479	3300396.....	184, 189, 196	3340978.....	214
2754004.....	352	2902312.....	479	3300408.....	153, 157, 247	3340979.....	214
2754006.....	352	2902322.....	479	3300430.....	234	3340980.....	214
2754007.....	352	2902329.....	479	3300454.....	62, 91, 101	3340982.....	327, 331
2754010.....	340	2902356.....	479	3300464.....	17	3380434.....	242
2754011.....	340	2902443.....	387, 411, 436	3300465.....	323, 325	3380473.....	81, 89, 99
2754123.....	340	2902486.....	341	3300482.....	248	3380474.....	449, 454, 464, 472
2754124.....	340	2915024.....	51, 62, 153, 247	3300492.....	227, 231	3380498.....	80, 89, 99
2754288.....	341	2915072.....	482	3310401.....	110	3380523.....	62
2754869.....	352	2915134.....	479	3310601.....	154, 157, 166, 189, 196	3380528.....	234
2754870.....	352	2920028.....	249	3310604.....	176, 181, 190, 198	3380547.....	210
2760105.....	153, 157, 367, 384, 408, 432	2920029.....	249	3310805.....	13, 176, 181, 190, 198	3380652.....	480
2780248.....	21, 25, 32	2920110.....	161	3310805.....	13, 176, 181, 190, 198	3380723.....	80, 89, 99, 108
2780279.....	21, 32	2920113.....	161	3311001.....	107, 153, 157, 161, 184, 196	3420156.....	248
2780283.....	38	2920129.....	369, 386, 411, 436	3311001.....	107, 153, 157, 161, 184, 196	3421453.....	272, 281
2780284.....	21, 38	2920140.....	243	3311005.....	81, 175, 180, 184, 195, 247, 272, 275, 277, 281	3421563.....	71
2780285.....	41	2920154.....	247	3311005.....	81, 175, 180, 184, 195, 247, 272, 275, 277, 281	3421565.....	71
2780286.....	21	2920157.....	162, 243	3311401.....	153, 157, 265	3422178.....	219
2780290.....	21, 41	2920161.....	161, 421, 443	3311402.....	155, 158, 201	3422446.....	80, 89, 99, 107
2792527.....	357	2920162.....	180	3311405.....	51, 82, 91, 101, 107, 110, 171, 180, 184, 201, 205, 234, 242, 243, 449, 454, 458, 464, 467, 471	3422532.....	92, 101
2792565.....	357	2920215.....	161	3311501.....	172, 173, 265	3422661.....	285, 287
2792627.....	351, 357	2940074.....	241, 474	3311505.....	17, 51, 80, 83, 89, 91, 99, 101, 149, 151, 161, 166, 234, 285, 287	3422833.....	14
2792628.....	340, 356	2940139.....	155, 158	3311508.....	183, 187, 194	3422915.....	14
2792645.....	344, 356	2940173.....	171	3311601.....	65, 143, 170, 248	3422917.....	17
2792646.....	349, 357	3010133.....	209	3311602.....	227	3422918.....	13
2792647.....	347, 356	3010134.....	210	3311605.....	51, 80, 82, 89, 91, 99, 101, 107, 110, 149, 162, 166, 170, 180, 219, 231, 237, 242, 245, 272, 275, 277	3422920.....	209
2792716.....	351, 357	3010135.....	219	3311608.....	63, 64, 227, 230, 231, 234	3422937.....	219
2792771.....	357	3010136.....	219	3311705.....	108, 110	3422940.....	17
2792772.....	344, 356	3010142.....	219	3311801.....	184, 187, 195	3422941.....	17
2792773.....	349, 357	3020008.....	42, 46, 480	3311805.....	82, 92, 101, 147, 166, 237	3422942.....	17, 234
2820019.....	185	3020016.....	82, 91, 480	3312002.....	71	3422953.....	219
2820031.....	175, 180, 183, 187, 194	3020037.....	82, 109	3312005.....	14, 82, 267	3422957.....	219
2820035.....	161, 397, 421, 444	3020042.....	220	3312205.....	267	3422958.....	219
2820141.....	170	3128444.....	481	3312602.....	161, 209	3422960.....	13
2820145.....	172	3160291.....	21, 29, 33, 39	3321501.....	170	3423058.....	219
2820146.....	172	3160302.....	71, 74	3322201.....	147	3423059.....	219
2840016.....	166	3160339.....	21, 49	3340763.....	333, 335	3423060.....	219
2860030.....	154, 158, 474	3200362.....	91, 100	3340764.....	230	3423061.....	209
2900770.....	55, 75, 238, 295, 297, 307, 309, 311, 313, 315, 317, 319, 321, 333, 335	3200401.....	91, 100	3340787.....	230	3423062.....	209
2900789.....	327, 331, 333, 335	3200433.....	234	3340877.....	172, 173	3423063.....	209
2900792.....	291, 293, 299	3200455.....	154	3340878.....	214, 219	3423064.....	209
2901443.....	374, 392, 416, 441, 481	3200458.....	234	3340881.....	13	3423065.....	209
2901773.....	291, 293	3200460.....	234	3340907.....	13	3423066.....	214
2902065.....	91, 100, 110	3220126.....	82, 91, 100	3340927.....	209	3423068.....	209
2902087.....	295, 297	3220130.....	82, 91, 100	3340932.....	13	3423190.....	219
2902092.....	319	3250585.....	243	3340934.....	231	3423195.....	209
2902212.....	267	3251102.....	175, 180, 183, 187, 194, 243	3340939.....	13	3423209.....	209
2902217.....	272, 275, 277	3251242.....	184	3340941.....	227, 231	3423256.....	17, 234
2902257.....	323, 325	3251243.....	184, 449, 453, 458, 461	3340942.....	231	3430816.....	166
2902265.....	313	3251813.....	449, 453, 458, 463	3340943.....	231	3441240.....	299, 301, 303
2902284.....	328	3252347.....	449, 453			3450404.....	166
2902285.....	299, 301, 305	3252507.....	181			3451214.....	17
2902286.....	307	3271805.....	245			3460334.....	268
2902291.....	333, 335	3272001.....	110, 209, 219			3470003.....	248
2902292.....	89, 98, 375, 392, 417	3290405.....	107, 184			3480205.....	333
2902303.....	479	3290501.....	84			3480266.....	327
2902307.....	479	3290505.....	176, 181			3480269.....	295
		3290601.....	172, 173			3480271.....	319
		3290605.....	272, 281			3480272.....	291
		3290606.....	242			3480278.....	323
		3290801.....	110			3480280.....	313, 315
		3300151.....	242, 272, 275, 277			3480281.....	307, 309
						3480282.....	299, 301, 303
						3510822.....	241

SECTION 10 - SPECIAL OPTIONS

3510833	241	3740049.....	153, 157, 474	3931412 ...	17, 201, 205, 234	4071036.....	13
3510864	479	3740067 63, 64, 82, 92, 101, 474		3931414	234	4071039.....	14
3510868	245			3931416	201, 205	4071040.....	14
3510884	245	3740080....	82, 92, 101, 162, 175, 180, 474, 476	3931432	110	4071041.....	71
3520026	248			3931508	112	4071042.....	14
3520027	248	3740143 369, 386, 408, 432, 474		3931512	110, 147	4071044.....	219
3520028	180			3931516	319, 321	4071045.....	219
352005414, 82, 92, 101, 248		3760133.....	214, 219	3931532	333, 335	4071048.....	170
3520071	268	3760170.....	71	3931616	154, 158	4071049.....	14
3520072	241, 245	3760217.....	219	3931620	291, 293	4071050.....	14
3520174	472	3760233.....	219	3931624	235	4071054.....	13
3520186	170	3760368.....	319, 321	3931628	110	4071055.....	13
3520189 189, 196, 197, 397, 422, 444		3760369.....	291	3931656	327, 331	4071067.....	214
		3760371.	295, 299, 301, 303	3931660	307, 309, 311	4071069.....	214
3520192	195, 196, 197	3760375.....	307, 309	3931724	327, 333, 335	4071071.....	214
3520198	241, 242	3760383.....	17, 234	3931740	327, 331	4071072.....	231
3536089	243	3760475.....	209	3931816	14	4071073.....	219
3537416	92, 101	3790012.....	248, 249	3931824 295, 297, 299, 301, 303, 305		4071074.....	248
3537445	166	3790152.....	93, 102, 109			4071076.....	227
3538758	231	3790155.....	93, 102, 109	3932024	17	4071081.....	214
3539971	92, 101	3790158.....	46	3932240	313, 315, 317	4100063.....	231
3572327	459, 464	3811340.....	214	3932244	307, 309, 311	4100100.....	319
3573142	92, 101	3820001 449, 454, 458, 464, 467, 472		3941404	67	4100101.....	219
3573144	155, 158			3952020	71	4120035 368, 385, 410, 434	
3573294	13	3820020.....	241	3960389	235	4130387.....	17
3573335	13	384114380, 89, 99, 107, 219		3960418	155, 158	4130416.....	17
3573355	71	3841203.....	219	3960422 183, 187, 195, 375, 393, 397, 418, 422, 443, 444		4160194.....	170
3573400	272, 275, 277	3841258.....	14, 17, 219			420165.....	198
3573411	92, 101	3841287.....	13, 209	3960464	172, 173	4220162.....	162
3573412	82, 92, 101	3841340.....	51, 143	3960525	143	4220189.....	227
3573529	92, 101	3841356.....	209	3960525	143	4220190.....	227
3573642	272, 275, 277	3841581.....	209	3960543	82, 92, 101, 110	4220197.....	231
3573644	80, 89, 99	3890040.....	245	3960544	82, 92, 101, 110	4220235.....	14
3573669	80, 89, 99	3900054.....	245	3960551	17	4240018.....	80, 89, 99, 183, 187, 195, 234
3573727	80, 89, 99	3900085.....	161	3960552	17		
3573728	80, 89, 99	3900141.....	319	3960571	235	4240032.	176, 181, 190, 198
3574091	265	3900183.....	248	3980006	63, 64	4240033 80, 83, 89, 99, 162, 201, 205, 231, 235	
3574492	166	3900210.....	237	3990001 368, 385, 410, 434, 474		4240099..	92, 101, 111, 265, 272, 275, 277
3574494	143	3900223.....	71				
3574533	170	3900232... 80, 143, 170, 237		3990010	375	4240139.....	143
3574580	327, 331	3900251.....	155, 158	4000008 235, 373, 391, 415, 440, 476		4240149.....	267
3574586	327, 331	3900259.....	219			4240150.....	173
3574606	231	3900260.....	231	4010408	184	4240153.....	231
3574630	333, 335	3900267.....	185	4010608	272, 281	4240155.....	14, 227, 231
3574633	80, 89, 99	3900269.....	214	4010618	242	4240156.....	231
3574644	227	3900270.....	13	4031607	84	4300157.....	184, 187, 193
3575359	265	3900283.. 52, 170, 227, 231, 237		4031608	176, 181	4340743.....	171
3575782	172			4031911	82	4340750.....	231
3576799	272, 281	3900300.....	184	4031914	110	4340810.....	234
3577121	272, 275, 277	390031680, 89, 99, 108, 170		4032008	82	4340811.....	234
3580134	175, 180	3900322.....	175, 180	4032014	110	4340832.....	154, 157
3580158	92, 101	3900349.....	248	4032022	92, 101	4340861.....	235
3580276	175, 180	3900363.....	172, 173	4060092 .	375, 393, 418, 443	4340959.....	234
3580317	183, 187, 194	3910408.....	110	4060700 .	195, 375, 393, 397	4340995.....	171
3580318	183, 187, 194	3910606.....	183, 187, 194	4060802 175, 180, 183, 187, 195, 243		4340996.....	171
3580319	183, 187, 194	3910608 166, 176, 181, 190, 198				4341000.....	171
3580320	92, 101, 110			4060804 ...	93, 101, 172, 173	4341001.....	171
3580321	83	3910610.....	189, 196	4060805	83, 92, 101	4341110.....	80, 89, 99
3580322	175	3910804.....	154, 158	4060806	172, 173	4341158.....	235
3600339	92, 101, 124	3911040.....	162	4060808	51	4341264.....	237
3600342	63	3930606.....	234	4060906	153, 157	4360031.....	242
3600465	63	3930608.....	67	4060907	161	4360057.....	265, 476
3620034	149	3930816.....	234	4061043	195, 397	4360070.....	184, 189, 196
3620041	92, 101	3930820.....	13	4070864	214, 219	4360232 376, 396, 421, 444, 476	
3641533	190, 198	3931008.....	147	4070987	154, 158		
3641569	265	3931016.....	183, 193	4071031	214, 235	4360322.....	14
3641589	265	3931020.....	17, 234	4071035	13		

SECTION 10 - SPECIAL OPTIONS

4360328 153, 157, 248, 249, 474	382, 386, 392, 395, 396, 397, 398, 406, 411, 416, 420, 421, 422, 430, 436, 441, 442, 443, 444, 445	387, 388, 389, 390, 391, 397, 398, 399, 409, 410, 411, 412, 413, 414, 415, 416, 417, 420, 421, 422, 433, 434, 435, 436, 437, 438, 439, 440, 441, 443, 444, 445	410, 412, 413, 430, 434, 437, 439
4360330..... 248, 474	4460227 366, 368, 369, 370, 371, 376, 382, 383, 385, 386, 387, 389, 396, 406, 410, 412, 413, 421, 430, 434, 437, 439, 443	4460466 366, 367, 368, 369, 370, 371, 372, 373, 374, 383, 384, 385, 386, 387, 388, 389, 390, 391, 399, 406, 408, 409, 410, 411, 412, 413, 414, 415, 416, 423, 430, 433, 434, 435, 436, 437, 438, 439, 440, 441, 445	4460790376, 377, 396
4360331..... 248, 474	4460233376, 395, 421	4460470 153, 157, 248, 366, 367, 382, 384, 406, 408, 430, 432	4460807185, 188, 195
4360336 175, 180, 183, 188, 195, 243, 248, 474, 476	4460234 ..93, 102, 112, 176, 181, 190, 198, 248, 265	4460471 153, 157, 248, 366, 367, 382, 384, 406, 408, 430, 432	4460808185, 188, 195
4360387 .248, 249, 265, 474	4460265256, 263	4460473 153, 373, 390, 415, 440	4460836 367, 369, 371, 374, 384, 386, 387, 388, 391, 408, 410, 412, 413, 416, 433, 434, 436, 437, 438, 441
4360407248	4460267 367, 376, 384, 396, 408, 421, 423, 432, 445	4460476..... 377, 396, 397	4460837 154, 157, 369, 371, 374, 386, 388, 391, 408, 413, 415, 432, 438, 441
4360469 154, 158, 476	4460268 161, 185, 367, 376, 384, 396, 409, 421, 433, 443	4460483 185	4460842 .368, 384, 409, 433
4360470 154, 158, 476	4460315188, 195	4460488. 162, 201, 205, 248	4460843 .368, 384, 409, 433
4360475 .153, 157, 248, 474	4460320 367, 376, 384, 396, 408, 421, 423, 432, 443, 445	4460496 158, 201, 205, 248, 366, 382, 406, 430	4460850377, 396, 397
4360476 .153, 157, 248, 474	4460321 374, 376, 392, 395, 416, 420, 441	4460497 158, 201, 205, 248, 366, 382, 406, 430	4460865 153, 373, 390, 415, 440
4360505 ..17, 235, 374, 391, 416, 441, 476	4460346 183, 188, 195, 375, 394, 397, 419, 422, 443, 444	4460508 366, 368, 369, 372, 382, 385, 386, 390, 406, 410, 414, 430, 434, 440	4460866 366, 368, 372, 382, 385, 389, 406, 410, 414, 430, 434, 439
4360522 162, 249, 476	4460374 197, 376, 391, 395, 396, 398, 415, 420, 421, 440, 443	4460509 372, 373, 390, 414, 415, 439, 440	4460871 251, 252, 259, 260, 366, 368, 369, 374, 382, 385, 386, 391, 399, 406, 409, 410, 411, 416, 417, 423, 430, 433, 434, 435, 436, 437, 441, 443, 445
4360542 175, 180	4460375 197, 376, 391, 395, 398, 415, 420, 440	4460510 377, 400, 424, 445, 481	4460872411, 436
4360545 235, 374, 391, 416, 441	4460411 197	4460526 153, 157, 367, 384, 408, 432	4460873 366, 368, 382, 385, 406, 410, 430, 434
4360548235, 476	4460412 197	4460536 368, 372, 373, 374, 385, 386, 390, 391, 409, 411, 414, 415, 416, 417, 433, 435, 440, 441, 443	4460874 154, 157, 366, 367, 382, 384, 406, 408, 430, 432
4360549 14, 235, 373	4460413 197	4460539 370, 371, 372, 373, 385, 386, 387, 389, 390, 391, 399, 409, 412, 413, 414, 415, 417, 423, 433, 437, 439, 440, 443, 445	4460875 154, 157, 367, 384, 408, 432
4360551373	4460414 197	4460607 198	4460876 366, 368, 382, 385, 406, 410, 430, 434
4360552 235, 374, 391, 416, 441, 476	4460415 197	4460613 369, 372, 386, 390, 410, 414, 434, 440	4460877 366, 368, 369, 382, 385, 386, 406, 410, 430, 434
4360556235	4460418 366, 368, 382, 385, 406, 410, 430, 434	4460634 .368, 385, 410, 434	4460878 .368, 385, 410, 434
4360578 ..14, 235, 373, 390, 415, 440, 476	4460419 366, 368, 382, 385, 406, 410, 430, 434	4460635 .368, 385, 410, 434	4460879 .366, 382, 406, 430
4360579 373, 390, 415, 440, 476	4460424 161, 367, 376, 384, 396, 409, 421, 433, 443	4460662393	4460880 367, 369, 370, 384, 386, 387, 388, 408, 412, 432, 437
4360622 235, 476	4460425 158, 185, 189, 196, 265, 376, 396, 397, 421, 422, 444	4460701 376, 395, 421	4460884 370, 371, 372, 387, 388, 389, 412, 413, 414, 436, 437, 438, 439
4400439 143	4460426 185, 189, 196, 377, 396, 397, 421, 422, 444	4460705 376, 395, 420	4460887 366, 368, 369, 382, 385, 386, 406, 410, 430, 434
4400462 143	4460428 158, 248, 366, 382, 406, 430	4460708 248, 366, 382, 406, 430	4460889369
4420014 267	4460434 .366, 383, 406, 430	4460709 367, 375, 383, 393, 407, 408, 419, 431, 432, 443	4460890369
4420037 63, 64, 243, 272, 275, 277	4460449 .370, 388, 412, 437	4460710 .367, 383, 407, 431	4460891 368, 370, 385, 386, 388, 390, 399, 409, 412, 415, 421, 433, 438, 440, 442, 443
4420038 143	4460458 376, 377, 396, 397, 436	4460761 366, 369, 370, 371, 382, 386, 387, 389, 406,	4460892 154, 157, 367, 369, 384, 387, 399, 408, 411, 432, 437
4420051 467, 472, 479	4460459376, 377, 396		4460894 368, 369, 371, 385, 387, 389, 399, 410, 411, 413, 434, 436, 437, 438
4420060 176, 181, 190, 198, 219	4460464 366, 368, 369, 370, 371, 372, 374, 382, 385, 386, 387, 388, 390, 391, 399, 406, 408, 409, 410, 411, 412, 413, 414, 415, 416, 417, 423, 430, 432, 433, 434, 435, 436, 437, 438, 440, 441, 442, 443, 445		4460897 370, 388, 390, 399, 408, 412, 415, 423, 432, 438, 440, 442, 445
4420062 285, 287	4460465 185, 189, 197, 367, 368, 369, 370, 371, 372, 373, 374, 385, 386, 387, 388, 389, 396, 406, 410, 422, 430, 434, 444		4460898411, 435
4420066 268	4460466 188, 195, 375, 393, 397, 418, 422, 443		4460899 .369, 386, 409, 433
4420068 265	4460068 185		4460905 154, 157, 248, 366, 367, 382, 384, 399, 406,
4460007 248	4460071 184, 188, 195, 242, 366, 382, 397, 406, 422, 430, 444		
4460018 .176, 181, 190, 198	4460125 .375, 394, 419, 443		
4460023 180	4460134 367, 376, 383, 395, 407, 421, 431		
4460027 175, 180, 376, 395, 420	4460190 175, 180		
4460049 265	4460205 367, 375, 376, 383, 393, 395, 407, 419, 421, 431, 432, 443		
4460051 188, 195, 375, 393, 397, 418, 422, 443	4460224 369, 374, 386, 392, 411, 416, 436, 441		
4460068 185	4460225 185, 188, 195, 366, 368, 382, 385, 397, 406, 410, 422, 430, 434, 444		
4460071 184, 188, 195, 242, 366, 382, 397, 406, 422, 430, 444	4460226 188, 195, 256, 263, 366, 369, 374, 375, 376,		

SECTION 10 - SPECIAL OPTIONS

408, 410, 411, 423, 430, 432, 435, 437, 445	4460950 370, 387, 412, 436, 437	4566471319	4712000..... 14, 82, 267
4460906376, 395, 420	4460956. 184, 198, 398, 423	456829192	4712200..... 267
4460908 398	4460957. 184, 198, 398, 423	456829292	4712600..... 201, 205
4460909 398	4460958..... 188, 195, 421	456829392, 101	4740171..... 82, 109
4460910 .374, 391, 416, 441	4460959 367, 383, 384, 408, 432	4568426149	4740181..... 17
4460911 371, 372, 389, 413, 414, 439	4460960 367, 383, 384, 407, 408, 431, 432	4568427149	4740229..... 17
4460912 371, 372, 389, 413, 414, 439	4460961 376, 395, 420	456873583	4740242..... 82
4460913 .374, 391, 416, 441	4460962. 272, 277, 408, 432	4568808327	4740274..... 92, 101
4460914 ..17, 154, 157, 235, 367, 384, 408, 432	4460963 189, 196, 398, 408, 422, 431, 432, 444	4568811333	4740362..... 243
4460915 398, 399	4460965 367, 368, 384, 385, 408, 410, 432, 434	4568815352	4740397..... 181, 195, 243
4460916 398, 399	4460966. 368, 385, 410, 434	4568819333	4740430..... 52
4460917 373, 374, 391, 415, 416, 441	4460967 189, 197, 398, 422, 445	4568849352	4740444..... 154, 157
4460918 371, 372, 389, 390, 414, 439, 440	4460968.. 14, 176, 181, 235, 373, 390, 415, 440	4568862352	4740461..... 14
4460925 .366, 383, 406, 430	4460970..... 371, 388, 435	4630006219	4740492..... 210
4460926 .370, 388, 412, 438	4460971 272, 281	4640452319, 321	4740500..... 170
4460928 .370, 388, 412, 438	4460982 435	4640509 291, 293, 299	4740505..... 17
4460929 .366, 383, 406, 430	4461001 189, 196, 198	464074175	4740518..... 92, 101
4460930 368, 369, 370, 384, 386, 387, 388, 409, 410, 411, 412, 413, 416, 433, 434, 435, 436, 437, 438	4461003. 373, 390, 415, 440	464075083	4750600 154, 157, 166, 189, 196
4460931 368, 369, 384, 386, 408, 409, 432, 433, 435	4461004. 368, 385, 409, 433	464075192, 101, 112	4750800.... 14, 18, 176, 181, 190, 198, 248
4460932 370, 371, 372, 387, 389, 412, 413, 414, 437, 439, 442	4461005 368, 385, 386, 409, 411, 433	4640858295, 297	4751000 143, 154, 157, 161, 162, 175, 181, 184, 195, 235, 248, 272, 275, 277, 281
4460933 368, 369, 371, 385, 387, 388, 409, 411, 412, 413, 433, 435, 437, 438	4461006 368, 385, 386, 409, 411, 433	4640936295	4751400..... 52, 82, 92, 101, 110, 154, 157, 181, 243, 248, 265, 272, 275, 277, 449, 454, 458, 464, 467, 472
4460934 370, 372, 387, 389, 412, 414, 435, 437, 439	4461007. 368, 385, 409, 433	4640938 .307, 309, 311, 313	4751500.. 82, 143, 161, 170, 172, 173, 175, 184, 188, 195, 265, 285, 287
4460935 370, 371, 387, 388, 412, 413, 435, 437, 438	4461008 368, 385, 386, 409, 411, 433, 436	4641114319, 321	4751600.. 17, 52, 63, 64, 71, 81, 143, 149, 154, 158, 170, 176, 237, 243, 272, 275, 277
4460941 369, 370, 371, 374, 386, 387, 388, 391, 410, 412, 413, 416, 434, 435, 437, 438, 441, 442	4461009. 372, 389, 414, 439	464115551	4751700..... 110
4460942 367, 368, 369, 371, 372, 374, 384, 385, 388, 389, 390, 391, 409, 413, 414, 415, 416, 433, 435, 436, 438, 439, 440, 441, 442	4461010 371, 372, 389, 414, 439	4641162333, 335	4751800 147, 243, 245, 265
4460943 366, 368, 369, 370, 371, 372, 373, 374, 382, 384, 385, 386, 387, 388, 389, 390, 391, 399, 406, 408, 409, 410, 412, 413, 414, 415, 416, 423, 430, 432, 433, 434, 435, 437, 438, 439, 440, 441, 445	4461052 386, 411	4641247149, 151	4752000..... 81, 89, 99, 107
4460944 367, 368, 369, 370, 371, 372, 373, 374, 384, 385, 386, 387, 388, 389, 390, 391, 399, 408, 409, 410, 411, 412, 413, 414, 415, 416, 423, 432, 433, 434, 435, 436, 437, 438, 439, 440, 441, 445	4461053 386, 411	4641255238	4755000..... 17
4460945 369, 387, 399, 411, 423, 436, 445	4461054. 386, 411, 436, 442	4641260319, 321	4760600 176, 181, 189, 190, 196, 198
	4461060 386, 411	4641266237	4760800..... 248
	4461070 411, 435	464126851	4761400..... 154, 157
	4461071 387, 411, 436	464126951, 55	4761600..... 65
	4461072 387, 411, 436	4641276295, 297	4770600..... 166
	4461073 387, 411, 436	4641285313, 315, 317	4791400 62, 63, 64, 92, 101, 110, 184, 188, 195
	4461074 387, 411, 436	4641288327, 331	4811400..... 107
	4461076. 373, 391, 415, 441	4641298333, 335	4811600..... 84, 176, 181
	4461077. 372, 390, 414, 440	464130462, 67	4811700... 84, 242, 272, 281
	4461095 411, 435	4641316355	4811900.... 83, 84, 110, 172, 173, 176
	4461196 394, 419	4641339307	4811902..... 110
	4461197 394, 419	4641340 .307, 309, 311, 313	4812000..... 83, 84, 110
	4461198 394, 419	4641354299	4812100.... 82, 84, 107, 110
	4461199 394, 419	4641370309, 311	4812200..... 110
	4461200 394, 419	4641372341	4831900..... 83, 110
	4461201 394, 419	4641386301, 303, 305	4832000..... 82
	4461202 393, 419	4641388301, 303, 305	4845582..... 285, 287
	4461203 394, 419	4641393301, 303, 305	4846383..... 14
	4461204 394, 419	464145451, 57	4846452..... 241
	4461205 394, 419	4641460237	4846482..... 219
	4461206 394, 419	4700014214	4846483..... 219
	4461207 394, 419	4710400110	4846487..... 170
	4461244 394, 419	4711000 ..81, 107, 185, 196	4846491..... 171
	4461245 394, 419	4711400 ..51, 62, 63, 64, 82, 89, 99, 107, 110, 171, 183, 188, 195, 201, 205, 231, 235, 242, 243	
	4461246 394, 419	4711500 ..17, 51, 80, 82, 89, 92, 99, 101, 110, 149, 151, 166, 231, 235, 237, 249	
	4461249 394, 419	4711600 ..14, 51, 62, 63, 64, 80, 82, 89, 92, 99, 101, 107, 110, 143, 166, 170, 180, 184, 188, 195, 209, 227, 231, 237	
	4461250 394, 419	4711700 .108, 110, 175, 180	
	4530028. 272, 275, 277, 279	4711800 ..14, 17, 51, 81, 82, 92, 101, 166, 235, 245	
	4562516 227, 231	4711900181	

SECTION 10 - SPECIAL OPTIONS

4846492.....	171	4922962 .367, 383, 407, 431	70000780.....	147	70000950.....	125
4846494.....	17, 235	4922963367, 383	70000793.....	91, 100, 110	70000998.....	63
4846503.....	171	4922970376, 395	70000796.....	224	70001000.....	63
4846552.....	92, 101	4922972 188, 195, 397, 422,	70000801.....	57	70001001.....	63
4846561.....	243	444	70000802.....	57	70001017.....	100
4846573.....	237	4922981 .367, 383, 407, 431	70000803.....	57	70001100.....	188, 194
4846627.....	272, 275, 277	4922983 .367, 383, 407, 431	70000804.....	57	70001123.....	147
4846637.....	14	4922990376, 377, 396	70000805.....	57	70001125.....	95, 103
4846673.....	265	4922991 .376, 377, 396, 397	70000806.....	57	70001126.....	95, 103
4846685.....	237	4923036 154, 157, 369, 386,	70000810.....	41	70001128.....	94, 102
4846709.....	171	408, 432	70000811.....	41	70001129.....	94, 102
4846871.....	171	4923169 .373, 390, 415, 440	70000812.....	41	70001130.....	94, 102
4846872.....	171	4923170 .373, 390, 414, 440	70000813.....	41	70001131.....	94, 102
4846920.....	231	4923171 .373, 390, 415, 440	70000814.....	41	70001135.....	94, 103
4846945.....	92, 101, 102	4923241372	70000815.....	41	70001344.....	80, 89, 98, 108
4846946.....	92, 101	4923256 .370, 388, 413, 438	70000816.....	41	70001384.....	188, 194
4846953.....	171	4923274154, 384	70000817.....	41	70001421.....	68
4891400.....	235	4923290154, 384, 386	70000818.....	41	70001424.....	283
4891500.....	176, 181	4923291154, 385	70000819.....	41, 42	70001425.....	283
4891600.....	83, 93, 101, 109,	4923373389, 414, 439	70000820.....	41	70001427.....	283
	143, 227, 231, 237	4923377154, 384, 386	70000821.....	41	70001428.....	283
4891800.....	92, 101, 109, 166,	4923382390, 415, 440	70000822.....	41	70001429.....	283
	167, 184, 188, 195, 214,	4923384407, 431	70000823.....	41	70001430.....	283
	219, 227, 231, 237	4923385384, 408, 432	70000824.....	41	70001431.....	283
4892000.....	21, 22, 71, 110,	4923396391	70000825.....	41	70001432.....	283
	176, 181, 210	4923397 154, 157, 384, 408,	70000826.....	41	70001435.....	94, 102
4892400.....	71	432	70000827.....	41	70001639.....	223
4892600.....	162, 237	4923448 .248, 382, 406, 430	70000828.....	41	70001640.....	224
4921829.....	376, 395, 420	4923468 ..93, 101, 392, 417	70000829.....	41	70001696.....	188, 194
4921954.....	376, 395, 420	492359292, 101	70000830.....	41	70001847.....	95, 103
4921956.....	376, 395, 420	4923640383, 407, 431	70000831.....	41	70001850.....	93, 102
4922099.....	367, 368, 384, 385,	4923641383, 407, 431	70000832.....	41	70001857.....	94, 103
	386, 410, 434	4923642383, 407, 431	70000833.....	42	70001866.....	102
4922482.....	375	4923643383, 407, 431	70000834.....	42	70001867.....	94, 102
4922641.....	189, 197, 375, 395,	4933215360, 375	70000835.....	42	70001868.....	94, 102
	398, 420, 422, 445	4933216360, 375, 395	70000836.....	42	70001869.....	392, 417
4922666.....	248, 366, 382, 406,	4933217360	70000837.....	42	70001870.....	93, 103, 112
	430	4933249360	70000838.....	42	70001871.....	95, 103
4922696.....	369, 387, 411, 437	4933253360	70000839.....	42	70001872.....	392, 417
4922700.....	93, 375	4933262360	70000840.....	42	70001873.....	68
4922705.....	370, 387, 412, 437	4933264197, 398	70000841.....	42	70001930.....	55
4922718.....	370, 387, 412, 437	4933297360, 369	70000842.....	42	70001939.....	51
4922738.....	376, 396, 421, 443	4933300360, 375, 395	70000843.....	42	70001941.....	161
4922757.....	197, 398	4933311360	70000844.....	42	70001952.....	124
4922764.....	376, 396, 421, 443	4933314360	70000845.....	42	70001953.....	194
4922767.....	370, 387, 412, 437	4933342360, 386	70000846.....	42	70001955.....	133, 137
4922777.....	370, 388, 412, 437	524120042, 46	70000847.....	42	70001956.....	133, 137
4922784.....	370, 388, 412, 438	525060884	70000848.....	42	70001958.....	131
4922785.....	370, 388, 412, 438	525080884	70000849.....	42	70001966.....	185, 188, 194
4922826.....	370	7000004493, 102	70000850.....	42	70001968.....	119, 125
4922941.....	154, 367, 369	7000004593	70000852.....	49	70001973.....	188, 194
4922942.....	154, 367	70000068103	70000853.....	49	70001974.....	188, 194
4922943.....	154, 368	70000124180	70000854.....	49	70001976.....	51
4922945.....	248, 366, 382	70000125180	70000855.....	49	70002015.....	45
4922946.....	371, 388, 413, 438	70000126180	70000856.....	49	70002016.....	45
4922947.....	371, 389, 413, 439	70000127180	70000857.....	49	70002018.....	45
4922948.....	372, 389, 414, 439	70000342224	70000858.....	49	70002019.....	45
4922949.....	372, 389, 414, 439	7000034595, 103, 113	70000859.....	49	70002020.....	45
4922950.....	372, 389, 414, 439	70000505227	70000860.....	49	70002021.....	45
4922951.....	372, 389, 414, 439	70000506227	70000861.....	49	70002026.....	45
4922952.....	372	70000511230	70000862.....	49	70002027.....	45
4922953.....	372	70000512230	70000863.....	188, 194	70002029.....	45
4922954.....	373	70000619187, 193	70000916.....	94, 102	70002030.....	45
4922955.....	373, 390, 415, 440	70000777307, 309, 311,	70000917.....	94, 102	70002031.....	45
4922956.....	373, 390, 415, 440	333, 335	70000918.....	94, 102	70002032.....	45
4922957.....	373	70000778307, 309, 311,	70000919.....	94, 102	70002033.....	45
4922958.....	373, 390, 415, 440	333, 335	70000934.....	88	70002034.....	45

SECTION 10 - SPECIAL OPTIONS

70002035.....	45	70002296201, 399, 423, 445		70002729.....	260	70003629.....	75
70002036.....	45	70002297.....	188, 194	70002730.....	251	70003631.....	188, 194
70002037.....	45	7000236.....	74	70002731.....	251	70003708.....	185, 194
70002039.....	45	7000239.....	74	70002732.....	251	70003709.....	185, 194
70002040.....	45	70002393.....	41	70002733.....	251	70003784.....	248
70002041.....	45	70002394.....	41	70002734.....	251	70003800.....	65
70002044.....	45	70002395.....	41	70002735.....	251	70003801.....	65
70002045.....	45	70002396.....	41	70002742.....	68	70003802.....	65
70002046.....	45	70002397.....	41	70002743.....	68	70003803.....	65
70002047.....	45	70002398.....	42	7000281.....	74	70003913.....	230, 474
70002048.....	45	70002399.....	42	70002818.....	189, 197	70003914.....	230
70002049.....	45	7000240.....	74	70002819.....	189, 197	70003916.....	230
70002050.....	45	70002415.....	103	70002820.....	189, 197	70003919.....	227, 474
70002052.....	45	70002416.....	103	70002821.....	190, 197	70003920.....	227
70002057.....	45	70002417.....	103	70002822.....	190, 197	70003951.....	108, 442
70002088.....	194	70002460.....	188, 194	70002823.....	190, 198	70003953.....	108, 442
70002097.....	237, 474	700025082.....	102	70002824.....	190, 198	70004002.....	64
7000213.....	75	70002519.....	55	70002825.....	190, 198	70004003.....	64
70002132.....	130	70002569.....	126	70002826.....	190, 198	70004004.....	64
70002133.....	130, 133, 137	70002576.....	141	70002829.....	84	70004005.....	64
70002134.....	130	70002578.....	133, 137	70002830.....	84	70004006.....	64
70002135.....	130	70002579.....	133	70002831.....	84	70004007.....	64
70002136.....	130	70002580.....	133, 137	70002832.....	84	70004058.....	103
70002137.....	130	70002581.....	133	70002833.....	84	70004061.....	417
70002138.....	130	70002582.....	133, 137	70002834.....	84	70004092.....	185, 194
70002139.....	130	70002583.....	133, 137	70002835.....	84	70004093.....	194
70002140.....	130	70002584.....	133	70002837.....	84	70004094.....	194
70002141.....	130	70002585.....	133, 137	70002859.....	223	70004095.....	194
70002142.....	130	70002586.....	133, 137	7000287.....	74	70004096.....	194
70002143.....	130	70002587.....	133	7000288.....	74	70004097.....	194
70002145.....	130	70002588.....	133, 137	70002902.....	242	70004098.....	185, 194
70002148.....	130	70002589.....	133, 137	70002903.....	242	70004099.....	185, 194
70002150.....	130	70002590.....	133, 137	70002904.....	242	70004169.....	194
70002151.....	130	70002591.....	134	70002905.....	242	70004170.....	188
70002152.....	130	70002592.....	134, 138	70002906.....	251	70004171.....	185, 188, 194
70002153.....	130	70002593.....	134, 138	70003043.....	68	70004185.....	482
70002154.....	130	70002594.....	134	70003135.....	94	70004271.....	417
70002155.....	130	70002595.....	134	70003136.....	94	70004272.....	103
70002156.....	130	70002596.....	134	70003163.....	118	70004275.....	113
70002157.....	130	70002597.....	134	70003164.....	118	70004277.....	114
70002158.....	130	70002598.....	134	70003165.....	120, 126	70004279.....	114
70002159.....	130	70002599.....	134, 138	70003166.....	120	70004280.....	113
70002160.....	130	70002600.....	130	70003167.....	119, 120, 125	70004282.....	114
70002161.....	130	70002601.....	130	70003168.....	119, 120	70004284.....	114
70002162.....	130	70002602.....	130	70003169.....	119, 120	70004292.....	102
70002163.....	130	70002604.....	130	70003170.....	120, 126	70004313.....	102
70002164.....	130	70002605.....	131	70003172.....	119	70004328.....	237
70002165.....	130	70002606.....	131	70003173.....	118, 124	70004414.....	143
70002168.....	131	70002607.....	131	70003174.....	118, 124	70004416.....	137
70002174.....	131	70002609.....	131	70003175.....	118, 124	70004417.....	137
70002175.....	131	70002610.....	131	70003176.....	118	70004420.....	137
70002177.....	131	70002612.....	131	70003177.....	118, 124	70004421.....	137
70002178.....	131	70002616.....	131	70003340.....	125, 127	70004422.....	138
70002179.....	131	70002617.....	131	70003407.....	416, 442	70004423.....	137
70002231.....	81, 88, 98, 108, 474, 476	70002618.....	130	70003450.....	188	70004426.....	137
70002235.....	180	70002619.....	130	70003451.....	188	70004501.....	113
70002239.....	180	70002620.....	130	70003452.....	188	70004502.....	113
7000224.....	74	70002621.....	131	70003472.....	102	70004503.....	114
70002240.....	180	70002622.....	131	70003473.....	102	70004646.....	482
70002247.....	45, 46	70002623.....	131	70003475.....	93, 103	70004647.....	482
70002248.....	45, 46	70002674.....	45	70003478.....	94	70004648.....	482
70002249.....	46	70002718.....	94, 113	70003483.....	242	70004676.....	185
70002255.....	194	70002724.....	259	70003523.....	75	70004677.....	185
70002293.....	201, 205	70002725.....	259	70003524.....	74, 75	70004678.....	185
70002294.....	201, 205	70002726.....	259	70003555.....	82, 91	70004680.....	185
70002295.....	201, 205	70002727.....	259, 260	70003617.....	205	70004681.....	185
		70002728.....	259	70003628.....	49	70004682.....	185

SECTION 10 - SPECIAL OPTIONS

70004683.....	185	70006490.....	325	70024907.....	113	70025660.....	114
70004684.....	185	70006491.....	325	70024910.....	113	7002821 377, 399, 423, 445,	
70004685.....	185	70006492.....	325	70024912.....	114	481	
70004686.....	185	70006493.....	325	70024915.....	114	7002822.....	481
70004687.....	185	70006494.....	305	70024917.....	114	7002823 377, 399, 423, 445,	
70004738.....	263	70006495.....	305	70024918.....	114	481	
70004739.....	263	70006496.....	305	70024919.....	114	7002828 377, 400, 424, 445,	
70004740.....	263	70006507.....	317	70024920.....	113, 114	481	
70004741.....	263	70006508.....	317	70024924.....	113	7003655.....	81, 91, 100, 476
70004742.....	263	70006509.....	317	70024925.....	113	7003657.....	180
70004743.....	263	70006520.....	297	70024961.....	113	7003928.....	251
70004744.....	263	70006523.....	321	70025076.....	112	7003933.....	259
70004745.....	263	70006524.....	321	70025080.....	113	7003935.....	259
70004746.....	263	70006525.....	321	70025082.....	112	7003941.....	259
70004747.....	263	70006526.....	321	70025084.....	113	7003946.....	259
70004748.....	263	70006693.....	331	70025088.....	112	7003953.....	251
70004749.....	263	70006694.....	331	70025091.....	112	7003969.....	259
70004750.....	263	70006695.....	331	70025103.....	113	7003972.....	260
70004751.....	263	70006696.....	331	7002511.....	112	7003973.....	260
70004752.....	255	70006713.....	335	70025112.....	113	7003976.....	251
70004753.....	255	70006714.....	335	70025120.....	114	7003977.....	251
70004754.....	255	70006715.....	335	70025135.....	113	7003980.....	260
70004755.....	255	70006716.....	335	70025136.....	113	7003982.....	260
70004756.....	255	70006717.....	335	70025137.....	113	7003983.....	260
70004757.....	255	70006718.....	335	70025140.....	113	7003986.....	259
70004758.....	255	70007049.....	305	70025142.....	113	7003989.....	260
70004759.....	255	70007178.....	127	70025143.....	113	7003992.....	251, 259
70004760.....	255	7000731.....	75	70025144.....	113	7003993.....	251, 259
70004761.....	255	70007353.....	95	70025145.....	113	7003994.....	259
70004762.....	255	70007439.....	131	70025146.....	113	7004035.....	75
70004763.....	255	7000872.....	94	70025149.....	114	7004043.....	75
70004764.....	255	7001900.....	74	70025151.....	113	7004044.....	75
70004765.....	255	7001902.....	74	70025152.....	113	7004275.....	481
70004766.....	255	7001904.....	74	70025153.....	113	7004276.....	481
70004767.....	255	7001906.....	74	70025154.....	113	7004453.....	75
70004768.....	255	7001917.....	74	70025155.....	114	7007207.....	130, 133, 137
70004769.....	255	7001918.....	74	70025156.....	114	7007415 131, 133, 134, 137,	
70004770.....	255	7001920.....	74	70025160.....	113	138	
70004771.....	255	7001921.....	74	70025161.....	113	7007418.....	130
70004772.....	255	7001922.....	74	70025162.....	112	7007419.....	130
70004773.....	255	7001923.....	74	70025163.....	112	7007420.....	49
70004774.....	256	7001924.....	74	70025164.....	114	7007426.....	134
70004775.....	256	7001926.....	74	70025171.....	113	7007427.....	134
70005230.....	263	7001927.....	74	70025176.....	112	7007429.....	134
70005418.....	138	7001928.....	74	70025177.....	114	7007437.....	49
70005445.....	114	7001929.....	74	70025178.....	114	7007438.....	49
70005456.....	147	70020329.....	119, 125	70025179.....	114	7007439.....	49
70005480.....	124	70020336.....	120, 126	70025180.....	114	7007446... 49, 130, 133, 137	
70005481.....	124	70020808.....	399, 423, 445	70025181.....	113	7007489.....	141
70005482.....	124	70021867.....	118, 124	70025182.....	113	7007645.....	74
70005615.....	64	70022286.....	133, 137	70025183.....	113	7007646.....	74
70005619.....	64	70022287.....	133	70025184.....	113	7007648.....	74
70005650.....	85	70023592.....	111	70025190.....	113	70104570.....	114
70006137.....	80, 89, 98, 108	70023593.....	111	70025200.....	113	7010467.....	74
7000625.....	242	70024190.....	111, 476	70025202.....	113	7010543.....	57
70006359.....	293	70024473.....	113	70025203.....	114	7010639.....	63
70006360.....	293	70024484.....	114	70025204.....	112	7010640.....	63
70006361.....	293	70024486.....	113	70025205.....	112	7010697.....	67
70006362.....	293	70024488.....	113	70025206.....	112	7010795.....	75
70006363.....	293	70024503.....	114	70025207.....	112	7010924.....	63
70006365.....	311	70024504.....	113	70025208.....	112	7011311 238, 307, 309, 311,	
70006380.....	311	70024507.....	114	70025210.....	113	313, 315, 317, 327, 331,	
70006381.....	311	70024513.....	113	70025231.....	113	341	
70006382.....	311	70024517.....	113	70025235.....	113	7011320.....	75
70006383.....	311	70024904.....	112	70025239.....	113	7011326.....	25, 32, 38
70006473.....	297	70024905.....	112	70025477.....	114		
70006474.....	297	70024906.....	112	70025533.....	114		

SECTION 10 - SPECIAL OPTIONS

701134651, 55, 237, 238, 307, 309, 311, 333, 335, 341	7017163.....223	702046494	7022824 259, 374, 391, 416, 441
7011351 327, 331	7017164.....223	702046593, 102, 112	7022825..... 391
7011353301, 303, 305	7017184.....224	702046893, 102	7023206..... 88
7011355 55, 238	7017185.....224	702047194, 102	7023207..... 88
7011359 333, 335	7017187.....223	702047994, 102	7023881..... 125
7011361 333, 335	7017188.....223	702048694, 102	7023887..... 125
7011362307, 309, 311	7017191.....223	7020488375, 392, 416	7023922..... 238
7011364307, 309, 311	7017195.....223	7020492113	7023936..... 65
7011365307, 309, 311	7017402.....238	702124949	7023962..... 133, 137
7011367 307, 309, 311, 313, 315, 317	7017405.....57	7021256131	7023964. 133, 134, 137, 138
7011368 327, 331	7018900..... 55	7021265131	7024005..... 126
7011369 327, 331	7018936..... 127	7021275 ..49, 130, 134, 138	7024006..... 125, 126
7011370 327, 331	7018991..... 51, 474	7021293131	7024028.. 25, 26, 32, 33, 38, 39
7011371 327, 331	7019103..... 259	702135426, 33	7024029.. 25, 26, 32, 33, 38, 39
7011372 327, 331	7019110..... 259	702138825, 32, 38	7024030.. 25, 26, 32, 33, 38, 39
7011375307, 309, 311	7019111..... 251, 259	702220763	7024031..... 26, 33, 39
7011376301, 303, 305	7019112..... 259	702221563	7024032..... 26, 33
70124530..... 114	7019114..... 259	702222763	7024034..... 29, 33, 34, 39
70124538..... 114	7019115..... 259	702222863	7024036..... 29, 33, 39
7012513 175, 180	7019122..... 251	702222963	7024037..... 29, 33, 39
7012514 175, 180	7019123..... 251	702223063	702403829, 33, 39, 118, 124
7012558 175, 180	7019141..... 251	702223163	7024039..... 29, 33, 39
701270429, 33, 39	7019142..... 251	7022300131	7024040..... 29, 34, 39
701270629, 33, 39, 118, 124	7019143..... 251	7022301130	7024041..... 29, 34, 39
7012709 118	7019144..... 251	702231149	7024042..... 124
701271529, 34, 39	7019145..... 251	702231449	7024043..... 124
701271629, 33, 39	7019147..... 251	702232149	7024044..... 118, 124
7012773 51	7019149..... 251	7022340133, 137	7024048..... 38
7012941 57	7019150..... 251	702236849	7024064..... 118, 119, 125
7012942 57	7019151..... 259	702237149	7024065..... 119, 125
7012943 67, 474	7019154..... 259	702250926, 33	7024068..... 126
701294457, 238, 474	7019155..... 259	702253525, 32, 38	7024069..... 127
7012955 57	7019160..... 259	702253625, 26, 32, 33	7024071..... 119, 125
701296757, 319, 321	7019161..... 259	702253725, 32, 38	7024072..... 119, 125
7012998 57	7019162..... 259	702253825, 32, 38	7024073..... 119, 125
7013711 63	7019164..... 260	702254025, 26, 32, 33	7024075..... 119, 125
7013715 63	7019165..... 260	702254625, 32, 38	7024076..... 119, 125
7013716 63	7019166..... 260	702255025, 32, 38	7024077..... 119, 125
7013753 63	7019167..... 260	702255625, 32, 38	7024078..... 126
7015003 82, 91	7019168..... 259	702255925, 32, 38	7024079..... 119, 126
7015013 81, 91	7019171..... 251	702256025, 32, 38	7024080..... 119, 126
7015014 82, 91	7019174..... 251	702256138	7024081..... 119, 126
7015015 82, 91	7019177..... 251	702256425, 32, 38	7024083..... 126
7016314 144	7019194..... 260	702256725, 32, 38	7024084..... 126
7016319 161	7019196..... 260	702256825, 32, 38	7024085..... 126
7016322 166	7019197..... 251	702257225, 32	7024086..... 126
701632894, 102, 476	7019680..... 175, 180	702257325, 33, 38	7024087..... 126
7016331 ...93, 102, 113, 476	7020020..... 88	702257426, 33, 38	7024088..... 126
7016372 161	7020021..... 143	702257526, 33	7024089..... 126
7016374 166	7020043..... 143	702257626, 33	7024096..... 127
7016380 161	7020108..... 175, 180	702257726, 33, 38	7024097..... 125
7016399 243	7020109..... 175, 180	702257826, 33, 38	7024135..... 75
7016628 161	7020110..... 175, 180	702257926, 33, 38	7024182..... 74, 75
7016654 481	7020111..... 175, 180	702258026, 33	7024183..... 74
7016655 482	7020175..... 153, 157, 248	702258126, 33, 39	7024184..... 74
7016769 63	7020176..... 153, 157, 248	7022608131	7024185..... 75
7017072 74	7020190..... 175, 180	7022808251	7024186..... 75
7017082 74	7020191..... 180	7022812259, 260	7024188..... 74, 75
7017085 75	7020192..... 180	7022814251	7024189..... 75
7017094 74	7020193..... 395, 420	7022815251	7024190..... 76
7017142 224	7020404..... 112	7022816251	7024191..... 75
7017158 224	7020414..... 94, 102	7022817251	7024192..... 75
7017159 224	7020447..... 94	7022818251	7024193..... 76
7017162 223	7020458..... 94	7022819 251, 252, 374, 391, 416, 441	
	7020459..... 103	7022822259	
	7020460..... 93	7022823259	
	7020461..... 94		

SECTION 10 - SPECIAL OPTIONS

7024194.....	76	7024906.....	119, 120, 126	7026691.....	67	7027740.....	49
7024196.....	76	7024907.....	119	7026692.....	67	7027773.....	279
7024197.....	76	7024908.....	119, 125	7026693.....	67	7027774.....	279
7024365.....	13, 474	7024909.....	119, 125	7026694.....	67	7027775.....	279
7024366.....	13	7024910.....	119, 126	7026695.....	67	7027776.....	279
7024379.....	75	7024911.....	119, 125, 126	7026696.....	67	7027777.....	279
7024380.....	75	7024913.....	118, 124	7026697.....	67	7027778.....	279
7024381.....	75	7024917.....	118, 124	7026698.....	67	7027779.....	279
7024389.....	75	7024918.....	118, 124	7026802.....	85	7027780.....	279
7024390.....	75	7024919.....	124	7026803.....	85	7027790.....	94, 103
7024391.....	75	7024920.....	118, 124	7026804.....	85	7027791.....	94, 103
7024392.....	75	7024921.....	124	7026805.....	85	7027792.....	94, 103
7024393.....	75	7024922.....	118, 124	7026811.....	85, 476	7027795.....	103
7024394.....	75	7024927.....	51	7026812.....	85	7027796.....	103, 392, 416
7024395.....	75	7024932.....	55	7026813.....	85	7027799.....	188, 194
7024439.....	143	7024950.....	118	7026820.....	85	7027859.....	172, 173
7024440.....	143	7024966.....	25, 32, 38	7026821.....	85	7027882.....	67
7024441.....	143	7024967.....	25, 32, 38	7026822.....	85	7027887.....	175, 180
7024443.....	144	7024968.....	25, 32, 38	7026829.....	85	7733233.....	185
7024444.....	144, 474	7024969.....	26, 33, 39	7026830.....	84, 476	77363233.....	397, 422, 444
7024445.....	144	7024970.....	38	7026833.....	85	77363243.....	399
7024446.....	144	7024971.....	38	7026839.....	84	77363244.....	399, 423, 445
7024452.....	162, 243	7024972.....	38	7026980.....	127	77363245.....	399
7024453.....	75	7024973.....	38	7027008.....	89, 98, 375, 392, 417	8007894.....	68
7024462.....	279	7024974.....	38	7027009.....	81, 89, 98, 375, 392, 417	8007935.....	68
7024463.....	279	7024976.....	38, 39	7027010.....	81, 89, 98, 375, 392, 417	8007939.....	68
7024467.....	279	7026012.....	55	7027011.....	81, 89, 98, 375, 392, 417	8007954.....	68
7024469.....	279	7026018.....	237	7027036.....	81, 417	80334079.....	127
7024470.....	279	7026019.....	237, 238	7027037.....	417	80334251.....	147
7024471.....	279, 283	7026020.....	237	7027038.....	417	80484084.....	436
7024472.....	279	7026021.....	238	7027039.....	81	80934174.....	119
7024473.....	279	7026022.....	238	7027046.....	108, 442	80934644.....	126
7024474.....	279	7026023.....	238	7027047.....	108, 442	80983191.....	436
7024475.....	279	7026024.....	238	7027048.....	108, 442	8229242.....	436
7024478.....	279	7026025.....	55	7027049.....	108, 442	8303541.....	84
7024485.....	188, 194	7026026.....	55	7027200.....	67	8310070.....	235
7024488.....	187, 193	7026027.....	55	7027201.....	67	8310129.....	267
7024489.....	187, 193	7026028.....	51	7027202.....	67	8310230.....	267
7024530.....	283	7026029.....	147	7027203.....	67	8405006.....	107, 112
7024531.....	283	7026030.....	147	7027204.....	67	8405007.....	111
7024532.....	283	7026031.....	147	7027206.....	67, 474	8405104.....	82
7024533.....	283	7026032.....	147	7027207.....	67, 474	8405201.....	110
7024534.....	283	7026188.....	188, 194	7027208.....	67, 474	8405204.....	110
7024535.....	283	7026330.....	64	7027209.....	67, 474	8406101.....	84
7024536.....	283	7026597.....	188, 194	7027235.....	93, 102	8406102.....	112
7024537.....	283	7026599.....	143	7027236.....	93, 102	8406105.....	84
7024565.....	94, 103	7026600.....	143	7027237.....	93	8406112.....	112
7024570.....	55	7026608.....	94, 103, 476	7027239.....	94, 476	8406302.....	110
7024571.....	55, 238, 474	7026626.....	194	7027240.....	94, 103	8410013.....	93, 101, 110
7024572.....	238	7026665.....	147	7027241.....	94	8580420.....	52
7024579.....	93, 103, 112	7026671.....	68	7027276.....	94, 103	88662523.....	171
7024584.....	89, 99, 375, 392, 417	7026672.....	68	7027284.....	341	90028660.....	81, 89, 99, 108
7024598.....	166	7026678.....	68	7027285.....	341	91083128.....	82
7024763.....	74	7026680.....	68	7027412.....	83	91143339.....	435
7024800.....	131	7026683.....	68	7027614.....	93	91143340.....	435
7024865.....	49	7026684.....	67	7027615.....	94	91403158.....	143
7024867.....	49	7026685.....	67	7027616.....	94	91403159.....	143
7024868.....	49	7026686.....	67	7027738.....	67	91403244.....	82
7024875.....	38	7026687.....	67			91471114.....	143
7024890.....	62, 474	7026688.....	67			91563070.....	110
7024905.....	119, 125	7026689.....	67				
		7026690.....	67				



3121172



An Oshkosh Corporation Company

Corporate Office
JLG Industries, Inc.
1 JLG Drive
McConnellsburg, PA 17233-9533 USA
☎ (717) 485-5161 (Corporate)
☎ (877) 554-5438 (Customer Support)
☎ (717) 485-6417

Visit our website for JLG Worldwide Locations.
www.jlg.com