



# *Illustrated Parts Manual*

*Models*

*7013H*

SN 0160000001 to SN 0160097406

P/N

31211279

June 15, 2023 - Rev C







## EFFECTIVITY PAGE

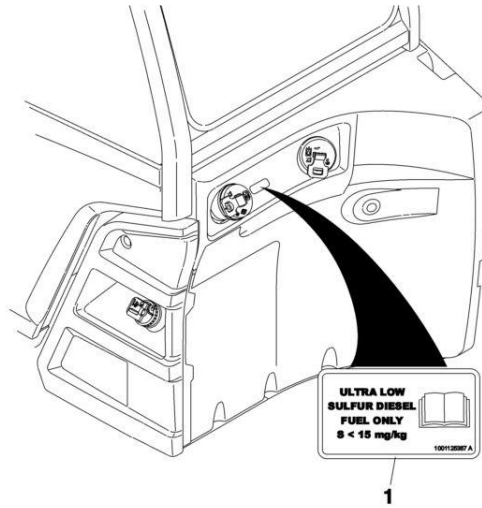
September 17, 2018 - A - Revised Rev 1

May 28, 2020 - B - Revised Rev 1

June 15, 2023 - C - Revised Rev 1

## Machine Configuration

---



Two configurations of each machine are included in this manual. Determine if machine is equipped with Ultra Low Sulfur Fuel Decal (1).

If equipped with the Ultra Low Sulfur decal, all specific references to this machine configuration will be referred to as Ultra Low Sulfur (ULS) from this point forward.

If not equipped with the Ultra Low Sulfur decal, all specific references to this machine configuration will be referred to as Low Sulfur (LS) from this point forward.

# GENERAL INFORMATION

**SECTION 9 - HYDRAULIC COMPONENTS (PRIOR TO SN XXXXXXXXX)**  
FIGURE 9-3 EXTEND/RETRACT CYLINDER - XXXXX

10 MODEL XXXXXXXXX

**SECTION 9 - HYDRAULIC COMPONENTS (PRIOR TO SN XXXXXXXXX)**  
FIGURE 9-3 EXTEND/RETRACT CYLINDER - XXXXX

ITEM	PART NUMBER	QTY	DESCRIPTION	REV
	1001144195	1	Extend/Retract Cylinder - XXXXX	
1	70025592	1	Assembly, Barrel	E
2	70025593	1	Assembly, Rod	
3	70025594	1	Gland	
4	70025595	1	Head, Piston	
5	70025592	1	Screw, Locking	
6	70025596	1	Spacer	
7	Kit	1	O-Ring	
8	Kit	1	Ring, Back-Up	
9	Kit	1	Ring, Rod Bearing	
10	Kit	1	O-Ring	
11	Kit	1	Seal, Rod	
12	Kit	1	Ring, Rod Bearing	
13	Kit	1	Seal, Rod	
14	Kit	1	Seal, Wiper	
15	Kit	2	Ring, Piston Bearing	
16	Kit	1	Seal, Piston	
17	Kit	2	O-Ring	
101	70025597	1	Kit, Seal (includes items 7 thru 17)	

11 MODEL XXXXXXXXX

## 1) MACHINE IDENTIFICATION

Machines are identified by model and in some cases a combination of models, serial number (SN) or regional standard (e.g. ANSI, CE, CSA, AUS). Components may also be identified by SN or manufacturer. Common components that may be identified by these characteristics are attachments, engine, transmission and hydraulic components.

## 2) PARTS MANUAL ORGANIZATION

Product information in this manual is organized under section titles. Frame, Engine and Electrical are a few examples. Each section is organized by Figure and page number. The information within the Figure is then organized by item number, part number, description and corresponding illustration(s).

## 3) TABLE OF CONTENTS (NOT SHOWN)

A table of contents (TOC) is found toward the beginning of the manual. Figure number, description and page number are provided for quick reference to the page containing the related information.

## 4) RECOMMENDED SPARE PARTS (NOT SHOWN)

The Recommended Spare Parts List, located near the end of the manual, reference most frequently used maintenance parts.

## 5) PART NUMBER INDEX (NOT SHOWN)

A numerical index listing all part numbers and the corresponding page number(s) appears at the back of the manual.

## 6) NON-SERVICED PARTS

In some instances, it is necessary to display non-serviced parts, assemblies or installations. In the case of assemblies and installations there will be a Ref in the QTY column and a note after the item description stating what is available for service within. In the case of parts that are not available for service within assemblies or components, there will be a NSS (Not Sold Separately) listed in the part number column of the manual.

## 7) PARTS LIST ITEM NUMBERS

Numbers shown in the item column correspond to numbers used in the associated illustration(s). Item numbers which are missing from sequence and are not shown in the illustration(s) are not used on that page.

## 8) INDENTED PARTS DESCRIPTION

An indented part description is included in the item under which it is indented.

**9) ABBREVIATION AND SYMBOLS**

AC.....Alternating Current  
A/C.....Air Conditioning  
ADE.....Advanced Design Electronics  
AG.....Agriculture  
AMP.....Amperage  
ANSI.....American National Standards Institute  
AR.....As Required  
ASSY.....Assembly  
AUS.....Australia  
AUX.....Auxiliary  
AWG.....American Wire Gauge  
CAC.....Charge Air Cooler  
CE.....European Conformity  
CM.....Centimeter  
CONST.....Construction  
CSA.....Canadian Standards Association  
DEF.....Diesel Exhaust Fluid  
DIA.....Diameter  
DC.....Direct Current  
DTZ.....Decentralized Transmission Zeros  
ECU.....Electronic Control Unit  
EMS.....Emergency Stop  
FNR.....Forward Neutral Reverse  
FT.....Foot  
GA.....Gauge  
GR.....Grade  
HBP.....High Boom Pivot  
HHP.....High Horse Power  
HOC.....Hydraulic Oil Cooler  
HRC.....High Rated Countries  
HVAC.....Heating Ventilating, and Air Conditioning  
ID.....Inside Diameter  
IN.....Inch  
ISO.....International Organization for Standards  
ITSDF... Industrial Truck Standards Development Foundation  
JIC.....Joint Industry Council  
KG.....Kilogram  
KW.....Kilowatt  
L.....Liter  
LB.....Pound  
LBP.....Low Boom Pivot

LCD.....Liquid Crystal Display  
LED.....Light Emitting Diode  
LH.....Left Hand  
LHD.....Left Hand Drive  
LHP.....Low Horse Power  
LMIS.....Load Management Indicator System  
LRC.....Low Rated Countries  
LS.....Low Sulfur  
LSI.....Load Stability Indicator  
LSS.....Load Sensing System  
M<sup>3</sup>.....Cubic Meter  
MA.....Milliamp  
M(m).....Metric/Meter  
MM.....Millimeter  
N.....Newton  
NACD.....North America Construction Division  
NLA.....No Longer Available  
NSS.....Not Sold Separately  
OD.....Outside Diameter  
ORB.....O-Ring Boss  
ORFS.....O-Ring Face Seal  
OZ.....Ounce  
PR.....Ply Rating  
QT.....Quart  
QTY.....Quantity  
REF.....Reference  
REV.....Revision  
RH.....Right Hand  
RHD.....Right Hand Drive  
RHCO.....Remote Hydraulic Oil Cooler  
RUS.....Russia  
SAE.....Society of Automotive Engineers  
SAHR.....Spring Applied Hydraulically Released  
SN.....Serial Number  
SPD.....Speed  
TLU.....Torque Look Up  
UGM.....Universal Ground Module  
V.....Volts  
W.....Watts  
#.....Number

**10) ILLUSTRATION REFERENCE LETTERS**

When necessary, illustrations may contain reference letters that are intended to track information from one point to another in the illustration such as harnesses and hoses or any other information that has been separated in the illustration.

Note: Due to continuous product improvements, JLG Industries, Inc. reserves the right to make specification changes without prior notification. Contact JLG Industries, Inc. for updated information.

# TABLE OF CONTENTS

SECTION 1 - FRAME AND ATTACHING PARTS.....	19
FIGURE 1-1. FRAME WELDMENT .....	20
FIGURE 1-2. FRAME WELDMENT (TUV) .....	22
FIGURE 1-3. GROMMETS INSTALLATION .....	24
FIGURE 1-4. TANK INSTALLATION .....	26
FIGURE 1-5. FUEL TANK INSTALLATION.....	28
FIGURE 1-6. HYDRAULIC TANK INSTALLATION .....	30
FIGURE 1-7. TANK SUPPORT INSTALLATION.....	32
FIGURE 1-8. FUEL TANK ASSEMBLY .....	34
FIGURE 1-9. LOCKING FUEL CAP .....	36
FIGURE 1-10. HYDRAULIC TANK ASSEMBLY.....	38
FIGURE 1-11. COUNTERWEIGHT INSTALLATION.....	40
FIGURE 1-12. ENGINE ENCLOSURE INSTALLATION.....	42
FIGURE 1-13. ENGINE ENCLOSURE ASSEMBLY .....	44
FIGURE 1-14. ENGINE HOOD ASSEMBLY .....	46
FIGURE 1-15. ENGINE HOOD INSULATION INSTALLATION.....	48
FIGURE 1-16. COVER INSTALLATION (ULS).....	50
FIGURE 1-17. COVER INSTALLATION (LS) .....	52
FIGURE 1-18. FRAME COVER INSTALLATION .....	54
FIGURE 1-19. FRONT LOWER COVER INSTALLATION .....	56
FIGURE 1-20. PAD LOCK.....	58
FIGURE 1-21. REFLECTORS INSTALLATION .....	60
FIGURE 1-22. MIRROR INSTALLATION .....	62
FIGURE 1-23. MIRROR INSTALLATION .....	64
FIGURE 1-24. WHEEL CHOCK INSTALLATION .....	66
FIGURE 1-25. TANK INSTALLATION .....	68
FIGURE 1-26. TANK INSTALLATION (TUV) .....	70
FIGURE 1-27. FUEL TANK INSTALLATION.....	72
FIGURE 1-28. FUEL TANK INSTALLATION (TUV) .....	74
FIGURE 1-29. TANK SUPPORT INSTALLATION.....	76
SECTION 2 - BOOM .....	79
FIGURE 2-1. BOOM INSTALLATION.....	80
FIGURE 2-2. BOOM INSTALLATION.....	82
FIGURE 2-3. BOOM ASSEMBLY .....	84
FIGURE 2-4. BOOM ASSEMBLY .....	86
FIGURE 2-5. FIRST BOOM SECTION ASSEMBLY.....	88
FIGURE 2-6. FIRST BOOM SECTION ASSEMBLY.....	90
FIGURE 2-7. SECOND BOOM SECTION ASSEMBLY.....	92
FIGURE 2-8. SECOND BOOM SECTION ASSEMBLY.....	94
FIGURE 2-9. THIRD BOOM SECTION ASSEMBLY .....	96
FIGURE 2-10. COUPLER INSTALLATION (MANUAL) .....	98
FIGURE 2-11. COUPLER INSTALLATION (HYDRAULIC) .....	100
FIGURE 2-12. COUPLER LOCKING CYLINDER ASSEMBLY .....	102
FIGURE 2-13. BOOM ANGLE INDICATOR INSTALLATION (LS - AUS).....	104

# TABLE OF CONTENTS

FIGURE 2-14. BOOM PROP INSTALLATION .....	106
FIGURE 2-15. MANUAL COUPLER PIN HOLDER INSTALLATION .....	108
FIGURE 2-16. BOOM BRUSHES INSTALLATION .....	110
FIGURE 2-17. BOOM PROP BRACKET ASSEMBLY .....	112
SECTION 3 - ATTACHMENTS .....	115
FIGURE 3-1. ATTACHMENT RECOGNITION INSTALLATION .....	116
FIGURE 3-2. COMPONENTS ATTACHMENT RECOGNITION INSTALLATION .....	118
FIGURE 3-3. CARRIAGE ASSEMBLY, (60IN/1524MM).....	120
FIGURE 3-4. CARRIAGE ASSEMBLY, (72IN/1829MM).....	122
FIGURE 3-5. CARRIAGE ASSEMBLY, (87IN/2290MM).....	124
FIGURE 3-6. DUAL FORK POSITIONING SIDE SHIFT CARRIAGE, (75IN/1899MM).....	126
FIGURE 3-7. DUAL FORK POSITIONING CARRIAGE, (72IN/1829MM) .....	128
FIGURE 3-8. BUCKET (2.6 YD <sup>3</sup> /2.0M <sup>3</sup> ) .....	130
FIGURE 3-9. BUCKET (5.23 YD <sup>3</sup> ).....	132
FIGURE 3-10. 4 IN 1 BUCKET (2.6 YD <sup>3</sup> /2.0M <sup>3</sup> ).....	134
FIGURE 3-11. 4 IN 1 BUCKET (1.3 YD <sup>3</sup> /1.0M <sup>3</sup> ).....	136
FIGURE 3-12. GRAPPLE BUCKET (1.7 YD <sup>3</sup> /1.3M <sup>3</sup> ) .....	138
FIGURE 3-13. GRAPPLE BUCKET (2.6 YD <sup>3</sup> /2.0M <sup>3</sup> ) .....	140
FIGURE 3-14. TRUSS BOOM (7.6 TON).....	142
FIGURE 3-15. CRANE HOOK (7.6 TON).....	144
FIGURE 3-16. COUPLER MOUNTED WINCH .....	146
FIGURE 3-17. BALE HANDLER (ROUND).....	148
FIGURE 3-18. BALE HANDLER (SQUARE).....	152
FIGURE 3-19. PIPE HANDLER CARRIAGE.....	154
FIGURE 3-20. TIRE HANDLER CARRIAGE.....	158
FIGURE 3-21. LOG HANDLER CARRIAGE .....	160
FIGURE 3-22. STEEL COIL HANDLER CARRIAGE .....	164
FIGURE 3-23. PALLET FORK (2.25X6X48) .....	166
FIGURE 3-24. PALLET FORK (2.25X6X60) .....	168
FIGURE 3-25. PALLET FORK (2.25X6X72) .....	170
FIGURE 3-26. PALLET FORK (2.25X6X96).....	172
FIGURE 3-27. FORK RETENTION INSTALLATION.....	174
SECTION 4 - ENGINE AND ATTACHING PARTS.....	177
FIGURE 4-1. ENGINE POD COMPONENT INSTALLATION (ULS) .....	178
FIGURE 4-2. ENGINE POD COMPONENT INSTALLATION (LS).....	180
FIGURE 4-3. ENGINE INSTALLATION (LS).....	182
FIGURE 4-4. ENGINE POD COMPONENT INSTALLATION (MINING) (ULS).....	184
FIGURE 4-5. ENGINE POD COMPONENT INSTALLATION (MINING) (LS) .....	186
FIGURE 4-6. ENGINE POD COMPONENT INSTALLATION (LS).....	188
FIGURE 4-7. ENGINE INSTALLATION (ULS) .....	190
FIGURE 4-8. ENGINE (100KW - ULS).....	192
FIGURE 4-9. ENGINE (100KW - LS) .....	196
FIGURE 4-10. ENGINE MOUNT INSTALLATION .....	198
FIGURE 4-11. AIR INTAKE INSTALLATION (ULS).....	200

# TABLE OF CONTENTS

FIGURE 4-12. AIR INTAKE INSTALLATION (LS).....	202
FIGURE 4-13. AIR CLEANER INSTALLATION.....	204
FIGURE 4-14. AIR CLEANER ASSEMBLY (90/100KW).....	206
FIGURE 4-15. AIR INTAKE DUCT INSTALLATION.....	208
FIGURE 4-16. PRIMARY FUEL FILTER INSTALLATION (ULS) .....	210
FIGURE 4-17. PRIMARY FUEL FILTER INSTALLATION (LS) .....	212
FIGURE 4-18. REMOTE FUEL PUMP INSTALLATION.....	214
FIGURE 4-19. FUEL LINES INSTALLATION .....	216
FIGURE 4-20. FUEL LINES INSTALLATION .....	218
FIGURE 4-21. FUEL LINES INSTALLATION .....	220
FIGURE 4-22. HYDROSTATIC ADAPTOR INSTALLATION.....	222
FIGURE 4-23. DUAL DRIVE SUPPORT ASSEMBLY .....	224
FIGURE 4-24. HYDROSTATIC DRIVE PUMP INSTALLATION.....	226
FIGURE 4-25. HYDROSTATIC DRIVE PUMP ASSEMBLY .....	228
FIGURE 4-26. IMPLEMENT PUMP INSTALLATION .....	230
FIGURE 4-27. IMPLEMENT PUMP ASSEMBLY.....	232
FIGURE 4-28. DEF COOLANT LINES INSTALLATION (ULS) .....	234
FIGURE 4-29. COOLING PACKAGE INSTALLATION.....	236
FIGURE 4-30. COOLING PACKAGE INSTALLATION (LS) .....	238
FIGURE 4-31. COOLING PACKAGE INSTALLATION (TUV) .....	240
FIGURE 4-32. COOLING PACKAGE INSTALLATION.....	242
FIGURE 4-33. RADIATOR COOLING PACKAGE .....	246
FIGURE 4-34. COOLANT LINES INSTALLATION.....	248
FIGURE 4-35. RADIATOR LINES INSTALLATION.....	250
FIGURE 4-36. CAC LINES INSTALLATION.....	252
FIGURE 4-37. SURGE TANK INSTALLATION .....	254
FIGURE 4-38. TRANSMISION OIL COOLER LINES INSTALLATION.....	256
FIGURE 4-39. TRANSMISION OIL COOLER LINES INSTALLATION (TUV) .....	258
FIGURE 4-40. FAN GUARD INSTALLATION .....	260
FIGURE 4-41. FAN GUARD (REVERSING) INSTALLATION .....	262
FIGURE 4-42. COOLING FAN INSTALLATION .....	264
FIGURE 4-43. REVERSE COOLING FAN INSTALLATION.....	266
FIGURE 4-44. COOLING FAN INSTALLATION .....	268
FIGURE 4-45. COMPRESSOR COVER INSTALLATION .....	270
FIGURE 4-46. EXHAUST INSTALLATION (ULS) .....	272
FIGURE 4-47. EXHAUST INSTALLATION (LS).....	274
FIGURE 4-48. DEF CONTROL MODULE INSTALLATION.....	276
FIGURE 4-49. DEF LINES INSTALLATION .....	278
FIGURE 4-50. DEF TANK INSTALLATION.....	280
FIGURE 4-51. DEF TANK ASSEMBLY .....	282
FIGURE 4-52. MUFFLER INSTALLATION (LS).....	284
FIGURE 4-53. MUFFLER INSTALLATION (LS).....	286
FIGURE 4-54. HEATER LINES INSTALLATION (ULS) .....	288
FIGURE 4-55. HEATER LINES INSTALLATION (LS).....	290
FIGURE 4-56. A/C PUMP INSTALLATION .....	292

# TABLE OF CONTENTS

FIGURE 4-57. A/C LINES INSTALLATION.....	294
FIGURE 4-58. BLOCK HEATER INSTALLATION (230V) (ULS) .....	296
FIGURE 4-59. BLOCK HEATER INSTALLATION (115V) (ULS) .....	298
FIGURE 4-60. BLOCK HEATER INSTALLATION (230V) (LS) .....	300
FIGURE 4-61. BLOCK HEATER INSTALLATION (115V) (LS) .....	302
FIGURE 4-62. AIR SHUT OFF VALVE .....	304
FIGURE 4-63. AIR SHUT OFF VALVE .....	306
FIGURE 4-64. HEATED BREATHER TUBE INSTALLATION.....	308
SECTION 5 - DRIVETRAIN.....	311
FIGURE 5-1. DRIVETRAIN INSTALLATION .....	312
FIGURE 5-2. FRONT AXLE INSTALLATION.....	314
FIGURE 5-3. FRONT AXLE MOUNTING INSTALLATION .....	316
FIGURE 5-4. FRONT AXLE LINES INSTALLATION .....	318
FIGURE 5-5. REAR AXLE INSTALLATION .....	320
FIGURE 5-6. REAR AXLE MOUNTING INSTALLATION.....	322
FIGURE 5-7. REAR AXLE LINES INSTALLATION.....	324
FIGURE 5-8. FRONT AXLE .....	326
FIGURE 5-9. FRONT AXLE, CENTRAL HOUSING.....	328
FIGURE 5-10. FRONT AXLE, DIFFERENTIAL.....	330
FIGURE 5-11. FRONT AXLE, HUB REDUCTION .....	332
FIGURE 5-12. FRONT AXLE, BRAKES.....	334
FIGURE 5-13. FRONT AXLE, STEERING .....	336
FIGURE 5-14. FRONT AXLE, TRUNION.....	338
FIGURE 5-15. REAR AXLE .....	340
FIGURE 5-16. REAR AXLE, CENTRAL HOUSING .....	342
FIGURE 5-17. REAR AXLE, DIFFERENTIAL .....	344
FIGURE 5-18. REAR AXLE, HUB REDUCTION.....	346
FIGURE 5-19. REAR AXLE, BRAKES .....	348
FIGURE 5-20. REAR AXLE, STEERING .....	350
FIGURE 5-21. REAR AXLE, TRUNION .....	352
FIGURE 5-22. DIFFERENTIAL KIT.....	354
FIGURE 5-23. DIFFERENTIAL KIT.....	356
FIGURE 5-24. STEERING CASE ASSEMBLY (LH STEER LINK).....	358
FIGURE 5-25. STEERING CASE ASSEMBLY (RH STEER LINK).....	360
FIGURE 5-26. TRUNION KIT.....	362
FIGURE 5-27. RING GEAR SUPPORT KIT.....	364
FIGURE 5-28. REDUCTION BUSHING KIT .....	366
FIGURE 5-29. PLANET GEAR CARRIER KIT .....	368
FIGURE 5-30. GEARBOX INSTALLATION .....	370
FIGURE 5-31. GEAR BOX.....	372
FIGURE 5-32. HYDROSTATIC MOTOR INSTALLATION .....	376
FIGURE 5-33. HYDROSTATIC MOTOR ASSEMBLY .....	378
FIGURE 5-34. DRIVE SHAFT INSTALLATION .....	380
FIGURE 5-35. TIRE/WHEEL SET (AIR 17.5-25 - 20 PLY) .....	382
FIGURE 5-36. RIGHT TIRE/WHEEL ASSEMBLY (AIR 17.5-25 - 20 PLY).....	384



# TABLE OF CONTENTS

FIGURE 5-37. LEFT TIRE/WHEEL ASSEMBLY (AIR 17.5-25 - 20 PLY).....	386
FIGURE 5-38. TIRE/WHEEL SET (FOAM 17.5-25 - 20 PLY) .....	388
FIGURE 5-39. TIRE/WHEEL SET (AIR 17.5 R25 - RADIAL) .....	390
FIGURE 5-40. RIGHT TIRE/WHEEL ASSEMBLY (AIR 17.5 R25 - RADIAL).....	392
FIGURE 5-41. TIRE/WHEEL SET (AIR 17.5-25 - 22 PLY).....	394
FIGURE 5-42. TIRE/WHEEL ASSEMBLY (AIR 17.5-25 - PLY) .....	396
FIGURE 5-43. LEFT TIRE/WHEEL ASSEMBLY (AIR 17.5 R25 - RADIAL) .....	398
FIGURE 5-44. FENDER INSTALLATION.....	400
FIGURE 5-45. RH FENDER ASSEMBLY.....	402
FIGURE 5-46. LH FENDER ASSEMBLY .....	404
SECTION 6 - CAB.....	407
FIGURE 6-1. CAB MOUNTING INSTALLATION.....	408
FIGURE 6-2. FRONT CAB MOUNT BRACKET INSTALLATION.....	410
FIGURE 6-3. CAB MOUNTS INSTALLATION.....	412
FIGURE 6-4. CAB STEP INSTALLATION.....	414
FIGURE 6-5. CAB COMPONENTS INSTALLATION.....	416
FIGURE 6-6. CAB INSTALLATION .....	418
FIGURE 6-7. CAB ASSEMBLY .....	420
FIGURE 6-8. DOOR INSTALLATION.....	422
FIGURE 6-9. DOOR ASSEMBLY .....	424
FIGURE 6-10. CAB DOOR.....	426
FIGURE 6-11. DOOR UPPER GLASS ASSEMBLY .....	428
FIGURE 6-12. CAB LATCH ASSEMBLY.....	430
FIGURE 6-13. CAB DOOR TRIGGER ASSEMBLY .....	432
FIGURE 6-14. DOOR STRAP INSTALLATION.....	434
FIGURE 6-15. REAR WINDOW INSTALLATION.....	436
FIGURE 6-16. REAR WINDOW GROUP .....	438
FIGURE 6-17. CAB PLUG GROUP.....	440
FIGURE 6-18. BASIC MIRROR INSTALLATION .....	442
FIGURE 6-19. INTERIOR MIRROR INSTALLATION.....	444
FIGURE 6-20. INTERIOR MIRROR .....	446
FIGURE 6-21. FRONT WIPER INSTALLATION.....	448
FIGURE 6-22. WASHER TANK INSTALLATION .....	450
FIGURE 6-23. WASHER BOTTLE .....	452
FIGURE 6-24. FRONT COVER INSTALLATION .....	454
FIGURE 6-25. FRONT DUCT COVER.....	456
FIGURE 6-26. FILTER TRAY PANEL .....	458
FIGURE 6-27. LEVEL INDICATOR INSTALLATION.....	460
FIGURE 6-28. REAR WIPER INSTALLATION.....	462
FIGURE 6-29. MULTIFUNCTION DISPLAY INSTALLATION .....	464
FIGURE 6-30. SEAT INSTALLATION (CLOTH).....	466
FIGURE 6-31. SEAT ASSEMBLY .....	468
FIGURE 6-32. SEAT INSTALLATION (AIR SUSPENSION - STANDARD).....	470
FIGURE 6-33. SEAT ASSEMBLY (AIR SUSPENSION - STANDARD).....	472
FIGURE 6-34. SEAT INSTALLATION (AIR SUSPENSION - PREMIUM) .....	474

# TABLE OF CONTENTS

FIGURE 6-35. SEAT ASSEMBLY (AIR SUSPENSION - PREMIUM) .....	476
FIGURE 6-36. UPPER SEAT ASSEMBLY.....	478
FIGURE 6-37. SUSPENSION KIT .....	480
FIGURE 6-38. HEATER INSTALLATION.....	482
FIGURE 6-39. HEATER AND A/C INSTALLATION (CAB PARTS).....	484
FIGURE 6-40. CAB CONDENSER ASSEMBLY .....	488
FIGURE 6-41. CONDENSER.....	490
FIGURE 6-42. A/C RECEIVER DRIER .....	492
FIGURE 6-43. HEATER ASSEMBLY.....	494
FIGURE 6-44. HEATER AND A/C ASSEMBLY .....	496
FIGURE 6-45. HVAC CAB ACTUATOR.....	498
FIGURE 6-46. HEATER.....	500
FIGURE 6-47. CAB HEATER.....	502
FIGURE 6-48. HEATER AND A/C.....	504
FIGURE 6-49. HEATER AND A/C.....	506
FIGURE 6-50. ROOF WIPER INSTALLATION .....	508
FIGURE 6-51. HEADLINER INSTALLATION.....	510
FIGURE 6-52. HEADLINER/RADIO READY PACKAGE INSTALLATION.....	512
FIGURE 6-53. CAB TRIM INSTALLATION .....	514
FIGURE 6-54. DASH COVER ASSEMBLY.....	518
FIGURE 6-55. DASH COVER ASSEMBLY.....	520
FIGURE 6-56. REAR PANEL COVER ASSEMBLY .....	522
FIGURE 6-57. ADJUSTABLE ARMREST INSTALLATION.....	524
FIGURE 6-58. ROOF CAP INSTALLATION (NO A/C).....	526
FIGURE 6-59. ROOF CAP INSTALLATION (A/C) .....	528
FIGURE 6-60. RETRACTABLE SUNSCREEN INSTALLATION.....	530
FIGURE 6-61. FLOOR MAT INSTALLATION .....	532
FIGURE 6-62. SEAT BELT INSTALLATION (3IN).....	534
FIGURE 6-63. SEAT BELT INSTALLATION (2IN).....	536
FIGURE 6-64. ENCLOSED CAB FRONT COVER INSTALLATION .....	538
FIGURE 6-65. CAB GUARD INSTALLATION (TOP) .....	540
FIGURE 6-66. CAB GUARD INSTALLATION (FRONT) .....	542
FIGURE 6-67. CAB GUARD INSTALLATION (TOP AND FRONT) .....	544
FIGURE 6-68. EXTERNAL WINDOW RELEASE INSTALLATION (ANSI - ENGLISH).....	546
FIGURE 6-69. EXTERNAL WINDOW RELEASE INSTALLATION (CAN & ISO).....	548
FIGURE 6-70. EXTERNAL WINDOW RELEASE INSTALLATION (ISO).....	550
SECTION 7 - CONTROLS.....	553
FIGURE 7-1. ACCELERATOR PEDAL INSTALLATION.....	554
FIGURE 7-2. ACCELERATOR PEDAL .....	556
FIGURE 7-3. BRAKE PEDAL INSTALLATION .....	558
FIGURE 7-4. BRAKE PEDAL ASSEMBLY .....	560
FIGURE 7-5. BRAKE SENSOR INSTALLATION.....	562
FIGURE 7-6. SWITCH PLATE ASSEMBLY .....	564
FIGURE 7-7. PARK BRAKE INSTALLATION .....	566
FIGURE 7-8. TILT STEERING COLUMN INSTALLATION .....	568

# TABLE OF CONTENTS

FIGURE 7-9. TILT STEERING COLUMN.....	570
FIGURE 7-10. COLUMN SHIFT INSTALLATION (2 SPEED) .....	572
FIGURE 7-11. COLUMN SHIFT INSTALLATION (0 SPEED) .....	574
FIGURE 7-12. STEERING WHEEL INSTALLATION.....	576
FIGURE 7-13. STEERING WHEEL.....	578
FIGURE 7-14. HORN BUTTON INSTALLATION .....	580
FIGURE 7-15. JOYSTICK INSTALLATION (2 SPEED).....	582
FIGURE 7-16. JOYSTICK INSTALLATION.....	584
FIGURE 7-17. WIPER-TURN SWITCH.....	586
SECTION 8 - HYDRAULIC CIRCUITS.....	589
FIGURE 8-1. MAIN HYDRAULIC INSTALLATION.....	590
FIGURE 8-2. MAIN HYDRAULIC INSTALLATION (TUV) .....	592
FIGURE 8-3. BOOM HYDRAULIC INSTALLATION.....	594
FIGURE 8-4. REMOTE GREASE INSTALLATION .....	596
FIGURE 8-5. FRAME LEVEL INSTALLATION.....	598
FIGURE 8-6. FRAME LEVEL CYLINDER INSTALLATION.....	600
FIGURE 8-7. FRAME LEVEL VALVE ASSEMBLY.....	602
FIGURE 8-8. BOOM RAISE HOSE INSTALLATION (NO RIDE CONTROL) .....	604
FIGURE 8-9. BOOM RAISE COUNTERBALANCE VALVE (NO RIDE CONTROL).....	606
FIGURE 8-10. BOOM RAISE HOSE INSTALLATION (RIDE CONTROL) .....	608
FIGURE 8-11. RIDE AND FLOAT VALVE ASSEMBLY.....	610
FIGURE 8-12. BOOM AUX HYDRAULIC INSTALLATION (MANUAL - SINGLE) .....	612
FIGURE 8-13. BOOM AUX HYDRAULIC INSTALLATION (MANUAL - TWIN).....	614
FIGURE 8-14. DIVERTER VALVE ASSEMBLY .....	616
FIGURE 8-15. BOOM AUX HYDRAULIC INSTALLATION (HYDRAULIC - SINGLE) .....	618
FIGURE 8-16. DIVERTER VALVE ASSEMBLY .....	620
FIGURE 8-17. BOOM AUX HYDRAULIC INSTALLATION (HYDRAULIC - TWIN) .....	622
FIGURE 8-18. DIVERTER VALVE ASSEMBLY .....	624
FIGURE 8-19. MAIN CONTROL VALVE INSTALLATION.....	626
FIGURE 8-20. MAIN CONTROL VALVE ASSEMBLY.....	628
FIGURE 8-21. STEERING SELECT VALVE INSTALLATION.....	630
FIGURE 8-22. STEERING SELECT VALVE ASSEMBLY .....	632
FIGURE 8-23. FRAME LEVEL VALVE INSTALLATION .....	634
FIGURE 8-24. FRAME LEVEL VALVE ASSEMBLY.....	636
FIGURE 8-25. CAB HYDRAULICS INSTALLATION .....	638
FIGURE 8-26. CAB HYDRAULICS INSTALLATION (TUV).....	640
FIGURE 8-27. SOLENOID VALVE INSTALLATION.....	642
FIGURE 8-28. SOLENOID VALVE ASSEMBLY.....	644
FIGURE 8-29. CHECK VALVE INSTALLATION.....	646
FIGURE 8-30. CHECK VALVE ASSEMBLY.....	648
FIGURE 8-31. SPEED CONTROL VALVE INSTALLATION .....	650
FIGURE 8-32. SPEED CONTROL VALVE ASSEMBLY.....	652
FIGURE 8-33. ENGINE BAY HYDRAULIC INSTALLATION.....	654
FIGURE 8-34. ENGINE BAY HYDRAULIC INSTALLATION (TUV).....	656
FIGURE 8-35. INCHING VALVE INSTALLATION.....	658

# TABLE OF CONTENTS

FIGURE 8-36. INCHING VALVE ASSEMBLY.....	660
FIGURE 8-37. CHARGE FILTER LINES INSTALLATION .....	662
FIGURE 8-38. CHARGE FILTER INSTALLATION .....	664
FIGURE 8-39. IMPLEMENT PUMP FILTER ASSEMBLY.....	666
FIGURE 8-40. FRAME HYDRAULIC INSTALLATION.....	668
FIGURE 8-41. FRAME HYDRAULIC INSTALLATION (TUV) .....	670
FIGURE 8-42. MANIFOLD INSTALLATION.....	672
FIGURE 8-43. MANIFOLD ASSEMBLY.....	674
FIGURE 8-44. BOOM HYDRAULIC LINES INSTALLATION .....	676
FIGURE 8-45. PRIORITY MANIFOLD INSTALLATION.....	678
FIGURE 8-46. PRIORITY VALVE ASSEMBLY.....	680
FIGURE 8-47. PRIORITY MANIFOLD INSTALLATION (PLATFORM READY).....	682
FIGURE 8-48. REMOTE GREASE INSTALLATION .....	684
FIGURE 8-49. BOOM HYDRAULIC INSTALLATION.....	686
SECTION 9 - HYDRAULIC COMPONENTS .....	689
FIGURE 9-1. CYLINDER GROUP INSTALLATION.....	690
FIGURE 9-2. LIFT CYLINDER INSTALLATION.....	692
FIGURE 9-3. LIFT CYLINDER .....	694
FIGURE 9-4. COMPENSATION CYLINDER INSTALLATION .....	696
FIGURE 9-5. EXTEND/RETRACT CYLINDER INSTALLATION.....	698
FIGURE 9-6. EXTEND/RETRACT CYLINDER .....	700
FIGURE 9-7. TILT CYLINDER .....	702
FIGURE 9-8. FRAME LEVEL CYLINDER.....	704
FIGURE 9-9. RALP CYLINDER INSTALLATION.....	706
FIGURE 9-10. REAR AXLE LOCK VALVE INSTALLATION.....	708
FIGURE 9-11. HYDROSTATIC MOTOR.....	710
FIGURE 9-12. HYDROSTATIC PUMP.....	712
FIGURE 9-13. IMPLEMENT PUMP .....	714
FIGURE 9-14. STEERING SELECT VALVE.....	716
FIGURE 9-15. SOLENOID VALVE .....	718
FIGURE 9-16. INCHING VALVE.....	720
FIGURE 9-17. BOOM RAISE VALVE (RIDE CONTROL).....	722
FIGURE 9-18. DIVERTOR VALVE.....	724
FIGURE 9-19. DIVERTOR VALVE.....	726
FIGURE 9-20. COUNTERBALANCE VALVE INSTALLATION .....	728
FIGURE 9-21. COUNTERBALANCE VALVE INSTALLATION .....	730
FIGURE 9-22. COUNTERBALANCE VALVE.....	732
FIGURE 9-23. COUNTERBALANCE VALVE.....	734
FIGURE 9-24. COUNTERBALANCE VALVE.....	736
FIGURE 9-25. COUNTERBALANCE VALVE.....	738
FIGURE 9-26. SPEED CONTROL VALVE .....	740
FIGURE 9-27. COUPLER LOCKING CYLINDER .....	742
FIGURE 9-28. FORK POSITIONING CYLINDER ASSEMBLY .....	744
FIGURE 9-29. SIDE SHIFT CYLINDER ASSEMBLY.....	746
FIGURE 9-30. CYLINDER ASSEMBLY .....	748

# TABLE OF CONTENTS

FIGURE 9-31. CYLINDER ASSEMBLY.....	750
FIGURE 9-32. BUCKET VALVE ASSEMBLY (5.23 YD <sup>3</sup> /4.0M <sup>3</sup> ).....	752
FIGURE 9-33. UPPER CYLINDER ASSEMBLY .....	754
FIGURE 9-34. LOWER CYLINDER ASSEMBLY .....	756
FIGURE 9-35. CYLINDER ASSEMBLY.....	758
FIGURE 9-36. EXTEND/RETRACT CYLINDER INSTALLATION .....	760
FIGURE 9-37. EXTEND/RETRACT CYLINDER.....	762
FIGURE 9-38. MAIN CONTROL VALVE .....	764
SECTION 10 - ELECTRICAL.....	767
FIGURE 10-1. MAIN ELECTRICAL INSTALLATION (ULS) .....	768
FIGURE 10-2. MAIN ELECTRICAL INSTALLATION (LS).....	770
FIGURE 10-3. FRAME ELECTRICAL INSTALLATION.....	772
FIGURE 10-4. ENGINE POD ELECTRICAL INSTALLATION (ULS).....	774
FIGURE 10-5. ENGINE POD ELECTRICAL INSTALLATION (LS) .....	776
FIGURE 10-6. FRAME WIRING INSTALLATION.....	778
FIGURE 10-7. ENGINE BAY ELECTRICAL INSTALLATION (ULS) .....	780
FIGURE 10-8. ENGINE BAY ELECTRICAL INSTALLATION (LS).....	782
FIGURE 10-9. POWER DISTRIBUTION ELECTRICAL BOX.....	784
FIGURE 10-10. REAR FRAME MODULE INSTALLATION.....	786
FIGURE 10-11. ENGINE WIRING INSTALLATION (ULS) .....	788
FIGURE 10-12. ENGINE WIRING INSTALLATION (LS).....	790
FIGURE 10-13. ENGINE WIRING INSTALLATION (MINING) (ULS) .....	792
FIGURE 10-14. ENGINE ECU INSTALLATION .....	794
FIGURE 10-15. BATTERY INSTALLATION .....	796
FIGURE 10-16. DUAL BATTERY INSTALLATION.....	798
FIGURE 10-17. ARCTIC PACKAGE INSTALLATION (240V) .....	800
FIGURE 10-18. ARTIC BATTERY PACKAGE INSTALLATION (115V) .....	802
FIGURE 10-19. ARCTIC BATTERIES INSTALLATION (240V).....	804
FIGURE 10-20. ARCTIC BATTERIES INSTALLATION (115V).....	806
FIGURE 10-21. HYDRAULIC TANK HEATER INSTALLATION (240V) .....	808
FIGURE 10-22. HYDRAULIC TANK HEATER INSTALLATION (115V) .....	810
FIGURE 10-23. BACKUP ALARM INSTALLATION.....	812
FIGURE 10-24. BACKUP ALARM INSTALLATION (WHITE NOISE).....	814
FIGURE 10-25. EMERGENCY STOP EXTERNAL INSTALLATION.....	816
FIGURE 10-26. CAB ELECTRICAL INSTALLATION .....	818
FIGURE 10-27. DASH ELECTRICAL INSTALLATION.....	820
FIGURE 10-28. LIGHT SWITCH INSTALLATION .....	822
FIGURE 10-29. BOOM HARNESS INSTALLATION .....	824
FIGURE 10-30. BOOM AUX HARNESS INSTALLATION .....	826
FIGURE 10-31. DRIVING LIGHT INSTALLATION (RH DIP).....	828
FIGURE 10-32. DRIVING LIGHT INSTALLATION (LED) (RH DIP) .....	830
FIGURE 10-33. DRIVING LIGHT INSTALLATION (LH DIP) .....	832
FIGURE 10-34. DRIVING LIGHT INSTALLATION (LED) (LH DIP).....	834
FIGURE 10-35. CAB WORKLIGHTS INSTALLATION (NO A/C - LED) .....	836
FIGURE 10-36. CAB WORKLIGHTS INSTALLATION (A/C - LED).....	838

# TABLE OF CONTENTS

FIGURE 10-37. BOOM WORK LIGHTS (LED) .....	840
FIGURE 10-38. BOOM WORK LIGHT INSTALLATION (LED) .....	842
FIGURE 10-39. BEACON INSTALLATION .....	844
FIGURE 10-40. BEACON INSTALLATION (LED).....	846
FIGURE 10-41. BEACON (REMOTE BOOM CONTROL) INSTALLATION .....	848
FIGURE 10-42. BEACON (LED) (REMOTE BOOM CONTROL) INSTALLATION.....	850
FIGURE 10-43. LICENSE PLATE LAMP INSTALLATION.....	852
FIGURE 10-44. REAR LIGHT BRACKET ASSEMBLY .....	854
FIGURE 10-45. REVERSE CAMERA INSTALLATION.....	856
FIGURE 10-46. REVERSE SENSOR INSTALLATION .....	858
FIGURE 10-47. TELEMATICS READY INSTALLATION .....	860
FIGURE 10-48. CLEARSKY INSTALLATION (NO A/C - SHORT ROOF CAP) .....	862
FIGURE 10-49. CLEARSKY INSTALLATION (A/C - LONG ROOF CAP).....	864
FIGURE 10-50. LSI INSTALLATION.....	866
FIGURE 10-51. LSI DISPLAY INSTALLATION.....	868
FIGURE 10-52. LSI SENSOR INSTALLATION.....	870
FIGURE 10-53. LMIS INSTALLATION (HIGH END DISPLAY).....	872
FIGURE 10-54. LMIS BEACON LIGHT INSTALLATION .....	874
FIGURE 10-55. LMIS CONTROL PACKAGE INSTALLATION .....	876
FIGURE 10-56. LMIS WIRING INSTALLATION .....	878
FIGURE 10-57. RIDE CONTROL WIRING INSTALLATION.....	880
FIGURE 10-58. BOOM RIDE CONTROL HARNESS .....	882
FIGURE 10-59. TILT SENSOR INSTALLATION.....	884
FIGURE 10-60. LMIS CONTROLLER INSTALLATION .....	886
FIGURE 10-61. LMIS CABLE REEL INSTALLATION.....	888
FIGURE 10-62. BOOM ANGLE SENSOR INSTALLATION (LMIS) .....	890
FIGURE 10-63. BOOM ANGLE SENSOR INSTALLATION (NO LMIS).....	892
FIGURE 10-64. BOOM RETRACT SENSOR INSTALLATION .....	894
FIGURE 10-65. ENGINE HARNESS (ULS) .....	896
FIGURE 10-66. ENGINE HARNESS, (LS).....	902
FIGURE 10-67. ENGINE HARNESS (MINING) (ULS).....	906
FIGURE 10-68. FUEL PUMP HARNESS.....	912
FIGURE 10-69. FUEL PUMP HARNESS (MINING) (ULS) .....	914
FIGURE 10-70. GLOW PLUG RELAY HARNESS .....	916
FIGURE 10-71. GLOW PLUG RELAY HARNESS (MINING) (ULS) .....	918
FIGURE 10-72. BOOM HARNESS .....	920
FIGURE 10-73. BOOM AUX HARNESS .....	922
FIGURE 10-74. CAB HARNESS.....	924
FIGURE 10-75. CAB HARNESS.....	932
FIGURE 10-76. STANDARD ELECTRICAL BOARD ASSEMBLY .....	940
FIGURE 10-77. OPTION 1 ELECTRICAL BOARD ASSEMBLY .....	942
FIGURE 10-78. OPTION 2 ELECTRICAL BOARD ASSEMBLY .....	944
FIGURE 10-79. CAB OPTION HARNESS .....	946
FIGURE 10-80. FRONT FRAME HARNESS .....	948
FIGURE 10-81. REAR FRAME HARNESS.....	952

# TABLE OF CONTENTS

FIGURE 10-82. SEAT ADAPTOR HARNESS .....	956
FIGURE 10-83. A/C OPTION HARNESS .....	958
FIGURE 10-84. IGNITION SWITCH HARNESS.....	960
FIGURE 10-85. REVERSE SENSOR HARNESS.....	962
FIGURE 10-86. TELEMATICS READY HARNESS.....	964
FIGURE 10-87. CLEARSKY HARNESS (A/C) .....	966
FIGURE 10-88. CLEARSKY HARNESS (NO A/C).....	968
FIGURE 10-89. LMIS CHASSIS OPTION HARNESS .....	970
FIGURE 10-90. LMIS BOOM HARNESS .....	974
FIGURE 10-91. PLATFORM READY HARNESS .....	976
FIGURE 10-92. LMIS BEACON OPTION HARNESS.....	978
FIGURE 10-93. PROXIMITY SENSOR HARNESS.....	980
FIGURE 10-94. HEADLIGHT HARNESS .....	982
FIGURE 10-95. BOOM WORKLIGHTS HARNESS.....	984
FIGURE 10-96. LICENSE LIGHT HARNESS .....	986
FIGURE 10-97. AIR SHUTOFF VALVE HARNESS .....	988
FIGURE 10-98. AIR SHUT OFF VALVE HARNESS (ENGINE) .....	990
SECTION 11 - DECALS.....	993
FIGURE 11-1. CAPACITY CHART HOLDER INSTALLATION .....	994
FIGURE 11-2. REVERSE SENSOR SYSTEM DECAL .....	996
FIGURE 11-3. 7013H DECAL INSTALLATION .....	998
FIGURE 11-4. DECAL INSTALLATION (ULS) .....	1000
FIGURE 11-5. DECAL INSTALLATION (LS).....	1004
FIGURE 11-6. DECAL INSTALLATION (AUS).....	1008
FIGURE 11-7. DECAL INSTALLATION (CIS) .....	1012
FIGURE 11-8. LOAD CHART (ISO) .....	1016
SECTION 12 - RECOMMENDED SPARE PARTS .....	1019
FIGURE 12-1. RECOMMENDED SPARE PARTS .....	1020
PART NUMBER INDEX .....	1021



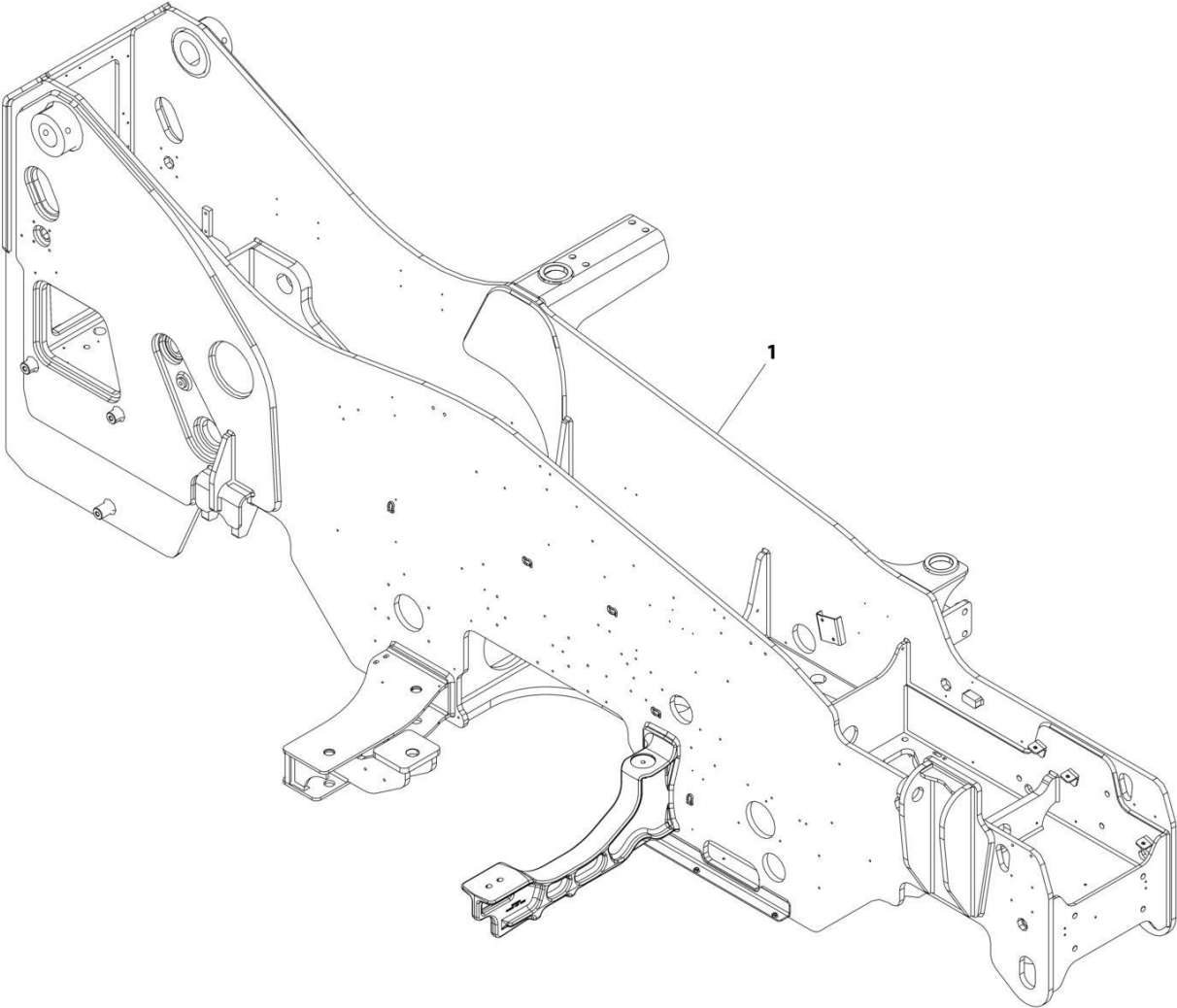


## **SECTION 1 - FRAME AND ATTACHING PARTS**

## **SECTION 1 - FRAME AND ATTACHING PARTS**

**SECTION 1 - FRAME AND ATTACHING PARTS**

**FIGURE 1-1. FRAME WELDMENT**



ART\_1001201418J-O

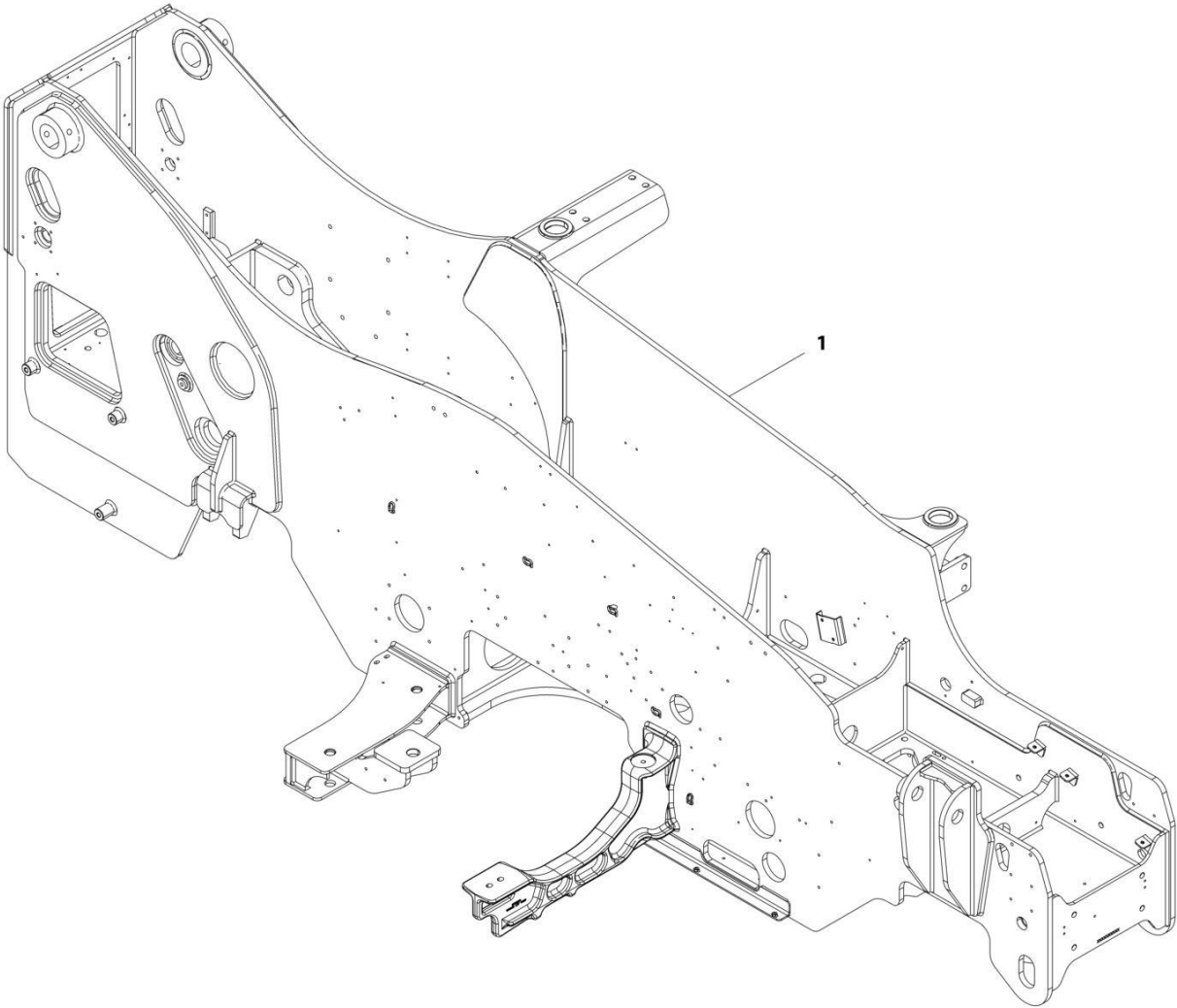
# SECTION 1 - FRAME AND ATTACHING PARTS

## FIGURE 1-1. FRAME WELDMENT

ITEM	PART NUMBER	QTY	DESCRIPTION	REV
1	1001201418J	1	Frame Weldment	0

**SECTION 1 - FRAME AND ATTACHING PARTS**

**FIGURE 1-2. FRAME WELDMENT (TUV)**



ART\_1001218071J-B

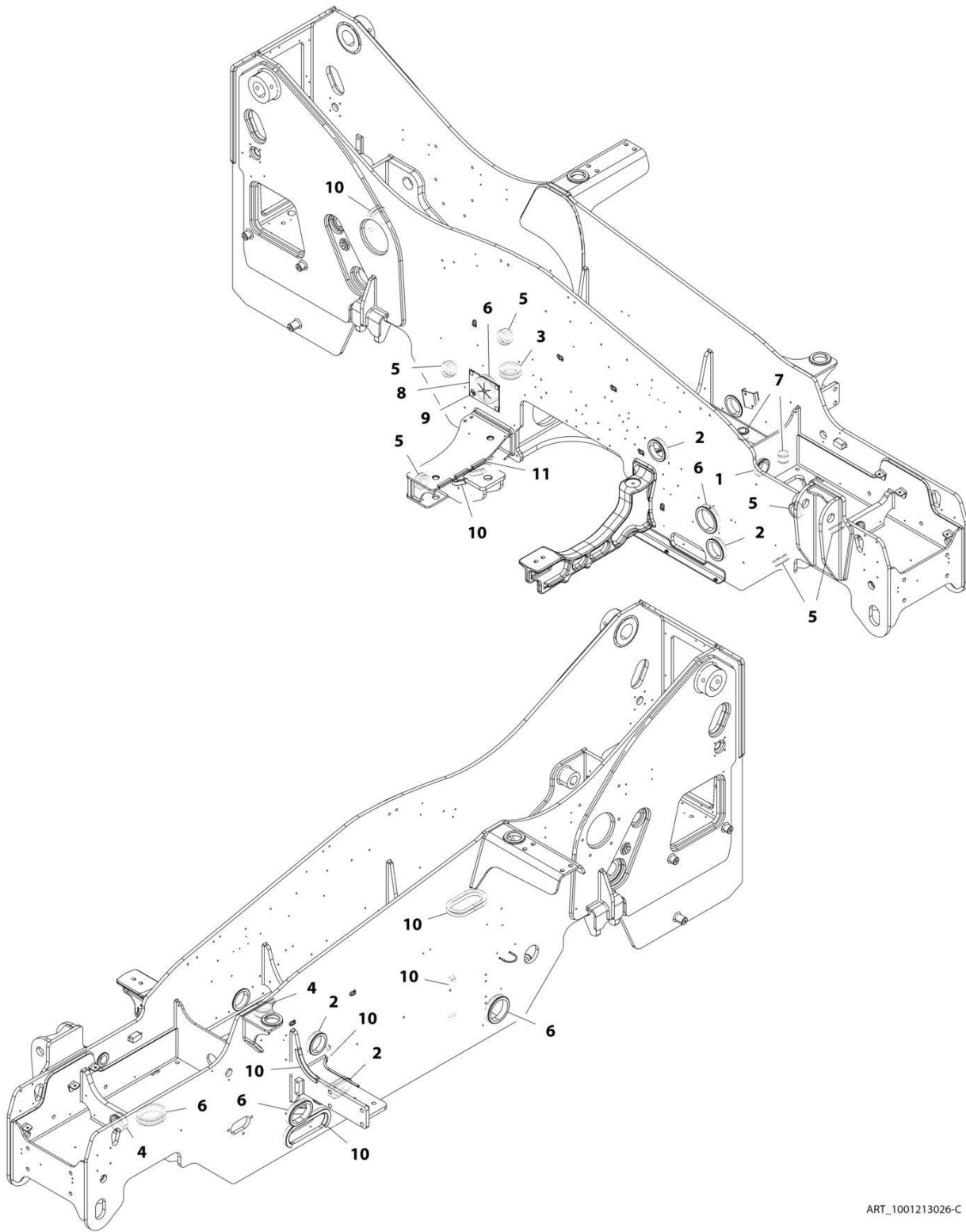
# SECTION 1 - FRAME AND ATTACHING PARTS

## FIGURE 1-2. FRAME WELDMENT (TUV)

ITEM	PART NUMBER	QTY	DESCRIPTION	REV
1	1001218071J	1	Frame Weldment (TUV)	B

# SECTION 1 - FRAME AND ATTACHING PARTS

## FIGURE 1-3. GROMMETS INSTALLATION



ART\_1001213026-C

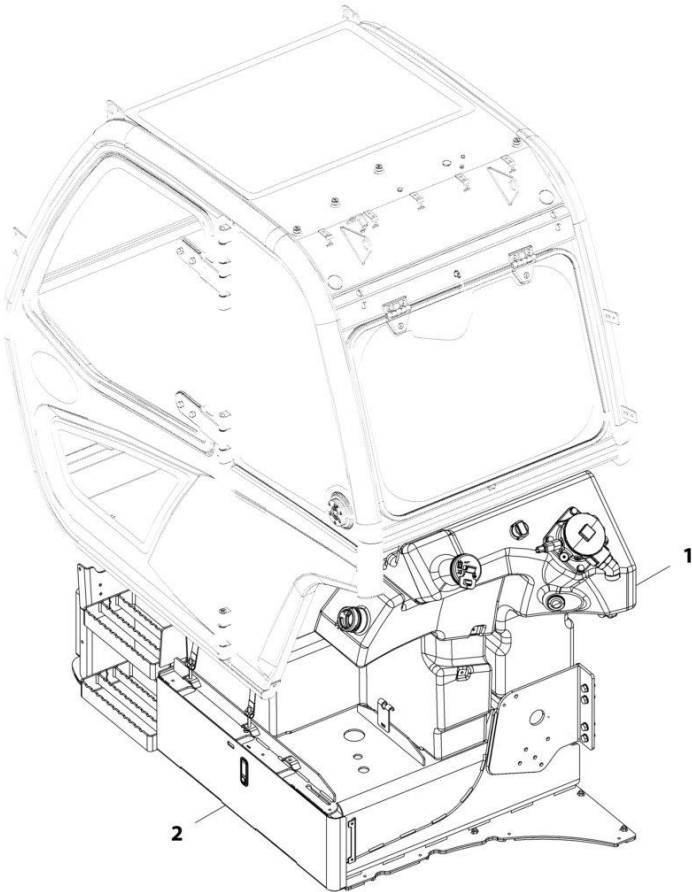
# SECTION 1 - FRAME AND ATTACHING PARTS

## FIGURE 1-3. GROMMETS INSTALLATION

ITEM	PART NUMBER	QTY	DESCRIPTION	REV
	1001213026	Ref	Grommets Installation	C
1	1001009018	1	Grommet	
2	1001028264	4	Grommet	
3	1001028291	1	Grommet	
4	1001028306	2	Grommet	
5	1001028308	6	Grommet	
6	1001028377	5	Grommet	
7	1001028400	2	Grommet	
8	1001175347	1	Grommet	
9	1001180306	4	Screw	
10	4060919	2030 mm	Trim,Hose Protection	
11	90206202	270 mm	Trim Lock	

# SECTION 1 - FRAME AND ATTACHING PARTS

FIGURE 1-4. TANK INSTALLATION



ART\_1001185927-C



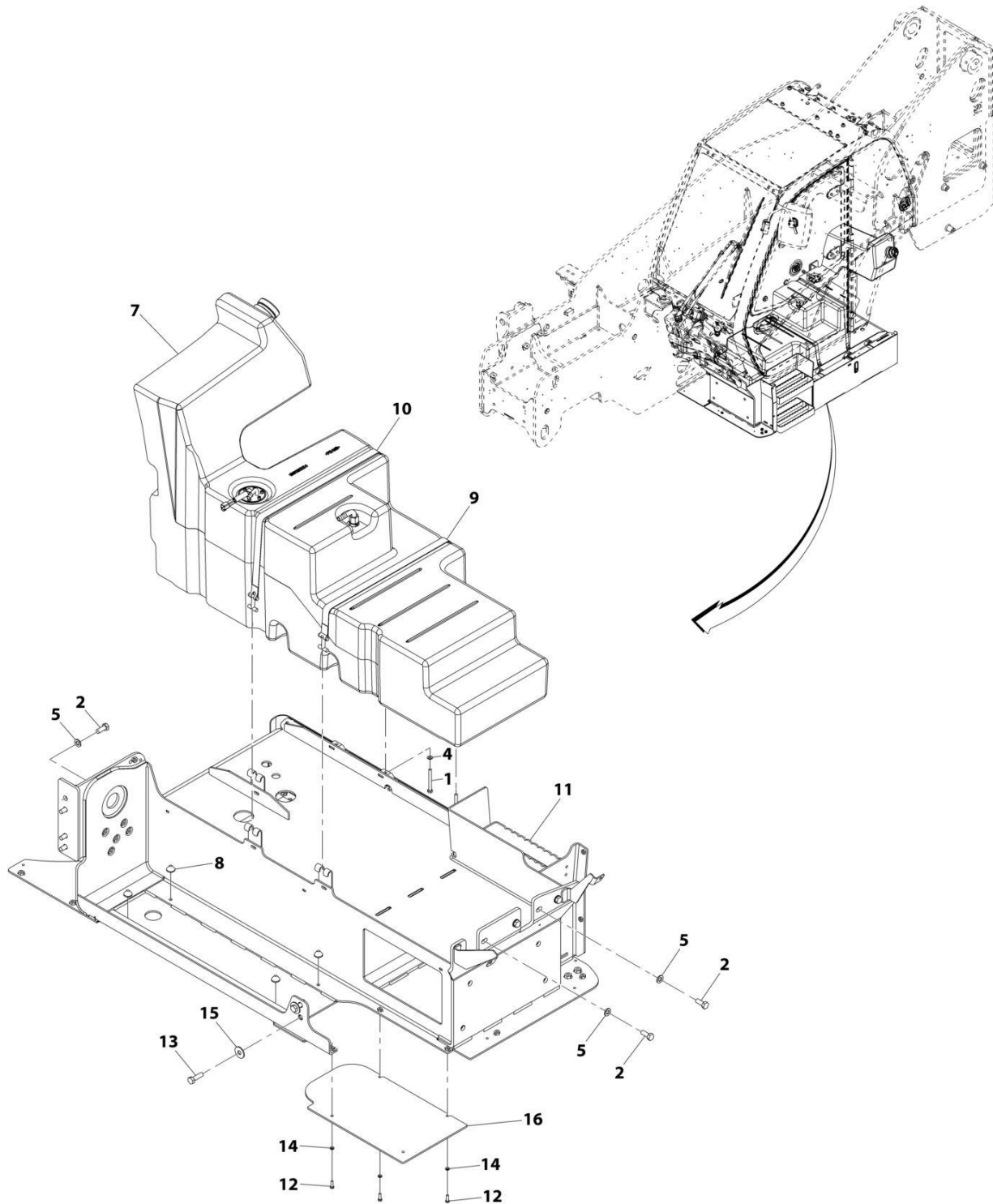
# SECTION 1 - FRAME AND ATTACHING PARTS

## FIGURE 1-4. TANK INSTALLATION

ITEM	PART NUMBER	QTY	DESCRIPTION	REV
1	1001185927	Ref	Tank Installation	C
	1001179850	Ref	Installation, Hydraulic Tank (See Separate Breakdown in this Section)	
2	1001185929	Ref	Installation, Fuel Tank (See Separate Breakdown in this Section)	

# SECTION 1 - FRAME AND ATTACHING PARTS

## FIGURE 1-5. FUEL TANK INSTALLATION



ART\_1001185929-G

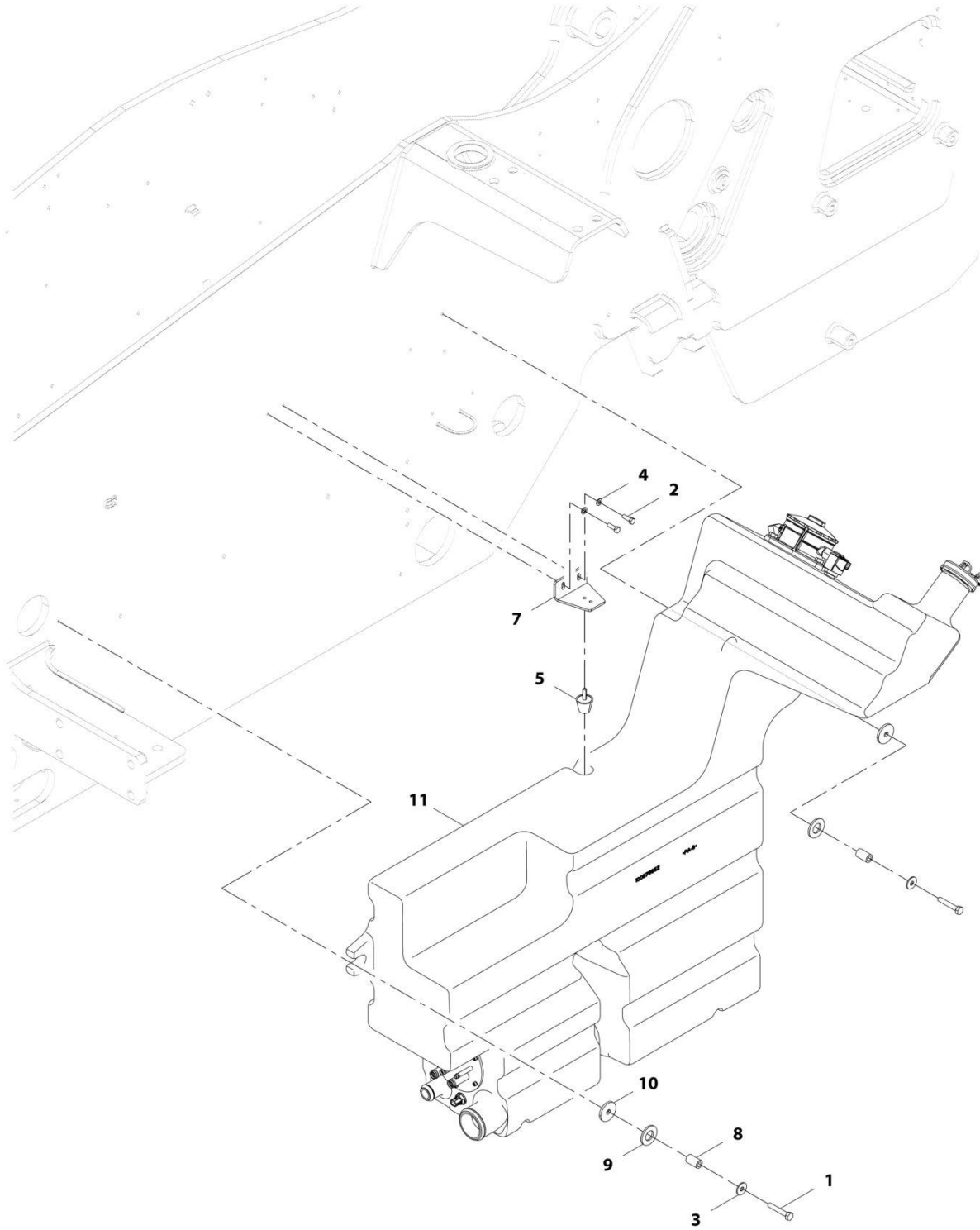
# SECTION 1 - FRAME AND ATTACHING PARTS

## FIGURE 1-5. FUEL TANK INSTALLATION

ITEM	PART NUMBER	QTY	DESCRIPTION	REV
	1001185929	Ref	Fuel Tank Installation	G
1	0760823	2	Bolt, M8X75	
2	0761214	8	Bolt, M12X30	
4	4811900	2	Washer, M8	
5	4812100	8	Washer, M12	
7	1001192125	1	Assembly, Fuel Tank (See Separate Breakdown in this Section)	
8	1001169454	4	Buffer	
9	1001178474	1	Strap	
10	1001178693	1	Strap	
11	1001185930	1	Installation, Tank Support (See Separate Breakdown in this Section)	
12	0700610	3	Bolt, M6X20	
13	0701216	2	Bolt, M12X40	
14	4811700	3	Washer, M6	
15	4812102	2	Washer, M12	
16	1001197480	1	Plate	

# SECTION 1 - FRAME AND ATTACHING PARTS

## FIGURE 1-6. HYDRAULIC TANK INSTALLATION



ART\_1001179850-C

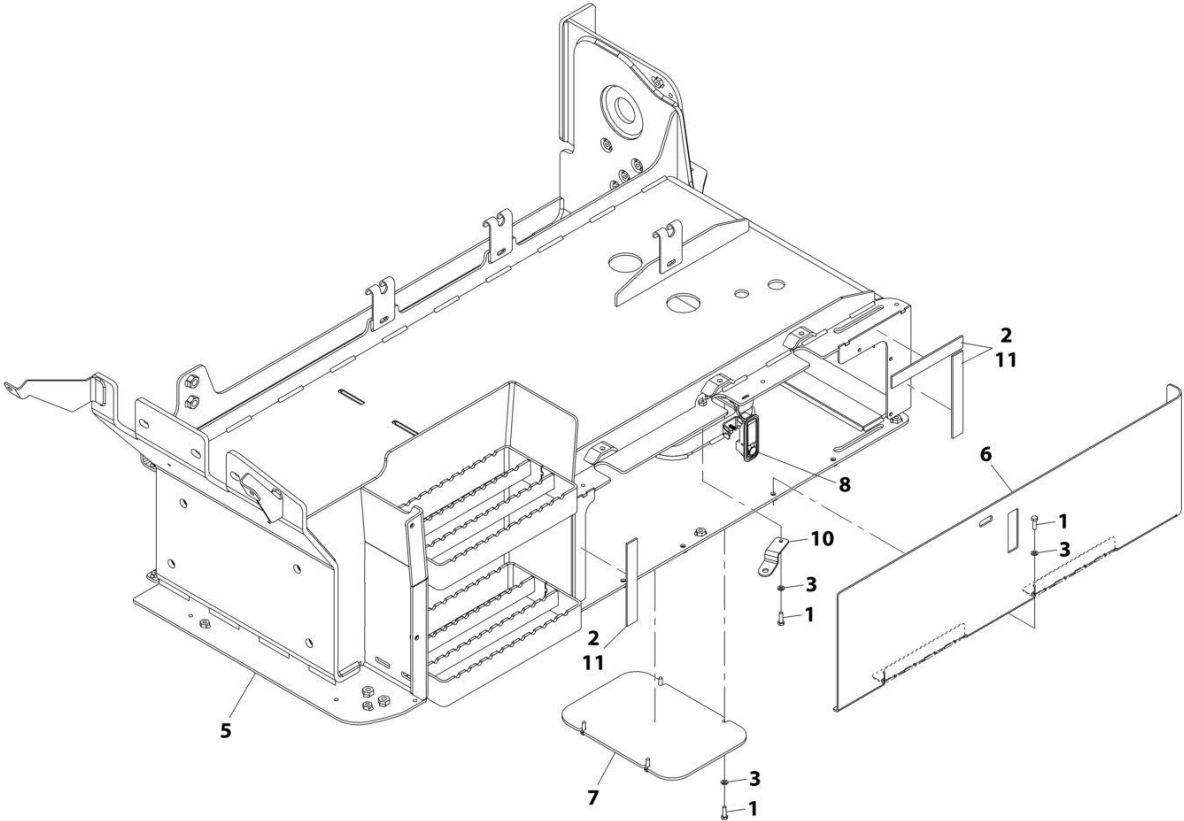
# SECTION 1 - FRAME AND ATTACHING PARTS

## FIGURE 1-6. HYDRAULIC TANK INSTALLATION

ITEM	PART NUMBER	QTY	DESCRIPTION	REV
	1001179850	Ref	Hydraulic Tank Installation	C
1	0701020	2	Bolt, M10X60	
2	0760812	2	Bolt, M8X25	
3	4812002	2	Washer, M10	
4	4811900	2	Washer, M8	
5	1001008575	1	Bumper, Conical	
7	1001177082	1	Bracket	
8	1001171179	2	Spacer	
9	1001172146	2	Washer, Rubber	
10	1001172147	2	Washer, M10	
11	1001179851	1	Assembly, Hydraulic Tank (See Separate Breakdown in this Section)	

# SECTION 1 - FRAME AND ATTACHING PARTS

## FIGURE 1-7. TANK SUPPORT INSTALLATION



ART\_1001185930-K

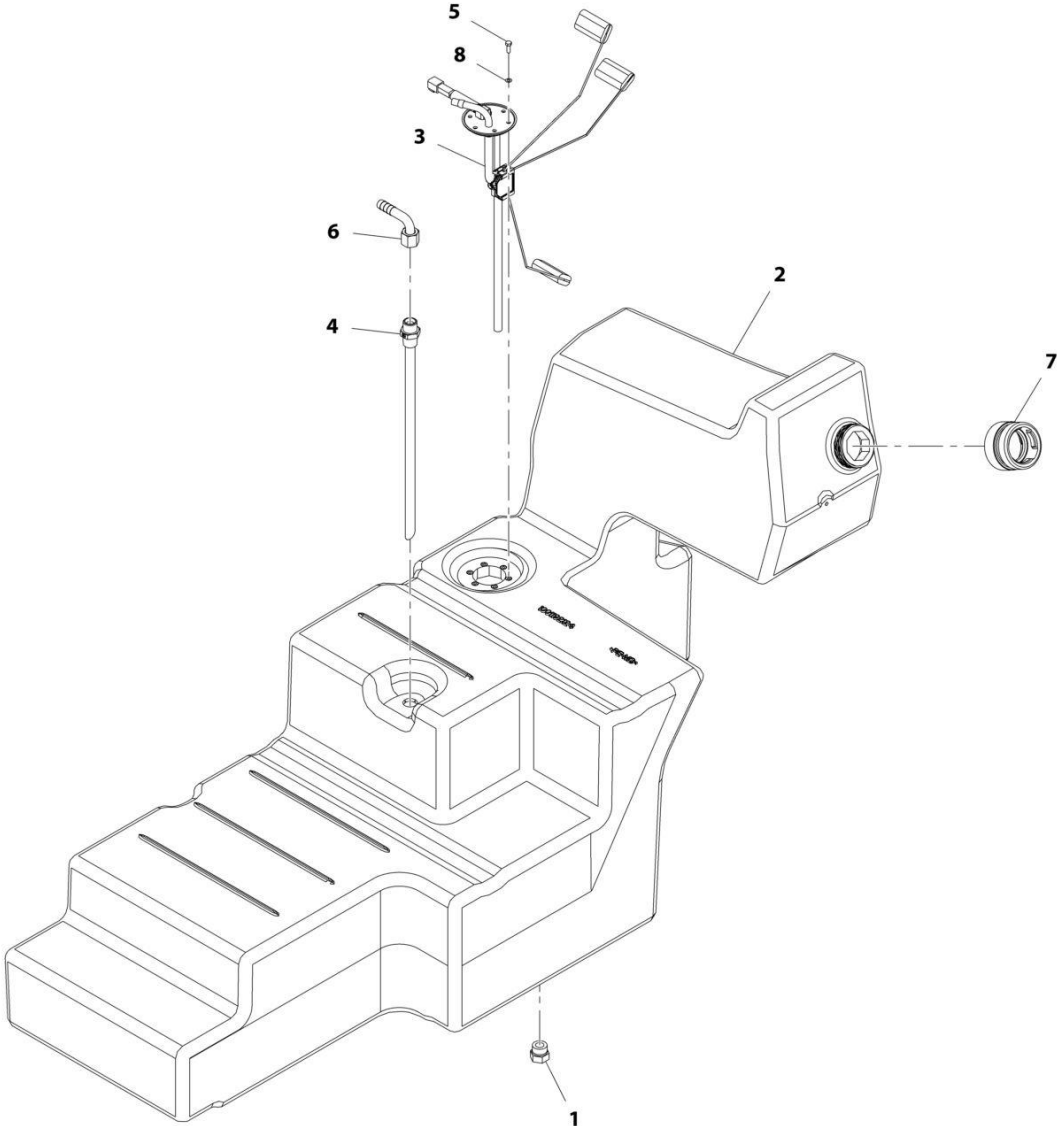
# SECTION 1 - FRAME AND ATTACHING PARTS

## FIGURE 1-7. TANK SUPPORT INSTALLATION

ITEM	PART NUMBER	QTY	DESCRIPTION	REV
	1001185930	Ref	Tank Support Installation	K
1	0700610	9	Bolt, M6X20	
2	4280307	3	Strip	
3	4811700	9	Washer, M6	
5	1001185931	1	Plate, Support	
6	1001185933	1	Cover	
7	1001185935	1	Cover	
8	1001189246	1	Latch, Locking	
10	1001197481	1	Plate	
11	0100081	AR	Compound, Locking	

**SECTION 1 - FRAME AND ATTACHING PARTS**

**FIGURE 1-8. FUEL TANK ASSEMBLY**



ART\_1001192125-C



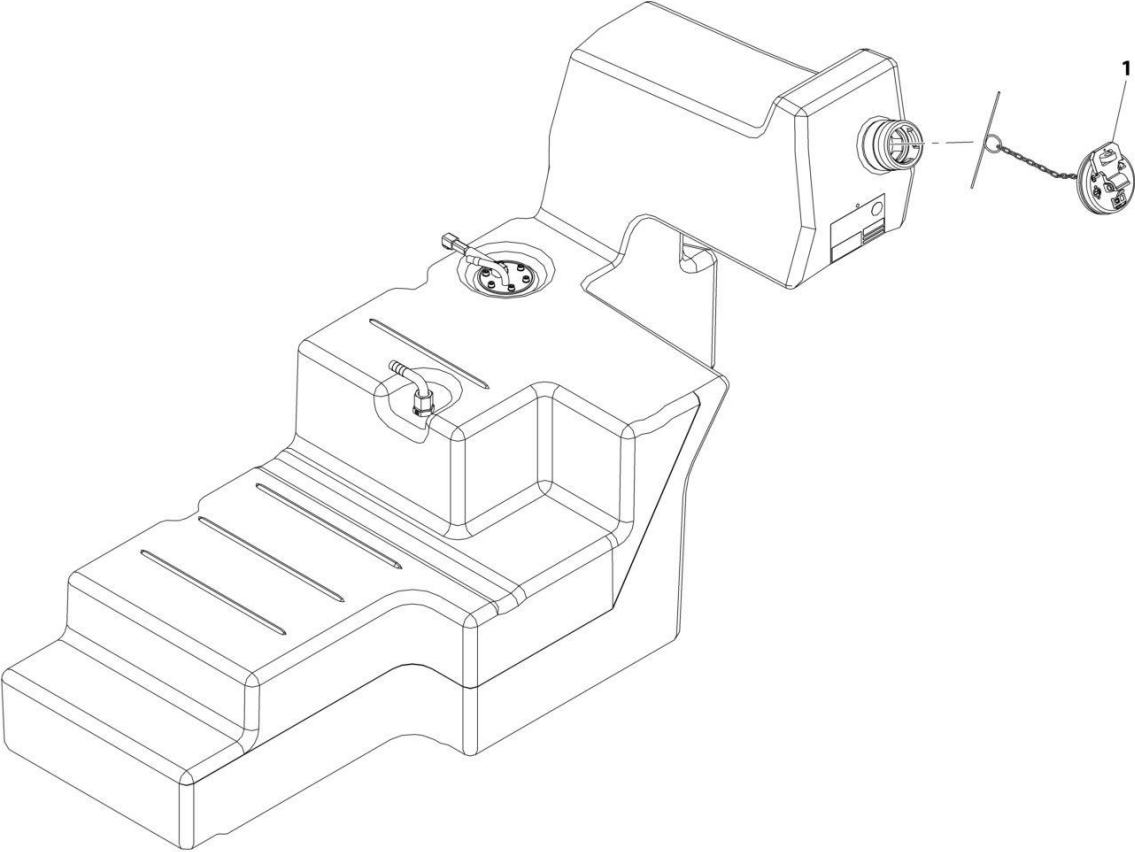
# SECTION 1 - FRAME AND ATTACHING PARTS

## FIGURE 1-8. FUEL TANK ASSEMBLY

ITEM	PART NUMBER	QTY	DESCRIPTION	REV
	1001192125	Ref	FUEL TANK ASSEMBLY	C
1	1001003427	1	Plug	
2	1001192124	1	Tank, Fuel	
3	1001222188	1	Pump, Fuel	
4	1001170106	1	Pipe, Fuel Supply	
5	4031607	6	Bolt, M5X16	
6	1001172693	1	Fitting, 90	
7	1001192392	1	Adapter	
8	1001222190	6	Washer	

**SECTION 1 - FRAME AND ATTACHING PARTS**

**FIGURE 1-9. LOCKING FUEL CAP**



ART\_1001194980

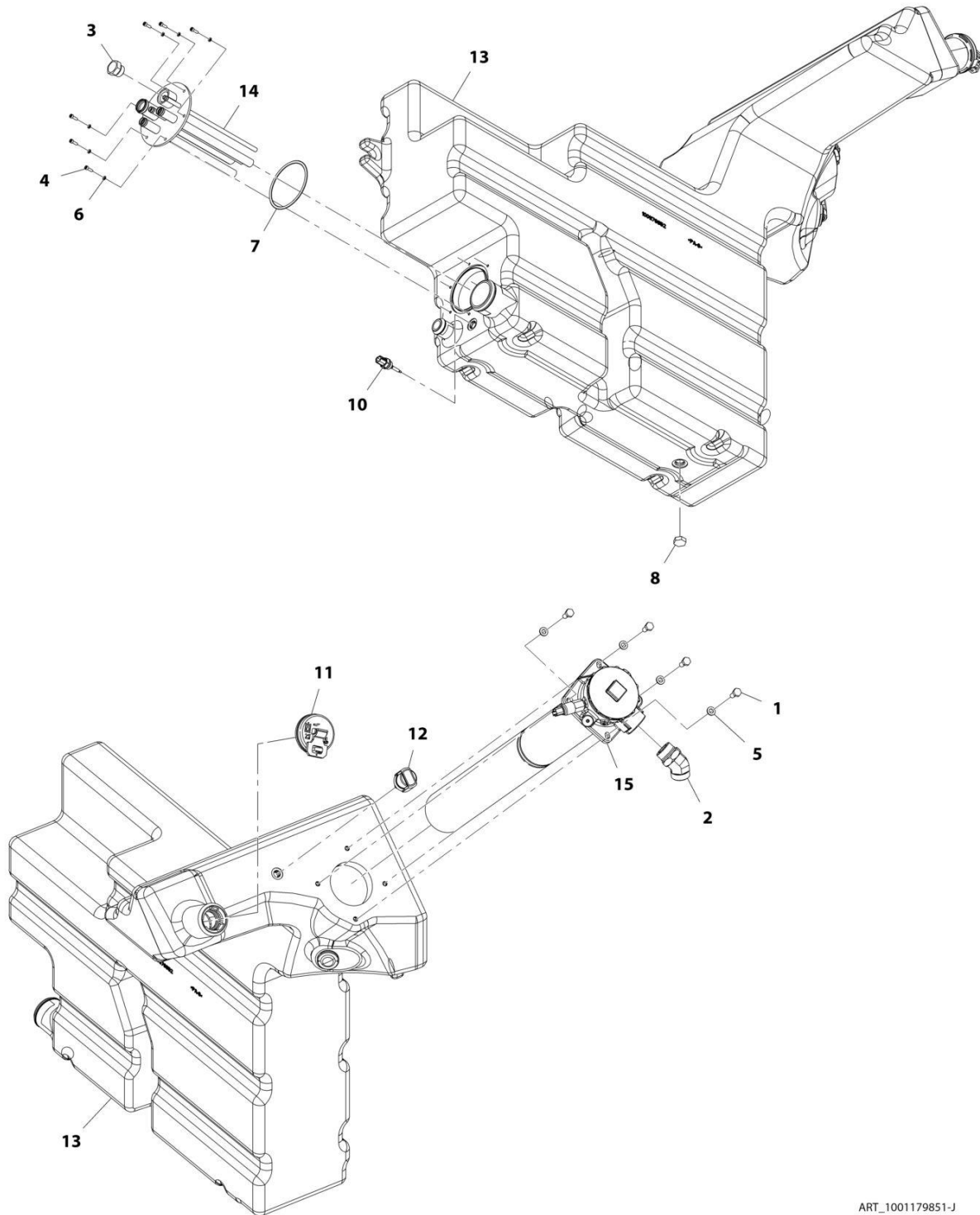
# SECTION 1 - FRAME AND ATTACHING PARTS

## FIGURE 1-9. LOCKING FUEL CAP

ITEM	PART NUMBER	QTY	DESCRIPTION	REV
1	1001194980	Ref	Locking Fuel Cap	A

# SECTION 1 - FRAME AND ATTACHING PARTS

## FIGURE 1-10. HYDRAULIC TANK ASSEMBLY



ART\_1001179851-J

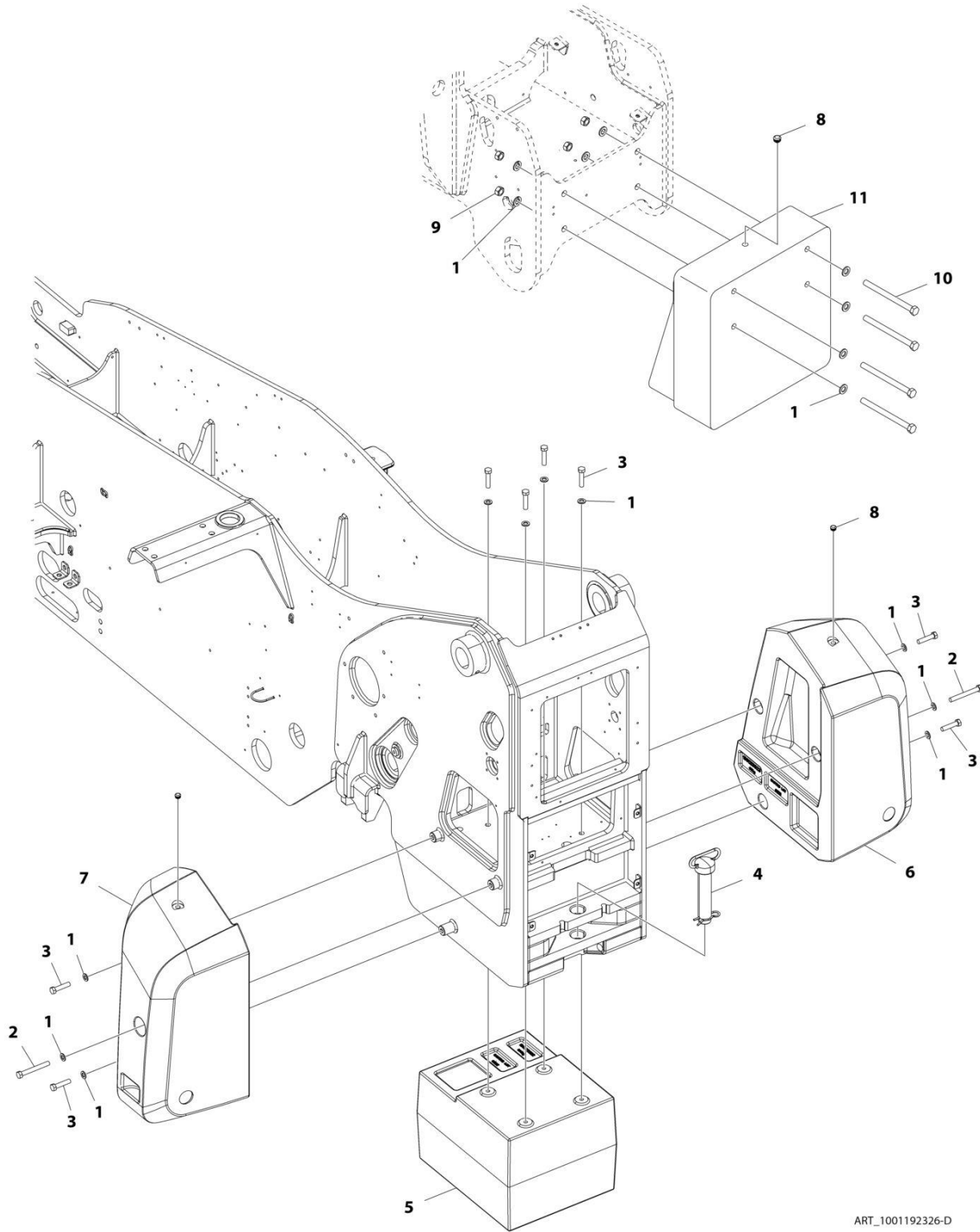
# SECTION 1 - FRAME AND ATTACHING PARTS

## FIGURE 1-10. HYDRAULIC TANK ASSEMBLY

ITEM	PART NUMBER	QTY	DESCRIPTION	REV
	1001179851	Ref	Hydraulic Tank Assembly	J
1	0761012	4	Bolt, M10X25	
2	2152020	1	Fitting, 45 ORFS	
3	2220240	1	Fitting, Straight	
4	4031607	6	Bolt, M5-.8X16	
5	4812000	4	Washer, M10	
6	4831600	6	Washer, Lock M5	
7	1001003301	1	Seal O-Ring	
8	2220239	1	Plug	
10	1001128478	1	Sensor	
11	1001194981	1	Cap, Hydraulic	
12	1001162662	1	Filter, Breather	
13	1001179852	1	Tank, Hydraulic	
14	1001191157	1	Manifold, Hydraulic Return	
15	1001191163	1	Filter	
15	1001191685	1	Element, Filter	

# SECTION 1 - FRAME AND ATTACHING PARTS

## FIGURE 1-11. COUNTERWEIGHT INSTALLATION



ART\_1001192326-D

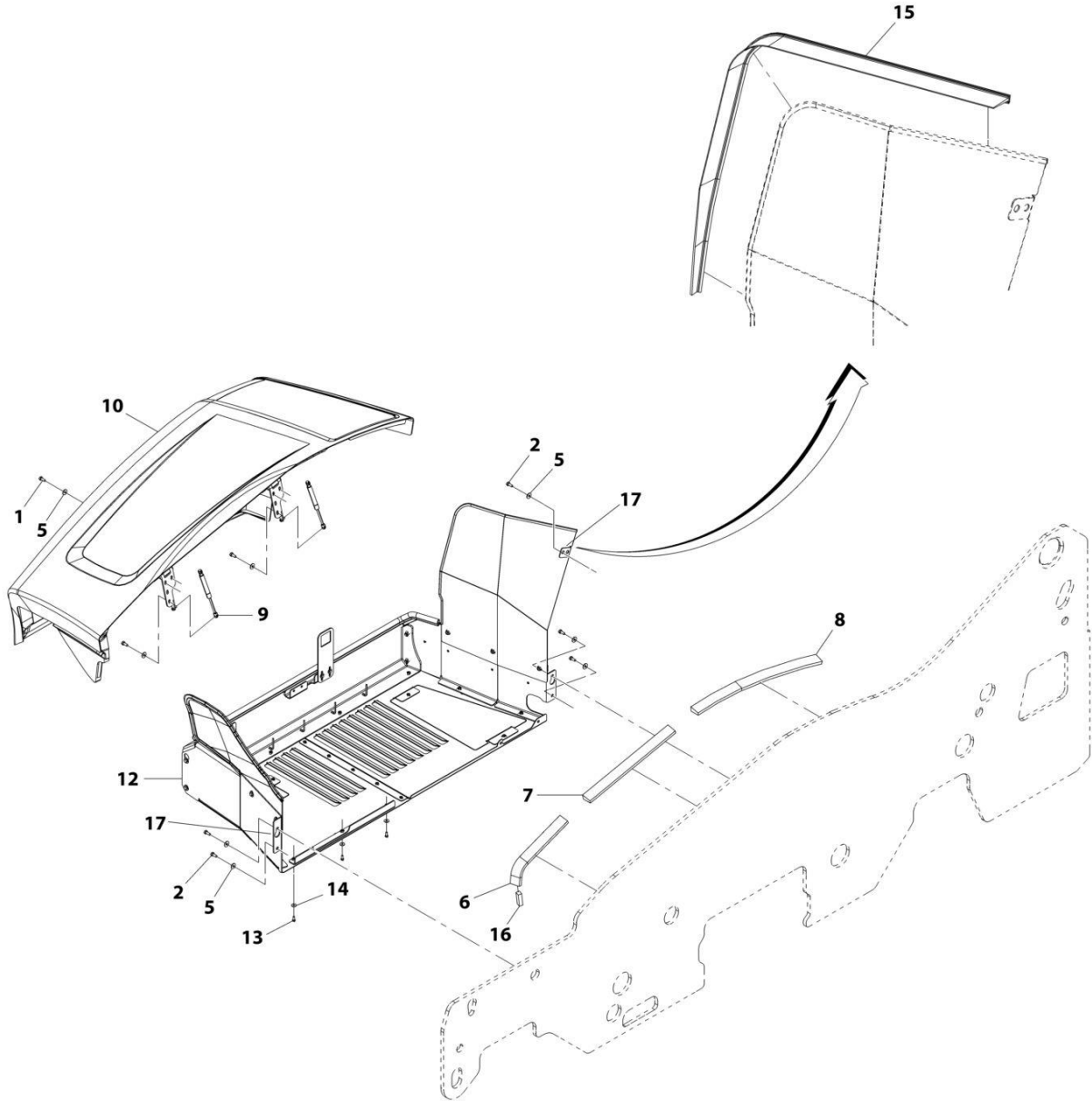
# SECTION 1 - FRAME AND ATTACHING PARTS

## FIGURE 1-11. COUNTERWEIGHT INSTALLATION

ITEM	PART NUMBER	QTY	DESCRIPTION	REV
	1001192326	Ref	Counterweight Installation	D
1	4812300	18	Washer, M6	
2	0711630	2	Bolt, M16X130	
3	1001094516	8	Bolt, M16X70 Grade 10.9	
4	1001197955	1	Pin	
5	1001213322	1	Counterweight	
6	1001213323J	1	Counterweight	
7	1001213324J	1	Counterweight	
8	3520193	3	Plug	
9	3291601	4	Nut, M16X2 Grade 8	
10	1001091951	4	Bolt, M16X200	
11	1001229407	NLA	Counterweight (no longer available, use 1001229686 for replacement)	
11	1001229686	1	Counterweight	

# SECTION 1 - FRAME AND ATTACHING PARTS

## FIGURE 1-12. ENGINE ENCLOSURE INSTALLATION



ART\_1001192318-K



# SECTION 1 - FRAME AND ATTACHING PARTS

## FIGURE 1-12. ENGINE ENCLOSURE INSTALLATION

ITEM	PART NUMBER	QTY	DESCRIPTION	REV
	1001192318	Ref	Engine Enclosure Installation	K
1	0761010	1	Bolt, M10X20	
2	0761012	11	Bolt, M10X25	
5	4812002	12	Washer, M10	
6	1001203932	1	Seal	
7	1001203933	1	Seal	
8	1001203934	1	Seal	
9	1001171885	2	Spring, Gas	
10	1001235965	1	Assembly, Engine Hood (See Separate Breakdown in this Section)	
12	1001192622	1	Assembly, Engine Enclosure (See Separate Breakdown in this Section)	
13	0760810	3	Bolt, M8X20	
14	4811902	3	Washer, M8	
15	1001197339	1	Seal	
16	1001229609	1	Seal, Foam Gasket	
17	1001241836	AR	Shim	



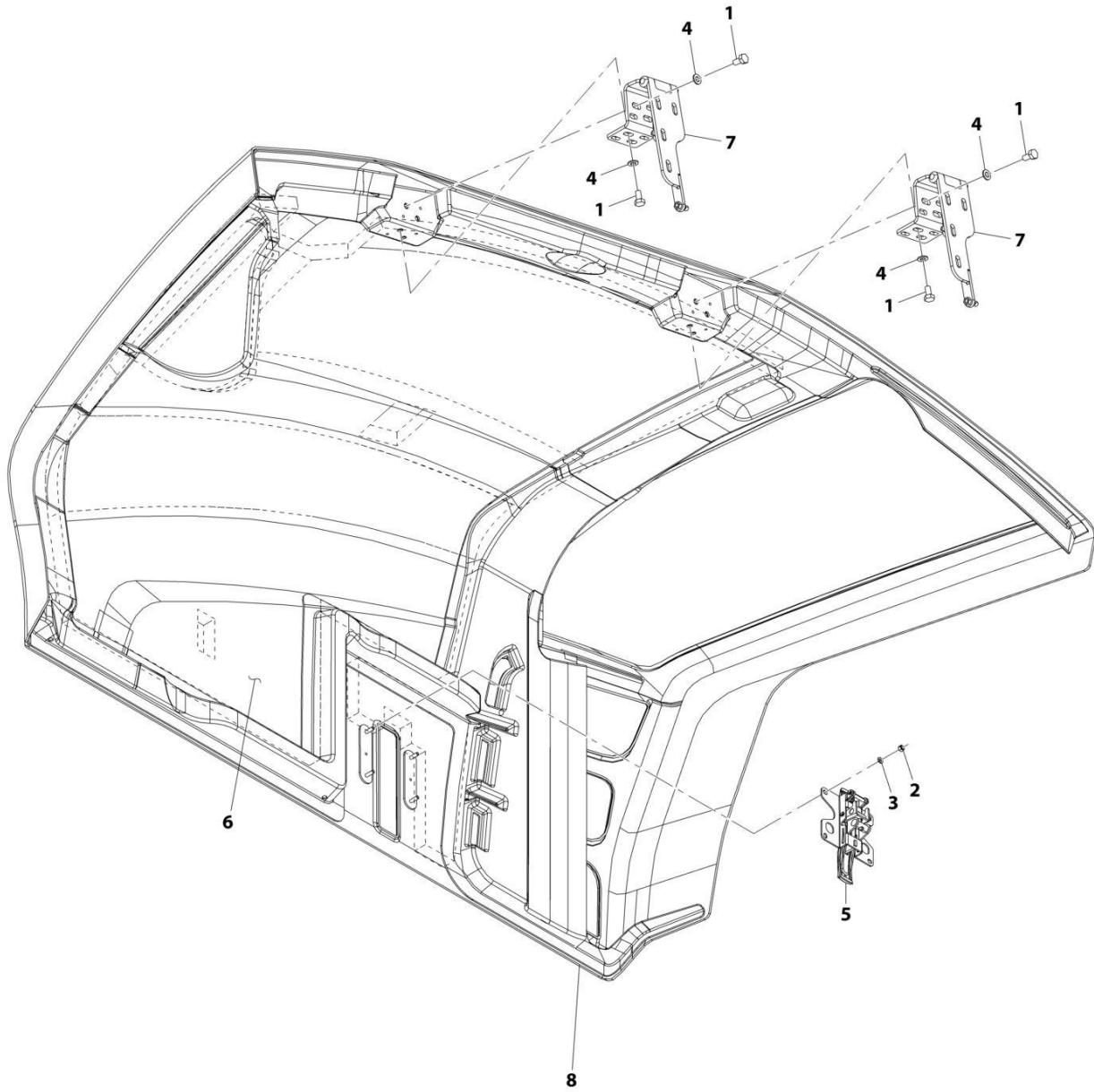
# SECTION 1 - FRAME AND ATTACHING PARTS

## FIGURE 1-13. ENGINE ENCLOSURE ASSEMBLY

ITEM	PART NUMBER	QTY	DESCRIPTION	REV
	1001192622	Ref	Engine Enclosure Assembly	I
1	0700814	2	Bolt, M8X30	
2	0701014	4	Bolt, M10X30	
3	0760807	5	Bolt, M8X14	
4	0761010	6	Bolt, M10X20	
5	4811902	19	Washer, M8	
7	1001003227	1573 mm	Seal	
8	1001204486	1785 mm	Seal	
9	1001209388	1	Latch, Hood	
10	1001169265	1	Plate, Access Panel	
11	1001219115	1	Panel, Front Wheel	
12	1001192627	1	Panel, Rear Cover	
19	0760808	12	Bolt, M8X16	
20	4812002	10	Washer, M10	
21	1001008999	1381 mm	Trim, Edge	
101	1001192631	1	Panel, Bottom Cover	
102	1001194969	1	Panel, Access	
103	1001219250	1	Panel, Bottom Front Cover	
201	1001192623J	1	Panel, Side Skirt	
202	1001224450J	1	Panel, Rear Skirt	
203	1001219113J	1	Panel, Front Skirt	

# SECTION 1 - FRAME AND ATTACHING PARTS

## FIGURE 1-14. ENGINE HOOD ASSEMBLY



ART\_1001235965-A

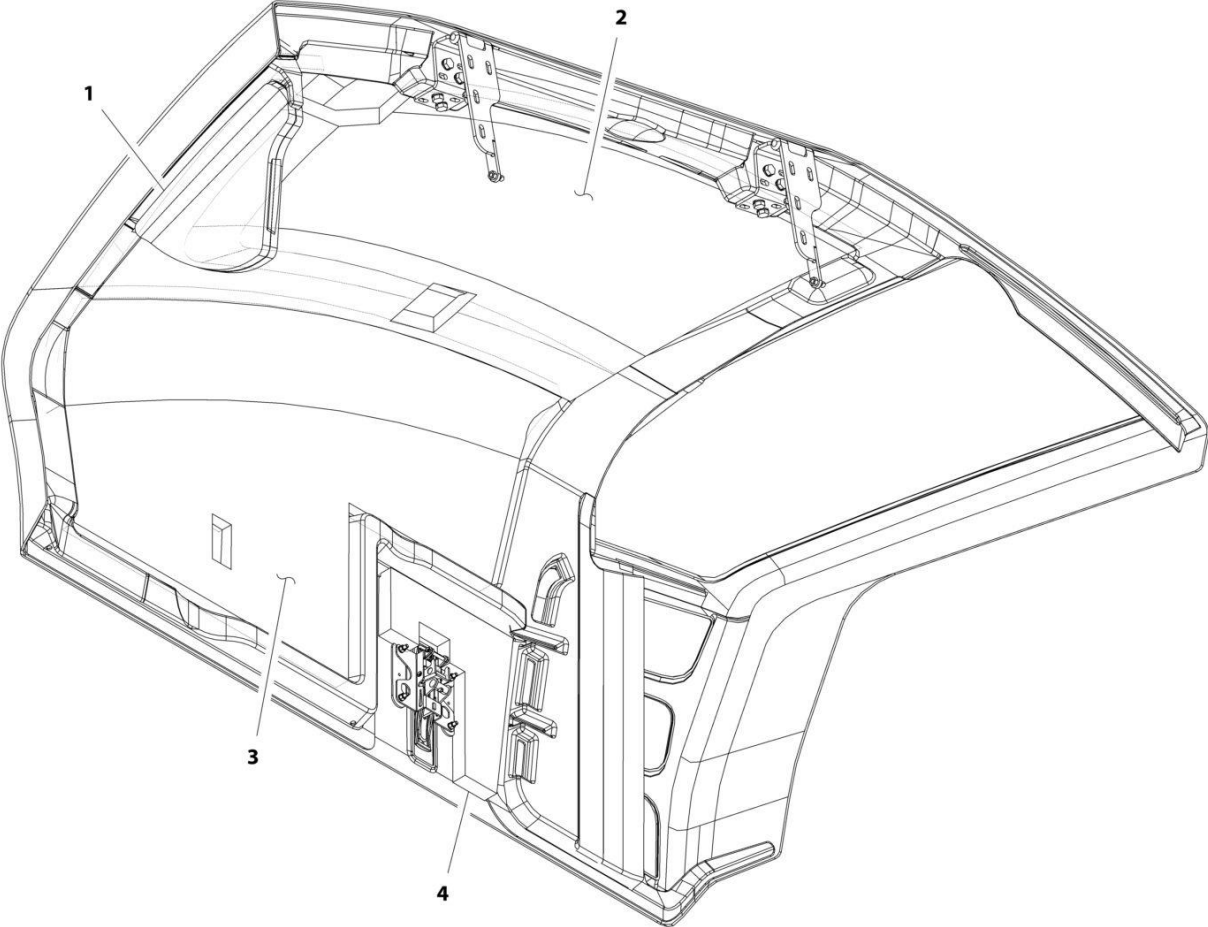
# SECTION 1 - FRAME AND ATTACHING PARTS

## FIGURE 1-14. ENGINE HOOD ASSEMBLY

ITEM	PART NUMBER	QTY	DESCRIPTION	REV
	1001235965	Ref	Engine Hood Assembly	A
1	0761010	8	Bolt, M10X20	
2	3290605	4	Nut, Lock M6X1	
3	4811700	4	Washer, M6	
4	4812000	8	Washer, M10	
5	1001132168	1	Latch, Hood	
6	1001172110	1	Installation, Engine Hood Insulation (See Separate Breakdown in this Section)	
7	1001209387	2	Hinge	
8	1001234455	1	Hood	

# SECTION 1 - FRAME AND ATTACHING PARTS

FIGURE 1-15. ENGINE HOOD INSULATION INSTALLATION



ART\_1001172110-G

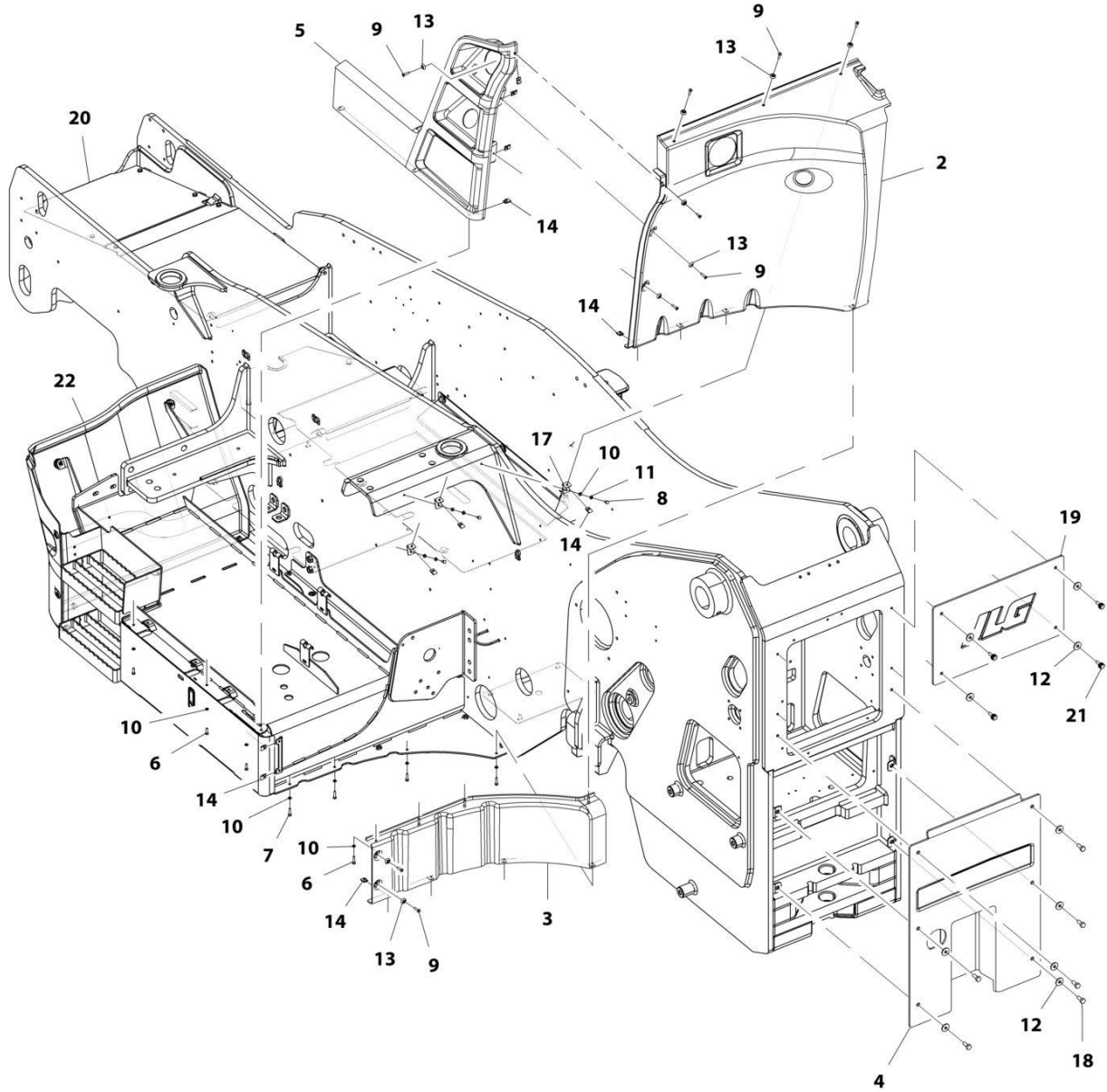
# SECTION 1 - FRAME AND ATTACHING PARTS

## FIGURE 1-15. ENGINE HOOD INSULATION INSTALLATION

ITEM	PART NUMBER	QTY	DESCRIPTION	REV
	1001172110	Ref	Engine Hood Insulation Installation	G
1	1001172112	1	Insulation, Front	
2	1001172113	1	Insulation, Top	
3	1001172114	1	Insulation, Side	
4	1001172115	1	Insulation, Hood Latch	

# SECTION 1 - FRAME AND ATTACHING PARTS

## FIGURE 1-16. COVER INSTALLATION (ULS)



ART\_1001184869-1



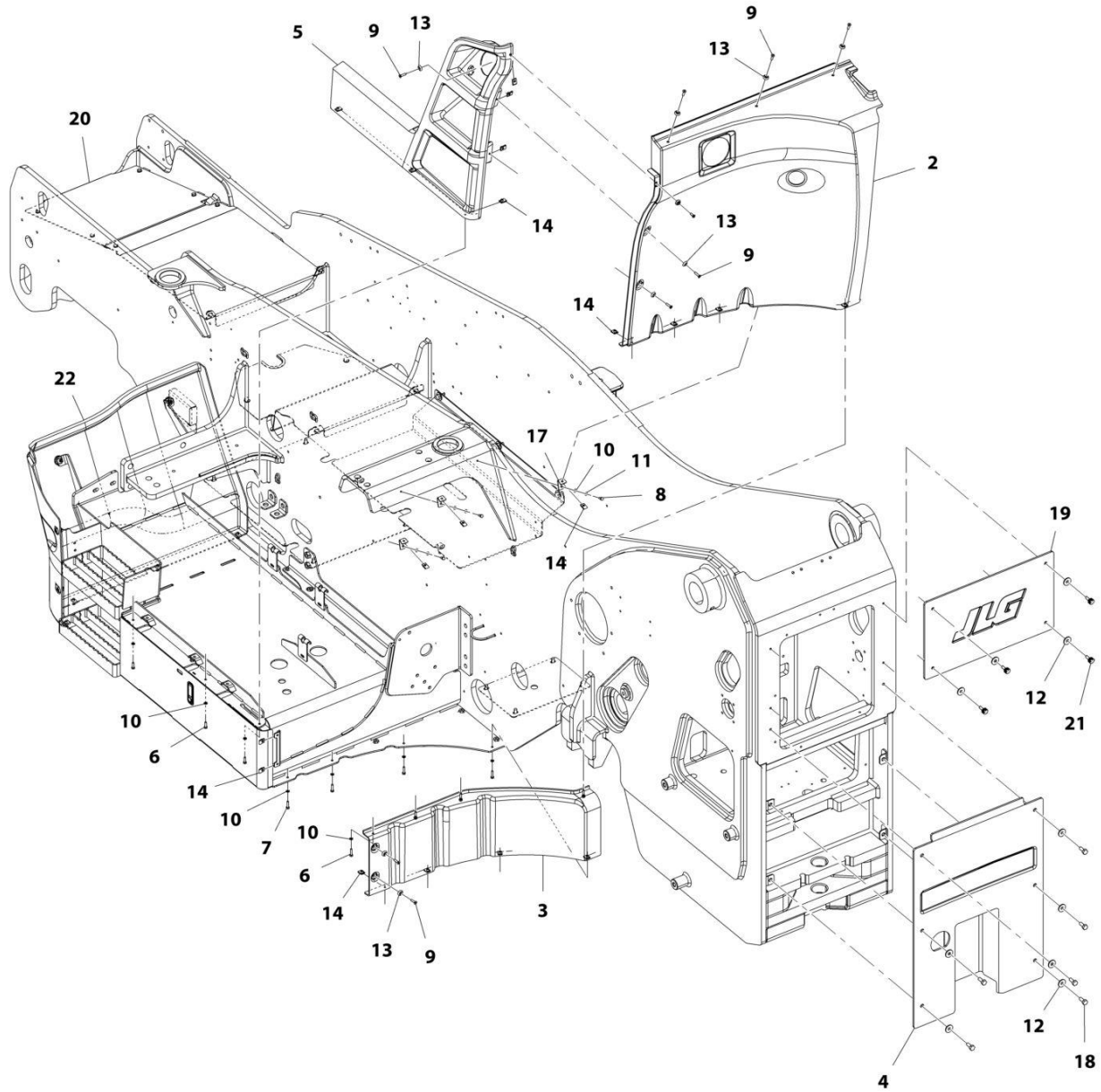
# SECTION 1 - FRAME AND ATTACHING PARTS

## FIGURE 1-16. COVER INSTALLATION (ULS)

ITEM	PART NUMBER	QTY	DESCRIPTION	REV
	1001184869	Ref	Cover Installation (ULS)	I
2	1001184872	1	Cover, Rear Tank	
3	1001184874	1	Cover, Lower Rear Tank	
4	1001213834	1	Cover, Rear Frame	
5	1001168758	1	Cover, Side Tank	
6	0700610	7	Bolt, M6X20	
7	0700612	4	Bolt, M6X25	
8	0760607	3	Bolt, M6X14	
9	0630576	9	Screw, M6X20	
10	4811700	14	Washer, M6	
11	4831700	3	Washer, Lock M6	
12	4812002	10	Washer, M10	
13	1001097540	9	Washer, M6	
14	1001130220	19	Nut, M6	
17	1001231385	3	Plate, Angle Mount	
18	0761012	6	Bolt, M10X25	
19	1001213833	1	Cover, Rear Frame	
20	1001198307	Ref	Installation, Frame Cover (See Separate Breakdown in this Section)	
21	1001161439	4	Screw	
22	1001201848	Ref	Installation, Front Lower Cover (See Separate Breakdown in this Section)	

# SECTION 1 - FRAME AND ATTACHING PARTS

## FIGURE 1-17. COVER INSTALLATION (LS)



ART\_1001184870-I

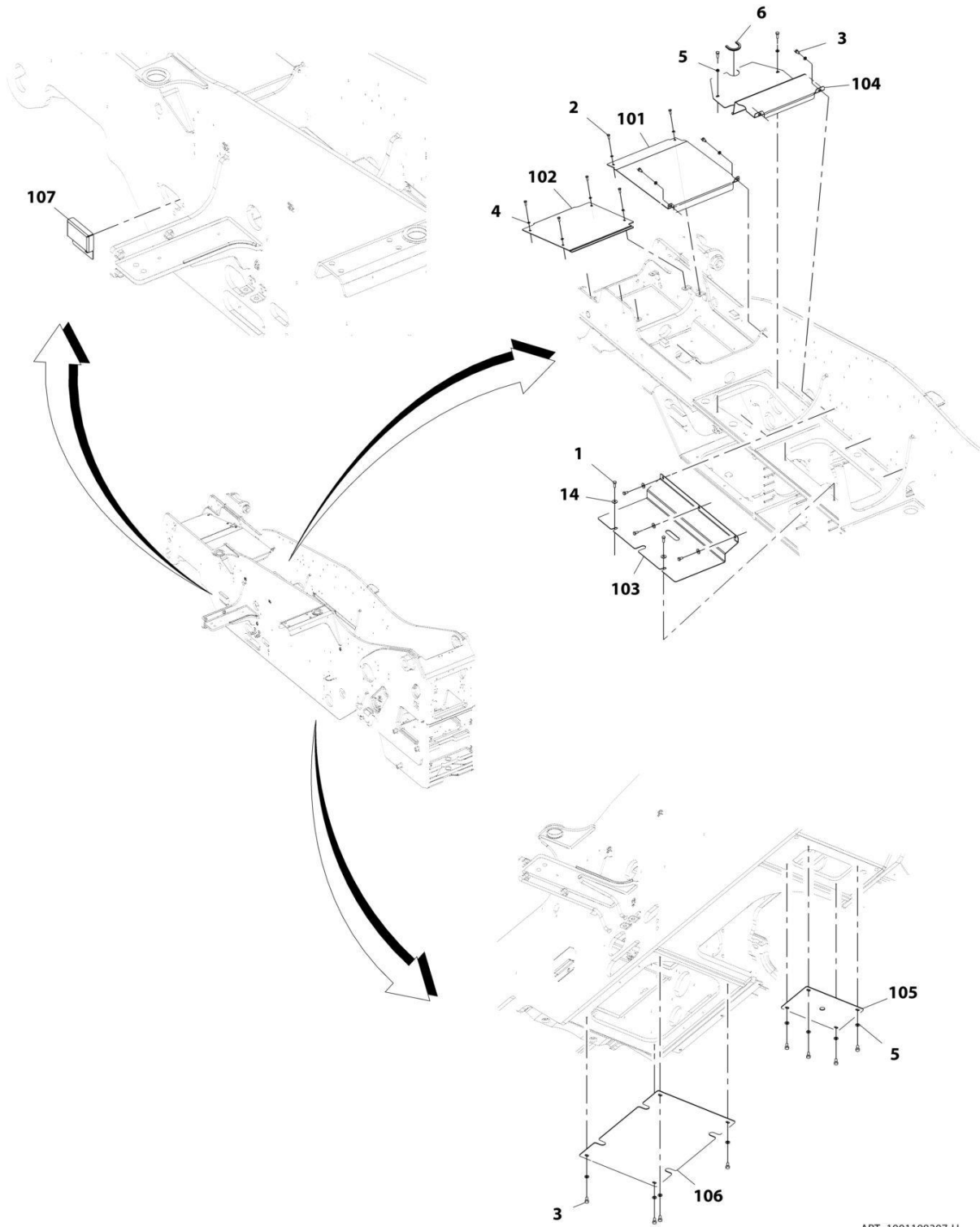
# SECTION 1 - FRAME AND ATTACHING PARTS

## FIGURE 1-17. COVER INSTALLATION (LS)

ITEM	PART NUMBER	QTY	DESCRIPTION	REV
	1001184870	Ref	Cover Installation (LS)	J
2	1001184872	1	Cover, Rear Tank	
3	1001184874	1	Cover, Lower Rear Tank	
4	1001213834	1	Cover, Rear Frame	
5	1001172829	1	Cover, Side Tank	
6	0700610	7	Bolt, M6X20	
7	0700612	4	Bolt, M6X25	
8	0760607	3	Bolt, M6X14	
9	0630576	9	Screw, M6X20	
10	4811700	14	Washer, M6	
11	4831700	3	Washer, Lock M6	
12	4812002	10	Washer, M10	
13	1001097540	9	Washer, M6	
14	1001130220	19	Nut, M6	
17	1001231385	3	Plate, Angle Mount	
18	0761012	6	Bolt, M10X25	
19	1001213833	1	Cover, Rear Frame	
20	1001198307	Ref	Installation, Frame Cover (See Separate Breakdown in this Section)	
21	1001250708	4	Bolt M8 x 20	
22	1001201848	Ref	Installation, Front Lower Cover (See Separate Breakdown in this Section)	

# SECTION 1 - FRAME AND ATTACHING PARTS

## FIGURE 1-18. FRAME COVER INSTALLATION



ART\_1001198307-H

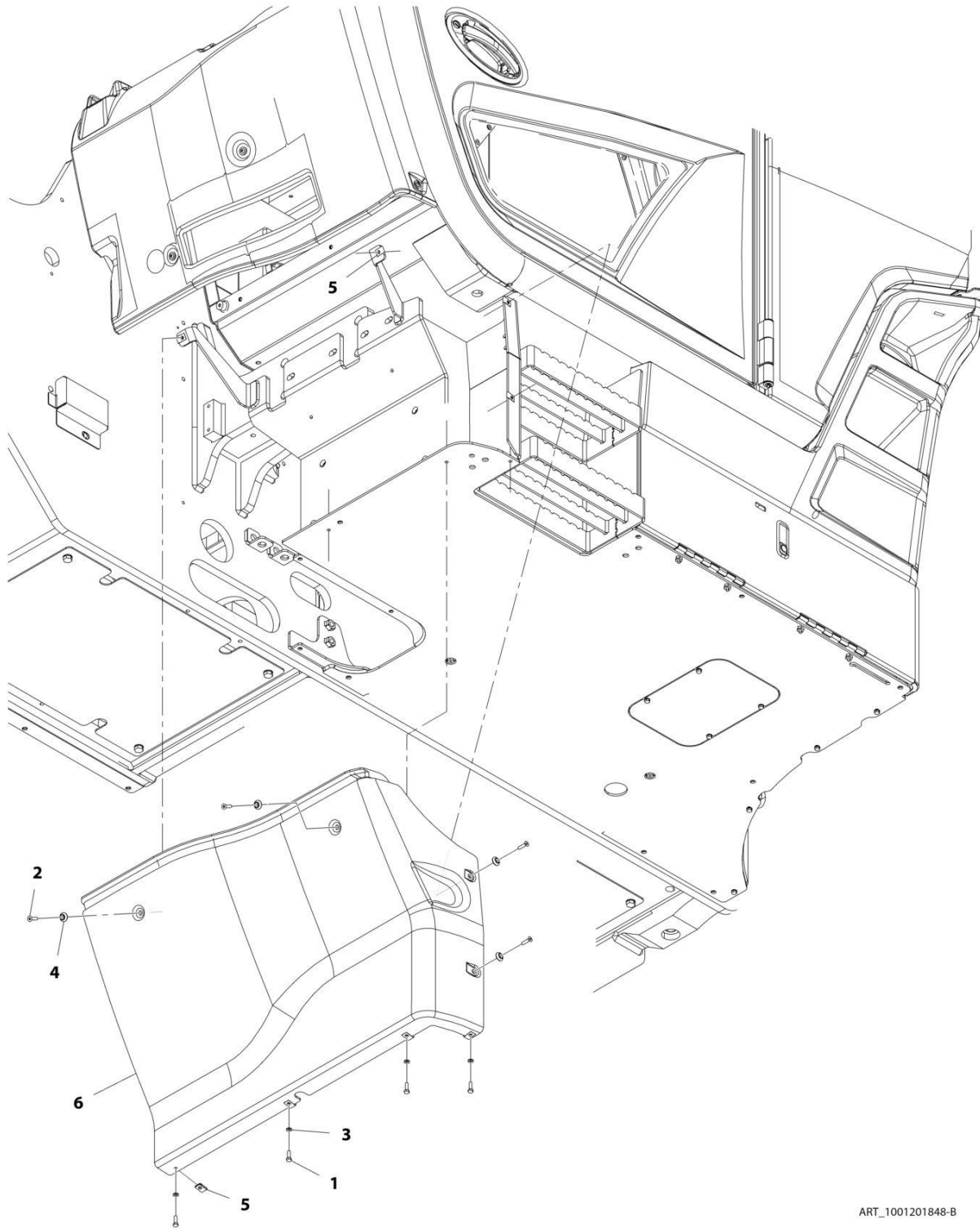
# SECTION 1 - FRAME AND ATTACHING PARTS

## FIGURE 1-18. FRAME COVER INSTALLATION

ITEM	PART NUMBER	QTY	DESCRIPTION	REV
	1001198307	Ref	Frame Cover Installation	H
1	0701014	4	Bolt, M10X30	
2	0760810	6	Bolt, M8X20	
3	0761010	15	Bolt, M10X20	
4	4811900	6	Washer, M8	
5	4812000	14	Washer, M10	
6	90206196	0.15 m	Gasket	
14	4812002	5	Washer, M10	
101	1001197056	1	Cover, Battery	
102	1001197057	1	Plate, Valve Cover	
103	1001197733	1	Plate, Frame Cover	
104	1001197734	1	Plate, Frame Cover	
105	1001211899	1	Plate, Frame Cover	
106	1001211900	1	Plate, Frame Cover	
107	1001218694	1	Cover	

# SECTION 1 - FRAME AND ATTACHING PARTS

## FIGURE 1-19. FRONT LOWER COVER INSTALLATION



ART\_1001201848-B

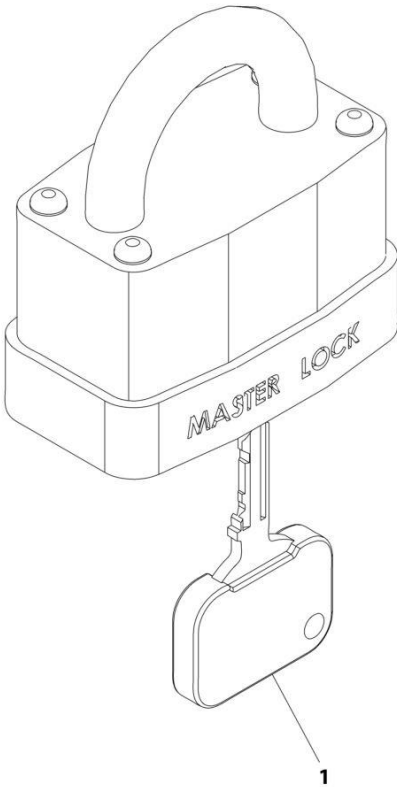
# SECTION 1 - FRAME AND ATTACHING PARTS

## FIGURE 1-19. FRONT LOWER COVER INSTALLATION

ITEM	PART NUMBER	QTY	DESCRIPTION	REV
	1001201848	Ref	Front Lower Cover Installation	B
1	0700610	4	Bolt, M6X20	
2	3900379	4	Screw, M6-1.00X25	
3	4811700	4	Washer, M6	
4	1001097540	4	Washer, M6	
5	1001130220	6	Nut, M6	
6	1001184871	1	Cover, Front Lower	

**SECTION 1 - FRAME AND ATTACHING PARTS**

**FIGURE 1-20. PAD LOCK**



ART\_1001102157-A



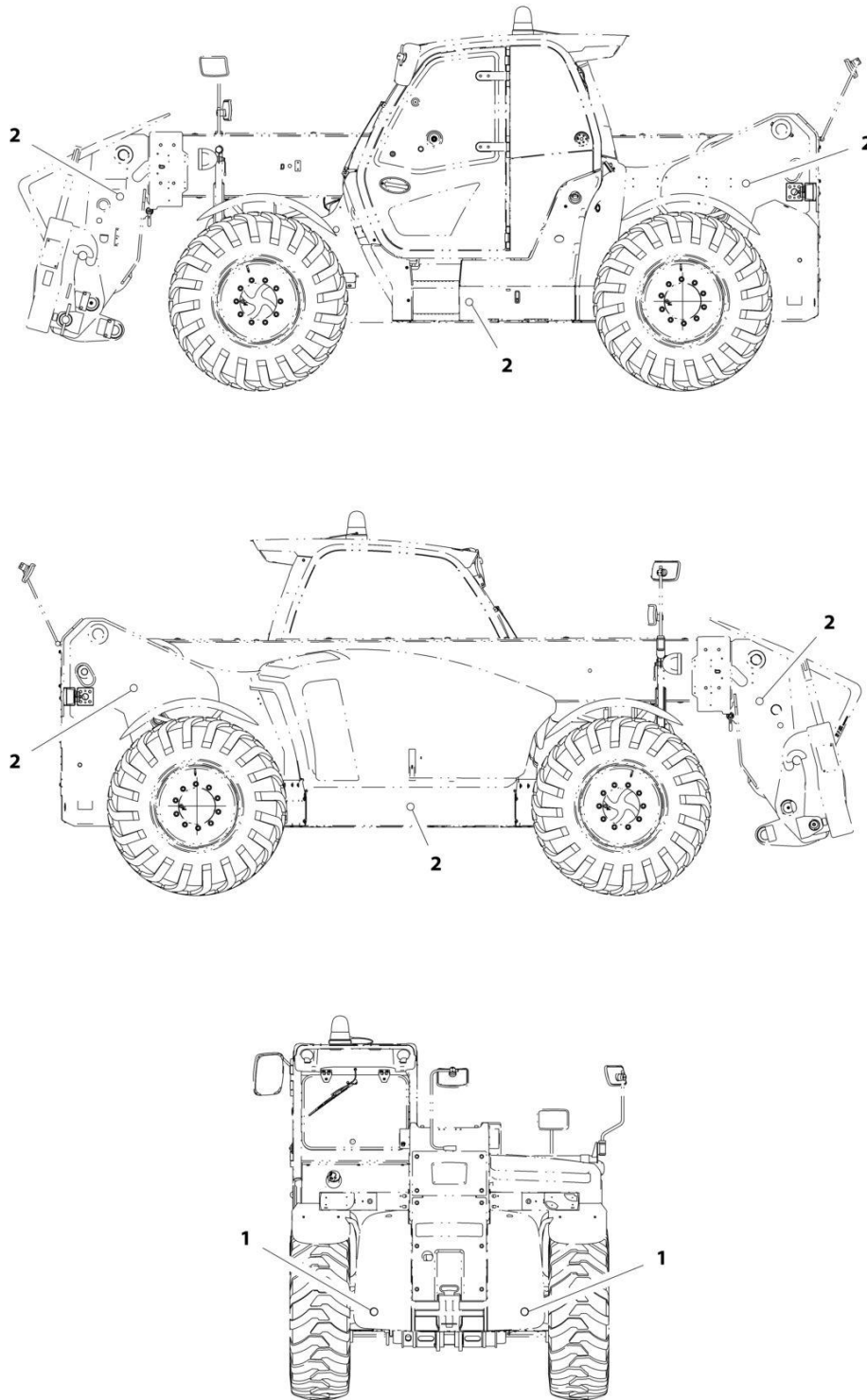
# SECTION 1 - FRAME AND ATTACHING PARTS

## FIGURE 1-20. PAD LOCK

ITEM	PART NUMBER	QTY	DESCRIPTION	REV
1	1001102157 8342813	Ref 1	Pad Lock Key	A

# SECTION 1 - FRAME AND ATTACHING PARTS

## FIGURE 1-21. REFLECTORS INSTALLATION



ART\_1001200344-D

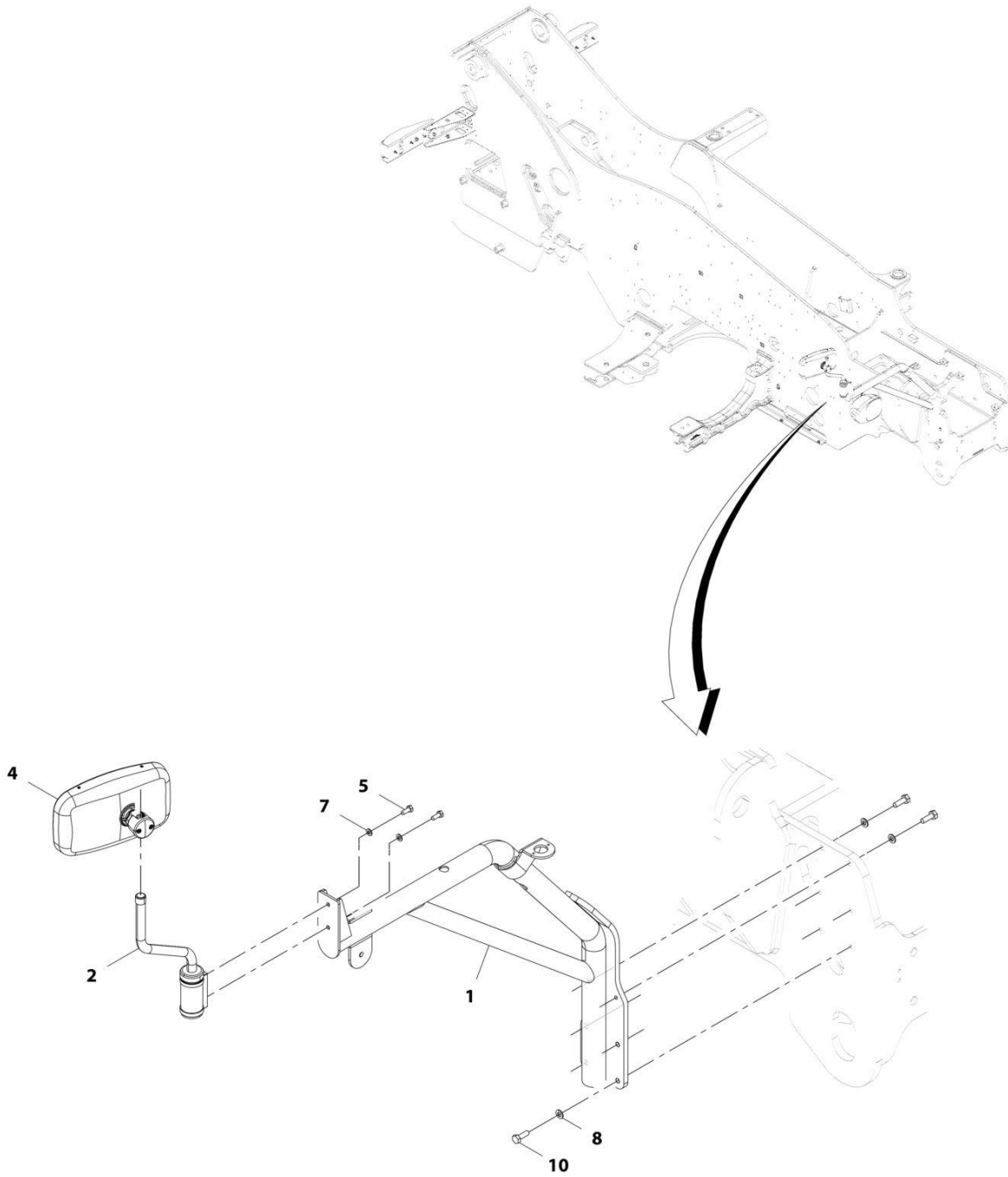
# SECTION 1 - FRAME AND ATTACHING PARTS

## FIGURE 1-21. REFLECTORS INSTALLATION

ITEM	PART NUMBER	QTY	DESCRIPTION	REV
	1001200344	Ref	Reflectors Installation	D
1	3700015	2	Reflector, Rear	
2	3700016	6	Reflector, Side	

# SECTION 1 - FRAME AND ATTACHING PARTS

## FIGURE 1-22. MIRROR INSTALLATION



ART\_1001192324-E

# SECTION 1 - FRAME AND ATTACHING PARTS

## FIGURE 1-22. MIRROR INSTALLATION

ITEM	PART NUMBER	QTY	DESCRIPTION	REV
	1001192324	Ref	Mirror Installation	E
1	1001206099	1	Bracket	
2	1001209346	1	Bracket	
4	1001191635	1	Mirror, Convex	
5	0760810	2	Bolt, M8X20	
7	4811900	2	Bolt, M8X20	
8	4812000	6	Washer, M10	
10	0701014	6	Bolt, M10X30	



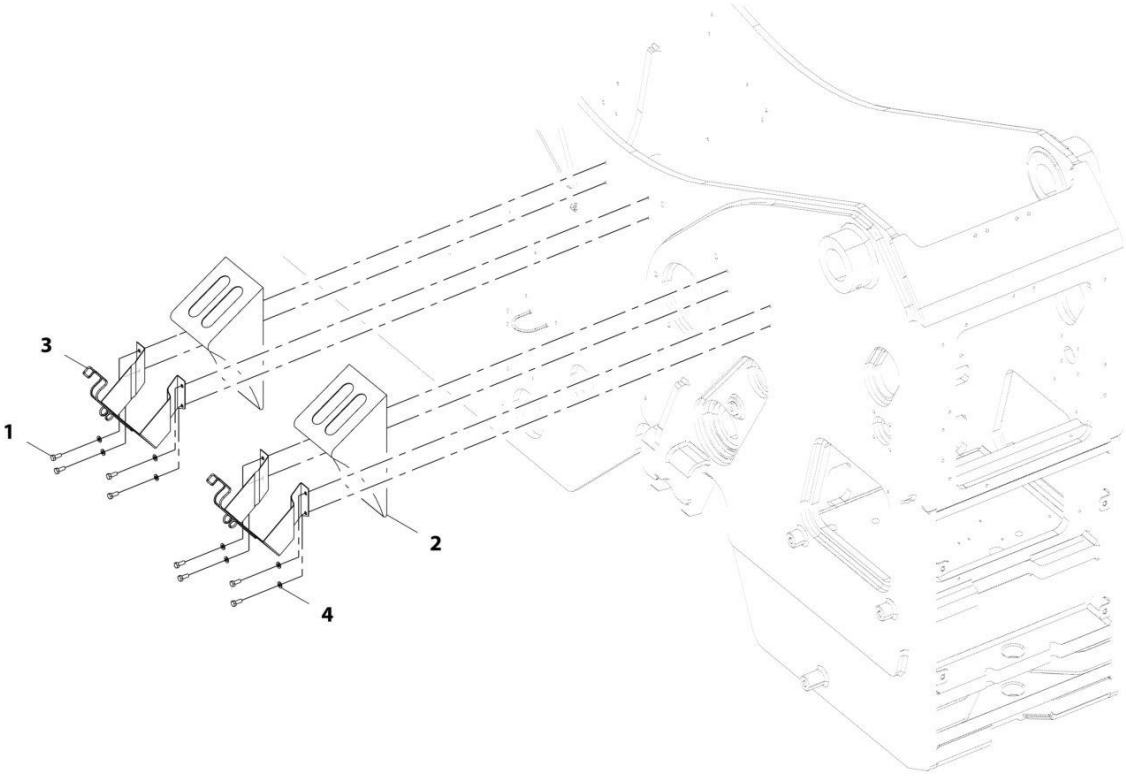
# SECTION 1 - FRAME AND ATTACHING PARTS

## FIGURE 1-23. MIRROR INSTALLATION

ITEM	PART NUMBER	QTY	DESCRIPTION	REV
	1001186881	Ref	Mirror Installation	F
1	1001206098	1	Bracket	
2	1001209345	1	Bracket	
4	1001175812	1	Mirror, Dual Lens	
5	1001142724	3	Mirror, Convex	
6	1001168429	1	Support, Arm	
7	0700612	2	Bolt, M6X25	
8	0760810	2	Bolt, M8X20	
10	4811700	2	Washer, M6	
12	4812000	6	Washer, M10	
14	0701014	6	Bolt, M10X30	
15	4811900	2	Washer, M8	
16	1001166192	1	Installation, Internal Mirror (See Separate Breakdown in CAB Section)	

**SECTION 1 - FRAME AND ATTACHING PARTS**

**FIGURE 1-24. WHEEL CHOCK INSTALLATION**



ART\_1001192336-B



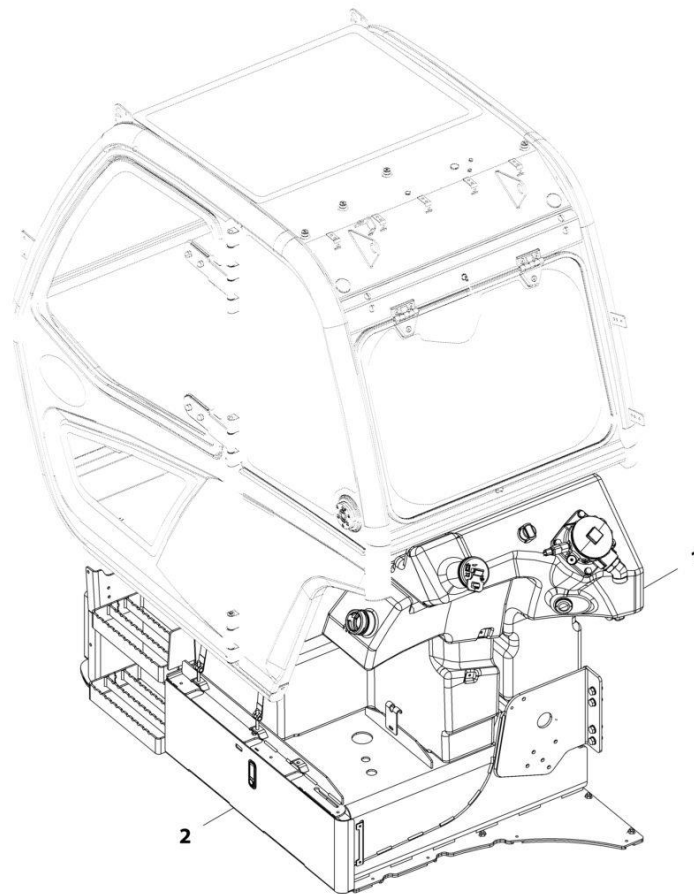
# SECTION 1 - FRAME AND ATTACHING PARTS

## FIGURE 1-24. WHEEL CHOCK INSTALLATION

ITEM	PART NUMBER	QTY	DESCRIPTION	REV
	1001192336	Ref	Wheel Chock Installation	B
1	0760810	8	Bolt, M8X20	
2	806253	2	Wedge	
3	806264	2	Holder, Wedge	
4	4811900	8	Washer, M8	

# SECTION 1 - FRAME AND ATTACHING PARTS

## FIGURE 1-25. TANK INSTALLATION



ART\_1001217931-B

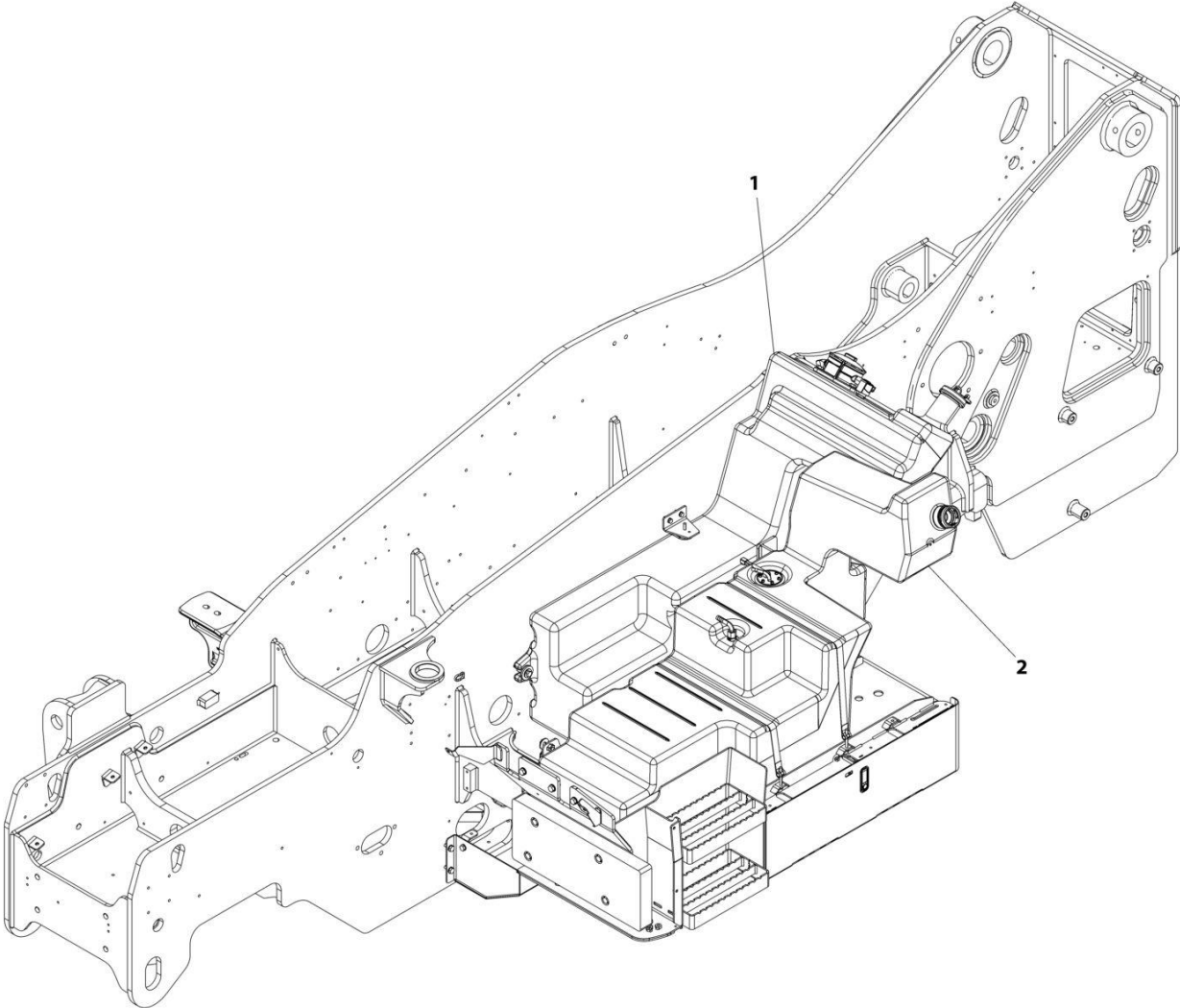
# SECTION 1 - FRAME AND ATTACHING PARTS

## FIGURE 1-25. TANK INSTALLATION

ITEM	PART NUMBER	QTY	DESCRIPTION	REV
1	1001217931	Ref	Tank Installation	B
	1001179850	1	Installation, Hydraulic Tank (See Separate Breakdown in this Section)	
2	1001217932	1	Installation, Fuel Tank (See Separate Breakdown in this Section)	

**SECTION 1 - FRAME AND ATTACHING PARTS**

**FIGURE 1-26. TANK INSTALLATION (TUV)**



ART\_1001223709-B

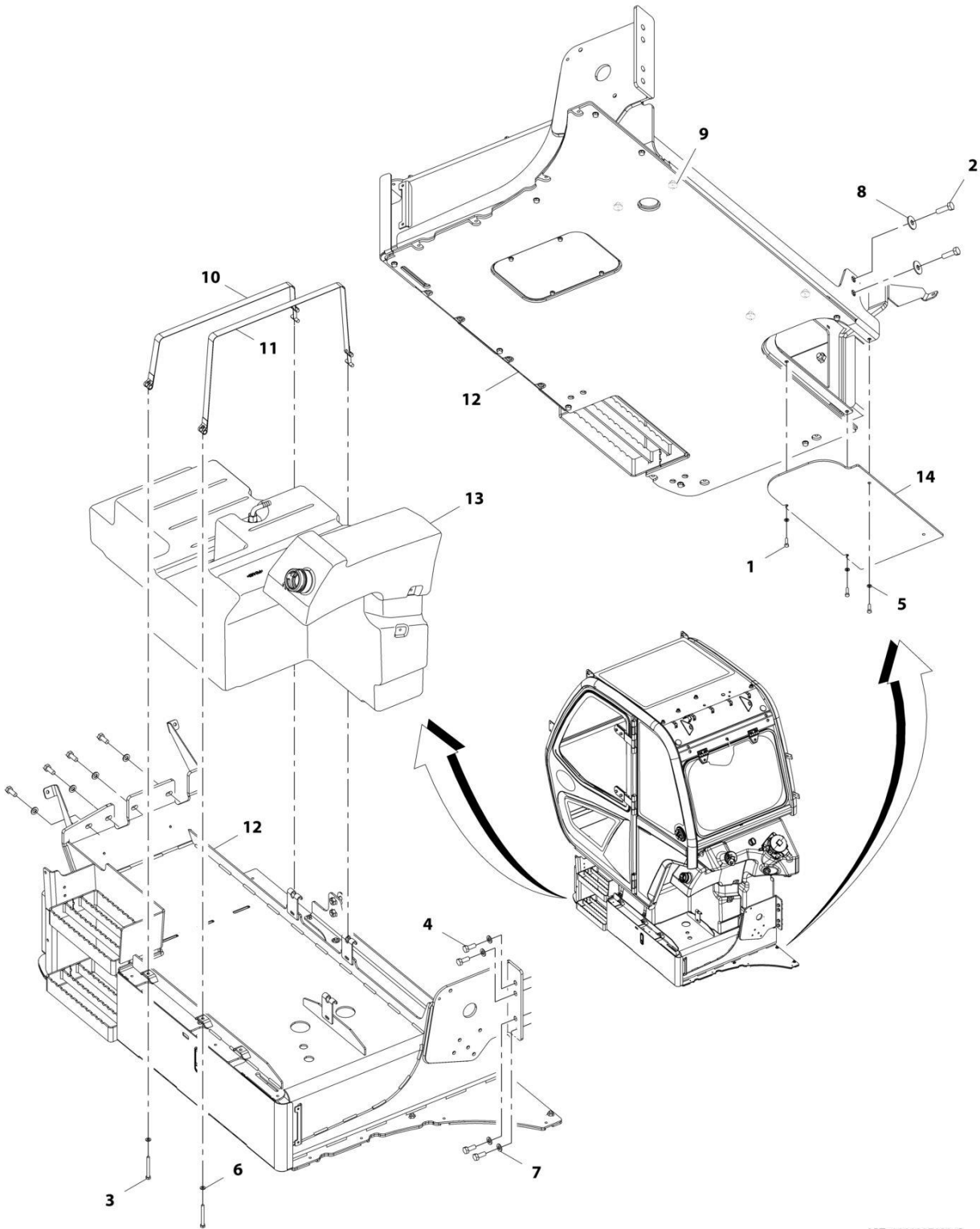
# SECTION 1 - FRAME AND ATTACHING PARTS

## FIGURE 1-26. TANK INSTALLATION (TUV)

ITEM	PART NUMBER	QTY	DESCRIPTION	REV
1	1001223709	REF	Tank Installation (TUV)	B
	1001179850	REF	Installation, Hydraulic Tank (See Separate Breakdown in this Section)	
2	1001223710	REF	Installation , Fuel Tank (TUV) (See Separate Breakdown in this Section)	

# SECTION 1 - FRAME AND ATTACHING PARTS

## FIGURE 1-27. FUEL TANK INSTALLATION



ART\_1001217932-C

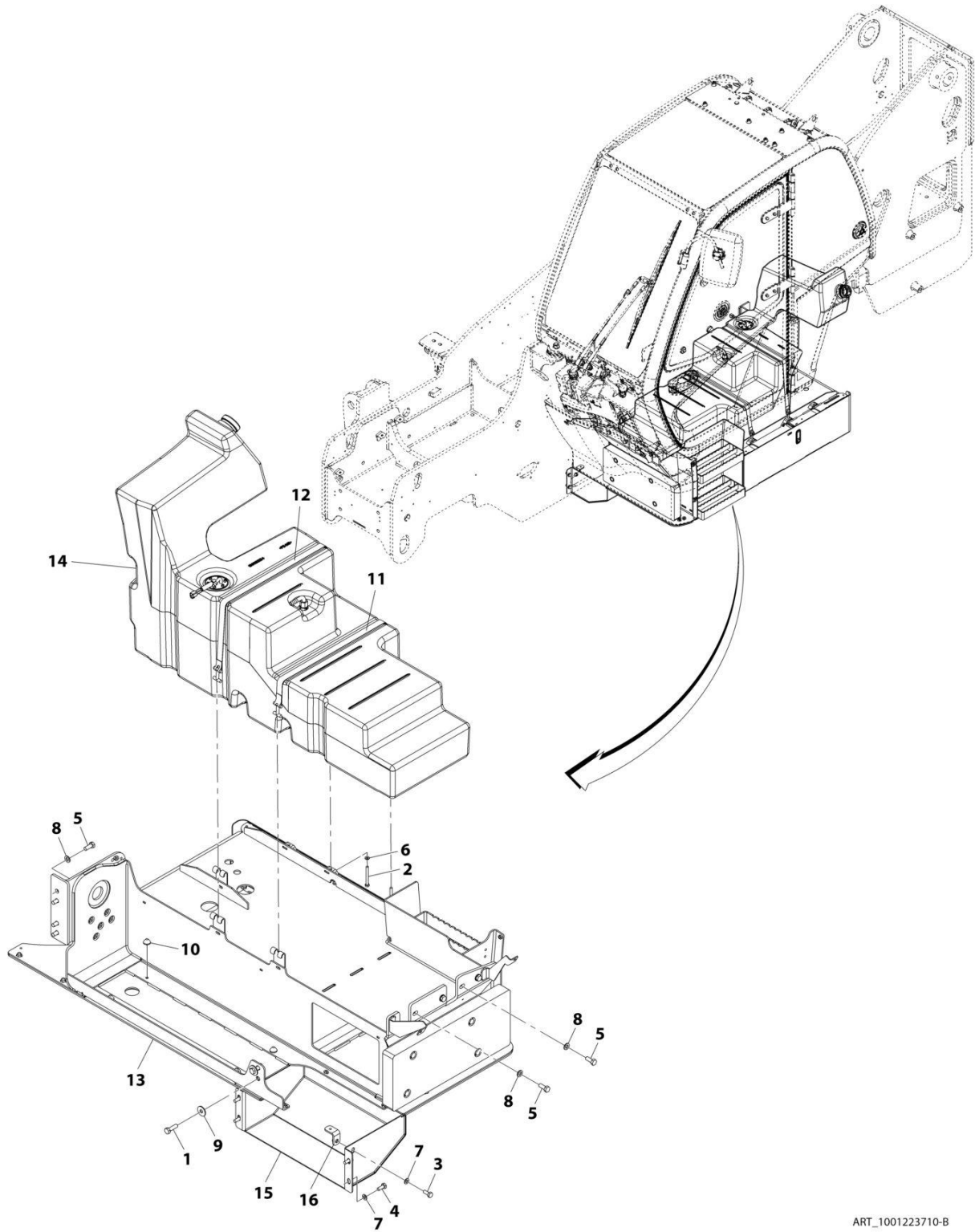
# SECTION 1 - FRAME AND ATTACHING PARTS

## FIGURE 1-27. FUEL TANK INSTALLATION

ITEM	PART NUMBER	QTY	DESCRIPTION	REV
	1001217932	Ref	Fuel Tank Installation	C
1	0700610	3	Bolt, M6X20	
2	0701216	2	Bolt, M12X40	
3	0760823	2	Bolt, M8X75	
4	0761214	8	Bolt, M12X30	
5	4811700	3	Washer, M6	
6	4811900	2	Washer, M8	
7	4812100	8	Washer, M12	
8	4812102	2	Washer, M12	
9	1001169454	4	Mount	
10	1001178474	1	Strap, Tank	
11	1001178693	1	Strap, Tank	
12	1001217933	Ref	Installation, Tank Support (See Separate Breakdown in this Section)	
13	1001192125	1	Assembly, Fuel Tank (See Separate Breakdown in this Section)	
14	1001197480	1	Plate	

# SECTION 1 - FRAME AND ATTACHING PARTS

FIGURE 1-28. FUEL TANK INSTALLATION (TUV)



ART\_1001223710-B



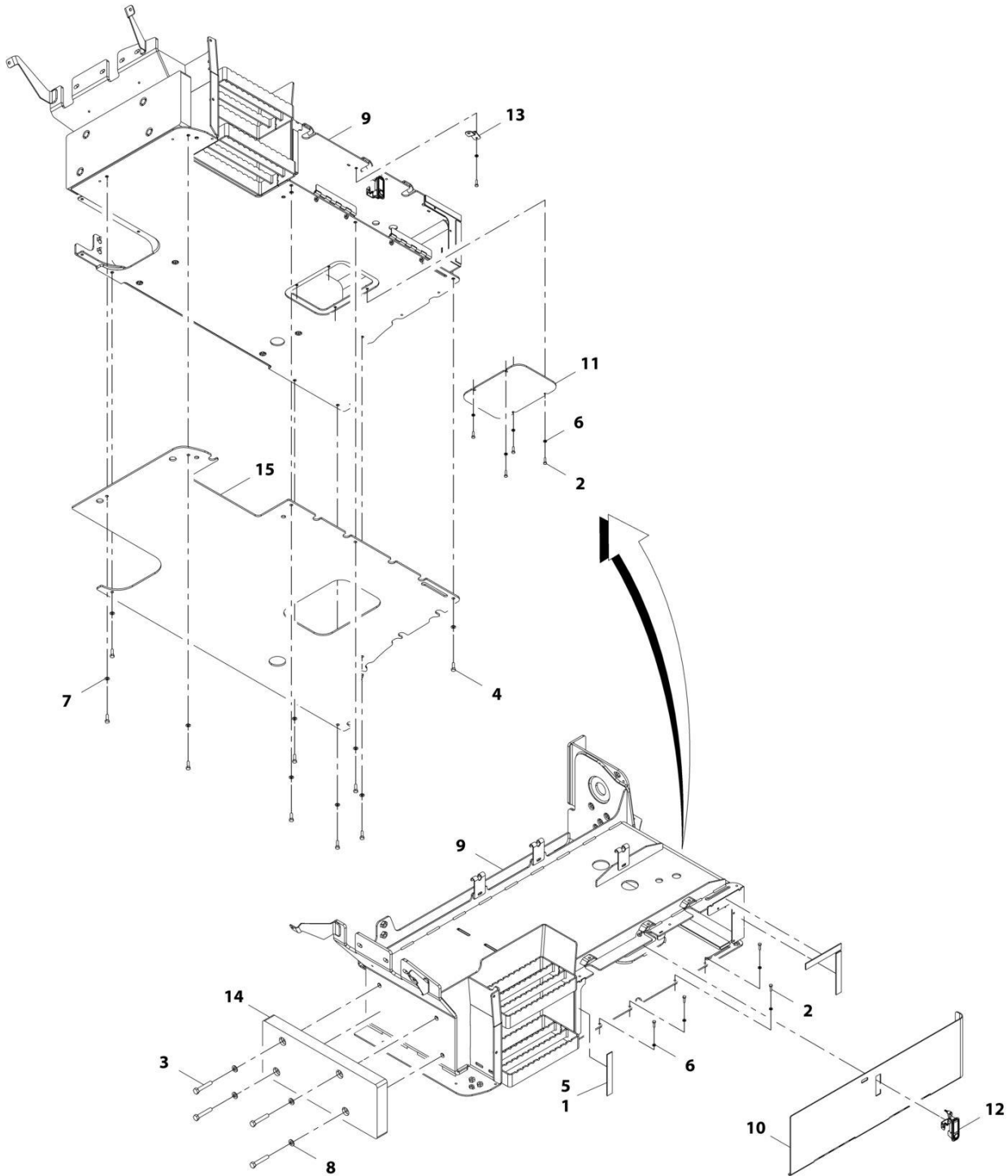
# SECTION 1 - FRAME AND ATTACHING PARTS

**FIGURE 1-28. FUEL TANK INSTALLATION (TUV)**

ITEM	PART NUMBER	QTY	DESCRIPTION	REV
	1001223710	Ref	Fuel Tank Installation (TUV)	B
1	0701216	2	Bolt, M12X40	
2	0760823	2	Bolt, M8X75	
3	0761010	1	Bolt, M10X20	
4	0761012	4	Bolt, M10X20	
5	0761214	8	Bolt, M12X30	
6	4811900	2	Washer, M8	
7	4812000	5	Washer, M10	
8	4812100	8	Washer, M12	
9	4812102	2	Washer, M12	
10	1001169454	4	Mount, Buffer	
11	1001178474	1	Strap, Tank	
12	1001178693	1	Strap, Tank	
13	1001217933	Ref	Installation, Tank Support (See Separate Breakdown in this Section)	
14	1001192125	1	Assembly, Fuel Tank (See Separate Breakdown in this Section)	
15	1001223870	1	Cover	
16	1001223911	1	Plate	

# SECTION 1 - FRAME AND ATTACHING PARTS

## FIGURE 1-29. TANK SUPPORT INSTALLATION



ART\_1001217933-D

# SECTION 1 - FRAME AND ATTACHING PARTS

## FIGURE 1-29. TANK SUPPORT INSTALLATION

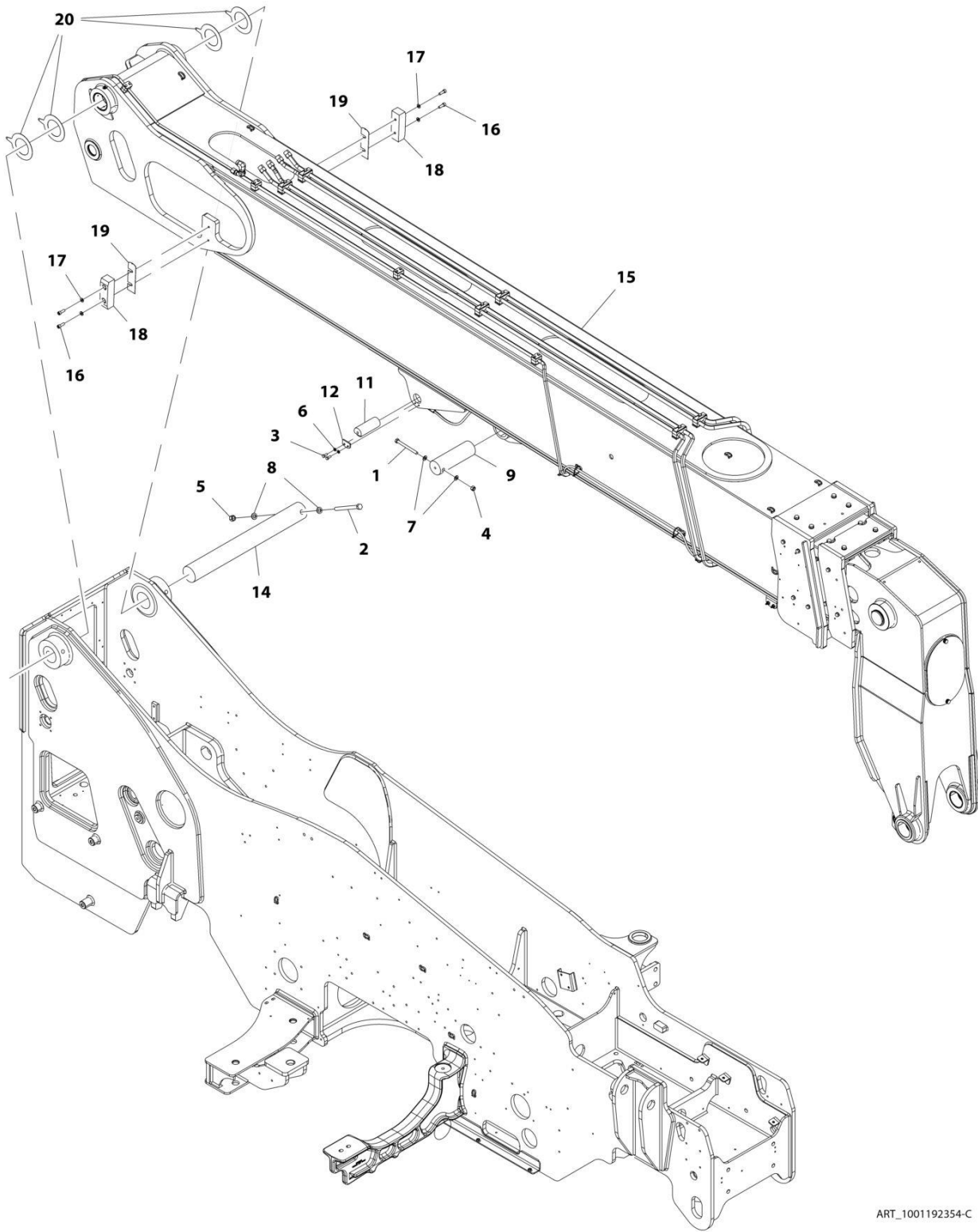
ITEM	PART NUMBER	QTY	DESCRIPTION	REV
	1001217933	Ref	Tank Support Installation	D
1	0100081	AR	Adhesive, Loctite	
2	0700610	9	Bolt, M6X20	
3	0701222	4	Bolt, M12X70	
4	0760812	9	Bolt, M8X25	
5	4280307	3	Strip, Rubber	
6	4811700	9	Washer, M6	
7	4811900	9	Washer, M8	
8	4812100	4	Washer, M12	
9	1001185931	1	Plate, Support	
10	1001185933	1	Cover	
11	1001185935	1	Cover	
12	1001189246	1	Latch	
13	1001197481	1	Plate, Padlock	
14	1001201588	1	Weight, Front Tank Support	
15	1001201589	1	Weight, Bottom Tank Support	



**SECTION 2 - BOOM**

# SECTION 2 - BOOM

## FIGURE 2-1. BOOM INSTALLATION



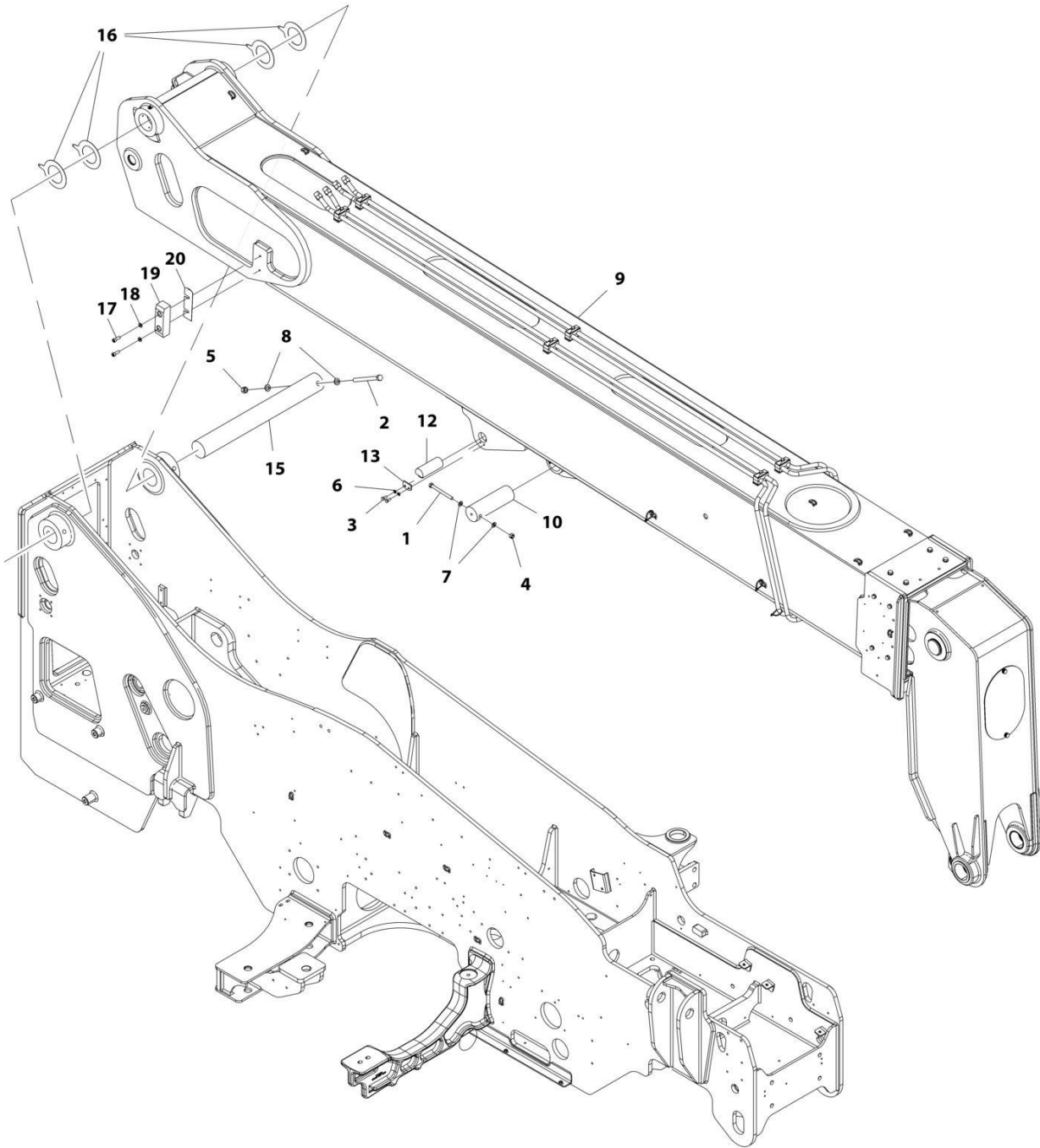
ART\_1001192354-C

FIGURE 2-1. BOOM INSTALLATION

ITEM	PART NUMBER	QTY	DESCRIPTION	REV
	1001192354	Ref	Boom Installation	C
1	0711230	1	Bolt, M12X130	
2	0711635	1	Bolt, M16X180	
3	0760810	2	Bolt, M8X20	
4	3291205	1	Nut, Lock M12X1.75	
5	3291605	1	Nut, Lock M16X2	
6	4811900	2	Washer, M8	
7	4812100	2	Washer, M12	
8	4812300	2	Washer, M16	
9	1001190254	1	Pin, Lift Cylinder	
11	1001190256	1	Pin, Compensation Cylinder	
12	1001190257	1	Plate, Pin Retainer	
14	1001190260	1	Pin, Boom Pivot	
15	1001211427	1	Assembly, Boom (See Separate Breakdown in this Section)	
16	4032010	4	Bolt, M10X30	
17	4812000	4	Washer, M10	
18	1001195655	2	Pad, M44X50X160	
19	1001219905	AR	Shim, M50X169X1	
20	1001219953	AR	Shim, Boom Pivot	

# SECTION 2 - BOOM

## FIGURE 2-2. BOOM INSTALLATION



ART\_1001192352-C

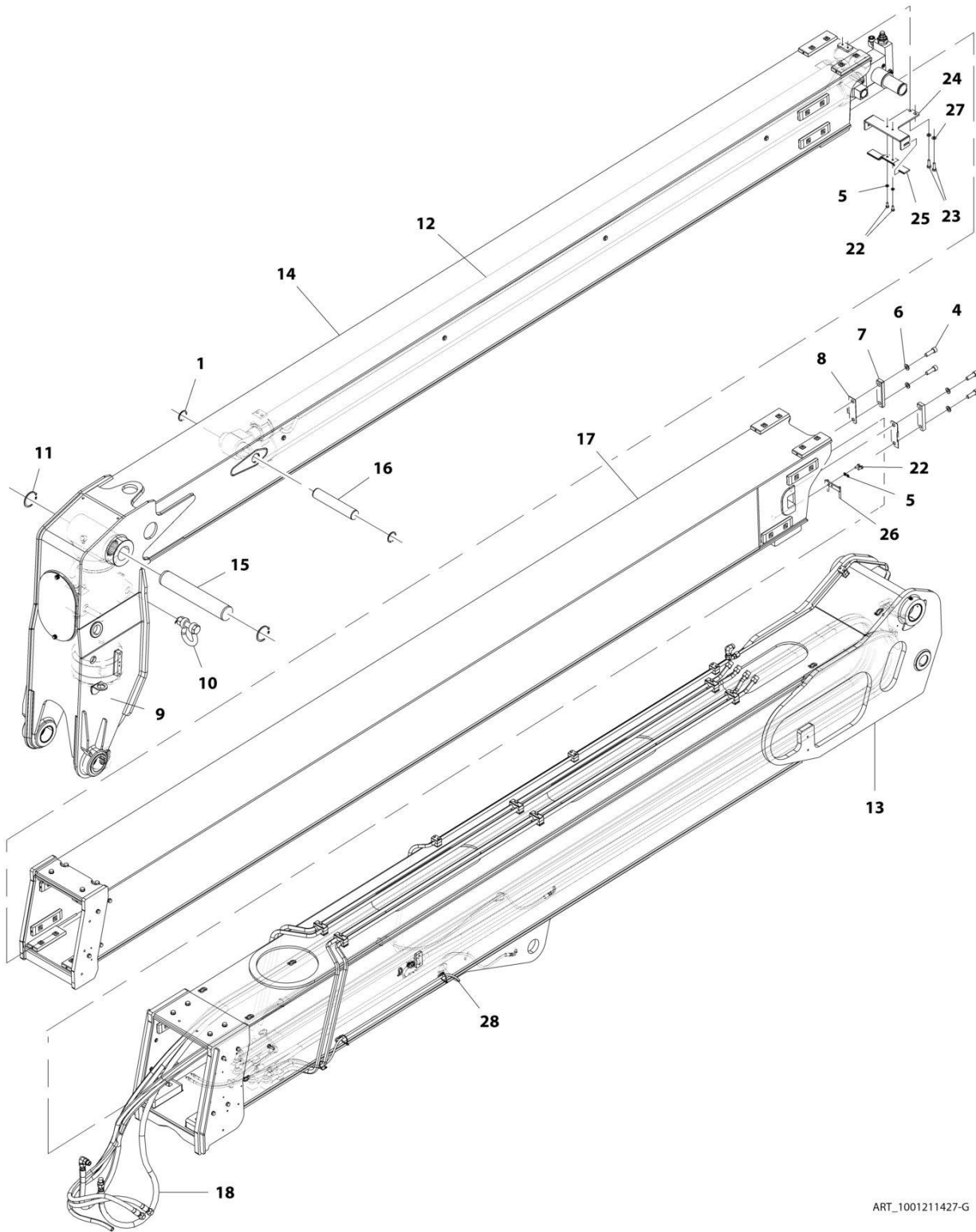


FIGURE 2-2. BOOM INSTALLATION

ITEM	PART NUMBER	QTY	DESCRIPTION	REV
	1001192352	Ref	Boom Installation	C
1	0701230	1	Bolt, M12X130	
2	0711635	1	Bolt, M16X180 Grade 10.9	
3	0760810	2	Bolt, M8X20	
4	3291205	1	Nut, Lock M12X1.75 Grade 8	
5	3291605	1	Nut, Lock M16X2 Grade 8	
6	4811900	2	Washer, M8	
7	4812100	2	Washer, M12	
8	4812300	2	Washer, M16	
9	1001174103	1	Assembly, Boom Section (See Separate Breakdown in this Section)	
10	1001190254	1	Pin	
12	1001190256	1	Pin	
13	1001190257	1	Plate	
15	1001190260	1	Pin	
16	1001219953	4	Shim	
17	4032010	4	Bolt, M10X30	
18	4812000	4	Washer, M10	
19	1001195655	2	Pad, M44X50X160	
20	1001219905	AR	Shim	

# SECTION 2 - BOOM

## FIGURE 2-3. BOOM ASSEMBLY



ART\_1001211427-G

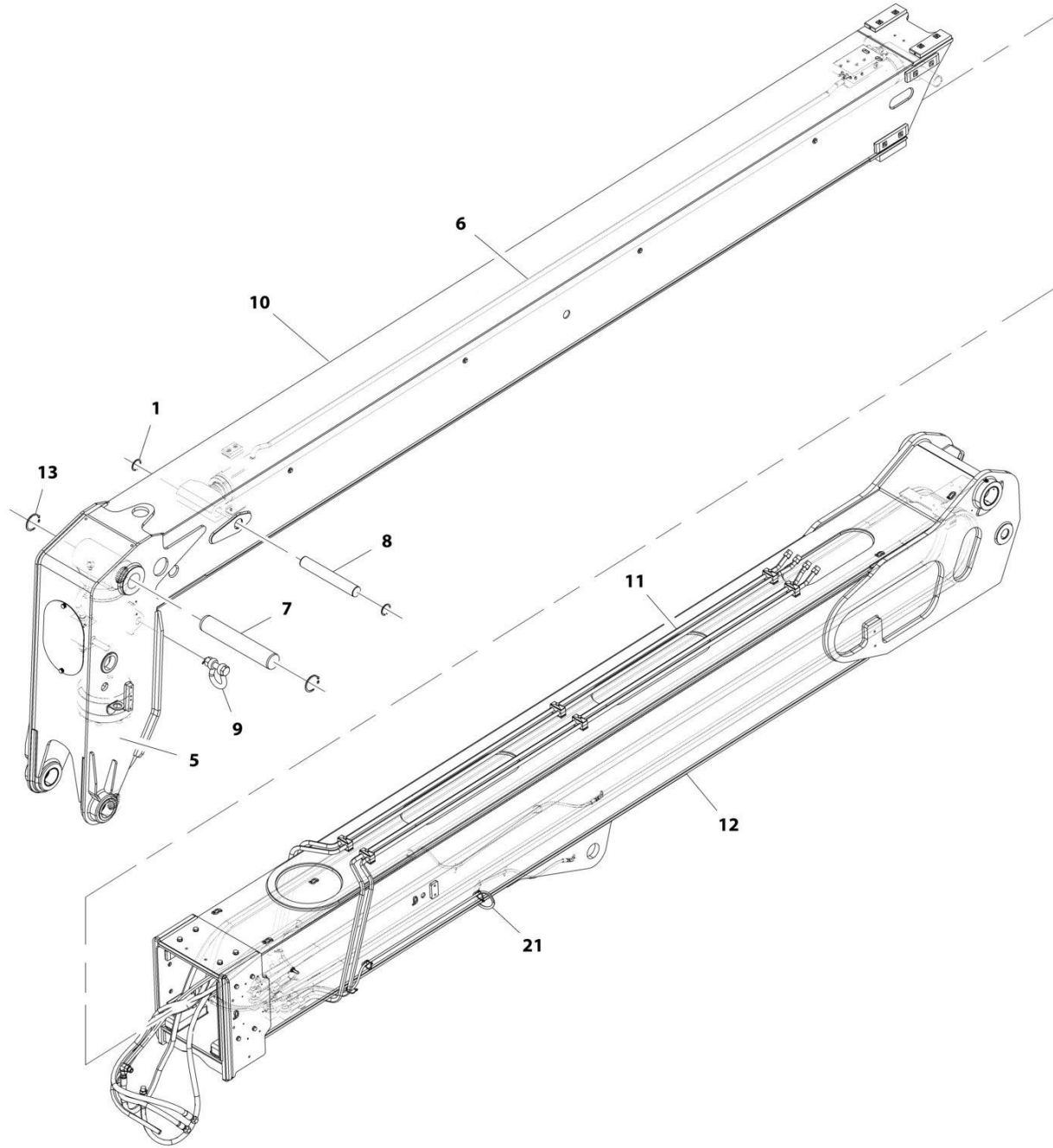
## SECTION 2 - BOOM

### FIGURE 2-3. BOOM ASSEMBLY

ITEM	PART NUMBER	QTY	DESCRIPTION	REV
	1001211427	Ref	Boom Assembly	G
1	314689	2	Ring, Retaining M50	
4	4032314	4	Bolt, M16X50	
5	4811900	4	Washer, M8	
6	4812300	4	Washer, M16	
7	1001213959	2	Plate, Clamp	
8	1001213961	2	Plate, Trunion Block Guide	
9	1001174812	1	Cylinder, Tilt (See Separate Breakdown in Hydraulic Components Section)	
10	1001191110	1	Shackle	
11	1001197262	2	Ring, Snap M75	
12	1001199325	Ref	Installation, Extend/Retract Cylinder (See Separate Breakdown in Hydraulic Components Section)	
13	1001201266	1	Assembly, First Boom Section (See Separate Breakdown in this Section)	
14	1001203985	1	Assembly, Third Boom Section (See Separate Breakdown in this Section)	
15	1001203989	1	Pin, Tilt	
16	1001203990	1	Pin, Extend/Retract	
17	1001204177	1	Assembly, Second Boom Section (See Separate Breakdown in this Section)	
18	1001205375	Ref	Installation, Boom Hydraulic (See Separate Breakdown in Hydraulic Circuit Section)	
22	0760810	4	Bolt, M8X20	
23	0711015	2	Bolt, M10X35	
24	1001230986	1	Support, Hose	
25	1001230967	1	Plate, Support	
26	1001213462	1	Support, Hose	
27	4812000	2	Washer, M10	
28	1001217353	Ref	Installation, Remote Grease (See Separate Breakdown in Hydraulic Circuit Section)	

# SECTION 2 - BOOM

## FIGURE 2-4. BOOM ASSEMBLY



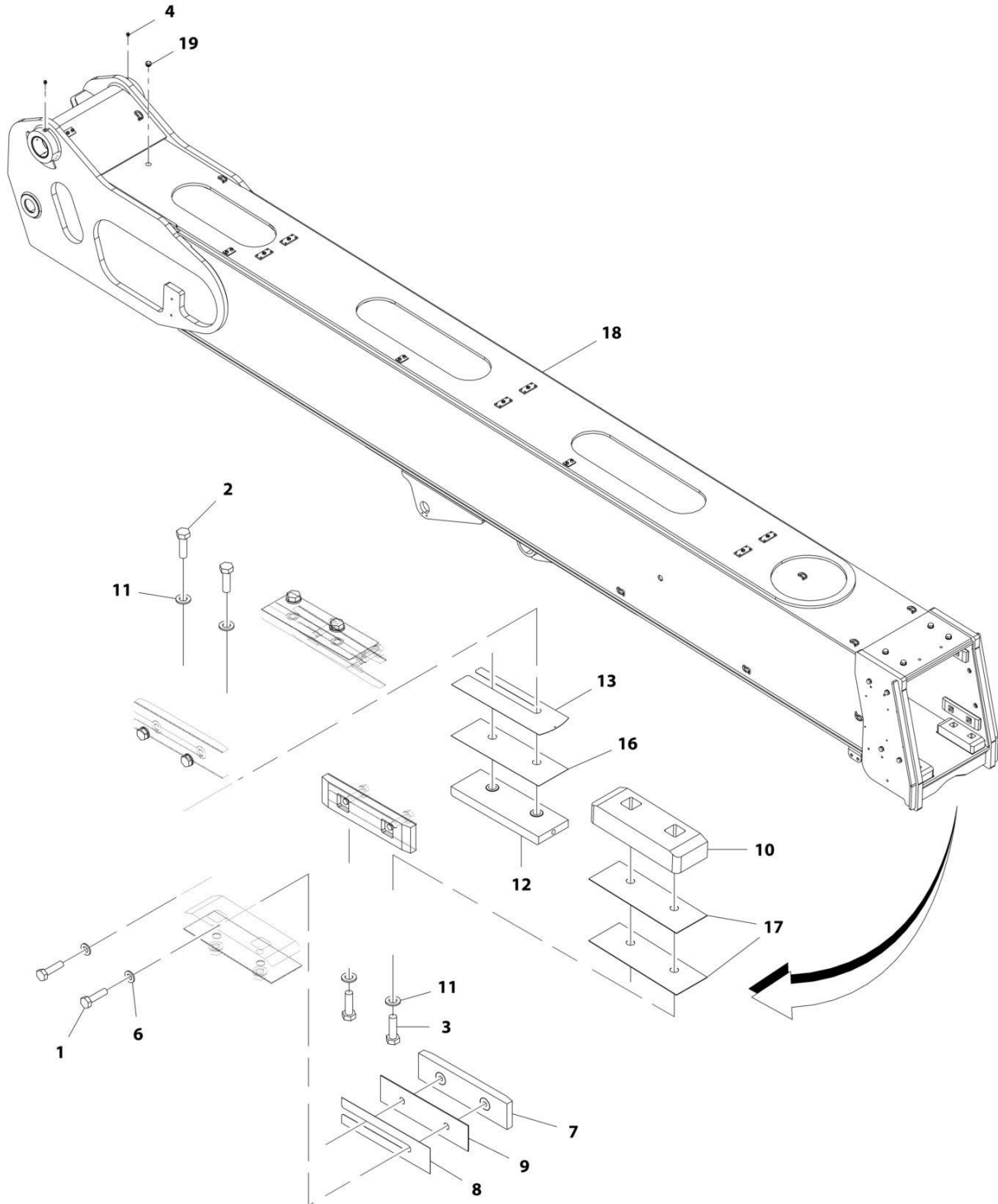
ART\_1001174103-E

FIGURE 2-4. BOOM ASSEMBLY

ITEM	PART NUMBER	QTY	DESCRIPTION	REV
	1001174103	Ref	Boom Assembly	E
1	314689	2	Ring, Retaining M50	
5	1001174812	1	Cylinder, Tilt (See Separate Breakdown in Hydraulic Components Section)	
6	1001178157	1	Cylinder, Inner Extend/Retract (See Separate Breakdown in Hydraulic Components Section)	
7	1001203989	1	Pin	
8	1001190253	1	Pin	
9	1001191110	1	Shackle, M25	
10	1001191752	1	Assembly, Boom Section (See Separate Breakdown in this Section)	
11	1001193100	1	Installation, Boom Hydraulic Tubes (See Separate Breakdown in Hydraulic Circuits Section)	
12	1001195636	1	Assembly, First Boom Section (See Separate Breakdown in this Section)	
13	1001197262	2	Ring, Retaining	
21	1001217352	1	Installation, Boom Remote Grease (See Separate Breakdown in Hydraulic Circuits Section)	

# SECTION 2 - BOOM

## FIGURE 2-5. FIRST BOOM SECTION ASSEMBLY



ART\_1001201266-G

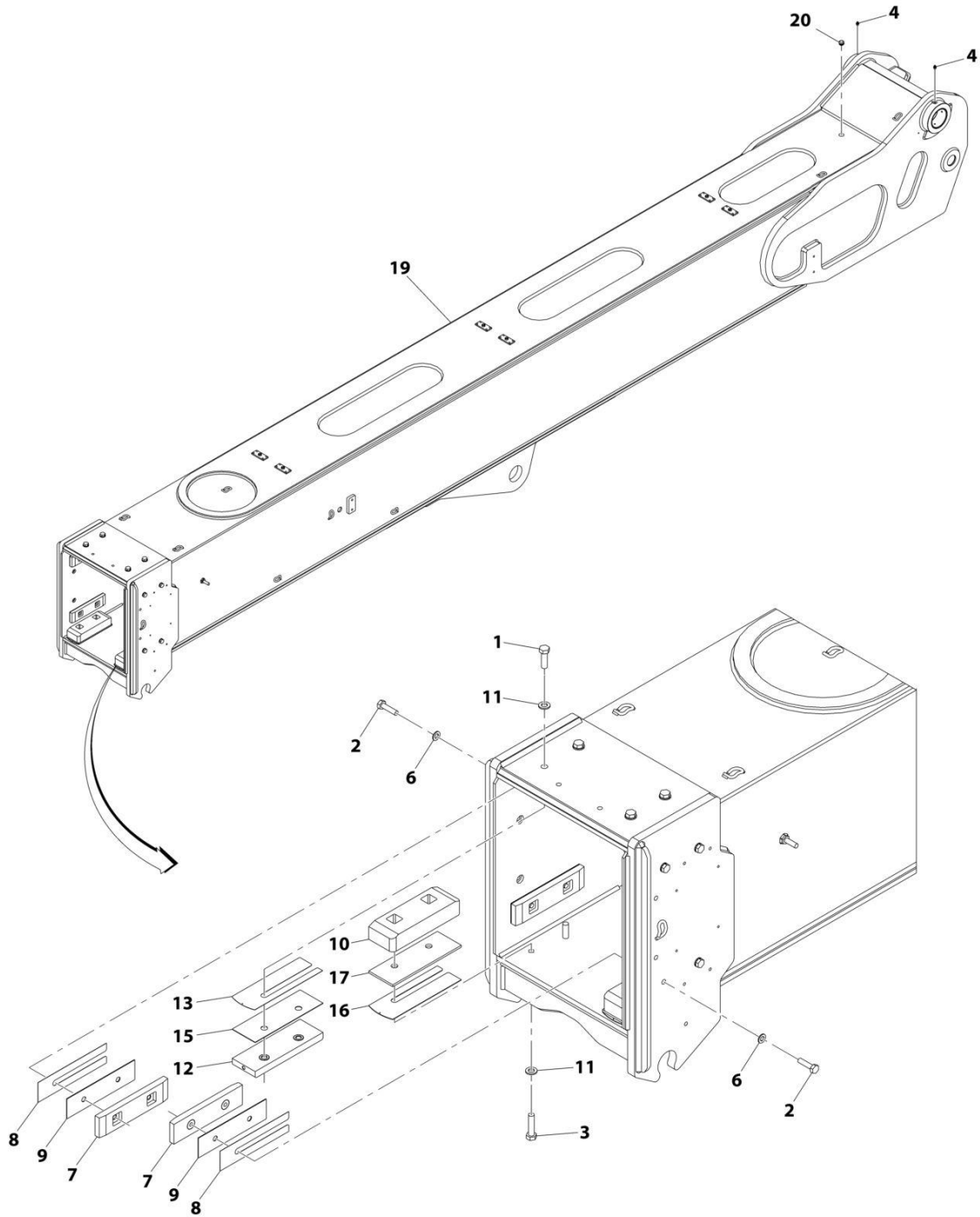
## SECTION 2 - BOOM

**FIGURE 2-5. FIRST BOOM SECTION ASSEMBLY**

ITEM	PART NUMBER	QTY	DESCRIPTION	REV
	1001201266	Ref	First Boom Section Assembly	G
1	0711017	8	Bolt, M10X45	
2	0711216	4	Bolt, M12X40	
3	0711217	4	Bolt, M12X45	
4	2160016	2	Fitting, Grease	
6	4812000	AR	Washer, M10	
7	8002200	4	Pad, M15X50X200	
8	8008640	AR	Shim, M50X200X0.5	
9	1001003031	4	Shim, M50X198X1.5	
10	1001227337	2	Pad, M70X200X39	
11	1001125117	AR	Washer, M12	
12	1001227334	2	Pad, Wear	
13	1001195194	AR	Shim, M67X204X0.5	
16	1001195737	2	Shim	
17	1001201269	AR	Shim, M70X200X1	
18	1001201267J	1	Weldment, Boom	
19	3520193	1	Plug	

# SECTION 2 - BOOM

## FIGURE 2-6. FIRST BOOM SECTION ASSEMBLY



ART\_1001195636-H



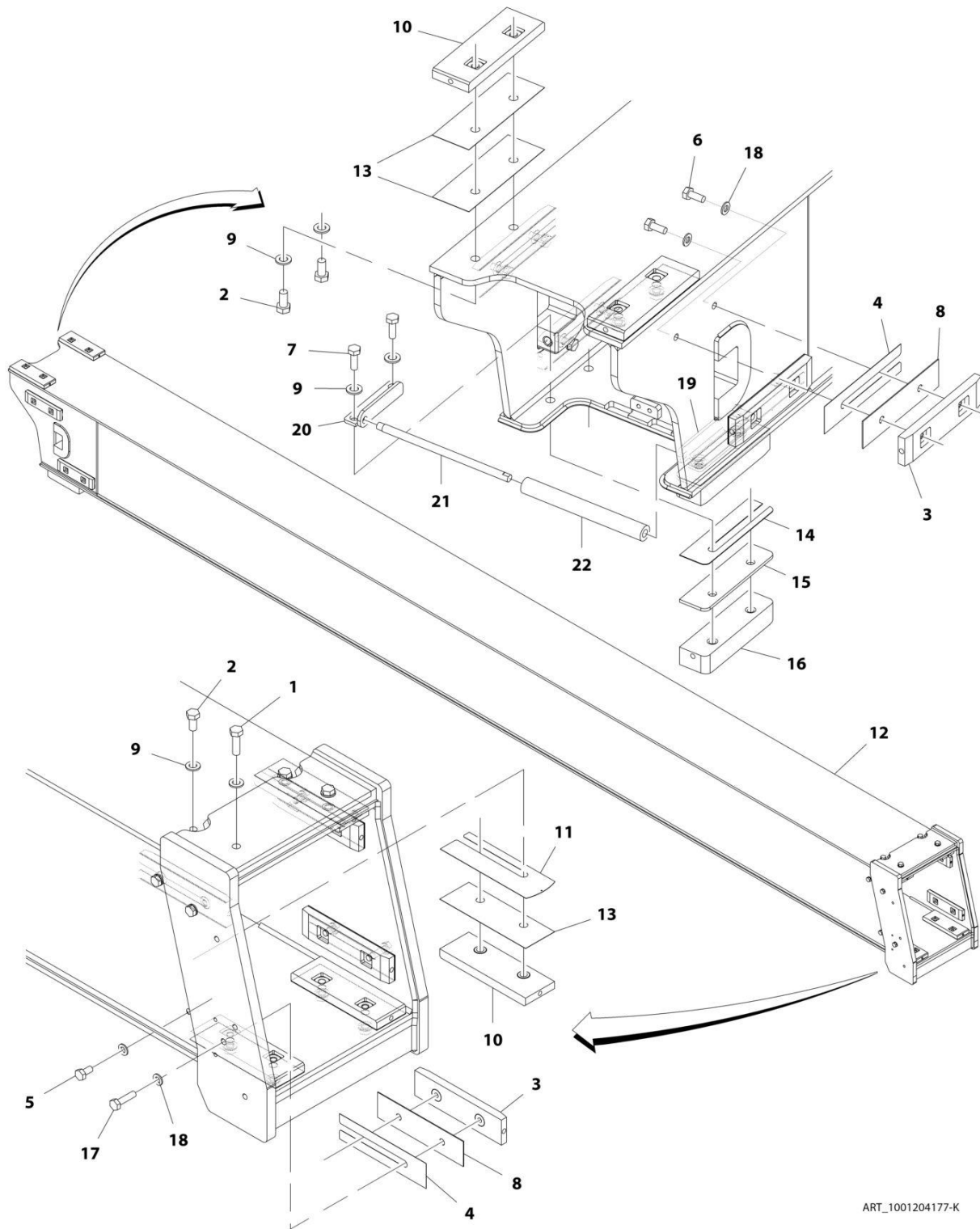
## SECTION 2 - BOOM

**FIGURE 2-6. FIRST BOOM SECTION ASSEMBLY**

ITEM	PART NUMBER	QTY	DESCRIPTION	REV
	1001195636	Ref	First Boom Section Assembly	H
1	0711216	4	Bolt, M12X40 Grade 10.9	
2	0711016	8	Bolt, M10X40 Grade 10.9	
3	0711218	4	Bolt, M12X50 Grade 10.9	
4	2160016	2	Fitting, Grease	
6	4812000	AR	Washer, M10	
7	8002200	4	Pad	
8	8008640	AR	Shim	
9	1001003031	4	Shim	
10	1001227337	2	Pad	
11	1001125117	AR	Washer, M12	
12	1001227334	2	Pad	
13	1001195194	AR	Shim	
15	1001195737	2	Shim	
16	1001195738	AR	Shim	
17	1001195739	2	Shim	
19	1001195637J	1	Boom	
20	3520193	1	Plug	

# SECTION 2 - BOOM

## FIGURE 2-7. SECOND BOOM SECTION ASSEMBLY



ART\_1001204177-K

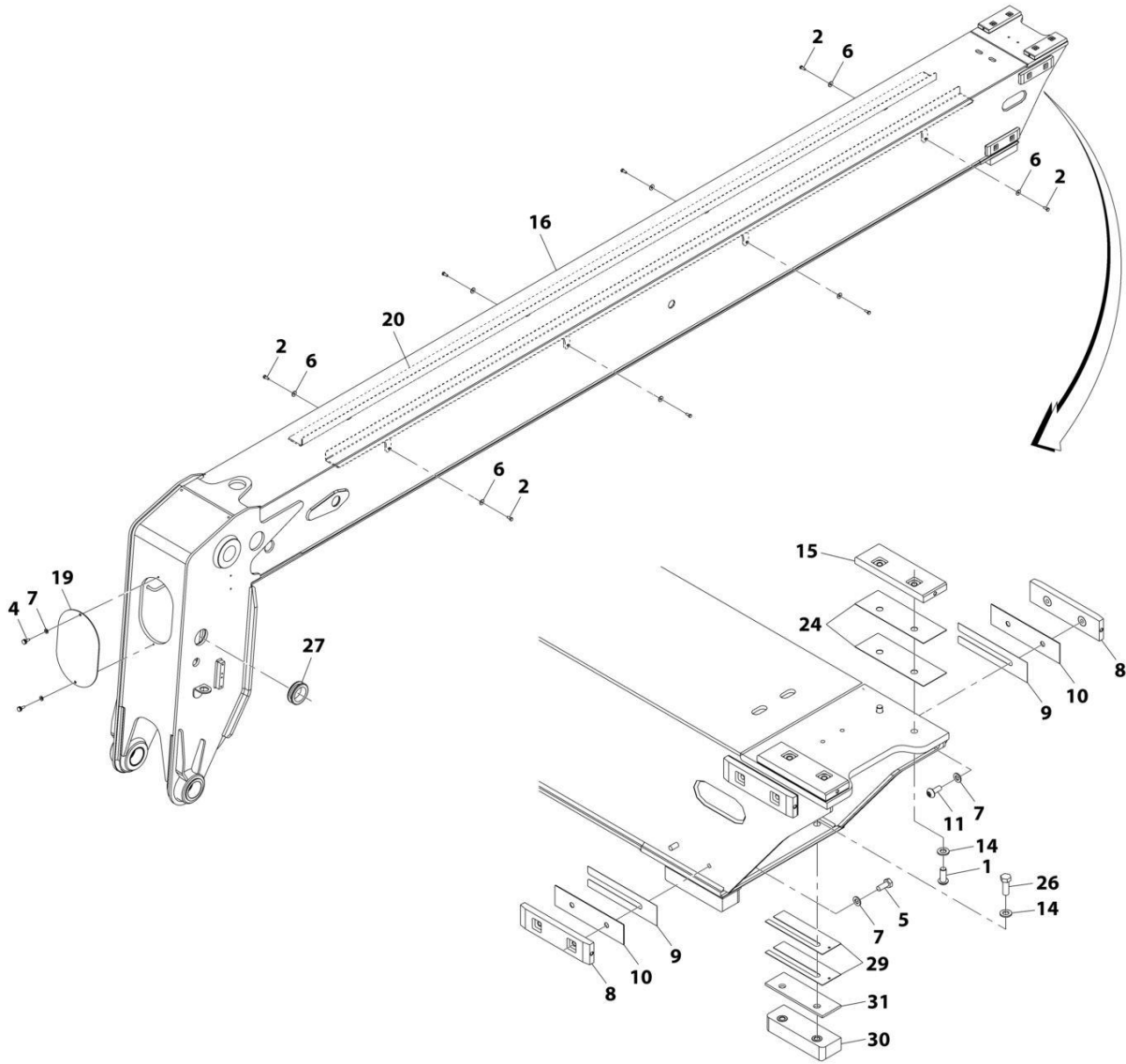
## SECTION 2 - BOOM

### FIGURE 2-7. SECOND BOOM SECTION ASSEMBLY

ITEM	PART NUMBER	QTY	DESCRIPTION	REV
	1001204177	Ref	Second Boom Section Assembly	K
1	0711216	4	Bolt, M12X40 Grade 10.9	
2	0771212	8	Bolt, M12X25 Grade 10.9	
3	8002200	8	Pad, M15X50X200	
4	8008640	AR	Shim, M50X200X0.5	
5	0771010	4	Bolt, M10X20 Grade 10.9	
6	0771012	8	Bolt, M10X25 Grade 10.9	
7	0711215	4	Bolt, M12X35 Grade 10.9	
8	1001003031	8	Shim, M50X198X1.5	
9	1001125117	AR	Washer, M12	
10	1001227334	6	Pad, M34X54X165	
11	1001195194	AR	Shim, M0.5X67X204	
12	1001204178	1	Boom, Second	
13	1001195737	AR	Shim	
14	1001204198	AR	Shim, M1X49X181	
15	1001204199	2	Shim, M49X181X5	
16	1001204200	2	Pad, M35X49X181	
17	0711016	4	Bolt, M10X40 Grade 10.9	
18	4812000	AR	Washer, M10	
19	1001223902	1	Bracket, RH	
20	1001223920	1	Bracket, LH	
21	1001223948	1	Pin	
22	1001223983	1	Roller	

# SECTION 2 - BOOM

## FIGURE 2-8. SECOND BOOM SECTION ASSEMBLY



ART\_1001191752-L

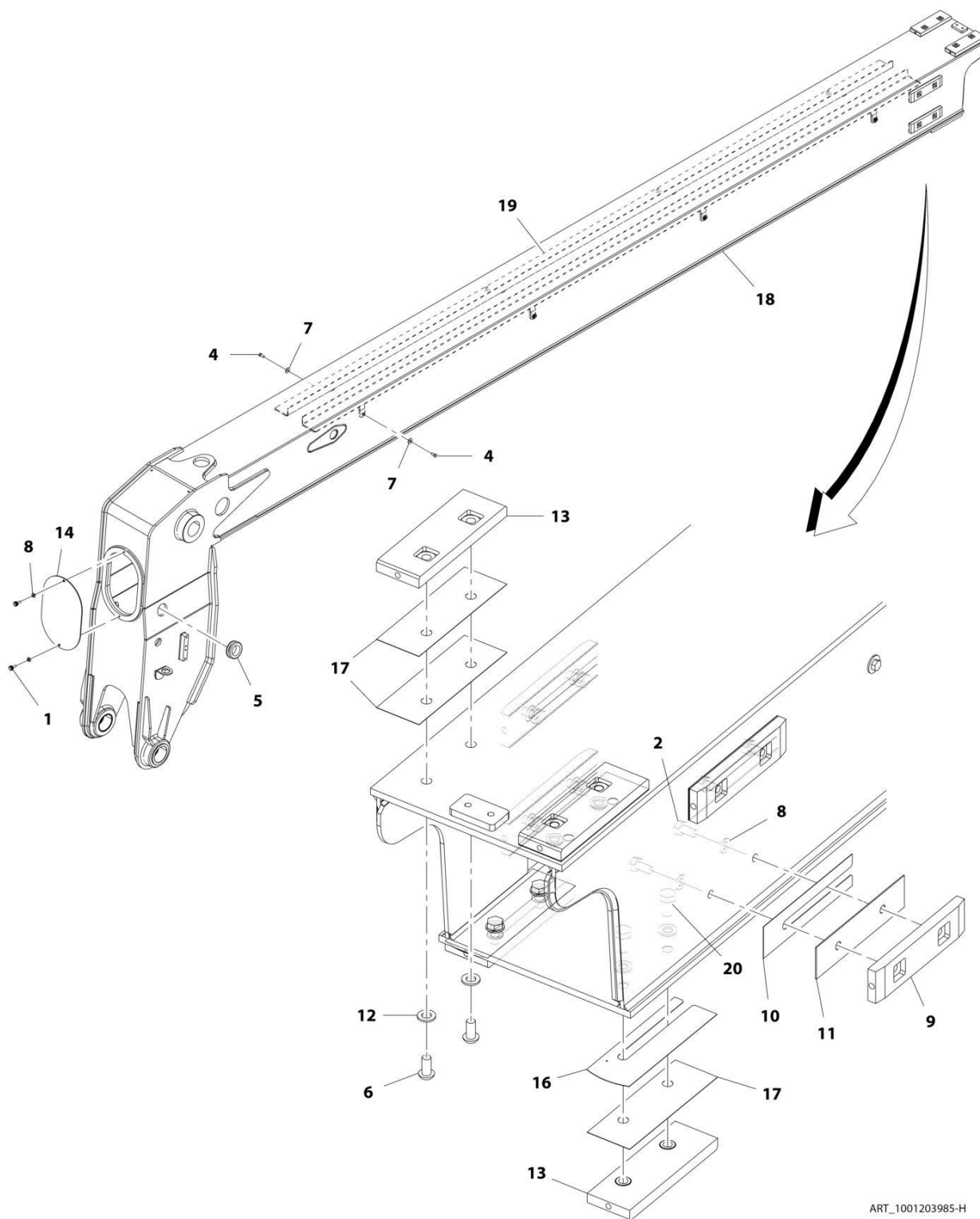
## SECTION 2 - BOOM

**FIGURE 2-8. SECOND BOOM SECTION ASSEMBLY**

ITEM	PART NUMBER	QTY	DESCRIPTION	REV
	1001191752	Ref	Second Boom Section Assembly	L
1	1001229056	1	Screw, M12X30	
2	0760810	8	Bolt, M8X20	
4	1001161439	2	Screw	
5	0771012	4	Bolt, M10X25 Grade 10.9	
6	4811902	8	Washer, M8	
7	4812000	AR	Washer, M10	
8	8002200	4	Pad	
9	8008640	AR	Shim	
10	1001003031	4	Shim	
11	1001009325	4	Screw	
14	1001125117	AR	Washer, M12	
15	1001227334	2	Pad	
16	1001191753	1	Boom	
19	1001191789	1	Plate	
20	1001203987	2	Bracket	
24	1001195737	4	Shim	
26	0711215	4	Bolt, M12X35 Grade 10.9	
27	1001028415	1	Grommet	
29	1001163104	AR	Plate	
30	1001165175	2	Pad	
31	1001215464	2	Shim	

# SECTION 2 - BOOM

## FIGURE 2-9. THIRD BOOM SECTION ASSEMBLY



ART\_1001203985-H

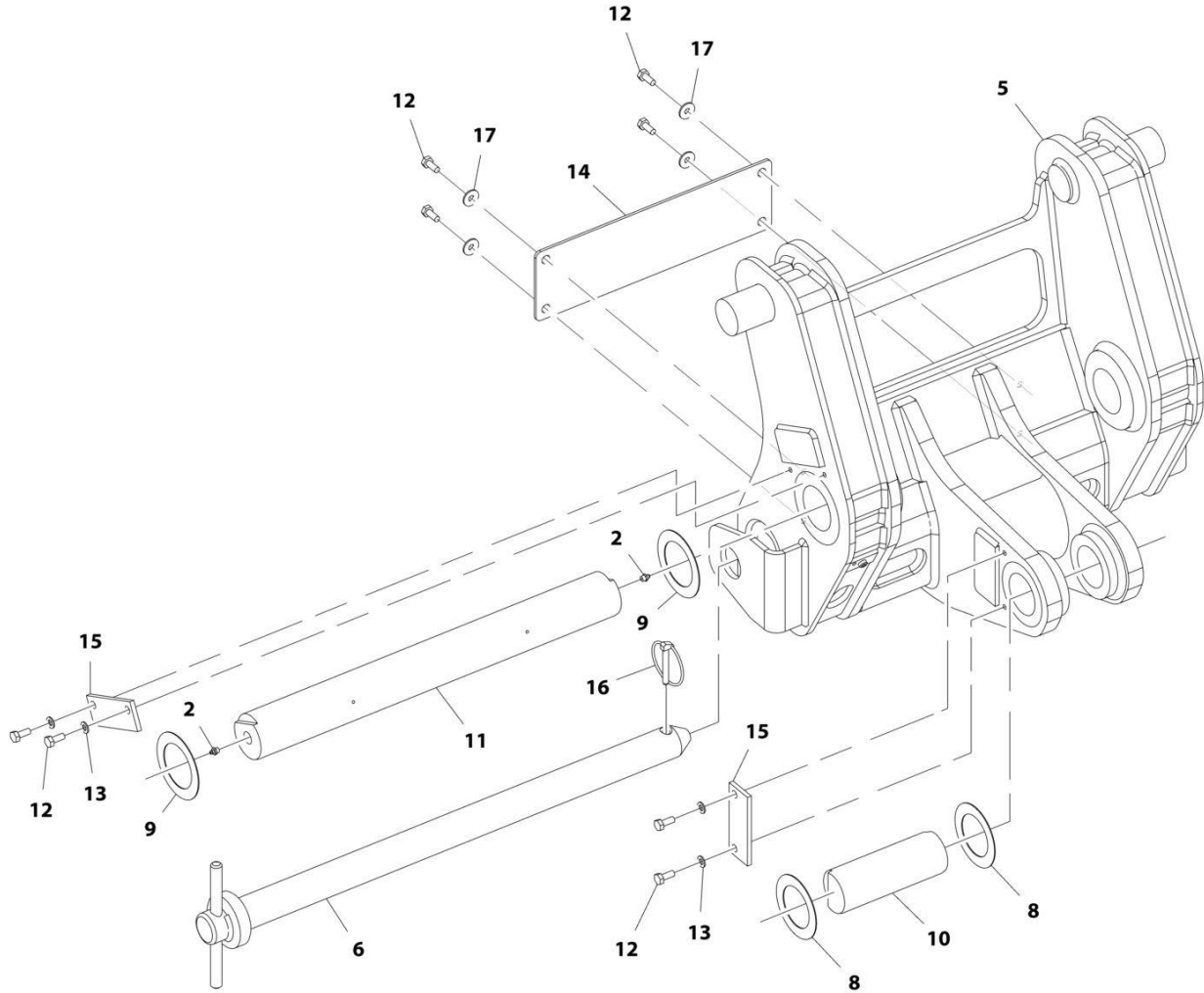
## SECTION 2 - BOOM

**FIGURE 2-9. THIRD BOOM SECTION ASSEMBLY**

ITEM	PART NUMBER	QTY	DESCRIPTION	REV
	1001203985	Ref	Third Boom Section Assembly	1
1	1001250708	1	Bolt M8 x 20	
2	0771010	8	Bolt, M10X20 Grade 10.9	
4	0760810	8	Bolt, M8X20	
5	1001188971	1	Grommet	
6	1001229057	4	Screw, M12X25	
7	4811902	8	Washer, M8	
8	4812000	AR	Washer, M10	
9	8002200	4	Pad, M15X50X200	
10	8008640	AR	Shim, M50X200X0.5	
11	1001003031	4	Shim, M50X198X1.5	
12	1001125117	AR	Washer, M12	
13	1001227334	4	Pad	
14	1001191789	1	Plate, Boom Front Cover	
16	1001195194	AR	Shim, M0.5X67X204	
17	1001195737	AR	Shim	
18	1001203986	1	Weldment, Third Boom Section	
19	1001203987	2	Bracket, Hose Support Tray	
20	0771212	4	Bolt, M12X25	

# SECTION 2 - BOOM

## FIGURE 2-10. COUPLER INSTALLATION (MANUAL)



ART\_1001174104-G

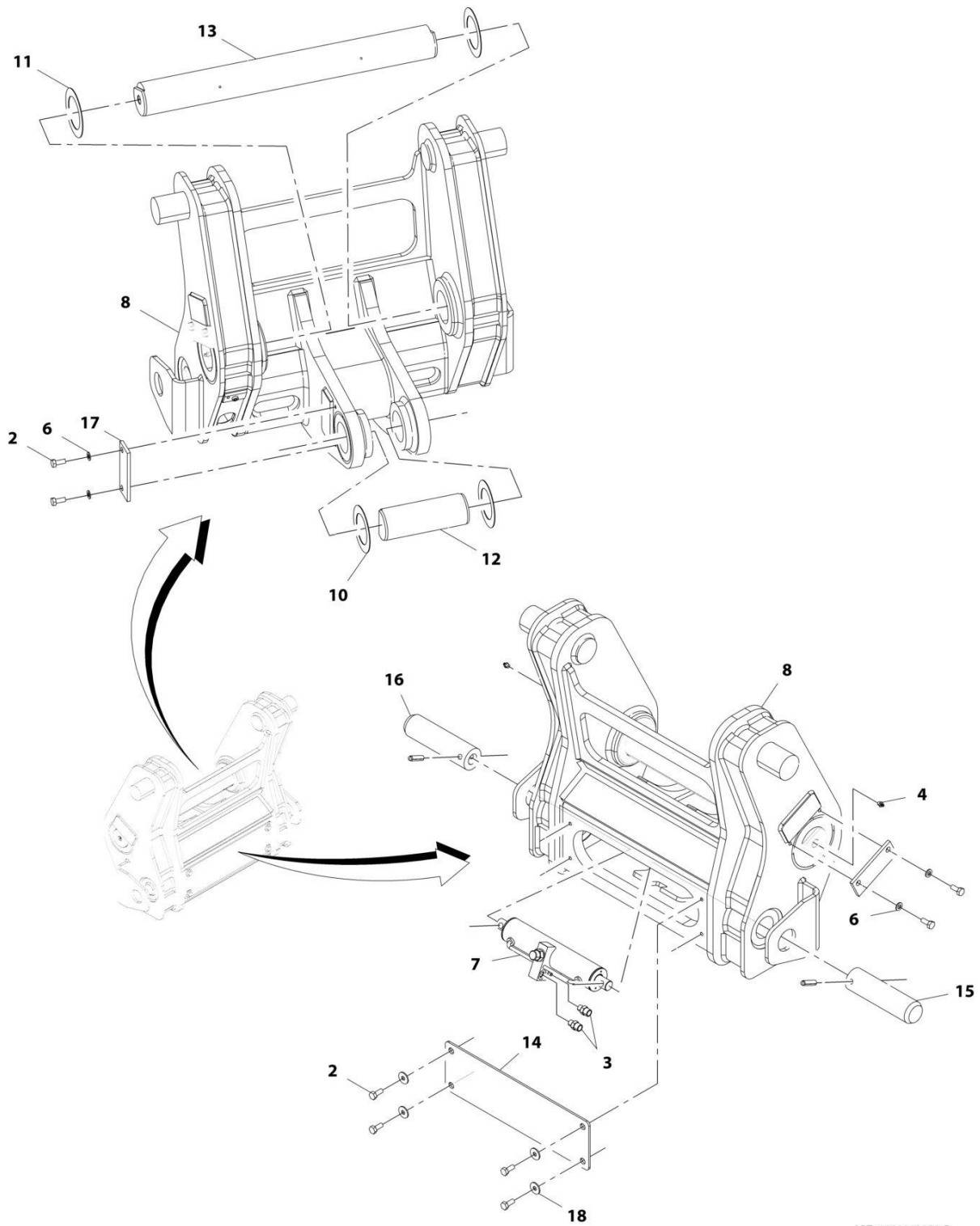


FIGURE 2-10. COUPLER INSTALLATION (MANUAL)

ITEM	PART NUMBER	QTY	DESCRIPTION	REV
	1001174104	Ref	Coupler Installation (Manual)	G
2	2160016	2	Fitting, Grease	
5	1001187820	1	Coupling, Manual	
6	1001187821	1	Pin	
8	1001187847	AR	Shim	
9	1001187848	AR	Shim	
10	1001190250	1	Pin, Tilt	
11	1001190264	1	Pin	
12	0761012	8	Bolt, M10X25	
13	4812000	4	Washer, M10	
14	1001200393	1	Plate, Front Cover	
15	1001210326	2	Plate	
16	1001003803	1	Pin	
17	4812002	4	Washer, M10	

# SECTION 2 - BOOM

## FIGURE 2-11. COUPLER INSTALLATION (HYDRAULIC)



ART\_1001192358-D

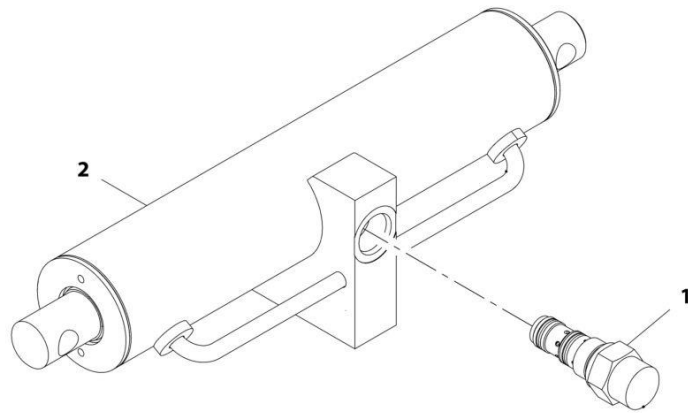
## SECTION 2 - BOOM

### FIGURE 2-11. COUPLER INSTALLATION (HYDRAULIC)

ITEM	PART NUMBER	QTY	DESCRIPTION	REV
	1001192358	Ref	Coupler Installation (Hydraulic)	D
2	0761012	8	Bolt, M10X25	
3	2110606	2	Fitting, Straight ORFS	
4	2160016	2	Fitting, Grease	
6	4812000	4	Washer, M10	
7	1001145391	1	Assembly, Coupler Locking Cylinder (See Separate Breakdown in this Section)	
8	1001187820	1	Carriage	
10	1001187847	AR	Shim, M76X115X1.5	
11	1001187848	AR	Shim, M81X120X1.5	
12	1001190250	1	Pin, Tilt	
13	1001190264	1	Pin, Coupler	
14	1001200393	1	Plate, Front Cover	
15	1001200395	2	Pin	
16	1001184610	2	Pin	
17	1001210326	2	Plate, Pin Retention	
18	4812002	4	Washer, M10	

## SECTION 2 - BOOM

FIGURE 2-12. COUPLER LOCKING CYLINDER ASSEMBLY



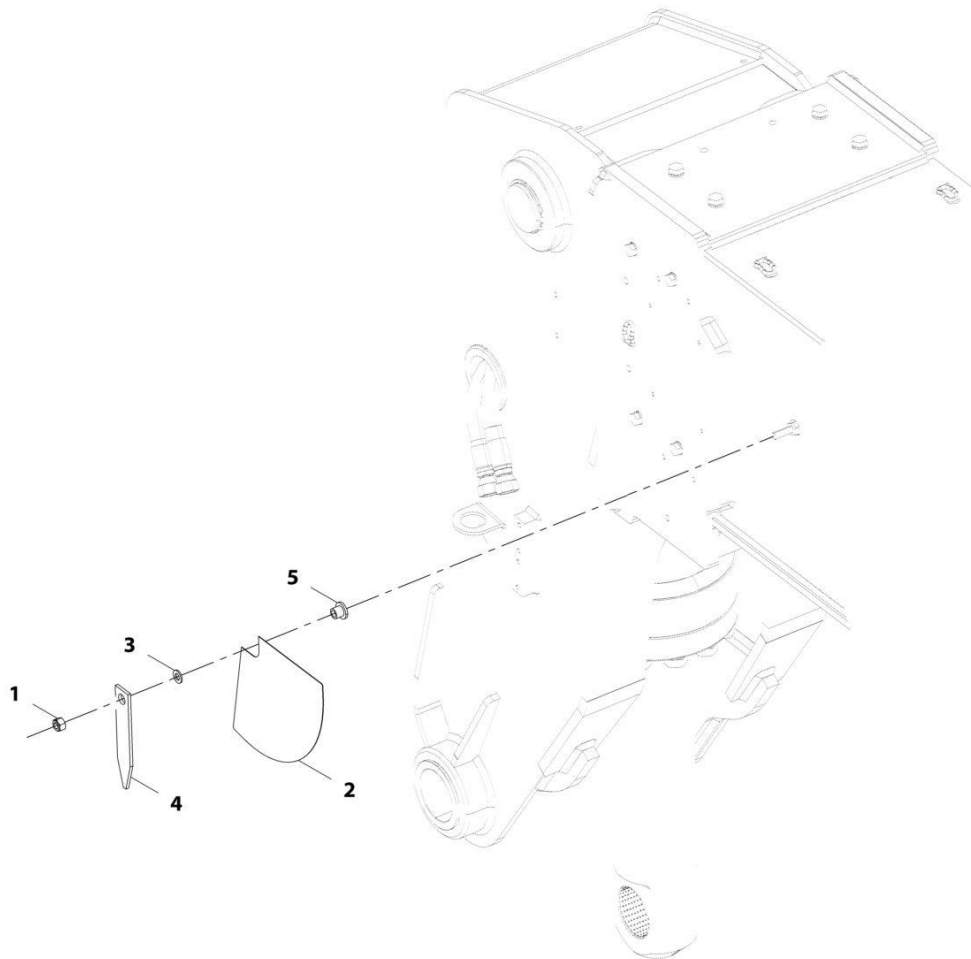
ART\_1001145391-A

**FIGURE 2-12. COUPLER LOCKING CYLINDER ASSEMBLY**

ITEM	PART NUMBER	QTY	DESCRIPTION	REV
	1001145391	Ref	Coupler Locking Cylinder Assembly	A
1	1001007056	1	Valve, Check	
2	1001145390	1	Cylinder, Coupler Locking (See Separate Breakdown in Hydraulic Components Section)	

## SECTION 2 - BOOM

FIGURE 2-13. BOOM ANGLE INDICATOR INSTALLATION (LS - AUS)



ART\_1001192364-A

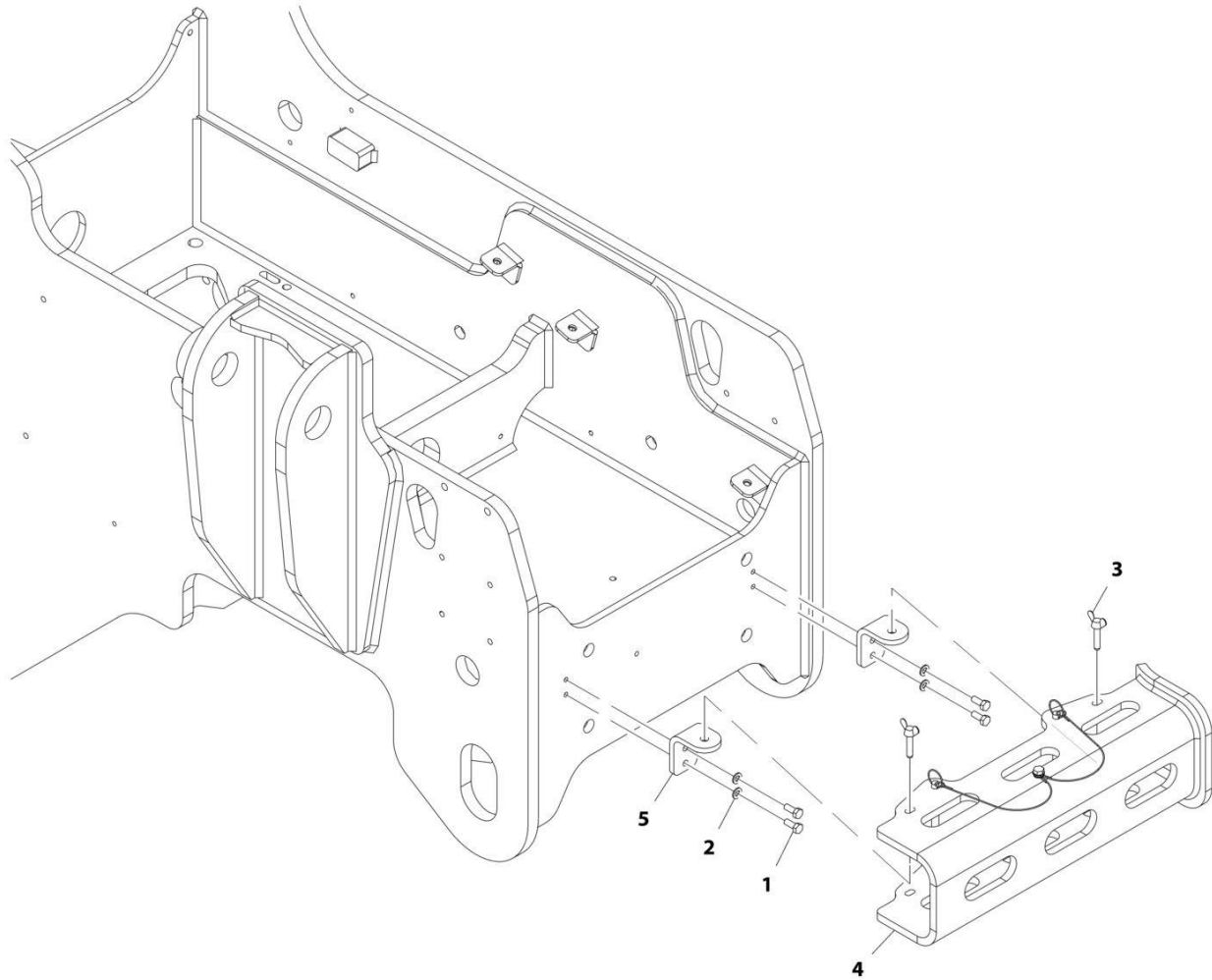
## SECTION 2 - BOOM

**FIGURE 2-13. BOOM ANGLE INDICATOR INSTALLATION (LS - AUS)**

ITEM	PART NUMBER	QTY	DESCRIPTION	REV
	1001192364	Ref	Boom Angle Indicator Installation	A
1	3291005	1	Nut, Lock M10X1.5	
2	4105262	1	Decal, Boom Angle Indicator	
3	4812000	1	Washer, M10	
4	1001098769	1	Plate, Boom Angle Indicator	
5	1001171808	1	Spacer	

## SECTION 2 - BOOM

FIGURE 2-14. BOOM PROP INSTALLATION



ART\_1001174419-C

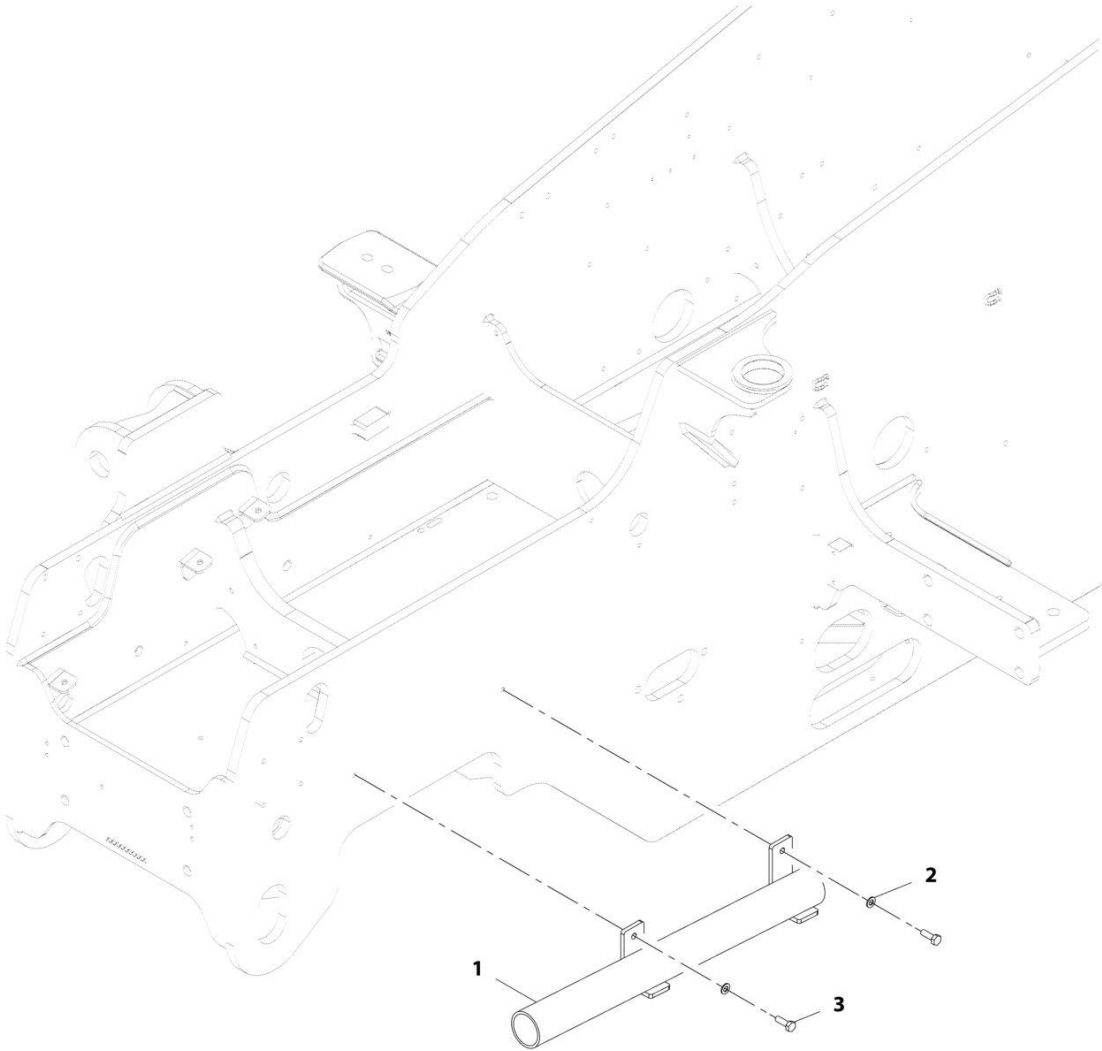


FIGURE 2-14. BOOM PROP INSTALLATION

ITEM	PART NUMBER	QTY	DESCRIPTION	REV
	1001174419	Ref	Boom Prop Installation	C
1	0760810	4	Bolt, M8X20	
2	4811900	4	Washer, M8	
3	1001228860	2	Bolt, Wing M8X30	
4	1001191035	1	Bracket, Boom Prop (See Separate Breakdown in this Section)	
5	1001193887	2	Bracket	

**SECTION 2 - BOOM**

**FIGURE 2-15. MANUAL COUPLER PIN HOLDER INSTALLATION**



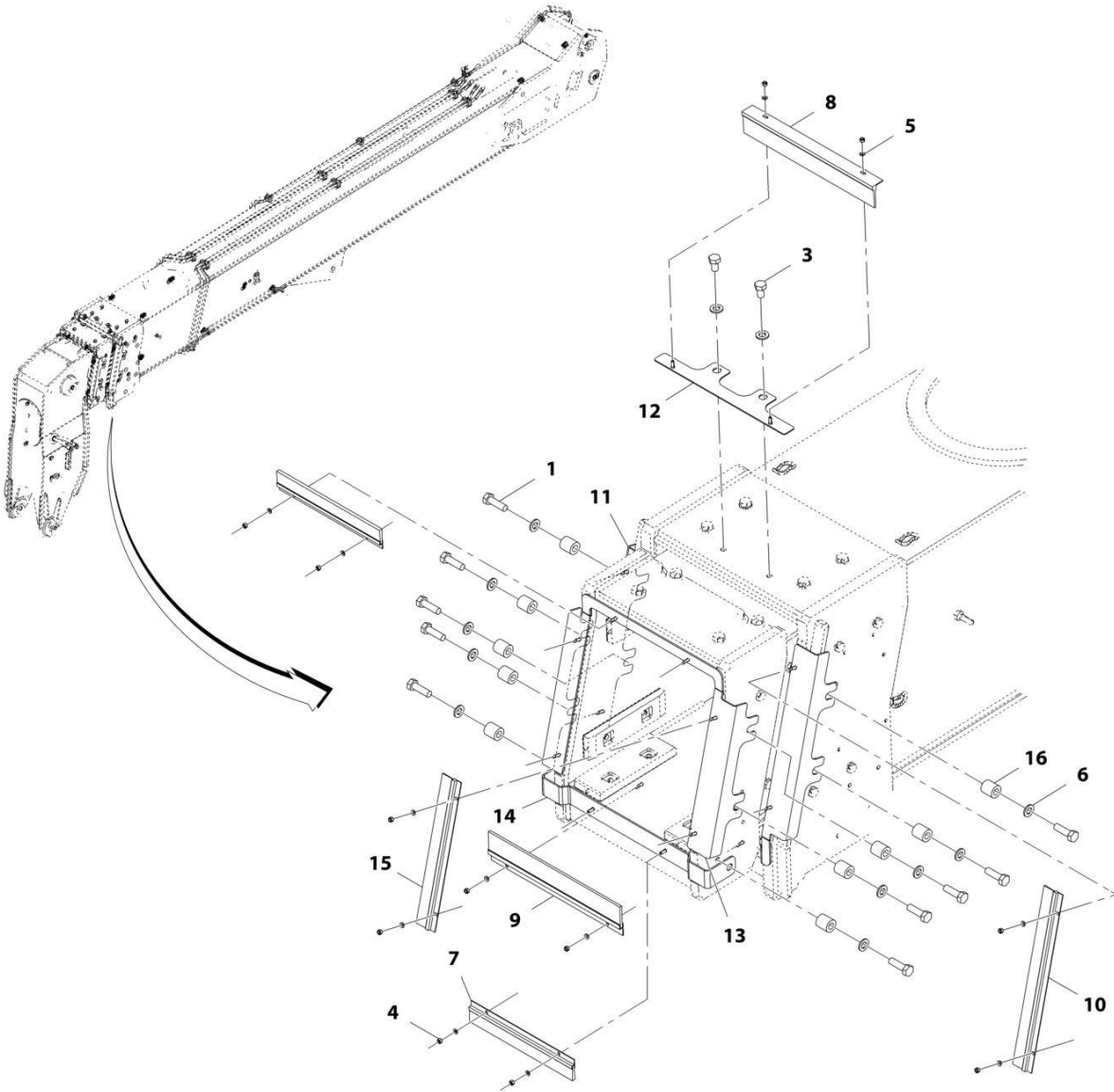
ART\_1001220641-A

**FIGURE 2-15. MANUAL COUPLER PIN HOLDER INSTALLATION**

<b>ITEM</b>	<b>PART NUMBER</b>	<b>QTY</b>	<b>DESCRIPTION</b>	<b>REV</b>
	1001220641	Ref	Manual Coupler Pin Holder Installation	A
1	1001220248	1	Bracket, Pin Holder	
2	4812000	2	Washer, M10	
3	0701014	2	Bolt, M10X30	

# SECTION 2 - BOOM

## FIGURE 2-16. BOOM BRUSHES INSTALLATION



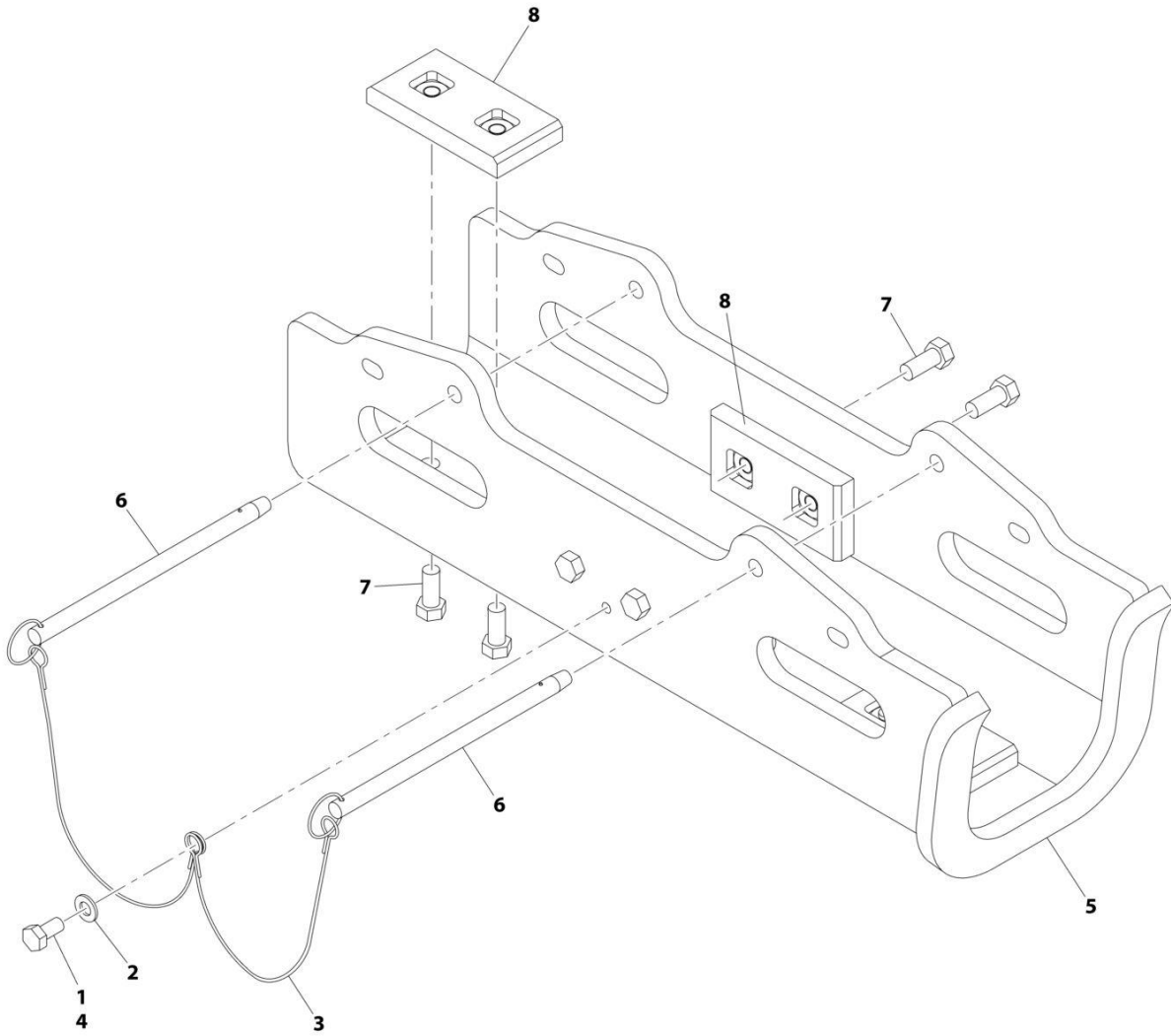
ART\_1001201432-C

FIGURE 2-16. BOOM BRUSHES INSTALLATION

ITEM	PART NUMBER	QTY	DESCRIPTION	REV
	1001201432	Ref	Boom Brushes Installation	C
1	0701216	10	Bolt, M12X40	
3	0761210	2	Bolt, M12X20	
4	3290505	16	Nut, Lock M5X0.8	
5	4811600	16	Washer, M5	
6	1001125117	12	Washer, M12	
7	1001172995	2	Brush, Boom	
8	1001172999	1	Brush, Boom	
9	1001173679	1	Brush, Boom	
10	1001173739	2	Brush, Boom	
11	1001205619	1	Bracket, Boom Brush	
12	1001196879	1	Bracket, Boom Brush	
13	1001205621	1	Bracket, Boom Brush	
14	1001205622	1	Bracket, Boom Brush	
15	1001205627	2	Brush, Boom	
16	1001220286	10	Spacer	

# SECTION 2 - BOOM

## FIGURE 2-17. BOOM PROP BRACKET ASSEMBLY



ART\_1001191035-B

FIGURE 2-17. BOOM PROP BRACKET ASSEMBLY

ITEM	PART NUMBER	QTY	DESCRIPTION	REV
	1001191035	Ref	Boom Prop Bracket Assembly	B
1	0760808	1	Bolt, M8X16	
2	4811900	1	Washer, M8	
3	1001164183	2	Lanyard, Boom Prop	
4	1001095650	AR	Adhesive, Loctite	
5	1001191036	1	Support, Boom Prop	
6	1001191039	2	Pin	
7	0651607	8	Bolt, 3/8-24 X 7/8	
8	91403530	4	Bearing	

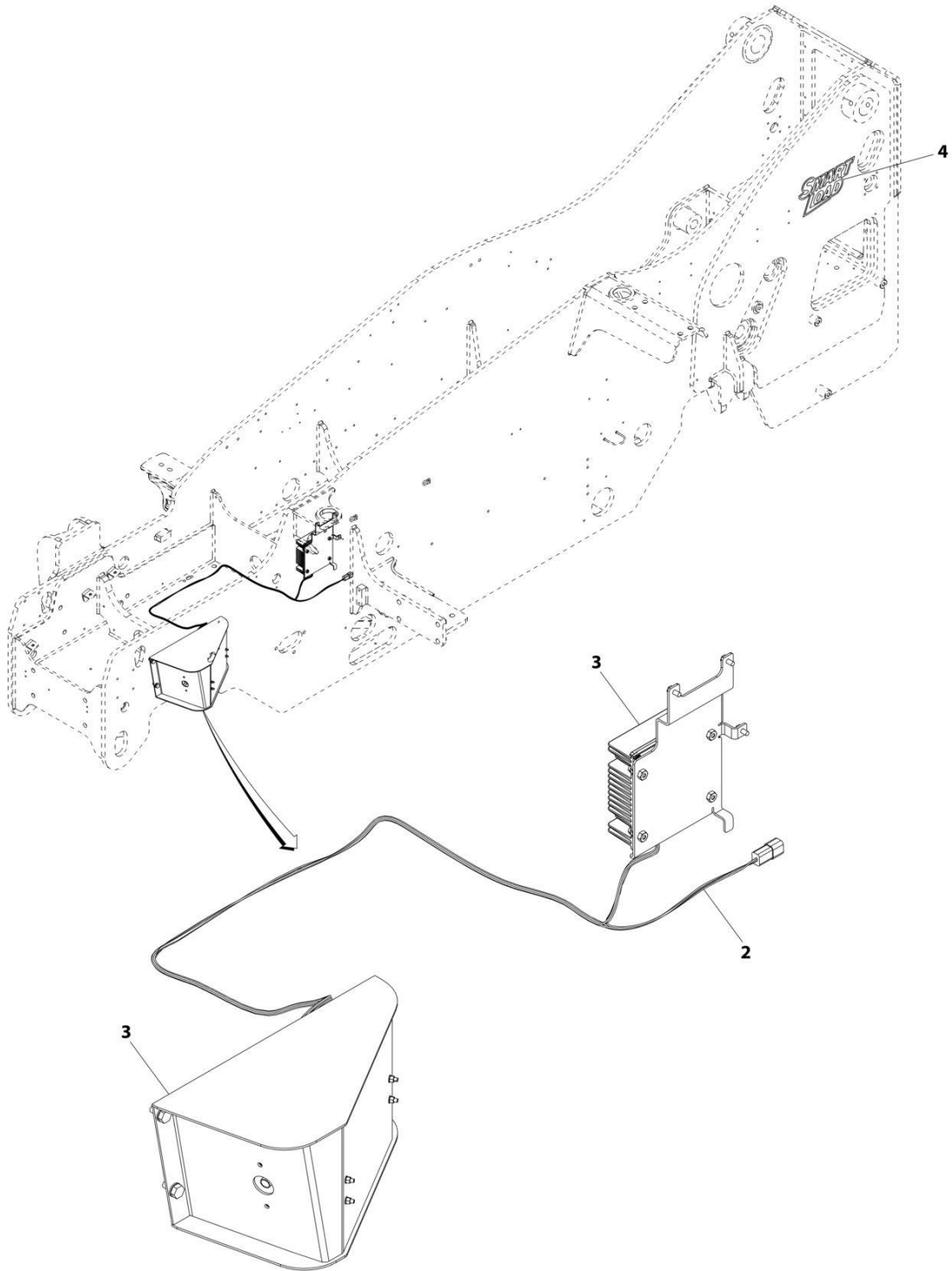




**SECTION 3 - ATTACHMENTS**

# SECTION 3 - ATTACHMENTS

## FIGURE 3-1. ATTACHMENT RECOGNITION INSTALLATION



ART\_1001195881

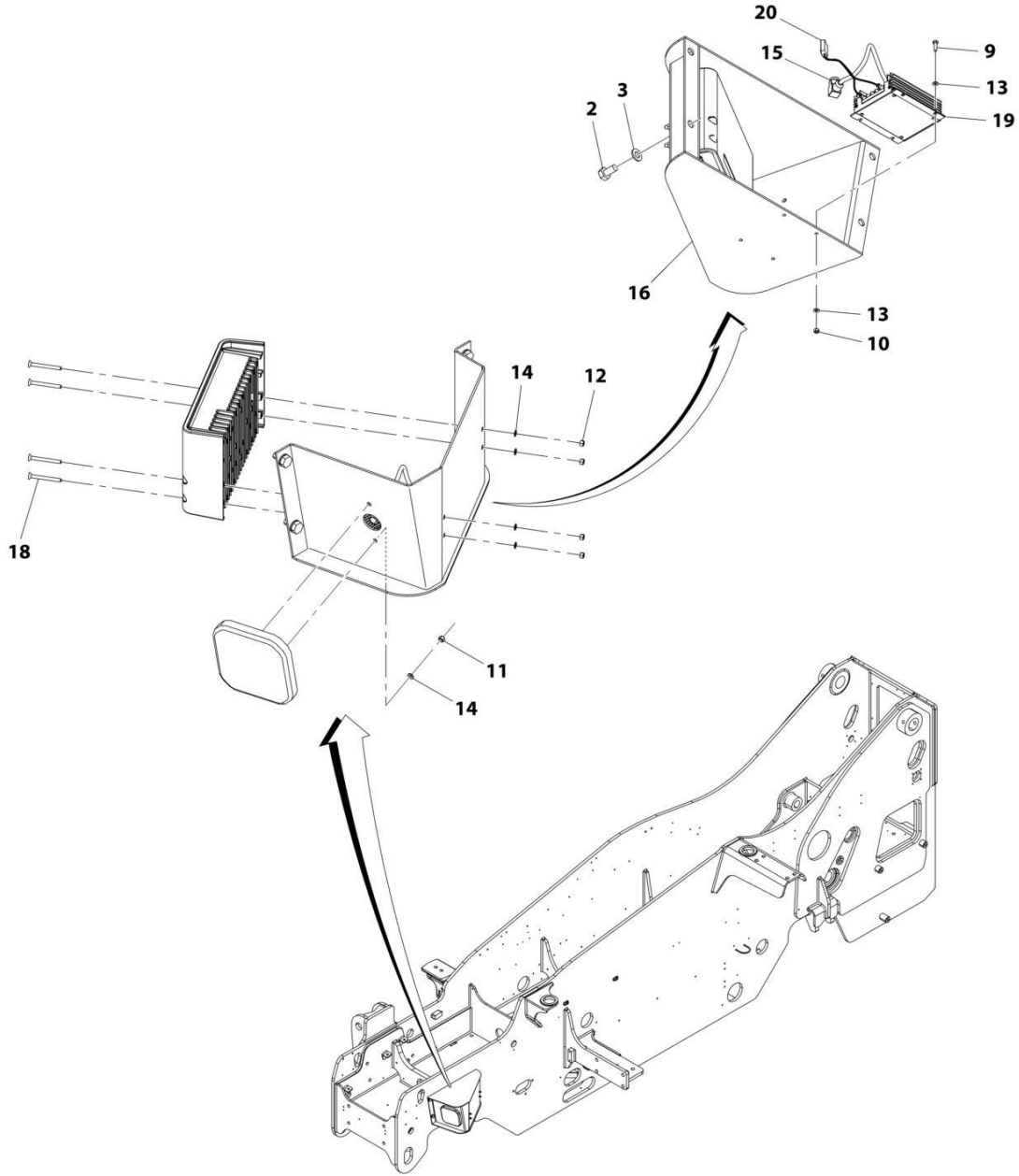
## SECTION 3 - ATTACHMENTS

**FIGURE 3-1. ATTACHMENT RECOGNITION INSTALLATION**

ITEM	PART NUMBER	QTY	DESCRIPTION	REV
	1001195881	Ref	Attachment Recognition Installation	F
2	1001249251	1	Cable	
3	1001207866	1	Installation, Components Attachment Recognition (See Separate Breakdown in this Section)	
4	1001250276	2	Decal, Smart Load	

# SECTION 3 - ATTACHMENTS

## FIGURE 3-2. COMPONENTS ATTACHMENT RECOGNITION INSTALLATION



ART\_1001207866-E

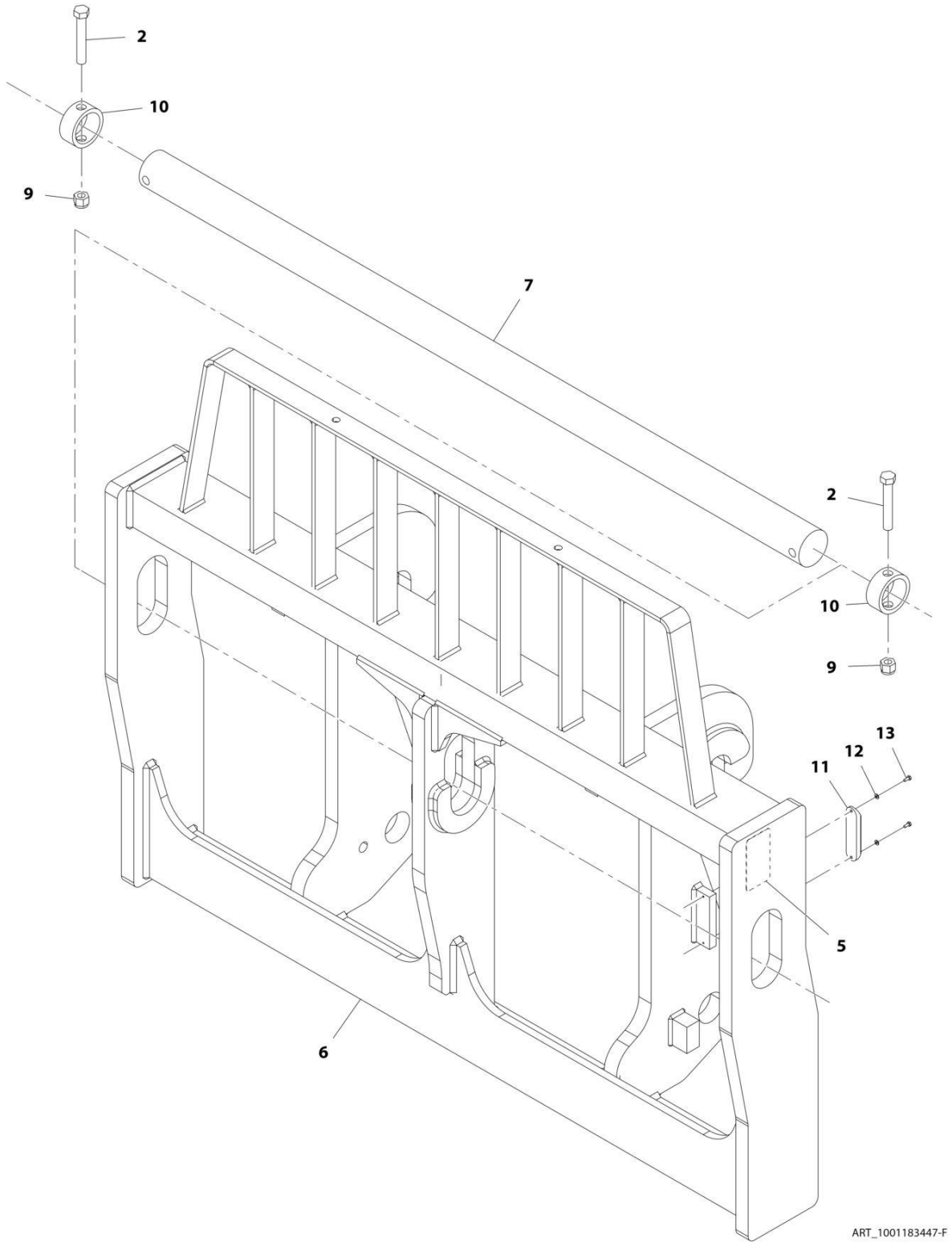
## SECTION 3 - ATTACHMENTS

**FIGURE 3-2. COMPONENTS ATTACHMENT RECOGNITION INSTALLATION**

ITEM	PART NUMBER	QTY	DESCRIPTION	REV
	1001207866	Ref	Components Attachment Recognition Installation	E
2	0761010	4	Bolt, M10X20	
3	4812000	4	Washer, M10	
9	0760407	4	Bolt, M4X14	
10	3290405	4	Nut, Lock M4X0.7 Grade 8	
11	3290505	2	Nut, Lock M5X0.8 Grade 8	
12	3290507	4	Nut, Lock M5X0.8	
13	4811400	8	Washer, M4	
14	4811600	6	Washer, M5	
15	1001206725	1	Cable	
16	1001232988	1	Bracket, Attachment Recognition	
18	1001234395	4	Screw, M5X50	
19	1001234596	1	Control, Voltage	
20	1001234802	1	Harness	

# SECTION 3 - ATTACHMENTS

## FIGURE 3-3. CARRIAGE ASSEMBLY, (60IN/1524MM)



ART\_1001183447-F

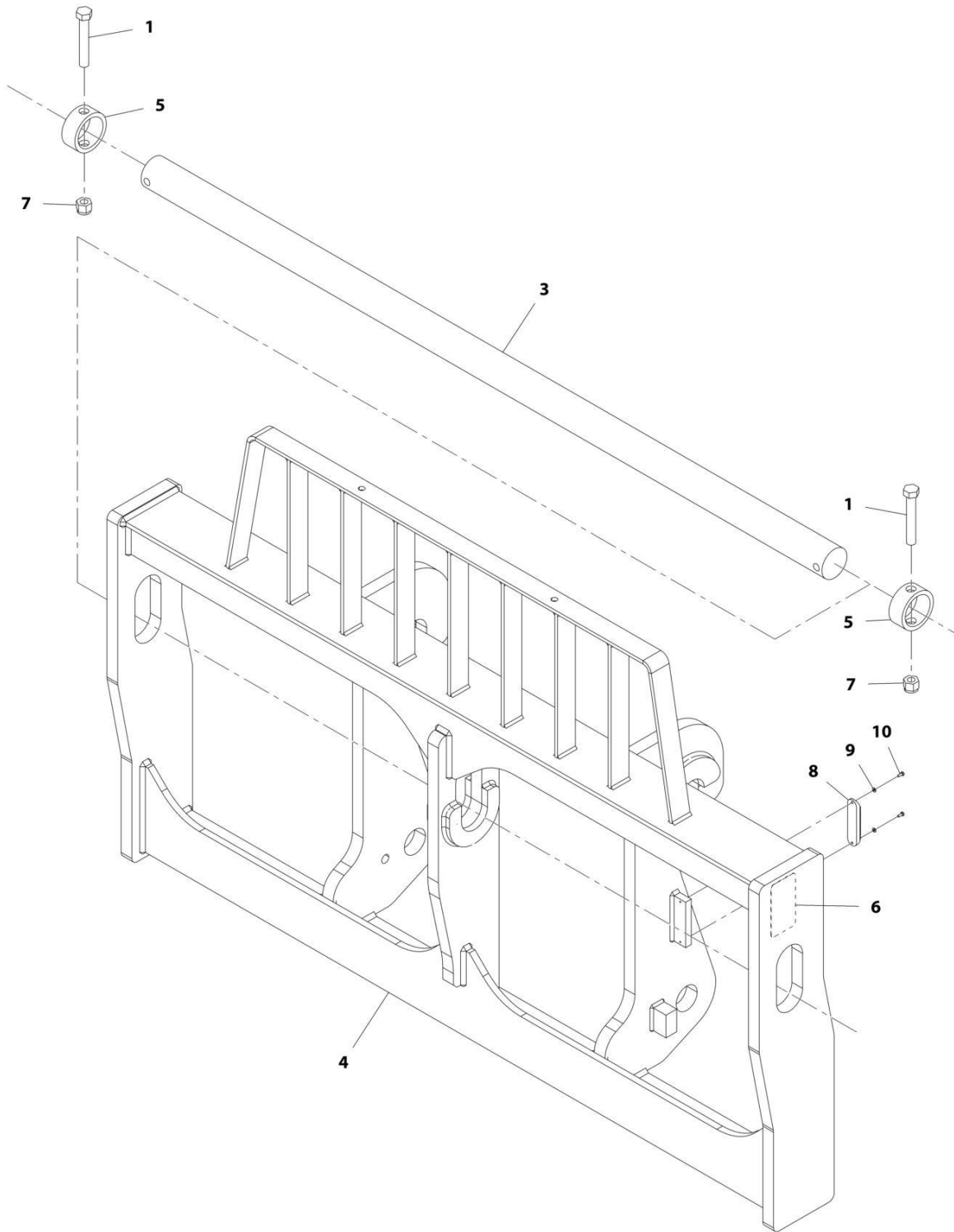
## SECTION 3 - ATTACHMENTS

### FIGURE 3-3. CARRIAGE ASSEMBLY, (60IN/1524MM)

ITEM	PART NUMBER	QTY	DESCRIPTION	REV
	1001183447	1	Carriage Assembly (60in/1524mm)	F
2	0701628	2	Bolt, M16X110	
5	N.S.S.	1	S/N Plate	
6	N.S.S.	1	Weldment, Carriage	
7	1001191108	1	Pin	
9	3291605	2	Nut, Lock M16X2 Grade 8	
10	1001218755	2	Collar, Shaft	
11	1001227670	1	Tag, RFID	
12	4811400	2	Washer, M4	
13	0760405	2	Bolt, M4X10	

# SECTION 3 - ATTACHMENTS

## FIGURE 3-4. CARRIAGE ASSEMBLY, (72IN/1829MM)



ART\_1001214415-E



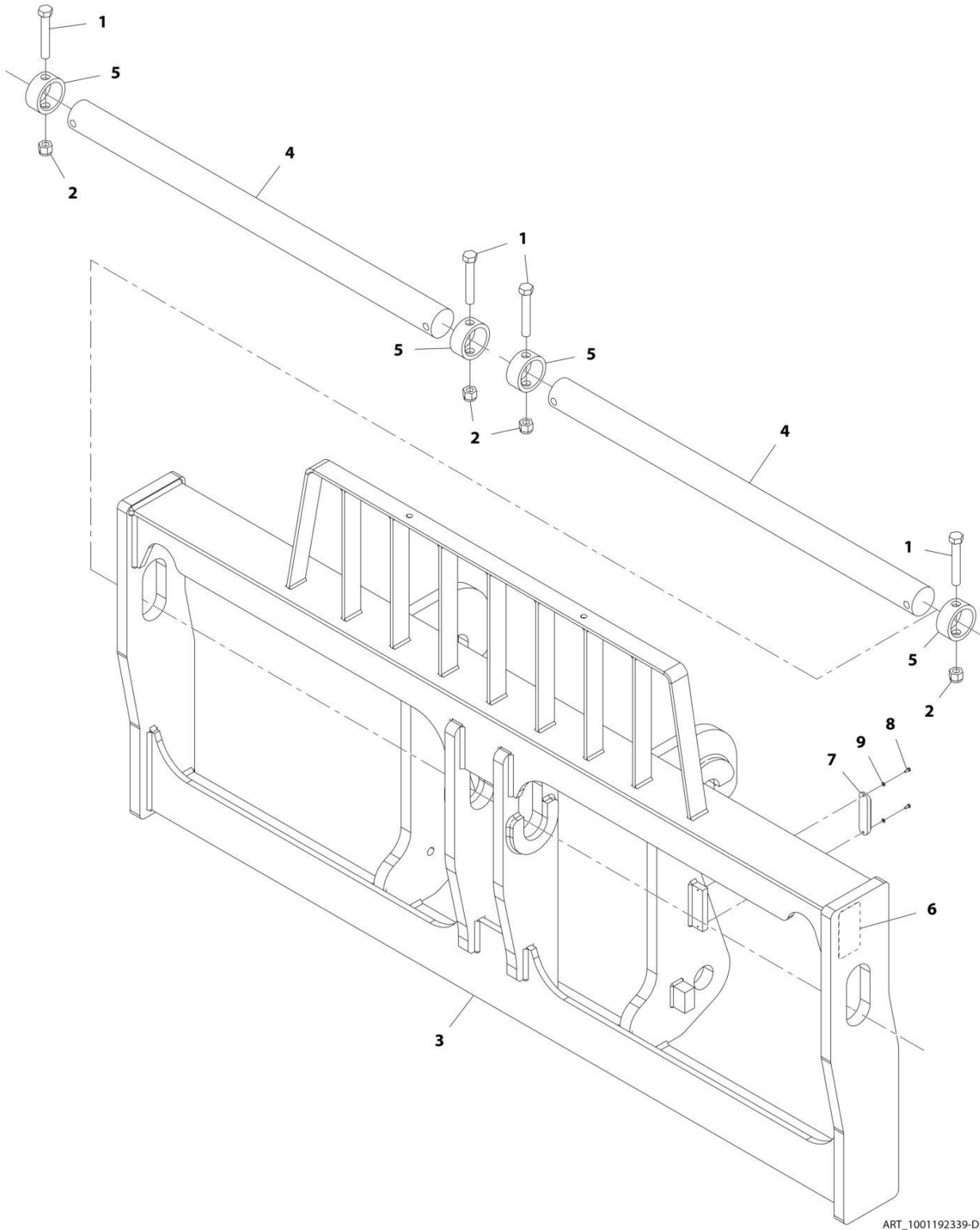
## SECTION 3 - ATTACHMENTS

**FIGURE 3-4. CARRIAGE ASSEMBLY, (72IN/1829MM)**

ITEM	PART NUMBER	QTY	DESCRIPTION	REV
	1001214415	Ref	Carriage Assembly (72in/1829mm)	E
1	0701628	2	Bolt, M16X110	
3	1001214254	1	Pin	
4	N.S.S.	1	Weldment, Carriage	
5	1001218755	2	Collar, Shaft	
6	N.S.S.	1	Plate, Serial Number	
7	3291605	2	Nut, Lock M16X2 Grade 8	
8	1001227670	1	Tag, RFID	
9	4811400	2	Washer, M4	
10	0760405	2	Bolt, M4X10	

# SECTION 3 - ATTACHMENTS

## FIGURE 3-5. CARRIAGE ASSEMBLY, (87IN/2290MM)



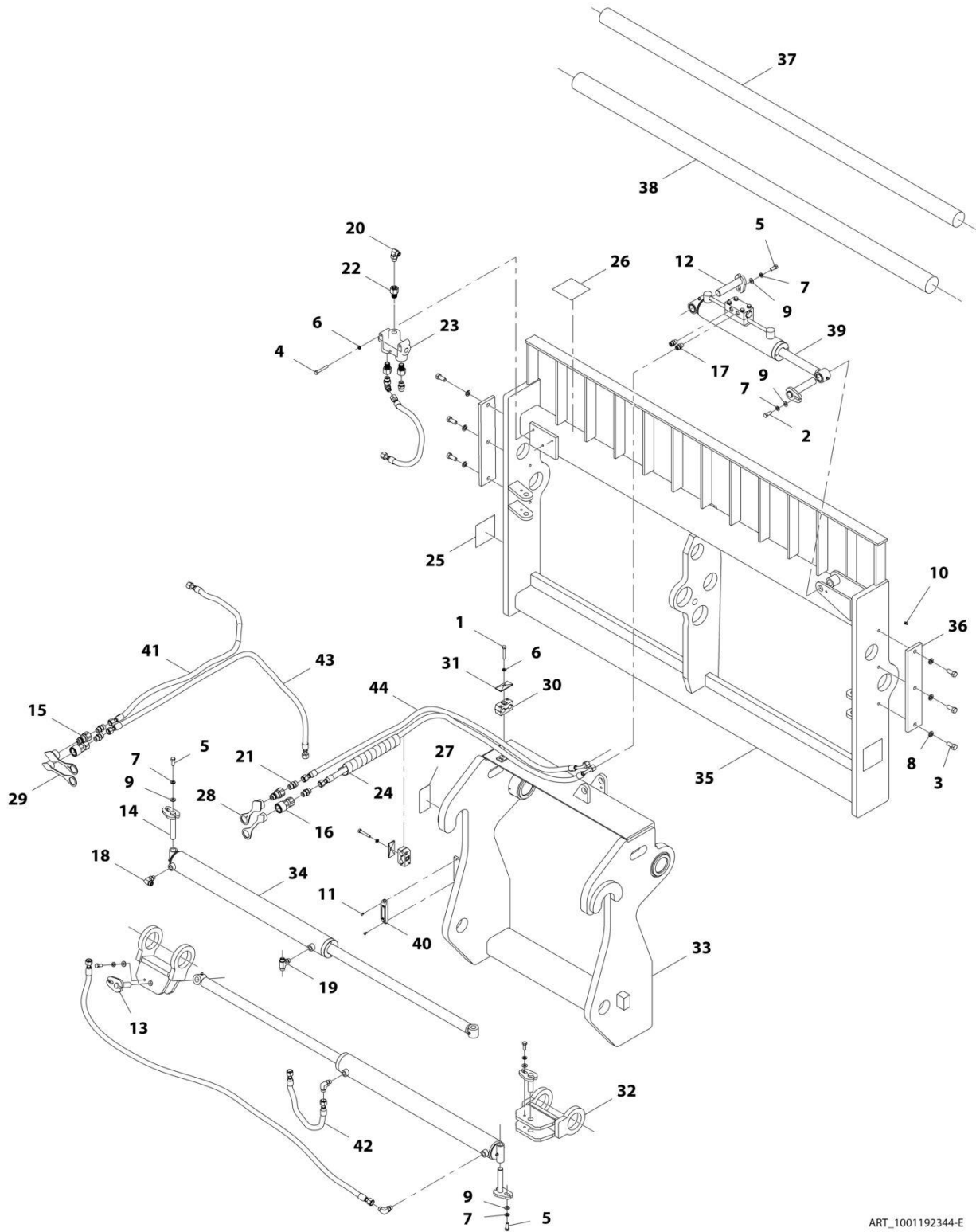
## SECTION 3 - ATTACHMENTS

### FIGURE 3-5. CARRIAGE ASSEMBLY, (87IN/2290MM)

ITEM	PART NUMBER	QTY	DESCRIPTION	REV
	1001192339	1	Carriage Assembly (87in/2290mm)	D
1	0701628	4	Bolt, M16X110	
2	3291605	4	Nut, Lock M16X2 Grade 8	
3	N.S.S.	1	Weldment, Carriage	
4	1001218754	2	Pin	
5	1001218755	4	Collar, Shaft	
6	N.S.S.	1	Plate, Serial Number	
7	1001227670	1	Tag, RFID	
8	0760405	2	Bolt, M4X10	
9	4811400	2	Washer, M4	

# SECTION 3 - ATTACHMENTS

## FIGURE 3-6. DUAL FORK POSITIONING SIDE SHIFT CARRIAGE, (75IN/1899MM)



ART\_1001192344-E

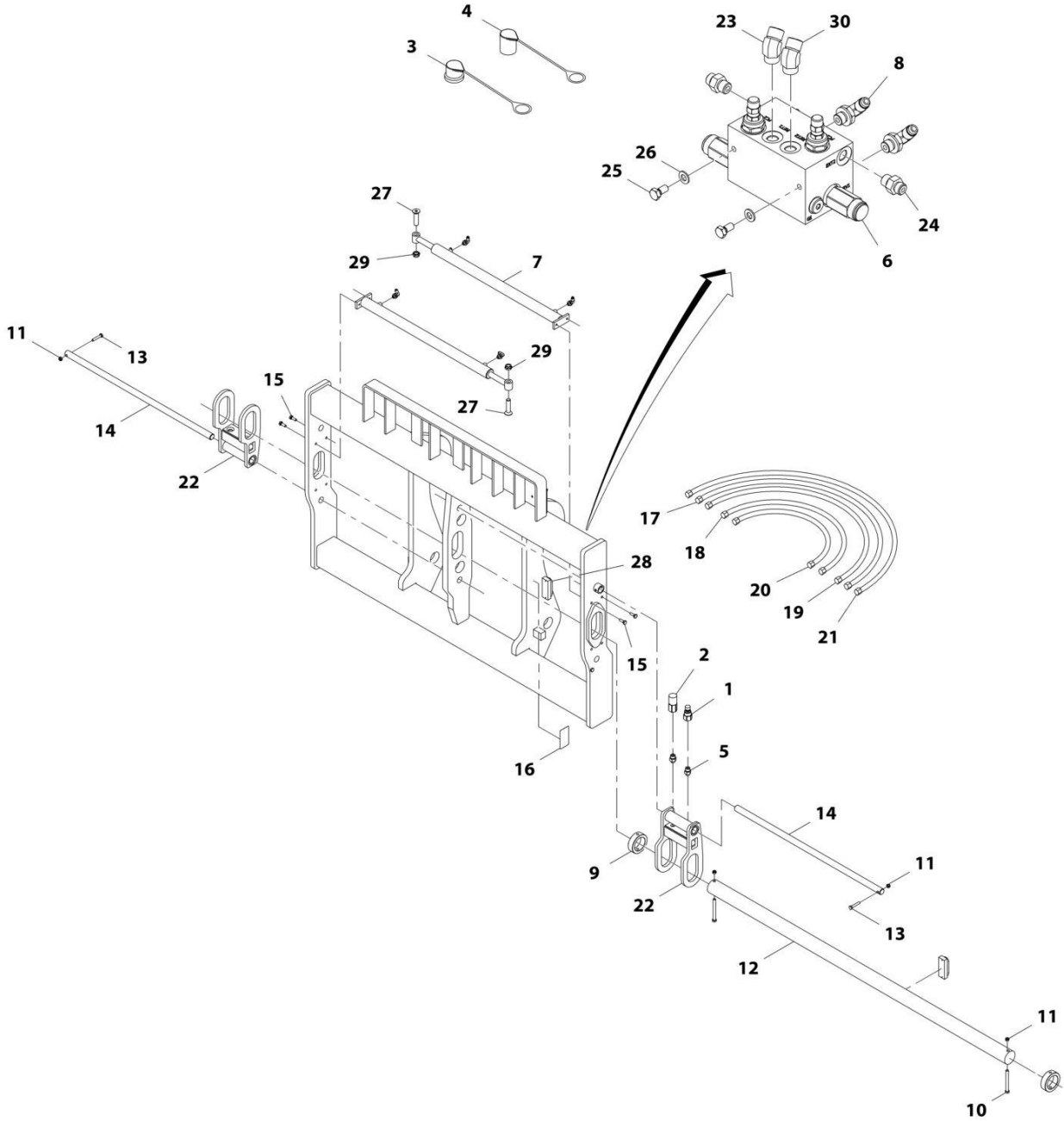
## SECTION 3 - ATTACHMENTS

**FIGURE 3-6. DUAL FORK POSITIONING SIDE SHIFT CARRIAGE, (75IN/1899MM)**

ITEM	PART NUMBER	QTY	DESCRIPTION	REV
	1001192344	1	Dual Fork Positioning Side Shift Carriage (75in/1899mm)	F
1	70028485	2	Bolt	
2	70021349	1	Bolt, 3/8X1	
3	70027989	6	Bolt	
4	70028591	3	Bolt	
5	7029704	5	Bolt, 3/8-24X1	
6	90554067	5	Washer, Lock 5/16	
7	90554042	6	Washer, Lock 3/8	
8	90554020	6	Washer, Lock 1/2	
9	7029703	6	Washer, Flat	
10	90554045	1	Zerk, Grease	
11	70028554	2	Screw	
12	7029702	2	Pin	
13	70028592	2	Pin	
14	70028593	2	Pin	
15	1001101041	2	Adapter, Male Quick Disconnect	
16	1001101042	2	Adapter, Female Quick Disconnect	
17	70028486	2	Fitting	
18	70028525	3	Elbow, 90	
19	70028594	1	Fitting	
20	70028526	2	Elbow, 90	
21	70028488	5	Fitting	
22	70028595	3	Fitting	
23	70028596	1	Valve	
24	70028597	1	Protector, Hose	
25	90554017	2	Decal, Danger Pinch Point	
26	7029711	1	Decal, High Pressure	
27	N.S.S.	1	S/N Plate	
28	8420053	2	Plug, Dust	
29	8420055	2	Plug, Dust	
30	70028495	2	Clamp	
31	70028496	2	Plate, Clamp	
32	70028598	2	Clevis	
33	N.S.S.	1	Weldment	
34	70028599	2	Assembly, Fork Positioning Cylinder (See Separate Breakdown in HYDRAULIC COMPONENTS Section)	
35	N.S.S.	1	Weldment	
36	70028600	2	Pin	
37	70028601	1	Pin	
38	70028602	1	Pin	
39	70028603	1	Assembly, Side Shift Cylinder (See Separate Breakdown in HYDRAULIC COMPONENTS Section)	
40	1001227670	1	Tag, RFID	
41	70028604	2	Hose	
42	70028605	2	Hose	
43	70028606	1	Hose	
44	70028607	2	Hose	

# SECTION 3 - ATTACHMENTS

## FIGURE 3-7. DUAL FORK POSITIONING CARRIAGE, (72IN/1829MM)



ART\_1001192342-E

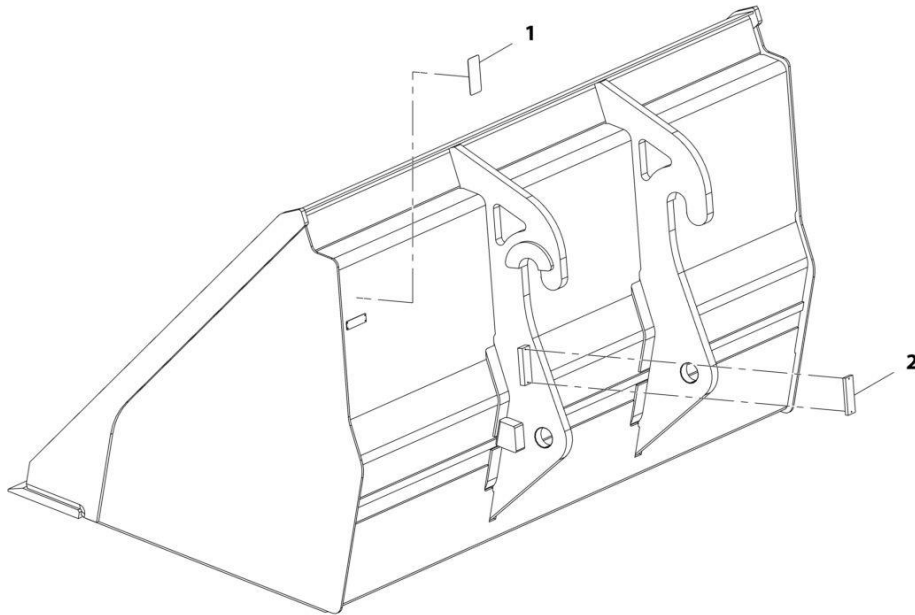
## SECTION 3 - ATTACHMENTS

**FIGURE 3-7. DUAL FORK POSITIONING CARRIAGE, (72IN/1829MM)**

ITEM	PART NUMBER	QTY	DESCRIPTION	REV
	1001192342	1	Dual Fork Positioning Carriage (72in/1829mm)	E
1	1001101041	1	Coupler, Male Hydraulic	
2	1001101042	1	Coupler, Female Hydraulic	
3	8420053	1	Cap	
4	8420055	1	Cap	
5	1001008834	2	Fitting, Straight	
6	70027896	1	Valve	
7	70028505	2	Cylinder, Forkpositioner	
8	2150606	4	Fitting, 45 ORFS	
9	70028506	2	Collar	
10	70027889	2	Bolt, M10x120	
11	70027890	4	Nut M10	
12	70028507	1	Shaft, Floating	
13	70027881	2	Bolt, M10x55	
14	70028508	2	Shaft, Forkpositioner	
15	70027880	4	Bolt, M10x30	
16	N.S.S.	1	S/N Plate	
17	70028509	1	Hose	
18	70028510	1	Hose	
19	70028511	1	Hose	
20	70028512	1	Hose	
21	70027899	2	Hose	
22	70028513	2	Cage, Fork	
23	2150606	1	Fitting, 45 ORFS	
24	2110606	2	Fitting, Straight ORFS	
25	70027882	2	Bolt, M8X16	
26	70027879	2	Washer	
27	70027888	3	Screw, Countersunk M20x80	
28	1001227670	1	Tag, RFID	
29	70027887	2	Nut, M20	
30	2170206	1	Fitting, 90 ORFS	

## SECTION 3 - ATTACHMENTS

FIGURE 3-8. BUCKET (2.6 YD<sup>3</sup>/2.0M<sup>3</sup>)



ART\_1001192615-F



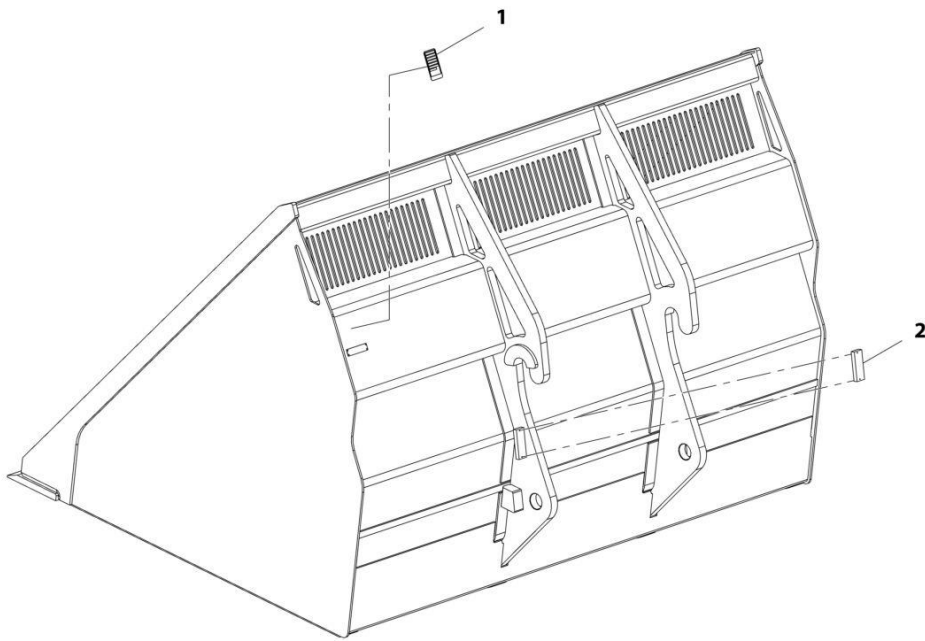
## SECTION 3 - ATTACHMENTS

**FIGURE 3-8. BUCKET (2.6 YD<sup>3</sup>/2.0M<sup>3</sup>)**

ITEM	PART NUMBER	QTY	DESCRIPTION	REV
	1001192615	Ref	Bucket (2.6 yd <sup>3</sup> /2.0m <sup>3</sup> )	G
1	N.S.S.	1	S/N Plate	
2	1001227670	1	Tag, RFID	

# SECTION 3 - ATTACHMENTS

## FIGURE 3-9. BUCKET (5.23 YD3)



ART\_1001192616-E

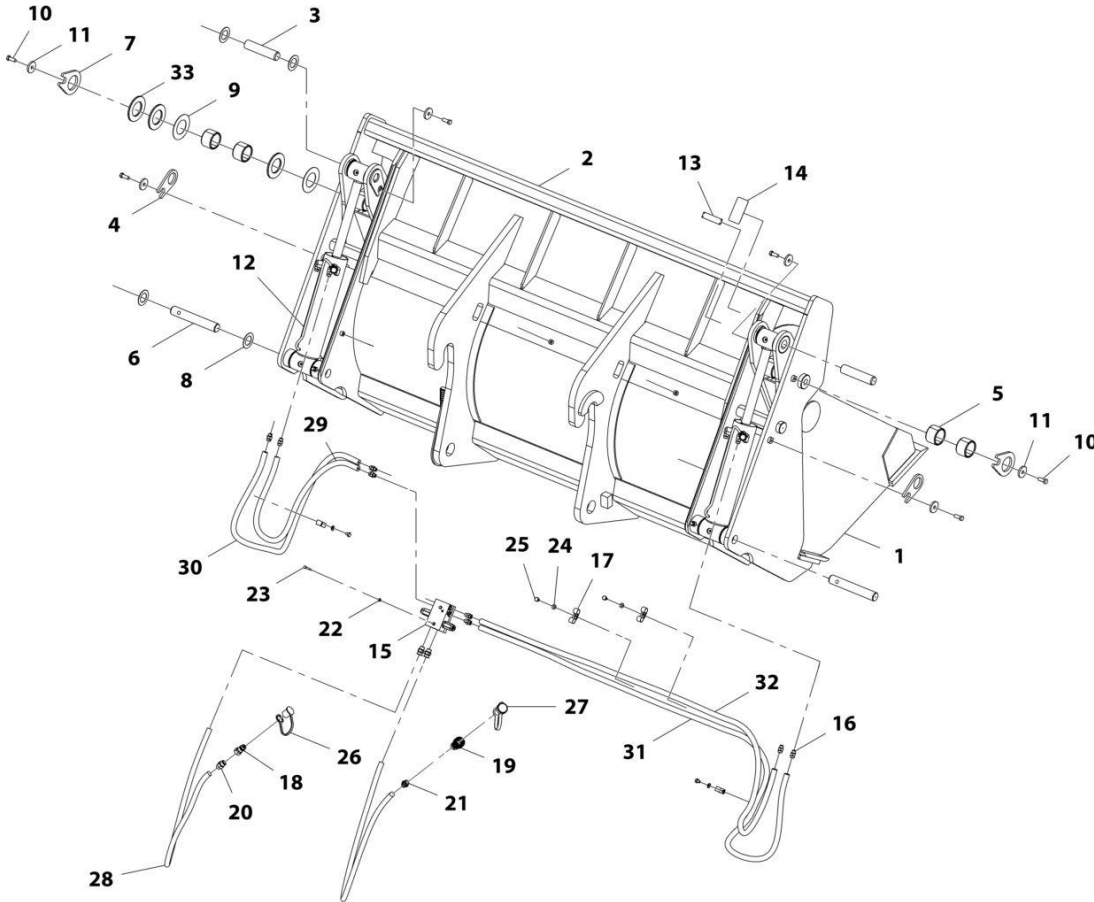
## SECTION 3 - ATTACHMENTS

### FIGURE 3-9. BUCKET (5.23 YD3)

ITEM	PART NUMBER	QTY	DESCRIPTION	REV
	1001192616	Ref	Bucket (5.23 yd <sup>3</sup> /4.0m <sup>3</sup> )	F
1	N.S.S.	1	S/N Plate	
2	1001227670	1	Tag, RFID	

# SECTION 3 - ATTACHMENTS

## FIGURE 3-10. 4 IN 1 BUCKET (2.6 YD<sup>3</sup>/2.0M<sup>3</sup>)



ART\_1001192614-E

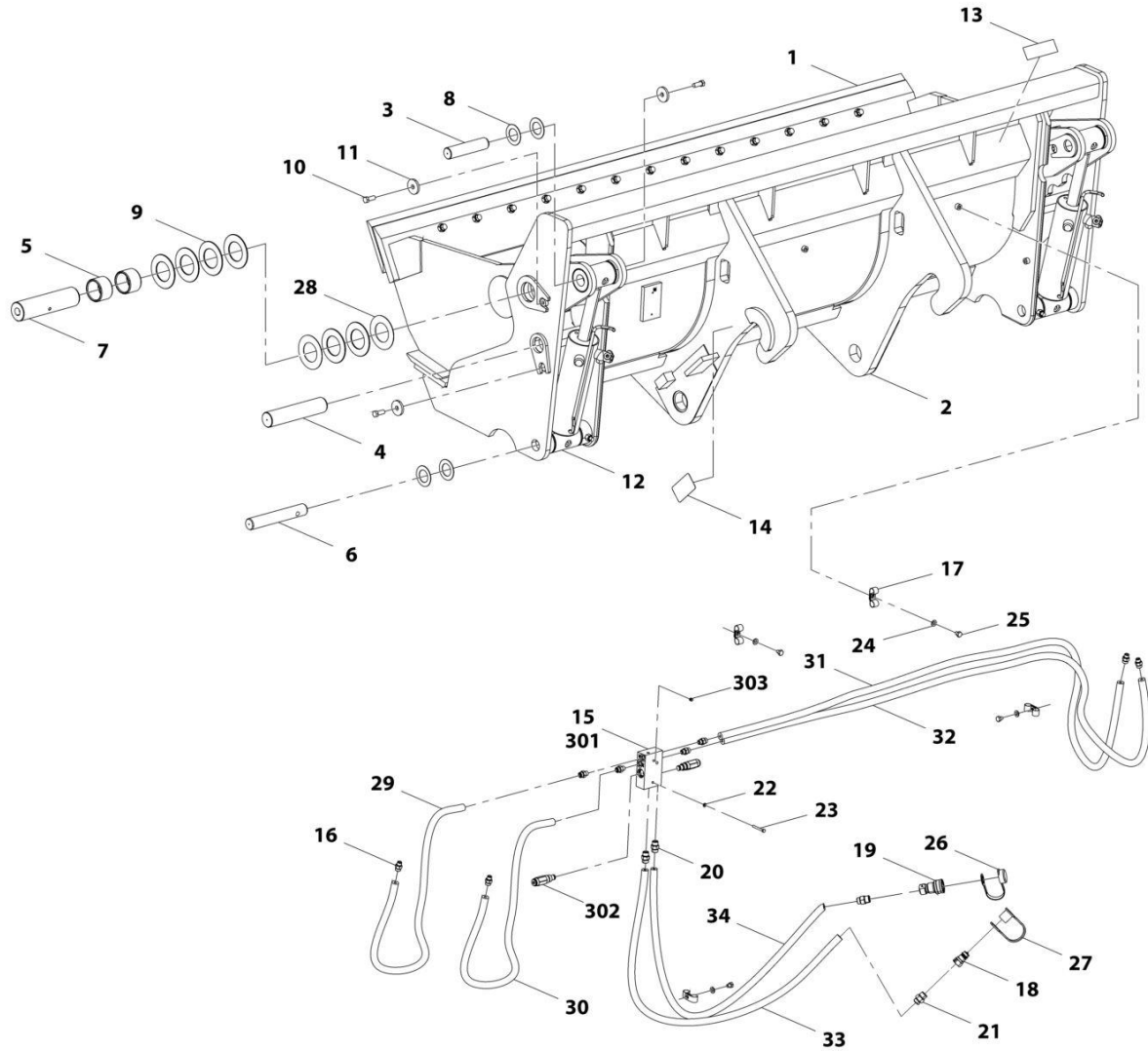
## SECTION 3 - ATTACHMENTS

**FIGURE 3-10. 4 IN 1 BUCKET (2.6 YD<sup>3</sup>/2.0M<sup>3</sup>)**

ITEM	PART NUMBER	QTY	DESCRIPTION	REV
	1001192614	Ref	4 in 1 Bucket (2.6 yd <sup>3</sup> /2.0m <sup>3</sup> )	F
1	N.S.S.	1	Assembly, Scarifier	
2	N.S.S.	1	Assembly, Bucket	
3	70028563	2	Pin	
4	70028564	2	Pin	
5	70028565	4	Bushing	
6	70028566	2	Pin	
7	70028567	2	Pin	
8	70028568	8	Shim	
9	70028569	6	Shim	
10	70028570	6	Capscrew	
11	70028571	6	Washer	
12	70028572	2	Cylinder, 4 in 1 Bucket (See Separate Breakdown in HYDRAULIC COMPONENTS Section)	
13	N.S.S.	1	Plate, Serial Number	
14	N.S.S.	1	Plate, Serial Number JLG	
15	70028573	1	Valve Assembly, 4 in 1 Bucket (See Separate Breakdown in HYDRAULIC CIRCUITS Section)	
16	70024130	8	Fitting	
17	70026481	8	Clamp	
18	1001101041	1	Adapter, Male Quick Disconnect	
19	1001101042	1	Adapter, Female Quick Disconnect	
20	70022938	2	Fitting, Straight	
21	70028263	2	Fitting, Straight	
22	70026480	2	Fitting, Straight	
23	70026479	2	Bolt, M6X50	
24	70026482	4	Washer, M10	
25	70026483	4	Bolt, M10X16	
26	8420055	1	Cap, Dust	
27	8420053	1	Cap, Dust	
28	70028744	1	Hose	
29	70028745	1	Hose	
30	70028746	1	Hose	
31	70028747	1	Hose	
32	70028748	1	Hose	
33	70028574	12	Shim	

# SECTION 3 - ATTACHMENTS

## FIGURE 3-11. 4 IN 1 BUCKET (1.3 YD<sup>3</sup>/1.0M<sup>3</sup>)



ART\_1001228427-B

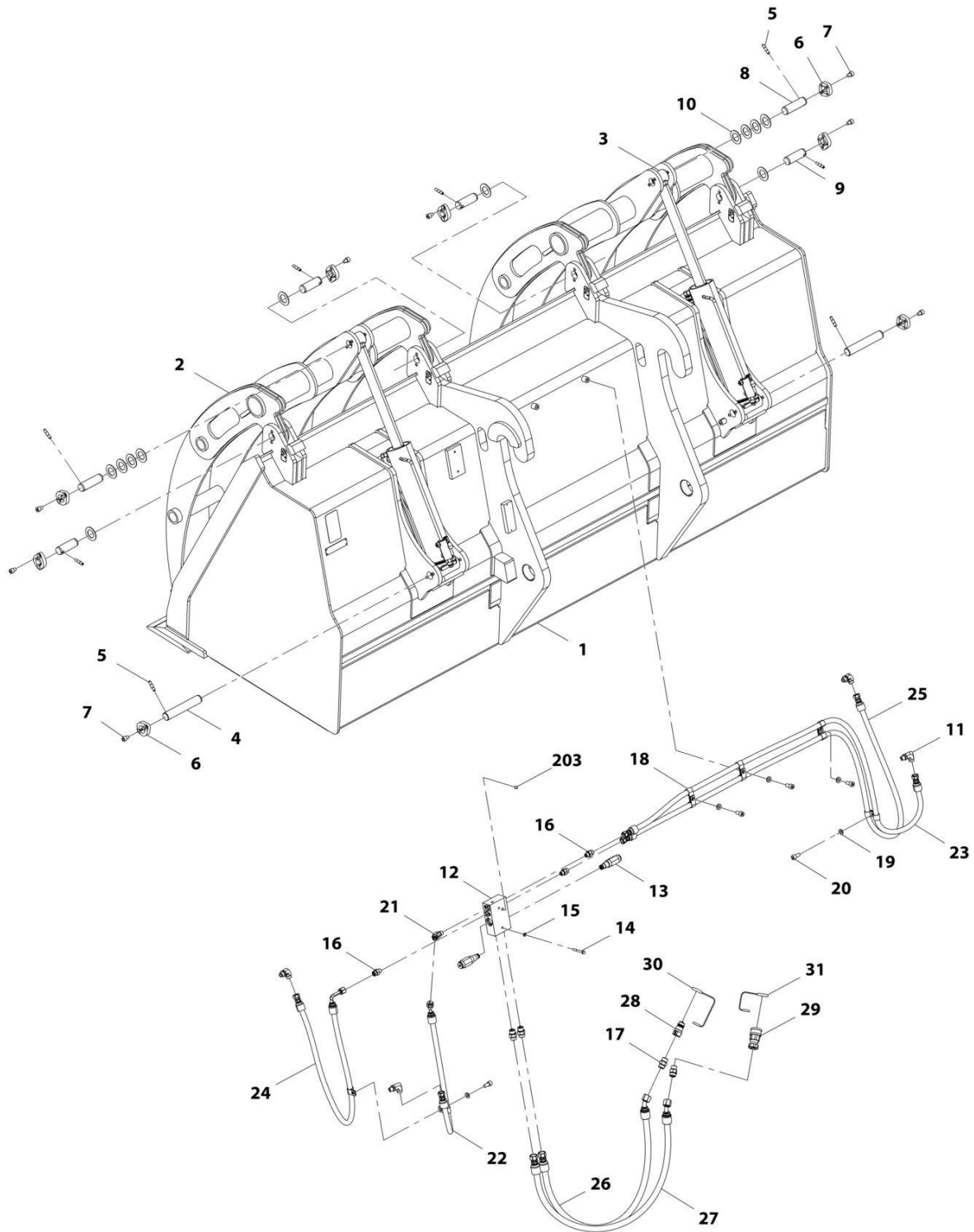
## SECTION 3 - ATTACHMENTS

**FIGURE 3-11. 4 IN 1 BUCKET (1.3 YD<sup>3</sup>/1.0M<sup>3</sup>)**

ITEM	PART NUMBER	QTY	DESCRIPTION	REV
	1001228427	Ref	4 in 1 Bucket (1.3 yd <sup>3</sup> /1.0m <sup>3</sup> )	C
1	N.S.S.	1	Assembly, Front Bucket	
2	N.S.S.	1	Assembly, Back Bucket	
3	70028563	2	Pin	
4	70028564	2	Pin	
5	70028565	4	Bushing	
6	70028566	2	Pin	
7	70028567	2	Pin	
8	70028568	8	Shim	
9	70028569	6	Shim	
10	70028570	6	Capscrew	
11	70028571	6	Washer	
12	70028572	2	Assembly, 4 In 1 Bucket Cylinder (5.23 yd <sup>3</sup> /4.0m <sup>3</sup> ) (See Separate Breakdown in HYDRAULIC COMPONENTS Section)	
13	N.S.S.	1	Plate, Name	
14	N.S.S.	1	Plate, Serial Number	
15	70028573	1	Assembly, 4 In 1 Bucket Valve (5.23 yd <sup>3</sup> /4.0m <sup>3</sup> )	
16	70024130	8	Fitting, Straight	
17	70026481	8	Clamp, Hose	
18	1001101041	1	Adapter, Male Quick Disconnect	
19	1001101042	1	Adapter, Female Quick Disconnect	
20	70022938	2	Fitting, Straight	
21	70028263	2	Fitting, Straight	
22	70026480	2	Washer, M6	
23	70026479	2	Bolt, M6X50	
24	70026482	4	Washer, M10	
25	70026483	4	Bolt, M10X16	
26	8420055	1	Plug, Dust	
27	8420053	1	Plug, Cap	
28	70028574	12	Shim	
29	70028575	1	Hose	
30	70028576	1	Hose	
31	70028577	1	Hose	
32	70028578	1	Hose	
33	70028579	1	Hose	
34	70028580	1	Hose	
301	70026477	1	Manifold	
302	70028589	2	Cartridge, Relief	
303	70026614	2	Plug	

# SECTION 3 - ATTACHMENTS

## FIGURE 3-12. GRAPPLE BUCKET (1.7 YD<sup>3</sup>/1.3M<sup>3</sup>)



ART\_1001223435-C



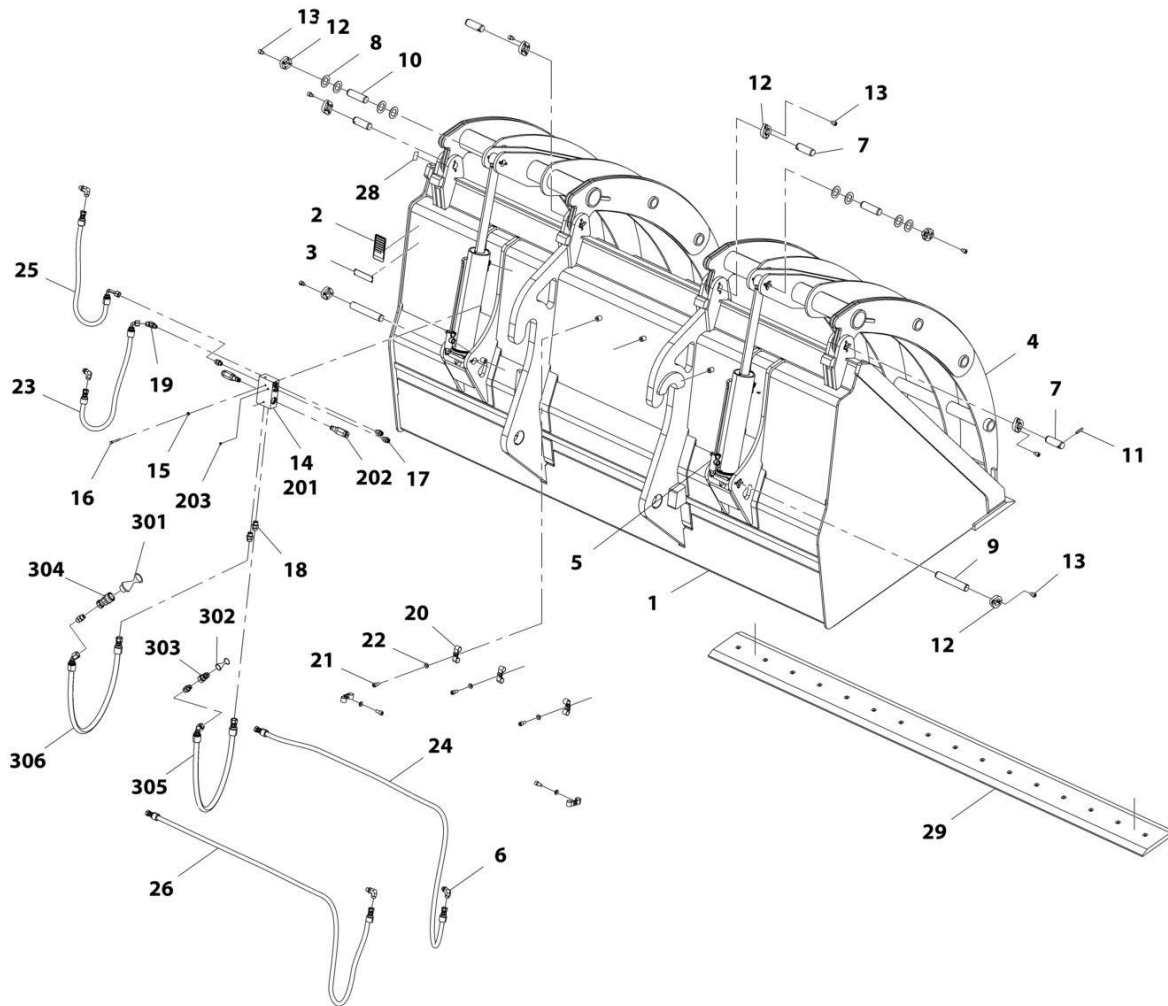
## SECTION 3 - ATTACHMENTS

**FIGURE 3-12. GRAPPLE BUCKET (1.7 YD<sup>3</sup>/1.3M<sup>3</sup>)**

ITEM	PART NUMBER	QTY	DESCRIPTION	REV
	1001223435	Ref	Grapple Bucket (1.7 yd <sup>3</sup> /1.3m <sup>3</sup> )	D
1	N.S.S.	1	Bucket	
2	N.S.S.	1	Grapple	
3	70026469	2	Assembly, Cylinder, (See Separate Breakdown in HYDRAULIC COMPONENTS Section)	
4	70026470	2	Pin	
5	70026471	8	Pin Drive - Lock	
6	70026472	8	Retainer	
7	70026473	16	Capscrew, M10X12	
8	70026474	2	Pin	
9	70026475	4	Pin	
10	70026476	32	Shim	
11	70024123	4	Fitting, 90	
12	70026477	1	Manifold	
13	70026478	2	Cartridge, Relief Valve	
14	70026479	2	Bolt, M6X50	
15	70026480	2	Washer, M6	
16	70024130	3	Fitting, Straight	
17	70022938	4	Fitting, Straight	
18	70026481	10	Clamp, Hose	
19	70026482	5	Washer, M10	
20	70028672	5	Bolt, M10X20	
21	70026616	1	Fitting, 45	
22	70028749	1	Hose	
23	70028750	1	Hose	
24	70028751	1	Hose	
25	70028752	1	Hose	
26	70028753	1	Hose	
27	70028697	1	Hose	
28	1001101041	1	Adapter, Male Quick Disconnect	
29	1001101042	1	Adapter, Female Quick Disconnect	
30	8420053	1	Cap, Dust	
31	8420055	1	Plug, Dust	
203	70026614	2	Plug	

# SECTION 3 - ATTACHMENTS

## FIGURE 3-13. GRAPPLE BUCKET (2.6 YD<sup>3</sup>/2.0M<sup>3</sup>)



ART\_1001192617-D

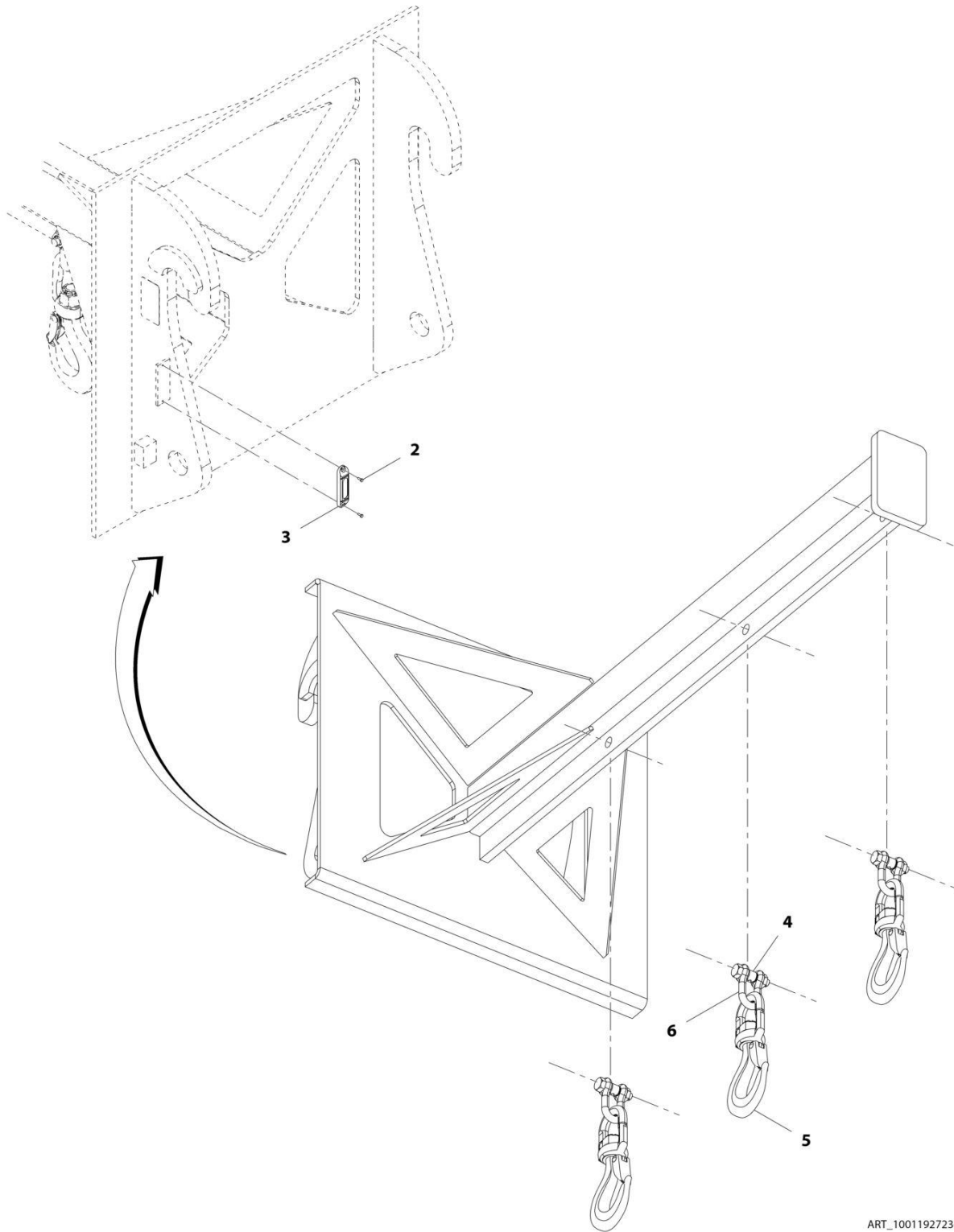
## SECTION 3 - ATTACHMENTS

**FIGURE 3-13. GRAPPLE BUCKET (2.6 YD<sup>3</sup>/2.0M<sup>3</sup>)**

ITEM	PART NUMBER	QTY	DESCRIPTION	REV
	1001192617	Ref	Grapple Bucket (2.6 yd <sup>3</sup> /2.0m <sup>3</sup> )	E
1	N.S.S.	1	Bucket	
2	N.S.S.	1	Plate, Serial Number	
3	N.S.S.	1	Nameplate	
4	N.S.S.	1	Grapple	
5	70026469	2	Assembly, Cylinder (See Separate Breakdown in HYDRAULIC COMPONENTS Section)	
6	70024123	4	Fitting, 90	
7	70026475	4	Pin	
8	70026476	12	Shim	
9	70026470	2	Pin	
10	70026474	2	Pin	
11	70026471	8	Pin, Lock	
12	70026472	8	Retainer	
13	70026473	16	Capscrew, M10X12	
14	N.S.S.	1	Valve, Relief	
15	70026480	2	Washer, M6	
16	70026479	2	Bolt, M6X50	
17	70024130	3	Fitting, Straight	
18	70022938	4	Fitting, Straight	
19	70026616	1	Fitting, 45	
20	70026481	10	Clamp, Hose	
21	70028672	5	Bolt, M10X20	
22	70026482	5	Washer, M10	
23	70028738	1	Hose	
24	70028739	1	Hose	
25	70028740	1	Hose	
26	70028741	1	Hose	
28	70024538	8	Decal, Pinch Point	
29	70028742	1	Guard, Edge	
201	70026477	1	Manifold	
202	70026478	2	Cartridge, Relief Valve	
203	70026614	2	Plug	
301	8420055	1	Plug, Dust	
302	8420053	1	Cap, Dust	
303	1001101041	1	Coupler, Male Hydraulic	
304	1001101042	1	Coupler, Female Hydraulic	
305	70028743	1	Hose	
306	70028734	1	Hose	

# SECTION 3 - ATTACHMENTS

## FIGURE 3-14. TRUSS BOOM (7.6 TON)



ART\_1001192723-F

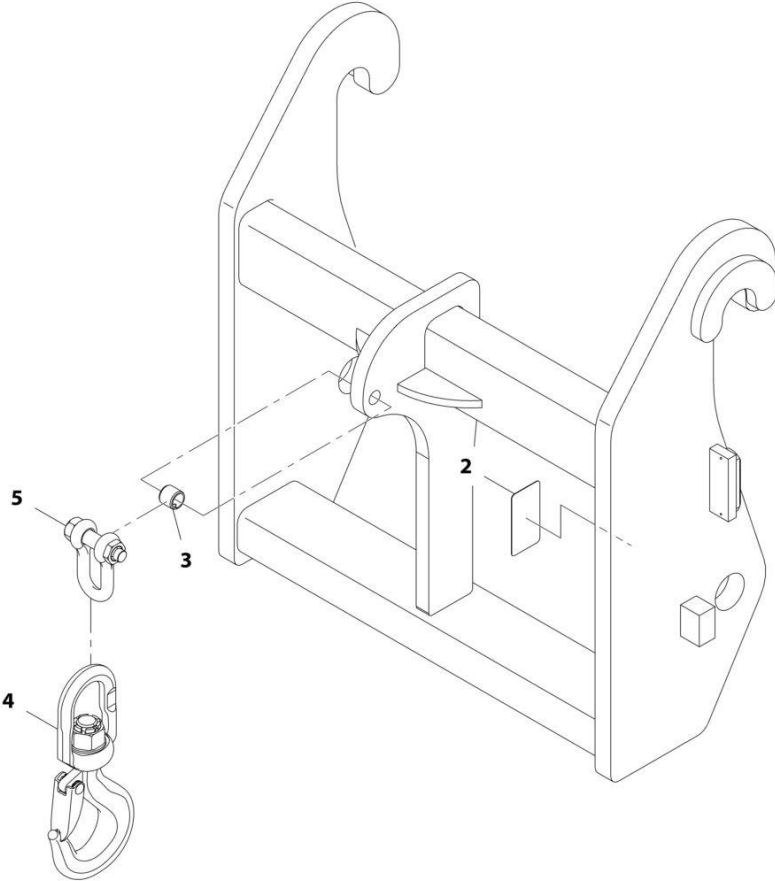
## SECTION 3 - ATTACHMENTS

### FIGURE 3-14. TRUSS BOOM (7.6 TON)

ITEM	PART NUMBER	QTY	DESCRIPTION	REV
	1001192723	1	Truss Boom (7.6 ton)	G
2	70028554	2	Screw	
3	1001227670	1	Tag, RFID	
4	70020555	3	Bushing	
5	70026745	3	Hook	
6	70026746	3	Shackle, Chain	

**SECTION 3 - ATTACHMENTS**

**FIGURE 3-15. CRANE HOOK (7.6 TON)**



ART\_1001192700-E

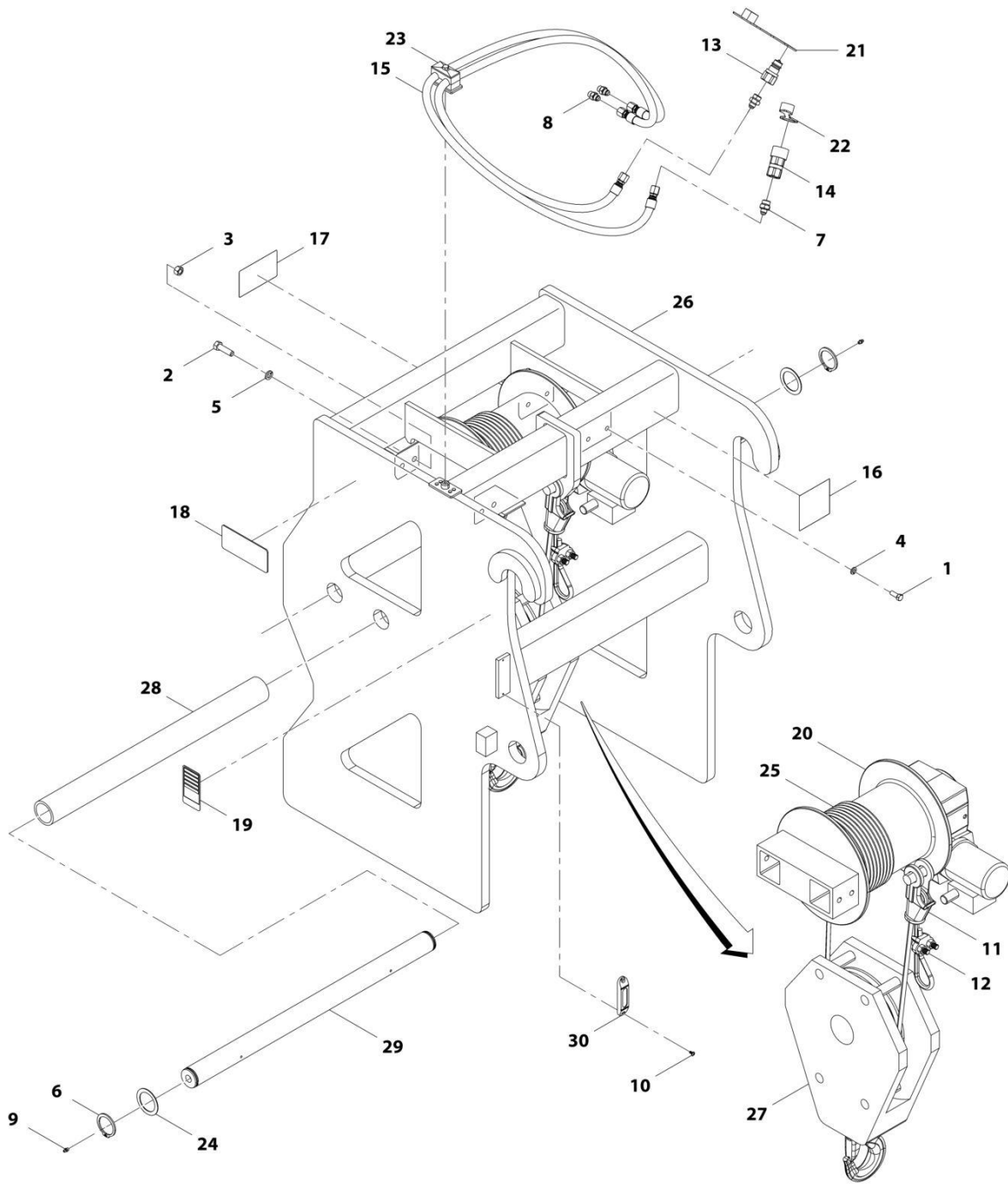
## SECTION 3 - ATTACHMENTS

### FIGURE 3-15. CRANE HOOK (7.6 TON)

ITEM	PART NUMBER	QTY	DESCRIPTION	REV
	1001192700	1	Crane Hook (7.6 ton)	F
2	90554016	1	Decal, Made in USA	
3	70020555	1	Bushing	
4	70026745	1	Hook, Swivel	
5	70026746	1	Shackle, Chain	

# SECTION 3 - ATTACHMENTS

## FIGURE 3-16. COUPLER MOUNTED WINCH



ART\_1001192702-C



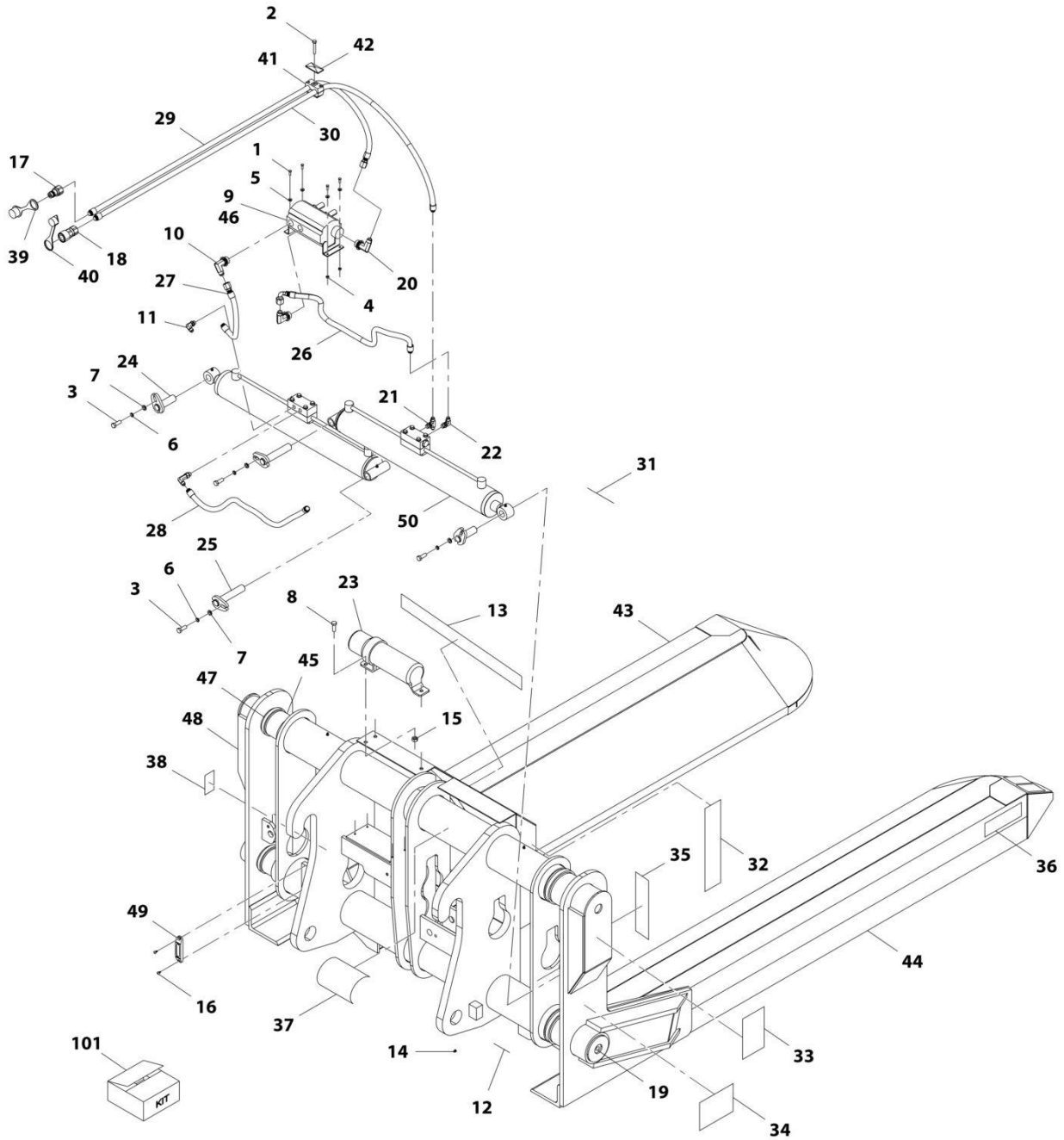
## SECTION 3 - ATTACHMENTS

**FIGURE 3-16. COUPLER MOUNTED WINCH**

ITEM	PART NUMBER	QTY	DESCRIPTION	REV
	1001192702	Ref	Coupler Mounted Winch	D
1	70021349	4	Bolt, 3/8X1	
2	70024059	4	Bolt, 1/2X1-3/4	
3	90554054	4	Nut, 1/2	
4	90554042	4	Washer, Lock 3/8	
5	90554020	4	Washer, Lock 1/2	
6	70028860	4	Ring, Snap	
7	70021397	2	Fitting, Straight	
8	70021415	2	Fitting, Straight	
9	90554045	4	Grease, Fitting	
10	70028554	2	Screw	
11	70021979	1	Assembly, Socket (includes pin and cotter pin)	
12	70022528	1	Clamp	
13	91403414	1	Adapter, Male Quick Disconnect	
14	91403413	1	Adapter, Female Quick Disconnect	
15	70028861	2	Hose	
16	7029711	1	Decal, High Pressure	
17	70024064	1	Decal, Do Not Tow	
18	4110422	2	Decal, Warning Swinging Loads	
19	N.S.S.	1	Plate, Serial Number	
20	70028862	1	Winch	
21	8420053	1	Cap, Dust	
22	8420055	1	Cap, Dust	
23	70021387	1	Clamp, Hose	
24	70028863	4	Washer	
25	70028864	1	Cable	
26	N.S.S.	1	Weldment, Frame	
27	70028865	1	Hook	
28	70028866	2	Roller Tube, Winch	
29	70028867	2	Roller Bar, Winch	
30	1001227670	1	Tag, RFID	

# SECTION 3 - ATTACHMENTS

## FIGURE 3-17. BALE HANDLER (ROUND)



ART\_1001192649-D

## SECTION 3 - ATTACHMENTS

### FIGURE 3-17. BALE HANDLER (ROUND)

ITEM	PART NUMBER	QTY	DESCRIPTION	REV
	1001192649	Ref	Bale Handler (round)	E
1	70027773	4	Bolt	
2	70028485	1	Screw	
3	70021349	4	Bolt, 3/8X1	
4	90554066	4	Nut	
5	90554067	4	Washer, Lock	
6	90554042	4	Washer, Lock	
7	70021350	4	Washer	
8	70028635	3	Bolt	
9	70028636	1	Plug w/O-Ring	
10	70028637	2	Fitting, 90	
11	90554065	1	Fitting, 90	
12	7029712	4	Decal, Grease	
13	70028638	1	Decal, Stand Clear Warning	
14	90554045	4	Fitting, Grease	
15	70028615	3	Nut	
16	70028554	2	Screw	
17	1001101041	1	Adapter, Male Quick Disconnect	
18	70028616	1	Fitting, Straight	
19	70028617	4	Plug	
20	70028618	1	Fitting, 90	
21	70028619	1	Fitting, Tee	
22	70028620	1	Fitting, 90	
23	1001101042	1	Adapter, Female Quick Disconnect	
24	70028489	2	Pin	
25	70028490	2	Pin	
26	70028621	1	Hose	
27	70028622	1	Hose	
28	70028623	1	Hose	
29	70028624	1	Hose	
30	7029709	1	Hose	
31	7029711	1	Decal, High Pressure Warning	
32	70028625	2	Decal, Pinch Point	
33	70028626	1	Decal, Transport Warning	
34	70028627	1	Decal, Safety Warning	
35	70028628	6	Decal, Red Reflexite	
36	70028629	6	Decal, Amber Reflexite	
37	70028630	1	Decal, Module Staging	
38	N.S.S.	1	Plate, Serial Number	
39	8420053	1	Cap, Dust	
40	8420055	1	Cap, Dust	
41	70028495	1	Clamp	
42	70028496	1	Plate, Clamp	
43	N.S.S.	1	Arm, RH	
44	N.S.S.	1	Arm, LH	
45	70028631	4	Wrap	
46	70028632	1	Valve, Flow Divider	
47	70028633	8	Clamp	
48	N.S.S.	1	Weldment	
49	1001227670	1	Tag, RFID	

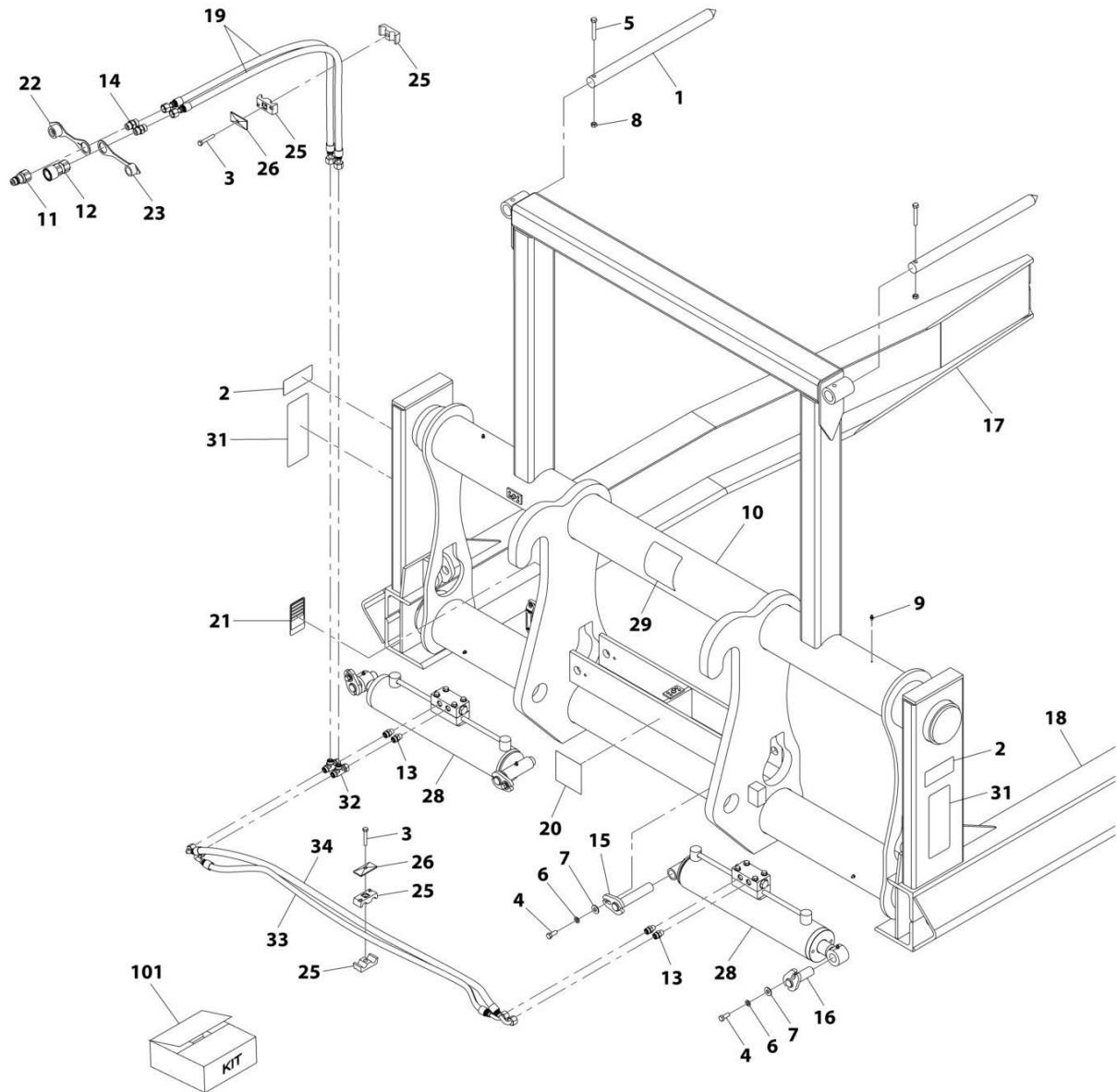
### SECTION 3 - ATTACHMENTS

ITEM	PART NUMBER	QTY	DESCRIPTION	REV
50	70028634	2	Assembly, Cylinder	
101	Kit	1	Kit, Seal	



# SECTION 3 - ATTACHMENTS

## FIGURE 3-18. BALE HANDLER (SQUARE)



ART\_1001192650-E

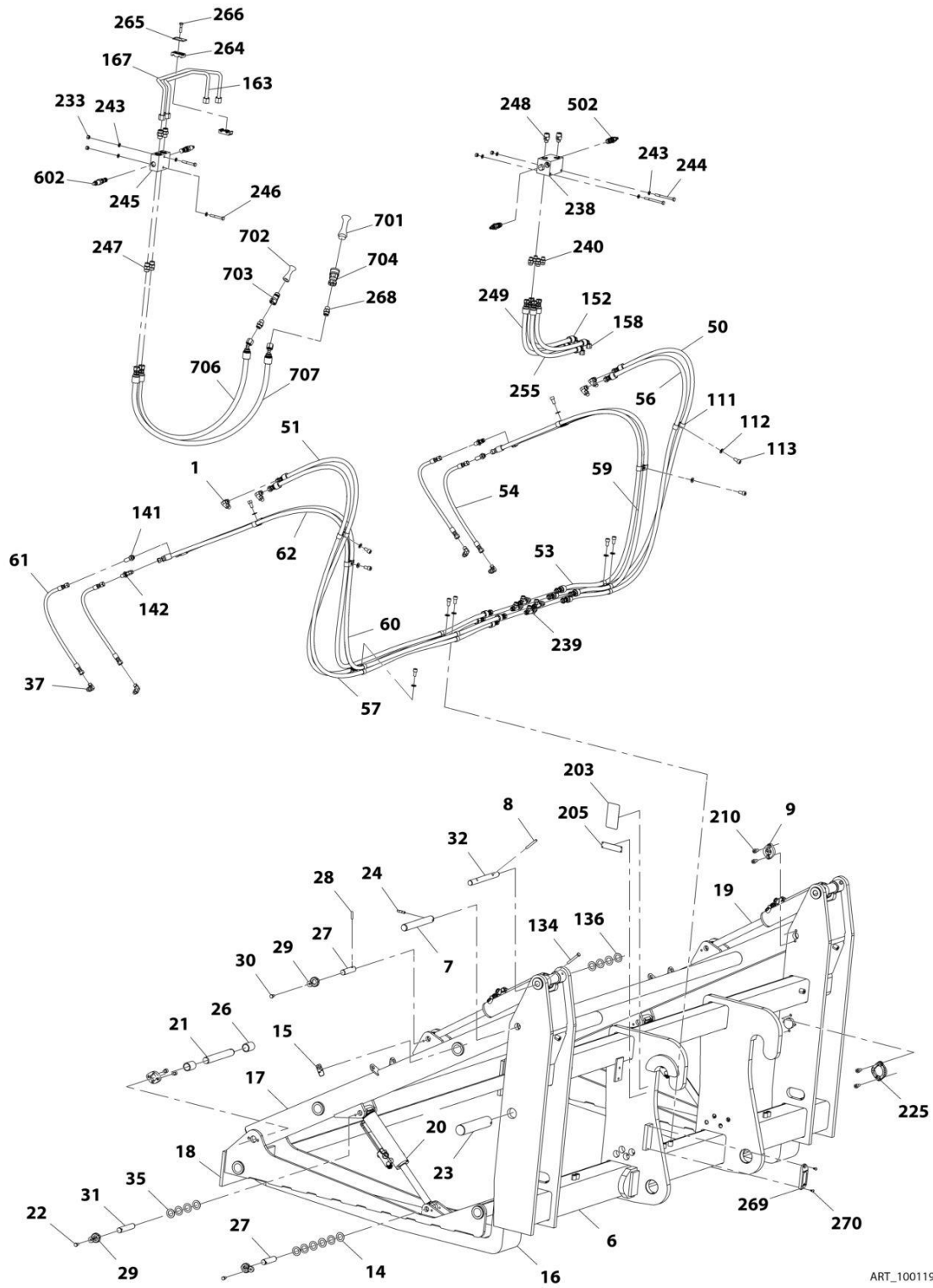
## SECTION 3 - ATTACHMENTS

### FIGURE 3-18. BALE HANDLER (SQUARE)

ITEM	PART NUMBER	QTY	DESCRIPTION	REV
	1001192650	Ref	Bale Handler (square)	F
1	70028499	2	Spear	
2	70028500	2	Decal, Pinch Point	
3	70028485	2	Screw	
4	70021349	4	Bolt, 3/8X1	
5	70021422	2	Screw	
6	90554042	4	Washer, Lock 3/8	
7	70021350	4	Washer, Flat	
8	70021367	2	Nut, Lock 3/8	
9	90554045	4	Fitting, Grease	
10	N.S.S.	1	Weldment, Main Frame	
11	1001101041	1	Coupler, Male Hydraulic	
12	1001101042	1	Coupler, Female Hydraulic	
13	70028486	4	Fitting	
14	70028488	2	Fitting	
15	70028489	2	Pin	
16	70028490	2	Pin	
17	N.S.S.	1	Weldment, Left Bale Arm	
18	N.S.S.	1	Weldment, Right Bale Arm	
19	70028491	2	Hose	
20	7029711	1	Decal, High Pressure Warning	
21	N.S.S.	1	Plate, Serial Number	
22	8420053	1	Cap, Dust	
23	8420055	1	Cap, Dust	
25	70028495	2	Clamp	
26	70028496	2	Plate, Clamp	
28	70028497	2	Assembly, Cylinder	
29	70028498	1	Decal, Read Manual	
31	70028501	2	Decal, Falling Load	
32	70028487	2	Fitting, Tee	
33	70028492	1	Hose	
34	70028493	1	Hose	
101	70028494	1	Kit, Seal	

# SECTION 3 - ATTACHMENTS

## FIGURE 3-19. PIPE HANDLER CARRIAGE



ART\_1001192722-E



## SECTION 3 - ATTACHMENTS

### FIGURE 3-19. PIPE HANDLER CARRIAGE

ITEM	PART NUMBER	QTY	DESCRIPTION	REV
	1001192722	Ref	Pipe Handler Carriage	F
1	70024123	4	Adapter, 90 (includes o-ring)	
6	N.S.S.	1	Carriage	
7	70028648	2	Pin	
8	70026471	4	Pin	
9	70026472	4	Retainer	
14	70026476	12	Shim	
15	70024538	2	Decal, Pinch Point	
16	70028649	2	Fork	
17	70028650	1	Arm	
18	70028651	1	Pad, Contact	
19	70028652	1	Assembly, Upper Cylinder (See Separate Breakdown in HYDRAULIC COMPONENTS Section)	
20	70028653	1	Assembly, Lower Cylinder (See Separate Breakdown in HYDRAULIC COMPONENTS Section)	
21	70028654	2	Pin	
22	70026473	4	Capscrew, M10X12	
23	70028655	2	Pin	
24	70028405	2	Pin	
26	70026501	8	Bushing	
27	70028656	4	Pin	
28	70028253	6	Pin	
29	70028262	6	Retainer	
30	70028657	6	Bolt, M8X16	
31	70028658	2	Pin	
32	70028659	2	Pin	
35	70028660	8	Shim	
37	70028661	4	Fittin, 90	
50	70028662	1	Hose	
51	70028663	1	Hose	
53	70028664	1	Hose	
54	70028665	2	Hose	
56	70028666	1	Hose	
57	70028667	1	Hose	
59	70028668	1	Hose	
60	70028669	1	Hose	
61	70028670	2	Hose	
62	70028671	1	Hose	
111	70026481	24	Clamp, Hose	
112	70026482	12	Washer	
113	70028672	12	Bolt, M10X20	
134	70028406	2	Capscrew	
136	70028767	4	Shim	
141	70028768	2	Fitting, Straight	
142	70028673	2	Fitting, 45	
152	70028674	1	Hose	
158	70028675	1	Hose	
163	70028676	1	Pipe	
167	70028677	1	Pipe	
203	N.S.S.	1	Plate, Serial Number	

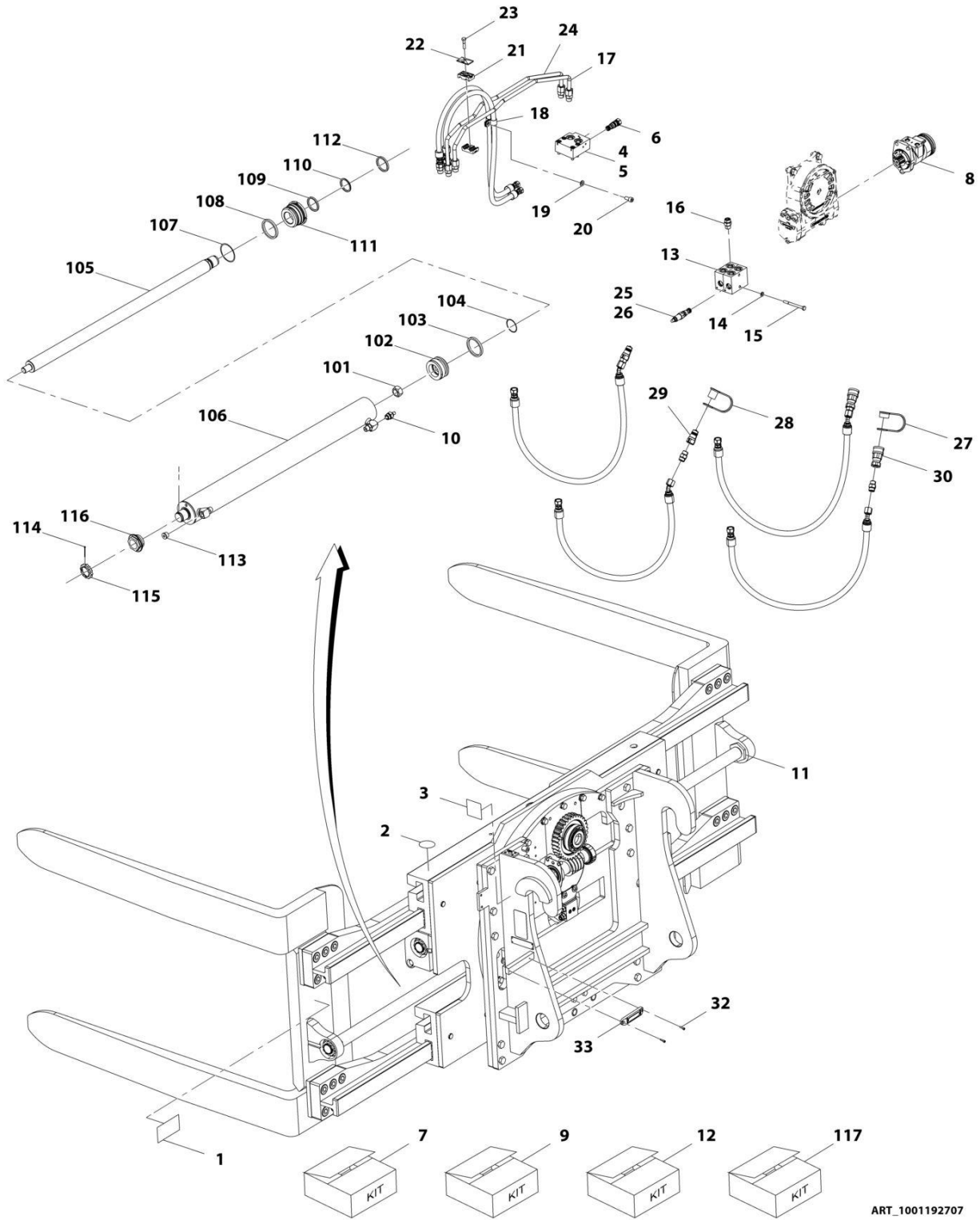
## SECTION 3 - ATTACHMENTS

ITEM	PART NUMBER	QTY	DESCRIPTION	REV
205	N.S.S.	1	Plate, Name	
210	70028678	8	Bolt	
225	70028679	2	Retainer	
233	70028680	6	Nut, M8	
238	N.S.S.	1	Valve	
239	70028267	4	Fitting, Straight	
240	70024130	4	Fitting, Straight	
243	70024721	8	Washer, M8	
244	70028681	2	Bolt, M8X90	
245	N.S.S.	1	Valve, Relief	
246	70028682	2	Bolt, M8X60	
247	70028683	2	Fitting, Straight	
248	70028684	2	Fitting, Straight	
249	70028685	1	Hose	
255	70028686	1	Hose	
264	70028687	1	Clamp	
265	70028688	1	Cover	
266	70028689	1	Bolt, M8X35	
268	70022938	4	Fitting, Straight	
269	1001227670	1	Tag, RFID	
270	70028690	2	Bolt, M4X16	
501	N.S.S.	1	Valve, Relief	
502	70024772	2	Valve, Cartridge	
601	N.S.S.	1	Valve, Sequence	
602	70028695	2	Valve, Cartridge	
701	8420055	1	Plug, Dust	
702	8420053	1	Plug, Cap	
703	1001101041	1	Adapter, Male Quick Disconnect	
704	1001101042	1	Adapter, Female Quick Disconnect	
706	70028696	1	Hose	
707	70028697	1	Hose	



# SECTION 3 - ATTACHMENTS

## FIGURE 3-20. TIRE HANDLER CARRIAGE



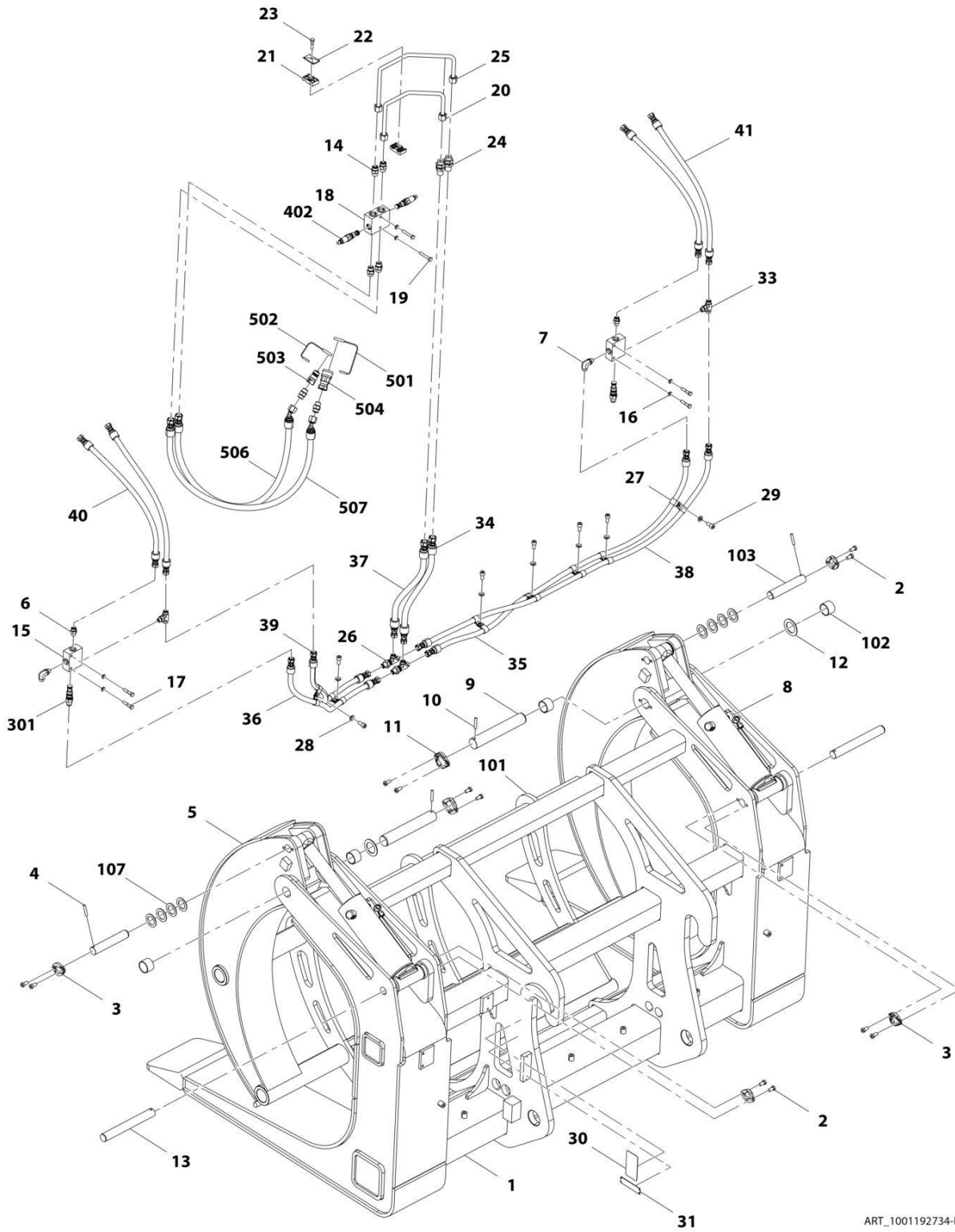
## SECTION 3 - ATTACHMENTS

### FIGURE 3-20. TIRE HANDLER CARRIAGE

ITEM	PART NUMBER	QTY	DESCRIPTION	REV
	1001192707	Ref	Tire Handler Carriage	E
1	70024538	2	Decal, Warning	
2	70024787	1	Decal, No Step	
3	70028785	1	Decal, Quick Change Hook	
4	70024731	1	Assembly, Check Valve	
5	70024732	1	Manifold	
6	70024733	2	Valve, Check	
7	70024734	2	Kit, Check Valve	
8	70028786	1	Motor, Drive	
9	70028114	1	Kit, Service	
10	70028787	2	Cartridge, Restrictor	
11	70028788	2	Assembly, Cylinder	
12	70028793	1	Kit, Service (includes Items 114 thru 116)	
13	70028794	1	Valve, Pressure Control	
14	70024721	2	Washer, M8	
15	70028681	2	Bolt, M8X90	
16	70022938	8	Fitting, Straight	
17	70028795	1	Pipe	
18	70026481	2	Clamp, Hose	
19	70026482	1	Washer	
20	70028672	1	Bolt, M10X20	
21	70028687	1	Clamp	
22	70028688	1	Cover	
23	70028689	1	Bolt, M8X35	
24	70028796	1	Pipe	
25	70024772	4	Valve, Relief	
26	70028115	4	Kit, Seal	
27	8420055	2	Plug, Dust	
28	8420053	2	Cap, Dust	
29	1001101041	2	Adapter, Male Quick Disconnect	
30	1001101042	2	Adapter, Female Quick Disconnect	
32	70028690	2	Bolt, M4X16	
33	1001227670	1	Tag, RFID	
101	70026503	1	Nut	
102	70028789	1	Piston	
103	Kit	1	Seal	
104	Kit	1	O-Ring	
105	70028790	1	Rod	
106	Kit	1	Shell	
107	Kit	1	O-Ring	
108	Kit	1	Backup Ring	
109	Kit	1	Seal	
110	Kit	1	Ring	
111	70028791	1	Retainer	
112	Kit	1	Wiper	
113	70028119	1	Plug	
114	Kit	1	Pin	
115	Kit	1	Retainer	
116	Kit	1	Nut	
117	70028792	1	Kit, Seal (includes items 101 thru 113)	

# SECTION 3 - ATTACHMENTS

## FIGURE 3-21. LOG HANDLER CARRIAGE



ART\_1001192734-D

## SECTION 3 - ATTACHMENTS

### FIGURE 3-21. LOG HANDLER CARRIAGE

ITEM	PART NUMBER	QTY	DESCRIPTION	REV
	1001192734	Ref	Log Handler Carriage	E
1	N.S.S.	1	Frame	
2	70028701	8	Capscrew, M10X20	
3	70028702	2	Retainer	
4	70028703	4	Pin	
5	N.S.S.	1	Grapple	
6	70024130	2	Fitting, Straight	
7	70024123	2	Fitting, 90	
8	70028704	2	Assembly, Log Handler Carriage Cylinder (See Separate Breakdown in HYDRAULIC COMPONENTS Section)	
9	70028705	2	Pin	
10	70028706	2	Pin	
11	70028707	2	Retainer	
12	70028708	2	Shim	
13	70028709	2	Pin	
14	70022938	4	Fitting, Straight	
15	N.S.S.	2	Valve	
16	70024721	6	Washer, M8	
17	70028710	4	Capscrew	
18	N.S.S.	1	Valve, Relief	
19	70028711	2	Capscrew	
20	70028712	1	Pipe	
21	70028687	1	Clamp	
22	70028688	1	Plate, Cover	
23	70028689	1	Bolt, M8X35	
24	70028713	2	Fitting, Straight	
25	70028714	1	Pipe	
26	70028267	2	Fitting, Tee	
27	70026481	14	Clamp, Hose	
28	70026482	7	Washer, M10	
29	70028672	7	Bolt, M10X20	
30	N.S.S.	1	Plate, Serial Number	
31	N.S.S.	1	Plate, Name	
33	70028715	2	Fitting, Tee	
34	70028716	1	Hose	
35	70028717	1	Hose	
36	70028718	1	Hose	
37	70028719	1	Hose	
38	70028720	1	Hose	
39	70028721	1	Hose	
40	70028722	2	Hose	
41	70028723	2	Hose	
101	70028724	1	Arm	
102	70028725	4	Bearing	
103	70028726	2	Pin	
107	70028727	8	Shim	
301	70026504	2	Valve, Counterbalance	
402	70024772	2	Valve, Relief	
501	8420055	1	Plug, Dust	
502	8420053	1	Plug, Cap	

### SECTION 3 - ATTACHMENTS

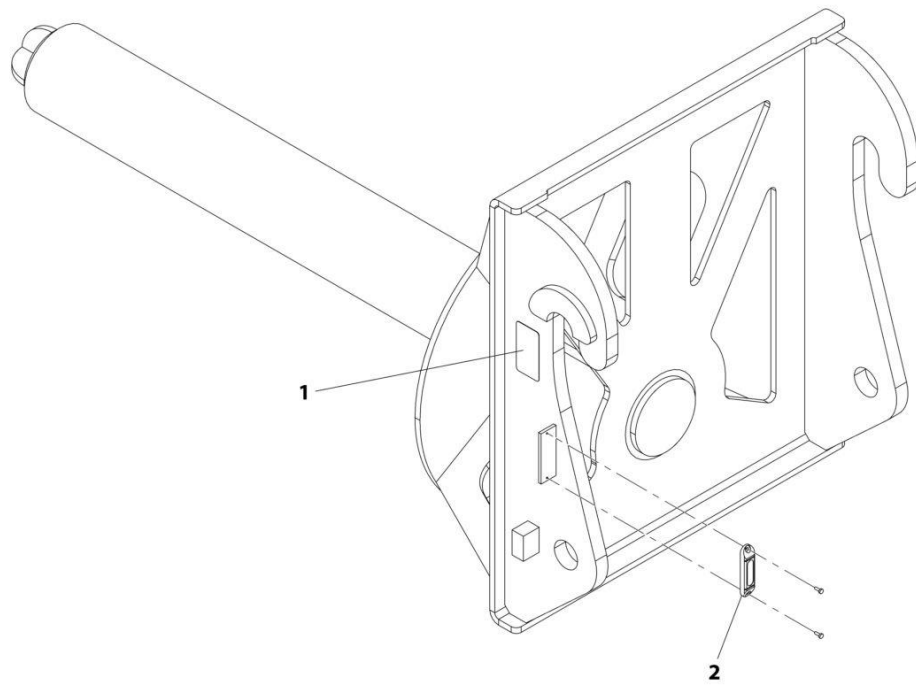
ITEM	PART NUMBER	QTY	DESCRIPTION	REV
503	1001101041	1	Adapter, Male Quick Disconnect	
504	1001101042	1	Adapter, Female Quick Disconnect	
506	70028734	1	Hose	
507	70028697	1	Hose	





# SECTION 3 - ATTACHMENTS

## FIGURE 3-22. STEEL COIL HANDLER CARRIAGE



ART\_1001192735-F

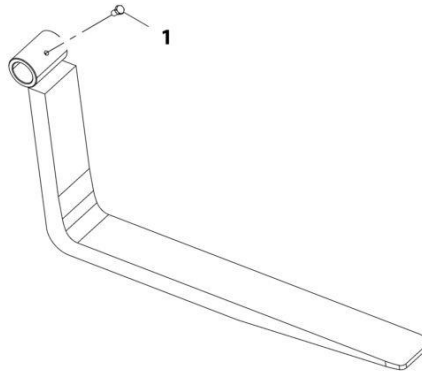
## SECTION 3 - ATTACHMENTS

### FIGURE 3-22. STEEL COIL HANDLER CARRIAGE

ITEM	PART NUMBER	QTY	DESCRIPTION	REV
	1001192735	1	Steel Coil Handler Carriage	G
1	N.S.S.	1	Plate, Serial Number	
2	1001227670	1	Tag, RFID	

# SECTION 3 - ATTACHMENTS

FIGURE 3-23. PALLET FORK (2.25X6X48)



ART\_1001196952-B

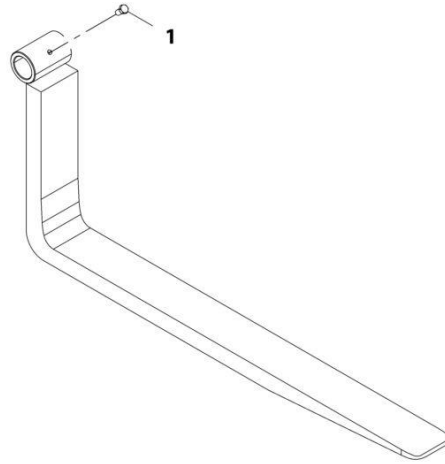
## SECTION 3 - ATTACHMENTS

**FIGURE 3-23. PALLET FORK (2.25X6X48)**

ITEM	PART NUMBER	QTY	DESCRIPTION	REV
1	1001196952	1	Pallet Fork (2.25X6X48)	B
	70027180	1	Screw, M16X30	
	Note	Ref	<p>FORKS RATED LESS THAN THE ATTACHMENT OR MACHINE'S CAPACITY DECREASES CAPACITY OF THE ATTACHMENT OR MACHINE TO THAT OF THE FORKS. FORKS RATED MORE THAN THE ATTACHMENT OR MACHINE'S CAPACITY DO NOT INCREASE ATTACHMENT OR MACHINE'S CAPACITY.</p>	
	Note	Ref	<p>PLEASE CONSULT JLG PARTS DEPARTMENT TO DETERMINE THE CORRECT FORKS APPLICABLE TO YOUR SPECIFIC CARRIAGE ASSEMBLY AND APPLICATION.</p>	

# SECTION 3 - ATTACHMENTS

FIGURE 3-24. PALLET FORK (2.25X6X60)



ART\_1001196951-B

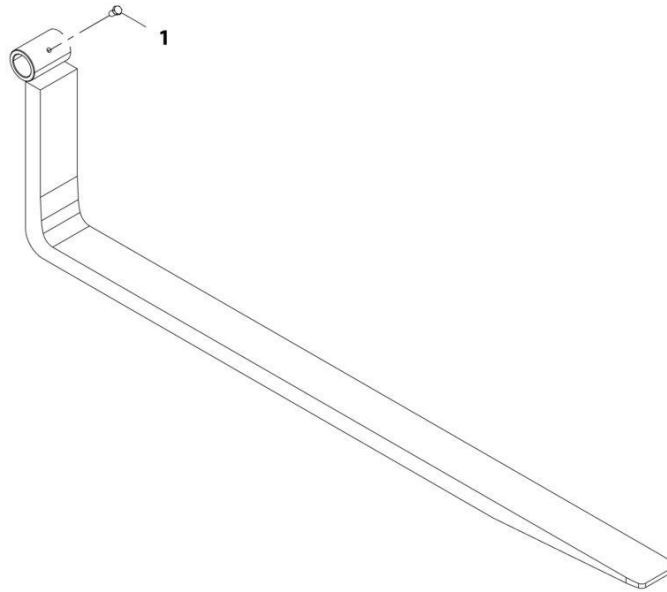
## SECTION 3 - ATTACHMENTS

**FIGURE 3-24. PALLET FORK (2.25X6X60)**

ITEM	PART NUMBER	QTY	DESCRIPTION	REV
1	1001196951	1	Pallet Fork (2.25X6X60)	B
	70027180	1	Screw, M16X30	
	Note	Ref	<p>FORKS RATED LESS THAN THE ATTACHMENT OR MACHINE'S CAPACITY DECREASES CAPACITY OF THE ATTACHMENT OR MACHINE TO THAT OF THE FORKS. FORKS RATED MORE THAN THE ATTACHMENT OR MACHINE'S CAPACITY DO NOT INCREASE ATTACHMENT OR MACHINE'S CAPACITY.</p>	
	Note	Ref	<p>PLEASE CONSULT JLG PARTS DEPARTMENT TO DETERMINE THE CORRECT FORKS APPLICABLE TO YOUR SPECIFIC CARRIAGE ASSEMBLY AND APPLICATION.</p>	

# SECTION 3 - ATTACHMENTS

FIGURE 3-25. PALLET FORK (2.25X6X72)



ART\_1001196950-B



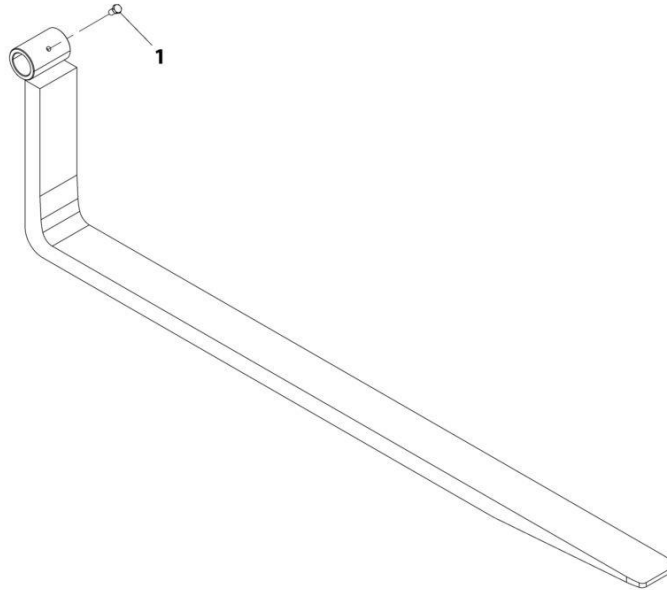
## SECTION 3 - ATTACHMENTS

**FIGURE 3-25. PALLET FORK (2.25X6X72)**

ITEM	PART NUMBER	QTY	DESCRIPTION	REV
1	1001196950	1	Pallet Fork (2.25X6X72)	B
	70027180	1 2	Screw, M16X30	
	Note	Ref	<p>FORKS RATED LESS THAN THE ATTACHMENT OR MACHINE'S CAPACITY DECREASES CAPACITY OF THE ATTACHMENT OR MACHINE TO THAT OF THE FORKS. FORKS RATED MORE THAN THE ATTACHMENT OR MACHINE'S CAPACITY DO NOT INCREASE ATTACHMENT OR MACHINE'S CAPACITY.</p>	
	Note	Ref	<p>PLEASE CONSULT JLG PARTS DEPARTMENT TO DETERMINE THE CORRECT FORKS APPLICABLE TO YOUR SPECIFIC CARRIAGE ASSEMBLY AND APPLICATION.</p>	

# SECTION 3 - ATTACHMENTS

FIGURE 3-26. PALLET FORK (2.25X6X96)



ART\_1001196949-B

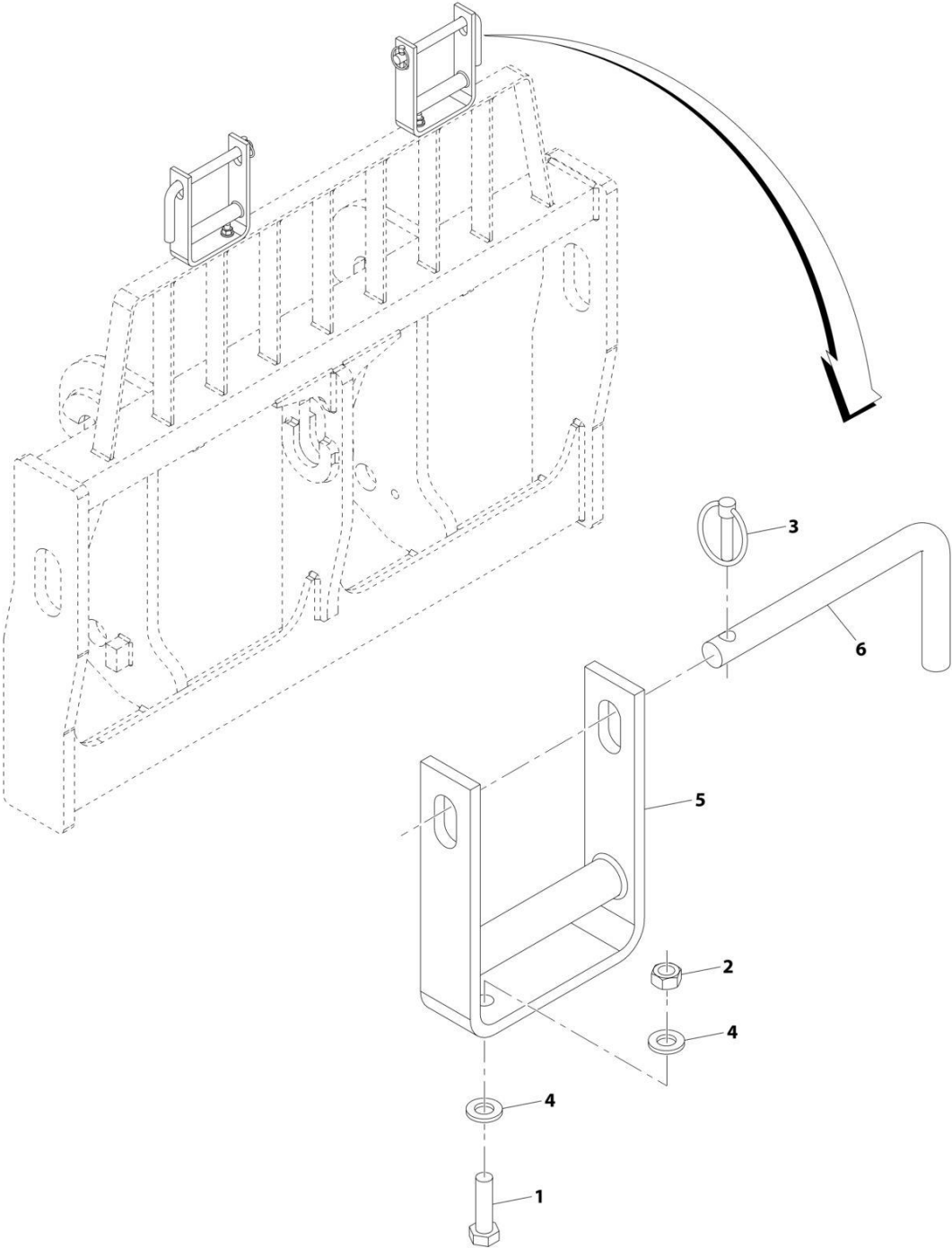
## SECTION 3 - ATTACHMENTS

**FIGURE 3-26. PALLET FORK (2.25X6X96)**

ITEM	PART NUMBER	QTY	DESCRIPTION	REV
1	1001196949	1	Pallet Fork (2.25X6X96)	B
	70027180	1 2	Screw, M16X30	
	Note	Ref	FORKS RATED LESS THAN THE ATTACHMENT OR MACHINE'S CAPACITY DECREASES CAPACITY OF THE ATTACHMENT OR MACHINE TO THAT OF THE FORKS. FORKS RATED MORE THAN THE ATTACHMENT OR MACHINE'S CAPACITY DO NOT INCREASE ATTACHMENT OR MACHINE'S CAPACITY.	
	Note	Ref	PLEASE CONSULT JLG PARTS DEPARTMENT TO DETERMINE THE CORRECT FORKS APPLICABLE TO YOUR SPECIFIC CARRIAGE ASSEMBLY AND APPLICATION.	

**SECTION 3 - ATTACHMENTS**

**FIGURE 3-27. FORK RETENTION INSTALLATION**



ART\_1001196778-C

## SECTION 3 - ATTACHMENTS

### FIGURE 3-27. FORK RETENTION INSTALLATION

ITEM	PART NUMBER	QTY	DESCRIPTION	REV
	1001196778	Ref	Fork Retention Installation	C
1	0761217	1	Bolt, M12X45	
2	3291201	1	Nut, M12X1.75	
3	1001109387	1	Pin, Linch	
4	5241200	2	Washer, M12	
5	1001196779	1	Bracket, Fork Retention	
6	1001196782	1	Pin, Fork Retention	



## **SECTION 4 - ENGINE AND ATTACHING PARTS**

## **SECTION 4 - ENGINE AND ATTACHING PARTS**

# SECTION 4 - ENGINE AND ATTACHING PARTS

## FIGURE 4-1. ENGINE POD COMPONENT INSTALLATION (ULS)



ART\_1001200443-D



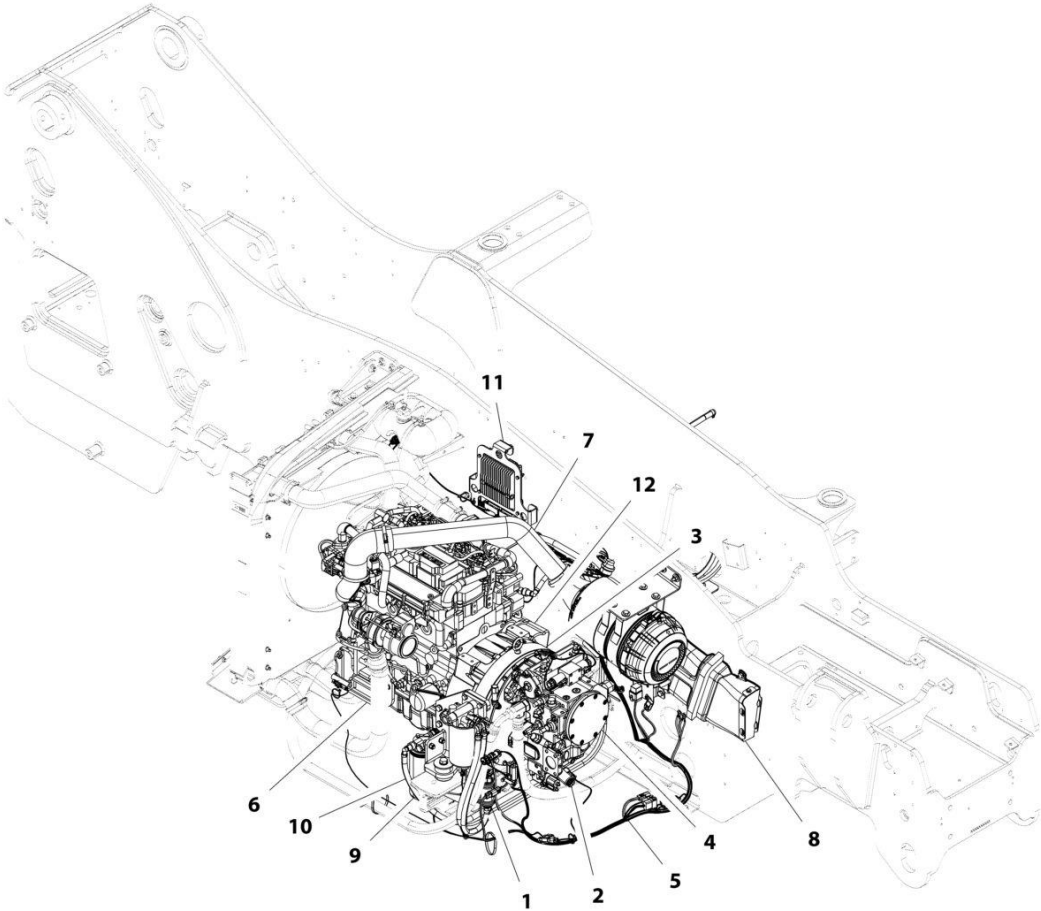
## SECTION 4 - ENGINE AND ATTACHING PARTS

**FIGURE 4-1. ENGINE POD COMPONENT INSTALLATION (ULS)**

ITEM	PART NUMBER	QTY	DESCRIPTION	REV
	1001200443	Ref	Engine Pod Component Installation (ULS)	E
2	1001221041	1	Installation, Remote Fuel Pump (See Separate Breakdown in this Section)	
4	1001193393	1	Installation, Implement Pump (See Separate Breakdown in this Section)	
5	1001193703	1	Installation, Hydrostatic Adaptor (See Separate Breakdown in this Section)	
6	1001193704	1	Installation, Hydrostatic Drive Pump (See Separate Breakdown in this Section)	
7	1001200106	1	Installation, Engine Wiring (See Separate Breakdown in ELECTRICAL Section)	
8	1001200862	1	Installation, Engine Mount (See Separate Breakdown in this Section)	
9	1001200863	1	Installation, Air Intake (See Separate Breakdown in this Section)	
10	1001200864	1	Installation, Air Cleaner (See Separate Breakdown in this Section)	
11	1001200865	1	Installation, Primary Fuel Filter (See Separate Breakdown in this Section)	
12	1001200866	1	Installation, Fuel Lines (See Separate Breakdown in this Section)	
13	1001284538	1	Installation, Engine ECU (See Separate Breakdown in ELECTRICAL Section)	
14	1001293070	1	Installation, DEF Coolant Lines (See Separate Breakdown in this Section)	
15	1001201425	1	Installation, Engine (See Separate Breakdown in this Section)	

# SECTION 4 - ENGINE AND ATTACHING PARTS

FIGURE 4-2. ENGINE POD COMPONENT INSTALLATION (LS)



ART\_1001200444-A

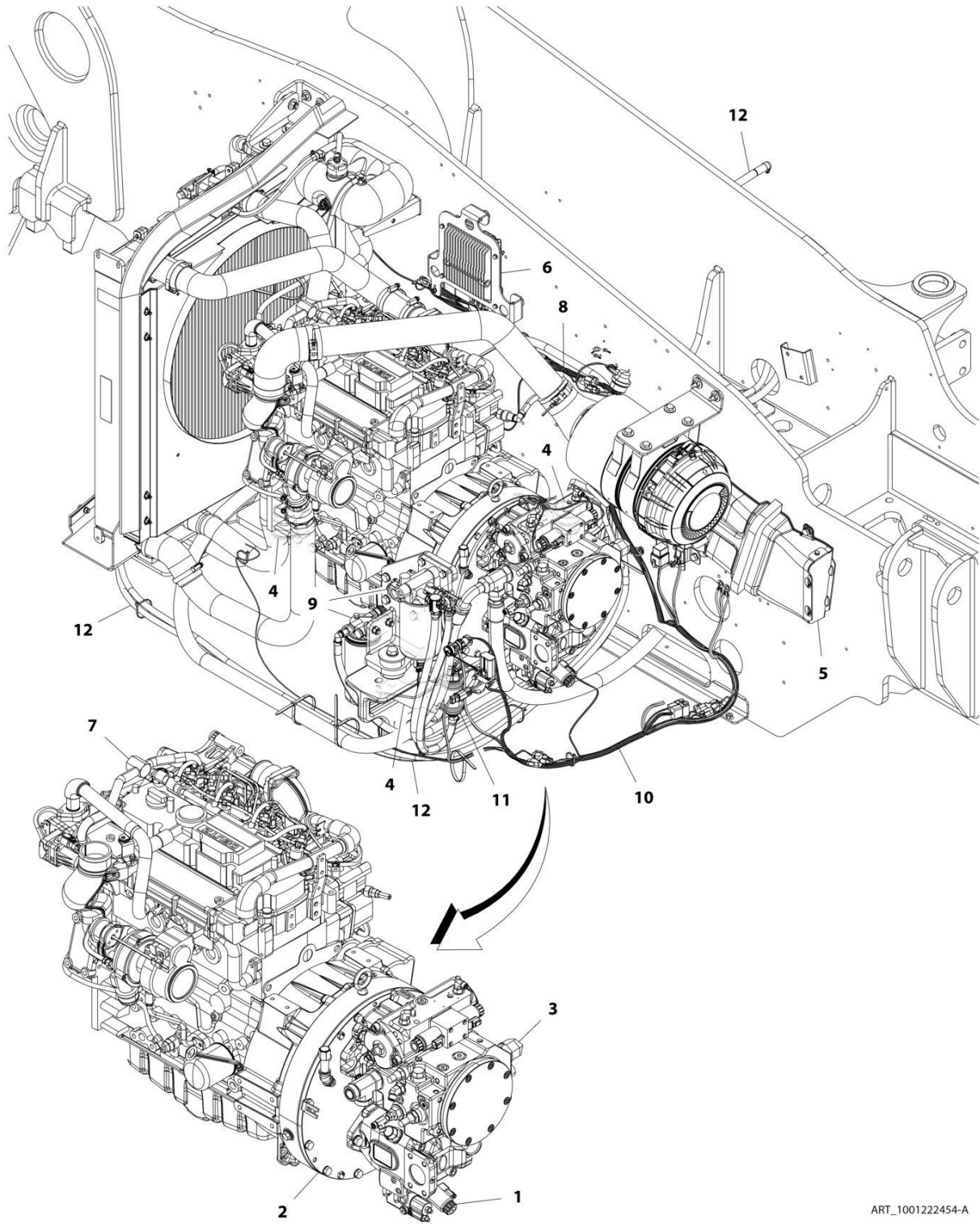
## SECTION 4 - ENGINE AND ATTACHING PARTS

**FIGURE 4-2. ENGINE POD COMPONENT INSTALLATION (LS)**

ITEM	PART NUMBER	QTY	DESCRIPTION	REV
	1001200444	Ref	Engine Pod Component Installation (LS - no High Ambient)	B
1	1001221041	1	Installation, Remote Fuel Pump (See Separate Breakdown in this Section)	
2	1001193393	1	Installation, Implement Pump (See Separate Breakdown in this Section)	
3	1001193703	1	Installation, Hydrostatic Adaptor (See Separate Breakdown in this Section)	
4	1001193704	1	Installation, Hydrostatic Drive Pump (See Separate Breakdown in this Section)	
5	1001217752	1	Installation, Engine Wiring (See Separate Breakdown in Electrical Section)	
6	1001200862	1	Installation, Engine Mount (See Separate Breakdown in this Section)	
7	1001210600	1	Installation, Air Intake (See Separate Breakdown in this Section)	
8	1001200864	1	Installation, Air Cleaner (See Separate Breakdown in this Section)	
9	1001210602	1	Installation, Primary Fuel Filter (See Separate Breakdown in this Section)	
10	1001210601	1	Installation, Fuel Lines (See Separate Breakdown in this Section)	
11	1001284538	1	Installation, Engine ECU (See Separate Breakdown in Electrical Section)	
12	1001284532	1	Installation, Engine (See Separate Breakdown in this Section)	

# SECTION 4 - ENGINE AND ATTACHING PARTS

## FIGURE 4-3. ENGINE INSTALLATION (LS)



ART\_1001222454-A

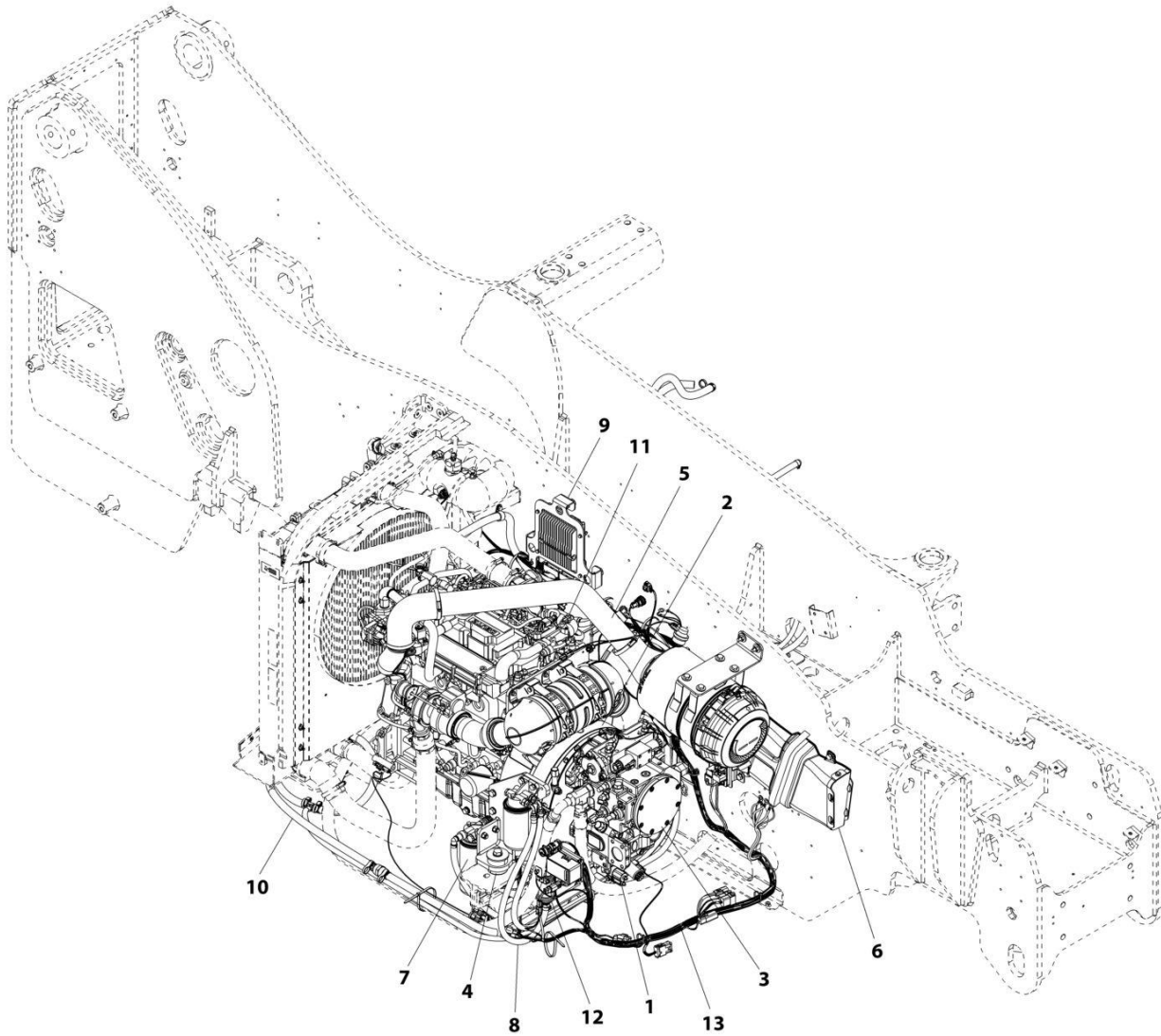
## SECTION 4 - ENGINE AND ATTACHING PARTS

**FIGURE 4-3. ENGINE INSTALLATION (LS)**

ITEM	PART NUMBER	QTY	DESCRIPTION	REV
1	1001222454	Ref	Engine Installation (LS)	B
	1001193393	Ref	Installation, Main Hydraulic Pump (See Separate Breakdown in Hydraulic Circuits Section)	
2	1001193703	Ref	Installation, Transmission Hydrostatic Adapter (See Separate Breakdown in this Section)	
3	1001193704	Ref	Installation, Transmission Hydrostatic Drive Pump (See Separate Breakdown in this Section)	
4	1001200862	Ref	Installation, Engine Mounting (See Separate Breakdown in this Section)	
5	1001200864	Ref	Installation, Air Cleaner (See Separate Breakdown in this Section)	
6	1001284538	Ref	Installation, Engine ECU (See Separate Breakdown in Electrical Section)	
7	1001284532	Ref	Engine (LS) (See Separate Breakdown in this Section)	
8	1001210600	Ref	Installation, Air Intake Lines (LS) (See Separate Breakdown in this Section)	
9	1001210602	Ref	Installation, Primary Fuel Filter (LS) (See Separate Breakdown in this Section)	
10	1001217752	Ref	Installation, Engine Wiring (LS) (See Separate Breakdown in Electrical Section)	
11	1001221041	Ref	Installation, Remote Fuel Pump (See Separate Breakdown in this Section)	
12	1001222163	Ref	Installation, Fuel Lines (See Separate Breakdown in this Section)	

# SECTION 4 - ENGINE AND ATTACHING PARTS

FIGURE 4-4. ENGINE POD COMPONENT INSTALLATION (MINING) (ULS)



ART\_1001228727-A

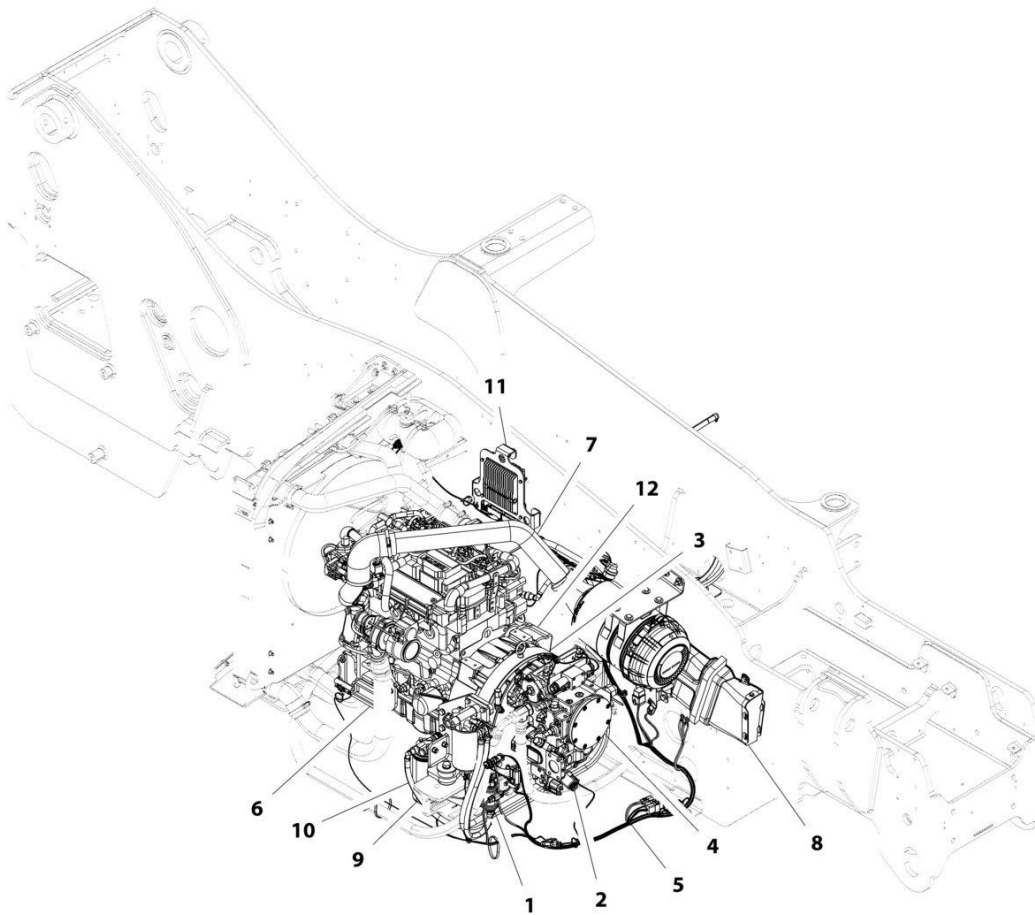
## SECTION 4 - ENGINE AND ATTACHING PARTS

**FIGURE 4-4. ENGINE POD COMPONENT INSTALLATION (MINING) (ULS)**

ITEM	PART NUMBER	QTY	DESCRIPTION	REV
	1001228727	Ref	Engine Pod Component Installation (Mining) (ULS)	B
1	1001193393	1	Installation, Implement Pump (See Separate Breakdown in this Section)	
2	1001193703	1	Installation, Hydrostatic Adaptor (See Separate Breakdown in this Section)	
3	1001193704	1	Installation, Hydrostatic Drive Pump (See Separate Breakdown in this Section)	
4	1001200862	1	Installation, Engine Mount (See Separate Breakdown in this Section)	
5	1001200863	1	Installation, Air Intake (See Separate Breakdown in this Section)	
6	1001200864	1	Installation, Air Cleaner (See Separate Breakdown in this Section)	
7	1001200865	1	Installation, Primary Fuel Filter (See Separate Breakdown in this Section)	
8	1001200866	1	Installation, Fuel Lines (See Separate Breakdown in this Section)	
9	1001284538	1	Installation, Engine ECU (See Separate Breakdown in ELECTRICAL Section)	
10	1001293070	1	Installation, DEF Coolant Lines (See Separate Breakdown in this Section)	
11	1001201425	1	Installation, Engine (See Separate Breakdown in this Section)	
12	1001221041	1	Installation, Remote Fuel Pump (See Separate Breakdown in this Section)	
13	1001228728	1	Installation, Engine Wiring (See Separate Breakdown in ELECTRICAL Section)	

## SECTION 4 - ENGINE AND ATTACHING PARTS

FIGURE 4-5. ENGINE POD COMPONENT INSTALLATION (MINING) (LS)



ART\_1001228734-A



## SECTION 4 - ENGINE AND ATTACHING PARTS

**FIGURE 4-5. ENGINE POD COMPONENT INSTALLATION (MINING) (LS)**

ITEM	PART NUMBER	QTY	DESCRIPTION	REV
	1001228734	Ref	Engine Pod Component Installation (Mining) (LS)	B
1	1001221041	1	Installation, Remote Fuel Pump (See Separate Breakdown in this Section)	
2	1001193393	1	Installation, Implement Pump (See Separate Breakdown in this Section)	
3	1001193703	1	Installation, Hydrostatic Adaptor (See Separate Breakdown in this Section)	
4	1001193704	1	Installation, Hydrostatic Drive Pump (See Separate Breakdown in this Section)	
5	1001228735	1	Installation, Engine Wiring (See Separate Breakdown in Electrical Section)	
6	1001200862	1	Installation, Engine Mount (See Separate Breakdown in this Section)	
7	1001210600	1	Installation, Air Intake (See Separate Breakdown in this Section)	
8	1001200864	1	Installation, Air Cleaner (See Separate Breakdown in this Section)	
9	1001210602	1	Installation, Primary Fuel Filter (See Separate Breakdown in this Section)	
10	1001210601	1	Installation, Fuel Lines (See Separate Breakdown in this Section)	
11	1001284538	1	Installation, Engine ECU (See Separate Breakdown in Electrical Section)	
12	1001284532	1	Installation, Engine (See Separate Breakdown in this Section)	



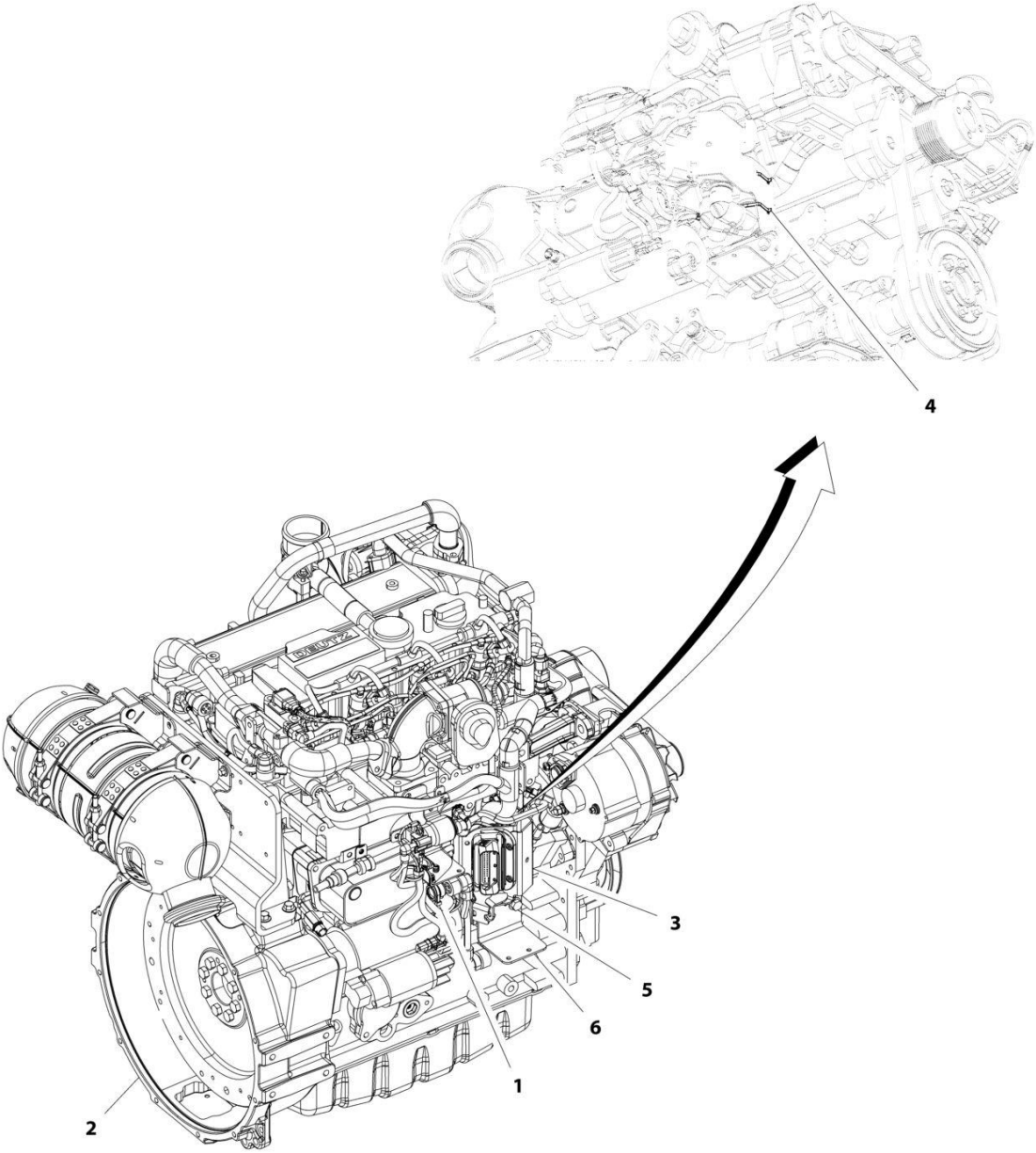
## SECTION 4 - ENGINE AND ATTACHING PARTS

**FIGURE 4-6. ENGINE POD COMPONENT INSTALLATION (LS)**

ITEM	PART NUMBER	QTY	DESCRIPTION	REV
	1001228737	Ref	Engine Pod Component Installation (LS - High Ambient)	B
1	1001193393	1	Installation, Implement Pump (See Separate Breakdown in this Section)	
2	1001193703	1	Installation, Hydrostatic Adaptor (See Separate Breakdown in this Section)	
3	1001193704	1	Installation, Hydrostatic Drive Pump (See Separate Breakdown in this Section)	
4	1001200862	1	Installation, Engine Mount (See Separate Breakdown in this Section)	
5	1001200864	1	Installation, Air Cleaner (See Separate Breakdown in this Section)	
6	1001284538	1	Installation, Engine ECU (See Separate Breakdown in Electrical Section)	
7	1001284532	1	Installation, Engine (See Separate Breakdown in this Section)	
8	1001210600	1	Installation, Air Intake (See Separate Breakdown in this Section)	
9	1001210602	1	Installation, Primary Fuel Filter (See Separate Breakdown in this Section)	
10	1001228735	1	Installation, Engine Wiring (See Separate Breakdown in Electrical Section)	
11	1001221041	1	Installation, Remote Fuel Pump (See Separate Breakdown in this Section)	
12	1001222163	1	Installation, Fuel Lines (See Separate Breakdown in this Section)	

**SECTION 4 - ENGINE AND ATTACHING PARTS**

**FIGURE 4-7. ENGINE INSTALLATION (ULS)**



ART\_1001201425-D

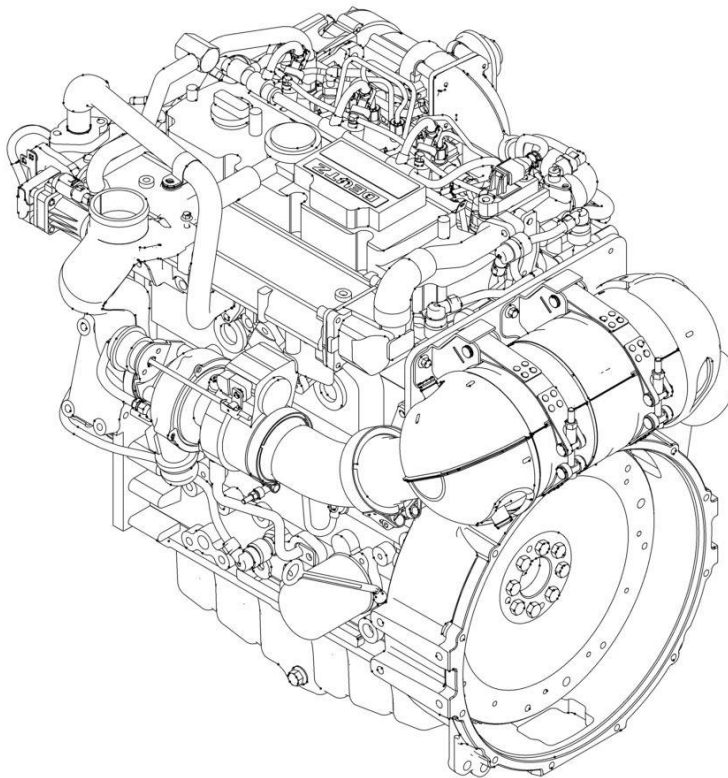
## SECTION 4 - ENGINE AND ATTACHING PARTS

FIGURE 4-7. ENGINE INSTALLATION (ULS)

ITEM	PART NUMBER	QTY	DESCRIPTION	REV
	1001201425	Ref	Engine Installation (ULS)	F
1	1001004720	4	Strap, Cable	
2	1001284531	1	Engine (See Separate breakdown in this Section)	
3	1001202901	1	Bracket, ECU Connector	
4	1001008559	2	Strap, Cable	
5	5251012	2	Bolt, M10X25	
6	1001222460	1	Bracket, Fuel Supply	

## SECTION 4 - ENGINE AND ATTACHING PARTS

FIGURE 4-8. ENGINE (100KW - ULS)



ART\_1001197414-1

## SECTION 4 - ENGINE AND ATTACHING PARTS

### FIGURE 4-8. ENGINE (100KW - ULS)

ITEM	PART NUMBER	QTY	DESCRIPTION	REV
	1001197414	Ref	Engine (100kW - ULS)	I
	70027657	1	Dipstick	
	7020442	1	O-Ring	
	70025755	1	Tube, Dipstick	
	70025765	1	Pan, Oil	
	70025786	1	Plug	
	70025757	1	Flywheel	
	7020208	1	Gear, Ring	
	70126616	1	Bearing	
	70027567	1	Belt	
	70025737	1	Sensor, Wheel	
	70025743	1	Pulley, V-Groove	
	70124445	1	Crankcase	
	70025763	1	Pump, Oil	
	70024494	1	Cooler, Oil	
	70024495	1	Gasket	
	7016331	1	Filter, Oil	
	70024504	1	Sensor, Pressure	
	70024489	1	Line, Lube	
	70005490	1	Line, Return	
	70005730	1	Pipe, Transfer	
	70025722	1	Line, Oil Suction	
	70024487	1	Pump, Fuel Injector	
	70027417	1	Filter, Fuel (Secondary)	
	70004512	1	Element, Fuel Filter (Secondary)	
	70024961	1	Filter, Fuel (Primary)	
	70025153	1	Element, Fuel Filter (Primary)	
	70006144	1	Pump, Fuel	
	70024507	1	Sensor, Pressure	
	70005492	1	Valve, Throttle	
	70025772	1	Manifold, Air Charge	
	70027420	1	Module, ECU	
	70026011	1	Pump, Water	
	70025775	1	Pulley, V-Ribbed Belt	
	70024918	1	Sensor, Temperature	
	70024493	1	Gasket	
	70005504	1	Sensor, Pressure	
	70005505	1	O-Ring	
	70027405	2	Sensor, Temperature	
	70005507	2	O-Ring	
	70005510	1	Manifold, Exhaust	
	70005511	1	Gasket	
	70027426	1	Module, EGR	
	70005513	1	Valve, Control	
	70025768	1	Valve, Shuttle	
	70028417	1	Turbocharger	
	70024484	1	Roller, Idler	
	70028418	1	Tensioner, Belt	
	70028419	1	Belt, V-Ribbed	
	70031088	1	Alternator	

## SECTION 4 - ENGINE AND ATTACHING PARTS

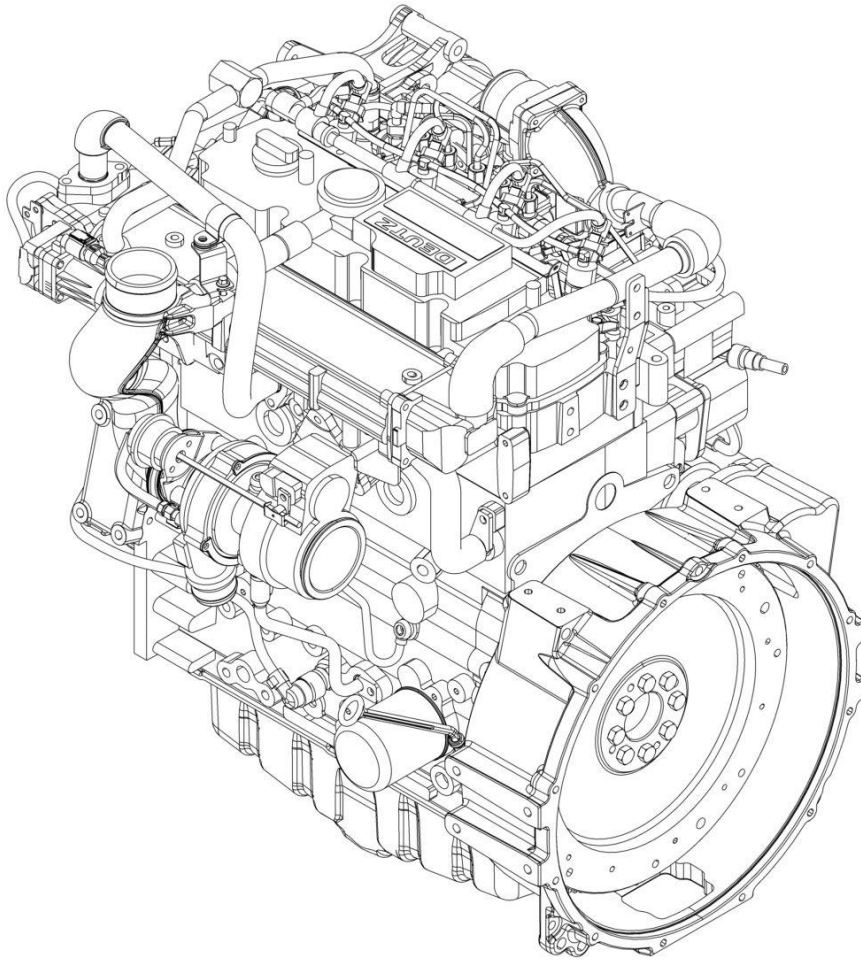
ITEM	PART NUMBER	QTY	DESCRIPTION	REV
	70025535	1	Starter	
	70025780	1	Relay	
	70026210	1	Sensor, Speed	
	70005191	1	O-Ring	
	70025761	1	Connector	
	70024474	1	Plug, Glow	
	70025760	1	Rail, Connecting	
	70005544	1	Unit, Metering	
	70005548	1	Pump, DEF Supply	
	70005549	1	Filter, DEF	
	70005523	1	Sensor, Pressure	
	70024505	1	Sensor, Temperature	
	70005556	1	Sensor, Temperature	
	70005522	1	Sensor	
	70005524	1	Sensor	
	70005559	1	Sensor, Temperature	
	70005507	1	O-Ring	
	70005557	1	Pipe	
	70005558	1	Clip	
	70025877	3	Clamp	
	70025242	3	Gasket	
	70025707	1	Set, Gasket	





## SECTION 4 - ENGINE AND ATTACHING PARTS

FIGURE 4-9. ENGINE (100KW - LS)



ART\_1001209585-G

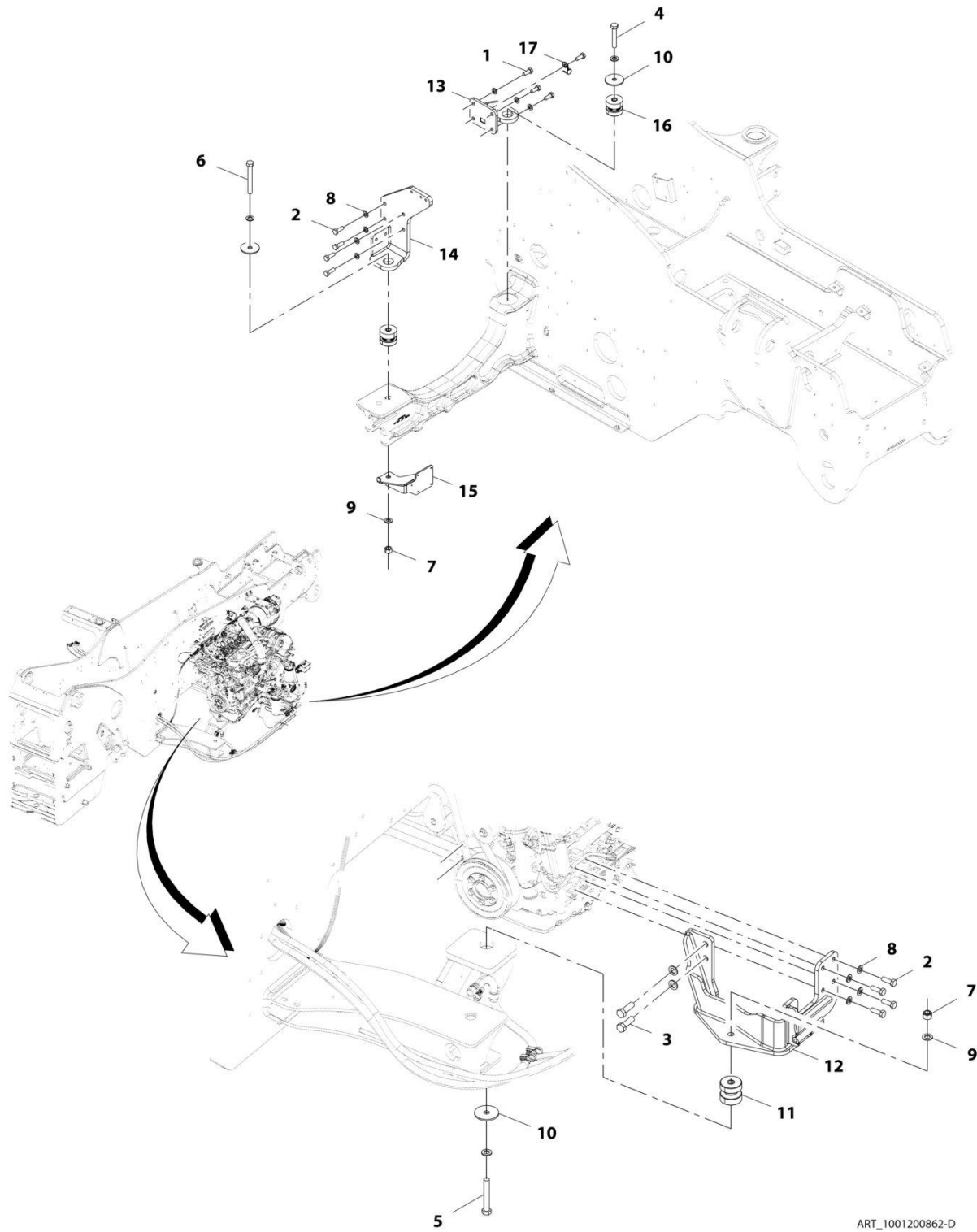
## SECTION 4 - ENGINE AND ATTACHING PARTS

**FIGURE 4-9. ENGINE (100KW - LS)**

ITEM	PART NUMBER	QTY	DESCRIPTION	REV
	1001209585	Ref	Engine (100kW - LS)	H
	70004512	1	Fuel Filter - Use 1001225432	
	70005174	1	Pump, Fuel - Use 1001226098	
	70005490	1	Line, Oil Return	
	70005492	1	Valve, Throttle	
	70005495	1	Unit, Control Programmed To Sn	
	70005504	1	Sensor, Pressure	
	70005505	1	Ring, Sealing	
	70005507	2	O-Seal	
	70024487	1	Fuel Inject Pump	
	70024489	1	Lubrication Oil Line	
	70024493	1	Gasket	
	70024494	1	Oil Cooler	
	70024495	1	Gasket	
	70024504	1	Oil Pressure Sensor - Use 70028538	
	70024507	1	Air Temperature Sensor	
	70024918	1	Temperature Sensor, Coolnt - Use 70028540	
	70024961	1	Fuel Prefilt Assembly, Prim (No Br)	
	70025153	1	Fuel Element Prime - Use 1001225430	
	70025722	1	Oil Suction Line	
	70025730	1	Transfer Pipe	
	70025737	1	Sensor Wheel	
	70025743	1	V-Grooved Pulley	
	70025755	1	Guide Tube	
	70025757	1	Flywheel - Use 70028764	
	70025763	1	Oil Pump	
	70025765	1	Oil Pan	
	70025768	1	Shuttle Valve - Use 70028928	
	70025772	1	Charge Air Pipe - Use 70028927	
	70025775	1	V-Belt Pulley	
	70025786	24	Screw Plug	
	70026011	1	Water Pump	
	70027405	2	Temperature Sensor	
	70027417	1	Fuel Filter Assembly	
	70027567	1	Belt Pulley	
	70027657	1	Dipstick	
	70124445	1	Crankshaft - Use 70029365	
	70126616	1	Bearing Bush	
	7016331	1	Filter, Oil	
	7020208	1	Ring Gear (129 Teeth)	
	7020442	1	Dipstick O-Ring	

# SECTION 4 - ENGINE AND ATTACHING PARTS

## FIGURE 4-10. ENGINE MOUNT INSTALLATION



ART\_1001200862-D

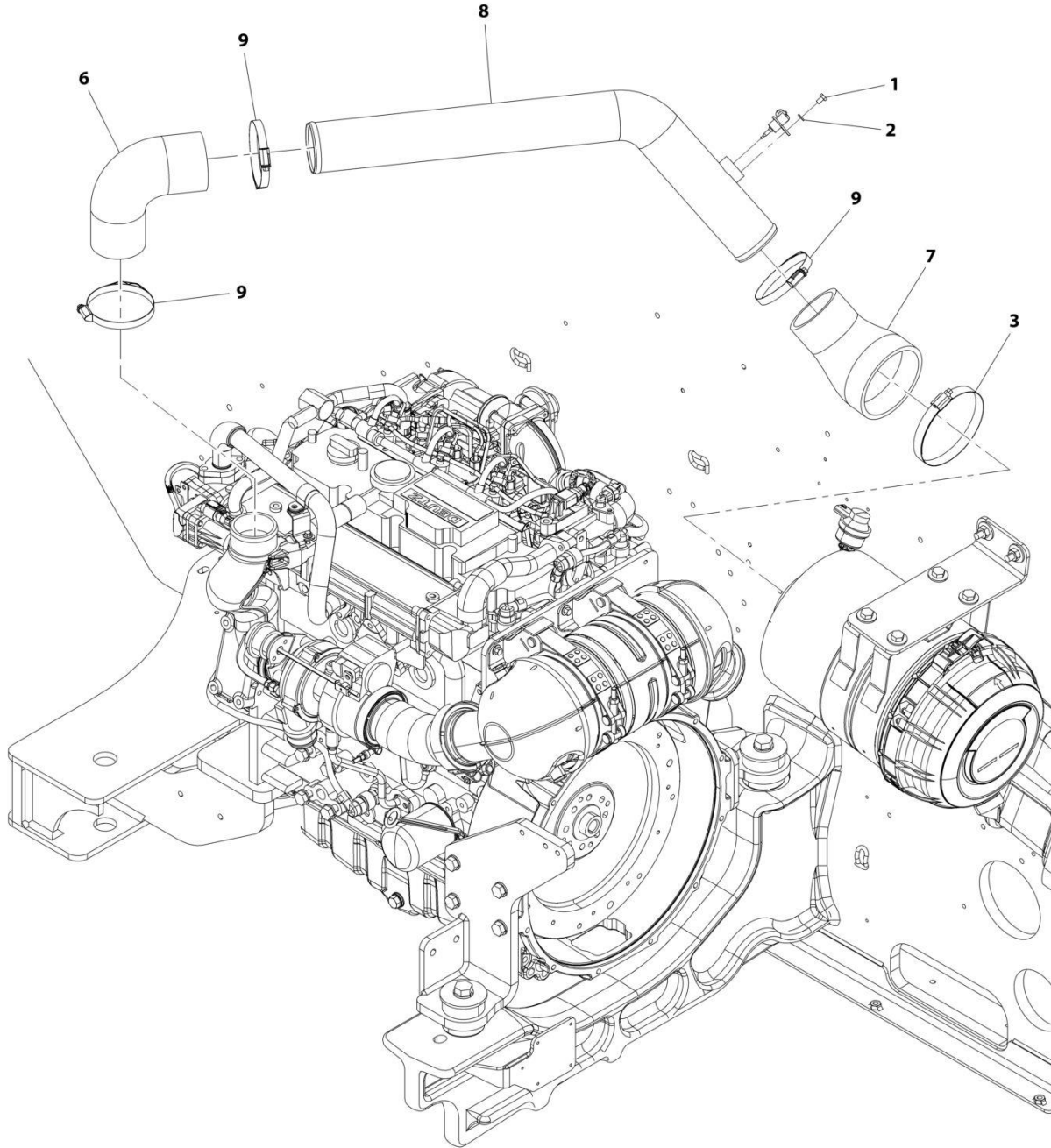
## SECTION 4 - ENGINE AND ATTACHING PARTS

### FIGURE 4-10. ENGINE MOUNT INSTALLATION

ITEM	PART NUMBER	QTY	DESCRIPTION	REV
	1001200862	Ref	Engine Mount Installation	D
1	0761214	4	Bolt, M12X30	
2	0761215	8	Bolt, M12X35	
3	0701618	2	Bolt M16 X 50	
4	0701626	1	Bolt, M16X90	
5	0701628	1	Bolt, M16X110	
6	0701630	1	Bolt, M16X130	
7	3291605	2	Nut, Lock M16X2	
8	4812100	11	Washer, M12	
9	4812300	7	Washer, M16	
10	7300435	3	Washer	
11	1001188757	1	Mount, Engine	
12	1001200871	1	Bracket, Engine Mount	
13	1001200872	1	Bracket, Engine Mount	
14	1001200873	1	Bracket, Engine Mount	
15	1001200874	1	Bracket, Fuel Pump	
16	1001197072	2	Mount, Engine	
17	8406105	1	Clip, Tube	

# SECTION 4 - ENGINE AND ATTACHING PARTS

## FIGURE 4-11. AIR INTAKE INSTALLATION (ULS)



ART\_1001200863-B

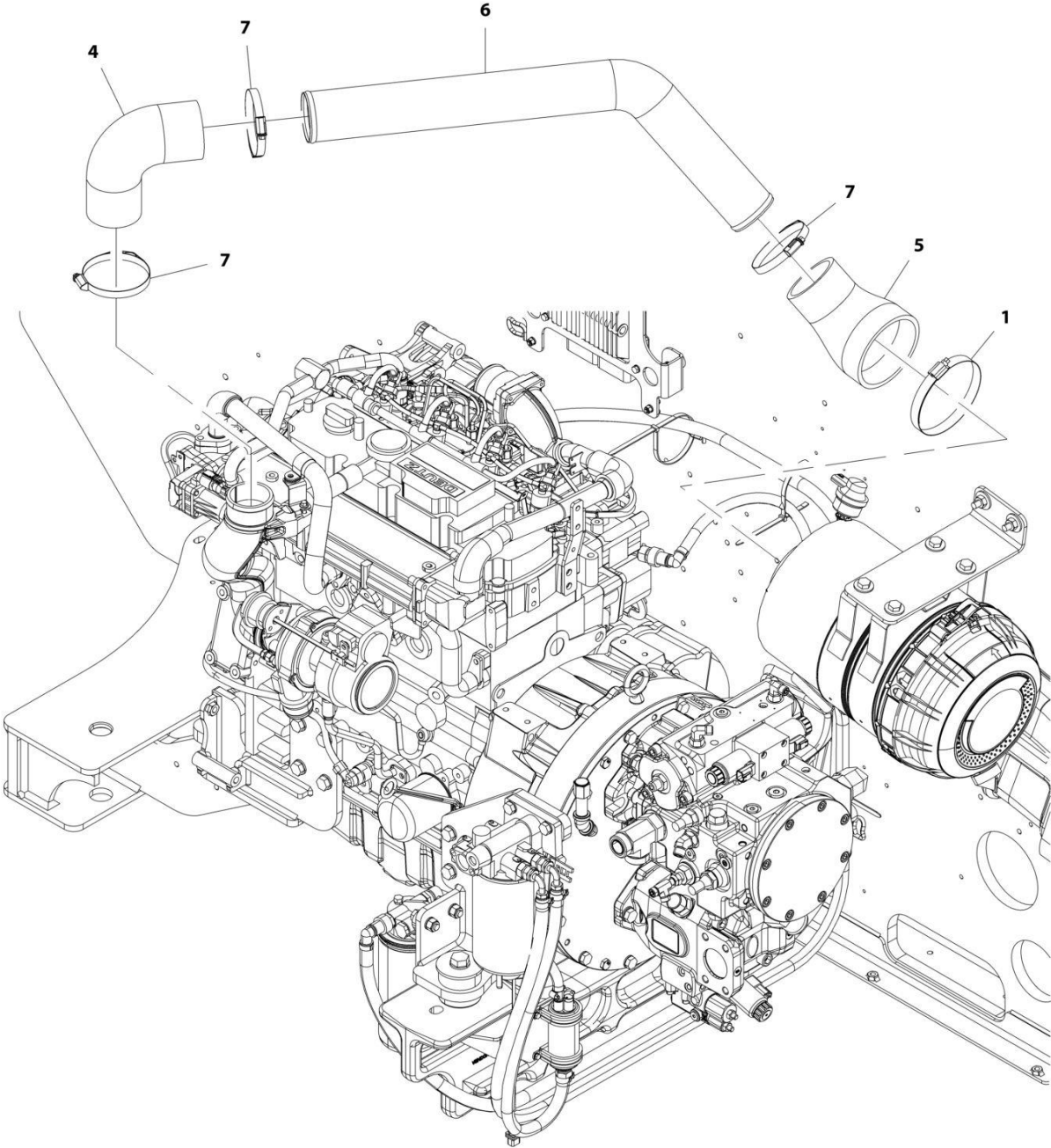
## SECTION 4 - ENGINE AND ATTACHING PARTS

FIGURE 4-11. AIR INTAKE INSTALLATION (ULS)

ITEM	PART NUMBER	QTY	DESCRIPTION	REV
	1001200863	Ref	Air Intake Installation (ULS)	B
1	0760605	1	Bolt, M6X10	
2	4811700	1	Washer, M6	
3	8405402	1	Clamp	
6	1001182881	1	Hose	
7	1001200885	1	Hose	
8	1001200886	1	Tube	
9	1001226523	3	Clamp	

# SECTION 4 - ENGINE AND ATTACHING PARTS

## FIGURE 4-12. AIR INTAKE INSTALLATION (LS)



ART\_1001210600-B



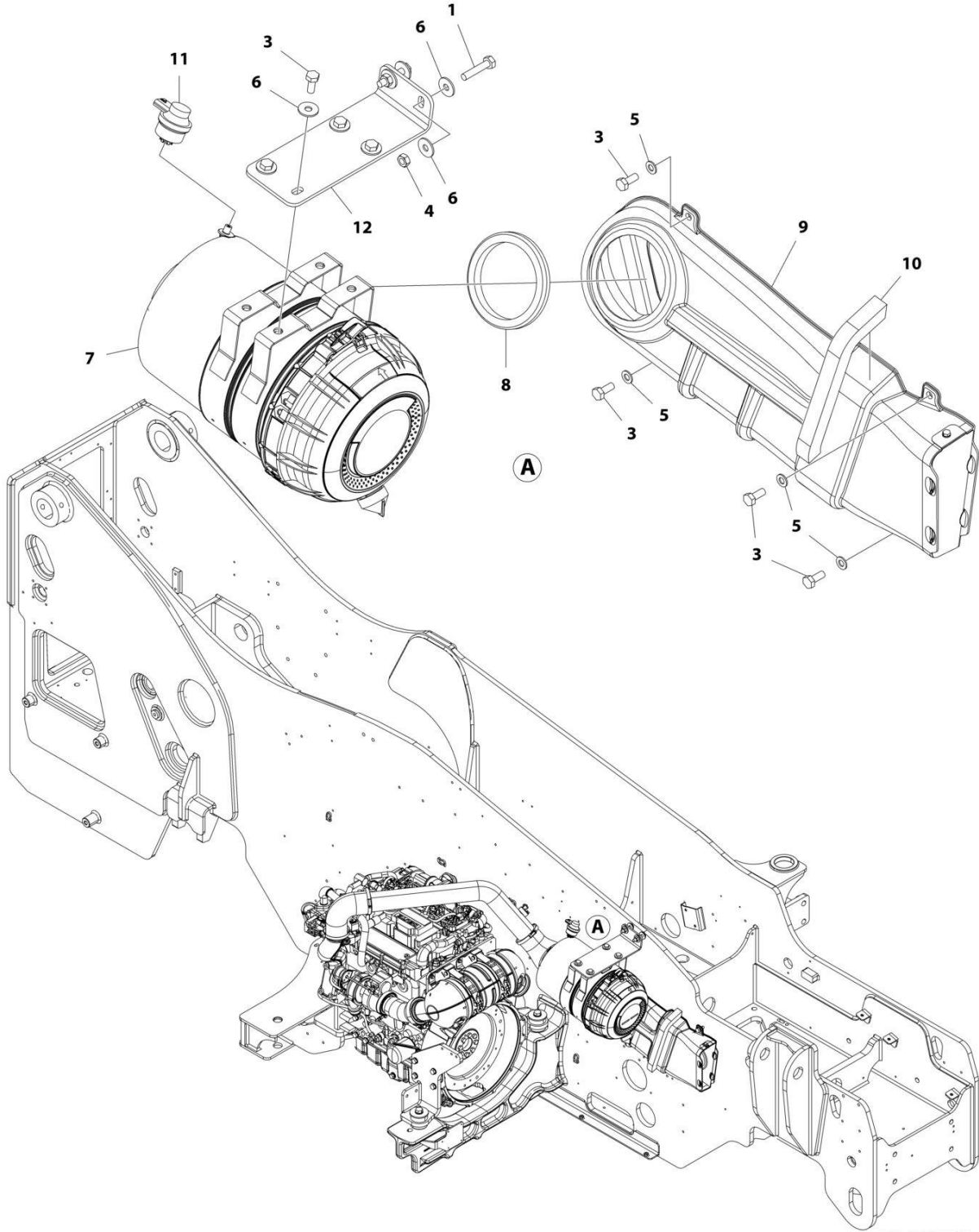
## SECTION 4 - ENGINE AND ATTACHING PARTS

FIGURE 4-12. AIR INTAKE INSTALLATION (LS)

ITEM	PART NUMBER	QTY	DESCRIPTION	REV
	1001210600	Ref	Air Intake Installation (LS)	B
1	8405402	1	Clamp	
4	1001182881	1	Hose	
5	1001200885	1	Hose	
6	1001210603	1	Pipe	
7	1001226523	3	Clamp	

# SECTION 4 - ENGINE AND ATTACHING PARTS

## FIGURE 4-13. AIR CLEANER INSTALLATION



ART\_1001200864

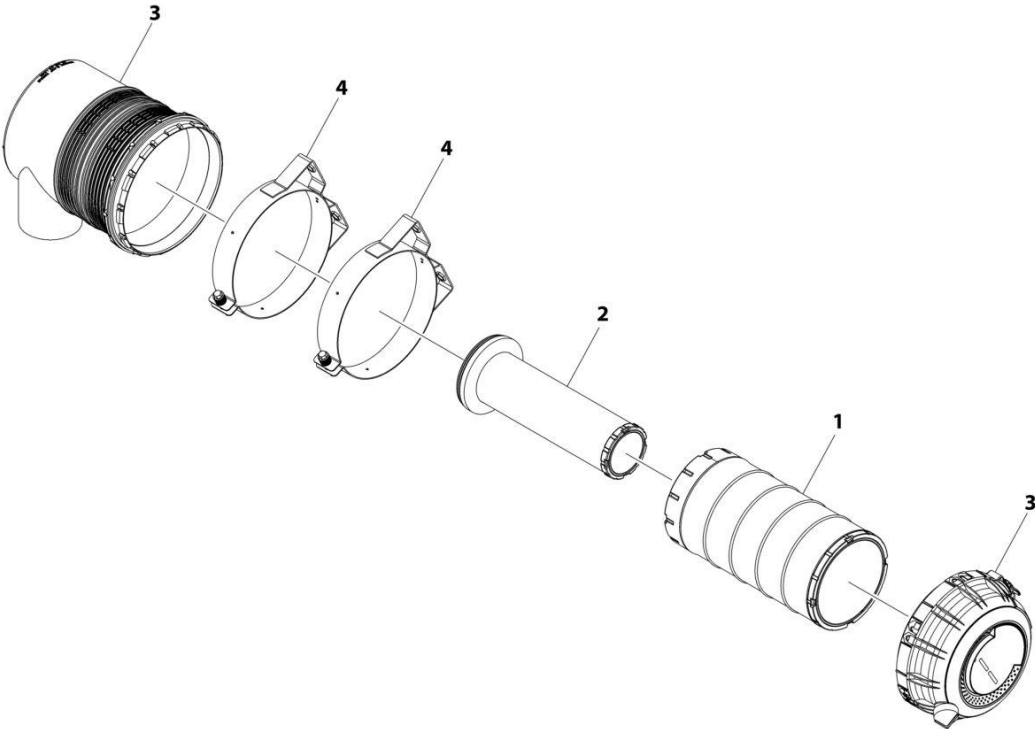
## SECTION 4 - ENGINE AND ATTACHING PARTS

### FIGURE 4-13. AIR CLEANER INSTALLATION

ITEM	PART NUMBER	QTY	DESCRIPTION	REV
	1001200864	Ref	AIR CLEANER INSTALLATION	D
1	0701018	2	Bolt M10 x 50	
3	0761012	8	Bolt M10 x 25	
4	3291001	2	Nut M10 x 1.5	
5	4812000	4	Washer M10	
6	4812002	8	Washer M10	
7	1001166565	1	Filter, Air Cleaner (See Separate Breakdown in this Section)	
8	1001183831	1	Grommet	
9	1001183835	1	Air Intake Duct Installation (See Separate Breakdown in this Section)	
10	1001186898	1	Seal	
11	1001166715	1	Indicator	
12	1001194534	1	Bracket, Air Cleaner Mount	

**SECTION 4 - ENGINE AND ATTACHING PARTS**

**FIGURE 4-14. AIR CLEANER ASSEMBLY (90/100KW)**



ART\_1001166565

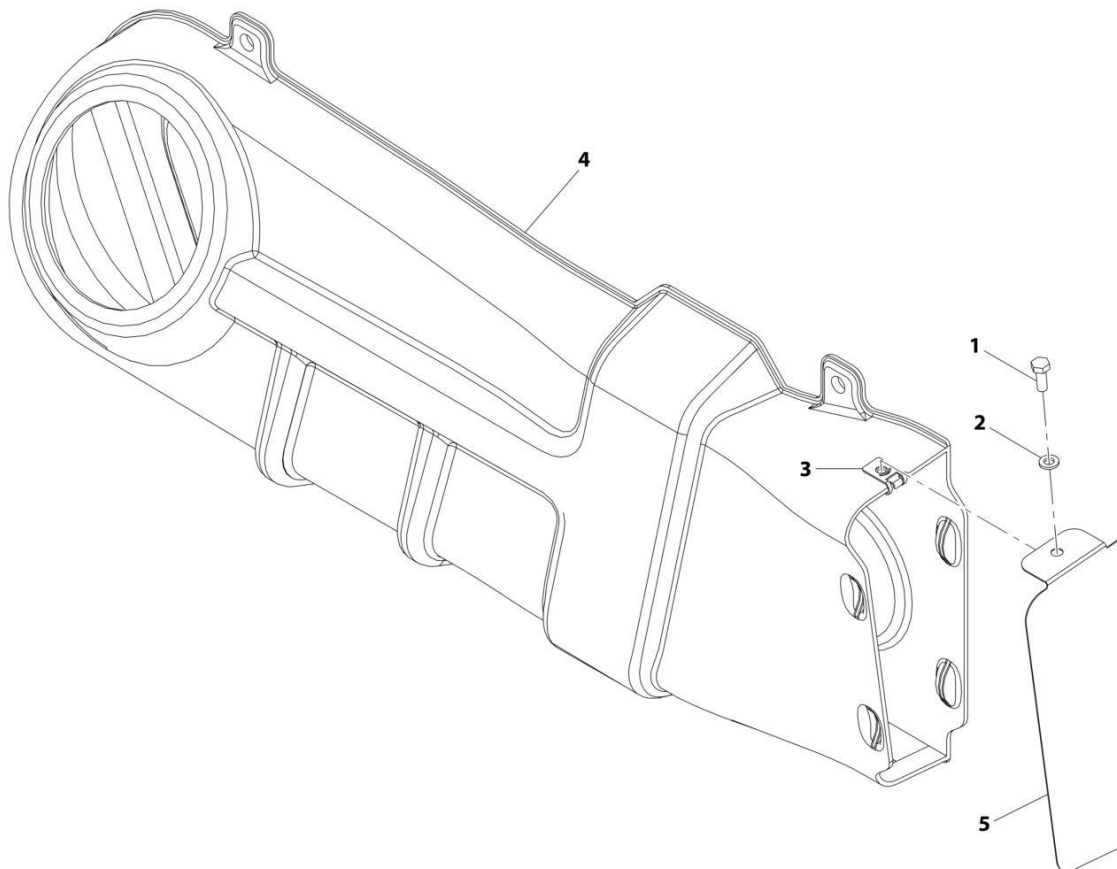
## SECTION 4 - ENGINE AND ATTACHING PARTS

FIGURE 4-14. AIR CLEANER ASSEMBLY (90/100KW)

ITEM	PART NUMBER	QTY	DESCRIPTION	REV
	1001166565	Ref	AIR FILTER ASSEMBLY (90/100KW)	F
1	70025850	1	Filter, Cylindrical Air Primary	
2	70025851	1	Filter, Cylindrical Air Secondary	
3	70026395	1	Cover	
4	70026396	2	Bracket	

# SECTION 4 - ENGINE AND ATTACHING PARTS

## FIGURE 4-15. AIR INTAKE DUCT INSTALLATION



ART\_1001183835-C

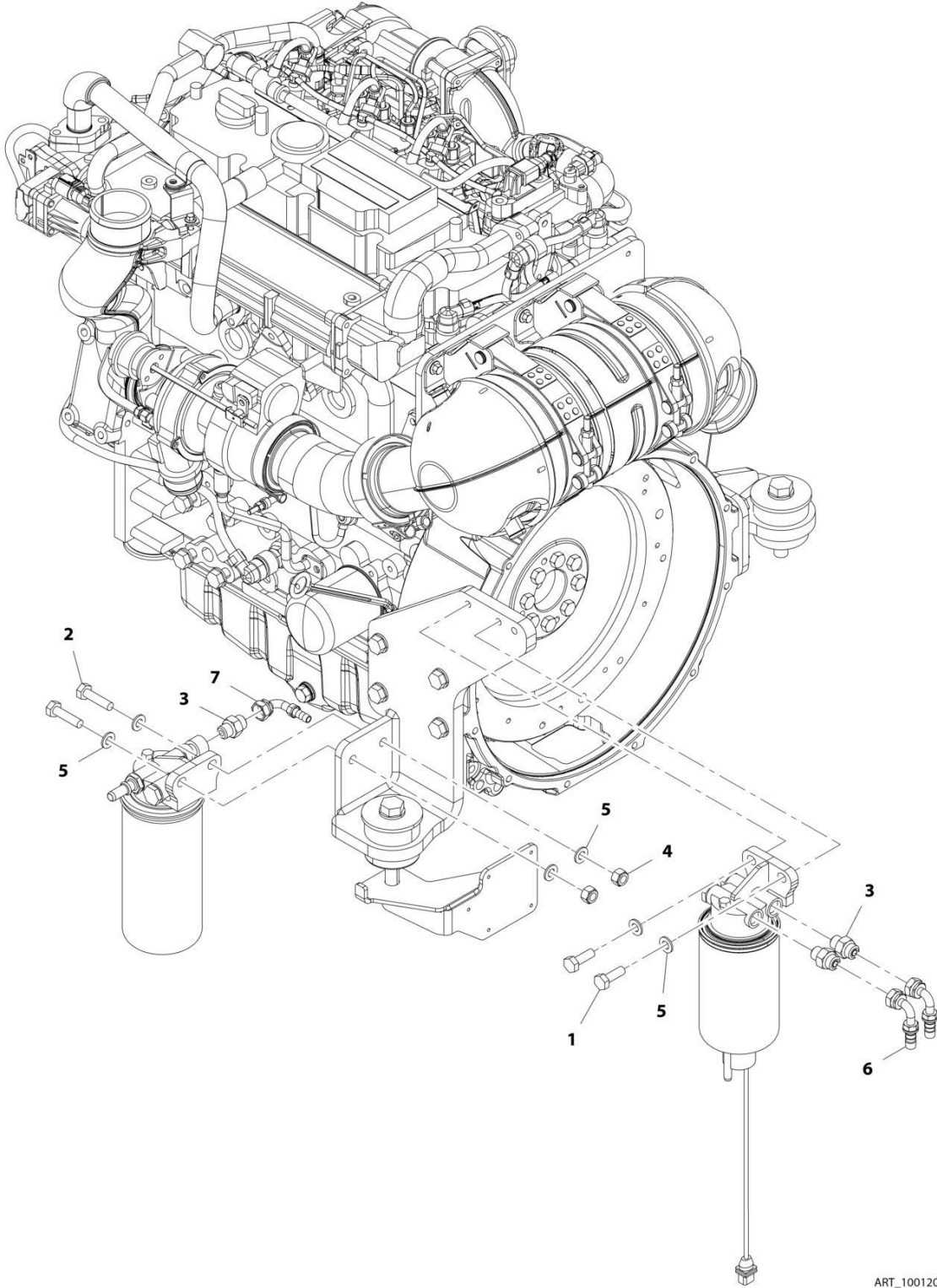
## SECTION 4 - ENGINE AND ATTACHING PARTS

FIGURE 4-15. AIR INTAKE DUCT INSTALLATION

ITEM	PART NUMBER	QTY	DESCRIPTION	REV
	1001183835	Ref	Air Intake Duct Installation	C
1	0760608	1	Bolt, M6X16	
2	4811702	1	Washer, M6	
3	8305919	1	Nut	
4	1001183827	1	Duct	
5	1001183829	1	Plate	

# SECTION 4 - ENGINE AND ATTACHING PARTS

## FIGURE 4-16. PRIMARY FUEL FILTER INSTALLATION (ULS)



ART\_1001200865-C



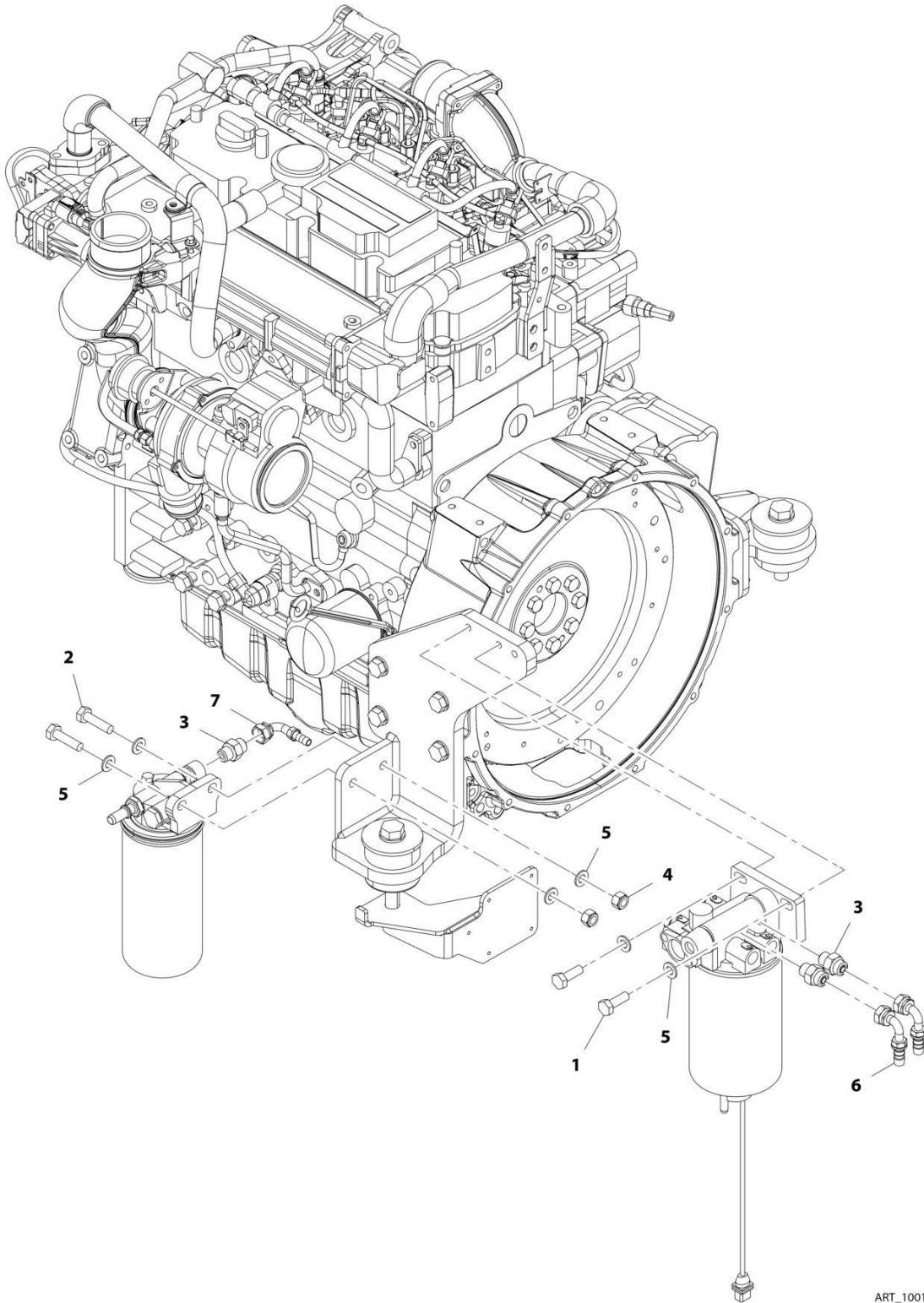
## SECTION 4 - ENGINE AND ATTACHING PARTS

FIGURE 4-16. PRIMARY FUEL FILTER INSTALLATION (ULS)

ITEM	PART NUMBER	QTY	DESCRIPTION	REV
	1001200865	Ref	Primary Fuel Filter Installation	C
1	0701014	2	Bolt, M10X30	
2	0701016	2	Bolt, M10X40	
3	2144606	3	Fitting, Straight ORFS	
4	3291005	2	Nut, Lock M10X1.5	
5	4812000	6	Washer, M10	
6	1001095301	2	Fitting, 90 ORFS	
7	1001133793	1	Fitting, 90 ORFS	

# SECTION 4 - ENGINE AND ATTACHING PARTS

## FIGURE 4-17. PRIMARY FUEL FILTER INSTALLATION (LS)



ART\_1001210602-B

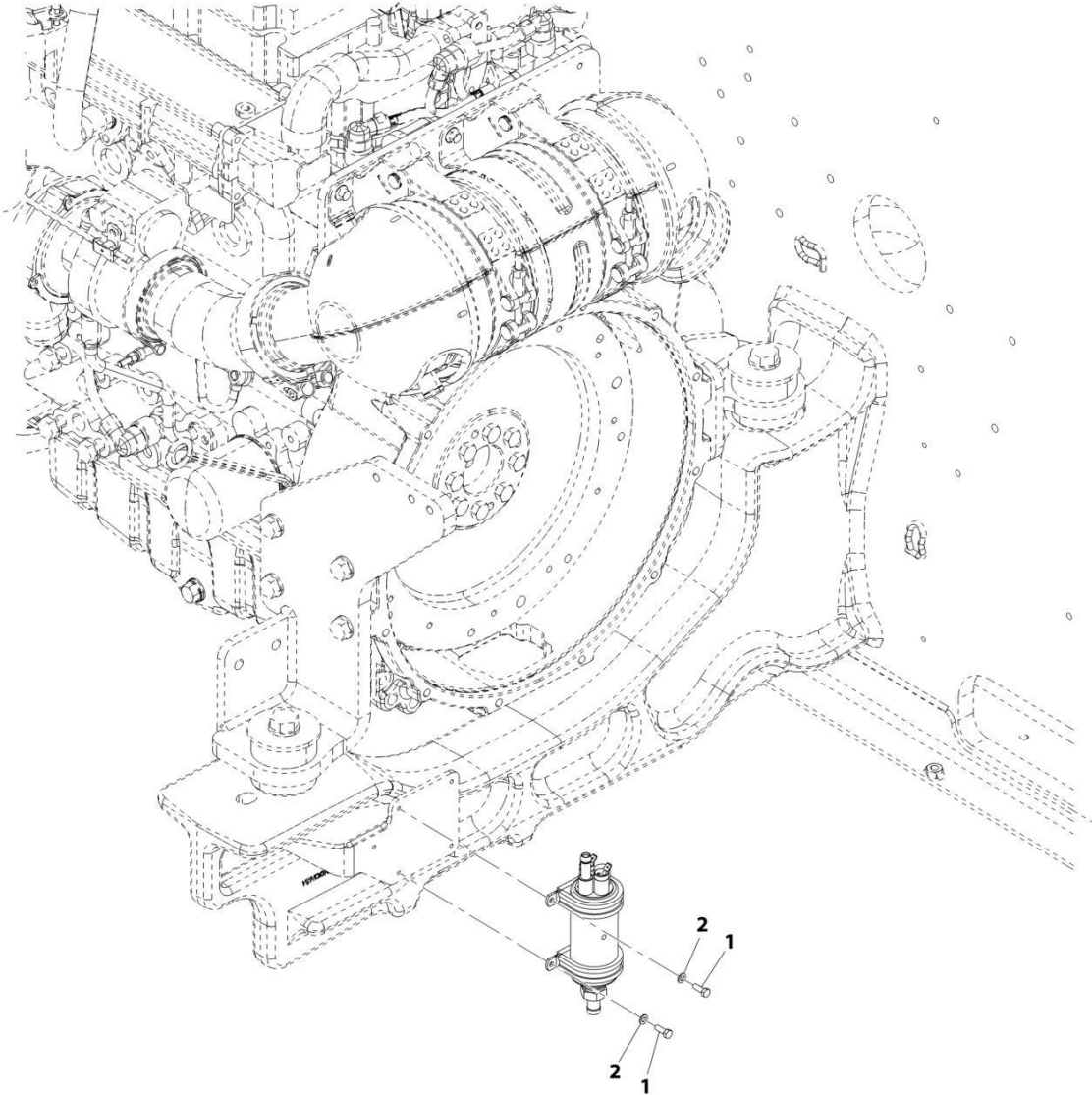
## SECTION 4 - ENGINE AND ATTACHING PARTS

FIGURE 4-17. PRIMARY FUEL FILTER INSTALLATION (LS)

ITEM	PART NUMBER	QTY	DESCRIPTION	REV
	1001210602	Ref	Primary Fuel Filter Installation (LS)	B
1	0701014	2	Bolt, M10X30	
2	0701016	2	Bolt, M10X40	
3	2144606	3	Fitting, 90 ORFS	
4	3291005	2	Nut, Lock M10X1.5	
5	4812000	6	Washer, M10	
6	1001095301	2	Fitting, 90 ORFS	
7	1001133793	1	Fitting, 90 ORFS	

# SECTION 4 - ENGINE AND ATTACHING PARTS

## FIGURE 4-18. REMOTE FUEL PUMP INSTALLATION



ART\_1001221041-B

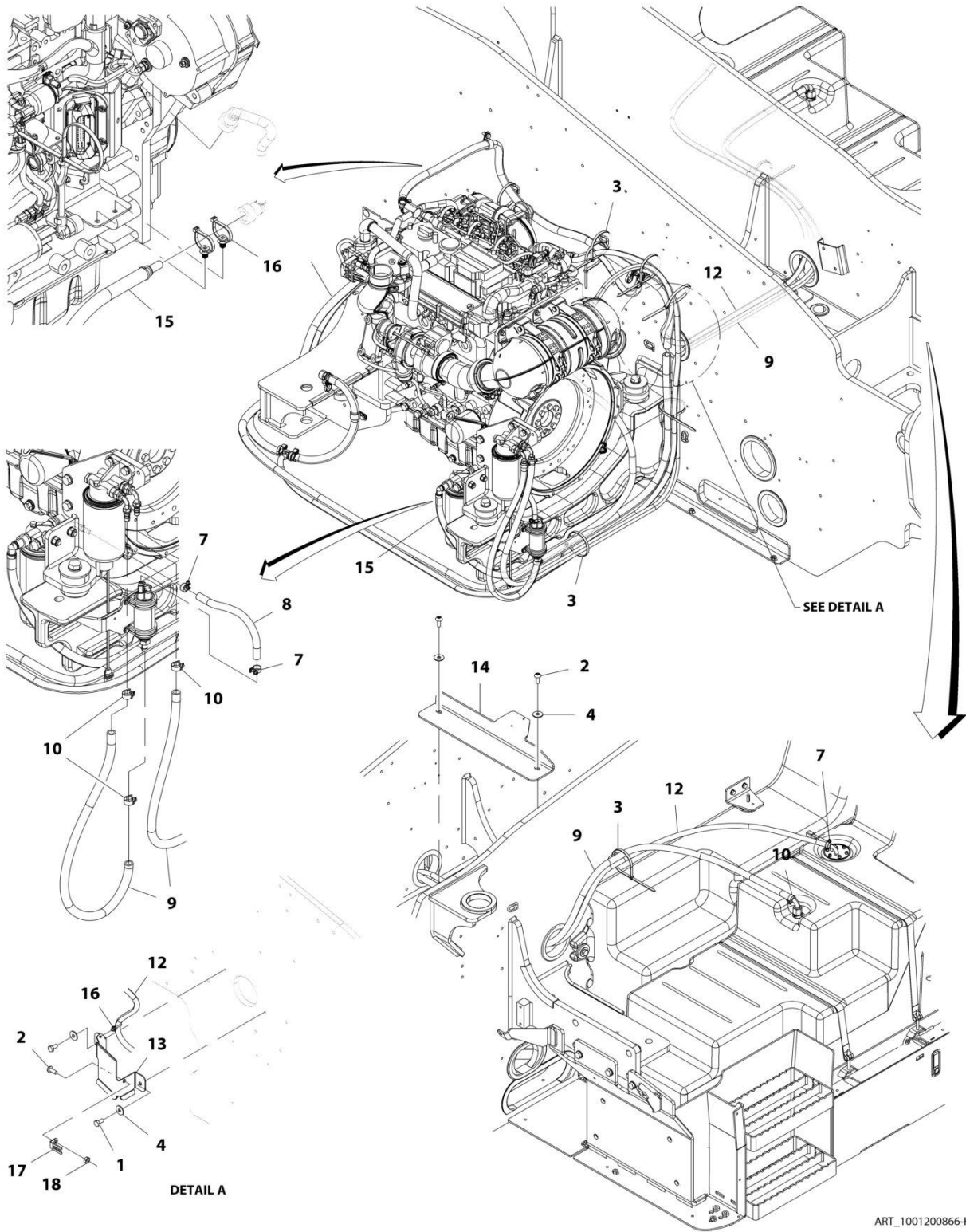
## SECTION 4 - ENGINE AND ATTACHING PARTS

FIGURE 4-18. REMOTE FUEL PUMP INSTALLATION

ITEM	PART NUMBER	QTY	DESCRIPTION	REV
	1001221041	Ref	Remote Fuel Pump Installation	B
1	0760507	4	Bolt, M5X14	
2	4811600	4	Washer, M5	

# SECTION 4 - ENGINE AND ATTACHING PARTS

## FIGURE 4-19. FUEL LINES INSTALLATION



ART\_1001200866-K

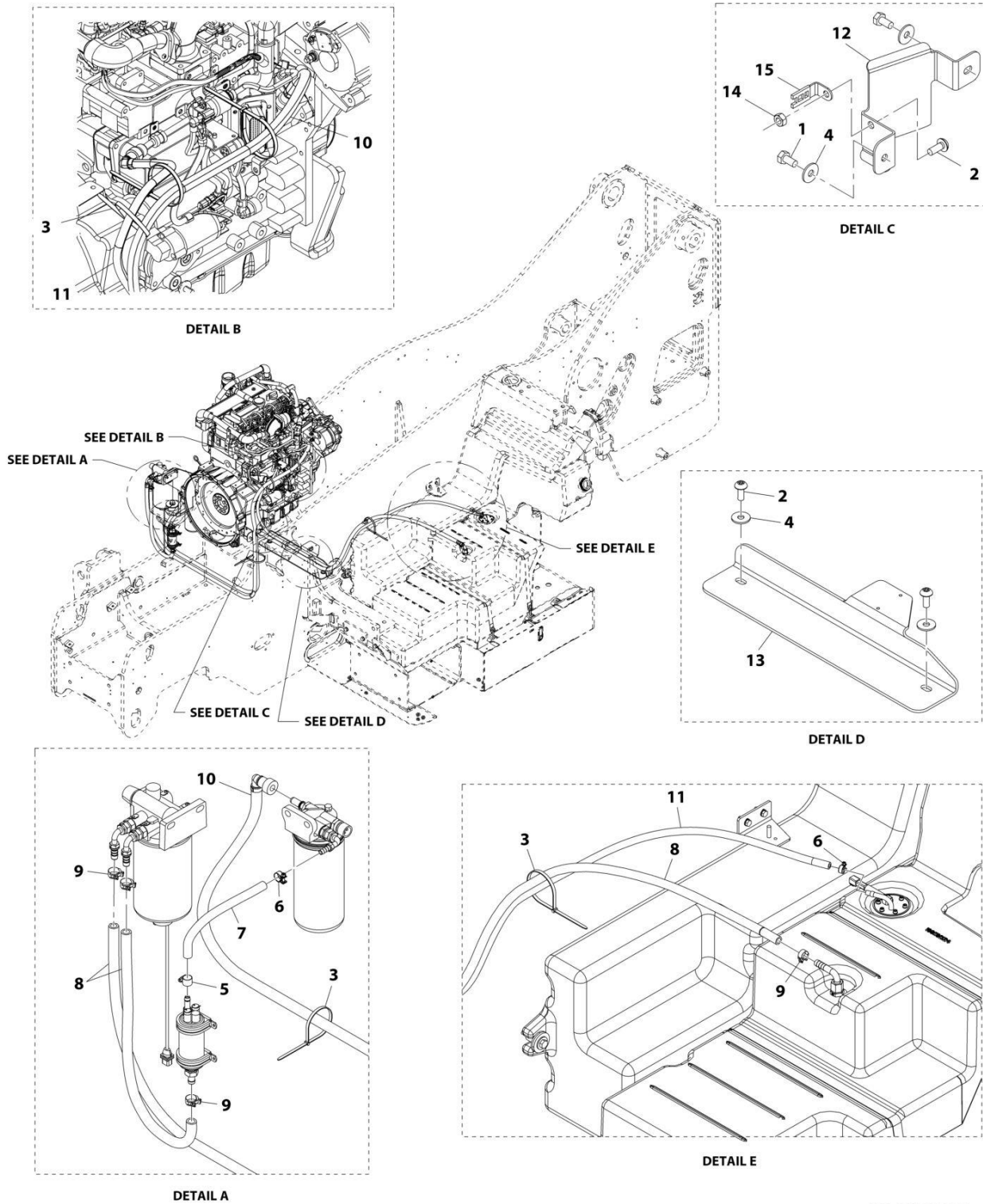
## SECTION 4 - ENGINE AND ATTACHING PARTS

**FIGURE 4-19. FUEL LINES INSTALLATION**

ITEM	PART NUMBER	QTY	DESCRIPTION	REV
	1001200866	Ref	Fuel Lines Installation	K
1	0761010	2	Bolt, M10X20	
2	1001009325	3	Screw	
3	1062255	6	Strap, Tie	
4	4812002	4	Washer, M10	
7	1001136975	3	Clamp	
8	1001165035	260 mm	Hose	
9	1001172755	4060 mm	Hose	
10	1001175568	4	Clip	
12	1001228248	1	Hose	
13	1001210870	1	Plate	
14	1001221868	1	Channel, Frame	
15	1001232850	1	Hose	
16	1001146588	3	Strap, Tie	
17	1001003305	1	Clip	
18	3291001	1	Nut, M10X1.5 Grade 8	

# SECTION 4 - ENGINE AND ATTACHING PARTS

## FIGURE 4-20. FUEL LINES INSTALLATION



ART\_1001210601-C



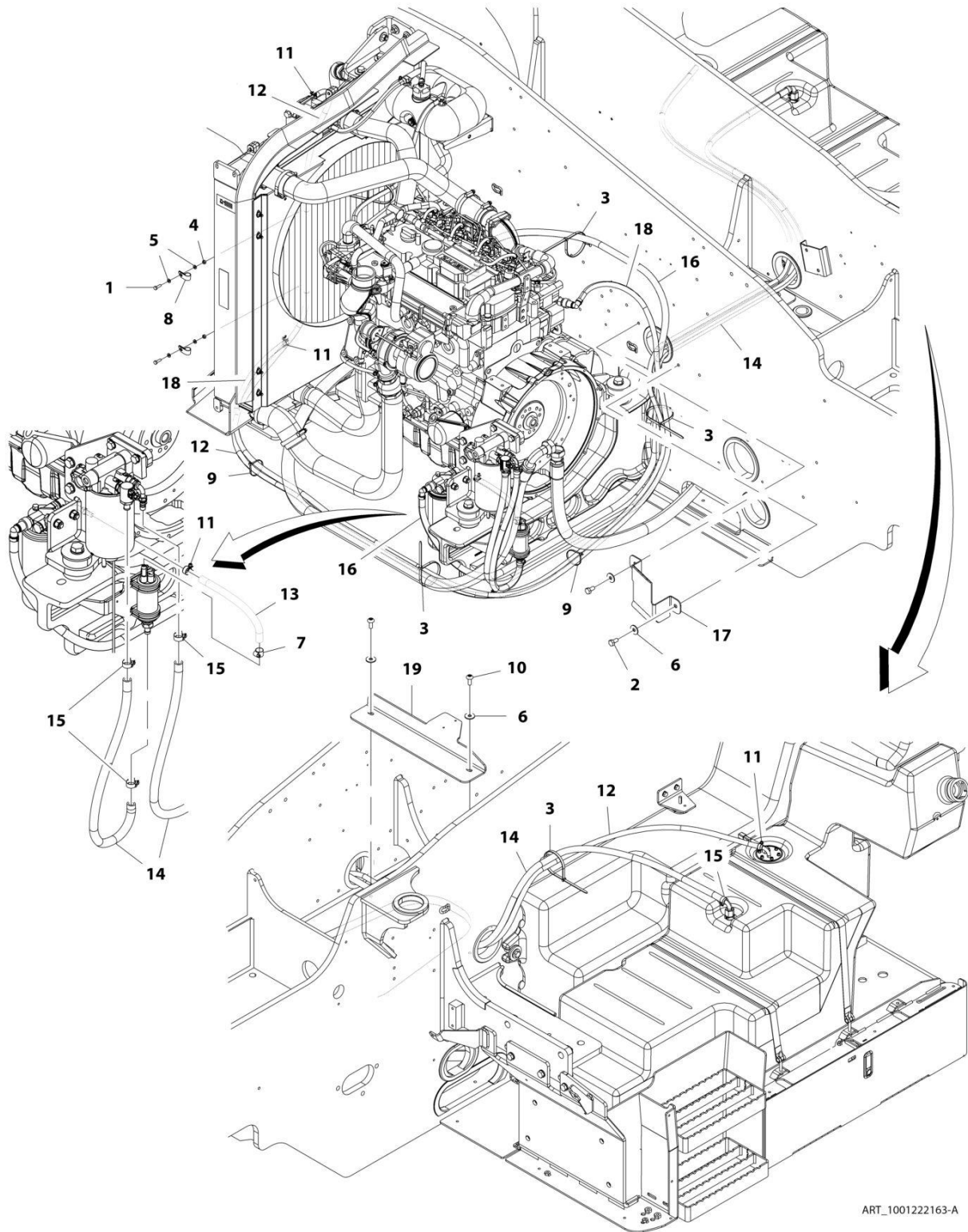
## SECTION 4 - ENGINE AND ATTACHING PARTS

**FIGURE 4-20. FUEL LINES INSTALLATION**

ITEM	PART NUMBER	QTY	DESCRIPTION	REV
	1001210601	Ref	Fuel Line Installation	C
1	0761010	2	Bolt, M10X20	
2	1001009325	3	Screw, Torx Hd	
3	1062255	5	Strap, Tie	
4	4812002	4	Washer, M10	
5	8405006	1	Clamp	
6	1001136975	2	Clamp	
7	1001165035	235 mm	Hose	
8	1001172755	3946 mm	Hose	
9	1001175568	4	Clip	
10	1001200887	1	Hose	
11	1001228248	1	Hose	
12	1001210870	1	Plate	
13	1001221868	1	Channel, Hose	
14	3291001	1	Nut, M10X1.5 Grade 8	
15	1001003305	1	Clip	

# SECTION 4 - ENGINE AND ATTACHING PARTS

## FIGURE 4-21. FUEL LINES INSTALLATION



ART\_1001222163-A

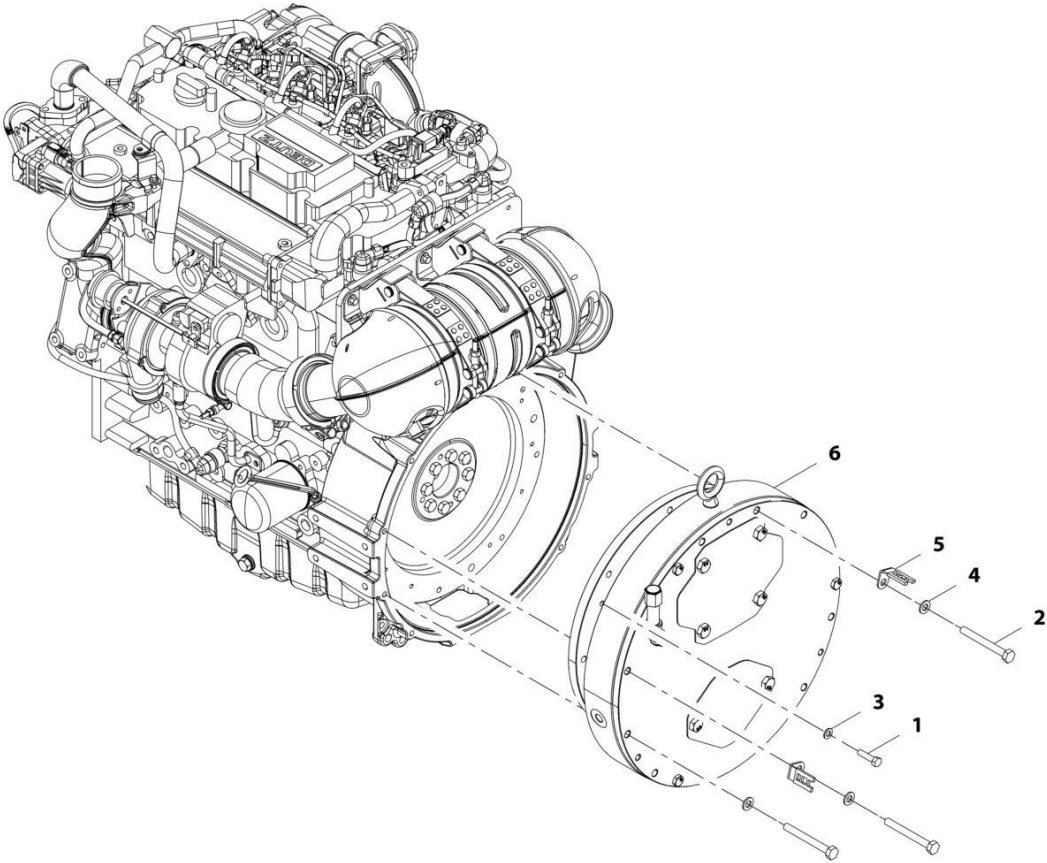
## SECTION 4 - ENGINE AND ATTACHING PARTS

### FIGURE 4-21. FUEL LINES INSTALLATION

ITEM	PART NUMBER	QTY	DESCRIPTION	REV
	1001222163	Ref	Fuel Lines Installation	A
1	0700610	2	Bolt, M6X20	
2	0761010	2	Bolt, M10X20	
3	1062255	4	Strap, Tie	
4	3290601	2	Nut, M6X1 Grade 8	
5	4811700	4	Washer, M6	
6	4812002	4	Washer, M10	
7	8405006	1	Clamp, Gear	
8	8406112	2	Clip, Tube	
9	1001008559	2	Strap, Cable	
10	1001009325	2	Screw	
11	1001136975	4	Clamp	
12	1001141400	5376 mm	Hose	
13	1001165035	235 mm	Hose	
14	1001172755	3946 mm	Hose	
15	1001175568	4	Clip	
16	1001200887	1	Hose	
17	1001210870	1	Plate, Hose Shield	
18	1001221702	1	Hose	
19	1001221868	1	Channel, Engine Lines	

**SECTION 4 - ENGINE AND ATTACHING PARTS**

**FIGURE 4-22. HYDROSTATIC ADAPTOR INSTALLATION**



ART\_1001193703-D

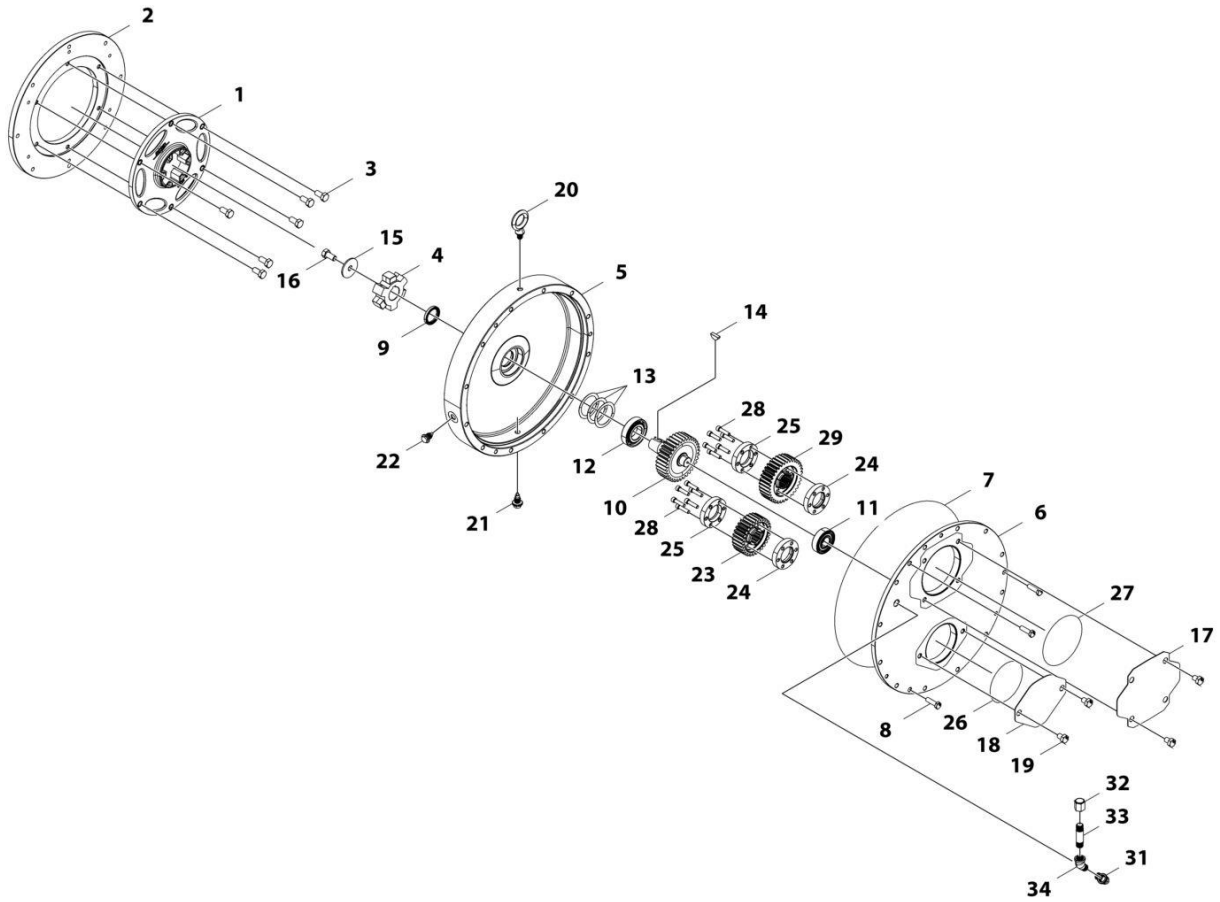
## SECTION 4 - ENGINE AND ATTACHING PARTS

FIGURE 4-22. HYDROSTATIC ADAPTOR INSTALLATION

ITEM	PART NUMBER	QTY	DESCRIPTION	REV
	1001193703	Ref	Hydrostatic Adaptor Installation	D
1	0641510	6	Bolt, 5/16-18X1.25	
2	0701026	12	Bolt, M10X90	
3	4811900	6	Washer, M8	
4	4812000	10	Washer, M10	
5	1001003305	2	Clip	
6	1001193705	1	Assembly, Dual Drive Support (See Separate Breakdown in this Section)	

# SECTION 4 - ENGINE AND ATTACHING PARTS

## FIGURE 4-23. DUAL DRIVE SUPPORT ASSEMBLY



ART\_1001193705

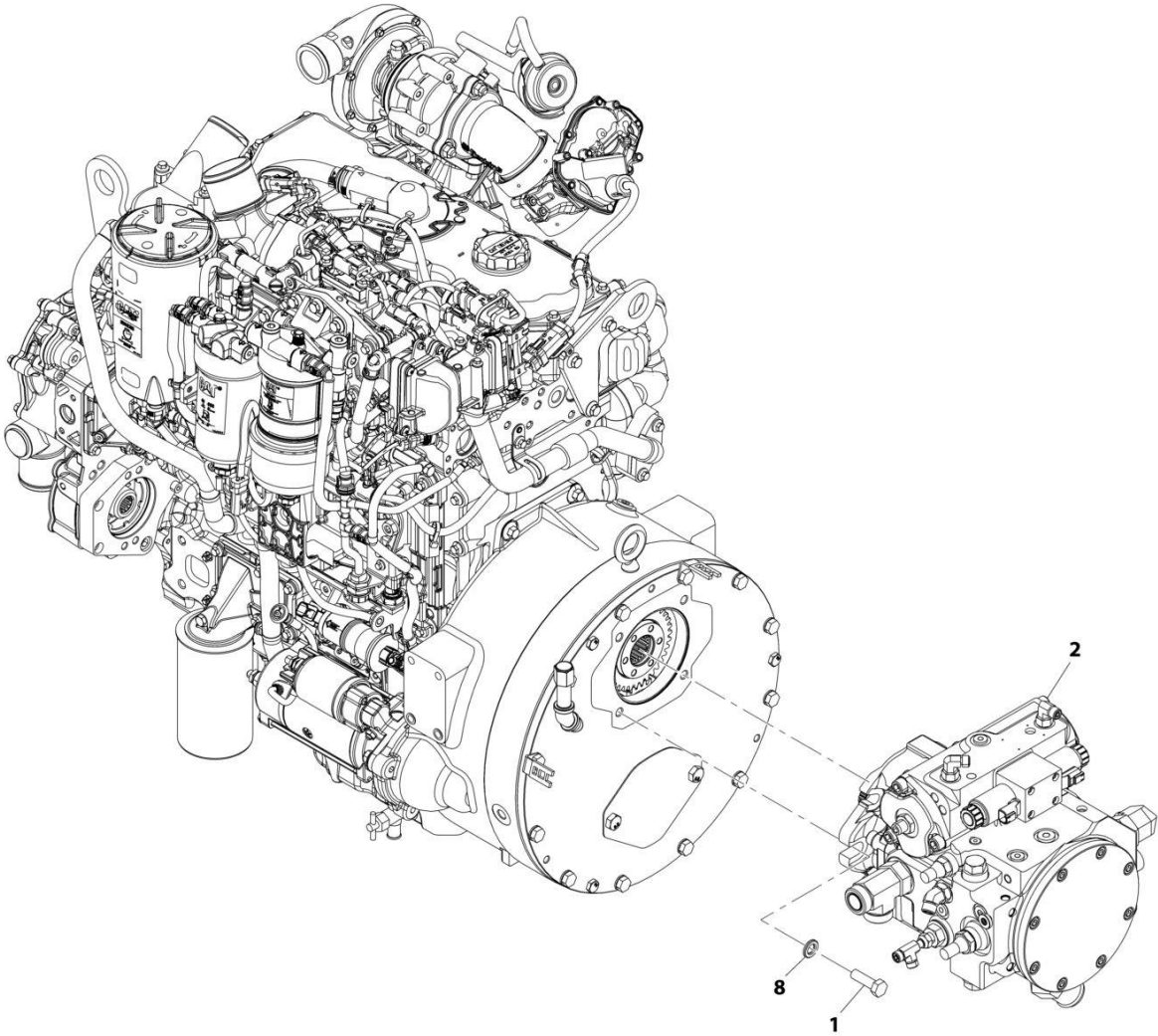
## SECTION 4 - ENGINE AND ATTACHING PARTS

**FIGURE 4-23. DUAL DRIVE SUPPORT ASSEMBLY**

ITEM	PART NUMBER	QTY	DESCRIPTION	REV
	1001193705	Ref	Dual Drive Support Assembly	E
1	70028327	1	Plate, Flex	
2	70028328	1	Plate, Flywheel Adapter	
3	70028329	6	Bolt	
4	70028330	1	Hub, Flex	
5	70028331	1	Gear Box Half, Input Side	
6	70028332	1	Gear Box Half, Output Side	
7	70028333	1	O-Ring	
8	70028334	3	Bolt	
9	70028335	1	Seal, Shaft	
10	70028336	1	Gear, Input Shaft	
11	70028337	1	Bearing, Angular Contact	
12	70028338	1	Bearing, Angular Contact	
13	70028339	3	Washer	
14	70028340	1	Key	
15	70028341	1	Washer	
16	70028342	1	Bolt	
17	70028343	1	Cover, Pump Mount Implement	
18	70028344	1	Cover, Pump Mount Hydrastat	
19	70028345	6	Bolt	
20	70028346	1	Eyebolt, Modified	
21	70028347	1	Plug	
22	70028348	1	Plug	
23	70028349	1	Pump, Gear,30 Tooth	
24	70028350	2	Locking Ring, Tapered	
25	70028351	2	Locking Ring, Tapered	
26	70028352	1	O-Ring	
27	70028353	1	O-Ring	
28	70028354	12	Bolt	
29	70028355	1	Pump, Gear, 35 Tooth	
31	70028357	1	Adapter, 90	
32	70028358	1	Breather	
33	70028359	1	Nipple	
34	70028360	1	Adapter, 45	

# SECTION 4 - ENGINE AND ATTACHING PARTS

## FIGURE 4-24. HYDROSTATIC DRIVE PUMP INSTALLATION



ART-1001193704-D



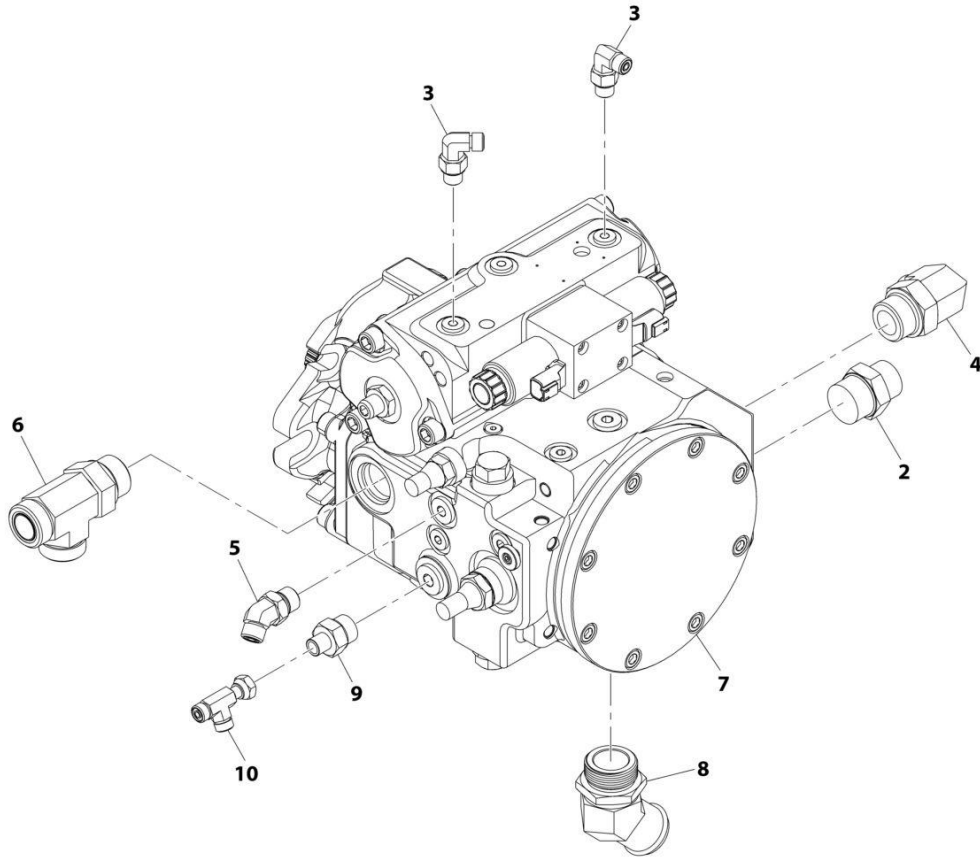
## SECTION 4 - ENGINE AND ATTACHING PARTS

FIGURE 4-24. HYDROSTATIC DRIVE PUMP INSTALLATION

ITEM	PART NUMBER	QTY	DESCRIPTION	REV
	1001193704	Ref	Hydrostatic Drive Pump Installation	D
1	0711216	4	Bolt, M12X40	
2	1001210771	1	Assembly, Hydrostatic Drive Pump (See Separate Breakdown in this Section)	
8	4740532	4	Washer, M12	

# SECTION 4 - ENGINE AND ATTACHING PARTS

## FIGURE 4-25. HYDROSTATIC DRIVE PUMP ASSEMBLY



ART\_1001210771-C

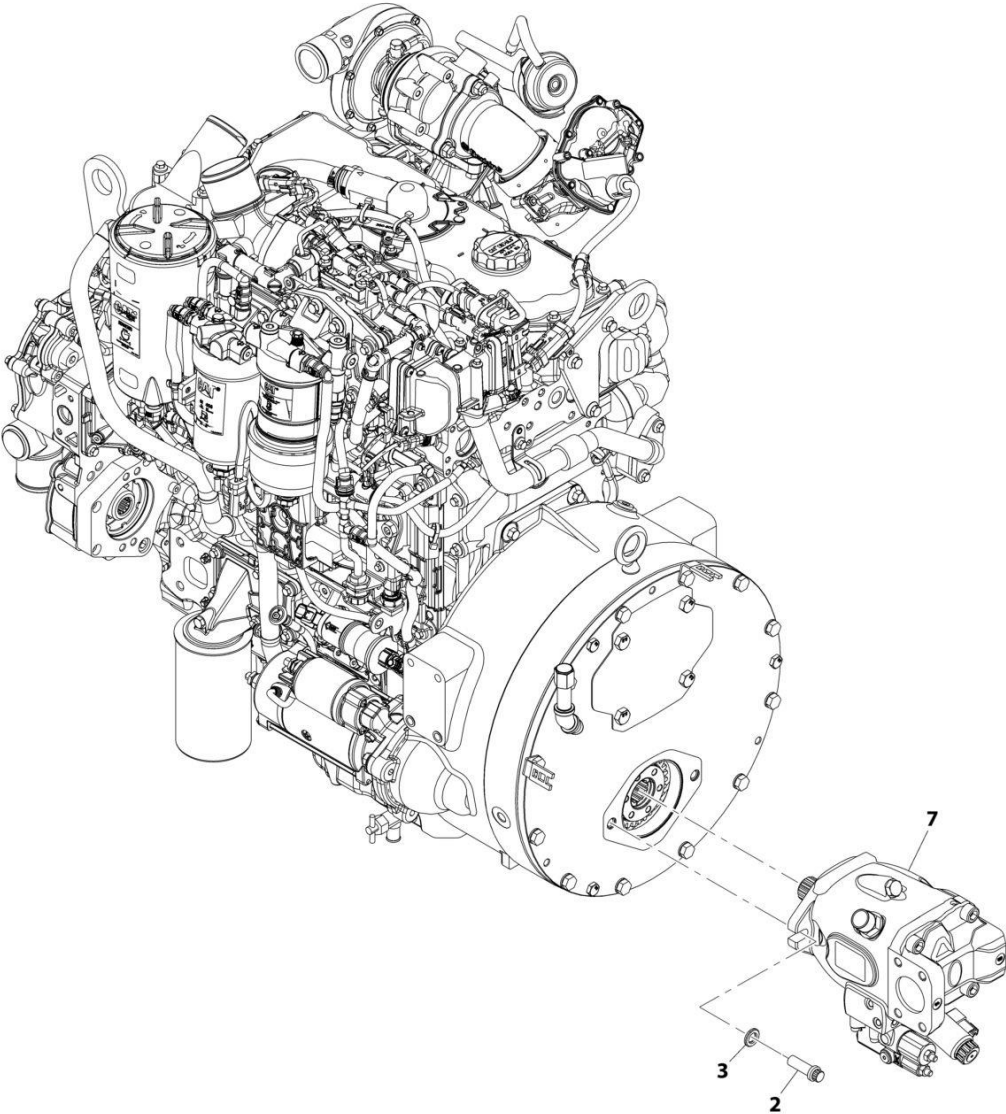
## SECTION 4 - ENGINE AND ATTACHING PARTS

FIGURE 4-25. HYDROSTATIC DRIVE PUMP ASSEMBLY

ITEM	PART NUMBER	QTY	DESCRIPTION	REV
	1001210771	Ref	Hydrostatic Drive Pump Assembly	C
2	2111216	1	Fitting, Straight ORFS	
3	2130406	2	Fitting, 90 ORFS	
4	2131216	1	Fitting, 90 ORFS	
5	2150608	1	Fitting, 45 ORFS	
6	2170316	1	Fitting, TEE ORFS	
7	1001193307	1	Pump, Hydrostatic Drive (See Separate Breakdown in HYDRAULIC COMPONENTS Section)	
8	1001196664	1	Fitting, 45	
9	2110410	1	Fitting, Straight ORFS	
10	2170704	1	Fitting, Tee ORFS	

**SECTION 4 - ENGINE AND ATTACHING PARTS**

**FIGURE 4-26. IMPLEMENT PUMP INSTALLATION**



ART\_1001193393-E

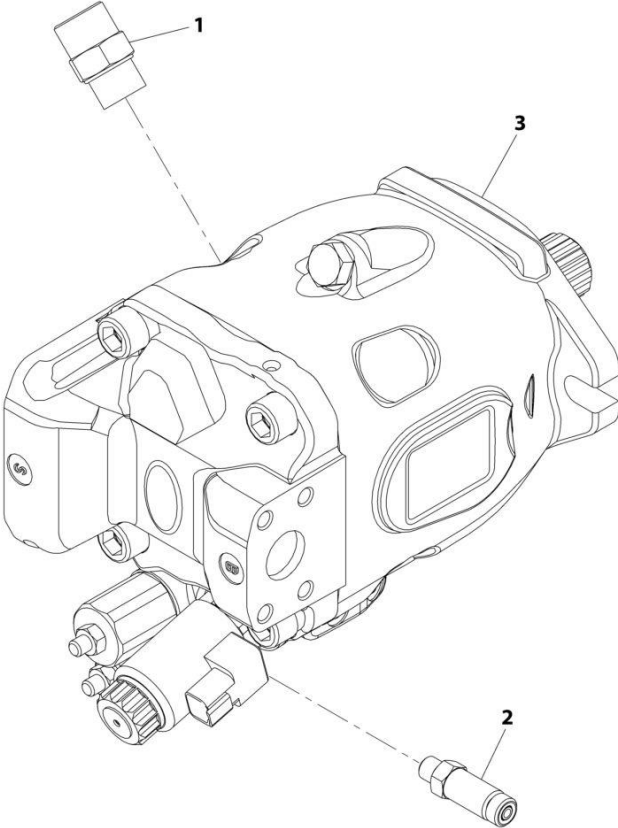
## SECTION 4 - ENGINE AND ATTACHING PARTS

FIGURE 4-26. IMPLEMENT PUMP INSTALLATION

ITEM	PART NUMBER	QTY	DESCRIPTION	REV
	1001193393	Ref	Implement Pump Installation	E
2	1001238781	2	Screw Flange	
3	4740532	2	Washer	
7	1001212739	1	Assembly, Implement Pump (See Separate Breakdown in this Section)	

**SECTION 4 - ENGINE AND ATTACHING PARTS**

**FIGURE 4-27. IMPLEMENT PUMP ASSEMBLY**



ART\_1001212739-A

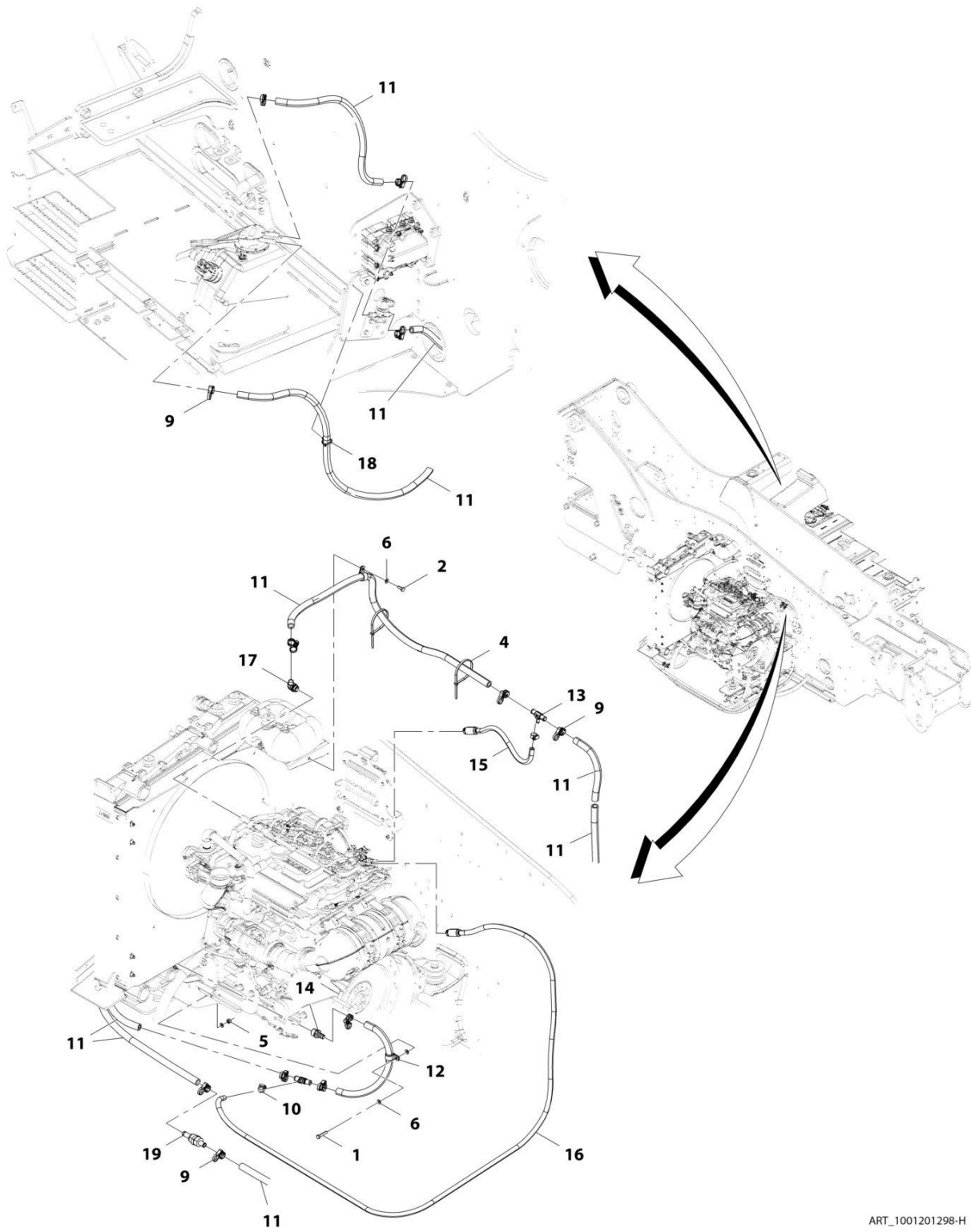
## SECTION 4 - ENGINE AND ATTACHING PARTS

FIGURE 4-27. IMPLEMENT PUMP ASSEMBLY

ITEM	PART NUMBER	QTY	DESCRIPTION	REV
	1001212739	Ref	Implement Pump Assembly	A
1	2111010	1	Fitting, Straight ORFS	
2	2170104	1	Fitting, Straight ORFS	
3	1001180070	1	Pump, Implement (See Separate Breakdown in HYDRAULIC COMPONENTS Section)	

# SECTION 4 - ENGINE AND ATTACHING PARTS

## FIGURE 4-28. DEF COOLANT LINES INSTALLATION (ULS)



ART\_1001201298-H



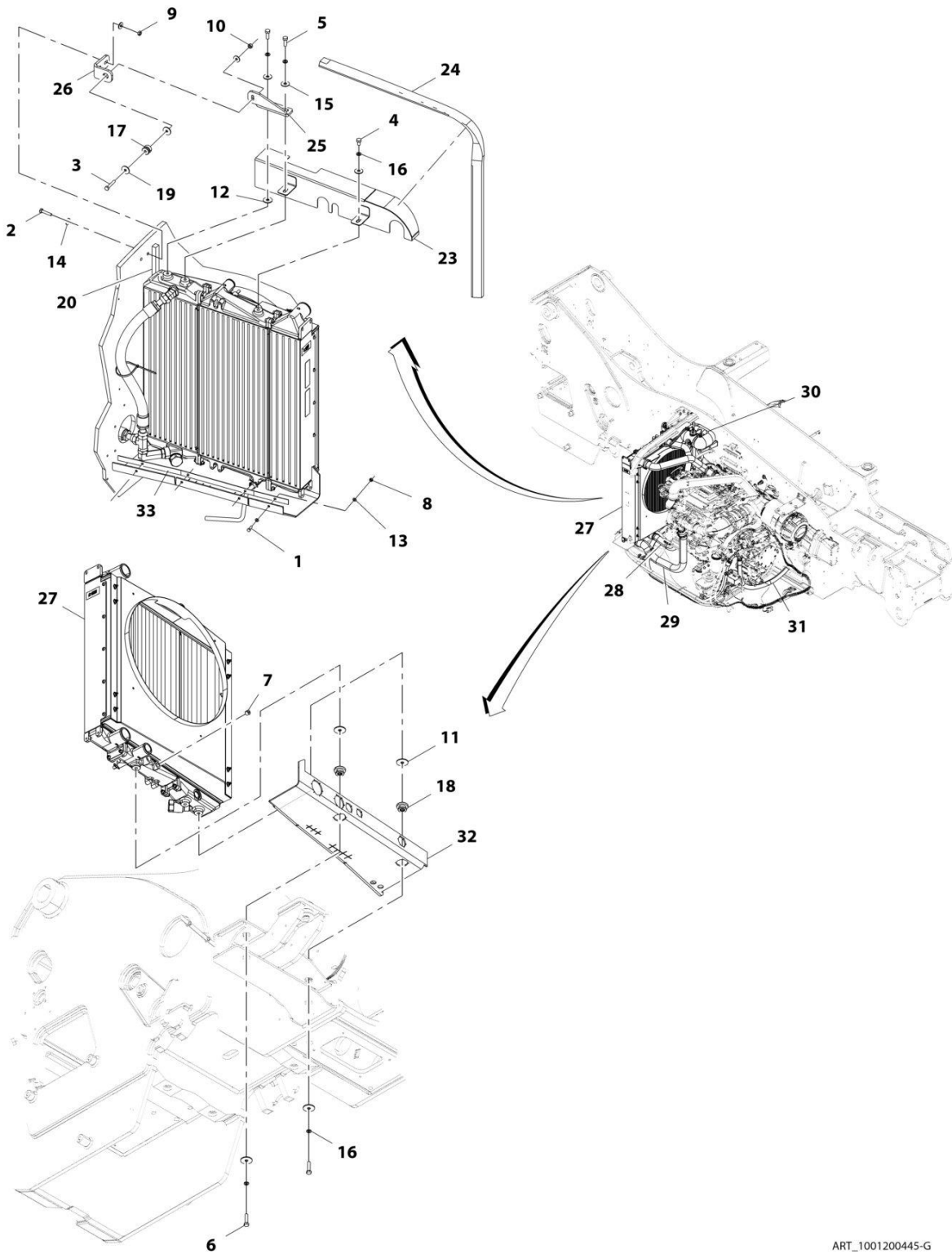
## SECTION 4 - ENGINE AND ATTACHING PARTS

**FIGURE 4-28. DEF COOLANT LINES INSTALLATION (ULS)**

ITEM	PART NUMBER	QTY	DESCRIPTION	REV
	1001201298	Ref	DEF Coolant Lines Installation (ULS)	H
1	0700816	1	Bolt, M8X40	
2	0760810	1	Bolt, M8X20	
4	1062255	AR	Strap, Tie	
5	3290805	1	Nut, M8X1.25	
6	4811900	3	Washer, M8	
9	1001202526	12	Clamp	
10	8410013	2	Clamp	
11	82033995	9695 mm	Hose	
12	1001100319	2	Clip	
13	1001162212	2	Pipe	
14	1001167409	1	Pipe	
15	1001201299	1	Hose	
16	1001201300	1	Hose	
17	1001203005	1	Fitting, 45	
18	1001146588	1	Strap, Tie	
19	1001228872	1	Filter	

# SECTION 4 - ENGINE AND ATTACHING PARTS

## FIGURE 4-29. COOLING PACKAGE INSTALLATION



ART\_1001200445-G

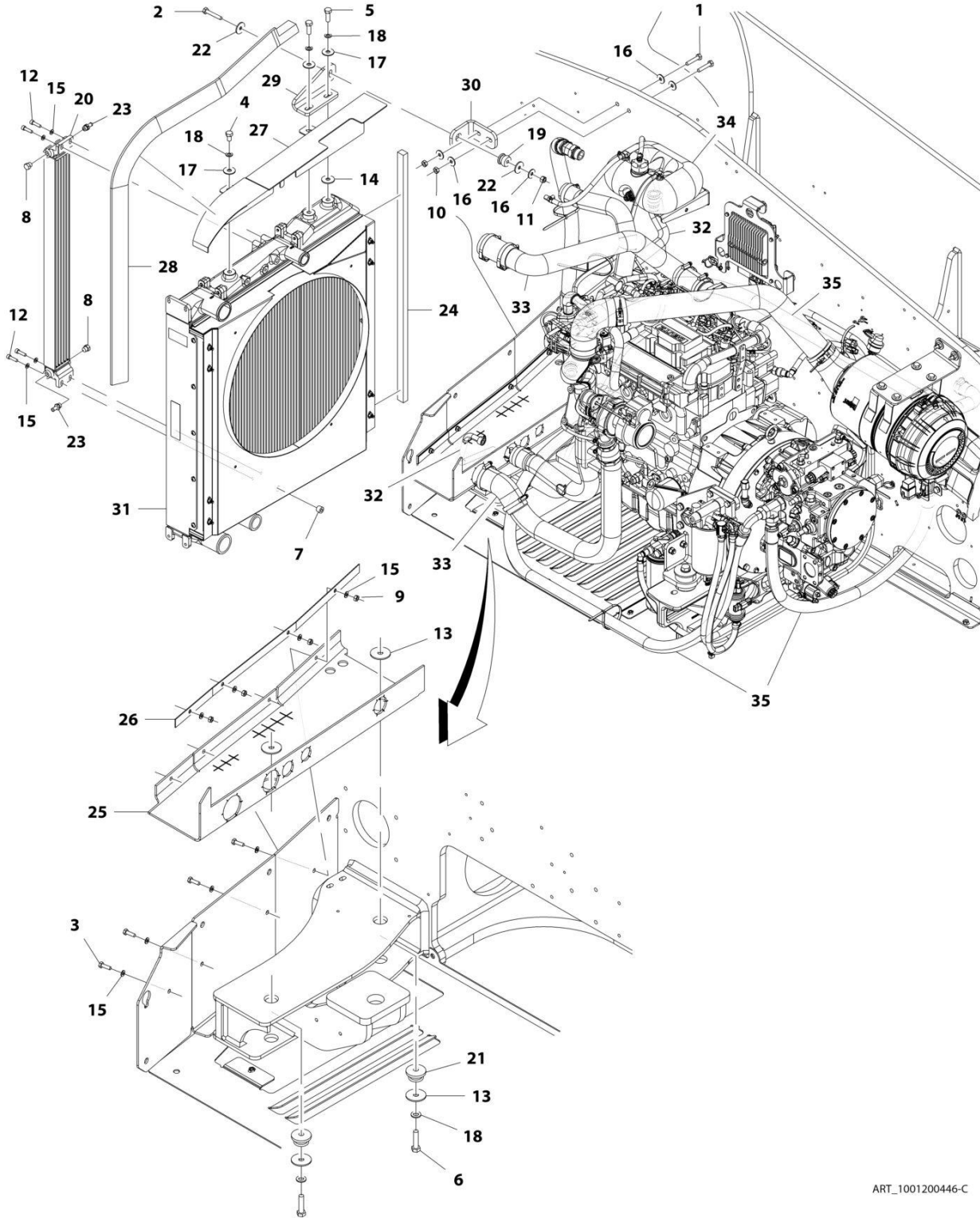
## SECTION 4 - ENGINE AND ATTACHING PARTS

**FIGURE 4-29. COOLING PACKAGE INSTALLATION**

ITEM	PART NUMBER	QTY	DESCRIPTION	REV
	1001200445	Ref	Cooling Package Installation	G
1	0760812	4	Bolt,M8X25	
2	0701018	2	Bolt, M10X50	
3	0701020	1	Bolt, M10X60	
4	0761210	1	Bolt, M12X20	
5	0761215	2	Bolt, M12X35	
6	0761218	2	Bolt, M12X50	
7	2200223	1	Plug	
8	3290801	4	Nut, M8X1.25	
9	3291001	2	Nut, M10X1.5	
10	3291005	1	Nut, Lock M10X1.5	
11	4740274	4	Washer	
12	4740550	1	Washer, M12	
13	4811900	8	Washer, M8	
14	4812002	5	Washer, M10	
15	4812102	3	Washer, M12	
16	4832100	5	Washer, Lock M12	
17	8278020	1	Mount	
18	1001114803	2	Mount	
19	1001155540	2	Washer	
20	1001173457	1	Seal	
23	1001196191	1	Bracket, Air Baffle	
24	1001173452	1	Seal	
25	1001200498	1	Bracket, Radiator	
26	1001200499	1	Bracket, Frame	
27	1001201301	1	Radiator, (See Separate Breakdown in this Section)	
28	1001201302	Ref	Installation, Coolant Lines (See Separate Breakdown in this Section)	
29	1001201303	Ref	Installation, Radiator Lines (See Separate Breakdown in this Section)	
30	1001201304	Ref	Installation, Surge Tank (See Separate Breakdown in this Section)	
31	1001201305	Ref	Installation, Transmission Oil Cooler Lines (See Separate Breakdown in this Section)	
32	1001203947	1	Panel, Air Dam	
33	1001203948	1	Plate, Air Dam	

# SECTION 4 - ENGINE AND ATTACHING PARTS

## FIGURE 4-30. COOLING PACKAGE INSTALLATION (LS)



ART\_1001200446-C

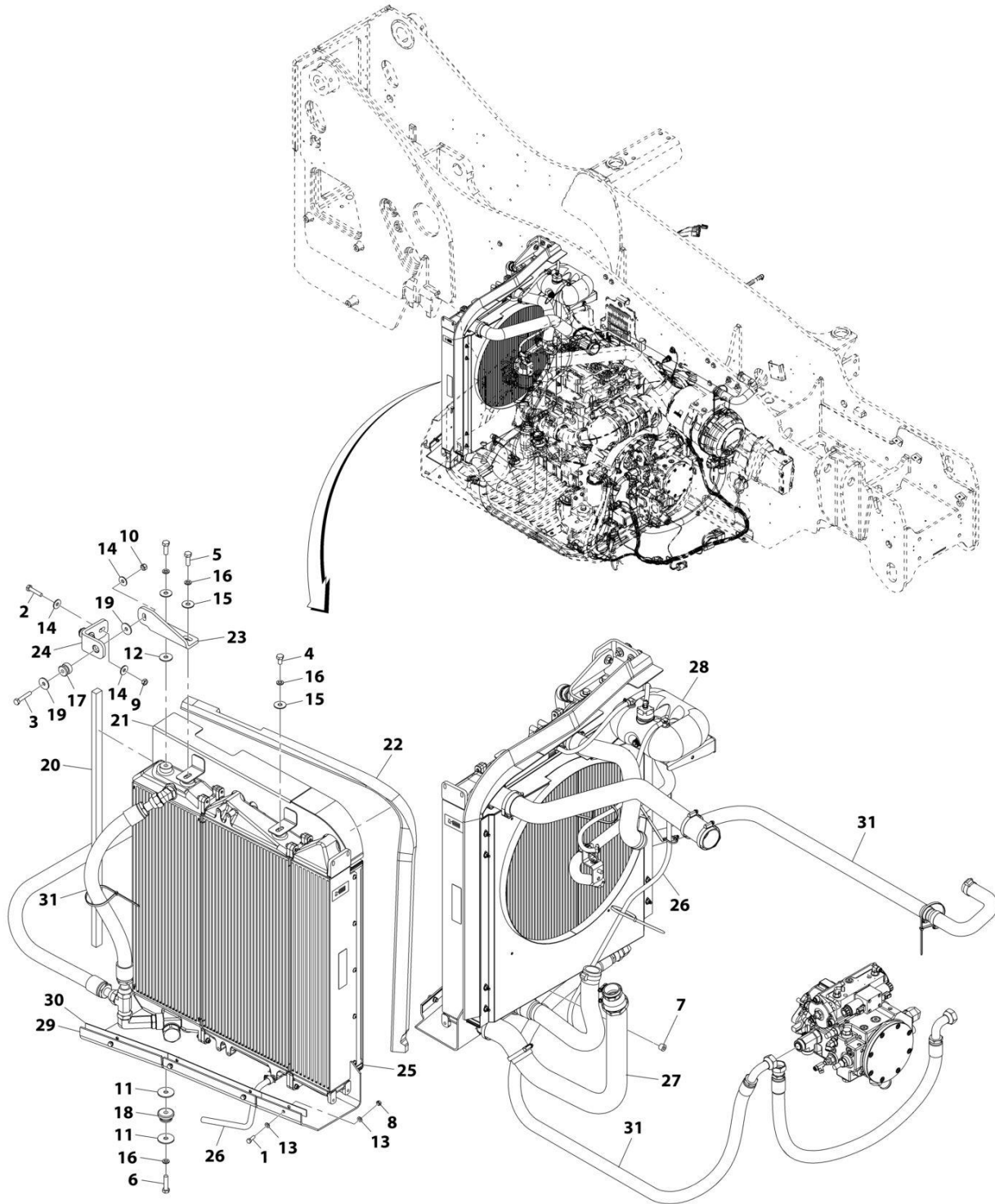
## SECTION 4 - ENGINE AND ATTACHING PARTS

**FIGURE 4-30. COOLING PACKAGE INSTALLATION (LS)**

ITEM	PART NUMBER	QTY	DESCRIPTION	REV
	1001200446	Ref	Cooling Package Installation (LS)	C
1	0701018	2	Bolt, M8X50	
2	0701020	1	Bolt, M10X60	
3	0760812	4	Bolt, M8X25	
4	0761210	1	Bolt, M12X20	
5	0761215	2	Bolt, M12X35	
6	0761218	2	Bolt, M12X50	
7	2200223	1	Plug	
8	2220237	2	Plug	
9	3290801	4	Nut, M8X1.25 Grade 8	
10	3291001	2	Nut, M10X1.5 Grade 8	
11	3291005	1	Nut, Lock M0X1.5 Grade 8	
12	4031910	4	Bolt, M8X30	
13	4740274	4	Washer	
14	4740550	1	Washer, M12	
15	4811900	12	Washer, M8	
16	4812002	5	Washer, M10	
17	4812102	3	Washer, M12	
18	4832100	5	Washer, Lock M12	
19	8278020	1	Mount	
20	1001220337	1	Radiator, Fuel Cooler	
21	1001114803	2	Mount, Isolator	
22	1001155540	2	Washer	
23	1001168030	2	Barb, Hose	
24	1001173457	1	Seal, Foam Gasket	
25	1001203947	1	Panel	
26	1001203948	1	Plate	
27	1001196191	1	Bracket	
28	1001196193	1	Seal, Foam Gasket	
29	1001200498	1	Bracket	
30	1001200499	1	Bracket	
31	1001201301	1	Radiator, Cooling Package (See Separate Breakdown in this Section)	
32	1001201302	1	Installation, Coolant Lines (ULS) (See Separate Breakdown in this Section)	
33	1001201303	1	Installation, CAC Lines (See Separate Breakdown in this Section)	
34	1001201304	1	Installation, Surge Tank (See Separate Breakdown in this Section)	
35	1001201305	1	Installation, TOC Lines (See Separate Breakdown in this Section)	

# SECTION 4 - ENGINE AND ATTACHING PARTS

## FIGURE 4-31. COOLING PACKAGE INSTALLATION (TUV)



ART\_1001223720-B

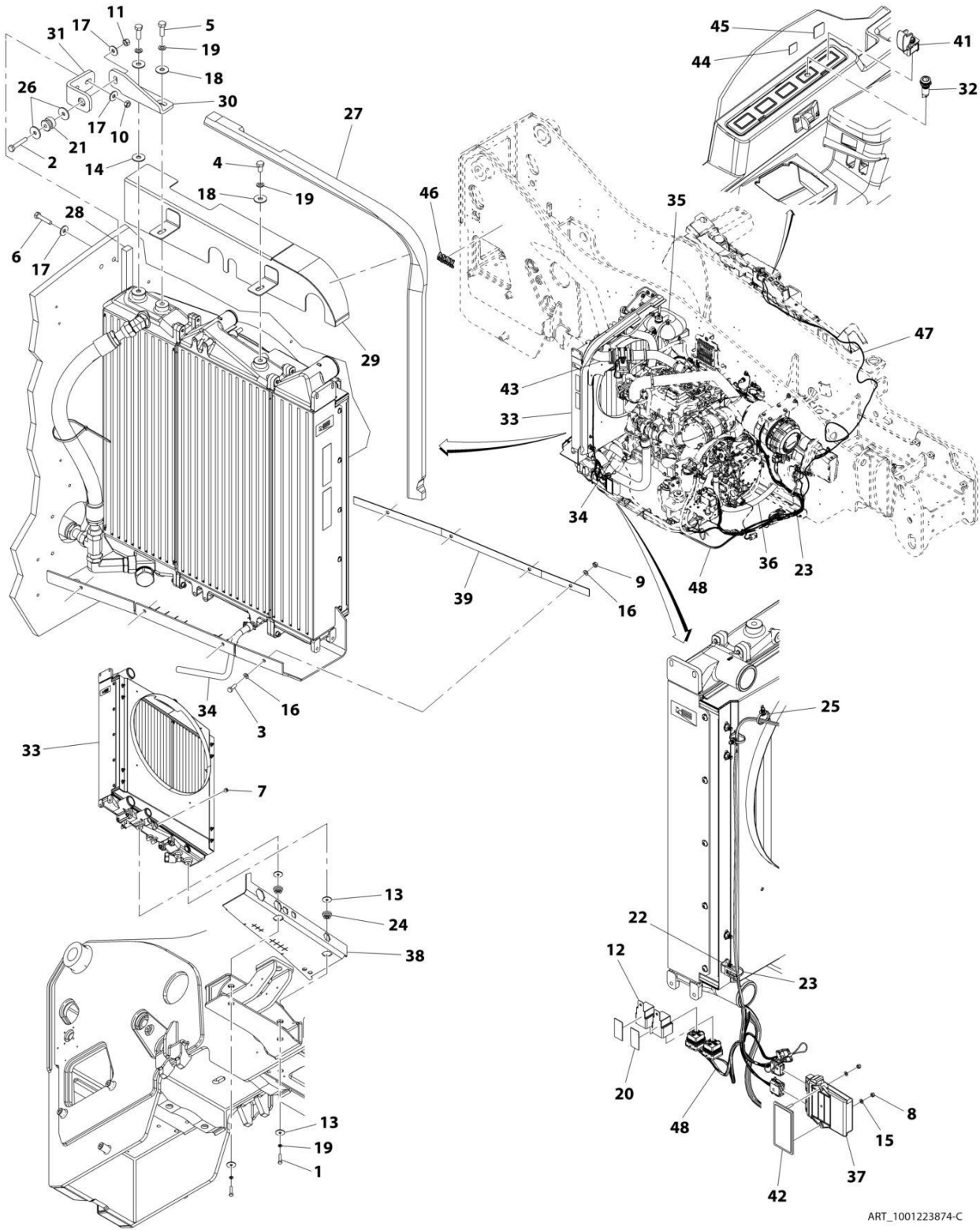
## SECTION 4 - ENGINE AND ATTACHING PARTS

**FIGURE 4-31. COOLING PACKAGE INSTALLATION (TUV)**

ITEM	PART NUMBER	QTY	DESCRIPTION	REV
	1001223720	Ref	Cooling Package Installation (TUV)	B
1	0760812	4	Bolt, M8X25	
2	0701018	2	Bolt, M10X50	
3	0701020	1	Bolt, M10X60	
4	0761210	1	Bolt, M12X20	
5	0761215	2	Bolt, M12X35	
6	0761218	2	Bolt, M12X50	
7	2200223	1	Plug	
8	3290801	4	Nut, M8X1.25	
9	3291001	2	Nut, M10X1.5	
10	3291005	1	Nut, Lock M10X1.5	
11	4740274	4	Washer	
12	4740550	1	Washer, M12	
13	4811900	8	Washer, M8	
14	4812002	5	Washer, M10	
15	4812102	3	Washer, M12	
16	4832100	5	Washer, Lock M12	
17	8278020	1	Isolator	
18	1001114803	2	Isolator, Mount	
19	1001155540	2	Washer	
20	1001173457	1	Seal	
21	1001196191	1	Bracket	
22	1001173452	1	Seal	
23	1001200498	1	Bracket	
24	1001200499	1	Bracket	
25	1001201301	1	Radiator (See Separate Breakdown in this Section)	
26	1001201302	Ref	Installation, Coolant Lines (See Separate Breakdown in this Section)	
27	1001201303	Ref	Installation, Radiator Lines (See Separate Breakdown in this Section)	
28	1001201304	Ref	Installation, Surge Tank (See Separate Breakdown in this Section)	
29	1001203947	1	Panel	
30	1001203948	1	Plate	
31	1001223724	Ref	Installation, Transmission Oil Cooler Lines (See Separate Breakdown in this Section)	

# SECTION 4 - ENGINE AND ATTACHING PARTS

## FIGURE 4-32. COOLING PACKAGE INSTALLATION



ART\_1001223874-C



## SECTION 4 - ENGINE AND ATTACHING PARTS

### FIGURE 4-32. COOLING PACKAGE INSTALLATION

ITEM	PART NUMBER	QTY	DESCRIPTION	REV
	1001223874	Ref	Cooling Package Installation	C
1	0701018	2	Bolt, M10X50	
2	0701020	1	Bolt, M10X60	
3	0760812	4	Bolt, M8X25	
4	0761210	1	Bolt, M12X20	
5	0761215	2	Bolt, M12X35	
6	0761218	2	Bolt, M12X50	
7	2200223	1	Plug	
8	3290505	2	Nut, M5X0.8	
9	3290801	4	Nut, M8X1.25	
10	3291001	2	Nut, M10X1.5	
11	3291005	1	Nut, Lock M10X1.5	
12	3740080	2	Relay	
13	4740274	4	Washer	
14	4740550	1	Washer, M12	
15	4811600	2	Washer, M5	
16	4811900	8	Washer, M8	
17	4812002	5	Washer, M10	
18	4812102	3	Washer, M12	
19	4832100	5	Washer, Lock M12	
20	7169541	AR	Tape	
21	8278020	1	Mount	
22	1001003305	1	Clip	
23	1001008559	4	Strap, Cable	
24	1001114803	2	Mount	
25	1001146588	2	Strap, Cable	
26	1001155540	2	Washer	
27	1001173452	1	Seal, Foam Gasket	
28	1001173457	1	Seal	
29	1001196191	1	Bracket, Air Baffle	
30	1001200498	1	Bracket, Radiator	
31	1001200499	1	Bracket, Frame	
32	1001200631	1	Lamp, LED Indicator	
33	1001201301	1	Radiator, (See Separate Breakdown in this Section)	
34	1001201302	Ref	Installation, Coolant Lines (See Separate Breakdown in this Section)	
35	1001201304	Ref	Installation, Surge Tank (See Separate Breakdown in this Section)	
36	1001201305	Ref	Installation, Transmission Oil Cooler Lines (See Separate Breakdown in this Section)	
37	1001203181	1	Accessory, Control	
38	1001203947	1	Panel, Air Dam	
39	1001203948	1	Plate, Air Dam	
41	1001215941	1	Switch	
42	1001219082	1	Bracket	
43	1001223869	1	Installation, Radiator Lines (See Separate Breakdown in this Section)	
44	1001227077	1	Decal, Air Shut Off	
45	1001227964	1	Decal, ASOV Test	
46	1001228643	1	Decal, ASOV Equipped	

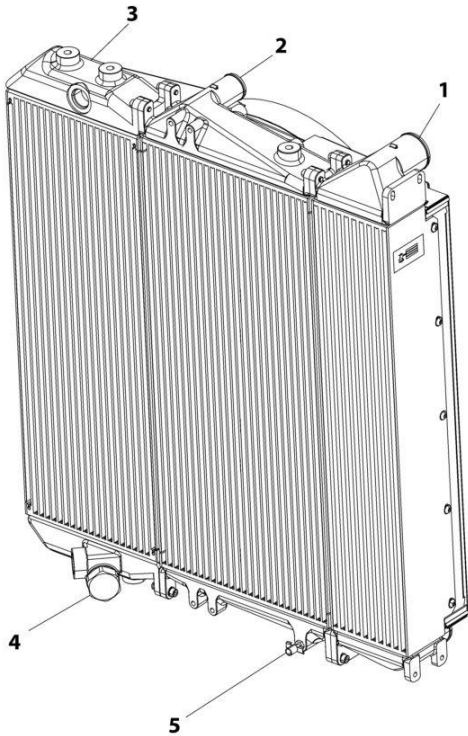
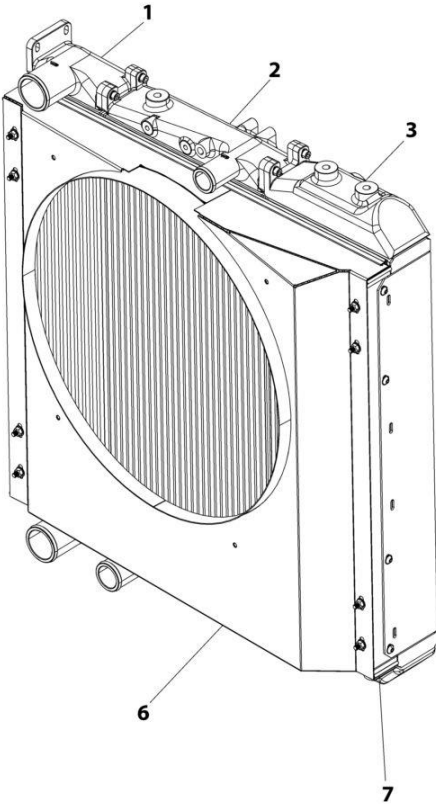
## SECTION 4 - ENGINE AND ATTACHING PARTS

ITEM	PART NUMBER	QTY	DESCRIPTION	REV
47	1001231407	1	Harness, POSI Air Shutoff (See Separate Breakdown in Electrical Section)	
48	1001231483	1	Harness, POSI Air Shutoff (See Separate Breakdown in Electrical Section)	



**SECTION 4 - ENGINE AND ATTACHING PARTS**

**FIGURE 4-33. RADIATOR COOLING PACKAGE**



ART\_1001201301

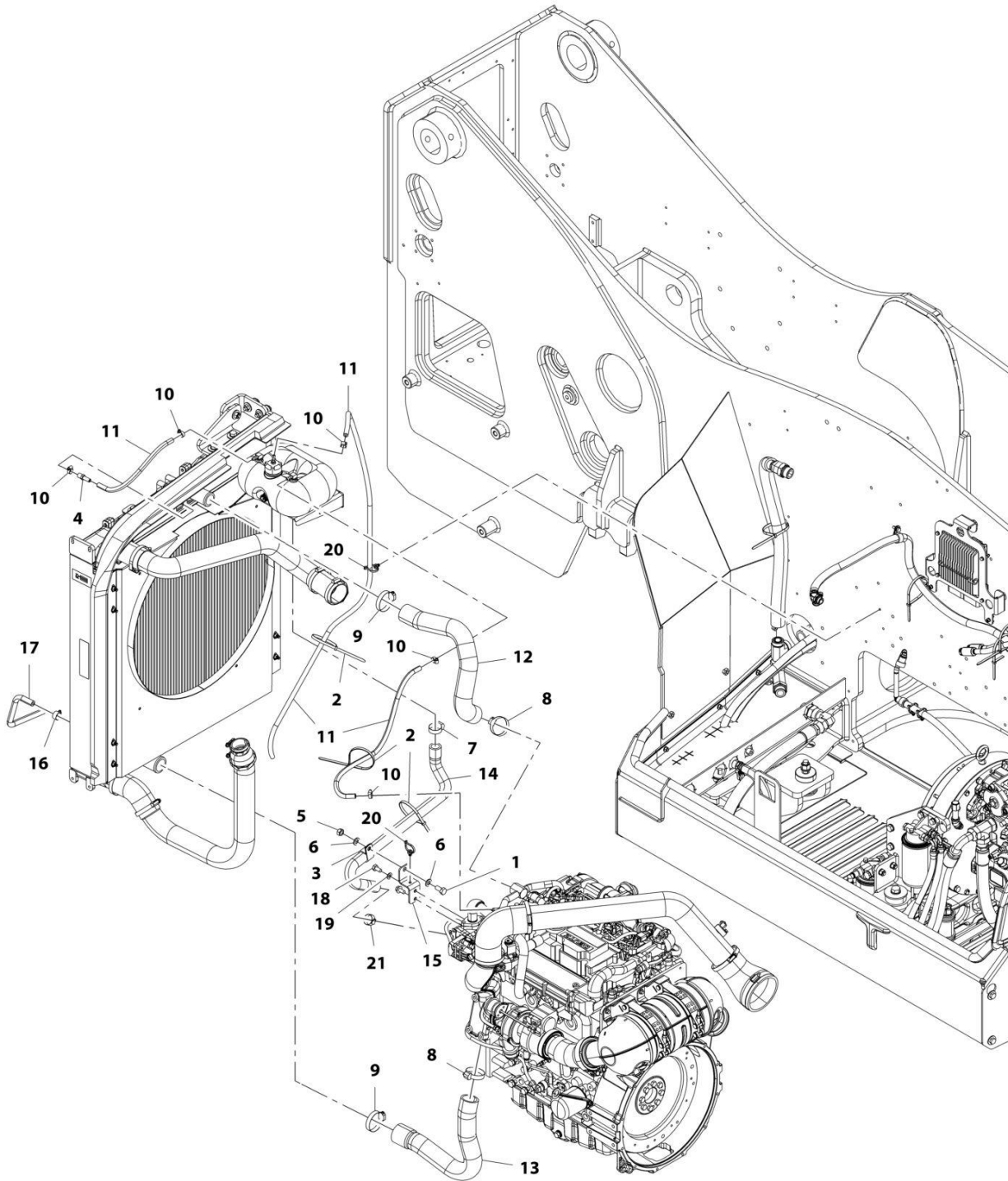
## SECTION 4 - ENGINE AND ATTACHING PARTS

FIGURE 4-33. RADIATOR COOLING PACKAGE

ITEM	PART NUMBER	QTY	DESCRIPTION	REV
	1001201301	Ref	RADIATOR COOLLING PACKAGE	D
1	70026353	1	Cooler, Air Charge	
2	70026354	1	Radiator	
3	70028550	1	Cooler, Hydraulic Oil	
4	70028548	1	Valve, Bypass	
5	70026081	1	Petcock	
6	70028549	1	Shroud	
7	70026359	2	Bracket, Shroud Mounting	

# SECTION 4 - ENGINE AND ATTACHING PARTS

## FIGURE 4-34. COOLANT LINES INSTALLATION



ART\_1001201302-E

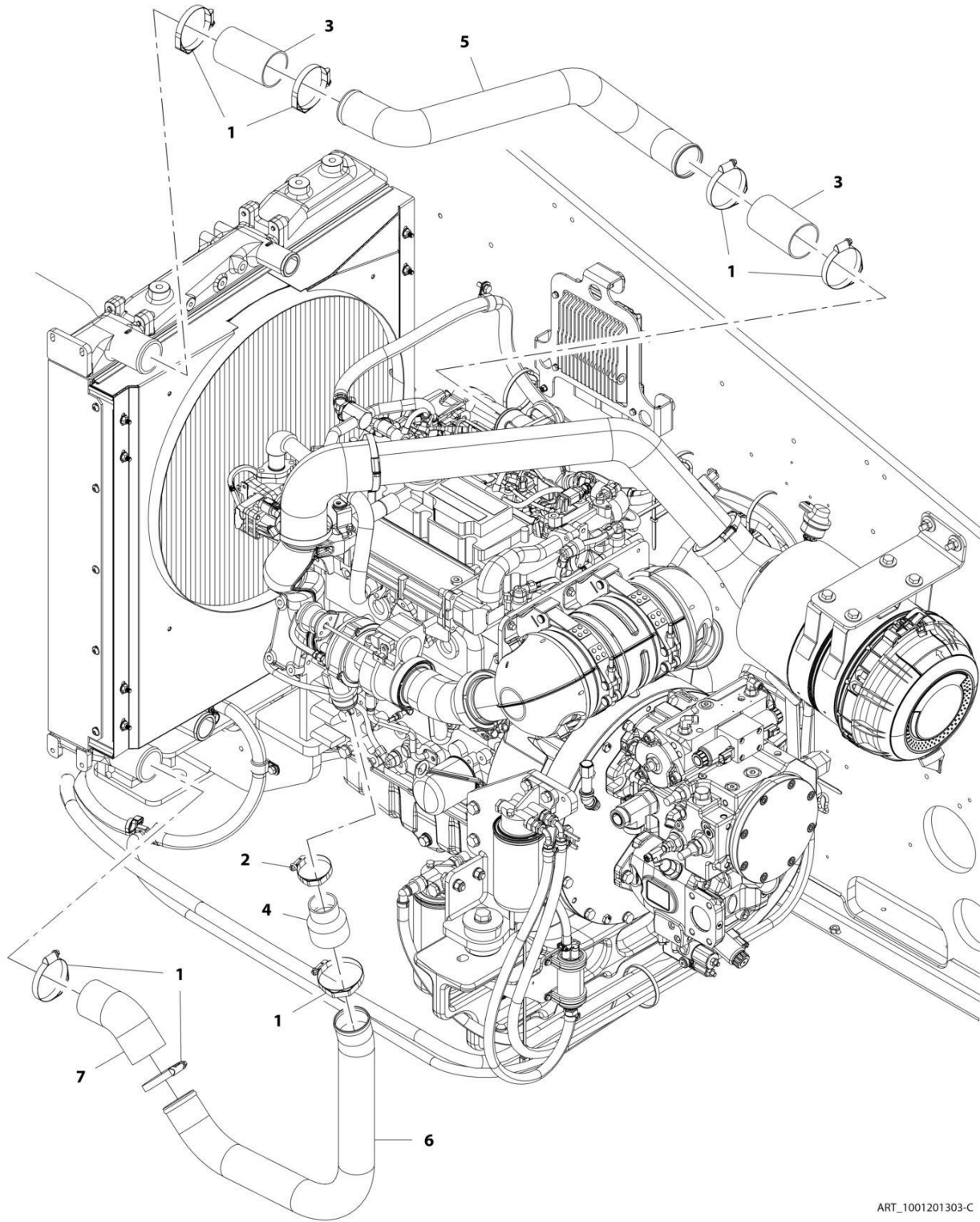
## SECTION 4 - ENGINE AND ATTACHING PARTS

**FIGURE 4-34. COOLANT LINES INSTALLATION**

ITEM	PART NUMBER	QTY	DESCRIPTION	REV
	1001201302	Ref	Coolant Lines Installation	E
1	0761212	1	Bolt, M12X25	
2	1062255	3	Strap, Tie	
3	1320060	1	Clamp, Hose	
4	2220767	1	Fitting	
5	3291201	1	Nut, M12	
6	4812100	2	Washer, M12	
7	8405101	1	Clamp, Gear	
8	8405104	2	Clamp, Gear	
9	8405201	2	Clamp, Gear	
10	8405009	5	Clamp, Gear	
11	1001180542	2465 mm	Hose	
12	1001217762	1	Hose	
13	1001201309	1	Hose	
14	1001217763	1	Hose	
15	1001217761	1	Bracket	
16	8405006	1	Clamp, Gear	
17	1001180553	370 mm	Hose	
18	0761010	1	Bolt, M12X20	
19	4812000	1	Washer, M10	
20	1001146588	2	Strap, Tie	
21	8405007	1	Clamp, Gear	

# SECTION 4 - ENGINE AND ATTACHING PARTS

## FIGURE 4-35. RADIATOR LINES INSTALLATION



ART\_1001201303-C



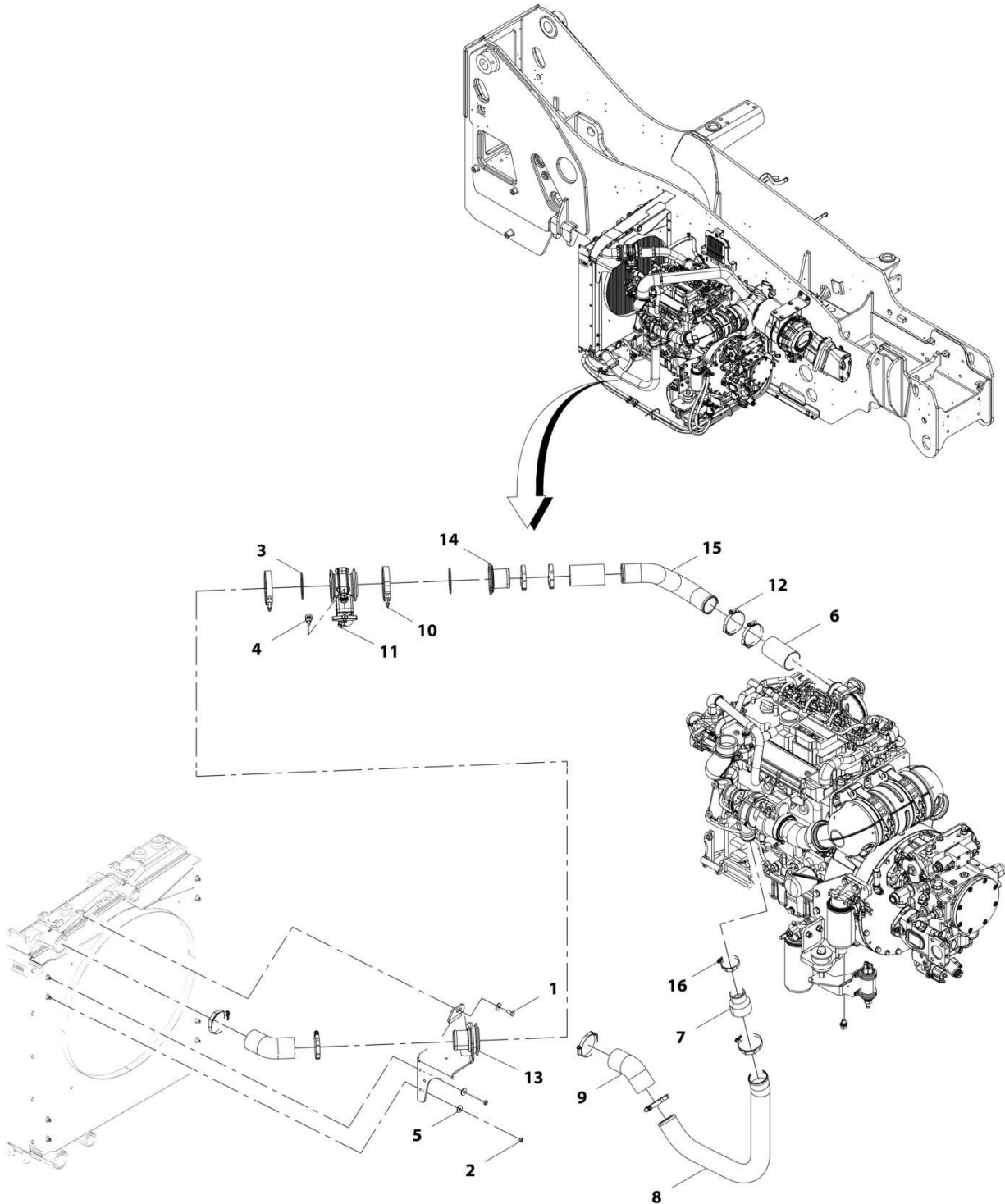
## SECTION 4 - ENGINE AND ATTACHING PARTS

FIGURE 4-35. RADIATOR LINES INSTALLATION

ITEM	PART NUMBER	QTY	DESCRIPTION	REV
	1001201303	Ref	Radiator Lines Installation	C
1	1001215022	7	Clamp	
2	1001215024	1	Clamp	
3	1001114495	2	Hose	
4	1001173528	1	Coupling, Reducer	
5	1001201314	1	Pipe	
6	1001201315	1	Pipe	
7	1001201316	1	Elbow, 45	

# SECTION 4 - ENGINE AND ATTACHING PARTS

## FIGURE 4-36. CAC LINES INSTALLATION



ART\_1001223869-B

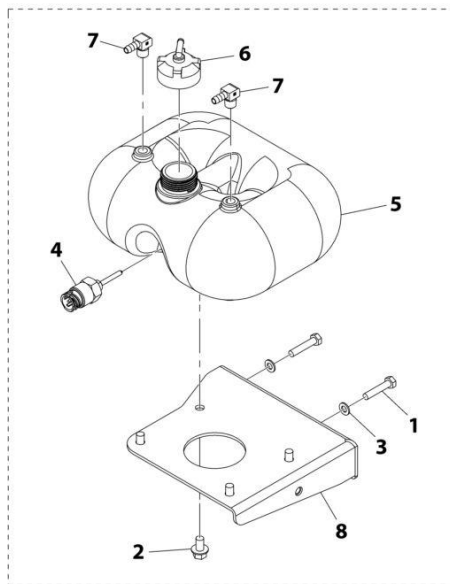
## SECTION 4 - ENGINE AND ATTACHING PARTS

**FIGURE 4-36. CAC LINES INSTALLATION**

ITEM	PART NUMBER	QTY	DESCRIPTION	REV
	1001223869	Ref	CAC Lines Installation	B
1	0760810	1	Bolt, M8X20	
2	3290801	2	Nut, M8X1.25	
3	3790152	2	Ring	
4	4460742	1	Connector	
5	4811902	3	Washer, M8	
6	1001114495	2	Hose	
7	1001173528	1	Fitting, Straight	
8	1001201315	1	Pipe	
9	1001201316	2	Hose	
10	1001202247	2	Clamp	
11	1001204032	1	Valve, Shut Off (See Separate Breakdown in HYDRAULIC COMPONENTS Section)	
12	1001215022	9	Clamp	
13	1001223618	1	Valve, ASO (See Separate Breakdown in HYDRAULIC COMPONENTS Section)	
14	1001223628	1	Valve, ASO	
15	1001223645	1	Pipe	
16	1001215024	1	Clamp	

# SECTION 4 - ENGINE AND ATTACHING PARTS

## FIGURE 4-37. SURGE TANK INSTALLATION



DETAIL A

ART\_1001201304-B

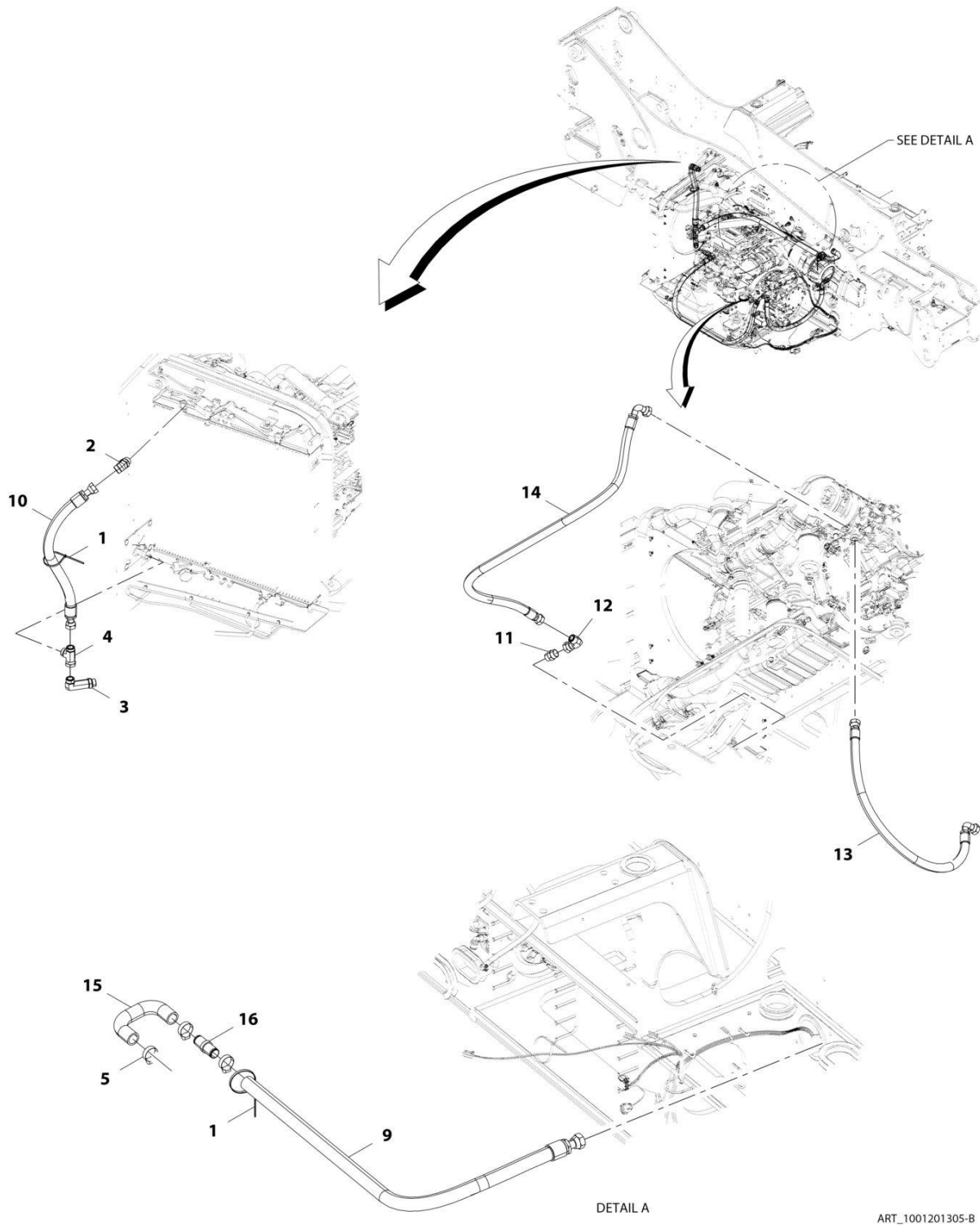
## SECTION 4 - ENGINE AND ATTACHING PARTS

### FIGURE 4-37. SURGE TANK INSTALLATION

ITEM	PART NUMBER	QTY	DESCRIPTION	REV
	1001201304	Ref	Surge Tank Installation	B
1	0700816	2	Bolt, M8X40	
2	0791605	4	Screw	
3	4811900	2	Washer, M8	
4	1001138827	1	Sensor, Coolant Level	
5	1001128144	1	Tank, Coolant	
6	1001128341	1	Cap	
7	1001169368	2	Fitting, Hose Barb	
8	1001201317	1	Bracket, Coolant Tank	

# SECTION 4 - ENGINE AND ATTACHING PARTS

## FIGURE 4-38. TRANSMISION OIL COOLER LINES INSTALLATION



ART\_1001201305-B

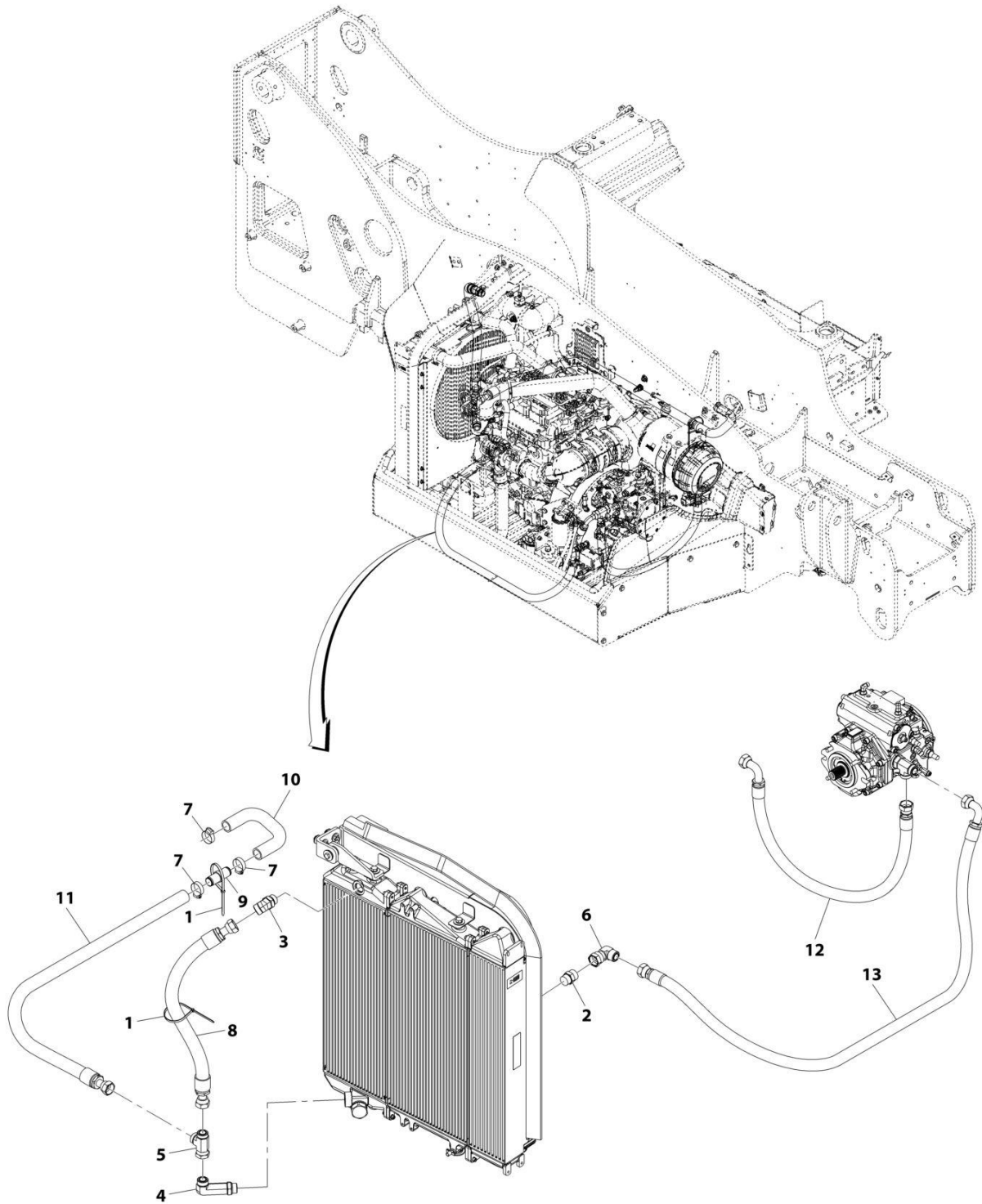
## SECTION 4 - ENGINE AND ATTACHING PARTS

FIGURE 4-38. TRANSMISION OIL COOLER LINES INSTALLATION

ITEM	PART NUMBER	QTY	DESCRIPTION	REV
	1001201305	Ref	Transmission Oil Cooler Lines Installation	B
1	1062255	AR	Strap, Tie	
2	2151616	1	Fitting, 45 ORFS	
3	2170216	1	Fitting, 90 ORFS	
4	2170716	1	Fitting, Tee ORFS	
5	8405102	3	Clamp, Gear	
9	1001205564	1	Hose	
10	1001205565	1	Hose	
11	2111616	1	Fitting, Straight ORFS	
12	2172116	1	Fitting, 90 ORFS	
13	1001211616	1	Hose	
14	1001211617	1	Hose	
15	1001212920	1	Hose	
16	1001212921	1	Fitting, Straight	

# SECTION 4 - ENGINE AND ATTACHING PARTS

FIGURE 4-39. TRANSMISION OIL COOLER LINES INSTALLATION (TUV)



ART\_1001223724-A



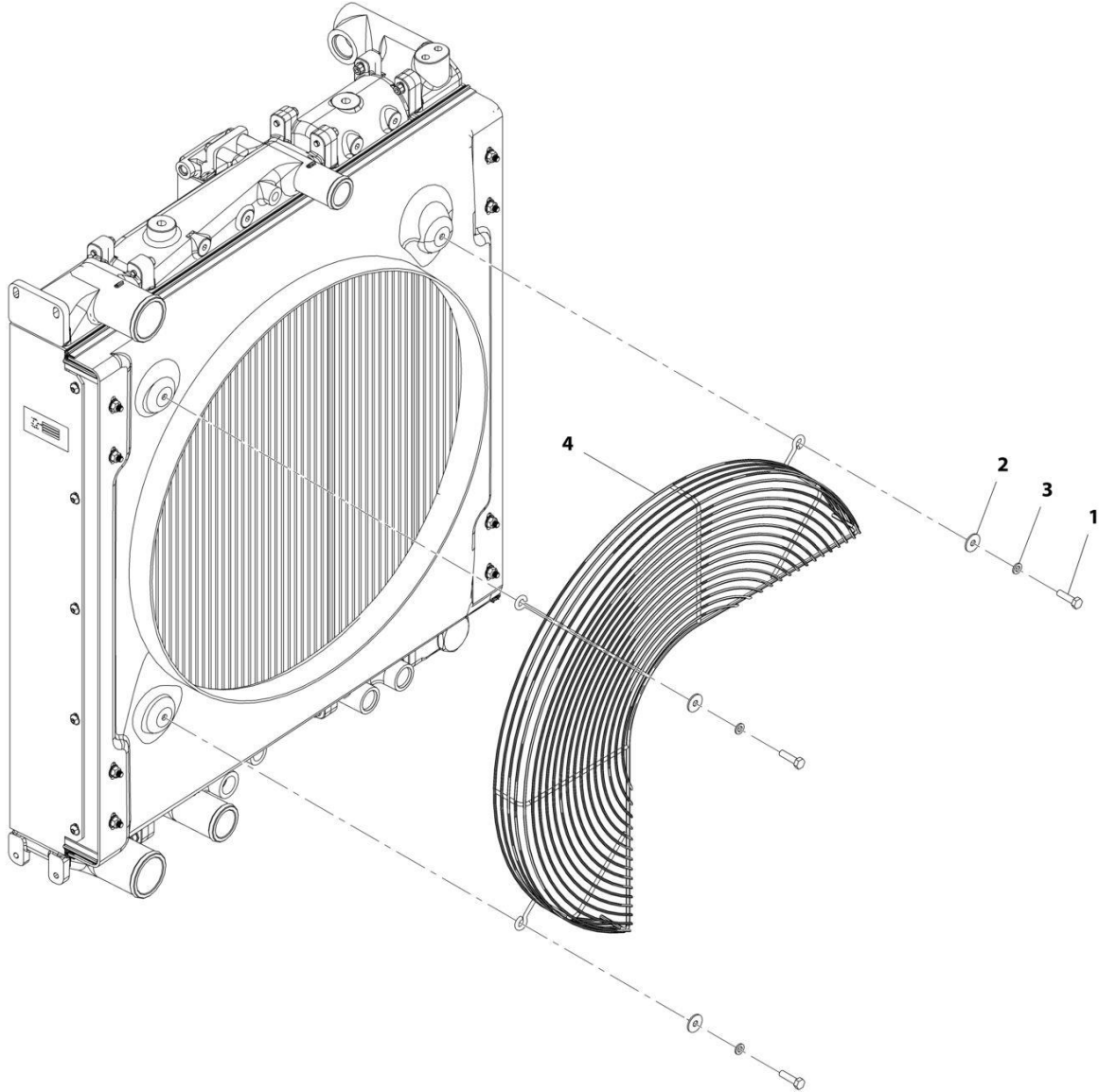
## SECTION 4 - ENGINE AND ATTACHING PARTS

**FIGURE 4-39. TRANSMISION OIL COOLER LINES INSTALLATION (TUV)**

ITEM	PART NUMBER	QTY	DESCRIPTION	REV
	1001223724	Ref	Transmission Oil Cooler Lines Installation (TUV)	A
1	1062255	AR	Strap, Tie	
2	2111616	1	Fitting, Straight ORFS	
3	2151616	1	Fitting, 45 ORFS	
4	2170216	1	Fitting, 90 ORFS	
5	2170716	1	Fitting, Tee ORFS	
6	2172116	1	Fitting, 90 ORFS	
7	8405102	3	Clamp	
8	1001205565	1	Hose, ORFS	
9	1001212921	1	Adapter, M32	
10	1001223725	1	Hose, Return Tank	
11	1001205564	1	Hose, 1.25IN ORFS	
12	1001211616	1	Hose, M25 ORFS	
13	1001211617	1	Hose, M25 ORFS	

# SECTION 4 - ENGINE AND ATTACHING PARTS

## FIGURE 4-40. FAN GUARD INSTALLATION



ART\_1001160420-D

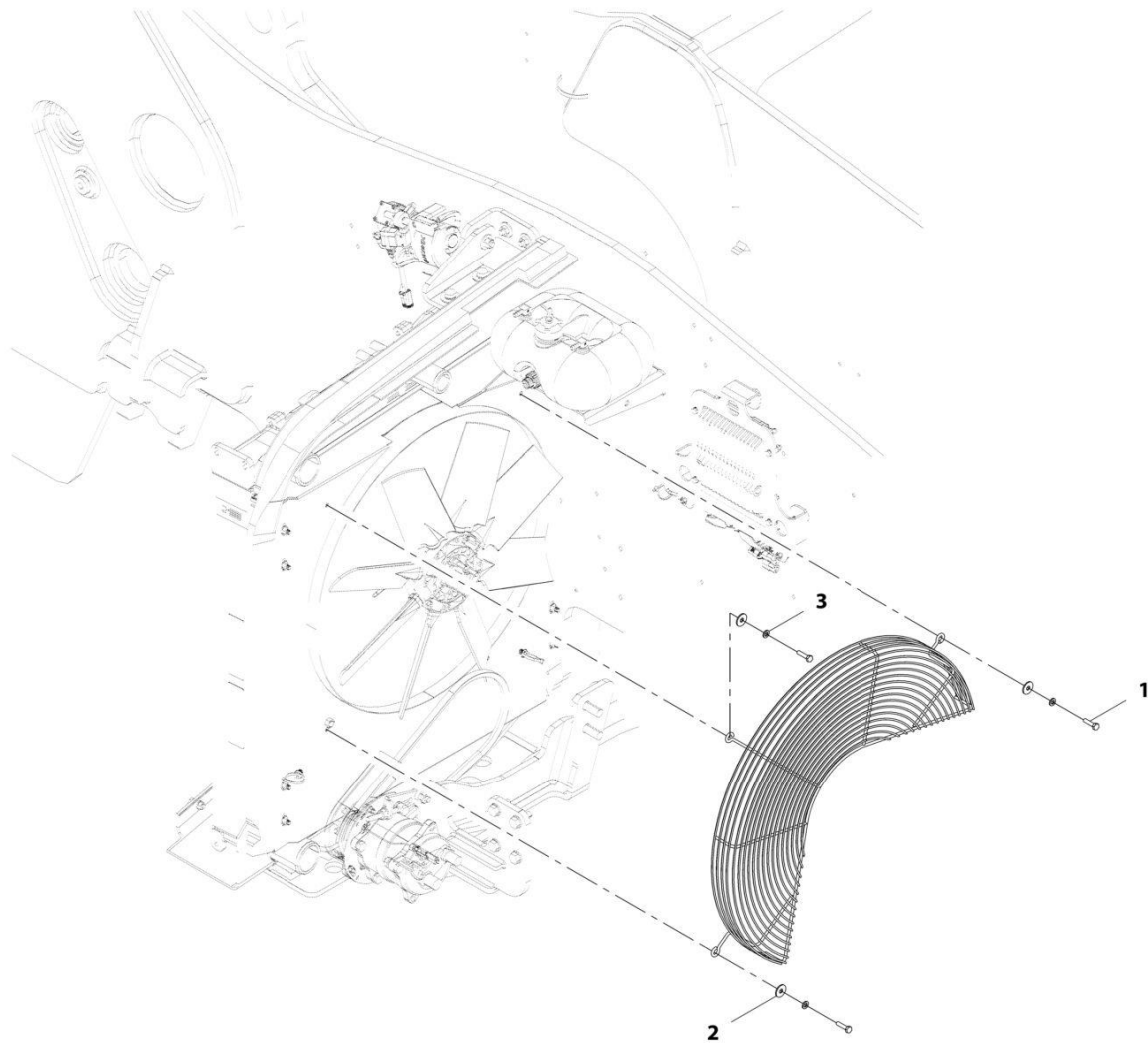
## SECTION 4 - ENGINE AND ATTACHING PARTS

### FIGURE 4-40. FAN GUARD INSTALLATION

ITEM	PART NUMBER	QTY	DESCRIPTION	REV
	1001160420	Ref	Fan Guard Installation	D
1	0700814	3	Bolt, M8X30	
2	4811902	3	Washer, M8	
3	4831900	3	Washer, Lock M8	
4	1001167186	1	Grill	

# SECTION 4 - ENGINE AND ATTACHING PARTS

## FIGURE 4-41. FAN GUARD (REVERSING) INSTALLATION



ART\_1001217754-B

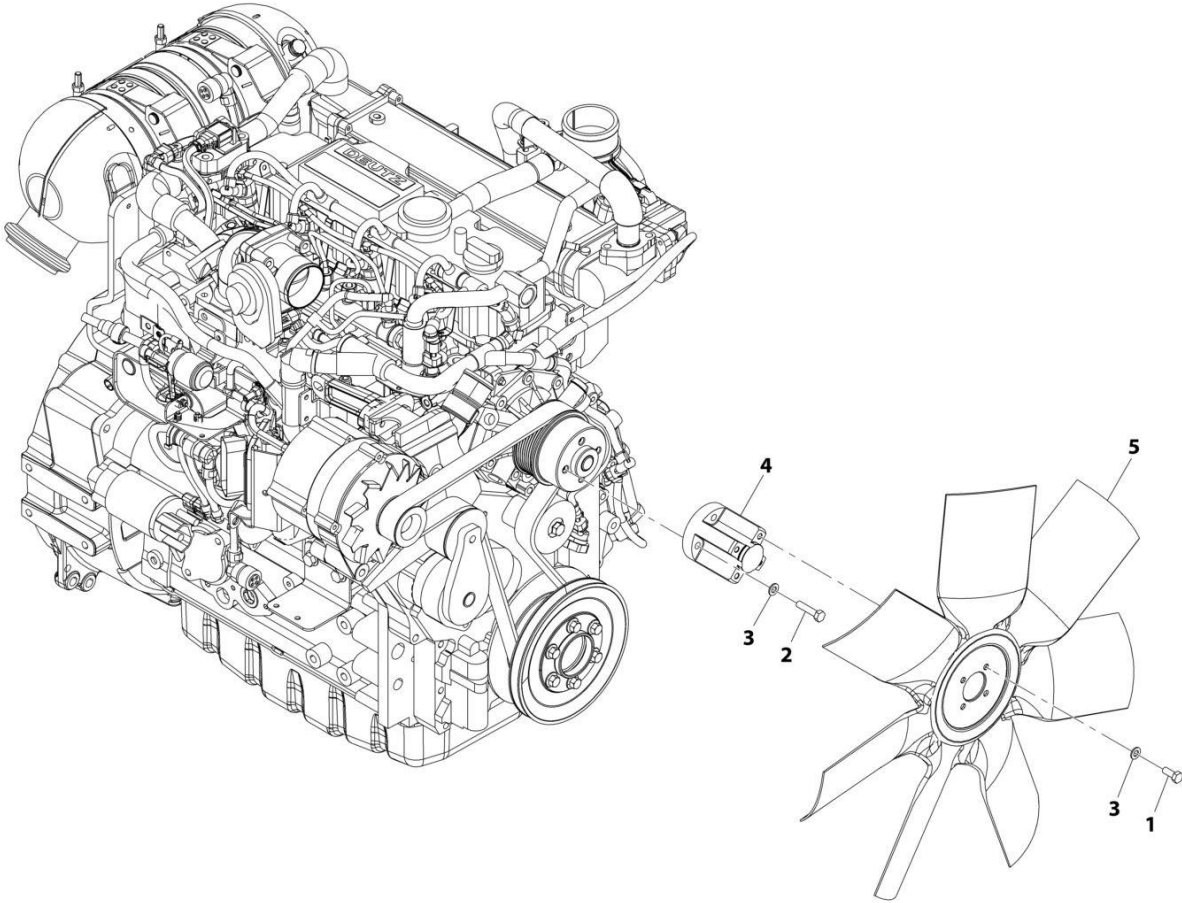
## SECTION 4 - ENGINE AND ATTACHING PARTS

FIGURE 4-41. FAN GUARD (REVERSING) INSTALLATION

ITEM	PART NUMBER	QTY	DESCRIPTION	REV
	1001217754	1	Fan Guard (Reversing) Installation	B
1	0700814	3	Bolt, M8X30	
2	4811902	3	Washer, M8	
3	4831900	3	Washer, Lock M8	
4	1001217755	1	Grill	

# SECTION 4 - ENGINE AND ATTACHING PARTS

FIGURE 4-42. COOLING FAN INSTALLATION



ART\_1001214123-A

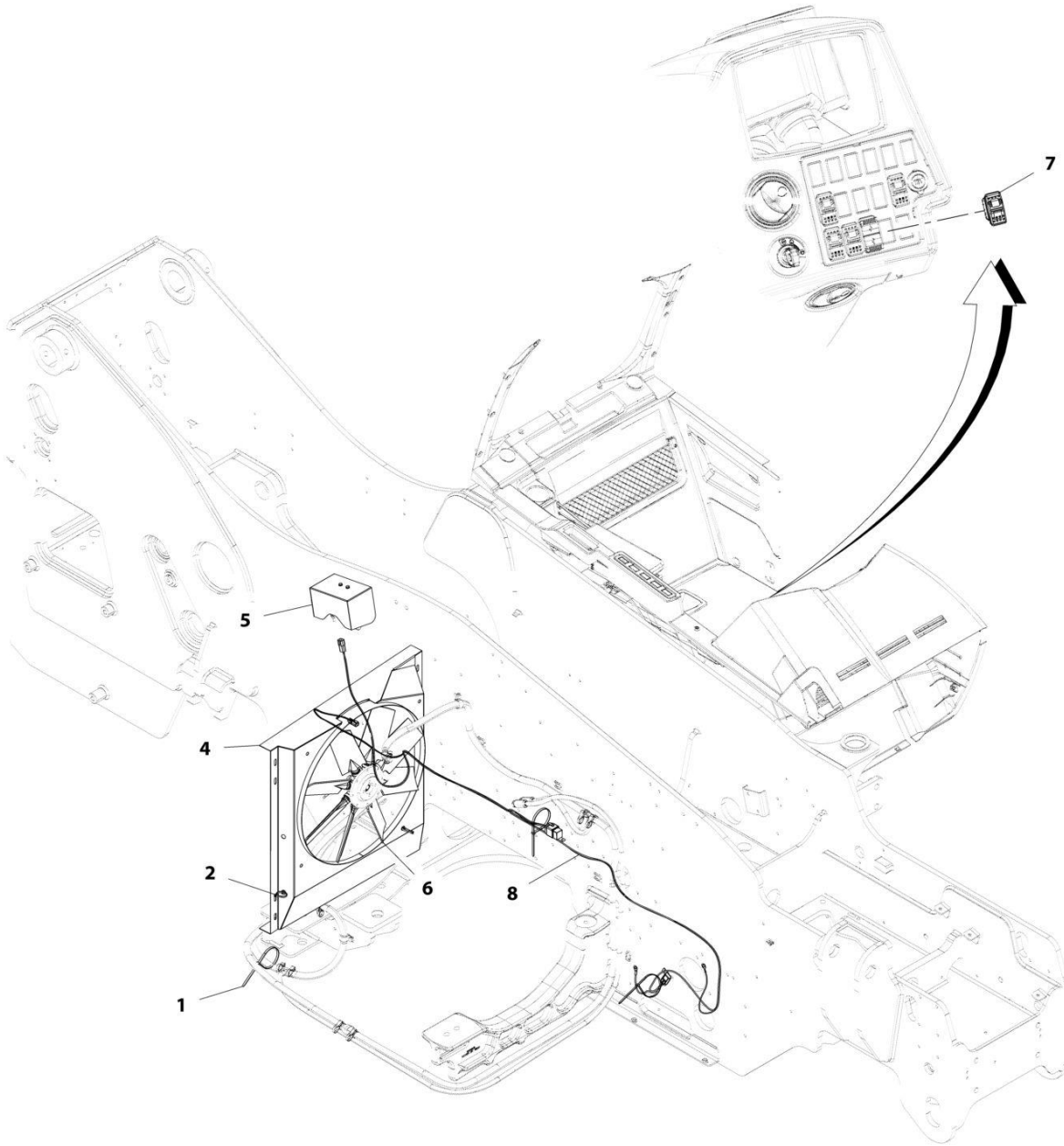
## SECTION 4 - ENGINE AND ATTACHING PARTS

### FIGURE 4-42. COOLING FAN INSTALLATION

ITEM	PART NUMBER	QTY	DESCRIPTION	REV
	1001214123	Ref	Cooling Fan Installation	A
1	0760810	4	Bolt, M8X20	
2	0770815	4	Bolt, M8X35 Grade 10.9	
3	4811900	8	Washer, M8	
4	1001170311	1	Adapter, Fan	
5	1001185026	1	Fan	

# SECTION 4 - ENGINE AND ATTACHING PARTS

## FIGURE 4-43. REVERSE COOLING FAN INSTALLATION



ART\_1001217753-C



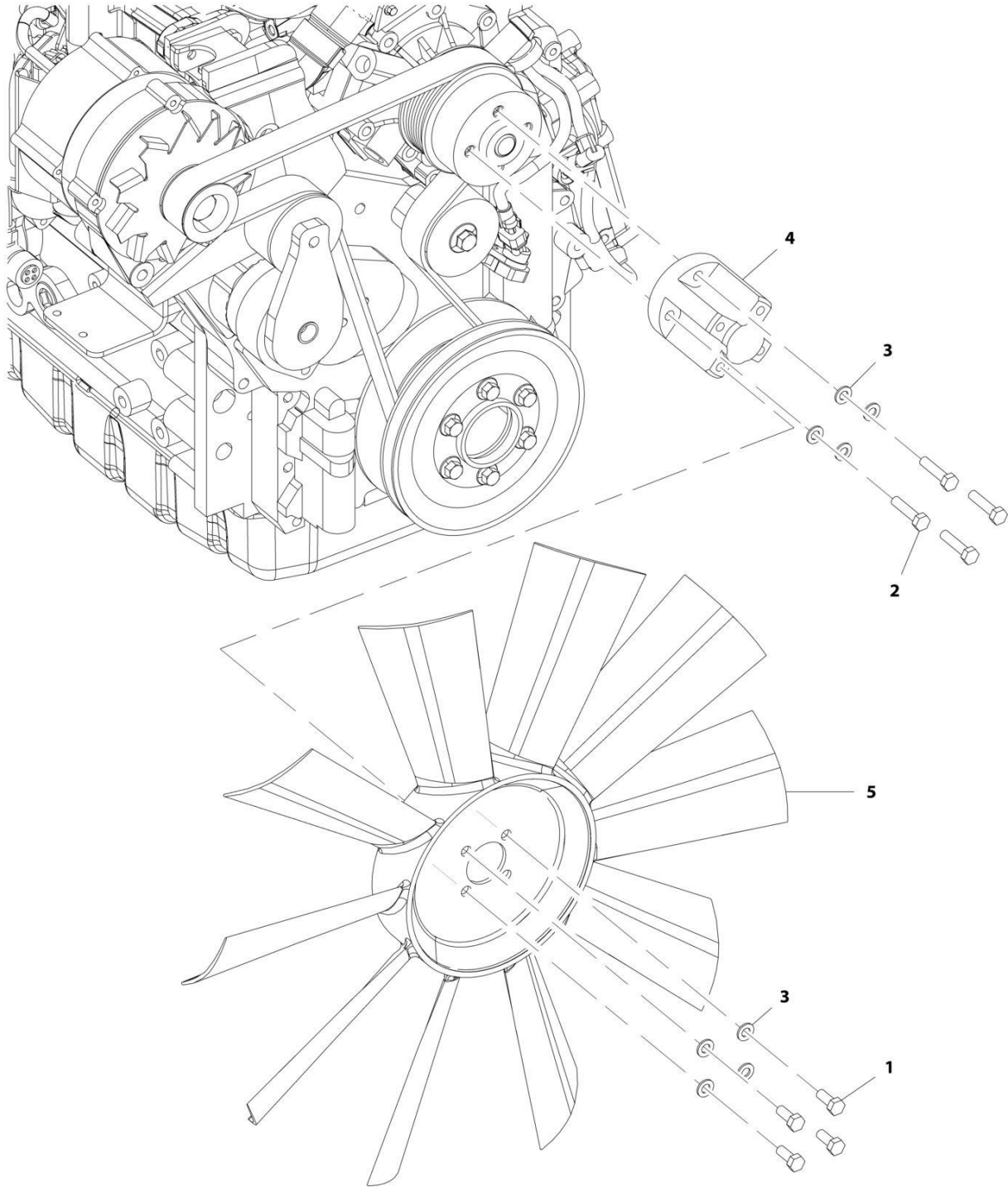
## SECTION 4 - ENGINE AND ATTACHING PARTS

FIGURE 4-43. REVERSE COOLING FAN INSTALLATION

ITEM	PART NUMBER	QTY	DESCRIPTION	REV
	1001217753	Ref	Reverse Cooling Fan Installation	C
1	1062255	3	Strap, Tie	
2	1001146588	2	Strap, Fir Tree Cable Tie	
4	1001217756	1	Shroud	
5	1001217757	1	Installation, Cover (See Separate Breakdown in this Section)	
6	1001217760	1	Kit, Reversing Fan	
6	70030353	1	Pneumatic Line	
6	70030355	1	Fan, Reverse	
6	70030356	1	Compressor	
7	1001145204	1	Switch	
8	1001221493	1	Harness, Reversing Fan (See Separate Breakdown in ELECTRICAL Section)	

# SECTION 4 - ENGINE AND ATTACHING PARTS

## FIGURE 4-44. COOLING FAN INSTALLATION



ART\_1001221918-A

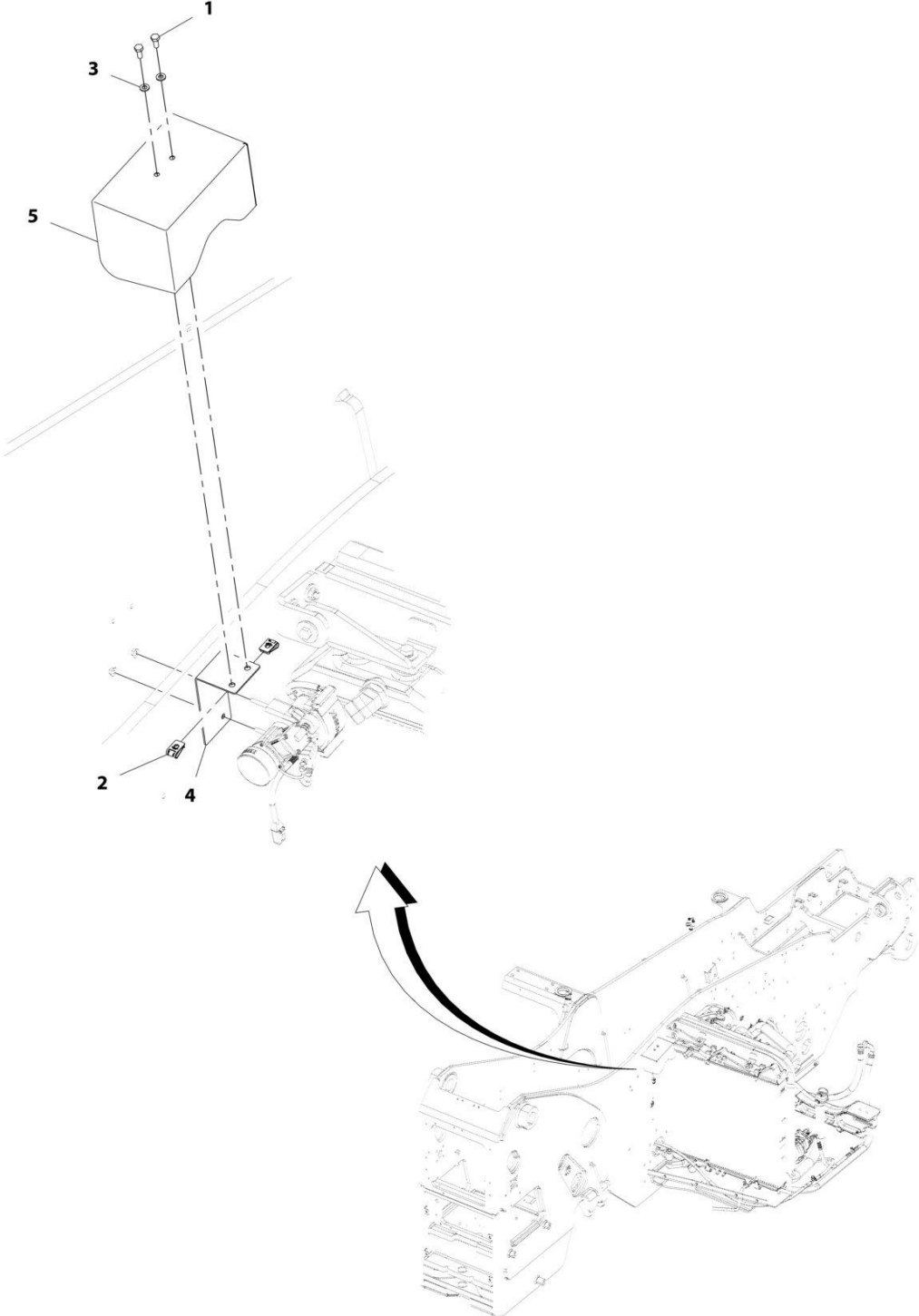
## SECTION 4 - ENGINE AND ATTACHING PARTS

### FIGURE 4-44. COOLING FAN INSTALLATION

ITEM	PART NUMBER	QTY	DESCRIPTION	REV
	1001221918	Ref	Cooling Fan Installation	A
1	0760810	4	Bolt, M8X20	
2	0770815	4	Bolt, M8X35 Grade 10.9	
3	4811900	8	Washer, M8	
4	1001170311	1	Adapter, Fan Hub	
5	1001148307	1	Fan, 23IN	

# SECTION 4 - ENGINE AND ATTACHING PARTS

## FIGURE 4-45. COMPRESSOR COVER INSTALLATION



ART\_1001217757-A

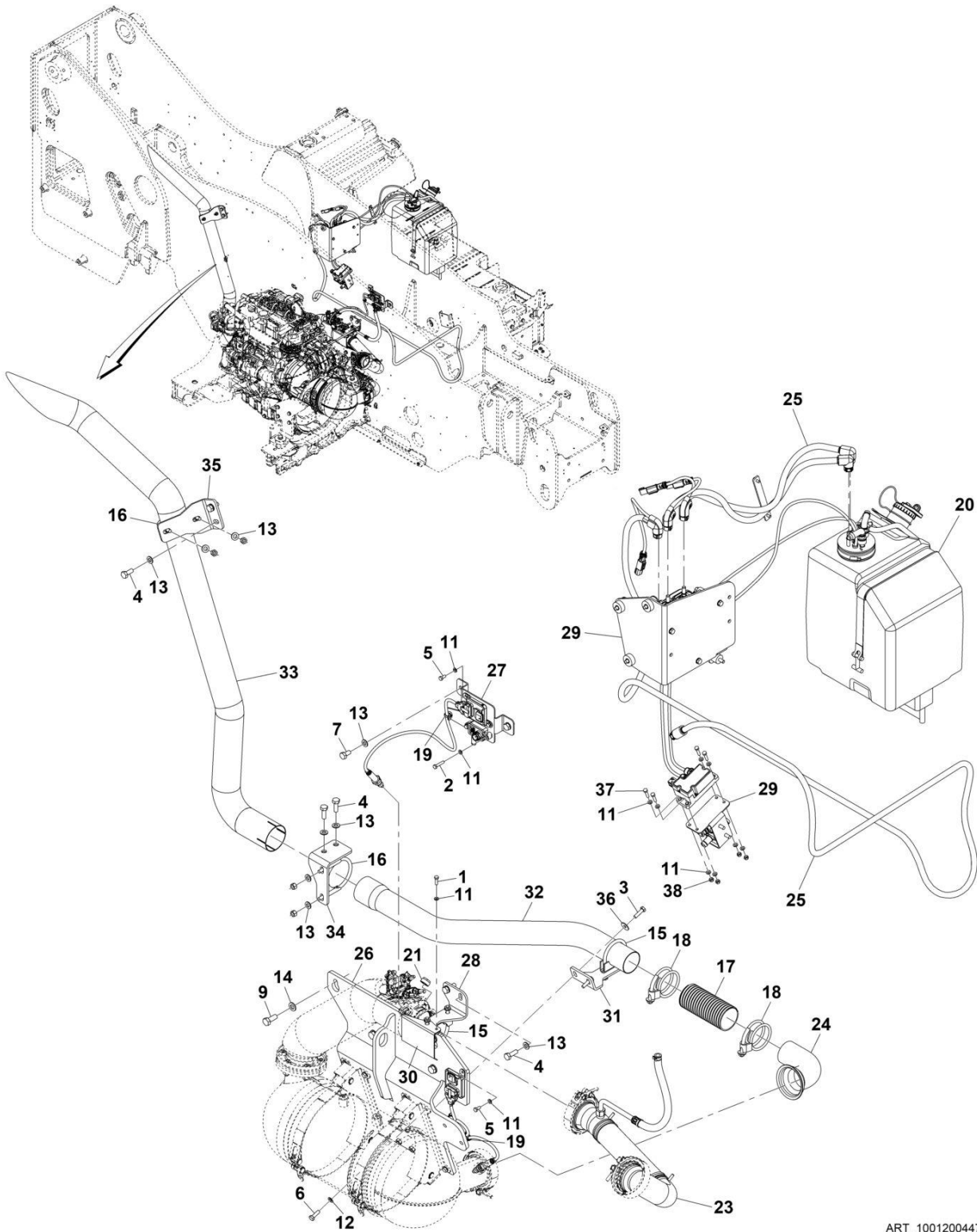
## SECTION 4 - ENGINE AND ATTACHING PARTS

FIGURE 4-45. COMPRESSOR COVER INSTALLATION

ITEM	PART NUMBER	QTY	DESCRIPTION	REV
	1001217757	Ref	Compressor Cover Installation	A
1	0760607	2	Bolt, M6X14	
2	8305919	2	Nut, M6	
3	8307219	2	Washer, M6	
4	1001217758	1	Bracket	
5	1001217759	1	Cover	

# SECTION 4 - ENGINE AND ATTACHING PARTS

## FIGURE 4-46. EXHAUST INSTALLATION (ULS)



ART\_1001200447-I

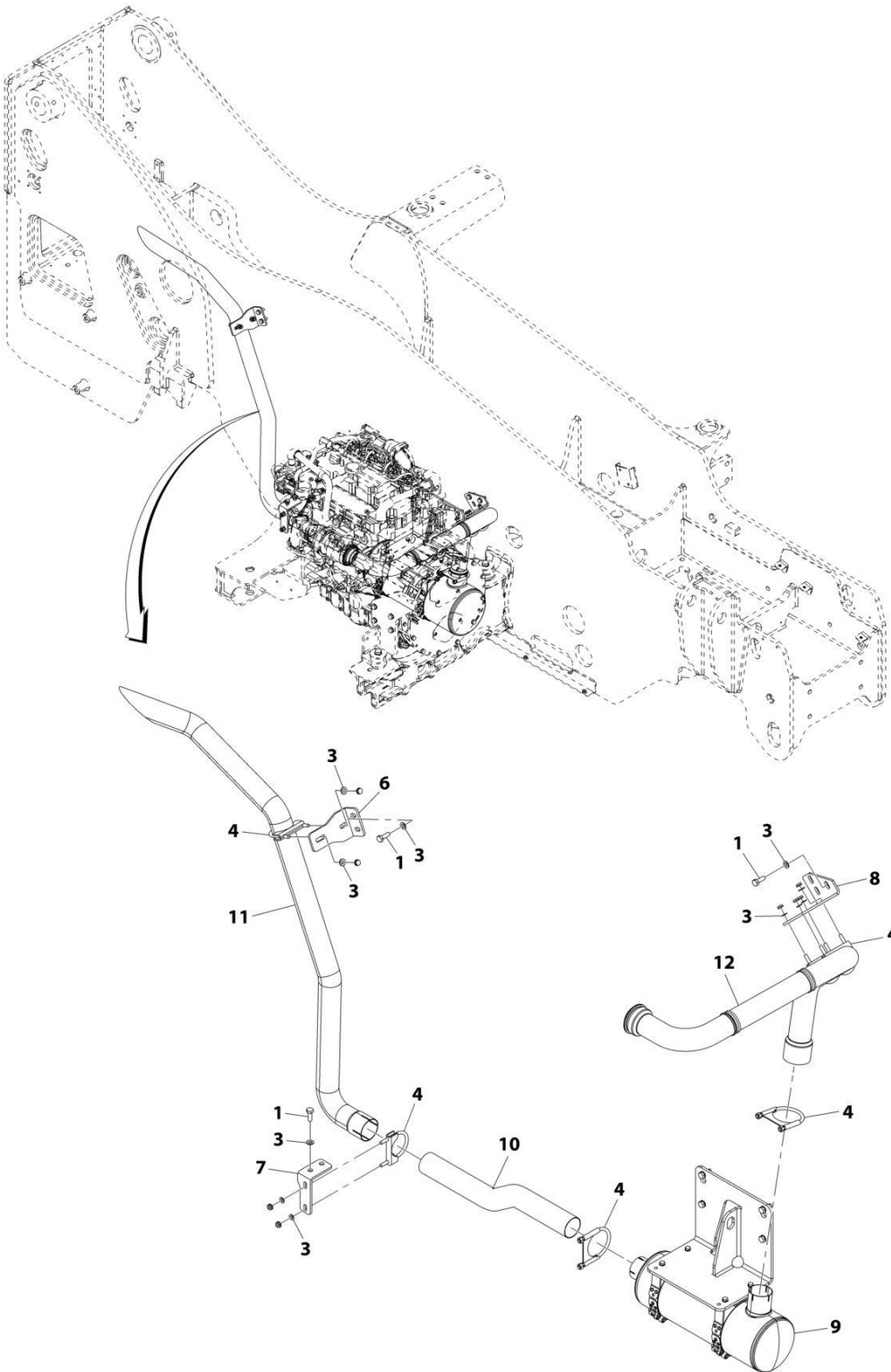
## SECTION 4 - ENGINE AND ATTACHING PARTS

**FIGURE 4-46. EXHAUST INSTALLATION (ULS)**

ITEM	PART NUMBER	QTY	DESCRIPTION	REV
	1001200447	Ref	EXHAUST INSTALLATION (ULS)	K
1	0700610	1	Bolt M6 x 20	
2	0700614	1	Bolt M6 x 30	
3	0700814	2	Bolt M8 x 30	
4	0701014	6	Bolt M10 x 30	
5	0760607	4	Bolt M6 x 14	
6	0760812	8	Bolt M8 x 25	
7	0761010	2	Bolt M10 x 20	
9	0761214	4	Bolt M12 x 30	
11	4811700	6	Washer M6	
12	4811900	8	Washer M8	
13	4812000	12	Washer M10	
14	4812100	4	Washer M12	
15	8275212	2	Clamp	
16	24921332	2	Clamp	
17	77213042	1	Tube, Flexible	
18	91163268	2	Clamp	
19	1001146588	3	Tie-Strap	
20	1001293067	Ref	Installation, DEF Tank (See Separate Breakdown in this Section)	
23	1001199902	1	Pipe	
24	1001200249	1	Pipe	
25	1001293068	Ref	Installation, DEF Lines (See Separate Breakdown in this Section)	
26	1001201856	1	Bracket	
27	1001284536	1	Bracket	
28	1001201858	1	Support	
29	1001202018	Ref	Installation, DEF Control Module (See Separate Breakdown in this Section)	
30	1001202021	1	Plate	
31	1001202899	1	Bracket	
32	1001204411	1	Pipe	
33	1001226797	1	Pipe, Tail	
34	1001204413	1	Bracket	
35	1001204414	1	Bracket	
36	4811902	2	Washer M8	
39	1001004720	AR	Tie-Strap	

# SECTION 4 - ENGINE AND ATTACHING PARTS

## FIGURE 4-47. EXHAUST INSTALLATION (LS)



ART\_1001200448-E



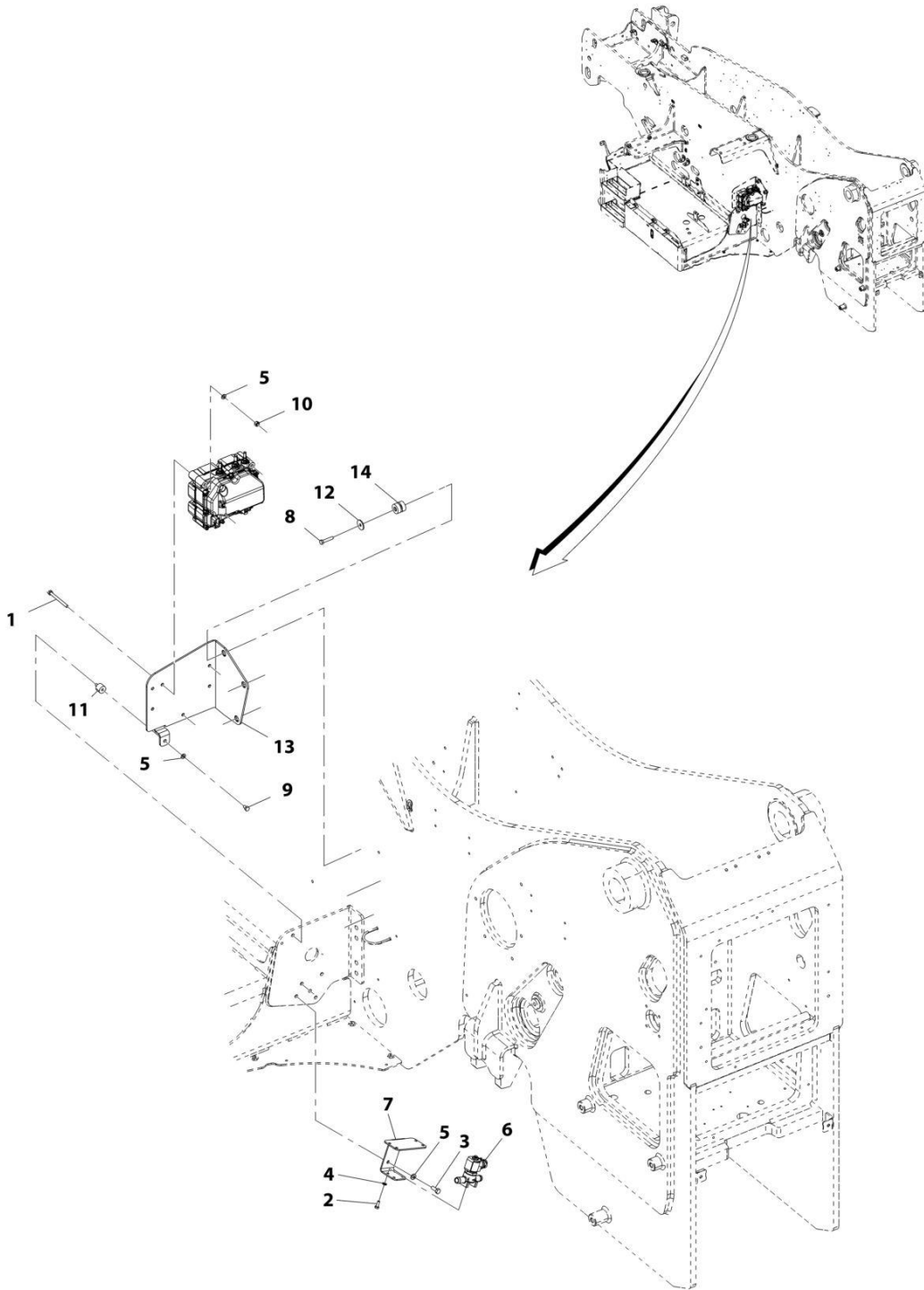
## SECTION 4 - ENGINE AND ATTACHING PARTS

FIGURE 4-47. EXHAUST INSTALLATION (LS)

ITEM	PART NUMBER	QTY	DESCRIPTION	REV
	1001200448	Ref	Exhaust Installation (LS)	E
1	0701014	6	Bolt, M10X30	
3	4812000	14	Washer, M10	
4	8275212	4	Clamp	
6	1001182824	1	Bracket	
7	1001194155	1	Bracket	
8	1001214439	1	Bracket	
9	1001210761	1	Installation, Muffler (See Separate Breakdown in this Section)	
10	1001214441	1	Pipe	
11	1001228174	1	Pipe, Tail	
12	1001214440	1	Pipe	

# SECTION 4 - ENGINE AND ATTACHING PARTS

## FIGURE 4-48. DEF CONTROL MODULE INSTALLATION



ART\_1001202018-F

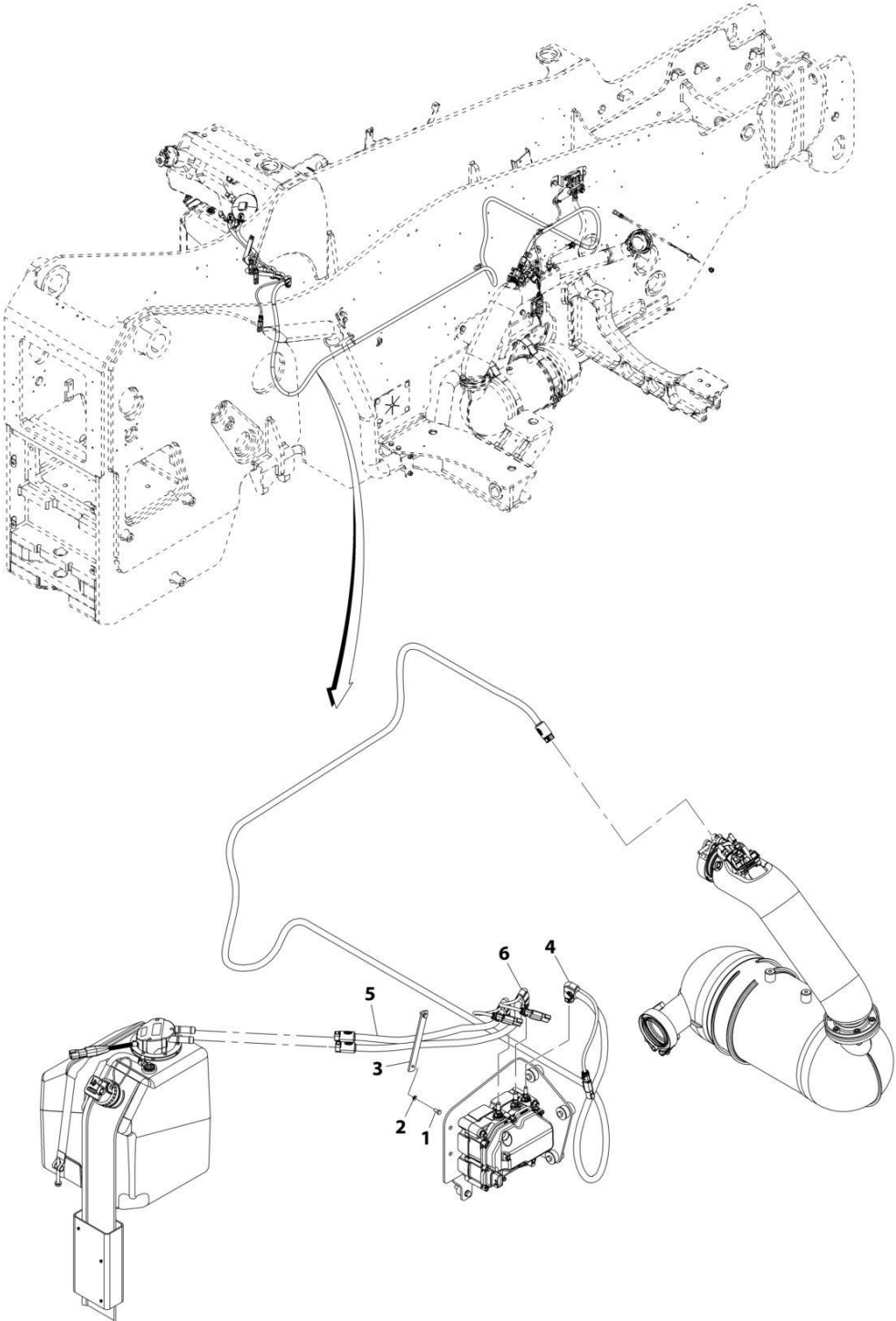
## SECTION 4 - ENGINE AND ATTACHING PARTS

FIGURE 4-48. DEF CONTROL MODULE INSTALLATION

ITEM	PART NUMBER	QTY	DESCRIPTION	REV
	1001202018	Ref	DEF Control Module Installation	F
1	0700826	3	Bolt, M8X90	
2	0760608	4	Bolt, M6X16	
3	0760810	2	Bolt, M8X20	
4	4811700	4	Washer, M6	
5	4811900	9	Washer, M8	
6	1001199670	1	Valve, DEF Tank Coolant Flow	
7	1001247184	1	Bracket	
8	0700816	3	Bolt, M8X40	
9	0760806	1	Bolt, M8X12	
10	3290805	3	Nut, Lock M8X1.25 Grade 8	
11	1001179907	1	Mount, Isolator	
12	1001195089	3	Washer	
13	1001221349	1	Bracket	
14	1001221383	3	Mount, Isolator	

**SECTION 4 - ENGINE AND ATTACHING PARTS**

**FIGURE 4-49. DEF LINES INSTALLATION**



ART\_1001200867-D

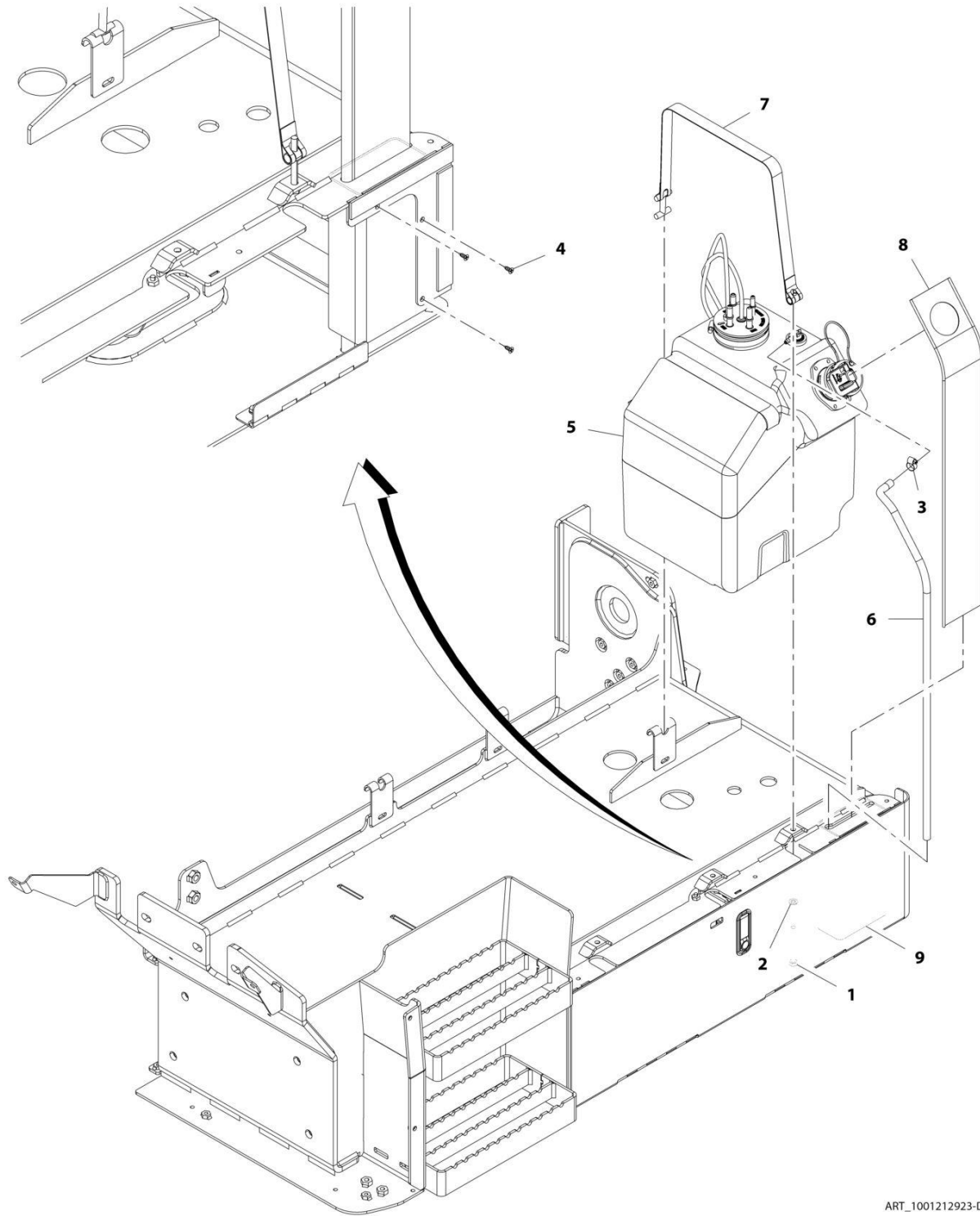
## SECTION 4 - ENGINE AND ATTACHING PARTS

FIGURE 4-49. DEF LINES INSTALLATION

ITEM	PART NUMBER	QTY	DESCRIPTION	REV
	1001200867	Ref	DEF Lines Installation	D
1	0760607	2	Bolt, M6X14	
2	4831700	2	Washer, Lock M6	
3	1001173873	1	Plate	
4	1001180437	1	Hose	
5	1001199822	1	Hose	
6	1001199823	1	Hose	

# SECTION 4 - ENGINE AND ATTACHING PARTS

## FIGURE 4-50. DEF TANK INSTALLATION



ART\_1001212923-D

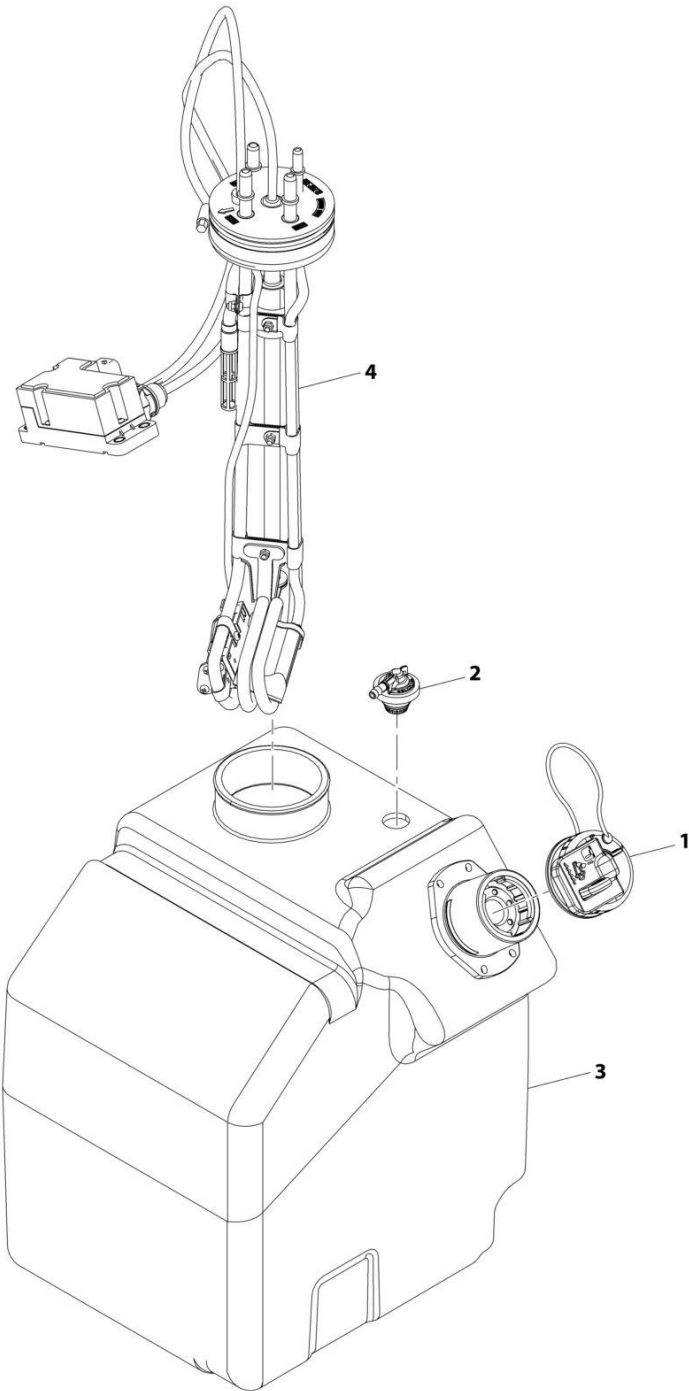
## SECTION 4 - ENGINE AND ATTACHING PARTS

### FIGURE 4-50. DEF TANK INSTALLATION

ITEM	PART NUMBER	QTY	DESCRIPTION	REV
	1001212923	Ref	DEF Tank Installation	D
1	0760823	1	Bolt, M8X75	
2	4811900	1	Washer, M8	
3	8405009	1	Clamp	
4	1001226681	3	Screw	
5	1001230423	1	Assembly, DEF Tank (See Seperate Breakdown in this Section)	
6	1001175201	813 mm	Hose	
7	1001178791	1	Strap, Tank	
8	1001212924	1	Guard, Spill	
9	1001212925	1	Tube, Drain	

**SECTION 4 - ENGINE AND ATTACHING PARTS**

**FIGURE 4-51. DEF TANK ASSEMBLY**



ART\_1001230423-A



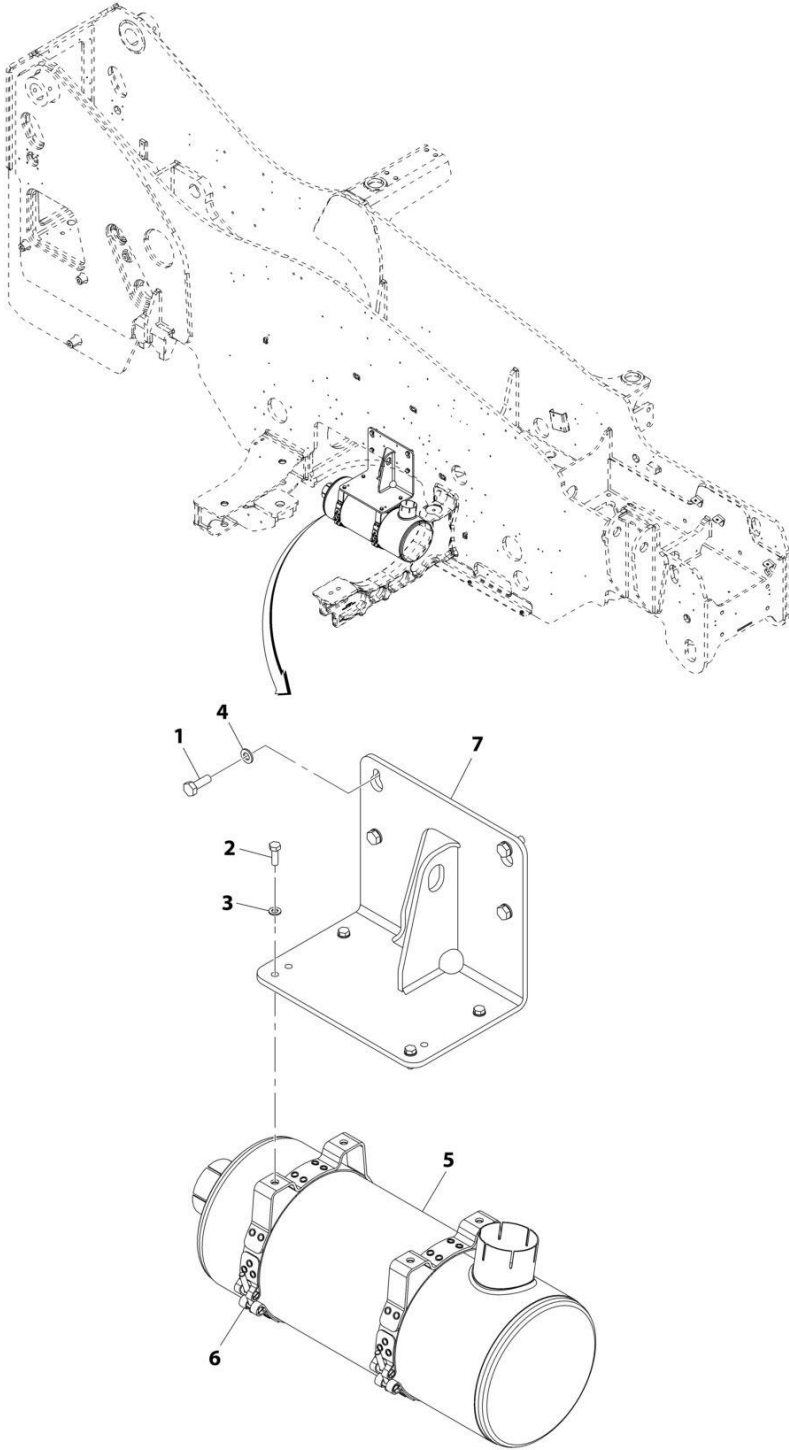
## SECTION 4 - ENGINE AND ATTACHING PARTS

FIGURE 4-51. DEF TANK ASSEMBLY

ITEM	PART NUMBER	QTY	DESCRIPTION	REV
	1001230423	Ref	DEF Tank Assembly	A
1	1001174795	1	Cap Assembly, Reutter	
2	1001215319	1	Valve, Def Breather	
3	1001237897	1	DEF Tank	
4	1001238154	1	Electrical Assembly , DEF Header	

# SECTION 4 - ENGINE AND ATTACHING PARTS

## FIGURE 4-52. MUFFLER INSTALLATION (LS)



ART\_1001215078-A

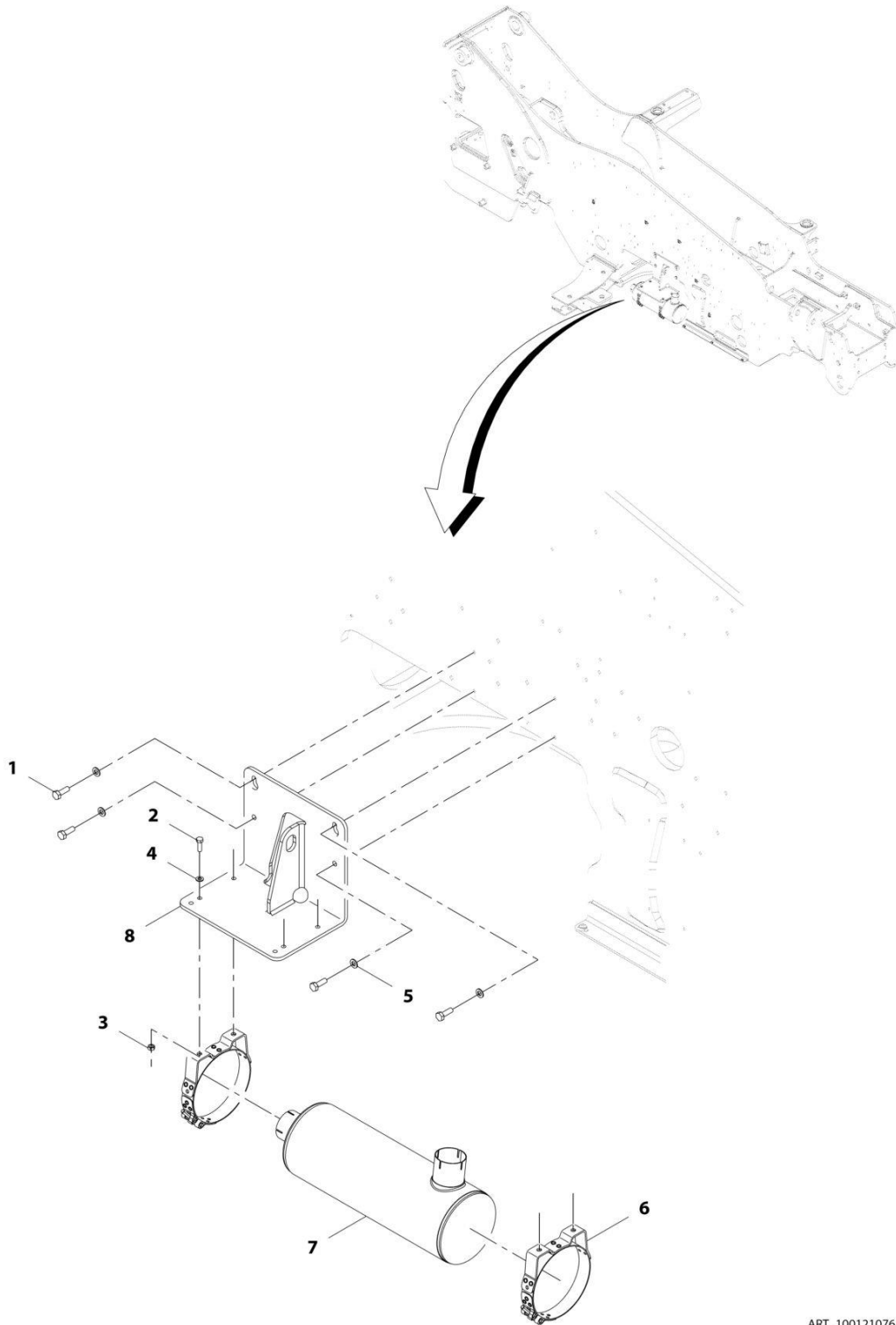
## SECTION 4 - ENGINE AND ATTACHING PARTS

FIGURE 4-52. MUFFLER INSTALLATION (LS)

ITEM	PART NUMBER	QTY	DESCRIPTION	REV
	1001215078	Ref	Muffler Installation (LS)	A
1	0701014	4	Bolt, M10X30	
2	0760812	4	Bolt, M8X25	
3	4811900	4	Washer, M8	
4	4812000	4	Washer, M10	
5	1001180226	1	Muffler	
6	1001180227	2	Clamp	
7	1001214438	1	Bracket	

# SECTION 4 - ENGINE AND ATTACHING PARTS

## FIGURE 4-53. MUFFLER INSTALLATION (LS)



ART\_1001210761-A

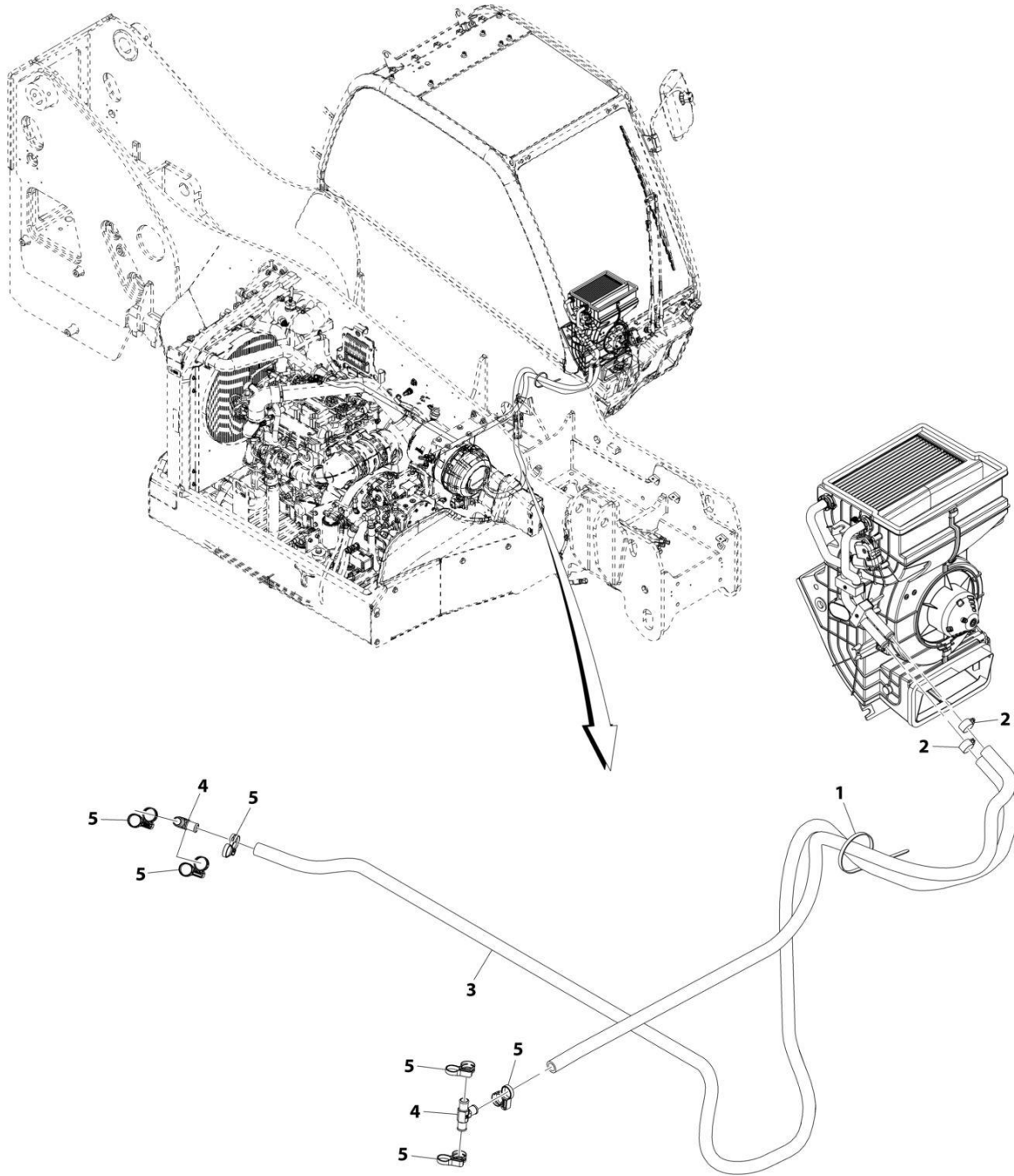
## SECTION 4 - ENGINE AND ATTACHING PARTS

FIGURE 4-53. MUFFLER INSTALLATION (LS)

ITEM	PART NUMBER	QTY	DESCRIPTION	REV
	1001210761	Ref	Muffler Installation (LS)	A
1	0701014	4	Bolt, M10X30	
2	0760812	4	Bolt, M8X25	
3	3290801	4	Nut, M8X1.25 Grade 8	
4	4811900	8	Washer, M8	
5	4812000	4	Washer, M10	
6	1001119727	2	Clamp	
7	1001140671	1	Muffler	
8	1001214438	1	Bracket	

# SECTION 4 - ENGINE AND ATTACHING PARTS

## FIGURE 4-54. HEATER LINES INSTALLATION (ULS)



ART\_1001200451-D

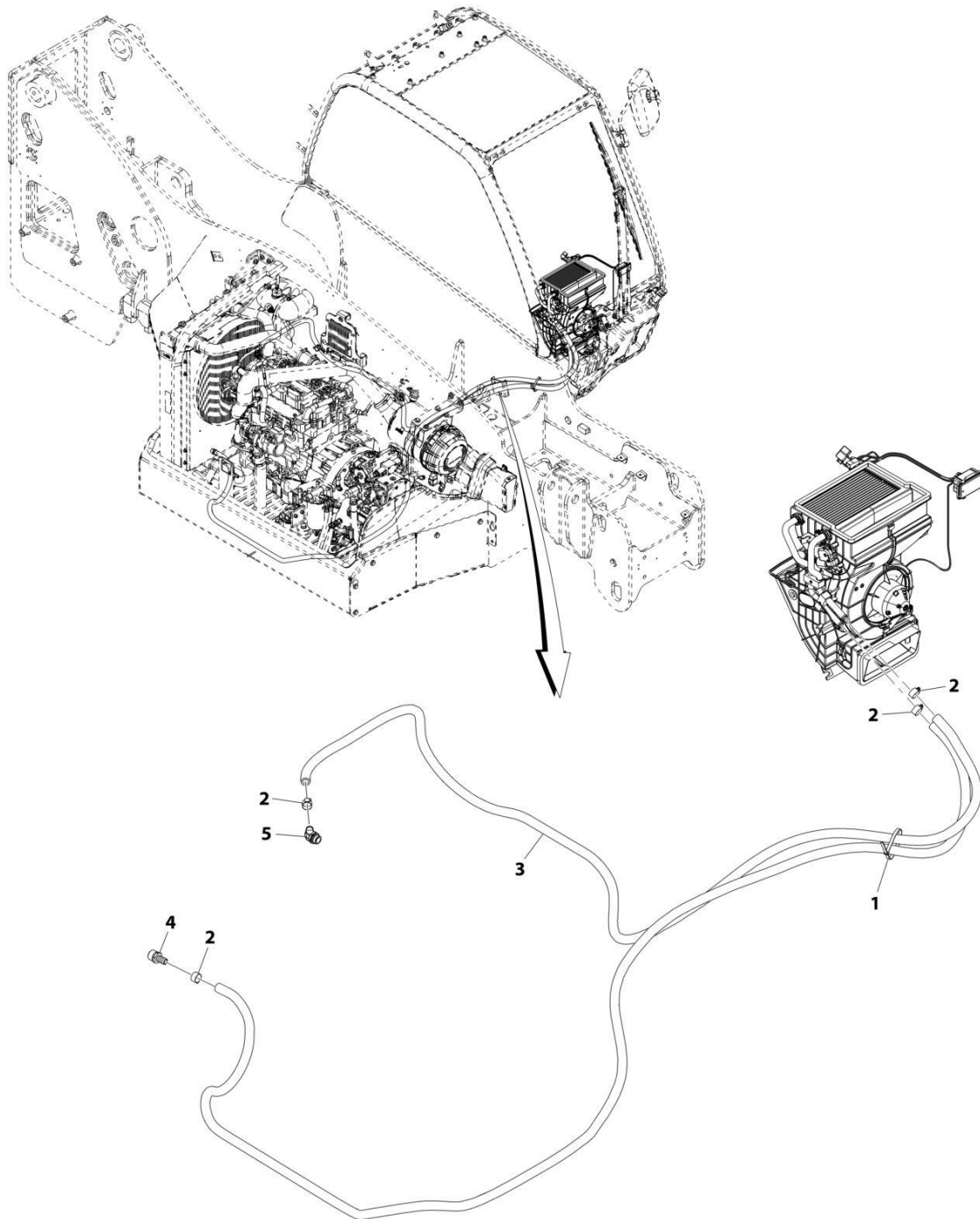
## SECTION 4 - ENGINE AND ATTACHING PARTS

FIGURE 4-54. HEATER LINES INSTALLATION (ULS)

ITEM	PART NUMBER	QTY	DESCRIPTION	REV
	1001200451	Ref	Heater Lines Installation (ULS)	D
1	1062255	AR	Strap, Tie	
2	8410009	2	Clamp	
3	82033995	4620 mm	Hose	
4	1001170432	2	Fitting, Tee	
5	1001202526	6	Clamp	

# SECTION 4 - ENGINE AND ATTACHING PARTS

## FIGURE 4-55. HEATER LINES INSTALLATION (LS)



ART\_1001200452-A



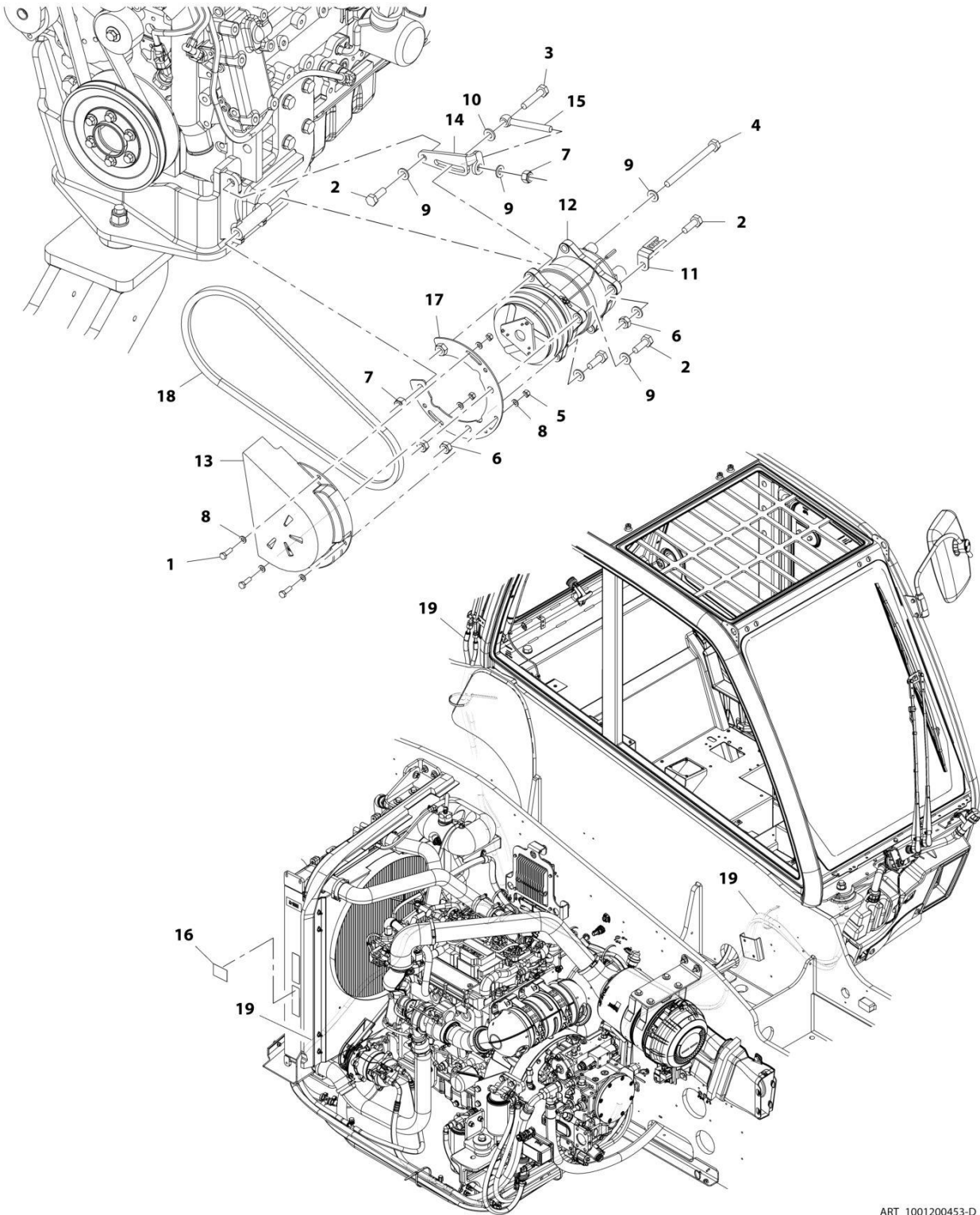
## SECTION 4 - ENGINE AND ATTACHING PARTS

FIGURE 4-55. HEATER LINES INSTALLATION (LS)

ITEM	PART NUMBER	QTY	DESCRIPTION	REV
	1001200452	Ref	Heater Lines Installation (LS)	A
1	1062255	1	Strap, Tie	
2	8410009	4	Clamp	
3	82033995	6897 mm	Hose	
4	1001167409	1	Fitting, Straight	
5	1001203005	1	Fitting, 45	

# SECTION 4 - ENGINE AND ATTACHING PARTS

## FIGURE 4-56. A/C PUMP INSTALLATION



ART\_1001200453-D

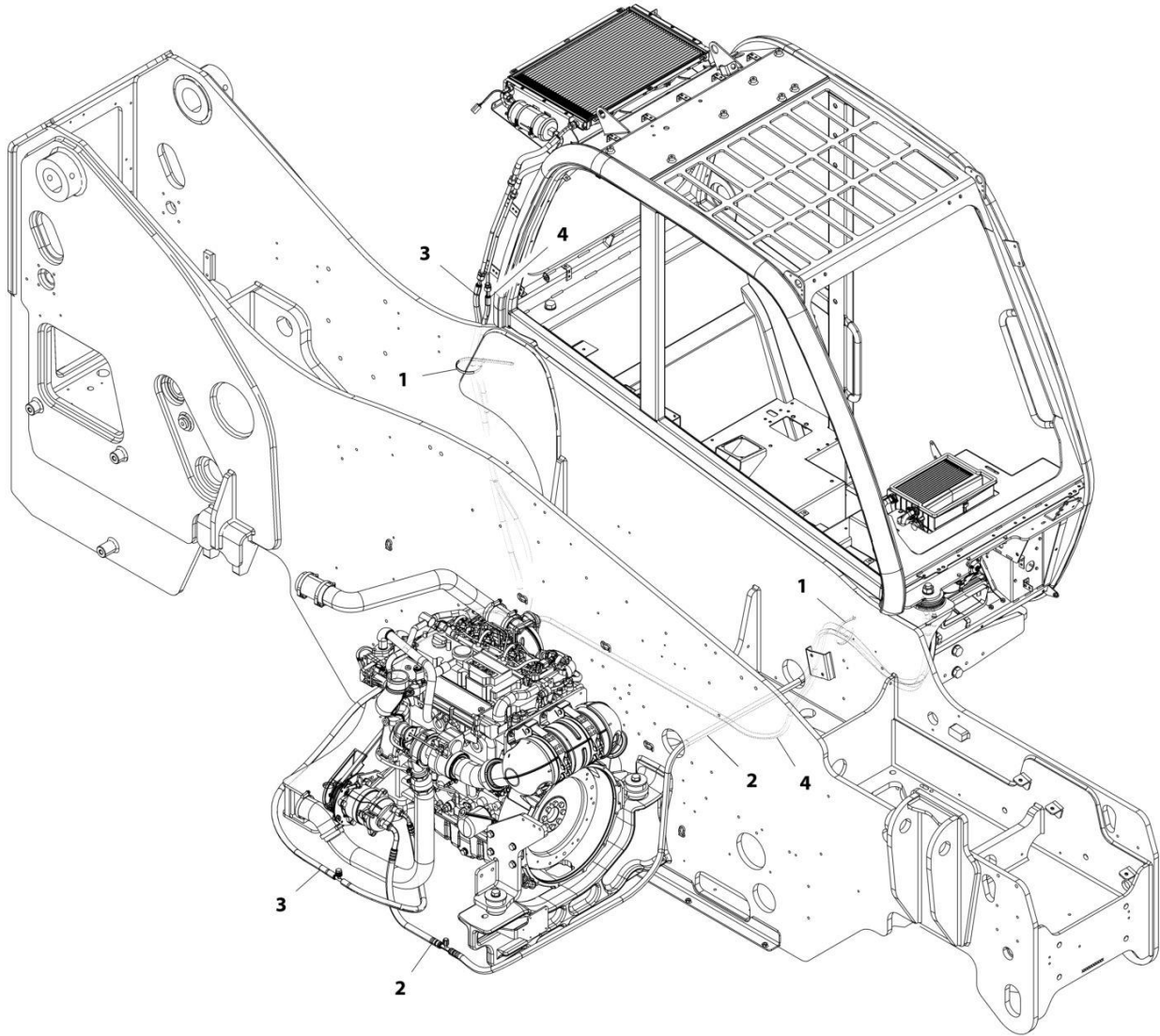
## SECTION 4 - ENGINE AND ATTACHING PARTS

### FIGURE 4-56. A/C PUMP INSTALLATION

ITEM	PART NUMBER	QTY	DESCRIPTION	REV
	1001200453	Ref	A/C Pump Installation	D
1	0700610	3	Bolt, M6X20	
2	0701014	4	Bolt, M10X30	
3	0701018	1	Bolt, M10X50	
4	0711030	1	Bolt, M10X130 Grade 10.9	
5	3290605	3	Nut, Lock M6X1	
6	3291001	3	Nut, M10X1.5	
7	3291005	2	Nut, lock M10X1.5	
8	4811700	6	Washer, M6	
9	4812000	6	Washer, M10	
10	5241000	1	Washer, M10	
11	1001003305	1	Clip	
12	1001107339	1	Compressor, A/C Clutch	
13	1001138945	1	Cover, Compressor	
14	1001188855	1	Plate, A/C Belt Tensioner	
15	1001188856	1	Rod, Tensioner	
16	1001227090	1	Decal, A/C Installation	
17	1001193797	1	Support, Cover	
18	1001200701	1	Belt, Drive	
19	1001202321	1	A/C Lines Installation (See Separate Breakdown in this Section)	

# SECTION 4 - ENGINE AND ATTACHING PARTS

## FIGURE 4-57. A/C LINES INSTALLATION



ART\_1001202321-D

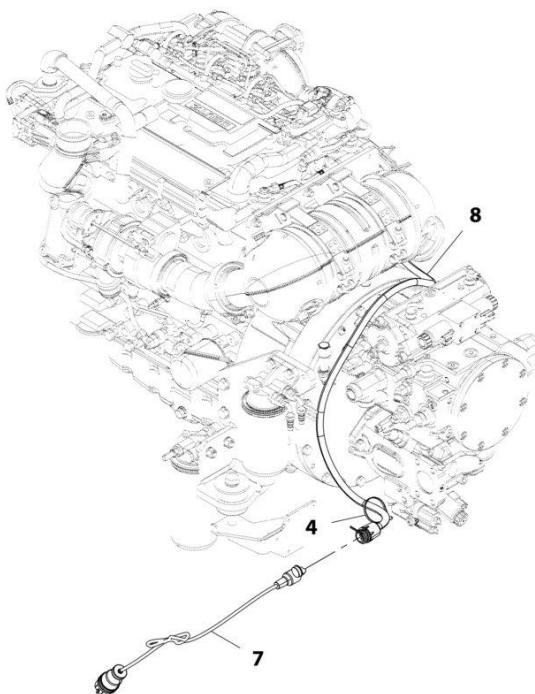
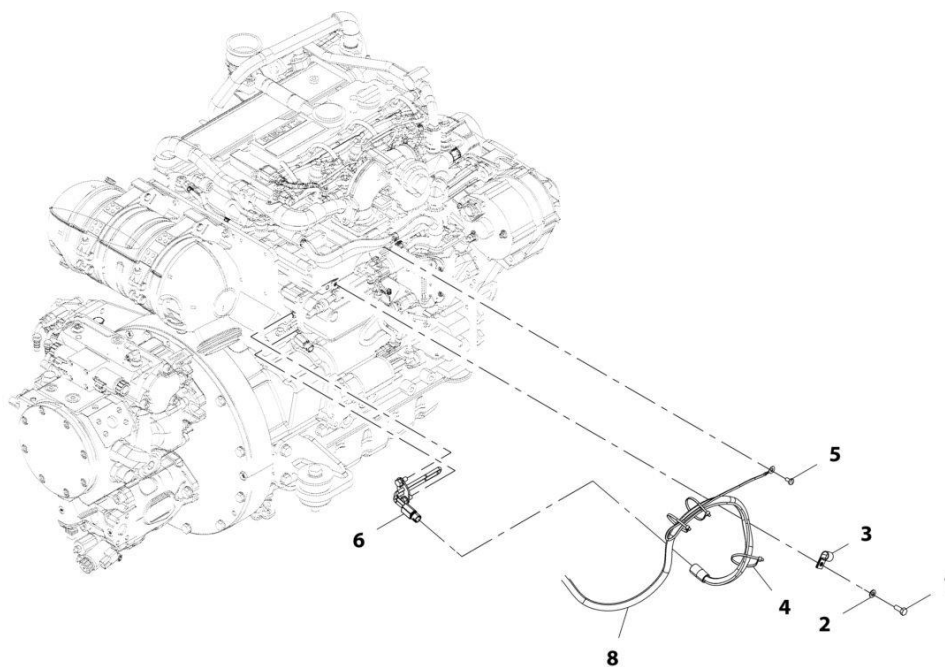
## SECTION 4 - ENGINE AND ATTACHING PARTS

### FIGURE 4-57. A/C LINES INSTALLATION

ITEM	PART NUMBER	QTY	DESCRIPTION	REV
	1001202321	Ref	A/C Lines Installation	D
1	1062255	2	Strap, Tie	
2	1001216798	1	Hose	
3	1001216799	1	Hose	
4	1001202325	1	Hose	

# SECTION 4 - ENGINE AND ATTACHING PARTS

## FIGURE 4-58. BLOCK HEATER INSTALLATION (230V) (ULS)



ART\_1001201426-B

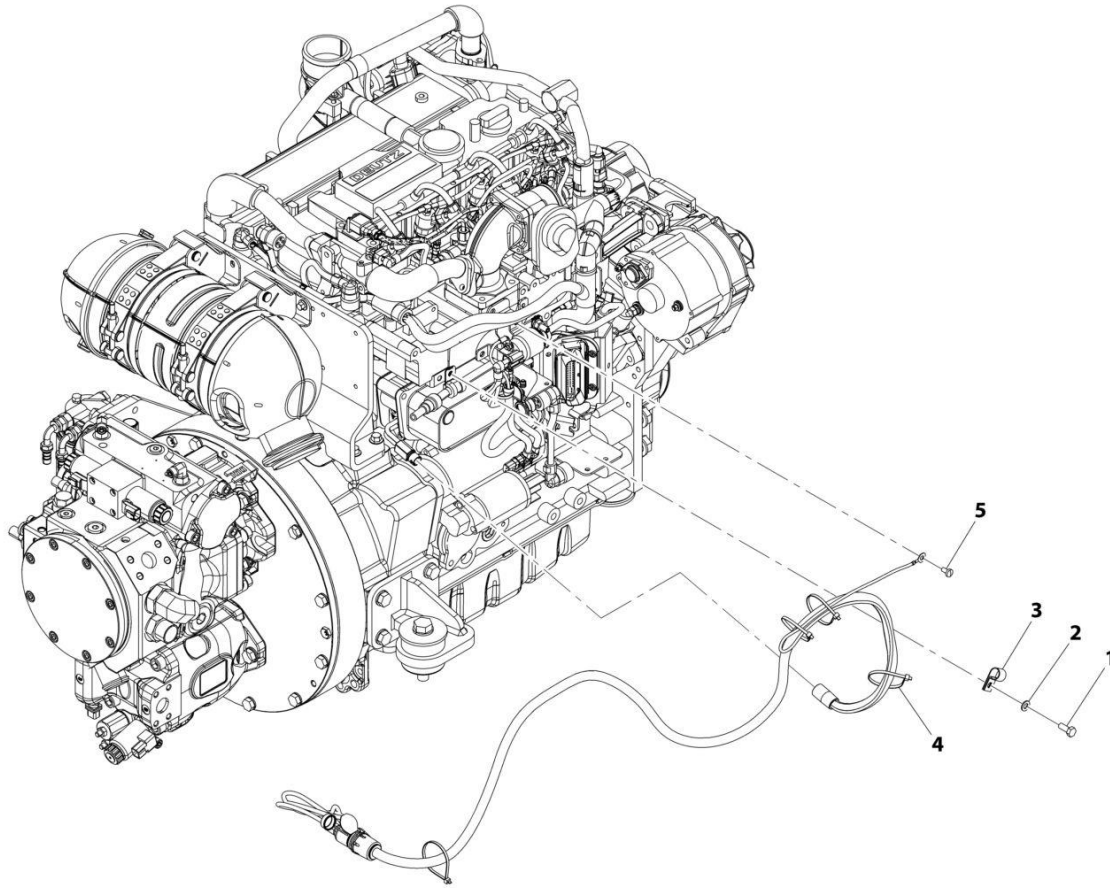
## SECTION 4 - ENGINE AND ATTACHING PARTS

**FIGURE 4-58. BLOCK HEATER INSTALLATION (230V) (ULS)**

ITEM	PART NUMBER	QTY	DESCRIPTION	REV
	1001201426	Ref	Block Heater Installation (230V) (ULS)	B
1	0760810	1	Bolt, M8X20	
2	4811900	1	Washer, M8	
3	8406112	1	Clip	
4	1001008559	4	Strap, Cable	
5	1001099566	1	Screw, M6-1X12	
6	1001211571	1	Heater, Engine (230V)	
7	1001212014	1	Cord, Heater	
8	1001212055	1	Cord, Heater	

# SECTION 4 - ENGINE AND ATTACHING PARTS

## FIGURE 4-59. BLOCK HEATER INSTALLATION (115V) (ULS)



ART\_1001214349-C



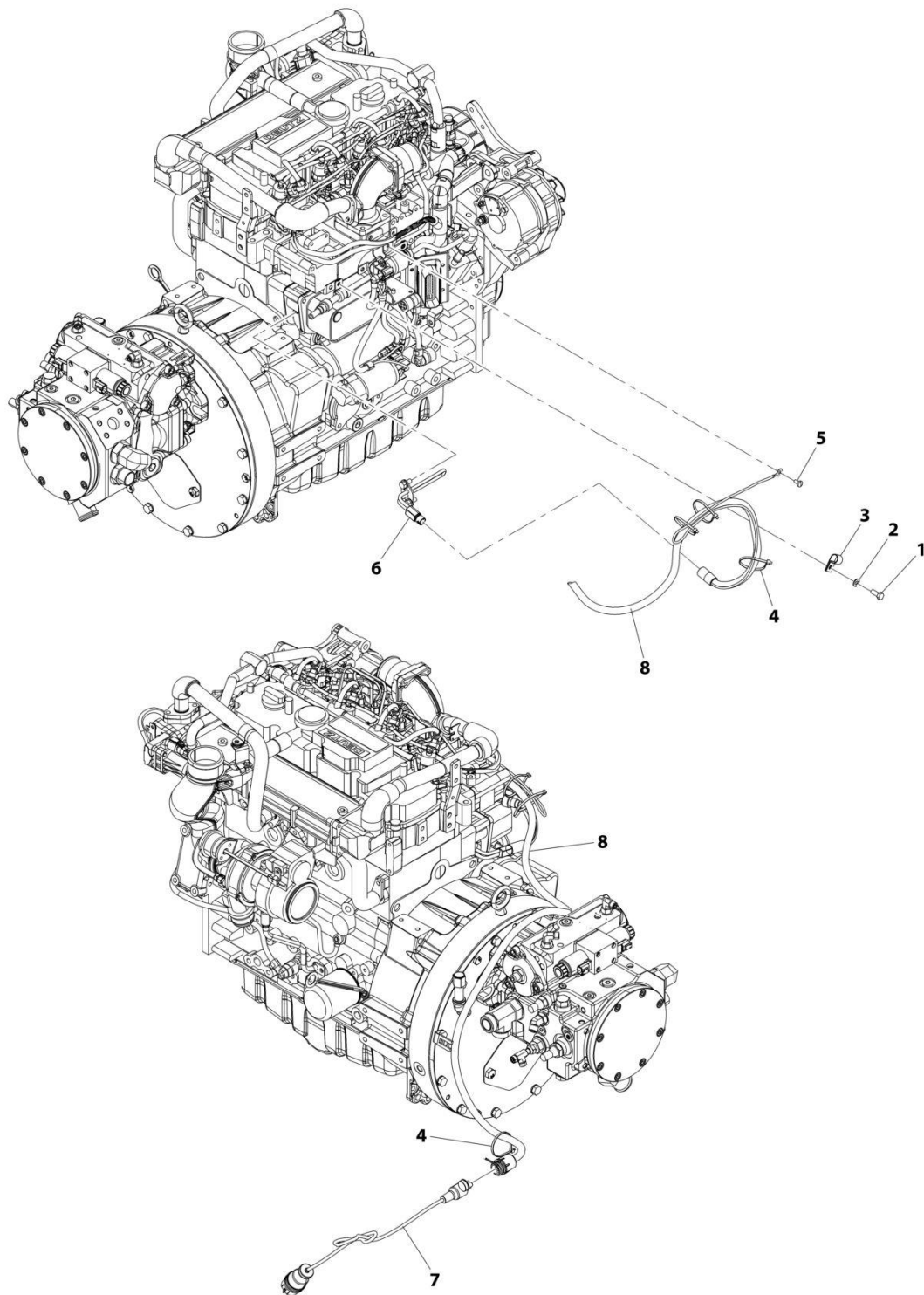
## SECTION 4 - ENGINE AND ATTACHING PARTS

**FIGURE 4-59. BLOCK HEATER INSTALLATION (115V) (ULS)**

ITEM	PART NUMBER	QTY	DESCRIPTION	REV
	1001214349	Ref	Block Heater Installation (115V) (ULS)	C
1	0760810	1	Bolt, M8X20	
2	4811900	1	Washer, M8	
3	8406112	1	Clip	
4	1001008559	4	Strap, Cable	
5	1001099566	1	Screw, M6-1X12	

# SECTION 4 - ENGINE AND ATTACHING PARTS

## FIGURE 4-60. BLOCK HEATER INSTALLATION (230V) (LS)



ART\_1001201427-B

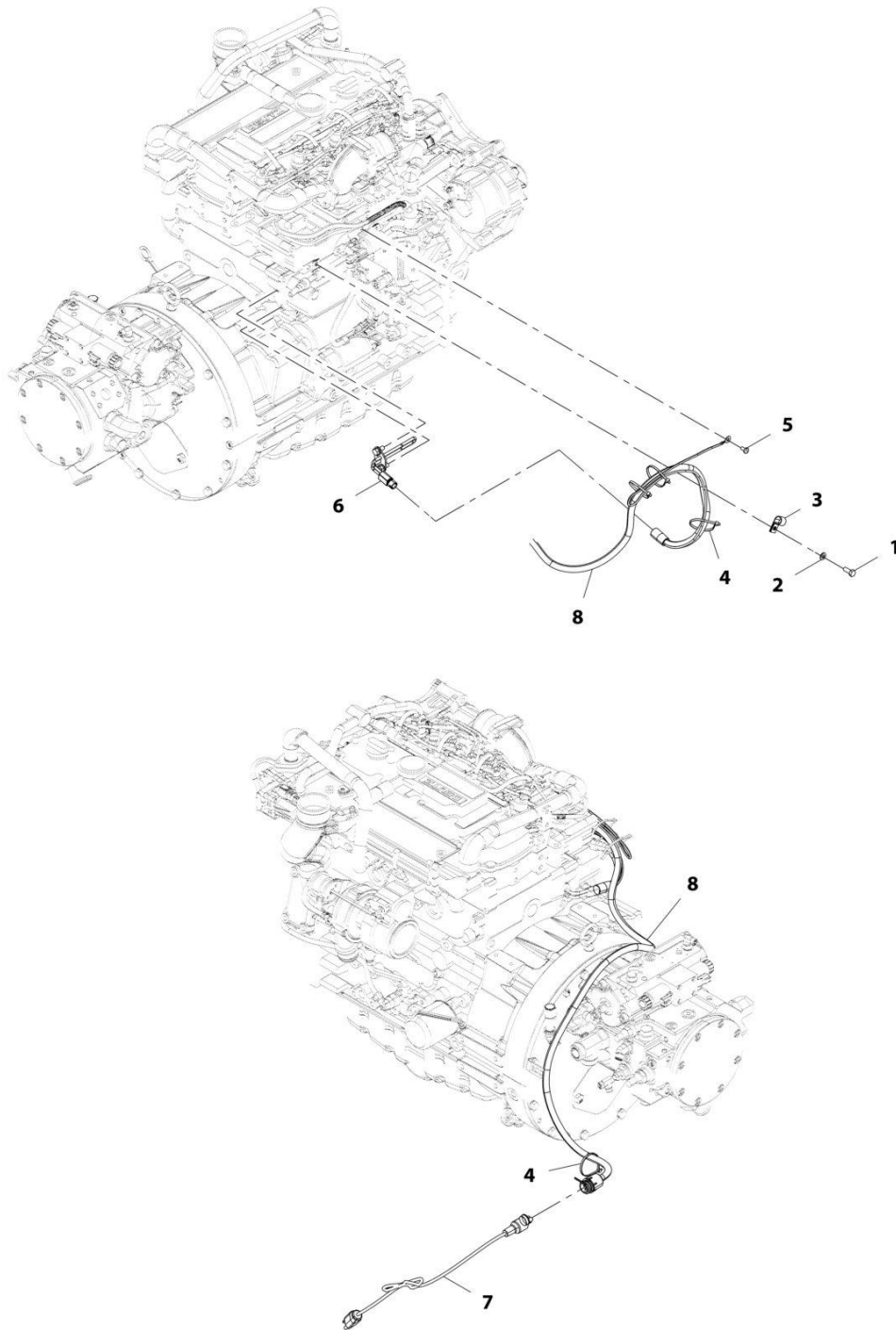
## SECTION 4 - ENGINE AND ATTACHING PARTS

### FIGURE 4-60. BLOCK HEATER INSTALLATION (230V) (LS)

ITEM	PART NUMBER	QTY	DESCRIPTION	REV
	1001201427	Ref	Block Heater Installation (230V) (LS)	B
1	0760810	1	Bolt, M8X20	
2	4811900	1	Washer, M8	
3	8406112	1	Clip	
4	1001008559	4	Strap, Cable	
5	1001099566	1	Screw, M6-1X12	
6	1001211571	1	Heater, Engine (230V)	
7	1001212014	1	Cord, Heater	
8	1001212055	1	Cord, Heater	

# SECTION 4 - ENGINE AND ATTACHING PARTS

## FIGURE 4-61. BLOCK HEATER INSTALLATION (115V) (LS)



ART\_1001201428-B

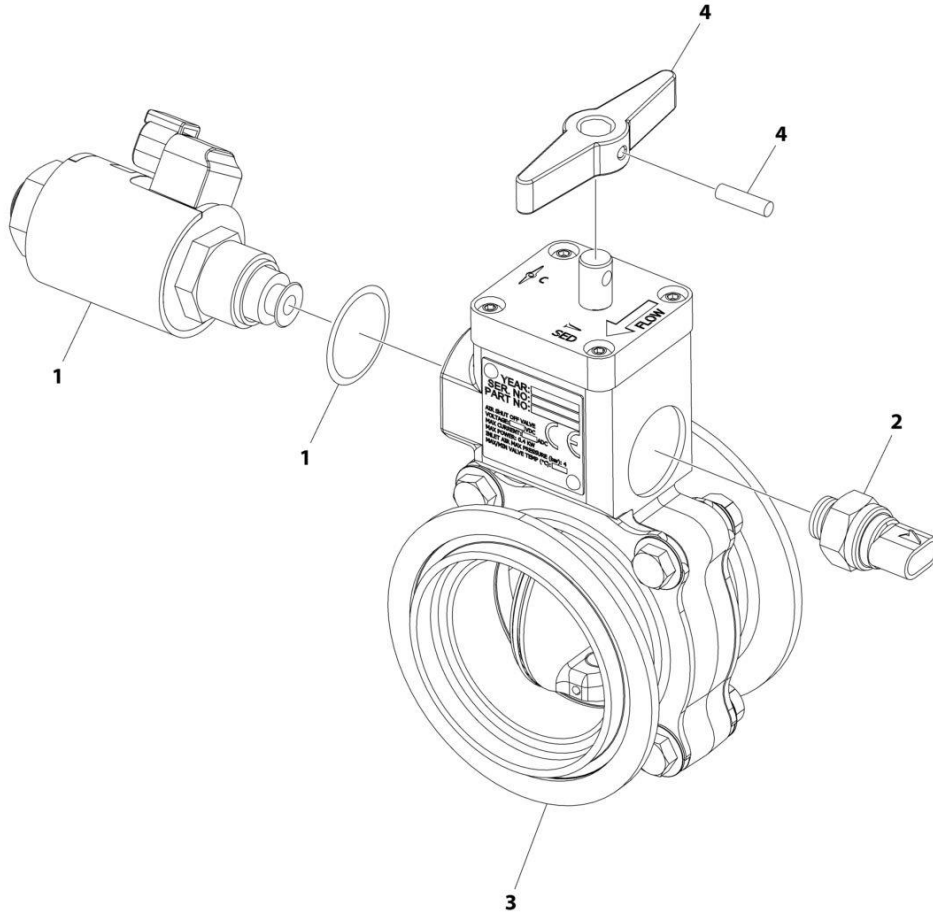
## SECTION 4 - ENGINE AND ATTACHING PARTS

**FIGURE 4-61. BLOCK HEATER INSTALLATION (115V) (LS)**

ITEM	PART NUMBER	QTY	DESCRIPTION	REV
	1001201428	Ref	Block Heater Installation (115V) (LS)	B
1	0760810	1	Bolt, M8X20	
2	4811900	1	Washer, M8	
3	8406112	1	Clip	
4	1001008559	4	Cable, Strap	
5	1001099566	1	Screw, M6-1X12	
6	1001211570	1	Heater, Engine (115V)	
7	1001212013	1	Cord, Heater	
8	1001212054	1	Cord, Heater	

# SECTION 4 - ENGINE AND ATTACHING PARTS

## FIGURE 4-62. AIR SHUT OFF VALVE



ART\_1001204032\_C

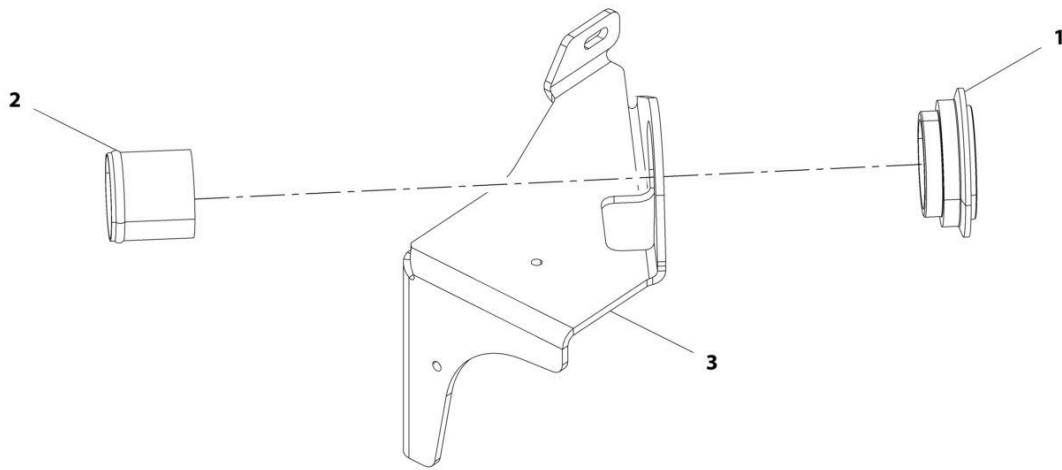
## SECTION 4 - ENGINE AND ATTACHING PARTS

### FIGURE 4-62. AIR SHUT OFF VALVE

ITEM	PART NUMBER	QTY	DESCRIPTION	REV
	1001204032	Ref	Air Shut Off Valve	C
1	70028514	1	Kit, Solenoid 12V (Includes Solenoid, Coil, O-Ring)	
2	70028515	1	Kit, Switch (Includes Ball Switch & O-Ring)	
3	70028516	1	Kit, Flange and Hardware (Includes Flanges (Male & Female) & Mounting Hardware)	
4	70028517	1	Kit, Handle (Includes Handle & Pin)	

# SECTION 4 - ENGINE AND ATTACHING PARTS

## FIGURE 4-63. AIR SHUT OFF VALVE



ART\_1001223618-A



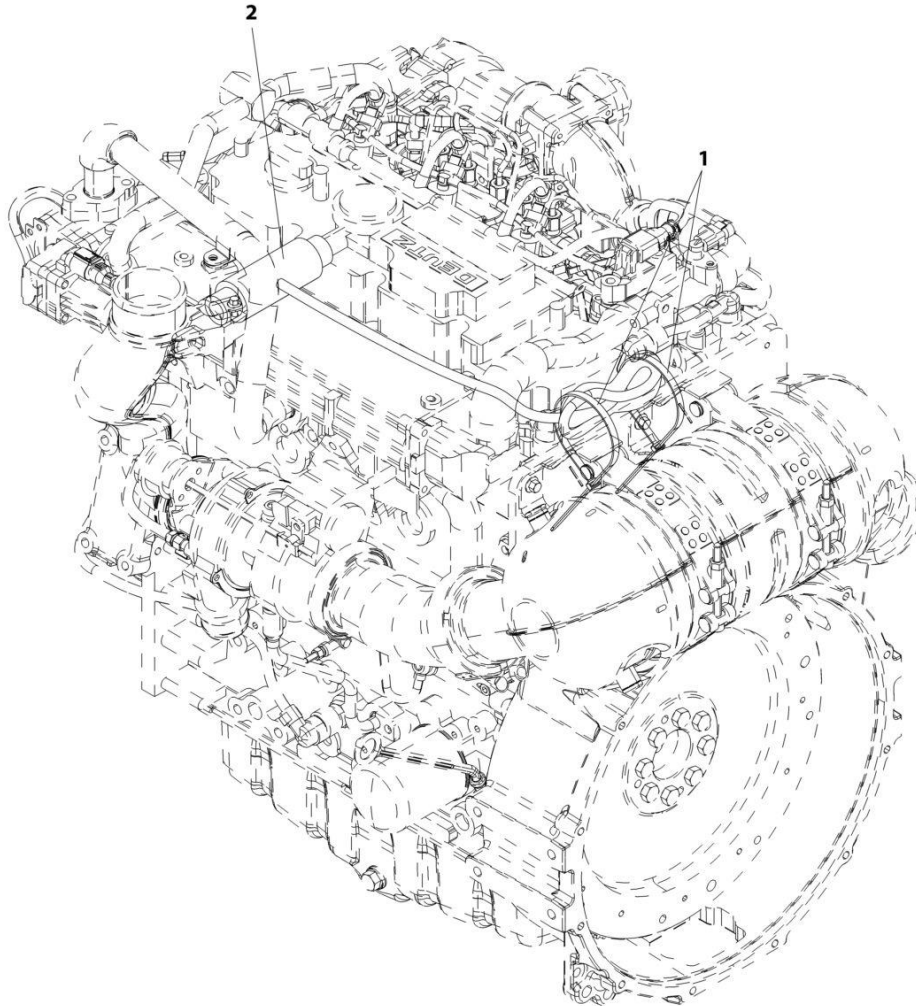
## SECTION 4 - ENGINE AND ATTACHING PARTS

### FIGURE 4-63. AIR SHUT OFF VALVE

ITEM	PART NUMBER	QTY	DESCRIPTION	REV
	1001223618	Ref	ASO Valve	A
1	1001204057	1	Plate	
2	1001206954	1	Tube	
3	1001223622	1	Bracket	

## SECTION 4 - ENGINE AND ATTACHING PARTS

FIGURE 4-64. HEATED BREATHER TUBE INSTALLATION



ART\_1001233024-A

## SECTION 4 - ENGINE AND ATTACHING PARTS

FIGURE 4-64. HEATED BREATHER TUBE INSTALLATION

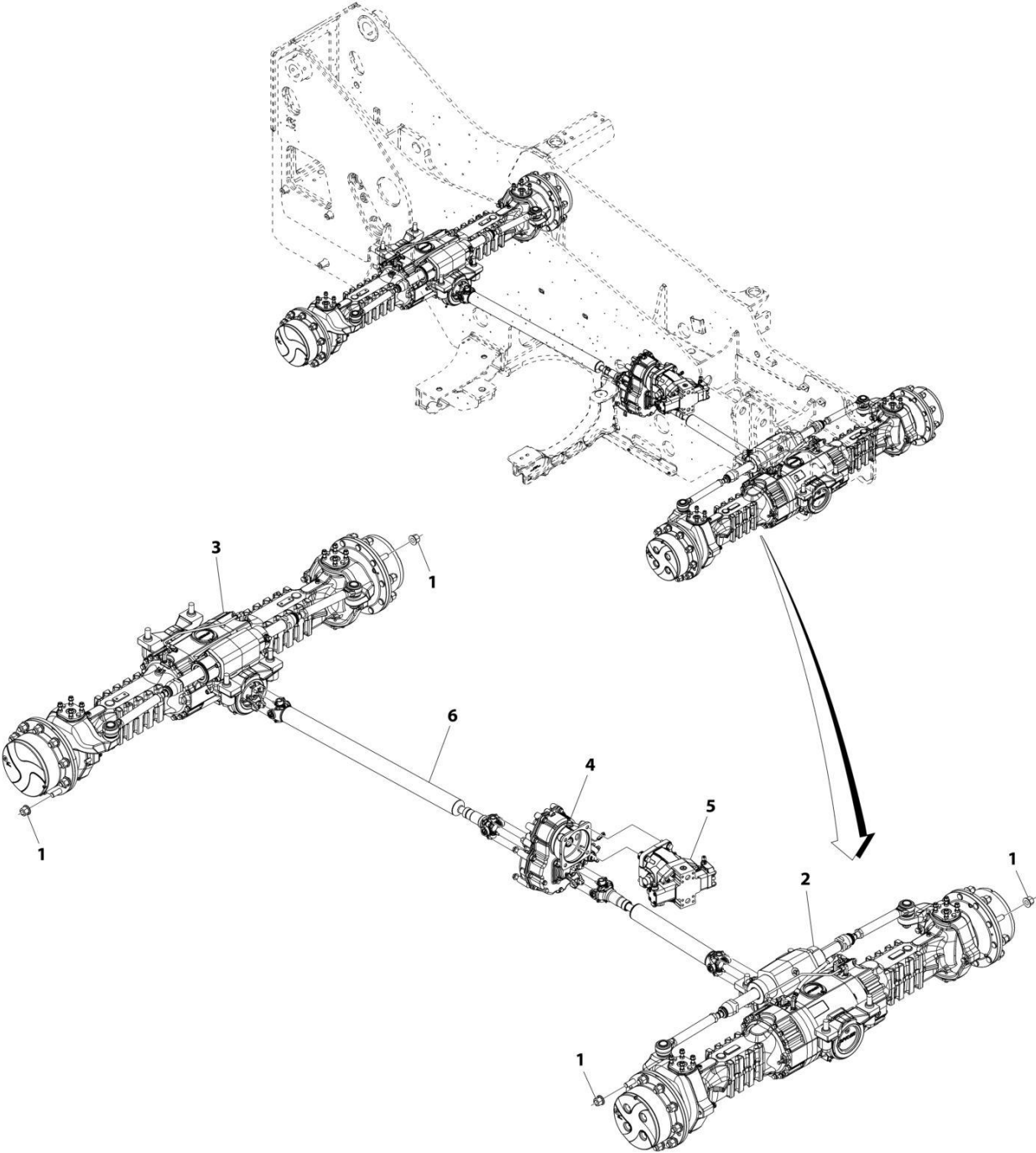
ITEM	PART NUMBER	QTY	DESCRIPTION	REV
	1001233024	Ref	Heated Breather Tube Installation	A
1	1062255	2	Strap, Tie	
2	1001232509	1	Hose	



**SECTION 5 - DRIVETRAIN**

**SECTION 5 - DRIVETRAIN**

**FIGURE 5-1. DRIVETRAIN INSTALLATION**



ART\_1001184976-B

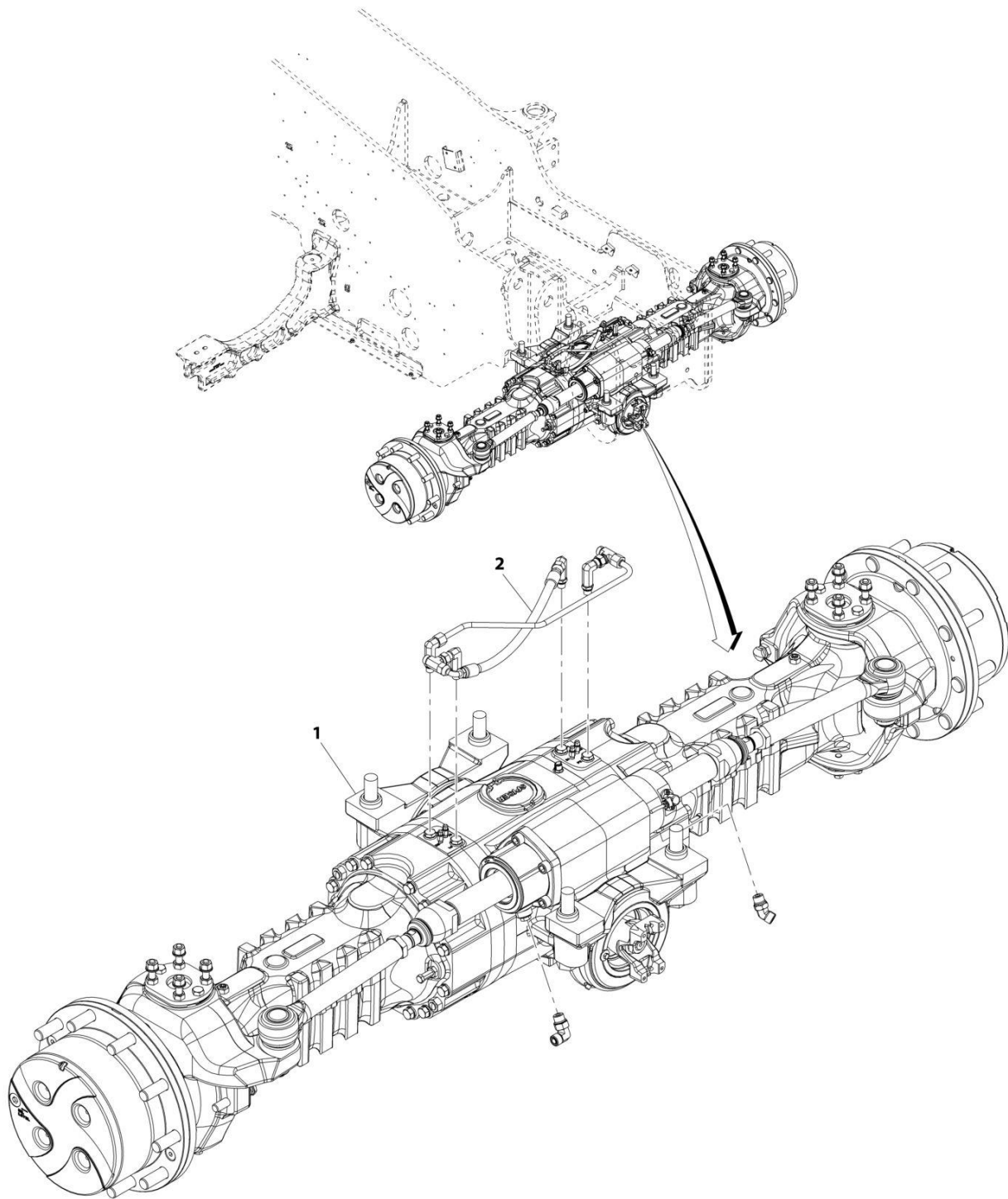
# SECTION 5 - DRIVETRAIN

## FIGURE 5-1. DRIVETRAIN INSTALLATION

ITEM	PART NUMBER	QTY	DESCRIPTION	REV
	1001184976	Ref	Drivetrain Installation	B
1	91403193	40	Nut, Lug M22X1.5	
2	1001184977	Ref	Installation, Front Axle (See Separate Breakdown in this Section)	
3	1001184978	Ref	Installation, Rear Axle (See Separate Breakdown in this Section)	
4	1001184979	Ref	Installation, Gearbox (See Separate Breakdown in this Section)	
5	1001184980	Ref	Installation, Hydrostatic Motor (See Separate Breakdown in this Section)	
6	1001184981	Ref	Installation, Drive Shaft (See Separate Breakdown in this Section)	

# SECTION 5 - DRIVETRAIN

## FIGURE 5-2. FRONT AXLE INSTALLATION



ART\_1001184977-B



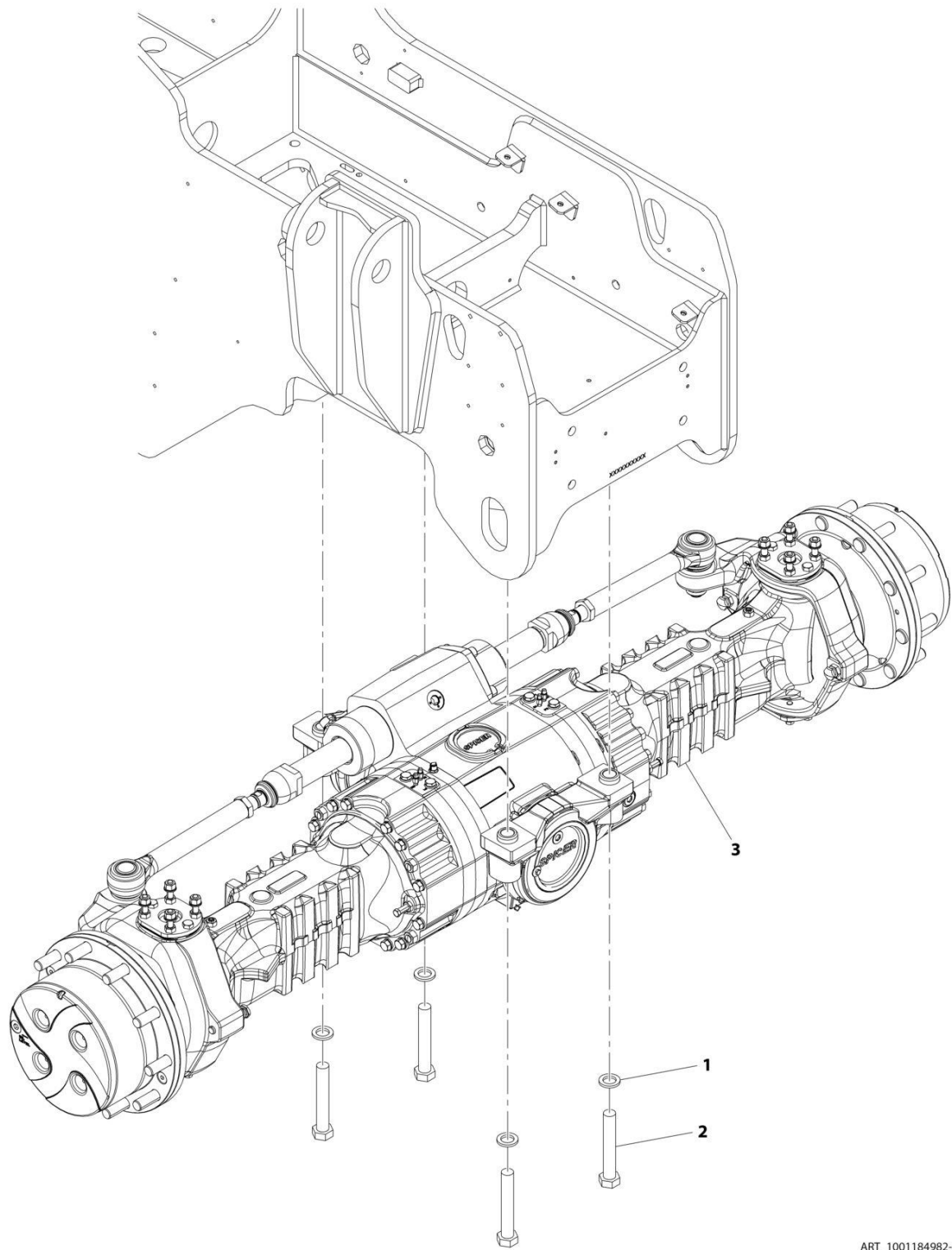
**SECTION 5 - DRIVETRAIN**

**FIGURE 5-2. FRONT AXLE INSTALLATION**

<b>ITEM</b>	<b>PART NUMBER</b>	<b>QTY</b>	<b>DESCRIPTION</b>	<b>REV</b>
1	1001184977	Ref	Front Axle Installation	B
	1001184982	Ref	Installation, Front Axle Mounting (See Separate Breakdown in this Section)	
2	1001207898	Ref	Installation, Front Axle Lines (See Separate Breakdown in this Section)	

# SECTION 5 - DRIVETRAIN

## FIGURE 5-3. FRONT AXLE MOUNTING INSTALLATION



ART\_1001184982-B

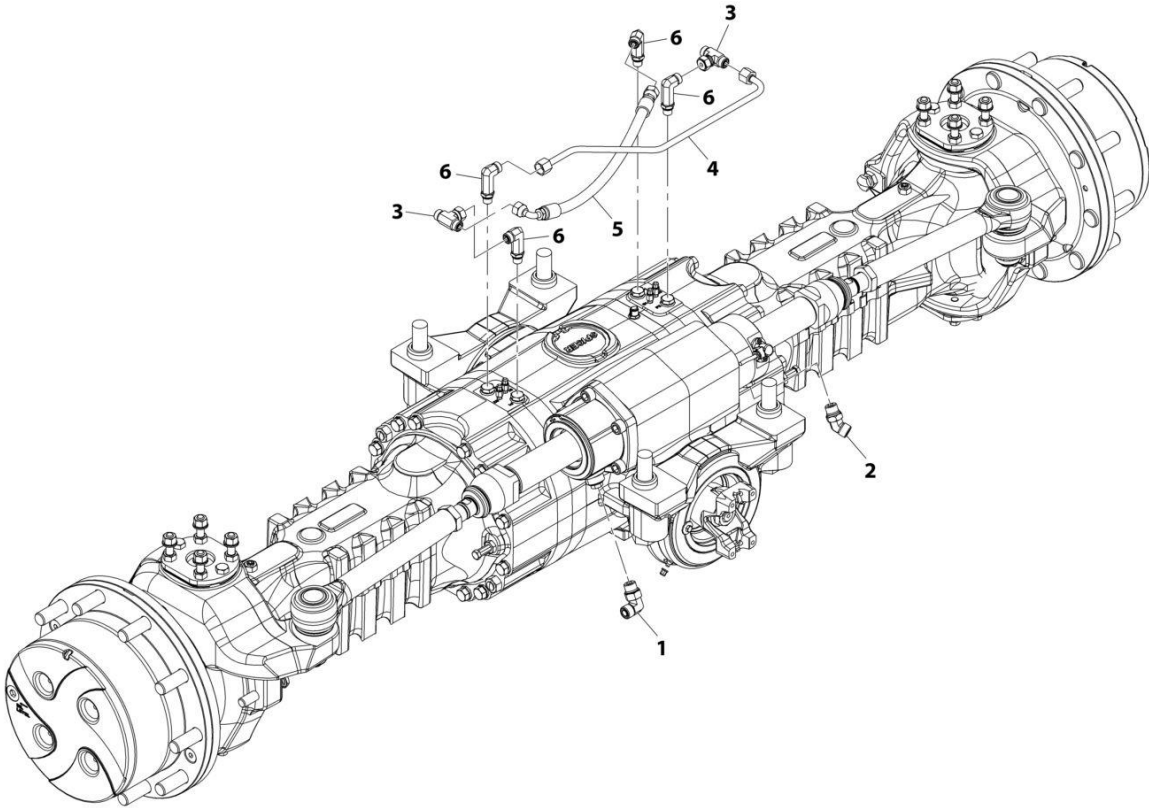
**SECTION 5 - DRIVETRAIN**

**FIGURE 5-3. FRONT AXLE MOUNTING INSTALLATION**

<b>ITEM</b>	<b>PART NUMBER</b>	<b>QTY</b>	<b>DESCRIPTION</b>	<b>REV</b>
	1001184982	Ref	Front Axle Mounting Installation	B
1	4892600	4	Washer	
2	1001097587	4	Bolt, M24-3X150 Grade 10.9	
3	1001184984	1	Axle, Front (See Separate Breakdown in this Section)	

**SECTION 5 - DRIVETRAIN**

**FIGURE 5-4. FRONT AXLE LINES INSTALLATION**



ART\_1001207898-C

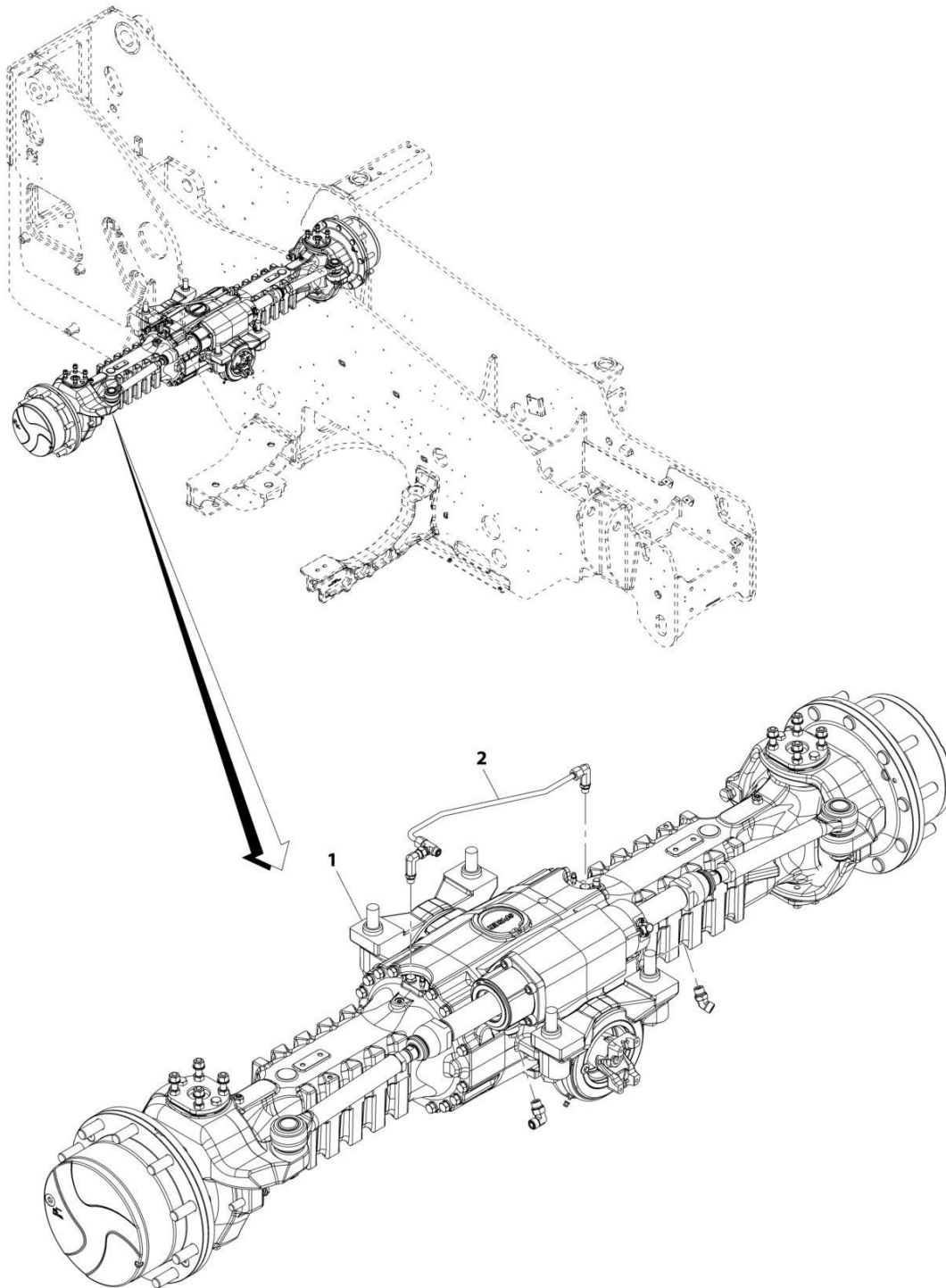
**SECTION 5 - DRIVETRAIN**

**FIGURE 5-4. FRONT AXLE LINES INSTALLATION**

<b>ITEM</b>	<b>PART NUMBER</b>	<b>QTY</b>	<b>DESCRIPTION</b>	<b>REV</b>
	1001207898	Ref	Front Axle Lines Installation	C
1	2130808	1	Fitting, 90 ORFS	
2	2150808	1	Fitting, 45 ORFS	
3	2170806	2	Fitting, Tee ORFS	
4	1001224598	1	Tube	
5	1001210281	1	Hose	
6	1001210769	4	Fitting, 90 ORFS	

# SECTION 5 - DRIVETRAIN

## FIGURE 5-5. REAR AXLE INSTALLATION



ART\_1001184978-B

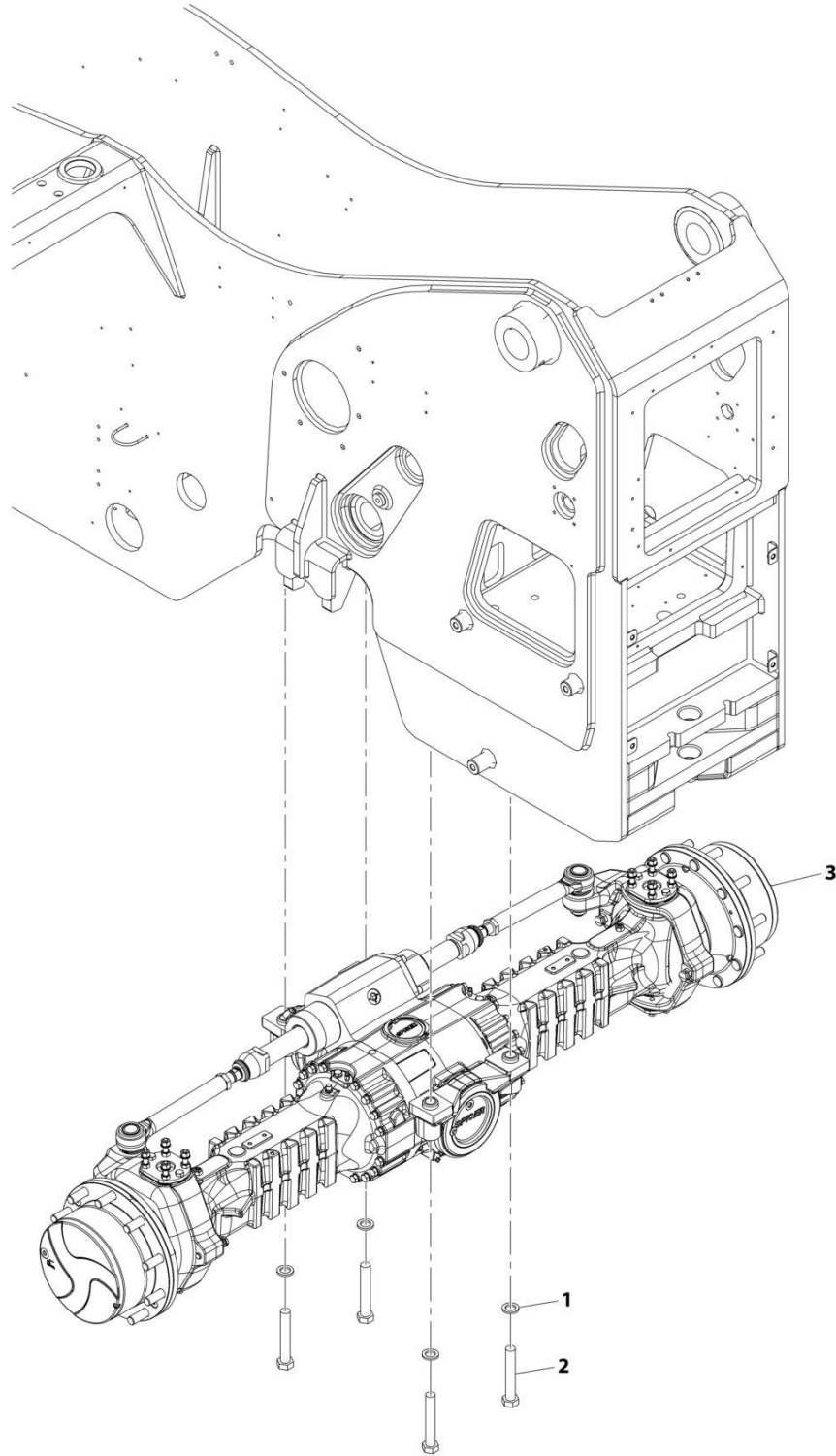
**SECTION 5 - DRIVETRAIN**

**FIGURE 5-5. REAR AXLE INSTALLATION**

<b>ITEM</b>	<b>PART NUMBER</b>	<b>QTY</b>	<b>DESCRIPTION</b>	<b>REV</b>
1	1001184978	Ref	Rear Axle Installation	B
	1001184983	Ref	Installation, Rear Axle Mounting (See Separate Breakdown in this Section)	
2	1001207899	Ref	Installation, Rear Axle Lines (See Separate Breakdown in this Section)	

# SECTION 5 - DRIVETRAIN

## FIGURE 5-6. REAR AXLE MOUNTING INSTALLATION



ART\_1001184983-B



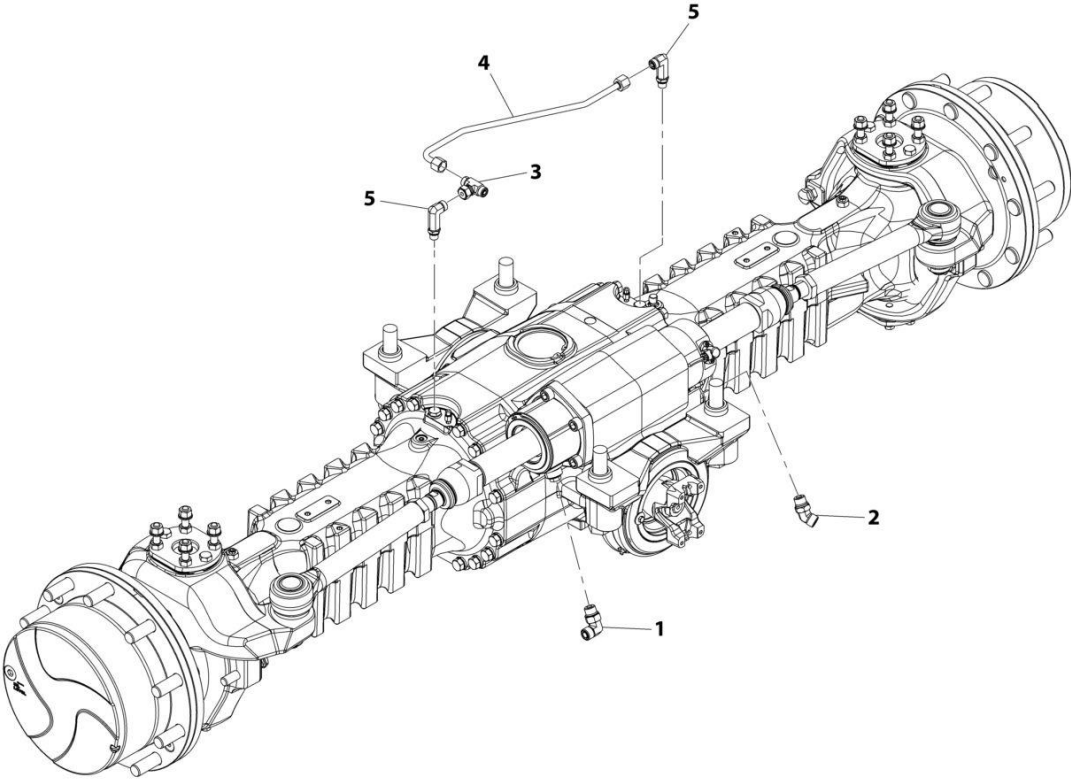
**SECTION 5 - DRIVETRAIN**

**FIGURE 5-6. REAR AXLE MOUNTING INSTALLATION**

<b>ITEM</b>	<b>PART NUMBER</b>	<b>QTY</b>	<b>DESCRIPTION</b>	<b>REV</b>
	1001184983	Ref	Rear Axle Mounting Installation	B
1	4892600	4	Washer	
2	1001097587	4	Bolt, M24-3X150 Grade 10.9	
3	1001184985	Ref	Axle, Rear (See Separate Breakdown in this Section)	

**SECTION 5 - DRIVETRAIN**

**FIGURE 5-7. REAR AXLE LINES INSTALLATION**



ART\_1001207899-C

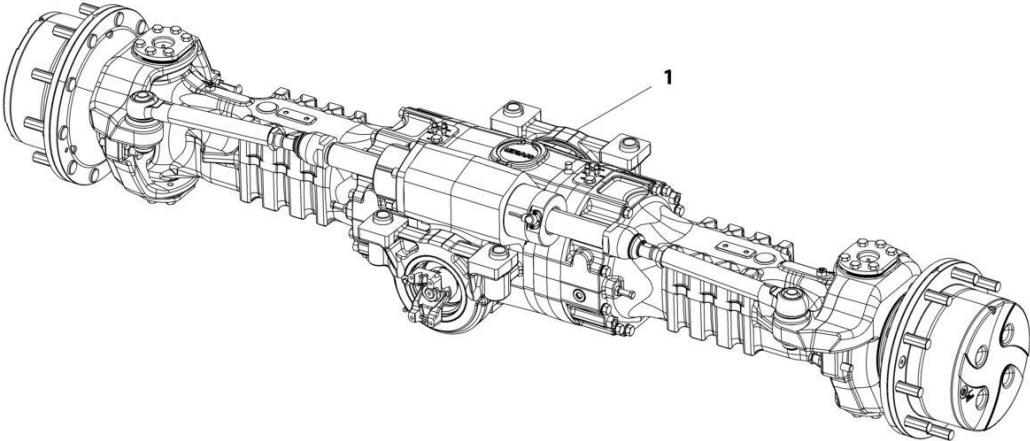
**SECTION 5 - DRIVETRAIN**

**FIGURE 5-7. REAR AXLE LINES INSTALLATION**

<b>ITEM</b>	<b>PART NUMBER</b>	<b>QTY</b>	<b>DESCRIPTION</b>	<b>REV</b>
	1001207899	Ref	Rear Axle Lines Installation	C
1	2130808	1	Fitting, 90 ORFS	
2	2150808	1	Fitting, 45 ORFS	
3	2170806	1	Fitting, Tee ORFS	
4	1001224938	1	Tube	
5	1001210769	2	Fitting, 90 ORFS	

**SECTION 5 - DRIVETRAIN**

**FIGURE 5-8. FRONT AXLE**



ART\_1001184984-E

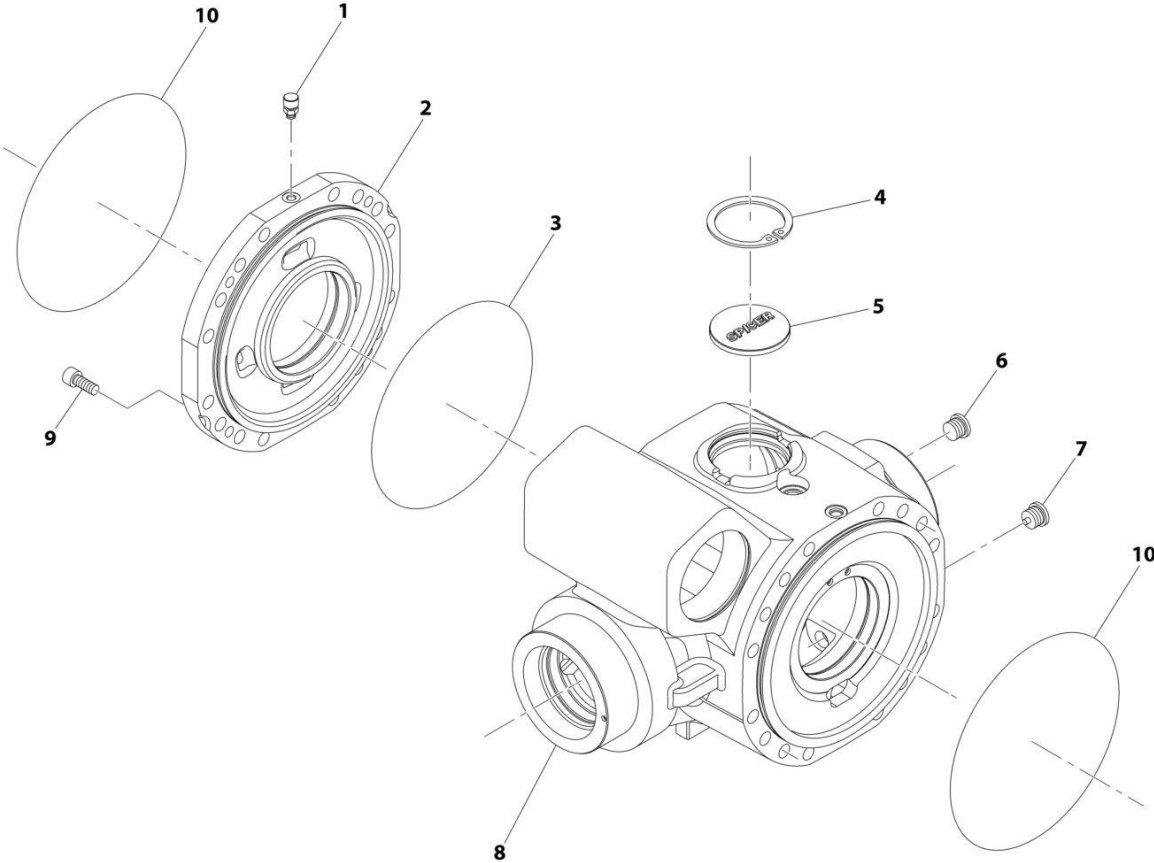
**SECTION 5 - DRIVETRAIN**

**FIGURE 5-8. FRONT AXLE**

ITEM	PART NUMBER	QTY	DESCRIPTION	REV
	1001184984	Ref	Front Axle	E
		Ref	Front Axle, Central Housing (See Separate Breakdown in this Section)	
		Ref	Front Axle, Differential (See Separate Breakdown in this Section)	
		Ref	Front Axle, Hub Reduction (See Separate Breakdown in this Section)	
		Ref	Front Axle, Brakes (See Separate Breakdown in this Section)	
		Ref	Front Axle, Steering (See Separate Breakdown in this Section)	
		Ref	Front Axle, Trunnion (See Separate Breakdown in this Section)	

**SECTION 5 - DRIVETRAIN**

**FIGURE 5-9. FRONT AXLE, CENTRAL HOUSING**



ART\_1001184984\_1-E

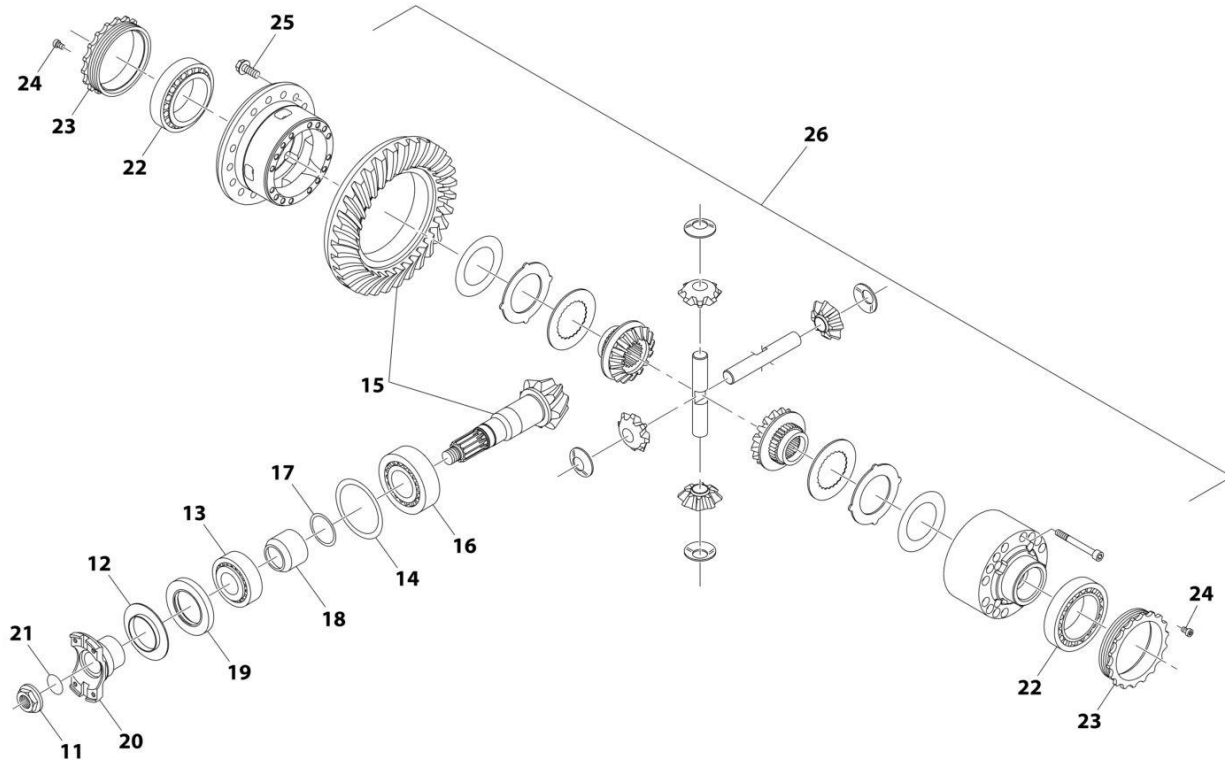
**SECTION 5 - DRIVETRAIN**

**FIGURE 5-9. FRONT AXLE, CENTRAL HOUSING**

<b>ITEM</b>	<b>PART NUMBER</b>	<b>QTY</b>	<b>DESCRIPTION</b>	<b>REV</b>
	1001184984	Ref	FRONT AXLE, CENTRAL HOUSING	
1	91474512	1	Vent	
2	7029288	1	Cover, Intermediate	
3	80204002	1	O-Ring	
4	80204005	1	Circlip	
5	91514098	1	Plug	
6	70028389	1	Plug	
7	70028388	1	Plug	
8	70025335	1	Housing	
9	91514101	4	Bolt	
10	91514089	2	O-Ring	

# SECTION 5 - DRIVETRAIN

## FIGURE 5-10. FRONT AXLE, DIFFERENTIAL



ART\_1001184984\_2-E



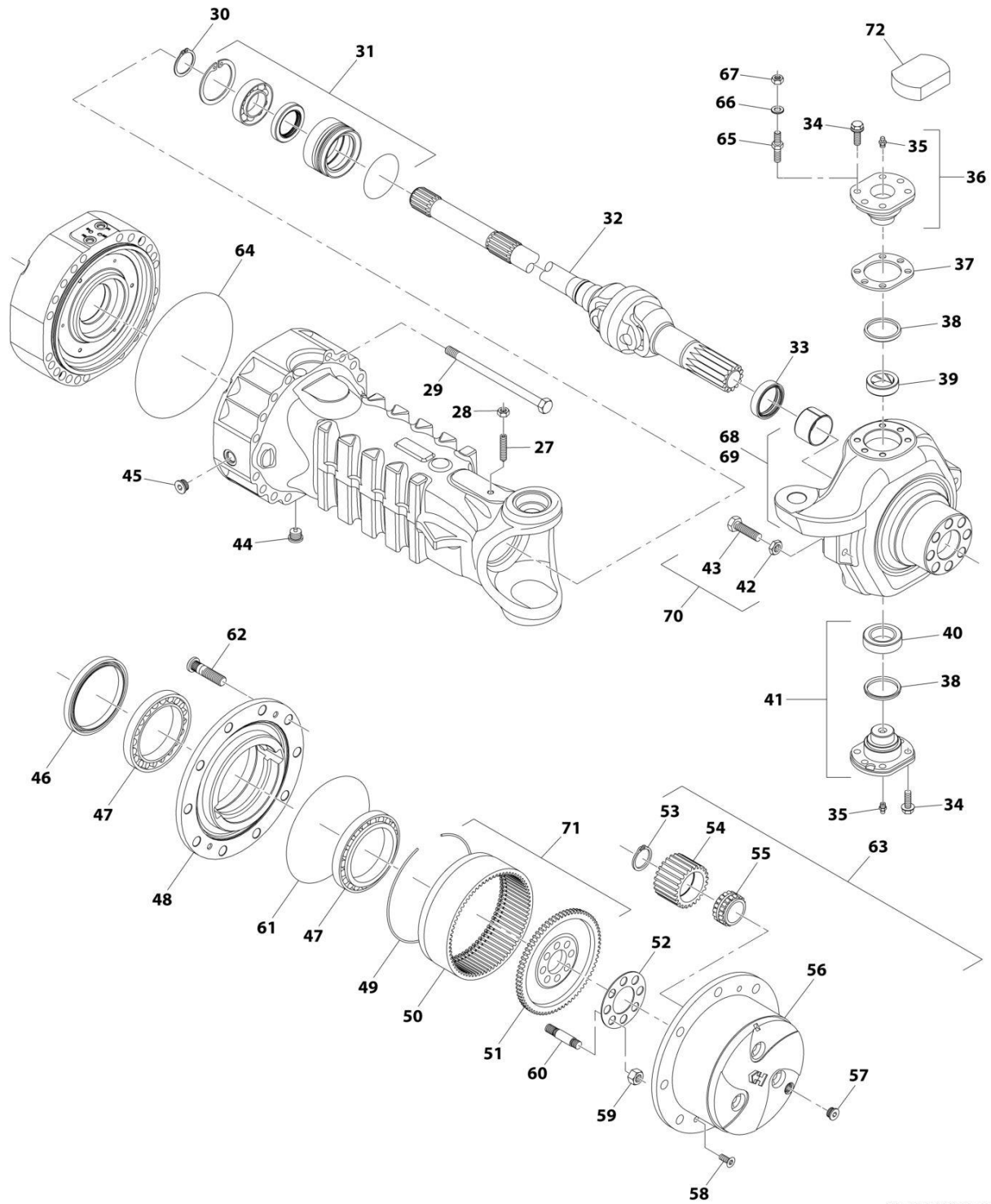
**SECTION 5 - DRIVETRAIN**

**FIGURE 5-10. FRONT AXLE, DIFFERENTIAL**

ITEM	PART NUMBER	QTY	DESCRIPTION	REV
	1001184984	Ref	FRONT AXLE, DIFFERENTIAL	
11	80204043	1	Nut	
12	91514130	1	Plate, Cover	
13	80204048	1	Bearing, Tape Roller	
14	70023469	1	Shim	
15	70028391	1	Gear, Bevel Set	
16	80204035	1	Bearing, Tape Roller	
17	70023494	1	Ring	
18	70022140	1	Spacer	
19	70025887	1	Seal	
20	70028401	1	Flange	
21	10725554	1	O-Ring	
22	80204033	2	Bearing, Tape Roller	
23	91514133	2	Nut, Ring	
24	91514134	2	Bolt	
25	91514123	16	Bolt	
26	70028390	1	Kit, Differential (See Separate Breakdown in this Section)	

# SECTION 5 - DRIVETRAIN

## FIGURE 5-11. FRONT AXLE, HUB REDUCTION



ART\_1001184984\_3-E

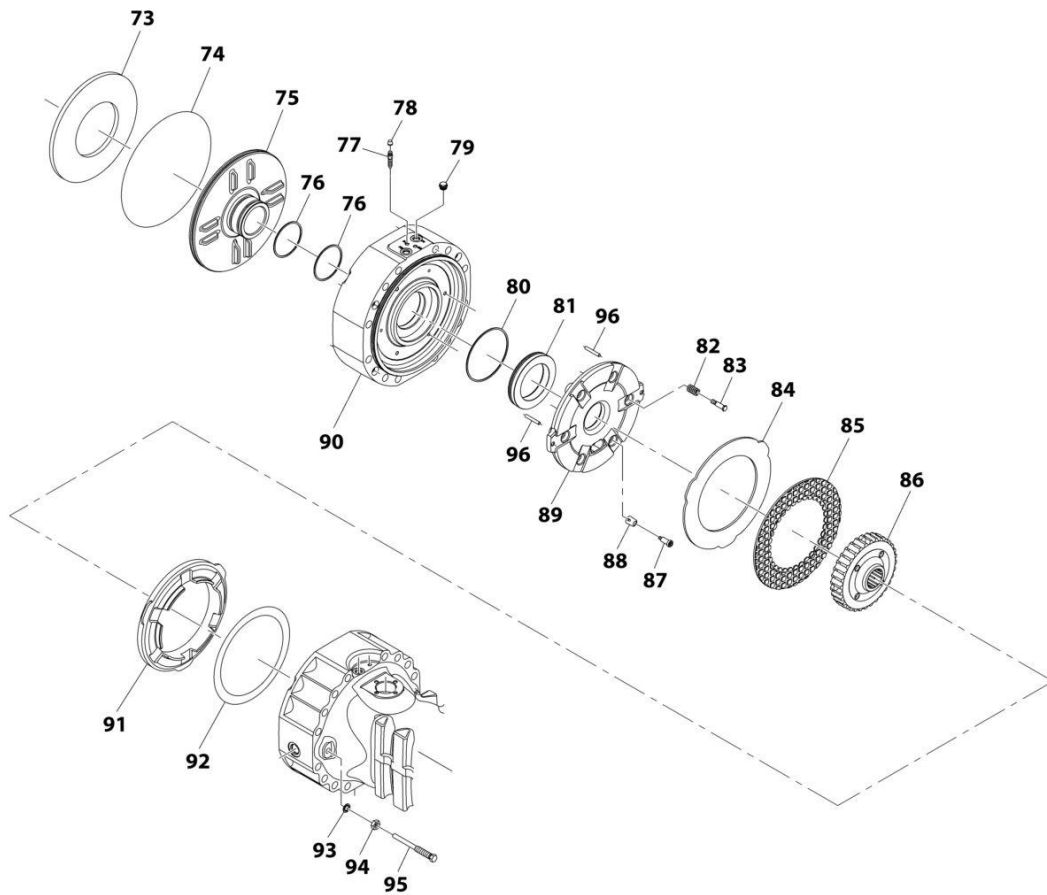
## SECTION 5 - DRIVETRAIN

**FIGURE 5-11. FRONT AXLE, HUB REDUCTION**

ITEM	PART NUMBER	QTY	DESCRIPTION	REV
	1001184984	Ref	FRONT AXLE, HUB REDUCTION	
27	91514081	2	Bolt	
28	91514082	2	Nut	
29	70025012	24	Bolt	
30	80204071	2	Circlip	
31	91514149	2	Kit, Reduction Bushing (See Separate Breakdown in this Section)	
32	70028396	2	Joint, Double Universal	
33	70026238	2	Seal	
34	70025562	20	Bolt	
35	70024881	2	Fitting, Grease	
36	91514112	2	Pin	
37	70025561	1	Shim	
38	7028716	2	Seal, Dust	
39	7028714	2	Bushing	
40	91514095	2	Bearing	
41	7028715	2	Pin	
42	80204065	4	Nut	
43	91514117	4	Bolt	
44	70028388	2	Plug	
45	70028389	2	Plug	
46	70026002	2	Seal	
47	80204076	4	Bearing, Taper Roller	
48	91514174	2	Hub, Wheel	
49	91514175	2	Circlip	
50	70024147	2	Gear, Ring	
51	91514177	2	Support, Ring Gear	
52	91514178	2	Plate	
53	91514184	8	Circlip	
54	91514185	8	Gear, Planet	
55	91514186	8	Bearing	
56	7029317	2	Carrier, Planet Gear	
57	70028387	2	Plug	
58	91514189	4	Bolt, Countersunk	
59	91514179	16	Nut	
60	91514180	16	Stud	
61	91514181	2	O-Ring	
62	80214120	NLA	Stud, Wheel (Use PN 70030365)	
62	70030365	20	Stud, Wheel	
63	7029743	2	Kit, Planet Gear Carrier	
64	91514089	2	O-Ring	
65	70025014	8	Stud	
66	91514084	8	Washer	
67	91514083	8	Nut	
68	70026260	1	Steering Case Assembly (LH Steer Link) (See Separate Breakdown in this Section)	
69	70026261	1	Steering Case Assembly (RH Steer Link) (See Separate Breakdown in this Section)	
70	7028733	4	Bolt, Steering Adjust	
71	70024146	2	Kit, Ring Gear Support (See Separate Breakdown in this Section)	
72	70028392	2	Cover	

# SECTION 5 - DRIVETRAIN

## FIGURE 5-12. FRONT AXLE, BRAKES



ART\_1001184984\_4-E

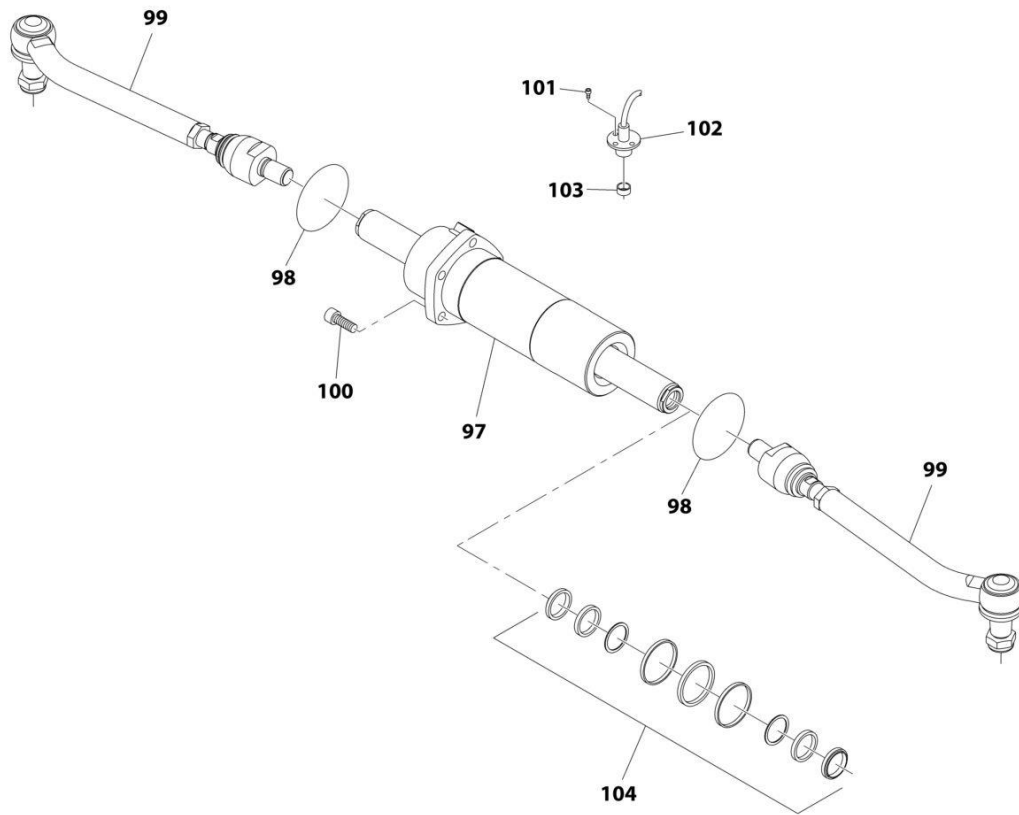
**SECTION 5 - DRIVETRAIN**

**FIGURE 5-12. FRONT AXLE, BRAKES**

ITEM	PART NUMBER	QTY	DESCRIPTION	REV
	1001184984	Ref	FRONT AXLE, BRAKES	
73	91514151	2	Washer	
74	91514089	2	O-Ring	
75	70027092	2	Piston	
76	70026262	4	Seal	
77	80204281	4	Bolt, Bleeding	
78	80204117	4	Plug	
79	91514154	4	Plug	
80	70026263	2	Seal	
81	70027796	2	Piston	
82	91514159	6	Spring	
83	70024210	6	Bolt, Adjusting	
84	70027022	6	Disc, Intermediate Brake	
85	7029735	6	Disc, Brake	
86	7029734	2	Bushing, Reduction	
87	7029787	6	Bolt, Adjusting	
88	70027317	6	Spring	
89	70024849	2	Disc, Intermediate Brake	
90	70024848	2	Cover	
91	70026264	2	Spacer	
92	70025970	1	Shim	
93	80204108	4	Washer, Lock	
94	80204060	4	Nut	
95	70024213	4	Bolt	
96	70024215	4	Dowel	

# SECTION 5 - DRIVETRAIN

## FIGURE 5-13. FRONT AXLE, STEERING



ART\_1001184984\_5-E

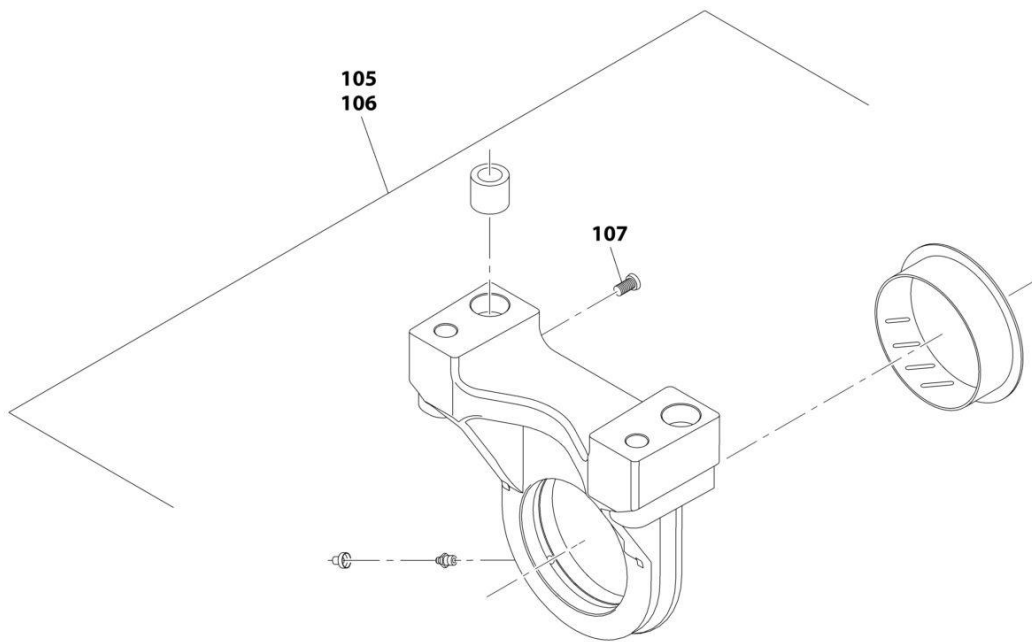
**SECTION 5 - DRIVETRAIN**

**FIGURE 5-13. FRONT AXLE, STEERING**

<b>ITEM</b>	<b>PART NUMBER</b>	<b>QTY</b>	<b>DESCRIPTION</b>	<b>REV</b>
	1001184984	Ref	FRONT AXLE, STEERING	
97	70028393	1	Cylinder	
98	80204143	2	O-Ring	
99	70028394	2	Rod, Articulated Tie	
99	70022773	2	Nut	
100	80204144	5	Bolt	
101	8008175	2	Bolt	
102	70027986	1	Optical Sensor	
103	7029307	1	Plug	
104	7029127	1	Kit, Seal	

# SECTION 5 - DRIVETRAIN

## FIGURE 5-14. FRONT AXLE, TRUNION



ART\_1001184984\_6-E



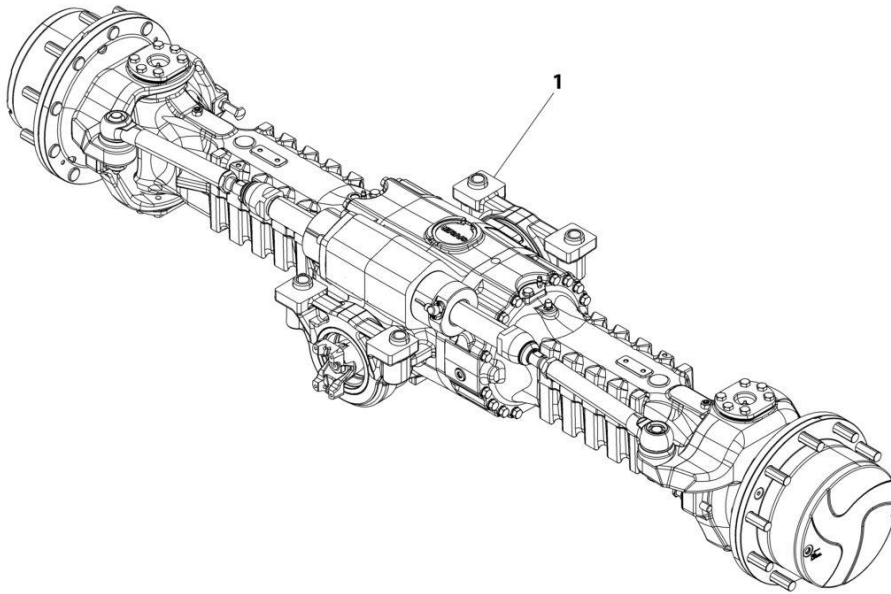
**SECTION 5 - DRIVETRAIN**

**FIGURE 5-14. FRONT AXLE, TRUNION**

<b>ITEM</b>	<b>PART NUMBER</b>	<b>QTY</b>	<b>DESCRIPTION</b>	<b>REV</b>
	1001184984	Ref	FRONT AXLE, TRUNION	
105	70026266	1	Kit, Trunnion (See Separate Breakdown in this Section)	
106	70026265	1	Support	
107	70025884	1	Bolt	

# SECTION 5 - DRIVETRAIN

## FIGURE 5-15. REAR AXLE



ART\_1001184985-E

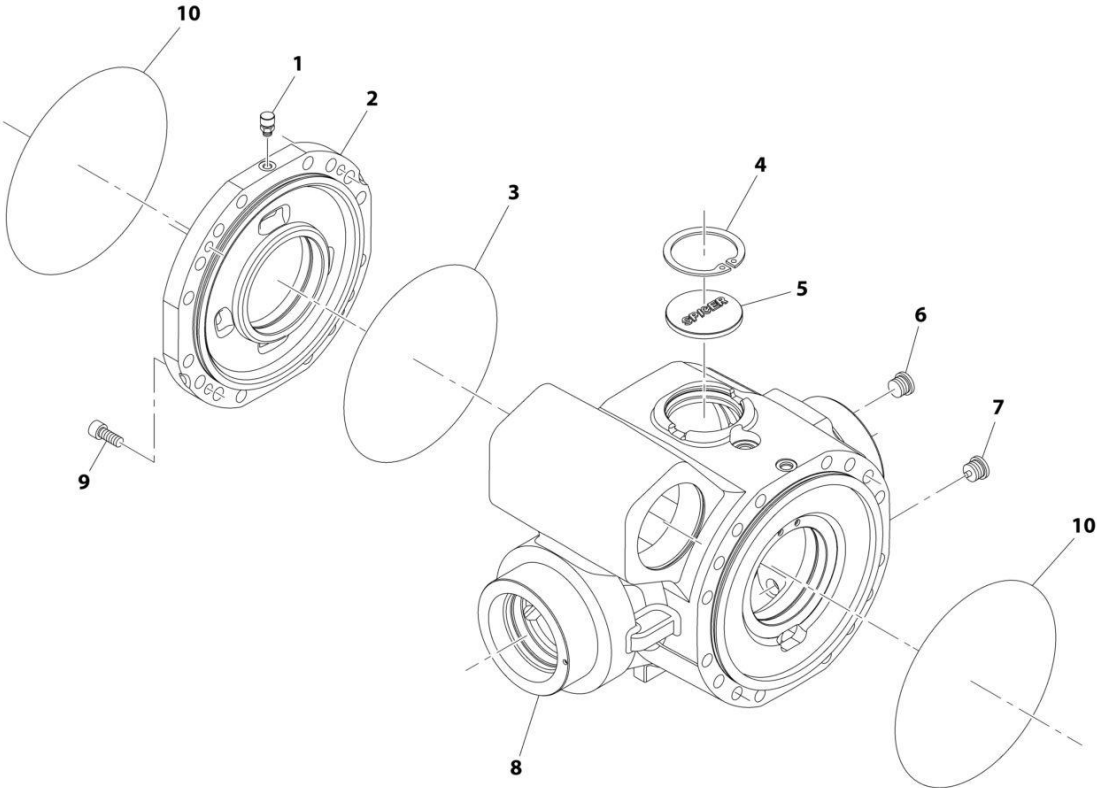
**SECTION 5 - DRIVETRAIN**

**FIGURE 5-15. REAR AXLE**

ITEM	PART NUMBER	QTY	DESCRIPTION	REV
1	1001184985	Ref	Rear Axle	E
		Ref	Rear Axle, Central Housing (See Separate Breakdown in this Section)	
		Ref	Rear Axle, Differential (See Separate Breakdown in this Section)	
		Ref	Rear Axle, Hub Reduction (See Separate Breakdown in this Section)	
		Ref	Rear Axle, Brakes (See Separate Breakdown in this Section)	
		Ref	Rear Axle, Steering (See Separate Breakdown in this Section)	
		Ref	Rear Axle, Trunnion (See Separate Breakdown in this Section)	

**SECTION 5 - DRIVETRAIN**

**FIGURE 5-16. REAR AXLE, CENTRAL HOUSING**



ART\_1001184985\_1-E

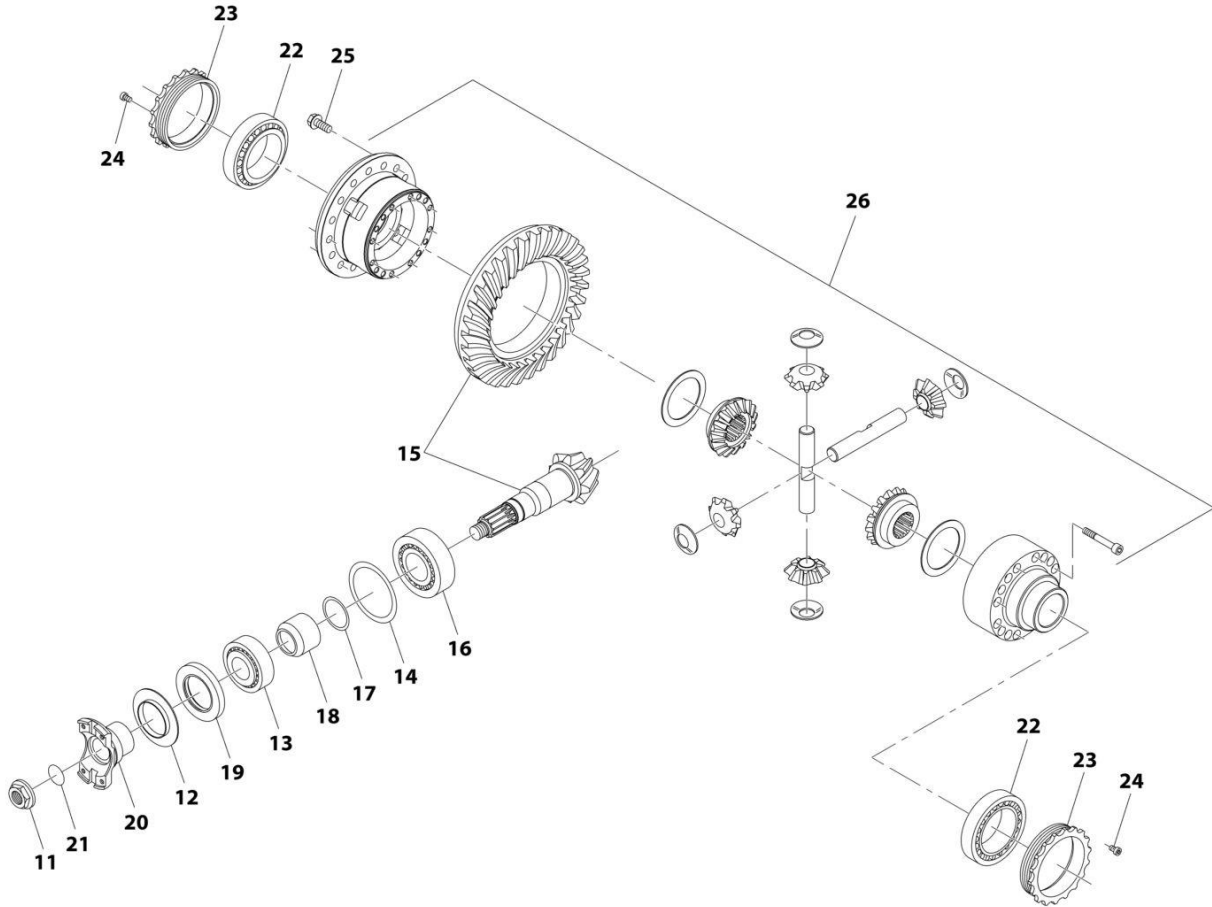
**SECTION 5 - DRIVETRAIN**

**FIGURE 5-16. REAR AXLE, CENTRAL HOUSING**

<b>ITEM</b>	<b>PART NUMBER</b>	<b>QTY</b>	<b>DESCRIPTION</b>	<b>REV</b>
	1001184985	Ref	REAR AXLE, CENTRAL HOUSING	
1	91474512	1	Vent	
2	7029288	1	Cover, Intermediate	
3	80204002	1	O-Ring	
4	80204005	1	Circlip	
5	91514098	1	Plug	
6	70028389	1	Plug	
7	70028388	1	Plug	
8	70025335	1	Housing	
9	91514101	4	Bolt	
10	91514089	2	O-Ring	

# SECTION 5 - DRIVETRAIN

## FIGURE 5-17. REAR AXLE, DIFFERENTIAL



ART\_1001184985\_2-E

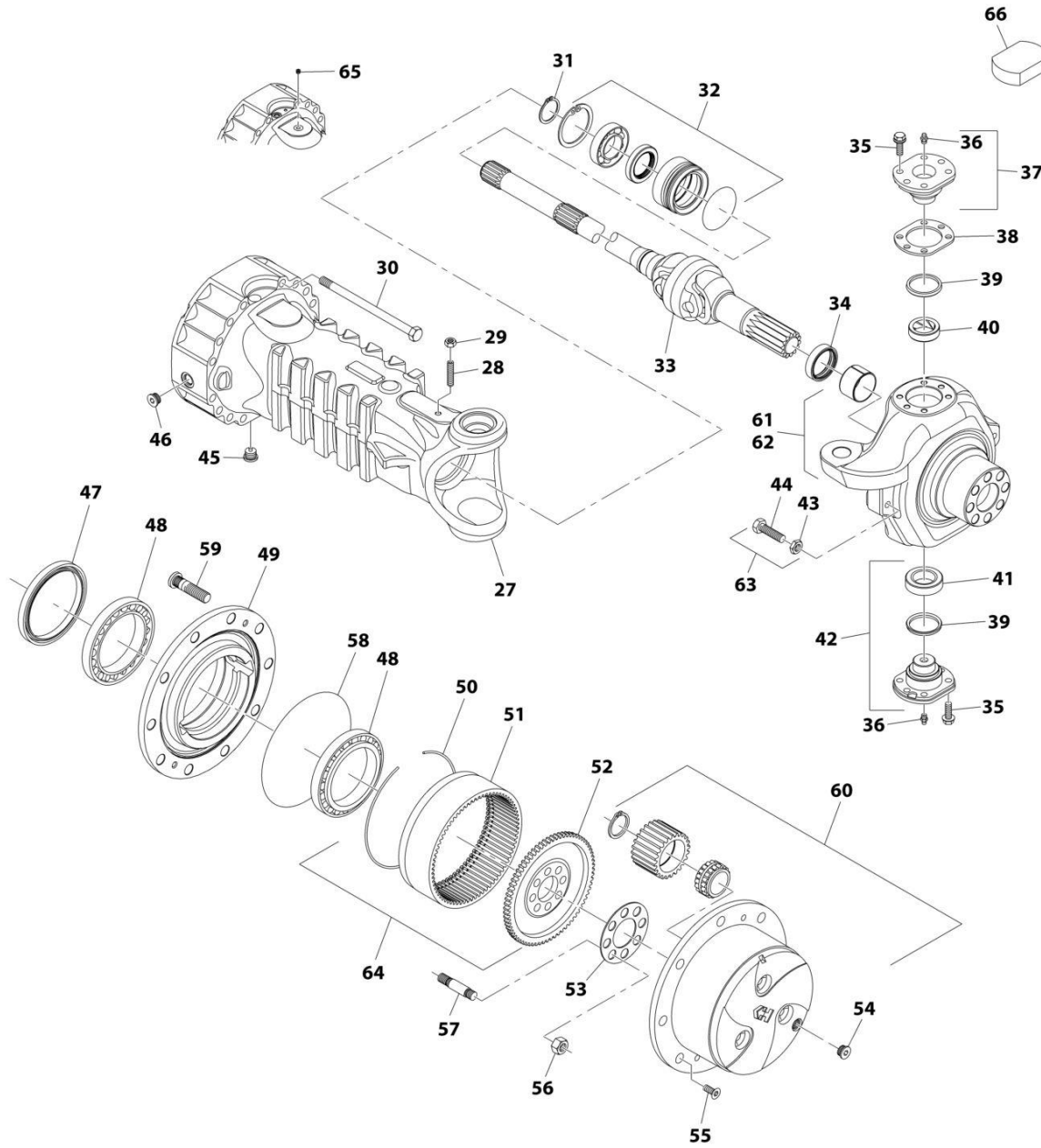
**SECTION 5 - DRIVETRAIN**

**FIGURE 5-17. REAR AXLE, DIFFERENTIAL**

ITEM	PART NUMBER	QTY	DESCRIPTION	REV
	1001184985	Ref	REAR AXLE, DIFFERENTIAL	
11	80204043	1	Nut	
12	91514130	1	Plate, Cover	
13	80204048	1	Bearing, Taper Roller	
14	70023469	1	Shim	
15	70028399	1	Gear, Bevel Set	
16	80204035	1	Bearing, Taper Roller	
17	70023494	1	Ring	
18	70022140	1	Spacer	
19	70025887	1	Seal	
20	70028401	1	Flange	
21	10725554	1	O-Ring	
22	80204033	2	Bearing, Taper Roller	
23	91514133	2	Nut, Ring	
24	91514134	2	Bolt	
25	39844923	16	Bolt	
26	70028398	1	Kit, Differential (See Separate Breakdown in this Section)	

# SECTION 5 - DRIVETRAIN

## FIGURE 5-18. REAR AXLE, HUB REDUCTION



ART\_1001184985\_3-E



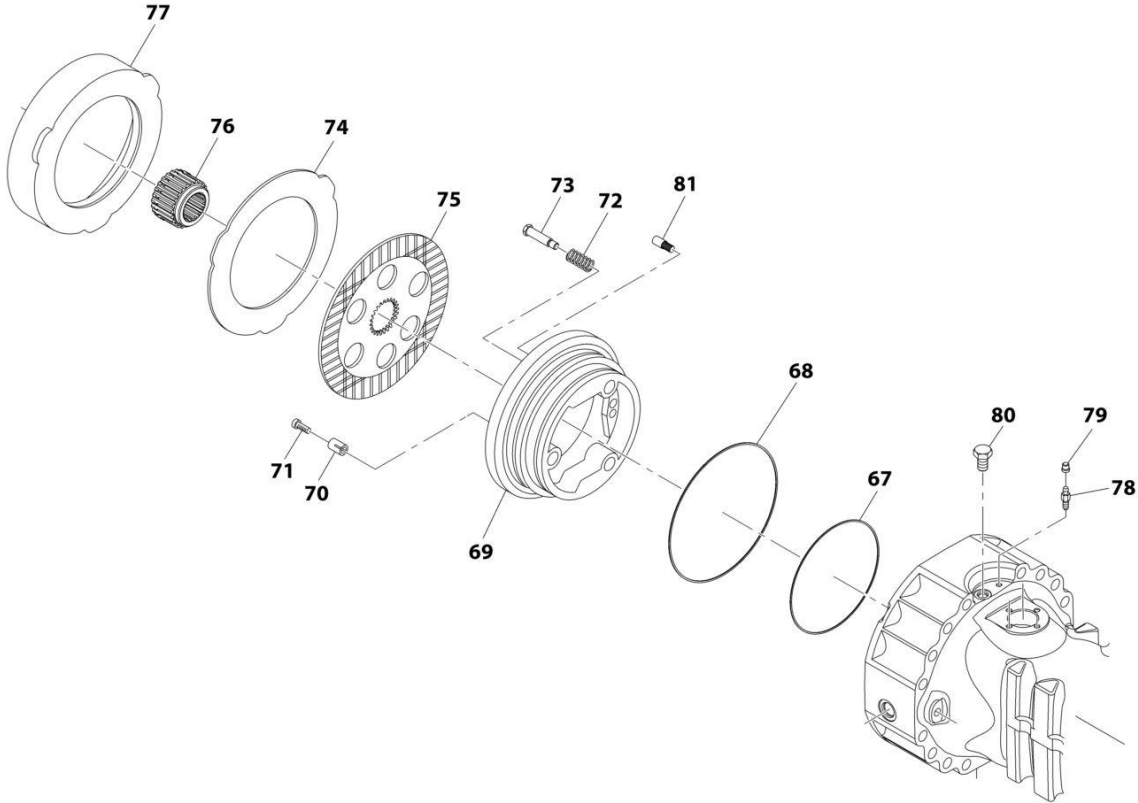
## SECTION 5 - DRIVETRAIN

**FIGURE 5-18. REAR AXLE, HUB REDUCTION**

ITEM	PART NUMBER	QTY	DESCRIPTION	REV
	1001184985	Ref	REAR AXLE, HUB REDUCTION	
27	70028400	2	Case, Axle	
28	91514081	2	Bolt	
29	91514082	2	Nut	
30	70028397	32	Bolt	
31	80204071	2	Circlip	
32	91514149	2	Kit, Reduction Bushing (See Separate Breakdown in this Section)	
33	70028396	2	Joint, Double Universal	
34	70026238	2	Seal	
35	70025562	20	Bolt	
36	70024881	2	Fitting, Grease	
37	91514112	2	Pin	
38	70025561	1	Shim	
39	7028716	2	Seal, Dust	
40	7028714	2	Bushing	
41	91514095	2	Bearing	
42	7028715	2	Pin	
43	80204065	4	Nut	
44	91514117	4	Bolt	
45	70028388	2	Plug	
46	70028387	2	Plug	
47	70026002	2	Seal	
48	80204076	4	Bearing, Taper Roller	
49	91514174	2	Hub, Wheel	
50	91514175	2	Circlip	
51	70024147	2	Gear, Ring	
52	91514177	2	Gear, Ring Support	
53	91514178	2	Plate, Locking	
54	70028389	2	Plug	
55	91514189	4	Bolt, Countersunk	
56	91514179	16	Nut	
57	91514180	16	Stud	
58	91514181	2	O-Ring	
59	80214120	20	Stud	
60	7029733	2	Kit, Planet Gear Carrier (See Separate Breakdown in this Section)	
61	70026260	1	Steering Case Assembly (LH Steer Link) (See Separate Breakdown in this Section)	
62	70026261	1	Steering Case Assembly (RH Steer Link) (See Separate Breakdown in this Section)	
63	7028733	4	Bolt, Steering Adjust	
64	70024146	2	Kit, Ring Gear Support (See Separate Breakdown in this Section)	
65	80204012	2	Plug	
66	70028392	2	Cover	

**SECTION 5 - DRIVETRAIN**

**FIGURE 5-19. REAR AXLE, BRAKES**



ART\_1001184985\_4-E

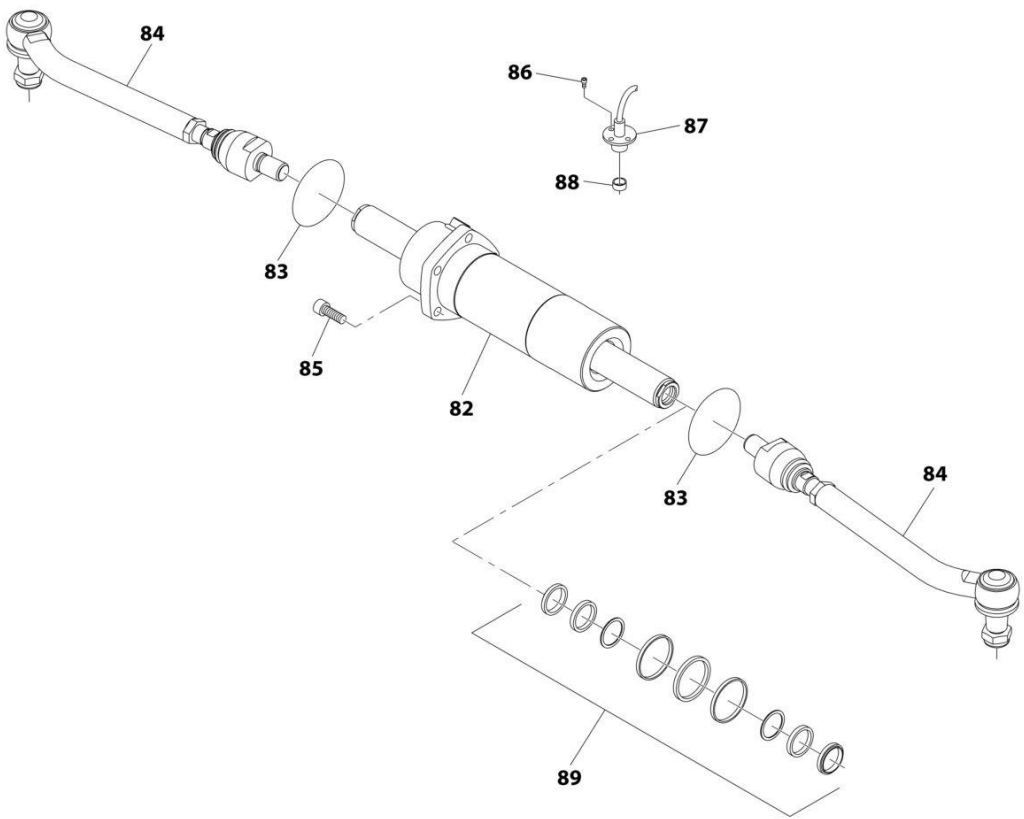
**SECTION 5 - DRIVETRAIN**

**FIGURE 5-19. REAR AXLE, BRAKES**

ITEM	PART NUMBER	QTY	DESCRIPTION	REV
	1001184985	Ref	REAR AXLE, BRAKES	
67	70026747	2	Seal	
68	70026748	2	Seal	
69	70024216	2	Piston	
70	70027317	6	Spring	
71	7029785	6	Bolt, Adjusting	
72	91514159	6	Spring	
73	70024210	6	Bolt, Adjusting	
74	70027022	6	Disc, Intermediate Brake	
75	7029735	6	Disc, Brake	
76	7029734	2	Bushing, Reduction	
77	70021606	2	Spacer	
78	80204281	2	Bolt, Bleeding	
79	80204117	2	Plug	
80	91514154	2	Bolt	
81	70021613	2	Bolt, Pilot	

**SECTION 5 - DRIVETRAIN**

**FIGURE 5-20. REAR AXLE, STEERING**



ART\_1001184985\_5-E

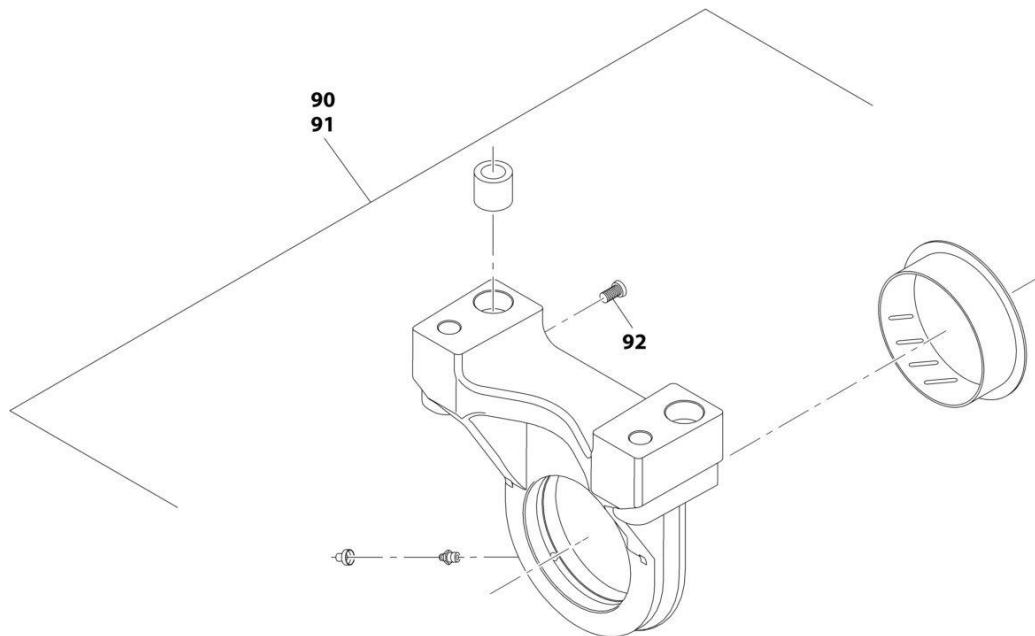
**SECTION 5 - DRIVETRAIN**

**FIGURE 5-20. REAR AXLE, STEERING**

<b>ITEM</b>	<b>PART NUMBER</b>	<b>QTY</b>	<b>DESCRIPTION</b>	<b>REV</b>
	1001184985	Ref	REAR AXLE, STEERING	
82	70028393	1	Cylinder	
83	80204143	2	O-Ring	
84	70028394	2	Rod, Articulated Tie	
84	70022773	2	Nut	
85	80204144	5	Bolt	
86	8008175	2	Bolt	
87	70027986	1	Sensor, Optical	
88	7029307	1	Plug	
89	7029127	1	Kit, Seal	

# SECTION 5 - DRIVETRAIN

## FIGURE 5-21. REAR AXLE, TRUNION



ART\_1001184985\_6-E

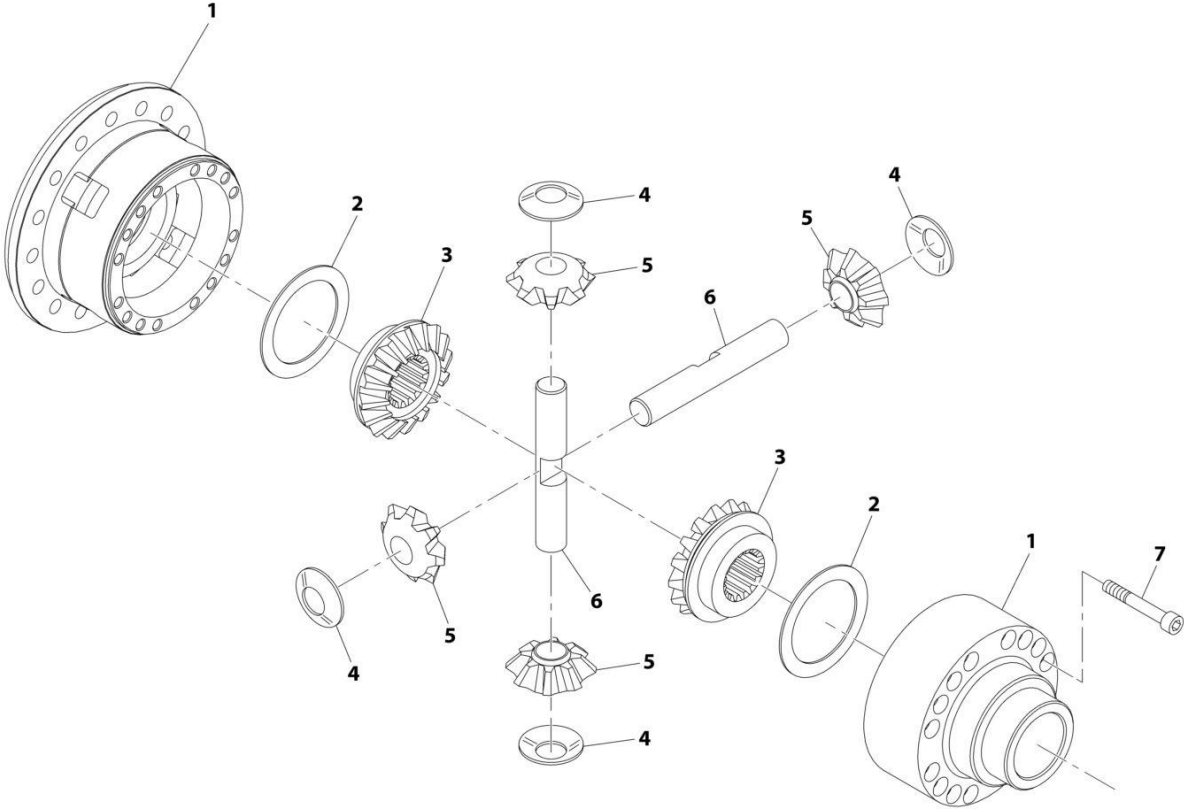
**SECTION 5 - DRIVETRAIN**

**FIGURE 5-21. REAR AXLE, TRUNION**

<b>ITEM</b>	<b>PART NUMBER</b>	<b>QTY</b>	<b>DESCRIPTION</b>	<b>REV</b>
	1001184985	Ref	REAR AXLE, TRUNION	
90	70026266	1	Kit, Trunnion (See Separate Breakdown in this Section)	
91	70026265	1	Support	
92	70025884	1	Bolt	

**SECTION 5 - DRIVETRAIN**

**FIGURE 5-22. DIFFERENTIAL KIT**



ART\_70028398



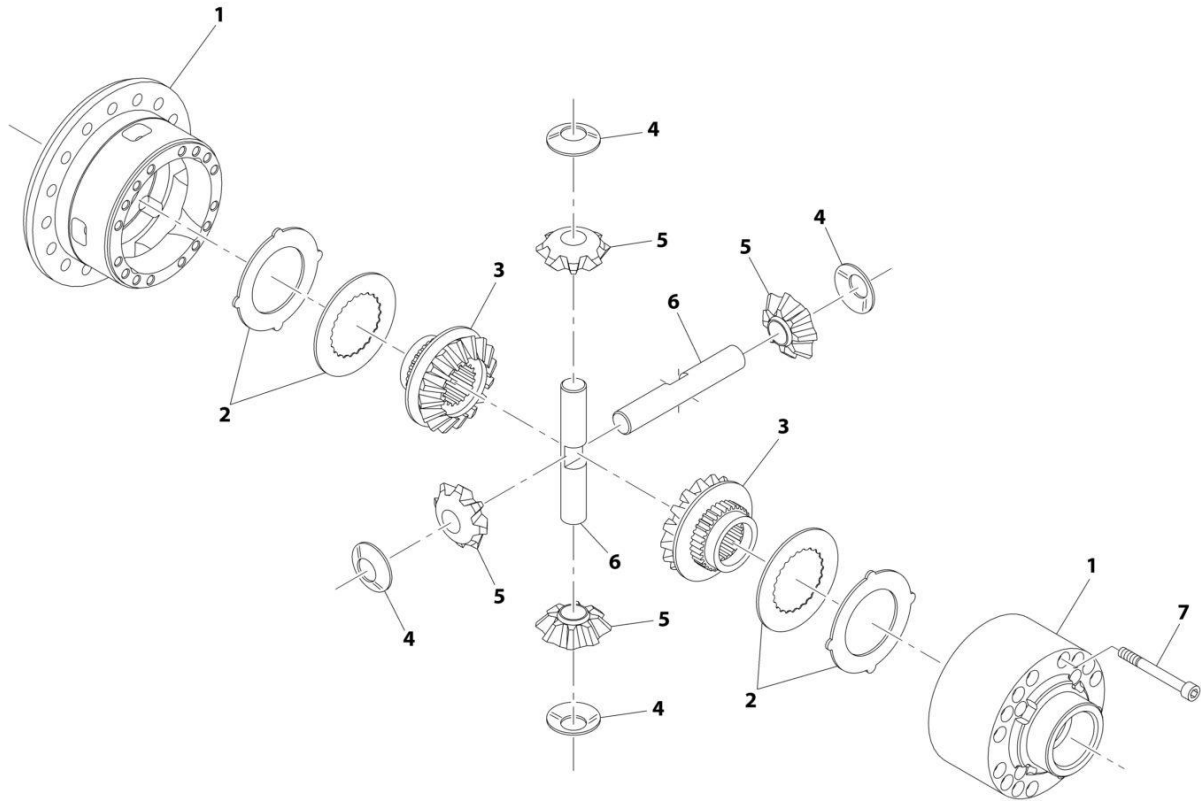
**SECTION 5 - DRIVETRAIN**

**FIGURE 5-22. DIFFERENTIAL KIT**

<b>ITEM</b>	<b>PART NUMBER</b>	<b>QTY</b>	<b>DESCRIPTION</b>	<b>REV</b>
	70028398	Ref	Differential Kit	
1	70025337	1	Carrier, Differential	
2	70023493	2	Washer, Friction	
3	70025338	2	Gear, Differential Side	
4	70027105	4	Washer, Friction	
5	70025339	4	Pinion, Differential	
6	70023490	2	Shaft, Differential	
7	70023489	15	Bolt	

# SECTION 5 - DRIVETRAIN

## FIGURE 5-23. DIFFERENTIAL KIT



ART\_70028390

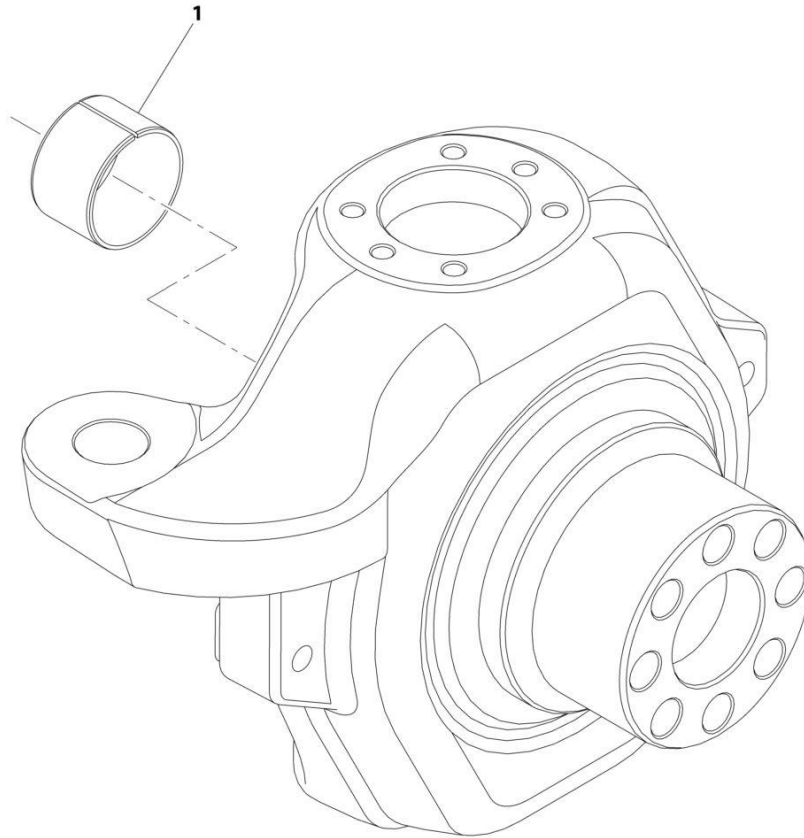
**SECTION 5 - DRIVETRAIN**

**FIGURE 5-23. DIFFERENTIAL KIT**

<b>ITEM</b>	<b>PART NUMBER</b>	<b>QTY</b>	<b>DESCRIPTION</b>	<b>REV</b>
	70028390	Ref	Differential Kit	
1	70024004	2	Carrier, Differential	
2	70026750	2	Disc, Clutch	
3	70025856	2	Gear, Differential Side	
4	70027105	4	Washer, Friction	
5	70025339	4	Pinion, Differential	
6	70023490	2	Shaft, Differential	
7	91514143	15	Bolt	

## SECTION 5 - DRIVETRAIN

FIGURE 5-24. STEERING CASE ASSEMBLY (LH STEER LINK)



ART\_70026260

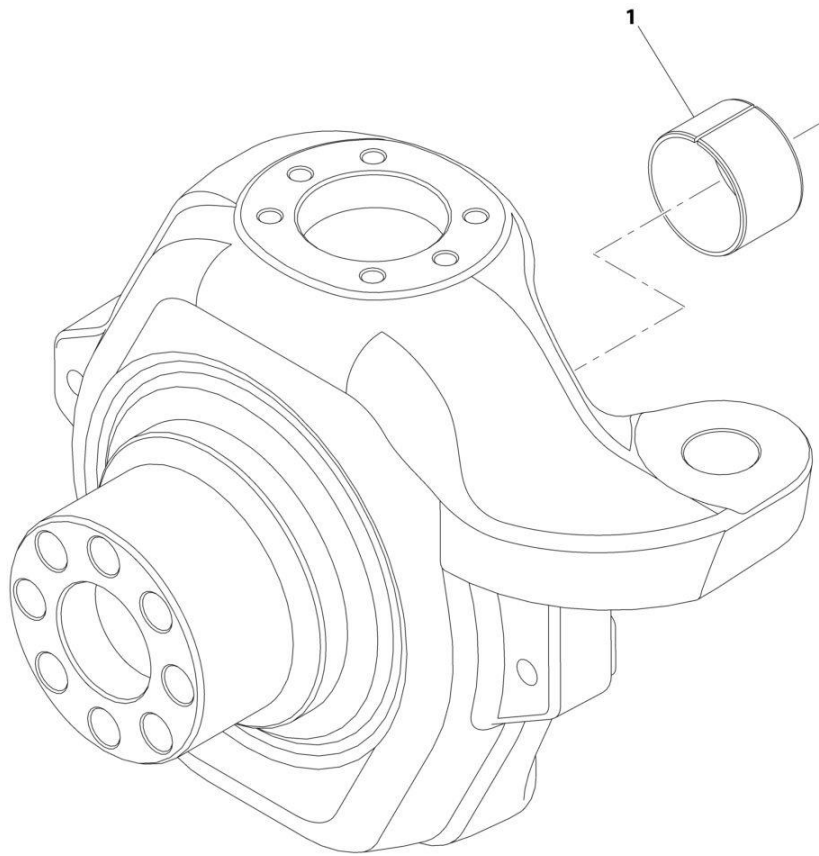
**SECTION 5 - DRIVETRAIN**

**FIGURE 5-24. STEERING CASE ASSEMBLY (LH STEER LINK)**

ITEM	PART NUMBER	QTY	DESCRIPTION	REV
1	70026260 91514111	Ref 1	STEERING CASE ASSEMBLY (LH STEER LINK) Bushing, Thrust	

# SECTION 5 - DRIVETRAIN

FIGURE 5-25. STEERING CASE ASSEMBLY (RH STEER LINK)



ART\_70026261

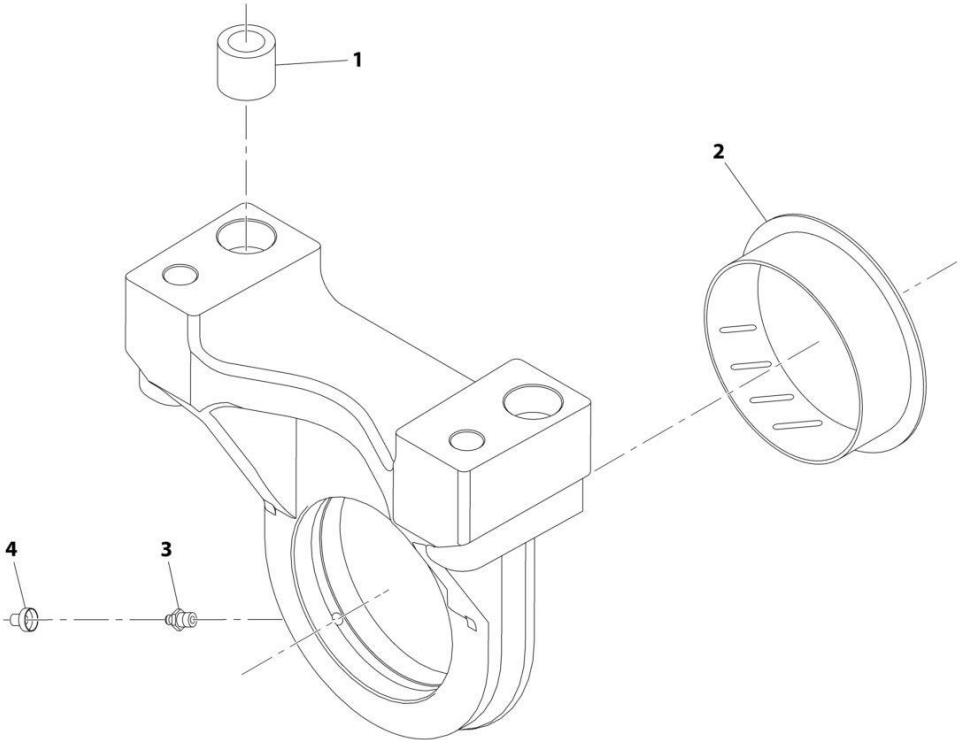
**SECTION 5 - DRIVETRAIN**

**FIGURE 5-25. STEERING CASE ASSEMBLY (RH STEER LINK)**

ITEM	PART NUMBER	QTY	DESCRIPTION	REV
1	70026261 91514111	Ref 1	STEERING CASE ASSEMBLY (RH STEER LINK) Bushing, Thrust	

**SECTION 5 - DRIVETRAIN**

**FIGURE 5-26. TRUNION KIT**



ART\_70026266

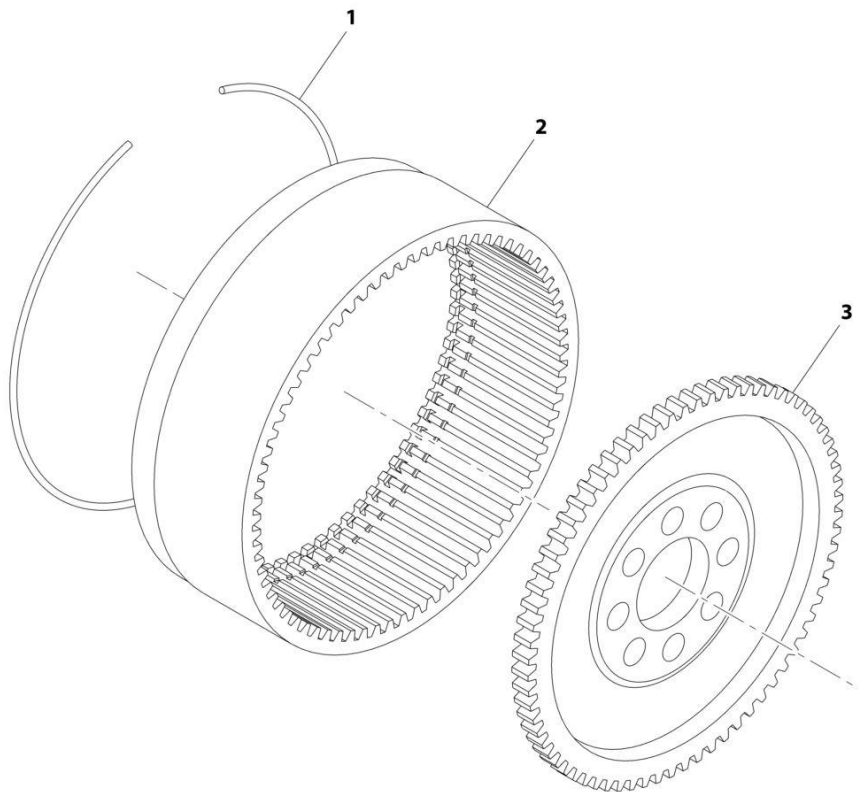


**FIGURE 5-26. TRUNION KIT**

<b>ITEM</b>	<b>PART NUMBER</b>	<b>QTY</b>	<b>DESCRIPTION</b>	<b>REV</b>
	70026266	Ref	Trunion Kit	
1	7029290	2	Bushing, Reduction	
2	91514090	1	Bushing, Thrust	
3	70024881	1	Fitting, Grease	
4	80204117	1	Plug	

# SECTION 5 - DRIVETRAIN

## FIGURE 5-27. RING GEAR SUPPORT KIT



ART\_70024146

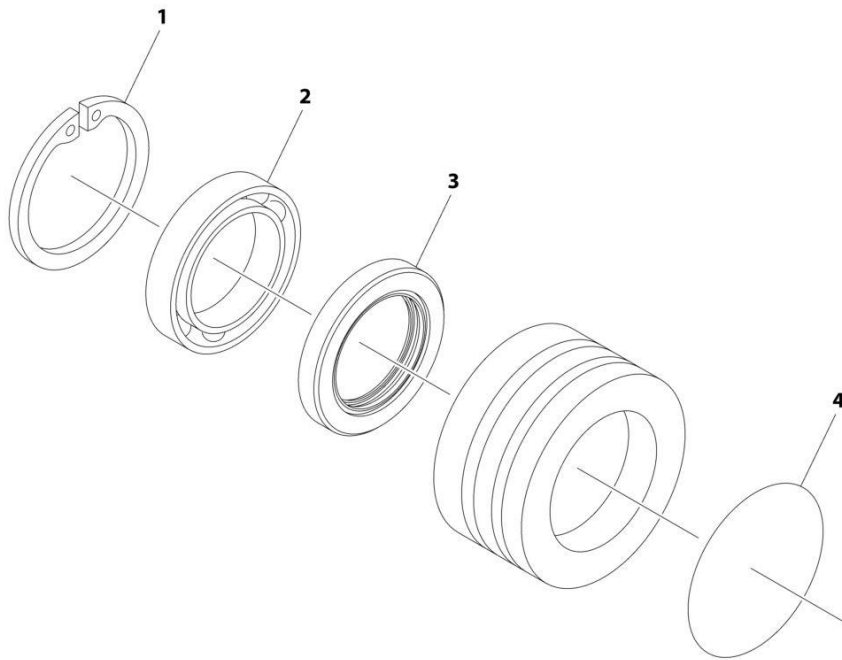
**SECTION 5 - DRIVETRAIN**

**FIGURE 5-27. RING GEAR SUPPORT KIT**

<b>ITEM</b>	<b>PART NUMBER</b>	<b>QTY</b>	<b>DESCRIPTION</b>	<b>REV</b>
	70024146	Ref	Ring Gear Support Kit	
1	91514175	1	Circlip	
2	70024147	1	Gear, Ring	
3	91514177	1	Gear, Ring Support	

# SECTION 5 - DRIVETRAIN

## FIGURE 5-28. REDUCTION BUSHING KIT



ART\_91514149

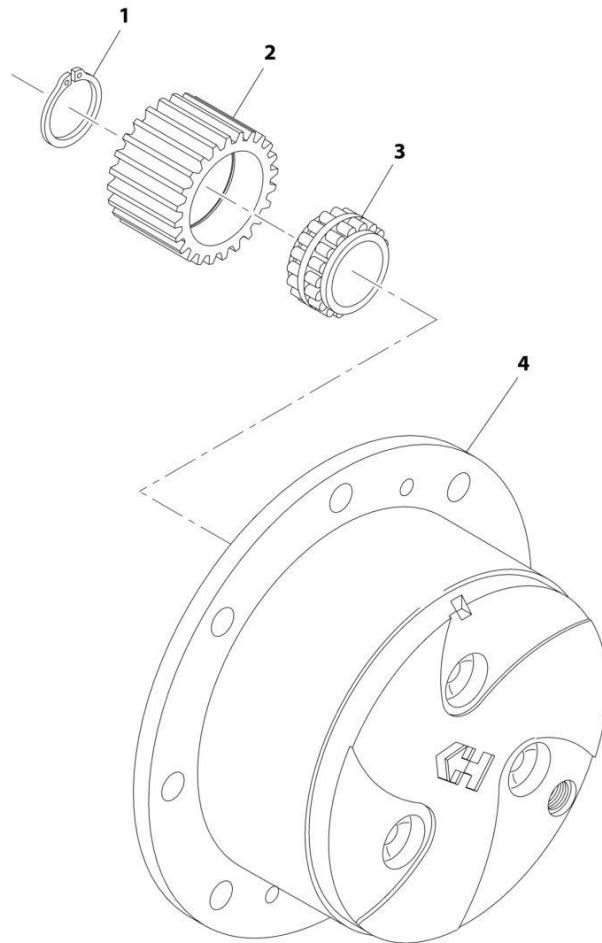
**SECTION 5 - DRIVETRAIN**

**FIGURE 5-28. REDUCTION BUSHING KIT**

<b>ITEM</b>	<b>PART NUMBER</b>	<b>QTY</b>	<b>DESCRIPTION</b>	<b>REV</b>
	91514149	Ref	Reduction Bushing Kit	
1	80204005	2	Circlip	
2	91514146	2	Bearing, Ball	
3	91514147	2	Seal	
4	91514148	2	O-Ring	

# SECTION 5 - DRIVETRAIN

## FIGURE 5-29. PLANET GEAR CARRIER KIT



ART\_7029733

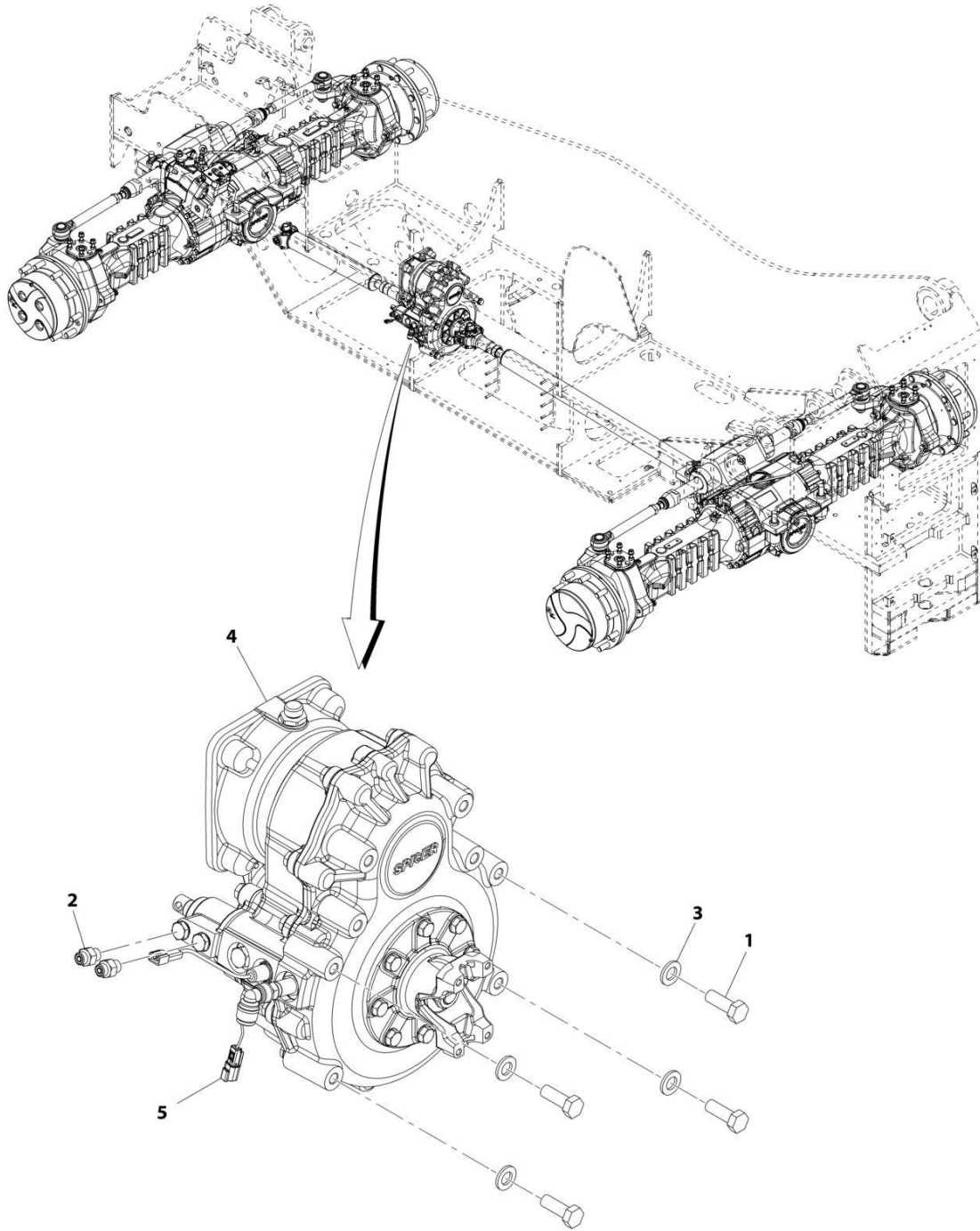
**SECTION 5 - DRIVETRAIN**

**FIGURE 5-29. PLANET GEAR CARRIER KIT**

<b>ITEM</b>	<b>PART NUMBER</b>	<b>QTY</b>	<b>DESCRIPTION</b>	<b>REV</b>
	7029733	Ref	Planet Gear Carrier Kit	
1	91514184	3	Circlip	
2	91514185	6	Gear, Planet	
3	91514186	6	Bearing	
4	7026731	1	Carrier, Planet Gear	

# SECTION 5 - DRIVETRAIN

## FIGURE 5-30. GEARBOX INSTALLATION



ART\_1001184979-E



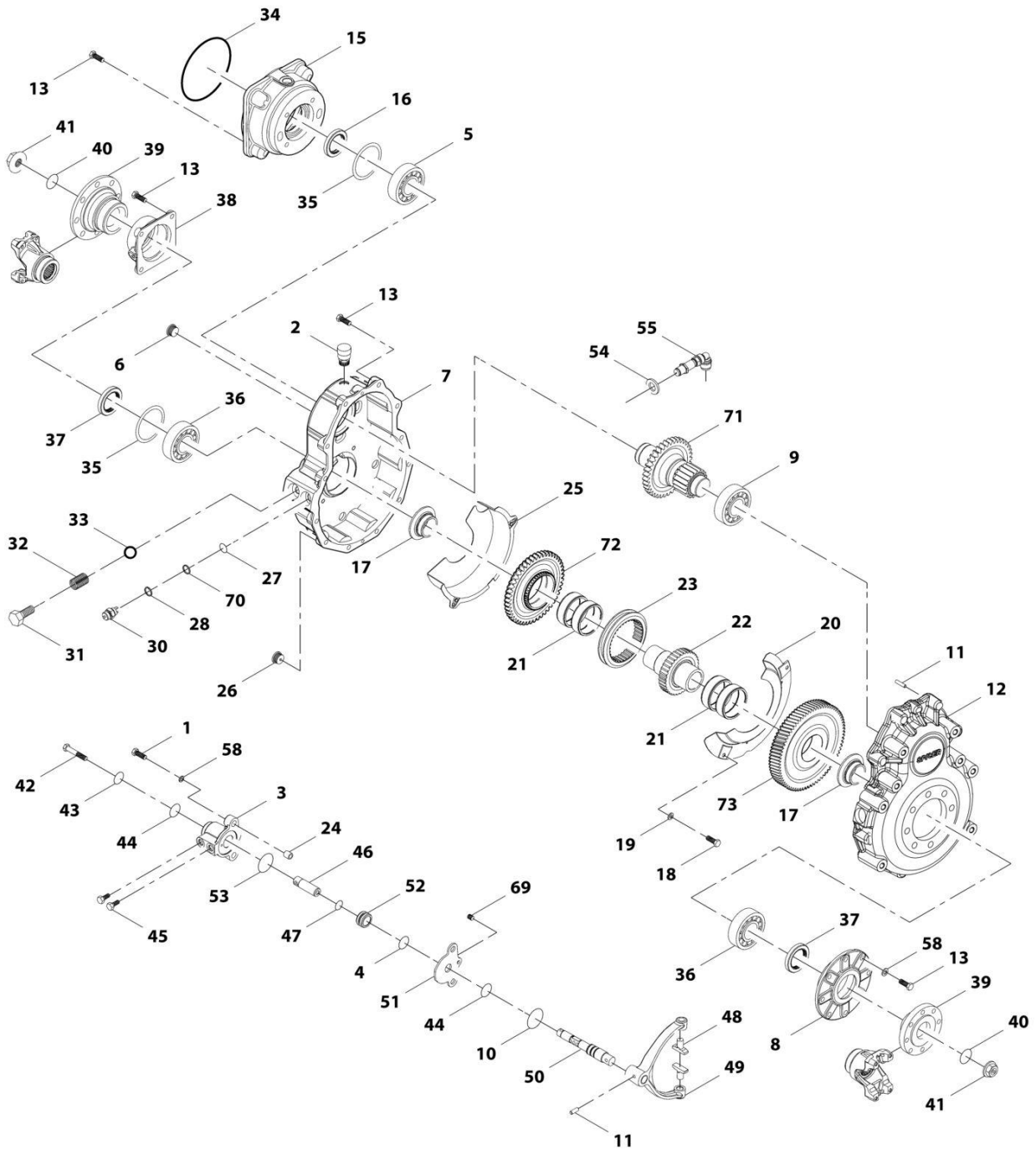
**SECTION 5 - DRIVETRAIN**

**FIGURE 5-30. GEARBOX INSTALLATION**

<b>ITEM</b>	<b>PART NUMBER</b>	<b>QTY</b>	<b>DESCRIPTION</b>	<b>REV</b>
	1001184979	Ref	Gearbox Installation	E
1	0771416	4	Bolt, M14-2X40 Grade 10.9	
2	2144603	1	Fitting, Straight ORFS	
3	5241400	4	Washer, M14	
4	1001184986	1	Gearbox (See Separate Breakdown in this Section)	
5	1001229981	1	Harness, Vehicle Speed Pigtail (See Separate Breakdown in ELECTRICAL Section)	

# SECTION 5 - DRIVETRAIN

## FIGURE 5-31. GEAR BOX



ART\_1001184986-D

## SECTION 5 - DRIVETRAIN

### FIGURE 5-31. GEAR BOX

ITEM	PART NUMBER	QTY	DESCRIPTION	REV
	1001184986	Ref	Gear box	D
1	70028817	2	Bolt	
2	70028818	1	Plug	
3	70028819	1	Cylinder	
4	70028820	1	O-Ring	
5	91514146	1	Bearing, Ball	
6	80204016	1	Plug	
7	70028821	1	Housing	
8	70028822	1	Cover	
9	70026904	1	Bearing, Ball	
10	3986405	1	O-Ring	
11	70026892	3	Dowel	
12	70028823	1	Housing	
13	70026911	28	Bolt	
15	70026897	1	Cover	
16	70026896	1	Seal	
17	70028824	2	Spacer	
18	70026909	2	Bolt	
19	70027110	2	Washer, Lock	
20	70028825	1	Plate, Cover	
21	70028826	4	Bearing	
22	70028827	1	Shaft	
23	70028828	1	Sleeve	
24	70028829	2	Pin	
25	70026908	1	Sheet	
26	80204007	1	Plug	
27	1001081085	1	O-Ring	
28	80203020	1	Washer	
30	70028830	1	Switch	
31	70028831	1	Bolt	
32	80203021	1	Spring	
33	70020276	1	Ball, Detend	
34	80204176	1	O-Ring	
35	70027862	2	Kit, Shim	
36	91474364	2	Bearing, Ball	
37	70026901	2	Seal	
38	70028832	1	Cover	
39	70026898	2	Flange	
40	80204215	2	O-Ring	
41	70026631	2	Nut	
42	70028833	1	Bolt	
43	70028834	1	O-Ring	
44	70028835	2	Sleeve	
45	91514154	2	Bolt	
46	70028836	1	Bar	
47	70027109	1	O-Ring	
48	70028837	2	Pin	
49	70028838	1	Fork, Selector	
50	70028839	1	Shaft	
51	70028840	1	Plate, Cover	

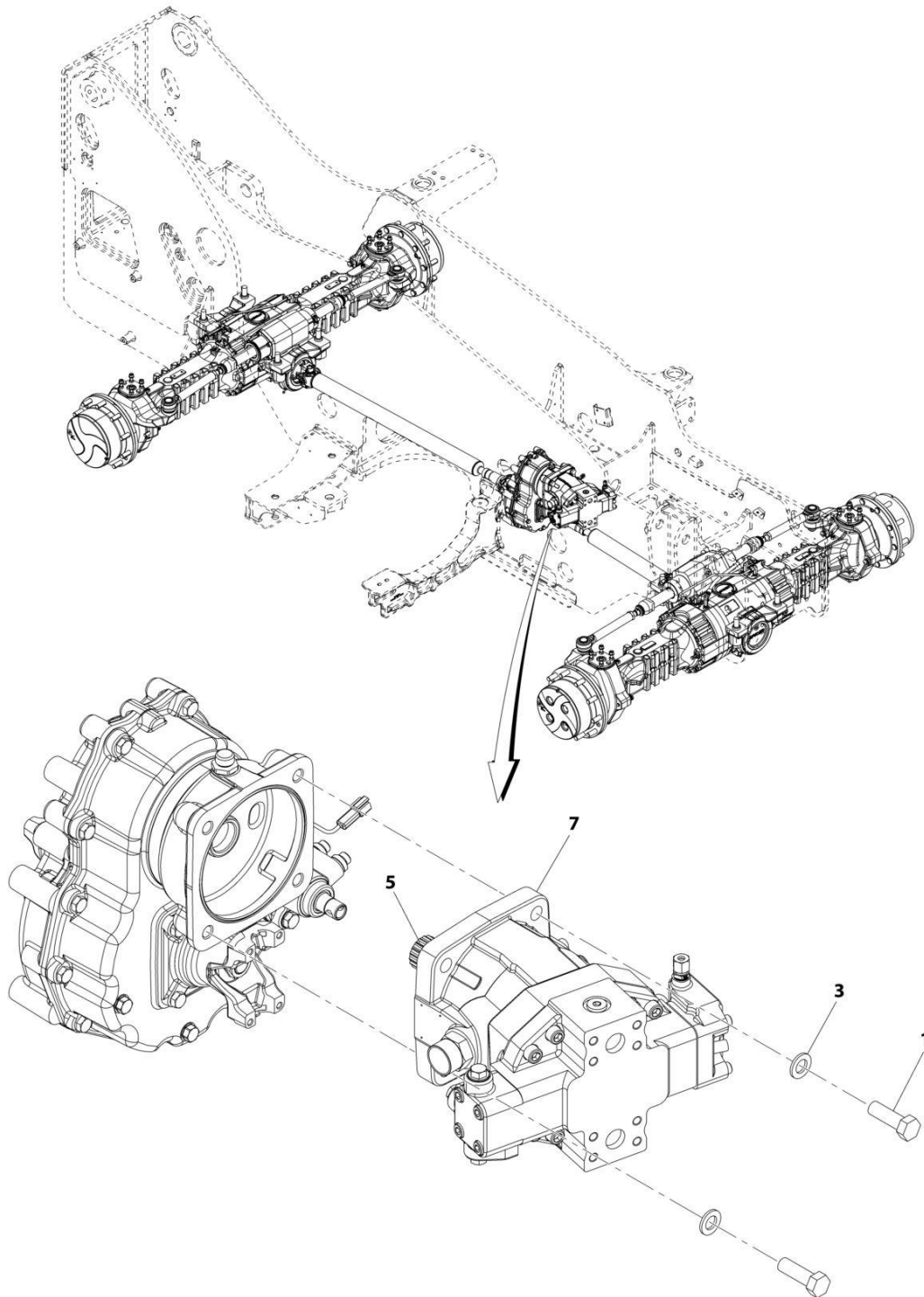
## SECTION 5 - DRIVETRAIN

ITEM	PART NUMBER	QTY	DESCRIPTION	REV
52	70028841	1	Piston	
53	70028842	1	O-Ring	
54	70028844	1	Washer	
55	70028801	1	Sensor, Speed	
58	70028843	10	Washer	
69	70028845	1	Bolt	
70	70026927	1	Washer, Seal	
71	70028846	1	Shaft, Input	
72	70028847	1	Gear	
73	70028848	1	Gear	



# SECTION 5 - DRIVETRAIN

## FIGURE 5-32. HYDROSTATIC MOTOR INSTALLATION



ART\_1001184980-D

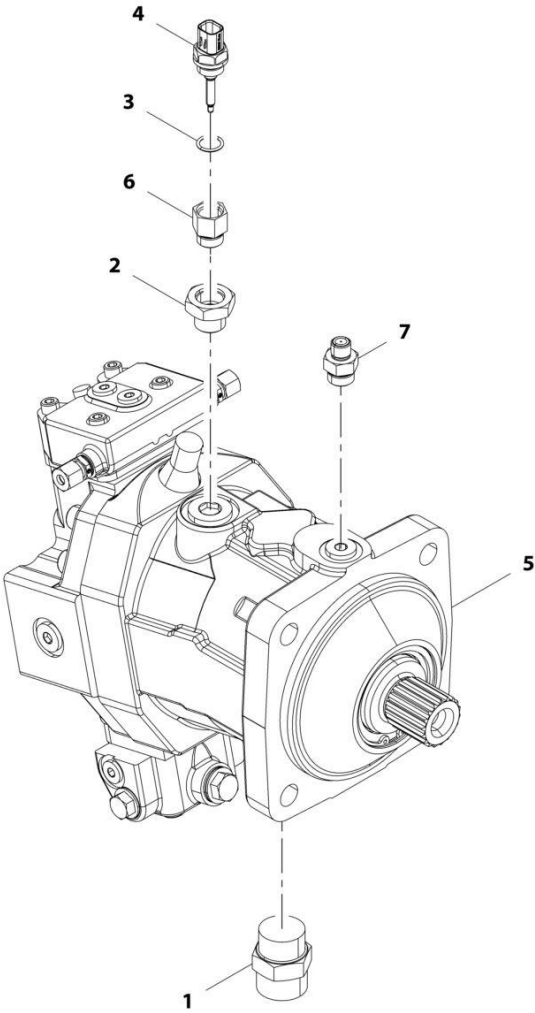
**SECTION 5 - DRIVETRAIN**

**FIGURE 5-32. HYDROSTATIC MOTOR INSTALLATION**

<b>ITEM</b>	<b>PART NUMBER</b>	<b>QTY</b>	<b>DESCRIPTION</b>	<b>REV</b>
	1001184980	Ref	Hydrostatic Motor Installation	D
1	0771618	4	Bolt, M16X50	
3	4812300	4	Washer, M16	
5	3020037	AR	Lube, Grease	
7	1001217620	1	Assembly, Hydrostatic Drive Motor (See Separate Breakdown in this Section)	

**SECTION 5 - DRIVETRAIN**

**FIGURE 5-33. HYDROSTATIC MOTOR ASSEMBLY**



ART\_1001217620-B



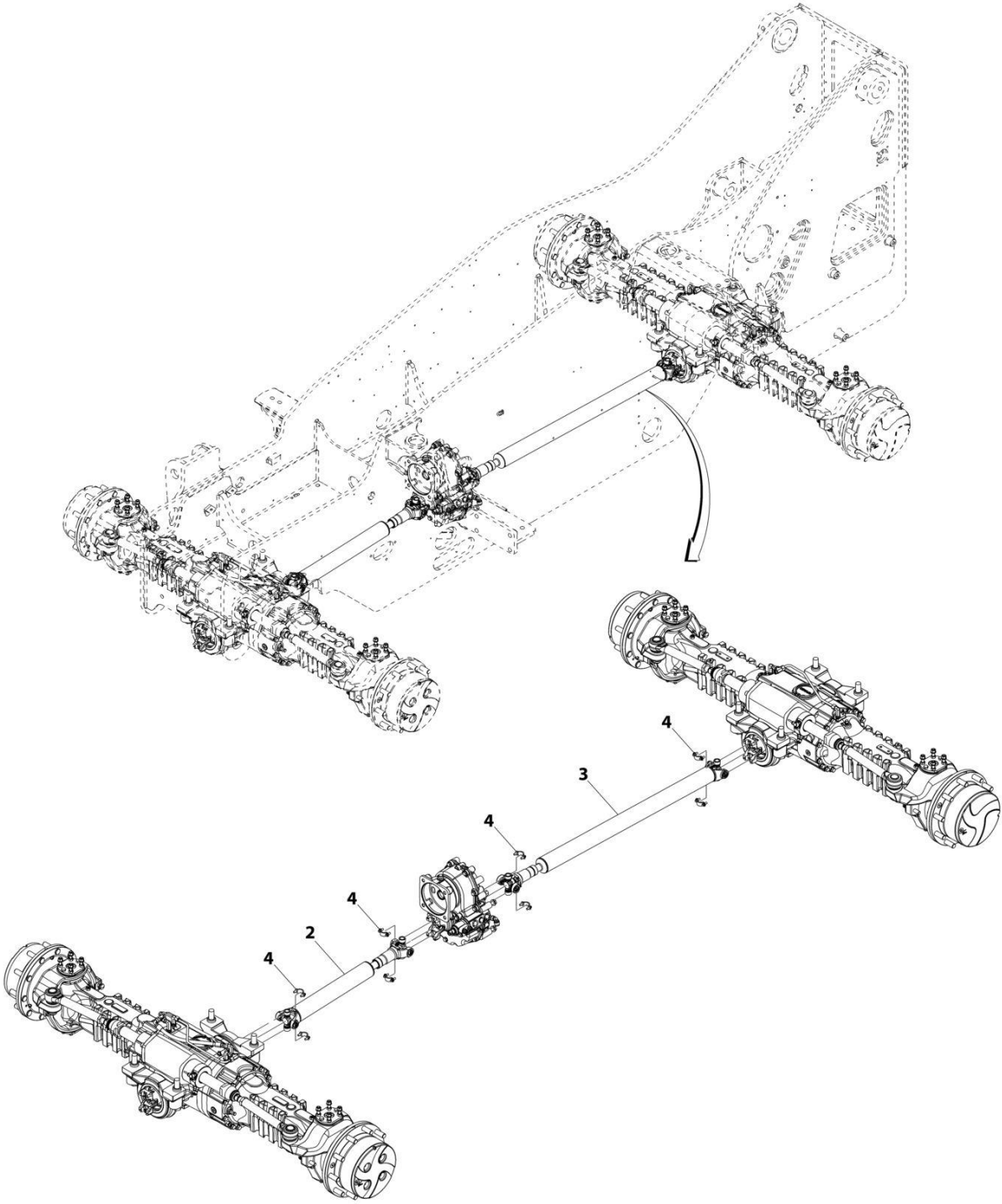
**SECTION 5 - DRIVETRAIN**

**FIGURE 5-33. HYDROSTATIC MOTOR ASSEMBLY**

<b>ITEM</b>	<b>PART NUMBER</b>	<b>QTY</b>	<b>DESCRIPTION</b>	<b>REV</b>
	1001217620	Ref	Hydrostatic Motor Assembly	B
1	2111616	1	Fitting, Straight ORFS	
2	2220811	1	Fitting, Straight	
3	1001009163	1	O-Ring	
4	1001128478	1	Sensor	
5	1001193308	1	Motor, Hydrostatic (See Separate Breakdown in HYDRAULIC COMPONENTS Section)	
6	1001220760	1	Fitting, Straight	
7	1001217669	1	Fitting, Straight	

**SECTION 5 - DRIVETRAIN**

**FIGURE 5-34. DRIVE SHAFT INSTALLATION**



ART\_1001184981-B

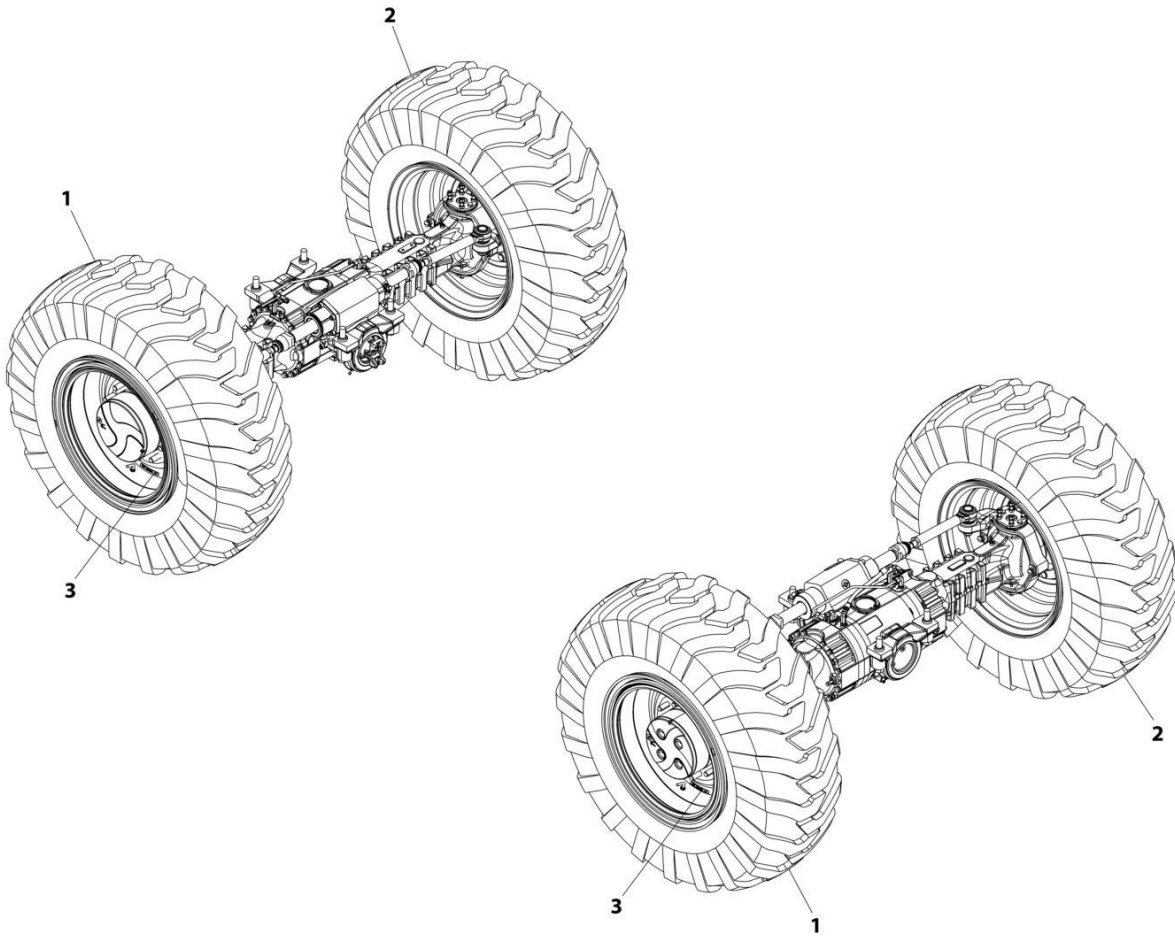
**SECTION 5 - DRIVETRAIN**

**FIGURE 5-34. DRIVE SHAFT INSTALLATION**

<b>ITEM</b>	<b>PART NUMBER</b>	<b>QTY</b>	<b>DESCRIPTION</b>	<b>REV</b>
	1001184981	Ref	Drive Shaft Installation	B
2	1001184987	1	Assembly, Drive Shaft	
3	1001184988	1	Assembly, Drive Shaft	
4	8880219-OM	4	Kit, Strap	

# SECTION 5 - DRIVETRAIN

FIGURE 5-35. TIRE/WHEEL SET (AIR 17.5-25 - 20 PLY)



ART\_1001192168-C

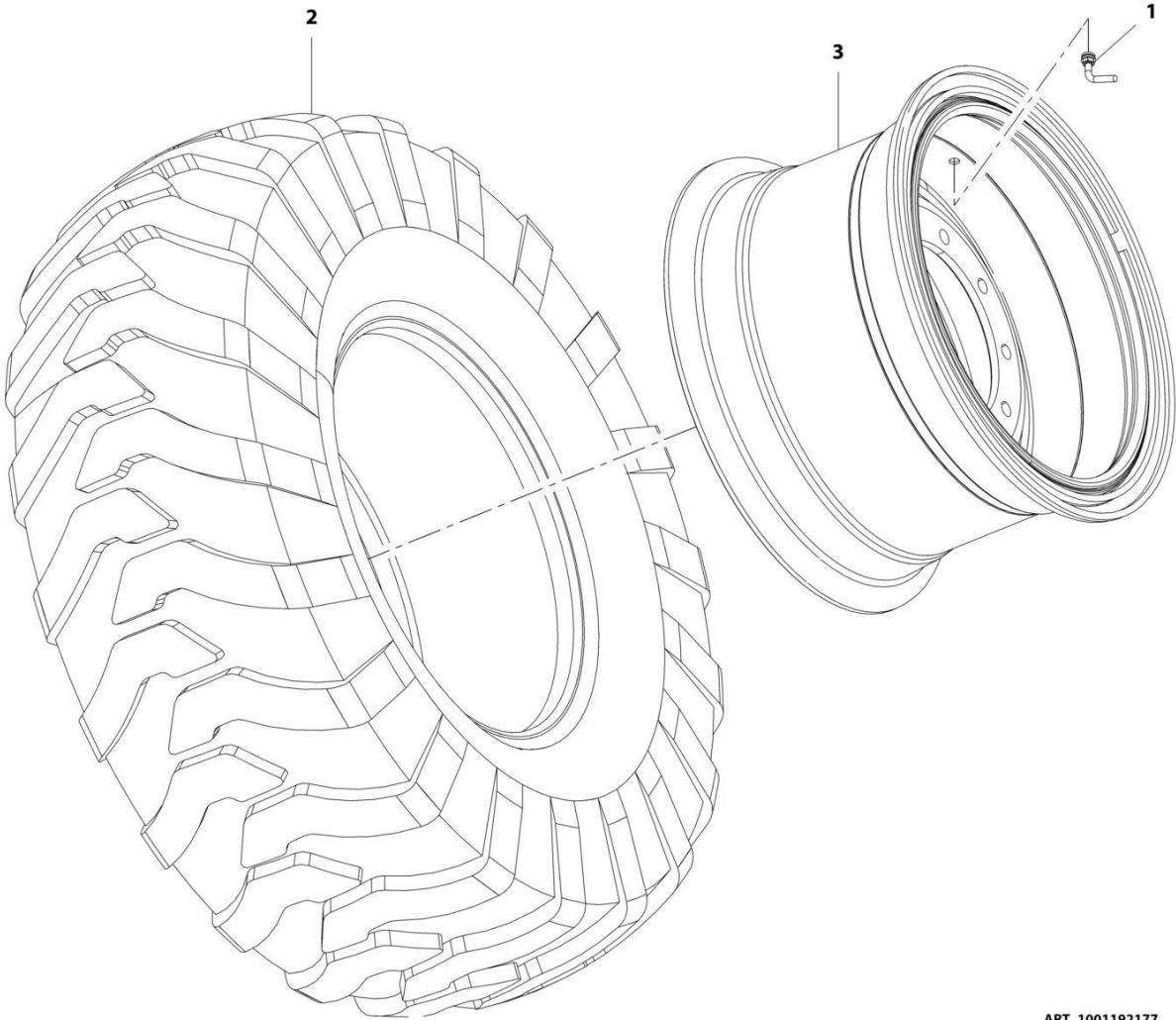
**SECTION 5 - DRIVETRAIN**

**FIGURE 5-35. TIRE/WHEEL SET (AIR 17.5-25 - 20 PLY)**

ITEM	PART NUMBER	QTY	DESCRIPTION	REV
	1001192168	1	Tire/Wheel Set (Air 17.5-25 - 20 PLY)	C
1	1001192177	2	Assembly, Right Tire/Wheel (Air 17.5-25 - 20 PLY)	
1	8786549	1	Valve, Stem	
1	1001187423	1	Tire, 17.5-25 20 PLY	
1	1001189288J	1	Wheel, 25X14.0 DTU 10 Hole	
2	1001192178	2	Assembly, Left Tire/Wheel (Air 17.5-25 - 20 PLY)	
2	8786549	1	Valve, Stem	
2	1001187423	1	Tire, 17.5-25 20 PLY	
2	1001189288J	1	Wheel, 25X14.0 DTU 10 Hole	
3	1001229201	4	Decal	

**SECTION 5 - DRIVETRAIN**

**FIGURE 5-36. RIGHT TIRE/WHEEL ASSEMBLY (AIR 17.5-25 - 20 PLY)**



ART\_1001192177

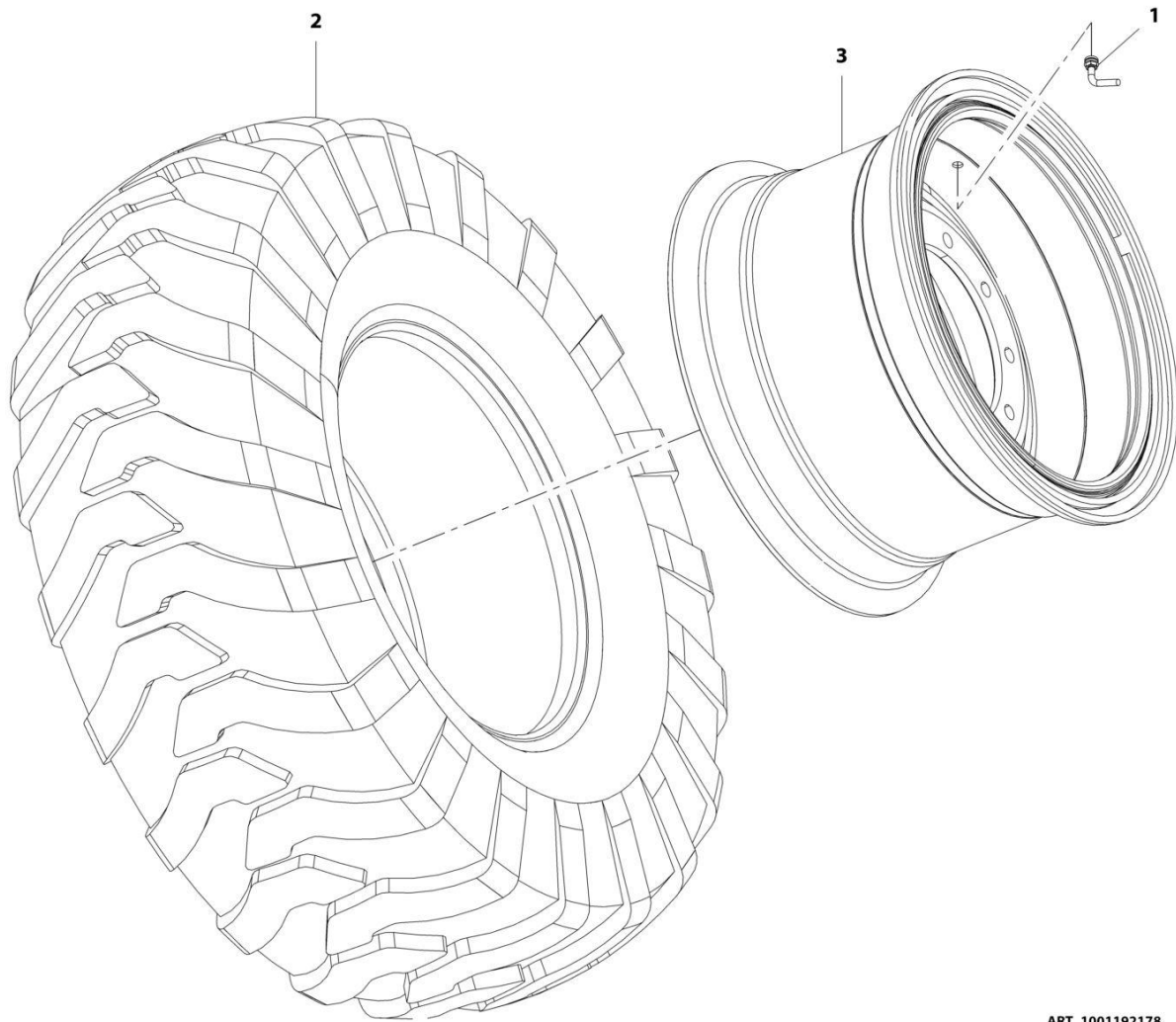
**SECTION 5 - DRIVETRAIN**

**FIGURE 5-36. RIGHT TIRE/WHEEL ASSEMBLY (AIR 17.5-25 - 20 PLY)**

<b>ITEM</b>	<b>PART NUMBER</b>	<b>QTY</b>	<b>DESCRIPTION</b>	<b>REV</b>
	1001192177	Ref	Right Tire/Wheel Assembly (Air 17.5-25 - 20 PLY)	D
1	8786549	1	Valve, Stem	
2	1001187423	1	Tire, 17.5-25 20 PLY	
3	1001189288J	1	Wheel, 25X14.0 DTU 10 Hole	

# SECTION 5 - DRIVETRAIN

FIGURE 5-37. LEFT TIRE/WHEEL ASSEMBLY (AIR 17.5-25 - 20 PLY)



ART\_1001192178



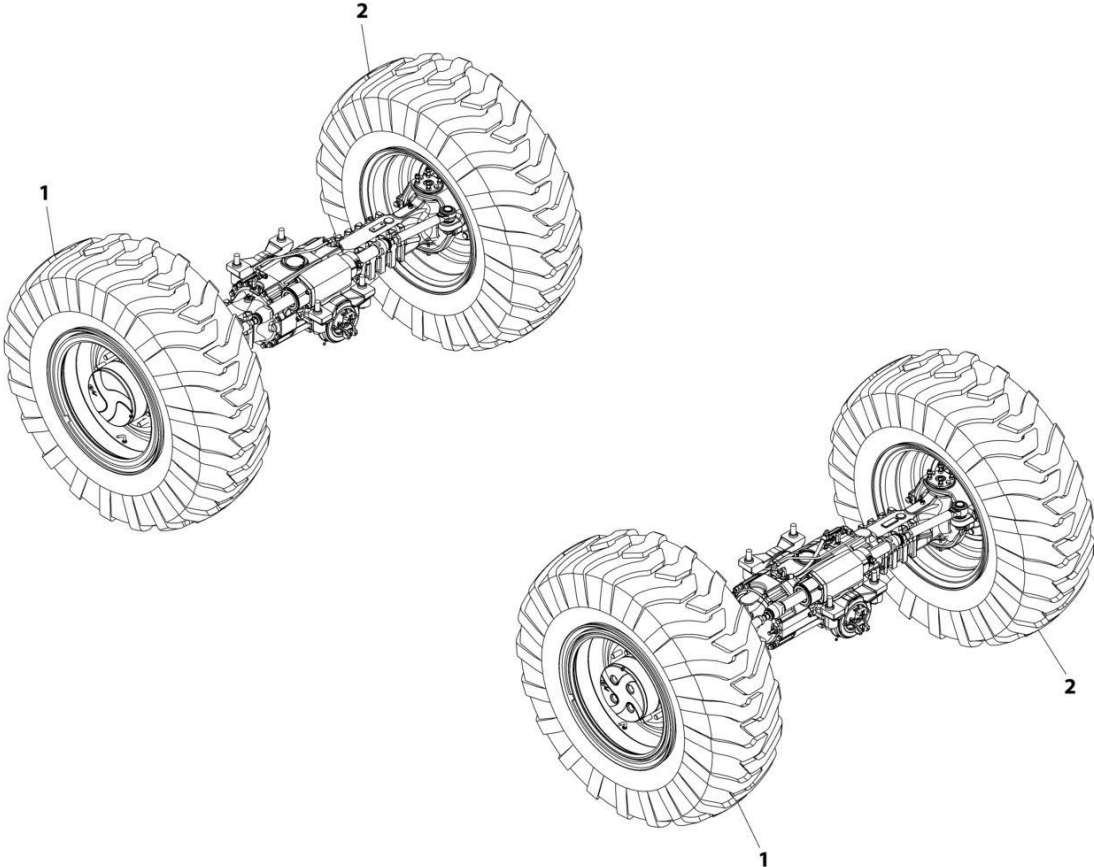
**SECTION 5 - DRIVETRAIN**

**FIGURE 5-37. LEFT TIRE/WHEEL ASSEMBLY (AIR 17.5-25 - 20 PLY)**

<b>ITEM</b>	<b>PART NUMBER</b>	<b>QTY</b>	<b>DESCRIPTION</b>	<b>REV</b>
	1001192178	Ref	Left Tire/Wheel Assembly (Air 17.5-25 - 20 PLY)	D
1	8786549	1	Valve, Stem	
2	1001187423	1	Tire, 17.5-25 20 PLY	
3	1001189288J	1	Wheel, 25X14.0 DTU 10 Hole	

**SECTION 5 - DRIVETRAIN**

**FIGURE 5-38. TIRE/WHEEL SET (FOAM 17.5-25 - 20 PLY)**



ART\_1001192170-A

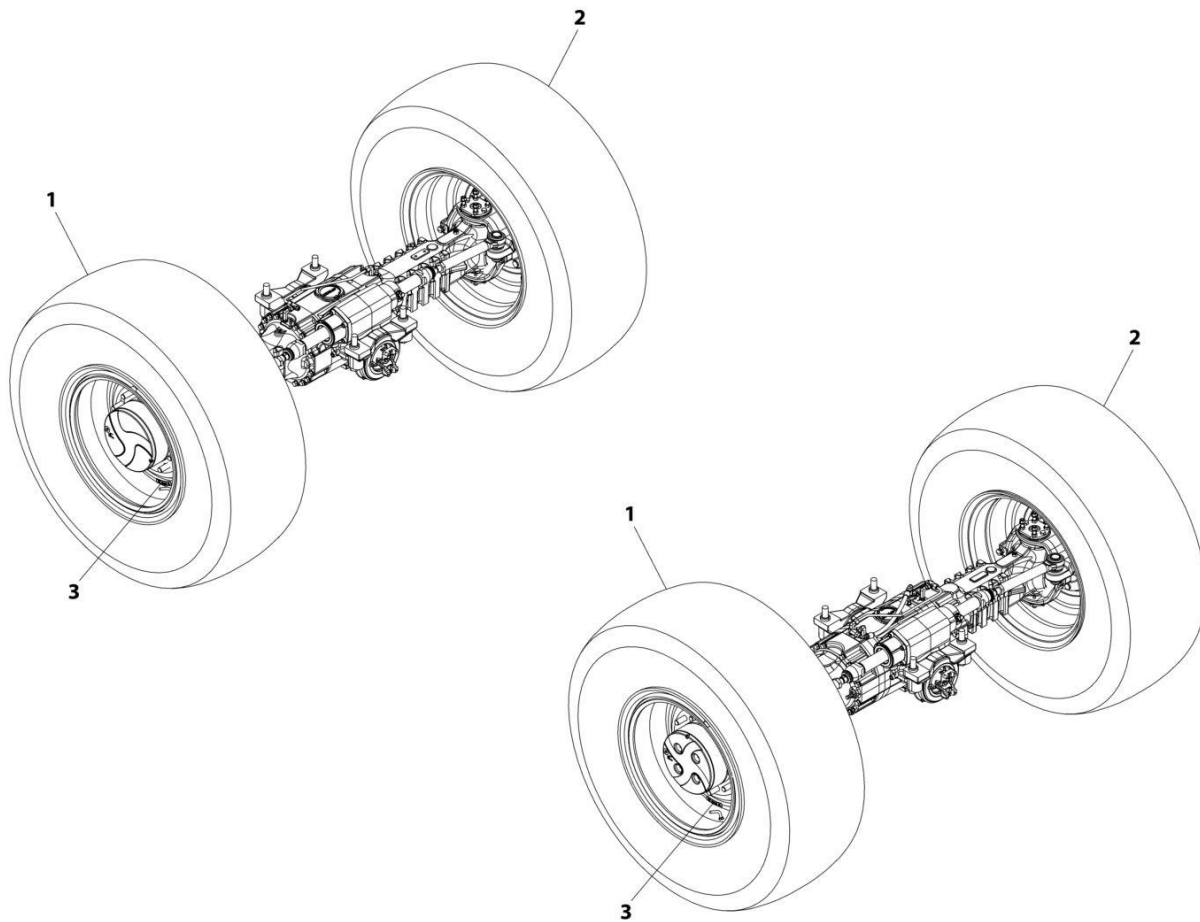
**SECTION 5 - DRIVETRAIN**

**FIGURE 5-38. TIRE/WHEEL SET (FOAM 17.5-25 - 20 PLY)**

ITEM	PART NUMBER	QTY	DESCRIPTION	REV
	1001192170	1	Tire/Wheel Set (Foam 17.5-25 - 20 PLY)	A
		Ref	<b>Note: Requires ballast/foam filling to manufacturer's specifications prior to installing on a machine. Refer to Service and Maintenance Manuals. Purchase individual tire and/or rim only if able to foam fill tire and wheel assembly, otherwise, purchase complete.</b>	
1	1001192180	2	Assembly, Right Tire/Wheel (Foam 17.5-25 - 20 PLY)	
1	8786549	1	Valve, Stem	
1	1001187423	1	Tire, 17.5-25 20 PLY	
1	1001189288J	1	Wheel, 25X14.0 DTU 10 Hole	
2	1001192181	2	Assembly, Left Tire/Wheel (Foam 17.5-25 - 20 PLY)	
2	8786549	1	Valve, Stem	
2	1001187423	1	Tire, 17.5-25 20 PLY	
2	1001189288J	1	Wheel, 25X14.0 DTU 10 Hole	

# SECTION 5 - DRIVETRAIN

FIGURE 5-39. TIRE/WHEEL SET (AIR 17.5 R25 - RADIAL)



ART\_1001221270-A

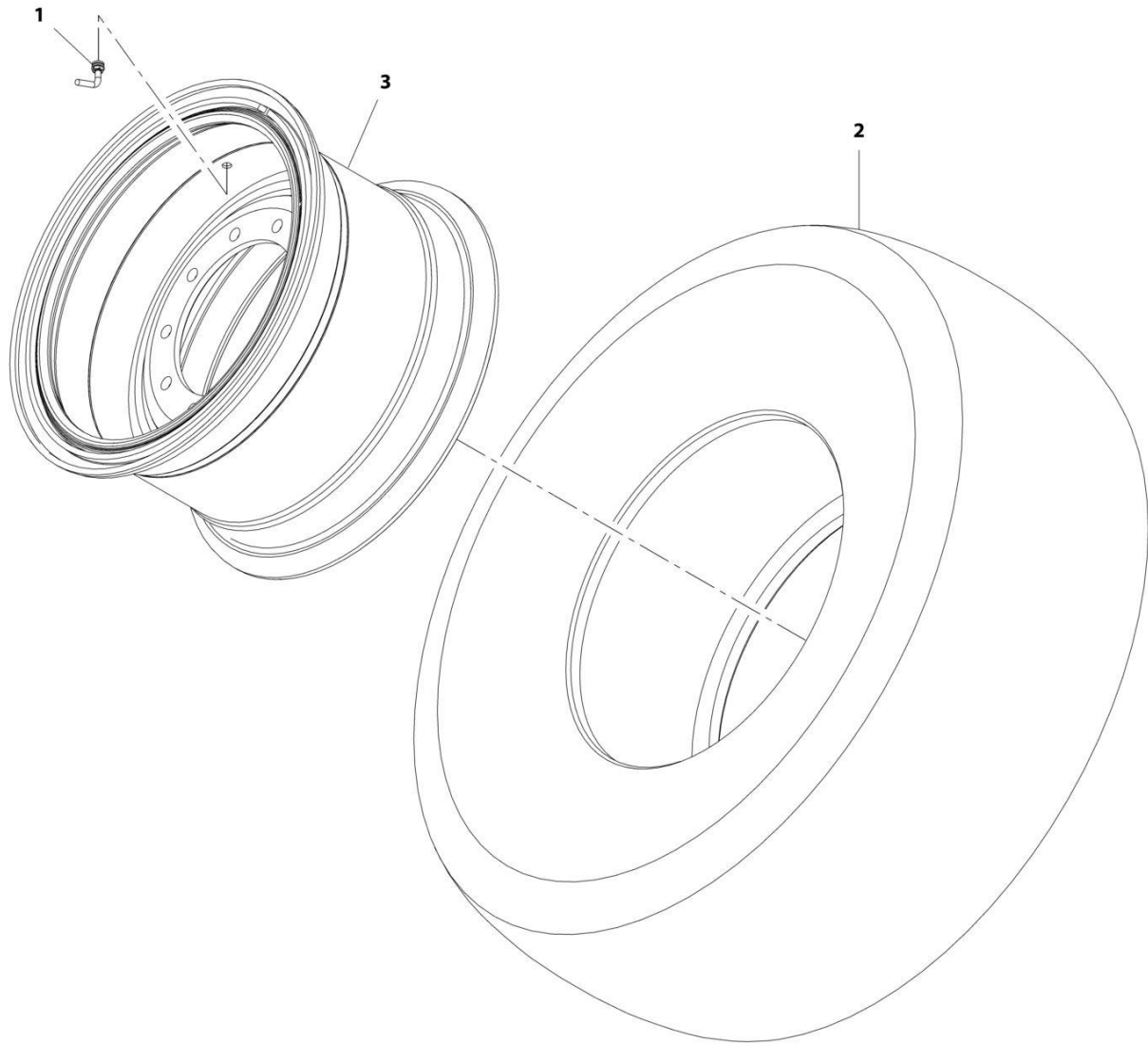
**SECTION 5 - DRIVETRAIN**

**FIGURE 5-39. TIRE/WHEEL SET (AIR 17.5 R25 - RADIAL)**

ITEM	PART NUMBER	QTY	DESCRIPTION	REV
	1001221270	1	Tire/Wheel Set (Air 17.5 R25 - Radial)	A
1	1001221157	2	Assembly, Right Tire/Wheel (Air 17.5 R25 - Radial)	
1	8786549	1	Valve, Stem	
1	1001221087	1	Tire, 17.5 R25 Radial	
1	1001189288J	1	Wheel, 25X14.0 DTU 10 Hole	
2	1001221321	2	Assembly, Left Tire/Wheel (Air 17.5 R25 - Radial)	
2	8786549	1	Valve, Stem	
2	1001221087	1	Tire, 17.5 R25 Radial	
2	1001189288J	1	Wheel, 25X14.0 DTU 10 Hole	
3	1001221734	4	Decal	

# SECTION 5 - DRIVETRAIN

FIGURE 5-40. RIGHT TIRE/WHEEL ASSEMBLY (AIR 17.5 R25 - RADIAL)



ART\_1001221157

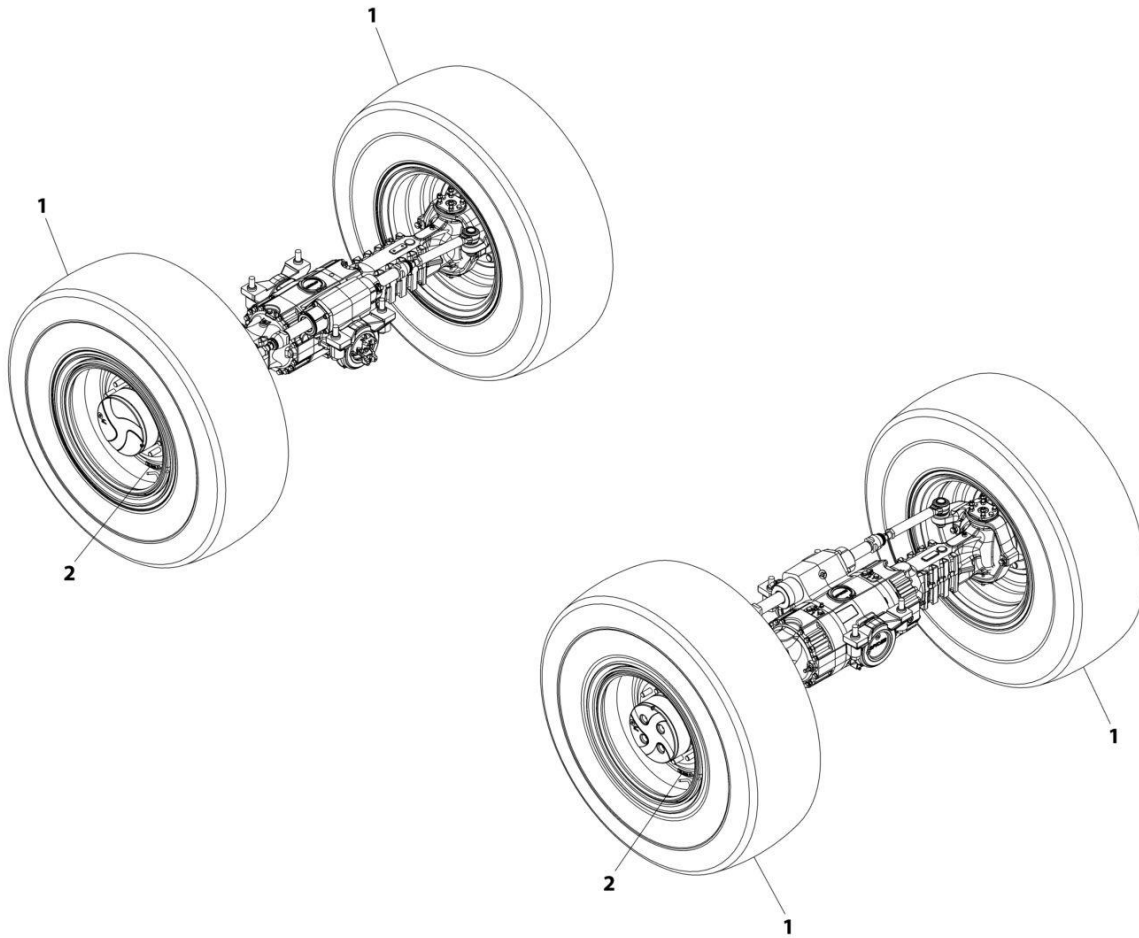
**SECTION 5 - DRIVETRAIN**

**FIGURE 5-40. RIGHT TIRE/WHEEL ASSEMBLY (AIR 17.5 R25 - RADIAL)**

<b>ITEM</b>	<b>PART NUMBER</b>	<b>QTY</b>	<b>DESCRIPTION</b>	<b>REV</b>
	1001221157	Ref	Right Tire/Wheel Assembly (Air 17.5 R25 - Radial)	D
1	8786549	1	Valve, Stem	
2	1001221087	1	Tire, 17.5 R25 Radial	
3	1001189288J	1	Wheel, 25X14.0 DTU 10 Hole	

# SECTION 5 - DRIVETRAIN

FIGURE 5-41. TIRE/WHEEL SET (AIR 17.5-25 - 22 PLY)



ART\_1001221695-B



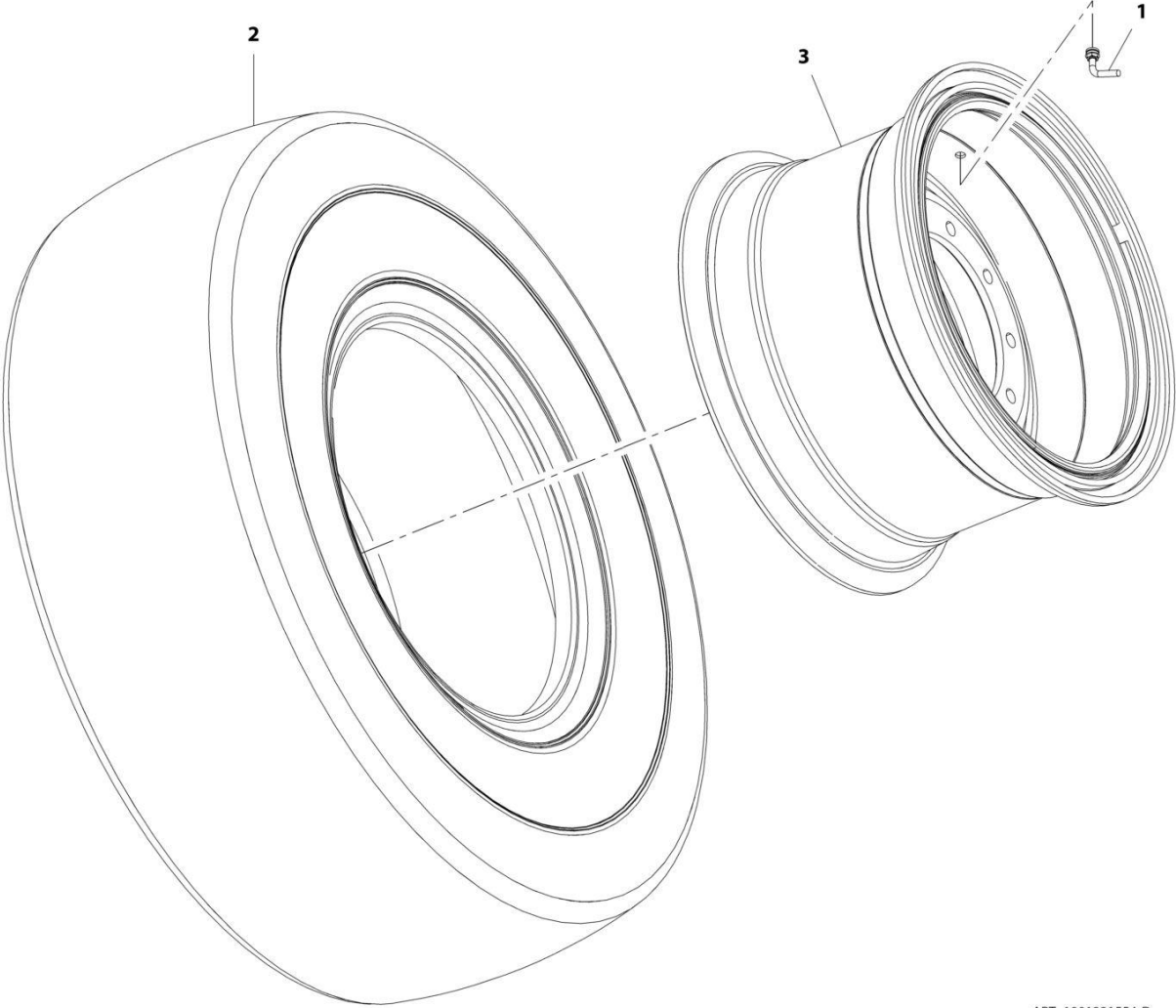
**SECTION 5 - DRIVETRAIN**

**FIGURE 5-41. TIRE/WHEEL SET (AIR 17.5-25 - 22 PLY)**

<b>ITEM</b>	<b>PART NUMBER</b>	<b>QTY</b>	<b>DESCRIPTION</b>	<b>REV</b>
	1001221695	Ref	Tire/Wheel Set (Air 17.5-25 - 22 PLY)	B
1	1001221554	4	Assembly, Tire/Wheel (Air 17.5-25 - 22 PLY)	
1	8786549	1	Valve, Stem	
1	1001221553	1	Tire, 17.5-25 EM60 22 PLY	
1	1001189288J	1	Wheel, 25X14.0 DTU 10 Hole	
2	1001229201	4	Decal	

**SECTION 5 - DRIVETRAIN**

**FIGURE 5-42. TIRE/WHEEL ASSEMBLY (AIR 17.5-25 - PLY)**



ART\_1001221554-D

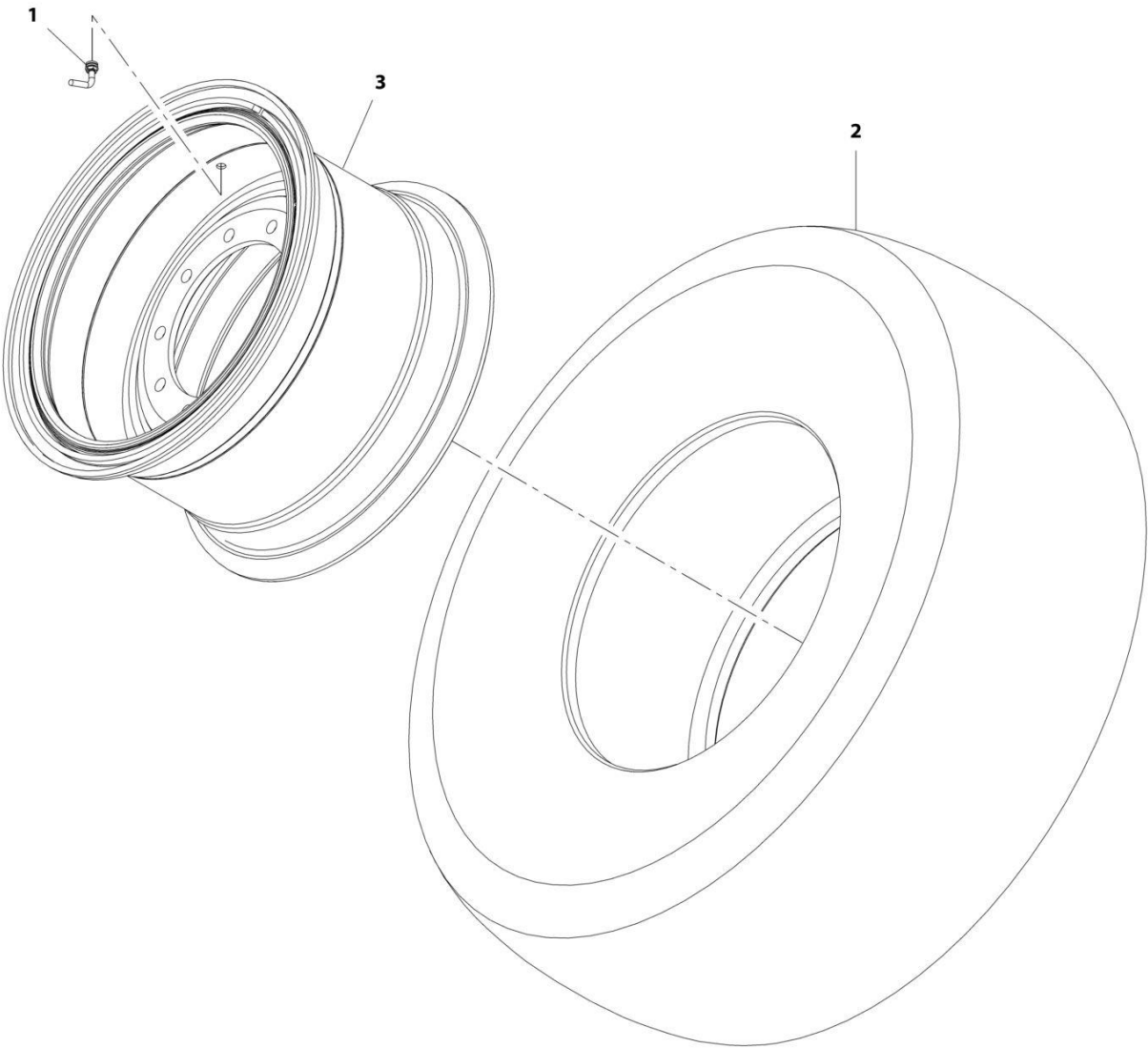
**SECTION 5 - DRIVETRAIN**

**FIGURE 5-42. TIRE/WHEEL ASSEMBLY (AIR 17.5-25 - PLY)**

<b>ITEM</b>	<b>PART NUMBER</b>	<b>QTY</b>	<b>DESCRIPTION</b>	<b>REV</b>
	1001221554	Ref	Tire/Wheel Assembly (Air 17.5-25 - PLY)	D
1	8786549	1	Valve, Stem	
2	1001221553	1	Tire, 17.5-25 EM60 22 PLY	
3	1001189288J	1	Wheel, 25X14.0 DTU 10 Hole	

**SECTION 5 - DRIVETRAIN**

**FIGURE 5-43. LEFT TIRE/WHEEL ASSEMBLY (AIR 17.5 R25 - RADIAL)**



ART\_1001221321

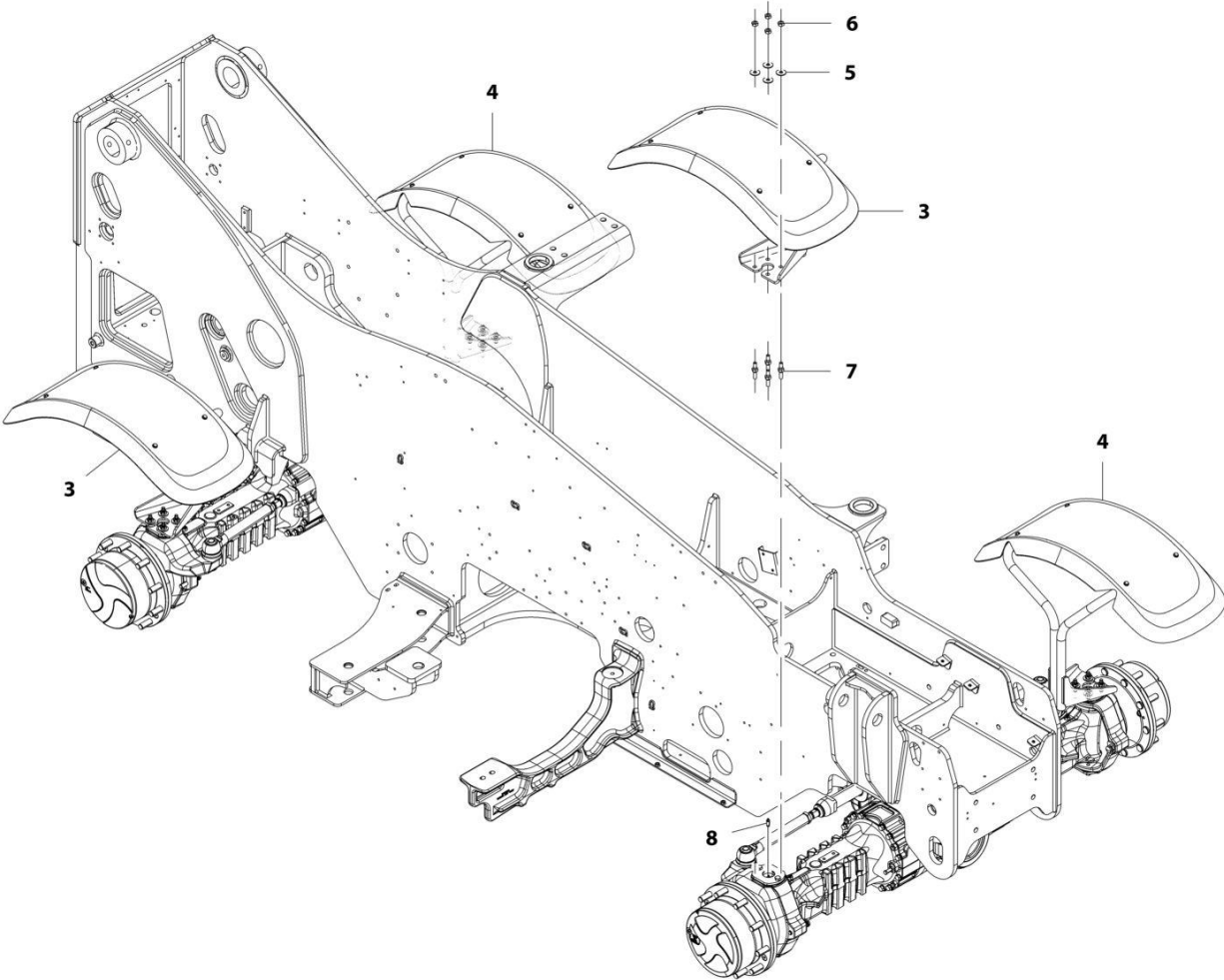
**SECTION 5 - DRIVETRAIN**

**FIGURE 5-43. LEFT TIRE/WHEEL ASSEMBLY (AIR 17.5 R25 - RADIAL)**

<b>ITEM</b>	<b>PART NUMBER</b>	<b>QTY</b>	<b>DESCRIPTION</b>	<b>REV</b>
	1001221321	Ref	Left Tire/Wheel Assembly (Air 17.5 R25 - Radial)	D
1	8786549	1	Valve, Stem	
2	1001221087	1	Tire, 17.5 R25 Radial	
3	1001189288J	1	Wheel, 25X14.0 DTU 10 Hole	

**SECTION 5 - DRIVETRAIN**

**FIGURE 5-44. FENDER INSTALLATION**



ART\_1001174129-E

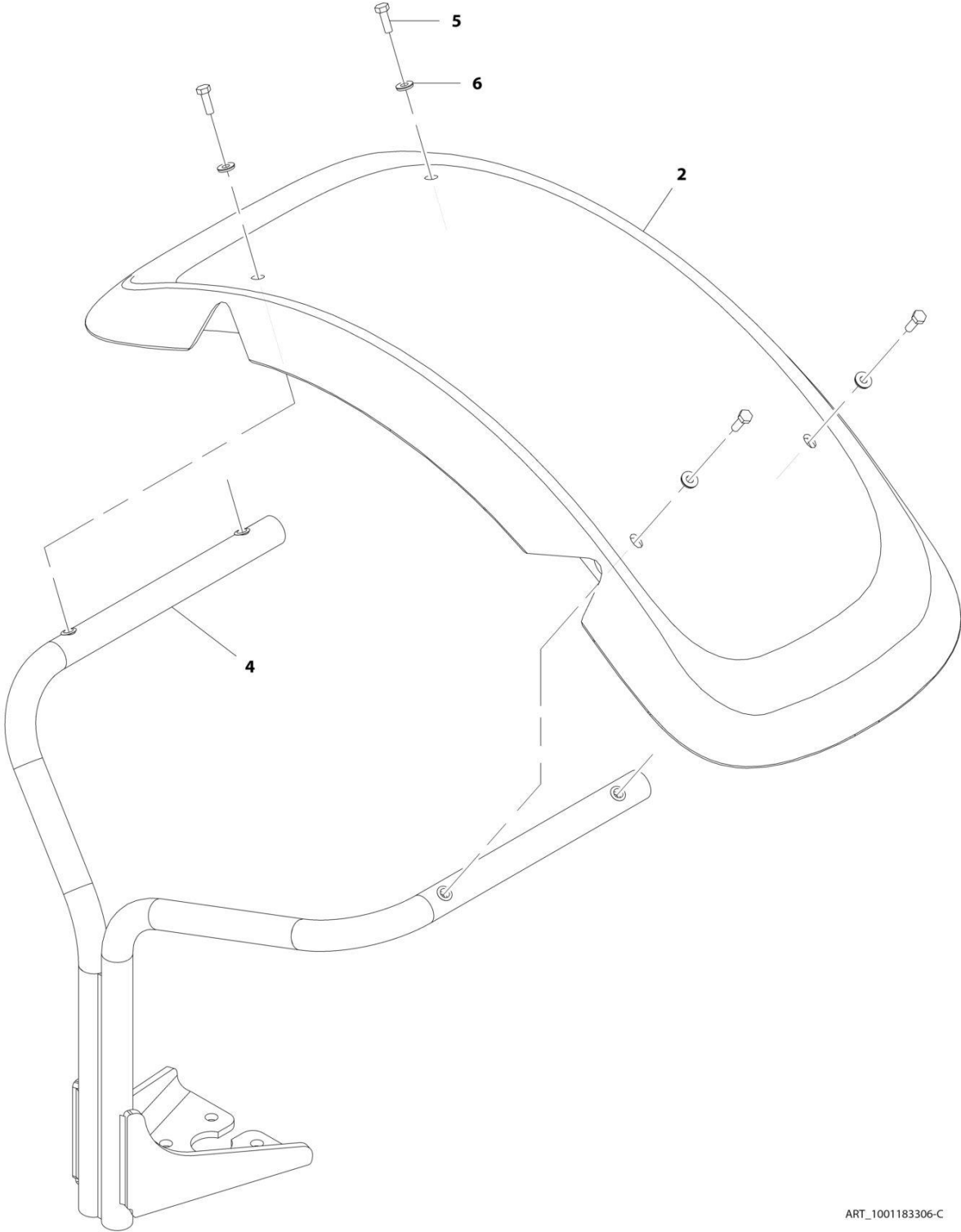
**SECTION 5 - DRIVETRAIN**

**FIGURE 5-44. FENDER INSTALLATION**

<b>ITEM</b>	<b>PART NUMBER</b>	<b>QTY</b>	<b>DESCRIPTION</b>	<b>REV</b>
	1001174129	Ref	Fender Installation	E
3	1001183306	2	Assembly, RH Fender (See Separate Breakdown in this Section)	
4	1001183307	2	Assembly, LH Fender (See Separate Breakdown in this Section)	
5	4812102	16	Washer, M12	
6	91513266	16	Nut, M12X1.25	
7	91514118	16	Stud, Fender	
8	1001225317	4	Fitting, Grease	

**SECTION 5 - DRIVETRAIN**

**FIGURE 5-45. RH FENDER ASSEMBLY**



ART\_1001183306-C



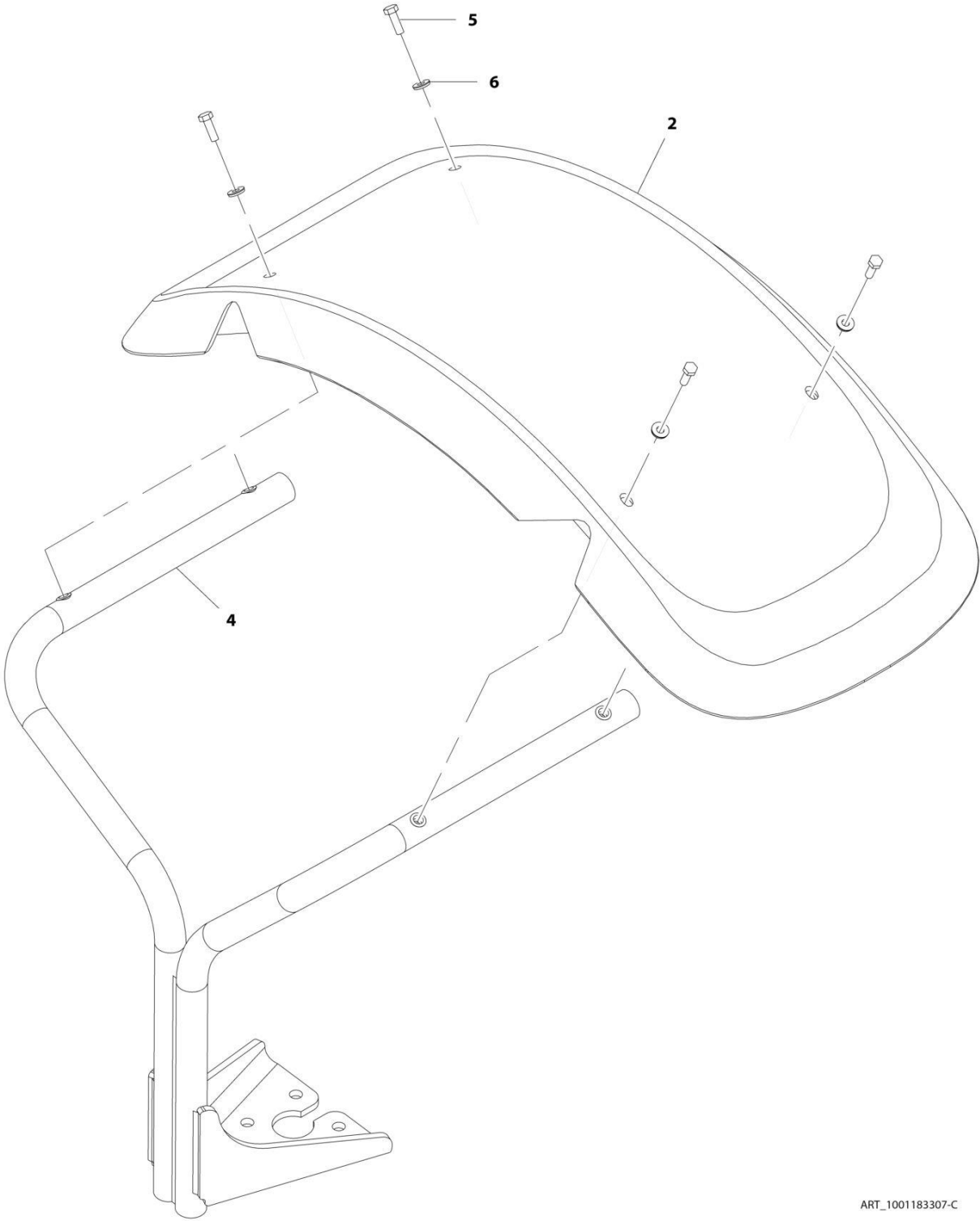
**SECTION 5 - DRIVETRAIN**

**FIGURE 5-45. RH FENDER ASSEMBLY**

<b>ITEM</b>	<b>PART NUMBER</b>	<b>QTY</b>	<b>DESCRIPTION</b>	<b>REV</b>
	1001183306	Ref	RH Fender Assembly	C
2	1001168264	1	Fender	
4	1001183308	1	Bracket	
5	0760812	4	Bolt, M8X25	
6	1001202786	4	Washer	

**SECTION 5 - DRIVETRAIN**

**FIGURE 5-46. LH FENDER ASSEMBLY**



ART\_1001183307-C

**SECTION 5 - DRIVETRAIN**

**FIGURE 5-46. LH FENDER ASSEMBLY**

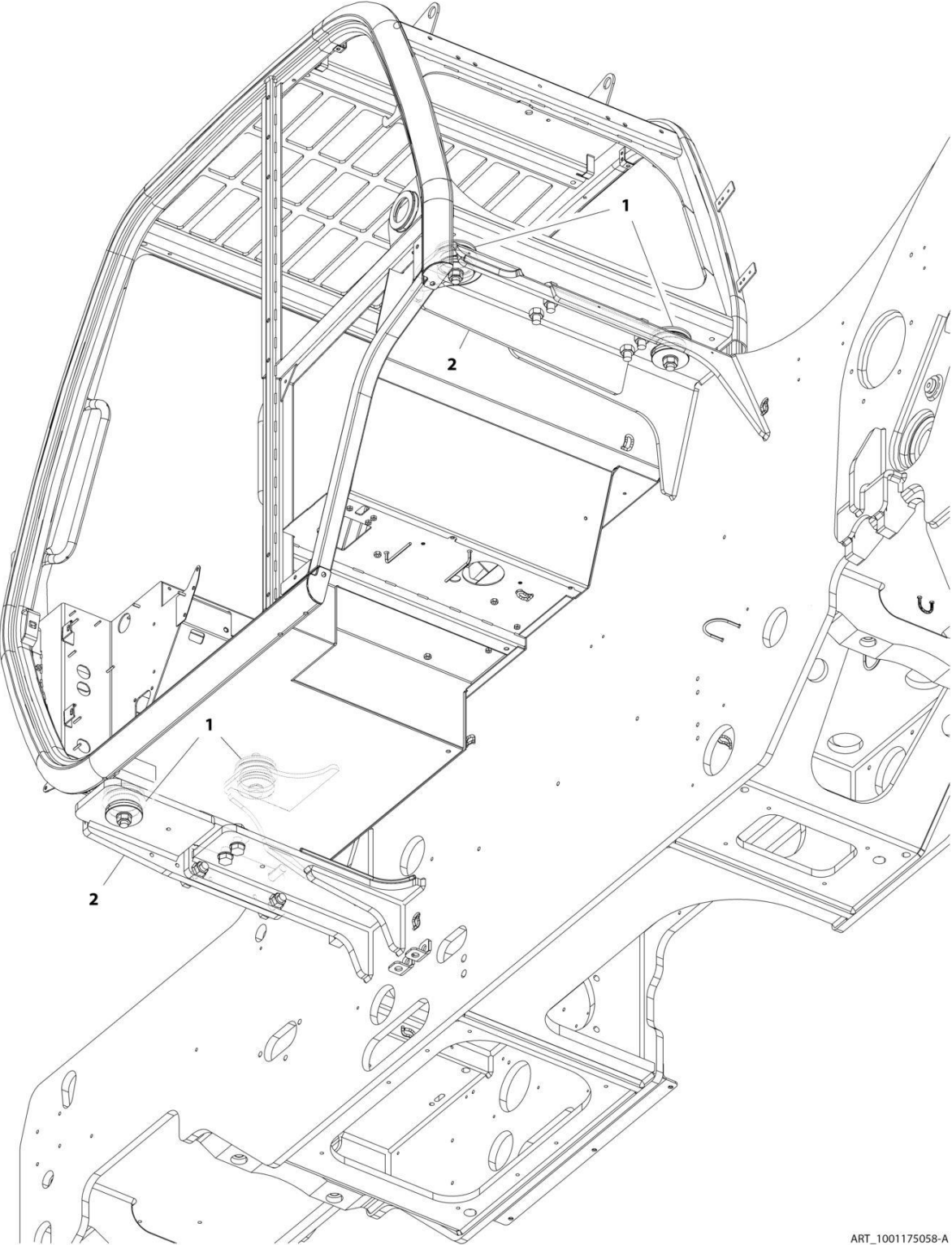
<b>ITEM</b>	<b>PART NUMBER</b>	<b>QTY</b>	<b>DESCRIPTION</b>	<b>REV</b>
	1001183307	Ref	LH Fender Assembly	C
2	1001168264	1	Fender	
4	1001183309	1	Bracket	
5	0760812	4	Bolt, M8X25	
6	1001202786	4	Washer	



**SECTION 6 - CAB**

**SECTION 6 - CAB**

**FIGURE 6-1. CAB MOUNTING INSTALLATION**



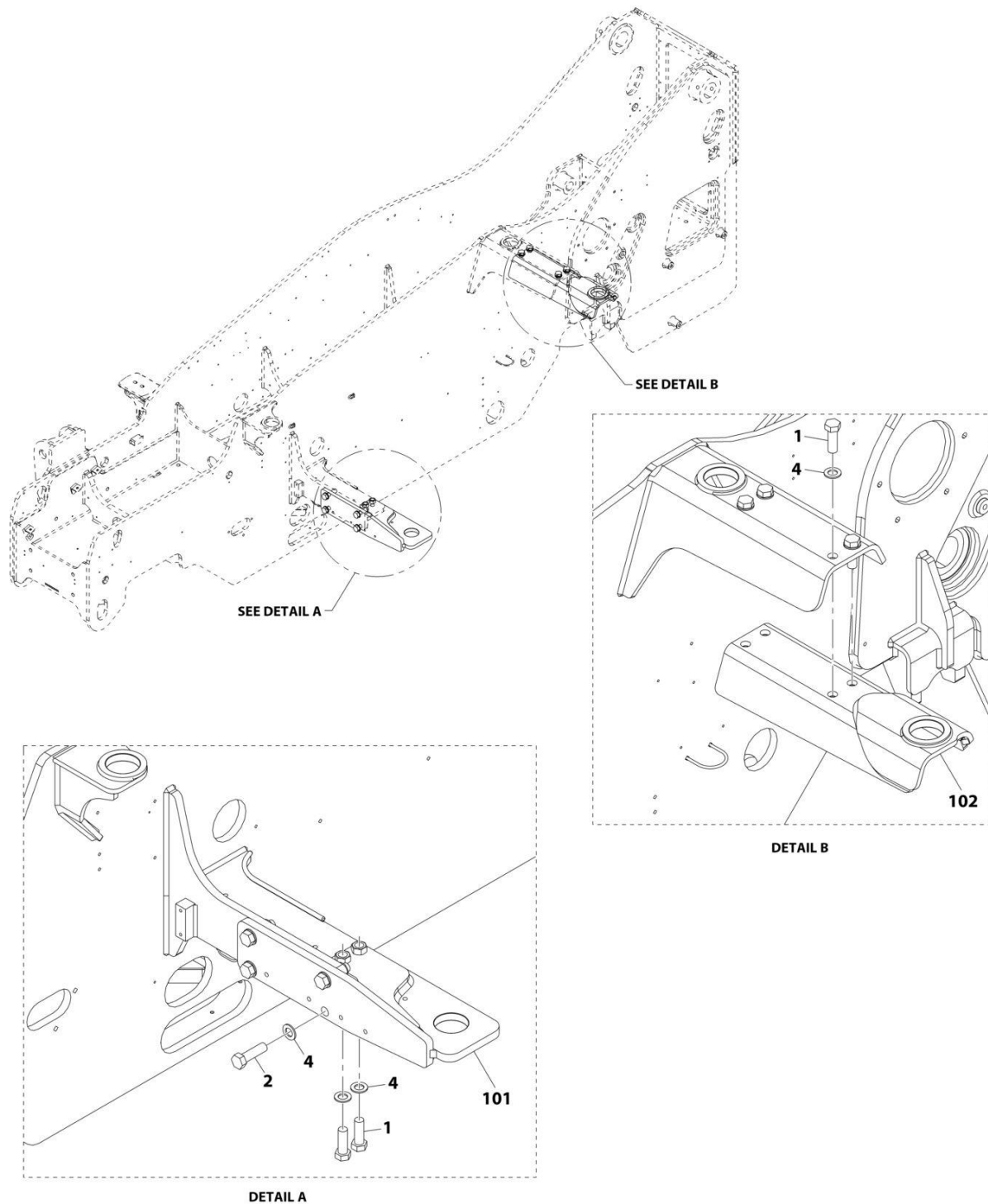
ART\_1001175058-A

**FIGURE 6-1. CAB MOUNTING INSTALLATION**

<b>ITEM</b>	<b>PART NUMBER</b>	<b>QTY</b>	<b>DESCRIPTION</b>	<b>REV</b>
1	1001175058	Ref	Cab Mounting Installation	A
	1001155446	Ref	Installation, Cab Mount (See Separate Breakdown in this Section)	
	1001191255	Ref	Installation, Front Cab Mount Bracket (See Separate Breakdown in this Section)	

# SECTION 6 - CAB

## FIGURE 6-2. FRONT CAB MOUNT BRACKET INSTALLATION



ART\_1001191255-E

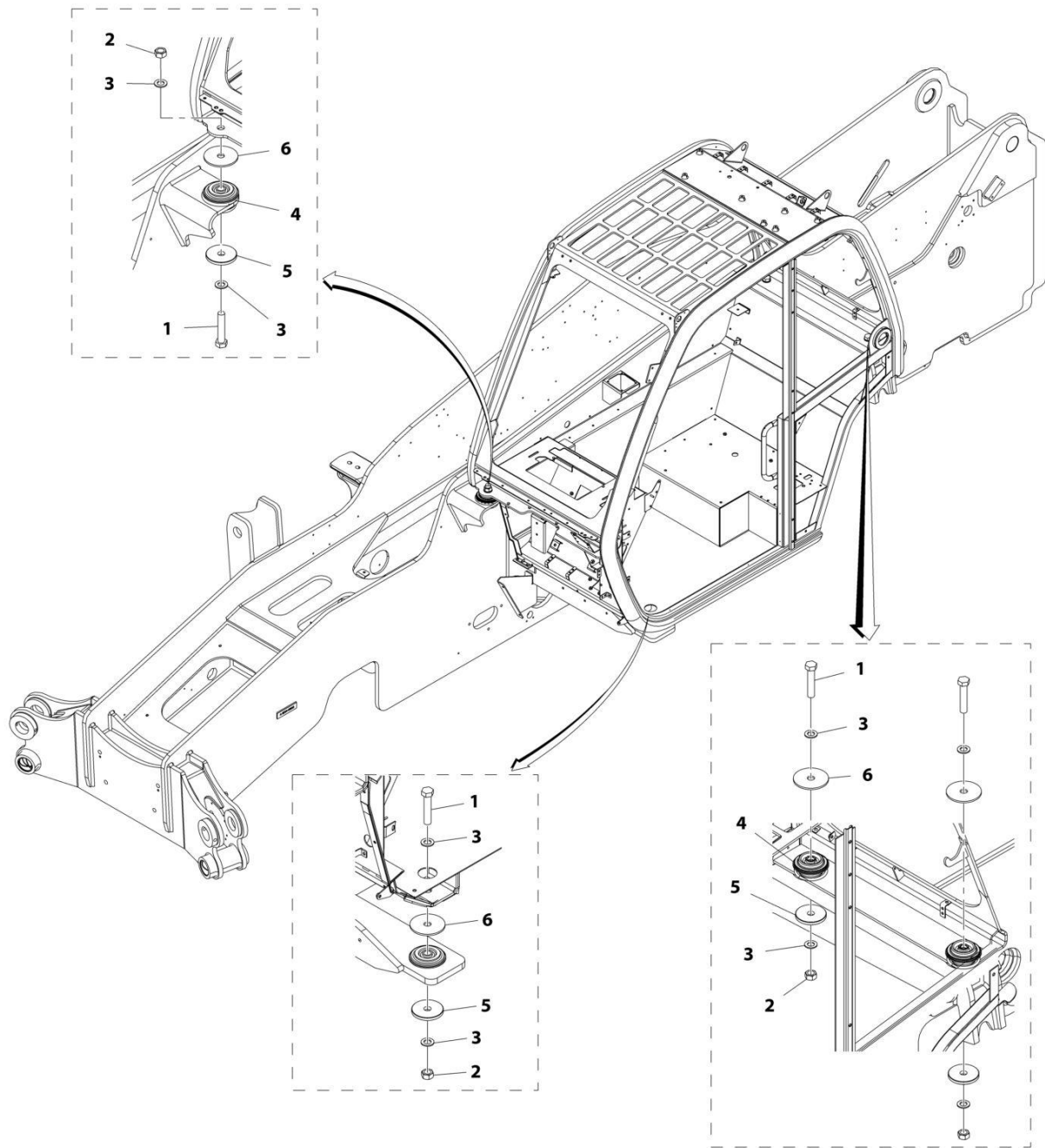


FIGURE 6-2. FRONT CAB MOUNT BRACKET INSTALLATION

ITEM	PART NUMBER	QTY	DESCRIPTION	REV
	1001191255	Ref	Front Cab Mount Bracket Installation	E
1	0712020	6	Bolt, M20X60	
2	0712022	4	Bolt, M20X70	
4	4812500	10	Washer, M20	
101	1001191256	1	Bracket	
102	1001191257	1	Bracket	

# SECTION 6 - CAB

## FIGURE 6-3. CAB MOUNTS INSTALLATION



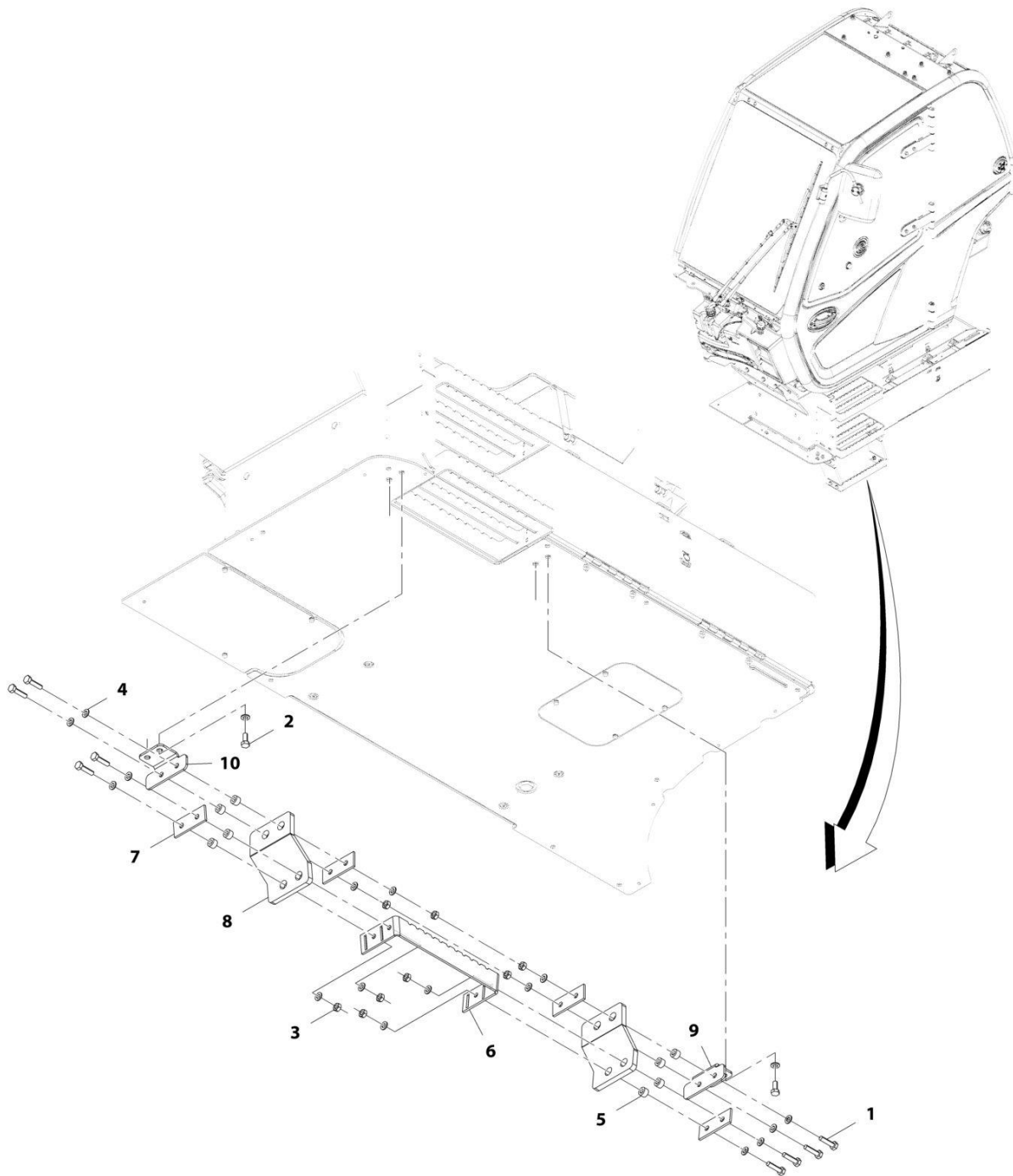
ART\_1001155446-E

FIGURE 6-3. CAB MOUNTS INSTALLATION

ITEM	PART NUMBER	QTY	DESCRIPTION	REV
	1001155446	Ref	Cab Mounts Installation	E
1	0712027	4	Bolt, M20X100	
2	3332011	4	Nut, M20X2.5	
3	4812500	8	Washer, M20	
4	1001166754	4	Mount, Cab Isolation	
5	1001166755	4	Washer, Cab Rebound	
6	1001220540	4	Washer, Cab Mount	

# SECTION 6 - CAB

## FIGURE 6-4. CAB STEP INSTALLATION



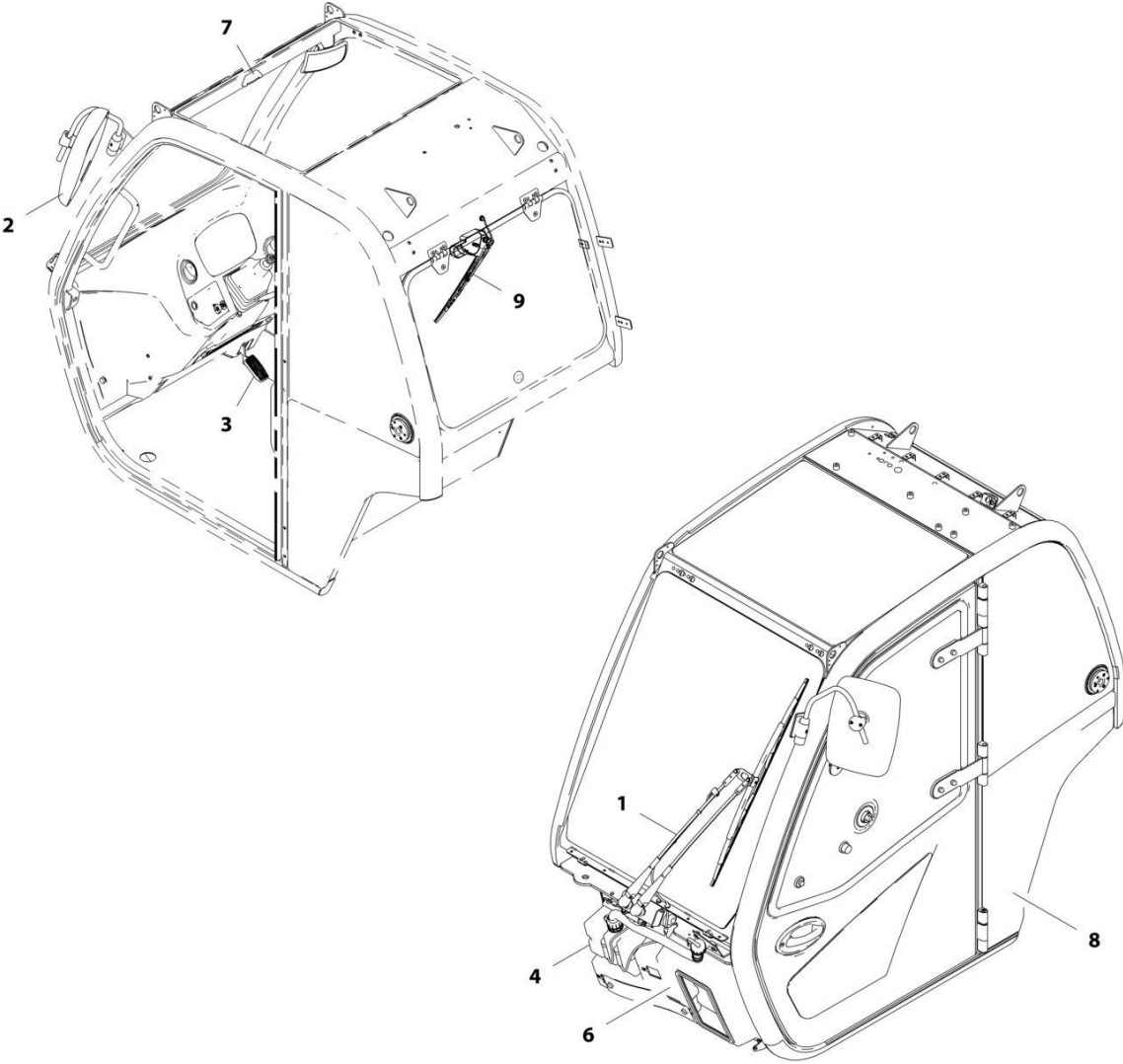
ART\_1001221389-A

FIGURE 6-4. CAB STEP INSTALLATION

ITEM	PART NUMBER	QTY	DESCRIPTION	REV
	1001221389	Ref	Cab Step Installation	A
1	0701016	8	Bolt, M10X40	
2	0761012	4	Bolt, M10X25	
3	3291001	8	Nut, M10X1.5 Grade 8	
4	4812000	20	Washer, M10	
5	1001003254	8	Spacer	
6	1001168962	1	Bracket, Step	
7	1001178831	4	Plate	
8	1001221390	2	Belt, Step	
9	1001221391	1	Plate, Step, RH	
10	1001221392	1	Plate, Step, LH	

**SECTION 6 - CAB**

**FIGURE 6-5. CAB COMPONENTS INSTALLATION**



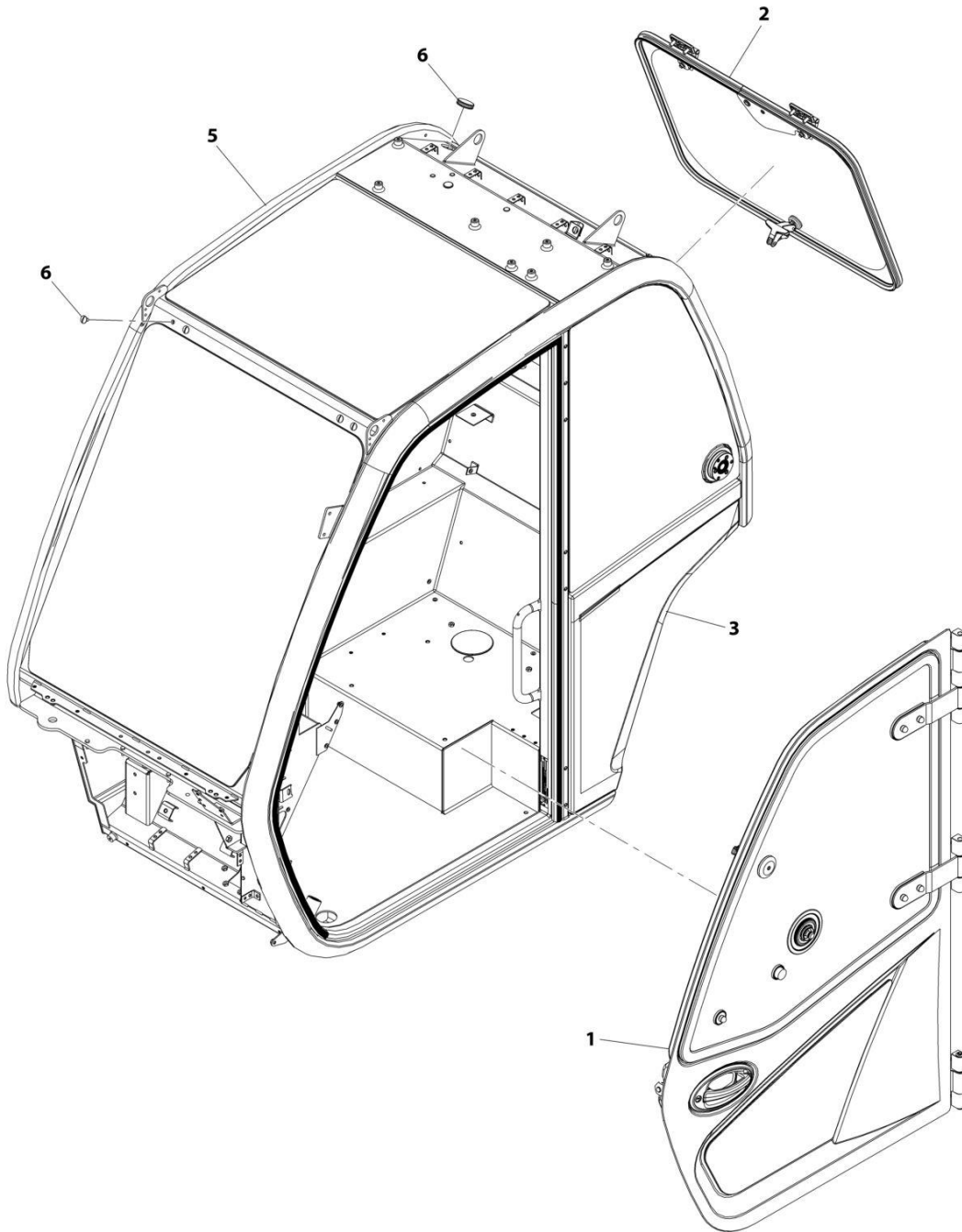
ART\_1001194698

FIGURE 6-5. CAB COMPONENTS INSTALLATION

ITEM	PART NUMBER	QTY	DESCRIPTION	REV
	1001194698	Ref	Cab Components Installation	G
1	1001155447	Ref	Installation, Front Wiper (See Separate Breakdown in this Section)	
2	1001160508	Ref	Installation, Basic Mirror (See Separate Breakdown in this Section)	
3	1001161499	Ref	Installation, Accelerator Pedal (See Separate Breakdown in CONTROLS Section)	
4	1001162789	Ref	Installation, Washer Tank (See Separate Breakdown in this Section)	
6	1001170366	Ref	Installation, Front Cover (See Separate Breakdown in this Section)	
7	1001172401	Ref	Installation, Level Indicator (See Separate Breakdown in this Section)	
8	1001194699	Ref	Installation, Cab (See Separate Breakdown in this Section)	
9	1001220329	Ref	Installation, Rear Wiper (See Separate Breakdown in this Section)	

# SECTION 6 - CAB

## FIGURE 6-6. CAB INSTALLATION



ART\_1001194699

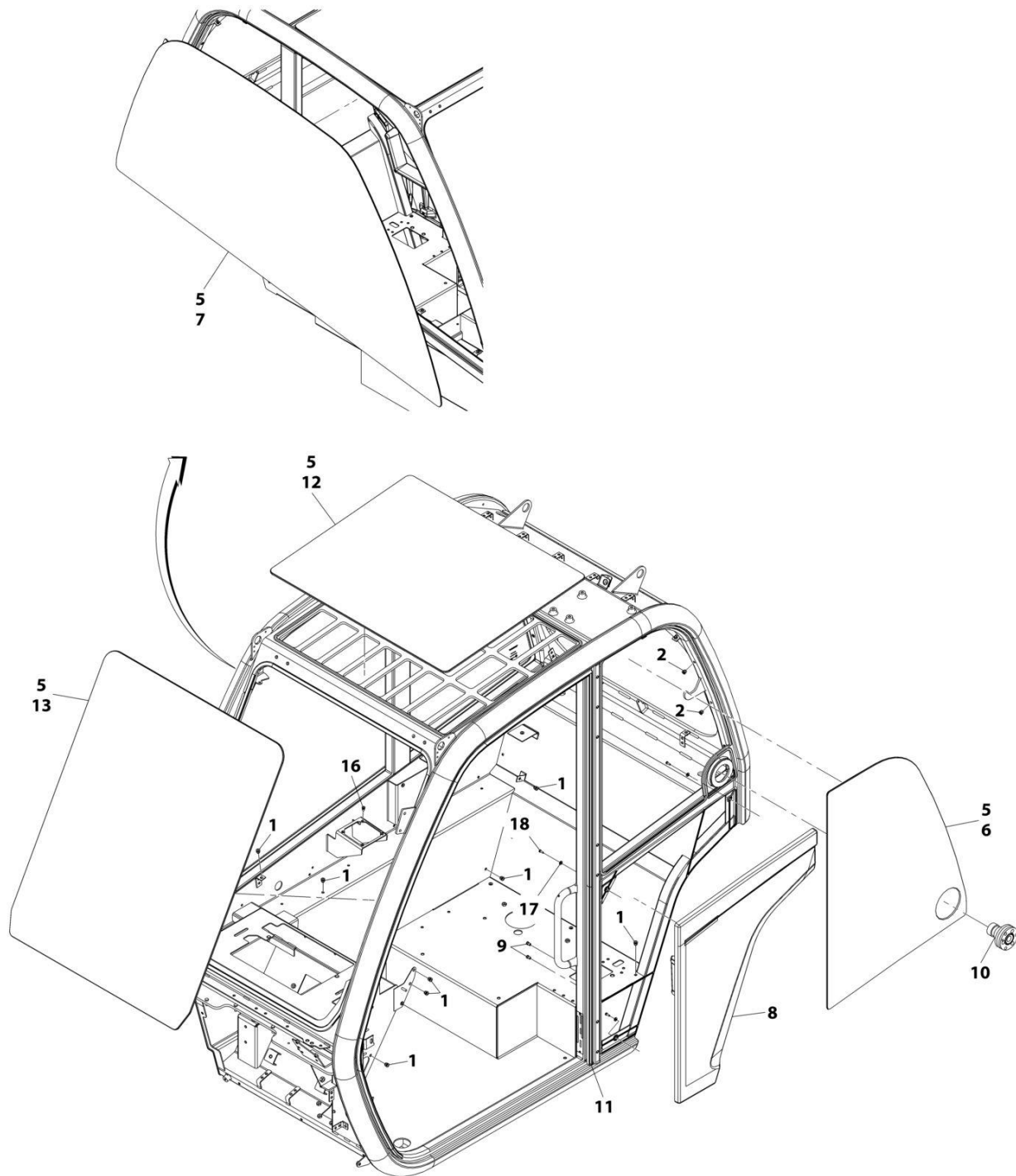


FIGURE 6-6. CAB INSTALLATION

ITEM	PART NUMBER	QTY	DESCRIPTION	REV
	1001194699	Ref	Cab Installation	L
1	1001155228	1	Installation, Cab Door (See Separate Breakdown in this Section)	
2	1001220339	1	Installation, Rear Window (See Separate Breakdown in this Section)	
3	1001194700	1	Assembly, Cab Group (See Separate Breakdown in this Section)	
5	N.S.S.	1	Weldment, Cab	
6	1001195814	1	Group, Cab Plug (See Separate Breakdown in this Section)	

# SECTION 6 - CAB

## FIGURE 6-7. CAB ASSEMBLY



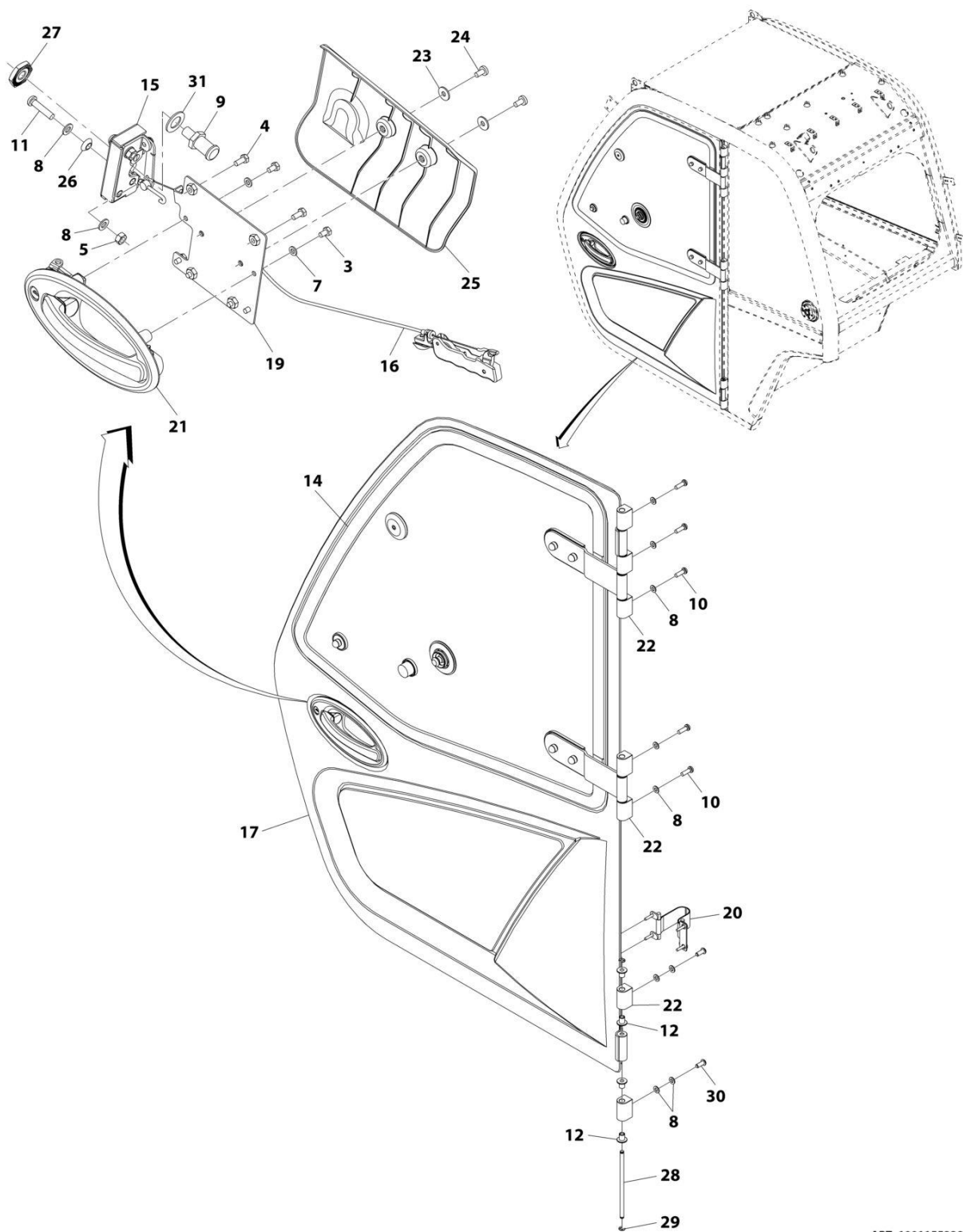
ART\_1001194700-F

FIGURE 6-7. CAB ASSEMBLY

ITEM	PART NUMBER	QTY	DESCRIPTION	REV
	1001194700	Ref	Cab Assembly	G
1	2080086	25	Rivnut M6 x 1	
2	2080087	16	Rivnut M8 x 1.25	
5	1001111317	AR	Compound, Locking	
6	1001152915	1	Glass, LH Screen	
7	1001152947	1	Glass, RH Screen	
8	1001256073	1	Panel, Cab Quarter	
9	1001172193	2	Rivnut M5 x 0.8	
10	1001174320	1	Latch, Top Window	
11	1001227186	1	Seal, Cab Door	
12	1001178159	1	Glass, Roof Laminated	
13	1001178160	1	Glass, Front Laminated	
16	1001195878	4	Rivnut M5 x 0.8	
17	4811700	3	Washer M6	
18	4010608002	3	Screw	

# SECTION 6 - CAB

## FIGURE 6-8. DOOR INSTALLATION



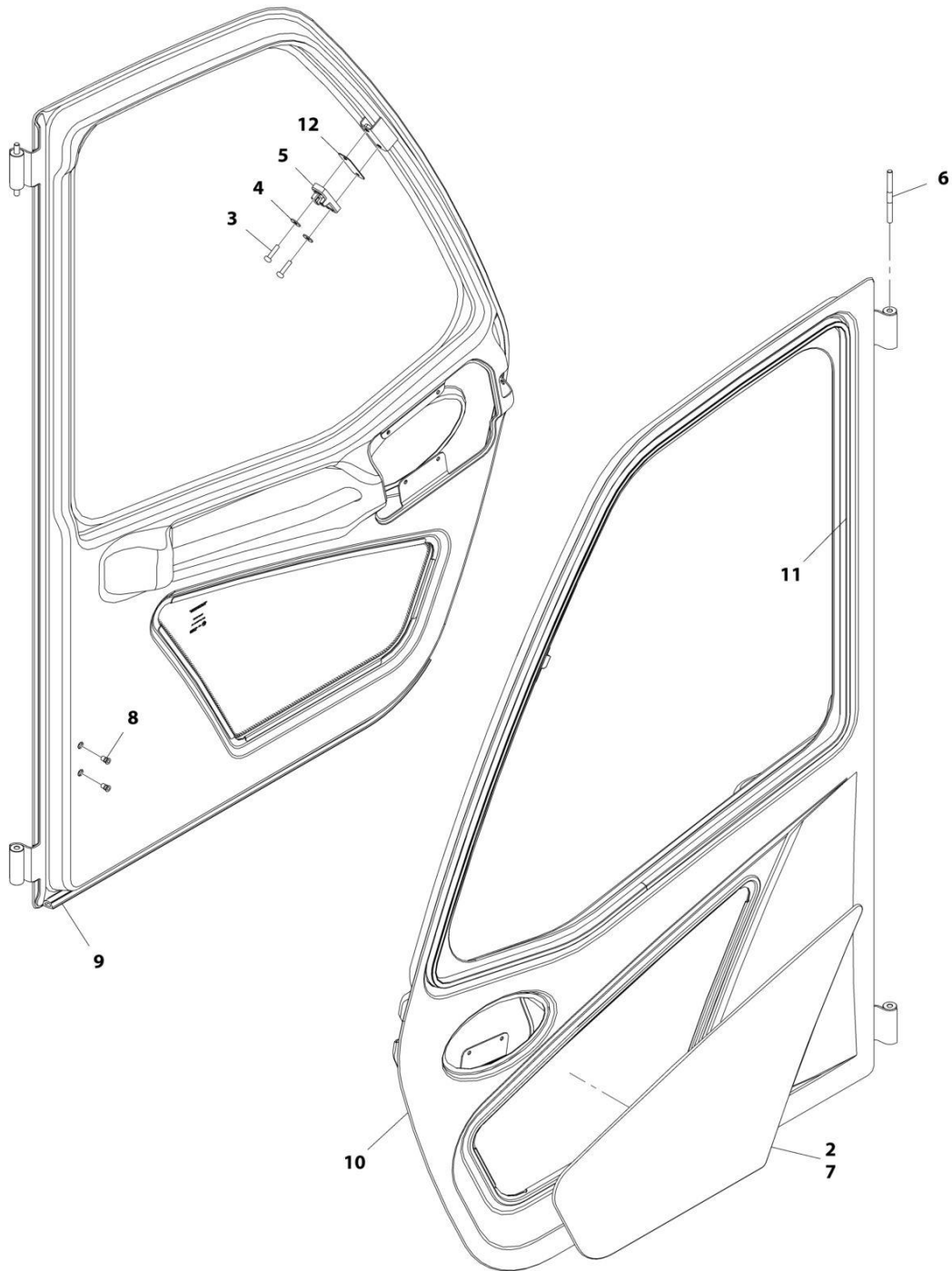
ART\_1001155228

FIGURE 6-8. DOOR INSTALLATION

ITEM	PART NUMBER	QTY	DESCRIPTION	REV
	1001155228	Ref	Door Installation	Q
3	0760605	4	Bolt, M6X10	
4	0760607	4	Bolt, M6X14	
5	3290801	2	Nut, M8X1.25 Grade 8	
7	4811700	4	Washer, M6	
8	4811900	13	Washer, M8	
9	8000803	1	Pin, Door Striker	
10	1001008988	5	Screw M8X25	
11	1001047062	2	Screw, M8X35	
12	1001107192	10	Sleeve, Hinge	
14	1001205532	1	Assembly, Door Upper Glass (See Separate Breakdown in this Section)	
15	1001192766	1	Assembly, Cab Latch (See Separate Breakdown in this Section)	
16	1001167958	1	Assembly, Cab Door Trigger (See Separate Breakdown in this Section)	
17	1001170114	1	Assembly, Door (See Separate Breakdown in this Section)	
19	1001173298	1	Bracket	
20	1001174295	1	Installation, Door Strap (See Separate Breakdown in this Section)	
21	1001192646	1	Handle, Exterior Door	
22	1001229543	7	Block, Hinge (Rounded Top/Bottom Edge)	
22	1001170601J	7	Block, Hinge (Square Top/Bottom Edge)	
23	4811702001	2	Washer, M6	
24	4010608002	2	Screw, Posi-Drive, M6X16	
25	1001175477	1	Cover, Cab Door Interior	
26	1001184439	2	Bushing	
27	1001192309	1	Nut, M12X1	
28	1001213791	1	Pin	
29	0498748	2	Washer, Lock M7	
30	1001164726	2	Bolt, M8X20	
31	1001227802	1	Washer	

**SECTION 6 - CAB**

**FIGURE 6-9. DOOR ASSEMBLY**



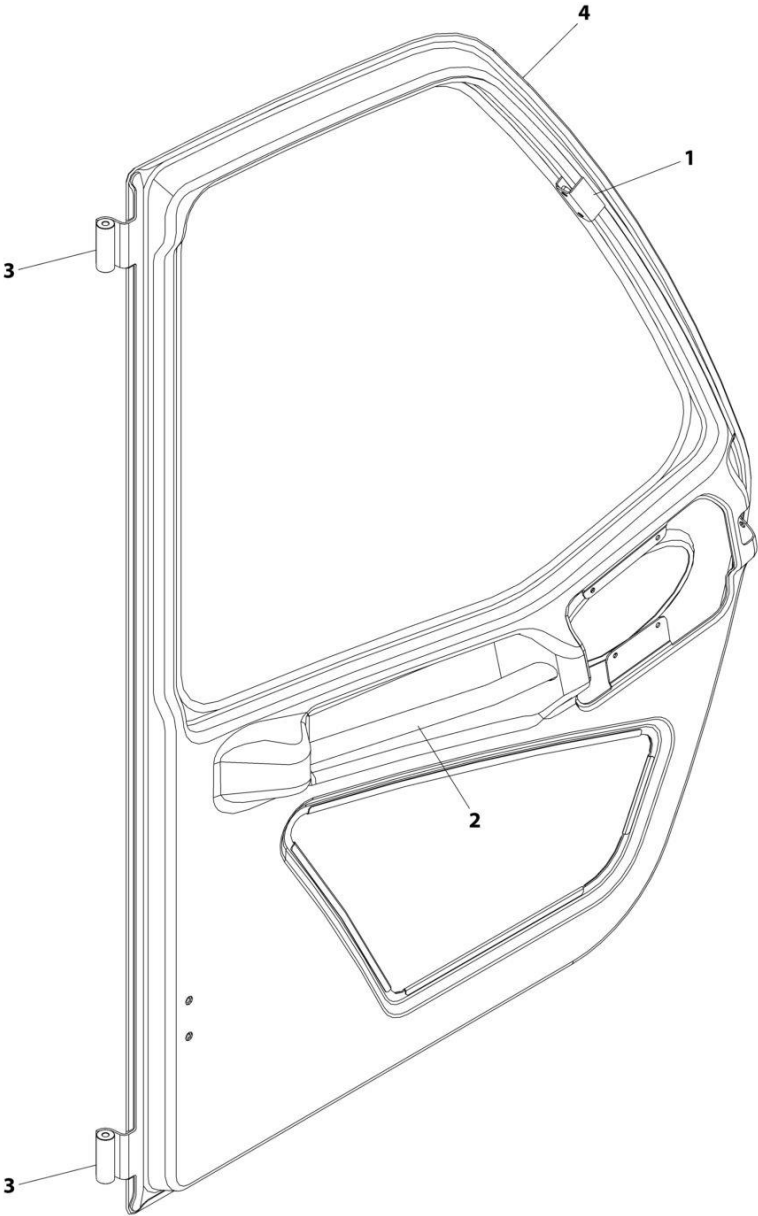
ART\_1001170114

FIGURE 6-9. DOOR ASSEMBLY

ITEM	PART NUMBER	QTY	DESCRIPTION	REV
	1001170114	Ref	Door Assembly	K
2	1001111317	AR	Compound, Locking	
3	4010612002	2	Screw, M6X25	
4	4811702001	2	Washer, M6	
5	1001165276	1	Plate, Window Latch Striker	
6	1001166634	1	Pin, Hinge	
7	1001169880	1	Window, Lower Glass	
8	1001172193	2	Rivnut, M5X0.8	
9	1001227188	1	Seal, Cab Door	
10	1001170113J	1	Door, Cab (See Separate Breakdown in this Section)	
11	1001227187	1	Seal, Cab Door Window	
12	1001193210	AR	Shim, Window Latch	

**SECTION 6 - CAB**

**FIGURE 6-10. CAB DOOR**



ART\_1001170113J-E

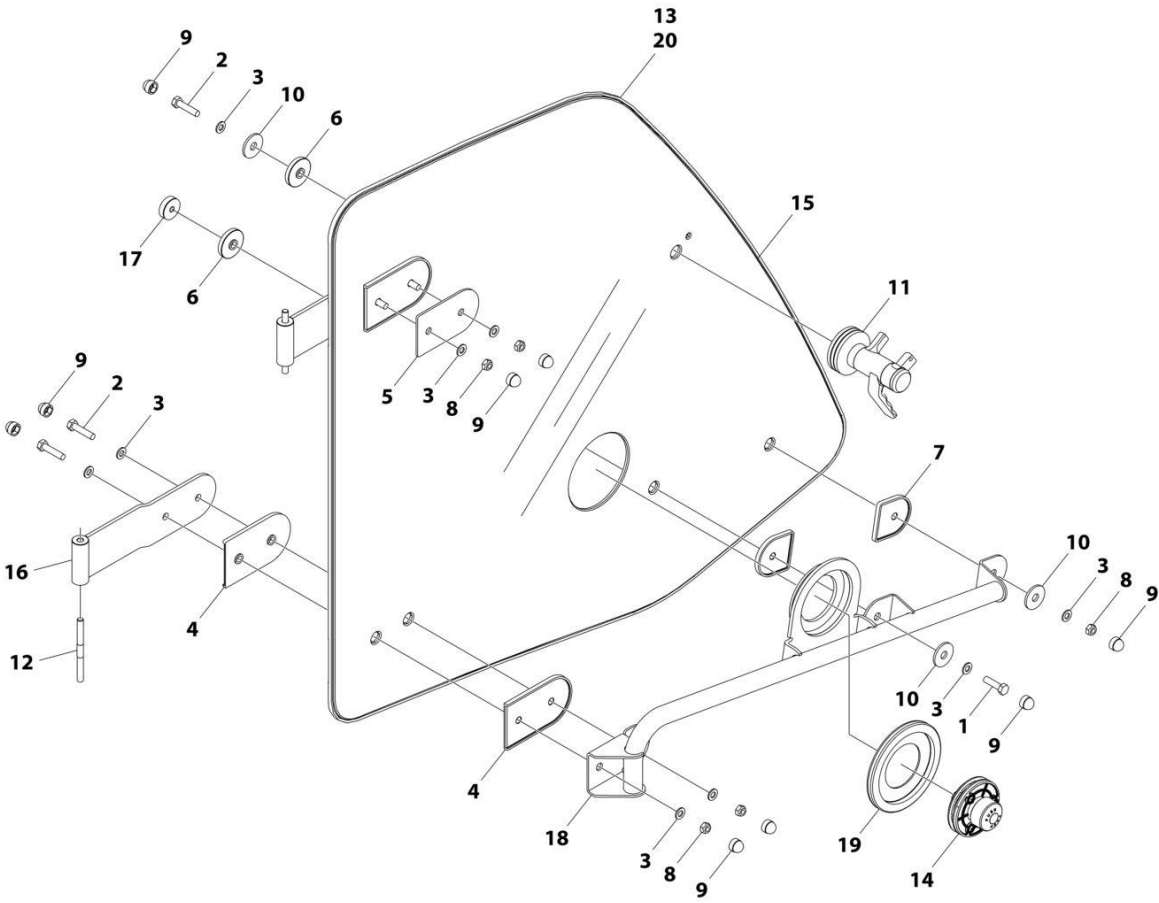


FIGURE 6-10. CAB DOOR

ITEM	PART NUMBER	QTY	DESCRIPTION	REV
	1001170113J	Ref	Cab Door	E
1	1001169883	1	Bracket, Window Latch	
2	1001169885	1	Handle, Interior Door	
3	1001171037	1	Plate, Hinge	
4	1001171635	1	Frame, Door	

# SECTION 6 - CAB

## FIGURE 6-11. DOOR UPPER GLASS ASSEMBLY



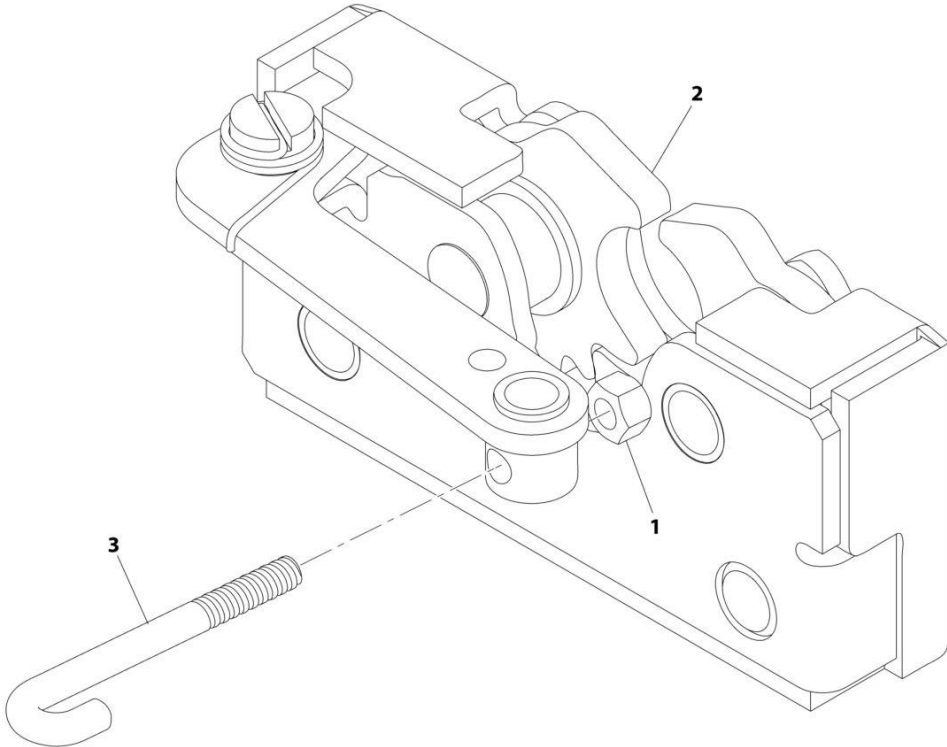
ART\_1001205532

FIGURE 6-11. DOOR UPPER GLASS ASSEMBLY

ITEM	PART NUMBER	QTY	DESCRIPTION	REV
	1001205532	Ref	Door Upper Glass Assembly	G
1	0760812	1	Bolt, M8X25	
2	0760815	5	Bolt, M8X35	
3	4811900	11	Washer, 8MM	
4	1001002946	4	Mount, Hinge	
5	1001002947	1	Mount, Hinge	
6	1001002953	2	Mount, Rubber	
7	1001002957	2	Mount, Latch	
8	1001008857	5	Nut, Lock	
9	1001096365	11	Cap, M8	
10	1001141246	3	Mount, Rubber	
11	1001165275	1	Latch, Window	
12	1001166634	2	Pin, Hinge	
13	1001170944	1	Panel, Window Surround	
14	1001174321	1	Striker, Top Window	
15	1001204066	1	Glass, Window	
16	1001204115	2	Hinge	
17	1001222741	1	Buffer, Cab	
18	1001204120	1	Handle	
19	1001213331	1	Gasket	
20	1001215531	AR	Adhesive	

**SECTION 6 - CAB**

**FIGURE 6-12. CAB LATCH ASSEMBLY**



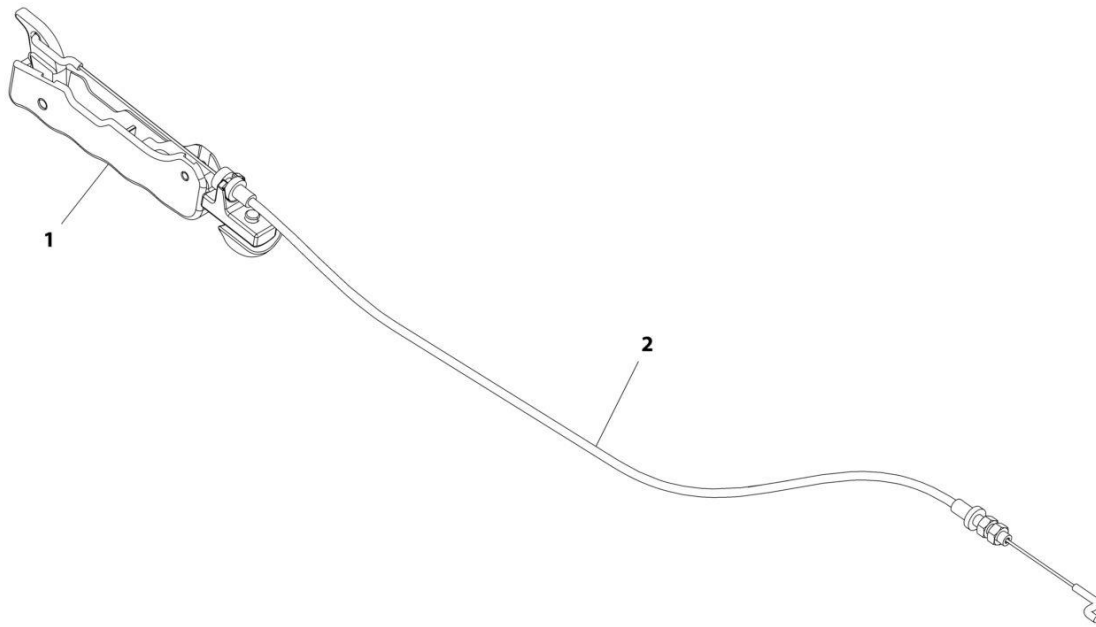
ART\_1001192766-B

FIGURE 6-12. CAB LATCH ASSEMBLY

ITEM	PART NUMBER	QTY	DESCRIPTION	REV
	1001192766	Ref	Cab Latch Assembly	B
1	3290405	1	Nut, M4X0.7 Grade 8	
2	1001192643	1	Latch	
3	1001241308	1	Link, Door Handle	

# SECTION 6 - CAB

## FIGURE 6-13. CAB DOOR TRIGGER ASSEMBLY



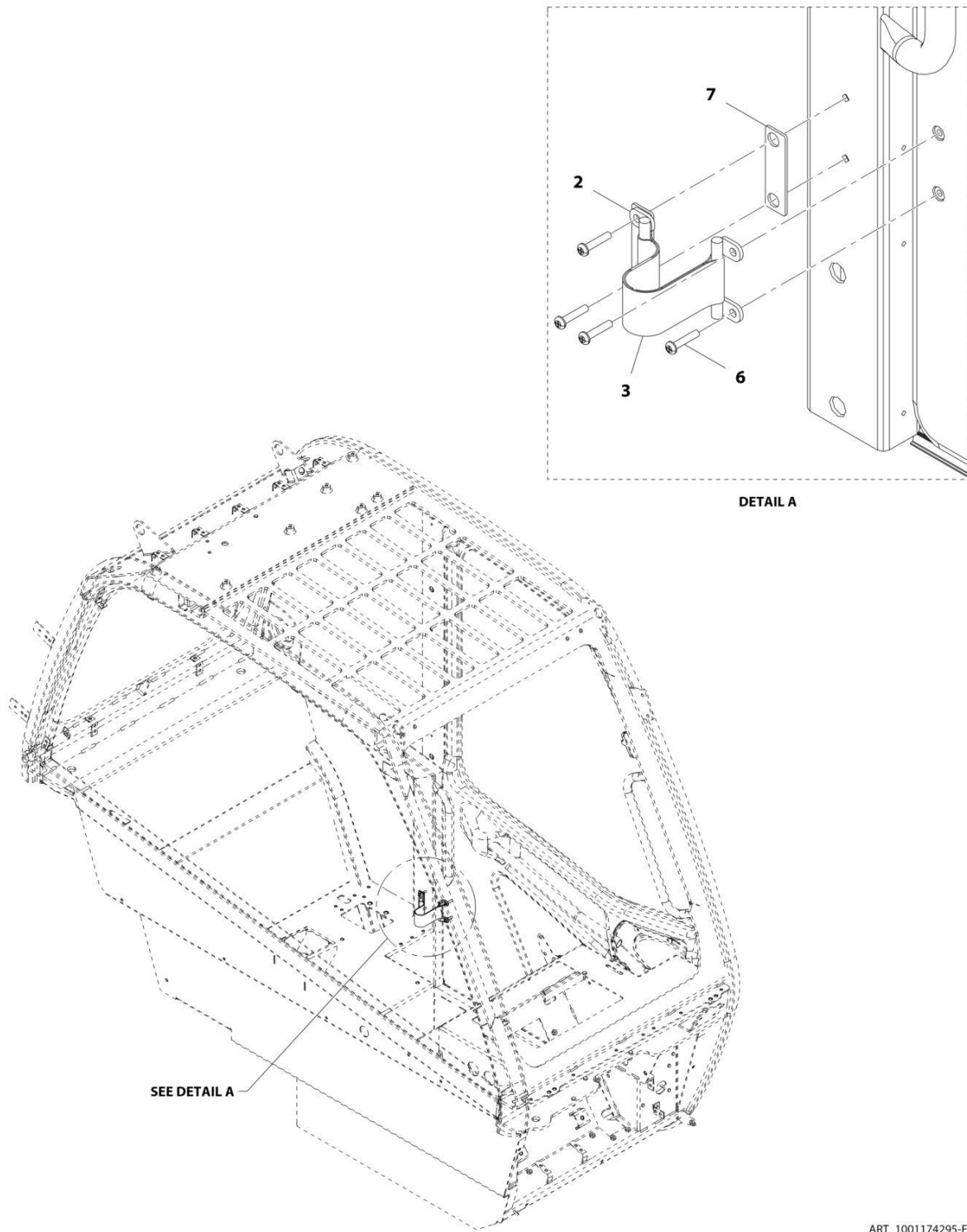
ART\_1001167958-E

**FIGURE 6-13. CAB DOOR TRIGGER ASSEMBLY**

<b>ITEM</b>	<b>PART NUMBER</b>	<b>QTY</b>	<b>DESCRIPTION</b>	<b>REV</b>
	1001167958	Ref	Cab Door Trigger Assembly	E
1	1001167937	1	Trigger, Cab Interior Release	
2	1001192644	1	Cable, Cab Latch Release	

# SECTION 6 - CAB

## FIGURE 6-14. DOOR STRAP INSTALLATION



SEE DETAIL A

DETAIL A

ART\_1001174295-F

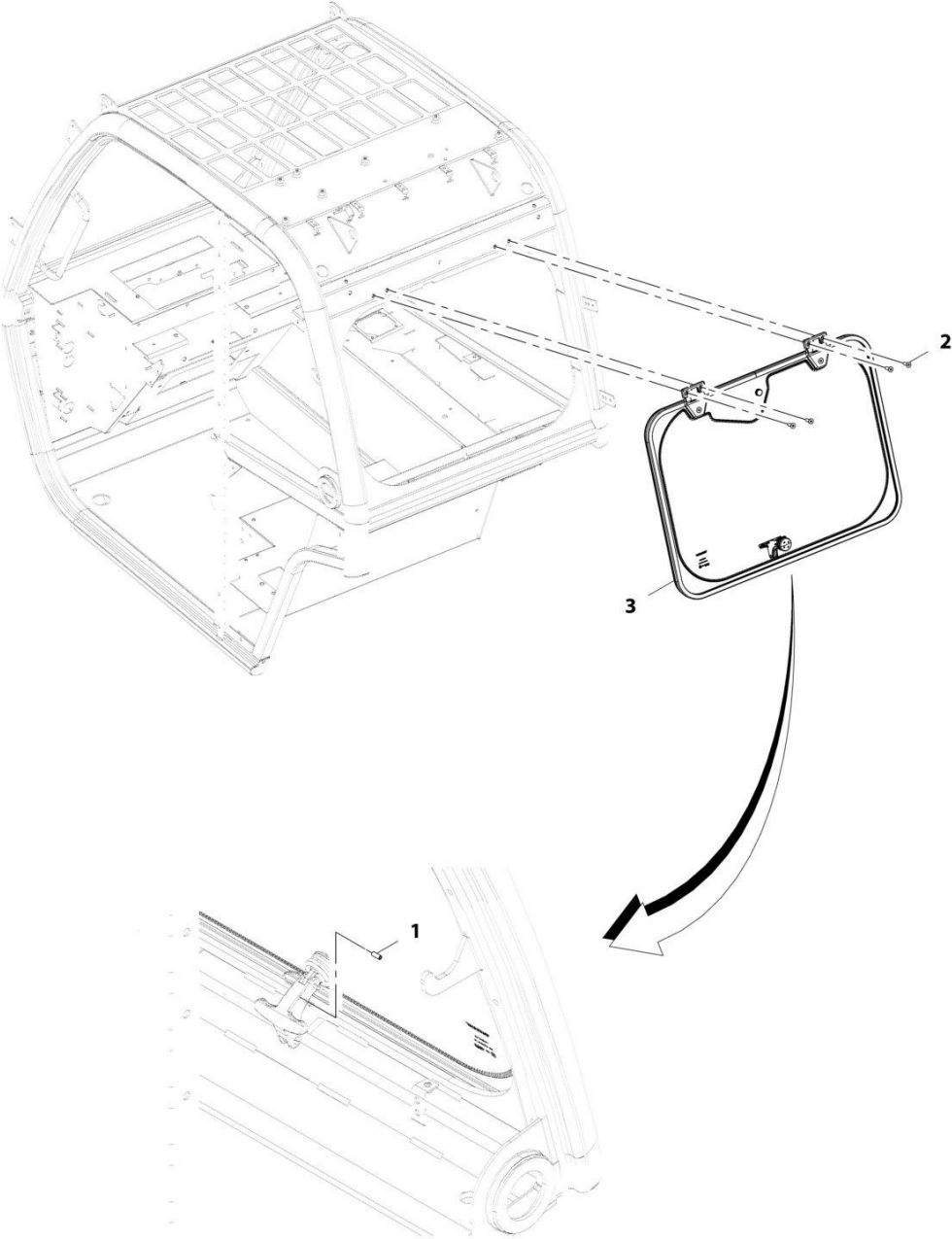


FIGURE 6-14. DOOR STRAP INSTALLATION

ITEM	PART NUMBER	QTY	DESCRIPTION	REV
	1001174295	Ref	Door Strap Installation	F
2	1001230163	2	Bracket, Strap Holder	
3	1001212011	1	Strap, Door Hold Open	
6	8310559	4	Screw	
7	1001191091	1	Plate, Cab Door Strap	

**SECTION 6 - CAB**

**FIGURE 6-15. REAR WINDOW INSTALLATION**



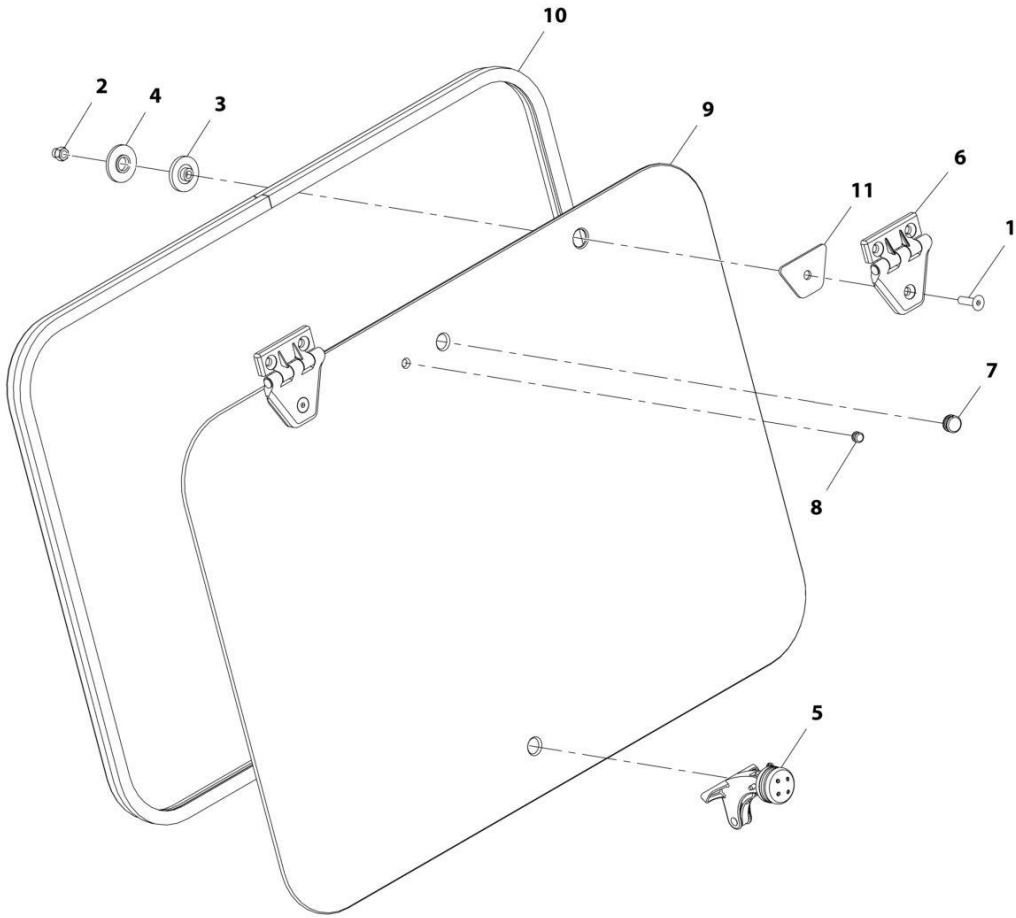
ART\_1001220339-A

FIGURE 6-15. REAR WINDOW INSTALLATION

ITEM	PART NUMBER	QTY	DESCRIPTION	REV
	1001220339	Ref	Rear Window Installation	A
1	1001003043	1	Pin, Spring	
2	1001097586	4	Screw, M8X1.25	
3	1001220338	1	Assembly, Rear Window (See Separate Breakdown in this Section)	

**SECTION 6 - CAB**

**FIGURE 6-16. REAR WINDOW GROUP**



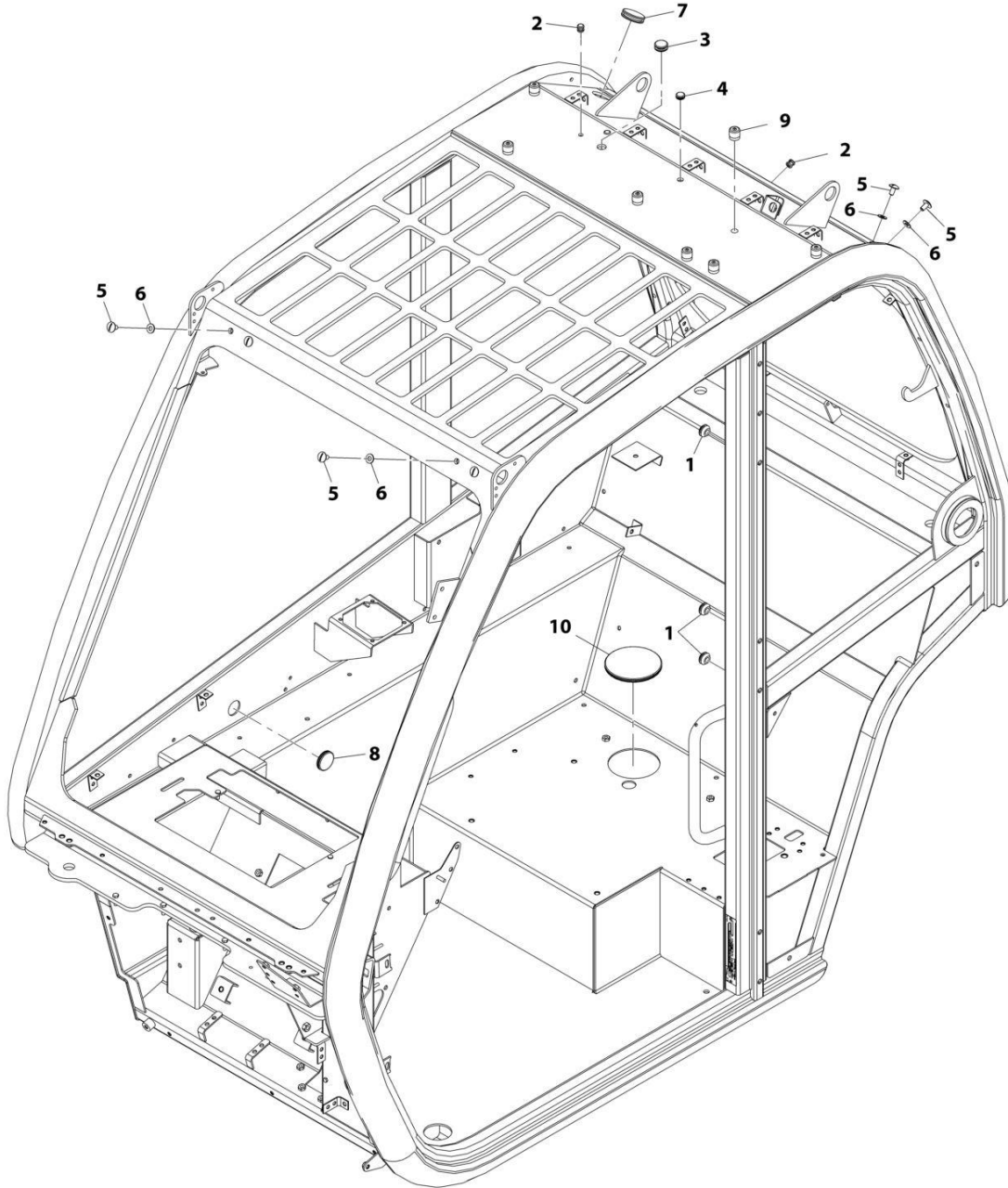
ART\_1001220338-A

FIGURE 6-16. REAR WINDOW GROUP

ITEM	PART NUMBER	QTY	DESCRIPTION	REV
	1001220338	Ref	Rear Window Group	A
1	2080078	2	Fastener, M8X30	
2	3290806	2	Nut, M8X1.25 Grade 8	
3	8000759	2	Spacer	
4	8004398	2	Spacer	
5	1001005368	1	Latch, Window	
6	1001139568	2	Hinge	
7	1001171182	1	Grommet	
8	1001171183	1	Grommet	
9	1001178680	1	Glass, Rear Window	
10	1001178681	1	Seal	
11	1001181411	2	Gasket, Rear Window Hinge	

# SECTION 6 - CAB

## FIGURE 6-17. CAB PLUG GROUP



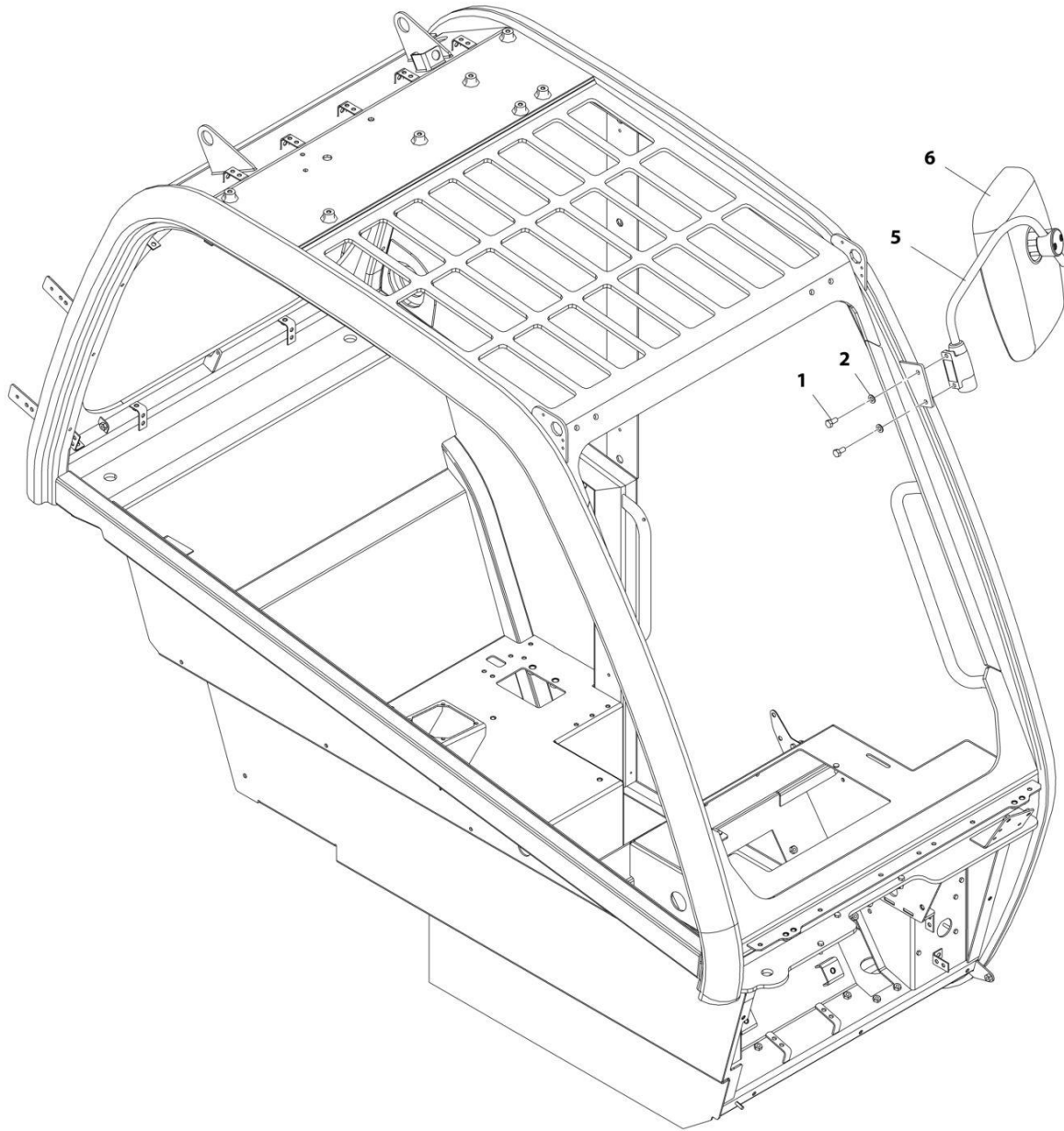
ART\_1001195814-C

FIGURE 6-17. CAB PLUG GROUP

ITEM	PART NUMBER	QTY	DESCRIPTION	REV
	1001195814	Ref	Cab Plug Group	C
1	1001143200	7	Plug	
2	1001176272	3	Plug	
3	1001176273	1	Plug	
4	1001176626	1	Plug	
5	1001181920	8	Screw, Nylon M8X16	
6	1001181921	8	Washer, Rubber M8	
7	1001182123	2	Plug	
8	1001182139	1	Plug	
9	1001219220	7	Plug	
10	1001209899	1	Plug	

# SECTION 6 - CAB

## FIGURE 6-18. BASIC MIRROR INSTALLATION



ART\_1001160508-E

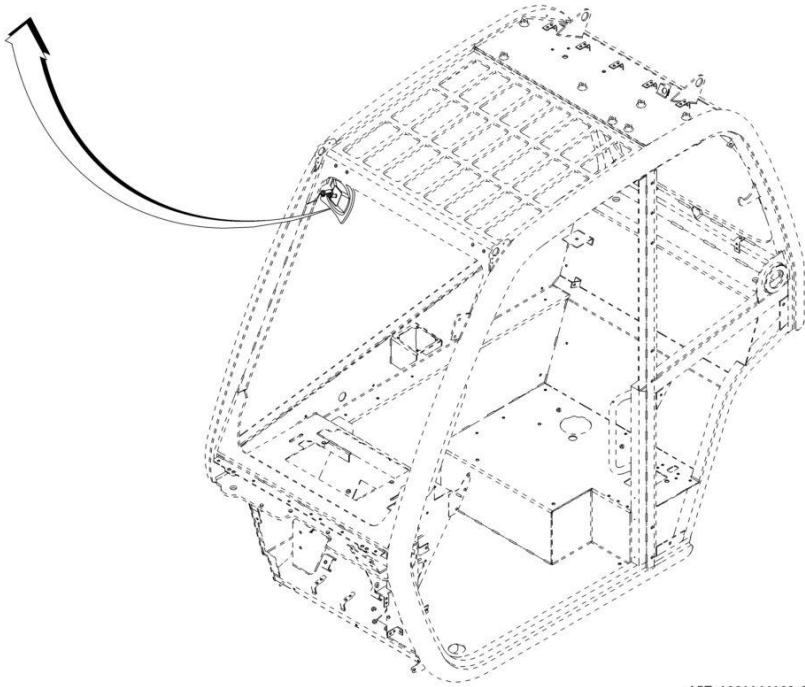
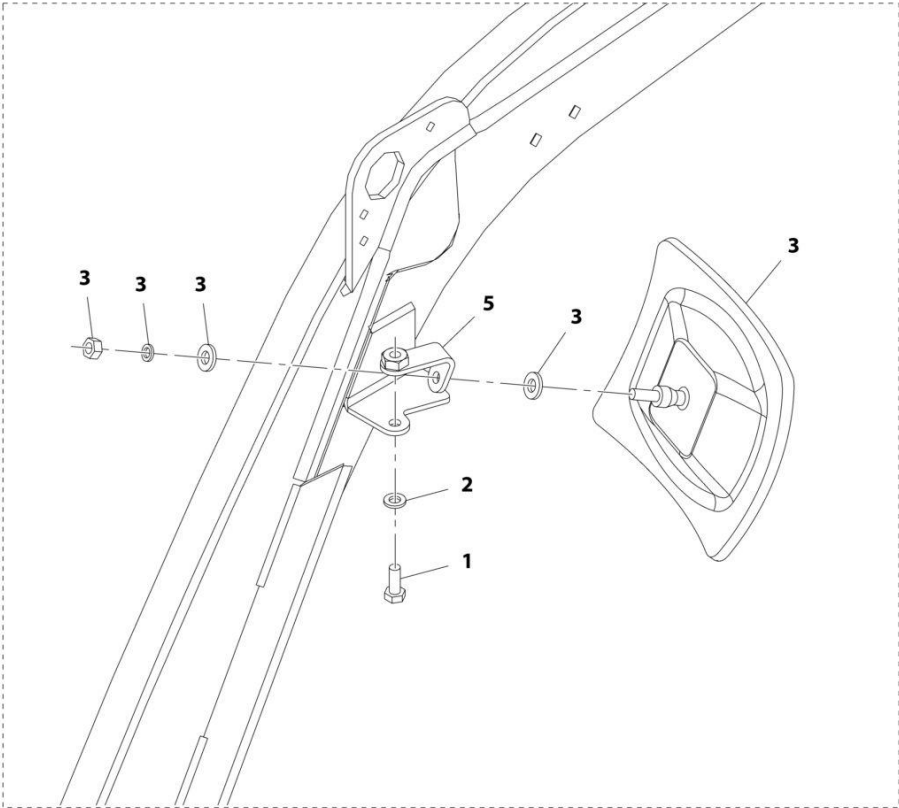


FIGURE 6-18. BASIC MIRROR INSTALLATION

ITEM	PART NUMBER	QTY	DESCRIPTION	REV
	1001160508	Ref	Basic Mirror Installation	E
1	0760808	2	Bolt, M8X16	
2	4811900	2	Washer, M8	
5	1001164655	1	Bracket	
6	80363195	1	Mirror	

**SECTION 6 - CAB**

**FIGURE 6-19. INTERIOR MIRROR INSTALLATION**



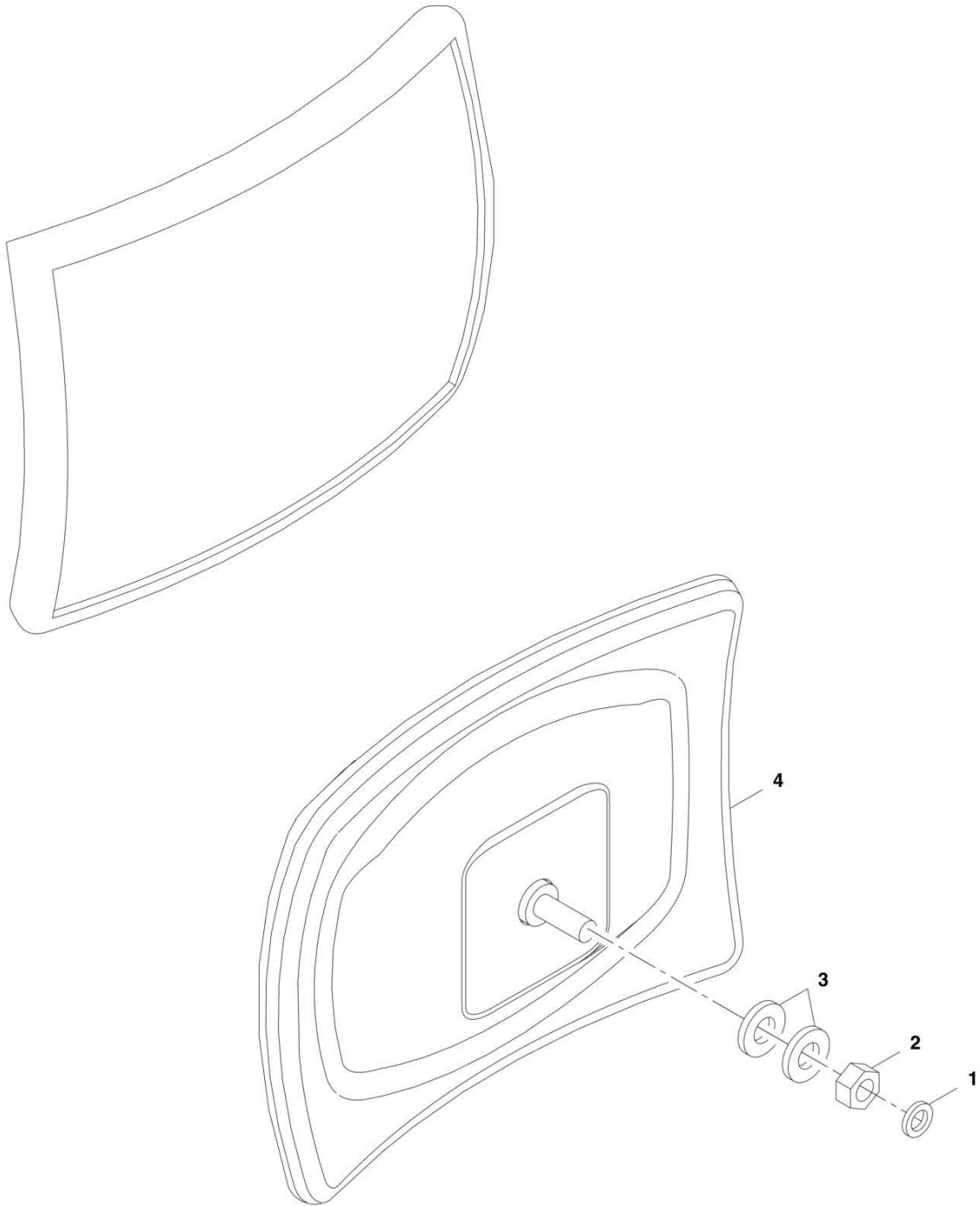
ART\_1001166192-C

FIGURE 6-19. INTERIOR MIRROR INSTALLATION

ITEM	PART NUMBER	QTY	DESCRIPTION	REV
	1001166192	Ref	Interior Mirror Installation	C
1	0760608	1	Bolt, M6X16	
2	4811700	1	Washer, M6	
3	1001007641	1	Mirror, Interior (See Separate Breakdown in this Section)	
5	1001166191	1	Bracket	

**SECTION 6 - CAB**

**FIGURE 6-20. INTERIOR MIRROR**



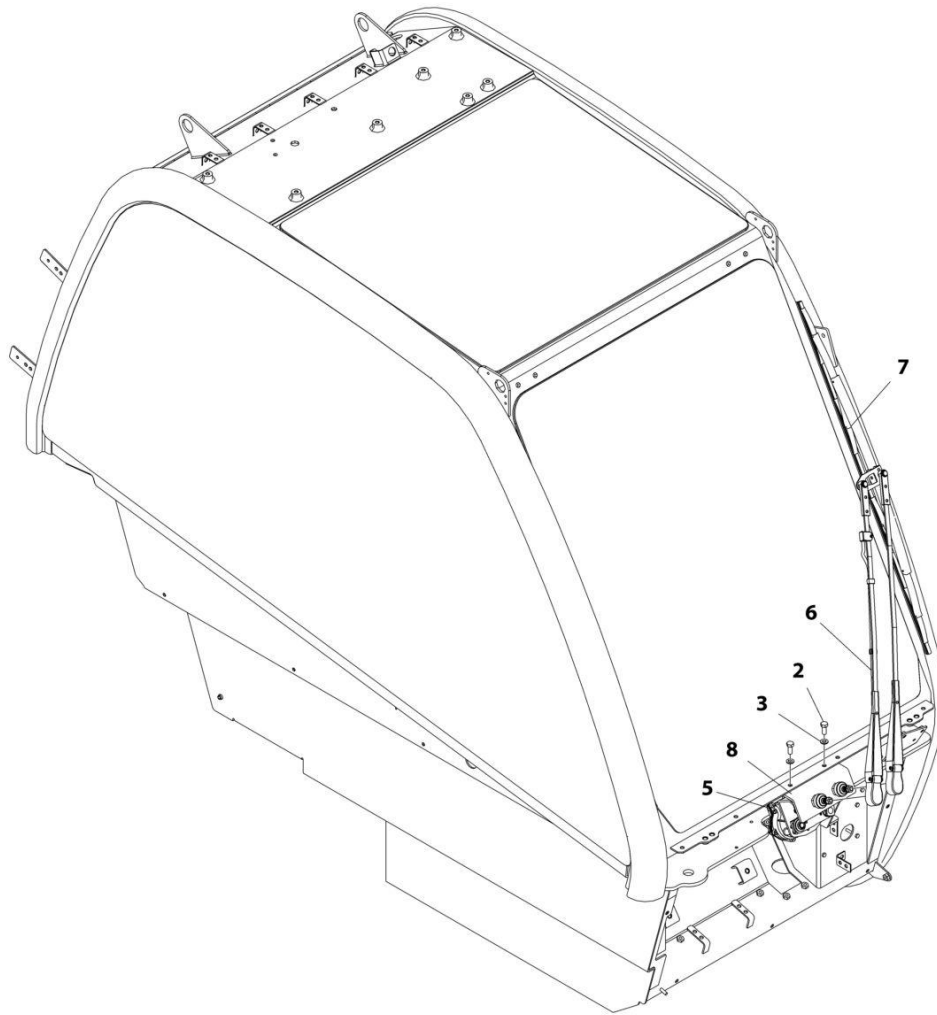
ART\_1001007641-B

FIGURE 6-20. INTERIOR MIRROR

ITEM	PART NUMBER	QTY	DESCRIPTION	REV
	1001007641	Ref	Mirror, Interior	B
1	1001008475	1	Washer, Lock 12	
2	1001008604	1	Nut	
3	1001009124	2	Washer	
4	1001010839	1	MIRROR	

# SECTION 6 - CAB

## FIGURE 6-21. FRONT WIPER INSTALLATION



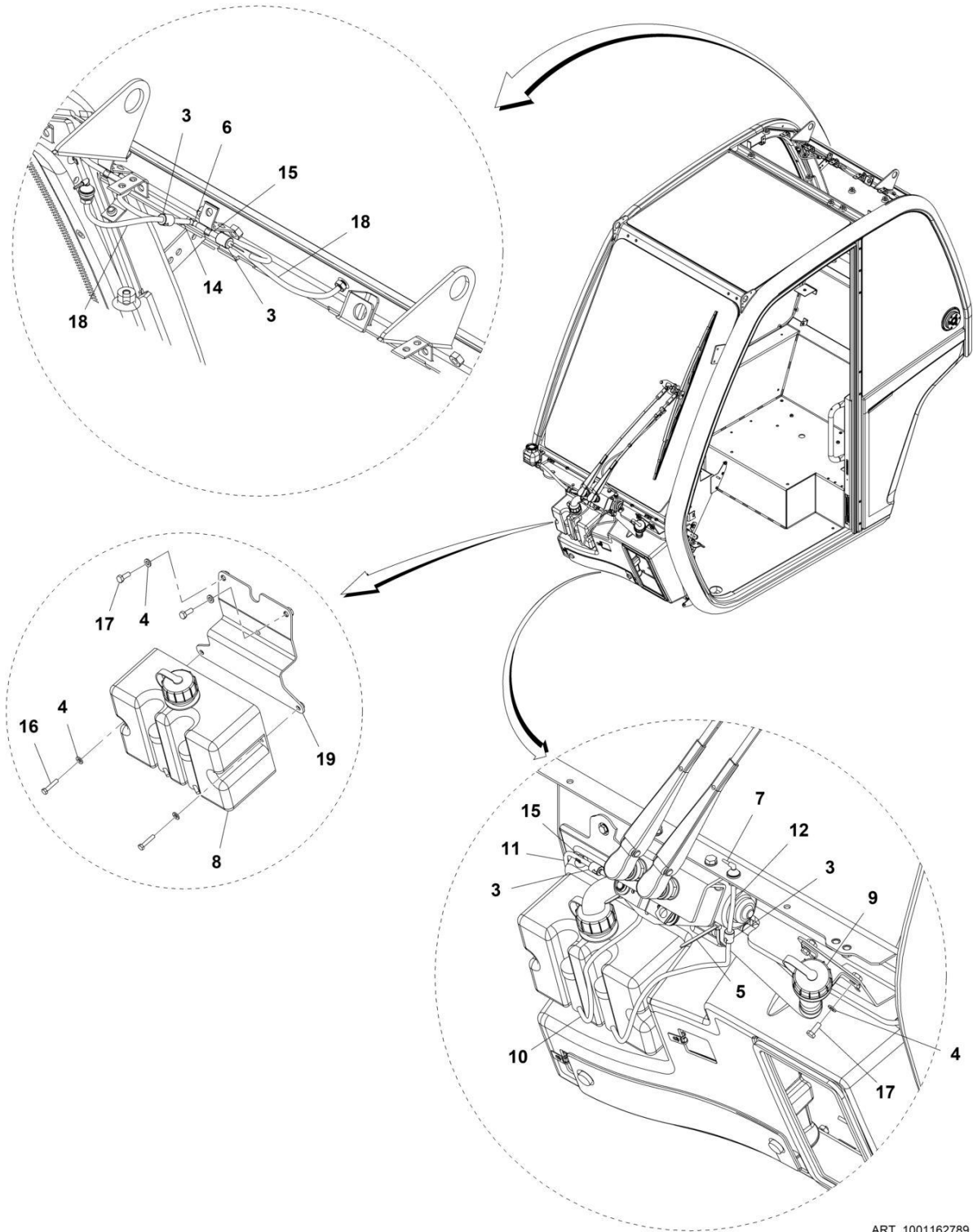
ART\_1001155447-G

FIGURE 6-21. FRONT WIPER INSTALLATION

ITEM	PART NUMBER	QTY	DESCRIPTION	REV
	1001155447	Ref	Front Wiper Installation	G
2	0760810	2	Bolt, M8X20	
3	4811900	2	Washer, M8	
5	1001214092	1	Motor, Front Wiper	
6	1001212369	1	Arm, Front Wiper	
7	1001141281	1	Blade, Wiper	
8	1001165637	1	Bracket	

# SECTION 6 - CAB

## FIGURE 6-22. WASHER TANK INSTALLATION



ART\_1001162789

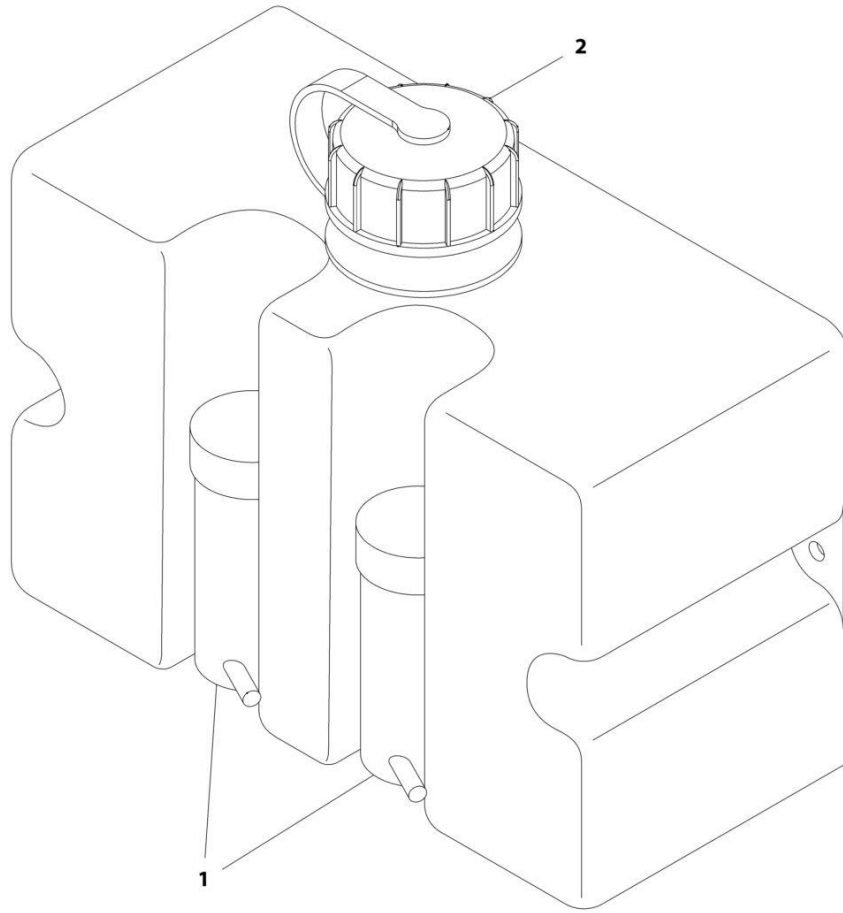


FIGURE 6-22. WASHER TANK INSTALLATION

ITEM	PART NUMBER	QTY	DESCRIPTION	REV
	1001162789	Ref	Washer Tank Installation	M
3	1001201331	4	Valve, Check	
4	4811700	6	Washer, M6	
5	471678	2	Strap, Tie	
6	1001008742	1	Coupling, Tee	
8	1001165269	1	Bottle, Washer (See Separate Breakdown in this Section)	
9	1001165270	1	Hose, Washer Filler	
10	1001165351	2	Hose	
11	1001165407	1	Hose	
12	1001165416	1	Hose	
14	1001165455	2	Hose	
15	1001165458	16	Hose	
16	0760512	2	Bolt M5X25	
17	0760608	4	Bolt, M6X16	
18	1001178123	2	Hose	
19	1001171756	1	Bracket	

# SECTION 6 - CAB

## FIGURE 6-23. WASHER BOTTLE



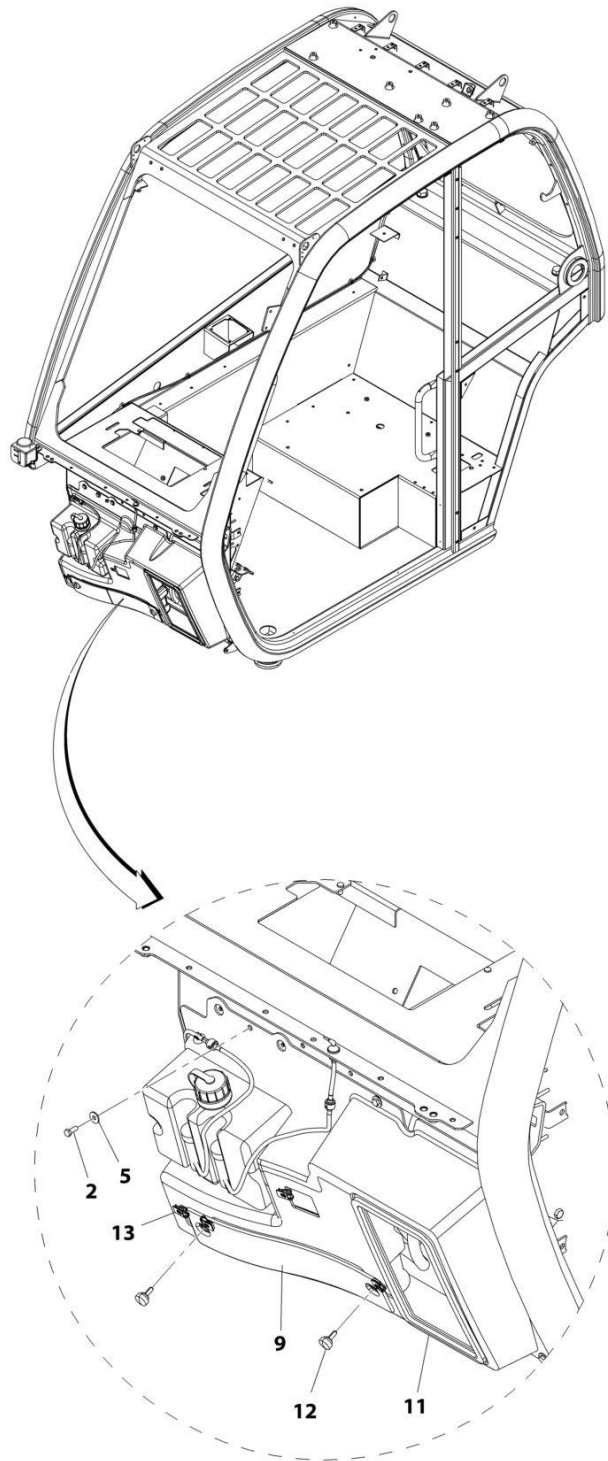
ART\_1001165269-B

**FIGURE 6-23. WASHER BOTTLE**

<b>ITEM</b>	<b>PART NUMBER</b>	<b>QTY</b>	<b>DESCRIPTION</b>	<b>REV</b>
	1001165269	Ref	Washer Bottle	B
1	1001165327	2	Pump, Washer	
2	1001165273	1	Cap, Washer	

# SECTION 6 - CAB

## FIGURE 6-24. FRONT COVER INSTALLATION



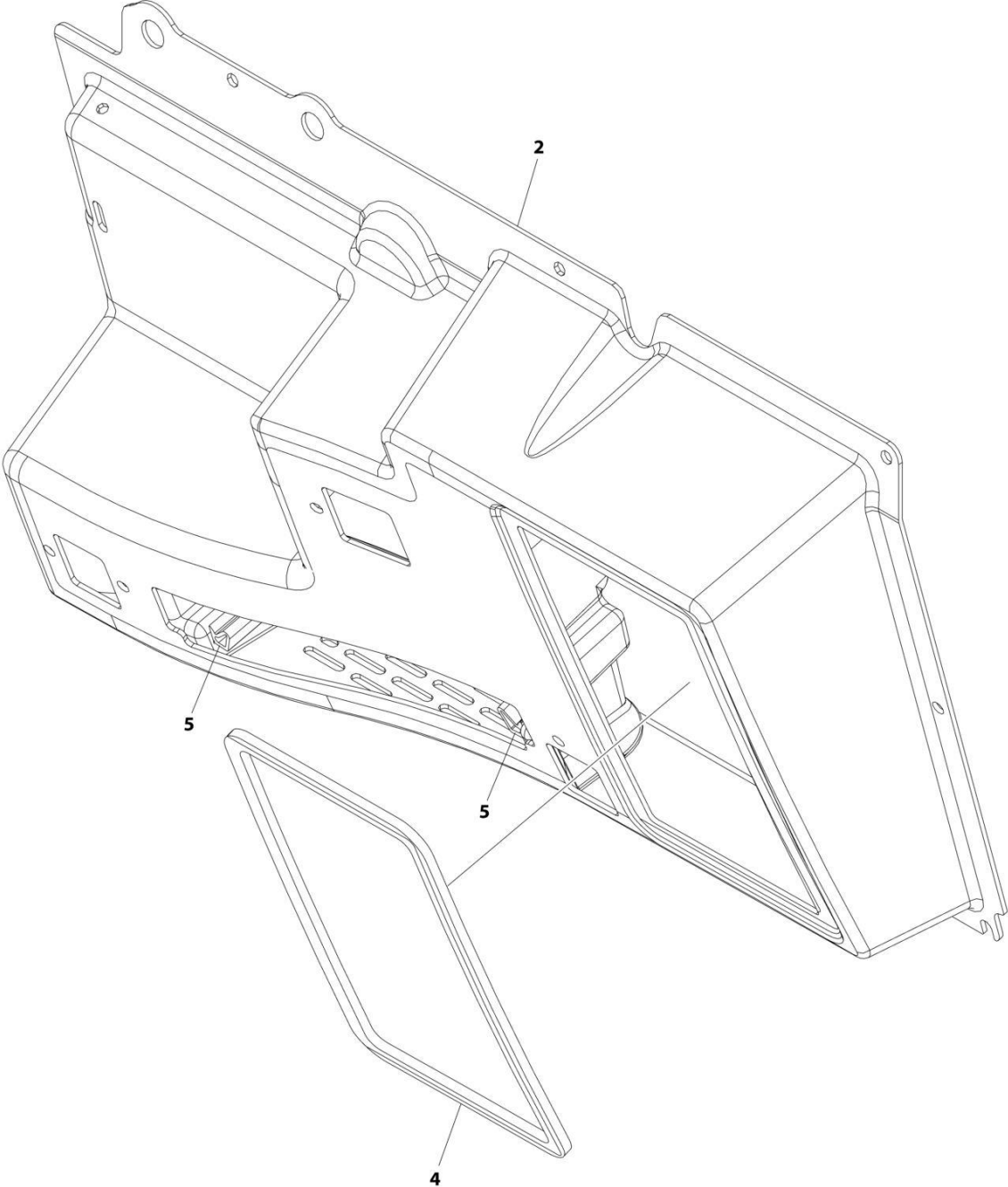
ART\_1001170366-G

FIGURE 6-24. FRONT COVER INSTALLATION

ITEM	PART NUMBER	QTY	DESCRIPTION	REV
	1001170366	Ref	Front Cover Installation	G
2	0760608	7	Bolt, M6X16	
5	4811702	7	Washer, M6	
9	1001175471	1	Panel, Filter Tray (See Separate Breakdown in this Section)	
11	1001176121	1	Cover, Front Duct (See Separate Breakdown in this Section)	
12	2080092	2	Thumb Screw, M6X16	
13	8305919	4	Nut, M6	

**SECTION 6 - CAB**

**FIGURE 6-25. FRONT DUCT COVER**



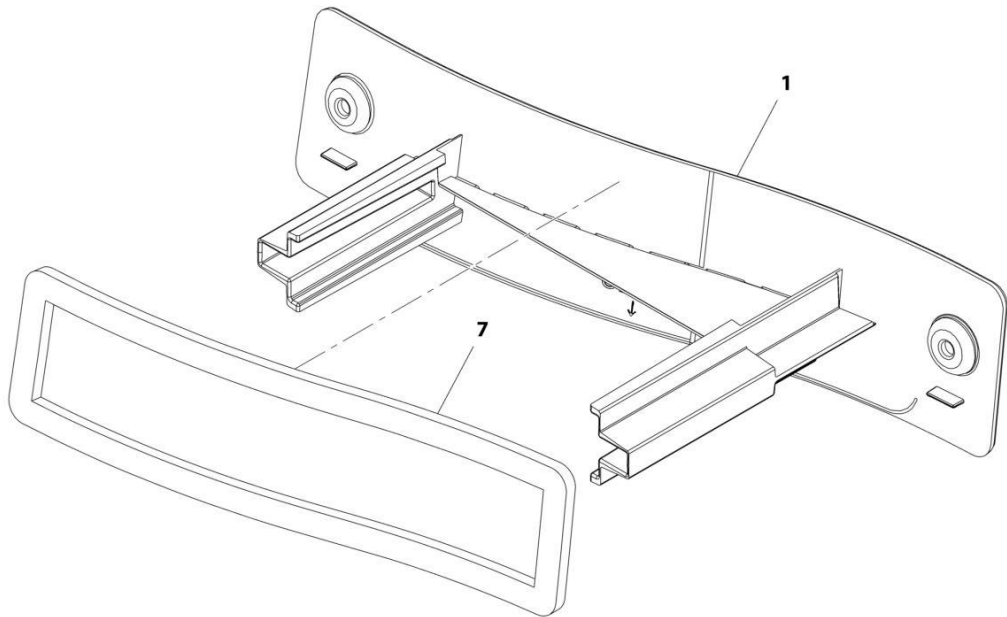
ART\_1001176121

FIGURE 6-25. FRONT DUCT COVER

ITEM	PART NUMBER	QTY	DESCRIPTION	REV
	1001176121	Ref	FRONT DUCT COVER	H
2	1001170326	1	Cover, Front	
4	1001175470	1	Seal, Front Cab Panel	
5	1001270117	AR	Seal, Bulb	

**SECTION 6 - CAB**

**FIGURE 6-26. FILTER TRAY PANEL**



ART\_1001175471-D

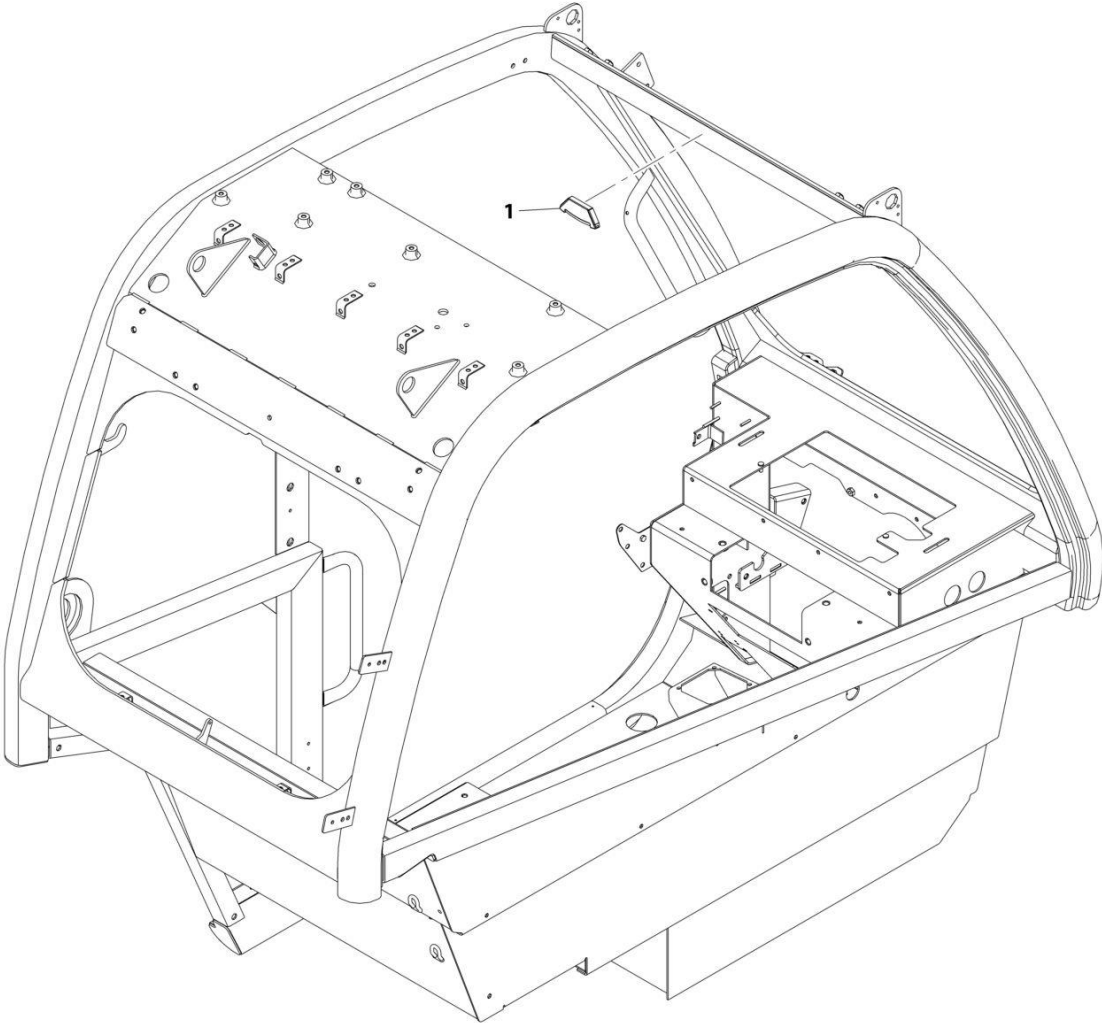


FIGURE 6-26. FILTER TRAY PANEL

ITEM	PART NUMBER	QTY	DESCRIPTION	REV
	1001175471	Ref	Filter Tray Panel	D
1	1001170993	1	Panel, Front Inlet	
7	1001171767	1	Cab, Front Panel Seal	

**SECTION 6 - CAB**

**FIGURE 6-27. LEVEL INDICATOR INSTALLATION**



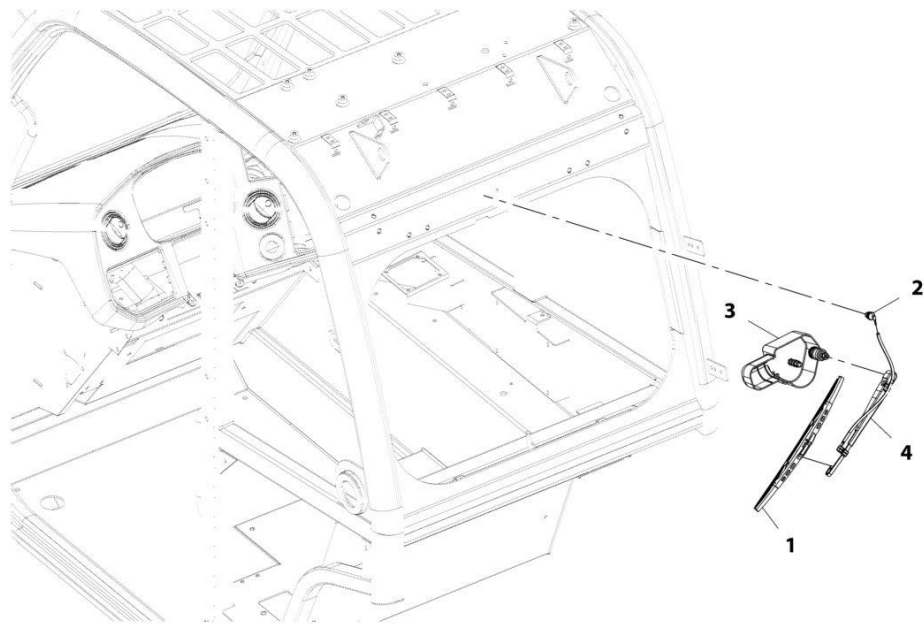
ART\_1001172401-C

**FIGURE 6-27. LEVEL INDICATOR INSTALLATION**

ITEM	PART NUMBER	QTY	DESCRIPTION	REV
1	1001172401 8466306	Ref 1	Level Indicator Installation Gauge, Tilt Angle	C

# SECTION 6 - CAB

## FIGURE 6-28. REAR WIPER INSTALLATION



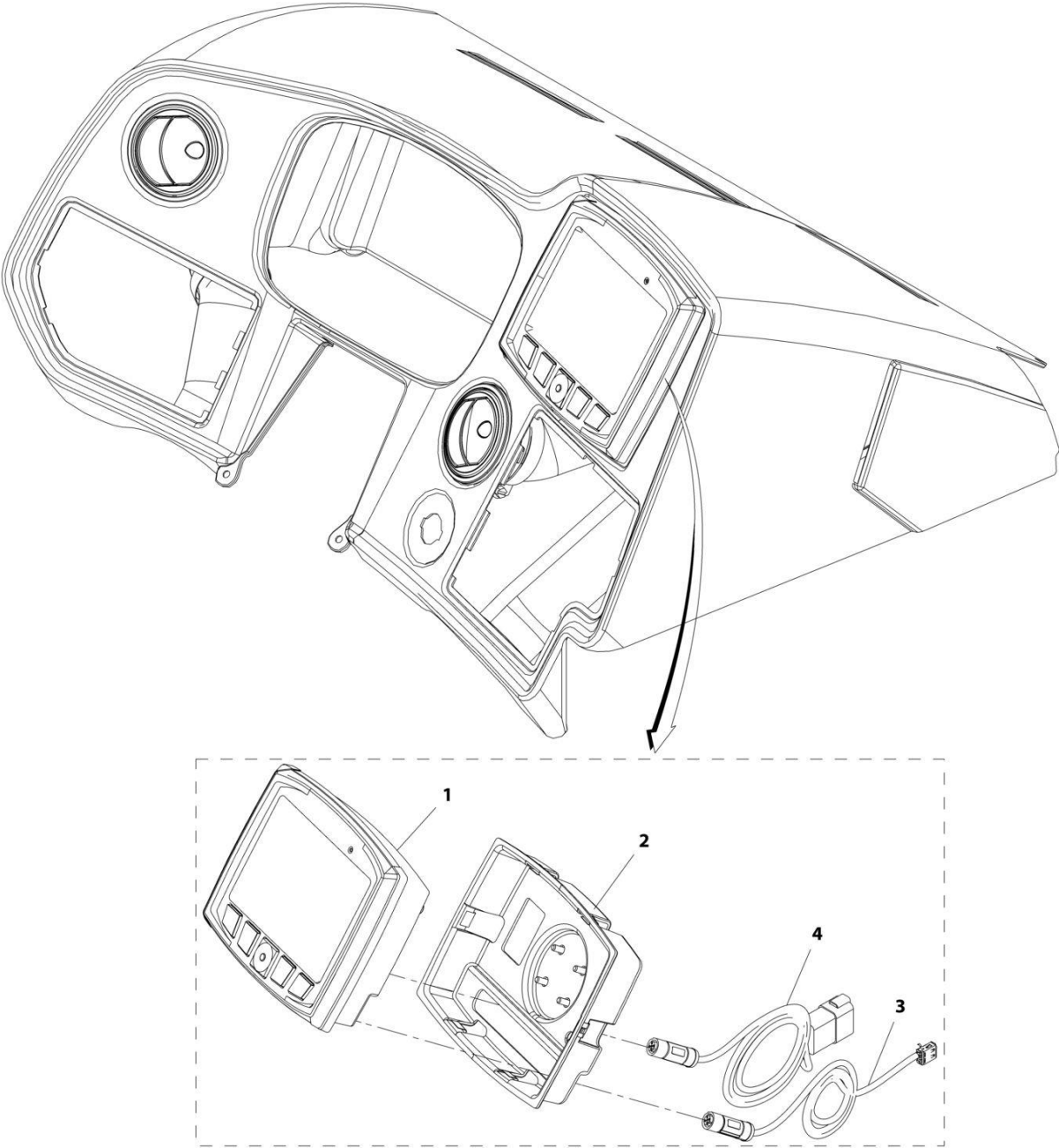
ART\_1001220329-A

FIGURE 6-28. REAR WIPER INSTALLATION

ITEM	PART NUMBER	QTY	DESCRIPTION	REV
	1001220329	Ref	Rear Wiper Installation	A
1	4807718	1	Wiper Blade, Oslv Italia	
2	1001090343	1	Connector	
3	1001139552	1	Motor, Wiper, Rear Window	
4	1001141312	1	Blade, Arm, Rear Window	

**SECTION 6 - CAB**

**FIGURE 6-29. MULTIFUNCTION DISPLAY INSTALLATION**



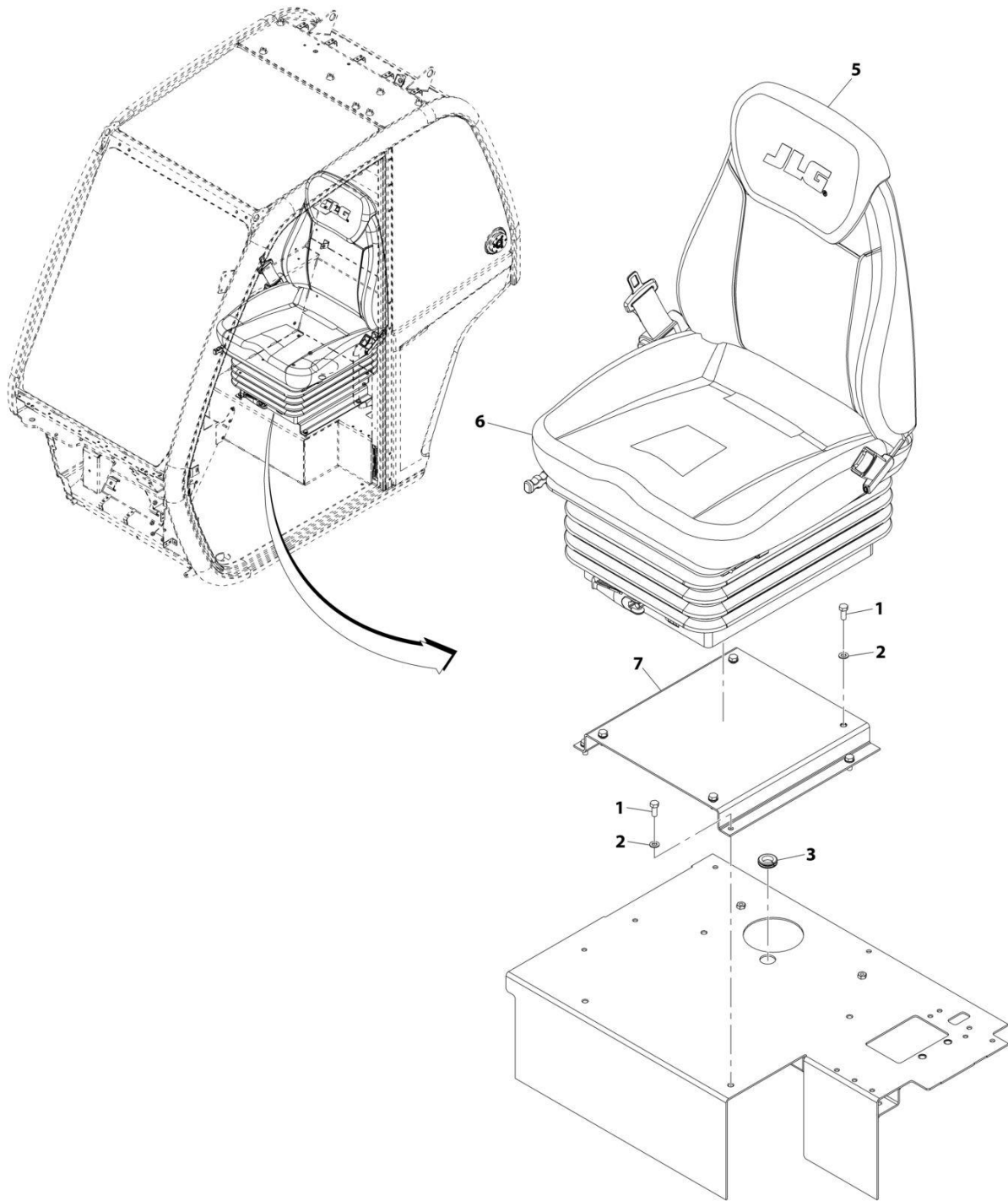
ART\_1001176338-B

FIGURE 6-29. MULTIFUNCTION DISPLAY INSTALLATION

ITEM	PART NUMBER	QTY	DESCRIPTION	REV
	1001176338	Ref	Multifunction Display Installation	B
1	1001211357	1	Display	
2	1001178783	1	Bezel	
3	1001180682	1	Cable, Display Programming	
4	1001180683	1	Cable, Display Video	

# SECTION 6 - CAB

## FIGURE 6-30. SEAT INSTALLATION (CLOTH)



ART\_1001158601-D

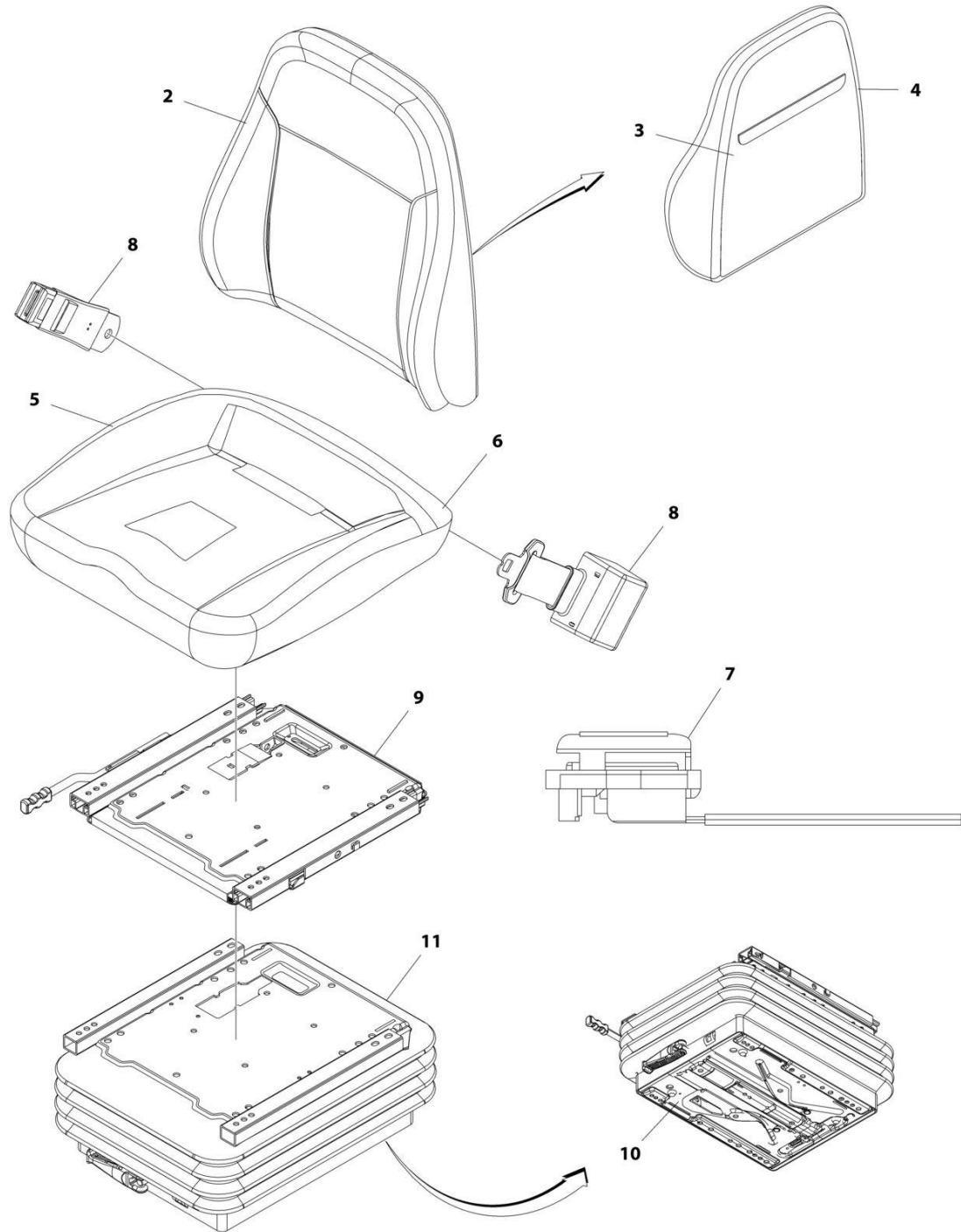


FIGURE 6-30. SEAT INSTALLATION (CLOTH)

ITEM	PART NUMBER	QTY	DESCRIPTION	REV
	1001158601	Ref	Seat Installation (Cloth)	E
1	0760810	8	Bolt, M8X20	
2	4811900	8	Washer, M8	
3	1001216974	1	Grommet	
5	1001119467	1	Headrest, Cloth	
6	1001288070	1	Assembly, Seat (See Separate Breakdown in this Section)	
7	1001158738C	1	Plinth, Seat	

# SECTION 6 - CAB

## FIGURE 6-31. SEAT ASSEMBLY



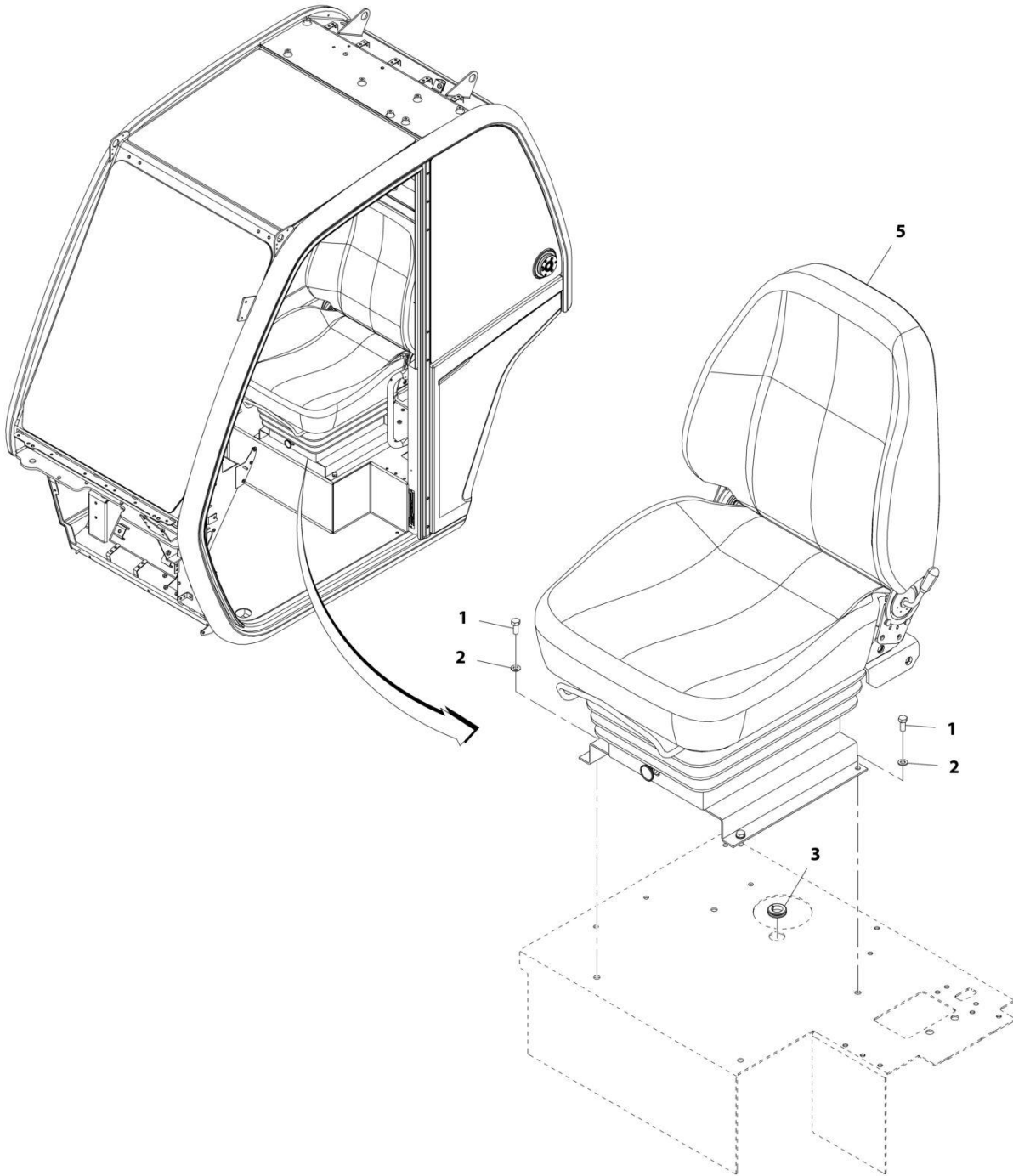
ART\_1001150294

FIGURE 6-31. SEAT ASSEMBLY

ITEM	PART NUMBER	QTY	DESCRIPTION	REV
	1001150294	Ref	CLOTH SEAT	F
2	70025489	1	Fabric, Upper Seat	
3	70025490	1	Cover, Back	
4	70025483	1	Foam, Back	
5	70025491	1	Cover, Seat	
6	70025485	1	Foam, Seat	
7	70025486	1	Switch, Contact	
8	7029767	1	Belt, Seat	
9	70021252	1	Rail, Slide	
10	70021251	1	Unit, Suspension	
11	70022034	1	Cover, Rubber	

# SECTION 6 - CAB

## FIGURE 6-32. SEAT INSTALLATION (AIR SUSPENSION - STANDARD)



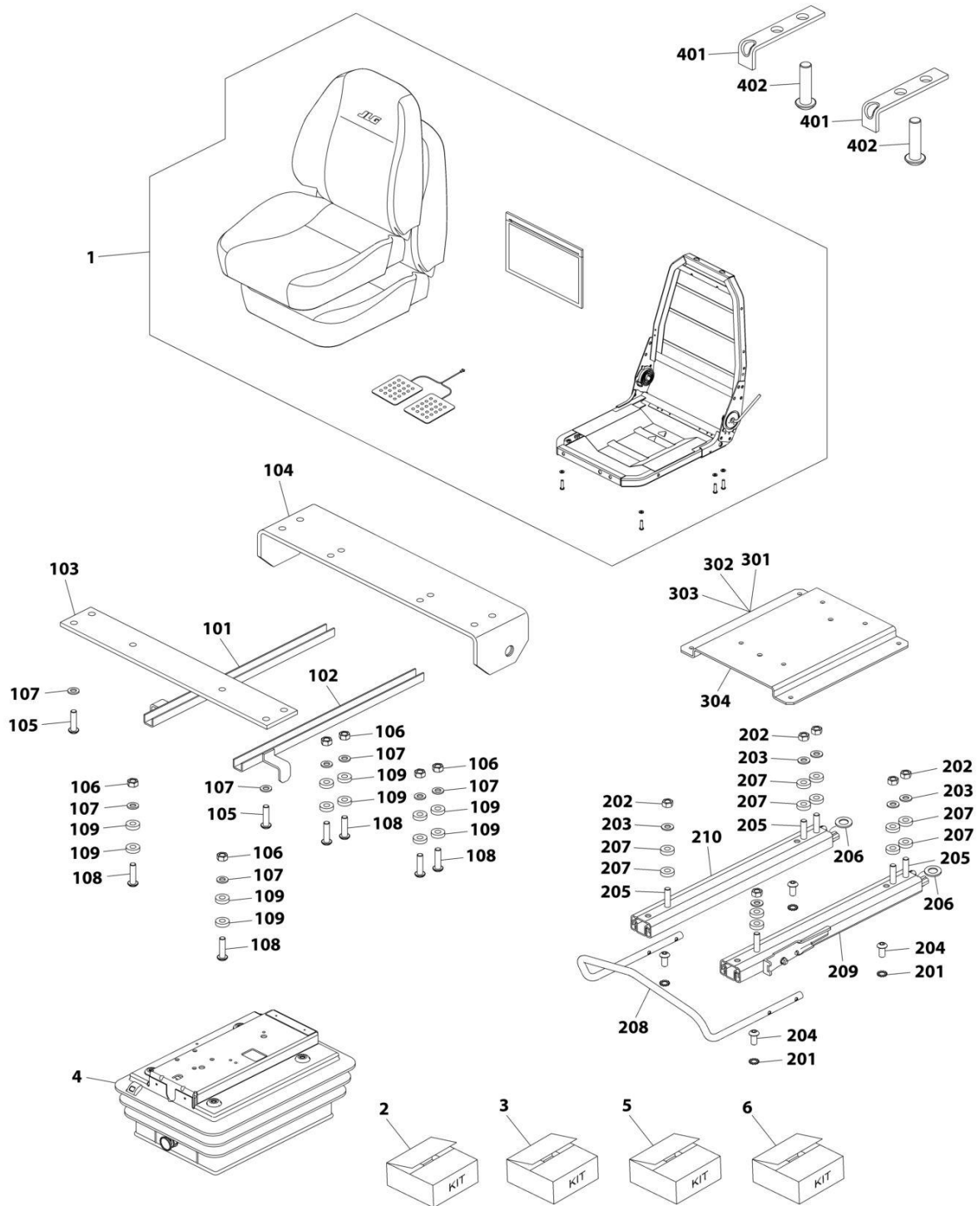
ART\_1001158596-D

**FIGURE 6-32. SEAT INSTALLATION (AIR SUSPENSION - STANDARD)**

<b>ITEM</b>	<b>PART NUMBER</b>	<b>QTY</b>	<b>DESCRIPTION</b>	<b>REV</b>
	1001158596	Ref	Seat Installation (Air Suspension - Standard)	D
1	0760810	4	Bolt, M8X20	
2	4811900	4	Washer, M8	
3	1001216974	1	Grommet	
5	1001165573	1	Assembly, Seat (See Separate Breakdown in this Section)	

# SECTION 6 - CAB

## FIGURE 6-33. SEAT ASSEMBLY (AIR SUSPENSION - STANDARD)



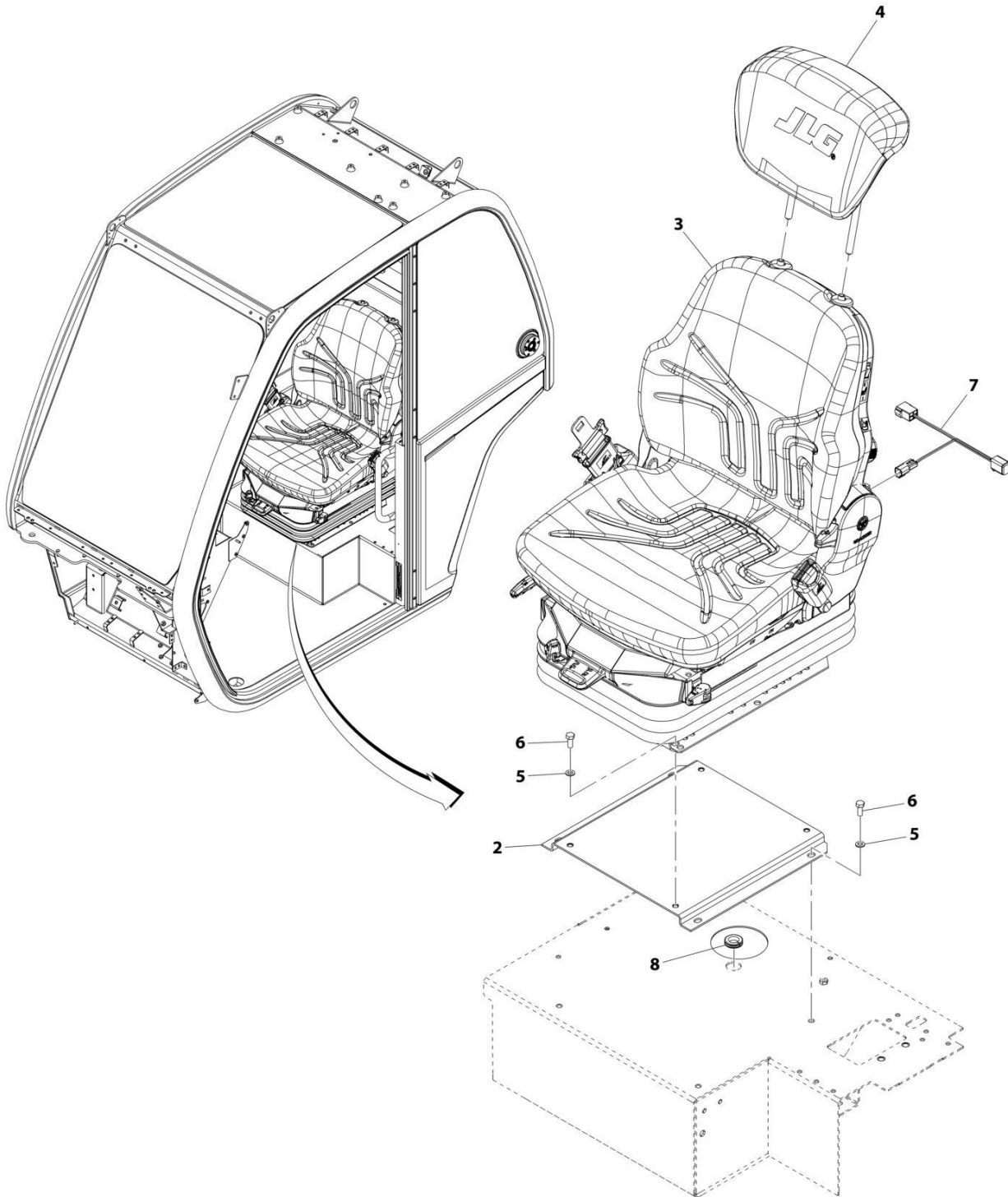
ART\_1001165573-C

FIGURE 6-33. SEAT ASSEMBLY (AIR SUSPENSION - STANDARD)

ITEM	PART NUMBER	QTY	DESCRIPTION	REV
	1001165573	Ref	Seat Assembly (Air Suspension - Standard)	C
1	70027392	1	Assembly, Upper Seat (See Separate Breakdown in this Section)	
2	70021317	1	Kit, Cross Strap (includes items 101 thru 109)	
3	70021318	1	Kit, Fore and Aft Adjustment (includes items 201 thru 210)	
4	70021319	1	Kit, Suspension (See Separate Breakdown in this Section)	
5	70027395	1	Kit, Adapter Plate (includes items 301 thru 304)	
6	70021322	1	Kit, Slide Rail Stop (includes items 401 & 402)	
101	N.S.S.	1	Channel	
102	N.S.S.	1	Channel	
103	N.S.S.	1	Plate, Strap	
104	N.S.S.	1	Plate, Strap	
105	N.S.S.	4	Bolt, M8X25	
106	N.S.S.	6	Nut, M8	
107	N.S.S.	10	Washer	
108	N.S.S.	6	Bolt, M8X30	
109	N.S.S.	12	Spacer	
201	N.S.S.	4	Washer, Spring M8	
202	N.S.S.	1	Nut, M8	
203	N.S.S.	1	Washer	
204	N.S.S.	1	Bolt, M8X16	
205	N.S.S.	1	Bolt, M8X30	
206	N.S.S.	1	Washer	
207	N.S.S.	1	Spacer	
208	N.S.S.	1	Handle	
209	N.S.S.	1	Rail, Slide	
210	N.S.S.	1	Rail, Slide	
301	N.S.S.	1	Bolt, M8X25	
302	N.S.S.	1	Bolt, M8X16	
303	N.S.S.	1	Washer	
304	N.S.S.	1	Plate, Adapter	
401	N.S.S.	1	Stop, Sliderrail	
402	N.S.S.	1	Bolt, M8X16	

# SECTION 6 - CAB

## FIGURE 6-34. SEAT INSTALLATION (AIR SUSPENSION - PREMIUM)



ART\_1001182530-F

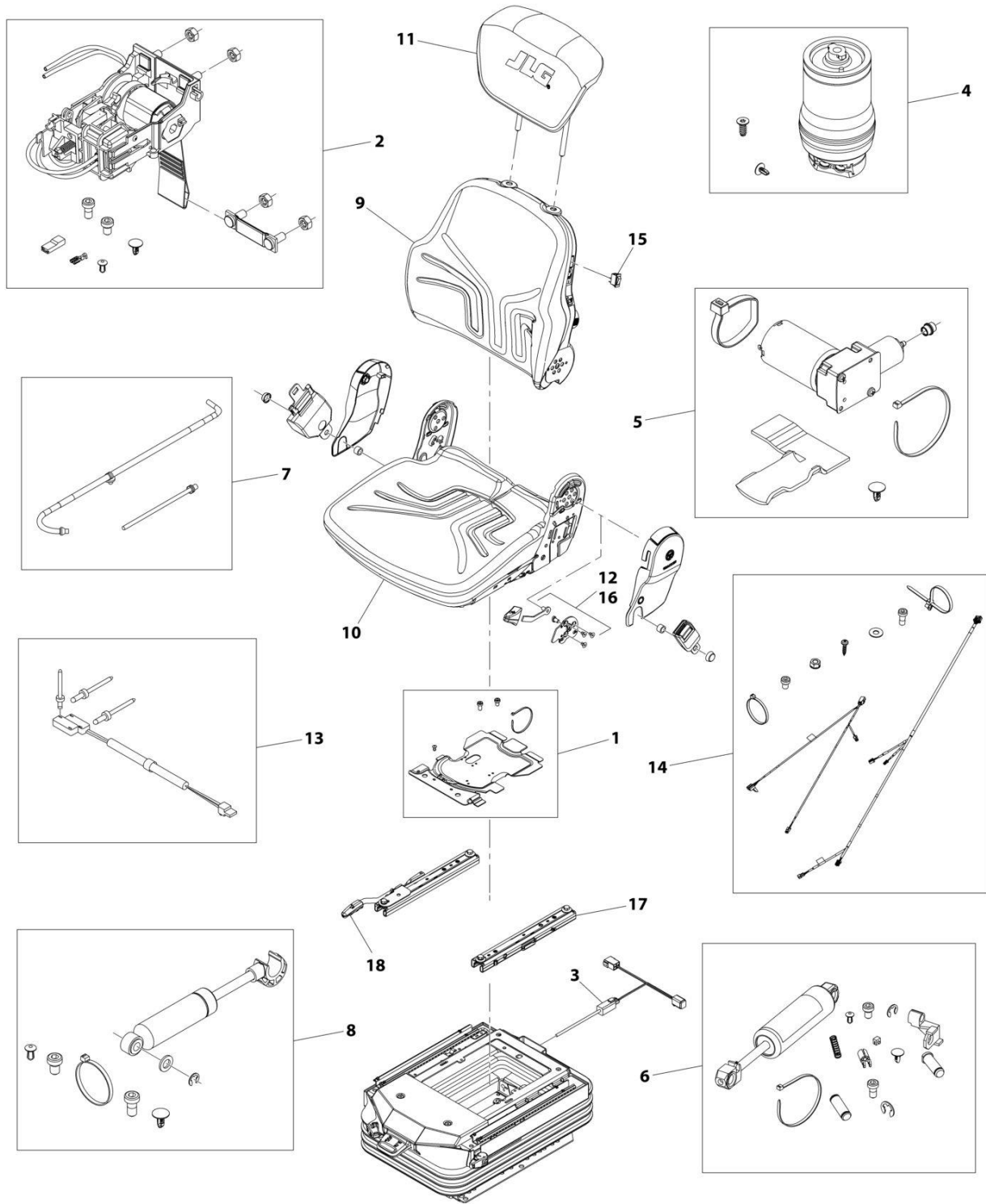


FIGURE 6-34. SEAT INSTALLATION (AIR SUSPENSION - PREMIUM)

ITEM	PART NUMBER	QTY	DESCRIPTION	REV
	1001182530	Ref	Seat Installation (Air Suspension - Premium)	F
2	1001158736C	1	Plinth, Seat	
3	1001169135	1	Assembly, Seat (See Separate Breakdown in this Section)	
4	1001182529	1	Headrest	
5	4811900	8	Washer, M8	
6	0760810	8	Bolt, M8X20	
7	1001168531	1	Harness, Seat Adaptor (See Separate Breakdown in ELECTRICAL Section)	
8	1001216974	1	Grommet	

# SECTION 6 - CAB

## FIGURE 6-35. SEAT ASSEMBLY (AIR SUSPENSION - PREMIUM)



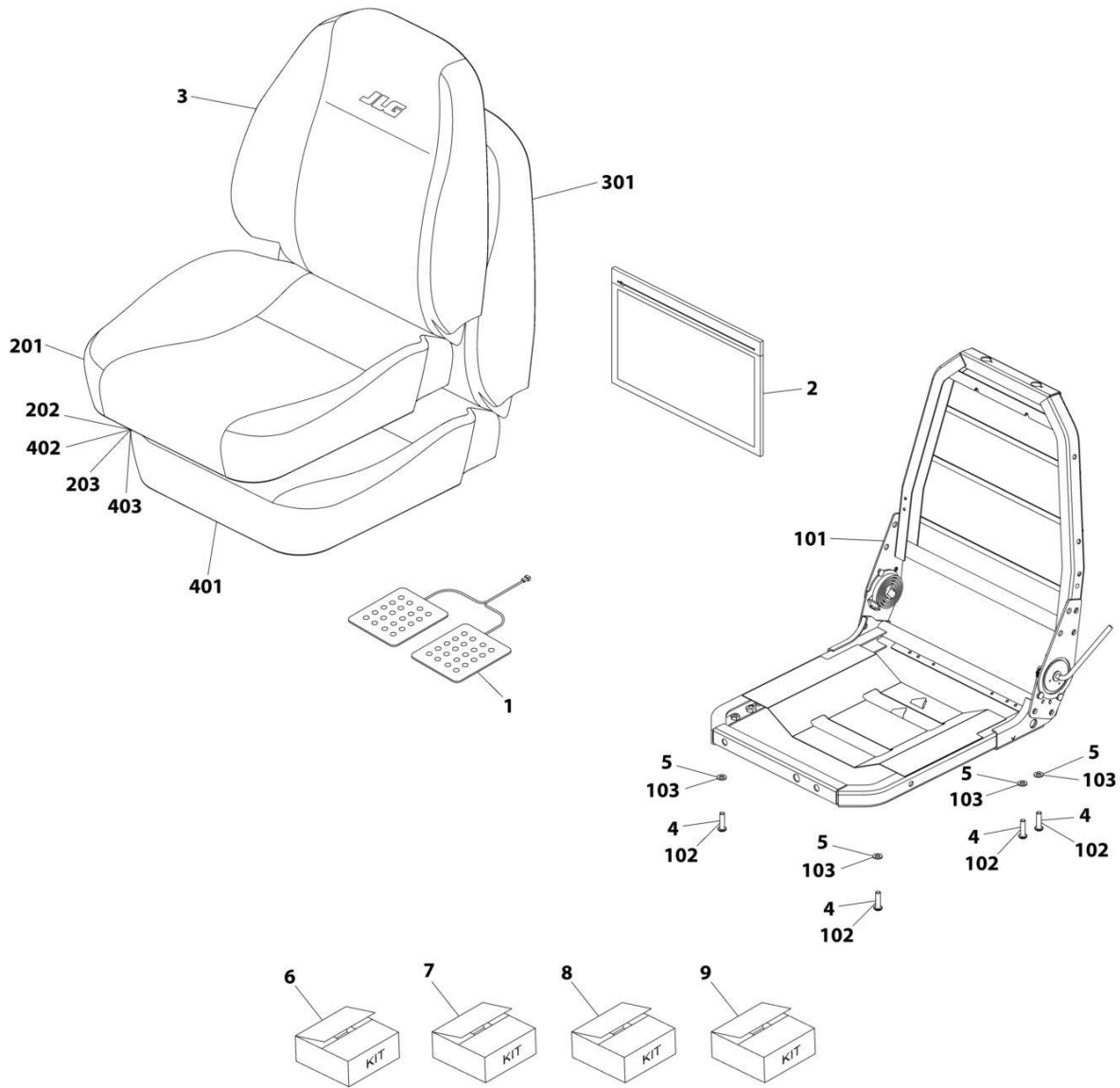
ART\_1001169135-B

FIGURE 6-35. SEAT ASSEMBLY (AIR SUSPENSION - PREMIUM)

ITEM	PART NUMBER	QTY	DESCRIPTION	REV
	1001169135	Ref	Seat Assembly (Air Suspension - Premium)	B
1	70024856	1	Cover	
2	70023182	1	Control Level Kit	
3	70023186	1	Wiring Harness, Air/Safeswitch	
4	70023184	1	Air Spring Kit	
5	70024857	1	Compressor, 12V	
6	70023181	1	Shock Absorber Kit	
7	70024459	1	Air Tubes Kit	
8	70023189	2	Shock Absorber Kit	
9	70023179	1	Back Cushion Kit	
10	70024858	1	Seat Cushion Kit	
11	1001182529	1	Headrest, Cloth	
12	70024859	1	Backrest Actuator	
13	70028326	1	Switch	
14	70024861	1	Wiring Harness	
15	70024107	1	Switch, Heater	
16	7028621	1	Handle, Backrest Angle Adjust	
17	3986643	1	Adjust Slide Kit	
18	3986610	1	Handle	

# SECTION 6 - CAB

## FIGURE 6-36. UPPER SEAT ASSEMBLY



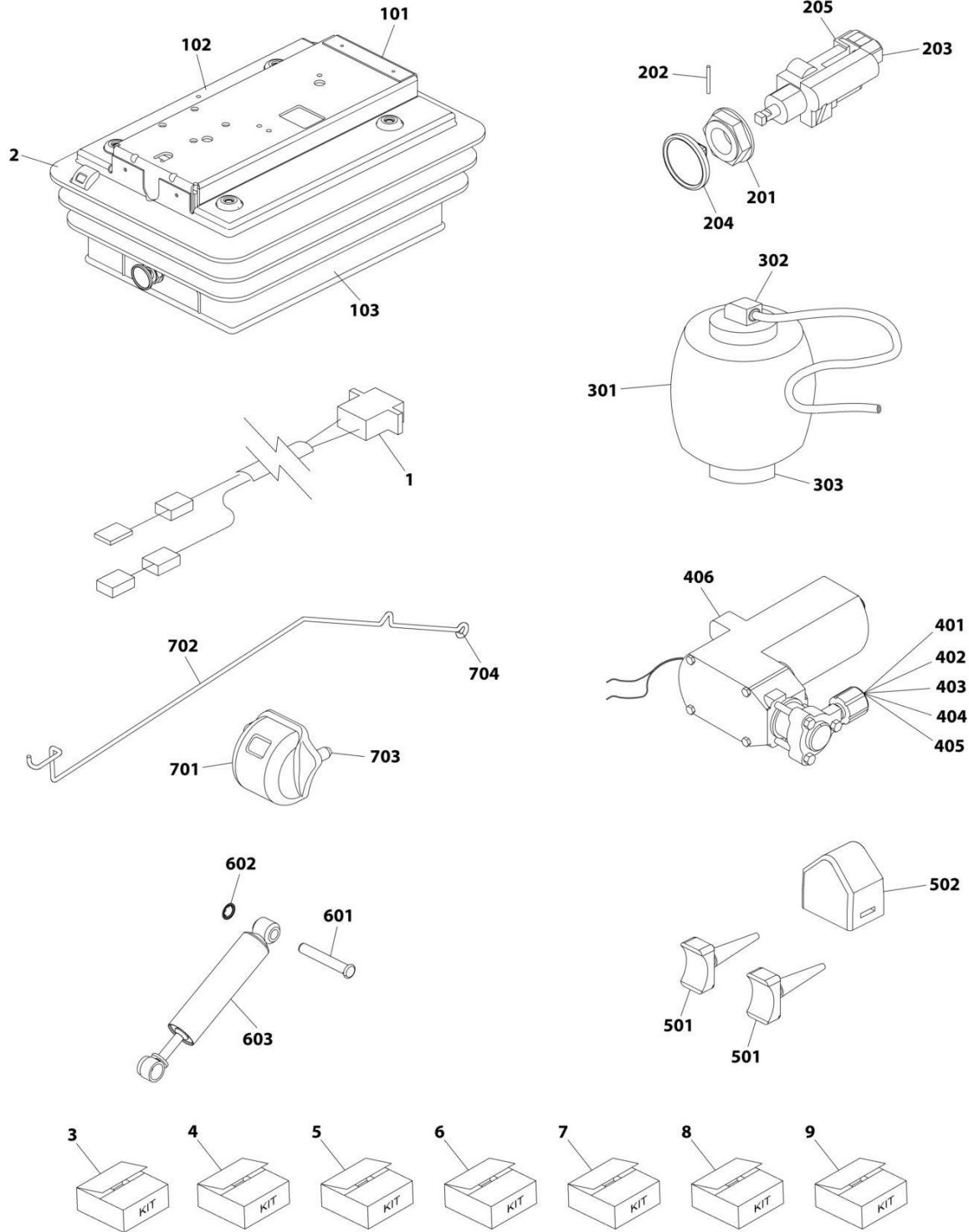
ART\_70027392

FIGURE 6-36. UPPER SEAT ASSEMBLY

ITEM	PART NUMBER	QTY	DESCRIPTION	REV
	70027392	Ref	Upper Seat Assembly	
1	70025539	1	Pad, Sensor	
2	70021316	1	Bag	
3	70027393	1	Cover, Back	
4	N.S.S.	4	Bolt, M8X25	
5	N.S.S.	4	Washer	
6	70021314	1	Kit, Frame (includes items 101 thru 103)	
7	70027394	1	Kit, Bottom Seat Cover (includes items 201 thru 203)	
8	80264002	1	Kit, Back Foam (includes items 301 thru 303)	
9	80264004	1	Kit, Seat Foam (includes items 401 thru 403)	
101	N.S.S.	1	Frame, Seat	
102	N.S.S.	4	Bolt, M8X25	
103	N.S.S.	4	Washer	
201	N.S.S.	1	Cover, Seat	
202	N.S.S.	2	Clip	
203	N.S.S.	17	Clip	
301	N.S.S.	1	Foam, Back	
302	N.S.S.	3	Bar, Trim	
303	N.S.S.	4	Ring	
401	N.S.S.	1	Foam, Seat	
402	N.S.S.	2	Clip	
403	N.S.S.	17	Clip	

# SECTION 6 - CAB

## FIGURE 6-37. SUSPENSION KIT



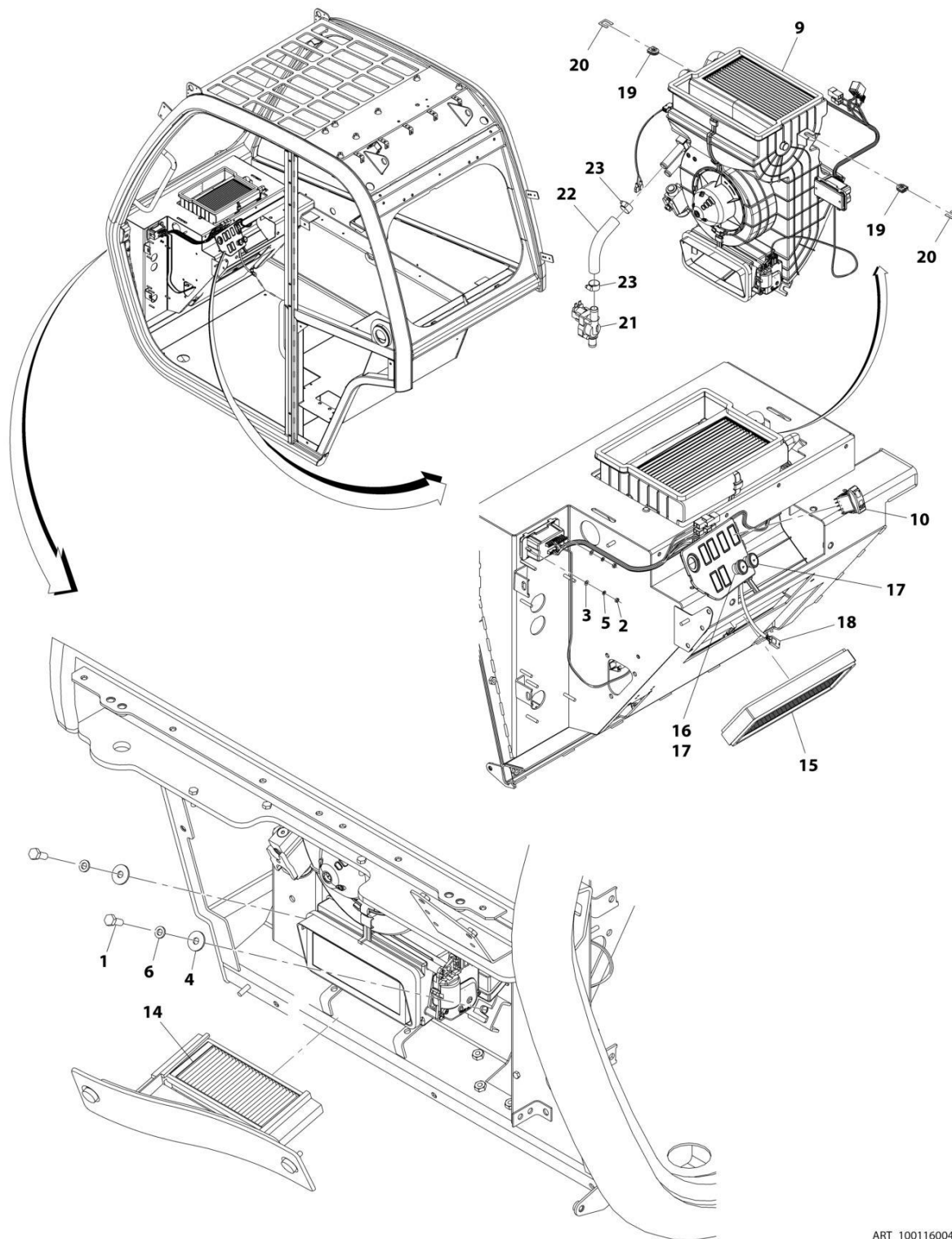
ART\_70021319

FIGURE 6-37. SUSPENSION KIT

ITEM	PART NUMBER	QTY	DESCRIPTION	REV
	70021319	Ref	Suspension Kit	
1	70021330	1	Lead, Fly	
2	N.S.S.	1	Suspension	
3	70021321	1	Kit, Suspension Cover (includes items 101 thru 103)	
4	70021323	1	Kit, Air Valve (includes items 201 thru 205)	
5	70021324	1	Kit, Air Spring (includes items 301 thru 303)	
6	70021325	1	Kit, Compressor (includes items 401 thru 406)	
7	70021326	1	Kit, Upstop/Bumpstop (includes items 501 & 502)	
8	70021327	1	Kit, Damper (includes items 601 thru 603)	
9	70021328	1	Kit, Ride Indicator (includes items 701 thru 704)	
101	N.S.S.	6	Clip, Cover	
102	N.S.S.	1	Cover, Suspension	
103	N.S.S.	5	Clip, Cover	
201	N.S.S.	1	Nut, Air Valve	
202	N.S.S.	1	Pin, Retaining	
203	N.S.S.	1	Valve, Combination	
204	N.S.S.	1	Knob	
205	N.S.S.	2	Tie, Plastic	
301	N.S.S.	1	Spring, Air	
302	N.S.S.	1	Clip	
303	N.S.S.	1	Screw, Countersunk Self Tapping	
401	N.S.S.	1	Clip	
402	N.S.S.	1	Pad	
403	N.S.S.	1	Loom	
404	N.S.S.	2	Tie, Cable	
405	N.S.S.	3	Tie, Plastic	
406	N.S.S.	1	Compressor (with Elbow)	
501	N.S.S.	2	Upstop	
502	N.S.S.	1	Bumpstop	
601	N.S.S.	2	Pin	
602	N.S.S.	2	Washer, Starlock	
603	N.S.S.	1	Damper	
701	N.S.S.	1	Indicator, Ride	
702	N.S.S.	1	Wire, Ride Indicator	
703	N.S.S.	2	Washer, Starlock	
704	N.S.S.	1	Washer, Grip M4	

# SECTION 6 - CAB

## FIGURE 6-38. HEATER INSTALLATION



ART\_1001160043-K

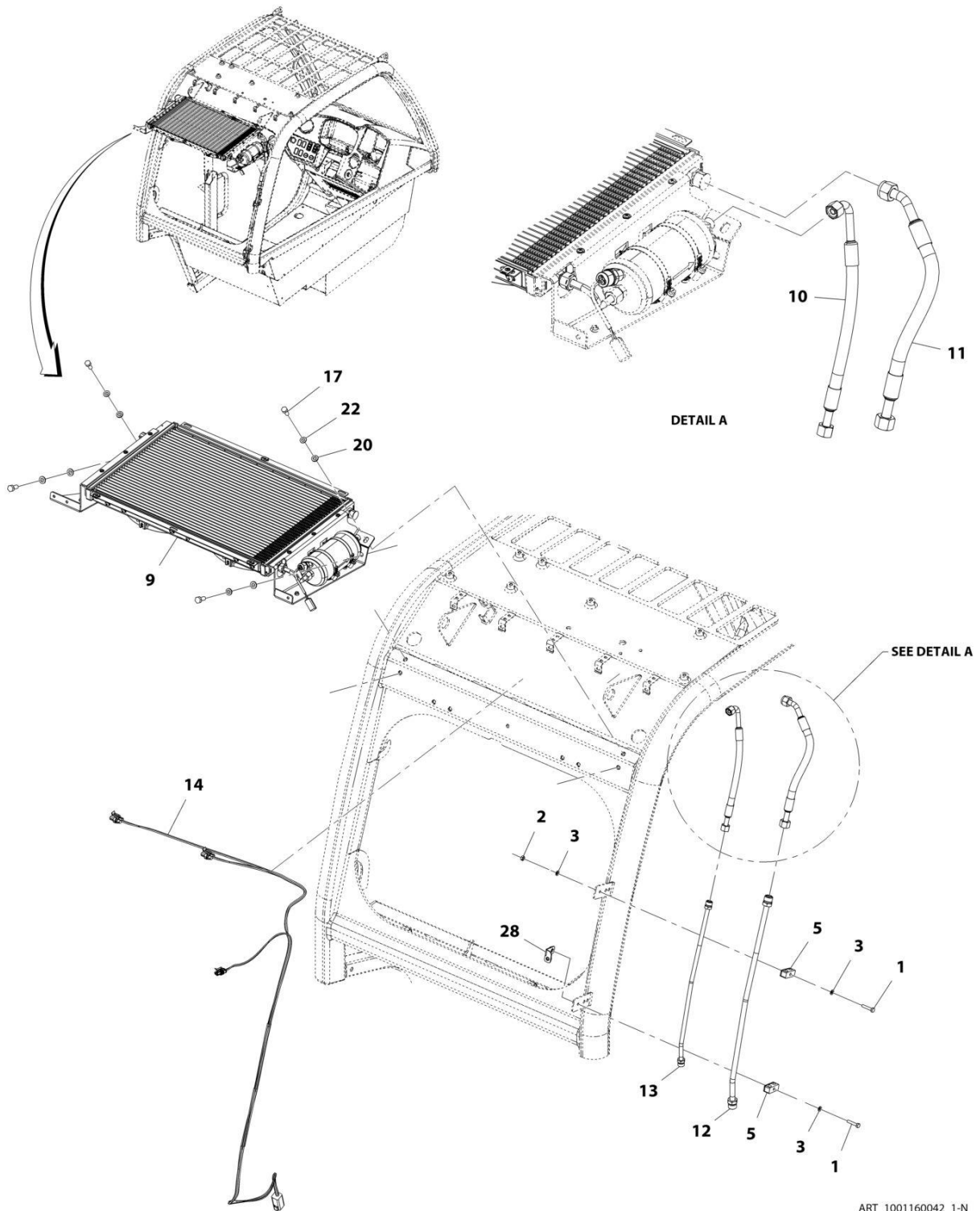


FIGURE 6-38. HEATER INSTALLATION

ITEM	PART NUMBER	QTY	DESCRIPTION	REV
	1001160043	Ref	Heater Installation	K
1	0760810	2	Bolt, M8X20	
2	3290401	2	Nut, M4X0.7	
3	4811400	2	Washer, M4	
4	4811902	2	Washer, M8	
5	4831400	2	Washer, Lock M4	
6	4831900	2	Washer, M8	
9	1001161858	1	Assembly, Heater (See Separate Breakdown in this Section)	
10	1001159925	1	Switch, HVAC Recycle	
14	1001218996	1	Filter, HVAC Air	
15	1001172553	1	Filter, HVAC Recirculation Air	
16	1001172547	1	Switch, HVAC Rotary 3 Speed	
17	1001172550	2	Knob, HVAC Control	
18	1001218529	1	Cable, HVAC	
19	1001188590	2	Grommet	
20	1001218542	2	Shim	
21	1001221059	1	Valve, Water	
22	1001221295	1	House	
23	8410009	2	Clamp	

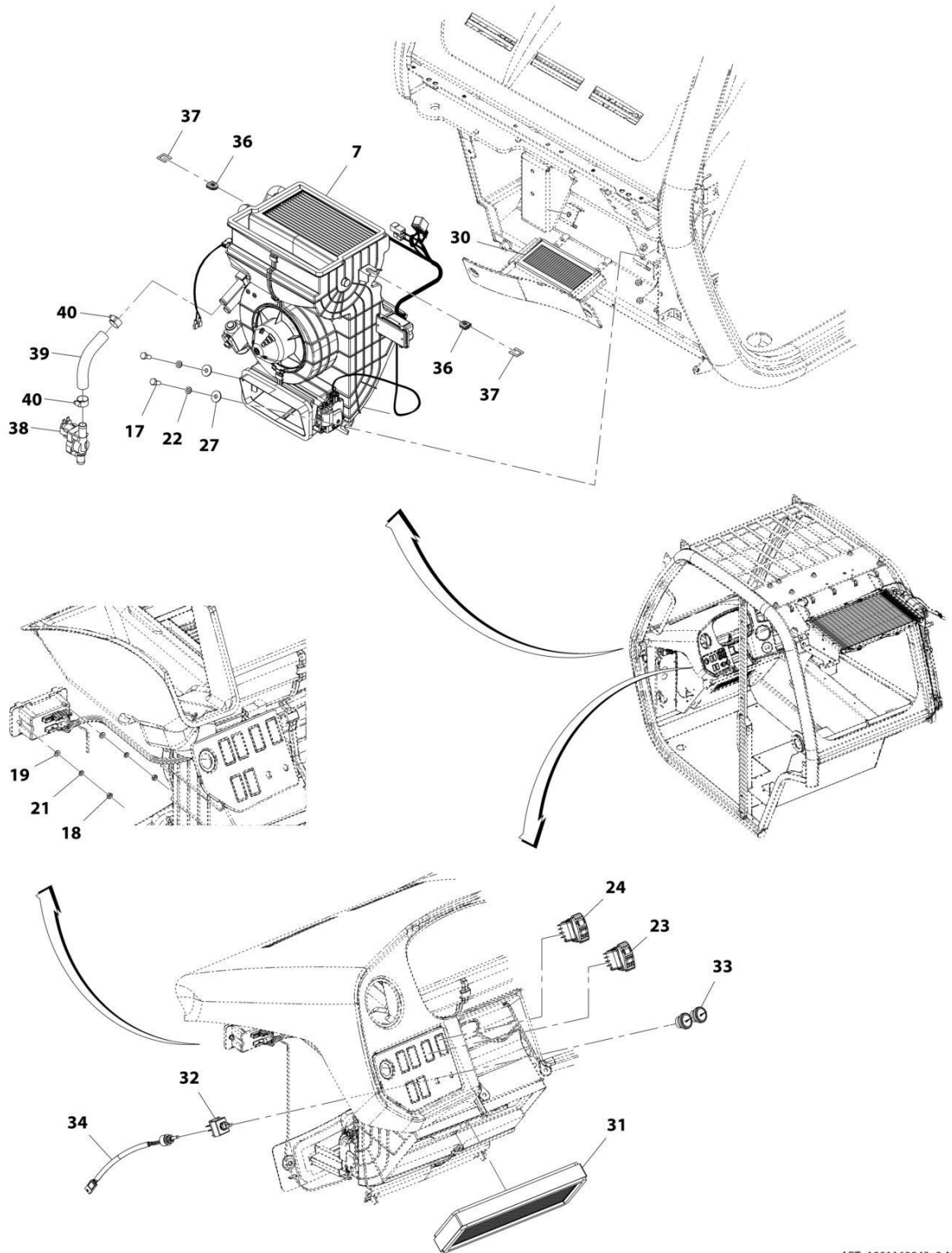
# SECTION 6 - CAB

## FIGURE 6-39. HEATER AND A/C INSTALLATION (CAB PARTS)



ART\_1001160042\_1-N

# SECTION 6 - CAB



ART\_1001160042\_2-N

## SECTION 6 - CAB

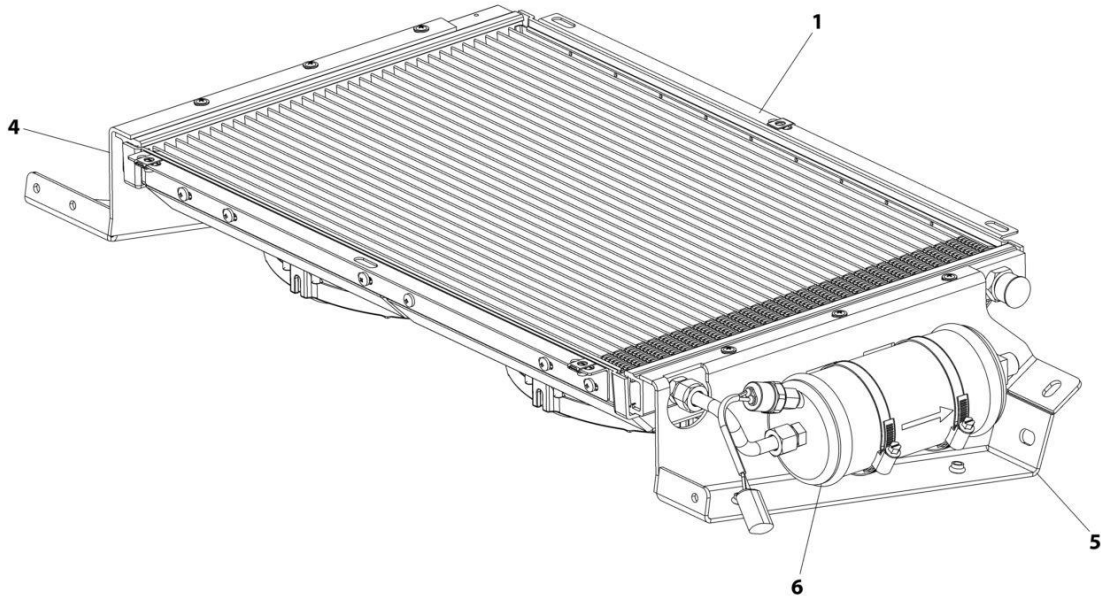
**FIGURE 6-39. HEATER AND A/C INSTALLATION (CAB PARTS)**

ITEM	PART NUMBER	QTY	DESCRIPTION	REV
	1001160042	Ref	Heater and A/C Installation (Cab Parts)	N
1	0700614	2	Bolt, M6X30	
2	3290601	1	Nut, M6X1	
3	4811700	3	Washer, M6	
5	1001145539	2	Support, Pipe	
7	1001188303	1	Assembly, Heater and A/C (See Separate Breakdown in this Section)	
9	1001162953	1	Assembly, Cab Condenser (See Separate Breakdown in this Section)	
10	1001168327	1	Hose	
11	1001168330	1	Hose	
12	1001168331	1	Tube	
13	1001168456	1	Tube	
14	1001169151	1	Harness, A/C Option (See Separate Breakdown in ELECTRICAL Section)	
17	0760810	6	Bolt, M8X20 GR8.8	
18	3290401	2	Nut, M4X0.7	
19	4811400	2	Washer, M4	
20	4811900	4	Washer, M8	
21	4831400	2	Washer, Lock M4	
22	4831900	6	Washer, Lock M8	
23	1001159925	1	Switch, HVAC Recycle	
24	1001160326	1	Switch, HVAC On/Off	
27	4811902	2	Washer, M8	
28	1001178170	1	Bracket	
30	1001218996	1	Filter, HVAC Fresh Air	
31	1001172553	1	Filter, HVAC Air Recirculation	
32	1001172547	1	Switch, HVAC Rotary 3 Speed	
33	1001172550	2	Knob, HVAC Control	
34	1001218529	1	Cable, HVAC	
35	1320022	1	Clamp	
36	1001188590	2	Grommet	
37	1001218542	2	Shim	
38	1001221059	1	Valve, Water	
39	1001221295	1	Hose	
40	8410009	2	Clamp	



# SECTION 6 - CAB

## FIGURE 6-40. CAB CONDENSER ASSEMBLY



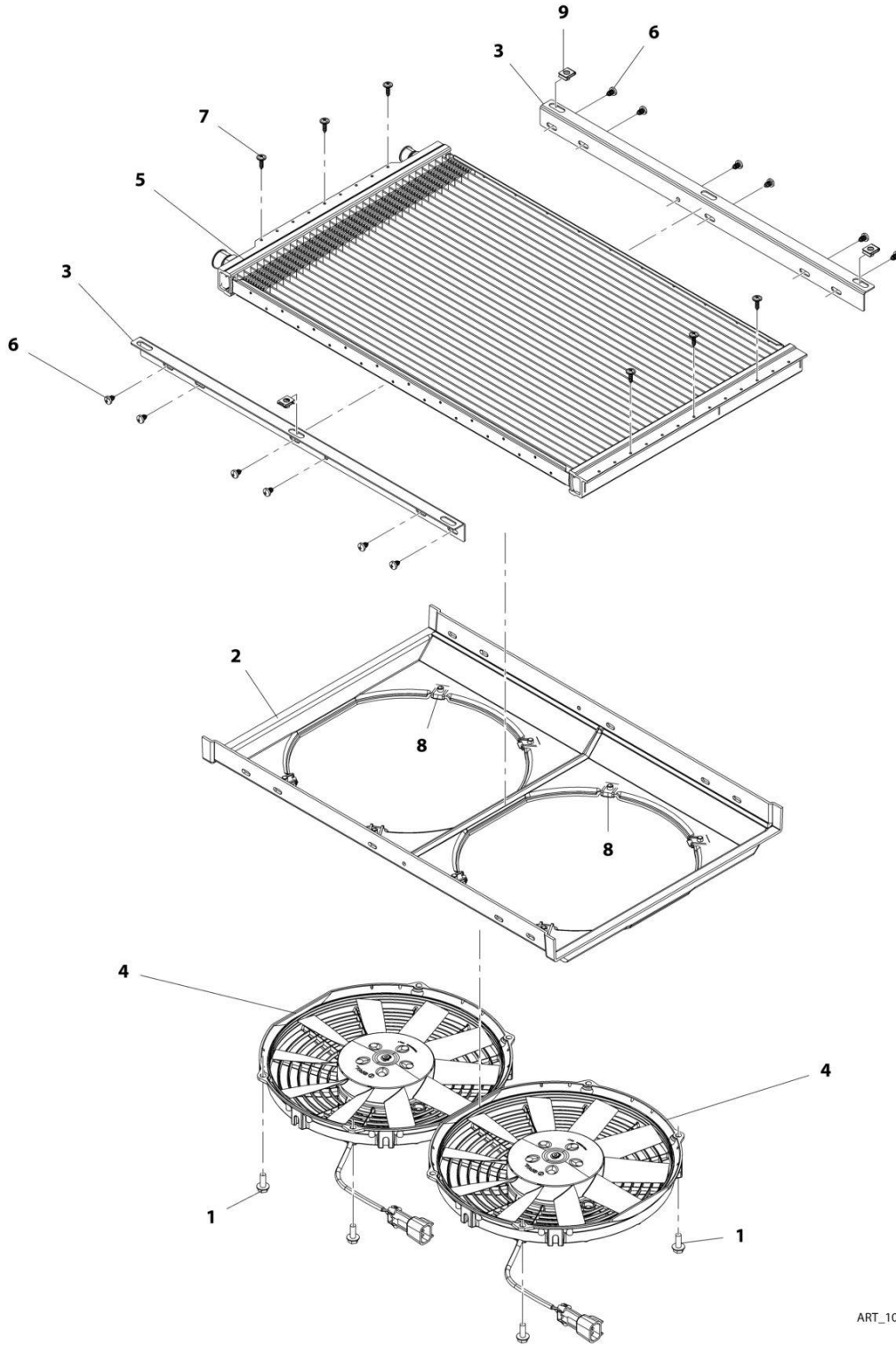
ART\_1001162953

FIGURE 6-40. CAB CONDENSER ASSEMBLY

ITEM	PART NUMBER	QTY	DESCRIPTION	REV
	1001162953	Ref	Cab Condenser Assembly	G
1	1001167266	1	Condenser (See Separate Breakdown in this Section)	
4	1001179080	1	Bracket	
5	1001179081	1	Bracket	
6	1001179130	1	Drier, A/C Receiver (See Separate Breakdown in this Section)	

# SECTION 6 - CAB

## FIGURE 6-41. CONDENSER



ART\_1001167266-C

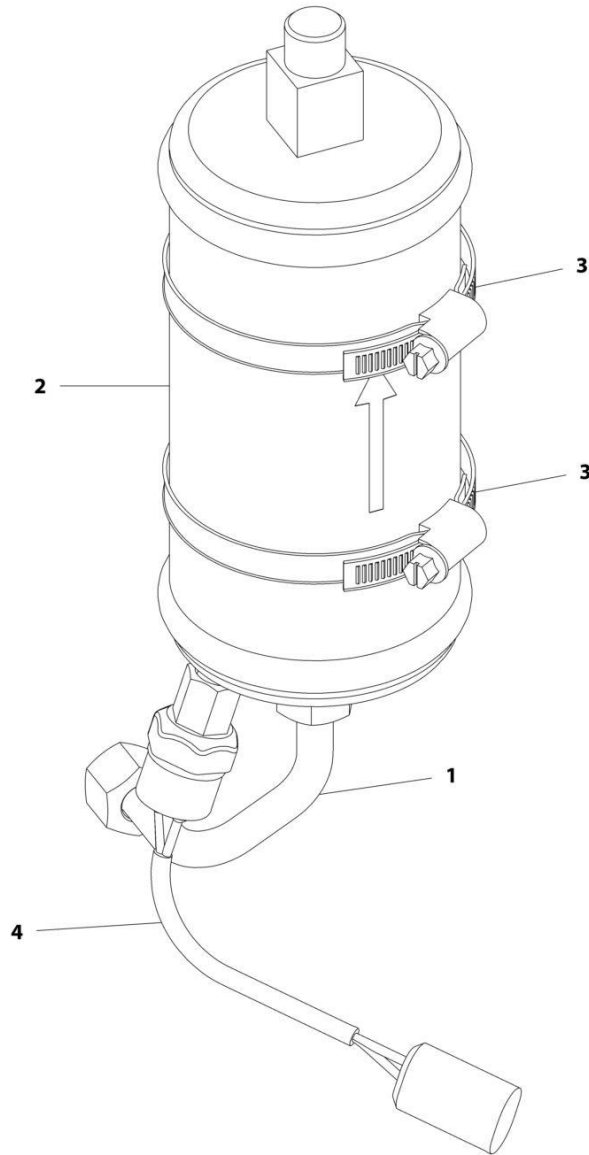


FIGURE 6-41. CONDENSER

ITEM	PART NUMBER	QTY	DESCRIPTION	REV
	1001167266	Ref	Condenser	C
1	5250608	8	Bolt, M6X16	
2	1001195342	1	Bracket, Condenser Fan Mount	
3	1001195343	2	Support, Condenser	
4	1001195345	2	Fan, Condenser	
5	1001195346	1	Condenser	
6	1001195385	12	Screw, M3.9X9.5	
7	1001195386	6	Screw, M4.2X16	
8	1001195437	8	Clip, M6X1	
9	1001195438	3	Clip, M6X1	

# SECTION 6 - CAB

## FIGURE 6-42. A/C RECEIVER DRIER



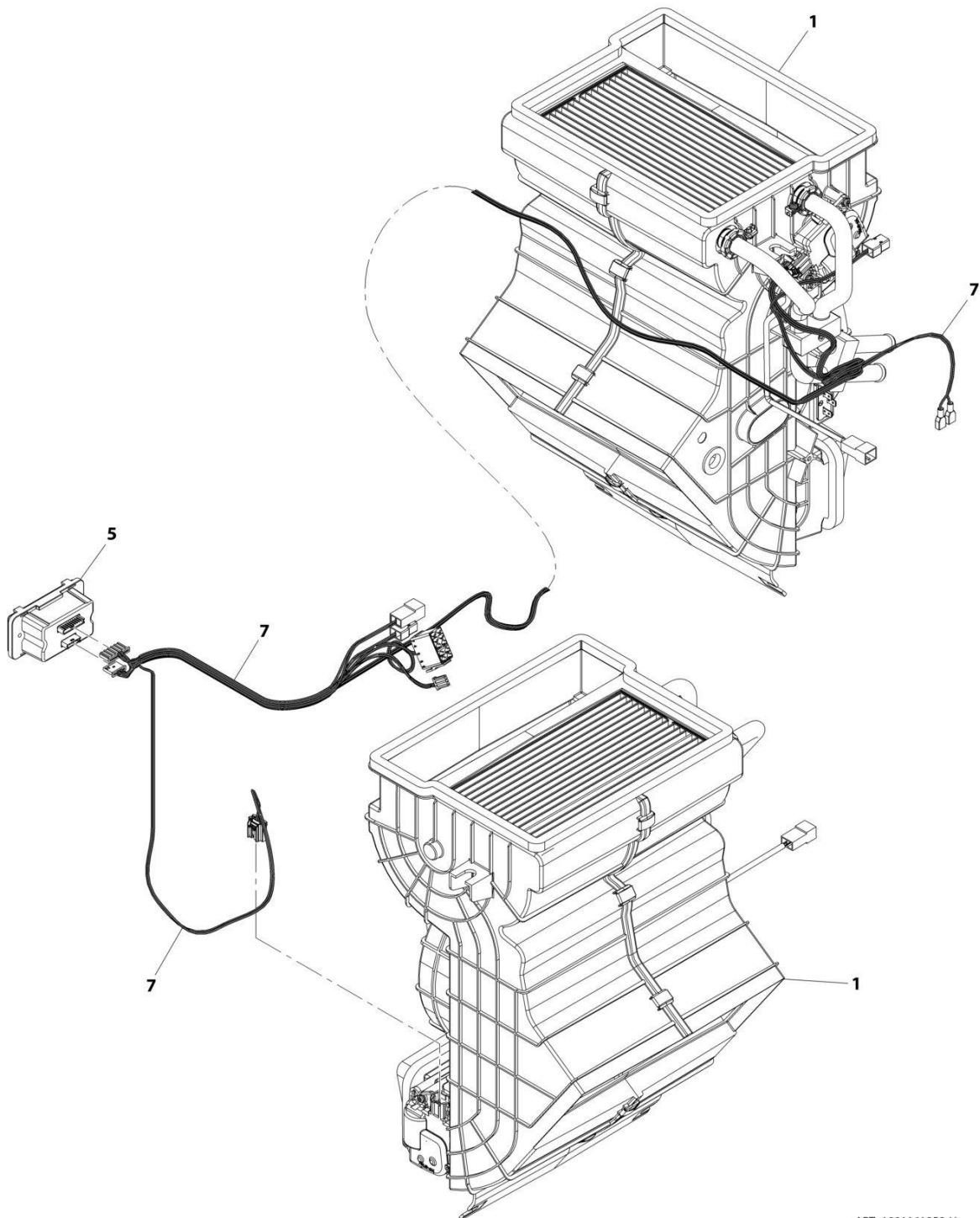
ART\_1001179130-B

FIGURE 6-42. A/C RECEIVER DRIER

ITEM	PART NUMBER	QTY	DESCRIPTION	REV
	1001179130	Ref	A/C Receiver Drier	B
1	1001184403	1	Tube, Heater	
2	1001184404	1	Receiver, Heater Drier	
3	1001184405	2	Clamp	
4	1001184406	1	Connector, Heater	

# SECTION 6 - CAB

## FIGURE 6-43. HEATER ASSEMBLY



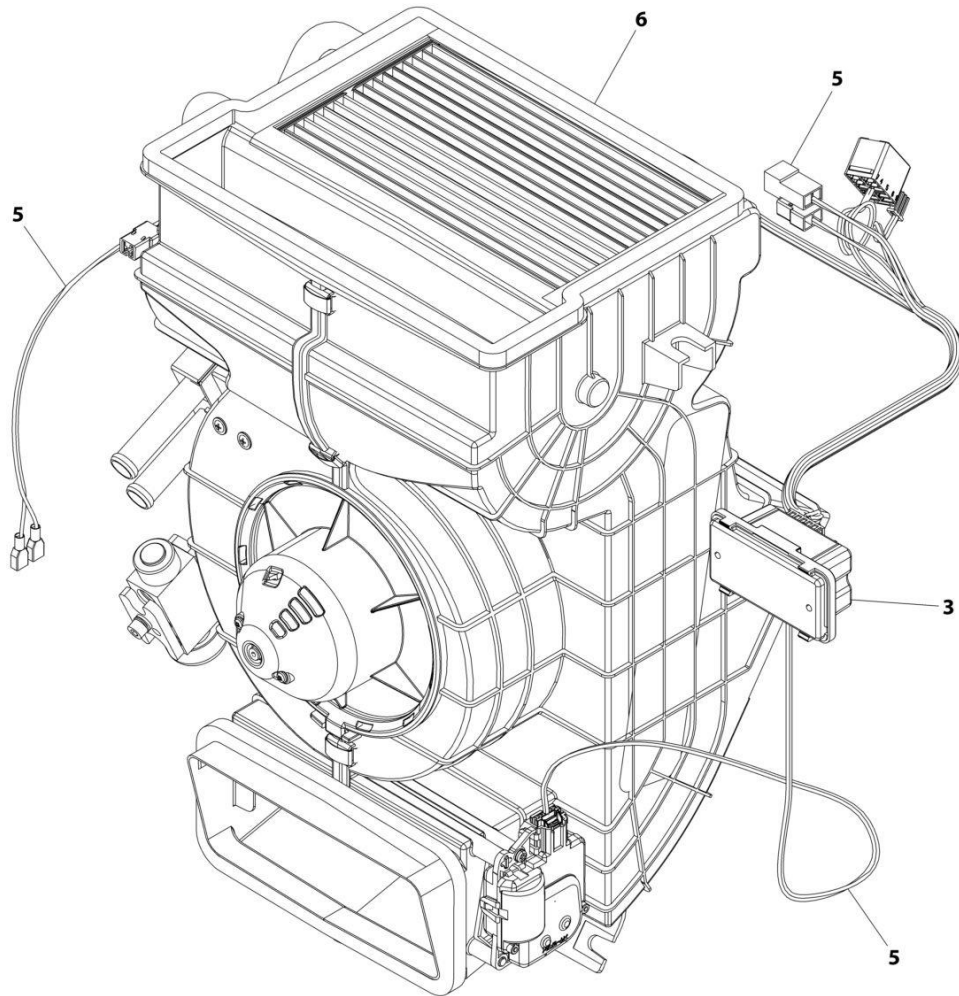
ART\_1001161858-H

FIGURE 6-43. HEATER ASSEMBLY

ITEM	PART NUMBER	QTY	DESCRIPTION	REV
	1001161858	Ref	Heater Assembly	H
1	1001152908	NLA	Heater, Cab (no longer available, use 1001221052), (For Service, See Separate Breakdown in this Section)	
5	1001221052	1	Heater, Cab (See Separate Breakdown in this Section)	
5	1001172551	1	Actuator, HVAC Cab (See Separate Breakdown in this Section)	
7	1001173571	1	Harness, HVAC Actuator	
7	1001221056	1	Harness, HVAC Actuator	

# SECTION 6 - CAB

## FIGURE 6-44. HEATER AND A/C ASSEMBLY



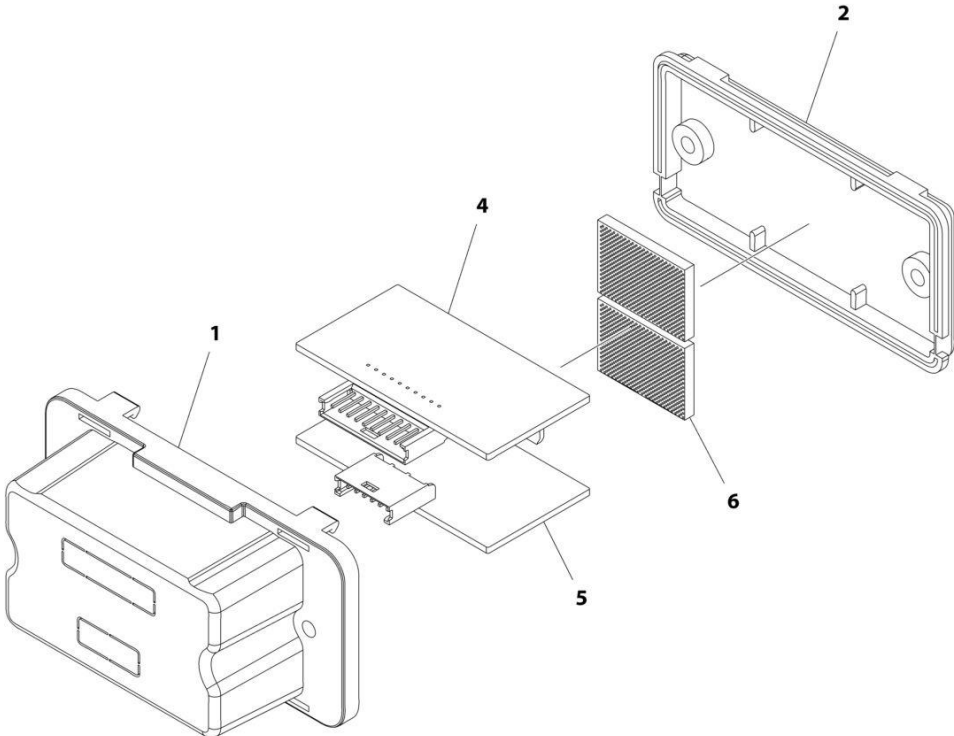
ART\_1001188303-G

FIGURE 6-44. HEATER AND A/C ASSEMBLY

ITEM	PART NUMBER	QTY	DESCRIPTION	REV
	1001188303	Ref	Heater and A/C Assembly	H
3	1001172551	1	Actuator, HVAC Cab	
5	1001221056	1	Harness, HVAC Actuator (See Separate Breakdown in ELECTRICAL Section)	
6	1001221054	1	Heater and A/C (See Separate Breakdown in this Section)	

**SECTION 6 - CAB**

**FIGURE 6-45. HVAC CAB ACTUATOR**



ART\_1001172551

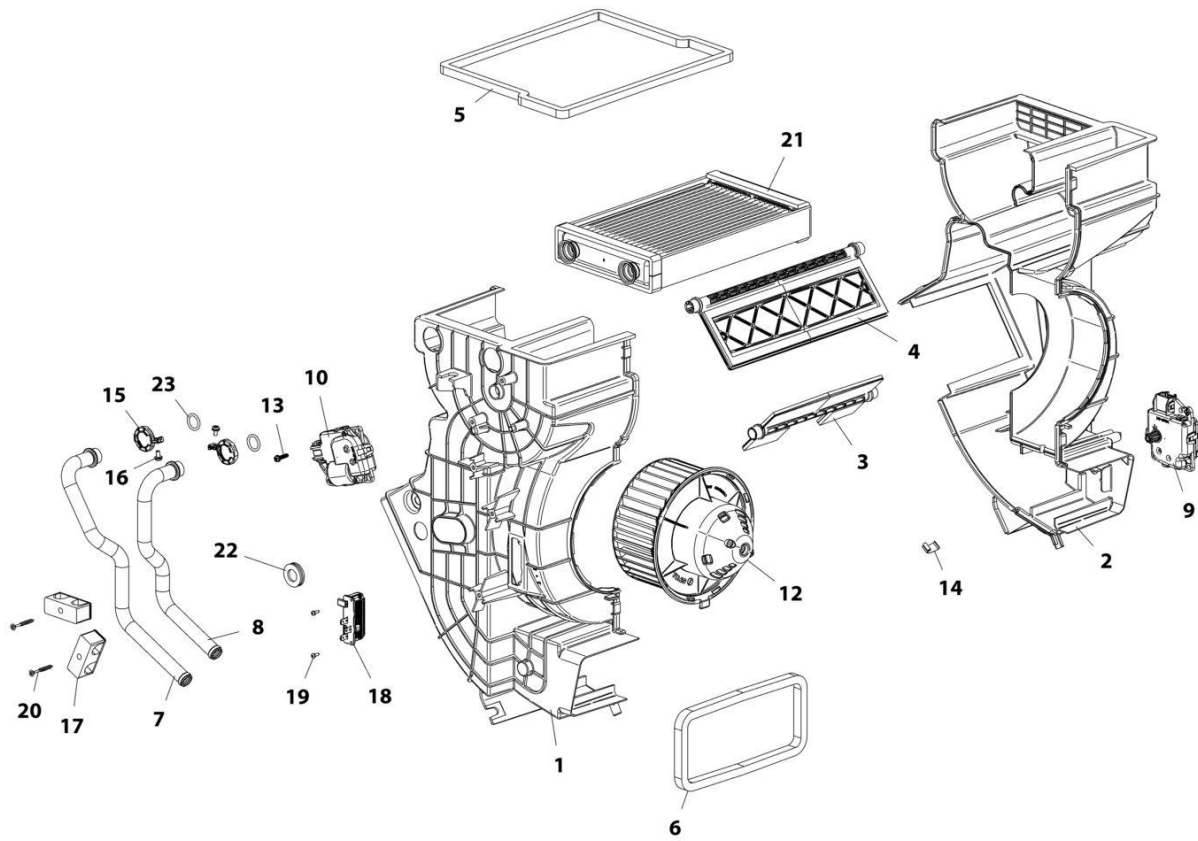


FIGURE 6-45. HVAC CAB ACTUATOR

ITEM	PART NUMBER	QTY	DESCRIPTION	REV
	1001172551	Ref	HVAC CAB ACTUATOR	E
1	1001184306	1	Box, Heater Controller	
2	1001184307	1	Base, Heater Controller Box	
4	1001184309	1	Board, Heater Control	
5	1001184310	1	Board, Heater Control	
6	1001189980	2	Insulator, Heater Controller Box	

# SECTION 6 - CAB

## FIGURE 6-46. HEATER



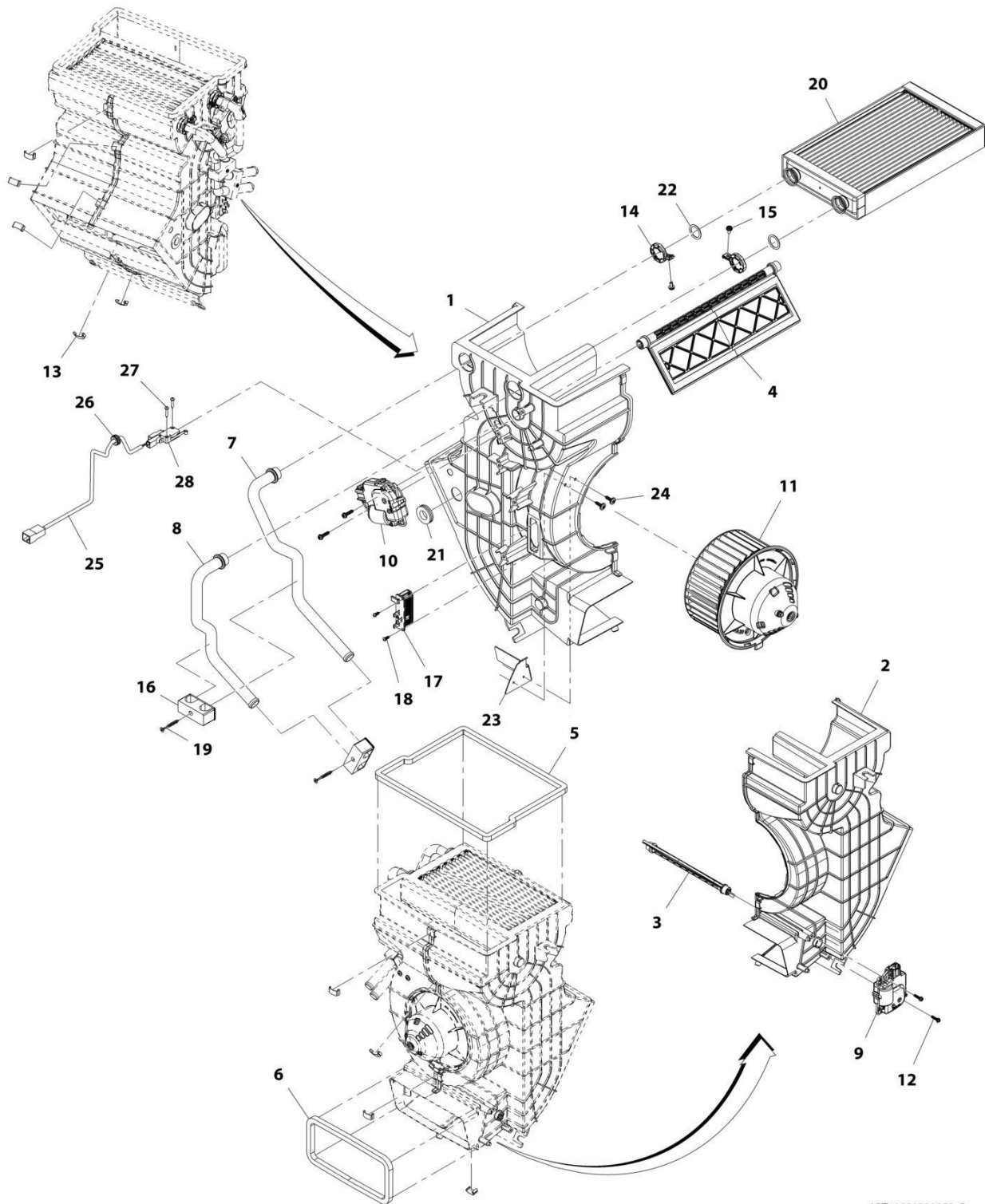
ART\_1001152908-E

FIGURE 6-46. HEATER

ITEM	PART NUMBER	QTY	DESCRIPTION	REV
	1001152908	NLA	Heater (no longer available, see items 1 through 23 for service or use 1001221052 for replacement)	E
1	1001166091	1	Housing, RH	
2	1001166092	1	Housing, LH	
3	1001184275	1	Flap, Recirculation with Foam	
4	1001184278	1	Flap, Mixing with Foam	
5	1001184294	1	Foam, Air Outlet	
6	1001184295	1	Foam, Air Inlet	
7	1001184296	1	Pipe, Water	
8	1001184297	1	Pipe, Water	
9	1001188577	1	Actuator, Fresh/Recirculation Air	
10	1001188578	1	Actuator, Hot/Cold	
12	1001188594	1	Fan, 12V	
13	1001188602	4	Screw	
14	1001188603	9	Clamp	
15	1001188604	2	Clamp	
16	1001188610	2	Screw	
17	1001188612	2	Clamp	
18	1001188614	1	Resistor	
19	1001188720	2	Screw	
20	1001188725	2	Screw	
21	1001188729	1	Radiator, Heater Core	
22	1001188733	1	Grommet	
23	1001189025	2	O-Ring	

# SECTION 6 - CAB

## FIGURE 6-47. CAB HEATER



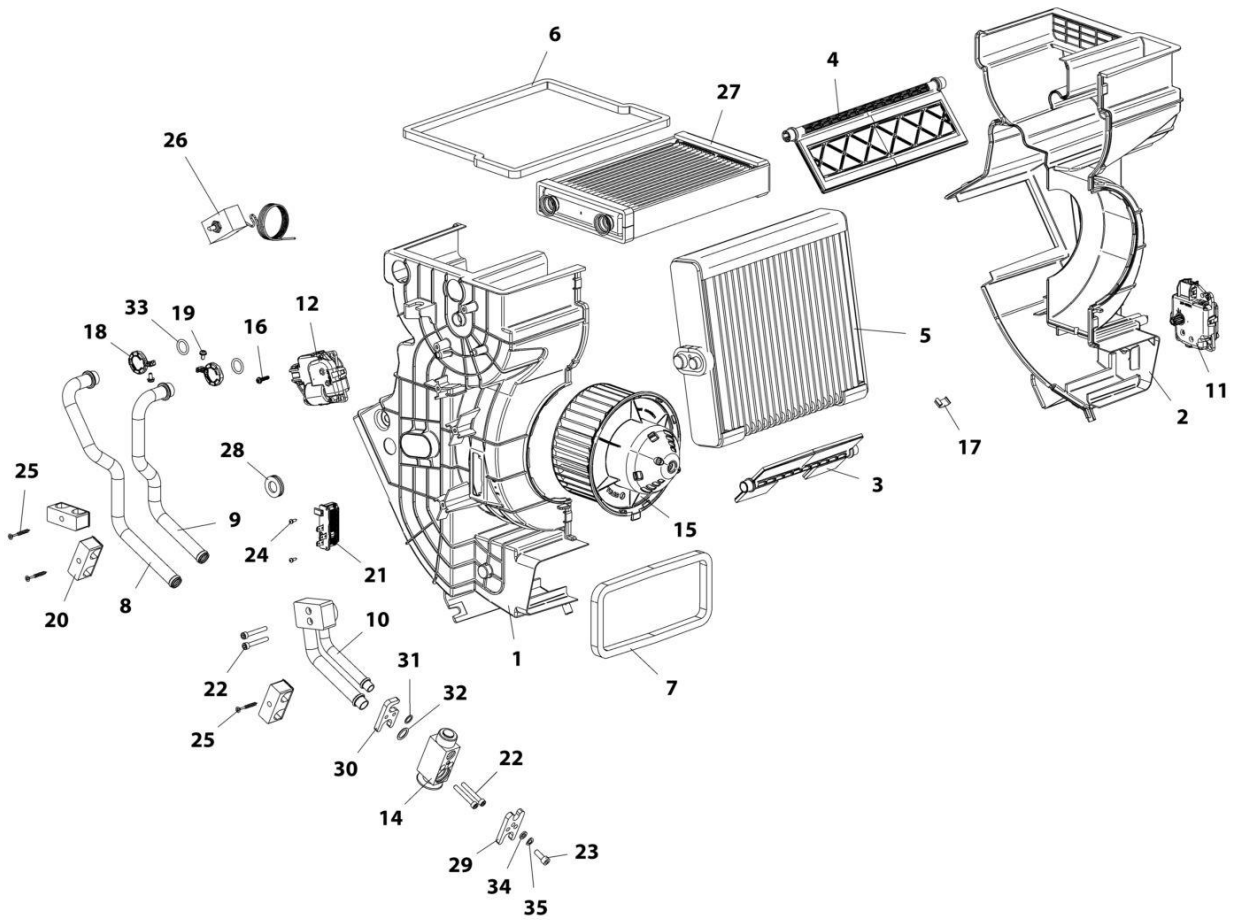
ART\_1001221052-C

FIGURE 6-47. CAB HEATER

ITEM	PART NUMBER	QTY	DESCRIPTION	REV
	1001221052	Ref	Heater	D
1	1001166091	1	Housing, RH	
2	1001166092	1	Housing, LH	
3	1001184275	1	Flap, Recirculation with Foam	
4	1001184278	1	Flap, Mixing with Foam	
5	1001184294	1	Foam, Air Outlet	
6	1001184295	1	Foam, Air Inlet	
7	1001184296	1	Pipe, Water	
8	1001184297	1	Pipe, Water	
9	1001188577	1	Actuator, Fresh/Recirculation Air	
10	1001188578	1	Actuator, Hot/Cold	
11	1001188594	1	Fan, 12V	
12	1001188602	4	Screw	
13	1001188603	9	Clamp	
14	1001188604	2	Clamp	
15	1001188610	2	Screw	
16	1001188612	2	Clamp	
17	1001188614	1	Resistor	
18	1001188720	2	Screw	
19	1001188725	2	Screw	
20	1001188729	1	Radiator, Heater Core	
21	1001188733	1	Grommet	
22	1001189025	2	O-Ring	
23	1001221057	1	Plate	
24	1001221058	2	Screw	
25	1001228132	1	Harness, HVAC Sensor	
26	1001228140	1	Grommet	
27	1001228141	2	Screw	
28	1001228147	1	Valve, Water	

# SECTION 6 - CAB

## FIGURE 6-48. HEATER AND A/C



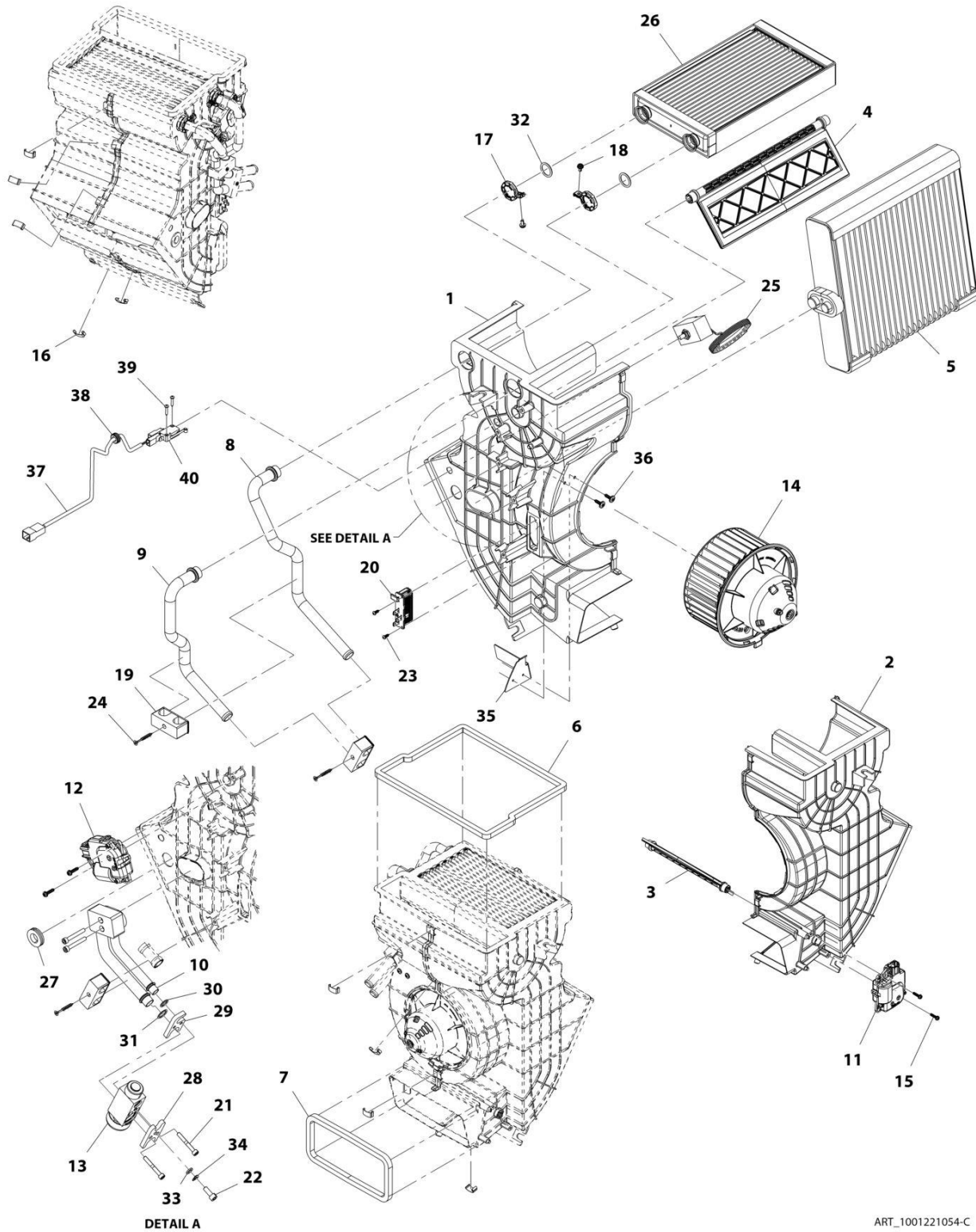
ART\_1001188275-D

FIGURE 6-48. HEATER AND A/C

ITEM	PART NUMBER	QTY	DESCRIPTION	REV
	1001188275	NLA	Heater and A/C (no longer available, see items 1 through 35 for service or use 1001221054 for replacement)	D
1	1001166091	1	Housing, HVAC RH	
2	1001166092	1	Housing, HVAC LH	
3	1001184275	1	Foam, Heater Flap	
4	1001184278	1	Foam, Heater Mixing Flap	
5	1001184280	1	Evaporator, Heater	
6	1001184294	1	Seal, Heater Foam	
7	1001184295	1	Seal, Air Inlet Foam	
8	1001184296	1	Pipe, Heater Water	
9	1001184297	1	Pipe, Heater Water	
10	1001184427	1	Pipe, Heater	
11	1001188577	1	Actuator, Fresh/Recirculation Air	
12	1001188578	1	Actuator, Hot/Cold Mixing	
14	1001188592	1	Valve, HVAC Expansion	
15	1001188594	1	Fan, HVAC Centrifugal 12V	
16	1001188602	4	Screw, M4	
17	1001188603	9	Clamp, HVAC Case	
18	1001188604	2	Clamp, HVAC Pipe	
19	1001188610	2	Screw, M4X0.7	
20	1001188612	3	Clamp, Pipe	
21	1001188614	1	Resistor	
22	1001188618	4	Screw, M5	
23	1001188619	1	Screw, M6	
24	1001188720	2	Screw, M2.9X9.5	
25	1001188725	3	Screw, M4X35	
26	1001188728	1	Sensor, HVAC Thermostat	
27	1001188729	1	Radiator, Heater Core	
28	1001188733	1	Grommet	
29	1001188817	1	Clamp, Hose	
30	1001188818	1	Clamp, HVAC EVAP/Valve	
31	1001189023	1	O-Ring	
32	1001189024	1	O-Ring	
33	1001189025	2	O-Ring	
34	1001189048	1	Washer	
35	1001189054	1	Washer, Spring	

# SECTION 6 - CAB

## FIGURE 6-49. HEATER AND A/C



ART\_1001221054-C

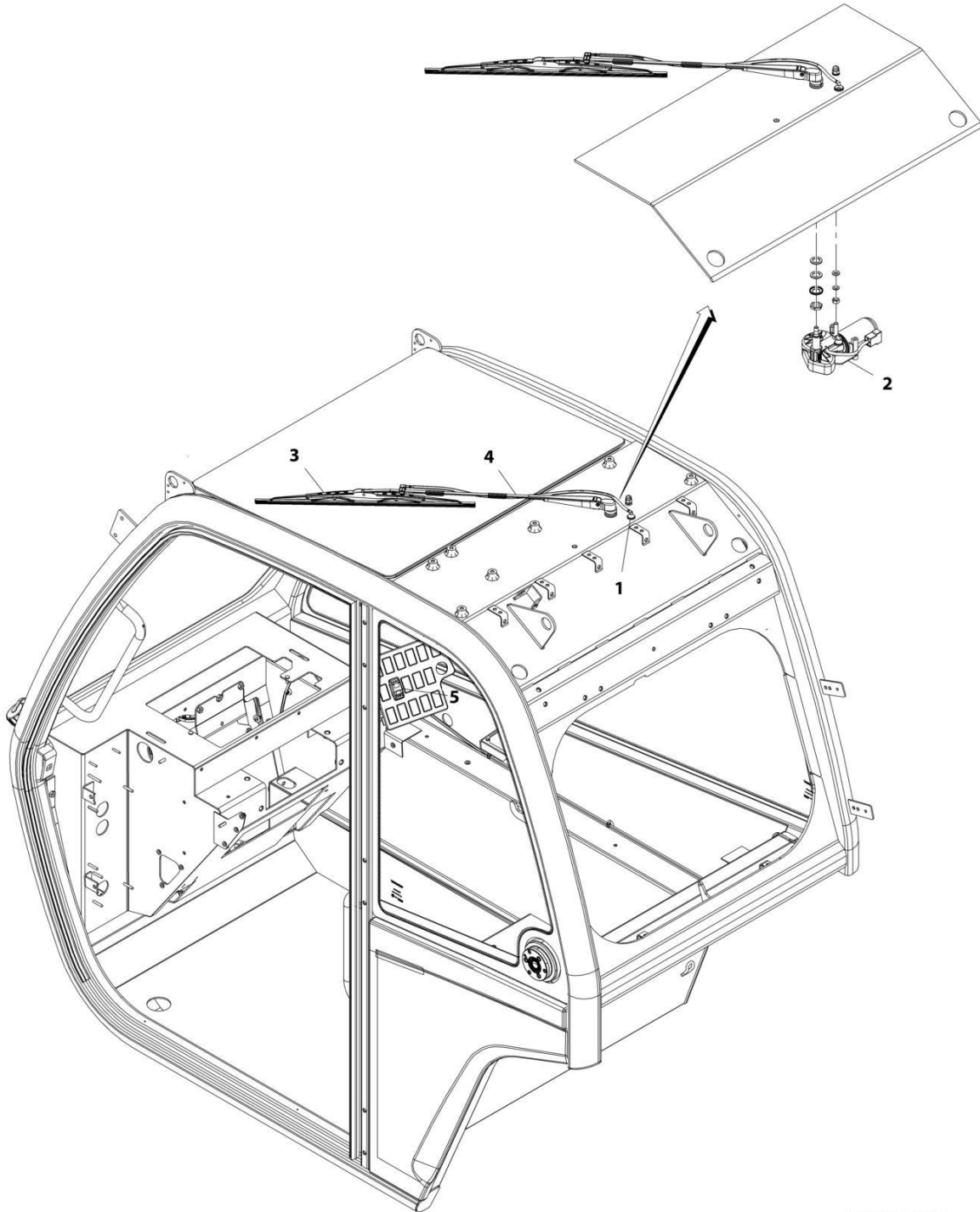


FIGURE 6-49. HEATER AND A/C

ITEM	PART NUMBER	QTY	DESCRIPTION	REV
	1001221054	Ref	Heater and A/C	D
1	1001166091	1	Housing, HVAC RH	
2	1001166092	1	Housing, HVAC LH	
3	1001184275	1	Foam, Heater Flap	
4	1001184278	1	Foam, Heater Mixing Flap	
5	1001184280	1	Evaporator, Heater	
6	1001184294	1	Seal, Heater Foam	
7	1001184295	1	Seal, Air Inlet Foam	
8	1001184296	1	Pipe, Heater Water	
9	1001184297	1	Pipe, Heater Water	
10	1001184427	1	Pipe, Heater	
11	1001188577	1	Actuator, Fresh/Recirculation Air	
12	1001188578	1	Actuator, Hot/Cold Mixing	
13	1001188592	1	Valve, HVAC Expansion	
14	1001188594	1	Fan, HVAC Centrifugal 12V	
15	1001188602	4	Screw, M4	
16	1001188603	9	Clamp, HVAC Case	
17	1001188604	2	Clamp, HVAC Pipe	
18	1001188610	2	Screw, M4X0.7	
19	1001188612	3	Clamp, Pipe	
20	1001188614	1	Resistor	
21	1001188618	4	Screw, M5	
22	1001188619	1	Screw, M6	
23	1001188720	2	Screw, M2.9X9.5	
24	1001188725	3	Screw, M4X35	
25	1001188728	1	Sensor, HVAC Thermostat	
26	1001188729	1	Radiator, Heater Core	
27	1001188733	1	Grommet	
28	1001188817	1	Clamp, Hose	
29	1001188818	1	Clamp, HVAC EVAP/Valve	
30	1001189023	1	O-Ring	
31	1001189024	1	O-Ring	
32	1001189025	2	O-Ring	
33	1001189048	1	Washer	
34	1001189054	1	Washer, Spring	
35	1001221057	1	Plate	
36	1001221058	2	Screw	
37	1001228132	1	Harness, HVAC Sensor	
38	1001228140	1	Grommet	
39	1001228141	2	Screw	
40	1001228147	1	Valve, Water Sensor	

# SECTION 6 - CAB

## FIGURE 6-50. ROOF WIPER INSTALLATION



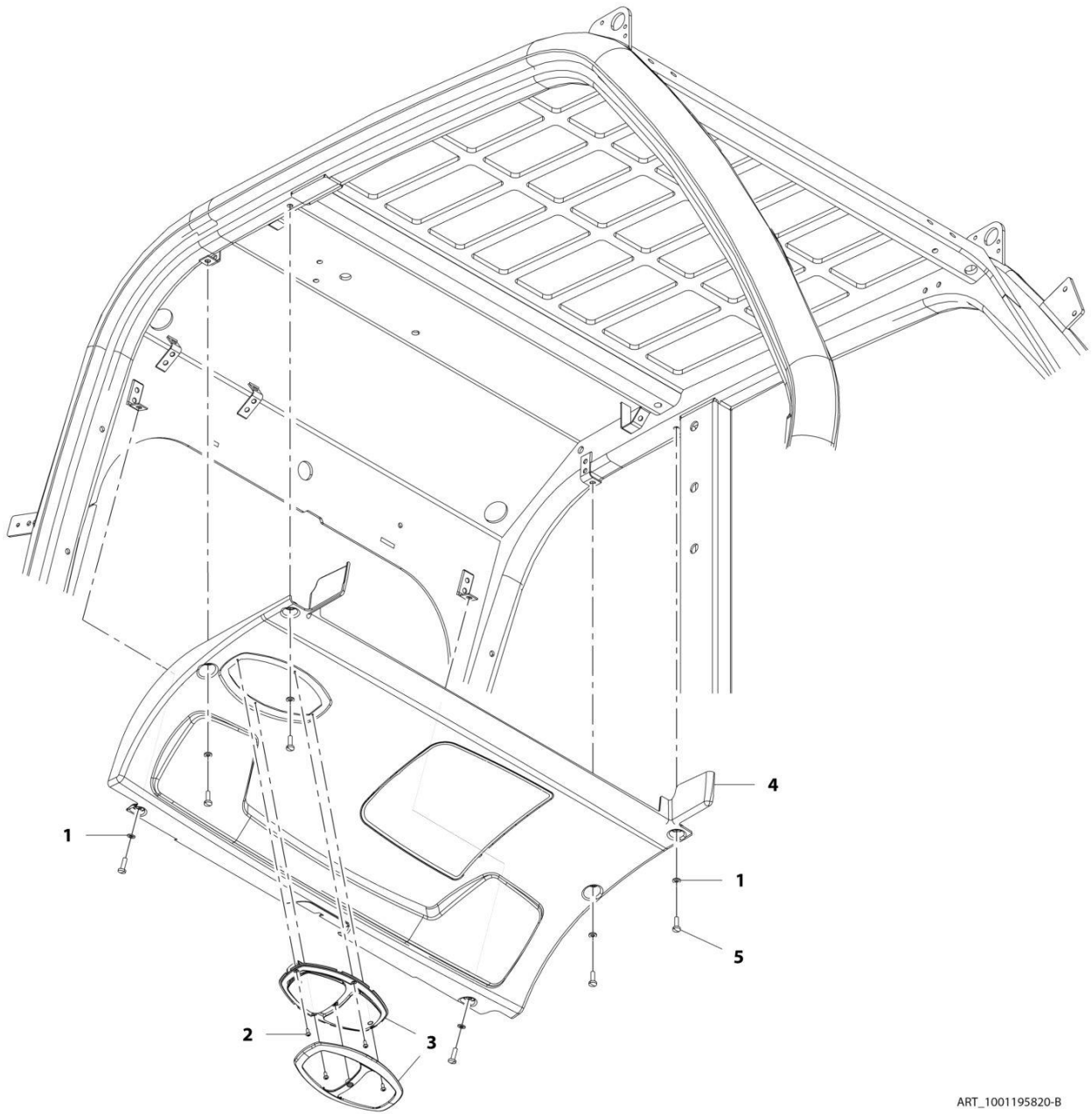
ART\_1001155486-B

FIGURE 6-50. ROOF WIPER INSTALLATION

ITEM	PART NUMBER	QTY	DESCRIPTION	REV
	1001155486	Ref	Roof Wiper Installation	B
1	1001090343	1	Connector	
2	1001139551	1	Motor, Roof Wiper	
3	1001141313	1	Blade, Roof Wiper	
4	1001141311	1	Arm, Roof Wiper Blade	
5	1001159736	1	Switch, Roof Wiper	

# SECTION 6 - CAB

## FIGURE 6-51. HEADLINER INSTALLATION



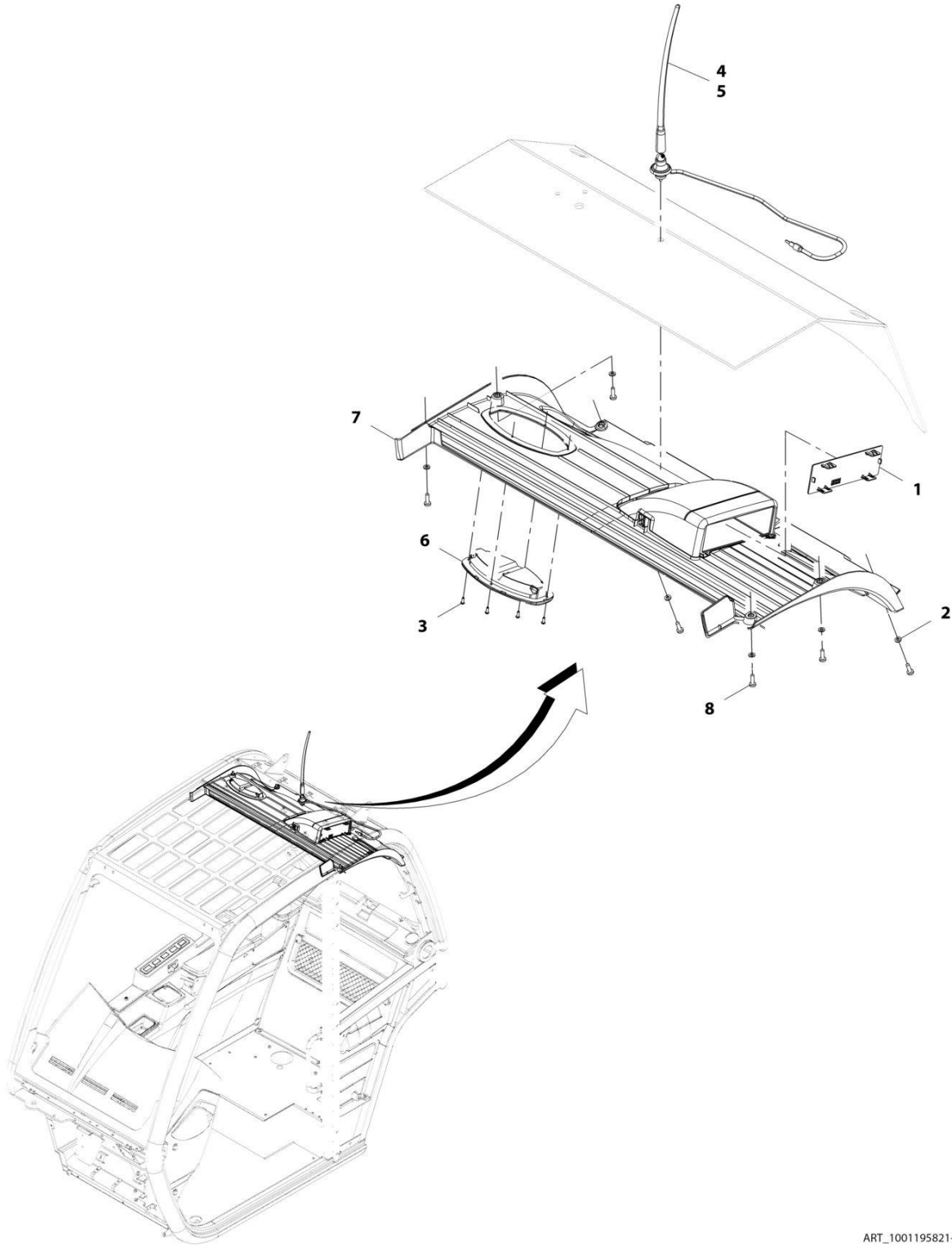
ART\_1001195820-B

FIGURE 6-51. HEADLINER INSTALLATION

ITEM	PART NUMBER	QTY	DESCRIPTION	REV
	1001195820	Ref	Headliner Installation	C
1	4811700	6	Washer, M6	
2	7029486	4	Screw	
3	1001167015	1	Lamp, Dome	
4	1001195822	1	Panel, Headliner	
5	4031708001	1	Cap Screw M6 x 20	

# SECTION 6 - CAB

## FIGURE 6-52. HEADLINER/RADIO READY PACKAGE INSTALLATION



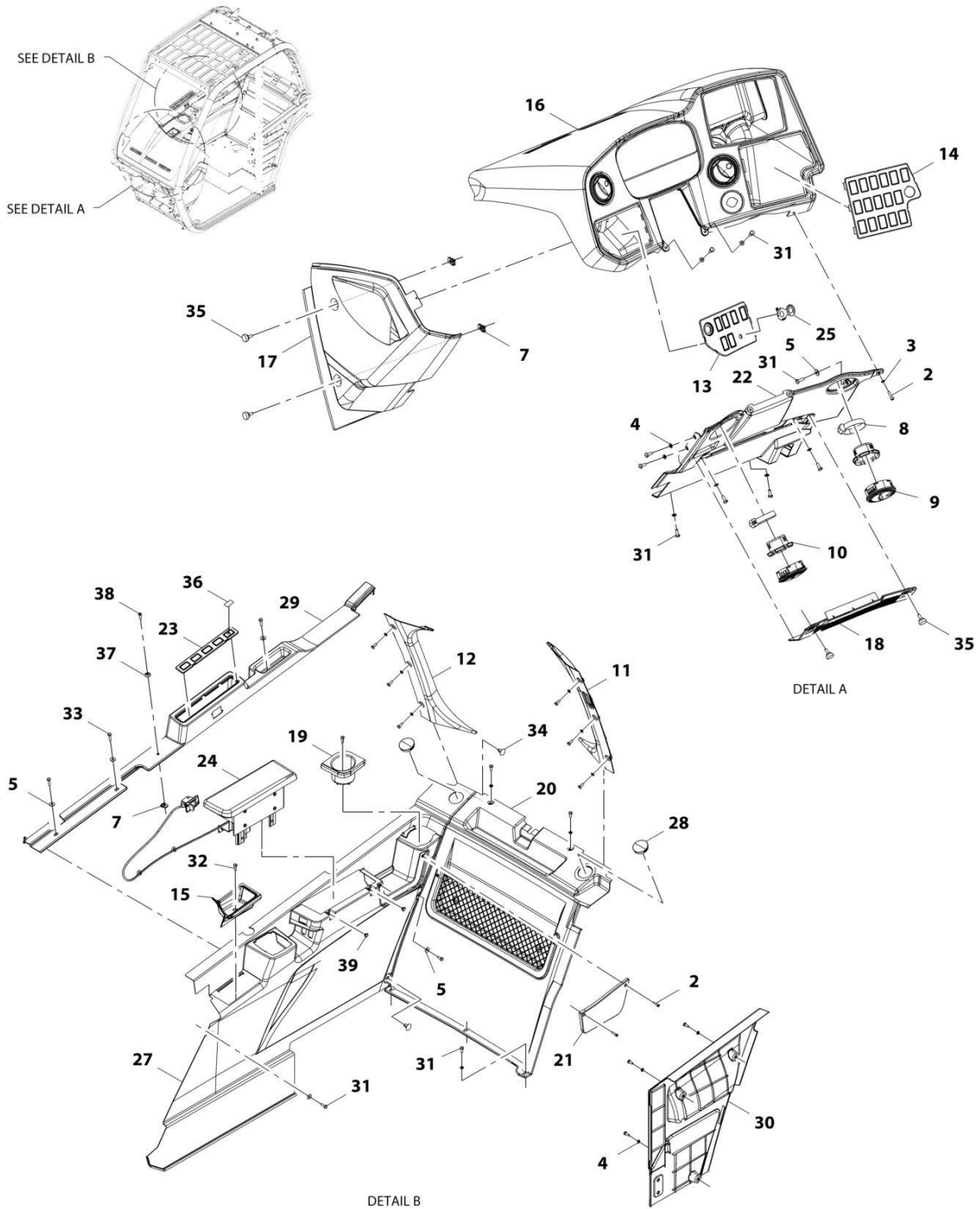
ART\_1001195821-B

FIGURE 6-52. HEADLINER/RADIO READY PACKAGE INSTALLATION

ITEM	PART NUMBER	QTY	DESCRIPTION	REV
	1001195821	Ref	Headliner/Radio Ready Package Installation	B
1	1001200968	1	Plate	
2	4811700	6	Washer, 6M	
3	7029486	4	Screw	
4	8005901	1	Antenna	
5	1001116128	AR	Sealant, Polysiloxane	
6	1001167015	1	Lamp	
7	1001195823	1	Cover, Headliner	
8	4010610002	6	Screw, M6X20	

# SECTION 6 - CAB

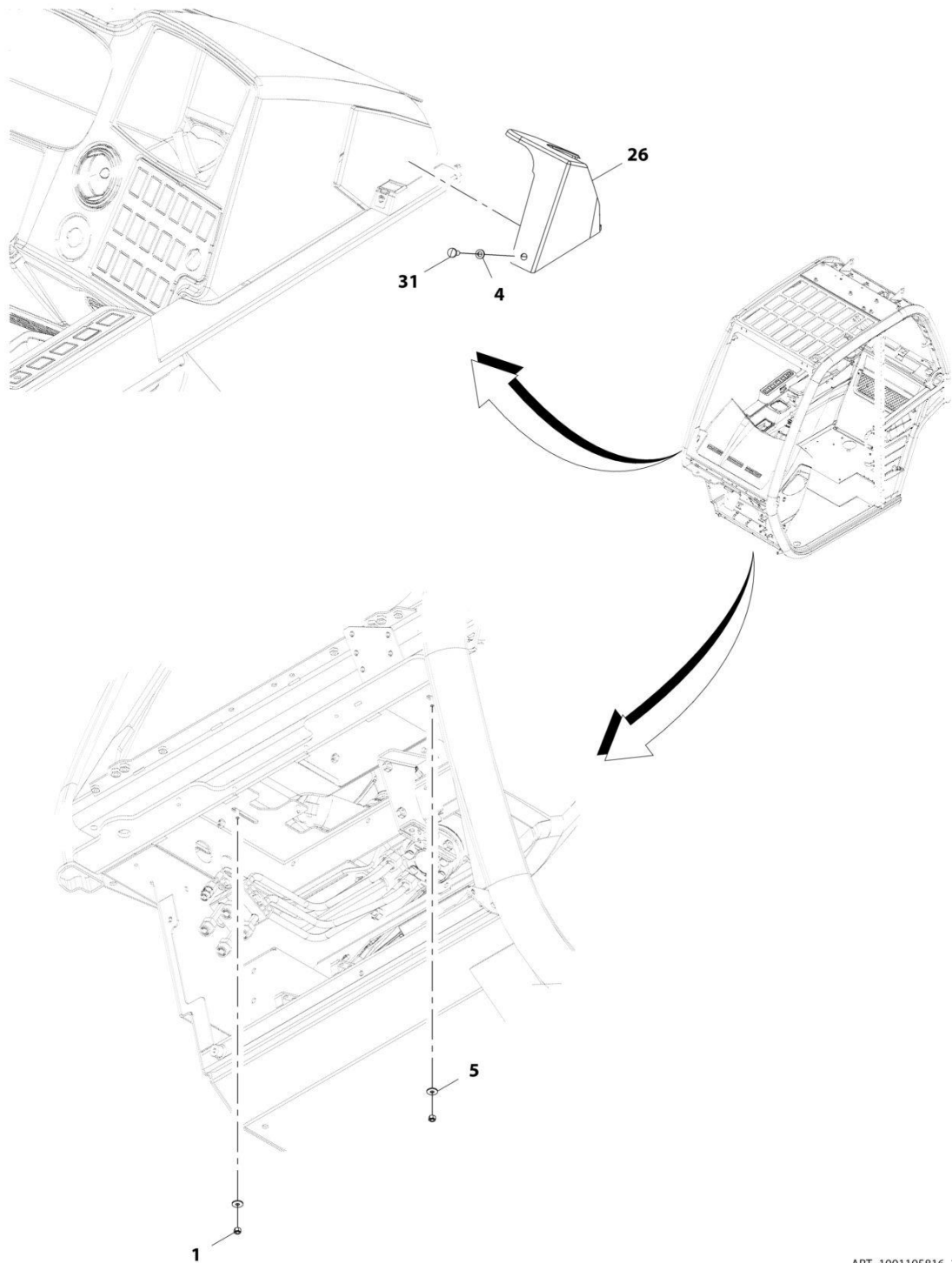
## FIGURE 6-53. CAB TRIM INSTALLATION



ART\_1001195816\_1-I



# SECTION 6 - CAB



ART\_1001195816\_2-I

## SECTION 6 - CAB

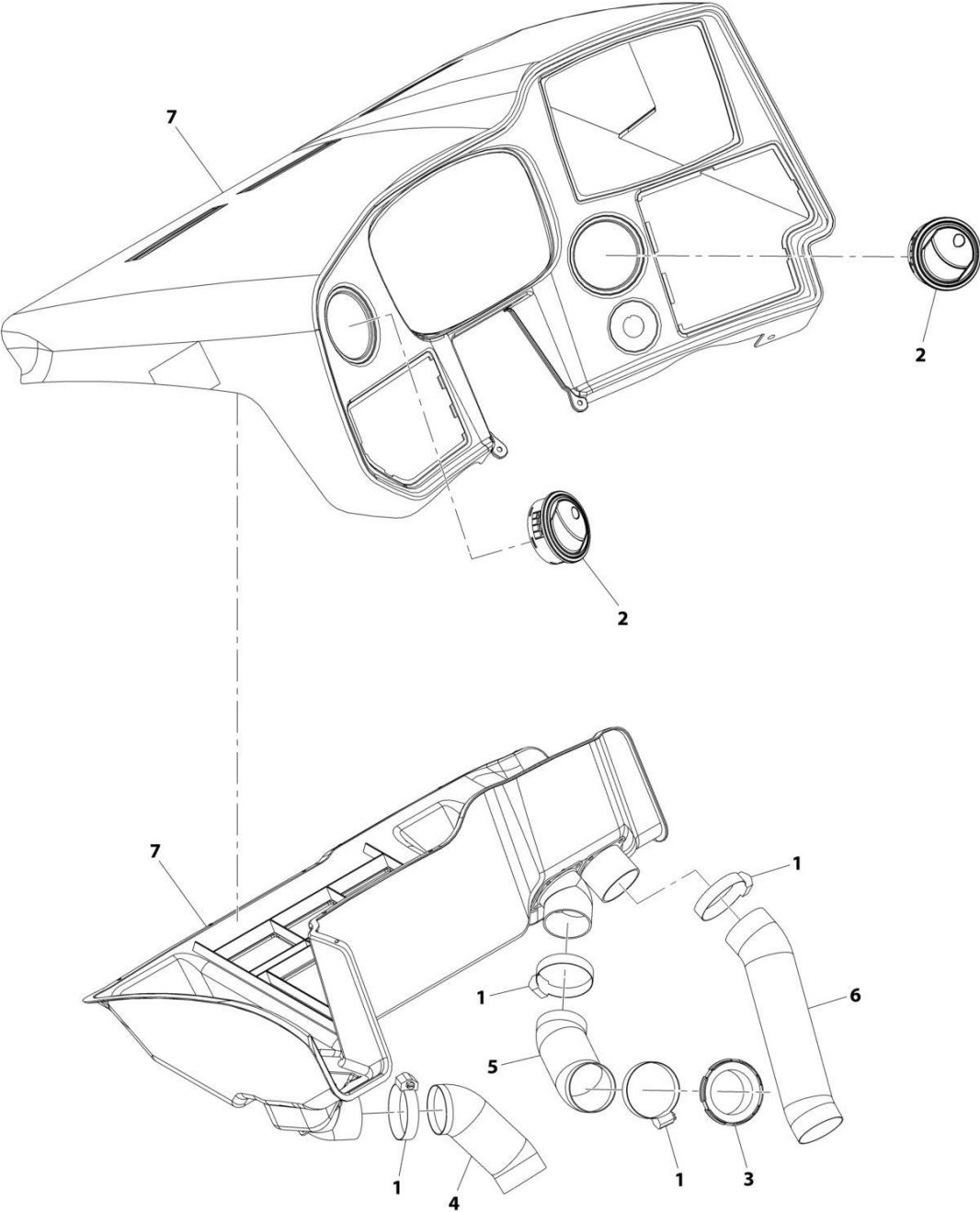
**FIGURE 6-53. CAB TRIM INSTALLATION**

ITEM	PART NUMBER	QTY	DESCRIPTION	REV
	1001195816	Ref	Cab Trim Installation	I
1	3290605	2	Nut, Lock M6X1	
2	4031608001	3	Screw, M5X20	
3	4811600	1	Washer, M5	
4	4811700001	23	Washer, M6	
5	4811702001	7	Washer, M6	
7	8305919	2	Nut, M6	
8	8405201	2	Clamp	
9	1001147449	2	Vent	
10	1001149278	2	Connector, Vent	
11	1001161252	1	Cover, LH C-Post	
12	1001161253	1	Cover, RH C-Post	
13	1001219864	1	Plate, Switch	
14	1001219865	1	Plate, Switch	
15	1001169603	1	Tray	
16	1001169604	1	Assembly, Dash Cover (See Separate Breakdown in this Section)	
17	1001161855	1	Cover, Side Dash	
18	1001170504	1	Cover, Recirculation Grille	
19	1001170518	1	Holder, Cup	
20	1001170519	1	Assembly, Rear Panel Cover (See Separate Breakdown in this Section)	
21	1001173965	1	Bezel, Net	
22	1001175903	1	Cover, Lower Dash	
23	1001219863	1	Plate, Switch	
24	1001181726	1	Installation, Armrest (See Separate Breakdown in this Section)	
25	1001184975	1	Decal, HVAC	
26	1001185870	1	Cover, Lower A-Post	
27	1001189182	1	Cover, RH Side	
28	1001223265	2	Grommet	
29	1001195817	1	Cover, RH Extension	
30	1001195818	1	Panel, LH Side	
31	4010608002	26	Screw, M6X16	
32	4010610002	1	Screw, M6X20	
33	4010612002	3	Screw, M6X25	
34	1001211907	2	Screw	
35	1001208308	4	Thumb Screw, M6X15	
36	1001226481	1	Decal, Blank	
37	1001098150	1	Washer, M6	
38	1001132564	1	Screw, M6X20	
39	1001227133	2	Grommet	



SECTION 6 - CAB

FIGURE 6-54. DASH COVER ASSEMBLY



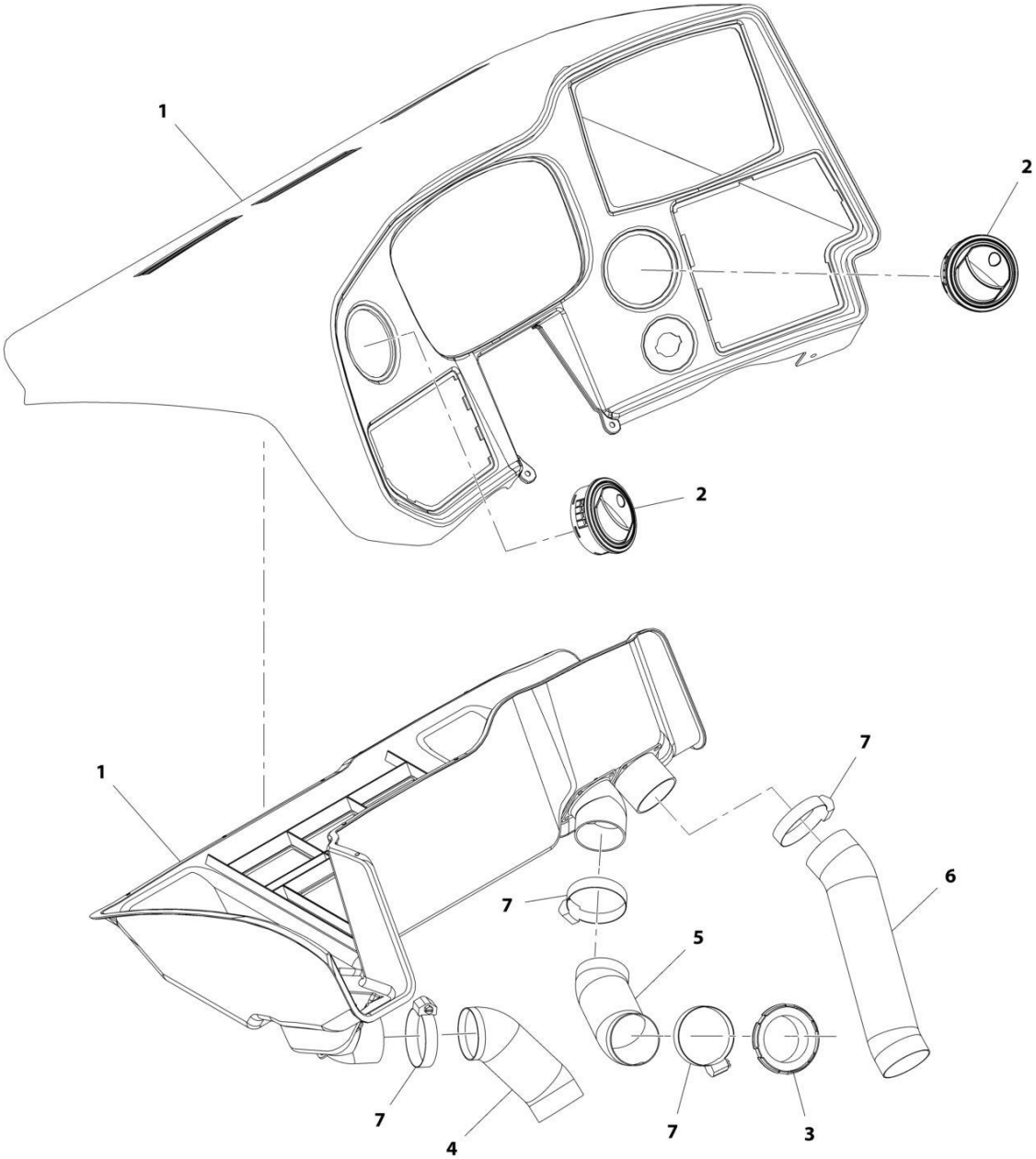
ART\_1001215154-A

FIGURE 6-54. DASH COVER ASSEMBLY

ITEM	PART NUMBER	QTY	DESCRIPTION	REV
	1001215154	Ref	Dash Cover Assembly	A
1	8405201	4	Clamp, Gear	
2	1001147449	2	Vent, Air	
3	1001149278	1	Vent, Connector	
4	1001174652	1	Hose	
5	1001174653	1	Hose	
6	1001174655	1	Hose	
7	1001214951	1	Panel, Top Dash	

SECTION 6 - CAB

FIGURE 6-55. DASH COVER ASSEMBLY



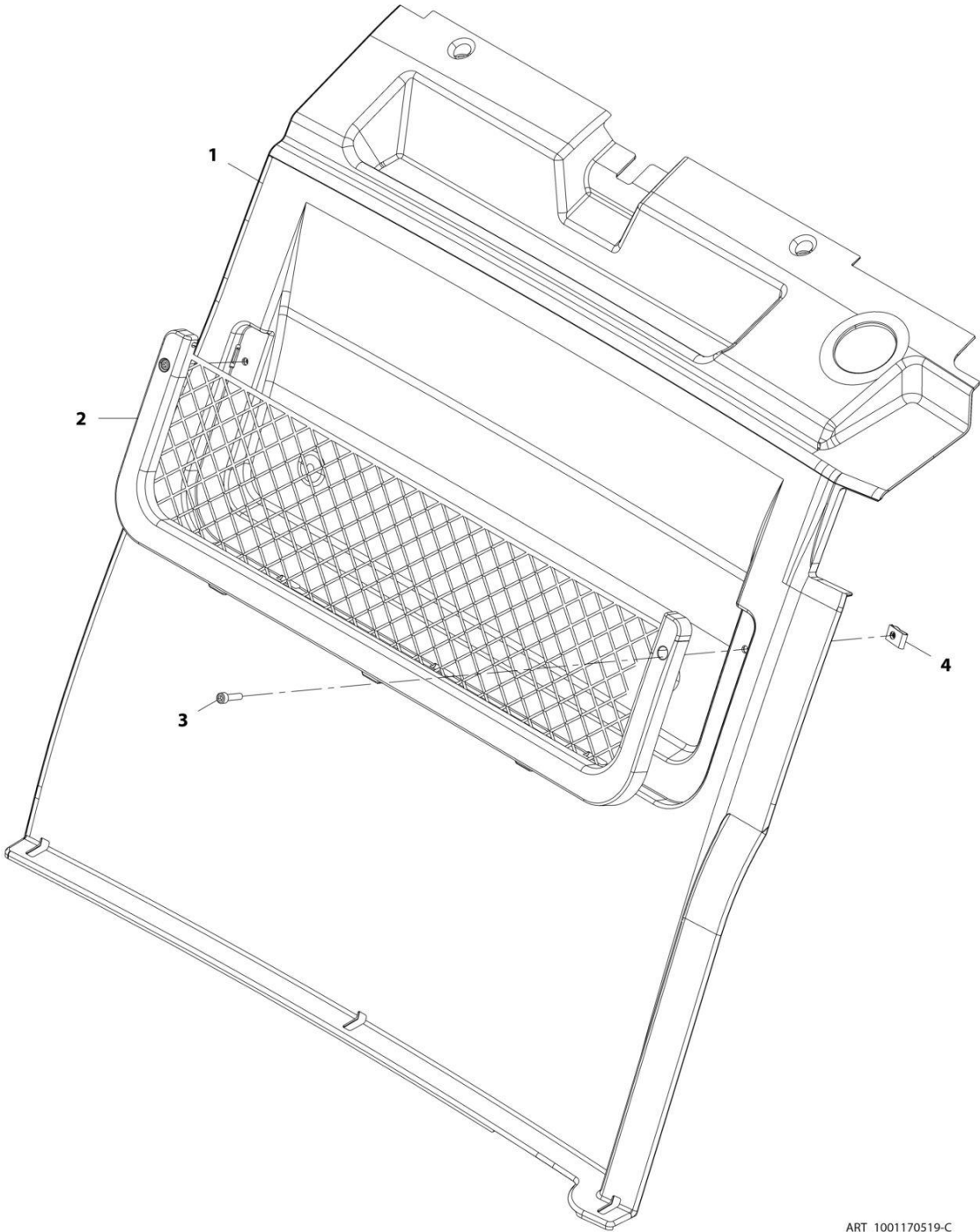
ART\_1001169604-B

FIGURE 6-55. DASH COVER ASSEMBLY

ITEM	PART NUMBER	QTY	DESCRIPTION	REV
	1001169604	Ref	Dash Cover Assembly (Construction)	B
1	1001161851	1	Panel, Top Dash	
2	1001147449	2	Vent, Air	
3	1001149278	1	Vent, Connector	
4	1001174652	1	Hose	
5	1001174653	1	Hose	
6	1001174655	1	Hose	
7	8405201	4	Clamp, Gear	

**SECTION 6 - CAB**

**FIGURE 6-56. REAR PANEL COVER ASSEMBLY**



ART\_1001170519-C

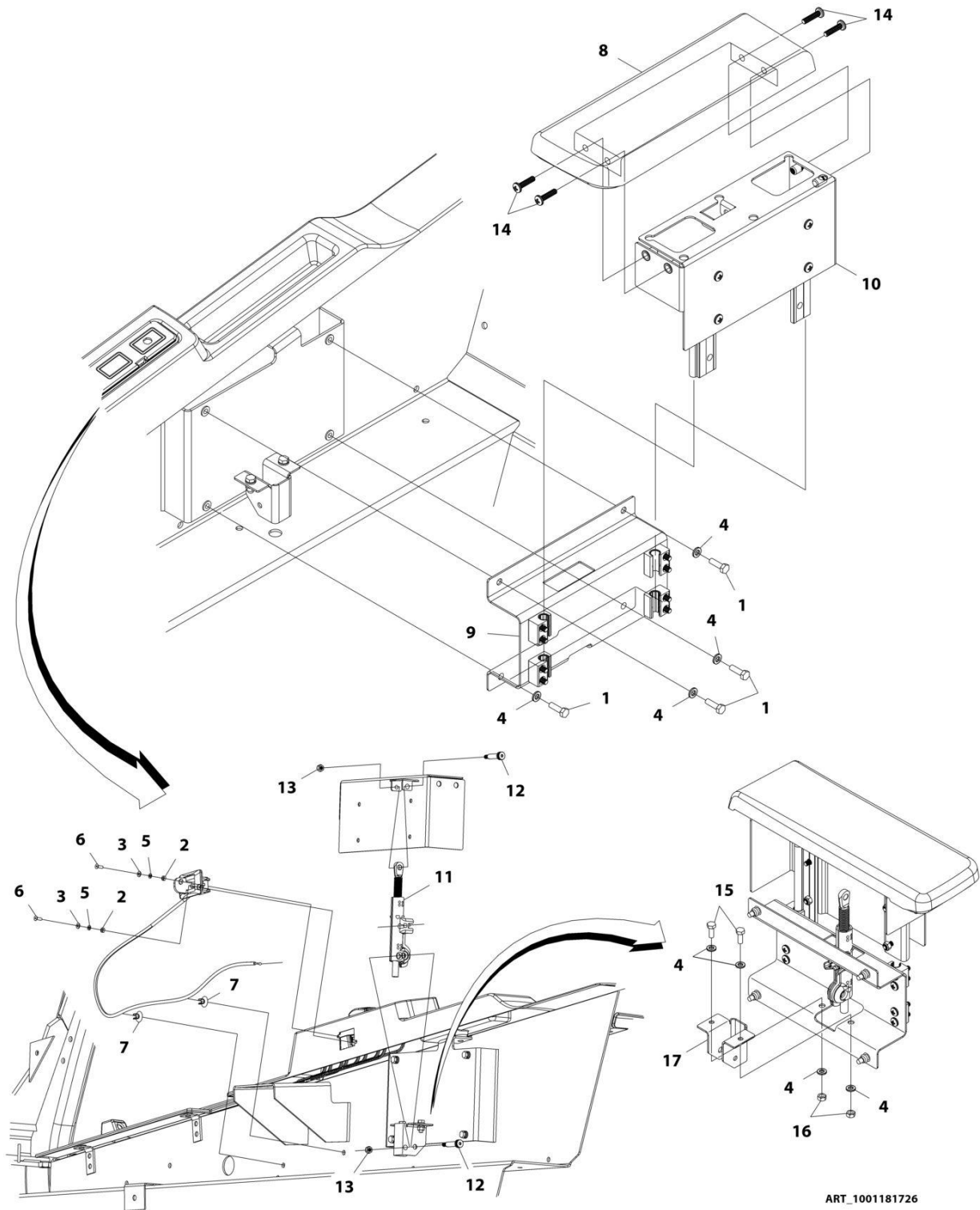


FIGURE 6-56. REAR PANEL COVER ASSEMBLY

ITEM	PART NUMBER	QTY	DESCRIPTION	REV
	1001170519	Ref	Rear Panel Cover Assembly	C
1	1001161067	1	Panel, Rear	
2	1001170514	1	Storage Net, Rear Panel	
3	4031608	2	Bolt, M5X20	
4	1001183550	2	Nut, Cage M5	

# SECTION 6 - CAB

## FIGURE 6-57. ADJUSTABLE ARMREST INSTALLATION



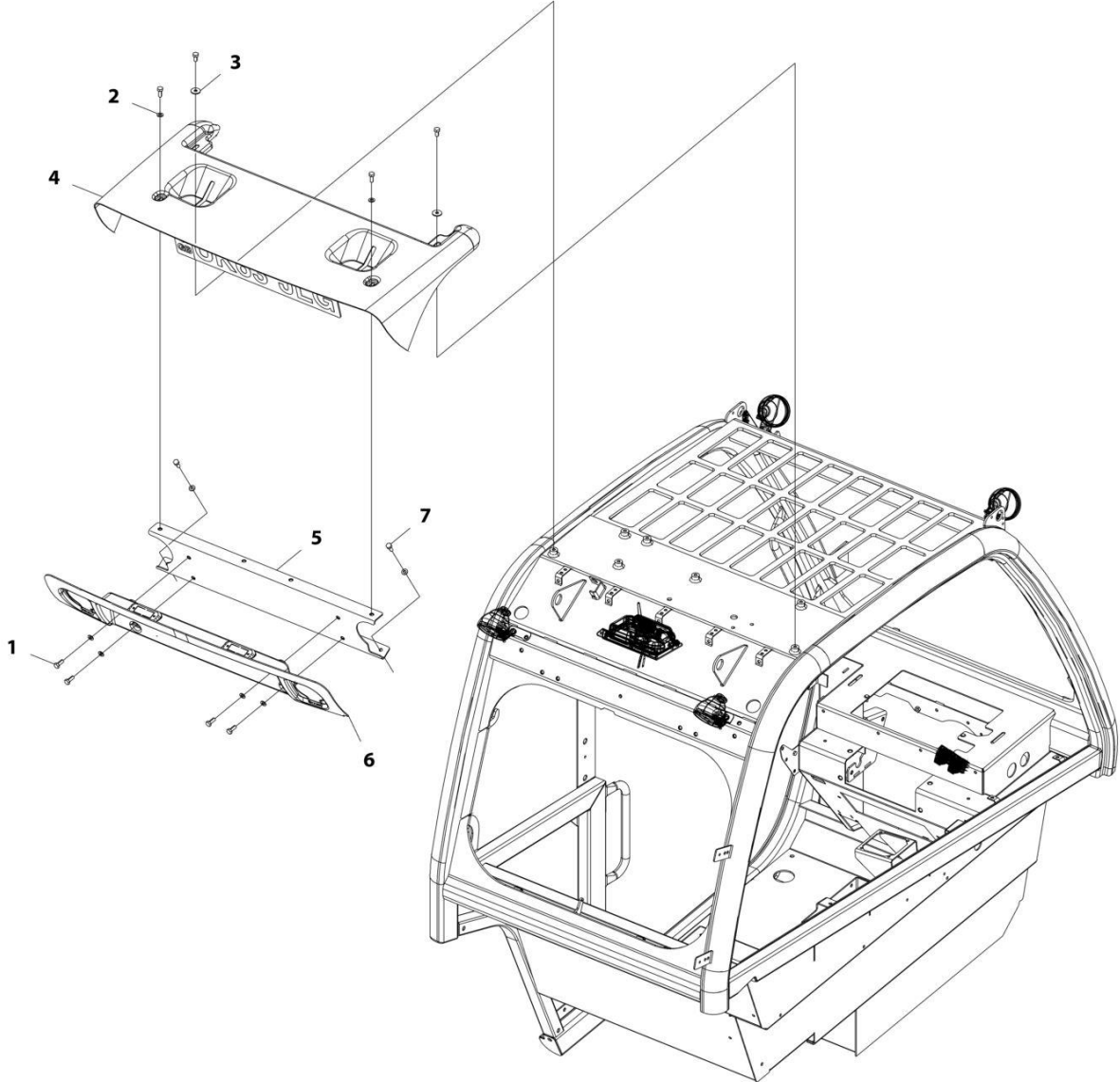
ART\_1001181726

FIGURE 6-57. ADJUSTABLE ARMREST INSTALLATION

ITEM	PART NUMBER	QTY	DESCRIPTION	REV
	1001181726	Ref	Adjustable Armrest Installation	F
1	0700610	4	Bolt, M6X20	
2	3290401	2	Nut, M4X0.7	
3	4811400	2	Washer, M4	
4	4811700	8	Washer, M6	
5	4831400	2	Washer, Lock M4	
6	1001097244	2	Screw, M4X12	
7	1001165458	4	Hose	
8	1001191281	1	Armrest (See Separate Breakdown in this Section)	
9	1001191283	1	Bracket, Fixed Armrest (See Separate Breakdown in this Section)	
10	1001191284	1	Bracket, Moving Armrest (See Separate Breakdown in this Section)	
11	1001191285	1	Spring	
12	1001191370	2	Screw, M6	
13	3290605	2	Nut, M6X1 Grade 8	
14	4010612002	4	Screw, M6X25	
15	0760608	2	Bolt, M6X16	
16	3290601	2	Nut, M6X1	
17	1001212468	1	Bracket, Locking Spring Mount	

**SECTION 6 - CAB**

**FIGURE 6-58. ROOF CAP INSTALLATION (NO A/C)**



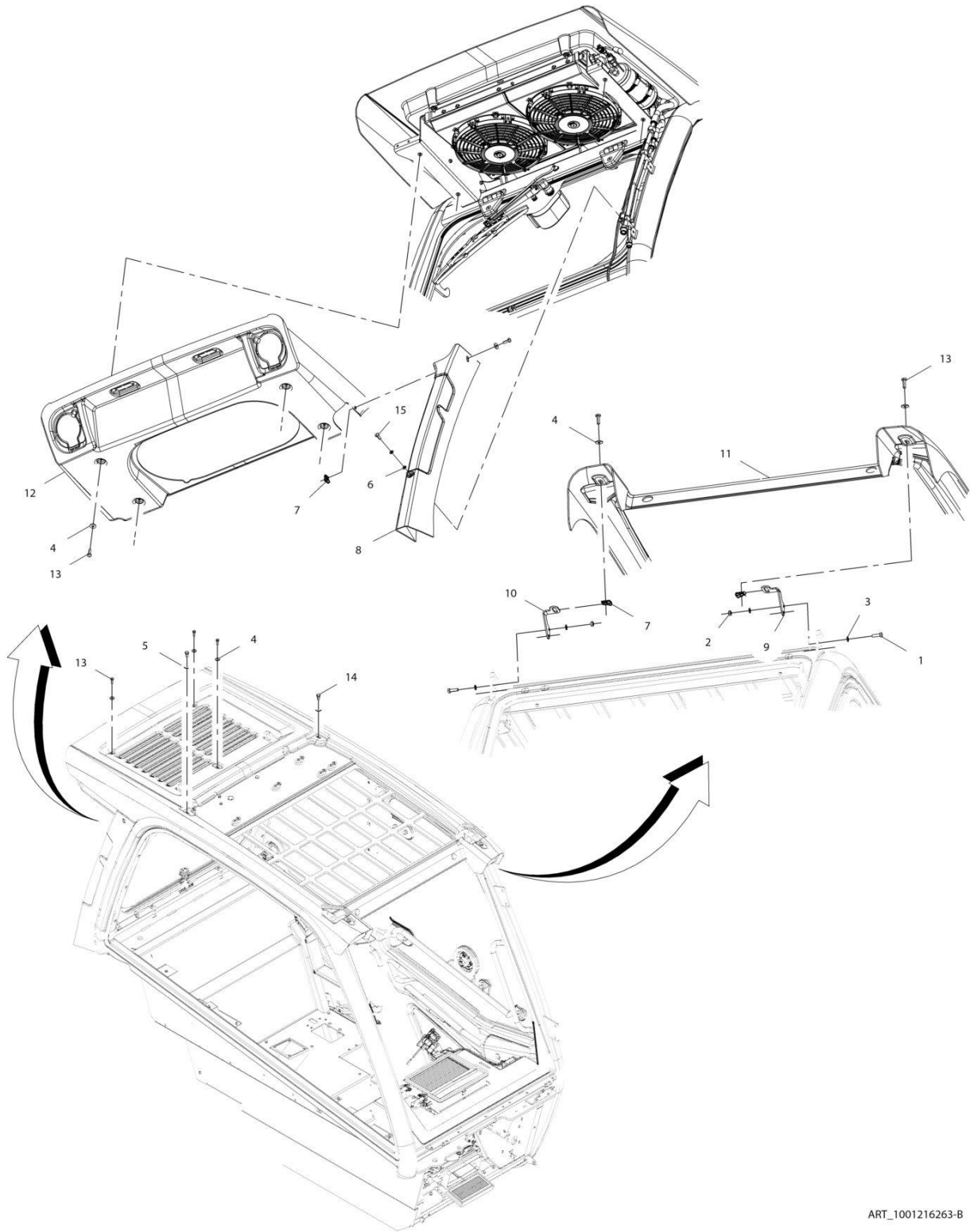
ART\_1001216265

FIGURE 6-58. ROOF CAP INSTALLATION (NO A/C)

ITEM	PART NUMBER	QTY	DESCRIPTION	REV
	1001216265	Ref	Roof Cap Installation (No A/C)	B
1	0760810	8	Bolt, M8X20	
2	4811900	8	Washer, M8	
3	4811902	2	Washer, M8	
4	1001182330	1	Cover, Short Upper Roof Cap	
5	1001185633	1	Bracket, Roof Cap Mount	
6	1001216270	1	Cover, Short Lower Roof Cap	
7	0760808	2	Bolt, M8X16	

# SECTION 6 - CAB

## FIGURE 6-59. ROOF CAP INSTALLATION (A/C)



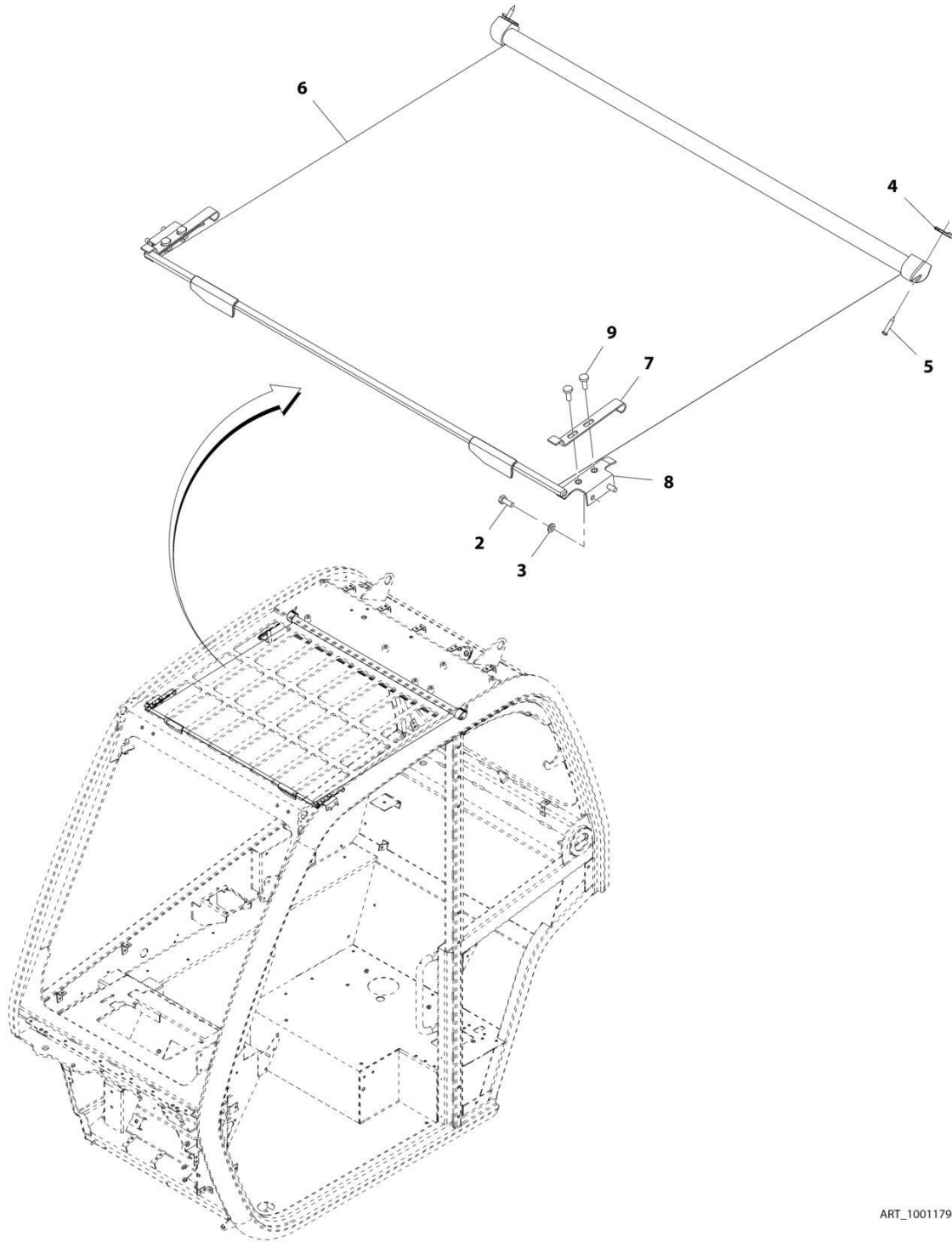
ART\_1001216263-B

FIGURE 6-59. ROOF CAP INSTALLATION (A/C)

ITEM	PART NUMBER	QTY	DESCRIPTION	REV
	1001216263	Ref	Roof Cap (A/C) Installation	B
1	0700610	4	Bolt, M6X20	
2	3290601	4	Nut, M6X1	
3	4811700	9	Washer, M6	
4	4811702	10	Washer, M6	
5	4811902	2	Washer, M8	
6	4831700	1	Washer, Lock M6	
7	8305919	3	Nut, M6	
8	1001174741	1	Cover	
9	1001174800	1	Bracket	
10	1001174801	1	Bracket	
11	1001216267	1	Cover, Upper Roof Cap	
12	1001216269	1	Cover, Lower Roof Cap	
13	4010610002	10	Screw, Posi-Drive M6X20	
14	0760808	2	Bolt, M8X16	
15	4010608002	1	Screw, M6X16	

# SECTION 6 - CAB

## FIGURE 6-60. RETRACTABLE SUNSCREEN INSTALLATION



ART\_1001179482-D

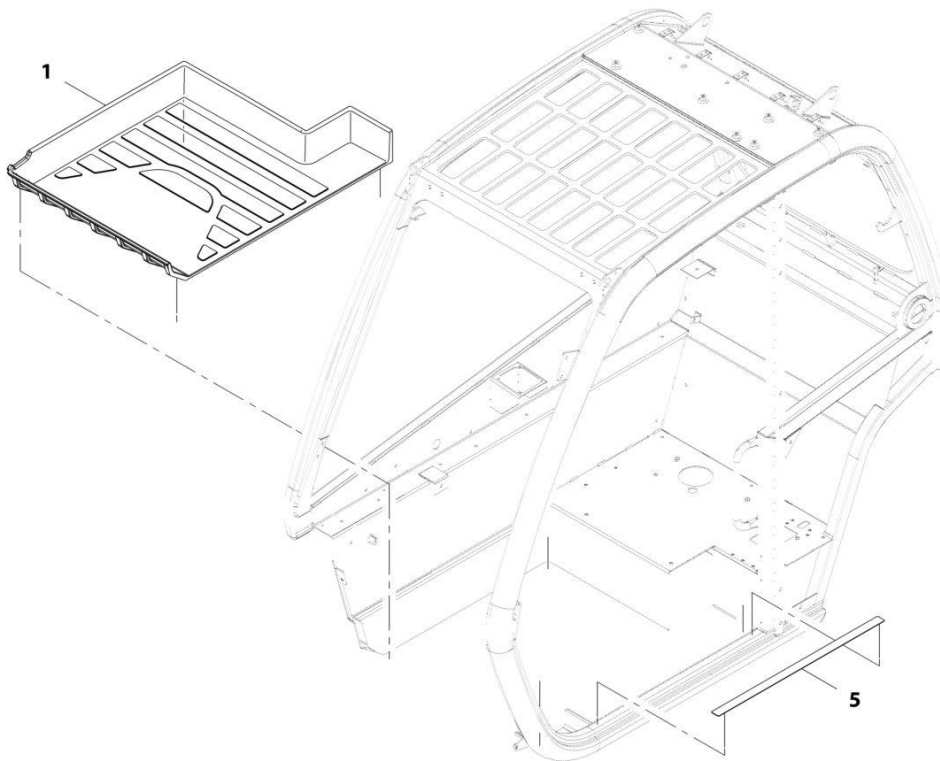


**FIGURE 6-60. RETRACTABLE SUNSCREEN INSTALLATION**

ITEM	PART NUMBER	QTY	DESCRIPTION	REV
	1001179482	Ref	Retractable Sunscreen Installation	D
2	0760608	4	Bolt, M6X16	
3	4811700	4	Washer, M6	
4	1001111076	2	Nut, Spire	
5	1001111147	2	Screw, Self Tapping	
6	1001179483	1	Cab, Sun Blind	
7	1001209463	2	Bracket	
8	1001166385	2	Bracket	
9	4010608002	4	Screw, Posi-Drive M6X16	

# SECTION 6 - CAB

## FIGURE 6-61. FLOOR MAT INSTALLATION



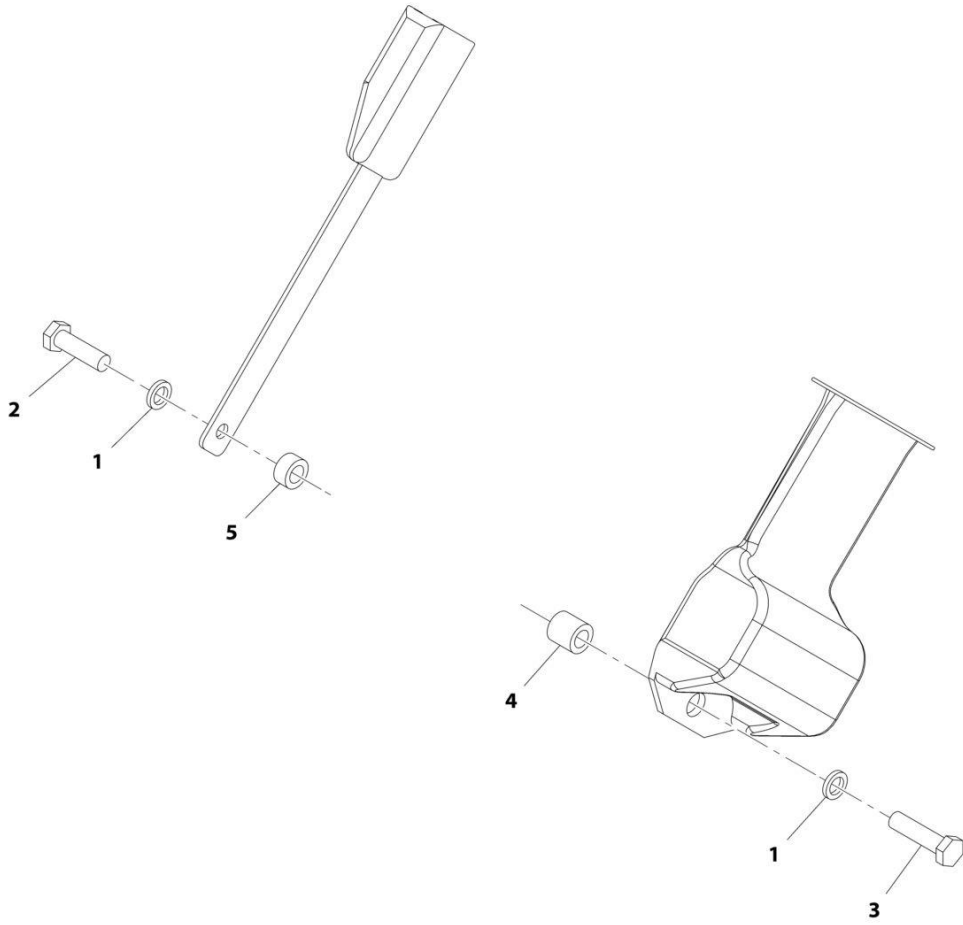
ART\_1001161080-E

FIGURE 6-61. FLOOR MAT INSTALLATION

ITEM	PART NUMBER	QTY	DESCRIPTION	REV
	1001161080	Ref	Floor Mat Installation	E
1	1001161078	1	Cab, Floor Mat	
5	1001197259	1	Tape, Frame Non Skid	

# SECTION 6 - CAB

## FIGURE 6-62. SEAT BELT INSTALLATION (3IN)



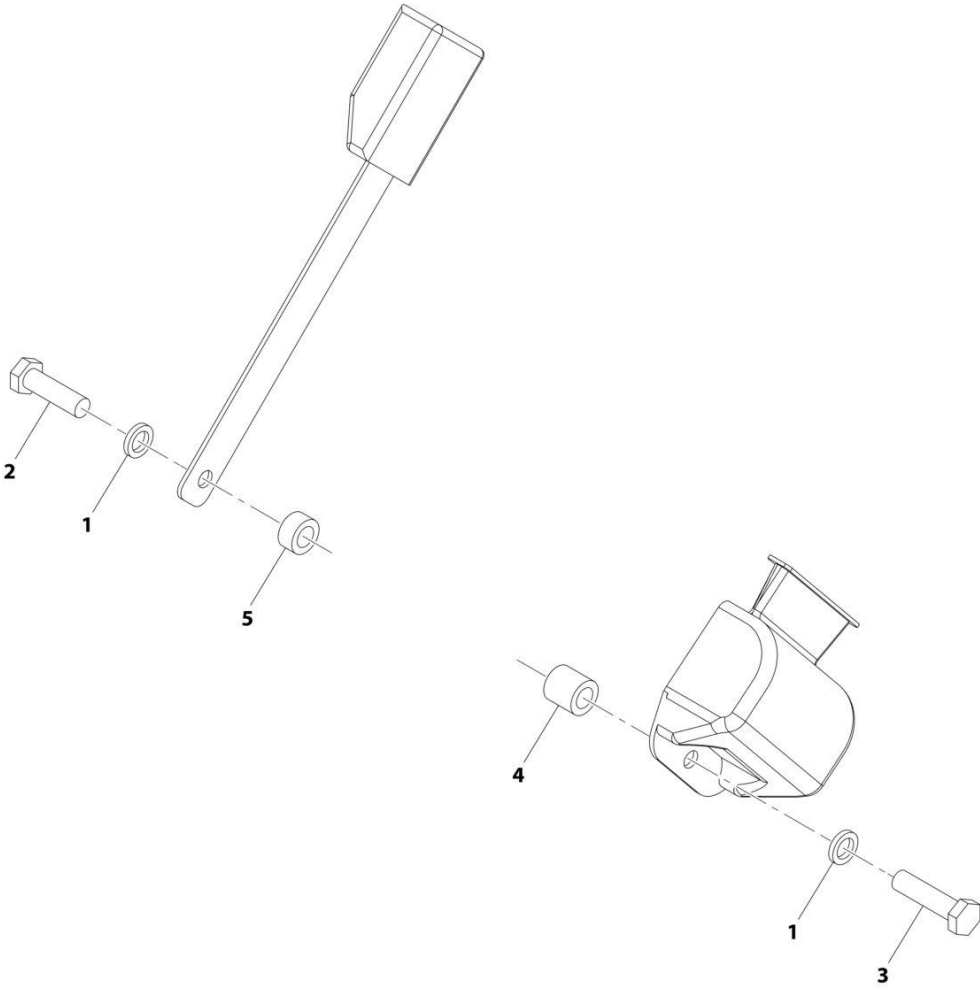
ART\_1001006731-B

FIGURE 6-62. SEAT BELT INSTALLATION (3IN)

ITEM	PART NUMBER	QTY	DESCRIPTION	REV
	1001006731	Ref	Seat Belt Installation (3IN)	B
1	1001010646	2	Washer	
2	1001010647	1	Bolt	
3	1001010648	1	Bolt	
4	1001010649	1	Spacer	
5	1001010650	1	Spacer	

**SECTION 6 - CAB**

**FIGURE 6-63. SEAT BELT INSTALLATION (2IN)**



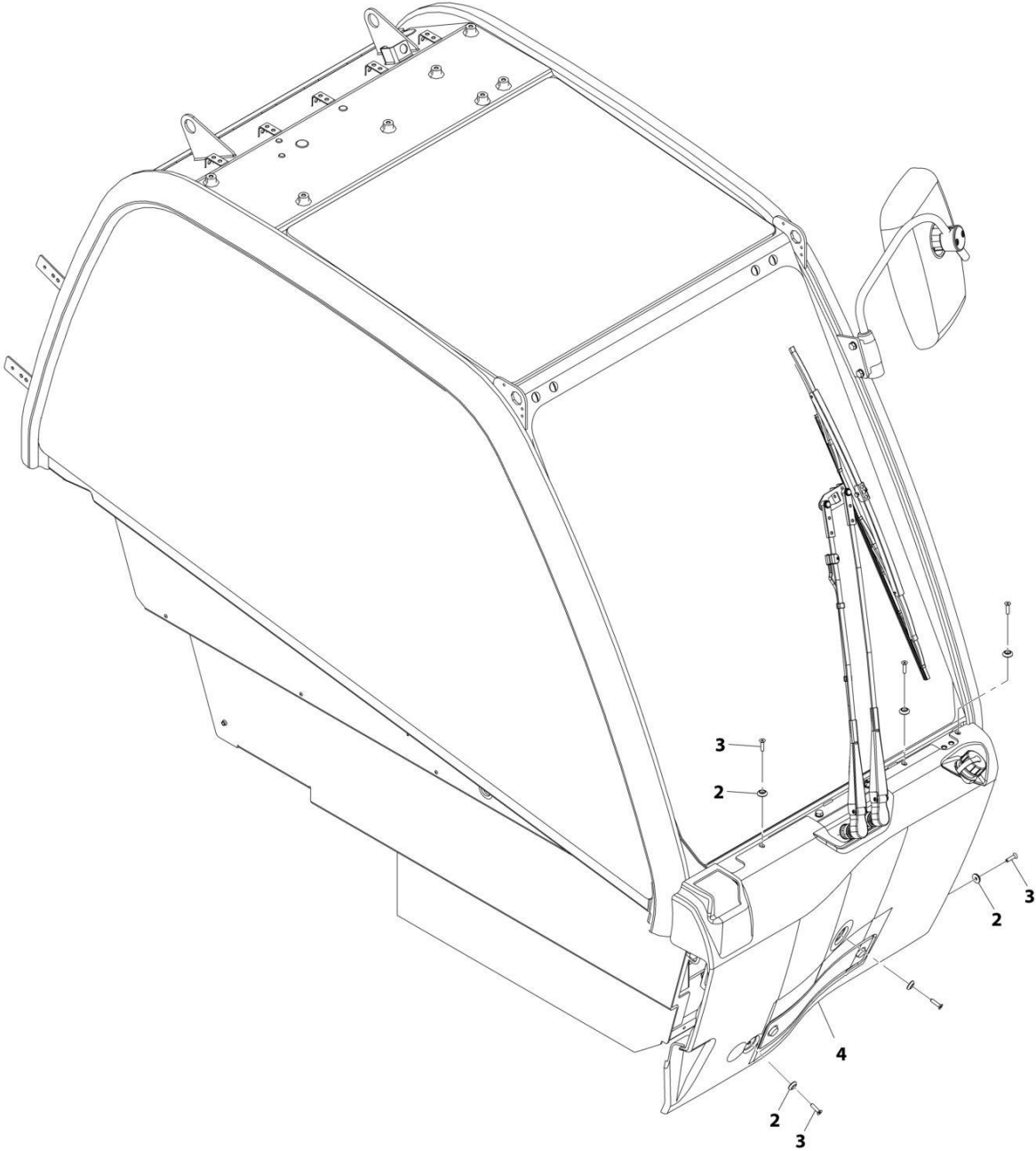
ART\_1001006730

FIGURE 6-63. SEAT BELT INSTALLATION (2IN)

ITEM	PART NUMBER	QTY	DESCRIPTION	REV
	1001006730	Ref	Seat Belt Installation (2IN)	H
1	1001010646	2	Washer	
2	1001010647	1	Bolt	
3	1001010648	1	Bolt	
4	1001010649	1	Spacer, Shim	
5	1001010650	1	Spacer, Shim	

**SECTION 6 - CAB**

**FIGURE 6-64. ENCLOSED CAB FRONT COVER INSTALLATION**



ART\_1001179592-G

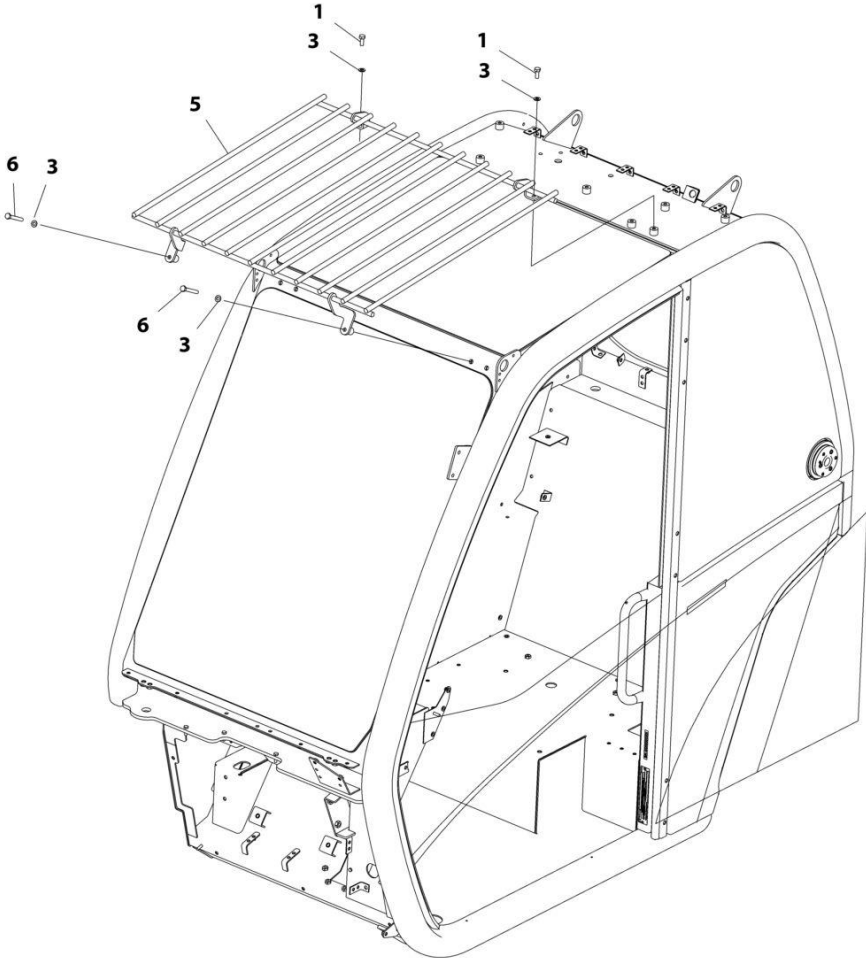


**FIGURE 6-64. ENCLOSED CAB FRONT COVER INSTALLATION**

<b>ITEM</b>	<b>PART NUMBER</b>	<b>QTY</b>	<b>DESCRIPTION</b>	<b>REV</b>
	1001179592	Ref	Enclosed Cab Front Cover Installation	G
2	1001097540	6	Washer, M6	
3	3900379	6	Screw, M6-1X25 Grade 10.9	
4	1001170325	1	Cover, Front	

**SECTION 6 - CAB**

**FIGURE 6-65. CAB GUARD INSTALLATION (TOP)**



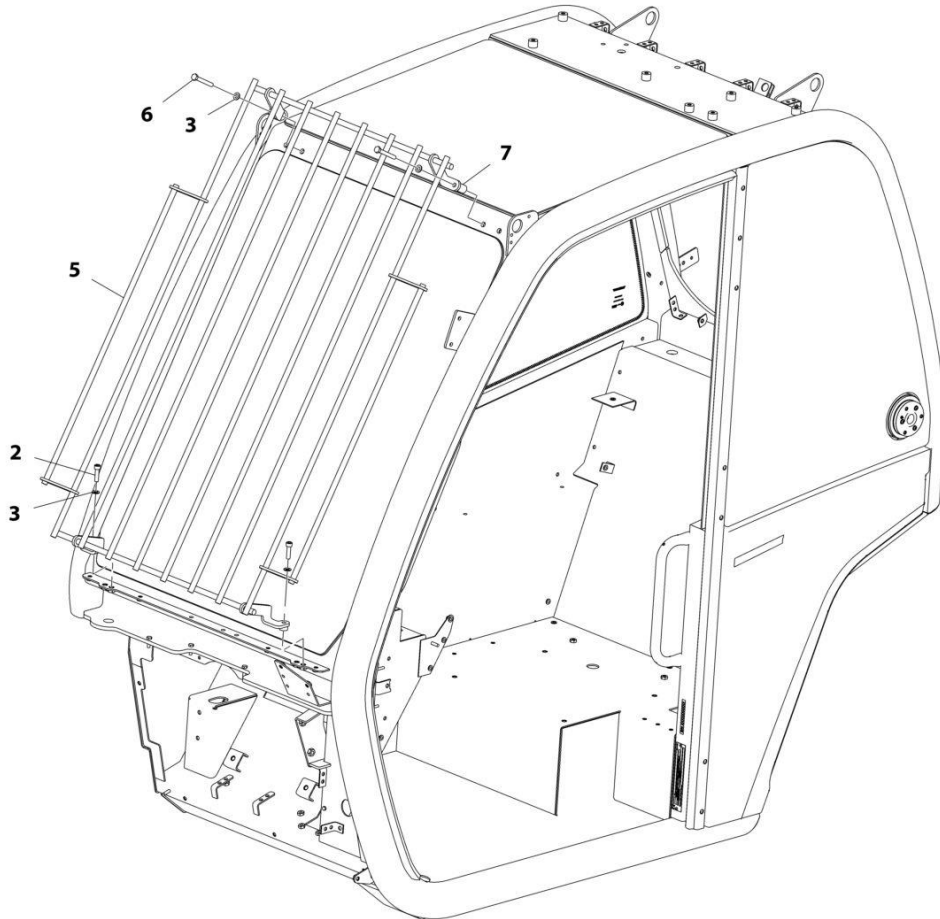
ART\_1001160496

FIGURE 6-65. CAB GUARD INSTALLATION (TOP)

ITEM	PART NUMBER	QTY	DESCRIPTION	REV
	1001160496	Ref	Cab Guard Installation (Top)	G
1	0760810	2	Bolt, M8X20	
3	4811900	4	Washer, M8	
5	1001160503	1	Guard, Top Screen	
6	0700820	2	Bolt, M8X60	

# SECTION 6 - CAB

## FIGURE 6-66. CAB GUARD INSTALLATION (FRONT)



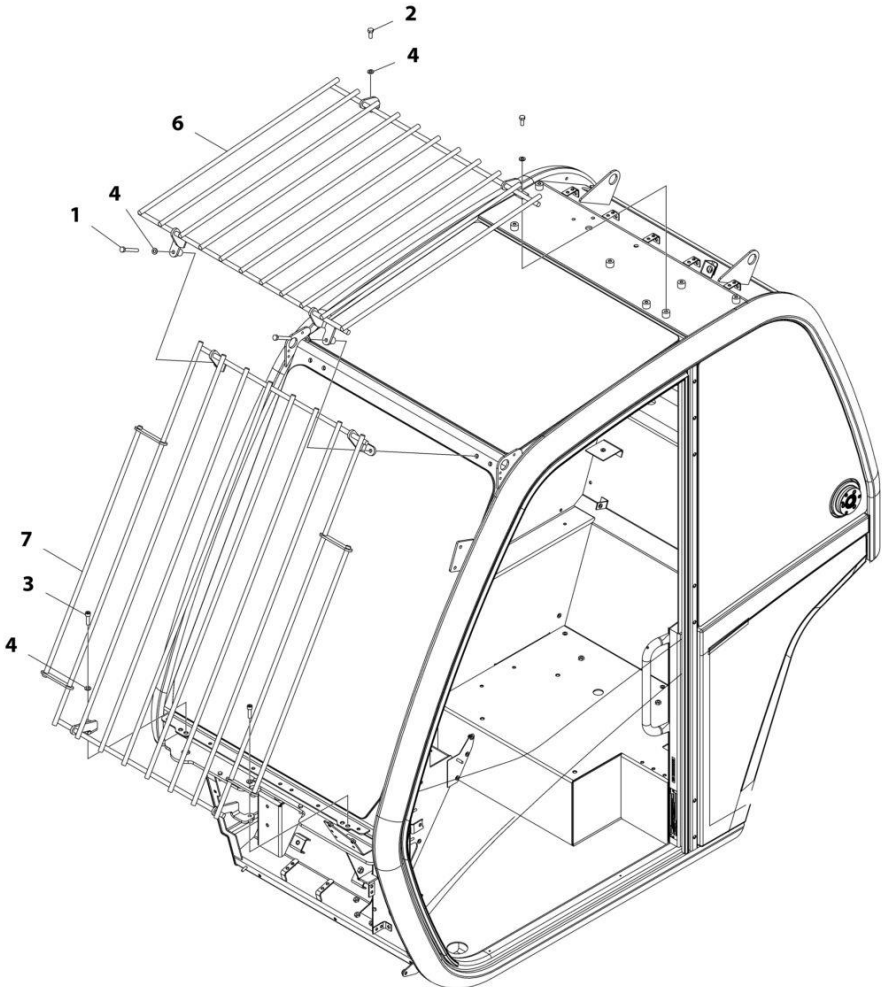
ART\_1001160506-G

FIGURE 6-66. CAB GUARD INSTALLATION (FRONT)

ITEM	PART NUMBER	QTY	DESCRIPTION	REV
	1001160506	Ref	Cab Guard Installation (Front)	G
2	4031910	2	Bolt, M8X30	
3	4811900	4	Washer, M8	
5	1001180263	1	Guard, Front Screen	
6	0700820	2	Bolt, M8X60	
7	1001173257	2	Spacer	

**SECTION 6 - CAB**

**FIGURE 6-67. CAB GUARD INSTALLATION (TOP AND FRONT)**



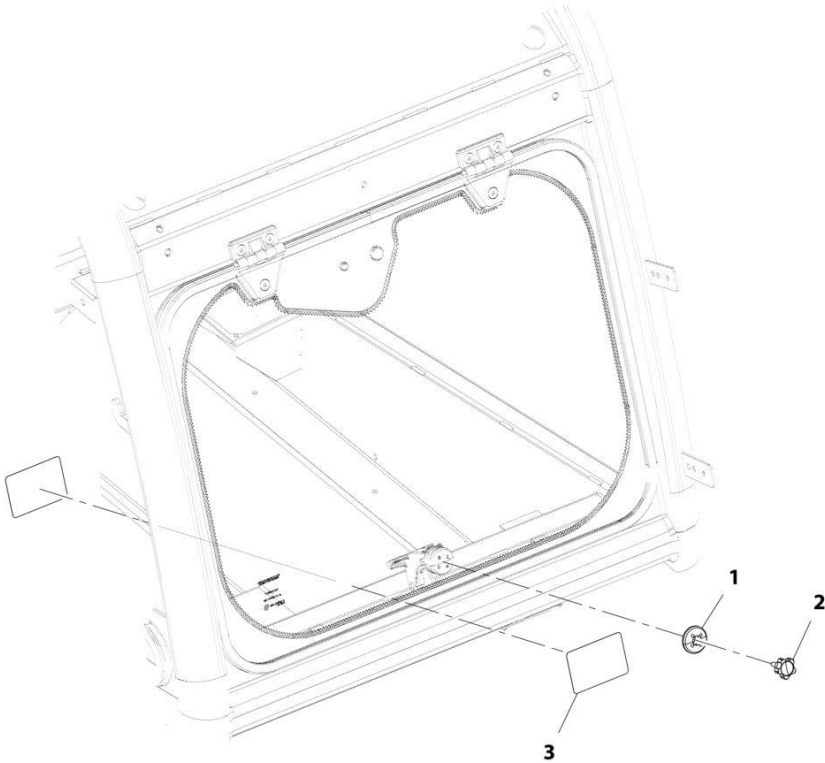
ART\_1001172774

FIGURE 6-67. CAB GUARD INSTALLATION (TOP AND FRONT)

ITEM	PART NUMBER	QTY	DESCRIPTION	REV
	1001172774	Ref	CAB GUARD INSTALLATION (TOP AND FRONT)	G
1	0700820	2	Bolt M8 x 60	
2	0760810	2	Bolt M8 x 20	
3	4031910	2	Bolt M8 x 30	
4	4811900	6	Washer M8	
6	1001160503	1	Guard, Top Screen	
7	1001180263	1	Guard, Front Screen	

**SECTION 6 - CAB**

**FIGURE 6-68. EXTERNAL WINDOW RELEASE INSTALLATION (ANSI - ENGLISH)**



ART\_1001212047-A

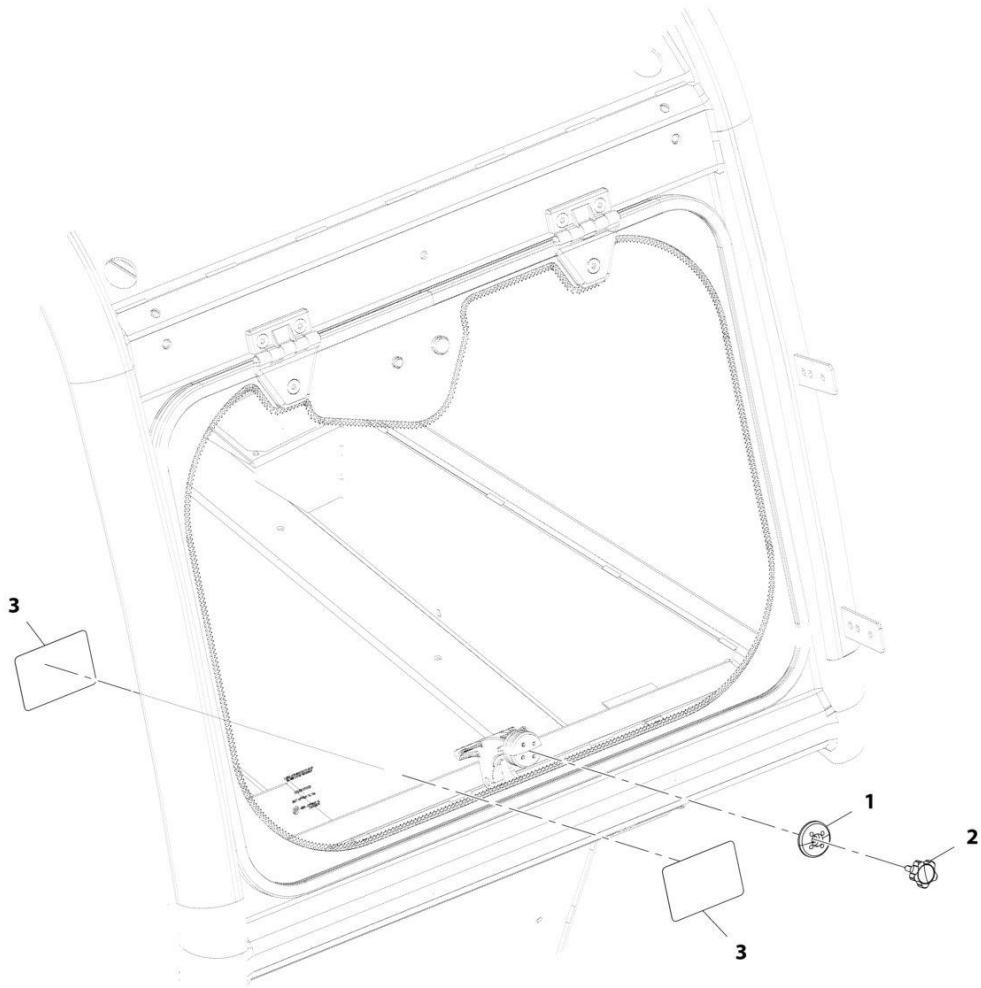


**FIGURE 6-68. EXTERNAL WINDOW RELEASE INSTALLATION (ANSI - ENGLISH)**

<b>ITEM</b>	<b>PART NUMBER</b>	<b>QTY</b>	<b>DESCRIPTION</b>	<b>REV</b>
	1001212047	Ref	Rear Window Installation (WO/Wiper) (ANSI)	A
1	1001179008	1	Cap, Latch Window	
2	1001179009	1	Cap, Knob M6	
3	1001212049	2	Decal, Emergency Exit	

**SECTION 6 - CAB**

**FIGURE 6-69. EXTERNAL WINDOW RELEASE INSTALLATION (CAN & ISO)**



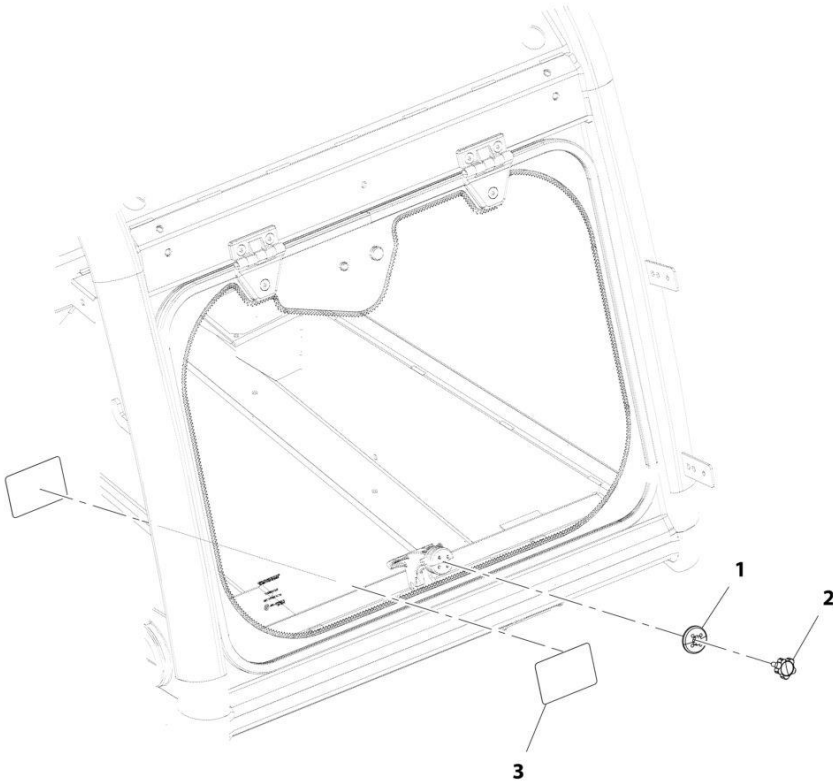
ART\_1001178826-C

**FIGURE 6-69. EXTERNAL WINDOW RELEASE INSTALLATION (CAN & ISO)**

ITEM	PART NUMBER	QTY	DESCRIPTION	REV
	1001178826	Ref	External Window Release Installation (English/French)	C
1	1001179008	1	Cap, Latch Window	
2	1001179009	1	Knob	
3	1001204709	2	Decal, Emergency Exit (English/French)	

**SECTION 6 - CAB**

**FIGURE 6-70. EXTERNAL WINDOW RELEASE INSTALLATION (ISO)**



ART\_1001212048-A

FIGURE 6-70. EXTERNAL WINDOW RELEASE INSTALLATION (ISO)

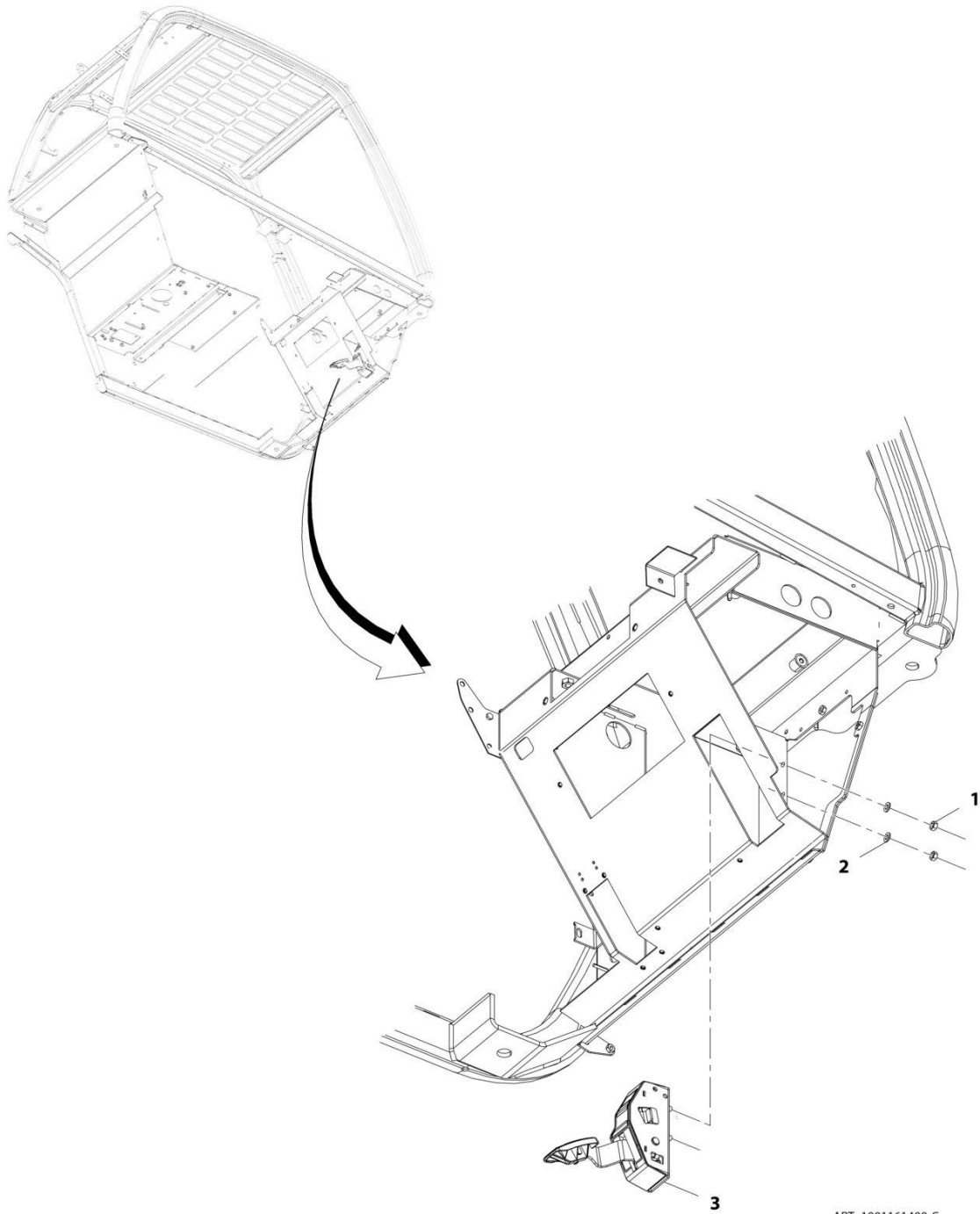
ITEM	PART NUMBER	QTY	DESCRIPTION	REV
	1001212048	Ref	Rear Window Installation (WO/Wiper) (ISO)	A
1	1001179008	1	Cap, Latch Window	
2	1001179009	1	Cap, Knob M6	
3	1001212050	2	Decal, Emergency Exit	



**SECTION 7 - CONTROLS**

# SECTION 7 - CONTROLS

## FIGURE 7-1. ACCELERATOR PEDAL INSTALLATION



ART\_1001161499-C



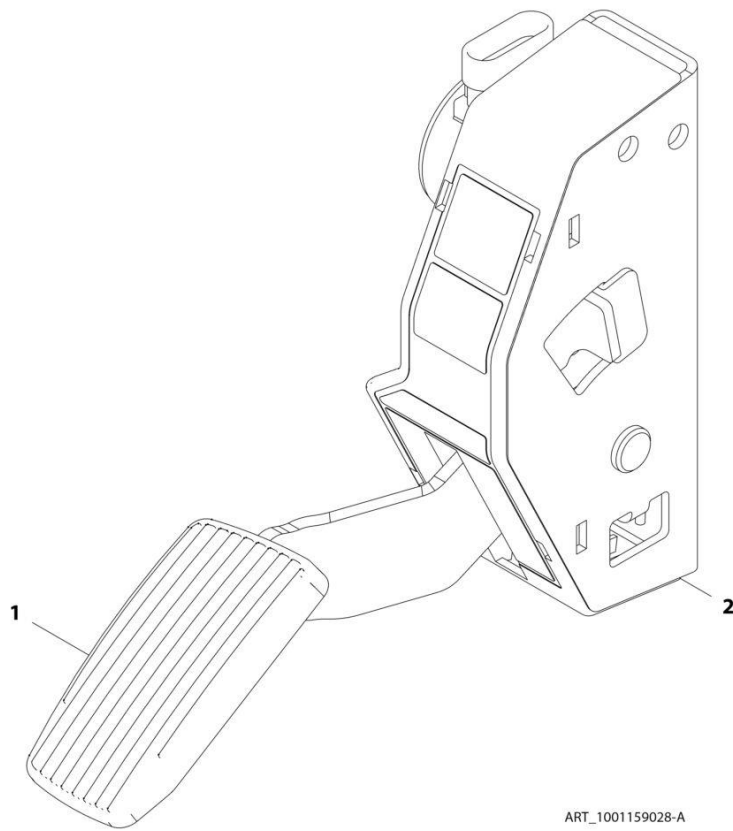
## SECTION 7 - CONTROLS

FIGURE 7-1. ACCELERATOR PEDAL INSTALLATION

ITEM	PART NUMBER	QTY	DESCRIPTION	REV
	1001161499	Ref	Accelerator Pedal Installation	C
1	3290801	2	Nut, M8X1.25	
2	4811900	2	Washer, M8	
3	1001159028	1	Pedal, Accelerator (See Separate Breakdown in this Section)	

# SECTION 7 - CONTROLS

## FIGURE 7-2. ACCELERATOR PEDAL



ART\_1001159028-A

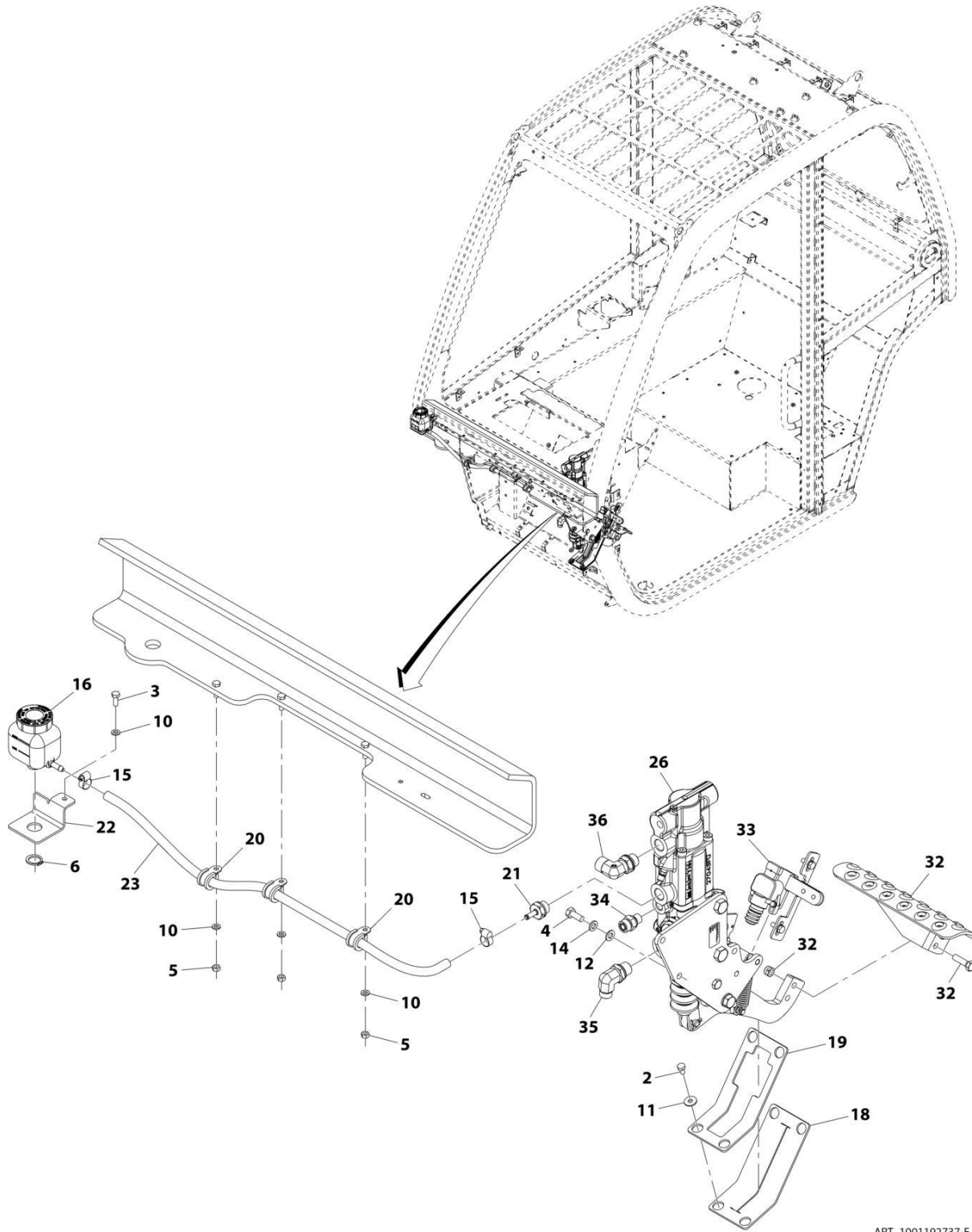
## SECTION 7 - CONTROLS

### FIGURE 7-2. ACCELERATOR PEDAL

ITEM	PART NUMBER	QTY	DESCRIPTION	REV
	1001159028	Ref	Accelerator Pedal	A
1	70025816	1	Pad, Rubber	
2	70025817	1	Cover, Rubber	

# SECTION 7 - CONTROLS

## FIGURE 7-3. BRAKE PEDAL INSTALLATION



ART\_1001192737-E

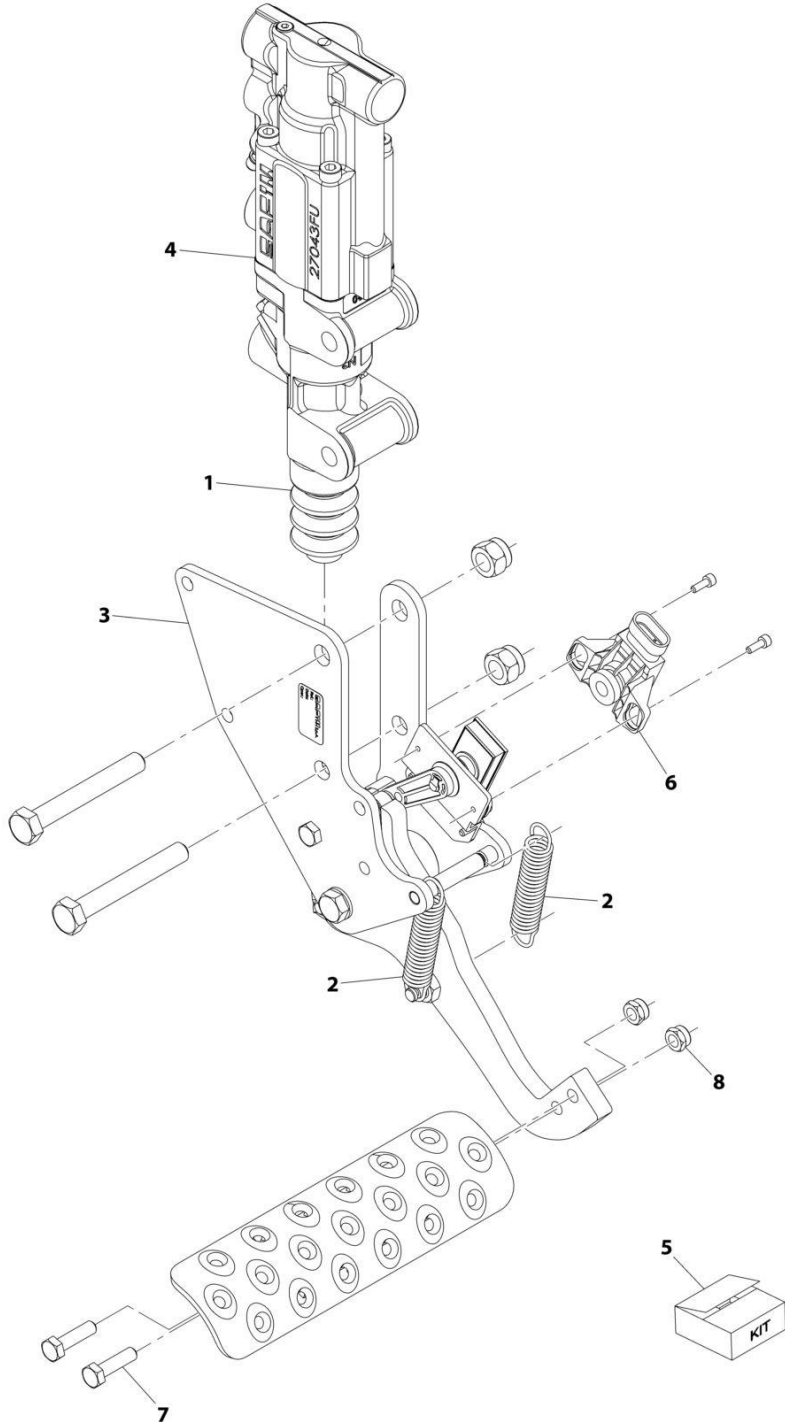
## SECTION 7 - CONTROLS

### FIGURE 7-3. BRAKE PEDAL INSTALLATION

ITEM	PART NUMBER	QTY	DESCRIPTION	REV
	1001192737	Ref	Brake Pedal Installation	E
2	0760605	4	Bolt, M6X10	
3	0760608	1	Bolt, M6X16	
4	0760810	3	Bolt, M8X20	
5	3290601	3	Nut, M6X1	
6	3760348	1	Ring, Retaining	
10	4811700	4	Washer, M6	
11	4811702	4	Washer, M6	
12	4811900	3	Washer, M8	
14	4831900	3	Washer, Lock M8	
15	8405009	2	Clamp	
16	1001214220	1	Reservoir, Brake	
18	1001162920	1	Seal	
19	1001162922	1	Plate	
20	1001170231	3	Clip	
21	1001171874	1	Fitting, Straight	
22	1001172088	1	Bracket	
23	1001172094	1	Hose	
26	1001213265	1	Assembly, Brake Pedal (See Separate Breakdown in this Section)	
32	1001197139	1	Plate, Brake Pedal	
33	1001205061	Ref	Installation, Brake Sensor (See Separate Breakdown in this Section)	
34	80233218	1	Fitting, Straight ORFS	
35	80333151	1	Fitting, 90 ORFS	
36	1001168054	1	Fitting, 90 ORFS	

# SECTION 7 - CONTROLS

## FIGURE 7-4. BRAKE PEDAL ASSEMBLY



ART\_1001213265-A

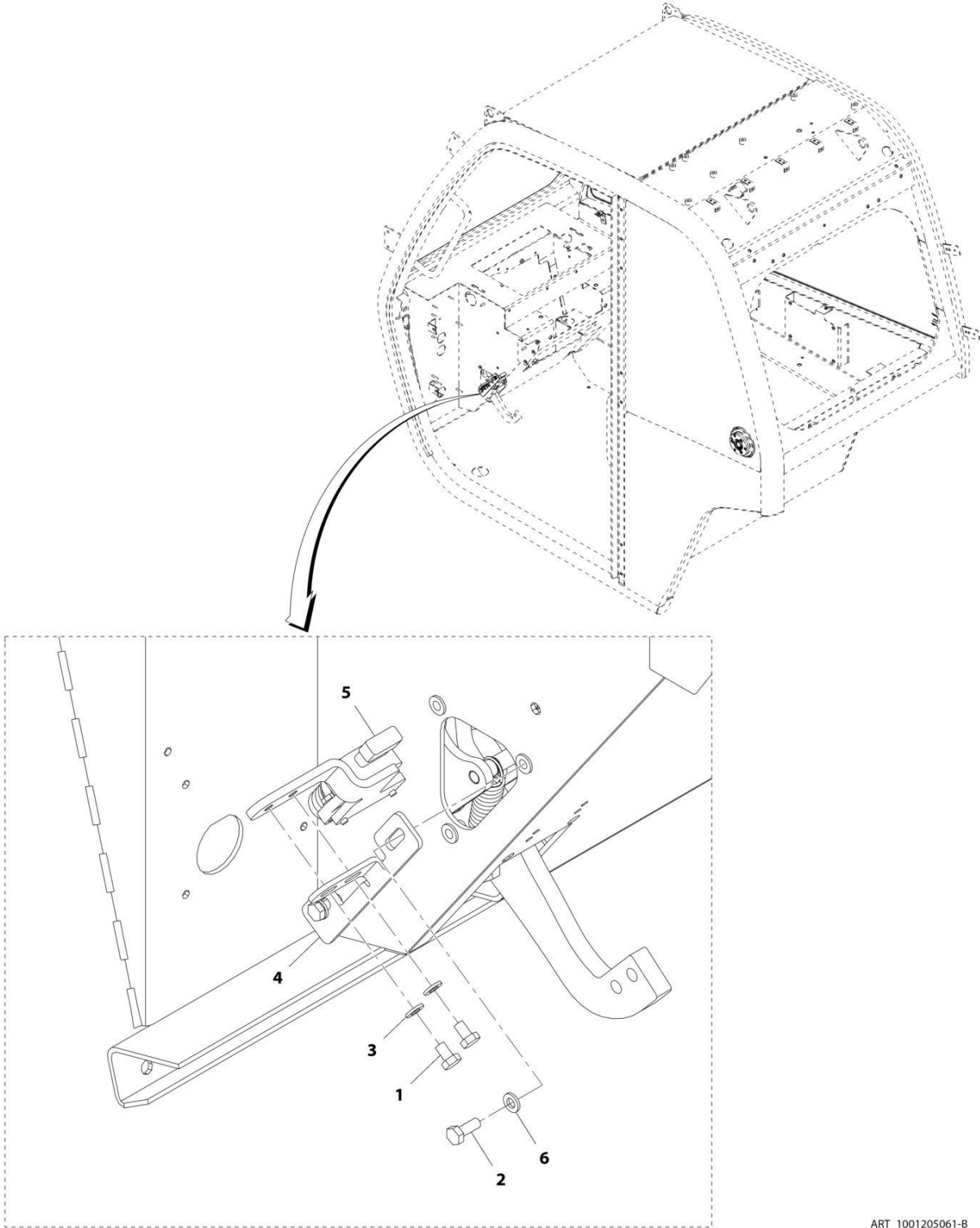
## SECTION 7 - CONTROLS

### FIGURE 7-4. BRAKE PEDAL ASSEMBLY

ITEM	PART NUMBER	QTY	DESCRIPTION	REV
	1001213265	Ref	Brake Pedal Assembly	A
1	70025859	1	Cover, Dust	
2	70025860	2	Spring, Return	
3	70028381	1	Support, Pedal	
4	70028382	1	Cylinder, Master	
5	70026434	1	Kit, Seal	
6	70028383	1	Sensor, Angle	
7	0770814	2	Bolt, M8X30 Grade 10.9	
8	3290805	2	Nut, Lock M8X1.25 Grade 8	

**SECTION 7 - CONTROLS**

**FIGURE 7-5. BRAKE SENSOR INSTALLATION**



ART\_1001205061-B



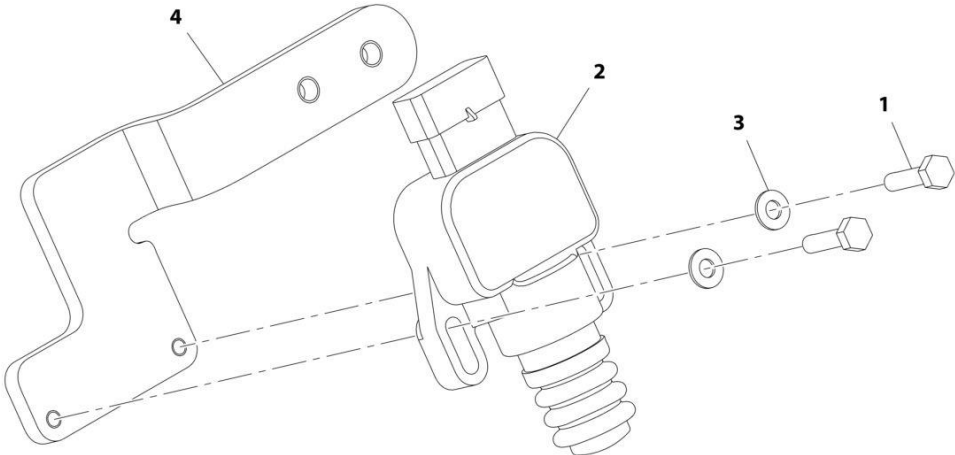
## SECTION 7 - CONTROLS

### FIGURE 7-5. BRAKE SENSOR INSTALLATION

ITEM	PART NUMBER	QTY	DESCRIPTION	REV
	1001205061	Ref	Brake Sensor Installation	B
1	0760605	2	Bolt, M6X10	
2	0760608	2	Bolt, M6X16	
3	4811700	2	Washer, M6	
4	1001201499	1	Plate, Switch Adjustment	
5	1001201501	1	Assembly, Switch Plate (See Separate Breakdown in this Section)	
6	4811702	2	Washer, M6	

**SECTION 7 - CONTROLS**

**FIGURE 7-6. SWITCH PLATE ASSEMBLY**



ART\_1001201501-A

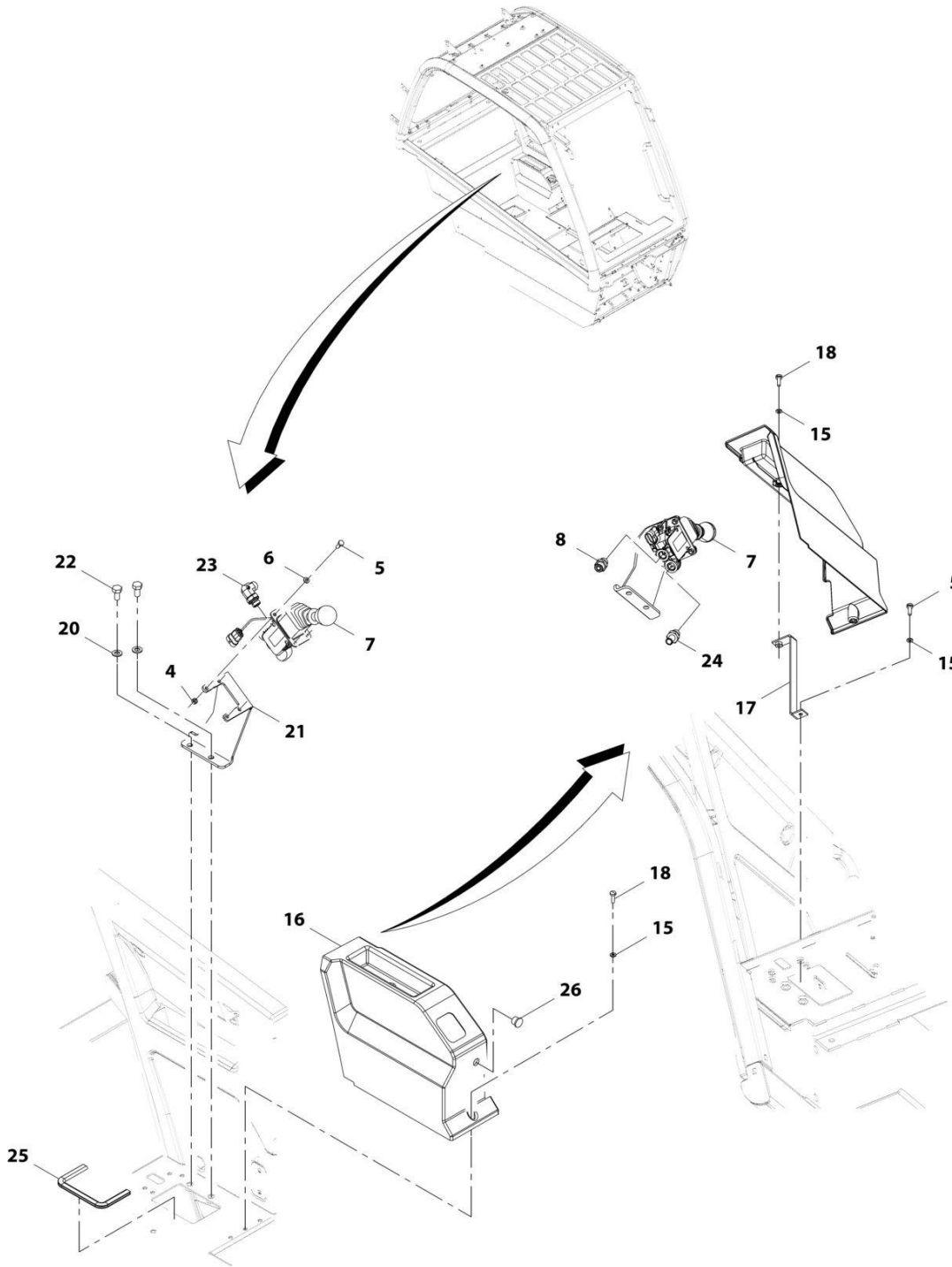
## SECTION 7 - CONTROLS

### FIGURE 7-6. SWITCH PLATE ASSEMBLY

ITEM	PART NUMBER	QTY	DESCRIPTION	REV
	1001201501	Ref	Switch Plate Assembly	A
1	0700408	2	Bolt, M4X16	
2	4360658	1	Sensor, Brake	
3	4811400	2	Washer, M4	
4	1001201500	1	Plate	

# SECTION 7 - CONTROLS

## FIGURE 7-7. PARK BRAKE INSTALLATION



ART\_1001162062-M

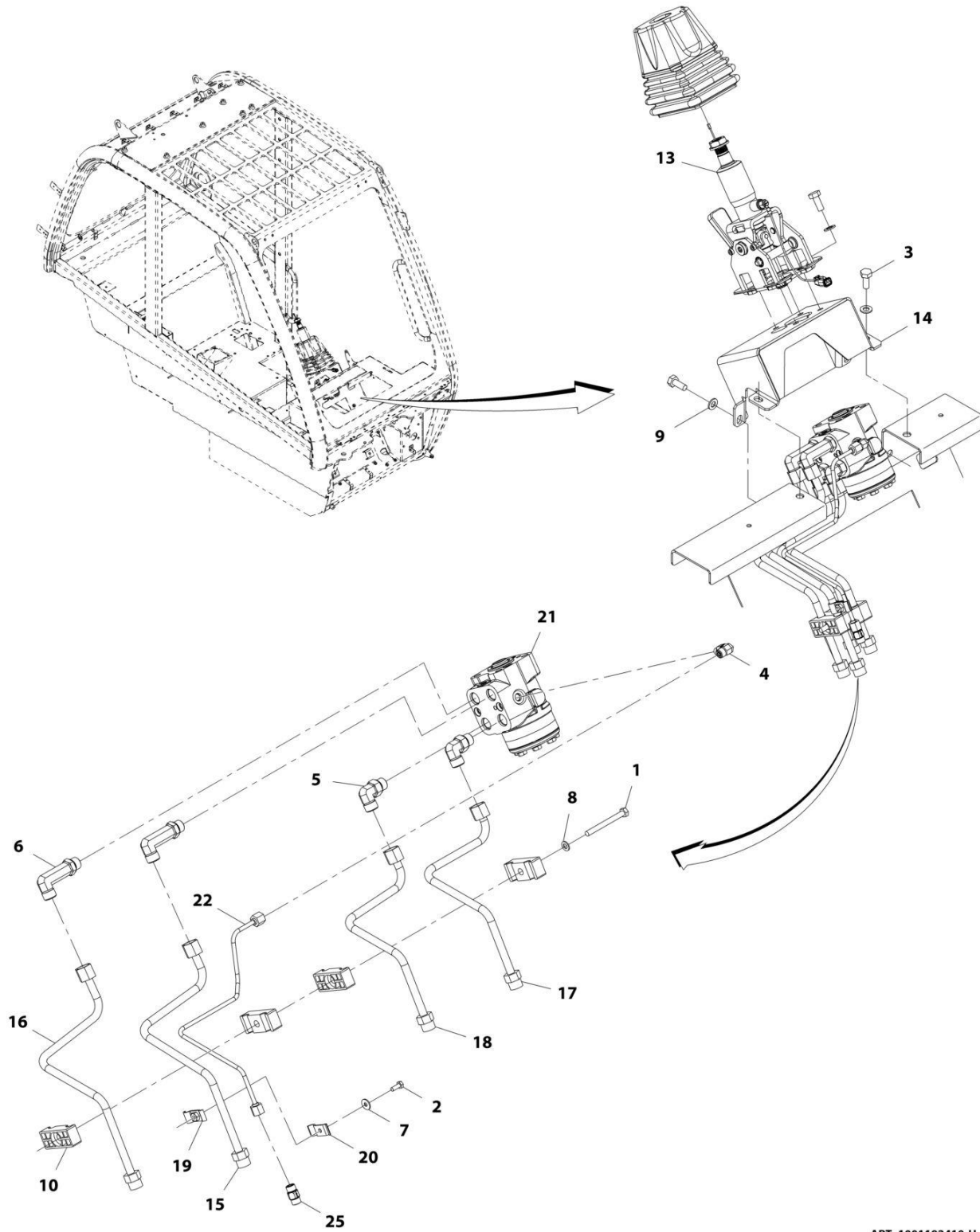
## SECTION 7 - CONTROLS

**FIGURE 7-7. PARK BRAKE INSTALLATION**

ITEM	PART NUMBER	QTY	DESCRIPTION	REV
	1001162062	Ref	Park Brake Installation	M
4	3290601	4	Nut, M6X1	
5	0760608	5	Bolt, M6X16	
6	4831700	4	Washer, Lock M6	
7	1001207956	1	Hydraulic Hand Brake	
7	70020922	1	Kit, Seal	
8	1001101702	1	Fitting, Straight ORFS	
15	4811700	3	Washer, M6	
16	1001193474	1	Panel	
17	1001195254	1	Bracket	
18	4010610002	2	Screw, M6X20	
20	4812000	2	Washer, M10	
21	1001191915	1	Bracket	
22	0761010	2	Bolt, M10X20	
23	1001125222	1	Fitting, 90 ORFS	
24	1001206744	1	Fitting, Grease	
25	1001208037	1	Seal	
26	3520028	1	Plug	

# SECTION 7 - CONTROLS

## FIGURE 7-8. TILT STEERING COLUMN INSTALLATION



ART\_1001192410-H

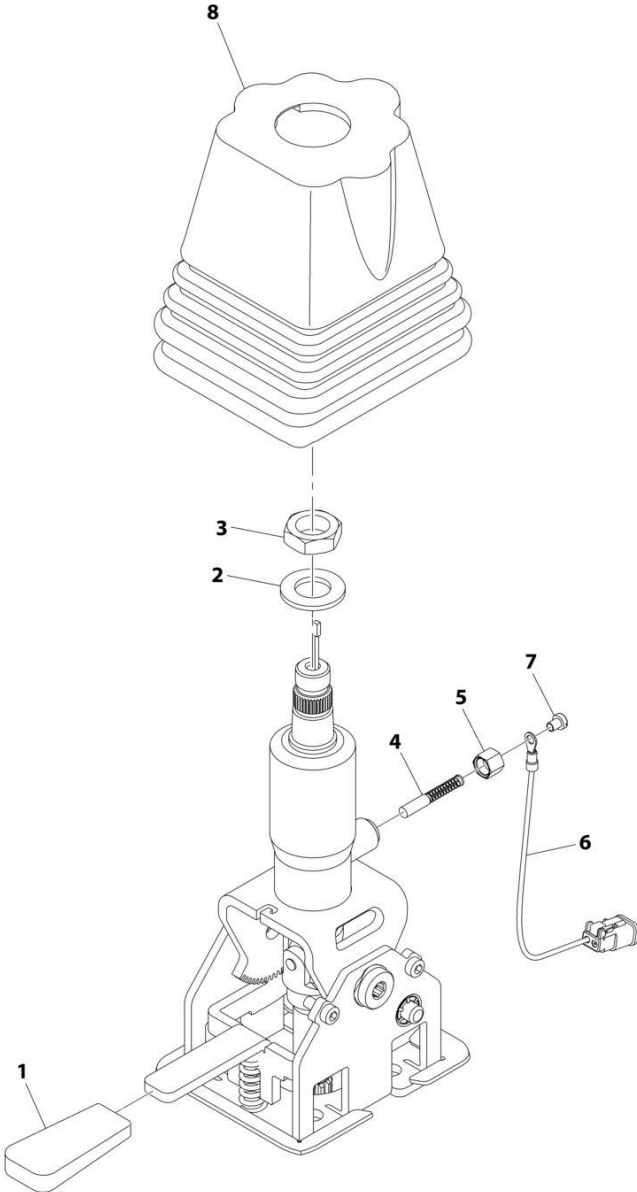
## SECTION 7 - CONTROLS

**FIGURE 7-8. TILT STEERING COLUMN INSTALLATION**

ITEM	PART NUMBER	QTY	DESCRIPTION	REV
	1001192410	Ref	Tilt Steering Column Installation	H
1	0700824	1	Bolt M8 x 80	
2	0760608	1	Bolt M6 x 16	
3	0761012	8	Bolt M10 x 25	
4	2130404	1	Fitting, 90 ORFS	
5	2130808	2	Fitting, 90 ORFS	
6	2170208	2	Fitting, 90 ORFS	
7	4811702	1	Washer M6	
8	4811900	1	Washer M8	
9	4812000	8	Washer M10	
10	1001004640	4	Clamp	
13	1001155276	1	Column, Tilt Steering (See Separate Breakdown in this Section)	
14	1001156265	1	Bracket, Support	
15	1001161672	1	Pipe	
16	1001161896	1	Pipe	
17	1001161897	1	Pipe	
18	1001161898	1	Pipe	
19	1001168142	1	Bracket	
20	1001168151	1	Bracket	
21	1001178670	1	Valve, Steer (See Separate Breakdown in HYDRAULICS COMPONENTS Section)	
22	1001194282	1	Pipe	
25	1001227945	1	Valve, Check	

**SECTION 7 - CONTROLS**

**FIGURE 7-9. TILT STEERING COLUMN**



ART\_1001155276



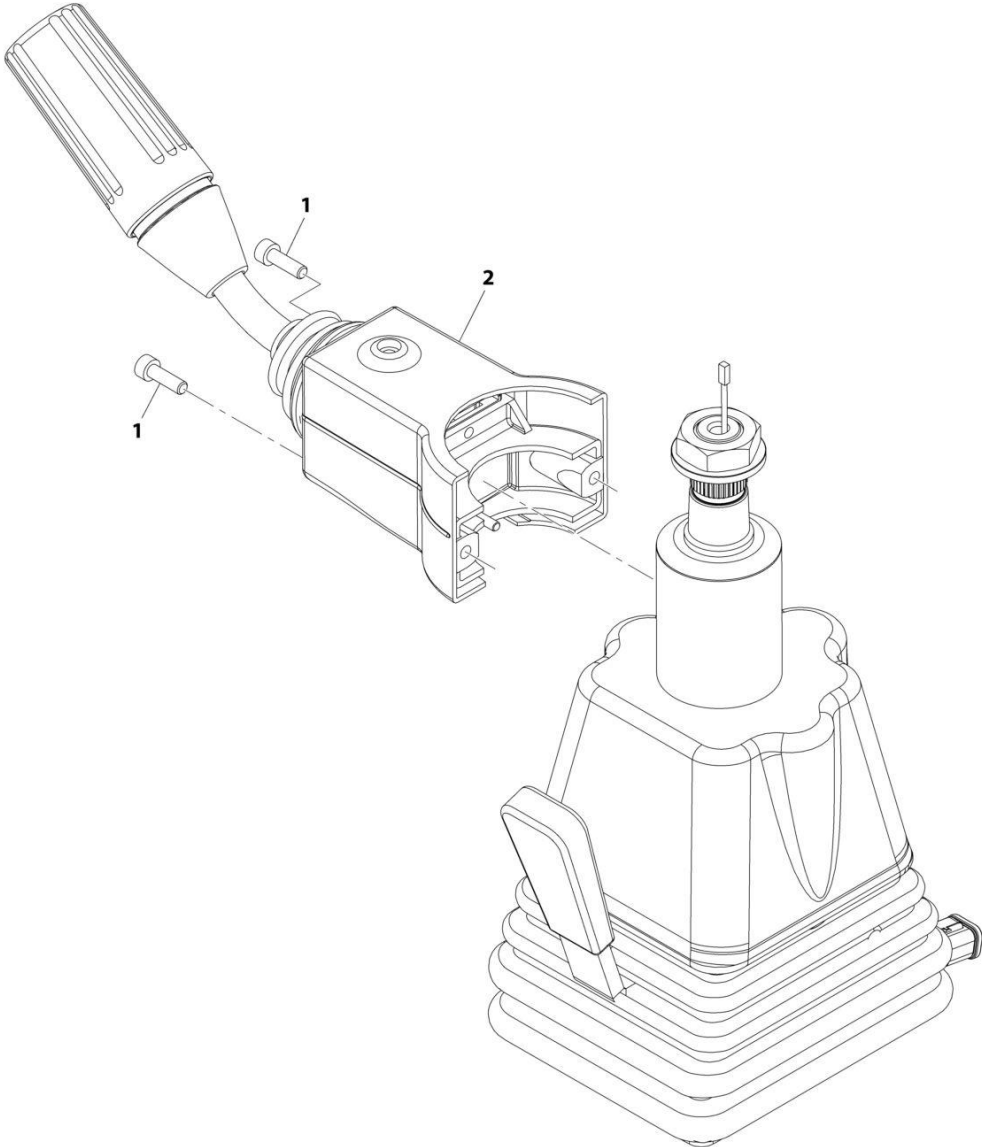
## SECTION 7 - CONTROLS

### FIGURE 7-9. TILT STEERING COLUMN

ITEM	PART NUMBER	QTY	DESCRIPTION	REV
	1001155276	Ref	Tilt Steering Column	G
1	70026366	1	Knob	
2	70026364	1	Washer	
3	70026363	1	Nut	
4	70026362	1	Contact, Sliding	
5	70026361	1	Cap, Brass	
6	70026367	1	Cable	
7	70026365	1	Screw, Cap	
8	1001184504	1	Boot	

**SECTION 7 - CONTROLS**

**FIGURE 7-10. COLUMN SHIFT INSTALLATION (2 SPEED)**



ART\_1001220507-A

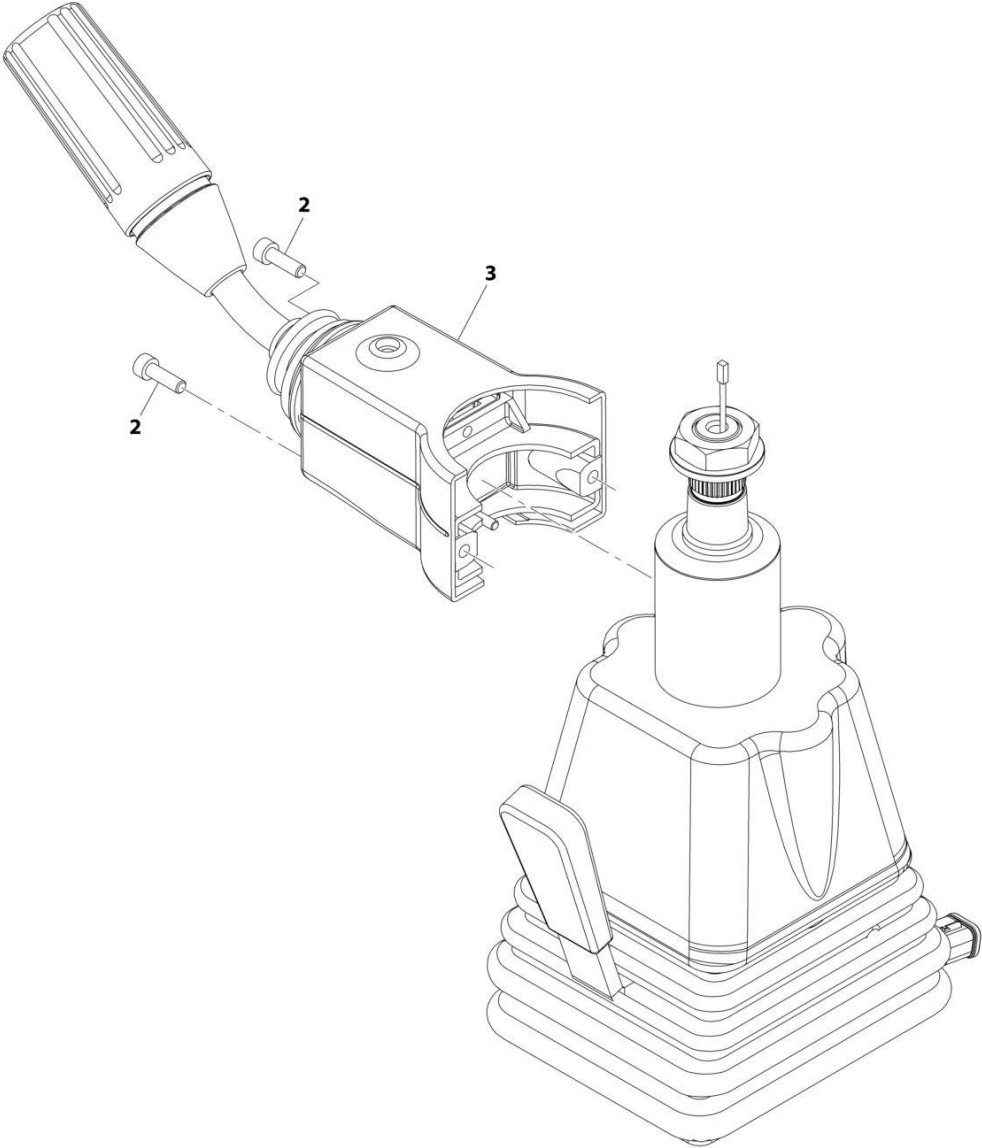
## SECTION 7 - CONTROLS

**FIGURE 7-10. COLUMN SHIFT INSTALLATION (2 SPEED)**

ITEM	PART NUMBER	QTY	DESCRIPTION	REV
	1001220507	Ref	Column Shift Installation (2 Speed)	A
1	4031607	2	Bolt, M5-0.8X16	
2	1001197667	1	Lever, FNR (2 Speed)	

**SECTION 7 - CONTROLS**

**FIGURE 7-11. COLUMN SHIFT INSTALLATION (0 SPEED)**



ART\_1001179931-C

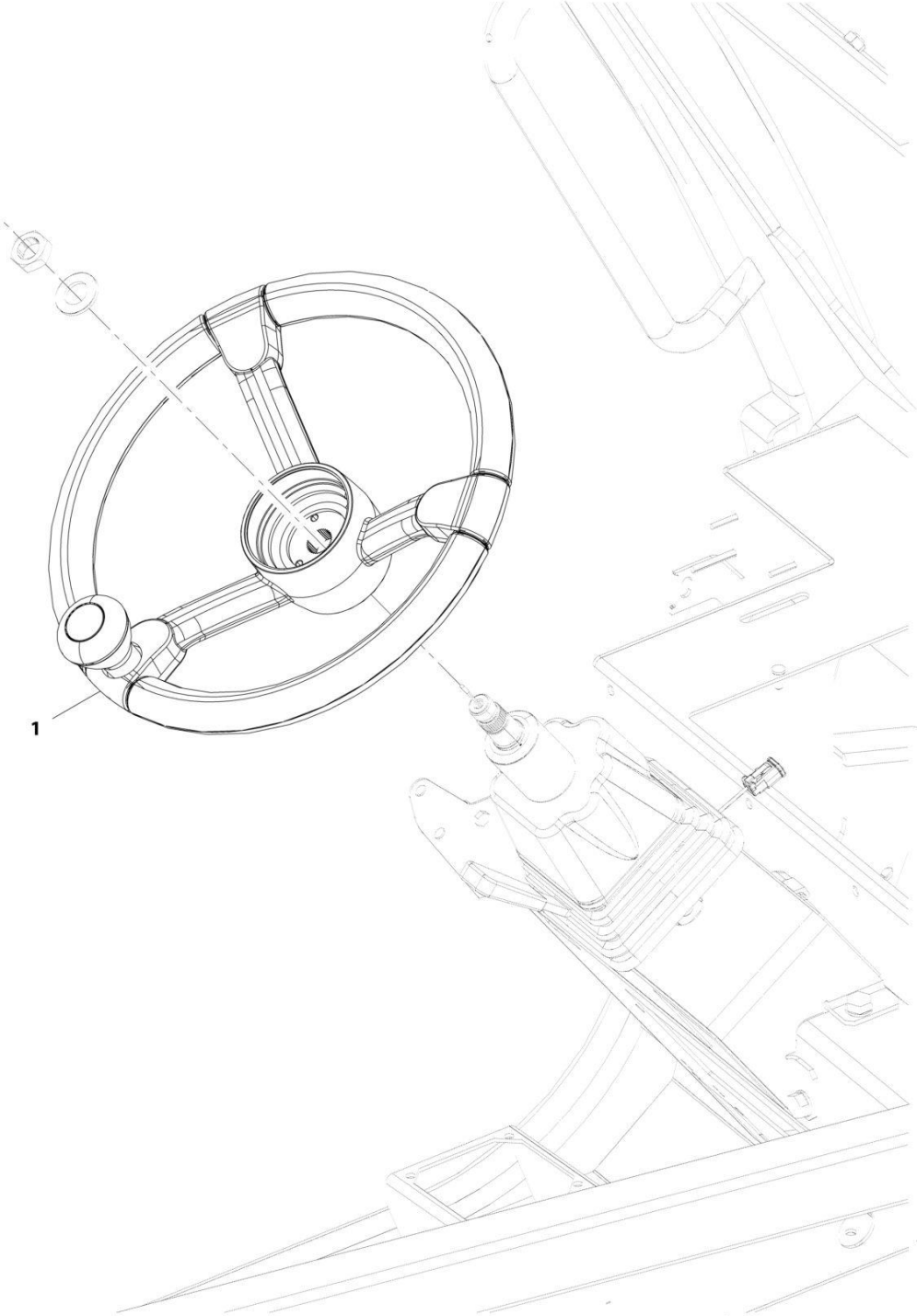
## SECTION 7 - CONTROLS

**FIGURE 7-11. COLUMN SHIFT INSTALLATION (0 SPEED)**

ITEM	PART NUMBER	QTY	DESCRIPTION	REV
	1001179931	Ref	Column Shift Installation (0 Speed)	C
2	4031607	2	Bolt, M5-0.8X16	
3	1001163697	1	Lever, FNR (0 Speed)	

**SECTION 7 - CONTROLS**

**FIGURE 7-12. STEERING WHEEL INSTALLATION**



ART\_1001169751-C

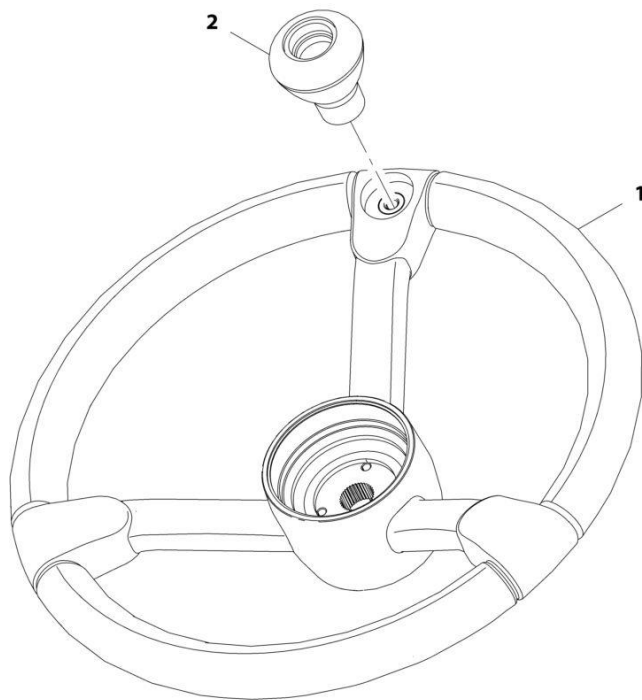
## SECTION 7 - CONTROLS

**FIGURE 7-12. STEERING WHEEL INSTALLATION**

ITEM	PART NUMBER	QTY	DESCRIPTION	REV
1	1001169751 1001169354	Ref 1	Steering Wheel Installation Wheel, Steering (See Separate Breakdown in this Section)	C

# SECTION 7 - CONTROLS

## FIGURE 7-13. STEERING WHEEL



ART\_1001169354-D



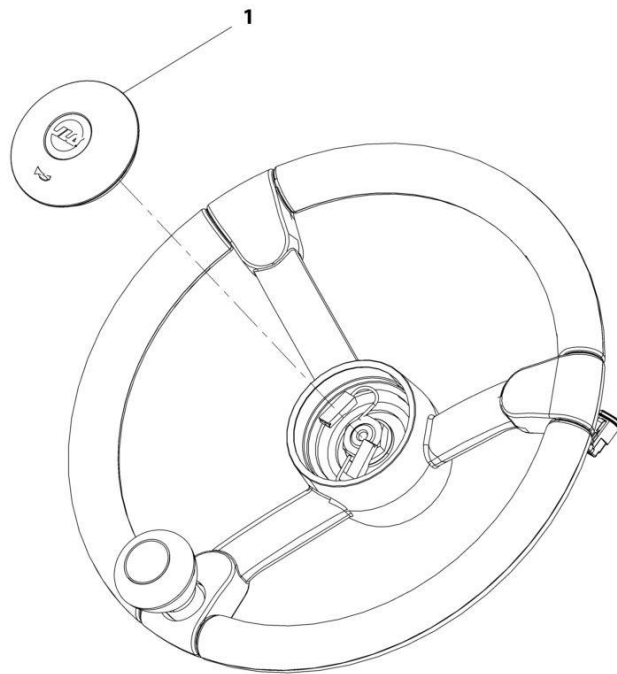
## SECTION 7 - CONTROLS

### FIGURE 7-13. STEERING WHEEL

ITEM	PART NUMBER	QTY	DESCRIPTION	REV
	1001169354	Ref	Steering Wheel	D
1	1001169367	1	Wheel, Steering	
2	1001169355	1	Handle, Steer Spinner	

# SECTION 7 - CONTROLS

## FIGURE 7-14. HORN BUTTON INSTALLATION



ART\_1001169763-A

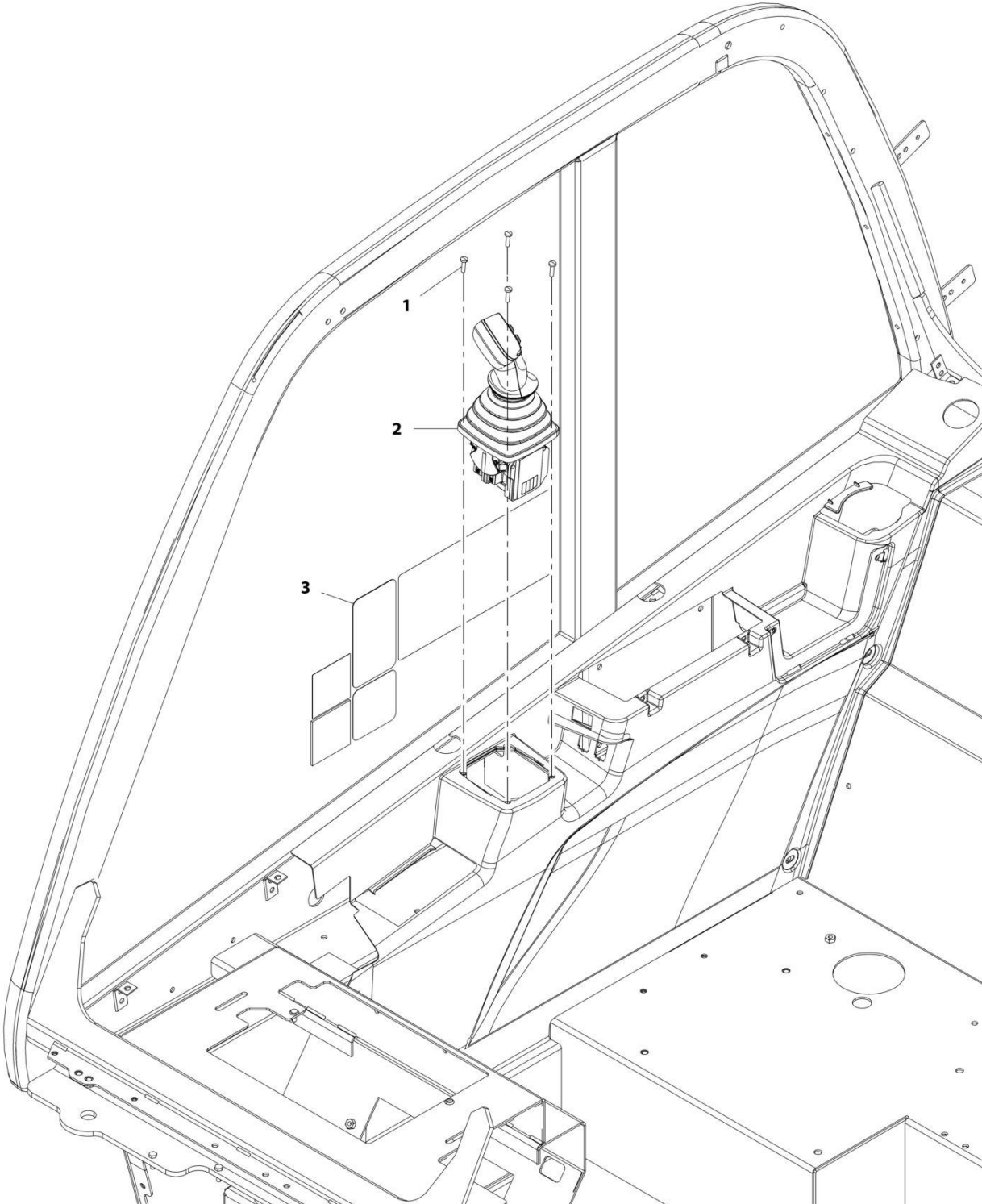
## SECTION 7 - CONTROLS

**FIGURE 7-14. HORN BUTTON INSTALLATION**

ITEM	PART NUMBER	QTY	DESCRIPTION	REV
1	1001169763 1001169268	Ref 1	Horn Button Installation Button, Horn	A

**SECTION 7 - CONTROLS**

**FIGURE 7-15. JOYSTICK INSTALLATION (2 SPEED)**



ART\_1001216757-B

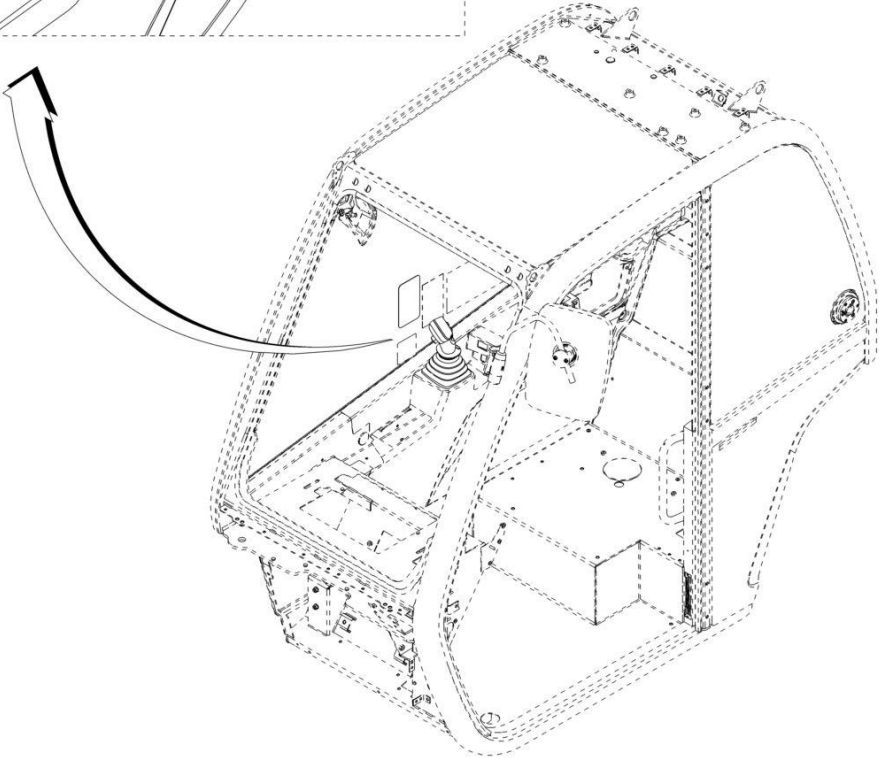
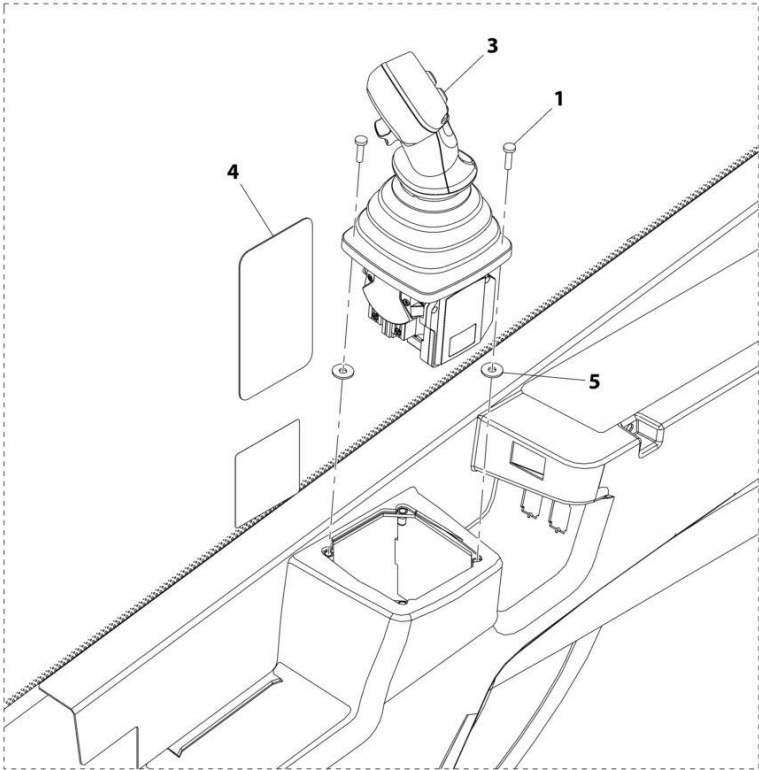
## SECTION 7 - CONTROLS

**FIGURE 7-15. JOYSTICK INSTALLATION (2 SPEED)**

ITEM	PART NUMBER	QTY	DESCRIPTION	REV
	1001216757	Ref	Joystick Installation (2 Speed)	C
1	4010510	4	Screw, M5X20	
2	1001222606	1	Joystick, 2R2B	
3	1001216803	1	Decal	

**SECTION 7 - CONTROLS**

**FIGURE 7-16. JOYSTICK INSTALLATION**



ART\_1001167004-G

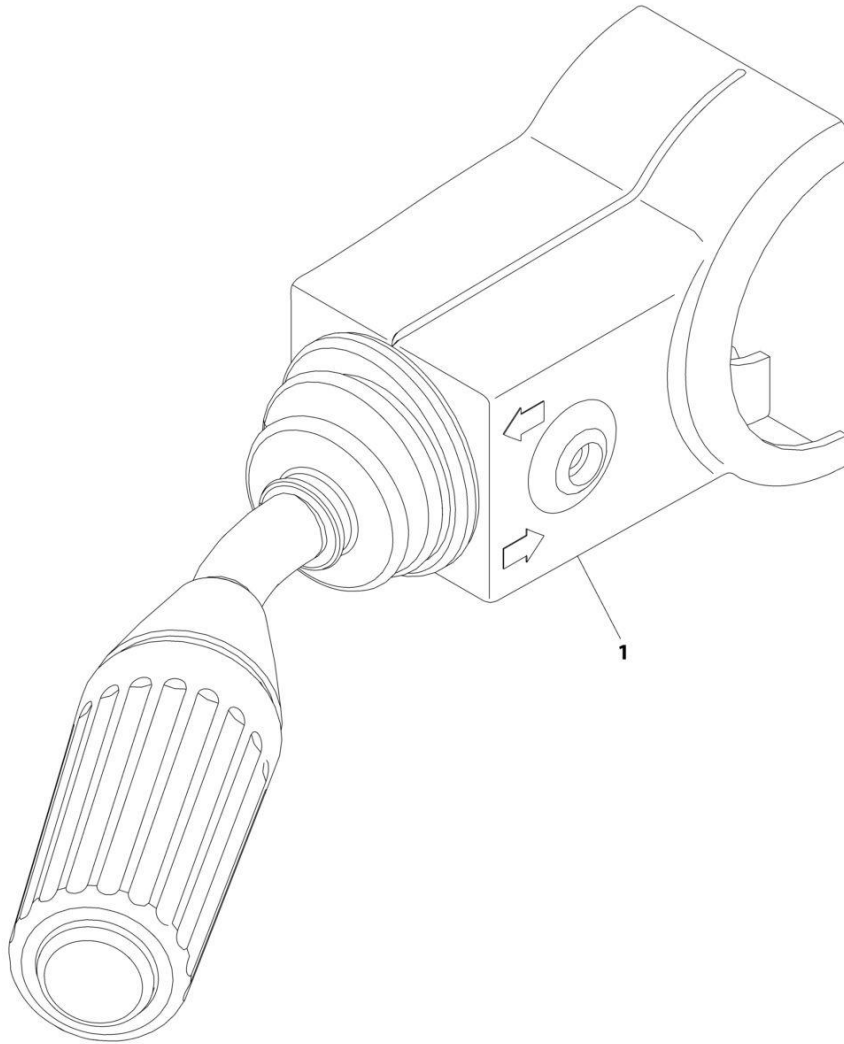
## SECTION 7 - CONTROLS

### FIGURE 7-16. JOYSTICK INSTALLATION

ITEM	PART NUMBER	QTY	DESCRIPTION	REV
	1001167004	Ref	Joystick Installation	H
1	4010510	4	Screw, M5X20	
3	1001222603	1	Joystick	
4	1001236404	NLA	Decal, Joystick (no longer available, use 1001241950 for replacement)	
4	1001241950	1	Decal, Joystick	
5	4811702001	AR	Washer, M6	

# SECTION 7 - CONTROLS

## FIGURE 7-17. WIPER-TURN SWITCH



ART\_1001163695



## SECTION 7 - CONTROLS

**FIGURE 7-17. WIPER-TURN SWITCH**

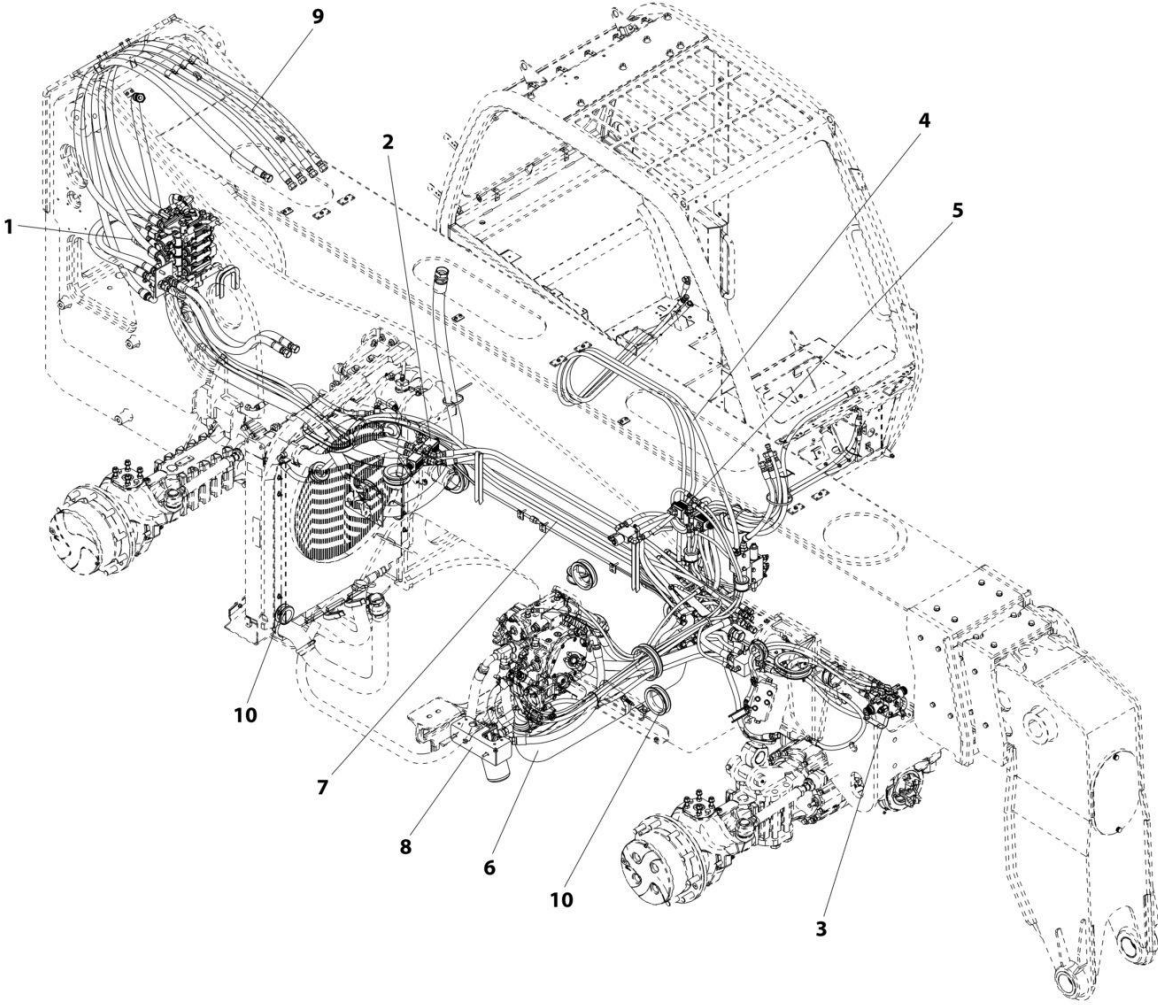
ITEM	PART NUMBER	QTY	DESCRIPTION	REV
1	1001163695	1	Wiper-Turn Switch	B



**SECTION 8 - HYDRAULIC CIRCUITS**

# SECTION 8 - HYDRAULIC CIRCUITS

## FIGURE 8-1. MAIN HYDRAULIC INSTALLATION



ART\_1001202645-D

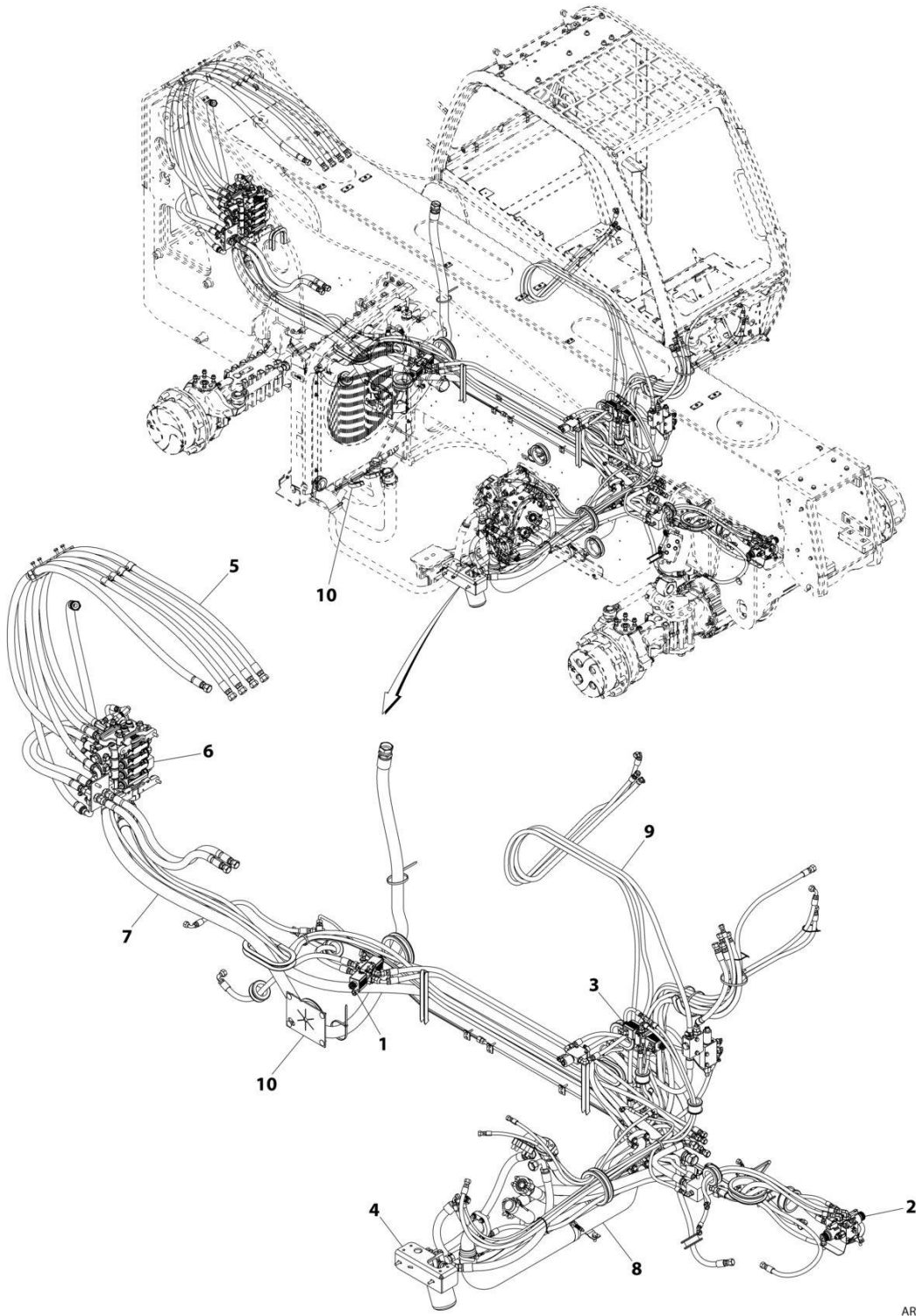
## SECTION 8 - HYDRAULIC CIRCUITS

**FIGURE 8-1. MAIN HYDRAULIC INSTALLATION**

ITEM	PART NUMBER	QTY	DESCRIPTION	REV
1	1001202645	Ref	Main Hydraulic Installation	D
	1001220457	Ref	Installation, Main Control Valve (See Separate Breakdown in this Section)	
2	1001193516	Ref	Installation, Steering Select Valve (See Separate Breakdown in this Section)	
3	1001193517	Ref	Installation, Frame Level Valve (See Separate Breakdown in this Section)	
4	1001193709	Ref	Installation, Cab Hydraulics (See Separate Breakdown in this Section)	
5	1001197196	Ref	Installation, Speed Control Valve (See Separate Breakdown in this Section)	
6	1001202024	Ref	Installation, Engine Bay Hydraulic (See Separate Breakdown in this Section)	
7	1001202025	Ref	Installation, Frame Hydraulics (See Separate Breakdown in this Section)	
8	1001202026	Ref	Installation, Charge Filter Lines (See Separate Breakdown in this Section)	
9	1001210522	Ref	Installation, Boom Lines (See Separate Breakdown in this Section)	
10	1001213026	Ref	Installation, Grommets (See Separate Breakdown in Frame and Attaching Parts Section)	

# SECTION 8 - HYDRAULIC CIRCUITS

FIGURE 8-2. MAIN HYDRAULIC INSTALLATION (TUV)



ART\_1001223608-A

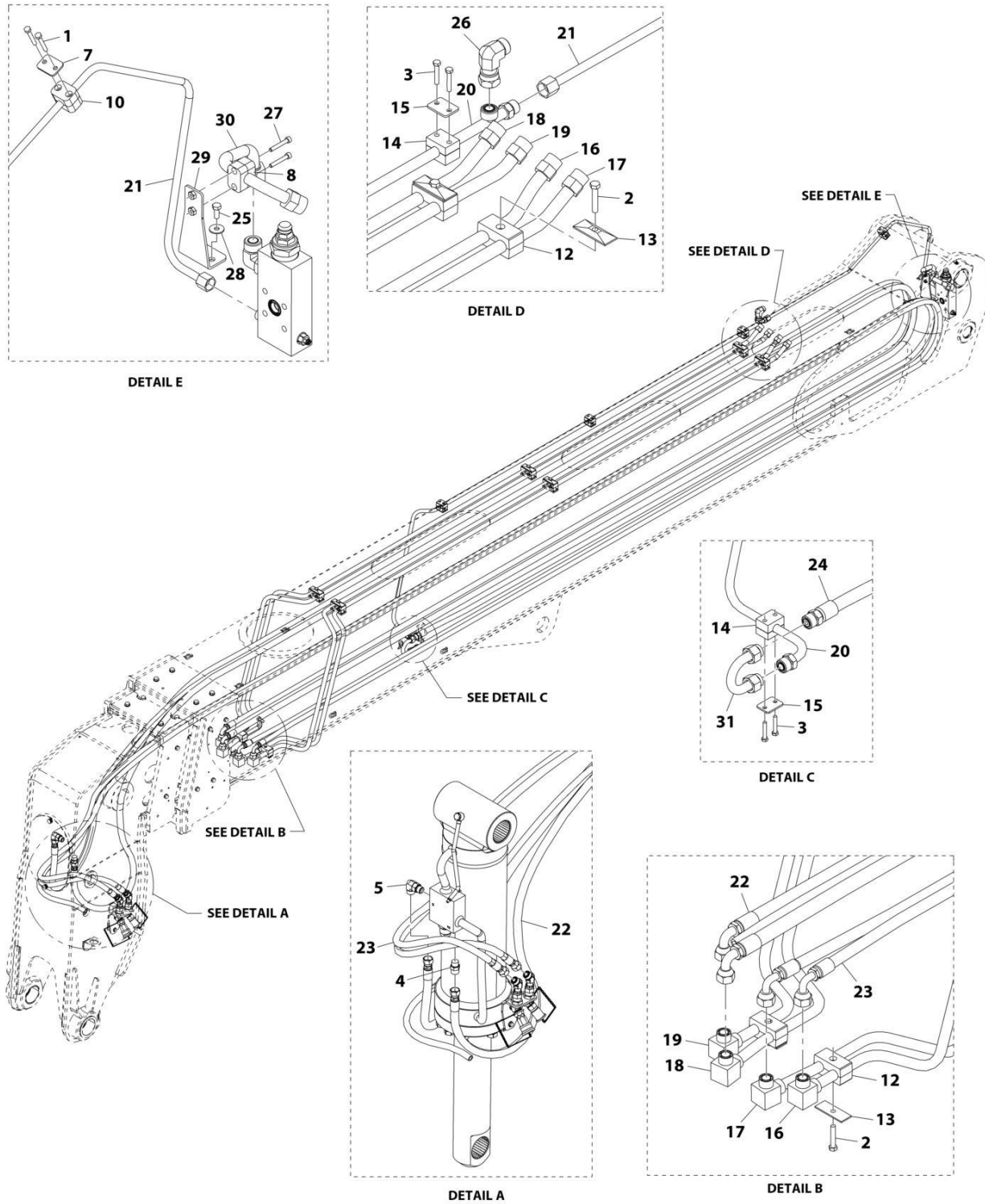
## SECTION 8 - HYDRAULIC CIRCUITS

**FIGURE 8-2. MAIN HYDRAULIC INSTALLATION (TUV)**

ITEM	PART NUMBER	QTY	DESCRIPTION	REV
1	1001223608	Ref	Main Hydraulic Installation (TUV)	A
	1001193516	Ref	Installation, Steering Select Valve (See Separate Breakdown in this Section)	
2	1001193517	Ref	Installation, Frame Level Valve (See Separate Breakdown in this Section)	
3	1001197196	Ref	Installation, Speed Control Valve (See Separate Breakdown in this Section)	
4	1001202026	Ref	Installation, Charge Filter Lines (See Separate Breakdown in this Section)	
5	1001210522	Ref	Installation, Boom Hydraulic Line (See Separate Breakdown in this Section)	
6	1001220457	Ref	Installation, Main Control Valve (See Separate Breakdown in this Section)	
7	1001223462	Ref	Installation, Frame Hydraulic (TUV) (See Separate Breakdown in this Section)	
8	1001223518	Ref	Installation, Engine Bay Hydraulic (TUV) (See Separate Breakdown in this Section)	
9	1001223610	Ref	Installation, Cab Hydraulics (TUV) (See Separate Breakdown in this Section)	
10	1001213026	Ref	Installation, Grommets (See Separate Breakdown in Frame and Attaching Parts Section)	

# SECTION 8 - HYDRAULIC CIRCUITS

## FIGURE 8-3. BOOM HYDRAULIC INSTALLATION



ART\_1001205375-F



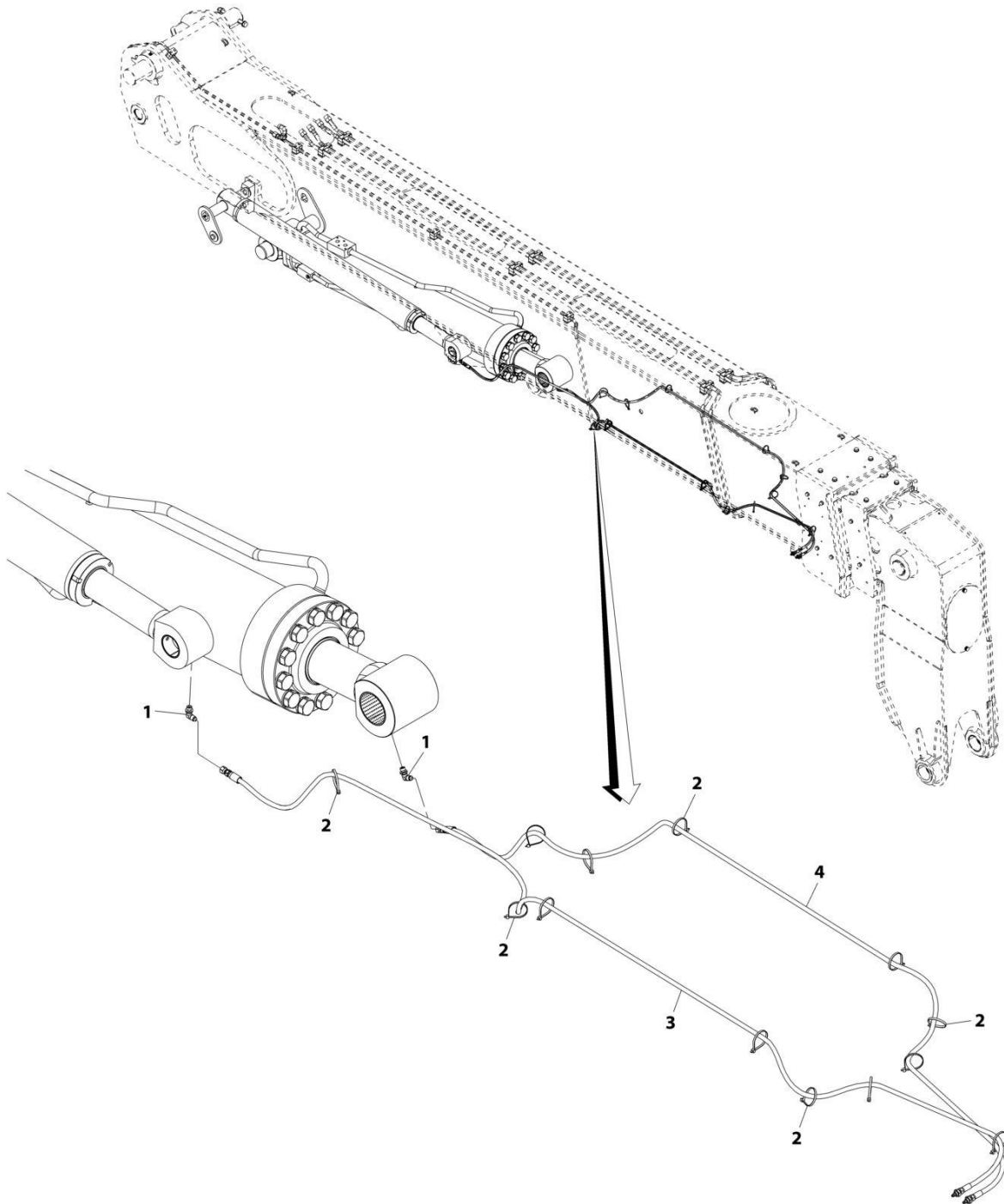
## SECTION 8 - HYDRAULIC CIRCUITS

**FIGURE 8-3. BOOM HYDRAULIC INSTALLATION**

ITEM	PART NUMBER	QTY	DESCRIPTION	REV
	1001205375	Ref	Boom Hydraulic Installation	F
1	0700616	2	Bolt, M6X40	
2	0700817	8	Bolt, M8X45	
3	0760615	8	Bolt, M6X35	
4	2111010	1	Fitting, Straight ORFS	
5	2131010	1	Fitting, 90 ORFS	
7	8769146	1	Plate, Cover	
8	8769152	1	Clamp	
10	8769199	1	Clamp	
12	77133136	8	Clamp	
13	77133137	8	Plate, Cover	
14	77133497	4	Clamp	
15	1001105093	4	Plate, Cover	
16	1001209201	1	Pipe	
17	1001209200	1	Pipe	
18	1001209202	1	Pipe	
19	1001209203	1	Pipe	
20	1001205380	1	Pipe	
21	1001205381	1	Tube	
22	1001210568	1	Hose	
23	1001210569	1	Hose	
24	1001229422	1	Hose	
25	0760810	2	Bolt, M8X20	
26	2172110	1	Fitting, 90 ORFS	
27	4031712	2	Bolt, M6X40	
28	4811902	2	Washer, M8	
29	1001209972	1	Bracket	
30	1001210270	1	Tube	
31	1001220942	1	Pipe	

# SECTION 8 - HYDRAULIC CIRCUITS

## FIGURE 8-4. REMOTE GREASE INSTALLATION



ART\_1001217353-B

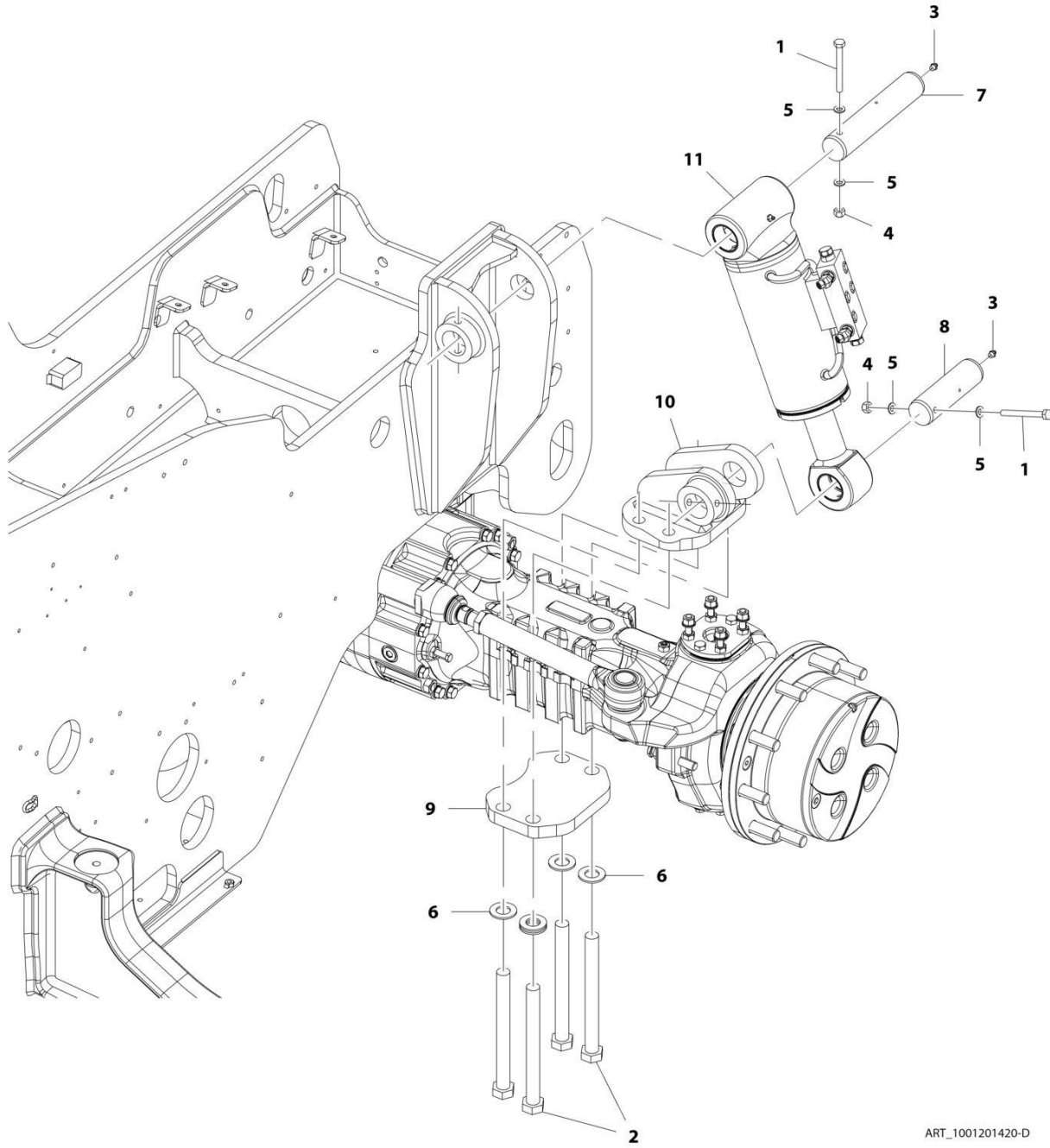
## SECTION 8 - HYDRAULIC CIRCUITS

### FIGURE 8-4. REMOTE GREASE INSTALLATION

ITEM	PART NUMBER	QTY	DESCRIPTION	REV
	1001217353	Ref	Remote Grease Installation	B
1	8770215	2	Fitting, 90 ORFS	
2	1001008559	13	Strap, Cable	
3	1001217355	1	Hose	
4	1001217354	1	Hose	

# SECTION 8 - HYDRAULIC CIRCUITS

## FIGURE 8-5. FRAME LEVEL INSTALLATION



ART\_1001201420-D

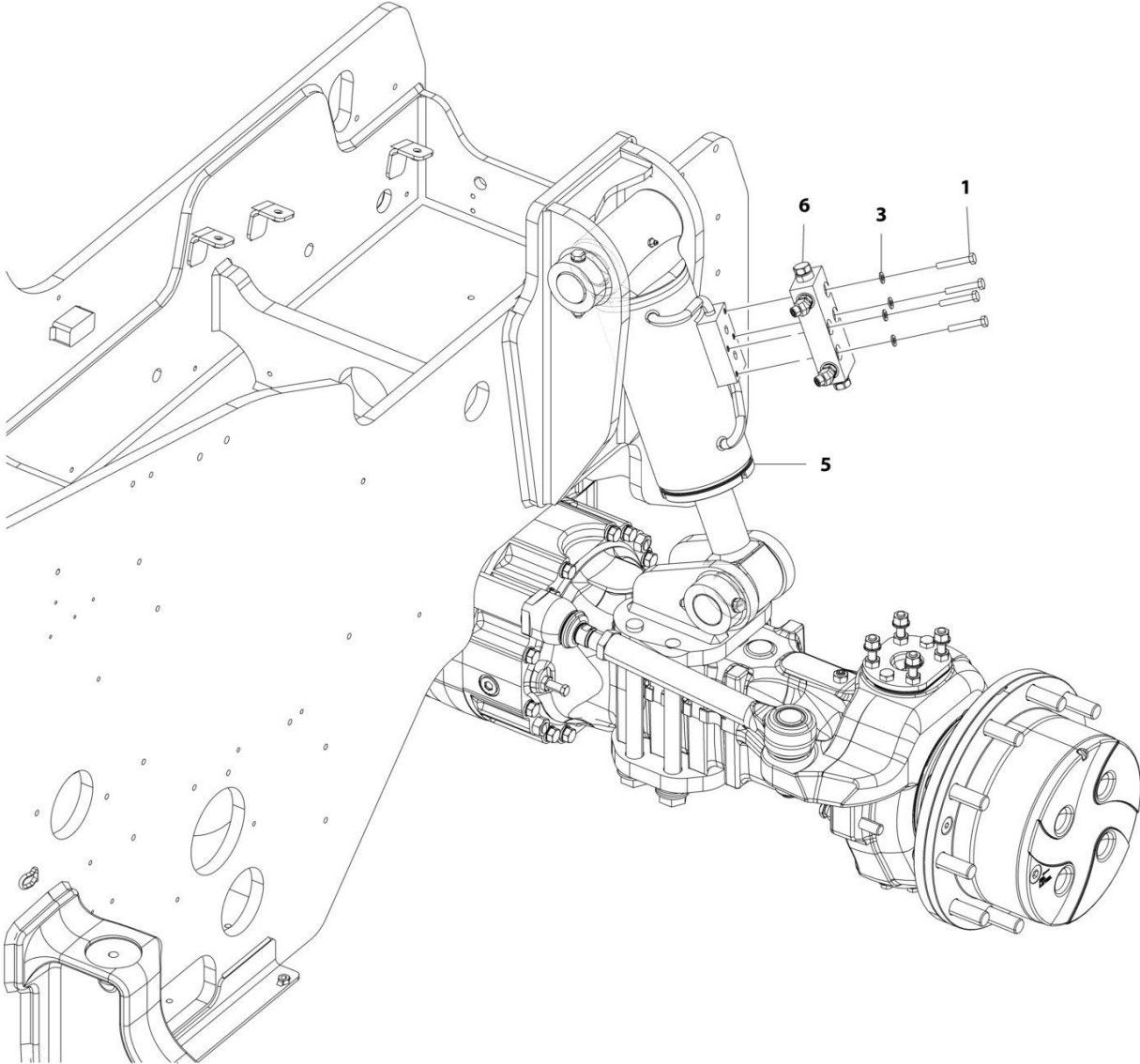
## SECTION 8 - HYDRAULIC CIRCUITS

### FIGURE 8-5. FRAME LEVEL INSTALLATION

ITEM	PART NUMBER	QTY	DESCRIPTION	REV
	1001201420	Ref	Frame Level Installation	D
1	0701027	2	Bolt, M10X100	
2	0712442	4	Bolt, M24X250 Grade 10.9	
3	2160016	2	Fitting, Grease	
4	3291005	2	Nut, Lock M0X1.5 Grade 8	
5	4812000	4	Washer, M10	
6	5242400	6	Washer, M24	
7	1001164971	1	Pin	
8	1001164972	1	Pin	
9	1001207325	1	Plate, Sway Bottom	
10	1001200226	1	Bracket, Axle Sway	
11	1001201074	Ref	Installation, Frame Level Cylinder (See Separate Breakdown in this Section)	

**SECTION 8 - HYDRAULIC CIRCUITS**

**FIGURE 8-6. FRAME LEVEL CYLINDER INSTALLATION**



ART\_1001201074-B

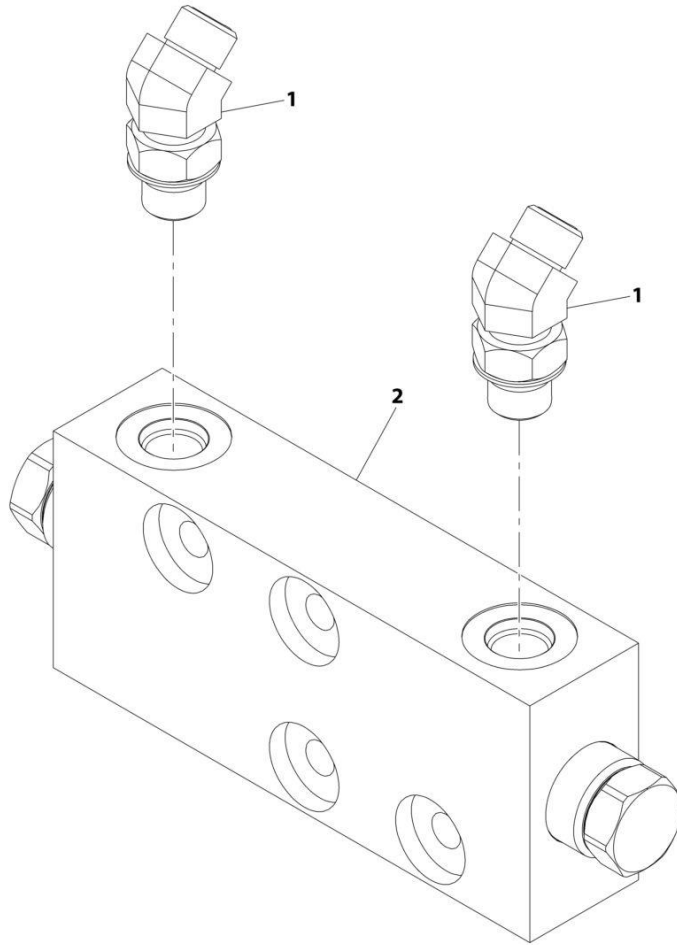
## SECTION 8 - HYDRAULIC CIRCUITS

### FIGURE 8-6. FRAME LEVEL CYLINDER INSTALLATION

ITEM	PART NUMBER	QTY	DESCRIPTION	REV
	1001201074	Ref	Frame Level Cylinder Installation	B
1	0700818	4	Bolt, M8X50	
3	4811900	4	Washer, M8	
5	1001201073	1	Cylinder, Frame Level (See Separate Breakdown in HYDRAULIC COMPONENTS Section)	
6	1001217482	1	Assembly, Frame Level Valve (See Separate Breakdown in this Section)	

# SECTION 8 - HYDRAULIC CIRCUITS

## FIGURE 8-7. FRAME LEVEL VALVE ASSEMBLY



ART\_1001217482-A



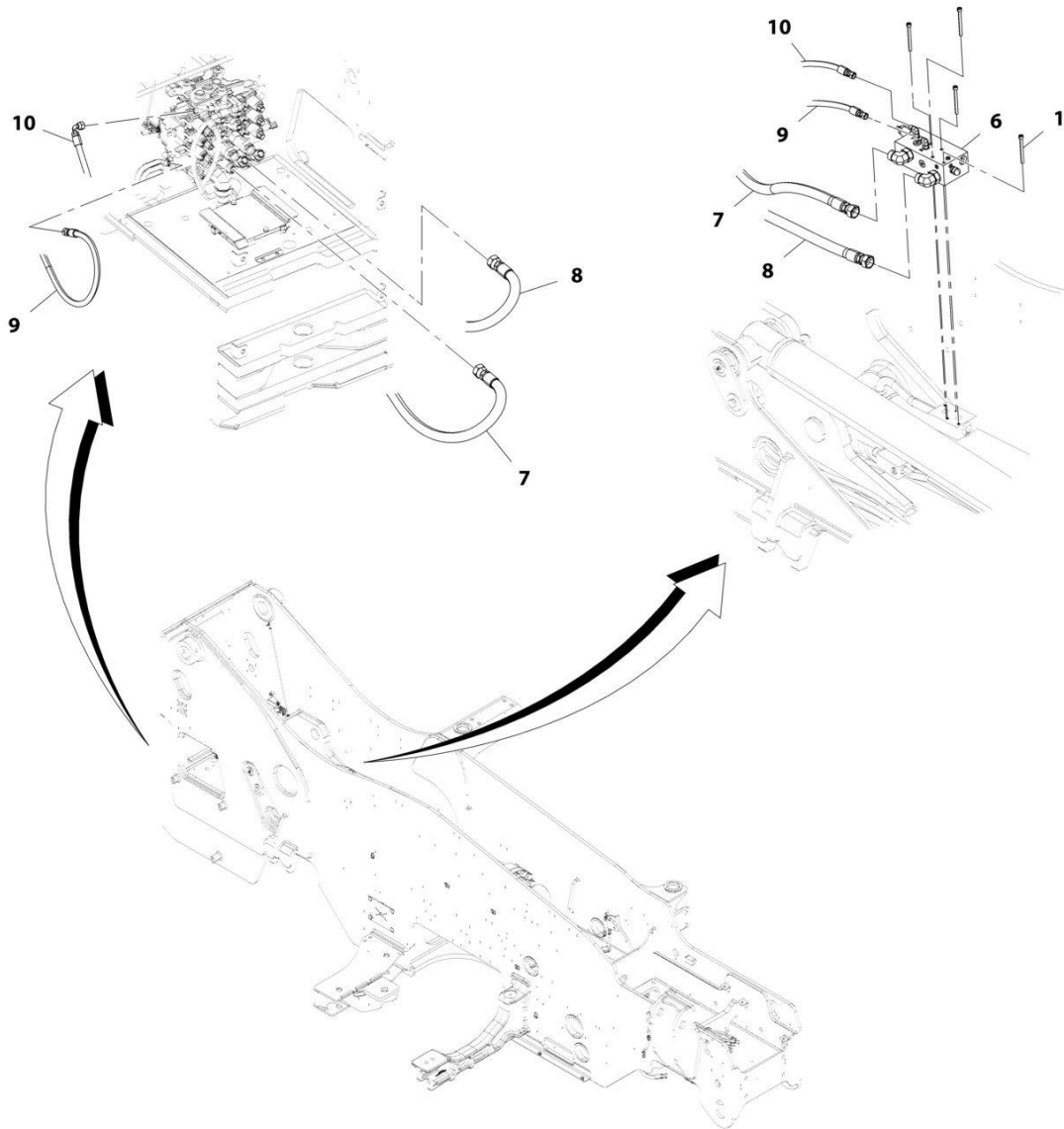
## SECTION 8 - HYDRAULIC CIRCUITS

**FIGURE 8-7. FRAME LEVEL VALVE ASSEMBLY**

ITEM	PART NUMBER	QTY	DESCRIPTION	REV
1	1001217482	Ref	Frame Level Valve Assembly	A
1	2150406	2	Fitting, 45 ORFS	
2	1001168599	1	Valve, Counterbalance (See Separate Breakdown in the HYDRAULIC COMPONENTS Section)	

# SECTION 8 - HYDRAULIC CIRCUITS

FIGURE 8-8. BOOM RAISE HOSE INSTALLATION (NO RIDE CONTROL)



ART\_1001194702-F

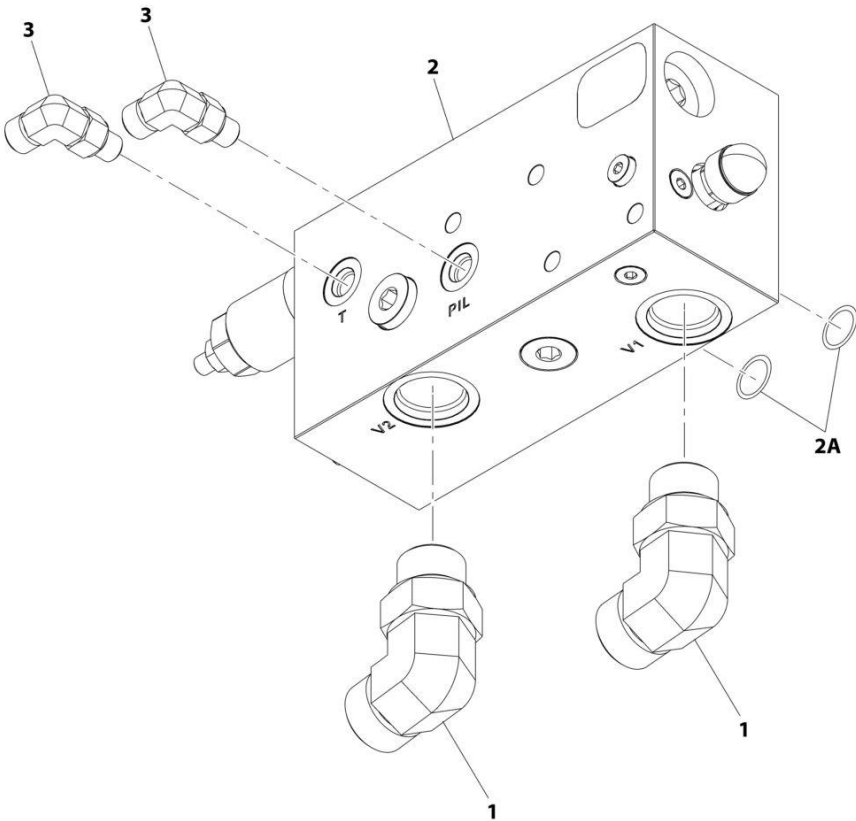
## SECTION 8 - HYDRAULIC CIRCUITS

**FIGURE 8-8. BOOM RAISE HOSE INSTALLATION (NO RIDE CONTROL)**

ITEM	PART NUMBER	QTY	DESCRIPTION	REV
	1001194702	Ref	Boom Raise Hose Installation (no Ride Control)	F
1	4031921	4	Bolt, M8X85	
6	1001219764	1	Valve, Boom Raise Counterbalance (no Ride Control) (See Separate Breakdown in this Section)	
7	1001225392	1	Hose, ORFS	
8	1001225393	1	Hose, ORFS	
9	1001226828	1	Hose, ORFS	
10	1001226829	1	Hose, ORFS	

# SECTION 8 - HYDRAULIC CIRCUITS

## FIGURE 8-9. BOOM RAISE COUNTERBALANCE VALVE (NO RIDE CONTROL)



ART\_1001219764-C

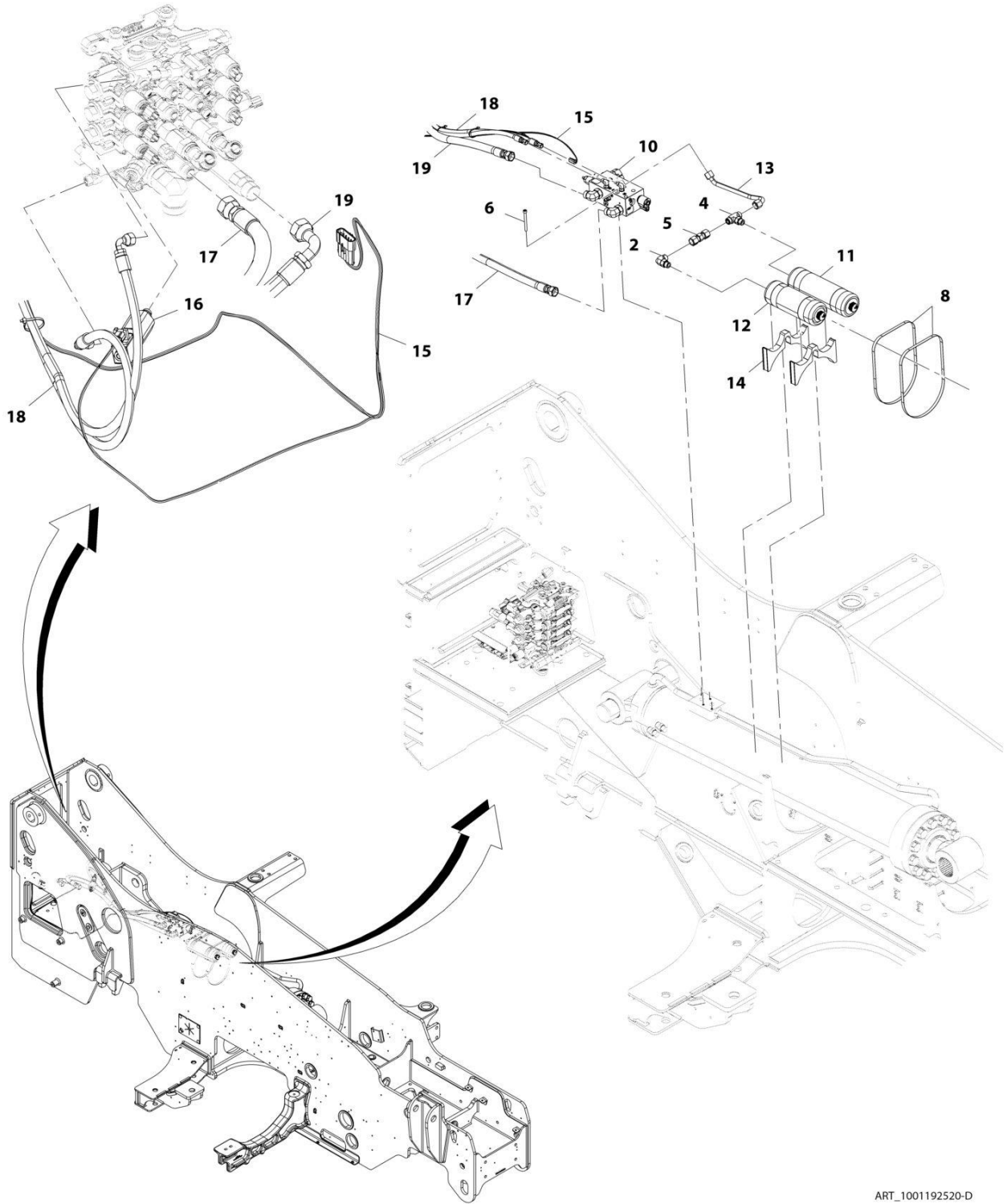
## SECTION 8 - HYDRAULIC CIRCUITS

**FIGURE 8-9. BOOM RAISE COUNTERBALANCE VALVE (NO RIDE CONTROL)**

ITEM	PART NUMBER	QTY	DESCRIPTION	REV
	1001219764	Ref	Boom Raise Counterbalance Valve (no Ride Control)	C
1	2131212	2	Fitting, 90 ORFS	
2	1001224944	1	Valve, GLS	
2A	70028282	2	O-ring	
3	2130404	2	Fitting, 90 ORFS	

# SECTION 8 - HYDRAULIC CIRCUITS

## FIGURE 8-10. BOOM RAISE HOSE INSTALLATION (RIDE CONTROL)



ART\_1001192520-D

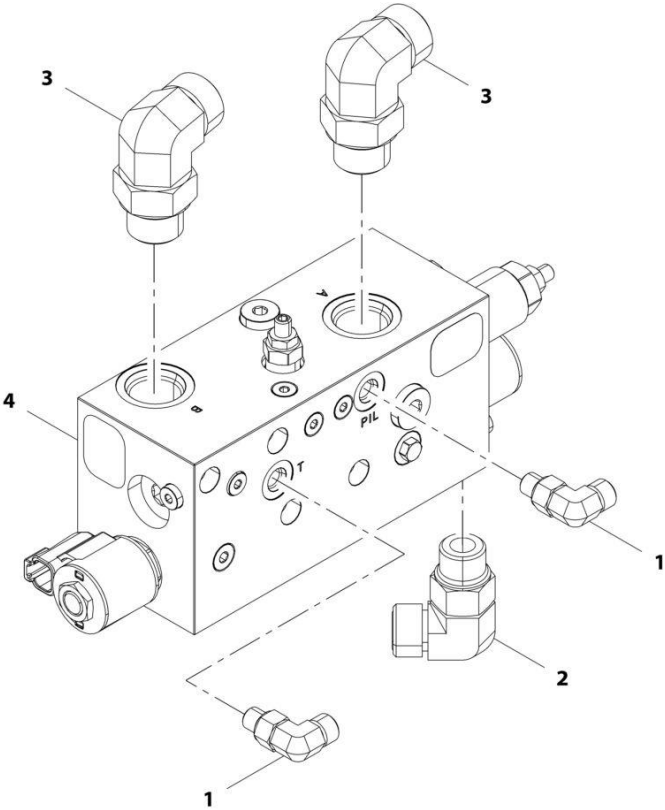
## SECTION 8 - HYDRAULIC CIRCUITS

**FIGURE 8-10. BOOM RAISE HOSE INSTALLATION (RIDE CONTROL)**

ITEM	PART NUMBER	QTY	DESCRIPTION	REV
	1001192520	Ref	Boom Raise Hose Installation (Ride Control)	D
2	2131010	1	Fitting, 90 ORFS	
4	2170410	1	Fitting, Tee ORFS	
5	2172410	1	Fitting, Straight ORFS	
6	4031921	4	Bolt, M8X85	
8	1001214829	2	Clamp	
10	1001219765	1	Assembly, Ride and Float Valve (See Separate Breakdown in this Section)	
11	1001192771	1	Cylinder, Piston	
12	1001192772	1	Cylinder, Piston	
13	1001225390	1	Pipe	
14	1001196402	2	Bumper	
15	1001200105	1	Installation, Ride Control Wiring (See Separate Breakdown in ELECTRICAL Section)	
16	1001202020	1	Valve, MCV Tank Cartridge	
17	1001225393	1	Hose	
18	1001226829	2	Hose	
19	1001227440	1	Hose	

# SECTION 8 - HYDRAULIC CIRCUITS

## FIGURE 8-11. RIDE AND FLOAT VALVE ASSEMBLY



ART\_1001219765-B



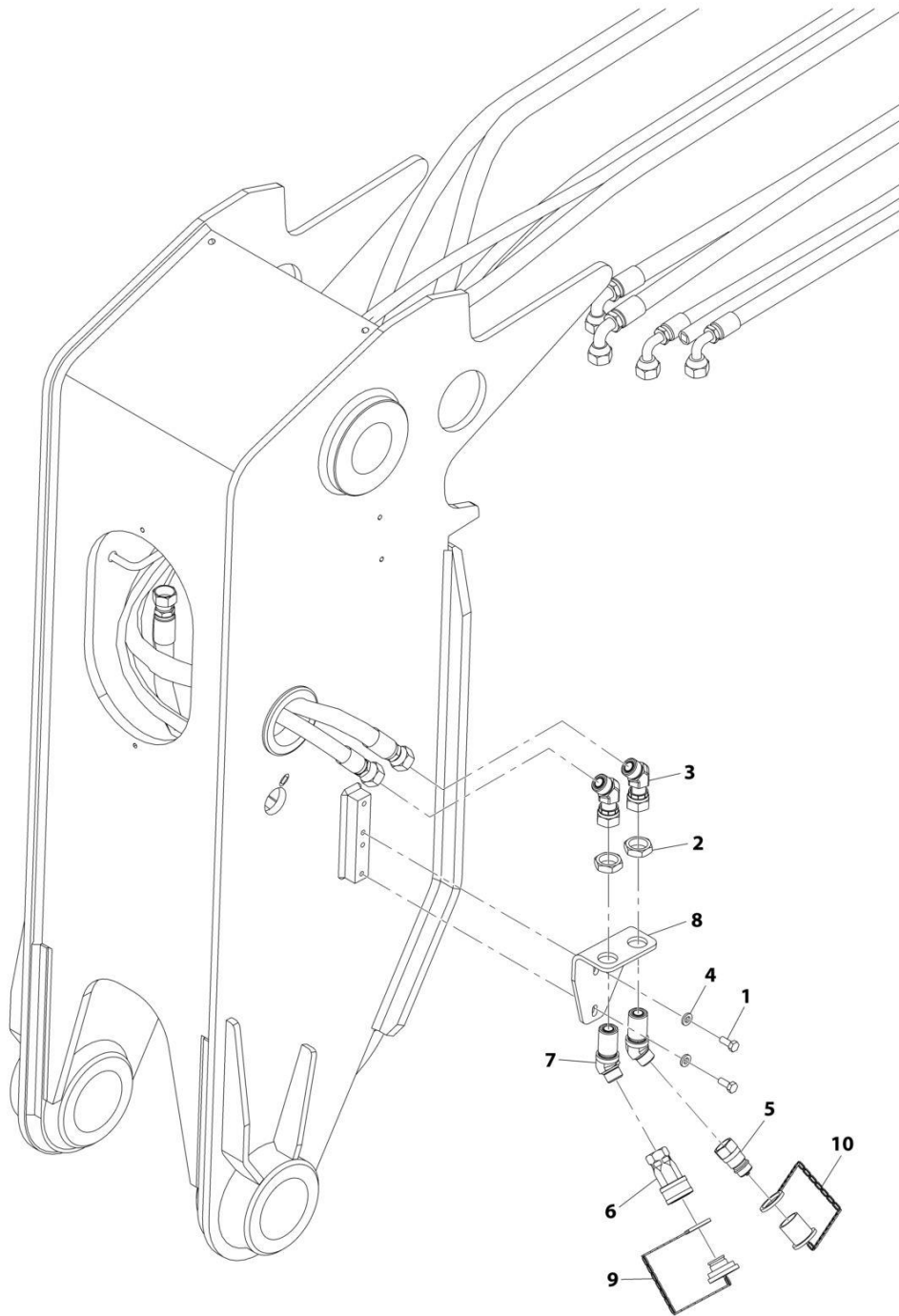
## SECTION 8 - HYDRAULIC CIRCUITS

FIGURE 8-11. RIDE AND FLOAT VALVE ASSEMBLY

ITEM	PART NUMBER	QTY	DESCRIPTION	REV
	1001219765	Ref	Ride and Float Valve Assembly	B
1	2130404	2	Fitting, 90 ORFS	
2	2131010	1	Fitting, 90 ORFS	
3	2131212	2	Fitting, 90 ORFS	
4	1001224945	1	Valve, Boom Raise (See Separate Breakdown in HYDRAULIC COMPONENTS Section)	

# SECTION 8 - HYDRAULIC CIRCUITS

## FIGURE 8-12. BOOM AUX HYDRAULIC INSTALLATION (MANUAL - SINGLE)



ART\_1001192363-D

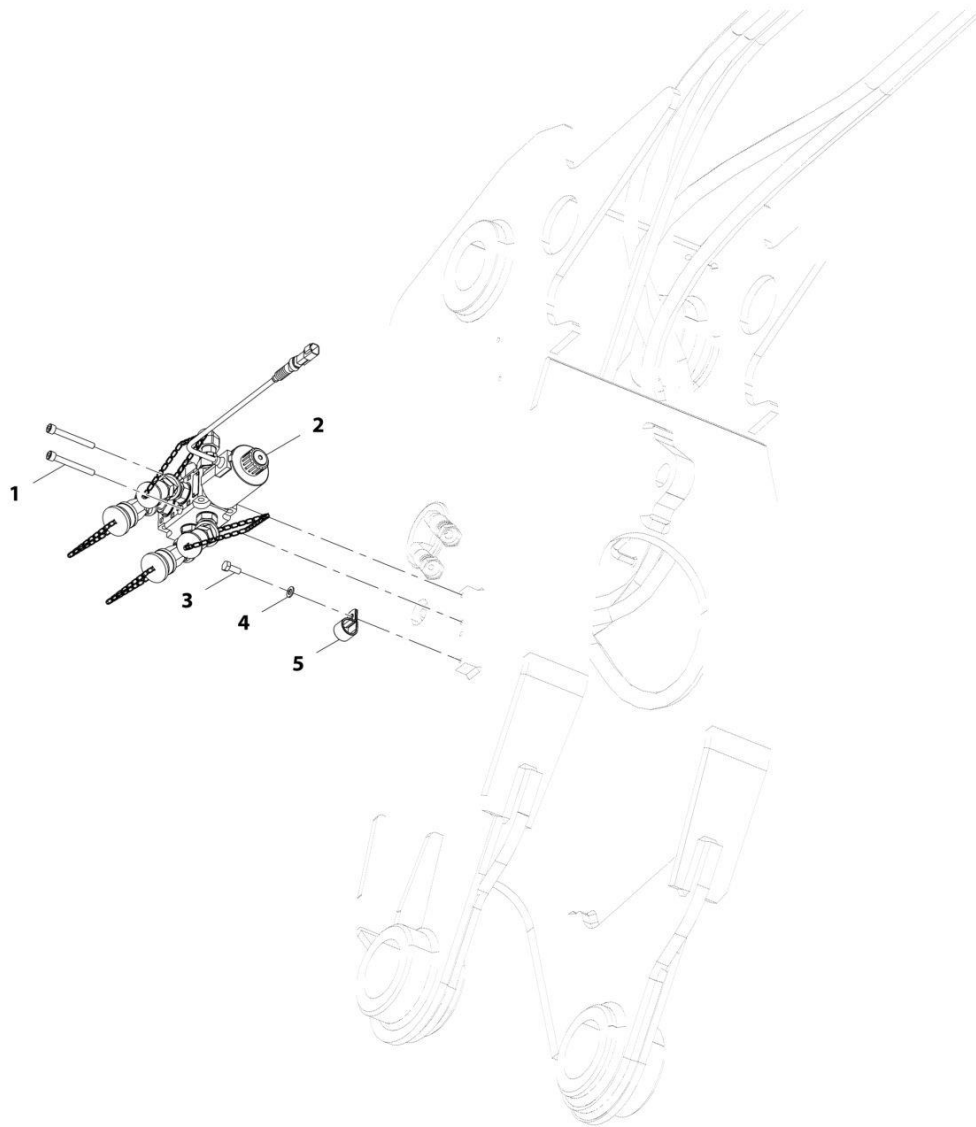
## SECTION 8 - HYDRAULIC CIRCUITS

**FIGURE 8-12. BOOM AUX HYDRAULIC INSTALLATION (MANUAL - SINGLE)**

ITEM	PART NUMBER	QTY	DESCRIPTION	REV
	1001192363	Ref	Boom Aux Hydraulic Installation (Manual - Single)	D
1	0760810	2	Bolt, M8X20	
2	8770075	2	Fitting, ORFS	
3	1001147416	2	Fitting, 45 ORFS	
4	5240800	2	Washer, M8	
5	1001101041	1	Coupling, Male Quick Disconnect	
6	1001101042	1	Coupling, Female Quick Disconnect	
7	1001217553	2	Fitting, 45 ORFS	
8	1001217552	1	Bracket	
9	91043125	1	Plug	
10	91043126	1	Cap, Dust	

## SECTION 8 - HYDRAULIC CIRCUITS

FIGURE 8-13. BOOM AUX HYDRAULIC INSTALLATION (MANUAL - TWIN)



ART\_1001192366-C

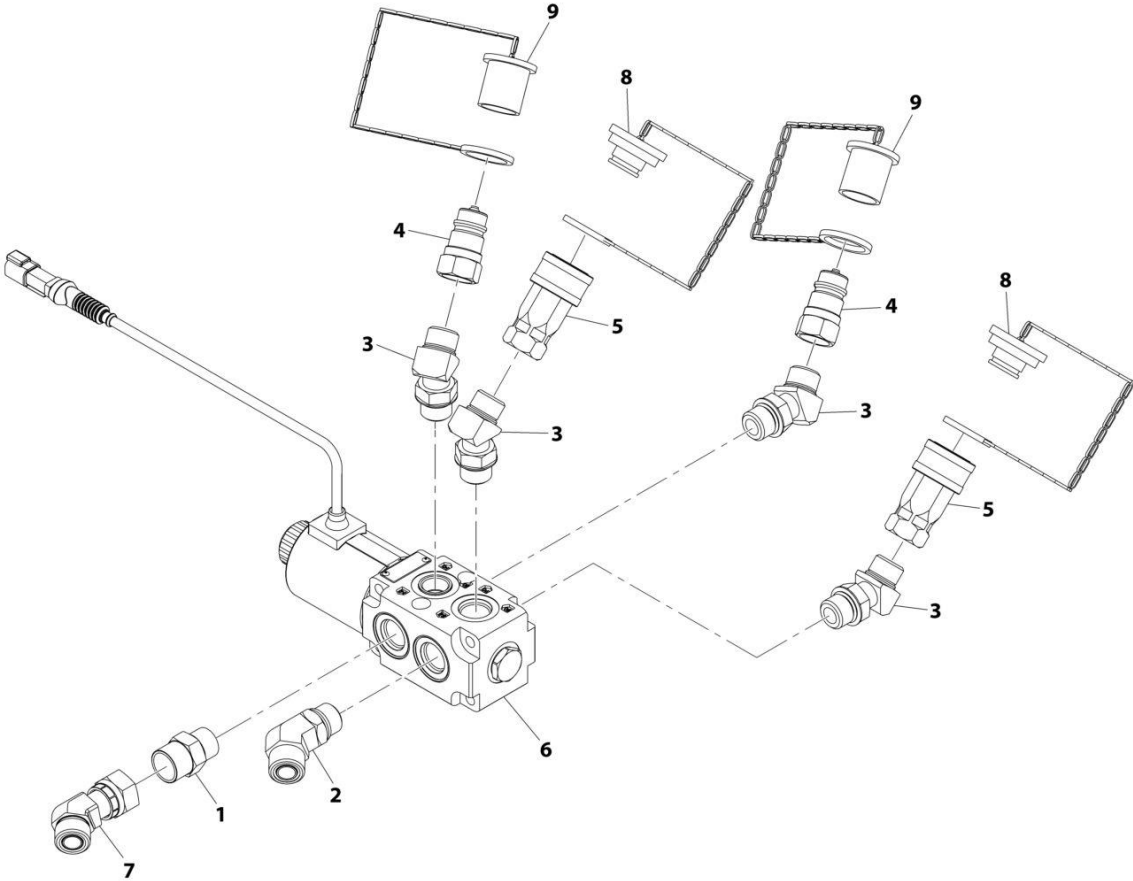
## SECTION 8 - HYDRAULIC CIRCUITS

**FIGURE 8-13. BOOM AUX HYDRAULIC INSTALLATION (MANUAL - TWIN)**

ITEM	PART NUMBER	QTY	DESCRIPTION	REV
	1001192366	Ref	Boom Aux Hydraulic Installation (Manual - Twin)	C
1	4031918	2	Bolt, M8X70	
2	1001213318	1	Assembly, Diverter Valve (manual - twin) (See Separate Breakdown in this Section)	
3	0760810	1	Bolt, M8X20	
4	4811900	1	Washer, M8	
5	8406202	1	CLIP,TUBE 7/8"	

# SECTION 8 - HYDRAULIC CIRCUITS

## FIGURE 8-14. DIVERTER VALVE ASSEMBLY



ART\_1001213318-B

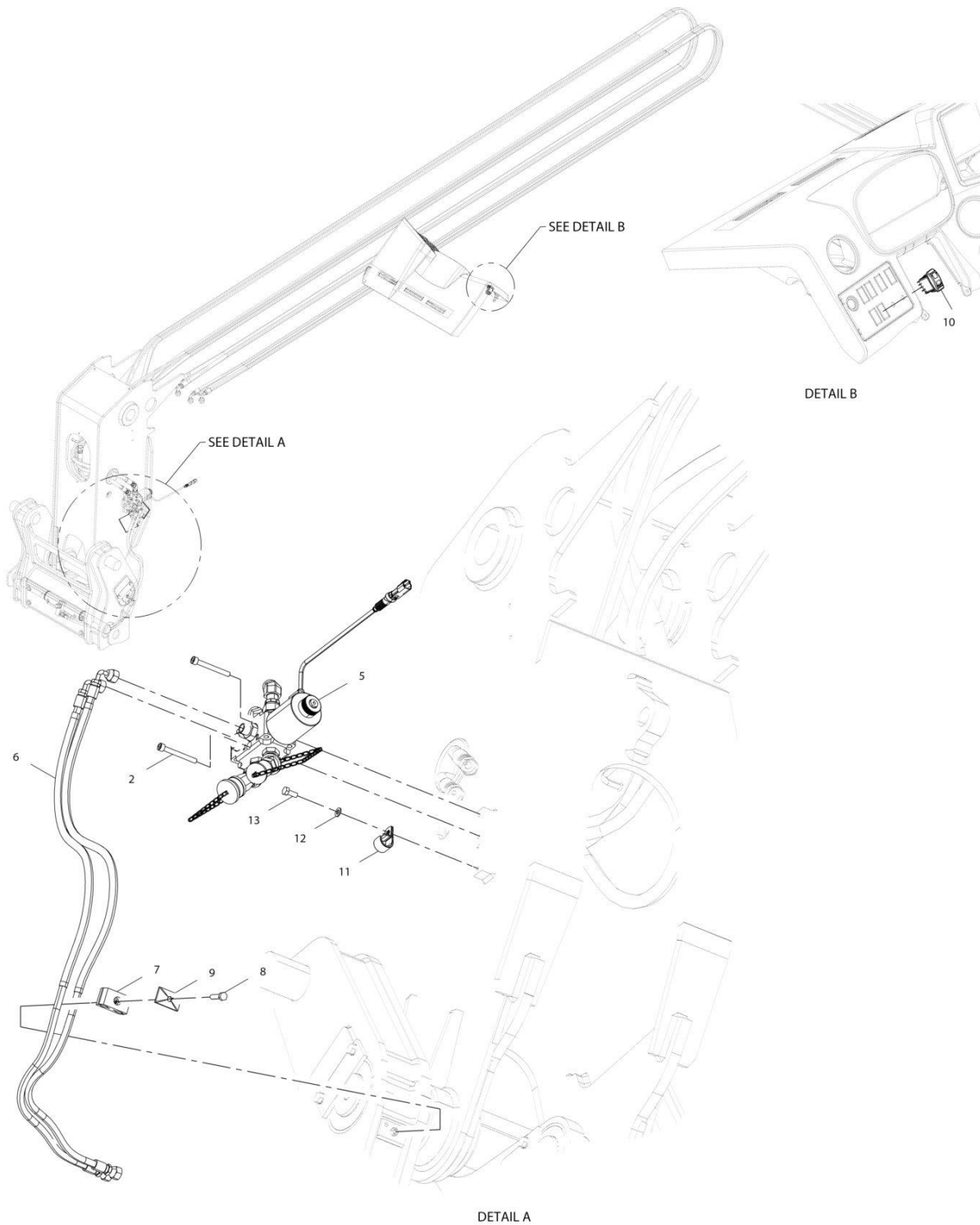
## SECTION 8 - HYDRAULIC CIRCUITS

### FIGURE 8-14. DIVERTER VALVE ASSEMBLY

ITEM	PART NUMBER	QTY	DESCRIPTION	REV
	1001213318	Ref	Diverter Valve Assembly	B
1	2111010	1	Fitting, Straight ORFS	
2	2151010	1	Fitting, 45 ORFS	
3	1001005904	4	Fitting, 45	
4	1001101041	2	Adapter, Male Quick Disconnect	
5	1001101042	2	Adapter, Female Quick Disconnect	
6	1001110023	1	Valve, Diverter (See Separate Breakdown in HYDRAULIC COMPONENTS Section)	
7	1001147416	1	Fitting, 45 ORFS	
8	91043125	2	Plug	
9	91043126	2	Cap	

# SECTION 8 - HYDRAULIC CIRCUITS

## FIGURE 8-15. BOOM AUX HYDRAULIC INSTALLATION (HYDRAULIC - SINGLE)



ART\_1001192365-E



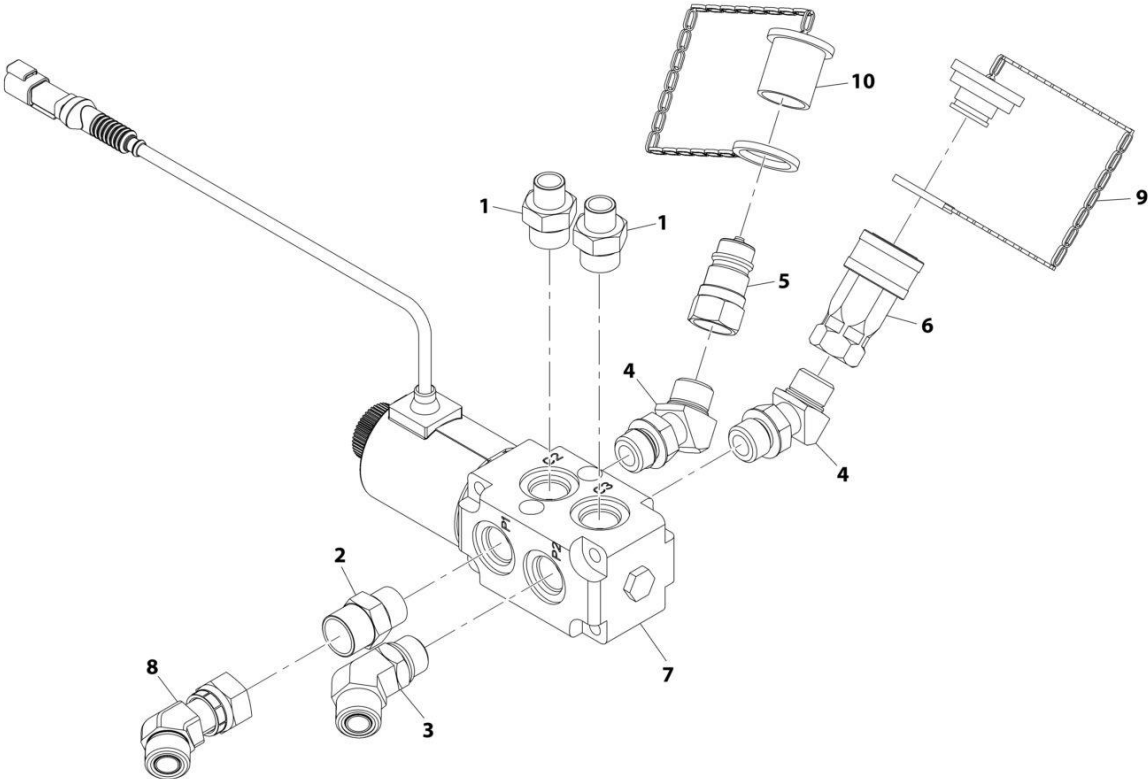
## SECTION 8 - HYDRAULIC CIRCUITS

**FIGURE 8-15. BOOM AUX HYDRAULIC INSTALLATION (HYDRAULIC - SINGLE)**

ITEM	PART NUMBER	QTY	DESCRIPTION	REV
	1001192365	Ref	Boom Aux Hydraulic Installation (Hydraulic - Single)	E
2	4031918	2	Bolt, M8X70	
5	1001213317	1	Assembly, Diverter Valve (Hydraulic - Single) (See Separate Breakdown in this Section)	
6	1001193111	2	Hose	
7	8769126	1	Clamp	
8	0760815	1	Bolt, M8X35	
9	8769123	1	Plate, Cover	
10	1001080375	1	Switch	
11	8406202	1	CLIP,TUBE 7/8"	
12	4811900	1	Washer, M8	
13	0760810	1	Bolt, M8X20	

**SECTION 8 - HYDRAULIC CIRCUITS**

**FIGURE 8-16. DIVERTER VALVE ASSEMBLY**



ART\_1001213317-B

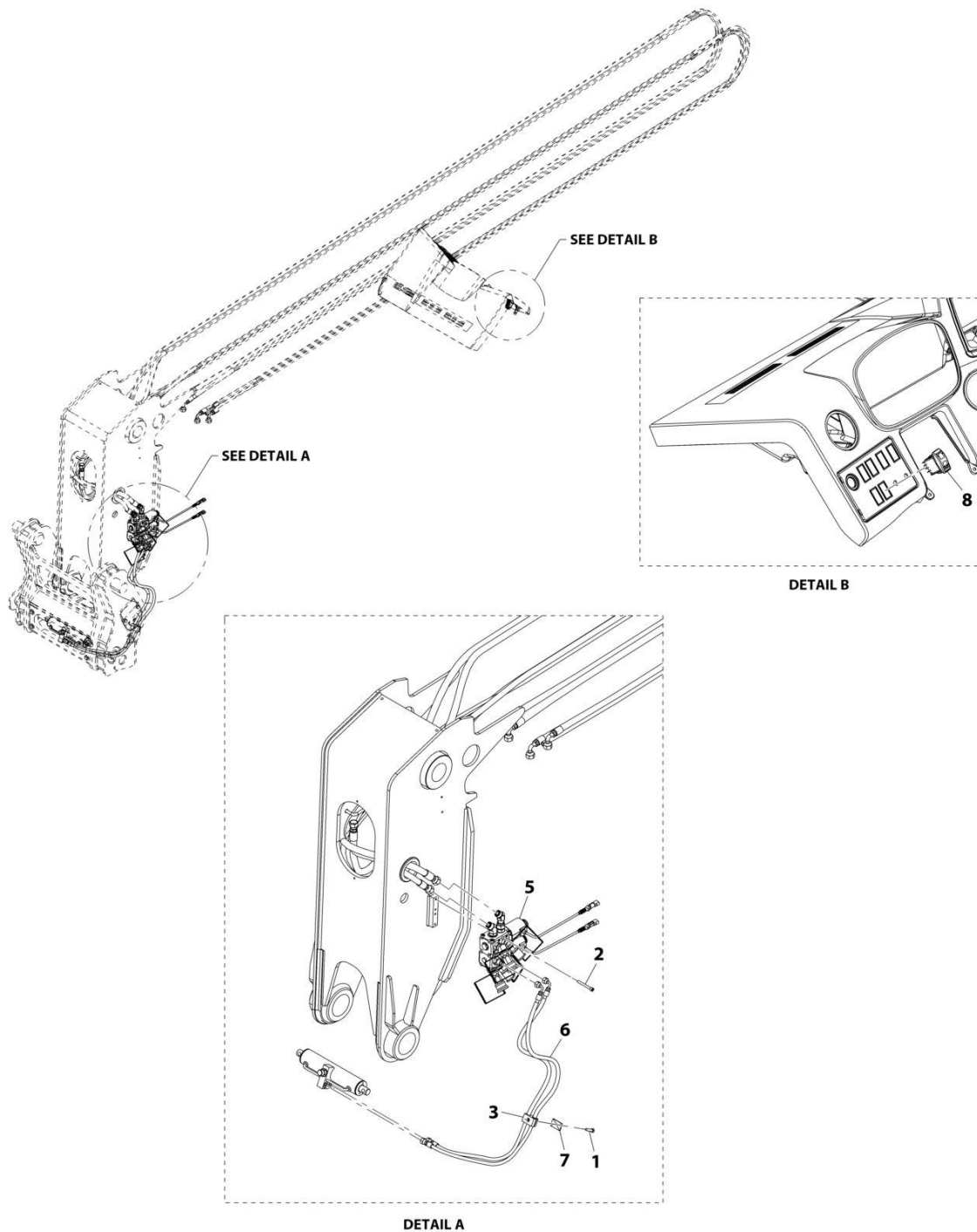
## SECTION 8 - HYDRAULIC CIRCUITS

### FIGURE 8-16. DIVERTER VALVE ASSEMBLY

ITEM	PART NUMBER	QTY	DESCRIPTION	REV
	1001213317	Ref	Diverter Valve Assembly	B
1	2110610	2	Fitting, Straight ORFS	
2	2111010	1	Fitting, Straight ORFS	
3	2151010	1	Fitting, 45 ORFS	
4	1001005904	2	Fitting, 45	
5	1001101041	1	Fitting, Male Quick Disconnect	
6	1001101042	1	Fitting, Female Quick Disconnect	
7	1001104477	1	Valve, Divertor (See Separate Breakdown in HYDRAULIC COMPONENTS Section)	
8	1001147416	1	Fitting, 45 ORFS	
9	91043125	1	Plug	
10	91043126	1	Cap, Dust	

# SECTION 8 - HYDRAULIC CIRCUITS

## FIGURE 8-17. BOOM AUX HYDRAULIC INSTALLATION (HYDRAULIC - TWIN)



ART\_1001192367-C

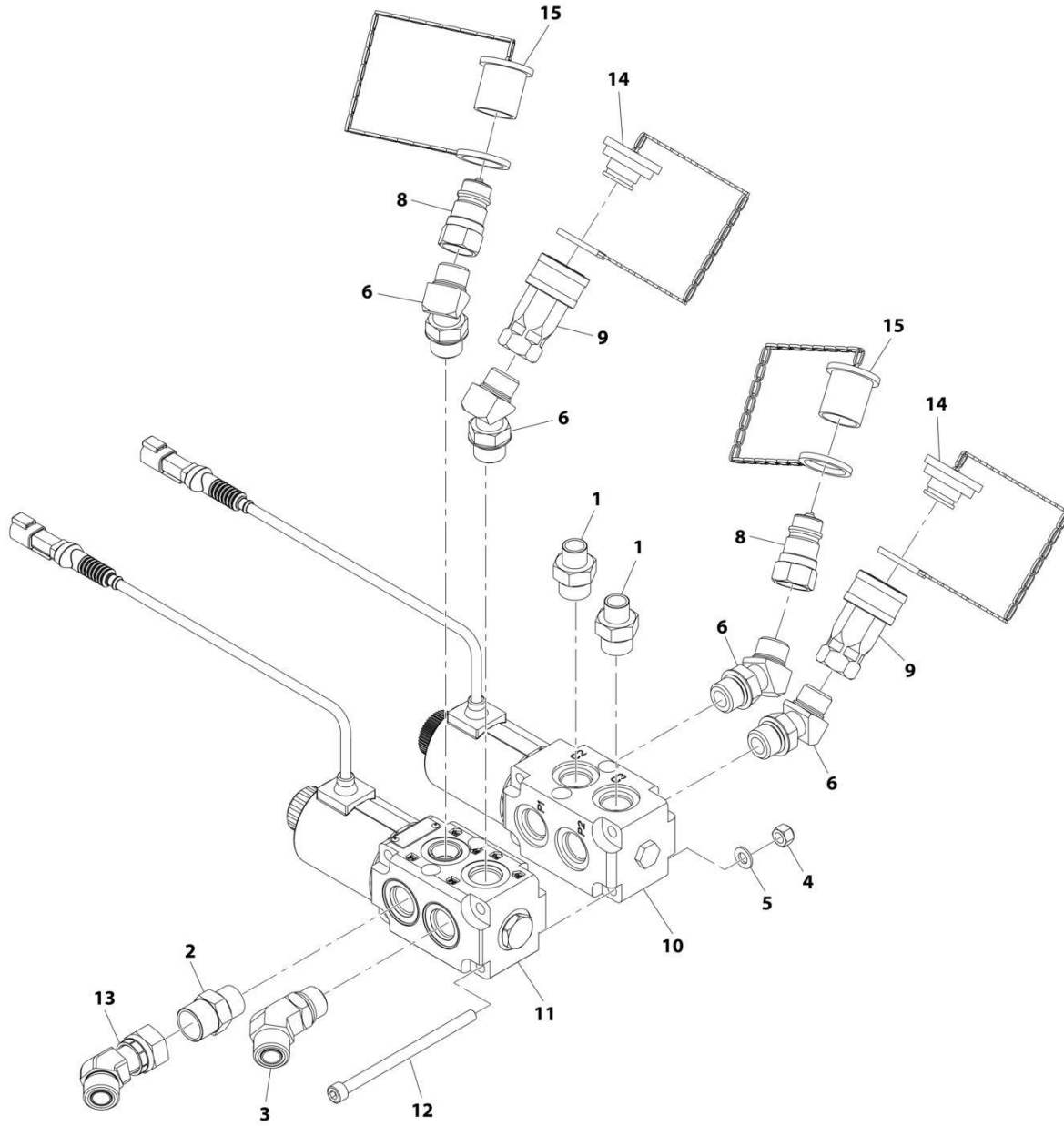
## SECTION 8 - HYDRAULIC CIRCUITS

**FIGURE 8-17. BOOM AUX HYDRAULIC INSTALLATION (HYDRAULIC - TWIN)**

ITEM	PART NUMBER	QTY	DESCRIPTION	REV
	1001192367	Ref	Boom Aux Hydraulic Installation (Hydraulic - Twin)	C
1	0760815	1	Bolt, M8X35	
2	4031918	3	Bolt, M8X70	
3	8769126	1	Clamp	
5	1001213319	1	Assembly, Diverter Valve (Hydraulic - Twin) (See Separate Breakdown in this Section)	
6	1001193111	2	Hose	
7	8769123	1	Plate, Cover	
8	1001080375	1	Switch	

# SECTION 8 - HYDRAULIC CIRCUITS

## FIGURE 8-18. DIVERTER VALVE ASSEMBLY



ART\_1001213319-C

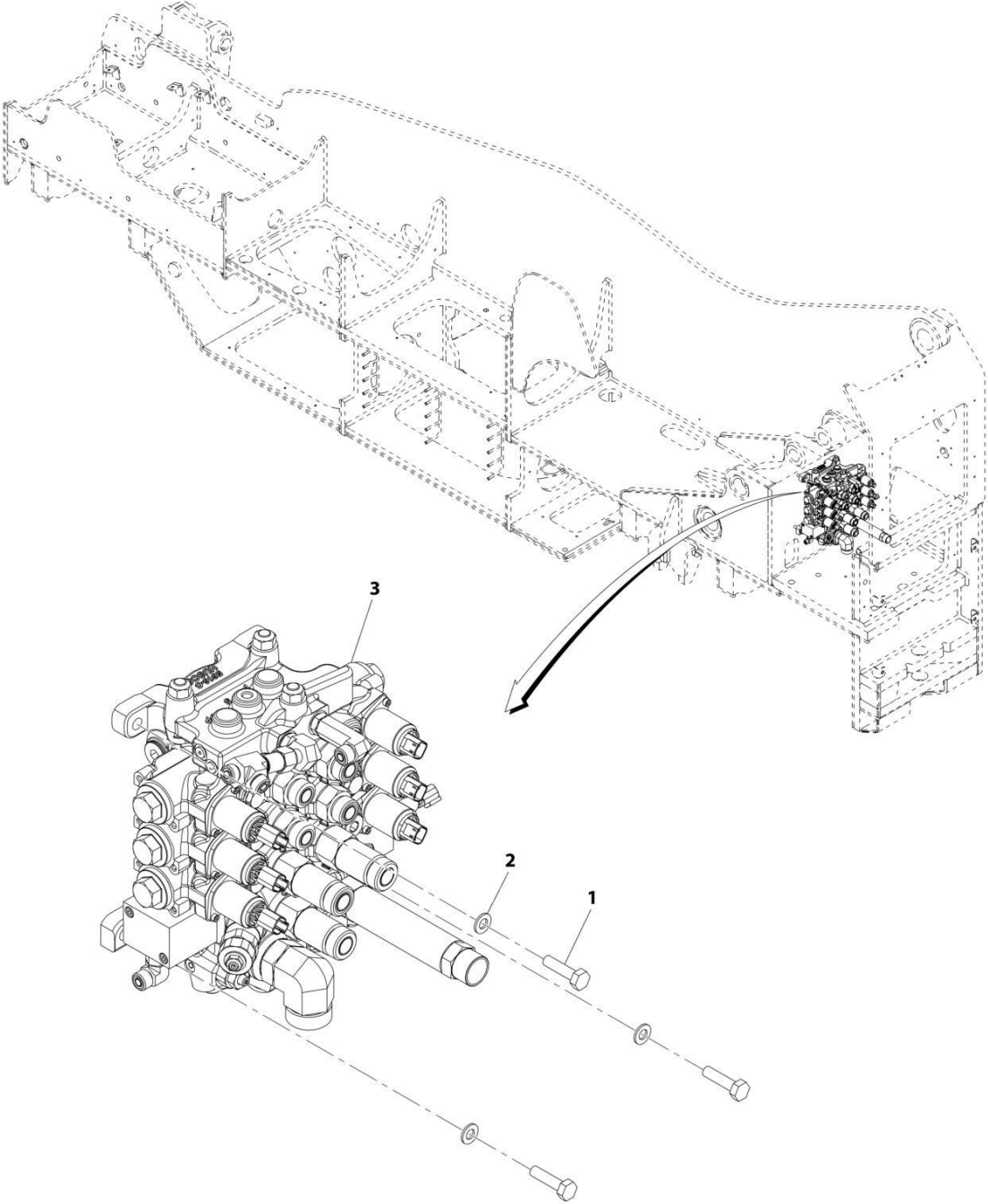
## SECTION 8 - HYDRAULIC CIRCUITS

**FIGURE 8-18. DIVERTER VALVE ASSEMBLY**

ITEM	PART NUMBER	QTY	DESCRIPTION	REV
	1001213319	Ref	Diverter Valve Assembly	C
1	2110610	2	Fitting, Straight ORFS	
2	2111010	1	Fitting, Straight ORFS	
3	2151010	1	Fitting, 45 ORFS	
4	3290805	4	Nut, Lock M8X1.25	
5	4811900	4	Washer, M8	
6	1001005904	4	Fitting, 45	
8	1001101041	2	Fitting, Male Quick Disconnect	
9	1001101042	2	Fitting, Female Quick Disconnect	
10	1001104477	1	Valve, Divertor (See Separate Breakdown in HYDRAULIC COMPONENTS Section)	
11	1001110023	1	Valve, Divertor (See Separate Breakdown in HYDRAULIC COMPONENTS Section)	
12	1001110115	4	Bolt, M8X100	
13	1001147416	1	Fitting, 45 ORFS	
14	91043125	2	Plug	
15	91043126	2	Cap	

# SECTION 8 - HYDRAULIC CIRCUITS

## FIGURE 8-19. MAIN CONTROL VALVE INSTALLATION



ART\_1001220457-A



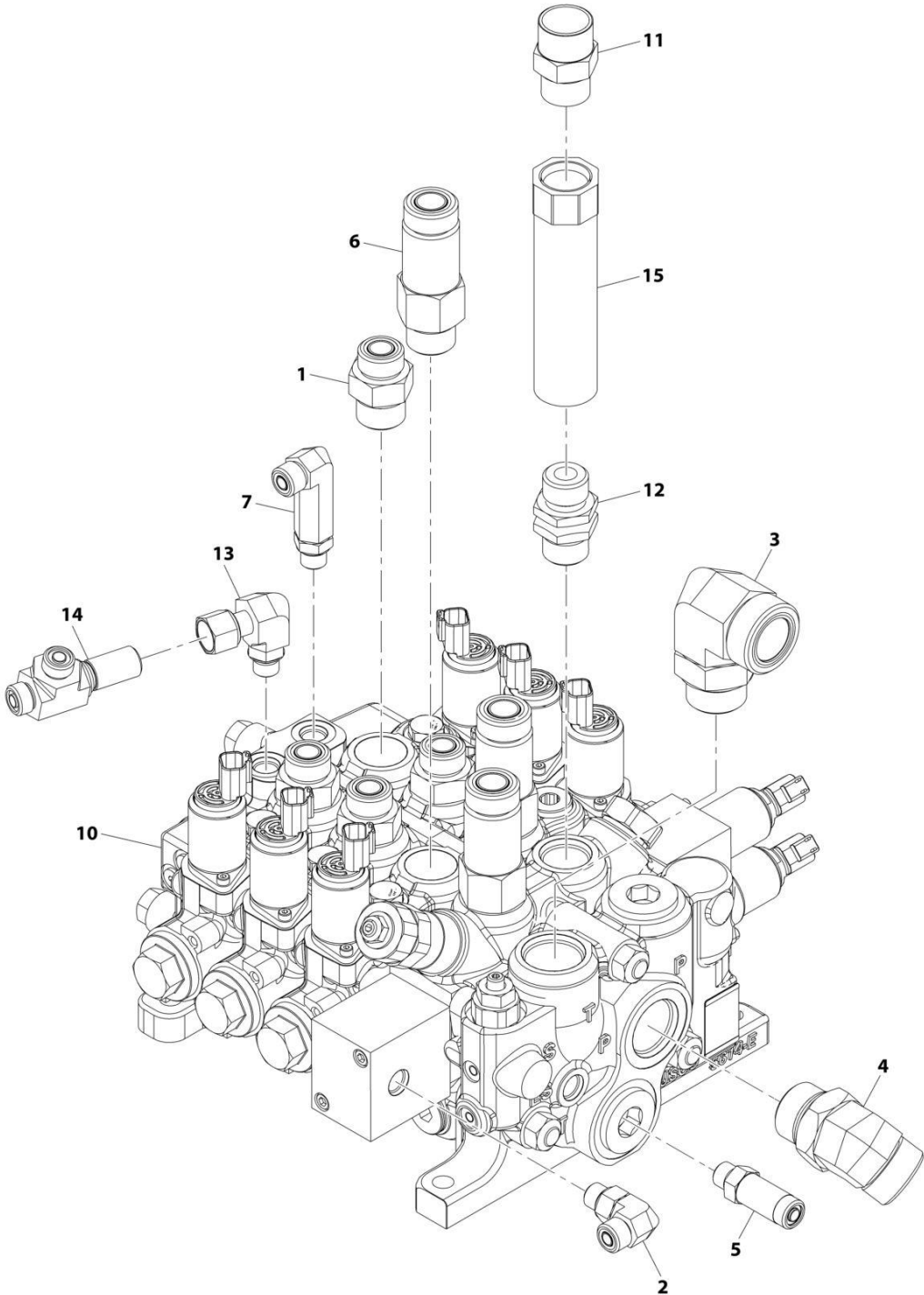
## SECTION 8 - HYDRAULIC CIRCUITS

**FIGURE 8-19. MAIN CONTROL VALVE INSTALLATION**

ITEM	PART NUMBER	QTY	DESCRIPTION	REV
	1001220457	Ref	Main Control Valve Installation	A
1	0701016	3	Bolt, M10X40	
2	4812000	3	Washer, M10	
3	1001220456	1	Assembly, Main Control Valve (See Separate Breakdown in this Section)	

# SECTION 8 - HYDRAULIC CIRCUITS

## FIGURE 8-20. MAIN CONTROL VALVE ASSEMBLY



ART\_1001220456-B

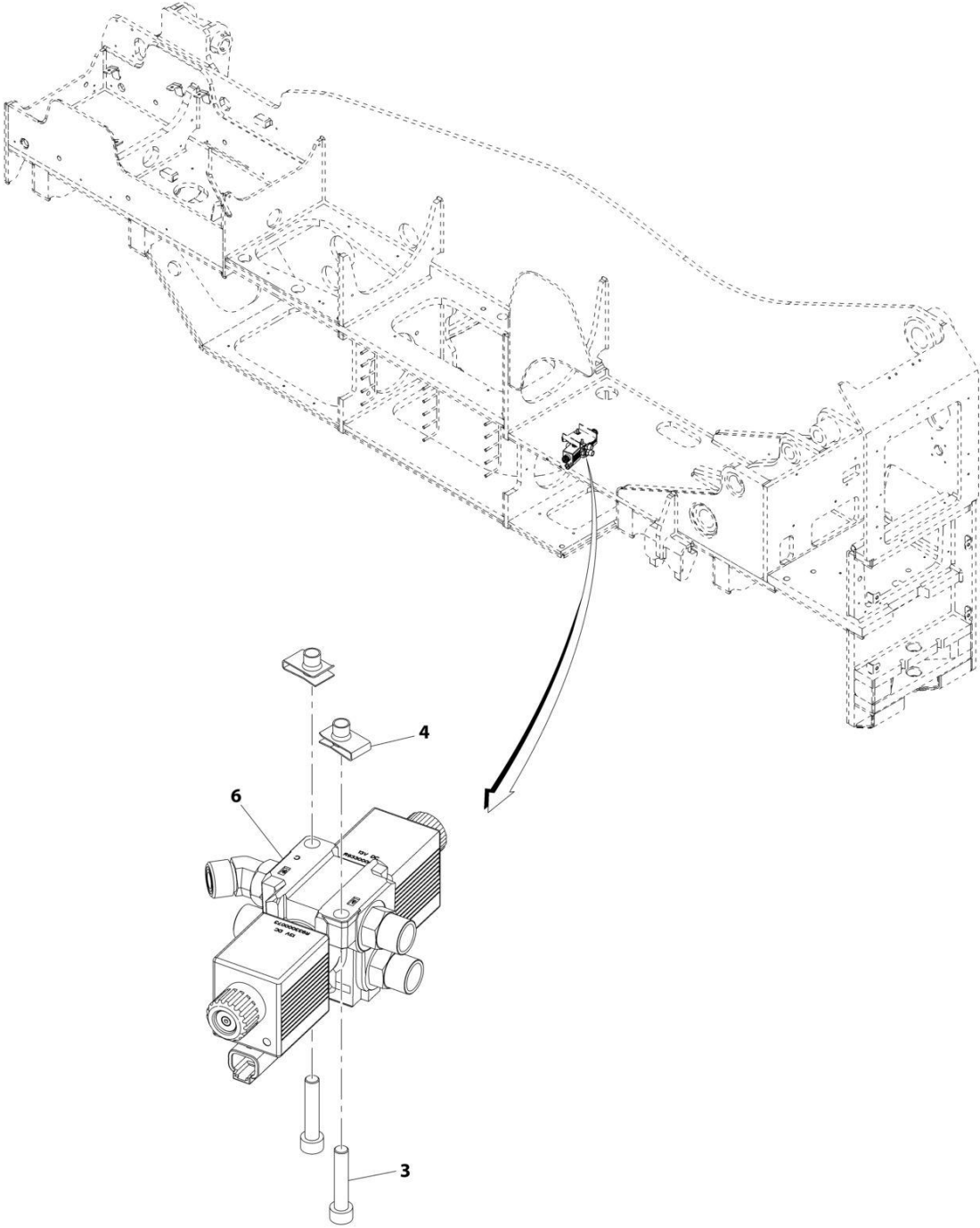
## SECTION 8 - HYDRAULIC CIRCUITS

**FIGURE 8-20. MAIN CONTROL VALVE ASSEMBLY**

ITEM	PART NUMBER	QTY	DESCRIPTION	REV
	1001220456	Ref	Main Control Valve Assembly	B
1	2111012	4	Fitting, Straight ORFS	
2	2130606	1	Fitting, 90 ORFS	
3	2132016	1	Fitting, 90 ORFS	
4	2151616	1	Fitting, 45 ORFS	
5	2170106	1	Fitting, Straight ORFS	
6	2170112	3	Fitting, Straight ORFS	
7	2170206	1	Fitting, 90 ORFS	
10	1001220295	1	Valve, Main Control (See Seperate Breakdown in Hydraulic Components Section)	
11	2111212	1	Fitting, Straight ORFS	
12	8770030	1	Fitting, Straight ORFS	
13	8770104	1	Fitting, 90 ORFS	
14	8770286	1	Fitting, 90 ORFS	
15	1001224946	1	Valve, Check	

# SECTION 8 - HYDRAULIC CIRCUITS

## FIGURE 8-21. STEERING SELECT VALVE INSTALLATION



ART\_1001193516-B

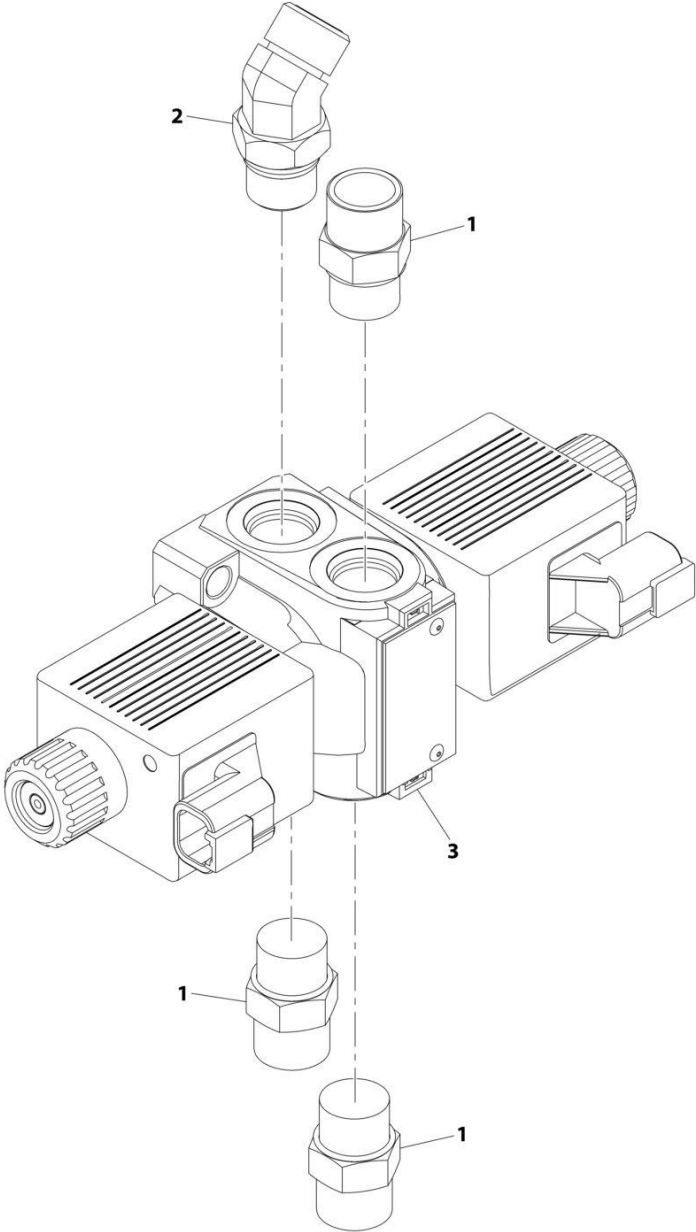
## SECTION 8 - HYDRAULIC CIRCUITS

**FIGURE 8-21. STEERING SELECT VALVE INSTALLATION**

ITEM	PART NUMBER	QTY	DESCRIPTION	REV
	1001193516	Ref	Steering Select Valve Installation	B
3	4031912	2	Bolt, M8X40	
4	8310686	2	Nut, M8X12.5	
6	1001212418	1	Assembly, Steering Select Valve (See Separate Breakdown in this Section)	

**SECTION 8 - HYDRAULIC CIRCUITS**

**FIGURE 8-22. STEERING SELECT VALVE ASSEMBLY**



ART\_1001212418-A

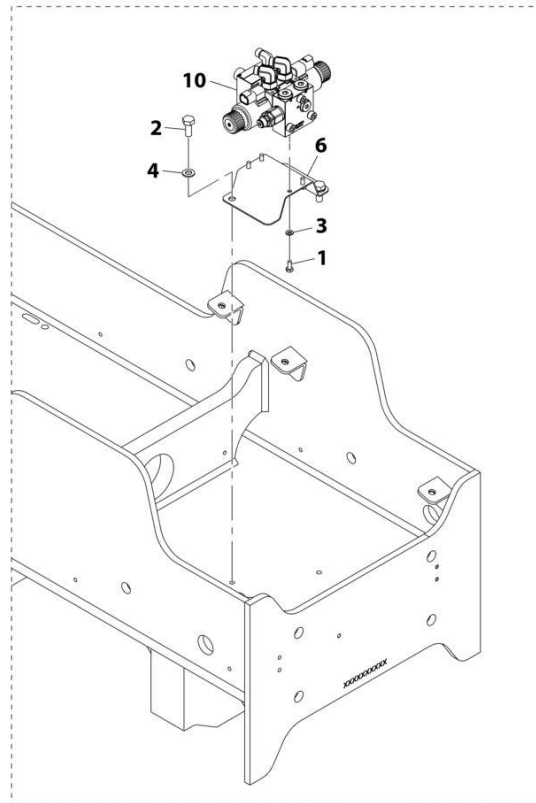
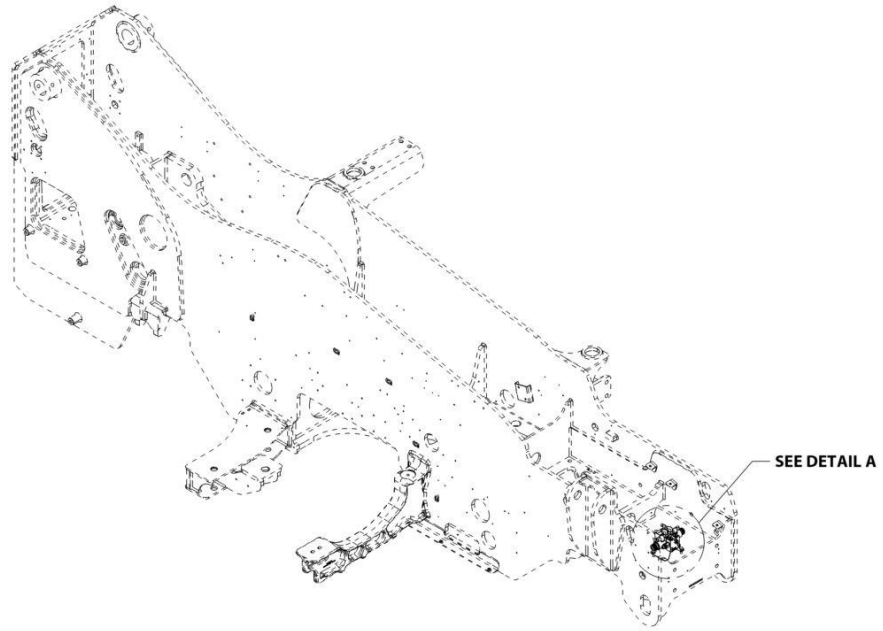
## SECTION 8 - HYDRAULIC CIRCUITS

### FIGURE 8-22. STEERING SELECT VALVE ASSEMBLY

ITEM	PART NUMBER	QTY	DESCRIPTION	REV
	1001212418	Ref	Steering Select Valve Assembly	A
1	2110808	3	Fitting, Straight ORFS	
2	2150808	1	Fitting, 45 ORFS	
3	1001153748	1	Valve, Steering Select (See Separate Breakdown in HYDRAULIC COMPONENTS Section)	

# SECTION 8 - HYDRAULIC CIRCUITS

## FIGURE 8-23. FRAME LEVEL VALVE INSTALLATION



DETAIL A

ART\_1001193517-D



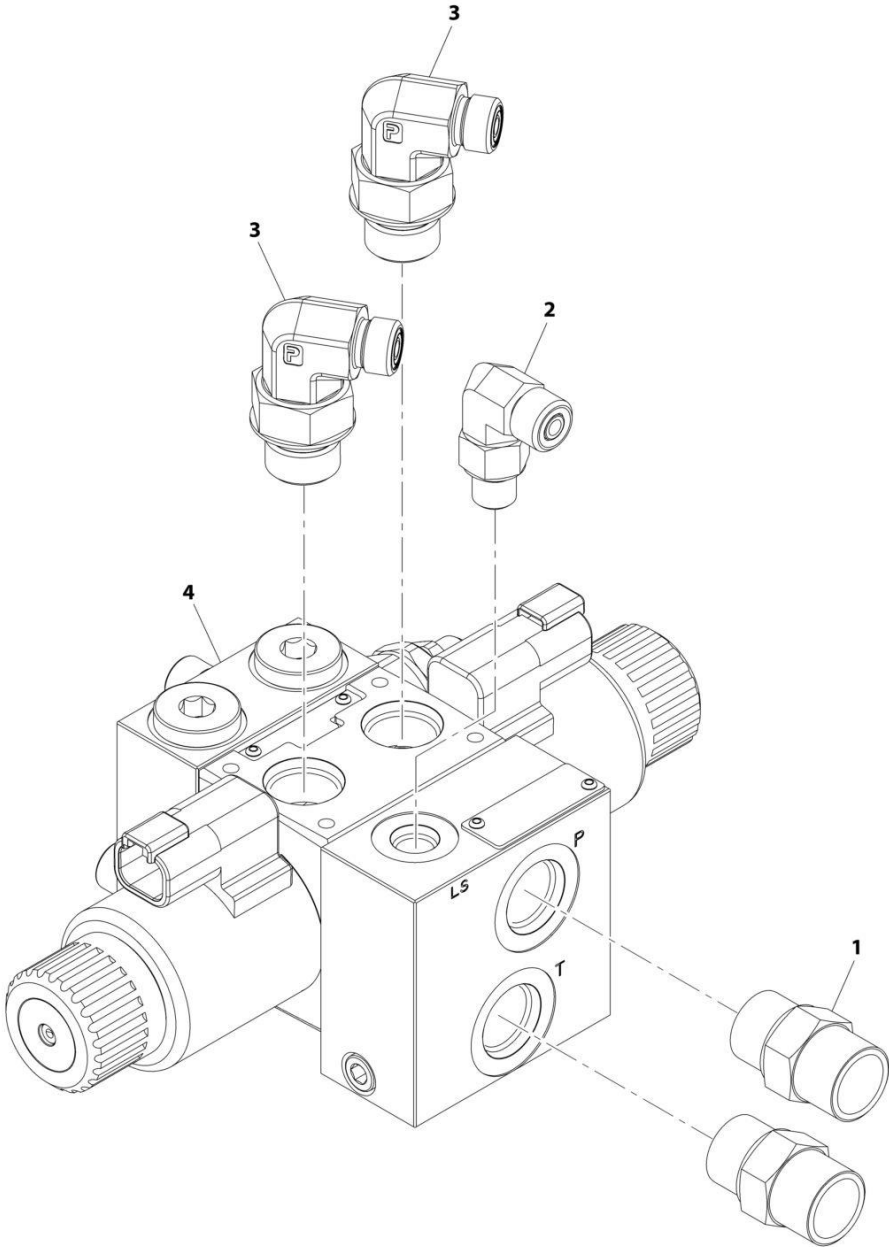
## SECTION 8 - HYDRAULIC CIRCUITS

### FIGURE 8-23. FRAME LEVEL VALVE INSTALLATION

ITEM	PART NUMBER	QTY	DESCRIPTION	REV
	1001193517	Ref	Frame Level Valve Installation	D
1	0760607	4	Bolt, M6X14	
2	0761012	2	Bolt, M10X25	
3	4811700	4	Washer, M6	
4	4812000	2	Washer, M10	
6	1001195733	1	Bracket	
10	1001215341	1	Assembly, Frame Level Valve (See Separate Breakdown in this Section)	

**SECTION 8 - HYDRAULIC CIRCUITS**

**FIGURE 8-24. FRAME LEVEL VALVE ASSEMBLY**



ART\_1001215341-B

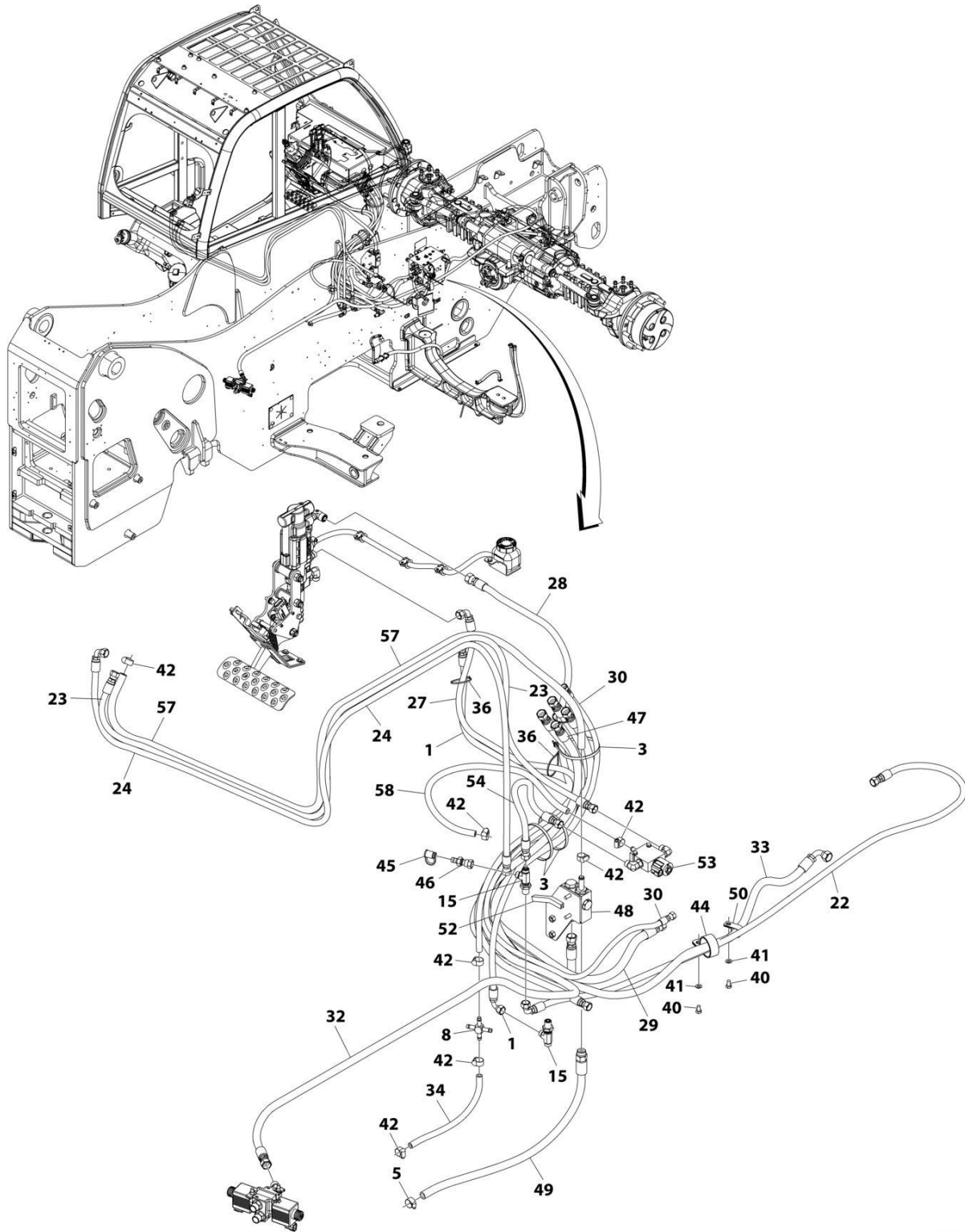
## SECTION 8 - HYDRAULIC CIRCUITS

FIGURE 8-24. FRAME LEVEL VALVE ASSEMBLY

ITEM	PART NUMBER	QTY	DESCRIPTION	REV
	1001215341	Ref	Frame Level Valve Assembly	B
1	2110808	2	Fitting, Straight ORFS	
2	2130404	1	Fitting, 90 ORFS	
3	2130408	2	Fitting, 90 ORFS	
4	1001219615	1	Valve, Frame Level (See Separate Breakdown in HYDRAULIC COMPONENTS Section)	

# SECTION 8 - HYDRAULIC CIRCUITS

## FIGURE 8-25. CAB HYDRAULICS INSTALLATION



ART\_1001193709

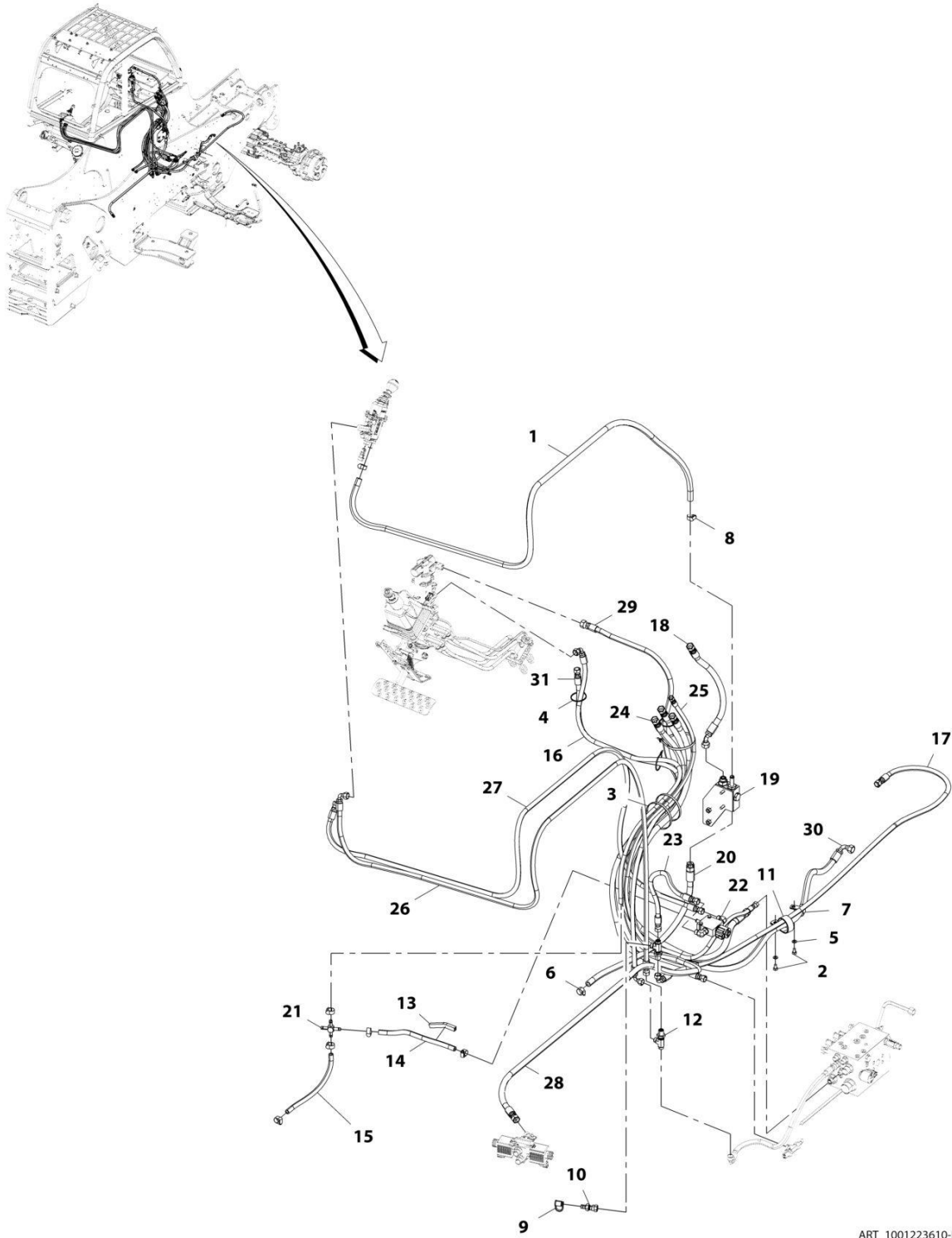
## SECTION 8 - HYDRAULIC CIRCUITS

### FIGURE 8-25. CAB HYDRAULICS INSTALLATION

ITEM	PART NUMBER	QTY	DESCRIPTION	REV
	1001193709	Ref	CAB HYDRUALIC INSTALLATION	J
1	1001196989	1	Hose	
3	4240018	3	Strap, Cable	
5	8405006	1	Clamp	
8	1001215256	1	Fitting, Cross Barb	
15	88662434	2	Fitting, Tee ORFS	
22	1001210800	1	Hose	
23	1001221989	1	Hose	
24	1001210327	1	Hose	
27	1001206709	1	Hose	
28	1001210282	1	Hose	
29	1001196992	1	Hose	
30	1001196993	1	Hose	
32	1001196995	1	Hose	
33	1001196996	1	Hose	
34	1001196997	1	Hose	
36	4240099	3	Tie, Wire	
40	0760807	2	Bolt M8 x 14	
41	4811900	2	Washer M8	
42	8410013	7	Clamp	
44	85941018	1	Clamp	
45	8430032	1	Plug	
46	8430081	1	Fitting, Straight ORFS	
47	1001204152	1	Hose	
48	1001212788	Ref	Installation, Check Valve (See Separate Breakdown in this Section)	
49	1001212880	1	Hose	
50	8406201	1	Clip	
52	90206198	186 mm	Compound, Locking	
53	1001221987	Ref	Installation, Solenoid Valve (See Separate Breakdown in this Section)	
54	1001221988	1	Hose	
57	2720160	2290 mm	Hose	
58	1001008654	750 mm	Hose	

# SECTION 8 - HYDRAULIC CIRCUITS

## FIGURE 8-26. CAB HYDRAULICS INSTALLATION (TUV)



ART\_1001223610-B

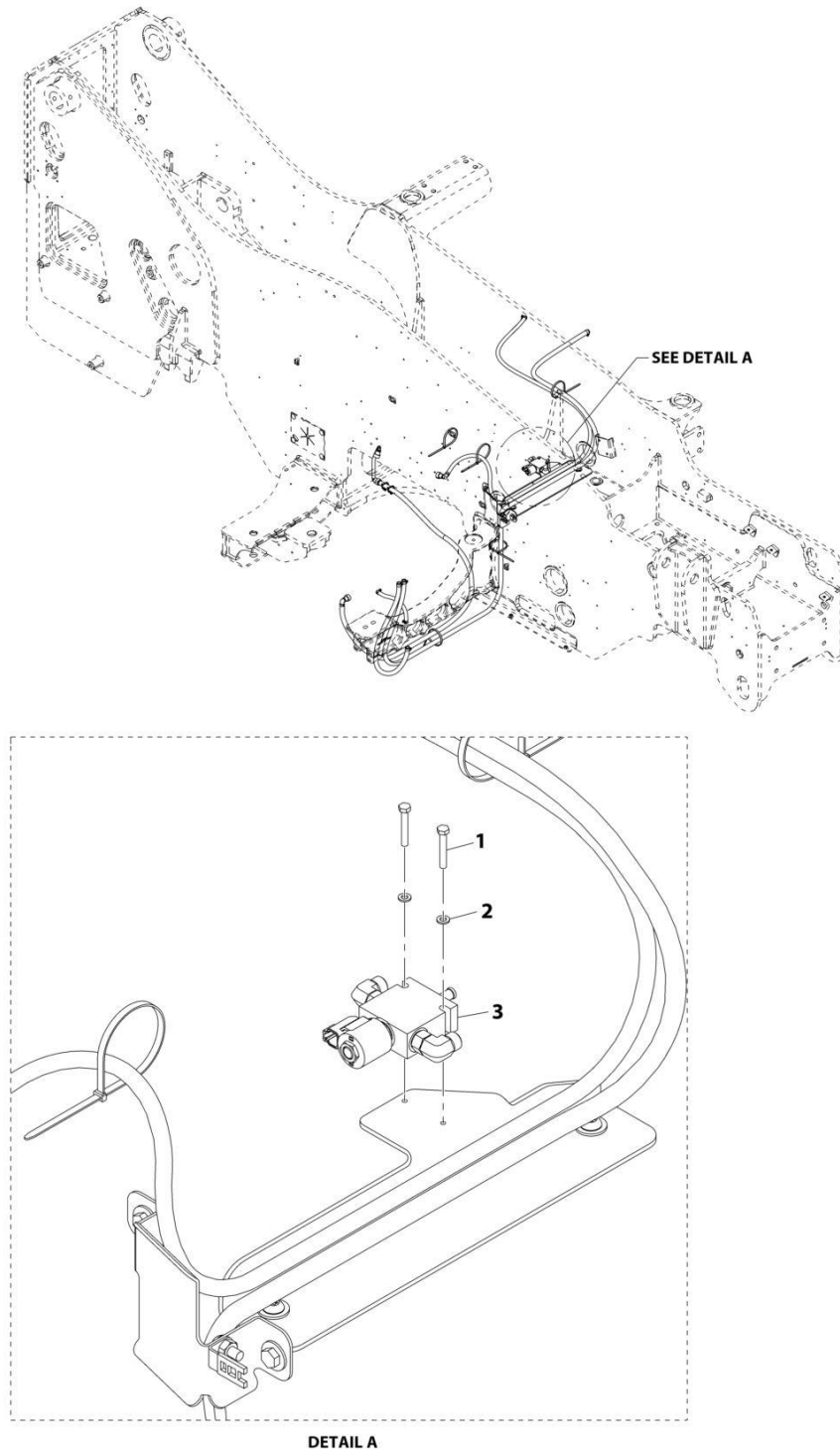
## SECTION 8 - HYDRAULIC CIRCUITS

**FIGURE 8-26. CAB HYDRAULICS INSTALLATION (TUV)**

ITEM	PART NUMBER	QTY	DESCRIPTION	REV
	1001223610	Ref	Cab Hydraulics Installation (TUV)	B
1	2720160	2290 mm	Hose, Airline	
2	0760807	2	Bolt, M8X14	
3	4240018	3	Strap, Tie	
4	4240099	3	Strap, Tie	
5	4811900	2	Washer, M8	
6	8405006	1	Clamp, Gear	
7	8406201	1	Clamp, Gear	
8	8410013	7	Clamp, Gear	
9	8430032	1	Plug	
10	8430081	1	Fitting, Straight ORFS	
11	85941018	1	P-Clamp, 2IN	
12	88662434	2	Fitting, Tee ORFS	
13	90206198	186 mm	Clip, Trim Lock	
14	1001008654	380 mm	Hose, Bulk	
15	1001196997	1	Hose, M10	
16	1001206709	1	Hose, M10 ORFS	
17	1001210800	1	Hose, M10 ORFS	
18	1001212787	1	Hose, M12.7 ORFS	
19	1001212788	Ref	Installation, Check Valve (See Separate Breakdown in this Section)	
20	1001212880	1	Hose, M12.7	
21	1001215256	1	Pipe, Cross Barb	
22	1001221987	Ref	Installation, Solenoid Valve (See Separate Breakdown in this Section)	
23	1001221988	1	Hose, M10 ORFS	
24	1001225567	1	Hose, M12.7 ORFS	
25	1001225568	1	Hose, M6.3 ORFS	
26	1001225569	1	Hose, M10 ORFS	
27	1001225570	1	Hose, M10 ORFS	
28	1001225571	1	Hose, M12.7 ORFS	
29	1001225572	1	Hose, M10 ORFS	
30	1001225573	1	Hose, M12.7 ORFS	
31	1001225574	1	Hose, M10 ORFS	

# SECTION 8 - HYDRAULIC CIRCUITS

## FIGURE 8-27. SOLENOID VALVE INSTALLATION



ART\_1001221987-A



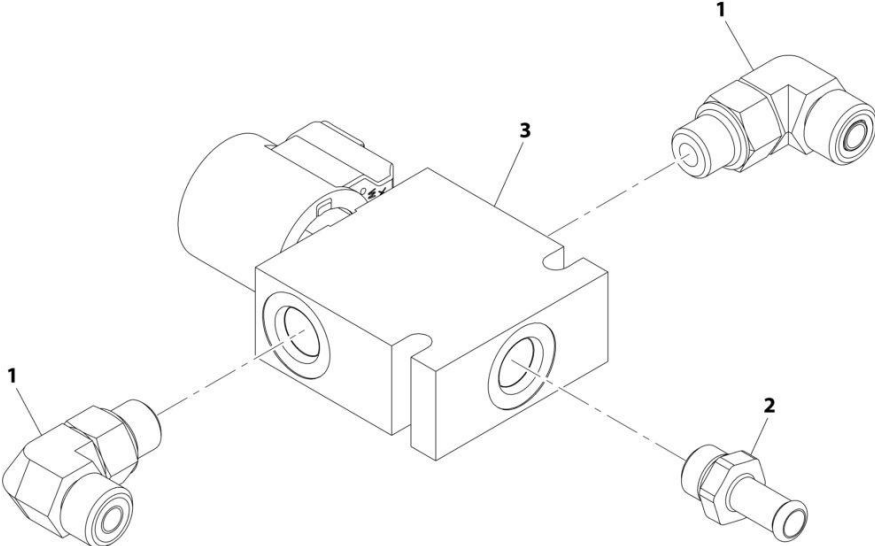
## SECTION 8 - HYDRAULIC CIRCUITS

FIGURE 8-27. SOLENOID VALVE INSTALLATION

ITEM	PART NUMBER	QTY	DESCRIPTION	REV
	1001221987	Ref	Solenoid Valve Installation	A
1	0700616	2	Bolt, M6X40	
2	4811700	2	Washer, M6	
3	1001221986	1	Assembly, Solenoid Valve (See Separate Breakdown in this Section)	

**SECTION 8 - HYDRAULIC CIRCUITS**

**FIGURE 8-28. SOLENOID VALVE ASSEMBLY**



ART\_1001221986-A

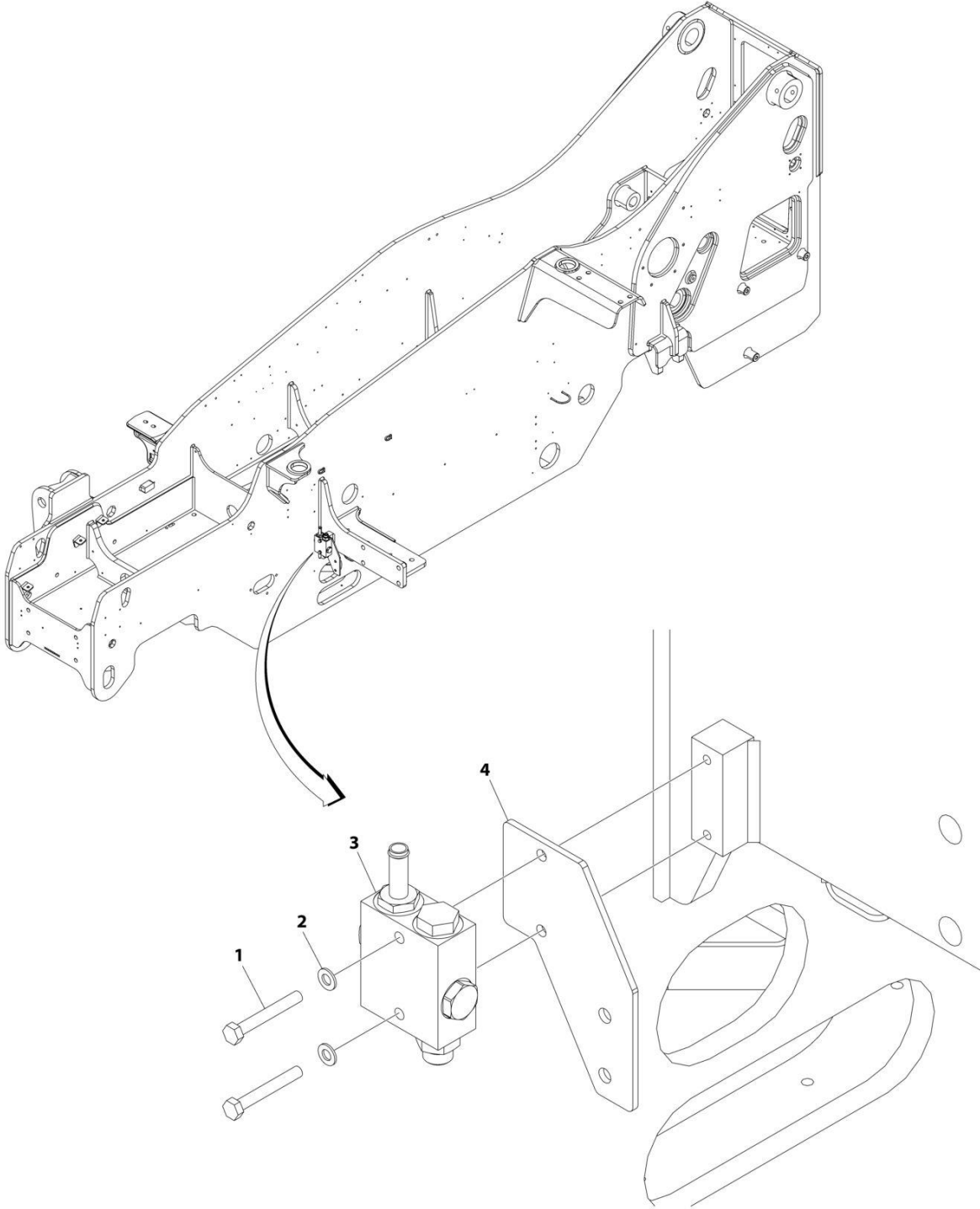
## SECTION 8 - HYDRAULIC CIRCUITS

### FIGURE 8-28. SOLENOID VALVE ASSEMBLY

ITEM	PART NUMBER	QTY	DESCRIPTION	REV
	1001221986	Ref	Solenoid Valve/Fittings Assembly	A
1	2130606	2	Fitting, 90 ORFS	
2	1001168030	1	Fitting, Hose Barb	
3	1001221928	1	Valve, Solenoid (See Separate Breakdown in HYDRAULIC COMPONENTS Section)	

# SECTION 8 - HYDRAULIC CIRCUITS

## FIGURE 8-29. CHECK VALVE INSTALLATION



ART\_1001212788

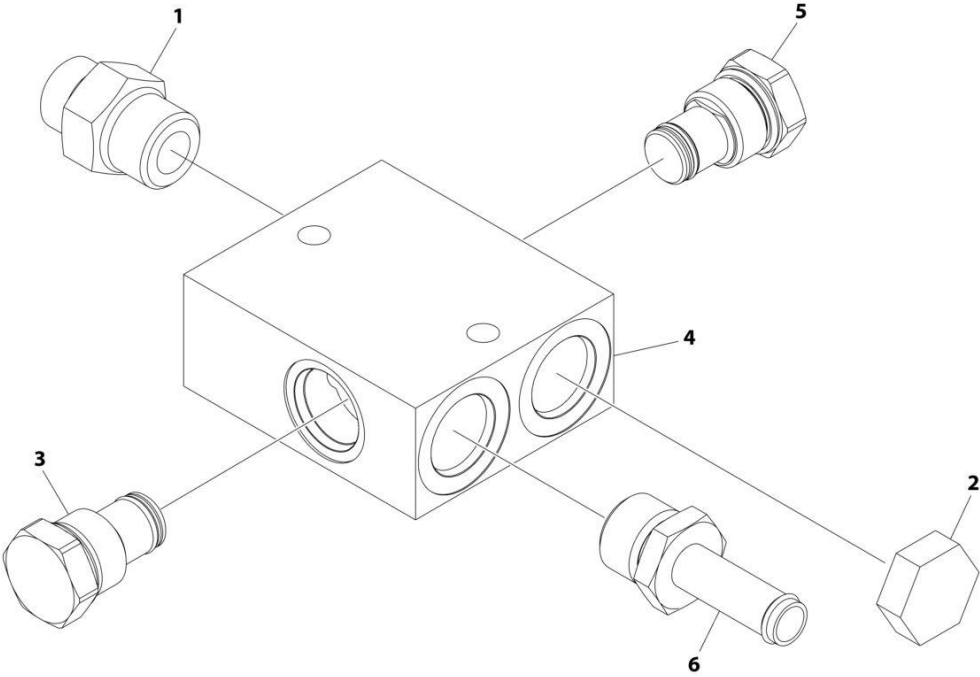
## SECTION 8 - HYDRAULIC CIRCUITS

FIGURE 8-29. CHECK VALVE INSTALLATION

ITEM	PART NUMBER	QTY	DESCRIPTION	REV
	1001212788	Ref	CAB HYDRUALICS CHECK VALVE INSTALLATION	B
1	0700820	2	Bolt M8 x 60	
2	4811900	2	Washer M8	
3	1001212789	1	Assembly, Check Valve (See Separate Breakdown in HYDRAULIC COMPONENTS Section)	
4	1001219659	1	Plate	

**SECTION 8 - HYDRAULIC CIRCUITS**

**FIGURE 8-30. CHECK VALVE ASSEMBLY**



ART\_1001212789

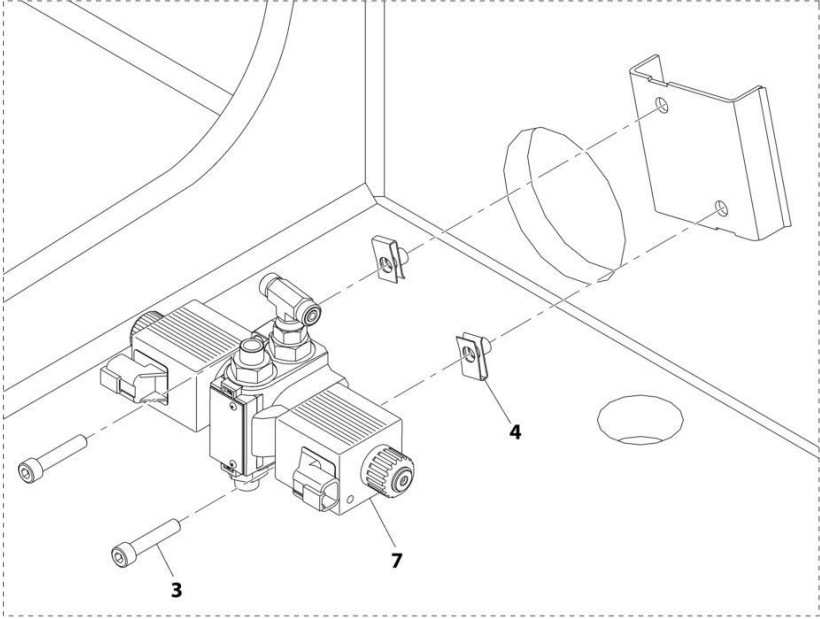
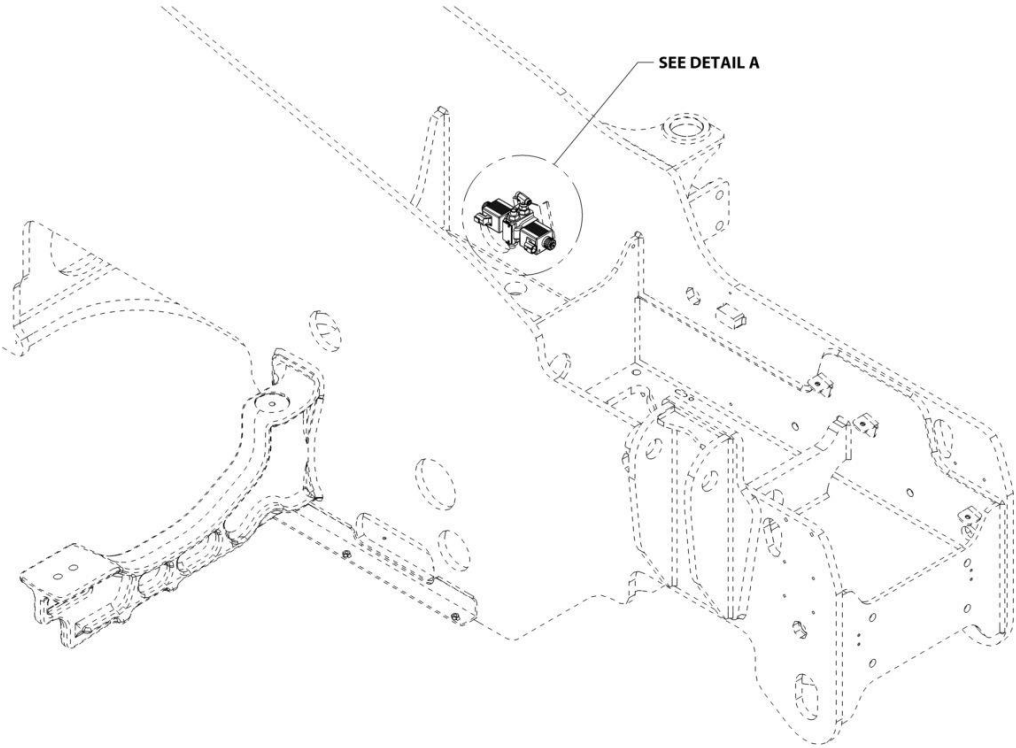
## SECTION 8 - HYDRAULIC CIRCUITS

### FIGURE 8-30. CHECK VALVE ASSEMBLY

ITEM	PART NUMBER	QTY	DESCRIPTION	REV
	1001212789	Ref	VALVE ASSEMBLY - CAB HYDRAULICS CHECK VALVE	E
1	2110810	1	Fitting, Straight ORFS	
2	2220239	1	Plug	
3	1001231393	1	Valve, Check	
4	1001210780	1	Manifold, Dual Check Valve	
5	1001210801	1	Valve, Check	
6	1001225656	1	Fitting, Barb	

# SECTION 8 - HYDRAULIC CIRCUITS

## FIGURE 8-31. SPEED CONTROL VALVE INSTALLATION



DETAIL A

ART\_1001197196-B



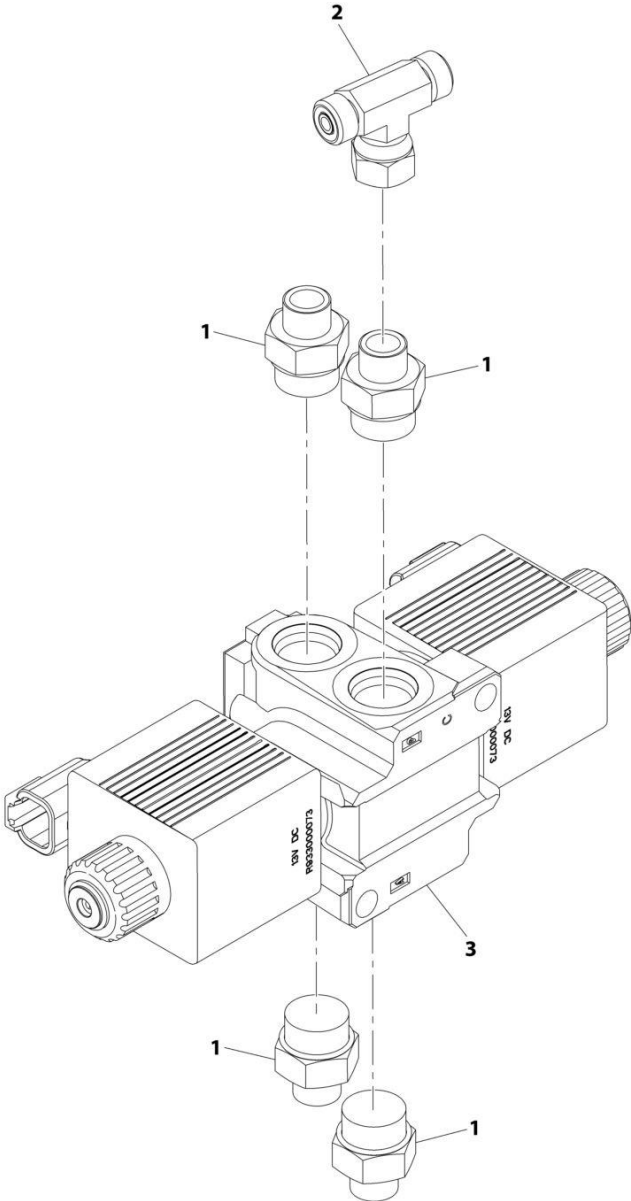
## SECTION 8 - HYDRAULIC CIRCUITS

### FIGURE 8-31. SPEED CONTROL VALVE INSTALLATION

ITEM	PART NUMBER	QTY	DESCRIPTION	REV
	1001197196	Ref	Speed Control Valve Installation	B
3	4031912	2	Bolt, M8X40	
4	8310686	2	Nut, M8X12.5	
7	1001220643	1	Assembly, Speed Control Valve (See Separate Breakdown in this Section)	

**SECTION 8 - HYDRAULIC CIRCUITS**

**FIGURE 8-32. SPEED CONTROL VALVE ASSEMBLY**



ART\_1001220643-A

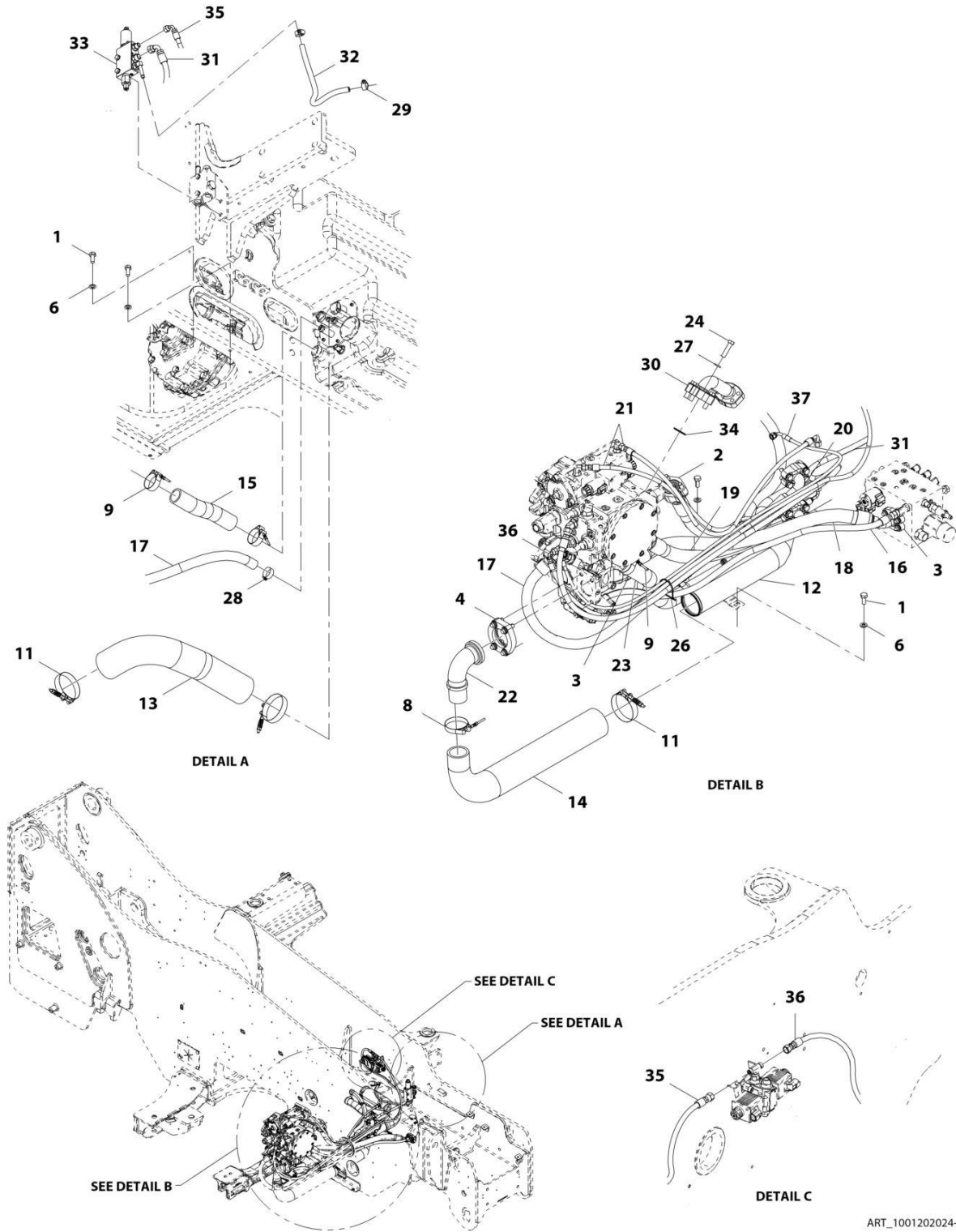
## SECTION 8 - HYDRAULIC CIRCUITS

FIGURE 8-32. SPEED CONTROL VALVE ASSEMBLY

ITEM	PART NUMBER	QTY	DESCRIPTION	REV
	1001220643	Ref	Speed Control Valve Assembly	A
1	2110408	4	Fitting, Straight ORFS	
2	2170804	1	Fitting, Tee	
3	4641520	1	Valve, Speed Control (See Separate Breakdown in HYDRAULIC COMPONENTS Section)	

# SECTION 8 - HYDRAULIC CIRCUITS

## FIGURE 8-33. ENGINE BAY HYDRAULIC INSTALLATION



ART\_1001202024-G

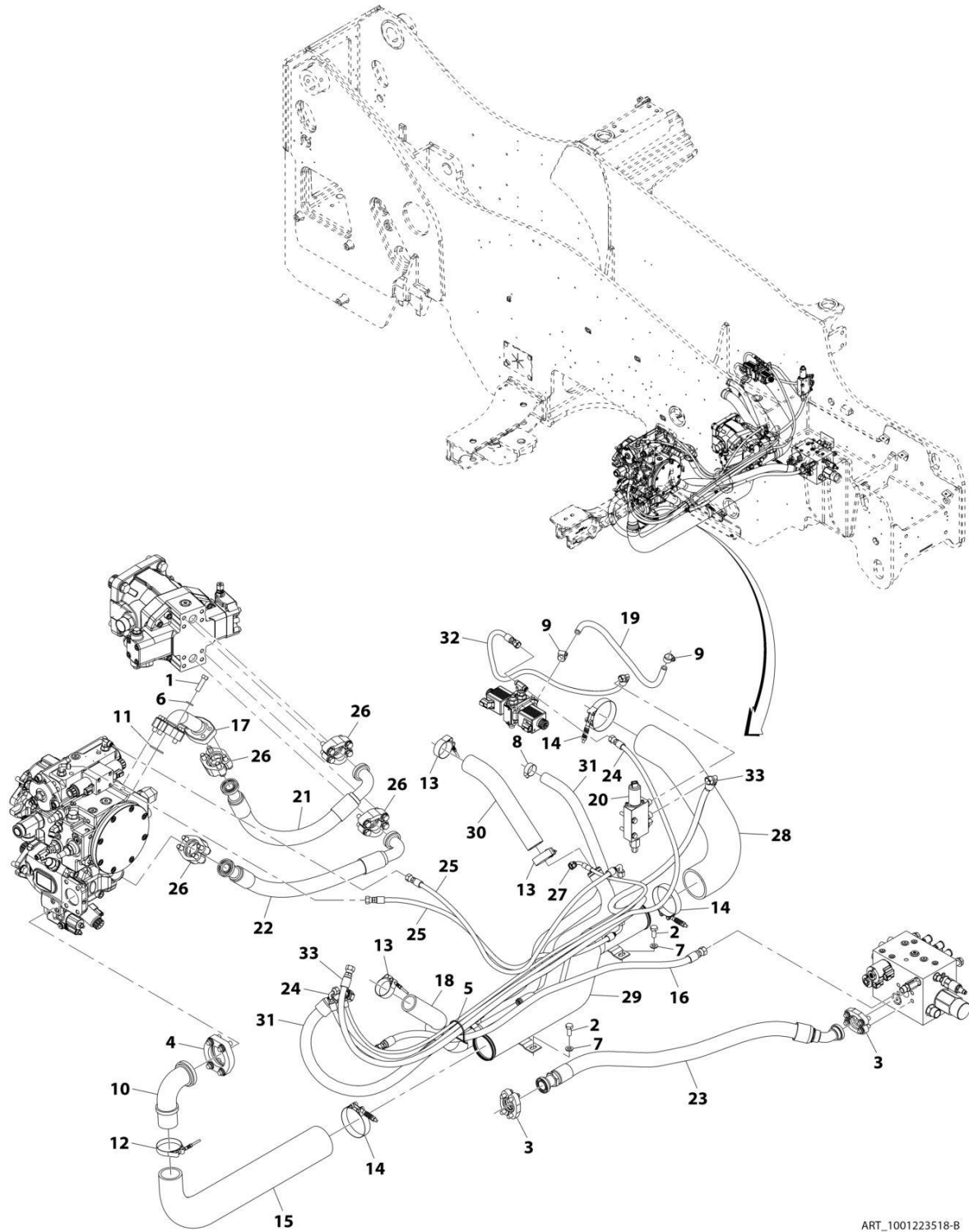
## SECTION 8 - HYDRAULIC CIRCUITS

**FIGURE 8-33. ENGINE BAY HYDRAULIC INSTALLATION**

ITEM	PART NUMBER	QTY	DESCRIPTION	REV
	1001202024	Ref	Engine Bay Installation	G
1	0761012	4	Bolt, M10X25	
2	1001217948	4	Kit, Flange (includes mounting hardware and o-ring)	
3	2171816	2	Kit, Flange (includes mounting hardware and o-ring)	
4	2171832	1	Kit, Flange (includes mounting hardware and o-ring)	
6	4812000	4	Washer, M10	
8	1001005438	1	Clamp	
9	1001014231	4	Clamp	
11	1001186843	3	Clamp	
12	1001187272	1	Pipe	
13	1001187273	1	Hose	
14	1001187275	1	Hose	
15	1001193461	1	Hose	
16	1001196959	1	Hose	
17	1001215802	1	Hose	
18	1001214431	1	Hose	
19	1001214430	1	Hose	
20	1001214429	1	Hose	
21	1001215539	2	Hose	
22	8424233	1	Fitting, 90	
23	1001202027	1	Hose	
24	0681714	4	Bolt, 7/16-14X1 3/4 Grade 8	
26	4240099	AR	Tie, Wire	
27	4761700	4	Washer, Lock 7/16	
28	8405007	1	Clamp	
29	8410013	2	Clamp	
30	1001200870	1	Fitting, 90	
31	1001213306	1	Hose	
32	1001213307	1	Hose	
33	1001213308	1	Installation, Inching Valve (See Separate Breakdown in this Section)	
34	91083106	1	O-Ring	
35	1001215093	1	Hose	
36	1001215212	1	Hose	
37	1001223109	1	Hose	

# SECTION 8 - HYDRAULIC CIRCUITS

## FIGURE 8-34. ENGINE BAY HYDRAULIC INSTALLATION (TUV)



ART\_1001223518-B

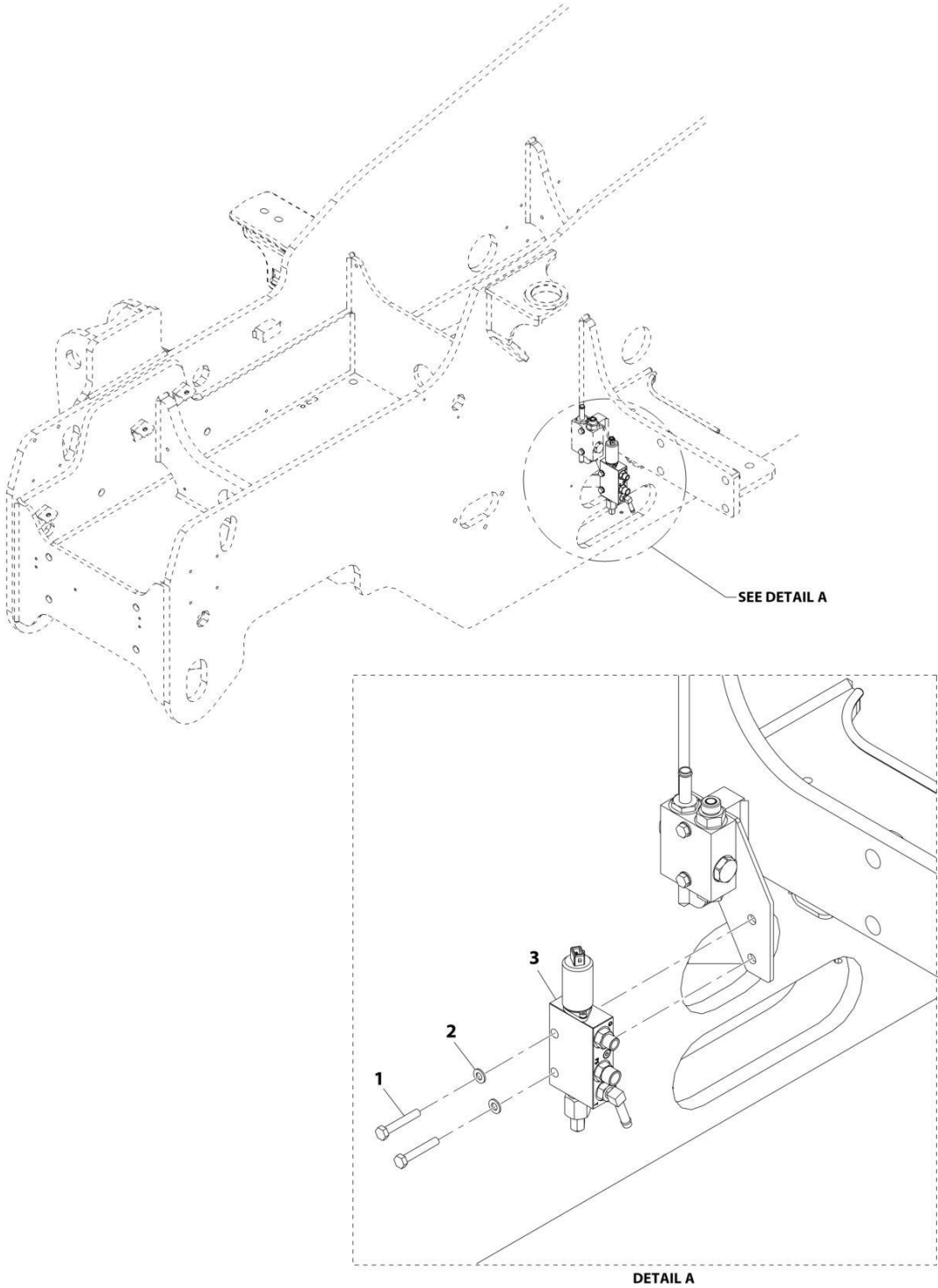
## SECTION 8 - HYDRAULIC CIRCUITS

**FIGURE 8-34. ENGINE BAY HYDRAULIC INSTALLATION (TUV)**

ITEM	PART NUMBER	QTY	DESCRIPTION	REV
	1001223518	Ref	Engine Bay Hydraulic Installation (TUV)	B
1	0681714	4	Bolt, 7/16-14X1 3/4, Grade 8	
2	0761012	4	Bolt, M10X25	
3	2171816	2	Kit, Flange (includes mounting hardware and o-ring)	
4	2171832	1	Kit, Flange (includes mounting hardware and o-ring)	
5	4240099	1	Tie, Wire	
6	4761700	4	Washer, Lock 7/16	
7	4812000	4	Washer, M10	
8	8405007	1	Clamp	
9	8410013	2	Clamp	
10	8424233	1	Tube, 90 Elbow	
11	91083106	1	O-Ring	
12	1001005438	1	Clamp	
13	1001014231	4	Clamp	
14	1001186843	3	Clamp	
15	1001187275	1	Hose	
16	1001196959	1	Hose	
17	1001200870	1	Fitting, 90	
18	1001202027	1	Hose	
19	1001213307	1	Hose	
20	1001213308	1	Installation, Inching Valve (See Seperate Breakdown in this Section)	
21	1001214429	1	Hose	
22	1001214430	1	Hose	
23	1001214431	1	Hose	
24	1001215212	1	Hose	
25	1001215539	2	Hose	
26	1001217948	4	Kit, Flange (includes mounting hardware and o-ring)	
27	1001223109	1	Hose	
28	1001223640	1	Hose	
29	1001223642	1	Pipe	
30	1001223825	1	Hose	
31	1001225575	1	Hose	
32	1001225576	1	Hose	
33	1001226543	1	Hose	

# SECTION 8 - HYDRAULIC CIRCUITS

## FIGURE 8-35. INCHING VALVE INSTALLATION



ART\_1001213308-A



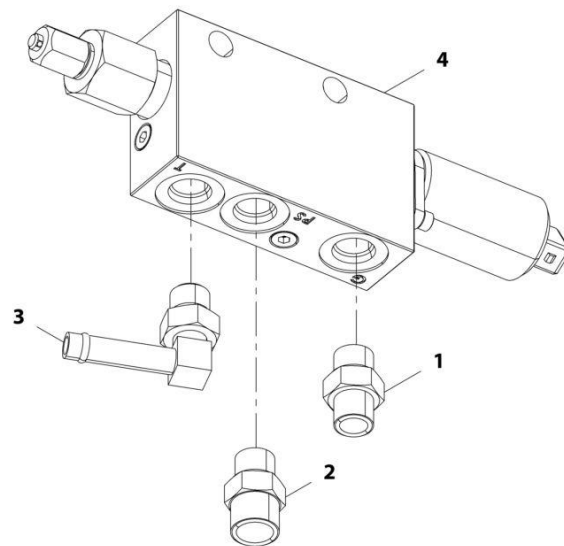
## SECTION 8 - HYDRAULIC CIRCUITS

### FIGURE 8-35. INCHING VALVE INSTALLATION

ITEM	PART NUMBER	QTY	DESCRIPTION	REV
	1001213308	Ref	Inching Valve Installation	A
1	0700818	2	Bolt, M8X50	
2	4811900	2	Washer, M8	
3	1001213309	1	Assembly, Inching Valve (See Separate Breakdown in this Section)	

# SECTION 8 - HYDRAULIC CIRCUITS

## FIGURE 8-36. INCHING VALVE ASSEMBLY



ART\_1001213309-B

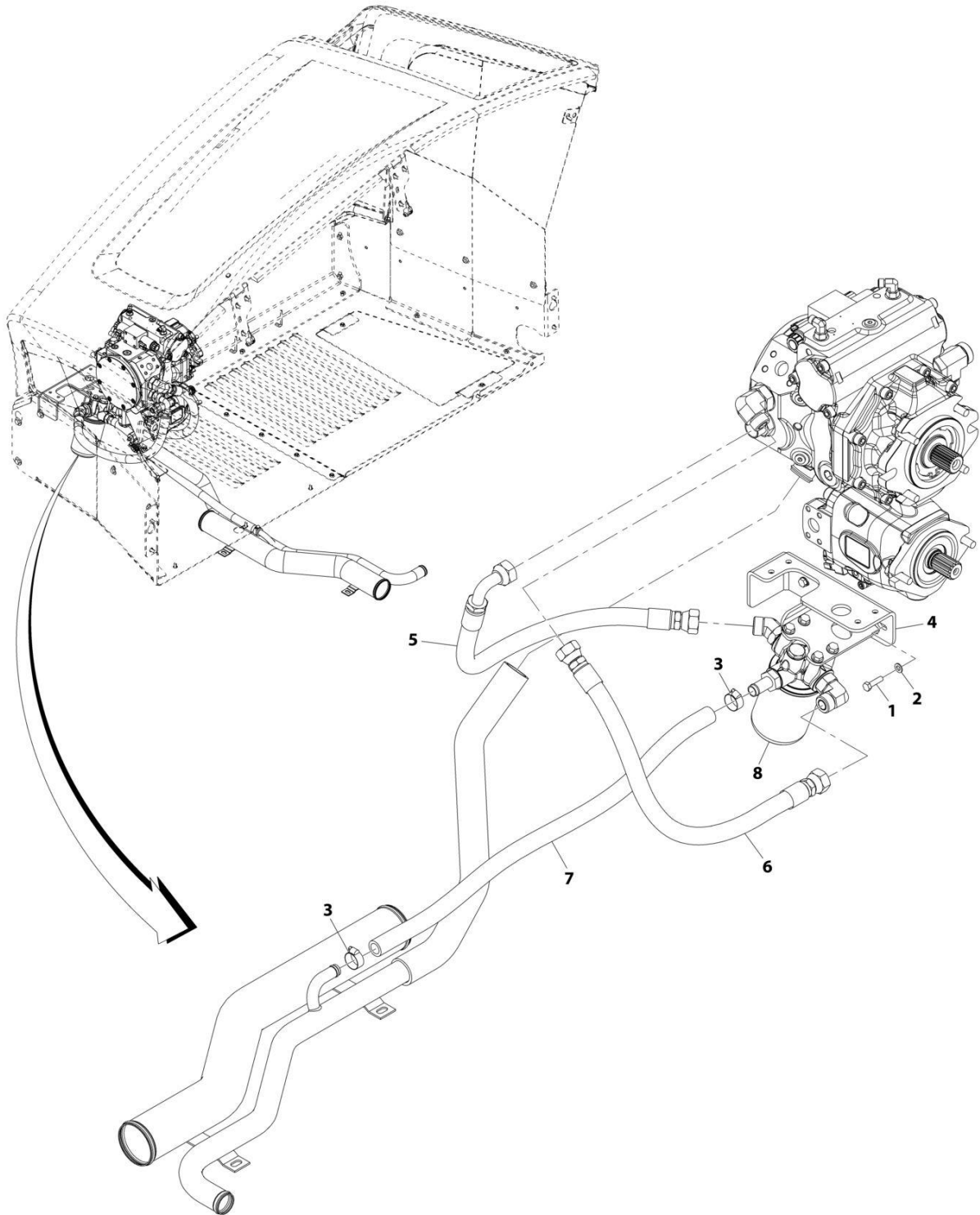
## SECTION 8 - HYDRAULIC CIRCUITS

### FIGURE 8-36. INCHING VALVE ASSEMBLY

ITEM	PART NUMBER	QTY	DESCRIPTION	REV
	1001213309	Ref	Inching Valve Assembly	B
1	2110406	1	Fitting, Straight ORFS	
2	2110606	1	Fitting, Straight ORFS	
3	8430034	1	Elbow, 90	
4	1001213311	1	Valve, Inching (See Separate Breakdown in HYDRAULIC COMPONENTS Section)	

# SECTION 8 - HYDRAULIC CIRCUITS

## FIGURE 8-37. CHARGE FILTER LINES INSTALLATION



ART\_1001202026-B

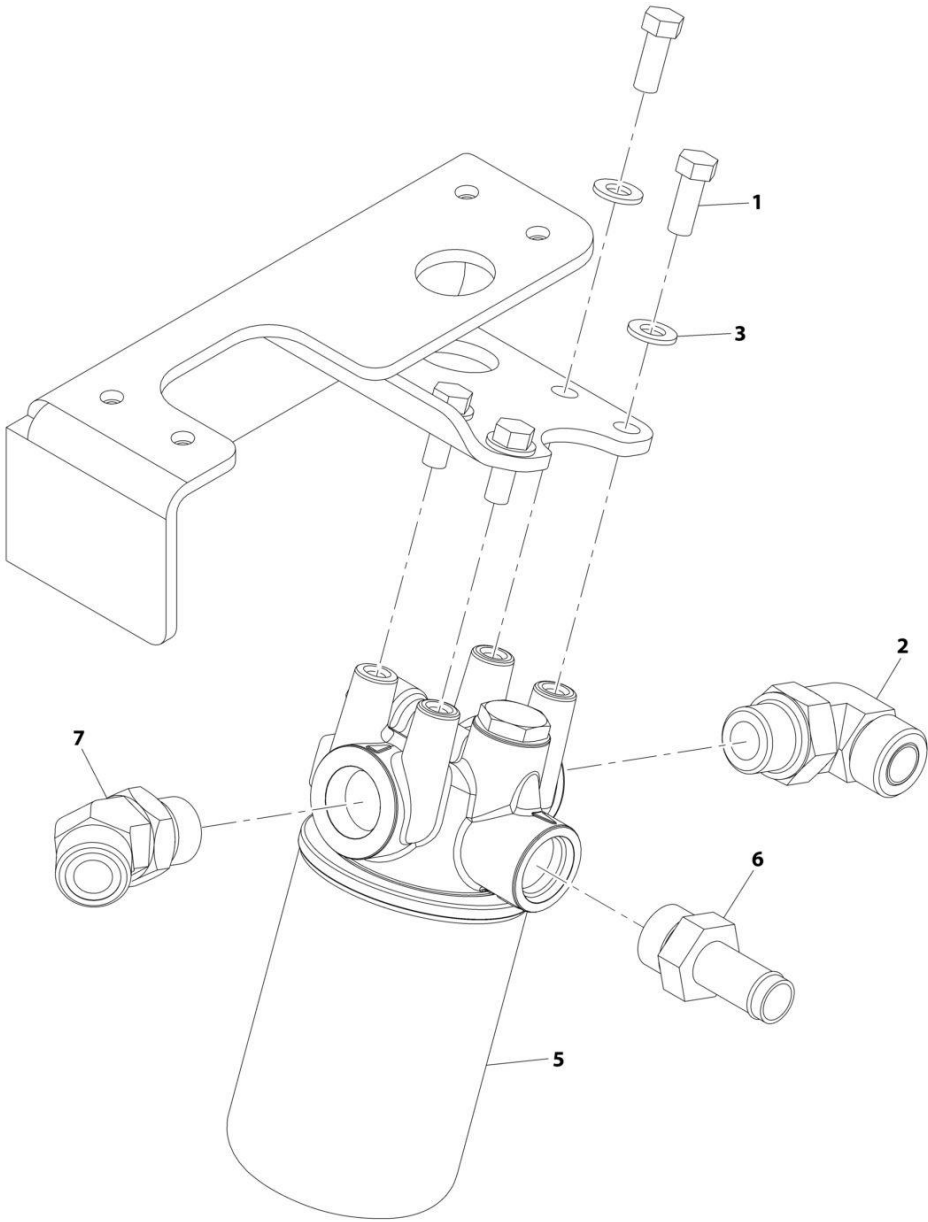
## SECTION 8 - HYDRAULIC CIRCUITS

### FIGURE 8-37. CHARGE FILTER LINES INSTALLATION

ITEM	PART NUMBER	QTY	DESCRIPTION	REV
	1001202026	Ref	Charge Filter Lines Installation	B
1	0700814	2	Bolt, M8X30	
2	4811900	2	Washer, M8	
3	8405007	2	Clamp	
4	1001212184	1	Bracket	
5	1001195433	1	Hose	
6	1001195434	1	Hose	
7	1001195435	1	Hose	
8	1001195430	Ref	Installation, Charge Filter (See Separate Breakdown in this Section)	

**SECTION 8 - HYDRAULIC CIRCUITS**

**FIGURE 8-38. CHARGE FILTER INSTALLATION**



ART\_1001195430-C

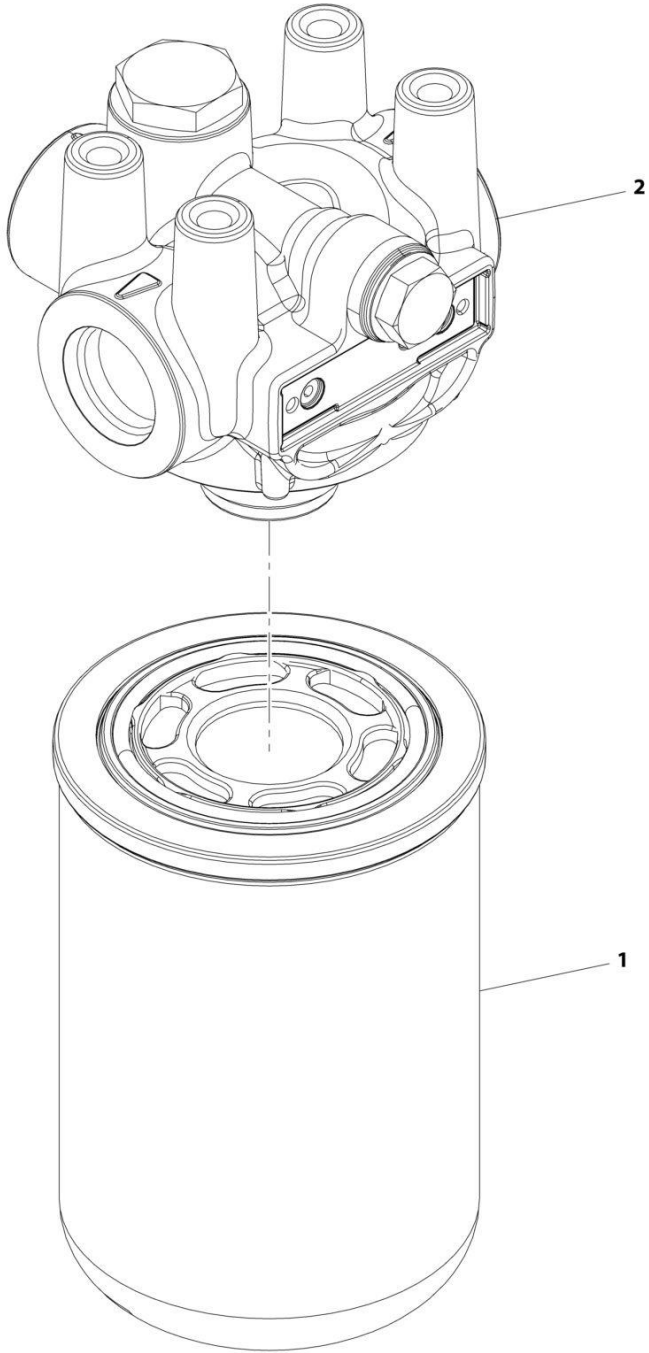
## SECTION 8 - HYDRAULIC CIRCUITS

### FIGURE 8-38. CHARGE FILTER INSTALLATION

ITEM	PART NUMBER	QTY	DESCRIPTION	REV
	1001195430	Ref	Charge Filter Installation	C
1	0641608	4	Bolt, 3/8-16X1	
2	2131212	1	Fitting, 90 ORFS	
3	4812000	4	Washer, M10	
5	1001141976	1	Assembly, Charge Filter (See Separate Breakdown in this Section)	
6	1001183700	1	Fitting, Barb	
7	2151212	1	Fitting, 45 ORFS	

**SECTION 8 - HYDRAULIC CIRCUITS**

**FIGURE 8-39. IMPLEMENT PUMP FILTER ASSEMBLY**



ART\_1001141976-A



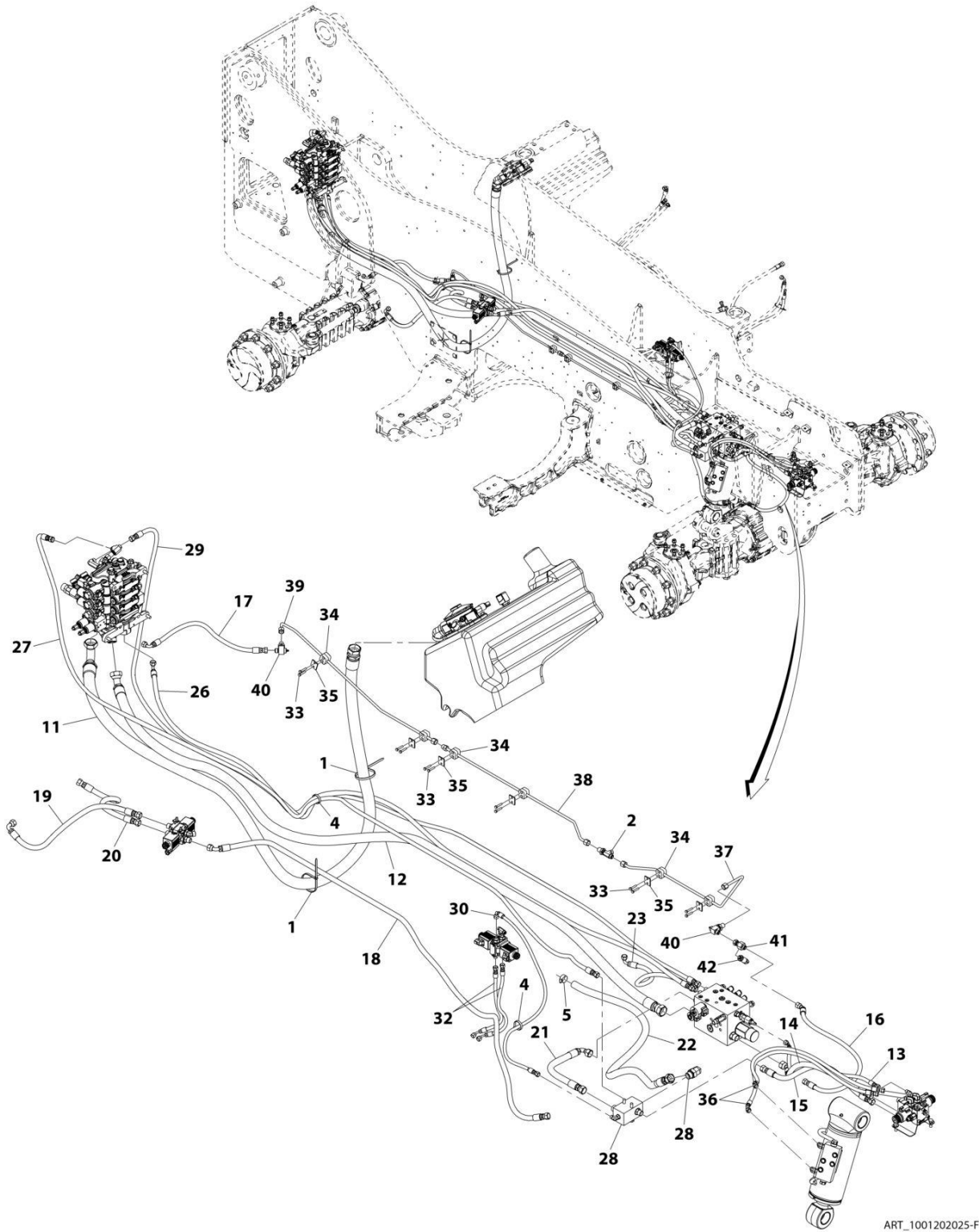
## SECTION 8 - HYDRAULIC CIRCUITS

**FIGURE 8-39. IMPLEMENT PUMP FILTER ASSEMBLY**

ITEM	PART NUMBER	QTY	DESCRIPTION	REV
	1001141976	Ref	Implement Pump Filter Assembly	A
1	1001141461	1	Filter	
2	1001141462	1	Pump, Filter	

# SECTION 8 - HYDRAULIC CIRCUITS

## FIGURE 8-40. FRAME HYDRAULIC INSTALLATION



ART\_1001202025-F

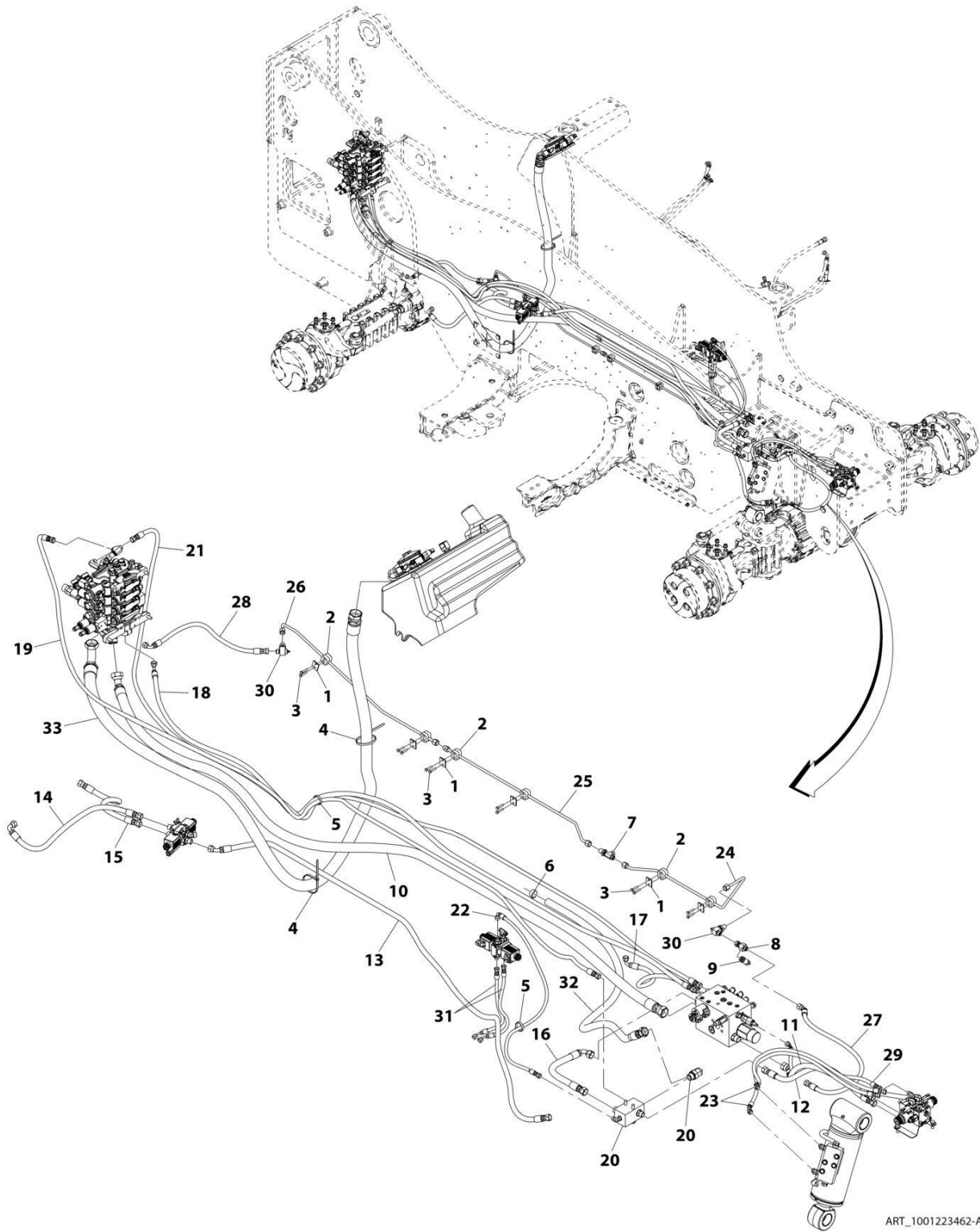
## SECTION 8 - HYDRAULIC CIRCUITS

**FIGURE 8-40. FRAME HYDRAULIC INSTALLATION**

ITEM	PART NUMBER	QTY	DESCRIPTION	REV
	1001202025	Ref	Frame Hydraulic Installation	F
1	1062255	2	Strap, Tie	
2	88662434	1	Fitting, Tee ORFS	
4	4240018	2	Strap, Tie	
5	8405007	1	Clamp	
11	1001196964	1	Hose	
12	1001196967	1	Hose	
13	1001210635	1	Hose	
14	1001196969	1	Hose	
15	1001196970	1	Hose	
16	1001208532	1	Hose	
17	1001208534	1	Hose	
18	1001196973	1	Hose	
19	1001196974	1	Hose	
20	1001196975	1	Hose	
21	1001196976	1	Hose	
22	1001196977	1	Hose	
23	1001196978	1	Hose	
26	1001196981	1	Hose	
27	1001196982	1	Hose	
28	1001197197	Ref	Installation, Manifold (See Separate Breakdown in this Section)	
29	1001197199	1	Hose	
30	1001197200	1	Hose	
32	1001211020	2	Hose	
33	0700614	12	Bolt, M6X30	
34	9106-3040	6	Clamp	
35	9106-3039	6	Plate, Cover	
36	1001205573	2	Hose	
37	1001207788	1	Pipe	
38	1001207789	1	Pipe	
39	1001207790	1	Pipe	
40	1001210797	2	Bleeder, Brake	
41	1001111140	1	Fitting, ORFS	
42	1001147340	1	Sensor, Pressure	

# SECTION 8 - HYDRAULIC CIRCUITS

## FIGURE 8-41. FRAME HYDRAULIC INSTALLATION (TUV)



ART\_1001223462-A

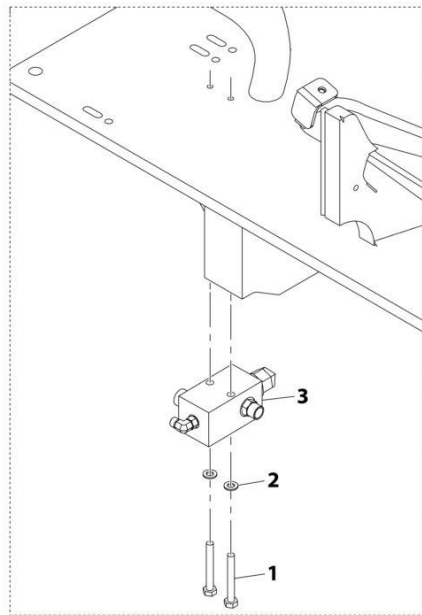
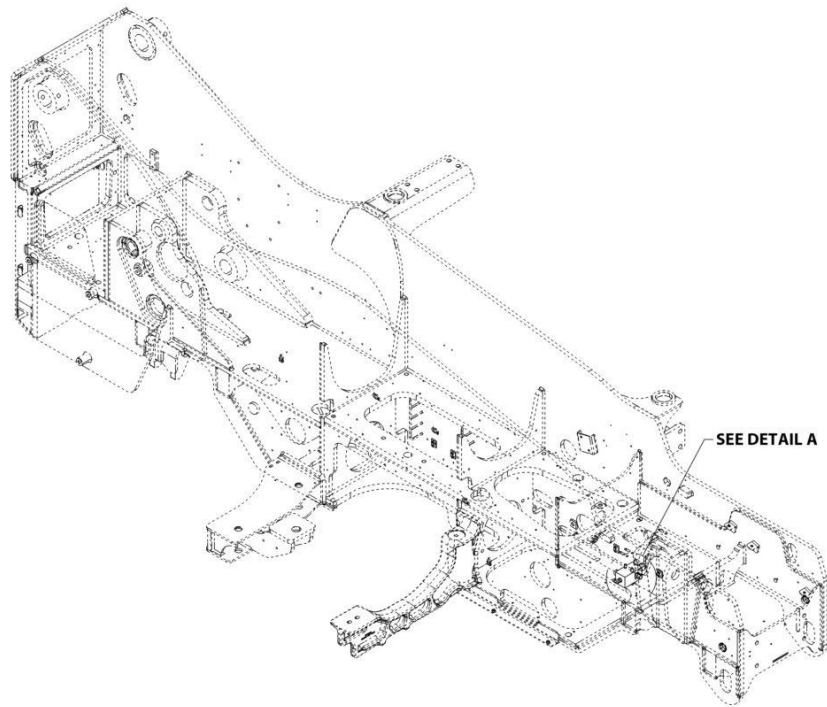
## SECTION 8 - HYDRAULIC CIRCUITS

**FIGURE 8-41. FRAME HYDRAULIC INSTALLATION (TUV)**

ITEM	PART NUMBER	QTY	DESCRIPTION	REV
	1001223462	Ref	Frame Hydraulic Installation (TUV)	A
1	91063039	6	Cover, Plate	
2	91063040	6	Clamp	
3	0700614	12	Bolt, M6X30	
4	1062255	2	Strap, Tie	
5	4240018	2	Strap, Tie	
6	8405007	1	Clamp, Gear	
7	88662434	1	Fitting, Tee ORFS	
8	1001111140	1	Fitting, Straight ORFS	
9	1001147340	1	Sensor, Pressure Transducer	
10	1001196967	1	Hose, M25.4 ORFS	
11	1001196969	1	Hose, M12.7 ORFS	
12	1001196970	1	Hose, M12.7 ORFS	
13	1001196973	1	Hose, M12.7 ORFS	
14	1001196974	1	Hose, M12.7 ORFS	
15	1001196975	1	Hose, M12.7 ORFS	
16	1001196976	1	Hose, M16 ORFS	
17	1001196978	1	Hose, M10 ORFS	
18	1001196981	1	Hose, M10 ORFS	
19	1001196982	1	Hose, M10 ORFS	
20	1001197197	Ref	Installation, Manifold (See Separate Breakdown in this Section)	
21	1001197199	1	Hose, M10 ORFS	
22	1001197200	1	Hose, M6.3 ORFS	
23	1001205573	2	Hose, M6.3 ORFS	
24	1001207788	1	Pipe	
25	1001207789	1	Pipe	
26	1001207790	1	Pipe	
27	1001208532	1	Hose, M10 ORFS	
28	1001208534	1	Hose, M10 ORFS	
29	1001210635	1	Hose, M6.3 ORFS	
30	1001210797	2	Manifold, Brake Bleeder Elbow	
31	1001211020	2	Hose, M6.3 ORFS	
32	1001223475	1	Hose, M19 ORFS	
33	1001223476	1	Hose, M31.75 ORFS	

# SECTION 8 - HYDRAULIC CIRCUITS

## FIGURE 8-42. MANIFOLD INSTALLATION



DETAIL A

ART\_1001197197-B

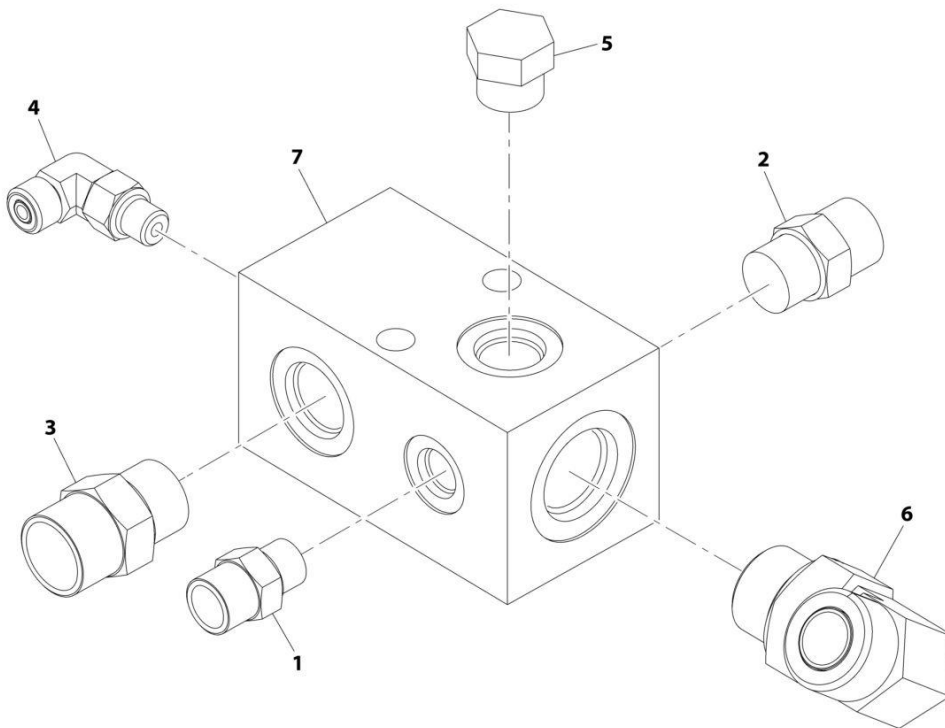
## SECTION 8 - HYDRAULIC CIRCUITS

**FIGURE 8-42. MANIFOLD INSTALLATION**

ITEM	PART NUMBER	QTY	DESCRIPTION	REV
	1001197197	Ref	Manifold Installation	B
1	0701024	2	Bolt, M10X80	
2	4812000	2	Washer, M10	
3	1001197198	1	Assembly, Manifold (See Separate Breakdown in this Section)	

# SECTION 8 - HYDRAULIC CIRCUITS

## FIGURE 8-43. MANIFOLD ASSEMBLY



ART\_1001197198-D



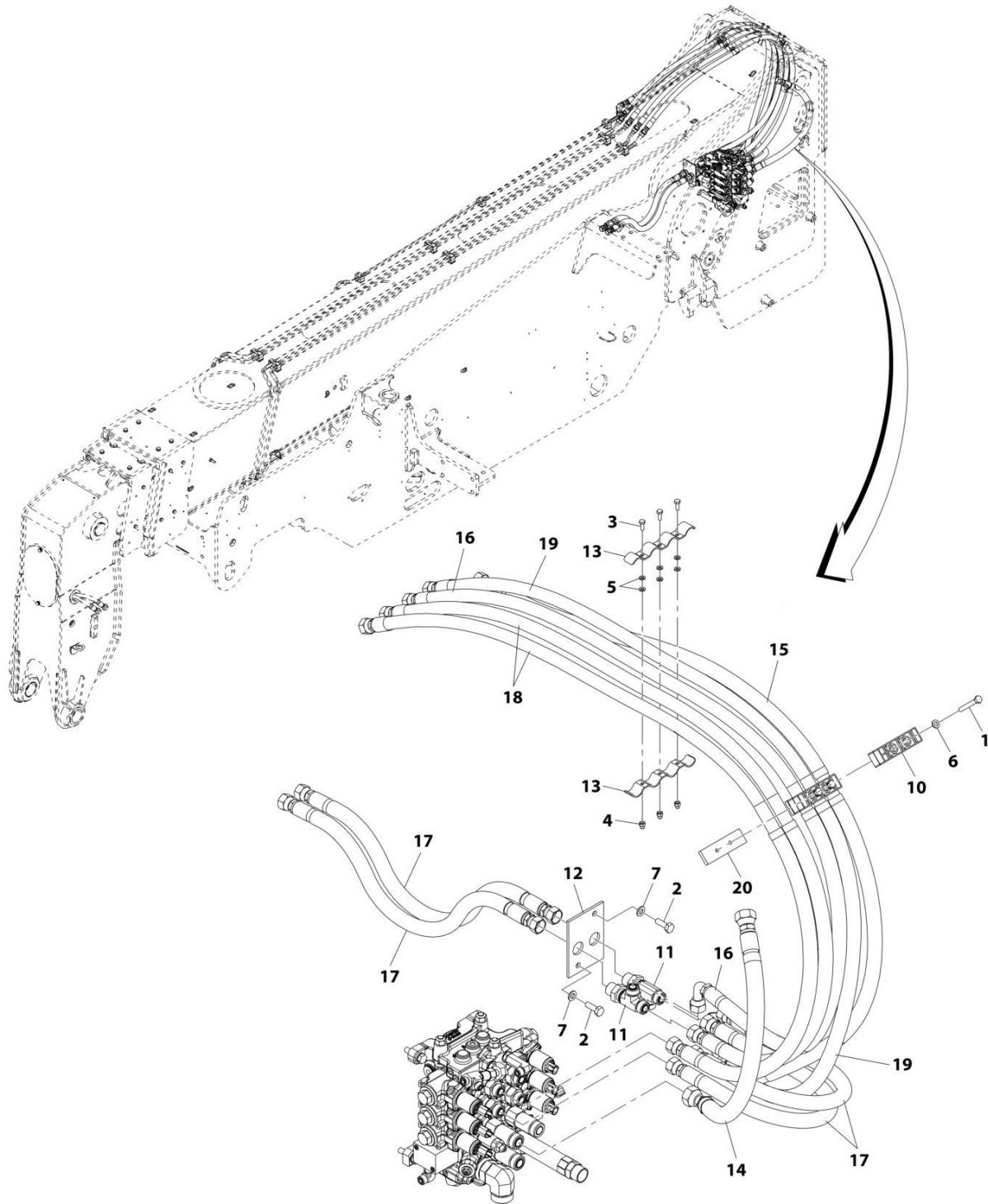
## SECTION 8 - HYDRAULIC CIRCUITS

### FIGURE 8-43. MANIFOLD ASSEMBLY

ITEM	PART NUMBER	QTY	DESCRIPTION	REV
	1001197198	Ref	Manifold Assembly	D
1	2110606	1	Fitting, Straight ORFS	
2	2110808	1	Fitting, Straight ORFS	
3	2111010	1	Fitting, Straight ORFS	
4	2130404	1	Fitting, 90 ORFS	
5	2220238	1	Plug	
6	2131212	1	Fitting, 90 ORFS	
7	1001228504	1	Manifold	

# SECTION 8 - HYDRAULIC CIRCUITS

## FIGURE 8-44. BOOM HYDRAULIC LINES INSTALLATION



ART\_1001210522-F

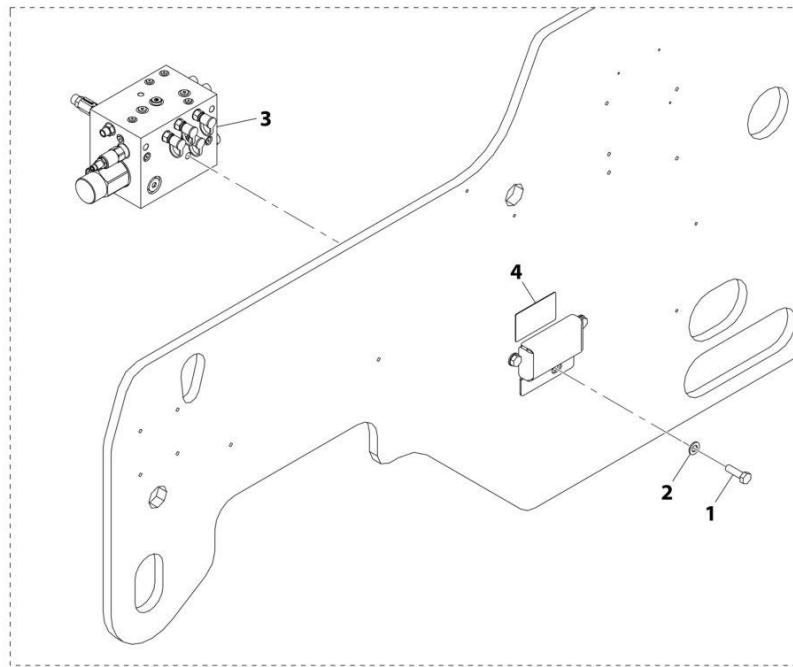
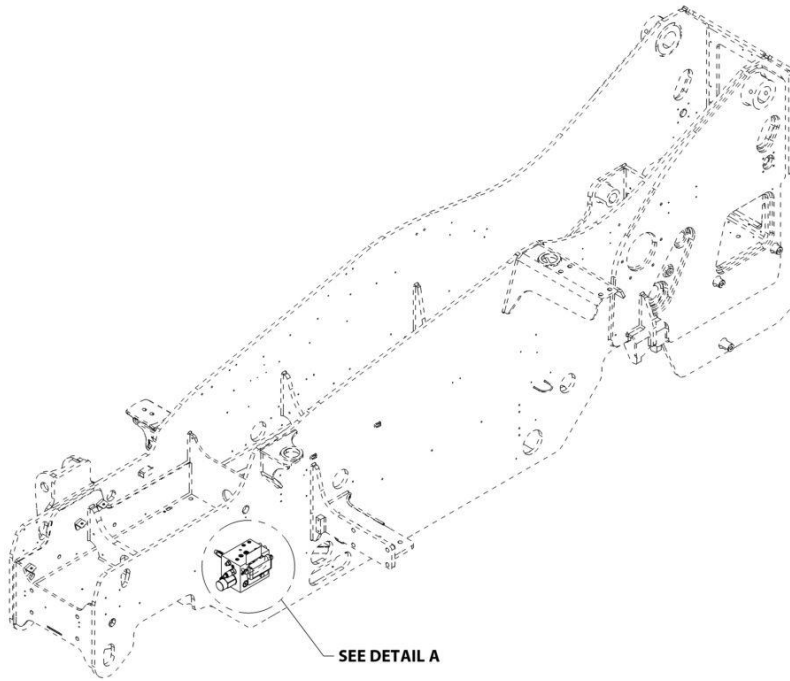
## SECTION 8 - HYDRAULIC CIRCUITS

**FIGURE 8-44. BOOM HYDRAULIC LINES INSTALLATION**

ITEM	PART NUMBER	QTY	DESCRIPTION	REV
	1001210522	Ref	Boom Hydraulic Lines Installation	F
1	0700821	4	Bolt, M8X65	
2	0701014	2	Bolt, M10X30	
3	0760608	3	Bolt, M6X16	
4	3290606	3	Nut, M6X1	
5	4811700	6	Washer, M6	
6	4811900	4	Washer, M8	
7	4812000	2	Washer, M10	
10	1001098128	2	Clamp	
11	1001192096	2	Fitting, Tee ORFS	
12	1001197011	1	Plate	
13	1001205618	2	Clamp	
14	1001210271	1	Hose	
15	1001210523	1	Hose	
16	1001210524	1	Hose	
17	1001210525	4	Hose	
18	1001210526	2	Hose	
19	1001218997	1	Hose	
20	1001226557	2	Plate	

# SECTION 8 - HYDRAULIC CIRCUITS

## FIGURE 8-45. PRIORITY MANIFOLD INSTALLATION



DETAIL A

ART\_1001192885-B

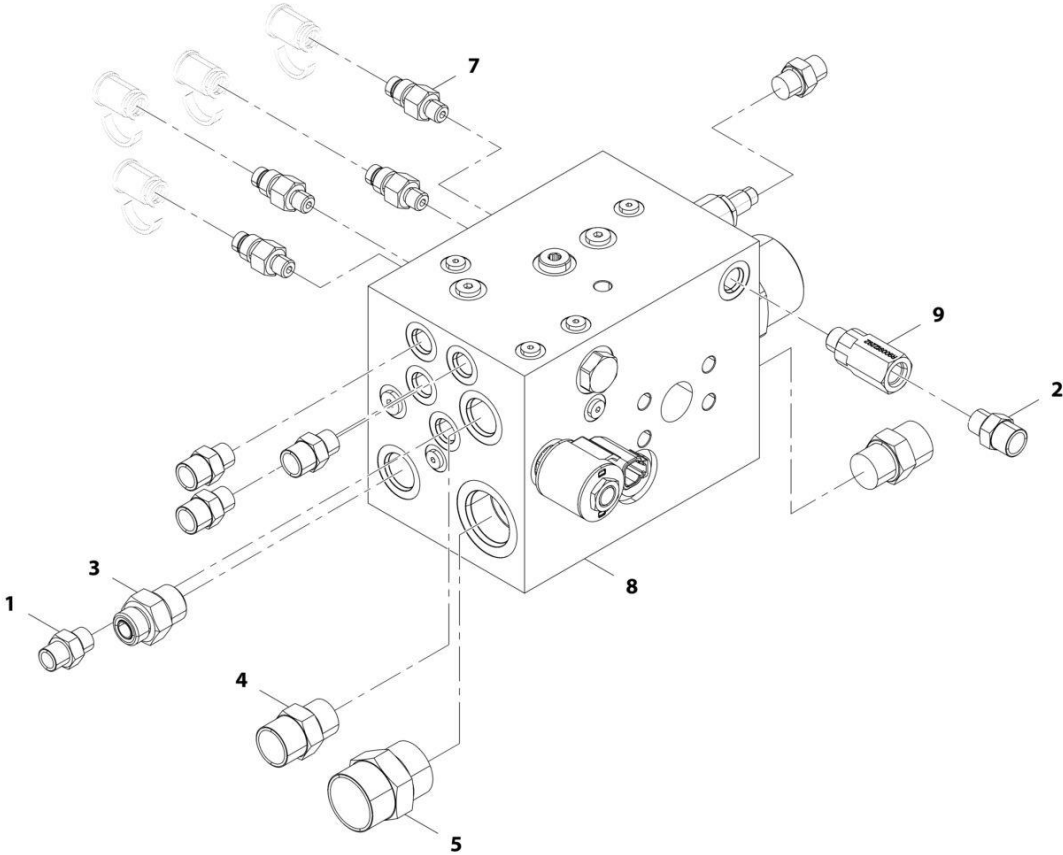
## SECTION 8 - HYDRAULIC CIRCUITS

**FIGURE 8-45. PRIORITY MANIFOLD INSTALLATION**

ITEM	PART NUMBER	QTY	DESCRIPTION	REV
	1001192885	Ref	Priority Manifold Installation	B
1	0701216	3	Bolt, M12X40	
2	4812100	3	Washer, M12	
3	1001192886	1	Assembly, Priority Valve (See Separate Breakdown in this Section)	
4	1001192887	1	Decal	

**SECTION 8 - HYDRAULIC CIRCUITS**

**FIGURE 8-46. PRIORITY VALVE ASSEMBLY**



ART\_1001192886-D

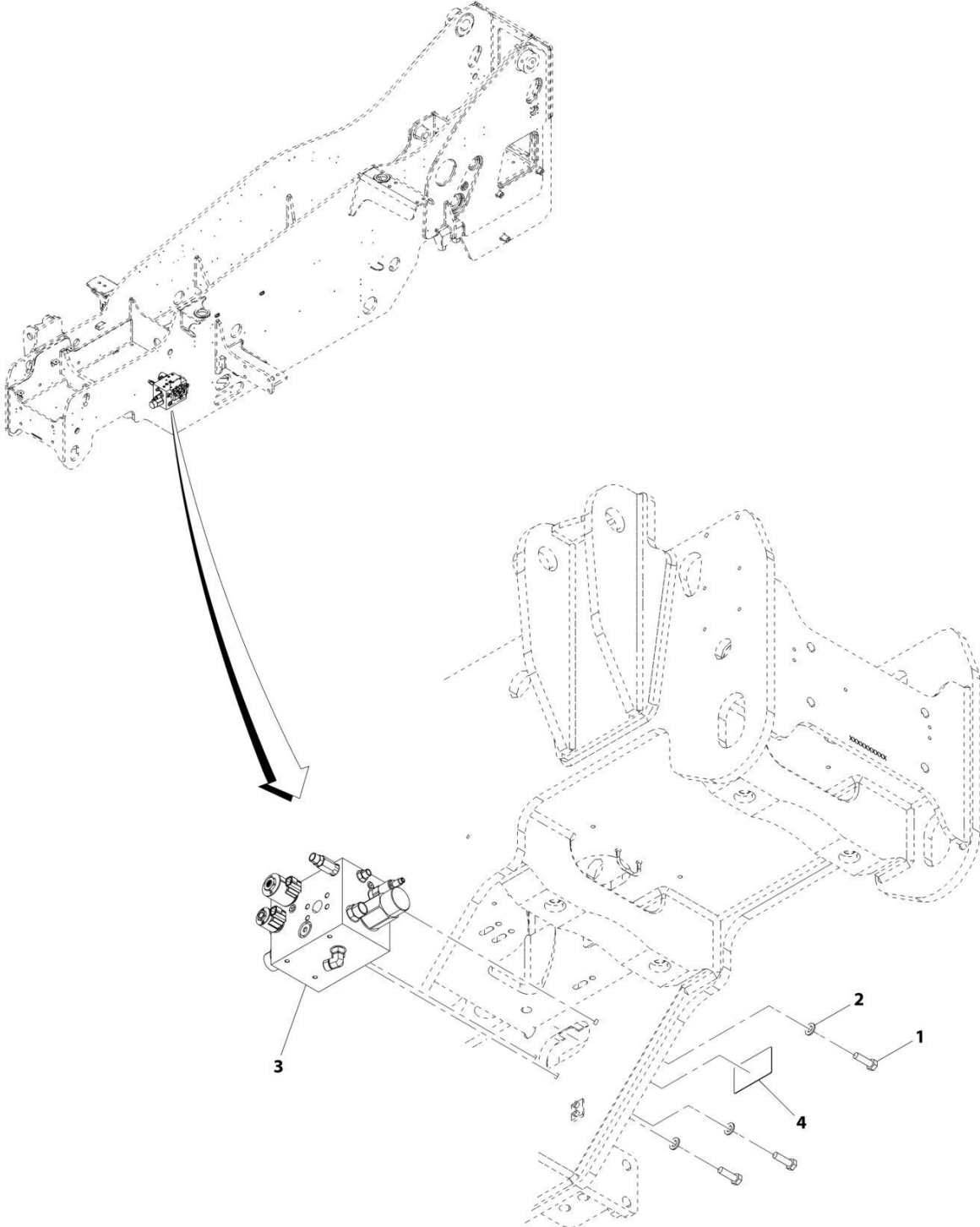
## SECTION 8 - HYDRAULIC CIRCUITS

### FIGURE 8-46. PRIORITY VALVE ASSEMBLY

ITEM	PART NUMBER	QTY	DESCRIPTION	REV
	1001192886	Ref	Priority Valve Assembly	D
1	2110406	2	Fitting, Straight ORFS	
2	2110606	4	Fitting, Straight ORFS	
3	2110810	1	Fitting, Straight ORFS	
4	2111010	2	Fitting, Straight ORFS	
5	2111616	1	Fitting, Straight ORFS	
7	8430033	4	Fitting, Straight	
8	1001192888	1	Assembly, Priority Valve (See Separate Breakdown in HYDRAULIC COMPONENTS Section)	
9	1001187355	1	Valve, Check	

# SECTION 8 - HYDRAULIC CIRCUITS

## FIGURE 8-47. PRIORITY MANIFOLD INSTALLATION (PLATFORM READY)



ART\_1001193836-B



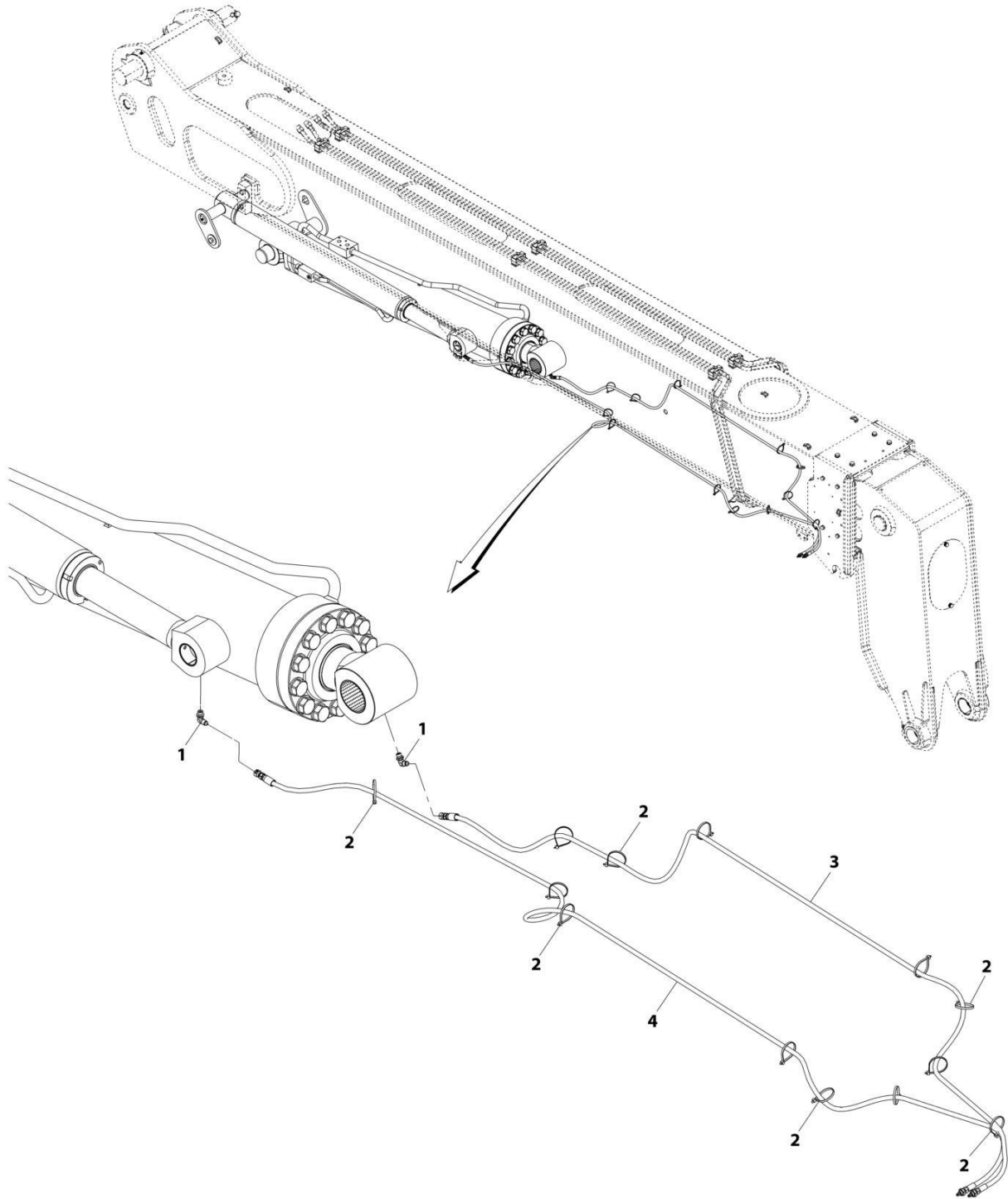
## SECTION 8 - HYDRAULIC CIRCUITS

**FIGURE 8-47. PRIORITY MANIFOLD INSTALLATION (PLATFORM READY)**

ITEM	PART NUMBER	QTY	DESCRIPTION	REV
	1001193836	Ref	Priority Manifold Installation (Platform Ready)	B
1	0701216	3	Bolt, M12X40, Grade 10.9	
2	4812100	3	Washer, M12	
3	1001193838	1	Assembly, Priority Valve (Platform Ready) (See Separate Breakdown in this Section)	
4	1001192887	1	Decal, Port ID	

# SECTION 8 - HYDRAULIC CIRCUITS

## FIGURE 8-48. REMOTE GREASE INSTALLATION



ART\_1001217352-B

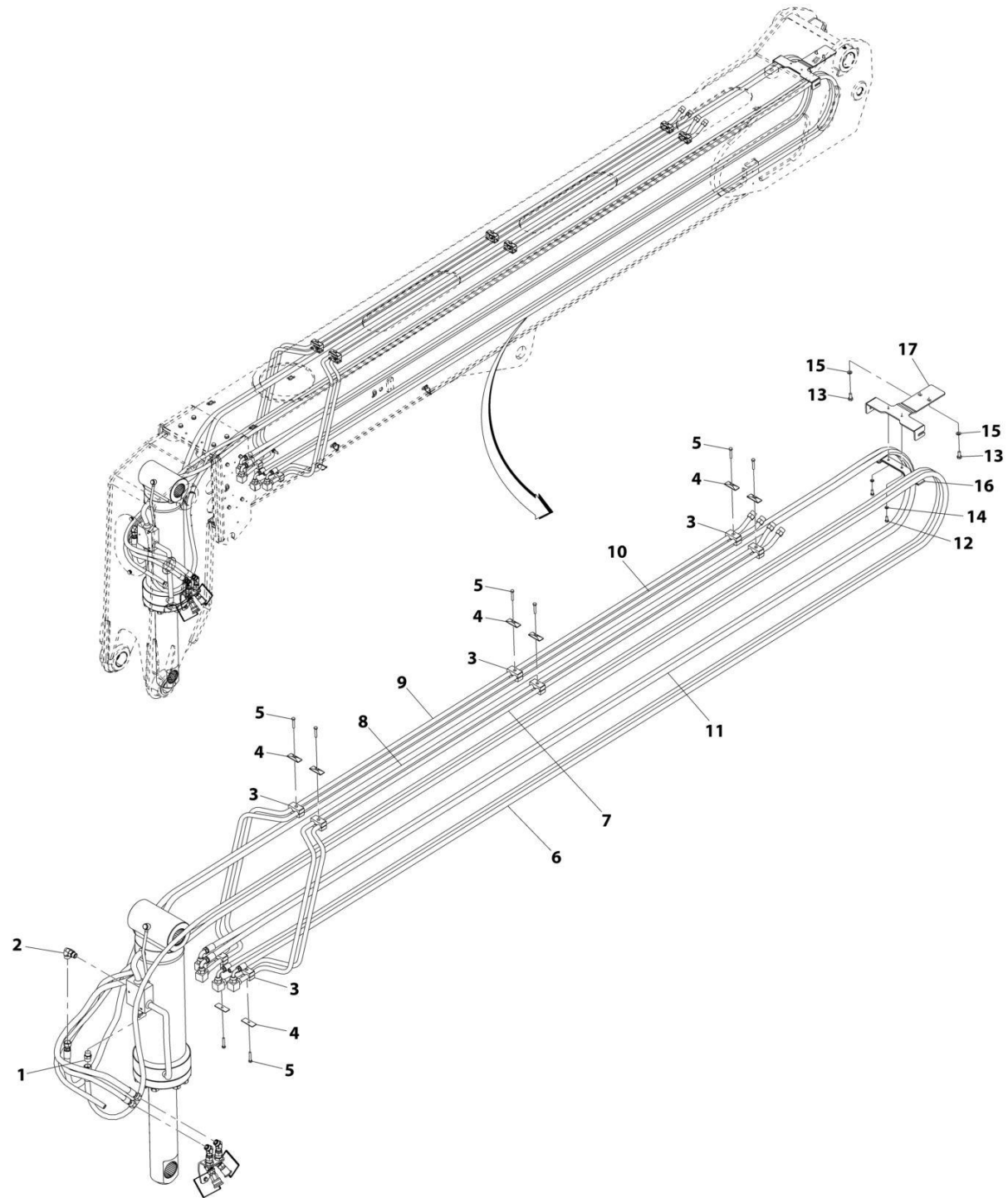
## SECTION 8 - HYDRAULIC CIRCUITS

### FIGURE 8-48. REMOTE GREASE INSTALLATION

ITEM	PART NUMBER	QTY	DESCRIPTION	REV
	1001217352	Ref	Remote Grease Installation	B
1	8770215	2	Fitting, 90 ORFS	
2	1001008559	13	Strap, Cable	
3	1001217354	1	Hose	
4	1001217355	1	Hose	

# SECTION 8 - HYDRAULIC CIRCUITS

## FIGURE 8-49. BOOM HYDRAULIC INSTALLATION



ART\_1001193100-F

## SECTION 8 - HYDRAULIC CIRCUITS

**FIGURE 8-49. BOOM HYDRAULIC INSTALLATION**

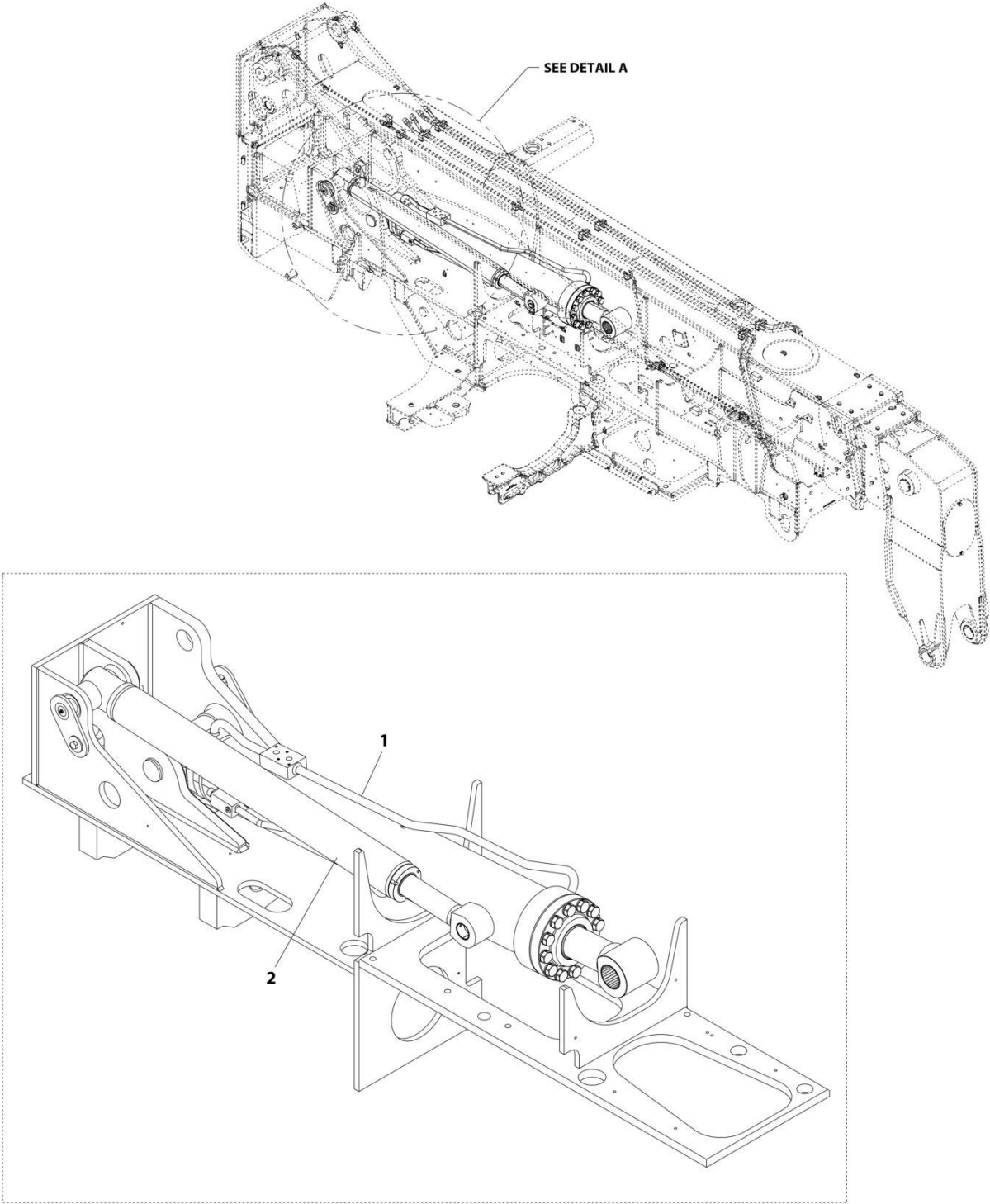
ITEM	PART NUMBER	QTY	DESCRIPTION	REV
	1001193100	Ref	Boom Hydraulic Installation	F
1	2111010	1	Fitting, Straight ORFS	
2	2131010	1	Fitting, ORFS	
3	77133136	8	Clamp	
4	77133137	8	Plate, Twin Hose Cover	
5	0700817	8	Bolt, M8X45	
6	1001206242	1	Hose	
7	1001209200	1	Pipe	
8	1001209201	1	Pipe	
9	1001209202	1	Pipe	
10	1001209203	1	Pipe	
11	1001193465	1	Hose	
12	0760810	2	Bolt, M8X20	
13	0761012	2	Bolt, M10X25	
14	4811900	2	Washer, M8	
15	4812000	2	Washer, M10	
16	1001214661	1	Plate	
17	1001215470	1	Support, Hose	



**SECTION 9 - HYDRAULIC COMPONENTS**

# SECTION 9 - HYDRAULIC COMPONENTS

## FIGURE 9-1. CYLINDER GROUP INSTALLATION



ART\_1001192427-B



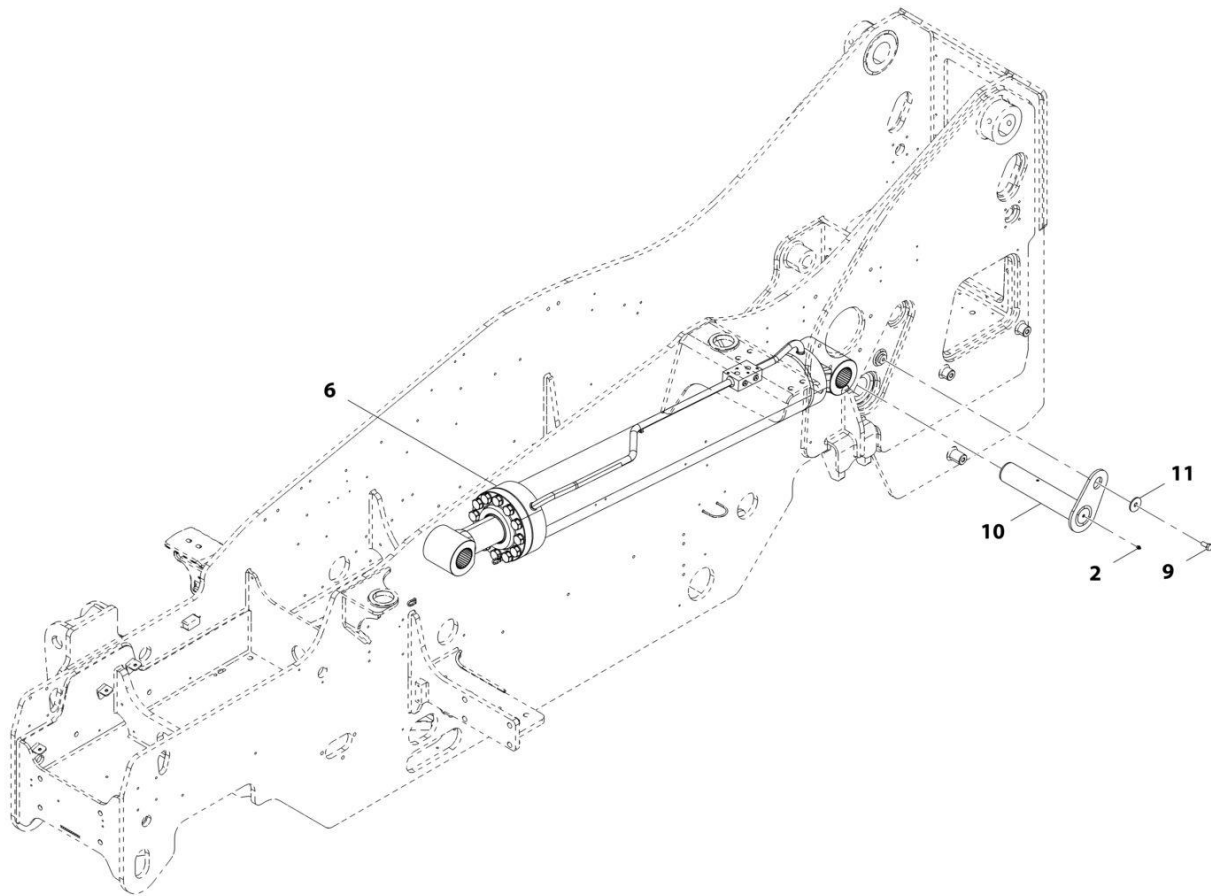
# SECTION 9 - HYDRAULIC COMPONENTS

## FIGURE 9-1. CYLINDER GROUP INSTALLATION

ITEM	PART NUMBER	QTY	DESCRIPTION	REV
1	1001192427	Ref	Cylinder Group Installation	B
	1001198577	Ref	Installation, Lift Cylinder (See Separate Breakdown in this Section)	
2	1001198578	ref	Installation, Compensation Cylinder (See Separate Breakdown in this Section)	

# SECTION 9 - HYDRAULIC COMPONENTS

## FIGURE 9-2. LIFT CYLINDER INSTALLATION



ART\_1001198577-C

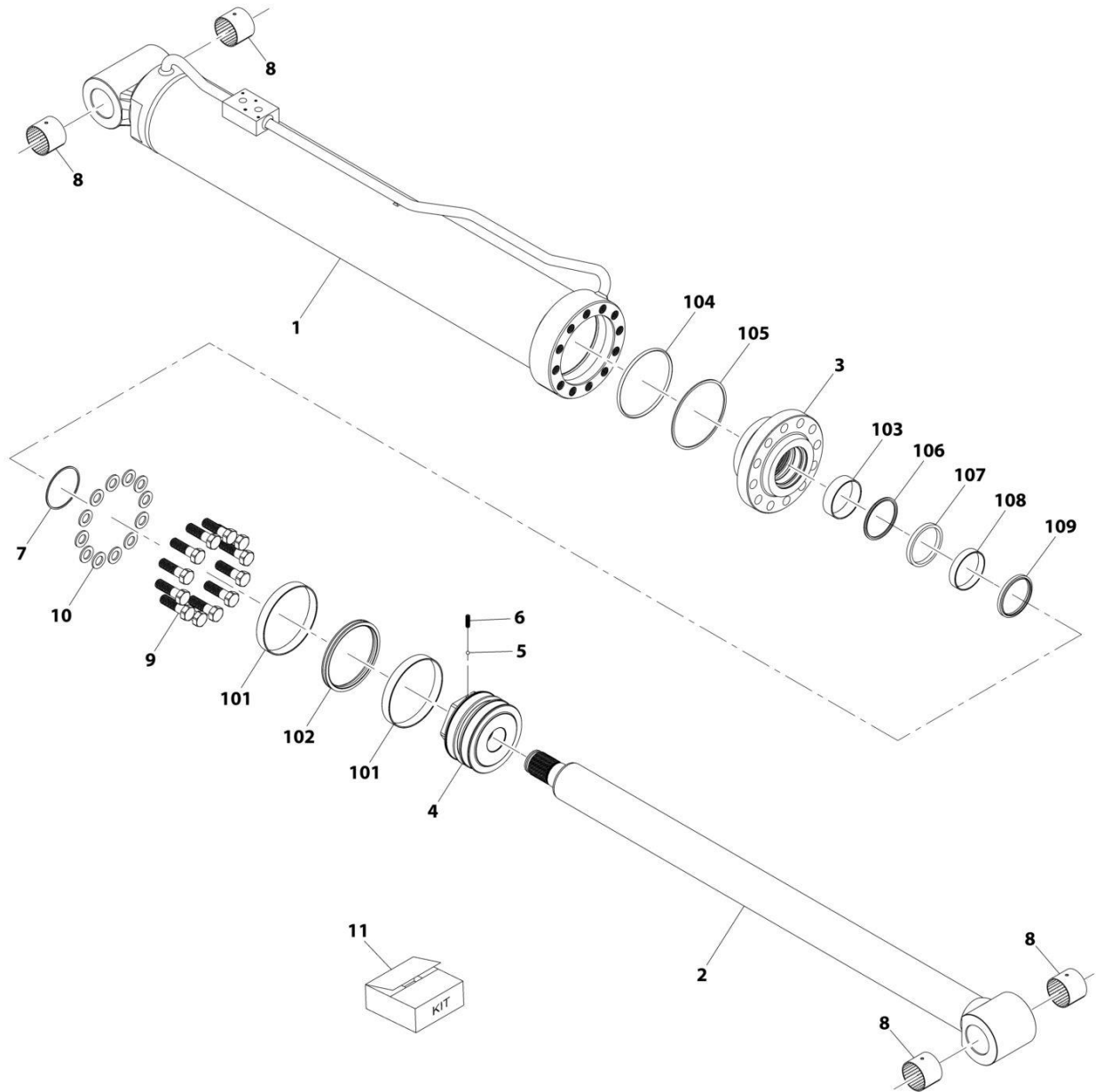
## SECTION 9 - HYDRAULIC COMPONENTS

### FIGURE 9-2. LIFT CYLINDER INSTALLATION

ITEM	PART NUMBER	QTY	DESCRIPTION	REV
	1001198577	Ref	Lift Cylinder Installation	C
2	2160016	1	Fitting, Grease	
6	1001198715	1	Cylinder, Lift (See Separate Breakdown in this Section)	
9	0771414	1	Bolt, M14X30	
10	1001216331	1	Pin	
11	1001217226	1	Washer	

# SECTION 9 - HYDRAULIC COMPONENTS

## FIGURE 9-3. LIFT CYLINDER



ART\_1001198715-G

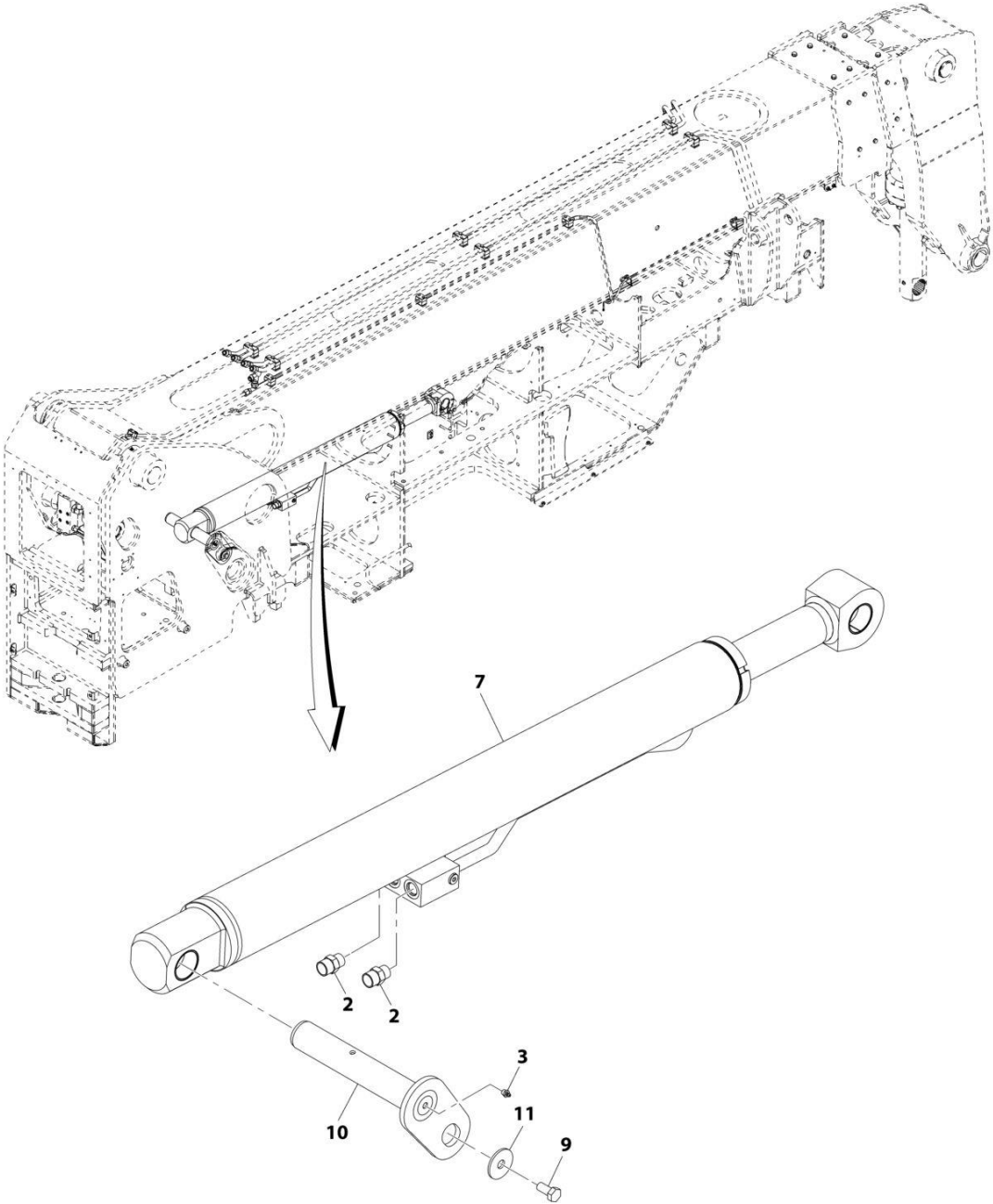
## SECTION 9 - HYDRAULIC COMPONENTS

### FIGURE 9-3. LIFT CYLINDER

ITEM	PART NUMBER	QTY	DESCRIPTION	REV
	1001198715	Ref	Lift Cylinder	G
		Ref	Note: Original Cylinder May Have Been Replaced with Service Replacement. Identify PN Stamped on Cylinder Before Ordering Parts.	
1	N.S.S.	1	Barrel	
2	70028325	1	Rod	
3	70028307	1	Guide, Rod	
4	70028308	1	Piston	
5	70025614	1	Bearing	
6	70028309	1	Screw, Locking	
7	70025590	1	Ring, Snap	
8	70028310	4	Bushing	
9	70028311	12	Bolt	
10	70028312	12	Washer	
11	70028324	1	Kit, Seal (includes items 101 thru 109)	
101	Kit	2	Ring, Piston	
102	Kit	1	Seal	
103	Kit	1	Wiper, Rod	
104	Kit	1	O-Ring	
105	Kit	1	Ring, Backup	
106	Kit	1	Seal	
107	Kit	1	Seal	
108	Kit	1	Wiper, Rod	
109	Kit	1	Seal	

**SECTION 9 - HYDRAULIC COMPONENTS**

**FIGURE 9-4. COMPENSATION CYLINDER INSTALLATION**



ART\_1001198578-C

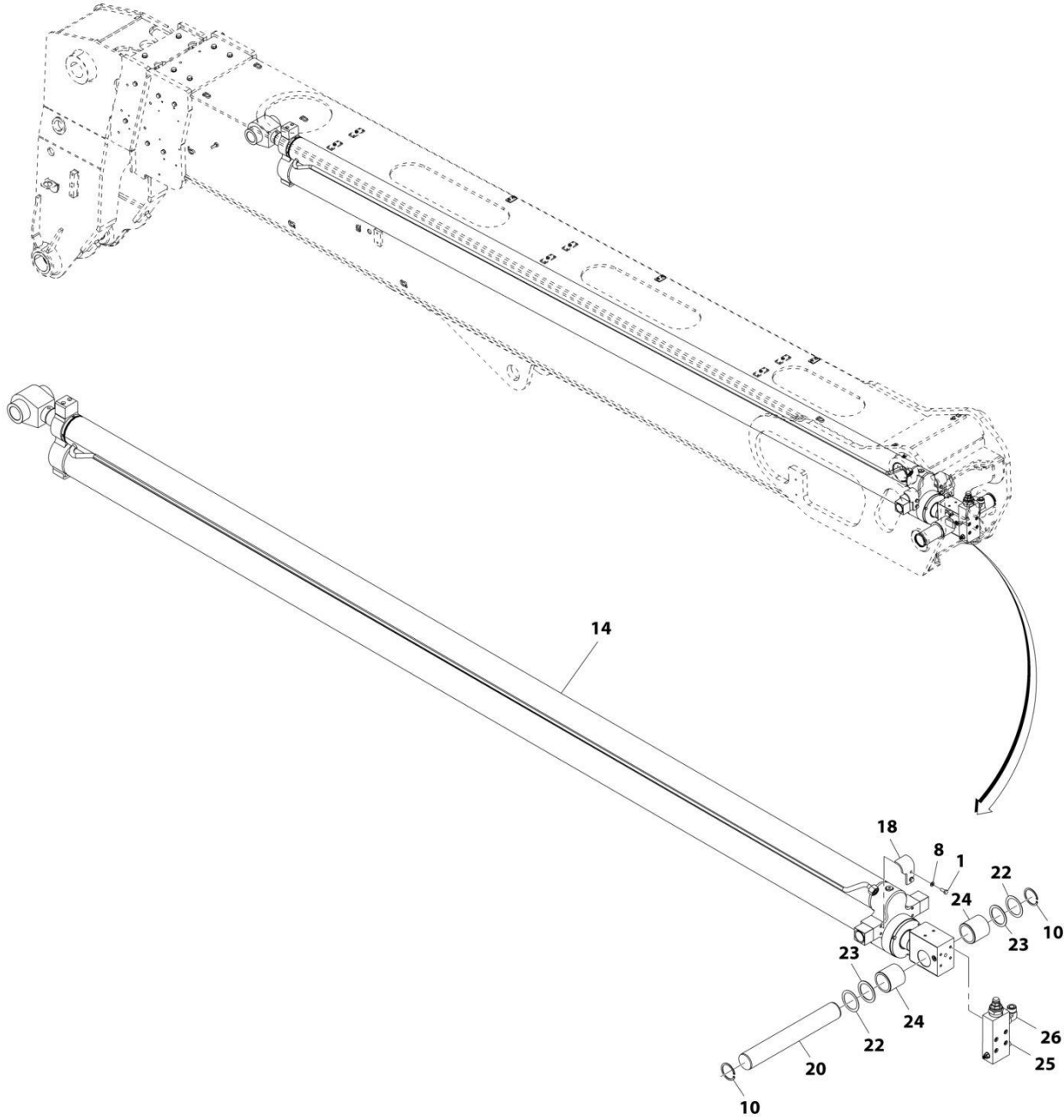
## SECTION 9 - HYDRAULIC COMPONENTS

FIGURE 9-4. COMPENSATION CYLINDER INSTALLATION

ITEM	PART NUMBER	QTY	DESCRIPTION	REV
	1001198578	Ref	Compensation Cylinder Installation	C
2	2111010	2	Fitting, Straight ORFS	
3	2160016	1	Fitting, Grease	
7	1001198717	1	Cylinder, Compensation (See Separate Breakdown in this Section)	
9	0771414	1	Bolt, M14X30	
10	1001216333	1	Pin	
11	1001217226	1	Washer	

# SECTION 9 - HYDRAULIC COMPONENTS

## FIGURE 9-5. EXTEND/RETRACT CYLINDER INSTALLATION



ART\_1001199325-H



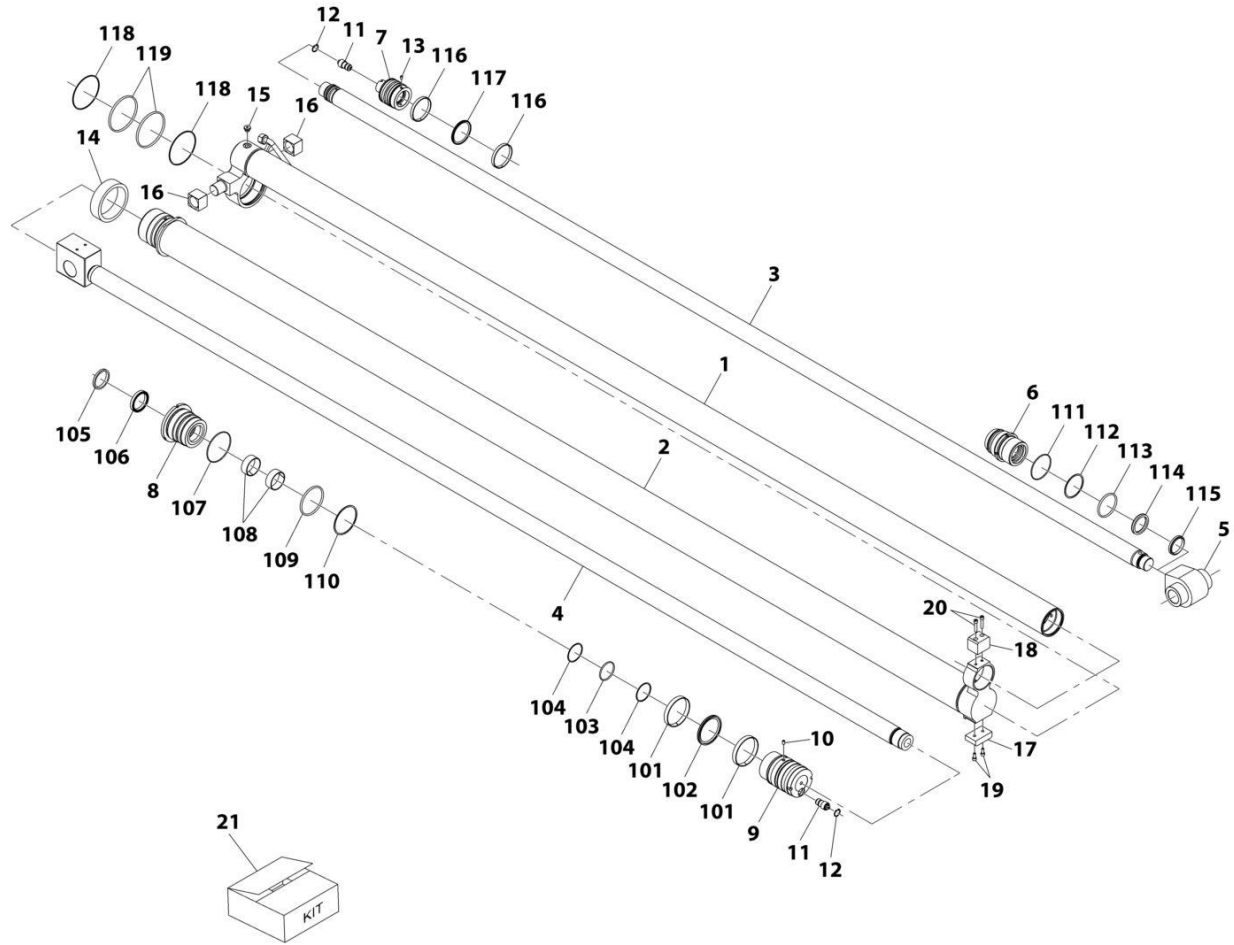
## SECTION 9 - HYDRAULIC COMPONENTS

**FIGURE 9-5. EXTEND/RETRACT CYLINDER INSTALLATION**

ITEM	PART NUMBER	QTY	DESCRIPTION	REV
	1001199325	Ref	Extend/Retract Cylinder Installation	H
1	0760810	2	Bolt, M8X20	
8	4811900	2	Washer, M8	
10	8006258	2	Ring, Retaining	
14	1001226947	1	Cylinder, Extend/Retract (See Separate Breakdown in this Section)	
18	1001213562	1	Plate	
20	1001205528	1	Pin	
22	1001100166	2	Shim	
23	1001100169	2	Shim	
24	1001208451	2	Spacer, M70X5X72	
25	2110806	1	Fitting, Straight ORFS	
26	2131212	1	Fitting, 90 ORFS	

# SECTION 9 - HYDRAULIC COMPONENTS

## FIGURE 9-6. EXTEND/RETRACT CYLINDER



ART\_1001198931-J

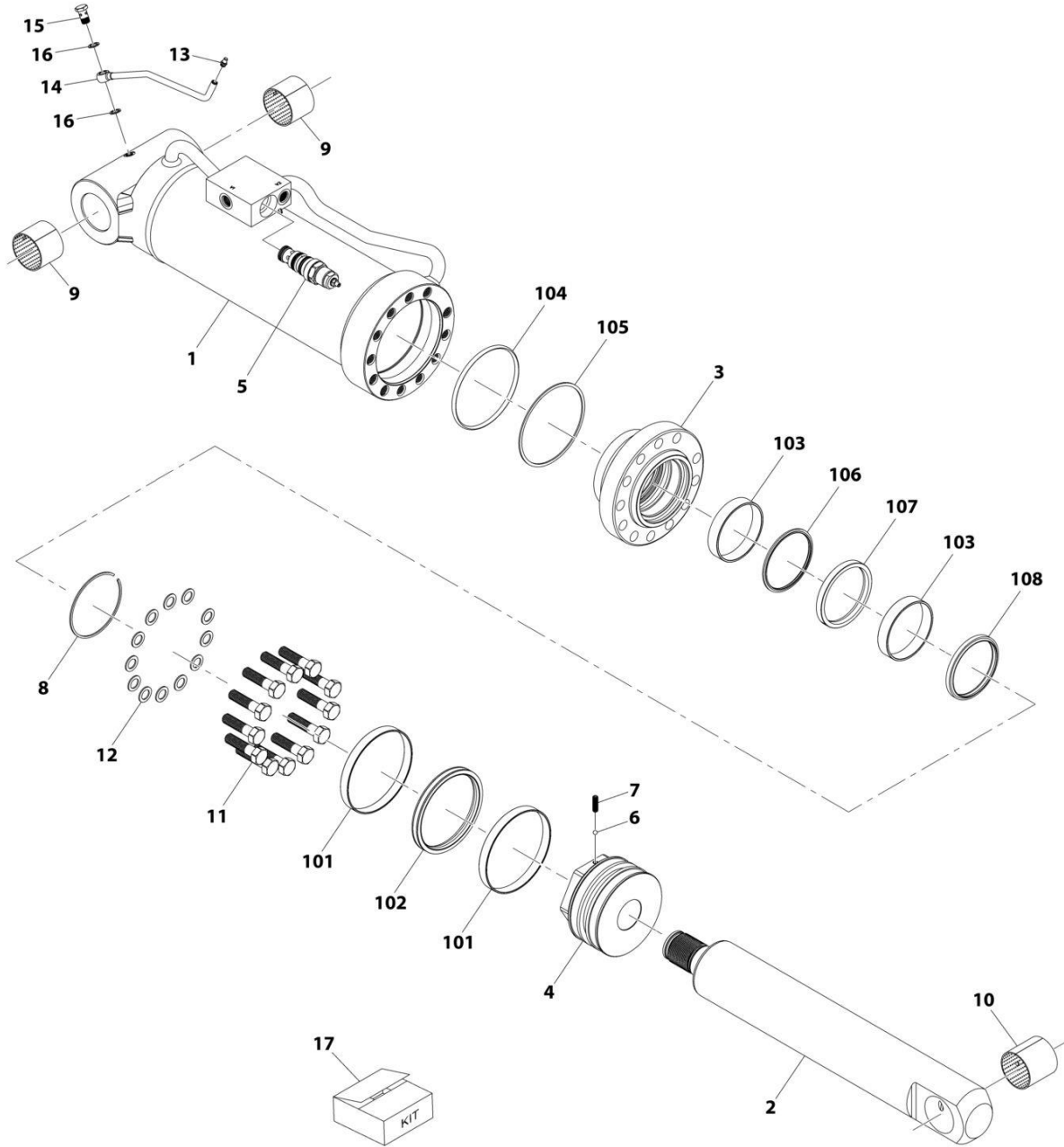
## SECTION 9 - HYDRAULIC COMPONENTS

### FIGURE 9-6. EXTEND/RETRACT CYLINDER

ITEM	PART NUMBER	QTY	DESCRIPTION	REV
	1001198931	1	Extend/Retract Cylinder	J
		Ref	Note: Original Cylinder May Have Been Replaced with Service Replacement. Identify PN Stamped on Cylinder Before Ordering Parts.	
1	N.S.S.	1	Assembled Body	
2	N.S.S.	1	Assembled Body	
3	70028363	1	Assembled Rod	
4	70027800	1	Assembled Rod	
5	70028364	1	Assembled attachment	
6	70024228	1	Rod Guide	
7	70028365	1	Piston	
8	70024235	1	Rod Guide	
9	70024236	1	Piston	
10	70020438	1	Screw	
11	1001200111	2	Valve	
12	70028366	2	Circlip	
13	70026838	1	Screw	
14	70024234	1	Spacer	
15	70024237	1	Plug	
16	70024239	2	Bearing	
17	70028367	1	Guide pad	
18	70028368	1	Guide pad	
19	70028369	2	Screw	
20	70028370	2	Screw	
21	70027806	1	Seal kit (includes items 101 thru 119)	
101	Kit	2	Bearing	
102	Kit	1	Piston Seal	
103	Kit	1	O-ring	
104	Kit	2	Backup ring	
105	Kit	1	Wipper	
106	Kit	1	Rod seal	
107	Kit	1	O-ring	
108	Kit	2	Bearing	
109	Kit	1	O-ring	
110	Kit	1	Backup ring	
111	Kit	1	O-ring	
112	Kit	1	Backup ring	
113	Kit	1	O-ring	
114	Kit	1	Rod seal	
115	Kit	1	Wipper	
116	Kit	2	Bearing	
117	Kit	1	Piston Seal	
118	Kit	2	O-ring	
119	Kit	2	Backup ring	

# SECTION 9 - HYDRAULIC COMPONENTS

## FIGURE 9-7. TILT CYLINDER



ART\_1001174812-D

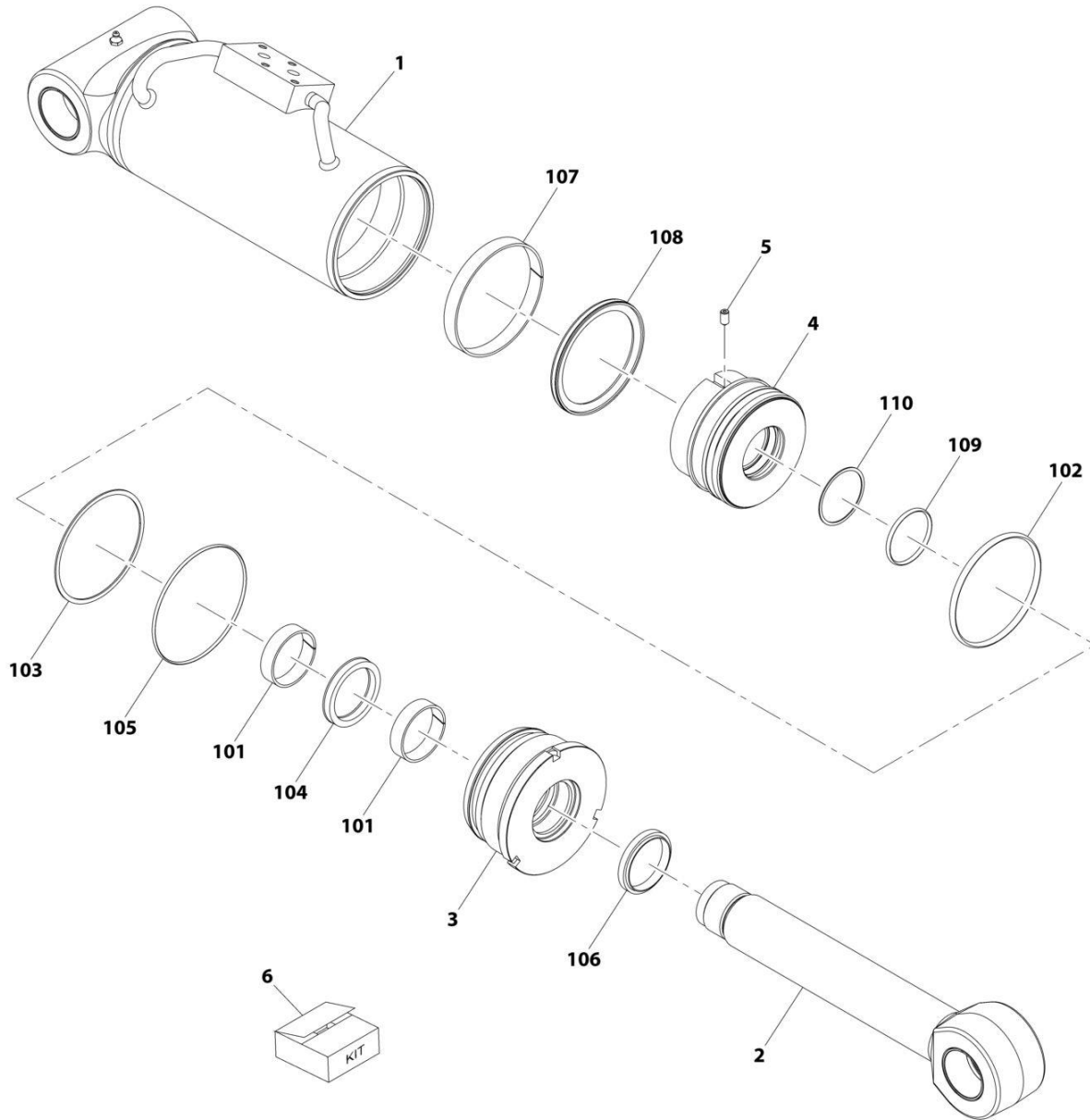
## SECTION 9 - HYDRAULIC COMPONENTS

### FIGURE 9-7. TILT CYLINDER

ITEM	PART NUMBER	QTY	DESCRIPTION	REV
	1001174812	Ref	Tilt Cylinder	F
		Ref	Note: Original Cylinder May Have Been Replaced with Service Replacement. Identify PN Stamped on Cylinder Before Ordering Parts.	
1	N.S.S.	1	Barrel	
2	70028314	1	Rod	
3	70028315	1	Piston	
4	70028316	1	Head	
5	70028317	1	Valve, Counterbalance	
6	70025614	1	Bearing	
7	70028309	1	Screw, Locking	
8	70028318	1	Ring, Snap	
9	70028310	2	Bushing	
10	70028319	1	Bushing	
11	70028320	12	Bolt	
12	70028321	12	Washer	
13	70029941	2	Fitting, Grease	
14	70028322	1	Pipe	
15	70024035	1	Screw	
16	70028323	2	Washer	
17	70028324	1	Kit, Seal (includes items 101 thru 108)	
101	Kit	2	Ring, Piston	
102	Kit	1	Seal, Piston	
103	Kit	2	Ring, Rod	
104	Kit	1	"O" Ring	
105	Kit	1	Ring, Back-Up	
106	Kit	1	Seal, Rod	
107	Kit	1	Seal, Rod	
108	Kit	1	Wiper	

# SECTION 9 - HYDRAULIC COMPONENTS

## FIGURE 9-8. FRAME LEVEL CYLINDER



ART\_1001201073-E

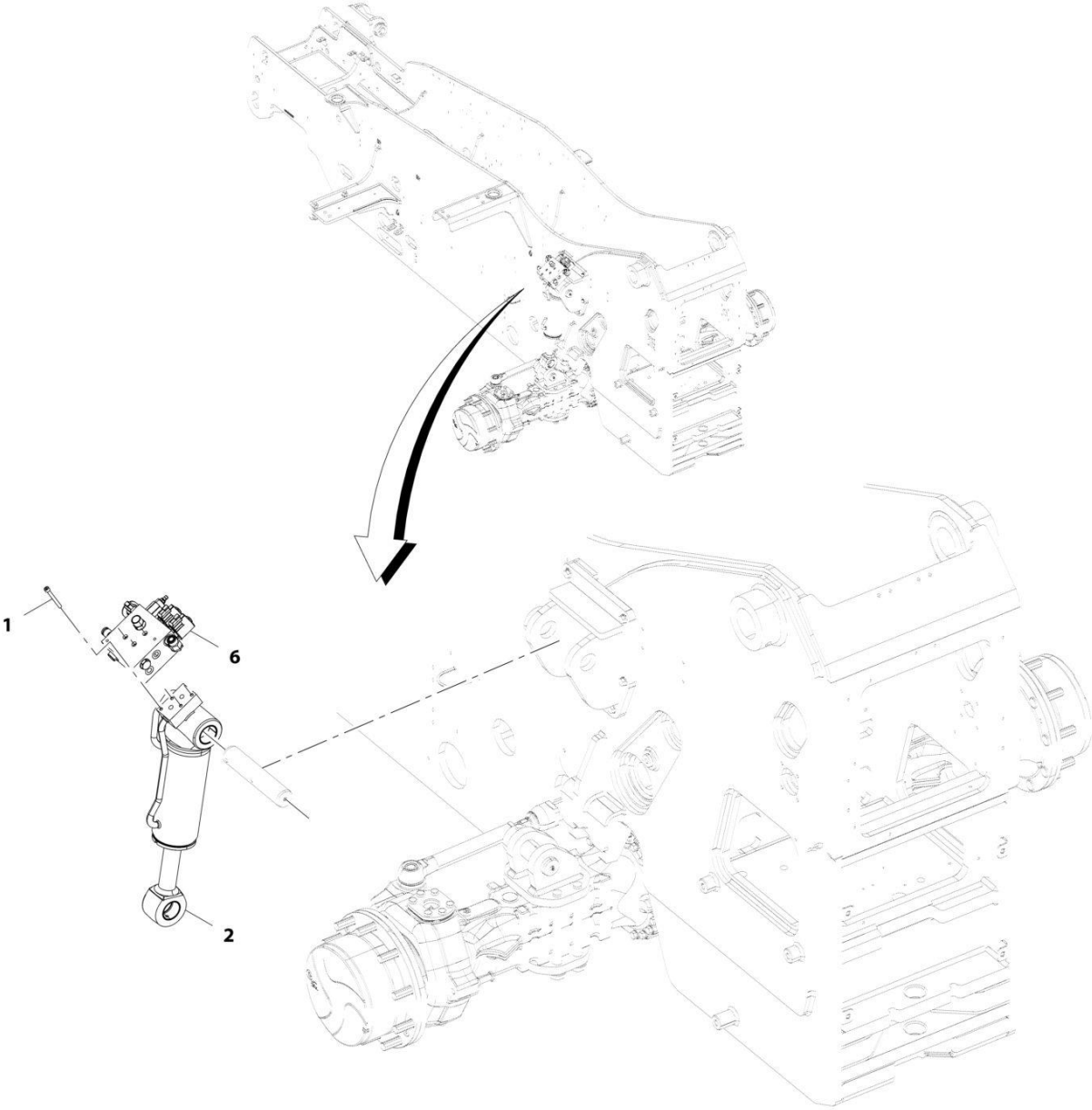
## SECTION 9 - HYDRAULIC COMPONENTS

### FIGURE 9-8. FRAME LEVEL CYLINDER

ITEM	PART NUMBER	QTY	DESCRIPTION	REV
	1001201073	Ref	Frame Level Cylinder	E
		Ref	Note: Original Cylinder May Have Been Replaced with Service Replacement. Identify PN Stamped on Cylinder Before Ordering Parts.	
1	N.S.S.	1	Barrel	
2	70028362	1	Rod	
3	70026249	1	Head	
4	70026251	1	Piston	
5	70020438	1	Screw, Locking	
6	70026253	1	Seal kit (includes items 101 thru 110)	
101	Kit	2	Bearing	
102	Kit	1	O-Ring	
103	Kit	1	Backup Ring	
104	Kit	1	Rod Seal	
105	Kit	1	O-Ring	
106	Kit	1	Wiper	
107	Kit	1	Bearing	
108	Kit	1	Piston Seal	
109	Kit	1	O-Ring	
110	Kit	1	Backup Ring	

**SECTION 9 - HYDRAULIC COMPONENTS**

**FIGURE 9-9. RALP CYLINDER INSTALLATION**



ART\_1001193917-D



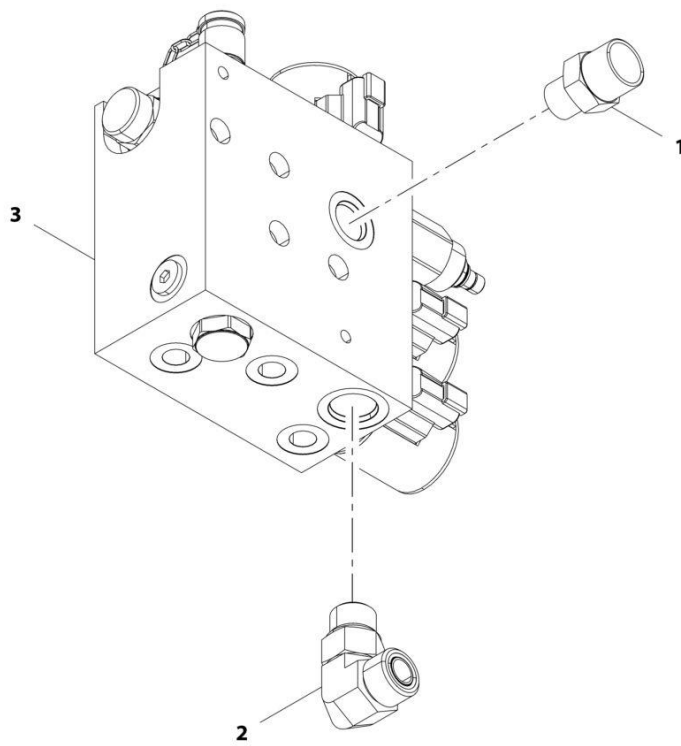
## SECTION 9 - HYDRAULIC COMPONENTS

### FIGURE 9-9. RALP CYLINDER INSTALLATION

ITEM	PART NUMBER	QTY	DESCRIPTION	REV
	1001193917	Ref	RALP Cylinder Installation	D
1	4031920	4	Screw, M8X1.25	
2	1001204576	1	Cylinder, RALP	
6	1001212511	1	Installation, Rear Axle Lock Valve (See Separate Breakdown in this Section)	

# SECTION 9 - HYDRAULIC COMPONENTS

## FIGURE 9-10. REAR AXLE LOCK VALVE INSTALLATION



ART\_1001212511-A

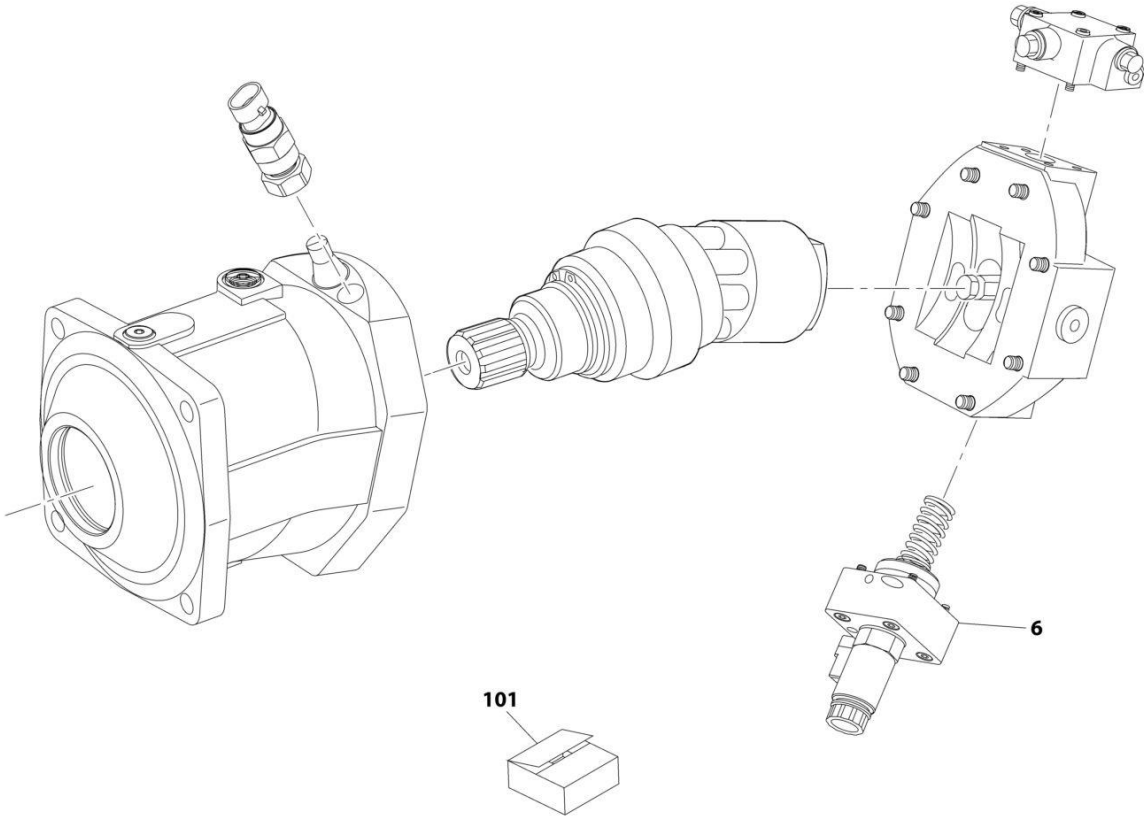
## SECTION 9 - HYDRAULIC COMPONENTS

FIGURE 9-10. REAR AXLE LOCK VALVE INSTALLATION

ITEM	PART NUMBER	QTY	DESCRIPTION	REV
	1001212511	Ref	Rear Axle Lock Valve Installation	A
1	2111008	1	Fitting, Straight ORFS	
2	2131010	1	Fitting, ORFS	
3	1001188203	1	Valve, Rear Axle Lock	

**SECTION 9 - HYDRAULIC COMPONENTS**

**FIGURE 9-11. HYDROSTATIC MOTOR**

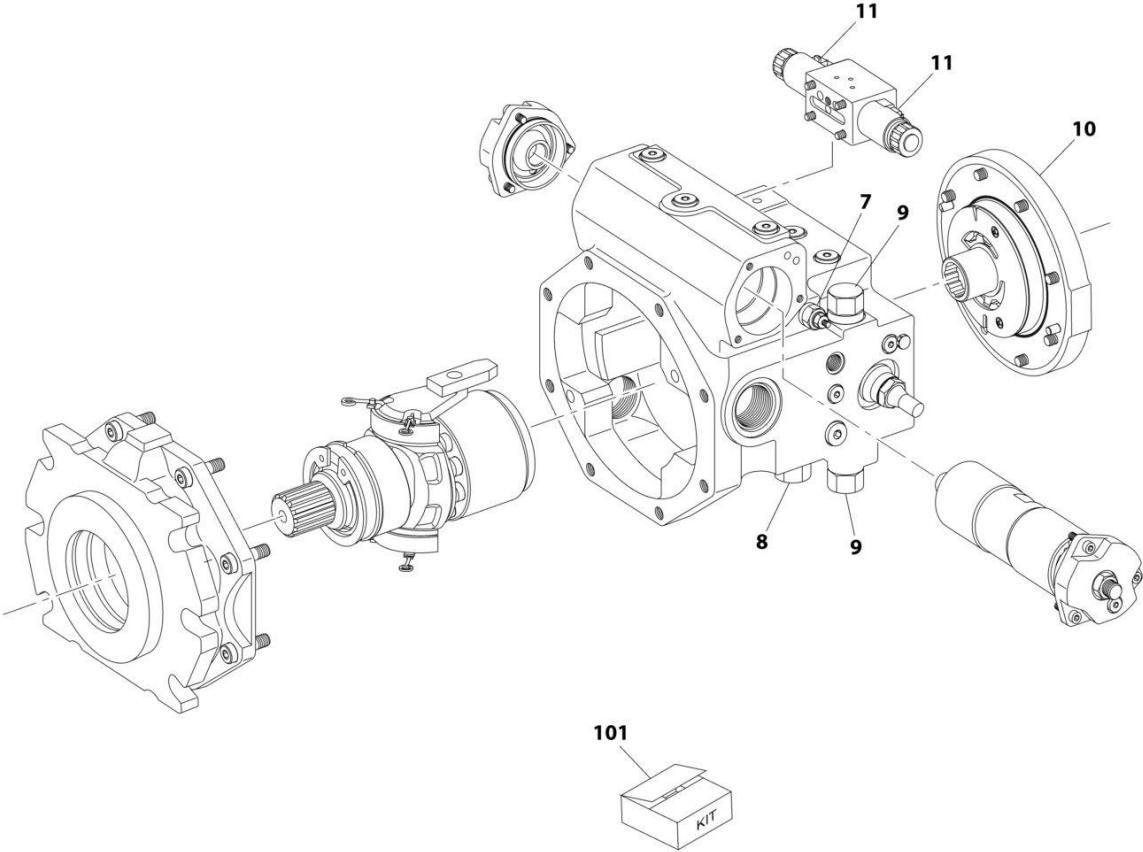


ART\_1001193308-C



**SECTION 9 - HYDRAULIC COMPONENTS**

**FIGURE 9-12. HYDROSTATIC PUMP**

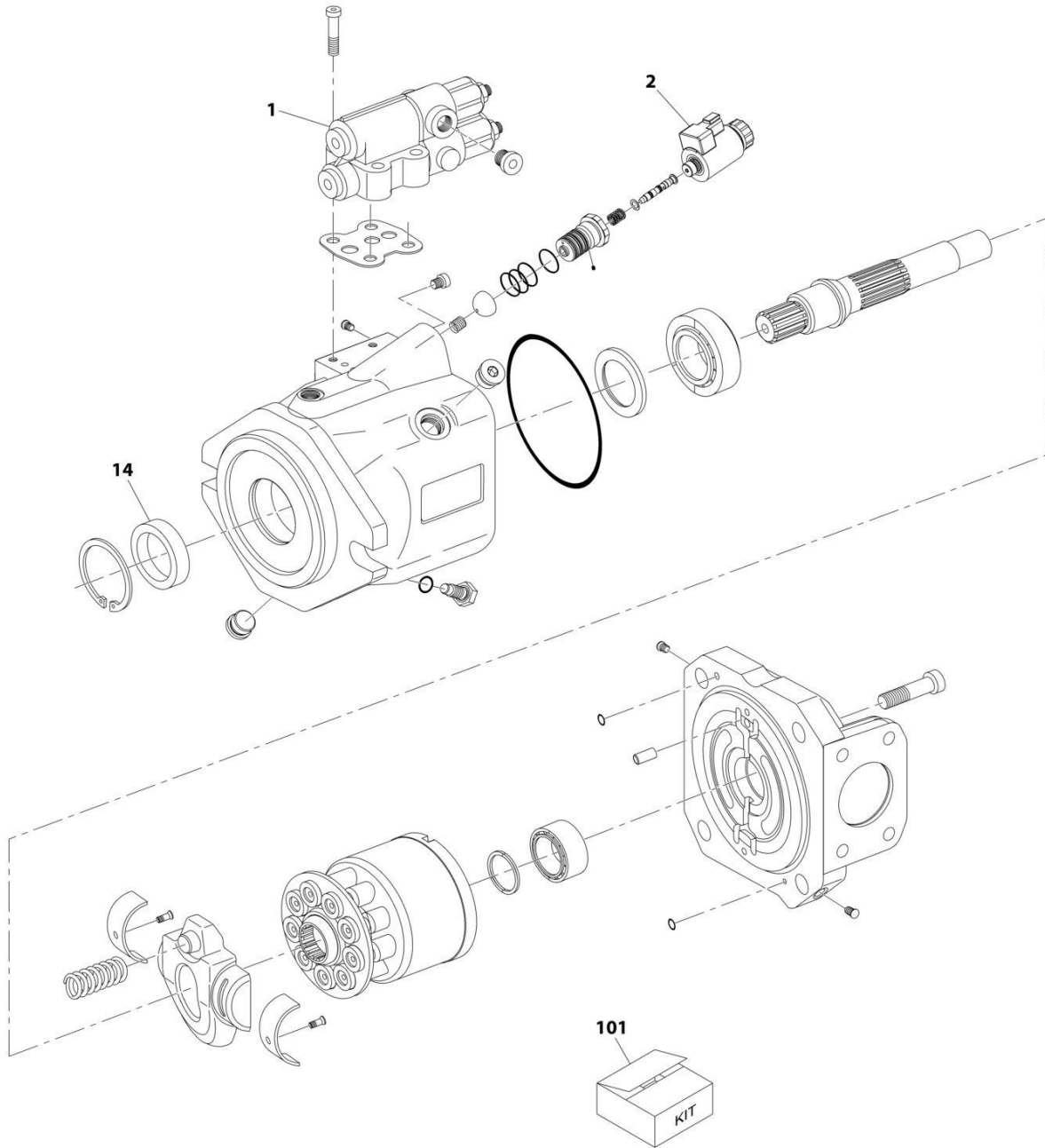


ART\_1001193307-D



# SECTION 9 - HYDRAULIC COMPONENTS

## FIGURE 9-13. IMPLEMENT PUMP



ART\_1001180070-F



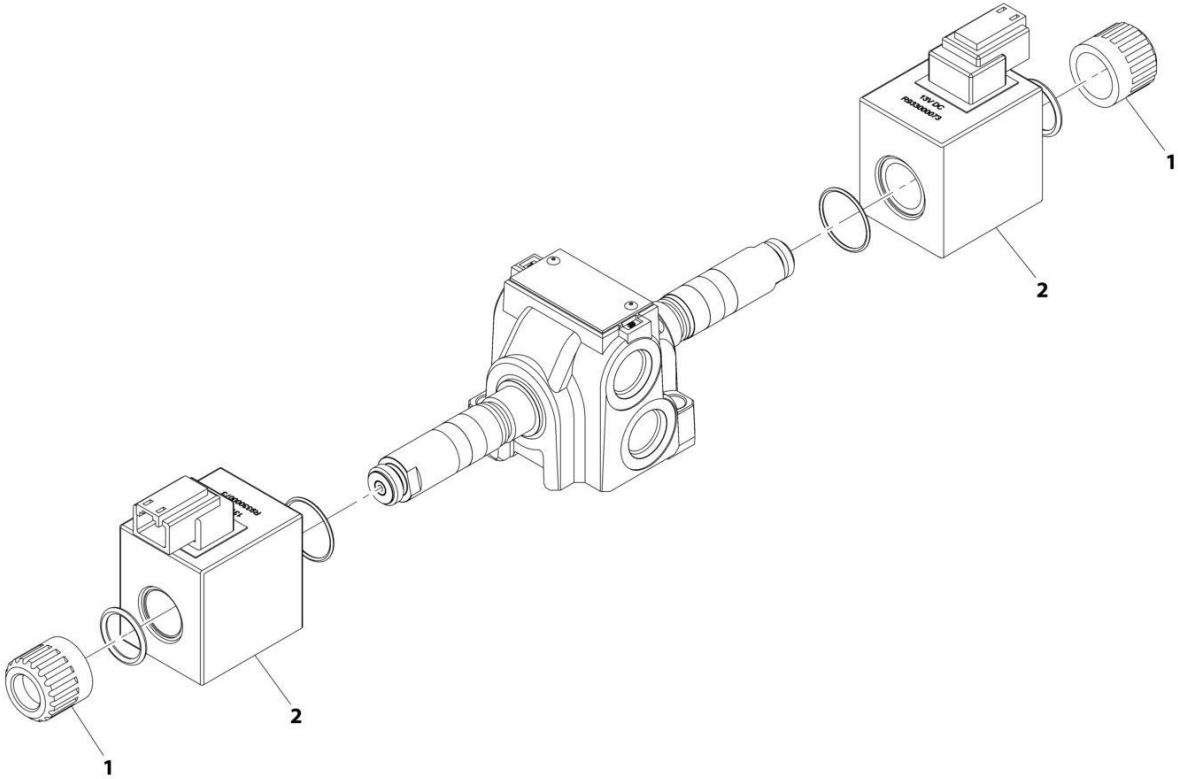
## SECTION 9 - HYDRAULIC COMPONENTS

### FIGURE 9-13. IMPLEMENT PUMP

ITEM	PART NUMBER	QTY	DESCRIPTION	REV
	1001180070	1	Implement Pump	F
1	70027595	1	Controller, DSR	
2	70028412	1	Controller, EK	
14	7024947	1	Seal, Shaft	
101	70028413	1	Kit, Seal	
	Kit	1	Seal	
	Kit	1	Plug	
	Kit	2	Plug	
	Kit	2	O-Ring	
	Kit	1	O-Ring	

**SECTION 9 - HYDRAULIC COMPONENTS**

**FIGURE 9-14. STEERING SELECT VALVE**



ART\_1001153748-C

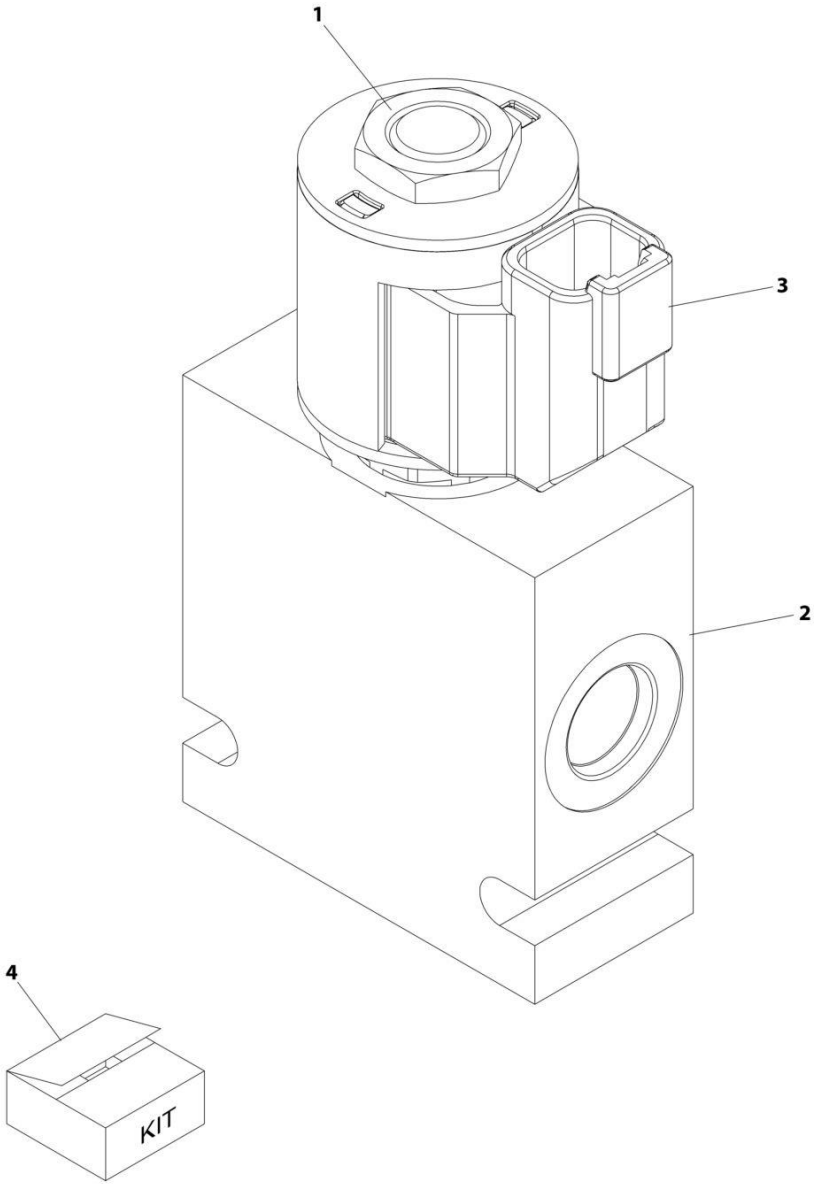
## SECTION 9 - HYDRAULIC COMPONENTS

FIGURE 9-14. STEERING SELECT VALVE

ITEM	PART NUMBER	QTY	DESCRIPTION	REV
	1001153748	Ref	Steering Select Valve	C
1	70020867	2	Nut, Coil	
2	70026582	2	Coil	

**SECTION 9 - HYDRAULIC COMPONENTS**

**FIGURE 9-15. SOLENOID VALVE**



ART\_1001221928-A

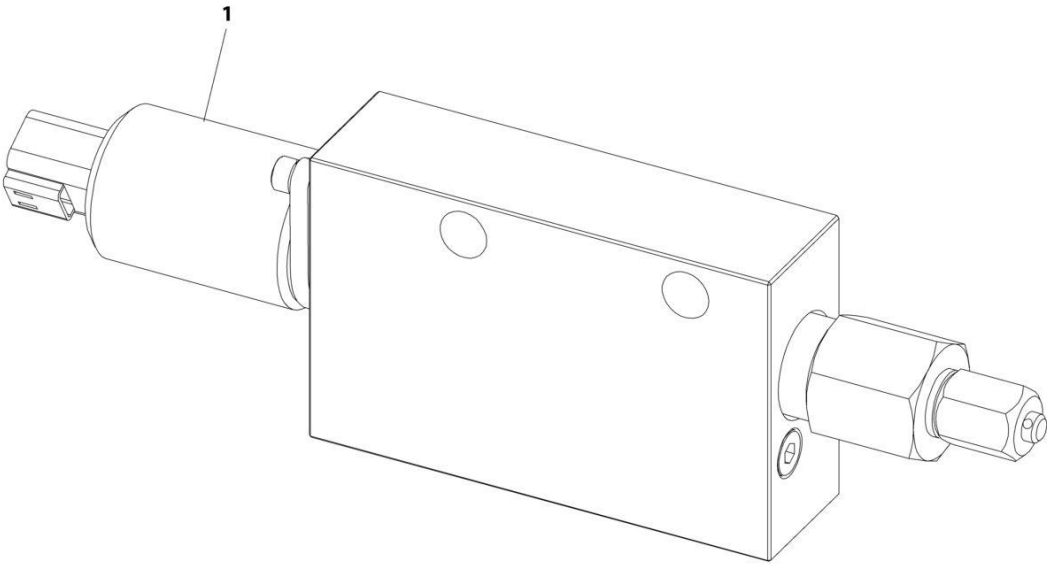
## SECTION 9 - HYDRAULIC COMPONENTS

### FIGURE 9-15. SOLENOID VALVE

ITEM	PART NUMBER	QTY	DESCRIPTION	REV
	1001221928	Ref	Solenoid Valve	A
1	70004387	1	Cartridge	
2	N.S.S.	Ref	Body	
3	70002963	1	Coil	
4	7010543	1	Kit, Seal	

**SECTION 9 - HYDRAULIC COMPONENTS**

**FIGURE 9-16. INCHING VALVE**



ART\_1001213311-B

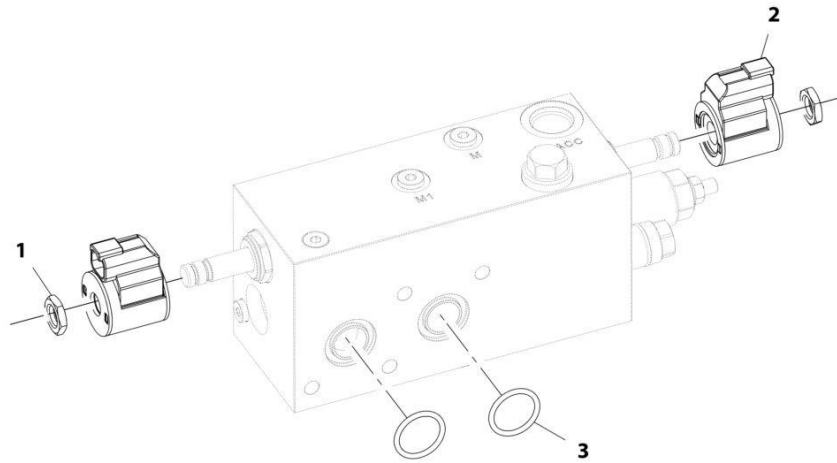
## SECTION 9 - HYDRAULIC COMPONENTS

### FIGURE 9-16. INCHING VALVE

ITEM	PART NUMBER	QTY	DESCRIPTION	REV
1	1001213311 70028361	Ref 1	Inching Valve Valve, Proportional	B

# SECTION 9 - HYDRAULIC COMPONENTS

FIGURE 9-17. BOOM RAISE VALVE (RIDE CONTROL)



ART\_1001224945-C



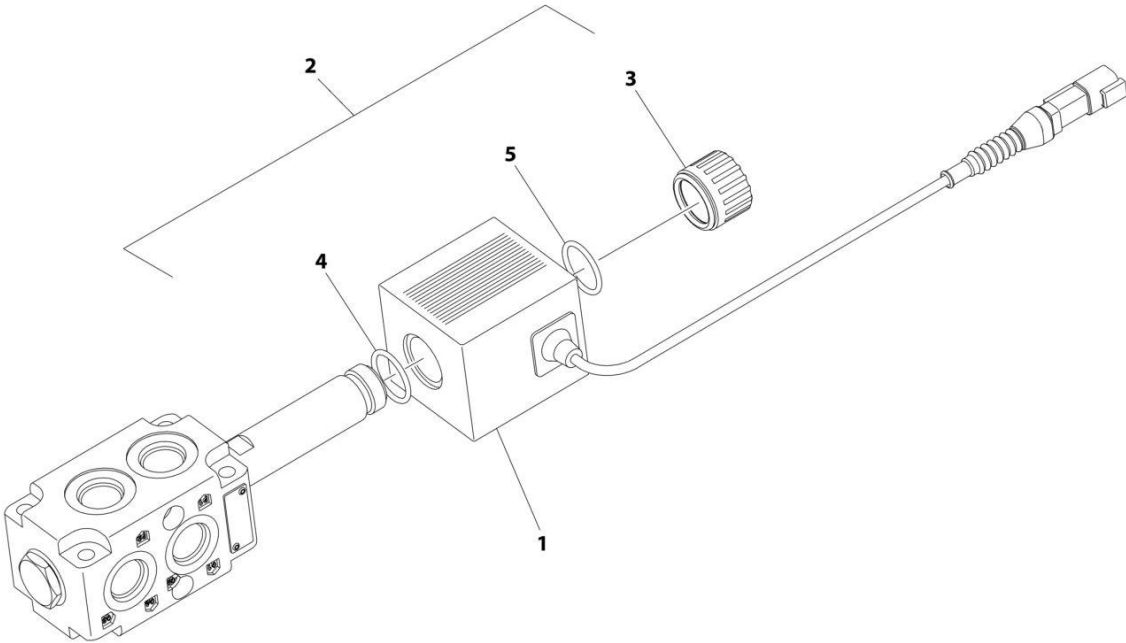
## SECTION 9 - HYDRAULIC COMPONENTS

FIGURE 9-17. BOOM RAISE VALVE (RIDE CONTROL)

ITEM	PART NUMBER	QTY	DESCRIPTION	REV
	1001224945	Ref	Boom Raise Valve (Ride Control)	C
1	7022390	2	Nut	
2	70028281	2	Coil	
3	70028282	2	O-Ring	

**SECTION 9 - HYDRAULIC COMPONENTS**

**FIGURE 9-18. DIVERTOR VALVE**



ART\_1001104477

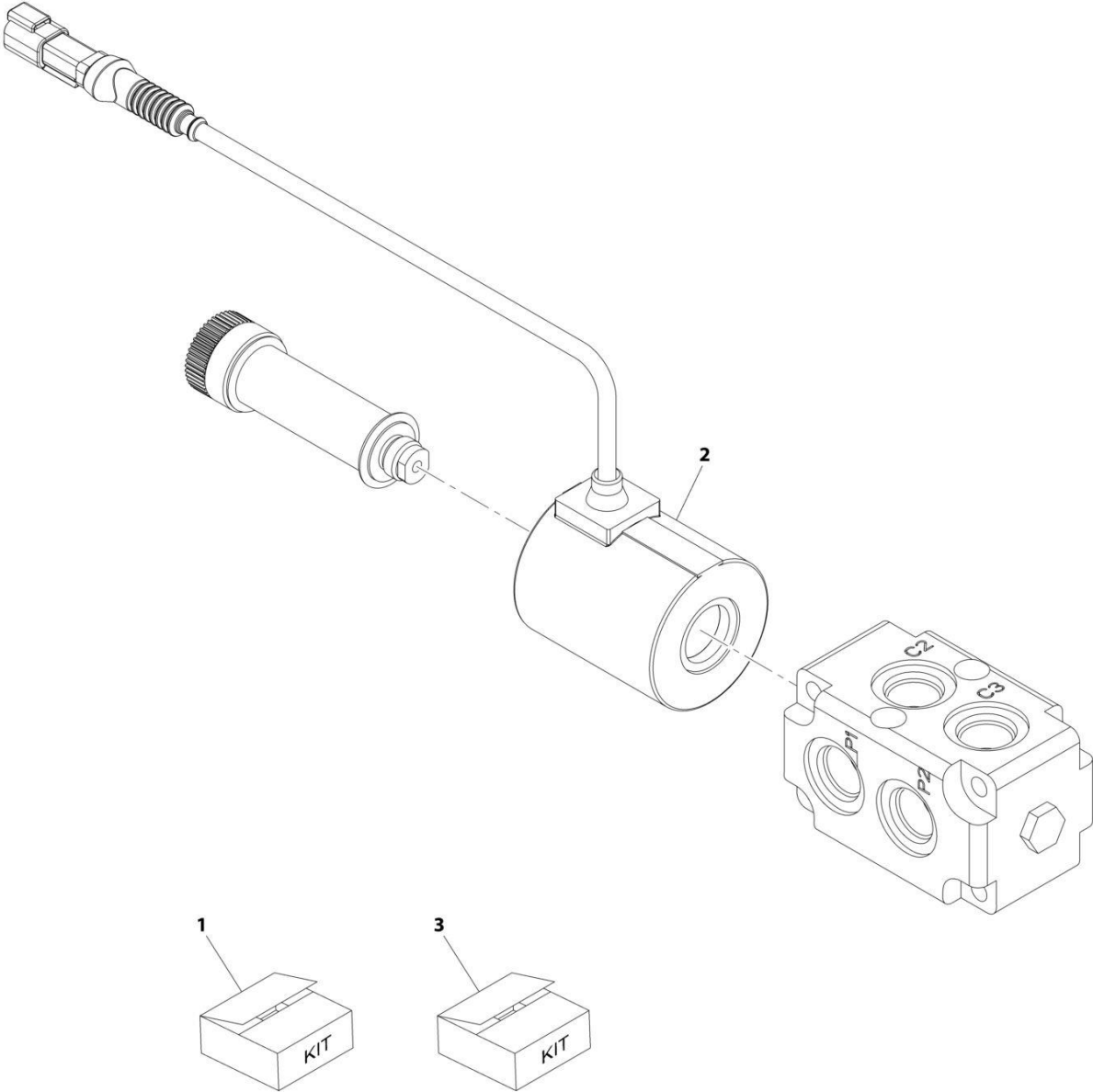
## SECTION 9 - HYDRAULIC COMPONENTS

### FIGURE 9-18. DIVERTOR VALVE

ITEM	PART NUMBER	QTY	DESCRIPTION	REV
	1001104477	Ref	DIVERTOR VALVE	D
1	70020764	1	Coil	
2	70021531	1	Retainer Kit (Includes Items 3-5)	
3	Kit	1	Nut	
4	Kit	1	O-Ring	
5	Kit	1	O-Ring	

**SECTION 9 - HYDRAULIC COMPONENTS**

**FIGURE 9-19. DIVERTOR VALVE**



ART\_100110023-B

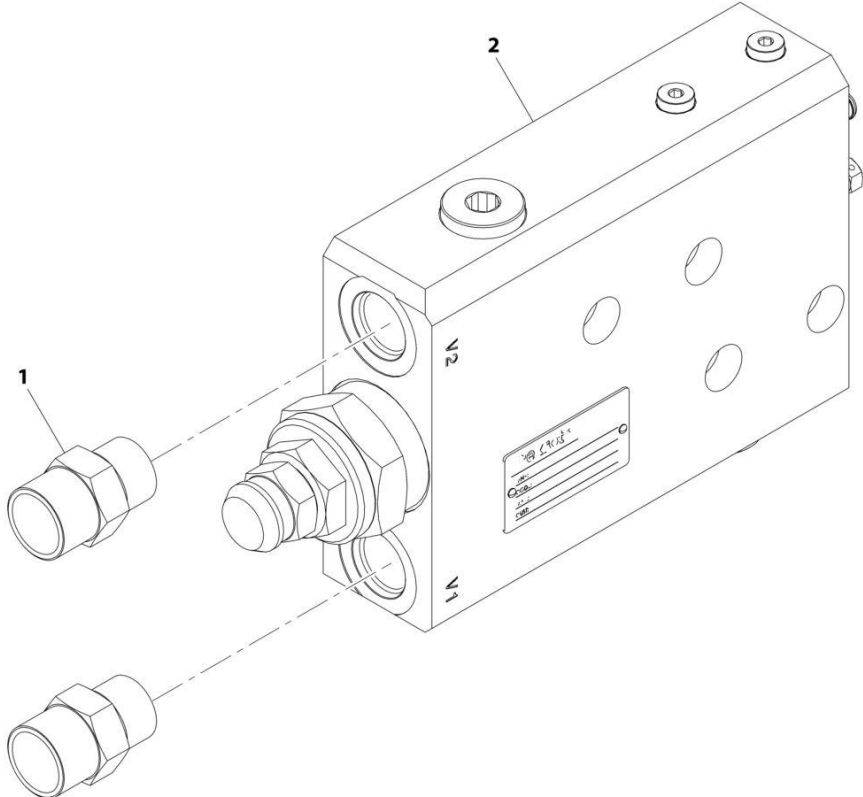
# SECTION 9 - HYDRAULIC COMPONENTS

## FIGURE 9-19. DIVERTOR VALVE

ITEM	PART NUMBER	QTY	DESCRIPTION	REV
	1001110023	Ref	Divertor Valve	B
1	70027596	1	Kit, Seal	
	Kit	2	O-Ring	
2	70020764	1	Coil	
3	70021531	1	Kit, Coil Nut	
	N.S.S.	1	O-Ring	
	N.S.S.	1	O-Ring	
	N.S.S.	1	Nut	

# SECTION 9 - HYDRAULIC COMPONENTS

## FIGURE 9-20. COUNTERBALANCE VALVE INSTALLATION



ART\_1001212312-A

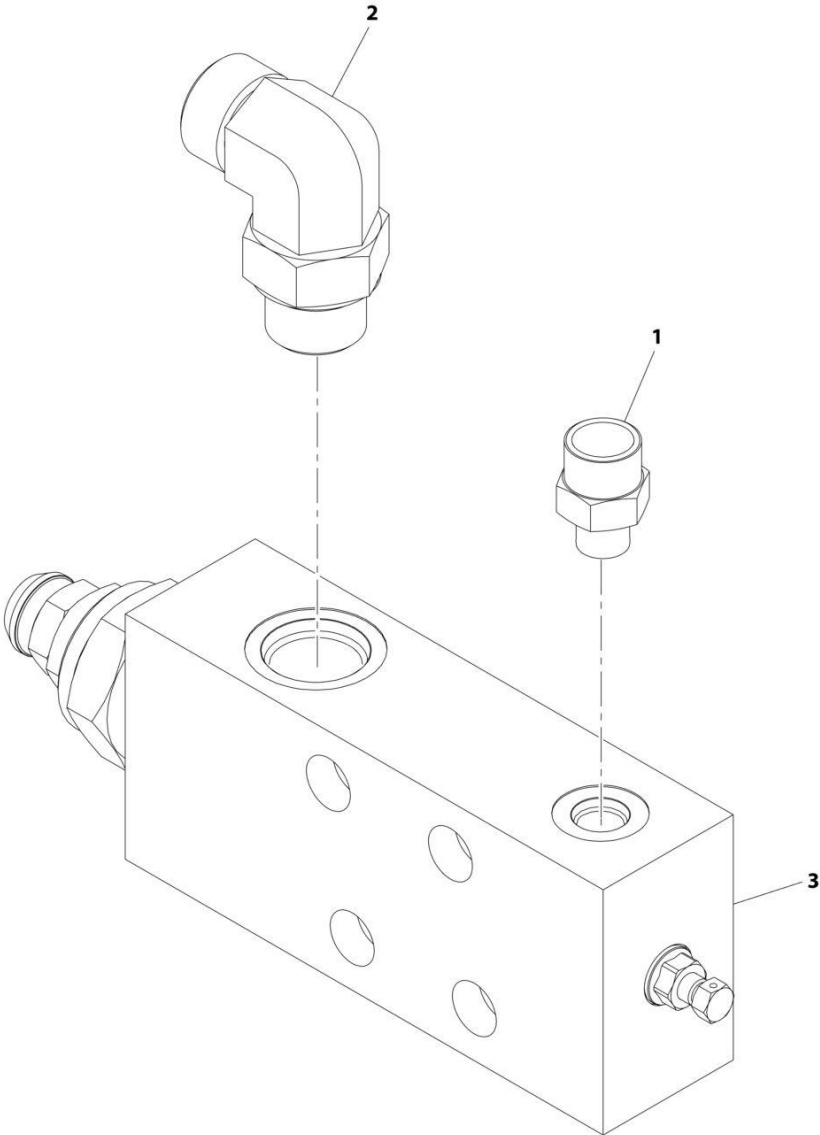
## SECTION 9 - HYDRAULIC COMPONENTS

**FIGURE 9-20. COUNTERBALANCE VALVE INSTALLATION**

ITEM	PART NUMBER	QTY	DESCRIPTION	REV
	1001212312	Ref	Counterbalance Valve & Fittings Sub-Assembly	A
1	2111010	2	Fitting, Straight ORFS	
2	1001209862	1	Valve, Counterbalance (See Separate Breakdown in this Section)	

**SECTION 9 - HYDRAULIC COMPONENTS**

**FIGURE 9-21. COUNTERBALANCE VALVE INSTALLATION**



ART\_1001212349-A



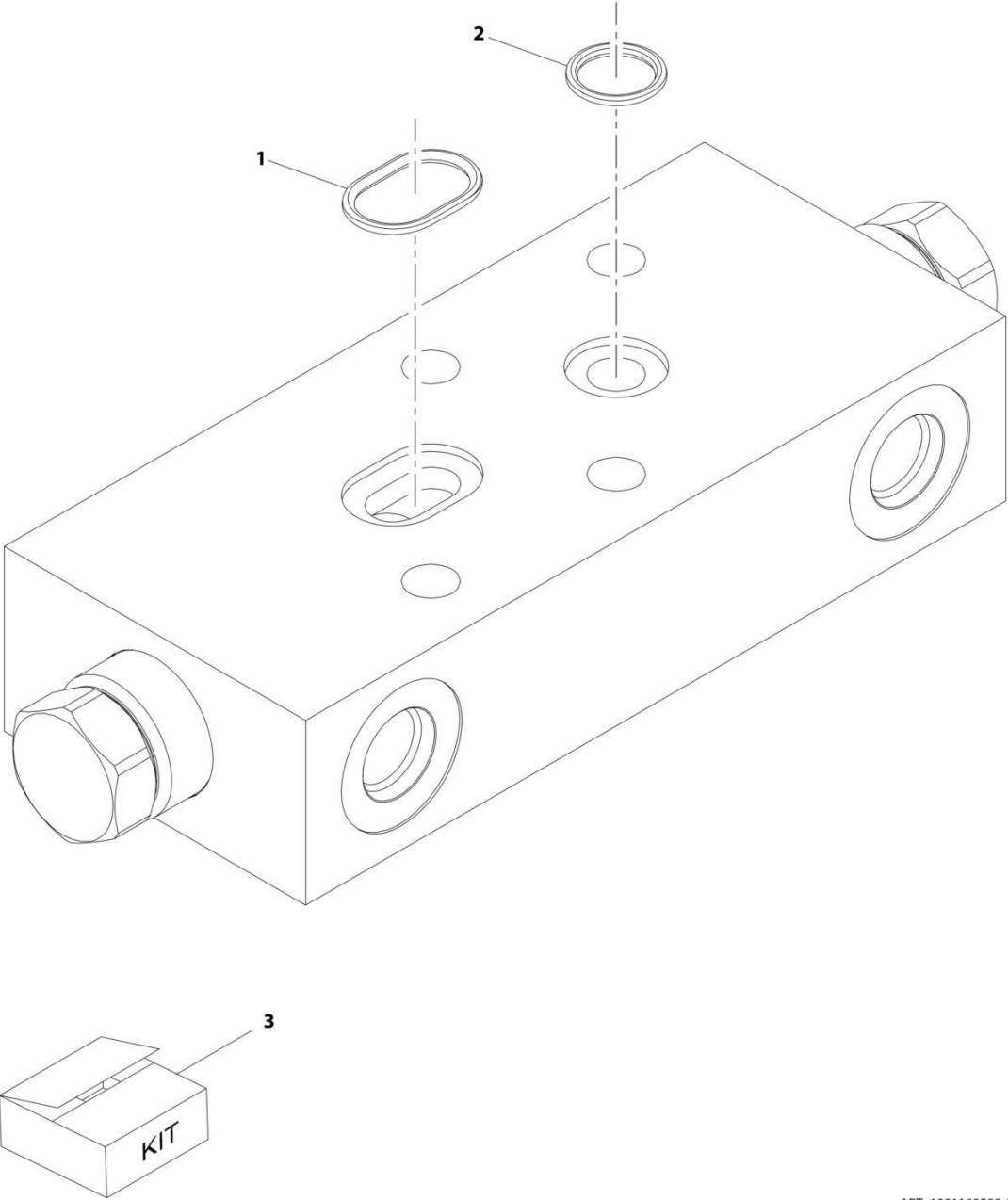
## SECTION 9 - HYDRAULIC COMPONENTS

**FIGURE 9-21. COUNTERBALANCE VALVE INSTALLATION**

ITEM	PART NUMBER	QTY	DESCRIPTION	REV
	1001212349	Ref	Counterbalance Valve Installation	A
1	2110806	1	Fitting, Straight ORFS	
2	2131212	1	Fitting, 90 ORFS	
3	1001200111	1	Valve, Counterbalance (See Seperate Breakdown in this Section)	

**SECTION 9 - HYDRAULIC COMPONENTS**

**FIGURE 9-22. COUNTERBALANCE VALVE**



ART\_1001168599-C

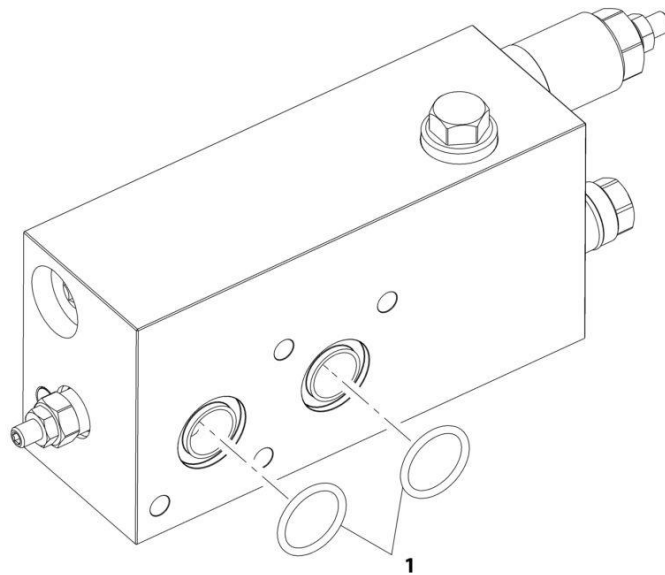
## SECTION 9 - HYDRAULIC COMPONENTS

FIGURE 9-22. COUNTERBALANCE VALVE

ITEM	PART NUMBER	QTY	DESCRIPTION	REV
	1001168599	Ref	Counterbalance Valve	C
1	Kit	1	O-Ring	
2	Kit	1	O-Ring	
3	70028421	1	Kit, Seal (includes items 1 thru 2)	

# SECTION 9 - HYDRAULIC COMPONENTS

FIGURE 9-23. COUNTERBALANCE VALVE



ART\_1001224944-C

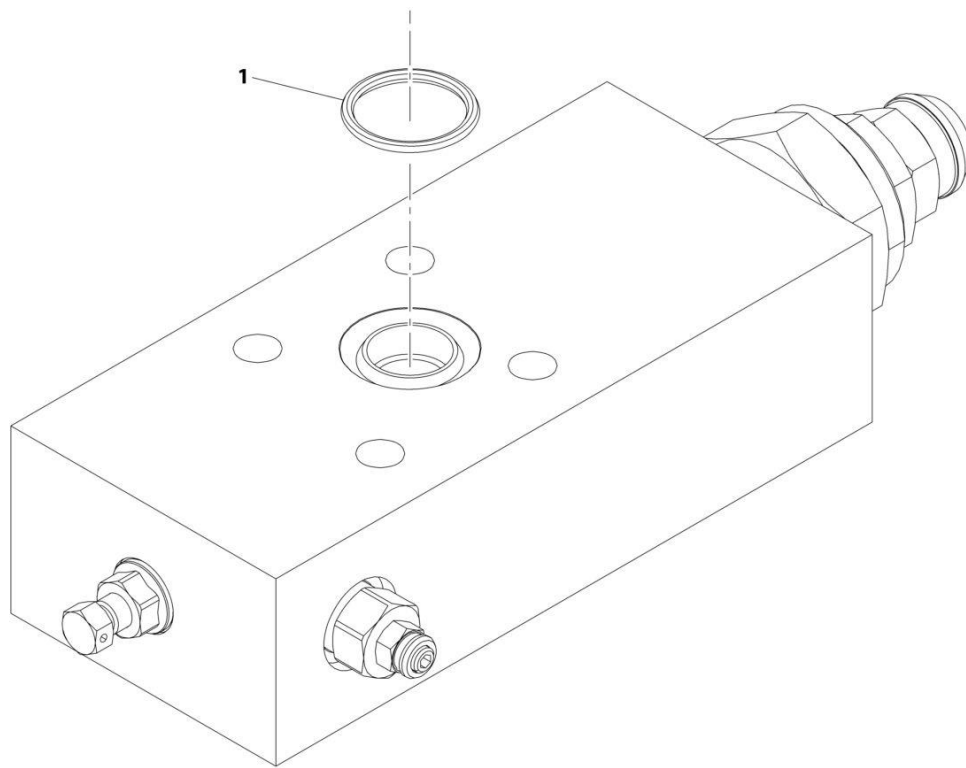
## SECTION 9 - HYDRAULIC COMPONENTS

FIGURE 9-23. COUNTERBALANCE VALVE

ITEM	PART NUMBER	QTY	DESCRIPTION	REV
1	1001224944 70028282	Ref 1	Counterbalance Valve O-Ring	C

# SECTION 9 - HYDRAULIC COMPONENTS

FIGURE 9-24. COUNTERBALANCE VALVE



ART\_1001200111-D

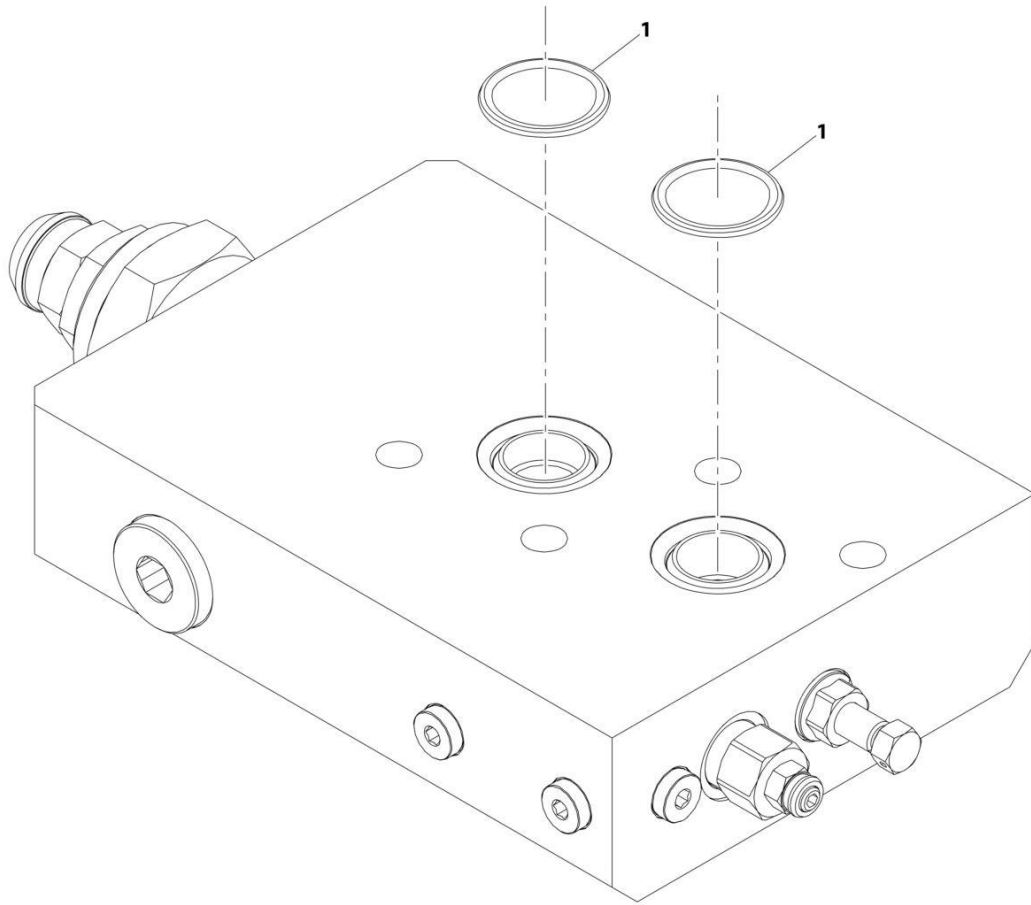
## SECTION 9 - HYDRAULIC COMPONENTS

FIGURE 9-24. COUNTERBALANCE VALVE

ITEM	PART NUMBER	QTY	DESCRIPTION	REV
1	1001200111 70028422	Ref 1	Counterbalance Valve O-Ring	D

# SECTION 9 - HYDRAULIC COMPONENTS

FIGURE 9-25. COUNTERBALANCE VALVE



ART\_1001209862-E



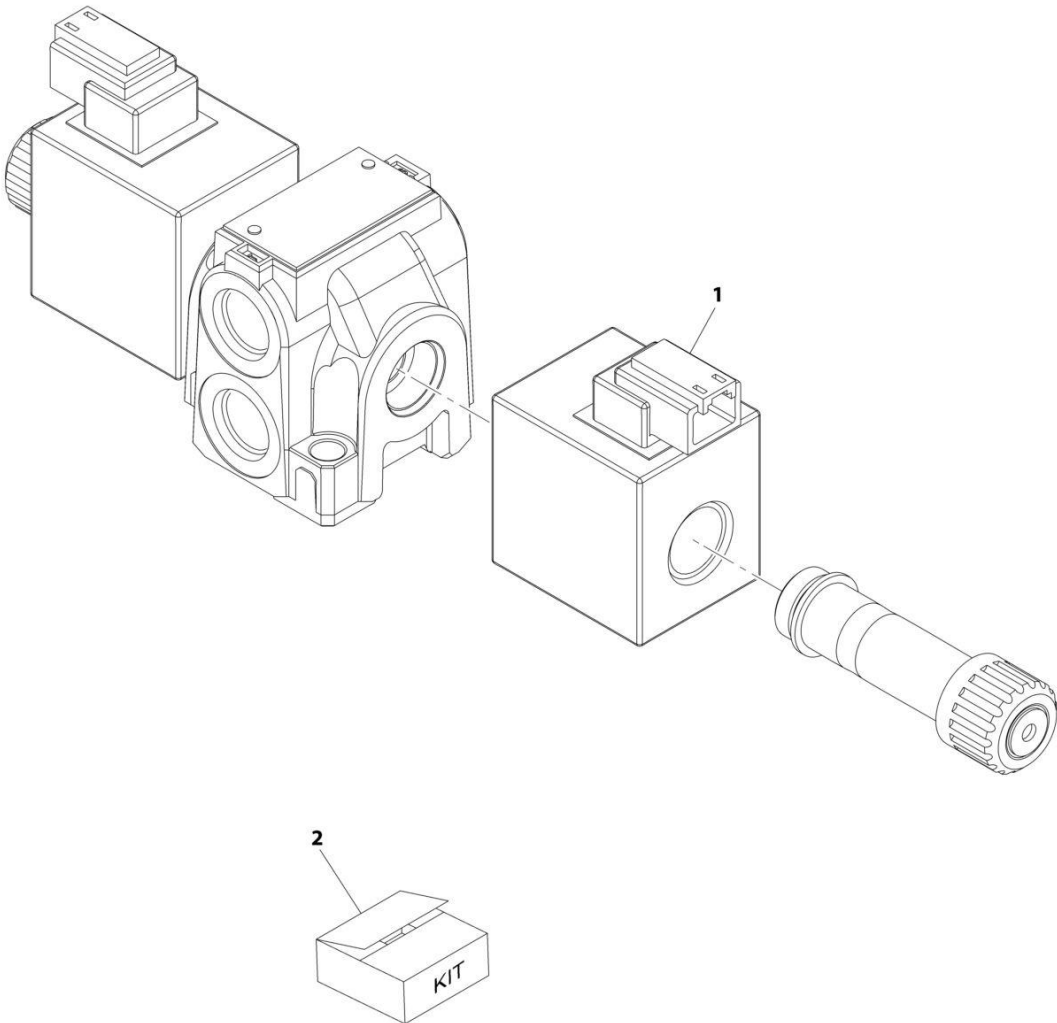
## SECTION 9 - HYDRAULIC COMPONENTS

FIGURE 9-25. COUNTERBALANCE VALVE

ITEM	PART NUMBER	QTY	DESCRIPTION	REV
1	1001209862 70028422	Ref 2	Counterbalance Valve O-Ring	E

**SECTION 9 - HYDRAULIC COMPONENTS**

**FIGURE 9-26. SPEED CONTROL VALVE**



ART\_4641520-B

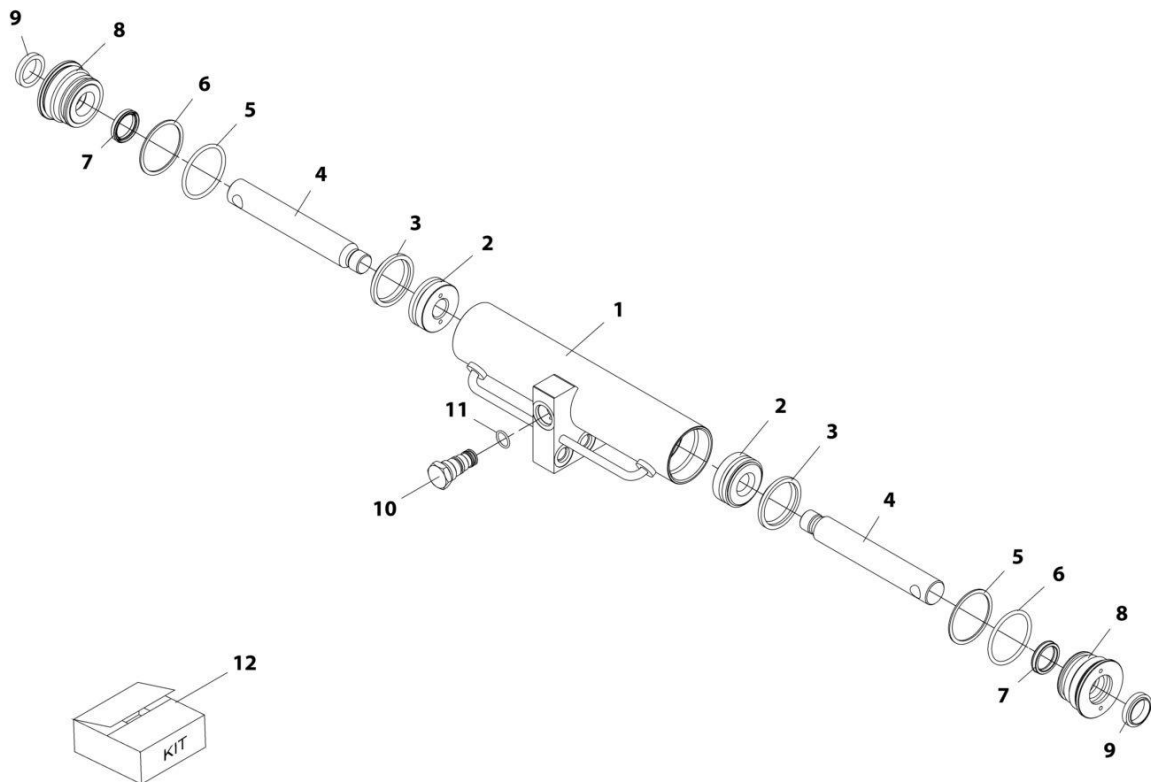
## SECTION 9 - HYDRAULIC COMPONENTS

### FIGURE 9-26. SPEED CONTROL VALVE

ITEM	PART NUMBER	QTY	DESCRIPTION	REV
	4641520	Ref	Speed Control Valve	B
1	70026582	1	SOLENOID	
2	70020867	1	Kit, Coil Nut	
	N.S.S.	1	Seal	
	N.S.S.	1	Seal	
	N.S.S.	1	Nut, Coil	

# SECTION 9 - HYDRAULIC COMPONENTS

## FIGURE 9-27. COUPLER LOCKING CYLINDER



ART\_1001145390-A

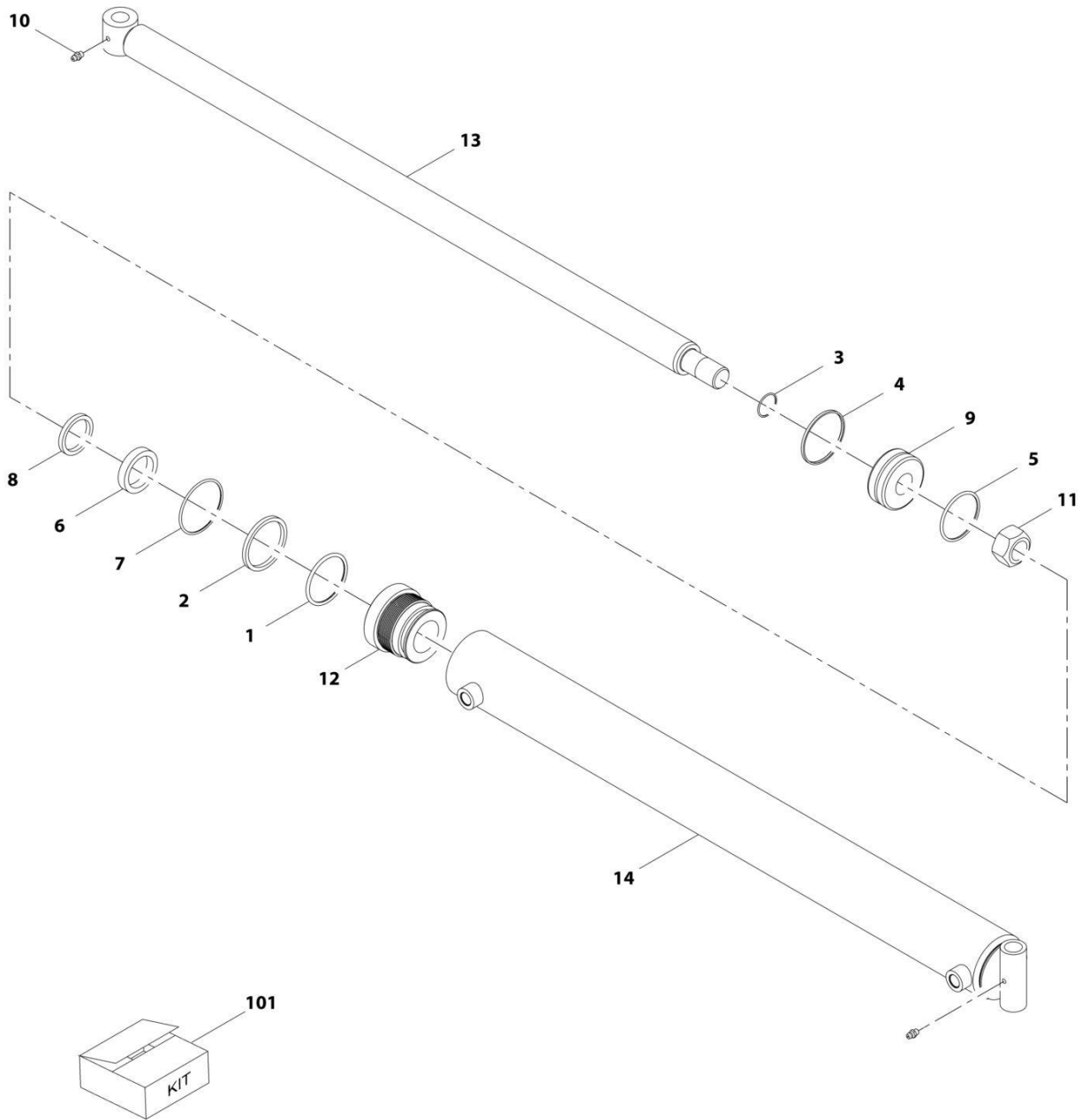
## SECTION 9 - HYDRAULIC COMPONENTS

**FIGURE 9-27. COUPLER LOCKING CYLINDER**

ITEM	PART NUMBER	QTY	DESCRIPTION	REV
	1001145390	Ref	Coupler Locking Cylinder	A
		Ref	<b>Note: Original Cylinder May Have Been Replaced with Service Replacement. Identify PN Stamped on Cylinder Before Ordering Parts.</b>	
1	70024164	2	Body	
2	70024165	2	Piston	
3	Kit	2	Seal, Piston	
4	70024166	2	Rod	
5	Kit	2	O-Ring	
6	Kit	2	Ring, Backup	
7	Kit	2	Seal, Rod	
8	70024167	2	Gland	
9	Kit	2	Seal, Wiper	
10	1001007056	1	Valve, Check	
11	91574001	1	Seal, Check Valve	
12	70024168	1	Kit, Seal (includes items 3, 5, 6, 7 & 9)	

# SECTION 9 - HYDRAULIC COMPONENTS

## FIGURE 9-28. FORK POSITIONING CYLINDER ASSEMBLY



ART\_70028599-C

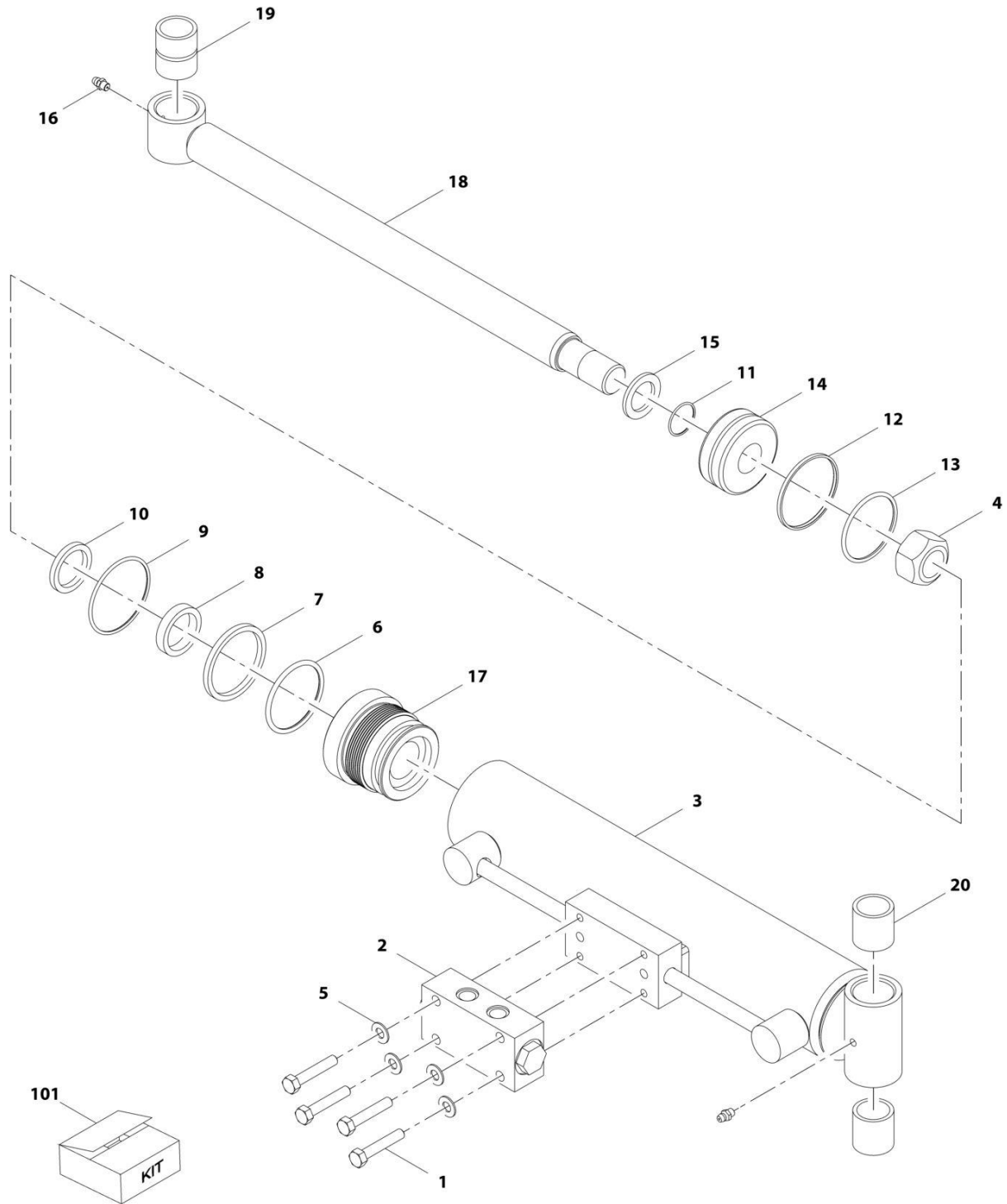
## SECTION 9 - HYDRAULIC COMPONENTS

**FIGURE 9-28. FORK POSITIONING CYLINDER ASSEMBLY**

ITEM	PART NUMBER	QTY	DESCRIPTION	REV
	70028599	Ref	Fork Positioning Cylinder Assembly	C
		Ref	<b>Note: Original Cylinder May Have Been Replaced with Service Replacement. Identify PN Stamped on Cylinder Before Ordering Parts.</b>	
1	Kit	1	O-Ring	
2	Kit	1	O-Ring	
3	Kit	1	O-Ring	
4	Kit	1	Seal	
5	Kit	1	O-Ring	
6	Kit	1	Seal	
7	Kit	1	O-Ring	
8	Kit	1	Seal	
9	70028609	1	Piston, Cylinder	
10	90554045	2	Fitting, Grease	
11	70021440	1	Nut	
12	70028610	1	Gland, Cylinder	
13	70028611	1	Rod	
14	N.S.S.	1	Tube	
101	Kit	1	Kit, Seal	

# SECTION 9 - HYDRAULIC COMPONENTS

## FIGURE 9-29. SIDE SHIFT CYLINDER ASSEMBLY



ART\_70028603-C



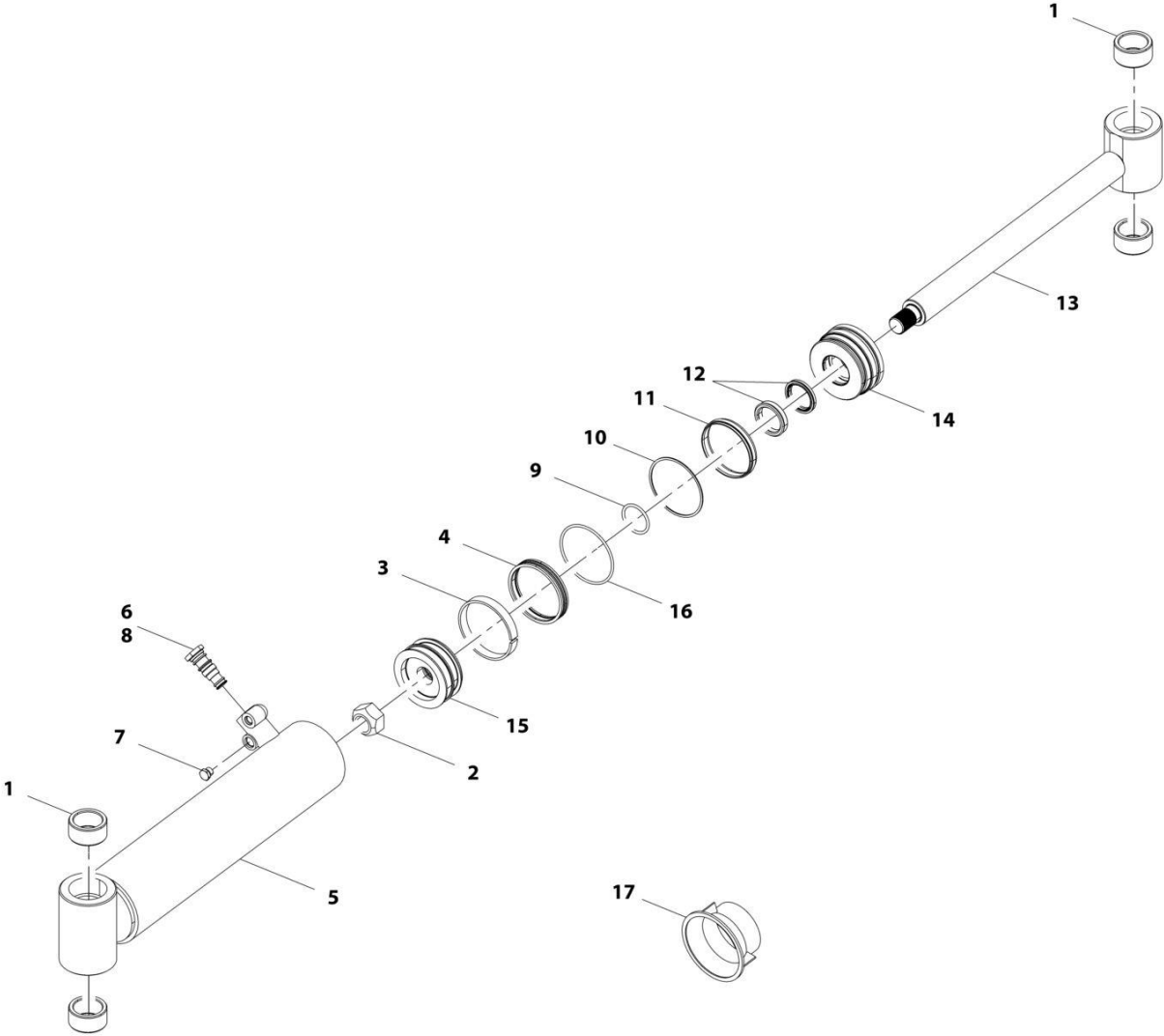
## SECTION 9 - HYDRAULIC COMPONENTS

**FIGURE 9-29. SIDE SHIFT CYLINDER ASSEMBLY**

ITEM	PART NUMBER	QTY	DESCRIPTION	REV
	70028603	Ref	Side Shift Cylinder Assembly	C
		Ref	<b>Note: Original Cylinder May Have Been Replaced with Service Replacement. Identify PN Stamped on Cylinder Before Ordering Parts.</b>	
1	70028612	4	Bolt	
2	70028613	1	Valve	
3	N.S.S.	1	Tube	
4	70021440	1	Nut	
5	70028614	4	Washer, Flat	
6	Kit	1	O-Ring	
7	Kit	1	O-Ring	
8	Kit	1	Seal	
9	Kit	1	O-Ring	
10	Kit	1	Seal	
11	Kit	1	O-Ring	
12	Kit	1	Seal	
13	Kit	1	O-Ring	
14	70021451	1	Piston	
15	70021444	1	Spacer	
16	90554045	2	Fitting, Grease	
17	70021446	1	Gland, Cylinder	
18	70021445	1	Rod	
19	70021447	1	Bushing	
20	70021448	2	Bushing	
101	70021452	1	Kit, Seal (includes items 6 thru 13)	

**SECTION 9 - HYDRAULIC COMPONENTS**

**FIGURE 9-30. CYLINDER ASSEMBLY**



ART\_70028572-D

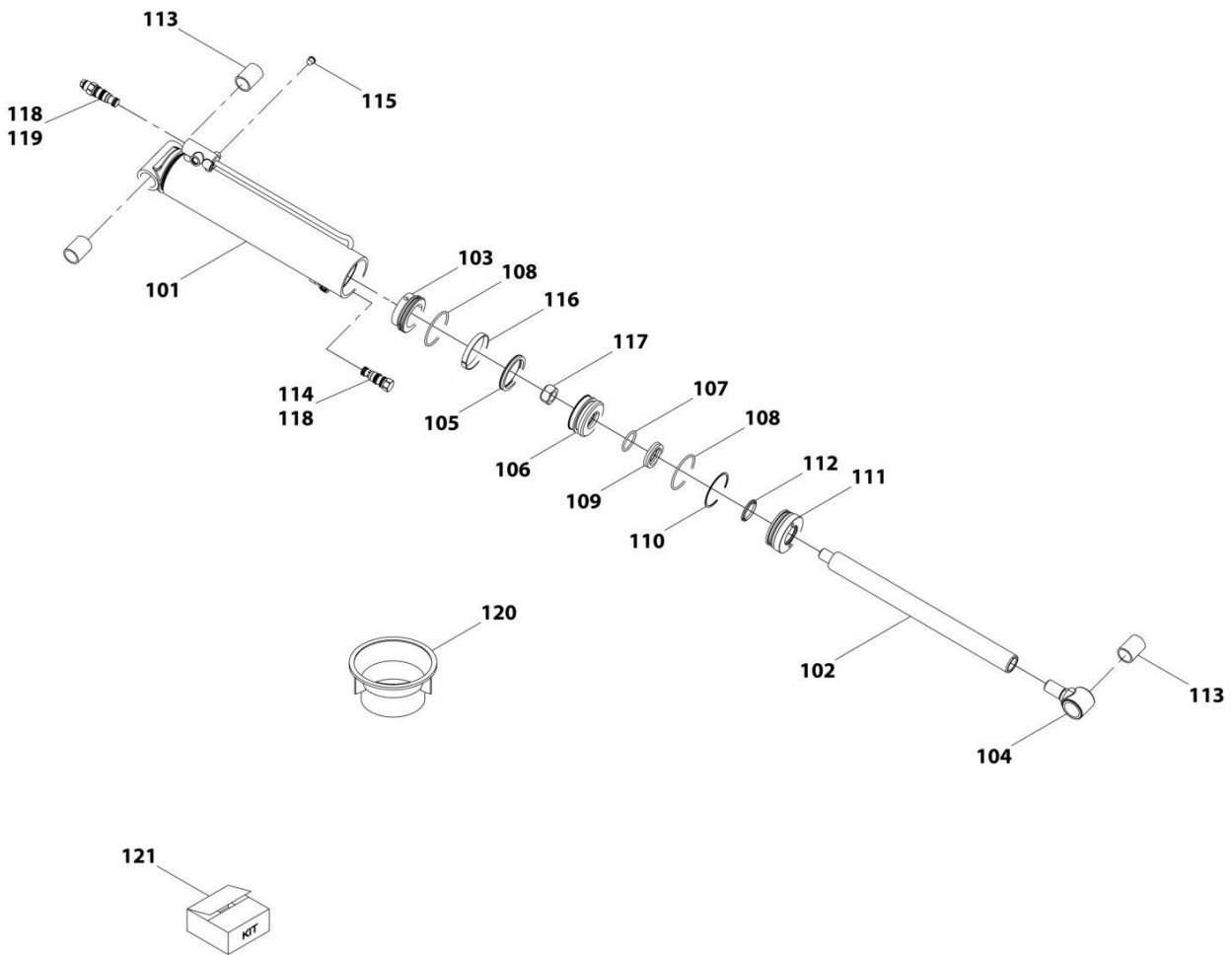
## SECTION 9 - HYDRAULIC COMPONENTS

### FIGURE 9-30. CYLINDER ASSEMBLY

ITEM	PART NUMBER	QTY	DESCRIPTION	REV
	70028572	Ref	Cylinder Assembly	D
		Ref	<b>Note: Original Cylinder May Have Been Replaced with Service Replacement. Identify PN Stamped on Cylinder Before Ordering Parts.</b>	
1	70028581	4	Bearing	
2	70028582	1	Nut	
3	N.S.S.	1	Ring, Wear	
4	N.S.S.	1	Seal	
5	N.S.S.	1	Assembly, Barrel	
6	Kit	1	Kit, Check Valve	
7	70028583	1	Fitting, Straight	
8	70028584	1	Valve, Check	
9	N.S.S.	1	O-Ring	
10	N.S.S.	1	Ring, Back-up	
11	N.S.S.	1	Seal	
12	N.S.S.	2	Wiper	
13	70028585	1	Rod	
14	70028586	1	Retainer	
15	70028587	1	Piston	
16	N.S.S.	1	O-Ring	
17	70028588	1	Tool, Seal Loader	

# SECTION 9 - HYDRAULIC COMPONENTS

## FIGURE 9-31. CYLINDER ASSEMBLY



ART\_70026469-C

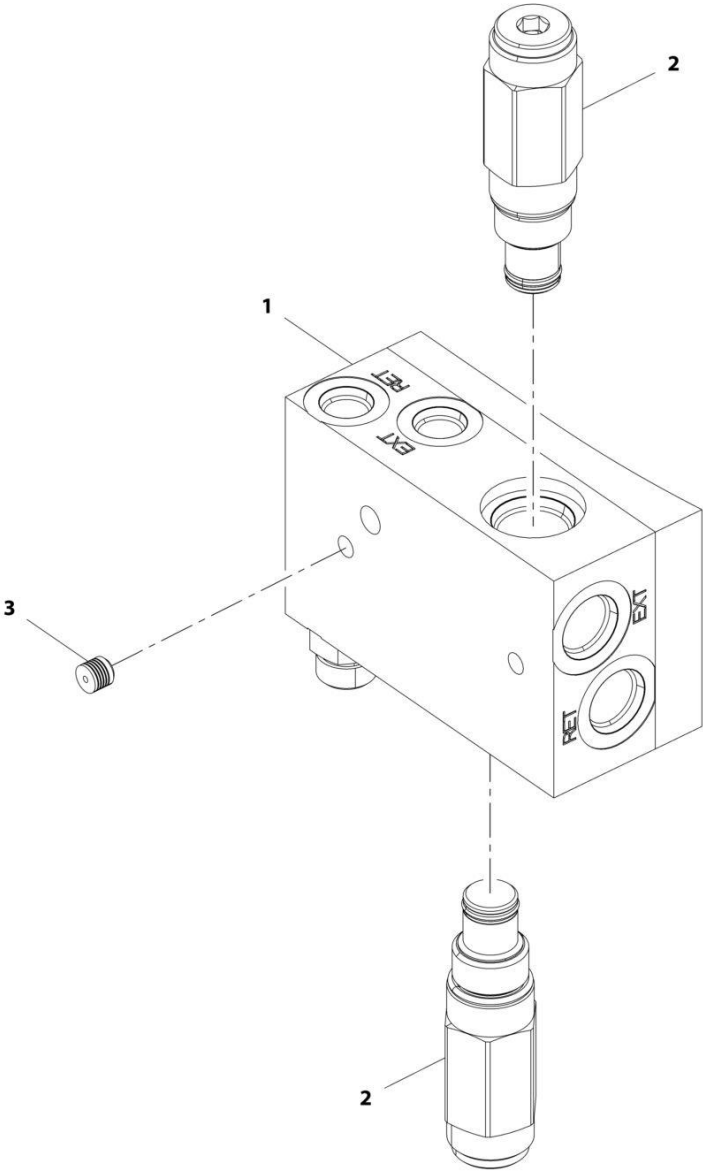
## SECTION 9 - HYDRAULIC COMPONENTS

### FIGURE 9-31. CYLINDER ASSEMBLY

ITEM	PART NUMBER	QTY	DESCRIPTION	REV
	70026469	Ref	Cylinder Assembly	C
		Ref	<b>Note: Original Cylinder May Have Been Replaced with Service Replacement. Identify PN Stamped on Cylinder Before Ordering Parts.</b>	
101	N.S.S.	1	Barrel	
102	70026496	1	Rod	
103	70026497	1	Spacer	
104	70026498	1	End, Rod	
105	Kit	1	Seal	
106	70026499	1	Piston	
107	Kit	1	O-Ring	
108	Kit	2	O-Ring	
109	Kit	1	Ring, Backup	
110	Kit	1	Seal	
111	70026500	1	Retainer	
112	Kit	1	Wiper	
113	70026501	3	Bushing	
114	70026502	1	Valve, Check	
115	70024129	4	Plug	
116	Kit	1	Ring, Wear	
117	70026503	1	Nut	
118	70024734	2	Kit, Check Valve Service	
119	70026504	1	Valve, Counterbalance	
120	70026505	1	Tool, Seal Loader	
121	70026506	1	Kit, Service	

**SECTION 9 - HYDRAULIC COMPONENTS**

**FIGURE 9-32. BUCKET VALVE ASSEMBLY (5.23 YD<sup>3</sup>/4.0M<sup>3</sup>)**



ART\_70028573-D

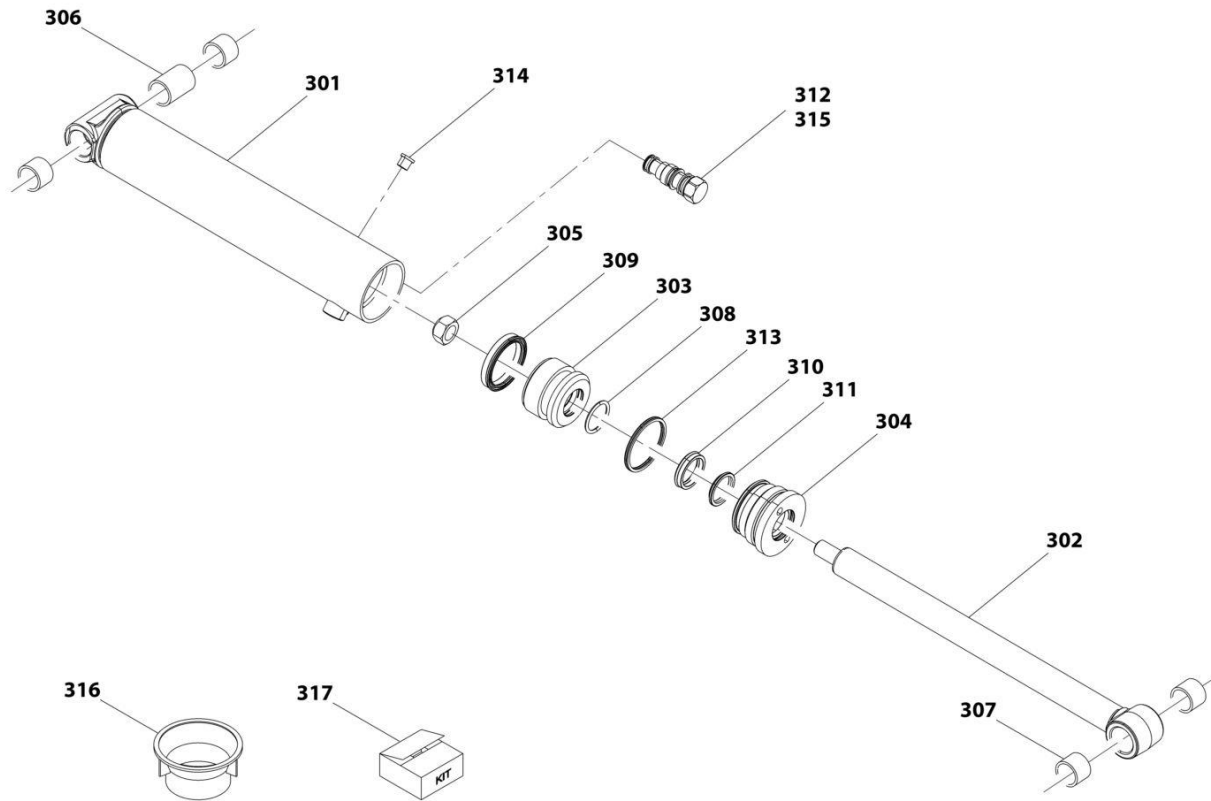
## SECTION 9 - HYDRAULIC COMPONENTS

FIGURE 9-32. BUCKET VALVE ASSEMBLY (5.23 YD<sup>3</sup>/4.0M<sup>3</sup>)

ITEM	PART NUMBER	QTY	DESCRIPTION	REV
	70028573	Ref	Valve Assembly, Bucket (5.23 YD <sup>3</sup> /4.0M <sup>3</sup> )	D
1	70026477	1	Manifold	
2	70028589	2	Cartridge, Relief	
3	70026614	2	Plug	

# SECTION 9 - HYDRAULIC COMPONENTS

## FIGURE 9-33. UPPER CYLINDER ASSEMBLY



ART\_70028652-D



## SECTION 9 - HYDRAULIC COMPONENTS

### FIGURE 9-33. UPPER CYLINDER ASSEMBLY

ITEM	PART NUMBER	QTY	DESCRIPTION	REV
	70028652	Ref	Upper Cylinder Assembly	D
		Ref	<b>Note: Original Cylinder May Have Been Replaced with Service Replacement. Identify PN Stamped on Cylinder Before Ordering Parts.</b>	
301	N.S.S.	1	Barrel	
302	70028270	1	Rod	
303	70028254	1	Piston	
304	70028255	1	Retainer	
305	70028258	1	Nut	
306	70028257	1	Spacer	
307	70028256	4	Bushing	
308	N.S.S.	1	O-Ring	
309	N.S.S.	1	Seal	
310	N.S.S.	1	Seal	
311	N.S.S.	1	Wiper	
312	70026502	1	Valve, Check	
313	N.S.S.	1	Seal	
314	70024129	2	Plug	
315	70024734	1	Kit, Check Valve	
316	70028691	1	Tool, Seal Loader	
317	70028770	1	Kit, Seal	



## SECTION 9 - HYDRAULIC COMPONENTS

### FIGURE 9-34. LOWER CYLINDER ASSEMBLY

ITEM	PART NUMBER	QTY	DESCRIPTION	REV
	70028653	Ref	Lower Cylinder Assembly	D
		Ref	<b>Note: Original Cylinder May Have Been Replaced with Service Replacement. Identify PN Stamped on Cylinder Before Ordering Parts.</b>	
401	N.S.S.	1	Barrel	
402	70028692	1	Rod	
403	70024142	1	Piston	
404	70028693	1	Retainer	
405	70028258	1	Nut	
406	N.S.S.	1	Ring, Backup	
407	N.S.S.	1	Seal	
408	N.S.S.	1	Wiper	
409	N.S.S.	1	O-Ring	
410	N.S.S.	1	Seal	
411	N.S.S.	1	O-Ring	
412	70028256	2	Bushing	
413	70028257	1	Spacer	
414	70028694	2	Bushing	
415	70024129	2	Plug	
416	70026502	1	Valve, Check	
417	70024734	1	Kit, Check Valve	
418	70028691	1	Tool, Seal Loader	
419	70028771	1	Kit, Seal	



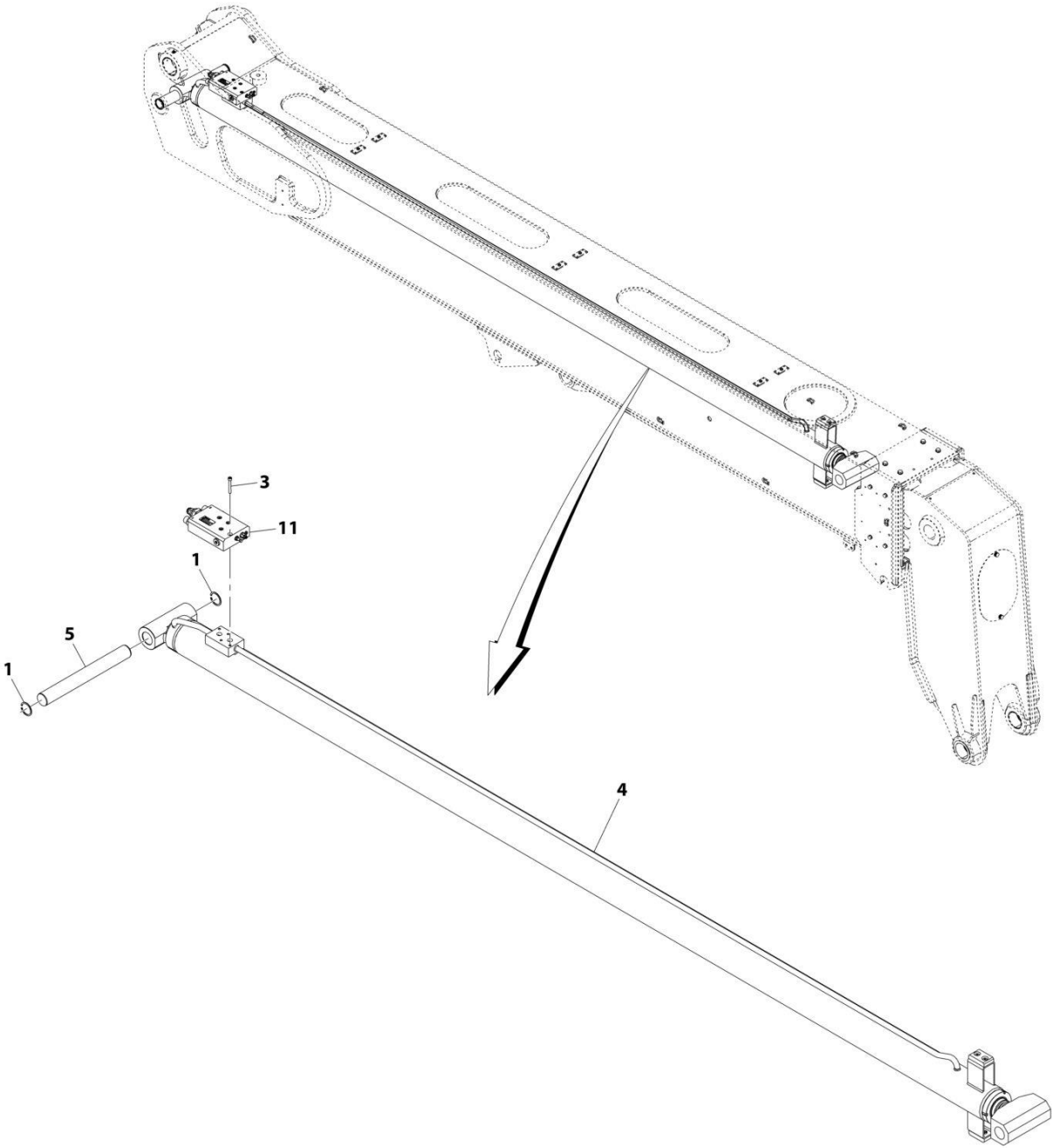
## SECTION 9 - HYDRAULIC COMPONENTS

### FIGURE 9-35. CYLINDER ASSEMBLY

ITEM	PART NUMBER	QTY	DESCRIPTION	REV
	70028704	Ref	Log Handler Carriage Cylinder Assembly	C
		Ref	<b>Note: Original Cylinder May Have Been Replaced with Service Replacement. Identify PN Stamped on Cylinder Before Ordering Parts.</b>	
201	N.S.S.	1	Barrel	
202	70028728	1	Rod	
203	70028729	2	Bushing	
204	N.S.S.	1	Ring, Wear	
205	N.S.S.	1	Seal	
206	70028730	1	Piston	
207	N.S.S.	1	O-Ring	
208	N.S.S.	1	Seal	
209	N.S.S.	1	Seal	
210	70028731	1	Retainer	
211	N.S.S.	1	Wiper	
212	N.S.S.	1	End, Rod (included with item 202)	
213	70024733	1	Valve, Check	
214	70024129	2	Plug	
215	70024123	1	Fitting, 90	
216	70024130	1	Fitting, Straight	
217	70024734	1	Kit, Check Valve	
218	70028732	1	Nut	
219	70028729	1	Bushing (included with item 202)	
220	70028588	1	Tool, Seal Loader	
221	70028733	1	Kit, Seal (includes items 204, 205, 207, 208, 208, 211, 220)	

**SECTION 9 - HYDRAULIC COMPONENTS**

**FIGURE 9-36. EXTEND/RETRACT CYLINDER INSTALLATION**



ART\_1001178157-D

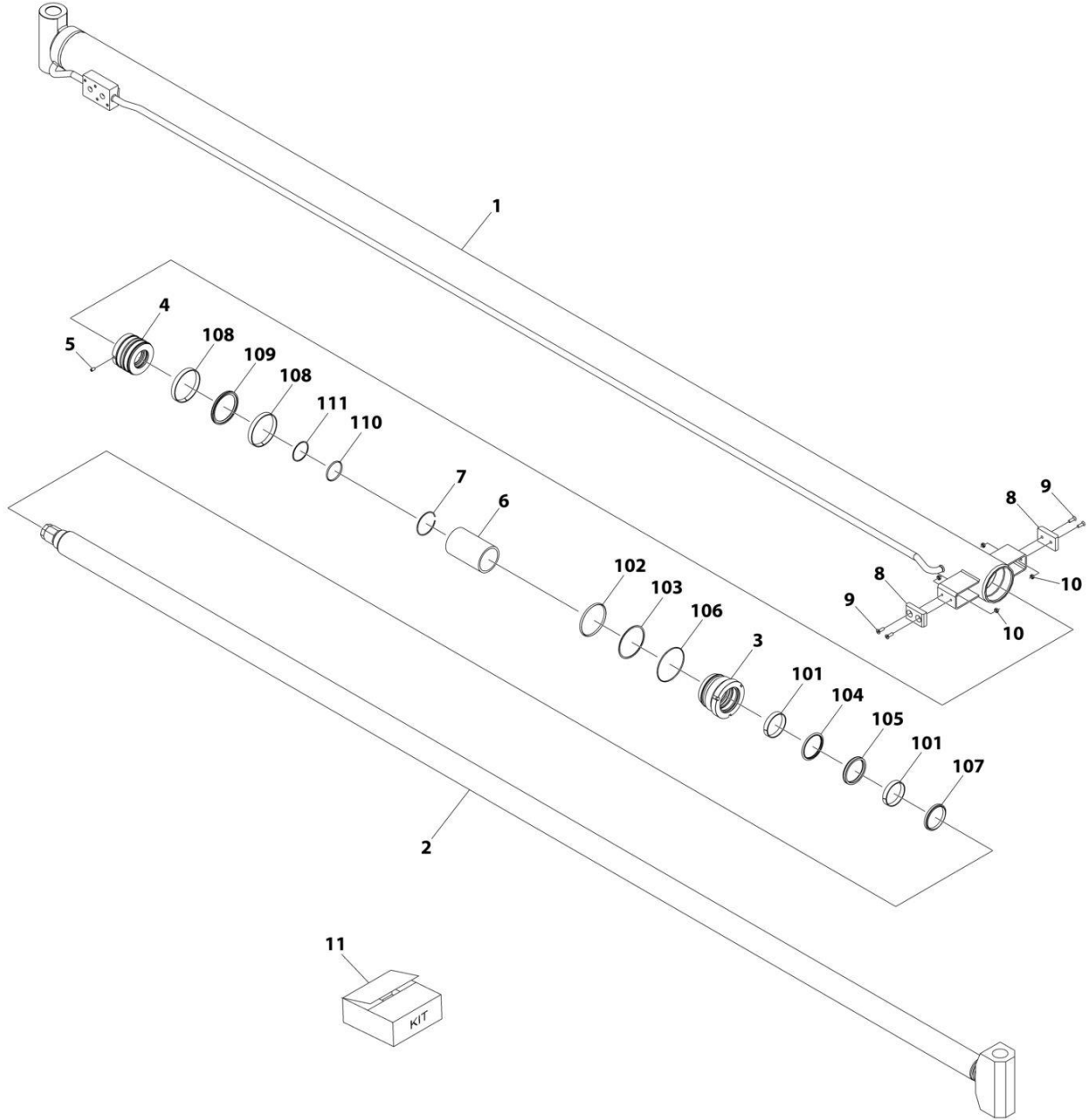
## SECTION 9 - HYDRAULIC COMPONENTS

**FIGURE 9-36. EXTEND/RETRACT CYLINDER INSTALLATION**

ITEM	PART NUMBER	QTY	DESCRIPTION	REV
	1001178157	Ref	Extend/Retract Cylinder Installation	D
1	314689	2	Ring, Retaining	
3	4031916	4	Bolt, M8X60	
4	1001174814	1	Cylinder, Extend/Retract (See Separate Breakdown in this Section)	
5	1001190259	1	Pin	
11	1001212312	1	Counterbalance Valve & Fittings Sub-Assembly (see Separate Breakdown in this Section)	

# SECTION 9 - HYDRAULIC COMPONENTS

## FIGURE 9-37. EXTEND/RETRACT CYLINDER



ART\_1001174814



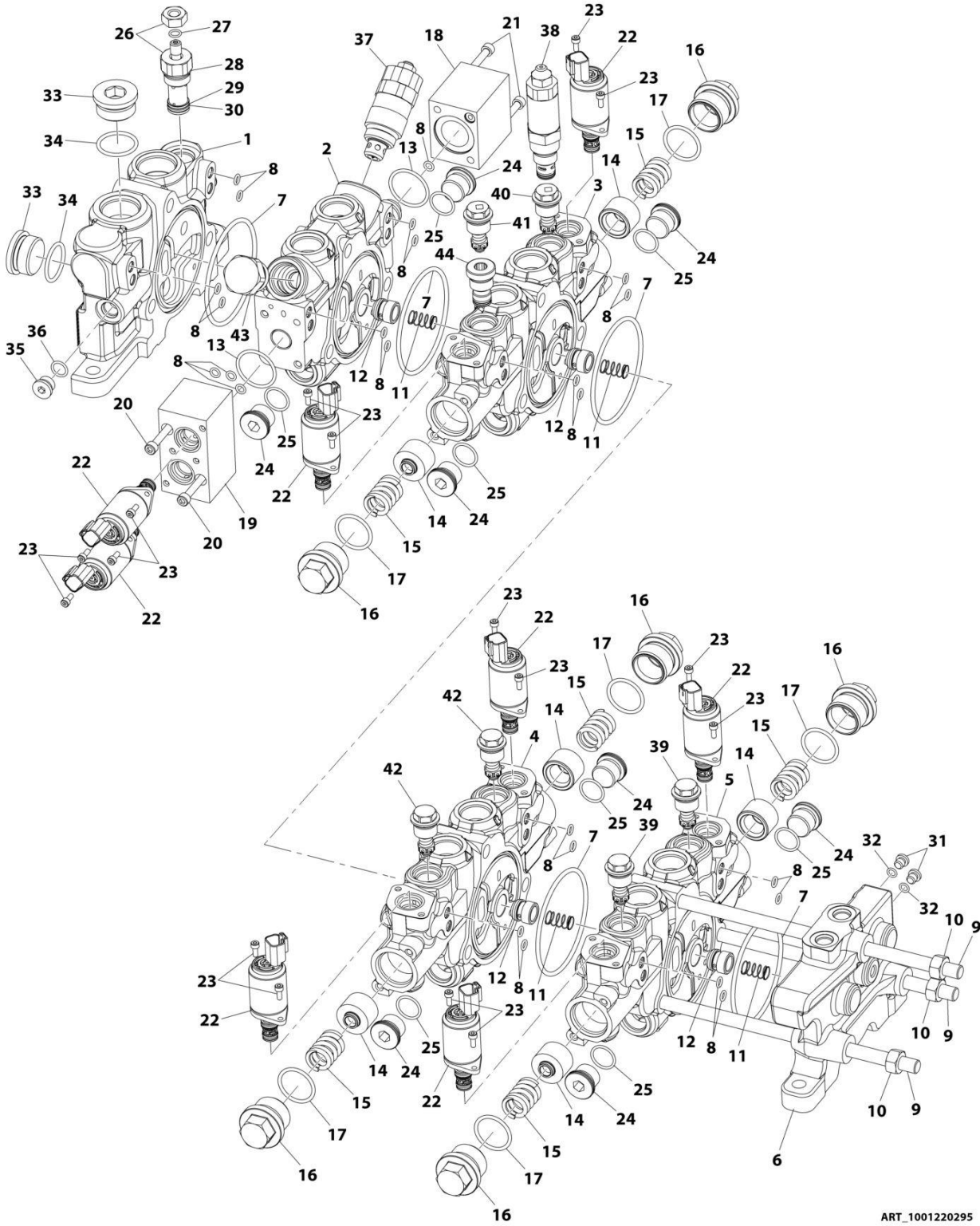
## SECTION 9 - HYDRAULIC COMPONENTS

### FIGURE 9-37. EXTEND/RETRACT CYLINDER

ITEM	PART NUMBER	QTY	DESCRIPTION	REV
	1001174814	Ref	EXTEND/RETRACT CYLINDER	I
		Ref	Note: Original Cylinder May Have Been Replaced with Service Replacement. Identify PN Stamped on Cylinder Before Ordering Parts.	
1	See Note	NSS	Barrel (Note: Purchase Complete Assembly)	
2	70028371	1	Rod	
3	70028372	1	Head	
4	70026408	1	Piston	
5	70020438	1	Screw	
6	70026407	1	Spacer	
7	70026411	1	Ring	
8	70027811	2	Pad, Wear	
9	70028373	4	Screw	
10	70028374	4	Nut	
11	70028375	1	Seal kit (includes items 101 thru 111)	
101	Kit	NSS	Bearing (Purchase Item 11)	
102	Kit	NSS	O-Ring (Purchase Item 11)	
103	Kit	NSS	Ring, Backup (Purchase Item 11)	
104	Kit	NSS	Ring, Wear (Purchase Item 11)	
105	Kit	NSS	Seal, Rod (Purchase Item 11)	
106	Kit	NSS	O-Ring (Purchase Item 11)	
107	Kit	NSS	Wiper (Purchase Item 11)	
108	Kit	NSS	Bearing (Purchase Item 11)	
109	Kit	NSS	Seal, Piston (Purchase Item 11)	
110	Kit	NSS	O-Ring (Purchase Item 11)	
111	Kit	NSS	Ring, Backup (Purchase Item 11)	

# SECTION 9 - HYDRAULIC COMPONENTS

## FIGURE 9-38. MAIN CONTROL VALVE



ART\_1001220295

## SECTION 9 - HYDRAULIC COMPONENTS

**FIGURE 9-38. MAIN CONTROL VALVE**

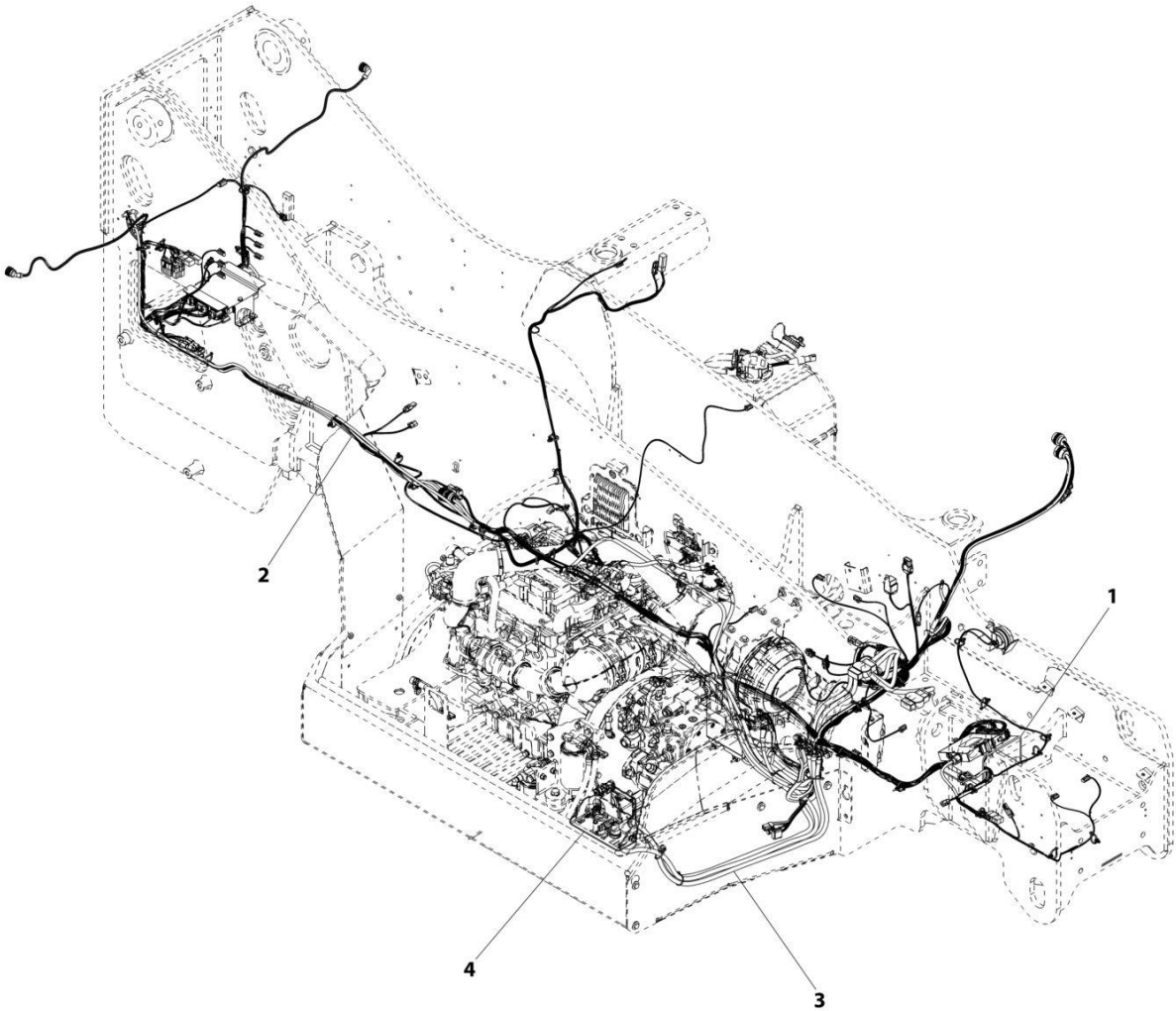
ITEM	PART NUMBER	QTY	DESCRIPTION	REV
	1001220295	Ref	MAIN CONTROL VALVE ASSEMBLY	C
1	70028300	1	Inlet Section Assembly	
2	70028304	1	Lift Section Assembly	
3	70028301	1	Extend/Retract (Telescope) Section Assembly	
4	70028302	1	Tilt Section Assembly	
5	70028303	1	Aux Section Assembly	
6	70022007	1	Outlet Section Assembly	
7	8034697	5	O-Ring	
8	70026369	24	O-Ring	
9	70028299	3	Tie Rod	
10	70022019	6	Nut-Metric	
11	70025854	4	Spring	
12	70028287	4	Poppet, CV	
13	70026784	2	O-Ring	
14	70026781	AR	Spring Seat	
14	70028291	AR	Spring Seat	
15	70026783	AR	Spring	
15	70028293	AR	Spring	
16	70026778	6	Plug Assembly, Special	
17	70026779	6	O-Ring	
18	70028294	1	End Cap	
19	70028295	1	End Cap Assembly, Solenoid	
20	70028298	2	Screw	
21	70026383	8	Screw	
22	70028290	8	Solenoid Cartridge Valve	
23	70022014	16	Screw	
24	70024847	8	Plug Assembly	
25	70026777	8	O-Ring	
26	70028286	1	Drain Regulator Assembly	
27	70026373	1	O-Ring	
28	70026370	1	O-Ring	
29	70026376	1	Back-Up Ring	
30	70026370	1	O-Ring	
31	70026379	2	Plug	
32	70026372	2	O-Ring	
33	70050473	2	Plug Assembly	
34	10732931	2	O-Ring	
35	70050475	1	Plug	
36	70024201	1	O-Ring	
37	70028288	1	Relief Valve Assembly	
38	70028289	1	Relief Valve Assembly (Note: General Drawing - This part does ot to this valve)	
39	70028296	2	Relief Valve Assembly	
40	70027134	1	Relief Valve Assembly	
41	70028297	1	Relief Valve Assembly (Note: General Drawing - This part does ot to this valve)	
42	70022010	2	Relief Valve Assembly	
43	70028305	1	Shut-Off Plug Assembly	
44	70022008	1	Shut-Off Plug Assembly	



**SECTION 10 - ELECTRICAL**

**SECTION 10 - ELECTRICAL**

**FIGURE 10-1. MAIN ELECTRICAL INSTALLATION (ULS)**



ART\_1001192537-B

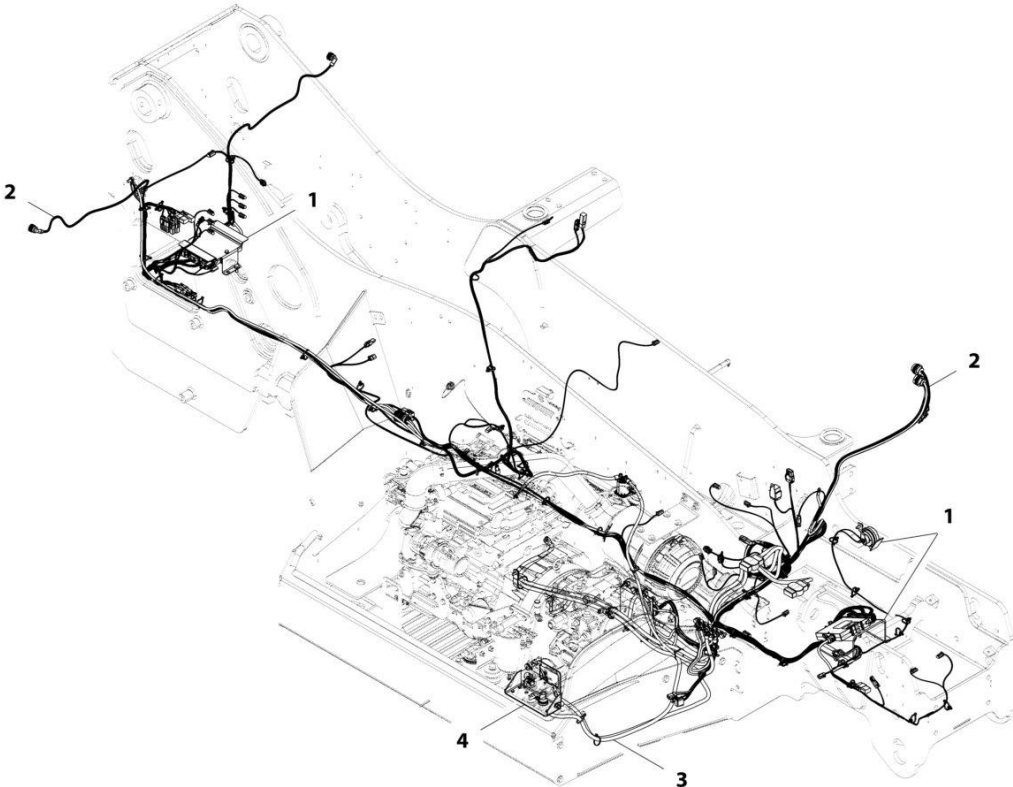
## SECTION 10 - ELECTRICAL

**FIGURE 10-1. MAIN ELECTRICAL INSTALLATION (ULS)**

ITEM	PART NUMBER	QTY	DESCRIPTION	REV
1	1001192537	Ref	Main Electrical Installation (ULS)	B
	1001183272	Ref	Installation, Frame Electrical (See Separate Breakdown in this Section)	
2	1001200159	Ref	Installation, Frame Wiring (See Separate Breakdown in this Section)	
3	1001200160	Ref	Installation, Engine Bay Electrical	
4	1001202172	Ref	Installation, Engine Pod Electrical (ULS) (See Separate Breakdown in this Section)	

**SECTION 10 - ELECTRICAL**

**FIGURE 10-2. MAIN ELECTRICAL INSTALLATION (LS)**



ART\_1001192538-C



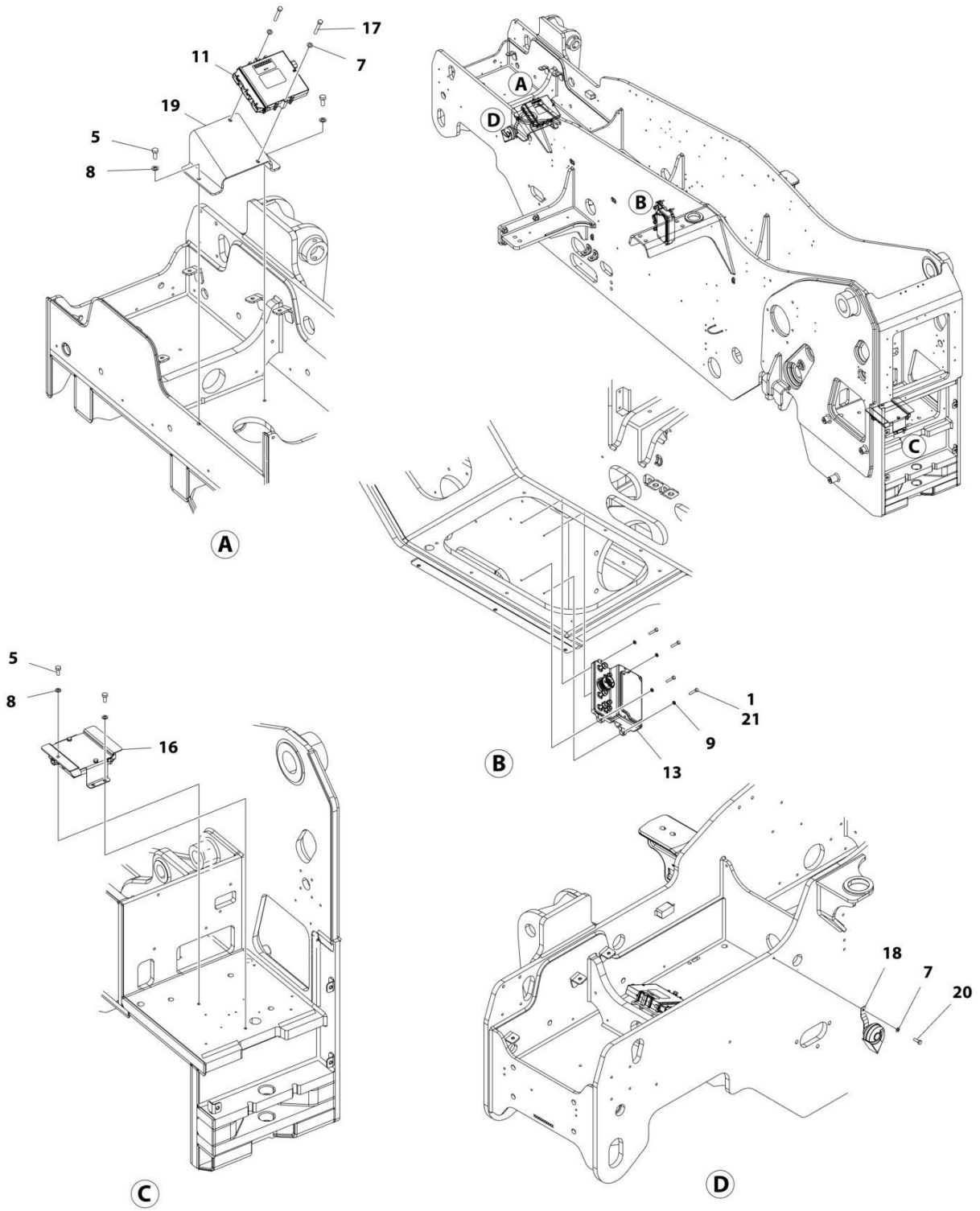
## SECTION 10 - ELECTRICAL

### FIGURE 10-2. MAIN ELECTRICAL INSTALLATION (LS)

ITEM	PART NUMBER	QTY	DESCRIPTION	REV
1	1001192538	Ref	Main Electrical Installation (LS)	C
	1001183272	Ref	Installation, Frame Electrical (See Separate Breakdown in this Section)	
2	1001200159	Ref	Installation, Frame Electrical (See Separate Breakdown in this Section)	
3	1001227469	Ref	Installation, Engine Bay Electrical (See Separate Breakdown in this Section)	
4	1001223066	Ref	Installation, Engine Pod Electrical (LS) (See Separate Breakdown in this Section)	

# SECTION 10 - ELECTRICAL

## FIGURE 10-3. FRAME ELECTRICAL INSTALLATION



ART\_1001183272\_I

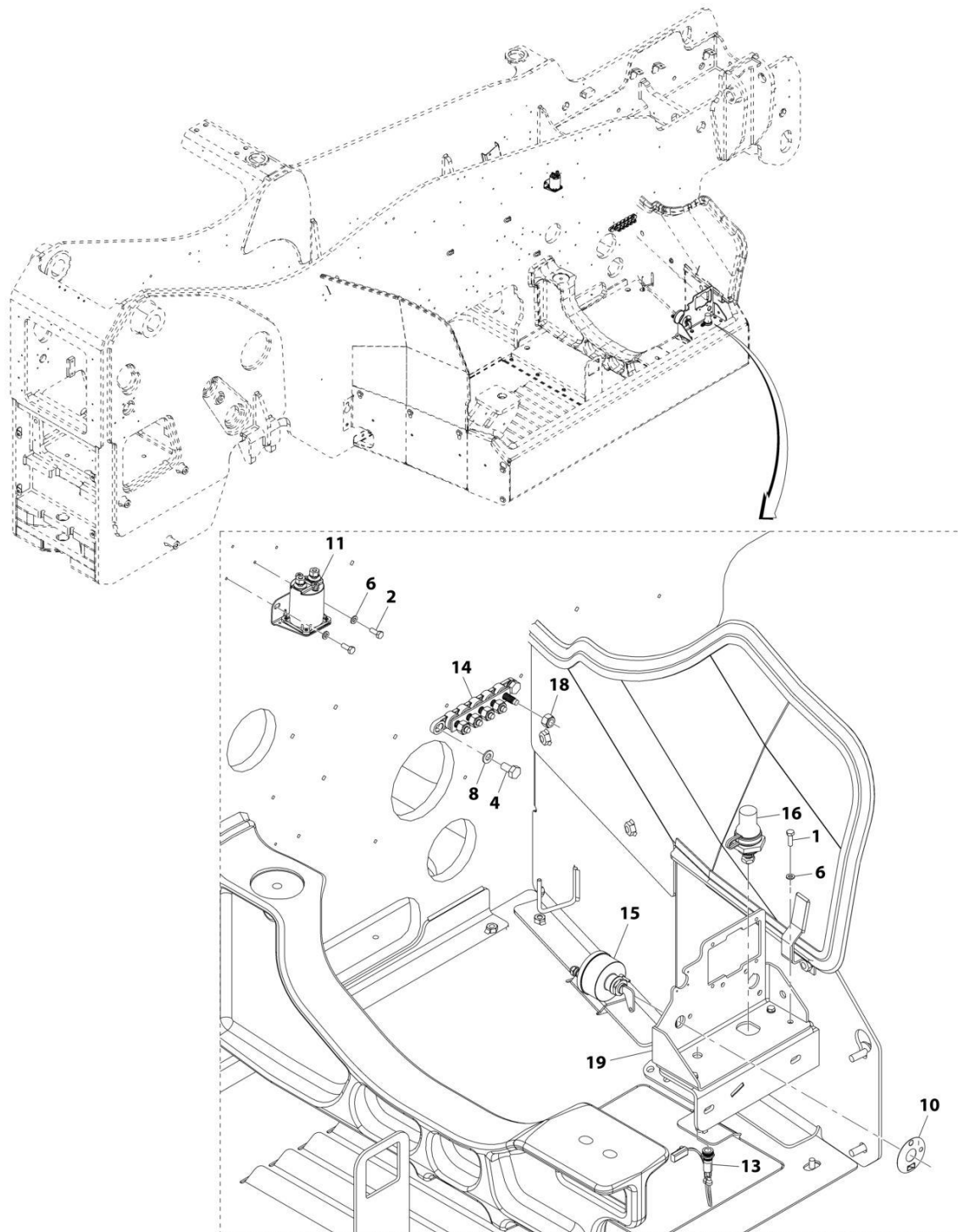
## SECTION 10 - ELECTRICAL

**FIGURE 10-3. FRAME ELECTRICAL INSTALLATION**

ITEM	PART NUMBER	QTY	DESCRIPTION	REV
	1001183272	Ref	FRAME ELECTRICAL INSTALLATION	I
1	0700614	4	Bolt M6 x 30	
5	0761012	4	Bolt M10 x 25	
7	4811900	3	Washer M8	
8	4812000	4	Washer M10	
9	4831700	4	Washer M6	
11	1001270467	1	Control, Front Frame Module	
13	1001164402	1	Box, Power Distribution Electrical (See Separate Breakdown in this Section)	
16	1001210770	1	Installation, Rear Frame Module (See Separate Breakdown in this Section)	
17	0700820	2	Bolt M8 x 60	
18	10713707	1	Horn	
19	1001215208	1	Bracket	
20	0760812	1	Bolt M8 x 25	
21	1001180620	AR	Adhesive, Loctite	

# SECTION 10 - ELECTRICAL

## FIGURE 10-4. ENGINE POD ELECTRICAL INSTALLATION (ULS)



ART\_1001202172-C

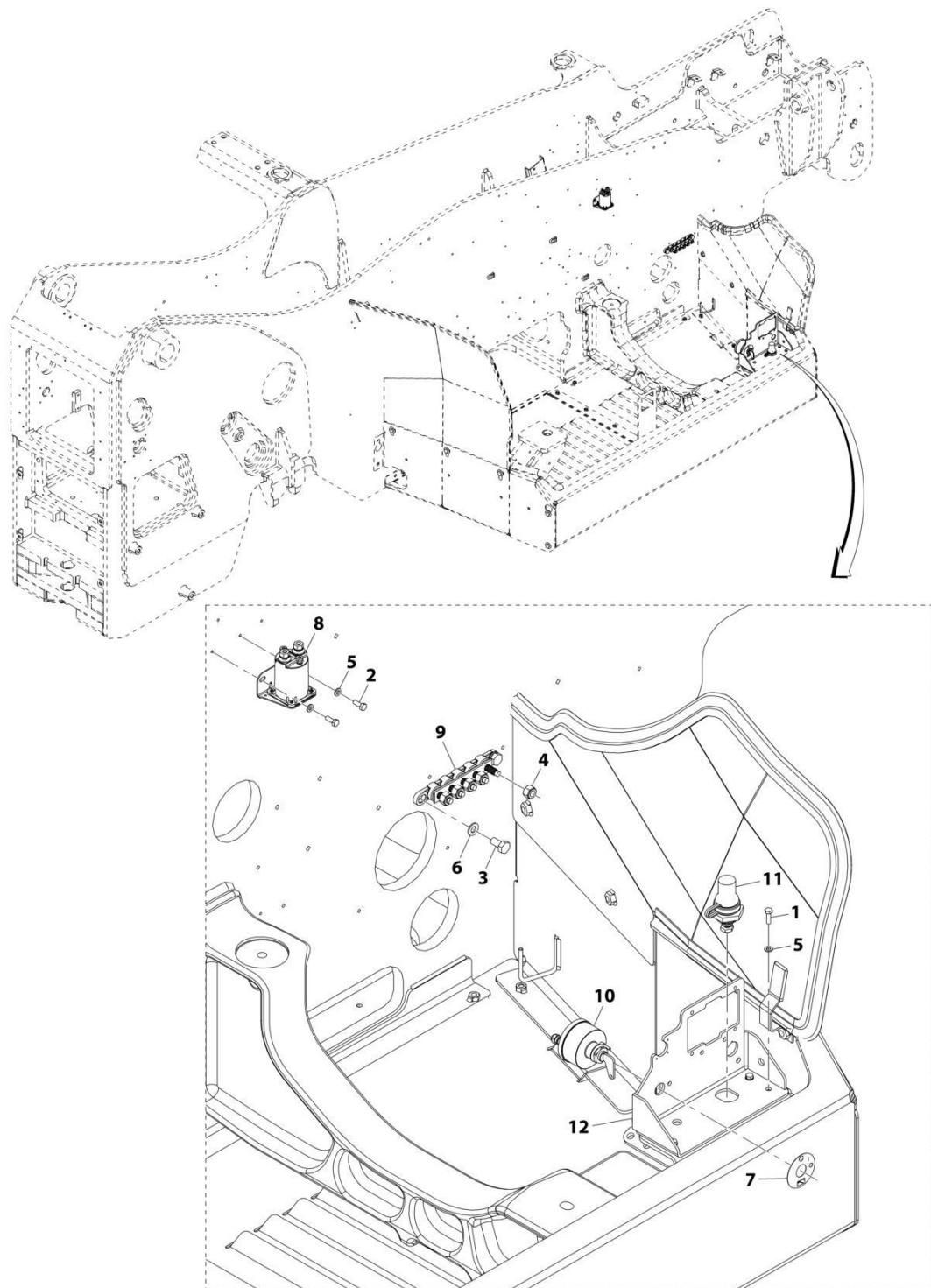
## SECTION 10 - ELECTRICAL

### FIGURE 10-4. ENGINE POD ELECTRICAL INSTALLATION (ULS)

ITEM	PART NUMBER	QTY	DESCRIPTION	REV
	1001202172	Ref	Engine Pod Electrical Installation (ULS)	B
1	0700610	4	Bolt, M6X20	
2	0760608	2	Bolt, M6X16	
4	0761010	2	Bolt, M10X20	
6	4811700	6	Washer, M6	
8	4812000	2	Washer, M10	
10	1001008540	1	Plate	
11	1001117308	1	Relay	
13	1001169825	1	Lamp, 12V Yellow	
14	1001181128	1	Bussbar	
15	1001192142	1	Switch, Disconnect	
16	1001193993	1	Terminal, Battery	
18	3291005	5	Nut, Lock M10X1.5	
19	1001212886	1	Bracket	

# SECTION 10 - ELECTRICAL

## FIGURE 10-5. ENGINE POD ELECTRICAL INSTALLATION (LS)



ART\_1001223066-A

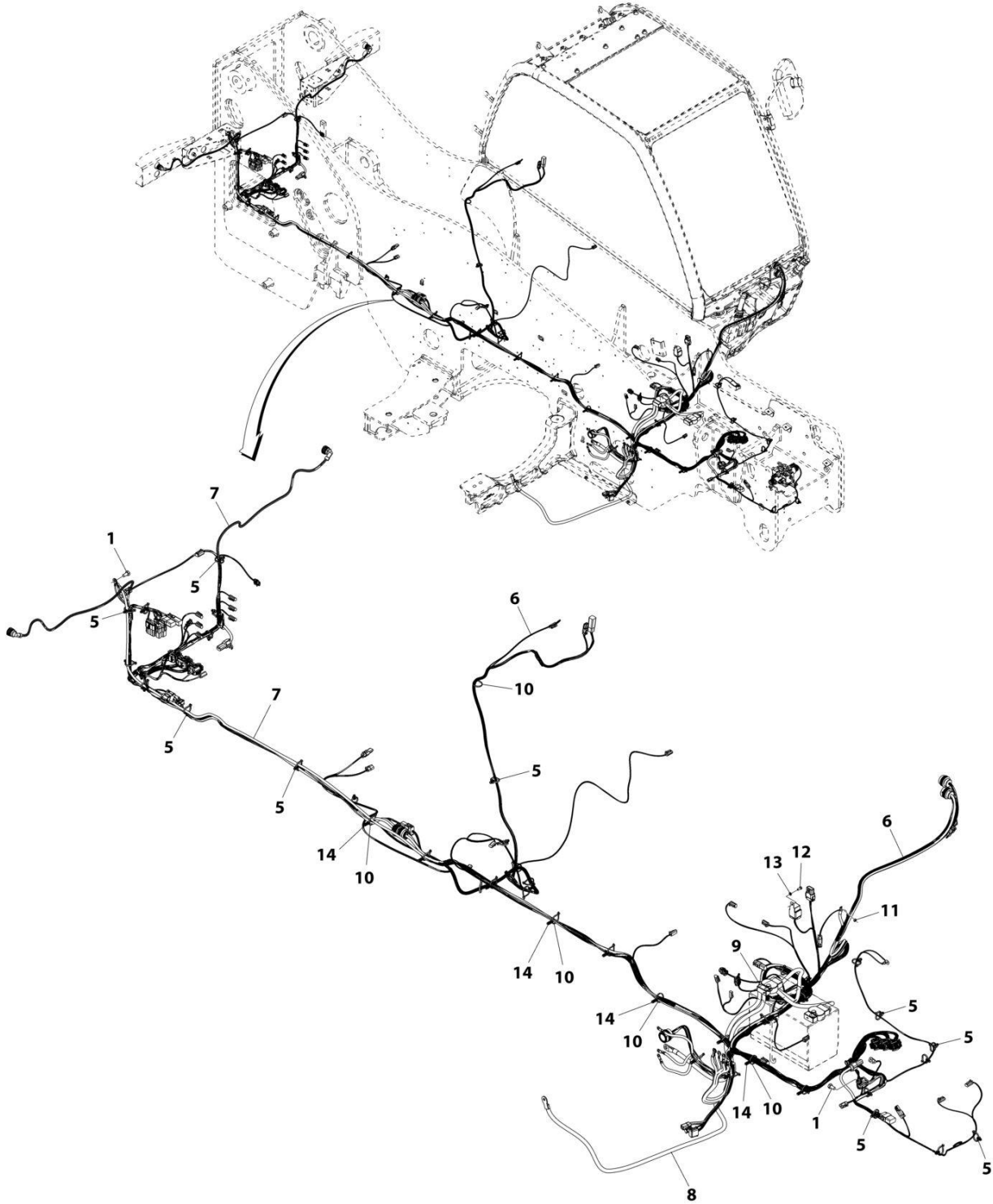
## SECTION 10 - ELECTRICAL

### FIGURE 10-5. ENGINE POD ELECTRICAL INSTALLATION (LS)

ITEM	PART NUMBER	QTY	DESCRIPTION	REV
	1001223066	Ref	Engine Pod Electrical Installation (LS)	A
1	0700610	4	Bolt, M6X20	
2	0760608	2	Bolt, M6X16	
3	0761010	2	Bolt, M10X20	
4	3291005	5	Nut, Lock M10X1.5	
5	4811700	6	Washer, M6	
6	4812000	2	Washer, M10	
7	1001008540	1	Plate	
8	1001117308	1	Relay	
9	1001181128	1	Bussbar	
10	1001192142	1	Switch, Disconnect	
11	1001193993	1	Stud, Terminal	
12	1001212886	1	Bracket	

# SECTION 10 - ELECTRICAL

## FIGURE 10-6. FRAME WIRING INSTALLATION



ART\_1001200159-G



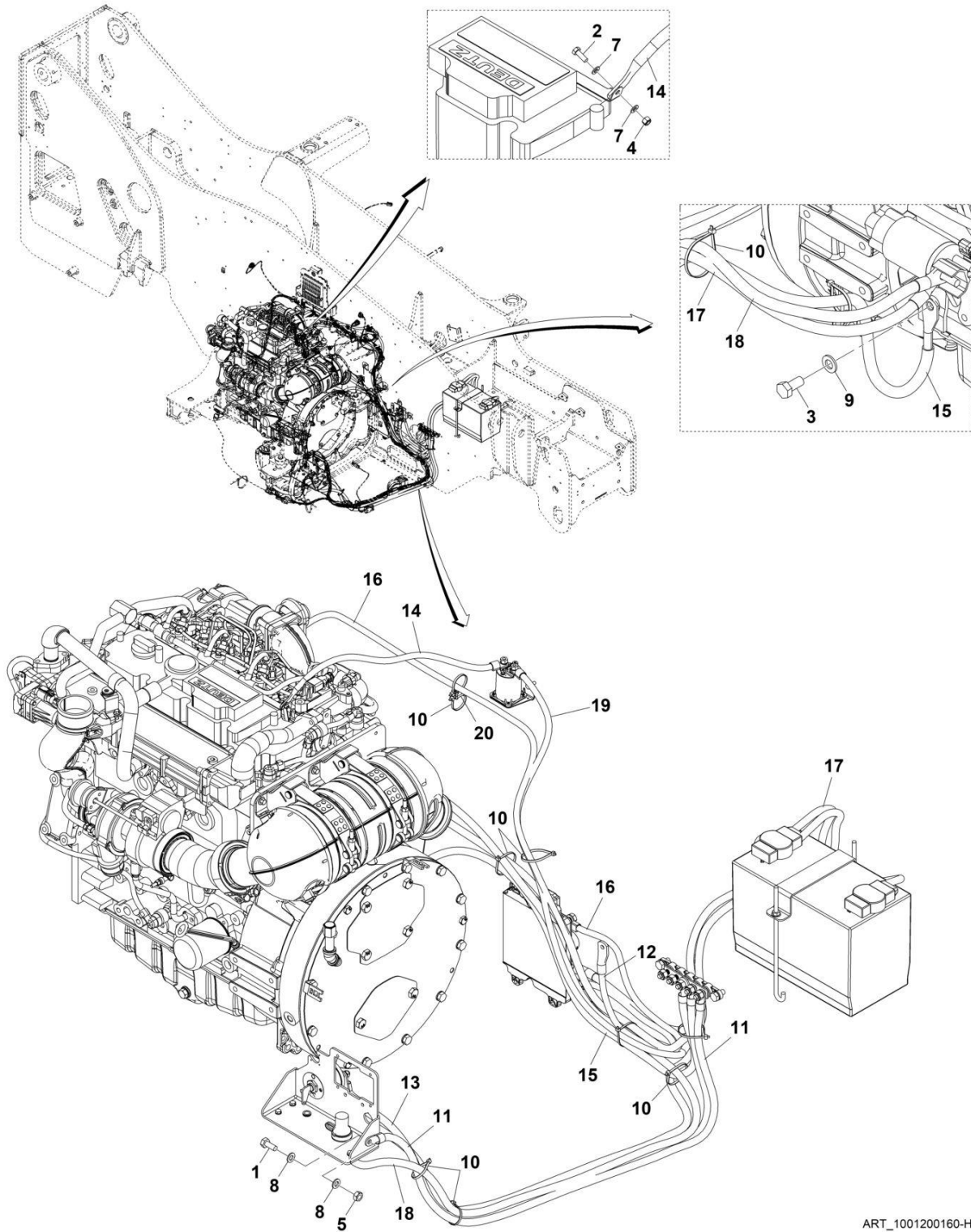
## SECTION 10 - ELECTRICAL

### FIGURE 10-6. FRAME WIRING INSTALLATION

ITEM	PART NUMBER	QTY	DESCRIPTION	REV
	1001200159	Ref	Frame Wiring Installation	G
1	0761010	2	Bolt M10 x 20	
5	1001146588	25	Tie, Cable	
6	1001184396	1	Harness, Front Frame (See Separate Breakdown in this Section)	
7	1001184397	1	Harness, Rear Frame (See Separate Breakdown in this Section)	
8	1001200168	1	Cable, Negative Battery	
9	1001200169	1	Cable, Positive Battery	
10	1001008559	16	Strap, Cable	
11	3290601	1	Nut M6 x 1	
12	0760607	1	Bolt M6 x 14	
13	4811700	1	Washer M6	
14	1001202986	13	Strap Push Mount	

# SECTION 10 - ELECTRICAL

## FIGURE 10-7. ENGINE BAY ELECTRICAL INSTALLATION (ULS)



ART\_1001200160-H

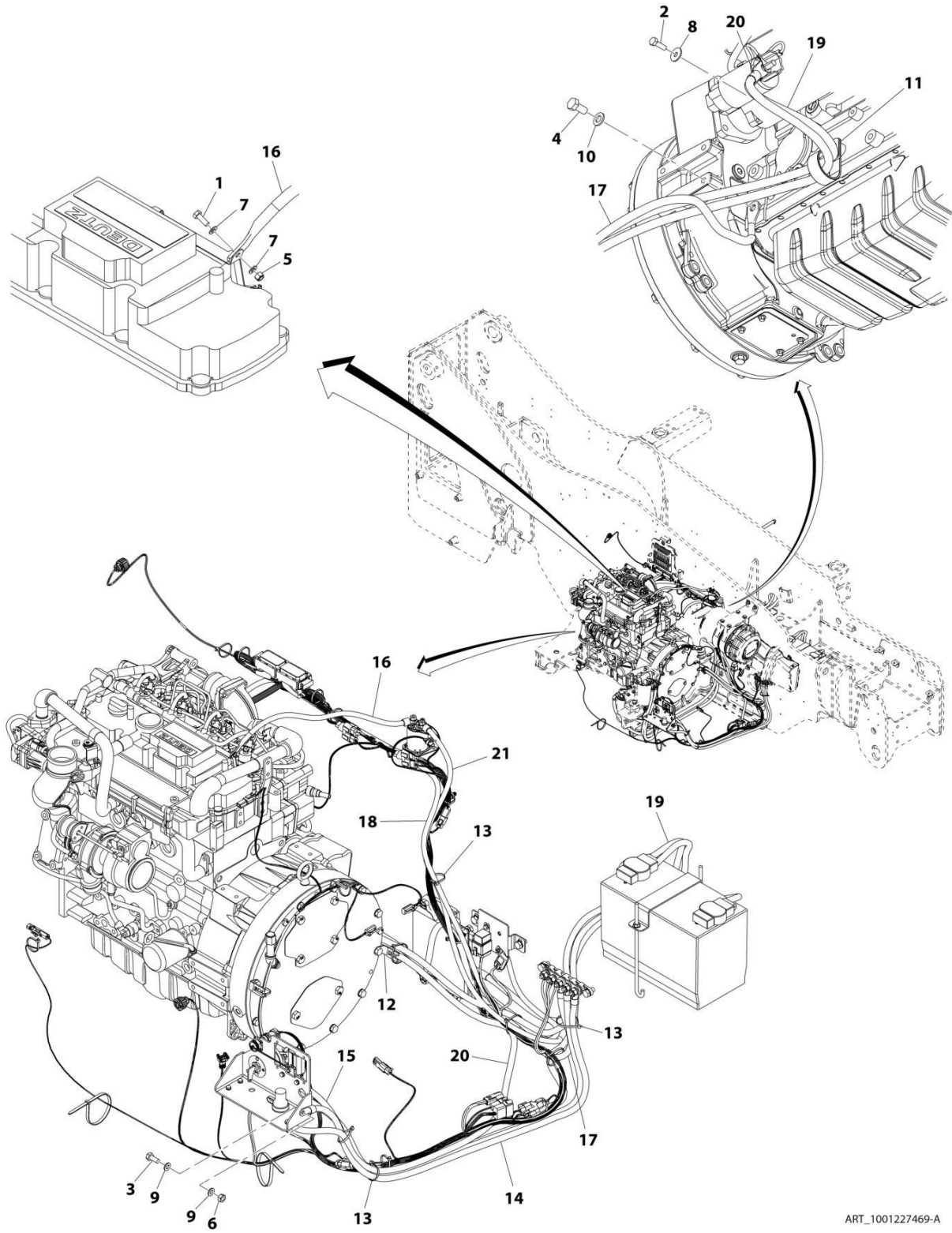
## SECTION 10 - ELECTRICAL

**FIGURE 10-7. ENGINE BAY ELECTRICAL INSTALLATION (ULS)**

ITEM	PART NUMBER	QTY	DESCRIPTION	REV
	1001200160	Ref	Engine Bay Electrical Installation	I
1	0761012	1	Bolt, M10X25	
2	0760507	1	Bolt, M5X14	
3	0761212	1	Bolt, M12X25	
4	3290505	1	Nut, Lock M5X0.8	
5	3291001	1	Nut, M10X1.5	
7	4811600	2	Washer, M5	
8	4812000	2	Washer, M10	
9	4812100	1	Washer, M12	
10	1001008559	10	Tie, Strap	
11	1001194103	1	Cable	
12	1001194244	1	Cable	
13	1001196502	1	Cable	
14	1001200161	1	Cable	
15	1001200162	1	Cable	
16	1001200164	1	Cable	
17	1001200165	1	Cable	
18	1001200166	1	Cable	
19	1001200167	1	Cable	
20	1001004723	1	Saddle	
21	1001293972	1	Cable, ECM Power (Not Shown)	

# SECTION 10 - ELECTRICAL

## FIGURE 10-8. ENGINE BAY ELECTRICAL INSTALLATION (LS)



ART\_1001227469-A

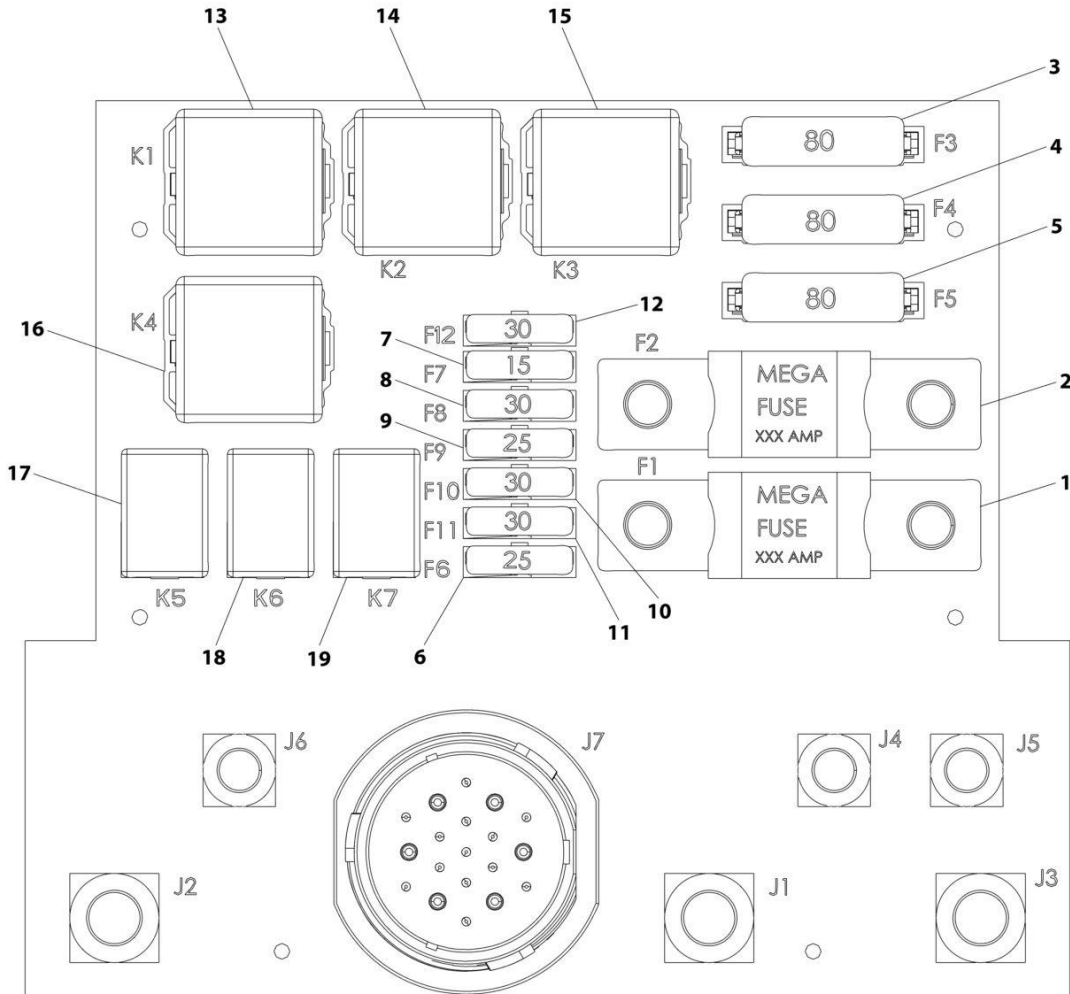
## SECTION 10 - ELECTRICAL

**FIGURE 10-8. ENGINE BAY ELECTRICAL INSTALLATION (LS)**

ITEM	PART NUMBER	QTY	DESCRIPTION	REV
	1001227469	Ref	Engine Bay Electrical Installation	B
1	0760507	1	Bolt, M5X14	
2	0760812	1	Bolt, M8X25	
3	0761012	1	Bolt, M10X25	
4	0761212	1	Bolt, M12X25	
5	3290505	1	Nut, Lock M5X0.8 Grade 8	
6	3291001	1	Nut, M10X1.5 Grade 8	
7	4811600	2	Washer, M5	
8	4811902	1	Washer, M8	
9	4812000	2	Washer, M10	
10	4812100	1	Washer, M12	
11	85941018	1	Clamp	
12	1001003305	1	Clip	
13	1001008559	7	Tie, Strap	
14	1001194103	1	Cable	
15	1001196502	1	Cable	
16	1001200161	1	Cable	
17	1001200162	1	Cable	
18	1001200164	1	Cable	
19	1001200165	1	Cable	
20	1001200166	1	Cable	
21	1001200167	1	Cable	
22	1001293972	1	Cable, ECM Power (Not Shown)	

# SECTION 10 - ELECTRICAL

## FIGURE 10-9. POWER DISTRIBUTION ELECTRICAL BOX



ART\_1001164402-G

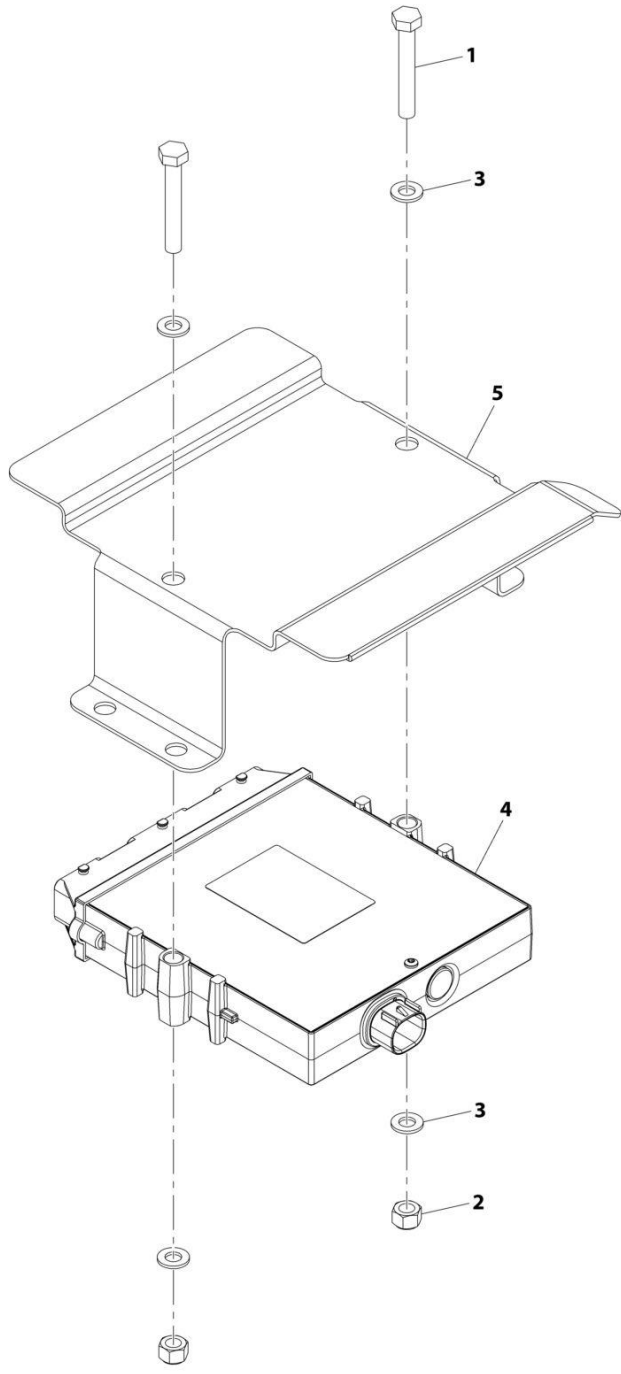
## SECTION 10 - ELECTRICAL

**FIGURE 10-9. POWER DISTRIBUTION ELECTRICAL BOX**

ITEM	PART NUMBER	QTY	DESCRIPTION	REV
	1001164402	Ref	Power Distribution Electrical Box	G
1	1001095336	1	Fuse, 150AMP	
2	70026296	1	Fuse, 200AMP	
3	70026297	1	Fuse, 80AMP	
4	70026297	1	Fuse, 80AMP	
5	70026297	1	Fuse, 80AMP	
6	8229247	1	Fuse, 25AMP	
7	8229244	1	Fuse, 15AMP	
8	8229245	1	Fuse, 30AMP	
9	8229247	1	Fuse, 25AMP	
10	8229245	1	Fuse, 30AMP	
11	8229245	1	Fuse, 30AMP	
12	8229245	1	Fuse, 30AMP	
13	70026294	1	Fuse, 70AMP	
14	70026294	1	Fuse, 70AMP	
15	70026294	1	Fuse, 70AMP	
16	70026294	1	Fuse, 70AMP	
17	70026295	1	Fuse, 35AMP	
18	70026295	1	Fuse, 35AMP	
19	70026295	1	Fuse, 35AMP	

# SECTION 10 - ELECTRICAL

## FIGURE 10-10. REAR FRAME MODULE INSTALLATION



ART\_1001210770-C



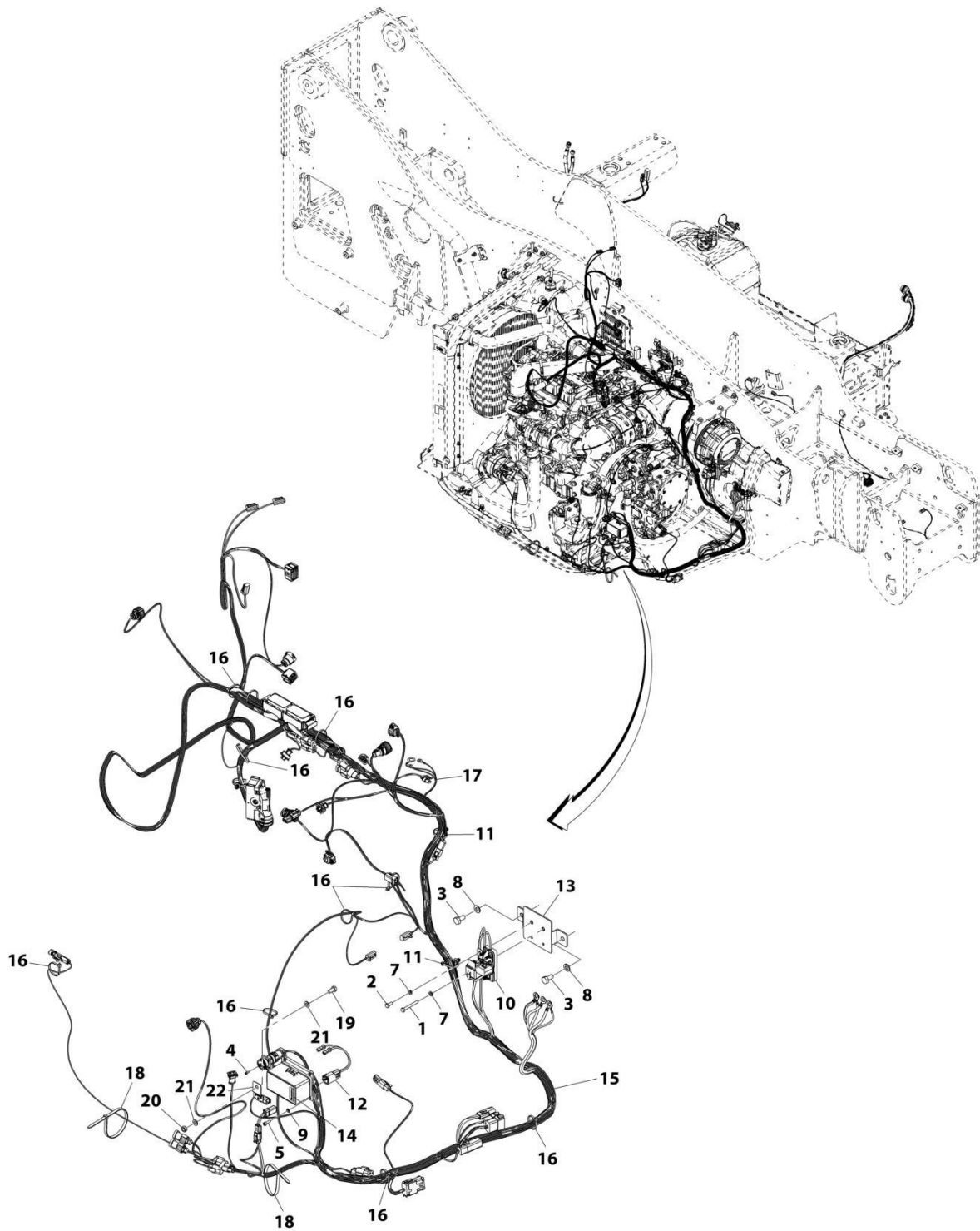
## SECTION 10 - ELECTRICAL

### FIGURE 10-10. REAR FRAME MODULE INSTALLATION

ITEM	PART NUMBER	QTY	DESCRIPTION	REV
	1001210770	Ref	Rear Frame Module Installation	C
1	0700819	2	Bolt, M8X55	
2	3290805	2	Nut, Lock M8X1.25	
3	4811900	4	Washer, M8	
4	1001162256	1	Module, Rear Frame	
5	1001225980	1	Bracket	

# SECTION 10 - ELECTRICAL

## FIGURE 10-11. ENGINE WIRING INSTALLATION (ULS)



ART\_1001200106-H

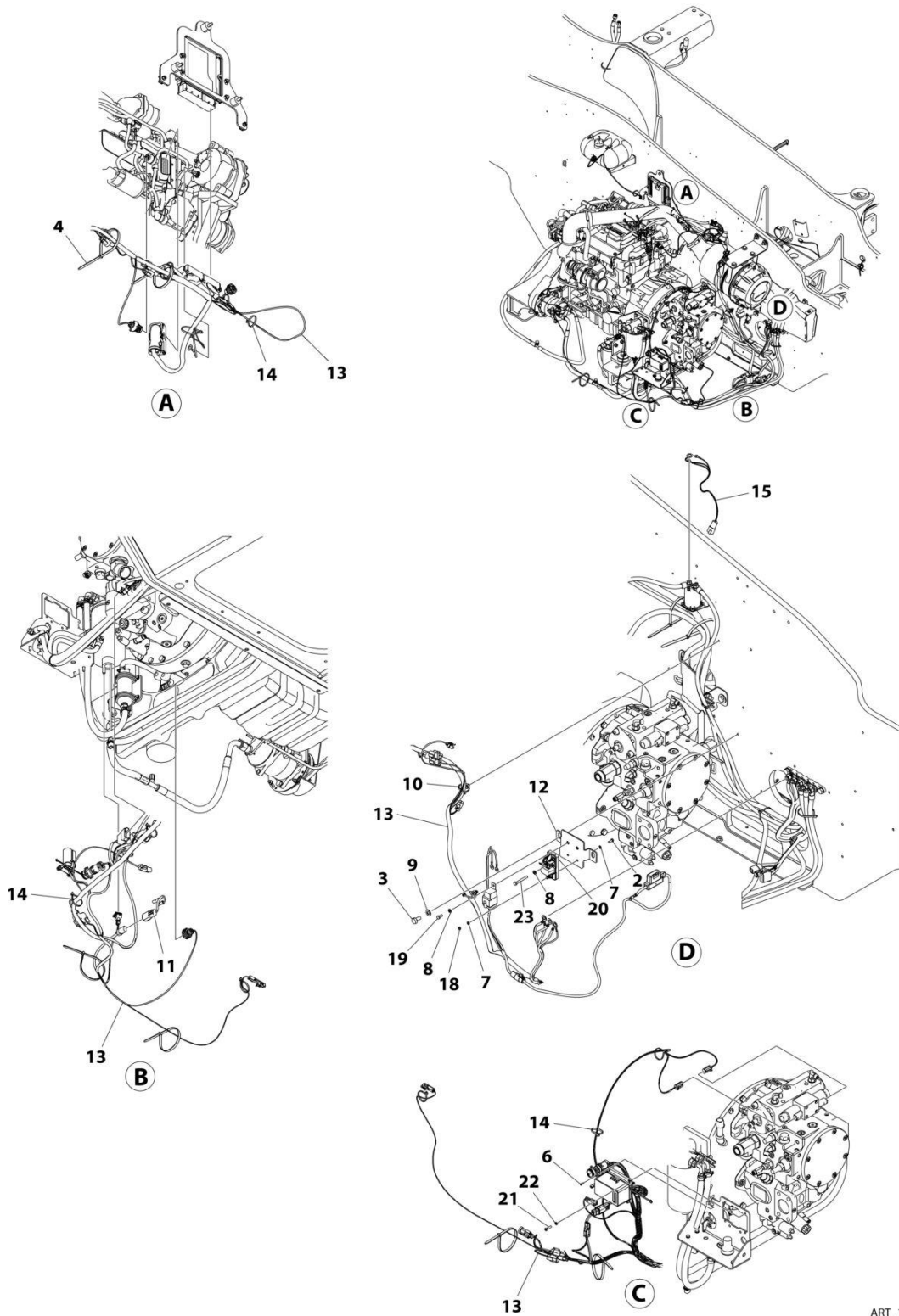
## SECTION 10 - ELECTRICAL

**FIGURE 10-11. ENGINE WIRING INSTALLATION (ULS)**

ITEM	PART NUMBER	QTY	DESCRIPTION	REV
	1001200106	Ref	Engine Wiring Installation (ULS)	G
1	0700618	1	Bolt, M6X50	
2	0760607	1	Bolt, M6X14	
3	0761010	2	Bolt M10X20	
4	4031205	3	Bolt, M3X10	
5	4031607	4	Bolt, M5-0.8X16	
7	4811700	2	Washer, M6	
8	4812000	2	Washer, M10	
9	4831600	4	Washer, Lock M5	
10	1001131177	1	Fuse	
11	1001146588	3	Strap, Cable Tie	
12	1001182929	1	Harness, Fuel Pump (See Seperate Breakdown in this Section)	
13	1001189046	1	Bracket	
14	1001191546	1	Decal, Fuse	
15	1001200108	1	Harness, Engine (ULS) (See Seperate Breakdown in this Section)	
16	1001008559	11	Strap, Cable	
17	1001182930	1	Harness, Glow Plug Relay (See Seperate Breakdown in this Section)	
18	1062255	4	Strap, Tie	

# SECTION 10 - ELECTRICAL

## FIGURE 10-12. ENGINE WIRING INSTALLATION (LS)



ART\_1001217752

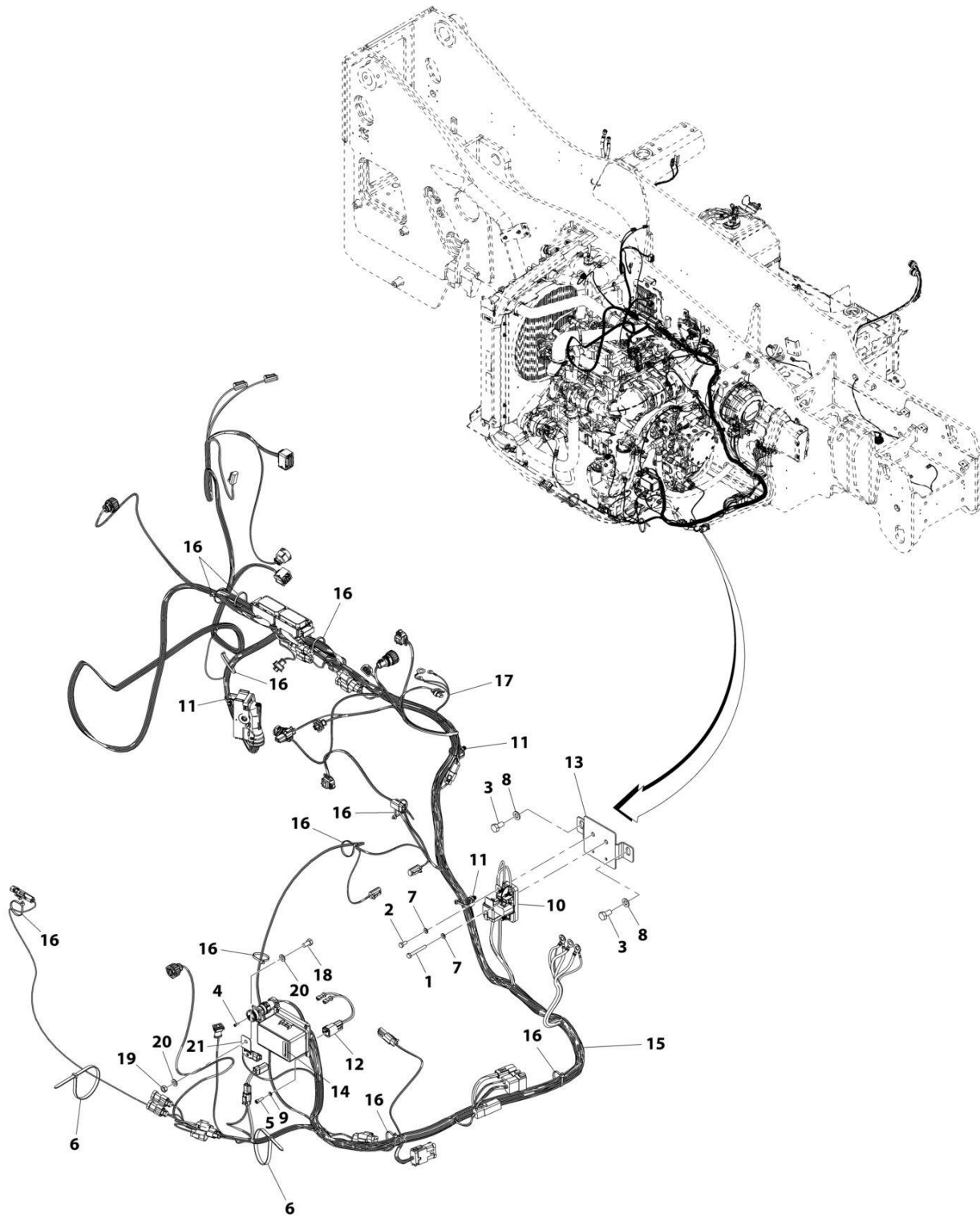
## SECTION 10 - ELECTRICAL

**FIGURE 10-12. ENGINE WIRING INSTALLATION (LS)**

ITEM	PART NUMBER	QTY	DESCRIPTION	REV
	1001217752	Ref	ENGINE WIRING INSTALLATION	D
2	0760507	1	Bolt M5 x 14	
3	0761010	2	Bolt M10 x 20	
4	1062255	2	Strap, Tie	
6	4031205	3	Bolt M3 x 10	
7	4811600	2	Washer M5	
8	4811700	2	Washer M6	
9	4812000	2	Washer M10	
10	1001146588	2	Strap, Cable Tie	
11	1001182929	1	Harness, Fuel Pump (See Separate Breakdown in this Section)	
12	1001189046	1	Bracket	
13	1001285934	1	Harness, Engine (LS) (See Separate Breakdown in this Section)	
14	1001008559	10	Strap, Cable	
15	1001182930	1	Harness, Glow Plug Relay (See Separate Breakdown in this Section)	
18	3290501	1	Nut M5	
19	0760607	1	Bolt M6 x 14	
20	1001131177	1	Fuse	
21	4031608	4	Bolt M5 x 20	
22	4831600	4	Washer M5	
23	0700618	1	Bolt M6 x 50	
24	1001293972	1	Cable, ECM Power (Not Shown)	

# SECTION 10 - ELECTRICAL

## FIGURE 10-13. ENGINE WIRING INSTALLATION (MINING) (ULS)



ART\_1001228728-B

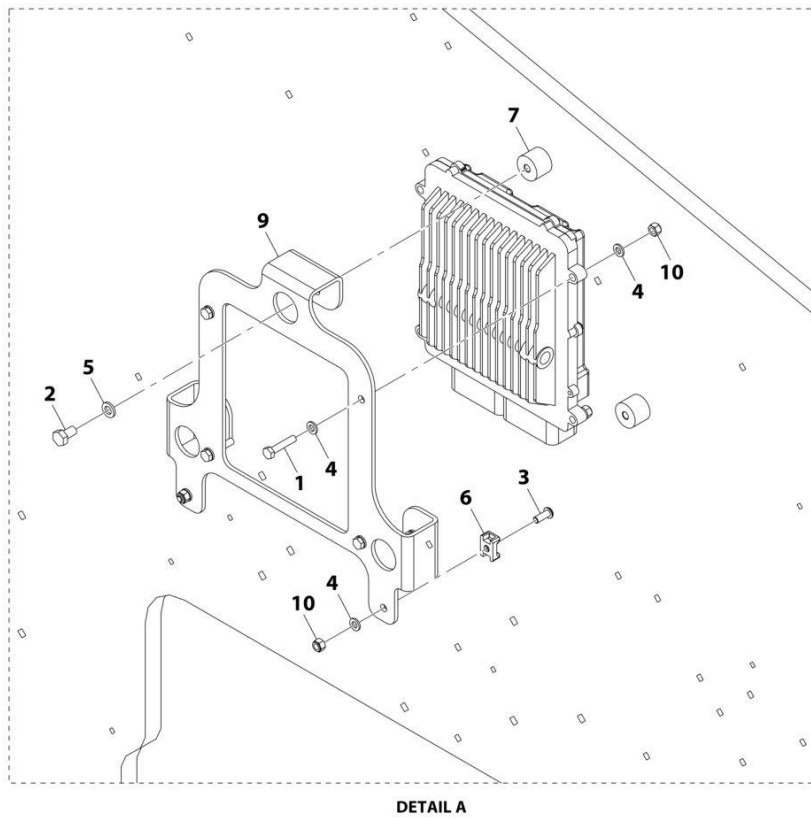
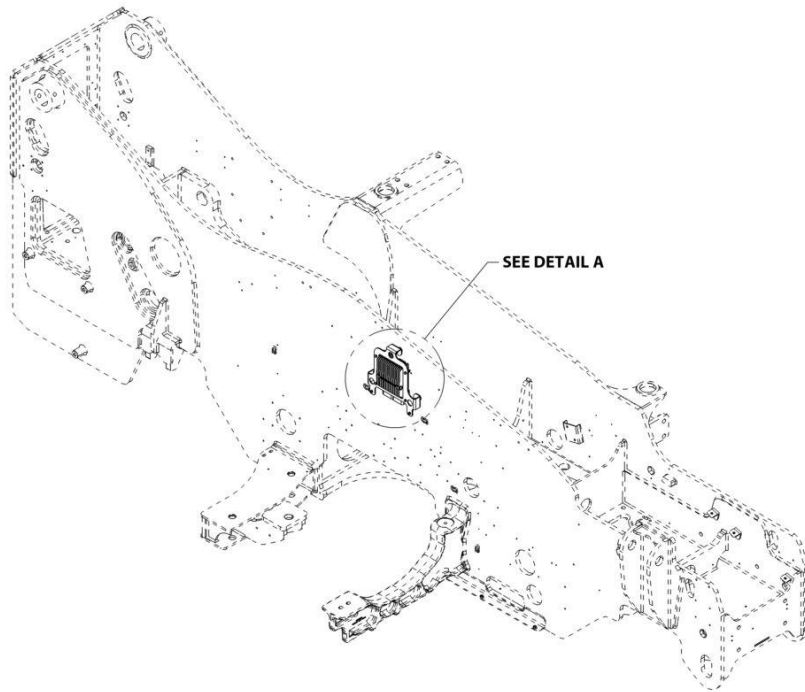
## SECTION 10 - ELECTRICAL

**FIGURE 10-13. ENGINE WIRING INSTALLATION (MINING) (ULS)**

ITEM	PART NUMBER	QTY	DESCRIPTION	REV
	1001228728	Ref	Engine Wiring Installation (Mining) (ULS)	A
1	0700618	1	Bolt, M6X50	
2	0760607	1	Bolt, M6X14	
3	0761010	2	Bolt, M10X20	
4	4031205	3	Bolt, M3X10	
5	4031607	4	Bolt, M5X16	
6	1062255	4	Strap, Tie	
7	4811700	2	Washer, M6	
8	4812000	2	Washer, M10	
9	4831600	4	Washer, Lock M5	
10	1001131177	1	Fuse	
11	1001146588	3	Strap, Cable Tie	
12	1001228733	1	Harness, Fuel Pump (See Seperate Breakdown in this Section)	
13	1001189046	1	Bracket	
14	1001191546	1	Decal, Fuse	
15	1001228731	1	Harness, Engine (Mining) (ULS) (See Seperate Breakdown in this Section)	
16	1001008559	11	Strap, Cable	
17	1001228732	1	Harness, Glow Plug Relay (See Seperate Breakdown in this Section)	

# SECTION 10 - ELECTRICAL

## FIGURE 10-14. ENGINE ECU INSTALLATION



ART\_1001200869-B



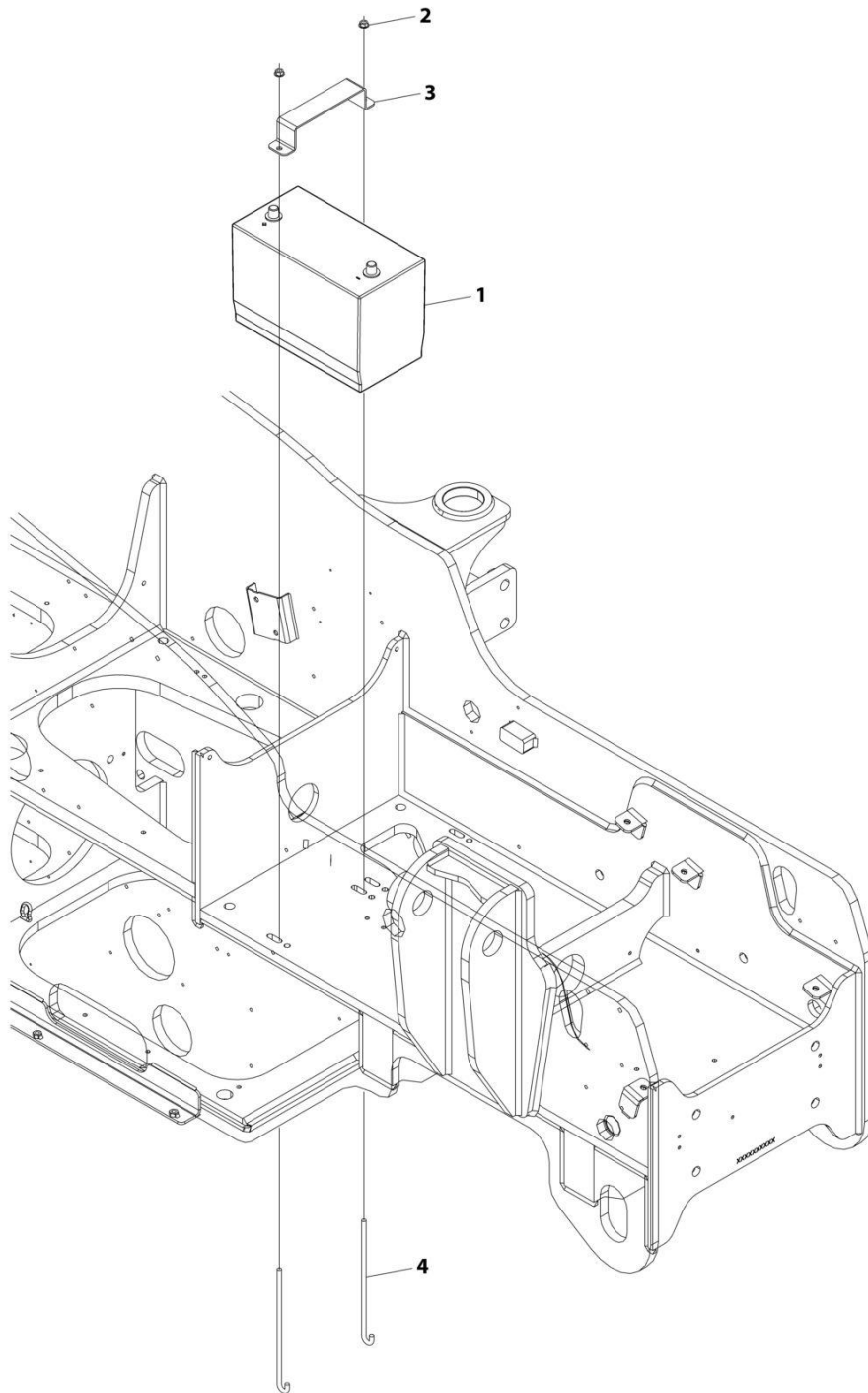
## SECTION 10 - ELECTRICAL

### FIGURE 10-14. ENGINE ECU INSTALLATION

ITEM	PART NUMBER	QTY	DESCRIPTION	REV
	1001200869	Ref	Engine ECU Installation	B
1	0700614	4	Bolt, M6X30	
2	0760807	3	Bolt, M8X14	
3	3900357	2	Capscrew, M6X16	
4	4811700	10	Washer, M6	
5	4831900	3	Washer, Lock M8	
6	1001138645	2	Mount, Cable Tie	
7	1001179907	3	Mount, Isolator	
9	1001210397	1	Plate	
10	3290605	6	Nut, Lock M6X1	

# SECTION 10 - ELECTRICAL

## FIGURE 10-15. BATTERY INSTALLATION



ART\_1001186855

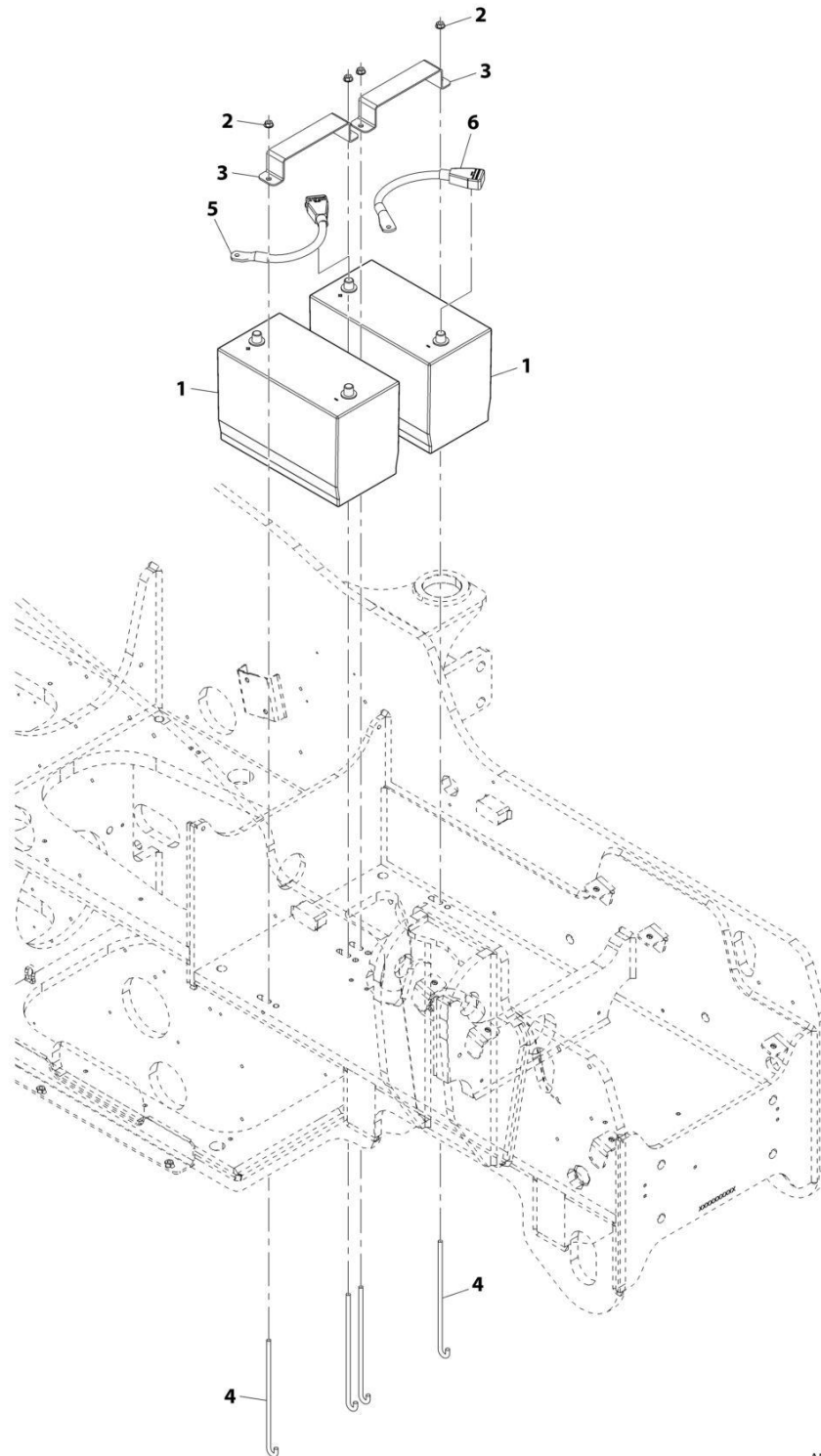
## SECTION 10 - ELECTRICAL

### FIGURE 10-15. BATTERY INSTALLATION

ITEM	PART NUMBER	QTY	DESCRIPTION	REV
	1001186855	Ref	Battery Installation	B
1	0400075	1	Battery, 12V	
2	5220800	2	Nut, Ripp M8	
3	1001160927	1	Plate	
4	1001160928	2	J-Bolt (270mm Length)	
4	1001181961	2	J-Bolt (220mm Length)	

# SECTION 10 - ELECTRICAL

## FIGURE 10-16. DUAL BATTERY INSTALLATION



ART\_1001211445-B

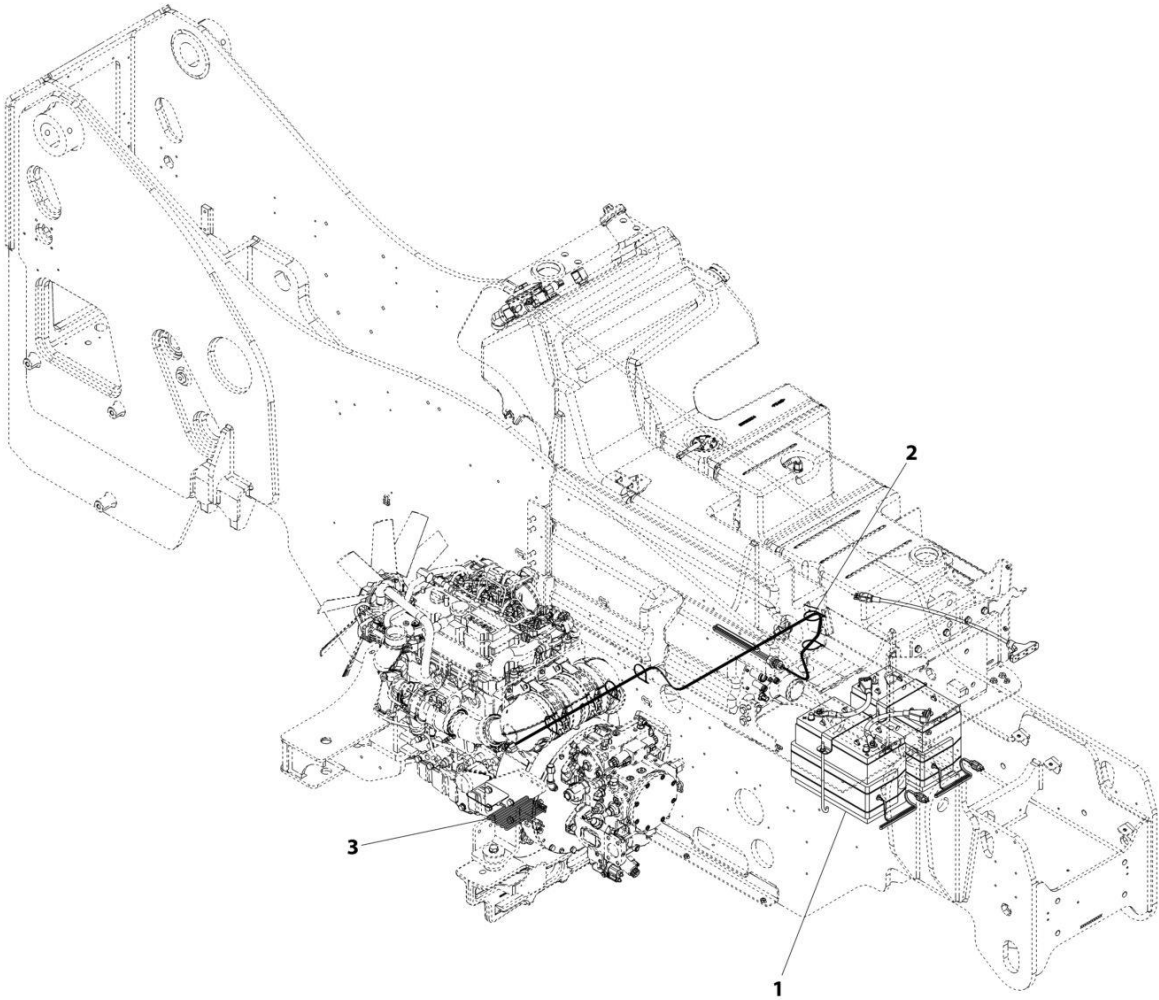
## SECTION 10 - ELECTRICAL

### FIGURE 10-16. DUAL BATTERY INSTALLATION

ITEM	PART NUMBER	QTY	DESCRIPTION	REV
	1001211445	Ref	Dual Battery Installation	B
1	0400075	2	Battery, 12V	
2	5220800	4	Nut, Ripp M8	
3	1001160927	2	Plate	
4	1001160928	4	J-Bolt	
5	1001172495	1	Cable, Positive Battery	
6	1001172496	1	Cable, Negative Battery	

**SECTION 10 - ELECTRICAL**

**FIGURE 10-17. ARCTIC PACKAGE INSTALLATION (240V)**



ART\_1001204544-C

## SECTION 10 - ELECTRICAL

### FIGURE 10-17. ARCTIC PACKAGE INSTALLATION (240V)

ITEM	PART NUMBER	QTY	DESCRIPTION	REV
1	1001204544	Ref	Arctic Package Installation (240V)	C
	1001204548	Ref	Installation, Arctic Battery, (240V) (See Separate Breakdown in this Section)	
2	1001204549	Ref	Installation, Hydraulic Tank Heater (240V) (See Separate Breakdown in this Section)	
3	1001196332	1	Heater, Oil Pan	

# SECTION 10 - ELECTRICAL

## FIGURE 10-18. ARTIC BATTERY PACKAGE INSTALLATION (115V)



ART\_1001186856-D



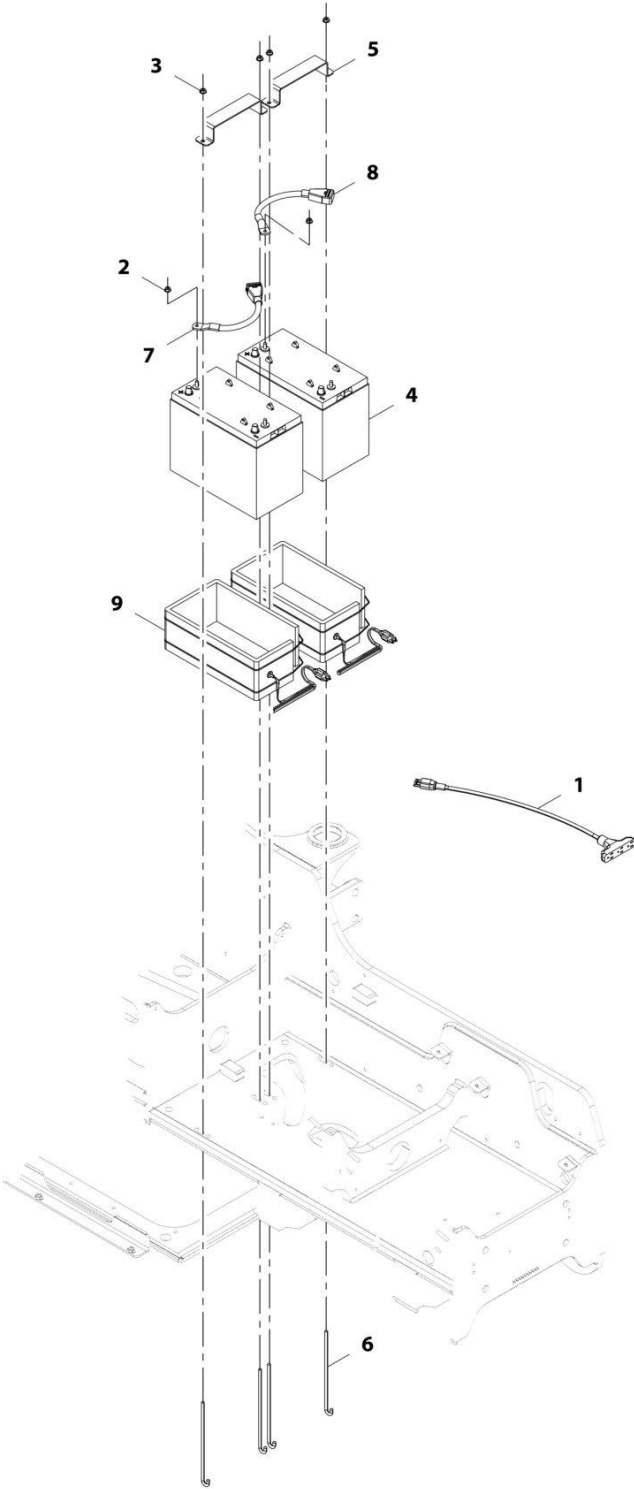
## SECTION 10 - ELECTRICAL

**FIGURE 10-18. ARTIC BATTERY PACKAGE INSTALLATION (115V)**

ITEM	PART NUMBER	QTY	DESCRIPTION	REV
	1001186856	Ref	Arctic Battery Package Installation (115V)	D
1	1001195582	1	Installation, Arctic Battery Package (115V) (See Separate Breakdown in this Section)	
2	1001195593	1	Installation, Hydraulic Tank Heater (115V) (See Separate Breakdown in this Section)	
3	2580040	1	Heater, Engine Oil Pan	
4	1062255	2	Tie, Strap	
5	1001232509	1	Tube, Heated Breather	

**SECTION 10 - ELECTRICAL**

**FIGURE 10-19. ARCTIC BATTERIES INSTALLATION (240V)**



ART\_1001204548-A

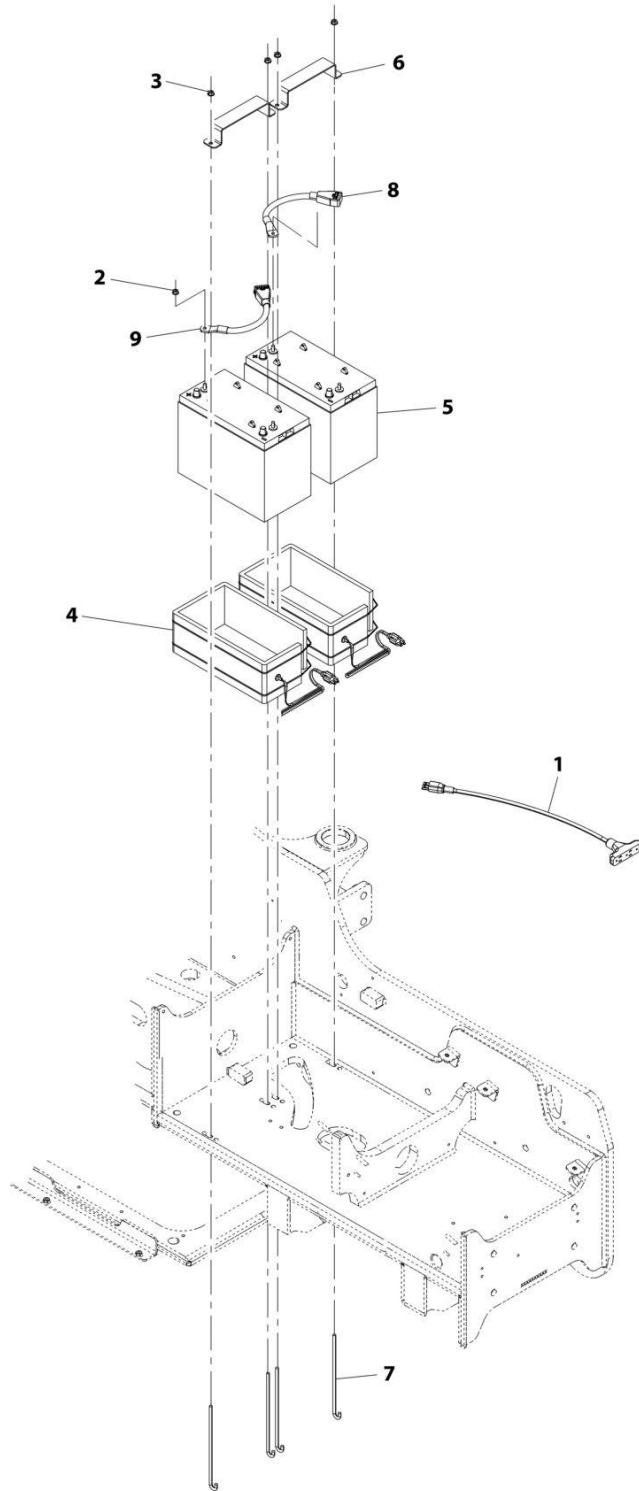
## SECTION 10 - ELECTRICAL

### FIGURE 10-19. ARCTIC BATTERIES INSTALLATION (240V)

ITEM	PART NUMBER	QTY	DESCRIPTION	REV
	1001204548	Ref	Artic Battery Package Installation (240V)	A
1	1060626	1	Cord, 3-Way Extension	
2	3311508	2	Nut, 5/16-18	
3	5220800	4	Nut, M8	
4	1001098762	2	Battery, 12V	
5	1001160927	2	Plate, Battery Hold Down	
6	1001160928	4	J-Bolt	
7	1001172495	1	Cable, Positive Battery	
8	1001172496	1	Cable, Negative Battery	
9	1001195469	2	Heater, Battery	

# SECTION 10 - ELECTRICAL

## FIGURE 10-20. ARCTIC BATTERIES INSTALLATION (115V)



ART\_1001195582-B

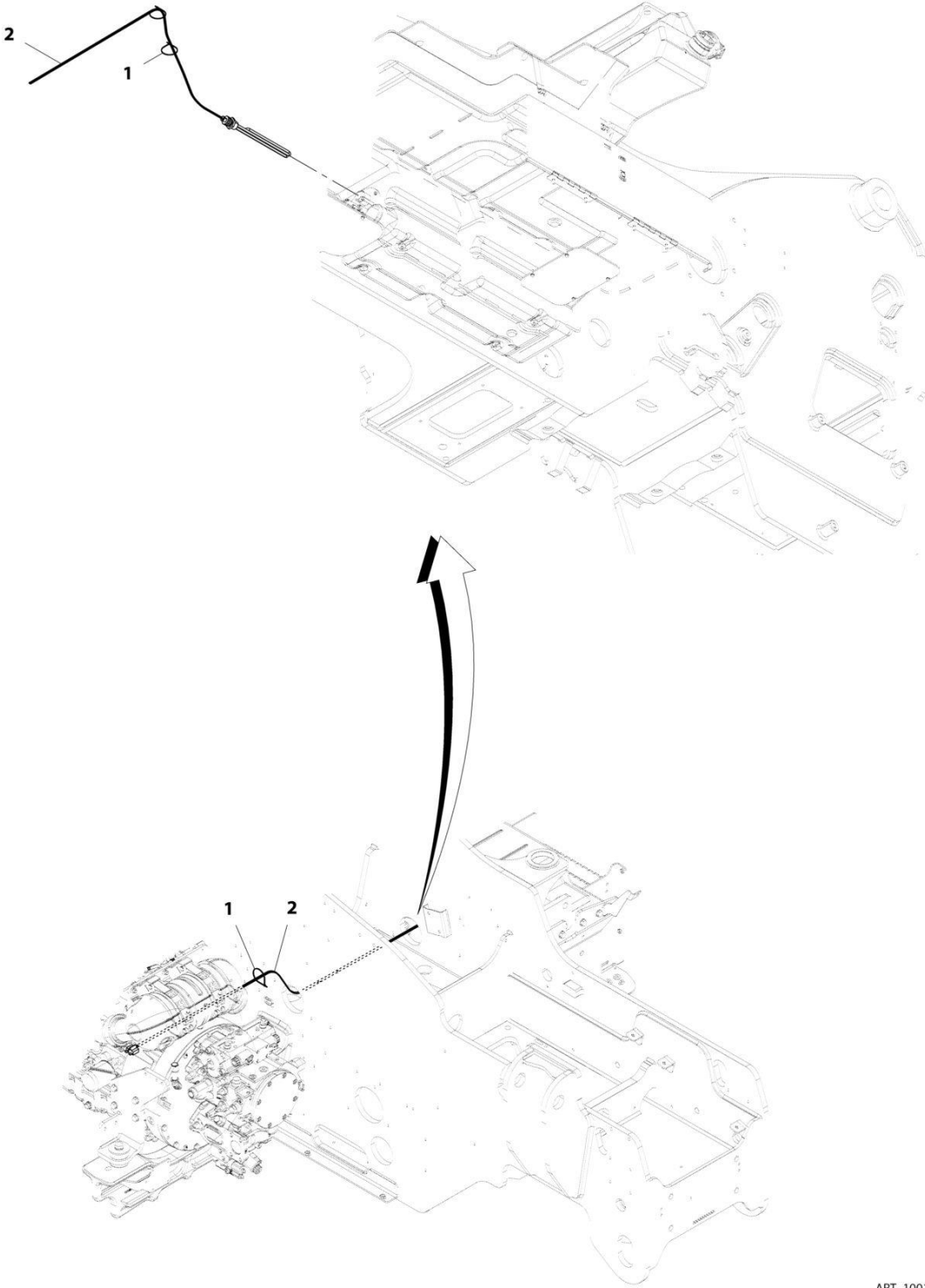
## SECTION 10 - ELECTRICAL

### FIGURE 10-20. ARCTIC BATTERIES INSTALLATION (115V)

ITEM	PART NUMBER	QTY	DESCRIPTION	REV
	1001195582	Ref	Arctic Batteries Installation (115V)	B
1	1060626	1	Cord, 3-Way Extension	
2	3311508	2	Nut 5/16	
3	5220800	4	Nut M8	
4	1001093564	2	Heater, Battery	
5	1001098762	2	Battery 12V	
6	1001160927	2	Plate, Battery Hold Down	
7	1001160928	4	J-Bolt	
8	1001172495	1	Cable, Positive Battery	
9	1001172496	1	Cable, Negative Battery	

**SECTION 10 - ELECTRICAL**

**FIGURE 10-21. HYDRAULIC TANK HEATER INSTALLATION (240V)**



ART\_1001204549-B

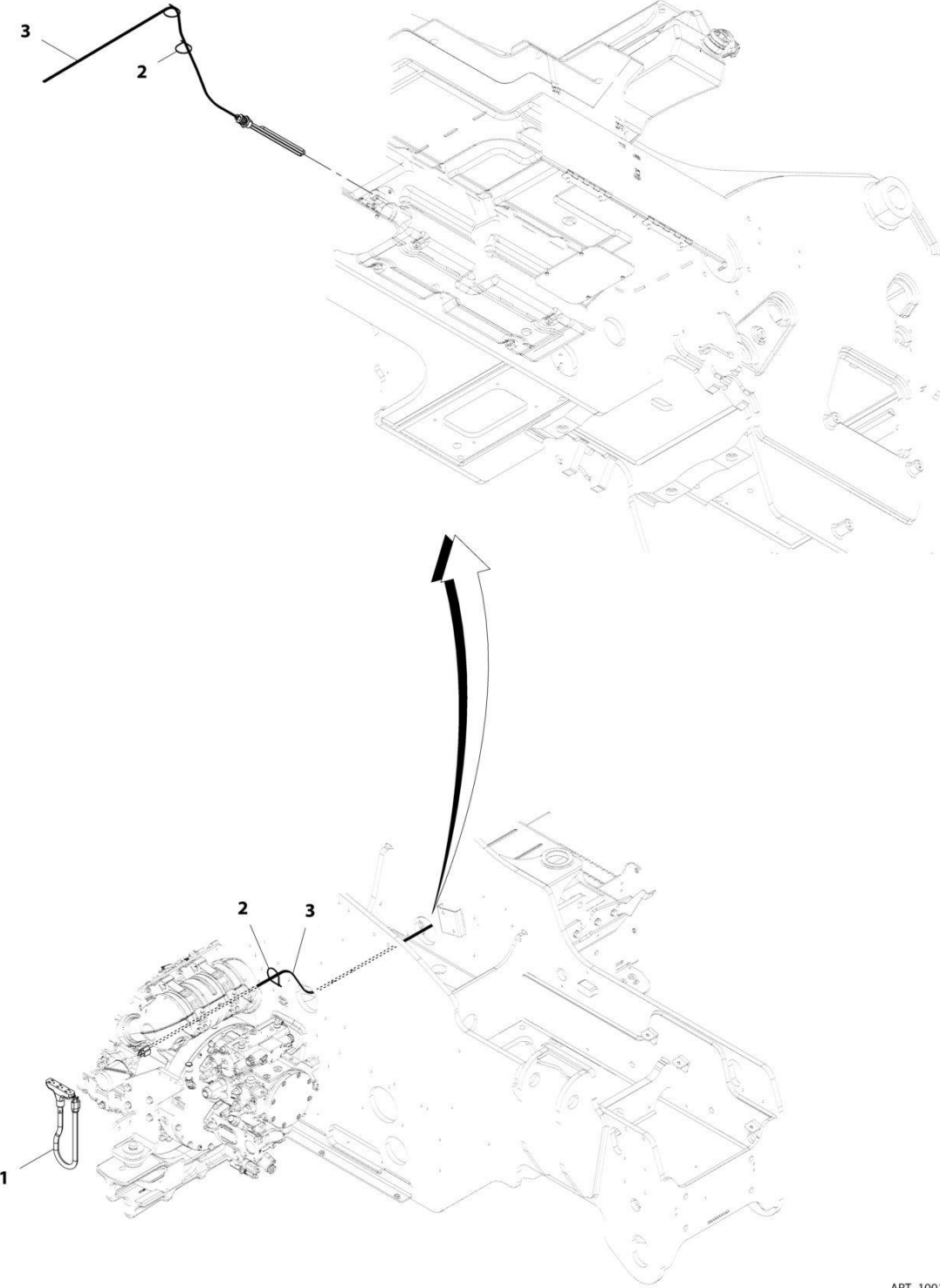
## SECTION 10 - ELECTRICAL

**FIGURE 10-21. HYDRAULIC TANK HEATER INSTALLATION (240V)**

ITEM	PART NUMBER	QTY	DESCRIPTION	REV
1	1001204549	Ref	Hydraulic Tank Heater Installation (240V)	B
1	4240099	AR	Tie, Wire	
2	1001195439	1	Heater, Immersion	

**SECTION 10 - ELECTRICAL**

**FIGURE 10-22. HYDRAULIC TANK HEATER INSTALLATION (115V)**



ART\_1001195593-B



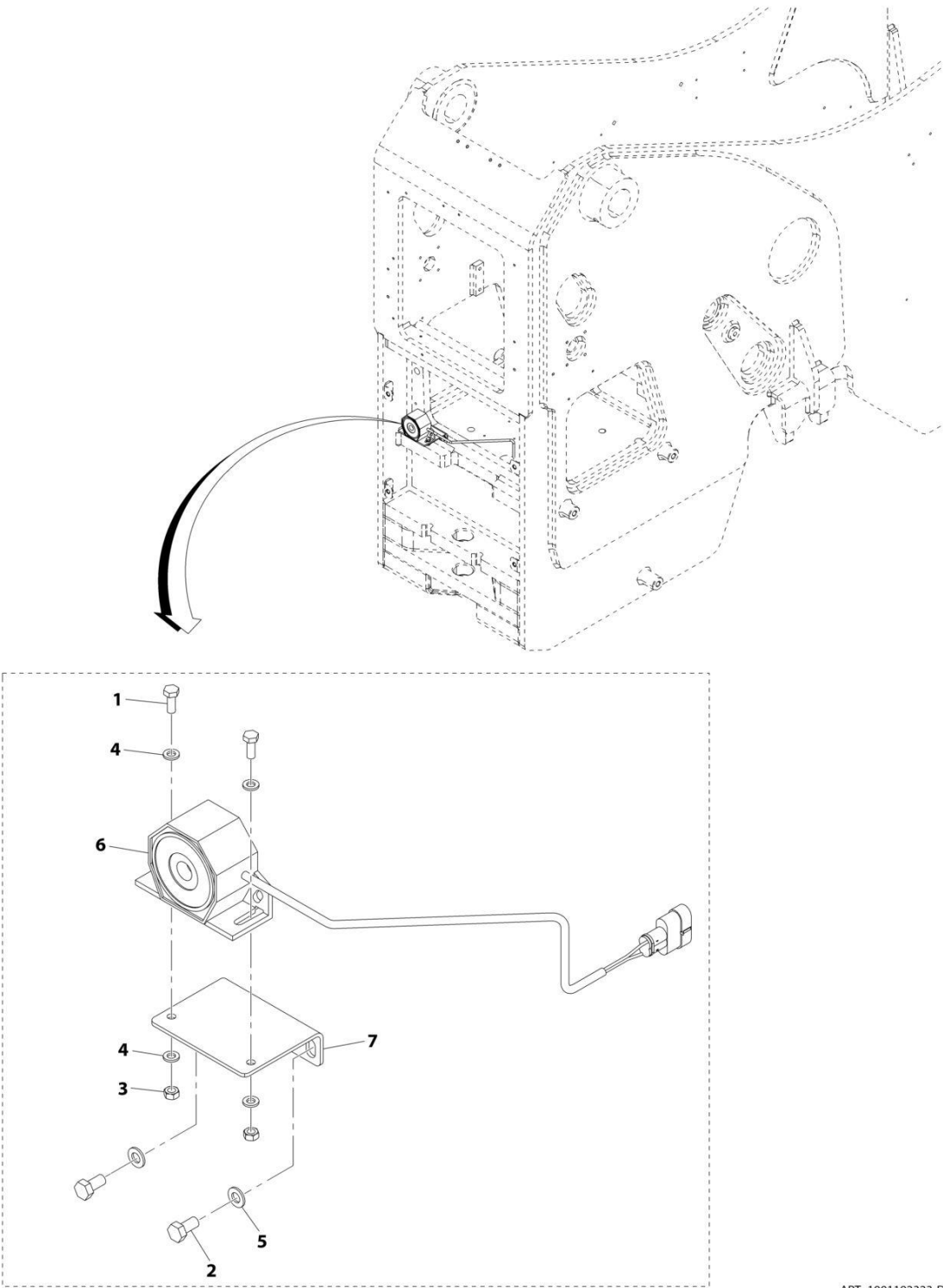
## SECTION 10 - ELECTRICAL

**FIGURE 10-22. HYDRAULIC TANK HEATER INSTALLATION (115V)**

ITEM	PART NUMBER	QTY	DESCRIPTION	REV
	1001195593	Ref	Hydraulic Tank Heater Installation (115V)	B
1	1060626	1	Cord, 3-Way Extension	
2	4240099	AR	Tie, Wire	
3	1001105886	1	Heater, Immersion	

**SECTION 10 - ELECTRICAL**

**FIGURE 10-23. BACKUP ALARM INSTALLATION**



ART\_1001192323-D

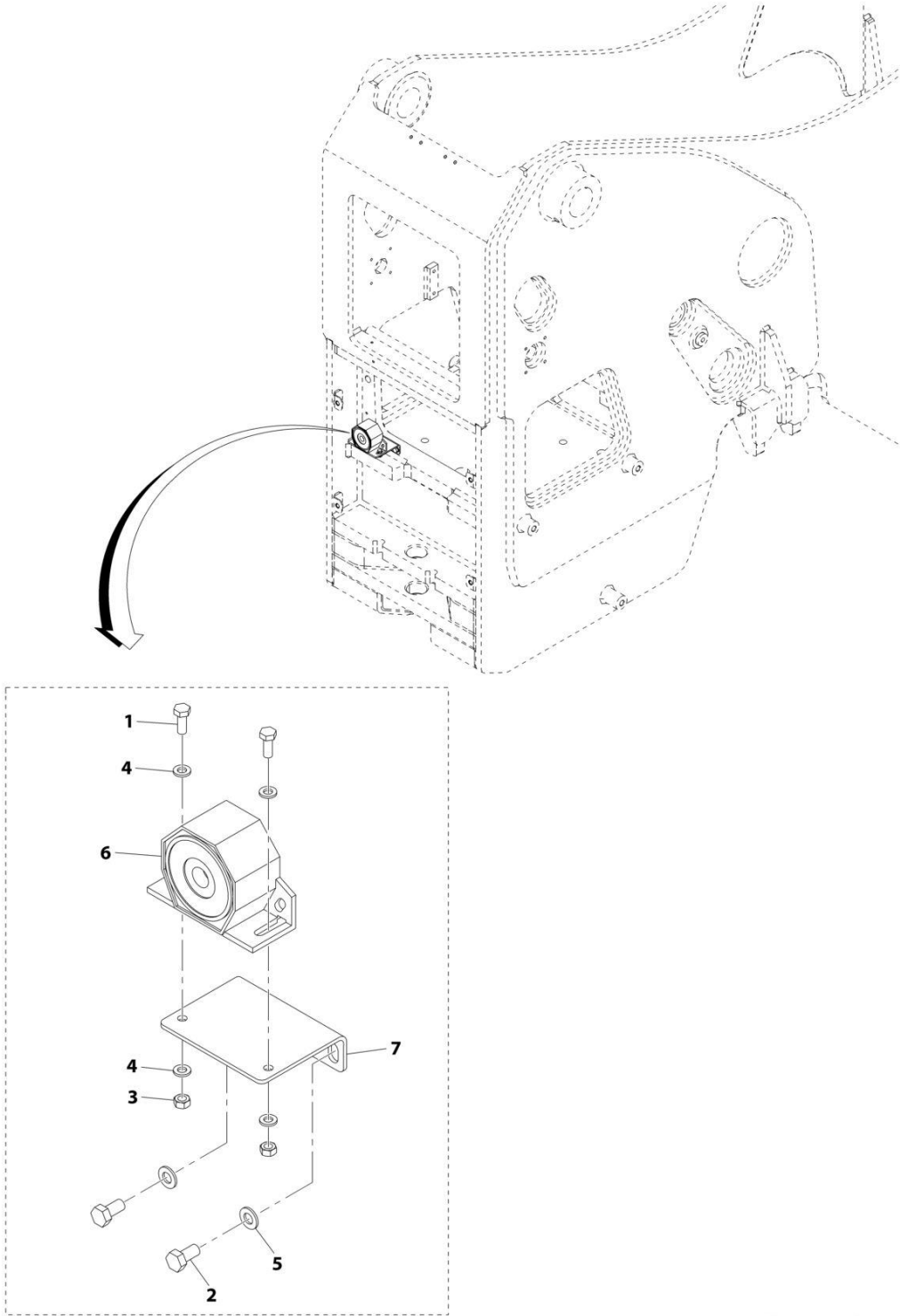
## SECTION 10 - ELECTRICAL

### FIGURE 10-23. BACKUP ALARM INSTALLATION

ITEM	PART NUMBER	QTY	DESCRIPTION	REV
	1001192323	Ref	Backup Alarm Installation	D
1	0760608	2	Bolt, M6X16	
2	0760808	2	Bolt, M8X16	
3	3290601	2	Nut, M6X1	
4	4811700	4	Washer, M6	
5	4811900	2	Washer, M8	
6	1001101808	1	Alarm, Backup	
7	1001193698	1	Bracket	

**SECTION 10 - ELECTRICAL**

**FIGURE 10-24. BACKUP ALARM INSTALLATION (WHITE NOISE)**



ART\_1001195263-B

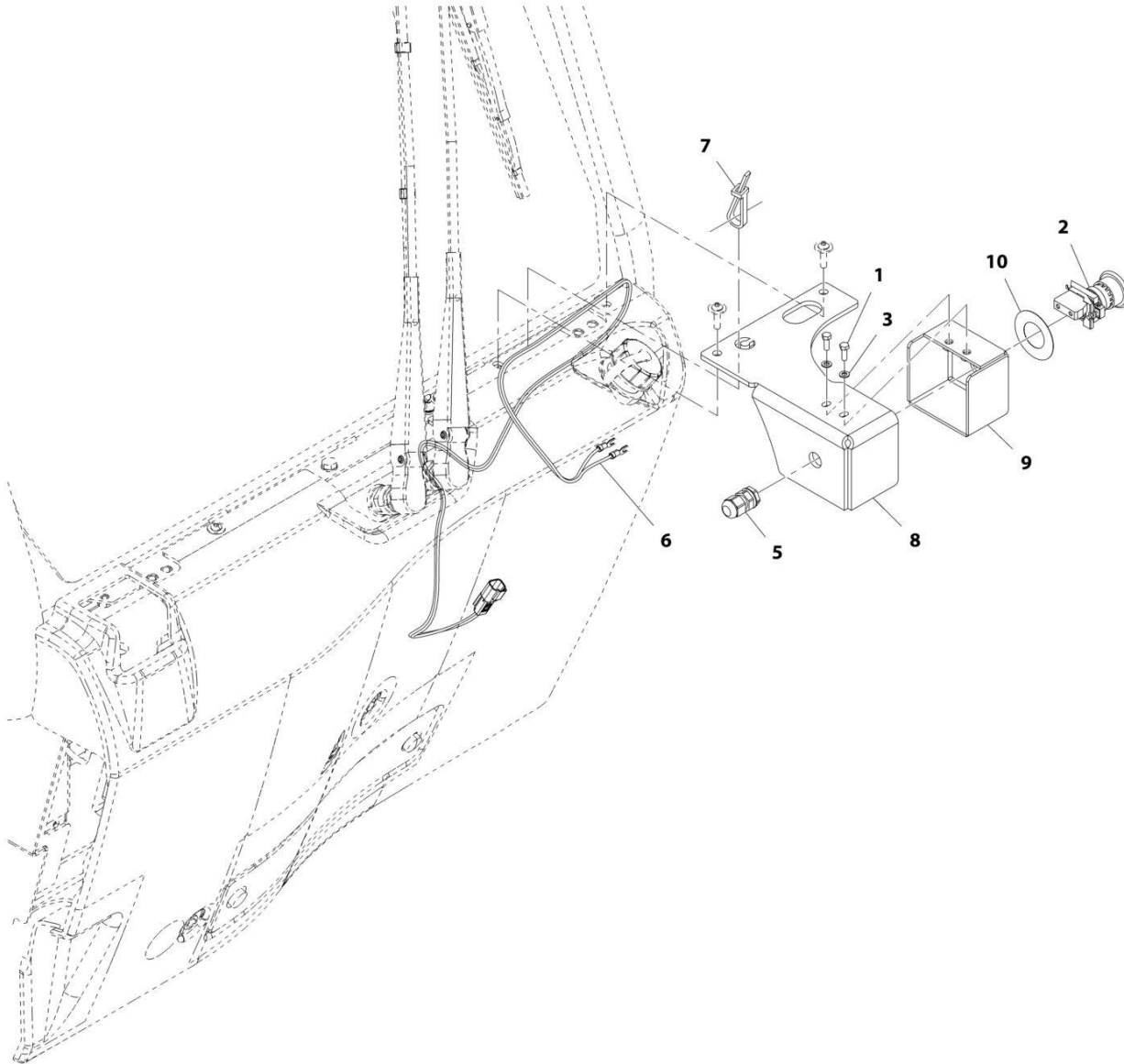
## SECTION 10 - ELECTRICAL

**FIGURE 10-24. BACKUP ALARM INSTALLATION (WHITE NOISE)**

ITEM	PART NUMBER	QTY	DESCRIPTION	REV
	1001195263	Ref	Backup Alarm Installation (White Noise)	B
1	0760608	2	Bolt, M6X16	
2	0760808	2	Bolt, M8X16	
3	3290601	2	Nut, M6X1	
4	4811700	4	Washer, M6	
5	4811900	2	Washer, M8	
6	1001165827	1	Alarm, Backup (White Noise)	
7	1001193698	1	Bracket	

# SECTION 10 - ELECTRICAL

## FIGURE 10-25. EMERGENCY STOP EXTERNAL INSTALLATION



ART\_1001195721-C

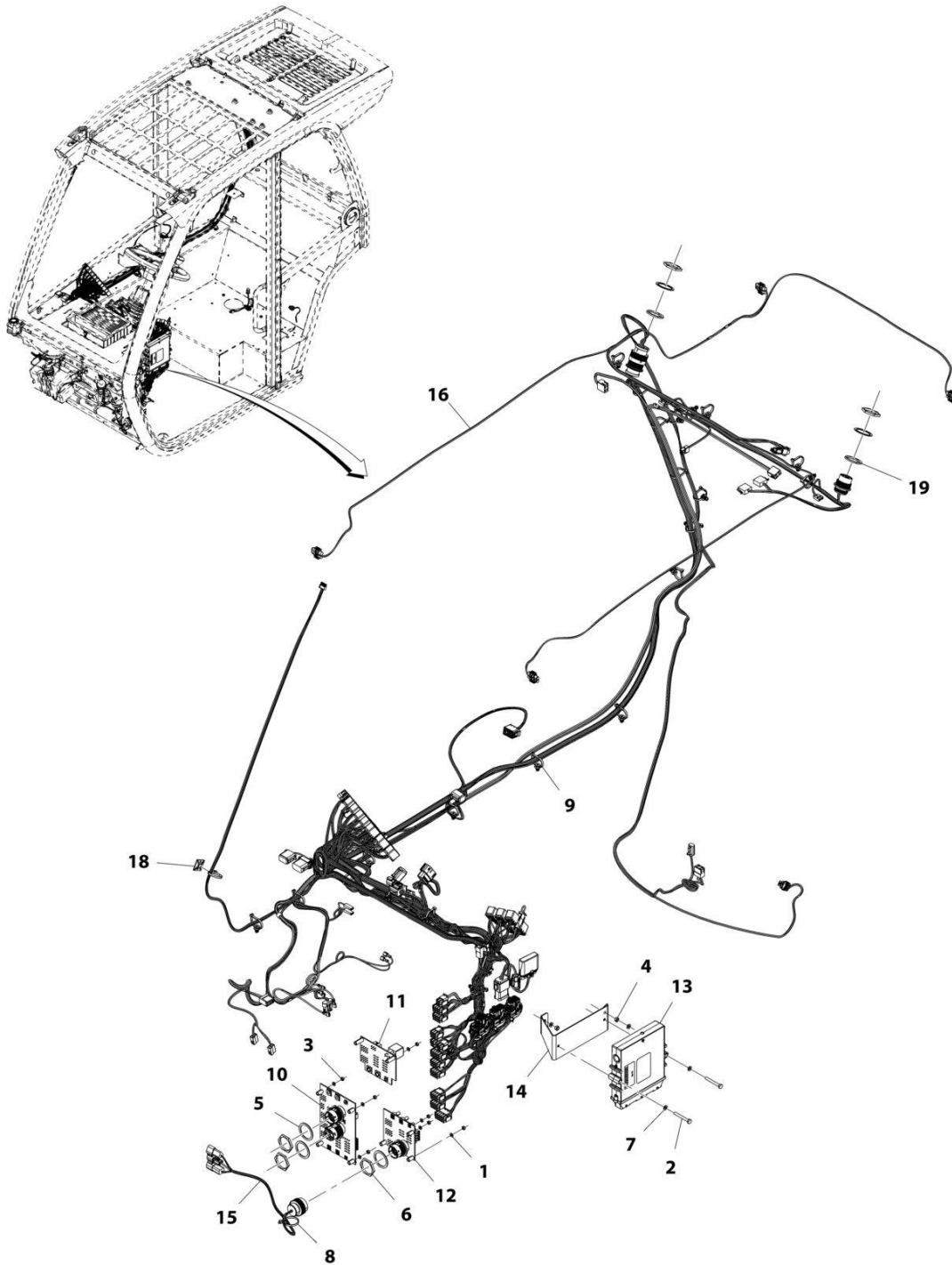
## SECTION 10 - ELECTRICAL

### FIGURE 10-25. EMERGENCY STOP EXTERNAL INSTALLATION

ITEM	PART NUMBER	QTY	DESCRIPTION	REV
	1001195721	Ref	Emergency Stop External Installation	C
1	0760507	2	Bolt, M5X14	
2	4360475	1	Switch, E-Stop	
3	4811600	2	Washer, M5	
5	4461000	1	Connector	
6	1001217320	1	Harness, External EMS	
7	1001008559	1	Strap, Tie	
8	1001220859	1	Bracket	
9	1001220861	1	Shield	
10	1704260	1	Decal, EMS	

# SECTION 10 - ELECTRICAL

## FIGURE 10-26. CAB ELECTRICAL INSTALLATION



ART\_1001192558-I



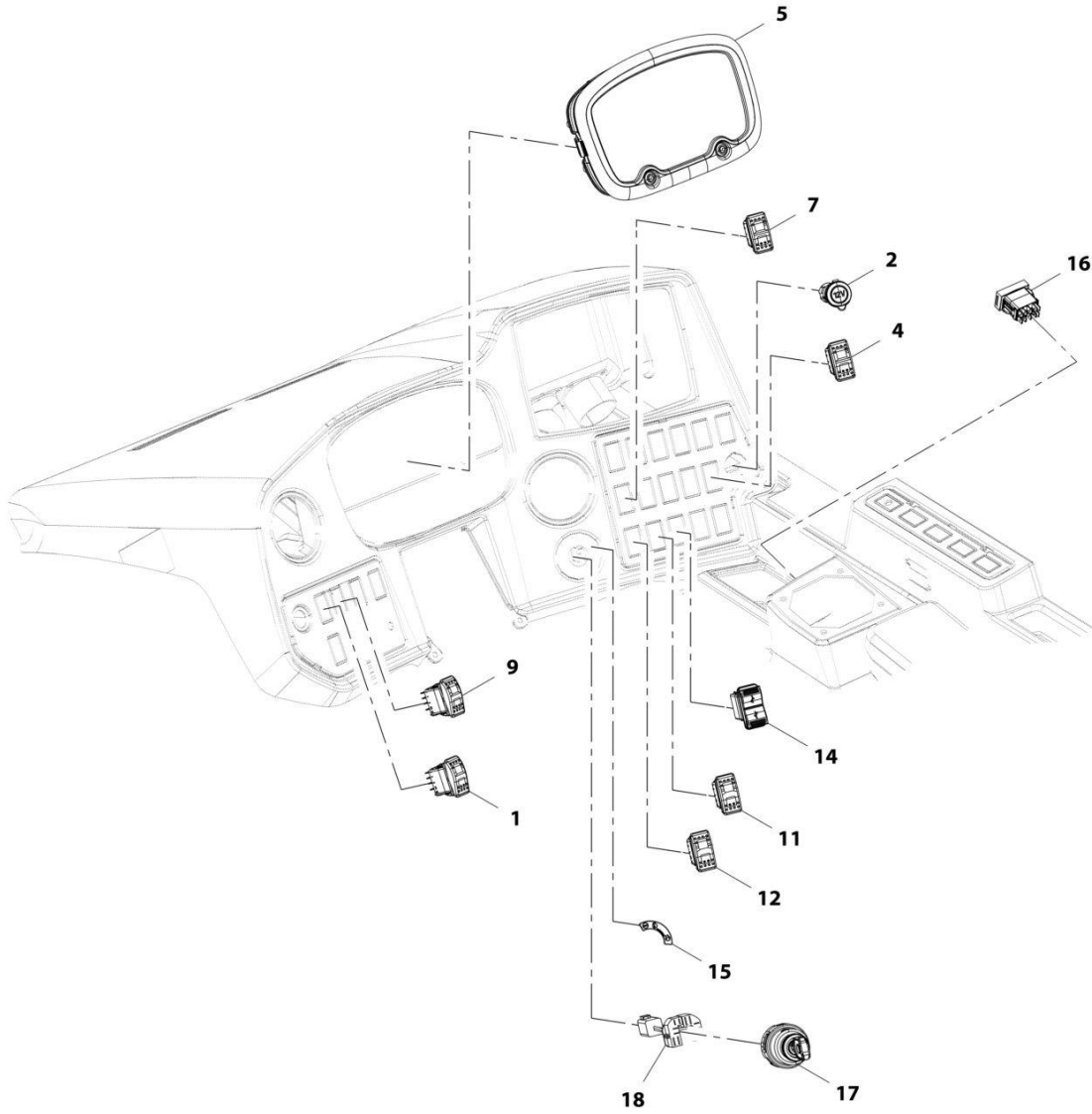
## SECTION 10 - ELECTRICAL

**FIGURE 10-26. CAB ELECTRICAL INSTALLATION**

ITEM	PART NUMBER	QTY	DESCRIPTION	REV
	1001192558	Ref	Cab Electrical Installation	I
1	120034	7	Washer, Plastic	
2	0700618	2	Bolt, M6X50	
3	3290501	7	Nut, M5X0.8	
4	3290601	2	Nut, M6X1	
5	4460496	5	Washer, Terminal Lock	
6	4460497	5	Nut, Terminal	
7	4811700	4	Washer, M6	
8	1001008559	2	Strap, Cable Tie	
9	1001146588	24	Strap, Cable Tie	
10	1001161769	1	Assembly, Standard Electrical Board (See Separate Breakdown in Electrical Section)	
11	1001161770	1	Assembly, Option 1 Electrical Board (See Separate Breakdown in Electrical Section)	
12	1001161771	1	Assembly, Option 2 Electrical Board (See Separate Breakdown in Electrical Section)	
13	1001162249	1	Module, Cab Control	
14	1001178933	1	Bracket	
15	1001181681	1	Harness, Cab Option LBP (See Separate Breakdown in Electrical Section)	
16	1001193940	NLA	Harness, Cab (no longer available, use 1001241611 for replacement) (See Separate Breakdown in this Section)	
16	1001241611	1	Harness, Cab (See Separate Breakdown in this Section)	
18	4460234	1	Terminal, Mount Cable Tie	
19	1001211693	2	Seal	

# SECTION 10 - ELECTRICAL

## FIGURE 10-27. DASH ELECTRICAL INSTALLATION



ART\_1001192560-F

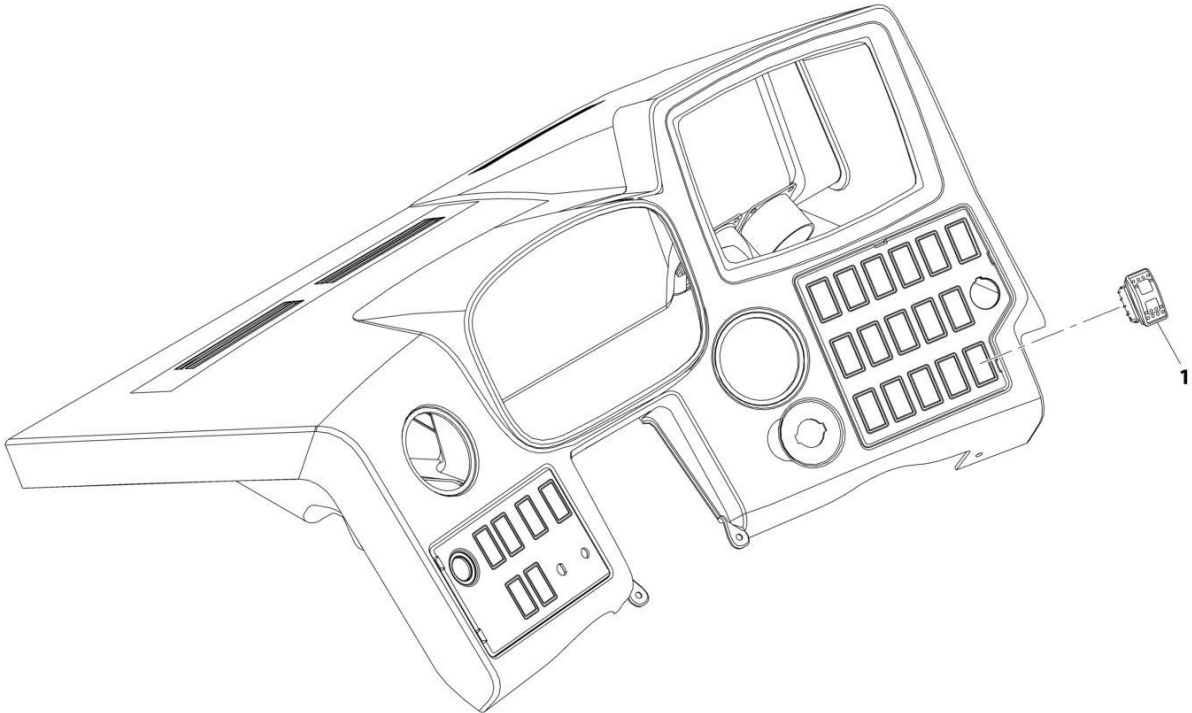
## SECTION 10 - ELECTRICAL

### FIGURE 10-27. DASH ELECTRICAL INSTALLATION

ITEM	PART NUMBER	QTY	DESCRIPTION	REV
	1001192560	Ref	Dash Electrical Installation	F
1	1001080978	1	Switch, Lift/Loader	
2	1001095804	1	Connector, 12V Power Socket	
4	1001104654	1	Switch, Aux Decomp	
5	1001158146	1	Cluster, Electrical Gauge	
7	1001159735	1	Switch, Rear Wiper	
9	1001159741	1	Switch, Constant AUX	
11	1001159743	1	Switch, Road Use	
12	1001159849	1	Switch, Steer Mode	
14	1001174712	1	Charger, USB	
15	1001181531	1	Decal, Ignition Switch	
16	1001212470	1	Switch, Frame Level	
17	1001102502	1	Switch, 4 Position Key	
17	70022765	1	Key, Ignition (set of 2)	
18	1001223968	1	Harness, Ignition Switch (See Separate Breakdown in this Section)	

**SECTION 10 - ELECTRICAL**

**FIGURE 10-28. LIGHT SWITCH INSTALLATION**



ART\_1001215121-A

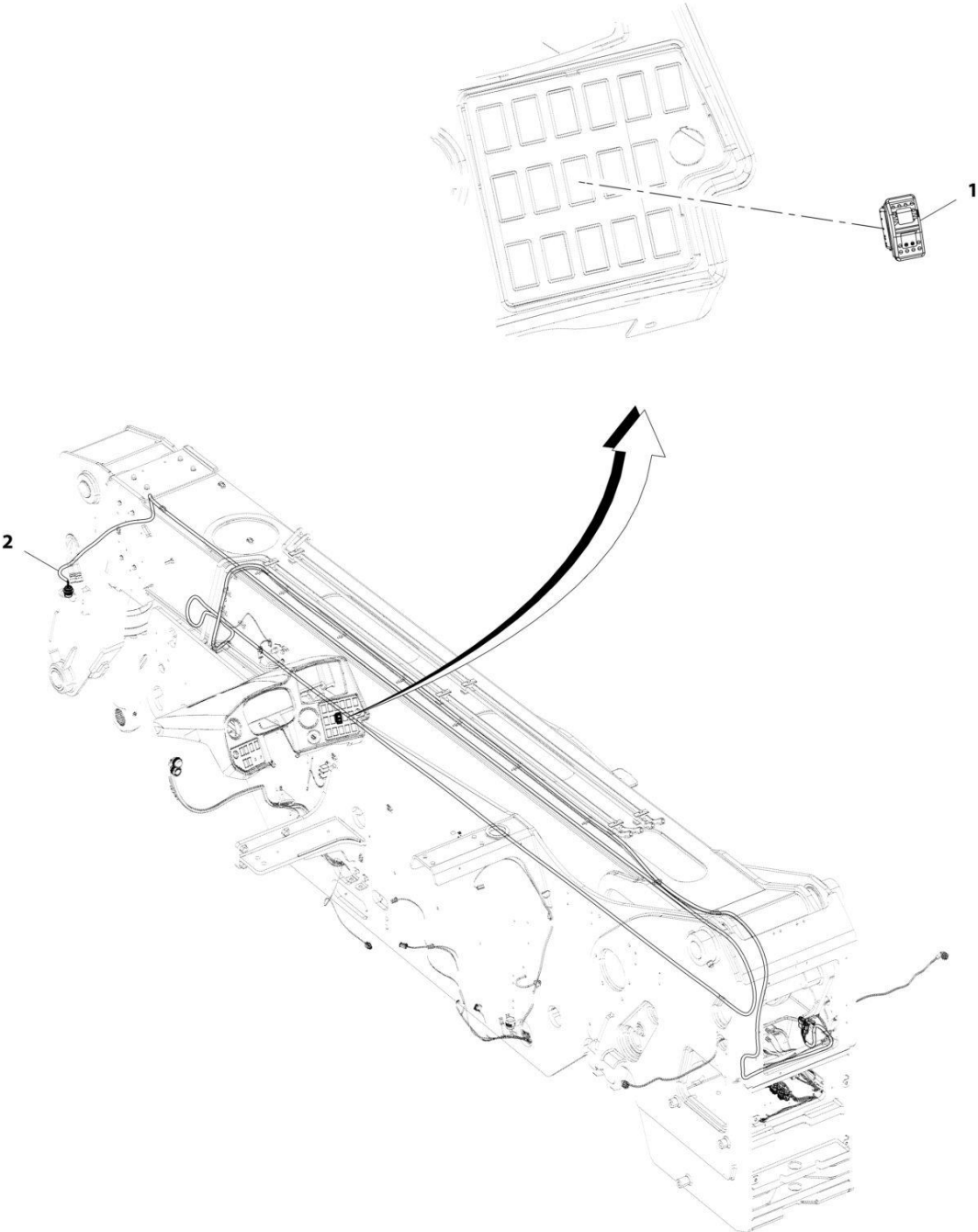
## SECTION 10 - ELECTRICAL

**FIGURE 10-28. LIGHT SWITCH INSTALLATION**

ITEM	PART NUMBER	QTY	DESCRIPTION	REV
1	1001215121 1001163639	Ref 1	Light Switch Installation Switch, Light	A

**SECTION 10 - ELECTRICAL**

**FIGURE 10-29. BOOM HARNESS INSTALLATION**



ART\_1001192575-B

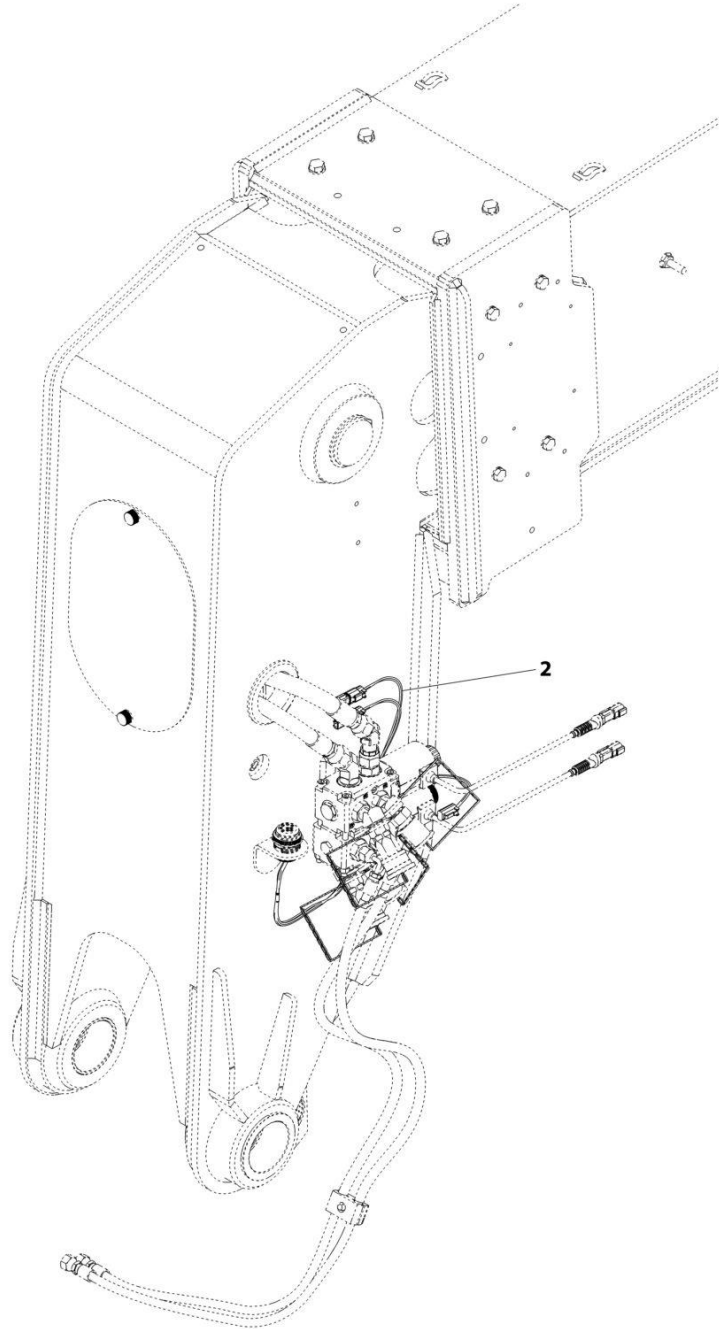
## SECTION 10 - ELECTRICAL

### FIGURE 10-29. BOOM HARNESS INSTALLATION

ITEM	PART NUMBER	QTY	DESCRIPTION	REV
	1001192575	Ref	Boom Harness Installation	B
1	1001159746	1	Switch, Aux Electric	
2	1001201124	1	Harness, Boom (See Separate Breakdown in this Section)	

# SECTION 10 - ELECTRICAL

## FIGURE 10-30. BOOM AUX HARNESS INSTALLATION



ART\_1001192370-C



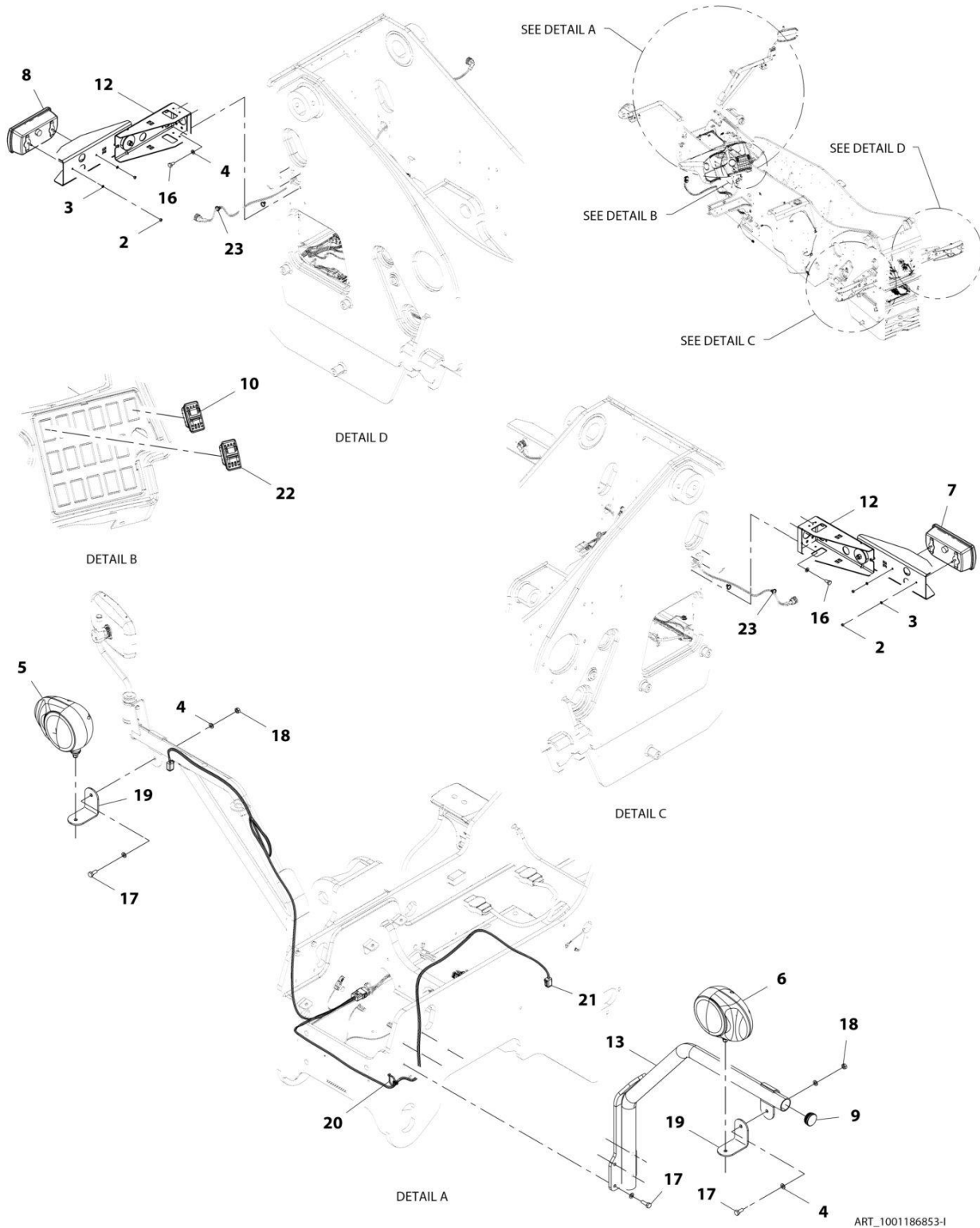
## SECTION 10 - ELECTRICAL

### FIGURE 10-30. BOOM AUX HARNESS INSTALLATION

ITEM	PART NUMBER	QTY	DESCRIPTION	REV
2	1001192370	Ref	Boom Aux Harness Installation	C
	1001206633	1	Harness, Boom AUX (See Separate Breakdown in this Section)	

# SECTION 10 - ELECTRICAL

## FIGURE 10-31. DRIVING LIGHT INSTALLATION (RH DIP)



ART\_1001186853-I

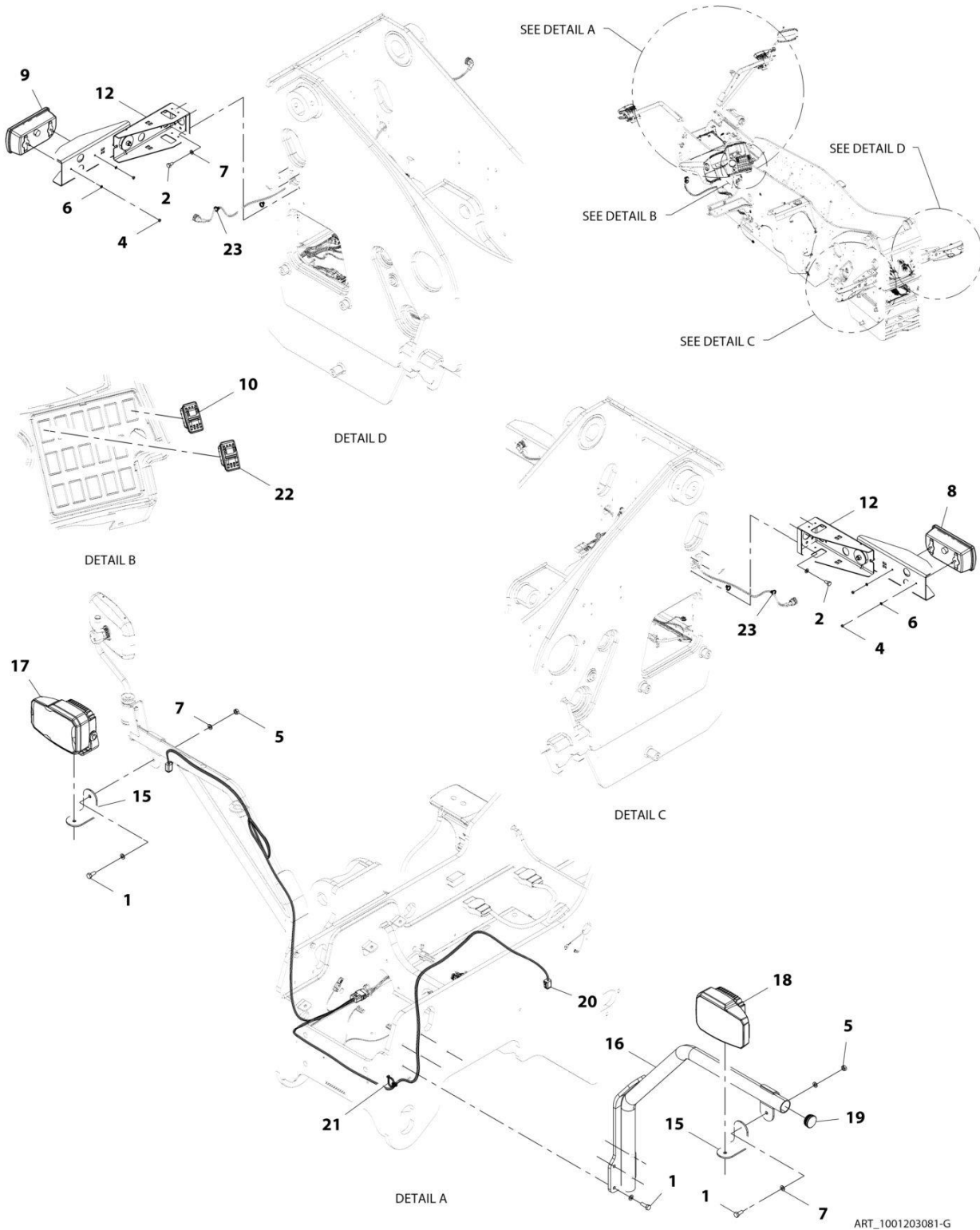
## SECTION 10 - ELECTRICAL

### FIGURE 10-31. DRIVING LIGHT INSTALLATION (RH DIP)

ITEM	PART NUMBER	QTY	DESCRIPTION	REV
	1001186853	Ref	Driving Light Installation (RH Dip)	1
2	3290607	4	Nut, Lock M6X1	
3	4811700	4	Washer, M6	
4	4812000	16	Washer, M10	
5	2920208	1	Light, Driving (RH) (RH Dip)	
	7029969	1	Bulb, 4W	
	7029970	1	Bulb, 55W	
	7029971	1	Bulb, 21W	
6	2920207	1	Light, Driving (LH) (RH Dip)	
	7029969	1	Bulb, 4W	
	7029970	1	Bulb, 55W	
	7029971	1	Bulb, 21W	
7	1001091715	1	Light, Rear (LH)	
	70021341	1	Bulb, 5W	
	70021340	1	Bulb, 21W	
	7029971	1	Bulb, 21W	
8	1001091716	1	Light, Rear (RH)	
	70021341	1	Bulb, 5W	
	70021340	1	Bulb, 21W	
	7029971	1	Bulb, 21W	
9	1001209697	1	Cap	
10	1001159734	1	Switch, Hazard	
12	1001183112	2	Assembly, Rear Light Bracket (See Separate Breakdown in this Section)	
13	1001206100	1	Bracket	
16	0761010	8	Bolt, M10X20	
17	0701014	6	Bolt, M10X30	
18	3291001	2	Nut, M10X1.5	
19	1001203368	2	Bracket	
20	1001146588	1	Strap, Tie	
21	1001215693	1	Harness, Headlight (See Separate Breakdown in this Section)	
22	1001159737	1	Switch, Fog Lights	
23	1001008559	4	Strap, Cable	

# SECTION 10 - ELECTRICAL

## FIGURE 10-32. DRIVING LIGHT INSTALLATION (LED) (RH DIP)



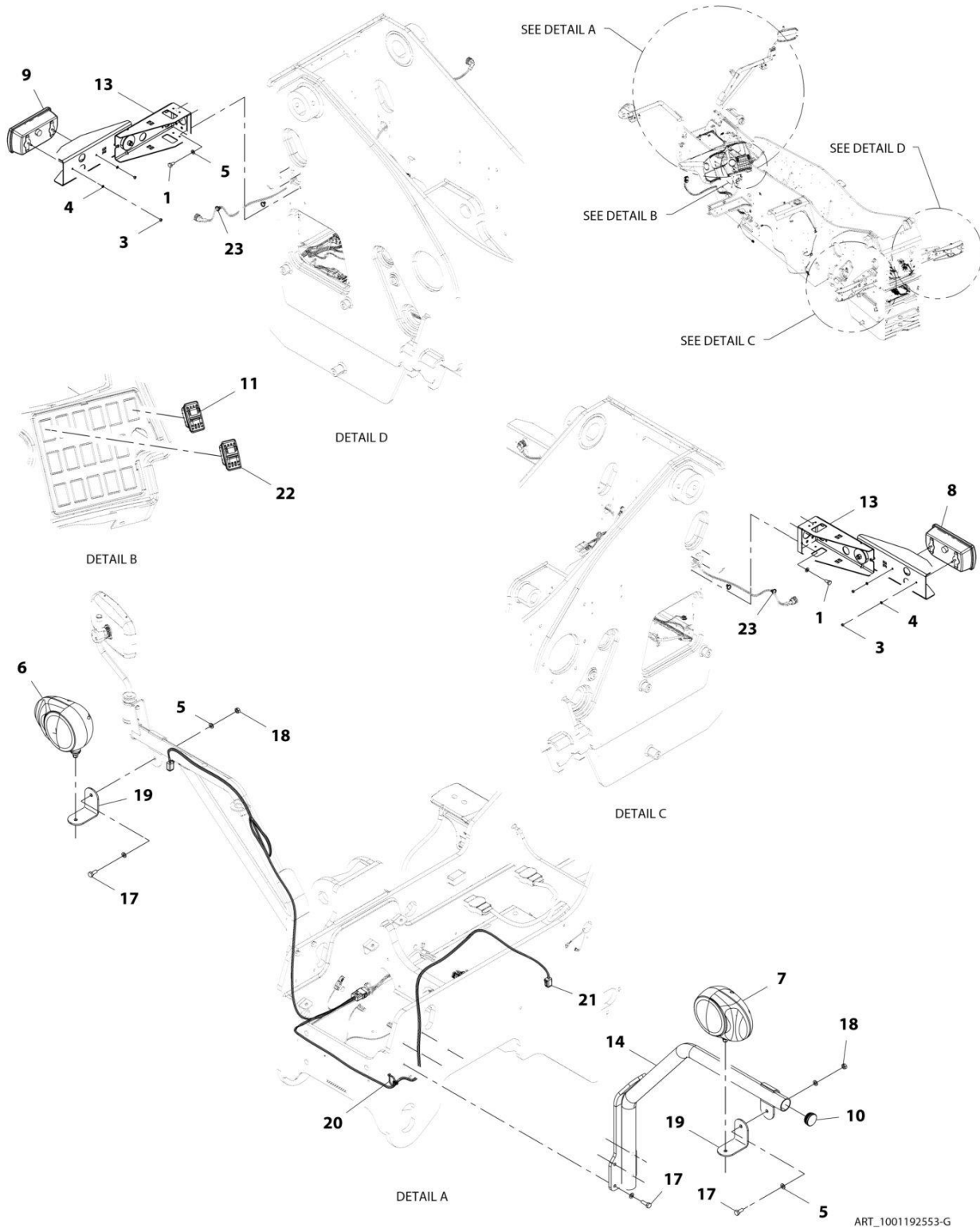
## SECTION 10 - ELECTRICAL

**FIGURE 10-32. DRIVING LIGHT INSTALLATION (LED) (RH DIP)**

ITEM	PART NUMBER	QTY	DESCRIPTION	REV
	1001203081	Ref	Driving Light Installation (LED) (RH Dip)	G
1	0701014	6	Bolt, M10X30	
2	0761010	8	Bolt, M10X20	
4	3290607	4	Bolt, M6X1	
5	3291001	2	Nut, M10X1.5	
6	4811700	4	Washer, M6	
7	4812000	16	Washer, M10	
8	1001091715	1	Light, Rear (LH)	
	70021341	1	Bulb, 5W	
	70021340	1	Bulb, 21W	
	7029971	1	Bulb, 21W	
9	1001091716	1	Light, Rear (RH)	
	70021341	1	REPLACEMENT BULB, 12V-5W	
	70021340	1	Bulb, 21W	
	7029971	1	Bulb, 21W	
10	1001159734	1	Switch, Hazard	
12	1001183112	2	Assembly, Rear Light Bracket (See Separate Breakdown in this Section)	
15	1001203368	2	Bracket	
16	1001206100	1	Bracket	
17	1001209690	1	Light, Driving (RH - LED) (RH Dip)	
18	1001209691	1	Light, Driving (LH - LED) (LH Dip)	
19	1001209697	1	Cap	
20	1001215693	1	Harness, Headlights (See Separate Breakdown in this Section)	
21	1001146588	1	Strap, Cable Tie	
22	1001159737	1	Switch, Fog Lights	
23	1001008559	4	Strap, Cable Tie	

# SECTION 10 - ELECTRICAL

## FIGURE 10-33. DRIVING LIGHT INSTALLATION (LH DIP)



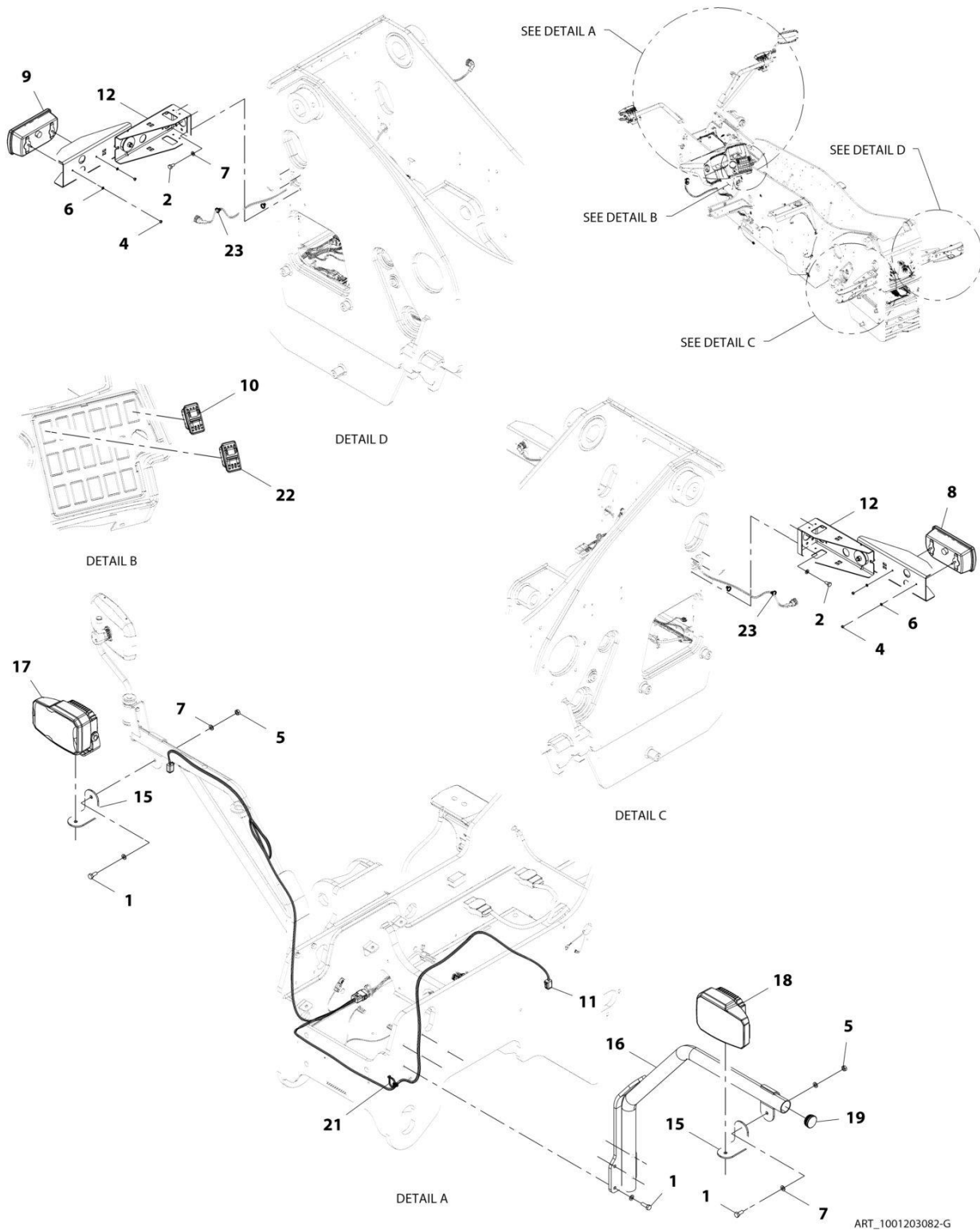
## SECTION 10 - ELECTRICAL

**FIGURE 10-33. DRIVING LIGHT INSTALLATION (LH DIP)**

ITEM	PART NUMBER	QTY	DESCRIPTION	REV
	1001192553	Ref	Driving Light Installation (LH Dip)	G
1	0761010	8	Bolt, M10X20	
3	3290607	4	Nut, Lock M6X1	
4	4811700	4	Washer, M6	
5	4812000	16	Washer, M10	
6	1001002778	1	Light, Driving (RH) (LH Dip)	
	7029969	1	Bulb, 4W	
	7029970	1	Bulb, 55W	
	7029971	1	Bulb, 21W	
7	1001002779	1	Light, Driving (LH) (LH Dip)	
	7029969	1	Bulb, 4W	
	7029970	1	Bulb, 55W	
	7029971	1	Bulb, 21W	
8	1001091715	1	Light, Rear (LH)	
	70021341	1	Bulb, 5W	
	70021340	1	Bulb, 21W	
	7029971	1	Bulb, 21W	
9	1001091716	1	Light, Rear (RH)	
	70021341	1	Bulb, 5W	
	70021340	1	Bulb, 21W	
	7029971	1	Bulb, 21W	
10	1001209697	1	Cap	
11	1001159734	1	Switch, Hazard	
13	1001183112	2	Assembly, Rear Light Bracket (See Seperate Breakdown in this Section)	
14	1001206100	1	Bracket	
17	0701014	6	Bolt, M10X30	
18	3291001	2	Nut, M10X1.5	
19	1001203368	2	Bracket	
20	1001146588	1	Strap, Cable Tie	
21	1001215693	1	Harness, Headlights (See Seperate Breakdown in this Section)	
22	1001159737	1	Switch, Fog Lights	
23	1001008559	4	Strap, Cable Tie	

# SECTION 10 - ELECTRICAL

## FIGURE 10-34. DRIVING LIGHT INSTALLATION (LED) (LH DIP)





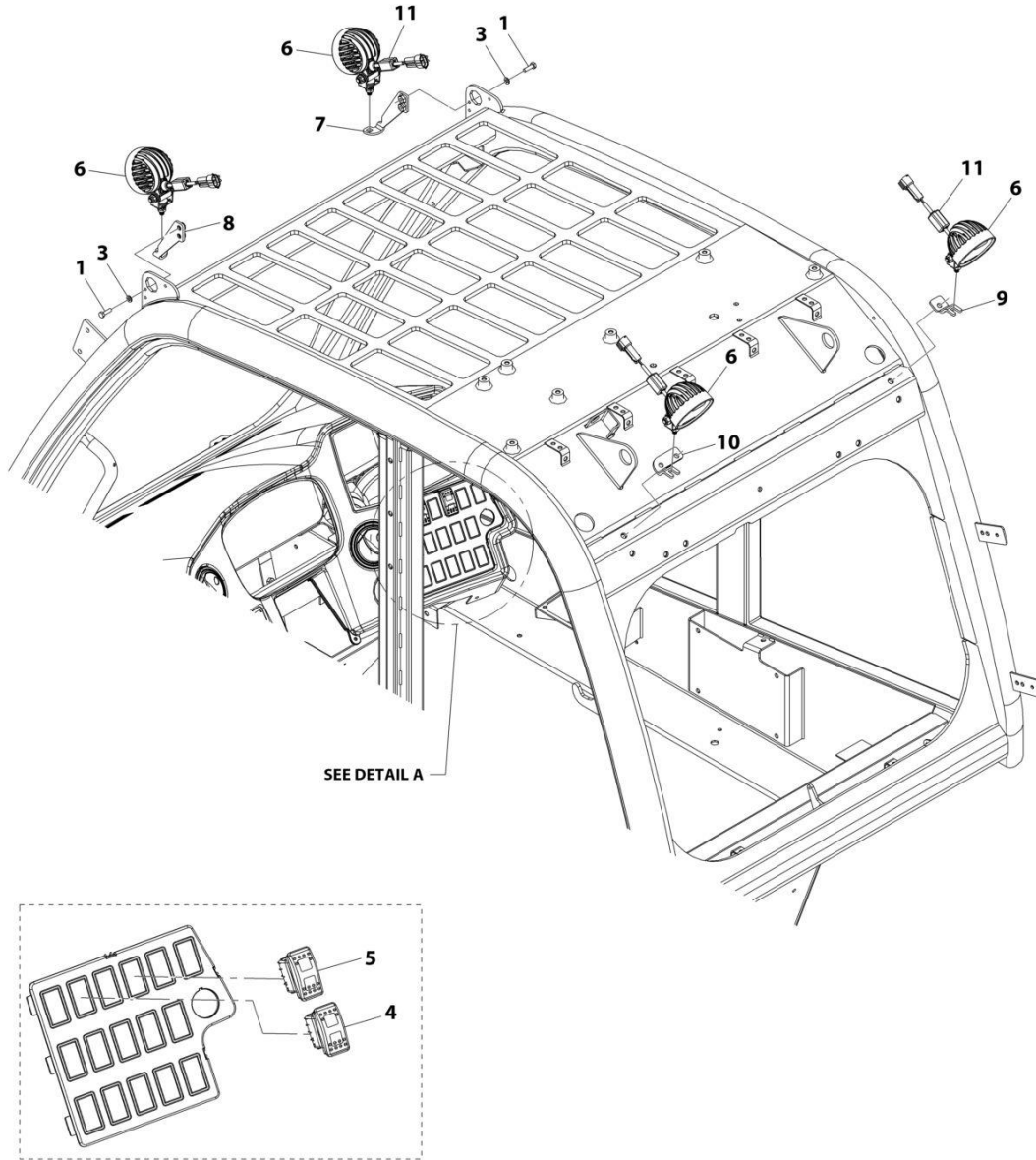
## SECTION 10 - ELECTRICAL

**FIGURE 10-34. DRIVING LIGHT INSTALLATION (LED) (LH DIP)**

ITEM	PART NUMBER	QTY	DESCRIPTION	REV
	1001203082	Ref	Driving Light Installation (LED) (LH Dip)	G
1	0701014	6	Bolt, M10X30	
2	0761010	8	Bolt, M10X20	
4	3290607	4	Nut, Lock M6X1	
5	3291001	2	Nut, M10X1.5	
6	4811700	4	Washer, M6	
7	4812000	16	Washer, M10	
8	1001091715	1	Lamp, Rear (LH)	
	70021341	1	Bulb, 5W	
	70021340	1	Bulb, 21W	
	7029971	1	Bulb, 21W	
9	1001091716	1	Lamp, Rear (RH)	
	70021341	1	Bulb, 5W	
	70021340	1	Bulb, 21W	
	7029971	1	Bulb, 21W	
10	1001159734	1	Switch, Hazard	
11	1001215693	1	Harness, Headlights (See Separate Breakdown in this Section)	
12	1001183112	2	Assembly, Rear Light Bracket (See Separate Breakdown in this Section)	
15	1001203368	2	Bracket	
16	1001206100	1	Bracket	
17	1001209692	1	Light, Driving, (RH - LED) (LH Dip)	
18	1001209693	1	Light, Driving, (LH - LED) (LH Dip)	
19	1001209697	1	Cap	
21	1001146588	1	Strap, Cable Tie	
22	1001159737	1	Switch, Fog Lights	
23	1001008559	4	Strap, Cable	

# SECTION 10 - ELECTRICAL

## FIGURE 10-35. CAB WORKLIGHTS INSTALLATION (NO A/C - LED)



ART\_1001200538-D

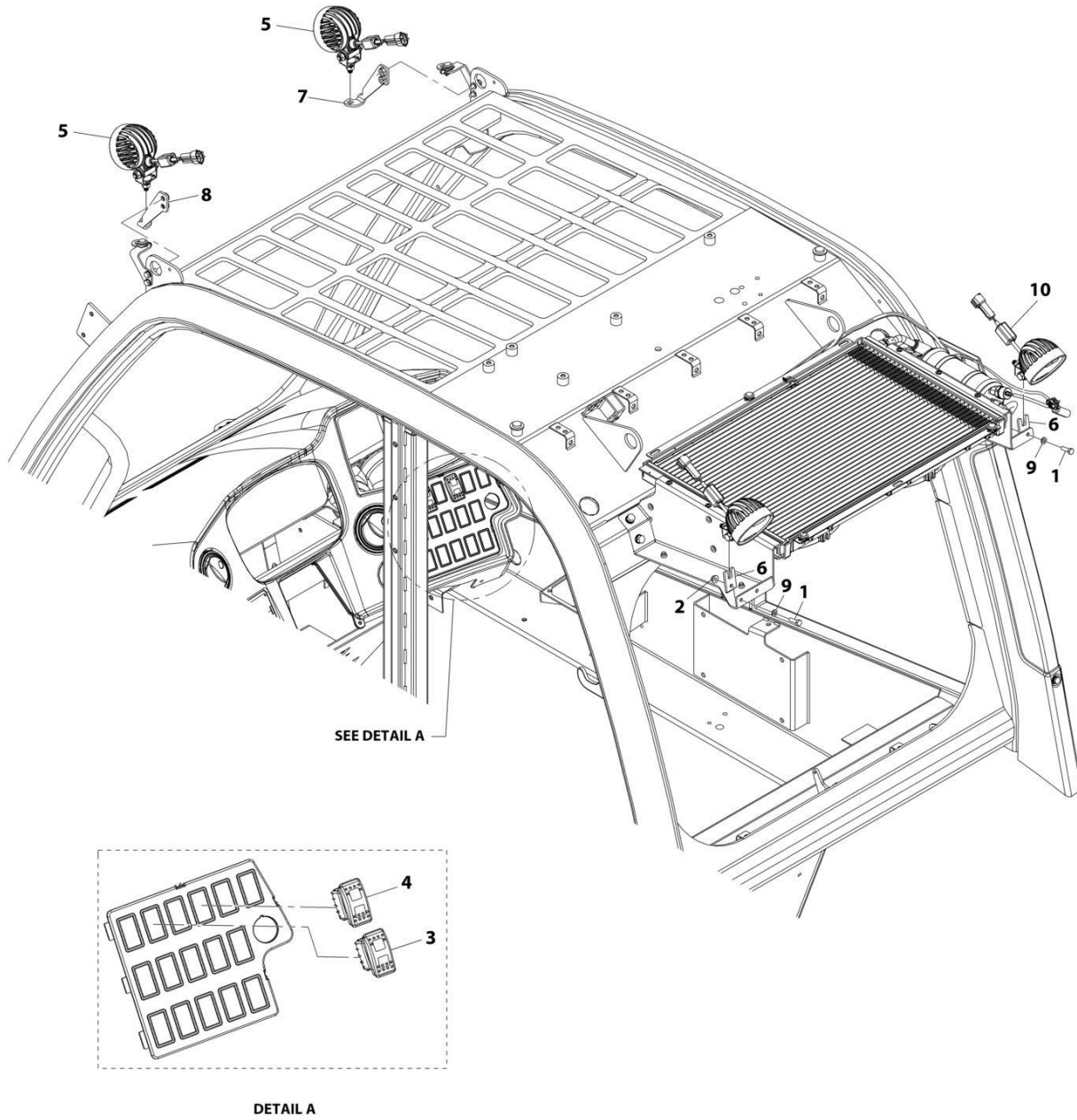
## SECTION 10 - ELECTRICAL

### FIGURE 10-35. CAB WORKLIGHTS INSTALLATION (NO A/C - LED)

ITEM	PART NUMBER	QTY	DESCRIPTION	REV
	1001200538	Ref	Cab Worklights Installation (No A/C - LED)	D
1	0700610	4	Bolt, M6X20	
3	4811700	4	Washer, M6	
4	1001159845	1	Switch, Front Worklights	
5	1001159846	1	Switch, Rear Worklights	
6	1001203640	4	Lamp, LED Work Light	
7	1001244193	1	Support, LED Work Light RH	
8	1001244192	1	Support, LED Work Light LH	
9	1001204528	1	Support, LED Work Light RH	
10	1001204530	1	Support, LED Work Light LH	
11	1001228989	4	Harness, Ferrite	

# SECTION 10 - ELECTRICAL

## FIGURE 10-36. CAB WORKLIGHTS INSTALLATION (A/C - LED)



ART\_1001200539-D

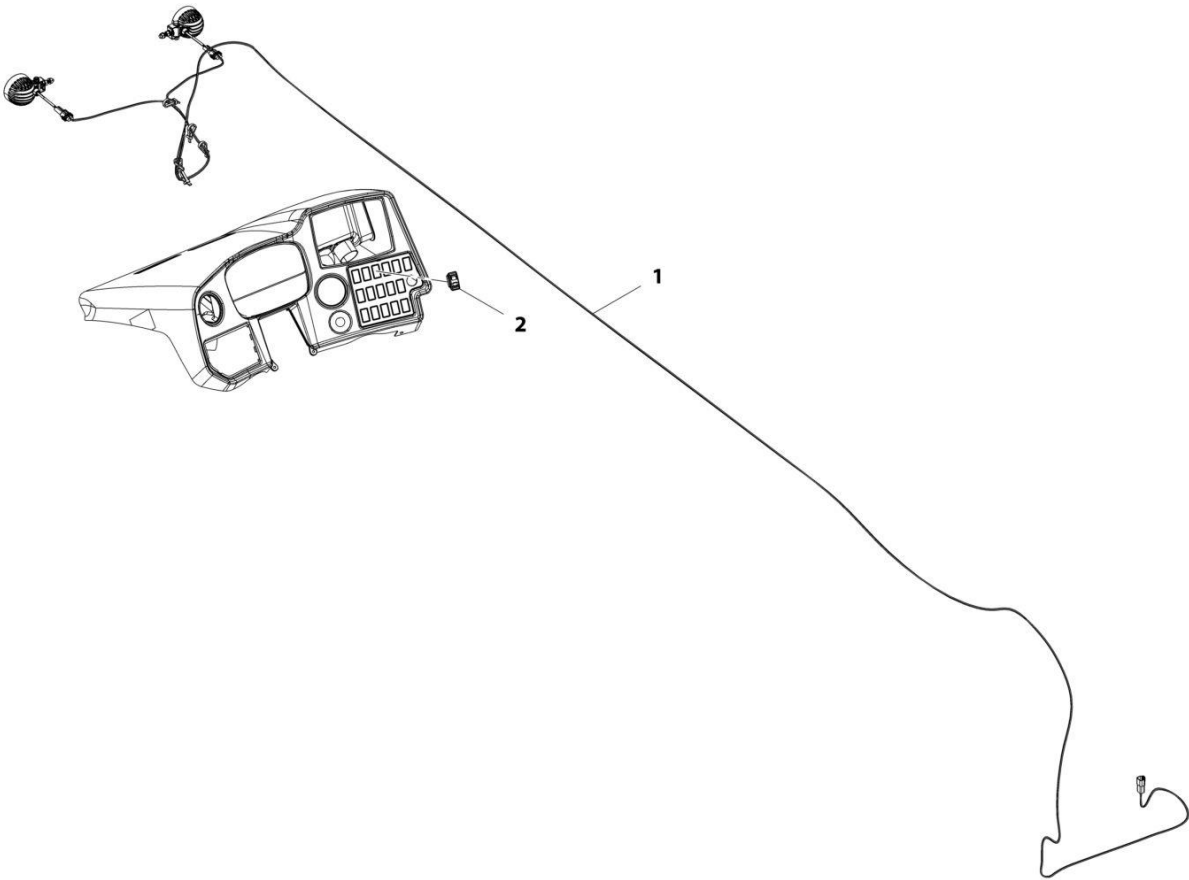
## SECTION 10 - ELECTRICAL

### FIGURE 10-36. CAB WORKLIGHTS INSTALLATION (A/C - LED)

ITEM	PART NUMBER	QTY	DESCRIPTION	REV
	1001200539	Ref	Cab Worklights Installation (A/C - LED)	D
1	0700610	2	Bolt, M6X20	
2	5220600	2	Nut, M6	
3	1001159845	1	Switch, Front Worklights	
4	1001159846	1	Switch, Rear Worklights	
5	1001203640	4	Lamp, LED Work Light	
6	1001204060	2	Bracket	
7	1001244193	1	Support, LED Work Light RH	
8	1001244192	1	Support, LED Work Light LH	
9	4811700	2	Washer, M6	
10	1001228989	4	Harness, Ferrite	

**SECTION 10 - ELECTRICAL**

**FIGURE 10-37. BOOM WORK LIGHTS (LED)**



ART\_1001209427-B

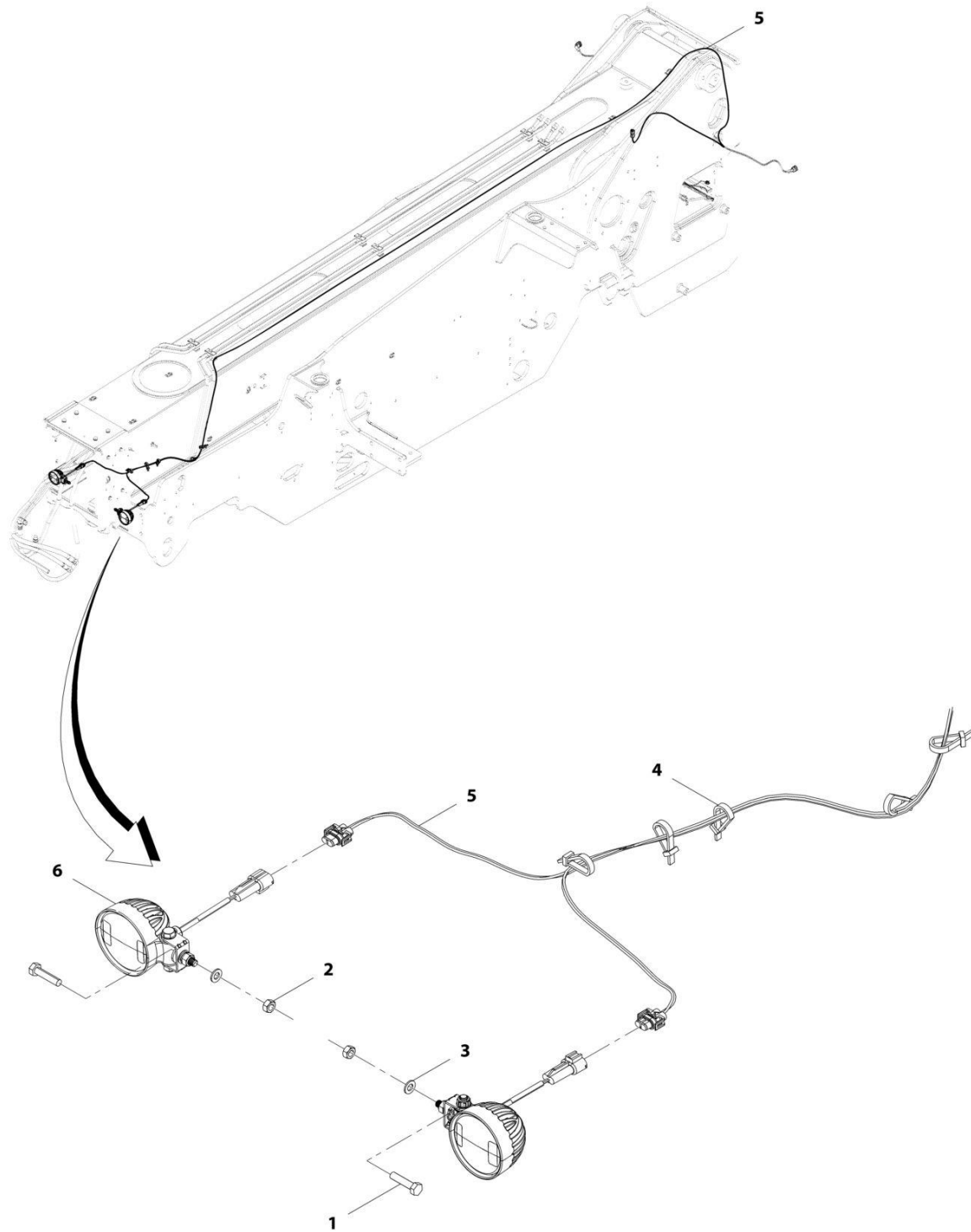
## SECTION 10 - ELECTRICAL

### FIGURE 10-37. BOOM WORK LIGHTS (LED)

ITEM	PART NUMBER	QTY	DESCRIPTION	REV
	1001209427	Ref	Boom Work Lights (LED)	B
1	1001159739	1	Switch, Boom Worklights	
2	1001209456	1	Installation, LED Boom Work lights (See Separate Breakdown in this Section)	

# SECTION 10 - ELECTRICAL

## FIGURE 10-38. BOOM WORK LIGHT INSTALLATION (LED)



ART\_1001209456-C



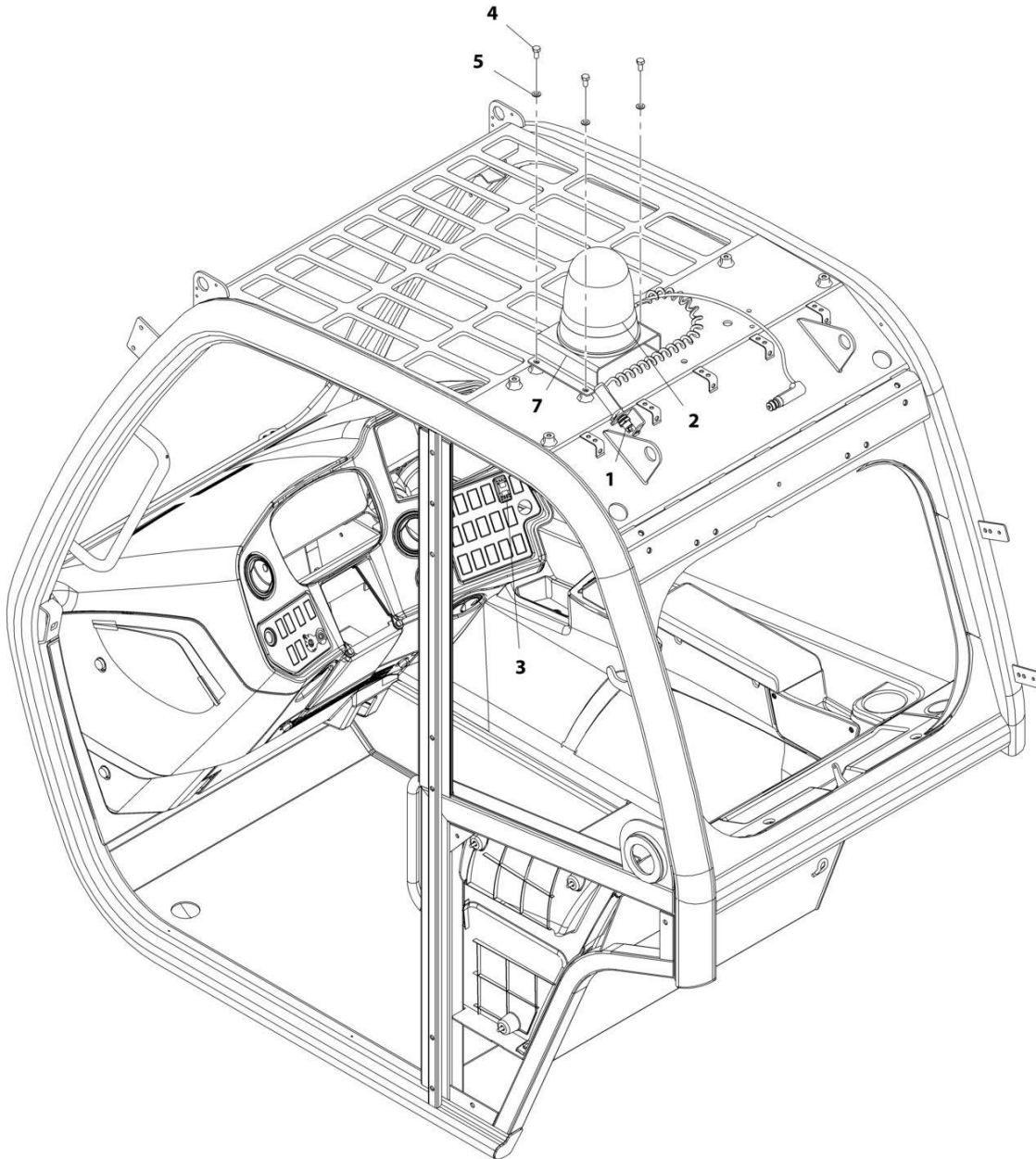
## SECTION 10 - ELECTRICAL

### FIGURE 10-38. BOOM WORK LIGHT INSTALLATION (LED)

ITEM	PART NUMBER	QTY	DESCRIPTION	REV
	1001209456	Ref	Boom Work Light Installation (LED)	C
1	0700815	2	Bolt, M8X35	
2	3290801	2	Nut, M8X1.25	
3	4811900	2	Washer, M8	
4	1001008923	5	Strap, Cable	
5	1001184796	1	Harness, Boom Work Lights (See Separate Breakdown in this Section)	
6	1001203640	2	Lamp, LED Worklight	

# SECTION 10 - ELECTRICAL

## FIGURE 10-39. BEACON INSTALLATION



ART\_1001171162-E

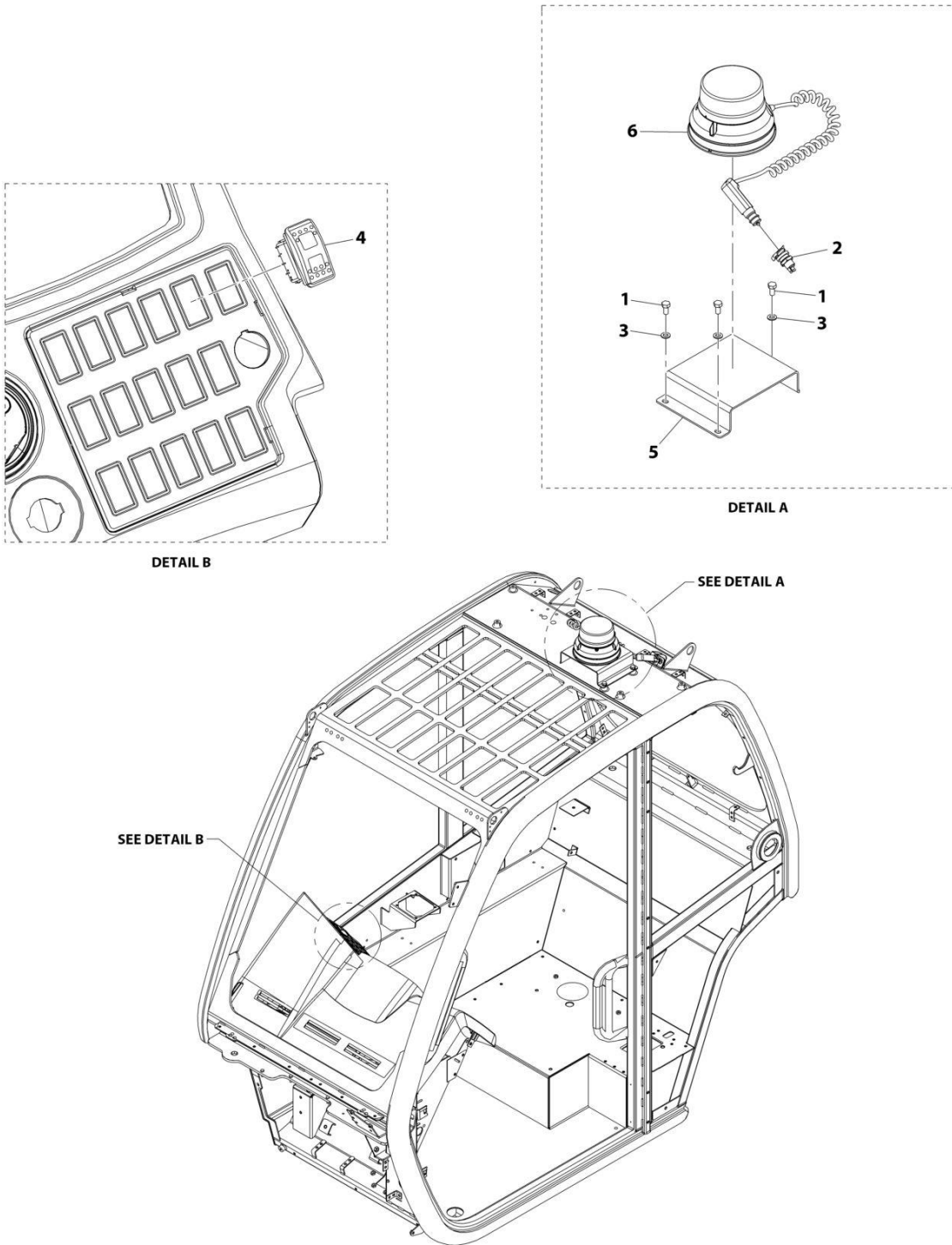
## SECTION 10 - ELECTRICAL

### FIGURE 10-39. BEACON INSTALLATION

ITEM	PART NUMBER	QTY	DESCRIPTION	REV
	1001171162	Ref	Beacon Installation	E
1	4461174	1	Terminal	
2	1001091573	NLA	Light, Warning, (no longer available, use 1001217623 for replacement)	
2	1001217623	1	Light, Warning	
3	1001159738	1	Switch	
4	0760808	3	Bolt, M8X16	
5	4811900	3	Washer, M8	
7	1001174796	1	Bracket	

# SECTION 10 - ELECTRICAL

## FIGURE 10-40. BEACON INSTALLATION (LED)



ART\_1001195883-A

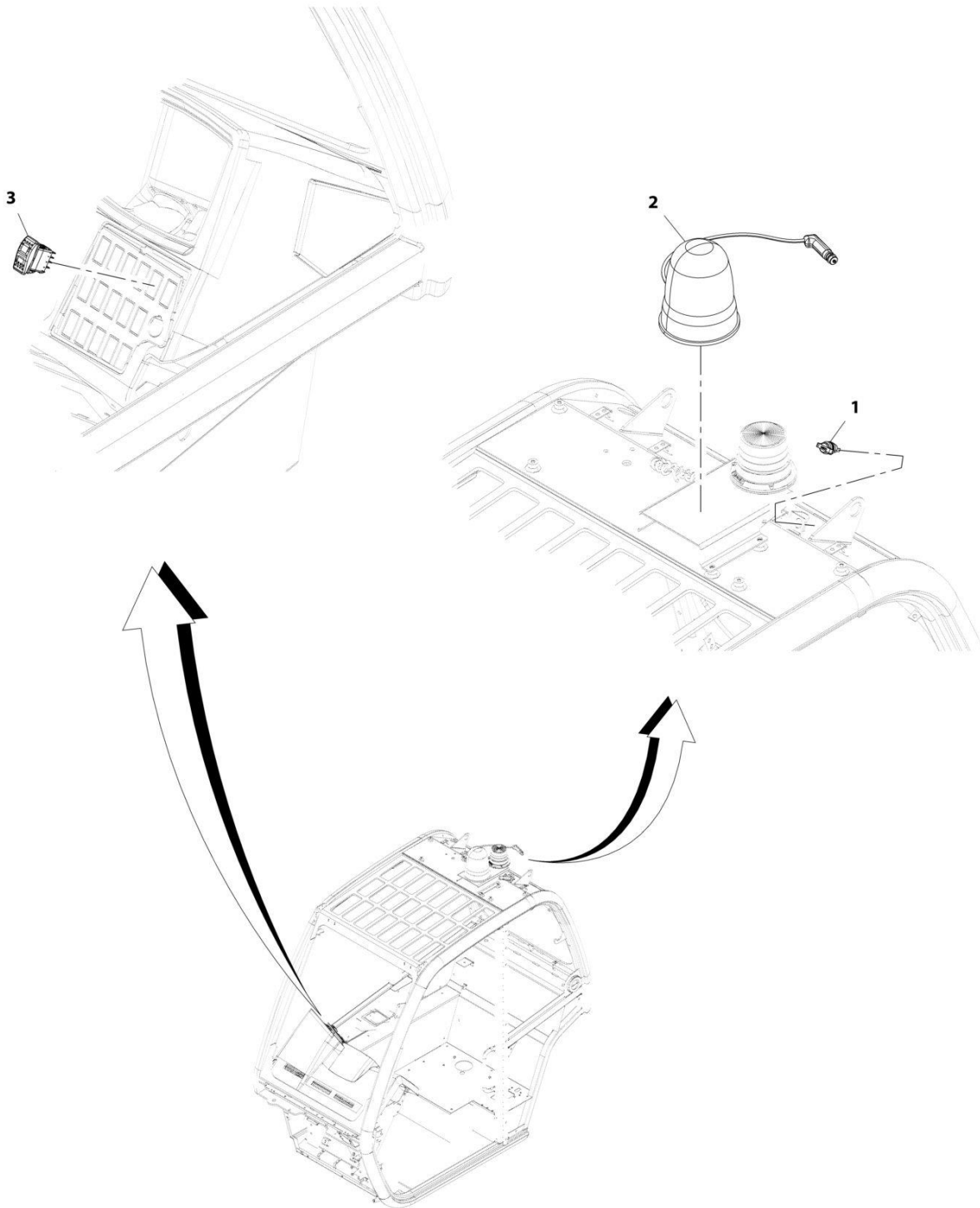
## SECTION 10 - ELECTRICAL

### FIGURE 10-40. BEACON INSTALLATION (LED)

ITEM	PART NUMBER	QTY	DESCRIPTION	REV
	1001195883	Ref	BEACON INSTALLATION (LED)	B
1	0760808	3	Bolt M8 x 16	
2	4461174	1	Terminal	
3	4811900	3	Washer M8	
4	1001159738	1	Switch, Beacon	
5	1001174796	1	Bracket	
	1001273075	1	Light, Beacon (LED)	

# SECTION 10 - ELECTRICAL

## FIGURE 10-41. BEACON (REMOTE BOOM CONTROL) INSTALLATION



ART\_1001209357-B

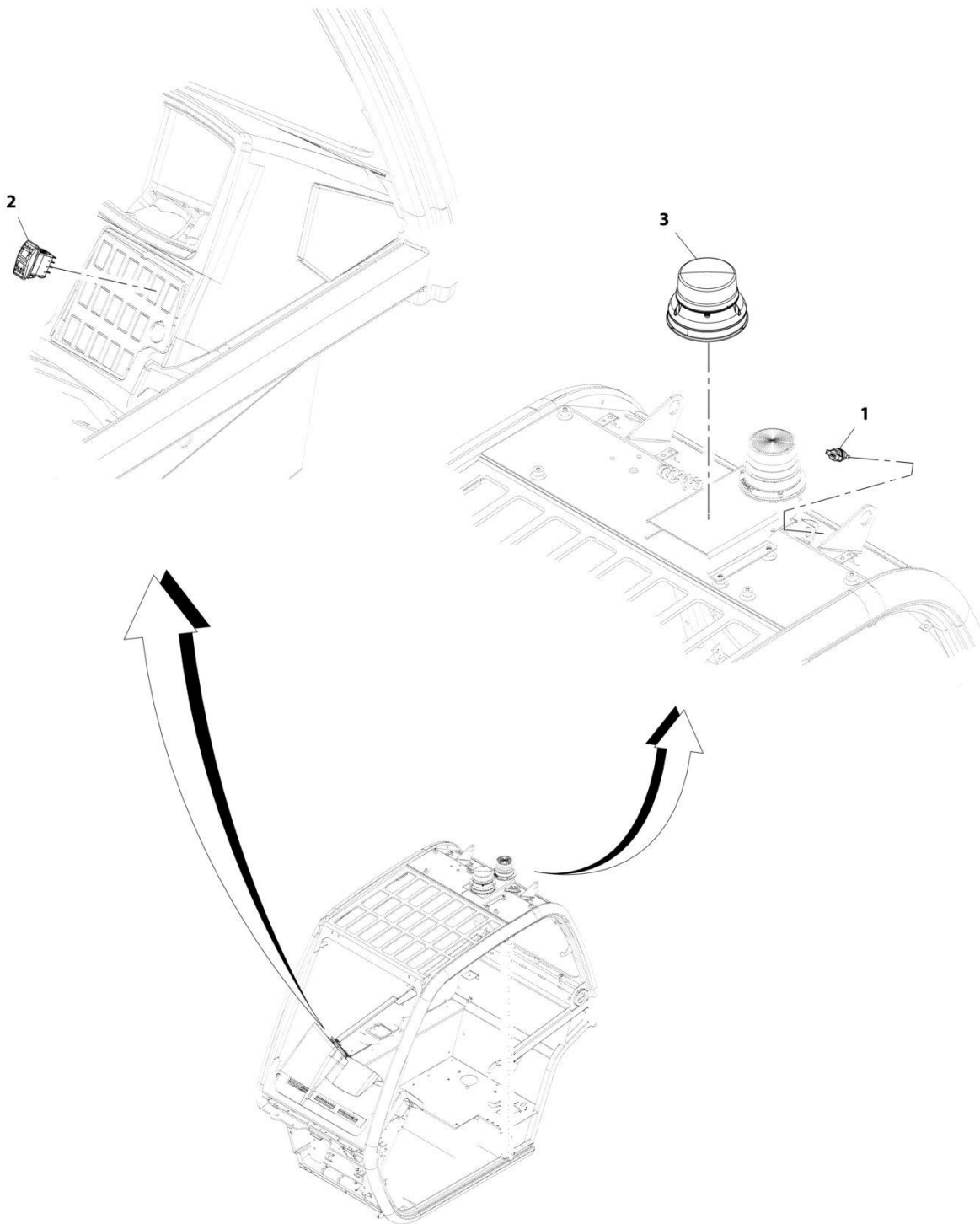
## SECTION 10 - ELECTRICAL

**FIGURE 10-41. BEACON (REMOTE BOOM CONTROL) INSTALLATION**

ITEM	PART NUMBER	QTY	DESCRIPTION	REV
	1001209357	Ref	Beacon (Remote Boom Control) Installation	B
1	4461174	1	Terminal, 12 Volt	
2	1001217623	1	Light, Warning	
3	1001159738	1	Switch, Beacon	

# SECTION 10 - ELECTRICAL

## FIGURE 10-42. BEACON (LED) (REMOTE BOOM CONTROL) INSTALLATION



ART\_1001209358-A



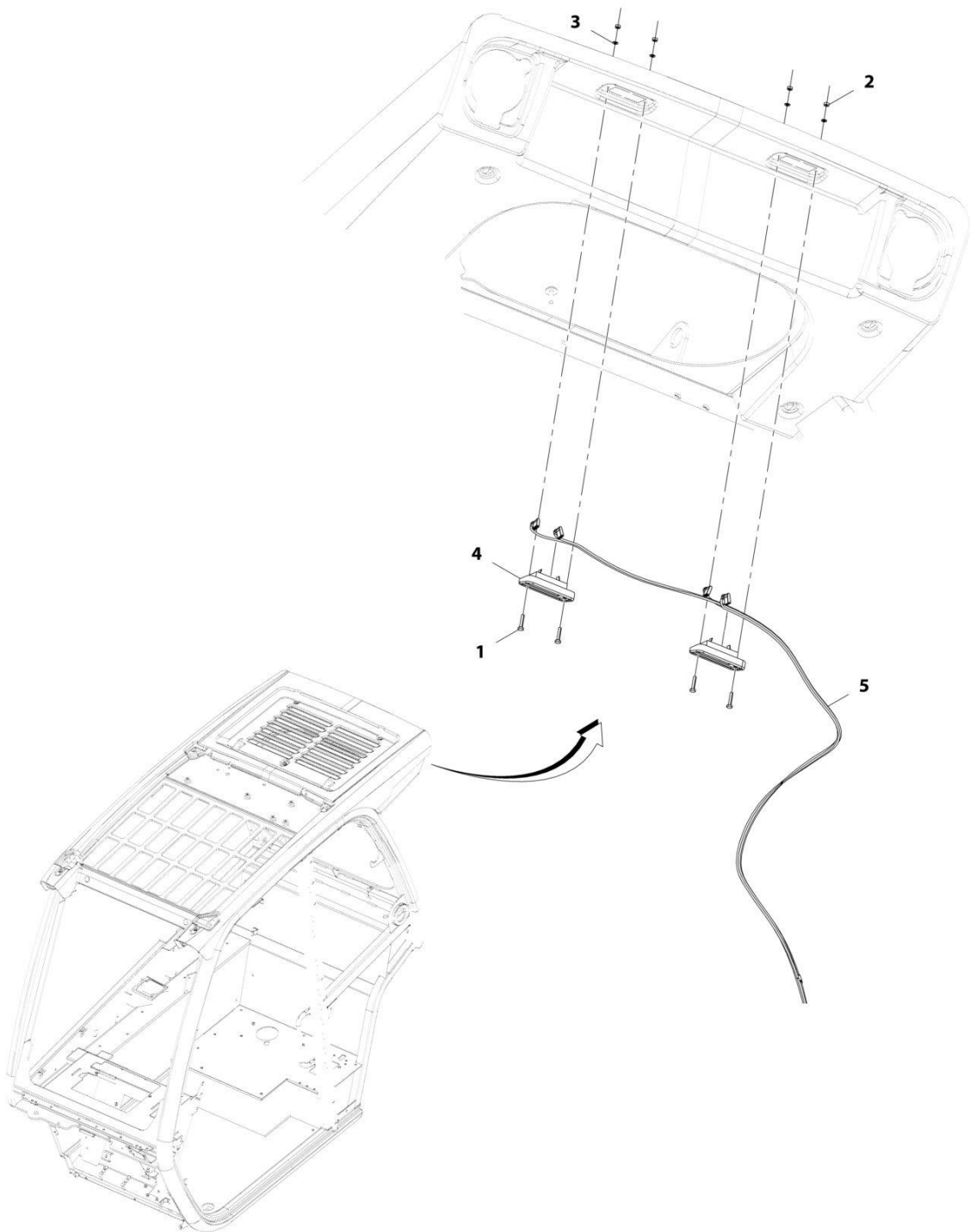
## SECTION 10 - ELECTRICAL

**FIGURE 10-42. BEACON (LED) (REMOTE BOOM CONTROL) INSTALLATION**

ITEM	PART NUMBER	QTY	DESCRIPTION	REV
	1001209358	Ref	BEACON (LED) (REMOTE BOOM CONTROL) INSTALLATION	A
1	4461174	1	Terminal, 12 Volt	
2	1001159738	1	Switch, Beacon	
3	1001198893	1	Light, Warning	

**SECTION 10 - ELECTRICAL**

**FIGURE 10-43. LICENSE PLATE LAMP INSTALLATION**



ART\_1001200383-B

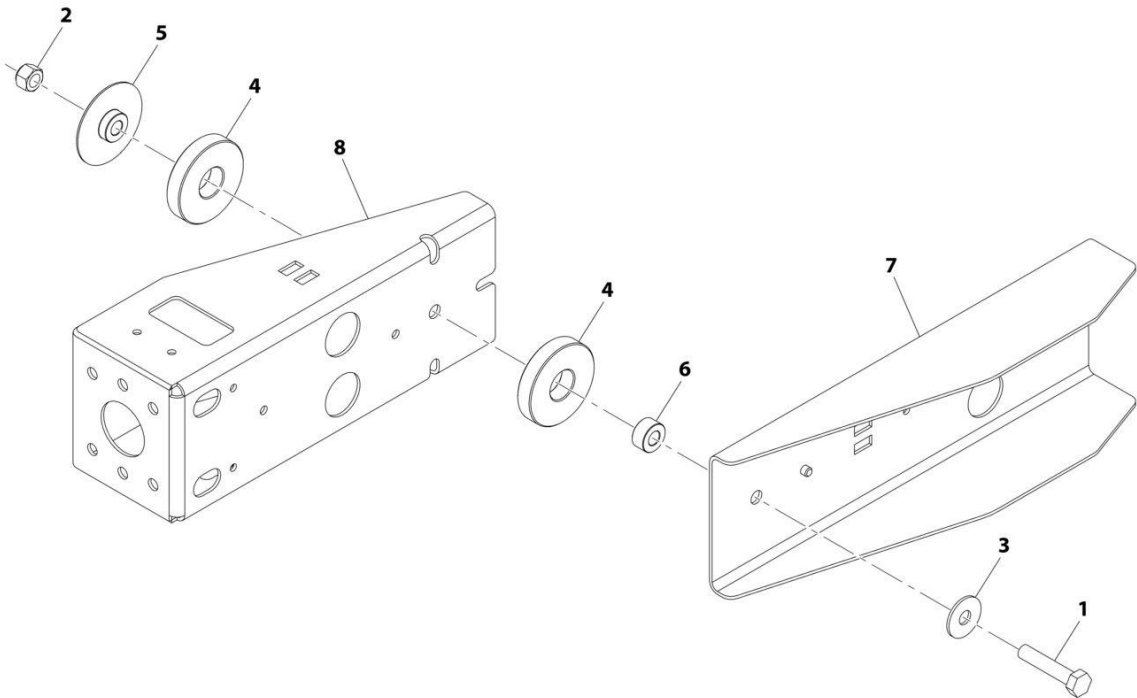
## SECTION 10 - ELECTRICAL

### FIGURE 10-43. LICENSE PLATE LAMP INSTALLATION

ITEM	PART NUMBER	QTY	DESCRIPTION	REV
	1001200383	Ref	License Plate Lamp Installation	B
1	0760410	4	Bolt, M4X20	
2	3290401	4	Nut, M4X0.7 Grade 8	
3	4831400	4	Washer, Lock M4	
4	1001173829	2	Lamp, License Plate	
5	1001178053	1	Harness, License Light (See Separate Breakdown in Electrical Section)	

**SECTION 10 - ELECTRICAL**

**FIGURE 10-44. REAR LIGHT BRACKET ASSEMBLY**



ART\_1001183112-C

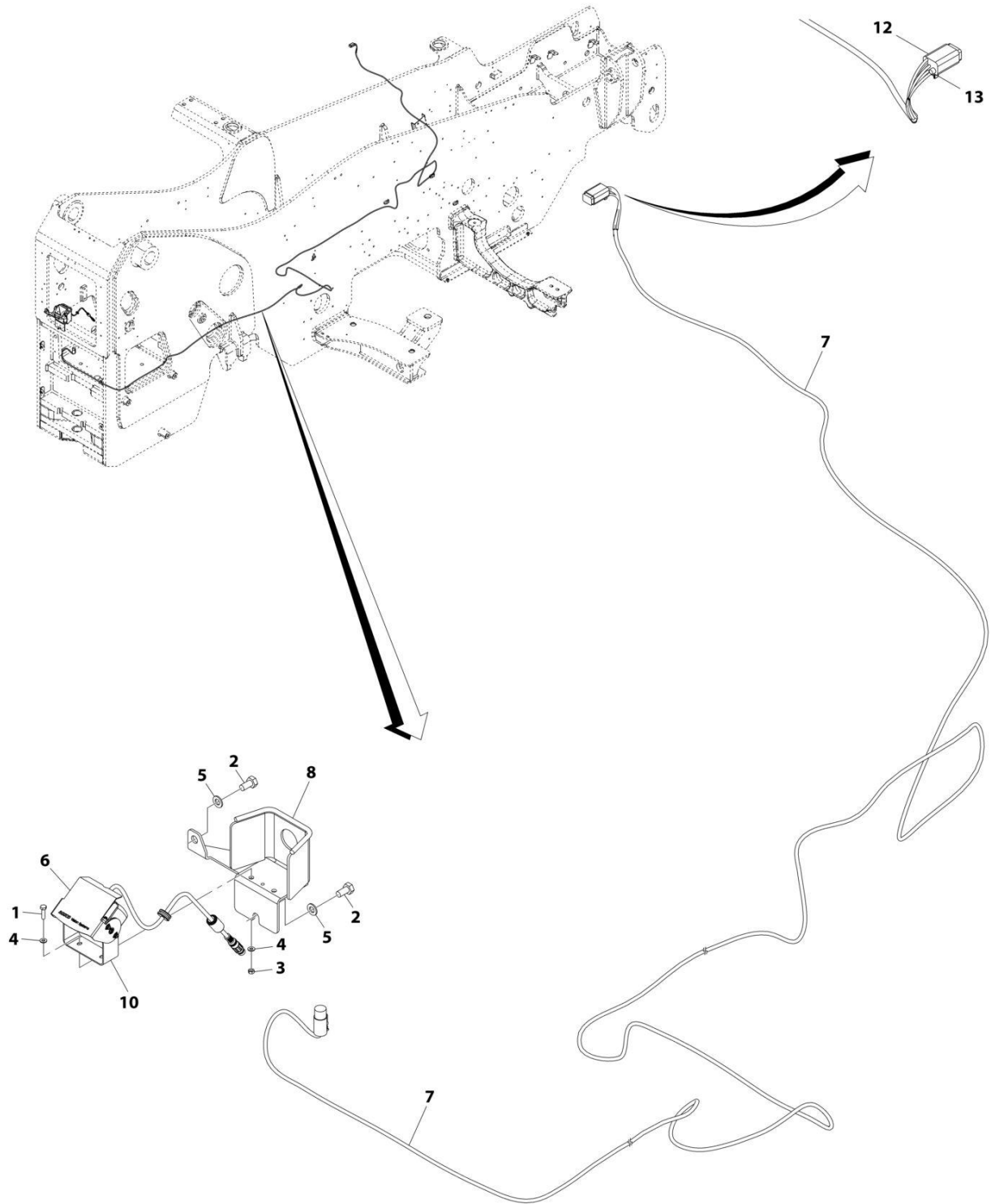
## SECTION 10 - ELECTRICAL

### FIGURE 10-44. REAR LIGHT BRACKET ASSEMBLY

ITEM	PART NUMBER	QTY	DESCRIPTION	REV
	1001183112	Ref	Rear Light Bracket Assembly	C
1	0701220	1	Bolt, M12X60	
2	3291205	1	Nut, Lock M12X1.75	
3	4812102	1	Washer, M12	
4	8000565	2	Washer, Rubber	
5	1001182490	1	Washer, Top Hat	
6	1001182495	1	Washer	
7	1001196217	1	Bracket	
8	1001196100	1	Bracket	

# SECTION 10 - ELECTRICAL

## FIGURE 10-45. REVERSE CAMERA INSTALLATION



ART\_1001192321-G

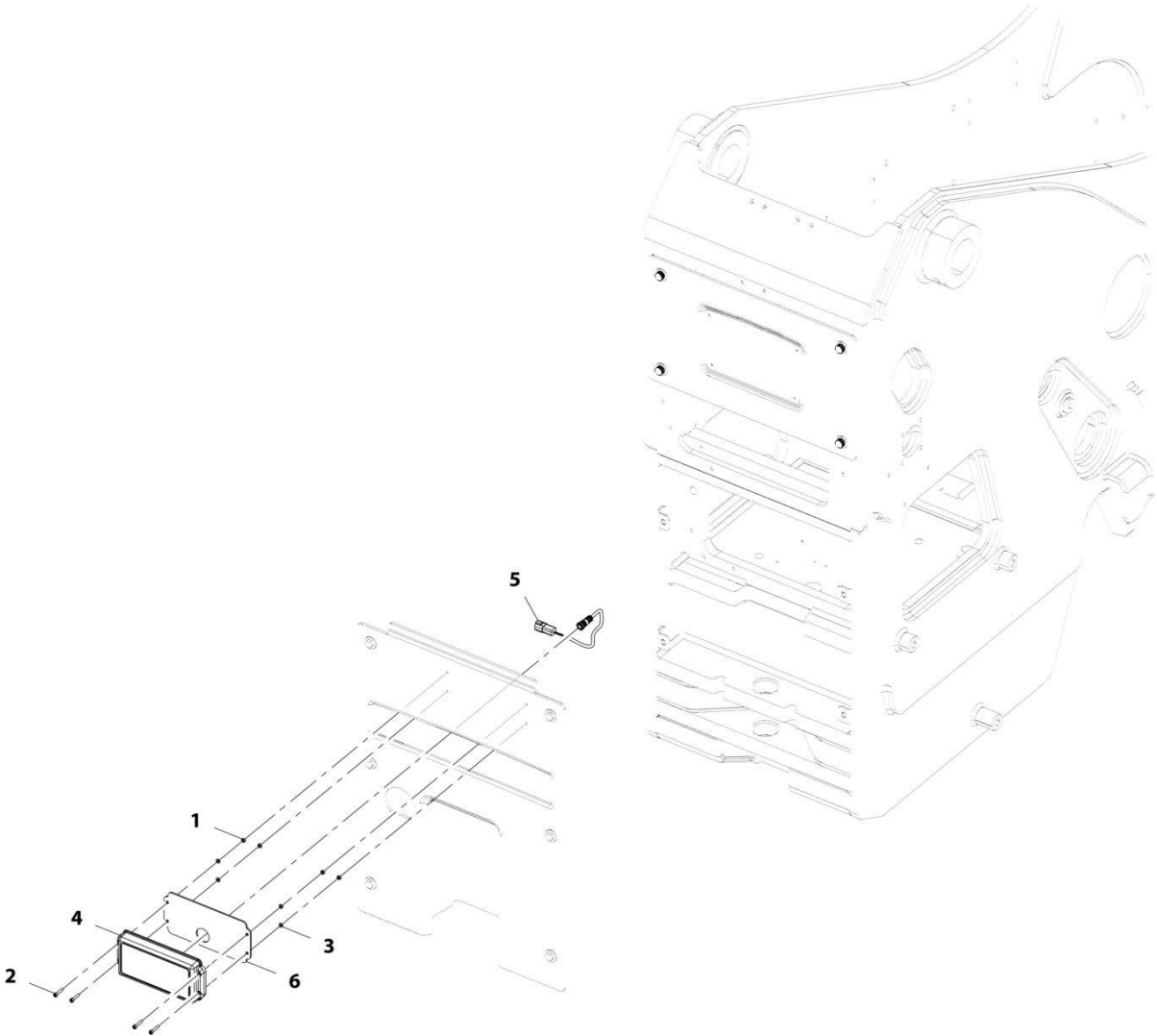
## SECTION 10 - ELECTRICAL

### FIGURE 10-45. REVERSE CAMERA INSTALLATION

ITEM	PART NUMBER	QTY	DESCRIPTION	REV
	1001192321	Ref	Reverse Camera Installation	G
1	0700408	2	Bolt, M4X16	
2	0760808	2	Bolt, M8X16	
3	3290401	2	Nut, M4X0.7	
4	4811400	4	Washer, M4	
5	4811900	2	Washer, M8	
6	1001167017	1	Camera, Reverse	
7	1001171962	1	Cable, Camera	
8	1001205307	1	Bracket	
10	1001202621	1	Bracket	
12	4460884	1	Connector	
13	4460466	1	Terminal	

**SECTION 10 - ELECTRICAL**

**FIGURE 10-46. REVERSE SENSOR INSTALLATION**



ART\_1001192322-E



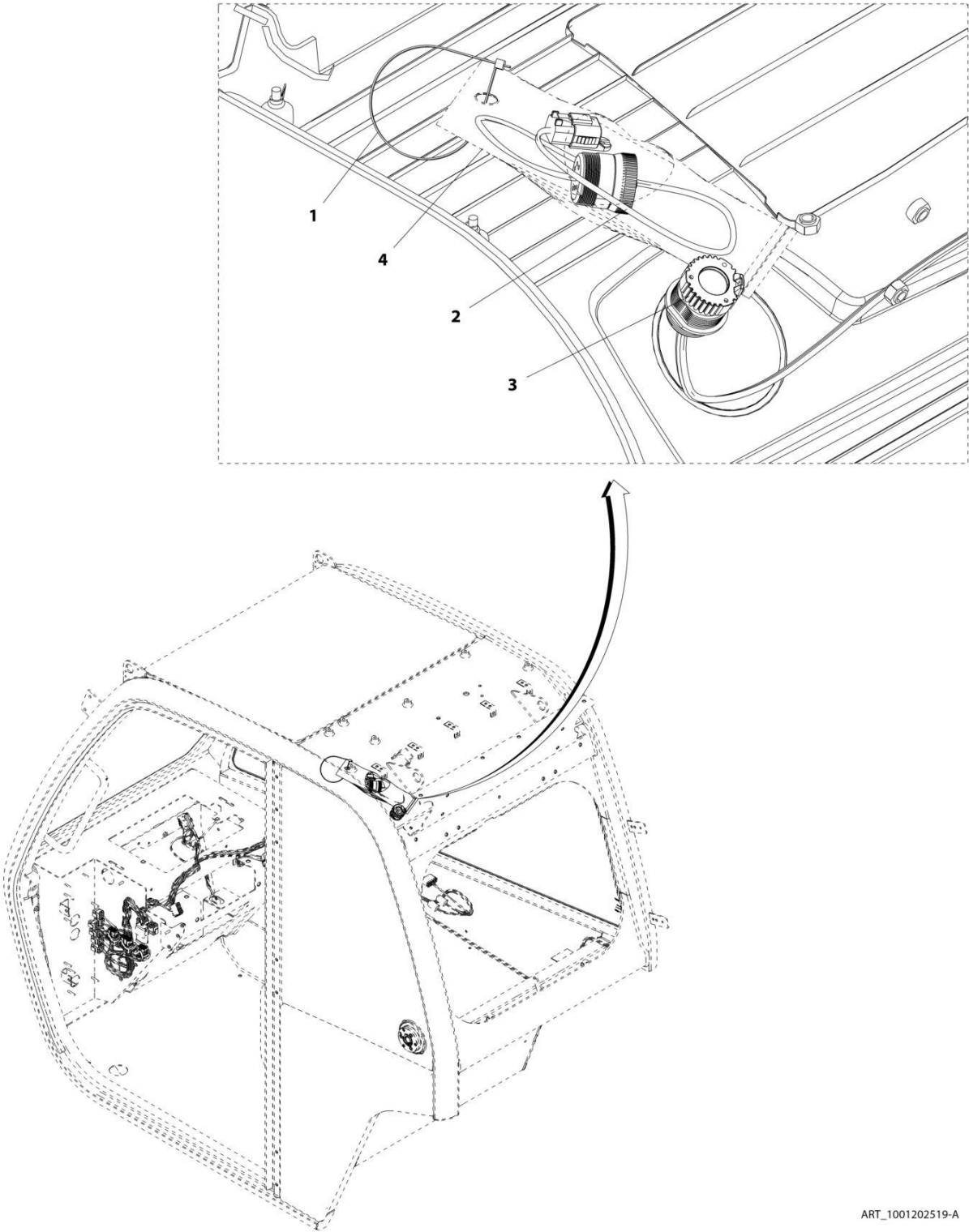
## SECTION 10 - ELECTRICAL

### FIGURE 10-46. REVERSE SENSOR INSTALLATION

ITEM	PART NUMBER	QTY	DESCRIPTION	REV
	1001192322	Ref	Reverse Sensor Installation	E
1	3290501	4	Nut, M5X0.8	
2	5271609	4	Screw, M5X25	
3	4811600	4	Washer, M5	
4	1001189997	1	Sensor, Reverse	
5	1001175776	1	Harness, Reverse Sensor (See Seperate Breakdown in this Section)	
6	1001231217	1	Plate	

**SECTION 10 - ELECTRICAL**

**FIGURE 10-47. TELEMATICS READY INSTALLATION**



ART\_1001202519-A

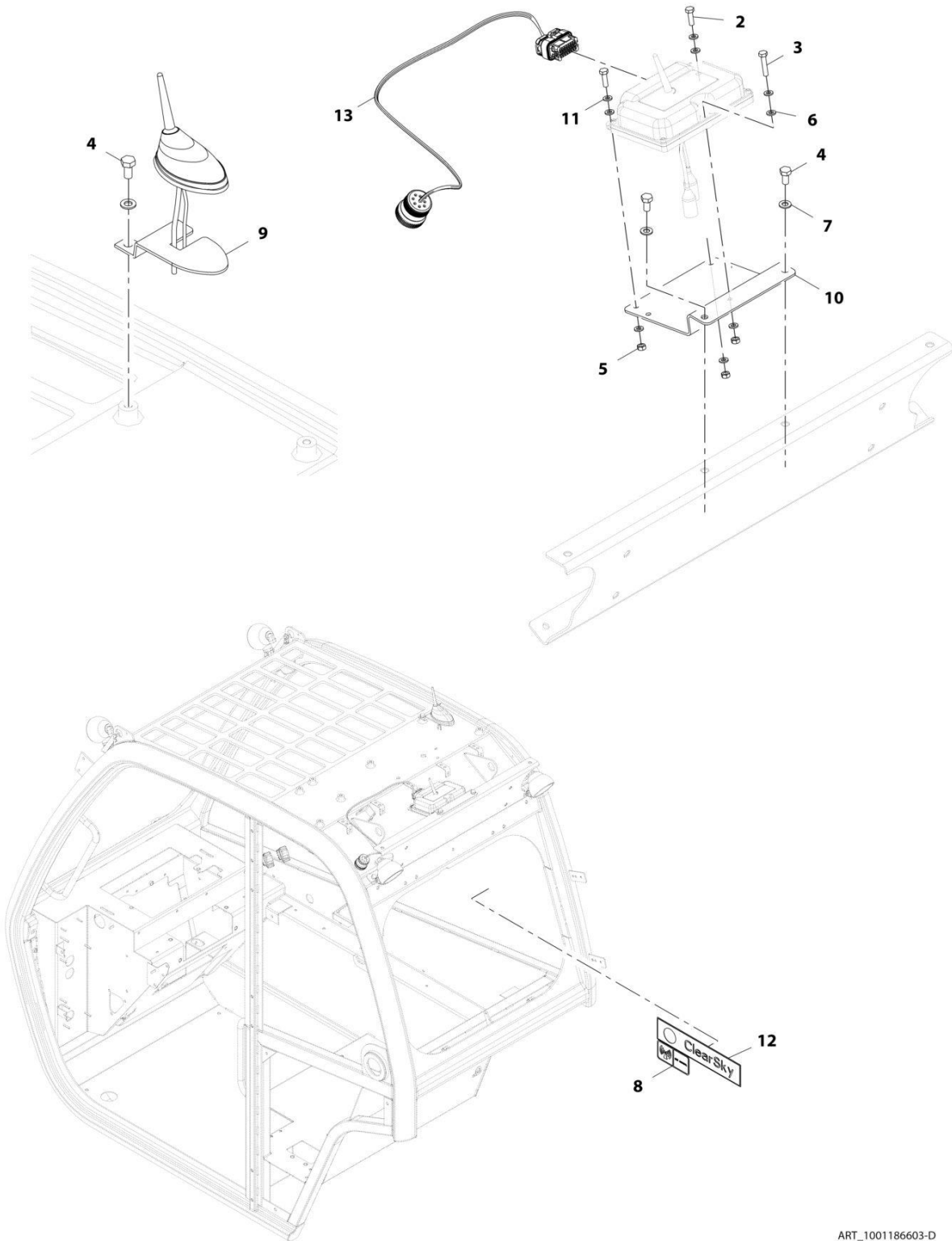
## SECTION 10 - ELECTRICAL

### FIGURE 10-47. TELEMATICS READY INSTALLATION

ITEM	PART NUMBER	QTY	DESCRIPTION	REV
	1001202519	Ref	Telematics Ready Installation	A
1	8584003	1	Strap, Tie	
2	1001196289	1	Harness, Telematics Ready (See Separate Breakdown in ELECTRICAL Section)	
3	1001201162	1	Cap	
4	1001202617	1	Bag	

# SECTION 10 - ELECTRICAL

## FIGURE 10-48. CLEARSKY INSTALLATION (NO A/C - SHORT ROOF CAP)



ART\_1001186603-D

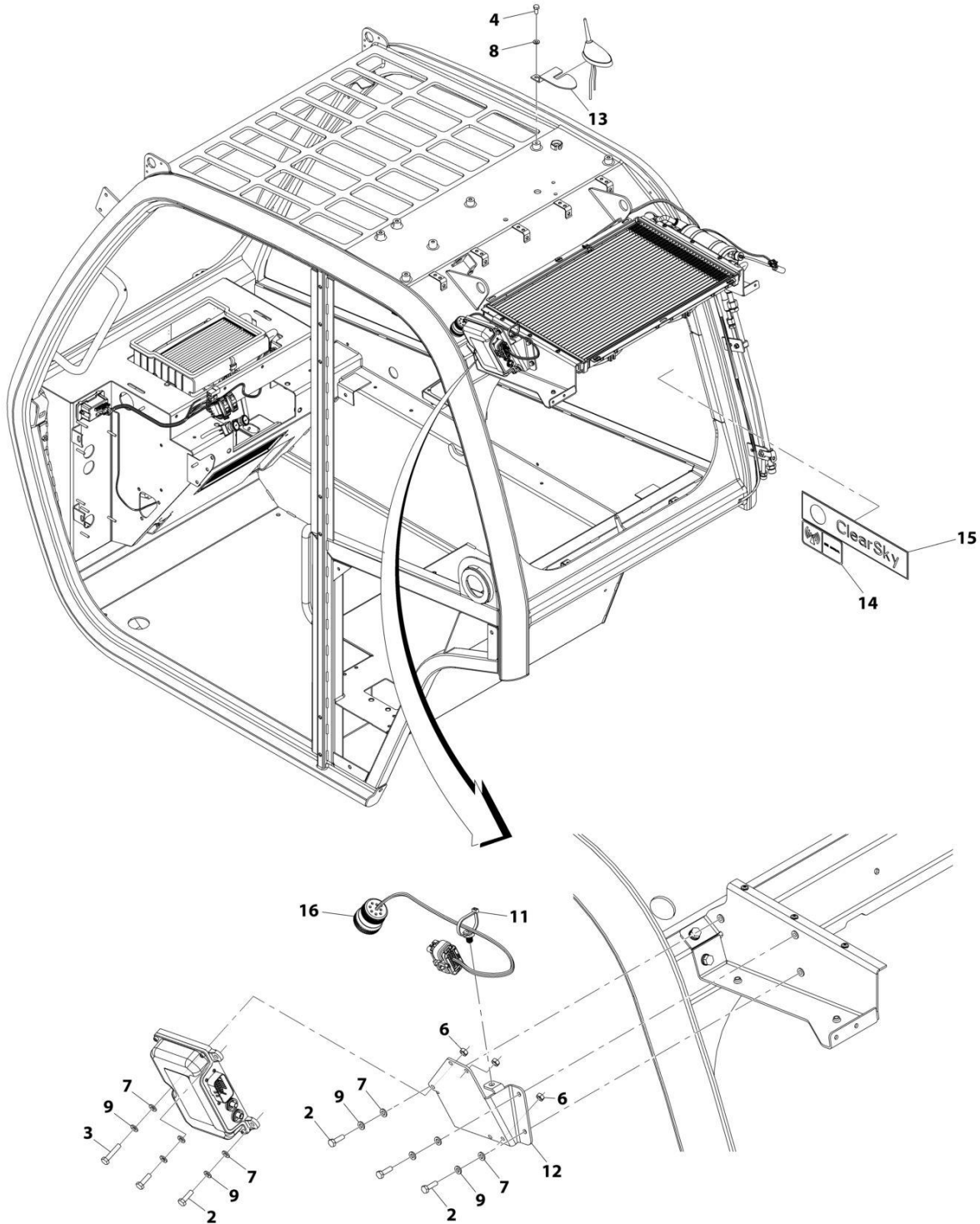
## SECTION 10 - ELECTRICAL

**FIGURE 10-48. CLEARSKY INSTALLATION (NO A/C - SHORT ROOF CAP)**

ITEM	PART NUMBER	QTY	DESCRIPTION	REV
	1001186603	Ref	Clearsky Installation (No A/C - Short Roof Cap)	D
2	0700610	2	Bolt, M6X20	
3	0700614	1	Bolt, M6X30	
4	0760808	3	Bolt, M8X16	
5	3290601	3	Nut, M6X1 Grade 8	
6	4811700	6	Washer, M6	
7	4811900	3	Washer, M8	
8	1001120989	1	Decal, Radio Frequency	
9	1001174372	1	Bracket, Antenna	
10	1001185722	1	Bracket	
11	4831700	3	Washer, Lock M6	
12	1001116208	1	Decal, Clearsky	
13	1001196452	1	Harness, Clearsky (See Separate Breakdown in this Section)	

# SECTION 10 - ELECTRICAL

## FIGURE 10-49. CLEARSKY INSTALLATION (A/C - LONG ROOF CAP)



ART\_1001174368-G

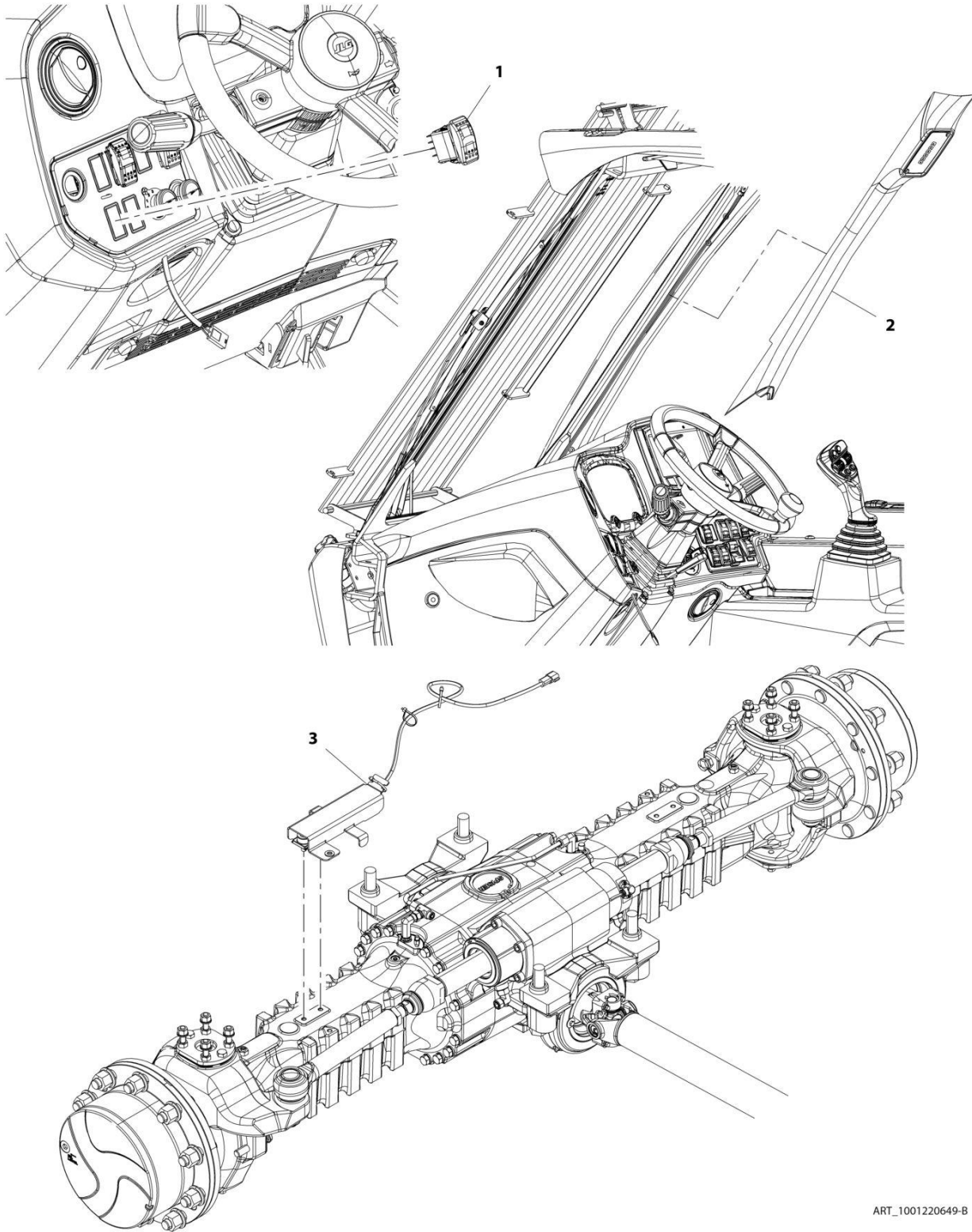
## SECTION 10 - ELECTRICAL

**FIGURE 10-49. CLEARSKY INSTALLATION (A/C - LONG ROOF CAP)**

ITEM	PART NUMBER	QTY	DESCRIPTION	REV
	1001174368	Ref	Clearsky Installation (A/C - Long Roof Cap)	G
2	0700610	5	Bolt, M6X20	
3	0700614	1	Bolt, M6X30	
4	0760808	1	Bolt, M8X16	
6	3290601	3	Nut, M6X1 Grade 8	
7	4811700	6	Washer, M6	
8	4811900	1	Washer, M8	
9	4831700	6	Washer, Lock M6	
11	1001146588	1	Strap, Cable	
12	1001220947	1	Bracket	
13	1001174372	1	Bracket, Antenna	
14	1001120989	1	Decal, Radio Frequency	
15	1001116208	1	Decal, Clearsky	
16	1001196452	1	Harness, Clearsky (See Separate Breakdown in this Section)	

# SECTION 10 - ELECTRICAL

## FIGURE 10-50. LSI INSTALLATION



ART\_1001220649-B



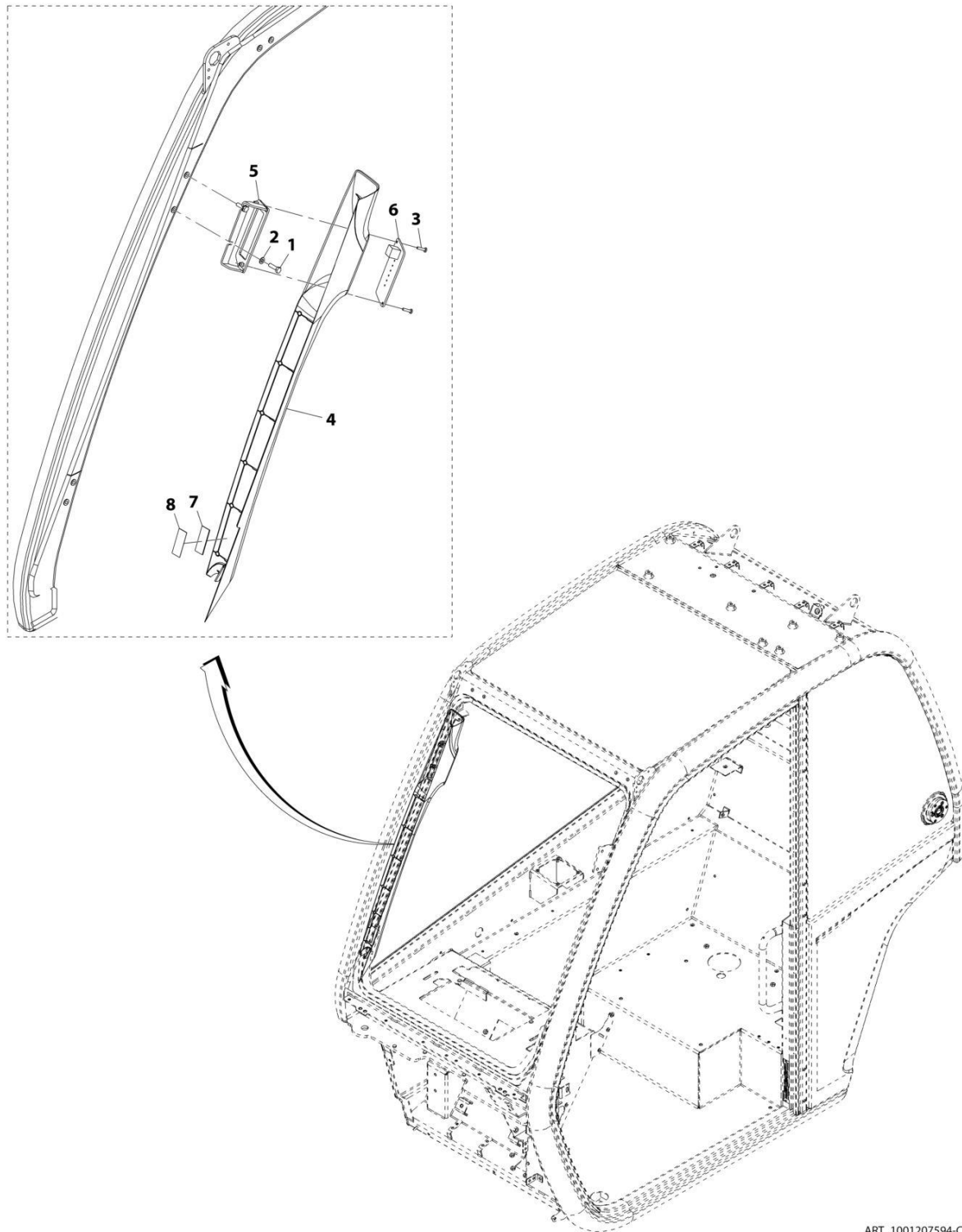
## SECTION 10 - ELECTRICAL

### FIGURE 10-50. LSI INSTALLATION

ITEM	PART NUMBER	QTY	DESCRIPTION	REV
	1001220649	Ref	LSI Installation	B
1	1001159742	1	Switch, LSI Override	
2	1001207594	Ref	Installation, LSI Display (See Separate Breakdown in this Section)	
3	1001220650	Ref	Installation, LSI Sensor (See Separate breakdown in this Section)	

# SECTION 10 - ELECTRICAL

## FIGURE 10-51. LSI DISPLAY INSTALLATION



ART\_1001207594-C

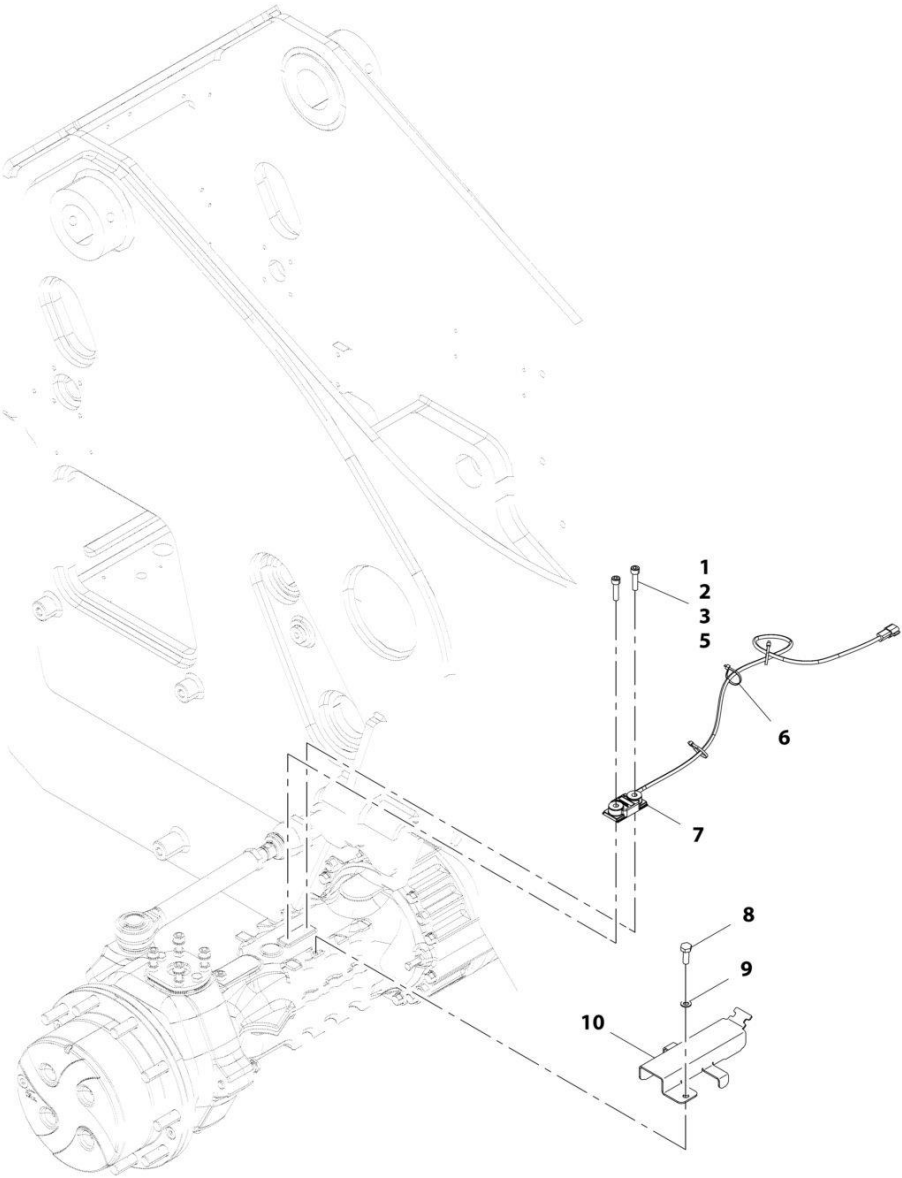
## SECTION 10 - ELECTRICAL

### FIGURE 10-51. LSI DISPLAY INSTALLATION

ITEM	PART NUMBER	QTY	DESCRIPTION	REV
	1001207594	Ref	LSI Display Installation	C
1	0760610	2	Bolt, M6X20	
2	4811700	2	Washer, M6	
3	1001126837	2	Screw, M4X16	
4	1001182839	1	Cover	
5	1001214401	1	Bracket	
6	1001213752	1	Display, LSI	
7	1001221318	1	Tape, Hook Fastener	
8	1001221319	1	Tape, Hook Fastener	

**SECTION 10 - ELECTRICAL**

**FIGURE 10-52. LSI SENSOR INSTALLATION**



ART\_1001220650-B

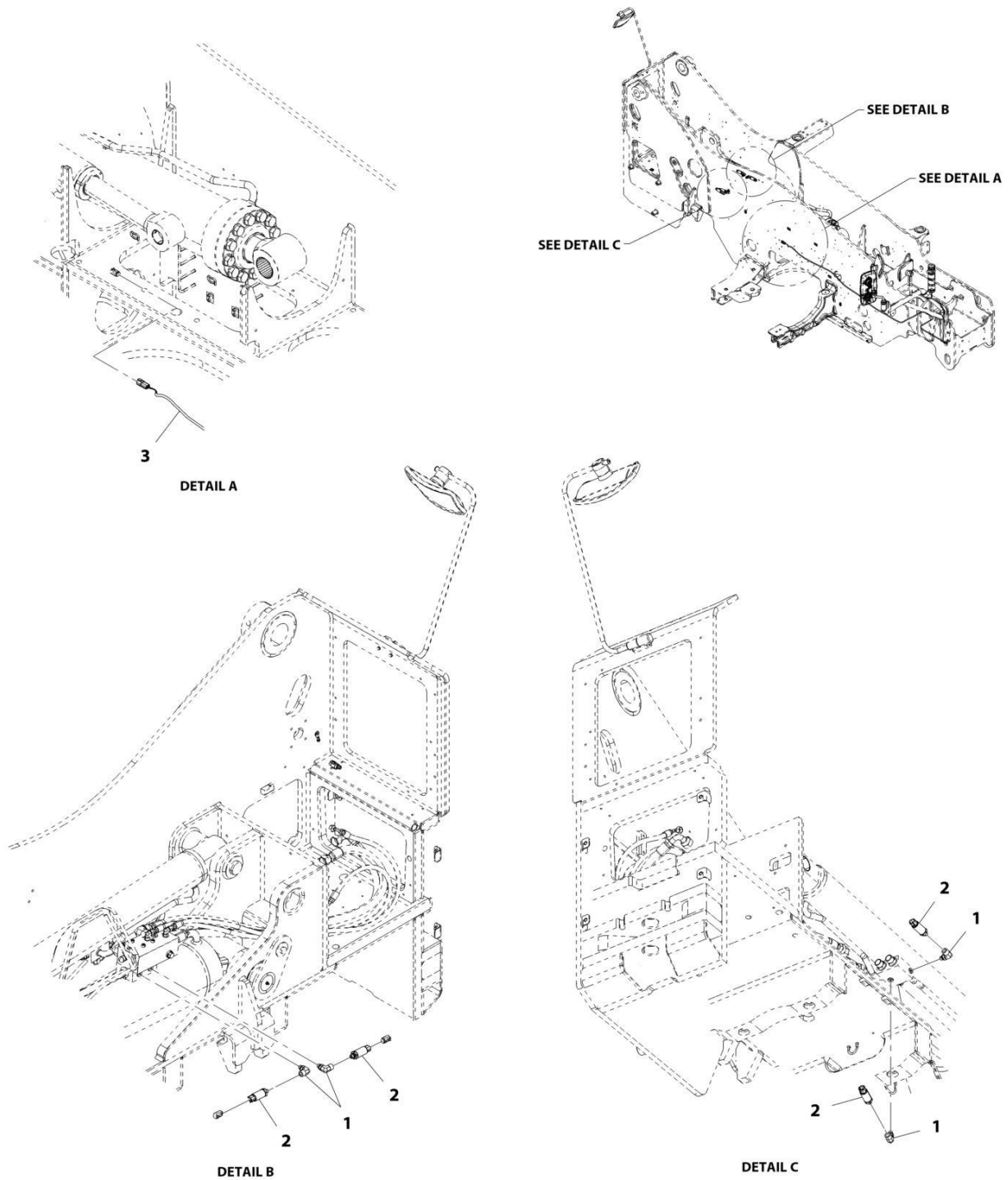
## SECTION 10 - ELECTRICAL

### FIGURE 10-52. LSI SENSOR INSTALLATION

ITEM	PART NUMBER	QTY	DESCRIPTION	REV
	1001220650	Ref	LSI Sensor Installation	B
1	5272012	2	Bolt, M10X40	
2	1001116128	AR	Sealant	
3	1001125465	AR	Compound, Locking	
5	1001129425	AR	Compound, Locking	
6	1001008559	3	Strap, Cable	
7	1001160730	1	Sensor, LSI	
8	0761010	1	Bolt, M10X20	
9	4812000	1	Washer, M10	
10	1001230850	1	Bracket, LSI Cover	

# SECTION 10 - ELECTRICAL

## FIGURE 10-53. LMIS INSTALLATION (HIGH END DISPLAY)



ART\_1001183549-C

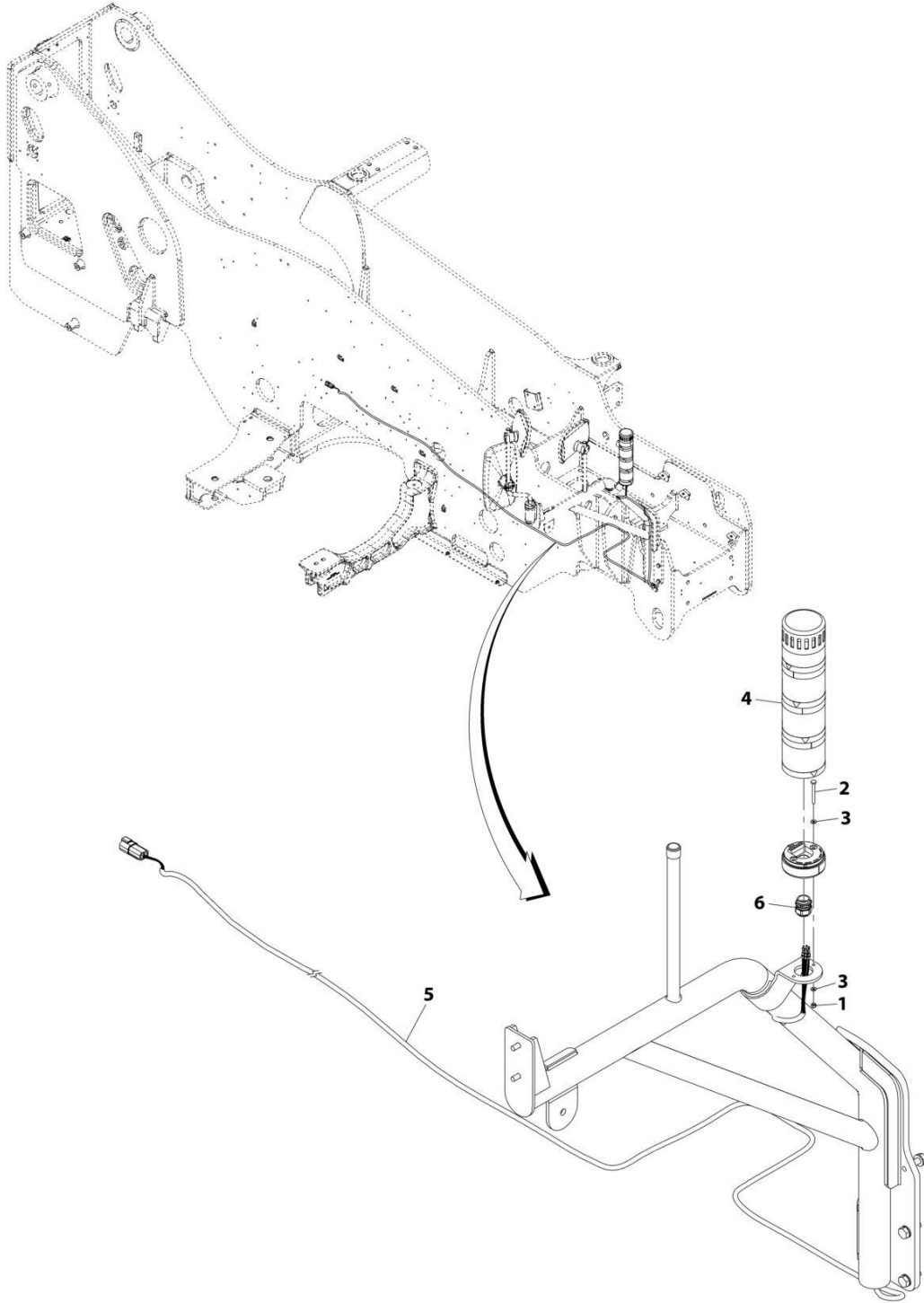
## SECTION 10 - ELECTRICAL

### FIGURE 10-53. LMIS INSTALLATION (HIGH END DISPLAY)

ITEM	PART NUMBER	QTY	DESCRIPTION	REV
	1001183549	Ref	LMIS Installation (High End Display)	C
1	1001101855	4	Fitting, 90	
2	1001162885	4	Sensor, LMIS	
3	1001195591	1	Installation, LMIS Beacon Light (See Separate Breakdown in this Section)	

**SECTION 10 - ELECTRICAL**

**FIGURE 10-54. LMIS BEACON LIGHT INSTALLATION**



ART\_1001195591-D



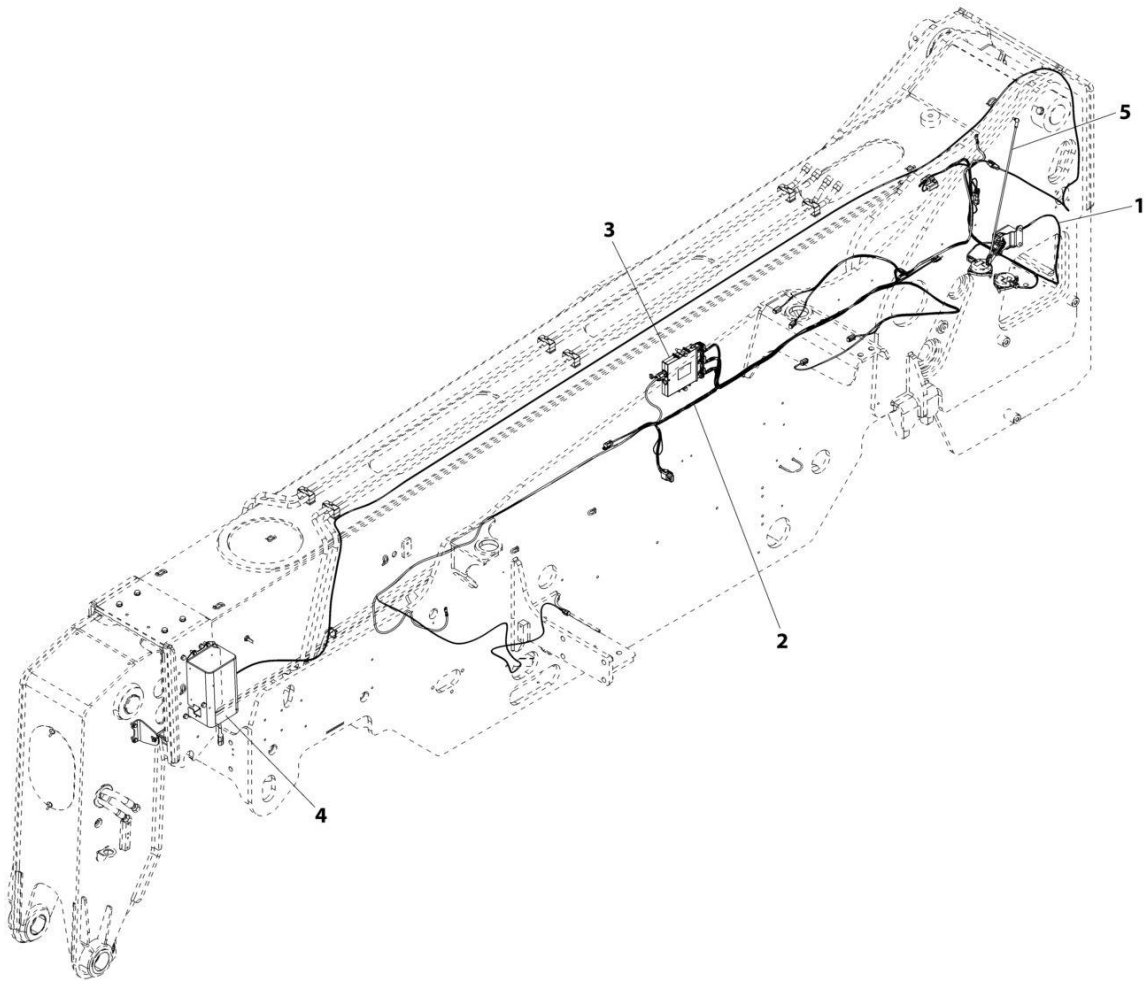
## SECTION 10 - ELECTRICAL

### FIGURE 10-54. LMIS BEACON LIGHT INSTALLATION

ITEM	PART NUMBER	QTY	DESCRIPTION	REV
	1001195591	Ref	LMIS Beacon Light Installation	D
1	3290405	2	Nut, Lock M4X0.7	
2	4010416	2	Screw, M4X40	
3	4811400	4	Washer, M4	
4	1001108661	1	Light, LMIS Beacon	
5	1001117247	1	Harness, LMIS Beacon Option (See Separate Breakdown in this Section)	
6	E000269	1	Relief, Strain	

# SECTION 10 - ELECTRICAL

## FIGURE 10-55. LMIS CONTROL PACKAGE INSTALLATION



ART\_1001192431

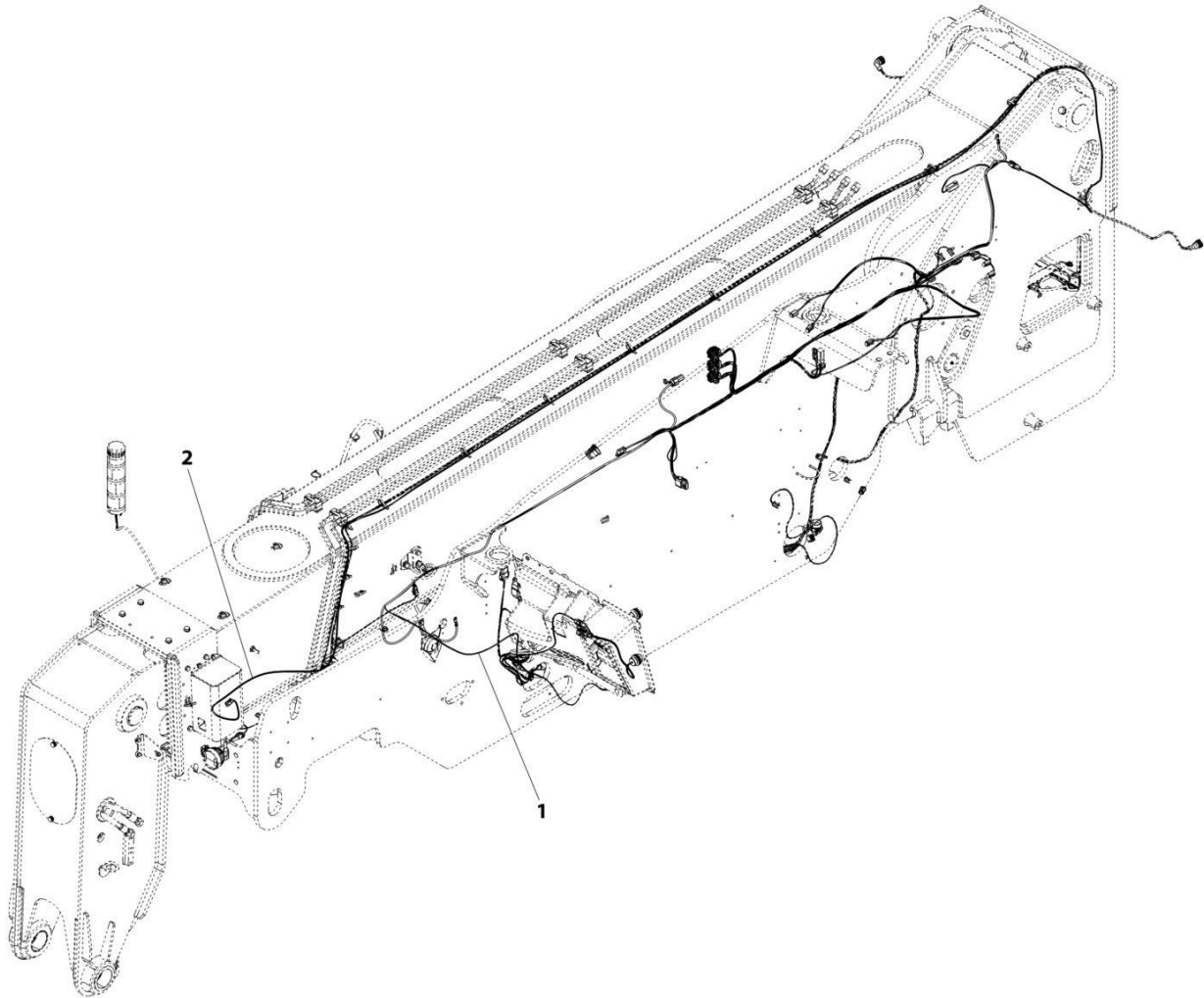
## SECTION 10 - ELECTRICAL

### FIGURE 10-55. LMIS CONTROL PACKAGE INSTALLATION

ITEM	PART NUMBER	QTY	DESCRIPTION	REV
	1001192431	Ref	LMIS Control Package Installation	E
1	1001195200	1	Installation, Tilt Sensor (See Separate Breakdown in this Section)	
2	1001195201	1	Installation, LMIS Wiring (See Separate Breakdown in this Section)	
3	1001195471	1	Installation, LMIS Controller (See Separate Breakdown in this Section)	
4	1001195473	1	Installation, LMIS Cable Reel (See Separate Breakdown in this Section)	
5	1001195590	1	Installation, Boom Angle Sensor (LMIS) (See Separate Breakdown in this Section)	

# SECTION 10 - ELECTRICAL

## FIGURE 10-56. LMIS WIRING INSTALLATION



ART\_1001195201-F

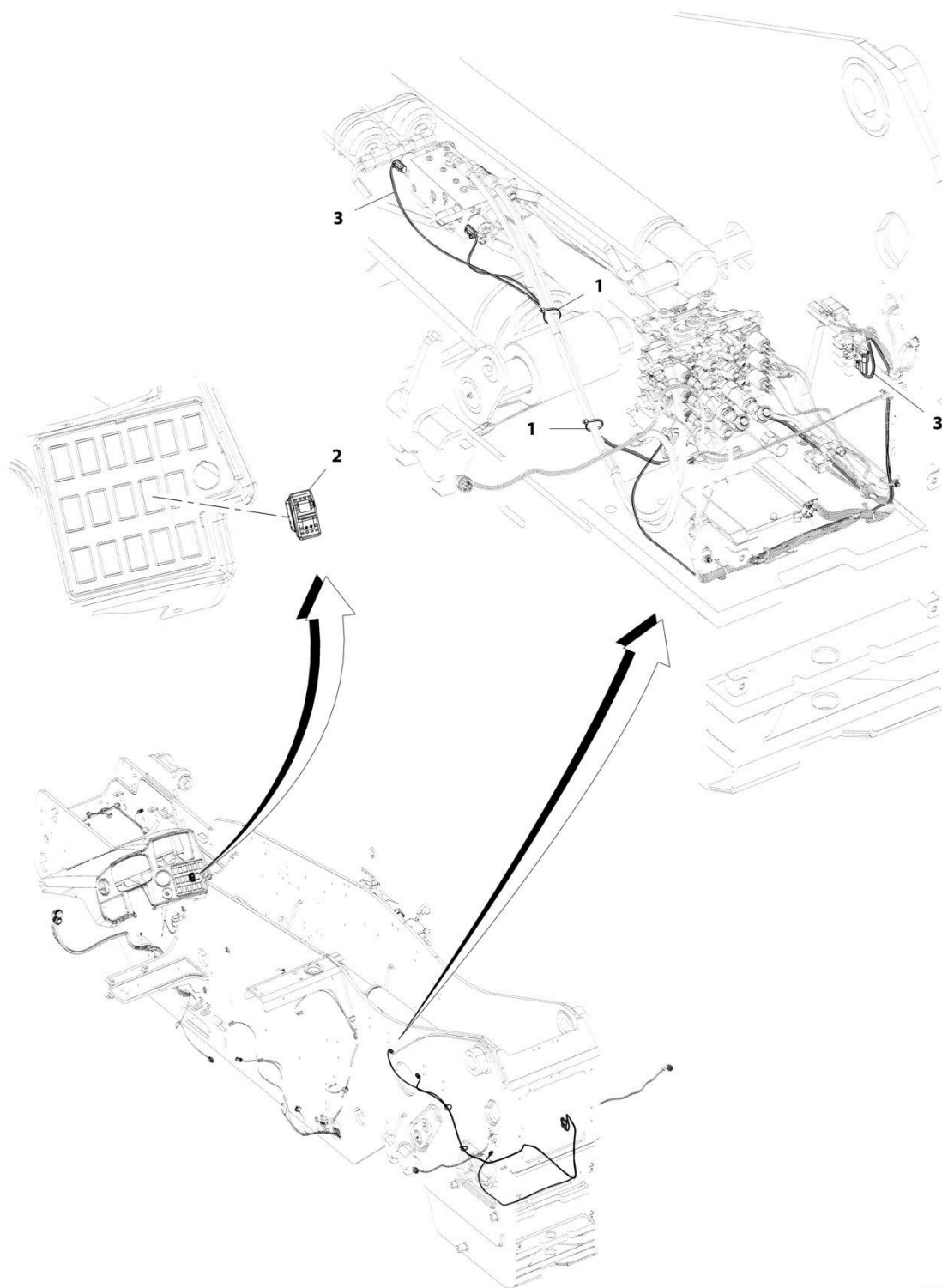
## SECTION 10 - ELECTRICAL

### FIGURE 10-56. LMIS WIRING INSTALLATION

ITEM	PART NUMBER	QTY	DESCRIPTION	REV
1	1001195201	Ref	LMIS Wiring Installation	F
	1001184795	1	Harness, Chassis Option (See Separate Breakdown in this Section)	
2	1001192619	1	Harness, LMIS Boom (See Separate Breakdown in this Section)	

# SECTION 10 - ELECTRICAL

## FIGURE 10-57. RIDE CONTROL WIRING INSTALLATION



ART\_1001200105-B

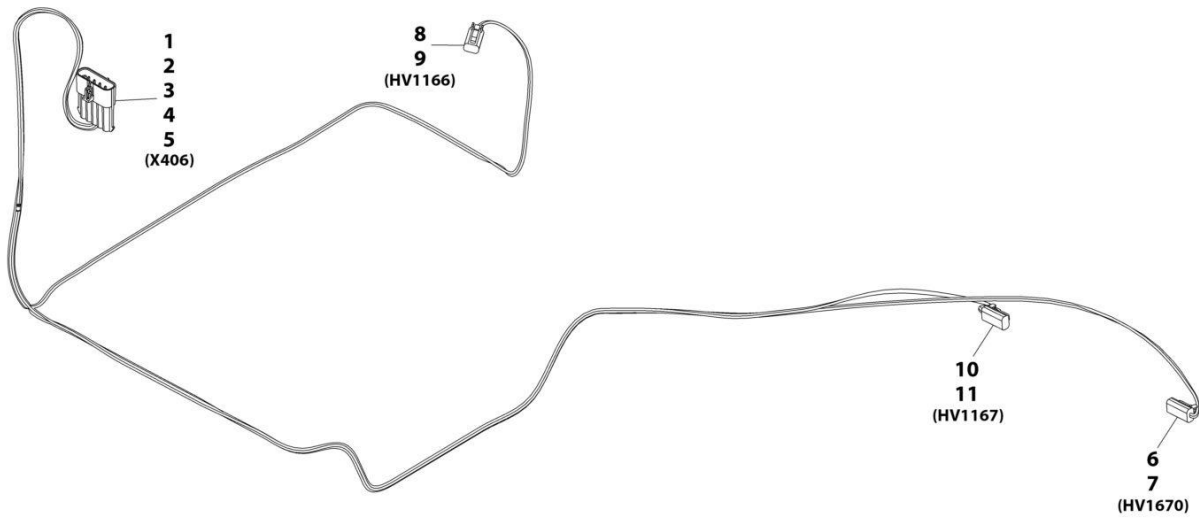
## SECTION 10 - ELECTRICAL

### FIGURE 10-57. RIDE CONTROL WIRING INSTALLATION

ITEM	PART NUMBER	QTY	DESCRIPTION	REV
	1001200105	Ref	Ride Control Wiring Installation	B
1	1001008559	2	Strap, Cable Tie	
2	1001159745	1	Switch, Boom Ride	
3	1001197668	1	Harness, Boom Ride Float (See Separate Breakdown in this Section)	

# SECTION 10 - ELECTRICAL

## FIGURE 10-58. BOOM RIDE CONTROL HARNESS



ART\_1001197668-D



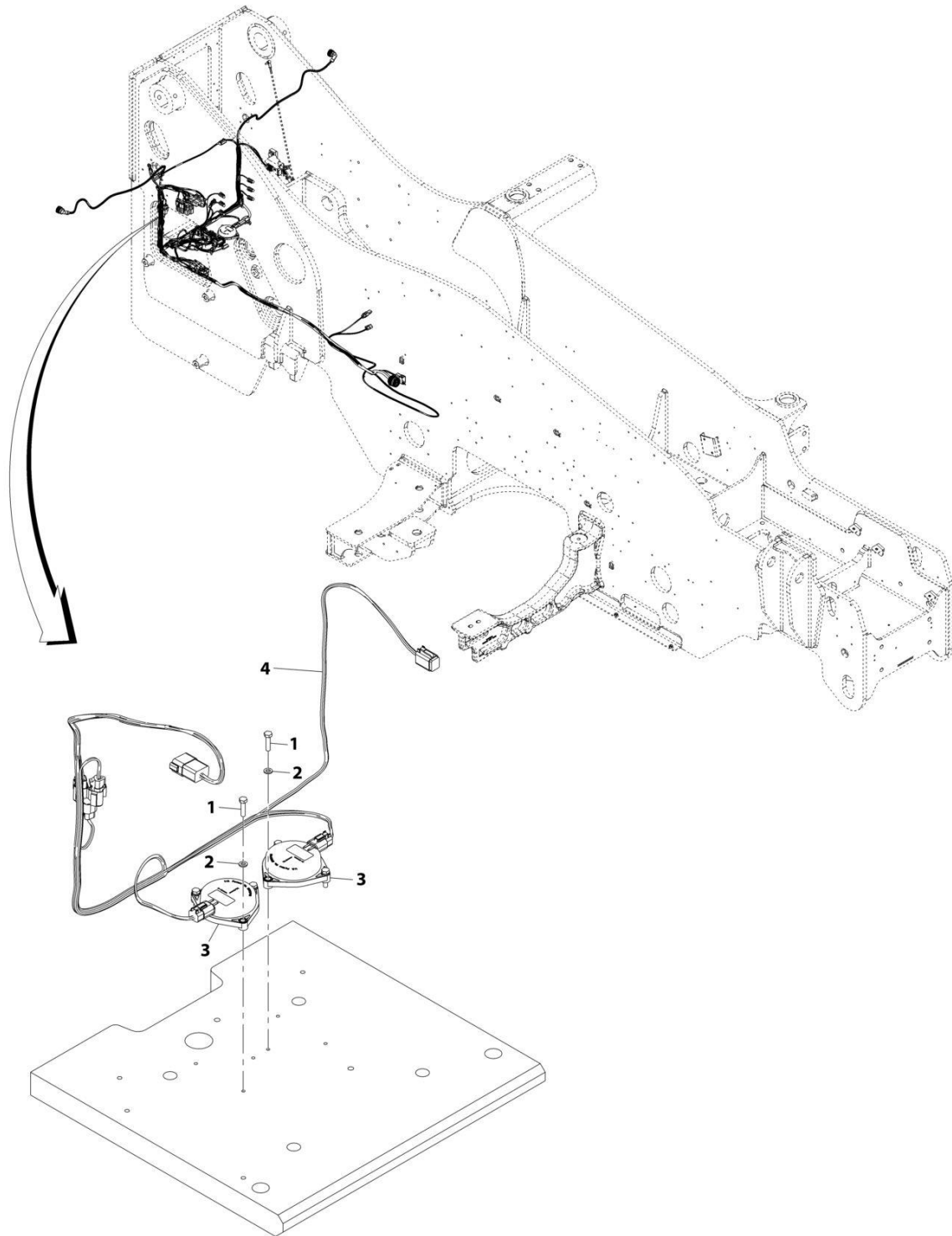
## SECTION 10 - ELECTRICAL

### FIGURE 10-58. BOOM RIDE CONTROL HARNESS

ITEM	PART NUMBER	QTY	DESCRIPTION	REV
	1001197668	Ref	Boom Ride Control Harness	D
1	1001121727	1	Connector	
2	1001116745	3	Terminal	
3	1001116729	1	Terminal	
4	4460458	4	Terminal Seal	
5	1001116727	1	Plug	
6	4460891	1	Connector	
7	4460465	2	Terminal	
8	4460891	1	Connector	
9	4460465	2	Terminal	
10	4460891	1	Connector	
11	4460465	2	Terminal	

# SECTION 10 - ELECTRICAL

## FIGURE 10-59. TILT SENSOR INSTALLATION



ART\_1001195200-B

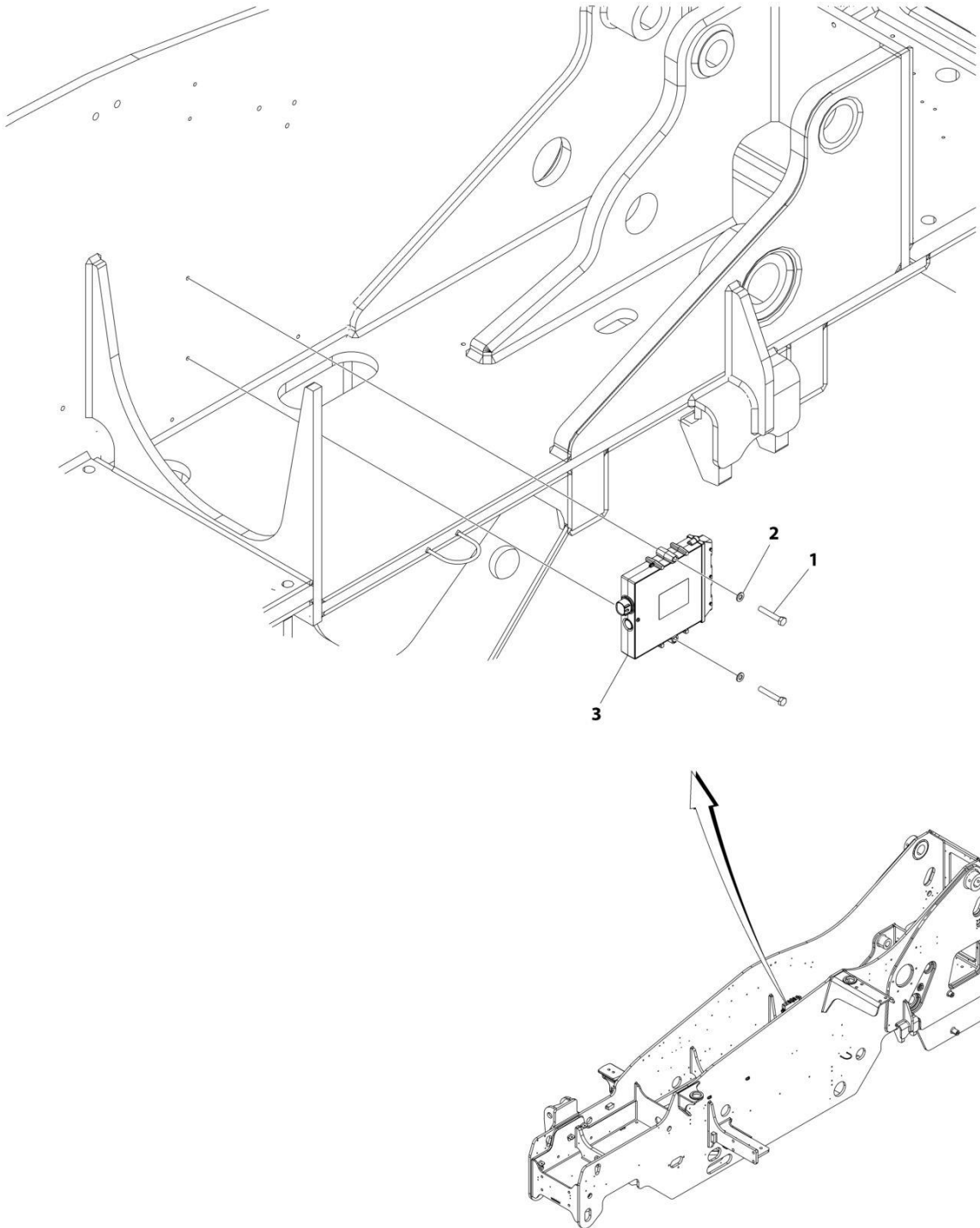
## SECTION 10 - ELECTRICAL

### FIGURE 10-59. TILT SENSOR INSTALLATION

ITEM	PART NUMBER	QTY	DESCRIPTION	REV
	1001195200	Ref	Tilt Sensor Installation	B
1	0700612	6	Bolt, M6X25	
2	4811700	6	Washer, M6	
3	1001163095	2	Sensor, Tilt	
4	1001195202	1	Harness, Platform Ready (See Separate Breakdown in this Section)	

# SECTION 10 - ELECTRICAL

## FIGURE 10-60. LMIS CONTROLLER INSTALLATION



ART\_1001195471\_C

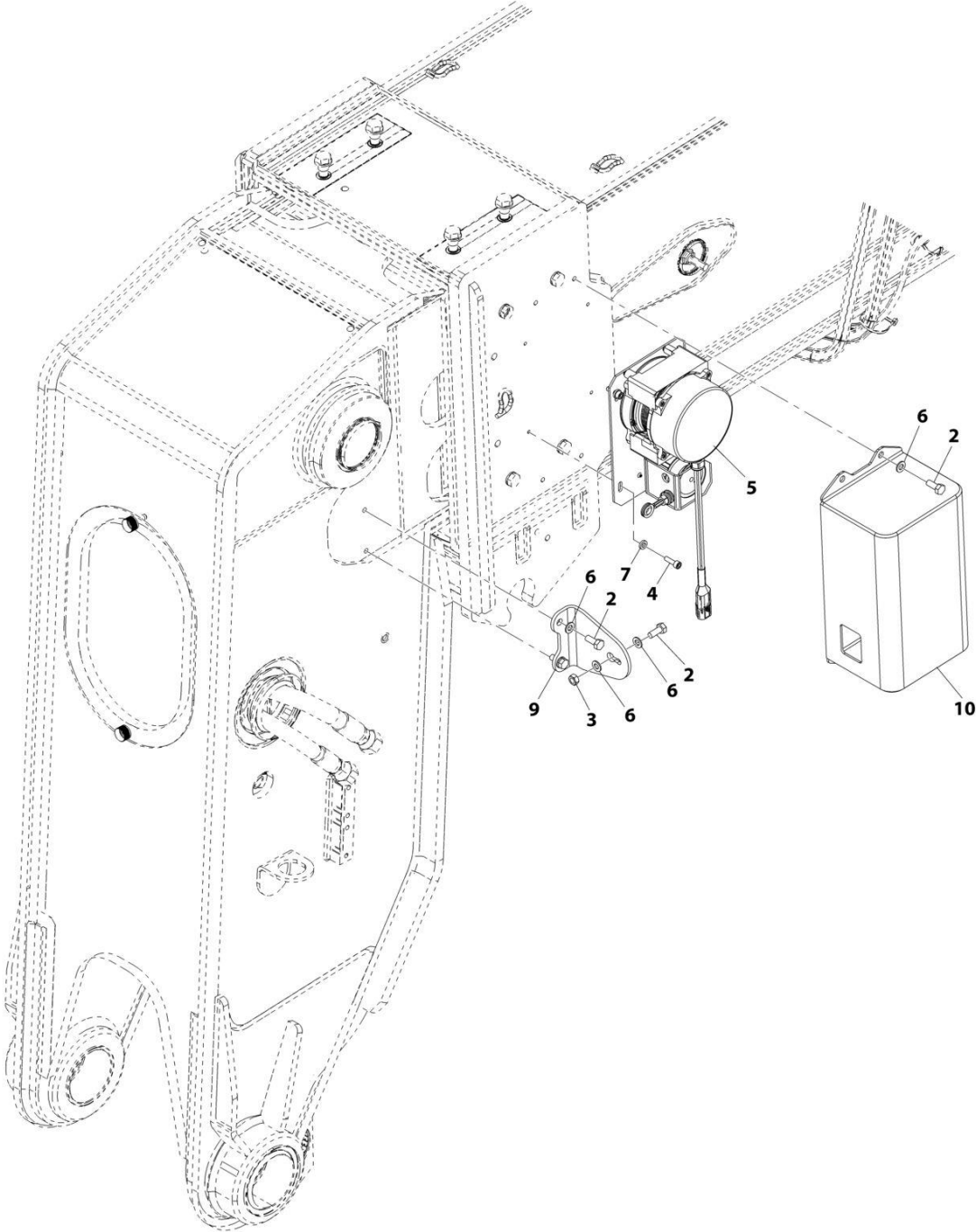
## SECTION 10 - ELECTRICAL

### FIGURE 10-60. LMIS CONTROLLER INSTALLATION

ITEM	PART NUMBER	QTY	DESCRIPTION	REV
	1001195471	Ref	LMIS CONTROLLER INSTALLATION	C
1	0700818	2	Bolt M8 x 50	
2	4811900	2	Washer M8	
3	1001270485	1	Module, LMIS Control	

**SECTION 10 - ELECTRICAL**

**FIGURE 10-61. LMIS CABLE REEL INSTALLATION**



ART\_1001195473

## SECTION 10 - ELECTRICAL

### FIGURE 10-61. LMIS CABLE REEL INSTALLATION

ITEM	PART NUMBER	QTY	DESCRIPTION	REV
	1001195473	Ref	LMIS Cable Reel Installation	E
2	0760810	7	Bolt, M8X20	
3	3290801	1	Nut, M8X1.25	
4	4031708	4	Screw, M6X20	
5	1001223903	1	Sensor, Boom Length	
6	4811900	8	Washer, M8	
7	5240600	4	Washer, M6	
9	1001224127	1	Bracket	
10	1001224128	1	Panel	





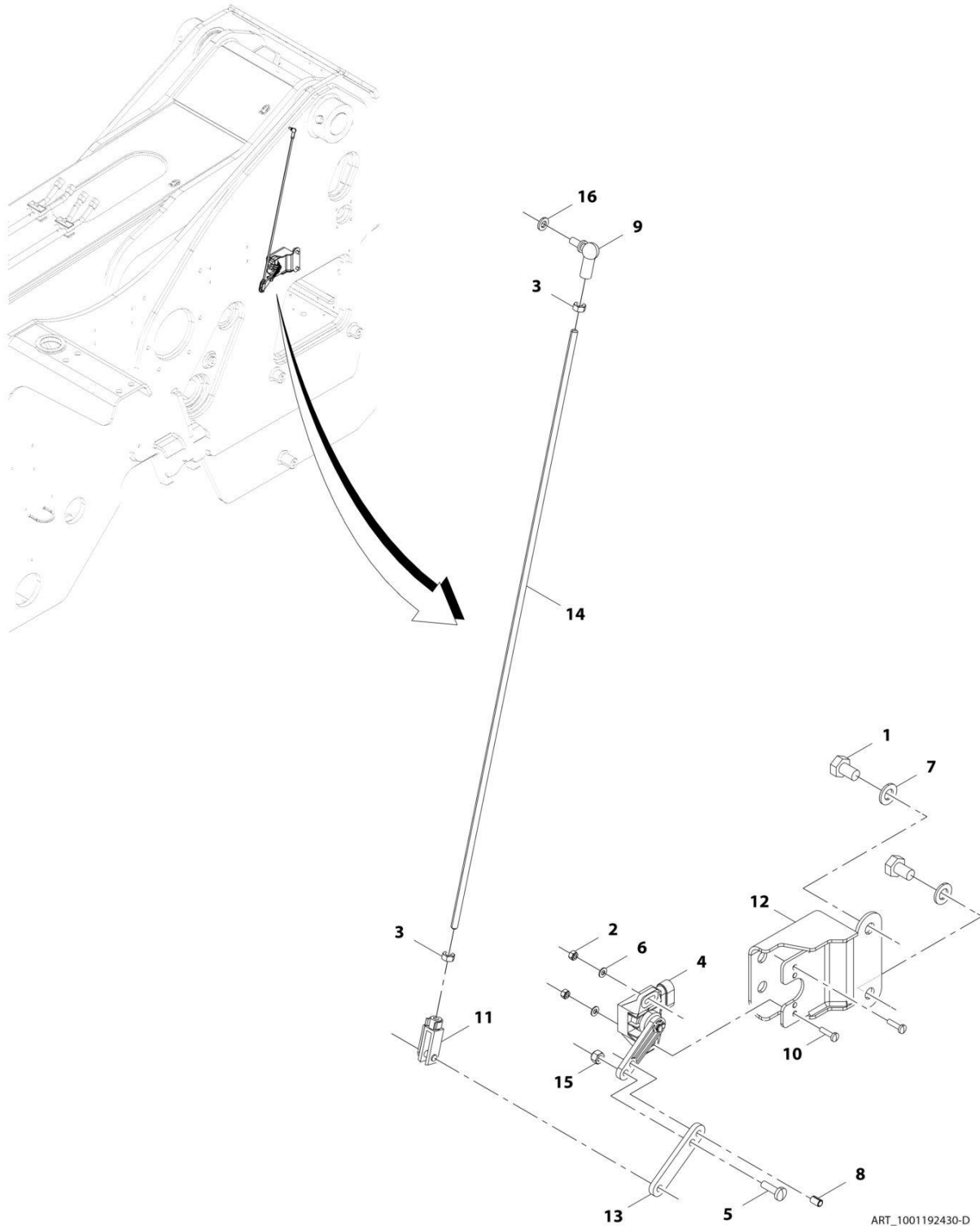
## SECTION 10 - ELECTRICAL

**FIGURE 10-62. BOOM ANGLE SENSOR INSTALLATION (LMIS)**

ITEM	PART NUMBER	QTY	DESCRIPTION	REV
	1001195590	Ref	BOOM ANGLE SENSOR INSTALLATION (LMIS)	E
1	0761008	2	Bolt M10 x 16	
2	3290405	2	Nut M4	
3	3290601	2	Nut M6 x 1	
4	4010416	2	Screw M4 x 40	
5	4010610	1	Screw M6 x 20	
6	4811400	2	Washer M4	
7	4812000	2	Washer M10	
8	1001099717	1	Sensor, Boom Angle	
9	1001103156	1	Pin	
10	1001103300	1	Fitting, Ball Joint	
11	1001134274	1	Clevis	
12	1001213775	1	Bracket	
13	1001195731	1	Link, Boom Angle Sensor	
14	1001195732	1	Rod	
15	3290605	1	Nut M6 x 1	
16	4811700	1	Washer M6	
17	4761400	2	Washer 1/4	

# SECTION 10 - ELECTRICAL

## FIGURE 10-63. BOOM ANGLE SENSOR INSTALLATION (NO LMIS)



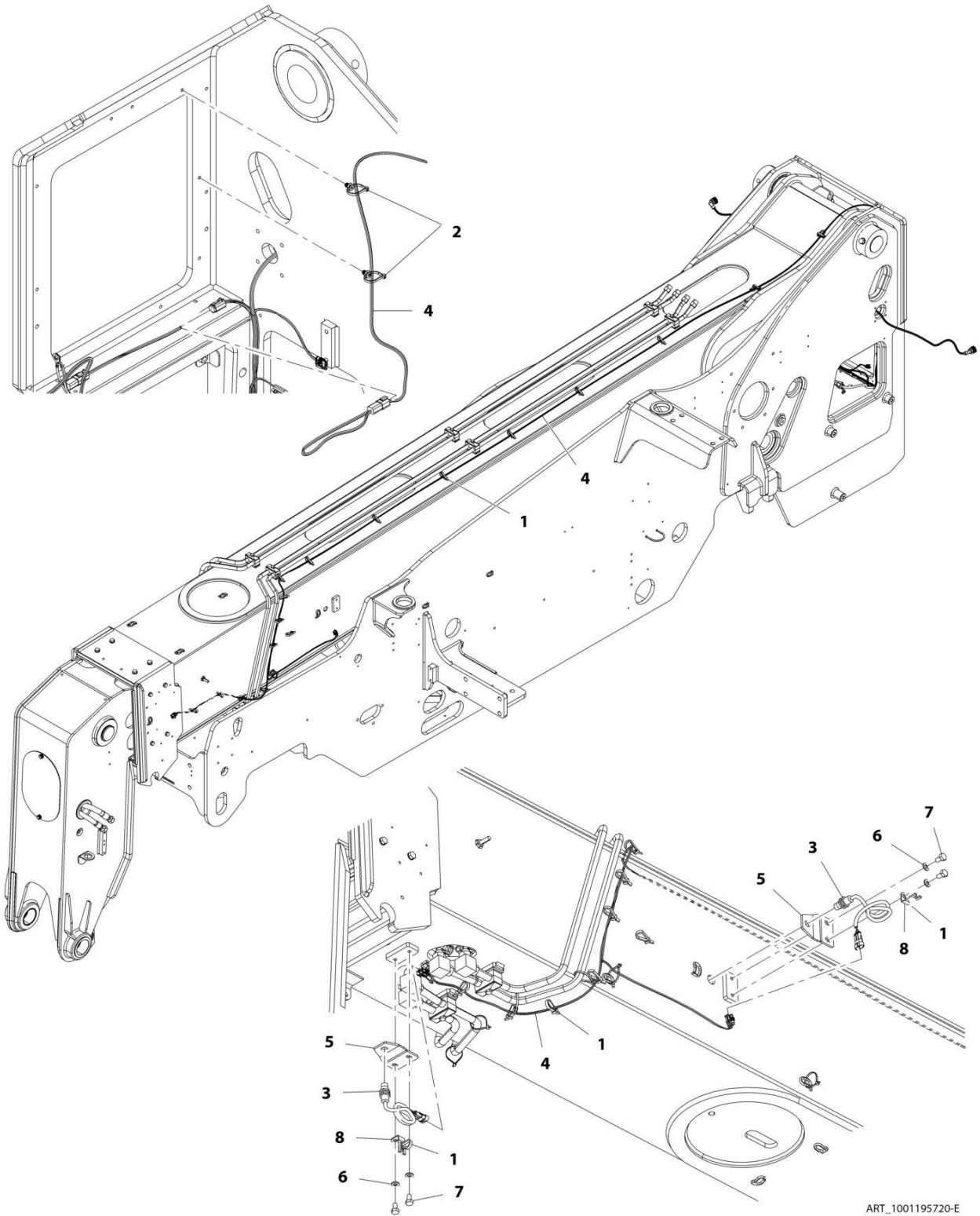
## SECTION 10 - ELECTRICAL

**FIGURE 10-63. BOOM ANGLE SENSOR INSTALLATION (NO LMIS)**

ITEM	PART NUMBER	QTY	DESCRIPTION	REV
	1001192430	Ref	BOOM ANGLE SENSOR INSTALLATION (NO LMIS)	E
1	0761008	2	Bolt M10X16	
2	3290405	2	Nut, Lock M4	
3	3290601	2	Nut M6	
4	1001278028	1	Sensor, Angle	
5	4010610	1	Screw M6X20	
6	4811400	2	Washer M4	
7	4812000	2	Washer M10	
8	1001103156	1	Pin	
9	1001103300	1	Fitting, Ball Joint	
10	1001126837	2	Screw M4X16	
11	1001134274	1	Clevis	
12	1001213775	1	Bracket	
13	1001195731	1	Link	
14	1001195732	1	Rod	
15	3290605	1	Nut, Lock M6	
16	4811700	1	Washer M6	

# SECTION 10 - ELECTRICAL

## FIGURE 10-64. BOOM RETRACT SENSOR INSTALLATION



ART\_1001195720-E

## SECTION 10 - ELECTRICAL

### FIGURE 10-64. BOOM RETRACT SENSOR INSTALLATION

ITEM	PART NUMBER	QTY	DESCRIPTION	REV
	1001195720	Ref	Boom Retract Sensor Installation	E
1	1001008923	19	Strap, Cable	
2	1001146588	2	Strap, Fir Tree Cable Tie	
3	1001183024	2	Sensor	
4	1001195953	1	Harness, Proximity Sensor	
5	1001210567	2	Bracket	
6	4812000	4	Washer, M10	
7	0761009	4	Bolt	
8	1001003305	2	Clip	



## SECTION 10 - ELECTRICAL

### FIGURE 10-65. ENGINE HARNESS (ULS)

ITEM	PART NUMBER	QTY	DESCRIPTION	REV
	1001200108	Ref	Engine Harness (ULS)	M
1	1001202723	1	Connector	
2	1001167623	5	Plug	
3	1001166555	13	Terminal	
4	1001167621	50	Terminal	
5	1001167622	37	Plug	
6	4460539	1	Connector	
7	4460465	3	Terminal	
8	1001126487	1	Connector	
9	1001167635	2	Terminal	
10	1001126485	2	Terminal Seal	
11	1001167631	1	Connector	
12	1001167630	4	Terminal	
13	1001126485	4	Terminal Seal	
14	1001187070	1	Ring Terminal	
15	1001148842	1	Connector	
16	1001148841	3	Terminal	
17	1001135651	1	Plug	
18	1001135650	3	Terminal Seal	
19	1001202722	1	Connector	
20	1001166551	6	Terminal	
21	1001126353	6	Terminal Seal	
22	1001167622	58	Plug	
23	1001167621	21	Terminal	
24	1001167623	6	Plug	
25	1001138116	1	Connector	
26	1001187882	1	Cover	
27	1001133715	3	Terminal	
28	1001135650	4	Terminal Seal	
29	1001126487	1	Connector	
30	1001167634	2	Terminal	
31	1001126485	2	Terminal Seal	
32	1001209097	1	Connector	
33	8220124	2	Terminal	
34	4460608	2	Terminal Seal	
35	1001126362	1	Connector	
36	1001166556	26	Terminal	
37	1001126393	36	Terminal Seal	
38	1001126391	19	Plug	
39	4461008	2	Plug	
40	4461006	2	Terminal Seal	
41	4461054	2	Terminal Wire Seal	
42	1001166543	4	Terminal	
43	1001166774	10	Terminal	
44	1001126487	1	Connector	
45	1001167634	2	Terminal	
46	1001126485	2	Terminal Seal	
47	1001116811	1	Connector	
48	1001150610	2	Terminal	
49	4460508	1	Terminal	

## SECTION 10 - ELECTRICAL

ITEM	PART NUMBER	QTY	DESCRIPTION	REV
50	4460466	1	Plug	
51	1001144147	1	Connector	
52	4460464	2	Terminal	
53	4460466	1	Plug	
54	4460894	1	Connector	
55	4460892	1	Mating Connector	
56	4460466	1	Plug	
57	4460465	5	Terminal	
58	1001126245	1	Connector	
59	1001126008	2	Terminal	
60	1001167629	1	Connector	
61	1001167630	4	Terminal	
62	1001126485	4	Terminal Seal	
63	1001207171	1	Ring Terminal, (with boot)	
64	1001207171	1	Ring Terminal, (with boot)	
65	1001118282	1	Connector	
66	1001116734	2	Terminal	
67	1001116732	2	Terminal	
68	1001128128	1	Plug	
69	1001187080	1	Ring Terminal	
70	1001187080	1	Ring Terminal	
71	1001187078	1	Ring Terminal	
72	1001187080	1	Ring Terminal	
73	1001187080	1	Ring Terminal	
74	4460970	1	Connector	
75	4460464	9	Terminal	
76	4460466	2	Plug	
77	1001167616	1	Fuse Box	
78	1001190921	1	Fuse Box Foam Seal	
79	4460748	7	Plug	
80	8220097	23	Terminal	
81	1001175265	19	Terminal Seal	
82	8220098	9	Terminal	
83	4460458	11	Terminal Seal	
84	1001116725	6	Terminal	
85	80963067	1	Terminal Seal	
86	1001190037	5	Terminal Seal	
87	2902443	1	Connector	
88	4461071	6	Terminal	
89	1001201885	1	Faston Terminal	
90	1001201885	1	Faston Terminal	
91	4460891	1	Connector	
92	4460465	2	Terminal	
93	4460891	1	Connector	
94	4460465	2	Terminal	
95	4460891	1	Connector	
96	4460465	2	Terminal	
97	4460897	1	Mating Connector	
98	1001167636	1	Connector	
99	1001166707	2	Terminal	
100	4461006	2	Terminal Seal	



## SECTION 10 - ELECTRICAL

ITEM	PART NUMBER	QTY	DESCRIPTION	REV
101	1001116812	1	Connector	
102	4460944	2	Terminal	
103	4460466	1	Plug	
104	4461095	1	Connector	
105	4461070	1	Terminator Resistor	
106	4460944	2	Terminal	
107	4460466	1	Plug	
108	4460891	1	Connector	
109	4460897	1	Mating Connector	
110	4460465	2	Terminal	
111	4460539	1	Connector	
112	4460944	2	Terminal	
113	4460466	1	Plug	
114	4460933	1	Connector	
115	1001125677	1	Mating Connector	
116	4460465	12	Terminal	
117	4461018	1	Connector	
118	4460509	2	Terminal	
119	80963056	1	Connector	
120	80963055	1	Mating Connector	
121	4460979	1	Terminal	
122	1001175265	1	Terminal Seal	
123	4461095	1	Connector	
124	4461070	1	Terminator Resistor	
125	4460944	2	Terminal	
126	4460466	1	Plug	
127	1001133714	1	Connector	
128	1001133715	3	Terminal	
129	1001135650	3	Terminal Seal	
130	1001135651	1	Plug	
131	1001116812	1	Connector	
132	4460944	2	Terminal	
133	4460466	1	Plug	
134	1001133714	1	Connector	
135	1001133715	3	Terminal	
136	1001135650	3	Terminal Seal	
137	1001135651	1	Plug	
138	4460891	1	Connector	
139	4460942	2	Terminal	
140	4460891	1	Connector	
141	4460942	2	Terminal	
142	4460884	1	Connector	
143	4460465	4	Terminal	
144	1001165194	1	Connector	
145	1001126391	2	Plug	
146	1001166556	8	Terminal	
147	1001166774	2	Terminal	
148	1001126393	10	Terminal Seal	
150	4460891	1	Connector	
151	4460942	2	Terminal	
152	1001167620	1	Connector	

## SECTION 10 - ELECTRICAL

ITEM	PART NUMBER	QTY	DESCRIPTION	REV
153	1001176004	2	Terminal	
154	1001176002	2	Terminal Seal	
155	1001167624	2	Plug	
156	1001116812	1	Connector	
157	4460944	2	Terminal	
158	4460466	1	Plug	
159	4460539	1	Connector	
160	4460944	2	Terminal	
161	4460466	1	Plug	
162	4460891	1	Connector	
163	4460897	1	Mating Connector	
164	4460466	1	Plug	
165	4460465	2	Terminal	
166	4460539	1	Connector	
167	4460944	2	Terminal	
168	4460466	1	Plug	
169	1001116812	1	Connector	
170	4460944	2	Terminal	
171	4460466	1	Plug	
172	1001116812	1	Connector	
173	4460944	2	Terminal	
174	4460466	1	Plug	
175	4460539	1	Connector	
176	4460944	2	Terminal	
177	4460466	1	Plug	
201	8229242	4	Fuse, 5 Amp	
202	8229244	1	Fuse, 15 Amp	
203	8229247	1	Fuse, 25 Amp	
204	8229245	1	Fuse, 30 Amp	
205	1001095704	5	Relay, 35 Amp	
206	1001177597	1	Diode, 6 Amp	
207	1001197719	1	Resistor, 620 Ohm	





## SECTION 10 - ELECTRICAL

### FIGURE 10-66. ENGINE HARNESS, (LS)

ITEM	PART NUMBER	QTY	DESCRIPTION	REV
	1001217751	Ref	Engine Harness, (LS)	A
1	1001126360	1	Connector	
2	1001126357	11	Plug	
3	1001126351	13	Terminal	
4	1001126356	19	Plug	
5	1001126384	17	Terminal	
6	1001126362	1	Connector	
7	1001166556	24	Terminal	
8	1001166701	24	Terminal Seal	
9	1001126391	22	Plug	
10	1001166774	10	Terminal	
11	1001126393	10	Terminal Seal	
12	4461008	4	Plug	
13	1001166543	2	Terminal	
14	4461054	2	Terminal Seal	
15	1001138110	1	Connector	
16	1001138111	2	Terminal	
17	1001138113	2	Terminal Seal	
18	1001148842	1	Connector	
19	1001148841	3	Terminal	
20	1001135650	3	Terminal Seal	
21	1001135651	1	Plug	
22	1001116812	1	Connector	
23	4460944	2	Terminal	
24	4460466	1	Plug	
25	4460539	1	Connector	
26	4460944	2	Terminal	
27	4460466	1	Plug	
28	1001126349	1	Connector	
29	1001126352	6	Terminal	
30	1001126353	6	Terminal Seal	
31	1001126357	2	Plug	
32	1001126356	65	Plug	
33	1001126384	21	Terminal	
34	1001133714	1	Connector	
35	1001133715	3	Terminal	
36	1001135650	3	Terminal Seal	
37	1001135651	1	Plug	
38	1001187070	1	Ring Terminal	
39	1001187078	1	Ring Terminal	
40	1001116812	1	Connector	
41	4460944	2	Terminal	
42	4460466	1	Plug	
43	1001117068	1	Connector	
44	8220124	2	Terminal	
45	4460608	2	Terminal Seal	
46	4460539	1	Connector	
47	4460944	2	Terminal	
48	4460466	1	Plug	
49	4460539	1	Connector	

## SECTION 10 - ELECTRICAL

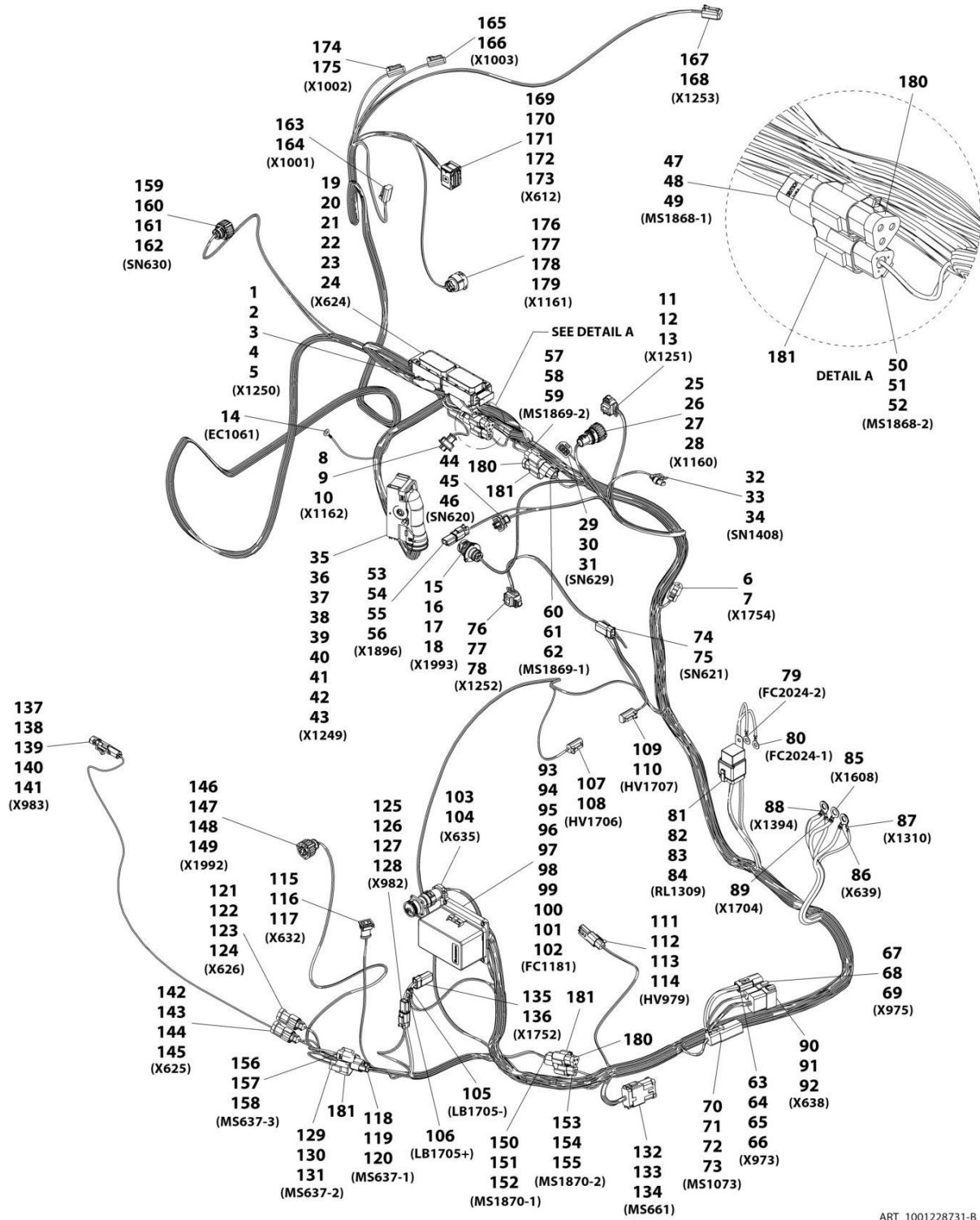
ITEM	PART NUMBER	QTY	DESCRIPTION	REV
50	4460465	3	Terminal	
51	1001117018	1	Connector	
52	1001116734	2	Terminal	
53	1001118282	1	Connector	
54	1001116734	2	Terminal	
55	1001116733	2	Terminal	
56	1001128128	1	Plug	
57	1001187079	1	Ring Terminal	
58	1001187078	1	Ring Terminal	
59	1001187079	1	Ring Terminal	
60	1001187078	1	Ring Terminal	
61	1001116812	1	Connector	
62	4460944	2	Terminal	
63	4460466	1	Plug	
64	1001116812	1	Connector	
65	4460944	2	Terminal	
66	4460466	1	Plug	
67	4460539	1	Connector	
68	4460944	2	Terminal	
69	4460466	1	Plug	
70	1001116811	1	Connector	
71	1001150610	3	Terminal	
72	4460466	1	Plug	
73	1001144147	1	Connector	
74	4460944	2	Terminal	
75	4460466	1	Plug	
76	4460970	1	Connector	
77	4460464	8	Terminal	
78	4460466	4	Plug	
79	4460891	1	Connector	
80	4460465	2	Terminal	
81	4460891	1	Connector	
82	4460465	2	Terminal	
83	4460891	1	Connector	
84	4460465	2	Terminal	
85	4460897	1	Mating Connector	
86	80963056	1	Connector	
87	80963055	1	Mating Connector	
88	4460979	1	Terminal	
89	1001175265	1	Terminal Seal	
90	4461018	1	Connector	
91	4460509	2	Terminal	
92	1001116983	1	Connector	
93	1001116710	2	Terminal	
94	4461006	2	Terminal Seal	
95	2902443	1	Connector	
96	4461071	6	Terminal	
97	1001133714	1	Connector	
98	1001133715	3	Terminal	
99	1001135650	3	Terminal Seal	
100	1001135651	1	Plug	

## SECTION 10 - ELECTRICAL

ITEM	PART NUMBER	QTY	DESCRIPTION	REV
101	4460539	1	Connector	
102	4460944	2	Terminal	
103	4460466	1	Plug	
104	1001116812	1	Connector	
105	4460944	2	Terminal	
106	4460466	1	Plug	
107	1001184551	1	Connector	
108	1001116728	8	Terminal	
109	1001175265	8	Terminal Seal	
110	4460945	4	Connector, 3 Way	

# SECTION 10 - ELECTRICAL

## FIGURE 10-67. ENGINE HARNESS (MINING) (ULS)



ART\_1001228731-B



## SECTION 10 - ELECTRICAL

**FIGURE 10-67. ENGINE HARNESS (MINING) (ULS)**

ITEM	PART NUMBER	QTY	DESCRIPTION	REV
	1001228731	Ref	Engine Harness (Mining) (ULS)	B
1	1001202723	1	Connector	
2	1001167623	5	Plug	
3	1001166555	13	Terminal	
4	1001167621	50	Terminal	
5	1001167622	37	Plug	
6	4460539	1	Connector	
7	4460465	3	Terminal	
8	1001126487	1	Connector	
9	1001167635	2	Terminal	
10	1001126485	2	Terminal Seal	
11	1001167631	1	Connector	
12	1001167630	4	Terminal	
13	1001126485	4	Terminal Seal	
14	1001187070	1	Ring Terminal	
15	1001148842	1	Connector	
16	1001148841	3	Terminal	
17	1001135651	1	Plug	
18	1001135650	3	Terminal Seal	
19	1001202722	1	Connector	
20	1001166551	6	Terminal	
21	1001126353	6	Terminal Seal	
22	1001167622	58	Plug	
23	1001167621	21	Terminal	
24	1001167623	6	Plug	
25	1001138116	1	Connector	
26	1001187882	1	Cover	
27	1001133715	3	Terminal	
28	1001135650	4	Terminal Seal	
29	1001126487	1	Connector	
30	1001167634	2	Terminal	
31	1001126485	2	Terminal Seal	
32	1001209097	1	Connector	
33	8220124	2	Terminal	
34	4460608	2	Terminal Seal	
35	1001126362	1	Connector	
36	1001166556	26	Terminal	
37	1001126393	36	Terminal Seal	
38	1001126391	20	Plug	
39	4461008	2	Plug	
40	4461006	2	Seal	
41	4461054	2	Terminal Wire Seal	
42	1001166543	4	Terminal	
43	1001166774	10	Terminal	
44	1001126487	1	Connector	
45	1001167634	2	Terminal	
46	1001126485	2	Terminal Seal	
47	1001116812	1	Connector	
48	4460944	2	Terminal	
49	4460466	1	Plug	

## SECTION 10 - ELECTRICAL

ITEM	PART NUMBER	QTY	DESCRIPTION	REV
50	4460539	1	Connector	
51	4460944	2	Terminal	
52	4460466	1	Plug	
53	4460891	1	Connector	
54	4460897	1	Mating Connector	
55	4460465	2	Terminal	
56	4460466	1	Plug	
57	4460539	1	Connector	
58	4460944	2	Terminal	
59	4460466	1	Plug	
60	1001116812	1	Connector	
61	4460944	2	Terminal	
62	4460466	1	Plug	
63	1001116811	1	Connector	
64	1001150610	2	Terminal	
65	4460508	1	Terminal	
66	4460466	1	Plug	
67	1001144147	1	Connector	
68	4460464	2	Terminal	
69	4460466	1	Plug	
70	4460894	1	Connector	
71	4460892	1	Mating Connector	
72	4460466	1	Plug	
73	4460465	5	Terminal	
74	1001126245	1	Connector	
75	1001126008	2	Terminal	
76	1001167629	1	Connector	
77	1001167630	4	Terminal	
78	1001126485	4	Terminal Seal	
79	1001207171	1	Ring Terminal, (with boot)	
80	1001207171	1	Ring Terminal, (with boot)	
81	1001118282	1	Connector	
82	1001116734	2	Terminal	
83	1001116732	2	Terminal	
84	1001128128	1	Plug	
85	1001187080	1	Ring Terminal	
86	1001187080	1	Ring Terminal	
87	1001187078	1	Ring Terminal	
88	1001187080	1	Ring Terminal	
89	1001187080	1	Ring Terminal	
90	4460970	1	Connector	
91	4460464	9	Terminal	
92	4460466	2	Plug	
93	1001167616	1	Connector	
94	1001190921	1	Fuse Box Foam Seal	
95	4460748	9	Plug	
96	8220097	21	Terminal	
97	1001175265	19	Terminal Seal	
98	8220098	9	Terminal	
99	4460458	11	Terminal Seal	
100	1001116725	6	Terminal	

## SECTION 10 - ELECTRICAL

ITEM	PART NUMBER	QTY	DESCRIPTION	REV
101	80963067	1	Terminal Seal	
102	1001190037	5	Terminal Seal	
103	2902443	1	Connector	
104	4461071	6	Terminal	
105	1001201885	1	Faston Terminal	
106	1001201885	1	Faston Terminal	
107	4460891	1	Connector	
108	4460465	2	Terminal	
109	4460891	1	Connector	
110	4460465	2	Terminal	
111	4460891	1	Connector	
112	4460465	2	Terminal	
113	4460897	1	Mating Connector	
114	4460466	1	Plug	
115	1001167636	1	Connector	
116	1001166707	2	Terminal	
117	4461006	2	Terminal Seal	
118	1001116812	1	Connector	
119	4460944	2	Terminal	
120	4460466	1	Plug	
121	4461095	1	Connector	
122	4461070	1	Terminator Resistor	
123	4460944	2	Terminal	
124	4460466	1	Plug	
125	4460891	1	Connector	
126	4460897	1	Mating Connector	
127	4460465	2	Terminal	
128	4460466	1	Plug	
129	4460539	1	Connector	
130	4460944	2	Terminal	
131	4460466	1	Plug	
132	4460933	1	Connector	
133	1001125677	1	Mating Connector	
134	4460465	12	Terminal	
135	4461018	1	Connector	
136	4460509	2	Terminal	
137	80963056	1	Connector	
138	80963055	1	Mating Connector	
139	4460979	1	Terminal	
140	1001175265	1	Terminal Seal	
141	1001116727	1	Plug	
142	4461095	1	Connector	
143	4461070	1	Terminator Resistor	
144	4460944	2	Terminal	
145	4460466	1	Plug	
146	1001133714	1	Connector	
147	1001133715	3	Terminal	
148	1001135650	3	Terminal Seal	
149	1001135651	1	Plug	
150	1001116812	1	Connector	
151	4460944	2	Terminal	

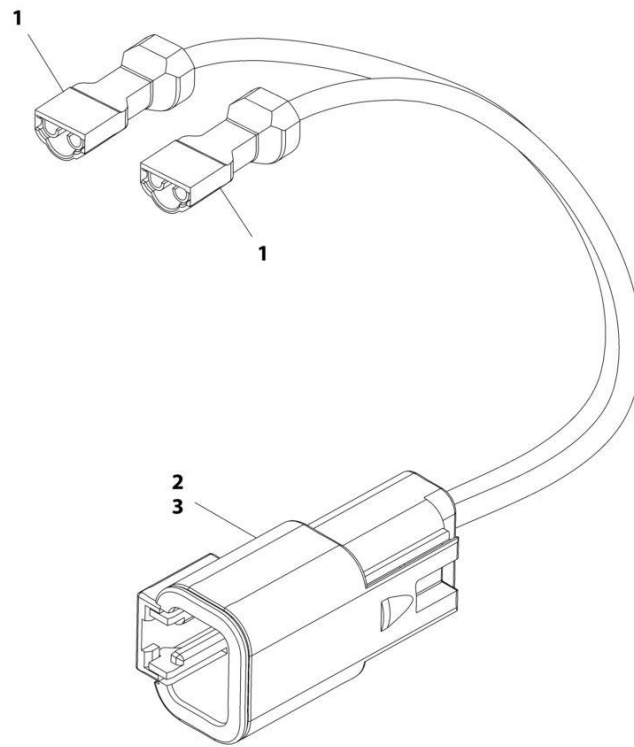
## SECTION 10 - ELECTRICAL

ITEM	PART NUMBER	QTY	DESCRIPTION	REV
152	4460466	1	Plug	
153	4460539	1	Connector	
154	4460944	2	Terminal	
155	4460466	1	Plug	
156	1001116812	1	Connector	
157	4460944	2	Terminal	
158	4460466	1	Plug	
159	1001133714	1	Connector	
160	1001133715	3	Terminal	
161	1001135650	3	Terminal Seal	
162	1001135651	1	Plug	
163	4460891	1	Connector	
164	4460942	2	Terminal	
165	4460891	1	Connector	
166	4460942	2	Terminal	
167	4460884	1	Connector	
168	4460465	4	Terminal	
169	1001165194	1	Connector	
170	1001126391	2	Plug	
171	1001166556	8	Terminal	
172	1001166774	2	Terminal	
173	1001126393	10	Terminal Seal	
174	4460891	1	Connector	
175	4460942	2	Terminal	
176	1001167620	1	Connector	
177	1001176004	2	Terminal	
178	1001176002	2	Terminal Seal	
179	1001167624	2	Plug	
180	1001116815	3	Connector	
181	4460945	4	Connector, 3 Way	



# SECTION 10 - ELECTRICAL

## FIGURE 10-68. FUEL PUMP HARNESS



ART\_1001182929-E

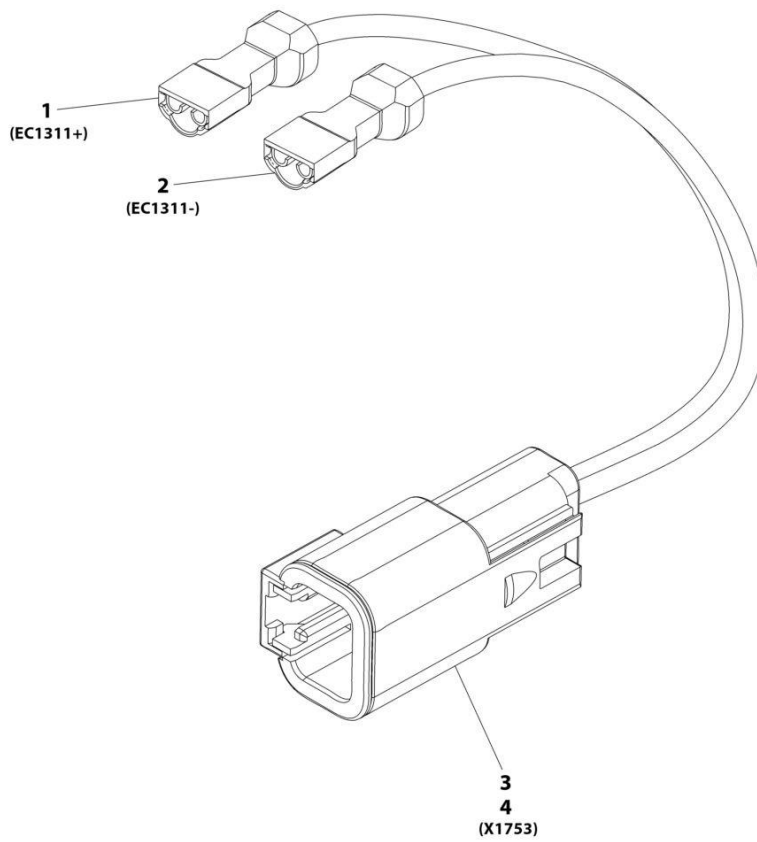
## SECTION 10 - ELECTRICAL

### FIGURE 10-68. FUEL PUMP HARNESS

ITEM	PART NUMBER	QTY	DESCRIPTION	REV
	1001182929	Ref	Fuel Pump Harness	E
1	8220043	2	Connector	
2	4461017	1	Connector	
3	4460508	2	Terminal	

# SECTION 10 - ELECTRICAL

## FIGURE 10-69. FUEL PUMP HARNESS (MINING) (ULS)



ART\_1001228733-A



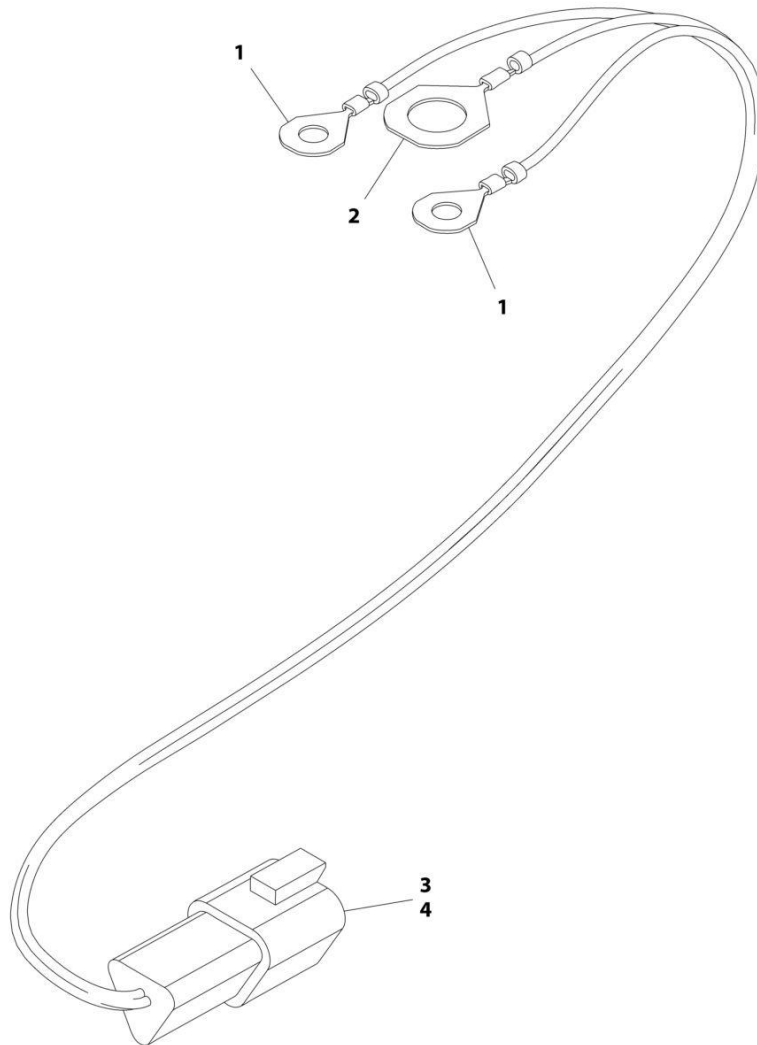
## SECTION 10 - ELECTRICAL

### FIGURE 10-69. FUEL PUMP HARNESS (MINING) (ULS)

ITEM	PART NUMBER	QTY	DESCRIPTION	REV
	1001228733	Ref	Fuel Pump Harness (Mining) (ULS)	A
1	8220043	1	Connector	
2	8220043	1	Connector	
3	4461017	1	Connector	
4	4460508	2	Terminal	

# SECTION 10 - ELECTRICAL

## FIGURE 10-70. GLOW PLUG RELAY HARNESS



ART\_1001182930-C

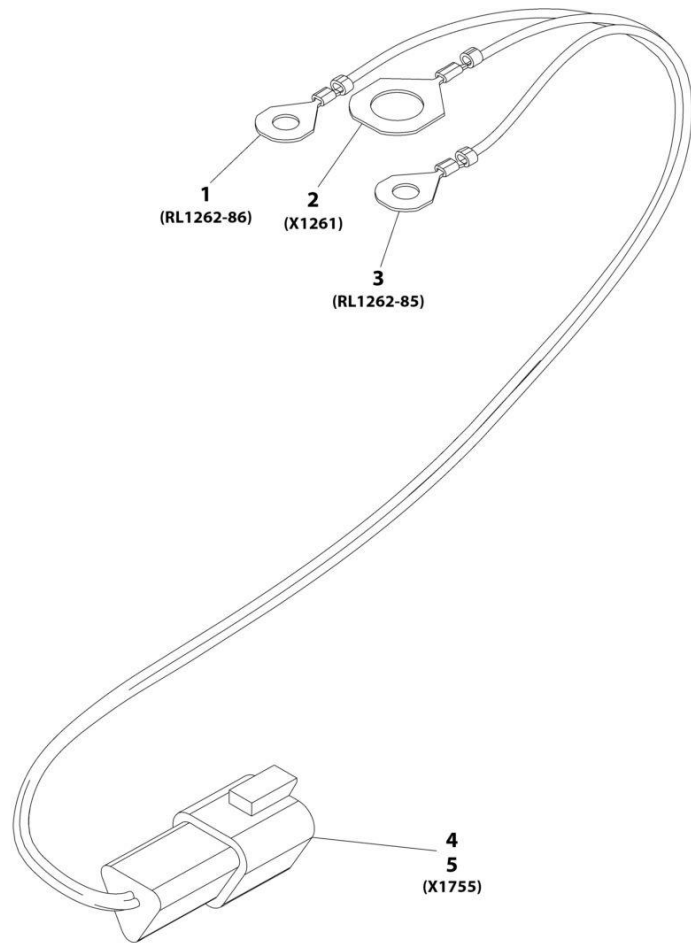
## SECTION 10 - ELECTRICAL

### FIGURE 10-70. GLOW PLUG RELAY HARNESS

ITEM	PART NUMBER	QTY	DESCRIPTION	REV
	1001182930	Ref	Glow Plug Relay Harness	C
1	1001187070	2	Ring, Terminal	
2	1001187077	1	Ring, Terminal	
3	4460536	1	Connector	
4	4460464	3	Terminal	

# SECTION 10 - ELECTRICAL

## FIGURE 10-71. GLOW PLUG RELAY HARNESS (MINING) (ULS)



ART\_1001228732-A

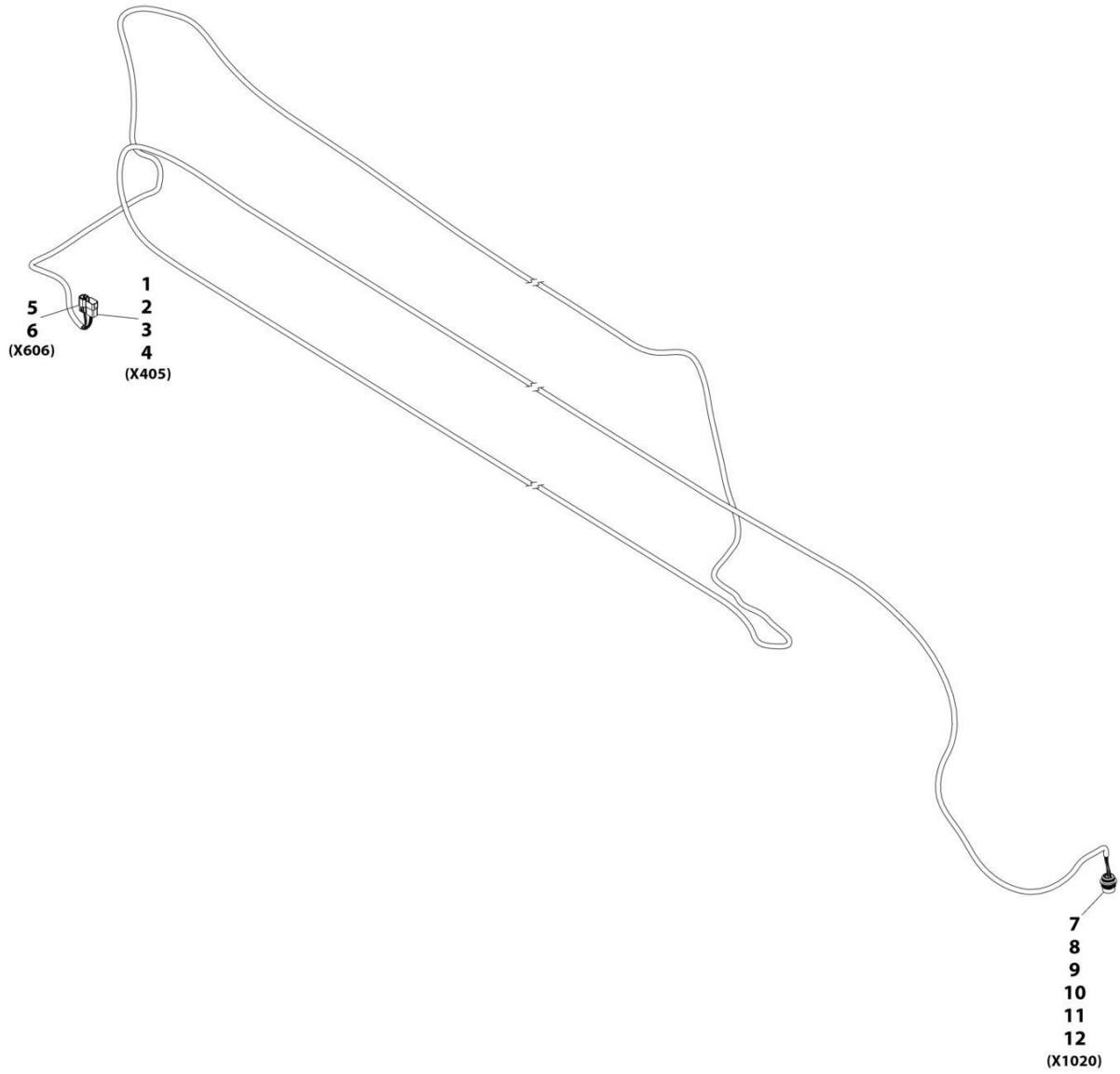
## SECTION 10 - ELECTRICAL

### FIGURE 10-71. GLOW PLUG RELAY HARNESS (MINING) (ULS)

ITEM	PART NUMBER	QTY	DESCRIPTION	REV
	1001228732	Ref	Glow Plug Relay Harness (Mining) (ULS)	A
1	1001187070	1	Ring, Terminal	
2	1001187077	1	Ring, Terminal	
3	1001187070	1	Ring, Terminal	
4	4460536	1	Connector	
5	4460464	3	Terminal	

# SECTION 10 - ELECTRICAL

## FIGURE 10-72. BOOM HARNESS



ART\_1001201124-B

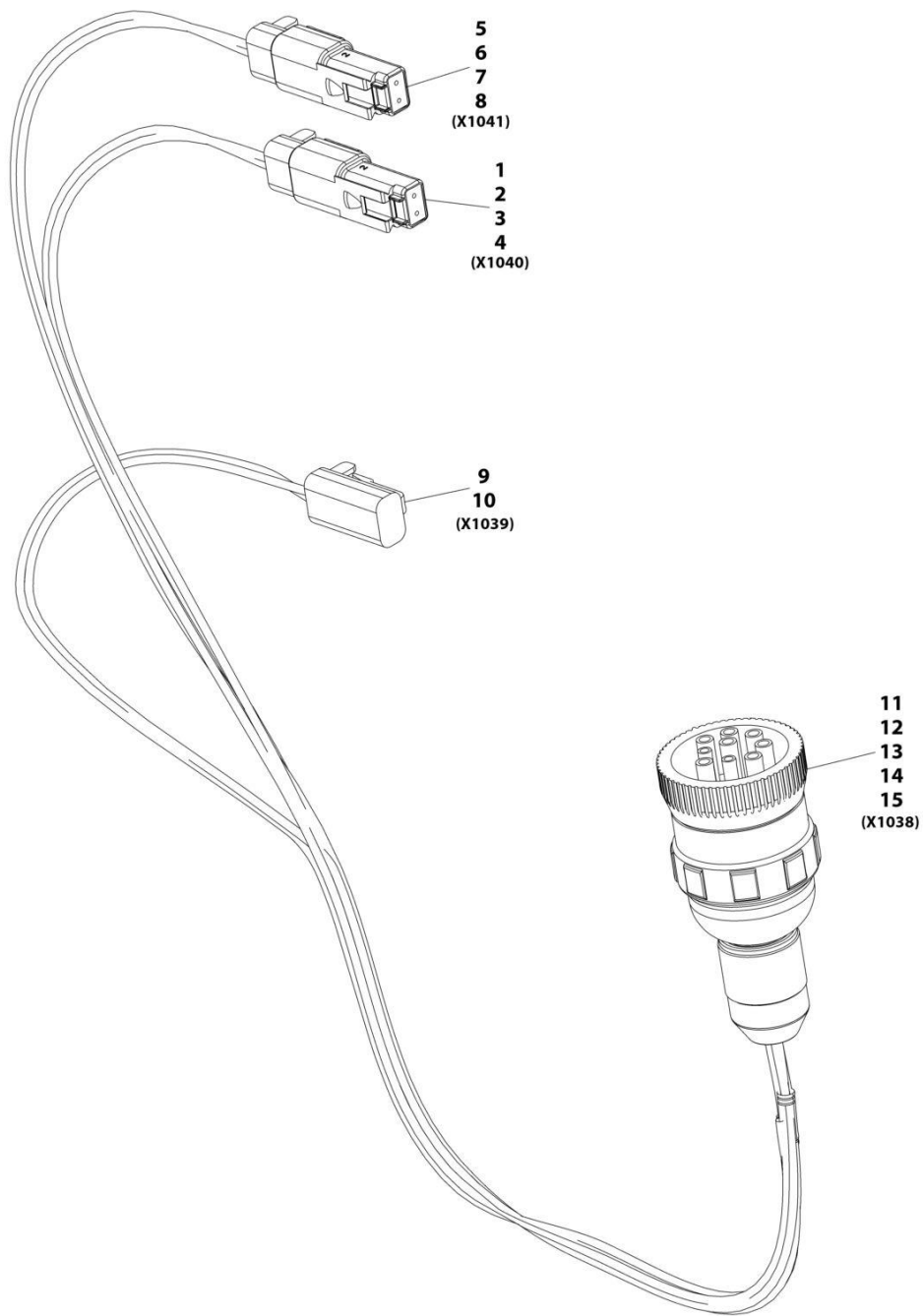
# SECTION 10 - ELECTRICAL

## FIGURE 10-72. BOOM HARNESS

ITEM	PART NUMBER	QTY	DESCRIPTION	REV
	1001201124	Ref	Boom Harness	B
1	4460931	1	Connector	
2	4460943	2	Terminal	
3	4460464	4	Terminal	
4	4460466	2	Plug	
5	4461017	1	Connector	
6	4460508	2	Terminal	
7	1001112612	1	Connector	
8	1001183221	1	Boot	
9	1001157891	2	Terminal	
10	4460464	4	Terminal	
11	4460943	2	Terminal	
12	4460466	1	Plug	

# SECTION 10 - ELECTRICAL

## FIGURE 10-73. BOOM AUX HARNESS



ART\_1001206633-C



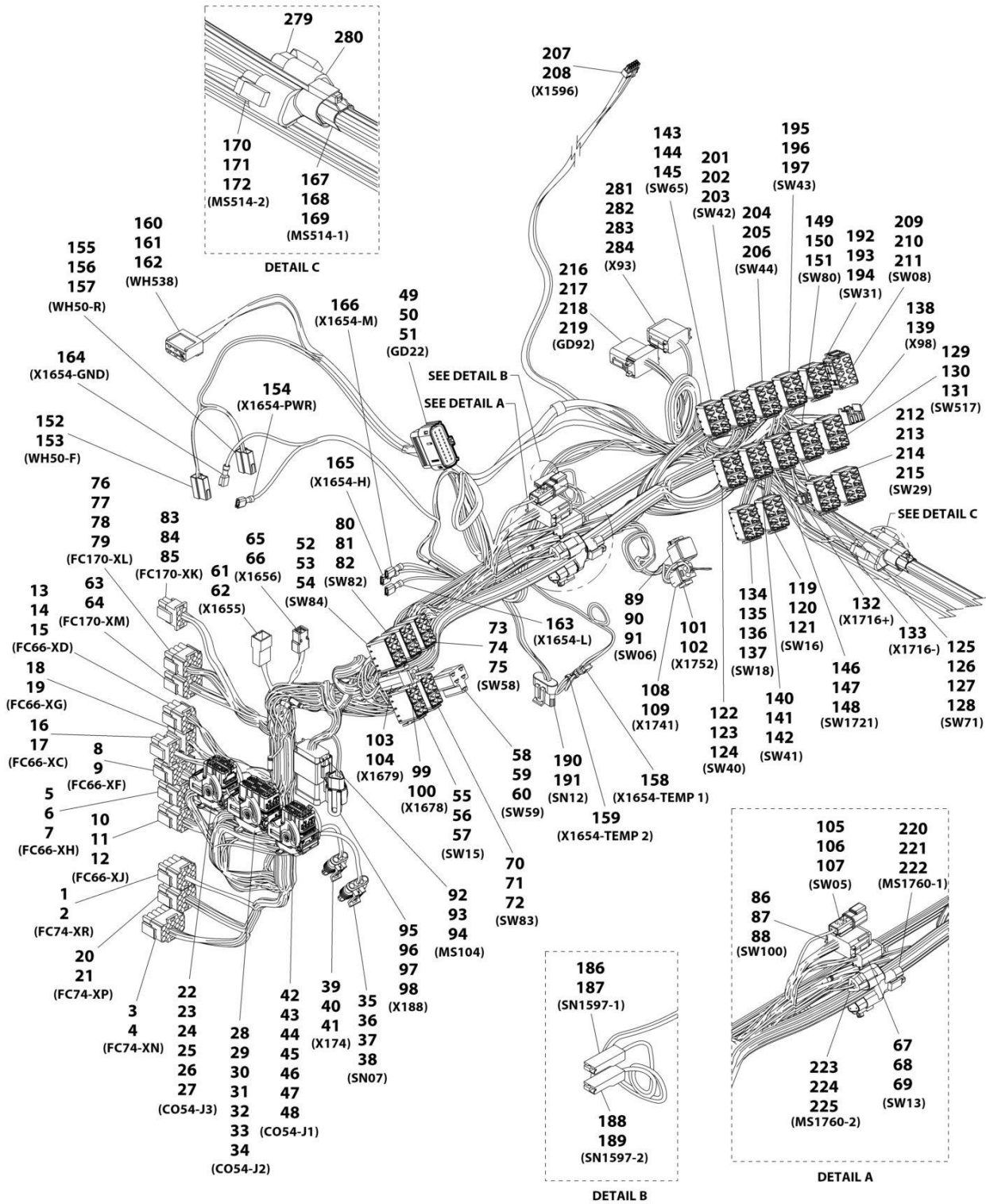
## SECTION 10 - ELECTRICAL

### FIGURE 10-73. BOOM AUX HARNESS

ITEM	PART NUMBER	QTY	DESCRIPTION	REV
	1001206633	Ref	Boom Aux Harness	C
1	4460891	1	Connector	
2	4460897	1	Mating Connector	
3	4460466	1	Plug	
4	4460465	2	Terminal	
5	4460891	1	Connector	
6	4460897	1	Mating Connector	
7	4460466	1	Terminal	
8	4460465	2	Terminal	
9	4460891	1	Connector	
10	4460465	2	Terminal	
11	1001112796	1	Connector	
12	4460465	4	Terminal	
13	4460466	5	Plug	
14	1001241590	1	Backshell	
15	1001241591	1	Nut	

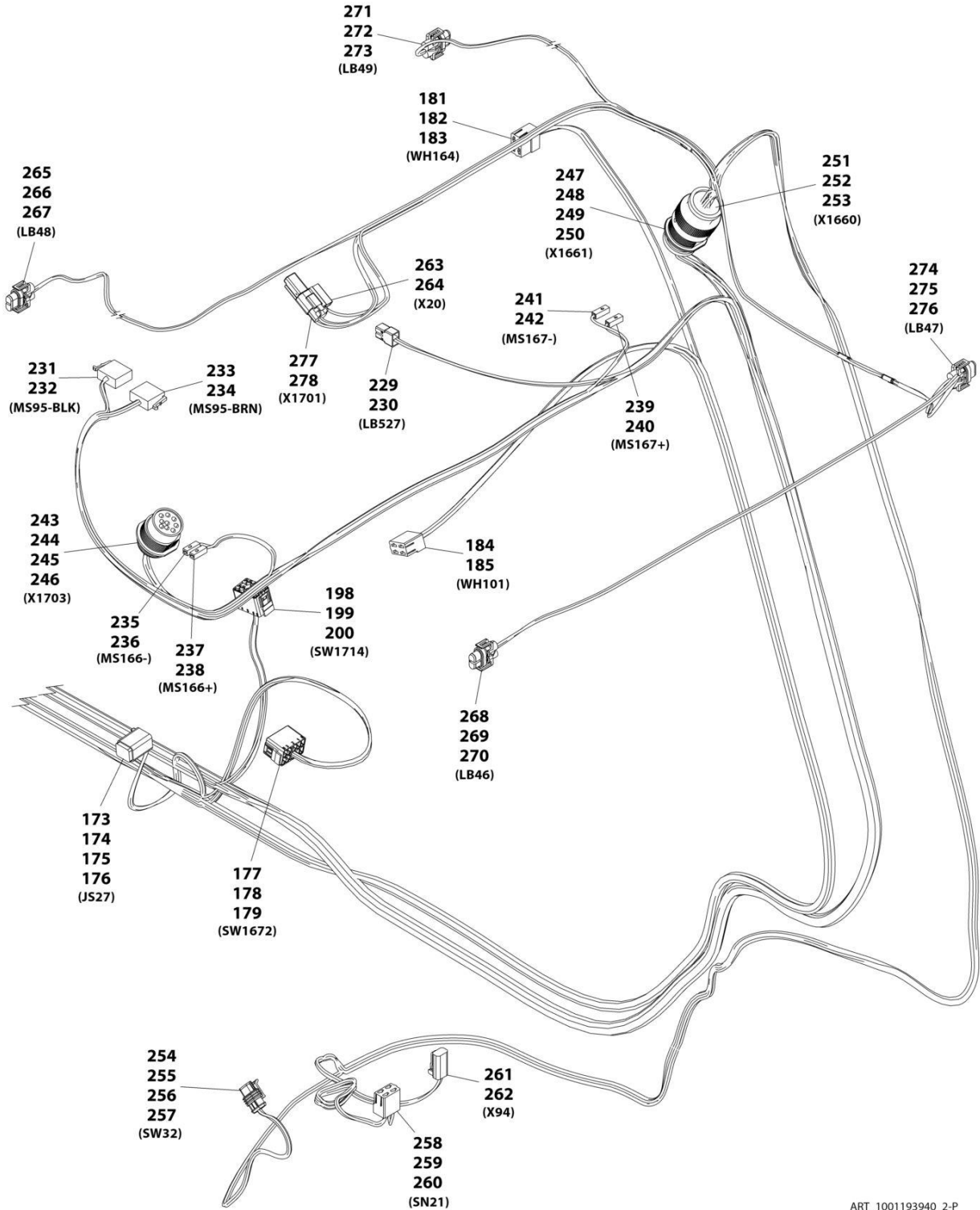
# SECTION 10 - ELECTRICAL

## FIGURE 10-74. CAB HARNESS



ART\_1001193940\_1-P

# SECTION 10 - ELECTRICAL



ART\_1001193940\_2-P

# SECTION 10 - ELECTRICAL

## FIGURE 10-74. CAB HARNESS

ITEM	PART NUMBER	QTY	DESCRIPTION	REV
	1001193940	NLA	Cab Harness (no longer available, see items 1 through 284 for service or use 1001241611 for replacement)	P
1	4460343	1	Connector	
2	4460267	3	Terminal	
3	4460434	1	Connector	
4	4460268	9	Terminal	
5	4460343	1	Connector	
6	4460268	8	Terminal	
7	10011223457	1	Terminal	
8	4460434	1	Connector	
9	4460268	15	Terminal	
10	4460343	1	Connector	
11	4460267	8	Terminal	
12	1001223456	1	Terminal	
13	4460265	1	Connector	
14	1001223457	3	Terminal	
15	4460268	6	Terminal	
16	4460225	1	Connector	
17	4460267	4	Terminal	
18	4460225	1	Connector	
19	4460268	5	Terminal	
20	4460343	1	Connector	
21	4460268	8	Terminal	
22	1001161959	1	Connector	
23	943191201	1	Cover	
24	1001161100	10	Plug	
25	1001161097	14	Terminal	
26	1001161098	1	Terminal	
27	1001161101	7	Plug	
28	1001160502	1	Connector	
29	643201301	1	Cover	
30	1001161097	21	Terminal	
31	1001161100	19	Plug	
32	1001161098	5	Terminal	
33	1001161099	1	Terminal	
34	1001161101	2	Plug	
35	1001103012	1	Connector	
36	1001116698	2	Plug	
37	1001116697	2	Terminal	
38	1001104498	2	Terminal Seal	
39	4461262	1	Connector	
40	1001107854	3	Terminal	
41	1001104498	3	Terminal Seal	
42	1001160498	1	Connector	
43	643191201	1	Cover	
44	1001161097	19	Terminal	
45	1001161100	5	Plug	
46	1001161098	5	Terminal	
47	1001161101	2	Plug	
48	1001161099	1	Terminal	

## SECTION 10 - ELECTRICAL

ITEM	PART NUMBER	QTY	DESCRIPTION	REV
49	1001162886	1	Connector	
50	1001163340	13	Plug	
51	1001162887	7	Terminal	
52	1001117081	1	Connector	
53	1001116723	6	Terminal	
54	1001222455	1	Terminal	
55	1001117081	1	Connector	
56	1001116723	6	Terminal	
57	1001223455	1	Terminal	
58	1001173411	1	Connector	
59	1001116716	3	Terminal	
60	1001104519	3	Terminal	
61	1001116999	1	Connector	
62	1001116700	4	Terminal	
63	4460343	1	Connector	
64	4460267	7	Terminal	
65	1001116991	1	Connector	
66	1001116723	2	Terminal	
67	4460933	1	Connector	
68	4460466	5	Plug	
69	4460465	7	Terminal	
70	1001117081	1	Connector	
71	1001116723	6	Terminal	
72	1001223455	1	Terminal	
73	1001117081	1	Connector	
74	1001116723	4	Terminal	
75	1001118384	2	Terminal	
76	4460343	1	Connector	
77	4460268	8	Terminal	
78	4460906	1	Terminal	
79	1001223457	1	Terminal	
80	1001117081	1	Connector	
81	1001116723	6	Terminal	
82	1001223455	1	Terminal	
83	4460225	1	Connector	
84	4460267	5	Terminal	
85	4460705	1	Terminal	
86	4460836	1	Connector	
87	4460942	4	Terminal	
88	4460465	8	Terminal	
89	4460894	1	Connector	
90	4460465	4	Terminal	
91	4460466	2	Plug	
92	4460933	1	Connector	
93	1001125677	1	Mating Connector	
94	4460465	12	Terminal	
95	1001116812	1	Connector	
96	1001144296	1	Cap	
97	4460944	2	Terminal	
98	4460466	1	Plug	
99	4460320	1	Connector	

## SECTION 10 - ELECTRICAL

ITEM	PART NUMBER	QTY	DESCRIPTION	REV
100	4460267	2	Terminal	
101	4460320	1	Connector	
102	4460267	2	Terminal	
103	4460424	1	Connector	
104	4460268	2	Terminal	
105	4460897	1	Connector	
106	4460464	1	Terminal	
107	4460466	1	Plug	
108	4460424	1	Connector	
109	4460268	2	Terminal	
119	1001117081	1	Connector	
120	1001116723	6	Terminal	
121	1001223455	1	Terminal	
122	1001117081	1	Connector	
123	1001116723	6	Terminal	
124	1001118384	4	Terminal	
125	1001117081	1	Connector	
126	1001116723	6	Terminal	
127	1001223455	2	Terminal	
128	1001118384	2	Terminal	
129	1001117081	1	Connector	
130	1001116723	6	Terminal	
131	1001223455	1	Terminal	
132	1001194421	1	Terminal	
133	1001194421	1	Terminal	
134	1001117081	1	Connector	
135	1001116723	6	Terminal	
136	1001223455	3	Terminal	
137	1001118384	2	Terminal	
138	1001118684	1	Connector	
139	1001116754	2	Terminal	
140	1001117081	1	Connector	
141	1001116723	4	Terminal	
142	1001118384	3	Terminal	
143	1001117081	1	Connector	
144	1001116723	6	Terminal	
145	1001223455	1	Terminal	
146	1001117081	1	Connector	
147	1001116723	6	Terminal	
148	1001118384	1	Terminal	
149	1001117081	1	Connector	
150	1001116723	6	Terminal	
151	1001223455	1	Terminal	
152	4460994	1	Connector	
153	1001118384	2	Terminal	
154	8220051	1	Terminal	
155	4460994	1	Connector	
156	1001118384	1	Terminal	
157	1001116723	2	Terminal	
158	1001194421	1	Terminal	
159	1001194421	1	Terminal	

## SECTION 10 - ELECTRICAL

ITEM	PART NUMBER	QTY	DESCRIPTION	REV
160	1001116997	1	Connector	
161	1001118384	4	Terminal	
162	1001116723	1	Terminal	
163	8220051	1	Terminal	
164	8220051	1	Terminal	
165	8220051	1	Terminal	
166	8220051	1	Terminal	
167	1001116812	1	Connector	
168	4460944	2	Terminal	
169	4460466	1	Plug	
170	4460539	1	Connector	
171	4460944	2	Terminal	
172	4460466	1	Plug	
173	4460894	1	Connector	
174	4460465	3	Terminal	
175	4460466	1	Plug	
176	4460944	2	Terminal	
177	1001117081	1	Connector	
178	1001116723	2	Terminal	
179	1001223455	4	Terminal	
181	1001116986	1	Connector	
182	1001117011	1	Mating Connector	
183	1001118384	4	Terminal	
184	1001116986	1	Connector	
185	1001118384	4	Terminal	
186	1001116995	1	Connector	
187	1001118379	1	Terminal	
188	1001116995	1	Connector	
189	1001118379	1	Terminal	
190	1001230931	1	Connector	
191	1001116748	6	Terminal	
192	1001117081	1	Connector	
193	1001116723	4	Terminal	
194	1001118384	2	Terminal	
195	1001117081	1	Connector	
196	1001116723	4	Terminal	
197	1001118384	2	Terminal	
198	1001117081	1	Connector	
199	1001223455	4	Terminal	
200	1001118384	1	Terminal	
201	1001117081	1	Connector	
202	1001116723	4	Terminal	
203	1001118384	2	Terminal	
204	1001117081	1	Connector	
205	1001116723	4	Terminal	
206	1001118384	2	Terminal	
207	1001150735	1	Connector	
208	1001150737	7	Terminal	
209	1001117079	1	Connector	
210	1001223455	2	Terminal	
211	1001116723	6	Terminal	

## SECTION 10 - ELECTRICAL

ITEM	PART NUMBER	QTY	DESCRIPTION	REV
212	1001117081	1	Connector	
213	1001116723	8	Terminal	
214	1001118384	1	Terminal	
215	1001223455	1	Terminal	
216	1001176333	1	Connector	
217	4460466	11	Plug	
218	4460465	3	Terminal	
219	4460944	4	Terminal	
220	1001116812	1	Connector	
221	4460944	2	Terminal	
222	4460466	1	Plug	
223	4460539	1	Connector	
224	4460944	2	Terminal	
225	4460466	1	Plug	
229	1001116991	1	Connector	
230	1001118384	2	Terminal	
231	1001116985	1	Connector	
232	1001118386	3	Terminal	
233	1001116984	1	Connector	
234	1001118386	4	Terminal	
235	1001116998	1	Connector	
236	1001118387	1	Terminal	
237	1001116998	1	Connector	
238	1001118387	1	Terminal	
239	1001116998	1	Connector	
240	1001118387	1	Terminal	
241	1001116998	1	Connector	
242	1001118387	1	Terminal	
243	1001112612	1	Connector	
244	4460464	3	Terminal	
245	4460943	2	Terminal	
246	4460466	4	Plug	
247	1001137000	1	Connector	
248	4460928	3	Terminal	
249	1001126008	13	Terminal	
250	4460518	5	Plug	
251	1001136999	1	Connector	
252	1001126011	16	Terminal	
253	4460518	5	Plug	
254	4461262	1	Connector	
255	1001107854	2	Terminal	
256	1001116698	1	Terminal	
257	1001104498	3	Terminal Seal	
258	1001116986	1	Connector	
259	1001118384	3	Terminal	
260	1001116723	2	Terminal	
261	4460891	1	Connector	
262	4460465	2	Terminal	
263	4460944	1	Connector	
264	1001118384	2	Terminal	
265	4461115	1	Connector	

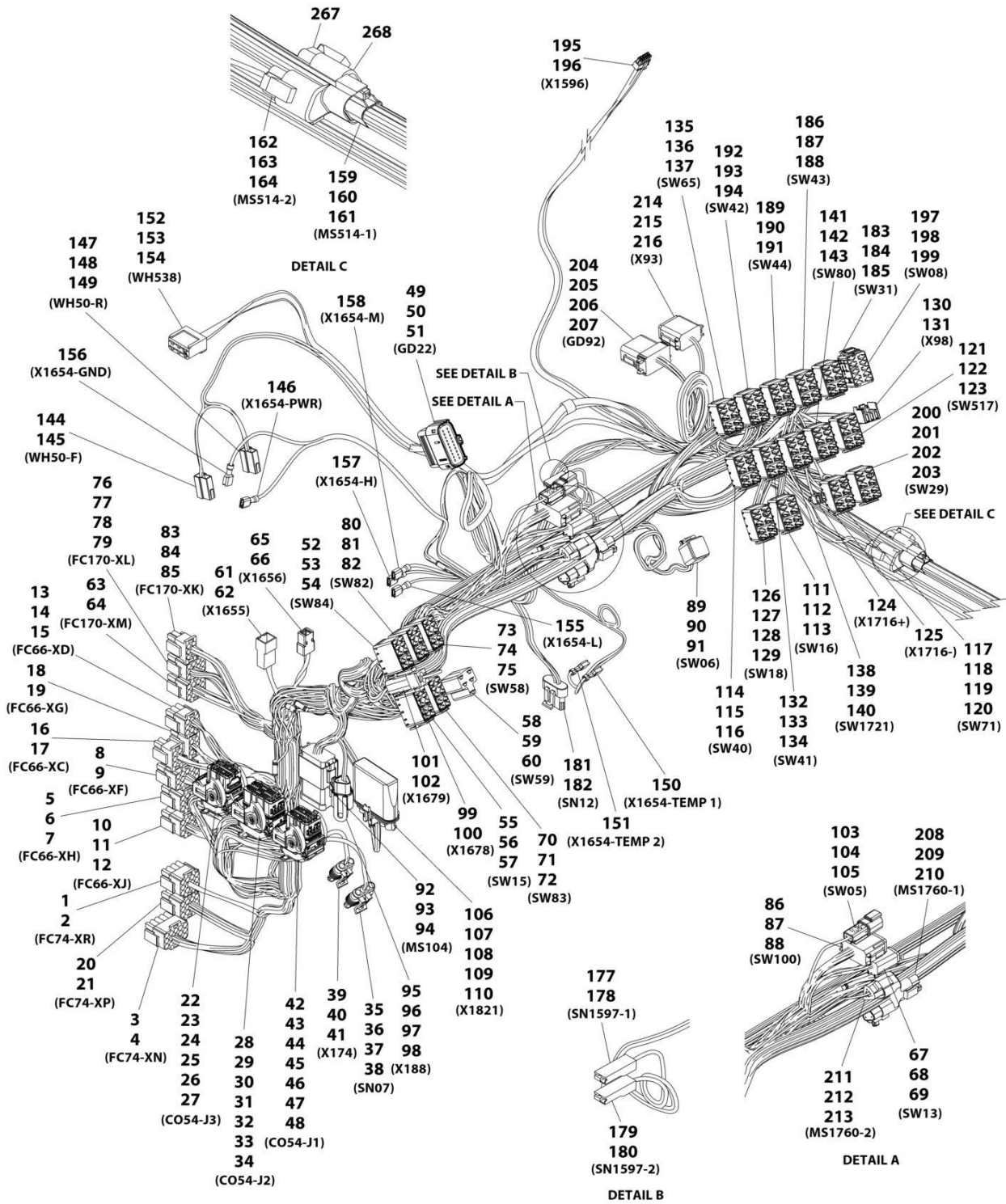


## SECTION 10 - ELECTRICAL

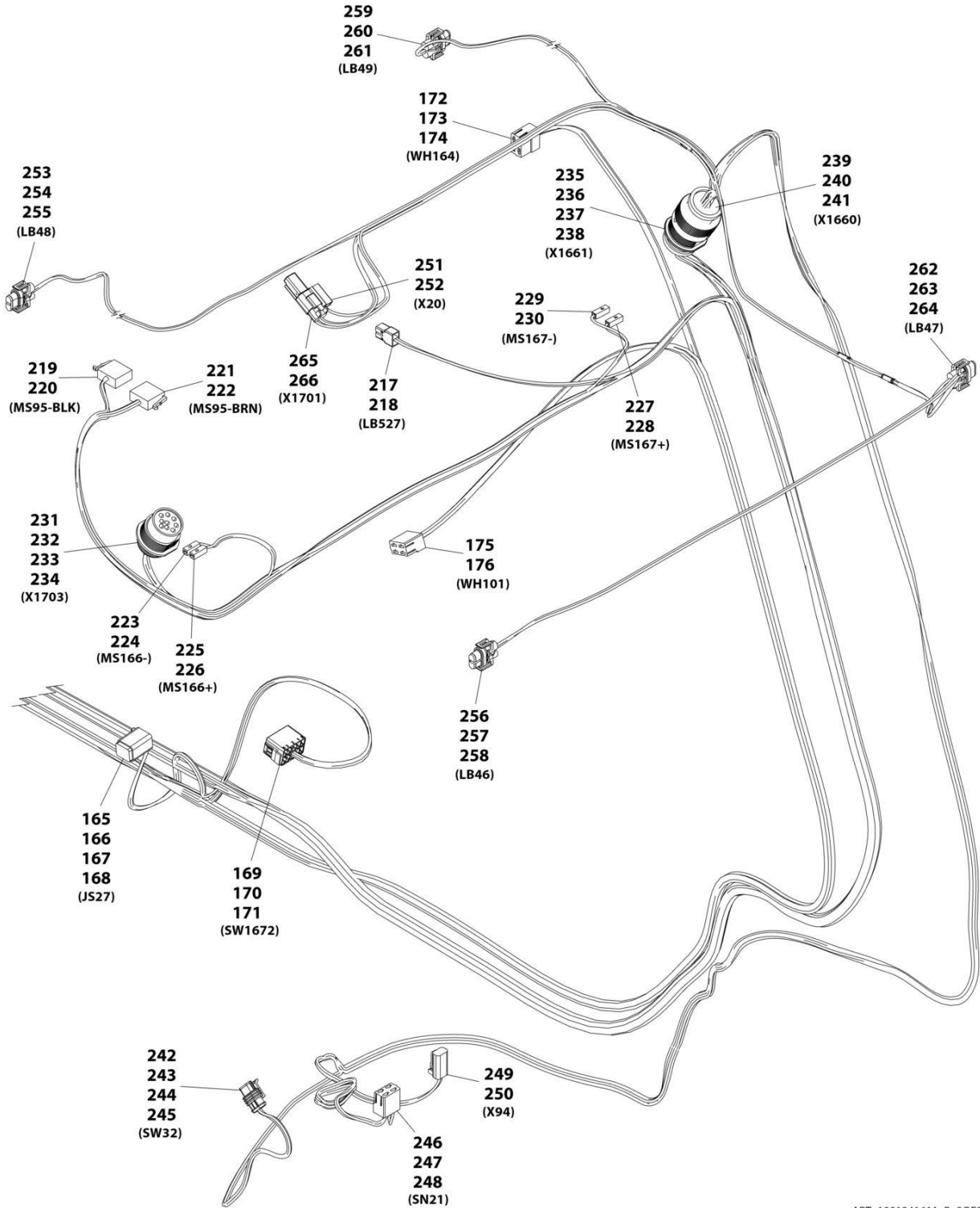
ITEM	PART NUMBER	QTY	DESCRIPTION	REV
266	4460746	2	Terminal	
267	4460458	2	Terminal Seal	
268	4461115	1	Connector	
269	4460746	2	Terminal	
270	4460458	2	Terminal Seal	
271	4461115	1	Connector	
272	4460746	2	Terminal	
273	4460458	2	Terminal Seal	
274	4461115	1	Connector	
275	4460746	2	Terminal	
276	4460458	2	Terminal Seal	
277	4460891	1	Connector	
278	4460465	2	Terminal	
279	1001116815	1	Connector	
280	4460945	1	Connector, 3 Way	
281	4460930	1	Connector	
282	4460931	1	Mating Connector	
283	4460466	6	Plug	
284	4460465	2	Terminal	

# SECTION 10 - ELECTRICAL

## FIGURE 10-75. CAB HARNESS



# SECTION 10 - ELECTRICAL



ART\_1001241611\_B\_20F2

# SECTION 10 - ELECTRICAL

## FIGURE 10-75. CAB HARNESS

ITEM	PART NUMBER	QTY	DESCRIPTION	REV
	1001241611	Ref	Cab Harness	B
1	4460343	1	Connector	
2	4460267	3	Terminal	
3	4460434	1	Connector	
4	4460268	9	Terminal	
5	4460343	1	Connector	
6	4460268	8	Terminal	
7	10011223457	1	Terminal	
8	4460434	1	Connector	
9	4460268	15	Terminal	
10	4460343	1	Connector	
11	4460267	8	Terminal	
12	1001223456	1	Terminal	
13	4460265	1	Connector	
14	1001223457	3	Terminal	
15	4460268	6	Terminal	
16	4460225	1	Connector	
17	4460267	5	Terminal	
18	4460225	1	Connector	
19	4460268	5	Terminal	
20	4460343	1	Connector	
21	4460268	8	Terminal	
22	1001161959	1	Connector	
23	943191201	1	Cover	
24	1001161100	10	Plug	
25	1001161097	14	Terminal	
26	1001161098	1	Terminal	
27	1001161101	7	Plug	
28	1001160502	1	Connector	
29	643201301	1	Cover	
30	1001161097	19	Terminal	
31	1001161100	19	Plug	
32	1001161098	5	Terminal	
33	1001161099	1	Terminal	
34	1001161101	2	Plug	
35	1001103012	1	Connector	
36	1001116698	2	Plug	
37	1001116697	2	Terminal	
38	1001104498	2	Terminal Seal	
39	4461262	1	Connector	
40	1001107854	3	Terminal	
41	1001104498	3	Terminal Seal	
42	1001160498	1	Connector	
43	643191201	1	Cover	
44	1001161097	19	Terminal	
45	1001161100	5	Plug	
46	1001161098	5	Terminal	
47	1001161101	2	Plug	
48	1001161099	1	Terminal	
49	1001162886	1	Connector	

## SECTION 10 - ELECTRICAL

ITEM	PART NUMBER	QTY	DESCRIPTION	REV
50	1001163340	13	Plug	
51	1001162887	7	Terminal	
52	1001117081	1	Connector	
53	1001116723	6	Terminal	
54	1001222455	1	Terminal	
55	1001117081	1	Connector	
56	1001116723	6	Terminal	
57	1001223455	1	Terminal	
58	1001173411	1	Connector	
59	1001116716	3	Terminal	
60	1001104519	3	Terminal	
61	1001116999	1	Connector	
62	1001116700	4	Terminal	
63	4460343	1	Connector	
64	4460267	7	Terminal	
65	1001116991	1	Connector	
66	1001116723	2	Terminal	
67	4460933	1	Connector	
68	4460466	5	Plug	
69	4460465	7	Terminal	
70	1001117081	1	Connector	
71	1001116723	6	Terminal	
72	1001223455	1	Terminal	
73	1001117081	1	Connector	
74	1001116723	4	Terminal	
75	1001118384	2	Terminal	
76	4460343	1	Connector	
77	4460268	8	Terminal	
78	4460906	1	Terminal	
79	1001223457	1	Terminal	
80	1001117081	1	Connector	
81	1001116723	6	Terminal	
82	1001223455	1	Terminal	
83	4460225	1	Connector	
84	4460267	5	Terminal	
85	4460705	1	Terminal	
86	4460836	1	Connector	
87	4460942	4	Terminal	
88	4460465	8	Terminal	
89	4460894	1	Connector	
90	4460465	4	Terminal	
91	4460466	2	Plug	
92	4460933	1	Connector	
93	1001125677	1	Mating Connector	
94	4460465	12	Terminal	
95	1001116812	1	Connector	
96	1001144296	1	Cap	
97	4460944	2	Terminal	
98	4460466	1	Plug	
99	4460320	1	Connector	
100	4460267	2	Terminal	

## SECTION 10 - ELECTRICAL

ITEM	PART NUMBER	QTY	DESCRIPTION	REV
101	4460424	1	Connector	
102	4460268	2	Terminal	
103	4460897	1	Connector	
104	4460464	1	Terminal	
105	4460466	1	Plug	
106	4460744	1	Connector	
107	8220375	1	Cap	
108	4460748	2	Plug	
109	4460746	4	Terminal	
110	4460458	4	Seal	
111	1001117081	1	Connector	
112	1001116723	6	Terminal	
113	1001223455	1	Terminal	
114	1001117081	1	Connector	
115	1001116723	6	Terminal	
116	1001118384	4	Terminal	
117	1001117081	1	Connector	
118	1001116723	6	Terminal	
119	1001118384	2	Terminal	
120	1001223455	2	Terminal	
121	1001117081	1	Connector	
122	1001116723	6	Terminal	
123	1001223455	1	Terminal	
124	1001194421	1	Terminal	
125	1001194421	1	Terminal	
126	1001117081	1	Connector	
127	1001116723	6	Terminal	
128	1001223455	3	Terminal	
129	1001118384	2	Terminal	
130	1001118684	1	Connector	
131	1001116754	2	Terminal	
132	1001117081	1	Connector	
133	1001116723	4	Terminal	
134	1001118384	3	Terminal	
135	1001117081	1	Connector	
136	1001116723	5	Terminal	
137	1001223455	1	Terminal	
138	1001117081	1	Connector	
139	1001116723	6	Terminal	
140	1001118384	1	Terminal	
141	1001117081	1	Connector	
142	1001116723	6	Terminal	
143	1001223455	1	Terminal	
144	4460994	1	Connector	
145	1001118384	2	Terminal	
146	8220051	1	Terminal	
147	4460994	1	Connector	
148	1001118384	1	Terminal	
149	1001116723	2	Terminal	
150	1001194421	1	Terminal	
151	1001194421	1	Terminal	

## SECTION 10 - ELECTRICAL

ITEM	PART NUMBER	QTY	DESCRIPTION	REV
152	1001116997	1	Connector	
153	1001118384	4	Terminal	
154	1001116723	1	Terminal	
155	8220051	1	Terminal	
156	8220051	1	Terminal	
157	8220051	1	Terminal	
158	8220051	1	Terminal	
159	1001116812	1	Connector	
160	4460944	2	Terminal	
161	4460466	1	Plug	
162	4460539	1	Connector	
163	4460944	2	Terminal	
164	4460466	1	Plug	
165	4460894	1	Connector	
166	4460465	3	Terminal	
167	4460466	1	Plug	
168	4460944	2	Terminal	
169	1001117081	1	Connector	
170	1001116723	2	Terminal	
171	1001223455	4	Terminal	
172	1001116986	1	Connector	
173	1001117011	1	Mating Connector	
174	1001118384	4	Terminal	
175	1001116986	1	Connector	
176	1001118384	4	Terminal	
177	1001116995	1	Connector	
178	1001118379	1	Terminal	
179	1001116995	1	Connector	
180	1001118379	1	Terminal	
181	1001230931	1	Connector	
182	1001116748	6	Terminal	
183	1001117081	1	Connector	
184	1001116723	4	Terminal	
185	1001118384	2	Terminal	
186	1001117081	1	Connector	
187	1001116723	4	Terminal	
188	1001118384	2	Terminal	
189	1001117081	1	Connector	
190	1001116723	4	Terminal	
191	1001118384	2	Terminal	
192	1001117081	1	Connector	
193	1001116723	4	Terminal	
194	1001118384	2	Terminal	
195	1001150735	1	Connector	
196	1001150737	7	Terminal	
197	1001117079	1	Connector	
198	1001223455	2	Terminal	
199	1001116723	6	Terminal	
200	1001117081	1	Connector	
201	1001116723	8	Terminal	
202	1001118384	1	Terminal	

## SECTION 10 - ELECTRICAL

ITEM	PART NUMBER	QTY	DESCRIPTION	REV
203	1001223455	1	Terminal	
204	1001176333	1	Connector	
205	4460466	11	Plug	
206	4460465	3	Terminal	
207	4460944	4	Terminal	
208	1001116812	1	Connector	
209	4460944	2	Terminal	
210	4460466	1	Plug	
211	4460539	1	Connector	
212	4460944	2	Terminal	
213	4460466	1	Plug	
214	4460930	1	Connector	
215	4460931	1	Mating Connector	
216	4460466	6	Plug	
217	1001116991	1	Connector	
218	1001118384	2	Terminal	
219	1001116985	1	Connector	
220	1001118386	3	Terminal	
221	1001116984	1	Connector	
222	1001118386	4	Terminal	
223	1001116998	1	Connector	
224	1001118387	1	Terminal	
225	1001116998	1	Connector	
226	1001118387	1	Terminal	
227	1001116998	1	Connector	
228	1001118387	1	Terminal	
229	1001116998	1	Connector	
230	1001118387	1	Terminal	
231	1001112612	1	Connector	
232	4460464	3	Terminal	
233	4460943	2	Terminal	
234	4460466	4	Plug	
235	1001137000	1	Connector	
236	4460928	3	Terminal	
237	1001126008	12	Terminal	
238	4460518	6	Plug	
239	1001136999	1	Connector	
240	1001126011	15	Terminal	
241	4460518	6	Plug	
242	4461262	1	Connector	
243	1001107854	2	Terminal	
244	1001104499	1	Terminal	
245	1001104498	2	Terminal Seal	
246	1001116986	1	Connector	
247	1001118384	3	Terminal	
248	1001116723	1	Terminal	
249	4460891	1	Connector	
250	4460465	2	Terminal	
251	4460944	1	Connector	
252	1001118384	2	Terminal	
253	4461115	1	Connector	

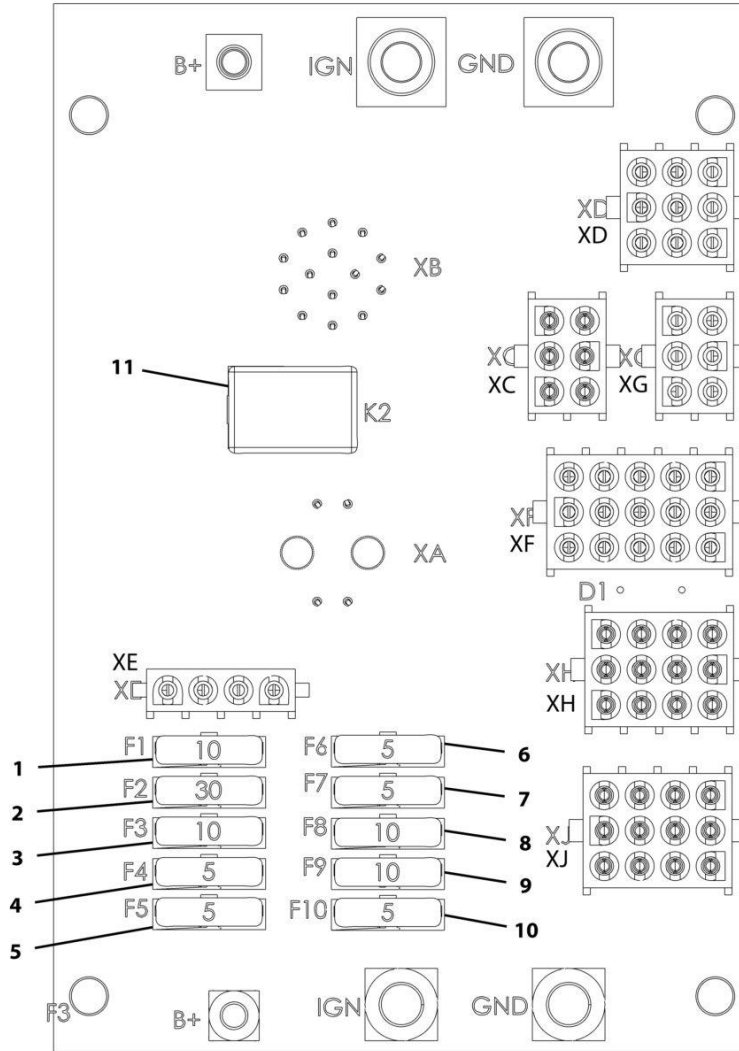


## SECTION 10 - ELECTRICAL

ITEM	PART NUMBER	QTY	DESCRIPTION	REV
254	4460746	2	Terminal	
255	4460458	2	Terminal Seal	
256	4461115	1	Connector	
257	4460746	2	Terminal	
258	4460458	2	Terminal Seal	
259	4461115	1	Connector	
260	4460746	2	Terminal	
261	4460458	2	Terminal Seal	
262	4461115	1	Connector	
263	4460746	2	Terminal	
264	4460458	2	Terminal Seal	
265	4460891	1	Connector	
266	4460465	2	Terminal	
267	1001116815	1	Connector	
268	4460945	1	Connector, 3 Way	

# SECTION 10 - ELECTRICAL

FIGURE 10-76. STANDARD ELECTRICAL BOARD ASSEMBLY



ART\_1001161769-C

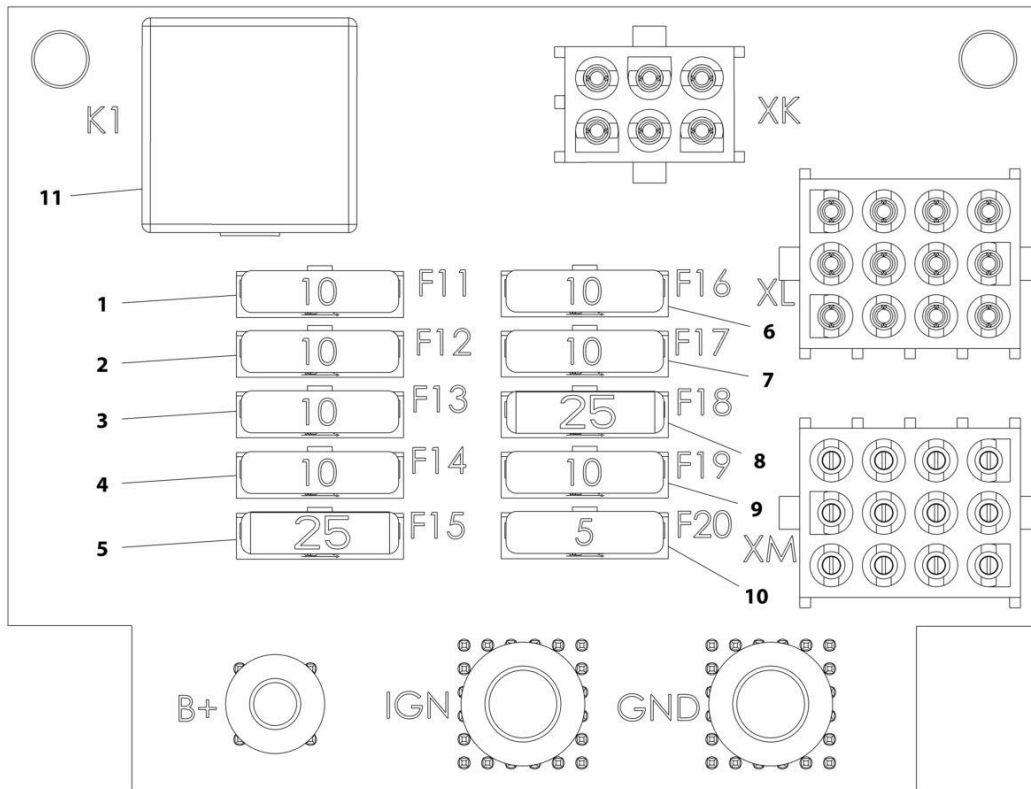
## SECTION 10 - ELECTRICAL

### FIGURE 10-76. STANDARD ELECTRICAL BOARD ASSEMBLY

ITEM	PART NUMBER	QTY	DESCRIPTION	REV
	1001161769	Ref	Standard Electrical Board Assembly	C
1	80983191	1	Fuse, 10AMP	
2	8229245	1	Fuse, 30AMP	
3	80983191	1	Fuse, 10AMP	
4	8229242	1	Fuse, 5AMP	
5	8229242	1	Fuse, 5AMP	
6	8229242	1	Fuse, 5AMP	
7	8229242	1	Fuse, 5AMP	
8	80983191	1	Fuse, 10AMP	
9	80983191	1	Fuse, 10AMP	
10	8229242	1	Fuse, 5AMP	
11	70026292	1	Fuse, 35AMP	

# SECTION 10 - ELECTRICAL

## FIGURE 10-77. OPTION 1 ELECTRICAL BOARD ASSEMBLY



ART\_1001161770-C

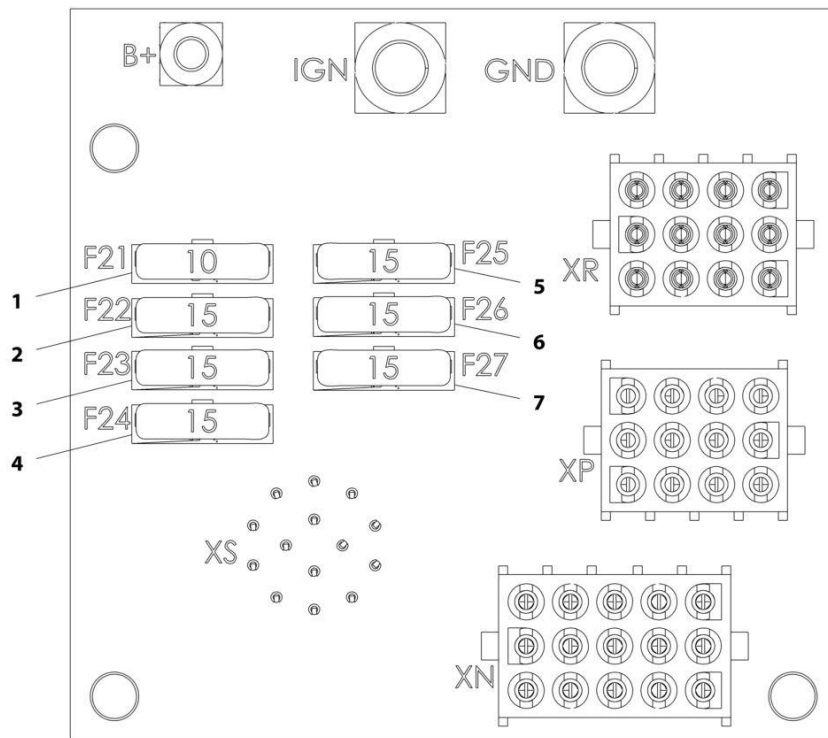
## SECTION 10 - ELECTRICAL

### FIGURE 10-77. OPTION 1 ELECTRICAL BOARD ASSEMBLY

ITEM	PART NUMBER	QTY	DESCRIPTION	REV
	1001161770	Ref	Option 1 Electrical Board Assembly	C
1	80983191	1	Fuse, 10AMP	
2	80983191	1	Fuse, 10AMP	
3	80983191	1	Fuse, 10AMP	
4	80983191	1	Fuse, 10AMP	
5	8229247	1	Fuse, 25AMP	
6	80983191	1	Fuse, 10AMP	
7	80983191	1	Fuse, 10AMP	
8	8229247	1	Fuse, 25AMP	
9	80983191	1	Fuse, 10AMP	
10	8229242	1	Fuse, 5AMP	
11	70026293	1	Fuse, 50AMP	

# SECTION 10 - ELECTRICAL

## FIGURE 10-78. OPTION 2 ELECTRICAL BOARD ASSEMBLY



ART\_1001161771-B

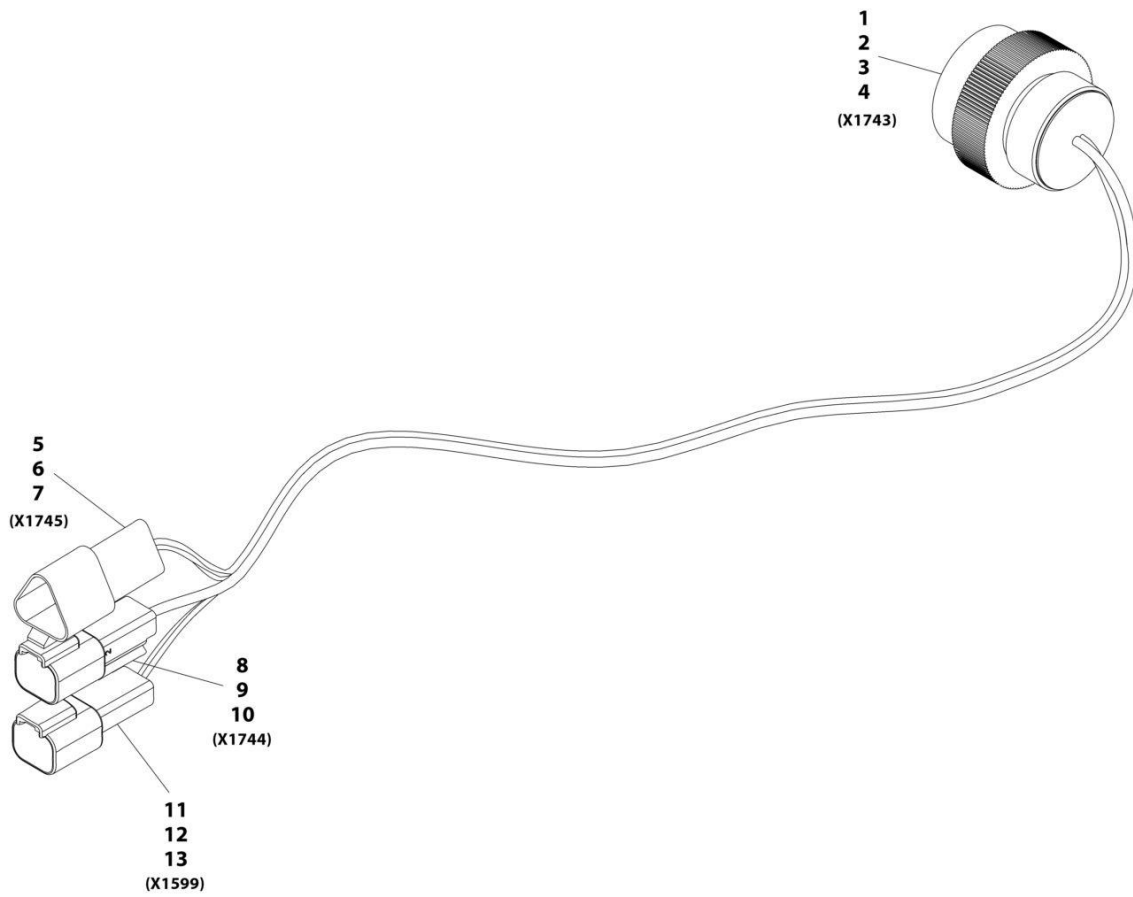
## SECTION 10 - ELECTRICAL

### FIGURE 10-78. OPTION 2 ELECTRICAL BOARD ASSEMBLY

ITEM	PART NUMBER	QTY	DESCRIPTION	REV
	1001161771	Ref	Option 2 Electrical Board Assembly	B
1	80983191	1	Fuse, 10AMP	
2	8229244	1	Fuse, 15AMP	
3	8229244	1	Fuse, 15AMP	
4	8229244	1	Fuse, 15AMP	
5	8229244	1	Fuse, 15AMP	
6	8229244	1	Fuse, 15AMP	
7	8229244	1	Fuse, 15AMP	

# SECTION 10 - ELECTRICAL

## FIGURE 10-79. CAB OPTION HARNESS



ART\_1001181681-C



# SECTION 10 - ELECTRICAL

## FIGURE 10-79. CAB OPTION HARNESS

ITEM	PART NUMBER	QTY	DESCRIPTION	REV
	1001181681	Ref	Cab Option Harness	D
1	4461015	1	Connector	
2	4460465	5	Terminal	
3	4460466	8	Plug	
4	4460942	1	Terminal	
5	1001144147	1	Connector	
6	4460943	2	Terminal	
7	4460466	1	Plug	
8	4460897	1	Connector	
9	4460941	1	Terminal	
10	4460466	1	Plug	
11	4460932	1	Connector	
12	4460464	3	Terminal	
13	4460466	1	Plug	



# SECTION 10 - ELECTRICAL

## FIGURE 10-80. FRONT FRAME HARNESS

ITEM	PART NUMBER	QTY	DESCRIPTION	REV
	1001184396	Ref	Front Frame Harness	L
1	4460891	1	Connector	
2	4460897	1	Mating Connector	
3	4460466	2	Plug	
4	4460465	2	Terminal	
5	1001161957	1	Connector	
6	643191201	1	Cover	
7	1001161100	12	Plug	
8	1001161097	12	Terminal	
9	1001161101	5	Plug	
10	1001161098	3	Terminal	
11	1001161963	1	Connector	
12	643201301	1	Cover	
13	1001161097	21	Terminal	
14	1001161100	19	Plug	
15	1001161099	6	Terminal	
16	1001161098	1	Terminal	
17	1001161101	1	Plug	
18	1001160500	1	Connector	
19	643191201	1	Cover	
20	1001161097	10	Terminal	
21	1001161100	15	Plug	
22	1001161099	7	Terminal	
23	4460933	1	Connector	
24	4460970	1	Mating Connector	
25	4460466	2	Plug	
26	4460942	10	Terminal	
27	4460466	2	Plug	
28	1001160509	1	Connector	
29	1001160510	1	Terminal	
30	1001175267	1	Seal	
31	1001187080	1	Ring Terminal	
32	4460891	1	Connector	
33	4460465	2	Terminal	
34	4460891	1	Connector	
35	4460465	2	Terminal	
36	1001187080	1	Ring Terminal	
37	1001187079	1	Ring Terminal	
38	1001187079	1	Ring Terminal	
39	4460539	1	Connector	
40	4460465	3	Terminal	
41	8220051	1	Ring Terminal	
42	1001187073	1	Ring Terminal	
43	4460539	1	Connector	
44	4460465	3	Terminal	
45	4460933	1	Connector	
46	4460465	11	Terminal	
47	4460466	1	Plug	
48	1001116812	1	Connector	
49	4460465	2	Terminal	

## SECTION 10 - ELECTRICAL

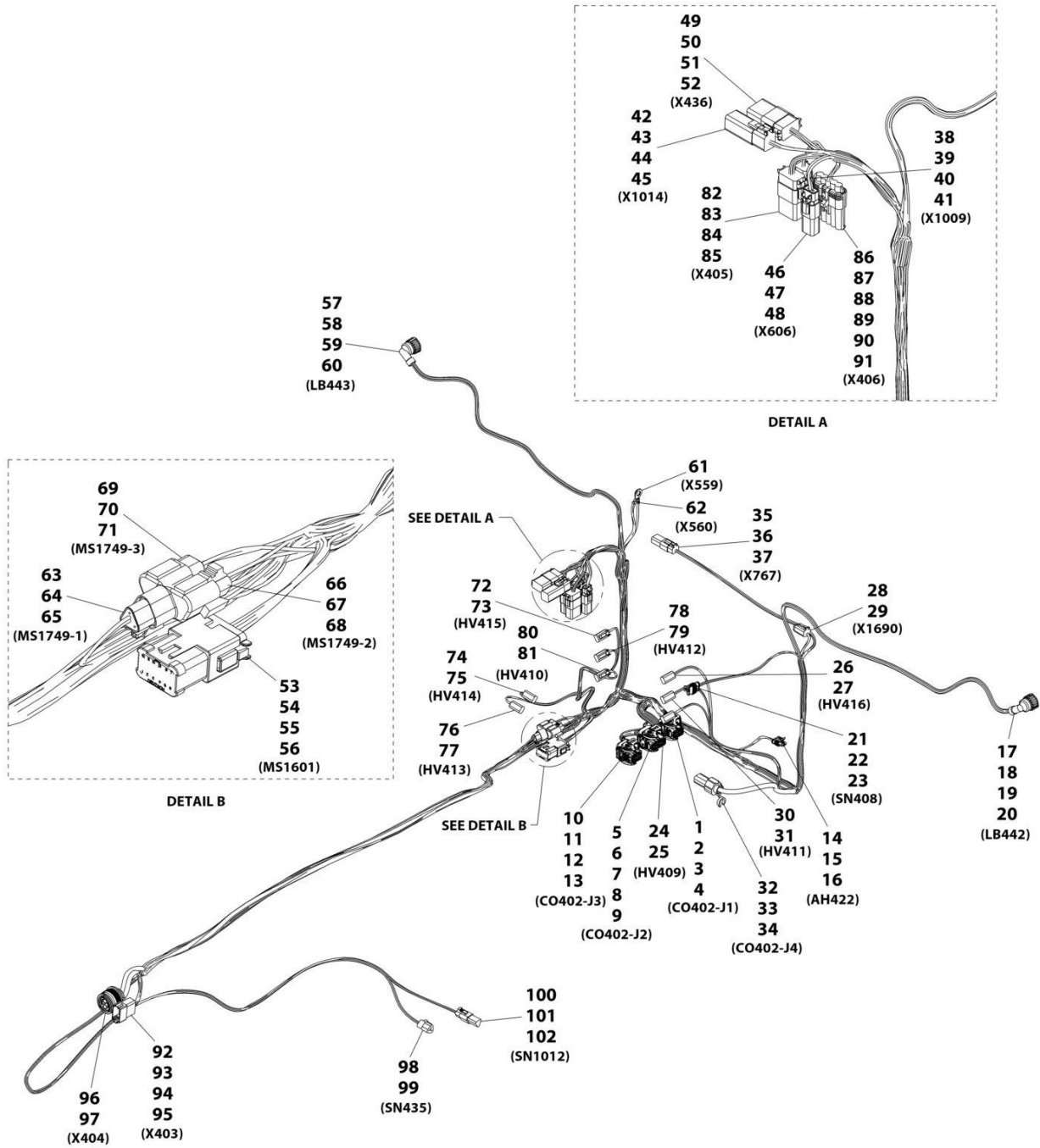
ITEM	PART NUMBER	QTY	DESCRIPTION	REV
50	4460466	1	Plug	
51	1001116810	1	Connector	
52	1001150611	4	Terminal	
53	1001165309	1	Connector	
54	4460466	2	Plug	
55	4460465	9	Terminal	
56	4460942	2	Terminal	
57	4460509	3	Terminal	
58	1001150611	3	Terminal	
59	1001187079	1	Ring Terminal	
60	1001187076	1	Ring Terminal	
61	1001187079	1	Ring Terminal	
62	1001187076	1	Ring Terminal	
63	1001187075	1	Ring Terminal	
64	4460891	1	Connector	
65	4460465	2	Terminal	
66	1001117109	1	Ring Terminal	
67	1001187075	1	Ring Terminal	
68	1001187075	1	Ring Terminal	
69	4461015	1	Connector	
70	4460465	12	Terminal	
71	4460466	2	Plug	
72	4460891	1	Connector	
73	4460465	2	Terminal	
74	4460891	1	Connector	
75	4460465	2	Terminal	
76	4461290	1	Connector	
77	4460928	2	Terminal	
78	1001118323	1	Connector	
79	4460942	4	Terminal	
80	91013192	2	Terminal	
81	4460891	1	Connector	
82	4460465	2	Terminal	
83	4460891	1	Connector	
84	4460897	1	Mating Connector	
85	4460942	1	Terminal	
86	4460466	1	Plug	
87	1001116950	1	Connector	
88	4460465	2	Terminal	
89	4460891	1	Connector	
90	4460465	2	Terminal	
91	4460884	1	Connector	
92	4460932	1	Mating Connector	
93	4460466	1	Sealing Plug	
94	4460465	3	Terminal	
95	4460942	1	Terminal	
96	1001118202	1	Connector	
97	1001116732	4	Terminal	
98	1001128128	1	Plug	
99	4460891	1	Connector	
100	4460897	1	Mating Connector	

## SECTION 10 - ELECTRICAL

ITEM	PART NUMBER	QTY	DESCRIPTION	REV
101	4460465	2	Terminal	
102	4460891	1	Connector	
103	4460465	2	Terminal	
104	4460897	1	Connector	
105	4460464	2	Terminal	
106	8220116	1	Ring Terminal	
107	1001116950	1	Connector	
108	4460465	2	Terminal	
109	4460930	1	Connector	
110	4460984	1	Mating Connector	
111	4460465	8	Terminal	
112	1001116774	1	Connector	
113	1001132169	1	Mating Connector	
114	4460518	7	Plug	
115	1001126008	5	Terminal	
116	4460891	1	Connector	
117	4460897	1	Mating Connector	
118	4460465	2	Terminal	
119	1001165310	1	Connector	
120	91013192	2	Terminal	
121	1001187076	1	Ring Terminal	
122	4460891	1	Connector	
123	4460897	1	Mating Connector	
124	4460942	2	Terminal	
125	4460894	1	Connector	
126	4460899	1	Mating Connector	
127	4460465	2	Terminal	
128	4460942	4	Terminal	
129	4460891	1	Connector	
130	4460465	2	Terminal	
131	4460891	1	Connector	
132	4460465	2	Terminal	
133	4460891	1	Connector	
134	4460465	2	Terminal	
135	4460891	1	Connector	
136	4460465	2	Terminal	
137	4460933	1	Connector	
138	4460465	6	Terminal	
139	4460942	1	Terminal	
140	4460466	5	Plug	

# SECTION 10 - ELECTRICAL

## FIGURE 10-81. REAR FRAME HARNESS



ART\_1001184397-1

# SECTION 10 - ELECTRICAL

## FIGURE 10-81. REAR FRAME HARNESS

ITEM	PART NUMBER	QTY	DESCRIPTION	REV
	1001184397	Ref	Rear Frame Harness	I
1	1001161957	1	Connector	
2	1001161097	6	Terminal	
3	1001161100	18	Plug	
4	1001161101	8	Plug	
5	1001161963	1	Connector	
6	1001161097	26	Terminal	
7	1001161100	14	Plug	
8	1001161099	6	Terminal	
9	1001161101	2	Plug	
10	1001160500	1	Connector	
11	1001161100	18	Plug	
12	1001161097	6	Terminal	
13	1001161099	8	Terminal	
14	4461118	1	Connector	
15	1001107854	2	Terminal	
16	1001116763	2	Terminal Seal	
17	1001116996	1	Connector	
18	1001118392	6	Terminal	
19	1001116696	1	Plug	
20	4461054	6	Terminal Seal	
21	4461262	1	Connector	
22	1001107854	3	Terminal	
23	1001104498	3	Terminal Seal	
24	4460891	1	Connector	
25	4460465	2	Terminal	
26	4460891	1	Connector	
27	4460465	2	Terminal	
28	4460884	1	Connector	
29	4460465	4	Terminal	
30	4460891	1	Connector	
31	4460465	2	Terminal	
32	1001160509	1	Connector	
33	1001160510	1	Terminal	
34	1001175267	1	Terminal Seal	
35	4460884	1	Connector	
36	4460932	1	Mating Connector	
37	4460465	4	Terminal	
38	4460884	1	Connector	
39	4460932	1	Mating Connector	
40	4460466	2	Plug	
41	4460465	2	Terminal	
42	4460894	1	Connector	
43	4460899	1	Mating Connector	
44	4460466	3	Plug	
45	4460465	3	Terminal	
46	4461018	1	Connector	
47	4461017	1	Mating Connector	
48	4460509	2	Terminal	
49	4460930	1	Connector	

## SECTION 10 - ELECTRICAL

ITEM	PART NUMBER	QTY	DESCRIPTION	REV
50	4460931	1	Mating Connector	
51	4460466	2	Plug	
52	4460465	6	Terminal	
53	4460933	1	Connector	
54	1001125677	1	Bussbar Connector	
55	4460465	10	Terminal	
56	4460466	2	Plug	
57	1001116996	1	Connector	
58	1001118392	6	Terminal	
59	1001116696	1	Plug	
60	4461054	6	Terminal Seal	
61	1001187080	1	Ring Terminal	
62	1001187079	1	Ring Terminal	
63	1001116812	1	Connector	
64	4460944	2	Terminal	
65	4460466	1	Plug	
66	4460539	1	Connector	
67	4460944	2	Terminal	
68	4460466	1	Plug	
69	1001116812	1	Connector	
70	4460944	2	Terminal	
71	4460466	1	Plug	
72	4460891	1	Connector	
73	4460465	2	Terminal	
74	4460891	1	Connector	
75	4460465	2	Terminal	
76	4460891	1	Connector	
77	4460465	2	Terminal	
78	4460891	1	Connector	
79	4460465	2	Terminal	
80	4460891	1	Connector	
81	4460465	2	Terminal	
82	4460930	1	Connector	
83	4460931	1	Mating Connector	
84	4460466	2	Plug	
85	4460465	6	Terminal	
86	1001121726	1	Connector	
87	1001121727	1	Mating Connector	
88	1001116728	4	Terminal	
89	4460748	1	Plug	
90	1001175265	3	Terminal Seal	
91	4460458	1	Terminal Seal	
92	4460970	1	Connector	
93	4460464	6	Terminal	
94	4460941	1	Terminal	
95	4460466	5	Plug	
96	1001165311	1	Connector	
97	91013191	2	Terminal	
98	4460539	1	Connector	
99	4460944	3	Terminal	
100	4460539	1	Connector	

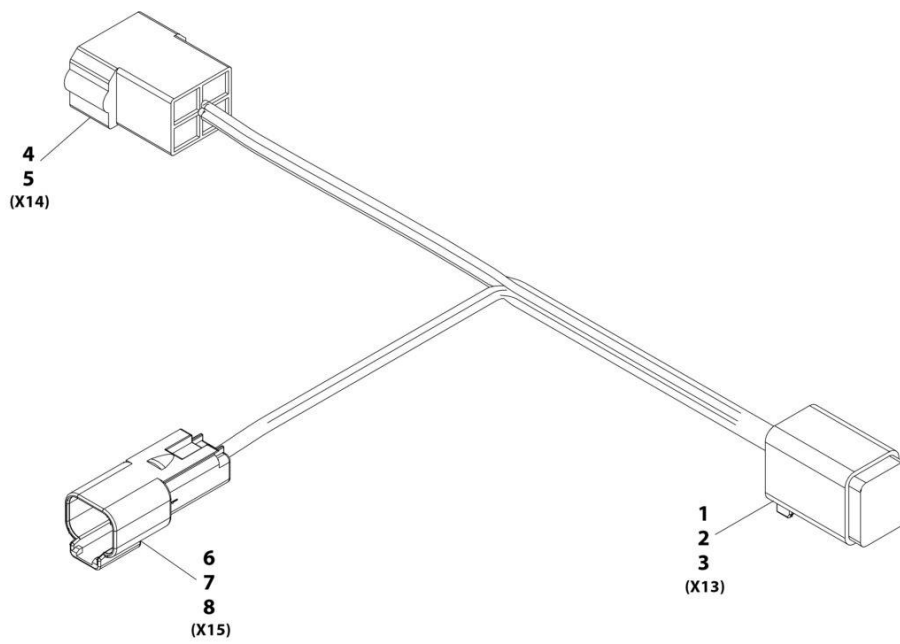


## SECTION 10 - ELECTRICAL

ITEM	PART NUMBER	QTY	DESCRIPTION	REV
101	4460536	1	Mating Connector	
102	4460465	3	Terminal	

# SECTION 10 - ELECTRICAL

## FIGURE 10-82. SEAT ADAPTOR HARNESS



ART\_1001168531-A

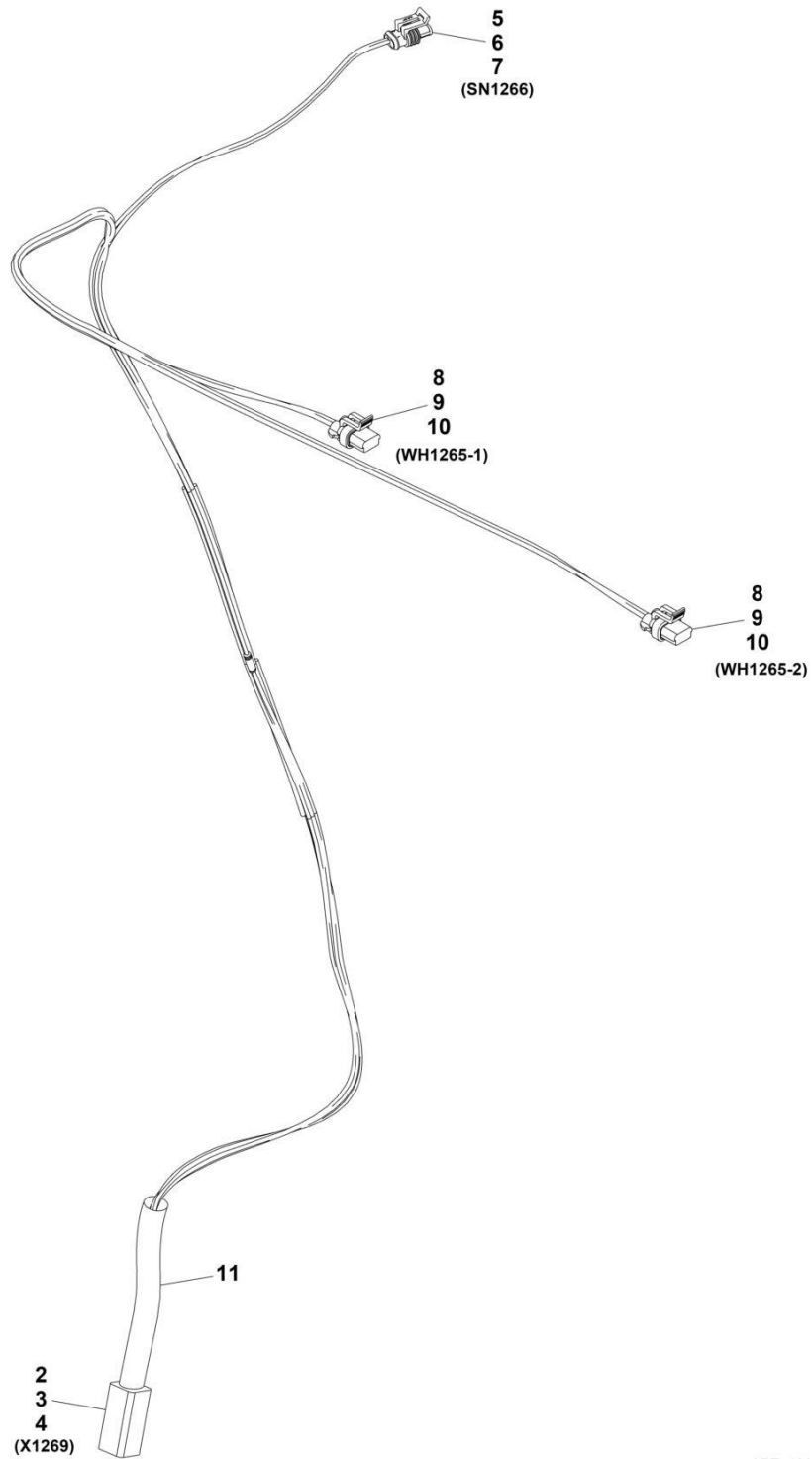
## SECTION 10 - ELECTRICAL

### FIGURE 10-82. SEAT ADAPTOR HARNESS

ITEM	PART NUMBER	QTY	DESCRIPTION	REV
	1001168531	Ref	Seat Adaptor Harness	A
1	4460894	1	Connector	
2	91504107	1	Lock, Connector	
3	4460465	6	Terminal	
4	1001117011	1	Connector	
5	1001116700	3	Terminal	
6	4460897	1	Connector	
7	80604017	1	Lock, Connector	
8	4460943	2	Terminal	

# SECTION 10 - ELECTRICAL

## FIGURE 10-83. A/C OPTION HARNESS



ART\_1001169151

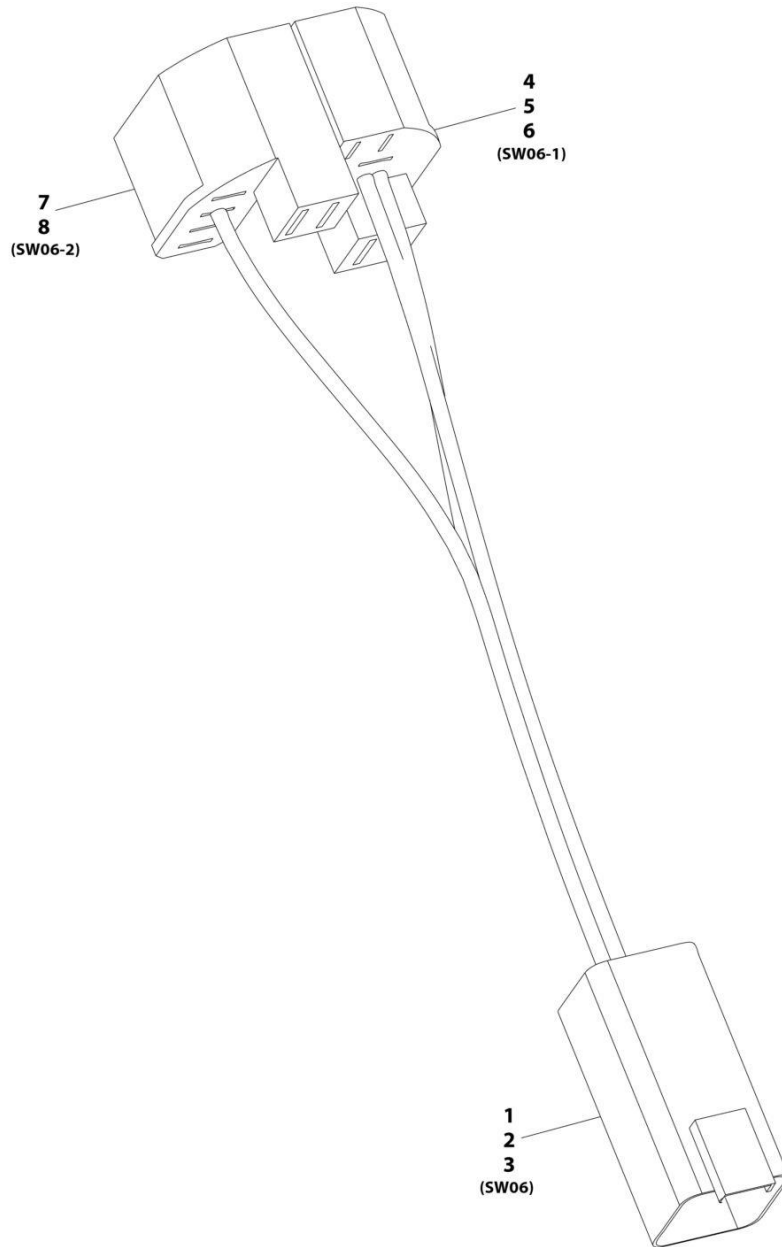
# SECTION 10 - ELECTRICAL

## FIGURE 10-83. A/C OPTION HARNESS

ITEM	PART NUMBER	QTY	DESCRIPTION	REV
	1001169151	Ref	A/C Option Harness	G
2	4460899	1	Connector	
3	4460941	4	Terminal	
4	4460464	2	Terminal	
5	4461118	1	Connector	
6	1001107854	2	Terminal	
7	1001116763	2	Seal	
8	1001117021	2	Connector	
9	1001116747	4	Terminal	
10	4460789	4	Seal	
11	70028546	1	Backshell	

# SECTION 10 - ELECTRICAL

## FIGURE 10-84. IGNITION SWITCH HARNESS



ART\_1001223968-A

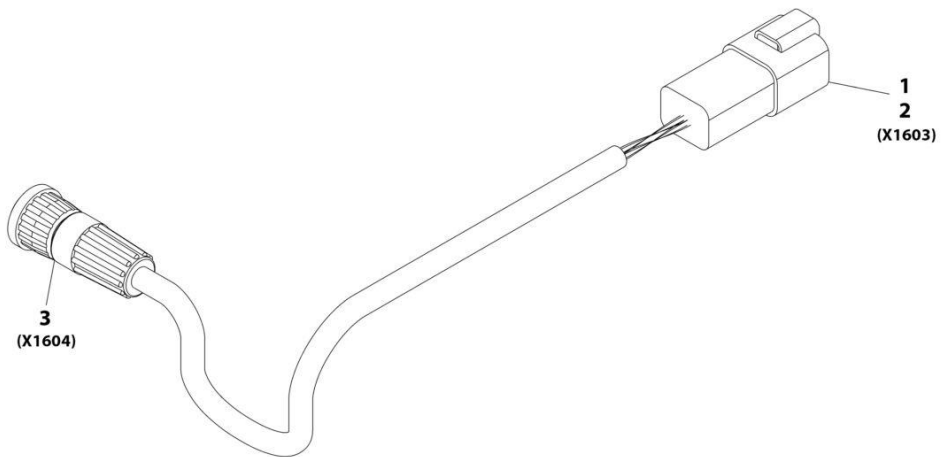
## SECTION 10 - ELECTRICAL

### FIGURE 10-84. IGNITION SWITCH HARNESS

ITEM	PART NUMBER	QTY	DESCRIPTION	REV
	1001223968	Ref	Ignition Switch Harness	A
1	4460899	1	Connector	
2	4460464	3	Terminal	
3	4460466	3	Plug	
4	1001118685	1	Connector	
5	1001104519	1	Terminal	
6	1001118383	1	Terminal	
7	1001117121	1	Connector	
8	1001104519	1	Terminal	

# SECTION 10 - ELECTRICAL

## FIGURE 10-85. REVERSE SENSOR HARNESS



ART\_1001175776-C



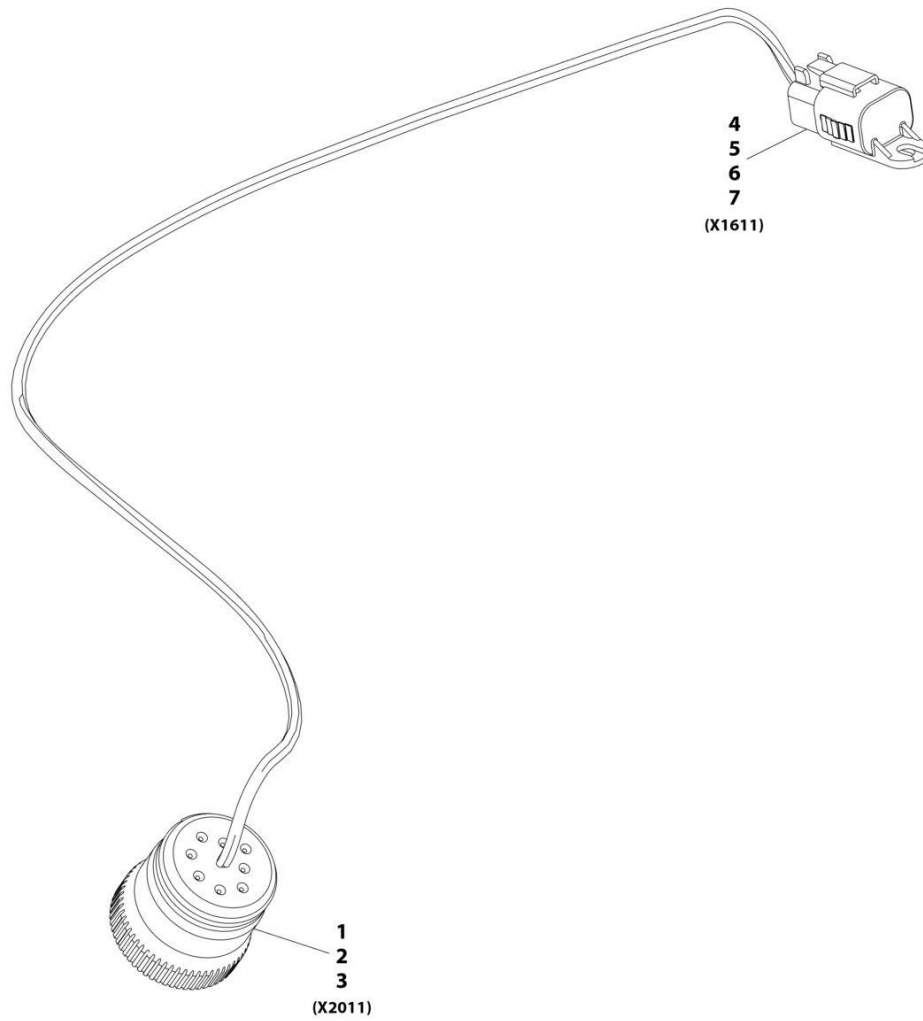
## SECTION 10 - ELECTRICAL

### FIGURE 10-85. REVERSE SENSOR HARNESS

ITEM	PART NUMBER	QTY	DESCRIPTION	REV
	1001175776	Ref	Reverse Sensor Harness	C
1	4460932	1	Connector	
2	4460464	4	Terminal	
3	1001175733	1	Connector	

# SECTION 10 - ELECTRICAL

## FIGURE 10-86. TELEMATICS READY HARNESS



ART\_1001196289-A

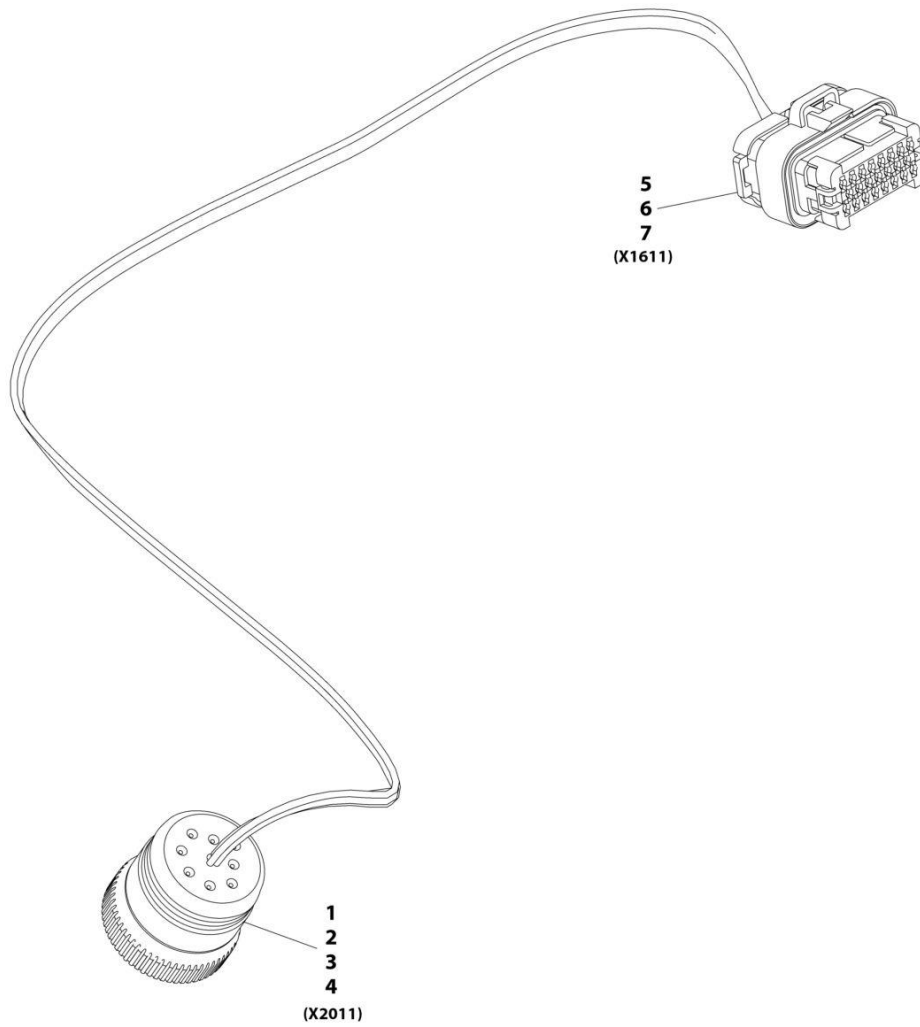
## SECTION 10 - ELECTRICAL

### FIGURE 10-86. TELEMATICS READY HARNESS

ITEM	PART NUMBER	QTY	DESCRIPTION	REV
	1001196289	Ref	Telematics Ready Harness	A
1	1001112796	1	Connector	
2	4460465	3	Terminal	
3	4460466	6	Plug	
4	4460884	1	Connector	
5	80604021	1	Lock, Connector	
6	4460465	3	Terminal	
7	4460466	1	Terminal	

# SECTION 10 - ELECTRICAL

## FIGURE 10-87. CLEARSKY HARNESS (A/C)



ART\_1001196452-A

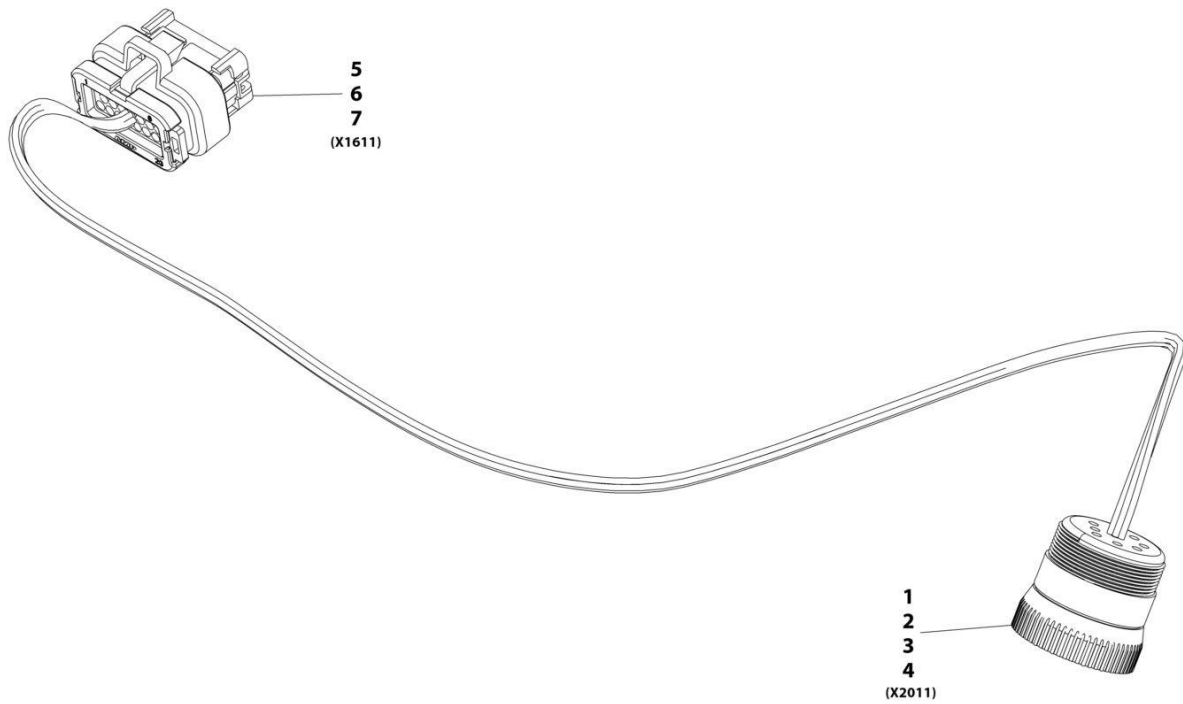
## SECTION 10 - ELECTRICAL

### FIGURE 10-87. CLEARSKY HARNESS (A/C)

ITEM	PART NUMBER	QTY	DESCRIPTION	REV
	1001196452	Ref	Clearsky Harness (A/C)	A
1	1001112796	1	Connector	
2	4460465	3	Terminal	
3	4460944	2	Terminal	
4	4460466	4	Plug	
5	1001116994	1	Connector	
6	4460871	5	Terminal	
7	4460905	18	Plug	

# SECTION 10 - ELECTRICAL

## FIGURE 10-88. CLEARSKY HARNESS (NO A/C)



ART\_1001176587-C

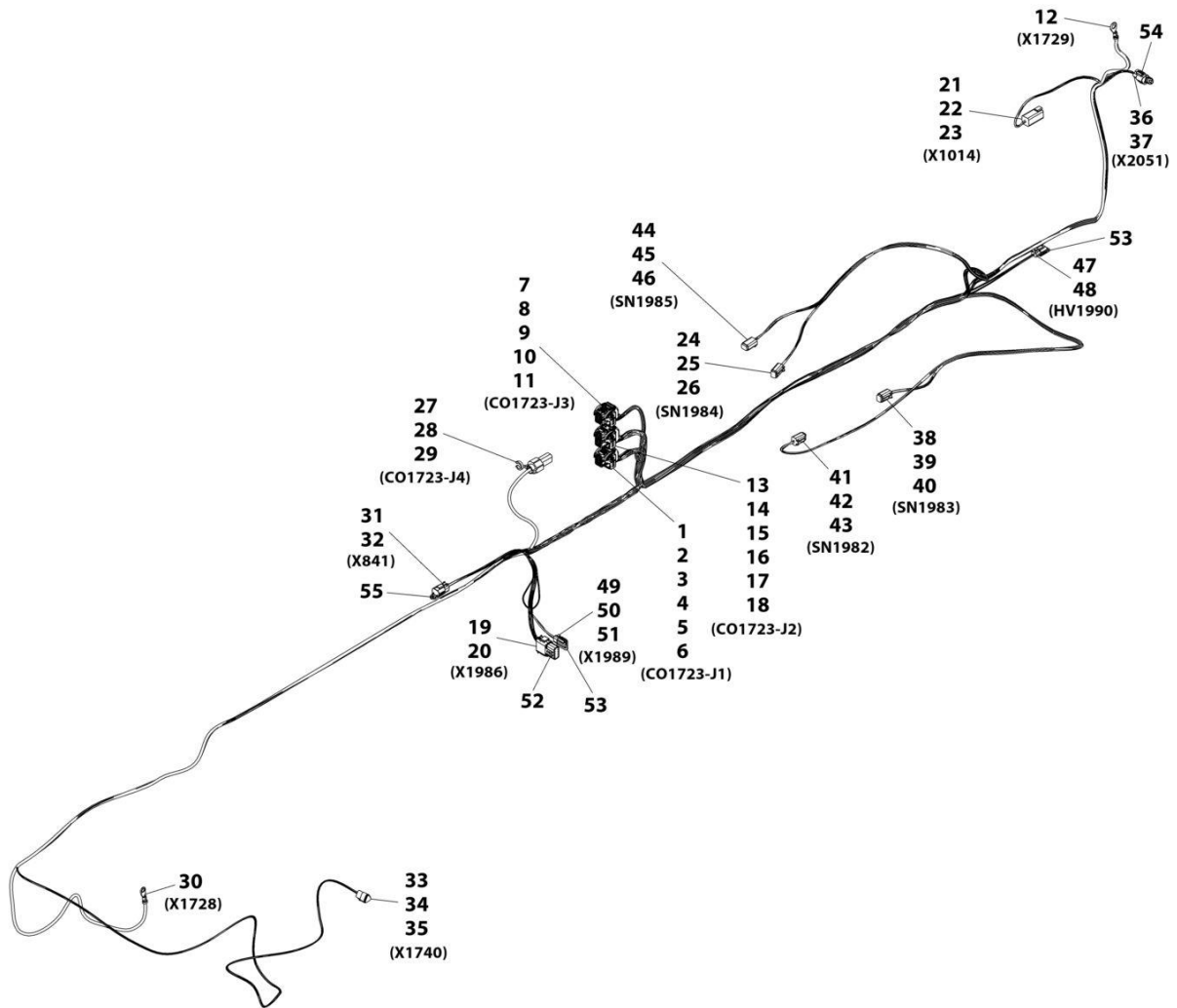
## SECTION 10 - ELECTRICAL

### FIGURE 10-88. CLEARSKY HARNESS (NO A/C)

ITEM	PART NUMBER	QTY	DESCRIPTION	REV
	1001176587	Ref	Clearsky Harness (no A/C)	C
1	1001112796	1	Connector	
2	4460465	3	Terminal	
3	4460944	2	Terminal	
4	4460466	4	Plug	
5	1001116994	1	Connector	
6	4460871	5	Terminal	
7	4460905	18	Plug	

# SECTION 10 - ELECTRICAL

## FIGURE 10-89. LMIS CHASSIS OPTION HARNESS



ART\_1001184795-G



## SECTION 10 - ELECTRICAL

### FIGURE 10-89. LMIS CHASSIS OPTION HARNESS

ITEM	PART NUMBER	QTY	DESCRIPTION	REV
	1001184795	Ref	LMIS Chassis Option Harness	G
1	1001161957	1	Connector	
2	1001161097	17	Terminal	
3	1001161100	7	Plug	
4	1001161101	2	Plug	
5	1001161098	2	Terminal	
6	1001161099	4	Terminal	
7	1001160500	1	Connector	
8	1001161100	16	Plug	
9	1001161097	8	Terminal	
10	1001161101	7	Plug	
11	1001161098	1	Terminal	
12	1001187076	1	Ring Terminal	
13	1001161963	1	Connector	
14	1001161097	24	Terminal	
15	1001161100	16	Plug	
16	1001161095	1	Terminal	
17	1001161099	3	Terminal	
18	1001161101	4	Plug	
19	1001116774	1	Connector	
20	4460928	12	Terminal	
21	4460899	1	Connector	
22	4460464	3	Terminal	
23	4460466	3	Plug	
24	4460884	1	Connector	
25	4460942	1	Terminal	
26	4460465	3	Terminal	
27	1001160509	1	Connector	
28	1001160510	1	Terminal	
29	1001175266	1	Terminal Seal	
30	1001187075	1	Ring Terminal	
31	4460884	1	Connector	
32	4460465	4	Terminal	
33	1001116812	1	Connector	
34	4460944	2	Terminal	
35	4460466	1	Plug	
36	4460539	1	Connector	
37	4460465	3	Terminal	
38	4460884	1	Connector	
39	4460942	1	Terminal	
40	4460465	3	Terminal	
41	4460884	1	Connector	
42	4460942	1	Terminal	
43	4460465	3	Terminal	
44	4460884	1	Connector	
45	4460942	1	Terminal	
46	4460465	3	Terminal	
47	4460891	1	Connector	
48	4460465	2	Terminal	
49	4460891	1	Connector	

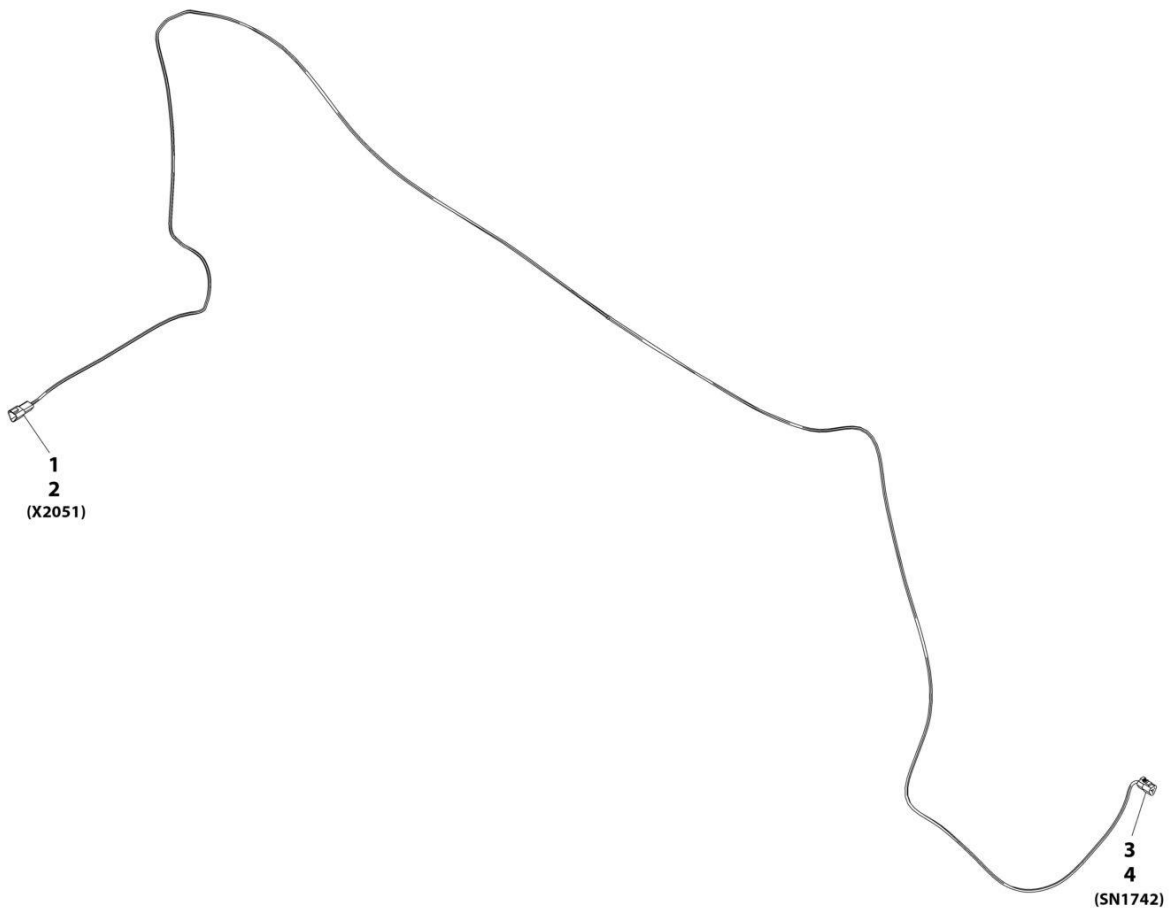
## SECTION 10 - ELECTRICAL

ITEM	PART NUMBER	QTY	DESCRIPTION	REV
50	4460465	1	Terminal	
51	4460942	1	Terminal	



# SECTION 10 - ELECTRICAL

## FIGURE 10-90. LMIS BOOM HARNESS



ART\_1001192619-D

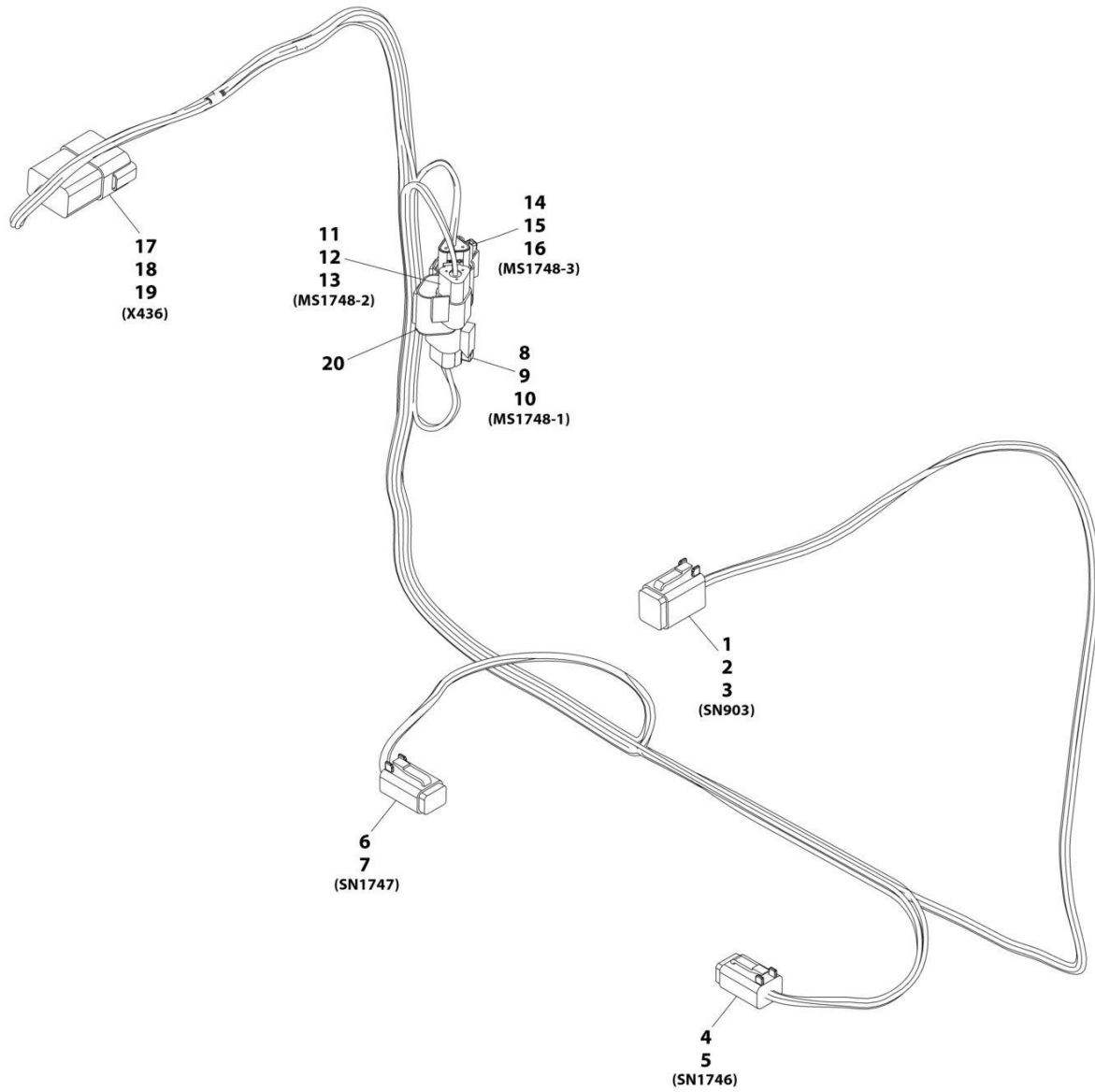
# SECTION 10 - ELECTRICAL

## FIGURE 10-90. LMIS BOOM HARNESS

ITEM	PART NUMBER	QTY	DESCRIPTION	REV
	1001192619	Ref	LMIS Boom Harness	D
1	4460536	1	Connector	
2	4460464	3	Terminal	
3	4460539	1	Connector	
4	4460465	3	Terminal	

# SECTION 10 - ELECTRICAL

## FIGURE 10-91. PLATFORM READY HARNESS



ART\_1001195202-A

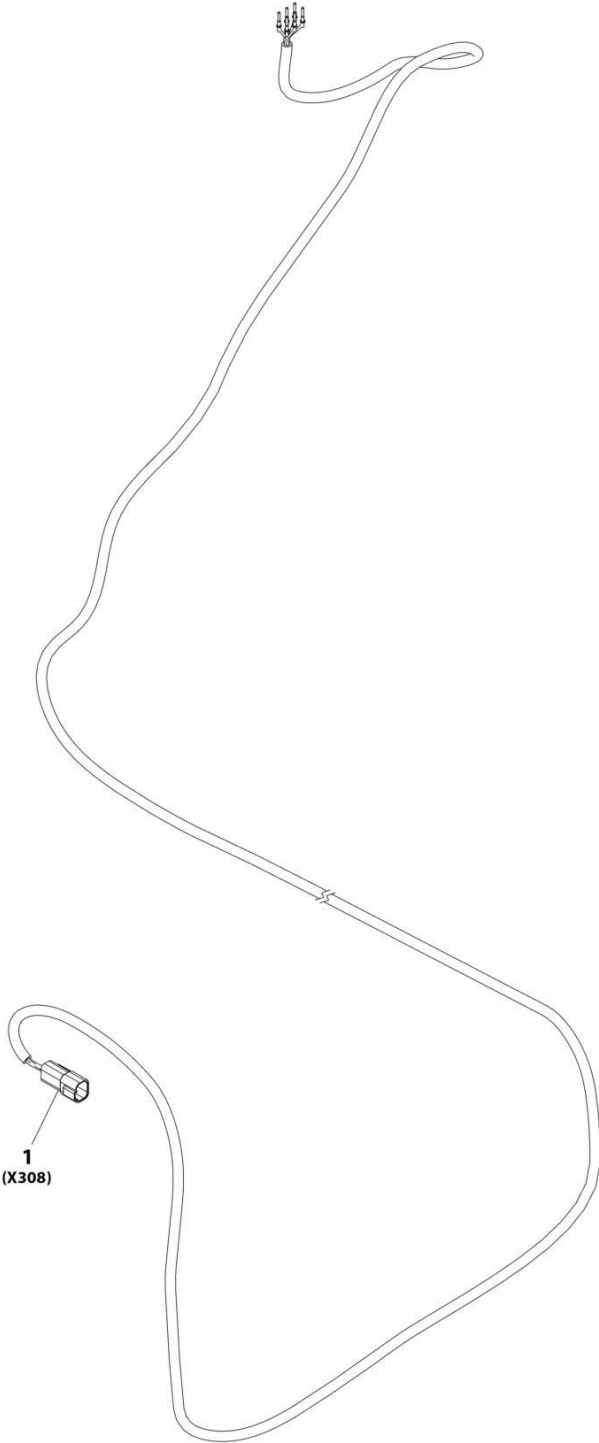
## SECTION 10 - ELECTRICAL

### FIGURE 10-91. PLATFORM READY HARNESS

ITEM	PART NUMBER	QTY	DESCRIPTION	REV
	1001195202	Ref	Platform Ready Harness	A
1	4460894	1	Connector	
2	4460465	4	Terminal	
3	4460466	2	Plug	
4	4460884	1	Connector	
5	4460944	4	Terminal	
6	4460884	1	Connector	
7	4460944	4	Terminal	
8	1001116812	1	Connector	
9	4460944	2	Terminal	
10	4460466	1	Plug	
11	4460539	1	Connector	
12	4460944	2	Terminal	
13	4460466	1	Plug	
14	1001116812	1	Connector	
15	4460944	2	Terminal	
16	4460466	1	Plug	
17	4460931	1	Connector	
18	4460464	6	Terminal	
19	4460466	2	Plug	
20	4460945	1	Connector, 3 Way	

**SECTION 10 - ELECTRICAL**

**FIGURE 10-92. LMIS BEACON OPTION HARNESS**



ART\_1001117247



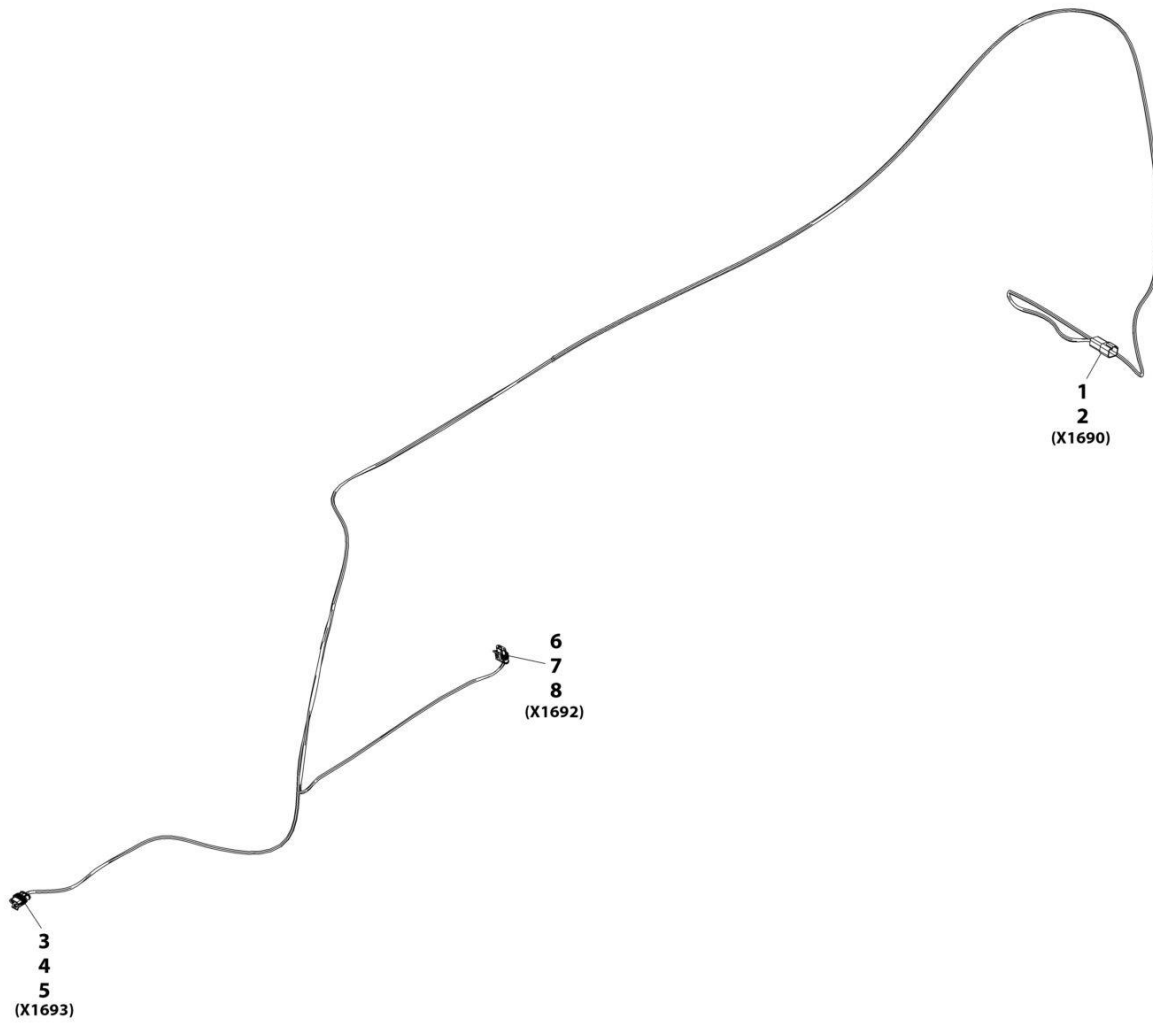
## SECTION 10 - ELECTRICAL

### FIGURE 10-92. LMIS BEACON OPTION HARNESS

ITEM	PART NUMBER	QTY	DESCRIPTION	REV
1	1001117247 4460932	Ref 1	LMIS Beacon Option Harness Connector	D

# SECTION 10 - ELECTRICAL

## FIGURE 10-93. PROXIMITY SENSOR HARNESS



ART\_1001195953-G

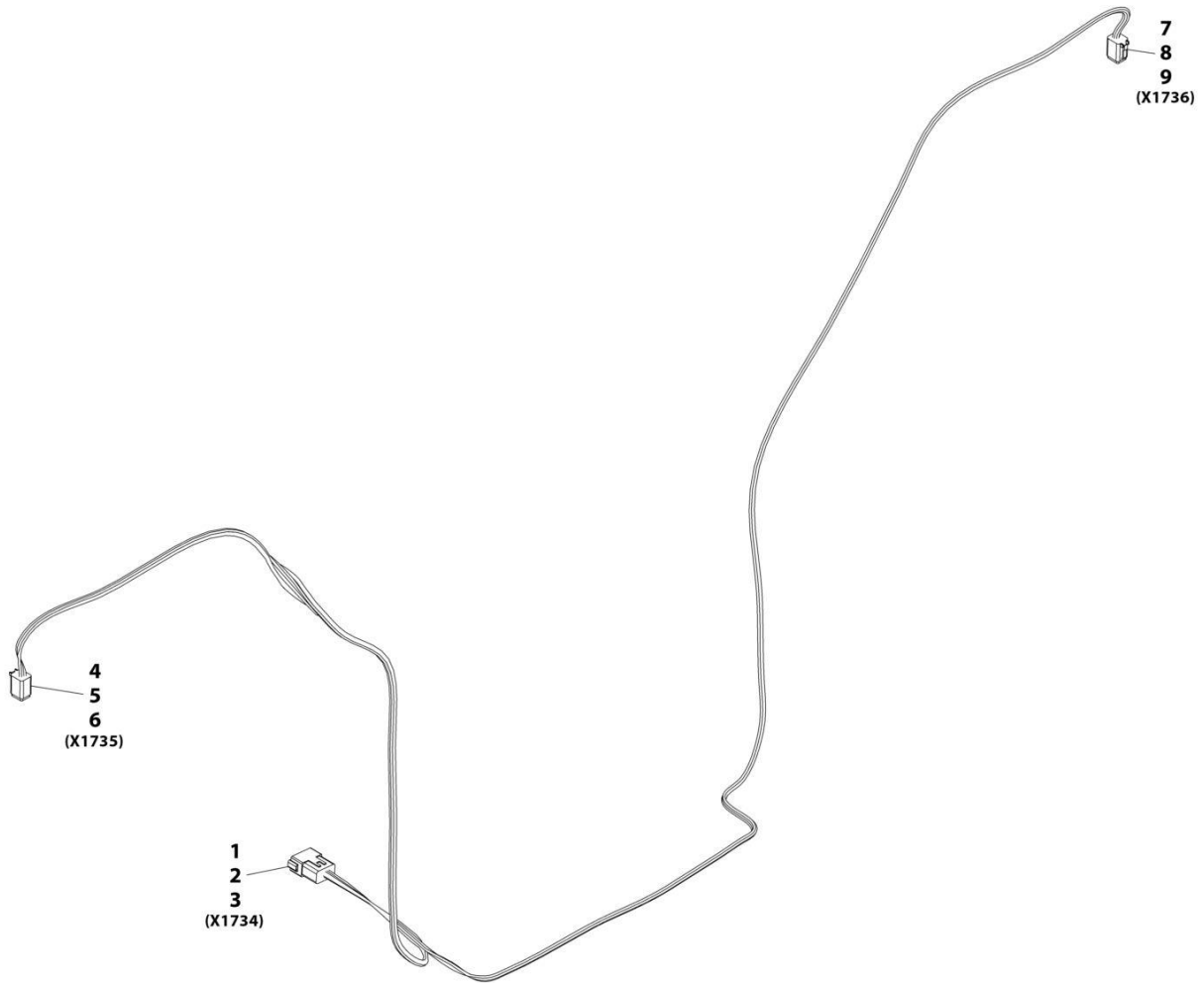
## SECTION 10 - ELECTRICAL

### FIGURE 10-93. PROXIMITY SENSOR HARNESS

ITEM	PART NUMBER	QTY	DESCRIPTION	REV
	1001195953	Ref	Proximity Sensor Harness	G
1	4460932	1	Connector	
2	4460464	4	Terminal	
3	4461262	1	Connector	
4	1001107854	3	Terminal	
5	1001104498	3	Terminal Seal	
6	4461262	1	Connector	
7	1001107854	3	Terminal	
8	1001104498	3	Terminal Seal	

# SECTION 10 - ELECTRICAL

## FIGURE 10-94. HEADLIGHT HARNESS



ART\_1001215693-C

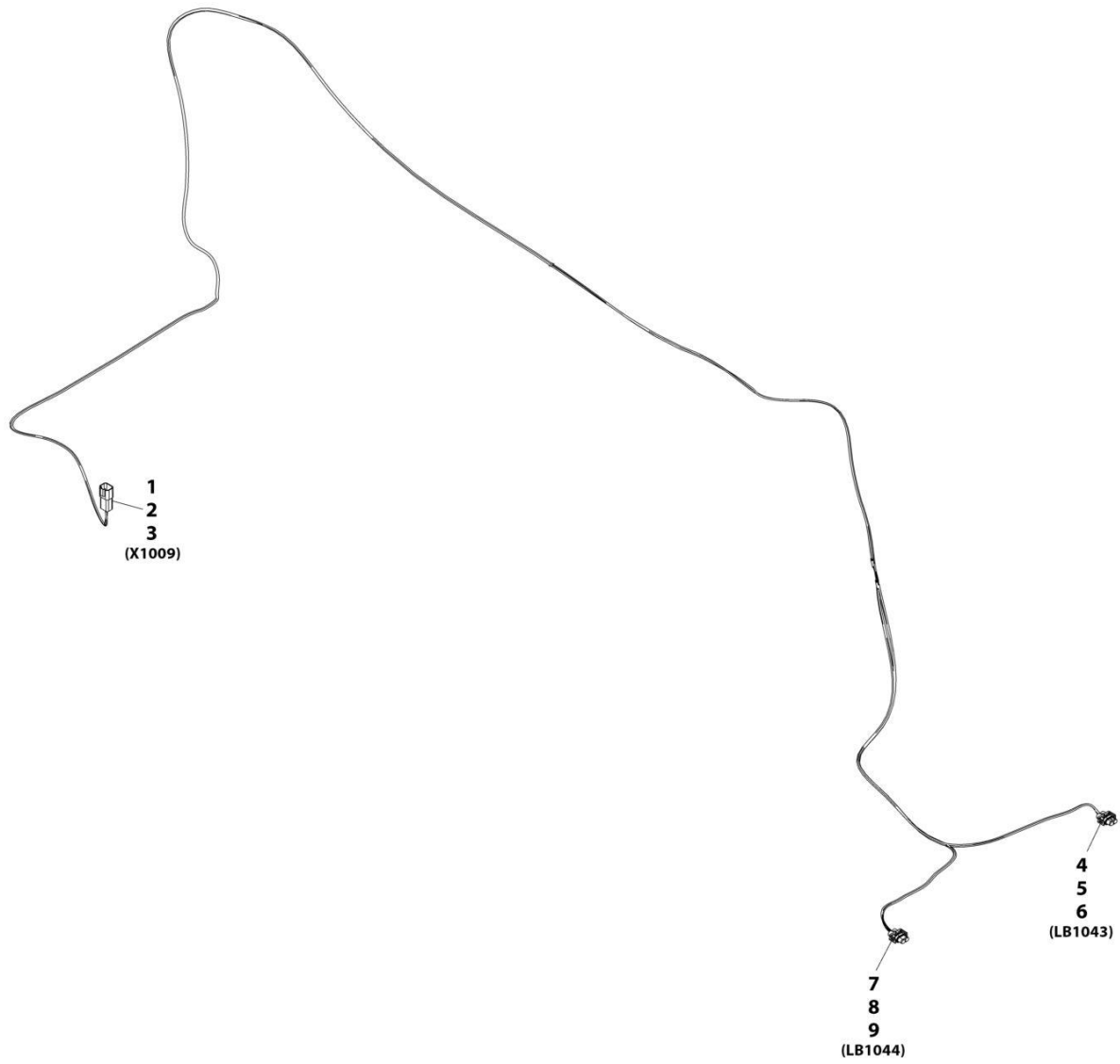
## SECTION 10 - ELECTRICAL

### FIGURE 10-94. HEADLIGHT HARNESS

ITEM	PART NUMBER	QTY	DESCRIPTION	REV
	1001215693	Ref	Headlight Harness	C
1	4460970	1	Connector	
2	4460941	10	Terminal	
3	4460466	2	Plug	
4	4460894	1	Connector	
5	4460942	5	Terminal	
6	4460466	1	Plug	
7	4460894	1	Connector	
8	4460942	5	Terminal	
9	4460466	1	Plug	

# SECTION 10 - ELECTRICAL

## FIGURE 10-95. BOOM WORKLIGHTS HARNESS



ART\_1001184796-E

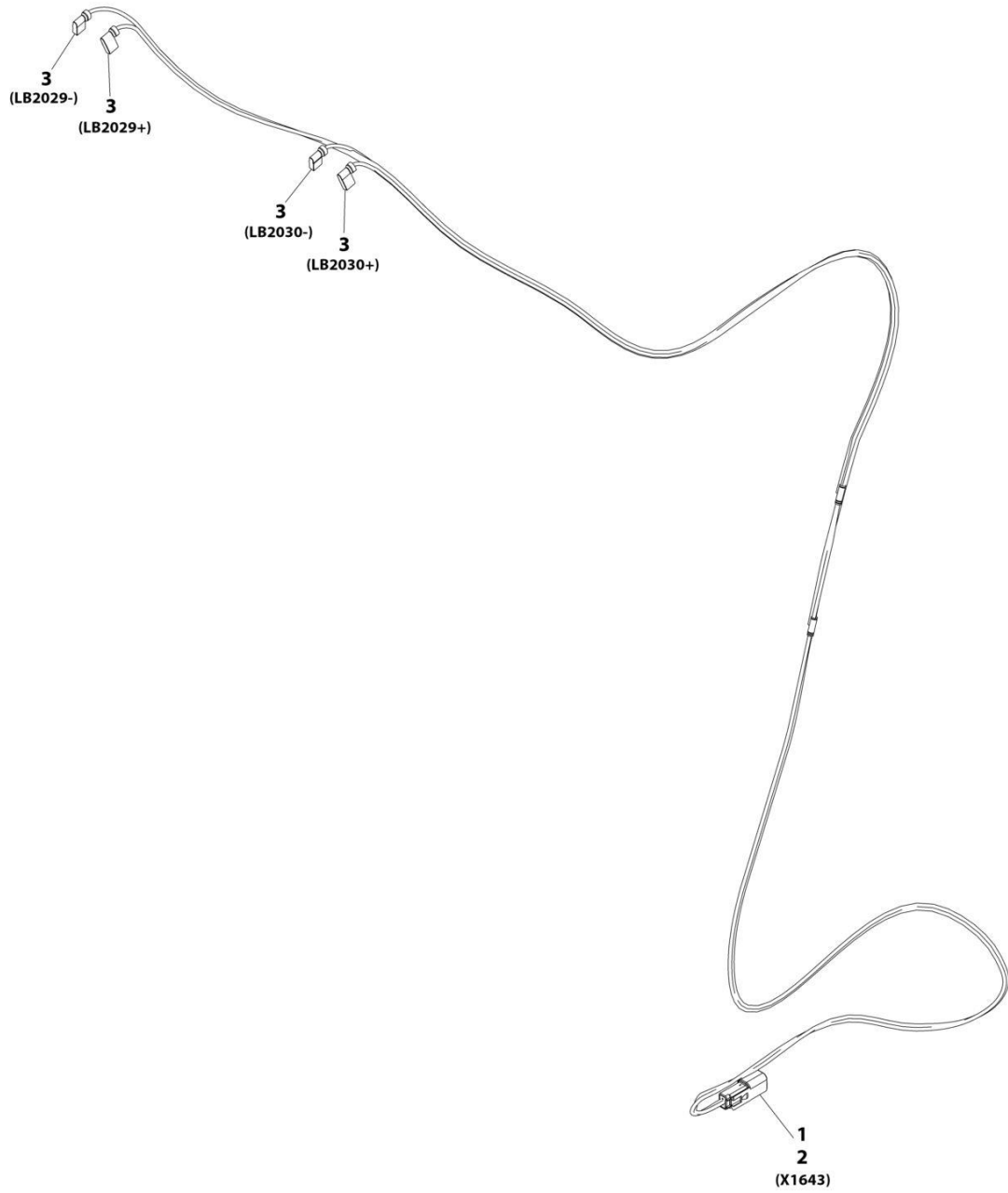
## SECTION 10 - ELECTRICAL

### FIGURE 10-95. BOOM WORKLIGHTS HARNESS

ITEM	PART NUMBER	QTY	DESCRIPTION	REV
	1001184796	Ref	Boom Worklights Harness	E
1	4460932	1	Connector	
2	4460464	2	Terminal	
3	4460466	2	Plug	
4	4461115	1	Connector	
5	1001116728	2	Terminal	
6	4460458	2	Terminal Seal	
7	4461115	1	Connector	
8	1001116728	2	Terminal	
9	4460458	2	Terminal Seal	

# SECTION 10 - ELECTRICAL

## FIGURE 10-96. LICENSE LIGHT HARNESS



ART\_1001178053-C



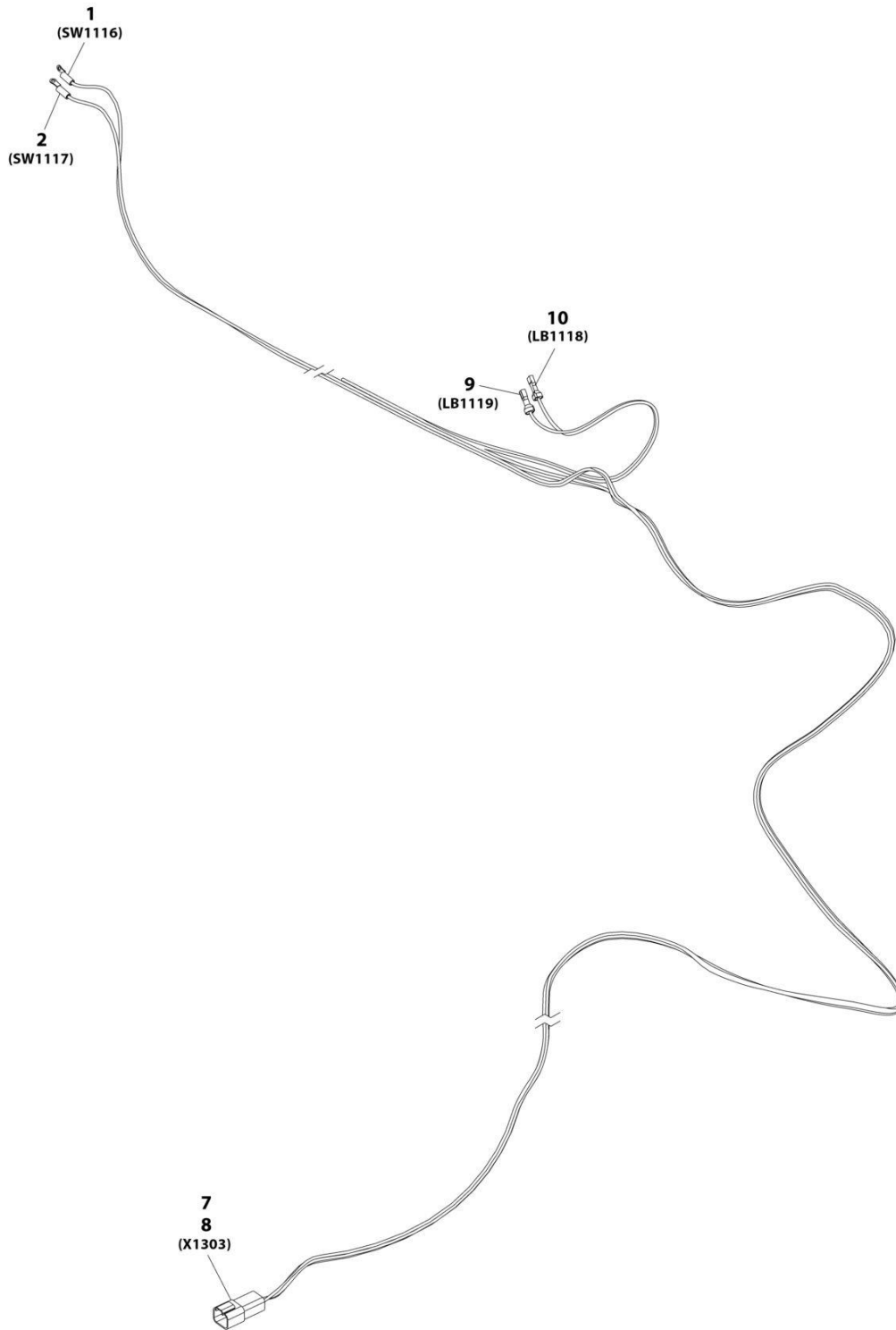
## SECTION 10 - ELECTRICAL

### FIGURE 10-96. LICENSE LIGHT HARNESS

ITEM	PART NUMBER	QTY	DESCRIPTION	REV
	1001178053	Ref	License Light Harness	C
1	4460897	1	Connector	
2	4460941	2	Terminal	
3	1001190396	4	Connector	

# SECTION 10 - ELECTRICAL

## FIGURE 10-97. AIR SHUTOFF VALVE HARNESS



ART\_1001231407-C

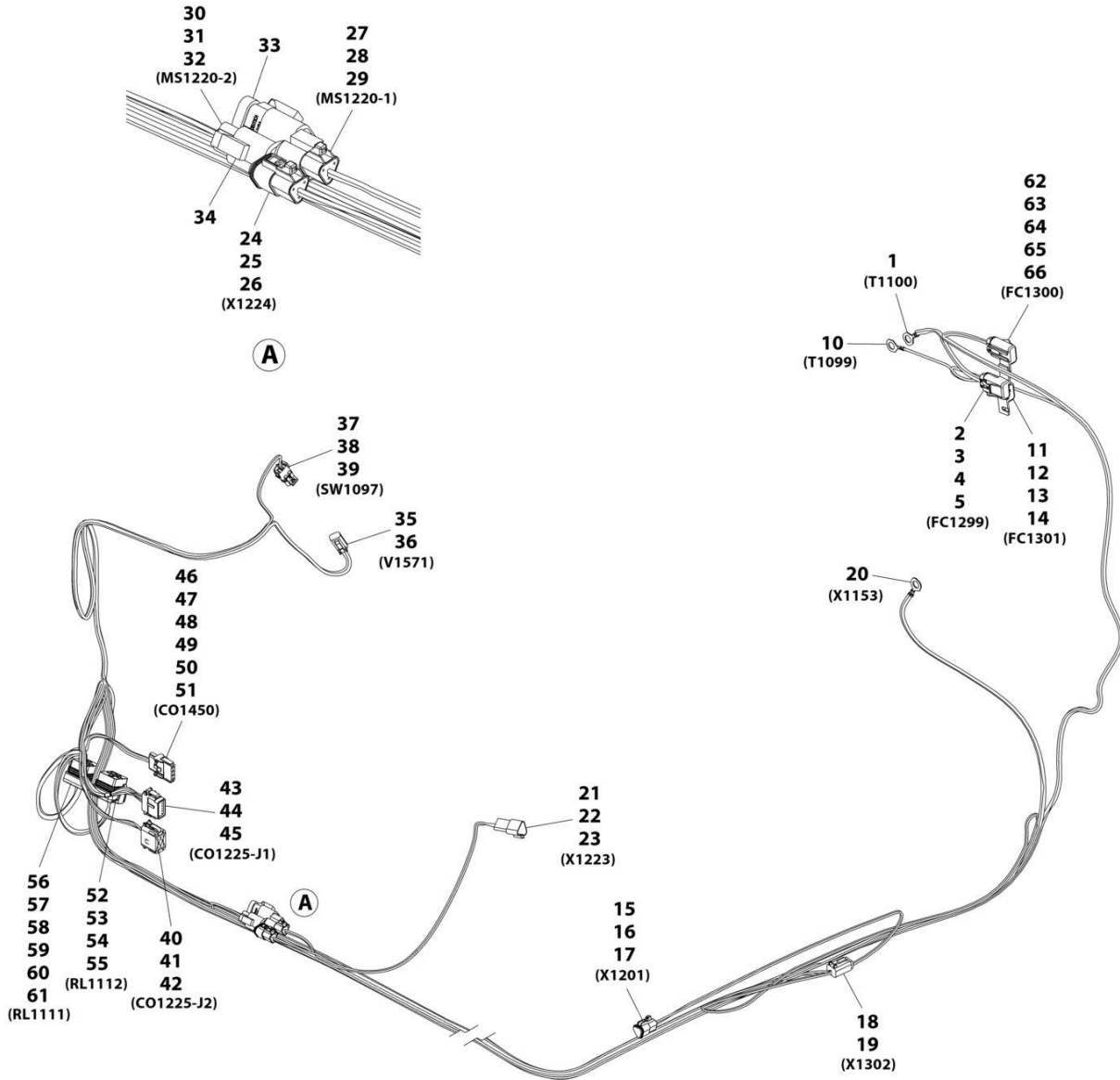
## SECTION 10 - ELECTRICAL

### FIGURE 10-97. AIR SHUTOFF VALVE HARNESS

ITEM	PART NUMBER	QTY	DESCRIPTION	REV
	1001231407	1	Air Shutoff Valve Harness	C
1	8220035	1	Terminal, Ring	
2	8220035	1	Terminal, Ring	
7	4460932	1	Connector	
8	4460464	4	Pin	
9	8220108	1	Connector, Female	
10	8220108	1	Connector, Female	

# SECTION 10 - ELECTRICAL

## FIGURE 10-98. AIR SHUT OFF VALVE HARNESS (ENGINE)



ART\_1001231483\_D

## SECTION 10 - ELECTRICAL

### FIGURE 10-98. AIR SHUT OFF VALVE HARNESS (ENGINE)

ITEM	PART NUMBER	QTY	DESCRIPTION	REV
	1001231483	Ref	Air Shut Off Valve Harness (Engine)	D
1	1001187079	1	Terminal, Ring	
2	1001231397	1	Connector	
3	8229235	1	Fuse, 20amp	
4	1001231401	2	Terminal	
5	1001230402	2	Seal	
10	1001187078	1	Terminal, Ring	
11	1001231397	1	Connector	
12	8229261	1	Fuse, 5amp	
13	1001231400	2	Terminal	
14	1001230403	2	Seal	
15	1001116812	1	Connector	
16	4460465	2	Terminal	
17	4460466	1	Plug	
18	4460884	1	Connector	
19	4460465	4	Terminal	
20	1001187079	1	Terminal, Ring	
21	1001144147	1	Connector	
22	4460464	2	Terminal	
23	4460466	1	Plug	
24	1001116812	1	Connector	
25	4460465	2	Terminal	
26	4460466	1	Plug	
27	1001116812	1	Connector	
28	4460465	2	Terminal	
29	4460466	1	Plug	
30	4460539	1	Connector	
31	4460465	2	Terminal	
32	4460466	1	Plug	
33	1001116815	1	Connector, 3 Pin	
34	4460945	1	Terminal, 3 Way "T" Receptacle	
35	4460891	1	Connector	
36	1001157890	2	Terminal	
37	4460742	1	Connector	
38	4460475	2	Terminal	
39	4460458	2	Plug	
40	1001116774	1	Connector	
41	4460518	8	Plug	
42	1001126008	4	Terminal	
43	1001116808	1	Connector	
44	1001126008	9	Terminal	
45	4460518	3	Plug	
46	4460761	1	Connector	
47	4460321	1	Terminal	
48	1001118378	4	Terminal	
49	4460809	4	Plug	
50	1001143551	1	Seal	
51	1001218358	1	Lanyard Rope	
52	1001231398	1	Connector	
53	1001231400	4	Terminal	

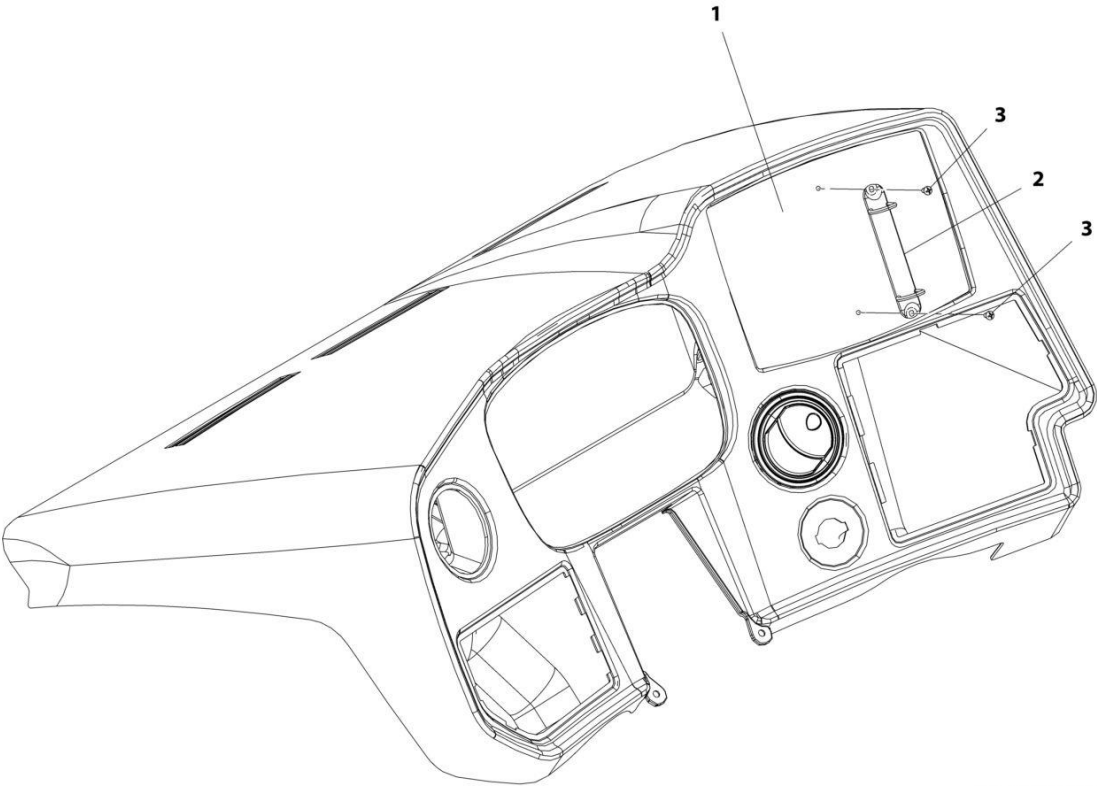
## SECTION 10 - ELECTRICAL

ITEM	PART NUMBER	QTY	DESCRIPTION	REV
54	1001231404	4	Seal	
55	1001231406	1	Plug	
56	1001231398	1	Connector	
57	1001231401	2	Terminal	
58	1001231402	2	Seal	
59	1001231400	2	Terminal	
60	1001231404	2	Seal	
61	1001231406	1	Plug	
62	1001231397	1	Connector	
63	8229234	1	Fuse, 10amp	
64	1001231400	2	Terminal	
65	1001230403	1	Seal	
66	1001230404	1	Seal	

**SECTION 11 - DECALS**

**SECTION 11 - DECALS**

**FIGURE 11-1. CAPACITY CHART HOLDER INSTALLATION**



ART\_1001178706-A



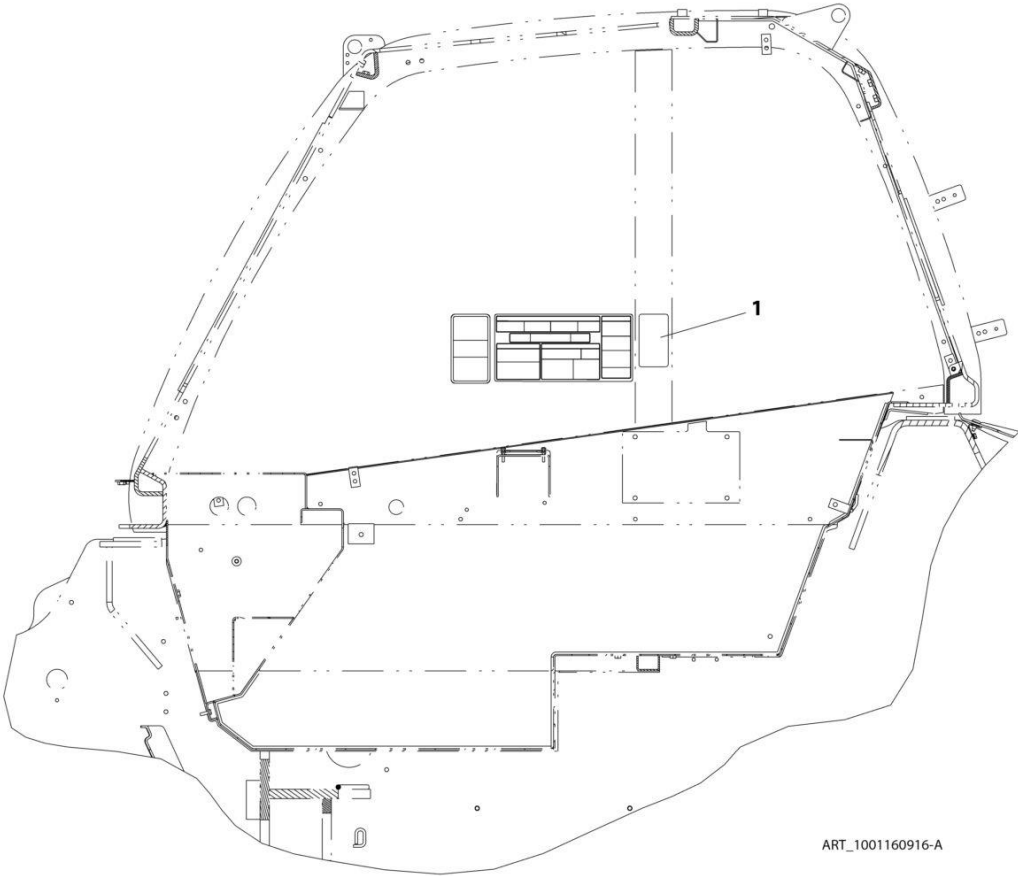
## SECTION 11 - DECALS

### FIGURE 11-1. CAPACITY CHART HOLDER INSTALLATION

ITEM	PART NUMBER	QTY	DESCRIPTION	REV
	1001178706	Ref	Capacity Chart Holder Installation	A
1	1001179297	1	Load Chart, Bezel	
2	1001005960	1	Holder	
3	7029486	2	Screw	

**SECTION 11 - DECALS**

**FIGURE 11-2. REVERSE SENSOR SYSTEM DECAL**



ART\_1001160916-A

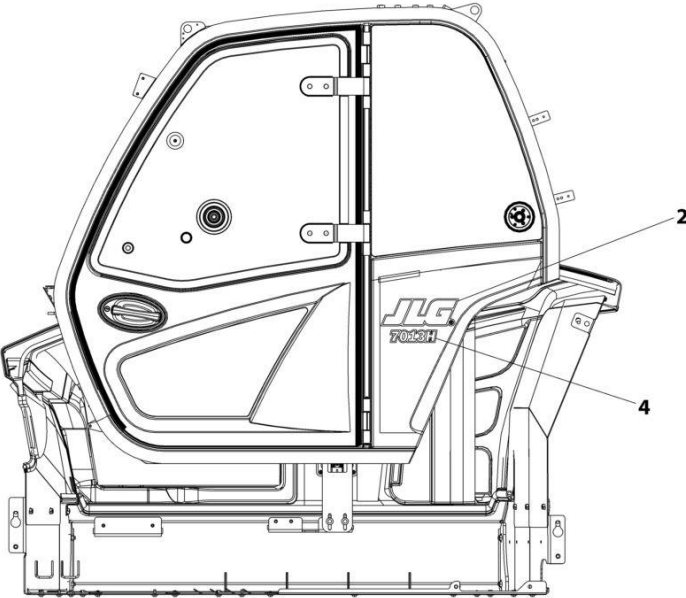
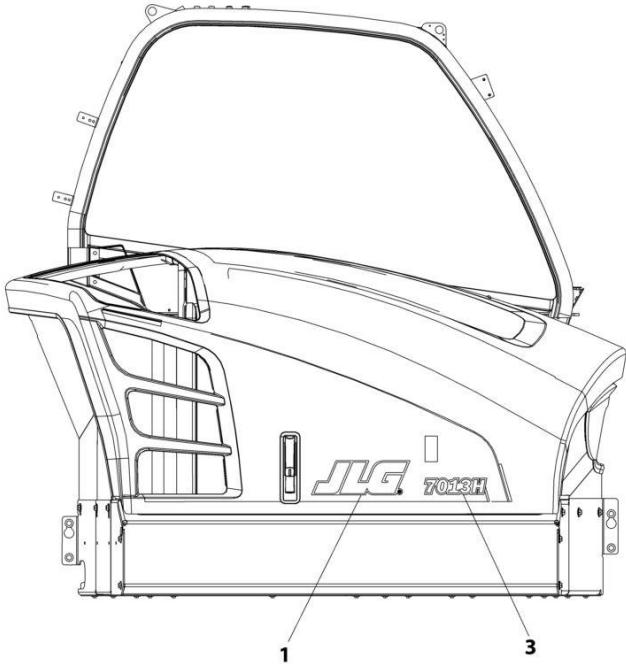
## SECTION 11 - DECALS

**FIGURE 11-2. REVERSE SENSOR SYSTEM DECAL**

ITEM	PART NUMBER	QTY	DESCRIPTION	REV
1	1001160916	1	Reverse Sensor System Decal (ISO)	A

**SECTION 11 - DECALS**

**FIGURE 11-3. 7013H DECAL INSTALLATION**



ART\_1001195298-B

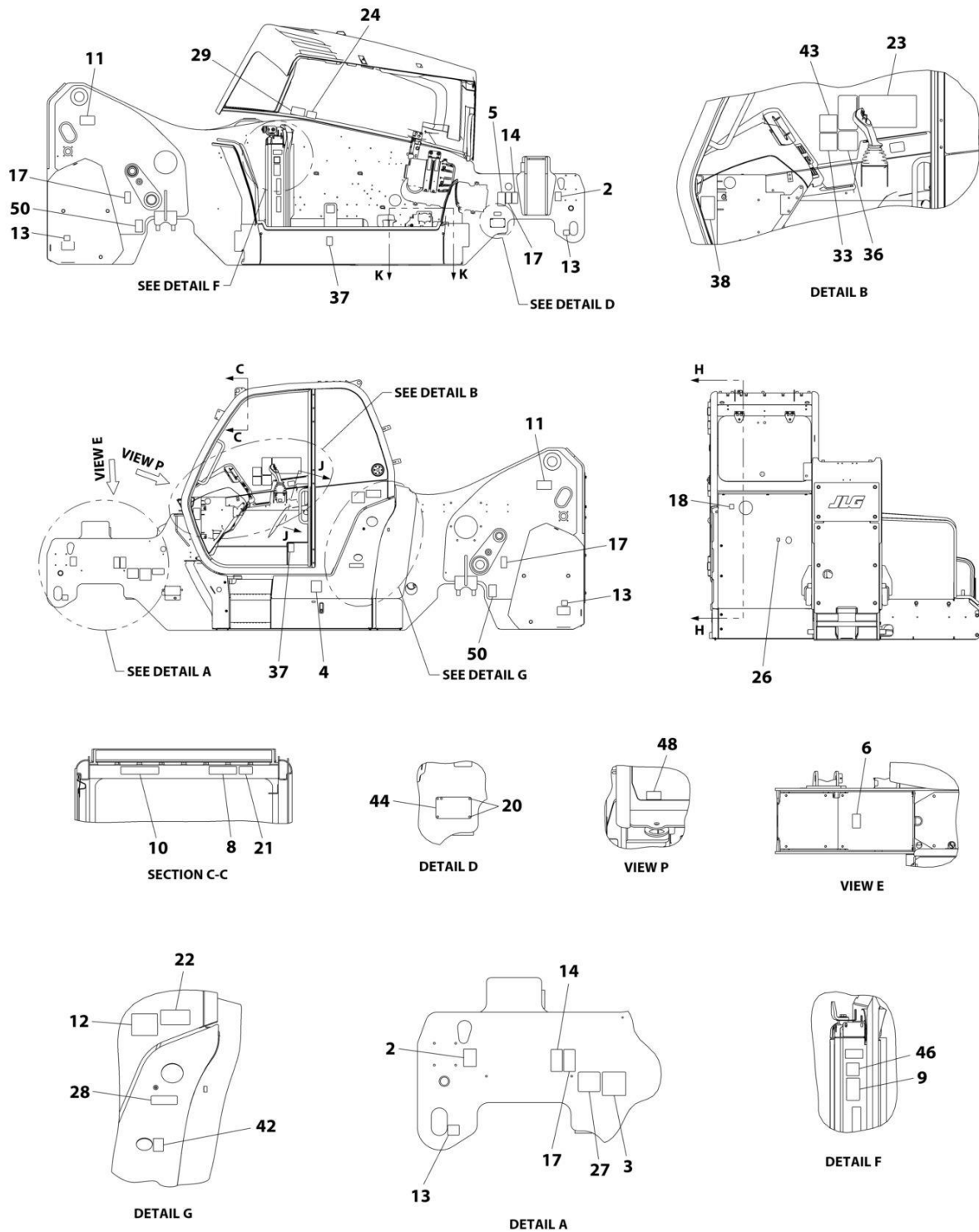
## SECTION 11 - DECALS

### FIGURE 11-3. 7013H DECAL INSTALLATION

ITEM	PART NUMBER	QTY	DESCRIPTION	REV
	1001195298	Ref	7013H Decal Installation	B
1	1001160775	1	Decal, JLG 5 Black	
2	1001169674	1	Decal, JLG M100X285	
3	1001211530	1	Decal, JLG 7013 Hood	
4	1001211531	1	Decal, JLG 7013 Cab	

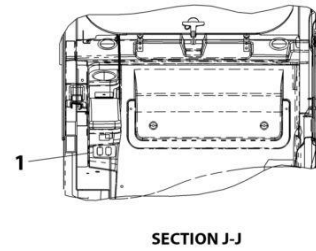
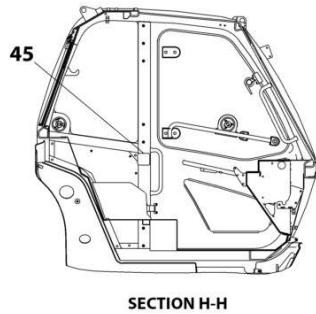
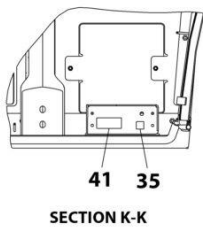
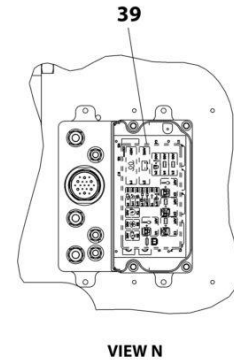
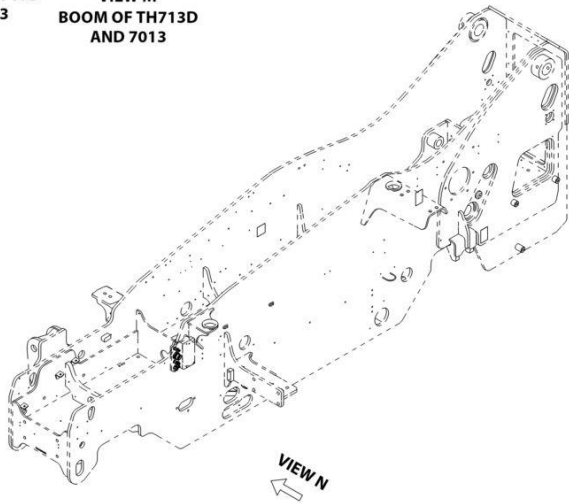
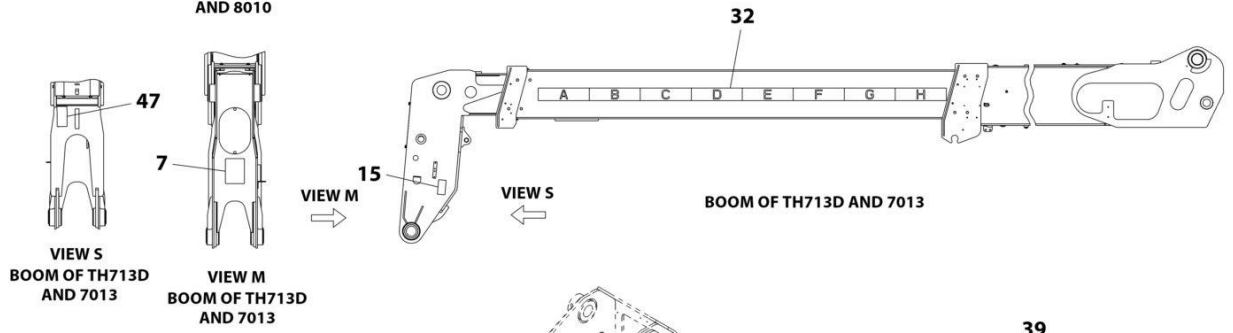
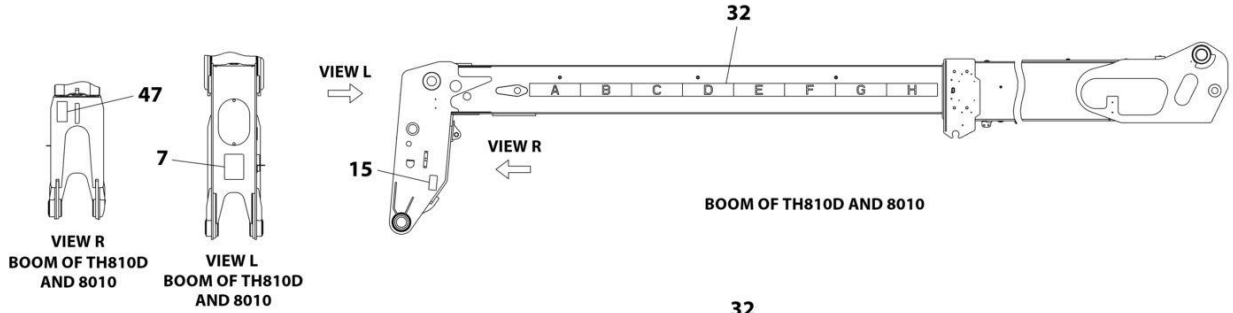
# SECTION 11 - DECALS

## FIGURE 11-4. DECAL INSTALLATION (ULS)



ART\_1001192741\_1-D

# SECTION 11 - DECALS



ART\_1001192741\_2-D

# SECTION 11 - DECALS

**FIGURE 11-4. DECAL INSTALLATION (ULS)**

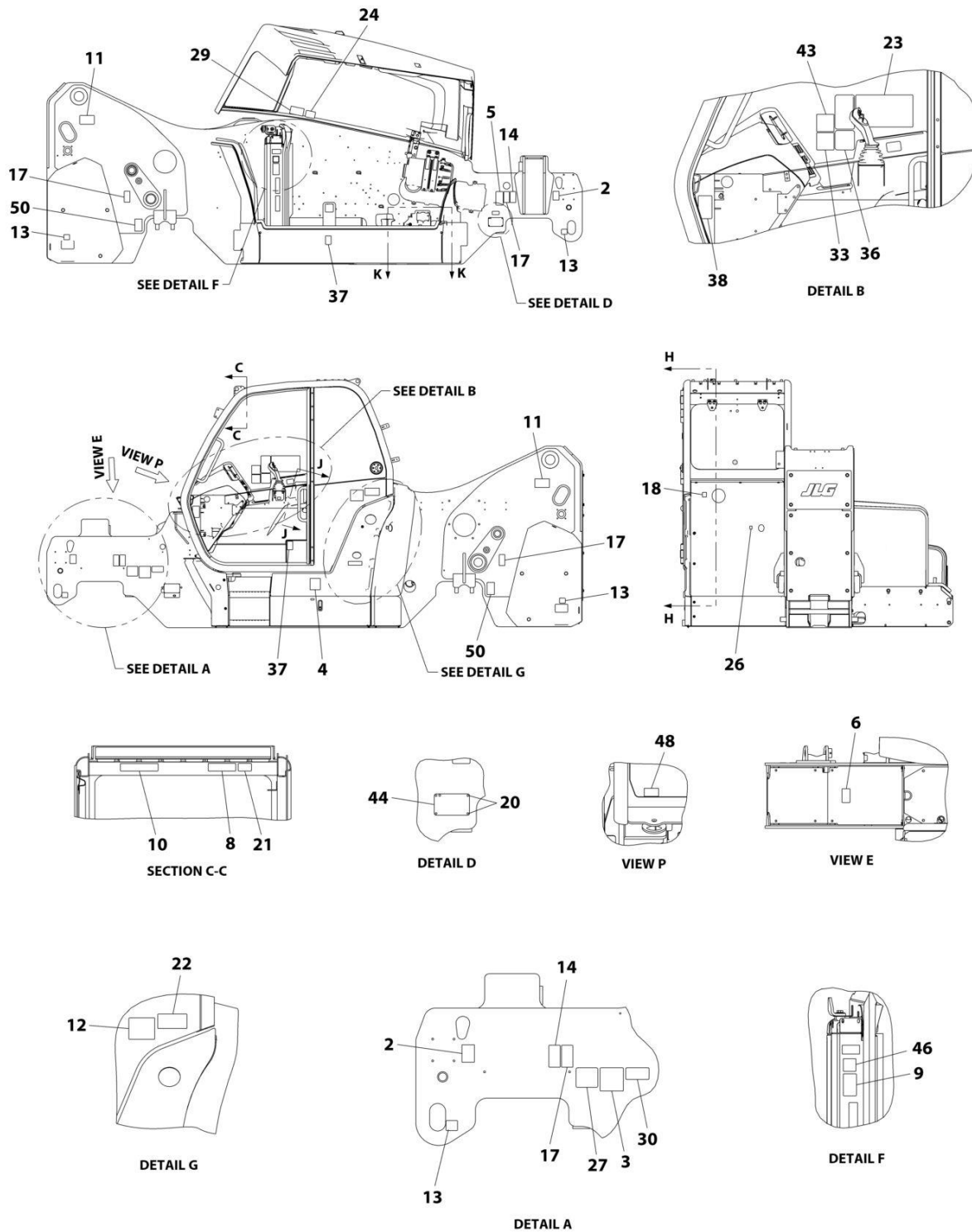
ITEM	PART NUMBER	QTY	DESCRIPTION	REV
	1001192741	Ref	Decal Installation (ULS)	D
1	1670836	1	Cover, Boom	
2	1701500	2	Decal, Lift	
3	1702631	1	Decal, Bar Code	
4	1705980	1	Decal, Acoustic Power 106db	
5	1706098	1	Decal, Warning Ether Start	
6	1706281	1	Decal, Battery Warning (ISO)	
7	1706282	1	Decal, Carry Personnel (ISO) <b>(SN 0160040120 through 0160078381, SN 0160078382 through 0160097406)</b>	
8	1706284	1	Decal, Electrocution Hazard (ISO)	
9	1706285	1	Decal, Moving Parts (ISO)	
10	1706288	1	Decal, Tip Over Warning	
11	1706292	2	Decal, Pinch Point Boom Holes <b>(SN 0160040120 through 0160078381, SN 0160078382 through 0160097406)</b>	
12	3251813	1	Decal, USA	
13	4109801	4	Decal, Tie Down Point	
14	8005671	2	Decal, Cylinder Lock Warning	
15	8005675	2	Decal, Watch for Raised Boom Warning	
17	8008657	4	Decal, Set Brake Lever Warning	
18	1001094708	1	Decal, Hydraulic Oil	
20	1001009178	4	Tack, Metal	
21	1001092877	1	Decal, Crush Hazard Warning	
22	1001092878	1	Decal, No Riders	
23	1001101895	1	Decal, Cab Warning	
24	1001109053	1	Decal, Coolant Fill	
26	1001130323	1	Decal, Oil Level	
27	1001131271	1	Decal, Patent Telehandlers USA/Canada	
28	1001218704	1	Decal, Ultra Low Sulfur Diesel	
29	1001139942	1	Decal, Hot Fluid Warning	
32	1001171277	1	Decal, Boom Extend	
33	1001172035	1	Decal, No Weld or Drill	
35	1001184632	1	Decal, Battery Positive	
36	1001188372	1	Decal, Sway	
37	1001189154	2	Decal, Read Operators Manual	
38	1001191229	1	Decal, Fuse Panel	
39	1001191487	1	Decal, Fuse Panel	
41	1001195855	1	Decal, Battery Disconnect	
42	1001196806	1	Decal, Diesel Exhaust Fluid	
43	1001227287	1	Decal, Manual	
44	1001098487	1	Decal, SN Plate JLG	
45	1001214206	1	Decal, Park Brake	
46	AU2105	1	Decal, No Karcher	
47	1001207218	1	Decal, Danger Swinging Load	
48	1001219211	1	Decal, Brake Fluid	
50	1001222650	2	Decal, Axle Lift	





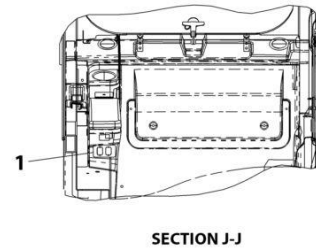
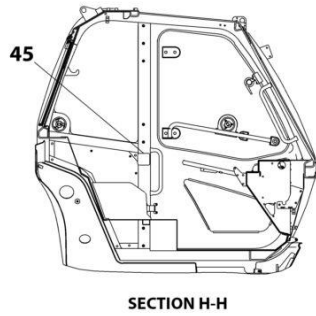
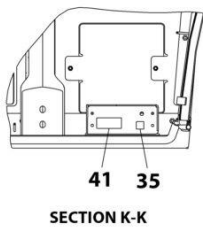
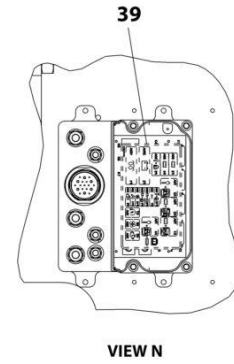
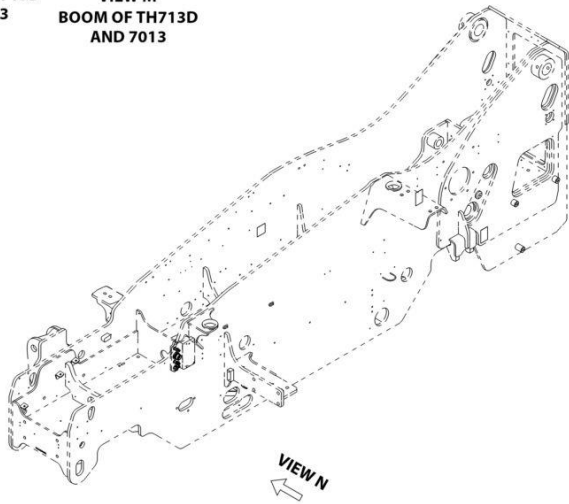
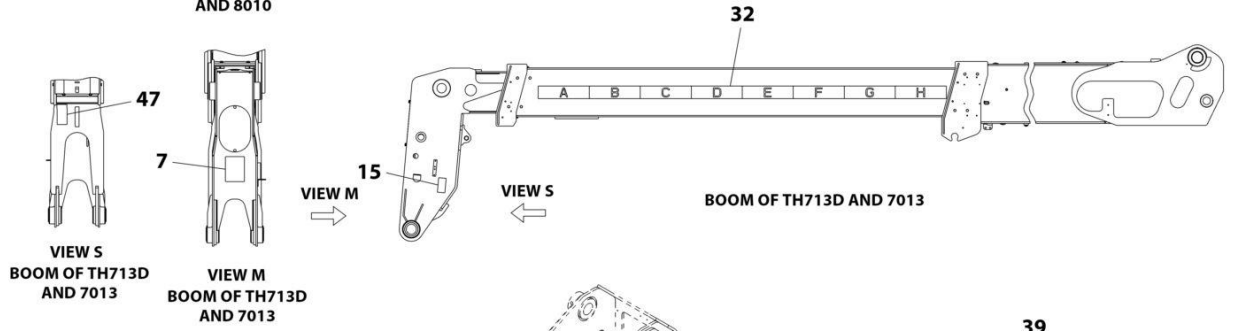
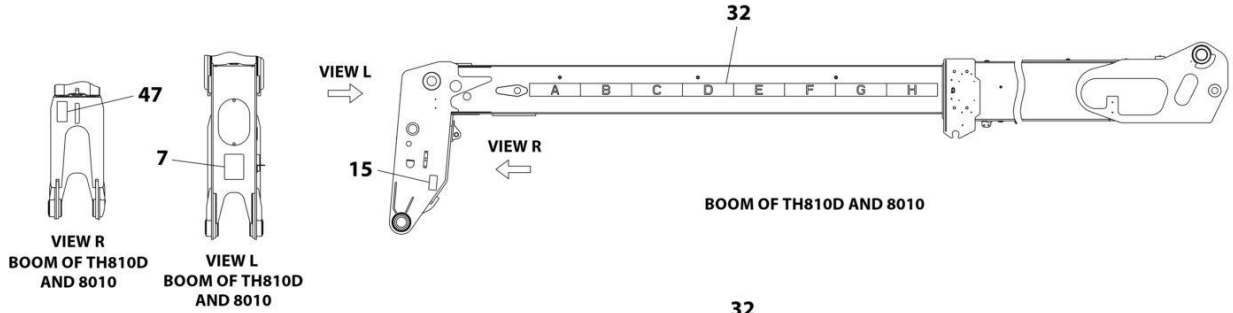
# SECTION 11 - DECALS

## FIGURE 11-5. DECAL INSTALLATION (LS)



ART\_1001220707\_1-C

# SECTION 11 - DECALS



ART\_1001220707\_2-C

# SECTION 11 - DECALS

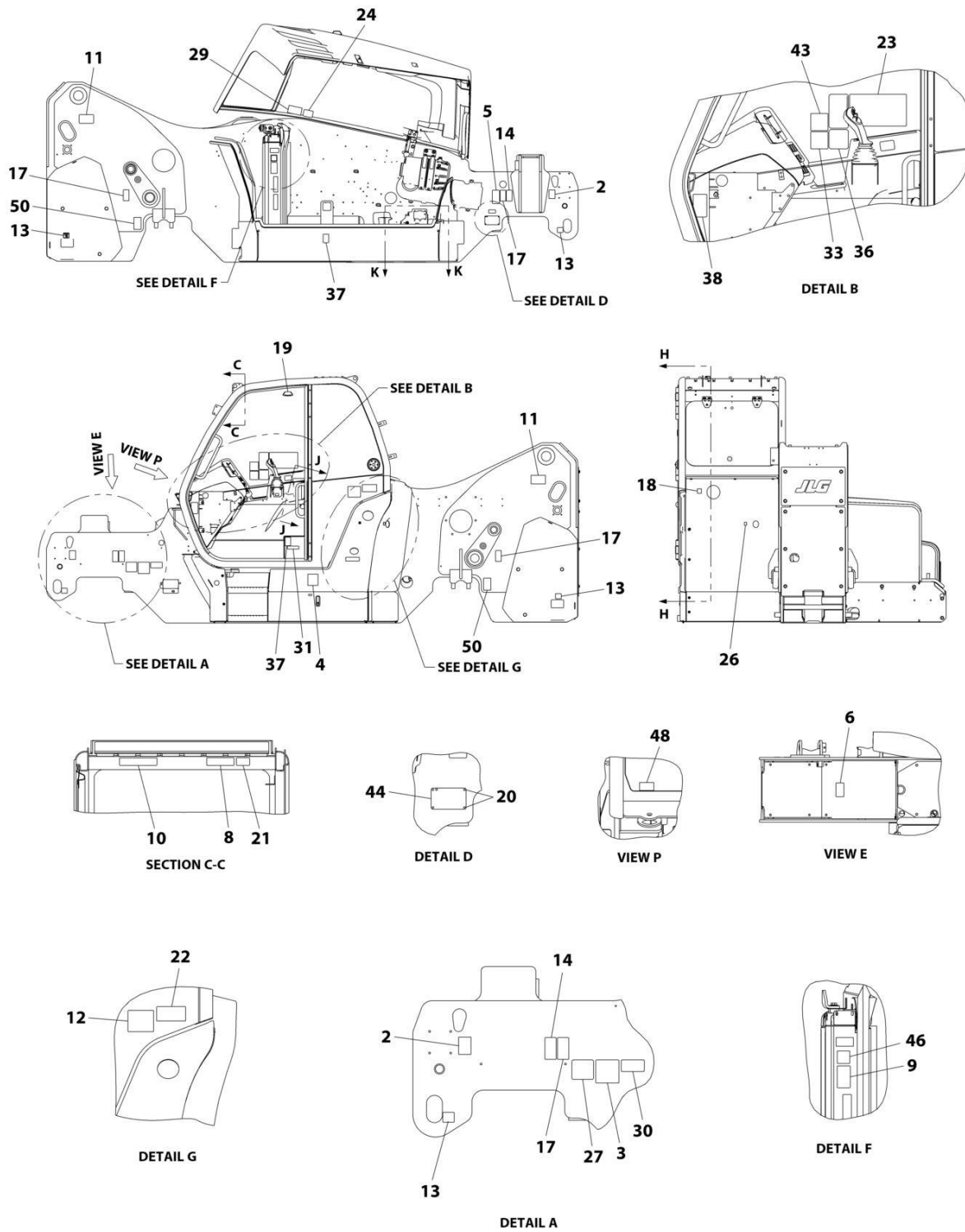
**FIGURE 11-5. DECAL INSTALLATION (LS)**

ITEM	PART NUMBER	QTY	DESCRIPTION	REV
	1001220707	Ref	Decal Installation (LS)	C
1	1670836	1	Cover, Boom	
2	1701500	2	Decal, Lift	
3	See Note	NSS	Decal, Bar Code (Note: Not Available for Purchase)	
4	1705980	1	Decal, Acoustic Power 106db	
5	1706098	1	Decal, Warning Ether Start	
6	1706281	1	Decal, Battery Warning (ISO)	
7	1706282	1	Decal, Carry Personnel (ISO) <b>(SN 0160040120 through 0160078381, SN 0160078382 through 0160097406)</b>	
8	1706284	1	Decal, Electrocution Hazard (ISO)	
9	1706285	1	Decal, Moving Parts (ISO)	
10	1706288	1	Decal, Tip Over Warning	
11	1706292	2	Decal, Pinch Point Boom Holes <b>(SN 0160040120 through 0160078381, SN 0160078382 through 0160097406)</b>	
12	3251813	1	Decal, USA	
13	4109801	4	Decal, Tie Down Point	
14	8005671	2	Decal, Cylinder Lock Warning	
15	8005675	2	Decal, Watch for Raised Boom Warning	
17	8008657	4	Decal, Set Brake Lever Warning	
18	1001094708	1	Decal, Hydraulic Oil	
20	1001009178	4	Tack, Metal	
21	1001092877	1	Decal, Crush Hazard Warning	
22	1001092878	1	Decal, No Riders	
23	1001101895	1	Decal, Cab Warning	
24	1001109053	1	Decal, Coolant Fill	
26	1001130323	1	Decal, Oil Level	
27	1001131271	1	Decal, Patent Telehandlers USA/Canada	
29	1001139942	1	Decal, Hot Fluid Warning	
30	1001143852	1	Decal, LRC EPA	
32	1001171277	1	Decal, Boom Extend	
33	1001172035	1	Decal, No Weld or Drill	
35	1001184632	1	Decal, Battery Positive	
36	1001188372	1	Decal, Sway	
37	1001189154	2	Decal, Read Operators Manual	
38	1001191229	1	Decal, Fuse Panel	
39	1001191487	1	Decal, Fuse Panel	
41	1001195855	1	Decal, Battery Disconnect	
43	1001227287	1	Decal, Manual	
44	1001098487	1	Decal, SN Plate JLG	
45	1001214206	1	Decal, Park Brake	
46	AU2105	1	Decal, No Karcher	
47	1001207218	1	Decal, Danger Swinging Load	
48	1001219211	1	Decal, Brake Fluid	
50	1001222650	2	Decal, Axle Lift	



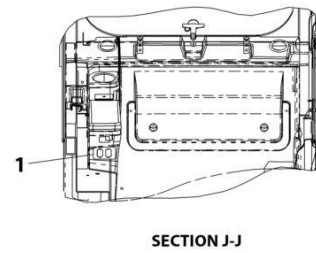
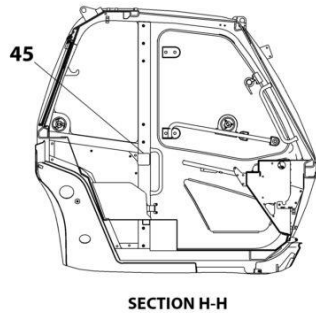
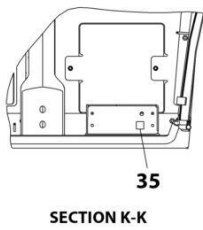
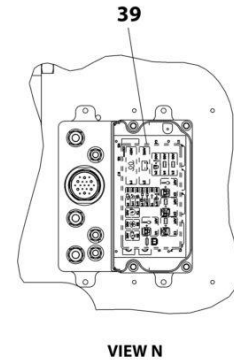
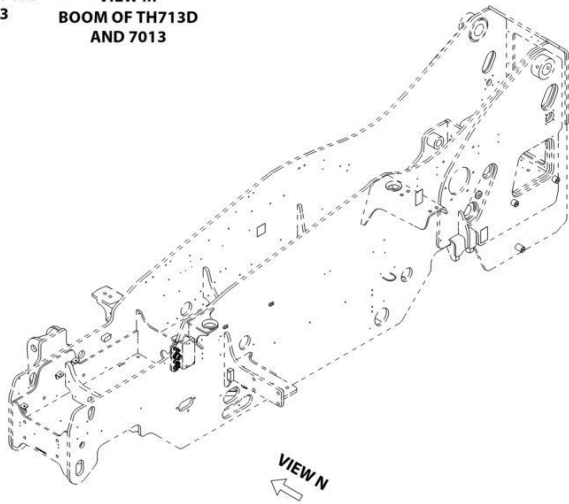
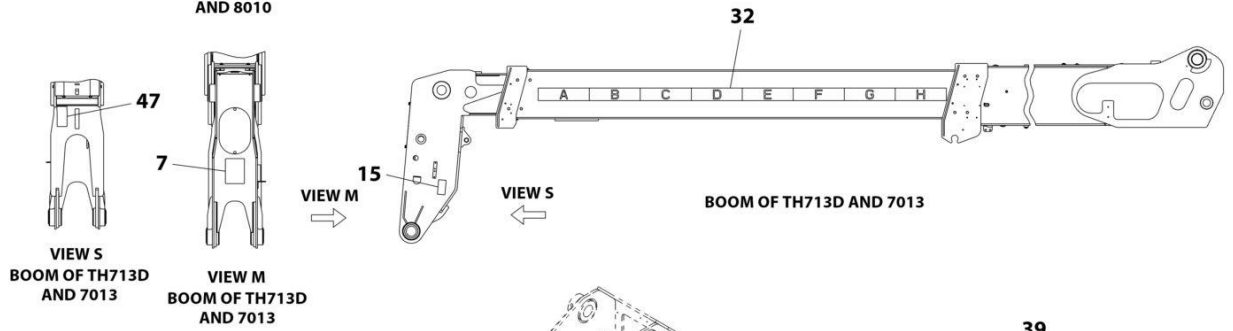
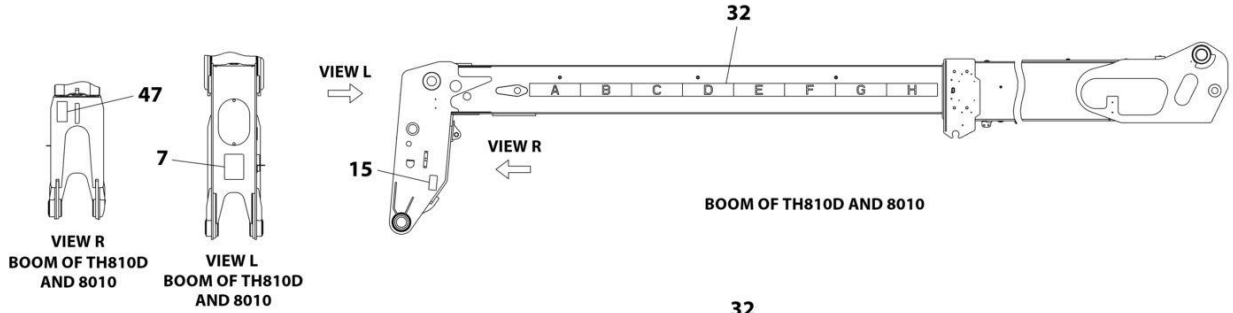
# SECTION 11 - DECALS

## FIGURE 11-6. DECAL INSTALLATION (AUS)



ART\_1001192743\_1-D

# SECTION 11 - DECALS



ART\_1001192743\_2-D

# SECTION 11 - DECALS

FIGURE 11-6. DECAL INSTALLATION (AUS)

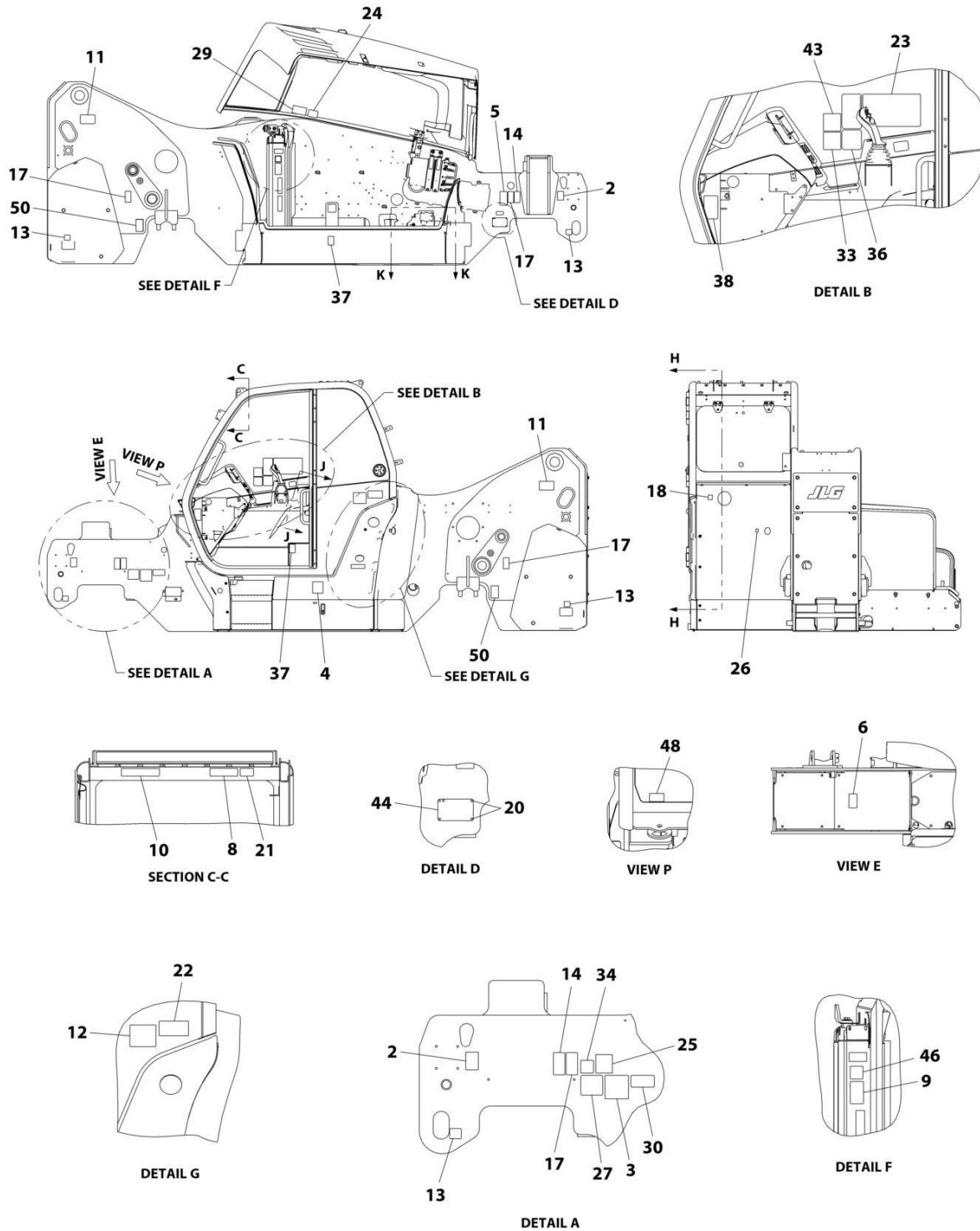
ITEM	PART NUMBER	QTY	DESCRIPTION	REV
	1001192743	Ref	Decal Installation (AUS)	D
1	1670836	1	Cover, Boom	
2	1701500	2	Decal, Lift	
3	1702631	1	Decal, Bar Code	
4	1705980	1	Decal, Acoustic Power 106db	
5	1706098	1	Decal, Warning Ether Start	
6	1706281	1	Decal, Battery Warning (ISO)	
7	1706282	1	Decal, Carry Personnel (ISO) (SN 0160040120 through 0160078381, SN 0160078382 through 0160097406)	
8	1706284	1	Decal, Electrocution Hazard (ISO)	
9	1706285	1	Decal, Moving Parts (ISO)	
10	1706288	1	Decal, Tip Over Warning	
11	1706292	2	Decal, Pinch Point Boom Holes (SN 0160040120 through 0160078381, SN 0160078382 through 0160097406)	
12	3251813	1	Decal, USA	
13	4109801	4	Decal, Tie Down Point	
14	8005671	2	Decal, Cylinder Lock Warning	
15	8005675	2	Decal, Watch for Raised Boom Warning	
17	8008657	3	Decal, Set Brake Lever Warning	
18	1001094708	1	Decal, Hydraulic Oil	
19	8466306	1	Gauge, Tilt Angle	
20	1001009178	4	Tack, Metal	
21	1001092877	1	Decal, Crush Hazard Warning	
22	1001092878	1	Decal, No Riders	
23	1001101895	1	Decal, Cab Warning	
24	1001109053	1	Decal, Coolant Fill	
26	1001130323	1	Decal, Oil Level	
27	1001131271	1	Decal, Patent	
29	1001139942	1	Decal, Hot Fluid Warning	
30	1001143852	1	Decal, LRC EPA	
31	1001155230	1	Decal, Cab AUS Safety	
32	1001171277	1	Decal, Boom Extend	
33	1001172035	1	Decal, No Weld or Drill	
35	1001184632	1	Decal, Battery Positive	
36	1001188372	1	Decal, Sway	
37	1001189154	2	Decal, Read Operators Manual	
38	1001191229	1	Decal, Fuse Panel	
39	1001191487	1	Decal, Fuse Panel	
43	1001227287	1	Decal, Manual	
44	1001118252	1	Decal, SN Plate JLG	
45	1001214206	1	Decal, Park Brake	
46	AU2105	1	Decal, No Karcher	
47	1001207218	1	Decal, Danger Swinging Load	
48	1001219211	1	Decal, Brake Fluid	
50	1001222650	2	Decal, Axle Lift	





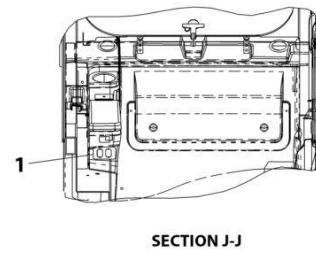
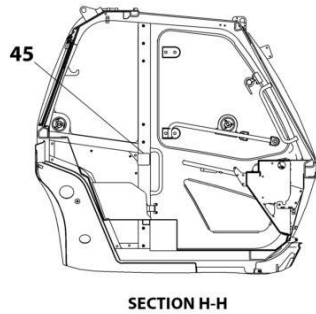
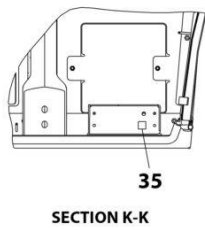
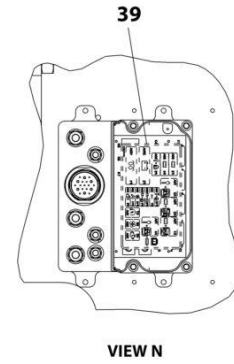
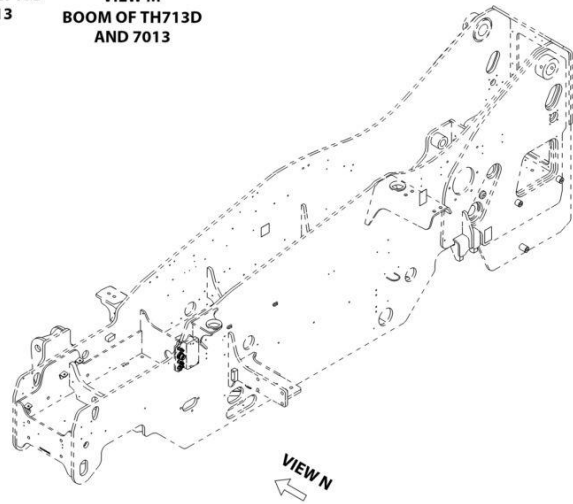
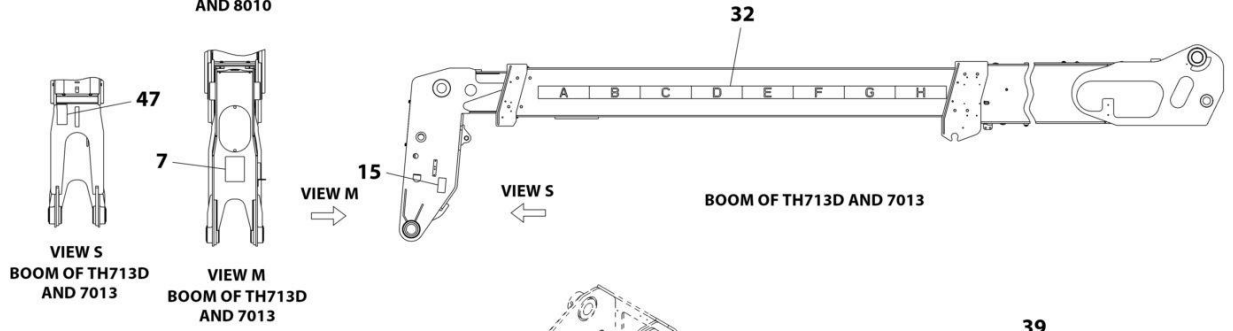
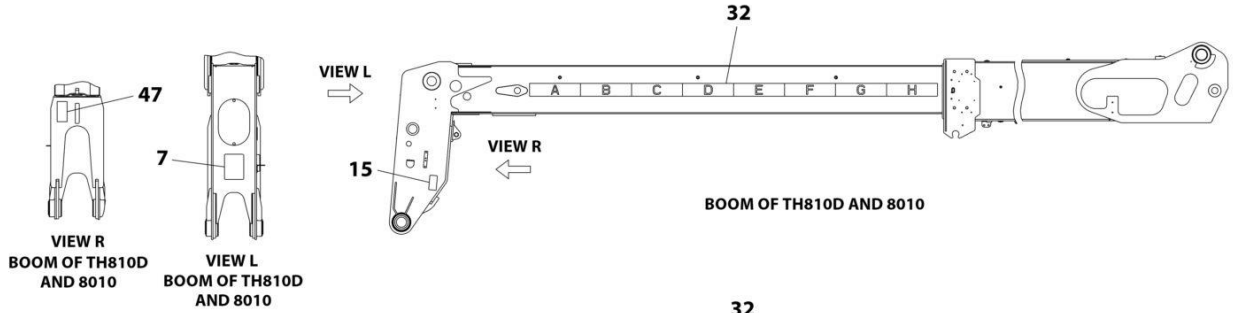
# SECTION 11 - DECALS

## FIGURE 11-7. DECAL INSTALLATION (CIS)



ART\_1001195313\_1-D

# SECTION 11 - DECALS



ART\_1001195313\_2-D

# SECTION 11 - DECALS

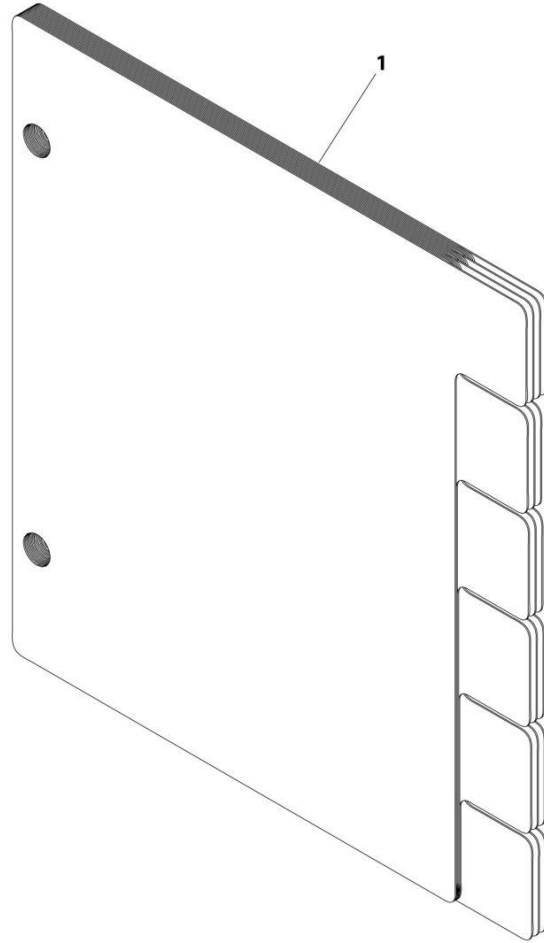
**FIGURE 11-7. DECAL INSTALLATION (CIS)**

ITEM	PART NUMBER	QTY	DESCRIPTION	REV
	1001195313	Ref	Decal Installation (CIS)	D
1	1670836	1	Cover, Boom	
2	1701500	2	Decal, Lift	
3	1702631	1	Decal, Bar Code	
4	1705980	1	Decal, Acoustic Power 106db	
5	1706098	1	Decal, Warning Ether Start	
6	1706281	1	Decal, Battery Warning (ISO)	
7	1706282	1	Decal, Carry Personnel (ISO) <b>(SN 0160040120 through 0160078381, SN 0160078382 through 0160097406)</b>	
8	1706284	1	Decal, Electrocution Hazard (ISO)	
9	1706285	1	Decal, Moving Parts (ISO)	
10	1706288	1	Decal, Tip Over Warning	
11	1706292	2	Decal, Pinch Point Boom Holes <b>(SN 0160040120 through 0160078381, SN 0160078382 through 0160097406)</b>	
12	3251813	1	Decal, USA	
13	4109801	4	Decal, Tie Down Point	
14	8005671	2	Decal, Cylinder Lock Warning	
15	8005675	2	Decal, Watch for Raised Boom Warning	
17	8008657	4	Decal, Set Brake Lever Warning	
18	1001094708	1	Decal, Hydraulic Oil	
20	1001009178	4	Tack, Metal	
21	1001092877	1	Decal, Crush Hazard Warning	
22	1001092878	1	Decal, No Riders	
23	1001101895	1	Decal, Cab Warning	
24	1001109053	1	Decal, Coolant Fill	
25	1001121555	1	Decal, PCT Russia	
26	1001130323	1	Decal, Oil Level	
27	1001131271	1	Decal, Patent	
29	1001139942	1	Decal, Hot Fluid Warning	
30	1001143852	1	Decal, LRC EPA	
32	1001171277	1	Decal, Boom Extend	
33	1001172035	1	Decal, No Weld or Drill	
34	1001173703	1	Decal, EAC	
35	1001184632	1	Decal, Battery Positive	
36	1001188372	1	Decal, Sway	
37	1001189154	2	Decal, Read Operators Manual	
38	1001191229	1	Decal, Fuse Panel	
39	1001191487	1	Decal, Fuse Panel	
43	1001227287	1	Decal, Manual	
44	1001098487	1	Decal, SN Plate JLG	
45	1001214206	1	Decal, Park Brake	
46	AU2105	1	Decal, No Karcher	
47	1001207218	1	Decal, Danger Swinging Load	
48	1001219211	1	Decal, Brake Fluid	
50	1001222650	2	Decal, Axle Lift	



# SECTION 11 - DECALS

FIGURE 11-8. LOAD CHART (ISO)



ART\_1001239445-A

**FIGURE 11-8. LOAD CHART (ISO)**

ITEM	PART NUMBER	QTY	DESCRIPTION	REV
1	1001239445	Ref	Load Chart (ISO)	





## **SECTION 12 - RECOMMENDED SPARE PARTS**

## **SECTION 12 - RECOMMENDED SPARE PARTS**

# SECTION 12 - RECOMMENDED SPARE PARTS

FIGURE 12-1. RECOMMENDED SPARE PARTS

ITEM	PART NUMBER	QTY	DESCRIPTION	REV
		Ref	<b>Frame and Attaching Parts</b>	
	1001194980	1	Cap, Locking Fuel	
	1001194981	1	Cap, Hydraulic	
	1001191163	1	Filter	
		Ref	<b>Boom</b>	
	1001219905	AR	Shim, M50X169X1	
	1001219953	AR	Shim, Boom Pivot	
	8008640	AR	Shim, M50X200X0.5	
	1001003031	AR	Shim, M50X198X1.5	
	1001195194	AR	Shim, M0.5X67X204	
	1001201269	1	Shim, M67X198X0.5	
	1001204198	AR	Shim, M49X181X1	
	1001204199	AR	Shim, M49X181X5	
	1001195655	AR	Pad, M44X50X160	
	8002200	AR	Pad, M15X50X200	
	1001227337	AR	Pad, M70X200X39	
	1001227334	AR	Pad, M34X54X165	
	1001163140	AR	Pad, M17X198X67	
	1001204200	AR	Pad, M35X181X49	
		Ref	<b>Engine and Attaching Parts</b>	
	7016331	1	Filter, Oil	
	70024961	1	Filter, Fuel (Primary)	
	70027417	1	Filter, Fuel (Secondary)	
	70005549	1	Filter, DEF	
	70027657	1	Dipstick	
	70028419	1	Belt, V-Ribbed	
	1001166565	1	Filter, Air Cleaner	
		Ref	<b>Cab</b>	
	1001218996	1	Filter, HVAC Air	
	1001172553	1	Filter, HVAC Recirculation Air	
	4807718	1	Blade, Rear Wiper	
	1001141281	1	Blade, Front Wiper	
	1001141313	1	Blade, Roof Wiper	
		Ref	<b>Hydraulic Components</b>	
	70028324	1	Kit, Lift Cylinder Seal	
	70027806	1	Kit, Extend/Retract Cylinder Seal	
	70028324	1	Kit, Tilt Cylinder Seal	
	70026253	1	Kit, Frame Level Cylinder Seal	
	70027601	1	Kit, Hydrostatic Motor Seal	
	70028410	1	Kit, Hydrostatic Pump Seal	
	70028413	1	Kit, Implement Pump Seal	
		Ref	<b>Electrical</b>	
	0400075	1	Battery, 12V	
	70022765	1	Key, Ignition (Set of 2)	

## SECTION 12 - RECOMMENDED SPARE PARTS

### PART NUMBER INDEX

## SECTION 12 - RECOMMENDED SPARE PARTS

0100081.....33, 77	0712027 ..... 413	0771414 ..... 693, 697	1001028377.....25
0400075...797, 799, 1020	0712442 ..... 599	0771416 ..... 371	1001028400.....25
0498748.....423	0760405 .... 121, 123, 125	0771618 ..... 377	1001028415.....95
0630576.....51, 53	0760407 ..... 119	0791605 ..... 255	1001047062.....423
0641510.....223	0760410 ..... 853	1001002778 ..... 833	1001080375.....619, 623
0641608.....665	0760507 ... 215, 781, 783, 791, 817	1001002779 ..... 833	1001080978.....821
0651607.....113	0760512 ..... 451	1001002946 ..... 429	1001081085.....373
0681714.....655, 657	0760605 ... 201, 423, 559, 563	1001002947 ..... 429	1001090343.....463, 509
0700408.....565, 857	076060751, 53, 271, 273, 279, 423, 635, 779, 789, 791, 793	1001002953 ..... 429	1001091573.....845
0700610....29, 33, 51, 53, 57, 73, 77, 221, 273, 293, 525, 529, 775, 777, 837, 839, 863, 865	0760608... 209, 277, 445, 451, 455, 525, 531, 559, 563, 567, 569, 677, 775, 777, 813, 815	1001002957 ..... 429	1001091715.....829, 831, 833, 835
0700612...51, 53, 65, 885	0760610 ..... 869	1001003031 ... 89, 91, 93, 95, 97, 1020	1001091716.....829, 831, 833, 835
0700614....273, 486, 669, 671, 773, 795, 863, 865	0760615 ..... 595	1001003043 ..... 437	1001091951.....41
0700616.....595, 643	0760806 ..... 277	1001003227 ..... 45	1001092877.. 1002, 1006, 1010, 1014
0700618....789, 791, 793, 819	0760807 .... 45, 639, 641, 795	1001003301 ..... 39	1001092878.. 1002, 1006, 1010, 1014
0700814.....45, 261, 263, 273, 663	0760808 .... 45, 113, 443, 527, 529, 813, 815, 845, 847, 857, 863, 865	1001003305 .... 217, 219, 223, 243, 293, 783, 895	1001093564.....807
0700815.....843	0760810 ... 43, 55, 63, 65, 67, 81, 83, 85, 95, 97, 107, 235, 253, 265, 269, 277, 297, 299, 301, 303, 449, 467, 471, 475, 483, 486, 527, 541, 545, 559, 595, 613, 615, 619, 687, 699, 889	1001003427 ..... 35	1001094516.....41
0700816.....235, 255, 277	076081231, 77, 237, 239, 241, 243, 273, 285, 287, 403, 405, 429, 773, 783	1001003803 ..... 99	1001094708.. 1002, 1006, 1010, 1014
0700817.....595, 687	0760815 .... 429, 619, 623	1001004640 ..... 569	1001095301.....211, 213
0700818.....601, 659, 887	0760823 ...29, 73, 75, 281	1001004720 ..... 191, 273	1001095336.....785
0700819.....787	0761008 ..... 891, 893	1001004723 ..... 781	1001095650.....113
0700820....541, 543, 545, 647, 773	0761009 ..... 895	1001005368 ..... 439	1001095704.....900
0700821 .....677	0761010 ... 43, 45, 47, 55, 75, 119, 217, 219, 221, 249, 273, 567, 775, 777, 779, 789, 791, 793, 829, 831, 833, 835, 871	1001005438 ..... 655, 657	1001095804.....821
0700824.....569	0761012 ... 39, 43, 51, 53, 75, 99, 101, 205, 415, 569, 635, 655, 657, 687, 773, 781, 783	1001005904 .... 617, 621, 625	1001096365.....429
0700826.....277	0761210 ... 111, 237, 239, 241, 243	1001005960 ..... 995	1001097244.....525
0701014....45, 55, 63, 65, 109, 211, 213, 273, 275, 285, 287, 293, 677, 829, 831, 833, 835	0761212 ... 249, 781, 783	1001006730 ..... 537	1001097540....51, 53, 57, 539
0701016....211, 213, 415, 627	0761214. 29, 73, 75, 199, 273	1001006731 ..... 535	1001097586.....437
0701018....205, 237, 239, 241, 243, 293	0761215 ... 199, 237, 239, 241, 243	1001007056 ..... 103, 743	1001097587.....317, 323
0701020.....31, 237, 239, 241, 243	0761217 ..... 175	1001007641 ..... 445, 447	1001098128.....677
0701024.....673	0761218 ... 237, 239, 241, 243	1001008475 ..... 447	1001098150.....516
0701026.....223	0770814 ..... 561	1001008540 ..... 775, 777	1001098487.. 1002, 1006, 1014
0701027.....599	0770815 ..... 265, 269	1001008559 .... 191, 221, 243, 297, 299, 301, 303, 597, 685, 779, 781, 783, 789, 791, 793, 817, 819, 829, 831, 833, 835, 871, 881	1001098762.....805, 807
0701216...29, 73, 75, 111, 679, 683	0771010 ..... 93, 97	1001008575 ..... 31	1001098769.....105
0701220.....855	0771012 ..... 93, 95	1001008604 ..... 447	1001099566.....297, 299, 301, 303
0701222.....77	0771014 ..... 93, 97	1001008654 ..... 639, 641	1001099717.....891
0701230.....83	0771016 ..... 81, 83	1001008742 ..... 451	1001100166.....699
0701618.....199	07712020.....411	1001008834 ..... 129	1001100169.....699
0701626.....199	07712022.....411	1001008857 ..... 429	1001100319.....235
0701628....121, 123, 125, 199		1001008923 ..... 843, 895	1001101041.....127, 129, 135, 137, 139, 141, 149, 153, 156, 159, 162, 613, 617, 621, 625
0701630.....199		1001008988 ..... 423	1001101042.....127, 129, 135, 137, 139, 141, 149, 153, 156, 159, 162, 613, 617, 621, 625
0711015.....85		1001008999 ..... 45	1001101702.....567
0711016.....91, 93		1001009018 ..... 25	1001101808.....813
0711017.....89		1001009124 ..... 447	1001101855.....873
0711030.....293		1001009163 ..... 379	1001101895.. 1002, 1006, 1010, 1014
0711215.....93, 95		1001009178. 1002, 1006, 1010, 1014	1001102157.....59
0711216...89, 91, 93, 227		100100932595, 217, 219, 221	1001102502.....821
0711217.....89		1001010646 ..... 535, 537	1001103012.....926, 934
0711218.....91		1001010647 ..... 535, 537	1001103156.....891, 893
0711230.....81		1001010648 ..... 535, 537	1001103300.....891, 893
0711630.....41		1001010649 ..... 535, 537	1001104477.....621, 625, 725
0711635.....81, 83		1001010650 ..... 535, 537	1001104498.....926, 930, 934, 938, 953, 981
0712020.....411		1001010839 ..... 447	
0712022.....411		1001014231 ..... 655, 657	
		1001028264 ..... 25	
		1001028291 ..... 25	
		1001028306 ..... 25	
		1001028308 ..... 25	

## SECTION 12 - RECOMMENDED SPARE PARTS

1001104499..... 938	938, 949, 954, 971,	1001126353.....897, 903,	1001141976..... 665, 667
1001104519 ..... 927, 935,	977, 991	907	1001142724 ..... 65
961	1001116815.....910, 931,	1001126356.....903	1001143200 ..... 441
1001104654 ..... 821	939, 991	1001126357.....903	1001143551 ..... 991
1001105093 ..... 595	1001116950..... 950, 951	1001126360.....903	1001143852. 1006, 1010,
1001105886 ..... 811	1001116983.....904	1001126362.....897, 903,	1014
1001107192 ..... 423	1001116984..... 930, 938	907	1001144147 .... 898, 904,
1001107339 ..... 293	1001116985..... 930, 938	1001126384.....903	908, 947, 991
1001107854 ..... 926, 930,	1001116986..... 929, 930,	1001126391.....897, 899,	1001144296 ..... 927, 935
934, 938, 953, 959, 981	937, 938	903, 907, 910	1001145204 ..... 267
1001108661 ..... 875	1001116991..... 927, 930,	1001126393.....897, 899,	1001145390 ..... 103, 743
1001109053. 1002, 1006,	935, 938	903, 907, 910	1001145391 ..... 101, 103
1010, 1014	1001116994..... 967, 969	1001126485.....897, 898,	1001145539 ..... 486
1001109387 ..... 175	1001116995..... 929, 937	907, 908	1001146588 ..... 217, 235,
1001110023 .... 617, 625,	1001116996..... 953, 954	1001126487..... 897, 907	243, 249, 267, 273,
727	1001116997..... 929, 937	1001126837..... 869, 893	779, 789, 791, 793,
1001110115 ..... 625	1001116998..... 930, 938	1001128128.....898, 904,	819, 829, 831, 833,
1001111076 ..... 531	1001116999..... 927, 935	908, 950	835, 865, 895
1001111140 ..... 669, 671	1001117011..... 929, 937,	1001128144 .....255	1001147340 ..... 669, 671
1001111147 ..... 531	957	1001128341 .....255	1001147416 ..... 613, 617,
1001111317 ..... 421, 425	1001117018.....904	1001128478.....39, 379	621, 625
1001112612 .... 921, 930,	1001117021.....959	1001129425 .....871	1001147449 .... 516, 519,
938	1001117068.....903	1001130220.....51, 53, 57	521
1001112796 .... 923, 965,	1001117079..... 929, 937	1001130323..1002, 1006,	1001148307 ..... 269
967, 969	1001117081..... 927, 928,	1010, 1014	1001148841 ..... 897, 903,
1001114495 ..... 251, 253	929, 930, 935, 936, 937	1001131177.....789, 791,	907
1001114803 .... 237, 239,	1001117109.....950	793	1001148842 ..... 897, 903,
241, 243	1001117121.....961	1001131271..1002, 1006,	907
1001116128 ..... 513, 871	1001117247..... 875, 979	1010, 1014	1001149278 .... 516, 519,
1001116208 ..... 863, 865	1001117308..... 775, 777	1001132168 .....47	521
1001116696 ..... 953, 954	1001118202.....950	1001132169 .....951	1001150294 ..... 469
1001116697 ..... 926, 934	1001118252..... 1010	1001132564.....516	1001150610 .... 897, 904,
1001116698 .... 926, 930,	1001118282..... 898, 904,	1001133714.....899, 903,	908
934	908	904, 909, 910	1001150611 ..... 950
1001116700 .... 927, 935,	1001118323.....950	1001133715.....897, 899,	1001150735 ..... 929, 937
957	1001118378.....991	903, 904, 907, 909, 910	1001150737 ..... 929, 937
1001116710 ..... 904	1001118379..... 929, 937	1001133793.....211, 213	1001152908 ..... 495, 501
1001116716 ..... 927, 935	1001118383.....961	1001134274 ..... 891, 893	1001152915 ..... 421
1001116723 .... 927, 928,	1001118384..... 927, 928,	1001135650.....897, 899,	1001152947 ..... 421
929, 930, 935, 936,	929, 930, 935, 936,	903, 904, 907, 909, 910	1001153748 ..... 633, 717
937, 938	937, 938	1001135651.....897, 899,	1001155228 ..... 419, 423
1001116725 ..... 898, 908	1001118386..... 930, 938	903, 904, 907, 909, 910	1001155230 ..... 1010
1001116727 ..... 883, 909	1001118387..... 930, 938	1001136975.....217, 219,	1001155276 ..... 569, 571
1001116728 .... 905, 954,	1001118392..... 953, 954	221	1001155446 ..... 409, 413
985	1001118684..... 928, 936	1001136999..... 930, 938	1001155447 ..... 417, 449
1001116729 ..... 883	1001118685.....961	1001137000..... 930, 938	1001155486 ..... 509
1001116732 .... 898, 908,	1001119467..... 467	1001138110.....903	1001155540 .... 237, 239,
950	1001119727..... 287	1001138111 .....903	241, 243
1001116733 ..... 904	1001120989..... 863, 865	1001138113 .....903	1001156265 ..... 569
1001116734 .... 898, 904,	1001121555..... 1014	1001138116..... 897, 907	1001157890 ..... 991
908	1001121726..... 954	1001138645 .....795	1001157891 ..... 921
1001116745 ..... 883	1001121727 ..... 883, 954	1001138827 .....255	1001158146 ..... 821
1001116747 ..... 959	10011223457.... 926, 934	1001138945 .....293	1001158596 ..... 471
1001116748 ..... 929, 937	1001125117... 89, 91, 93,	1001139551 .....509	1001158601 ..... 467
1001116754 ..... 928, 936	95, 97, 111	1001139552 .....463	1001158736C..... 475
1001116763 ..... 953, 959	1001125222.....567	1001139568 .....439	1001158738C..... 467
1001116774 .... 951, 971,	1001125465.....871	1001139942..1002, 1006,	1001159028 ..... 555, 557
991	1001125677..... 899, 909,	1010, 1014	1001159734 .... 829, 831,
1001116808 ..... 991	927, 935, 954	1001140671 .....287	833, 835
1001116810 ..... 950	1001126008..... 898, 908,	1001141246 .....429	1001159735 ..... 821
1001116811 .... 897, 904,	930, 938, 951, 991	1001141281 ....449, 1020	1001159736 ..... 509
908	1001126011..... 930, 938	1001141311 .....509	1001159737 .... 829, 831,
1001116812 .... 899, 900,	1001126245..... 898, 908	1001141312 .....463	833, 835
903, 904, 905, 907,	1001126349.....903	1001141313.....509, 1020	1001159738 .... 845, 847,
908, 909, 910, 927,	1001126351.....903	1001141400 .....221	849, 851
929, 930, 935, 937,	1001126352.....903	1001141461 .....667	1001159739 ..... 841
		1001141462 .....667	1001159741 ..... 821

## SECTION 12 - RECOMMENDED SPARE PARTS

1001159742.....867	1001162256.....787	1001167015.....511, 513	1001170993.....459
1001159743.....821	1001162662.....39	1001167017.....857	1001171037.....427
1001159745.....881	1001162789.....417, 451	1001167186.....261	1001171162.....845
1001159746.....825	1001162885.....873	1001167266.....489, 491	1001171179.....31
1001159845.....837, 839	1001162886.....927, 934	1001167409.....235, 291	1001171182.....439
1001159846.....837, 839	1001162887.....927, 935	1001167616.....898, 908	1001171183.....439
1001159849.....821	1001162920.....559	1001167620.....899, 910	1001171277..1002, 1006, 1010, 1014
1001159925.....483, 486	1001162922.....559	1001167621.....897, 907	1001171635.....427
1001160042.....486	1001162953.....486, 489	1001167622.....897, 907	1001171756.....451
1001160043.....483	1001163095.....885	1001167623.....897, 907	1001171767.....459
1001160326.....486	1001163104.....95	1001167624.....900, 910	1001171808.....105
1001160420.....261	1001163140.....1020	1001167629.....898, 908	1001171874.....559
1001160496.....541	1001163340.....927, 935	1001167630.....897, 898, 907, 908	1001171885.....43
1001160498.....926, 934	1001163639.....823	1001167631.....897, 907	1001171962.....857
1001160500.....949, 953, 971	1001163695.....587	1001167634.....897, 907	1001172035..1002, 1006, 1010, 1014
1001160502.....926, 934	1001163697.....575	1001167635.....897, 907	1001172088.....559
1001160503.....541, 545	1001164183.....113	1001167636.....898, 909	1001172094.....559
1001160506.....543	1001164402.....773, 785	1001167937.....433	1001172110.....47, 49
1001160508.....417, 443	1001164655.....443	1001167958.....423, 433	1001172112.....49
1001160509.....949, 953, 971	1001164726.....423	1001168030.....239, 645	1001172113.....49
1001160510.....949, 953, 971	1001164971.....599	1001168054.....559	1001172114.....49
1001160730.....871	1001164972.....599	1001168142.....569	1001172115.....49
1001160775.....999	1001165035.....217, 219, 221	1001168151.....569	1001172146.....31
1001160916.....997	1001165175.....95	1001168264.....403, 405	1001172147.....31
1001160927.....797, 799, 805, 807	1001165194.....899, 910	1001168327.....486	1001172193.....421, 425
1001160928.....797, 799, 805, 807	1001165269.....451, 453	1001168330.....486	1001172401.....417, 461
1001161067.....523	1001165270.....451	1001168331.....486	1001172495.....799, 805, 807
1001161078.....533	1001165273.....453	1001168429.....65	1001172496.....799, 805, 807
1001161080.....533	1001165275.....429	1001168456.....486	1001172547.....483, 486
1001161095.....971	1001165276.....425	1001168531.....475, 957	1001172550.....483, 486
1001161097.....926, 934, 949, 953, 971	1001165309.....950	1001168599.....603, 733	1001172551.....495, 497, 499
1001161098.....926, 934, 949, 971	1001165310.....951	1001168758.....51	1001172553.....483, 486, 1020
1001161099.....926, 934, 949, 953, 971	1001165311.....954	1001168962.....415	1001172693.....35
1001161100.....926, 934, 949, 953, 971	1001165327.....453	1001169135.....475, 477	1001172755.....217, 219, 221
1001161101.....926, 934, 949, 953, 971	1001165351.....451	1001169151.....486, 959	1001172774.....545
1001161252.....516	1001165407.....451	1001169265.....45	1001172829.....53
1001161253.....516	1001165416.....451	1001169268.....581	1001172995.....111
1001161439.....51, 95	1001165455.....451	1001169354.....577, 579	1001172999.....111
1001161499.....417, 555	1001165458.....451, 525	1001169355.....579	1001173257.....543
1001161672.....569	1001165573.....471, 473	1001169367.....579	1001173298.....423
1001161769.....819, 941	1001165637.....449	1001169368.....255	1001173411.....927, 935
1001161770.....819, 943	1001165827.....815	1001169454.....29, 73, 75	1001173452.....237, 241, 243
1001161771.....819, 945	1001166091.....501, 503, 505, 507	1001169603.....516	1001173457.....237, 239, 241, 243
1001161851.....521	1001166092.....501, 503, 505, 507	1001169604.....516, 521	1001173528.....251, 253
1001161855.....516	1001166191.....445	1001169674.....999	1001173571.....495
1001161858.....483, 495	1001166192.....65, 445	1001169751.....577	1001173679.....111
1001161896.....569	1001166385.....531	1001169763.....581	1001173703.....1014
1001161897.....569	1001166543.....897, 903, 907	1001169825.....775	1001173739.....111
1001161898.....569	1001166551.....897, 907	1001169880.....425	1001173829.....853
1001161957.....949, 953, 971	1001166555.....897, 907	1001169885.....427	1001173873.....279
1001161959.....926, 934	1001166556.....897, 899, 903, 907, 910	1001170106.....35	1001173965.....516
1001161963.....949, 953, 971	1001166565.....205, 207, 1020	1001170113J.....425, 427	1001174103.....83, 87
1001162062.....567	1001166634.....425, 429	1001170114.....423, 425	1001174104.....99
1001162212.....235	1001166670.....903	1001170231.....559	1001174129.....401
1001162249.....819	1001166707.....898, 909	1001170311.....265, 269	1001174295.....423, 435
	1001166715.....205	1001170325.....539	1001174320.....421
	1001166754.....413	1001170326.....457	1001174321.....429
	1001166755.....413	1001170366.....417, 455	1001174368.....865
	1001166774.....897, 899, 903, 907, 910	1001170432.....289	
	1001167004.....585	1001170504.....516	
		1001170514.....523	
		1001170518.....516	
		1001170519.....516, 523	
		1001170601J.....423	
		1001170944.....429	

## SECTION 12 - RECOMMENDED SPARE PARTS

1001174372 ..... 863, 865	1001179592.....539	1001184296.....501, 503,	1001187076 ..... 950, 951,
1001174419 ..... 107	1001179850....27, 31, 69,	505, 507	971
1001174652 ..... 519, 521	71	1001184297.....501, 503,	1001187077 ..... 917, 919
1001174653 ..... 519, 521	1001179851.....31, 39	505, 507	1001187078 ..... 898, 903,
1001174655 ..... 519, 521	1001179852.....39	1001184306.....499	904, 908, 991
1001174712 ..... 821	1001179907.....277, 795	1001184307.....499	1001187079 ..... 904, 949,
1001174741 ..... 529	1001179931.....575	1001184309.....499	950, 954, 991
1001174795 ..... 283	1001180070.....233, 715	1001184310.....499	1001187080 ..... 898, 908,
1001174796 ..... 845, 847	1001180226.....285	1001184396.....779, 949	949, 954
1001174800 ..... 529	1001180227.....285	1001184397.....779, 953	1001187272 ..... 655
1001174801 ..... 529	1001180263.....543, 545	1001184403.....493	1001187273 ..... 655
1001174812 .. 85, 87, 703	1001180306.....25	1001184404.....493	1001187275 ..... 655, 657
1001174814 ..... 761, 763	1001180437.....279	1001184405.....493	1001187355 ..... 681
1001175058 ..... 409	1001180542.....249	1001184406.....493	1001187423 ..... 383, 385,
1001175201 ..... 281	1001180553.....249	1001184427 ..... 505, 507	387, 389
1001175265 ..... 898, 899,	1001180620.....773	1001184439.....423	1001187820 ..... 99, 101
904, 905, 908, 909, 954	1001180682.....465	1001184504.....571	1001187821 ..... 99
1001175266 ..... 971	1001180683.....465	1001184551.....905	1001187847 ..... 99, 101
1001175267 ..... 949, 953	1001181128.....775, 777	1001184610.....101	1001187848 ..... 99, 101
1001175347 ..... 25	1001181411.....439	1001184632..1002, 1006,	1001187882 ..... 897, 907
1001175470 ..... 457	1001181531.....821	1010, 1014	1001188203 ..... 709
1001175471 ..... 455, 459	1001181681.....819, 947	1001184795.....879, 971	1001188275 ..... 505
1001175477 ..... 423	1001181726.....516, 525	1001184796.....843, 985	1001188303 ..... 486, 497
1001175568 ..... 217, 219,	1001181920.....441	1001184869.....51	1001188372. 1002, 1006,
221	1001181921.....441	1001184870.....53	1010, 1014
1001175733 ..... 963	1001181961.....797	1001184871.....57	1001188577 ..... 501, 503,
1001175776 ..... 859, 963	1001182123.....441	1001184872.....51, 53	505, 507
1001175812 ..... 65	1001182139.....441	1001184874.....51, 53	1001188578 ..... 501, 503,
1001175903 ..... 516	1001182330.....527	1001184975.....516	505, 507
1001176002 ..... 900, 910	1001182490.....855	1001184976.....313	1001188590 ..... 483, 486
1001176004 ..... 900, 910	1001182495.....855	1001184977 ..... 313, 315	1001188592 ..... 505, 507
1001176121 ..... 455, 457	1001182529.....475, 477	1001184978.....313, 321	1001188594 ..... 501, 503,
1001176272 ..... 441	1001182530.....475	1001184979.....313, 371	505, 507
1001176273 ..... 441	1001182824.....275	1001184980.....313, 377	1001188602 ..... 501, 503,
1001176333 ..... 930, 938	1001182839.....869	1001184981.....313, 381	505, 507
1001176338 ..... 465	1001182881.....201, 203	1001184982.....315, 317	1001188603 ..... 501, 503,
1001176587 ..... 969	1001182929.....789, 791,	1001184983.....321, 323	505, 507
1001176626 ..... 441	913	1001184984.....317, 327,	1001188604 ..... 501, 503,
1001177082 ..... 31	1001182930.....789, 791,	329, 331, 333, 335,	505, 507
1001177597 ..... 900	917	337, 339	1001188610 ..... 501, 503,
1001178053 ..... 853, 987	1001183024.....895	1001184985.....323, 341,	505, 507
1001178123 ..... 451	1001183112.....829, 831,	343, 345, 347, 349,	1001188612 ..... 501, 503,
1001178157 ..... 87, 761	833, 835, 855	351, 353	505, 507
1001178159 ..... 421	1001183221.....921	1001184986.....371, 373	1001188614 ..... 501, 503,
1001178160 ..... 421	1001183272.....769, 771,	1001184987.....381	505, 507
1001178170 ..... 486	773	1001184988.....381	1001188618 ..... 505, 507
1001178474 ..... 29, 73, 75	1001183306.....401, 403	1001185026.....265	1001188619 ..... 505, 507
1001178670 ..... 569	1001183307.....401, 405	1001185633.....527	1001188720 ..... 501, 503,
1001178680 ..... 439	1001183308.....403	1001185722.....863	505, 507
1001178681 ..... 439	1001183309.....405	1001185870.....516	1001188725 ..... 501, 503,
1001178693 ..... 29, 73, 75	1001183447.....121	1001185927.....27	505, 507
1001178706 ..... 995	1001183549.....873	1001185929.....27, 29	1001188728 ..... 505, 507
1001178783 ..... 465	1001183550.....523	1001185930.....29, 33	1001188729 ..... 501, 503,
1001178791 ..... 281	1001183700.....665	1001185931.....33, 77	505, 507
1001178826 ..... 549	1001183827.....209	1001185933.....33, 77	1001188733 ..... 501, 503,
1001178831 ..... 415	1001183829.....209	1001185935.....33, 77	505, 507
1001178933 ..... 819	1001183831.....205	1001186603.....863	1001188757 ..... 199
1001179008 ..... 547, 549,	1001183835.....205, 209	1001186843.....655, 657	1001188817 ..... 505, 507
551	1001184275.....501, 503,	1001186853.....829	1001188818 ..... 505, 507
1001179009 ..... 547, 549,	505, 507	1001186855.....797	1001188855 ..... 293
551	1001184278.....501, 503,	1001186856.....803	1001188856 ..... 293
1001179080 ..... 489	505, 507	1001186881.....65	1001188971 ..... 97
1001179081 ..... 489	1001184280.....505, 507	1001186898.....205	1001189023 ..... 505, 507
1001179130 ..... 489, 493	1001184294.....501, 503,	1001187070.....897, 903,	1001189024 ..... 505, 507
1001179297 ..... 995	505, 507	907, 917, 919	1001189025 ..... 501, 503,
1001179482 ..... 531	1001184295.....501, 503,	1001187073.....949	505, 507
1001179483 ..... 531	505, 507	1001187075.....950, 971	

## SECTION 12 - RECOMMENDED SPARE PARTS

1001189046.....789, 791, 793	1001192324..... 63	1001193474..... 567	1001195731.....891, 893
1001189048.....505, 507	1001192326..... 41	1001193516..... 591, 593, 631	1001195732.....891, 893
1001189054.....505, 507	1001192336..... 67	1001193517..... 591, 593, 635	1001195733.....635
1001189154..1002, 1006, 1010, 1014	1001192339..... 125	1001193698..... 813, 815	1001195737....89, 91, 93, 95, 97
1001189182.....516	1001192342..... 129	1001193703..... 179, 181, 183, 185, 187, 189, 223	1001195738.....91
1001189246.....33, 77	1001192344..... 127	1001193704..... 179, 181, 183, 185, 187, 189, 227	1001195739.....91
1001189288J....383, 385, 387, 389, 391, 393, 395, 397, 399	1001192352..... 83	1001193705..... 223, 225	1001195814.....419, 441
1001189980.....499	1001192354..... 81	1001193709..... 591, 639	1001195816.....516
1001189997.....859	1001192358..... 101	1001193797..... 293	1001195817.....516
1001190037.....898, 909	1001192363..... 613	1001193836..... 683	1001195820.....511
1001190250.....99, 101	1001192364..... 105	1001193838..... 683	1001195821.....513
1001190253.....87	1001192365..... 619	1001193887..... 107	1001195822.....511
1001190254.....81, 83	1001192366..... 615	1001193917..... 707	1001195823.....513
1001190256.....81, 83	1001192367..... 623	1001193940..... 819, 926	1001195855...1002, 1006
1001190257.....81, 83	1001192370..... 827	1001193993..... 775, 777	1001195878.....421
1001190259.....761	1001192392..... 35	1001194103..... 781, 783	1001195881.....117
1001190260.....81, 83	1001192410..... 569	1001194155..... 275	1001195883.....847
1001190264.....99, 101	1001192427..... 691	1001194244..... 781	1001195953.....895, 981
1001190396.....987	1001192430..... 893	1001194282..... 569	1001196100.....855
1001190921.....898, 908	1001192431..... 877	1001194421..... 928, 936	1001196191.....237, 239, 241, 243
1001191035.....107, 113	1001192520..... 609	1001194534..... 205	1001196193.....239
1001191036.....113	1001192537..... 771	1001194698..... 417	1001196217.....855
1001191039.....113	1001192553..... 833	1001194699..... 417, 419	1001196289.....861, 965
1001191091.....435	1001192558..... 819	1001194700..... 419, 421	1001196332.....801
1001191108.....121	1001192560..... 821	1001194702..... 605	1001196402.....609
1001191110.....85, 87	1001192575..... 825	1001194969..... 45	1001196452.....863, 865, 967
1001191157.....39	1001192614..... 135	1001194980..... 37, 1020	1001196502.....781, 783
1001191163.....39, 1020	1001192615..... 133	1001194981..... 39, 1020	1001196664.....229
1001191229..1002, 1006, 1010, 1014	1001192616..... 141	1001195089..... 277	1001196778.....175
1001191255.....409, 411	1001192619..... 879, 975	1001195194...89, 91, 93, 97, 1020	1001196779.....175
1001191256.....411	1001192622..... 43, 45	1001195200..... 877, 885	1001196782.....175
1001191257.....411	1001192623J..... 45	1001195201..... 877, 879	1001196806.....1002
1001191281.....525	1001192627..... 45	1001195202..... 885, 977	1001196879.....111
1001191283.....525	1001192631..... 45	1001195254..... 567	1001196949.....173
1001191284.....525	1001192643..... 431	1001195263..... 815	1001196950.....171
1001191285.....525	1001192644..... 433	1001195298..... 999	1001196951.....169
1001191370.....525	1001192646..... 423	1001195313..... 1014	1001196952.....167
1001191487..1002, 1006, 1010, 1014	1001192649..... 149	1001195342..... 491	1001196959.....655, 657
1001191546.....789, 793	1001192650..... 153	1001195343..... 491	1001196964.....669
1001191635.....63	1001192700..... 145	1001195345..... 491	1001196967.....669, 671
1001191685.....39	1001192702..... 147	1001195346..... 491	1001196970.....669, 671
1001191752.....87, 95	1001192707..... 159	1001195385..... 491	1001196973.....669, 671
1001191753.....95	1001192722..... 155	1001195386..... 491	1001196974.....669, 671
1001191789.....95, 97	1001192723..... 143	1001195430..... 663, 665	1001196975.....669, 671
1001191915.....567	1001192734..... 161	1001195433..... 663	1001196976.....669, 671
1001192096.....677	1001192735..... 165	1001195434..... 663	1001196977.....669
1001192124.....35	1001192737..... 559	1001195435..... 663	1001196978.....669, 671
1001192125....29, 35, 73, 75	1001192741..... 1002	1001195437..... 491	1001196981.....669, 671
1001192142.....775, 777	1001192743..... 1010	1001195438..... 491	1001196982.....669, 671
1001192168.....383	1001192766..... 423, 431	1001195439..... 809	1001196989.....639
1001192170.....389	1001192771..... 609	1001195469..... 805	1001196992.....639
1001192177.....383, 385	1001192772..... 609	1001195471..... 877, 887	1001196993.....639
1001192178.....383, 387	1001192885..... 679	1001195473..... 877, 889	1001196995.....639
1001192180.....389	1001192886..... 679, 681	1001195582..... 803, 807	1001196996.....639
1001192181.....389	1001192887..... 679, 683	1001195590..... 877, 891	1001196997.....639, 641
1001192309.....423	1001192888..... 681	1001195591..... 873, 875	1001197011.....677
1001192318.....43	1001193100..... 87, 687	1001195593..... 803, 811	1001197056.....55
1001192321.....857	1001193111..... 619, 623	1001195636..... 87, 91	1001197057.....55
1001192322.....859	1001193210..... 425	1001195637J..... 91	1001197072.....199
1001192323.....813	1001193307..... 229, 713	1001195655 81, 83, 1020	1001197139.....559
	1001193308..... 379, 711	1001195720..... 895	1001197196.....591, 593, 651
	1001193393..... 179, 181, 183, 185, 187, 189, 231	1001195721..... 817	



## SECTION 12 - RECOMMENDED SPARE PARTS

1001197197 ..... 669, 671, 673	1001200701.....293	1001202021.....273	1001205380 ..... 595
1001197198 ..... 673, 675	1001200862.....179, 181, 183, 185, 187, 189, 199	1001202024.....591, 655	1001205381 ..... 595
1001197199 ..... 669, 671	1001200863.....179, 185, 201	1001202025.....591, 669	1001205528 ..... 699
1001197200 ..... 669, 671	1001200864.....179, 181, 183, 185, 187, 189, 205	1001202026.....591, 593, 663	1001205532 ..... 423, 429
1001197259 ..... 533	1001200865.....179, 185, 211	1001202027 .....655, 657	1001205564 ..... 257, 259
1001197262 ..... 85, 87	1001200866.....179, 185, 217	1001202172.....769, 775	1001205565 ..... 257, 259
1001197339 ..... 43	1001200867.....279	1001202247 .....253	1001205573 ..... 669, 671
1001197414 ..... 193	1001200869.....795	1001202321 .....293, 295	1001205618 ..... 677
1001197480 ..... 29, 73	1001200870.....655, 657	1001202325.....295	1001205619 ..... 111
1001197481 ..... 33, 77	1001200871.....199	1001202519.....861	1001205621 ..... 111
1001197667 ..... 573	1001200872.....199	1001202526.....235, 289	1001205622 ..... 111
1001197668 ..... 881, 883	1001200873.....199	1001202617 .....861	1001205627 ..... 111
1001197719 ..... 900	1001200874.....199	1001202621 .....857	1001206098 ..... 65
1001197733 ..... 55	1001200885.....201, 203	1001202645 .....591	1001206099 ..... 63
1001197734 ..... 55	1001200886.....201	1001202722 .....897, 907	1001206100 ..... 829, 831, 833, 835
1001197955 ..... 41	1001200887.....219, 221	1001202723.....897, 907	1001206242 ..... 687
1001198307 ..... 51, 53, 55	1001200968.....513	1001202786.....403, 405	1001206633 ..... 827, 923
1001198577 ..... 691, 693	1001201073.....601, 705	1001202899 .....273	1001206709 ..... 639, 641
1001198578 ..... 691, 697	1001201074.....599, 601	1001202901 .....191	1001206725 ..... 119
1001198715 ..... 693, 695	1001201124.....825, 921	1001202986 .....779	1001206744 ..... 567
1001198717 ..... 697	1001201162.....861	1001203005.....235, 291	1001206954 ..... 307
1001198893 ..... 851	1001201266.....85, 89	1001203081 .....831	1001207171 ..... 898, 908
1001198931 ..... 701	1001201267J.....89	1001203082 .....835	1001207218 ..... 1002, 1006, 1010, 1014
1001199325 ..... 85, 699	1001201269.....89, 1020	1001203181 .....243	1001207325 ..... 599
1001199670 ..... 277	1001201298.....235	1001203368.....829, 831, 833, 835	1001207594 ..... 867, 869
1001199822 ..... 279	1001201299.....235	1001203640 .....837, 839, 843	1001207788 ..... 669, 671
1001199823 ..... 279	1001201300.....235	1001203932 .....43	1001207789 ..... 669, 671
1001199902 ..... 273	1001201301.....237, 239, 241, 243, 247	1001203933 .....43	1001207790 ..... 669, 671
1001200105 ..... 609, 881	1001201302.....237, 239, 241, 243, 249	1001203934 .....43	1001207866 ..... 117, 119
1001200106 ..... 179, 789	1001201303.....237, 239, 241, 251	1001203947 .....237, 239, 241, 243	1001207898 ..... 315, 319
1001200108 ..... 789, 897	1001201304.....237, 239, 241, 243, 255	1001203948 .....237, 239, 241, 243	1001207899 ..... 321, 325
1001200111 ..... 701, 731, 737	1001201305.....237, 239, 243, 257	1001203985 .....85, 97	1001207956 ..... 567
1001200159 ..... 769, 771, 779	1001201309.....249	1001203986 .....97	1001208037 ..... 567
1001200160 ..... 769, 781	1001201314.....251	1001203987 .....95, 97	1001208308 ..... 516
1001200161 ..... 781, 783	1001201315.....251, 253	1001203989 .....85, 87	1001208451 ..... 699
1001200162 ..... 781, 783	1001201316.....251, 253	1001203990 .....85	1001208532 ..... 669, 671
1001200164 ..... 781, 783	1001201317.....255	1001204032 .....253, 305	1001208534 ..... 669, 671
1001200165 ..... 781, 783	1001201331.....451	1001204057 .....307	1001209097 ..... 897, 907
1001200166 ..... 781, 783	1001201418J.....21	1001204060 .....839	1001209200 ..... 595, 687
1001200167 ..... 781, 783	1001201420.....599	1001204066 .....429	1001209201 ..... 595, 687
1001200168 ..... 779	1001201425.....179, 185, 191	1001204115 .....429	1001209202 ..... 595, 687
1001200169 ..... 779	1001201426.....297	1001204120 .....429	1001209203 ..... 595, 687
1001200226 ..... 599	1001201427.....301	1001204152 .....639	1001209345 ..... 65
1001200249 ..... 273	1001201428.....303	1001204177 .....85, 93	1001209346 ..... 63
1001200344 ..... 61	1001201432.....111	1001204178 .....93	1001209357 ..... 849
1001200383 ..... 853	1001201499.....563	1001204198 .....93, 1020	1001209358 ..... 851
1001200393 ..... 99, 101	1001201500.....565	1001204199 .....93, 1020	1001209387 ..... 47
1001200395 ..... 101	1001201501.....563, 565	1001204200 .....93, 1020	1001209388 ..... 45
1001200443 ..... 179	1001201588.....77	1001204411 .....273	1001209427 ..... 841
1001200444 ..... 181	1001201589.....77	1001204413 .....273	1001209456 ..... 841, 843
1001200445 ..... 237	1001201848.....51, 53, 57	1001204414 .....273	1001209463 ..... 531
1001200446 ..... 239	1001201856.....273	1001204486 .....45	1001209585 ..... 197
1001200447 ..... 273	1001201858.....273	1001204528 .....837	1001209690 ..... 831
1001200448 ..... 275	1001202018.....273, 277	1001204530 .....837	1001209691 ..... 831
1001200451 ..... 289	1001202020.....609	1001204544 .....801	1001209692 ..... 835
1001200452 ..... 291		1001204548 .....801, 805	1001209693 ..... 835
1001200453 ..... 293		1001204549 .....801, 809	1001209697 ..... 829, 831, 833, 835
1001200498 ..... 237, 239, 241, 243		1001204576 .....707	1001209862 ..... 729, 739
1001200499 ..... 237, 239, 241, 243		1001204709 .....549	1001209899 ..... 441
1001200538 ..... 837		1001205061 .....559, 563	1001209972 ..... 595
1001200539 ..... 839		1001205307 .....857	1001210270 ..... 595
1001200631 ..... 243		1001205375 .....85, 595	1001210271 ..... 677
			1001210281 ..... 319
			1001210282 ..... 639

## SECTION 12 - RECOMMENDED SPARE PARTS

1001210326.....99, 101	1001212886..... 775, 777	1001215941 ..... 243	1001219863..... 516
1001210327..... 639	1001212920..... 257	1001216263 ..... 529	1001219864..... 516
1001210397..... 795	1001212921..... 257, 259	1001216265 ..... 527	1001219865..... 516
1001210522..... 591, 593, 677	1001212923..... 281	1001216267 ..... 529	1001219905. 81, 83, 1020
1001210523..... 677	1001212924..... 281	1001216269 ..... 529	1001219953. 81, 83, 1020
1001210524..... 677	1001212925..... 281	1001216270 ..... 527	1001220248..... 109
1001210525..... 677	1001213026 25, 591, 593	1001216331 ..... 693	1001220286..... 111
1001210526..... 677	1001213265..... 559, 561	1001216333 ..... 697	1001220295..... 629, 765
1001210567..... 895	1001213306..... 655	1001216757 ..... 583	1001220329..... 417, 463
1001210568..... 595	1001213307..... 655, 657	1001216798 ..... 295	1001220337..... 239
1001210569..... 595	1001213308..... 655, 657, 659	1001216799 ..... 295	1001220338..... 437, 439
1001210600..... 181, 183, 187, 189, 203	1001213309..... 659, 661	1001216803 ..... 583	1001220339..... 419, 437
1001210601..... 181, 187, 219	1001213311..... 661, 721	1001216974..... 467, 471, 475	1001220456..... 627, 629
1001210602..... 181, 183, 187, 189, 213	1001213317..... 619, 621	1001217226..... 693, 697	1001220457..... 591, 593, 627
1001210603..... 203	1001213318..... 615, 617	1001217320..... 817	1001220507..... 573
1001210635..... 669, 671	1001213319..... 623, 625	1001217352..... 87, 685	1001220540..... 413
1001210761..... 275, 287	1001213322..... 41	1001217353..... 85, 597	1001220641..... 109
1001210769..... 319, 325	1001213323J..... 41	1001217354..... 597, 685	1001220643..... 651, 653
1001210770..... 773, 787	1001213324J..... 41	1001217355..... 597, 685	1001220649..... 867
1001210771..... 227, 229	1001213331..... 429	1001217482..... 601, 603	1001220650..... 867, 871
1001210780..... 649	1001213462..... 85	1001217552..... 613	1001220707..... 1006
1001210797..... 669, 671	1001213562..... 699	1001217553..... 613	1001220760..... 379
1001210800..... 639, 641	1001213752..... 869	1001217620..... 377, 379	1001220859..... 817
1001210801..... 649	1001213775..... 891, 893	1001217623..... 845, 849	1001220861..... 817
1001210870..... 217, 219, 221	1001213791..... 423	1001217669..... 379	1001220942..... 595
1001211020..... 669, 671	1001213833..... 51, 53	1001217751..... 903	1001220947..... 865
1001211357..... 465	1001213834..... 51, 53	1001217752..... 181, 183, 791	1001221041..... 179, 181, 183, 185, 187, 189, 215
1001211427..... 81, 85	1001213959..... 85	1001217753..... 267	1001221052..... 495, 503
1001211445..... 799	1001213961..... 85	1001217754..... 263	1001221054..... 497, 507
1001211530..... 999	1001214092..... 449	1001217755..... 263	1001221056..... 495, 497
1001211531..... 999	1001214123..... 265	1001217756..... 267	1001221057..... 503, 507
1001211570..... 303	1001214206. 1002, 1006, 1010, 1014	1001217757..... 267, 271	1001221058..... 503, 507
1001211571..... 297, 301	1001214220..... 559	1001217758..... 271	1001221059..... 483, 486
1001211616..... 257, 259	1001214254..... 123	1001217759..... 271	1001221087..... 391, 393, 399
1001211617..... 257, 259	1001214349..... 299	1001217760..... 267	1001221157..... 391, 393
1001211693..... 819	1001214401..... 869	1001217761..... 249	1001221270..... 391
1001211899..... 55	1001214415..... 123	1001217762..... 249	1001221295..... 483, 486
1001211900..... 55	1001214429..... 655, 657	1001217763..... 249	1001221318..... 869
1001211907..... 516	1001214430..... 655, 657	1001217931..... 69	1001221319..... 869
1001212011..... 435	1001214431..... 655, 657	1001217932..... 69, 73	1001221321..... 391, 399
1001212013..... 303	1001214438..... 285, 287	1001217933..... 73, 75, 77	1001221349..... 277
1001212014..... 297, 301	1001214439..... 275	1001217948..... 655, 657	1001221383..... 277
1001212047..... 547	1001214440..... 275	1001218071J..... 23	1001221389..... 415
1001212048..... 551	1001214441..... 275	1001218358..... 991	1001221390..... 415
1001212049..... 547	1001214661..... 687	1001218529..... 483, 486	1001221391..... 415
1001212050..... 551	1001214829..... 609	1001218542..... 483, 486	1001221392..... 415
1001212054..... 303	1001214951..... 519	1001218694..... 55	1001221493..... 267
1001212055..... 297, 301	1001215022..... 251, 253	1001218704..... 1002	1001221553..... 395, 397
1001212184..... 663	1001215024..... 251, 253	1001218754..... 125	1001221554..... 395, 397
1001212312..... 729, 761	1001215078..... 285	1001218755..... 121, 123, 125	1001221695..... 395
1001212349..... 731	1001215093..... 655	1001218996..... 483, 486, 1020	1001221702..... 221
1001212369..... 449	1001215121..... 823	1001218997..... 677	1001221734..... 391
1001212418..... 631, 633	1001215154..... 519	1001219082..... 243	1001221868..... 217, 219, 221
1001212468..... 525	1001215208..... 773	1001219113J..... 45	1001221918..... 269
1001212470..... 821	1001215212..... 655, 657	1001219115..... 45	1001221928..... 645, 719
1001212511..... 707, 709	1001215256..... 639, 641	1001219211. 1002, 1006, 1010, 1014	1001221986..... 643, 645
1001212739..... 231, 233	1001215319..... 283	1001219220..... 441	1001221987..... 639, 641, 643
1001212787..... 641	1001215341..... 635, 637	1001219250..... 45	1001221988..... 639, 641
1001212788..... 639, 641, 647	1001215464..... 95	1001219615..... 637	1001221989..... 639
1001212789..... 647, 649	1001215470..... 687	1001219659..... 647	1001222163..... 183, 189, 221
1001212880..... 639, 641	1001215531..... 429	1001219764..... 605, 607	1001222188..... 35
	1001215539..... 655, 657	1001219765..... 609, 611	
	1001215693..... 829, 831, 833, 835, 983		
	1001215802..... 655		

## SECTION 12 - RECOMMENDED SPARE PARTS

1001222190..... 35	1001225575.....657	1001230850.....871	10713707..... 773
1001222454..... 183	1001225576.....657	1001230931.....929, 937	10725554..... 331, 345
1001222455..... 927, 935	1001225656.....649	1001230967.....85	10732931..... 765
1001222460..... 191	1001225980.....787	1001230986.....85	120034..... 819
1001222603..... 585	1001226481.....516	1001231217.....859	1320022..... 486
1001222606..... 583	1001226523.....201, 203	1001231385.....51, 53	1320060..... 249
1001222650 . 1002, 1006, 1010, 1014	1001226543.....657	1001231393.....649	1670836..... 1002, 1006, 1010, 1014
1001222741..... 429	1001226557.....677	1001231397.....991, 992	1701500..... 1002, 1006, 1010, 1014
1001223066..... 771, 777	1001226681.....281	1001231398.....991, 992	1702631..... 1002, 1010, 1014
1001223109..... 655, 657	1001226797.....273	1001231400.....991, 992	1704260..... 817
1001223265..... 516	1001226828.....605	1001231401.....991, 992	1705980..... 1002, 1006, 1010, 1014
1001223435..... 139	1001226829.....605, 609	1001231402.....992	1706098..... 1002, 1006, 1010, 1014
1001223455..... 927, 928, 929, 930, 935, 936, 937, 938	1001226947.....699	1001231404.....992	1706281..... 1002, 1006, 1010, 1014
1001223456..... 926, 934	1001227077.....243	1001231406.....992	1706282..... 1002, 1006, 1010, 1014
1001223457..... 926, 927, 934, 935	1001227090.....293	1001231407.....244, 989	1706284..... 1002, 1006, 1010, 1014
1001223462..... 593, 671	1001227133.....516	1001231483.....244, 991	1706285..... 1002, 1006, 1010, 1014
1001223475..... 671	1001227186.....421	1001232509.....309, 803	1706288..... 1002, 1006, 1010, 1014
1001223476..... 671	1001227187.....425	1001232850.....217	1706292..... 1002, 1006, 1010, 1014
1001223518..... 593, 657	1001227188.....425	1001232988.....119	2080078..... 439
1001223608..... 593	1001227287.. 1002, 1006, 1010, 1014	1001233024.....309	2080086..... 421
1001223610..... 593, 641	1001227334... 89, 91, 93, 95, 97, 1020	1001234395.....119	2080087..... 421
1001223618..... 253, 307	1001227337. 89, 91, 1020	1001234455.....47	2080092..... 455
1001223622..... 307	1001227440.....609	1001234596.....119	2110406..... 661, 681
1001223628..... 253	1001227469..... 771, 783	1001234802.....119	2110408..... 653
1001223640..... 657	1001227670..... 121, 123, 125, 127, 129, 131, 133, 143, 147, 149, 156, 159, 165	1001235965.....43, 47	2110410..... 229
1001223642..... 657		1001236404.....585	2110606... 101, 129, 661, 675, 681
1001223645..... 253	1001227802.....423	1001237897.....283	2110610..... 621, 625
1001223709..... 71	1001227945.....569	1001238154.....283	2110806..... 699, 731
1001223710..... 71, 75	1001227964.....243	1001238781.....231	2110808... 633, 637, 675
1001223720..... 241	1001228132.....503, 507	1001239445.....1017	2110810..... 649, 681
1001223724..... 241, 259	1001228140.....503, 507	1001241308.....431	2111008..... 709
1001223725..... 259	1001228141.....503, 507	1001241590.....923	2111010... 233, 595, 617, 621, 625, 675, 681, 687, 697, 729
1001223825..... 657	1001228147.....503, 507	1001241591.....923	2111012..... 629
1001223869..... 243, 253	1001228174.....275	1001241611.....819, 934	2111212..... 629
1001223870..... 75	1001228248.....217, 219	1001241836.....43	2111216..... 229
1001223874..... 243	1001228247.....137	1001241950.....585	2111616... 257, 259, 379, 681
1001223902..... 93	1001228427.....137	1001244192.....837, 839	2130404... 569, 607, 611, 637, 675
1001223903..... 889	1001228504.....675	1001244193.....837, 839	2130406..... 229
1001223911..... 75	1001228643.....243	1001247184.....277	2130408..... 637
1001223920..... 93	1001228727.....185	1001249251.....117	2130606..... 629, 645
1001223948..... 93	1001228728.....185, 793	1001250276.....117	2130808... 319, 325, 569
1001223968..... 821, 961	1001228731.....793, 907	1001250708.....53, 97	2131010... 595, 609, 611, 687, 709
1001223983..... 93	1001228732.....793, 919	1001256073.....421	2131212... 607, 611, 665, 675, 699, 731
1001224127..... 889	1001228733.....793, 915	1001270117.....457	2131216..... 229
1001224128..... 889	1001228734.....187	1001270467.....773	2132016..... 629
1001224450J..... 45	1001228735.....187, 189	1001270485.....887	2144603..... 371
1001224598..... 319	1001228737.....189	1001273075.....847	2144606..... 211, 213
1001224938..... 325	1001228860.....107	1001278028.....893	2150406..... 603
1001224944..... 607, 735	1001228872.....235	1001284531.....191	2150606..... 129
1001224945..... 611, 723	1001228989.....837, 839	1001284532.....181, 183, 187, 189	
1001224946..... 629	1001229056.....95	1001284536.....273	
1001225317..... 401	1001229057.....97	1001284538.....179, 181, 183, 185, 187, 189	
1001225390..... 609	1001229057.....97	1001285934.....791	
1001225392..... 605	1001229201.....383, 395	1001288070.....467	
1001225393..... 605, 609	1001229407.....41	1001293067.....273	
1001225567..... 641	1001229422.....595	1001293068.....273	
1001225568..... 641	1001229543.....423	1001293070.....179, 185	
1001225569..... 641	1001229609.....43	1001293972.....781, 783, 791	
1001225570..... 641	1001229686.....41	1060626.....805, 807, 811	
1001225571..... 641	1001229981.....371	1062255...217, 219, 221, 235, 249, 257, 259, 267, 289, 291, 295, 309, 669, 671, 789, 791, 793, 803	
1001225572..... 641	1001230163.....435		
1001225573..... 641	1001230402.....991		
1001225574..... 641	1001230403.....991, 992		
	1001230404.....992		
	1001230423.....281, 283		

## SECTION 12 - RECOMMENDED SPARE PARTS

2150608.....229	3291001 ... 205, 217, 219,	4460265 ..... 926, 934	4460884.... 857, 899, 910,
2150808.....319, 325, 633	237, 239, 241, 243,	4460267 ... 926, 927, 928,	950, 953, 965, 971,
2151010.....617, 621, 625	293, 415, 781, 783,	934, 935	977, 991
2151212.....665	829, 831, 833, 835	4460268 ... 926, 927, 928,	4460891.... 883, 898, 899,
2151616.....257, 259, 629	3291005 ... 105, 211, 213,	934, 935, 936	900, 904, 908, 909,
2152020.....39	237, 239, 241, 243,	4460320 .... 927, 928, 935	910, 923, 930, 931,
2160016...89, 91, 99, 101,	293, 599, 775, 777	4460321 ..... 991	938, 939, 949, 950,
599, 693, 697	3291201 ..... 175, 249	4460343 ... 926, 927, 934,	951, 953, 954, 971, 991
2170104.....233	3291205 ..... 81, 83, 855	935	4460892.....898, 908
2170106.....629	3291601 ..... 41	4460424 ..... 928, 936	4460894.... 898, 908, 927,
2170112.....629	3291605 81, 83, 121, 123,	4460434 ..... 926, 934	929, 935, 937, 951,
2170206.....129, 629	125, 199	4460458 ... 883, 898, 908,	953, 957, 977, 983
2170208.....569	3311508 ..... 805, 807	931, 936, 939, 954,	4460897.... 898, 899, 900,
2170216.....257, 259	3332011 ..... 413	985, 991	904, 908, 909, 923,
2170316.....229	3520028 ..... 567	4460464 ... 898, 904, 908,	928, 936, 947, 949,
2170410.....609	3520193 ..... 41, 89, 91	917, 919, 921, 928,	950, 951, 957, 987
2170704.....229	3700015 ..... 61	930, 936, 938, 947,	4460899.... 951, 953, 959,
2170716.....257, 259	3700016 ..... 61	951, 954, 959, 961,	961, 971
2170804.....653	3740080 ..... 243	963, 971, 975, 977,	4460905.....967, 969
2170806.....319, 325	3760348 ..... 559	981, 985, 989, 991	4460906.....927, 935
2171816.....655, 657	3790152 ..... 253	4460465 ... 883, 897, 898,	4460928.... 930, 938, 950,
2171832.....655, 657	3900357 ..... 795	899, 900, 904, 907,	971
2172110.....595	3900379 ..... 57, 539	908, 909, 910, 923,	4460930.... 931, 938, 951,
2172116.....257, 259	39844923 ..... 345	927, 929, 930, 931,	953, 954
2172410.....609	3986405 ..... 373	935, 937, 938, 939,	4460931.... 921, 931, 938,
2200223.... 237, 239, 241,	3986610 ..... 477	947, 949, 950, 951,	954, 977
243	3986643 ..... 477	953, 954, 955, 957,	4460932.... 947, 950, 953,
2220237 ..... 239	4010416 ..... 875, 891	965, 967, 969, 971,	963, 979, 981, 985, 989
2220238.....675	4010510 ..... 583, 585	972, 975, 977, 991	4460933.... 899, 909, 927,
2220239.....39, 649	4010608002 .... 421, 423,	4460466 ... 857, 898, 899,	935, 949, 951, 954
2220240.....39	516, 529, 531	900, 903, 904, 905,	4460941.... 947, 954, 959,
2220767 ..... 249	4010610 ..... 891, 893	907, 908, 909, 910,	983, 987
2220811 ..... 379	4010610002 .... 513, 516,	921, 923, 927, 928,	4460942.... 899, 910, 927,
24921332.....273	529, 567	929, 930, 931, 935,	935, 947, 949, 950,
2580040 ..... 803	4010612002 .... 425, 516,	936, 937, 938, 947,	951, 971, 972, 983
2720160.....639, 641	525	949, 950, 951, 953,	4460943.... 921, 930, 938,
2902443.... 898, 904, 909	4031205 .... 789, 791, 793	954, 961, 965, 967,	947, 957
2920207.....829	4031607 35, 39, 573, 575,	969, 971, 977, 983,	4460944.... 899, 900, 903,
2920208.....829	789, 793	985, 991	904, 905, 907, 908,
3020037 ..... 377	4031608 ..... 523, 791	4460475 ..... 991	909, 910, 927, 929,
314689.....85, 87, 761	4031608001 ..... 516	4460496 ..... 819	930, 935, 937, 938,
3251813..... 1002, 1006,	4031708 ..... 889	4460497 ..... 819	954, 967, 969, 971, 977
1010, 1014	4031708001 ..... 511	4460508 ... 897, 908, 913,	4460945.... 905, 910, 931,
3290401 .... 483, 486, 525,	4031712 ..... 595	915, 921	939, 977, 991
853, 857	4031910 .... 239, 543, 545	4460509 ... 899, 904, 909,	4460970.... 898, 904, 908,
3290405.... 119, 431, 875,	4031912 ..... 631, 651	950, 953	949, 954, 983
891, 893	4031916 ..... 761	4460518 ... 930, 938, 951,	4460979.... 899, 904, 909
3290501 .... 791, 819, 859	4031918 .... 615, 619, 623	991	4460984.....951
3290505.... 111, 119, 243,	4031920 ..... 707	4460536 ... 917, 919, 955,	4460994.....928, 936
781, 783	4031921 ..... 605, 609	975	4461000.....817
3290507 ..... 119	4032010 ..... 81, 83	4460539 ... 897, 899, 900,	4461006.... 897, 898, 904,
3290601 .... 221, 486, 525,	4032314 ..... 85	903, 904, 905, 907,	907, 909
529, 559, 567, 779,	4060919 ..... 25	908, 909, 910, 929,	4461008.... 897, 903, 907
813, 815, 819, 863,	4105262 ..... 105	930, 937, 938, 949,	4461015.....947, 950
865, 891, 893	4109801 ..... 1002, 1006,	954, 971, 975, 977, 991	4461017.... 913, 915, 921,
3290605.....47, 293, 516,	1010, 1014	4460608 .... 897, 903, 907	953
525, 795, 891, 893	4110422 ..... 147	4460705 ..... 927, 935	4461018.... 899, 904, 909,
3290606.....677	4240018 ... 639, 641, 669,	4460742 ..... 253, 991	953
3290607 .... 829, 831, 833,	671	4460744 ..... 936	4461054.... 897, 903, 907,
835	4240099 ... 639, 641, 655,	4460746 .... 931, 936, 939	953, 954
3290801 .... 237, 239, 241,	657, 809, 811	4460748 ... 898, 908, 936,	4461070..... 899, 909
243, 253, 287, 423,	4280307 ..... 33, 77	954	4461071.... 898, 904, 909
555, 843, 889	4360475 ..... 817	4460761 ..... 991	4461095..... 899, 909
3290805.... 235, 277, 561,	4360658 ..... 565	4460789 ..... 959	4461115.... 930, 931, 938,
625, 787	4460225 ... 926, 927, 934,	4460809 ..... 991	939, 985
3290806.....439	935	4460836 ..... 927, 935	4461118..... 953, 959
	4460234 ..... 819	4460871 ..... 967, 969	

## SECTION 12 - RECOMMENDED SPARE PARTS

4461174 ... 845, 847, 849, 851	599, 627, 635, 655, 657, 665, 673, 677, 687, 773, 775, 777, 781, 783, 789, 791, 793, 829, 831, 833, 835, 871, 891, 893, 895	70005559.....194	70023189..... 477
4461262 ... 926, 930, 934, 938, 953, 981	4812002 ... 31, 43, 45, 51, 53, 55, 99, 101, 205, 217, 219, 221, 237, 239, 241, 243	70005730.....193	70023469..... 331, 345
4461290 ..... 950	4812100 ... 29, 73, 75, 77, 81, 83, 199, 249, 273, 679, 683, 781, 783	70006144.....193	70023489..... 355
4641520 ..... 653, 741	4812102 .29, 73, 75, 237, 239, 241, 243, 401, 855	70020276.....373	70023490..... 355, 357
471678 ..... 451	4812300 ... 41, 81, 83, 85, 199, 377	70020438...701, 705, 763	70023493..... 355
4740274 ... 237, 239, 241, 243	4812500 ..... 411, 413	70020555.....143, 145	70023494..... 331, 345
4740532 ..... 227, 231	4831400 ... 483, 486, 525, 853	70020764.....725, 727	70024004..... 357
4740550 ... 237, 239, 241, 243	4831600 .... 39, 789, 791, 793	70020867.....717, 741	70024035..... 703
4761400 ..... 891	483170051, 53, 279, 529, 567, 773, 863, 865	70020922.....567	70024059..... 147
4761700 ..... 655, 657	4831900 ... 261, 263, 483, 486, 559, 795	70021251.....469	70024064..... 147
4807718 ..... 463, 1020	4832100 ... 237, 239, 241, 243	70021252.....469	70024107..... 477
4811400 ... 119, 121, 123, 125, 483, 486, 525, 565, 857, 875, 891, 893	4892600 ..... 317, 323	70021314.....479	70024123. 139, 141, 155, 161, 759
4811600 ... 111, 119, 215, 243, 516, 781, 783, 791, 817, 859	5220600 ..... 839	70021316.....479	70024129. 751, 755, 757, 759
4811700 ... 29, 33, 47, 51, 53, 57, 65, 73, 77, 201, 221, 273, 277, 293, 421, 423, 445, 451, 486, 511, 513, 525, 529, 531, 559, 563, 567, 635, 643, 677, 775, 777, 779, 789, 791, 793, 795, 813, 815, 819, 829, 831, 833, 835, 837, 839, 863, 865, 869, 885, 891, 893	5220800 ... 797, 799, 805, 807	70021317.....473	70024130. 135, 137, 139, 141, 156, 161, 759
4811700001 ..... 516	5240600 ..... 889	70021318.....473	70024142..... 757
4811702 ... 209, 455, 529, 559, 563, 569	5240800 ..... 613	70021319.....473, 481	70024146.. 333, 347, 365
4811702001 .... 423, 425, 516, 585	5241000 ..... 293	70021321.....481	70024147.. 333, 347, 365
4811900 ... 29, 31, 55, 63, 65, 67, 73, 75, 77, 81, 83, 85, 107, 113, 223, 235, 237, 239, 241, 243, 255, 265, 269, 273, 277, 281, 285, 287, 297, 299, 301, 303, 423, 429, 443, 449, 467, 471, 475, 486, 527, 541, 543, 545, 555, 559, 569, 601, 615, 619, 625, 639, 641, 647, 659, 663, 677, 687, 699, 773, 787, 813, 815, 843, 845, 847, 857, 863, 865, 887, 889	5241200 ..... 175	70021322.....473	70024164..... 743
4811902 ... 43, 45, 95, 97, 253, 261, 263, 273, 483, 486, 527, 529, 595, 783	5241400 ..... 371	70021323.....481	70024165..... 743
4812000 ... 39, 47, 55, 63, 65, 75, 81, 83, 85, 89, 91, 93, 95, 97, 99, 101, 105, 109, 119, 205, 211, 213, 223, 249, 273, 275, 285, 287, 293, 415, 567, 569,	5242400 ..... 599	70021324.....481	70024166..... 743
	5250608 ..... 491	70021325.....481	70024167 ..... 743
	5251012 ..... 191	70021326.....481	70024168 ..... 743
	5271609 ..... 859	70021327.....481	70024201 ..... 765
	5272012 ..... 871	70021328.....481	70024210 ..... 335, 349
	643191201. 926, 934, 949	70021330.....481	70024213 ..... 335
	643201301. 926, 934, 949	70021340.. 829, 831, 833, 835	70024215 ..... 335
	70002963 ..... 719	70021341.. 829, 831, 833, 835	70024216 ..... 349
	70004387 ..... 719	70021349.. 127, 147, 149, 153	70024228 ..... 701
	70004512 ..... 193, 197	70021350..... 149, 153	70024234 ..... 701
	70005174 ..... 197	70021367..... 153	70024235 ..... 701
	70005191 ..... 194	70021387 ..... 147	70024236 ..... 701
	70005490 ..... 193, 197	70021397 ..... 147	70024237 ..... 701
	70005492 ..... 193, 197	70021415 ..... 147	70024239 ..... 701
	70005495 ..... 197	70021422 ..... 153	70024459 ..... 477
	70005504 ..... 193, 197	70021440 ..... 745, 747	70024474 ..... 194
	70005505 ..... 193, 197	70021444 ..... 747	70024484 ..... 193
	70005507 .. 193, 194, 197	70021445 ..... 747	70024487 ..... 193, 197
	70005510 ..... 193	70021446 ..... 747	70024489 ..... 193, 197
	70005511 ..... 193	70021447 ..... 747	70024493 ..... 193, 197
	70005513 ..... 193	70021448 ..... 747	70024494 ..... 193, 197
	70005522 ..... 194	70021451 ..... 747	70024495 ..... 193, 197
	70005523 ..... 194	70021452 ..... 747	70024504 ..... 193, 197
	70005524 ..... 194	70021531 ..... 725, 727	70024505 ..... 194
	70005544 ..... 194	70021606 ..... 349	70024507 ..... 193, 197
	70005548 ..... 194	70021613 ..... 349	70024538.. 141, 155, 159
	70005549 ..... 194, 1020	70021979 ..... 147	70024721.. 156, 159, 161
	70005556 ..... 194	70022007 ..... 765	70024731 ..... 159
	70005557 ..... 194	70022008 ..... 765	70024732 ..... 159
	70005558 ..... 194	70022010 ..... 765	70024733 ..... 159, 759
		70022014 ..... 765	70024734. 159, 751, 755, 757, 759
		70022019 ..... 765	70024772.. 156, 159, 161
		70022034 ..... 469	70024787 ..... 159
		70022140 ..... 331, 345	70024847 ..... 765
		70022528 ..... 147	70024848 ..... 335
		70022726 ..... 713	70024849 ..... 335
		70022765 ..... 821, 1020	70024856 ..... 477
		70022773 ..... 337, 351	70024857 ..... 477
		70022938.. 135, 137, 139, 141, 156, 159, 161	70024858 ..... 477
			70024859 ..... 477
		70023179 ..... 477	70024861 ..... 477
		70023181 ..... 477	70024881.. 333, 347, 363
		70023182 ..... 477	70024918 ..... 193, 197
		70023184 ..... 477	70024945 ..... 713
		70023186 ..... 477	

## SECTION 12 - RECOMMENDED SPARE PARTS

70024946..... 713	70026294 ..... 785	70026750 ..... 357	70028258..... 755, 757
70024961.193, 197, 1020	70026295 ..... 785	70026777 ..... 765	70028262..... 155
70025012..... 333	70026296 ..... 785	70026778 ..... 765	70028263..... 135, 137
70025014..... 333	70026297 ..... 785	70026779 ..... 765	70028267..... 156, 161
70025153..... 193, 197	70026353 ..... 247	70026781 ..... 765	70028270..... 755
70025242..... 194	70026354 ..... 247	70026783 ..... 765	70028281..... 723
70025335..... 329, 343	70026359 ..... 247	70026784 ..... 765	70028282... 607, 723, 735
70025337..... 355	70026361 ..... 571	70026838 ..... 701	70028286..... 765
70025338..... 355	70026362 ..... 571	70026892 ..... 373	70028287..... 765
70025339..... 355, 357	70026363 ..... 571	70026896 ..... 373	70028288..... 765
70025483..... 469	70026364 ..... 571	70026897 ..... 373	70028289..... 765
70025485..... 469	70026365 ..... 571	70026898 ..... 373	70028290..... 765
70025486..... 469	70026366 ..... 571	70026901 ..... 373	70028291..... 765
70025489..... 469	70026367 ..... 571	70026904 ..... 373	70028293..... 765
70025490..... 469	70026369 ..... 765	70026908 ..... 373	70028294..... 765
70025491..... 469	70026370 ..... 765	70026909 ..... 373	70028295..... 765
70025535..... 194	70026372 ..... 765	70026911 ..... 373	70028296..... 765
70025539..... 479	70026373 ..... 765	70026927 ..... 374	70028297..... 765
70025561..... 333, 347	70026376 ..... 765	70027022 ..... 335, 349	70028298..... 765
70025562..... 333, 347	70026379 ..... 765	70027092 ..... 335	70028299..... 765
70025590..... 695	70026383 ..... 765	70027105 ..... 355, 357	70028300..... 765
70025614..... 695, 703	70026395 ..... 207	70027109 ..... 373	70028301..... 765
70025707..... 194	70026396 ..... 207	70027110 ..... 373	70028302..... 765
70025722..... 193, 197	70026407 ..... 763	70027134 ..... 765	70028303..... 765
70025730..... 197	70026408 ..... 763	70027180 . 167, 169, 171, 173	70028304..... 765
70025737..... 193, 197	70026411 ..... 763	70027317 ..... 335, 349	70028305..... 765
70025743..... 193, 197	70026434 ..... 561	70027392 ..... 473, 479	70028307..... 695
70025755..... 193, 197	70026469 .. 139, 141, 751	70027393 ..... 479	70028308..... 695
70025757..... 193, 197	70026470 ..... 139, 141	70027399 ..... 479	70028309..... 695, 703
70025760..... 194	70026471 .. 139, 141, 155	70027394 ..... 479	70028310..... 695, 703
70025761..... 194	70026472 .. 139, 141, 155	70027395 ..... 473	70028311..... 695
70025763..... 193, 197	70026473 .. 139, 141, 155	70027405 ..... 193, 197	70028312..... 695
70025765..... 193, 197	70026474 ..... 139, 141	70027417 193, 197, 1020	70028314..... 703
70025768..... 193, 197	70026475 ..... 139, 141	70027420 ..... 193	70028315..... 703
70025772..... 193, 197	70026476 .. 139, 141, 155	70027426 ..... 193	70028316..... 703
70025775..... 193, 197	70026477 . 137, 139, 141, 753	70027567 ..... 193, 197	70028317..... 703
70025780..... 194	70026478 ..... 139, 141	70027595 ..... 715	70028318..... 703
70025786..... 193, 197	70026479 . 135, 137, 139, 141	70027596 ..... 727	70028319..... 703
70025816..... 557	70026480 . 135, 137, 139, 141	70027598 ..... 713	70028320..... 703
70025817..... 557	70026481 . 135, 137, 139, 141, 155, 159, 161	70027601 ..... 711, 1020	70028321..... 703
70025850..... 207	70026482 . 135, 137, 139, 141, 155, 159, 161	70027657 193, 197, 1020	70028322..... 703
70025851..... 207	70026483 ..... 135, 137	70027773 ..... 149	70028323..... 703
70025854..... 765	70026496 ..... 751	70027796 ..... 335	70028324. 695, 703, 1020
70025856..... 357	70026497 ..... 751	70027800 ..... 701	70028325..... 695
70025859..... 561	70026498 ..... 751	70027806 ..... 701, 1020	70028326..... 477
70025860..... 561	70026499 ..... 751	70027811 ..... 763	70028327..... 225
70025877..... 194	70026500 ..... 751	70027862 ..... 373	70028328..... 225
70025884..... 339, 353	70026501 ..... 155, 751	70027879 ..... 129	70028329..... 225
70025887..... 331, 345	70026502 .. 751, 755, 757	70027880 ..... 129	70028330..... 225
70025970..... 335	70026503 ..... 159, 751	70027881 ..... 129	70028331..... 225
70026002..... 333, 347	70026504 ..... 161, 751	70027882 ..... 129	70028332..... 225
70026011..... 193, 197	70026505 ..... 751	70027887 ..... 129	70028333..... 225
70026081..... 247	70026506 ..... 751	70027888 ..... 129	70028334..... 225
70026210..... 194	70026582 ..... 717, 741	70027889 ..... 129	70028335..... 225
70026238..... 333, 347	70026614 . 137, 139, 141, 753	70027890 ..... 129	70028336..... 225
70026249..... 705	70026616 ..... 139, 141	70027896 ..... 129	70028337..... 225
70026251..... 705	70026631 ..... 373	70027899 ..... 129	70028338..... 225
70026253..... 705, 1020	70026745 ..... 143, 145	70027986 ..... 337, 351	70028339..... 225
70026260... 333, 347, 359	70026746 ..... 143, 145	70027989 ..... 127	70028340..... 225
70026261... 333, 347, 361	70026747 ..... 349	70028114 ..... 159	70028341..... 225
70026262..... 335	70026748 ..... 349	70028115 ..... 159	70028342..... 225
70026263..... 335		70028119 ..... 159	70028343..... 225
70026264..... 335		70028253 ..... 155	70028344..... 225
70026265..... 339, 353		70028254 ..... 755	70028345..... 225
70026266... 339, 353, 363		70028255 ..... 755	70028346..... 225
70026292..... 941		70028256 ..... 755, 757	70028347..... 225
70026293..... 943		70028257 ..... 755, 757	70028348..... 225

## SECTION 12 - RECOMMENDED SPARE PARTS

70028349 .....	225	70028495 ..	127, 149, 153	70028603.....	127, 747	70028679.....	156
70028350 .....	225	70028496 ..	127, 149, 153	70028604.....	127	70028680.....	156
70028351 .....	225	70028497 .....	153	70028605.....	127	70028681.....	156, 159
70028352 .....	225	70028498 .....	153	70028606.....	127	70028682.....	156
70028353 .....	225	70028499 .....	153	70028607.....	127	70028683.....	156
70028354 .....	225	70028500 .....	153	70028609.....	745	70028684.....	156
70028355 .....	225	70028501 .....	153	70028610.....	745	70028685.....	156
70028357 .....	225	70028505 .....	129	70028611.....	745	70028686.....	156
70028358 .....	225	70028506 .....	129	70028612.....	747	70028687 ..	156, 159, 161
70028359 .....	225	70028507 .....	129	70028613.....	747	70028688 ..	156, 159, 161
70028360 .....	225	70028508 .....	129	70028614.....	747	70028689 ..	156, 159, 161
70028361 .....	721	70028509 .....	129	70028615.....	149	70028690.....	156, 159
70028362 .....	705	70028510 .....	129	70028616.....	149	70028691.....	755, 757
70028363 .....	701	70028511 .....	129	70028617.....	149	70028692.....	757
70028364 .....	701	70028512 .....	129	70028618.....	149	70028693.....	757
70028365 .....	701	70028513 .....	129	70028619.....	149	70028694.....	757
70028366 .....	701	70028514 .....	305	70028620.....	149	70028695.....	156
70028367 .....	701	70028515 .....	305	70028621.....	149	70028696.....	156
70028368 .....	701	70028516 .....	305	70028622.....	149	70028697 ..	139, 156, 162
70028369 .....	701	70028517 .....	305	70028623.....	149	70028701.....	161
70028370 .....	701	70028525 .....	127	70028624.....	149	70028702.....	161
70028371 .....	763	70028526 .....	127	70028625.....	149	70028703.....	161
70028372 .....	763	70028546 .....	959	70028626.....	149	70028704.....	161, 759
70028373 .....	763	70028548 .....	247	70028627.....	149	70028705.....	161
70028374 .....	763	70028549 .....	247	70028628.....	149	70028706.....	161
70028375 .....	763	70028550 .....	247	70028629.....	149	70028707.....	161
70028381 .....	561	70028554 ..	127, 143, 147, 149	70028630.....	149	70028708.....	161
70028382 .....	561	70028563 .....	135, 137	70028631.....	149	70028709.....	161
70028383 .....	561	70028564 .....	135, 137	70028632.....	149	70028710.....	161
70028387 .....	333, 347	70028565 .....	135, 137	70028633.....	149	70028711.....	161
70028388 ..	329, 333, 343, 347	70028566 .....	135, 137	70028634.....	150	70028712.....	161
70028389 ..	329, 333, 343, 347	70028567 .....	135, 137	70028635.....	149	70028713.....	161
70028390 .....	331, 357	70028568 .....	135, 137	70028636.....	149	70028714.....	161
70028391 .....	331	70028569 .....	135, 137	70028637.....	149	70028715.....	161
70028392 .....	333, 347	70028570 .....	135, 137	70028638.....	149	70028716.....	161
70028393 .....	337, 351	70028571 .....	135, 137	70028648.....	155	70028717.....	161
70028394 .....	337, 351	70028572 ..	135, 137, 749	70028649.....	155	70028718.....	161
70028396 .....	333, 347	70028573 ..	135, 137, 753	70028650.....	155	70028719.....	161
70028397 .....	347	70028574 .....	135, 137	70028651.....	155	70028720.....	161
70028398 .....	345, 355	70028575 .....	137	70028652.....	155, 755	70028721.....	161
70028399 .....	345	70028576 .....	137	70028653.....	155, 757	70028722.....	161
70028400 .....	347	70028577 .....	137	70028654.....	155	70028723.....	161
70028401 .....	331, 345	70028578 .....	137	70028655.....	155	70028724.....	161
70028405 .....	155	70028579 .....	137	70028656.....	155	70028725.....	161
70028406 .....	155	70028580 .....	137	70028657.....	155	70028726.....	161
70028410 .....	713, 1020	70028581 .....	749	70028658.....	155	70028727.....	161
70028411 .....	713	70028582 .....	749	70028659.....	155	70028728.....	759
70028412 .....	715	70028583 .....	749	70028660.....	155	70028729.....	759
70028413 .....	715, 1020	70028584 .....	749	70028661.....	155	70028730.....	759
70028417 .....	193	70028585 .....	749	70028662.....	155	70028731.....	759
70028418 .....	193	70028586 .....	749	70028663.....	155	70028732.....	759
70028419 .....	193, 1020	70028587 .....	749	70028664.....	155	70028733.....	759
70028420 .....	711	70028588 .....	749, 759	70028665.....	155	70028734.....	141, 162
70028421 .....	733	70028589 .....	137, 753	70028666.....	155	70028738.....	141
70028422 .....	737, 739	70028591 .....	127	70028667.....	155	70028739.....	141
70028485 ..	127, 149, 153	70028592 .....	127	70028668.....	155	70028740.....	141
70028486 .....	127, 153	70028593 .....	127	70028669.....	155	70028741.....	141
70028487 .....	153	70028594 .....	127	70028670.....	155	70028742.....	141
70028488 .....	127, 153	70028595 .....	127	70028671.....	155	70028743.....	141
70028489 .....	149, 153	70028596 .....	127	70028672 ..	139, 141, 155, 159, 161	70028744.....	135
70028490 .....	149, 153	70028597 .....	127	70028673.....	155	70028745.....	135
70028491 .....	153	70028598 .....	127	70028674.....	155	70028746.....	135
70028492 .....	153	70028599 .....	127, 745	70028675.....	155	70028747.....	135
70028493 .....	153	70028600 .....	127	70028676.....	155	70028748.....	135
70028494 .....	153	70028601 .....	127	70028677.....	155	70028749.....	139
		70028602 .....	127	70028678.....	156	70028750.....	139
						70028751.....	139

## SECTION 12 - RECOMMENDED SPARE PARTS

70028752.....	139	7010543.....	719	80204016.....	373	8405201....	249, 516, 519, 521
70028753.....	139	70124445.....	193, 197	80204033.....	331, 345	8405402.....	201, 203
70028767.....	155	70126616.....	193, 197	80204035.....	331, 345	8406105.....	199
70028768.....	155	7016331 ..	193, 197, 1020	80204043.....	331, 345	8406112....	221, 297, 299, 301, 303
70028770.....	755	7020208.....	193, 197	80204048.....	331, 345	8406201.....	639, 641
70028771.....	757	7020442.....	193, 197	80204060.....	335	8406202.....	615, 619
70028785.....	159	7022390.....	723	80204065.....	333, 347	8410009....	289, 291, 483, 486
70028786.....	159	7024947.....	715	80204071.....	333, 347	8410013....	235, 639, 641, 655, 657
70028787.....	159	7026731.....	369	80204076.....	333, 347	8420053....	127, 129, 135, 137, 139, 141, 147, 149, 153, 156, 159, 161
70028788.....	159	7028621.....	477	80204108.....	335	8420055....	127, 129, 135, 137, 139, 141, 147, 149, 153, 156, 159, 161
70028789.....	159	7028714.....	333, 347	80204117 ..	335, 349, 363	8424233.....	655, 657
70028790.....	159	7028715.....	333, 347	80204143.....	337, 351	8430032.....	639, 641
70028791.....	159	7028716.....	333, 347	80204144.....	337, 351	8430033.....	681
70028792.....	159	7028733.....	333, 347	80204176.....	373	8430034.....	661
70028793.....	159	7029127.....	337, 351	80204215.....	373	8430081.....	639, 641
70028794.....	159	7029288.....	329, 343	80204281.....	335, 349	8466306.....	461, 1010
70028795.....	159	7029290.....	363	80214120.....	333, 347	8584003.....	861
70028796.....	159	7029307.....	337, 351	80233218.....	559	85941018...	639, 641, 783
70028801.....	374	7029317.....	333	80264002.....	479	8769123.....	619, 623
70028817.....	373	7029486 ...	511, 513, 995	80264004.....	479	8769126.....	619, 623
70028818.....	373	7029702.....	127	80333151.....	559	8769146.....	595
70028819.....	373	7029703.....	127	8034697.....	765	8769152.....	595
70028820.....	373	7029704.....	127	80363195.....	443	8769199.....	595
70028821.....	373	7029709.....	149	80604017.....	957	8770030.....	629
70028822.....	373	7029711 ...	127, 147, 149, 153	80604021.....	965	8770075.....	613
70028823.....	373	7029712.....	149	806253.....	67	8770104.....	629
70028824.....	373	7029712.....	149	806264.....	67	8770215.....	597, 685
70028825.....	373	7029733.....	347, 369	80963055 ..	899, 904, 909	8770286.....	629
70028826.....	373	7029734.....	335, 349	80963056 ..	899, 904, 909	8786549....	383, 385, 387, 389, 391, 393, 395, 397, 399
70028827.....	373	7029735.....	335, 349	80963067.....	898, 909	88662434..	639, 641, 669, 671
70028828.....	373	7029743.....	333	80983191 ..	941, 943, 945	8880219-OM.....	381
70028829.....	373	7029767.....	469	82033995 ..	235, 289, 291	90206196.....	55
70028830.....	373	7029785.....	349	8220035.....	989	90206198.....	639, 641
70028831.....	373	7029787.....	335	8220043.....	913, 915	90206202.....	25
70028832.....	373	7029969.....	829, 833	8220051 ...	928, 929, 936, 937, 949	9054016.....	145
70028833.....	373	7029970.....	829, 833	8220097.....	898, 908	9054017.....	127
70028834.....	373	7029971 ...	829, 831, 833, 835	8220098.....	898, 908	9054020.....	127, 147
70028835.....	373	7169541.....	243	8220108.....	989	90554042..	127, 147, 149, 153
70028836.....	373	7300435.....	199	8220116.....	951	90554045..	127, 147, 149, 153, 745, 747
70028837.....	373	77133136.....	595, 687	8220124 ....	897, 903, 907	90554054.....	147
70028838.....	373	77133137.....	595, 687	8220124 ....	897, 903, 907	90554065.....	149
70028839.....	373	77133497.....	595	8220375.....	936	90554066.....	149
70028840.....	373	77213042.....	273	8229234.....	992	90554067.....	127, 149
70028841.....	374	8000565.....	855	8229235.....	991	91013191.....	954
70028842.....	374	8000759.....	439	8229242 ....	900, 941, 943	91013192.....	950, 951
70028843.....	374	8000803.....	423	8229244 ...	785, 900, 945	91043125..	613, 617, 621, 625
70028844.....	374	8002200 ...	89, 91, 93, 95, 97, 1020	8229245 ...	785, 900, 941	91043126..	613, 617, 621, 625
70028845.....	374	8004398.....	439	8229247 ...	785, 900, 943	91063039.....	671
70028846.....	374	8005671 .....	1002, 1006, 1010, 1014	8229261.....	991	9106-3039.....	669
70028847.....	374	8005675 .....	1002, 1006, 1010, 1014	8275212.....	273, 275	91063040.....	671
70028848.....	374	8005901.....	513	8278020 ...	237, 239, 241, 243	9106-3040.....	669
70028860.....	147	8006258.....	699	8305919 ...	209, 271, 455, 516, 529	91083106.....	655, 657
70028861.....	147	8008175.....	337, 351	8307219.....	271		
70028862.....	147	8008640 ...	89, 91, 93, 95, 97, 1020	8310559.....	435		
70028863.....	147	8008657 .....	1002, 1006, 1010, 1014	8310686.....	631, 651		
70028864.....	147	80203020.....	373	8342813.....	59		
70028865.....	147	80203021.....	373	8405006 ...	219, 221, 249, 639, 641		
70028866.....	147	80204002.....	329, 343	8405007 ...	249, 655, 657, 663, 669, 671		
70028867.....	147	80204005 ..	329, 343, 367	8405009 ...	249, 281, 559		
70029941.....	703	80204007.....	373	8405101.....	249		
70030353.....	267	80204012.....	347	8405102.....	257, 259		
70030355.....	267			8405104.....	249		
70030356.....	267						
70030365.....	333						
70031088.....	193						
70050473.....	765						
70050475.....	765						



## SECTION 12 - RECOMMENDED SPARE PARTS

91163268 .....	273	91514089 .	329, 333, 335,	91514134.....	331, 345	91514179.....	333, 347
91403193 .....	313		343	91514143.....	357	91514180.....	333, 347
91403413 .....	147	91514090 .....	363	91514146.....	367, 373	91514181.....	333, 347
91403414 .....	147	91514095 .....	333, 347	91514147.....	367	91514184.....	333, 369
91403530 .....	113	91514098 .....	329, 343	91514148.....	367	91514185.....	333, 369
91474364 .....	373	91514101 .....	329, 343	91514149...333, 347, 367		91514186.....	333, 369
91474512 .....	329, 343	91514111 .....	359, 361	91514151.....	335	91514189.....	333, 347
91504107 .....	957	91514112 .....	333, 347	91514154...335, 349, 373		91574001 .....	743
91513266 .....	401	91514117 .....	333, 347	91514159.....	335, 349	943191201 .....	926, 934
91514081 .....	333, 347	91514118 .....	401	91514174.....	333, 347	AU2105 .....	1002, 1006,
91514082 .....	333, 347	91514123 .....	331	91514175...333, 347, 365		1010, 1014	
91514083 .....	333	91514130 .....	331, 345	91514177...333, 347, 365		E000269.....	875
91514084 .....	333	91514133 .....	331, 345	91514178.....	333, 347	N.S.S..121, 123, 125, 719	



31211279



An Oshkosh Corporation Company

**Corporate Office**  
**JLG Industries, Inc.**  
**1 JLG Drive**  
**McConnellsburg, PA 17233-9533 USA**  
**☎ (717) 485-5161 (Corporate)**  
**☎ (877) 554-5438 (Customer Support)**  
**☎ (717) 485-6417**

**Visit our website for JLG Worldwide Locations.**  
**[www.jlg.com](http://www.jlg.com)**