



Illustrated Parts Manual

Models 1644

SN 016000001 to SN 0160100942

P/N
31211281

Revised
June 15, 2023 - Rev F



EFFECTIVITY PAGE

May 1, 2017 - A - Original Issue of Manual

October 13, 2017 - B - Revised Manual

July 18, 2018 - C - Revised Manual

January 18, 2019 - D - Revised Rev 1

May 22, 2020 - E - Revised Rev 1

June 15, 2023 - F - Revised Rev 1

GENERAL INFORMATION

SECTION 9 - HYDRAULIC COMPONENTS (PRIOR TO SN XXXXXXXXX)
FIGURE 9-3 EXTEND/RETRACT CYLINDER - XXXX

MODEL XXXXXXXXX

SECTION 9 - HYDRAULIC COMPONENTS (PRIOR TO SN XXXXXXXXX)
FIGURE 9-3 EXTEND/RETRACT CYLINDER - XXXX

ITEM	PART NUMBER	QTY	DESCRIPTION	REV
	1001144195	1	Extend/Retract Cylinder - XXXXX	E
1	70025592	1	Assembly, Barrel	
2	70025593	1	Assembly, Rod	
3	70025594	1	Gland	
4	70025595	1	Head, Piston	
5	70025592	1	Screw, Locking	
6	70025596	1	Spacer	
7	Kit	1	O-Ring	
8	Kit	1	Ring, Back-Up	
9	Kit	1	Ring, Rod Bearing	
10	Kit	1	O-Ring	
11	Kit	1	Seal, Rod	
12	Kit	1	Ring, Rod Bearing	
13	Kit	1	Seal, Rod	
14	Kit	1	Seal, Wiper	
15	Kit	2	Ring, Piston Bearing	
16	Kit	1	Seal, Piston	
17	Kit	2	O-Ring	
101	70025597	1	Kit, Seal (includes items 7 thru 17)	

MODEL XXXXXXXXX

1) MACHINE IDENTIFICATION

Machines are identified by model and in some cases a combination of models, serial number (SN) or regional standard (e.g. ANSI, CE, CSA, AUS). Components may also be identified by SN or manufacturer. Common components that may be identified by these characteristics are attachments, engine, transmission and hydraulic components.

2) PARTS MANUAL ORGANIZATION

Product information in this manual is organized under section titles. Frame, Engine and Electrical are a few examples. Each section is organized by Figure and page number. The information within the Figure is then organized by item number, part number, description and corresponding illustration(s).

3) TABLE OF CONTENTS (NOT SHOWN)

A table of contents (TOC) is found toward the beginning of the manual. Figure number, description and page number are provided for quick reference to the page containing the related information.

4) RECOMMENDED SPARE PARTS (NOT SHOWN)

The Recommended Spare Parts List, located near the end of the manual, reference most frequently used maintenance parts.

5) PART NUMBER INDEX (NOT SHOWN)

A numerical index listing all part numbers and the corresponding page number(s) appears at the back of the manual.

6) NON-SERVICED PARTS

In some instances, it is necessary to display non-serviced parts, assemblies or installations. In the case of assemblies and installations there will be a Ref in the QTY column and a note after the item description stating what is available for service within. In the case of parts that are not available for service within assemblies or components, there will be a NSS (Not Sold Separately) listed in the part number column of the manual.

7) PARTS LIST ITEM NUMBERS

Numbers shown in the item column correspond to numbers used in the associated illustration(s). Item numbers which are missing from sequence and are not shown in the illustration(s) are not used on that page.

8) INDENTED PARTS DESCRIPTION

An indented part description is included in the item under which it is indented.

9) ABBREVIATION AND SYMBOLS

AC	Alternating Current
A/C	Air Conditioning
ADE	Advanced Design Electronics
AG	Agriculture
AMP	Amperage
ANSI	American National Standards Institute
AR	As Required
ASSY	Assembly
AUS	Australia
AUX	Auxiliary
AWG	American Wire Gauge
CAC	Charge Air Cooler
CE	European Conformity
CM	Centimeter
CONST	Construction
CSA	Canadian Standards Association
DEF	Diesel Exhaust Fluid
DIA	Diameter
DC	Direct Current
DTZ	Decentralized Transmission Zeros
ECU	Electronic Control Unit
EMS	Emergency Stop
FNR	Forward Neutral Reverse
FT	Foot
GA	Gauge
GR	Grade
HBP	High Boom Pivot
HHP	High Horse Power
HOC	Hydraulic Oil Cooler
HRC	High Rated Countries
HVAC	Heating Ventilating, and Air Conditioning
ID	Inside Diameter
IN	Inch
ISO	International Organization for Standards
ITSDF	Industrial Truck Standards Development Foundation
JIC	Joint Industry Council
KG	Kilogram
KW	Kilowatt
L	Liter
LB	Pound
LBP	Low Boom Pivot

LCD	Liquid Crystal Display
LED	Light Emitting Diode
LH	Left Hand
LHD	Left Hand Drive
LHP	Low Horse Power
LMIS	Load Management Indicator System
LRC	Low Rated Countries
LS	Low Sulfur
LSI	Load Stability Indicator
LSS	Load Sensing System
M ³	Cubic Meter
MA	Milliamp
M(m)	Metric/Meter
MM	Millimeter
N	Newton
NACD	North America Construction Division
NLA	No Longer Available
NSS	Not Sold Separately
OD	Outside Diameter
ORB	O-Ring Boss
ORFS	O-Ring Face Seal
OZ	Ounce
PR	Ply Rating
QT	Quart
QTY	Quantity
REF	Reference
REV	Revision
RH	Right Hand
RHD	Right Hand Drive
RHCO	Remote Hydraulic Oil Cooler
RUS	Russia
SAE	Society of Automotive Engineers
SAHR	Spring Applied Hydraulically Released
SN	Serial Number
SPD	Speed
TLU	Torque Look Up
UGM	Universal Ground Module
V	Volts
W	Watts
#	Number

10) ILLUSTRATION REFERENCE LETTERS

When necessary, illustrations may contain reference letters that are intended to track information from one point to another in the illustration such as harnesses and hoses or any other information that has been separated in the illustration.

Note: Due to continuous product improvements, JLG Industries, Inc. reserves the right to make specification changes without prior notification. Contact JLG Industries, Inc. for updated information.

TABLE OF CONTENTS

SECTION 1 - FRAME AND ATTACHING PARTS.....	17
FIGURE 1-1. FRAME WELDMENT	18
FIGURE 1-2. GROMMETS INSTALLATION	20
FIGURE 1-3. TANK INSTALLATION	22
FIGURE 1-4. FUEL TANK INSTALLATION	24
FIGURE 1-5. HYDRAULIC TANK INSTALLATION	26
FIGURE 1-6. TANK SUPPORT INSTALLATION.....	28
FIGURE 1-7. FUEL TANK ASSEMBLY	30
FIGURE 1-8. LOCKING FUEL CAP	32
FIGURE 1-9. HYDRAULIC TANK ASSEMBLY.....	34
FIGURE 1-10. COUNTERWEIGHT INSTALLATION.....	36
FIGURE 1-11. ENGINE ENCLOSURE INSTALLATION.....	38
FIGURE 1-12. ENGINE ENCLOSURE ASSEMBLY	40
FIGURE 1-13. HOOD ASSEMBLY	42
FIGURE 1-14. HOOD ASSEMBLY	44
FIGURE 1-15. COVER INSTALLATION (ULS).....	46
FIGURE 1-16. FRAME COVER INSTALLATION	48
FIGURE 1-17. FRONT LOWER COVER INSTALLATION	50
FIGURE 1-18. MIRROR INSTALLATION	52
SECTION 2 - BOOM	55
FIGURE 2-1. BOOM INSTALLATION.....	56
FIGURE 2-2. BOOM ASSEMBLY	58
FIGURE 2-3. FIRST BOOM SECTION ASSEMBLY.....	60
FIGURE 2-4. SECOND BOOM SECTION ASSEMBLY.....	62
FIGURE 2-5. THIRD BOOM SECTION ASSEMBLY	64
FIGURE 2-6. COUPLER INSTALLATION (MANUAL).....	66
FIGURE 2-7. COUPLER INSTALLATION (HYDRAULIC)	68
FIGURE 2-8. COUPLER LOCKING CYLINDER ASSEMBLY	70
FIGURE 2-9. MANUAL COUPLER PIN HOLDER INSTALLATION.....	72
FIGURE 2-10. BOOM BRUSHES INSTALLATION	74
FIGURE 2-11. BOOM PROP BRACKET ASSEMBLY	76
SECTION 3 - ATTACHMENTS	79
FIGURE 3-1. ATTACHMENT RECOGNITION INSTALLATION	80
FIGURE 3-2. COMPONENTS ATTACHMENT RECOGNITION INSTALLATION	82
FIGURE 3-3. CARRIAGE ASSEMBLY, (60IN/1524MM)	84
FIGURE 3-4. CARRIAGE ASSEMBLY, (72IN/1829MM)	86
FIGURE 3-5. CARRIAGE ASSEMBLY, (87IN/2290MM)	88
FIGURE 3-6. DUAL FORK POSITIONING SIDE SHIFT CARRIAGE, (75IN/1899MM).....	90
FIGURE 3-7. DUAL FORK POSITIONING CARRIAGE, (72IN/1829MM).....	92
FIGURE 3-8. BUCKET (2.6 YD ³ /2.0M ³).....	94
FIGURE 3-9. BUCKET (5.23 YD ³)	96
FIGURE 3-10. 4 IN 1 BUCKET (1.3 YD ³ /1.0M ³)	98
FIGURE 3-11. GRAPPLE BUCKET (1.7 YD ³ /1.3M ³).....	100

TABLE OF CONTENTS

FIGURE 3-12. TRUSS BOOM (7.6 TON).....	102
FIGURE 3-13. CRANE HOOK (7.6 TON).....	104
FIGURE 3-14. BALE HANDLER (ROUND).....	106
FIGURE 3-15. BALE HANDLER (SQUARE).....	110
FIGURE 3-16. PIPE HANDLER CARRIAGE.....	112
FIGURE 3-17. LOG HANDLER CARRIAGE.....	116
FIGURE 3-18. STEEL COIL HANDLER CARRIAGE.....	120
FIGURE 3-19. PALLET FORK (2.25X6X48).....	122
FIGURE 3-20. PALLET FORK (2.25X6X60).....	124
FIGURE 3-21. PALLET FORK (2.25X6X72).....	126
FIGURE 3-22. PALLET FORK (2.25X6X96).....	128
FIGURE 3-23. FORK RETENTION INSTALLATION.....	130
FIGURE 3-24. HOOK ATTACH, FORK MOUNTED.....	132
SECTION 4 - ENGINE AND ATTACHING PARTS.....	135
FIGURE 4-1. ENGINE POD COMPONENT INSTALLATION (ULS).....	136
FIGURE 4-2. ENGINE POD COMPONENT INSTALLATION (MINING) (ULS).....	138
FIGURE 4-3. ENGINE INSTALLATION (ULS).....	140
FIGURE 4-4. ENGINE (100KW - ULS).....	142
FIGURE 4-5. ENGINE (100KW - ULS).....	146
FIGURE 4-6. ENGINE MOUNT INSTALLATION.....	148
FIGURE 4-7. AIR INTAKE INSTALLATION (ULS).....	150
FIGURE 4-8. AIR INTAKE DUCT INSTALLATION.....	152
FIGURE 4-9. AIR CLEANER INSTALLATION.....	154
FIGURE 4-10. AIR CLEANER ASSEMBLY (90/100KW).....	156
FIGURE 4-11. PRIMARY FUEL FILTER INSTALLATION (ULS).....	158
FIGURE 4-12. REMOTE FUEL PUMP INSTALLATION.....	160
FIGURE 4-13. FUEL LINES INSTALLATION.....	162
FIGURE 4-14. HYDROSTATIC ADAPTOR INSTALLATION.....	164
FIGURE 4-15. DUAL DRIVE SUPPORT ASSEMBLY.....	166
FIGURE 4-16. HYDROSTATIC DRIVE PUMP INSTALLATION.....	168
FIGURE 4-17. HYDROSTATIC DRIVE PUMP ASSEMBLY.....	170
FIGURE 4-18. IMPLEMENT PUMP INSTALLATION.....	172
FIGURE 4-19. IMPLEMENT PUMP ASSEMBLY.....	174
FIGURE 4-20. DEF COOLANT LINES INSTALLATION (ULS).....	176
FIGURE 4-21. DEF COOLANT LINES INSTALLATION (ULS).....	178
FIGURE 4-22. CAC LINES INSTALLATION.....	180
FIGURE 4-23. COOLING PACKAGE INSTALLATION.....	182
FIGURE 4-24. COOLING PACKAGE INSTALLATION.....	184
FIGURE 4-25. RADIATOR.....	188
FIGURE 4-26. COOLANT LINES INSTALLATION.....	190
FIGURE 4-27. RADIATOR LINES INSTALLATION.....	192
FIGURE 4-28. SURGE TANK INSTALLATION.....	194
FIGURE 4-29. TRANSMISION OIL COOLER LINES INSTALLATION.....	196
FIGURE 4-30. FAN GUARD INSTALLATION.....	198
FIGURE 4-31. FAN GUARD (REVERSING) INSTALLATION.....	200

TABLE OF CONTENTS

FIGURE 4-32. COOLING FAN INSTALLATION	202
FIGURE 4-33. REVERSE COOLING FAN INSTALLATION	204
FIGURE 4-34. COMPRESSOR COVER INSTALLATION	206
FIGURE 4-35. EXHAUST INSTALLATION (ULS)	208
FIGURE 4-36. DEF CONTROL MODULE INSTALLATION.....	210
FIGURE 4-37. DEF LINES INSTALLATION	212
FIGURE 4-38. DEF LINES INSTALLATION	214
FIGURE 4-39. DEF TANK INSTALLATION.....	216
FIGURE 4-40. DEF TANK INSTALLATION.....	218
FIGURE 4-41. DEF TANK ASSEMBLY	220
FIGURE 4-42. DEF TANK ASSEMBLY	222
FIGURE 4-43. HEATER LINES INSTALLATION (ULS)	224
FIGURE 4-44. A/C PUMP INSTALLATION	226
FIGURE 4-45. A/C LINES INSTALLATION	228
FIGURE 4-46. BLOCK HEATER INSTALLATION (115V) (ULS).....	230
FIGURE 4-47. HEATED BREATHER TUBE INSTALLATION	232
SECTION 5 - DRIVETRAIN	235
FIGURE 5-1. DRIVETRAIN INSTALLATION.....	236
FIGURE 5-2. FRONT AXLE INSTALLATION	238
FIGURE 5-3. FRONT AXLE MOUNTING INSTALLATION.....	240
FIGURE 5-4. FRONT AXLE LINES INSTALLATION.....	242
FIGURE 5-5. REAR AXLE INSTALLATION	244
FIGURE 5-6. REAR AXLE MOUNTING INSTALLATION	246
FIGURE 5-7. REAR AXLE LINES INSTALLATION	248
FIGURE 5-8. FRONT AXLE	250
FIGURE 5-9. FRONT AXLE, CENTRAL HOUSING	252
FIGURE 5-10. FRONT AXLE, DIFFERENTIAL	254
FIGURE 5-11. FRONT AXLE, HUB REDUCTION.....	256
FIGURE 5-12. FRONT AXLE, BRAKES	258
FIGURE 5-13. FRONT AXLE, STEERING	260
FIGURE 5-14. FRONT AXLE, TRUNION	262
FIGURE 5-15. REAR AXLE	264
FIGURE 5-16. REAR AXLE, CENTRAL HOUSING.....	266
FIGURE 5-17. REAR AXLE, DIFFERENTIAL	268
FIGURE 5-18. REAR AXLE, HUB REDUCTION	270
FIGURE 5-19. REAR AXLE, BRAKES	272
FIGURE 5-20. REAR AXLE, STEERING.....	274
FIGURE 5-21. REAR AXLE, TRUNION.....	276
FIGURE 5-22. DIFFERENTIAL KIT	278
FIGURE 5-23. DIFFERENTIAL KIT	280
FIGURE 5-24. STEERING CASE ASSEMBLY (LH STEER LINK)	282
FIGURE 5-25. STEERING CASE ASSEMBLY (RH STEER LINK)	284
FIGURE 5-26. TRUNION KIT	286
FIGURE 5-27. RING GEAR SUPPORT KIT	288
FIGURE 5-28. REDUCTION BUSHING KIT	290

TABLE OF CONTENTS

FIGURE 5-29. PLANET GEAR CARRIER KIT	292
FIGURE 5-30. RALP INSTALLATION.....	294
FIGURE 5-31. RALP MECHANICAL INSTALLATION	296
FIGURE 5-32. GEARBOX INSTALLATION	298
FIGURE 5-33. GEAR BOX.....	300
FIGURE 5-34. HYDROSTATIC MOTOR INSTALLATION	304
FIGURE 5-35. HYDROSTATIC MOTOR ASSEMBLY	306
FIGURE 5-36. DRIVE SHAFT INSTALLATION	308
FIGURE 5-37. TIRE/WHEEL SET (AIR 17.5-25 - 20 PLY)	310
FIGURE 5-38. RIGHT TIRE/WHEEL ASSEMBLY (AIR 17.5-25 - 20 PLY).....	312
FIGURE 5-39. LEFT TIRE/WHEEL ASSEMBLY (AIR 17.5-25 - 20 PLY)	314
FIGURE 5-40. TIRE/WHEEL SET (FOAM 17.5-25 - 20 PLY).....	316
FIGURE 5-41. TIRE/WHEEL SET (AIR 17.5 R25 - RADIAL).....	318
FIGURE 5-42. RIGHT TIRE/WHEEL ASSEMBLY (AIR 17.5 R25 - RADIAL)	320
FIGURE 5-43. LEFT TIRE/WHEEL ASSEMBLY (AIR 17.5 R25 - RADIAL).....	322
FIGURE 5-44. FENDER INSTALLATION	324
FIGURE 5-45. RH FENDER ASSEMBLY	326
FIGURE 5-46. LH FENDER ASSEMBLY	328
SECTION 6 - CAB	331
FIGURE 6-1. CAB MOUNTING INSTALLATION	332
FIGURE 6-2. FRONT CAB MOUNT BRACKET INSTALLATION	334
FIGURE 6-3. CAB MOUNTS INSTALLATION	336
FIGURE 6-4. CAB COMPONENTS INSTALLATION	338
FIGURE 6-5. CAB INSTALLATION.....	340
FIGURE 6-6. CAB ASSEMBLY.....	342
FIGURE 6-7. CAB DOOR INSTALLATION	344
FIGURE 6-8. CAB DOOR ASSEMBLY	346
FIGURE 6-9. CAB DOOR WINDOW INSTALLATION	348
FIGURE 6-10. CAB LATCH ASSEMBLY	350
FIGURE 6-11. CAB DOOR	352
FIGURE 6-12. CAB DOOR TRIGGER ASSEMBLY	354
FIGURE 6-13. DOOR STRAP INSTALLATION	356
FIGURE 6-14. REAR WINDOW INSTALLATION	358
FIGURE 6-15. REAR WINDOW GROUP	360
FIGURE 6-16. CAB PLUG GROUP	362
FIGURE 6-17. BASIC MIRROR INSTALLATION.....	364
FIGURE 6-18. INTERIOR MIRROR INSTALLATION.....	366
FIGURE 6-19. INTERIOR MIRROR.....	368
FIGURE 6-20. FRONT WIPER INSTALLATION	370
FIGURE 6-21. WASHER TANK INSTALLATION.....	372
FIGURE 6-22. WASHER BOTTLE	374
FIGURE 6-23. FRONT COVER INSTALLATION	376
FIGURE 6-24. FRONT DUCT COVER.....	378
FIGURE 6-25. FILTER TRAY PANEL.....	380
FIGURE 6-26. LEVEL INDICATOR INSTALLATION	382

TABLE OF CONTENTS

FIGURE 6-27. REAR WIPER INSTALLATION	384
FIGURE 6-28. MULTIFUNCTION DISPLAY INSTALLATION	386
FIGURE 6-29. SEAT INSTALLATION (MECHANICAL)	388
FIGURE 6-30. SEAT ASSEMBLY (MECHANICAL).....	390
FIGURE 6-31. SEAT INSTALLATION (AIR SUSPENSION - STANDARD).....	392
FIGURE 6-32. SEAT ASSEMBLY (AIR SUSPENSION - STANDARD).....	394
FIGURE 6-33. SEAT INSTALLATION (AIR SUSPENSION - PREMIUM)	396
FIGURE 6-34. SEAT ASSEMBLY (AIR SUSPENSION - PREMIUM).....	398
FIGURE 6-35. UPPER SEAT ASSEMBLY	400
FIGURE 6-36. HEATER INSTALLATION (CAB PARTS)	402
FIGURE 6-37. HEATER AND A/C INSTALLATION (CAB PARTS)	404
FIGURE 6-38. CAB CONDENSER ASSEMBLY.....	408
FIGURE 6-39. CONDENSER	410
FIGURE 6-40. A/C RECEIVER DRIER.....	412
FIGURE 6-41. HEATER ASSEMBLY	414
FIGURE 6-42. HEATER AND A/C ASSEMBLY	416
FIGURE 6-43. HVAC CAB ACTUATOR	418
FIGURE 6-44. HEATER	420
FIGURE 6-45. HEATER	422
FIGURE 6-46. HEATER AND A/C	424
FIGURE 6-47. ROOF WIPER INSTALLATION	426
FIGURE 6-48. HEADLINER INSTALLATION	428
FIGURE 6-49. HEADLINER/RADIO READY PACKAGE INSTALLATION	430
FIGURE 6-50. CAB TRIM INSTALLATION	432
FIGURE 6-51. DASH COVER ASSEMBLY	436
FIGURE 6-52. REAR PANEL COVER ASSEMBLY	438
FIGURE 6-53. ADJUSTABLE ARMREST INSTALLATION	440
FIGURE 6-54. ARMREST	442
FIGURE 6-55. FIXED ARMREST BRACKET	444
FIGURE 6-56. MOVING ARMREST BRACKET	446
FIGURE 6-57. ROOF CAP INSTALLATION (NO A/C)	448
FIGURE 6-58. ROOF CAP INSTALLATION (A/C).....	450
FIGURE 6-59. RETRACTABLE SUNSCREEN INSTALLATION	452
FIGURE 6-60. FLOOR MAT INSTALLATION.....	454
FIGURE 6-61. SEAT BELT INSTALLATION (3IN)	456
FIGURE 6-62. SEAT BELT INSTALLATION (2IN)	458
FIGURE 6-63. ENCLOSED CAB FRONT COVER INSTALLATION.....	460
FIGURE 6-64. CAB GUARD INSTALLATION (TOP).....	462
FIGURE 6-65. CAB GUARD INSTALLATION (FRONT).....	464
FIGURE 6-66. CAB GUARD INSTALLATION (TOP AND FRONT).....	466
FIGURE 6-67. EXTERNAL WINDOW RELEASE INSTALLATION (ANSI - ENGLISH)	468
FIGURE 6-68. EXTERNAL WINDOW RELEASE INSTALLATION (ANSI - ENGLISH/FRENCH)	470
FIGURE 6-69. SUSPENSION KIT	472
SECTION 7 - CONTROLS	475
FIGURE 7-1. ACCELERATOR PEDAL INSTALLATION	476

TABLE OF CONTENTS

FIGURE 7-2. ACCELERATOR PEDAL	478
FIGURE 7-3. BRAKE PEDAL INSTALLATION	480
FIGURE 7-4. BRAKE PEDAL ASSEMBLY	482
FIGURE 7-5. BRAKE SENSOR INSTALLATION	484
FIGURE 7-6. SWITCH PLATE ASSEMBLY	486
FIGURE 7-7. PARK BRAKE INSTALLATION	488
FIGURE 7-8. TILT STEERING COLUMN INSTALLATION	490
FIGURE 7-9. TILT STEERING COLUMN	492
FIGURE 7-10. COLUMN SHIFT INSTALLATION (2 SPEED).....	494
FIGURE 7-11. COLUMN SHIFT INSTALLATION (0 SPEED).....	496
FIGURE 7-12. STEERING WHEEL INSTALLATION	498
FIGURE 7-13. STEERING WHEEL.....	500
FIGURE 7-14. HORN BUTTON INSTALLATION	502
FIGURE 7-15. JOYSTICK INSTALLATION (2 SPEED)	504
FIGURE 7-16. JOYSTICK INSTALLATION (0 SPEED)	506
FIGURE 7-17. WIPER-TURN SWITCH.....	508
SECTION 8 - HYDRAULIC CIRCUITS	511
FIGURE 8-1. MAIN HYDRAULIC INSTALLATION.....	512
FIGURE 8-2. BOOM HYDRAULIC INSTALLATION.....	514
FIGURE 8-3. REMOTE GREASE INSTALLATION	516
FIGURE 8-4. FRAME LEVEL INSTALLATION	518
FIGURE 8-5. FRAME LEVEL CYLINDER INSTALLATION	520
FIGURE 8-6. FRAME LEVEL VALVE ASSEMBLY	522
FIGURE 8-7. BOOM RAISE HOSE INSTALLATION (NO RIDE CONTROL).....	524
FIGURE 8-8. BOOM RAISE COUNTERBALANCE VALVE (NO RIDE CONTROL)	526
FIGURE 8-9. BOOM RAISE HOSE INSTALLATION (RIDE CONTROL)	528
FIGURE 8-10. RIDE AND FLOAT VALVE ASSEMBLY	530
FIGURE 8-11. BOOM AUX HYDRAULIC INSTALLATION (MANUAL - SINGLE).....	532
FIGURE 8-12. BOOM AUX HYDRAULIC INSTALLATION (MANUAL - TWIN).....	534
FIGURE 8-13. DIVERTER VALVE ASSEMBLY.....	536
FIGURE 8-14. BOOM AUX HYDRAULIC INSTALLATION (HYDRAULIC - SINGLE).....	538
FIGURE 8-15. DIVERTER VALVE ASSEMBLY.....	540
FIGURE 8-16. BOOM AUX HYDRAULIC INSTALLATION (HYDRAULIC - TWIN).....	542
FIGURE 8-17. DIVERTER VALVE ASSEMBLY.....	544
FIGURE 8-18. RALP HYDRAULIC LINES INSTALLATION.....	546
FIGURE 8-19. MAIN CONTROL VALVE INSTALLATION	548
FIGURE 8-20. MAIN CONTROL VALVE ASSEMBLY	550
FIGURE 8-21. STEERING SELECT VALVE INSTALLATION	552
FIGURE 8-22. STEERING SELECT VALVE ASSEMBLY.....	554
FIGURE 8-23. FRAME LEVEL VALVE INSTALLATION	556
FIGURE 8-24. FRAME LEVEL VALVE ASSEMBLY	558
FIGURE 8-25. CAB HYDRAULICS INSTALLATION.....	560
FIGURE 8-26. SOLENOID VALVE INSTALLATION	562
FIGURE 8-27. SOLENOID VALVE ASSEMBLY	564
FIGURE 8-28. CHECK VALVE INSTALLATION.....	566

TABLE OF CONTENTS

FIGURE 8-29. CHECK VALVE ASSEMBLY	568
FIGURE 8-30. SPEED CONTROL VALVE INSTALLATION	570
FIGURE 8-31. SPEED CONTROL VALVE ASSEMBLY.....	572
FIGURE 8-32. ENGINE BAY HYDRAULIC INSTALLATION	574
FIGURE 8-33. INCHING VALVE INSTALLATION	576
FIGURE 8-34. INCHING VALVE ASSEMBLY	578
FIGURE 8-35. CHARGE FILTER LINES INSTALLATION.....	580
FIGURE 8-36. CHARGE FILTER INSTALLATION	582
FIGURE 8-37. IMPLEMENT PUMP FILTER ASSEMBLY	584
FIGURE 8-38. FRAME HYDRAULIC INSTALLATION	586
FIGURE 8-39. MANIFOLD INSTALLATION	588
FIGURE 8-40. MANIFOLD ASSEMBLY	590
FIGURE 8-41. BOOM HYDRAULIC LINES INSTALLATION.....	592
FIGURE 8-42. PRIORITY MANIFOLD INSTALLATION	594
FIGURE 8-43. PRIORITY VALVE ASSEMBLY	596
FIGURE 8-44. PRIORITY VALVE ASSEMBLY (PLATFORM READY)	598
FIGURE 8-45. PRIORITY MANIFOLD INSTALLATION (PLATFORM READY)	600
FIGURE 8-46. CYLINDER ASSEMBLY.....	602
FIGURE 8-47. CYLINDER ASSEMBLY.....	604
SECTION 9 - HYDRAULIC COMPONENTS.....	607
FIGURE 9-1. CYLINDER GROUP INSTALLATION	608
FIGURE 9-2. LIFT CYLINDER INSTALLATION	610
FIGURE 9-3. LIFT CYLINDER	612
FIGURE 9-4. COMPENSATION CYLINDER INSTALLATION	614
FIGURE 9-5. COMPENSATION CYLINDER.....	616
FIGURE 9-6. COUPLER LOCKING CYLINDER.....	618
FIGURE 9-7. EXTEND/RETRACT CYLINDER INSTALLATION	620
FIGURE 9-8. EXTEND/RETRACT CYLINDER	622
FIGURE 9-9. TILT CYLINDER	624
FIGURE 9-10. FRAME LEVEL CYLINDER	626
FIGURE 9-11. RALP CYLINDER INSTALLATION	628
FIGURE 9-12. FORK POSITIONING CYLINDER ASSEMBLY	630
FIGURE 9-13. SIDE SHIFT CYLINDER ASSEMBLY	632
FIGURE 9-14. UPPER CYLINDER ASSEMBLY	634
FIGURE 9-15. LOWER CYLINDER ASSEMBLY	636
FIGURE 9-16. REAR AXLE LOCK VALVE INSTALLATION	638
FIGURE 9-17. LOG HANDLER CARRIAGE CYLINDER ASSEMBLY	640
FIGURE 9-18. HYDROSTATIC MOTOR	642
FIGURE 9-19. HYDROSTATIC PUMP	644
FIGURE 9-20. IMPLEMENT PUMP.....	646
FIGURE 9-21. MAIN CONTROL VALVE	648
FIGURE 9-22. STEERING SELECT VALVE	650
FIGURE 9-23. FRAME LEVEL VALVE.....	652
FIGURE 9-24. SOLENOID VALVE	654
FIGURE 9-25. INCHING VALVE	656

TABLE OF CONTENTS

FIGURE 9-26. PRIORITY VALVE ASSEMBLY	658
FIGURE 9-27. BOOM RAISE VALVE (RIDE CONTROL)	660
FIGURE 9-28. DIVERTOR VALVE.....	662
FIGURE 9-29. DIVERTOR VALVE.....	664
FIGURE 9-30. STEER UNIT VALVE.....	666
FIGURE 9-31. COUNTERBALANCE VALVE INSTALLATION	668
FIGURE 9-32. COUNTERBALANCE VALVE.....	670
FIGURE 9-33. COUNTERBALANCE VALVE.....	672
FIGURE 9-34. COUNTERBALANCE VALVE.....	674
FIGURE 9-35. SPEED CONTROL VALVE	676
SECTION 10 - ELECTRICAL.....	679
FIGURE 10-1. MAIN ELECTRICAL INSTALLATION (ULS).....	680
FIGURE 10-2. MAIN ELECTRICAL INSTALLATION, MINING (ULS).....	682
FIGURE 10-3. FRAME ELECTRICAL INSTALLATION.....	684
FIGURE 10-4. ENGINE POD ELECTRICAL INSTALLATION (ULS)	686
FIGURE 10-5. ENGINE POD COMPONENT INSTALLATION (MINING) (ULS).....	688
FIGURE 10-6. FRAME WIRING INSTALLATION	690
FIGURE 10-7. FRAME WIRING INSTALLATION, MINING	692
FIGURE 10-8. ENGINE BAY ELECTRICAL INSTALLATION (ULS).....	694
FIGURE 10-9. POWER DISTRIBUTION ELECTRICAL BOX	696
FIGURE 10-10. REAR FRAME MODULE INSTALLATION	698
FIGURE 10-11. ENGINE WIRING INSTALLATION (ULS).....	700
FIGURE 10-12. ENGINE WIRING INSTALLATION (MINING) (ULS).....	702
FIGURE 10-13. ENGINE ECU INSTALLATION.....	704
FIGURE 10-14. ENGINE ECU INSTALLATION.....	706
FIGURE 10-15. BATTERY INSTALLATION.....	708
FIGURE 10-16. DUAL BATTERY INSTALLATION	710
FIGURE 10-17. ARTIC BATTERY PACKAGE INSTALLATION (115V).....	712
FIGURE 10-18. ARCTIC BATTERIES INSTALLATION (115V)	714
FIGURE 10-19. HYDRAULIC TANK HEATER INSTALLATION (115V).....	716
FIGURE 10-20. BACKUP ALARM INSTALLATION	718
FIGURE 10-21. BACKUP ALARM INSTALLATION (WHITE NOISE)	720
FIGURE 10-22. EMERGENCY STOP EXTERNAL INSTALLATION.....	722
FIGURE 10-23. CAB ELECTRICAL INSTALLATION.....	724
FIGURE 10-24. DASH ELECTRICAL INSTALLATION	726
FIGURE 10-25. LIGHT SWITCH INSTALLATION	728
FIGURE 10-26. BOOM HARNESS INSTALLATION	730
FIGURE 10-27. BOOM HARNESS INSTALLATION	732
FIGURE 10-28. BOOM AUX HARNESS INSTALLATION.....	734
FIGURE 10-29. DRIVING LIGHT INSTALLATION (RH DIP)	736
FIGURE 10-30. DRIVING LIGHT INSTALLATION (LED) (RH DIP).....	738
FIGURE 10-31. CAB WORKLIGHTS INSTALLATION (NO A/C - LED).....	740
FIGURE 10-32. CAB WORKLIGHTS INSTALLATION (A/C - LED)	742
FIGURE 10-33. BOOM WORK LIGHTS (LED)	744
FIGURE 10-34. BOOM WORK LIGHT INSTALLATION (LED)	746

TABLE OF CONTENTS

FIGURE 10-35. BEACON INSTALLATION	748
FIGURE 10-36. BEACON INSTALLATION (LED)	750
FIGURE 10-37. BEACON (REMOTE BOOM CONTROL) INSTALLATION	752
FIGURE 10-38. BEACON (LED) (REMOTE BOOM CONTROL) INSTALLATION	754
FIGURE 10-39. REVERSE CAMERA INSTALLATION	756
FIGURE 10-40. REVERSE SENSOR INSTALLATION	758
FIGURE 10-41. TELEMATICS READY INSTALLATION.....	760
FIGURE 10-42. CLEARSKY INSTALLATION (NO A/C - SHORT ROOF CAP) (SN 0160000001 through 0160087899)	762
FIGURE 10-43. CLEARSKY INSTALLATION (A/C - LONG ROOF CAP) (SN 0160000001 through 0160087899)	764
FIGURE 10-44. INSTALLATION, TELEMATICS CANBUS ASSEMBLY (CLEARSKY 2) (SN 0160087899 through 0160100942)	766
FIGURE 10-45. LSI INSTALLATION	768
FIGURE 10-46. LSI DISPLAY INSTALLATION	770
FIGURE 10-47. LSI SENSOR INSTALLATION	772
FIGURE 10-48. LMIS INSTALLATION (HIGH END DISPLAY)	774
FIGURE 10-49. LMIS BEACON LIGHT INSTALLATION.....	776
FIGURE 10-50. LMIS CONTROL PACKAGE INSTALLATION	778
FIGURE 10-51. LMIS WIRING INSTALLATION	780
FIGURE 10-52. RIDE CONTROL WIRING INSTALLATION	782
FIGURE 10-53. BOOM RIDE CONTROL HARNESS.....	784
FIGURE 10-54. TILT SENSOR INSTALLATION	786
FIGURE 10-55. LMIS CONTROLLER INSTALLATION.....	788
FIGURE 10-56. LMIS CABLE REEL INSTALLATION	790
FIGURE 10-57. BOOM ANGLE SENSOR INSTALLATION (LMIS).....	792
FIGURE 10-58. BOOM ANGLE SENSOR INSTALLATION (NO LMIS)	794
FIGURE 10-59. BOOM RETRACT SENSOR INSTALLATION.....	796
FIGURE 10-60. ENGINE HARNESS (ULS).....	798
FIGURE 10-61. ENGINE HARNESS (MINING) (ULS)	804
FIGURE 10-62. FUEL PUMP HARNESS	810
FIGURE 10-63. FUEL PUMP HARNESS (MINING) (ULS).....	812
FIGURE 10-64. GLOW PLUG RELAY HARNESS	814
FIGURE 10-65. GLOW PLUG RELAY HARNESS (MINING) (ULS).....	816
FIGURE 10-66. BOOM HARNESS.....	818
FIGURE 10-67. BOOM AUX HARNESS	820
FIGURE 10-68. CAB HARNESS	822
FIGURE 10-69. CAB HARNESS	830
FIGURE 10-70. STANDARD ELECTRICAL BOARD ASSEMBLY	838
FIGURE 10-71. OPTION 1 ELECTRICAL BOARD ASSEMBLY	840
FIGURE 10-72. OPTION 2 ELECTRICAL BOARD ASSEMBLY	842
FIGURE 10-73. CAB OPTION HARNESS.....	844
FIGURE 10-74. FRONT FRAME HARNESS.....	846
FIGURE 10-75. REAR FRAME HARNESS	850
FIGURE 10-76. SEAT ADAPTOR HARNESS	854
FIGURE 10-77. A/C OPTION HARNESS	856
FIGURE 10-78. HVAC ACTUATORS HARNESS.....	858
FIGURE 10-79. IGNITION SWITCH HARNESS.....	860

TABLE OF CONTENTS

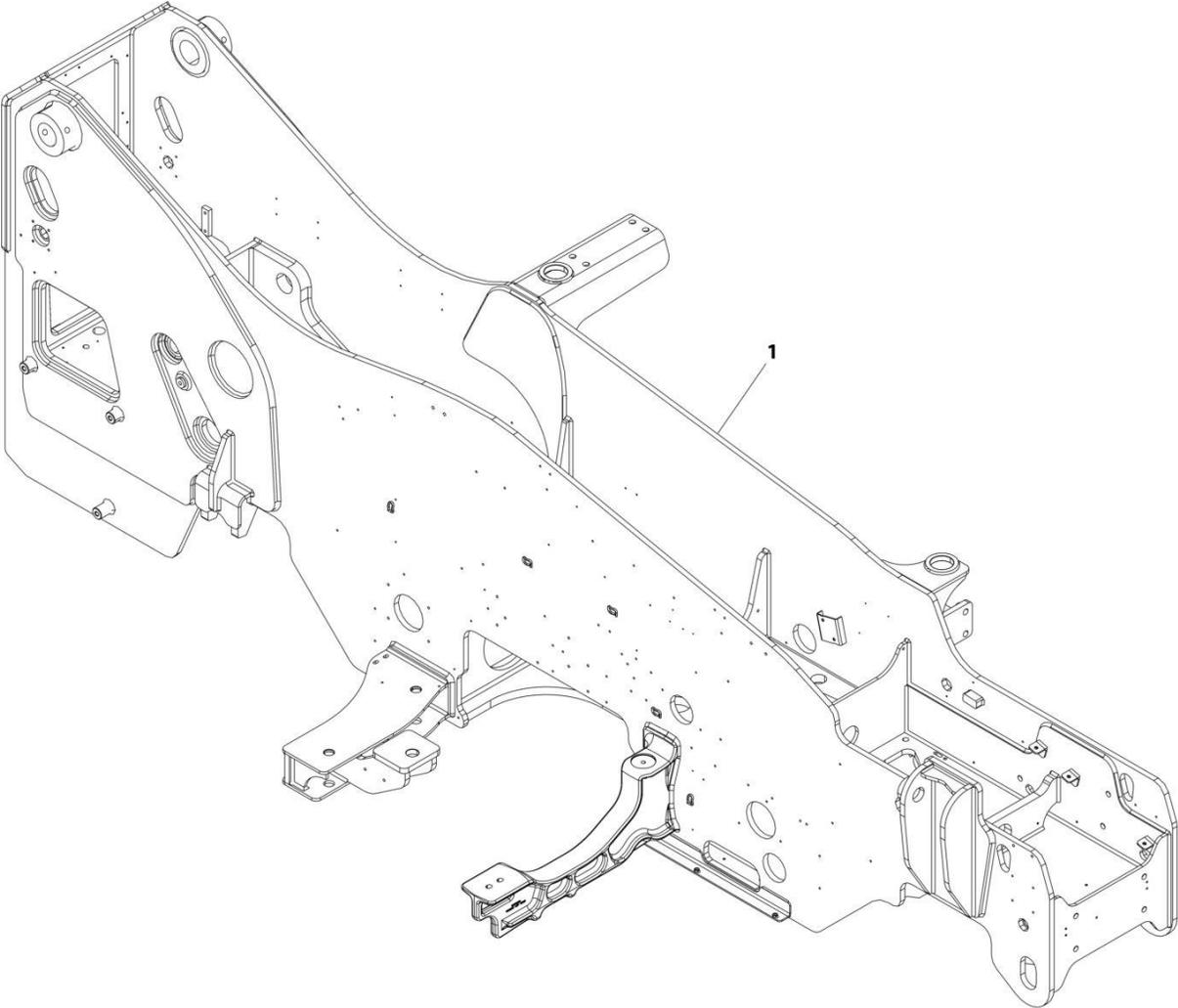
FIGURE 10-80. REVERSE SENSOR HARNESS	862
FIGURE 10-81. TELEMATICS READY HARNESS	864
FIGURE 10-82. CLEARSKY HARNESS (A/C) (SN 0160000001 through 0160087899).....	866
FIGURE 10-83. CLEARSKY HARNESS (NO A/C) (SN 0160000001 through 0160087899)	868
FIGURE 10-84. 4WARD TELEMATIC, HARNESS (CLEARSKY 2) (SN 0160087899 through 0160100942).....	870
FIGURE 10-85. LMIS CHASSIS OPTION HARNESS.....	872
FIGURE 10-86. LMIS BOOM HARNESS.....	876
FIGURE 10-87. PLATFORM READY HARNESS	878
FIGURE 10-88. LMIS BEACON OPTION HARNESS	880
FIGURE 10-89. PROXIMITY SENSOR HARNESS.....	882
FIGURE 10-90. HEADLIGHT HARNESS.....	884
FIGURE 10-91. BOOM WORKLIGHTS HARNESS	886
FIGURE 10-92. LICENSE LIGHT HARNESS	888
FIGURE 10-93. AIR SHUTOFF VALVE HARNESS.....	890
FIGURE 10-94. AIR SHUT OFF VALVE HARNESS (ENGINE).....	892
FIGURE 10-95. TELEMATICS OPTION HARNESS (SN 0160087899 through 0160100942)	896
FIGURE 10-96. CLEARSKY INSTALLATION 3-WIRE (ANSI).....	898
FIGURE 10-97. TELEMATICS HARNESS.....	900
FIGURE 10-98. TELEMATICS INSTALLATION, UNITED RENTALS.....	902
FIGURE 10-99. FRONT FRAME HARNESS	904
FIGURE 10-100. REAR FRAME HARNESS.....	908
FIGURE 10-101. BOOM HARNESS	912
FIGURE 10-102. REVERSING FAN HARNESS.....	914
FIGURE 10-103. VEHICLE SPEED PIGTAIL HARNESS	916
SECTION 11 - DECALS	919
FIGURE 11-1. CAPACITY CHART HOLDER INSTALLATION	920
FIGURE 11-2. REVERSE SENSOR SYSTEM DECAL (ENGLISH).....	922
FIGURE 11-3. REVERSE SENSING SYSTEM DECAL, (ENGLISH/FRENCH).....	924
FIGURE 11-4. CAPACITY CHART	926
FIGURE 11-5. 1644 DECAL INSTALLATION	928
FIGURE 11-6. DECAL INSTALLATION (ENGLISH).....	930
FIGURE 11-7. DECAL INSTALLATION (ENGLISH/FRENCH)	934
FIGURE 11-8. CLEARSKY DECAL INSTALLATION	938
SECTION 12 - RECOMMENDED SPARE PARTS.....	941
FIGURE 12-1. RECOMMENDED SPARE PARTS.....	942
PART NUMBER INDEX.....	943

SECTION 1 - FRAME AND ATTACHING PARTS

SECTION 1 - FRAME AND ATTACHING PARTS

SECTION 1 - FRAME AND ATTACHING PARTS

FIGURE 1-1. FRAME WELDMENT



ART_1001201418J-O

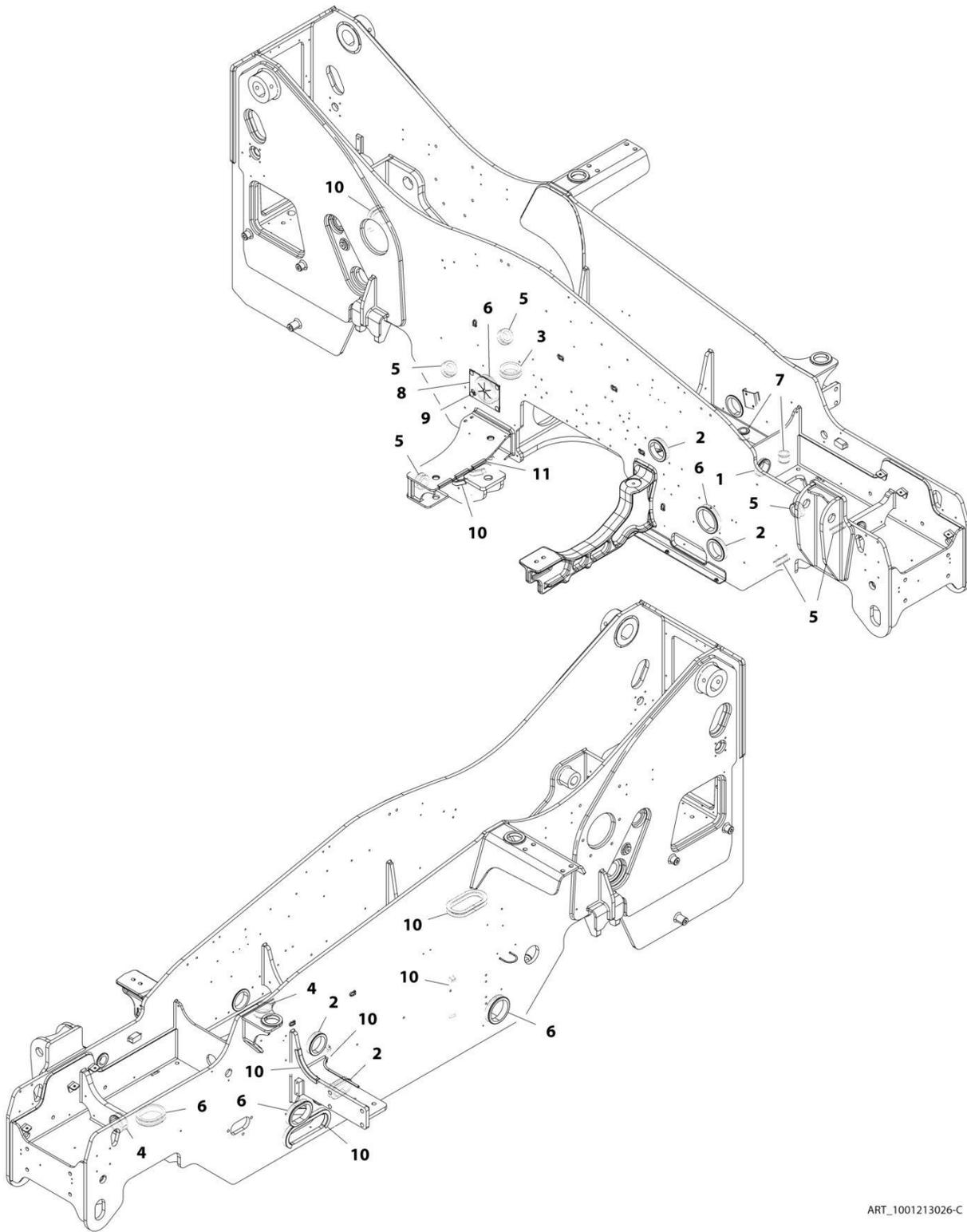
SECTION 1 - FRAME AND ATTACHING PARTS

FIGURE 1-1. FRAME WELDMENT

ITEM	PART NUMBER	QTY	DESCRIPTION	REV
1	1001201418J	1	Frame Weldment	O

SECTION 1 - FRAME AND ATTACHING PARTS

FIGURE 1-2. GROMMETS INSTALLATION



ART_1001213026-C

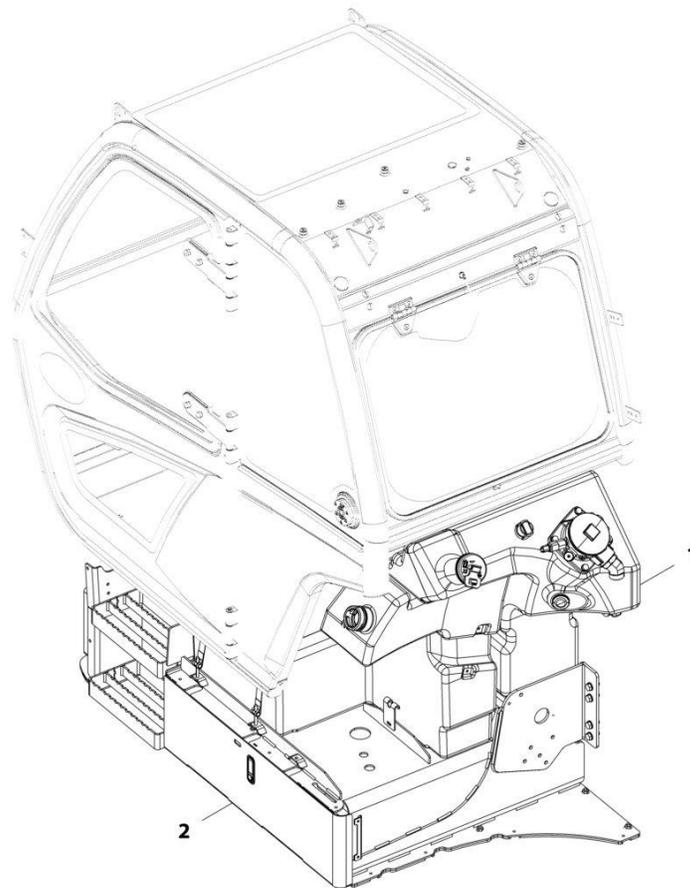
SECTION 1 - FRAME AND ATTACHING PARTS

FIGURE 1-2. GROMMETS INSTALLATION

ITEM	PART NUMBER	QTY	DESCRIPTION	REV
	1001213026	Ref	Grommets Installation	C
1	1001009018	1	Grommet	
2	1001028264	4	Grommet	
3	1001028291	1	Grommet	
4	1001028306	2	Grommet	
5	1001028308	6	Grommet	
6	1001028377	5	Grommet	
7	1001028400	2	Grommet	
8	1001175347	1	Grommet	
9	1001180306	4	Screw	
10	4060919	2030 mm	Trim,Hose Protection	
11	90206202	270 mm	Trim Lock	

SECTION 1 - FRAME AND ATTACHING PARTS

FIGURE 1-3. TANK INSTALLATION



ART_1001217931-B

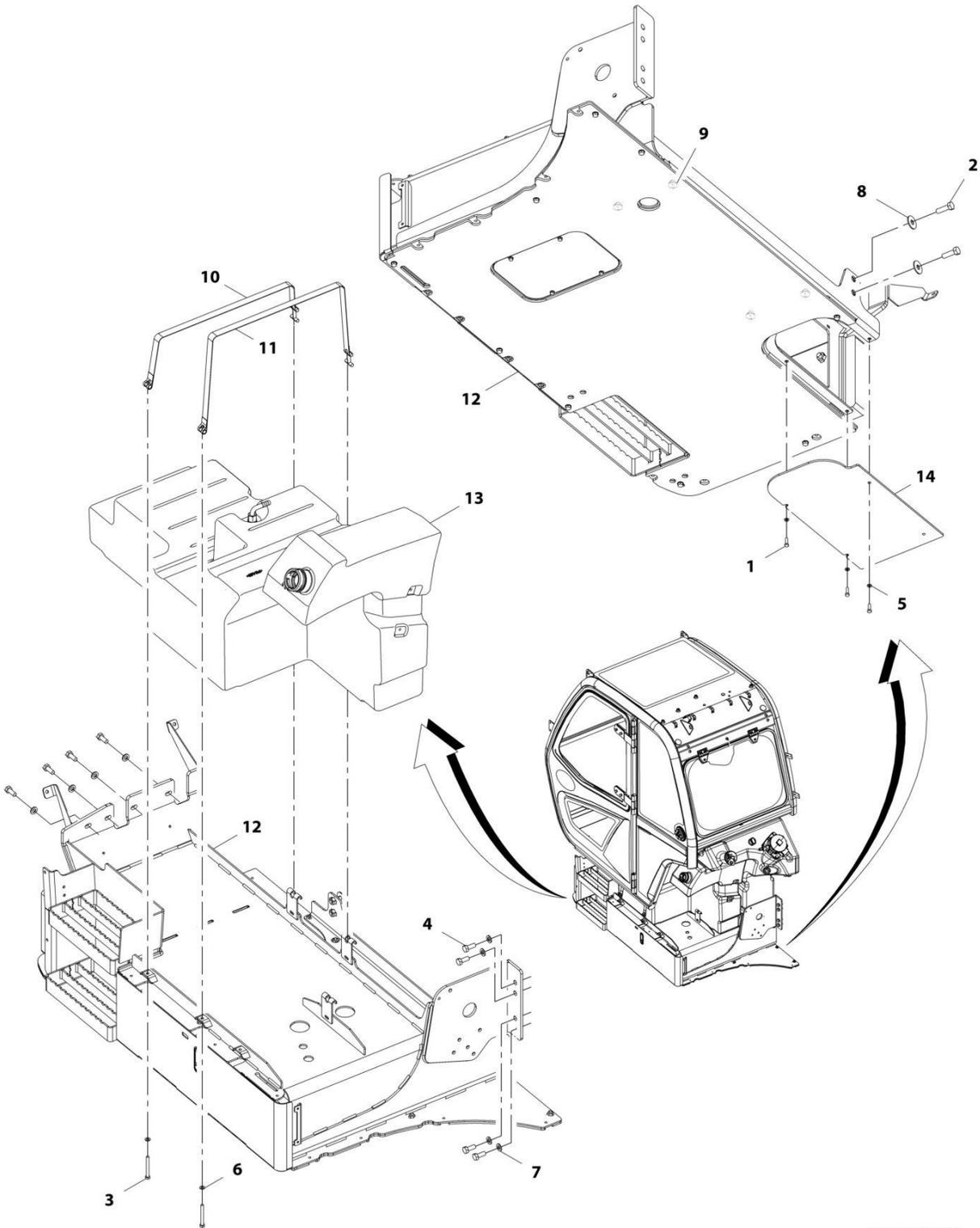
SECTION 1 - FRAME AND ATTACHING PARTS

FIGURE 1-3. TANK INSTALLATION

ITEM	PART NUMBER	QTY	DESCRIPTION	REV
1	1001217931	Ref	Tank Installation	B
	1001179850	1	Installation, Hydraulic Tank (See Separate Breakdown in this Section)	
2	1001217932	1	Installation, Fuel Tank (See Separate Breakdown in this Section)	

SECTION 1 - FRAME AND ATTACHING PARTS

FIGURE 1-4. FUEL TANK INSTALLATION



ART_1001217932-C

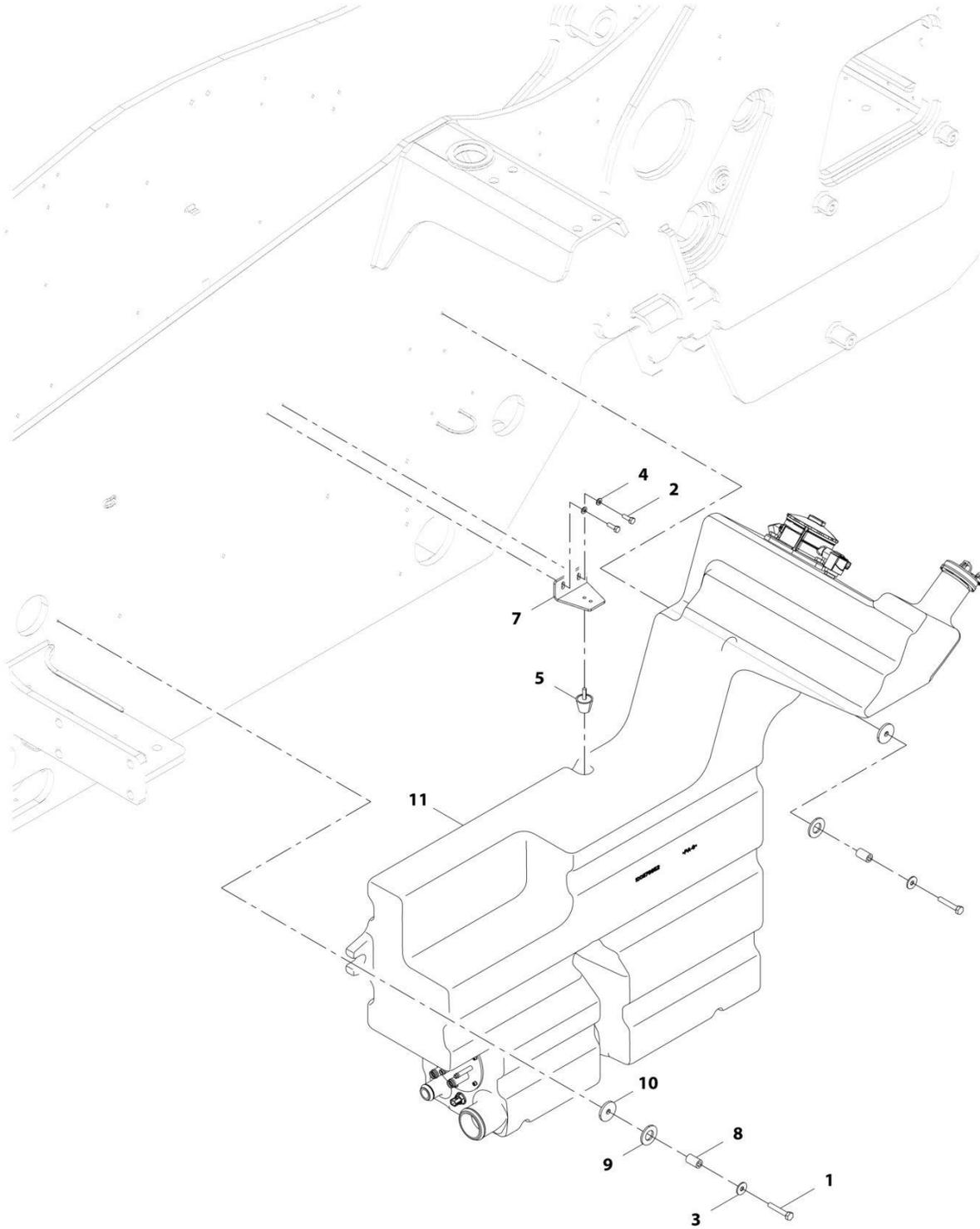
SECTION 1 - FRAME AND ATTACHING PARTS

FIGURE 1-4. FUEL TANK INSTALLATION

ITEM	PART NUMBER	QTY	DESCRIPTION	REV
	1001217932	Ref	Fuel Tank Installation	C
1	0700610	3	Bolt, M6X20	
2	0701216	2	Bolt, M12X40	
3	0760823	2	Bolt, M8X75	
4	0761214	8	Bolt, M12X30	
5	4811700	3	Washer, M6	
6	4811900	2	Washer, M8	
7	4812100	8	Washer, M12	
8	4812102	2	Washer, M12	
9	1001169454	4	Mount	
10	1001178474	1	Strap, Tank	
11	1001178693	1	Strap, Tank	
12	1001217933	Ref	Installation, Tank Support (See Separate Breakdown in this Section)	
13	1001192125	1	Assembly, Fuel Tank (See Separate Breakdown in this Section)	
14	1001197480	1	Plate	

SECTION 1 - FRAME AND ATTACHING PARTS

FIGURE 1-5. HYDRAULIC TANK INSTALLATION



ART_1001179850-C

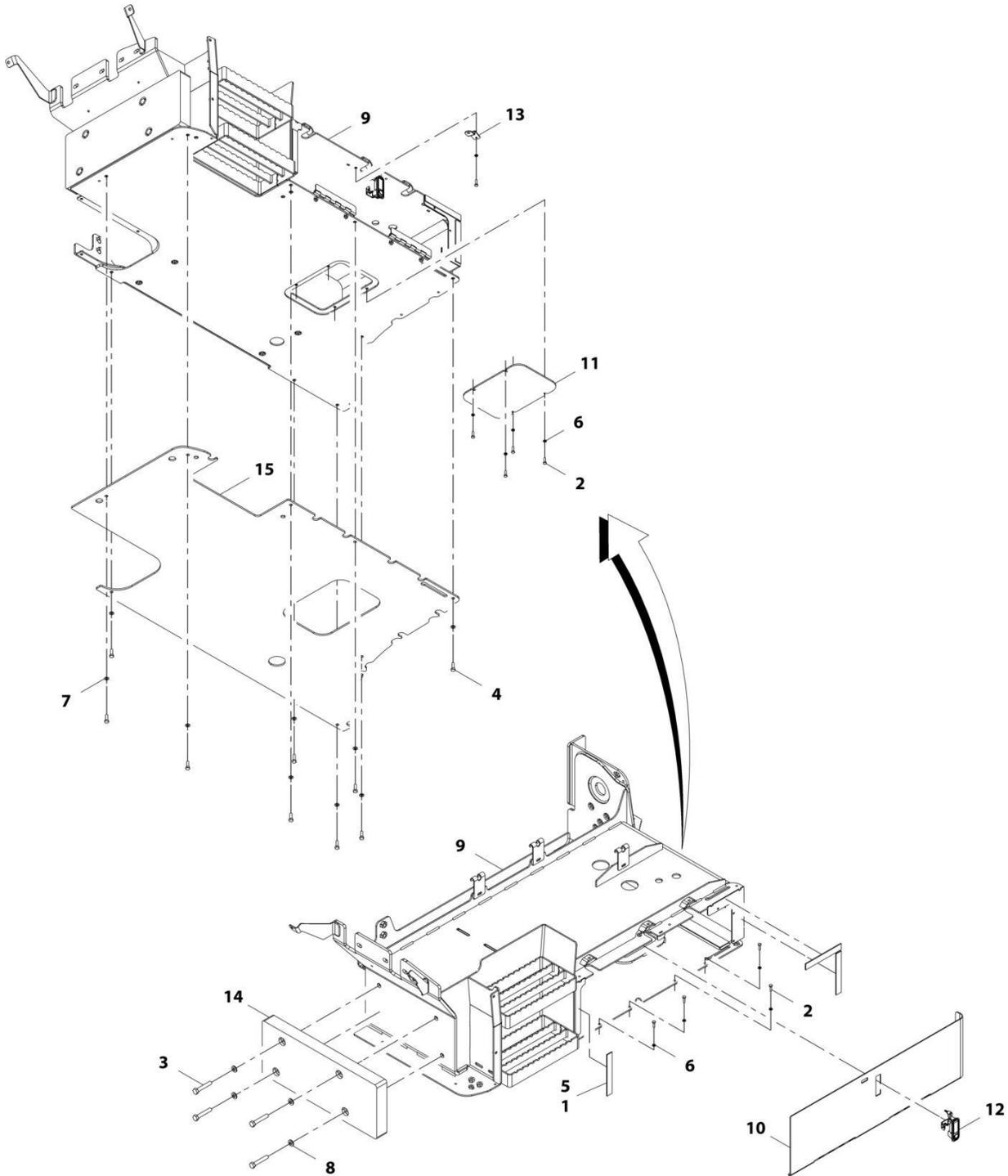
SECTION 1 - FRAME AND ATTACHING PARTS

FIGURE 1-5. HYDRAULIC TANK INSTALLATION

ITEM	PART NUMBER	QTY	DESCRIPTION	REV
	1001179850	Ref	Hydraulic Tank Installation	C
1	0701020	2	Bolt, M10X60	
2	0760812	2	Bolt, M8X25	
3	4812002	2	Washer, M10	
4	4811900	2	Washer, M8	
5	1001008575	1	Bumper, Conical	
7	1001177082	1	Bracket	
8	1001171179	2	Spacer	
9	1001172146	2	Washer, Rubber	
10	1001172147	2	Washer, M10	
11	1001179851	1	Assembly, Hydraulic Tank (See Separate Breakdown in this Section)	

SECTION 1 - FRAME AND ATTACHING PARTS

FIGURE 1-6. TANK SUPPORT INSTALLATION



ART_1001217933-D

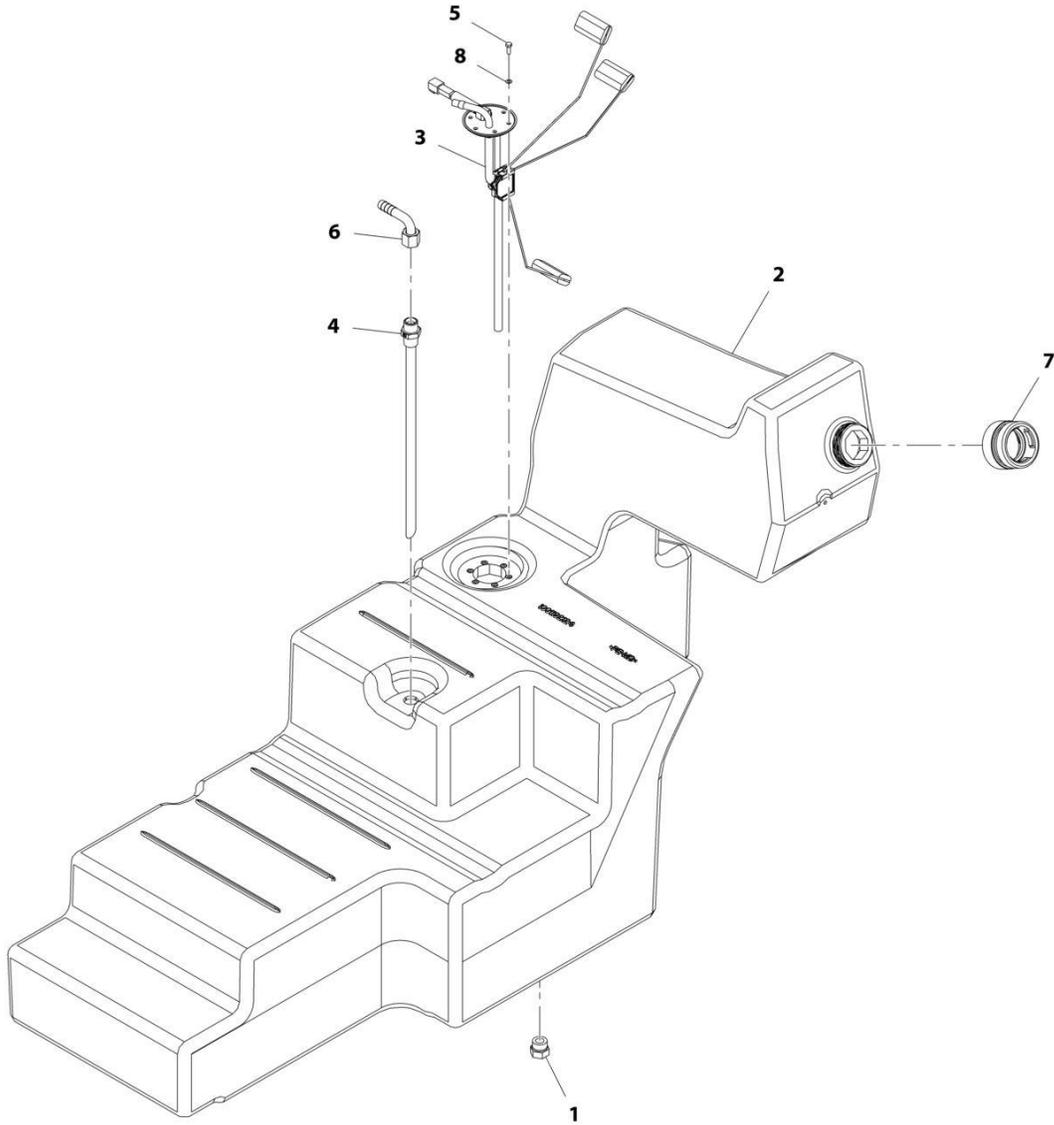
SECTION 1 - FRAME AND ATTACHING PARTS

FIGURE 1-6. TANK SUPPORT INSTALLATION

ITEM	PART NUMBER	QTY	DESCRIPTION	REV
	1001217933	Ref	Tank Support Installation	D
1	0100081	AR	Adhesive, Loctite	
2	0700610	9	Bolt, M6X20	
3	0701222	4	Bolt, M12X70	
4	0760812	9	Bolt, M8X25	
5	4280307	3	Strip, Rubber	
6	4811700	9	Washer, M6	
7	4811900	9	Washer, M8	
8	4812100	4	Washer, M12	
9	1001185931	1	Plate, Support	
10	1001185933	1	Cover	
11	1001185935	1	Cover	
12	1001189246	1	Latch	
13	1001197481	1	Plate, Padlock	
14	1001201588	1	Weight, Front Tank Support	
15	1001201589	1	Weight, Bottom Tank Support	

SECTION 1 - FRAME AND ATTACHING PARTS

FIGURE 1-7. FUEL TANK ASSEMBLY



ART_1001192125-C

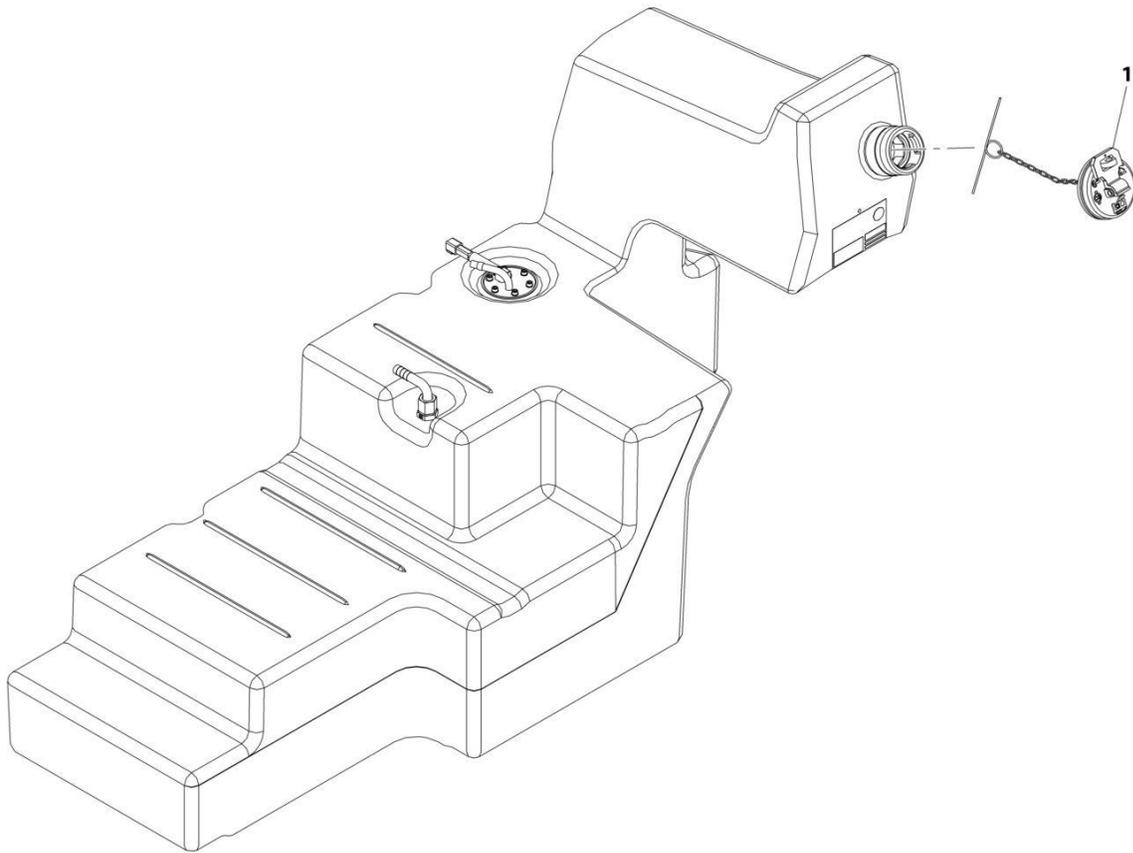
SECTION 1 - FRAME AND ATTACHING PARTS

FIGURE 1-7. FUEL TANK ASSEMBLY

ITEM	PART NUMBER	QTY	DESCRIPTION	REV
	1001192125	Ref	FUEL TANK ASSEMBLY	C
1	1001003427	1	Plug	
2	1001192124	1	Tank, Fuel	
3	1001222188	1	Pump, Fuel	
4	1001170106	1	Pipe, Fuel Supply	
5	4031607	6	Bolt, M5X16	
6	1001172693	1	Fitting, 90	
7	1001192392	1	Adapter	
8	1001222190	6	Washer	

SECTION 1 - FRAME AND ATTACHING PARTS

FIGURE 1-8. LOCKING FUEL CAP



ART_1001194980

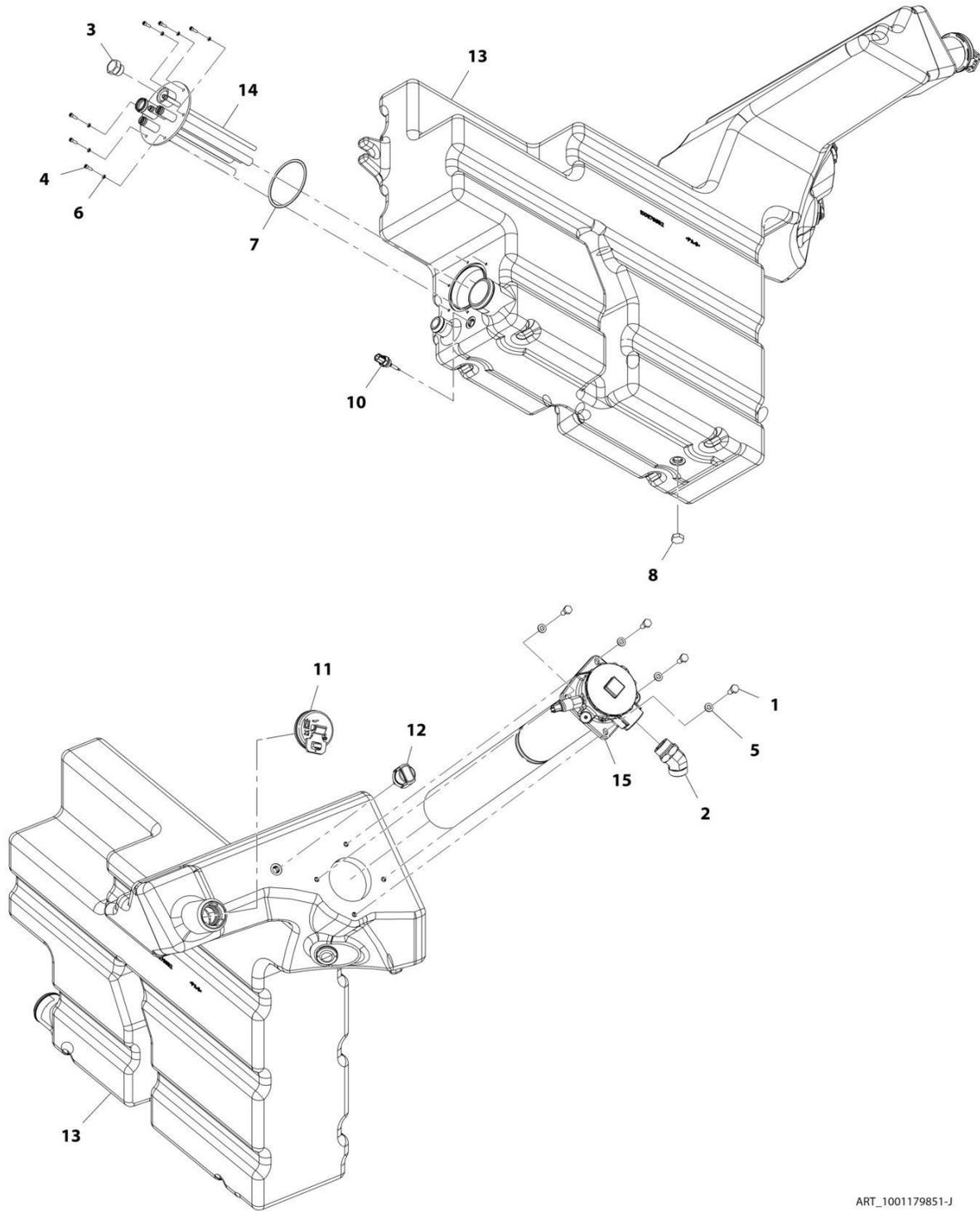
SECTION 1 - FRAME AND ATTACHING PARTS

FIGURE 1-8. LOCKING FUEL CAP

ITEM	PART NUMBER	QTY	DESCRIPTION	REV
1	1001194980	Ref	Locking Fuel Cap	A

SECTION 1 - FRAME AND ATTACHING PARTS

FIGURE 1-9. HYDRAULIC TANK ASSEMBLY



ART_1001179851-J

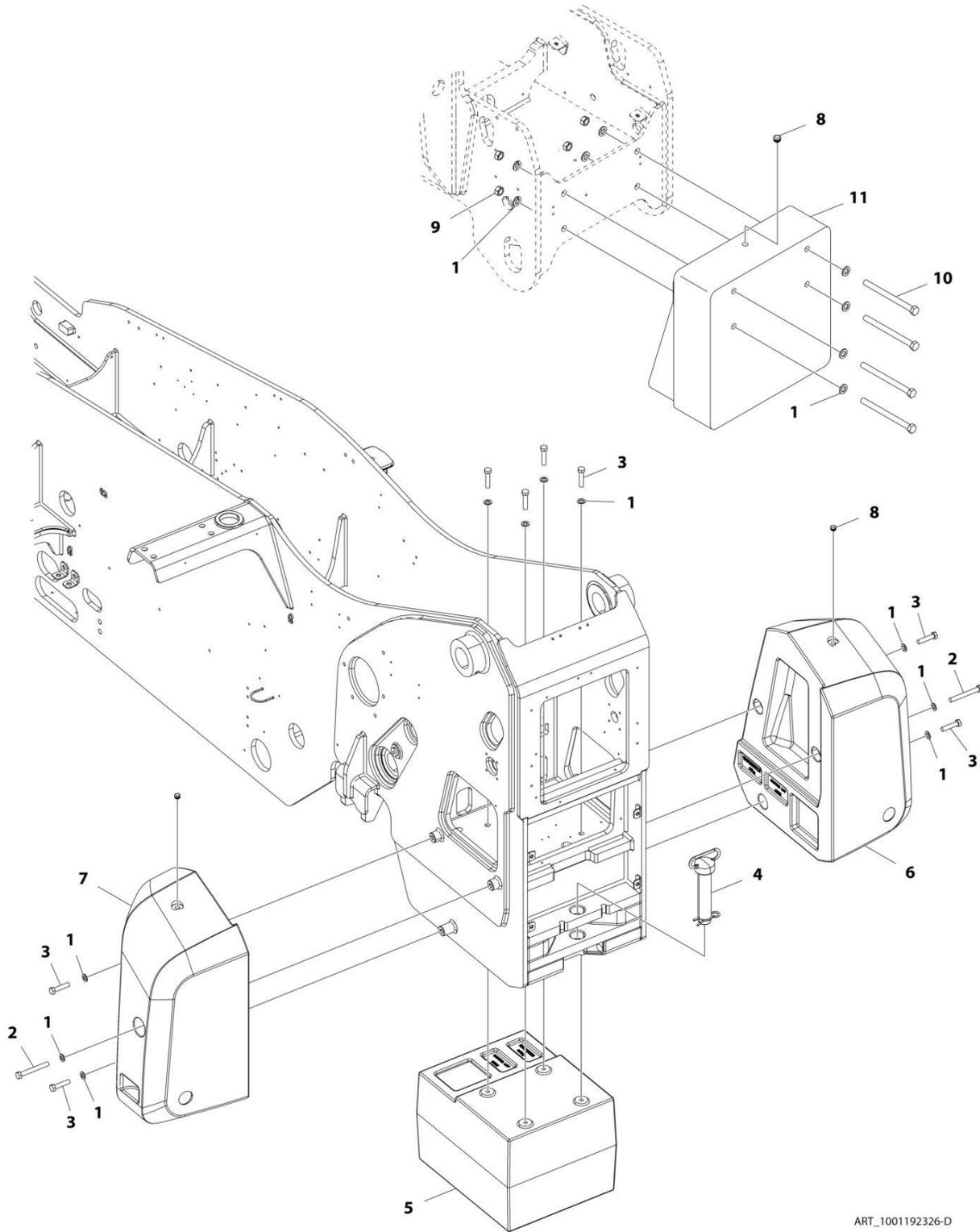
SECTION 1 - FRAME AND ATTACHING PARTS

FIGURE 1-9. HYDRAULIC TANK ASSEMBLY

ITEM	PART NUMBER	QTY	DESCRIPTION	REV
	1001179851	Ref	Hydraulic Tank Assembly	J
1	0761012	4	Bolt, M10X25	
2	2152020	1	Fitting, 45 ORFS	
3	2220240	1	Fitting, Straight	
4	4031607	6	Bolt, M5-.8X16	
5	4812000	4	Washer, M10	
6	4831600	6	Washer, Lock M5	
7	1001003301	1	Seal O-Ring	
8	2220239	1	Plug	
10	1001128478	1	Sensor	
11	1001194981	1	Cap, Hydraulic	
12	1001162662	1	Filter, Breather	
13	1001179852	1	Tank, Hydraulic	
14	1001191157	1	Manifold, Hydraulic Return	
15	1001191163	1	Filter	
15	1001191685	1	Element, Filter	

SECTION 1 - FRAME AND ATTACHING PARTS

FIGURE 1-10. COUNTERWEIGHT INSTALLATION



ART_1001192326-D

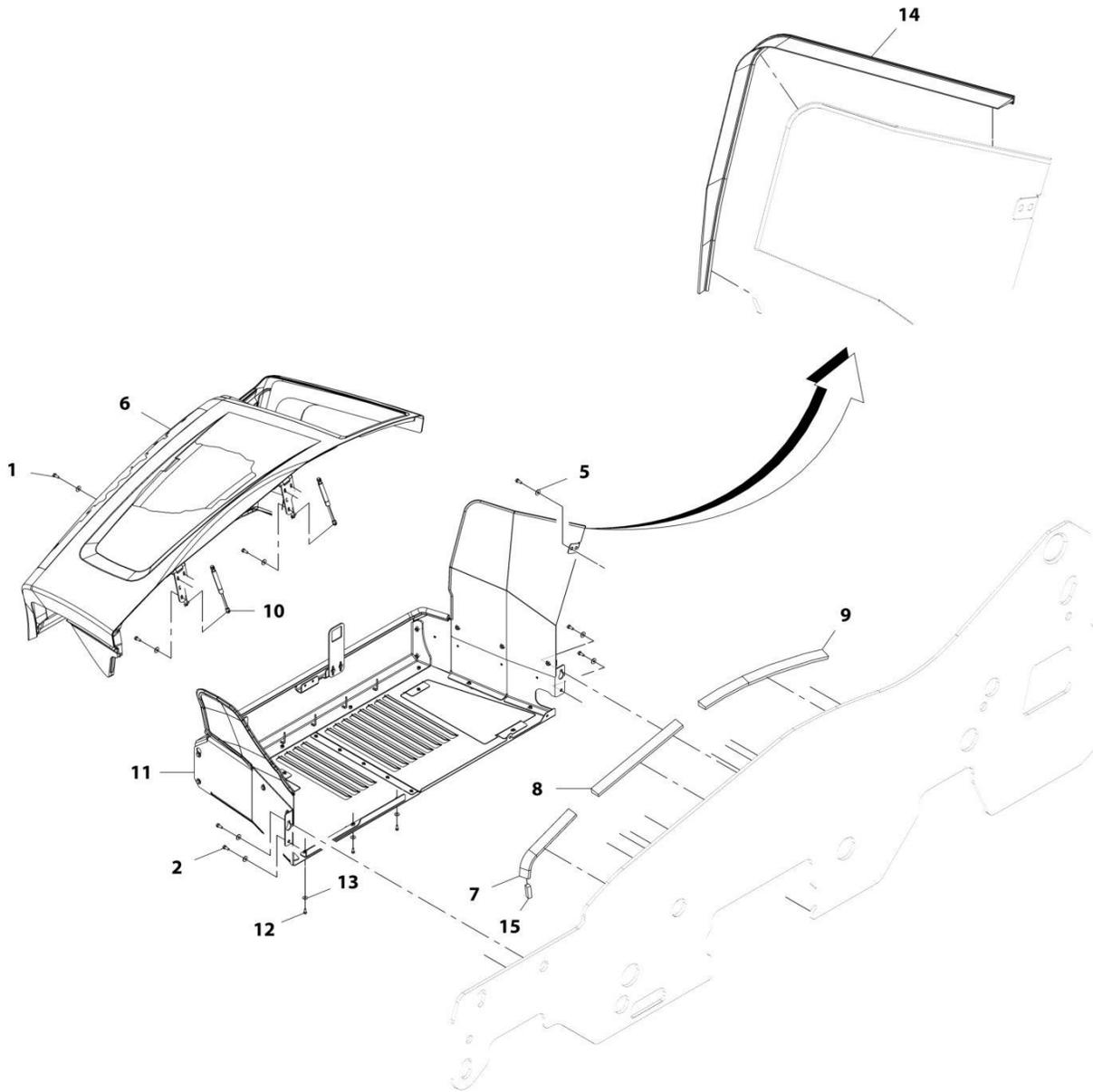
SECTION 1 - FRAME AND ATTACHING PARTS

FIGURE 1-10. COUNTERWEIGHT INSTALLATION

ITEM	PART NUMBER	QTY	DESCRIPTION	REV
	1001192326	Ref	Counterweight Installation	D
1	4812300	18	Washer, M6	
2	0711630	2	Bolt, M16X130	
3	1001094516	8	Bolt, M16X70 Grade 10.9	
4	1001197955	1	Pin	
5	1001213322	1	Counterweight	
6	1001213323J	1	Counterweight	
7	1001213324J	1	Counterweight	
8	3520193	3	Plug	
9	3291601	4	Nut, M16X2 Grade 8	
10	1001091951	4	Bolt, M16X200	
11	1001229407	NLA	Counterweight (no longer available, use 1001229686 for replacement)	
11	1001229686	1	Counterweight	

SECTION 1 - FRAME AND ATTACHING PARTS

FIGURE 1-11. ENGINE ENCLOSURE INSTALLATION



ART_1001192320-I

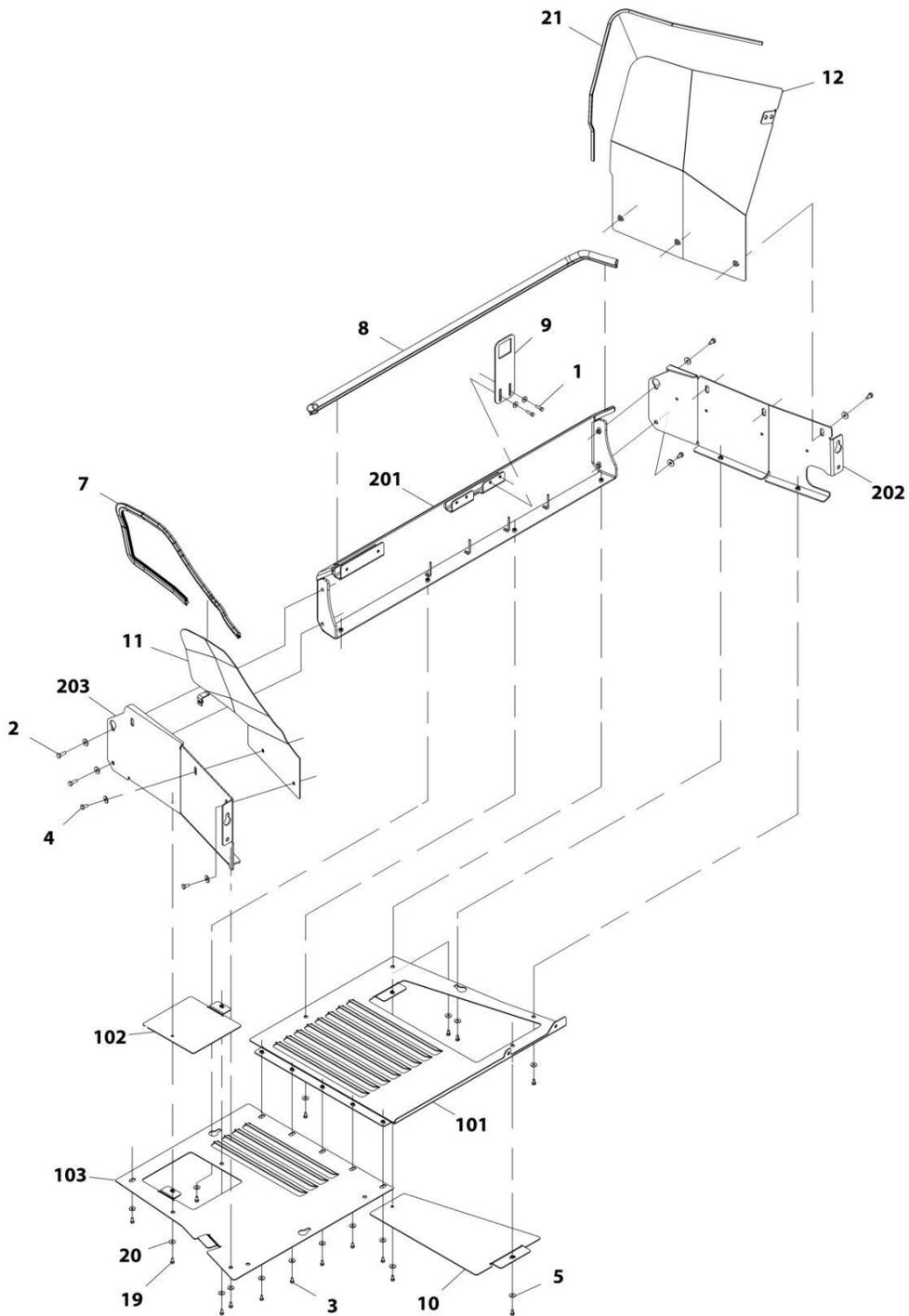
SECTION 1 - FRAME AND ATTACHING PARTS

FIGURE 1-11. ENGINE ENCLOSURE INSTALLATION

ITEM	PART NUMBER	QTY	DESCRIPTION	REV
	1001192320	Ref	Engine Enclosure Installation	I
1	0761010	1	Bolt, M10X20	
2	0761012	11	Bolt, M10X25	
5	4812002	12	Washer, M10	
6	1001168834	NLA	Assembly, Hood (no longer available, use 1001235963 for replacement) (See Separate Breakdown in this Section)	
6	1001235963	Ref	Assembly, Hood (See Seperate Breakdown in this Section)	
7	1001203932	1	Seal	
8	1001203933	1	Seal	
9	1001203934	1	Seal	
10	1001171885	2	Spring, Gas	
11	1001192622	Ref	Assembly, Engine Enclosure (See Separate Breakdown in this Section)	
12	0760810	3	Bolt, M8X20	
13	4811902	3	Washer, M8	
14	1001197339	1	Seal	
15	1001229609	1	Seal, Foam Gasket	

SECTION 1 - FRAME AND ATTACHING PARTS

FIGURE 1-12. ENGINE ENCLOSURE ASSEMBLY



ART_1001192622-I

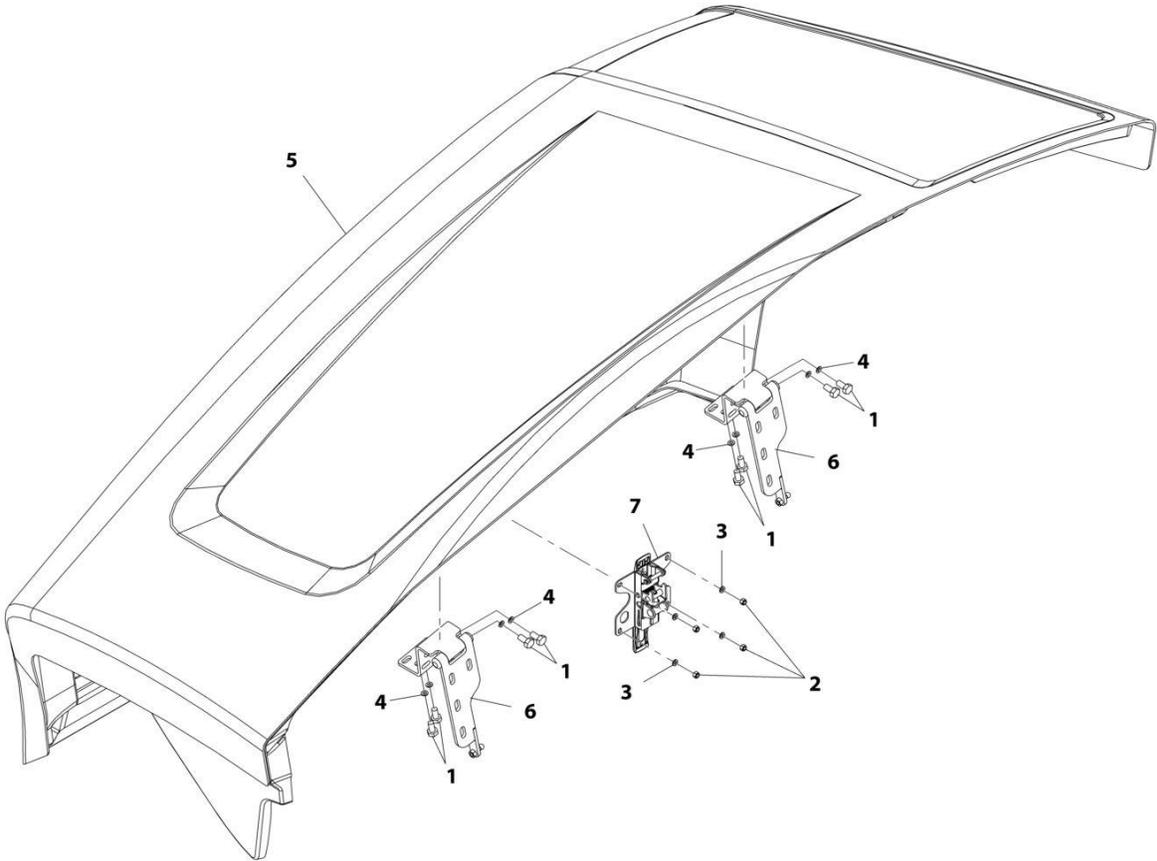
SECTION 1 - FRAME AND ATTACHING PARTS

FIGURE 1-12. ENGINE ENCLOSURE ASSEMBLY

ITEM	PART NUMBER	QTY	DESCRIPTION	REV
	1001192622	Ref	Engine Enclosure Assembly	I
1	0700814	2	Bolt, M8X30	
2	0701014	4	Bolt, M10X30	
3	0760807	5	Bolt, M8X14	
4	0761010	6	Bolt, M10X20	
5	4811902	19	Washer, M8	
7	1001003227	1573 mm	Seal	
8	1001204486	1785 mm	Seal	
9	1001209388	1	Latch, Hood	
10	1001169265	1	Plate, Access Panel	
11	1001219115	1	Panel, Front Wheel	
12	1001192627	1	Panel, Rear Cover	
19	0760808	12	Bolt, M8X16	
20	4812002	10	Washer, M10	
21	1001008999	1381 mm	Trim, Edge	
101	1001192631	1	Panel, Bottom Cover	
102	1001194969	1	Panel, Access	
103	1001219250	1	Panel, Bottom Front Cover	
201	1001192623J	1	Panel, Side Skirt	
202	1001224450J	1	Panel, Rear Skirt	
203	1001219113J	1	Panel, Front Skirt	

SECTION 1 - FRAME AND ATTACHING PARTS

FIGURE 1-13. HOOD ASSEMBLY



ART_1001168834-K

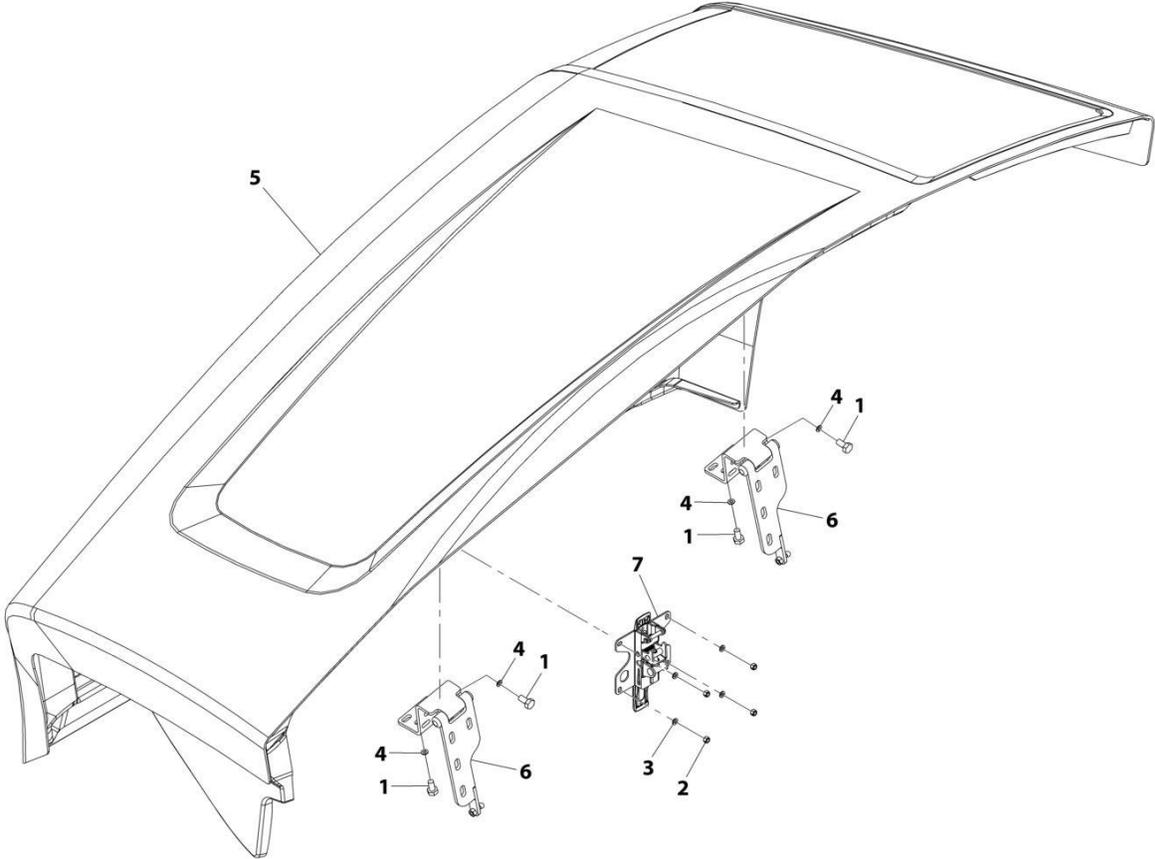
SECTION 1 - FRAME AND ATTACHING PARTS

FIGURE 1-13. HOOD ASSEMBLY

ITEM	PART NUMBER	QTY	DESCRIPTION	REV
	1001168834	NLA	Hood Assembly (no longer available, use items 1 thru 7 for service or 1001235963 for replacement)	K
1	0761010	8	Bolt, M10X20	
2	3290605	4	Nut, Lock M6X1	
3	4811700	4	Washer, M6	
4	4812000	8	Washer, M10	
5	1001166698	1	Hood	
6	1001209387	2	Hinge, Hood	
7	1001132168	1	Latch, Hood	

SECTION 1 - FRAME AND ATTACHING PARTS

FIGURE 1-14. HOOD ASSEMBLY



ART_1001235963-B

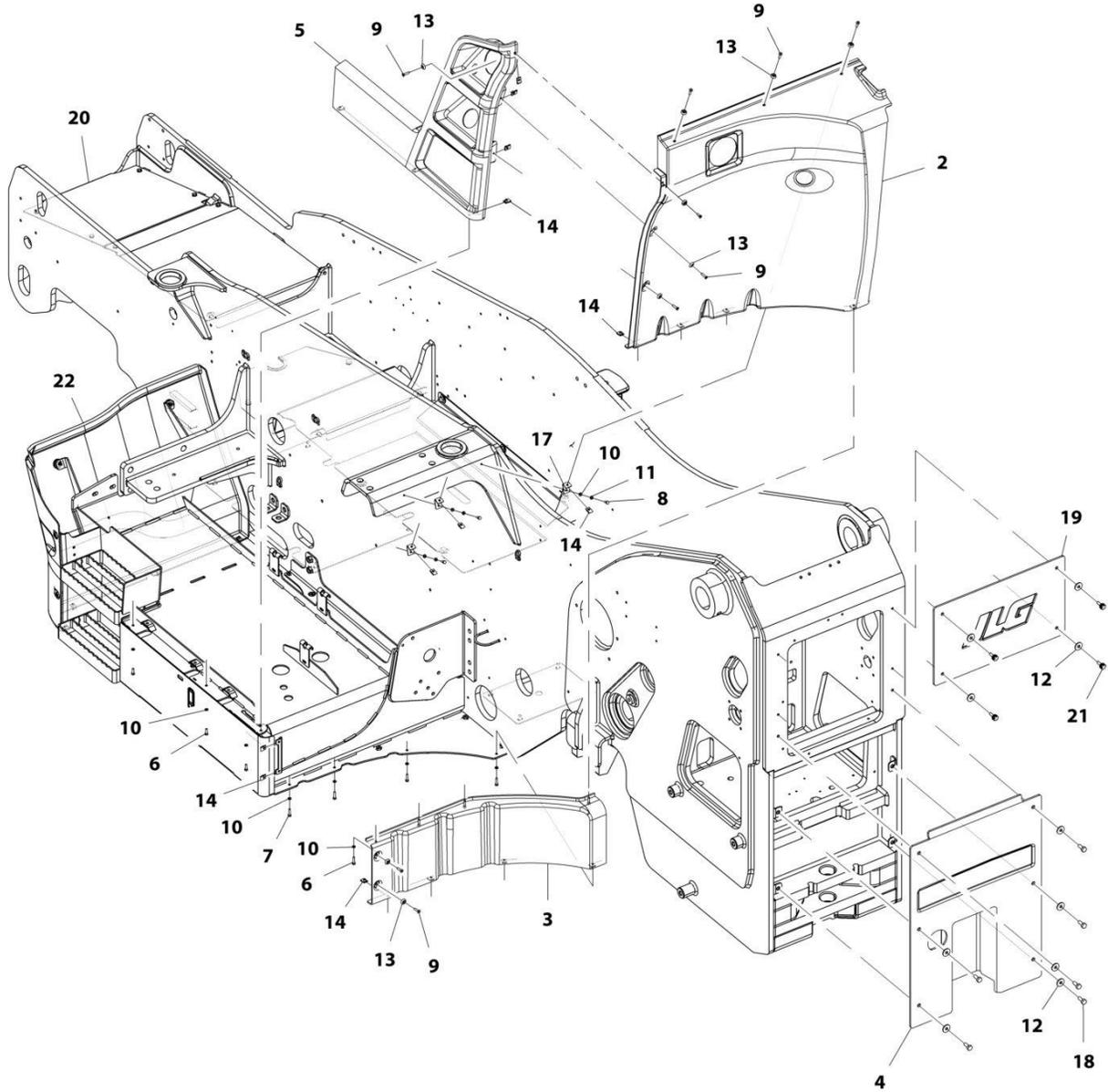
SECTION 1 - FRAME AND ATTACHING PARTS

FIGURE 1-14. HOOD ASSEMBLY

ITEM	PART NUMBER	QTY	DESCRIPTION	REV
	1001235963	Ref	Hood Assembly	B
1	0761010	8	Bolt, M10X20	
2	3290605	4	Nut, Lock M6X1	
3	4811700	4	Washer, M6	
4	4812000	8	Washer, M10	
5	1001234455	1	Hood	
6	1001209387	2	Hinge, Hood	
7	1001132168	1	Latch, Hood	

SECTION 1 - FRAME AND ATTACHING PARTS

FIGURE 1-15. COVER INSTALLATION (ULS)



ART_1001184869-1

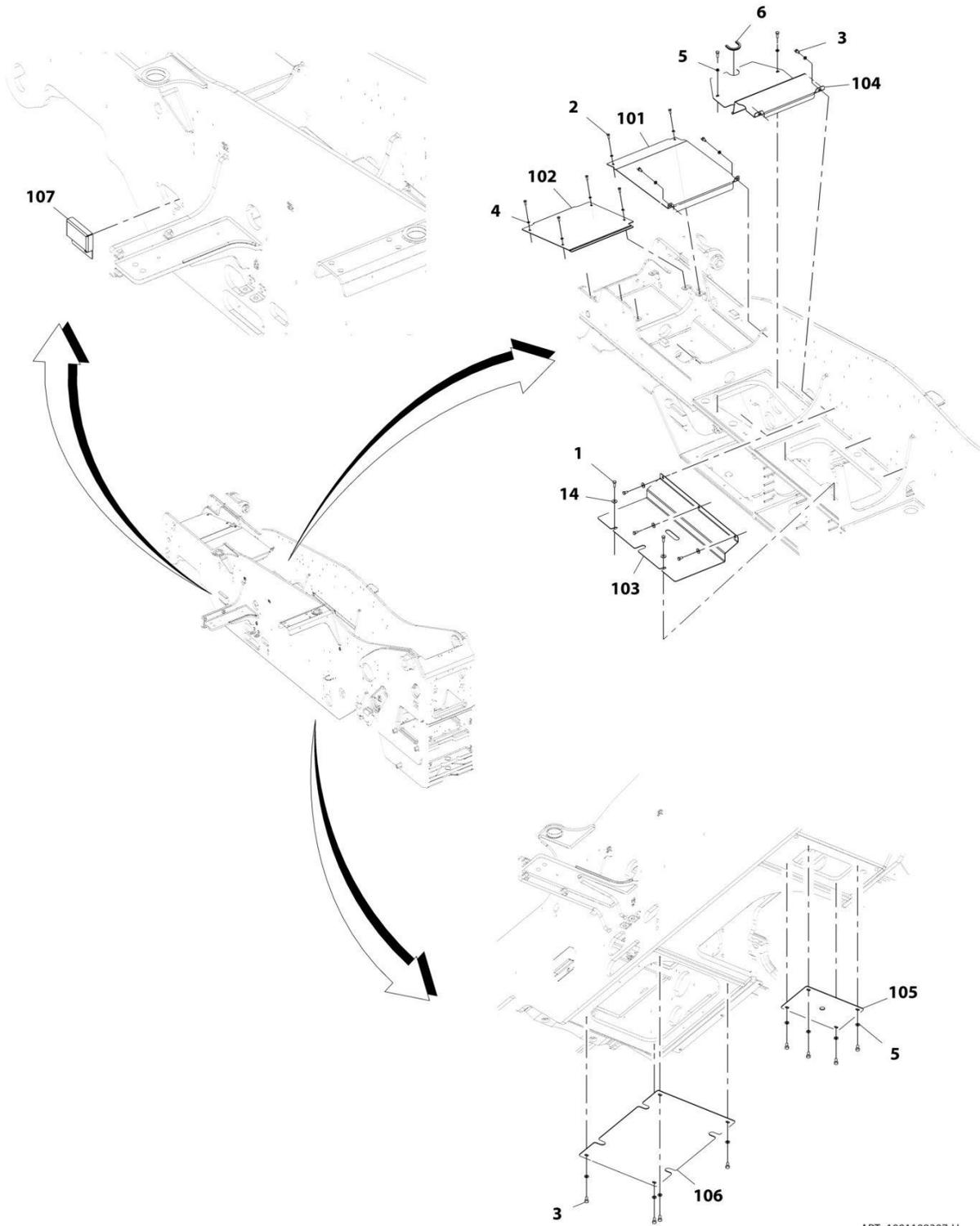
SECTION 1 - FRAME AND ATTACHING PARTS

FIGURE 1-15. COVER INSTALLATION (ULS)

ITEM	PART NUMBER	QTY	DESCRIPTION	REV
	1001184869	Ref	Cover Installation (ULS)	1
2	1001184872	1	Cover, Rear Tank	
3	1001184874	1	Cover, Lower Rear Tank	
4	1001213834	1	Cover, Rear Frame	
5	1001168758	1	Cover, Side Tank	
6	0700610	7	Bolt, M6X20	
7	0700612	4	Bolt, M6X25	
8	0760607	3	Bolt, M6X14	
9	0630576	9	Screw, M6X20	
10	4811700	14	Washer, M6	
11	4831700	3	Washer, Lock M6	
12	4812002	10	Washer, M10	
13	1001097540	9	Washer, M6	
14	1001130220	19	Nut, M6	
17	1001231385	3	Plate, Angle Mount	
18	0761012	6	Bolt, M10X25	
19	1001213833	1	Cover, Rear Frame	
20	1001198307	Ref	Installation, Frame Cover (See Separate Breakdown in this Section)	
21	1001161439	4	Screw	
22	1001201848	Ref	Installation, Front Lower Cover (See Separate Breakdown in this Section)	

SECTION 1 - FRAME AND ATTACHING PARTS

FIGURE 1-16. FRAME COVER INSTALLATION



ART_1001198307-H

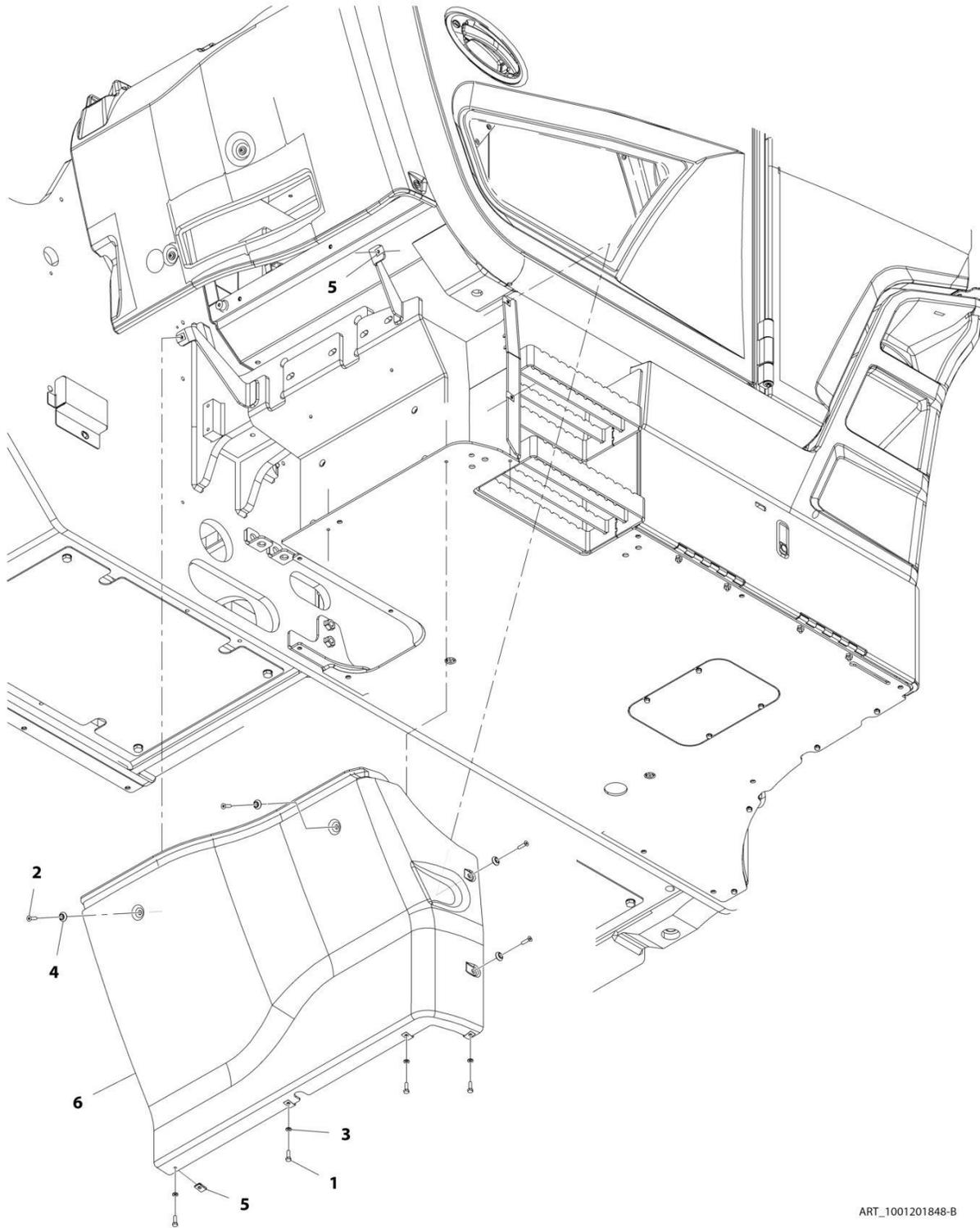
SECTION 1 - FRAME AND ATTACHING PARTS

FIGURE 1-16. FRAME COVER INSTALLATION

ITEM	PART NUMBER	QTY	DESCRIPTION	REV
	1001198307	Ref	Frame Cover Installation	H
1	0701014	4	Bolt, M10X30	
2	0760810	6	Bolt, M8X20	
3	0761010	15	Bolt, M10X20	
4	4811900	6	Washer, M8	
5	4812000	14	Washer, M10	
6	90206196	0.15 m	Gasket	
14	4812002	5	Washer, M10	
101	1001197056	1	Cover, Battery	
102	1001197057	1	Plate, Valve Cover	
103	1001197733	1	Plate, Frame Cover	
104	1001197734	1	Plate, Frame Cover	
105	1001211899	1	Plate, Frame Cover	
106	1001211900	1	Plate, Frame Cover	
107	1001218694	1	Cover	

SECTION 1 - FRAME AND ATTACHING PARTS

FIGURE 1-17. FRONT LOWER COVER INSTALLATION



ART_1001201848-B

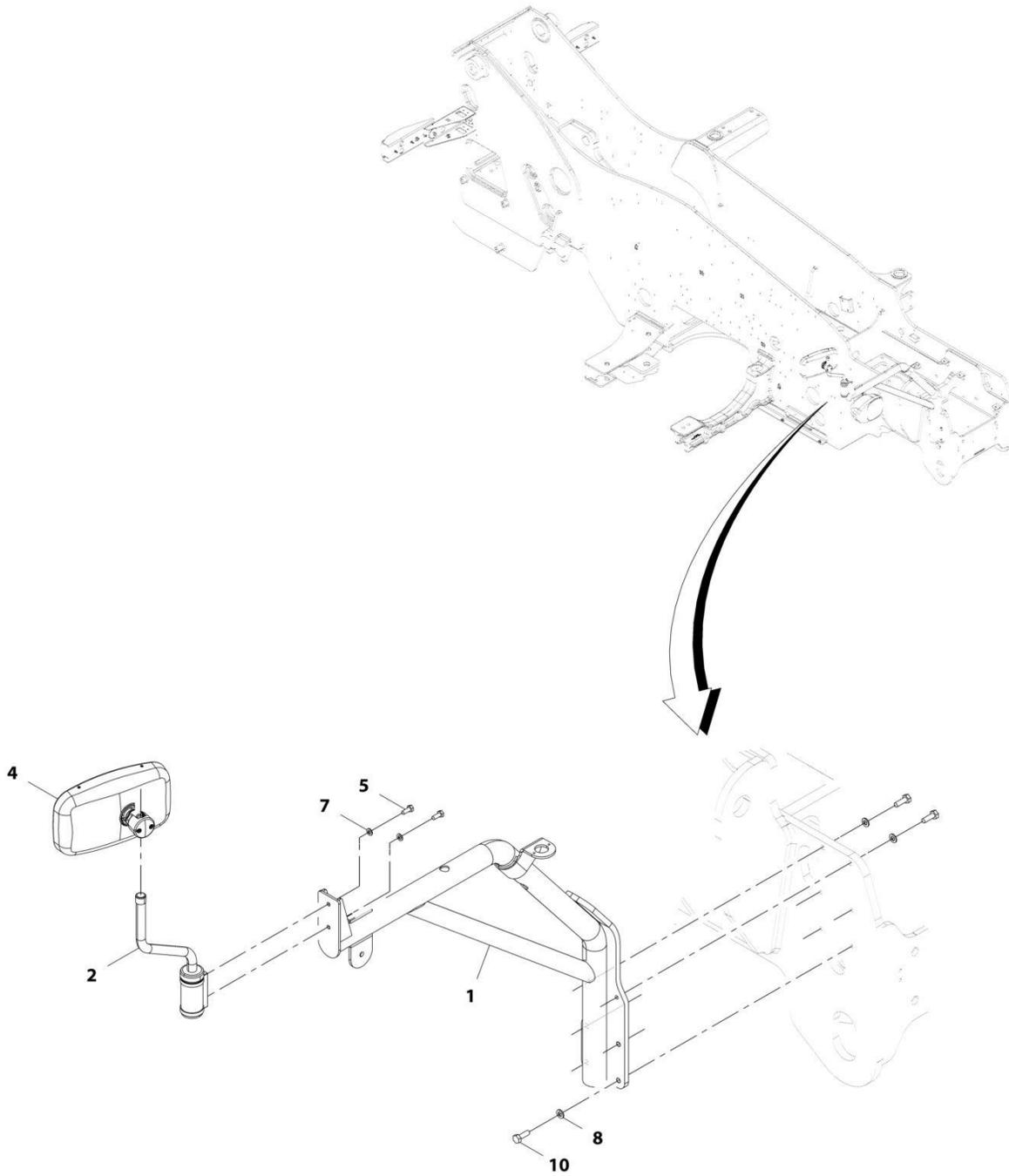
SECTION 1 - FRAME AND ATTACHING PARTS

FIGURE 1-17. FRONT LOWER COVER INSTALLATION

ITEM	PART NUMBER	QTY	DESCRIPTION	REV
	1001201848	Ref	Front Lower Cover Installation	B
1	0700610	4	Bolt, M6X20	
2	3900379	4	Screw, M6-1.00X25	
3	4811700	4	Washer, M6	
4	1001097540	4	Washer, M6	
5	1001130220	6	Nut, M6	
6	1001184871	1	Cover, Front Lower	

SECTION 1 - FRAME AND ATTACHING PARTS

FIGURE 1-18. MIRROR INSTALLATION



ART_1001192324-E

SECTION 1 - FRAME AND ATTACHING PARTS

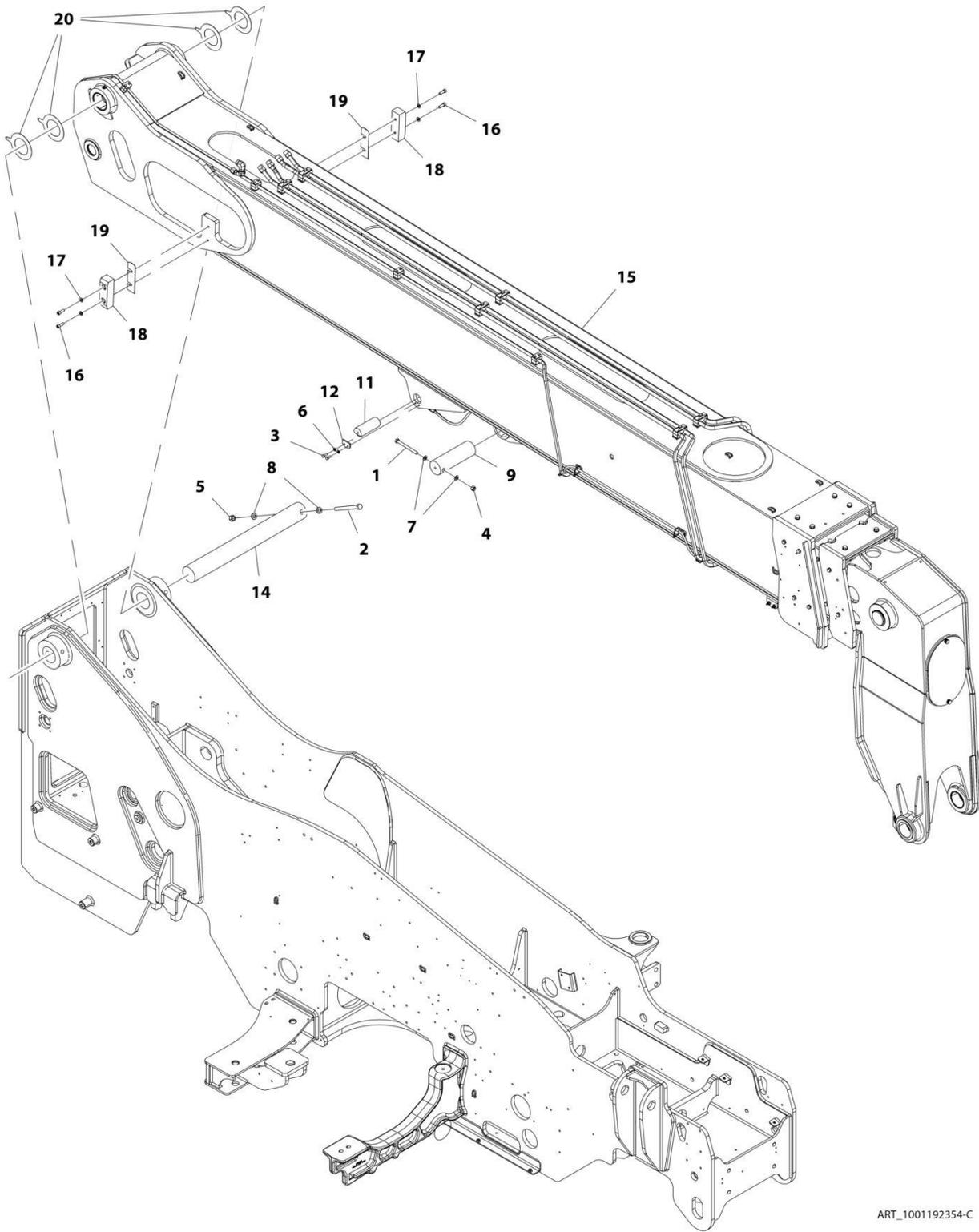
FIGURE 1-18. MIRROR INSTALLATION

ITEM	PART NUMBER	QTY	DESCRIPTION	REV
	1001192324	Ref	Mirror Installation	E
1	1001206099	1	Bracket	
2	1001209346	1	Bracket	
4	1001191635	1	Mirror, Convex	
5	0760810	2	Bolt, M8X20	
7	4811900	2	Bolt, M8X20	
8	4812000	6	Washer, M10	
10	0701014	6	Bolt, M10X30	

SECTION 2 - BOOM

SECTION 2 - BOOM

FIGURE 2-1. BOOM INSTALLATION



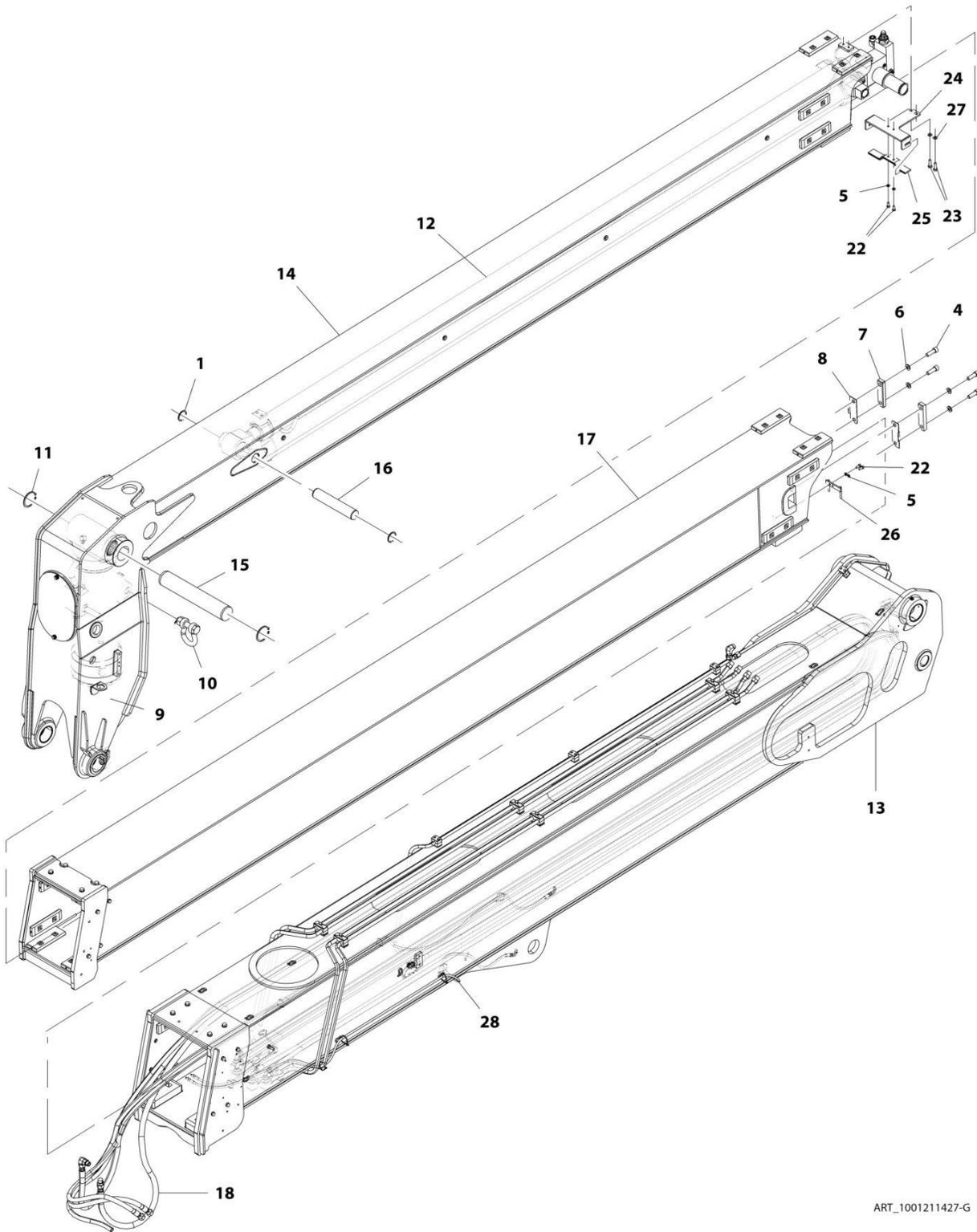
ART_1001192354-C

FIGURE 2-1. BOOM INSTALLATION

ITEM	PART NUMBER	QTY	DESCRIPTION	REV
	1001192354	Ref	Boom Installation	C
1	0711230	1	Bolt, M12X130	
2	0711635	1	Bolt, M16X180	
3	0760810	2	Bolt, M8X20	
4	3291205	1	Nut, Lock M12X1.75	
5	3291605	1	Nut, Lock M16X2	
6	4811900	2	Washer, M8	
7	4812100	2	Washer, M12	
8	4812300	2	Washer, M16	
9	1001190254	1	Pin, Lift Cylinder	
11	1001190256	1	Pin, Compensation Cylinder	
12	1001190257	1	Plate, Pin Retainer	
14	1001190260	1	Pin, Boom Pivot	
15	1001211427	1	Assembly, Boom (See Separate Breakdown in this Section)	
16	4032010	4	Bolt, M10X30	
17	4812000	4	Washer, M10	
18	1001195655	2	Pad, M44X50X160	
19	1001219905	AR	Shim, M50X169X1	
20	1001219953	AR	Shim, Boom Pivot	

SECTION 2 - BOOM

FIGURE 2-2. BOOM ASSEMBLY



ART_1001211427-G

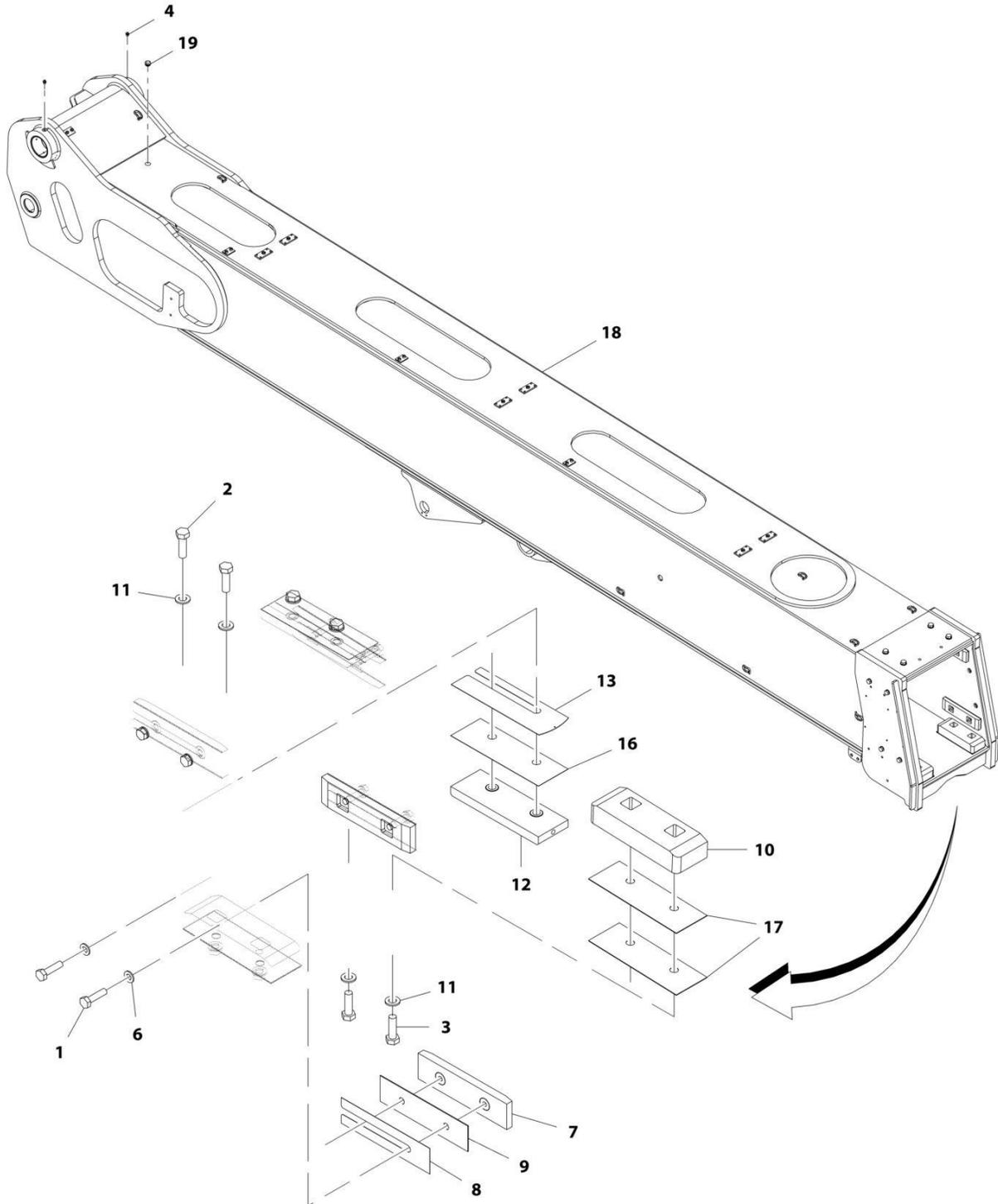
SECTION 2 - BOOM

FIGURE 2-2. BOOM ASSEMBLY

ITEM	PART NUMBER	QTY	DESCRIPTION	REV
	1001211427	Ref	Boom Assembly	G
1	314689	2	Ring, Retaining M50	
4	4032314	4	Bolt, M16X50	
5	4811900	4	Washer, M8	
6	4812300	4	Washer, M16	
7	1001213959	2	Plate, Clamp	
8	1001213961	2	Plate, Trunion Block Guide	
9	1001174812	1	Cylinder, Tilt (See Separate Breakdown in Hydraulic Components Section)	
10	1001191110	1	Shackle	
11	1001197262	2	Ring, Snap M75	
12	1001199325	Ref	Installation, Extend/Retract Cylinder (See Separate Breakdown in Hydraulic Components Section)	
13	1001201266	1	Assembly, First Boom Section (See Separate Breakdown in this Section)	
14	1001203985	1	Assembly, Third Boom Section (See Separate Breakdown in this Section)	
15	1001203989	1	Pin, Tilt	
16	1001203990	1	Pin, Extend/Retract	
17	1001204177	1	Assembly, Second Boom Section (See Separate Breakdown in this Section)	
18	1001205375	Ref	Installation, Boom Hydraulic (See Separate Breakdown in Hydraulic Circuit Section)	
22	0760810	4	Bolt, M8X20	
23	0711015	2	Bolt, M10X35	
24	1001230986	1	Support, Hose	
25	1001230967	1	Plate, Support	
26	1001213462	1	Support, Hose	
27	4812000	2	Washer, M10	
28	1001217353	Ref	Installation, Remote Grease (See Separate Breakdown in Hydraulic Circuit Section)	

SECTION 2 - BOOM

FIGURE 2-3. FIRST BOOM SECTION ASSEMBLY



ART_1001201266-G

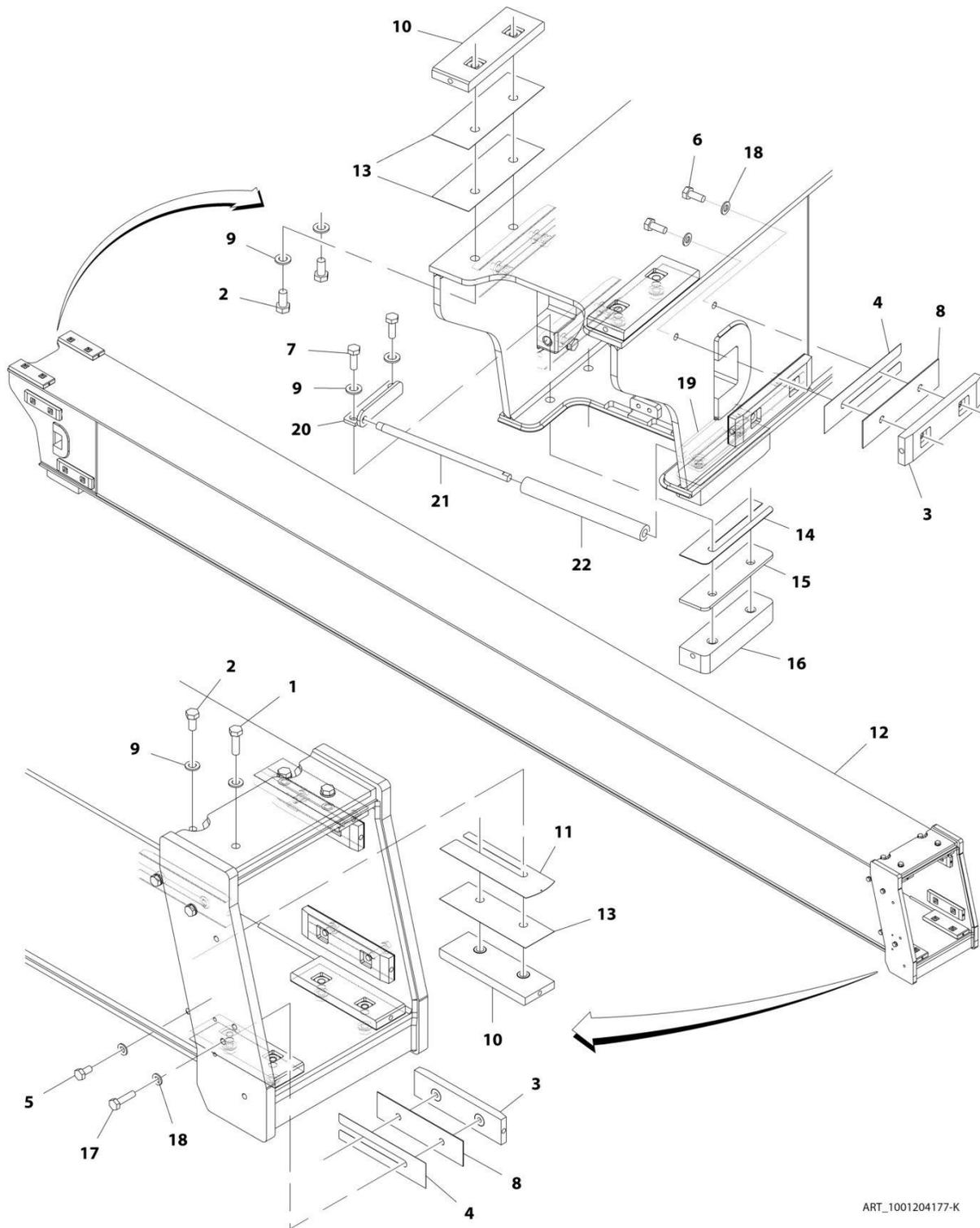
SECTION 2 - BOOM

FIGURE 2-3. FIRST BOOM SECTION ASSEMBLY

ITEM	PART NUMBER	QTY	DESCRIPTION	REV
	1001201266	Ref	First Boom Section Assembly	G
1	0711017	8	Bolt, M10X45	
2	0711216	4	Bolt, M12X40	
3	0711217	4	Bolt, M12X45	
4	2160016	2	Fitting, Grease	
6	4812000	AR	Washer, M10	
7	8002200	4	Pad, M15X50X200	
8	8008640	AR	Shim, M50X200X0.5	
9	1001003031	4	Shim, M50X198X1.5	
10	1001227337	2	Pad, M70X200X39	
11	1001125117	AR	Washer, M12	
12	1001227334	2	Pad, Wear	
13	1001195194	AR	Shim, M67X204X0.5	
16	1001195737	2	Shim	
17	1001201269	AR	Shim, M70X200X1	
18	1001201267J	1	Weldment, Boom	
19	3520193	1	Plug	

SECTION 2 - BOOM

FIGURE 2-4. SECOND BOOM SECTION ASSEMBLY



ART_1001204177-K

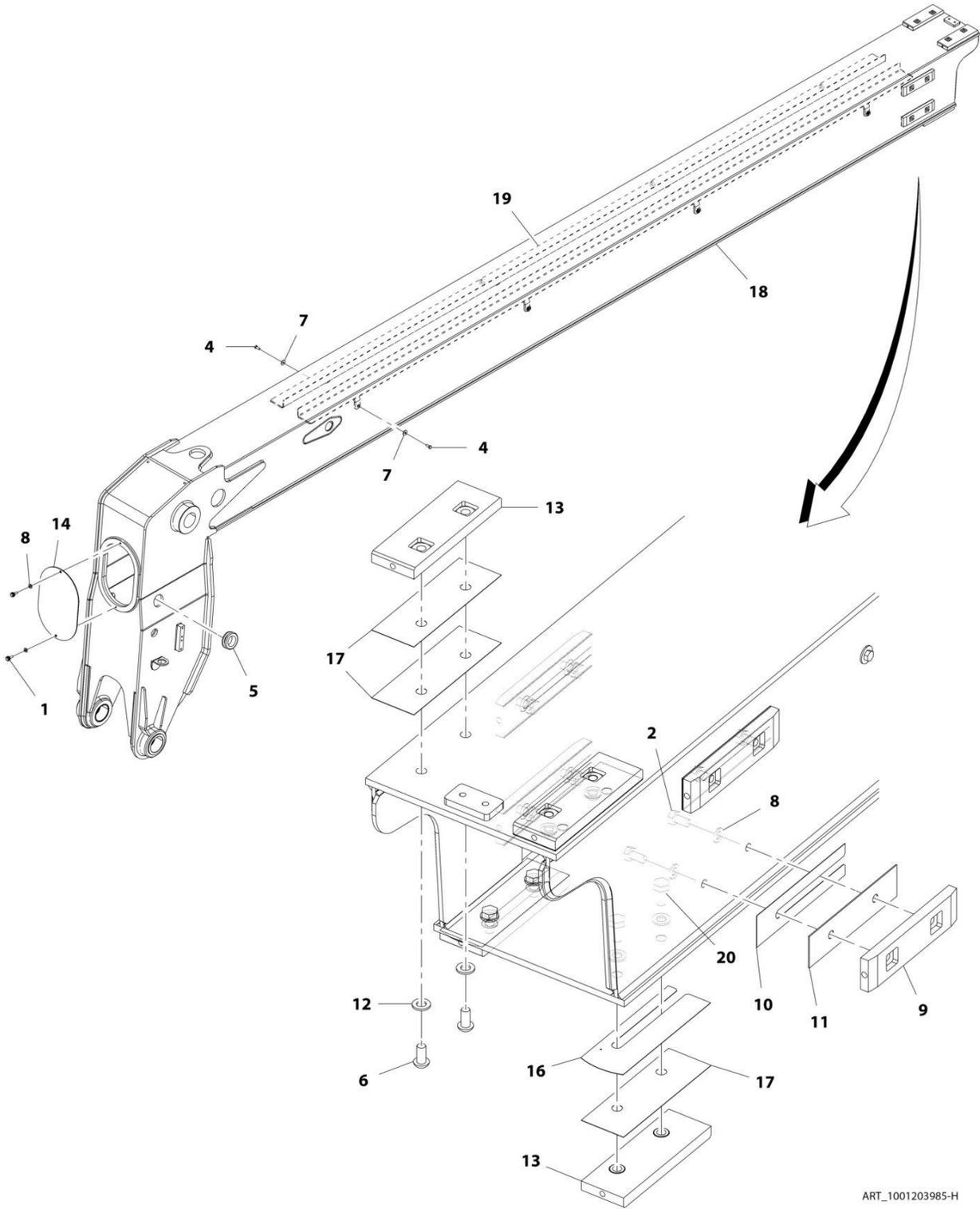
SECTION 2 - BOOM

FIGURE 2-4. SECOND BOOM SECTION ASSEMBLY

ITEM	PART NUMBER	QTY	DESCRIPTION	REV
	1001204177	Ref	Second Boom Section Assembly	K
1	0711216	4	Bolt, M12X40 Grade 10.9	
2	0771212	8	Bolt, M12X25 Grade 10.9	
3	8002200	8	Pad, M15X50X200	
4	8008640	AR	Shim, M50X200X0.5	
5	0771010	4	Bolt, M10X20 Grade 10.9	
6	0771012	8	Bolt, M10X25 Grade 10.9	
7	0711215	4	Bolt, M12X35 Grade 10.9	
8	1001003031	8	Shim, M50X198X1.5	
9	1001125117	AR	Washer, M12	
10	1001227334	6	Pad, M34X54X165	
11	1001195194	AR	Shim, M0.5X67X204	
12	1001204178	1	Boom, Second	
13	1001195737	AR	Shim	
14	1001204198	AR	Shim, M1X49X181	
15	1001204199	2	Shim, M49X181X5	
16	1001204200	2	Pad, M35X49X181	
17	0711016	4	Bolt, M10X40 Grade 10.9	
18	4812000	AR	Washer, M10	
19	1001223902	1	Bracket, RH	
20	1001223920	1	Bracket, LH	
21	1001223948	1	Pin	
22	1001223983	1	Roller	

SECTION 2 - BOOM

FIGURE 2-5. THIRD BOOM SECTION ASSEMBLY



ART_1001203985-H

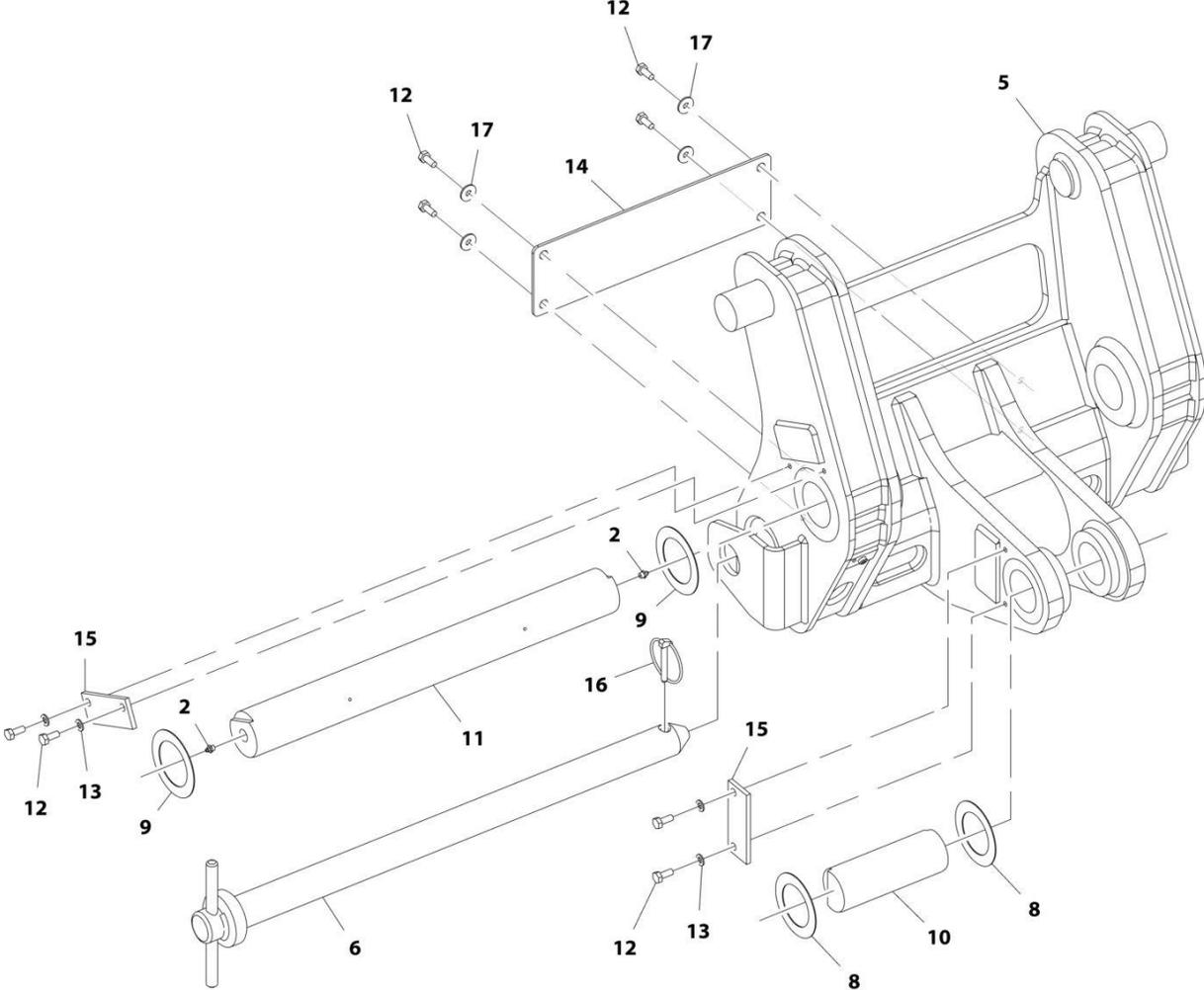
SECTION 2 - BOOM

FIGURE 2-5. THIRD BOOM SECTION ASSEMBLY

ITEM	PART NUMBER	QTY	DESCRIPTION	REV
	1001203985	Ref	Third Boom Section Assembly	1
1	1001250708	1	Bolt M8 x 20	
2	0771010	8	Bolt, M10X20 Grade 10.9	
4	0760810	8	Bolt, M8X20	
5	1001188971	1	Grommet	
6	1001229057	4	Screw, M12X25	
7	4811902	8	Washer, M8	
8	4812000	AR	Washer, M10	
9	8002200	4	Pad, M15X50X200	
10	8008640	AR	Shim, M50X200X0.5	
11	1001003031	4	Shim, M50X198X1.5	
12	1001125117	AR	Washer, M12	
13	1001227334	4	Pad	
14	1001191789	1	Plate, Boom Front Cover	
16	1001195194	AR	Shim, M0.5X67X204	
17	1001195737	AR	Shim	
18	1001203986	1	Weldment, Third Boom Section	
19	1001203987	2	Bracket, Hose Support Tray	
20	0771212	4	Bolt, M12X25	

SECTION 2 - BOOM

FIGURE 2-6. COUPLER INSTALLATION (MANUAL)



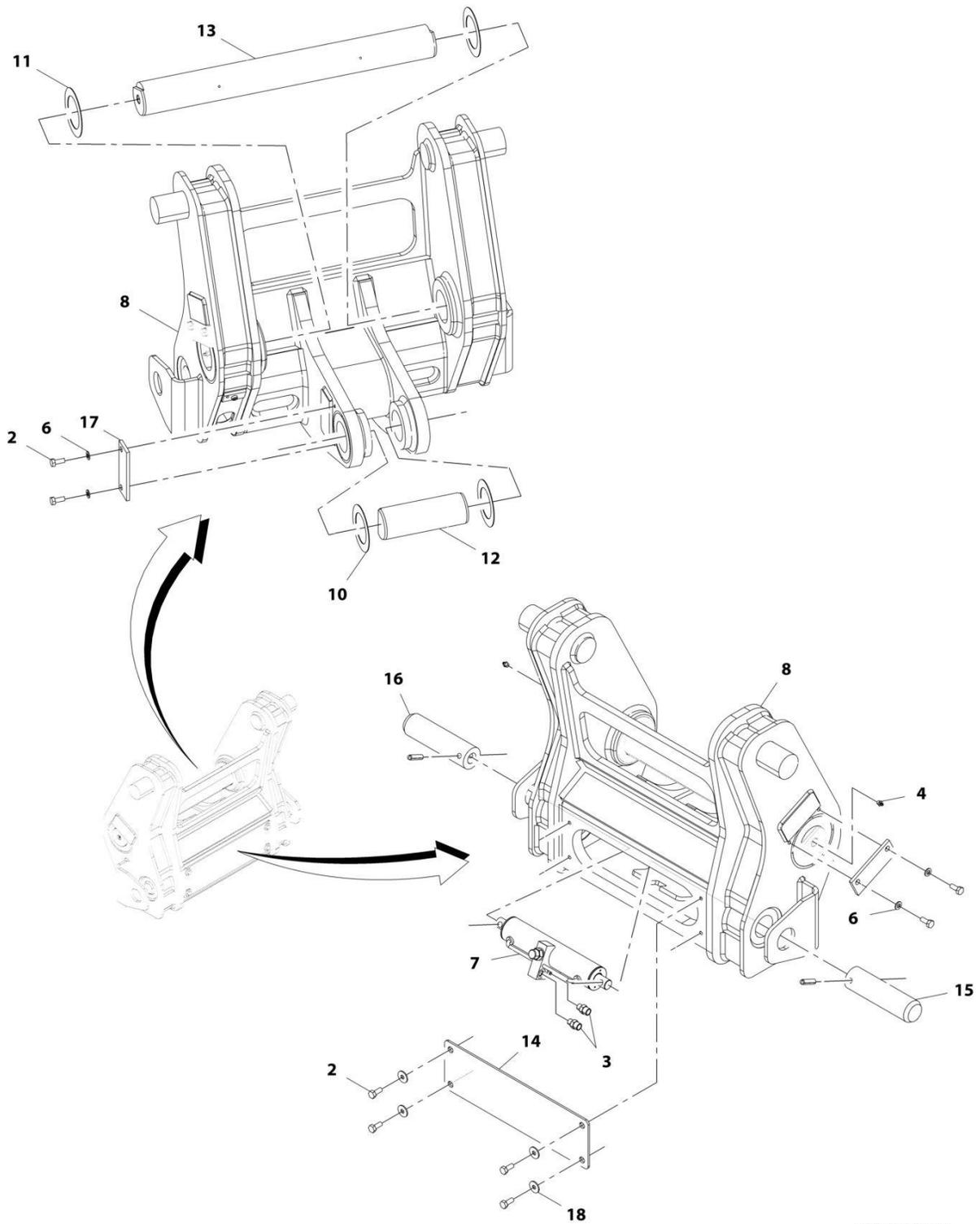
ART_1001174104-G

FIGURE 2-6. COUPLER INSTALLATION (MANUAL)

ITEM	PART NUMBER	QTY	DESCRIPTION	REV
	1001174104	Ref	Coupler Installation (Manual)	G
2	2160016	2	Fitting, Grease	
5	1001187820	1	Coupling, Manual	
6	1001187821	1	Pin	
8	1001187847	AR	Shim	
9	1001187848	AR	Shim	
10	1001190250	1	Pin, Tilt	
11	1001190264	1	Pin	
12	0761012	8	Bolt, M10X25	
13	4812000	4	Washer, M10	
14	1001200393	1	Plate, Front Cover	
15	1001210326	2	Plate	
16	1001003803	1	Pin	
17	4812002	4	Washer, M10	

SECTION 2 - BOOM

FIGURE 2-7. COUPLER INSTALLATION (HYDRAULIC)



ART_1001192358-D

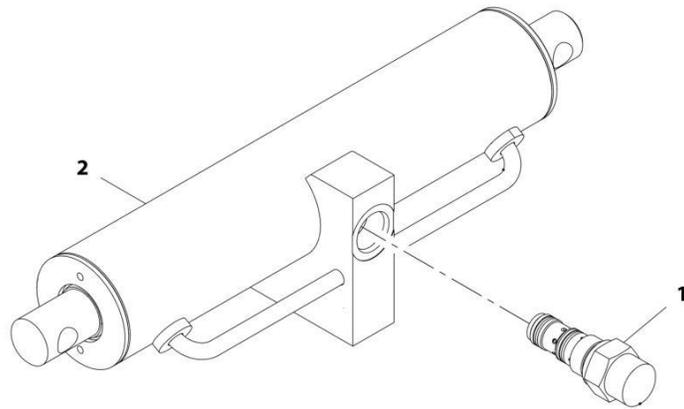
SECTION 2 - BOOM

FIGURE 2-7. COUPLER INSTALLATION (HYDRAULIC)

ITEM	PART NUMBER	QTY	DESCRIPTION	REV
	1001192358	Ref	Coupler Installation (Hydraulic)	D
2	0761012	8	Bolt, M10X25	
3	2110606	2	Fitting, Straight ORFS	
4	2160016	2	Fitting, Grease	
6	4812000	4	Washer, M10	
7	1001145391	1	Assembly, Coupler Locking Cylinder (See Separate Breakdown in this Section)	
8	1001187820	1	Carriage	
10	1001187847	AR	Shim, M76X115X1.5	
11	1001187848	AR	Shim, M81X120X1.5	
12	1001190250	1	Pin, Tilt	
13	1001190264	1	Pin, Coupler	
14	1001200393	1	Plate, Front Cover	
15	1001200395	2	Pin	
16	1001184610	2	Pin	
17	1001210326	2	Plate, Pin Retention	
18	4812002	4	Washer, M10	

SECTION 2 - BOOM

FIGURE 2-8. COUPLER LOCKING CYLINDER ASSEMBLY



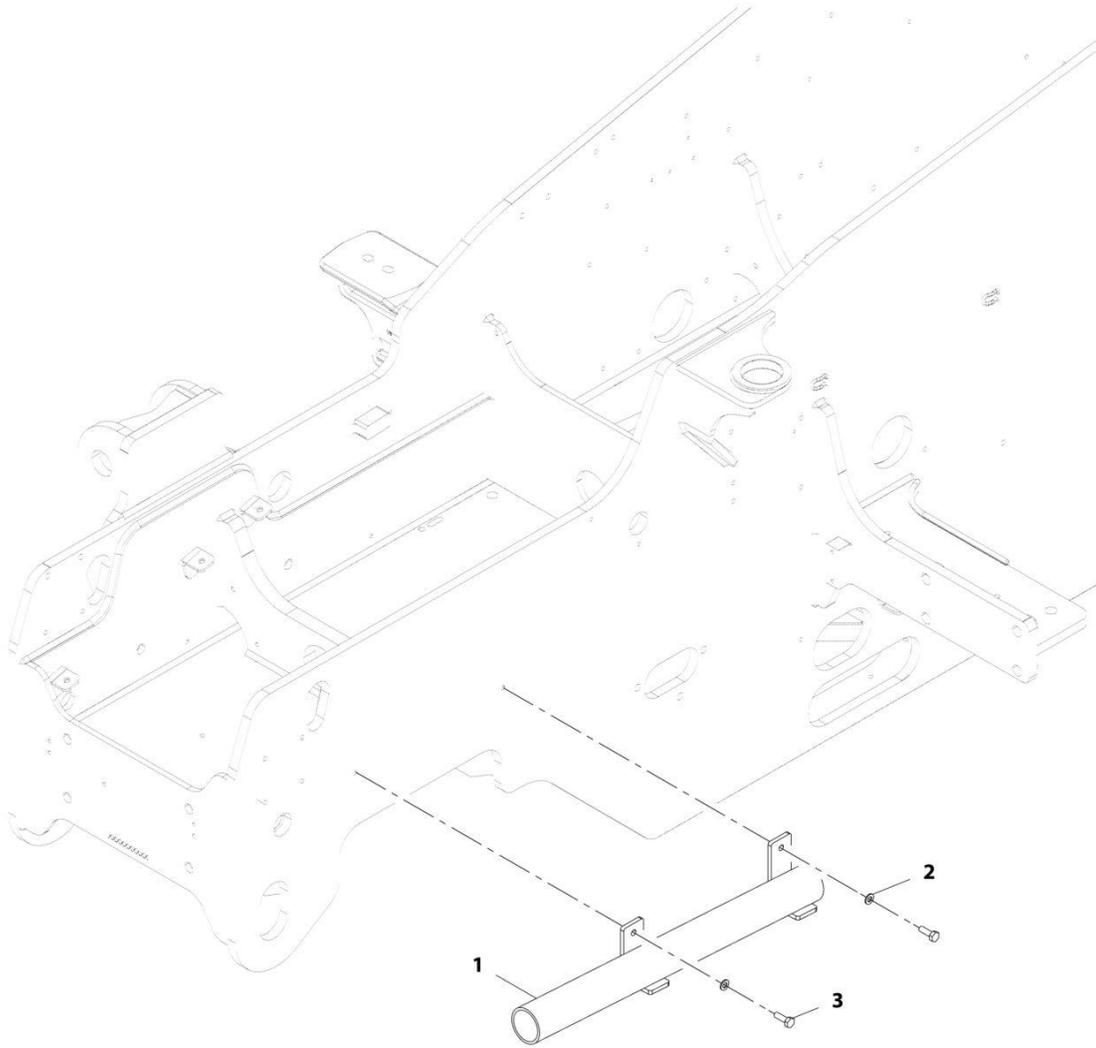
ART_1001145391-A

FIGURE 2-8. COUPLER LOCKING CYLINDER ASSEMBLY

ITEM	PART NUMBER	QTY	DESCRIPTION	REV
	1001145391	Ref	Coupler Locking Cylinder Assembly	A
1	1001007056	1	Valve, Check	
2	1001145390	1	Cylinder, Coupler Locking (See Separate Breakdown in Hydraulic Components Section)	

SECTION 2 - BOOM

FIGURE 2-9. MANUAL COUPLER PIN HOLDER INSTALLATION



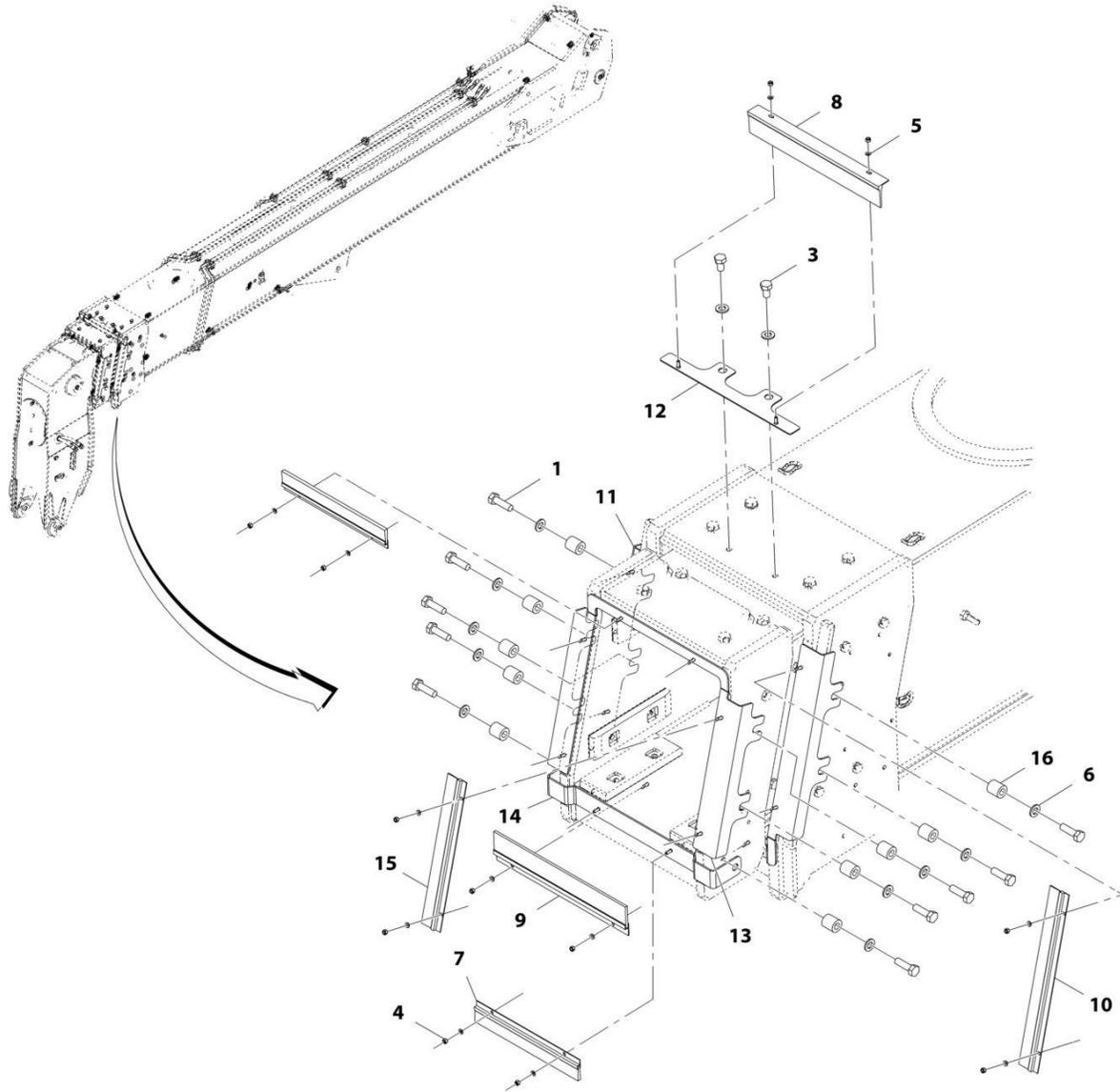
ART_1001220641-A

FIGURE 2-9. MANUAL COUPLER PIN HOLDER INSTALLATION

ITEM	PART NUMBER	QTY	DESCRIPTION	REV
	1001220641	Ref	Manual Coupler Pin Holder Installation	A
1	1001220248	1	Bracket, Pin Holder	
2	4812000	2	Washer, M10	
3	0701014	2	Bolt, M10X30	

SECTION 2 - BOOM

FIGURE 2-10. BOOM BRUSHES INSTALLATION



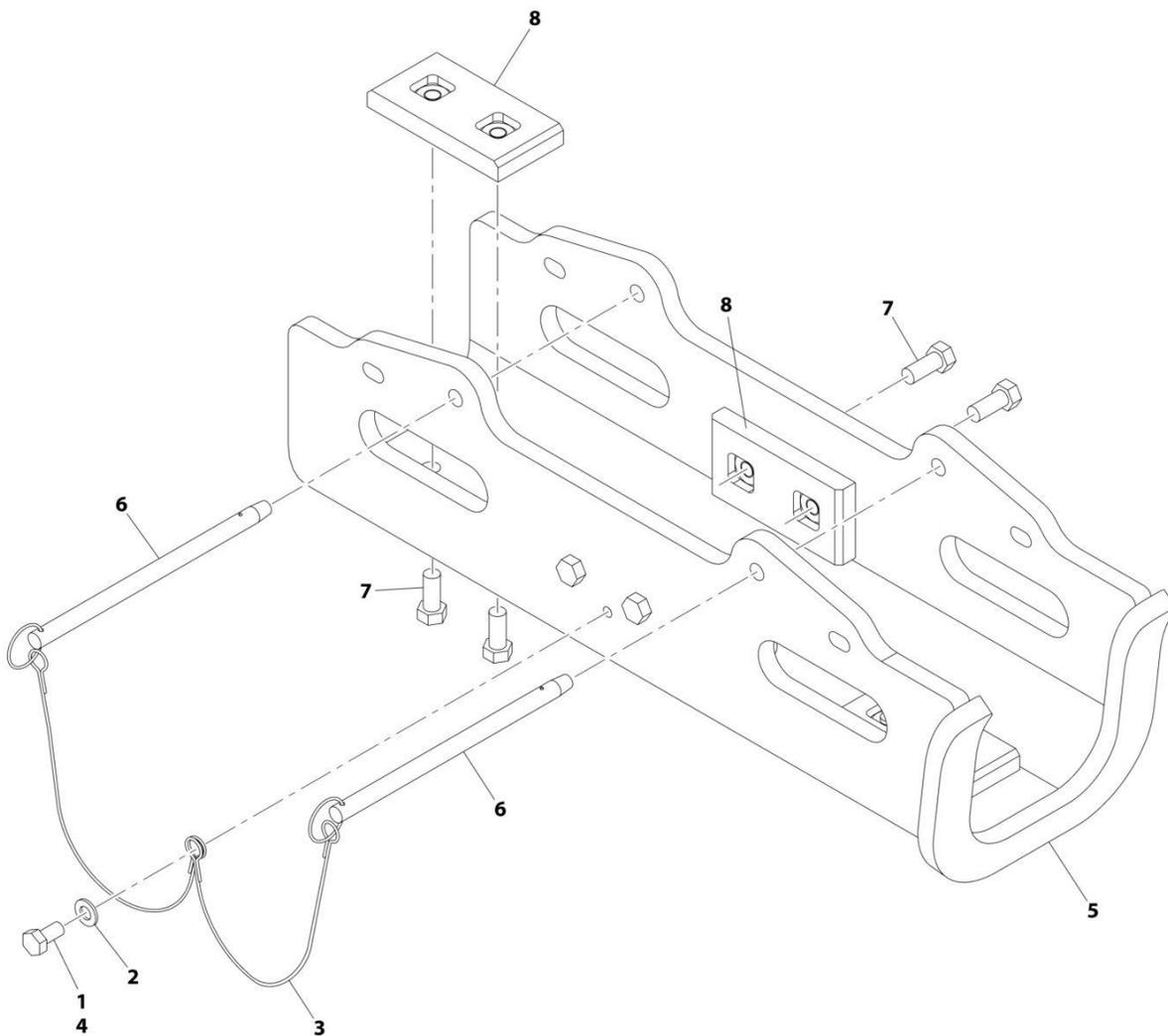
ART_1001201432-C

FIGURE 2-10. BOOM BRUSHES INSTALLATION

ITEM	PART NUMBER	QTY	DESCRIPTION	REV
	1001201432	Ref	Boom Brushes Installation	C
1	0701216	10	Bolt, M12X40	
3	0761210	2	Bolt, M12X20	
4	3290505	16	Nut, Lock M5X0.8	
5	4811600	16	Washer, M5	
6	1001125117	12	Washer, M12	
7	1001172995	2	Brush, Boom	
8	1001172999	1	Brush, Boom	
9	1001173679	1	Brush, Boom	
10	1001173739	2	Brush, Boom	
11	1001205619	1	Bracket, Boom Brush	
12	1001196879	1	Bracket, Boom Brush	
13	1001205621	1	Bracket, Boom Brush	
14	1001205622	1	Bracket, Boom Brush	
15	1001205627	2	Brush, Boom	
16	1001220286	10	Spacer	

SECTION 2 - BOOM

FIGURE 2-11. BOOM PROP BRACKET ASSEMBLY



ART_1001191035-B

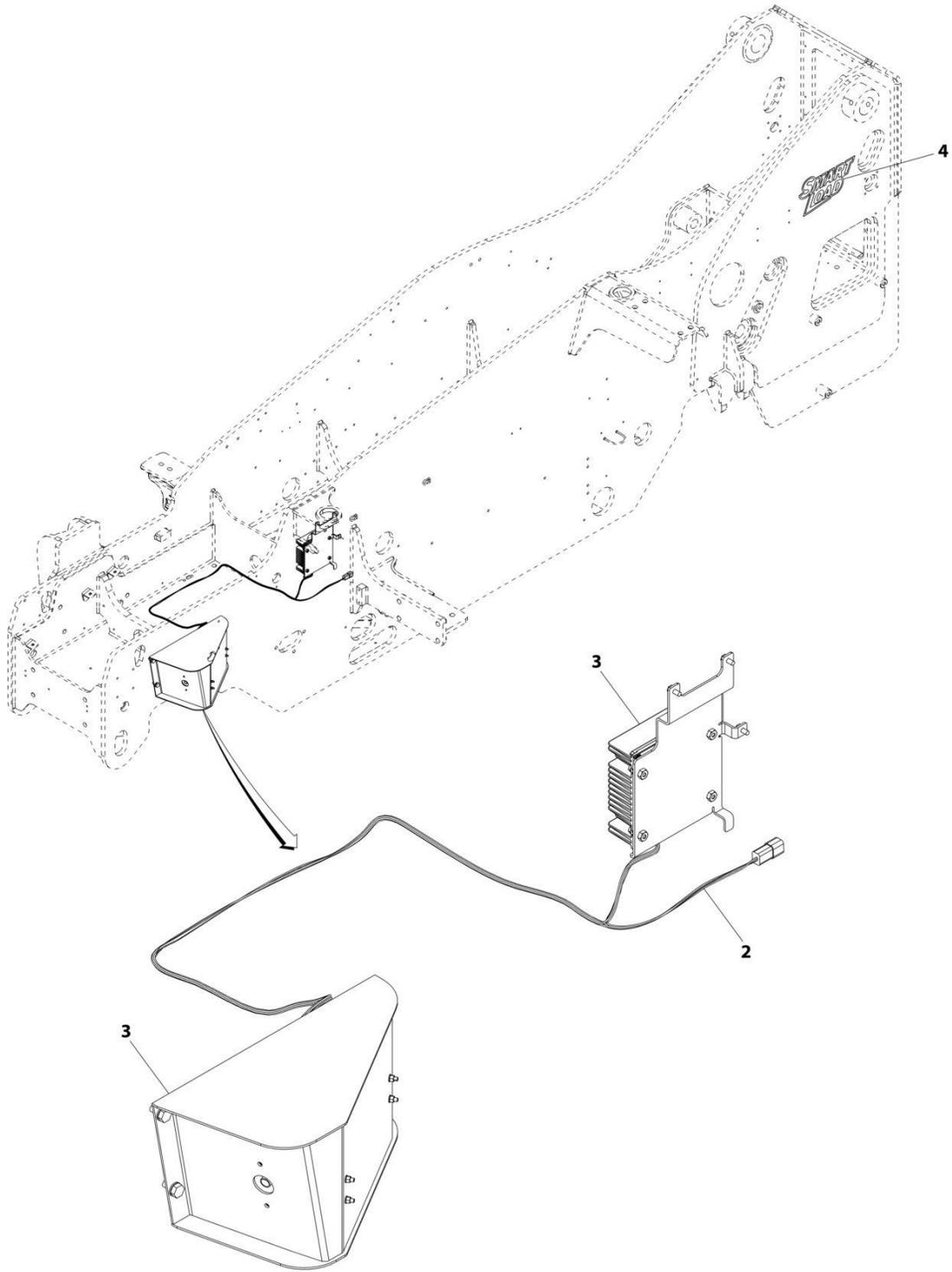
FIGURE 2-11. BOOM PROP BRACKET ASSEMBLY

ITEM	PART NUMBER	QTY	DESCRIPTION	REV
	1001191035	Ref	Boom Prop Bracket Assembly	B
1	0760808	1	Bolt, M8X16	
2	4811900	1	Washer, M8	
3	1001164183	2	Lanyard, Boom Prop	
4	1001095650	AR	Adhesive, Loctite	
5	1001191036	1	Support, Boom Prop	
6	1001191039	2	Pin	
7	0651607	8	Bolt, 3/8-24 X 7/8	
8	91403530	4	Bearing	

SECTION 3 - ATTACHMENTS

SECTION 3 - ATTACHMENTS

FIGURE 3-1. ATTACHMENT RECOGNITION INSTALLATION



ART_1001195881

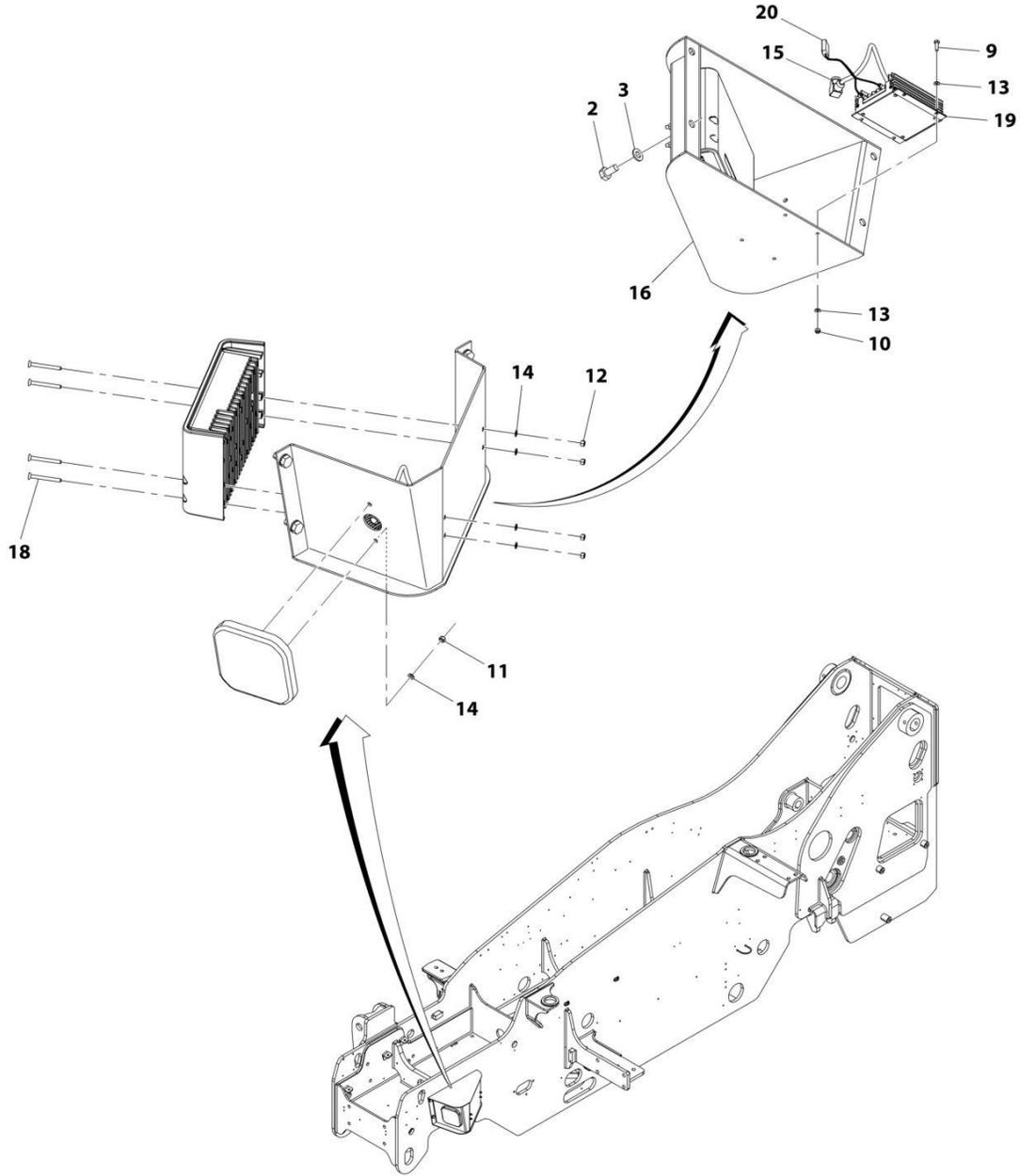
SECTION 3 - ATTACHMENTS

FIGURE 3-1. ATTACHMENT RECOGNITION INSTALLATION

ITEM	PART NUMBER	QTY	DESCRIPTION	REV
	1001195881	Ref	Attachment Recognition Installation	F
2	1001249251	1	Cable	
3	1001207866	1	Installation, Components Attachment Recognition (See Separate Breakdown in this Section)	
4	1001250276	2	Decal, Smart Load	

SECTION 3 - ATTACHMENTS

FIGURE 3-2. COMPONENTS ATTACHMENT RECOGNITION INSTALLATION



ART_1001207866-E

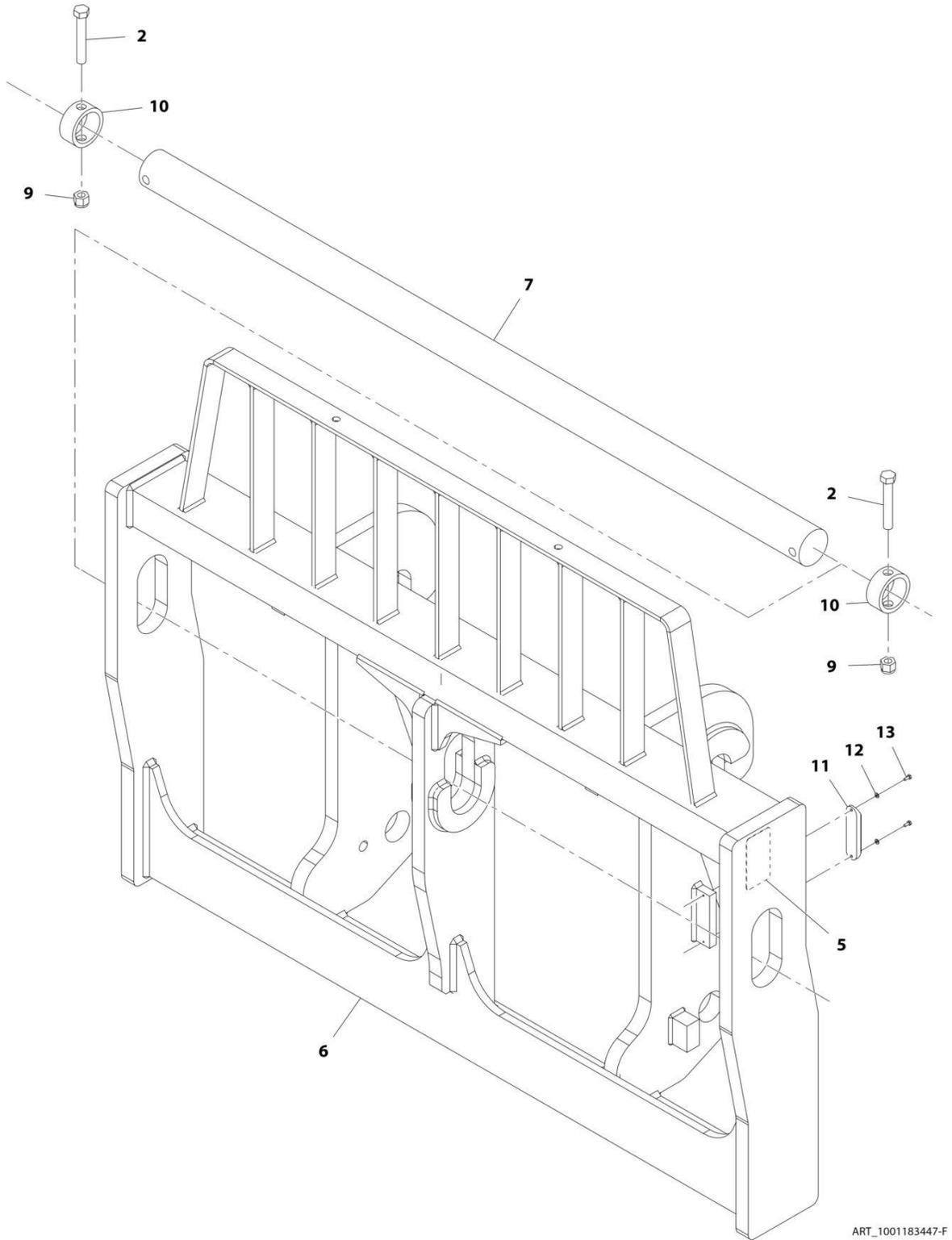
SECTION 3 - ATTACHMENTS

FIGURE 3-2. COMPONENTS ATTACHMENT RECOGNITION INSTALLATION

ITEM	PART NUMBER	QTY	DESCRIPTION	REV
	1001207866	Ref	Components Attachment Recognition Installation	E
2	0761010	4	Bolt, M10X20	
3	4812000	4	Washer, M10	
9	0760407	4	Bolt, M4X14	
10	3290405	4	Nut, Lock M4X0.7 Grade 8	
11	3290505	2	Nut, Lock M5X0.8 Grade 8	
12	3290507	4	Nut, Lock M5X0.8	
13	4811400	8	Washer, M4	
14	4811600	6	Washer, M5	
15	1001206725	1	Cable	
16	1001232988	1	Bracket, Attachment Recognition	
18	1001234395	4	Screw, M5X50	
19	1001234596	1	Control, Voltage	
20	1001234802	1	Harness	

SECTION 3 - ATTACHMENTS

FIGURE 3-3. CARRIAGE ASSEMBLY, (60IN/1524MM)



ART_1001183447-F

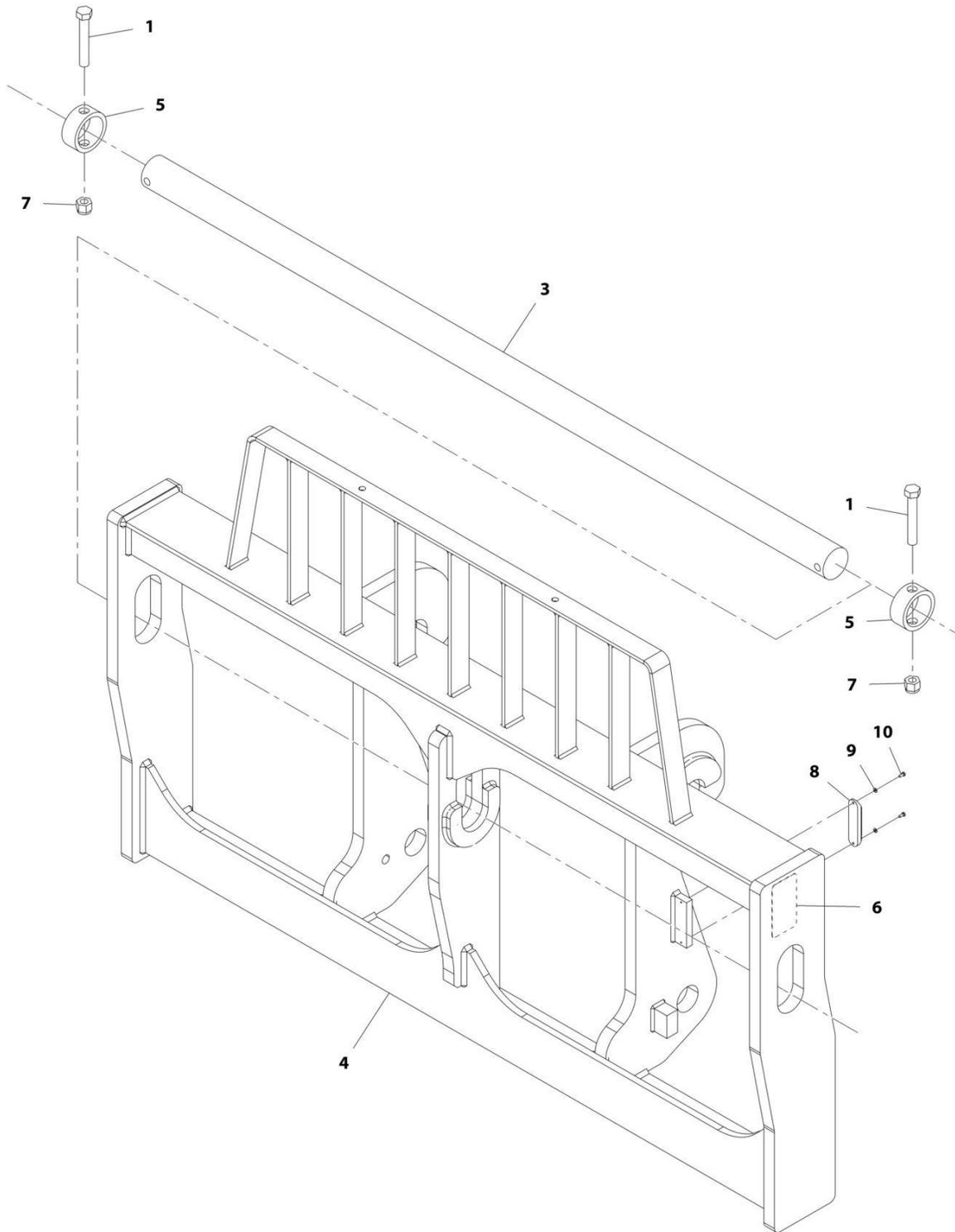
SECTION 3 - ATTACHMENTS

FIGURE 3-3. CARRIAGE ASSEMBLY, (60IN/1524MM)

ITEM	PART NUMBER	QTY	DESCRIPTION	REV
	1001183447	1	Carriage Assembly (60in/1524mm)	F
2	0701628	2	Bolt, M16X110	
5	N.S.S.	1	S/N Plate	
6	N.S.S.	1	Weldment, Carriage	
7	1001191108	1	Pin	
9	3291605	2	Nut, Lock M16X2 Grade 8	
10	1001218755	2	Collar, Shaft	
11	1001227670	1	Tag, RFID	
12	4811400	2	Washer, M4	
13	0760405	2	Bolt, M4X10	

SECTION 3 - ATTACHMENTS

FIGURE 3-4. CARRIAGE ASSEMBLY, (72IN/1829MM)



ART_1001214415-E

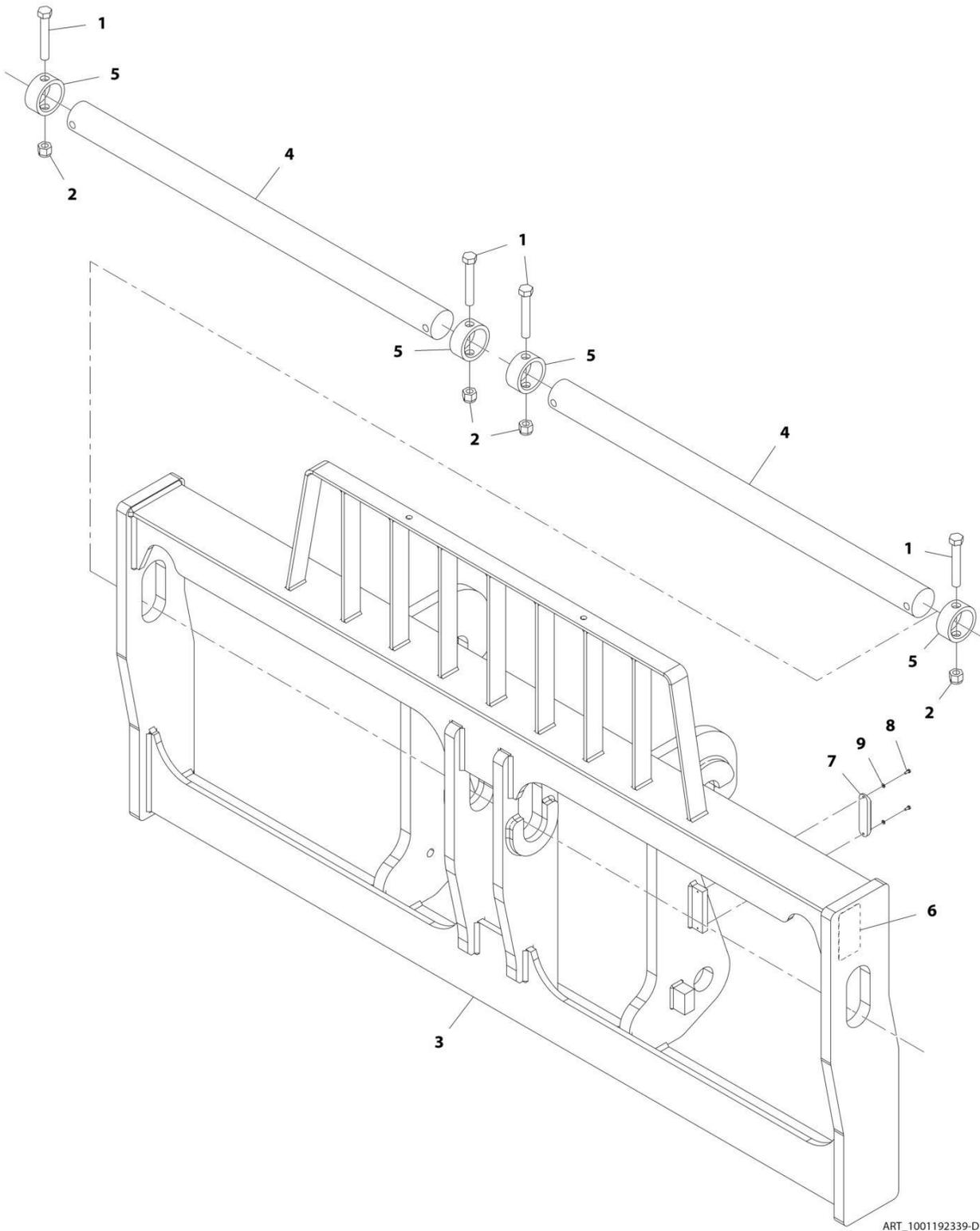
SECTION 3 - ATTACHMENTS

FIGURE 3-4. CARRIAGE ASSEMBLY, (72IN/1829MM)

ITEM	PART NUMBER	QTY	DESCRIPTION	REV
	1001214415	Ref	Carriage Assembly (72in/1829mm)	E
1	0701628	2	Bolt, M16X110	
3	1001214254	1	Pin	
4	N.S.S.	1	Weldment, Carriage	
5	1001218755	2	Collar, Shaft	
6	N.S.S.	1	Plate, Serial Number	
7	3291605	2	Nut, Lock M16X2 Grade 8	
8	1001227670	1	Tag, RFID	
9	4811400	2	Washer, M4	
10	0760405	2	Bolt, M4X10	

SECTION 3 - ATTACHMENTS

FIGURE 3-5. CARRIAGE ASSEMBLY, (87IN/2290MM)



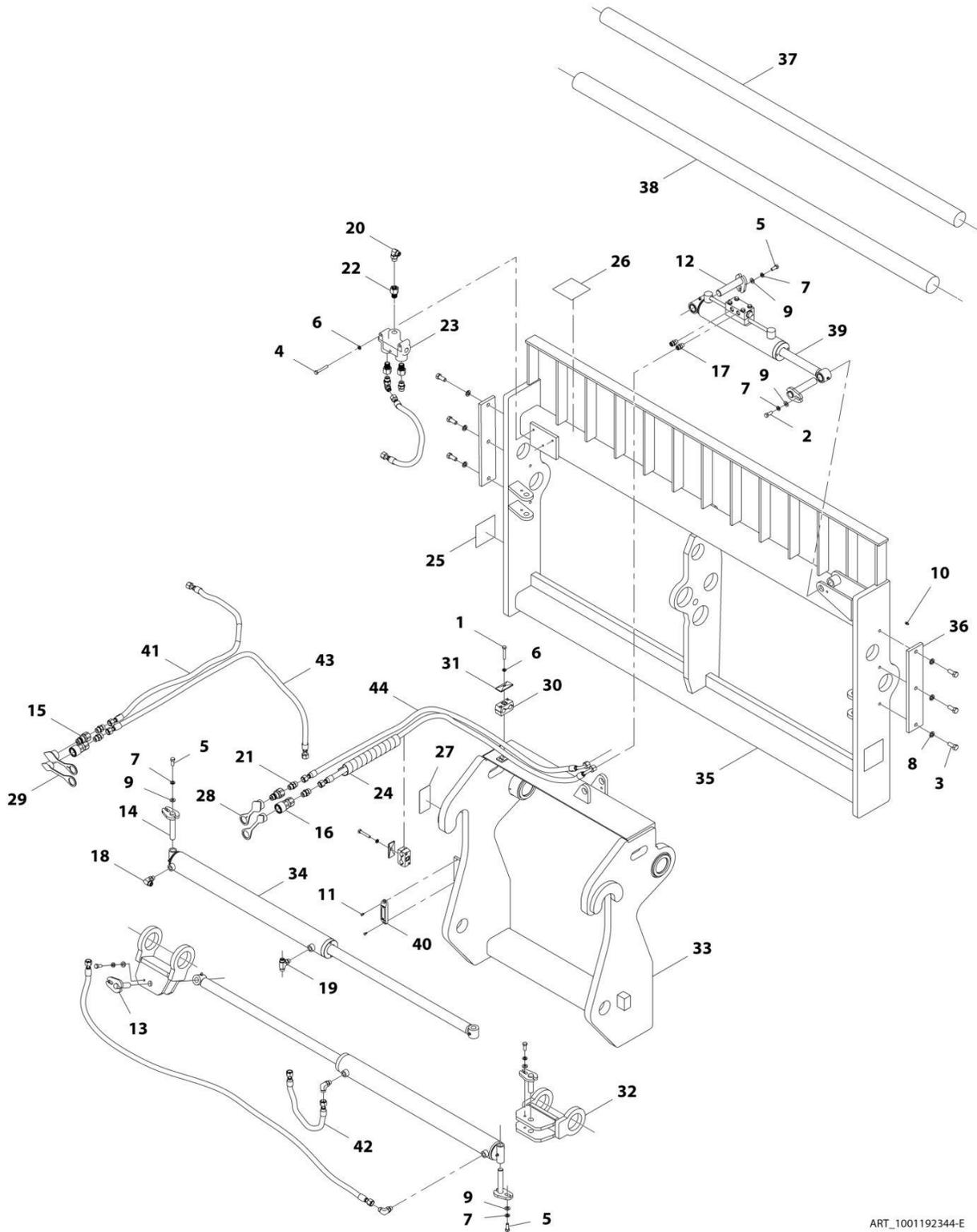
SECTION 3 - ATTACHMENTS

FIGURE 3-5. CARRIAGE ASSEMBLY, (87IN/2290MM)

ITEM	PART NUMBER	QTY	DESCRIPTION	REV
	1001192339	1	Carriage Assembly (87in/2290mm)	D
1	0701628	4	Bolt, M16X110	
2	3291605	4	Nut, Lock M16X2 Grade 8	
3	N.S.S.	1	Weldment, Carriage	
4	1001218754	2	Pin	
5	1001218755	4	Collar, Shaft	
6	N.S.S.	1	Plate, Serial Number	
7	1001227670	1	Tag, RFID	
8	0760405	2	Bolt, M4X10	
9	4811400	2	Washer, M4	

SECTION 3 - ATTACHMENTS

FIGURE 3-6. DUAL FORK POSITIONING SIDE SHIFT CARRIAGE, (75IN/1899MM)



ART_1001192344-E

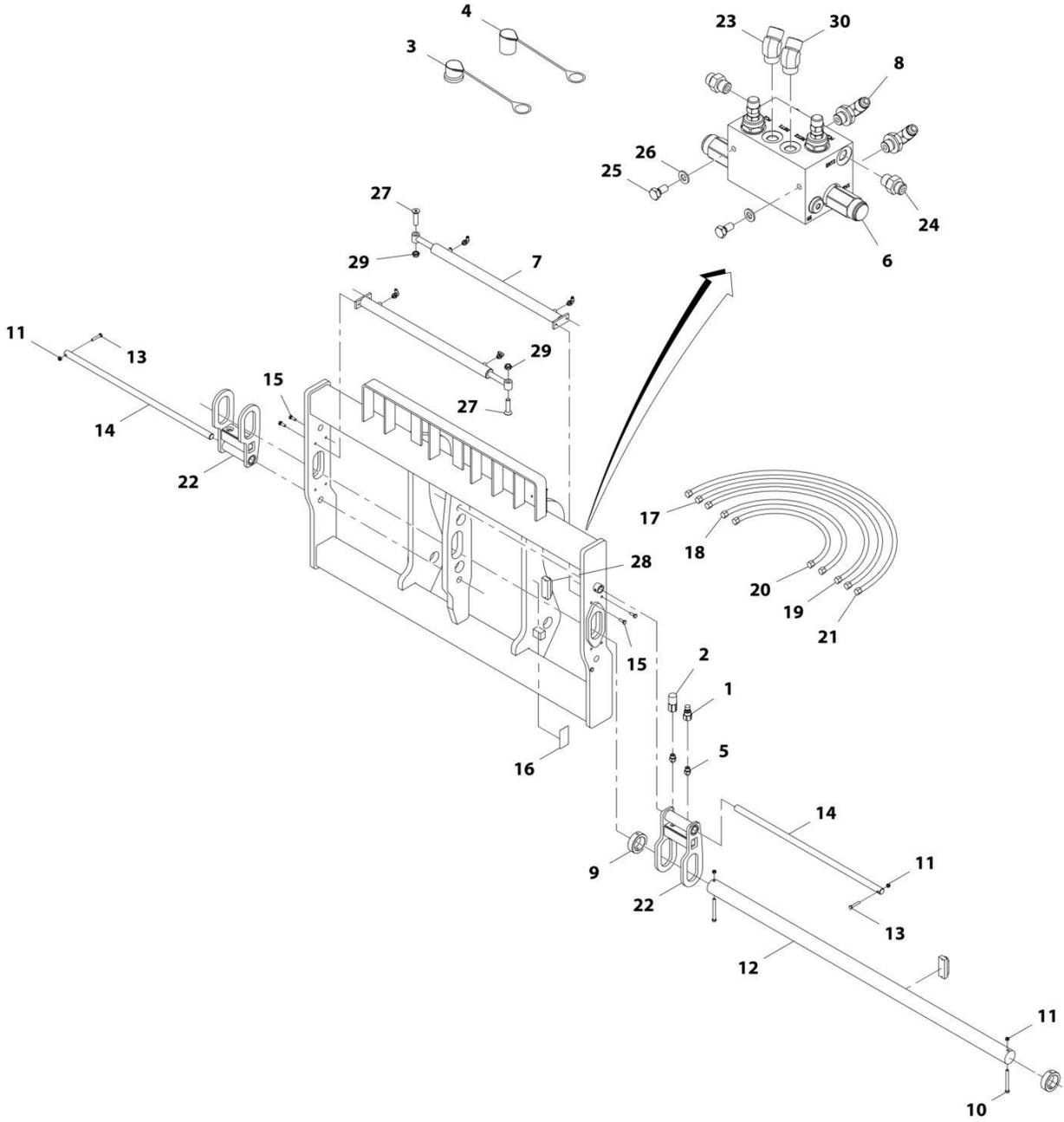
SECTION 3 - ATTACHMENTS

FIGURE 3-6. DUAL FORK POSITIONING SIDE SHIFT CARRIAGE, (75IN/1899MM)

ITEM	PART NUMBER	QTY	DESCRIPTION	REV
	1001192344	1	Dual Fork Positioning Side Shift Carriage (75in/1899mm)	F
1	70028485	2	Bolt	
2	70021349	1	Bolt, 3/8X1	
3	70027989	6	Bolt	
4	70028591	3	Bolt	
5	7029704	5	Bolt, 3/8-24X1	
6	90554067	5	Washer, Lock 5/16	
7	90554042	6	Washer, Lock 3/8	
8	90554020	6	Washer, Lock 1/2	
9	7029703	6	Washer, Flat	
10	90554045	1	Zerk, Grease	
11	70028554	2	Screw	
12	7029702	2	Pin	
13	70028592	2	Pin	
14	70028593	2	Pin	
15	1001101041	2	Adapter, Male Quick Disconnect	
16	1001101042	2	Adapter, Female Quick Disconnect	
17	70028486	2	Fitting	
18	70028525	3	Elbow, 90	
19	70028594	1	Fitting	
20	70028526	2	Elbow, 90	
21	70028488	5	Fitting	
22	70028595	3	Fitting	
23	70028596	1	Valve	
24	70028597	1	Protector, Hose	
25	90554017	2	Decal, Danger Pinch Point	
26	7029711	1	Decal, High Pressure	
27	N.S.S.	1	S/N Plate	
28	8420053	2	Plug, Dust	
29	8420055	2	Plug, Dust	
30	70028495	2	Clamp	
31	70028496	2	Plate, Clamp	
32	70028598	2	Clevis	
33	N.S.S.	1	Weldment	
34	70028599	2	Assembly, Fork Positioning Cylinder (See Separate Breakdown in HYDRAULIC COMPONENTS Section)	
35	N.S.S.	1	Weldment	
36	70028600	2	Pin	
37	70028601	1	Pin	
38	70028602	1	Pin	
39	70028603	1	Assembly, Side Shift Cylinder (See Separate Breakdown in HYDRAULIC COMPONENTS Section)	
40	1001227670	1	Tag, RFID	
41	70028604	2	Hose	
42	70028605	2	Hose	
43	70028606	1	Hose	
44	70028607	2	Hose	

SECTION 3 - ATTACHMENTS

FIGURE 3-7. DUAL FORK POSITIONING CARRIAGE, (72IN/1829MM)



ART_1001192342-E

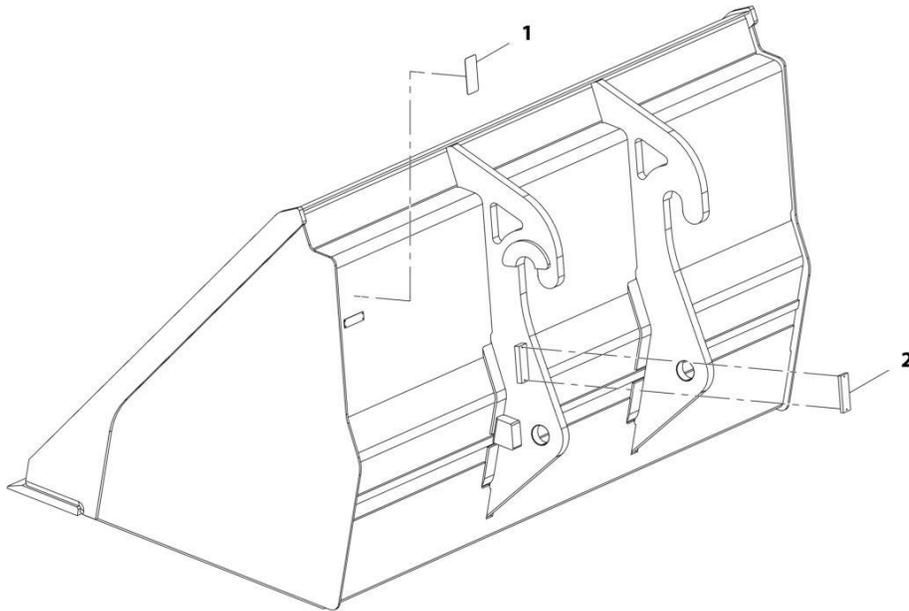
SECTION 3 - ATTACHMENTS

FIGURE 3-7. DUAL FORK POSITIONING CARRIAGE, (72IN/1829MM)

ITEM	PART NUMBER	QTY	DESCRIPTION	REV
	1001192342	1	Dual Fork Positioning Carriage (72in/1829mm)	E
1	1001101041	1	Coupler, Male Hydraulic	
2	1001101042	1	Coupler, Female Hydraulic	
3	8420053	1	Cap	
4	8420055	1	Cap	
5	1001008834	2	Fitting, Straight	
6	70027896	1	Valve	
7	70028505	2	Cylinder, Forkpositioner	
8	2150606	4	Fitting, 45 ORFS	
9	70028506	2	Collar	
10	70027889	2	Bolt, M10x120	
11	70027890	4	Nut M10	
12	70028507	1	Shaft, Floating	
13	70027881	2	Bolt, M10x55	
14	70028508	2	Shaft, Forkpositioner	
15	70027880	4	Bolt, M10x30	
16	N.S.S.	1	S/N Plate	
17	70028509	1	Hose	
18	70028510	1	Hose	
19	70028511	1	Hose	
20	70028512	1	Hose	
21	70027899	2	Hose	
22	70028513	2	Cage, Fork	
23	2150606	1	Fitting, 45 ORFS	
24	2110606	2	Fitting, Straight ORFS	
25	70027882	2	Bolt, M8X16	
26	70027879	2	Washer	
27	70027888	3	Screw, Countersunk M20x80	
28	1001227670	1	Tag, RFID	
29	70027887	2	Nut, M20	
30	2170206	1	Fitting, 90 ORFS	

SECTION 3 - ATTACHMENTS

FIGURE 3-8. BUCKET (2.6 YD³/2.0M³)



ART_1001192615-F

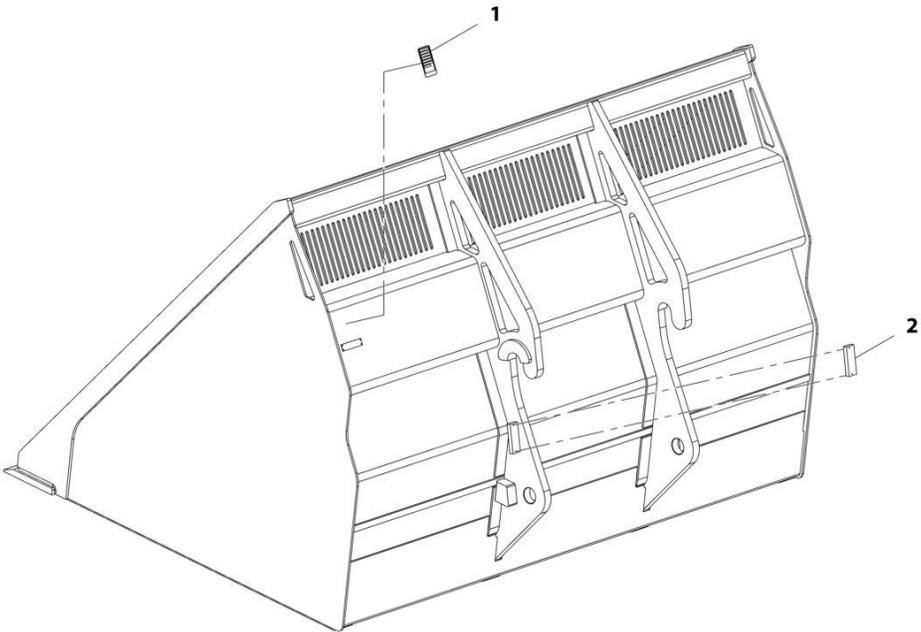
SECTION 3 - ATTACHMENTS

FIGURE 3-8. BUCKET (2.6 YD³/2.0M³)

ITEM	PART NUMBER	QTY	DESCRIPTION	REV
	1001192615	Ref	Bucket (2.6 yd ³ /2.0m ³)	G
1	N.S.S.	1	S/N Plate	
2	1001227670	1	Tag, RFID	

SECTION 3 - ATTACHMENTS

FIGURE 3-9. BUCKET (5.23 YD3)



ART_1001192616-E

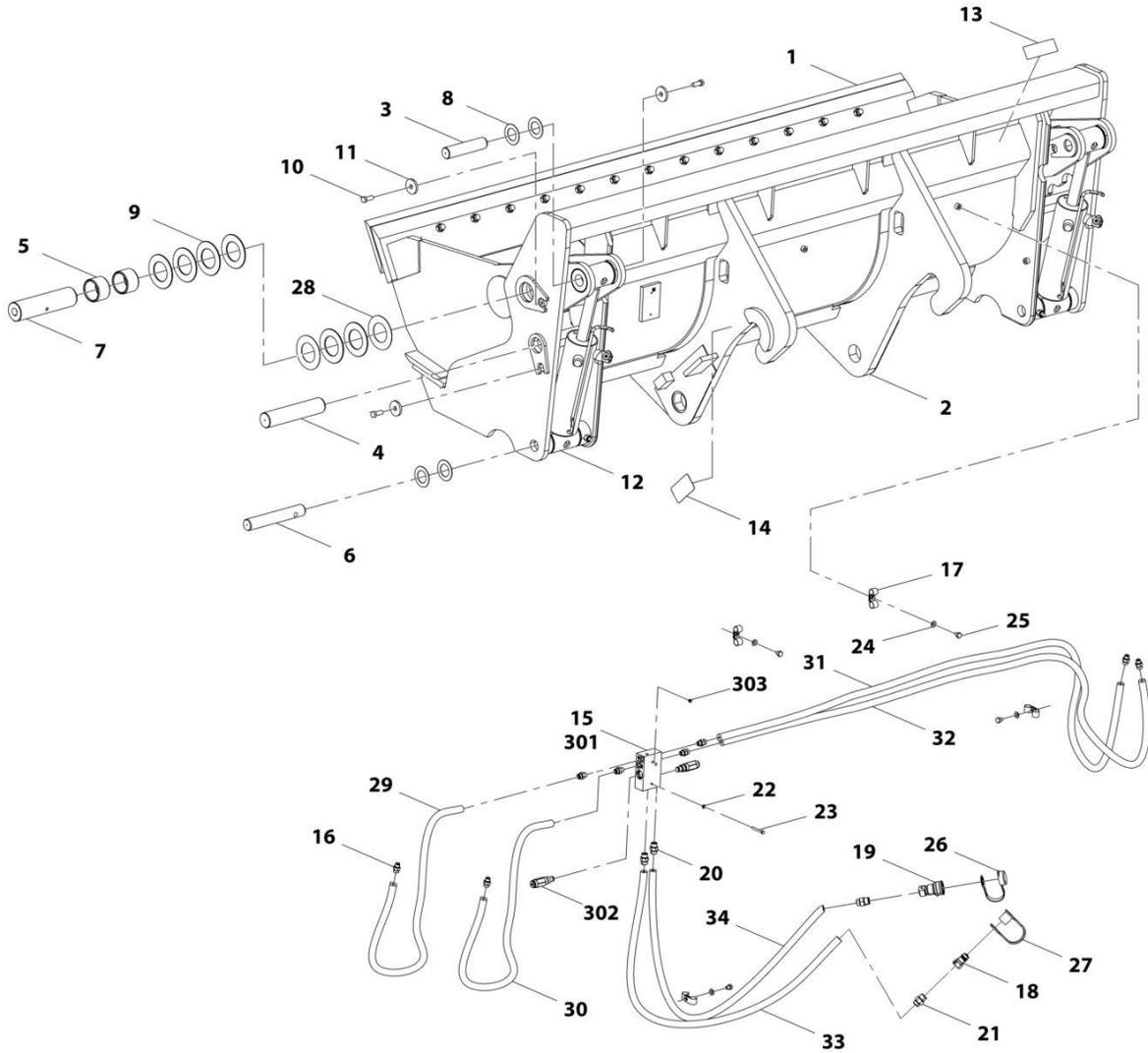
SECTION 3 - ATTACHMENTS

FIGURE 3-9. BUCKET (5.23 YD3)

ITEM	PART NUMBER	QTY	DESCRIPTION	REV
	1001192616	Ref	Bucket (5.23 yd ³ /4.0m ³)	F
1	N.S.S.	1	S/N Plate	
2	1001227670	1	Tag, RFID	

SECTION 3 - ATTACHMENTS

FIGURE 3-10. 4 IN 1 BUCKET (1.3 YD³/1.0M³)



ART_1001228427-B

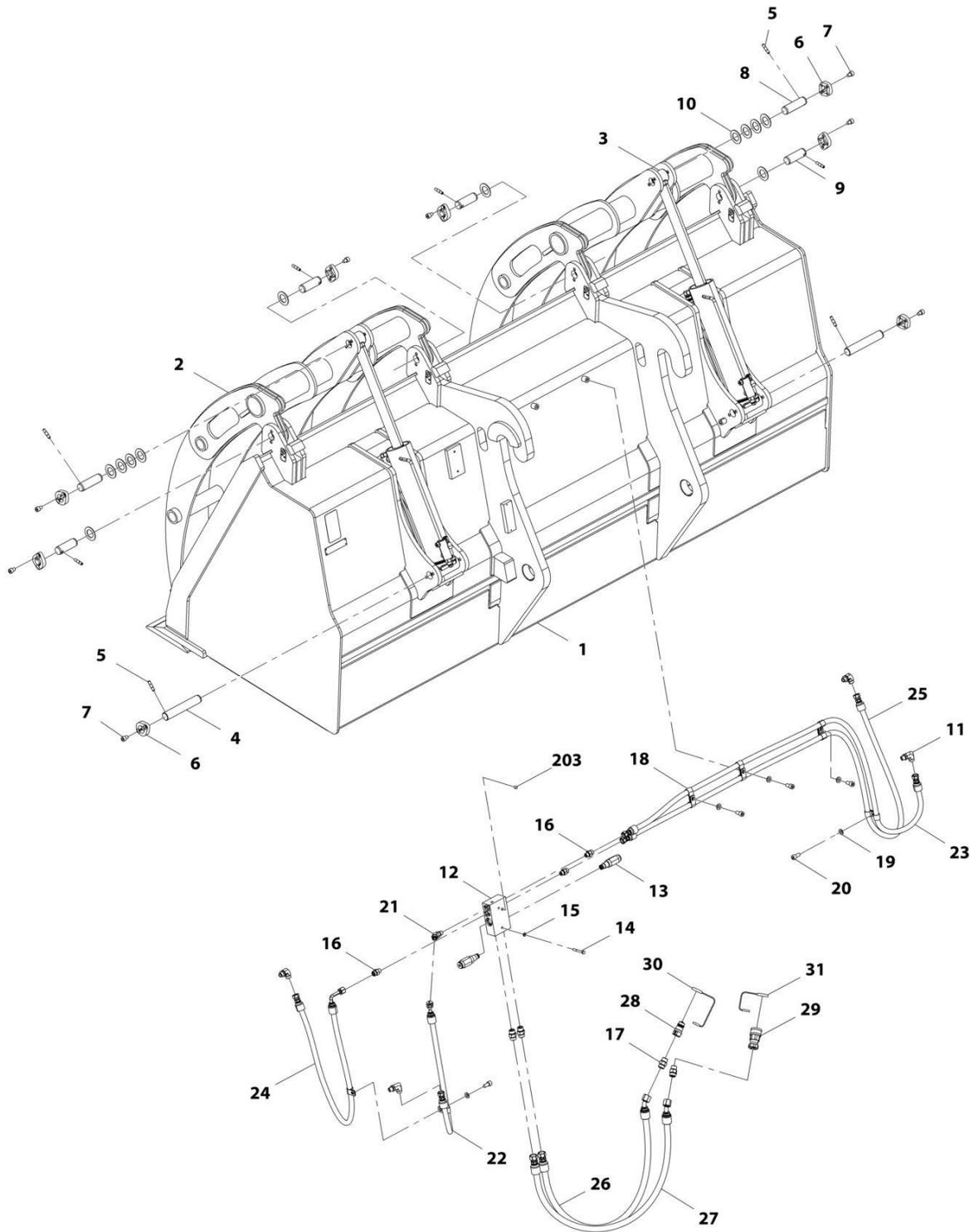
SECTION 3 - ATTACHMENTS

FIGURE 3-10. 4 IN 1 BUCKET (1.3 YD³/1.0M³)

ITEM	PART NUMBER	QTY	DESCRIPTION	REV
	1001228427	Ref	4 in 1 Bucket (1.3 yd ³ /1.0m ³)	C
1	N.S.S.	1	Assembly, Front Bucket	
2	N.S.S.	1	Assembly, Back Bucket	
3	70028563	2	Pin	
4	70028564	2	Pin	
5	70028565	4	Bushing	
6	70028566	2	Pin	
7	70028567	2	Pin	
8	70028568	8	Shim	
9	70028569	6	Shim	
10	70028570	6	Capscrew	
11	70028571	6	Washer	
12	70028572	2	Assembly, 4 In 1 Bucket Cylinder (5.23 yd ³ /4.0m ³) (See Separate Breakdown in HYDRAULIC COMPONENTS Section)	
13	N.S.S.	1	Plate, Name	
14	N.S.S.	1	Plate, Serial Number	
15	70028573	1	Assembly, 4 In 1 Bucket Valve (5.23 yd ³ /4.0m ³)	
16	70024130	8	Fitting, Straight	
17	70026481	8	Clamp, Hose	
18	1001101041	1	Adapter, Male Quick Disconnect	
19	1001101042	1	Adapter, Female Quick Disconnect	
20	70022938	2	Fitting, Straight	
21	70028263	2	Fitting, Straight	
22	70026480	2	Washer, M6	
23	70026479	2	Bolt, M6X50	
24	70026482	4	Washer, M10	
25	70026483	4	Bolt, M10X16	
26	8420055	1	Plug, Dust	
27	8420053	1	Plug, Cap	
28	70028574	12	Shim	
29	70028575	1	Hose	
30	70028576	1	Hose	
31	70028577	1	Hose	
32	70028578	1	Hose	
33	70028579	1	Hose	
34	70028580	1	Hose	
301	70026477	1	Manifold	
302	70028589	2	Cartridge, Relief	
303	70026614	2	Plug	

SECTION 3 - ATTACHMENTS

FIGURE 3-11. GRAPPLE BUCKET (1.7 YD³/1.3M³)



ART_1001223435-C

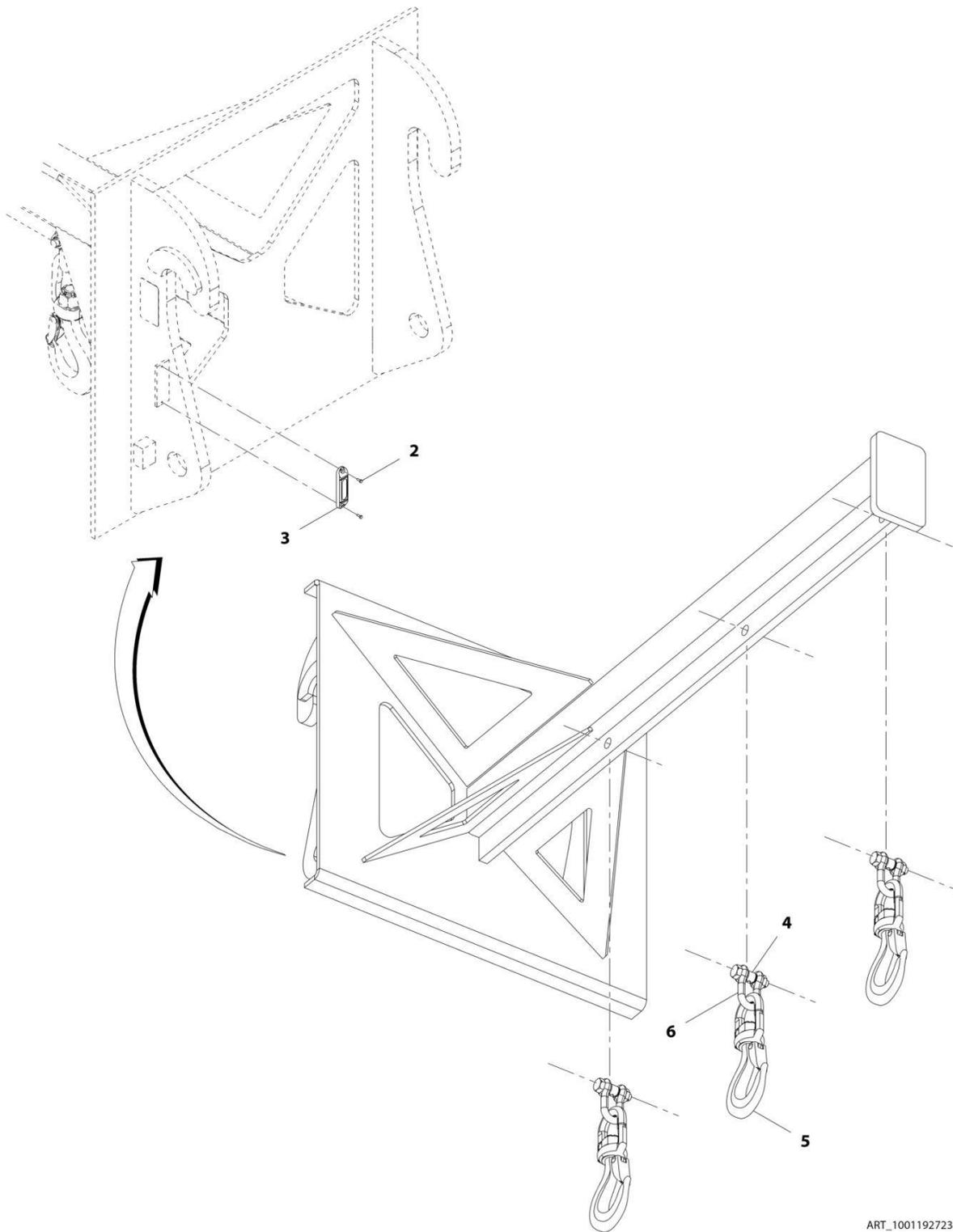
SECTION 3 - ATTACHMENTS

FIGURE 3-11. GRAPPLE BUCKET (1.7 YD³/1.3M³)

ITEM	PART NUMBER	QTY	DESCRIPTION	REV
	1001223435	Ref	Grapple Bucket (1.7 yd ³ /1.3m ³)	D
1	N.S.S.	1	Bucket	
2	N.S.S.	1	Grapple	
3	70026469	2	Assembly, Cylinder, (See Separate Breakdown in HYDRAULIC COMPONENTS Section)	
4	70026470	2	Pin	
5	70026471	8	Pin Drive - Lock	
6	70026472	8	Retainer	
7	70026473	16	Capscrew, M10X12	
8	70026474	2	Pin	
9	70026475	4	Pin	
10	70026476	32	Shim	
11	70024123	4	Fitting, 90	
12	70026477	1	Manifold	
13	70026478	2	Cartridge, Relief Valve	
14	70026479	2	Bolt, M6X50	
15	70026480	2	Washer, M6	
16	70024130	3	Fitting, Straight	
17	70022938	4	Fitting, Straight	
18	70026481	10	Clamp, Hose	
19	70026482	5	Washer, M10	
20	70028672	5	Bolt, M10X20	
21	70026616	1	Fitting, 45	
22	70028749	1	Hose	
23	70028750	1	Hose	
24	70028751	1	Hose	
25	70028752	1	Hose	
26	70028753	1	Hose	
27	70028697	1	Hose	
28	1001101041	1	Adapter, Male Quick Disconnect	
29	1001101042	1	Adapter, Female Quick Disconnect	
30	8420053	1	Cap, Dust	
31	8420055	1	Plug, Dust	
203	70026614	2	Plug	

SECTION 3 - ATTACHMENTS

FIGURE 3-12. TRUSS BOOM (7.6 TON)



ART_1001192723-F

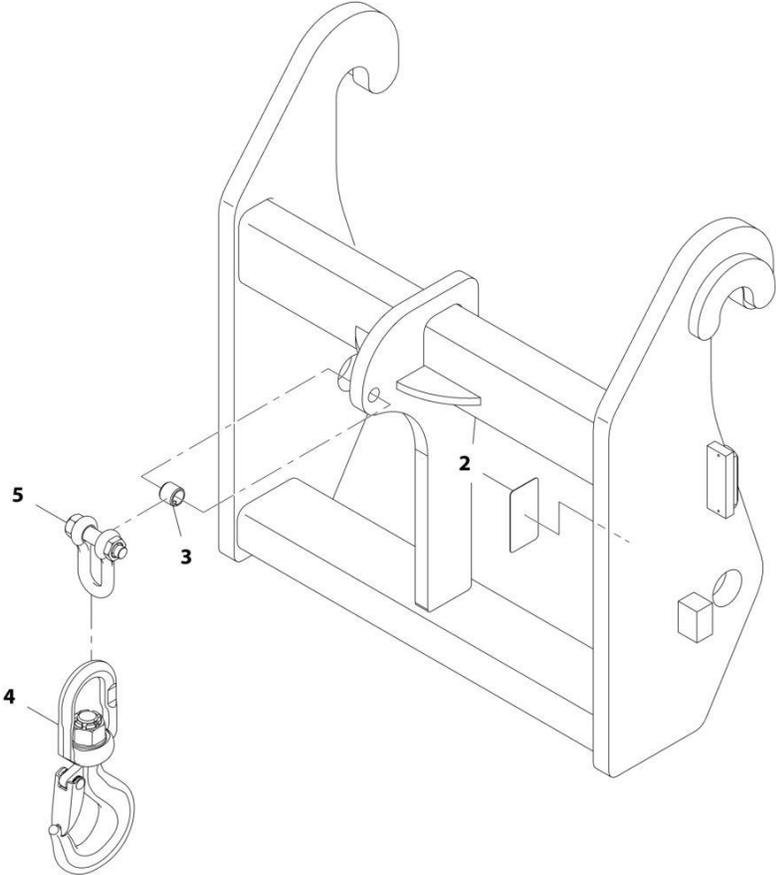
SECTION 3 - ATTACHMENTS

FIGURE 3-12. TRUSS BOOM (7.6 TON)

ITEM	PART NUMBER	QTY	DESCRIPTION	REV
	1001192723	1	Truss Boom (7.6 ton)	G
2	70028554	2	Screw	
3	1001227670	1	Tag, RFID	
4	70020555	3	Bushing	
5	70026745	3	Hook	
6	70026746	3	Shackle, Chain	

SECTION 3 - ATTACHMENTS

FIGURE 3-13. CRANE HOOK (7.6 TON)



ART_1001192700-E

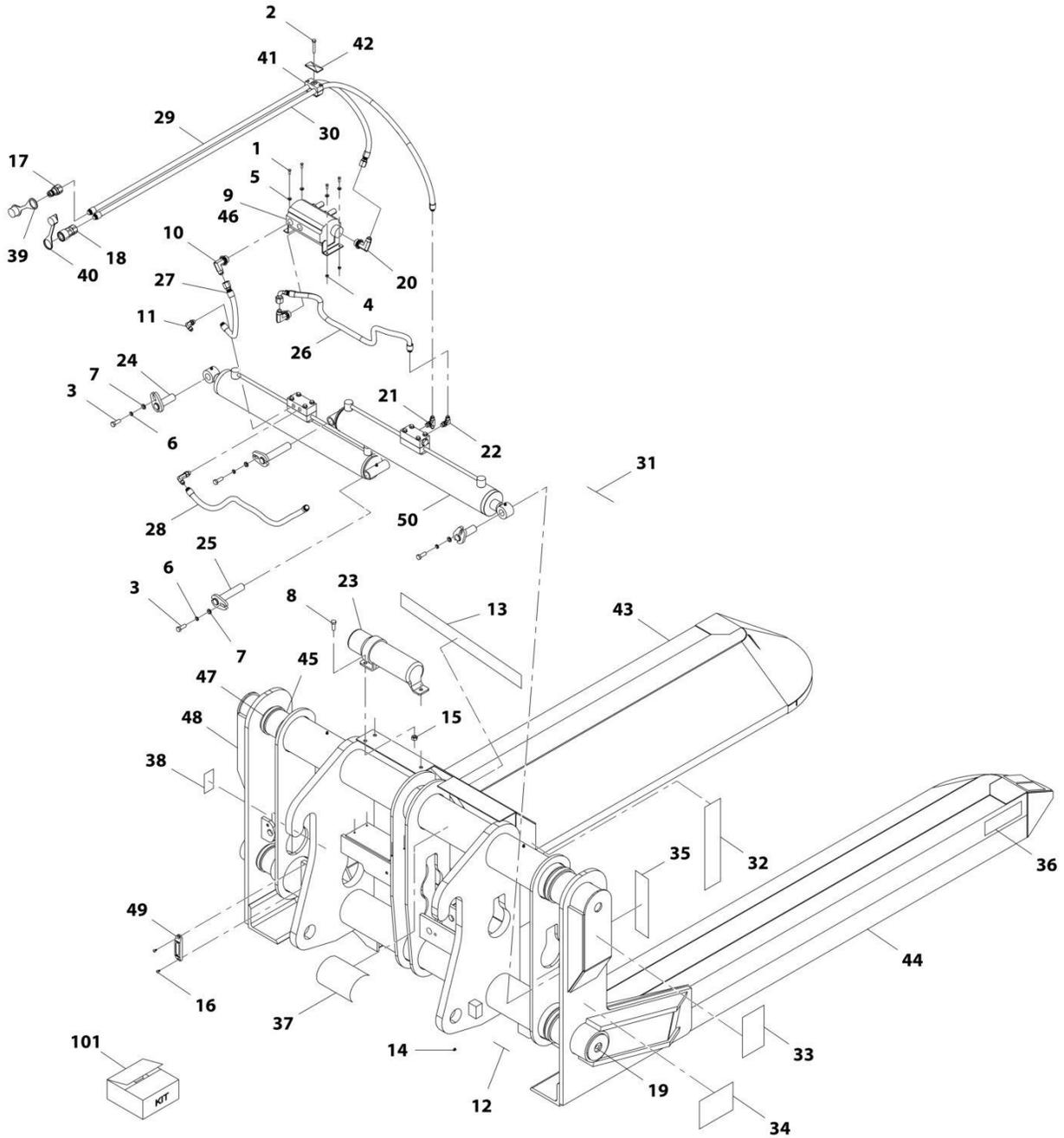
SECTION 3 - ATTACHMENTS

FIGURE 3-13. CRANE HOOK (7.6 TON)

ITEM	PART NUMBER	QTY	DESCRIPTION	REV
	1001192700	1	Crane Hook (7.6 ton)	F
2	90554016	1	Decal, Made in USA	
3	70020555	1	Bushing	
4	70026745	1	Hook, Swivel	
5	70026746	1	Shackle, Chain	

SECTION 3 - ATTACHMENTS

FIGURE 3-14. BALE HANDLER (ROUND)



ART_1001192649-D

SECTION 3 - ATTACHMENTS

FIGURE 3-14. BALE HANDLER (ROUND)

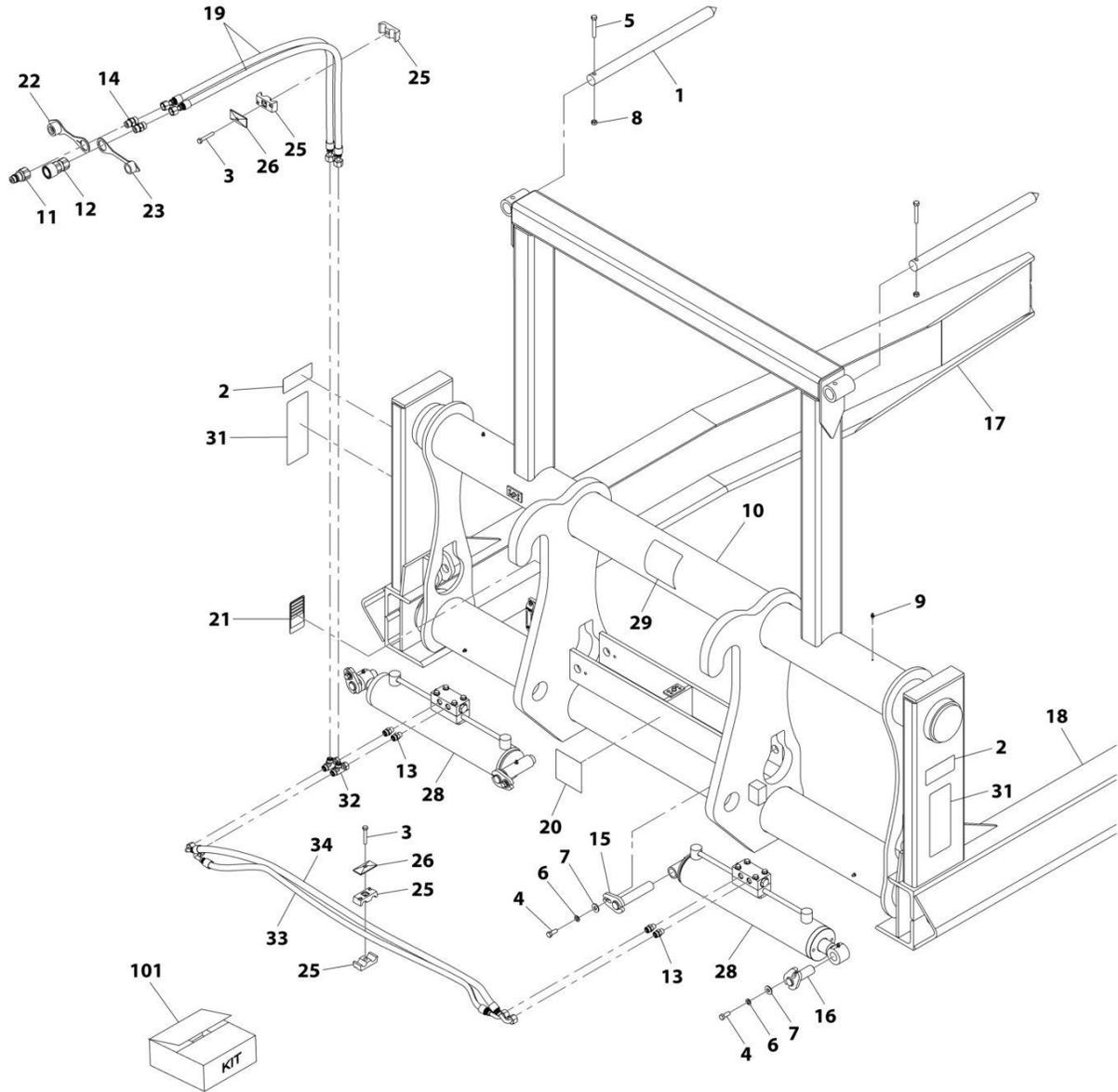
ITEM	PART NUMBER	QTY	DESCRIPTION	REV
	1001192649	Ref	Bale Handler (round)	E
1	70027773	4	Bolt	
2	70028485	1	Screw	
3	70021349	4	Bolt, 3/8X1	
4	90554066	4	Nut	
5	90554067	4	Washer, Lock	
6	90554042	4	Washer, Lock	
7	70021350	4	Washer	
8	70028635	3	Bolt	
9	70028636	1	Plug w/O-Ring	
10	70028637	2	Fitting, 90	
11	90554065	1	Fitting, 90	
12	7029712	4	Decal, Grease	
13	70028638	1	Decal, Stand Clear Warning	
14	90554045	4	Fitting, Grease	
15	70028615	3	Nut	
16	70028554	2	Screw	
17	1001101041	1	Adapter, Male Quick Disconnect	
18	70028616	1	Fitting, Straight	
19	70028617	4	Plug	
20	70028618	1	Fitting, 90	
21	70028619	1	Fitting, Tee	
22	70028620	1	Fitting, 90	
23	1001101042	1	Adapter, Female Quick Disconnect	
24	70028489	2	Pin	
25	70028490	2	Pin	
26	70028621	1	Hose	
27	70028622	1	Hose	
28	70028623	1	Hose	
29	70028624	1	Hose	
30	7029709	1	Hose	
31	7029711	1	Decal, High Pressure Warning	
32	70028625	2	Decal, Pinch Point	
33	70028626	1	Decal, Transport Warning	
34	70028627	1	Decal, Safety Warning	
35	70028628	6	Decal, Red Reflexite	
36	70028629	6	Decal, Amber Reflexite	
37	70028630	1	Decal, Module Staging	
38	N.S.S.	1	Plate, Serial Number	
39	8420053	1	Cap, Dust	
40	8420055	1	Cap, Dust	
41	70028495	1	Clamp	
42	70028496	1	Plate, Clamp	
43	N.S.S.	1	Arm, RH	
44	N.S.S.	1	Arm, LH	
45	70028631	4	Wrap	
46	70028632	1	Valve, Flow Divider	
47	70028633	8	Clamp	
48	N.S.S.	1	Weldment	
49	1001227670	1	Tag, RFID	

SECTION 3 - ATTACHMENTS

ITEM	PART NUMBER	QTY	DESCRIPTION	REV
50	70028634	2	Assembly, Cylinder	
101	Kit	1	Kit, Seal	

SECTION 3 - ATTACHMENTS

FIGURE 3-15. BALE HANDLER (SQUARE)



ART_1001192650-E

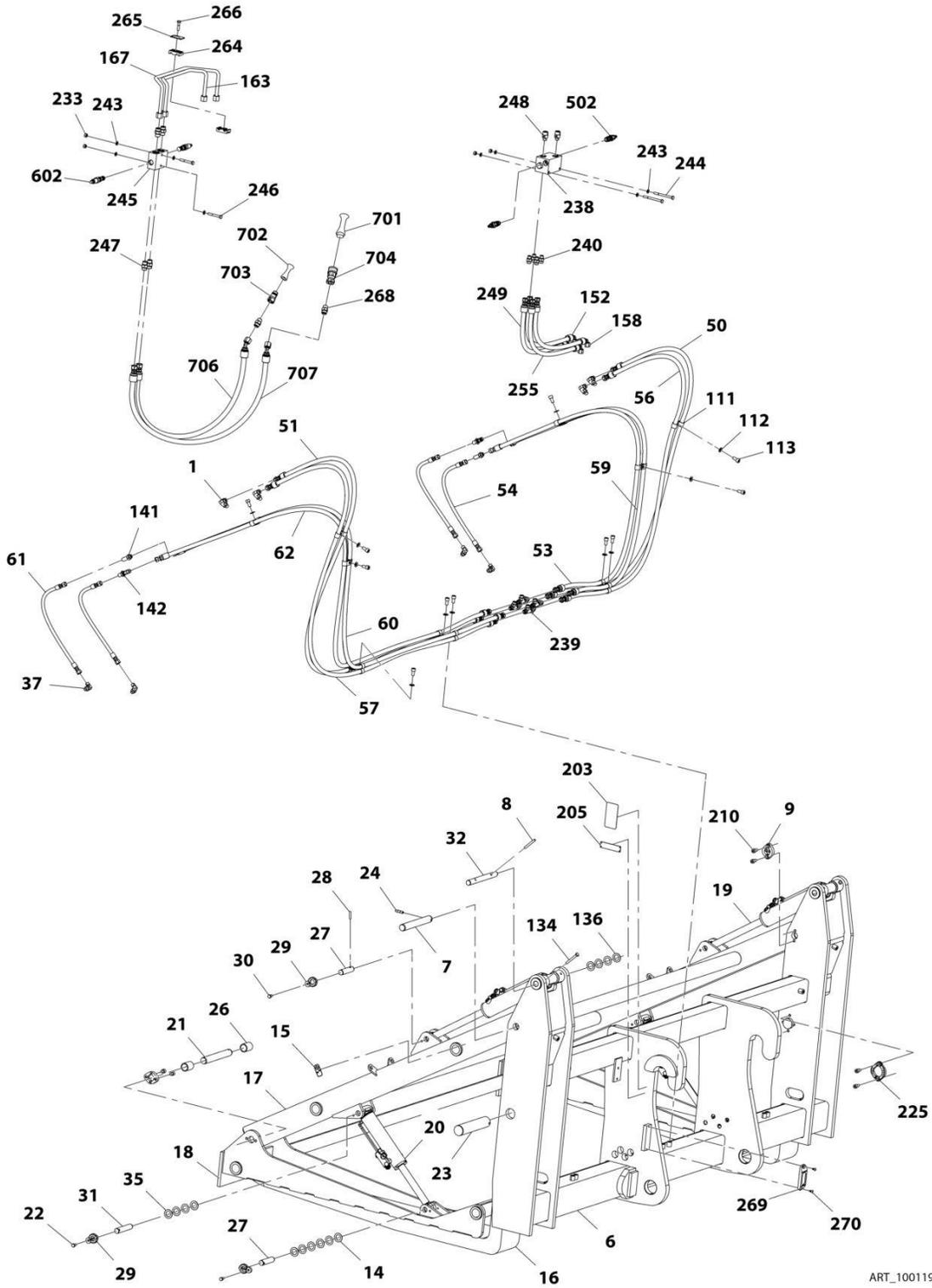
SECTION 3 - ATTACHMENTS

FIGURE 3-15. BALE HANDLER (SQUARE)

ITEM	PART NUMBER	QTY	DESCRIPTION	REV
	1001192650	Ref	Bale Handler (square)	F
1	70028499	2	Spear	
2	70028500	2	Decal, Pinch Point	
3	70028485	2	Screw	
4	70021349	4	Bolt, 3/8X1	
5	70021422	2	Screw	
6	90554042	4	Washer, Lock 3/8	
7	70021350	4	Washer, Flat	
8	70021367	2	Nut, Lock 3/8	
9	90554045	4	Fitting, Grease	
10	N.S.S.	1	Weldment, Main Frame	
11	1001101041	1	Coupler, Male Hydraulic	
12	1001101042	1	Coupler, Female Hydraulic	
13	70028486	4	Fitting	
14	70028488	2	Fitting	
15	70028489	2	Pin	
16	70028490	2	Pin	
17	N.S.S.	1	Weldment, Left Bale Arm	
18	N.S.S.	1	Weldment, Right Bale Arm	
19	70028491	2	Hose	
20	7029711	1	Decal, High Pressure Warning	
21	N.S.S.	1	Plate, Serial Number	
22	8420053	1	Cap, Dust	
23	8420055	1	Cap, Dust	
25	70028495	2	Clamp	
26	70028496	2	Plate, Clamp	
28	70028497	2	Assembly, Cylinder	
29	70028498	1	Decal, Read Manual	
31	70028501	2	Decal, Falling Load	
32	70028487	2	Fitting, Tee	
33	70028492	1	Hose	
34	70028493	1	Hose	
101	70028494	1	Kit, Seal	

SECTION 3 - ATTACHMENTS

FIGURE 3-16. PIPE HANDLER CARRIAGE



ART_1001192722-E

SECTION 3 - ATTACHMENTS

FIGURE 3-16. PIPE HANDLER CARRIAGE

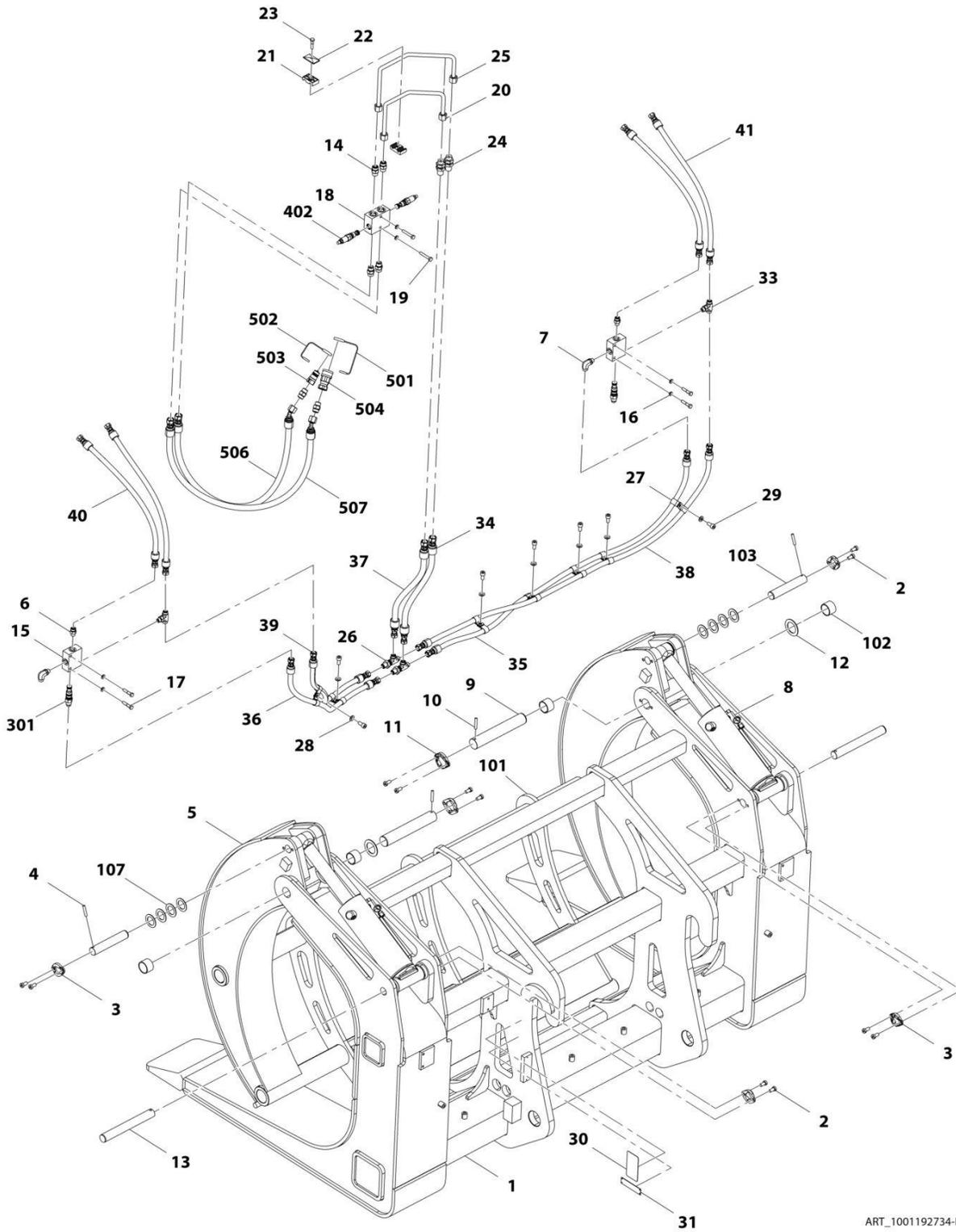
ITEM	PART NUMBER	QTY	DESCRIPTION	REV
	1001192722	Ref	Pipe Handler Carriage	F
1	70024123	4	Adapter, 90 (includes o-ring)	
6	N.S.S.	1	Carriage	
7	70028648	2	Pin	
8	70026471	4	Pin	
9	70026472	4	Retainer	
14	70026476	12	Shim	
15	70024538	2	Decal, Pinch Point	
16	70028649	2	Fork	
17	70028650	1	Arm	
18	70028651	1	Pad, Contact	
19	70028652	1	Assembly, Upper Cylinder (See Separate Breakdown in HYDRAULIC COMPONENTS Section)	
20	70028653	1	Assembly, Lower Cylinder (See Separate Breakdown in HYDRAULIC COMPONENTS Section)	
21	70028654	2	Pin	
22	70026473	4	Capscrew, M10X12	
23	70028655	2	Pin	
24	70028405	2	Pin	
26	70026501	8	Bushing	
27	70028656	4	Pin	
28	70028253	6	Pin	
29	70028262	6	Retainer	
30	70028657	6	Bolt, M8X16	
31	70028658	2	Pin	
32	70028659	2	Pin	
35	70028660	8	Shim	
37	70028661	4	Fittin, 90	
50	70028662	1	Hose	
51	70028663	1	Hose	
53	70028664	1	Hose	
54	70028665	2	Hose	
56	70028666	1	Hose	
57	70028667	1	Hose	
59	70028668	1	Hose	
60	70028669	1	Hose	
61	70028670	2	Hose	
62	70028671	1	Hose	
111	70026481	24	Clamp, Hose	
112	70026482	12	Washer	
113	70028672	12	Bolt, M10X20	
134	70028406	2	Capscrew	
136	70028767	4	Shim	
141	70028768	2	Fitting, Straight	
142	70028673	2	Fitting, 45	
152	70028674	1	Hose	
158	70028675	1	Hose	
163	70028676	1	Pipe	
167	70028677	1	Pipe	
203	N.S.S.	1	Plate, Serial Number	

SECTION 3 - ATTACHMENTS

ITEM	PART NUMBER	QTY	DESCRIPTION	REV
205	N.S.S.	1	Plate, Name	
210	70028678	8	Bolt	
225	70028679	2	Retainer	
233	70028680	6	Nut, M8	
238	N.S.S.	1	Valve	
239	70028267	4	Fitting, Straight	
240	70024130	4	Fitting, Straight	
243	70024721	8	Washer, M8	
244	70028681	2	Bolt, M8X90	
245	N.S.S.	1	Valve, Relief	
246	70028682	2	Bolt, M8X60	
247	70028683	2	Fitting, Straight	
248	70028684	2	Fitting, Straight	
249	70028685	1	Hose	
255	70028686	1	Hose	
264	70028687	1	Clamp	
265	70028688	1	Cover	
266	70028689	1	Bolt, M8X35	
268	70022938	4	Fitting, Straight	
269	1001227670	1	Tag, RFID	
270	70028690	2	Bolt, M4X16	
501	N.S.S.	1	Valve, Relief	
502	70024772	2	Valve, Cartridge	
601	N.S.S.	1	Valve, Sequence	
602	70028695	2	Valve, Cartridge	
701	8420055	1	Plug, Dust	
702	8420053	1	Plug, Cap	
703	1001101041	1	Adapter, Male Quick Disconnect	
704	1001101042	1	Adapter, Female Quick Disconnect	
706	70028696	1	Hose	
707	70028697	1	Hose	

SECTION 3 - ATTACHMENTS

FIGURE 3-17. LOG HANDLER CARRIAGE



ART_1001192734-D

SECTION 3 - ATTACHMENTS

FIGURE 3-17. LOG HANDLER CARRIAGE

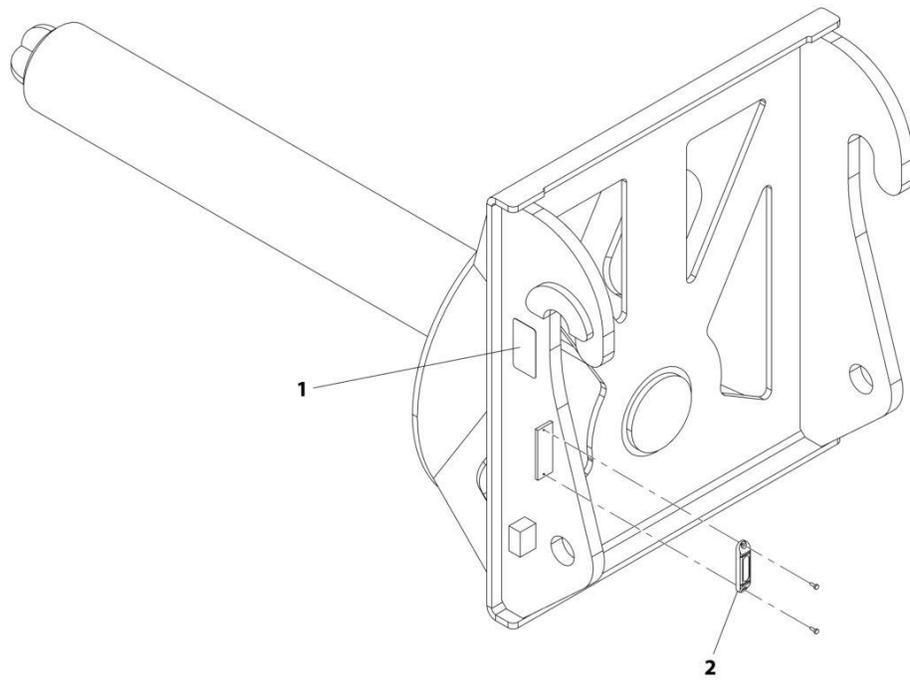
ITEM	PART NUMBER	QTY	DESCRIPTION	REV
	1001192734	Ref	Log Handler Carriage	E
1	N.S.S.	1	Frame	
2	70028701	8	Capscrew, M10X20	
3	70028702	2	Retainer	
4	70028703	4	Pin	
5	N.S.S.	1	Grapple	
6	70024130	2	Fitting, Straight	
7	70024123	2	Fitting, 90	
8	70028704	2	Assembly, Log Handler Carriage Cylinder (See Separate Breakdown in HYDRAULIC COMPONENTS Section)	
9	70028705	2	Pin	
10	70028706	2	Pin	
11	70028707	2	Retainer	
12	70028708	2	Shim	
13	70028709	2	Pin	
14	70022938	4	Fitting, Straight	
15	N.S.S.	2	Valve	
16	70024721	6	Washer, M8	
17	70028710	4	Capscrew	
18	N.S.S.	1	Valve, Relief	
19	70028711	2	Capscrew	
20	70028712	1	Pipe	
21	70028687	1	Clamp	
22	70028688	1	Plate, Cover	
23	70028689	1	Bolt, M8X35	
24	70028713	2	Fitting, Straight	
25	70028714	1	Pipe	
26	70028267	2	Fitting, Tee	
27	70026481	14	Clamp, Hose	
28	70026482	7	Washer, M10	
29	70028672	7	Bolt, M10X20	
30	N.S.S.	1	Plate, Serial Number	
31	N.S.S.	1	Plate, Name	
33	70028715	2	Fitting, Tee	
34	70028716	1	Hose	
35	70028717	1	Hose	
36	70028718	1	Hose	
37	70028719	1	Hose	
38	70028720	1	Hose	
39	70028721	1	Hose	
40	70028722	2	Hose	
41	70028723	2	Hose	
101	70028724	1	Arm	
102	70028725	4	Bearing	
103	70028726	2	Pin	
107	70028727	8	Shim	
301	70026504	2	Valve, Counterbalance	
402	70024772	2	Valve, Relief	
501	8420055	1	Plug, Dust	
502	8420053	1	Plug, Cap	

SECTION 3 - ATTACHMENTS

ITEM	PART NUMBER	QTY	DESCRIPTION	REV
503	1001101041	1	Adapter, Male Quick Disconnect	
504	1001101042	1	Adapter, Female Quick Disconnect	
506	70028734	1	Hose	
507	70028697	1	Hose	

SECTION 3 - ATTACHMENTS

FIGURE 3-18. STEEL COIL HANDLER CARRIAGE



ART_1001192735-F

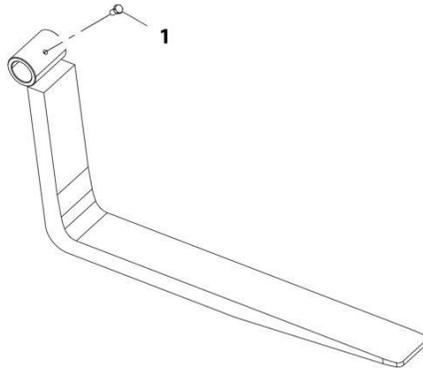
SECTION 3 - ATTACHMENTS

FIGURE 3-18. STEEL COIL HANDLER CARRIAGE

ITEM	PART NUMBER	QTY	DESCRIPTION	REV
	1001192735	1	Steel Coil Handler Carriage	G
1	N.S.S.	1	Plate, Serial Number	
2	1001227670	1	Tag, RFID	

SECTION 3 - ATTACHMENTS

FIGURE 3-19. PALLET FORK (2.25X6X48)



ART_1001196952-B

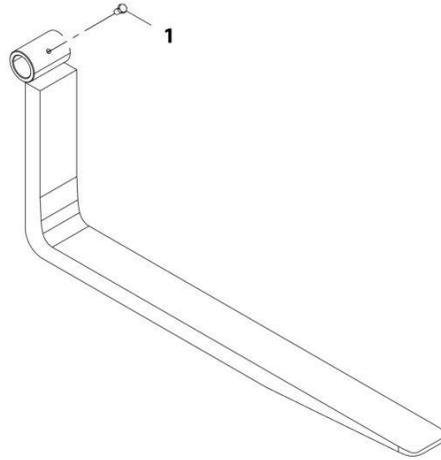
SECTION 3 - ATTACHMENTS

FIGURE 3-19. PALLET FORK (2.25X6X48)

ITEM	PART NUMBER	QTY	DESCRIPTION	REV
1	1001196952	1	Pallet Fork (2.25X6X48)	B
	70027180	1	Screw, M16X30	
	Note	Ref	<p>FORKS RATED LESS THAN THE ATTACHMENT OR MACHINE'S CAPACITY DECREASES CAPACITY OF THE ATTACHMENT OR MACHINE TO THAT OF THE FORKS. FORKS RATED MORE THAN THE ATTACHMENT OR MACHINE'S CAPACITY DO NOT INCREASE ATTACHMENT OR MACHINE'S CAPACITY.</p>	
	Note	Ref	<p>PLEASE CONSULT JLG PARTS DEPARTMENT TO DETERMINE THE CORRECT FORKS APPLICABLE TO YOUR SPECIFIC CARRIAGE ASSEMBLY AND APPLICATION.</p>	

SECTION 3 - ATTACHMENTS

FIGURE 3-20. PALLET FORK (2.25X6X60)



ART_1001196951-B

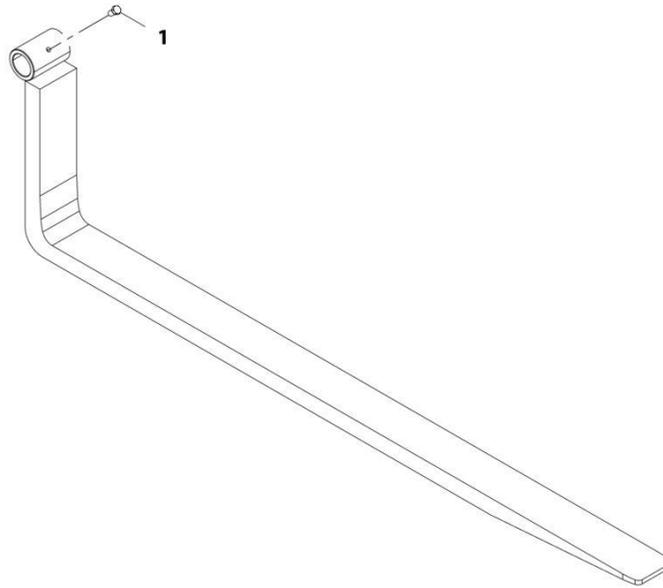
SECTION 3 - ATTACHMENTS

FIGURE 3-20. PALLET FORK (2.25X6X60)

ITEM	PART NUMBER	QTY	DESCRIPTION	REV
1	1001196951	1	Pallet Fork (2.25X6X60)	B
	70027180	1	Screw, M16X30	
	Note	Ref	<p>FORKS RATED LESS THAN THE ATTACHMENT OR MACHINE'S CAPACITY DECREASES CAPACITY OF THE ATTACHMENT OR MACHINE TO THAT OF THE FORKS. FORKS RATED MORE THAN THE ATTACHMENT OR MACHINE'S CAPACITY DO NOT INCREASE ATTACHMENT OR MACHINE'S CAPACITY.</p>	
	Note	Ref	<p>PLEASE CONSULT JLG PARTS DEPARTMENT TO DETERMINE THE CORRECT FORKS APPLICABLE TO YOUR SPECIFIC CARRIAGE ASSEMBLY AND APPLICATION.</p>	

SECTION 3 - ATTACHMENTS

FIGURE 3-21. PALLET FORK (2.25X6X72)



ART_1001196950-B

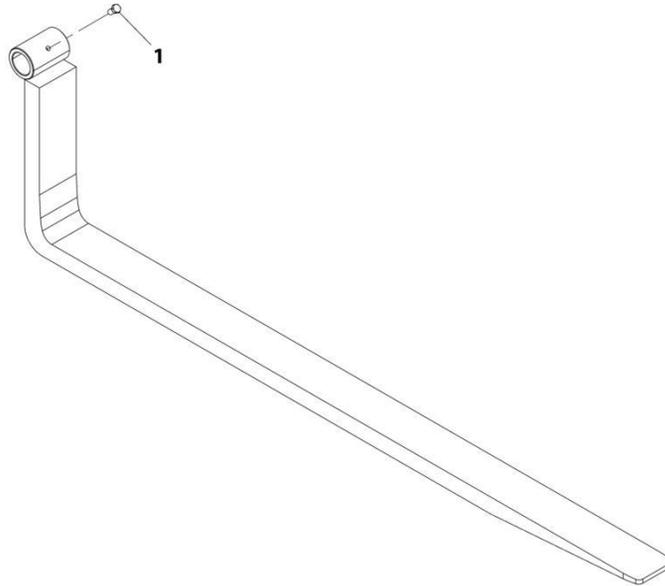
SECTION 3 - ATTACHMENTS

FIGURE 3-21. PALLET FORK (2.25X6X72)

ITEM	PART NUMBER	QTY	DESCRIPTION	REV
1	1001196950	1	Pallet Fork (2.25X6X72)	B
	70027180	1 2	Screw, M16X30	
	Note	Ref	FORKS RATED LESS THAN THE ATTACHMENT OR MACHINE'S CAPACITY DECREASES CAPACITY OF THE ATTACHMENT OR MACHINE TO THAT OF THE FORKS. FORKS RATED MORE THAN THE ATTACHMENT OR MACHINE'S CAPACITY DO NOT INCREASE ATTACHMENT OR MACHINE'S CAPACITY.	
	Note	Ref	PLEASE CONSULT JLG PARTS DEPARTMENT TO DETERMINE THE CORRECT FORKS APPLICABLE TO YOUR SPECIFIC CARRIAGE ASSEMBLY AND APPLICATION.	

SECTION 3 - ATTACHMENTS

FIGURE 3-22. PALLET FORK (2.25X6X96)



ART_1001196949-B

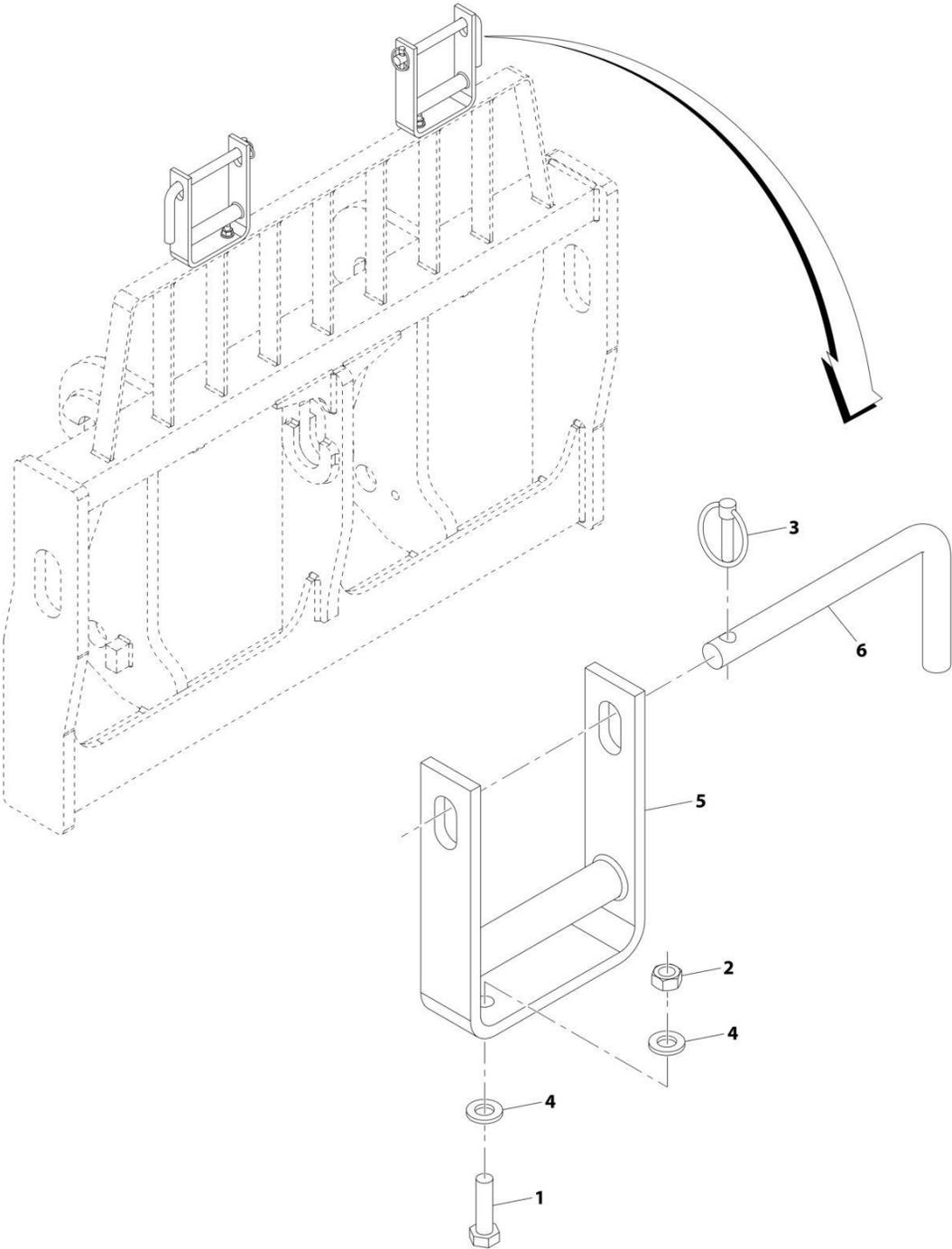
SECTION 3 - ATTACHMENTS

FIGURE 3-22. PALLET FORK (2.25X6X96)

ITEM	PART NUMBER	QTY	DESCRIPTION	REV
1	1001196949	1	Pallet Fork (2.25X6X96)	B
	70027180	1 2	Screw, M16X30	
	Note	Ref	<p>FORKS RATED LESS THAN THE ATTACHMENT OR MACHINE'S CAPACITY DECREASES CAPACITY OF THE ATTACHMENT OR MACHINE TO THAT OF THE FORKS. FORKS RATED MORE THAN THE ATTACHMENT OR MACHINE'S CAPACITY DO NOT INCREASE ATTACHMENT OR MACHINE'S CAPACITY.</p>	
	Note	Ref	<p>PLEASE CONSULT JLG PARTS DEPARTMENT TO DETERMINE THE CORRECT FORKS APPLICABLE TO YOUR SPECIFIC CARRIAGE ASSEMBLY AND APPLICATION.</p>	

SECTION 3 - ATTACHMENTS

FIGURE 3-23. FORK RETENTION INSTALLATION



ART_1001196778-C

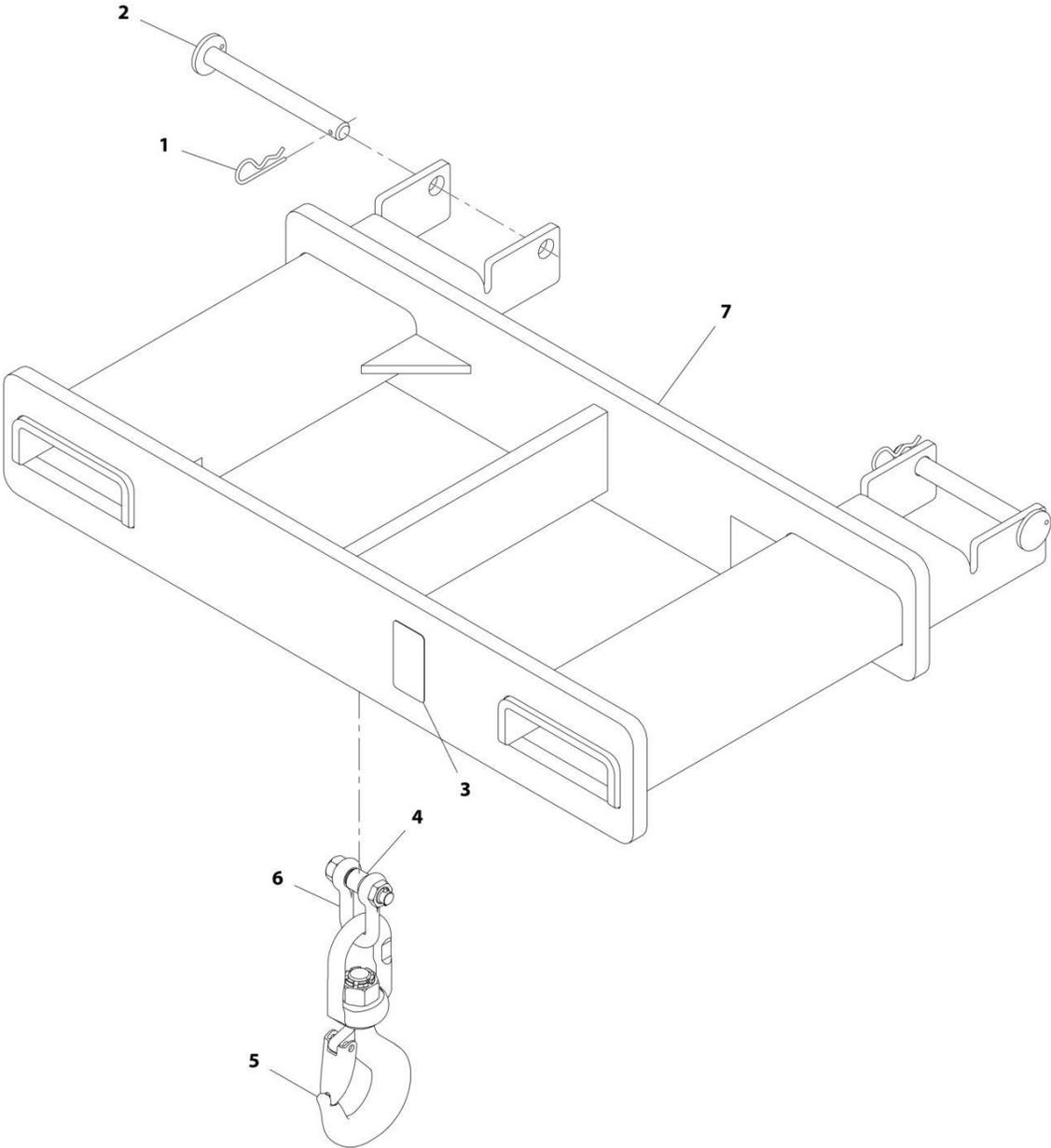
SECTION 3 - ATTACHMENTS

FIGURE 3-23. FORK RETENTION INSTALLATION

ITEM	PART NUMBER	QTY	DESCRIPTION	REV
	1001196778	Ref	Fork Retention Installation	C
1	0761217	1	Bolt, M12X45	
2	3291201	1	Nut, M12X1.75	
3	1001109387	1	Pin, Linch	
4	5241200	2	Washer, M12	
5	1001196779	1	Bracket, Fork Retention	
6	1001196782	1	Pin, Fork Retention	

SECTION 3 - ATTACHMENTS

FIGURE 3-24. HOOK ATTACH, FORK MOUNTED



ART_1001193803-C

SECTION 3 - ATTACHMENTS

FIGURE 3-24. HOOK ATTACH, FORK MOUNTED

ITEM	PART NUMBER	QTY	DESCRIPTION	REV
	1001193803	Ref	Hook Attach, Fork Mounted	D
1	7029520	2	Pin, Cotter	
2	1001093171	2	Pin	
3	N.S.S.	1	S/N Plate	
4	70020555	1	Bushing	
5	70026745	1	Hook	
6	70026746	1	Shackle, Chain	
7	N.S.S.	1	Weldment, Crane Hook	

SECTION 4 - ENGINE AND ATTACHING PARTS

SECTION 4 - ENGINE AND ATTACHING PARTS

SECTION 4 - ENGINE AND ATTACHING PARTS

FIGURE 4-1. ENGINE POD COMPONENT INSTALLATION (ULS)



ART_1001200443-D

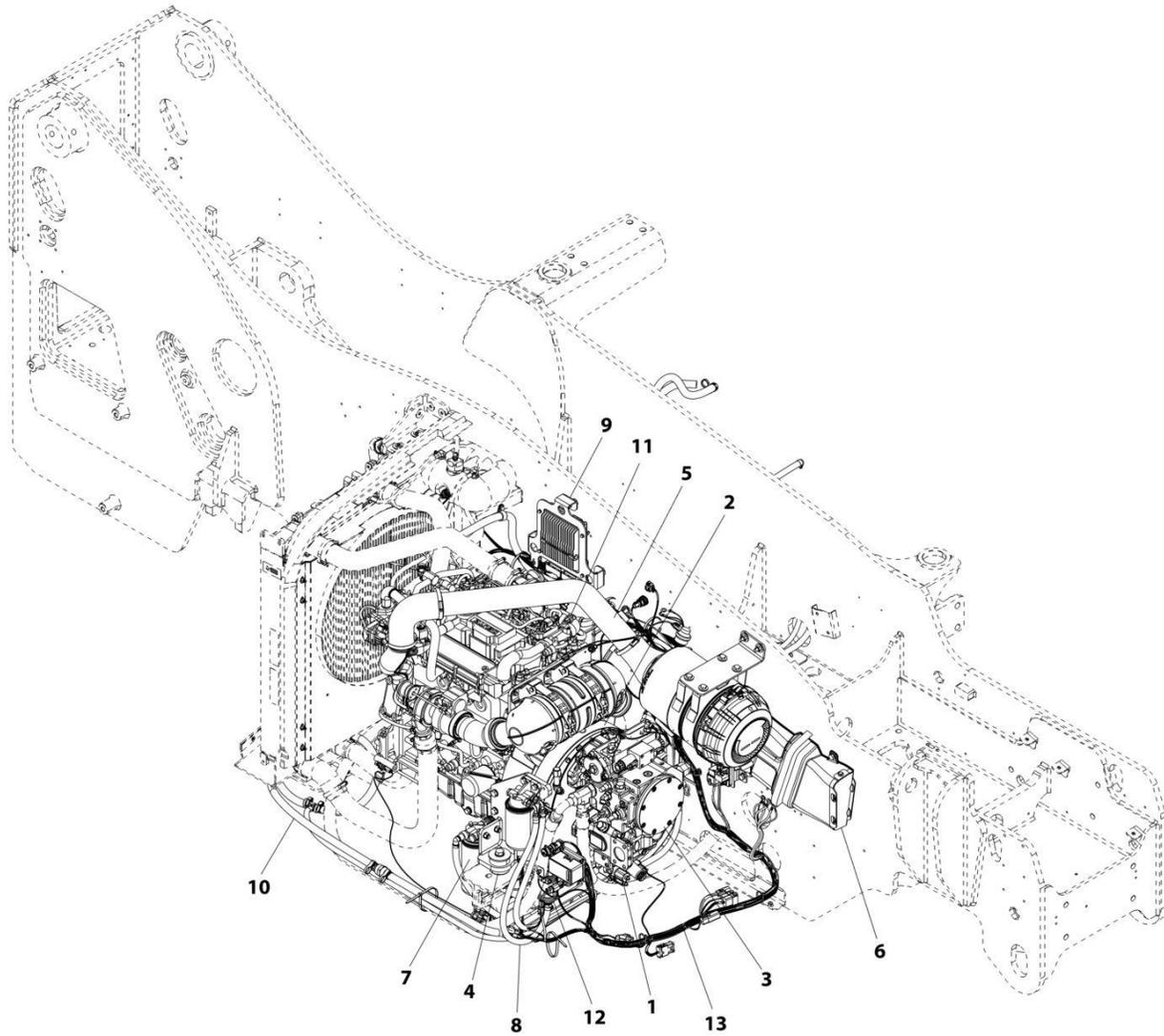
SECTION 4 - ENGINE AND ATTACHING PARTS

FIGURE 4-1. ENGINE POD COMPONENT INSTALLATION (ULS)

ITEM	PART NUMBER	QTY	DESCRIPTION	REV
	1001200443	Ref	Engine Pod Component Installation (ULS)	E
2	1001221041	1	Installation, Remote Fuel Pump (See Separate Breakdown in this Section)	
4	1001193393	1	Installation, Implement Pump (See Separate Breakdown in this Section)	
5	1001193703	1	Installation, Hydrostatic Adaptor (See Separate Breakdown in this Section)	
6	1001193704	1	Installation, Hydrostatic Drive Pump (See Separate Breakdown in this Section)	
7	1001200106	1	Installation, Engine Wiring (See Separate Breakdown in ELECTRICAL Section)	
8	1001200862	1	Installation, Engine Mount (See Separate Breakdown in this Section)	
9	1001200863	1	Installation, Air Intake (See Separate Breakdown in this Section)	
10	1001200864	1	Installation, Air Cleaner (See Separate Breakdown in this Section)	
11	1001200865	1	Installation, Primary Fuel Filter (See Separate Breakdown in this Section)	
12	1001200866	1	Installation, Fuel Lines (See Separate Breakdown in this Section)	
13	1001284538	1	Installation, Engine ECU (See Separate Breakdown in ELECTRICAL Section)	
14	1001293070	1	Installation, DEF Coolant Lines (See Separate Breakdown in this Section)	
15	1001201425	1	Installation, Engine (See Separate Breakdown in this Section)	

SECTION 4 - ENGINE AND ATTACHING PARTS

FIGURE 4-2. ENGINE POD COMPONENT INSTALLATION (MINING) (ULS)



ART_1001228727-A

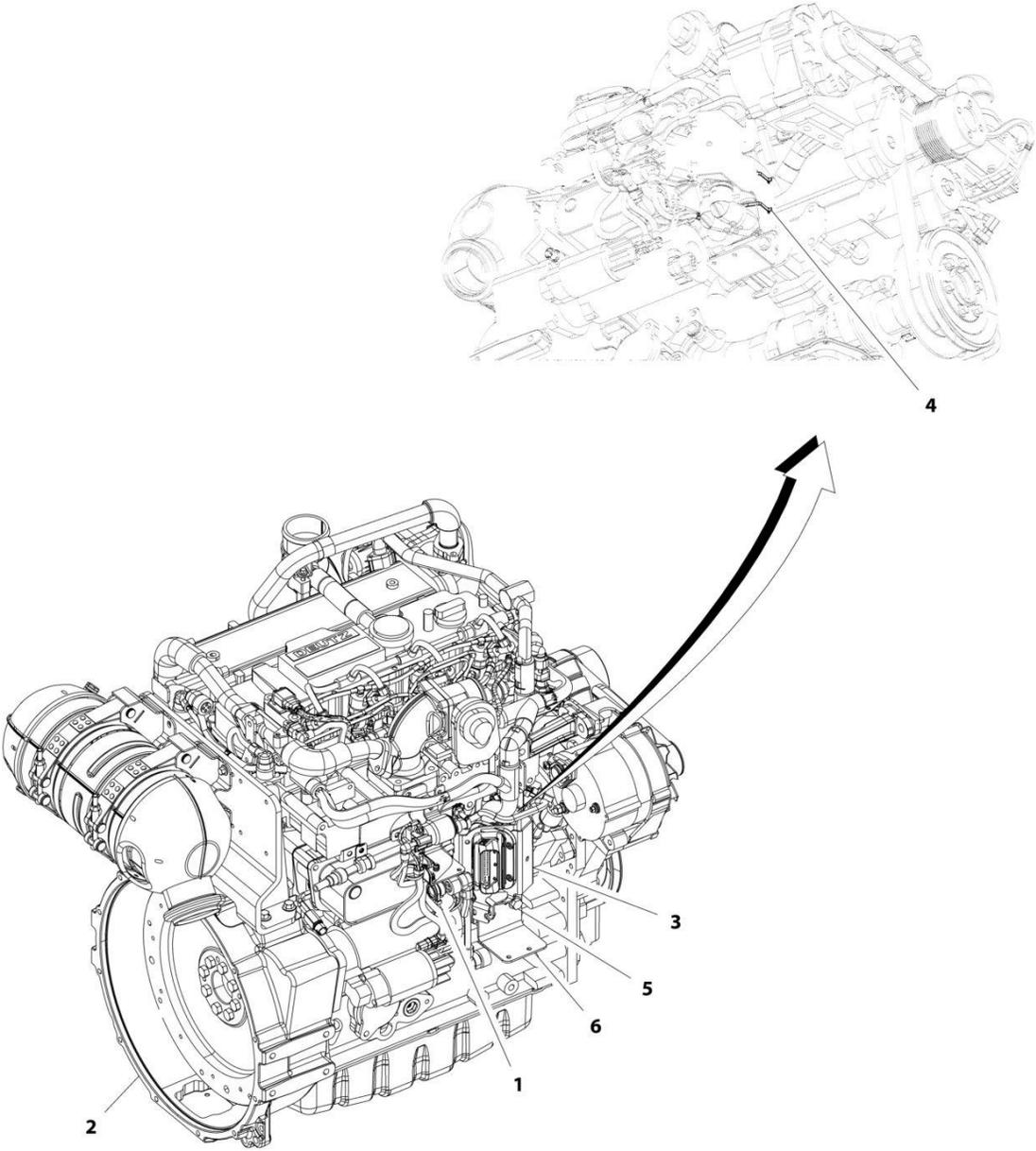
SECTION 4 - ENGINE AND ATTACHING PARTS

FIGURE 4-2. ENGINE POD COMPONENT INSTALLATION (MINING) (ULS)

ITEM	PART NUMBER	QTY	DESCRIPTION	REV
	1001228727	Ref	Engine Pod Component Installation (Mining) (ULS)	B
1	1001193393	1	Installation, Implement Pump (See Separate Breakdown in this Section)	
2	1001193703	1	Installation, Hydrostatic Adaptor (See Separate Breakdown in this Section)	
3	1001193704	1	Installation, Hydrostatic Drive Pump (See Separate Breakdown in this Section)	
4	1001200862	1	Installation, Engine Mount (See Separate Breakdown in this Section)	
5	1001200863	1	Installation, Air Intake (See Separate Breakdown in this Section)	
6	1001200864	1	Installation, Air Cleaner (See Separate Breakdown in this Section)	
7	1001200865	1	Installation, Primary Fuel Filter (See Separate Breakdown in this Section)	
8	1001200866	1	Installation, Fuel Lines (See Separate Breakdown in this Section)	
9	1001284538	1	Installation, Engine ECU (See Separate Breakdown in ELECTRICAL Section)	
10	1001293070	1	Installation, DEF Coolant Lines (See Separate Breakdown in this Section)	
11	1001201425	1	Installation, Engine (See Separate Breakdown in this Section)	
12	1001221041	1	Installation, Remote Fuel Pump (See Separate Breakdown in this Section)	
13	1001228728	1	Installation, Engine Wiring (See Separate Breakdown in ELECTRICAL Section)	

SECTION 4 - ENGINE AND ATTACHING PARTS

FIGURE 4-3. ENGINE INSTALLATION (ULS)



ART_1001201425-D

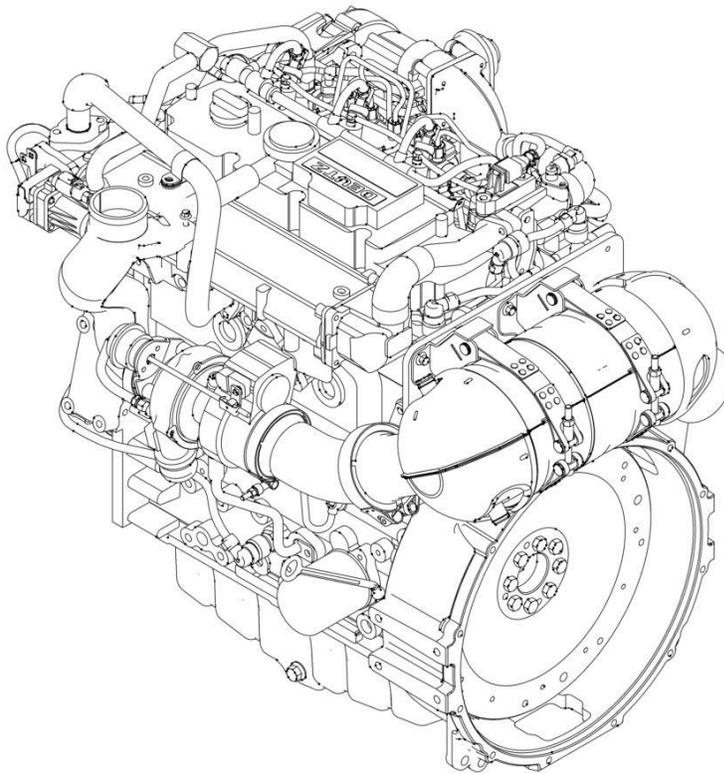
SECTION 4 - ENGINE AND ATTACHING PARTS

FIGURE 4-3. ENGINE INSTALLATION (ULS)

ITEM	PART NUMBER	QTY	DESCRIPTION	REV
	1001201425	Ref	Engine Installation (ULS)	F
1	1001004720	4	Strap, Cable	
2	1001284531	1	Engine (See Separate breakdown in this Section)	
3	1001202901	1	Bracket, ECU Connector	
4	1001008559	2	Strap, Cable	
5	5251012	2	Bolt, M10X25	
6	1001222460	1	Bracket, Fuel Supply	

SECTION 4 - ENGINE AND ATTACHING PARTS

FIGURE 4-4. ENGINE (100KW - ULS)



ART_1001197414-1

SECTION 4 - ENGINE AND ATTACHING PARTS

FIGURE 4-4. ENGINE (100KW - ULS)

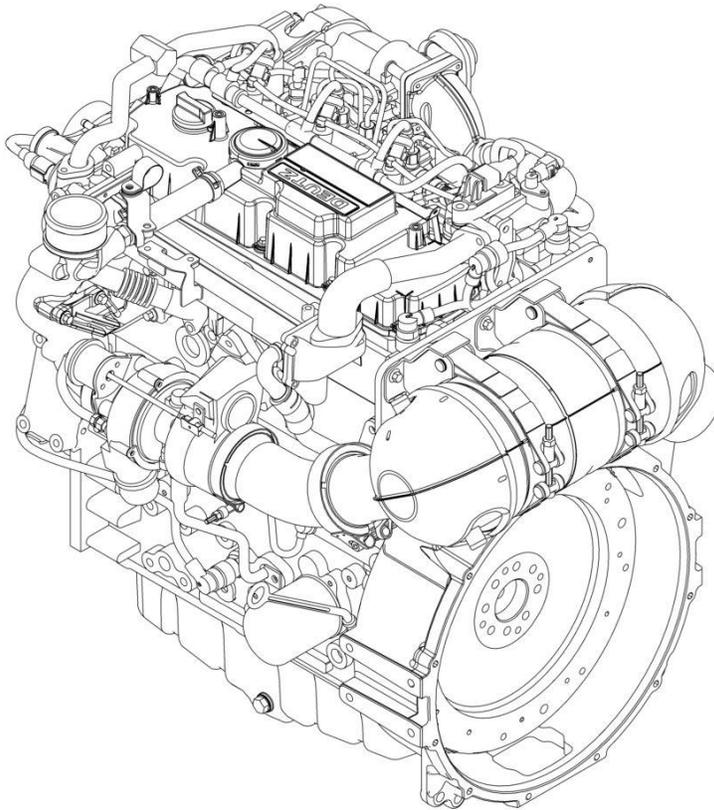
ITEM	PART NUMBER	QTY	DESCRIPTION	REV
	1001197414	Ref	Engine (100kW - ULS)	I
	70027657	1	Dipstick	
	7020442	1	O-Ring	
	70025755	1	Tube, Dipstick	
	70025765	1	Pan, Oil	
	70025786	1	Plug	
	70025757	1	Flywheel	
	7020208	1	Gear, Ring	
	70126616	1	Bearing	
	70027567	1	Belt	
	70025737	1	Sensor, Wheel	
	70025743	1	Pulley, V-Groove	
	70124445	1	Crankcase	
	70025763	1	Pump, Oil	
	70024494	1	Cooler, Oil	
	70024495	1	Gasket	
	7016331	1	Filter, Oil	
	70024504	1	Sensor, Pressure	
	70024489	1	Line, Lube	
	70005490	1	Line, Return	
	70005730	1	Pipe, Transfer	
	70025722	1	Line, Oil Suction	
	70024487	1	Pump, Fuel Injector	
	70027417	1	Filter, Fuel (Secondary)	
	70004512	1	Element, Fuel Filter (Secondary)	
	70024961	1	Filter, Fuel (Primary)	
	70025153	1	Element, Fuel Filter (Primary)	
	70006144	1	Pump, Fuel	
	70024507	1	Sensor, Pressure	
	70005492	1	Valve, Throttle	
	70025772	1	Manifold, Air Charge	
	70027420	1	Module, ECU	
	70026011	1	Pump, Water	
	70025775	1	Pulley, V-Ribbed Belt	
	70024918	1	Sensor, Temperature	
	70024493	1	Gasket	
	70005504	1	Sensor, Pressure	
	70005505	1	O-Ring	
	70027405	2	Sensor, Temperature	
	70005507	2	O-Ring	
	70005510	1	Manifold, Exhaust	
	70005511	1	Gasket	
	70027426	1	Module, EGR	
	70005513	1	Valve, Control	
	70025768	1	Valve, Shuttle	
	70028417	1	Turbocharger	
	70024484	1	Roller, Idler	
	70028418	1	Tensioner, Belt	
	70028419	1	Belt, V-Ribbed	
	70031088	1	Alternator	

SECTION 4 - ENGINE AND ATTACHING PARTS

ITEM	PART NUMBER	QTY	DESCRIPTION	REV
	70025535	1	Starter	
	70025780	1	Relay	
	70026210	1	Sensor, Speed	
	70005191	1	O-Ring	
	70025761	1	Connector	
	70024474	1	Plug, Glow	
	70025760	1	Rail, Connecting	
	70005544	1	Unit, Metering	
	70005548	1	Pump, DEF Supply	
	70005549	1	Filter, DEF	
	70005523	1	Sensor, Pressure	
	70024505	1	Sensor, Temperature	
	70005556	1	Sensor, Temperature	
	70005522	1	Sensor	
	70005524	1	Sensor	
	70005559	1	Sensor, Temperature	
	70005507	1	O-Ring	
	70005557	1	Pipe	
	70005558	1	Clip	
	70025877	3	Clamp	
	70025242	3	Gasket	
	70025707	1	Set, Gasket	

SECTION 4 - ENGINE AND ATTACHING PARTS

FIGURE 4-5. ENGINE (100KW - ULS)



ART_1001284531

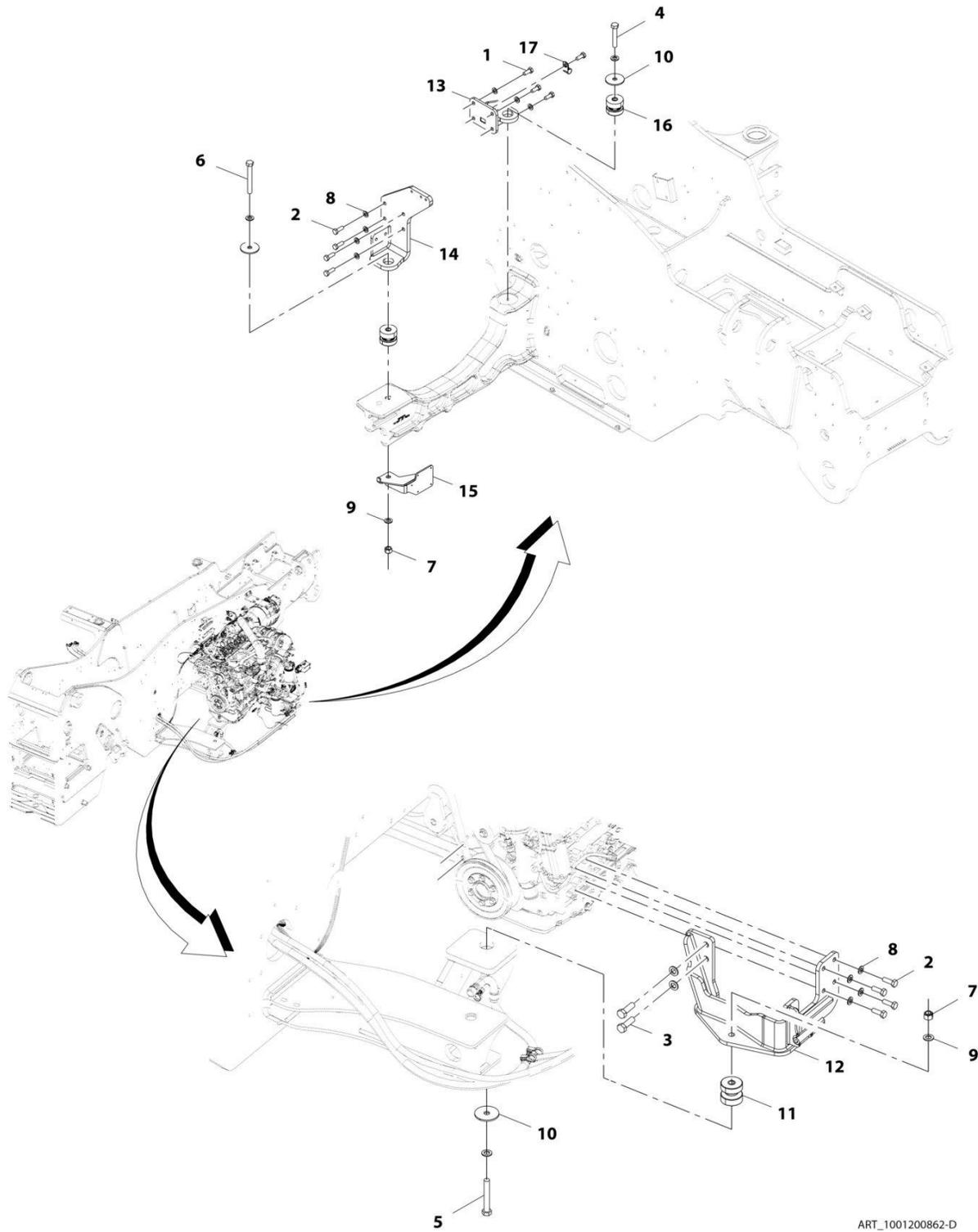
SECTION 4 - ENGINE AND ATTACHING PARTS

FIGURE 4-5. ENGINE (100KW - ULS)

ITEM	PART NUMBER	QTY	DESCRIPTION	REV
	1001284531	Ref Ref	ENGINE (100KW - ULS) Note: No Service Parts Available at Time of Printing	C

SECTION 4 - ENGINE AND ATTACHING PARTS

FIGURE 4-6. ENGINE MOUNT INSTALLATION



ART_1001200862-D

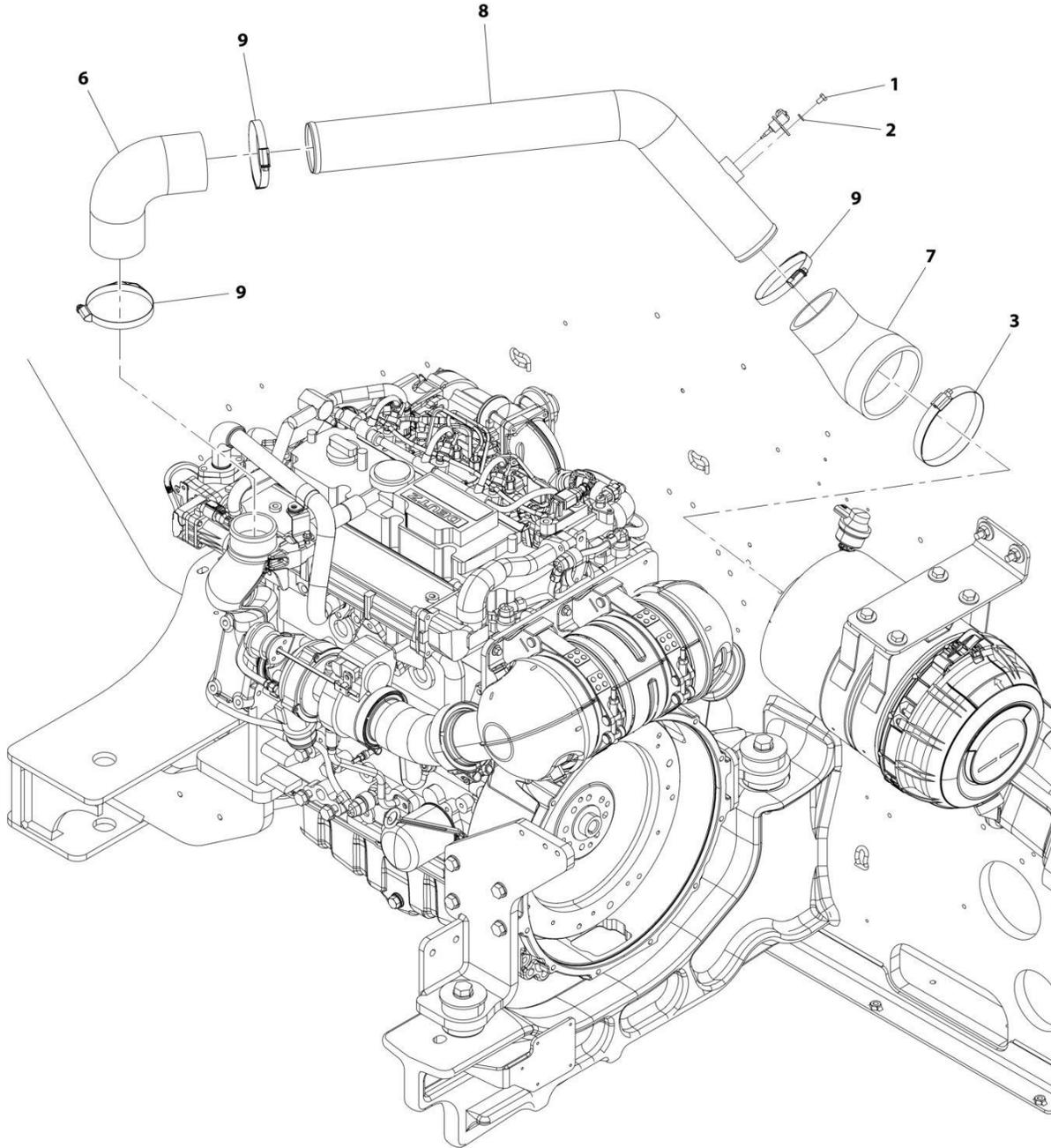
SECTION 4 - ENGINE AND ATTACHING PARTS

FIGURE 4-6. ENGINE MOUNT INSTALLATION

ITEM	PART NUMBER	QTY	DESCRIPTION	REV
	1001200862	Ref	Engine Mount Installation	D
1	0761214	4	Bolt, M12X30	
2	0761215	8	Bolt, M12X35	
3	0701618	2	Bolt M16 X 50	
4	0701626	1	Bolt, M16X90	
5	0701628	1	Bolt, M16X110	
6	0701630	1	Bolt, M16X130	
7	3291605	2	Nut, Lock M16X2	
8	4812100	11	Washer, M12	
9	4812300	7	Washer, M16	
10	7300435	3	Washer	
11	1001188757	1	Mount, Engine	
12	1001200871	1	Bracket, Engine Mount	
13	1001200872	1	Bracket, Engine Mount	
14	1001200873	1	Bracket, Engine Mount	
15	1001200874	1	Bracket, Fuel Pump	
16	1001197072	2	Mount, Engine	
17	8406105	1	Clip, Tube	

SECTION 4 - ENGINE AND ATTACHING PARTS

FIGURE 4-7. AIR INTAKE INSTALLATION (ULS)



ART_1001200863-B

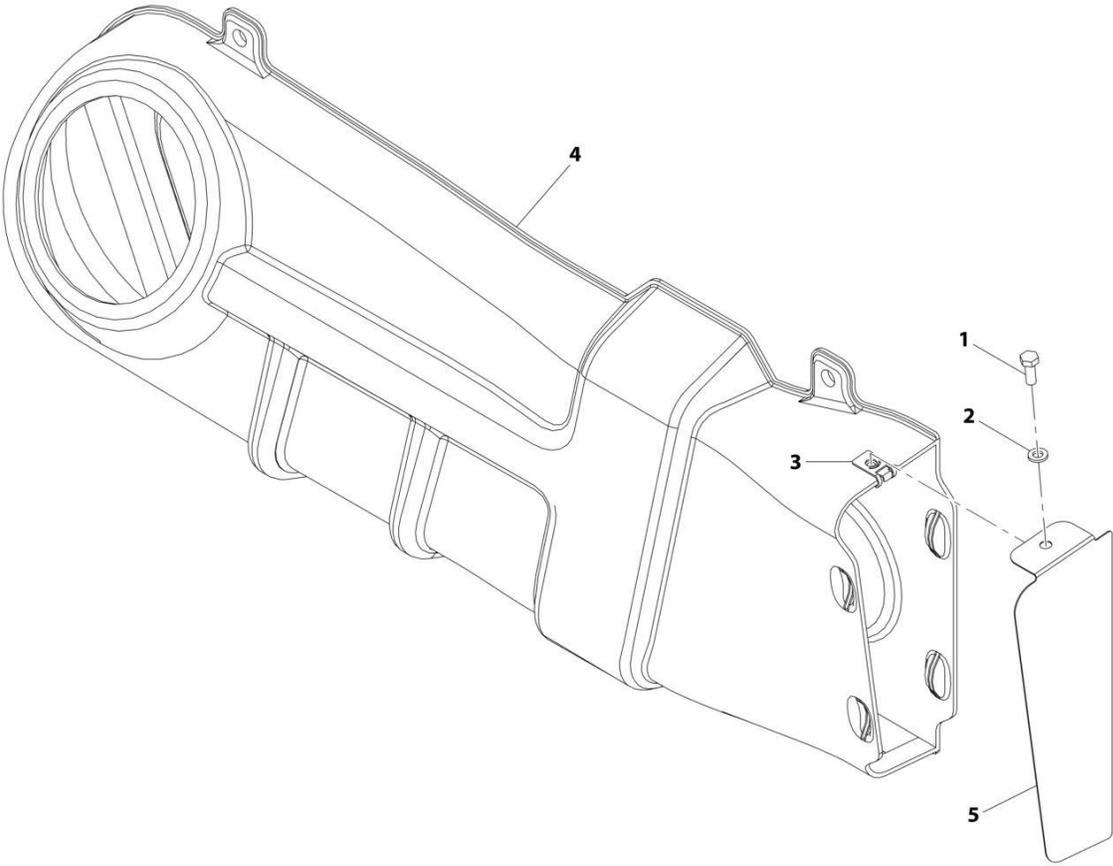
SECTION 4 - ENGINE AND ATTACHING PARTS

FIGURE 4-7. AIR INTAKE INSTALLATION (ULS)

ITEM	PART NUMBER	QTY	DESCRIPTION	REV
	1001200863	Ref	Air Intake Installation (ULS)	B
1	0760605	1	Bolt, M6X10	
2	4811700	1	Washer, M6	
3	8405402	1	Clamp	
6	1001182881	1	Hose	
7	1001200885	1	Hose	
8	1001200886	1	Tube	
9	1001226523	3	Clamp	

SECTION 4 - ENGINE AND ATTACHING PARTS

FIGURE 4-8. AIR INTAKE DUCT INSTALLATION



ART_1001183835-C

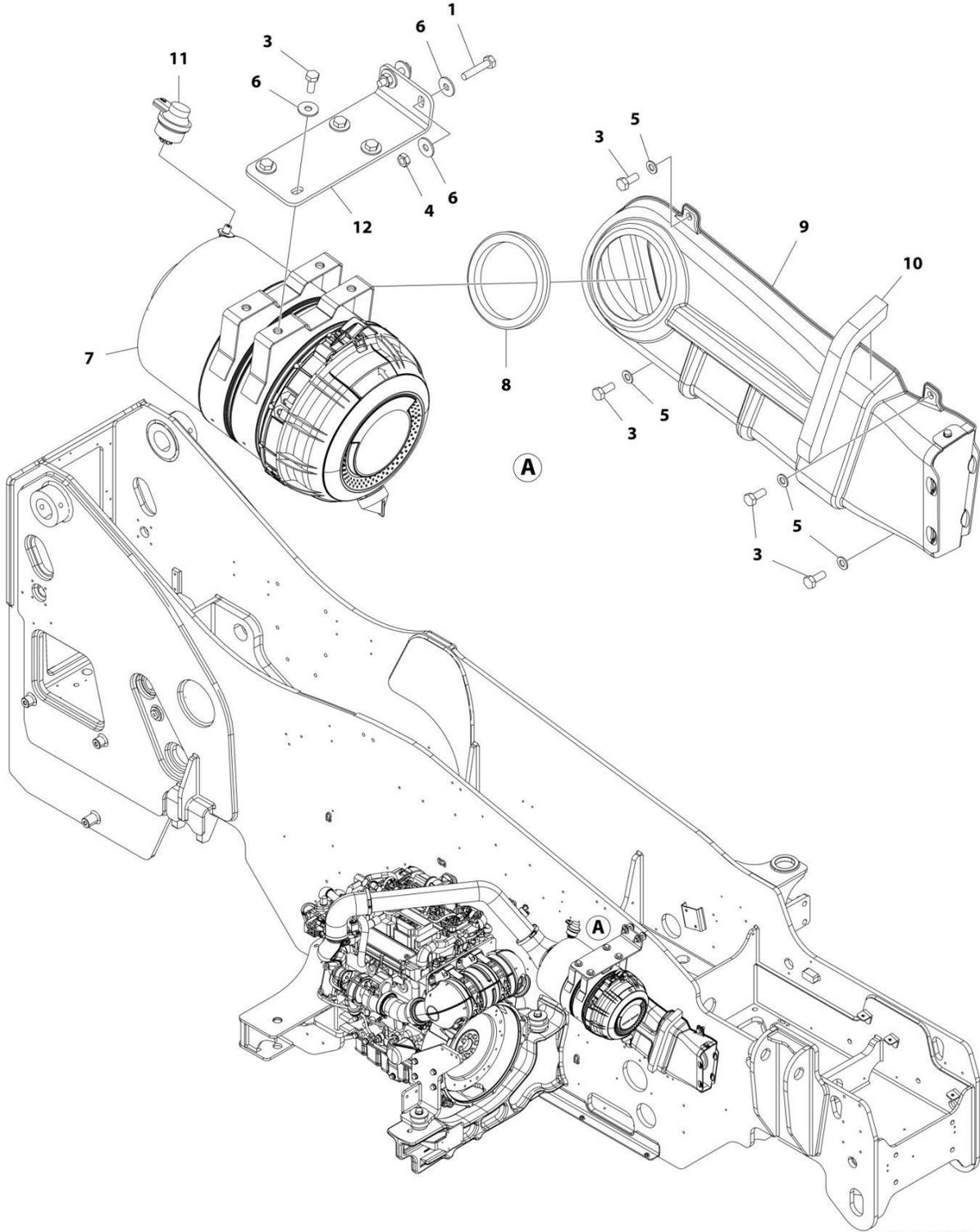
SECTION 4 - ENGINE AND ATTACHING PARTS

FIGURE 4-8. AIR INTAKE DUCT INSTALLATION

ITEM	PART NUMBER	QTY	DESCRIPTION	REV
	1001183835	Ref	Air Intake Duct Installation	C
1	0760608	1	Bolt, M6X16	
2	4811702	1	Washer, M6	
3	8305919	1	Nut	
4	1001183827	1	Duct	
5	1001183829	1	Plate	

SECTION 4 - ENGINE AND ATTACHING PARTS

FIGURE 4-9. AIR CLEANER INSTALLATION



ART_1001200864

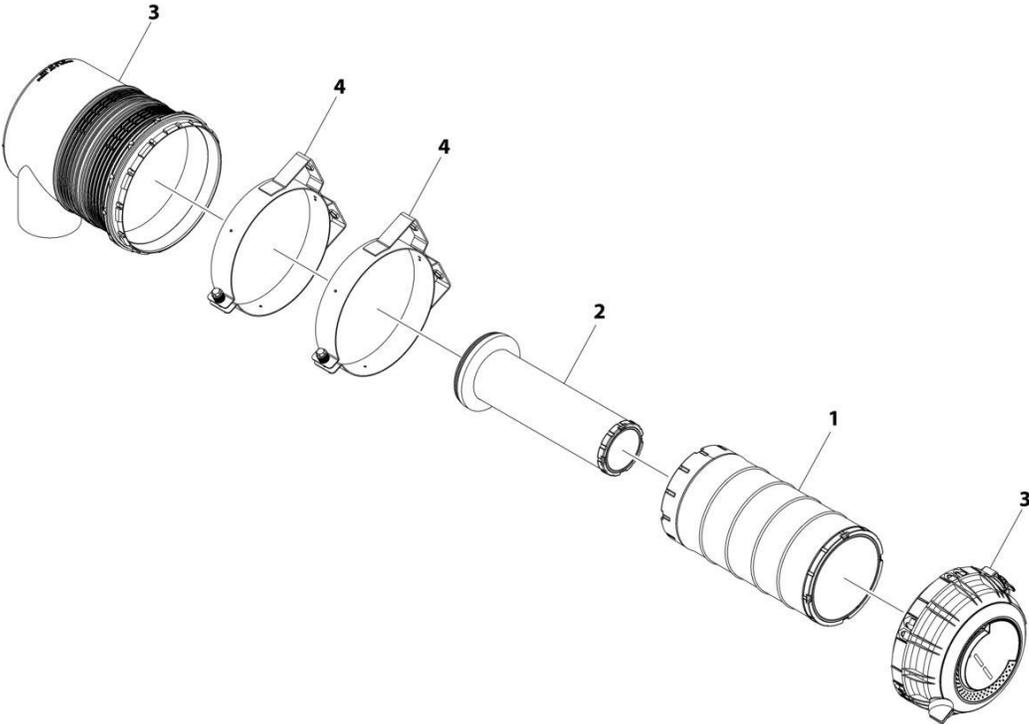
SECTION 4 - ENGINE AND ATTACHING PARTS

FIGURE 4-9. AIR CLEANER INSTALLATION

ITEM	PART NUMBER	QTY	DESCRIPTION	REV
	1001200864	Ref	AIR CLEANER INSTALLATION	D
1	0701018	2	Bolt M10 x 50	
3	0761012	8	Bolt M10 x 25	
4	3291001	2	Nut M10 x 1.5	
5	4812000	4	Washer M10	
6	4812002	8	Washer M10	
7	1001166565	1	Filter, Air Cleaner (See Separate Breakdown in this Section)	
8	1001183831	1	Grommet	
9	1001183835	1	Air Intake Duct Installation (See Separate Breakdown in this Section)	
10	1001186898	1	Seal	
11	1001166715	1	Indicator	
12	1001194534	1	Bracket, Air Cleaner Mount	

SECTION 4 - ENGINE AND ATTACHING PARTS

FIGURE 4-10. AIR CLEANER ASSEMBLY (90/100KW)



ART_1001166565

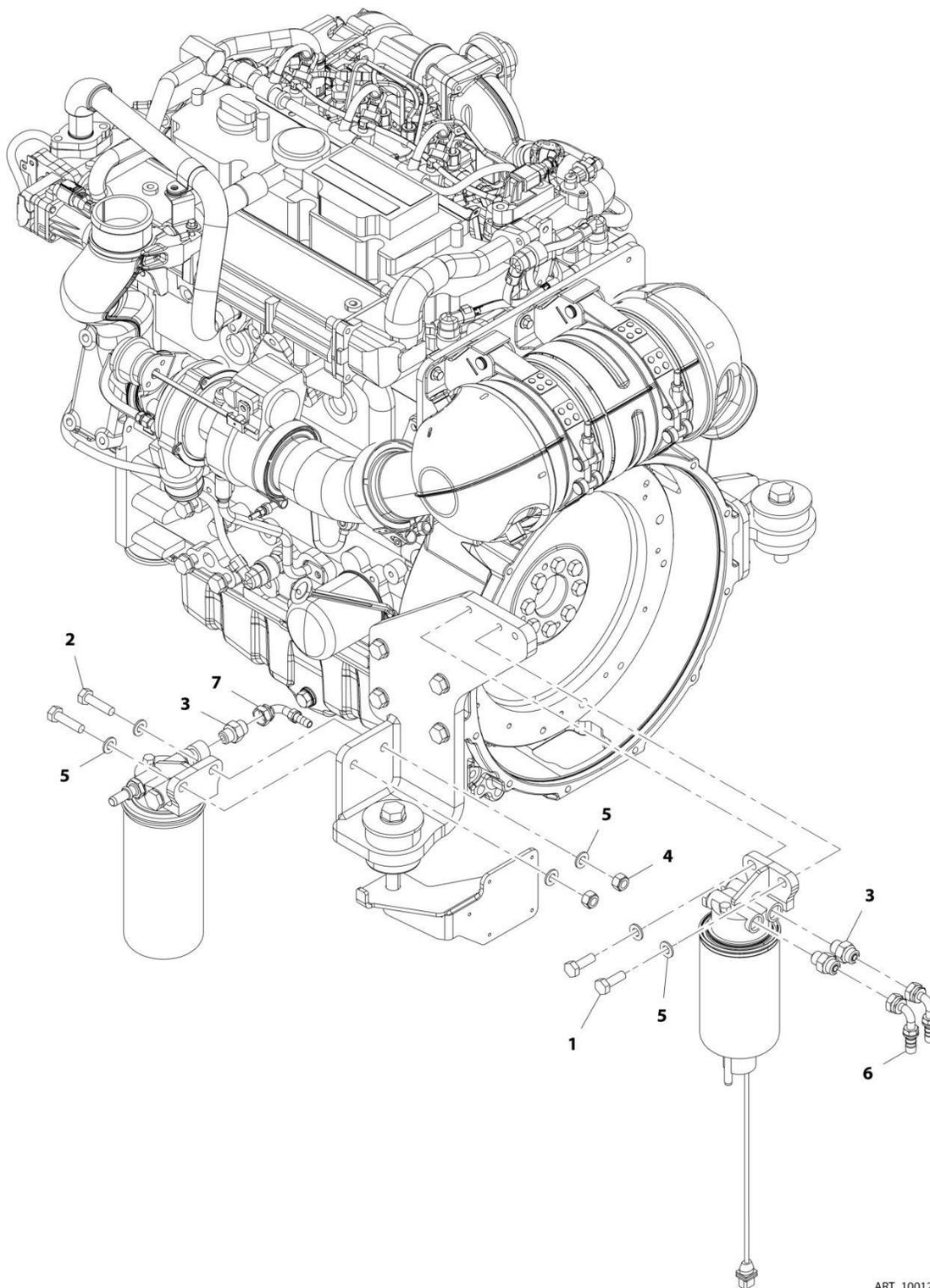
SECTION 4 - ENGINE AND ATTACHING PARTS

FIGURE 4-10. AIR CLEANER ASSEMBLY (90/100KW)

ITEM	PART NUMBER	QTY	DESCRIPTION	REV
	1001166565	Ref	AIR FILTER ASSEMBLY (90/100KW)	F
1	70025850	1	Filter, Cylindrical Air Primary	
2	70025851	1	Filter, Cylindrical Air Secondary	
3	70026395	1	Cover	
4	70026396	2	Bracket	

SECTION 4 - ENGINE AND ATTACHING PARTS

FIGURE 4-11. PRIMARY FUEL FILTER INSTALLATION (ULS)



ART_1001200865-C

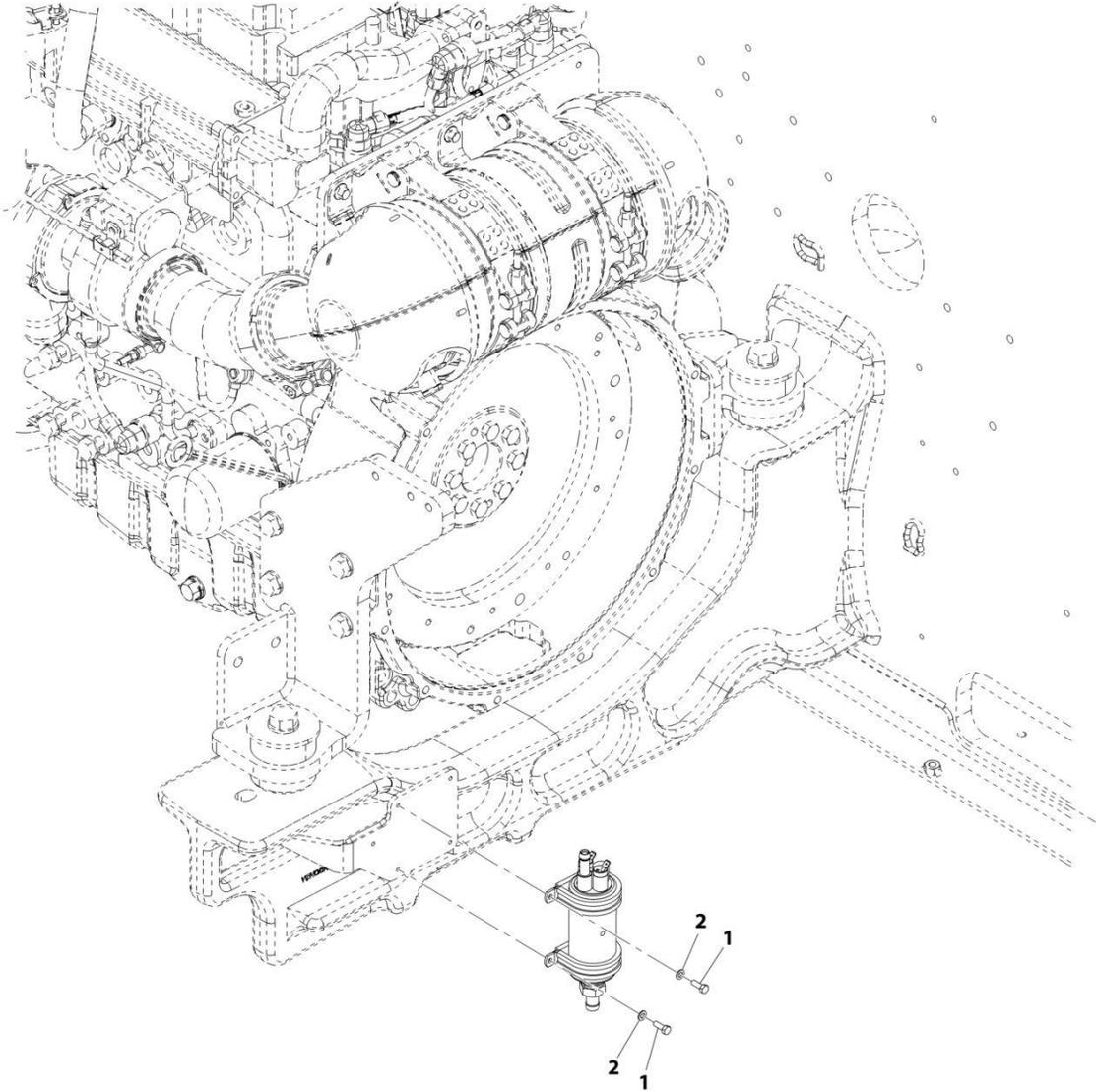
SECTION 4 - ENGINE AND ATTACHING PARTS

FIGURE 4-11. PRIMARY FUEL FILTER INSTALLATION (ULS)

ITEM	PART NUMBER	QTY	DESCRIPTION	REV
	1001200865	Ref	Primary Fuel Filter Installation	C
1	0701014	2	Bolt, M10X30	
2	0701016	2	Bolt, M10X40	
3	2144606	3	Fitting, Straight ORFS	
4	3291005	2	Nut, Lock M10X1.5	
5	4812000	6	Washer, M10	
6	1001095301	2	Fitting, 90 ORFS	
7	1001133793	1	Fitting, 90 ORFS	

SECTION 4 - ENGINE AND ATTACHING PARTS

FIGURE 4-12. REMOTE FUEL PUMP INSTALLATION



ART_1001221041-B

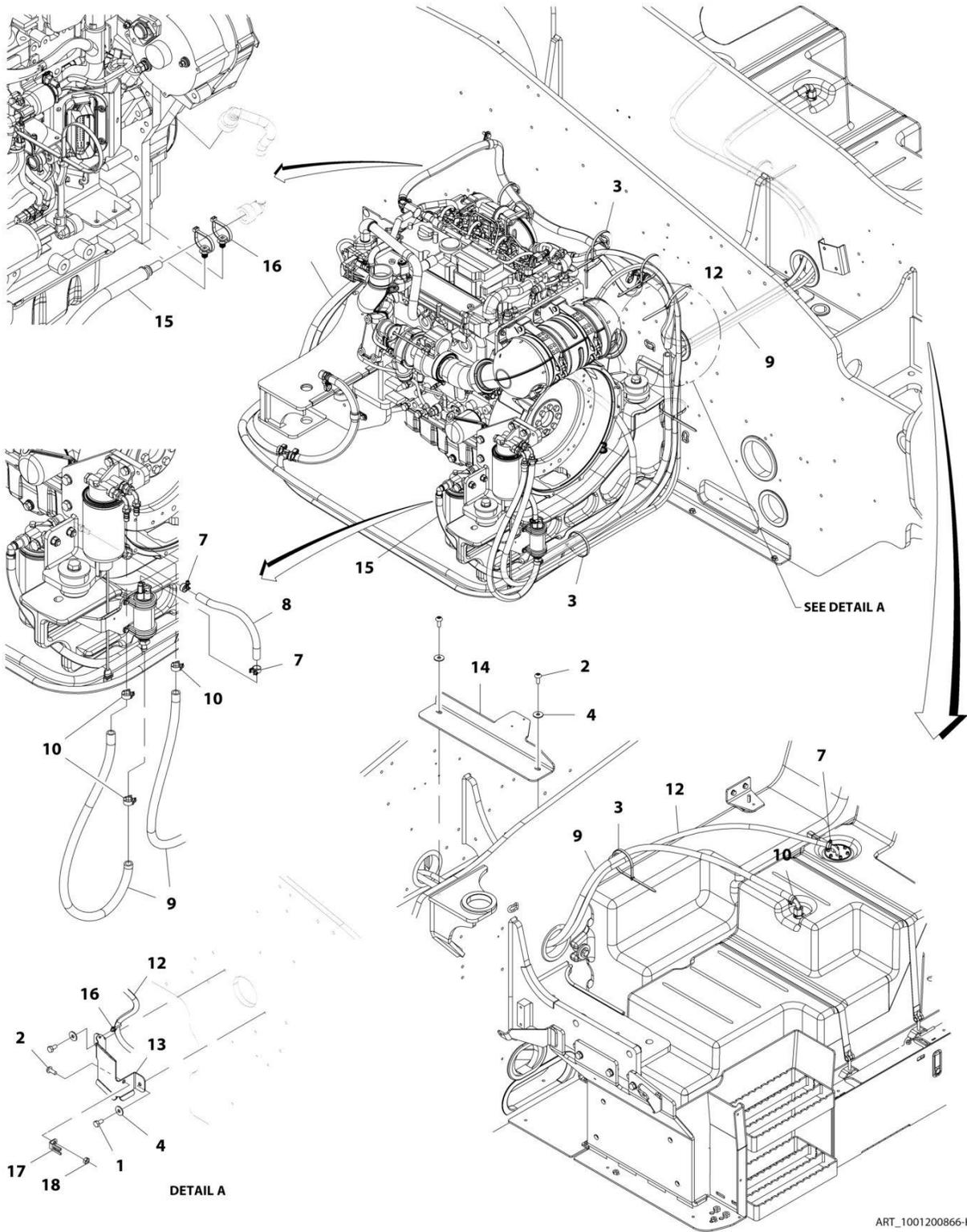
SECTION 4 - ENGINE AND ATTACHING PARTS

FIGURE 4-12. REMOTE FUEL PUMP INSTALLATION

ITEM	PART NUMBER	QTY	DESCRIPTION	REV
	1001221041	Ref	Remote Fuel Pump Installation	B
1	0760507	4	Bolt, M5X14	
2	4811600	4	Washer, M5	

SECTION 4 - ENGINE AND ATTACHING PARTS

FIGURE 4-13. FUEL LINES INSTALLATION



ART_1001200866-K

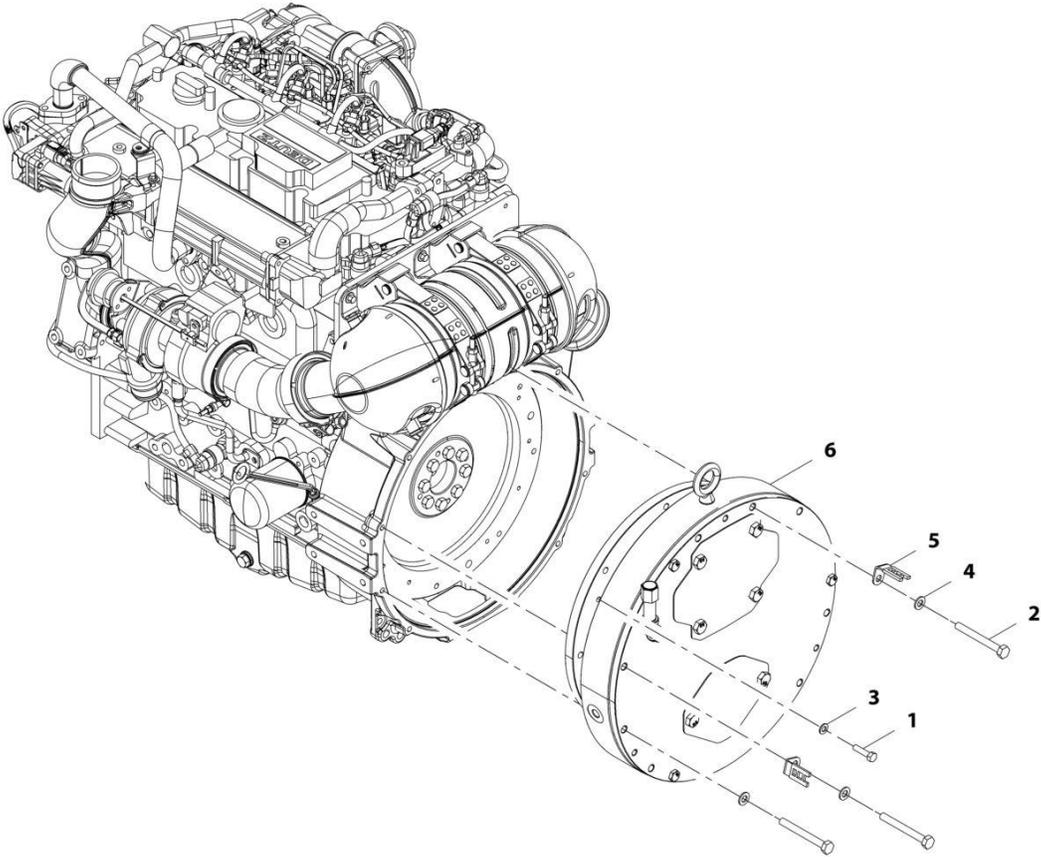
SECTION 4 - ENGINE AND ATTACHING PARTS

FIGURE 4-13. FUEL LINES INSTALLATION

ITEM	PART NUMBER	QTY	DESCRIPTION	REV
	1001200866	Ref	Fuel Lines Installation	K
1	0761010	2	Bolt, M10X20	
2	1001009325	3	Screw	
3	1062255	6	Strap, Tie	
4	4812002	4	Washer, M10	
7	1001136975	3	Clamp	
8	1001165035	260 mm	Hose	
9	1001172755	4060 mm	Hose	
10	1001175568	4	Clip	
12	1001228248	1	Hose	
13	1001210870	1	Plate	
14	1001221868	1	Channel, Frame	
15	1001232850	1	Hose	
16	1001146588	3	Strap, Tie	
17	1001003305	1	Clip	
18	3291001	1	Nut, M10X1.5 Grade 8	

SECTION 4 - ENGINE AND ATTACHING PARTS

FIGURE 4-14. HYDROSTATIC ADAPTOR INSTALLATION



ART_1001193703-D

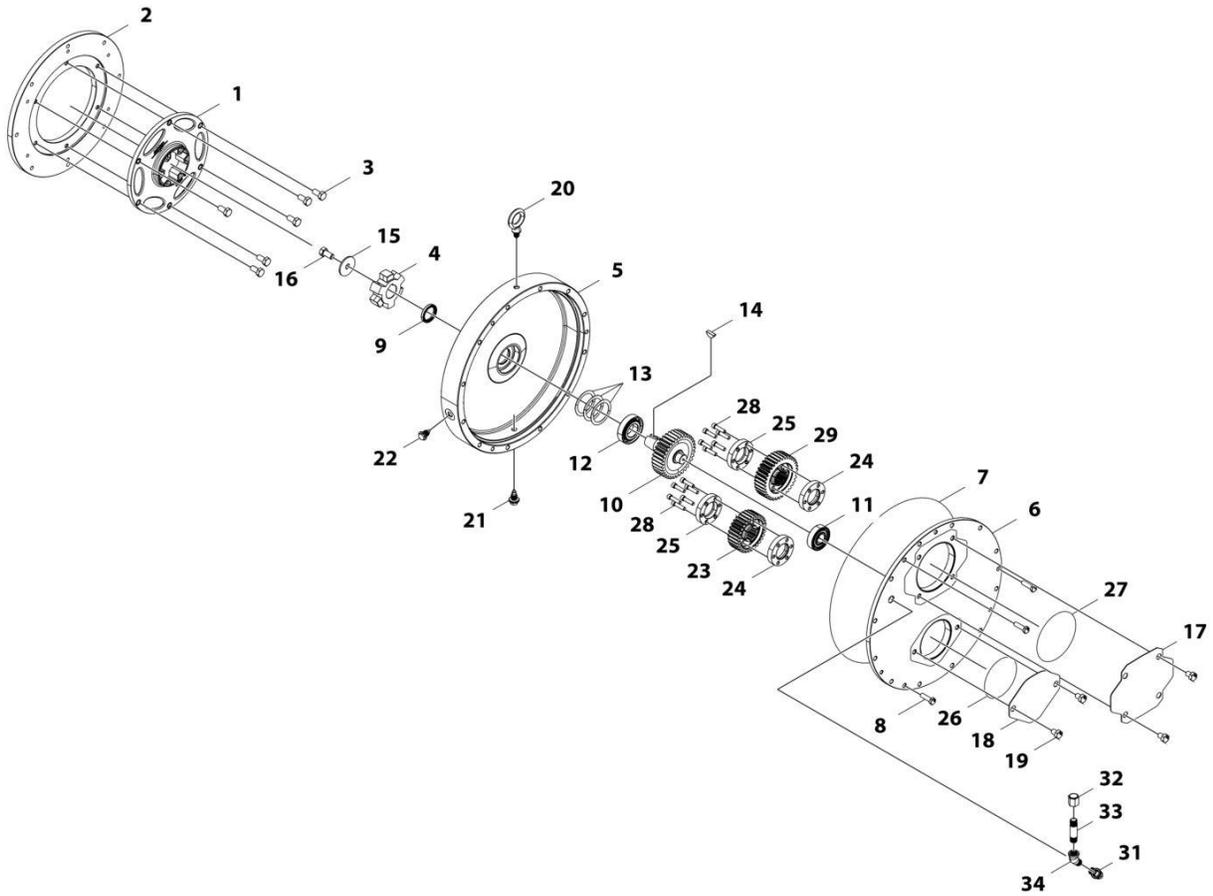
SECTION 4 - ENGINE AND ATTACHING PARTS

FIGURE 4-14. HYDROSTATIC ADAPTOR INSTALLATION

ITEM	PART NUMBER	QTY	DESCRIPTION	REV
	1001193703	Ref	Hydrostatic Adaptor Installation	D
1	0641510	6	Bolt, 5/16-18X1.25	
2	0701026	12	Bolt, M10X90	
3	4811900	6	Washer, M8	
4	4812000	10	Washer, M10	
5	1001003305	2	Clip	
6	1001193705	1	Assembly, Dual Drive Support (See Separate Breakdown in this Section)	

SECTION 4 - ENGINE AND ATTACHING PARTS

FIGURE 4-15. DUAL DRIVE SUPPORT ASSEMBLY



ART_1001193705

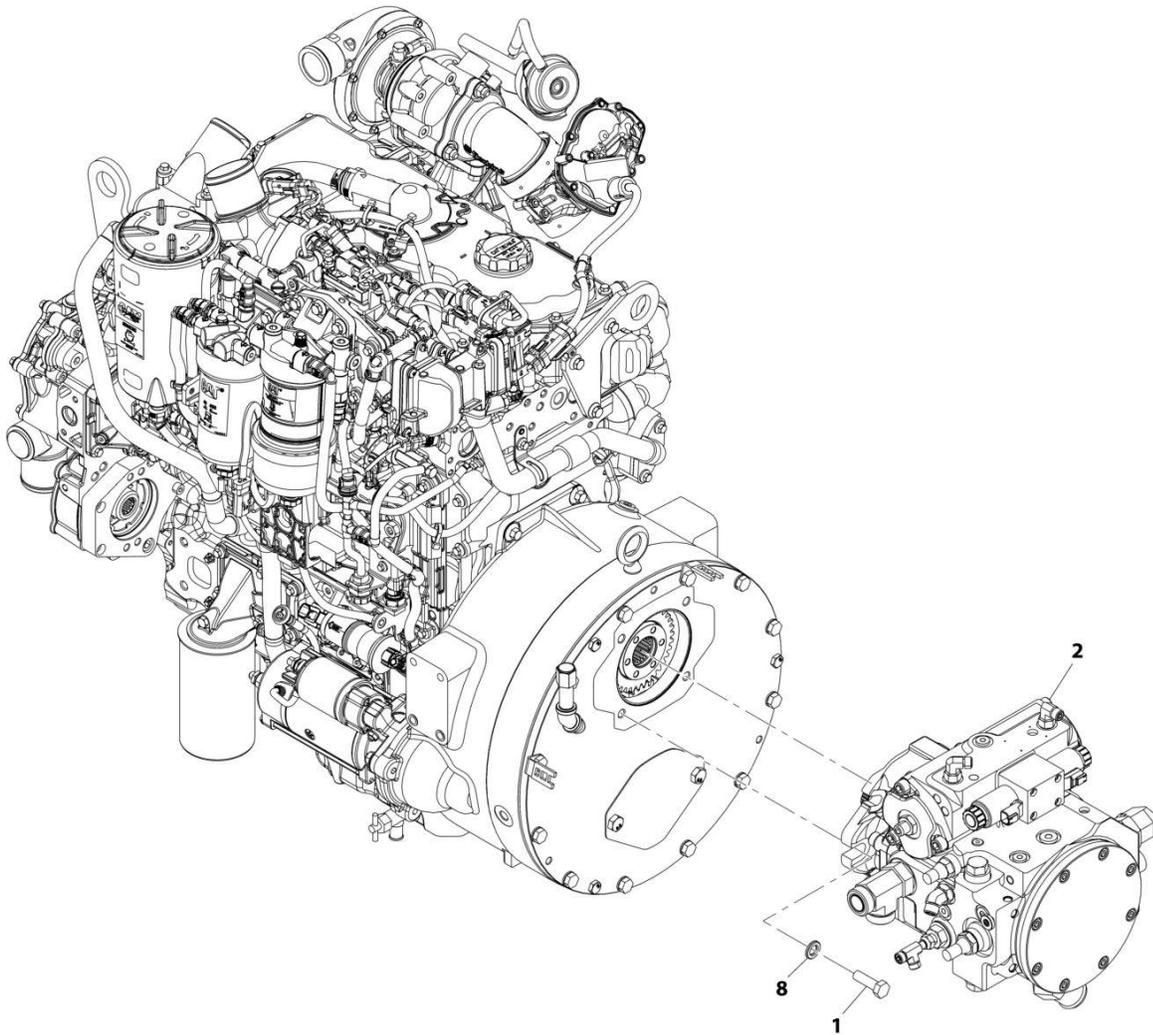
SECTION 4 - ENGINE AND ATTACHING PARTS

FIGURE 4-15. DUAL DRIVE SUPPORT ASSEMBLY

ITEM	PART NUMBER	QTY	DESCRIPTION	REV
	1001193705	Ref	Dual Drive Support Assembly	E
1	70028327	1	Plate, Flex	
2	70028328	1	Plate, Flywheel Adapter	
3	70028329	6	Bolt	
4	70028330	1	Hub, Flex	
5	70028331	1	Gear Box Half, Input Side	
6	70028332	1	Gear Box Half, Output Side	
7	70028333	1	O-Ring	
8	70028334	3	Bolt	
9	70028335	1	Seal, Shaft	
10	70028336	1	Gear, Input Shaft	
11	70028337	1	Bearing, Angular Contact	
12	70028338	1	Bearing, Angular Contact	
13	70028339	3	Washer	
14	70028340	1	Key	
15	70028341	1	Washer	
16	70028342	1	Bolt	
17	70028343	1	Cover, Pump Mount Implement	
18	70028344	1	Cover, Pump Mount Hydrastat	
19	70028345	6	Bolt	
20	70028346	1	Eyebolt, Modified	
21	70028347	1	Plug	
22	70028348	1	Plug	
23	70028349	1	Pump, Gear,30 Tooth	
24	70028350	2	Locking Ring, Tapered	
25	70028351	2	Locking Ring, Tapered	
26	70028352	1	O-Ring	
27	70028353	1	O-Ring	
28	70028354	12	Bolt	
29	70028355	1	Pump, Gear, 35 Tooth	
31	70028357	1	Adapter, 90	
32	70028358	1	Breather	
33	70028359	1	Nipple	
34	70028360	1	Adapter, 45	

SECTION 4 - ENGINE AND ATTACHING PARTS

FIGURE 4-16. HYDROSTATIC DRIVE PUMP INSTALLATION



ART-1001193704-D

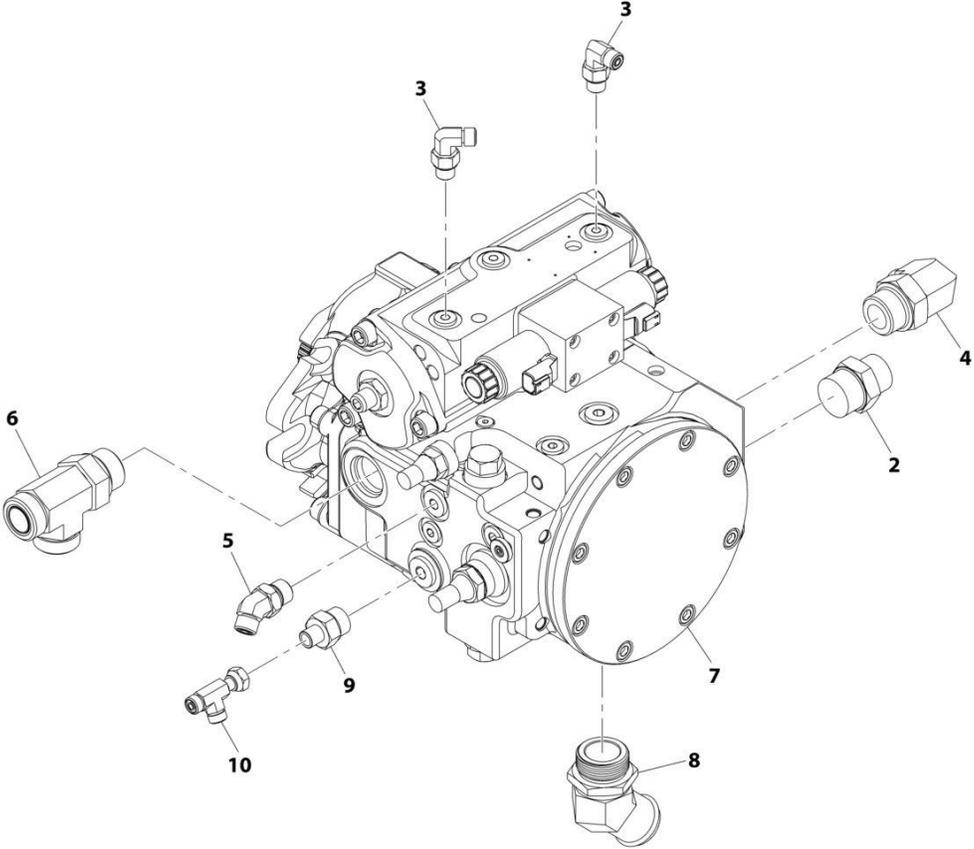
SECTION 4 - ENGINE AND ATTACHING PARTS

FIGURE 4-16. HYDROSTATIC DRIVE PUMP INSTALLATION

ITEM	PART NUMBER	QTY	DESCRIPTION	REV
	1001193704	Ref	Hydrostatic Drive Pump Installation	D
1	0711216	4	Bolt, M12X40	
2	1001210771	1	Assembly, Hydrostatic Drive Pump (See Separate Breakdown in this Section)	
8	4740532	4	Washer, M12	

SECTION 4 - ENGINE AND ATTACHING PARTS

FIGURE 4-17. HYDROSTATIC DRIVE PUMP ASSEMBLY



ART_1001210771-C

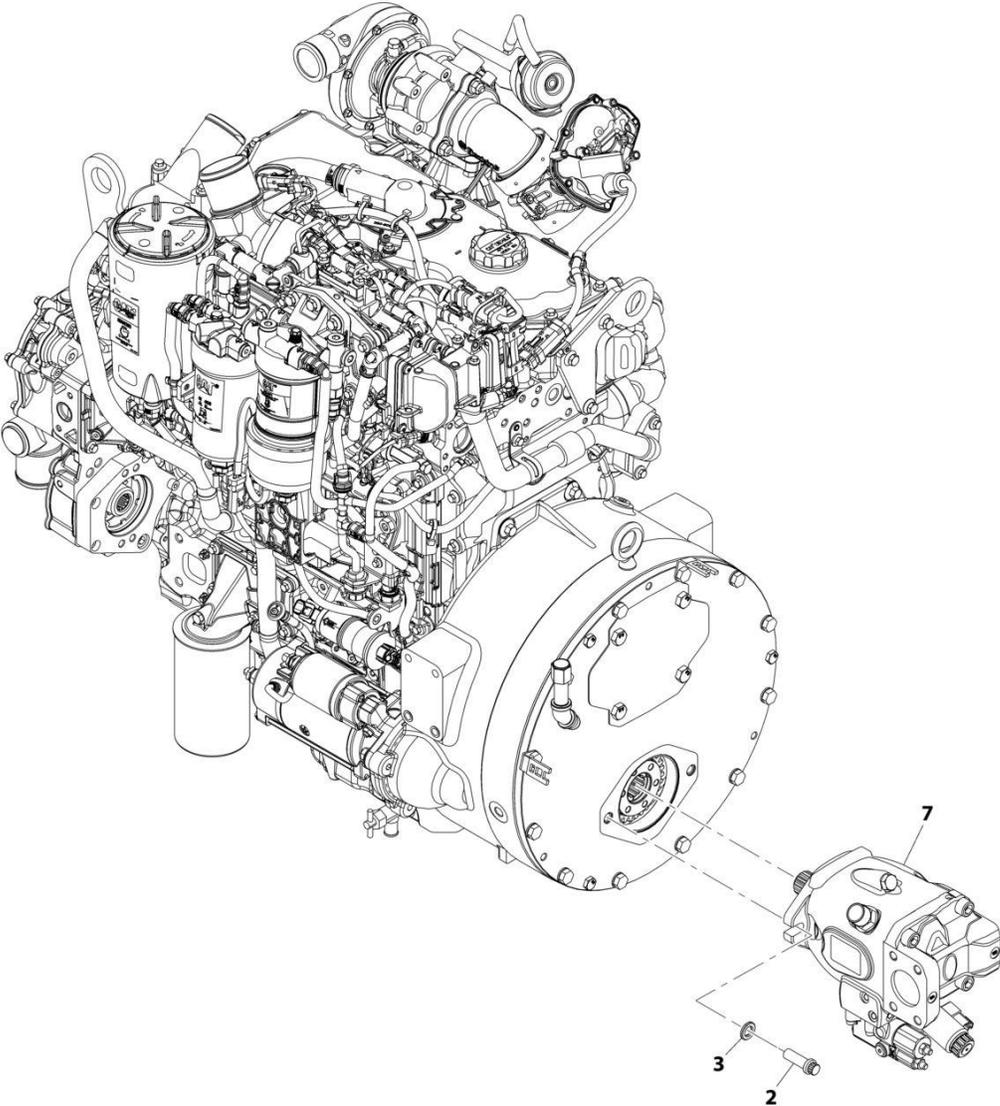
SECTION 4 - ENGINE AND ATTACHING PARTS

FIGURE 4-17. HYDROSTATIC DRIVE PUMP ASSEMBLY

ITEM	PART NUMBER	QTY	DESCRIPTION	REV
	1001210771	Ref	Hydrostatic Drive Pump Assembly	C
2	2111216	1	Fitting, Straight ORFS	
3	2130406	2	Fitting, 90 ORFS	
4	2131216	1	Fitting, 90 ORFS	
5	2150608	1	Fitting, 45 ORFS	
6	2170316	1	Fitting, TEE ORFS	
7	1001193307	1	Pump, Hydrostatic Drive (See Separate Breakdown in HYDRAULIC COMPONENTS Section)	
8	1001196664	1	Fitting, 45	
9	2110410	1	Fitting, Straight ORFS	
10	2170704	1	Fitting, Tee ORFS	

SECTION 4 - ENGINE AND ATTACHING PARTS

FIGURE 4-18. IMPLEMENT PUMP INSTALLATION



ART_1001193393-E

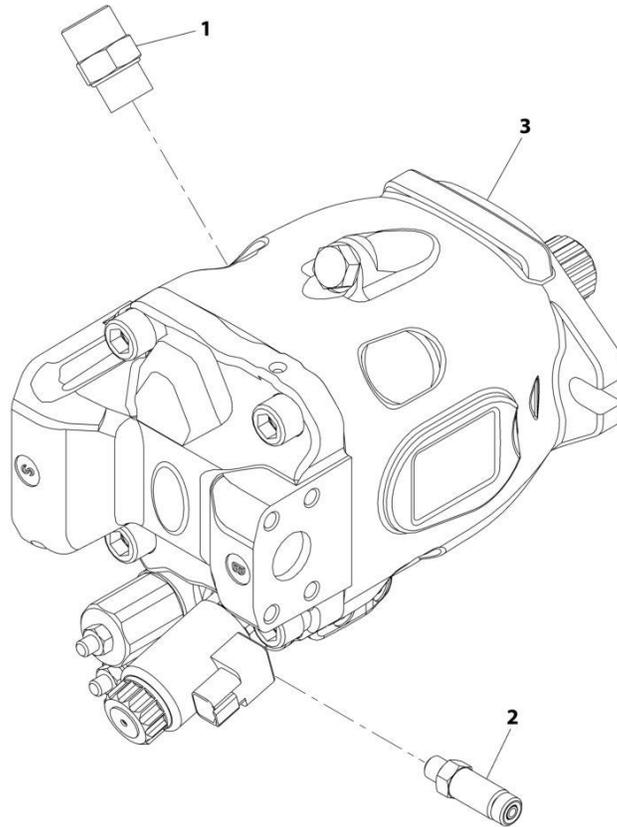
SECTION 4 - ENGINE AND ATTACHING PARTS

FIGURE 4-18. IMPLEMENT PUMP INSTALLATION

ITEM	PART NUMBER	QTY	DESCRIPTION	REV
	1001193393	Ref	Implement Pump Installation	E
2	1001238781	2	Screw Flange	
3	4740532	2	Washer	
7	1001212739	1	Assembly, Implement Pump (See Separate Breakdown in this Section)	

SECTION 4 - ENGINE AND ATTACHING PARTS

FIGURE 4-19. IMPLEMENT PUMP ASSEMBLY



ART_1001212739-A

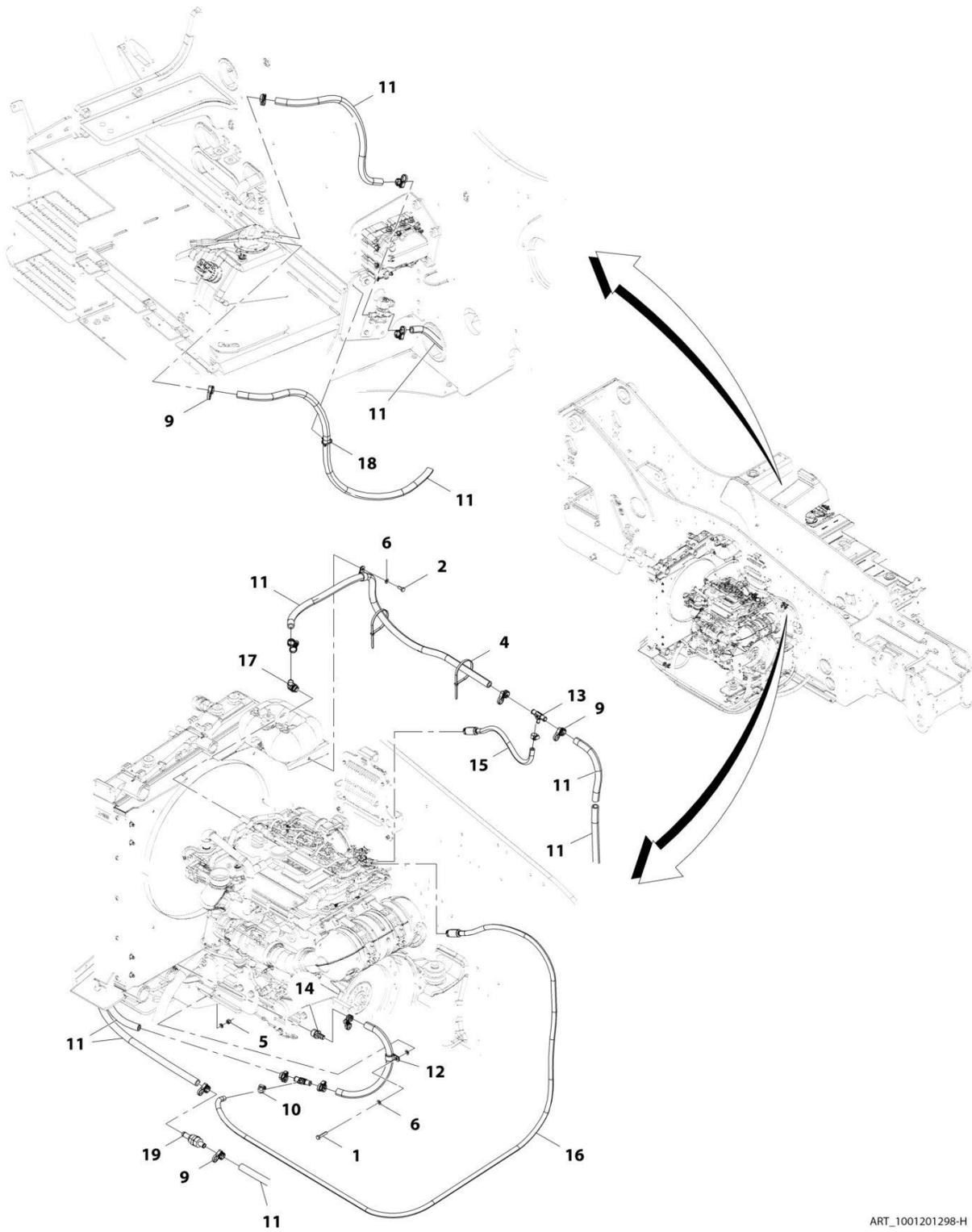
SECTION 4 - ENGINE AND ATTACHING PARTS

FIGURE 4-19. IMPLEMENT PUMP ASSEMBLY

ITEM	PART NUMBER	QTY	DESCRIPTION	REV
	1001212739	Ref	Implement Pump Assembly	A
1	2111010	1	Fitting, Straight ORFS	
2	2170104	1	Fitting, Straight ORFS	
3	1001180070	1	Pump, Implement (See Separate Breakdown in HYDRAULIC COMPONENTS Section)	

SECTION 4 - ENGINE AND ATTACHING PARTS

FIGURE 4-20. DEF COOLANT LINES INSTALLATION (ULS)



ART_1001201298-H

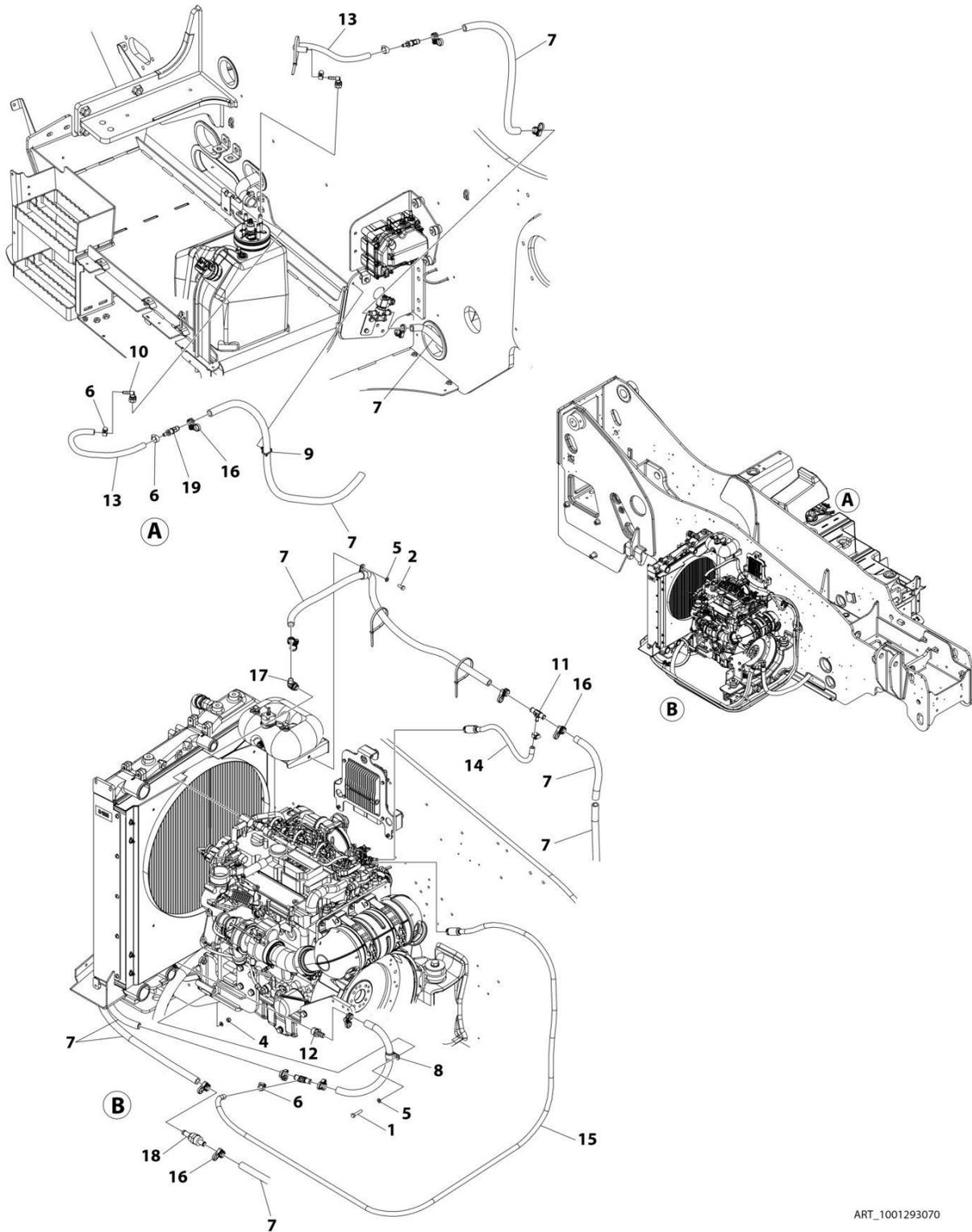
SECTION 4 - ENGINE AND ATTACHING PARTS

FIGURE 4-20. DEF COOLANT LINES INSTALLATION (ULS)

ITEM	PART NUMBER	QTY	DESCRIPTION	REV
	1001201298	Ref	DEF Coolant Lines Installation (ULS)	H
1	0700816	1	Bolt, M8X40	
2	0760810	1	Bolt, M8X20	
4	1062255	AR	Strap, Tie	
5	3290805	1	Nut, M8X1.25	
6	4811900	3	Washer, M8	
9	1001202526	12	Clamp	
10	8410013	2	Clamp	
11	82033995	9695 mm	Hose	
12	1001100319	2	Clip	
13	1001162212	2	Pipe	
14	1001167409	1	Pipe	
15	1001201299	1	Hose	
16	1001201300	1	Hose	
17	1001203005	1	Fitting, 45	
18	1001146588	1	Strap, Tie	
19	1001228872	1	Filter	

SECTION 4 - ENGINE AND ATTACHING PARTS

FIGURE 4-21. DEF COOLANT LINES INSTALLATION (ULS)



ART_1001293070

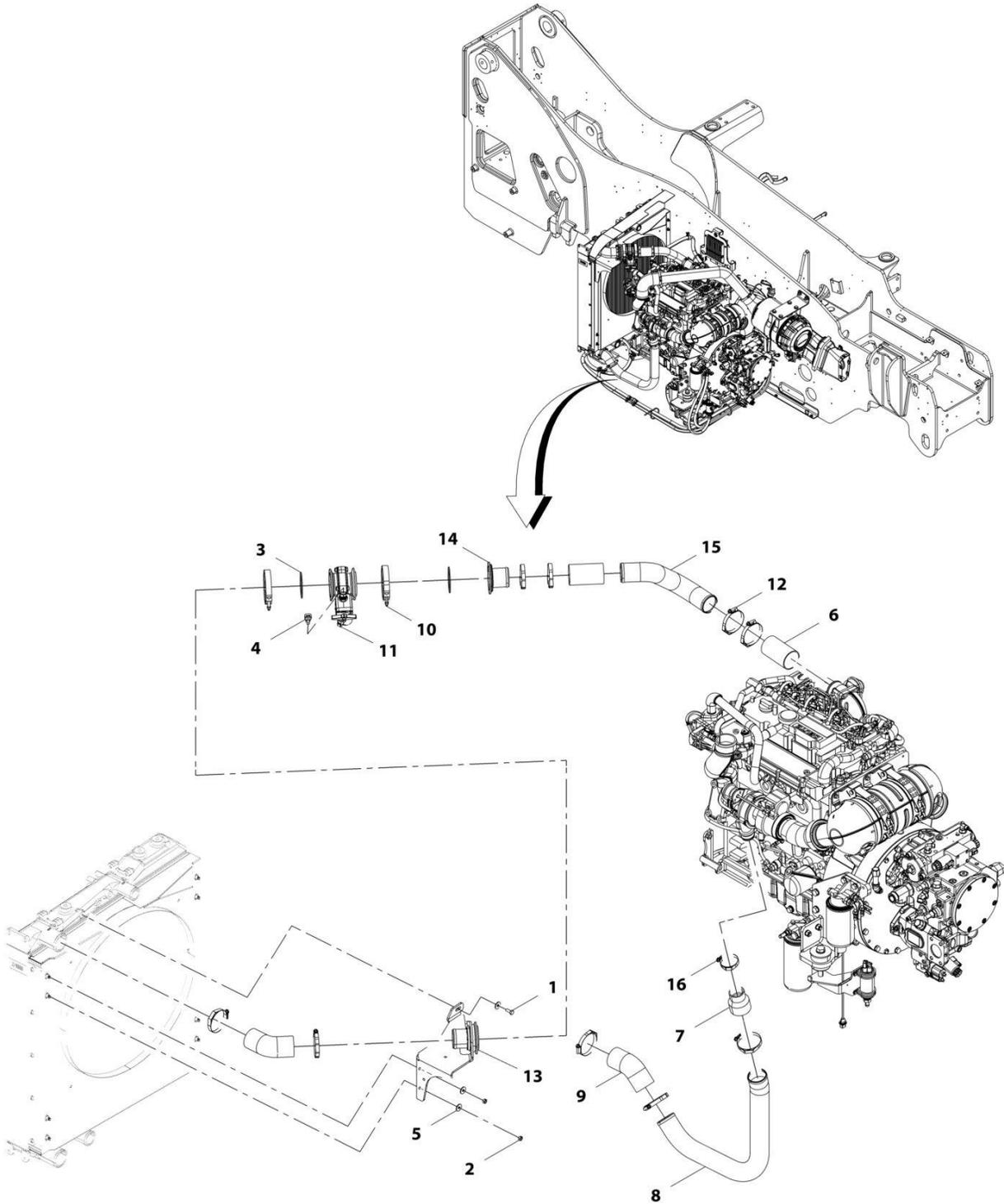
SECTION 4 - ENGINE AND ATTACHING PARTS

FIGURE 4-21. DEF COOLANT LINES INSTALLATION (ULS)

ITEM	PART NUMBER	QTY	DESCRIPTION	REV
	1001293070	Ref	DEF COOLANT LINES INSTALLATION (ULS)	A
1	0700816	1	Bolt M8 x 40	
2	0760810	1	Bolt M8 x 20	
3	1062255	AR	Tie-Strap (Not Shown)	
4	3290805	1	Nut M8	
5	4811900	3	Washer M8	
6	8410013	6	Clamp	
7	82033995	31 ft /10 m	Hose	
8	1001100319	2	Clip	
9	1001146588	1	Tie-Strap, Fir Tree	
10	1001155823	2	Coupling	
11	1001162212	2	Pipe	
12	1001167409	1	Pipe	
13	1001181625	35 in /87 cm	Hose	
14	1001201299	1	Hose	
15	1001201300	1	Hose	
16	1001202526	12	Clamp	
17	1001203005	1	Fitting, 45	
18	1001228872	1	Filter	
19	1001238470	2	Adapter	

SECTION 4 - ENGINE AND ATTACHING PARTS

FIGURE 4-22. CAC LINES INSTALLATION



ART_1001223869-B

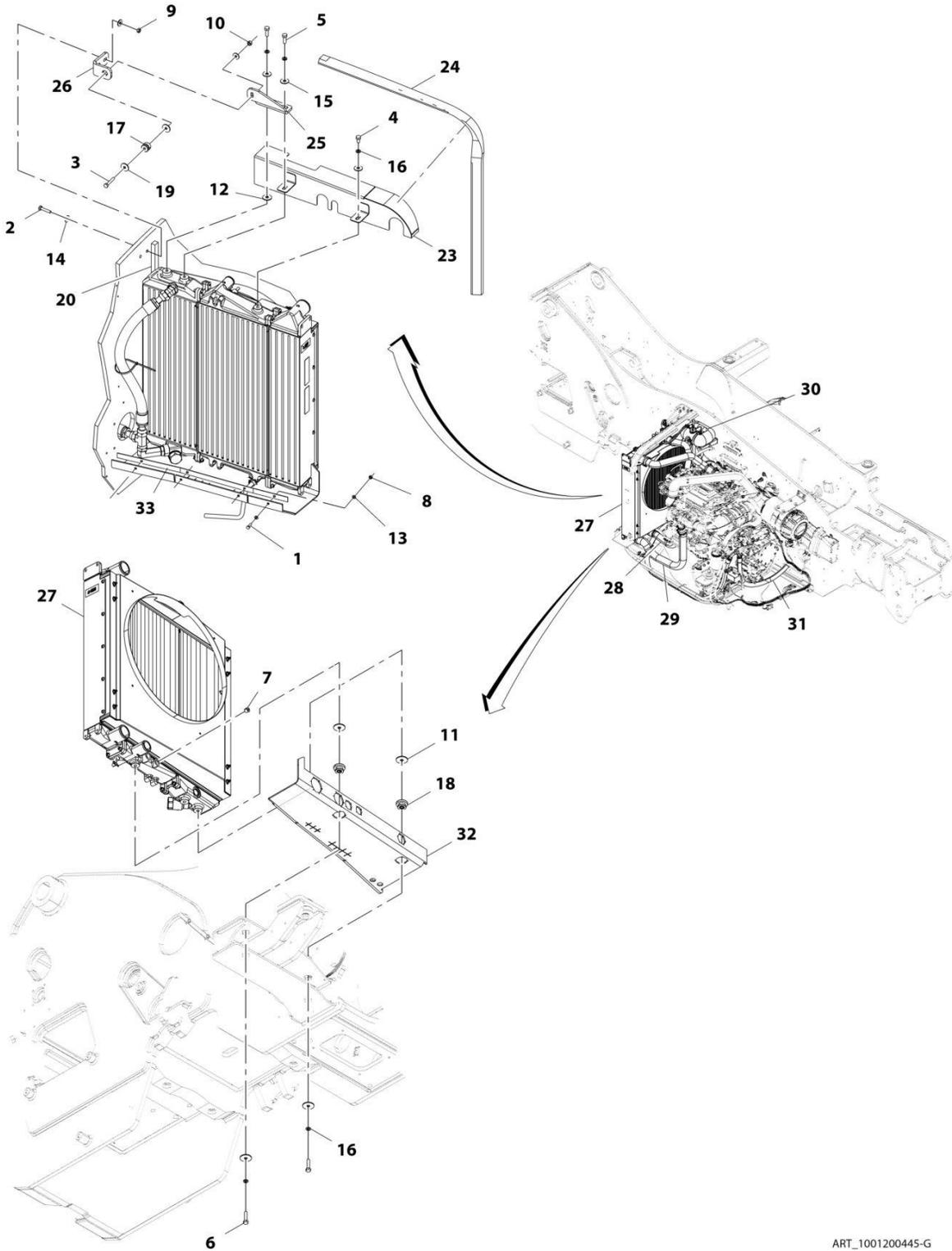
SECTION 4 - ENGINE AND ATTACHING PARTS

FIGURE 4-22. CAC LINES INSTALLATION

ITEM	PART NUMBER	QTY	DESCRIPTION	REV
	1001223869	Ref	CAC Lines Installation	B
1	0760810	1	Bolt, M8X20	
2	3290801	2	Nut, M8X1.25	
3	3790152	2	Ring	
4	4460742	1	Connector	
5	4811902	3	Washer, M8	
6	1001114495	2	Hose	
7	1001173528	1	Fitting, Straight	
8	1001201315	1	Pipe	
9	1001201316	2	Hose	
10	1001202247	2	Clamp	
11	1001204032	1	Valve, Shut Off (See Separate Breakdown in HYDRAULIC COMPONENTS Section)	
12	1001215022	9	Clamp	
13	1001223618	1	Valve, ASO (See Separate Breakdown in HYDRAULIC COMPONENTS Section)	
14	1001223628	1	Valve, ASO	
15	1001223645	1	Pipe	
16	1001215024	1	Clamp	

SECTION 4 - ENGINE AND ATTACHING PARTS

FIGURE 4-23. COOLING PACKAGE INSTALLATION



ART_1001200445-G

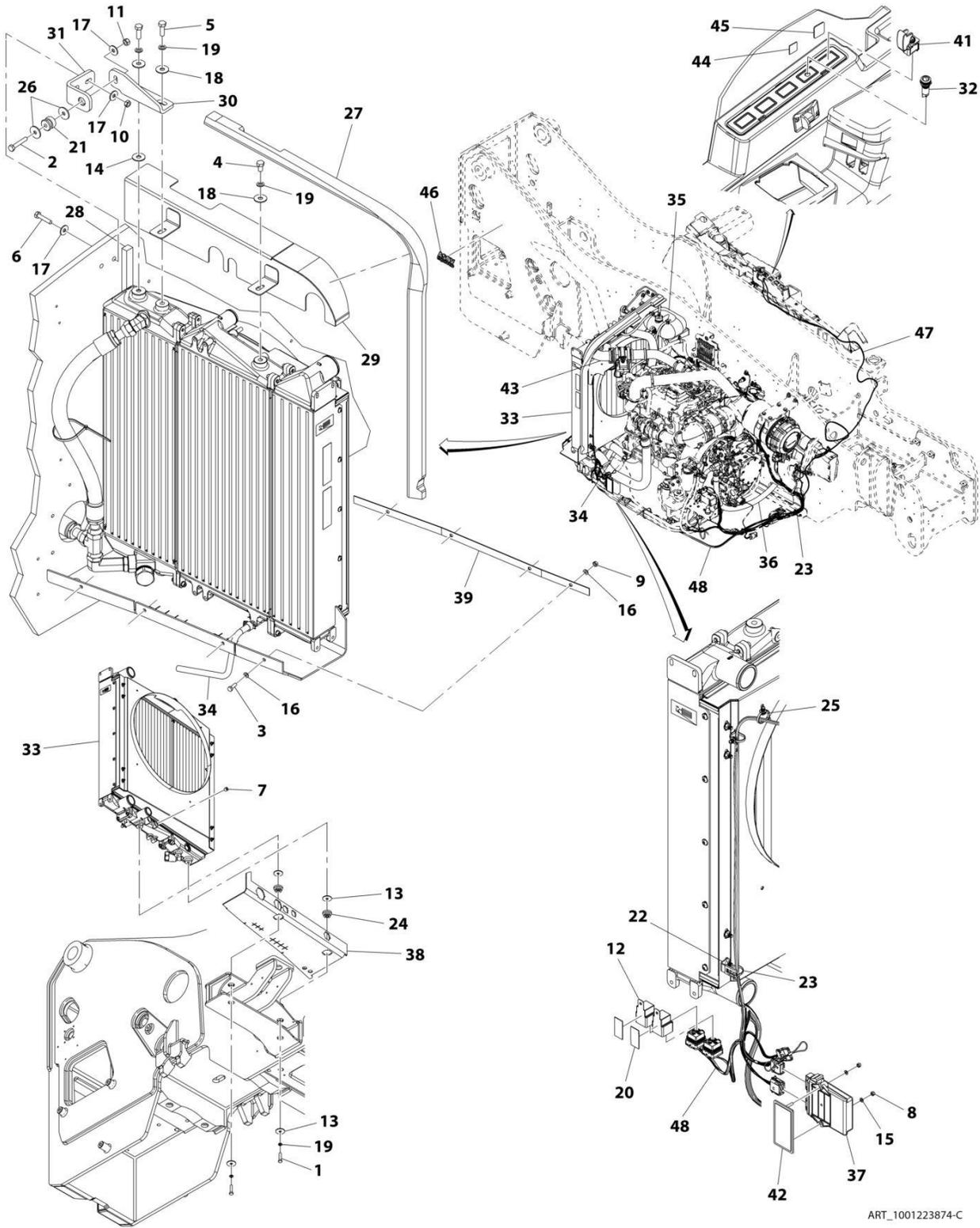
SECTION 4 - ENGINE AND ATTACHING PARTS

FIGURE 4-23. COOLING PACKAGE INSTALLATION

ITEM	PART NUMBER	QTY	DESCRIPTION	REV
	1001200445	Ref	Cooling Package Installation	G
1	0760812	4	Bolt,M8X25	
2	0701018	2	Bolt, M10X50	
3	0701020	1	Bolt, M10X60	
4	0761210	1	Bolt, M12X20	
5	0761215	2	Bolt, M12X35	
6	0761218	2	Bolt, M12X50	
7	2200223	1	Plug	
8	3290801	4	Nut, M8X1.25	
9	3291001	2	Nut, M10X1.5	
10	3291005	1	Nut, Lock M10X1.5	
11	4740274	4	Washer	
12	4740550	1	Washer, M12	
13	4811900	8	Washer, M8	
14	4812002	5	Washer, M10	
15	4812102	3	Washer, M12	
16	4832100	5	Washer, Lock M12	
17	8278020	1	Mount	
18	1001114803	2	Mount	
19	1001155540	2	Washer	
20	1001173457	1	Seal	
23	1001196191	1	Bracket, Air Baffle	
24	1001173452	1	Seal	
25	1001200498	1	Bracket, Radiator	
26	1001200499	1	Bracket, Frame	
27	1001201301	1	Radiator, (See Separate Breakdown in this Section)	
28	1001201302	Ref	Installation, Coolant Lines (See Separate Breakdown in this Section)	
29	1001201303	Ref	Installation, Radiator Lines (See Separate Breakdown in this Section)	
30	1001201304	Ref	Installation, Surge Tank (See Separate Breakdown in this Section)	
31	1001201305	Ref	Installation, Transmission Oil Cooler Lines (See Separate Breakdown in this Section)	
32	1001203947	1	Panel, Air Dam	
33	1001203948	1	Plate, Air Dam	

SECTION 4 - ENGINE AND ATTACHING PARTS

FIGURE 4-24. COOLING PACKAGE INSTALLATION



ART_1001223874-C

SECTION 4 - ENGINE AND ATTACHING PARTS

FIGURE 4-24. COOLING PACKAGE INSTALLATION

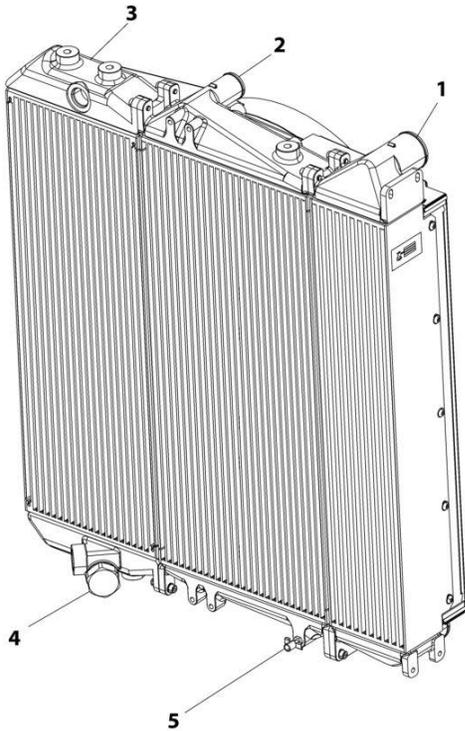
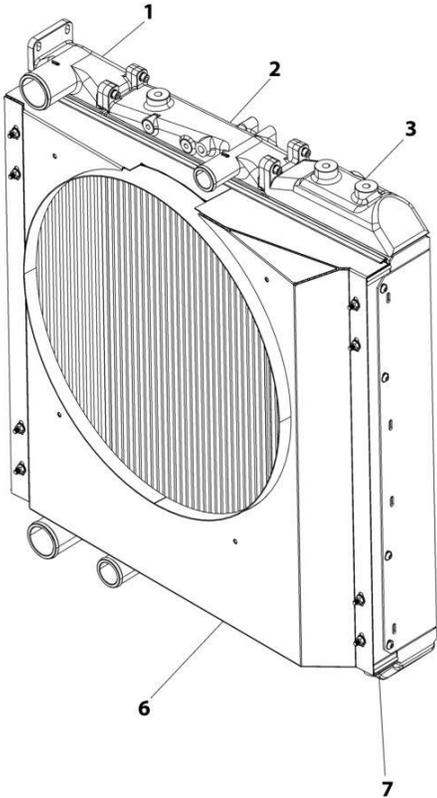
ITEM	PART NUMBER	QTY	DESCRIPTION	REV
	1001223874	Ref	Cooling Package Installation	C
1	0701018	2	Bolt, M10X50	
2	0701020	1	Bolt, M10X60	
3	0760812	4	Bolt, M8X25	
4	0761210	1	Bolt, M12X20	
5	0761215	2	Bolt, M12X35	
6	0761218	2	Bolt, M12X50	
7	2200223	1	Plug	
8	3290505	2	Nut, M5X0.8	
9	3290801	4	Nut, M8X1.25	
10	3291001	2	Nut, M10X1.5	
11	3291005	1	Nut, Lock M10X1.5	
12	3740080	2	Relay	
13	4740274	4	Washer	
14	4740550	1	Washer, M12	
15	4811600	2	Washer, M5	
16	4811900	8	Washer, M8	
17	4812002	5	Washer, M10	
18	4812102	3	Washer, M12	
19	4832100	5	Washer, Lock M12	
20	7169541	AR	Tape	
21	8278020	1	Mount	
22	1001003305	1	Clip	
23	1001008559	4	Strap, Cable	
24	1001114803	2	Mount	
25	1001146588	2	Strap, Cable	
26	1001155540	2	Washer	
27	1001173452	1	Seal, Foam Gasket	
28	1001173457	1	Seal	
29	1001196191	1	Bracket, Air Baffle	
30	1001200498	1	Bracket, Radiator	
31	1001200499	1	Bracket, Frame	
32	1001200631	1	Lamp, LED Indicator	
33	1001201301	1	Radiator, (See Separate Breakdown in this Section)	
34	1001201302	Ref	Installation, Coolant Lines (See Separate Breakdown in this Section)	
35	1001201304	Ref	Installation, Surge Tank (See Separate Breakdown in this Section)	
36	1001201305	Ref	Installation, Transmission Oil Cooler Lines (See Separate Breakdown in this Section)	
37	1001203181	1	Accessory, Control	
38	1001203947	1	Panel, Air Dam	
39	1001203948	1	Plate, Air Dam	
41	1001215941	1	Switch	
42	1001219082	1	Bracket	
43	1001223869	1	Installation, Radiator Lines (See Separate Breakdown in this Section)	
44	1001227077	1	Decal, Air Shut Off	
45	1001227964	1	Decal, ASOV Test	
46	1001228643	1	Decal, ASOV Equipped	

SECTION 4 - ENGINE AND ATTACHING PARTS

ITEM	PART NUMBER	QTY	DESCRIPTION	REV
47	1001231407	1	Harness, POSI Air Shutoff (See Separate Breakdown in Electrical Section)	
48	1001231483	1	Harness, POSI Air Shutoff (See Separate Breakdown in Electrical Section)	

SECTION 4 - ENGINE AND ATTACHING PARTS

FIGURE 4-25. RADIATOR



ART_1001201301

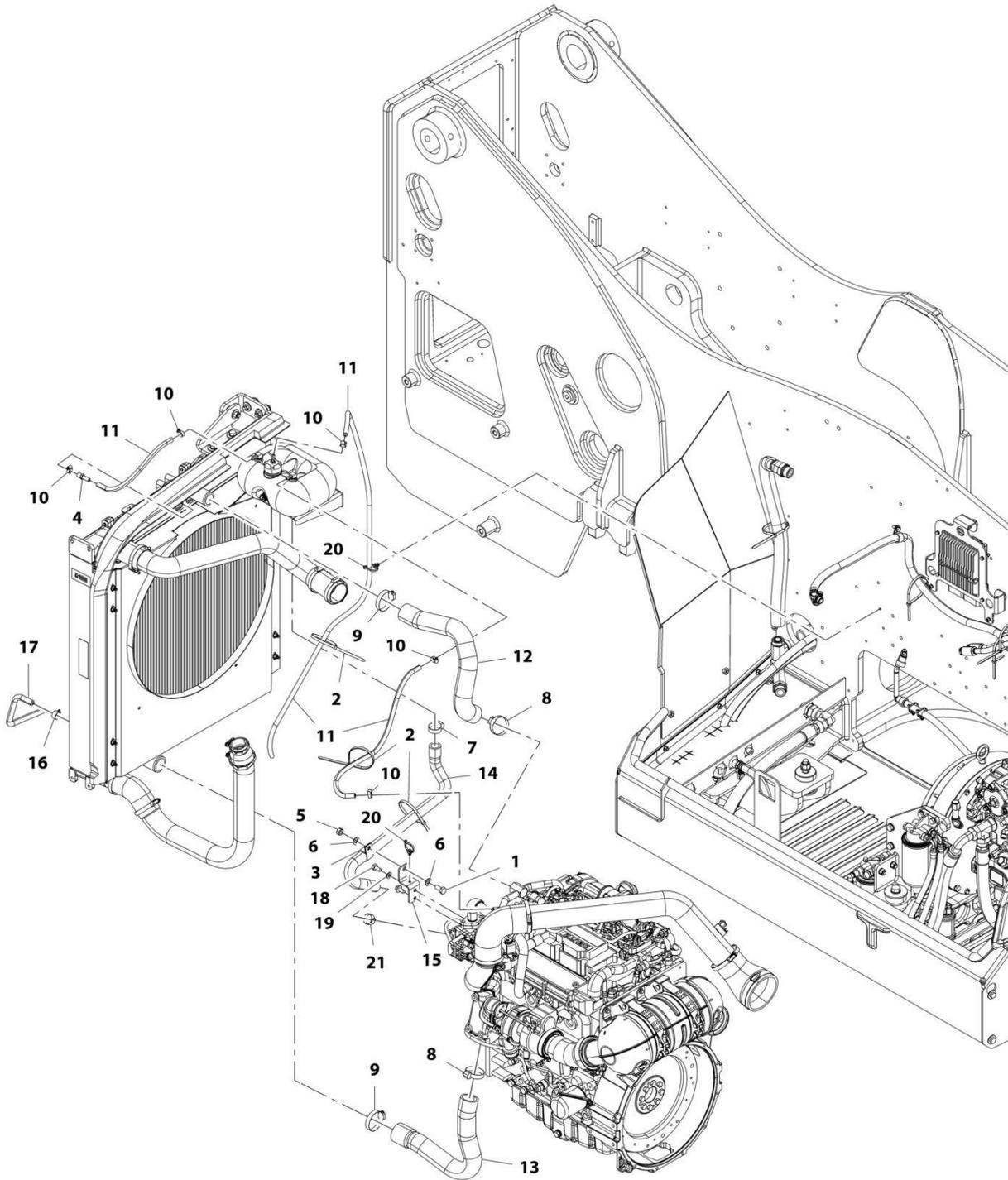
SECTION 4 - ENGINE AND ATTACHING PARTS

FIGURE 4-25. RADIATOR

ITEM	PART NUMBER	QTY	DESCRIPTION	REV
	1001201301	Ref	RADIATOR COOLLING PACKAGE	D
1	70026353	1	Cooler, Air Charge	
2	70026354	1	Radiator	
3	70028550	1	Cooler, Hydraulic Oil	
4	70028548	1	Valve, Bypass	
5	70026081	1	Petcock	
6	70028549	1	Shroud	
7	70026359	2	Bracket, Shroud Mounting	

SECTION 4 - ENGINE AND ATTACHING PARTS

FIGURE 4-26. COOLANT LINES INSTALLATION



ART_1001201302-E

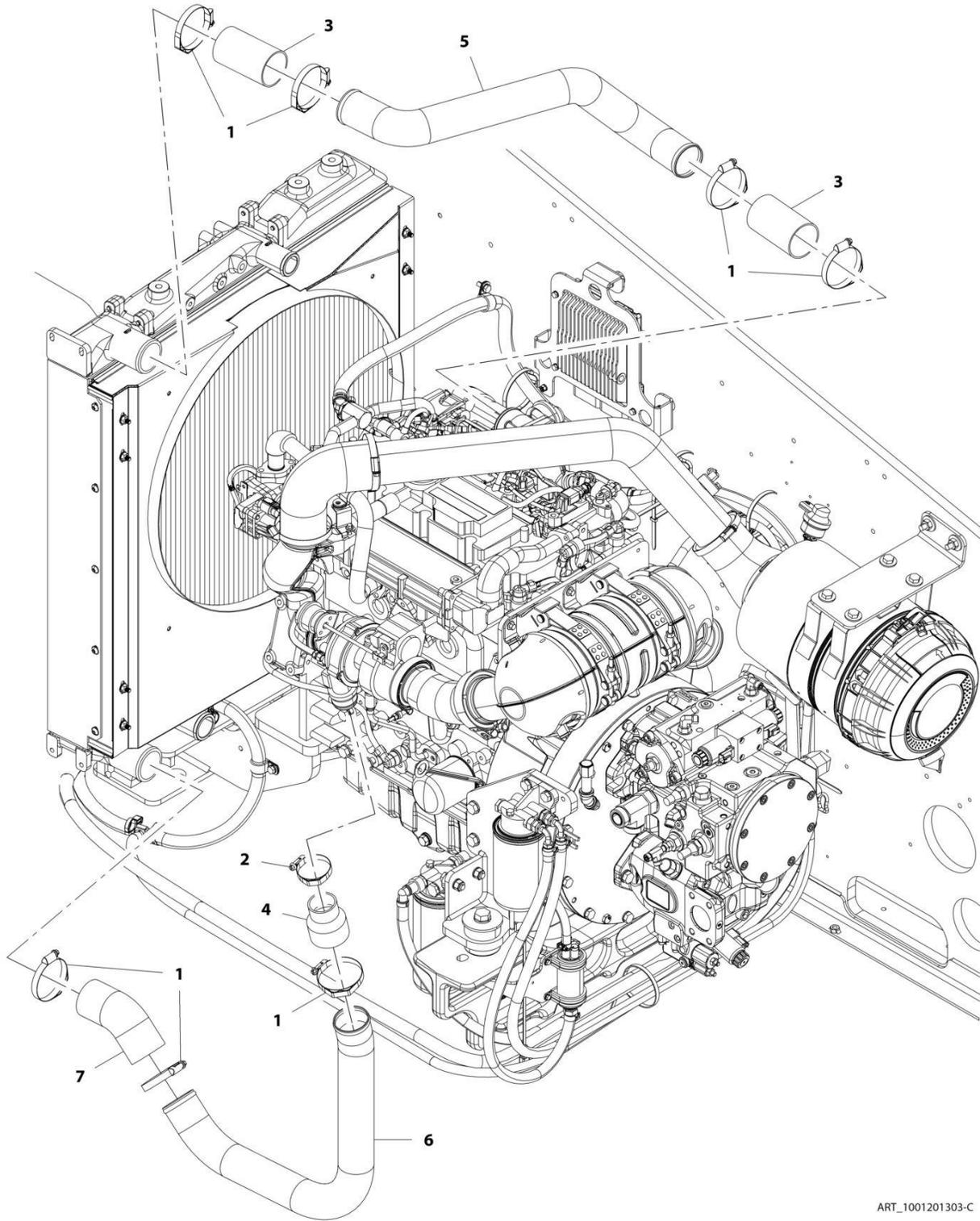
SECTION 4 - ENGINE AND ATTACHING PARTS

FIGURE 4-26. COOLANT LINES INSTALLATION

ITEM	PART NUMBER	QTY	DESCRIPTION	REV
	1001201302	Ref	Coolant Lines Installation	E
1	0761212	1	Bolt, M12X25	
2	1062255	3	Strap, Tie	
3	1320060	1	Clamp, Hose	
4	2220767	1	Fitting	
5	3291201	1	Nut, M12	
6	4812100	2	Washer, M12	
7	8405101	1	Clamp, Gear	
8	8405104	2	Clamp, Gear	
9	8405201	2	Clamp, Gear	
10	8405009	5	Clamp, Gear	
11	1001180542	2465 mm	Hose	
12	1001217762	1	Hose	
13	1001201309	1	Hose	
14	1001217763	1	Hose	
15	1001217761	1	Bracket	
16	8405006	1	Clamp, Gear	
17	1001180553	370 mm	Hose	
18	0761010	1	Bolt, M12X20	
19	4812000	1	Washer, M10	
20	1001146588	2	Strap, Tie	
21	8405007	1	Clamp, Gear	

SECTION 4 - ENGINE AND ATTACHING PARTS

FIGURE 4-27. RADIATOR LINES INSTALLATION



ART_1001201303-C

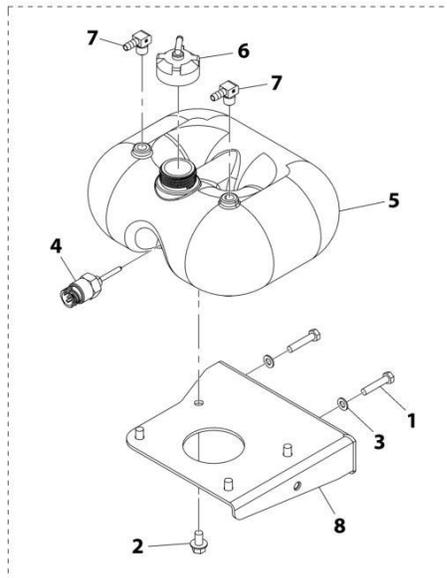
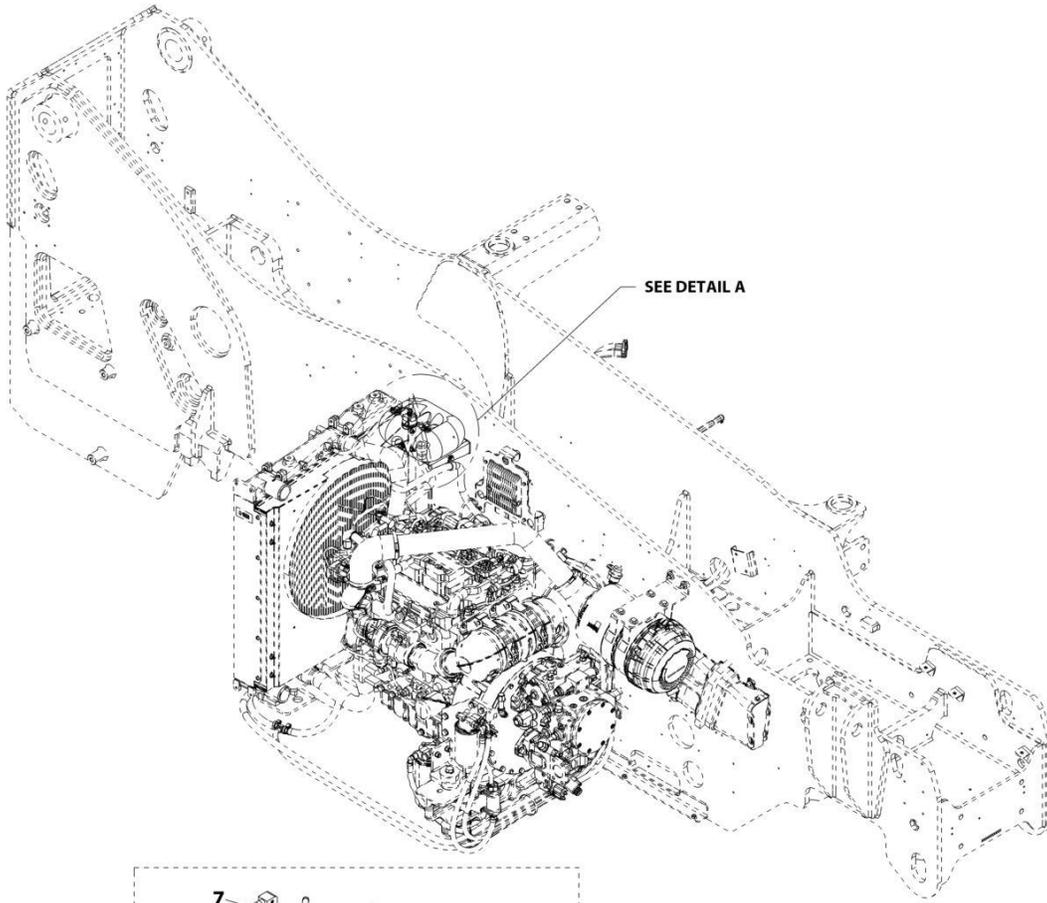
SECTION 4 - ENGINE AND ATTACHING PARTS

FIGURE 4-27. RADIATOR LINES INSTALLATION

ITEM	PART NUMBER	QTY	DESCRIPTION	REV
	1001201303	Ref	Radiator Lines Installation	C
1	1001215022	7	Clamp	
2	1001215024	1	Clamp	
3	1001114495	2	Hose	
4	1001173528	1	Coupling, Reducer	
5	1001201314	1	Pipe	
6	1001201315	1	Pipe	
7	1001201316	1	Elbow, 45	

SECTION 4 - ENGINE AND ATTACHING PARTS

FIGURE 4-28. SURGE TANK INSTALLATION



DETAIL A

ART_1001201304-B

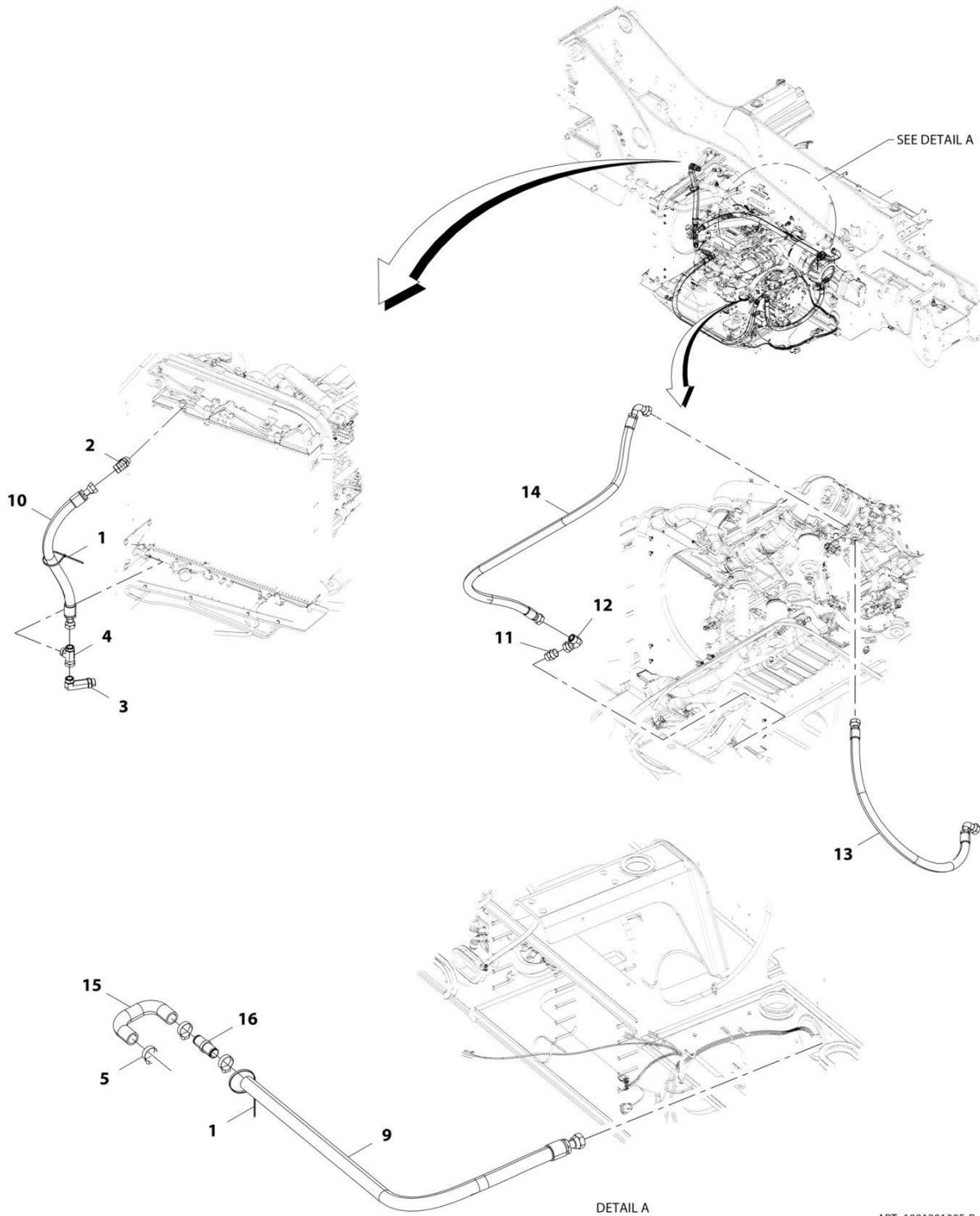
SECTION 4 - ENGINE AND ATTACHING PARTS

FIGURE 4-28. SURGE TANK INSTALLATION

ITEM	PART NUMBER	QTY	DESCRIPTION	REV
	1001201304	Ref	Surge Tank Installation	B
1	0700816	2	Bolt, M8X40	
2	0791605	4	Screw	
3	4811900	2	Washer, M8	
4	1001138827	1	Sensor, Coolant Level	
5	1001128144	1	Tank, Coolant	
6	1001128341	1	Cap	
7	1001169368	2	Fitting, Hose Barb	
8	1001201317	1	Bracket, Coolant Tank	

SECTION 4 - ENGINE AND ATTACHING PARTS

FIGURE 4-29. TRANSMISION OIL COOLER LINES INSTALLATION



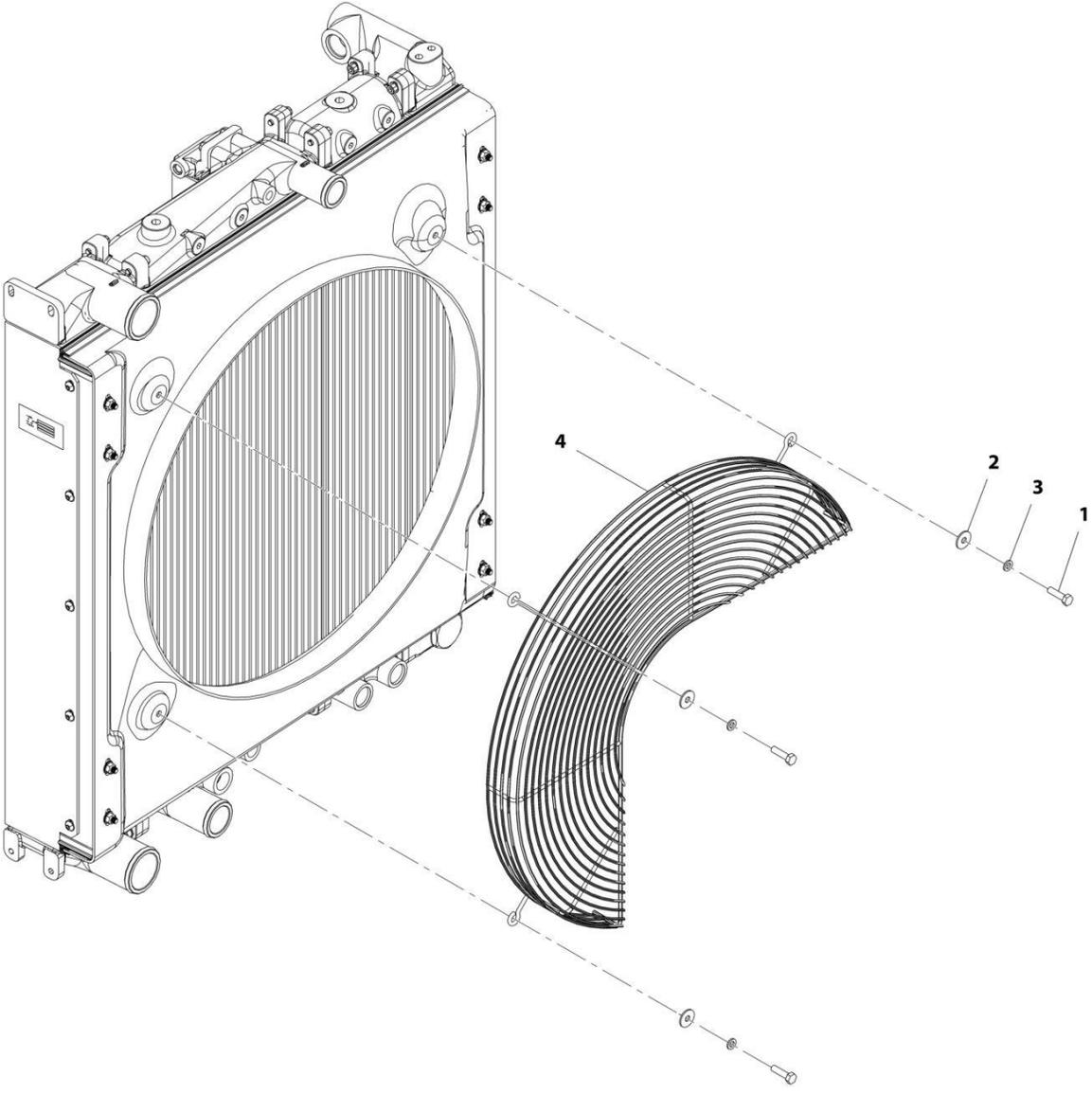
SECTION 4 - ENGINE AND ATTACHING PARTS

FIGURE 4-29. TRANSMISION OIL COOLER LINES INSTALLATION

ITEM	PART NUMBER	QTY	DESCRIPTION	REV
	1001201305	Ref	Transmission Oil Cooler Lines Installation	B
1	1062255	AR	Strap, Tie	
2	2151616	1	Fitting, 45 ORFS	
3	2170216	1	Fitting, 90 ORFS	
4	2170716	1	Fitting, Tee ORFS	
5	8405102	3	Clamp, Gear	
9	1001205564	1	Hose	
10	1001205565	1	Hose	
11	2111616	1	Fitting, Straight ORFS	
12	2172116	1	Fitting, 90 ORFS	
13	1001211616	1	Hose	
14	1001211617	1	Hose	
15	1001212920	1	Hose	
16	1001212921	1	Fitting, Straight	

SECTION 4 - ENGINE AND ATTACHING PARTS

FIGURE 4-30. FAN GUARD INSTALLATION



ART_1001160420-D

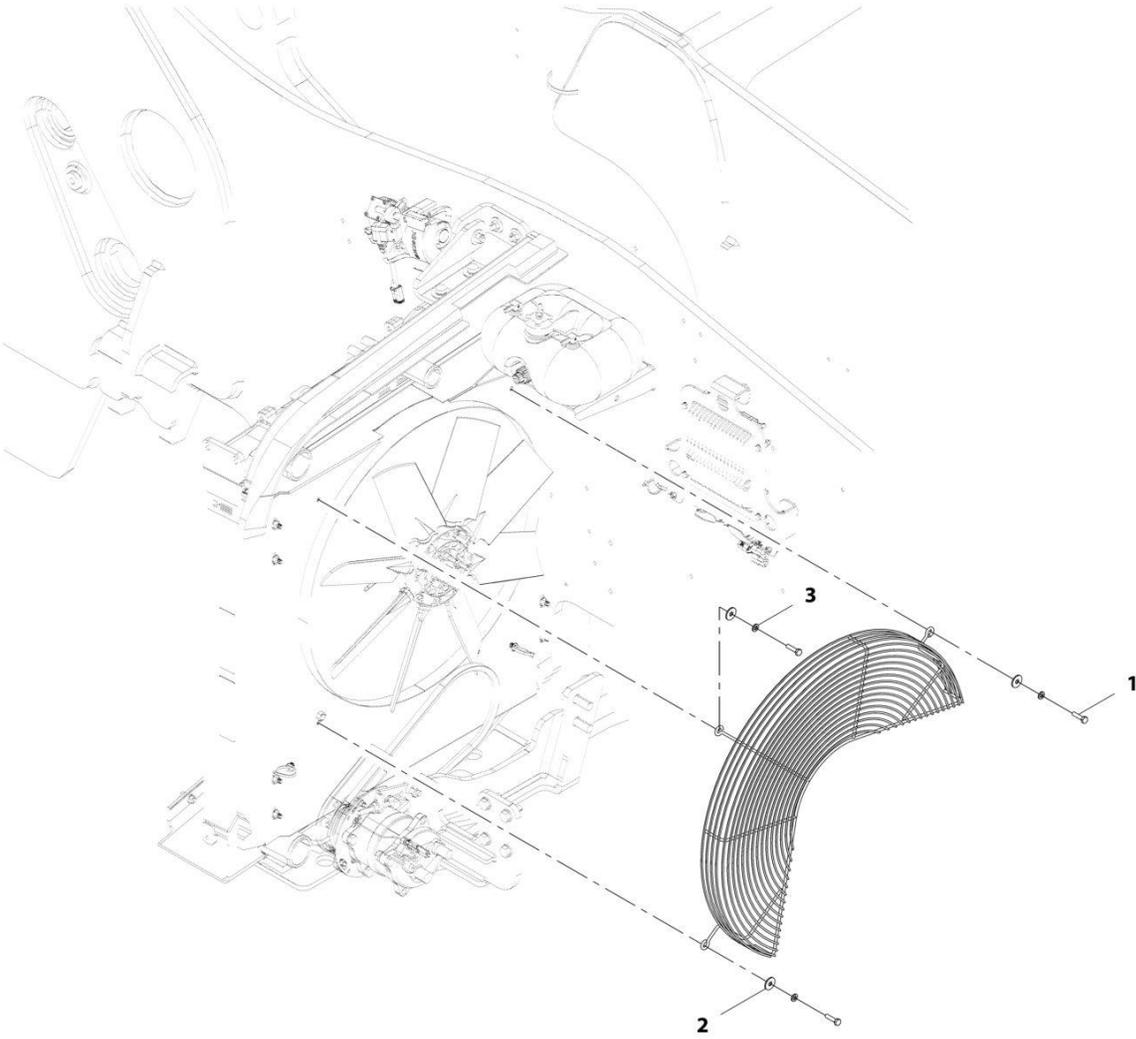
SECTION 4 - ENGINE AND ATTACHING PARTS

FIGURE 4-30. FAN GUARD INSTALLATION

ITEM	PART NUMBER	QTY	DESCRIPTION	REV
	1001160420	Ref	Fan Guard Installation	D
1	0700814	3	Bolt, M8X30	
2	4811902	3	Washer, M8	
3	4831900	3	Washer, Lock M8	
4	1001167186	1	Grill	

SECTION 4 - ENGINE AND ATTACHING PARTS

FIGURE 4-31. FAN GUARD (REVERSING) INSTALLATION



ART_1001217754-B

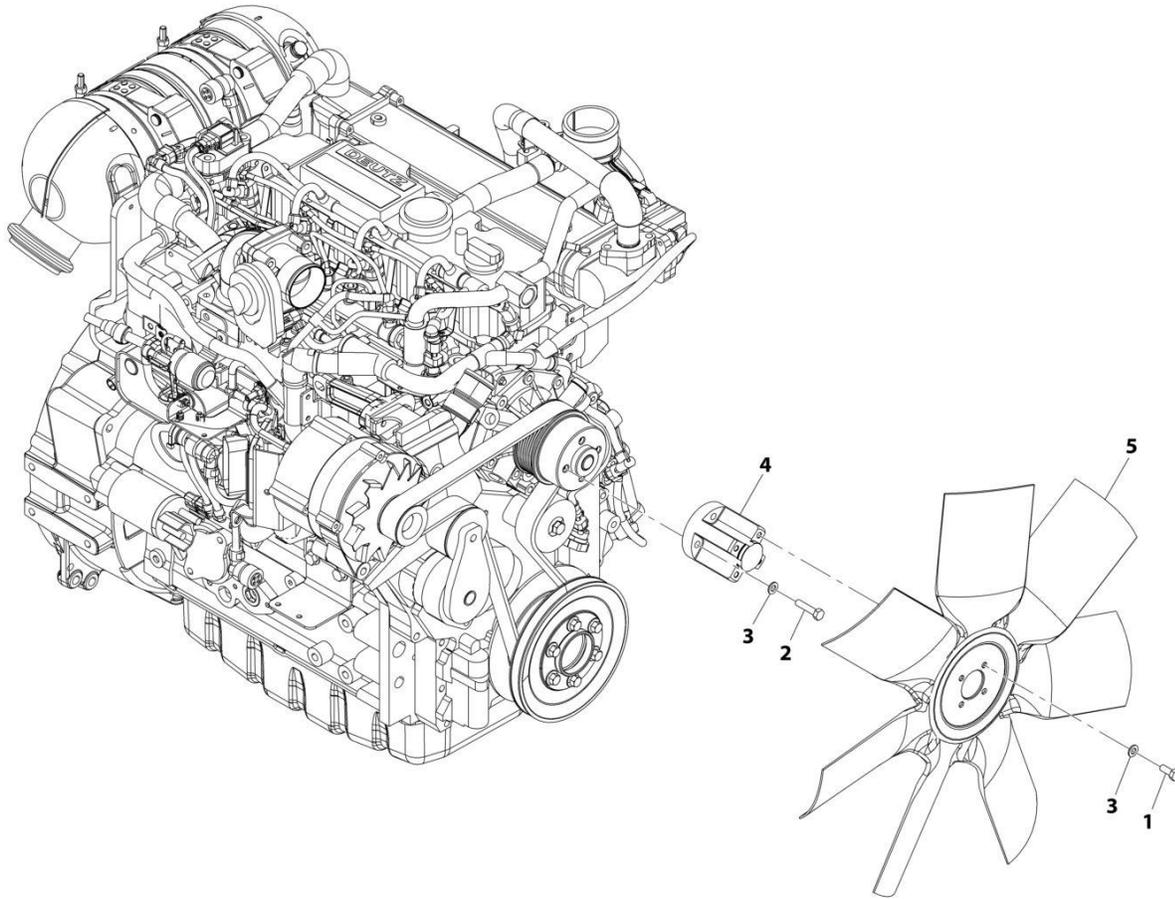
SECTION 4 - ENGINE AND ATTACHING PARTS

FIGURE 4-31. FAN GUARD (REVERSING) INSTALLATION

ITEM	PART NUMBER	QTY	DESCRIPTION	REV
	1001217754	1	Fan Guard (Reversing) Installation	B
1	0700814	3	Bolt, M8X30	
2	4811902	3	Washer, M8	
3	4831900	3	Washer, Lock M8	
4	1001217755	1	Grill	

SECTION 4 - ENGINE AND ATTACHING PARTS

FIGURE 4-32. COOLING FAN INSTALLATION



ART_1001214123-A

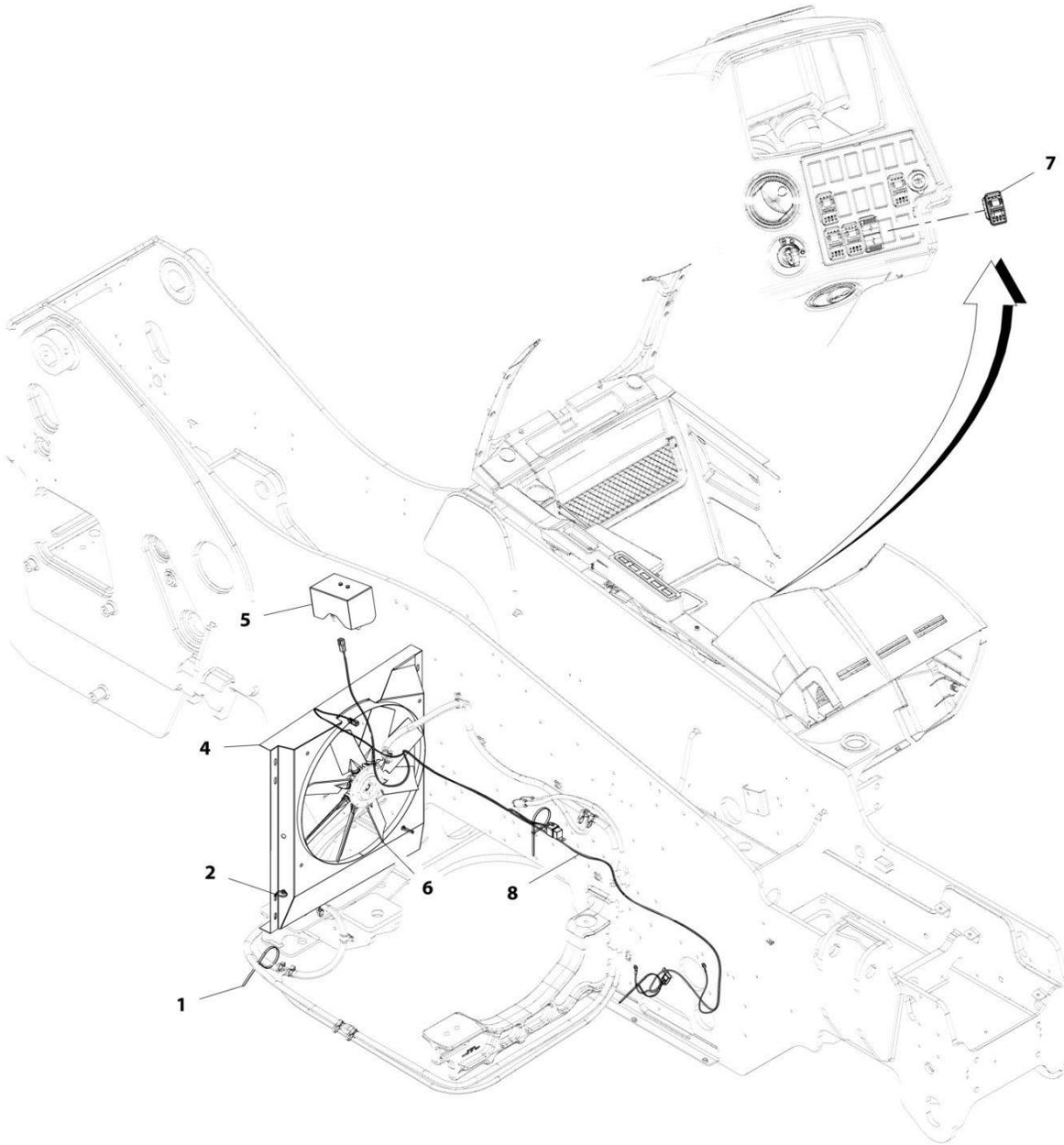
SECTION 4 - ENGINE AND ATTACHING PARTS

FIGURE 4-32. COOLING FAN INSTALLATION

ITEM	PART NUMBER	QTY	DESCRIPTION	REV
	1001214123	Ref	Cooling Fan Installation	A
1	0760810	4	Bolt, M8X20	
2	0770815	4	Bolt, M8X35 Grade 10.9	
3	4811900	8	Washer, M8	
4	1001170311	1	Adapter, Fan	
5	1001185026	1	Fan	

SECTION 4 - ENGINE AND ATTACHING PARTS

FIGURE 4-33. REVERSE COOLING FAN INSTALLATION



ART_1001217753-C

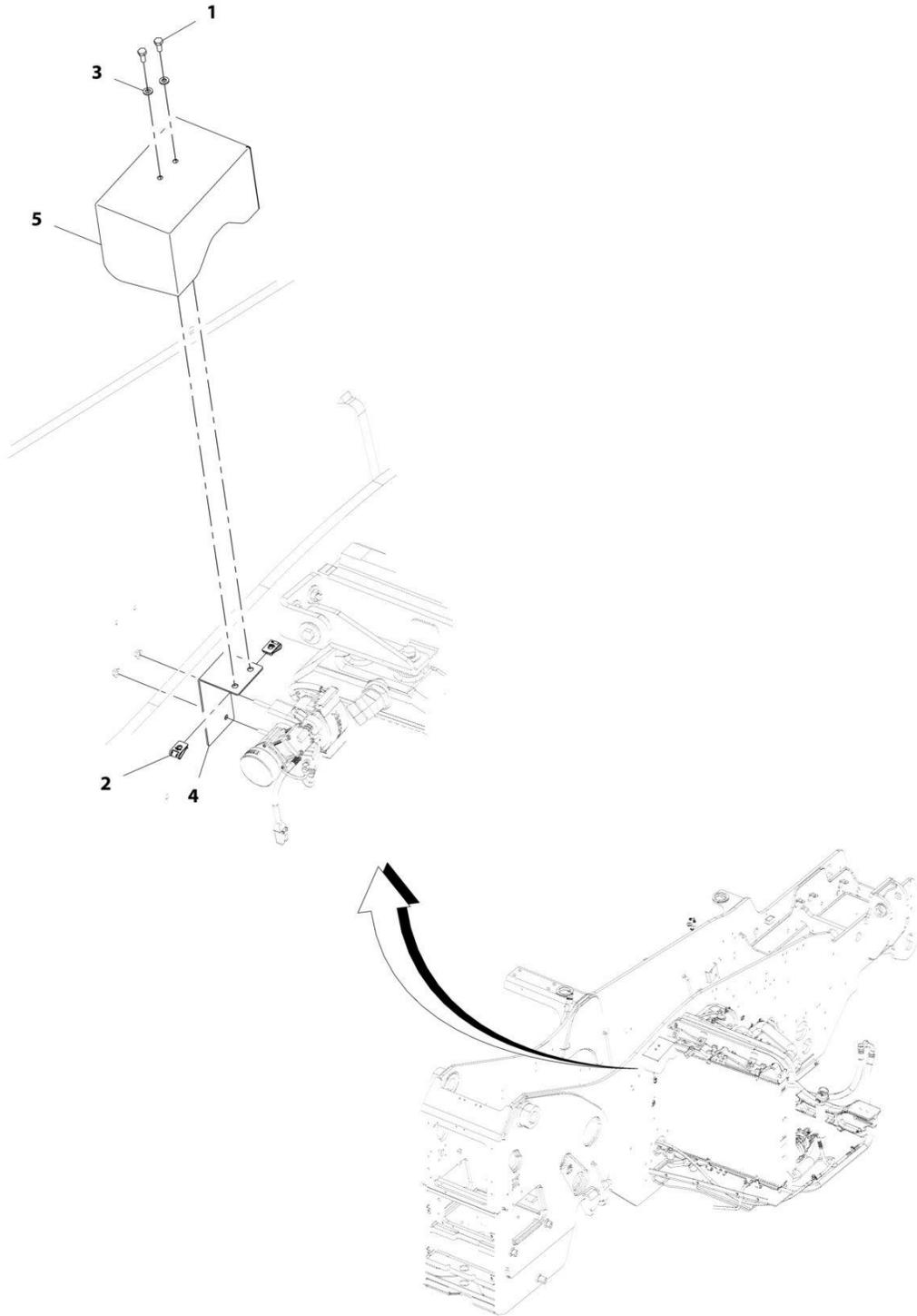
SECTION 4 - ENGINE AND ATTACHING PARTS

FIGURE 4-33. REVERSE COOLING FAN INSTALLATION

ITEM	PART NUMBER	QTY	DESCRIPTION	REV
	1001217753	Ref	Reverse Cooling Fan Installation	C
1	1062255	3	Strap, Tie	
2	1001146588	2	Strap, Fir Tree Cable Tie	
4	1001217756	1	Shroud	
5	1001217757	1	Installation, Cover (See Separate Breakdown in this Section)	
6	1001217760	1	Kit, Reversing Fan	
6	70030353	1	Pneumatic Line	
6	70030355	1	Fan, Reverse	
6	70030356	1	Compressor	
7	1001145204	1	Switch	
8	1001221493	1	Harness, Reversing Fan (See Separate Breakdown in ELECTRICAL Section)	

SECTION 4 - ENGINE AND ATTACHING PARTS

FIGURE 4-34. COMPRESSOR COVER INSTALLATION



ART_1001217757-A

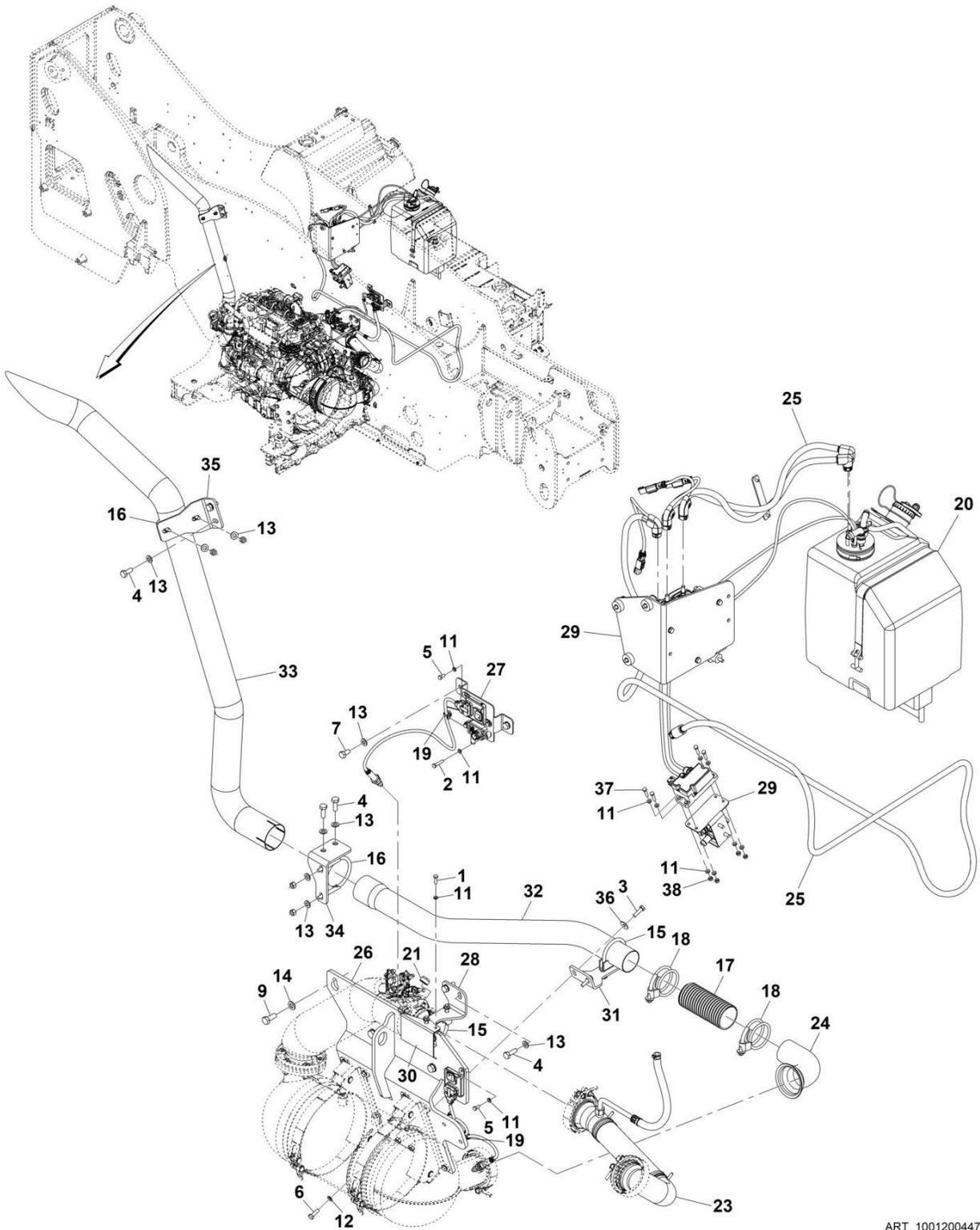
SECTION 4 - ENGINE AND ATTACHING PARTS

FIGURE 4-34. COMPRESSOR COVER INSTALLATION

ITEM	PART NUMBER	QTY	DESCRIPTION	REV
	1001217757	Ref	Compressor Cover Installation	A
1	0760607	2	Bolt, M6X14	
2	8305919	2	Nut, M6	
3	8307219	2	Washer, M6	
4	1001217758	1	Bracket	
5	1001217759	1	Cover	

SECTION 4 - ENGINE AND ATTACHING PARTS

FIGURE 4-35. EXHAUST INSTALLATION (ULS)



ART_1001200447-I

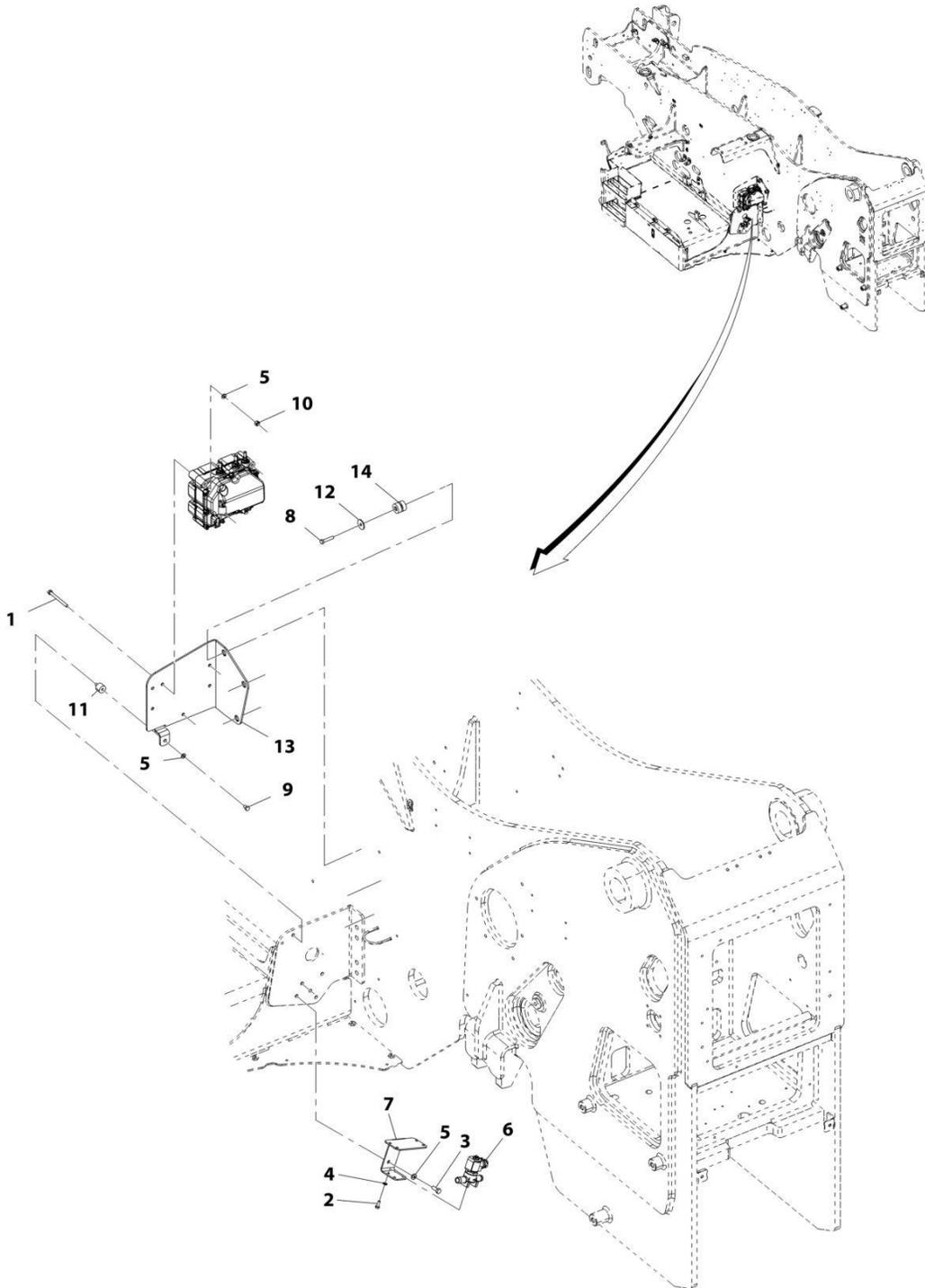
SECTION 4 - ENGINE AND ATTACHING PARTS

FIGURE 4-35. EXHAUST INSTALLATION (ULS)

ITEM	PART NUMBER	QTY	DESCRIPTION	REV
	1001200447	Ref	EXHAUST INSTALLATION (ULS)	K
1	0700610	1	Bolt M6 x 20	
2	0700614	1	Bolt M6 x 30	
3	0700814	2	Bolt M8 x 30	
4	0701014	6	Bolt M10 x 30	
5	0760607	4	Bolt M6 x 14	
6	0760812	8	Bolt M8 x 25	
7	0761010	2	Bolt M10 x 20	
9	0761214	4	Bolt M12 x 30	
11	4811700	6	Washer M6	
12	4811900	8	Washer M8	
13	4812000	12	Washer M10	
14	4812100	4	Washer M12	
15	8275212	2	Clamp	
16	24921332	2	Clamp	
17	77213042	1	Tube, Flexible	
18	91163268	2	Clamp	
19	1001146588	3	Tie-Strap	
20	1001293067	Ref	Installation, DEF Tank (See Separate Breakdown in this Section)	
23	1001199902	1	Pipe	
24	1001200249	1	Pipe	
25	1001293068	Ref	Installation, DEF Lines (See Separate Breakdown in this Section)	
26	1001201856	1	Bracket	
27	1001284536	1	Bracket	
28	1001201858	1	Support	
29	1001202018	Ref	Installation, DEF Control Module (See Separate Breakdown in this Section)	
30	1001202021	1	Plate	
31	1001202899	1	Bracket	
32	1001204411	1	Pipe	
33	1001226797	1	Pipe, Tail	
34	1001204413	1	Bracket	
35	1001204414	1	Bracket	
36	4811902	2	Washer M8	
39	1001004720	AR	Tie-Strap	

SECTION 4 - ENGINE AND ATTACHING PARTS

FIGURE 4-36. DEF CONTROL MODULE INSTALLATION



ART_1001202018-F

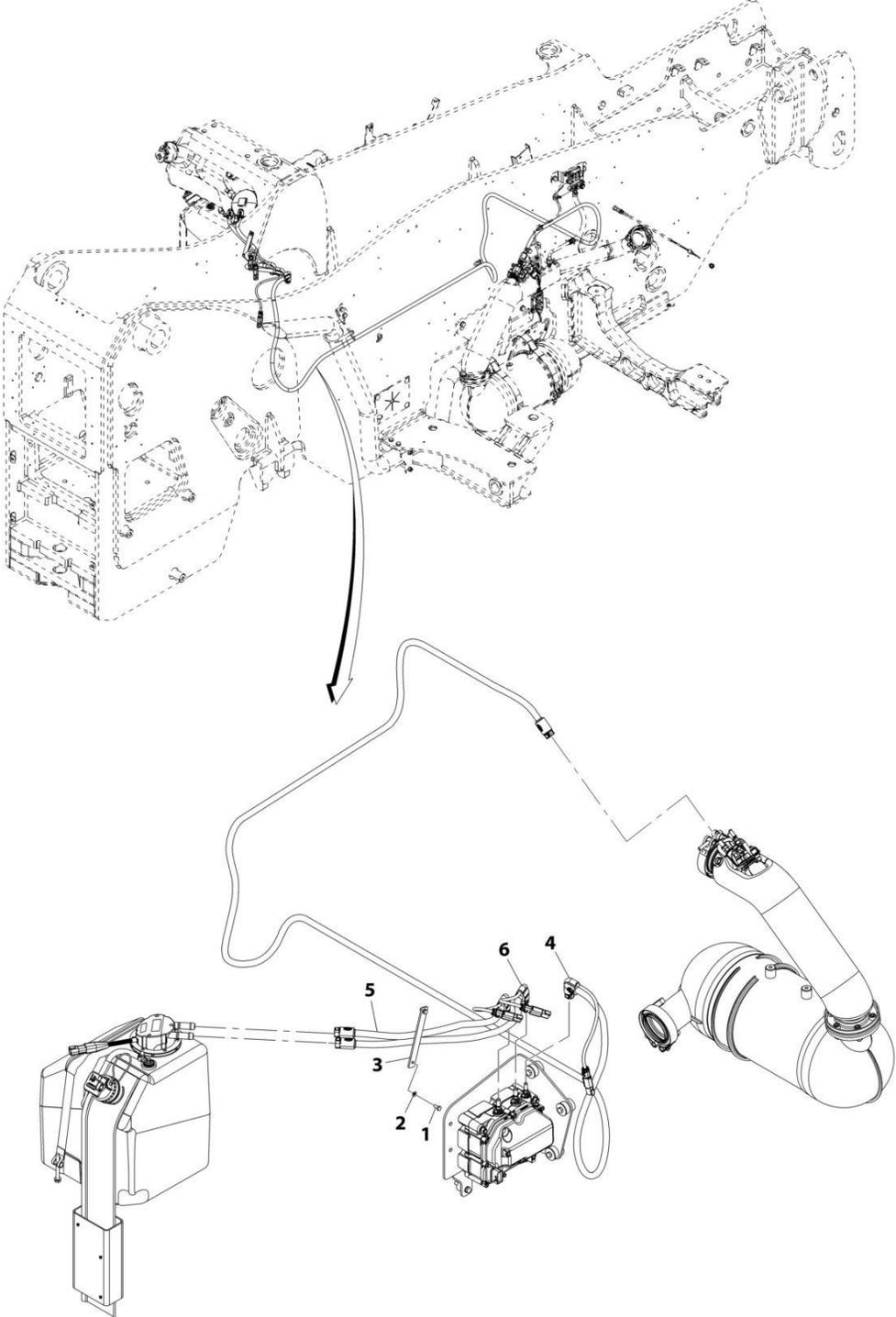
SECTION 4 - ENGINE AND ATTACHING PARTS

FIGURE 4-36. DEF CONTROL MODULE INSTALLATION

ITEM	PART NUMBER	QTY	DESCRIPTION	REV
	1001202018	Ref	DEF Control Module Installation	F
1	0700826	3	Bolt, M8X90	
2	0760608	4	Bolt, M6X16	
3	0760810	2	Bolt, M8X20	
4	4811700	4	Washer, M6	
5	4811900	9	Washer, M8	
6	1001199670	1	Valve, DEF Tank Coolant Flow	
7	1001247184	1	Bracket	
8	0700816	3	Bolt, M8X40	
9	0760806	1	Bolt, M8X12	
10	3290805	3	Nut, Lock M8X1.25 Grade 8	
11	1001179907	1	Mount, Isolator	
12	1001195089	3	Washer	
13	1001221349	1	Bracket	
14	1001221383	3	Mount, Isolator	

SECTION 4 - ENGINE AND ATTACHING PARTS

FIGURE 4-37. DEF LINES INSTALLATION



ART_1001200867-D

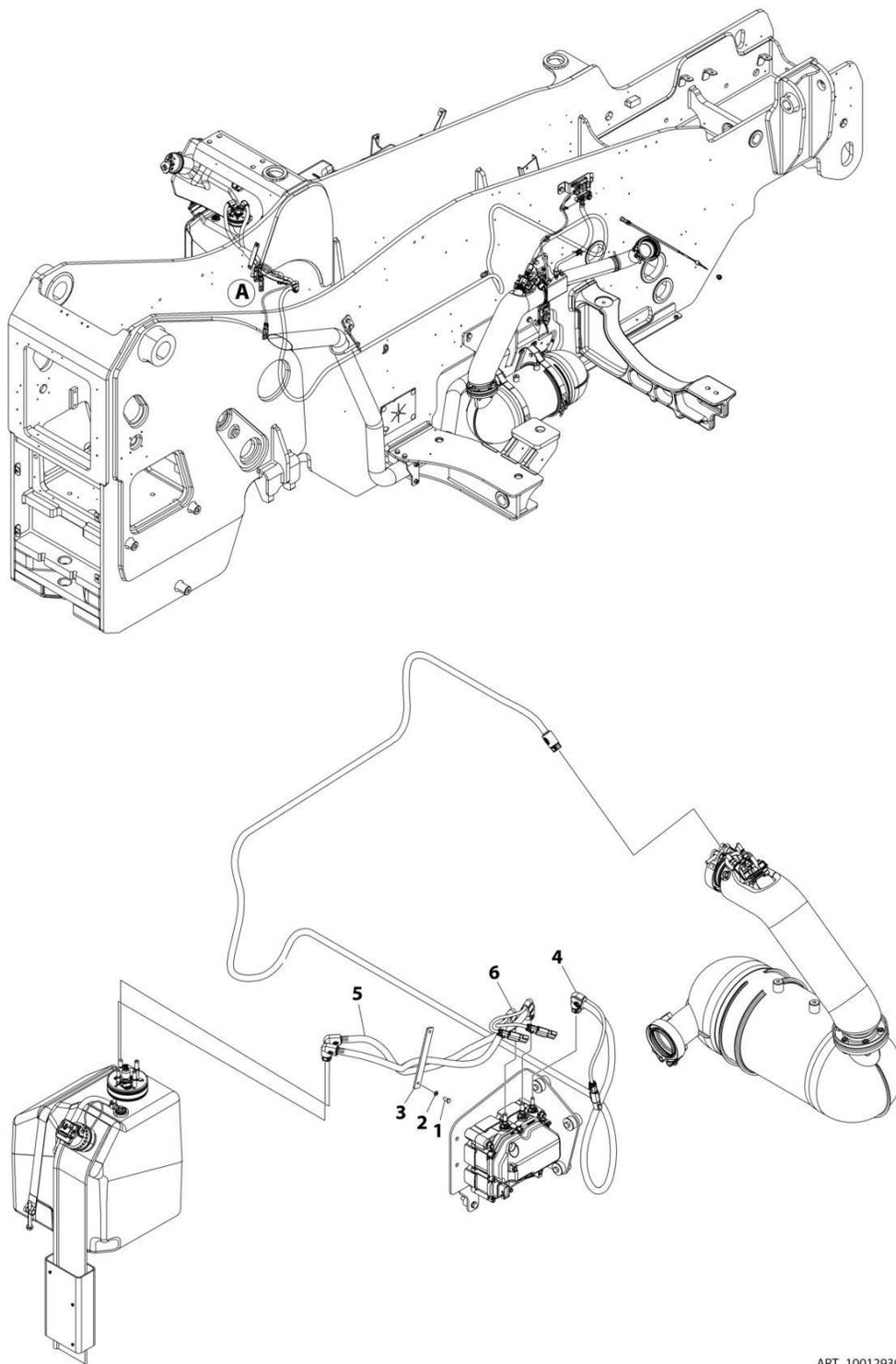
SECTION 4 - ENGINE AND ATTACHING PARTS

FIGURE 4-37. DEF LINES INSTALLATION

ITEM	PART NUMBER	QTY	DESCRIPTION	REV
	1001200867	Ref	DEF Lines Installation	D
1	0760607	2	Bolt, M6X14	
2	4831700	2	Washer, Lock M6	
3	1001173873	1	Plate	
4	1001180437	1	Hose	
5	1001199822	1	Hose	
6	1001199823	1	Hose	

SECTION 4 - ENGINE AND ATTACHING PARTS

FIGURE 4-38. DEF LINES INSTALLATION



ART_1001293068

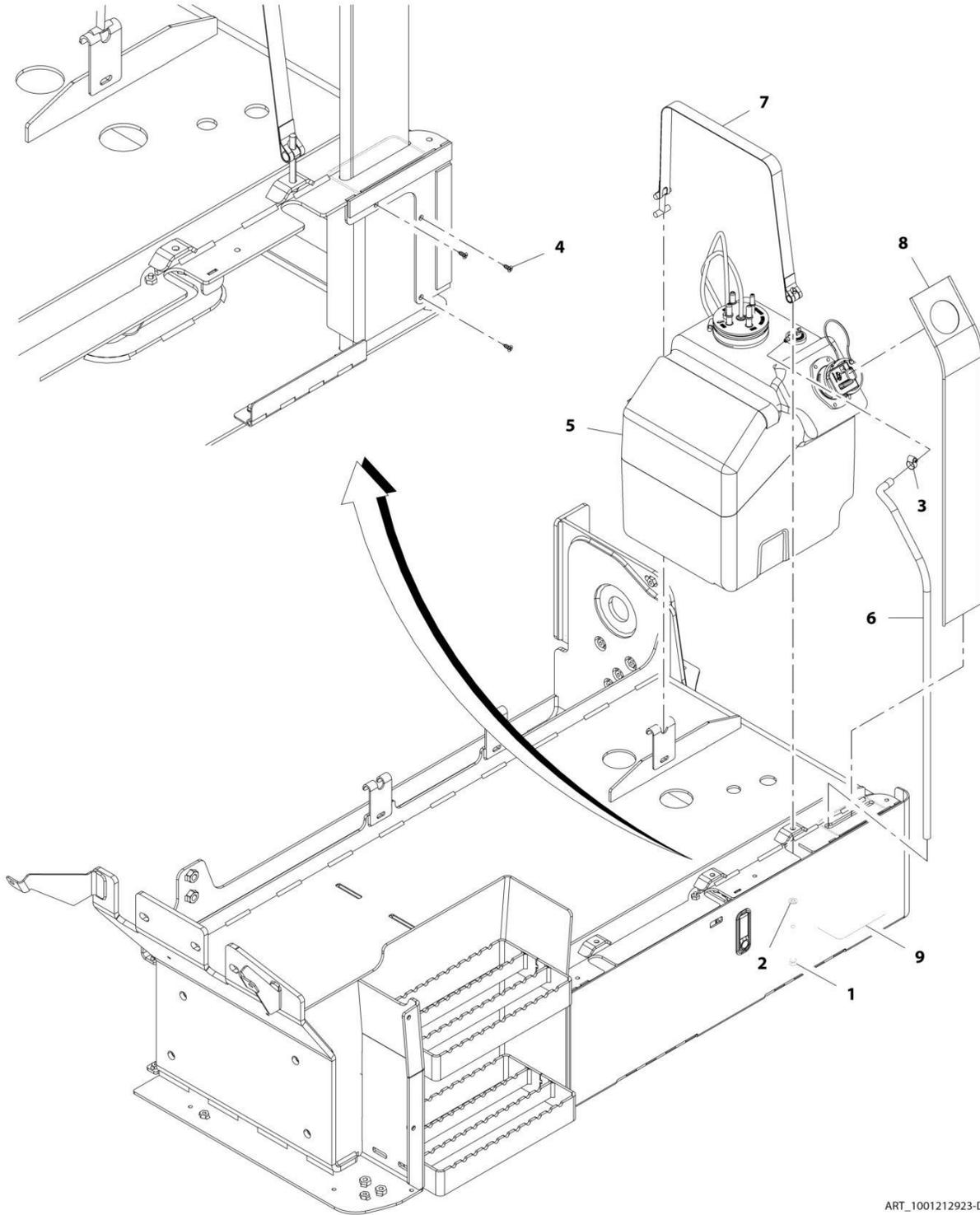
SECTION 4 - ENGINE AND ATTACHING PARTS

FIGURE 4-38. DEF LINES INSTALLATION

ITEM	PART NUMBER	QTY	DESCRIPTION	REV
	1001293068	Ref	DEF LINES INSTALLATION	A
1	0760607	2	Bolt M6 x 14	
2	4831700	2	Washer M6	
3	1001173873	1	Plate	
4	1001180437	1	Hose	
5	1001239878	1	Hose	
6	1001239879	1	Hose	

SECTION 4 - ENGINE AND ATTACHING PARTS

FIGURE 4-39. DEF TANK INSTALLATION



ART_1001212923-D

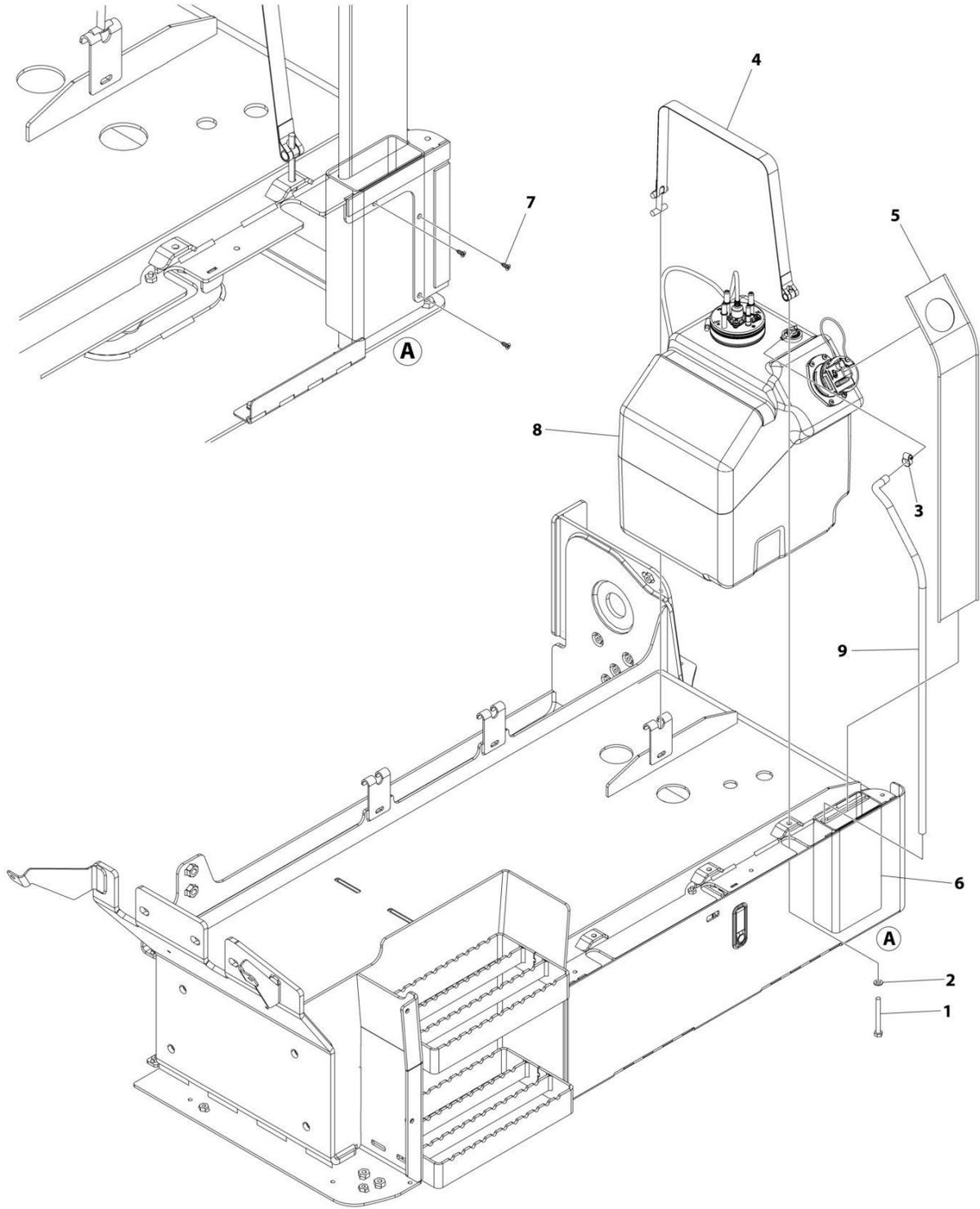
SECTION 4 - ENGINE AND ATTACHING PARTS

FIGURE 4-39. DEF TANK INSTALLATION

ITEM	PART NUMBER	QTY	DESCRIPTION	REV
	1001212923	Ref	DEF Tank Installation	D
1	0760823	1	Bolt, M8X75	
2	4811900	1	Washer, M8	
3	8405009	1	Clamp	
4	1001226681	3	Screw	
5	1001230423	1	Assembly, DEF Tank (See Seperate Breakdown in this Section)	
6	1001175201	813 mm	Hose	
7	1001178791	1	Strap, Tank	
8	1001212924	1	Guard, Spill	
9	1001212925	1	Tube, Drain	

SECTION 4 - ENGINE AND ATTACHING PARTS

FIGURE 4-40. DEF TANK INSTALLATION



ART_1001293067

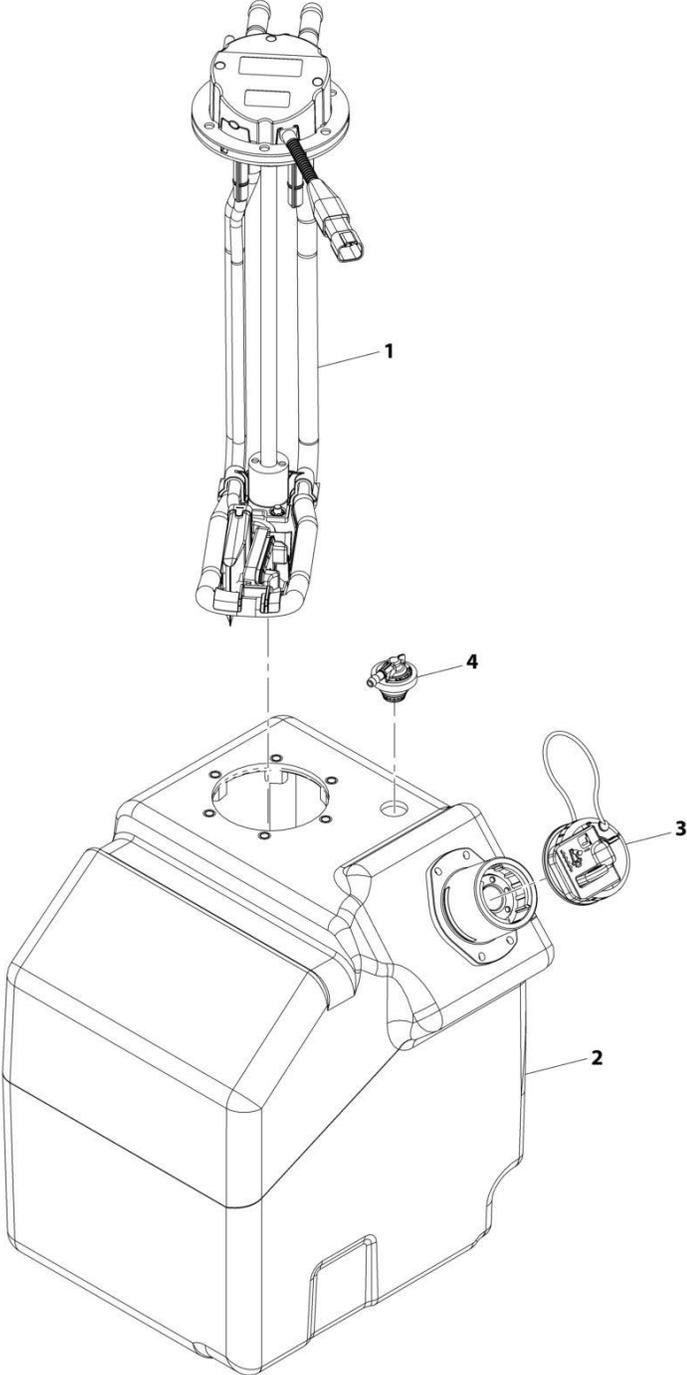
SECTION 4 - ENGINE AND ATTACHING PARTS

FIGURE 4-40. DEF TANK INSTALLATION

ITEM	PART NUMBER	QTY	DESCRIPTION	REV
	1001293067	Ref	DEF TANK INSTALLATION	A
1	0760823	1	Bolt M8 x 75	
2	4811900	1	Washer M8	
3	8405009	1	Clamp	
4	1001178791	1	Strap, Tank	
5	1001212924	1	Guard, Spill	
6	1001212925	1	Tube, Drain	
7	1001226681	3	Screw	
8	1001289563	1	Assembly, DEF Tank (See Separate Breakdown in this Section)	
9	1001175201	32 in /82 cm	Hose	

SECTION 4 - ENGINE AND ATTACHING PARTS

FIGURE 4-41. DEF TANK ASSEMBLY



ART_1001225676-B

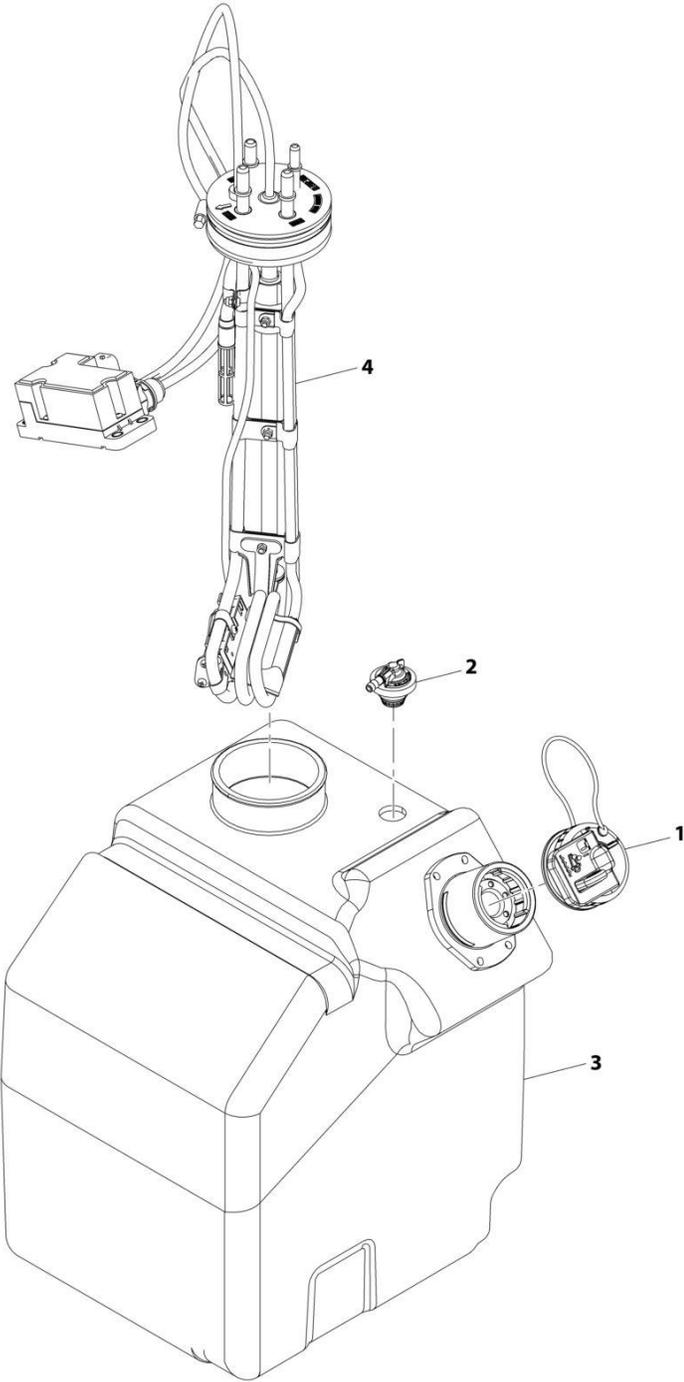
SECTION 4 - ENGINE AND ATTACHING PARTS

FIGURE 4-41. DEF TANK ASSEMBLY

ITEM	PART NUMBER	QTY	DESCRIPTION	REV
	1001225676	Ref	Def Tank Assembly	B
1	1001225677	1	DEF, Header	
2	1001164967	1	Tank, DEF	
3	1001174795	1	Cap	
4	1001215319	1	Valve, DEF Breather	

SECTION 4 - ENGINE AND ATTACHING PARTS

FIGURE 4-42. DEF TANK ASSEMBLY



ART_1001230423-A

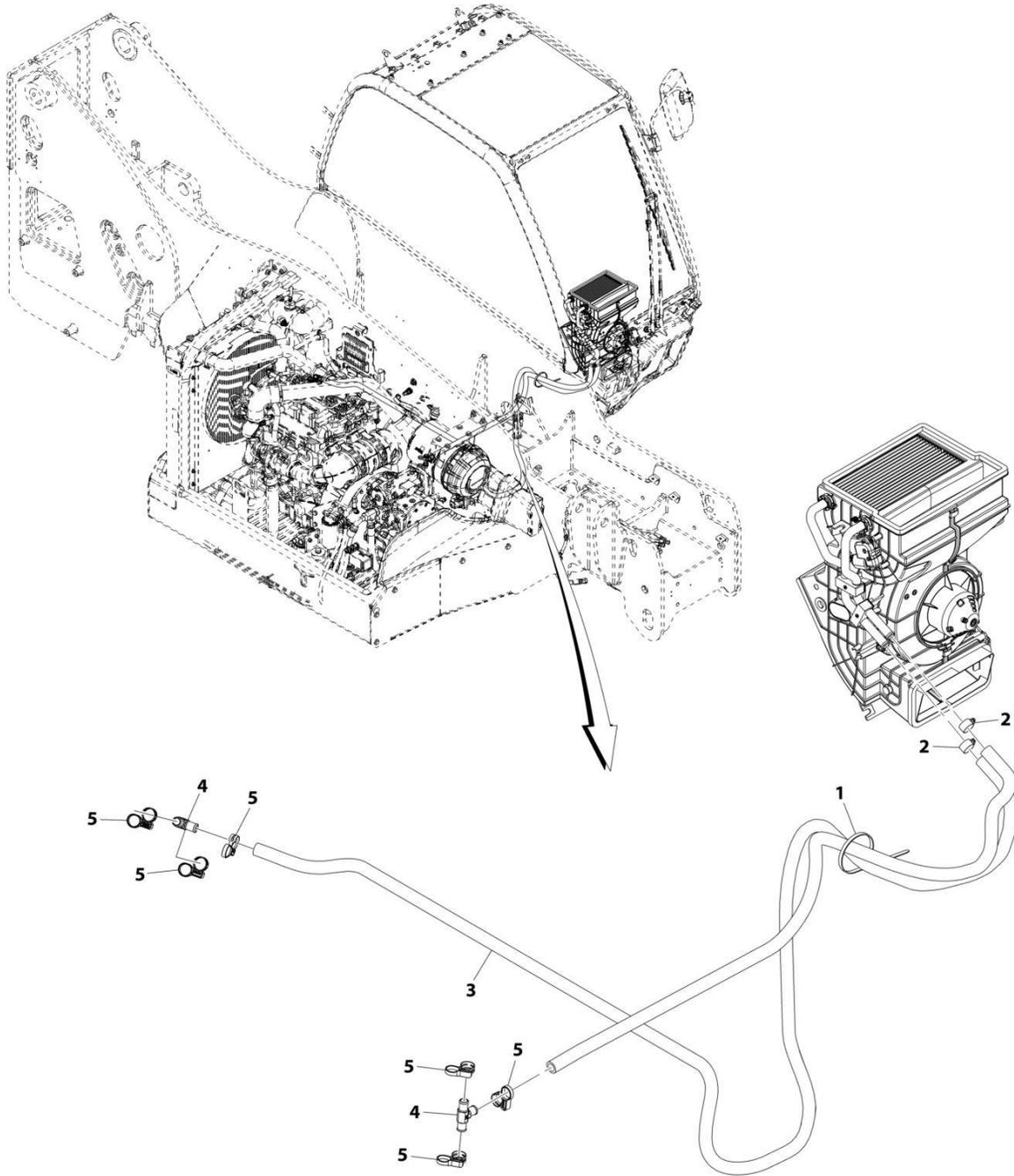
SECTION 4 - ENGINE AND ATTACHING PARTS

FIGURE 4-42. DEF TANK ASSEMBLY

ITEM	PART NUMBER	QTY	DESCRIPTION	REV
	1001230423	Ref	DEF Tank Assembly	A
1	1001174795	1	Cap Assembly, Reutter	
2	1001215319	1	Valve, Def Breather	
3	1001237897	1	DEF Tank	
4	1001238154	1	Electrical Assembly , DEF Header	

SECTION 4 - ENGINE AND ATTACHING PARTS

FIGURE 4-43. HEATER LINES INSTALLATION (ULS)



ART_1001200451-D

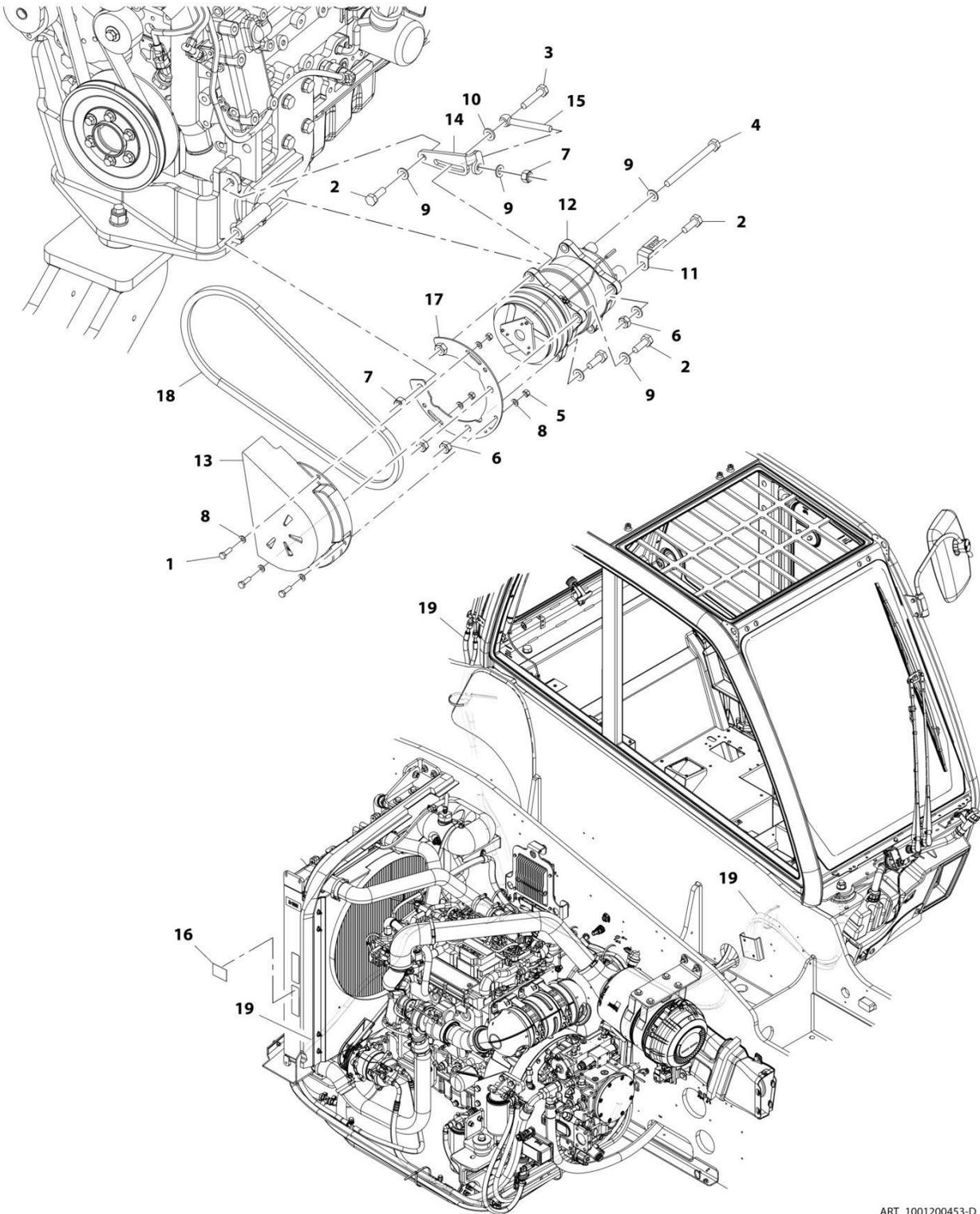
SECTION 4 - ENGINE AND ATTACHING PARTS

FIGURE 4-43. HEATER LINES INSTALLATION (ULS)

ITEM	PART NUMBER	QTY	DESCRIPTION	REV
	1001200451	Ref	Heater Lines Installation (ULS)	D
1	1062255	AR	Strap, Tie	
2	8410009	2	Clamp	
3	82033995	4620 mm	Hose	
4	1001170432	2	Fitting, Tee	
5	1001202526	6	Clamp	

SECTION 4 - ENGINE AND ATTACHING PARTS

FIGURE 4-44. A/C PUMP INSTALLATION



ART_1001200453-D

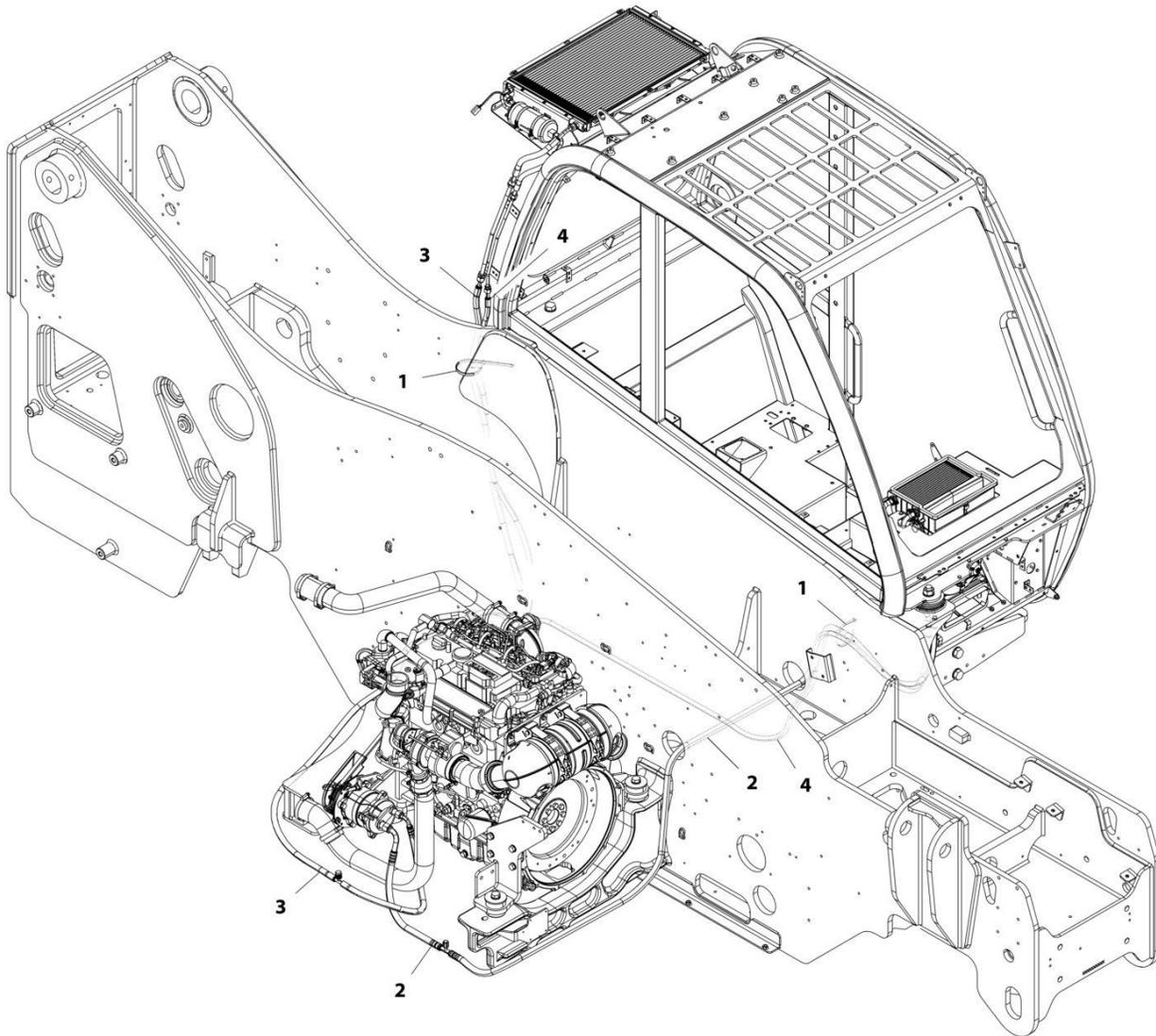
SECTION 4 - ENGINE AND ATTACHING PARTS

FIGURE 4-44. A/C PUMP INSTALLATION

ITEM	PART NUMBER	QTY	DESCRIPTION	REV
	1001200453	Ref	A/C Pump Installation	D
1	0700610	3	Bolt, M6X20	
2	0701014	4	Bolt, M10X30	
3	0701018	1	Bolt, M10X50	
4	0711030	1	Bolt, M10X130 Grade 10.9	
5	3290605	3	Nut, Lock M6X1	
6	3291001	3	Nut, M10X1.5	
7	3291005	2	Nut, lock M10X1.5	
8	4811700	6	Washer, M6	
9	4812000	6	Washer, M10	
10	5241000	1	Washer, M10	
11	1001003305	1	Clip	
12	1001107339	1	Compressor, A/C Clutch	
13	1001138945	1	Cover, Compressor	
14	1001188855	1	Plate, A/C Belt Tensioner	
15	1001188856	1	Rod, Tensioner	
16	1001227090	1	Decal, A/C Installation	
17	1001193797	1	Support, Cover	
18	1001200701	1	Belt, Drive	
19	1001202321	1	A/C Lines Installation (See Separate Breakdown in this Section)	

SECTION 4 - ENGINE AND ATTACHING PARTS

FIGURE 4-45. A/C LINES INSTALLATION



ART_1001202321-D

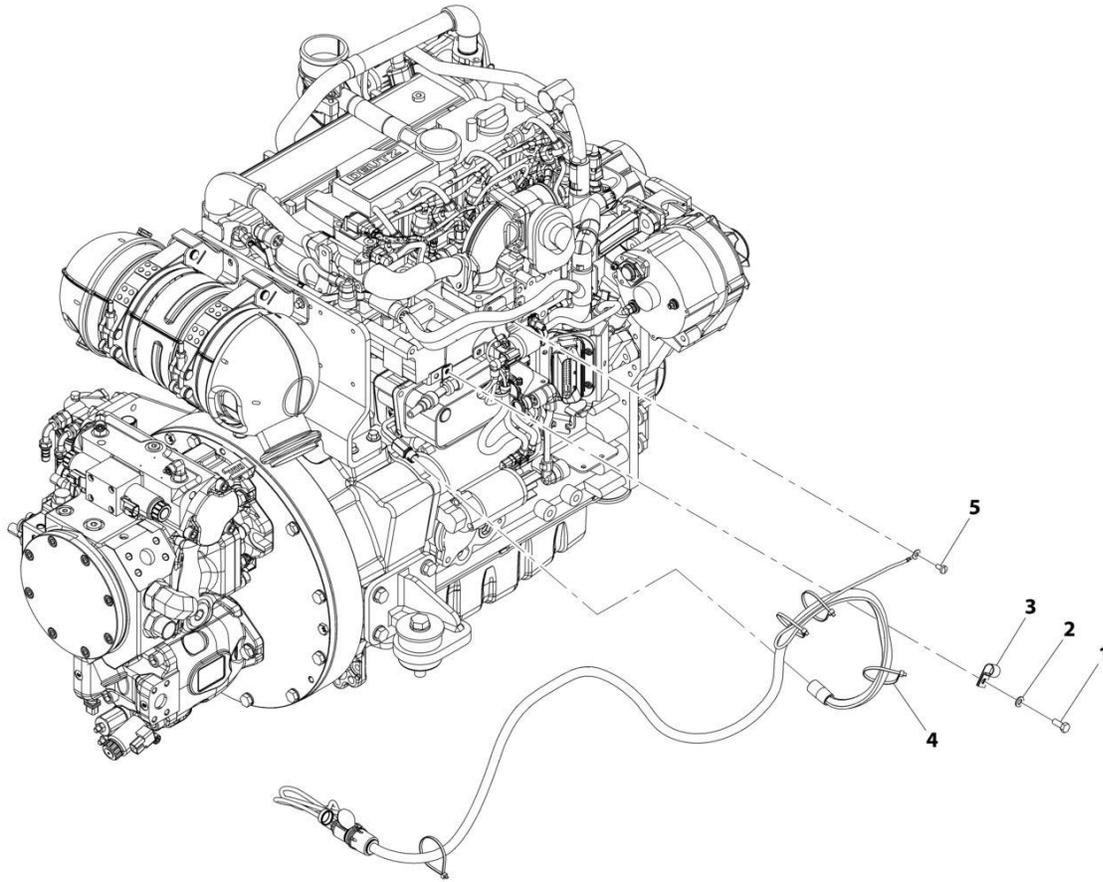
SECTION 4 - ENGINE AND ATTACHING PARTS

FIGURE 4-45. A/C LINES INSTALLATION

ITEM	PART NUMBER	QTY	DESCRIPTION	REV
	1001202321	Ref	A/C Lines Installation	D
1	1062255	2	Strap, Tie	
2	1001216798	1	Hose	
3	1001216799	1	Hose	
4	1001202325	1	Hose	

SECTION 4 - ENGINE AND ATTACHING PARTS

FIGURE 4-46. BLOCK HEATER INSTALLATION (115V) (ULS)



ART_1001214349-C

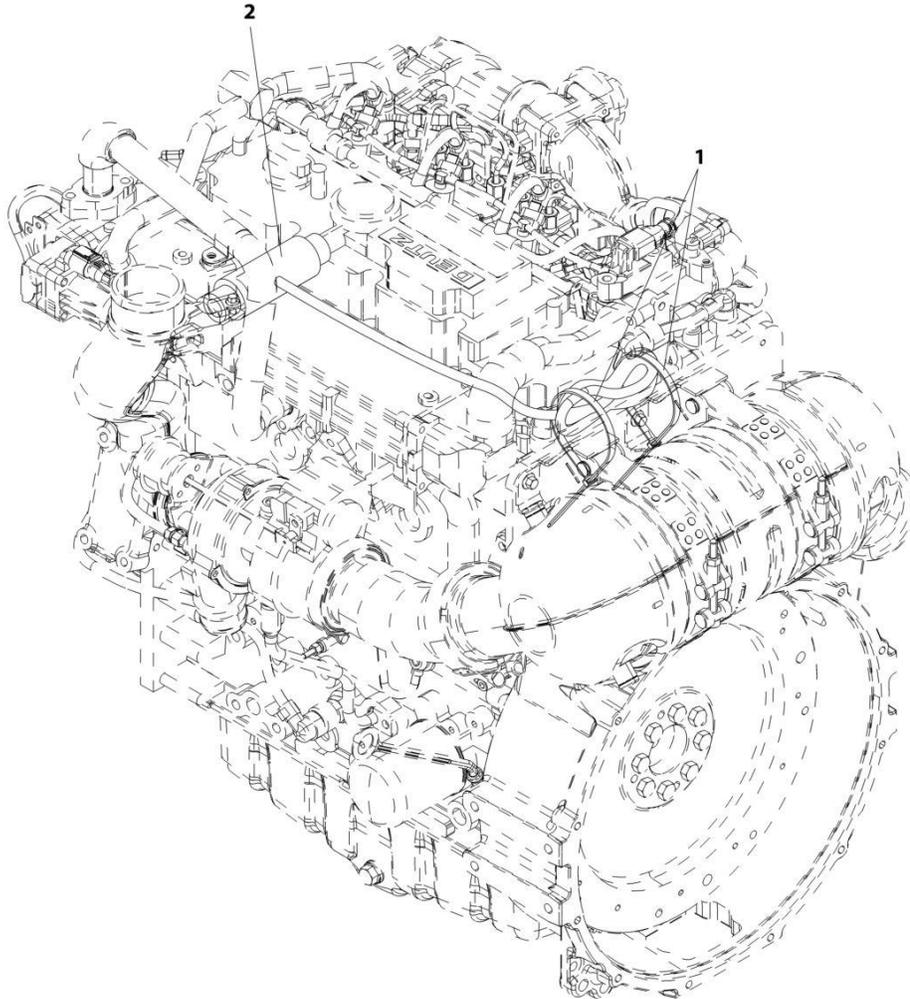
SECTION 4 - ENGINE AND ATTACHING PARTS

FIGURE 4-46. BLOCK HEATER INSTALLATION (115V) (ULS)

ITEM	PART NUMBER	QTY	DESCRIPTION	REV
	1001214349	Ref	Block Heater Installation (115V) (ULS)	C
1	0760810	1	Bolt, M8X20	
2	4811900	1	Washer, M8	
3	8406112	1	Clip	
4	1001008559	4	Strap, Cable	
5	1001099566	1	Screw, M6-1X12	

SECTION 4 - ENGINE AND ATTACHING PARTS

FIGURE 4-47. HEATED BREATHER TUBE INSTALLATION



ART_1001233024-A

SECTION 4 - ENGINE AND ATTACHING PARTS

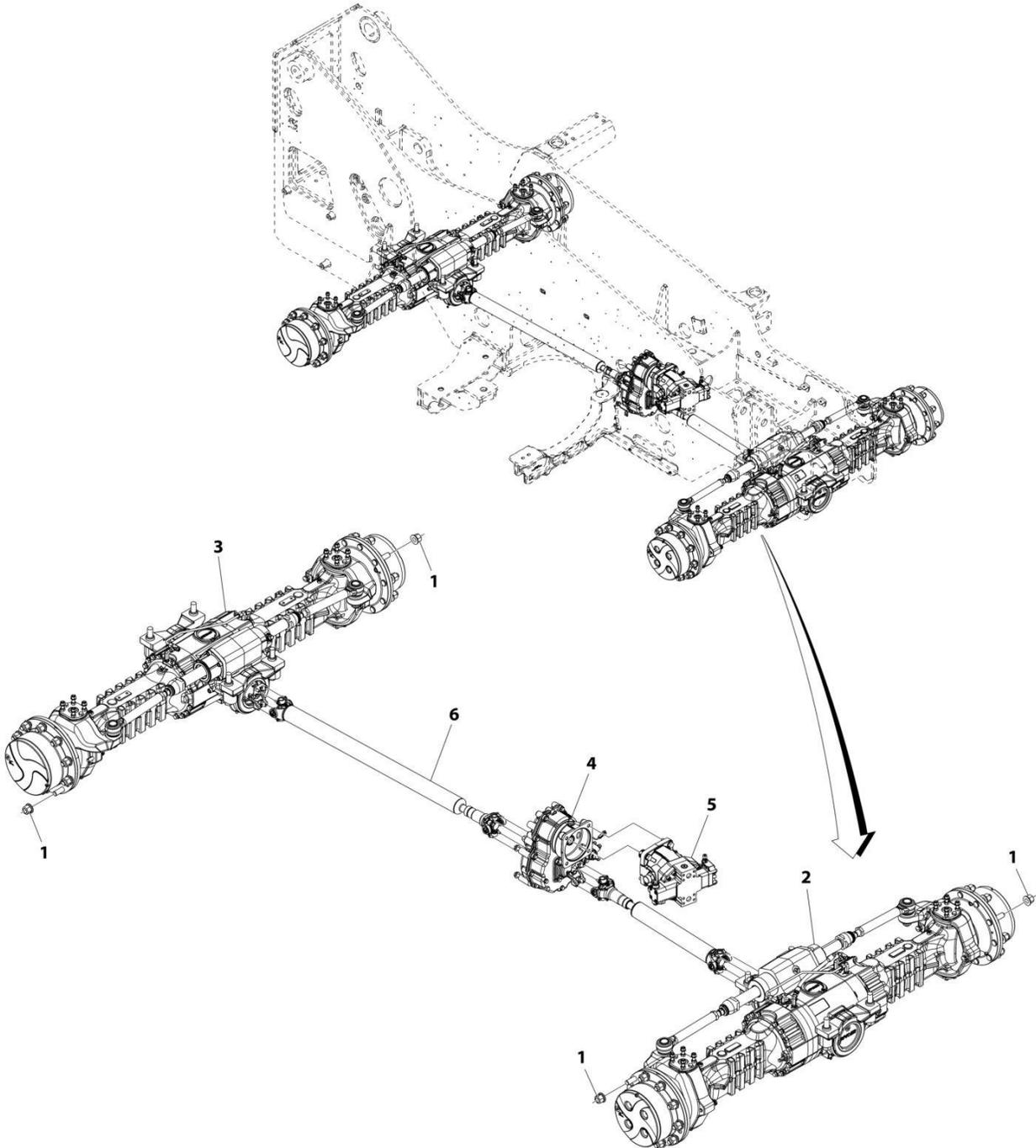
FIGURE 4-47. HEATED BREATHER TUBE INSTALLATION

ITEM	PART NUMBER	QTY	DESCRIPTION	REV
	1001233024	Ref	Heated Breather Tube Installation	A
1	1062255	2	Strap, Tie	
2	1001232509	1	Hose	

SECTION 5 - DRIVETRAIN

SECTION 5 - DRIVETRAIN

FIGURE 5-1. DRIVETRAIN INSTALLATION



ART_1001184976-B

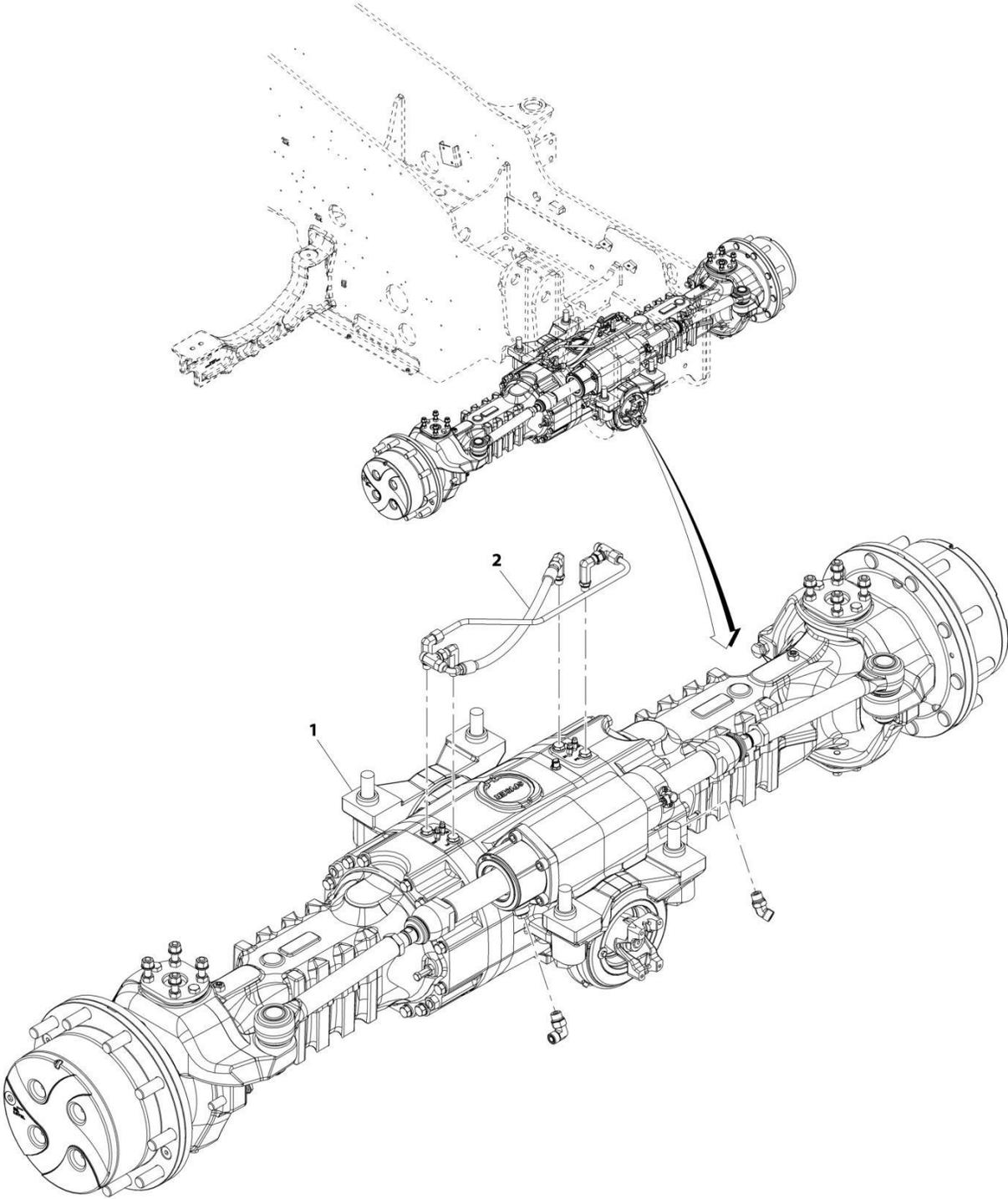
SECTION 5 - DRIVETRAIN

FIGURE 5-1. DRIVETRAIN INSTALLATION

ITEM	PART NUMBER	QTY	DESCRIPTION	REV
	1001184976	Ref	Drivetrain Installation	B
1	91403193	40	Nut, Lug M22X1.5	
2	1001184977	Ref	Installation, Front Axle (See Separate Breakdown in this Section)	
3	1001184978	Ref	Installation, Rear Axle (See Separate Breakdown in this Section)	
4	1001184979	Ref	Installation, Gearbox (See Separate Breakdown in this Section)	
5	1001184980	Ref	Installation, Hydrostatic Motor (See Separate Breakdown in this Section)	
6	1001184981	Ref	Installation, Drive Shaft (See Separate Breakdown in this Section)	

SECTION 5 - DRIVETRAIN

FIGURE 5-2. FRONT AXLE INSTALLATION



ART_1001184977-B

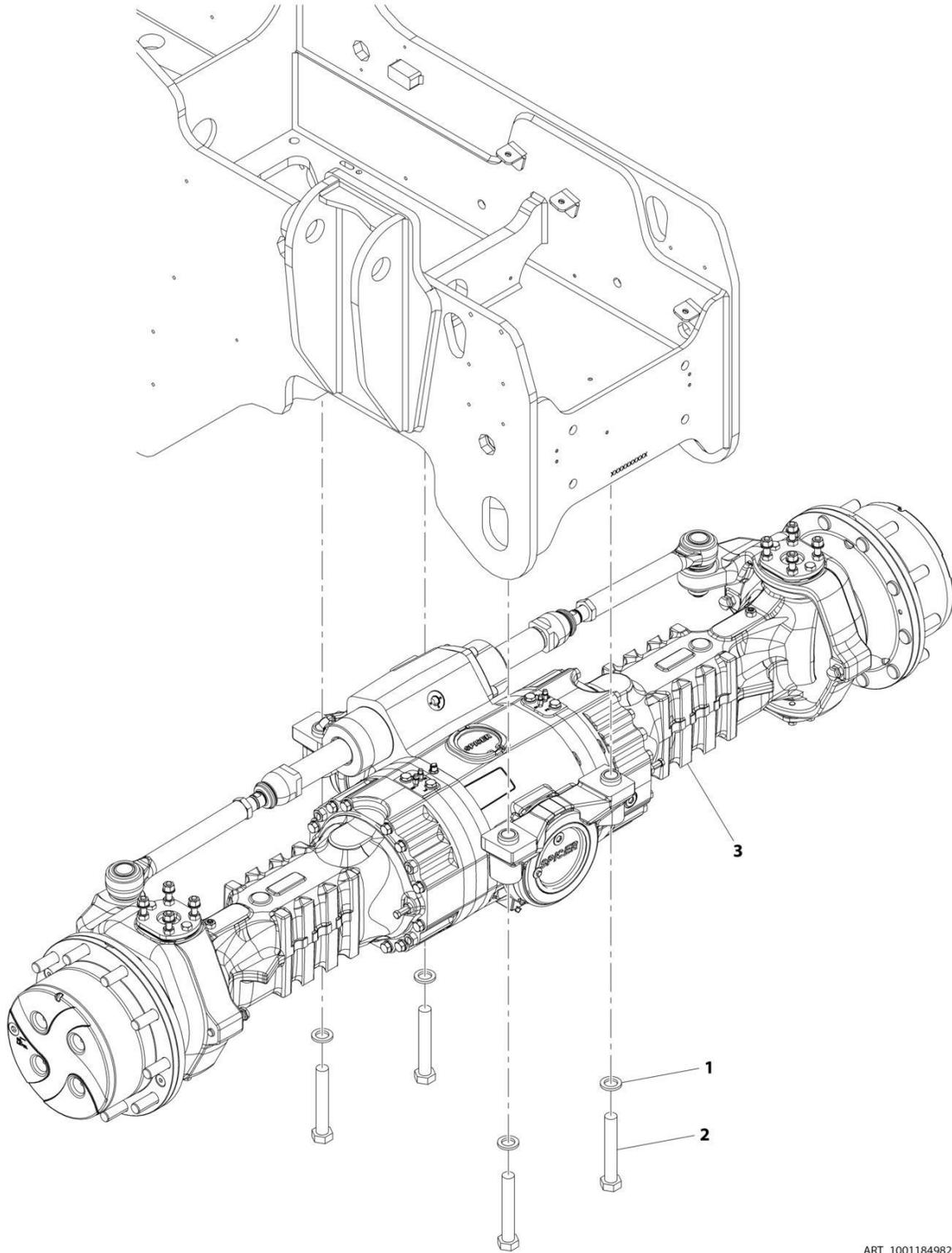
SECTION 5 - DRIVETRAIN

FIGURE 5-2. FRONT AXLE INSTALLATION

ITEM	PART NUMBER	QTY	DESCRIPTION	REV
1	1001184977	Ref	Front Axle Installation	B
	1001184982	Ref	Installation, Front Axle Mounting (See Separate Breakdown in this Section)	
2	1001207898	Ref	Installation, Front Axle Lines (See Separate Breakdown in this Section)	

SECTION 5 - DRIVETRAIN

FIGURE 5-3. FRONT AXLE MOUNTING INSTALLATION



ART_1001184982-B

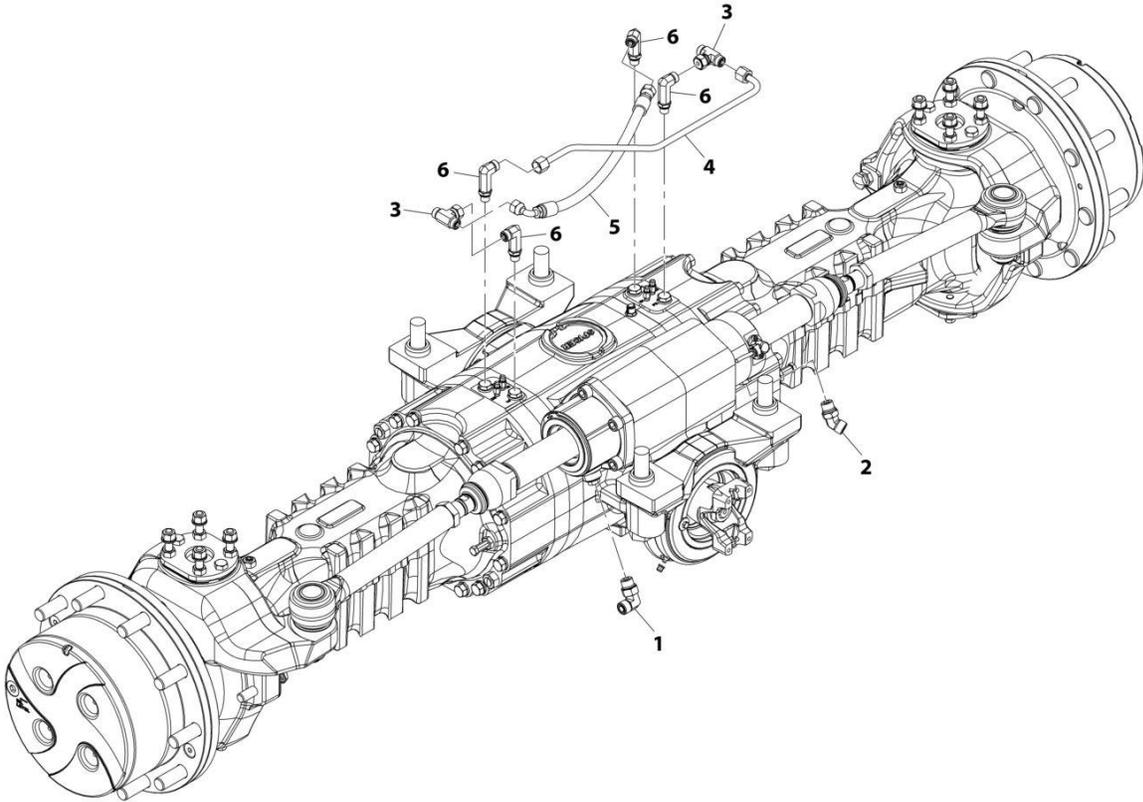
SECTION 5 - DRIVETRAIN

FIGURE 5-3. FRONT AXLE MOUNTING INSTALLATION

ITEM	PART NUMBER	QTY	DESCRIPTION	REV
	1001184982	Ref	Front Axle Mounting Installation	B
1	4892600	4	Washer	
2	1001097587	4	Bolt, M24-3X150 Grade 10.9	
3	1001184984	1	Axle, Front (See Separate Breakdown in this Section)	

SECTION 5 - DRIVETRAIN

FIGURE 5-4. FRONT AXLE LINES INSTALLATION



ART_1001207898-C

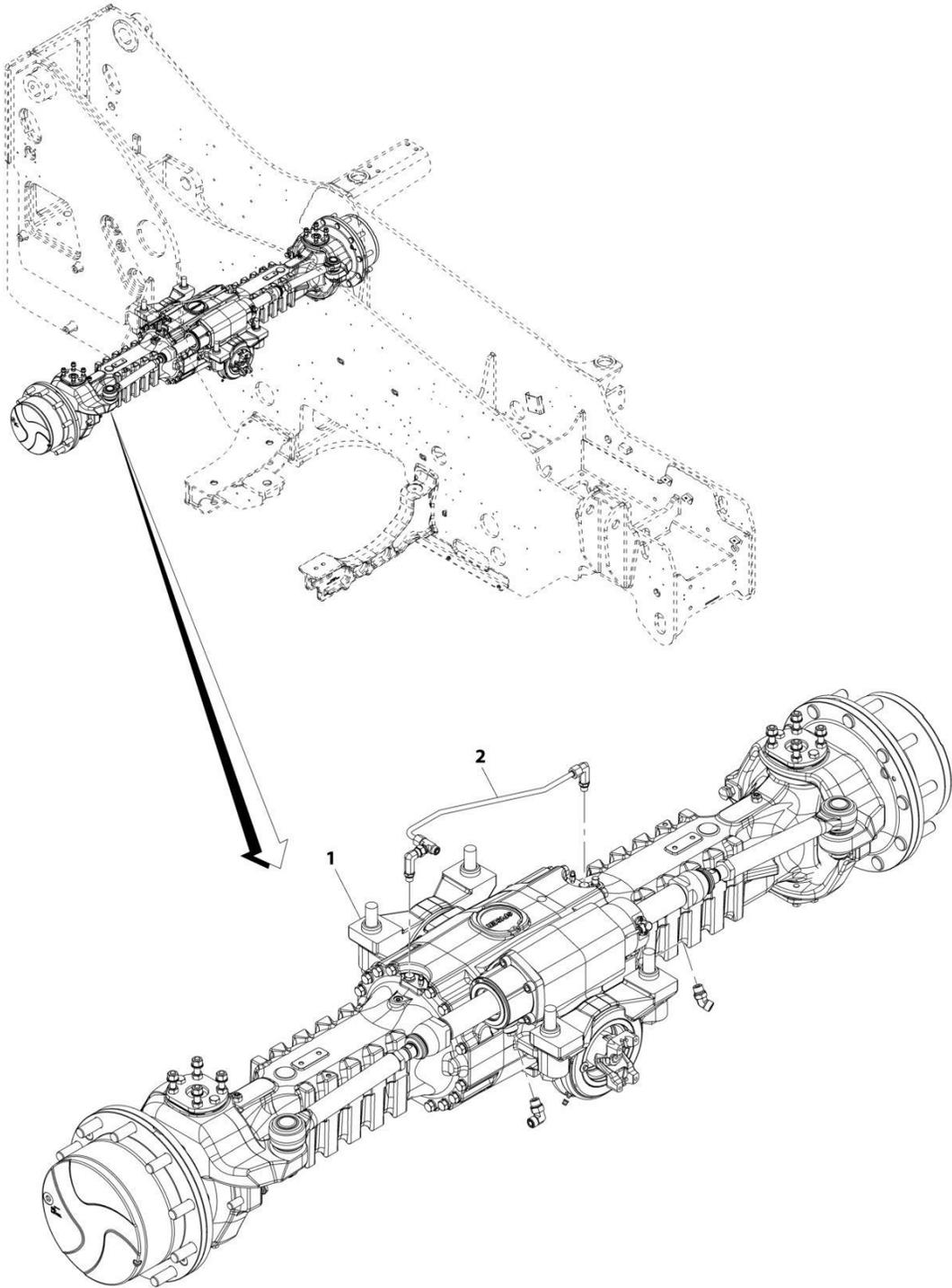
SECTION 5 - DRIVETRAIN

FIGURE 5-4. FRONT AXLE LINES INSTALLATION

ITEM	PART NUMBER	QTY	DESCRIPTION	REV
	1001207898	Ref	Front Axle Lines Installation	C
1	2130808	1	Fitting, 90 ORFS	
2	2150808	1	Fitting, 45 ORFS	
3	2170806	2	Fitting, Tee ORFS	
4	1001224598	1	Tube	
5	1001210281	1	Hose	
6	1001210769	4	Fitting, 90 ORFS	

SECTION 5 - DRIVETRAIN

FIGURE 5-5. REAR AXLE INSTALLATION



ART_1001184978-B

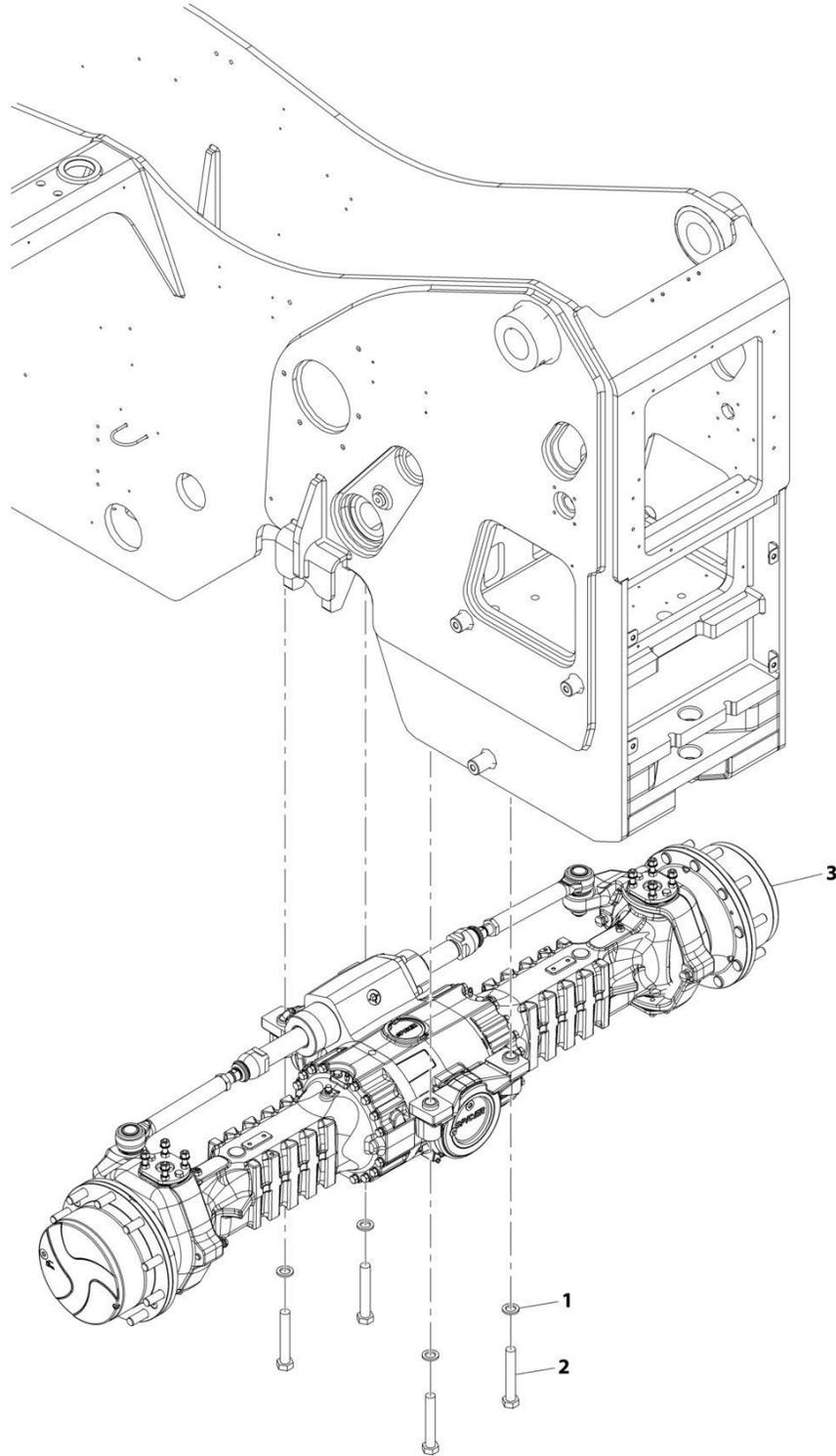
SECTION 5 - DRIVETRAIN

FIGURE 5-5. REAR AXLE INSTALLATION

ITEM	PART NUMBER	QTY	DESCRIPTION	REV
1	1001184978	Ref	Rear Axle Installation	B
	1001184983	Ref	Installation, Rear Axle Mounting (See Separate Breakdown in this Section)	
2	1001207899	Ref	Installation, Rear Axle Lines (See Separate Breakdown in this Section)	

SECTION 5 - DRIVETRAIN

FIGURE 5-6. REAR AXLE MOUNTING INSTALLATION



ART_1001184983-B

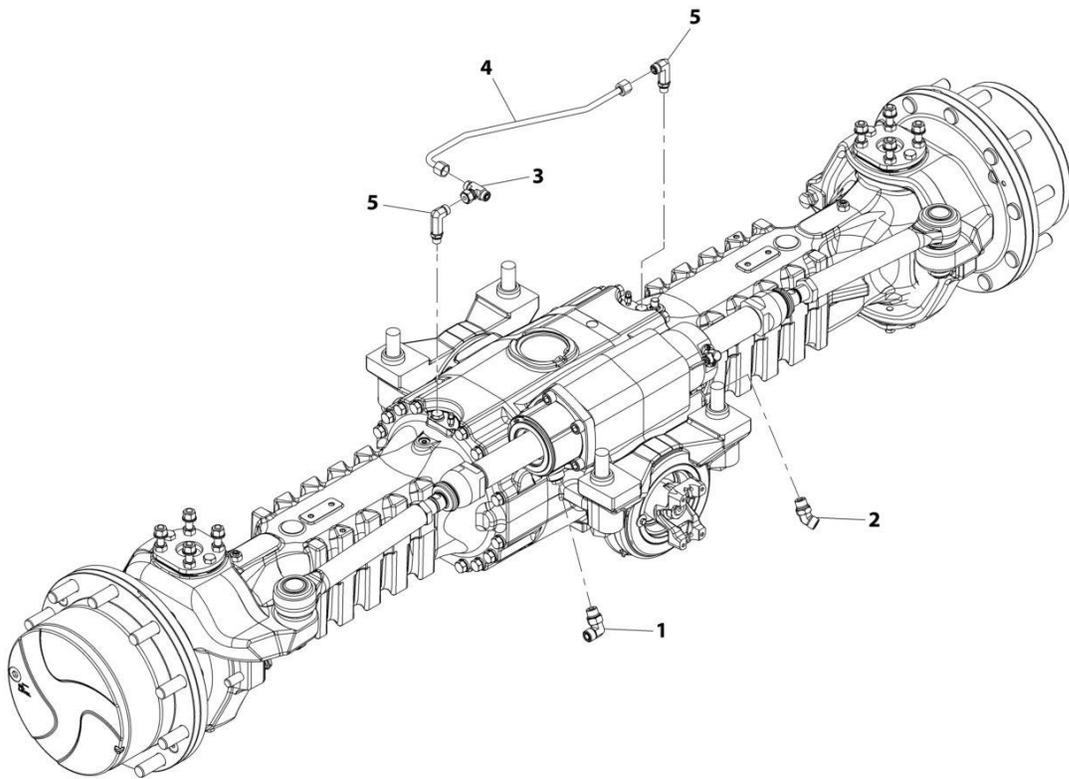
SECTION 5 - DRIVETRAIN

FIGURE 5-6. REAR AXLE MOUNTING INSTALLATION

ITEM	PART NUMBER	QTY	DESCRIPTION	REV
	1001184983	Ref	Rear Axle Mounting Installation	B
1	4892600	4	Washer	
2	1001097587	4	Bolt, M24-3X150 Grade 10.9	
3	1001184985	Ref	Axle, Rear (See Separate Breakdown in this Section)	

SECTION 5 - DRIVETRAIN

FIGURE 5-7. REAR AXLE LINES INSTALLATION



ART_1001207899-C

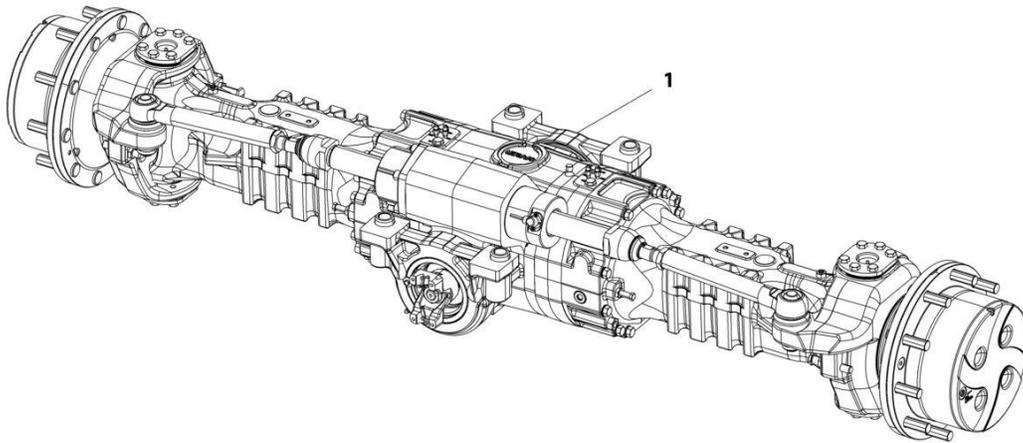
SECTION 5 - DRIVETRAIN

FIGURE 5-7. REAR AXLE LINES INSTALLATION

ITEM	PART NUMBER	QTY	DESCRIPTION	REV
	1001207899	Ref	Rear Axle Lines Installation	C
1	2130808	1	Fitting, 90 ORFS	
2	2150808	1	Fitting, 45 ORFS	
3	2170806	1	Fitting, Tee ORFS	
4	1001224938	1	Tube	
5	1001210769	2	Fitting, 90 ORFS	

SECTION 5 - DRIVETRAIN

FIGURE 5-8. FRONT AXLE



ART_1001184984-E

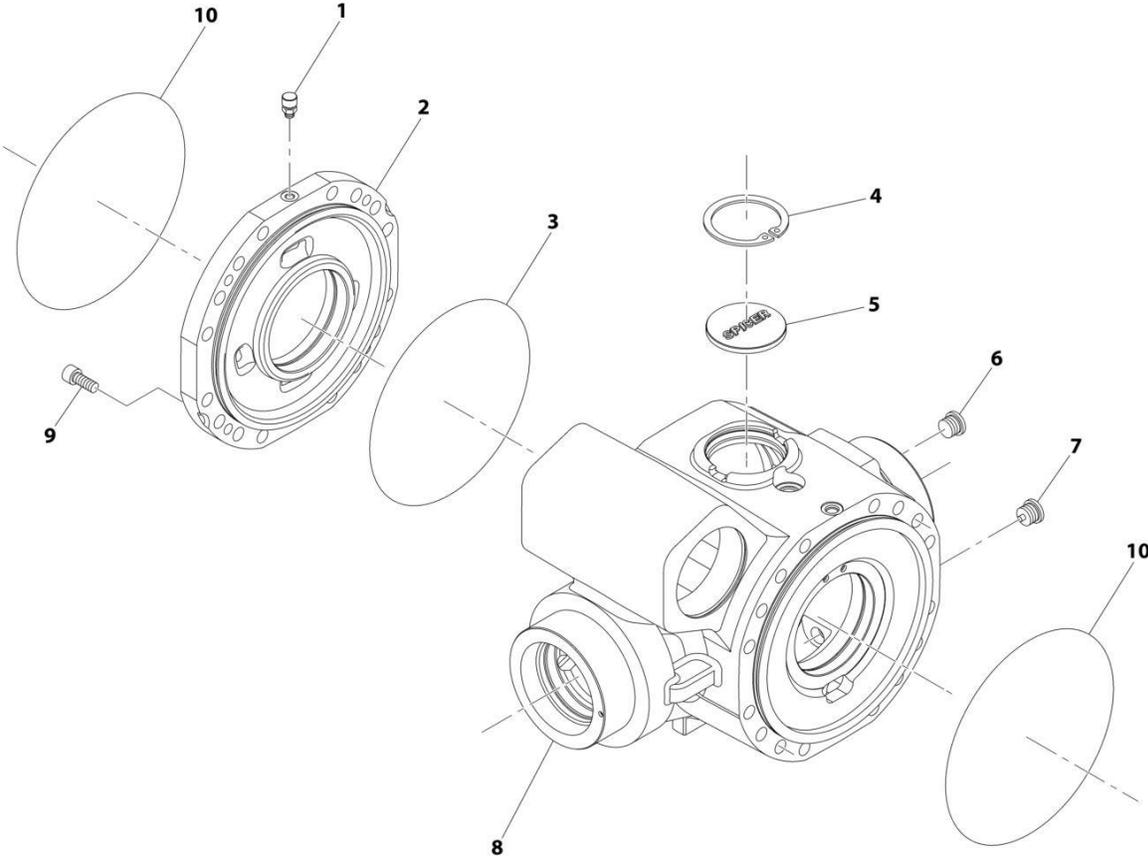
SECTION 5 - DRIVETRAIN

FIGURE 5-8. FRONT AXLE

ITEM	PART NUMBER	QTY	DESCRIPTION	REV
	1001184984	Ref	Front Axle	E
		Ref	Front Axle, Central Housing (See Separate Breakdown in this Section)	
		Ref	Front Axle, Differential (See Separate Breakdown in this Section)	
		Ref	Front Axle, Hub Reduction (See Separate Breakdown in this Section)	
		Ref	Front Axle, Brakes (See Separate Breakdown in this Section)	
		Ref	Front Axle, Steering (See Separate Breakdown in this Section)	
		Ref	Front Axle, Trunnion (See Separate Breakdown in this Section)	

SECTION 5 - DRIVETRAIN

FIGURE 5-9. FRONT AXLE, CENTRAL HOUSING



ART_1001184984_1-E

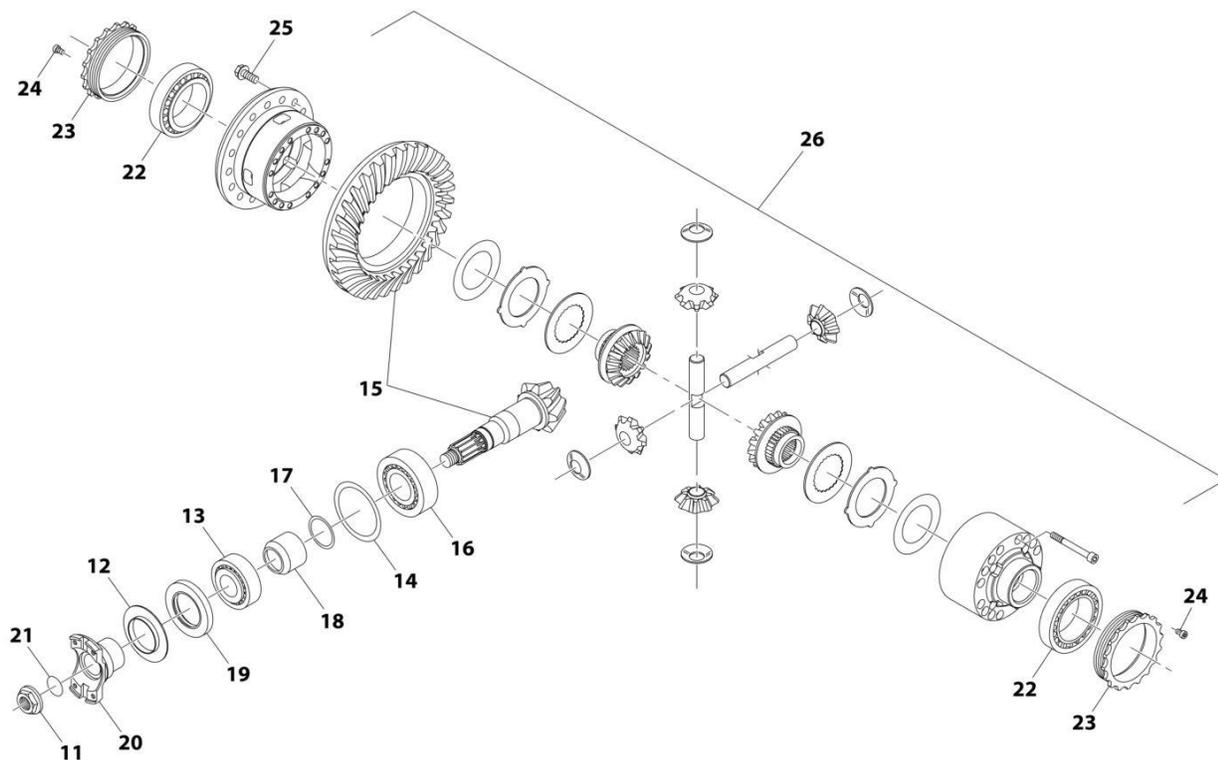
SECTION 5 - DRIVETRAIN

FIGURE 5-9. FRONT AXLE, CENTRAL HOUSING

ITEM	PART NUMBER	QTY	DESCRIPTION	REV
	1001184984	Ref	FRONT AXLE, CENTRAL HOUSING	
1	91474512	1	Vent	
2	7029288	1	Cover, Intermediate	
3	80204002	1	O-Ring	
4	80204005	1	Circlip	
5	91514098	1	Plug	
6	70028389	1	Plug	
7	70028388	1	Plug	
8	70025335	1	Housing	
9	91514101	4	Bolt	
10	91514089	2	O-Ring	

SECTION 5 - DRIVETRAIN

FIGURE 5-10. FRONT AXLE, DIFFERENTIAL



ART_1001184984_2-E

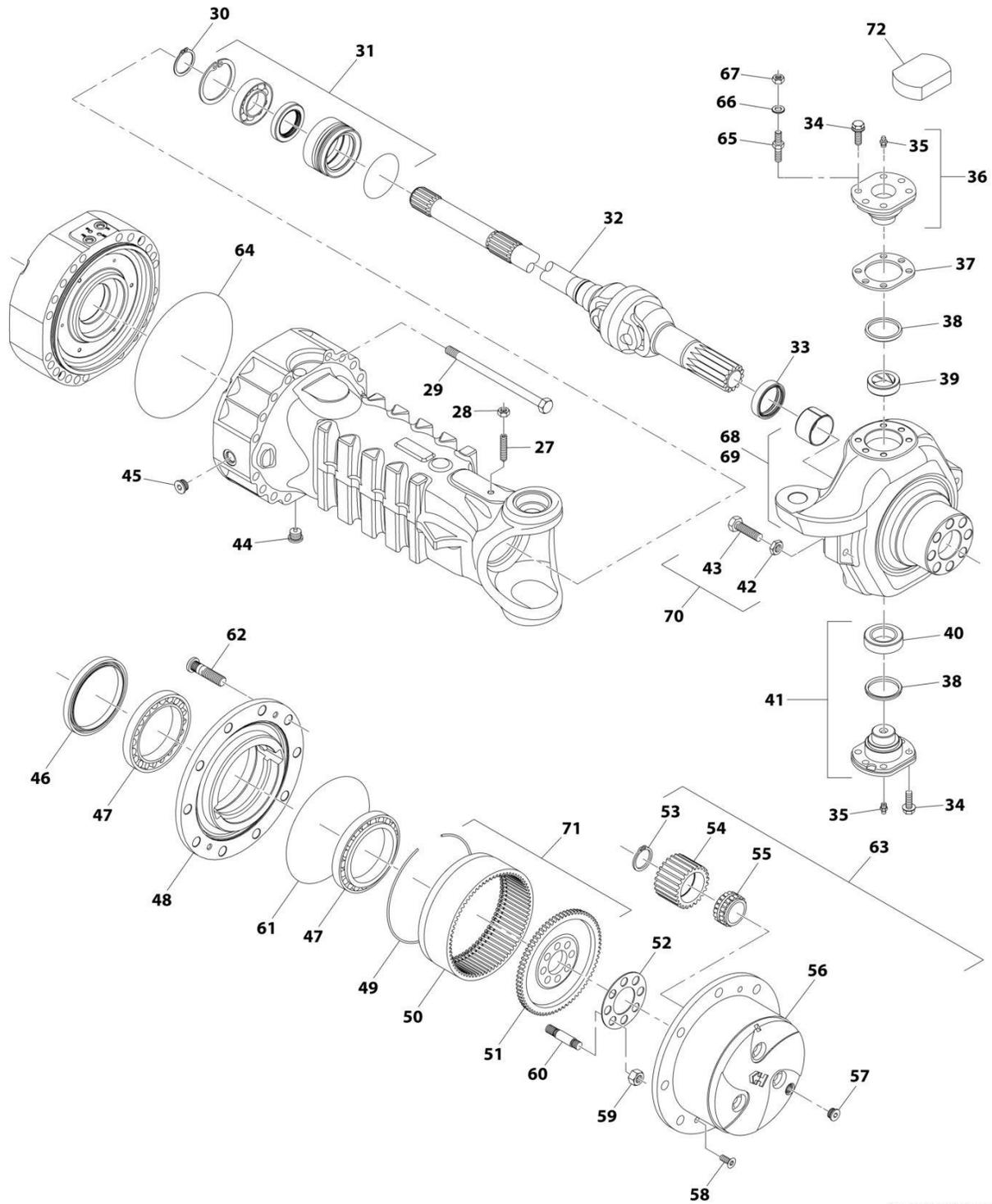
SECTION 5 - DRIVETRAIN

FIGURE 5-10. FRONT AXLE, DIFFERENTIAL

ITEM	PART NUMBER	QTY	DESCRIPTION	REV
	1001184984	Ref	FRONT AXLE, DIFFERENTIAL	
11	80204043	1	Nut	
12	91514130	1	Plate, Cover	
13	80204048	1	Bearing, Tape Roller	
14	70023469	1	Shim	
15	70028391	1	Gear, Bevel Set	
16	80204035	1	Bearing, Tape Roller	
17	70023494	1	Ring	
18	70022140	1	Spacer	
19	70025887	1	Seal	
20	70028401	1	Flange	
21	10725554	1	O-Ring	
22	80204033	2	Bearing, Tape Roller	
23	91514133	2	Nut, Ring	
24	91514134	2	Bolt	
25	91514123	16	Bolt	
26	70028390	1	Kit, Differential (See Separate Breakdown in this Section)	

SECTION 5 - DRIVETRAIN

FIGURE 5-11. FRONT AXLE, HUB REDUCTION



ART_1001184984_3-E

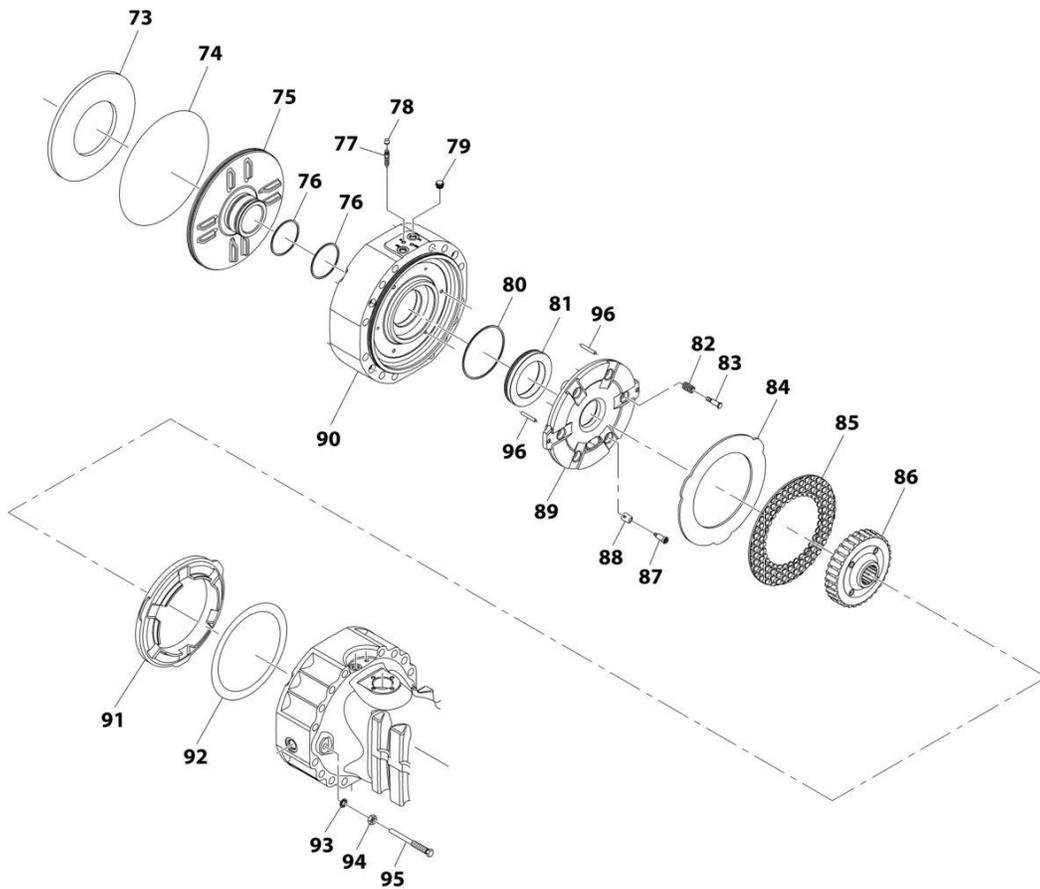
SECTION 5 - DRIVETRAIN

FIGURE 5-11. FRONT AXLE, HUB REDUCTION

ITEM	PART NUMBER	QTY	DESCRIPTION	REV
	1001184984	Ref	FRONT AXLE, HUB REDUCTION	
27	91514081	2	Bolt	
28	91514082	2	Nut	
29	70025012	24	Bolt	
30	80204071	2	Circlip	
31	91514149	2	Kit, Reduction Bushing (See Separate Breakdown in this Section)	
32	70028396	2	Joint, Double Universal	
33	70026238	2	Seal	
34	70025562	20	Bolt	
35	70024881	2	Fitting, Grease	
36	91514112	2	Pin	
37	70025561	1	Shim	
38	7028716	2	Seal, Dust	
39	7028714	2	Bushing	
40	91514095	2	Bearing	
41	7028715	2	Pin	
42	80204065	4	Nut	
43	91514117	4	Bolt	
44	70028388	2	Plug	
45	70028389	2	Plug	
46	70026002	2	Seal	
47	80204076	4	Bearing, Taper Roller	
48	91514174	2	Hub, Wheel	
49	91514175	2	Circlip	
50	70024147	2	Gear, Ring	
51	91514177	2	Support, Ring Gear	
52	91514178	2	Plate	
53	91514184	8	Circlip	
54	91514185	8	Gear, Planet	
55	91514186	8	Bearing	
56	7029317	2	Carrier, Planet Gear	
57	70028387	2	Plug	
58	91514189	4	Bolt, Countersunk	
59	91514179	16	Nut	
60	91514180	16	Stud	
61	91514181	2	O-Ring	
62	80214120	NLA	Stud, Wheel (Use PN 70030365)	
62	70030365	20	Stud, Wheel	
63	7029743	2	Kit, Planet Gear Carrier	
64	91514089	2	O-Ring	
65	70025014	8	Stud	
66	91514084	8	Washer	
67	91514083	8	Nut	
68	70026260	1	Steering Case Assembly (LH Steer Link) (See Separate Breakdown in this Section)	
69	70026261	1	Steering Case Assembly (RH Steer Link) (See Separate Breakdown in this Section)	
70	7028733	4	Bolt, Steering Adjust	
71	70024146	2	Kit, Ring Gear Support (See Separate Breakdown in this Section)	
72	70028392	2	Cover	

SECTION 5 - DRIVETRAIN

FIGURE 5-12. FRONT AXLE, BRAKES



ART_1001184984_4-E

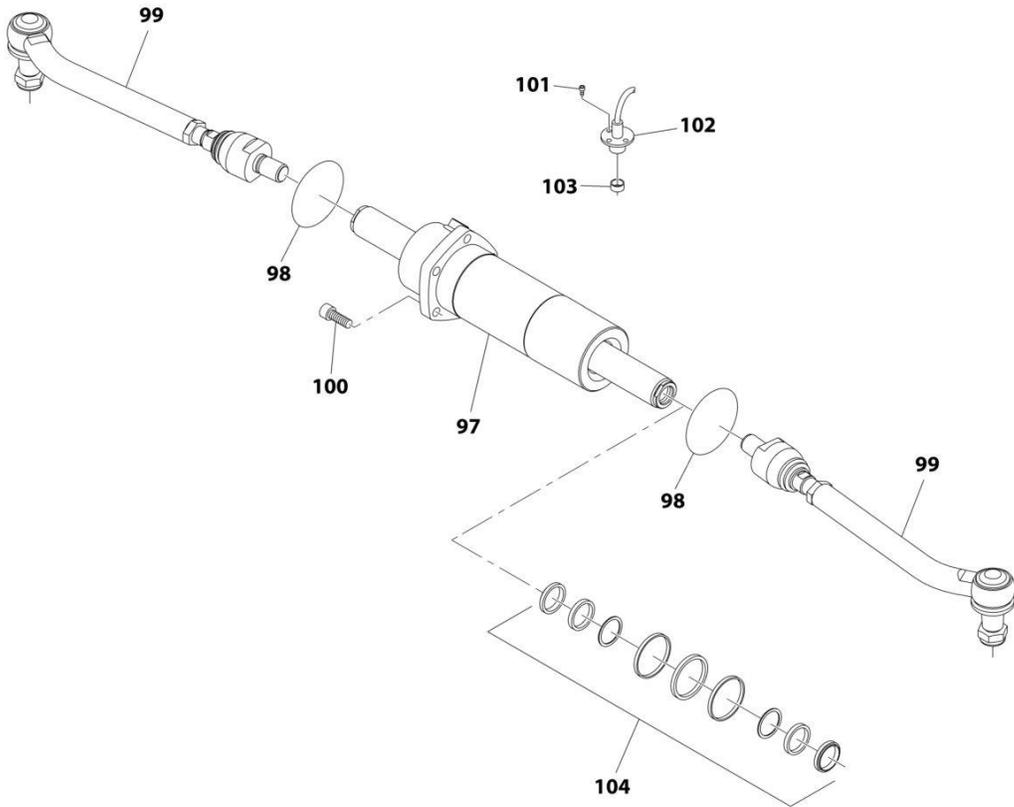
SECTION 5 - DRIVETRAIN

FIGURE 5-12. FRONT AXLE, BRAKES

ITEM	PART NUMBER	QTY	DESCRIPTION	REV
	1001184984	Ref	FRONT AXLE, BRAKES	
73	91514151	2	Washer	
74	91514089	2	O-Ring	
75	70027092	2	Piston	
76	70026262	4	Seal	
77	80204281	4	Bolt, Bleeding	
78	80204117	4	Plug	
79	91514154	4	Plug	
80	70026263	2	Seal	
81	70027796	2	Piston	
82	91514159	6	Spring	
83	70024210	6	Bolt, Adjusting	
84	70027022	6	Disc, Intermediate Brake	
85	7029735	6	Disc, Brake	
86	7029734	2	Bushing, Reduction	
87	7029787	6	Bolt, Adjusting	
88	70027317	6	Spring	
89	70024849	2	Disc, Intermediate Brake	
90	70024848	2	Cover	
91	70026264	2	Spacer	
92	70025970	1	Shim	
93	80204108	4	Washer, Lock	
94	80204060	4	Nut	
95	70024213	4	Bolt	
96	70024215	4	Dowel	

SECTION 5 - DRIVETRAIN

FIGURE 5-13. FRONT AXLE, STEERING



ART_1001184984_5-E

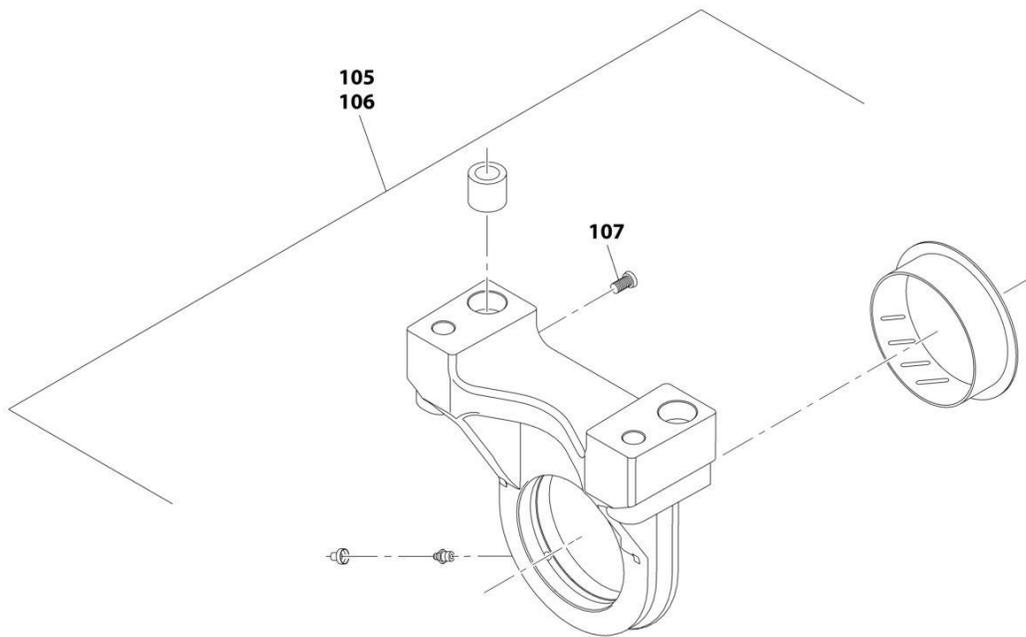
SECTION 5 - DRIVETRAIN

FIGURE 5-13. FRONT AXLE, STEERING

ITEM	PART NUMBER	QTY	DESCRIPTION	REV
	1001184984	Ref	FRONT AXLE, STEERING	
97	70028393	1	Cylinder	
98	80204143	2	O-Ring	
99	70028394	2	Rod, Articulated Tie	
99	70022773	2	Nut	
100	80204144	5	Bolt	
101	8008175	2	Bolt	
102	70027986	1	Optical Sensor	
103	7029307	1	Plug	
104	7029127	1	Kit, Seal	

SECTION 5 - DRIVETRAIN

FIGURE 5-14. FRONT AXLE, TRUNION



ART_1001184984_6-E

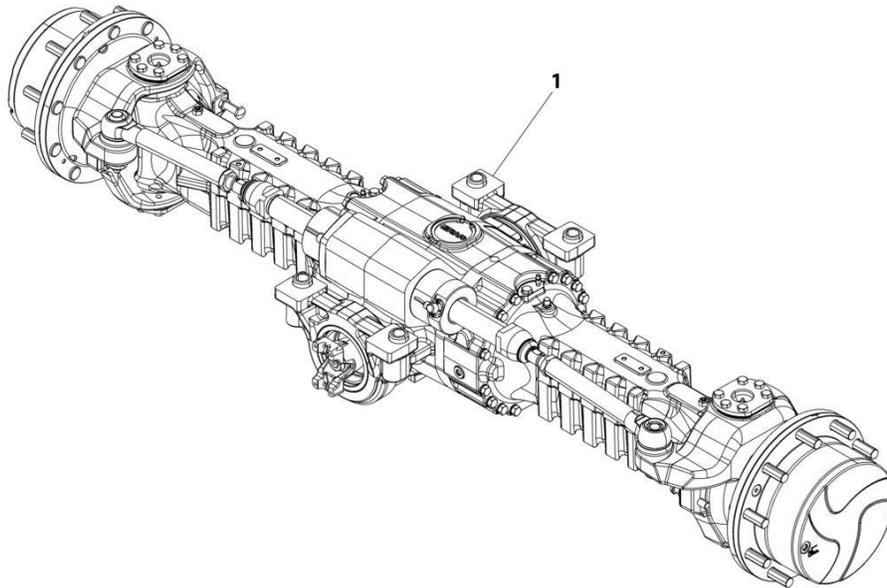
SECTION 5 - DRIVETRAIN

FIGURE 5-14. FRONT AXLE, TRUNION

ITEM	PART NUMBER	QTY	DESCRIPTION	REV
	1001184984	Ref	FRONT AXLE, TRUNION	
105	70026266	1	Kit, Trunnion (See Separate Breakdown in this Section)	
106	70026265	1	Support	
107	70025884	1	Bolt	

SECTION 5 - DRIVETRAIN

FIGURE 5-15. REAR AXLE



ART_1001184985-E

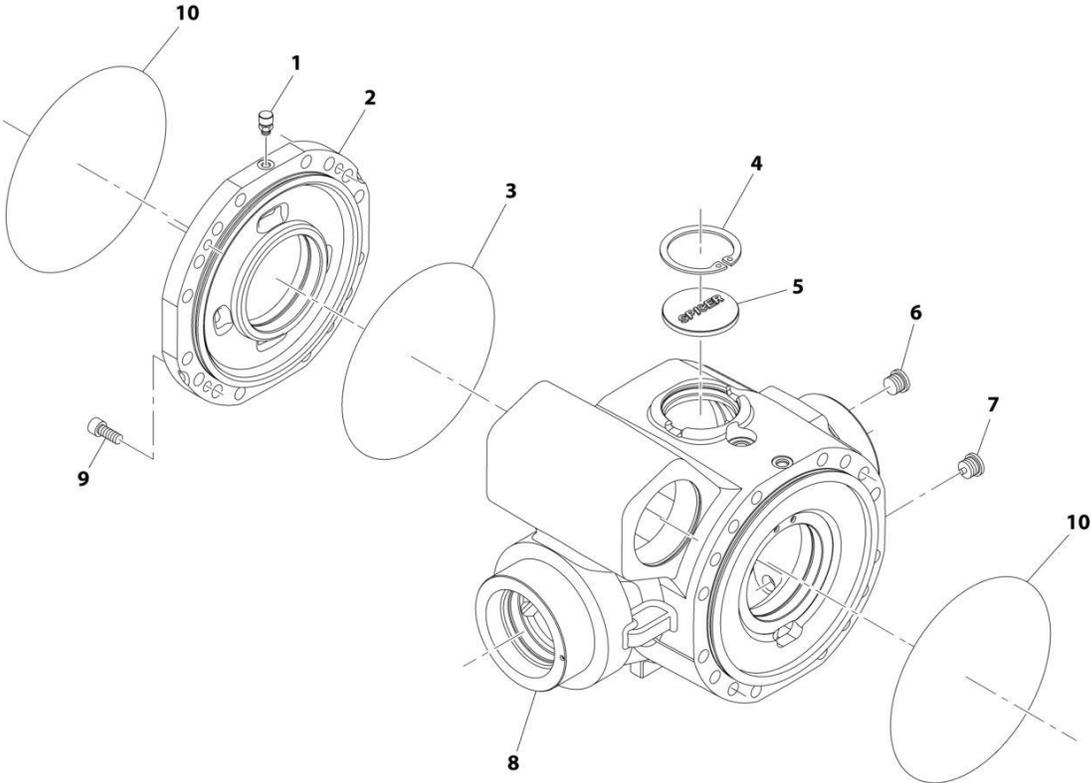
SECTION 5 - DRIVETRAIN

FIGURE 5-15. REAR AXLE

ITEM	PART NUMBER	QTY	DESCRIPTION	REV
1	1001184985	Ref	Rear Axle	E
		Ref	Rear Axle, Central Housing (See Separate Breakdown in this Section)	
		Ref	Rear Axle, Differential (See Separate Breakdown in this Section)	
		Ref	Rear Axle, Hub Reduction (See Separate Breakdown in this Section)	
		Ref	Rear Axle, Brakes (See Separate Breakdown in this Section)	
		Ref	Rear Axle, Steering (See Separate Breakdown in this Section)	
		Ref	Rear Axle, Trunnion (See Separate Breakdown in this Section)	

SECTION 5 - DRIVETRAIN

FIGURE 5-16. REAR AXLE, CENTRAL HOUSING



ART_1001184985_1-E

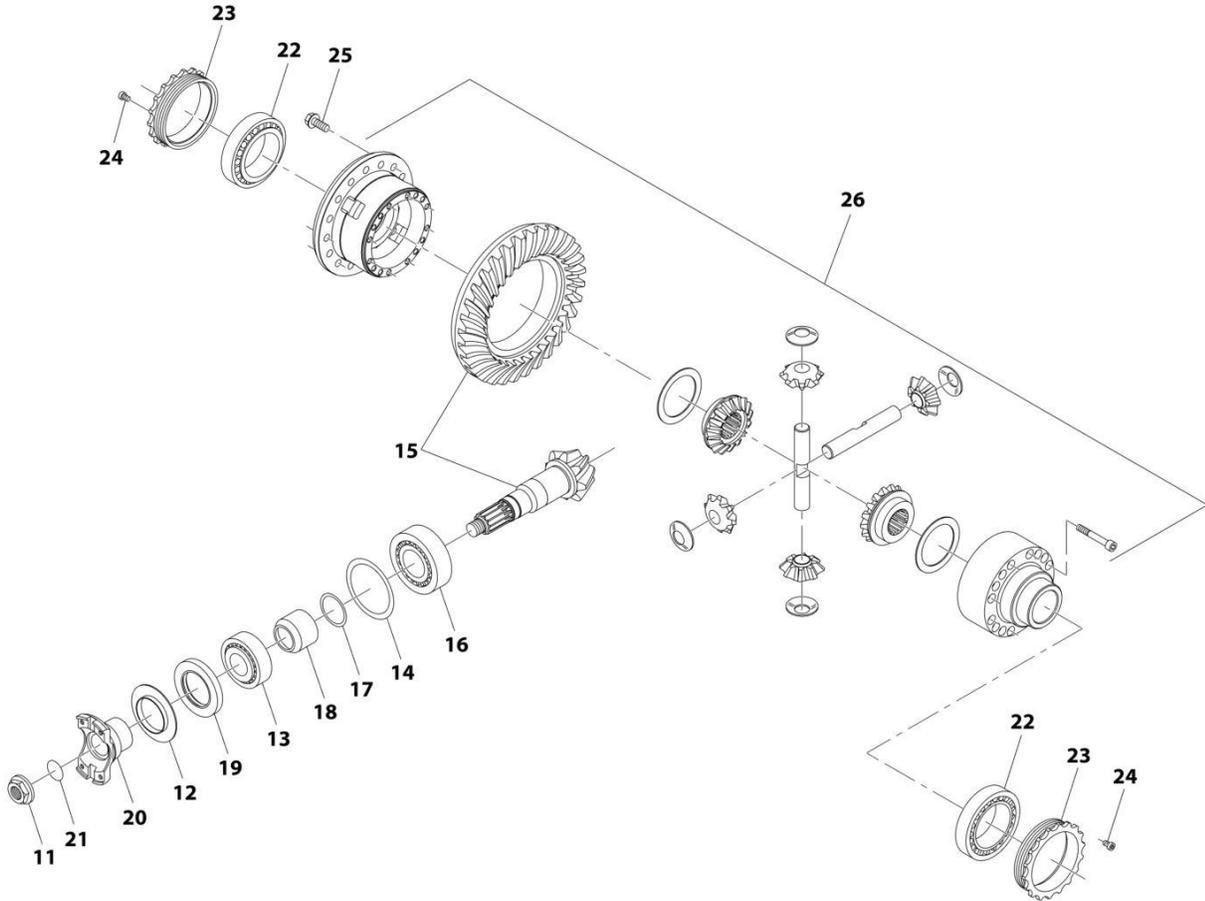
SECTION 5 - DRIVETRAIN

FIGURE 5-16. REAR AXLE, CENTRAL HOUSING

ITEM	PART NUMBER	QTY	DESCRIPTION	REV
	1001184985	Ref	REAR AXLE, CENTRAL HOUSING	
1	91474512	1	Vent	
2	7029288	1	Cover, Intermediate	
3	80204002	1	O-Ring	
4	80204005	1	Circlip	
5	91514098	1	Plug	
6	70028389	1	Plug	
7	70028388	1	Plug	
8	70025335	1	Housing	
9	91514101	4	Bolt	
10	91514089	2	O-Ring	

SECTION 5 - DRIVETRAIN

FIGURE 5-17. REAR AXLE, DIFFERENTIAL



ART_1001184985_2-E

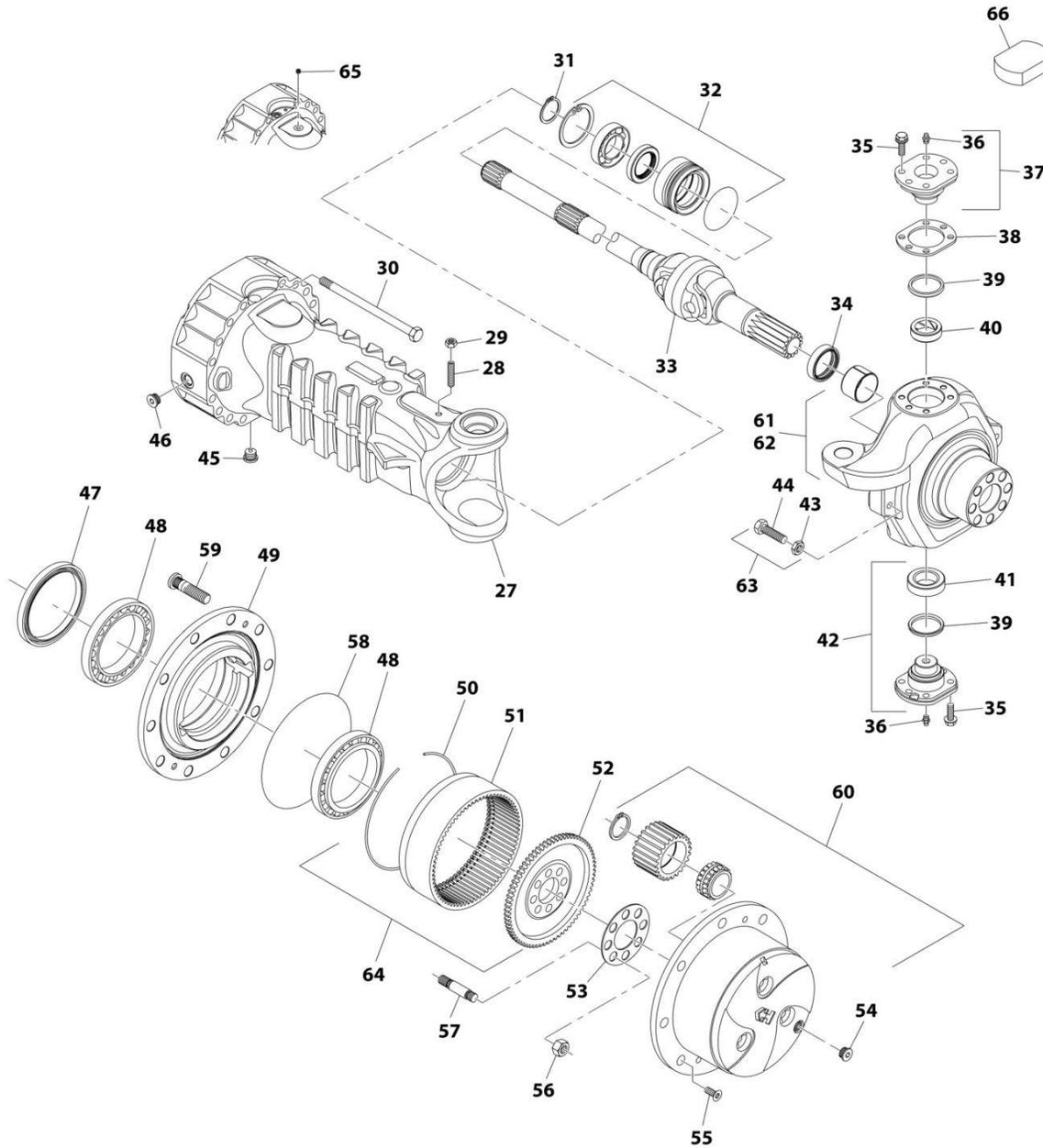
SECTION 5 - DRIVETRAIN

FIGURE 5-17. REAR AXLE, DIFFERENTIAL

ITEM	PART NUMBER	QTY	DESCRIPTION	REV
	1001184985	Ref	REAR AXLE, DIFFERENTIAL	
11	80204043	1	Nut	
12	91514130	1	Plate, Cover	
13	80204048	1	Bearing, Taper Roller	
14	70023469	1	Shim	
15	70028399	1	Gear, Bevel Set	
16	80204035	1	Bearing, Taper Roller	
17	70023494	1	Ring	
18	70022140	1	Spacer	
19	70025887	1	Seal	
20	70028401	1	Flange	
21	10725554	1	O-Ring	
22	80204033	2	Bearing, Taper Roller	
23	91514133	2	Nut, Ring	
24	91514134	2	Bolt	
25	39844923	16	Bolt	
26	70028398	1	Kit, Differential (See Separate Breakdown in this Section)	

SECTION 5 - DRIVETRAIN

FIGURE 5-18. REAR AXLE, HUB REDUCTION



ART_1001184985_3-E

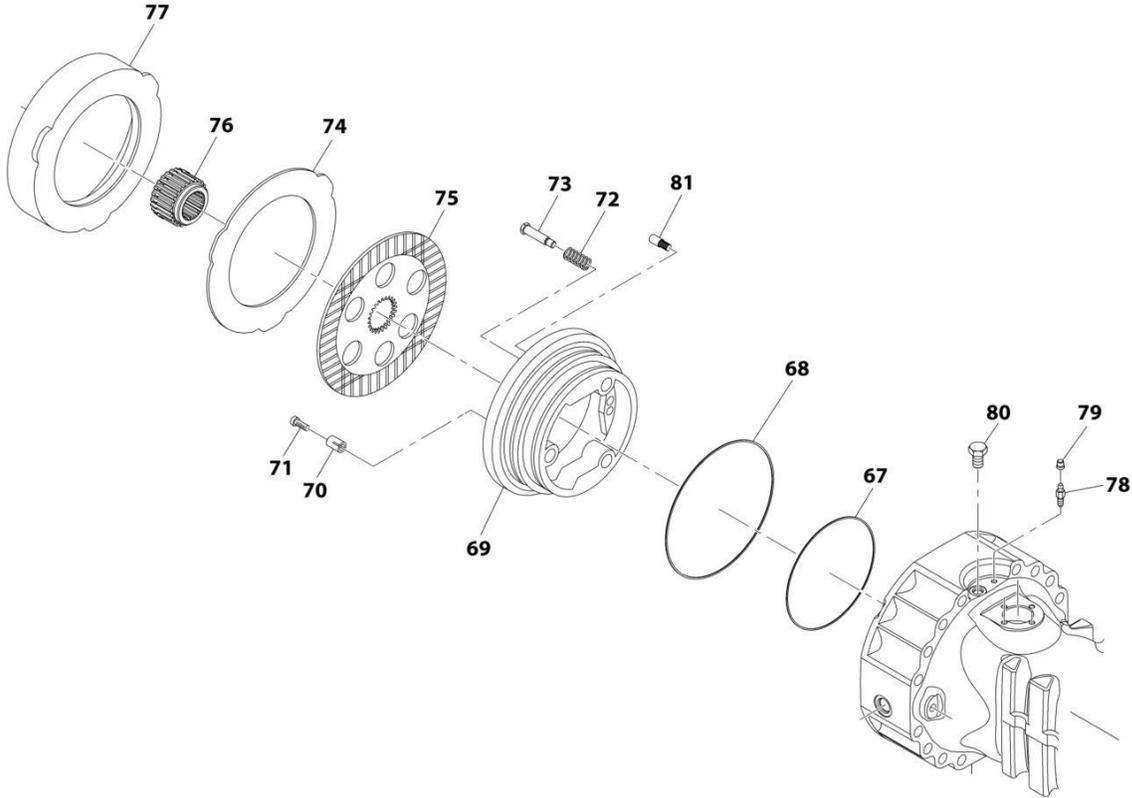
SECTION 5 - DRIVETRAIN

FIGURE 5-18. REAR AXLE, HUB REDUCTION

ITEM	PART NUMBER	QTY	DESCRIPTION	REV
	1001184985	Ref	REAR AXLE, HUB REDUCTION	
27	70028400	2	Case, Axle	
28	91514081	2	Bolt	
29	91514082	2	Nut	
30	70028397	32	Bolt	
31	80204071	2	Circlip	
32	91514149	2	Kit, Reduction Bushing (See Separate Breakdown in this Section)	
33	70028396	2	Joint, Double Universal	
34	70026238	2	Seal	
35	70025562	20	Bolt	
36	70024881	2	Fitting, Grease	
37	91514112	2	Pin	
38	70025561	1	Shim	
39	7028716	2	Seal, Dust	
40	7028714	2	Bushing	
41	91514095	2	Bearing	
42	7028715	2	Pin	
43	80204065	4	Nut	
44	91514117	4	Bolt	
45	70028388	2	Plug	
46	70028387	2	Plug	
47	70026002	2	Seal	
48	80204076	4	Bearing, Taper Roller	
49	91514174	2	Hub, Wheel	
50	91514175	2	Circlip	
51	70024147	2	Gear, Ring	
52	91514177	2	Gear, Ring Support	
53	91514178	2	Plate, Locking	
54	70028389	2	Plug	
55	91514189	4	Bolt, Countersunk	
56	91514179	16	Nut	
57	91514180	16	Stud	
58	91514181	2	O-Ring	
59	80214120	20	Stud	
60	7029733	2	Kit, Planet Gear Carrier (See Separate Breakdown in this Section)	
61	70026260	1	Steering Case Assembly (LH Steer Link) (See Separate Breakdown in this Section)	
62	70026261	1	Steering Case Assembly (RH Steer Link) (See Separate Breakdown in this Section)	
63	7028733	4	Bolt, Steering Adjust	
64	70024146	2	Kit, Ring Gear Support (See Separate Breakdown in this Section)	
65	80204012	2	Plug	
66	70028392	2	Cover	

SECTION 5 - DRIVETRAIN

FIGURE 5-19. REAR AXLE, BRAKES



ART_1001184985_4-E

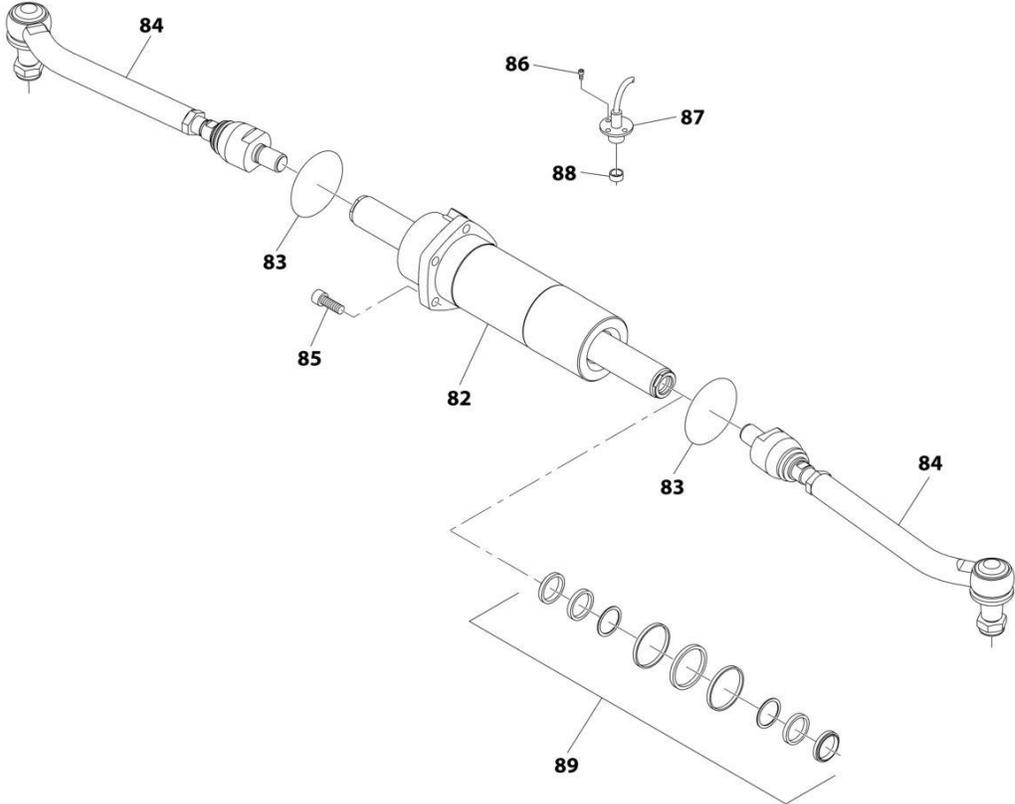
SECTION 5 - DRIVETRAIN

FIGURE 5-19. REAR AXLE, BRAKES

ITEM	PART NUMBER	QTY	DESCRIPTION	REV
	1001184985	Ref	REAR AXLE, BRAKES	
67	70026747	2	Seal	
68	70026748	2	Seal	
69	70024216	2	Piston	
70	70027317	6	Spring	
71	7029785	6	Bolt, Adjusting	
72	91514159	6	Spring	
73	70024210	6	Bolt, Adjusting	
74	70027022	6	Disc, Intermediate Brake	
75	7029735	6	Disc, Brake	
76	7029734	2	Bushing, Reduction	
77	70021606	2	Spacer	
78	80204281	2	Bolt, Bleeding	
79	80204117	2	Plug	
80	91514154	2	Bolt	
81	70021613	2	Bolt, Pilot	

SECTION 5 - DRIVETRAIN

FIGURE 5-20. REAR AXLE, STEERING



ART_1001184985_5-E

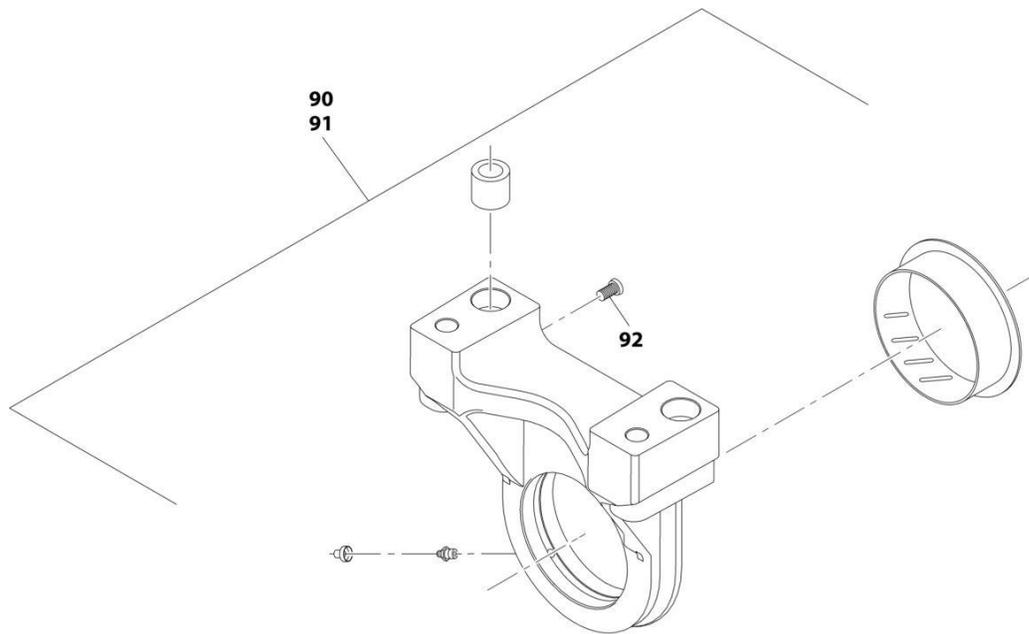
SECTION 5 - DRIVETRAIN

FIGURE 5-20. REAR AXLE, STEERING

ITEM	PART NUMBER	QTY	DESCRIPTION	REV
	1001184985	Ref	REAR AXLE, STEERING	
82	70028393	1	Cylinder	
83	80204143	2	O-Ring	
84	70028394	2	Rod, Articulated Tie	
84	70022773	2	Nut	
85	80204144	5	Bolt	
86	8008175	2	Bolt	
87	70027986	1	Sensor, Optical	
88	7029307	1	Plug	
89	7029127	1	Kit, Seal	

SECTION 5 - DRIVETRAIN

FIGURE 5-21. REAR AXLE, TRUNION



ART_1001184985_6-E

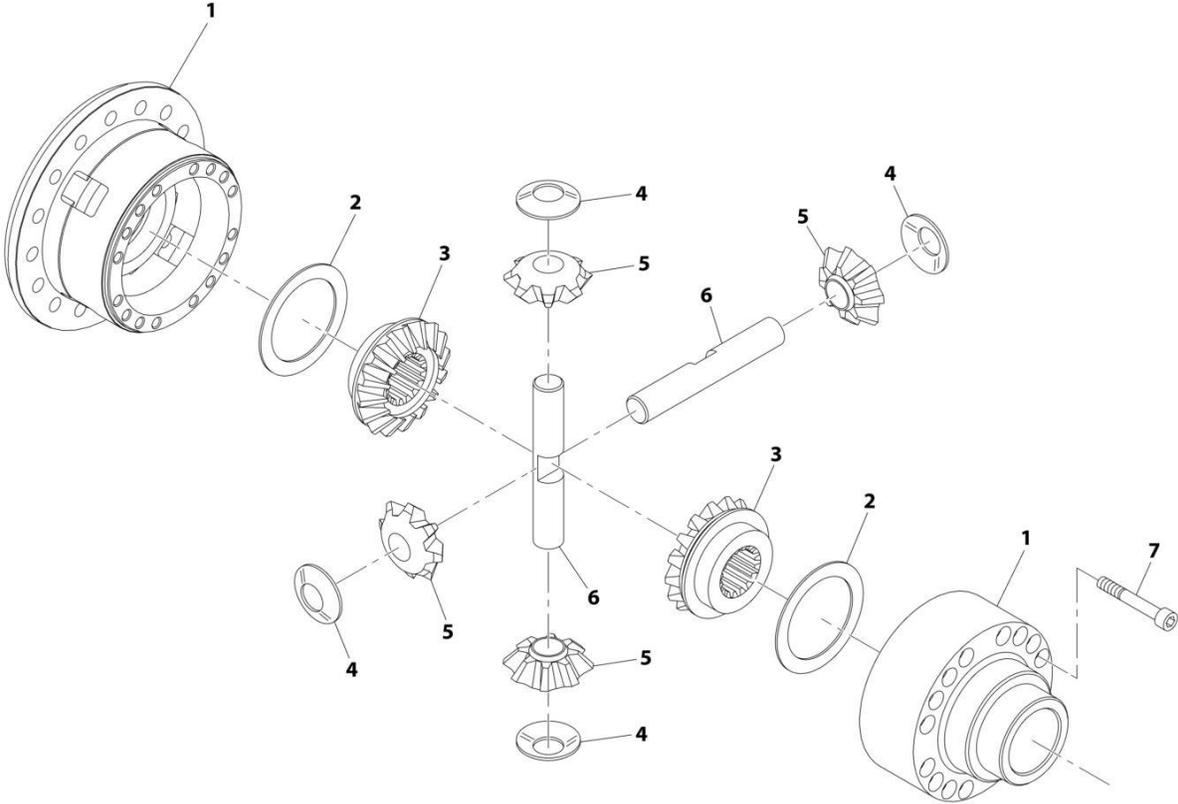
SECTION 5 - DRIVETRAIN

FIGURE 5-21. REAR AXLE, TRUNION

ITEM	PART NUMBER	QTY	DESCRIPTION	REV
	1001184985	Ref	REAR AXLE, TRUNION	
90	70026266	1	Kit, Trunnion (See Separate Breakdown in this Section)	
91	70026265	1	Support	
92	70025884	1	Bolt	

SECTION 5 - DRIVETRAIN

FIGURE 5-22. DIFFERENTIAL KIT



ART_70028398

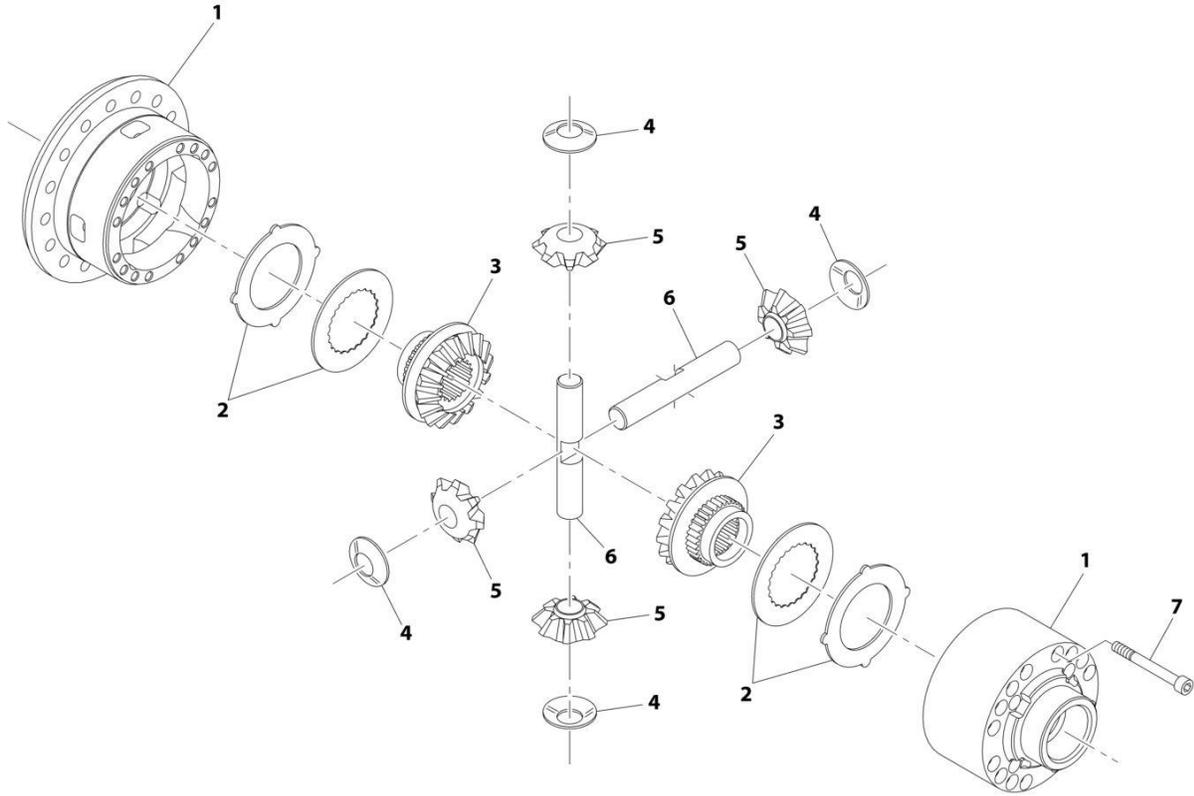
SECTION 5 - DRIVETRAIN

FIGURE 5-22. DIFFERENTIAL KIT

ITEM	PART NUMBER	QTY	DESCRIPTION	REV
	70028398	Ref	Differential Kit	
1	70025337	1	Carrier, Differential	
2	70023493	2	Washer, Friction	
3	70025338	2	Gear, Differential Side	
4	70027105	4	Washer, Friction	
5	70025339	4	Pinion, Differential	
6	70023490	2	Shaft, Differential	
7	70023489	15	Bolt	

SECTION 5 - DRIVETRAIN

FIGURE 5-23. DIFFERENTIAL KIT



ART_70028390

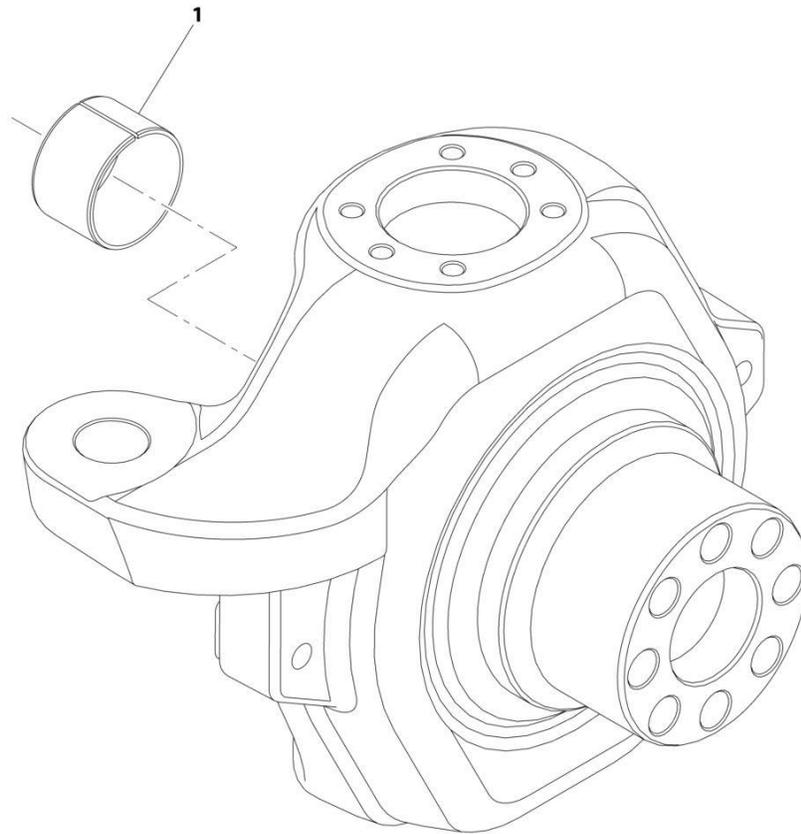
SECTION 5 - DRIVETRAIN

FIGURE 5-23. DIFFERENTIAL KIT

ITEM	PART NUMBER	QTY	DESCRIPTION	REV
	70028390	Ref	Differential Kit	
1	70024004	2	Carrier, Differential	
2	70026750	2	Disc, Clutch	
3	70025856	2	Gear, Differential Side	
4	70027105	4	Washer, Friction	
5	70025339	4	Pinion, Differential	
6	70023490	2	Shaft, Differential	
7	91514143	15	Bolt	

SECTION 5 - DRIVETRAIN

FIGURE 5-24. STEERING CASE ASSEMBLY (LH STEER LINK)



ART_70026260

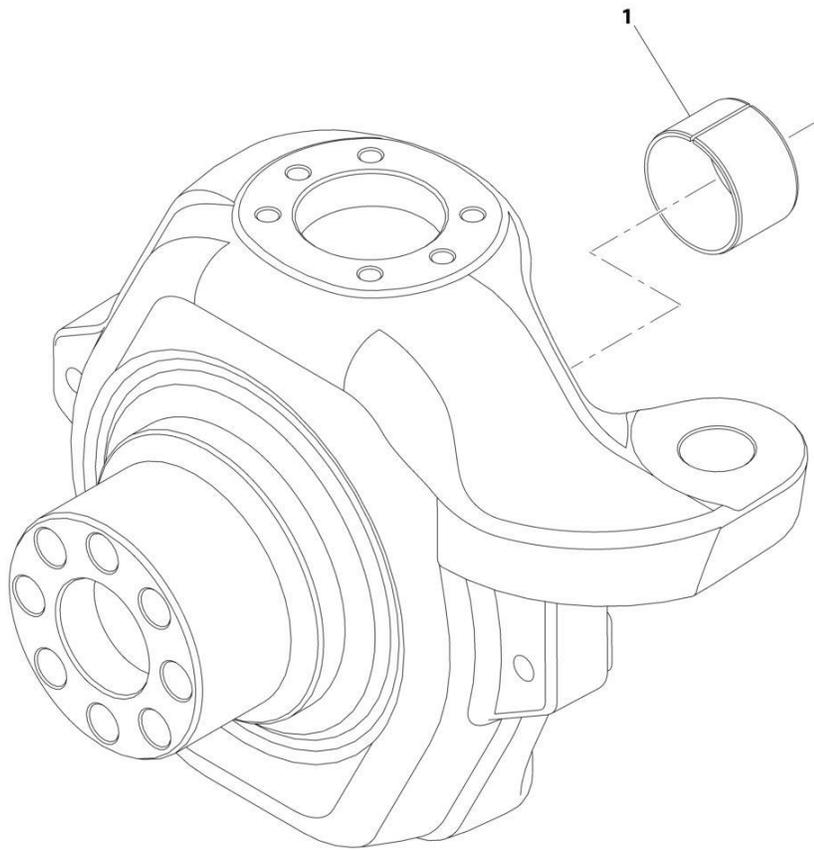
SECTION 5 - DRIVETRAIN

FIGURE 5-24. STEERING CASE ASSEMBLY (LH STEER LINK)

ITEM	PART NUMBER	QTY	DESCRIPTION	REV
1	70026260 91514111	Ref 1	STEERING CASE ASSEMBLY (LH STEER LINK) Bushing, Thrust	

SECTION 5 - DRIVETRAIN

FIGURE 5-25. STEERING CASE ASSEMBLY (RH STEER LINK)



ART_70026261

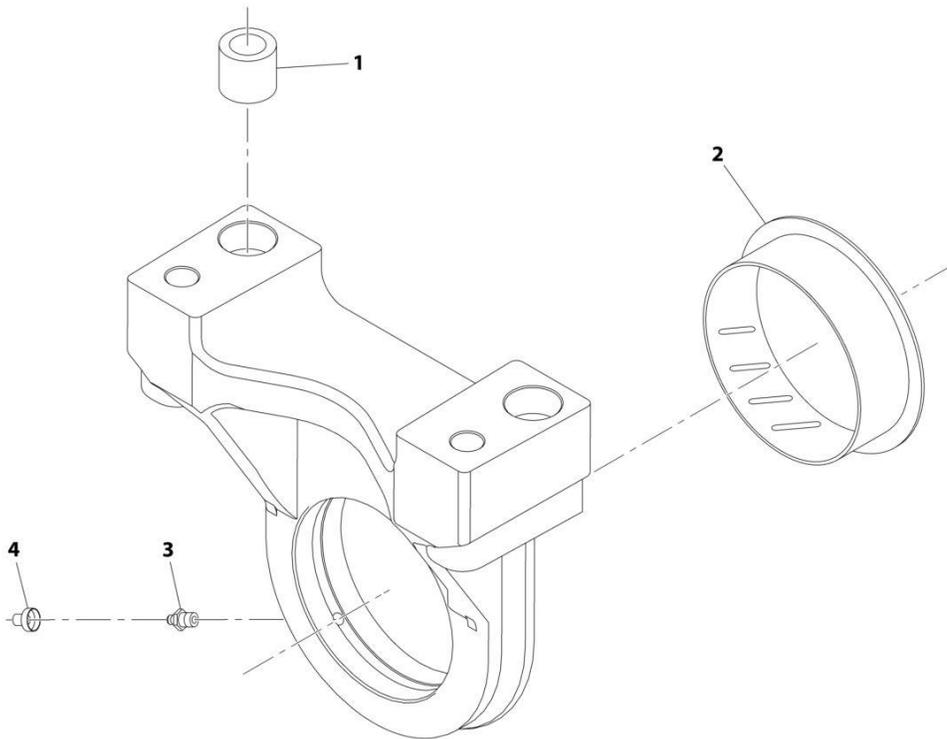
SECTION 5 - DRIVETRAIN

FIGURE 5-25. STEERING CASE ASSEMBLY (RH STEER LINK)

ITEM	PART NUMBER	QTY	DESCRIPTION	REV
1	70026261 91514111	Ref 1	STEERING CASE ASSEMBLY (RH STEER LINK) Bushing, Thrust	

SECTION 5 - DRIVETRAIN

FIGURE 5-26. TRUNION KIT



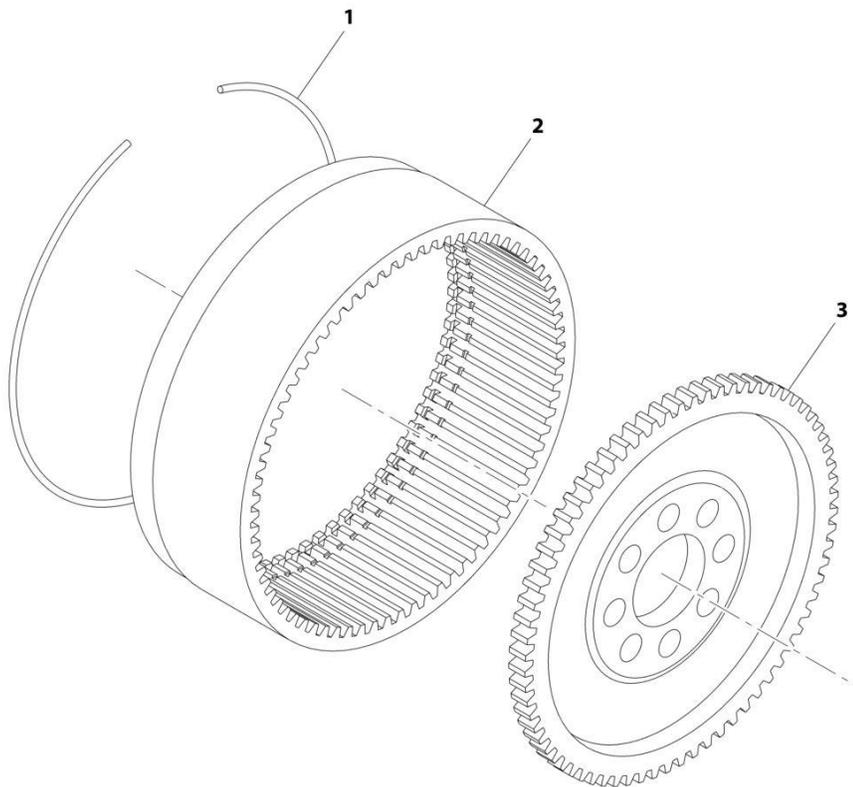
ART_70026266

FIGURE 5-26. TRUNION KIT

ITEM	PART NUMBER	QTY	DESCRIPTION	REV
	70026266	Ref	Trunion Kit	
1	7029290	2	Bushing, Reduction	
2	91514090	1	Bushing, Thrust	
3	70024881	1	Fitting, Grease	
4	80204117	1	Plug	

SECTION 5 - DRIVETRAIN

FIGURE 5-27. RING GEAR SUPPORT KIT



ART_70024146

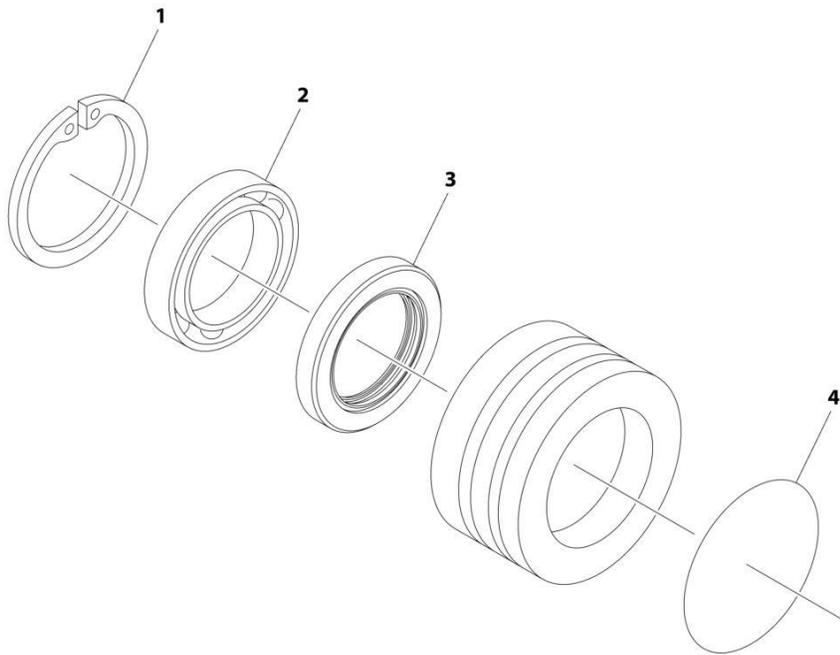
SECTION 5 - DRIVETRAIN

FIGURE 5-27. RING GEAR SUPPORT KIT

ITEM	PART NUMBER	QTY	DESCRIPTION	REV
	70024146	Ref	Ring Gear Support Kit	
1	91514175	1	Circlip	
2	70024147	1	Gear, Ring	
3	91514177	1	Gear, Ring Support	

SECTION 5 - DRIVETRAIN

FIGURE 5-28. REDUCTION BUSHING KIT



ART_91514149

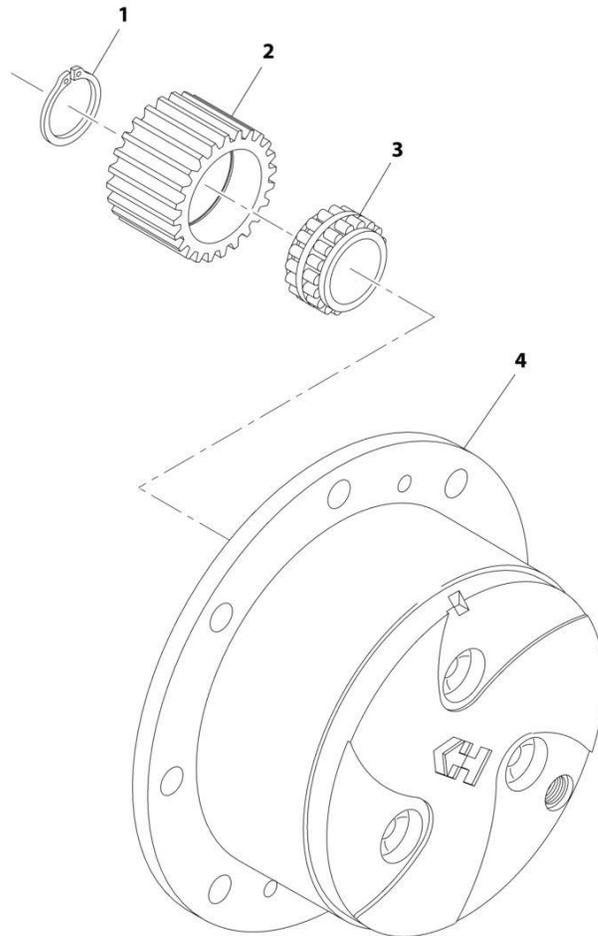
SECTION 5 - DRIVETRAIN

FIGURE 5-28. REDUCTION BUSHING KIT

ITEM	PART NUMBER	QTY	DESCRIPTION	REV
	91514149	Ref	Reduction Bushing Kit	
1	80204005	2	Circlip	
2	91514146	2	Bearing, Ball	
3	91514147	2	Seal	
4	91514148	2	O-Ring	

SECTION 5 - DRIVETRAIN

FIGURE 5-29. PLANET GEAR CARRIER KIT



ART_7029733

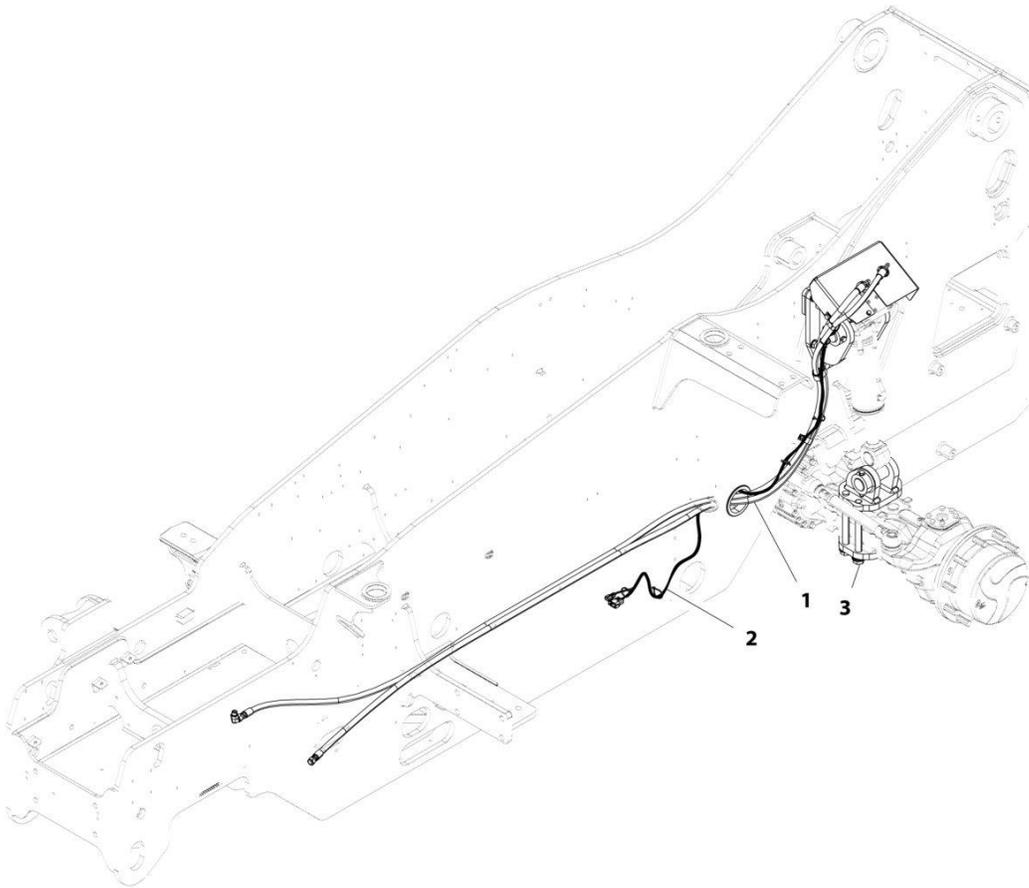
SECTION 5 - DRIVETRAIN

FIGURE 5-29. PLANET GEAR CARRIER KIT

ITEM	PART NUMBER	QTY	DESCRIPTION	REV
	7029733	Ref	Planet Gear Carrier Kit	
1	91514184	3	Circlip	
2	91514185	6	Gear, Planet	
3	91514186	6	Bearing	
4	7026731	1	Carrier, Planet Gear	

SECTION 5 - DRIVETRAIN

FIGURE 5-30. RALP INSTALLATION



ART_1001192713-B

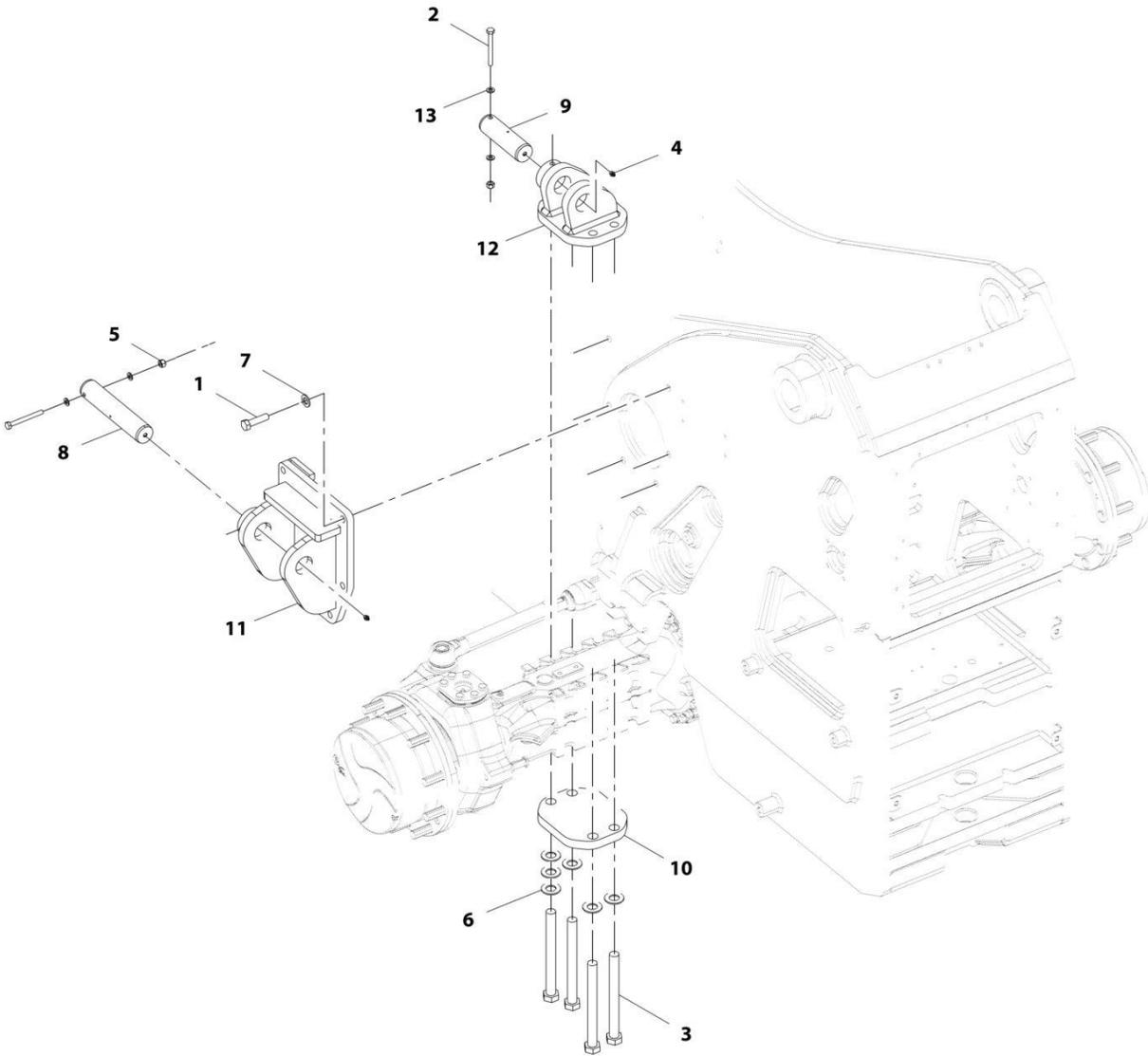
SECTION 5 - DRIVETRAIN

FIGURE 5-30. RALP INSTALLATION

ITEM	PART NUMBER	QTY	DESCRIPTION	REV
	1001192713	Ref	RALP Installation	B
1	1001192555	1	Installation, RALP Hydraulic Lines (See Separate Breakdown in Hydraulic Circuits Section)	
2	1001193576	1	Installation, RALP Option Harness	
3	1001200177	1	Installation, RALP Mechanical (See Separate Breakdown in this Section)	

SECTION 5 - DRIVETRAIN

FIGURE 5-31. RALP MECHANICAL INSTALLATION



ART_1001200177-D

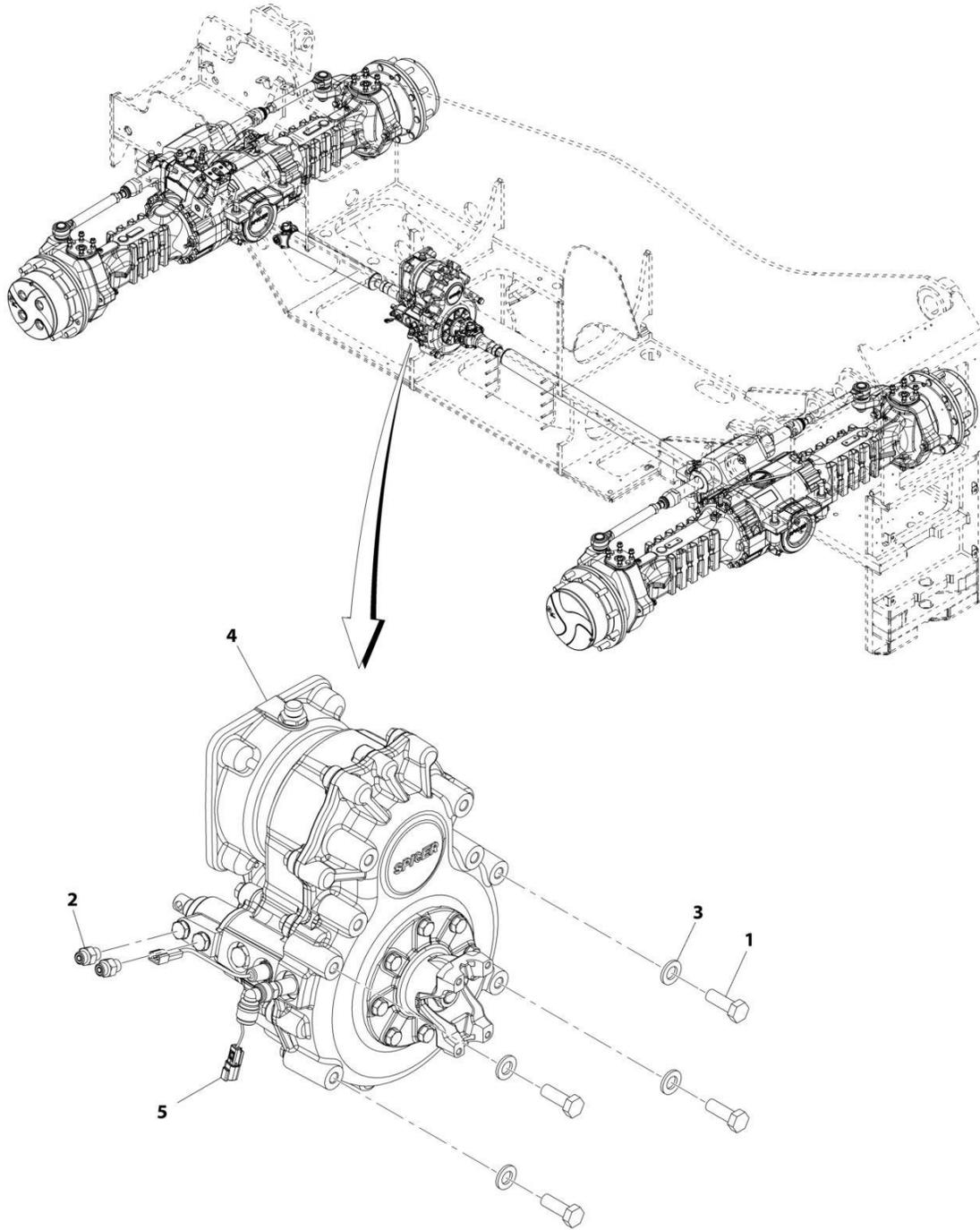
SECTION 5 - DRIVETRAIN

FIGURE 5-31. RALP MECHANICAL INSTALLATION

ITEM	PART NUMBER	QTY	DESCRIPTION	REV
	1001200177	Ref	RALP Mechanical Installation	D
1	0771620	6	Bolt, M16X60 Grade 10.9	
2	0711027	2	Bolt, M10X100	
3	0712442	4	Bolt, M24X250	
4	2160016	2	Fitting, Grease	
5	3291005	2	Nut, Lock M10X1.5	
6	5242400	6	Washer, M24	
7	5241600	6	Washer, M16	
8	1001164971	1	Pin	
9	1001164972	1	Pin	
10	1001168629	1	Plate	
11	1001193918J	1	Bracket	
12	1001193919	1	Bracket	
13	4812000	4	Washer, M10	

SECTION 5 - DRIVETRAIN

FIGURE 5-32. GEARBOX INSTALLATION



ART_1001184979-E

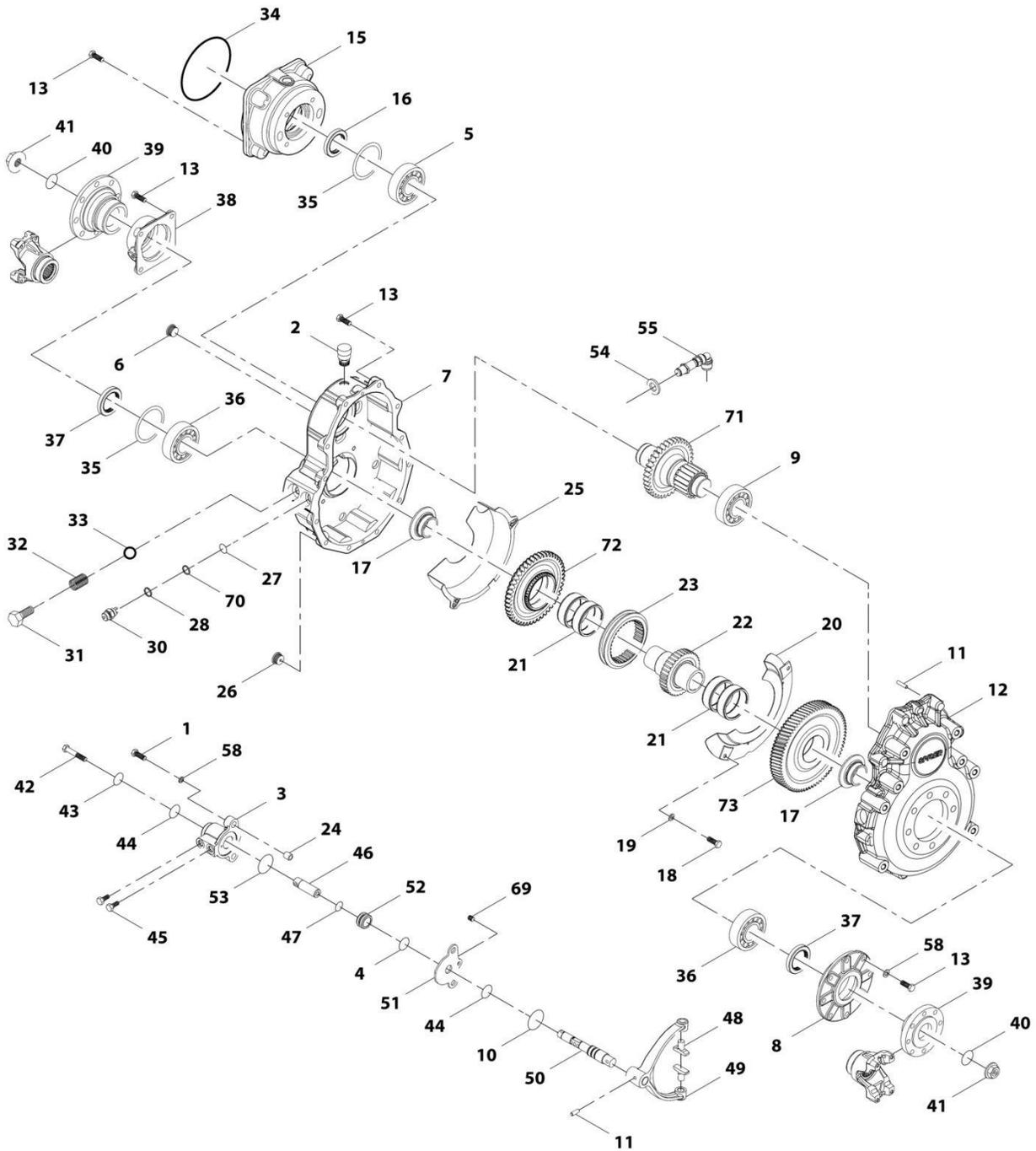
SECTION 5 - DRIVETRAIN

FIGURE 5-32. GEARBOX INSTALLATION

ITEM	PART NUMBER	QTY	DESCRIPTION	REV
	1001184979	Ref	Gearbox Installation	E
1	0771416	4	Bolt, M14-2X40 Grade 10.9	
2	2144603	1	Fitting, Straight ORFS	
3	5241400	4	Washer, M14	
4	1001184986	1	Gearbox (See Separate Breakdown in this Section)	
5	1001229981	1	Harness, Vehicle Speed Pigtail (See Separate Breakdown in ELECTRICAL Section)	

SECTION 5 - DRIVETRAIN

FIGURE 5-33. GEAR BOX



ART_1001184986-D

SECTION 5 - DRIVETRAIN

FIGURE 5-33. GEAR BOX

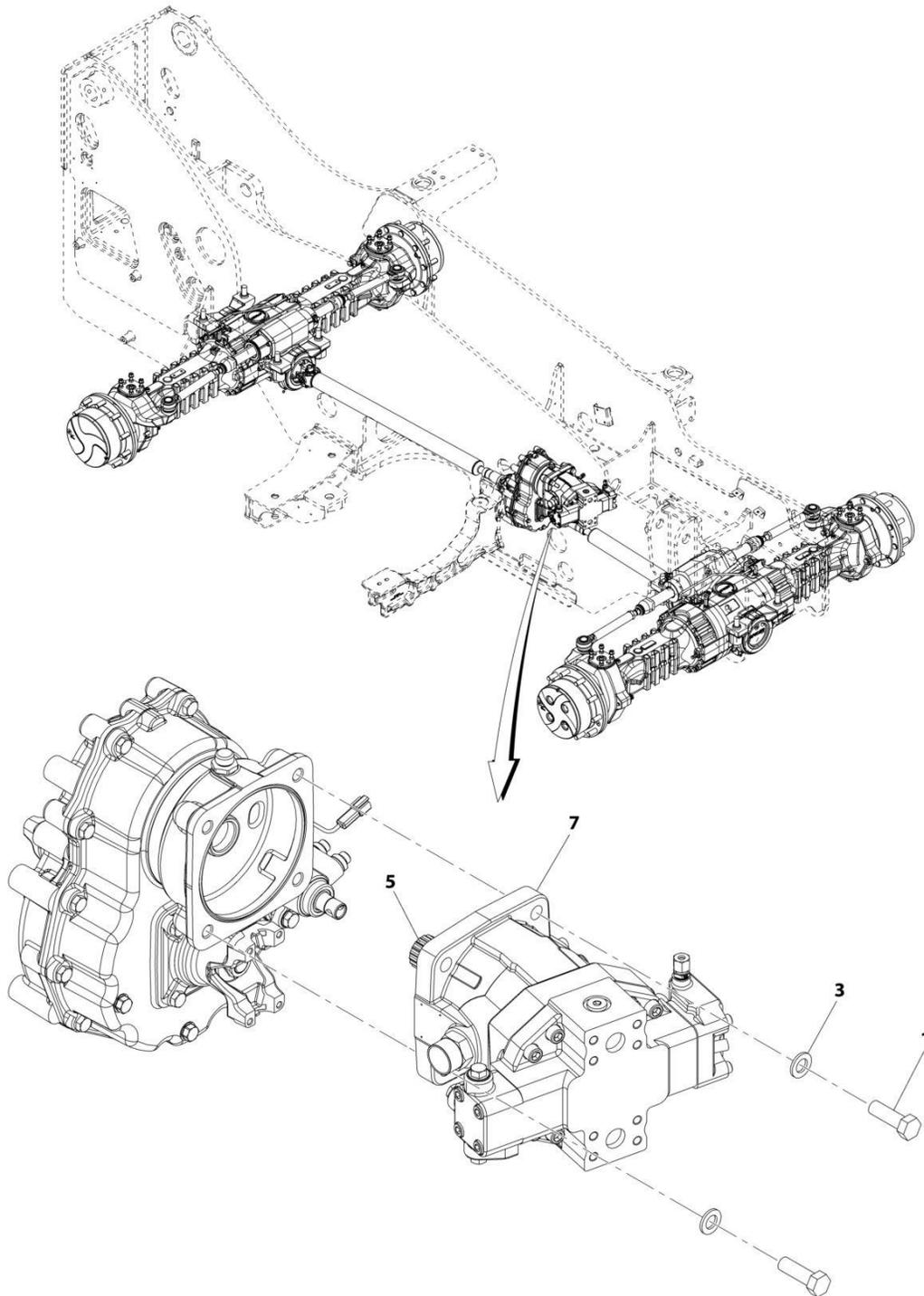
ITEM	PART NUMBER	QTY	DESCRIPTION	REV
	1001184986	Ref	Gear box	D
1	70028817	2	Bolt	
2	70028818	1	Plug	
3	70028819	1	Cylinder	
4	70028820	1	O-Ring	
5	91514146	1	Bearing, Ball	
6	80204016	1	Plug	
7	70028821	1	Housing	
8	70028822	1	Cover	
9	70026904	1	Bearing, Ball	
10	3986405	1	O-Ring	
11	70026892	3	Dowel	
12	70028823	1	Housing	
13	70026911	28	Bolt	
15	70026897	1	Cover	
16	70026896	1	Seal	
17	70028824	2	Spacer	
18	70026909	2	Bolt	
19	70027110	2	Washer, Lock	
20	70028825	1	Plate, Cover	
21	70028826	4	Bearing	
22	70028827	1	Shaft	
23	70028828	1	Sleeve	
24	70028829	2	Pin	
25	70026908	1	Sheet	
26	80204007	1	Plug	
27	1001081085	1	O-Ring	
28	80203020	1	Washer	
30	70028830	1	Switch	
31	70028831	1	Bolt	
32	80203021	1	Spring	
33	70020276	1	Ball, Detend	
34	80204176	1	O-Ring	
35	70027862	2	Kit, Shim	
36	91474364	2	Bearing, Ball	
37	70026901	2	Seal	
38	70028832	1	Cover	
39	70026898	2	Flange	
40	80204215	2	O-Ring	
41	70026631	2	Nut	
42	70028833	1	Bolt	
43	70028834	1	O-Ring	
44	70028835	2	Sleeve	
45	91514154	2	Bolt	
46	70028836	1	Bar	
47	70027109	1	O-Ring	
48	70028837	2	Pin	
49	70028838	1	Fork, Selector	
50	70028839	1	Shaft	
51	70028840	1	Plate, Cover	

SECTION 5 - DRIVETRAIN

ITEM	PART NUMBER	QTY	DESCRIPTION	REV
52	70028841	1	Piston	
53	70028842	1	O-Ring	
54	70028844	1	Washer	
55	70028801	1	Sensor, Speed	
58	70028843	10	Washer	
69	70028845	1	Bolt	
70	70026927	1	Washer, Seal	
71	70028846	1	Shaft, Input	
72	70028847	1	Gear	
73	70028848	1	Gear	

SECTION 5 - DRIVETRAIN

FIGURE 5-34. HYDROSTATIC MOTOR INSTALLATION



ART_1001184980-D

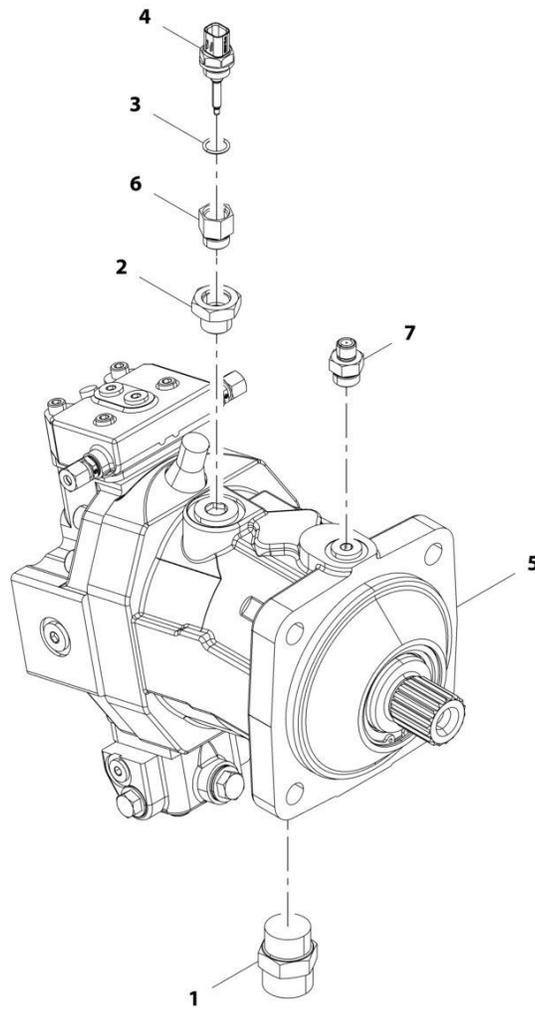
SECTION 5 - DRIVETRAIN

FIGURE 5-34. HYDROSTATIC MOTOR INSTALLATION

ITEM	PART NUMBER	QTY	DESCRIPTION	REV
	1001184980	Ref	Hydrostatic Motor Installation	D
1	0771618	4	Bolt, M16X50	
3	4812300	4	Washer, M16	
5	3020037	AR	Lube, Grease	
7	1001217620	1	Assembly, Hydrostatic Drive Motor (See Separate Breakdown in this Section)	

SECTION 5 - DRIVETRAIN

FIGURE 5-35. HYDROSTATIC MOTOR ASSEMBLY



ART_1001217620-B

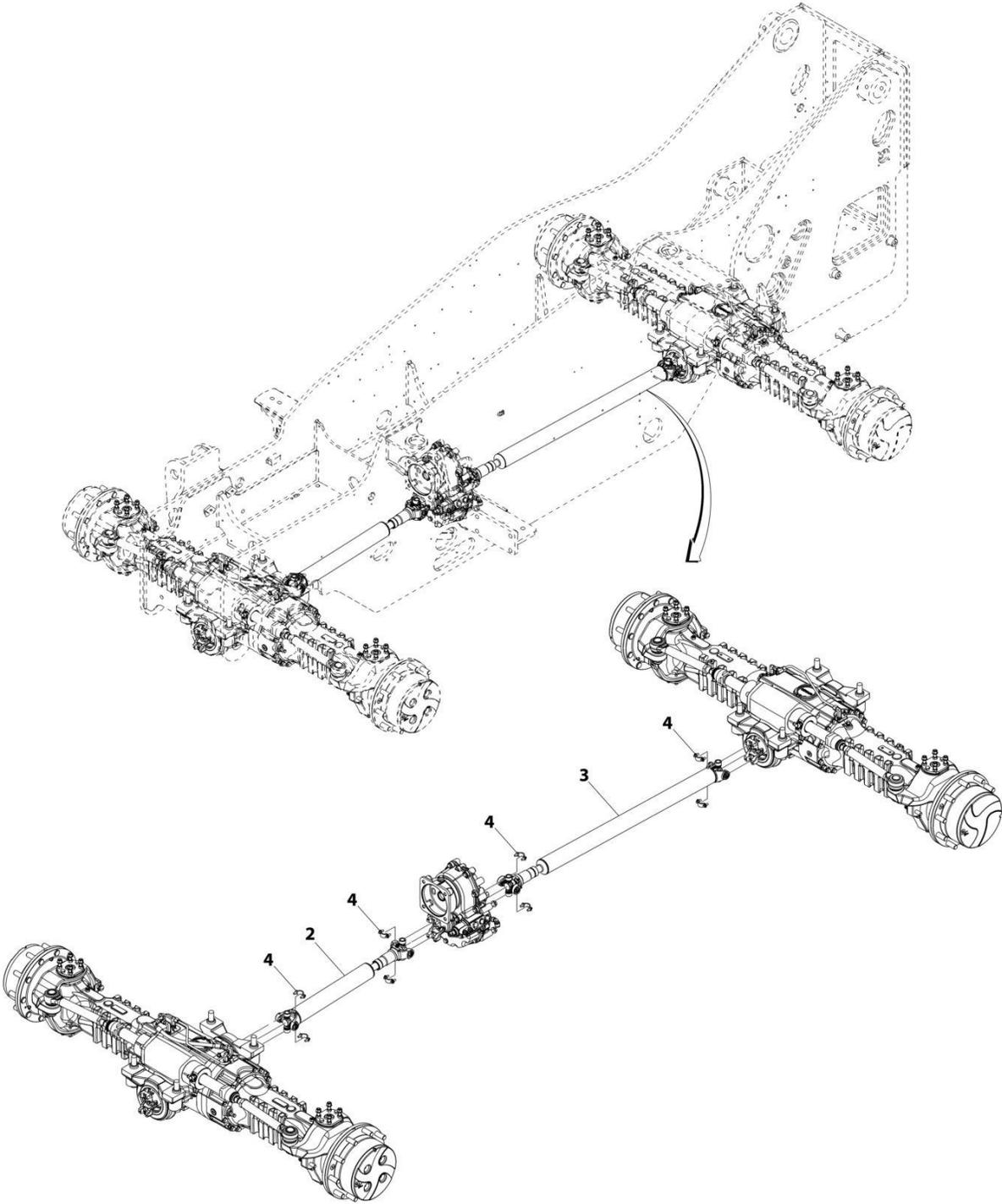
SECTION 5 - DRIVETRAIN

FIGURE 5-35. HYDROSTATIC MOTOR ASSEMBLY

ITEM	PART NUMBER	QTY	DESCRIPTION	REV
	1001217620	Ref	Hydrostatic Motor Assembly	B
1	2111616	1	Fitting, Straight ORFS	
2	2220811	1	Fitting, Straight	
3	1001009163	1	O-Ring	
4	1001128478	1	Sensor	
5	1001193308	1	Motor, Hydrostatic (See Separate Breakdown in HYDRAULIC COMPONENTS Section)	
6	1001220760	1	Fitting, Straight	
7	1001217669	1	Fitting, Straight	

SECTION 5 - DRIVETRAIN

FIGURE 5-36. DRIVE SHAFT INSTALLATION



ART_1001184981-B

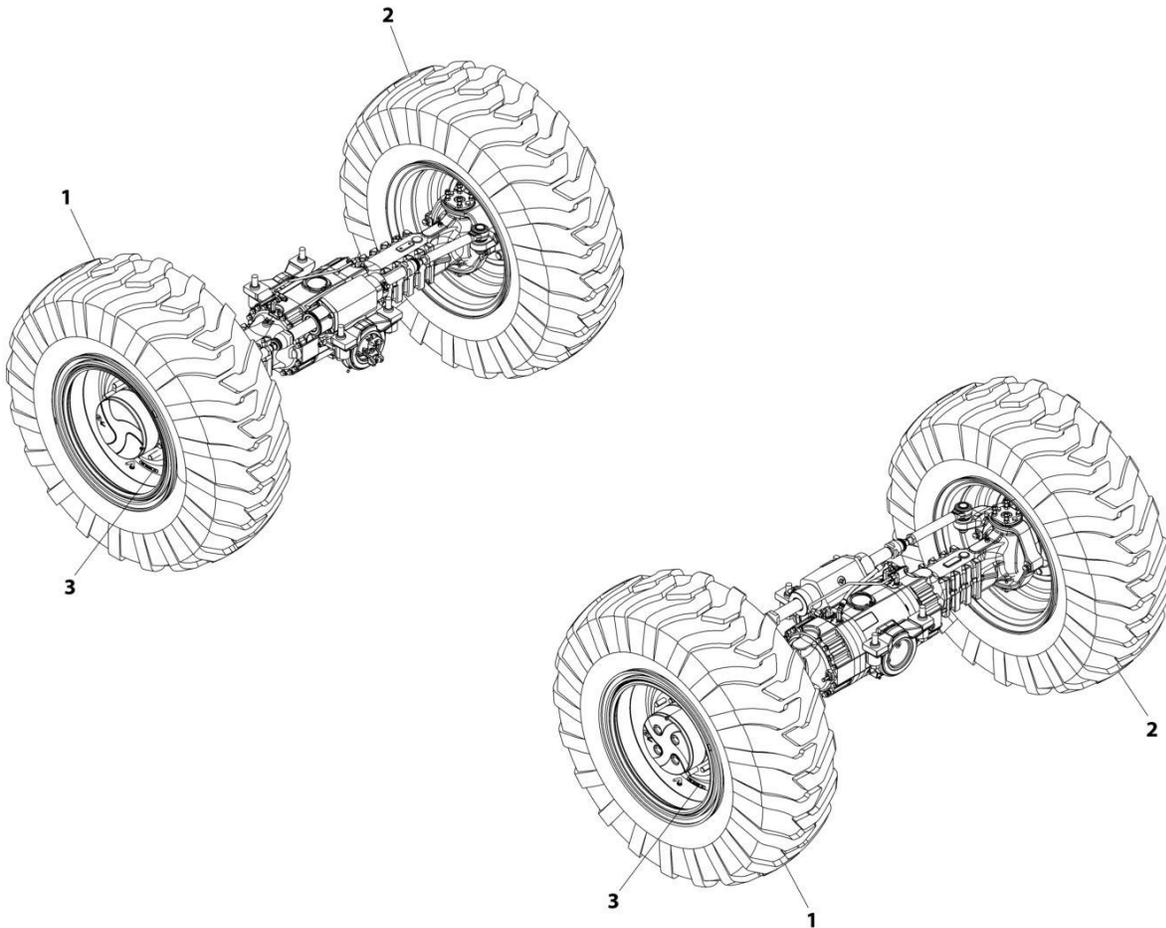
SECTION 5 - DRIVETRAIN

FIGURE 5-36. DRIVE SHAFT INSTALLATION

ITEM	PART NUMBER	QTY	DESCRIPTION	REV
	1001184981	Ref	Drive Shaft Installation	B
2	1001184987	1	Assembly, Drive Shaft	
3	1001184988	1	Assembly, Drive Shaft	
4	8880219-OM	4	Kit, Strap	

SECTION 5 - DRIVETRAIN

FIGURE 5-37. TIRE/WHEEL SET (AIR 17.5-25 - 20 PLY)



ART_1001192168-C

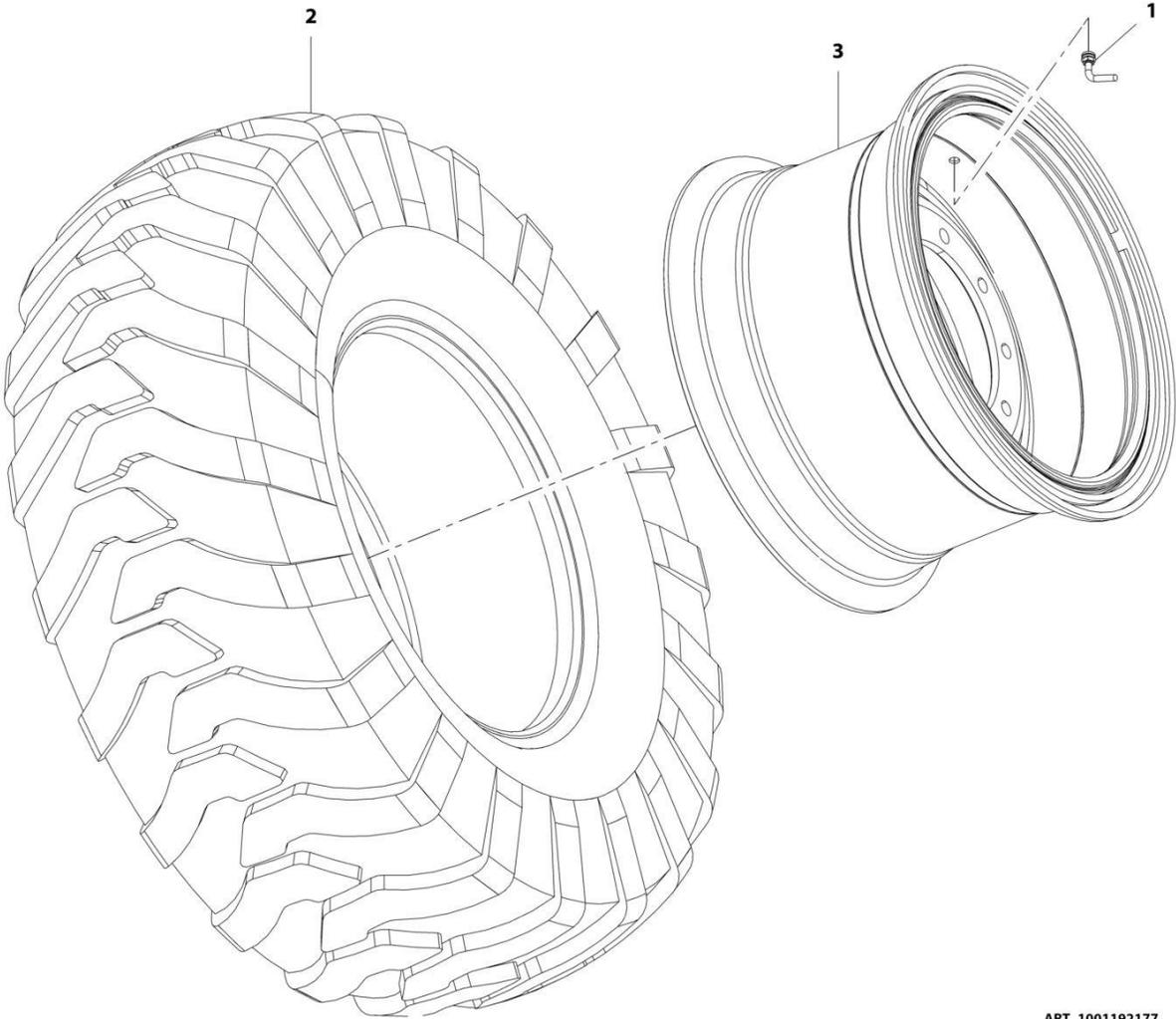
SECTION 5 - DRIVETRAIN

FIGURE 5-37. TIRE/WHEEL SET (AIR 17.5-25 - 20 PLY)

ITEM	PART NUMBER	QTY	DESCRIPTION	REV
	1001192168	1	Tire/Wheel Set (Air 17.5-25 - 20 PLY)	C
1	1001192177	2	Assembly, Right Tire/Wheel (Air 17.5-25 - 20 PLY)	
1	8786549	1	Valve, Stem	
1	1001187423	1	Tire, 17.5-25 20 PLY	
1	1001189288J	1	Wheel, 25X14.0 DTU 10 Hole	
2	1001192178	2	Assembly, Left Tire/Wheel (Air 17.5-25 - 20 PLY)	
2	8786549	1	Valve, Stem	
2	1001187423	1	Tire, 17.5-25 20 PLY	
2	1001189288J	1	Wheel, 25X14.0 DTU 10 Hole	
3	1001229201	4	Decal	

SECTION 5 - DRIVETRAIN

FIGURE 5-38. RIGHT TIRE/WHEEL ASSEMBLY (AIR 17.5-25 - 20 PLY)



ART_1001192177

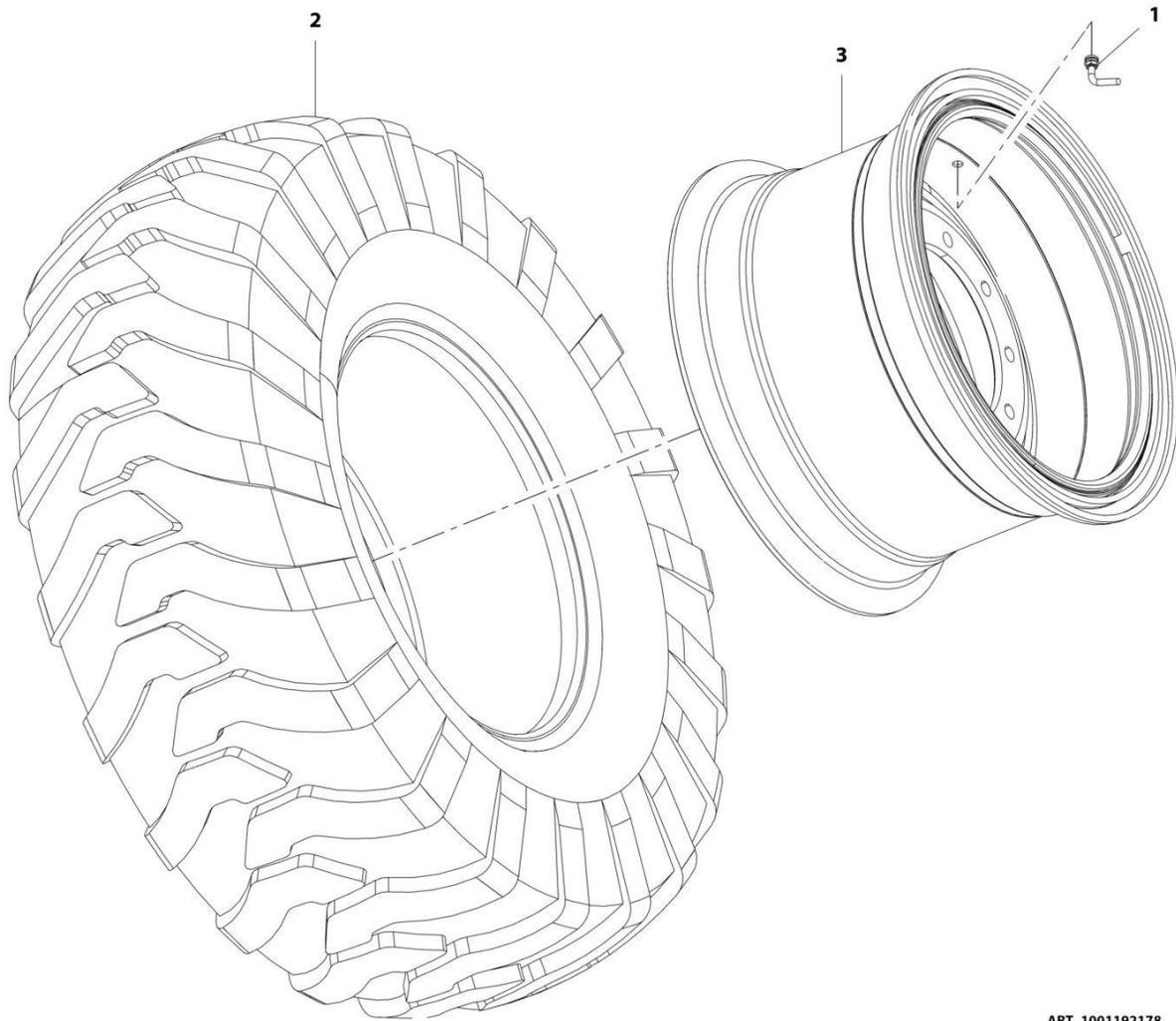
SECTION 5 - DRIVETRAIN

FIGURE 5-38. RIGHT TIRE/WHEEL ASSEMBLY (AIR 17.5-25 - 20 PLY)

ITEM	PART NUMBER	QTY	DESCRIPTION	REV
	1001192177	Ref	Right Tire/Wheel Assembly (Air 17.5-25 - 20 PLY)	D
1	8786549	1	Valve, Stem	
2	1001187423	1	Tire, 17.5-25 20 PLY	
3	1001189288J	1	Wheel, 25X14.0 DTU 10 Hole	

SECTION 5 - DRIVETRAIN

FIGURE 5-39. LEFT TIRE/WHEEL ASSEMBLY (AIR 17.5-25 - 20 PLY)



ART_1001192178

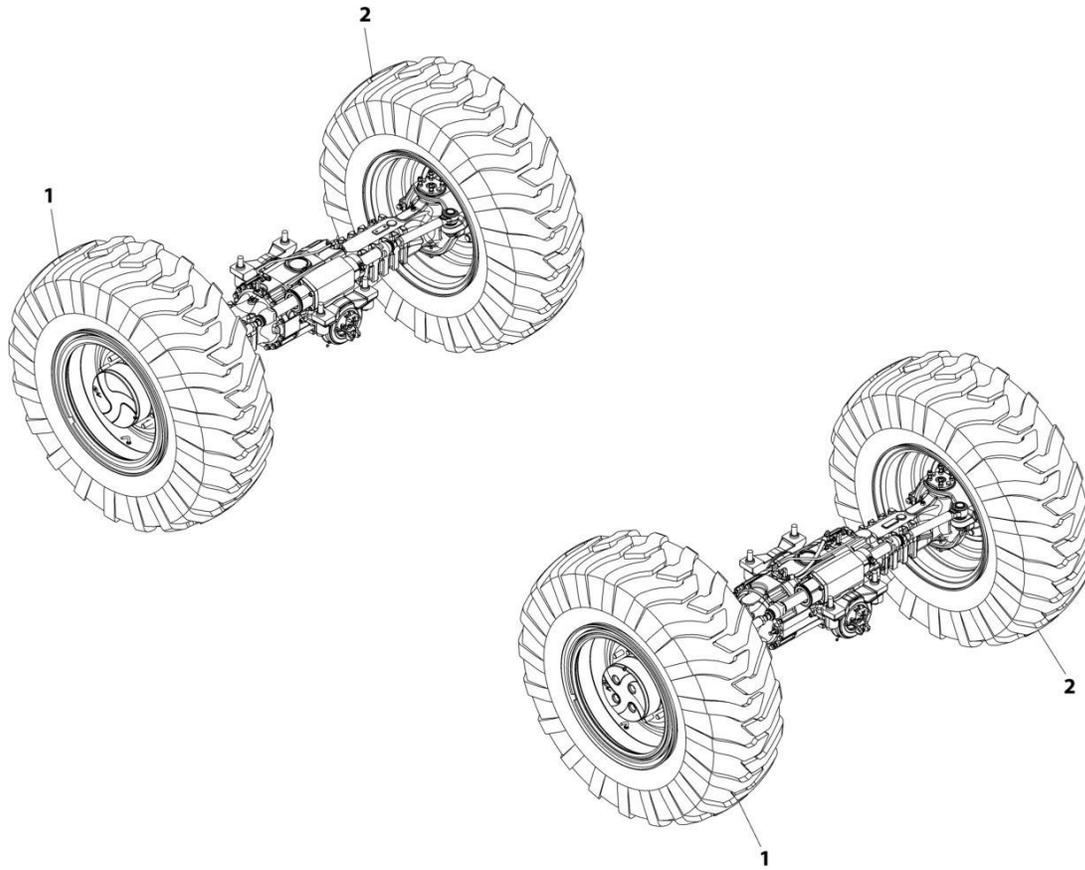
SECTION 5 - DRIVETRAIN

FIGURE 5-39. LEFT TIRE/WHEEL ASSEMBLY (AIR 17.5-25 - 20 PLY)

ITEM	PART NUMBER	QTY	DESCRIPTION	REV
	1001192178	Ref	Left Tire/Wheel Assembly (Air 17.5-25 - 20 PLY)	D
1	8786549	1	Valve, Stem	
2	1001187423	1	Tire, 17.5-25 20 PLY	
3	1001189288J	1	Wheel, 25X14.0 DTU 10 Hole	

SECTION 5 - DRIVETRAIN

FIGURE 5-40. TIRE/WHEEL SET (FOAM 17.5-25 - 20 PLY)



ART_1001192170-A

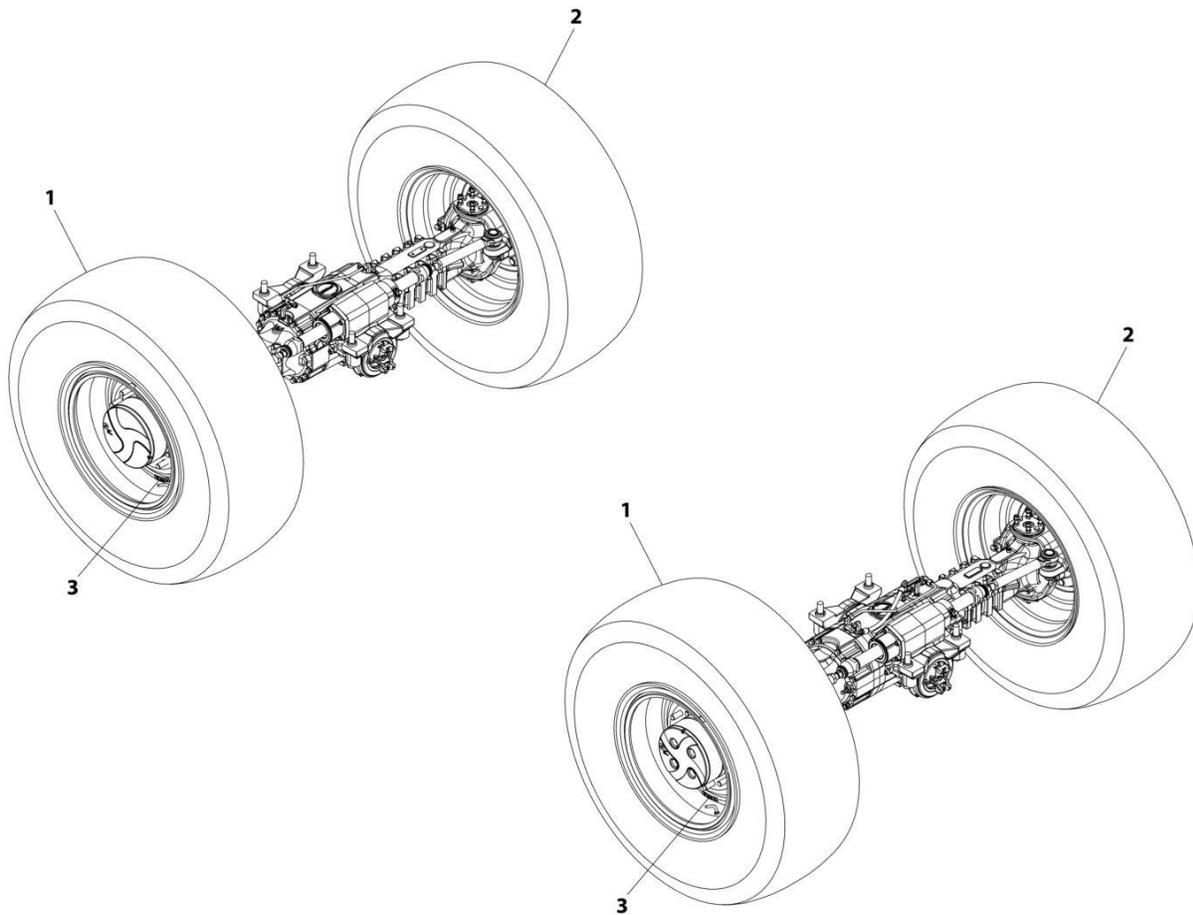
SECTION 5 - DRIVETRAIN

FIGURE 5-40. TIRE/WHEEL SET (FOAM 17.5-25 - 20 PLY)

ITEM	PART NUMBER	QTY	DESCRIPTION	REV
	1001192170	1	Tire/Wheel Set (Foam 17.5-25 - 20 PLY)	A
		Ref	Note: Requires ballast/foam filling to manufacturer's specifications prior to installing on a machine. Refer to Service and Maintenance Manuals. Purchase individual tire and/or rim only if able to foam fill tire and wheel assembly, otherwise, purchase complete.	
1	1001192180	2	Assembly, Right Tire/Wheel (Foam 17.5-25 - 20 PLY)	
1	8786549	1	Valve, Stem	
1	1001187423	1	Tire, 17.5-25 20 PLY	
1	1001189288J	1	Wheel, 25X14.0 DTU 10 Hole	
2	1001192181	2	Assembly, Left Tire/Wheel (Foam 17.5-25 - 20 PLY)	
2	8786549	1	Valve, Stem	
2	1001187423	1	Tire, 17.5-25 20 PLY	
2	1001189288J	1	Wheel, 25X14.0 DTU 10 Hole	

SECTION 5 - DRIVETRAIN

FIGURE 5-41. TIRE/WHEEL SET (AIR 17.5 R25 - RADIAL)



ART_1001221270-A

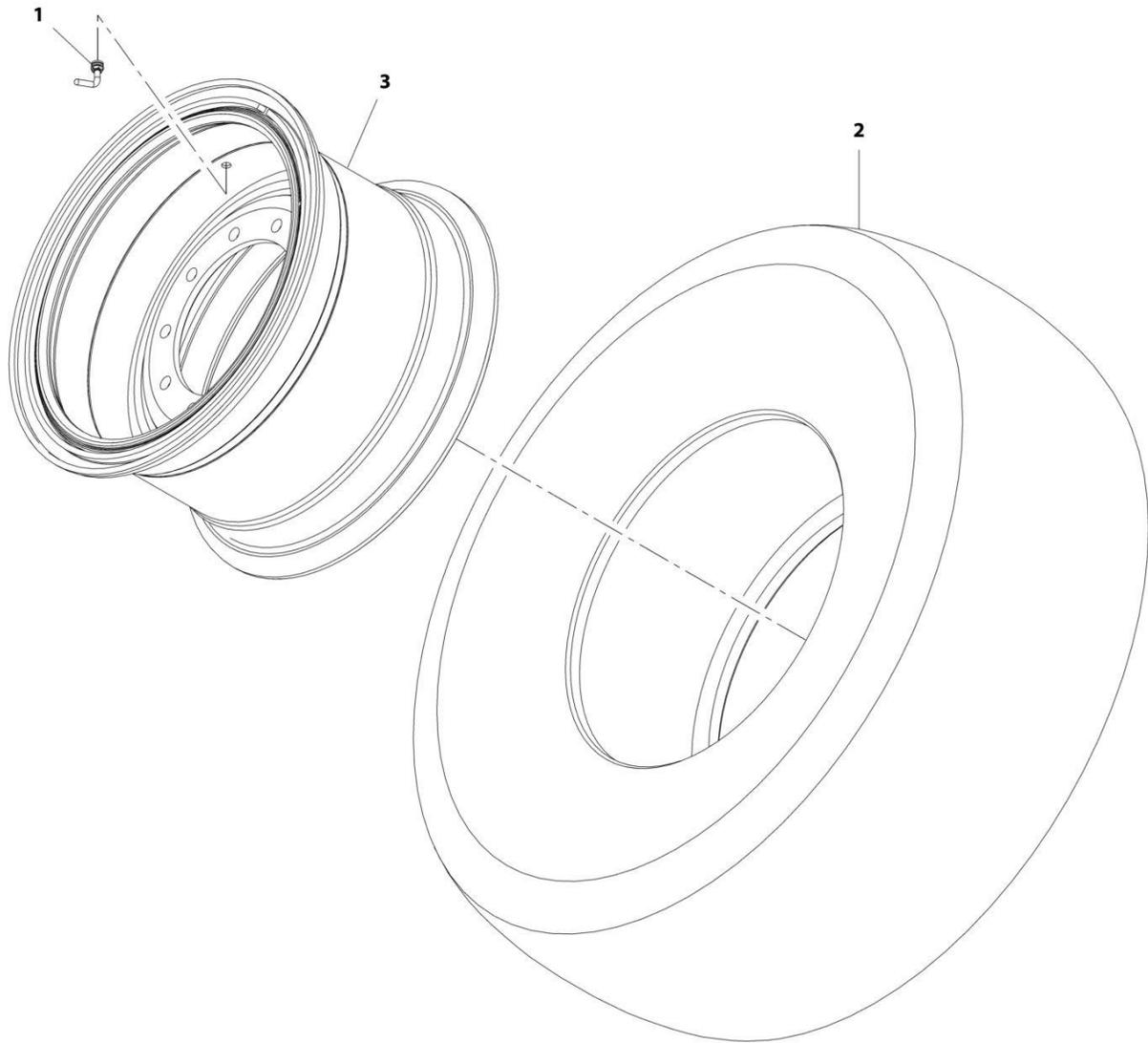
SECTION 5 - DRIVETRAIN

FIGURE 5-41. TIRE/WHEEL SET (AIR 17.5 R25 - RADIAL)

ITEM	PART NUMBER	QTY	DESCRIPTION	REV
	1001221270	1	Tire/Wheel Set (Air 17.5 R25 - Radial)	A
1	1001221157	2	Assembly, Right Tire/Wheel (Air 17.5 R25 - Radial)	
1	8786549	1	Valve, Stem	
1	1001221087	1	Tire, 17.5 R25 Radial	
1	1001189288J	1	Wheel, 25X14.0 DTU 10 Hole	
2	1001221321	2	Assembly, Left Tire/Wheel (Air 17.5 R25 - Radial)	
2	8786549	1	Valve, Stem	
2	1001221087	1	Tire, 17.5 R25 Radial	
2	1001189288J	1	Wheel, 25X14.0 DTU 10 Hole	
3	1001221734	4	Decal	

SECTION 5 - DRIVETRAIN

FIGURE 5-42. RIGHT TIRE/WHEEL ASSEMBLY (AIR 17.5 R25 - RADIAL)



ART_1001221157

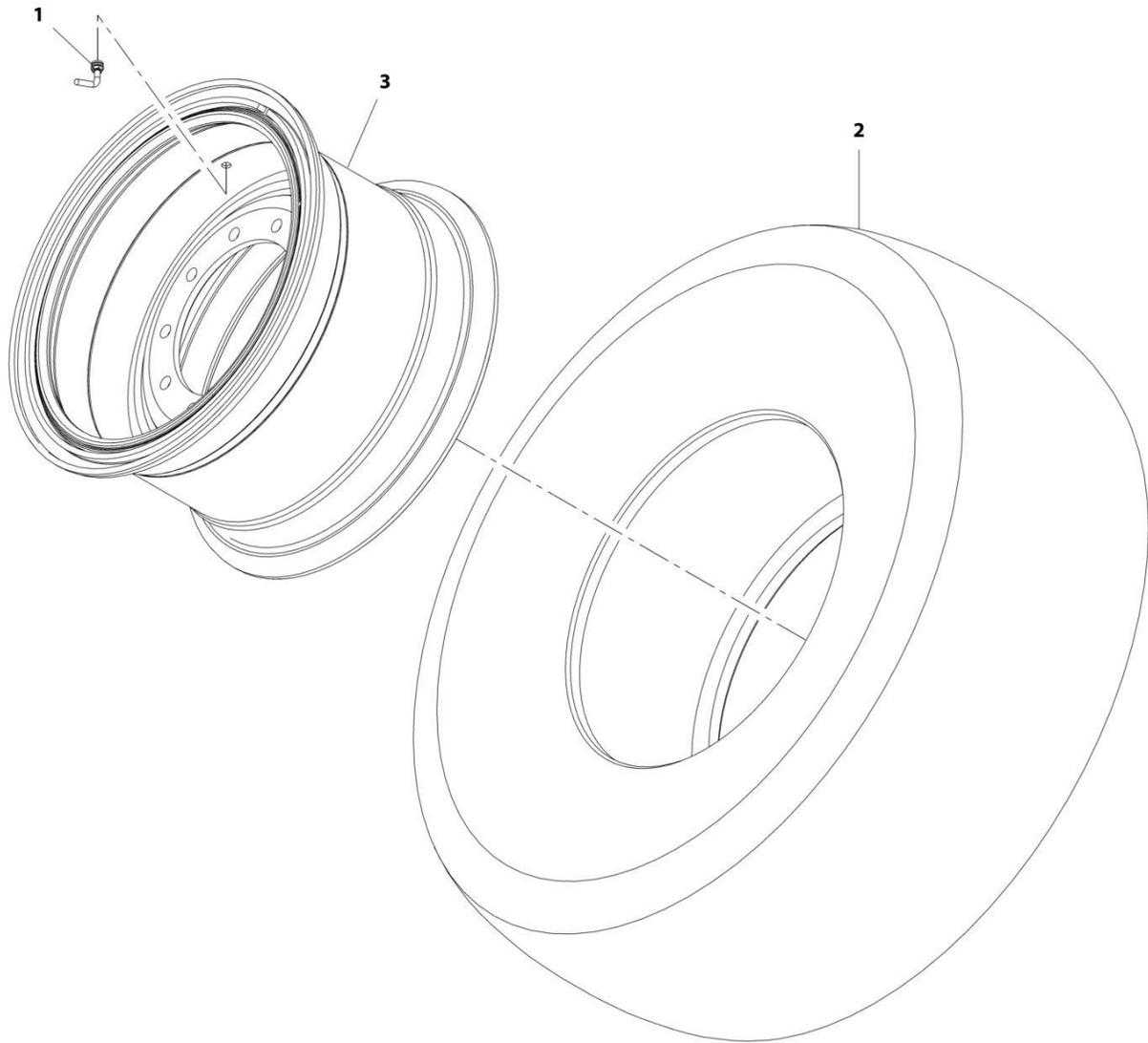
SECTION 5 - DRIVETRAIN

FIGURE 5-42. RIGHT TIRE/WHEEL ASSEMBLY (AIR 17.5 R25 - RADIAL)

ITEM	PART NUMBER	QTY	DESCRIPTION	REV
	1001221157	Ref	Right Tire/Wheel Assembly (Air 17.5 R25 - Radial)	D
1	8786549	1	Valve, Stem	
2	1001221087	1	Tire, 17.5 R25 Radial	
3	1001189288J	1	Wheel, 25X14.0 DTU 10 Hole	

SECTION 5 - DRIVETRAIN

FIGURE 5-43. LEFT TIRE/WHEEL ASSEMBLY (AIR 17.5 R25 - RADIAL)



ART_1001221321

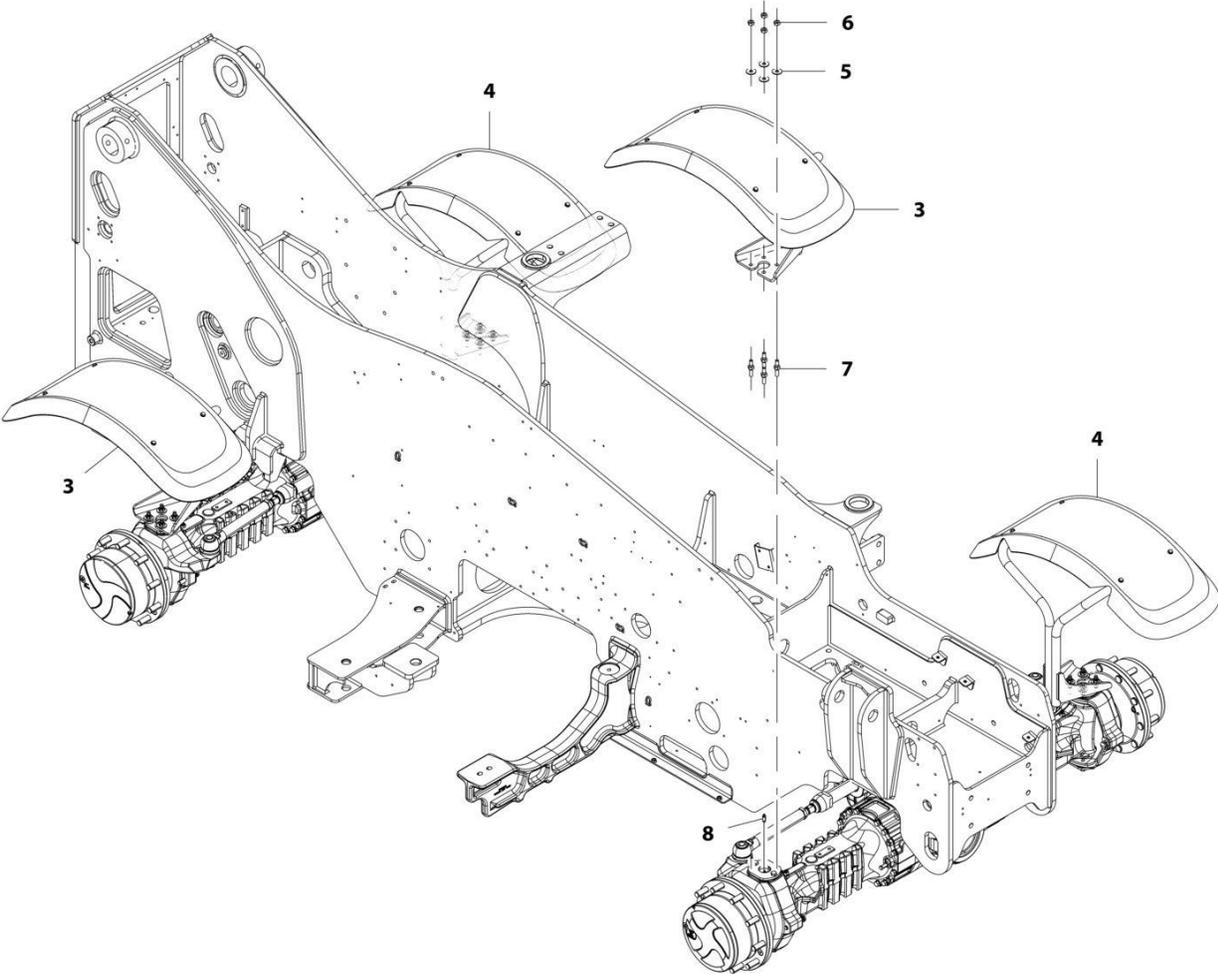
SECTION 5 - DRIVETRAIN

FIGURE 5-43. LEFT TIRE/WHEEL ASSEMBLY (AIR 17.5 R25 - RADIAL)

ITEM	PART NUMBER	QTY	DESCRIPTION	REV
	1001221321	Ref	Left Tire/Wheel Assembly (Air 17.5 R25 - Radial)	D
1	8786549	1	Valve, Stem	
2	1001221087	1	Tire, 17.5 R25 Radial	
3	1001189288J	1	Wheel, 25X14.0 DTU 10 Hole	

SECTION 5 - DRIVETRAIN

FIGURE 5-44. FENDER INSTALLATION



ART_1001174129-E

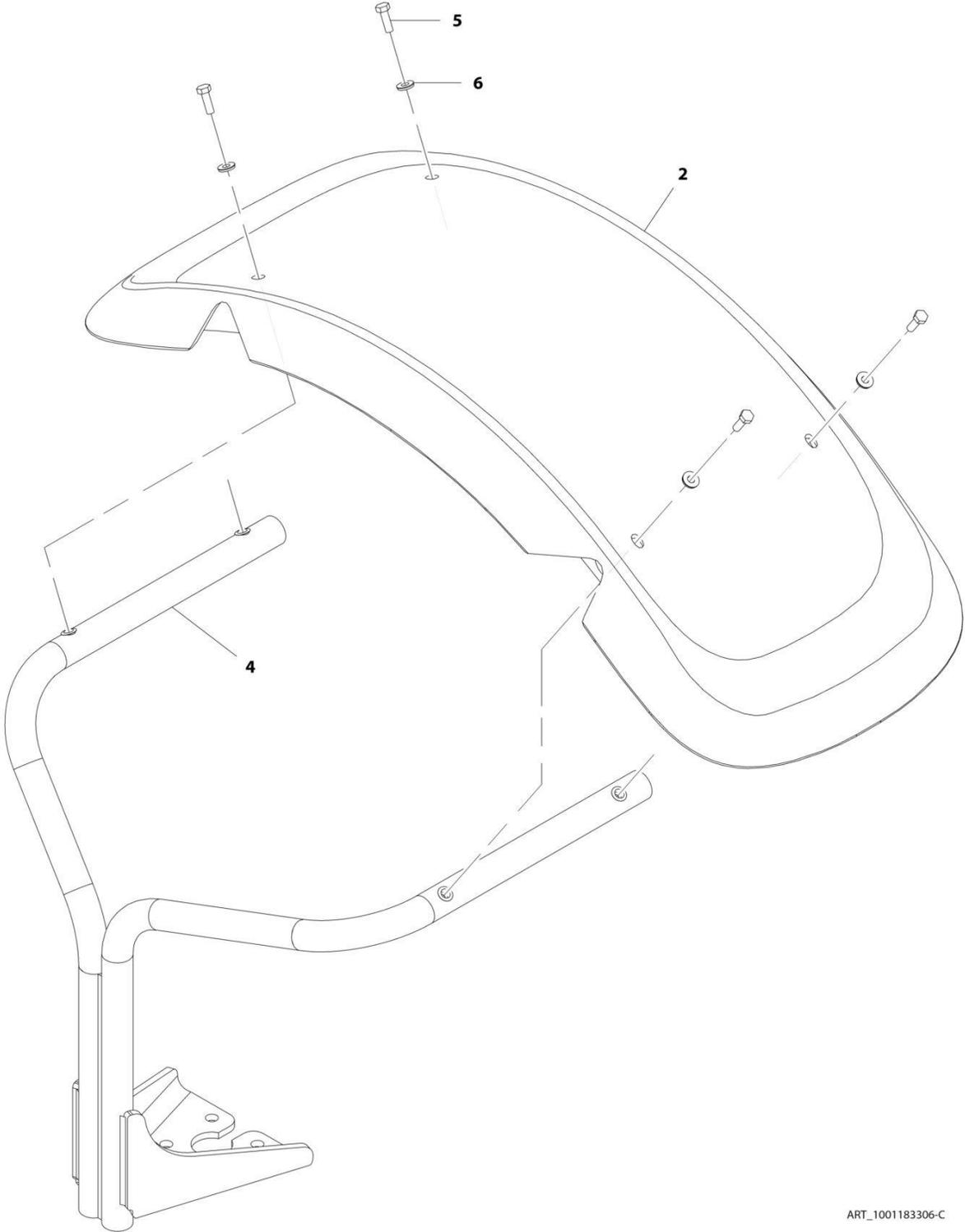
SECTION 5 - DRIVETRAIN

FIGURE 5-44. FENDER INSTALLATION

ITEM	PART NUMBER	QTY	DESCRIPTION	REV
	1001174129	Ref	Fender Installation	E
3	1001183306	2	Assembly, RH Fender (See Separate Breakdown in this Section)	
4	1001183307	2	Assembly, LH Fender (See Separate Breakdown in this Section)	
5	4812102	16	Washer, M12	
6	91513266	16	Nut, M12X1.25	
7	91514118	16	Stud, Fender	
8	1001225317	4	Fitting, Grease	

SECTION 5 - DRIVETRAIN

FIGURE 5-45. RH FENDER ASSEMBLY



ART_1001183306-C

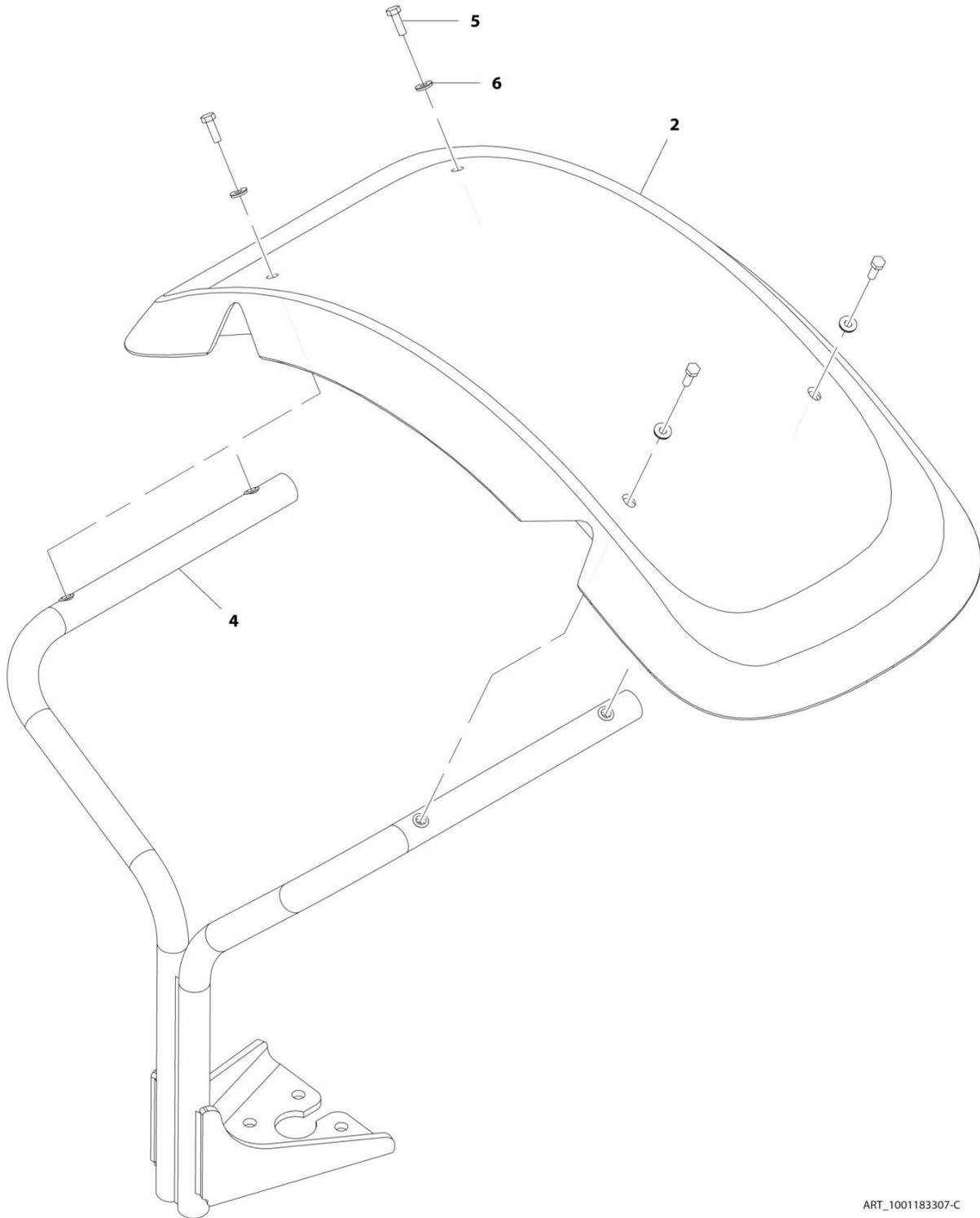
SECTION 5 - DRIVETRAIN

FIGURE 5-45. RH FENDER ASSEMBLY

ITEM	PART NUMBER	QTY	DESCRIPTION	REV
	1001183306	Ref	RH Fender Assembly	C
2	1001168264	1	Fender	
4	1001183308	1	Bracket	
5	0760812	4	Bolt, M8X25	
6	1001202786	4	Washer	

SECTION 5 - DRIVETRAIN

FIGURE 5-46. LH FENDER ASSEMBLY



ART_1001183307-C

SECTION 5 - DRIVETRAIN

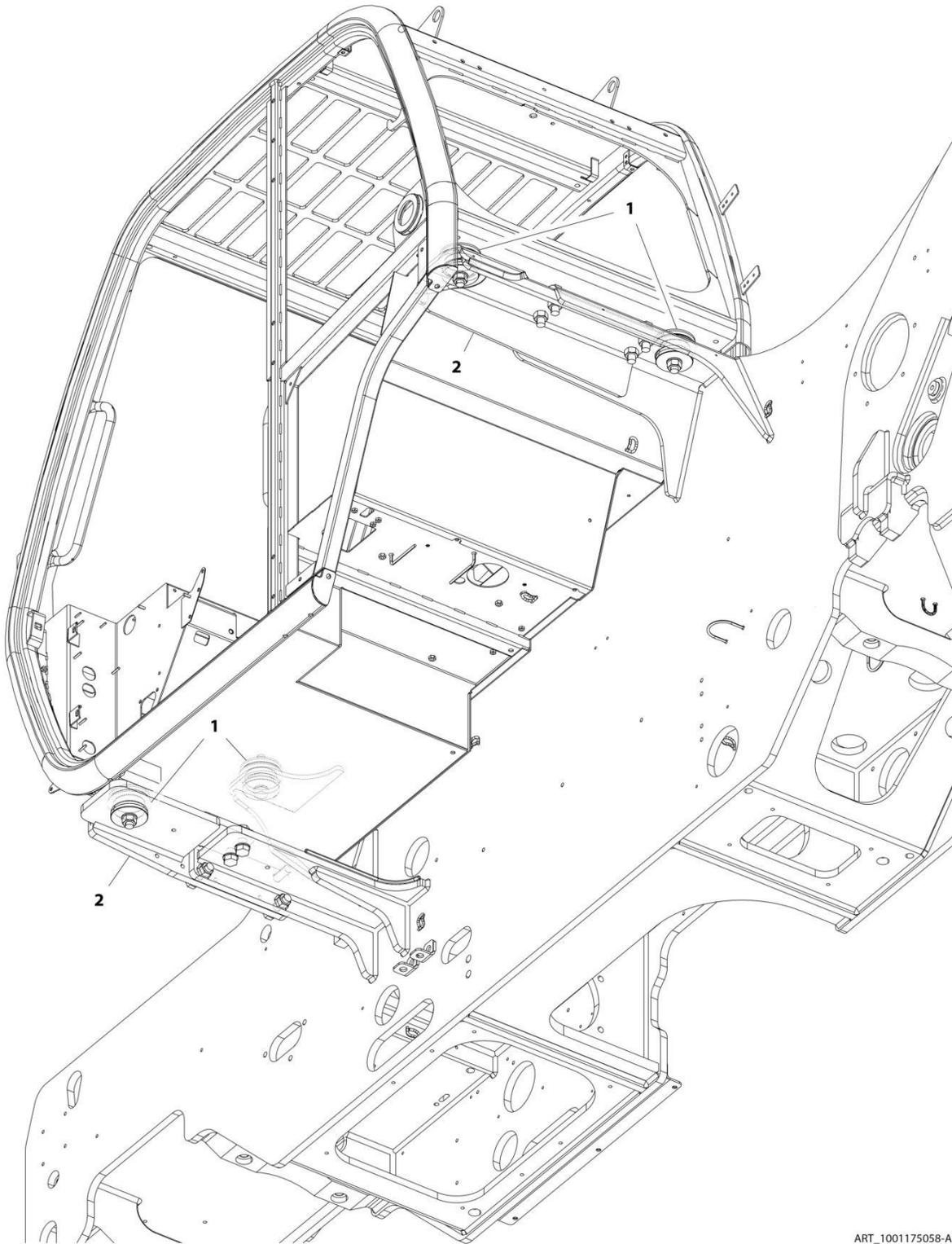
FIGURE 5-46. LH FENDER ASSEMBLY

ITEM	PART NUMBER	QTY	DESCRIPTION	REV
	1001183307	Ref	LH Fender Assembly	C
2	1001168264	1	Fender	
4	1001183309	1	Bracket	
5	0760812	4	Bolt, M8X25	
6	1001202786	4	Washer	

SECTION 6 - CAB

SECTION 6 - CAB

FIGURE 6-1. CAB MOUNTING INSTALLATION



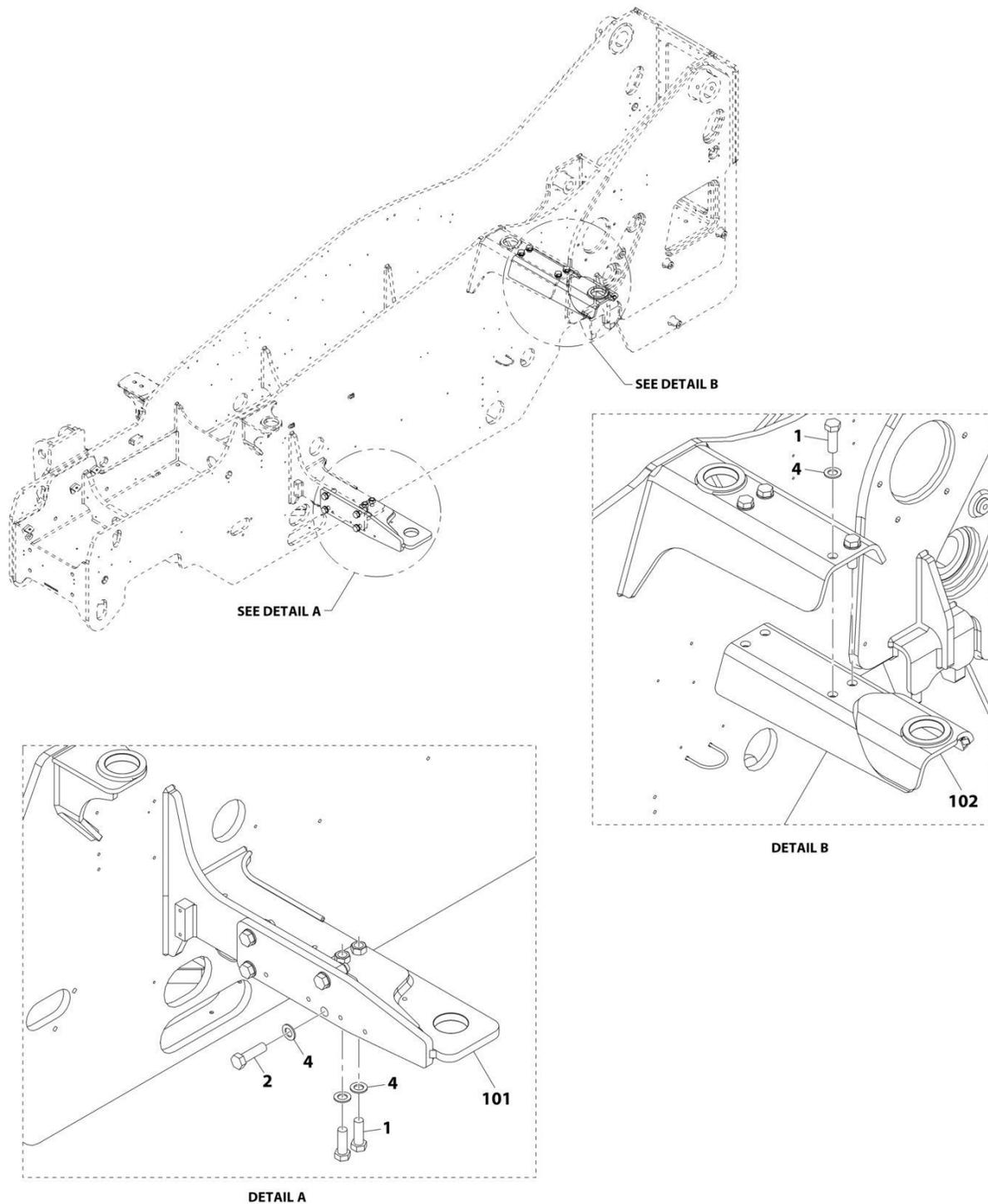
ART_1001175058-A

FIGURE 6-1. CAB MOUNTING INSTALLATION

ITEM	PART NUMBER	QTY	DESCRIPTION	REV
1	1001175058	Ref	Cab Mounting Installation	A
	1001155446	Ref	Installation, Cab Mount (See Separate Breakdown in this Section)	
	1001191255	Ref	Installation, Front Cab Mount Bracket (See Separate Breakdown in this Section)	

SECTION 6 - CAB

FIGURE 6-2. FRONT CAB MOUNT BRACKET INSTALLATION



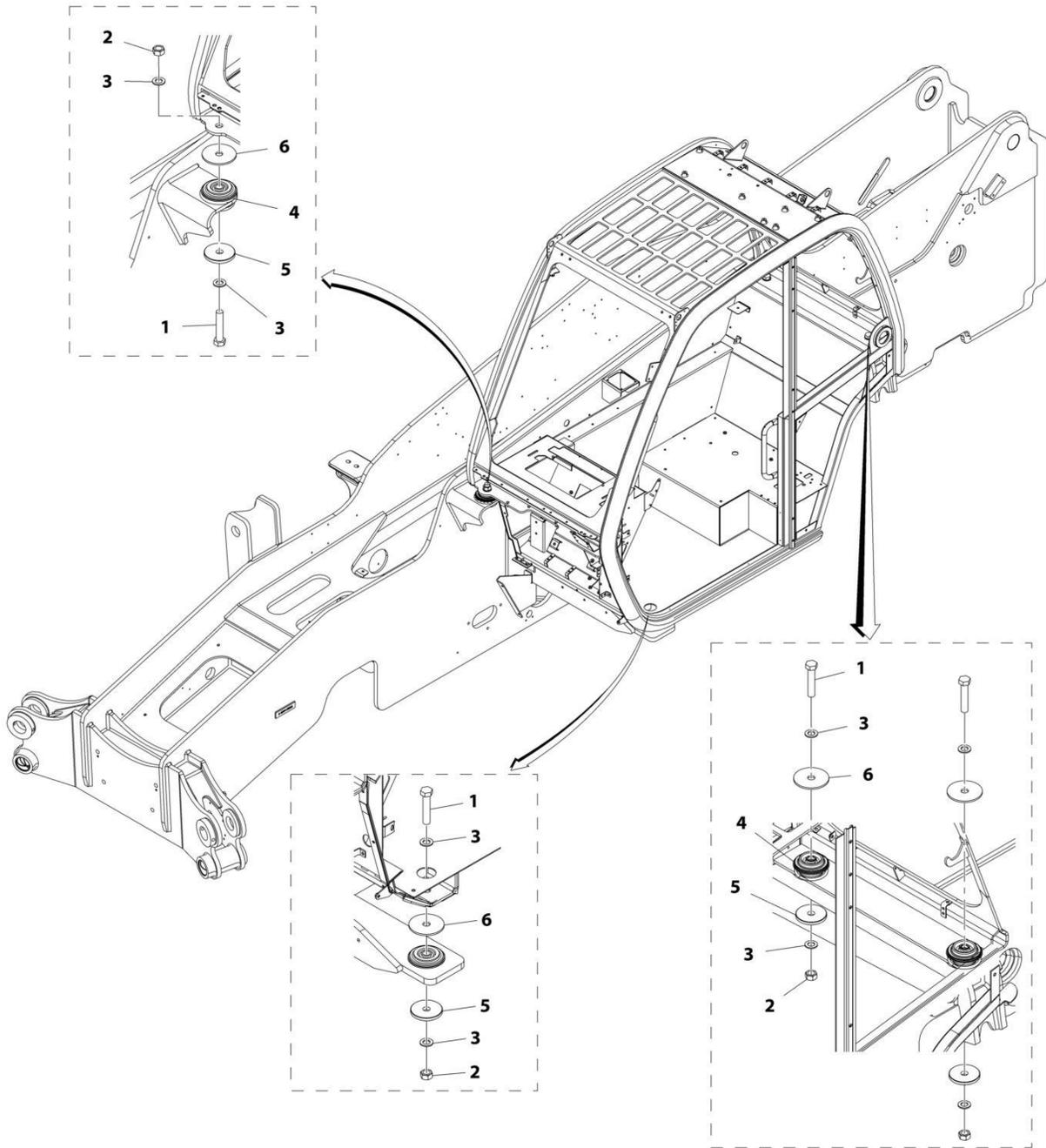
ART_1001191255-E

FIGURE 6-2. FRONT CAB MOUNT BRACKET INSTALLATION

ITEM	PART NUMBER	QTY	DESCRIPTION	REV
	1001191255	Ref	Front Cab Mount Bracket Installation	E
1	0712020	6	Bolt, M20X60	
2	0712022	4	Bolt, M20X70	
4	4812500	10	Washer, M20	
101	1001191256	1	Bracket	
102	1001191257	1	Bracket	

SECTION 6 - CAB

FIGURE 6-3. CAB MOUNTS INSTALLATION



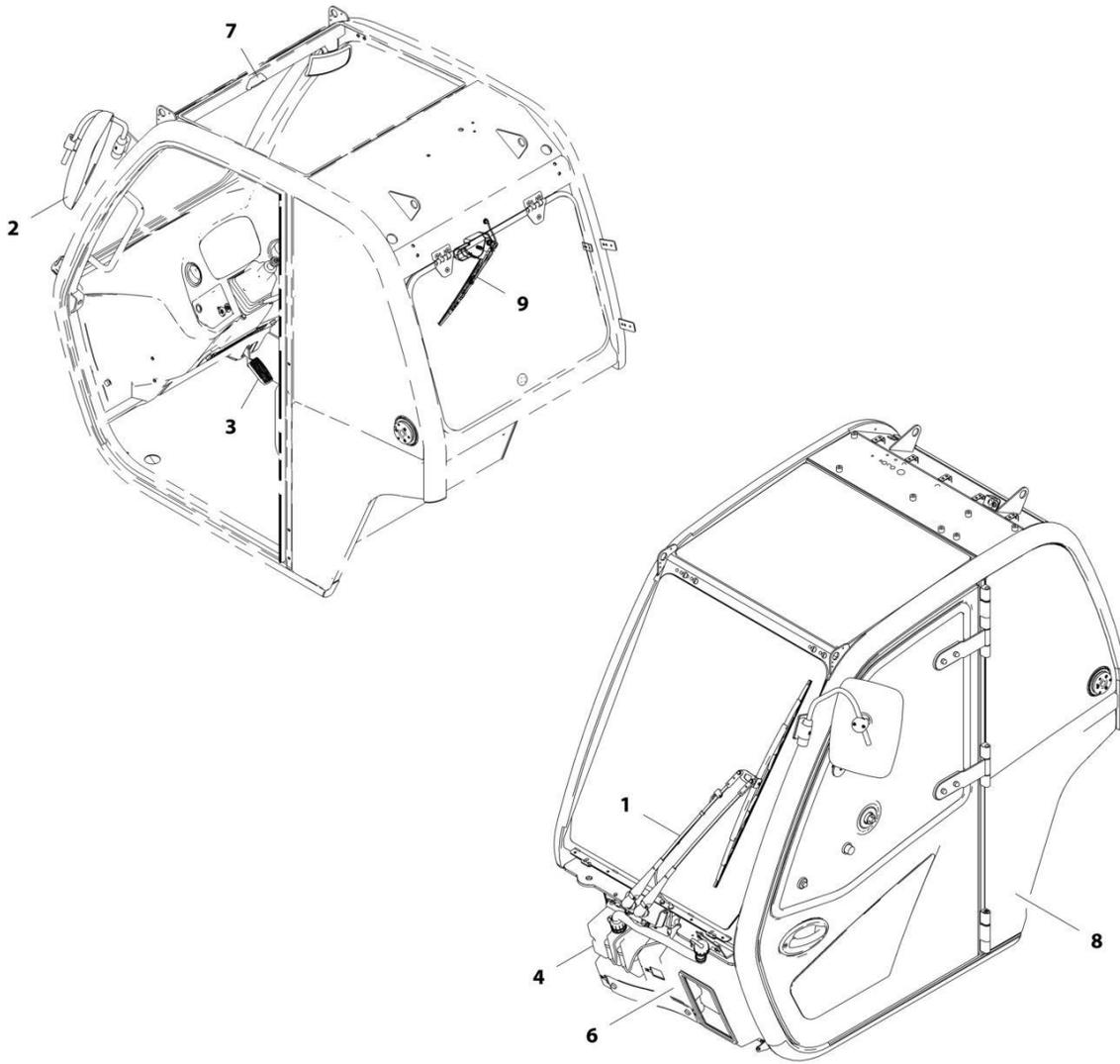
ART_1001155446-E

FIGURE 6-3. CAB MOUNTS INSTALLATION

ITEM	PART NUMBER	QTY	DESCRIPTION	REV
	1001155446	Ref	Cab Mounts Installation	E
1	0712027	4	Bolt, M20X100	
2	3332011	4	Nut, M20X2.5	
3	4812500	8	Washer, M20	
4	1001166754	4	Mount, Cab Isolation	
5	1001166755	4	Washer, Cab Rebound	
6	1001220540	4	Washer, Cab Mount	

SECTION 6 - CAB

FIGURE 6-4. CAB COMPONENTS INSTALLATION



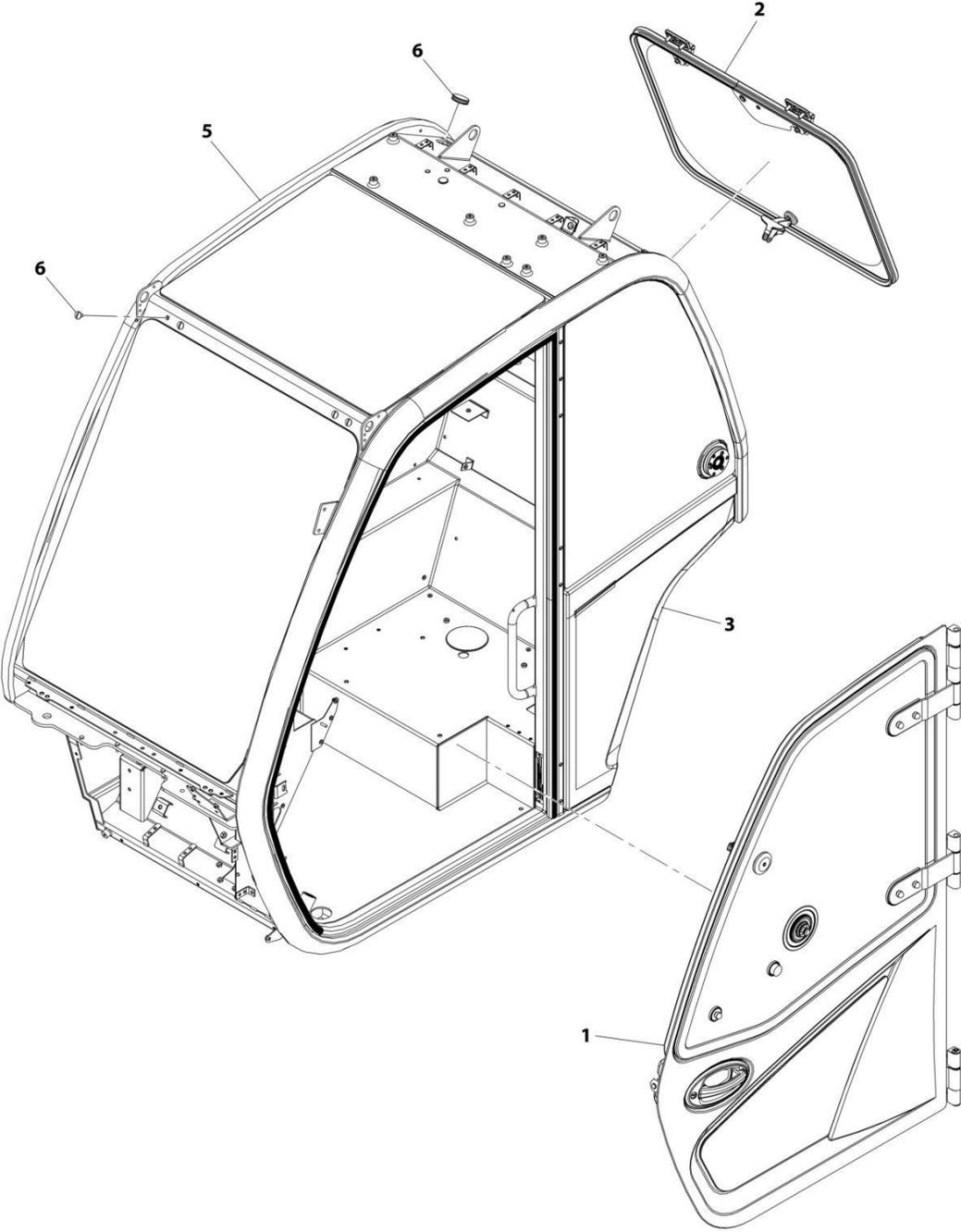
ART_1001194698

FIGURE 6-4. CAB COMPONENTS INSTALLATION

ITEM	PART NUMBER	QTY	DESCRIPTION	REV
	1001194698	Ref	Cab Components Installation	G
1	1001155447	Ref	Installation, Front Wiper (See Separate Breakdown in this Section)	
2	1001160508	Ref	Installation, Basic Mirror (See Separate Breakdown in this Section)	
3	1001161499	Ref	Installation, Accelerator Pedal (See Separate Breakdown in CONTROLS Section)	
4	1001162789	Ref	Installation, Washer Tank (See Separate Breakdown in this Section)	
6	1001170366	Ref	Installation, Front Cover (See Separate Breakdown in this Section)	
7	1001172401	Ref	Installation, Level Indicator (See Separate Breakdown in this Section)	
8	1001194699	Ref	Installation, Cab (See Separate Breakdown in this Section)	
9	1001220329	Ref	Installation, Rear Wiper (See Separate Breakdown in this Section)	

SECTION 6 - CAB

FIGURE 6-5. CAB INSTALLATION



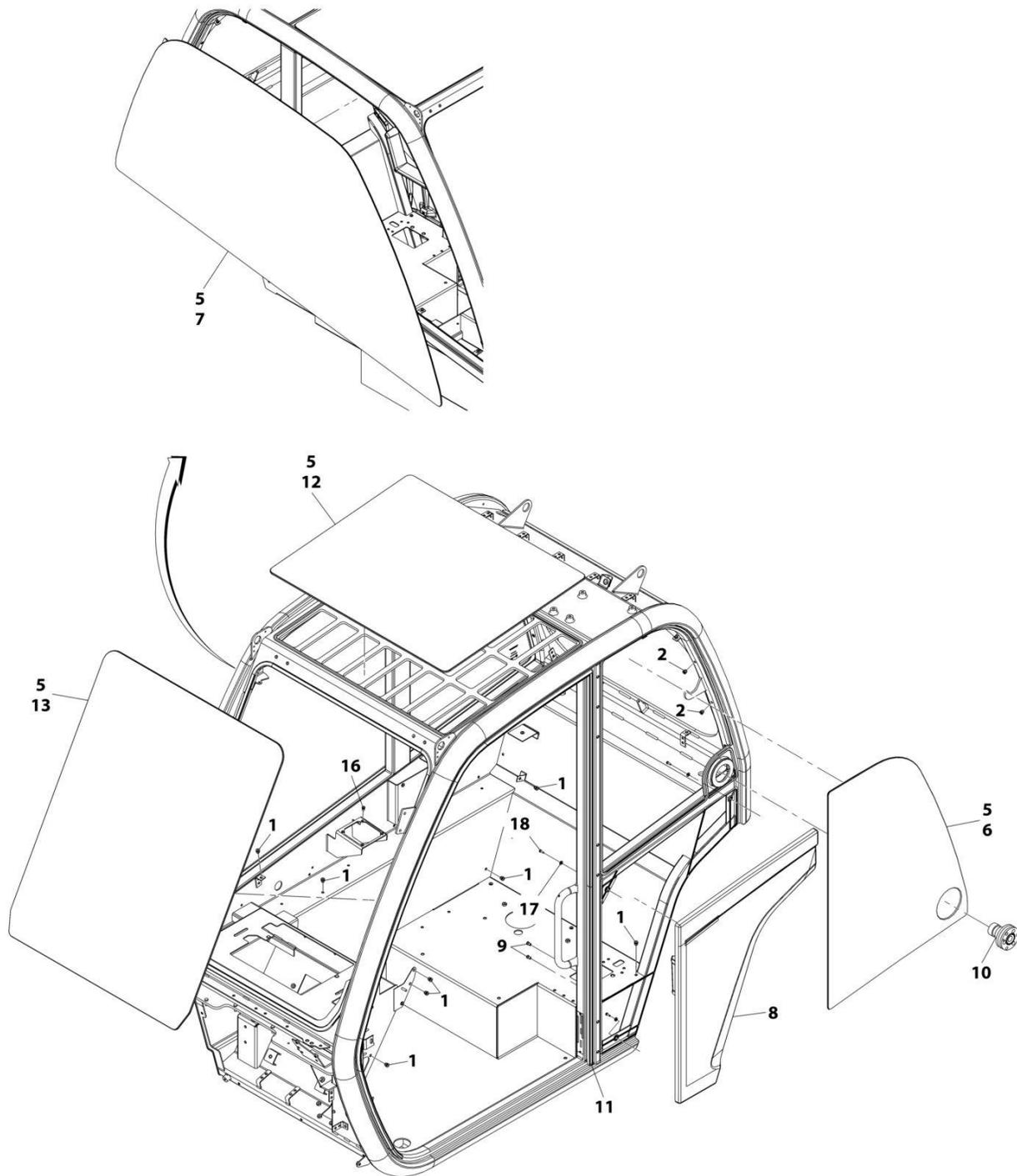
ART_1001194699

FIGURE 6-5. CAB INSTALLATION

ITEM	PART NUMBER	QTY	DESCRIPTION	REV
	1001194699	Ref	Cab Installation	L
1	1001155228	1	Installation, Cab Door (See Separate Breakdown in this Section)	
2	1001220339	1	Installation, Rear Window (See Separate Breakdown in this Section)	
3	1001194700	1	Assembly, Cab Group (See Separate Breakdown in this Section)	
5	N.S.S.	1	Weldment, Cab	
6	1001195814	1	Group, Cab Plug (See Separate Breakdown in this Section)	

SECTION 6 - CAB

FIGURE 6-6. CAB ASSEMBLY



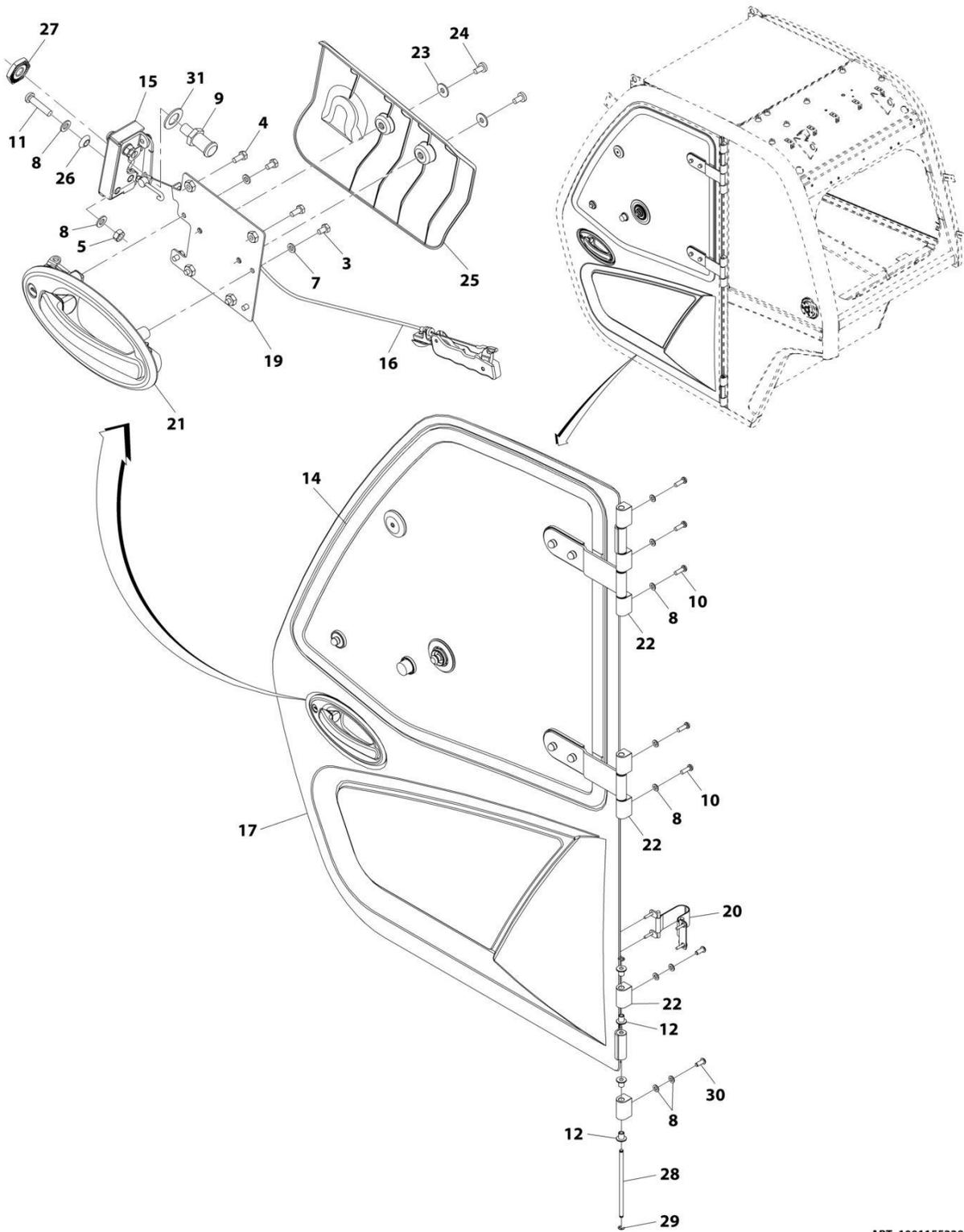
ART_1001194700-F

FIGURE 6-6. CAB ASSEMBLY

ITEM	PART NUMBER	QTY	DESCRIPTION	REV
	1001194700	Ref	Cab Assembly	G
1	2080086	25	Rivnut M6 x 1	
2	2080087	16	Rivnut M8 x 1.25	
5	1001111317	AR	Compound, Locking	
6	1001152915	1	Glass, LH Screen	
7	1001152947	1	Glass, RH Screen	
8	1001256073	1	Panel, Cab Quarter	
9	1001172193	2	Rivnut M5 x 0.8	
10	1001174320	1	Latch, Top Window	
11	1001227186	1	Seal, Cab Door	
12	1001178159	1	Glass, Roof Laminated	
13	1001178160	1	Glass, Front Laminated	
16	1001195878	4	Rivnut M5 x 0.8	
17	4811700	3	Washer M6	
18	4010608002	3	Screw	

SECTION 6 - CAB

FIGURE 6-7. CAB DOOR INSTALLATION



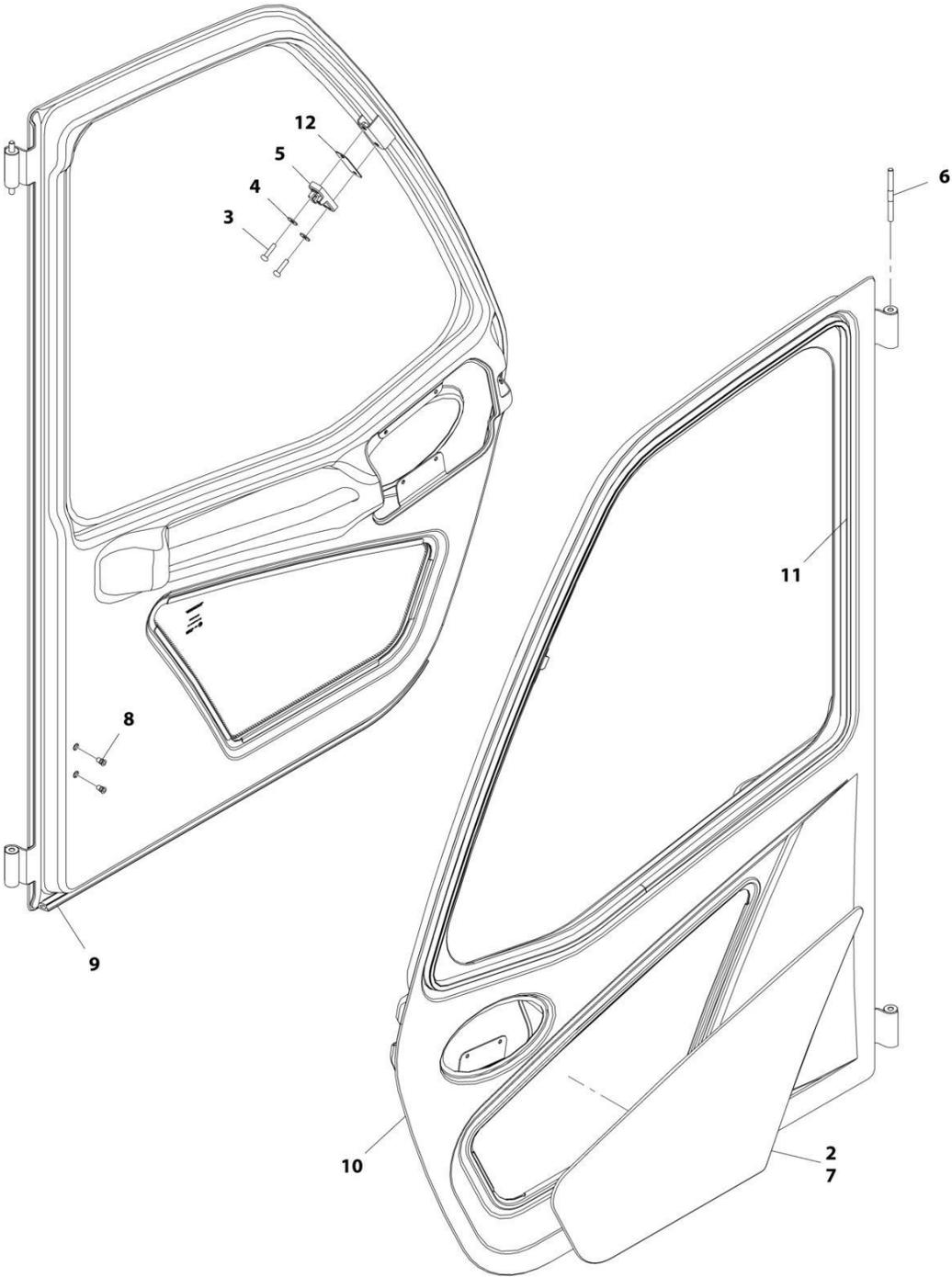
ART_1001155228

FIGURE 6-7. CAB DOOR INSTALLATION

ITEM	PART NUMBER	QTY	DESCRIPTION	REV
	1001155228	Ref	Door Installation	Q
3	0760605	4	Bolt, M6X10	
4	0760607	4	Bolt, M6X14	
5	3290801	2	Nut, M8X1.25 Grade 8	
7	4811700	4	Washer, M6	
8	4811900	13	Washer, M8	
9	8000803	1	Pin, Door Striker	
10	1001008988	5	Screw M8X25	
11	1001047062	2	Screw, M8X35	
12	1001107192	10	Sleeve, Hinge	
14	1001205532	1	Assembly, Door Upper Glass (See Separate Breakdown in this Section)	
15	1001192766	1	Assembly, Cab Latch (See Separate Breakdown in this Section)	
16	1001167958	1	Assembly, Cab Door Trigger (See Separate Breakdown in this Section)	
17	1001170114	1	Assembly, Door (See Separate Breakdown in this Section)	
19	1001173298	1	Bracket	
20	1001174295	1	Installation, Door Strap (See Separate Breakdown in this Section)	
21	1001192646	1	Handle, Exterior Door	
22	1001229543	7	Block, Hinge (Rounded Top/Bottom Edge)	
22	1001170601J	7	Block, Hinge (Square Top/Bottom Edge)	
23	4811702001	2	Washer, M6	
24	4010608002	2	Screw, Posi-Drive, M6X16	
25	1001175477	1	Cover, Cab Door Interior	
26	1001184439	2	Bushing	
27	1001192309	1	Nut, M12X1	
28	1001213791	1	Pin	
29	0498748	2	Washer, Lock M7	
30	1001164726	2	Bolt, M8X20	
31	1001227802	1	Washer	

SECTION 6 - CAB

FIGURE 6-8. CAB DOOR ASSEMBLY



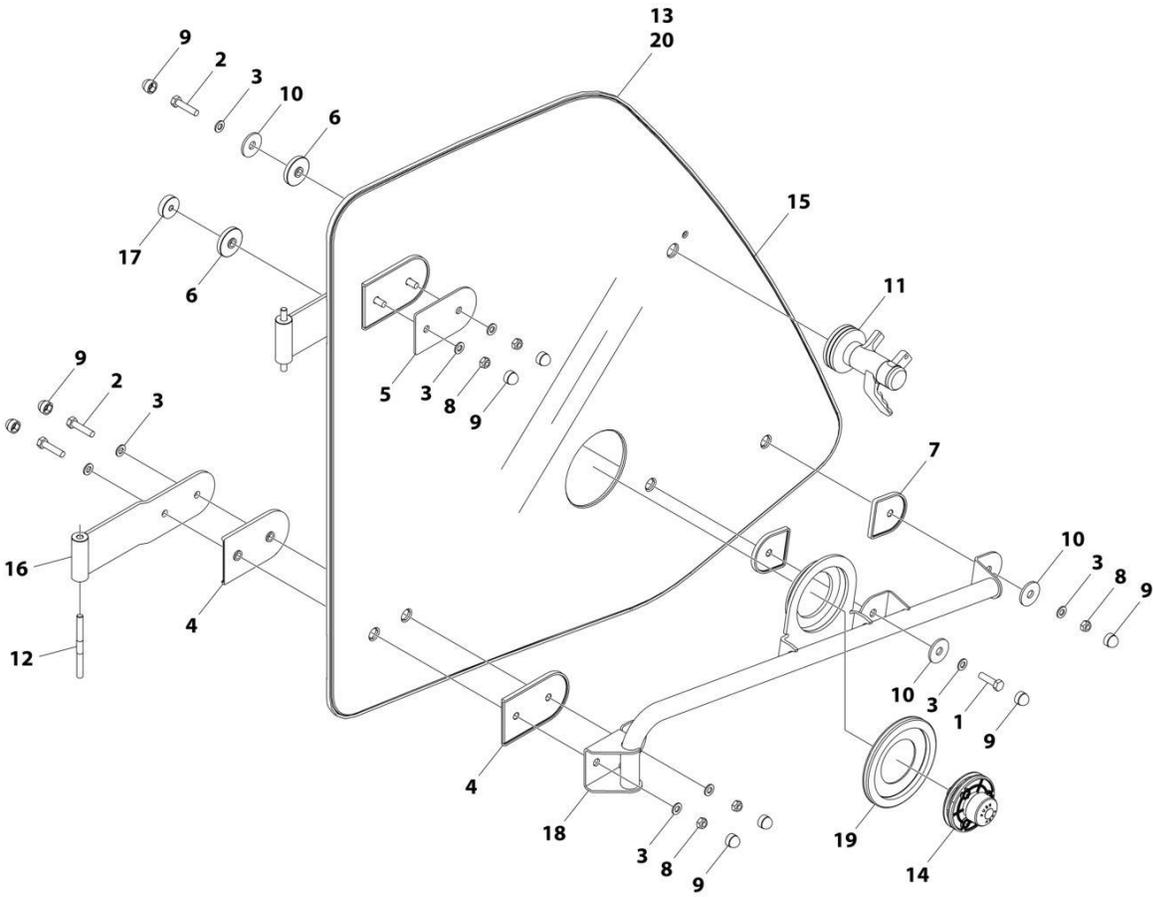
ART_1001170114

FIGURE 6-8. CAB DOOR ASSEMBLY

ITEM	PART NUMBER	QTY	DESCRIPTION	REV
	1001170114	Ref	Door Assembly	K
2	1001111317	AR	Compound, Locking	
3	4010612002	2	Screw, M6X25	
4	4811702001	2	Washer, M6	
5	1001165276	1	Plate, Window Latch Striker	
6	1001166634	1	Pin, Hinge	
7	1001169880	1	Window, Lower Glass	
8	1001172193	2	Rivnut, M5X0.8	
9	1001227188	1	Seal, Cab Door	
10	1001170113J	1	Door, Cab (See Separate Breakdown in this Section)	
11	1001227187	1	Seal, Cab Door Window	
12	1001193210	AR	Shim, Window Latch	

SECTION 6 - CAB

FIGURE 6-9. CAB DOOR WINDOW INSTALLATION



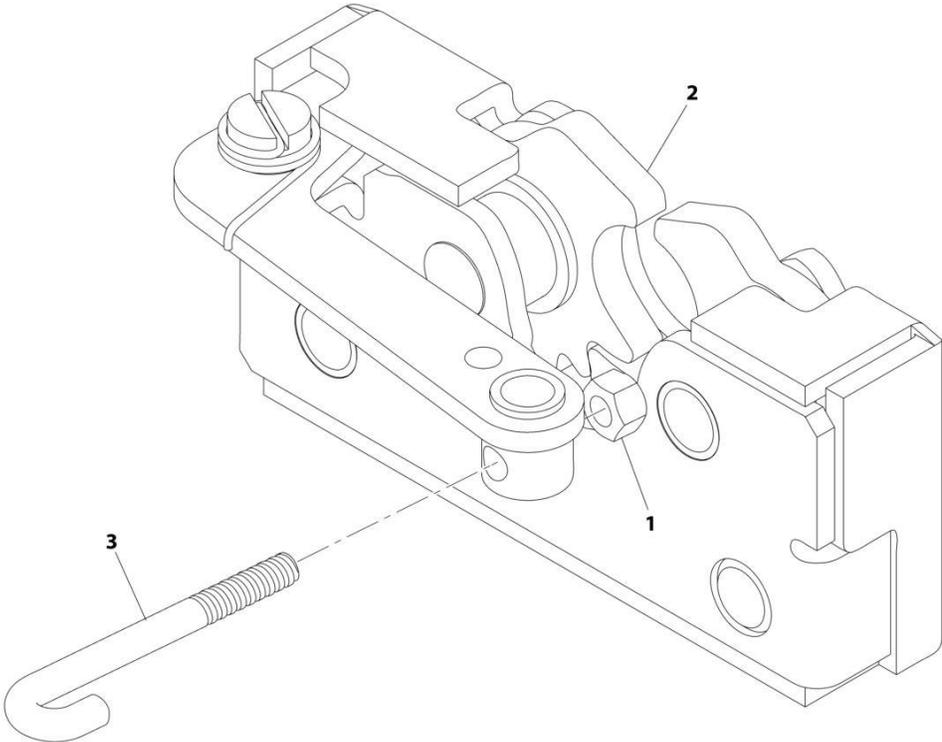
ART_1001205532

FIGURE 6-9. CAB DOOR WINDOW INSTALLATION

ITEM	PART NUMBER	QTY	DESCRIPTION	REV
	1001205532	Ref	Door Upper Glass Assembly	G
1	0760812	1	Bolt, M8X25	
2	0760815	5	Bolt, M8X35	
3	4811900	11	Washer, 8MM	
4	1001002946	4	Mount, Hinge	
5	1001002947	1	Mount, Hinge	
6	1001002953	2	Mount, Rubber	
7	1001002957	2	Mount, Latch	
8	1001008857	5	Nut, Lock	
9	1001096365	11	Cap, M8	
10	1001141246	3	Mount, Rubber	
11	1001165275	1	Latch, Window	
12	1001166634	2	Pin, Hinge	
13	1001170944	1	Panel, Window Surround	
14	1001174321	1	Striker, Top Window	
15	1001204066	1	Glass, Window	
16	1001204115	2	Hinge	
17	1001222741	1	Buffer, Cab	
18	1001204120	1	Handle	
19	1001213331	1	Gasket	
20	1001215531	AR	Adhesive	

SECTION 6 - CAB

FIGURE 6-10. CAB LATCH ASSEMBLY



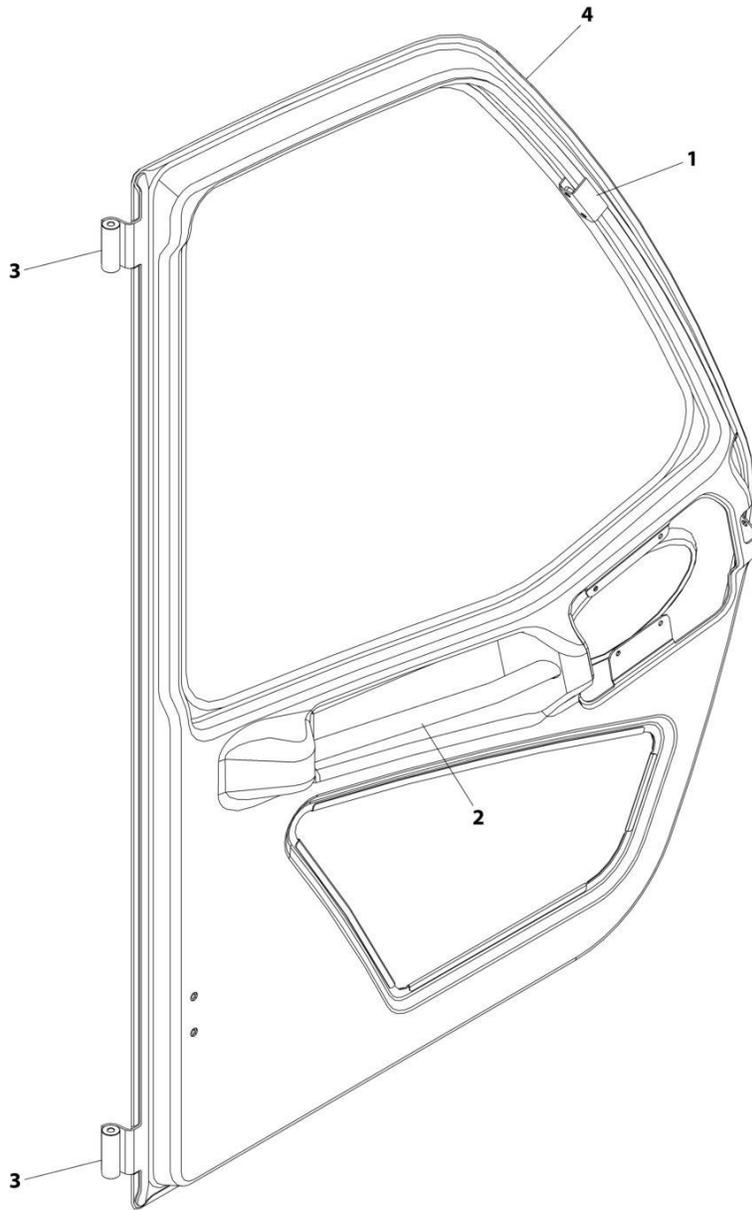
ART_1001192766-B

FIGURE 6-10. CAB LATCH ASSEMBLY

ITEM	PART NUMBER	QTY	DESCRIPTION	REV
	1001192766	Ref	Cab Latch Assembly	B
1	3290405	1	Nut, M4X0.7 Grade 8	
2	1001192643	1	Latch	
3	1001241308	1	Link, Door Handle	

SECTION 6 - CAB

FIGURE 6-11. CAB DOOR



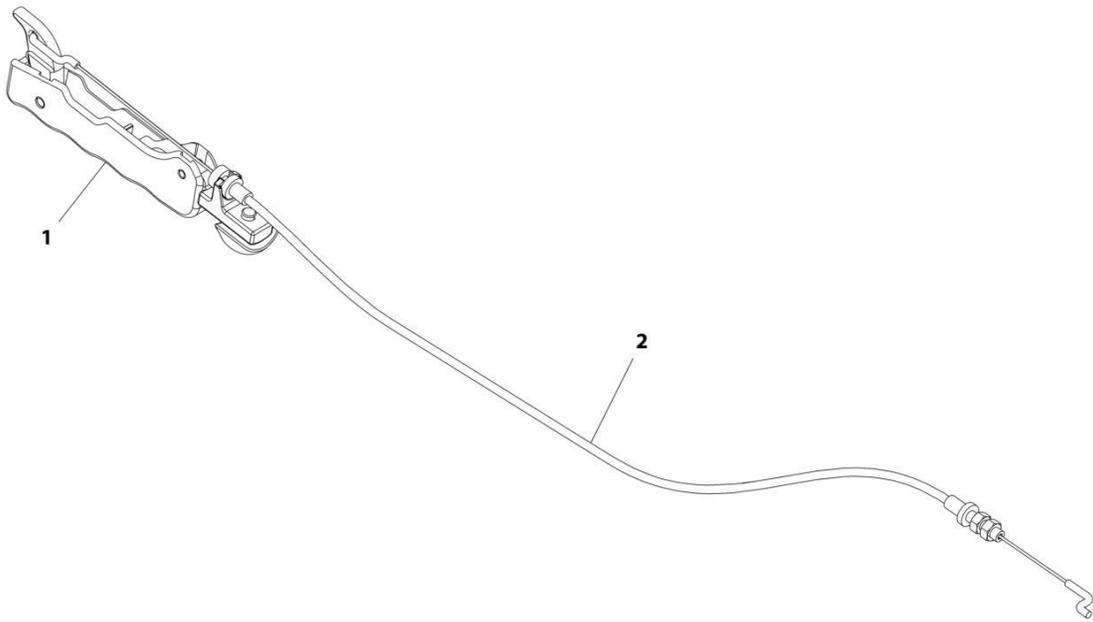
ART_1001170113J-E

FIGURE 6-11. CAB DOOR

ITEM	PART NUMBER	QTY	DESCRIPTION	REV
	1001170113J	Ref	Cab Door	E
1	1001169883	1	Bracket, Window Latch	
2	1001169885	1	Handle, Interior Door	
3	1001171037	1	Plate, Hinge	
4	1001171635	1	Frame, Door	

SECTION 6 - CAB

FIGURE 6-12. CAB DOOR TRIGGER ASSEMBLY



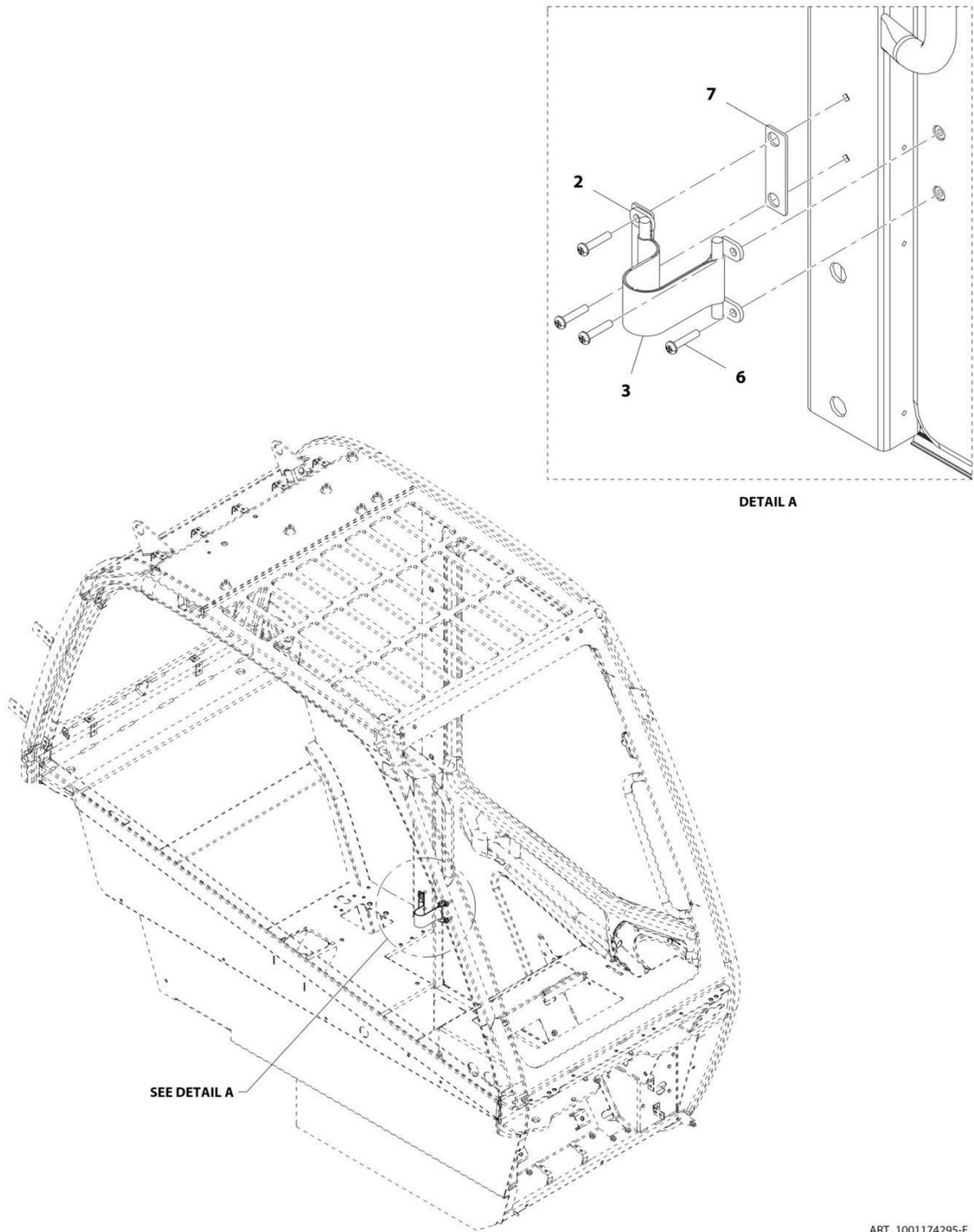
ART_1001167958-E

FIGURE 6-12. CAB DOOR TRIGGER ASSEMBLY

ITEM	PART NUMBER	QTY	DESCRIPTION	REV
	1001167958	Ref	Cab Door Trigger Assembly	E
1	1001167937	1	Trigger, Cab Interior Release	
2	1001192644	1	Cable, Cab Latch Release	

SECTION 6 - CAB

FIGURE 6-13. DOOR STRAP INSTALLATION



SEE DETAIL A

DETAIL A

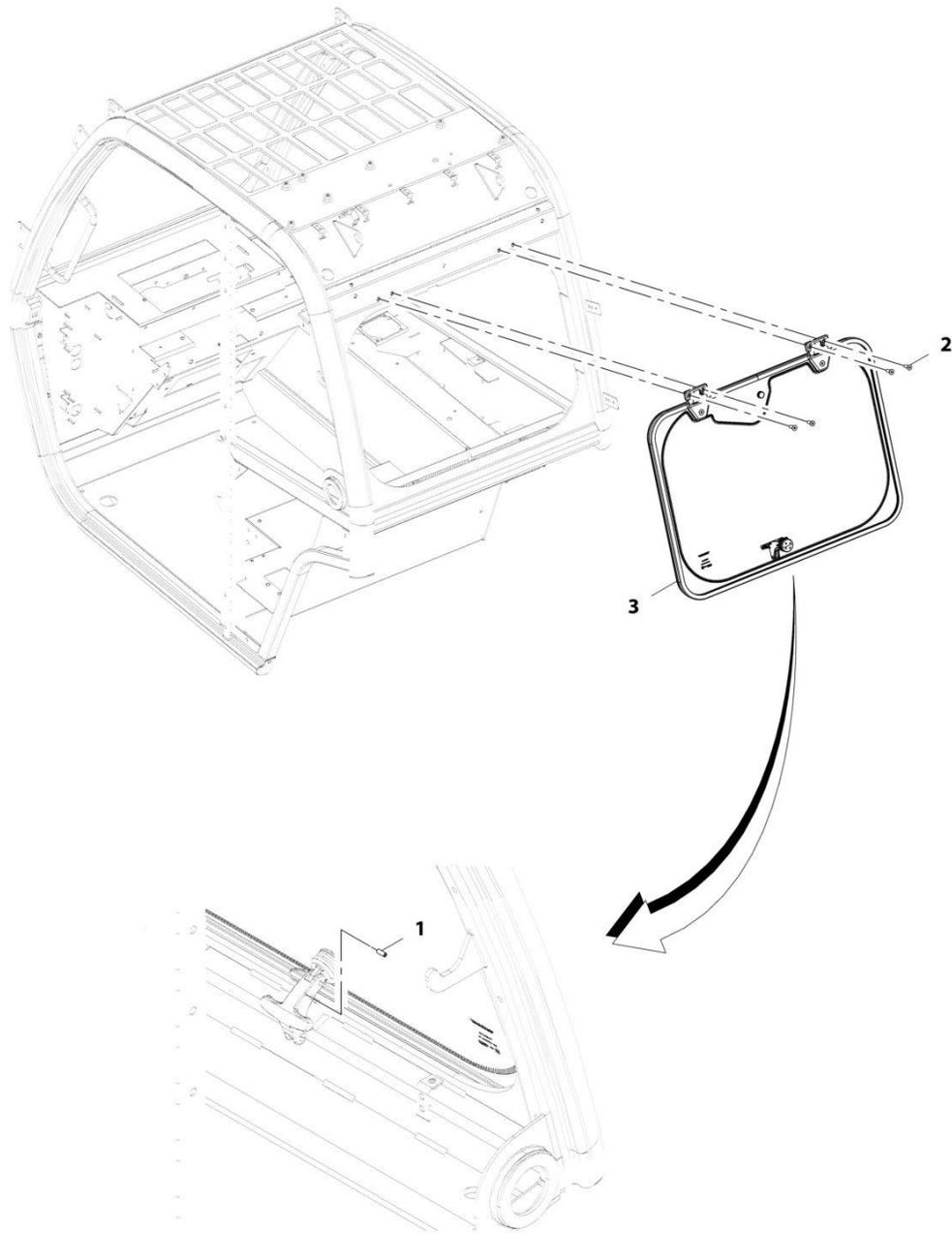
ART_1001174295-F

FIGURE 6-13. DOOR STRAP INSTALLATION

ITEM	PART NUMBER	QTY	DESCRIPTION	REV
	1001174295	Ref	Door Strap Installation	F
2	1001230163	2	Bracket, Strap Holder	
3	1001212011	1	Strap, Door Hold Open	
6	8310559	4	Screw	
7	1001191091	1	Plate, Cab Door Strap	

SECTION 6 - CAB

FIGURE 6-14. REAR WINDOW INSTALLATION



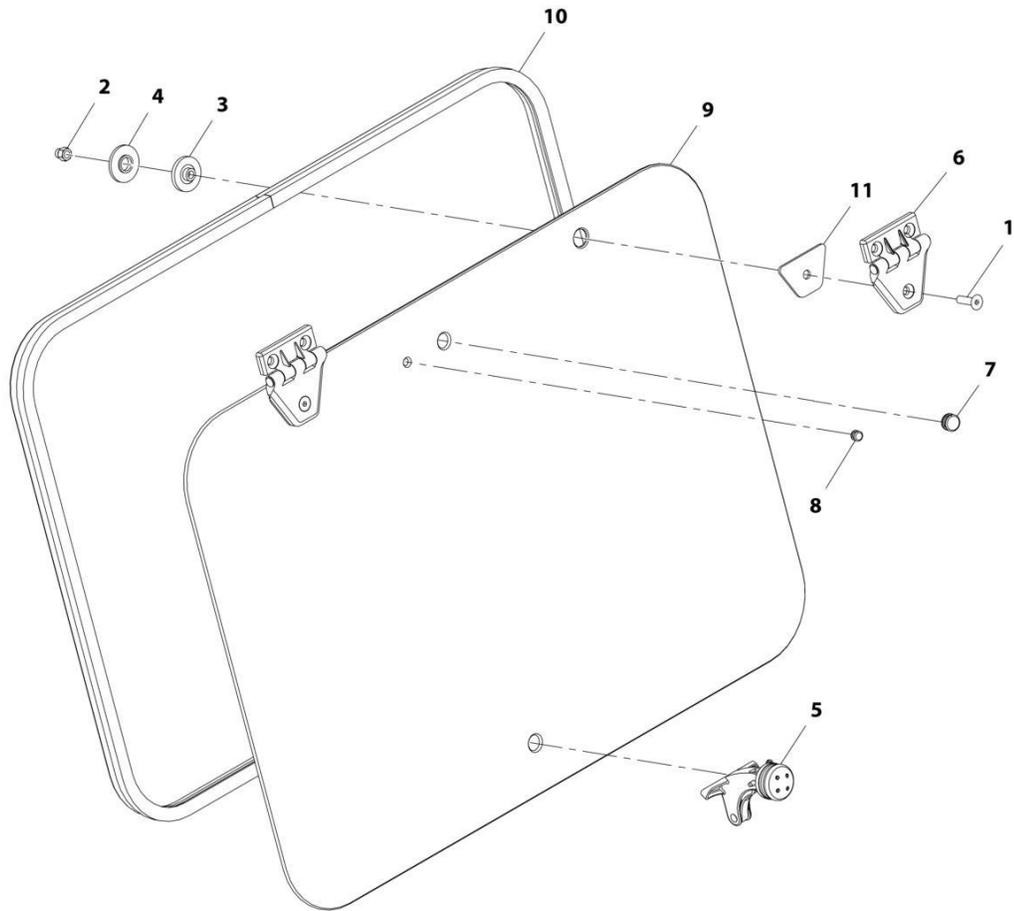
ART_1001220339-A

FIGURE 6-14. REAR WINDOW INSTALLATION

ITEM	PART NUMBER	QTY	DESCRIPTION	REV
	1001220339	Ref	Rear Window Installation	A
1	1001003043	1	Pin, Spring	
2	1001097586	4	Screw, M8X1.25	
3	1001220338	1	Assembly, Rear Window (See Separate Breakdown in this Section)	

SECTION 6 - CAB

FIGURE 6-15. REAR WINDOW GROUP



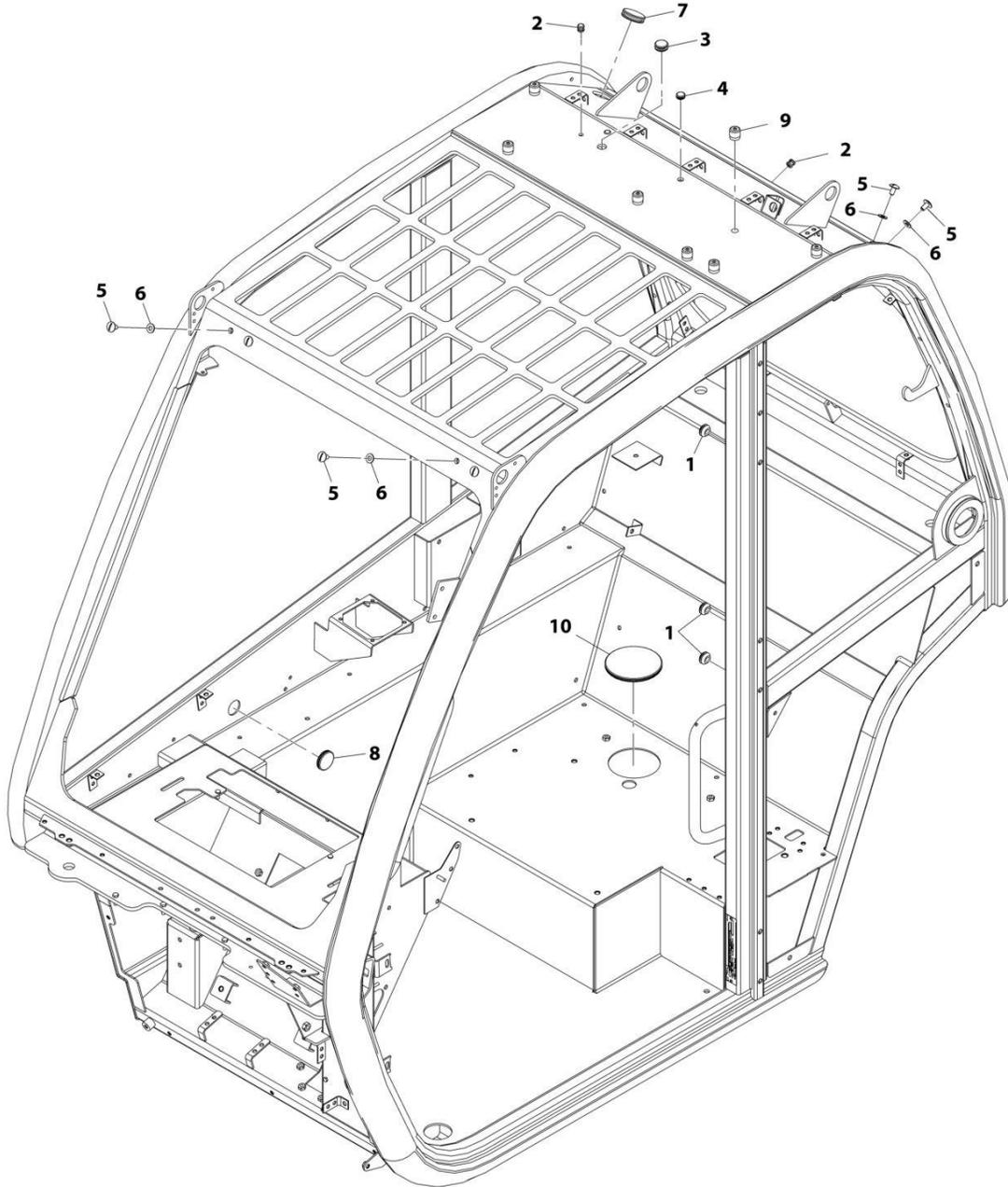
ART_1001220338-A

FIGURE 6-15. REAR WINDOW GROUP

ITEM	PART NUMBER	QTY	DESCRIPTION	REV
	1001220338	Ref	Rear Window Group	A
1	2080078	2	Fastener, M8X30	
2	3290806	2	Nut, M8X1.25 Grade 8	
3	8000759	2	Spacer	
4	8004398	2	Spacer	
5	1001005368	1	Latch, Window	
6	1001139568	2	Hinge	
7	1001171182	1	Grommet	
8	1001171183	1	Grommet	
9	1001178680	1	Glass, Rear Window	
10	1001178681	1	Seal	
11	1001181411	2	Gasket, Rear Window Hinge	

SECTION 6 - CAB

FIGURE 6-16. CAB PLUG GROUP



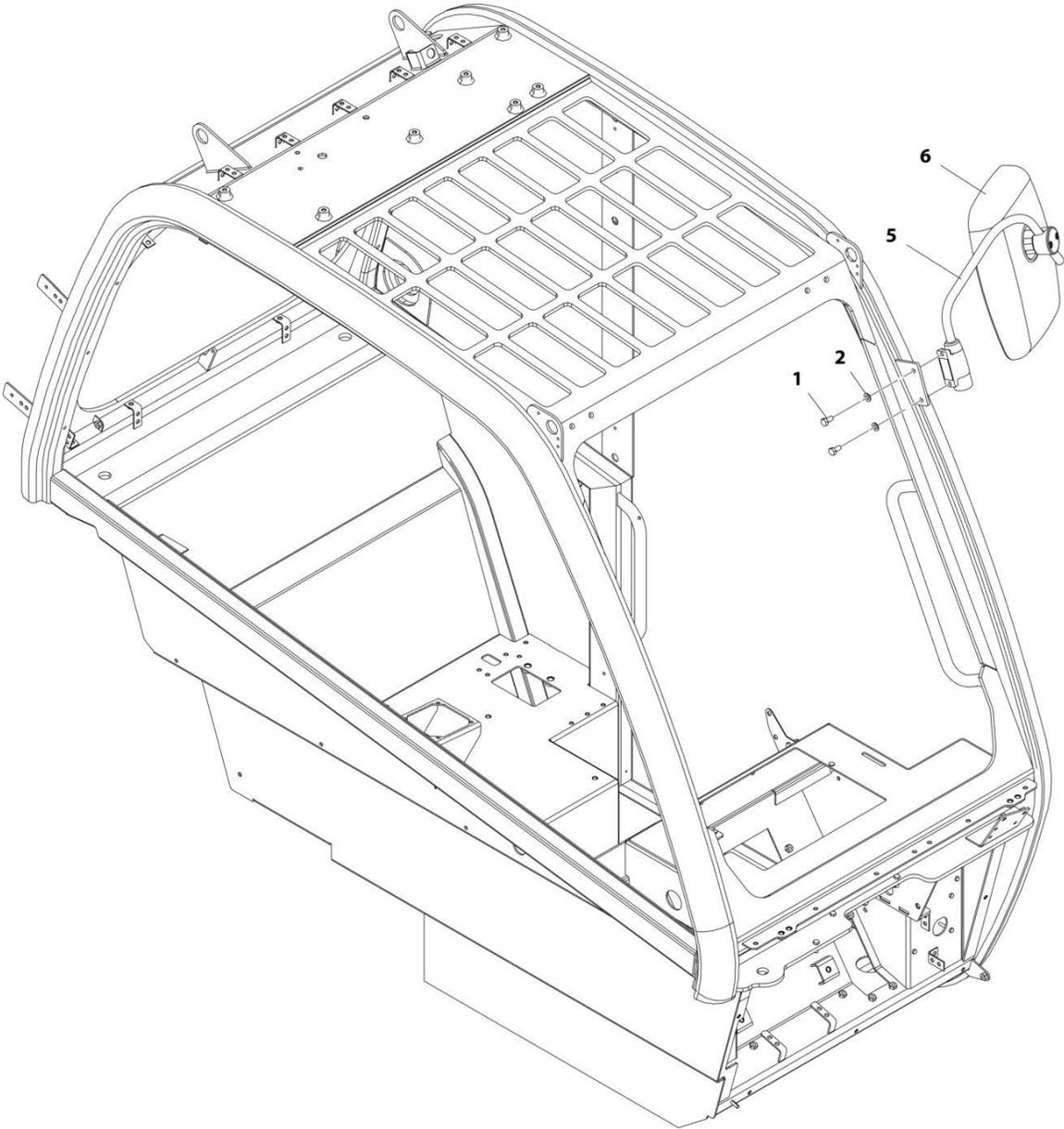
ART_1001195814-C

FIGURE 6-16. CAB PLUG GROUP

ITEM	PART NUMBER	QTY	DESCRIPTION	REV
	1001195814	Ref	Cab Plug Group	C
1	1001143200	7	Plug	
2	1001176272	3	Plug	
3	1001176273	1	Plug	
4	1001176626	1	Plug	
5	1001181920	8	Screw, Nylon M8X16	
6	1001181921	8	Washer, Rubber M8	
7	1001182123	2	Plug	
8	1001182139	1	Plug	
9	1001219220	7	Plug	
10	1001209899	1	Plug	

SECTION 6 - CAB

FIGURE 6-17. BASIC MIRROR INSTALLATION



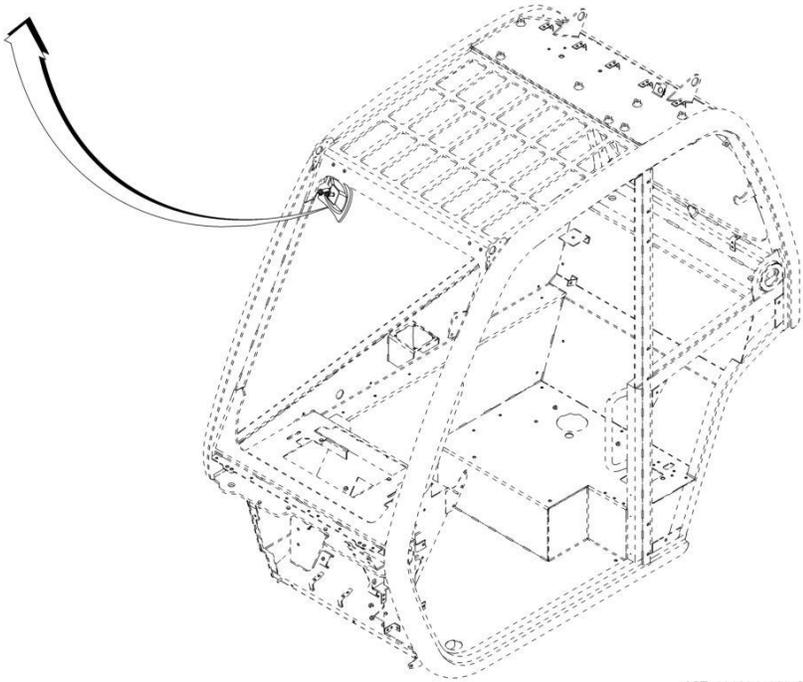
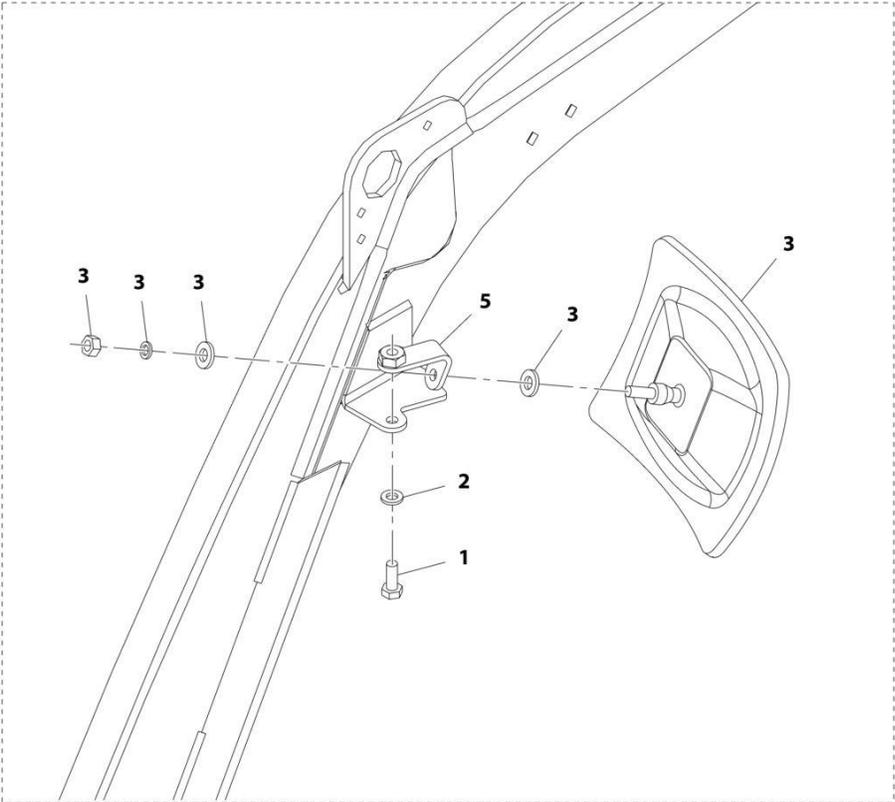
ART_1001160508-E

FIGURE 6-17. BASIC MIRROR INSTALLATION

ITEM	PART NUMBER	QTY	DESCRIPTION	REV
	1001160508	Ref	Basic Mirror Installation	E
1	0760808	2	Bolt, M8X16	
2	4811900	2	Washer, M8	
5	1001164655	1	Bracket	
6	80363195	1	Mirror	

SECTION 6 - CAB

FIGURE 6-18. INTERIOR MIRROR INSTALLATION



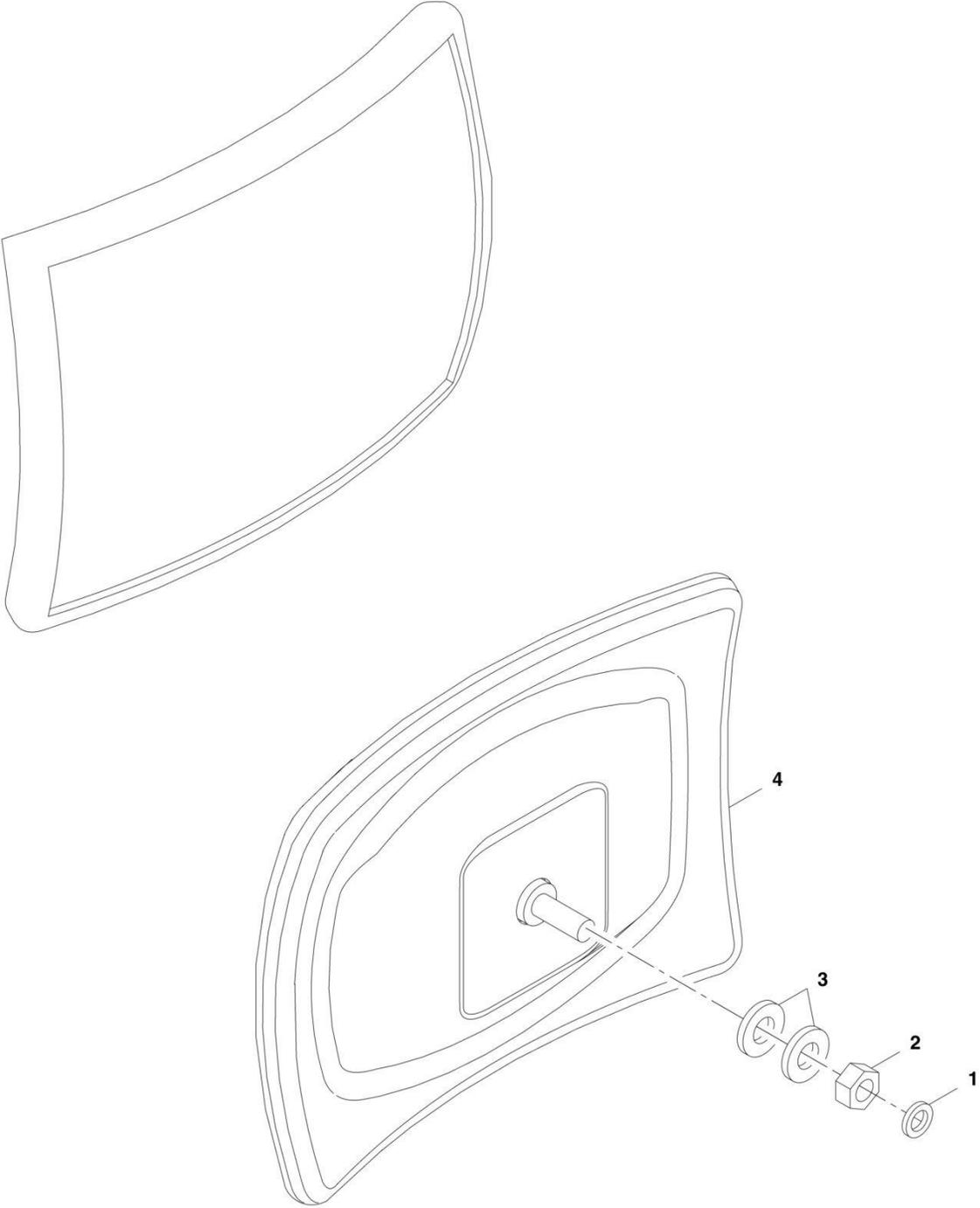
ART_1001166192-C

FIGURE 6-18. INTERIOR MIRROR INSTALLATION

ITEM	PART NUMBER	QTY	DESCRIPTION	REV
	1001166192	Ref	Interior Mirror Installation	C
1	0760608	1	Bolt, M6X16	
2	4811700	1	Washer, M6	
3	1001007641	1	Mirror, Interior (See Separate Breakdown in this Section)	
5	1001166191	1	Bracket	

SECTION 6 - CAB

FIGURE 6-19. INTERIOR MIRROR



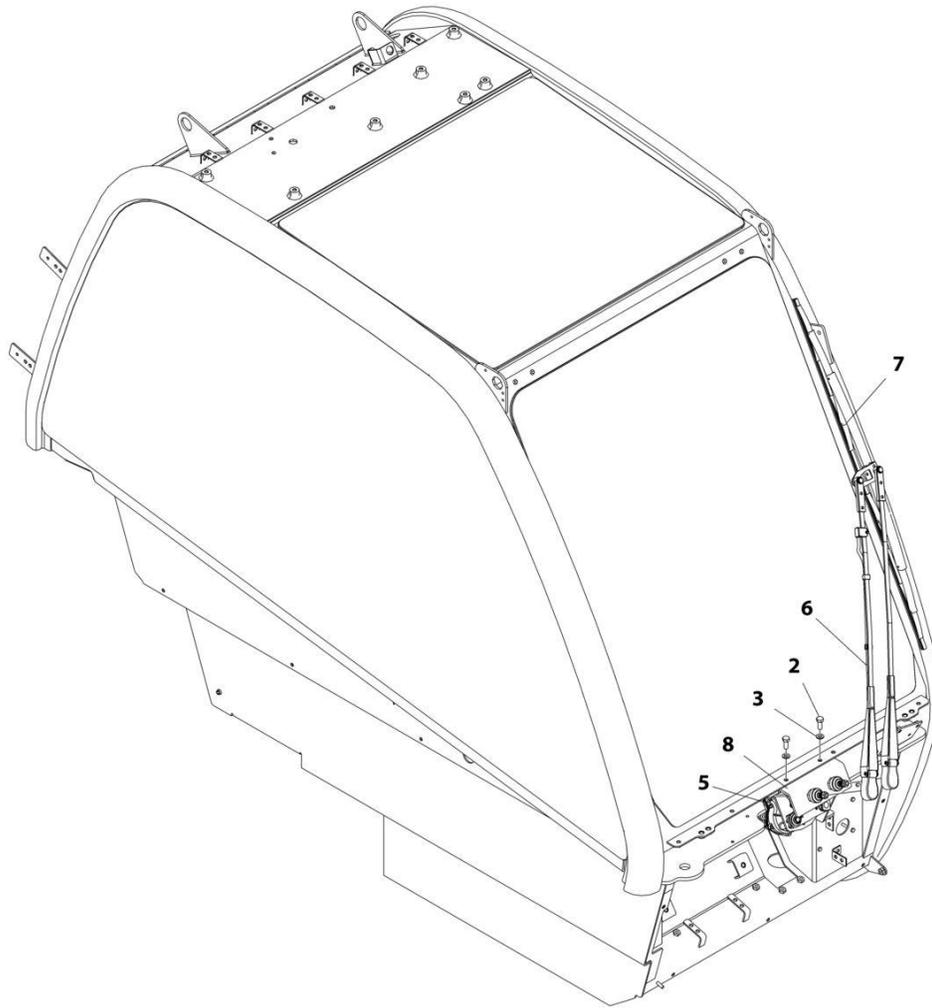
ART_1001007641-B

FIGURE 6-19. INTERIOR MIRROR

ITEM	PART NUMBER	QTY	DESCRIPTION	REV
	1001007641	Ref	Mirror, Interior	B
1	1001008475	1	Washer, Lock 12	
2	1001008604	1	Nut	
3	1001009124	2	Washer	
4	1001010839	1	MIRROR	

SECTION 6 - CAB

FIGURE 6-20. FRONT WIPER INSTALLATION



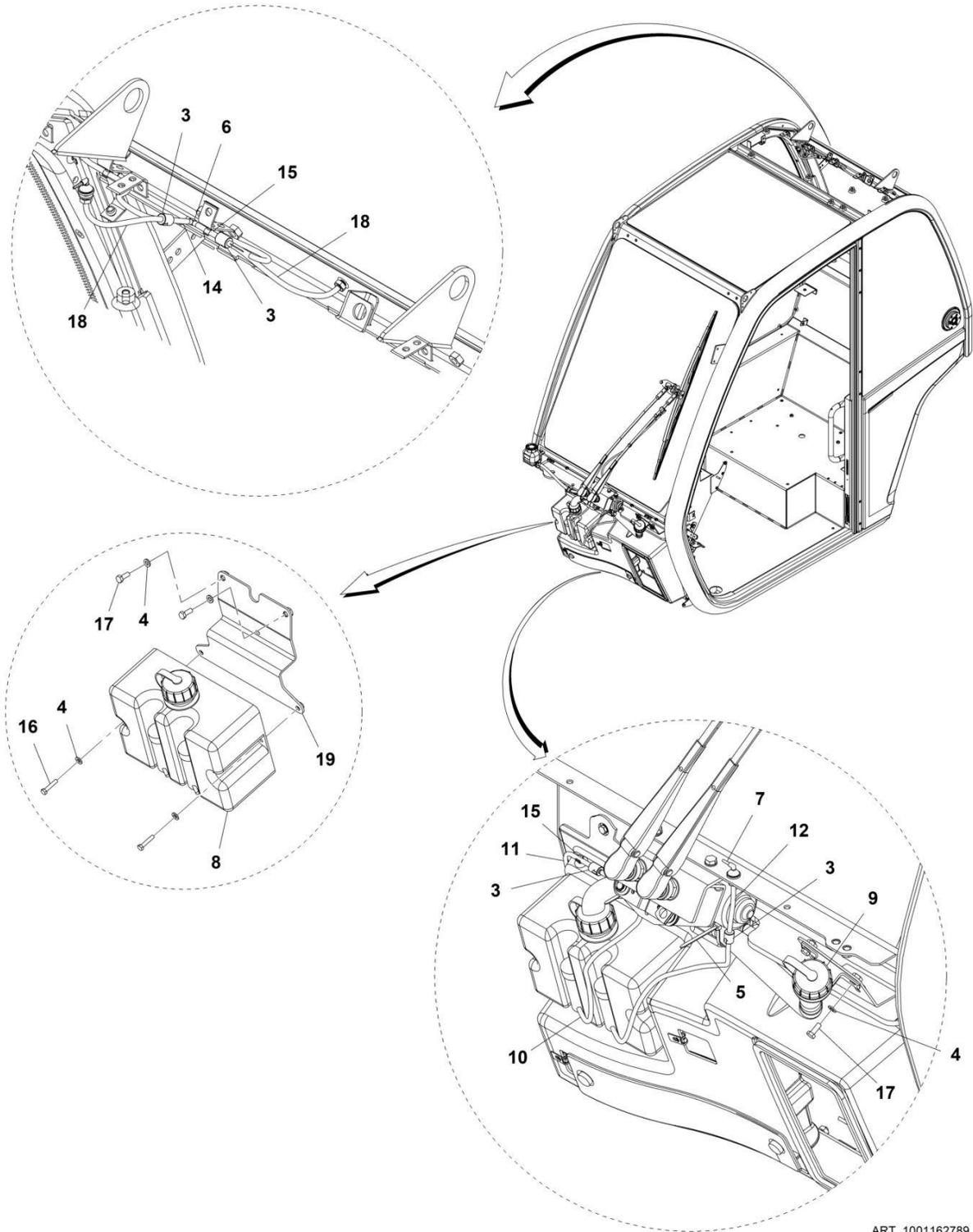
ART_1001155447-G

FIGURE 6-20. FRONT WIPER INSTALLATION

ITEM	PART NUMBER	QTY	DESCRIPTION	REV
	1001155447	Ref	Front Wiper Installation	G
2	0760810	2	Bolt, M8X20	
3	4811900	2	Washer, M8	
5	1001214092	1	Motor, Front Wiper	
6	1001212369	1	Arm, Front Wiper	
7	1001141281	1	Blade, Wiper	
8	1001165637	1	Bracket	

SECTION 6 - CAB

FIGURE 6-21. WASHER TANK INSTALLATION



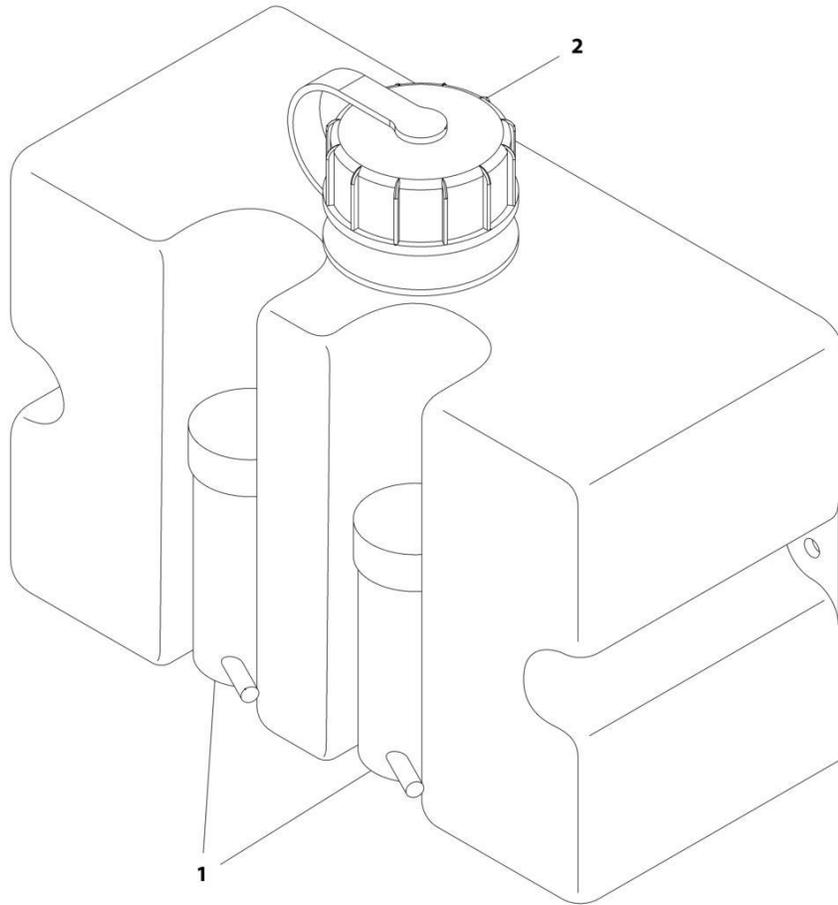
ART_1001162789

FIGURE 6-21. WASHER TANK INSTALLATION

ITEM	PART NUMBER	QTY	DESCRIPTION	REV
	1001162789	Ref	Washer Tank Installation	M
3	1001201331	4	Valve, Check	
4	4811700	6	Washer, M6	
5	471678	2	Strap, Tie	
6	1001008742	1	Coupling, Tee	
8	1001165269	1	Bottle, Washer (See Separate Breakdown in this Section)	
9	1001165270	1	Hose, Washer Filler	
10	1001165351	2	Hose	
11	1001165407	1	Hose	
12	1001165416	1	Hose	
14	1001165455	2	Hose	
15	1001165458	16	Hose	
16	0760512	2	Bolt M5X25	
17	0760608	4	Bolt, M6X16	
18	1001178123	2	Hose	
19	1001171756	1	Bracket	

SECTION 6 - CAB

FIGURE 6-22. WASHER BOTTLE



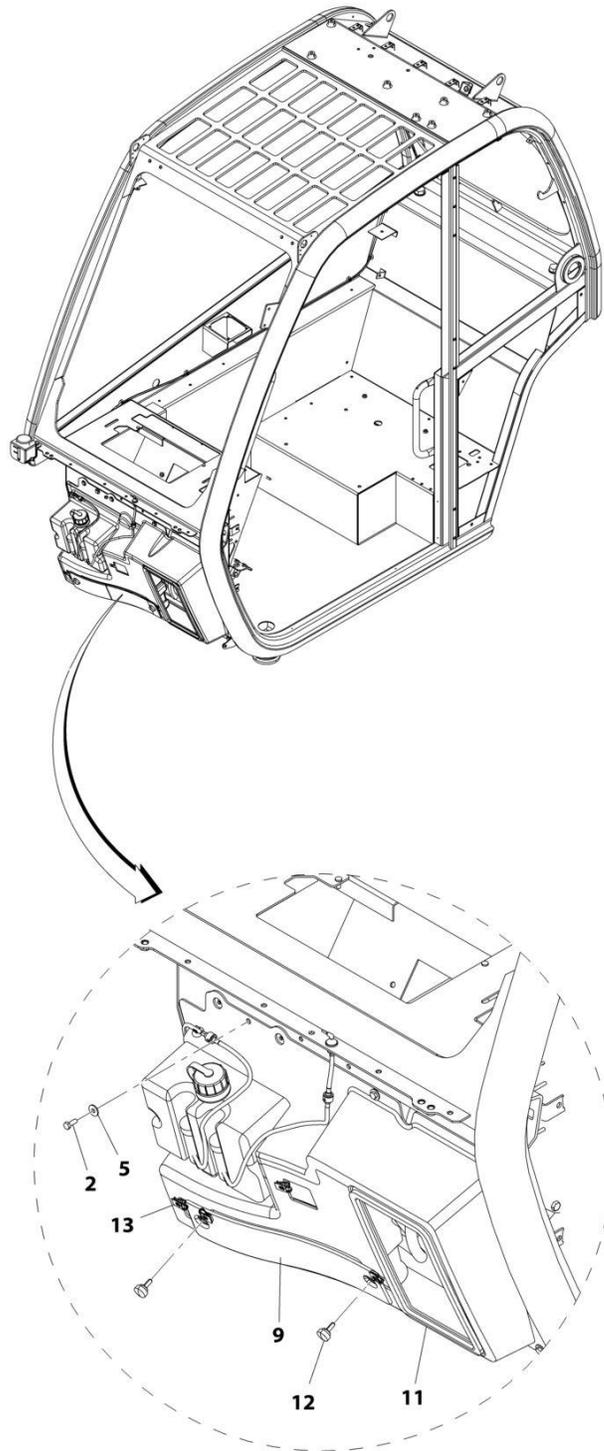
ART_1001165269-B

FIGURE 6-22. WASHER BOTTLE

ITEM	PART NUMBER	QTY	DESCRIPTION	REV
	1001165269	Ref	Washer Bottle	B
1	1001165327	2	Pump, Washer	
2	1001165273	1	Cap, Washer	

SECTION 6 - CAB

FIGURE 6-23. FRONT COVER INSTALLATION



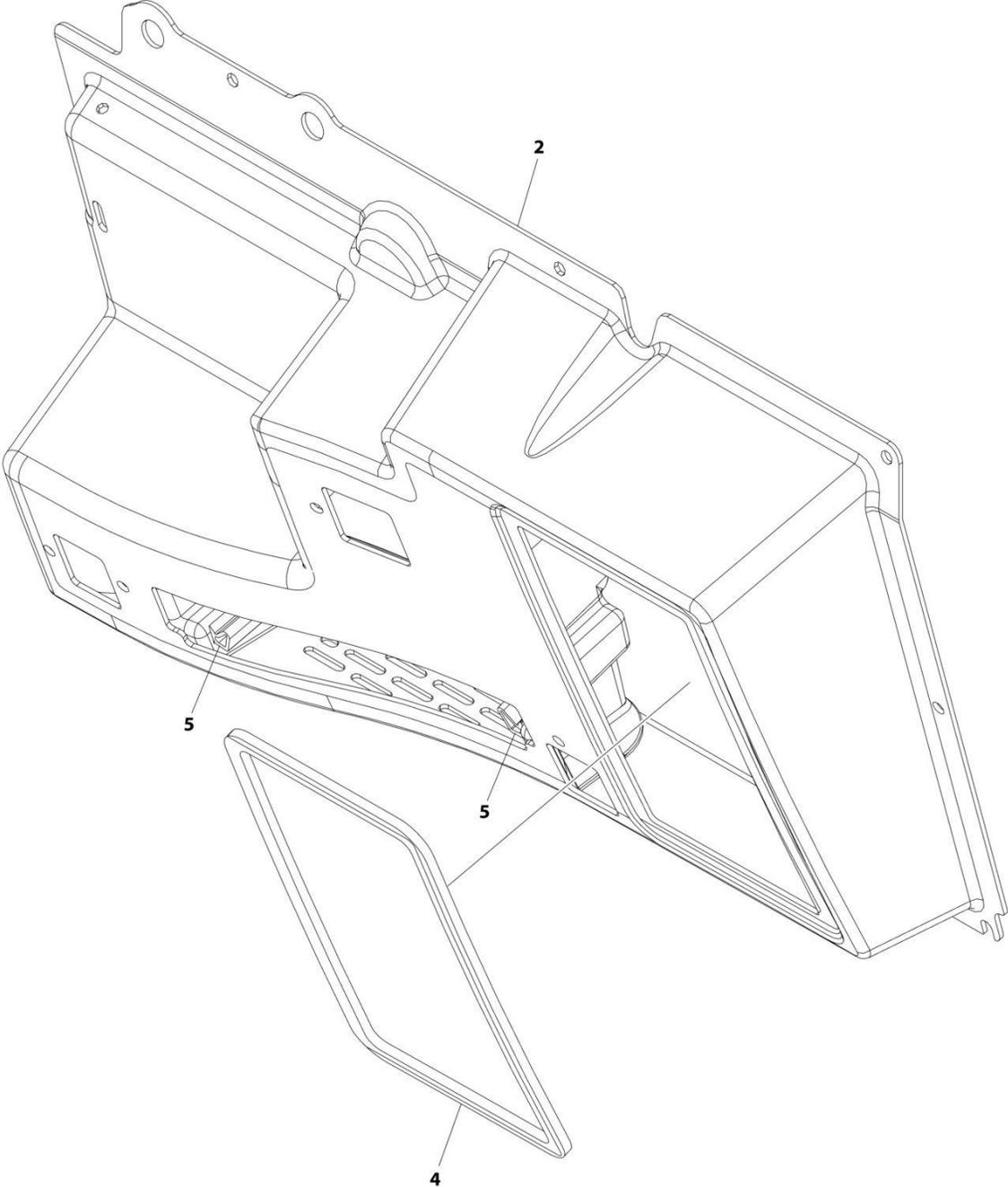
ART_1001170366-G

FIGURE 6-23. FRONT COVER INSTALLATION

ITEM	PART NUMBER	QTY	DESCRIPTION	REV
	1001170366	Ref	Front Cover Installation	G
2	0760608	7	Bolt, M6X16	
5	4811702	7	Washer, M6	
9	1001175471	1	Panel, Filter Tray (See Separate Breakdown in this Section)	
11	1001176121	1	Cover, Front Duct (See Separate Breakdown in this Section)	
12	2080092	2	Thumb Screw, M6X16	
13	8305919	4	Nut, M6	

SECTION 6 - CAB

FIGURE 6-24. FRONT DUCT COVER



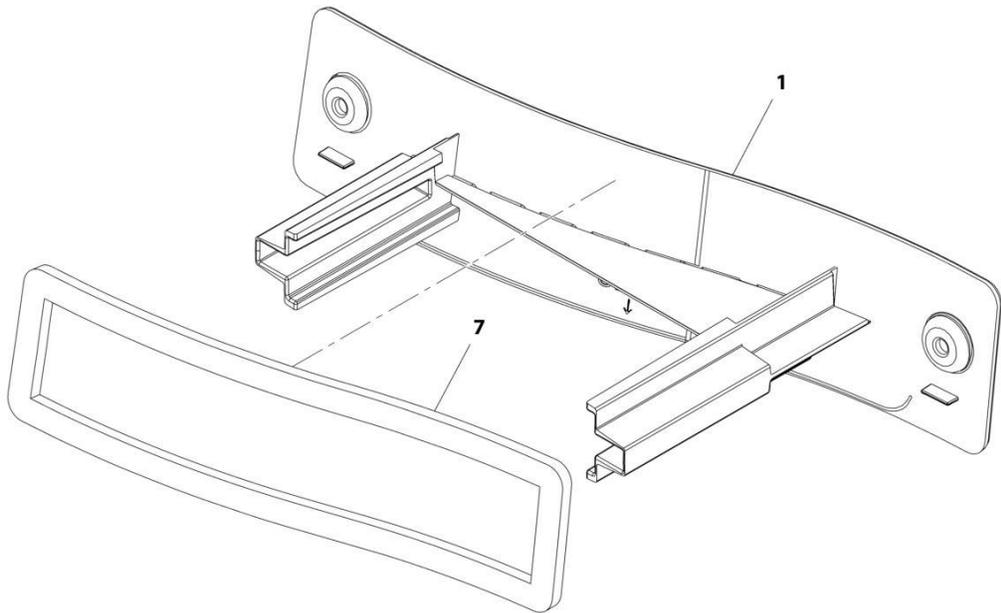
ART_1001176121

FIGURE 6-24. FRONT DUCT COVER

ITEM	PART NUMBER	QTY	DESCRIPTION	REV
	1001176121	Ref	FRONT DUCT COVER	H
2	1001170326	1	Cover, Front	
4	1001175470	1	Seal, Front Cab Panel	
5	1001270117	AR	Seal, Bulb	

SECTION 6 - CAB

FIGURE 6-25. FILTER TRAY PANEL



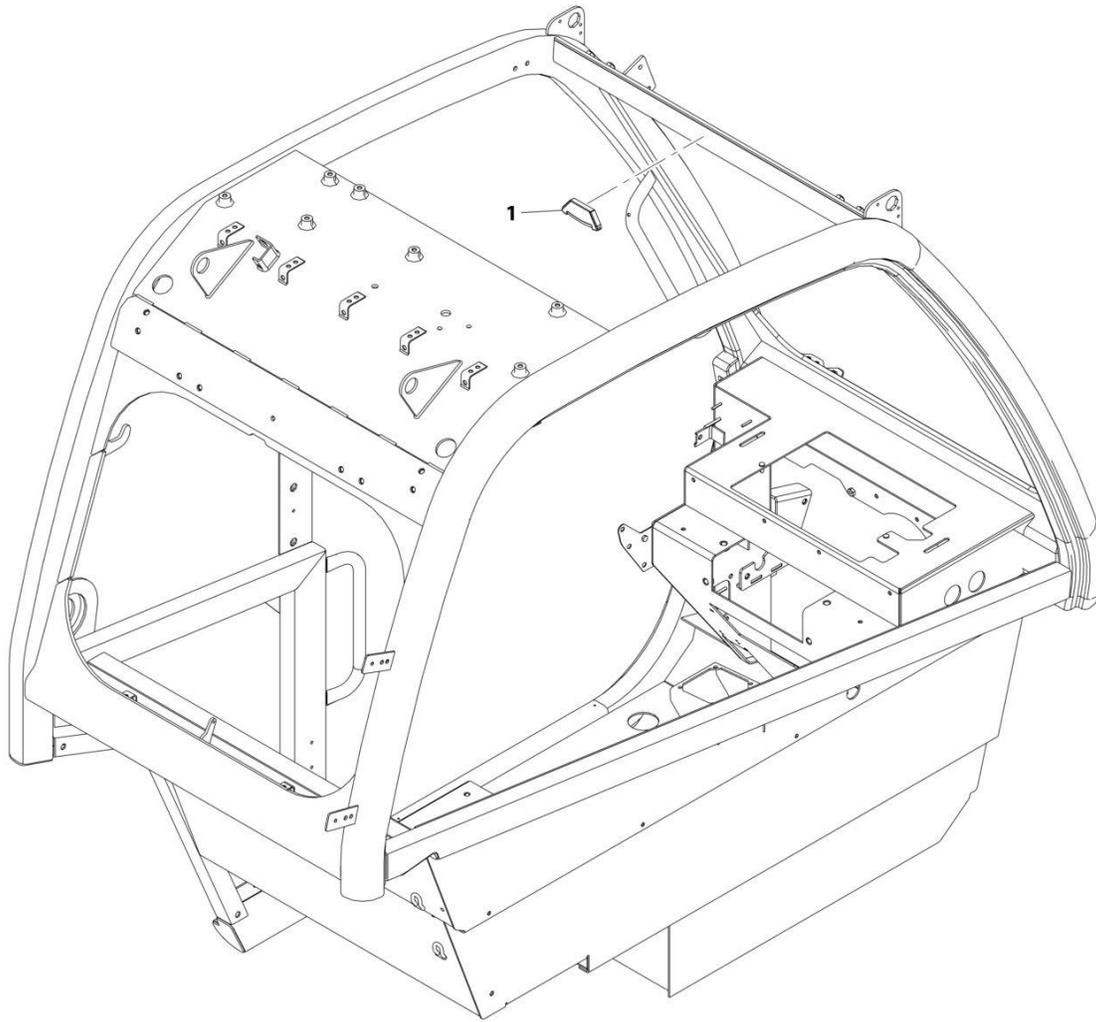
ART_1001175471-D

FIGURE 6-25. FILTER TRAY PANEL

ITEM	PART NUMBER	QTY	DESCRIPTION	REV
	1001175471	Ref	Filter Tray Panel	D
1	1001170993	1	Panel, Front Inlet	
7	1001171767	1	Cab, Front Panel Seal	

SECTION 6 - CAB

FIGURE 6-26. LEVEL INDICATOR INSTALLATION



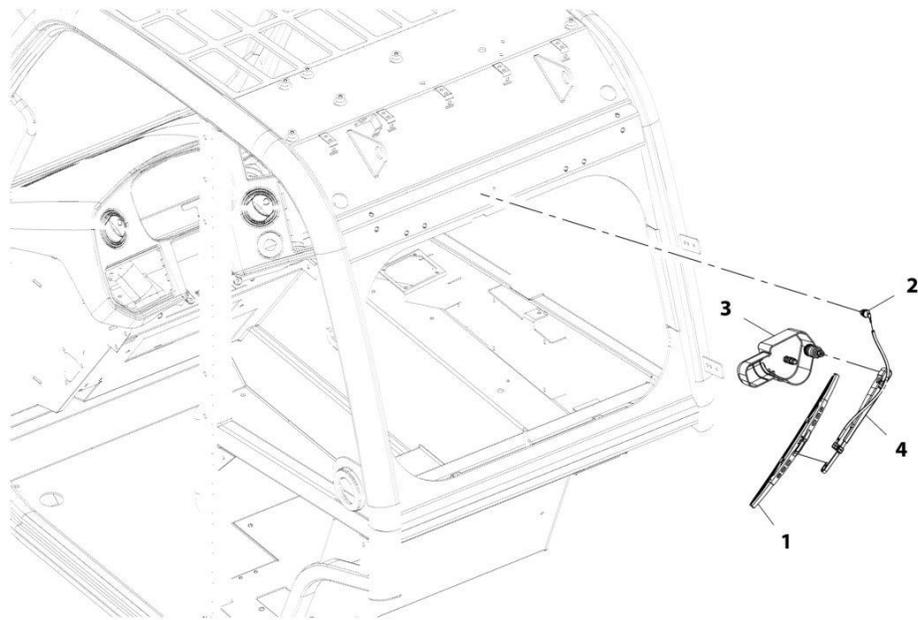
ART_1001172401-C

FIGURE 6-26. LEVEL INDICATOR INSTALLATION

ITEM	PART NUMBER	QTY	DESCRIPTION	REV
1	1001172401 8466306	Ref 1	Level Indicator Installation Gauge, Tilt Angle	C

SECTION 6 - CAB

FIGURE 6-27. REAR WIPER INSTALLATION



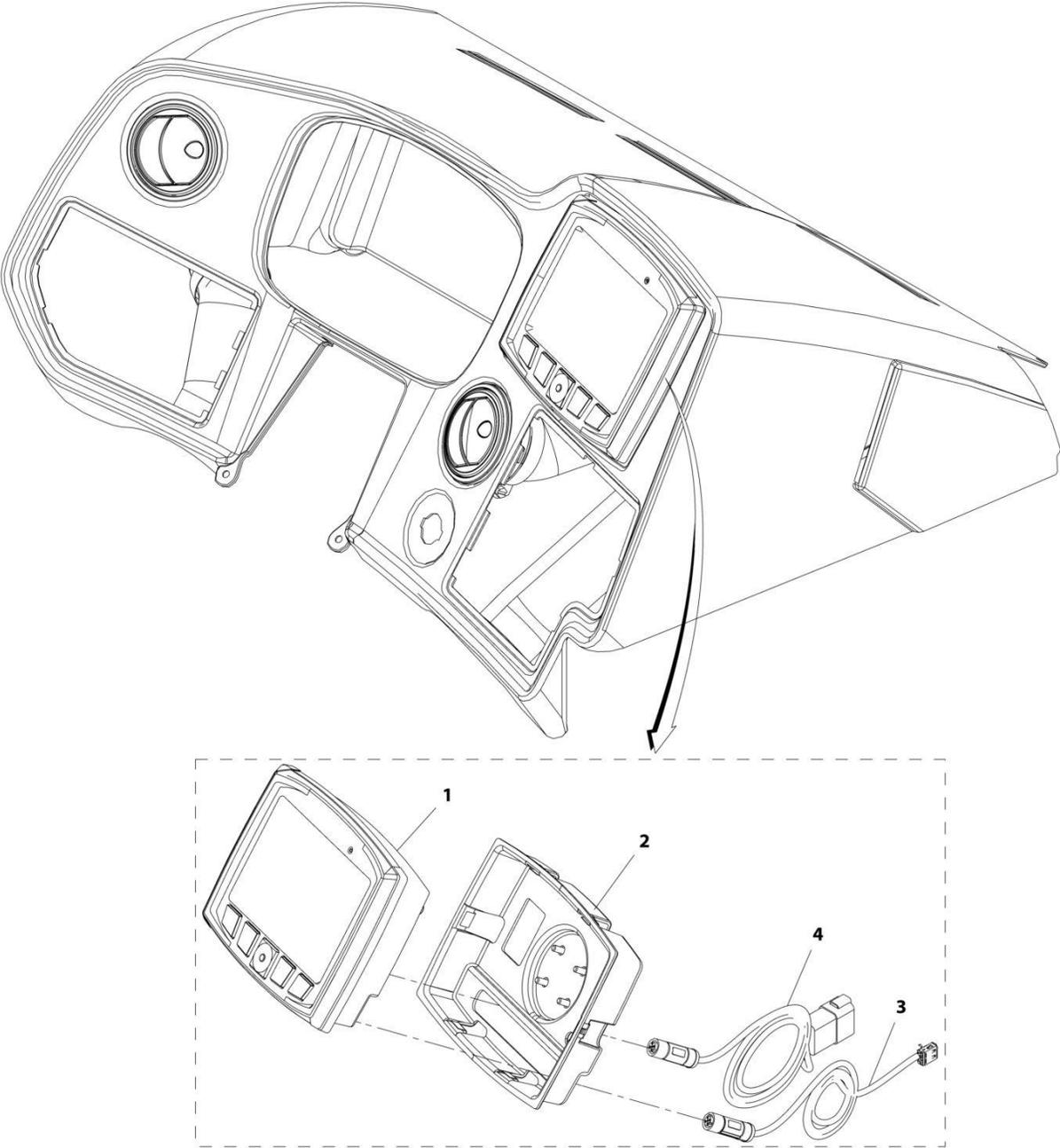
ART_1001220329-A

FIGURE 6-27. REAR WIPER INSTALLATION

ITEM	PART NUMBER	QTY	DESCRIPTION	REV
	1001220329	Ref	Rear Wiper Installation	A
1	4807718	1	Wiper Blade, Oslv Italia	
2	1001090343	1	Connector	
3	1001139552	1	Motor, Wiper, Rear Window	
4	1001141312	1	Blade, Arm, Rear Window	

SECTION 6 - CAB

FIGURE 6-28. MULTIFUNCTION DISPLAY INSTALLATION



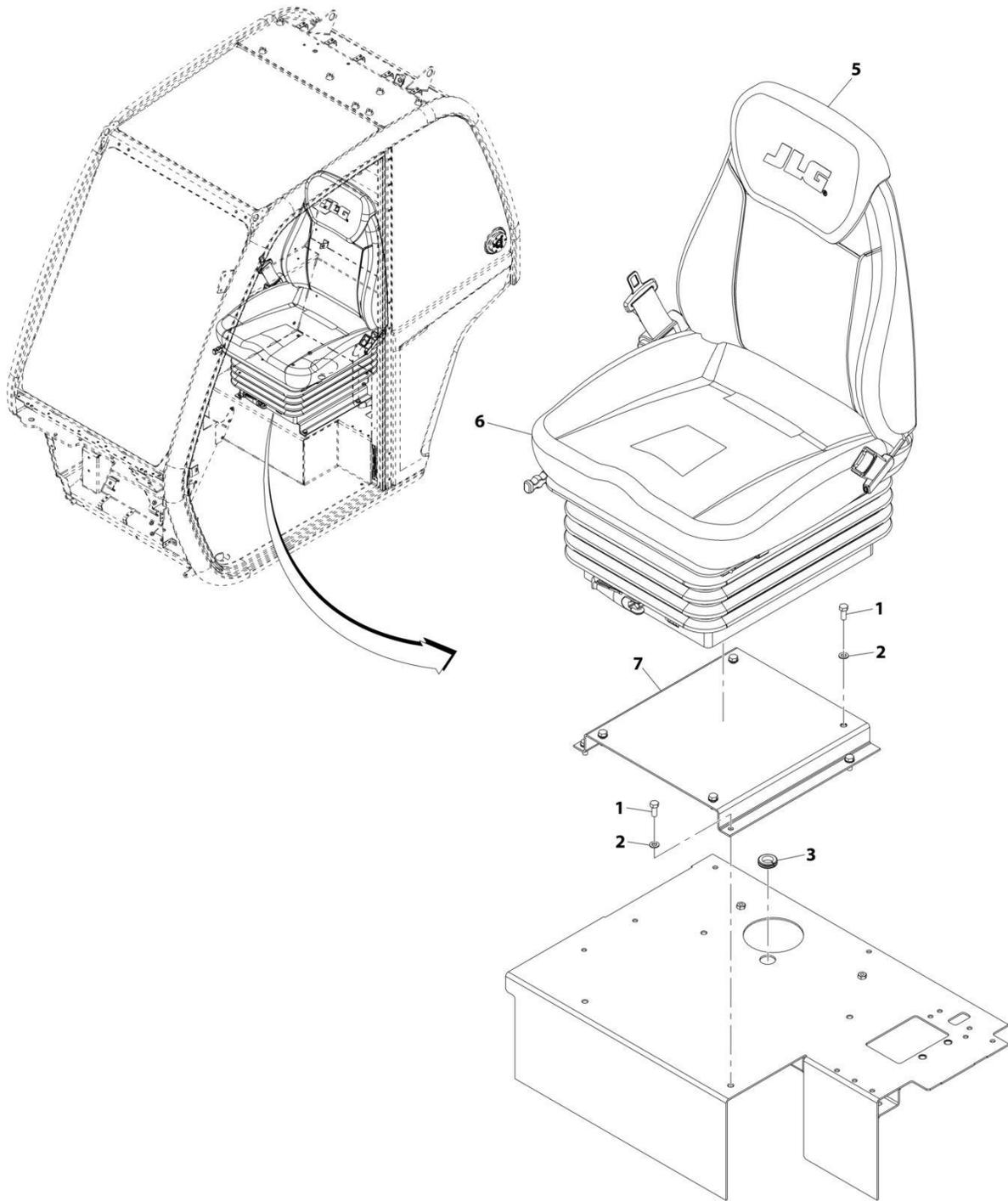
ART_1001176338-B

FIGURE 6-28. MULTIFUNCTION DISPLAY INSTALLATION

ITEM	PART NUMBER	QTY	DESCRIPTION	REV
	1001176338	Ref	Multifunction Display Installation	B
1	1001211357	1	Display	
2	1001178783	1	Bezel	
3	1001180682	1	Cable, Display Programming	
4	1001180683	1	Cable, Display Video	

SECTION 6 - CAB

FIGURE 6-29. SEAT INSTALLATION (MECHANICAL)



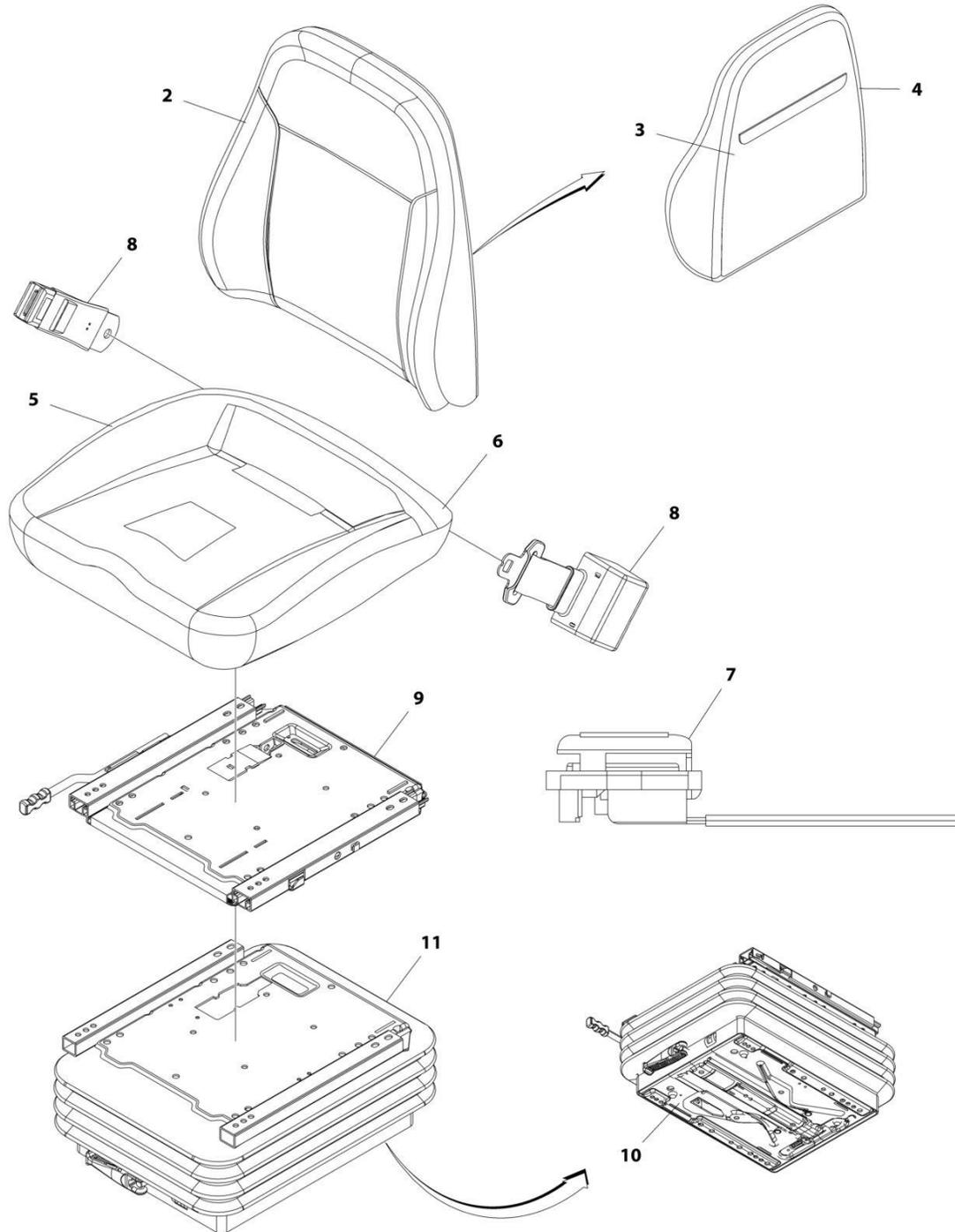
ART_1001158601-D

FIGURE 6-29. SEAT INSTALLATION (MECHANICAL)

ITEM	PART NUMBER	QTY	DESCRIPTION	REV
	1001158601	Ref	Seat Installation (Cloth)	E
1	0760810	8	Bolt, M8X20	
2	4811900	8	Washer, M8	
3	1001216974	1	Grommet	
5	1001119467	1	Headrest, Cloth	
6	1001288070	1	Assembly, Seat (See Separate Breakdown in this Section)	
7	1001158738C	1	Plinth, Seat	

SECTION 6 - CAB

FIGURE 6-30. SEAT ASSEMBLY (MECHANICAL)



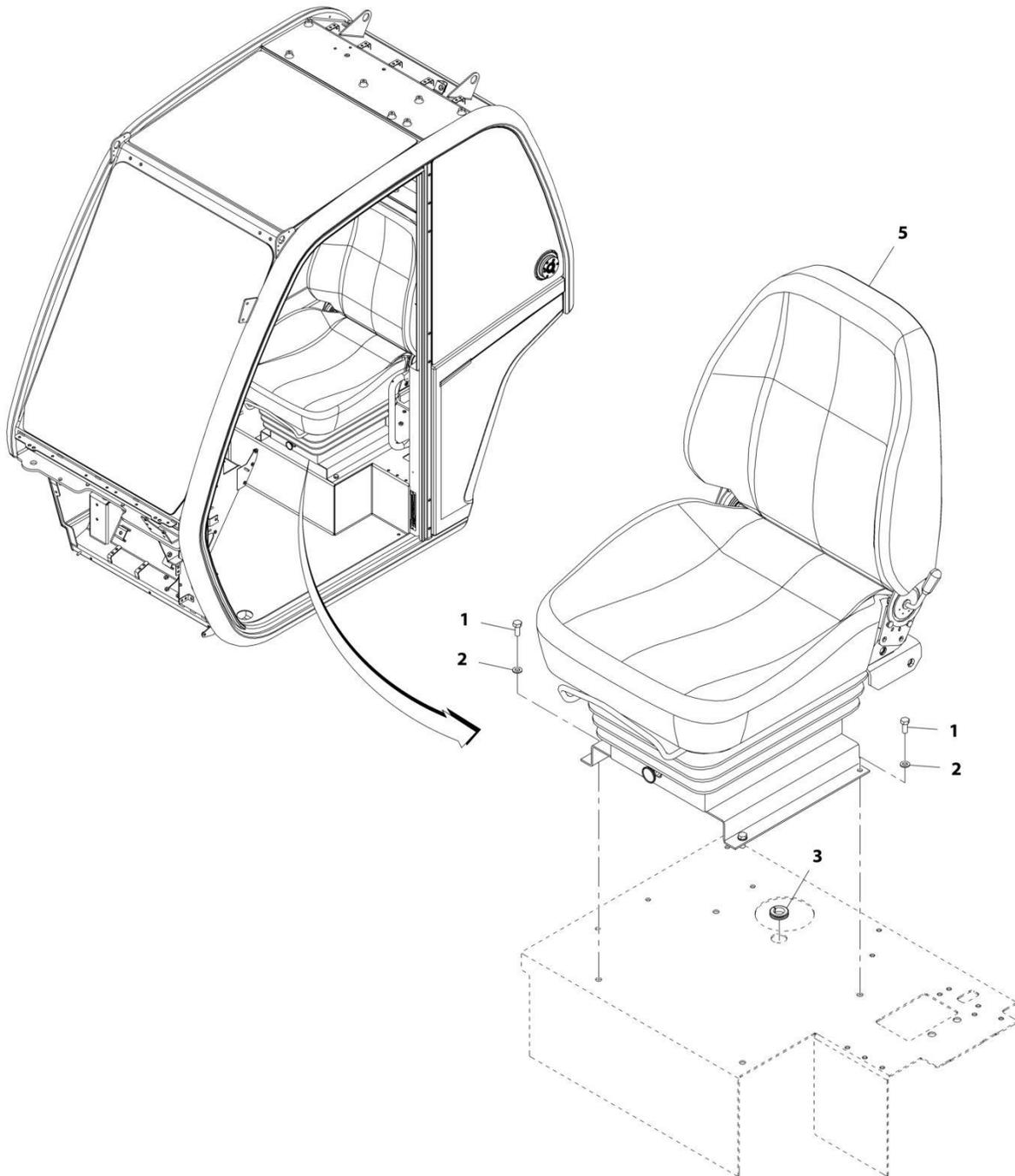
ART_1001150294

FIGURE 6-30. SEAT ASSEMBLY (MECHANICAL)

ITEM	PART NUMBER	QTY	DESCRIPTION	REV
	1001150294	Ref	CLOTH SEAT	F
2	70025489	1	Fabric, Upper Seat	
3	70025490	1	Cover, Back	
4	70025483	1	Foam, Back	
5	70025491	1	Cover, Seat	
6	70025485	1	Foam, Seat	
7	70025486	1	Switch, Contact	
8	7029767	1	Belt, Seat	
9	70021252	1	Rail, Slide	
10	70021251	1	Unit, Suspension	
11	70022034	1	Cover, Rubber	

SECTION 6 - CAB

FIGURE 6-31. SEAT INSTALLATION (AIR SUSPENSION - STANDARD)



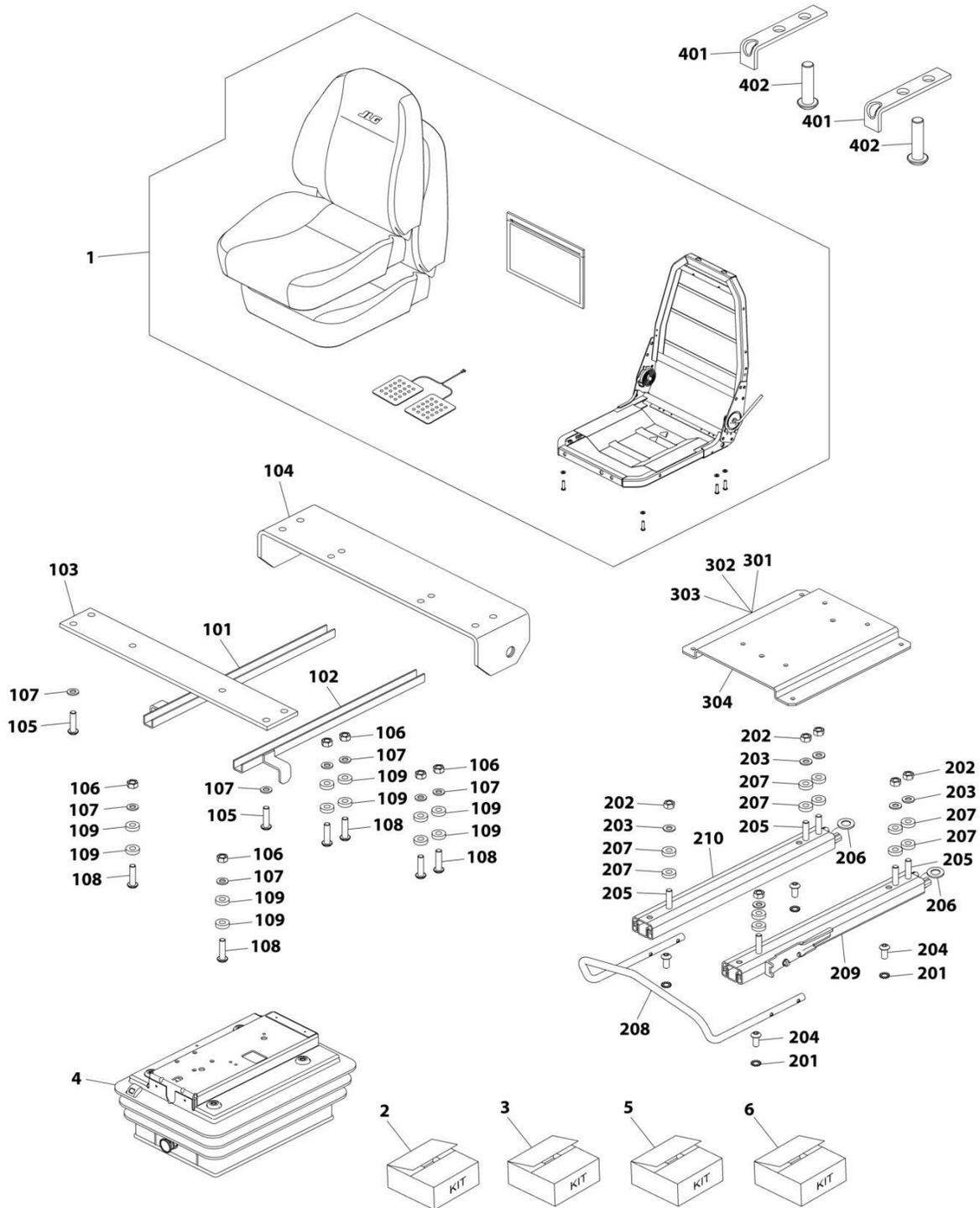
ART_1001158596-D

FIGURE 6-31. SEAT INSTALLATION (AIR SUSPENSION - STANDARD)

ITEM	PART NUMBER	QTY	DESCRIPTION	REV
	1001158596	Ref	Seat Installation (Air Suspension - Standard)	D
1	0760810	4	Bolt, M8X20	
2	4811900	4	Washer, M8	
3	1001216974	1	Grommet	
5	1001165573	1	Assembly, Seat (See Separate Breakdown in this Section)	

SECTION 6 - CAB

FIGURE 6-32. SEAT ASSEMBLY (AIR SUSPENSION - STANDARD)



ART_1001165573-C

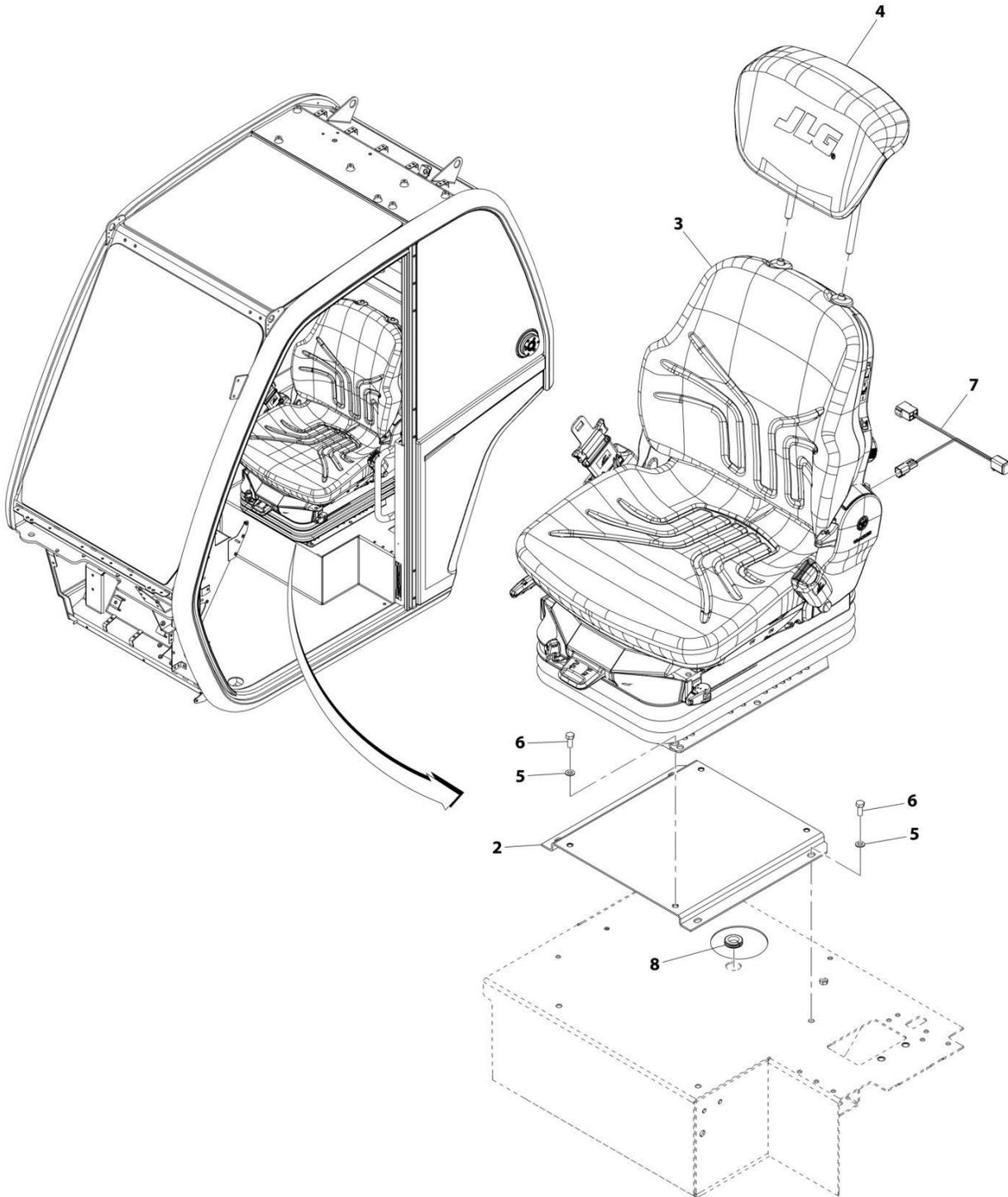
SECTION 6 - CAB

FIGURE 6-32. SEAT ASSEMBLY (AIR SUSPENSION - STANDARD)

ITEM	PART NUMBER	QTY	DESCRIPTION	REV
	1001165573	Ref	Seat Assembly (Air Suspension - Standard)	C
1	70027392	1	Assembly, Upper Seat (See Separate Breakdown in this Section)	
2	70021317	1	Kit, Cross Strap (includes items 101 thru 109)	
3	70021318	1	Kit, Fore and Aft Adjustment (includes items 201 thru 210)	
4	70021319	1	Kit, Suspension (See Separate Breakdown in this Section)	
5	70027395	1	Kit, Adapter Plate (includes items 301 thru 304)	
6	70021322	1	Kit, Slide Rail Stop (includes items 401 & 402)	
101	N.S.S.	1	Channel	
102	N.S.S.	1	Channel	
103	N.S.S.	1	Plate, Strap	
104	N.S.S.	1	Plate, Strap	
105	N.S.S.	4	Bolt, M8X25	
106	N.S.S.	6	Nut, M8	
107	N.S.S.	10	Washer	
108	N.S.S.	6	Bolt, M8X30	
109	N.S.S.	12	Spacer	
201	N.S.S.	4	Washer, Spring M8	
202	N.S.S.	1	Nut, M8	
203	N.S.S.	1	Washer	
204	N.S.S.	1	Bolt, M8X16	
205	N.S.S.	1	Bolt, M8X30	
206	N.S.S.	1	Washer	
207	N.S.S.	1	Spacer	
208	N.S.S.	1	Handle	
209	N.S.S.	1	Rail, Slide	
210	N.S.S.	1	Rail, Slide	
301	N.S.S.	1	Bolt, M8X25	
302	N.S.S.	1	Bolt, M8X16	
303	N.S.S.	1	Washer	
304	N.S.S.	1	Plate, Adapter	
401	N.S.S.	1	Stop, Sliderrail	
402	N.S.S.	1	Bolt, M8X16	

SECTION 6 - CAB

FIGURE 6-33. SEAT INSTALLATION (AIR SUSPENSION - PREMIUM)



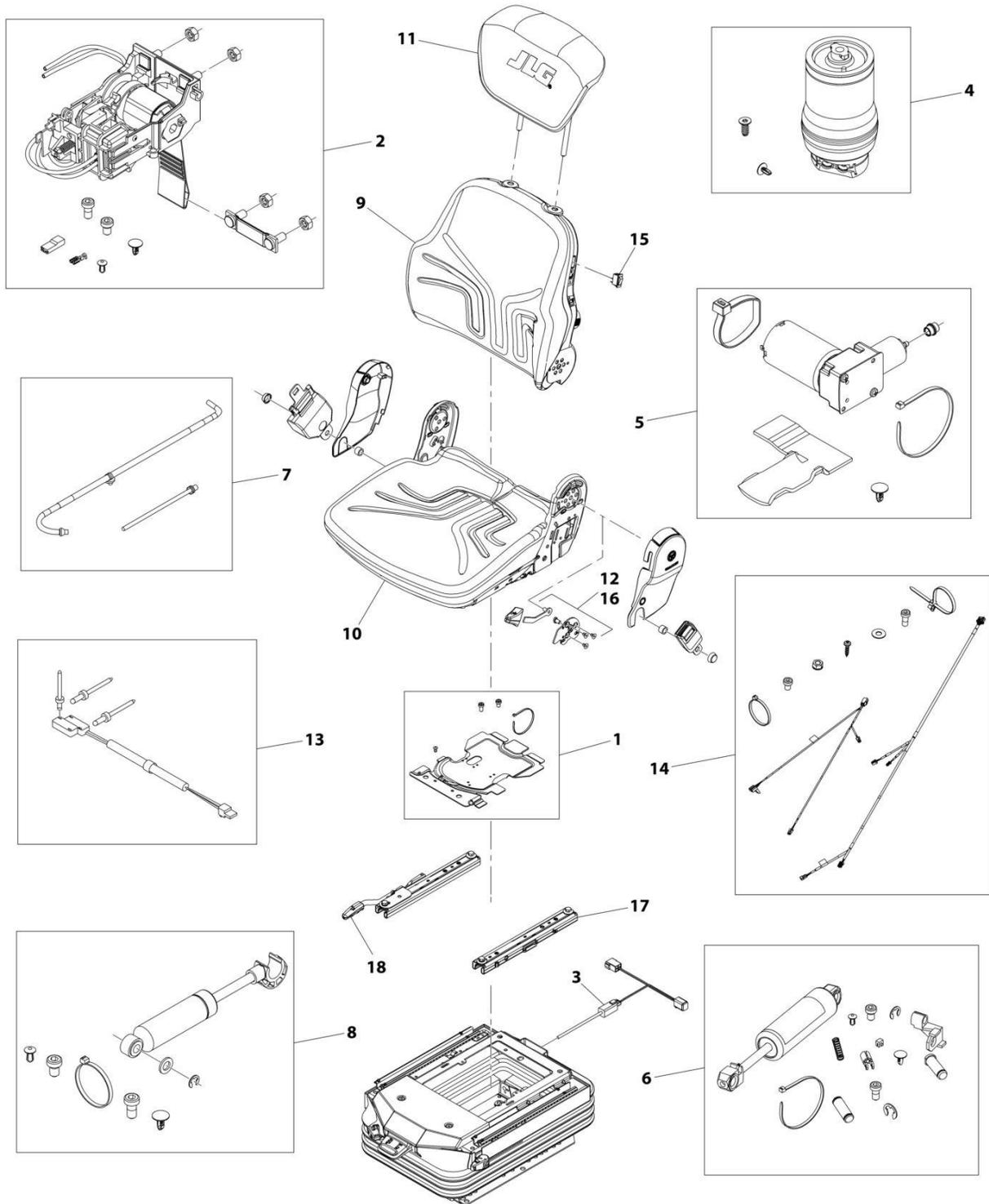
ART_1001182530-F

FIGURE 6-33. SEAT INSTALLATION (AIR SUSPENSION - PREMIUM)

ITEM	PART NUMBER	QTY	DESCRIPTION	REV
	1001182530	Ref	Seat Installation (Air Suspension - Premium)	F
2	1001158736C	1	Plinth, Seat	
3	1001169135	1	Assembly, Seat (See Separate Breakdown in this Section)	
4	1001182529	1	Headrest	
5	4811900	8	Washer, M8	
6	0760810	8	Bolt, M8X20	
7	1001168531	1	Harness, Seat Adaptor (See Separate Breakdown in ELECTRICAL Section)	
8	1001216974	1	Grommet	

SECTION 6 - CAB

FIGURE 6-34. SEAT ASSEMBLY (AIR SUSPENSION - PREMIUM)



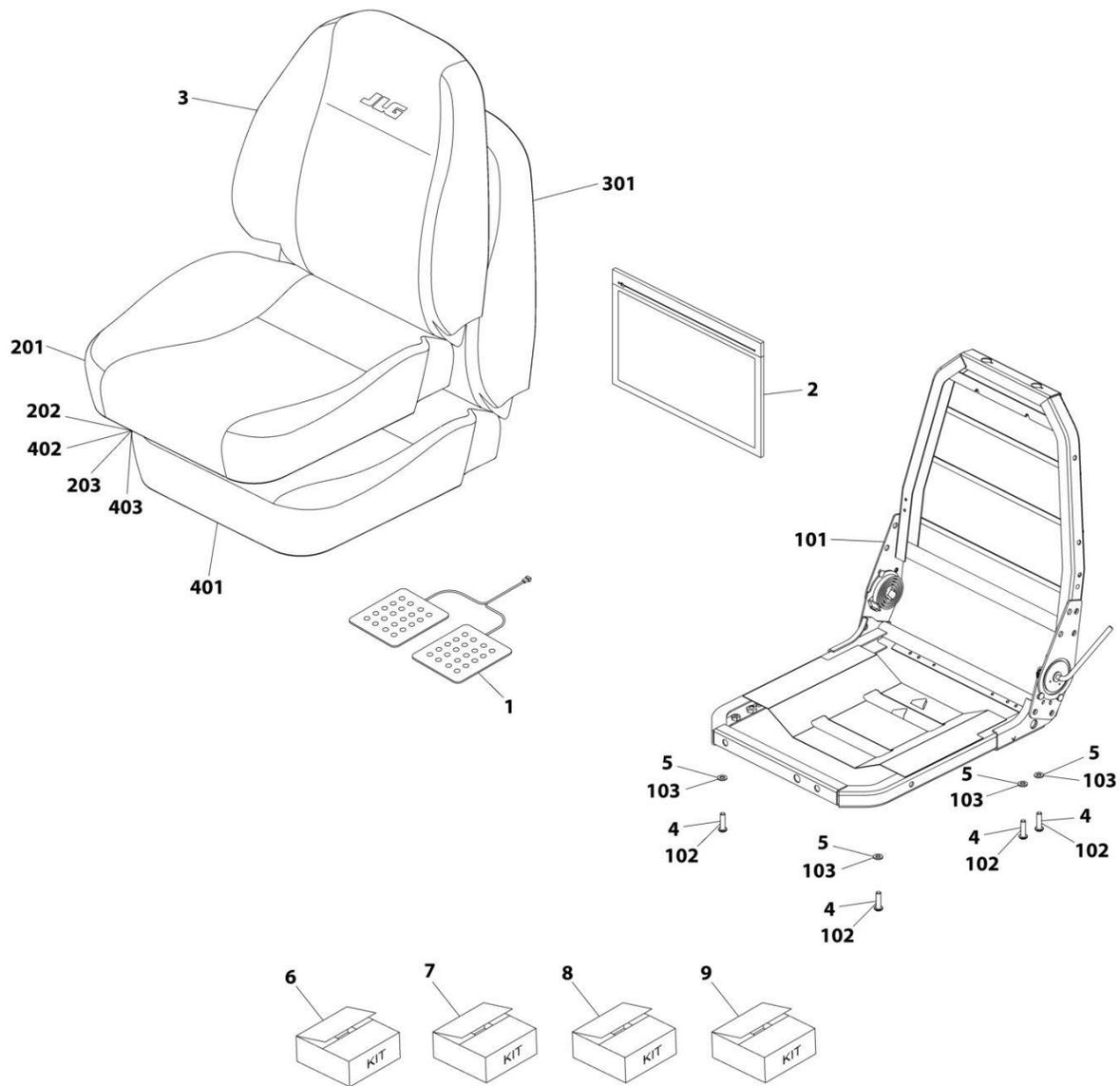
ART_1001169135-B

FIGURE 6-34. SEAT ASSEMBLY (AIR SUSPENSION - PREMIUM)

ITEM	PART NUMBER	QTY	DESCRIPTION	REV
	1001169135	Ref	Seat Assembly (Air Suspension - Premium)	B
1	70024856	1	Cover	
2	70023182	1	Control Level Kit	
3	70023186	1	Wiring Harness, Air/Safeswitch	
4	70023184	1	Air Spring Kit	
5	70024857	1	Compressor, 12V	
6	70023181	1	Shock Absorber Kit	
7	70024459	1	Air Tubes Kit	
8	70023189	2	Shock Absorber Kit	
9	70023179	1	Back Cushion Kit	
10	70024858	1	Seat Cushion Kit	
11	1001182529	1	Headrest, Cloth	
12	70024859	1	Backrest Actuator	
13	70028326	1	Switch	
14	70024861	1	Wiring Harness	
15	70024107	1	Switch, Heater	
16	7028621	1	Handle, Backrest Angle Adjust	
17	3986643	1	Adjust Slide Kit	
18	3986610	1	Handle	

SECTION 6 - CAB

FIGURE 6-35. UPPER SEAT ASSEMBLY



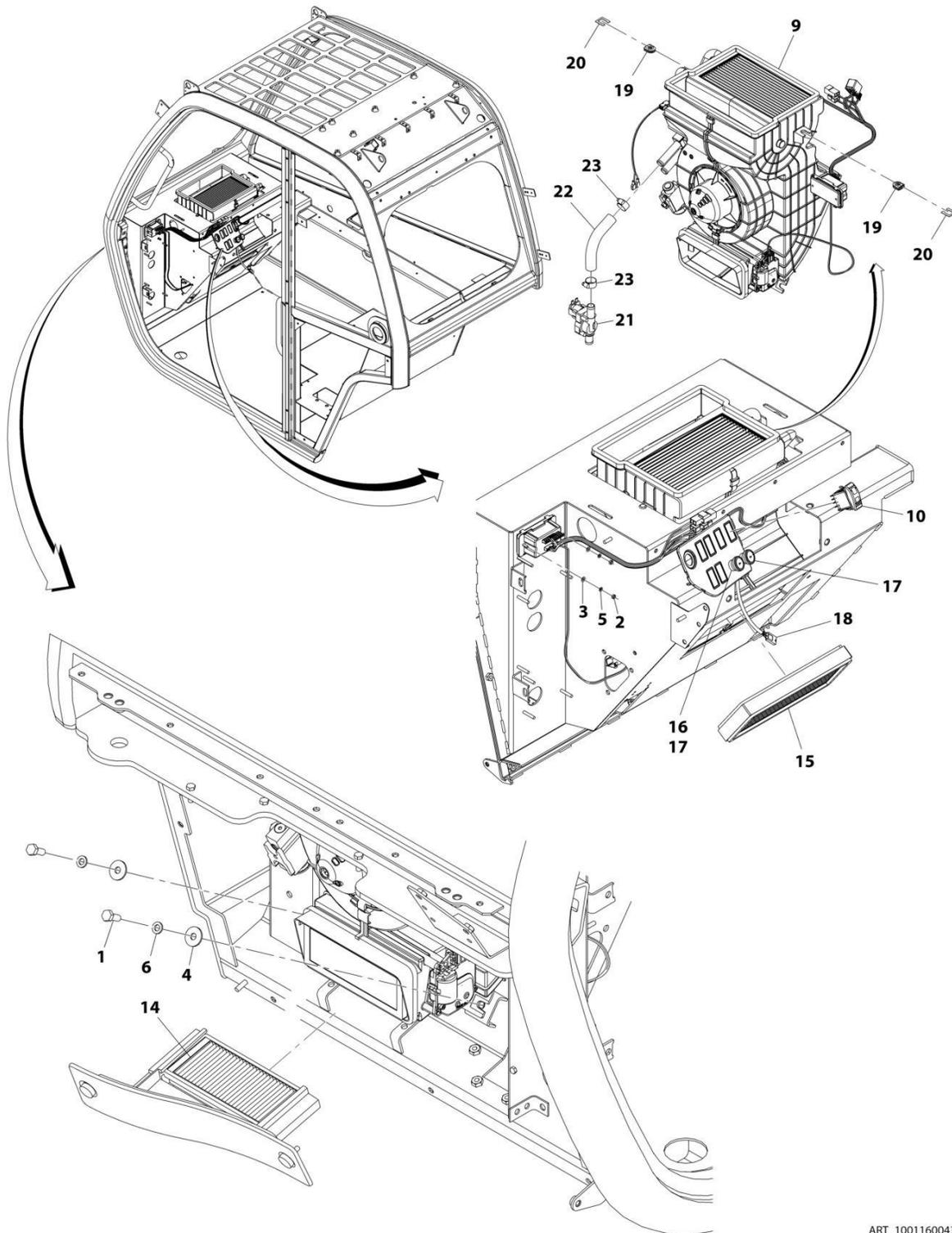
ART_70027392

FIGURE 6-35. UPPER SEAT ASSEMBLY

ITEM	PART NUMBER	QTY	DESCRIPTION	REV
	70027392	Ref	Upper Seat Assembly	
1	70025539	1	Pad, Sensor	
2	70021316	1	Bag	
3	70027393	1	Cover, Back	
4	N.S.S.	4	Bolt, M8X25	
5	N.S.S.	4	Washer	
6	70021314	1	Kit, Frame (includes items 101 thru 103)	
7	70027394	1	Kit, Bottom Seat Cover (includes items 201 thru 203)	
8	80264002	1	Kit, Back Foam (includes items 301 thru 303)	
9	80264004	1	Kit, Seat Foam (includes items 401 thru 403)	
101	N.S.S.	1	Frame, Seat	
102	N.S.S.	4	Bolt, M8X25	
103	N.S.S.	4	Washer	
201	N.S.S.	1	Cover, Seat	
202	N.S.S.	2	Clip	
203	N.S.S.	17	Clip	
301	N.S.S.	1	Foam, Back	
302	N.S.S.	3	Bar, Trim	
303	N.S.S.	4	Ring	
401	N.S.S.	1	Foam, Seat	
402	N.S.S.	2	Clip	
403	N.S.S.	17	Clip	

SECTION 6 - CAB

FIGURE 6-36. HEATER INSTALLATION (CAB PARTS)



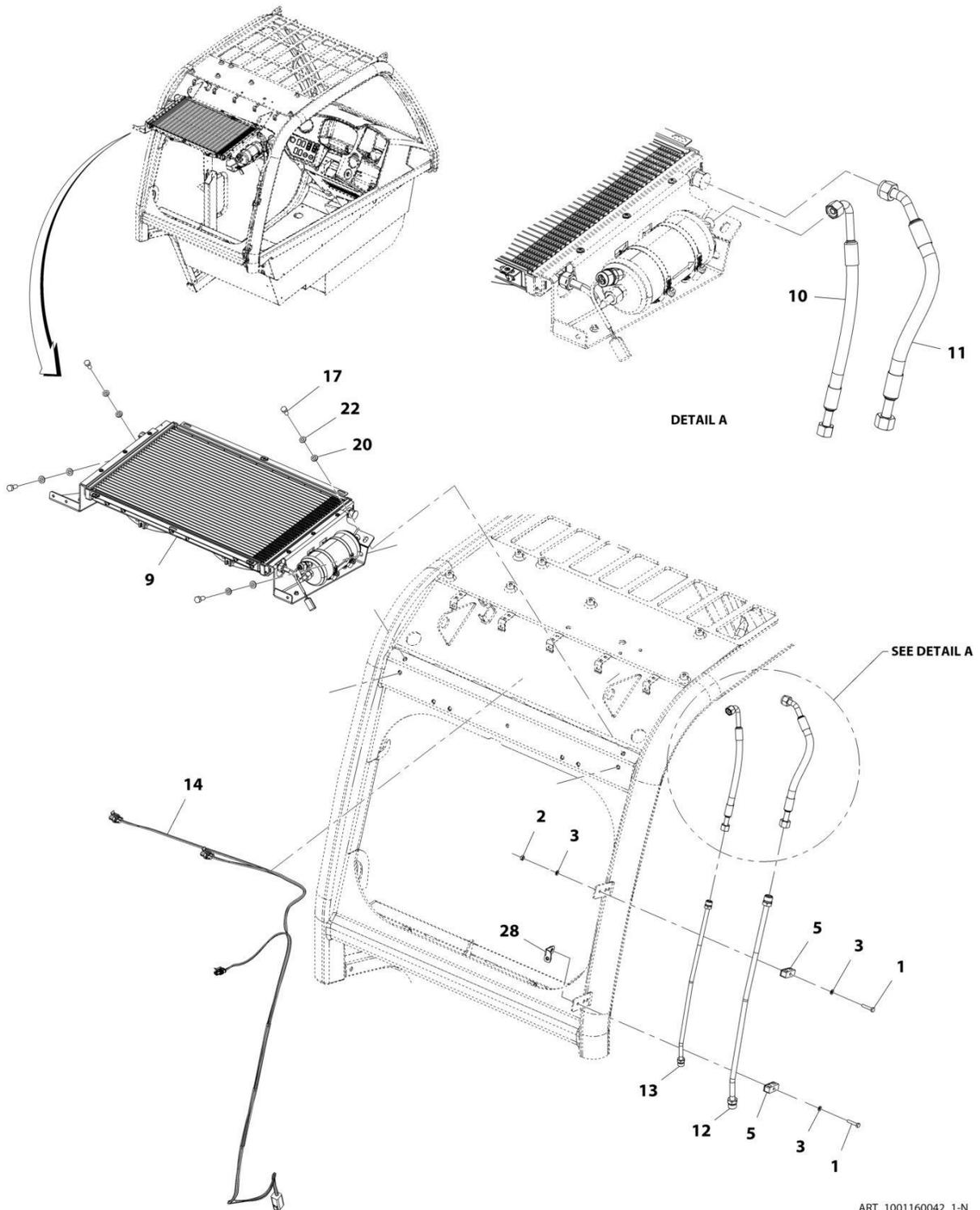
ART_1001160043-K

FIGURE 6-36. HEATER INSTALLATION (CAB PARTS)

ITEM	PART NUMBER	QTY	DESCRIPTION	REV
	1001160043	Ref	Heater Installation	K
1	0760810	2	Bolt, M8X20	
2	3290401	2	Nut, M4X0.7	
3	4811400	2	Washer, M4	
4	4811902	2	Washer, M8	
5	4831400	2	Washer, Lock M4	
6	4831900	2	Washer, M8	
9	1001161858	1	Assembly, Heater (See Separate Breakdown in this Section)	
10	1001159925	1	Switch, HVAC Recycle	
14	1001218996	1	Filter, HVAC Air	
15	1001172553	1	Filter, HVAC Recirculation Air	
16	1001172547	1	Switch, HVAC Rotary 3 Speed	
17	1001172550	2	Knob, HVAC Control	
18	1001218529	1	Cable, HVAC	
19	1001188590	2	Grommet	
20	1001218542	2	Shim	
21	1001221059	1	Valve, Water	
22	1001221295	1	House	
23	8410009	2	Clamp	

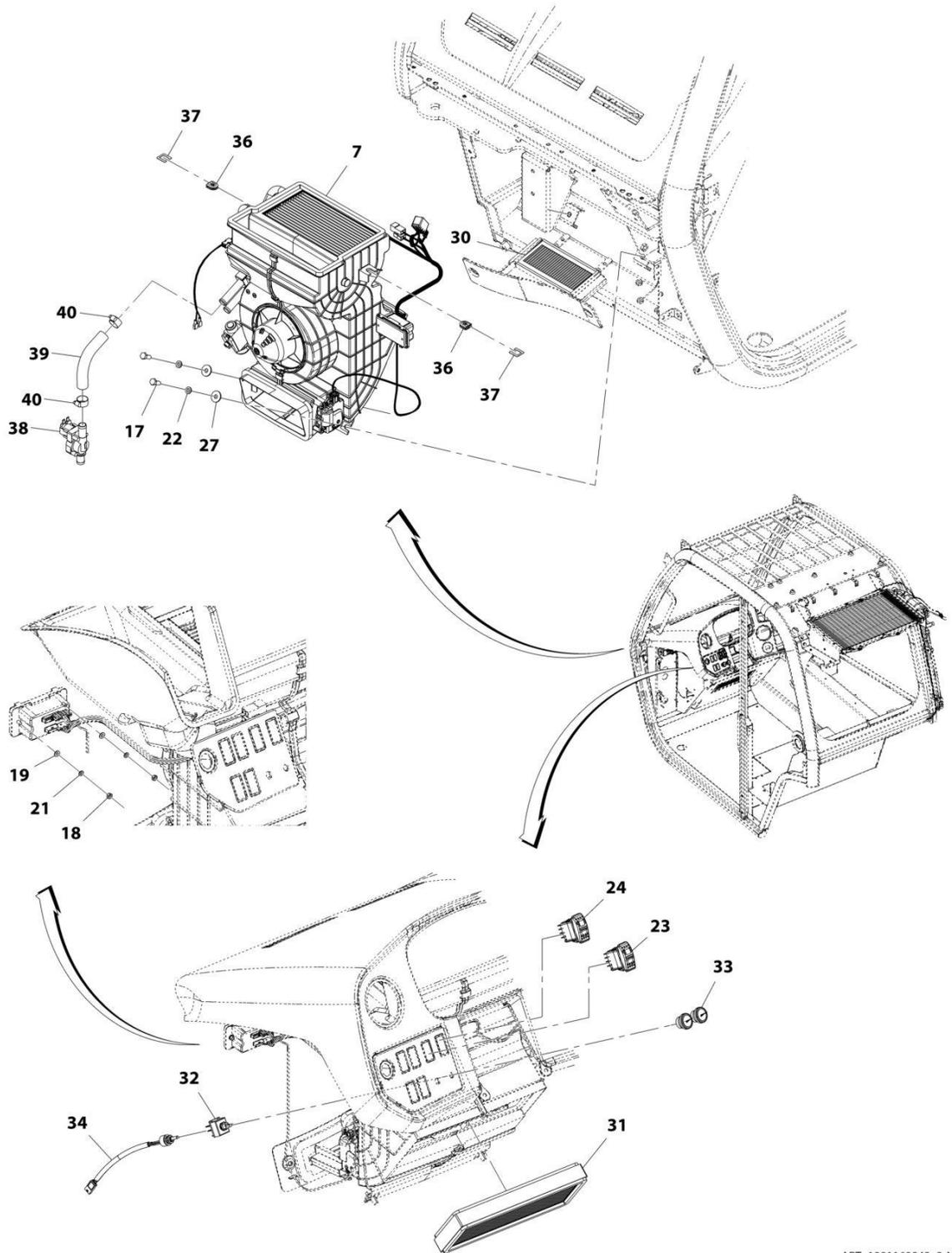
SECTION 6 - CAB

FIGURE 6-37. HEATER AND A/C INSTALLATION (CAB PARTS)



ART_1001160042_1-N

SECTION 6 - CAB



ART_1001160042_2-N

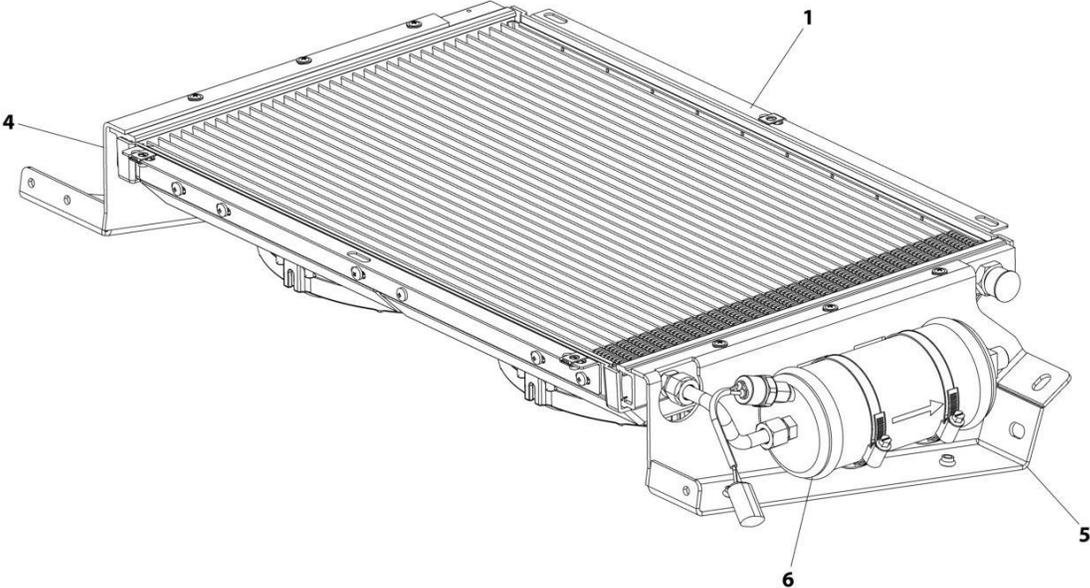
SECTION 6 - CAB

FIGURE 6-37. HEATER AND A/C INSTALLATION (CAB PARTS)

ITEM	PART NUMBER	QTY	DESCRIPTION	REV
	1001160042	Ref	Heater and A/C Installation (Cab Parts)	N
1	0700614	2	Bolt, M6X30	
2	3290601	1	Nut, M6X1	
3	4811700	3	Washer, M6	
5	1001145539	2	Support, Pipe	
7	1001188303	1	Assembly, Heater and A/C (See Separate Breakdown in this Section)	
9	1001162953	1	Assembly, Cab Condenser (See Separate Breakdown in this Section)	
10	1001168327	1	Hose	
11	1001168330	1	Hose	
12	1001168331	1	Tube	
13	1001168456	1	Tube	
14	1001169151	1	Harness, A/C Option (See Separate Breakdown in ELECTRICAL Section)	
17	0760810	6	Bolt, M8X20 GR8.8	
18	3290401	2	Nut, M4X0.7	
19	4811400	2	Washer, M4	
20	4811900	4	Washer, M8	
21	4831400	2	Washer, Lock M4	
22	4831900	6	Washer, Lock M8	
23	1001159925	1	Switch, HVAC Recycle	
24	1001160326	1	Switch, HVAC On/Off	
27	4811902	2	Washer, M8	
28	1001178170	1	Bracket	
30	1001218996	1	Filter, HVAC Fresh Air	
31	1001172553	1	Filter, HVAC Air Recirculation	
32	1001172547	1	Switch, HVAC Rotary 3 Speed	
33	1001172550	2	Knob, HVAC Control	
34	1001218529	1	Cable, HVAC	
35	1320022	1	Clamp	
36	1001188590	2	Grommet	
37	1001218542	2	Shim	
38	1001221059	1	Valve, Water	
39	1001221295	1	Hose	
40	8410009	2	Clamp	

SECTION 6 - CAB

FIGURE 6-38. CAB CONDENSER ASSEMBLY



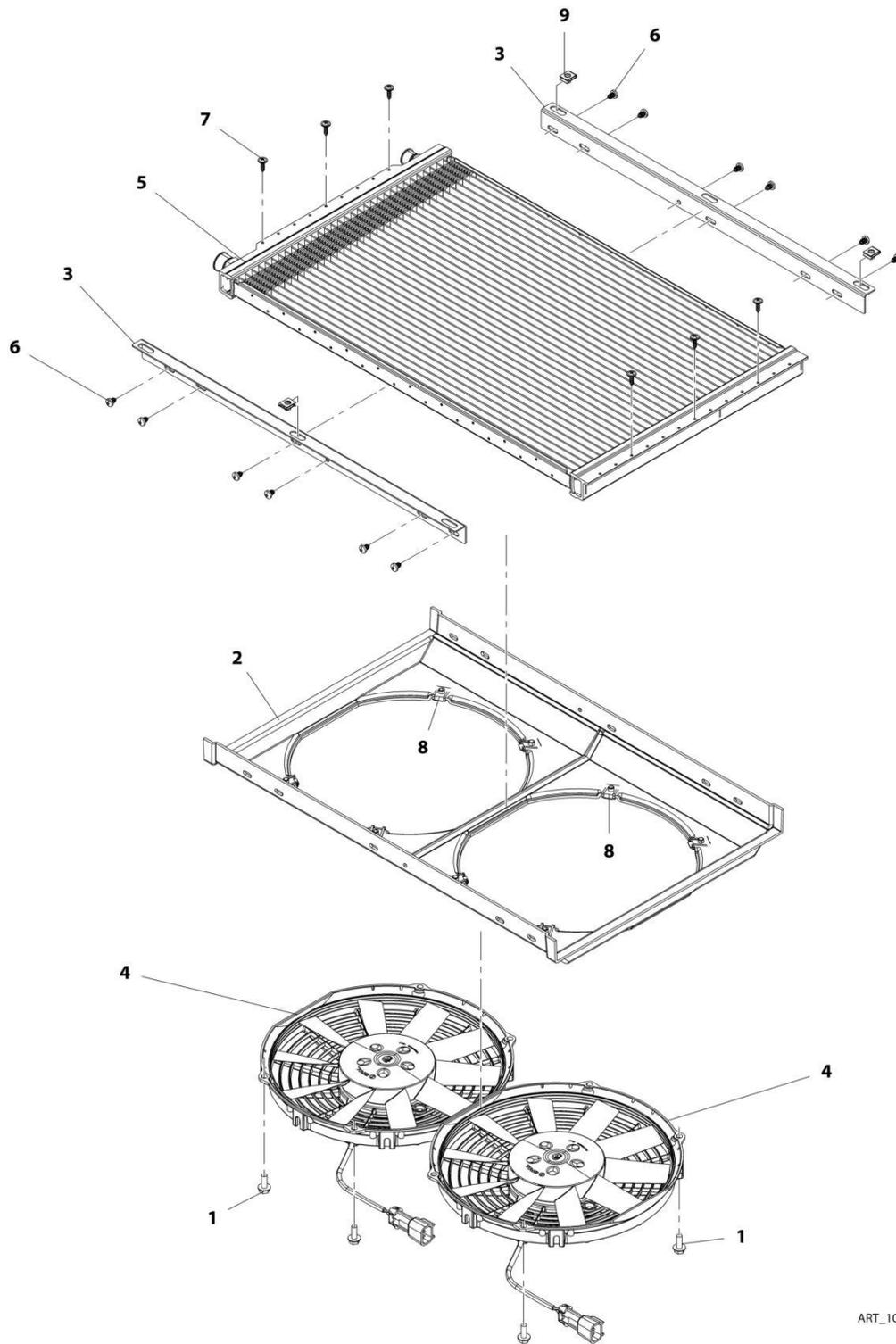
ART_1001162953

FIGURE 6-38. CAB CONDENSER ASSEMBLY

ITEM	PART NUMBER	QTY	DESCRIPTION	REV
	1001162953	Ref	Cab Condenser Assembly	G
1	1001167266	1	Condenser (See Separate Breakdown in this Section)	
4	1001179080	1	Bracket	
5	1001179081	1	Bracket	
6	1001179130	1	Drier, A/C Receiver (See Separate Breakdown in this Section)	

SECTION 6 - CAB

FIGURE 6-39. CONDENSER



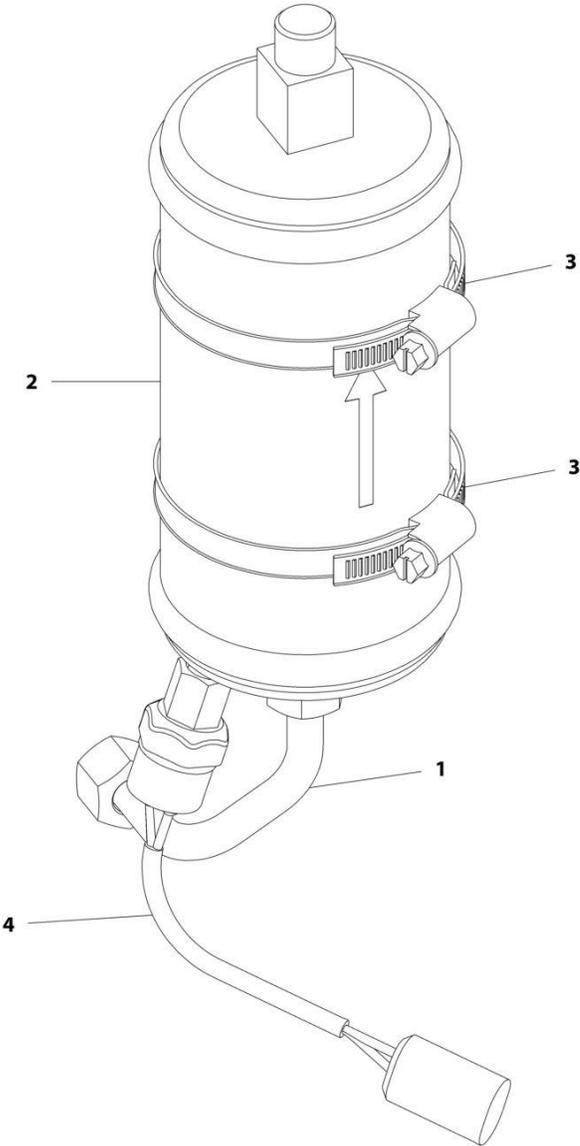
ART_1001167266-C

FIGURE 6-39. CONDENSER

ITEM	PART NUMBER	QTY	DESCRIPTION	REV
	1001167266	Ref	Condenser	C
1	5250608	8	Bolt, M6X16	
2	1001195342	1	Bracket, Condenser Fan Mount	
3	1001195343	2	Support, Condenser	
4	1001195345	2	Fan, Condenser	
5	1001195346	1	Condenser	
6	1001195385	12	Screw, M3.9X9.5	
7	1001195386	6	Screw, M4.2X16	
8	1001195437	8	Clip, M6X1	
9	1001195438	3	Clip, M6X1	

SECTION 6 - CAB

FIGURE 6-40. A/C RECEIVER DRIER



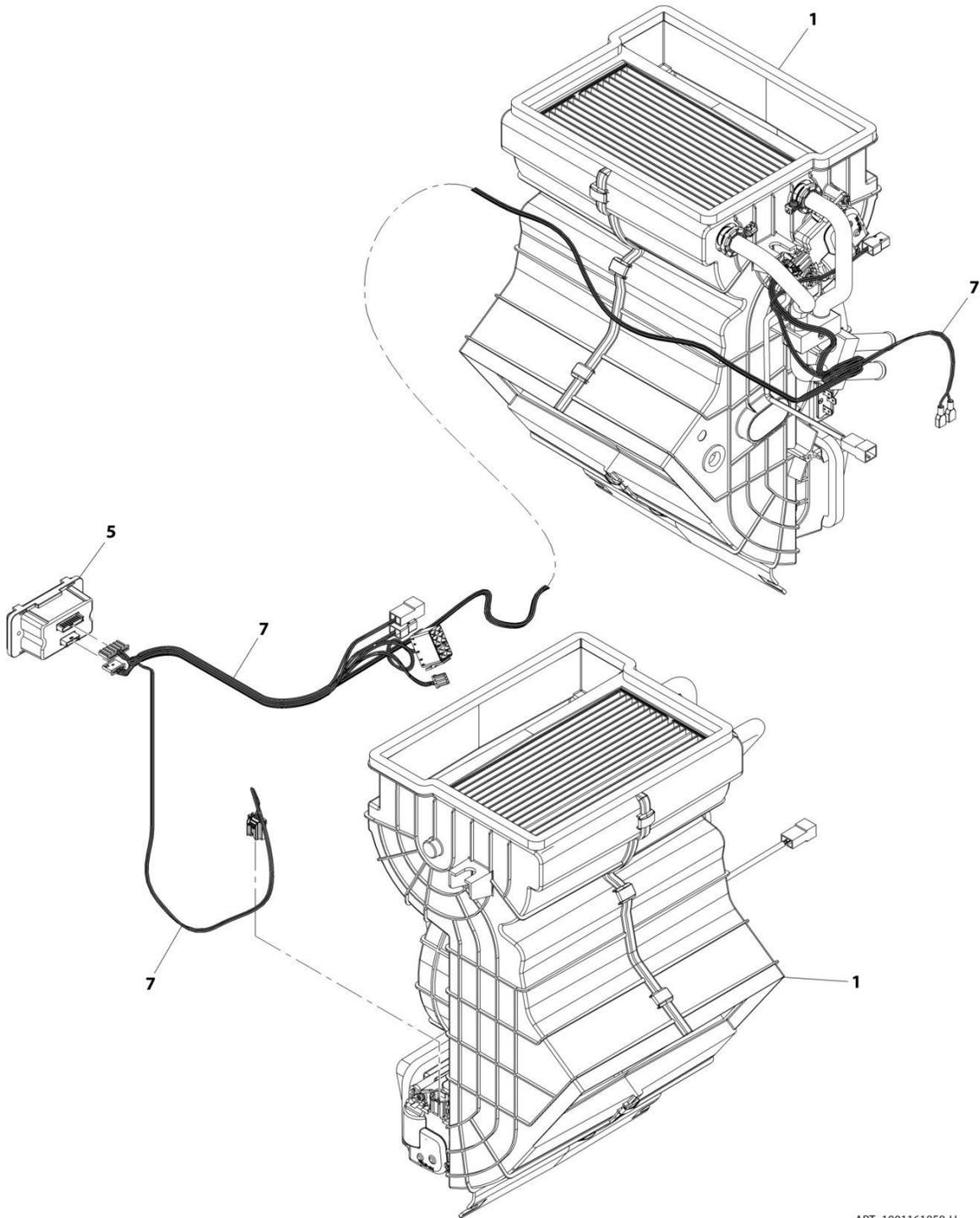
ART_1001179130-B

FIGURE 6-40. A/C RECEIVER DRIER

ITEM	PART NUMBER	QTY	DESCRIPTION	REV
	1001179130	Ref	A/C Receiver Drier	B
1	1001184403	1	Tube, Heater	
2	1001184404	1	Receiver, Heater Drier	
3	1001184405	2	Clamp	
4	1001184406	1	Connector, Heater	

SECTION 6 - CAB

FIGURE 6-41. HEATER ASSEMBLY



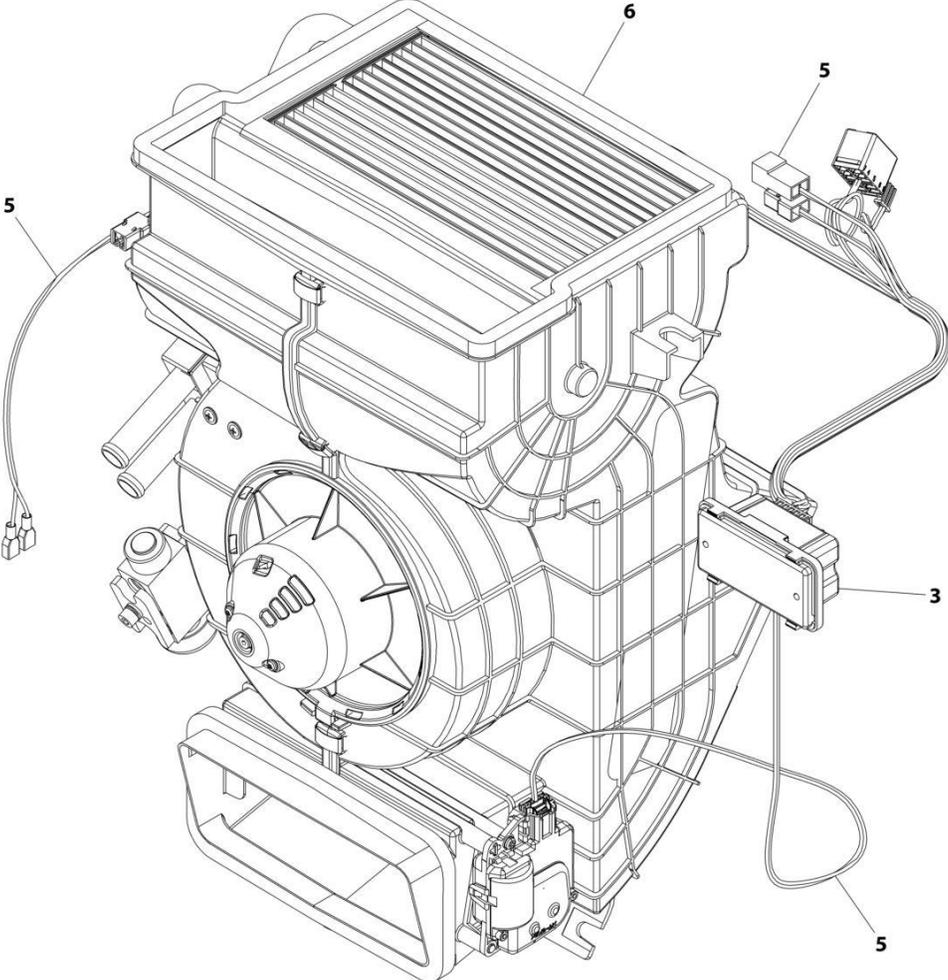
ART_1001161858-H

FIGURE 6-41. HEATER ASSEMBLY

ITEM	PART NUMBER	QTY	DESCRIPTION	REV
1	1001161858	Ref	Heater Assembly	H
	1001152908	NLA	Heater, Cab (no longer available, use 1001221052), (For Service, See Separate Breakdown in this Section) (SN 0160000001 through 0160083831)	
5	1001221052	1	Heater, Cab (See Separate Breakdown in this Section) (SN 0160083831 through 0160100942)	
5	1001172551	1	Actuator, HVAC Cab (See Separate Breakdown in this Section)	
7	1001173571	1	Harness, HVAC Actuator (SN 0160000001 through 0160083831)	
7	1001221056	1	Harness, HVAC Actuator (SN 0160083831 through 0160100942)	

SECTION 6 - CAB

FIGURE 6-42. HEATER AND A/C ASSEMBLY



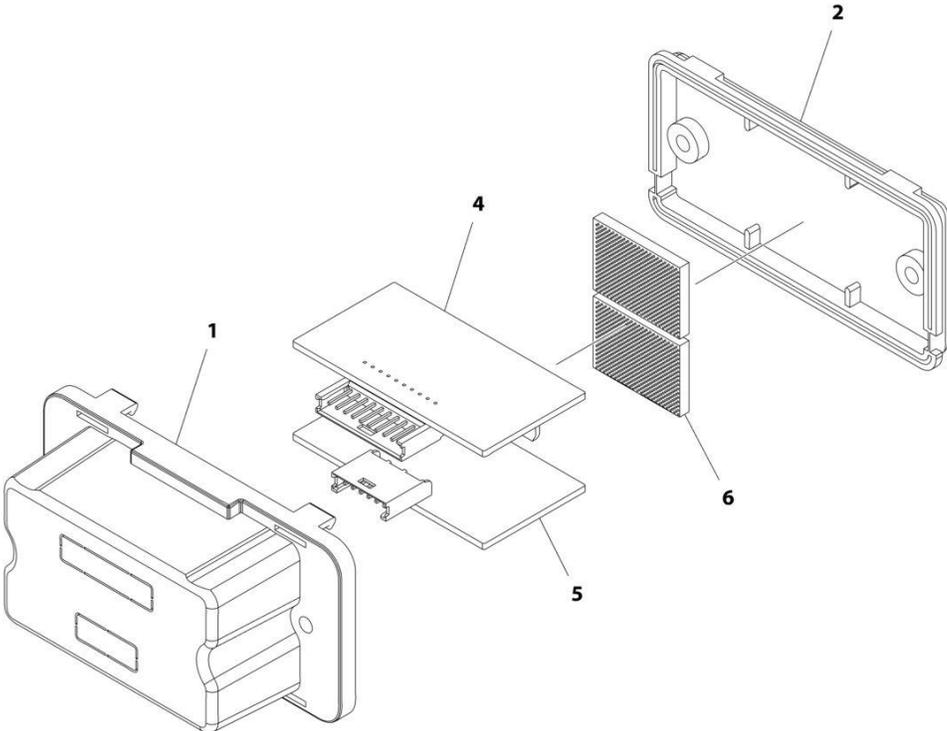
ART_1001188303-G

FIGURE 6-42. HEATER AND A/C ASSEMBLY

ITEM	PART NUMBER	QTY	DESCRIPTION	REV
	1001188303	Ref	Heater and A/C Assembly	H
3	1001172551	1	Actuator, HVAC Cab	
5	1001221056	1	Harness, HVAC Actuator (See Separate Breakdown in ELECTRICAL Section)	
6	1001221054	1	Heater and A/C (See Separate Breakdown in this Section)	

SECTION 6 - CAB

FIGURE 6-43. HVAC CAB ACTUATOR



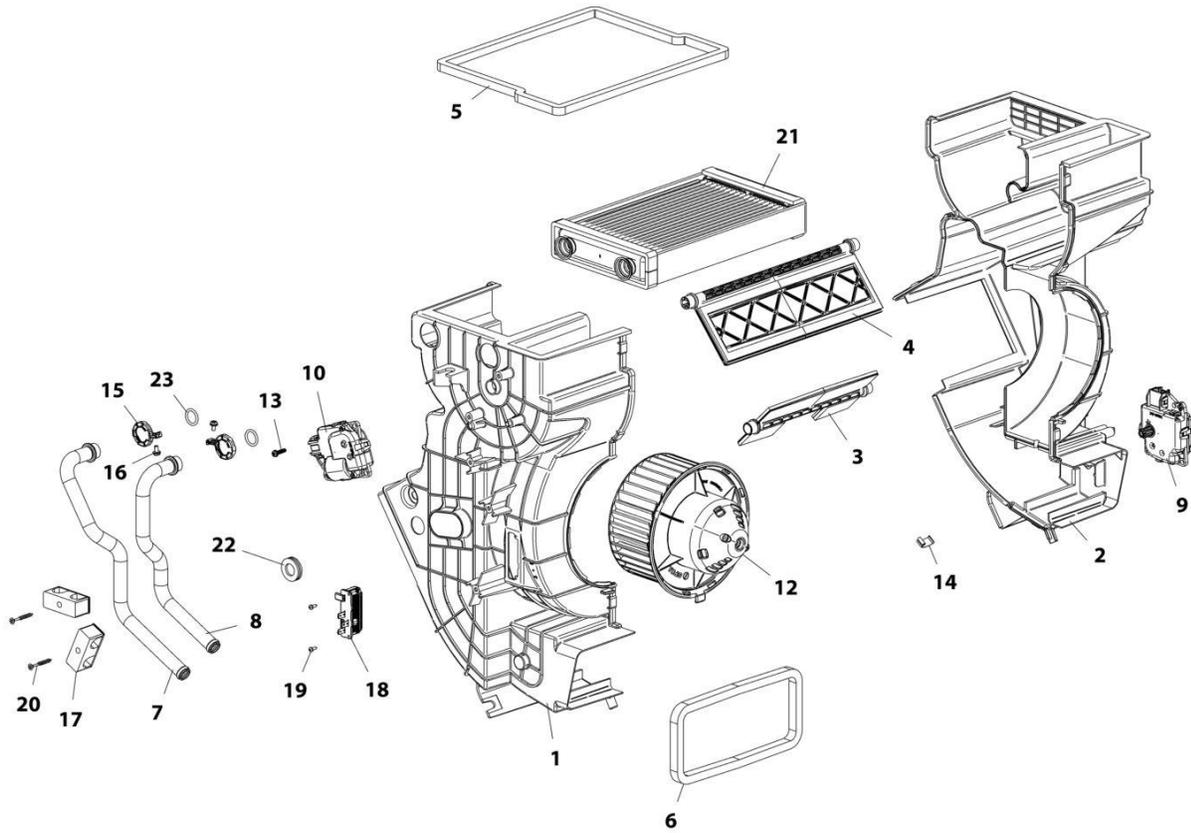
ART_1001172551

FIGURE 6-43. HVAC CAB ACTUATOR

ITEM	PART NUMBER	QTY	DESCRIPTION	REV
	1001172551	Ref	HVAC CAB ACTUATOR	E
1	1001184306	1	Box, Heater Controller	
2	1001184307	1	Base, Heater Controller Box	
4	1001184309	1	Board, Heater Control	
5	1001184310	1	Board, Heater Control	
6	1001189980	2	Insulator, Heater Controller Box	

SECTION 6 - CAB

FIGURE 6-44. HEATER



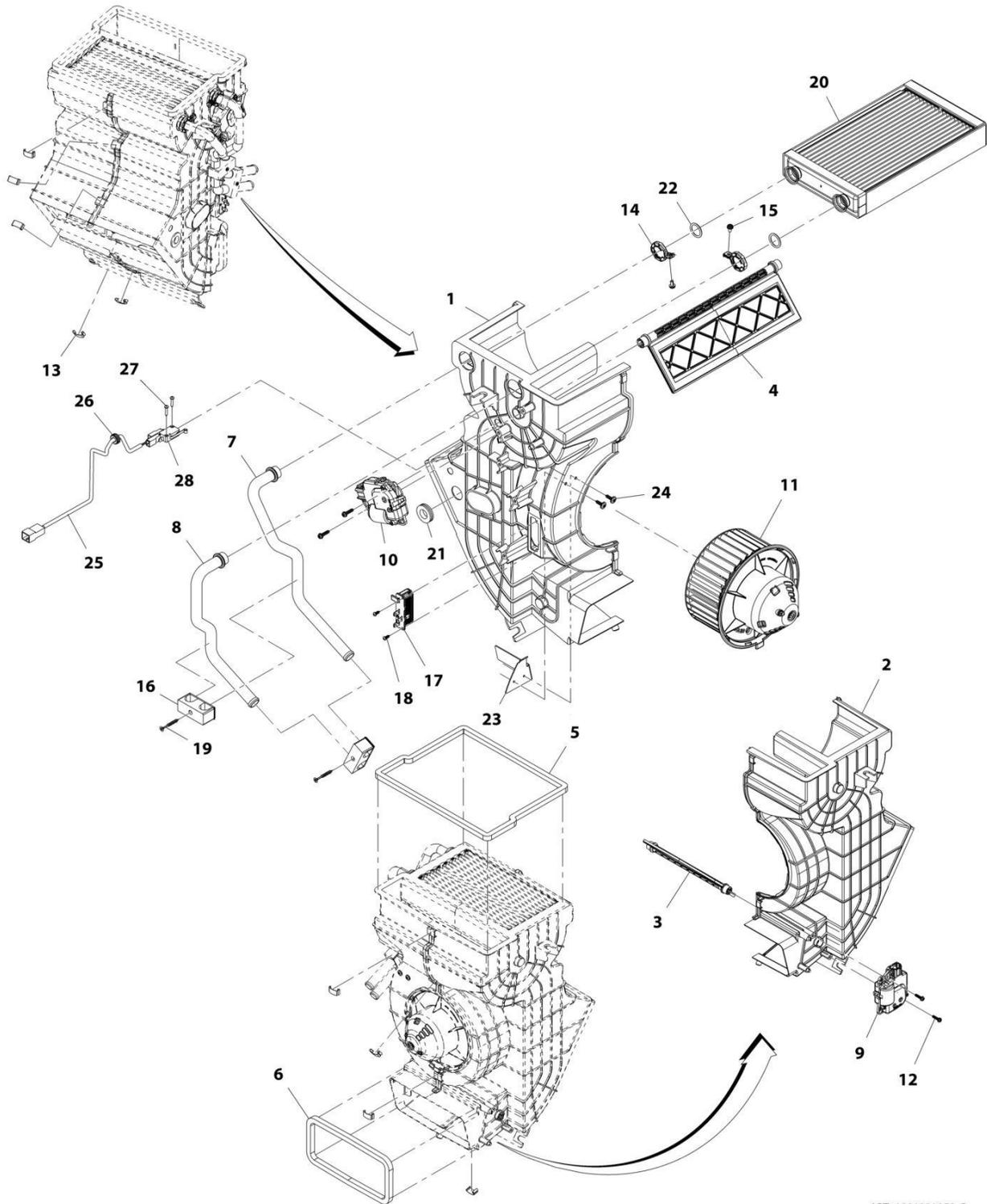
ART_1001152908-E

FIGURE 6-44. HEATER

ITEM	PART NUMBER	QTY	DESCRIPTION	REV
	1001152908	NLA	Heater (no longer available, see items 1 through 23 for service or use 1001221052 for replacement)	E
1	1001166091	1	Housing, RH	
2	1001166092	1	Housing, LH	
3	1001184275	1	Flap, Recirculation with Foam	
4	1001184278	1	Flap, Mixing with Foam	
5	1001184294	1	Foam, Air Outlet	
6	1001184295	1	Foam, Air Inlet	
7	1001184296	1	Pipe, Water	
8	1001184297	1	Pipe, Water	
9	1001188577	1	Actuator, Fresh/Recirculation Air	
10	1001188578	1	Actuator, Hot/Cold	
12	1001188594	1	Fan, 12V	
13	1001188602	4	Screw	
14	1001188603	9	Clamp	
15	1001188604	2	Clamp	
16	1001188610	2	Screw	
17	1001188612	2	Clamp	
18	1001188614	1	Resistor	
19	1001188720	2	Screw	
20	1001188725	2	Screw	
21	1001188729	1	Radiator, Heater Core	
22	1001188733	1	Grommet	
23	1001189025	2	O-Ring	

SECTION 6 - CAB

FIGURE 6-45. HEATER



ART_1001221052-C

FIGURE 6-45. HEATER

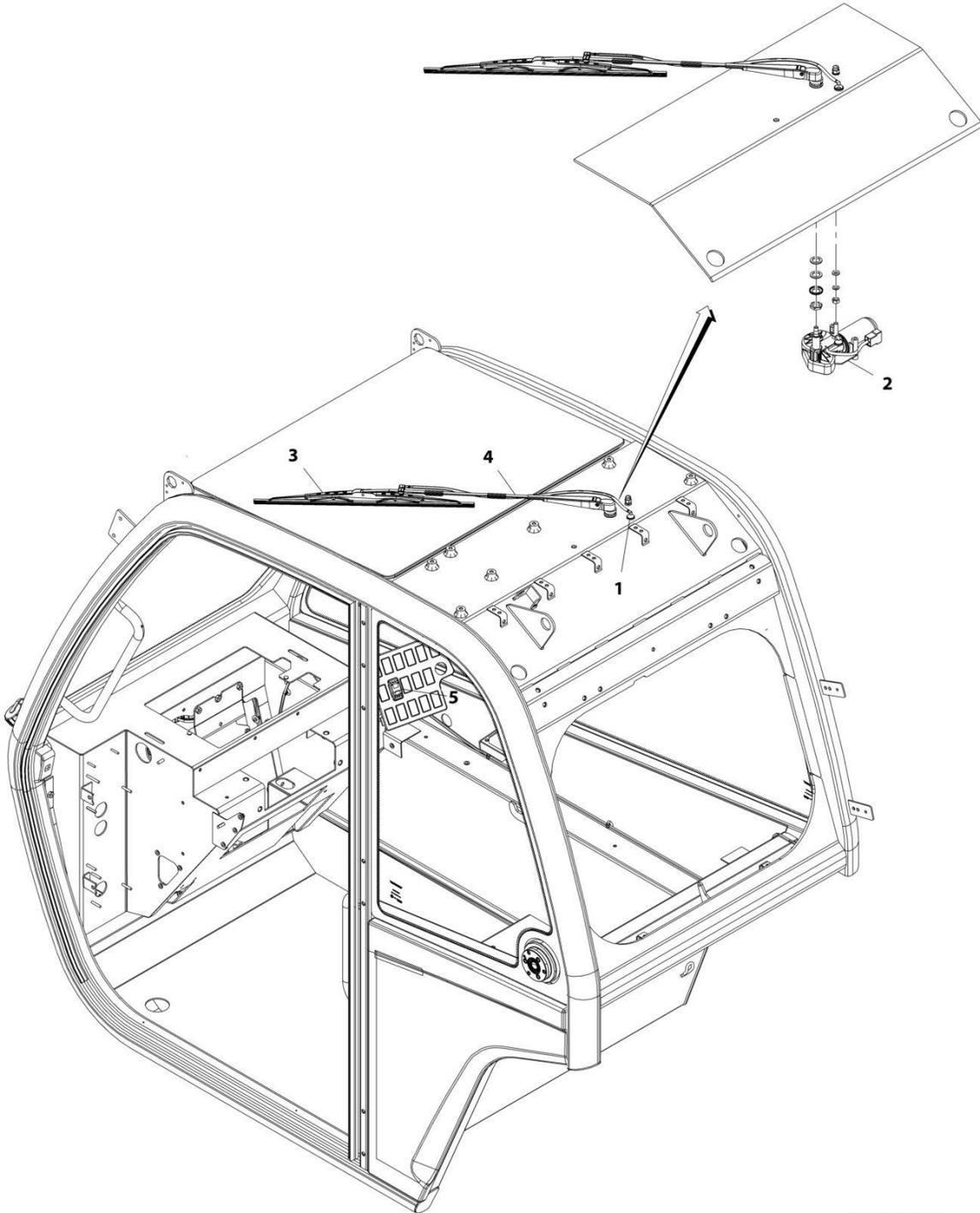
ITEM	PART NUMBER	QTY	DESCRIPTION	REV
	1001221052	Ref	Heater	D
1	1001166091	1	Housing, RH	
2	1001166092	1	Housing, LH	
3	1001184275	1	Flap, Recirculation with Foam	
4	1001184278	1	Flap, Mixing with Foam	
5	1001184294	1	Foam, Air Outlet	
6	1001184295	1	Foam, Air Inlet	
7	1001184296	1	Pipe, Water	
8	1001184297	1	Pipe, Water	
9	1001188577	1	Actuator, Fresh/Recirculation Air	
10	1001188578	1	Actuator, Hot/Cold	
11	1001188594	1	Fan, 12V	
12	1001188602	4	Screw	
13	1001188603	9	Clamp	
14	1001188604	2	Clamp	
15	1001188610	2	Screw	
16	1001188612	2	Clamp	
17	1001188614	1	Resistor	
18	1001188720	2	Screw	
19	1001188725	2	Screw	
20	1001188729	1	Radiator, Heater Core	
21	1001188733	1	Grommet	
22	1001189025	2	O-Ring	
23	1001221057	1	Plate	
24	1001221058	2	Screw	
25	1001228132	1	Harness, HVAC Sensor	
26	1001228140	1	Grommet	
27	1001228141	2	Screw	
28	1001228147	1	Valve, Water	

FIGURE 6-46. HEATER AND A/C

ITEM	PART NUMBER	QTY	DESCRIPTION	REV
	1001221054	Ref	Heater and A/C	D
1	1001166091	1	Housing, HVAC RH	
2	1001166092	1	Housing, HVAC LH	
3	1001184275	1	Foam, Heater Flap	
4	1001184278	1	Foam, Heater Mixing Flap	
5	1001184280	1	Evaporator, Heater	
6	1001184294	1	Seal, Heater Foam	
7	1001184295	1	Seal, Air Inlet Foam	
8	1001184296	1	Pipe, Heater Water	
9	1001184297	1	Pipe, Heater Water	
10	1001184427	1	Pipe, Heater	
11	1001188577	1	Actuator, Fresh/Recirculation Air	
12	1001188578	1	Actuator, Hot/Cold Mixing	
13	1001188592	1	Valve, HVAC Expansion	
14	1001188594	1	Fan, HVAC Centrifugal 12V	
15	1001188602	4	Screw, M4	
16	1001188603	9	Clamp, HVAC Case	
17	1001188604	2	Clamp, HVAC Pipe	
18	1001188610	2	Screw, M4X0.7	
19	1001188612	3	Clamp, Pipe	
20	1001188614	1	Resistor	
21	1001188618	4	Screw, M5	
22	1001188619	1	Screw, M6	
23	1001188720	2	Screw, M2.9X9.5	
24	1001188725	3	Screw, M4X35	
25	1001188728	1	Sensor, HVAC Thermostat	
26	1001188729	1	Radiator, Heater Core	
27	1001188733	1	Grommet	
28	1001188817	1	Clamp, Hose	
29	1001188818	1	Clamp, HVAC EVAP/Valve	
30	1001189023	1	O-Ring	
31	1001189024	1	O-Ring	
32	1001189025	2	O-Ring	
33	1001189048	1	Washer	
34	1001189054	1	Washer, Spring	
35	1001221057	1	Plate	
36	1001221058	2	Screw	
37	1001228132	1	Harness, HVAC Sensor	
38	1001228140	1	Grommet	
39	1001228141	2	Screw	
40	1001228147	1	Valve, Water Sensor	

SECTION 6 - CAB

FIGURE 6-47. ROOF WIPER INSTALLATION



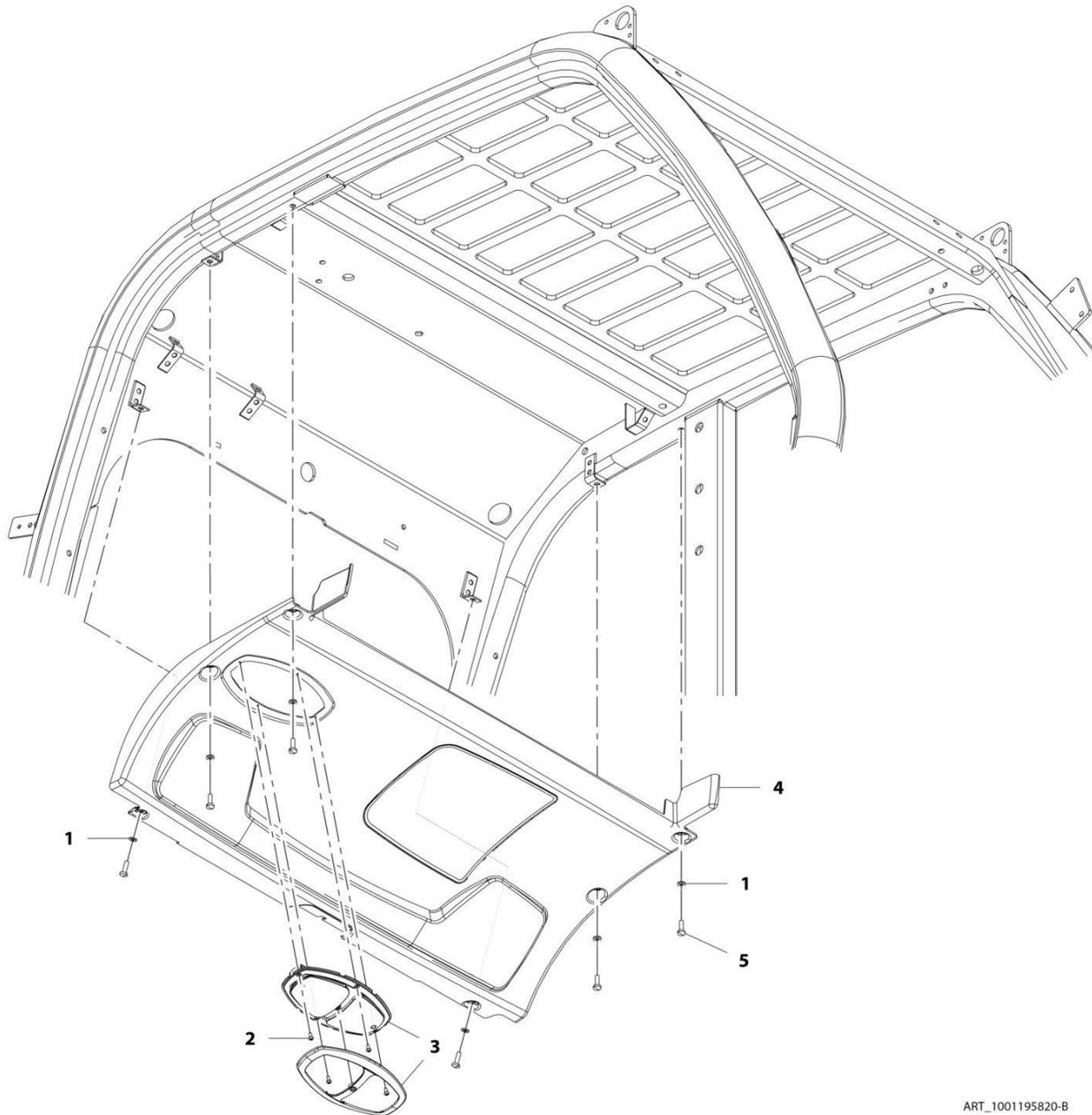
ART_1001155486-B

FIGURE 6-47. ROOF WIPER INSTALLATION

ITEM	PART NUMBER	QTY	DESCRIPTION	REV
	1001155486	Ref	Roof Wiper Installation	B
1	1001090343	1	Connector	
2	1001139551	1	Motor, Roof Wiper	
3	1001141313	1	Blade, Roof Wiper	
4	1001141311	1	Arm, Roof Wiper Blade	
5	1001159736	1	Switch, Roof Wiper	

SECTION 6 - CAB

FIGURE 6-48. HEADLINER INSTALLATION



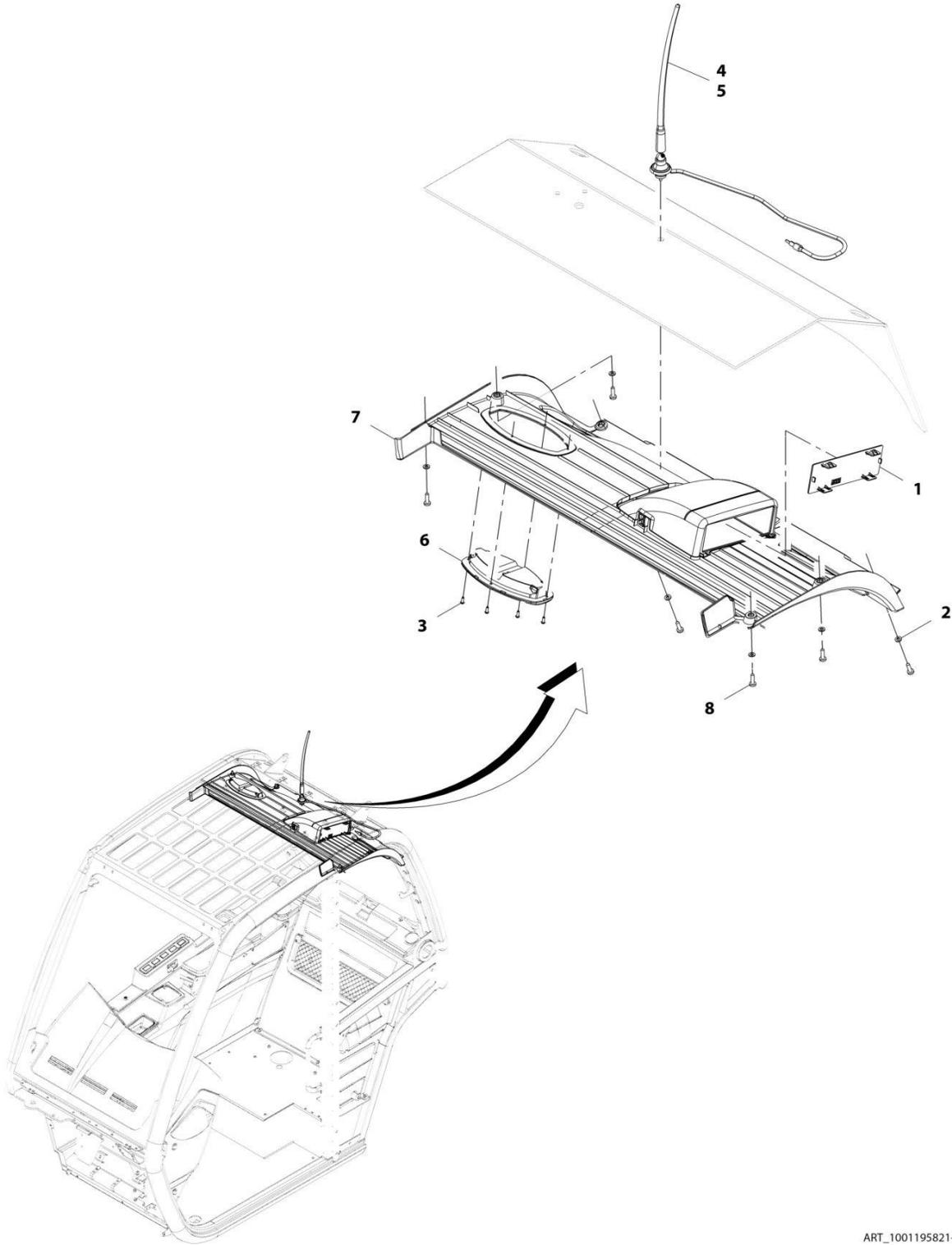
ART_1001195820-B

FIGURE 6-48. HEADLINER INSTALLATION

ITEM	PART NUMBER	QTY	DESCRIPTION	REV
	1001195820	Ref	Headliner Installation	C
1	4811700	6	Washer, M6	
2	7029486	4	Screw	
3	1001167015	1	Lamp, Dome	
4	1001195822	1	Panel, Headliner	
5	4031708001	1	Cap Screw M6 x 20	

SECTION 6 - CAB

FIGURE 6-49. HEADLINER/RADIO READY PACKAGE INSTALLATION



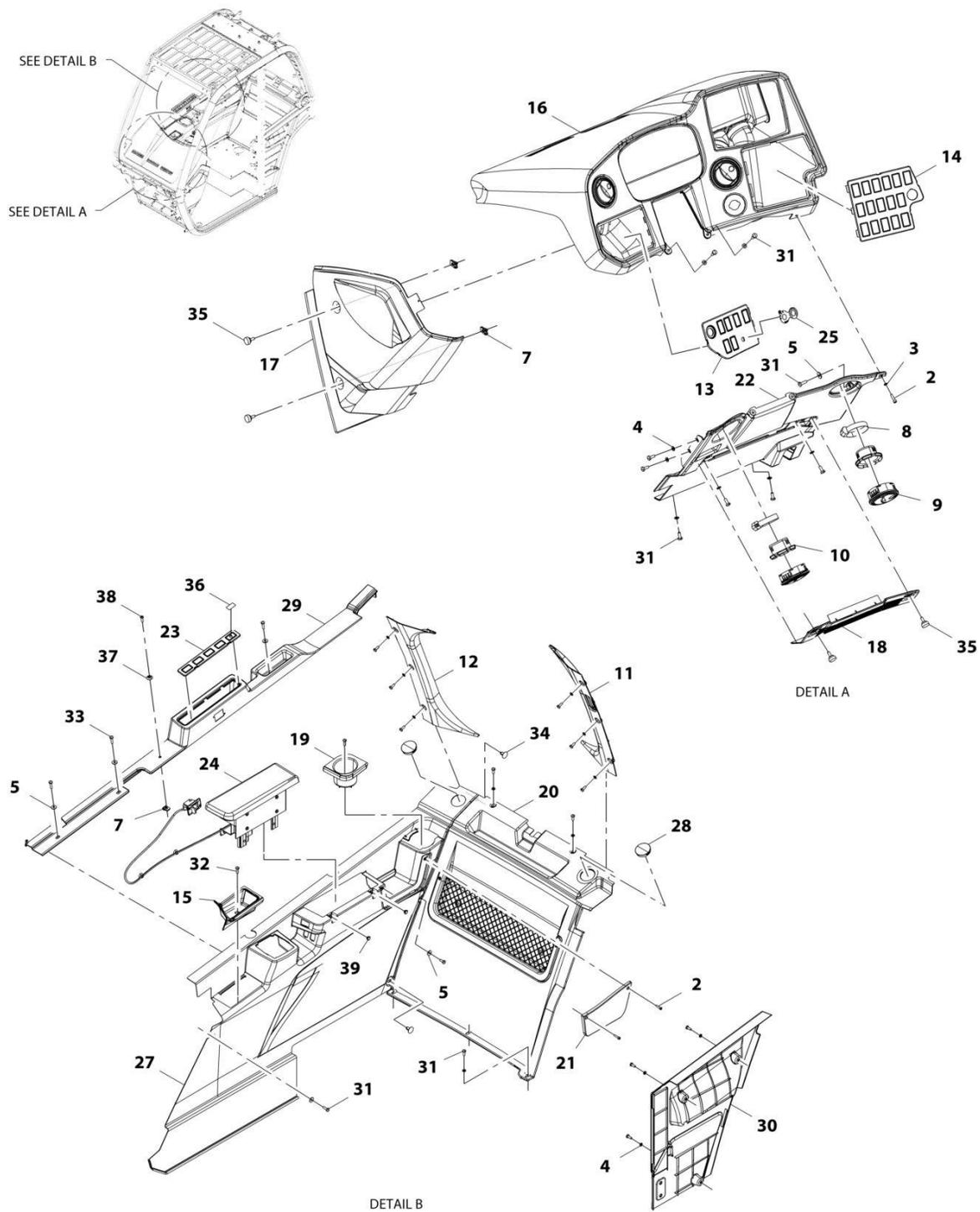
ART_1001195821-B

FIGURE 6-49. HEADLINER/RADIO READY PACKAGE INSTALLATION

ITEM	PART NUMBER	QTY	DESCRIPTION	REV
	1001195821	Ref	Headliner/Radio Ready Package Installation	B
1	1001200968	1	Plate	
2	4811700	6	Washer, 6M	
3	7029486	4	Screw	
4	8005901	1	Antenna	
5	1001116128	AR	Sealant, Polysiloxane	
6	1001167015	1	Lamp	
7	1001195823	1	Cover, Headliner	
8	4010610002	6	Screw, M6X20	

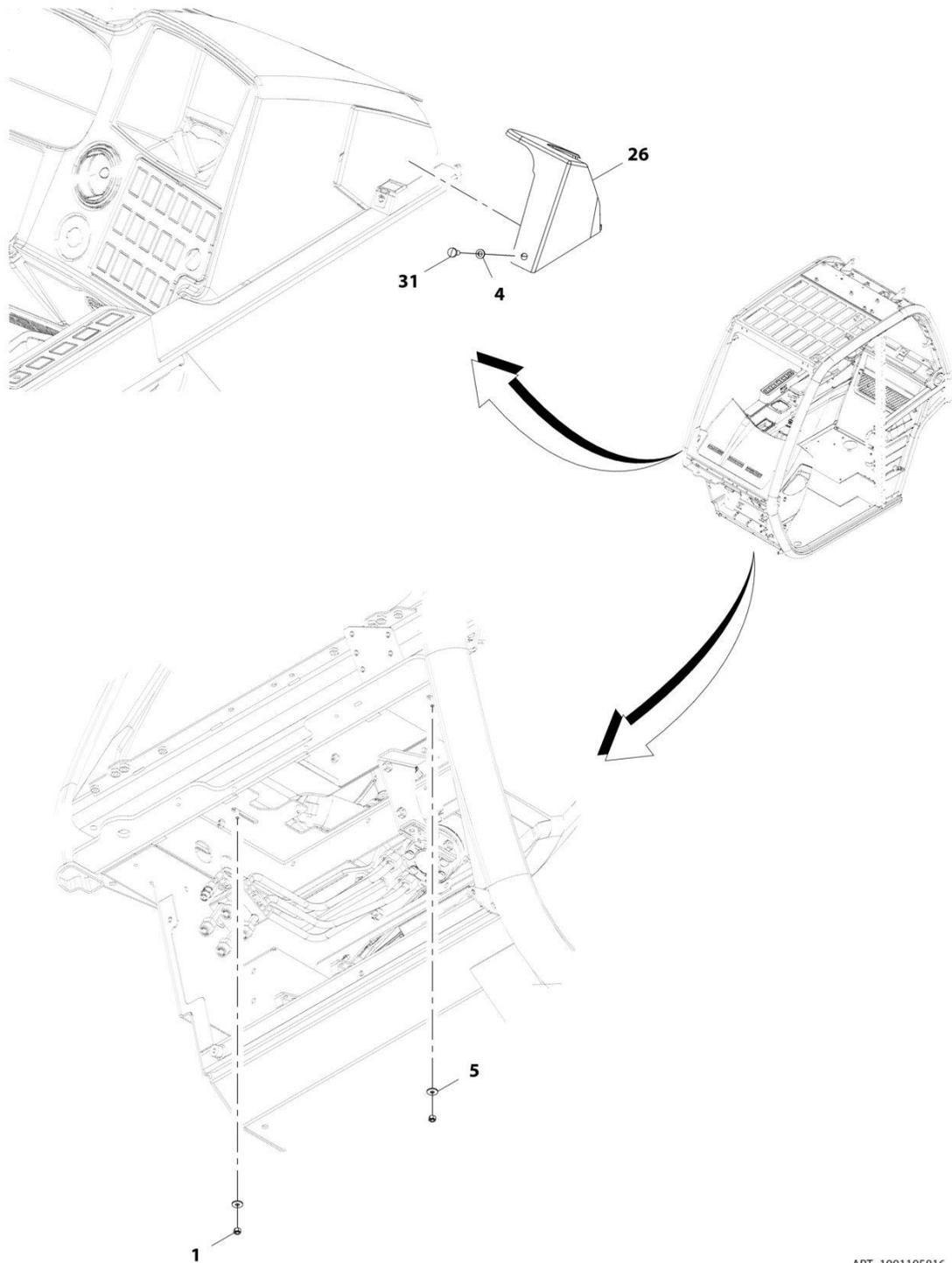
SECTION 6 - CAB

FIGURE 6-50. CAB TRIM INSTALLATION



ART_1001195816_1-I

SECTION 6 - CAB



ART_1001195816_2-I

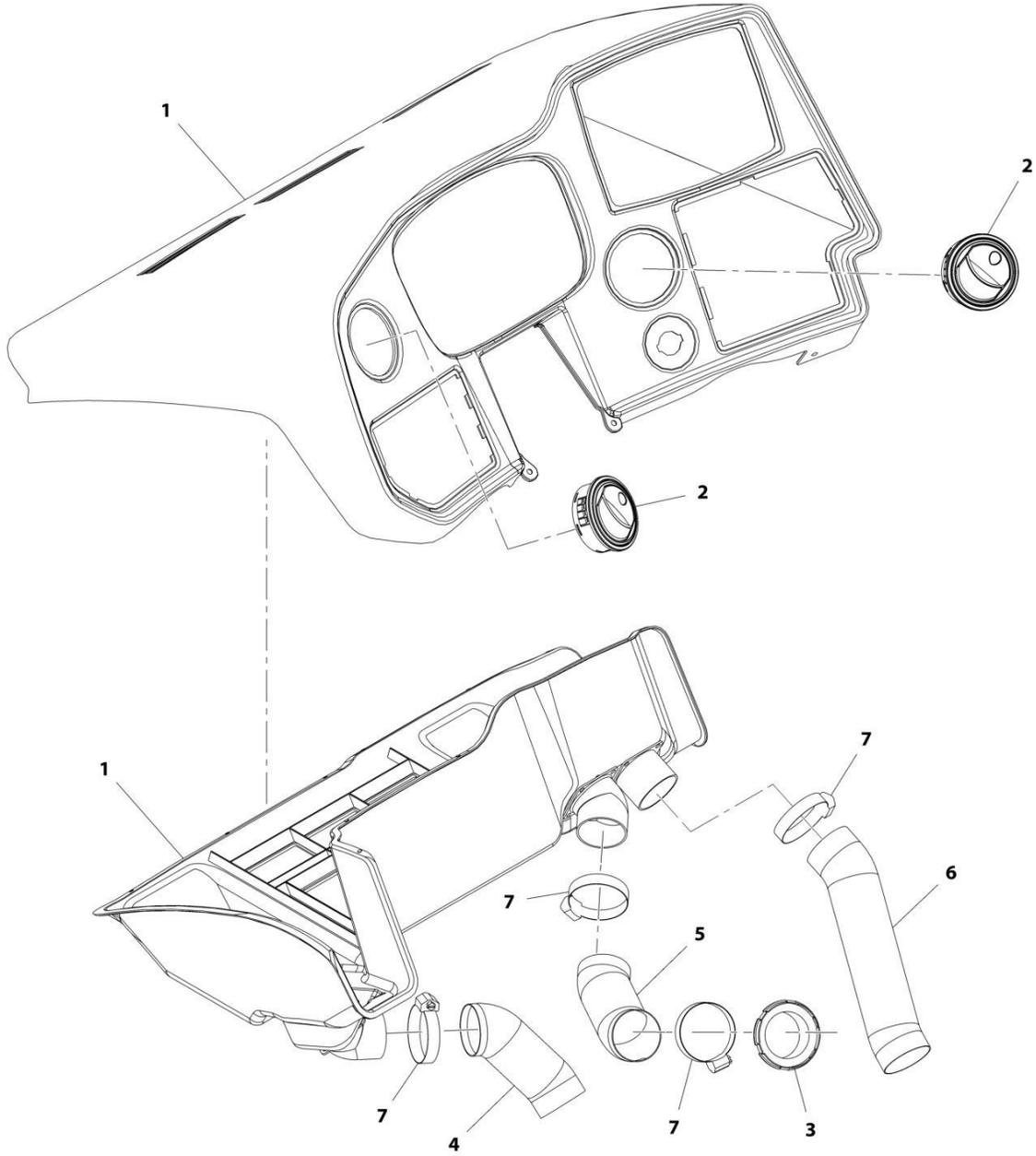
SECTION 6 - CAB

FIGURE 6-50. CAB TRIM INSTALLATION

ITEM	PART NUMBER	QTY	DESCRIPTION	REV
	1001195816	Ref	Cab Trim Installation	I
1	3290605	2	Nut, Lock M6X1	
2	4031608001	3	Screw, M5X20	
3	4811600	1	Washer, M5	
4	4811700001	23	Washer, M6	
5	4811702001	7	Washer, M6	
7	8305919	2	Nut, M6	
8	8405201	2	Clamp	
9	1001147449	2	Vent	
10	1001149278	2	Connector, Vent	
11	1001161252	1	Cover, LH C-Post	
12	1001161253	1	Cover, RH C-Post	
13	1001219864	1	Plate, Switch	
14	1001219865	1	Plate, Switch	
15	1001169603	1	Tray	
16	1001169604	1	Assembly, Dash Cover (See Separate Breakdown in this Section)	
17	1001161855	1	Cover, Side Dash	
18	1001170504	1	Cover, Recirculation Grille	
19	1001170518	1	Holder, Cup	
20	1001170519	1	Assembly, Rear Panel Cover (See Separate Breakdown in this Section)	
21	1001173965	1	Bezel, Net	
22	1001175903	1	Cover, Lower Dash	
23	1001219863	1	Plate, Switch	
24	1001181726	1	Installation, Armrest (See Separate Breakdown in this Section)	
25	1001184975	1	Decal, HVAC	
26	1001185870	1	Cover, Lower A-Post	
27	1001189182	1	Cover, RH Side	
28	1001223265	2	Grommet	
29	1001195817	1	Cover, RH Extension	
30	1001195818	1	Panel, LH Side	
31	4010608002	26	Screw, M6X16	
32	4010610002	1	Screw, M6X20	
33	4010612002	3	Screw, M6X25	
34	1001211907	2	Screw	
35	1001208308	4	Thumb Screw, M6X15	
36	1001226481	1	Decal, Blank	
37	1001098150	1	Washer, M6	
38	1001132564	1	Screw, M6X20	
39	1001227133	2	Grommet	

SECTION 6 - CAB

FIGURE 6-51. DASH COVER ASSEMBLY



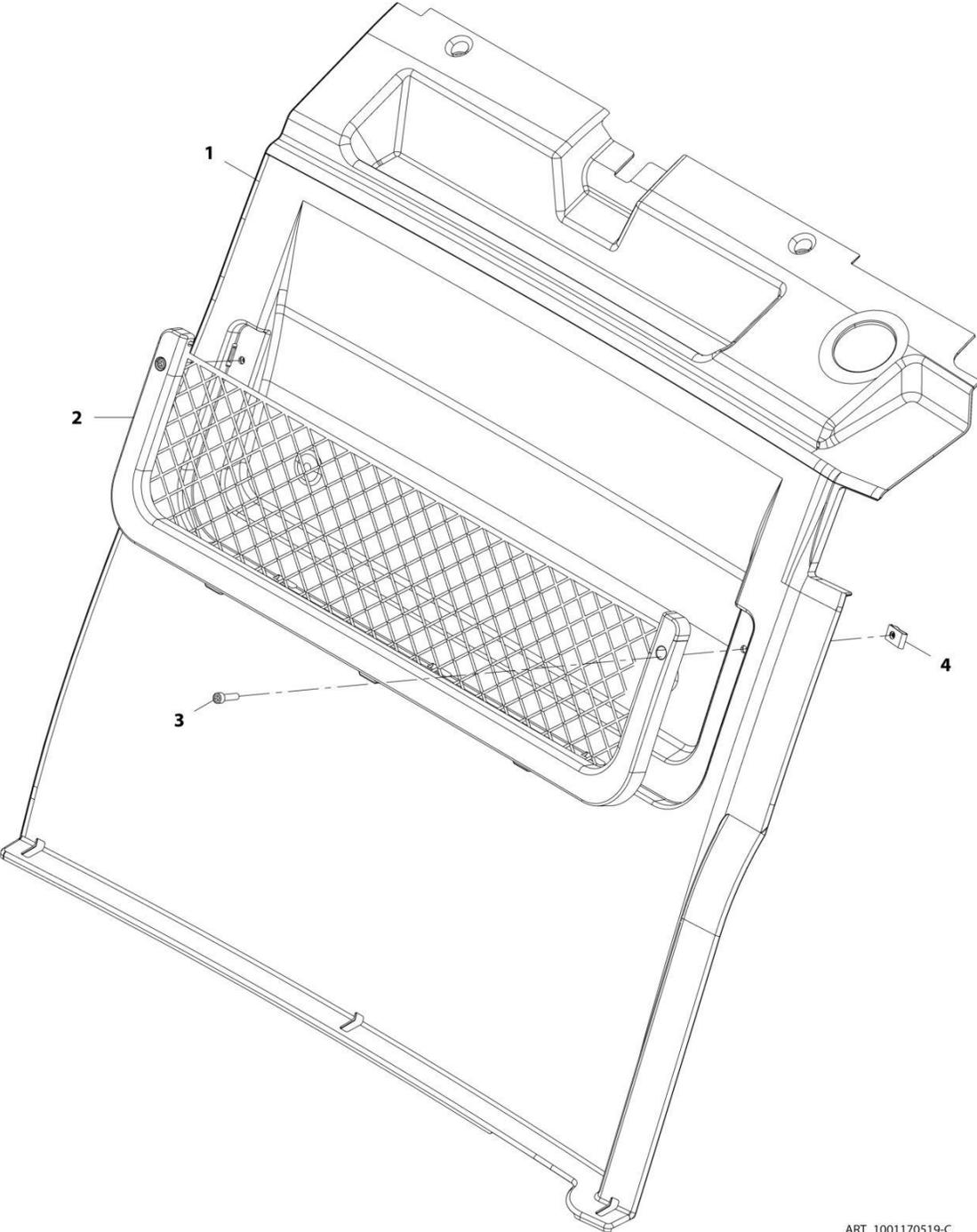
ART_1001169604-B

FIGURE 6-51. DASH COVER ASSEMBLY

ITEM	PART NUMBER	QTY	DESCRIPTION	REV
	1001169604	Ref	Dash Cover Assembly (Construction)	B
1	1001161851	1	Panel, Top Dash	
2	1001147449	2	Vent, Air	
3	1001149278	1	Vent, Connector	
4	1001174652	1	Hose	
5	1001174653	1	Hose	
6	1001174655	1	Hose	
7	8405201	4	Clamp, Gear	

SECTION 6 - CAB

FIGURE 6-52. REAR PANEL COVER ASSEMBLY



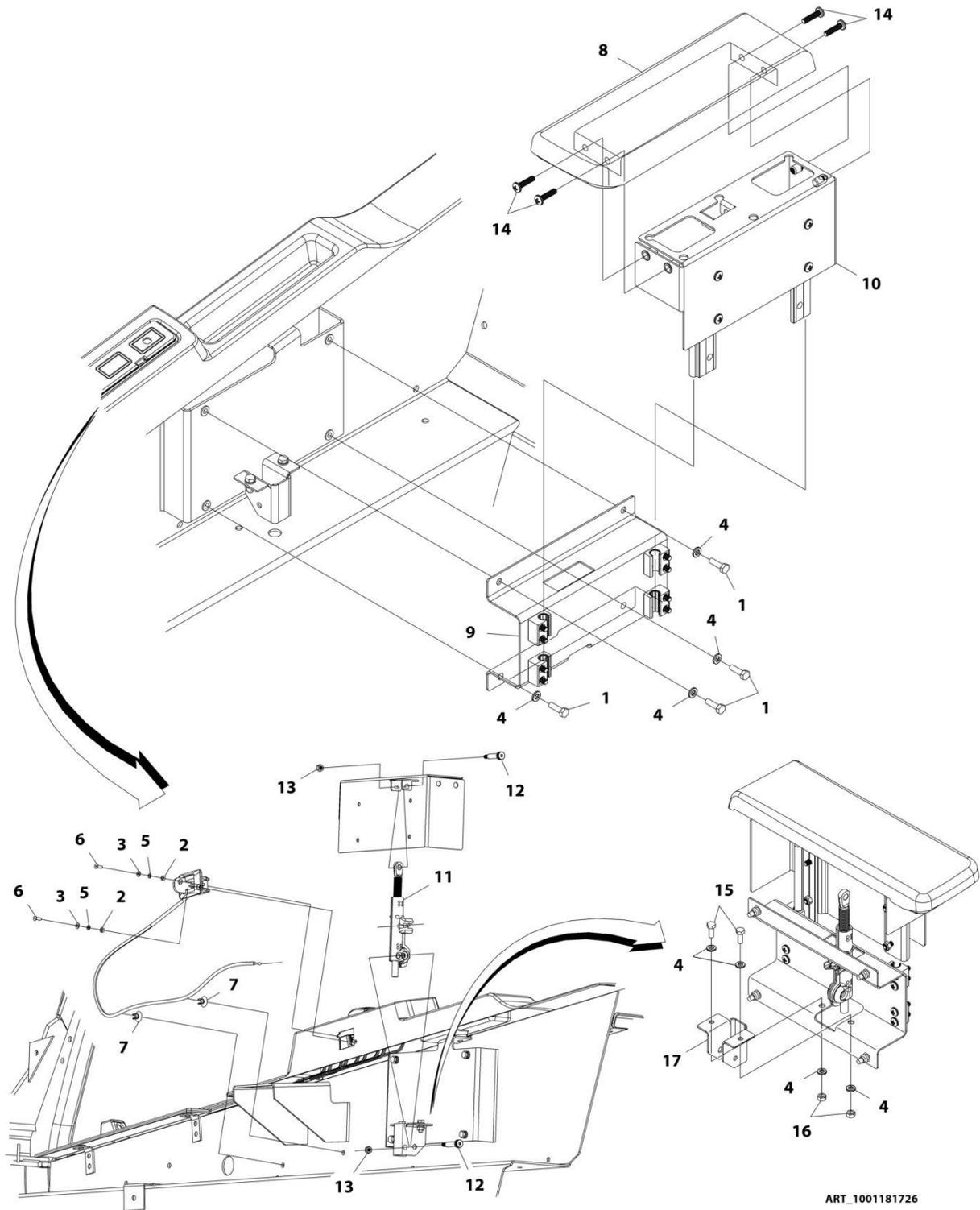
ART_1001170519-C

FIGURE 6-52. REAR PANEL COVER ASSEMBLY

ITEM	PART NUMBER	QTY	DESCRIPTION	REV
	1001170519	Ref	Rear Panel Cover Assembly	C
1	1001161067	1	Panel, Rear	
2	1001170514	1	Storage Net, Rear Panel	
3	4031608	2	Bolt, M5X20	
4	1001183550	2	Nut, Cage M5	

SECTION 6 - CAB

FIGURE 6-53. ADJUSTABLE ARMREST INSTALLATION



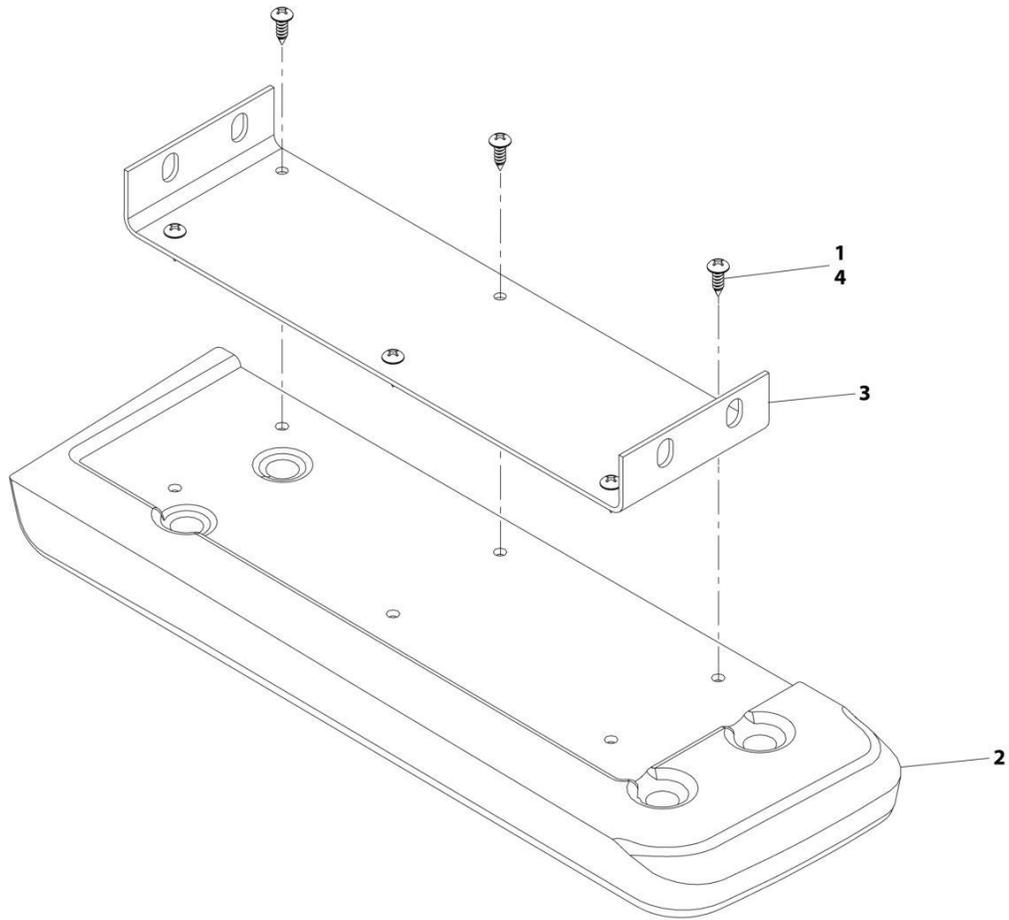
ART_1001181726

FIGURE 6-53. ADJUSTABLE ARMREST INSTALLATION

ITEM	PART NUMBER	QTY	DESCRIPTION	REV
	1001181726	Ref	Adjustable Armrest Installation	F
1	0700610	4	Bolt, M6X20	
2	3290401	2	Nut, M4X0.7	
3	4811400	2	Washer, M4	
4	4811700	8	Washer, M6	
5	4831400	2	Washer, Lock M4	
6	1001097244	2	Screw, M4X12	
7	1001165458	4	Hose	
8	1001191281	1	Armrest (See Separate Breakdown in this Section)	
9	1001191283	1	Bracket, Fixed Armrest (See Separate Breakdown in this Section)	
10	1001191284	1	Bracket, Moving Armrest (See Separate Breakdown in this Section)	
11	1001191285	1	Spring	
12	1001191370	2	Screw, M6	
13	3290605	2	Nut, M6X1 Grade 8	
14	4010612002	4	Screw, M6X25	
15	0760608	2	Bolt, M6X16	
16	3290601	2	Nut, M6X1	
17	1001212468	1	Bracket, Locking Spring Mount	

SECTION 6 - CAB

FIGURE 6-54. ARMREST



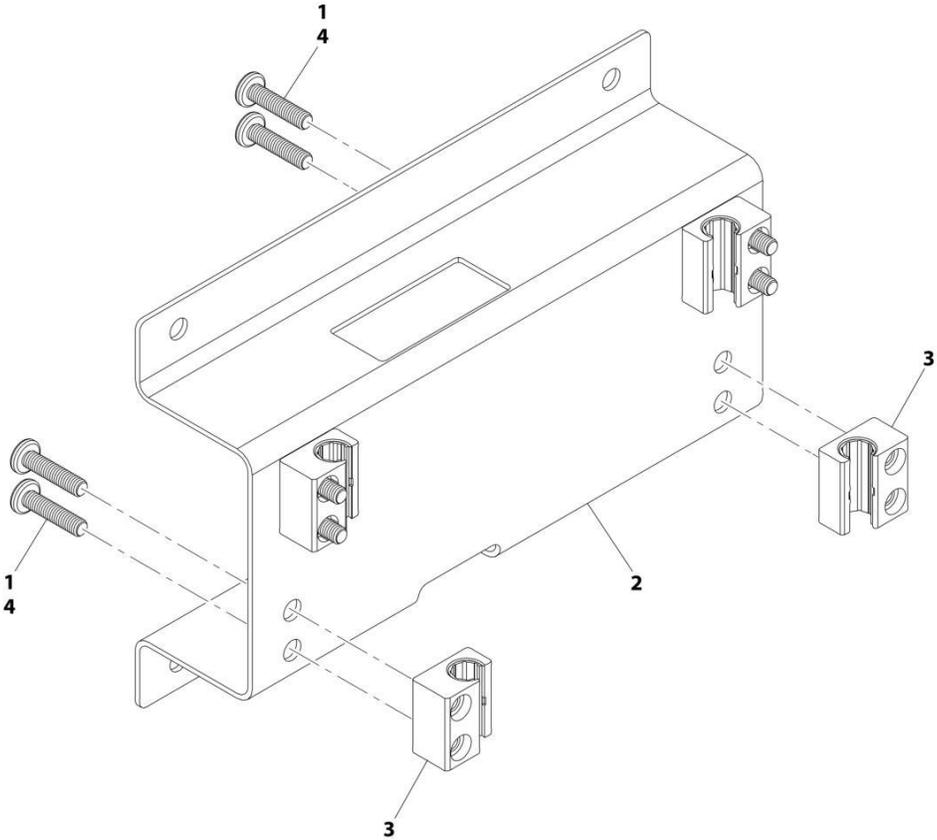
ART_1001191281

FIGURE 6-54. ARMREST

ITEM	PART NUMBER	QTY	DESCRIPTION	REV
	1001191281	Ref	Armrest	E
1	1001095650	AR	Adhesive	
2	1001179484	1	Armrest, Cab	
3	1001191282	1	Bracket, Armrest Pad	
4	1001192240	6	Screw	

SECTION 6 - CAB

FIGURE 6-55. FIXED ARMREST BRACKET



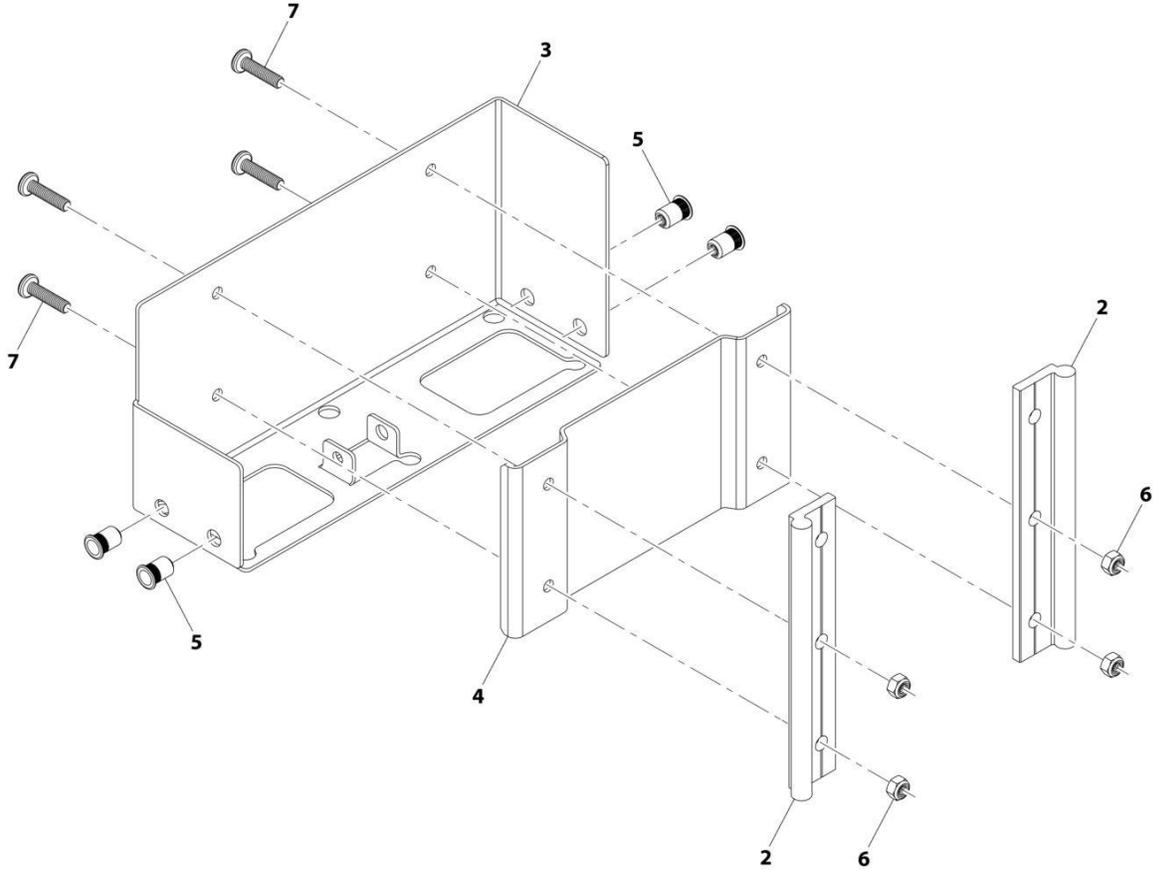
ART_1001191283-B

FIGURE 6-55. FIXED ARMREST BRACKET

ITEM	PART NUMBER	QTY	DESCRIPTION	REV
	1001191283	Ref	Fixed Armrest Bracket	B
1	1001095650	AR	Adhesive	
2	1001183597	1	Armrest Bracket	
3	1001191310	4	Slide Block	
4	4010612002	8	Screw	

SECTION 6 - CAB

FIGURE 6-56. MOVING ARMREST BRACKET



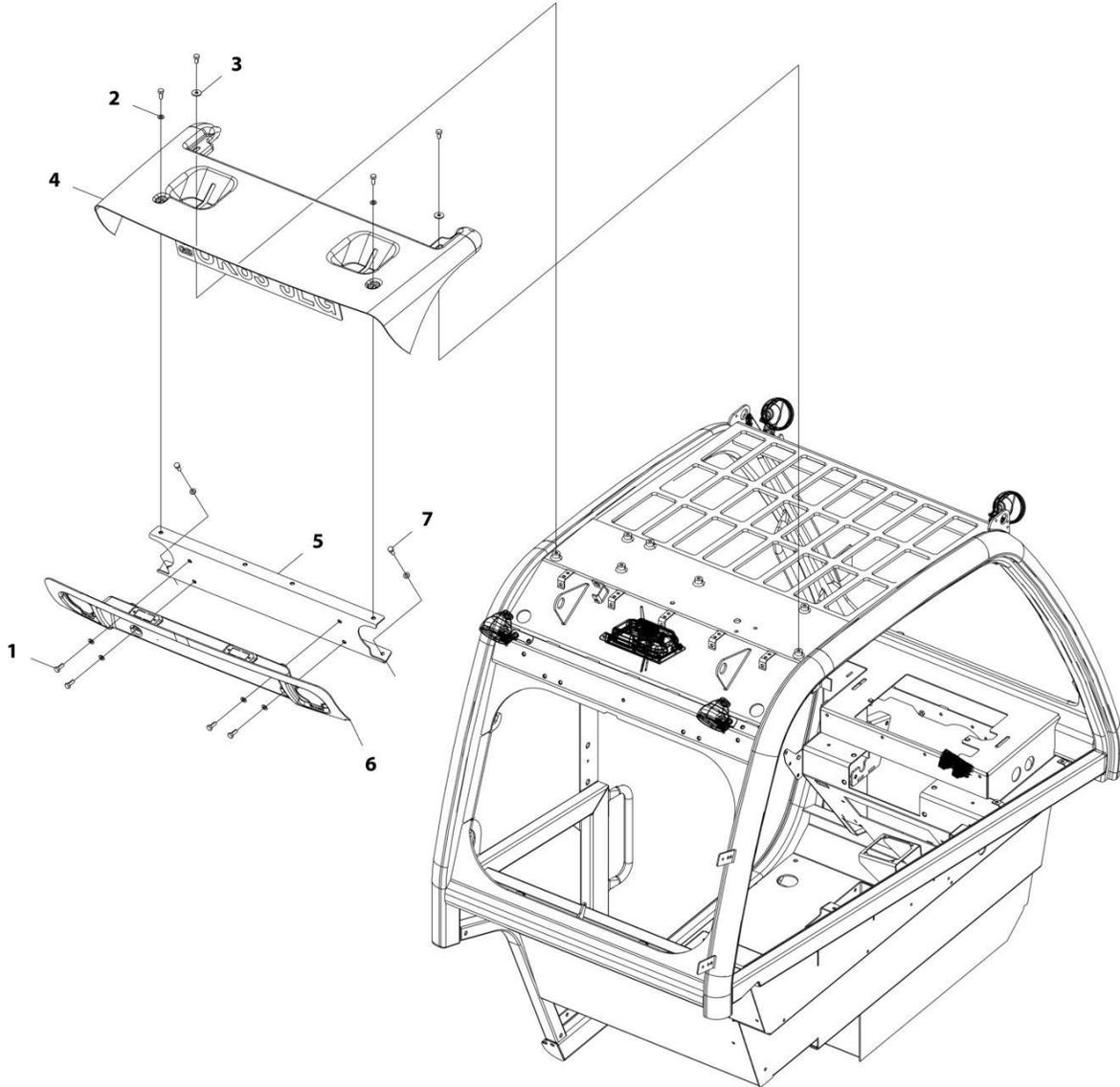
ART_1001191284-B

FIGURE 6-56. MOVING ARMREST BRACKET

ITEM	PART NUMBER	QTY	DESCRIPTION	REV
	1001191284	Ref	Moving Armrest Bracket	B
2	1001191311	2	Side Rail	
3	1001191312	1	Armrest Mount Bracket	
4	1001191313	1	Spacer Block Plate	
5	1001191959	4	Rivenut M6 X 1	
6	3290605	4	Nut, Lock M6X1	
7	4010612002	4	Screw, M6X25	

SECTION 6 - CAB

FIGURE 6-57. ROOF CAP INSTALLATION (NO A/C)



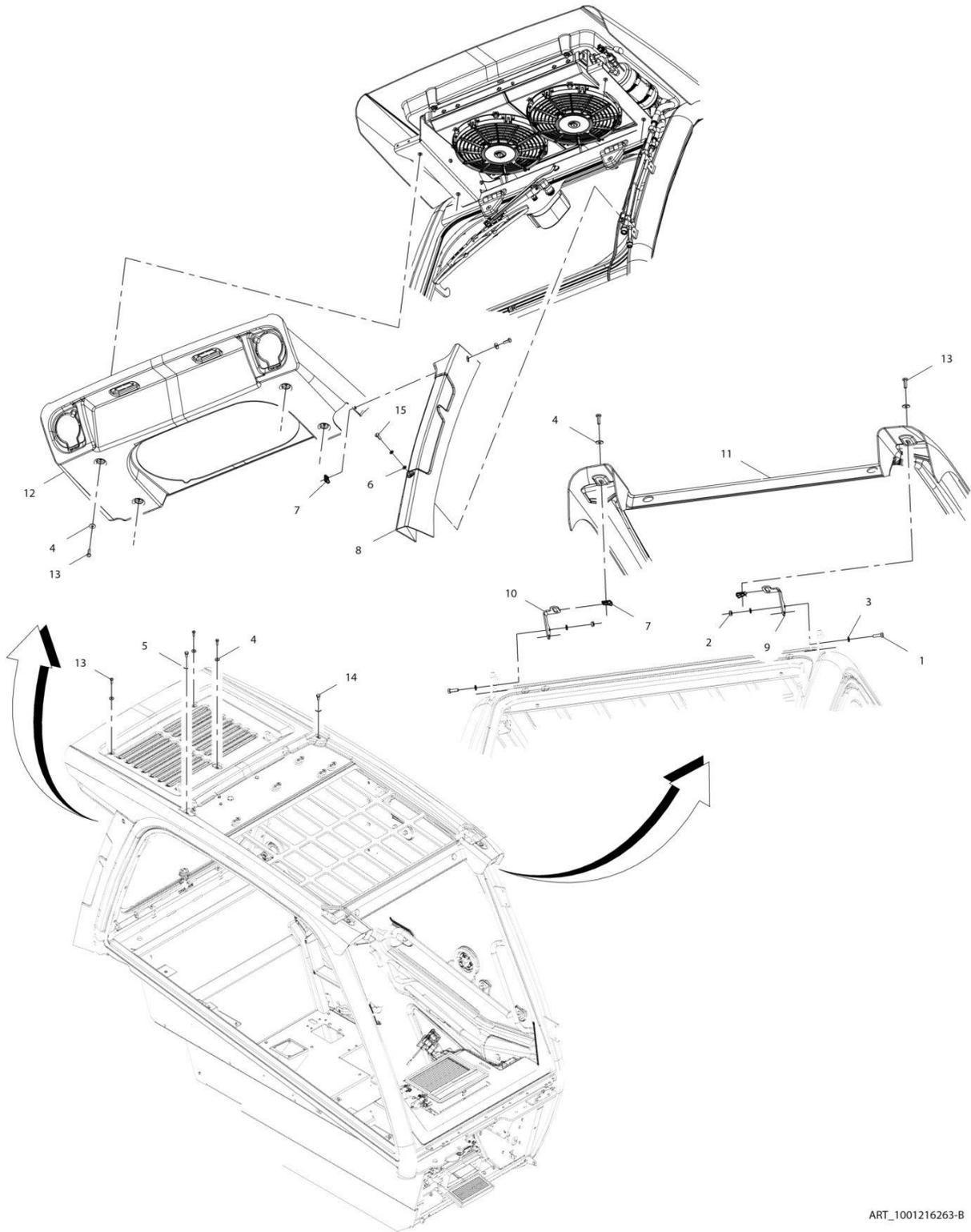
ART_1001216265

FIGURE 6-57. ROOF CAP INSTALLATION (NO A/C)

ITEM	PART NUMBER	QTY	DESCRIPTION	REV
	1001216265	Ref	Roof Cap Installation (No A/C)	B
1	0760810	8	Bolt, M8X20	
2	4811900	8	Washer, M8	
3	4811902	2	Washer, M8	
4	1001182330	1	Cover, Short Upper Roof Cap	
5	1001185633	1	Bracket, Roof Cap Mount	
6	1001216270	1	Cover, Short Lower Roof Cap	
7	0760808	2	Bolt, M8X16	

SECTION 6 - CAB

FIGURE 6-58. ROOF CAP INSTALLATION (A/C)



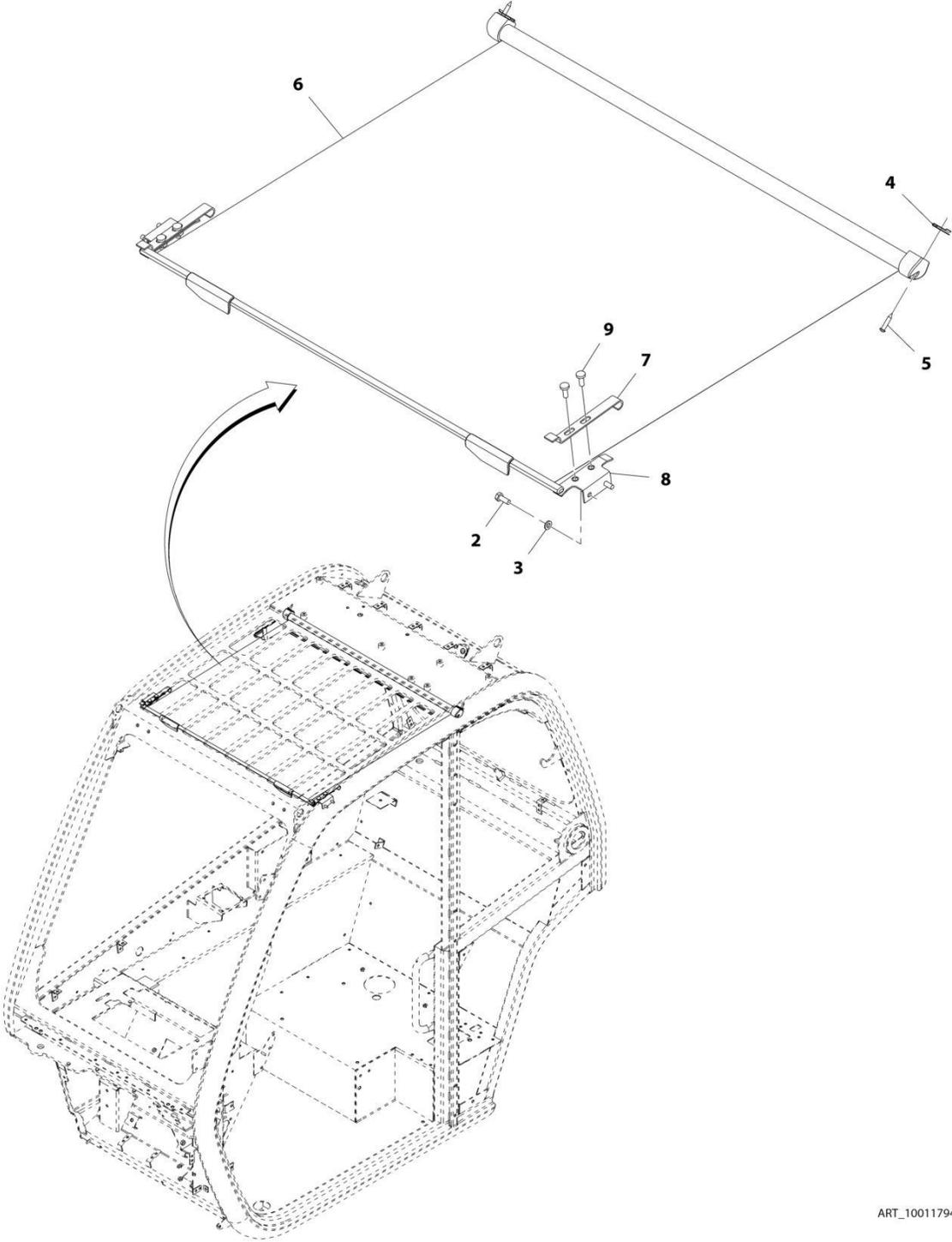
ART_1001216263-B

FIGURE 6-58. ROOF CAP INSTALLATION (A/C)

ITEM	PART NUMBER	QTY	DESCRIPTION	REV
	1001216263	Ref	Roof Cap (A/C) Installation	B
1	0700610	4	Bolt, M6X20	
2	3290601	4	Nut, M6X1	
3	4811700	9	Washer, M6	
4	4811702	10	Washer, M6	
5	4811902	2	Washer, M8	
6	4831700	1	Washer, Lock M6	
7	8305919	3	Nut, M6	
8	1001174741	1	Cover	
9	1001174800	1	Bracket	
10	1001174801	1	Bracket	
11	1001216267	1	Cover, Upper Roof Cap	
12	1001216269	1	Cover, Lower Roof Cap	
13	4010610002	10	Screw, Posi-Drive M6X20	
14	0760808	2	Bolt, M8X16	
15	4010608002	1	Screw, M6X16	

SECTION 6 - CAB

FIGURE 6-59. RETRACTABLE SUNSCREEN INSTALLATION



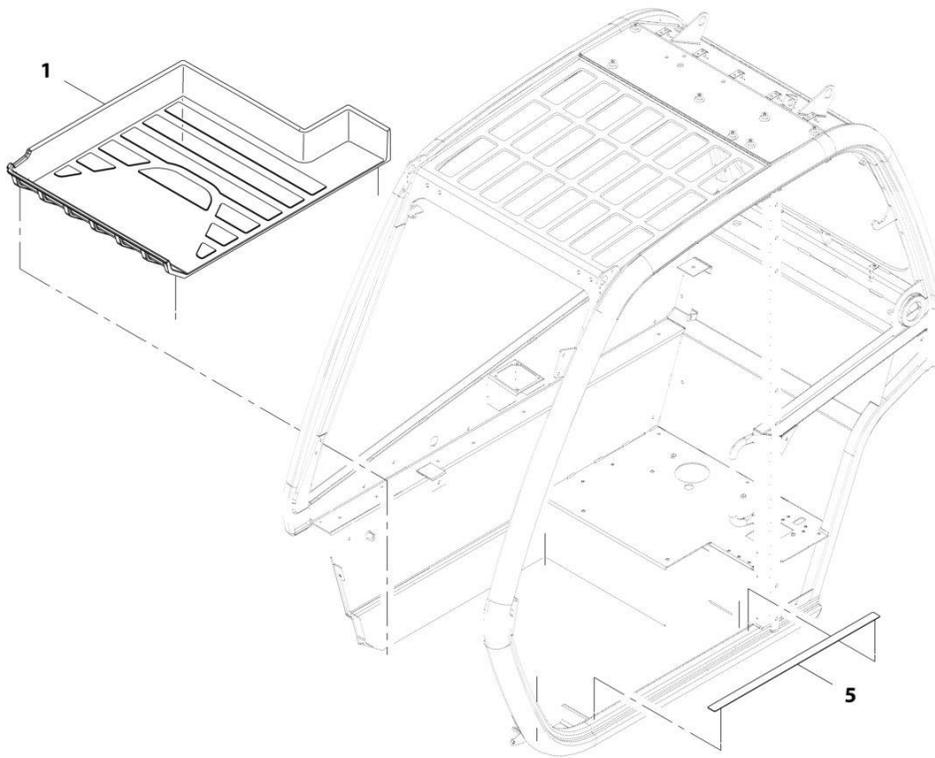
ART_1001179482-D

FIGURE 6-59. RETRACTABLE SUNSCREEN INSTALLATION

ITEM	PART NUMBER	QTY	DESCRIPTION	REV
	1001179482	Ref	Retractable Sunscreen Installation	D
2	0760608	4	Bolt, M6X16	
3	4811700	4	Washer, M6	
4	1001111076	2	Nut, Spire	
5	1001111147	2	Screw, Self Tapping	
6	1001179483	1	Cab, Sun Blind	
7	1001209463	2	Bracket	
8	1001166385	2	Bracket	
9	4010608002	4	Screw, Posi-Drive M6X16	

SECTION 6 - CAB

FIGURE 6-60. FLOOR MAT INSTALLATION



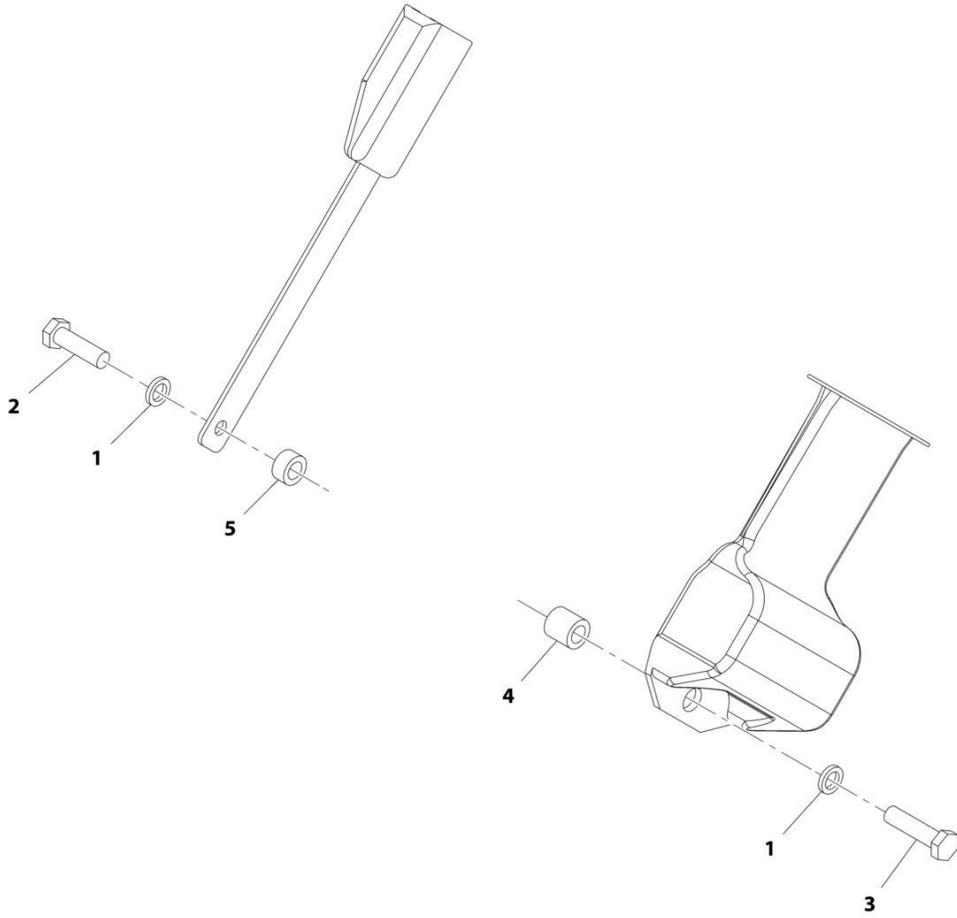
ART_1001161080-E

FIGURE 6-60. FLOOR MAT INSTALLATION

ITEM	PART NUMBER	QTY	DESCRIPTION	REV
	1001161080	Ref	Floor Mat Installation	E
1	1001161078	1	Cab, Floor Mat	
5	1001197259	1	Tape, Frame Non Skid	

SECTION 6 - CAB

FIGURE 6-61. SEAT BELT INSTALLATION (3IN)



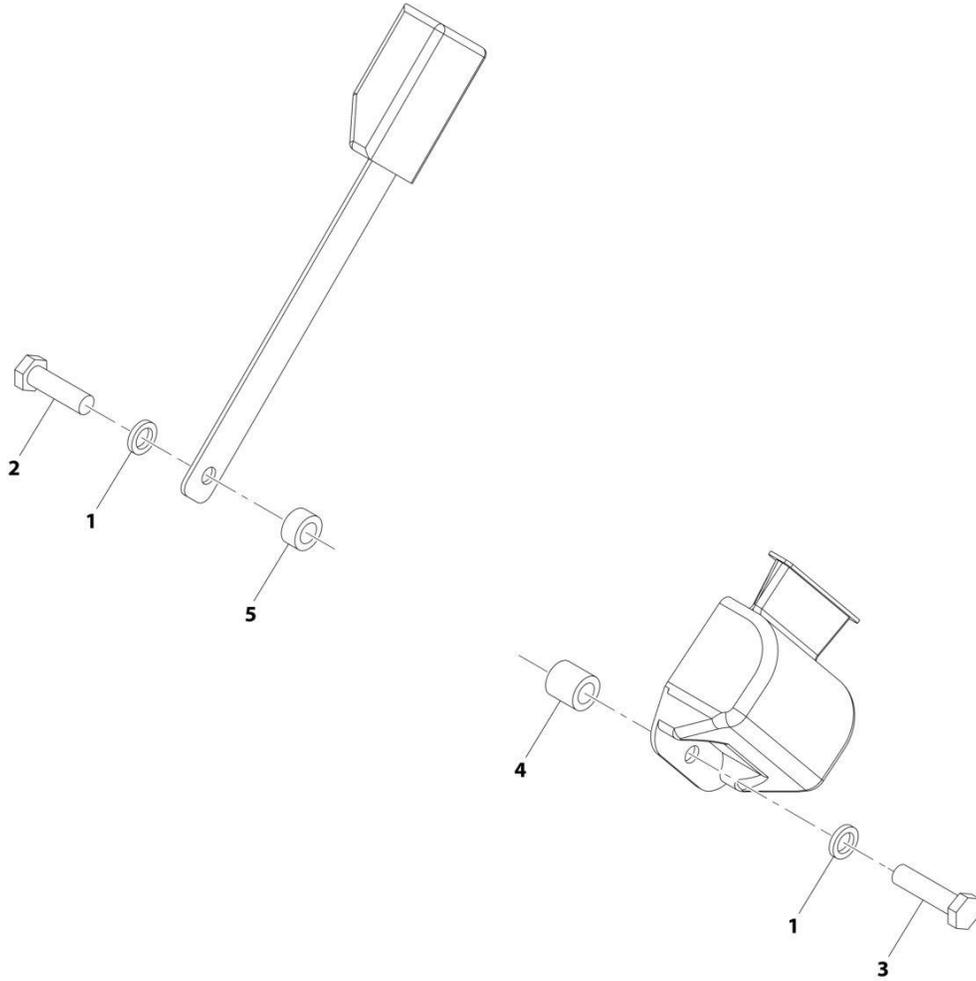
ART_1001006731-B

FIGURE 6-61. SEAT BELT INSTALLATION (3IN)

ITEM	PART NUMBER	QTY	DESCRIPTION	REV
	1001006731	Ref	Seat Belt Installation (3IN)	B
1	1001010646	2	Washer	
2	1001010647	1	Bolt	
3	1001010648	1	Bolt	
4	1001010649	1	Spacer	
5	1001010650	1	Spacer	

SECTION 6 - CAB

FIGURE 6-62. SEAT BELT INSTALLATION (2IN)



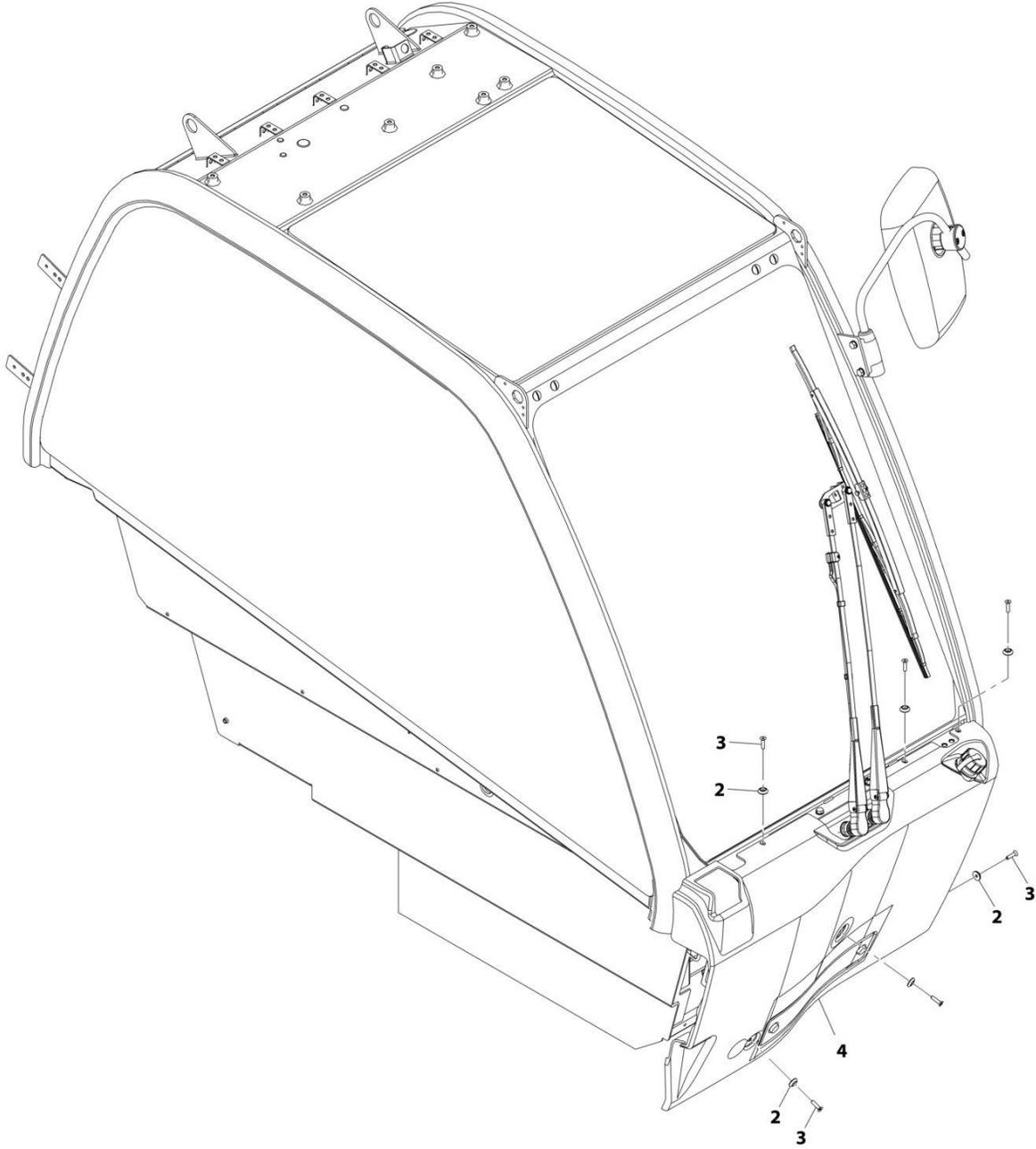
ART_1001006730

FIGURE 6-62. SEAT BELT INSTALLATION (2IN)

ITEM	PART NUMBER	QTY	DESCRIPTION	REV
	1001006730	Ref	Seat Belt Installation (2IN)	H
1	1001010646	2	Washer	
2	1001010647	1	Bolt	
3	1001010648	1	Bolt	
4	1001010649	1	Spacer, Shim	
5	1001010650	1	Spacer, Shim	

SECTION 6 - CAB

FIGURE 6-63. ENCLOSED CAB FRONT COVER INSTALLATION



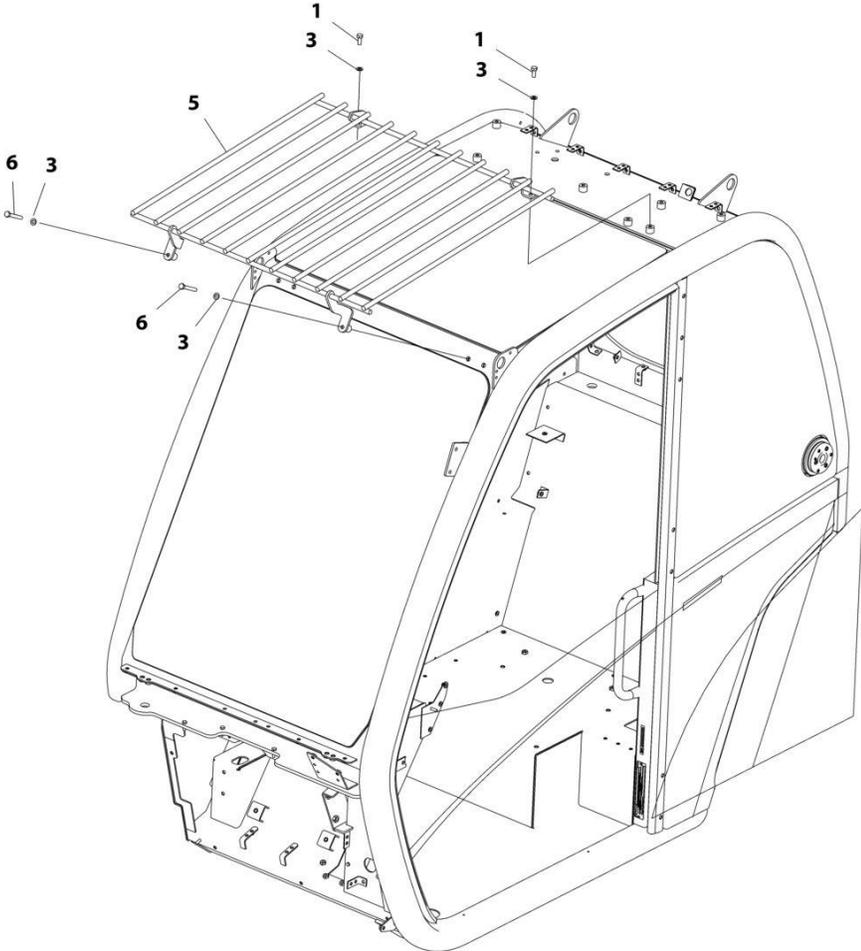
ART_1001179592-G

FIGURE 6-63. ENCLOSED CAB FRONT COVER INSTALLATION

ITEM	PART NUMBER	QTY	DESCRIPTION	REV
	1001179592	Ref	Enclosed Cab Front Cover Installation	G
2	1001097540	6	Washer, M6	
3	3900379	6	Screw, M6-1X25 Grade 10.9	
4	1001170325	1	Cover, Front	

SECTION 6 - CAB

FIGURE 6-64. CAB GUARD INSTALLATION (TOP)



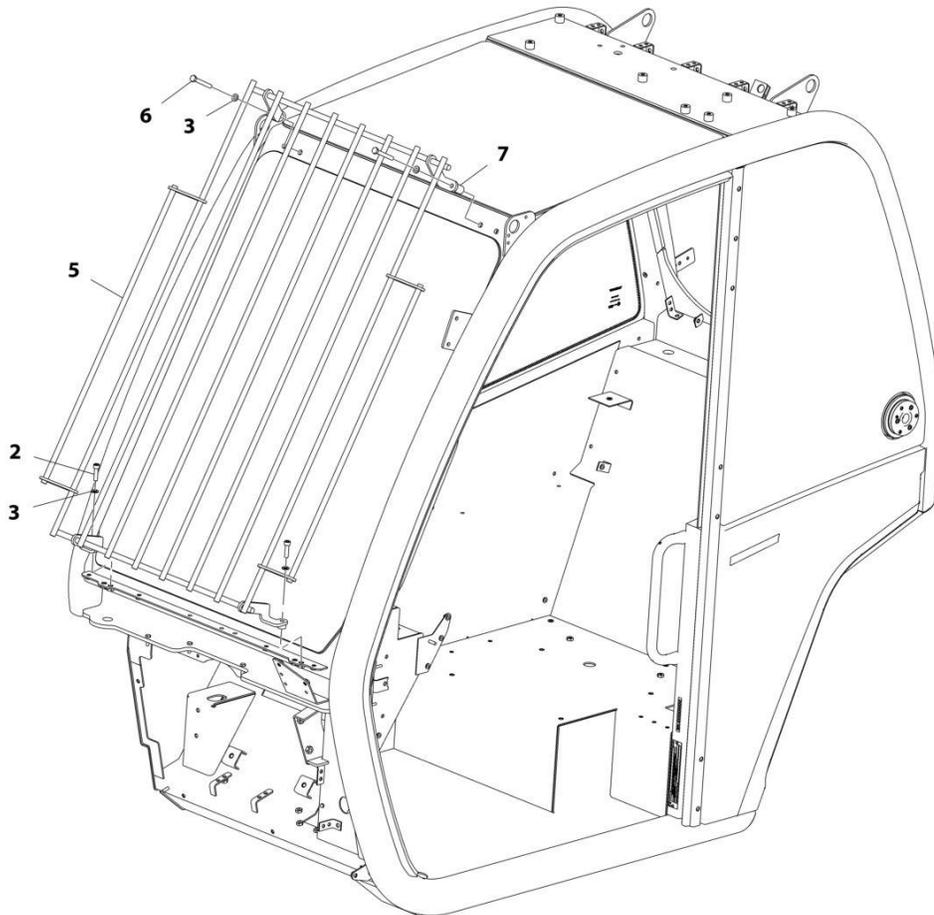
ART_1001160496

FIGURE 6-64. CAB GUARD INSTALLATION (TOP)

ITEM	PART NUMBER	QTY	DESCRIPTION	REV
	1001160496	Ref	Cab Guard Installation (Top)	G
1	0760810	2	Bolt, M8X20	
3	4811900	4	Washer, M8	
5	1001160503	1	Guard, Top Screen	
6	0700820	2	Bolt, M8X60	

SECTION 6 - CAB

FIGURE 6-65. CAB GUARD INSTALLATION (FRONT)



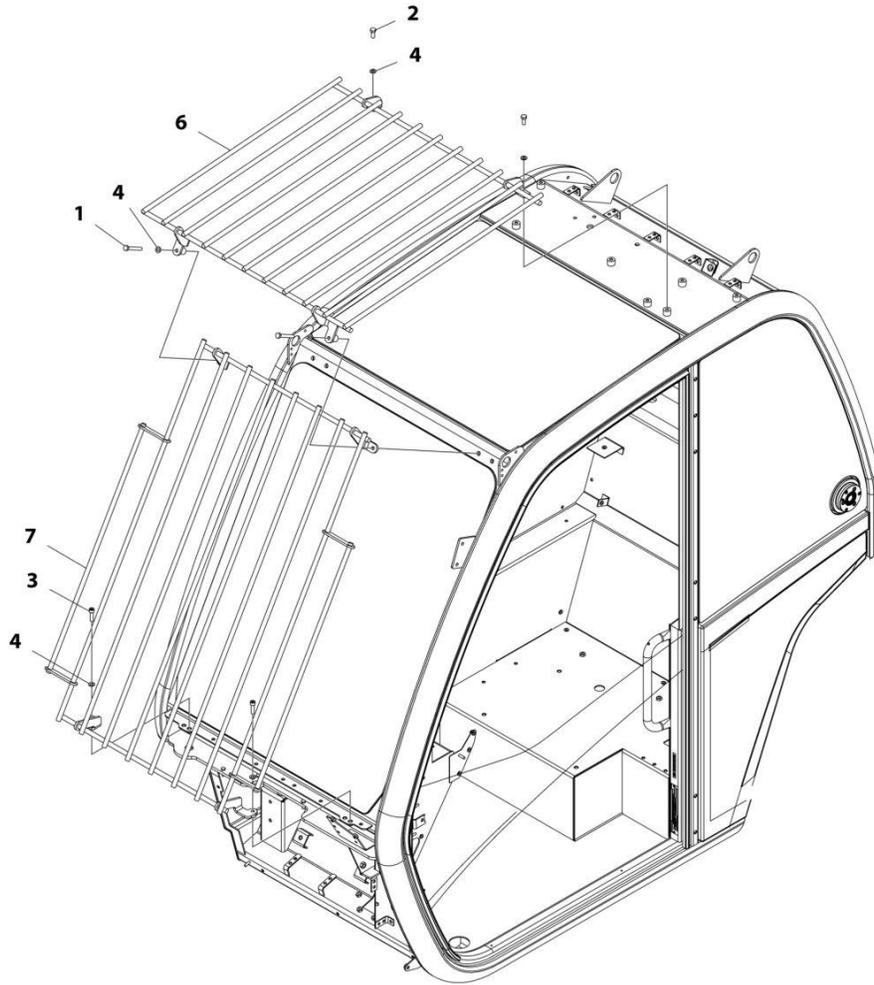
ART_1001160506-G

FIGURE 6-65. CAB GUARD INSTALLATION (FRONT)

ITEM	PART NUMBER	QTY	DESCRIPTION	REV
	1001160506	Ref	Cab Guard Installation (Front)	G
2	4031910	2	Bolt, M8X30	
3	4811900	4	Washer, M8	
5	1001180263	1	Guard, Front Screen	
6	0700820	2	Bolt, M8X60	
7	1001173257	2	Spacer	

SECTION 6 - CAB

FIGURE 6-66. CAB GUARD INSTALLATION (TOP AND FRONT)



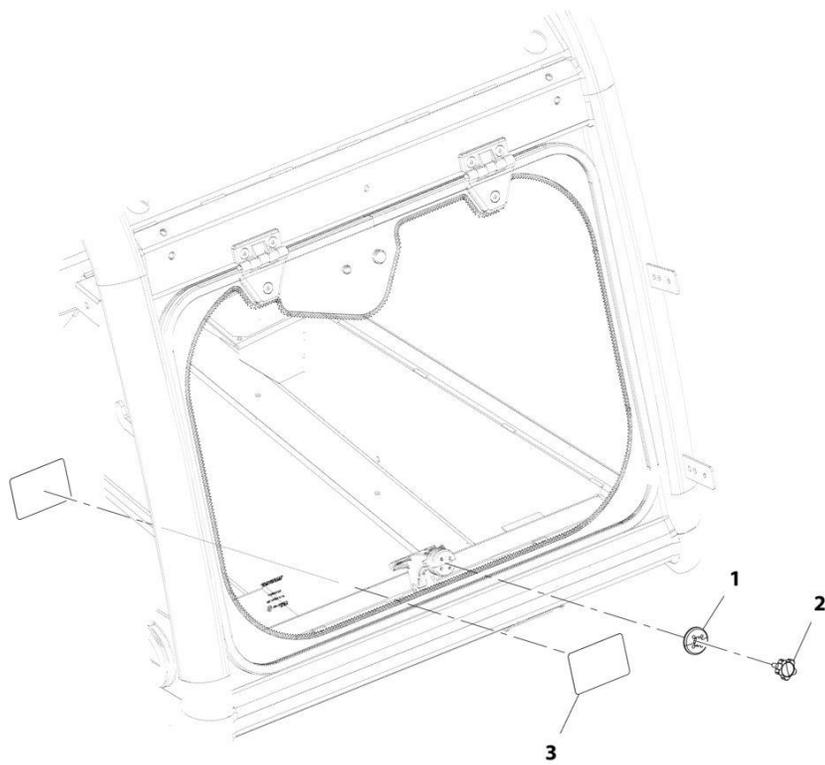
ART_1001172774

FIGURE 6-66. CAB GUARD INSTALLATION (TOP AND FRONT)

ITEM	PART NUMBER	QTY	DESCRIPTION	REV
	1001172774	Ref	CAB GUARD INSTALLATION (TOP AND FRONT)	G
1	0700820	2	Bolt M8 x 60	
2	0760810	2	Bolt M8 x 20	
3	4031910	2	Bolt M8 x 30	
4	4811900	6	Washer M8	
6	1001160503	1	Guard, Top Screen	
7	1001180263	1	Guard, Front Screen	

SECTION 6 - CAB

FIGURE 6-67. EXTERNAL WINDOW RELEASE INSTALLATION (ANSI - ENGLISH)



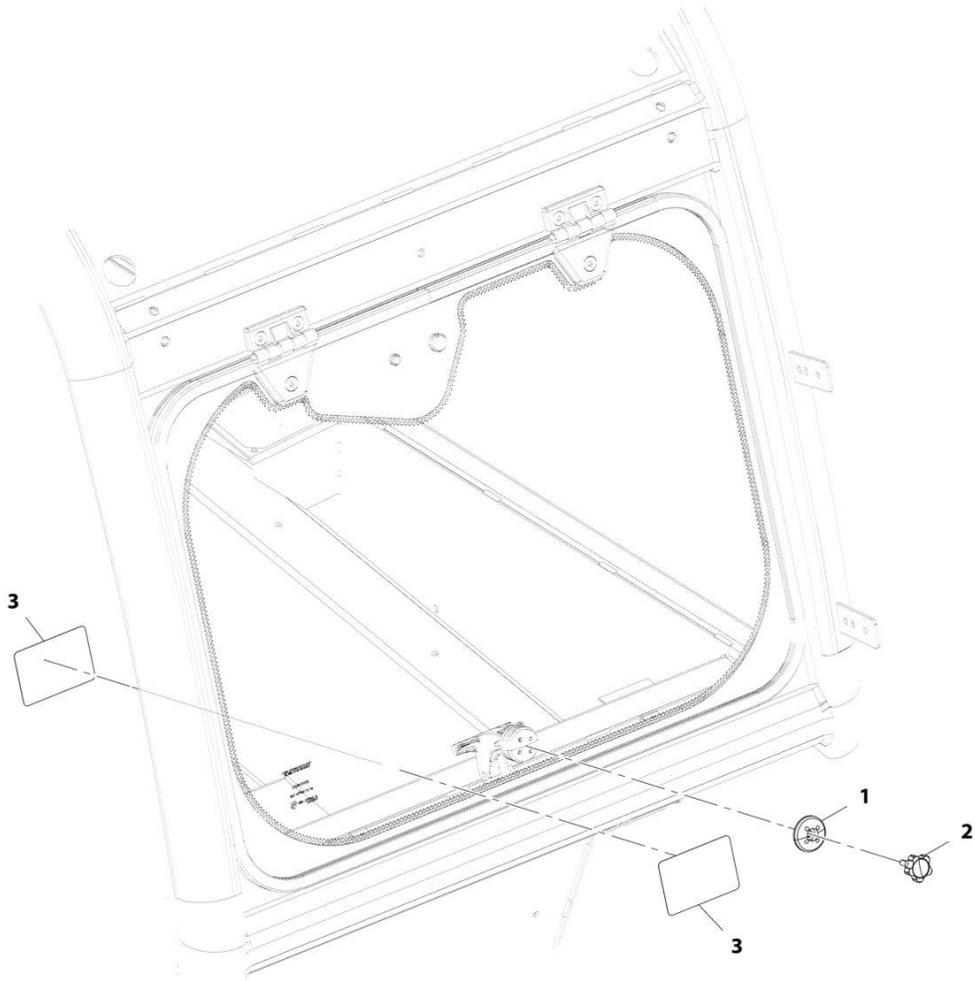
ART_1001212047-A

FIGURE 6-67. EXTERNAL WINDOW RELEASE INSTALLATION (ANSI - ENGLISH)

ITEM	PART NUMBER	QTY	DESCRIPTION	REV
	1001212047	Ref	Rear Window Installation (WO/Wiper) (ANSI)	A
1	1001179008	1	Cap, Latch Window	
2	1001179009	1	Cap, Knob M6	
3	1001212049	2	Decal, Emergency Exit	

SECTION 6 - CAB

FIGURE 6-68. EXTERNAL WINDOW RELEASE INSTALLATION (ANSI - ENGLISH/FRENCH)



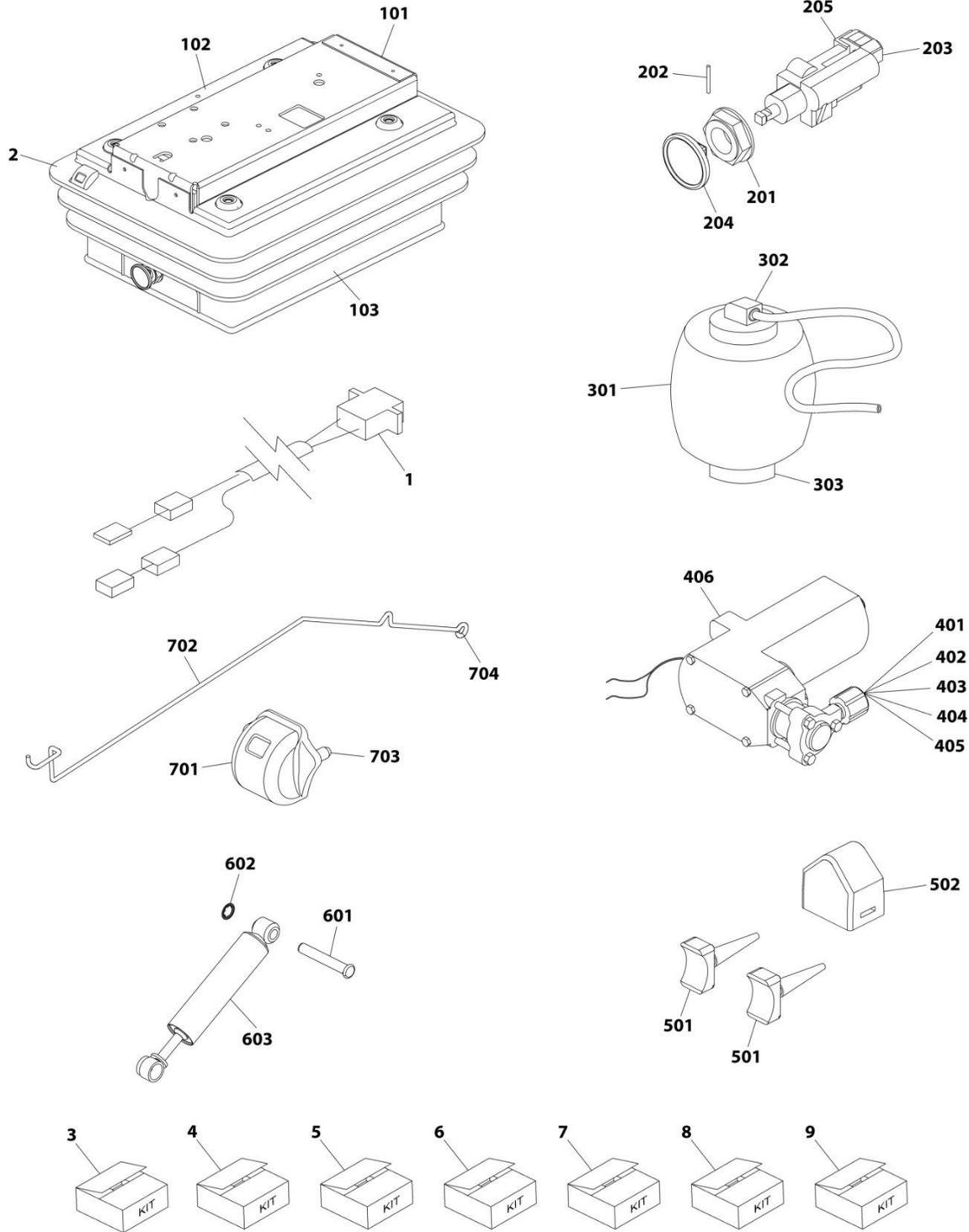
ART_1001178826-C

FIGURE 6-68. EXTERNAL WINDOW RELEASE INSTALLATION (ANSI - ENGLISH/FRENCH)

ITEM	PART NUMBER	QTY	DESCRIPTION	REV
	1001178826	Ref	External Window Release Installation (English/French)	C
1	1001179008	1	Cap, Latch Window	
2	1001179009	1	Knob	
3	1001204709	2	Decal, Emergency Exit (English/French)	

SECTION 6 - CAB

FIGURE 6-69. SUSPENSION KIT



ART_70021319

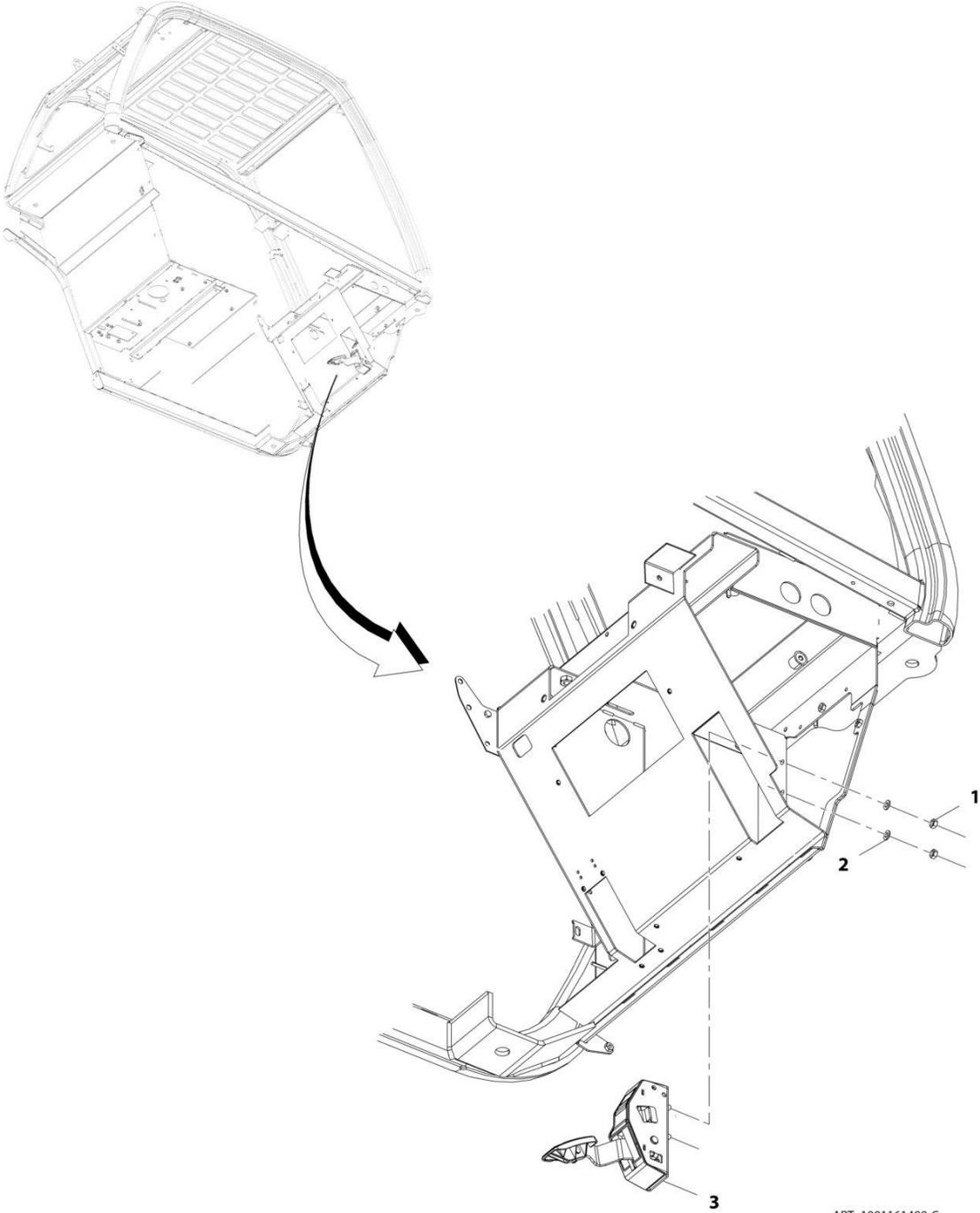
FIGURE 6-69. SUSPENSION KIT

ITEM	PART NUMBER	QTY	DESCRIPTION	REV
	70021319	Ref	Suspension Kit	
1	70021330	1	Lead, Fly	
2	N.S.S.	1	Suspension	
3	70021321	1	Kit, Suspension Cover (includes items 101 thru 103)	
4	70021323	1	Kit, Air Valve (includes items 201 thru 205)	
5	70021324	1	Kit, Air Spring (includes items 301 thru 303)	
6	70021325	1	Kit, Compressor (includes items 401 thru 406)	
7	70021326	1	Kit, Upstop/Bumpstop (includes items 501 & 502)	
8	70021327	1	Kit, Damper (includes items 601 thru 603)	
9	70021328	1	Kit, Ride Indicator (includes items 701 thru 704)	
101	N.S.S.	6	Clip, Cover	
102	N.S.S.	1	Cover, Suspension	
103	N.S.S.	5	Clip, Cover	
201	N.S.S.	1	Nut, Air Valve	
202	N.S.S.	1	Pin, Retaining	
203	N.S.S.	1	Valve, Combination	
204	N.S.S.	1	Knob	
205	N.S.S.	2	Tie, Plastic	
301	N.S.S.	1	Spring, Air	
302	N.S.S.	1	Clip	
303	N.S.S.	1	Screw, Countersunk Self Tapping	
401	N.S.S.	1	Clip	
402	N.S.S.	1	Pad	
403	N.S.S.	1	Loom	
404	N.S.S.	2	Tie, Cable	
405	N.S.S.	3	Tie, Plastic	
406	N.S.S.	1	Compressor (with Elbow)	
501	N.S.S.	2	Upstop	
502	N.S.S.	1	Bumpstop	
601	N.S.S.	2	Pin	
602	N.S.S.	2	Washer, Starlock	
603	N.S.S.	1	Damper	
701	N.S.S.	1	Indicator, Ride	
702	N.S.S.	1	Wire, Ride Indicator	
703	N.S.S.	2	Washer, Starlock	
704	N.S.S.	1	Washer, Grip M4	

SECTION 7 - CONTROLS

SECTION 7 - CONTROLS

FIGURE 7-1. ACCELERATOR PEDAL INSTALLATION



ART_1001161499-C

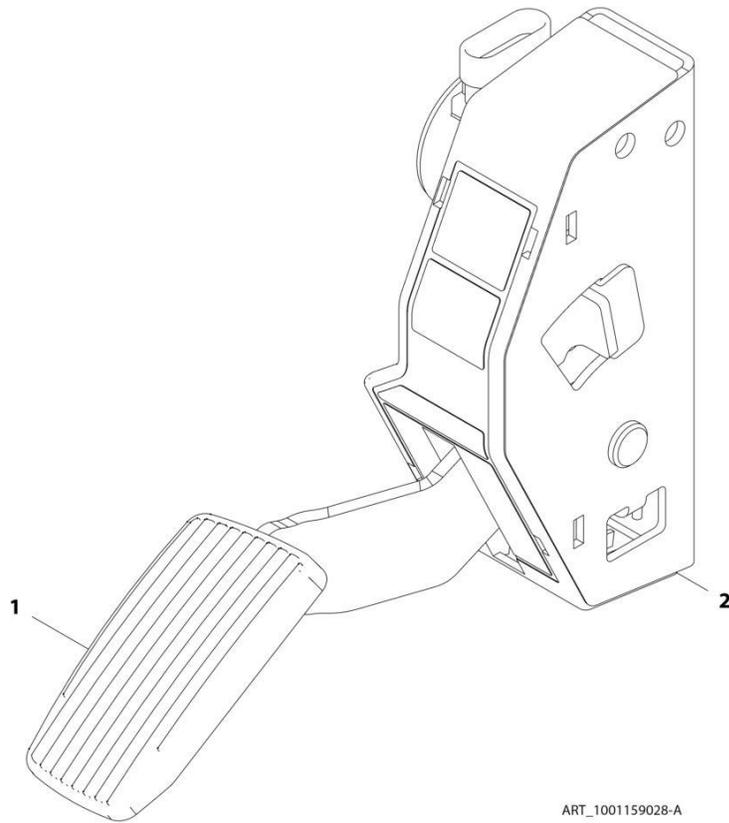
SECTION 7 - CONTROLS

FIGURE 7-1. ACCELERATOR PEDAL INSTALLATION

ITEM	PART NUMBER	QTY	DESCRIPTION	REV
	1001161499	Ref	Accelerator Pedal Installation	C
1	3290801	2	Nut, M8X1.25	
2	4811900	2	Washer, M8	
3	1001159028	1	Pedal, Accelerator (See Separate Breakdown in this Section)	

SECTION 7 - CONTROLS

FIGURE 7-2. ACCELERATOR PEDAL



ART_1001159028-A

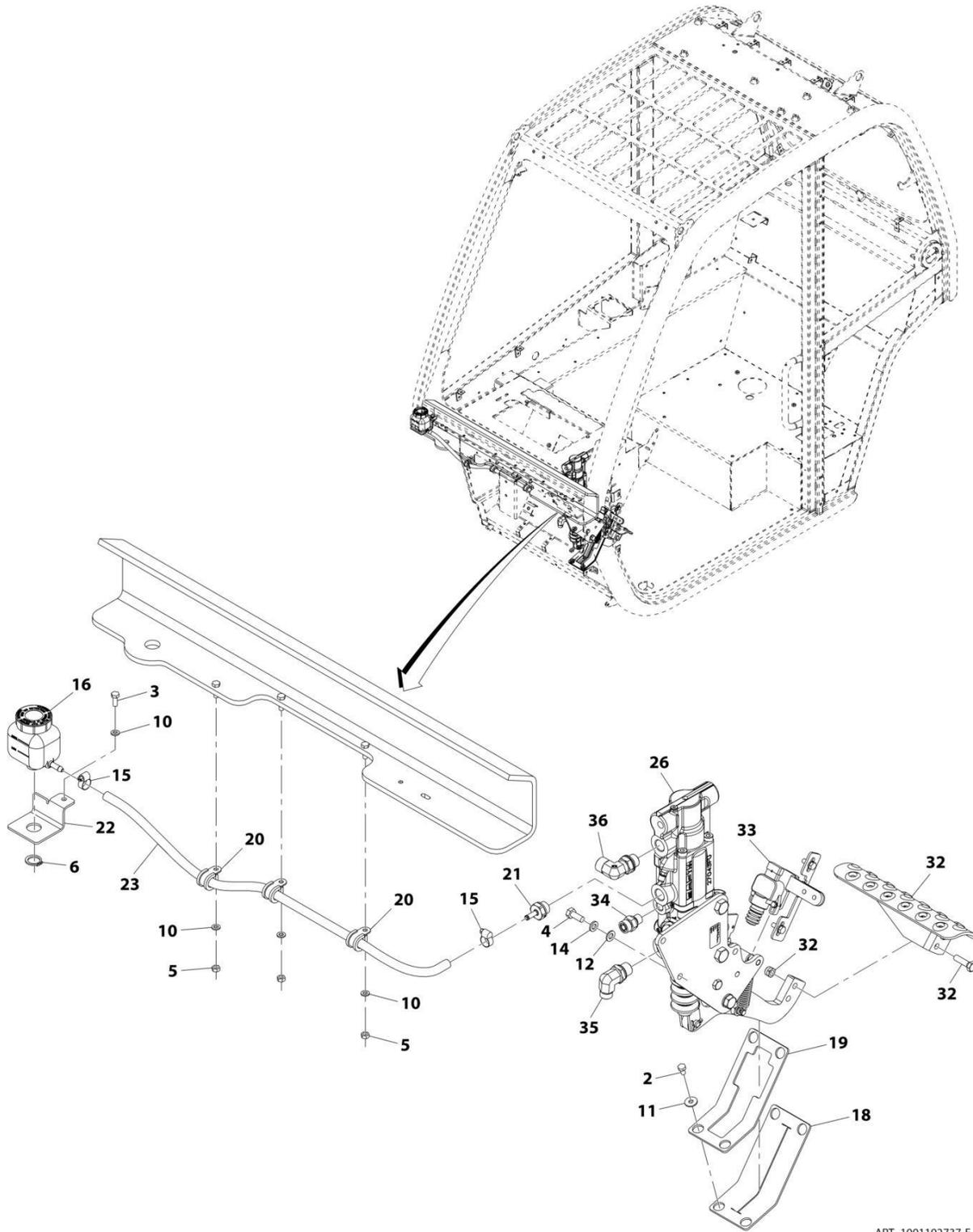
SECTION 7 - CONTROLS

FIGURE 7-2. ACCELERATOR PEDAL

ITEM	PART NUMBER	QTY	DESCRIPTION	REV
	1001159028	Ref	Accelerator Pedal	A
1	70025816	1	Pad, Rubber	
2	70025817	1	Cover, Rubber	

SECTION 7 - CONTROLS

FIGURE 7-3. BRAKE PEDAL INSTALLATION



ART_1001192737-E

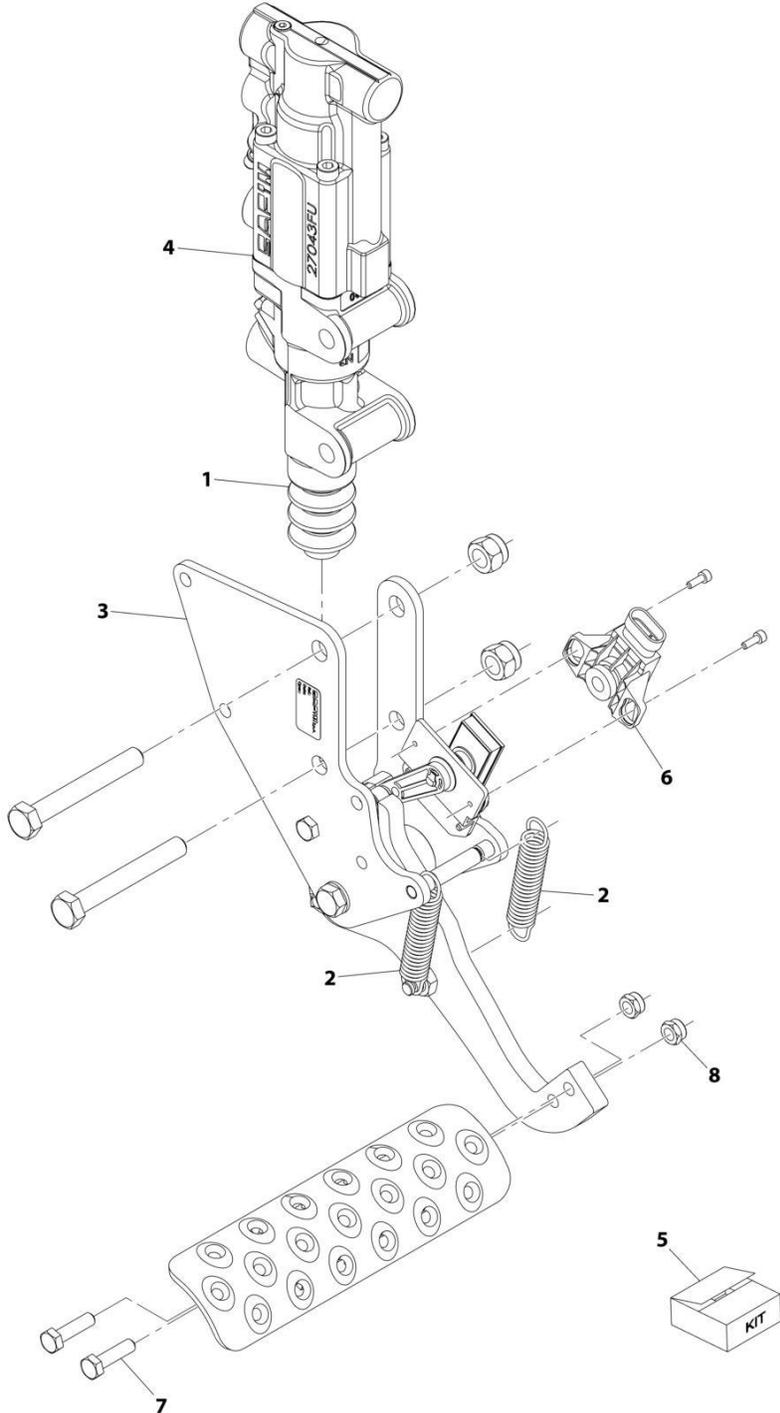
SECTION 7 - CONTROLS

FIGURE 7-3. BRAKE PEDAL INSTALLATION

ITEM	PART NUMBER	QTY	DESCRIPTION	REV
	1001192737	Ref	Brake Pedal Installation	E
2	0760605	4	Bolt, M6X10	
3	0760608	1	Bolt, M6X16	
4	0760810	3	Bolt, M8X20	
5	3290601	3	Nut, M6X1	
6	3760348	1	Ring, Retaining	
10	4811700	4	Washer, M6	
11	4811702	4	Washer, M6	
12	4811900	3	Washer, M8	
14	4831900	3	Washer, Lock M8	
15	8405009	2	Clamp	
16	1001214220	1	Reservoir, Brake	
18	1001162920	1	Seal	
19	1001162922	1	Plate	
20	1001170231	3	Clip	
21	1001171874	1	Fitting, Straight	
22	1001172088	1	Bracket	
23	1001172094	1	Hose	
26	1001213265	1	Assembly, Brake Pedal (See Separate Breakdown in this Section)	
32	1001197139	1	Plate, Brake Pedal	
33	1001205061	Ref	Installation, Brake Sensor (See Separate Breakdown in this Section)	
34	80233218	1	Fitting, Straight ORFS	
35	80333151	1	Fitting, 90 ORFS	
36	1001168054	1	Fitting, 90 ORFS	

SECTION 7 - CONTROLS

FIGURE 7-4. BRAKE PEDAL ASSEMBLY



ART_1001213265-A

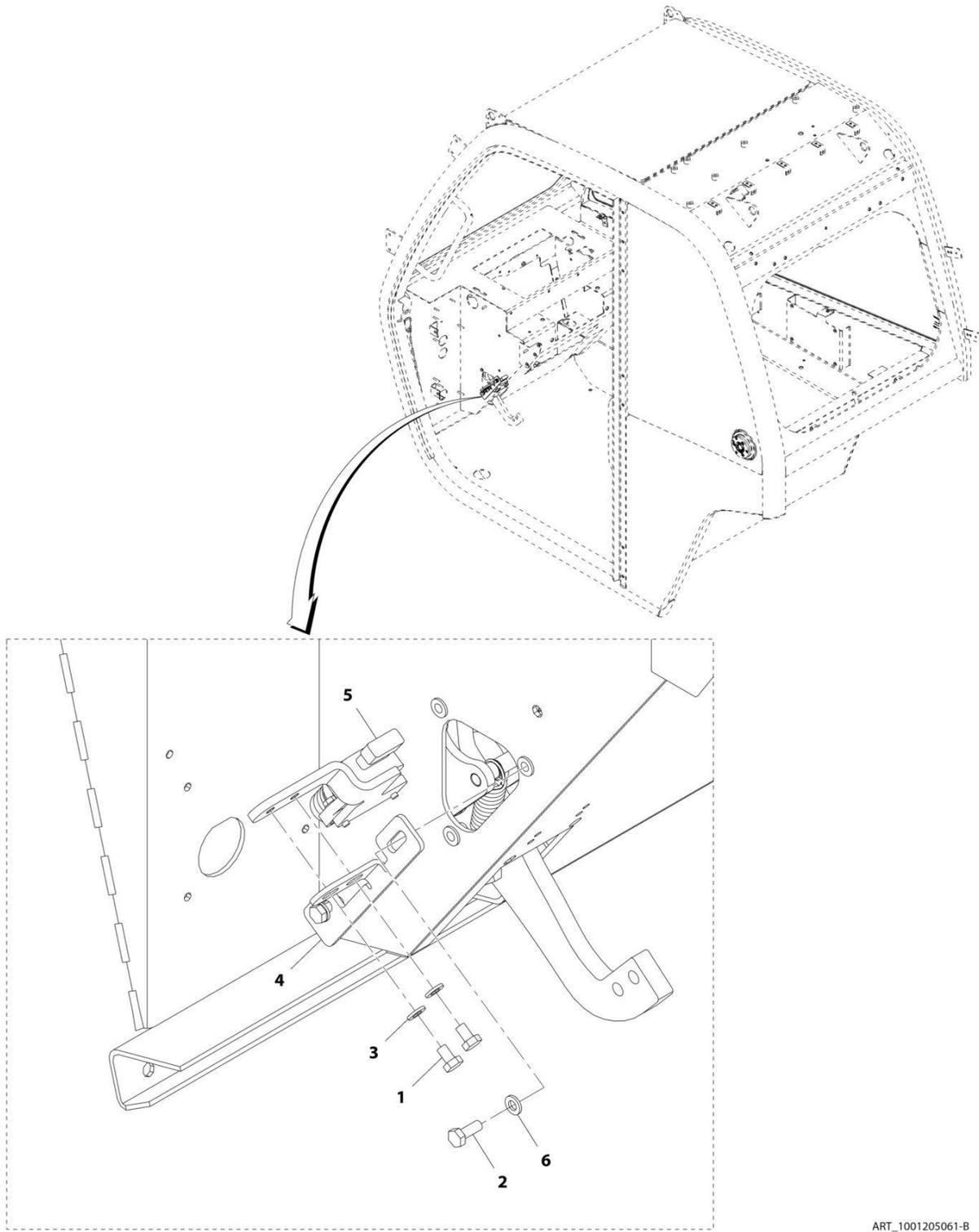
SECTION 7 - CONTROLS

FIGURE 7-4. BRAKE PEDAL ASSEMBLY

ITEM	PART NUMBER	QTY	DESCRIPTION	REV
	1001213265	Ref	Brake Pedal Assembly	A
1	70025859	1	Cover, Dust	
2	70025860	2	Spring, Return	
3	70028381	1	Support, Pedal	
4	70028382	1	Cylinder, Master	
5	70026434	1	Kit, Seal	
6	70028383	1	Sensor, Angle	
7	0770814	2	Bolt, M8X30 Grade 10.9	
8	3290805	2	Nut, Lock M8X1.25 Grade 8	

SECTION 7 - CONTROLS

FIGURE 7-5. BRAKE SENSOR INSTALLATION



ART_1001205061-B

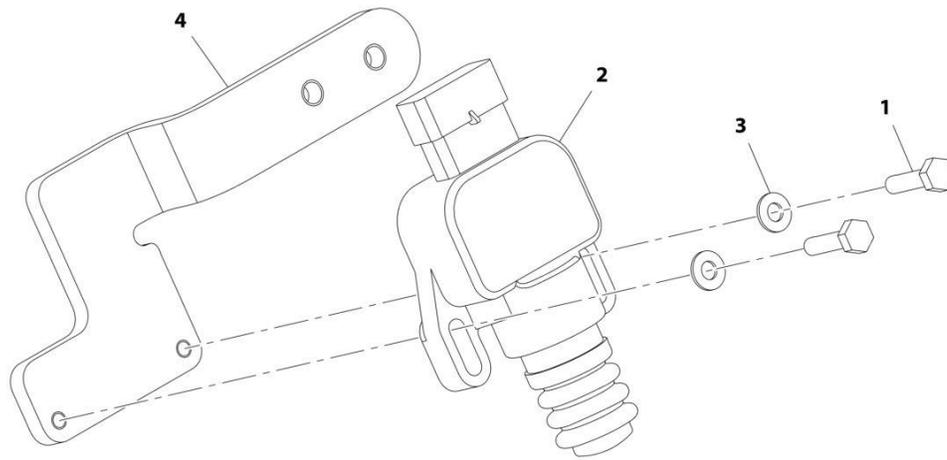
SECTION 7 - CONTROLS

FIGURE 7-5. BRAKE SENSOR INSTALLATION

ITEM	PART NUMBER	QTY	DESCRIPTION	REV
	1001205061	Ref	Brake Sensor Installation	B
1	0760605	2	Bolt, M6X10	
2	0760608	2	Bolt, M6X16	
3	4811700	2	Washer, M6	
4	1001201499	1	Plate, Switch Adjustment	
5	1001201501	1	Assembly, Switch Plate (See Separate Breakdown in this Section)	
6	4811702	2	Washer, M6	

SECTION 7 - CONTROLS

FIGURE 7-6. SWITCH PLATE ASSEMBLY



ART_1001201501-A

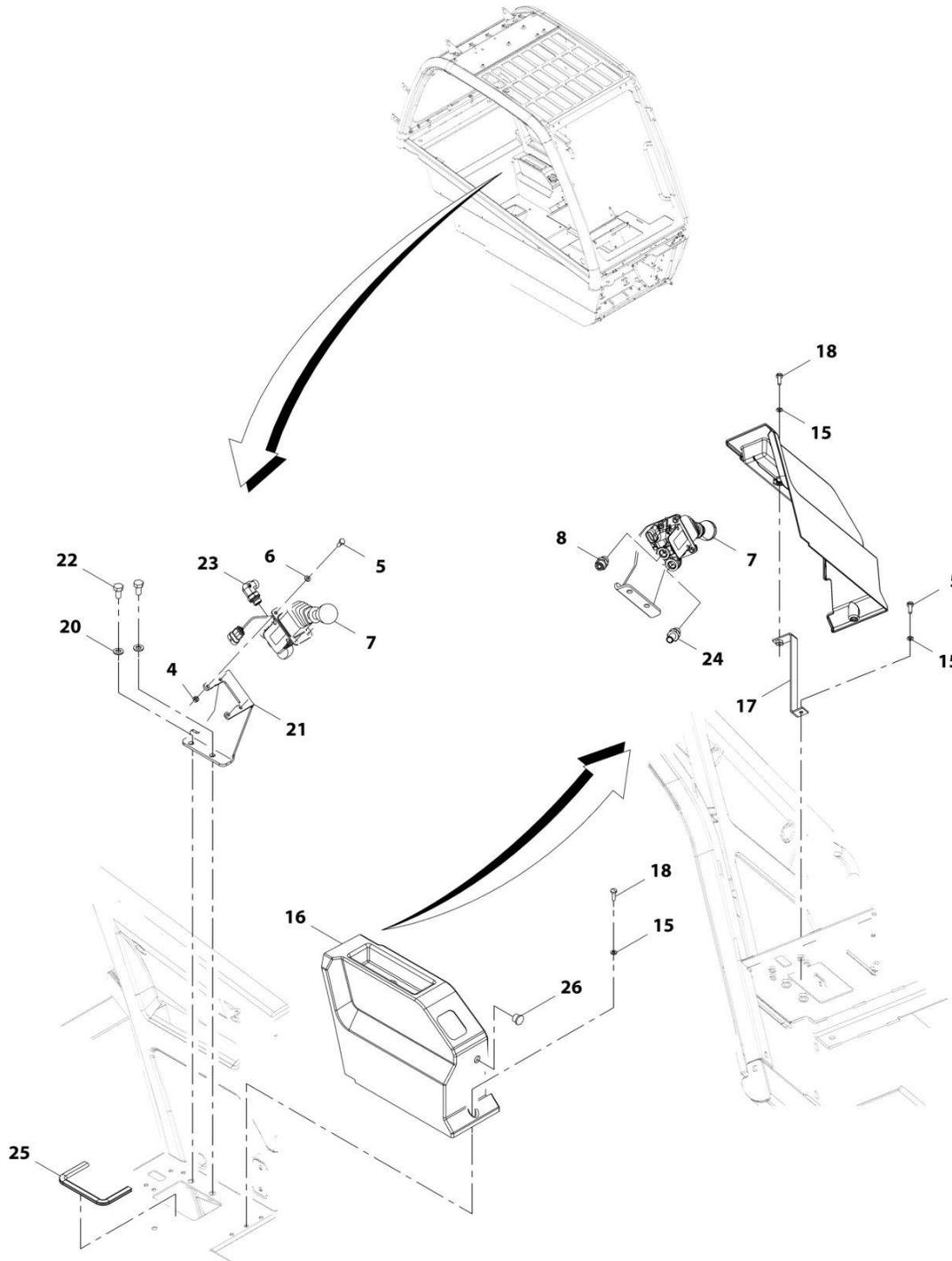
SECTION 7 - CONTROLS

FIGURE 7-6. SWITCH PLATE ASSEMBLY

ITEM	PART NUMBER	QTY	DESCRIPTION	REV
	1001201501	Ref	Switch Plate Assembly	A
1	0700408	2	Bolt, M4X16	
2	4360658	1	Sensor, Brake	
3	4811400	2	Washer, M4	
4	1001201500	1	Plate	

SECTION 7 - CONTROLS

FIGURE 7-7. PARK BRAKE INSTALLATION



ART_1001162062-M

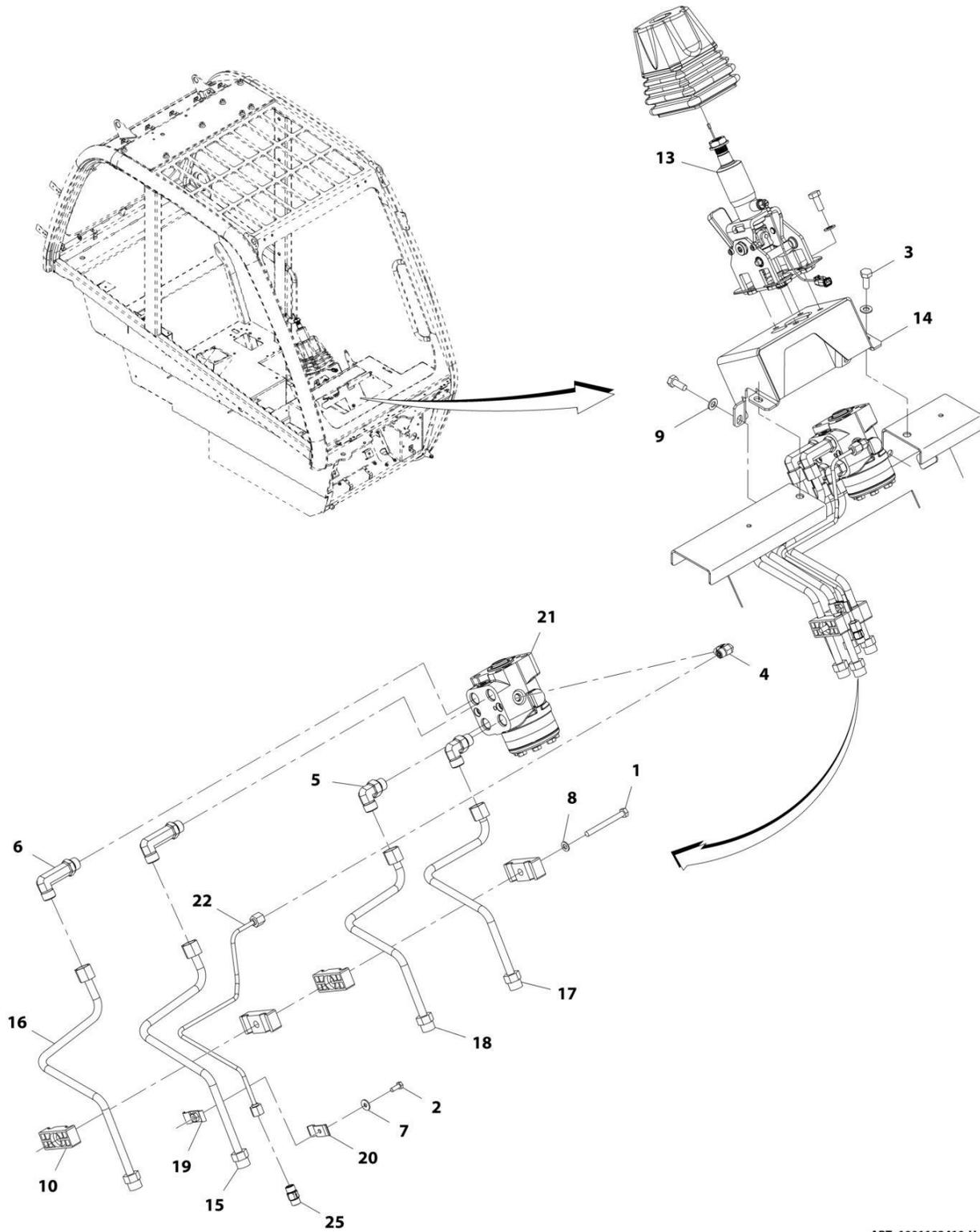
SECTION 7 - CONTROLS

FIGURE 7-7. PARK BRAKE INSTALLATION

ITEM	PART NUMBER	QTY	DESCRIPTION	REV
	1001162062	Ref	Park Brake Installation	M
4	3290601	4	Nut, M6X1	
5	0760608	5	Bolt, M6X16	
6	4831700	4	Washer, Lock M6	
7	1001207956	1	Hydraulic Hand Brake	
7	70020922	1	Kit, Seal	
8	1001101702	1	Fitting, Straight ORFS	
15	4811700	3	Washer, M6	
16	1001193474	1	Panel	
17	1001195254	1	Bracket	
18	4010610002	2	Screw, M6X20	
20	4812000	2	Washer, M10	
21	1001191915	1	Bracket	
22	0761010	2	Bolt, M10X20	
23	1001125222	1	Fitting, 90 ORFS	
24	1001206744	1	Fitting, Grease	
25	1001208037	1	Seal	
26	3520028	1	Plug	

SECTION 7 - CONTROLS

FIGURE 7-8. TILT STEERING COLUMN INSTALLATION



ART_1001192410-H

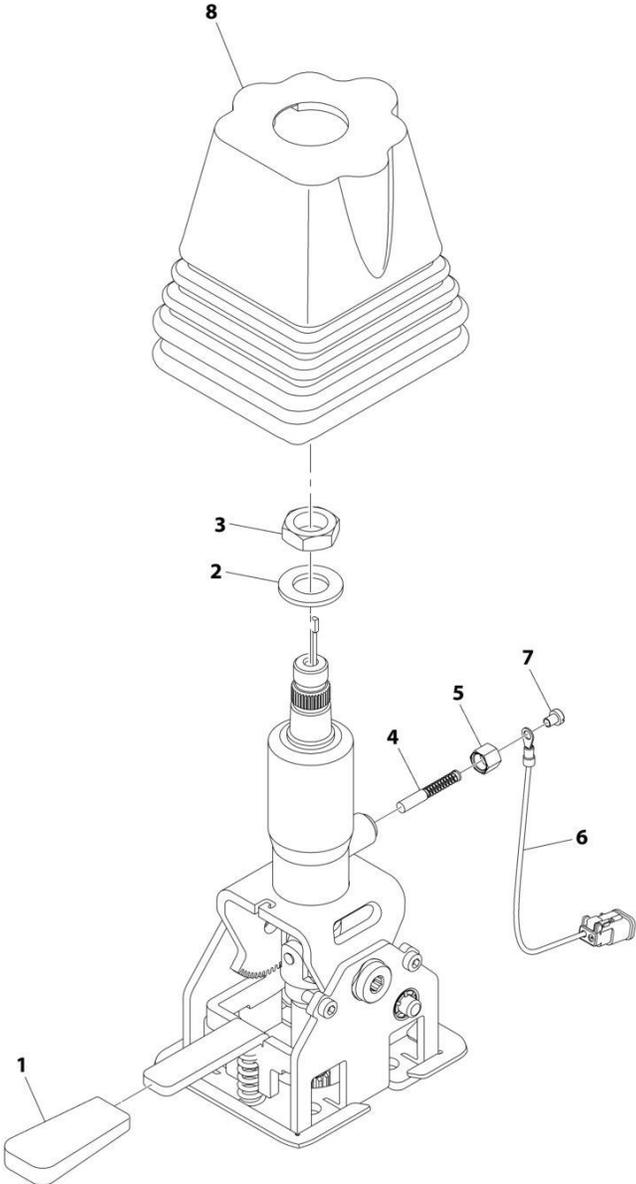
SECTION 7 - CONTROLS

FIGURE 7-8. TILT STEERING COLUMN INSTALLATION

ITEM	PART NUMBER	QTY	DESCRIPTION	REV
	1001192410	Ref	Tilt Steering Column Installation	H
1	0700824	1	Bolt M8 x 80	
2	0760608	1	Bolt M6 x 16	
3	0761012	8	Bolt M10 x 25	
4	2130404	1	Fitting, 90 ORFS	
5	2130808	2	Fitting, 90 ORFS	
6	2170208	2	Fitting, 90 ORFS	
7	4811702	1	Washer M6	
8	4811900	1	Washer M8	
9	4812000	8	Washer M10	
10	1001004640	4	Clamp	
13	1001155276	1	Column, Tilt Steering (See Separate Breakdown in this Section)	
14	1001156265	1	Bracket, Support	
15	1001161672	1	Pipe	
16	1001161896	1	Pipe	
17	1001161897	1	Pipe	
18	1001161898	1	Pipe	
19	1001168142	1	Bracket	
20	1001168151	1	Bracket	
21	1001178670	1	Valve, Steer (See Separate Breakdown in HYDRAULICS COMPONENTS Section)	
22	1001194282	1	Pipe	
25	1001227945	1	Valve, Check	

SECTION 7 - CONTROLS

FIGURE 7-9. TILT STEERING COLUMN



ART_1001155276

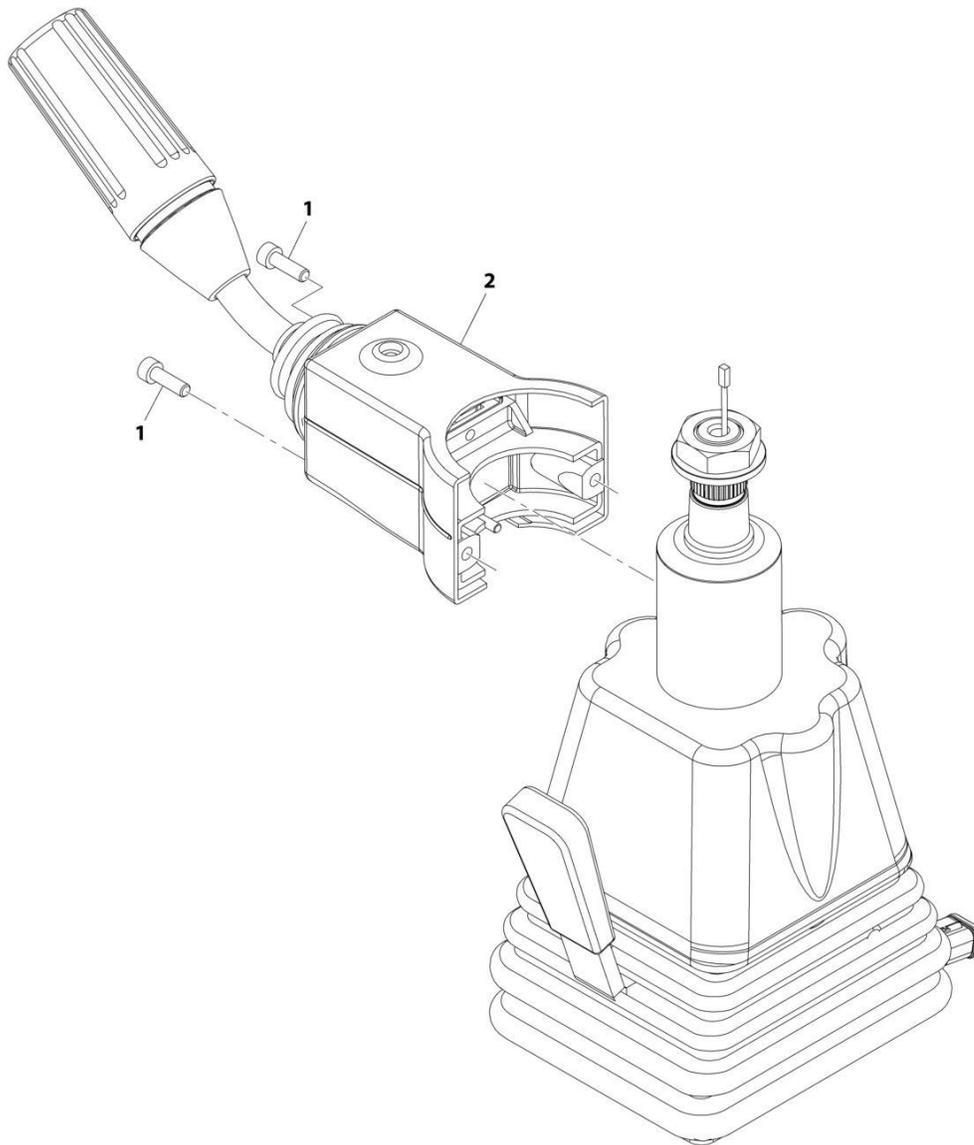
SECTION 7 - CONTROLS

FIGURE 7-9. TILT STEERING COLUMN

ITEM	PART NUMBER	QTY	DESCRIPTION	REV
	1001155276	Ref	Tilt Steering Column	G
1	70026366	1	Knob	
2	70026364	1	Washer	
3	70026363	1	Nut	
4	70026362	1	Contact, Sliding	
5	70026361	1	Cap, Brass	
6	70026367	1	Cable	
7	70026365	1	Screw, Cap	
8	1001184504	1	Boot	

SECTION 7 - CONTROLS

FIGURE 7-10. COLUMN SHIFT INSTALLATION (2 SPEED)



ART_1001220507-A

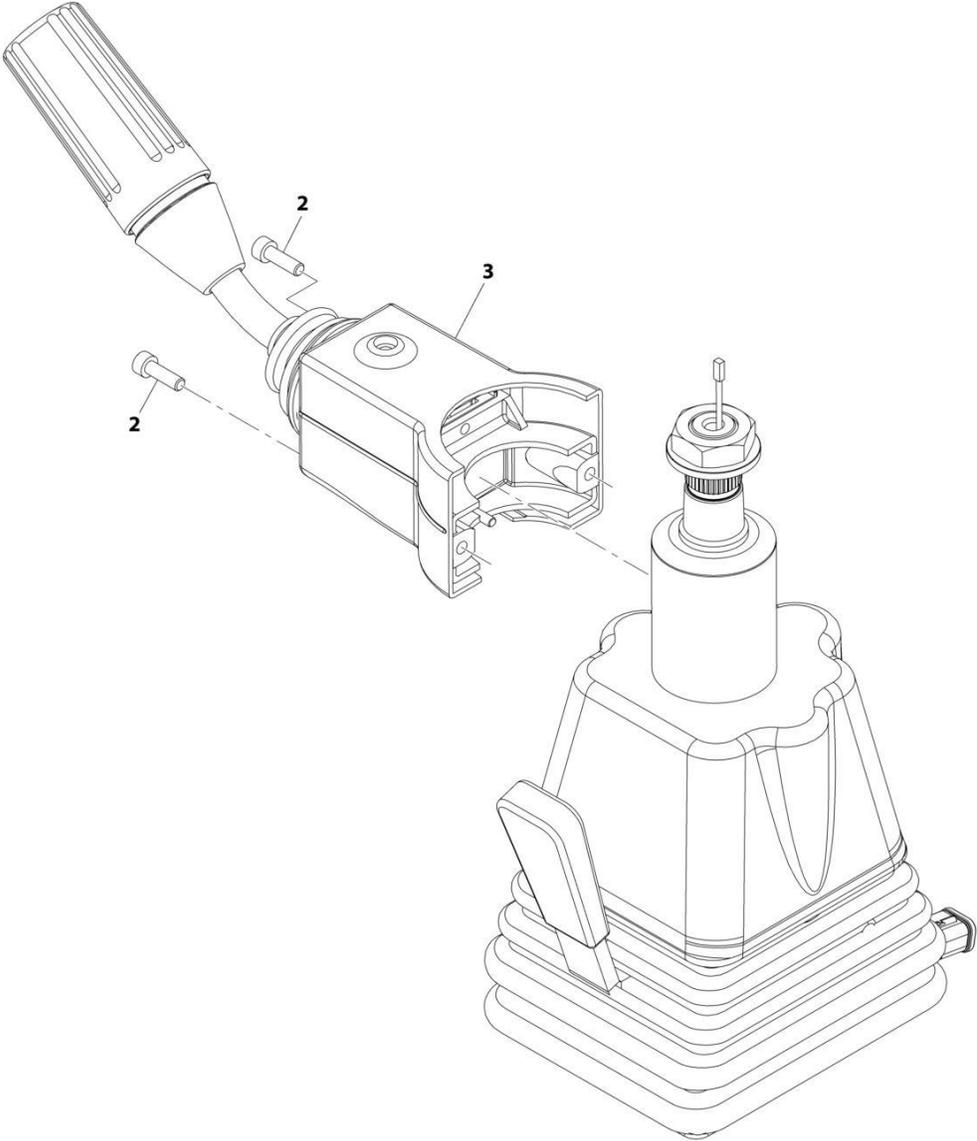
SECTION 7 - CONTROLS

FIGURE 7-10. COLUMN SHIFT INSTALLATION (2 SPEED)

ITEM	PART NUMBER	QTY	DESCRIPTION	REV
	1001220507	Ref	Column Shift Installation (2 Speed)	A
1	4031607	2	Bolt, M5-0.8X16	
2	1001197667	1	Lever, FNR (2 Speed)	

SECTION 7 - CONTROLS

FIGURE 7-11. COLUMN SHIFT INSTALLATION (0 SPEED)



ART_1001179931-C

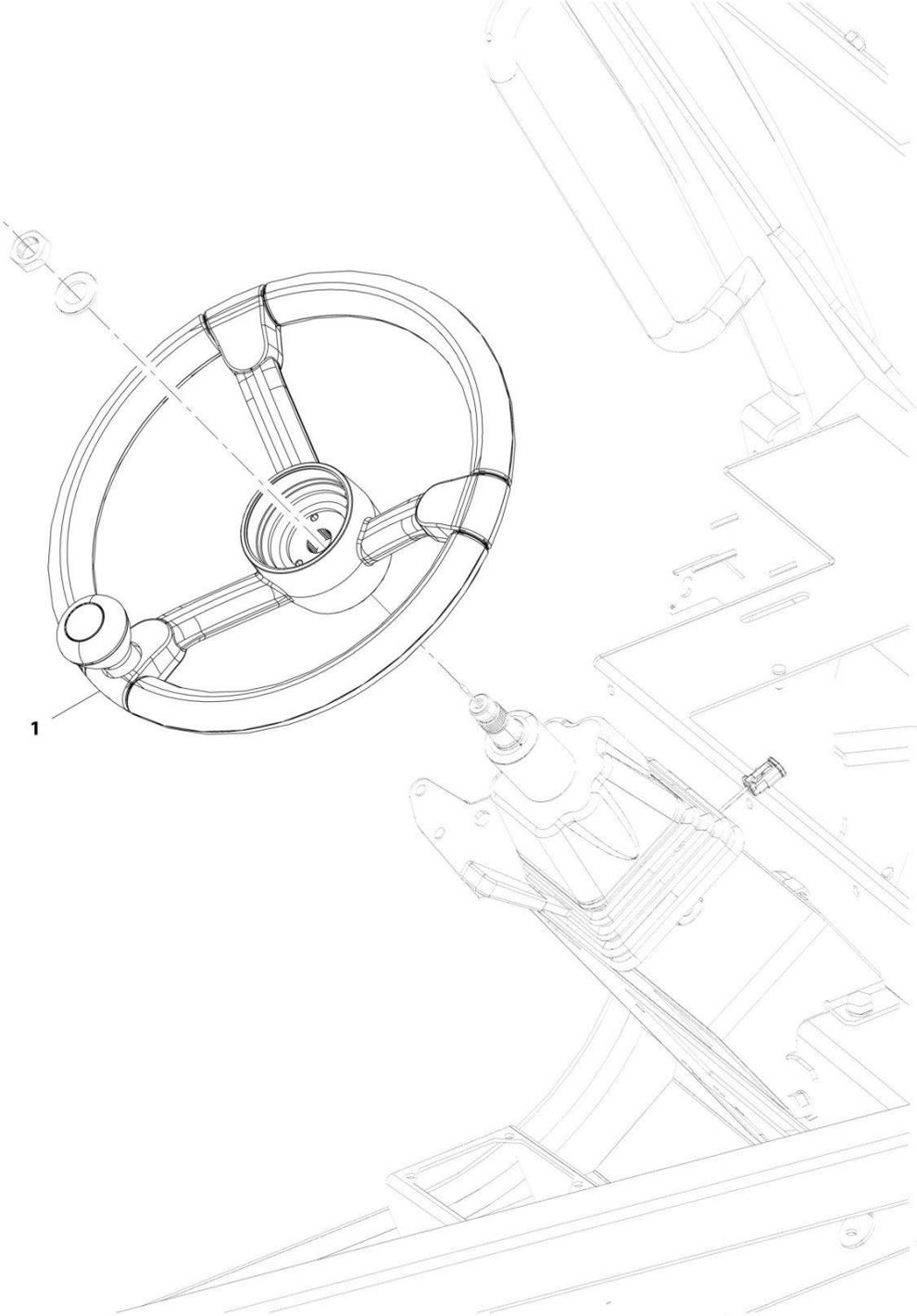
SECTION 7 - CONTROLS

FIGURE 7-11. COLUMN SHIFT INSTALLATION (0 SPEED)

ITEM	PART NUMBER	QTY	DESCRIPTION	REV
	1001179931	Ref	Column Shift Installation (0 Speed)	C
2	4031607	2	Bolt, M5-0.8X16	
3	1001163697	1	Lever, FNR (0 Speed)	

SECTION 7 - CONTROLS

FIGURE 7-12. STEERING WHEEL INSTALLATION



ART_1001169751-C

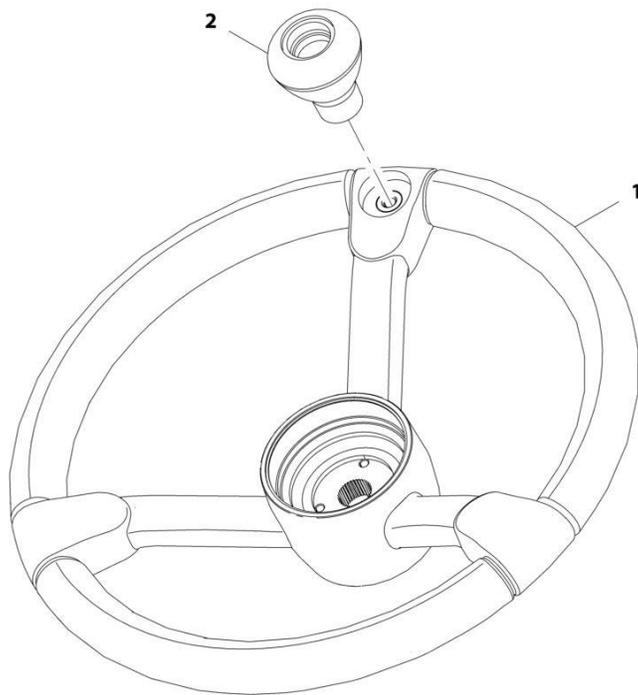
SECTION 7 - CONTROLS

FIGURE 7-12. STEERING WHEEL INSTALLATION

ITEM	PART NUMBER	QTY	DESCRIPTION	REV
1	1001169751 1001169354	Ref 1	Steering Wheel Installation Wheel, Steering (See Separate Breakdown in this Section)	C

SECTION 7 - CONTROLS

FIGURE 7-13. STEERING WHEEL



ART_1001169354-D

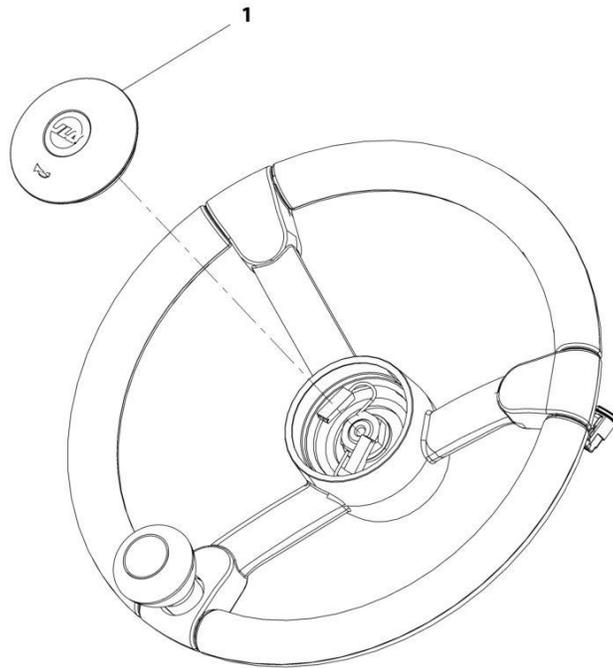
SECTION 7 - CONTROLS

FIGURE 7-13. STEERING WHEEL

ITEM	PART NUMBER	QTY	DESCRIPTION	REV
	1001169354	Ref	Steering Wheel	D
1	1001169367	1	Wheel, Steering	
2	1001169355	1	Handle, Steer Spinner	

SECTION 7 - CONTROLS

FIGURE 7-14. HORN BUTTON INSTALLATION



ART_1001169763-A

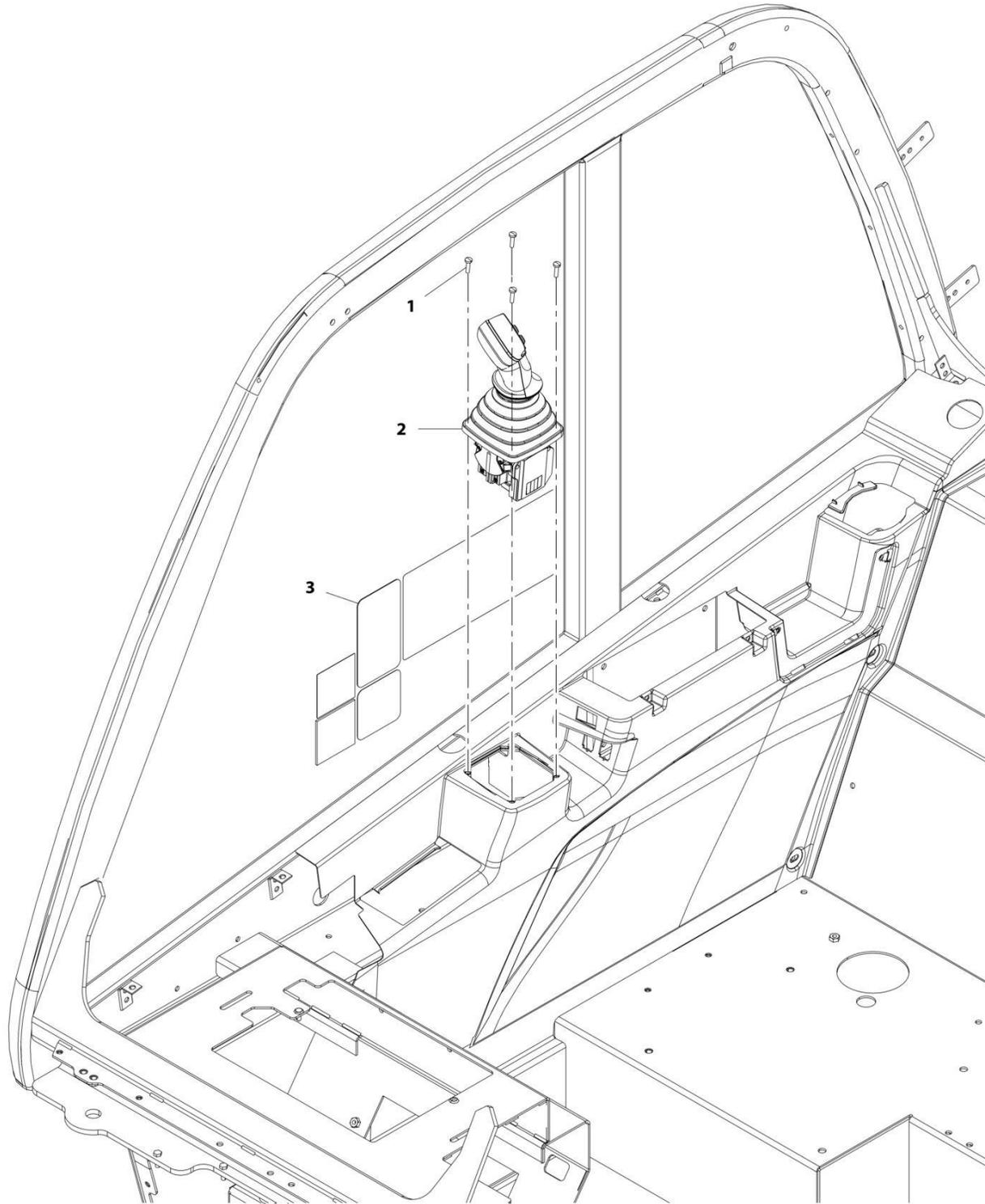
SECTION 7 - CONTROLS

FIGURE 7-14. HORN BUTTON INSTALLATION

ITEM	PART NUMBER	QTY	DESCRIPTION	REV
1	1001169763 1001169268	Ref 1	Horn Button Installation Button, Horn	A

SECTION 7 - CONTROLS

FIGURE 7-15. JOYSTICK INSTALLATION (2 SPEED)



ART_1001216757-B

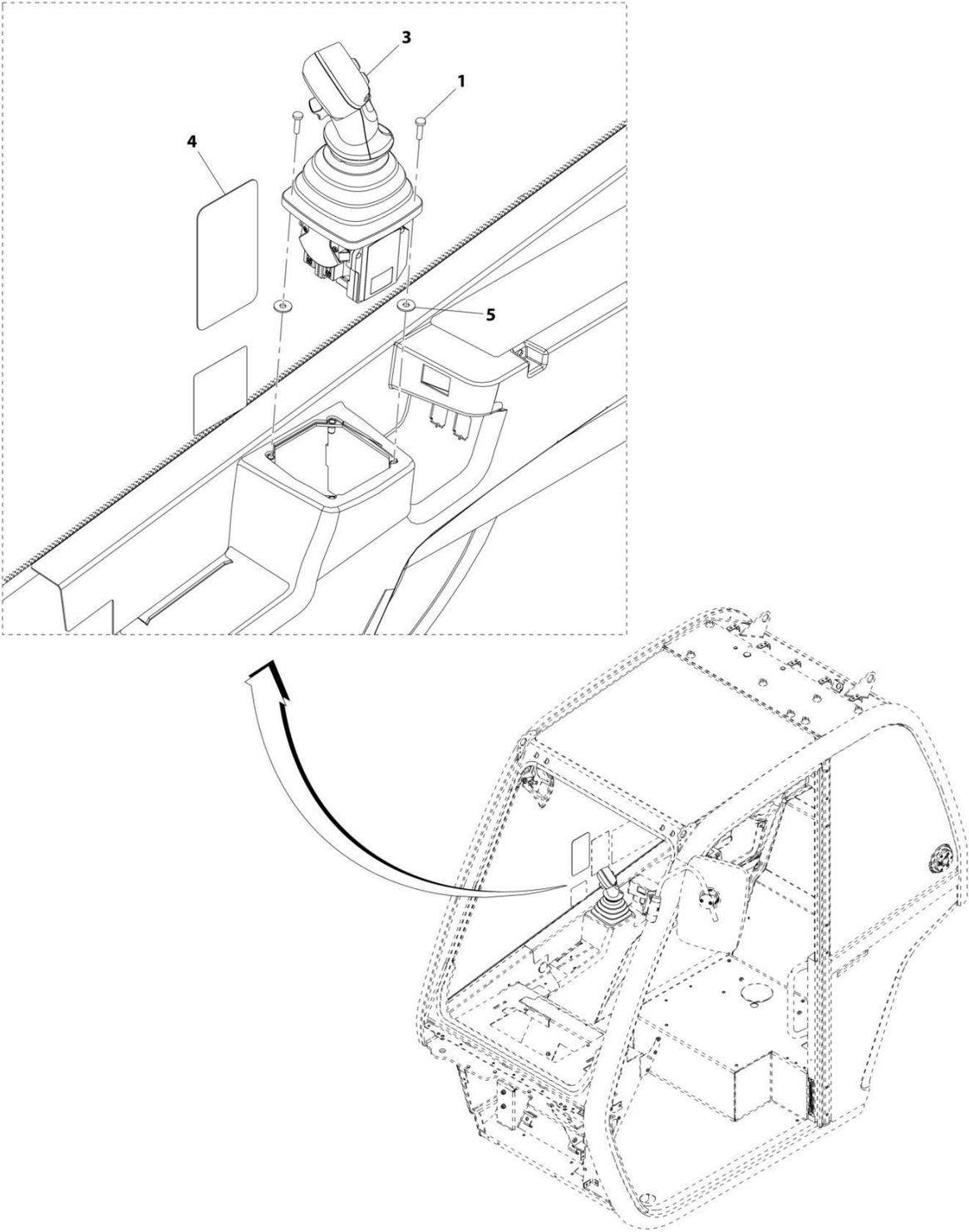
SECTION 7 - CONTROLS

FIGURE 7-15. JOYSTICK INSTALLATION (2 SPEED)

ITEM	PART NUMBER	QTY	DESCRIPTION	REV
	1001216757	Ref	Joystick Installation (2 Speed)	C
1	4010510	4	Screw, M5X20	
2	1001222606	1	Joystick, 2R2B	
3	1001216803	1	Decal	

SECTION 7 - CONTROLS

FIGURE 7-16. JOYSTICK INSTALLATION (0 SPEED)



ART_1001167004-G

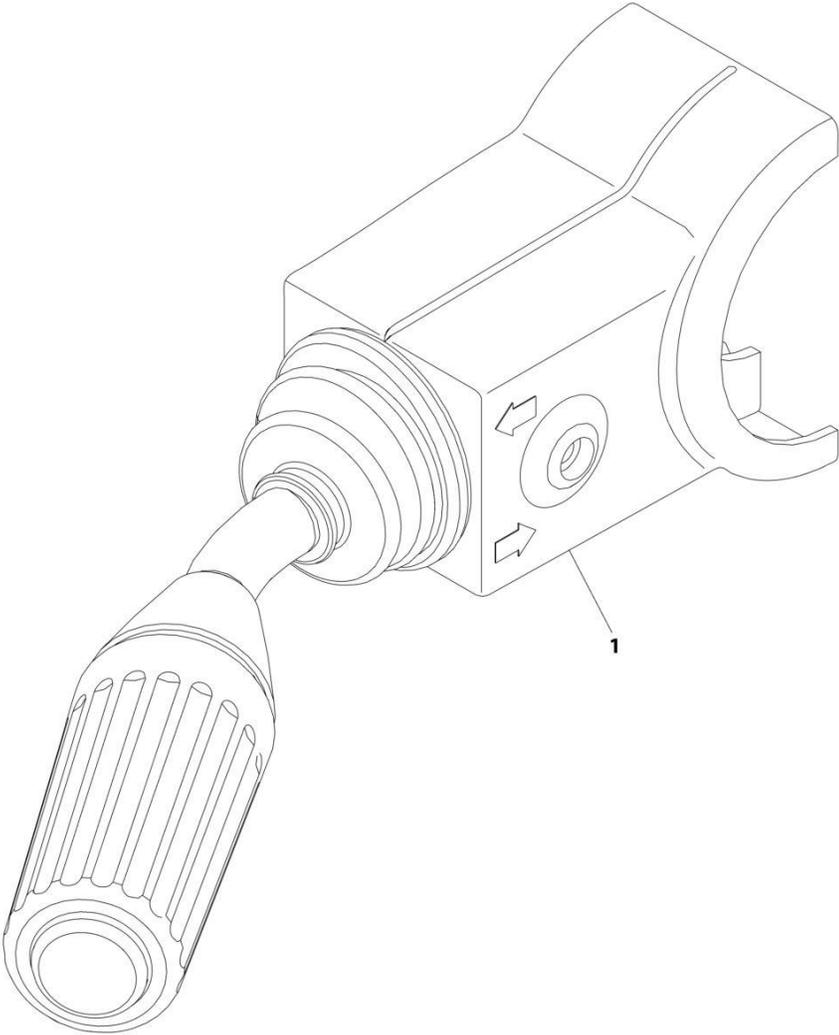
SECTION 7 - CONTROLS

FIGURE 7-16. JOYSTICK INSTALLATION (0 SPEED)

ITEM	PART NUMBER	QTY	DESCRIPTION	REV
	1001167004	Ref	Joystick Installation	H
1	4010510	4	Screw, M5X20	
3	1001222603	1	Joystick	
4	1001236404	NLA	Decal, Joystick (no longer available, use 1001241950 for replacement)	
4	1001241950	1	Decal, Joystick	
5	4811702001	AR	Washer, M6	

SECTION 7 - CONTROLS

FIGURE 7-17. WIPER-TURN SWITCH



ART_1001163695

SECTION 7 - CONTROLS

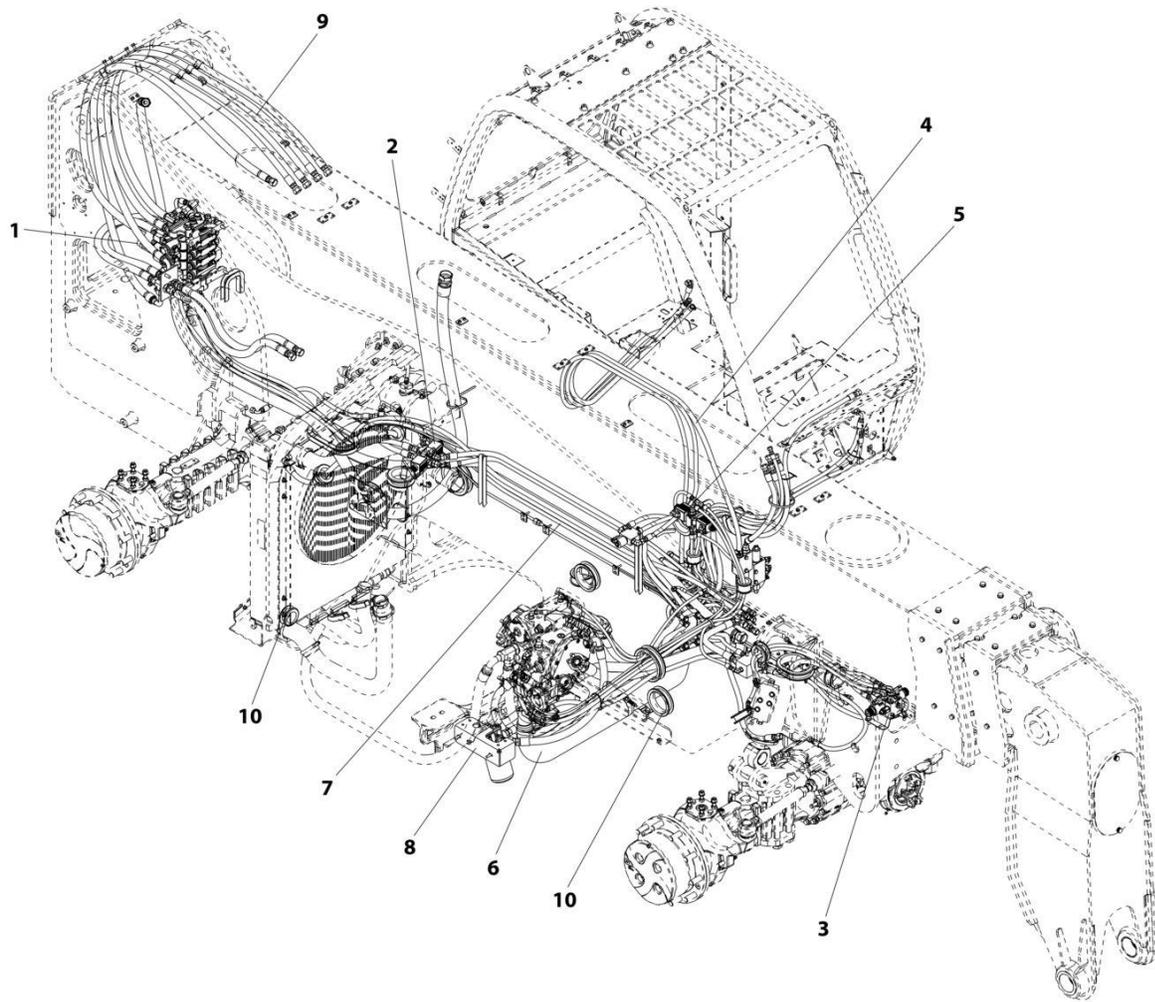
FIGURE 7-17. WIPER-TURN SWITCH

ITEM	PART NUMBER	QTY	DESCRIPTION	REV
1	1001163695	1	Wiper-Turn Switch	B

SECTION 8 - HYDRAULIC CIRCUITS

SECTION 8 - HYDRAULIC CIRCUITS

FIGURE 8-1. MAIN HYDRAULIC INSTALLATION



ART_1001202645-D

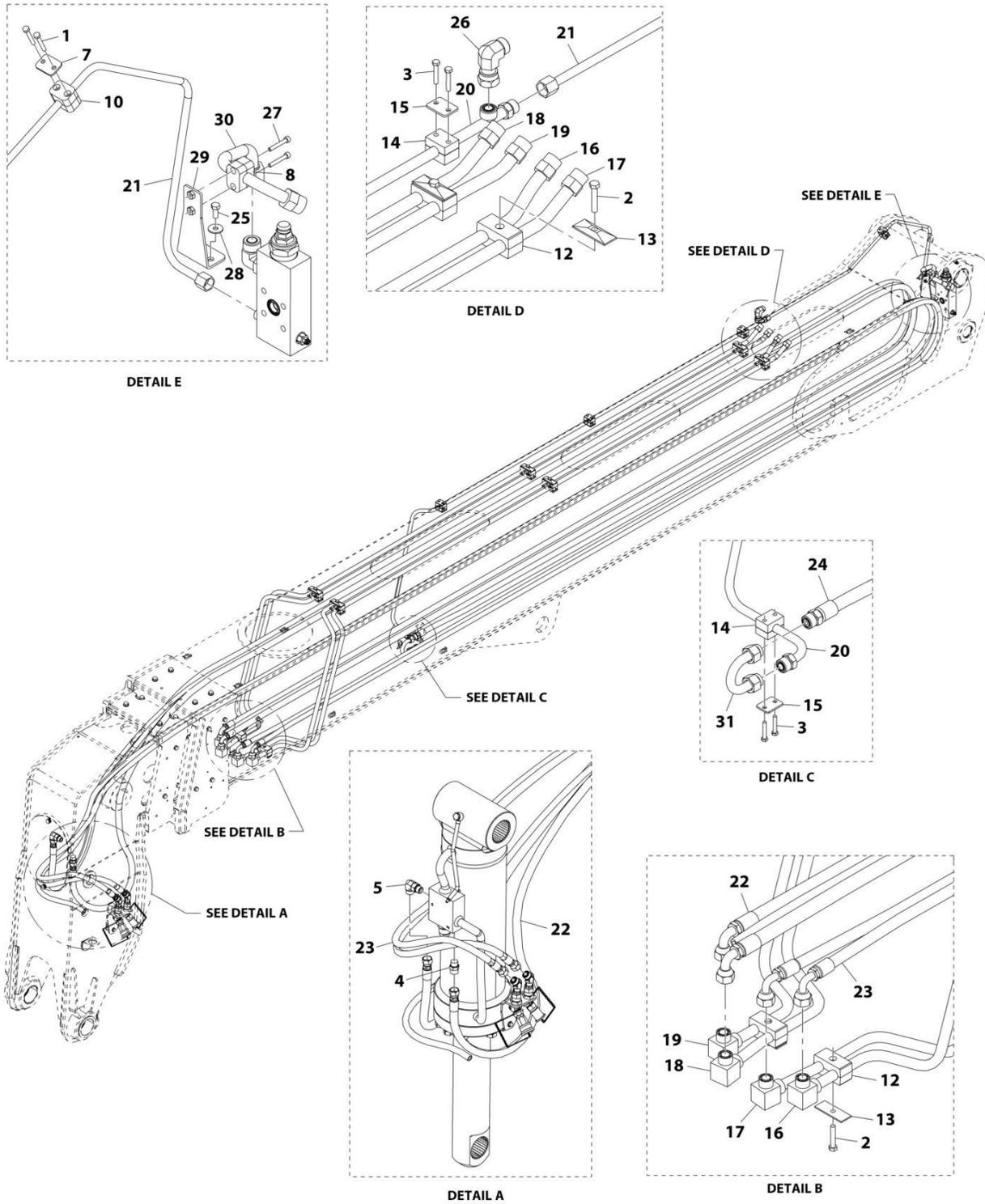
SECTION 8 - HYDRAULIC CIRCUITS

FIGURE 8-1. MAIN HYDRAULIC INSTALLATION

ITEM	PART NUMBER	QTY	DESCRIPTION	REV
1	1001202645	Ref	Main Hydraulic Installation	D
	1001220457	Ref	Installation, Main Control Valve (See Separate Breakdown in this Section)	
2	1001193516	Ref	Installation, Steering Select Valve (See Separate Breakdown in this Section)	
3	1001193517	Ref	Installation, Frame Level Valve (See Separate Breakdown in this Section)	
4	1001193709	Ref	Installation, Cab Hydraulics (See Separate Breakdown in this Section)	
5	1001197196	Ref	Installation, Speed Control Valve (See Separate Breakdown in this Section)	
6	1001202024	Ref	Installation, Engine Bay Hydraulic (See Separate Breakdown in this Section)	
7	1001202025	Ref	Installation, Frame Hydraulics (See Separate Breakdown in this Section)	
8	1001202026	Ref	Installation, Charge Filter Lines (See Separate Breakdown in this Section)	
9	1001210522	Ref	Installation, Boom Lines (See Separate Breakdown in this Section)	
10	1001213026	Ref	Installation, Grommets (See Separate Breakdown in Frame and Attaching Parts Section)	

SECTION 8 - HYDRAULIC CIRCUITS

FIGURE 8-2. BOOM HYDRAULIC INSTALLATION



ART_1001205375-F

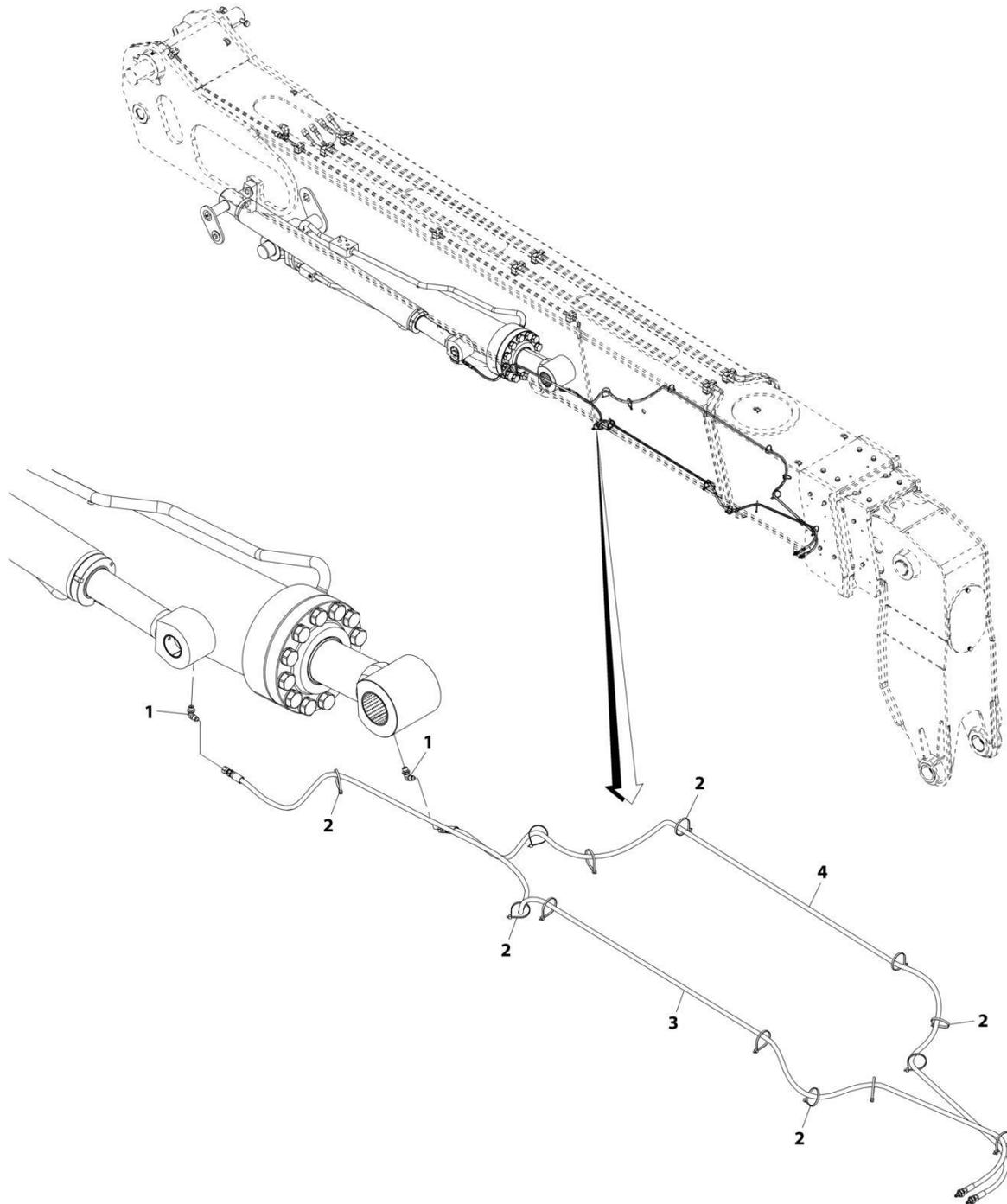
SECTION 8 - HYDRAULIC CIRCUITS

FIGURE 8-2. BOOM HYDRAULIC INSTALLATION

ITEM	PART NUMBER	QTY	DESCRIPTION	REV
	1001205375	Ref	Boom Hydraulic Installation	F
1	0700616	2	Bolt, M6X40	
2	0700817	8	Bolt, M8X45	
3	0760615	8	Bolt, M6X35	
4	2111010	1	Fitting, Straight ORFS	
5	2131010	1	Fitting, 90 ORFS	
7	8769146	1	Plate, Cover	
8	8769152	1	Clamp	
10	8769199	1	Clamp	
12	77133136	8	Clamp	
13	77133137	8	Plate, Cover	
14	77133497	4	Clamp	
15	1001105093	4	Plate, Cover	
16	1001209201	1	Pipe	
17	1001209200	1	Pipe	
18	1001209202	1	Pipe	
19	1001209203	1	Pipe	
20	1001205380	1	Pipe	
21	1001205381	1	Tube	
22	1001210568	1	Hose	
23	1001210569	1	Hose	
24	1001229422	1	Hose	
25	0760810	2	Bolt, M8X20	
26	2172110	1	Fitting, 90 ORFS	
27	4031712	2	Bolt, M6X40	
28	4811902	2	Washer, M8	
29	1001209972	1	Bracket	
30	1001210270	1	Tube	
31	1001220942	1	Pipe	

SECTION 8 - HYDRAULIC CIRCUITS

FIGURE 8-3. REMOTE GREASE INSTALLATION



ART_1001217353-B

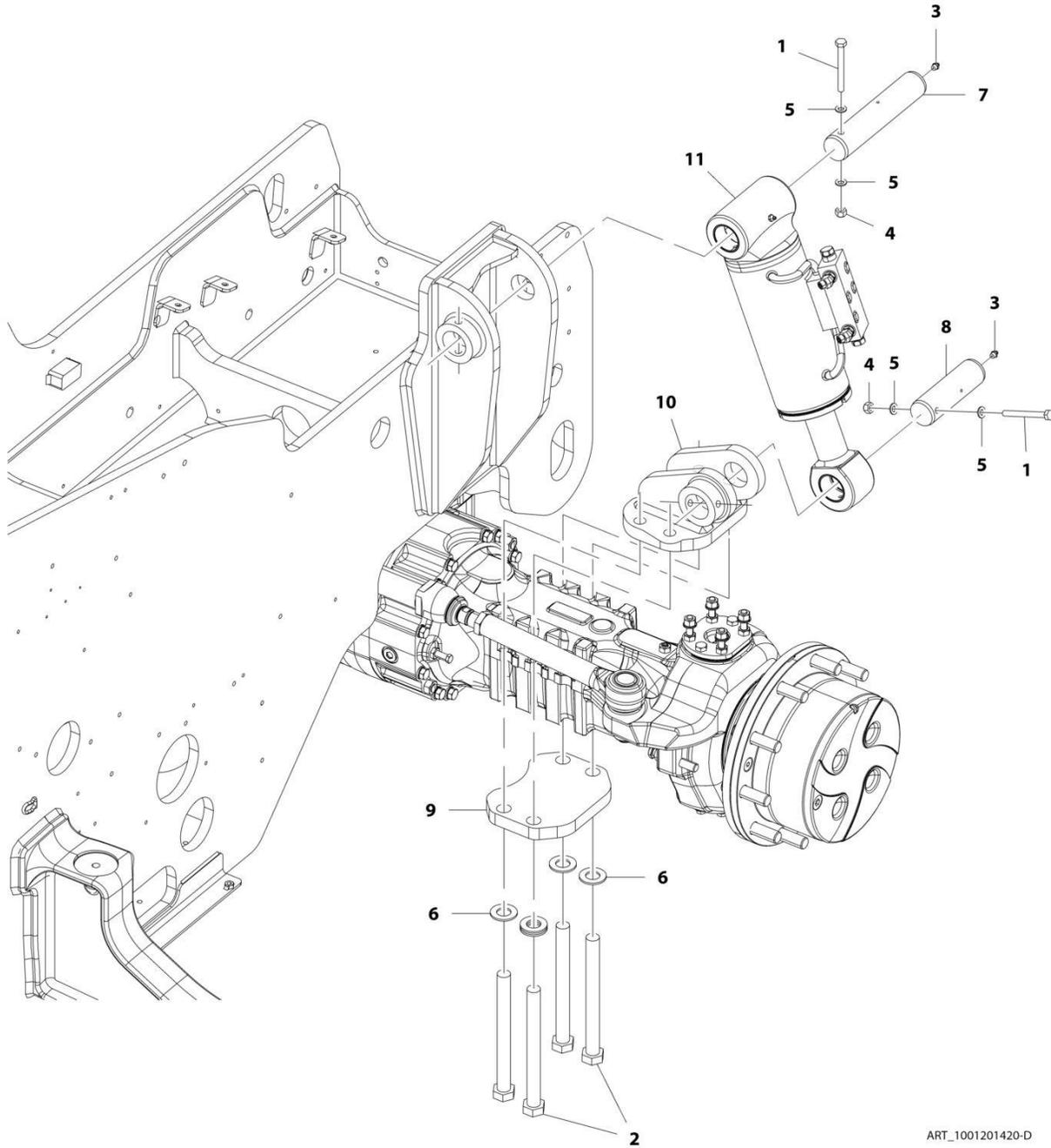
SECTION 8 - HYDRAULIC CIRCUITS

FIGURE 8-3. REMOTE GREASE INSTALLATION

ITEM	PART NUMBER	QTY	DESCRIPTION	REV
	1001217353	Ref	Remote Grease Installation	B
1	8770215	2	Fitting, 90 ORFS	
2	1001008559	13	Strap, Cable	
3	1001217355	1	Hose	
4	1001217354	1	Hose	

SECTION 8 - HYDRAULIC CIRCUITS

FIGURE 8-4. FRAME LEVEL INSTALLATION



ART_1001201420-D

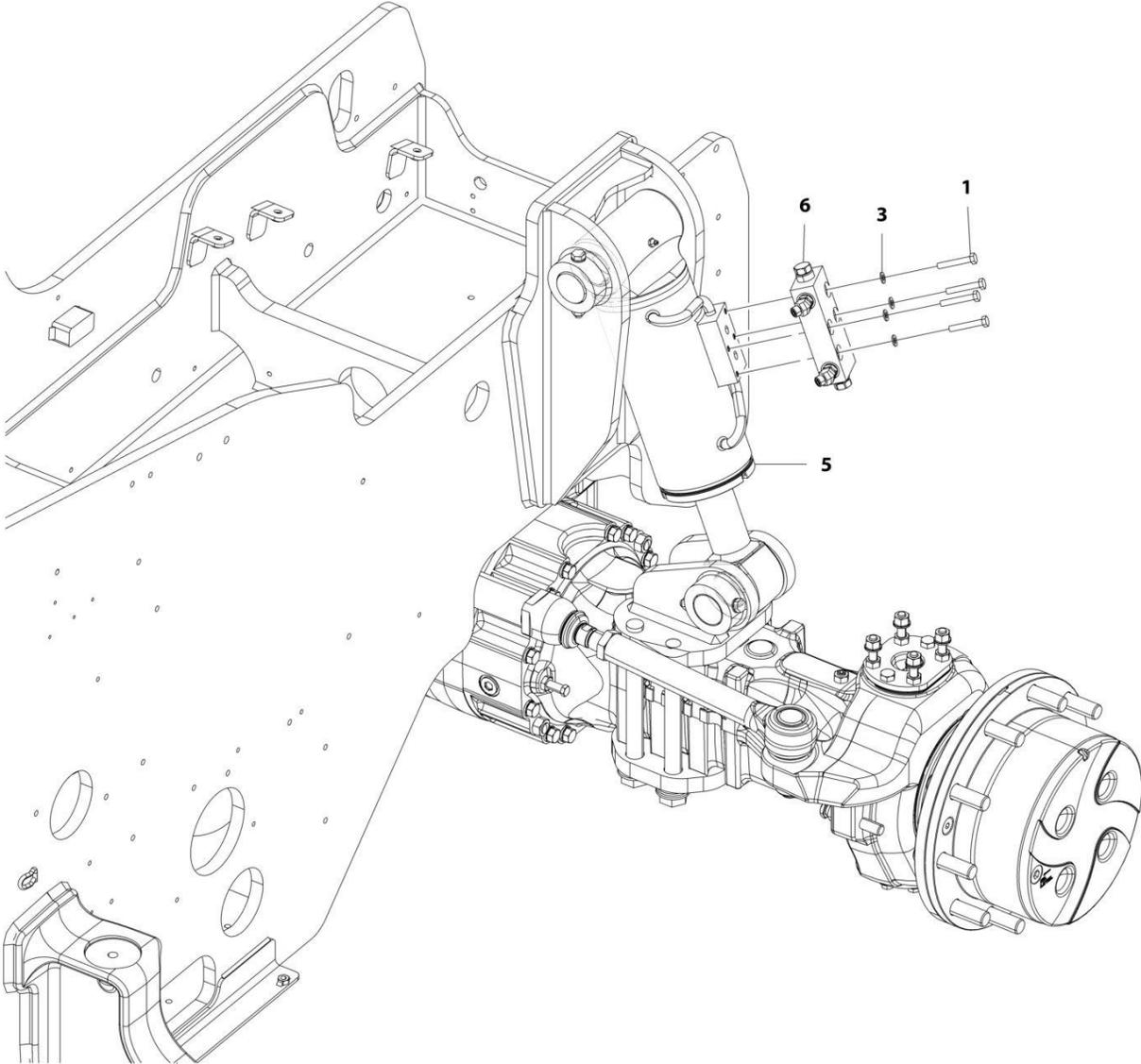
SECTION 8 - HYDRAULIC CIRCUITS

FIGURE 8-4. FRAME LEVEL INSTALLATION

ITEM	PART NUMBER	QTY	DESCRIPTION	REV
	1001201420	Ref	Frame Level Installation	D
1	0701027	2	Bolt, M10X100	
2	0712442	4	Bolt, M24X250 Grade 10.9	
3	2160016	2	Fitting, Grease	
4	3291005	2	Nut, Lock M0X1.5 Grade 8	
5	4812000	4	Washer, M10	
6	5242400	6	Washer, M24	
7	1001164971	1	Pin	
8	1001164972	1	Pin	
9	1001207325	1	Plate, Sway Bottom	
10	1001200226	1	Bracket, Axle Sway	
11	1001201074	Ref	Installation, Frame Level Cylinder (See Separate Breakdown in this Section)	

SECTION 8 - HYDRAULIC CIRCUITS

FIGURE 8-5. FRAME LEVEL CYLINDER INSTALLATION



ART_1001201074-B

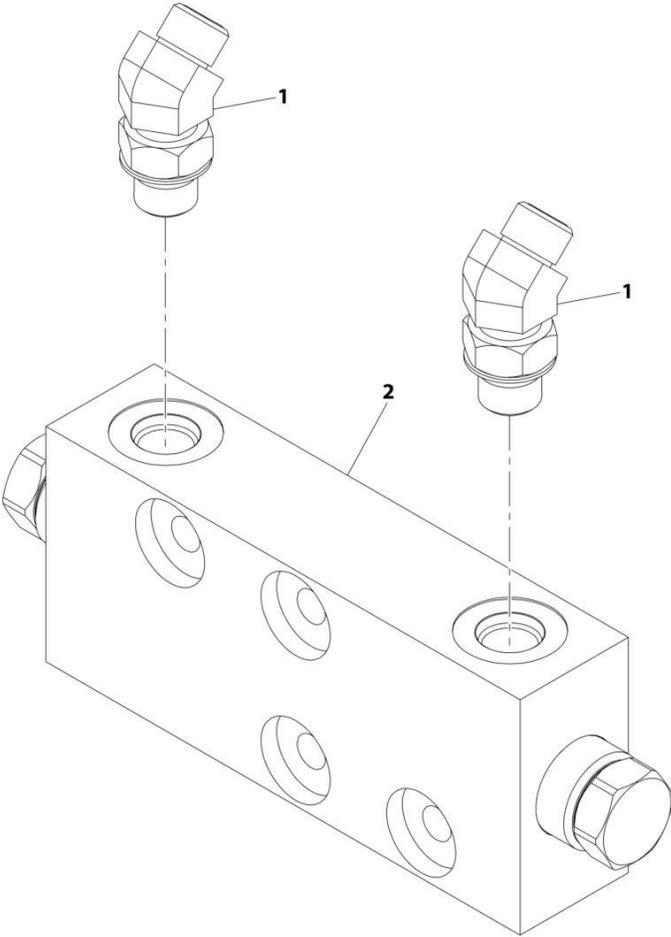
SECTION 8 - HYDRAULIC CIRCUITS

FIGURE 8-5. FRAME LEVEL CYLINDER INSTALLATION

ITEM	PART NUMBER	QTY	DESCRIPTION	REV
	1001201074	Ref	Frame Level Cylinder Installation	B
1	0700818	4	Bolt, M8X50	
3	4811900	4	Washer, M8	
5	1001201073	1	Cylinder, Frame Level (See Separate Breakdown in HYDRAULIC COMPONENTS Section)	
6	1001217482	1	Assembly, Frame Level Valve (See Separate Breakdown in this Section)	

SECTION 8 - HYDRAULIC CIRCUITS

FIGURE 8-6. FRAME LEVEL VALVE ASSEMBLY



ART_1001217482-A

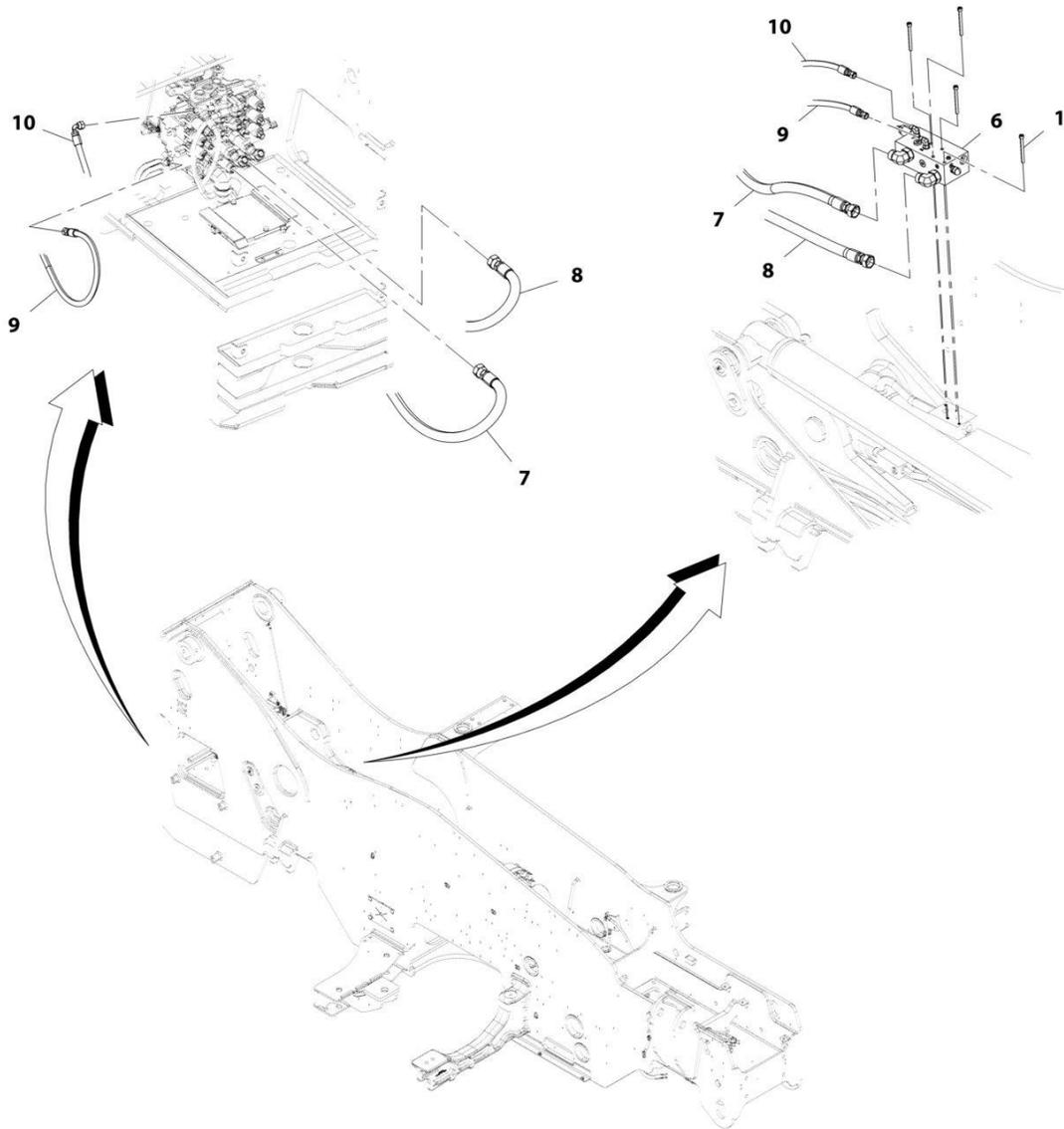
SECTION 8 - HYDRAULIC CIRCUITS

FIGURE 8-6. FRAME LEVEL VALVE ASSEMBLY

ITEM	PART NUMBER	QTY	DESCRIPTION	REV
	1001217482	Ref	Frame Level Valve Assembly	A
1	2150406	2	Fitting, 45 ORFS	
2	1001168599	1	Valve, Counterbalance (See Separate Breakdown in the HYDRAULIC COMPONENTS Section)	

SECTION 8 - HYDRAULIC CIRCUITS

FIGURE 8-7. BOOM RAISE HOSE INSTALLATION (NO RIDE CONTROL)



ART_1001194702-F

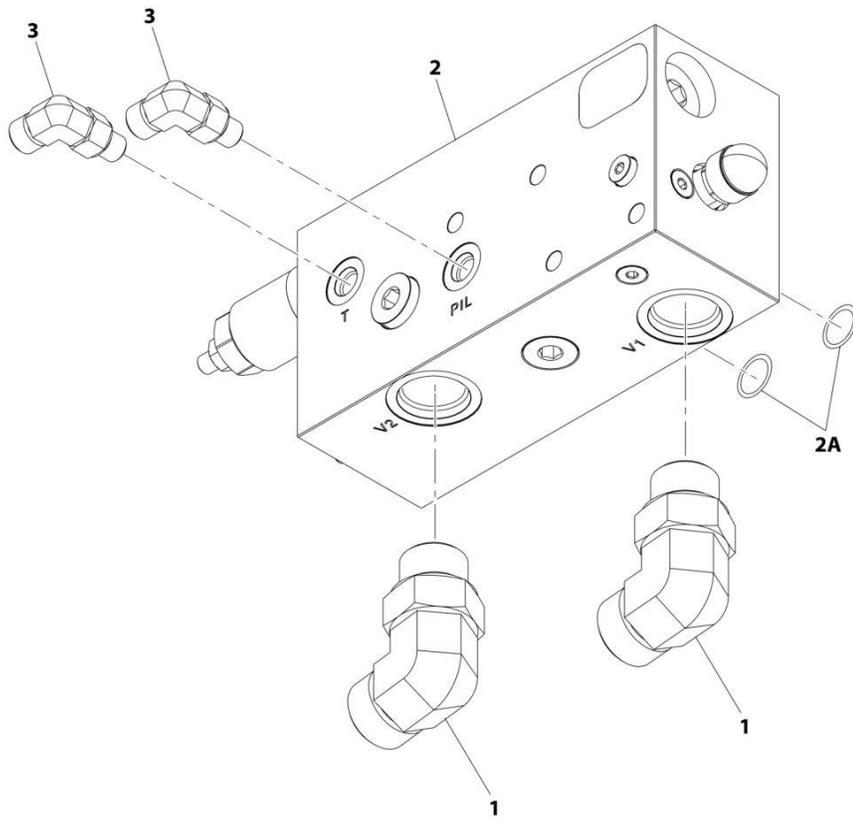
SECTION 8 - HYDRAULIC CIRCUITS

FIGURE 8-7. BOOM RAISE HOSE INSTALLATION (NO RIDE CONTROL)

ITEM	PART NUMBER	QTY	DESCRIPTION	REV
	1001194702	Ref	Boom Raise Hose Installation (no Ride Control)	F
1	4031921	4	Bolt, M8X85	
6	1001219764	1	Valve, Boom Raise Counterbalance (no Ride Control) (See Separate Breakdown in this Section)	
7	1001225392	1	Hose, ORFS	
8	1001225393	1	Hose, ORFS	
9	1001226828	1	Hose, ORFS	
10	1001226829	1	Hose, ORFS	

SECTION 8 - HYDRAULIC CIRCUITS

FIGURE 8-8. BOOM RAISE COUNTERBALANCE VALVE (NO RIDE CONTROL)



ART_1001219764-C

SECTION 8 - HYDRAULIC CIRCUITS

FIGURE 8-8. BOOM RAISE COUNTERBALANCE VALVE (NO RIDE CONTROL)

ITEM	PART NUMBER	QTY	DESCRIPTION	REV
	1001219764	Ref	Boom Raise Counterbalance Valve (no Ride Control)	C
1	2131212	2	Fitting, 90 ORFS	
2	1001224944	1	Valve, GLS	
2A	70028282	2	O-ring	
3	2130404	2	Fitting, 90 ORFS	

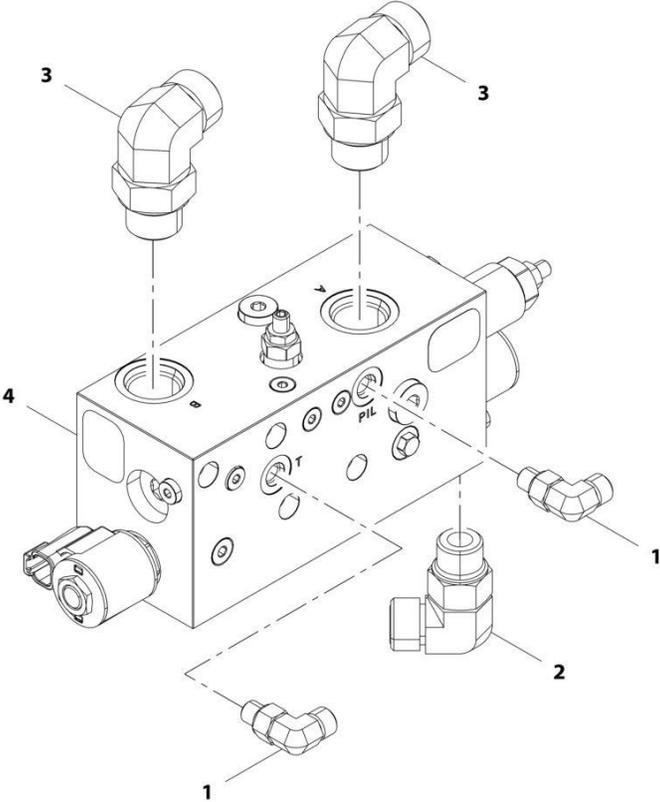
SECTION 8 - HYDRAULIC CIRCUITS

FIGURE 8-9. BOOM RAISE HOSE INSTALLATION (RIDE CONTROL)

ITEM	PART NUMBER	QTY	DESCRIPTION	REV
	1001192520	Ref	Boom Raise Hose Installation (Ride Control)	D
2	2131010	1	Fitting, 90 ORFS	
4	2170410	1	Fitting, Tee ORFS	
5	2172410	1	Fitting, Straight ORFS	
6	4031921	4	Bolt, M8X85	
8	1001214829	2	Clamp	
10	1001219765	1	Assembly, Ride and Float Valve (See Separate Breakdown in this Section)	
11	1001192771	1	Cylinder, Piston	
12	1001192772	1	Cylinder, Piston	
13	1001225390	1	Pipe	
14	1001196402	2	Bumper	
15	1001200105	1	Installation, Ride Control Wiring (See Separate Breakdown in ELECTRICAL Section)	
16	1001202020	1	Valve, MCV Tank Cartridge	
17	1001225393	1	Hose	
18	1001226829	2	Hose	
19	1001227440	1	Hose	

SECTION 8 - HYDRAULIC CIRCUITS

FIGURE 8-10. RIDE AND FLOAT VALVE ASSEMBLY



ART_1001219765-B

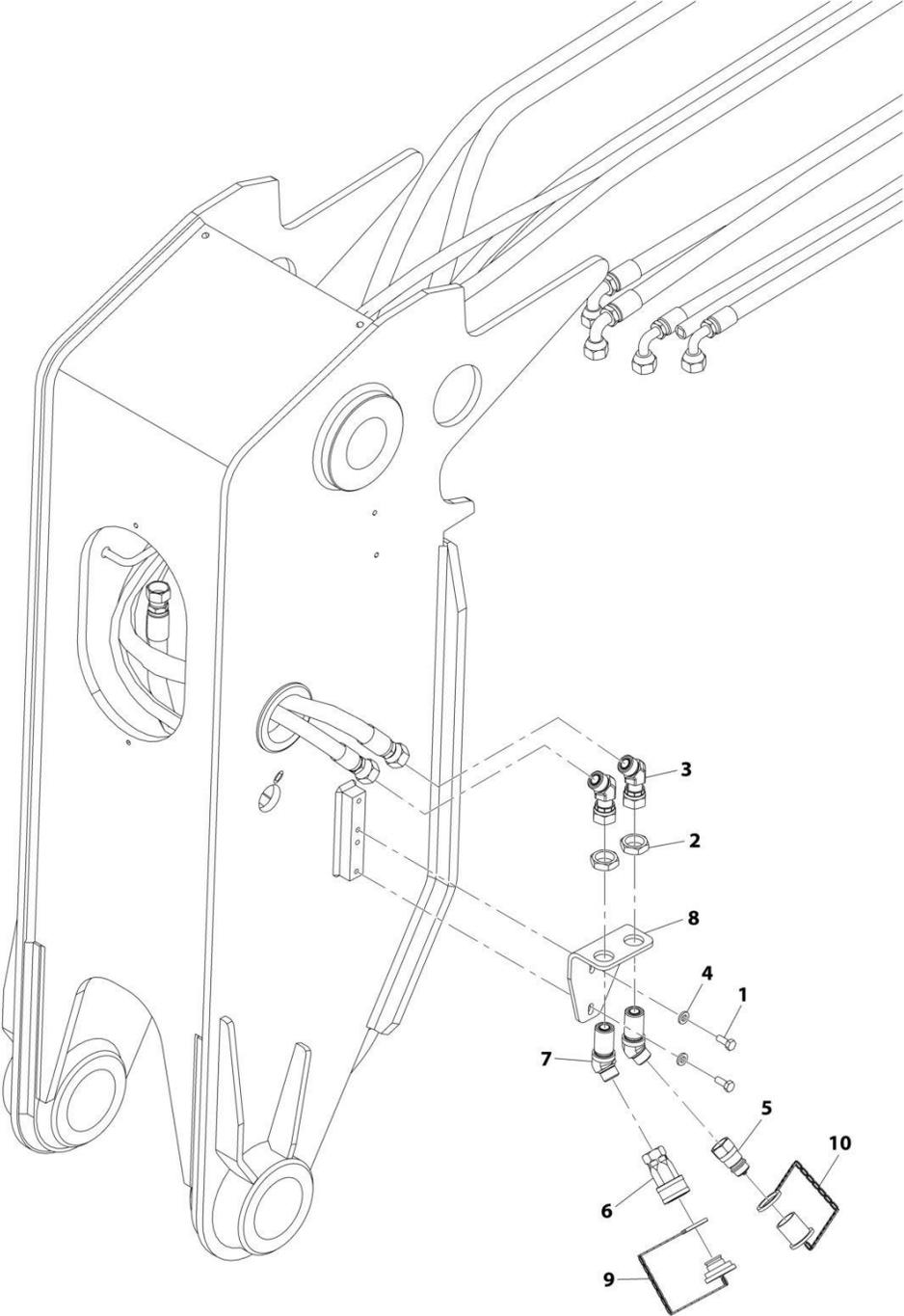
SECTION 8 - HYDRAULIC CIRCUITS

FIGURE 8-10. RIDE AND FLOAT VALVE ASSEMBLY

ITEM	PART NUMBER	QTY	DESCRIPTION	REV
	1001219765	Ref	Ride and Float Valve Assembly	B
1	2130404	2	Fitting, 90 ORFS	
2	2131010	1	Fitting, 90 ORFS	
3	2131212	2	Fitting, 90 ORFS	
4	1001224945	1	Valve, Boom Raise (See Separate Breakdown in HYDRAULIC COMPONENTS Section)	

SECTION 8 - HYDRAULIC CIRCUITS

FIGURE 8-11. BOOM AUX HYDRAULIC INSTALLATION (MANUAL - SINGLE)



ART_1001192363-D

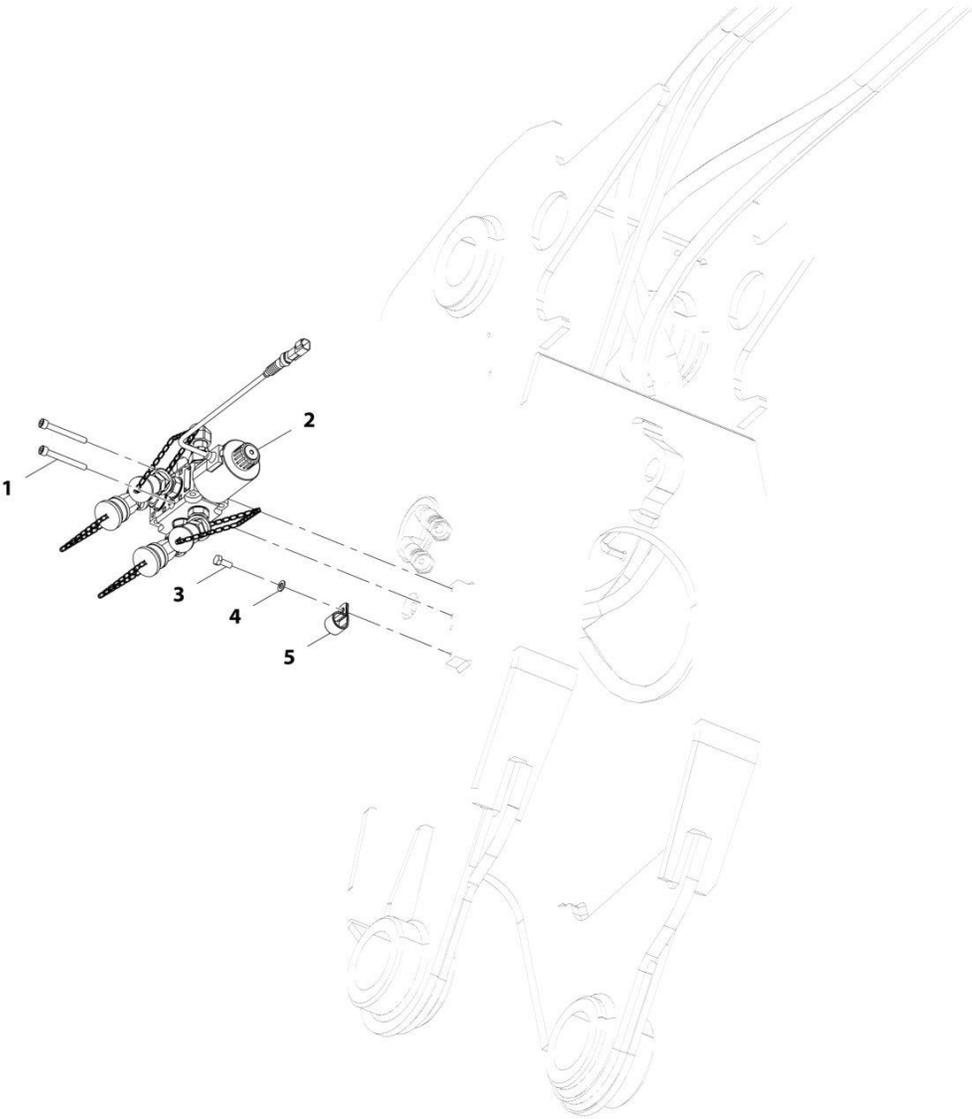
SECTION 8 - HYDRAULIC CIRCUITS

FIGURE 8-11. BOOM AUX HYDRAULIC INSTALLATION (MANUAL - SINGLE)

ITEM	PART NUMBER	QTY	DESCRIPTION	REV
	1001192363	Ref	Boom Aux Hydraulic Installation (Manual - Single)	D
1	0760810	2	Bolt, M8X20	
2	8770075	2	Fitting, ORFS	
3	1001147416	2	Fitting, 45 ORFS	
4	5240800	2	Washer, M8	
5	1001101041	1	Coupling, Male Quick Disconnect	
6	1001101042	1	Coupling, Female Quick Disconnect	
7	1001217553	2	Fitting, 45 ORFS	
8	1001217552	1	Bracket	
9	91043125	1	Plug	
10	91043126	1	Cap, Dust	

SECTION 8 - HYDRAULIC CIRCUITS

FIGURE 8-12. BOOM AUX HYDRAULIC INSTALLATION (MANUAL - TWIN)



ART_1001192366-C

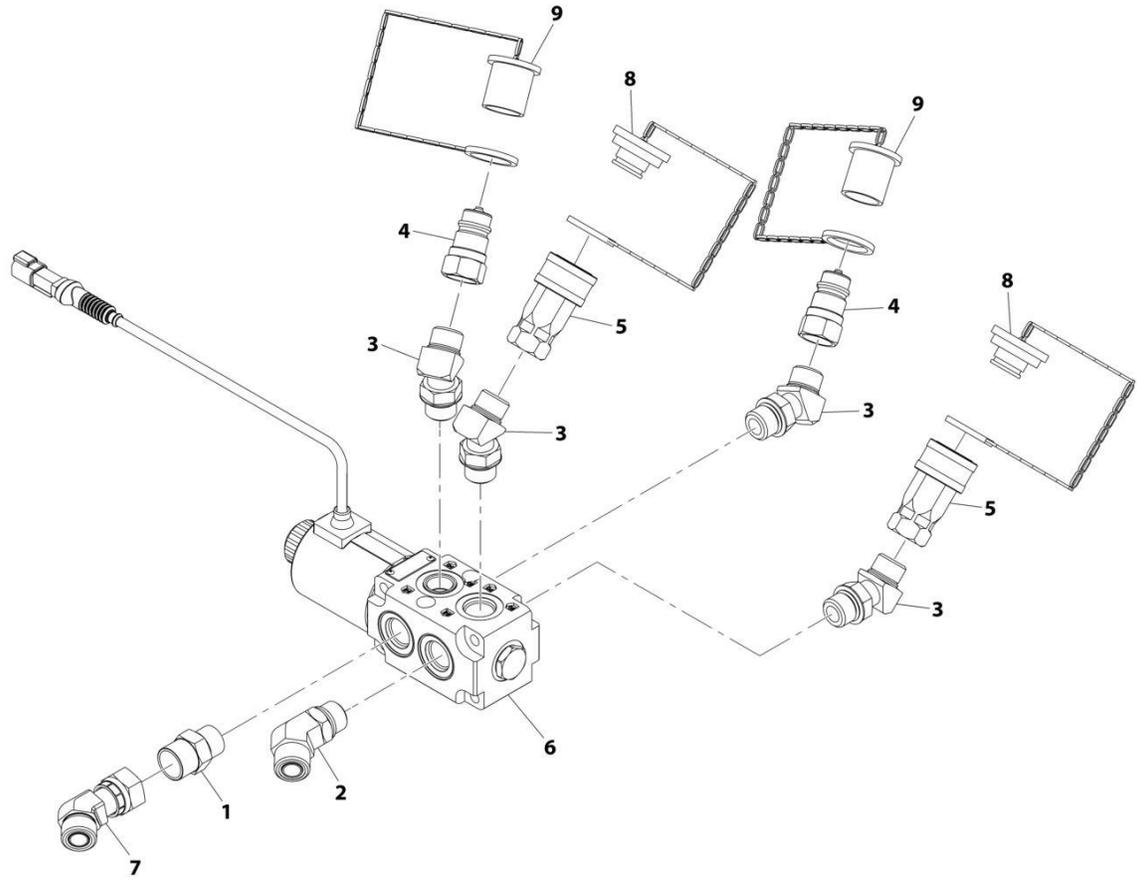
SECTION 8 - HYDRAULIC CIRCUITS

FIGURE 8-12. BOOM AUX HYDRAULIC INSTALLATION (MANUAL - TWIN)

ITEM	PART NUMBER	QTY	DESCRIPTION	REV
	1001192366	Ref	Boom Aux Hydraulic Installation (Manual - Twin)	C
1	4031918	2	Bolt, M8X70	
2	1001213318	1	Assembly, Diverter Valve (manual - twin) (See Separate Breakdown in this Section)	
3	0760810	1	Bolt, M8X20	
4	4811900	1	Washer, M8	
5	8406202	1	CLIP,TUBE 7/8"	

SECTION 8 - HYDRAULIC CIRCUITS

FIGURE 8-13. DIVERTER VALVE ASSEMBLY



ART_1001213318-B

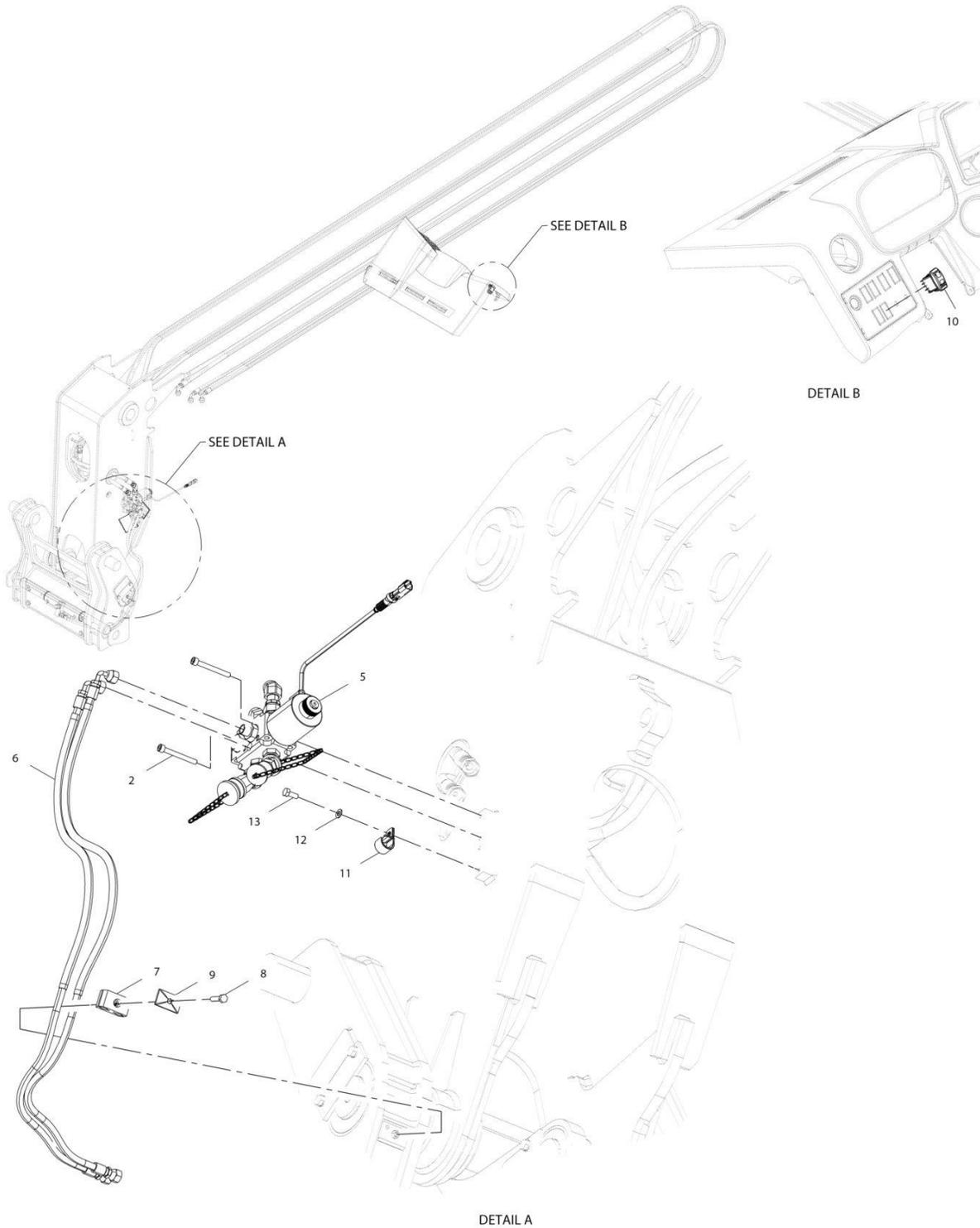
SECTION 8 - HYDRAULIC CIRCUITS

FIGURE 8-13. DIVERTER VALVE ASSEMBLY

ITEM	PART NUMBER	QTY	DESCRIPTION	REV
	1001213318	Ref	Diverter Valve Assembly	B
1	2111010	1	Fitting, Straight ORFS	
2	2151010	1	Fitting, 45 ORFS	
3	1001005904	4	Fitting, 45	
4	1001101041	2	Adapter, Male Quick Disconnect	
5	1001101042	2	Adapter, Female Quick Disconnect	
6	1001110023	1	Valve, Diverter (See Separate Breakdown in HYDRAULIC COMPONENTS Section)	
7	1001147416	1	Fitting, 45 ORFS	
8	91043125	2	Plug	
9	91043126	2	Cap	

SECTION 8 - HYDRAULIC CIRCUITS

FIGURE 8-14. BOOM AUX HYDRAULIC INSTALLATION (HYDRAULIC - SINGLE)



ART_1001192365-E

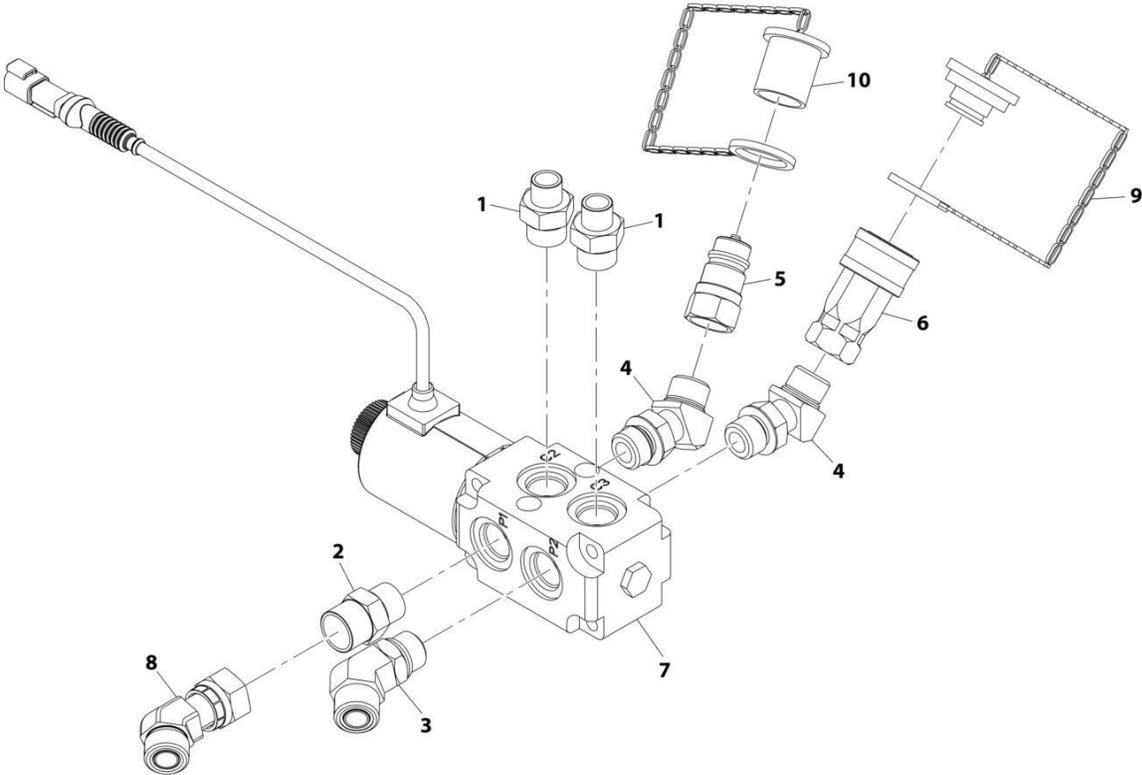
SECTION 8 - HYDRAULIC CIRCUITS

FIGURE 8-14. BOOM AUX HYDRAULIC INSTALLATION (HYDRAULIC - SINGLE)

ITEM	PART NUMBER	QTY	DESCRIPTION	REV
	1001192365	Ref	Boom Aux Hydraulic Installation (Hydraulic - Single)	E
2	4031918	2	Bolt, M8X70	
5	1001213317	1	Assembly, Diverter Valve (Hydraulic - Single) (See Separate Breakdown in this Section)	
6	1001193111	2	Hose	
7	8769126	1	Clamp	
8	0760815	1	Bolt, M8X35	
9	8769123	1	Plate, Cover	
10	1001080375	1	Switch	
11	8406202	1	CLIP,TUBE 7/8"	
12	4811900	1	Washer, M8	
13	0760810	1	Bolt, M8X20	

SECTION 8 - HYDRAULIC CIRCUITS

FIGURE 8-15. DIVERTER VALVE ASSEMBLY



ART_1001213317-B

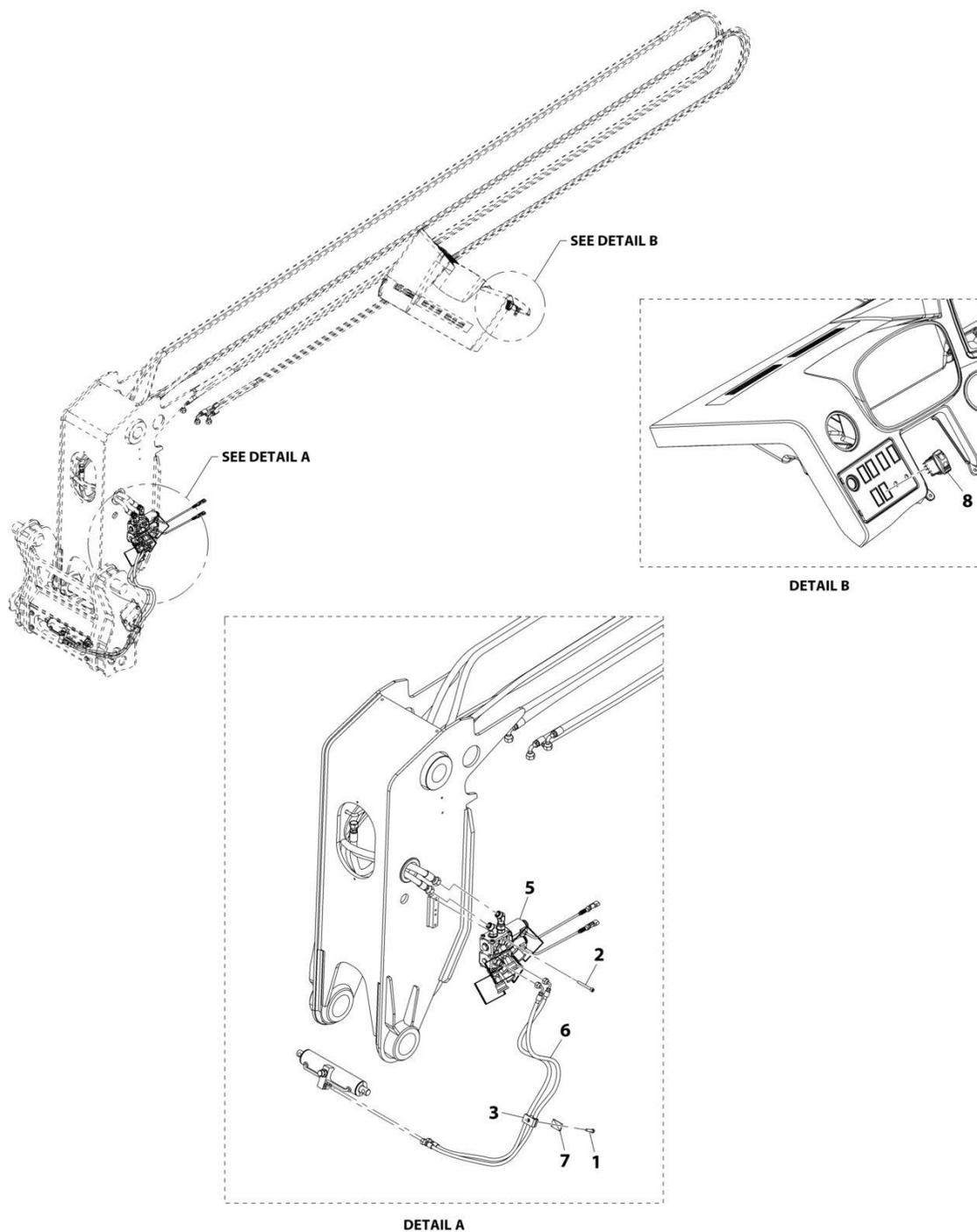
SECTION 8 - HYDRAULIC CIRCUITS

FIGURE 8-15. DIVERTER VALVE ASSEMBLY

ITEM	PART NUMBER	QTY	DESCRIPTION	REV
	1001213317	Ref	Diverter Valve Assembly	B
1	2110610	2	Fitting, Straight ORFS	
2	2111010	1	Fitting, Straight ORFS	
3	2151010	1	Fitting, 45 ORFS	
4	1001005904	2	Fitting, 45	
5	1001101041	1	Fitting, Male Quick Disconnect	
6	1001101042	1	Fitting, Female Quick Disconnect	
7	1001104477	1	Valve, Divertor (See Separate Breakdown in HYDRAULIC COMPONENTS Section)	
8	1001147416	1	Fitting, 45 ORFS	
9	91043125	1	Plug	
10	91043126	1	Cap, Dust	

SECTION 8 - HYDRAULIC CIRCUITS

FIGURE 8-16. BOOM AUX HYDRAULIC INSTALLATION (HYDRAULIC - TWIN)



ART_1001192367-C

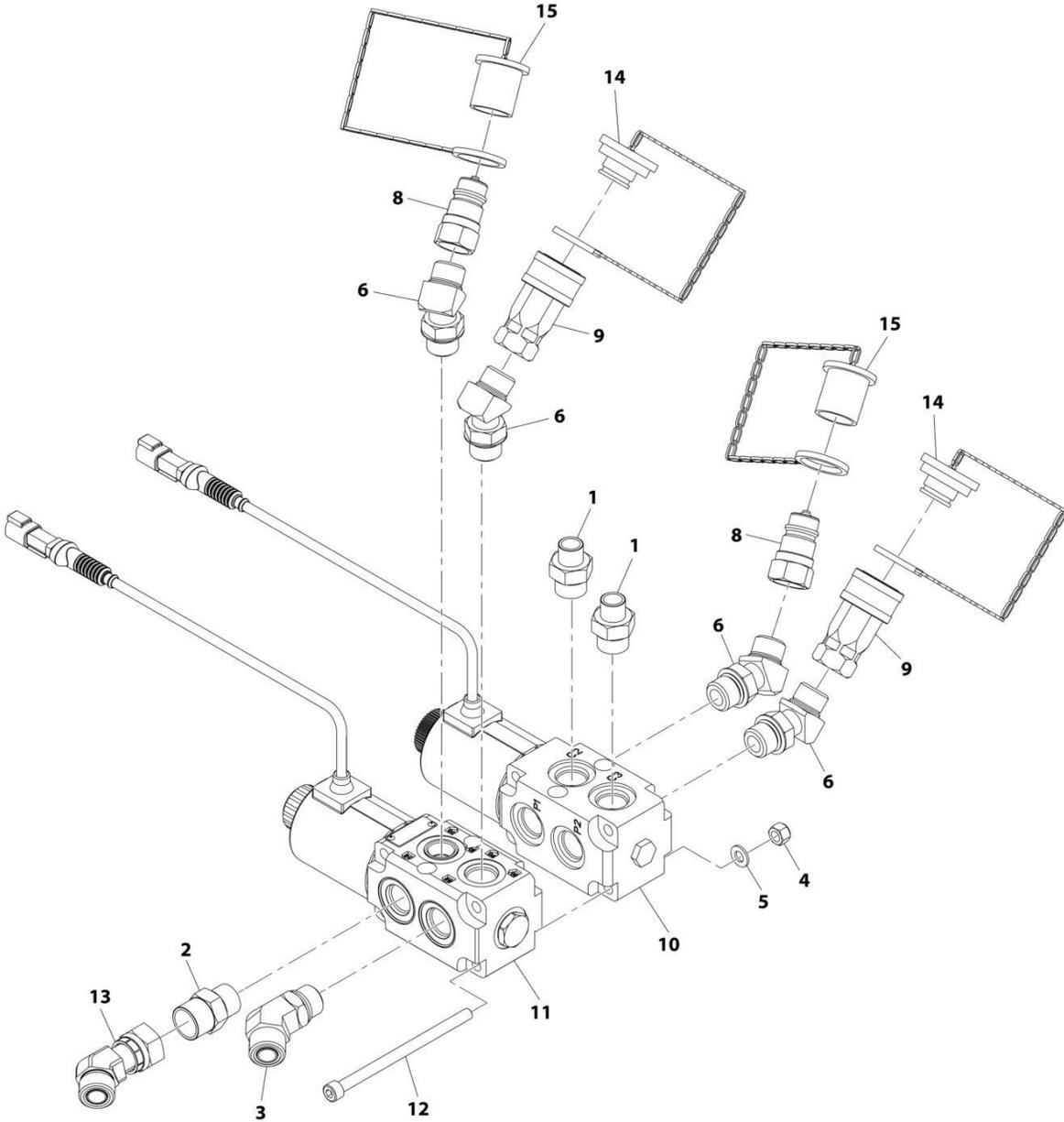
SECTION 8 - HYDRAULIC CIRCUITS

FIGURE 8-16. BOOM AUX HYDRAULIC INSTALLATION (HYDRAULIC - TWIN)

ITEM	PART NUMBER	QTY	DESCRIPTION	REV
	1001192367	Ref	Boom Aux Hydraulic Installation (Hydraulic - Twin)	C
1	0760815	1	Bolt, M8X35	
2	4031918	3	Bolt, M8X70	
3	8769126	1	Clamp	
5	1001213319	1	Assembly, Diverter Valve (Hydraulic - Twin) (See Separate Breakdown in this Section)	
6	1001193111	2	Hose	
7	8769123	1	Plate, Cover	
8	1001080375	1	Switch	

SECTION 8 - HYDRAULIC CIRCUITS

FIGURE 8-17. DIVERTER VALVE ASSEMBLY



ART_1001213319-C

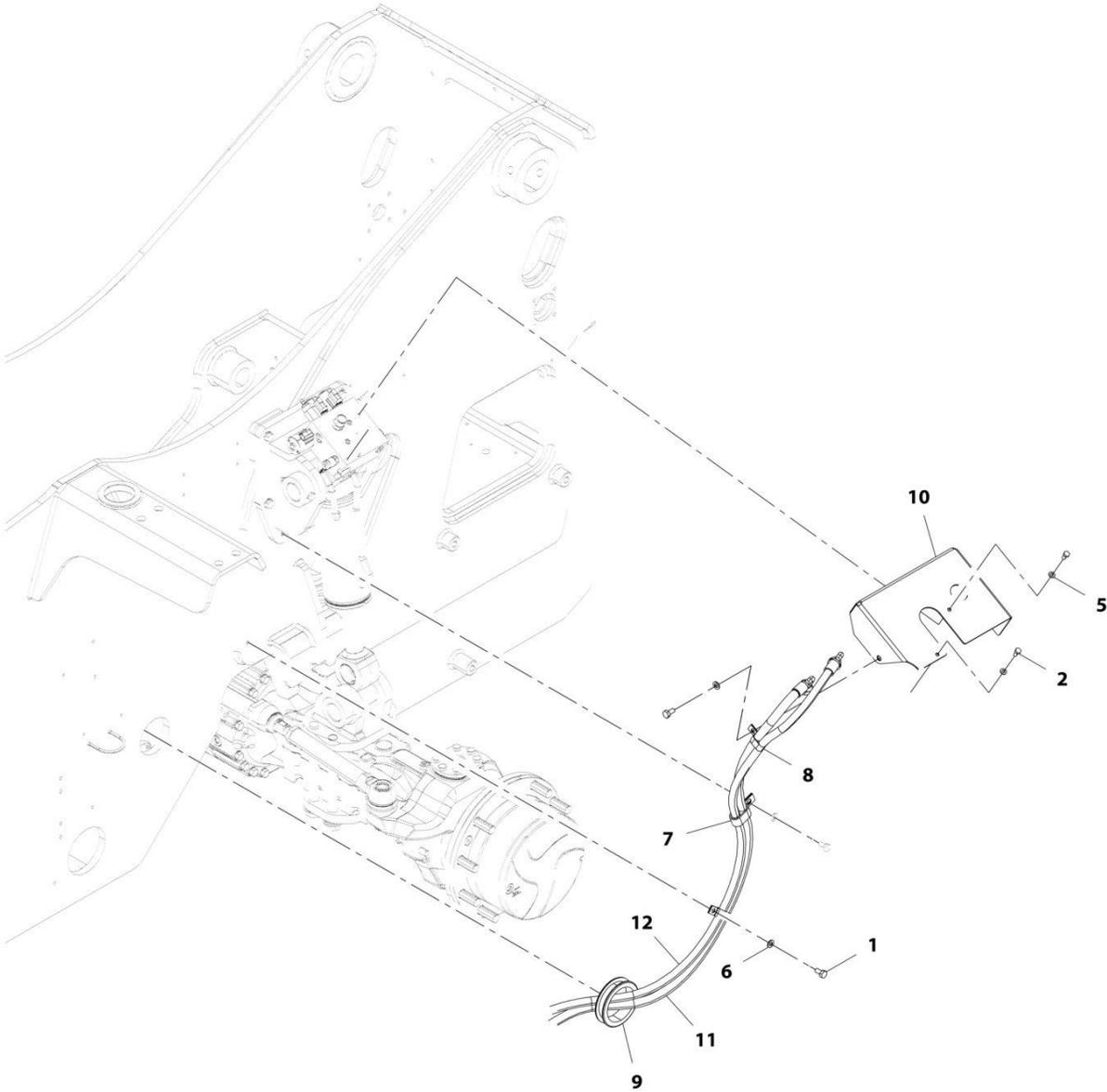
SECTION 8 - HYDRAULIC CIRCUITS

FIGURE 8-17. DIVERTER VALVE ASSEMBLY

ITEM	PART NUMBER	QTY	DESCRIPTION	REV
	1001213319	Ref	Diverter Valve Assembly	C
1	2110610	2	Fitting, Straight ORFS	
2	2111010	1	Fitting, Straight ORFS	
3	2151010	1	Fitting, 45 ORFS	
4	3290805	4	Nut, Lock M8X1.25	
5	4811900	4	Washer, M8	
6	1001005904	4	Fitting, 45	
8	1001101041	2	Fitting, Male Quick Disconnect	
9	1001101042	2	Fitting, Female Quick Disconnect	
10	1001104477	1	Valve, Divertor (See Separate Breakdown in HYDRAULIC COMPONENTS Section)	
11	1001110023	1	Valve, Divertor (See Separate Breakdown in HYDRAULIC COMPONENTS Section)	
12	1001110115	4	Bolt, M8X100	
13	1001147416	1	Fitting, 45 ORFS	
14	91043125	2	Plug	
15	91043126	2	Cap	

SECTION 8 - HYDRAULIC CIRCUITS

FIGURE 8-18. RALP HYDRAULIC LINES INSTALLATION



ART_1001192555-B

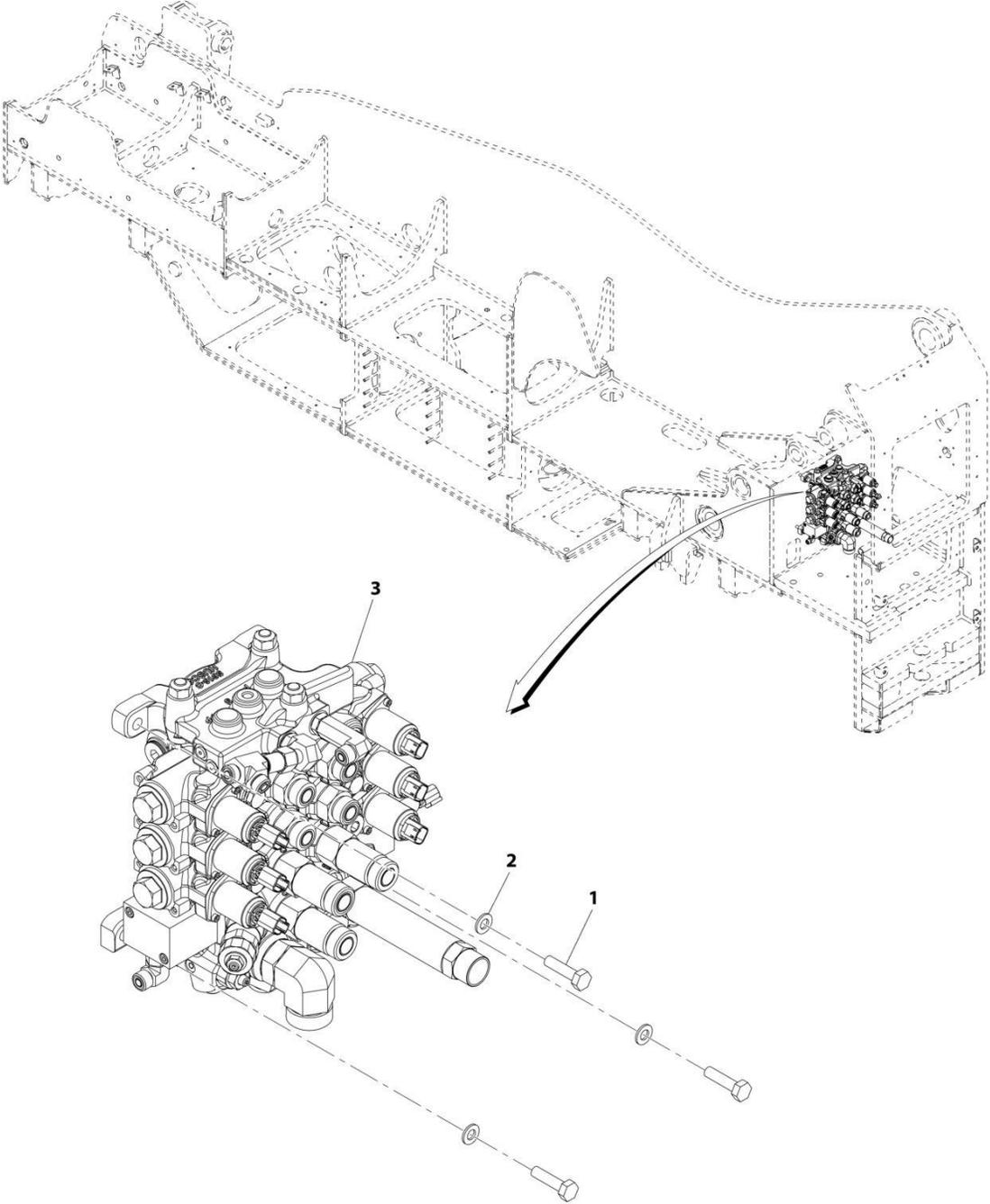
SECTION 8 - HYDRAULIC CIRCUITS

FIGURE 8-18. RALP HYDRAULIC LINES INSTALLATION

ITEM	PART NUMBER	QTY	DESCRIPTION	REV
	1001192555	Ref	RALP Hydraulic Lines Installation	B
1	0761010	2	Bolt, M10X20	
2	0760808	2	Bolt, M8X16	
5	4811900	2	Washer, M8	
6	4812000	2	Washer, M10	
7	1001026125	1	Clip	
8	1001026121	2	Clip	
9	1001028264	1	Grommet	
10	1001206608	1	Shield	
11	1001206607	1	Hose	
12	1001197489	1	Hose	

SECTION 8 - HYDRAULIC CIRCUITS

FIGURE 8-19. MAIN CONTROL VALVE INSTALLATION



ART_1001220457-A

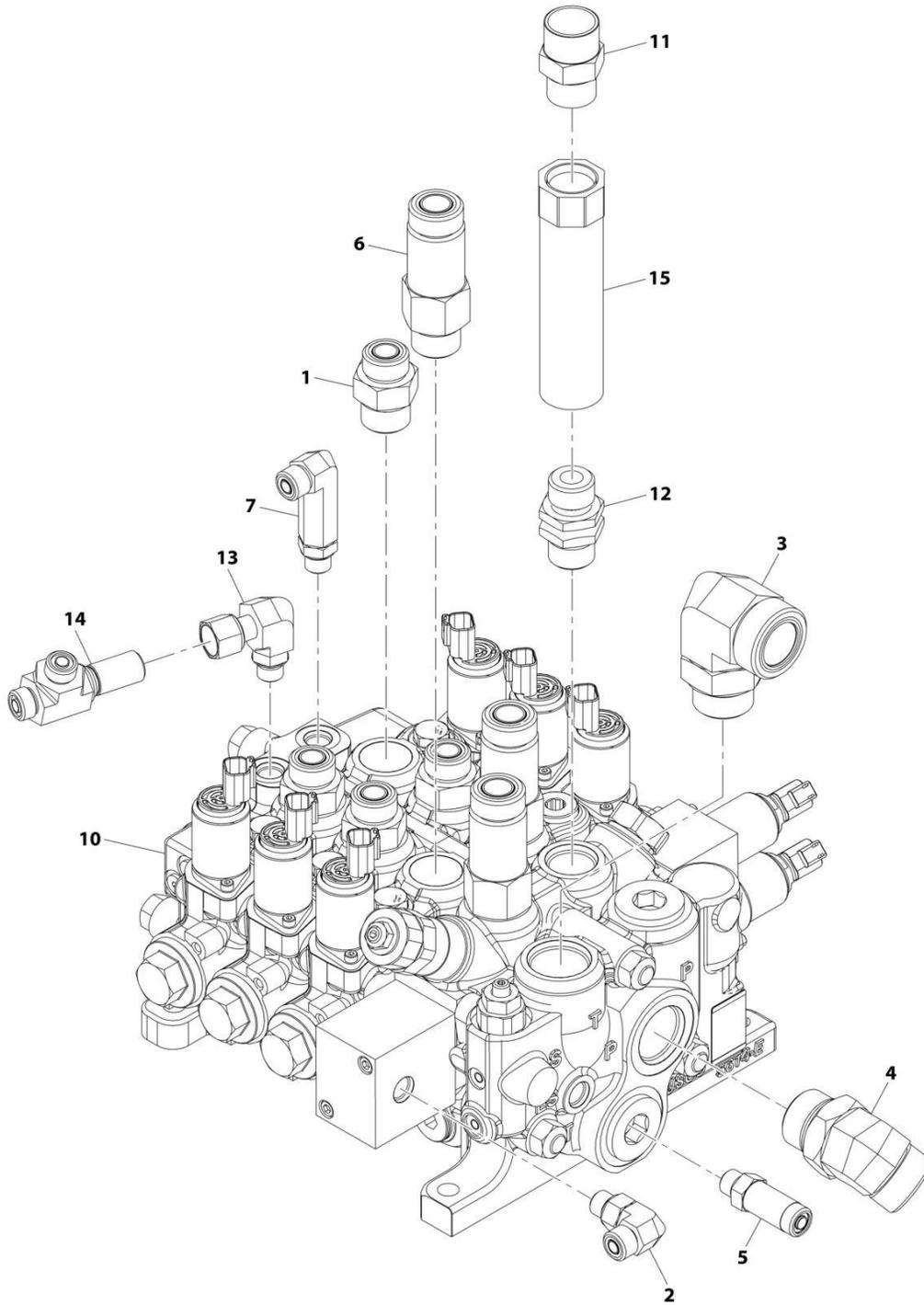
SECTION 8 - HYDRAULIC CIRCUITS

FIGURE 8-19. MAIN CONTROL VALVE INSTALLATION

ITEM	PART NUMBER	QTY	DESCRIPTION	REV
	1001220457	Ref	Main Control Valve Installation	A
1	0701016	3	Bolt, M10X40	
2	4812000	3	Washer, M10	
3	1001220456	1	Assembly, Main Control Valve (See Separate Breakdown in this Section)	

SECTION 8 - HYDRAULIC CIRCUITS

FIGURE 8-20. MAIN CONTROL VALVE ASSEMBLY



ART_1001220456-B

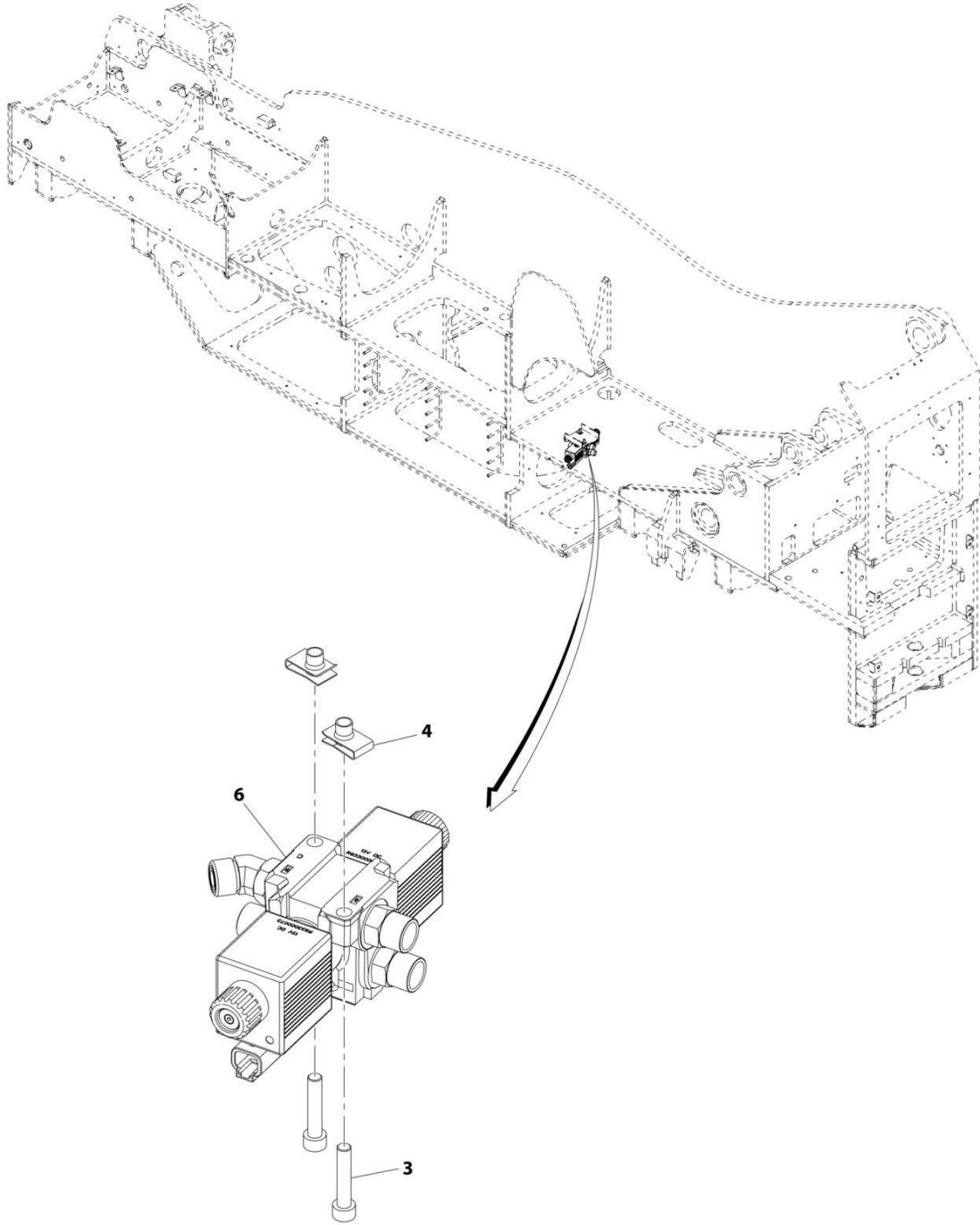
SECTION 8 - HYDRAULIC CIRCUITS

FIGURE 8-20. MAIN CONTROL VALVE ASSEMBLY

ITEM	PART NUMBER	QTY	DESCRIPTION	REV
	1001220456	Ref	Main Control Valve Assembly	B
1	2111012	4	Fitting, Straight ORFS	
2	2130606	1	Fitting, 90 ORFS	
3	2132016	1	Fitting, 90 ORFS	
4	2151616	1	Fitting, 45 ORFS	
5	2170106	1	Fitting, Straight ORFS	
6	2170112	3	Fitting, Straight ORFS	
7	2170206	1	Fitting, 90 ORFS	
10	1001220295	1	Valve, Main Control (See Seperate Breakdown in Hydraulic Components Section)	
11	2111212	1	Fitting, Straight ORFS	
12	8770030	1	Fitting, Straight ORFS	
13	8770104	1	Fitting, 90 ORFS	
14	8770286	1	Fitting, 90 ORFS	
15	1001224946	1	Valve, Check	

SECTION 8 - HYDRAULIC CIRCUITS

FIGURE 8-21. STEERING SELECT VALVE INSTALLATION



ART_1001193516-B

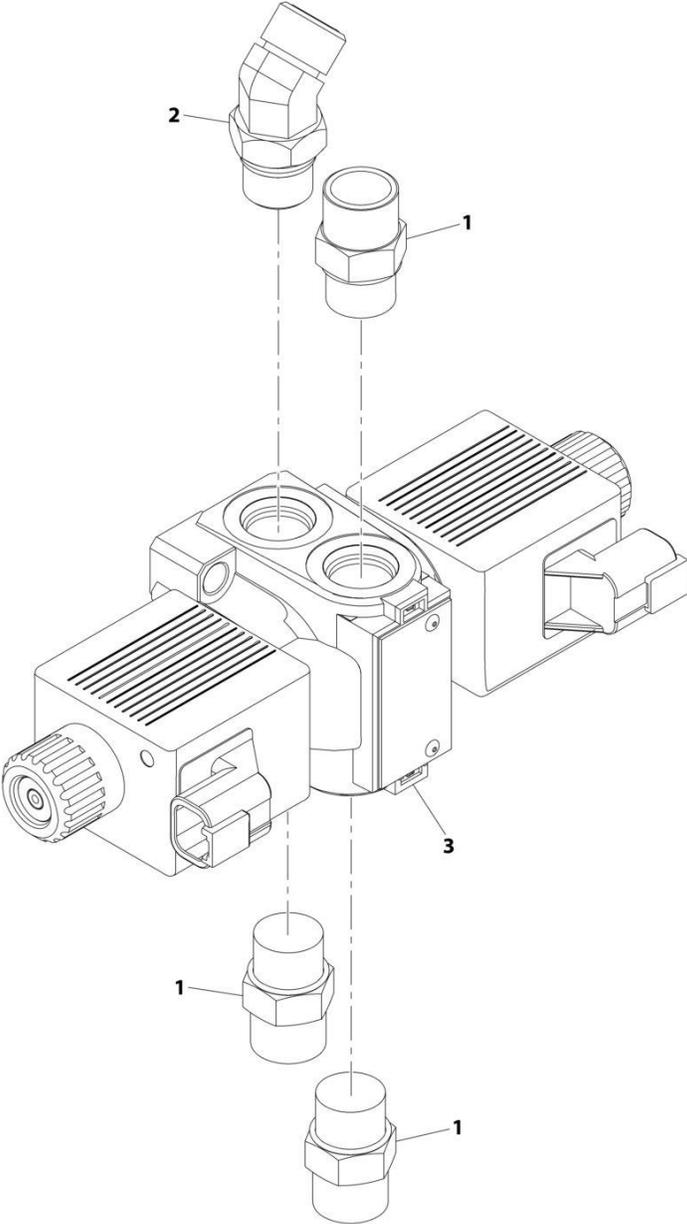
SECTION 8 - HYDRAULIC CIRCUITS

FIGURE 8-21. STEERING SELECT VALVE INSTALLATION

ITEM	PART NUMBER	QTY	DESCRIPTION	REV
	1001193516	Ref	Steering Select Valve Installation	B
3	4031912	2	Bolt, M8X40	
4	8310686	2	Nut, M8X12.5	
6	1001212418	1	Assembly, Steering Select Valve (See Separate Breakdown in this Section)	

SECTION 8 - HYDRAULIC CIRCUITS

FIGURE 8-22. STEERING SELECT VALVE ASSEMBLY



ART_1001212418-A

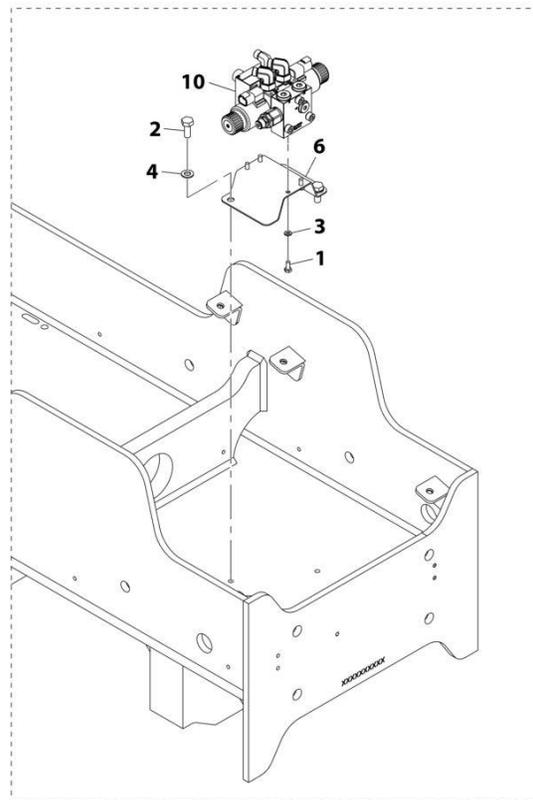
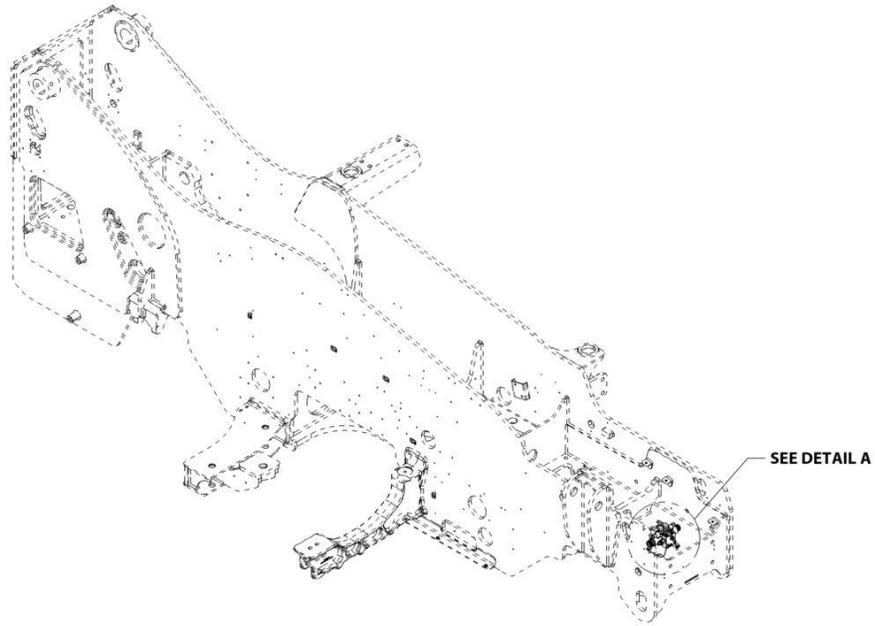
SECTION 8 - HYDRAULIC CIRCUITS

FIGURE 8-22. STEERING SELECT VALVE ASSEMBLY

ITEM	PART NUMBER	QTY	DESCRIPTION	REV
	1001212418	Ref	Steering Select Valve Assembly	A
1	2110808	3	Fitting, Straight ORFS	
2	2150808	1	Fitting, 45 ORFS	
3	1001153748	1	Valve, Steering Select (See Separate Breakdown in HYDRAULIC COMPONENTS Section)	

SECTION 8 - HYDRAULIC CIRCUITS

FIGURE 8-23. FRAME LEVEL VALVE INSTALLATION



DETAIL A

ART_1001193517-D

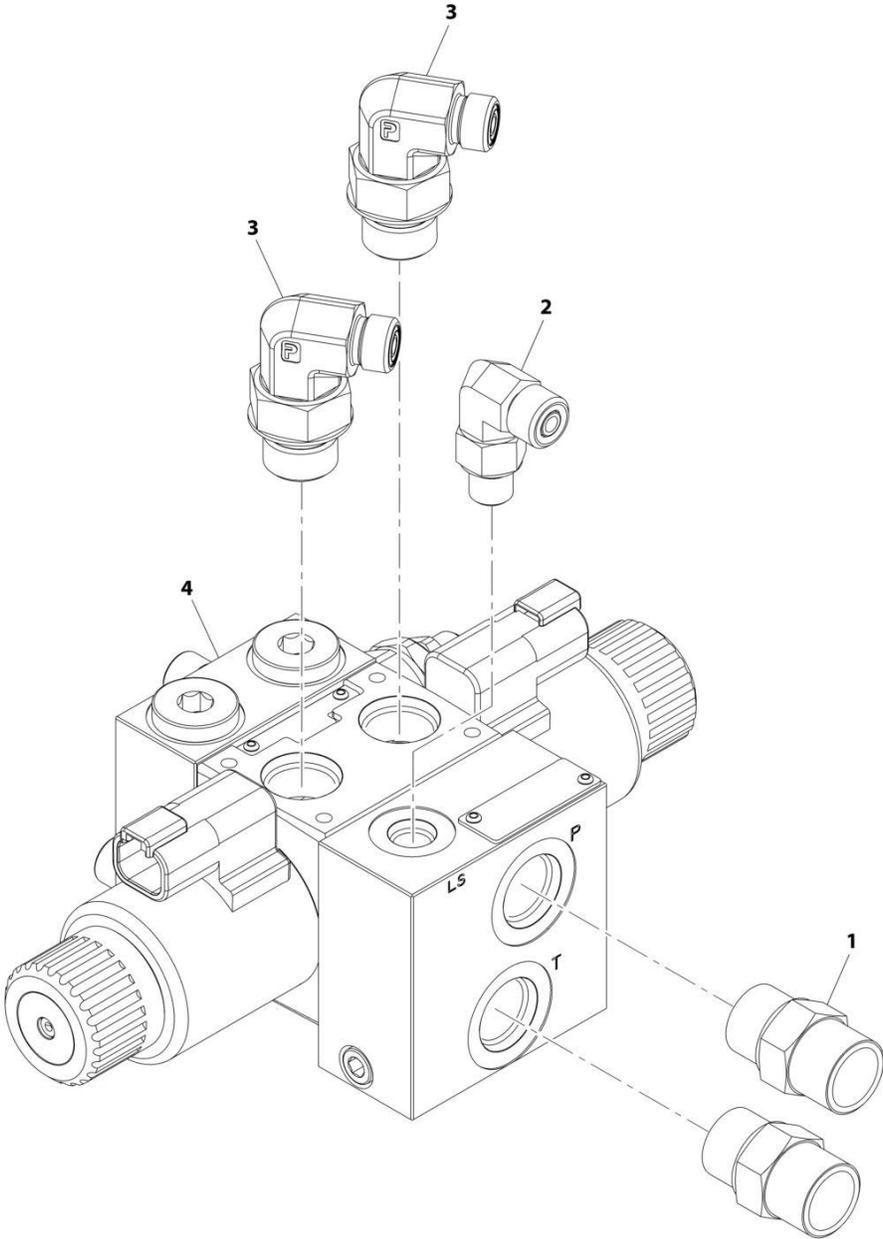
SECTION 8 - HYDRAULIC CIRCUITS

FIGURE 8-23. FRAME LEVEL VALVE INSTALLATION

ITEM	PART NUMBER	QTY	DESCRIPTION	REV
	1001193517	Ref	Frame Level Valve Installation	D
1	0760607	4	Bolt, M6X14	
2	0761012	2	Bolt, M10X25	
3	4811700	4	Washer, M6	
4	4812000	2	Washer, M10	
6	1001195733	1	Bracket	
10	1001215341	1	Assembly, Frame Level Valve (See Separate Breakdown in this Section)	

SECTION 8 - HYDRAULIC CIRCUITS

FIGURE 8-24. FRAME LEVEL VALVE ASSEMBLY



ART_1001215341-B

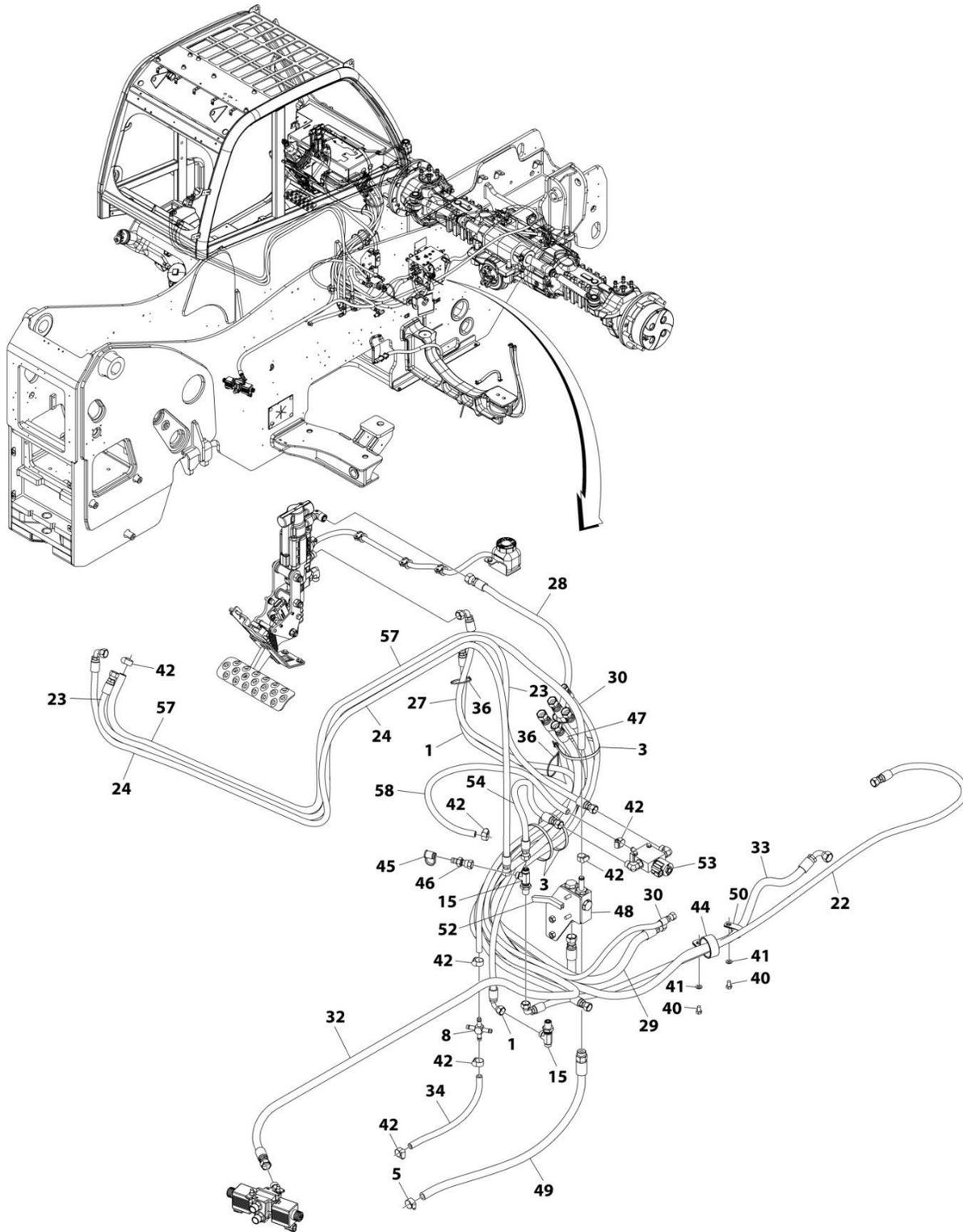
SECTION 8 - HYDRAULIC CIRCUITS

FIGURE 8-24. FRAME LEVEL VALVE ASSEMBLY

ITEM	PART NUMBER	QTY	DESCRIPTION	REV
	1001215341	Ref	Frame Level Valve Assembly	B
1	2110808	2	Fitting, Straight ORFS	
2	2130404	1	Fitting, 90 ORFS	
3	2130408	2	Fitting, 90 ORFS	
4	1001219615	1	Valve, Frame Level (See Separate Breakdown in HYDRAULIC COMPONENTS Section)	

SECTION 8 - HYDRAULIC CIRCUITS

FIGURE 8-25. CAB HYDRAULICS INSTALLATION



ART_1001193709

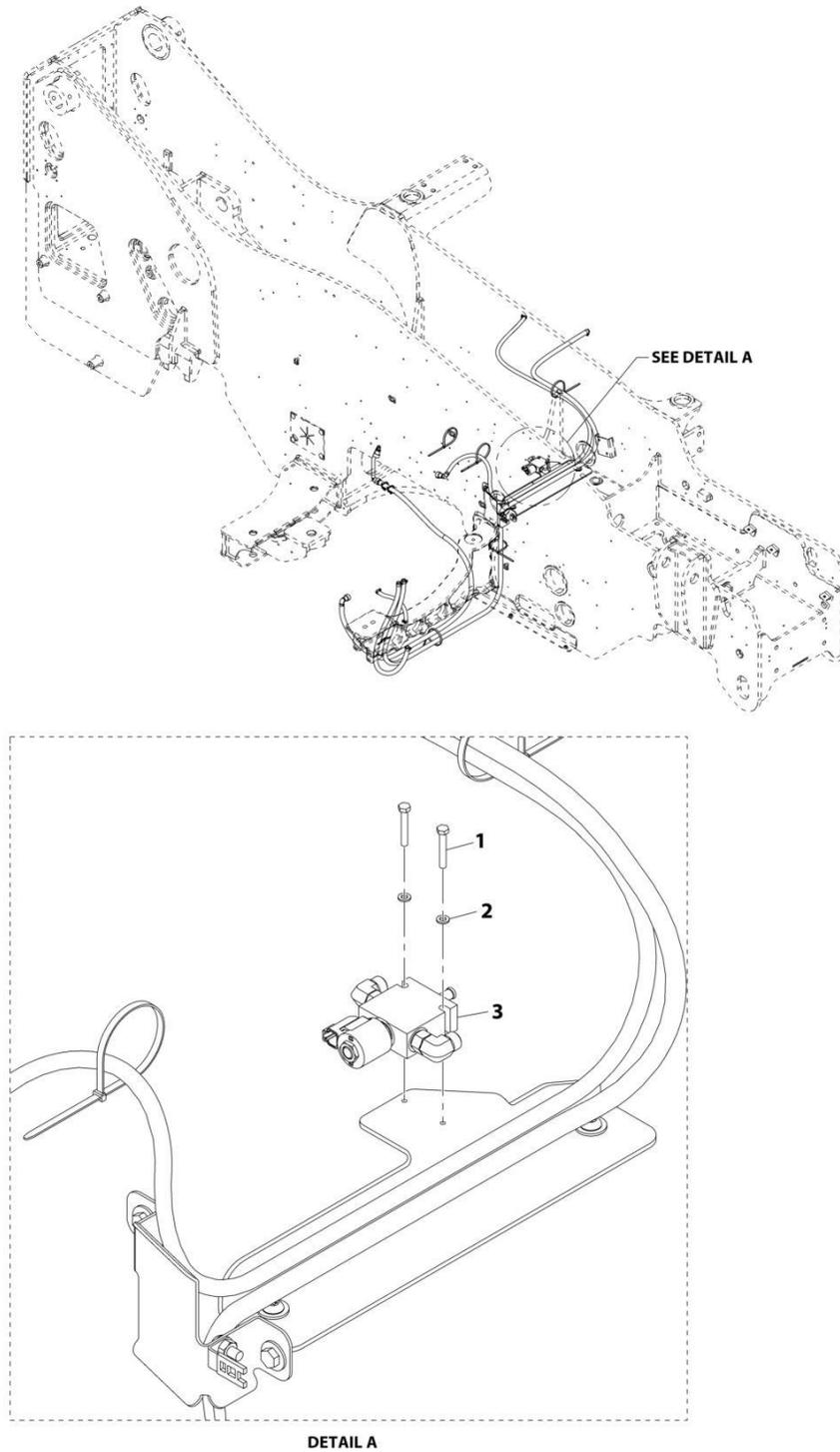
SECTION 8 - HYDRAULIC CIRCUITS

FIGURE 8-25. CAB HYDRAULICS INSTALLATION

ITEM	PART NUMBER	QTY	DESCRIPTION	REV
	1001193709	Ref	CAB HYDRUALIC INSTALLATION	J
1	1001196989	1	Hose	
3	4240018	3	Strap, Cable	
5	8405006	1	Clamp	
8	1001215256	1	Fitting, Cross Barb	
15	88662434	2	Fitting, Tee ORFS	
22	1001210800	1	Hose	
23	1001221989	1	Hose	
24	1001210327	1	Hose	
27	1001206709	1	Hose	
28	1001210282	1	Hose	
29	1001196992	1	Hose	
30	1001196993	1	Hose	
32	1001196995	1	Hose	
33	1001196996	1	Hose	
34	1001196997	1	Hose	
36	4240099	3	Tie, Wire	
40	0760807	2	Bolt M8 x 14	
41	4811900	2	Washer M8	
42	8410013	7	Clamp	
44	85941018	1	Clamp	
45	8430032	1	Plug	
46	8430081	1	Fitting, Straight ORFS	
47	1001204152	1	Hose	
48	1001212788	Ref	Installation, Check Valve (See Separate Breakdown in this Section)	
49	1001212880	1	Hose	
50	8406201	1	Clip	
52	90206198	186 mm	Compound, Locking	
53	1001221987	Ref	Installation, Solenoid Valve (See Separate Breakdown in this Section)	
54	1001221988	1	Hose	
57	2720160	2290 mm	Hose	
58	1001008654	750 mm	Hose	

SECTION 8 - HYDRAULIC CIRCUITS

FIGURE 8-26. SOLENOID VALVE INSTALLATION



ART_1001221987-A

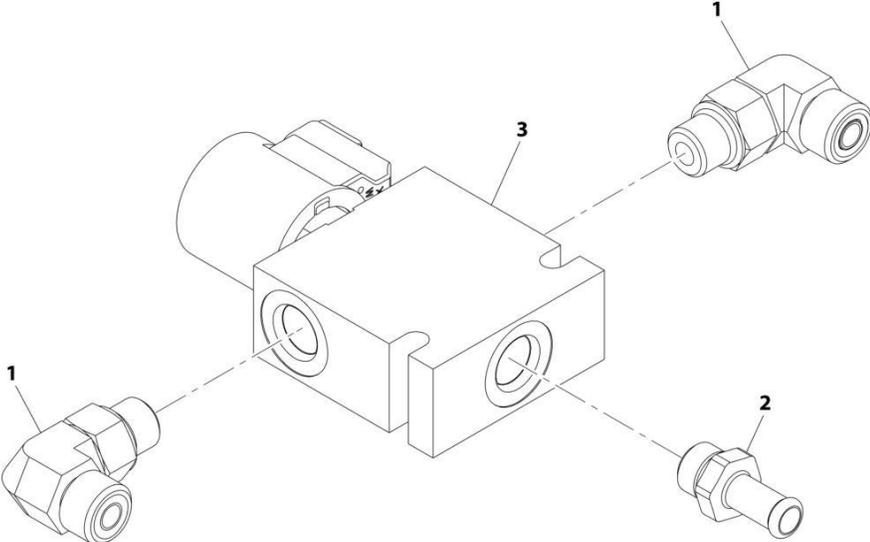
SECTION 8 - HYDRAULIC CIRCUITS

FIGURE 8-26. SOLENOID VALVE INSTALLATION

ITEM	PART NUMBER	QTY	DESCRIPTION	REV
	1001221987	Ref	Solenoid Valve Installation	A
1	0700616	2	Bolt, M6X40	
2	4811700	2	Washer, M6	
3	1001221986	1	Assembly, Solenoid Valve (See Separate Breakdown in this Section)	

SECTION 8 - HYDRAULIC CIRCUITS

FIGURE 8-27. SOLENOID VALVE ASSEMBLY



ART_1001221986-A

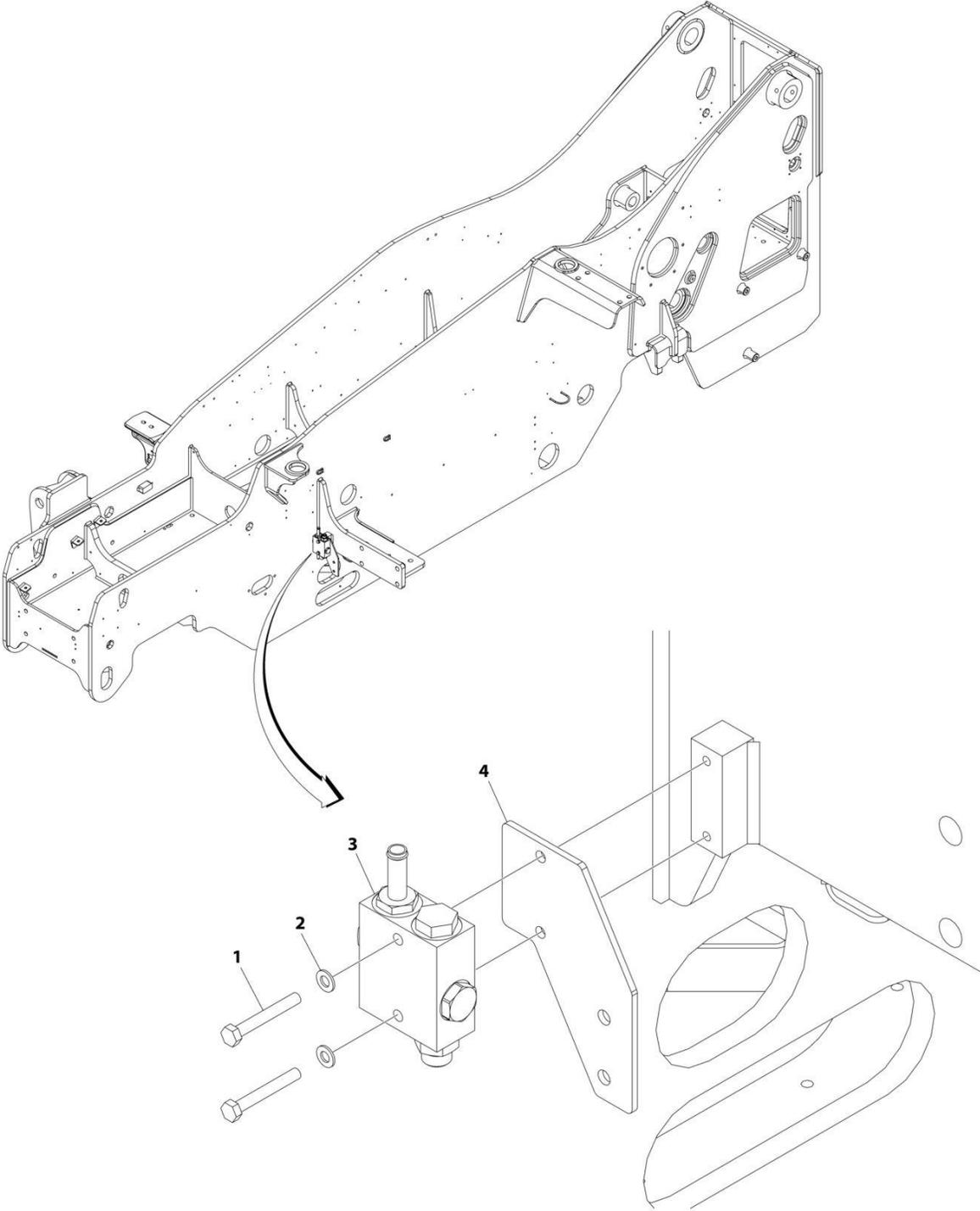
SECTION 8 - HYDRAULIC CIRCUITS

FIGURE 8-27. SOLENOID VALVE ASSEMBLY

ITEM	PART NUMBER	QTY	DESCRIPTION	REV
	1001221986	Ref	Solenoid Valve/Fittings Assembly	A
1	2130606	2	Fitting, 90 ORFS	
2	1001168030	1	Fitting, Hose Barb	
3	1001221928	1	Valve, Solenoid (See Separate Breakdown in HYDRAULIC COMPONENTS Section)	

SECTION 8 - HYDRAULIC CIRCUITS

FIGURE 8-28. CHECK VALVE INSTALLATION



ART_1001212788

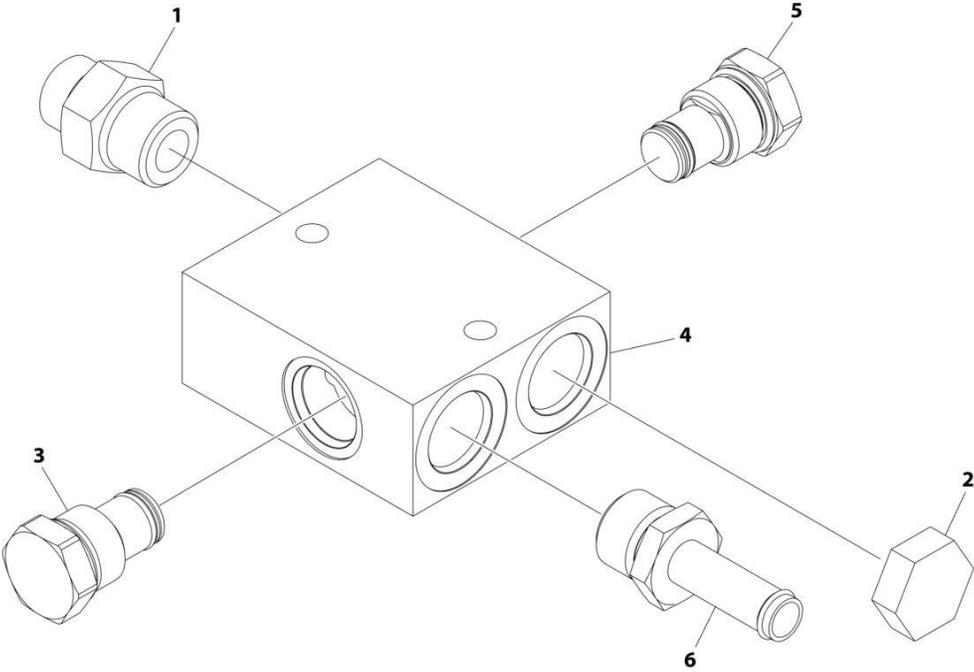
SECTION 8 - HYDRAULIC CIRCUITS

FIGURE 8-28. CHECK VALVE INSTALLATION

ITEM	PART NUMBER	QTY	DESCRIPTION	REV
	1001212788	Ref	CAB HYDRUALICS CHECK VALVE INSTALLATION	B
1	0700820	2	Bolt M8 x 60	
2	4811900	2	Washer M8	
3	1001212789	1	Assembly, Check Valve (See Separate Breakdown in HYDRAULIC COMPONENTS Section)	
4	1001219659	1	Plate	

SECTION 8 - HYDRAULIC CIRCUITS

FIGURE 8-29. CHECK VALVE ASSEMBLY



ART_1001212789

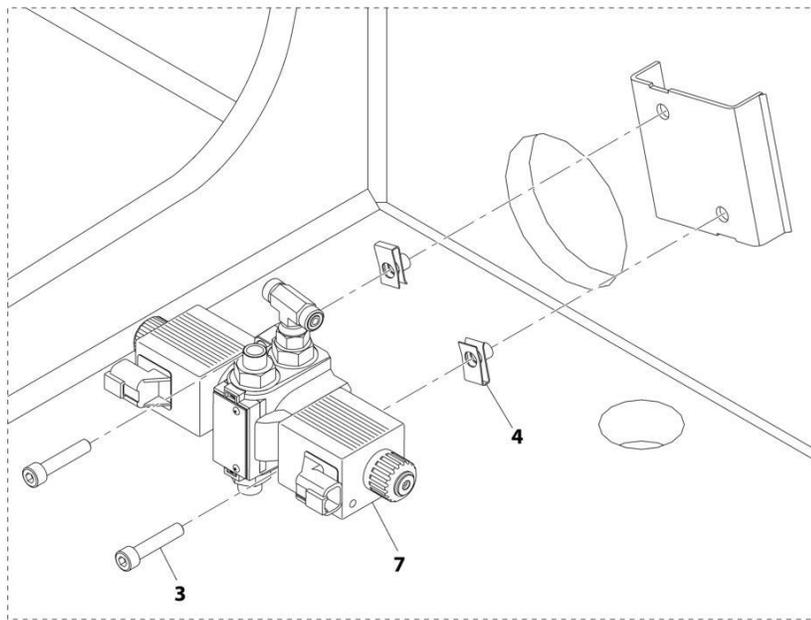
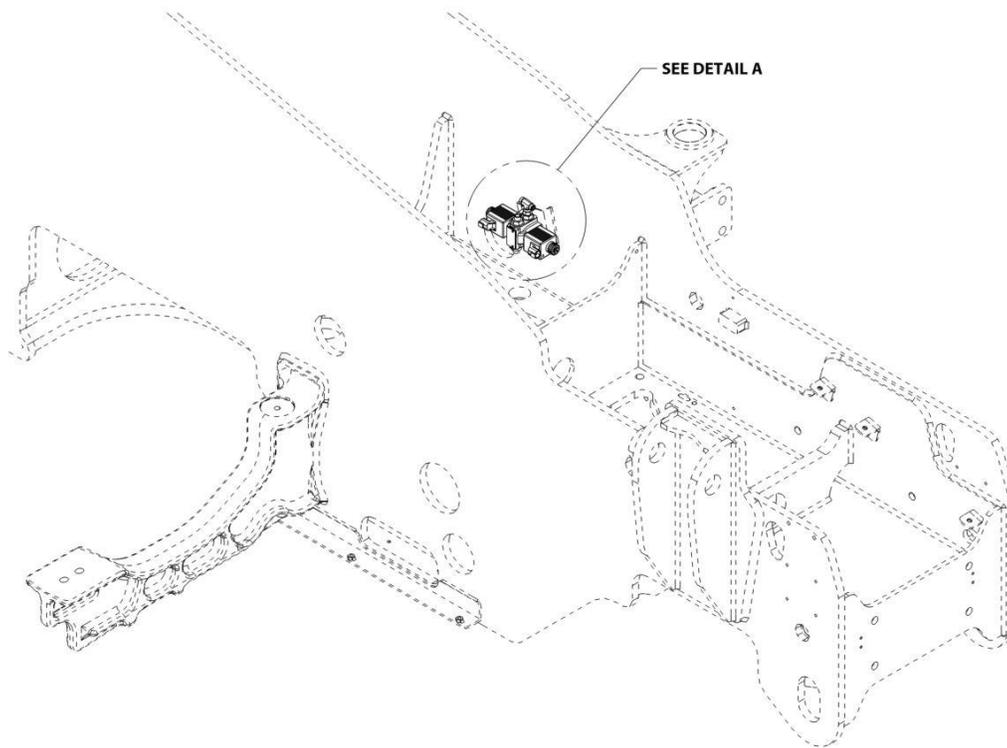
SECTION 8 - HYDRAULIC CIRCUITS

FIGURE 8-29. CHECK VALVE ASSEMBLY

ITEM	PART NUMBER	QTY	DESCRIPTION	REV
	1001212789	Ref	VALVE ASSEMBLY - CAB HYDRAULICS CHECK VALVE	E
1	2110810	1	Fitting, Straight ORFS	
2	2220239	1	Plug	
3	1001231393	1	Valve, Check	
4	1001210780	1	Manifold, Dual Check Valve	
5	1001210801	1	Valve, Check	
6	1001225656	1	Fitting, Barb	

SECTION 8 - HYDRAULIC CIRCUITS

FIGURE 8-30. SPEED CONTROL VALVE INSTALLATION



DETAIL A

ART_1001197196-B

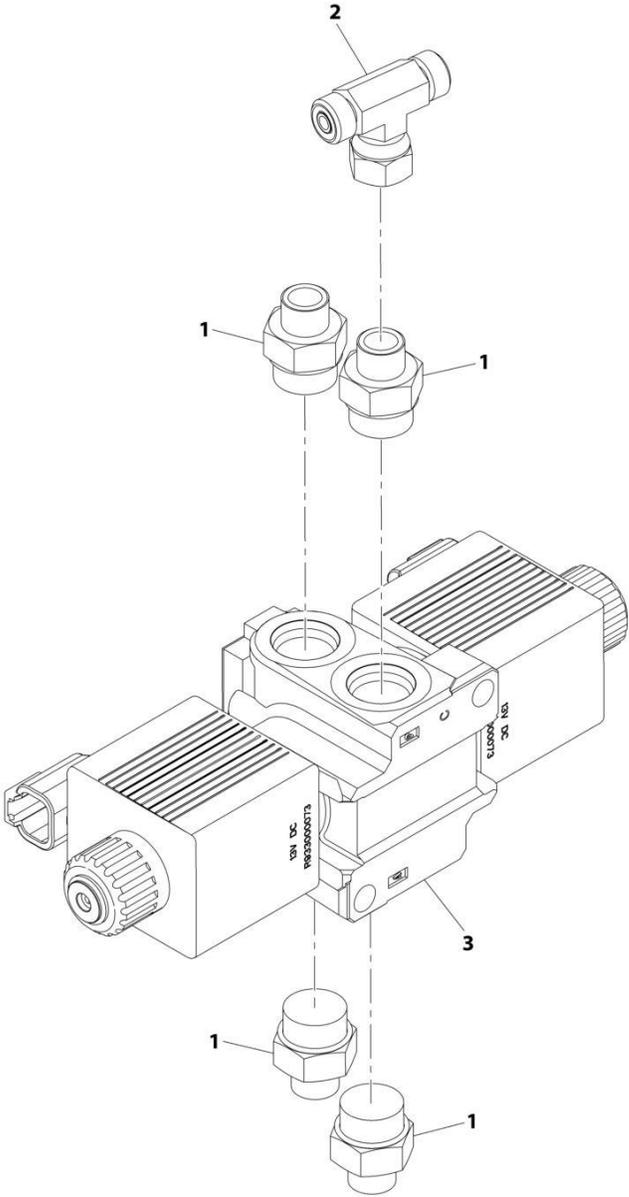
SECTION 8 - HYDRAULIC CIRCUITS

FIGURE 8-30. SPEED CONTROL VALVE INSTALLATION

ITEM	PART NUMBER	QTY	DESCRIPTION	REV
	1001197196	Ref	Speed Control Valve Installation	B
3	4031912	2	Bolt, M8X40	
4	8310686	2	Nut, M8X12.5	
7	1001220643	1	Assembly, Speed Control Valve (See Separate Breakdown in this Section)	

SECTION 8 - HYDRAULIC CIRCUITS

FIGURE 8-31. SPEED CONTROL VALVE ASSEMBLY



ART_1001220643-A

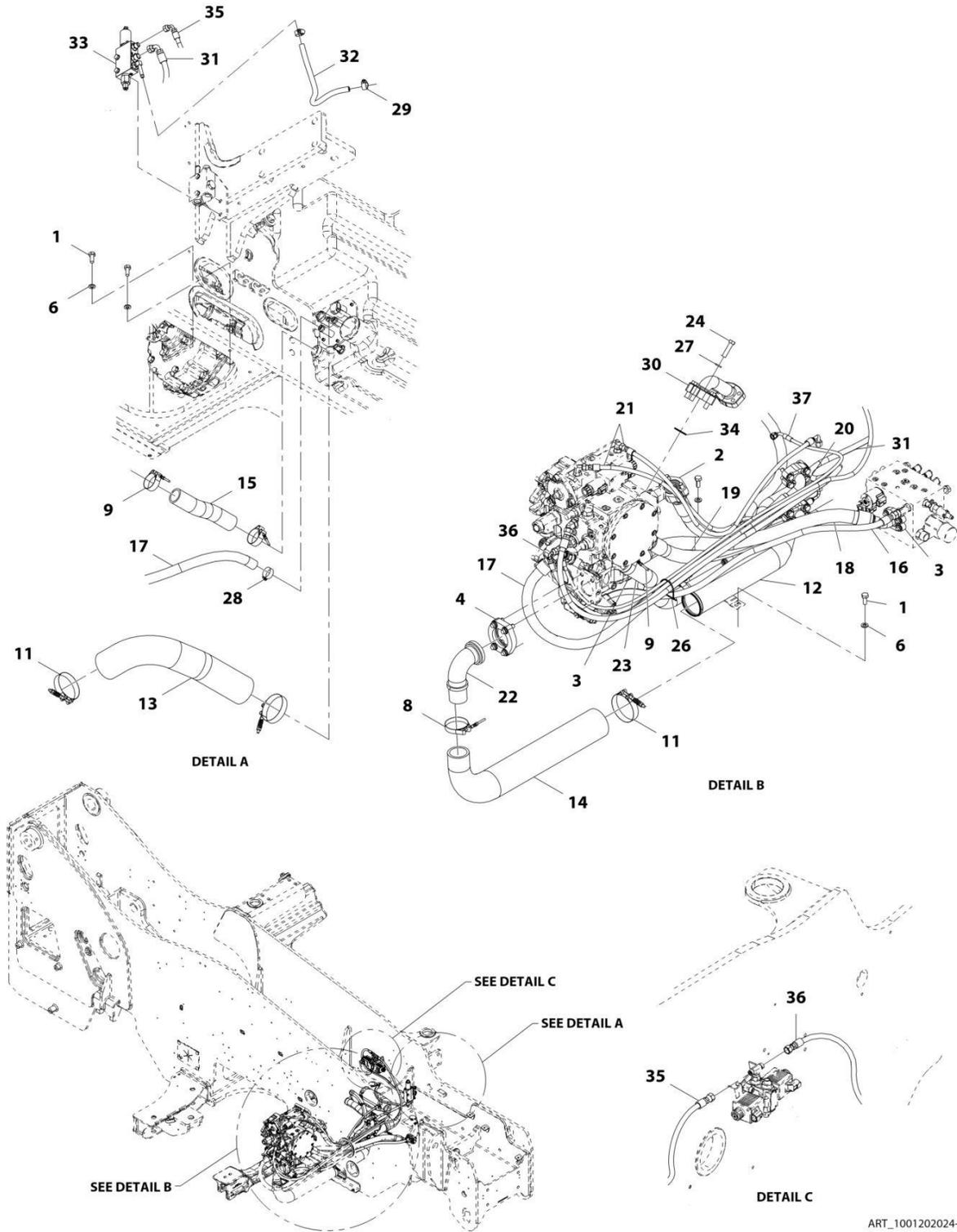
SECTION 8 - HYDRAULIC CIRCUITS

FIGURE 8-31. SPEED CONTROL VALVE ASSEMBLY

ITEM	PART NUMBER	QTY	DESCRIPTION	REV
	1001220643	Ref	Speed Control Valve Assembly	A
1	2110408	4	Fitting, Straight ORFS	
2	2170804	1	Fitting, Tee	
3	4641520	1	Valve, Speed Control (See Separate Breakdown in HYDRAULIC COMPONENTS Section)	

SECTION 8 - HYDRAULIC CIRCUITS

FIGURE 8-32. ENGINE BAY HYDRAULIC INSTALLATION



ART_1001202024-G

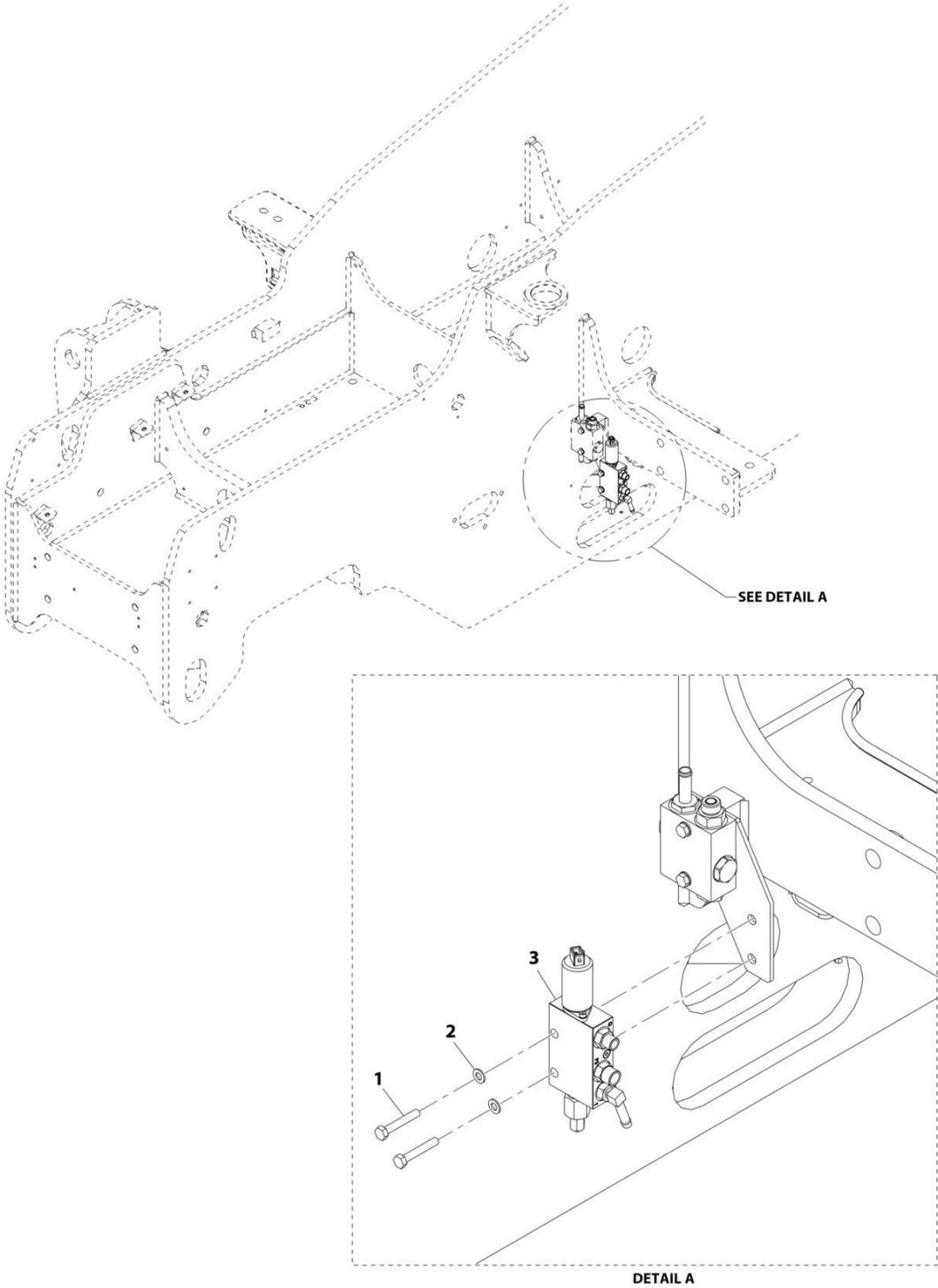
SECTION 8 - HYDRAULIC CIRCUITS

FIGURE 8-32. ENGINE BAY HYDRAULIC INSTALLATION

ITEM	PART NUMBER	QTY	DESCRIPTION	REV
	1001202024	Ref	Engine Bay Installation	G
1	0761012	4	Bolt, M10X25	
2	1001217948	4	Kit, Flange (includes mounting hardware and o-ring)	
3	2171816	2	Kit, Flange (includes mounting hardware and o-ring)	
4	2171832	1	Kit, Flange (includes mounting hardware and o-ring)	
6	4812000	4	Washer, M10	
8	1001005438	1	Clamp	
9	1001014231	4	Clamp	
11	1001186843	3	Clamp	
12	1001187272	1	Pipe	
13	1001187273	1	Hose	
14	1001187275	1	Hose	
15	1001193461	1	Hose	
16	1001196959	1	Hose	
17	1001215802	1	Hose	
18	1001214431	1	Hose	
19	1001214430	1	Hose	
20	1001214429	1	Hose	
21	1001215539	2	Hose	
22	8424233	1	Fitting, 90	
23	1001202027	1	Hose	
24	0681714	4	Bolt, 7/16-14X1 3/4 Grade 8	
26	4240099	AR	Tie, Wire	
27	4761700	4	Washer, Lock 7/16	
28	8405007	1	Clamp	
29	8410013	2	Clamp	
30	1001200870	1	Fitting, 90	
31	1001213306	1	Hose	
32	1001213307	1	Hose	
33	1001213308	1	Installation, Inching Valve (See Separate Breakdown in this Section)	
34	91083106	1	O-Ring	
35	1001215093	1	Hose	
36	1001215212	1	Hose	
37	1001223109	1	Hose	

SECTION 8 - HYDRAULIC CIRCUITS

FIGURE 8-33. INCHING VALVE INSTALLATION



ART_1001213308-A

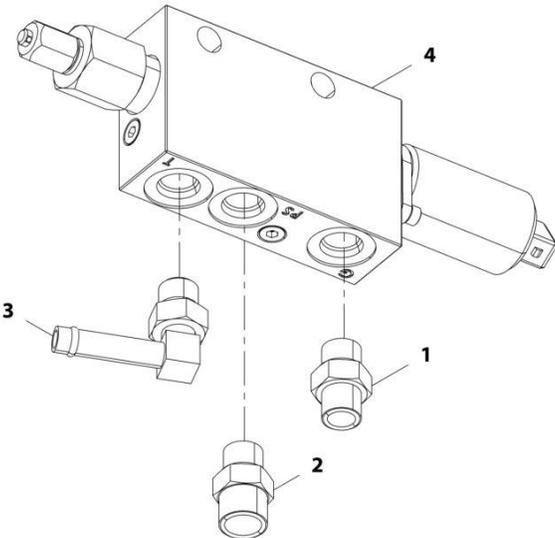
SECTION 8 - HYDRAULIC CIRCUITS

FIGURE 8-33. INCHING VALVE INSTALLATION

ITEM	PART NUMBER	QTY	DESCRIPTION	REV
	1001213308	Ref	Inching Valve Installation	A
1	0700818	2	Bolt, M8X50	
2	4811900	2	Washer, M8	
3	1001213309	1	Assembly, Inching Valve (See Separate Breakdown in this Section)	

SECTION 8 - HYDRAULIC CIRCUITS

FIGURE 8-34. INCHING VALVE ASSEMBLY



ART_1001213309-B

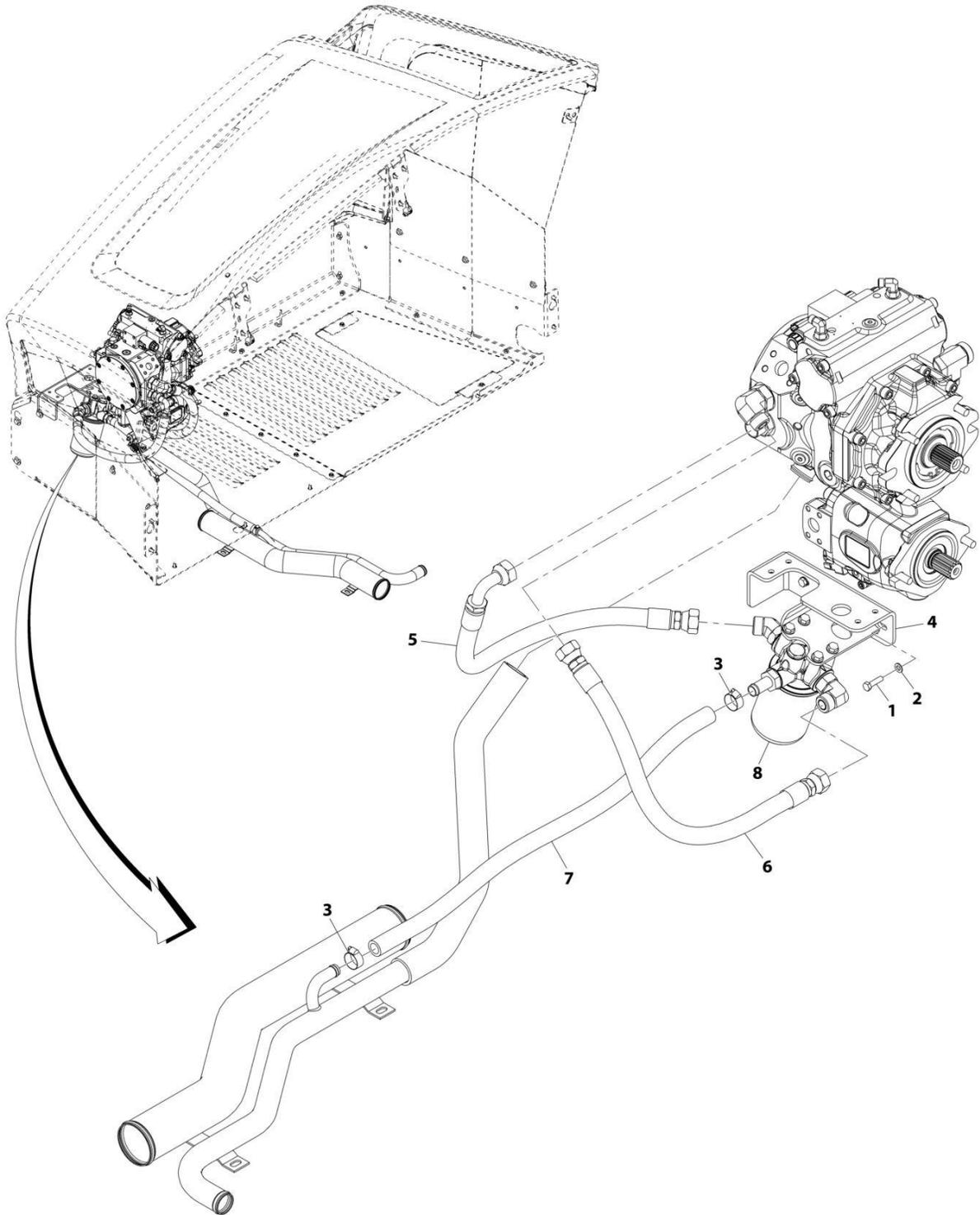
SECTION 8 - HYDRAULIC CIRCUITS

FIGURE 8-34. INCHING VALVE ASSEMBLY

ITEM	PART NUMBER	QTY	DESCRIPTION	REV
	1001213309	Ref	Inching Valve Assembly	B
1	2110406	1	Fitting, Straight ORFS	
2	2110606	1	Fitting, Straight ORFS	
3	8430034	1	Elbow, 90	
4	1001213311	1	Valve, Inching (See Separate Breakdown in HYDRAULIC COMPONENTS Section)	

SECTION 8 - HYDRAULIC CIRCUITS

FIGURE 8-35. CHARGE FILTER LINES INSTALLATION



ART_1001202026-B

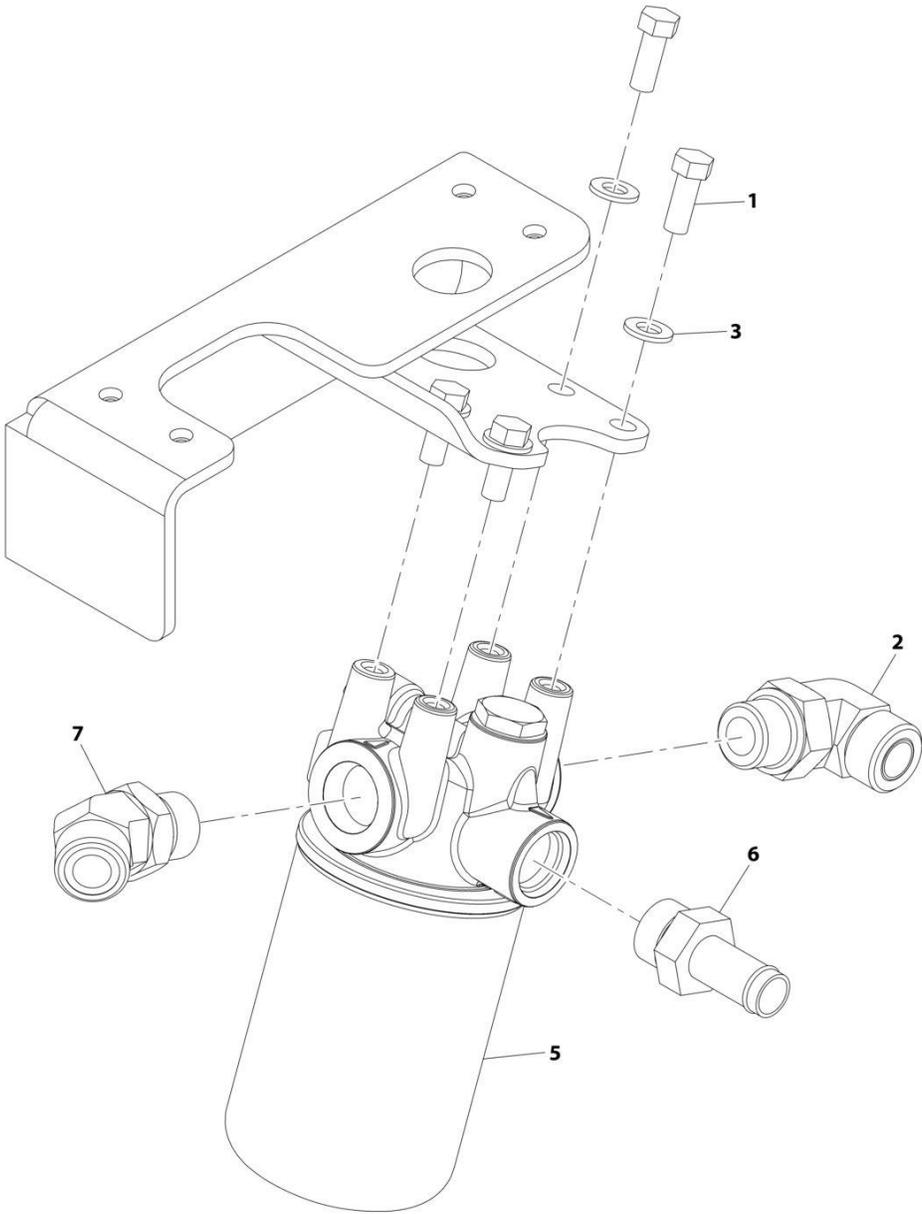
SECTION 8 - HYDRAULIC CIRCUITS

FIGURE 8-35. CHARGE FILTER LINES INSTALLATION

ITEM	PART NUMBER	QTY	DESCRIPTION	REV
	1001202026	Ref	Charge Filter Lines Installation	B
1	0700814	2	Bolt, M8X30	
2	4811900	2	Washer, M8	
3	8405007	2	Clamp	
4	1001212184	1	Bracket	
5	1001195433	1	Hose	
6	1001195434	1	Hose	
7	1001195435	1	Hose	
8	1001195430	Ref	Installation, Charge Filter (See Separate Breakdown in this Section)	

SECTION 8 - HYDRAULIC CIRCUITS

FIGURE 8-36. CHARGE FILTER INSTALLATION



ART_1001195430-C

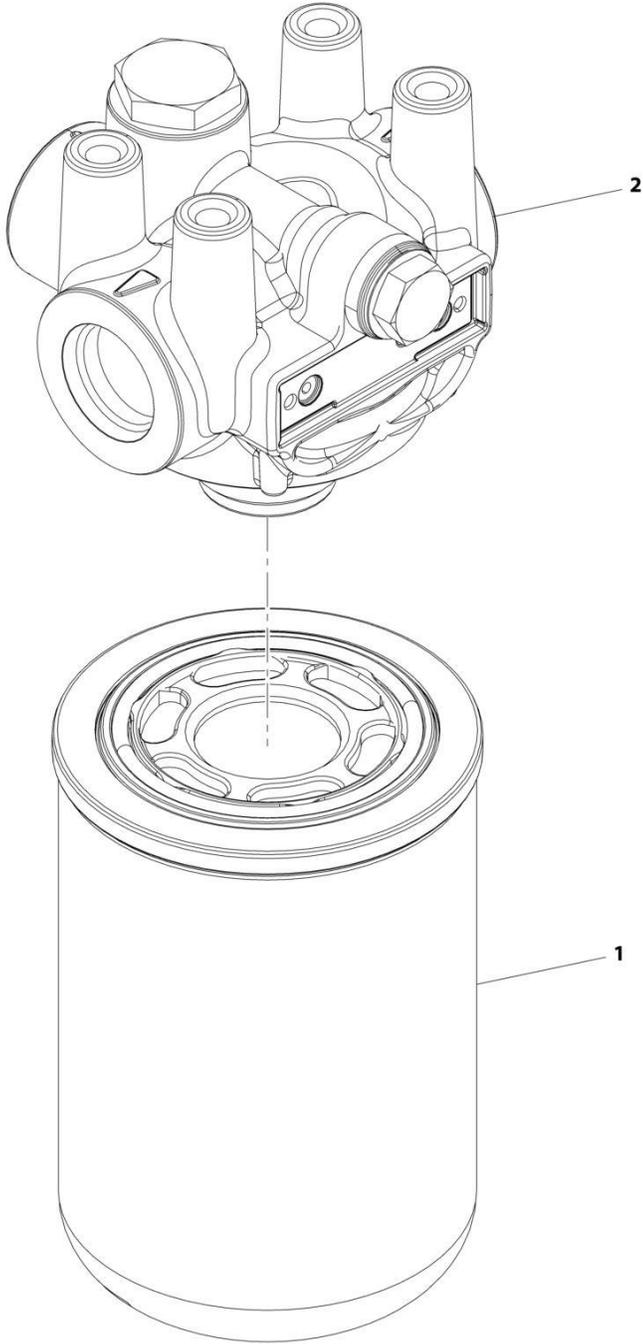
SECTION 8 - HYDRAULIC CIRCUITS

FIGURE 8-36. CHARGE FILTER INSTALLATION

ITEM	PART NUMBER	QTY	DESCRIPTION	REV
	1001195430	Ref	Charge Filter Installation	C
1	0641608	4	Bolt, 3/8-16X1	
2	2131212	1	Fitting, 90 ORFS	
3	4812000	4	Washer, M10	
5	1001141976	1	Assembly, Charge Filter (See Separate Breakdown in this Section)	
6	1001183700	1	Fitting, Barb	
7	2151212	1	Fitting, 45 ORFS	

SECTION 8 - HYDRAULIC CIRCUITS

FIGURE 8-37. IMPLEMENT PUMP FILTER ASSEMBLY



ART_1001141976-A

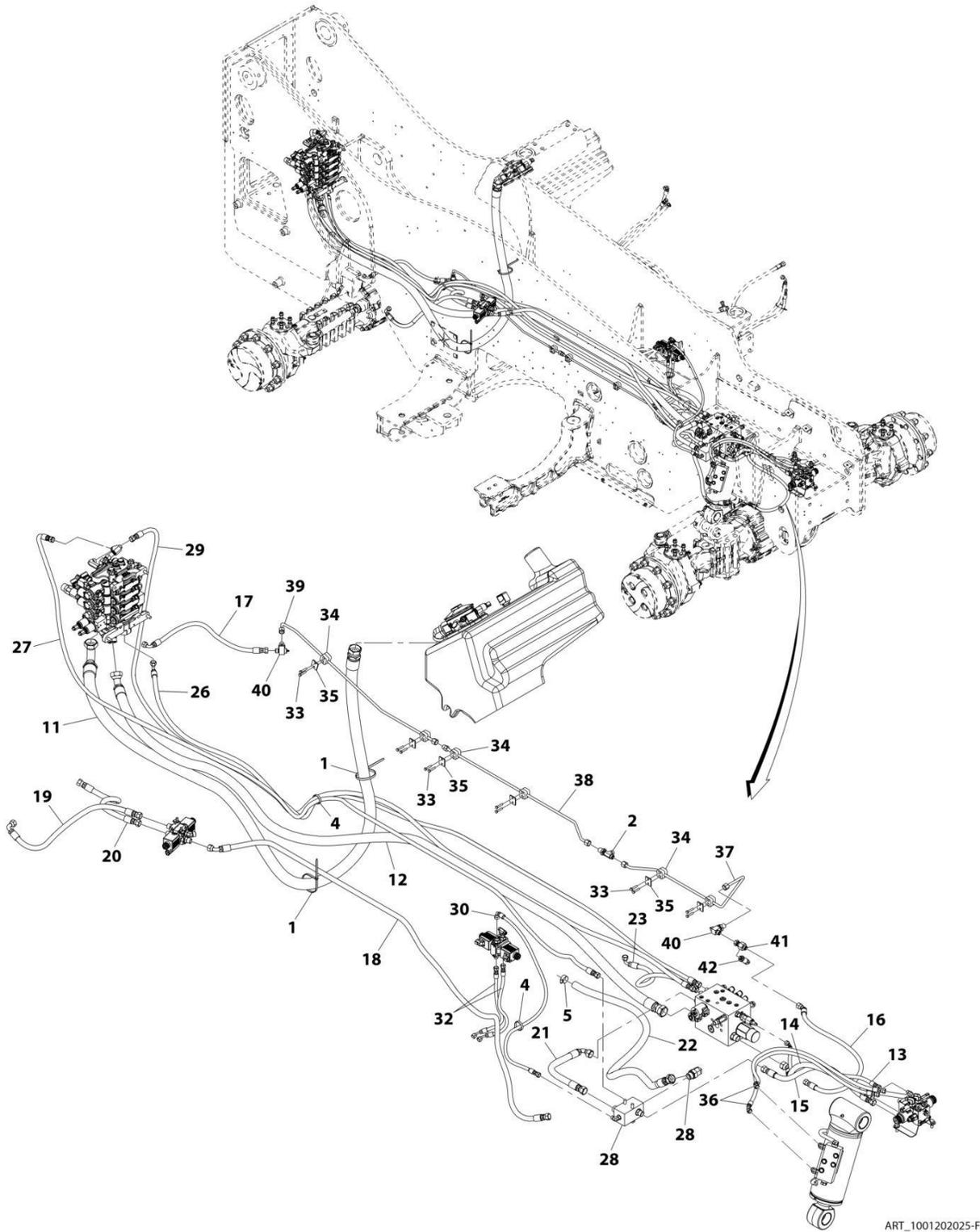
SECTION 8 - HYDRAULIC CIRCUITS

FIGURE 8-37. IMPLEMENT PUMP FILTER ASSEMBLY

ITEM	PART NUMBER	QTY	DESCRIPTION	REV
	1001141976	Ref	Implement Pump Filter Assembly	A
1	1001141461	1	Filter	
2	1001141462	1	Pump, Filter	

SECTION 8 - HYDRAULIC CIRCUITS

FIGURE 8-38. FRAME HYDRAULIC INSTALLATION



ART_1001202025-F

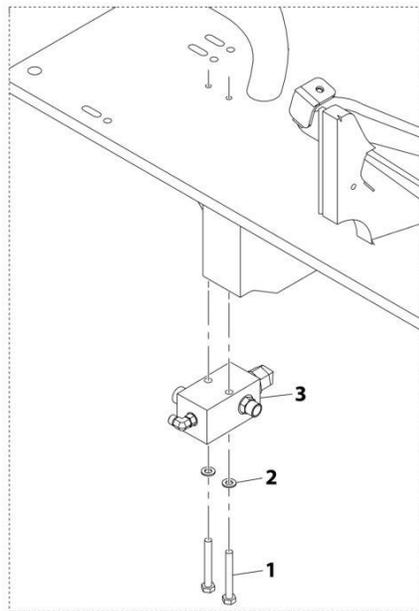
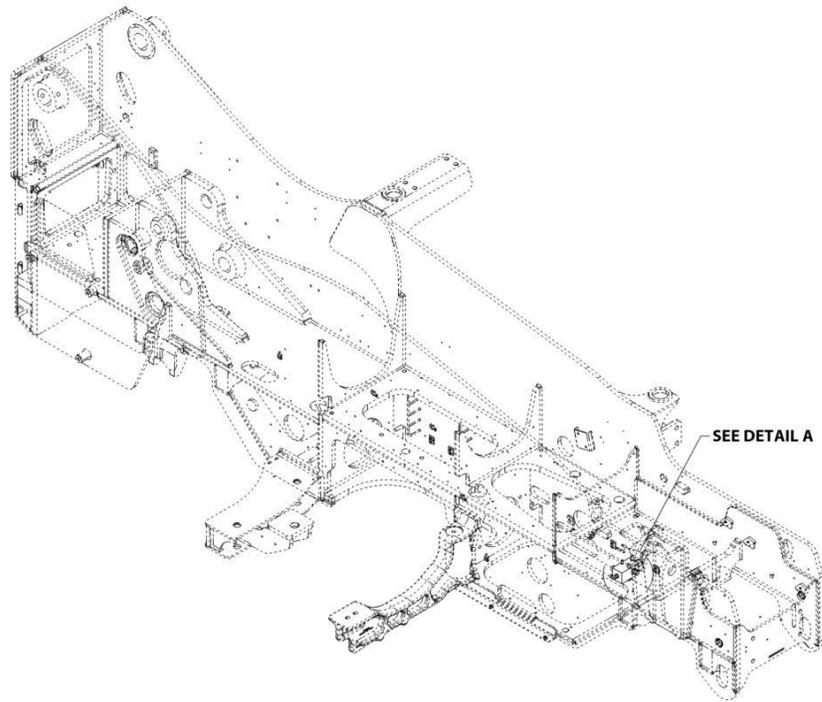
SECTION 8 - HYDRAULIC CIRCUITS

FIGURE 8-38. FRAME HYDRAULIC INSTALLATION

ITEM	PART NUMBER	QTY	DESCRIPTION	REV
	1001202025	Ref	Frame Hydraulic Installation	F
1	1062255	2	Strap, Tie	
2	88662434	1	Fitting, Tee ORFS	
4	4240018	2	Strap, Tie	
5	8405007	1	Clamp	
11	1001196964	1	Hose	
12	1001196967	1	Hose	
13	1001210635	1	Hose	
14	1001196969	1	Hose	
15	1001196970	1	Hose	
16	1001208532	1	Hose	
17	1001208534	1	Hose	
18	1001196973	1	Hose	
19	1001196974	1	Hose	
20	1001196975	1	Hose	
21	1001196976	1	Hose	
22	1001196977	1	Hose	
23	1001196978	1	Hose	
26	1001196981	1	Hose	
27	1001196982	1	Hose	
28	1001197197	Ref	Installation, Manifold (See Separate Breakdown in this Section)	
29	1001197199	1	Hose	
30	1001197200	1	Hose	
32	1001211020	2	Hose	
33	0700614	12	Bolt, M6X30	
34	9106-3040	6	Clamp	
35	9106-3039	6	Plate, Cover	
36	1001205573	2	Hose	
37	1001207788	1	Pipe	
38	1001207789	1	Pipe	
39	1001207790	1	Pipe	
40	1001210797	2	Bleeder, Brake	
41	1001111140	1	Fitting, ORFS	
42	1001147340	1	Sensor, Pressure	

SECTION 8 - HYDRAULIC CIRCUITS

FIGURE 8-39. MANIFOLD INSTALLATION



DETAIL A

ART_1001197197-B

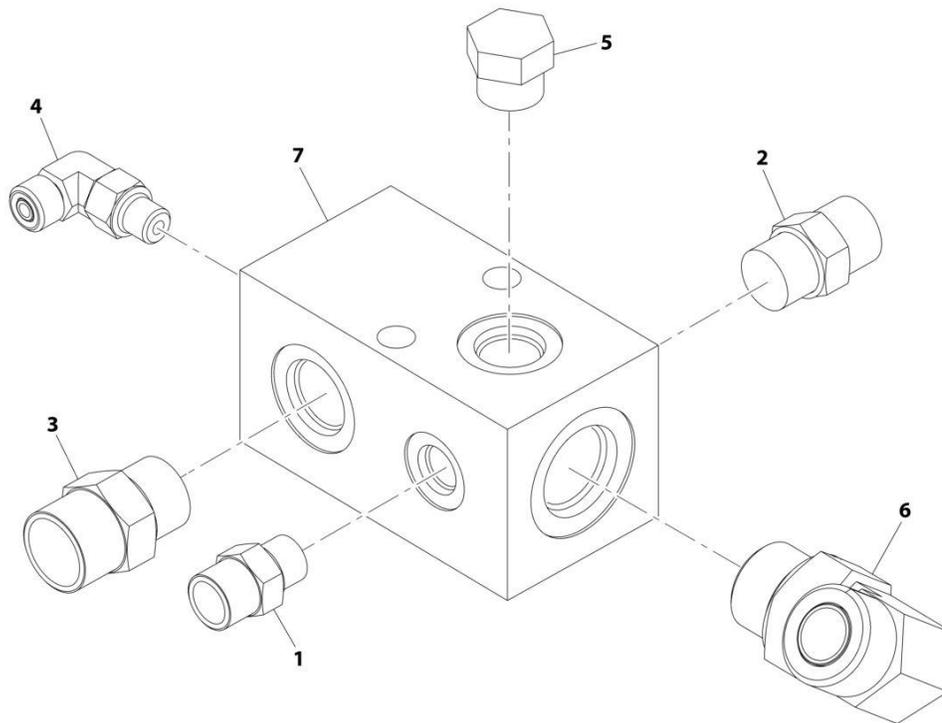
SECTION 8 - HYDRAULIC CIRCUITS

FIGURE 8-39. MANIFOLD INSTALLATION

ITEM	PART NUMBER	QTY	DESCRIPTION	REV
	1001197197	Ref	Manifold Installation	B
1	0701024	2	Bolt, M10X80	
2	4812000	2	Washer, M10	
3	1001197198	1	Assembly, Manifold (See Separate Breakdown in this Section)	

SECTION 8 - HYDRAULIC CIRCUITS

FIGURE 8-40. MANIFOLD ASSEMBLY



ART_1001197198-D

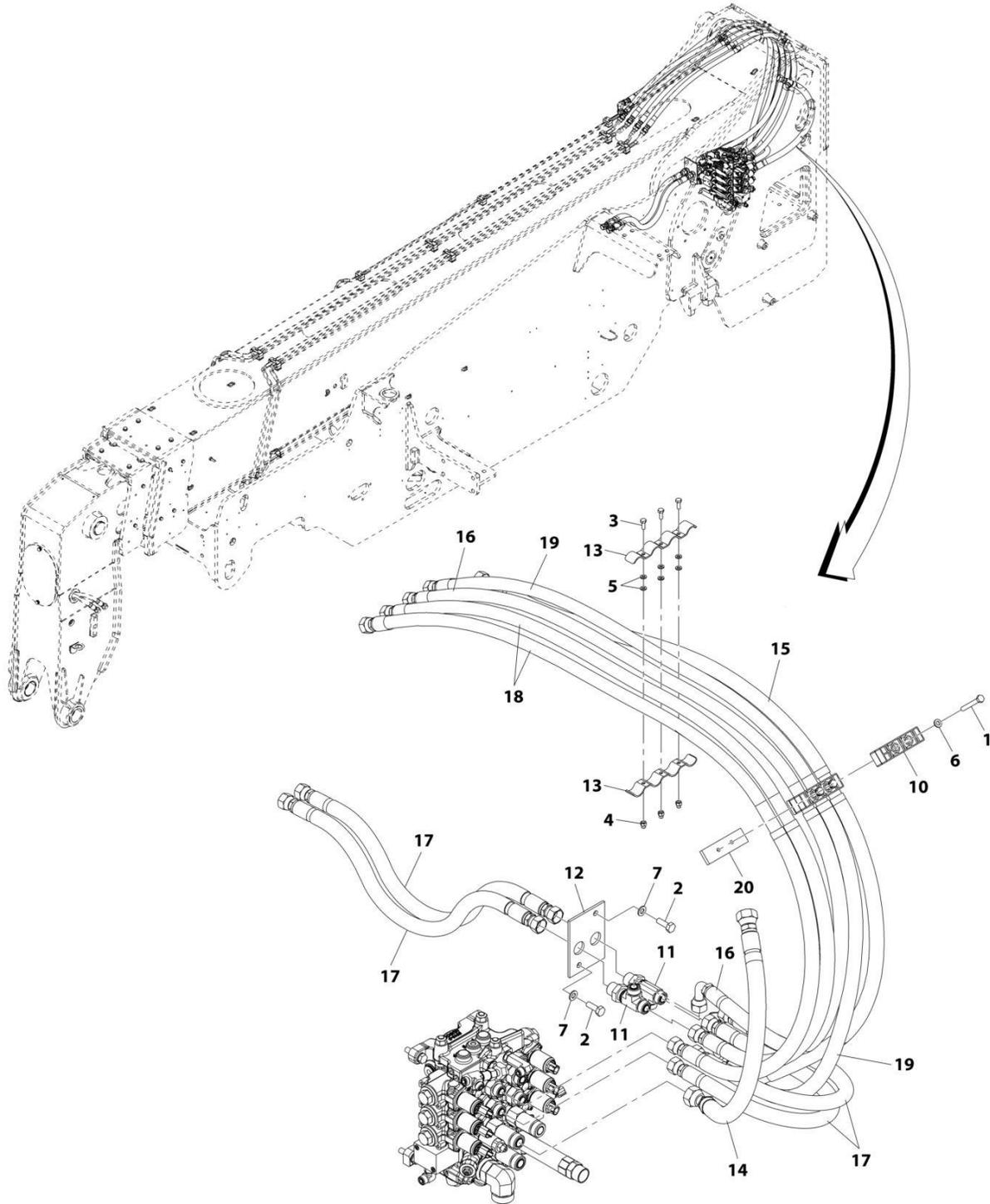
SECTION 8 - HYDRAULIC CIRCUITS

FIGURE 8-40. MANIFOLD ASSEMBLY

ITEM	PART NUMBER	QTY	DESCRIPTION	REV
	1001197198	Ref	Manifold Assembly	D
1	2110606	1	Fitting, Straight ORFS	
2	2110808	1	Fitting, Straight ORFS	
3	2111010	1	Fitting, Straight ORFS	
4	2130404	1	Fitting, 90 ORFS	
5	2220238	1	Plug	
6	2131212	1	Fitting, 90 ORFS	
7	1001228504	1	Manifold	

SECTION 8 - HYDRAULIC CIRCUITS

FIGURE 8-41. BOOM HYDRAULIC LINES INSTALLATION



ART_1001210522-F

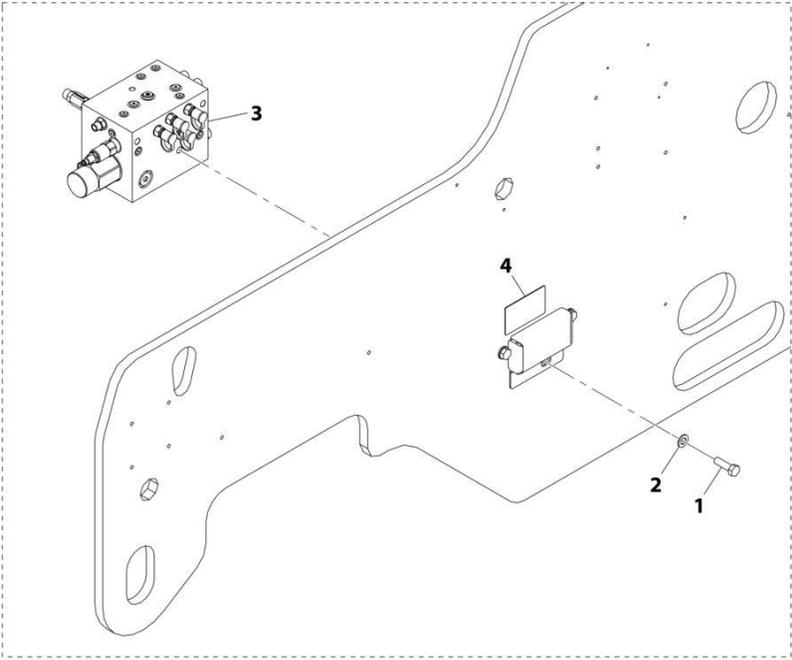
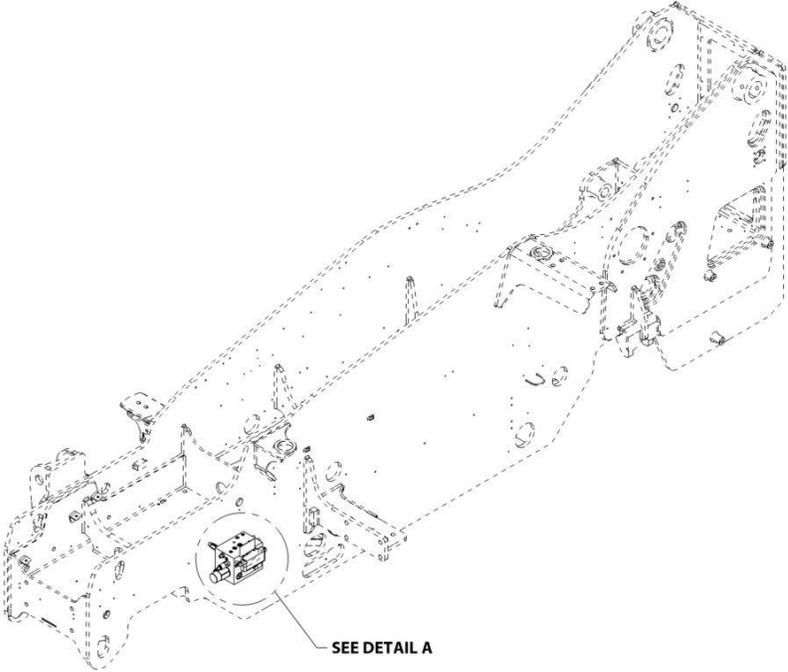
SECTION 8 - HYDRAULIC CIRCUITS

FIGURE 8-41. BOOM HYDRAULIC LINES INSTALLATION

ITEM	PART NUMBER	QTY	DESCRIPTION	REV
	1001210522	Ref	Boom Hydraulic Lines Installation	F
1	0700821	4	Bolt, M8X65	
2	0701014	2	Bolt, M10X30	
3	0760608	3	Bolt, M6X16	
4	3290606	3	Nut, M6X1	
5	4811700	6	Washer, M6	
6	4811900	4	Washer, M8	
7	4812000	2	Washer, M10	
10	1001098128	2	Clamp	
11	1001192096	2	Fitting, Tee ORFS	
12	1001197011	1	Plate	
13	1001205618	2	Clamp	
14	1001210271	1	Hose	
15	1001210523	1	Hose	
16	1001210524	1	Hose	
17	1001210525	4	Hose	
18	1001210526	2	Hose	
19	1001218997	1	Hose	
20	1001226557	2	Plate	

SECTION 8 - HYDRAULIC CIRCUITS

FIGURE 8-42. PRIORITY MANIFOLD INSTALLATION



DETAIL A

ART_1001192885-B

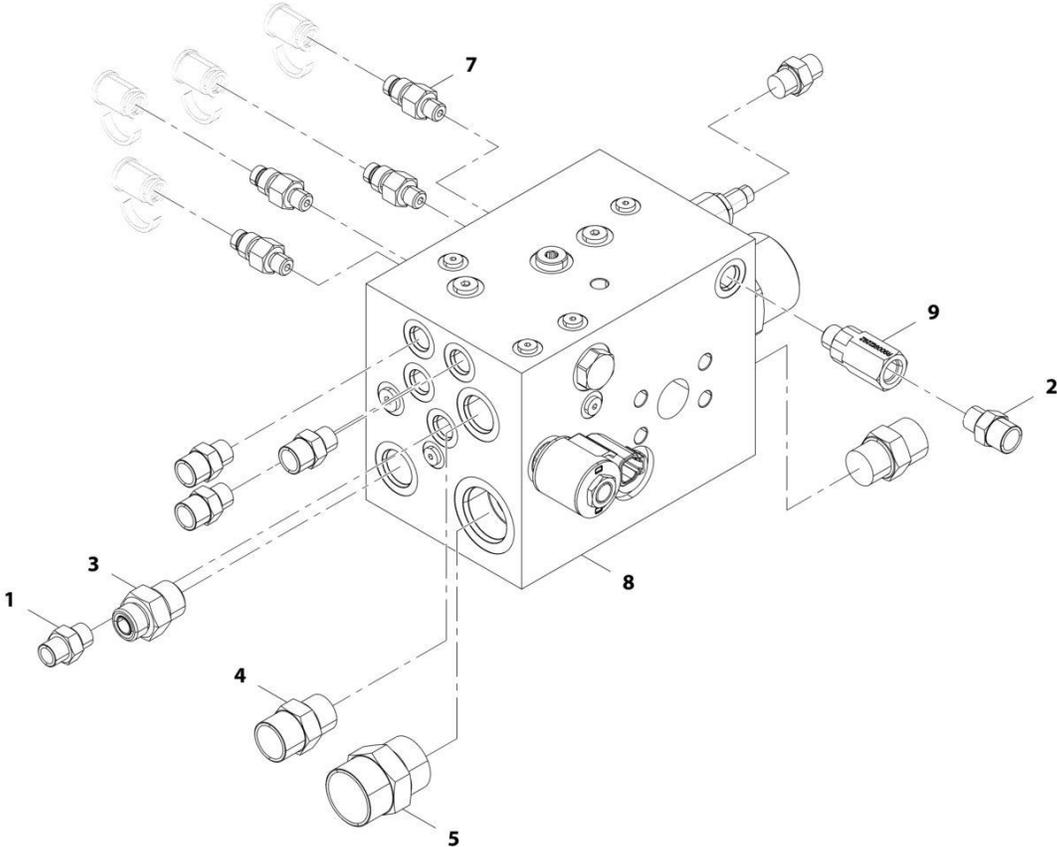
SECTION 8 - HYDRAULIC CIRCUITS

FIGURE 8-42. PRIORITY MANIFOLD INSTALLATION

ITEM	PART NUMBER	QTY	DESCRIPTION	REV
	1001192885	Ref	Priority Manifold Installation	B
1	0701216	3	Bolt, M12X40	
2	4812100	3	Washer, M12	
3	1001192886	1	Assembly, Priority Valve (See Separate Breakdown in this Section)	
4	1001192887	1	Decal	

SECTION 8 - HYDRAULIC CIRCUITS

FIGURE 8-43. PRIORITY VALVE ASSEMBLY



ART_1001192886-D

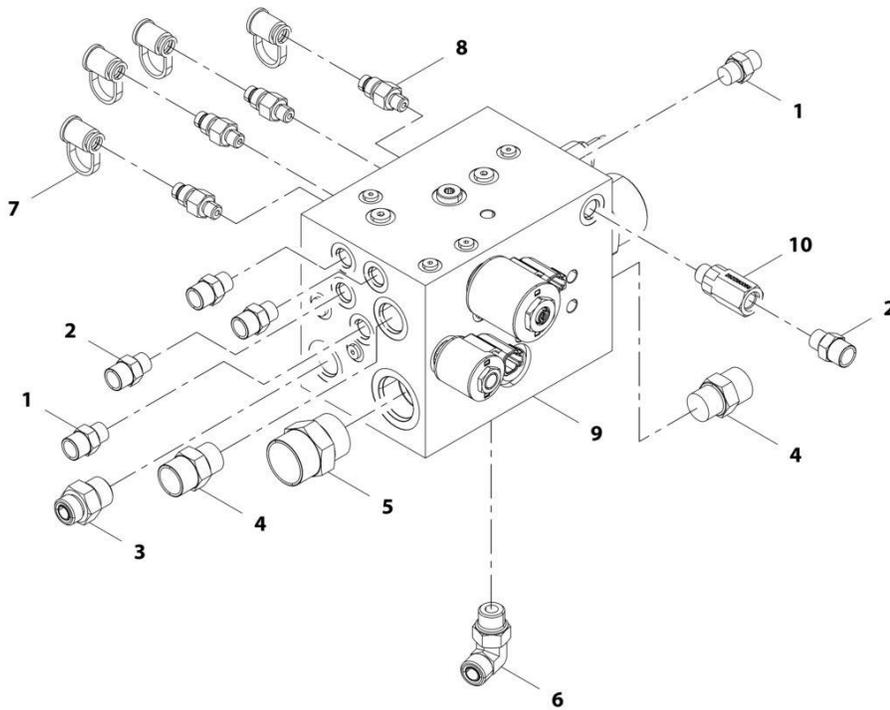
SECTION 8 - HYDRAULIC CIRCUITS

FIGURE 8-43. PRIORITY VALVE ASSEMBLY

ITEM	PART NUMBER	QTY	DESCRIPTION	REV
	1001192886	Ref	Priority Valve Assembly	D
1	2110406	2	Fitting, Straight ORFS	
2	2110606	4	Fitting, Straight ORFS	
3	2110810	1	Fitting, Straight ORFS	
4	2111010	2	Fitting, Straight ORFS	
5	2111616	1	Fitting, Straight ORFS	
7	8430033	4	Fitting, Straight	
8	1001192888	1	Assembly, Priority Valve (See Separate Breakdown in HYDRAULIC COMPONENTS Section)	
9	1001187355	1	Valve, Check	

SECTION 8 - HYDRAULIC CIRCUITS

FIGURE 8-44. PRIORITY VALVE ASSEMBLY (PLATFORM READY)



ART_1001193838-B

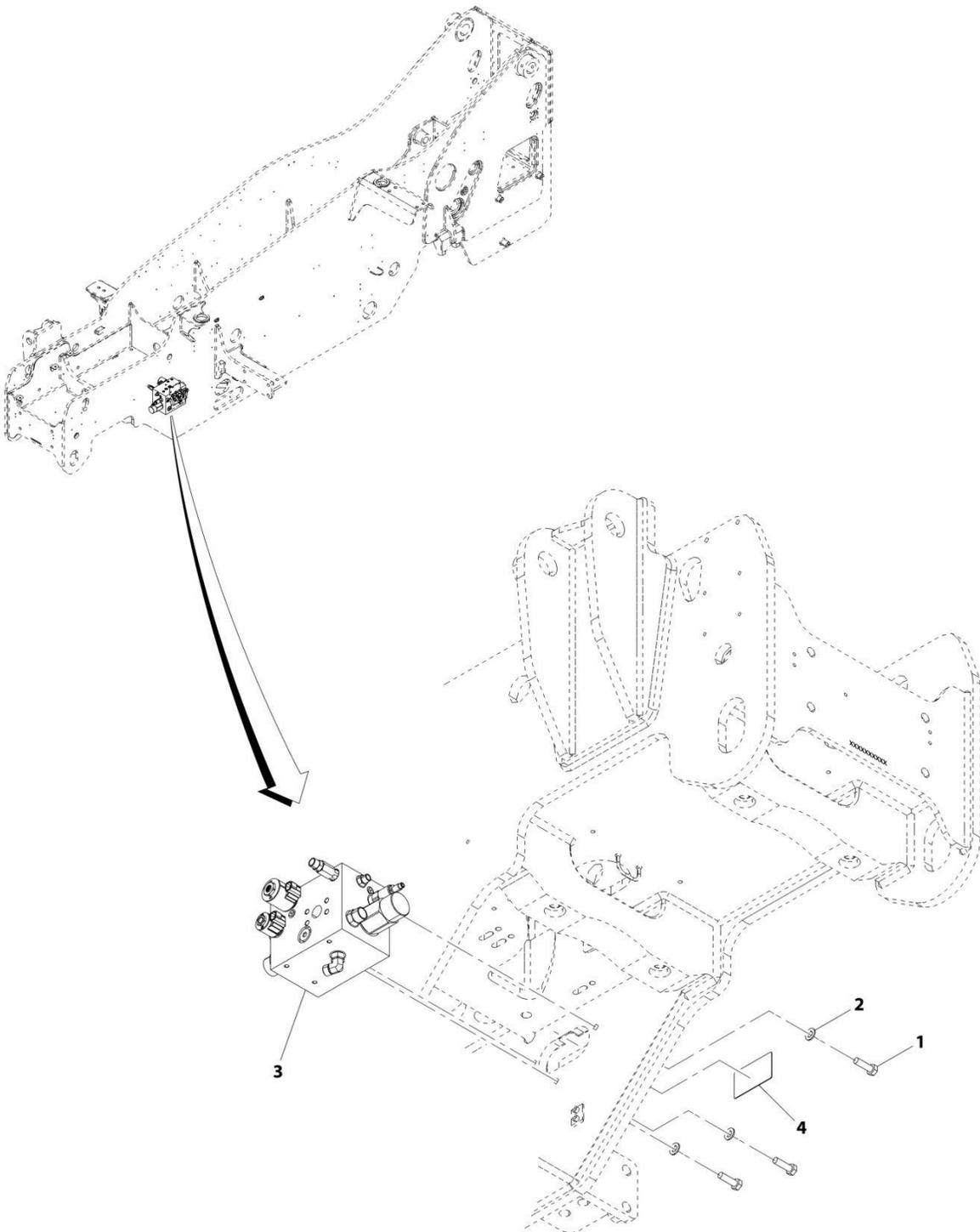
SECTION 8 - HYDRAULIC CIRCUITS

FIGURE 8-44. PRIORITY VALVE ASSEMBLY (PLATFORM READY)

ITEM	PART NUMBER	QTY	DESCRIPTION	REV
	1001193838	Ref	Priority Valve Assembly (Platform Ready)	B
1	2110406	2	Fitting, Straight ORFS	
2	2110606	4	Fitting, Straight ORFS	
3	2110810	1	Fitting, Straight ORFS	
4	2111010	2	Fitting, Straight ORFS	
5	2111616	1	Fitting, Straight ORFS	
6	2130808	1	Fitting, 90 ORFS	
7	8430032	4	Plug	
8	8430033	4	Fitting, Straight	
9	1001193839	1	Assembly, Priority Valve (Platform Ready) (See Separate Breakdown in HYDRAULIC COMPONENTS Section)	
10	1001187355	1	Valve, Check	

SECTION 8 - HYDRAULIC CIRCUITS

FIGURE 8-45. PRIORITY MANIFOLD INSTALLATION (PLATFORM READY)



ART_1001193836-B

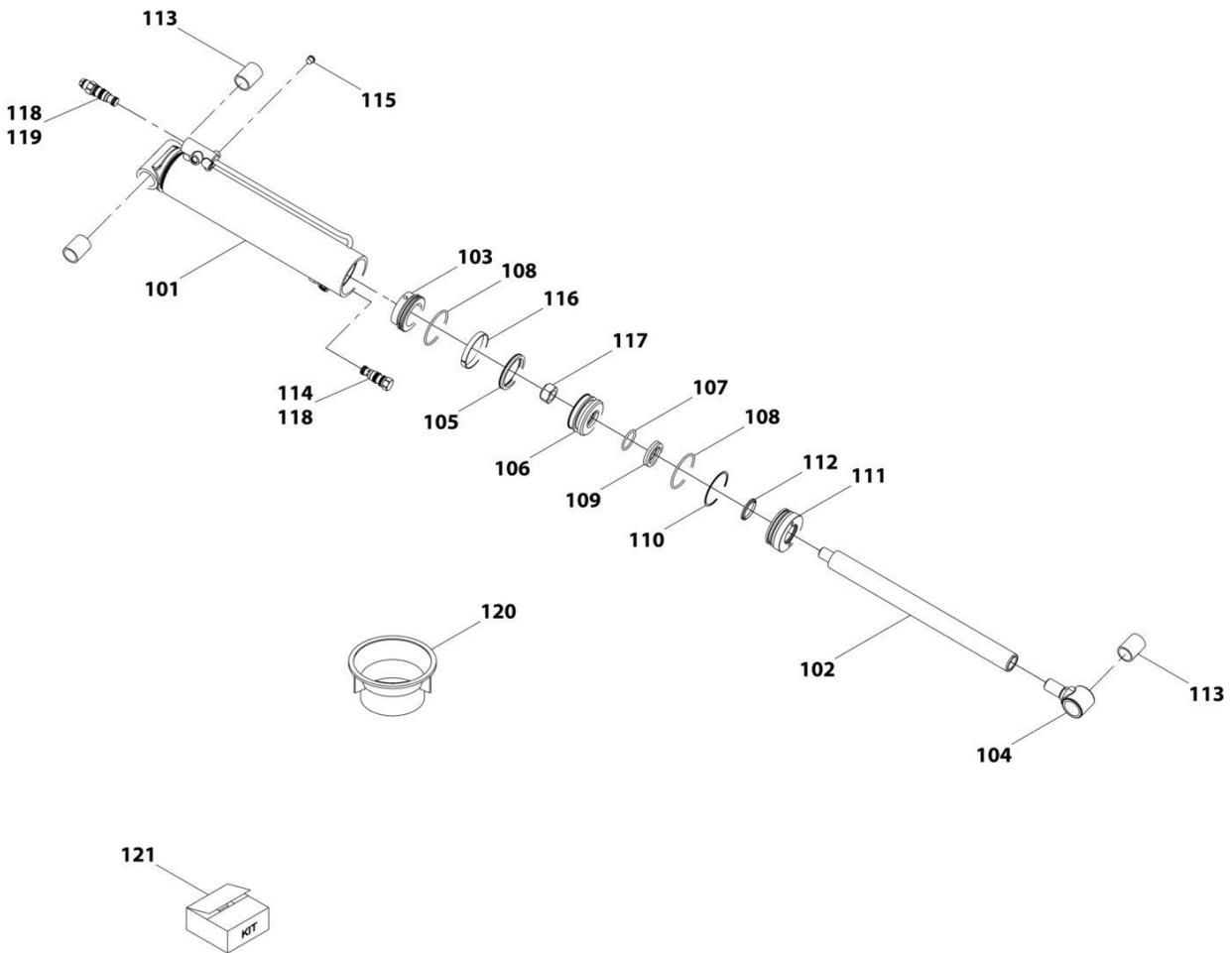
SECTION 8 - HYDRAULIC CIRCUITS

FIGURE 8-45. PRIORITY MANIFOLD INSTALLATION (PLATFORM READY)

ITEM	PART NUMBER	QTY	DESCRIPTION	REV
	1001193836	Ref	Priority Manifold Installation (Platform Ready)	B
1	0701216	3	Bolt, M12X40, Grade 10.9	
2	4812100	3	Washer, M12	
3	1001193838	1	Assembly, Priority Valve (Platform Ready) (See Separate Breakdown in this Section)	
4	1001192887	1	Decal, Port ID	

SECTION 8 - HYDRAULIC CIRCUITS

FIGURE 8-46. CYLINDER ASSEMBLY



ART_70026469-C

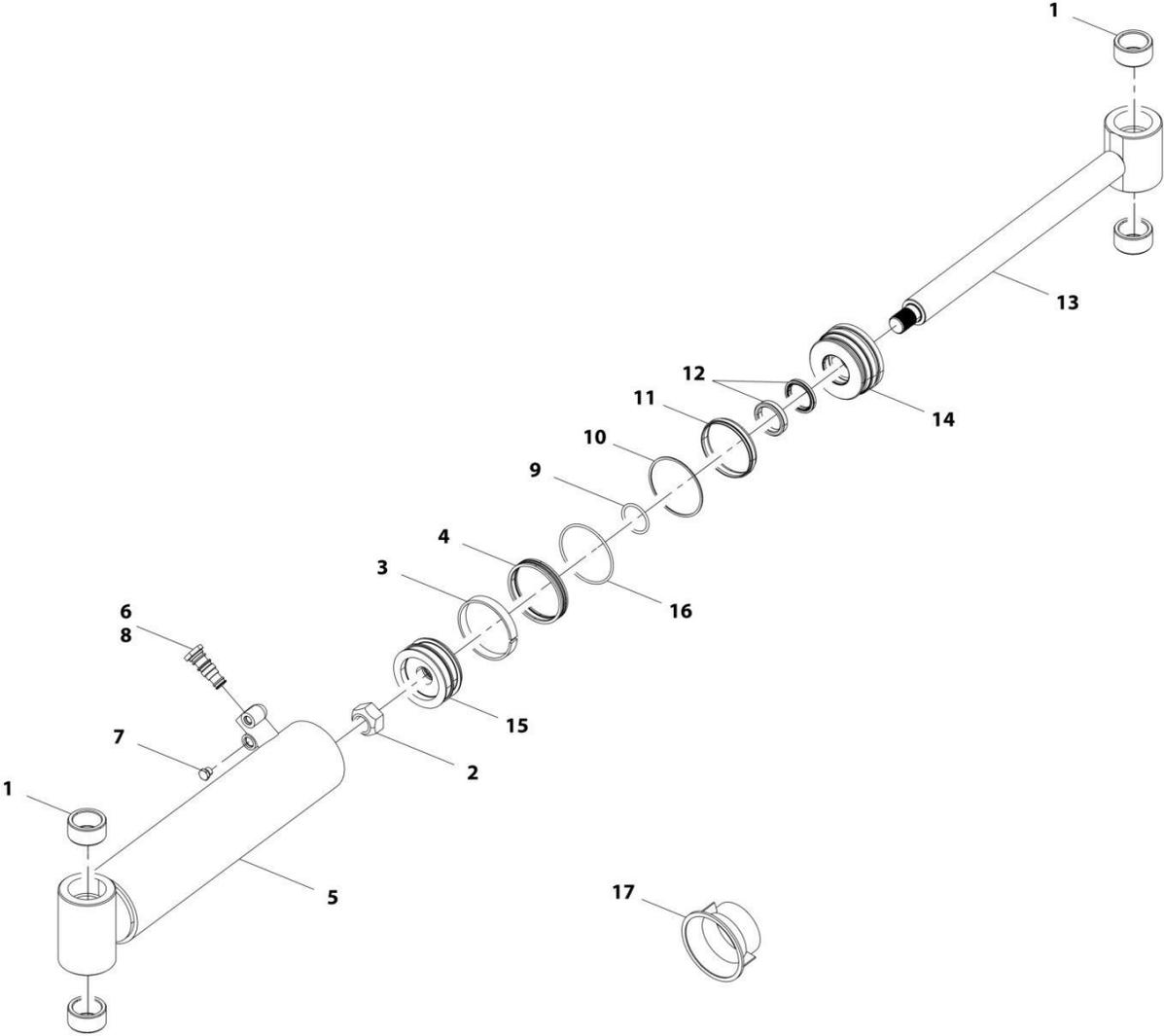
SECTION 8 - HYDRAULIC CIRCUITS

FIGURE 8-46. CYLINDER ASSEMBLY

ITEM	PART NUMBER	QTY	DESCRIPTION	REV
	70026469	Ref	Cylinder Assembly	C
		Ref	Note: Original Cylinder May Have Been Replaced with Service Replacement. Identify PN Stamped on Cylinder Before Ordering Parts.	
101	N.S.S.	1	Barrel	
102	70026496	1	Rod	
103	70026497	1	Spacer	
104	70026498	1	End, Rod	
105	Kit	1	Seal	
106	70026499	1	Piston	
107	Kit	1	O-Ring	
108	Kit	2	O-Ring	
109	Kit	1	Ring, Backup	
110	Kit	1	Seal	
111	70026500	1	Retainer	
112	Kit	1	Wiper	
113	70026501	3	Bushing	
114	70026502	1	Valve, Check	
115	70024129	4	Plug	
116	Kit	1	Ring, Wear	
117	70026503	1	Nut	
118	70024734	2	Kit, Check Valve Service	
119	70026504	1	Valve, Counterbalance	
120	70026505	1	Tool, Seal Loader	
121	70026506	1	Kit, Service	

SECTION 8 - HYDRAULIC CIRCUITS

FIGURE 8-47. CYLINDER ASSEMBLY



ART_70028572-D

SECTION 8 - HYDRAULIC CIRCUITS

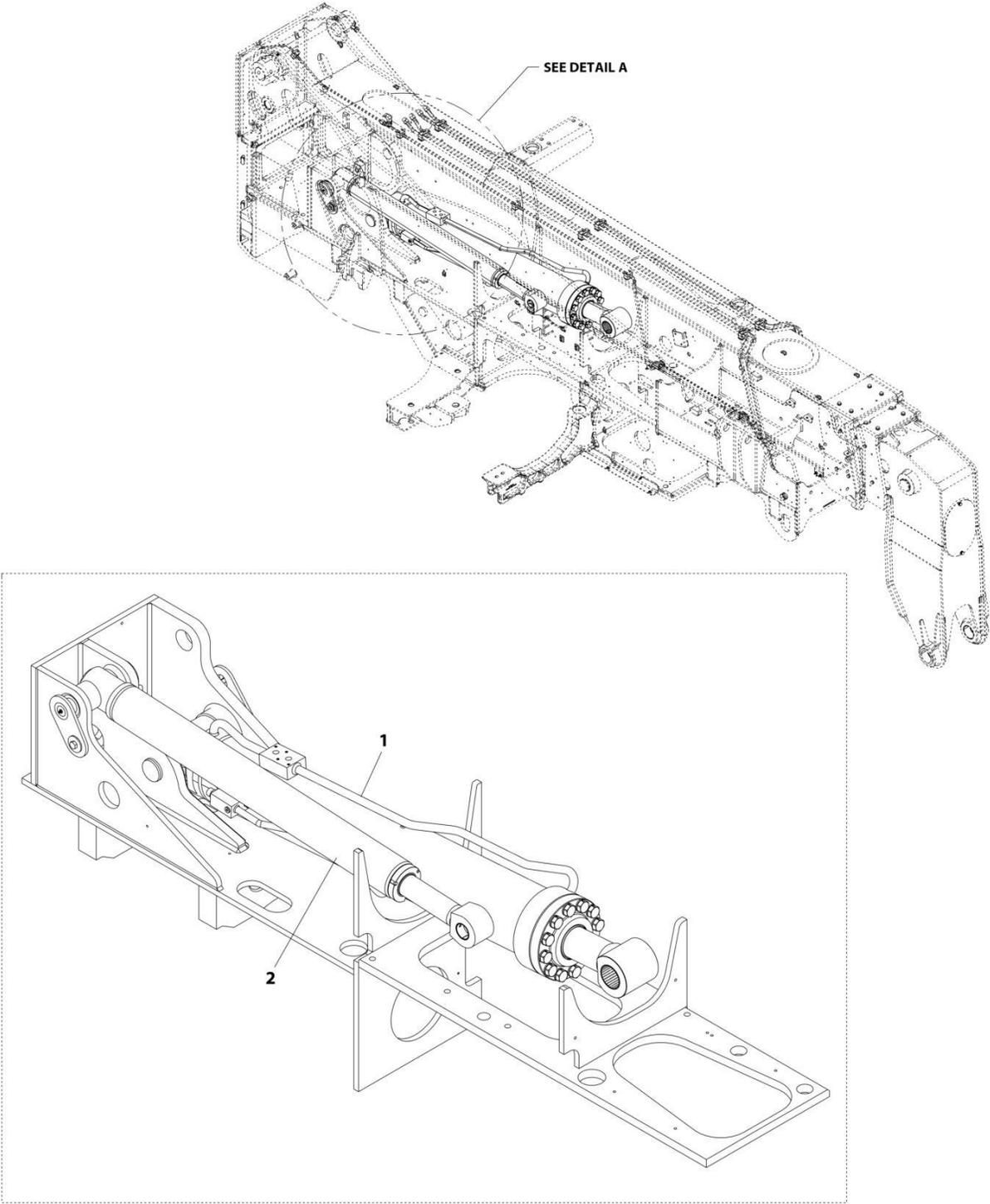
FIGURE 8-47. CYLINDER ASSEMBLY

ITEM	PART NUMBER	QTY	DESCRIPTION	REV
	70028572	Ref	Cylinder Assembly	D
		Ref	Note: Original Cylinder May Have Been Replaced with Service Replacement. Identify PN Stamped on Cylinder Before Ordering Parts.	
1	70028581	4	Bearing	
2	70028582	1	Nut	
3	N.S.S.	1	Ring, Wear	
4	N.S.S.	1	Seal	
5	N.S.S.	1	Assembly, Barrel	
6	Kit	1	Kit, Check Valve	
7	70028583	1	Fitting, Straight	
8	70028584	1	Valve, Check	
9	N.S.S.	1	O-Ring	
10	N.S.S.	1	Ring, Back-up	
11	N.S.S.	1	Seal	
12	N.S.S.	2	Wiper	
13	70028585	1	Rod	
14	70028586	1	Retainer	
15	70028587	1	Piston	
16	N.S.S.	1	O-Ring	
17	70028588	1	Tool, Seal Loader	

SECTION 9 - HYDRAULIC COMPONENTS

SECTION 9 - HYDRAULIC COMPONENTS

FIGURE 9-1. CYLINDER GROUP INSTALLATION



ART_1001192427-B

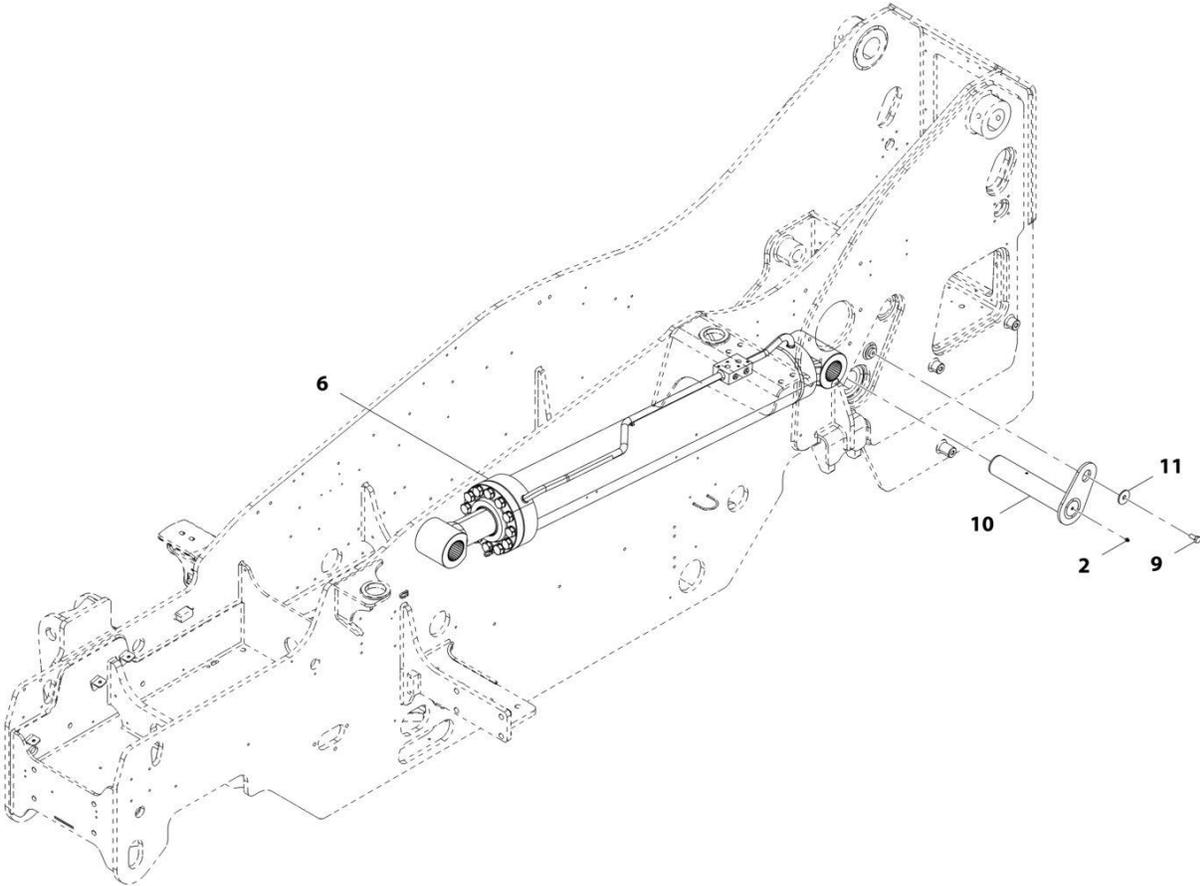
SECTION 9 - HYDRAULIC COMPONENTS

FIGURE 9-1. CYLINDER GROUP INSTALLATION

ITEM	PART NUMBER	QTY	DESCRIPTION	REV
1	1001192427	Ref	Cylinder Group Installation	B
	1001198577	Ref	Installation, Lift Cylinder (See Separate Breakdown in this Section)	
2	1001198578	ref	Installation, Compensation Cylinder (See Separate Breakdown in this Section)	

SECTION 9 - HYDRAULIC COMPONENTS

FIGURE 9-2. LIFT CYLINDER INSTALLATION



ART_1001198577-C

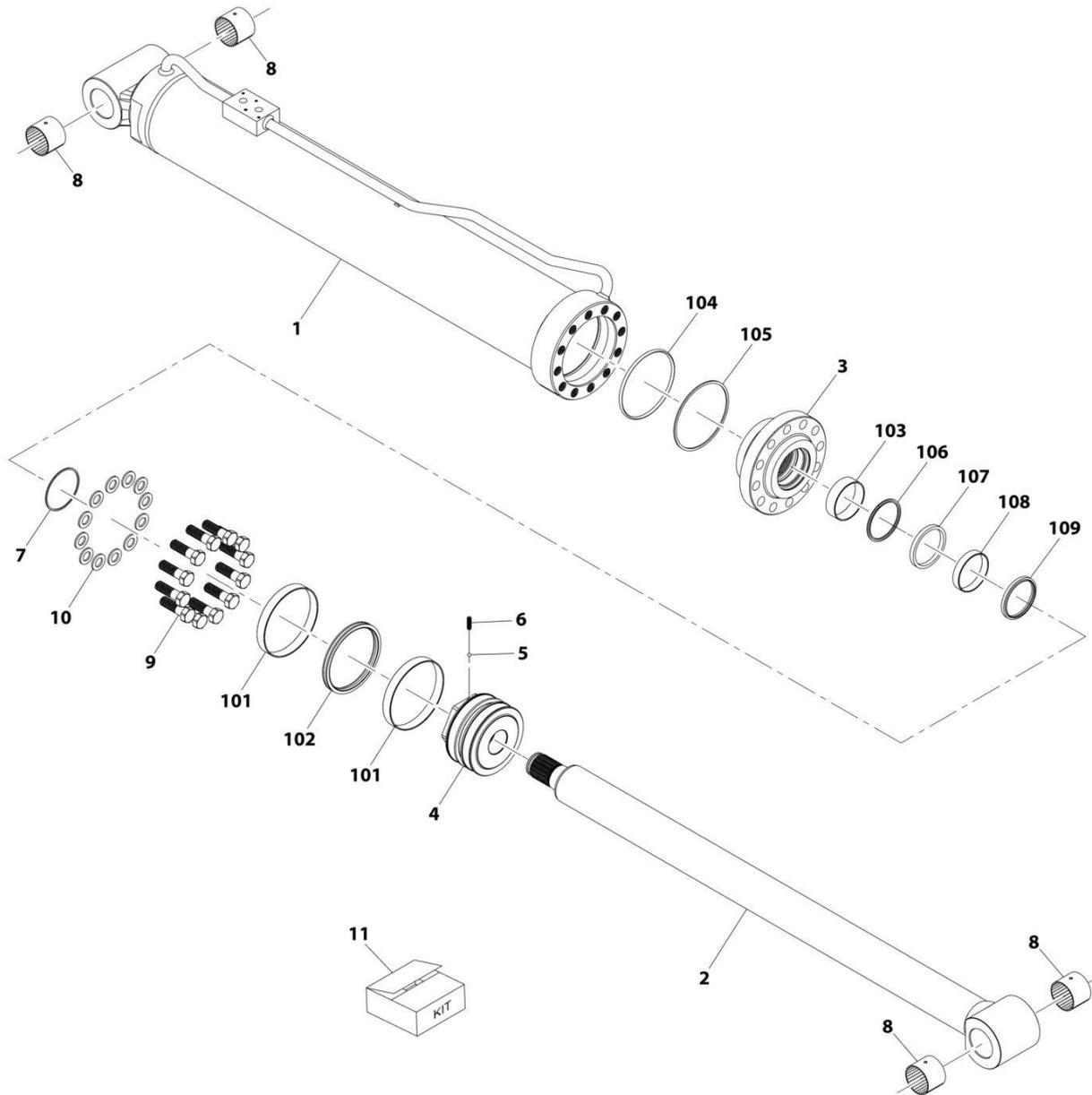
SECTION 9 - HYDRAULIC COMPONENTS

FIGURE 9-2. LIFT CYLINDER INSTALLATION

ITEM	PART NUMBER	QTY	DESCRIPTION	REV
	1001198577	Ref	Lift Cylinder Installation	C
2	2160016	1	Fitting, Grease	
6	1001198715	1	Cylinder, Lift (See Separate Breakdown in this Section)	
9	0771414	1	Bolt, M14X30	
10	1001216331	1	Pin	
11	1001217226	1	Washer	

SECTION 9 - HYDRAULIC COMPONENTS

FIGURE 9-3. LIFT CYLINDER



ART_1001198715-G

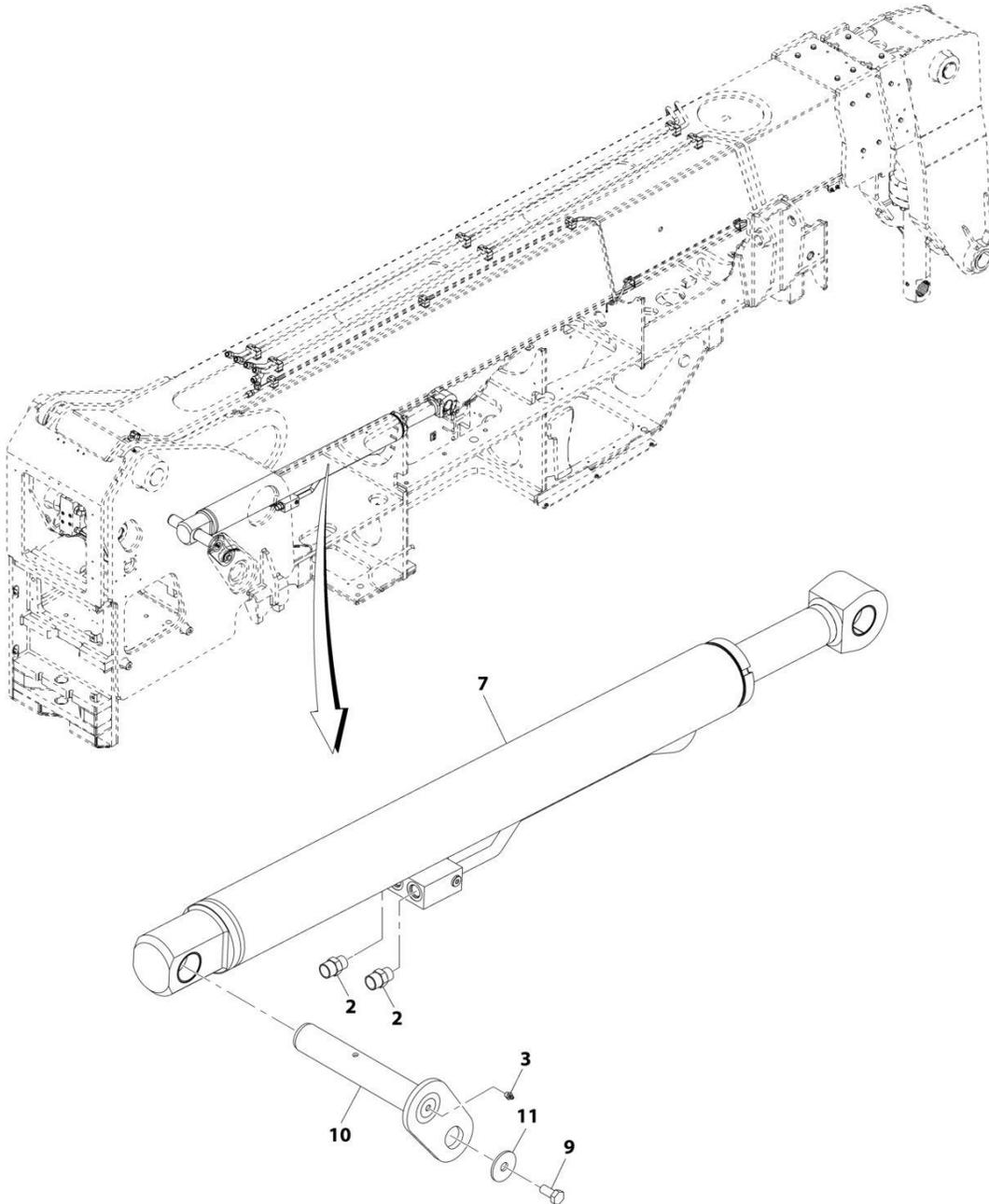
SECTION 9 - HYDRAULIC COMPONENTS

FIGURE 9-3. LIFT CYLINDER

ITEM	PART NUMBER	QTY	DESCRIPTION	REV
	1001198715	Ref	Lift Cylinder	G
		Ref	Note: Original Cylinder May Have Been Replaced with Service Replacement. Identify PN Stamped on Cylinder Before Ordering Parts.	
1	N.S.S.	1	Barrel	
2	70028325	1	Rod	
3	70028307	1	Guide, Rod	
4	70028308	1	Piston	
5	70025614	1	Bearing	
6	70028309	1	Screw, Locking	
7	70025590	1	Ring, Snap	
8	70028310	4	Bushing	
9	70028311	12	Bolt	
10	70028312	12	Washer	
11	70028324	1	Kit, Seal (includes items 101 thru 109)	
101	Kit	2	Ring, Piston	
102	Kit	1	Seal	
103	Kit	1	Wiper, Rod	
104	Kit	1	O-Ring	
105	Kit	1	Ring, Backup	
106	Kit	1	Seal	
107	Kit	1	Seal	
108	Kit	1	Wiper, Rod	
109	Kit	1	Seal	

SECTION 9 - HYDRAULIC COMPONENTS

FIGURE 9-4. COMPENSATION CYLINDER INSTALLATION



ART_1001198578-C

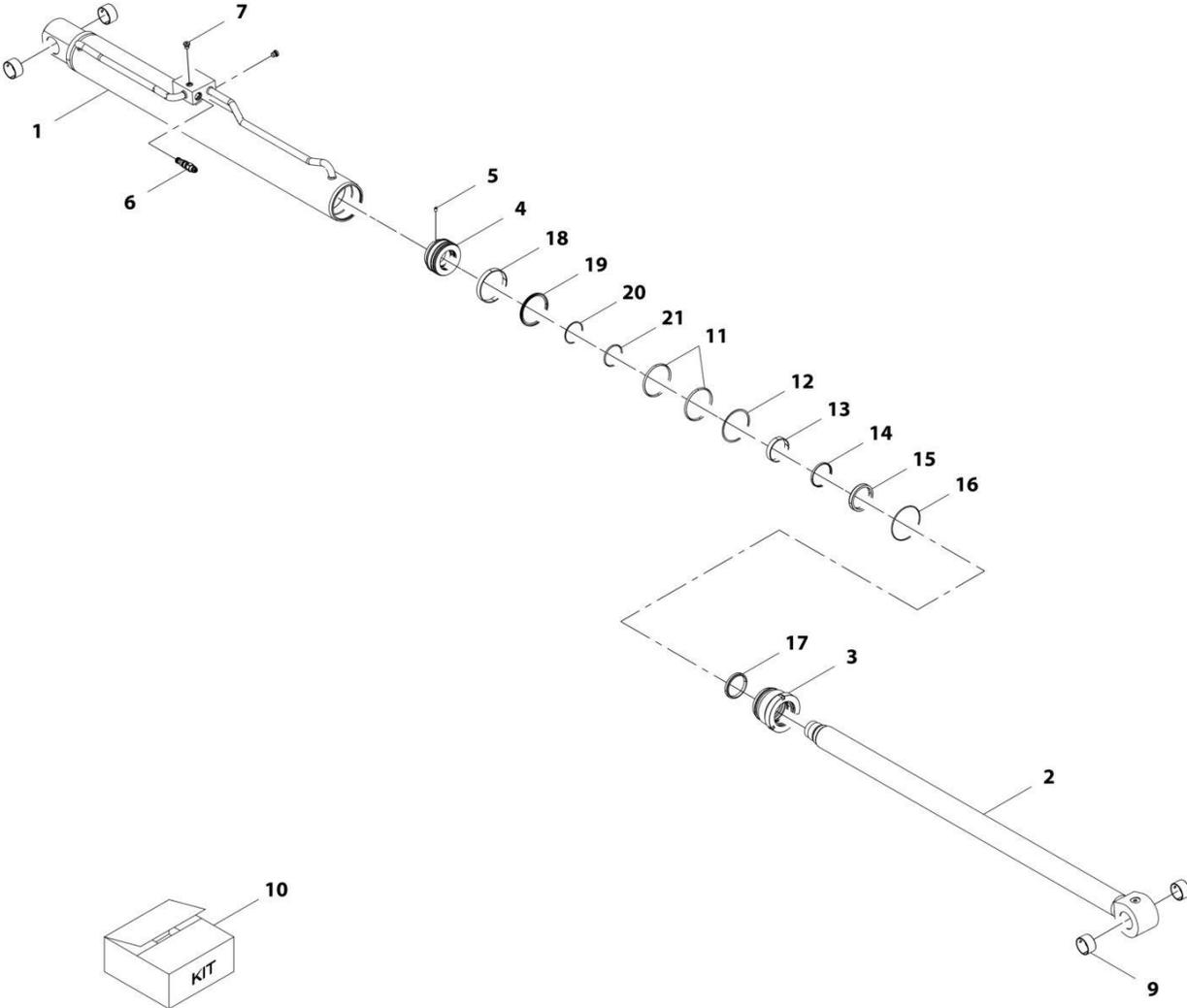
SECTION 9 - HYDRAULIC COMPONENTS

FIGURE 9-4. COMPENSATION CYLINDER INSTALLATION

ITEM	PART NUMBER	QTY	DESCRIPTION	REV
	1001198578	Ref	Compensation Cylinder Installation	C
2	2111010	2	Fitting, Straight ORFS	
3	2160016	1	Fitting, Grease	
7	1001198717	1	Cylinder, Compensation (See Separate Breakdown in this Section)	
9	0771414	1	Bolt, M14X30	
10	1001216333	1	Pin	
11	1001217226	1	Washer	

SECTION 9 - HYDRAULIC COMPONENTS

FIGURE 9-5. COMPENSATION CYLINDER



ART_1001198717-E

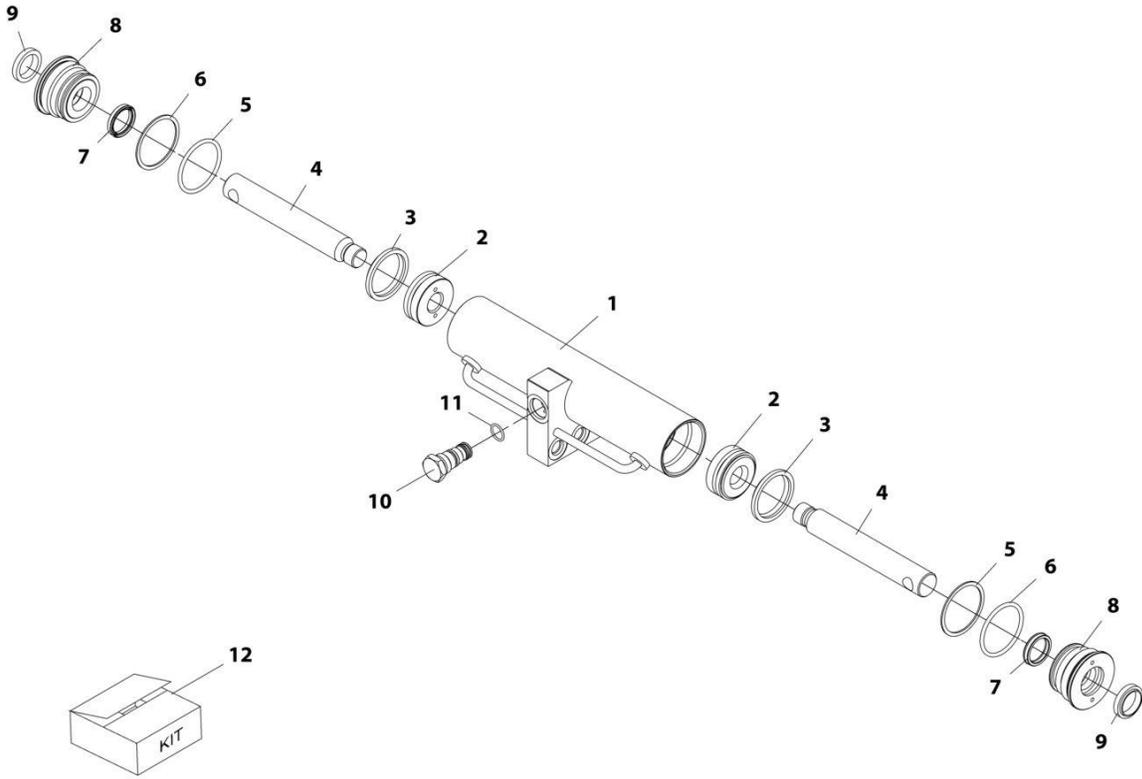
SECTION 9 - HYDRAULIC COMPONENTS

FIGURE 9-5. COMPENSATION CYLINDER

ITEM	PART NUMBER	QTY	DESCRIPTION	REV
	1001198717	Ref	Cylinder, Compensation	E
		Ref	Note: Original Cylinder May Have Been Replaced with Service Replacement. Identify PN Stamped on Cylinder Before Ordering Parts.	
1	N.S.S.	1	Barrel	
2	70028376	1	Rod	
3	70028377	1	Guide, Rod	
4	70028378	1	Piston	
5	70026838	1	Screw	
6	70028384	1	Valve	
7	70028379	2	Plug	
9	70020476	4	Bushing	
10	70028380	1	Kit, Seal (includes items 11 thru 21)	
11	Kit	2	O-Ring	
12	Kit	1	Ring, Backup	
13	Kit	1	Bearing	
14	Kit	1	Buffer	
15	Kit	1	O-Ring	
16	Kit	1	Seal, Rod	
17	Kit	1	Wiper	
18	Kit	1	Bearing	
19	Kit	1	Seal, Piston	
20	Kit	1	Ring, Backup	
21	Kit	1	O-Ring	

SECTION 9 - HYDRAULIC COMPONENTS

FIGURE 9-6. COUPLER LOCKING CYLINDER



ART_1001145390-A

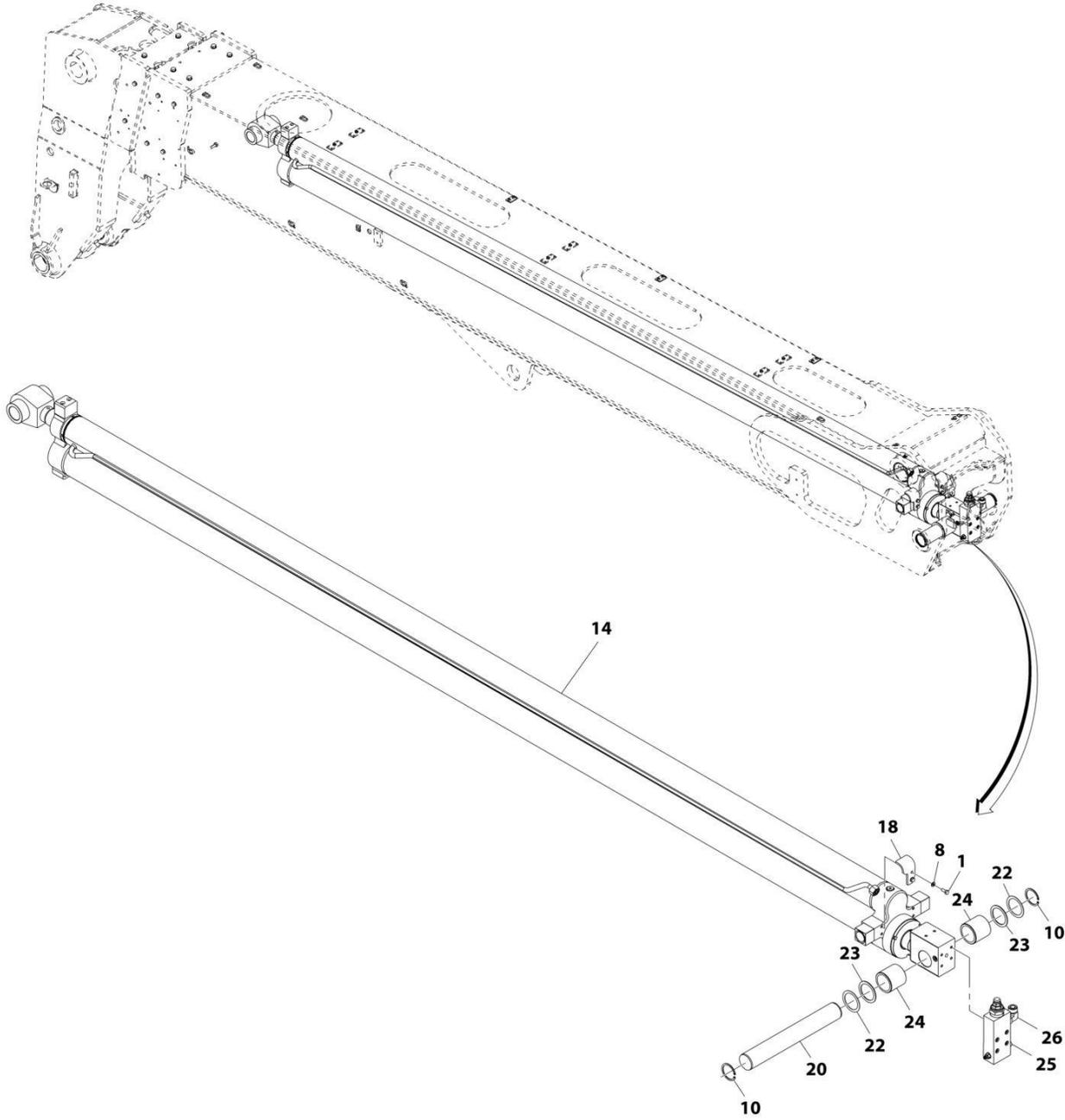
SECTION 9 - HYDRAULIC COMPONENTS

FIGURE 9-6. COUPLER LOCKING CYLINDER

ITEM	PART NUMBER	QTY	DESCRIPTION	REV
	1001145390	Ref	Coupler Locking Cylinder	A
		Ref	Note: Original Cylinder May Have Been Replaced with Service Replacement. Identify PN Stamped on Cylinder Before Ordering Parts.	
1	70024164	2	Body	
2	70024165	2	Piston	
3	Kit	2	Seal, Piston	
4	70024166	2	Rod	
5	Kit	2	O-Ring	
6	Kit	2	Ring, Backup	
7	Kit	2	Seal, Rod	
8	70024167	2	Gland	
9	Kit	2	Seal, Wiper	
10	1001007056	1	Valve, Check	
11	91574001	1	Seal, Check Valve	
12	70024168	1	Kit, Seal (includes items 3, 5, 6, 7 & 9)	

SECTION 9 - HYDRAULIC COMPONENTS

FIGURE 9-7. EXTEND/RETRACT CYLINDER INSTALLATION



ART_1001199325-H

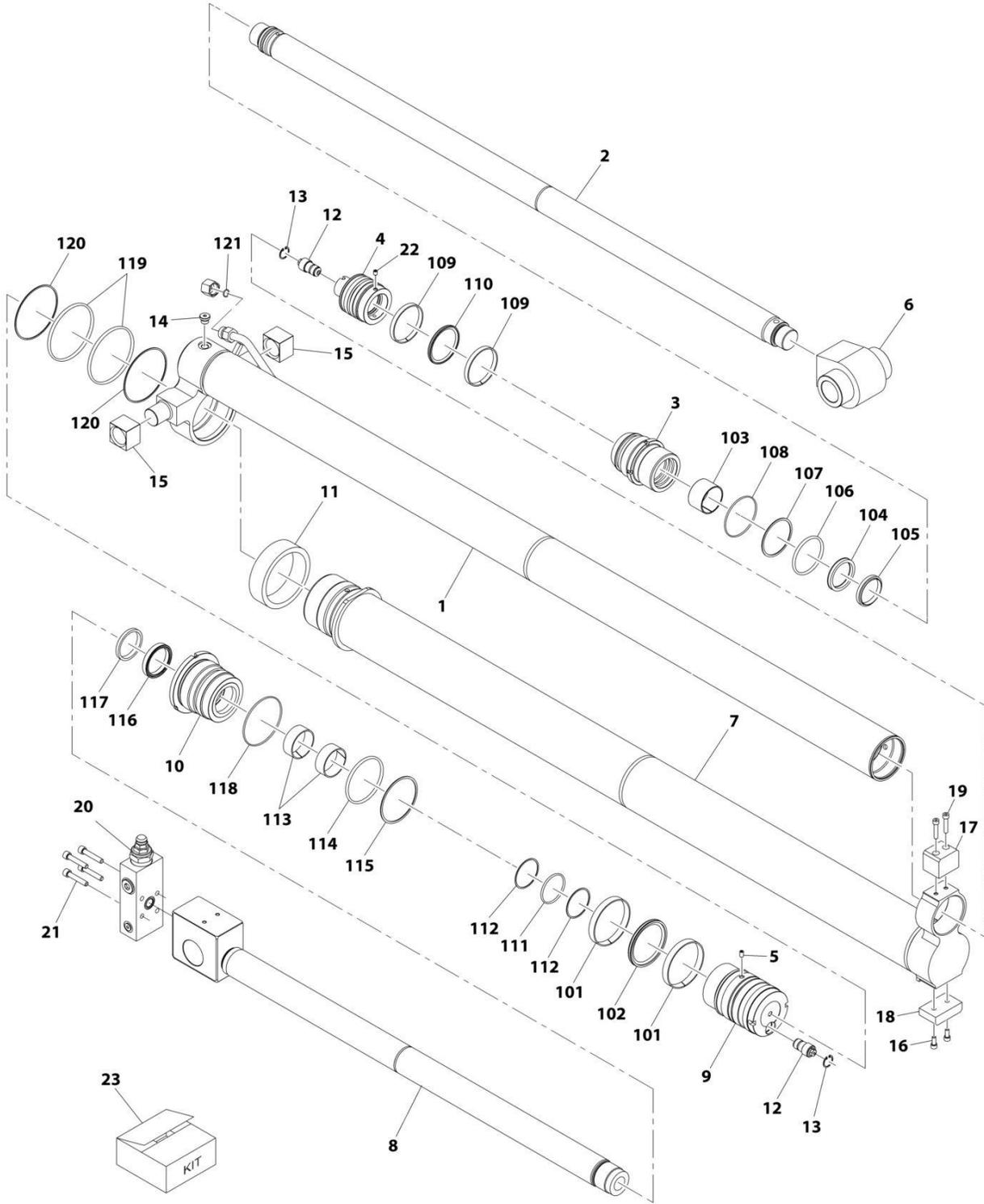
SECTION 9 - HYDRAULIC COMPONENTS

FIGURE 9-7. EXTEND/RETRACT CYLINDER INSTALLATION

ITEM	PART NUMBER	QTY	DESCRIPTION	REV
	1001199325	Ref	Extend/Retract Cylinder Installation	H
1	0760810	2	Bolt, M8X20	
8	4811900	2	Washer, M8	
10	8006258	2	Ring, Retaining	
14	1001226947	1	Cylinder, Extend/Retract (See Separate Breakdown in this Section)	
18	1001213562	1	Plate	
20	1001205528	1	Pin	
22	1001100166	2	Shim	
23	1001100169	2	Shim	
24	1001208451	2	Spacer, M70X5X72	
25	2110806	1	Fitting, Straight ORFS	
26	2131212	1	Fitting, 90 ORFS	

SECTION 9 - HYDRAULIC COMPONENTS

FIGURE 9-8. EXTEND/RETRACT CYLINDER



ART_1001226947-A

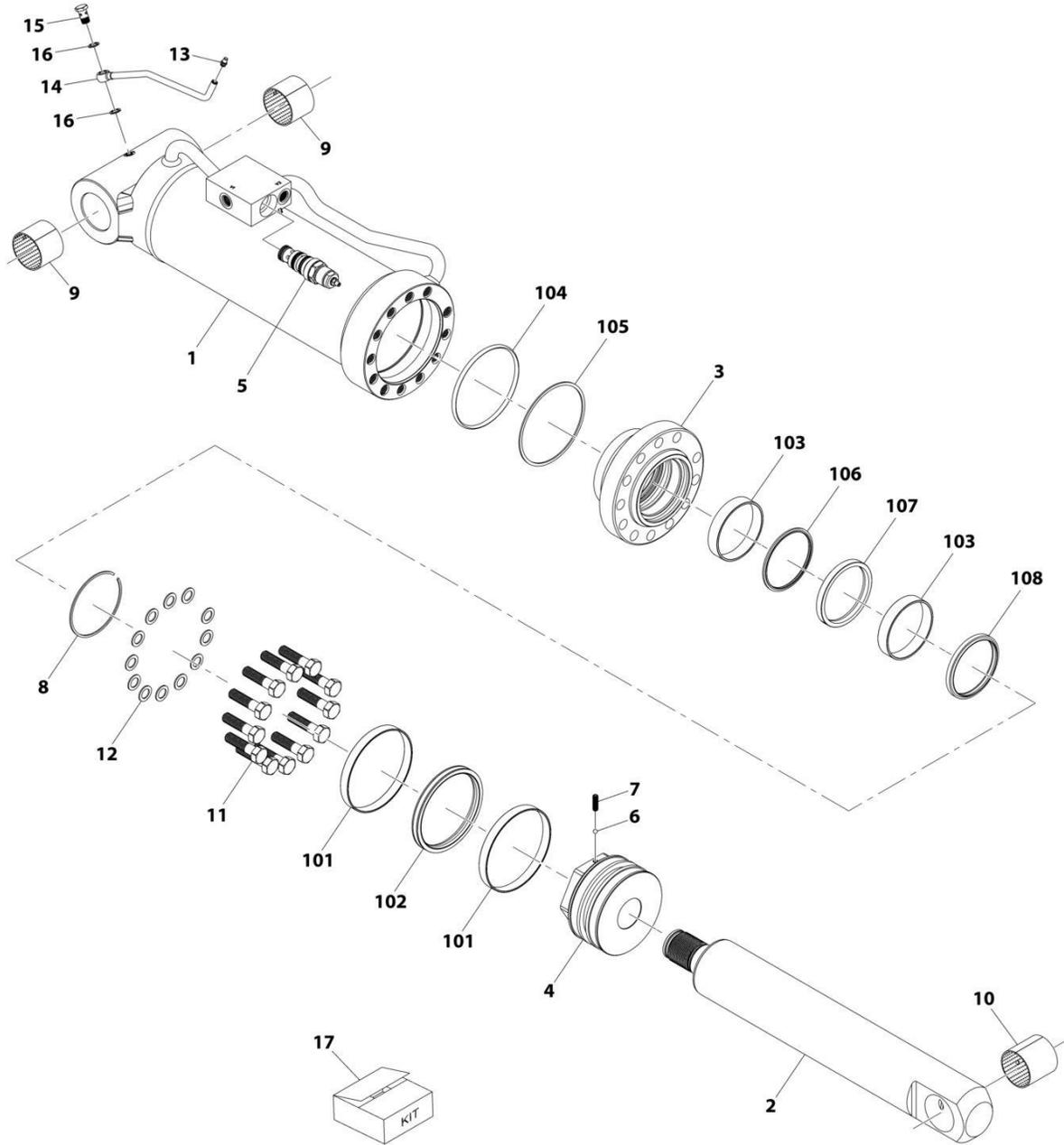
SECTION 9 - HYDRAULIC COMPONENTS

FIGURE 9-8. EXTEND/RETRACT CYLINDER

ITEM	PART NUMBER	QTY	DESCRIPTION	REV
	1001226947	Ref	Extend/Retract Cylinder	A
		Ref	Note: Original Cylinder May Have Been Replaced with Service Replacement. Identify PN Stamped on Cylinder Before Ordering Parts.	
1	N.S.S.	1	Barrel Assembly	
2	70029016	1	Rod Assembly	
3	70024228	1	Rod Guide	
4	70024229	1	Piston	
5	70020438	1	Screw	
6	70028364	1	Rod Eye	
7	N.S.S.	1	Barrel Assembly	
8	70029017	1	Rod Assembly	
9	70024236	1	Piston	
10	70024235	1	Rod Guide	
11	70024234	1	Spacer	
12	70024230	2	Valve	
13	70024231	2	Circlip	
14	70024237	1	Plug	
15	70027801	2	Trunnion Bearing	
16	70029018	2	Screw	
17	70028368	1	Wear Pad	
18	70028367	1	Wear Pad	
19	70029019	2	Screw	
20	1001200111	1	Valve, Counterbalance (Sold as Assembly Only)	
20	70028422	1	O-Ring (Between Valve & Rod)	
21	70023916	4	Screw	
22	70026838	1	Screw	
23	70024224	1	Seal Kit, Cylinder	
101	Kit	2	Bearing	
102	Kit	1	Piston Seal	
103	Kit	1	Bearing	
104	Kit	1	Rod Seal	
105	Kit	1	Wiper	
106	Kit	1	O-Ring	
107	Kit	1	Back up ring	
108	Kit	1	O-Ring	
109	Kit	2	Bearing	
110	Kit	1	Piston Seal	
111	Kit	1	O-Ring	
112	Kit	2	Back up ring	
113	Kit	2	Bearing	
114	Kit	1	O-Ring	
115	Kit	1	Back up ring	
116	Kit	1	Rod Seal	
117	Kit	1	Wiper	
118	Kit	1	O-Ring	
119	Kit	2	O-Ring	
120	Kit	2	Back up ring	
121	Kit	1	O-Ring	

SECTION 9 - HYDRAULIC COMPONENTS

FIGURE 9-9. TILT CYLINDER



ART_1001174812-D

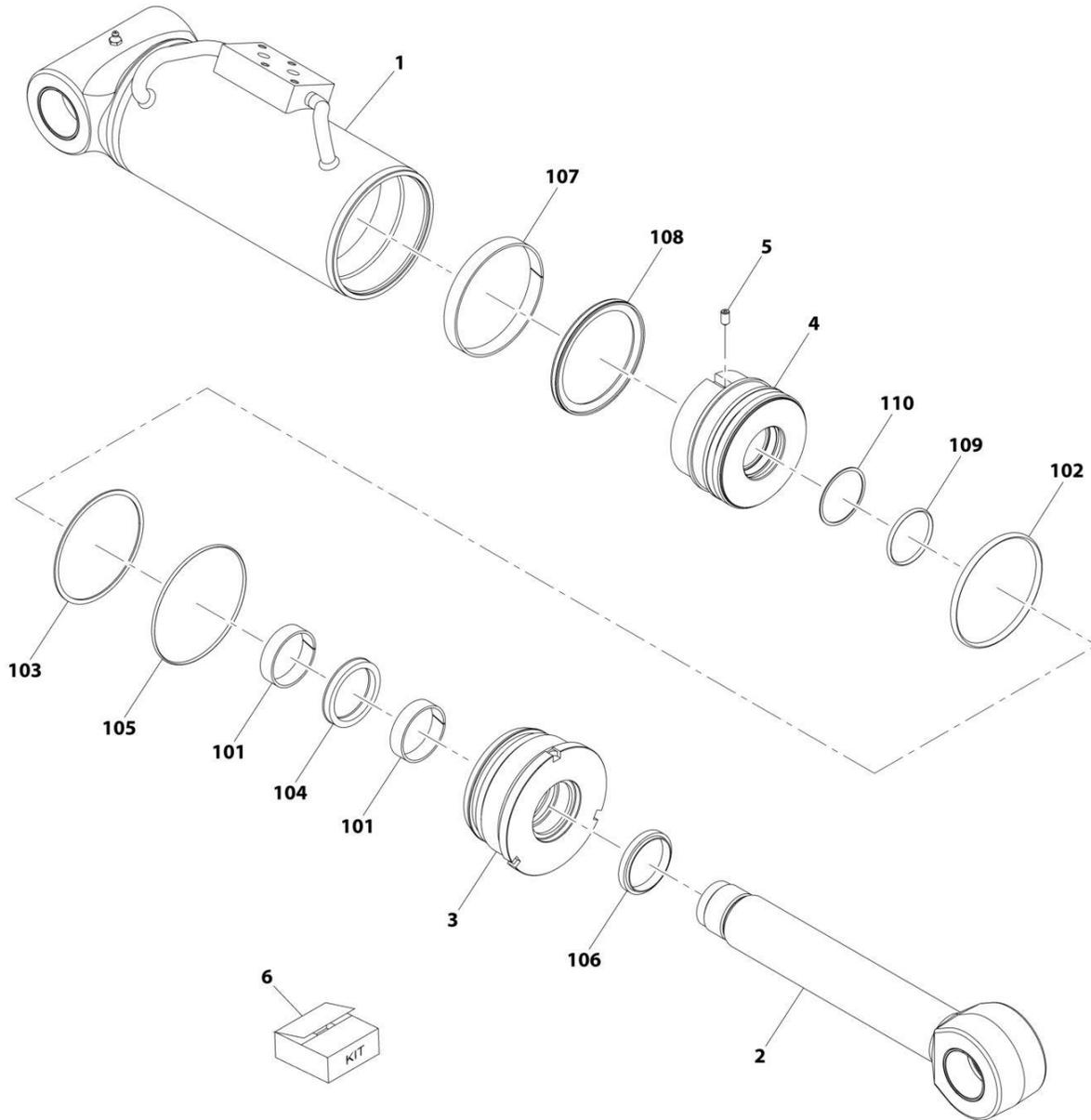
SECTION 9 - HYDRAULIC COMPONENTS

FIGURE 9-9. TILT CYLINDER

ITEM	PART NUMBER	QTY	DESCRIPTION	REV
	1001174812	Ref	Tilt Cylinder	F
		Ref	Note: Original Cylinder May Have Been Replaced with Service Replacement. Identify PN Stamped on Cylinder Before Ordering Parts.	
1	N.S.S.	1	Barrel	
2	70028314	1	Rod	
3	70028315	1	Piston	
4	70028316	1	Head	
5	70028317	1	Valve, Counterbalance	
6	70025614	1	Bearing	
7	70028309	1	Screw, Locking	
8	70028318	1	Ring, Snap	
9	70028310	2	Bushing	
10	70028319	1	Bushing	
11	70028320	12	Bolt	
12	70028321	12	Washer	
13	70029941	2	Fitting, Grease	
14	70028322	1	Pipe	
15	70024035	1	Screw	
16	70028323	2	Washer	
17	70028324	1	Kit, Seal (includes items 101 thru 108)	
101	Kit	2	Ring, Piston	
102	Kit	1	Seal, Piston	
103	Kit	2	Ring, Rod	
104	Kit	1	"O" Ring	
105	Kit	1	Ring, Back-Up	
106	Kit	1	Seal, Rod	
107	Kit	1	Seal, Rod	
108	Kit	1	Wiper	

SECTION 9 - HYDRAULIC COMPONENTS

FIGURE 9-10. FRAME LEVEL CYLINDER



ART_1001201073-E

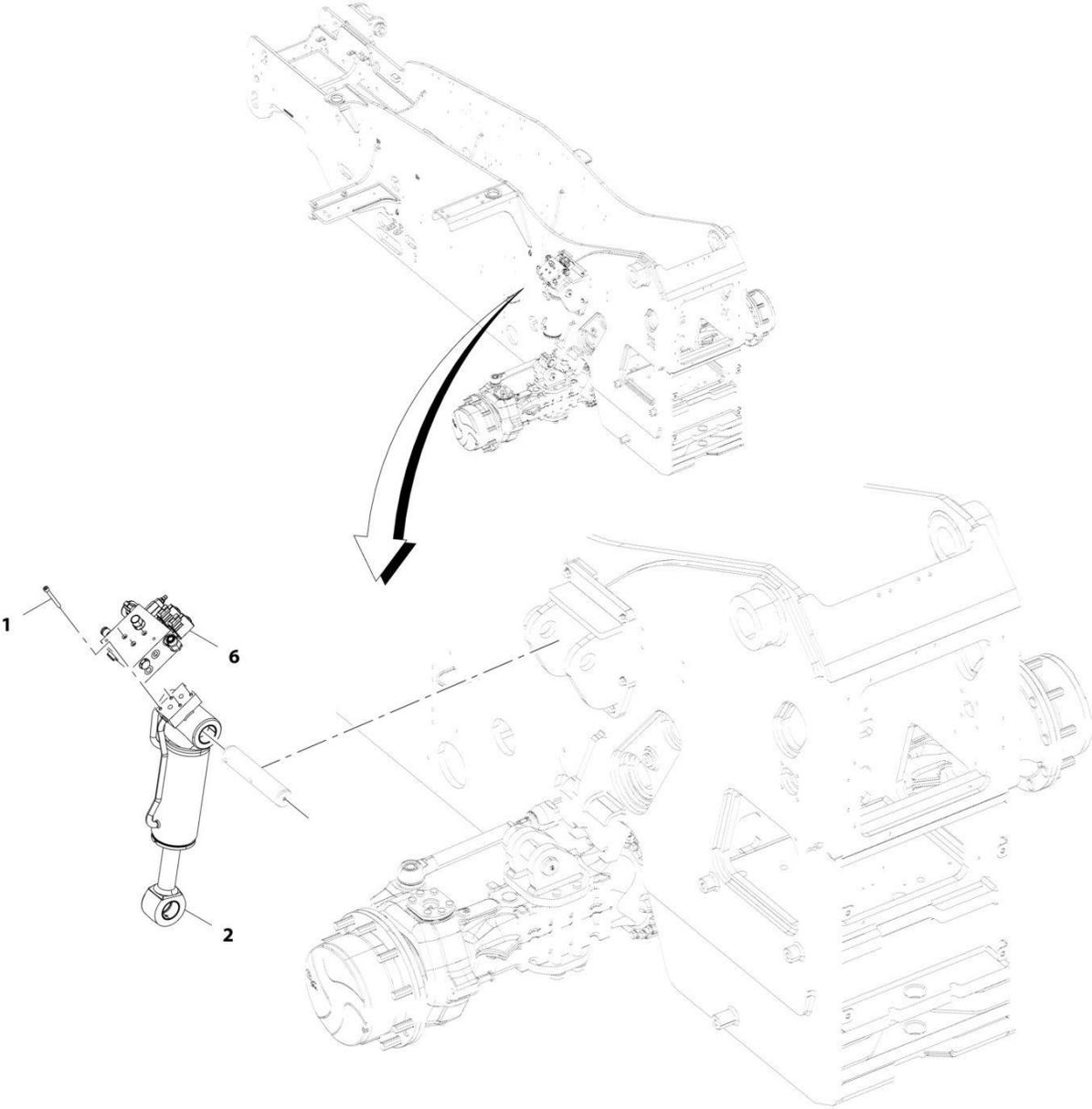
SECTION 9 - HYDRAULIC COMPONENTS

FIGURE 9-10. FRAME LEVEL CYLINDER

ITEM	PART NUMBER	QTY	DESCRIPTION	REV
	1001201073	Ref	Frame Level Cylinder	E
		Ref	Note: Original Cylinder May Have Been Replaced with Service Replacement. Identify PN Stamped on Cylinder Before Ordering Parts.	
1	N.S.S.	1	Barrel	
2	70028362	1	Rod	
3	70026249	1	Head	
4	70026251	1	Piston	
5	70020438	1	Screw, Locking	
6	70026253	1	Seal kit (includes items 101 thru 110)	
101	Kit	2	Bearing	
102	Kit	1	O-Ring	
103	Kit	1	Backup Ring	
104	Kit	1	Rod Seal	
105	Kit	1	O-Ring	
106	Kit	1	Wiper	
107	Kit	1	Bearing	
108	Kit	1	Piston Seal	
109	Kit	1	O-Ring	
110	Kit	1	Backup Ring	

SECTION 9 - HYDRAULIC COMPONENTS

FIGURE 9-11. RALP CYLINDER INSTALLATION



ART_1001193917-D

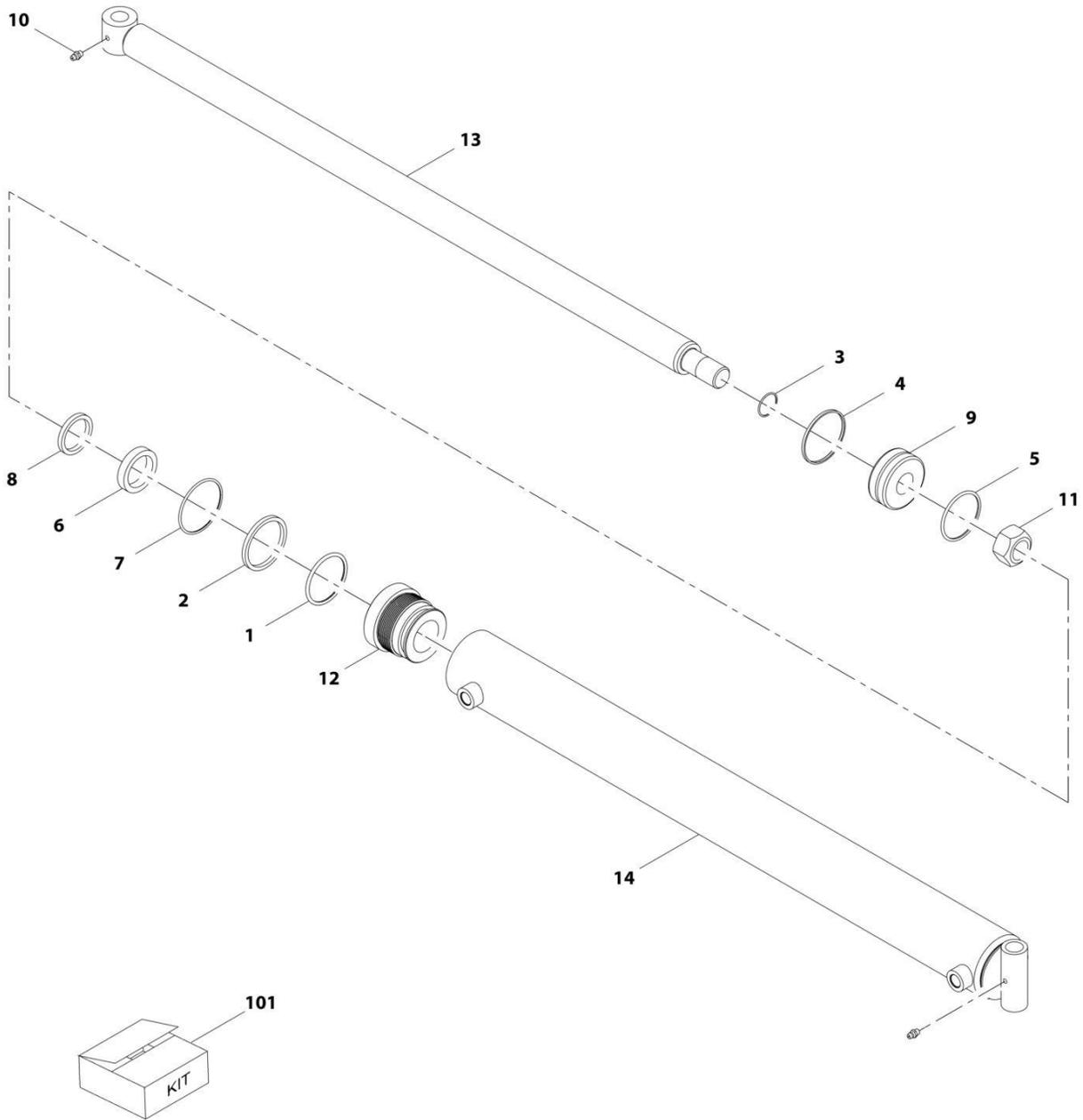
SECTION 9 - HYDRAULIC COMPONENTS

FIGURE 9-11. RALP CYLINDER INSTALLATION

ITEM	PART NUMBER	QTY	DESCRIPTION	REV
	1001193917	Ref	RALP Cylinder Installation	D
1	4031920	4	Screw, M8X1.25	
2	1001204576	1	Cylinder, RALP	
6	1001212511	1	Installation, Rear Axle Lock Valve (See Separate Breakdown in this Section)	

SECTION 9 - HYDRAULIC COMPONENTS

FIGURE 9-12. FORK POSITIONING CYLINDER ASSEMBLY



ART_70028599-C

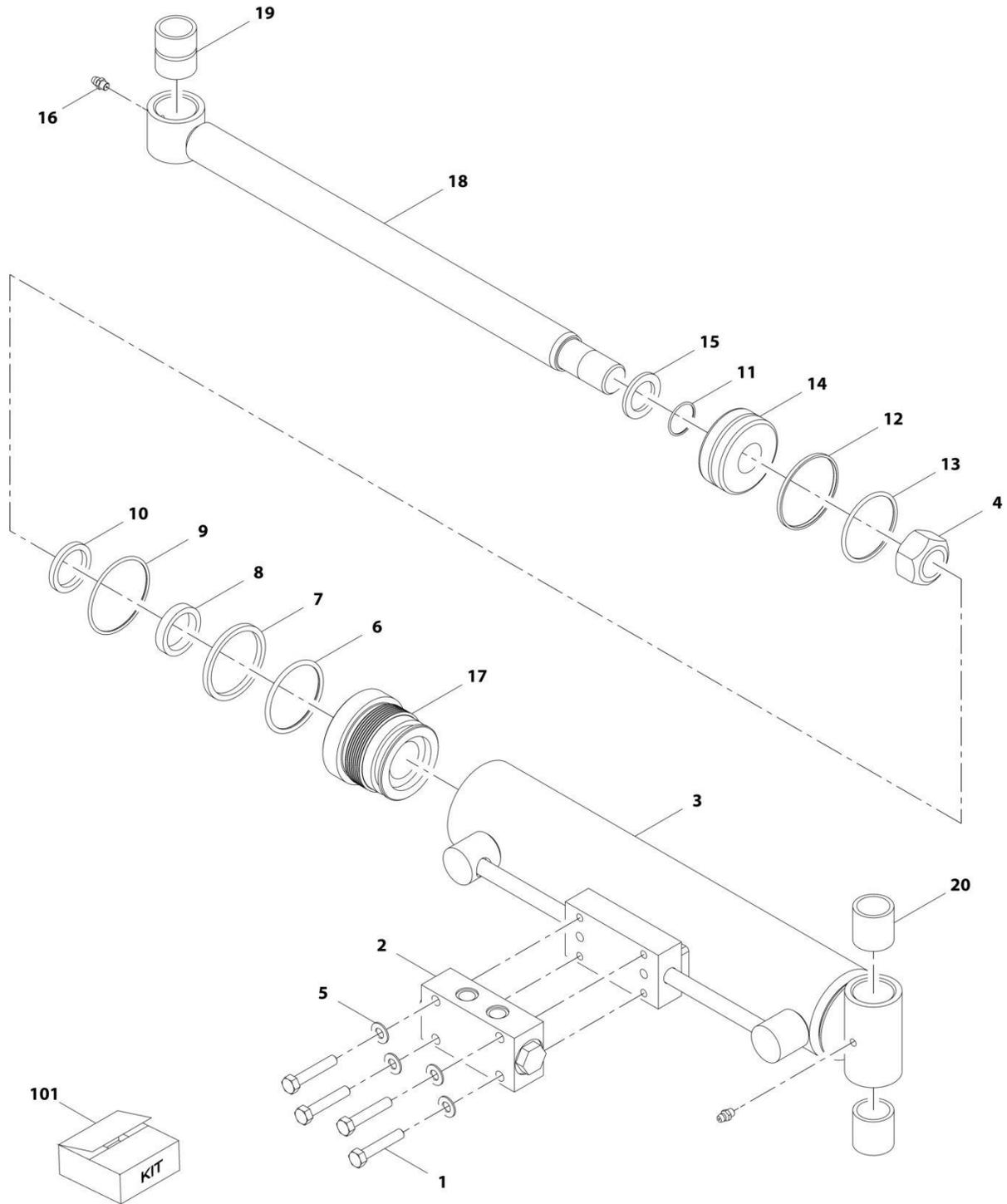
SECTION 9 - HYDRAULIC COMPONENTS

FIGURE 9-12. FORK POSITIONING CYLINDER ASSEMBLY

ITEM	PART NUMBER	QTY	DESCRIPTION	REV
	70028599	Ref	Fork Positioning Cylinder Assembly	C
		Ref	Note: Original Cylinder May Have Been Replaced with Service Replacement. Identify PN Stamped on Cylinder Before Ordering Parts.	
1	Kit	1	O-Ring	
2	Kit	1	O-Ring	
3	Kit	1	O-Ring	
4	Kit	1	Seal	
5	Kit	1	O-Ring	
6	Kit	1	Seal	
7	Kit	1	O-Ring	
8	Kit	1	Seal	
9	70028609	1	Piston, Cylinder	
10	90554045	2	Fitting, Grease	
11	70021440	1	Nut	
12	70028610	1	Gland, Cylinder	
13	70028611	1	Rod	
14	N.S.S.	1	Tube	
101	Kit	1	Kit, Seal	

SECTION 9 - HYDRAULIC COMPONENTS

FIGURE 9-13. SIDE SHIFT CYLINDER ASSEMBLY



ART_70028603-C

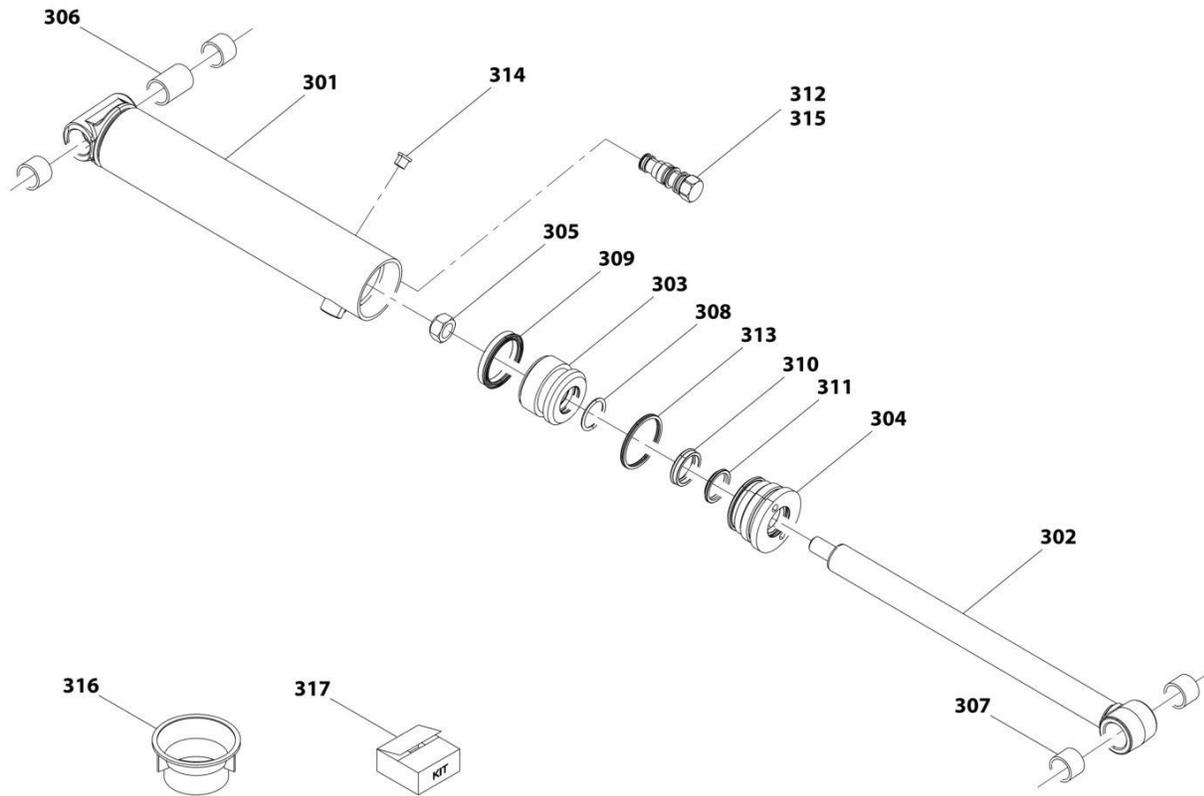
SECTION 9 - HYDRAULIC COMPONENTS

FIGURE 9-13. SIDE SHIFT CYLINDER ASSEMBLY

ITEM	PART NUMBER	QTY	DESCRIPTION	REV
	70028603	Ref	Side Shift Cylinder Assembly	C
		Ref	Note: Original Cylinder May Have Been Replaced with Service Replacement. Identify PN Stamped on Cylinder Before Ordering Parts.	
1	70028612	4	Bolt	
2	70028613	1	Valve	
3	N.S.S.	1	Tube	
4	70021440	1	Nut	
5	70028614	4	Washer, Flat	
6	Kit	1	O-Ring	
7	Kit	1	O-Ring	
8	Kit	1	Seal	
9	Kit	1	O-Ring	
10	Kit	1	Seal	
11	Kit	1	O-Ring	
12	Kit	1	Seal	
13	Kit	1	O-Ring	
14	70021451	1	Piston	
15	70021444	1	Spacer	
16	90554045	2	Fitting, Grease	
17	70021446	1	Gland, Cylinder	
18	70021445	1	Rod	
19	70021447	1	Bushing	
20	70021448	2	Bushing	
101	70021452	1	Kit, Seal (includes items 6 thru 13)	

SECTION 9 - HYDRAULIC COMPONENTS

FIGURE 9-14. UPPER CYLINDER ASSEMBLY



ART_70028652-D

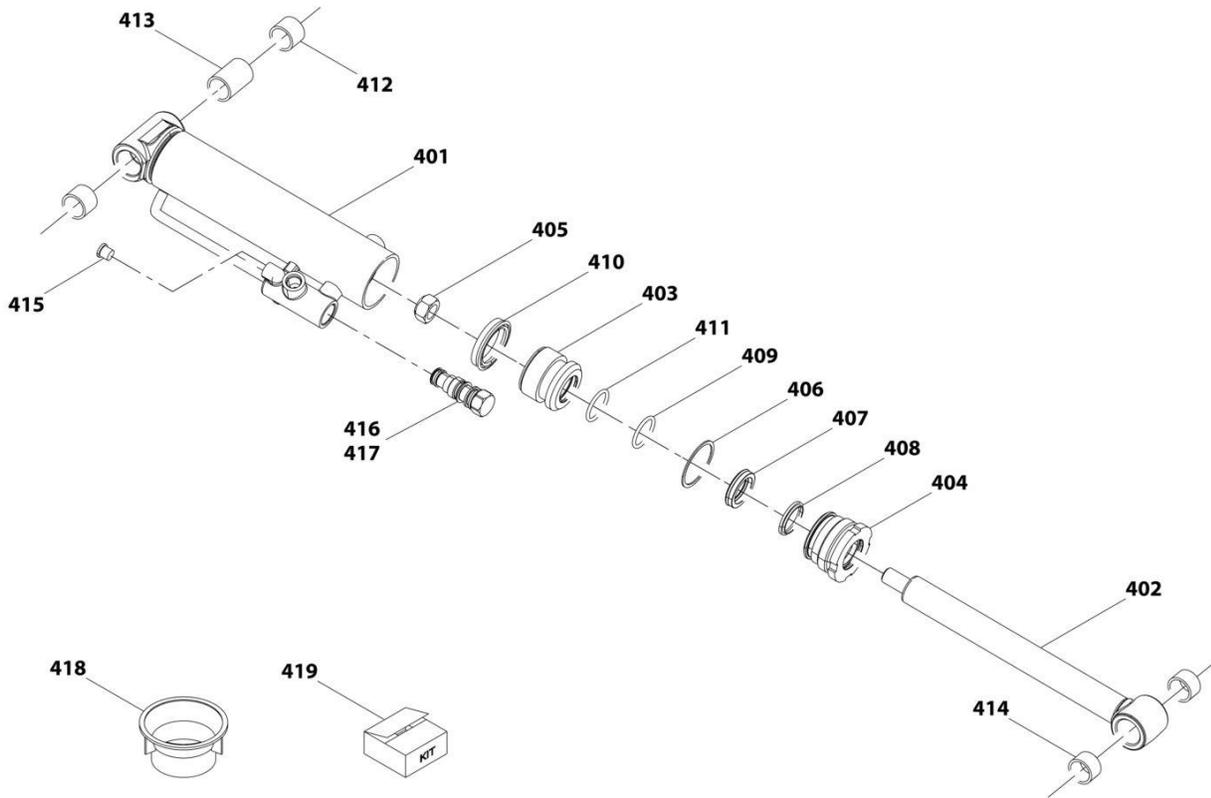
SECTION 9 - HYDRAULIC COMPONENTS

FIGURE 9-14. UPPER CYLINDER ASSEMBLY

ITEM	PART NUMBER	QTY	DESCRIPTION	REV
	70028652	Ref	Upper Cylinder Assembly	D
		Ref	Note: Original Cylinder May Have Been Replaced with Service Replacement. Identify PN Stamped on Cylinder Before Ordering Parts.	
301	N.S.S.	1	Barrel	
302	70028270	1	Rod	
303	70028254	1	Piston	
304	70028255	1	Retainer	
305	70028258	1	Nut	
306	70028257	1	Spacer	
307	70028256	4	Bushing	
308	N.S.S.	1	O-Ring	
309	N.S.S.	1	Seal	
310	N.S.S.	1	Seal	
311	N.S.S.	1	Wiper	
312	70026502	1	Valve, Check	
313	N.S.S.	1	Seal	
314	70024129	2	Plug	
315	70024734	1	Kit, Check Valve	
316	70028691	1	Tool, Seal Loader	
317	70028770	1	Kit, Seal	

SECTION 9 - HYDRAULIC COMPONENTS

FIGURE 9-15. LOWER CYLINDER ASSEMBLY



ART_70028653-D

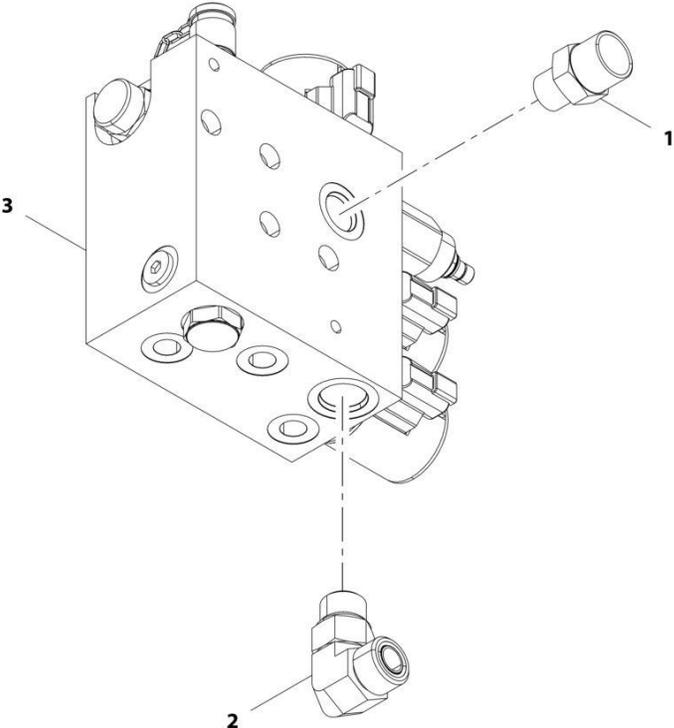
SECTION 9 - HYDRAULIC COMPONENTS

FIGURE 9-15. LOWER CYLINDER ASSEMBLY

ITEM	PART NUMBER	QTY	DESCRIPTION	REV
	70028653	Ref	Lower Cylinder Assembly	D
		Ref	Note: Original Cylinder May Have Been Replaced with Service Replacement. Identify PN Stamped on Cylinder Before Ordering Parts.	
401	N.S.S.	1	Barrel	
402	70028692	1	Rod	
403	70024142	1	Piston	
404	70028693	1	Retainer	
405	70028258	1	Nut	
406	N.S.S.	1	Ring, Backup	
407	N.S.S.	1	Seal	
408	N.S.S.	1	Wiper	
409	N.S.S.	1	O-Ring	
410	N.S.S.	1	Seal	
411	N.S.S.	1	O-Ring	
412	70028256	2	Bushing	
413	70028257	1	Spacer	
414	70028694	2	Bushing	
415	70024129	2	Plug	
416	70026502	1	Valve, Check	
417	70024734	1	Kit, Check Valve	
418	70028691	1	Tool, Seal Loader	
419	70028771	1	Kit, Seal	

SECTION 9 - HYDRAULIC COMPONENTS

FIGURE 9-16. REAR AXLE LOCK VALVE INSTALLATION



ART_1001212511-A

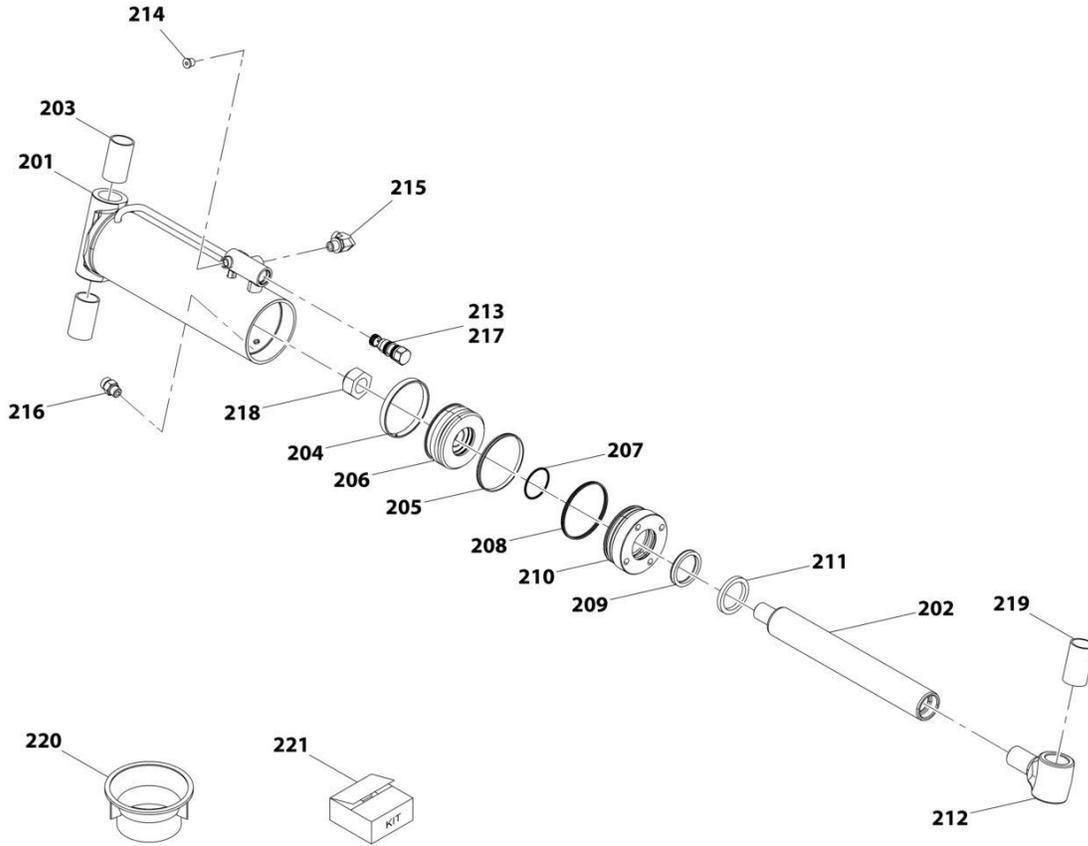
SECTION 9 - HYDRAULIC COMPONENTS

FIGURE 9-16. REAR AXLE LOCK VALVE INSTALLATION

ITEM	PART NUMBER	QTY	DESCRIPTION	REV
	1001212511	Ref	Rear Axle Lock Valve Installation	A
1	2111008	1	Fitting, Straight ORFS	
2	2131010	1	Fitting, ORFS	
3	1001188203	1	Valve, Rear Axle Lock	

SECTION 9 - HYDRAULIC COMPONENTS

FIGURE 9-17. LOG HANDLER CARRIAGE CYLINDER ASSEMBLY



ART_70028704-C

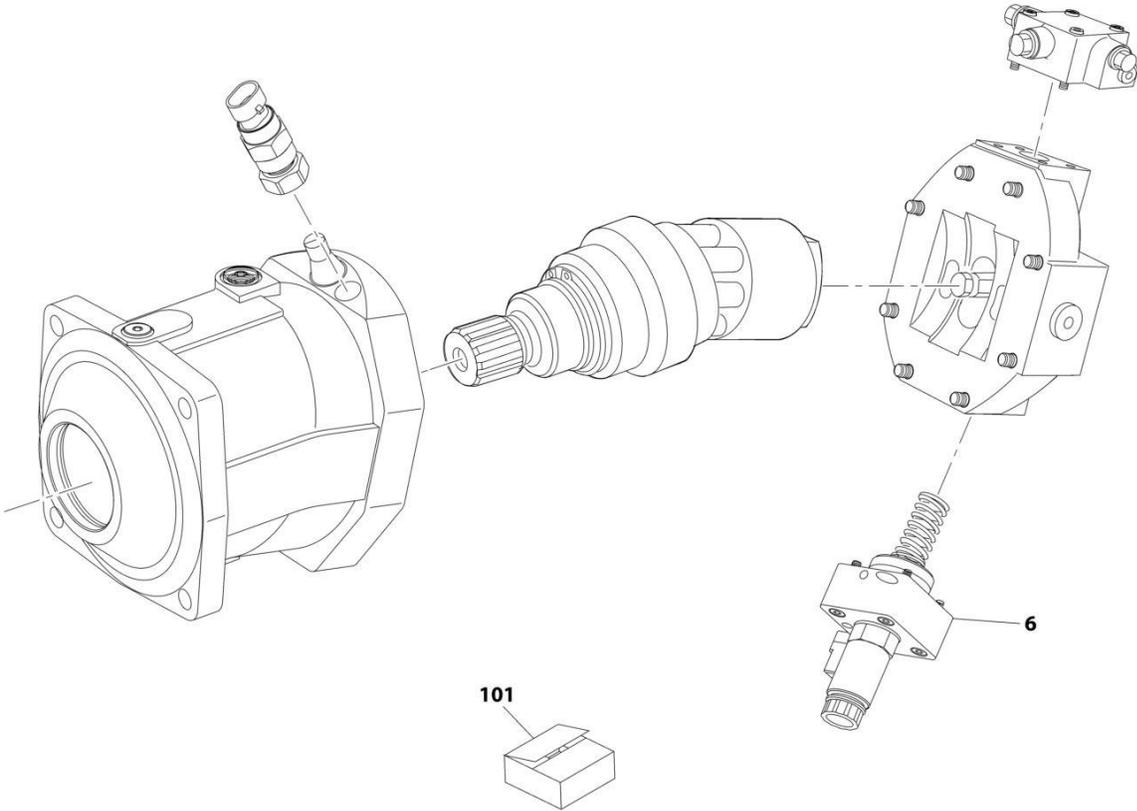
SECTION 9 - HYDRAULIC COMPONENTS

FIGURE 9-17. LOG HANDLER CARRIAGE CYLINDER ASSEMBLY

ITEM	PART NUMBER	QTY	DESCRIPTION	REV
	70028704	Ref	Log Handler Carriage Cylinder Assembly	C
		Ref	Note: Original Cylinder May Have Been Replaced with Service Replacement. Identify PN Stamped on Cylinder Before Ordering Parts.	
201	N.S.S.	1	Barrel	
202	70028728	1	Rod	
203	70028729	2	Bushing	
204	N.S.S.	1	Ring, Wear	
205	N.S.S.	1	Seal	
206	70028730	1	Piston	
207	N.S.S.	1	O-Ring	
208	N.S.S.	1	Seal	
209	N.S.S.	1	Seal	
210	70028731	1	Retainer	
211	N.S.S.	1	Wiper	
212	N.S.S.	1	End, Rod (included with item 202)	
213	70024733	1	Valve, Check	
214	70024129	2	Plug	
215	70024123	1	Fitting, 90	
216	70024130	1	Fitting, Straight	
217	70024734	1	Kit, Check Valve	
218	70028732	1	Nut	
219	70028729	1	Bushing (included with item 202)	
220	70028588	1	Tool, Seal Loader	
221	70028733	1	Kit, Seal (includes items 204, 205, 207, 208, 208, 211, 220)	

SECTION 9 - HYDRAULIC COMPONENTS

FIGURE 9-18. HYDROSTATIC MOTOR



ART_1001193308-C

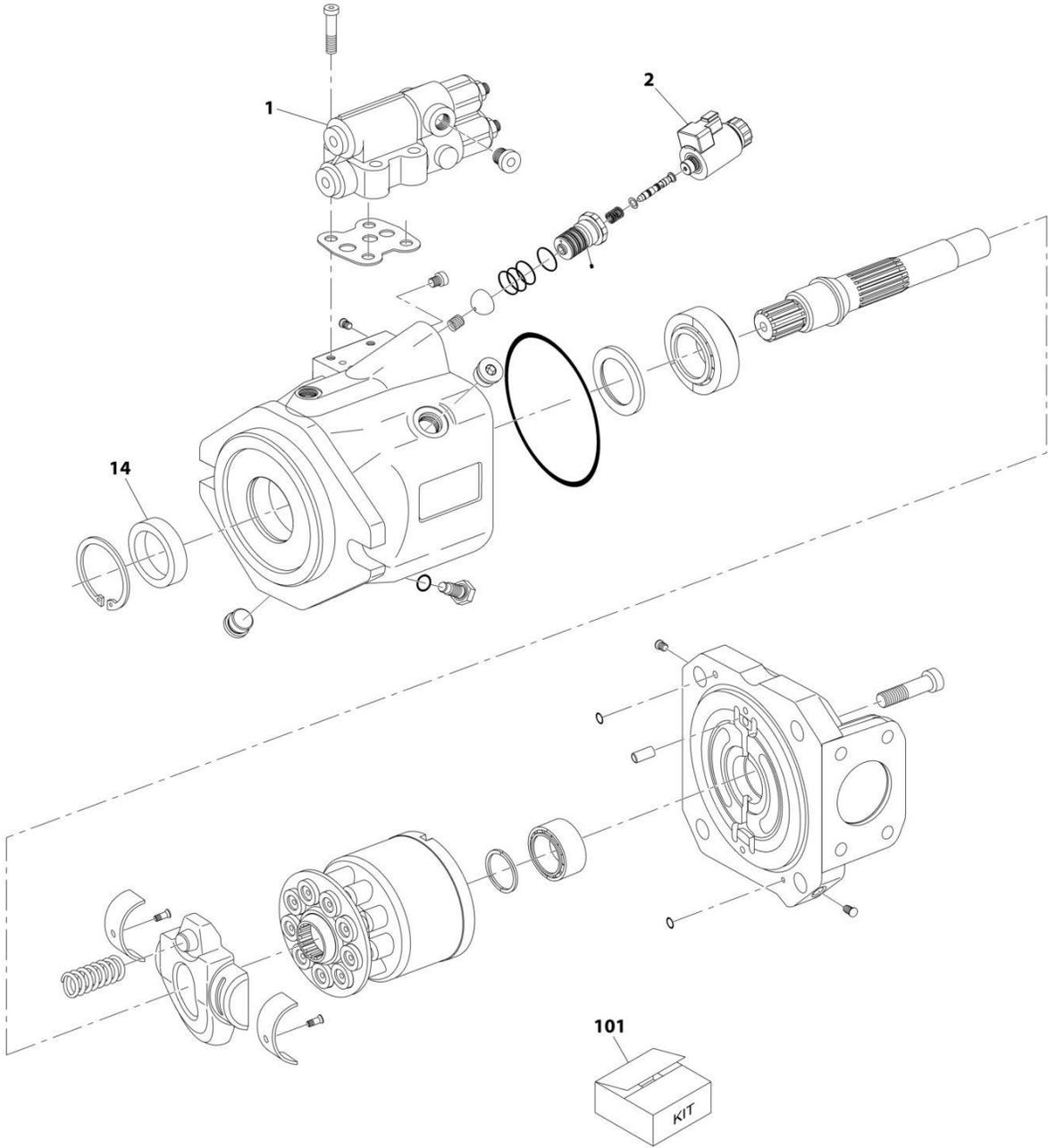
SECTION 9 - HYDRAULIC COMPONENTS

FIGURE 9-19. HYDROSTATIC PUMP

ITEM	PART NUMBER	QTY	DESCRIPTION	REV
	1001193307	Ref	Hydrostatic Pump	D
7	70024946	1	Valve, Relief	
8	70027598	1	Valve, Pressure Override	
9	70024945	2	Valve, Relief	
10	70028411	1	Pump, Charge	
11	70022726	2	Solenoid	
101	70028410	1	Kit, Seal	
	Kit	1	Seal, Shaft	
	Kit	2	Retaining Ring	
	Kit	2	O-Ring	
	Kit	1	O-Ring	
	Kit	2	Seal, Rod	
	Kit	1	Nut, Sealing	
	Kit	3	O-Ring	
	Kit	2	O-Ring	
	Kit	1	O-Ring	
	Kit	2	Nut, Sealing	
	Kit	1	O-Ring	
	Kit	1	O-Ring	
	Kit	1	O-Ring	
	Kit	1	O-Ring	
	Kit	1	O-Ring	
	Kit	1	O-Ring	
	Kit	1	O-Ring	
	Kit	1	O-Ring	
	Kit	1	O-Ring	
	Kit	1	O-Ring	
	Kit	1	Kit, Seal	
	Kit	1	O-Ring	
	Kit	1	O-Ring	
	Kit	1	O-Ring	
	Kit	1	O-Ring	
	Kit	1	O-Ring	
	Kit	1	O-Ring	
	Kit	1	O-Ring	
	Kit	1	Seal	
	Kit	1	Seal	
	Kit	1	O-Ring	
	Kit	2	O-Ring	
	Kit	2	O-Ring	
	Kit	2	O-Ring	
	Kit	2	O-Ring	

SECTION 9 - HYDRAULIC COMPONENTS

FIGURE 9-20. IMPLEMENT PUMP



ART_1001180070-F

SECTION 9 - HYDRAULIC COMPONENTS

FIGURE 9-20. IMPLEMENT PUMP

ITEM	PART NUMBER	QTY	DESCRIPTION	REV
	1001180070	1	Implement Pump	F
1	70027595	1	Controller, DSR	
2	70028412	1	Controller, EK	
14	7024947	1	Seal, Shaft	
101	70028413	1	Kit, Seal	
	Kit	1	Seal	
	Kit	1	Plug	
	Kit	2	Plug	
	Kit	2	O-Ring	
	Kit	1	O-Ring	

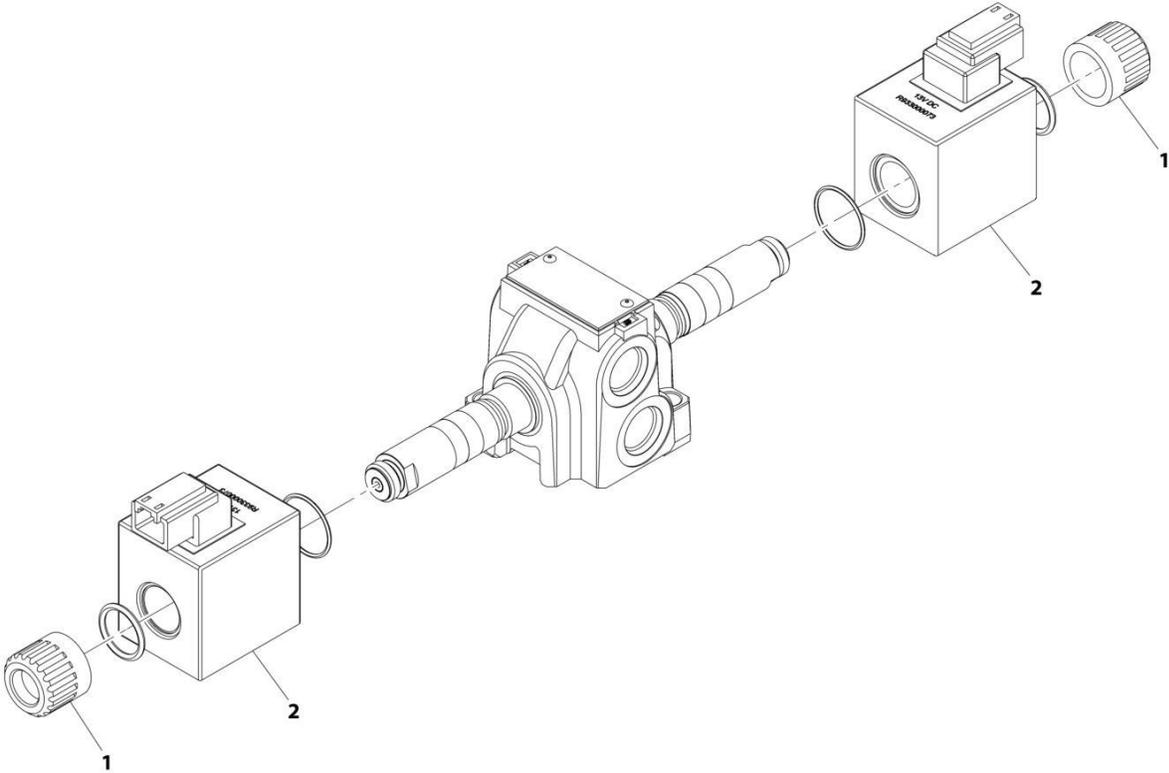
SECTION 9 - HYDRAULIC COMPONENTS

FIGURE 9-21. MAIN CONTROL VALVE

ITEM	PART NUMBER	QTY	DESCRIPTION	REV
	1001220295	Ref	Main Control Valve	B

SECTION 9 - HYDRAULIC COMPONENTS

FIGURE 9-22. STEERING SELECT VALVE



ART_1001153748-C

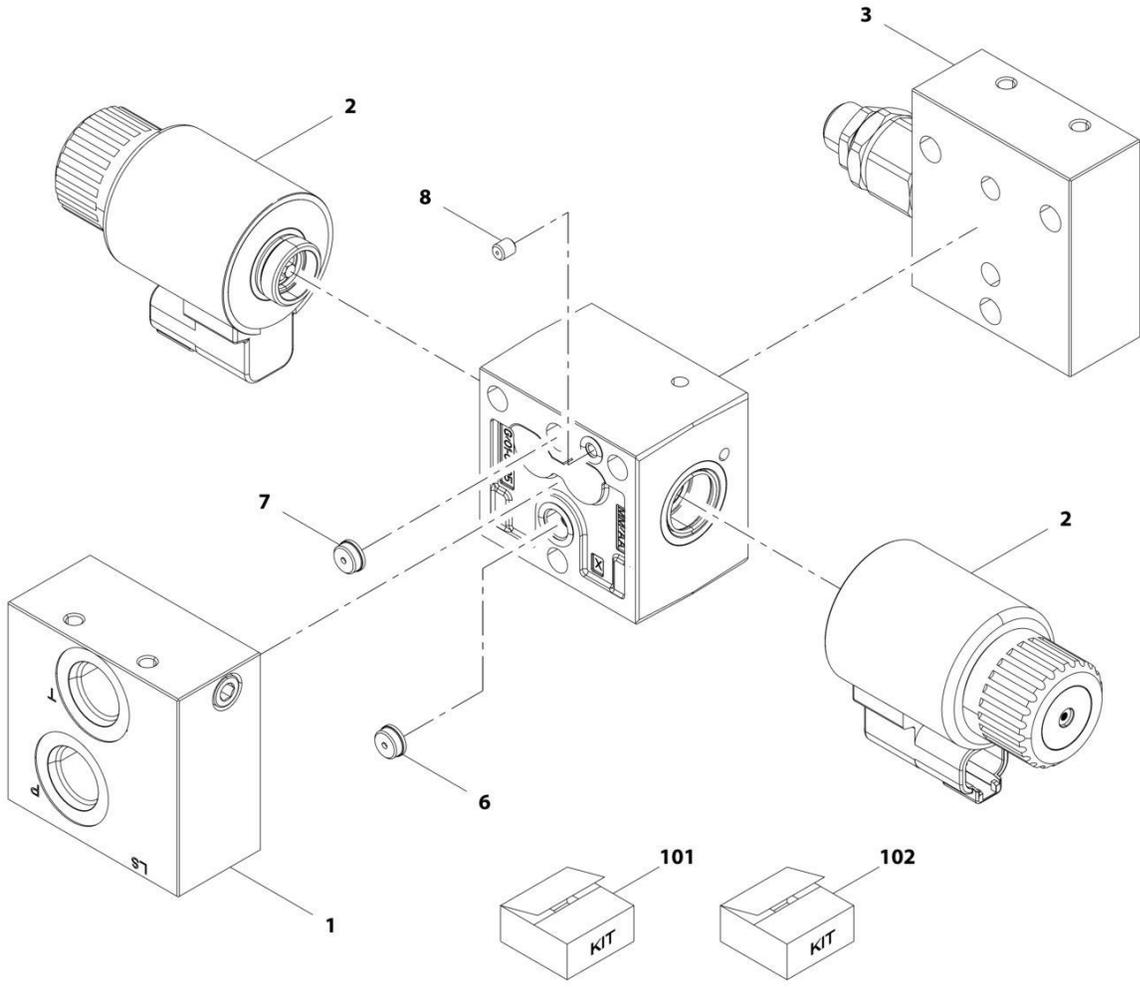
SECTION 9 - HYDRAULIC COMPONENTS

FIGURE 9-22. STEERING SELECT VALVE

ITEM	PART NUMBER	QTY	DESCRIPTION	REV
	1001153748	Ref	Steering Select Valve	C
1	70020867	2	Nut, Coil	
2	70026582	2	Coil	

SECTION 9 - HYDRAULIC COMPONENTS

FIGURE 9-23. FRAME LEVEL VALVE



ART_1001219615-D

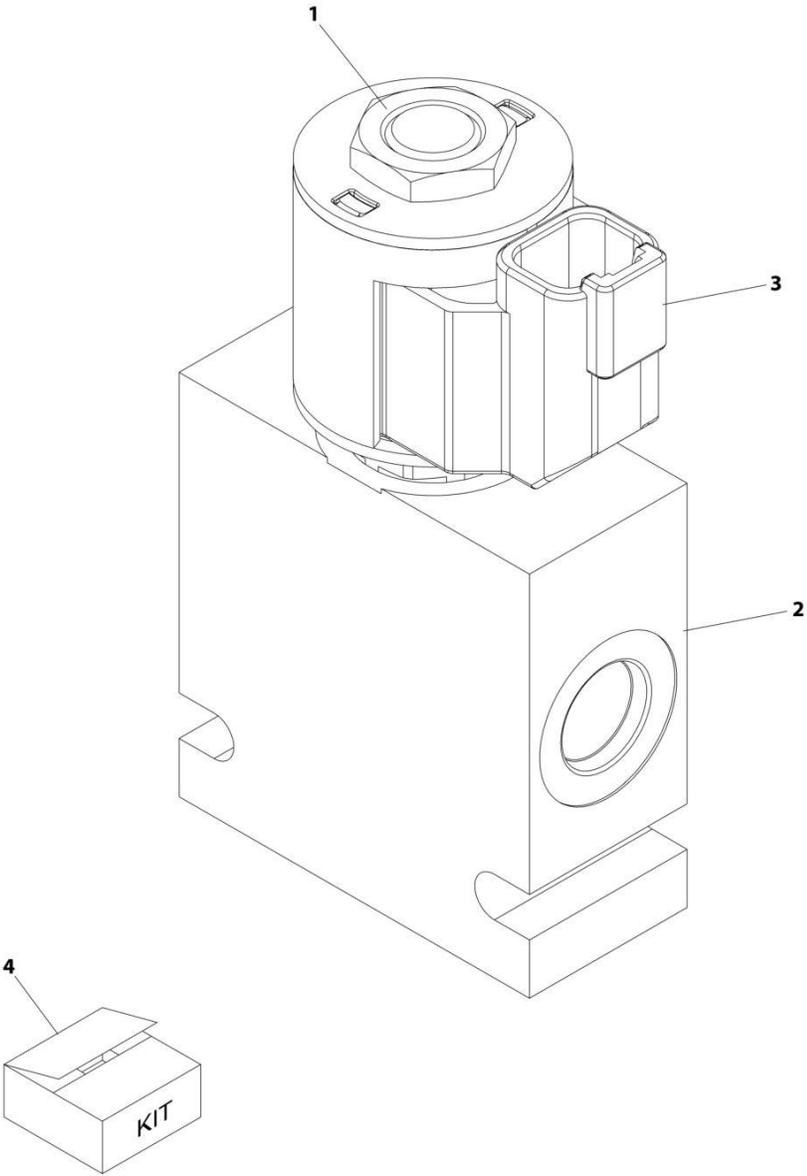
SECTION 9 - HYDRAULIC COMPONENTS

FIGURE 9-23. FRAME LEVEL VALVE

ITEM	PART NUMBER	QTY	DESCRIPTION	REV
	1001219615	Ref	Frame Level Valve	D
1	70028414	1	Valve, Section	
2	70004595	2	Coil	
3	70028504	1	Plate	
6	70028415	1	Screw	
7	70028243	1	Screw	
8	70028416	1	Screw	
101	70028502	2	Kit, Coil Nut	
	Kit	1	Nut	
	Kit	1	O-Ring	
102	70028503	1	Kit, Bolt and Seal	
	Kit	3	Bolt	
	Kit	3	Washer	
	Kit	2	O-Ring	
	Kit	4	O-Ring	
	Kit	2	O-Ring	

SECTION 9 - HYDRAULIC COMPONENTS

FIGURE 9-24. SOLENOID VALVE



ART_1001221928-A

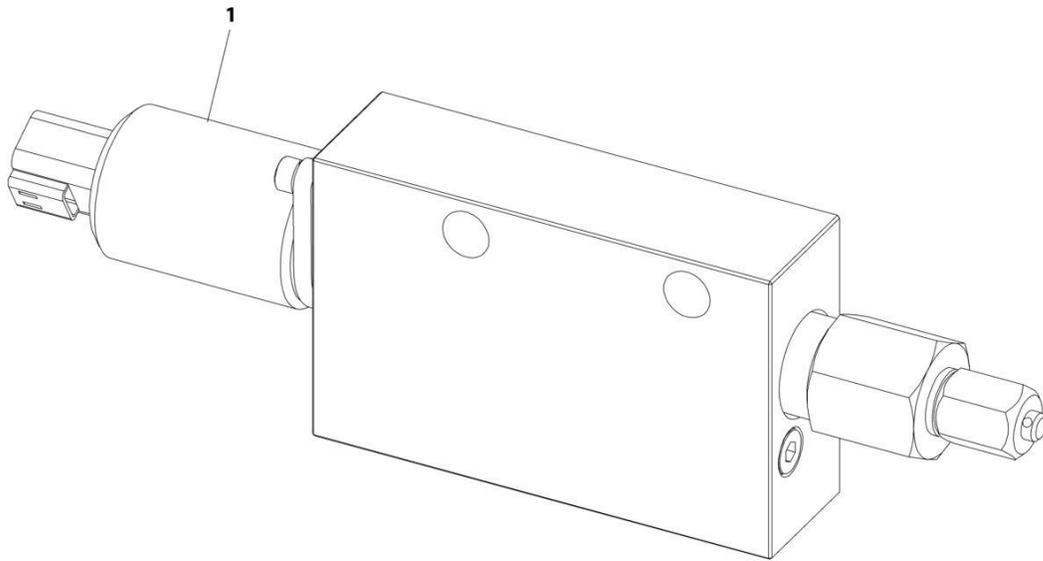
SECTION 9 - HYDRAULIC COMPONENTS

FIGURE 9-24. SOLENOID VALVE

ITEM	PART NUMBER	QTY	DESCRIPTION	REV
	1001221928	Ref	Solenoid Valve	A
1	70004387	1	Cartridge	
2	N.S.S.	Ref	Body	
3	70002963	1	Coil	
4	7010543	1	Kit, Seal	

SECTION 9 - HYDRAULIC COMPONENTS

FIGURE 9-25. INCHING VALVE



ART_1001213311-B

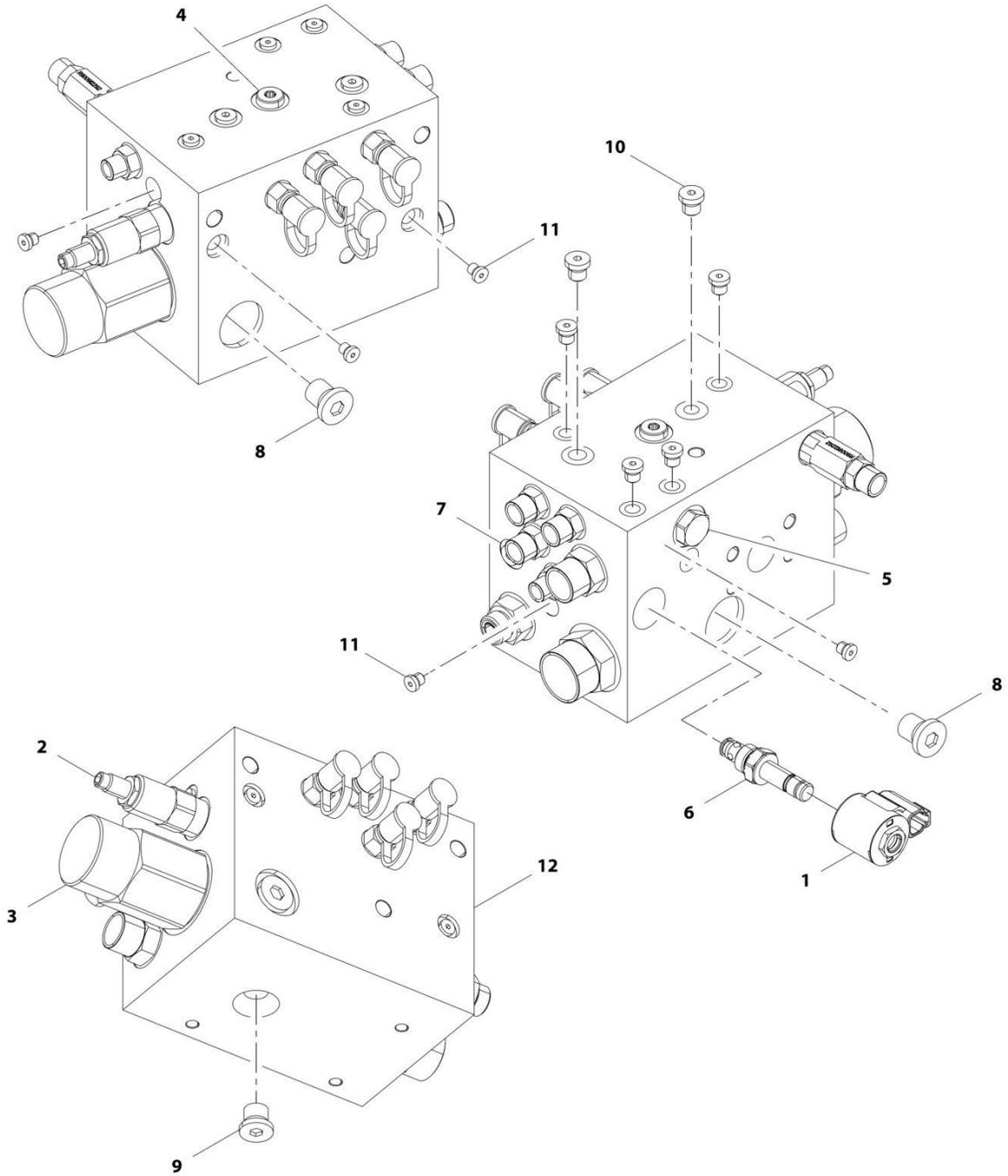
SECTION 9 - HYDRAULIC COMPONENTS

FIGURE 9-25. INCHING VALVE

ITEM	PART NUMBER	QTY	DESCRIPTION	REV
1	1001213311 70028361	Ref 1	Inching Valve Valve, Proportional	B

SECTION 9 - HYDRAULIC COMPONENTS

FIGURE 9-26. PRIORITY VALVE ASSEMBLY



ART_1001192888-E

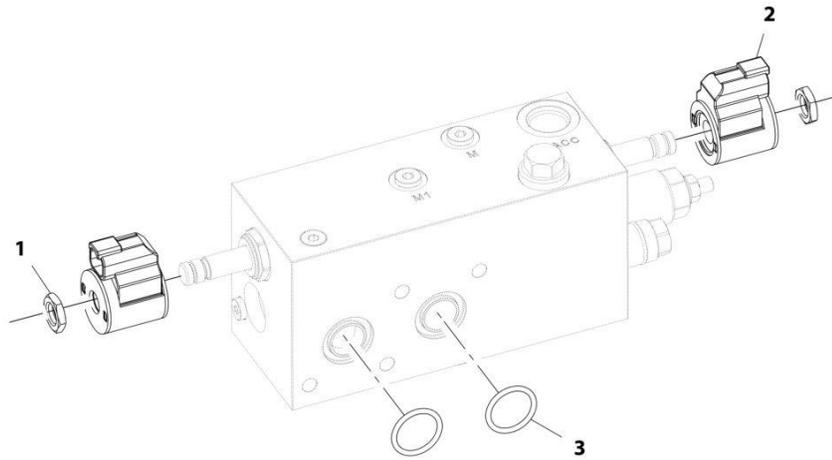
SECTION 9 - HYDRAULIC COMPONENTS

FIGURE 9-26. PRIORITY VALVE ASSEMBLY

ITEM	PART NUMBER	QTY	DESCRIPTION	REV
	1001192888	Ref	Priority Valve Assembly	E
1	70028905	1	Cartridge	
2	70028904	1	Cartridge	
3	70028903	1	Cartridge	
4	70026312	1	Cartridge	
5	70028902	1	Cartridge	
6	70002963	1	Coil	
7	70006427	1	Orifice	
8	70026314	2	Plug	
9	2220886	1	Plug	
10	2220883	3	Plug	
11	70026315	9	Plug	
12	N.S.S.	1	Block	

SECTION 9 - HYDRAULIC COMPONENTS

FIGURE 9-27. BOOM RAISE VALVE (RIDE CONTROL)



ART_1001224945-C

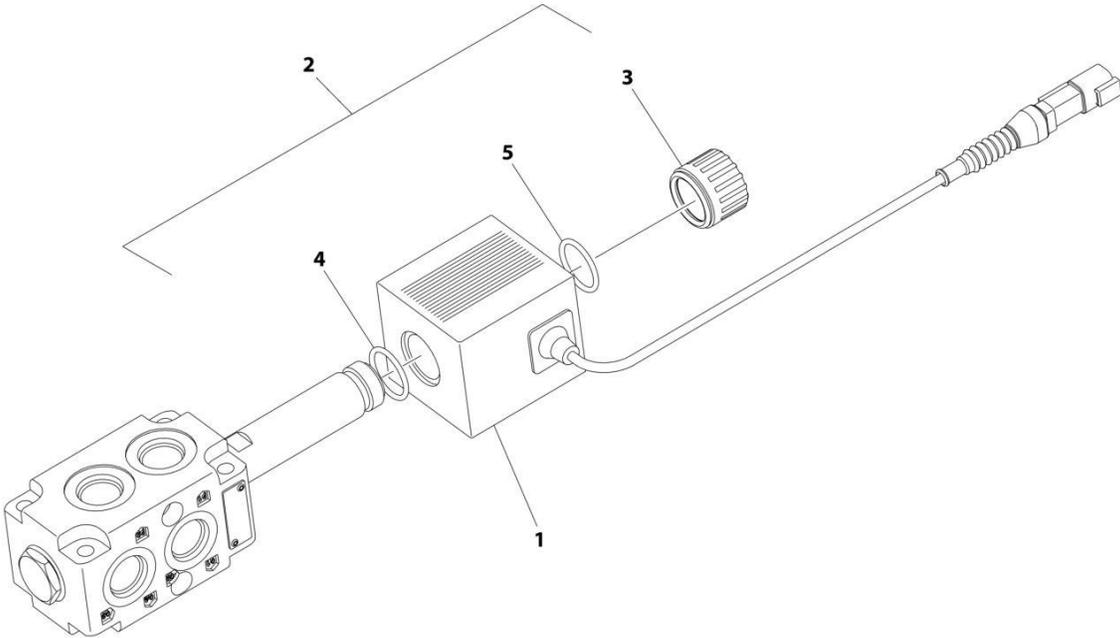
SECTION 9 - HYDRAULIC COMPONENTS

FIGURE 9-27. BOOM RAISE VALVE (RIDE CONTROL)

ITEM	PART NUMBER	QTY	DESCRIPTION	REV
	1001224945	Ref	Boom Raise Valve (Ride Control)	C
1	7022390	2	Nut	
2	70028281	2	Coil	
3	70028282	2	O-Ring	

SECTION 9 - HYDRAULIC COMPONENTS

FIGURE 9-28. DIVERTOR VALVE



ART_1001104477

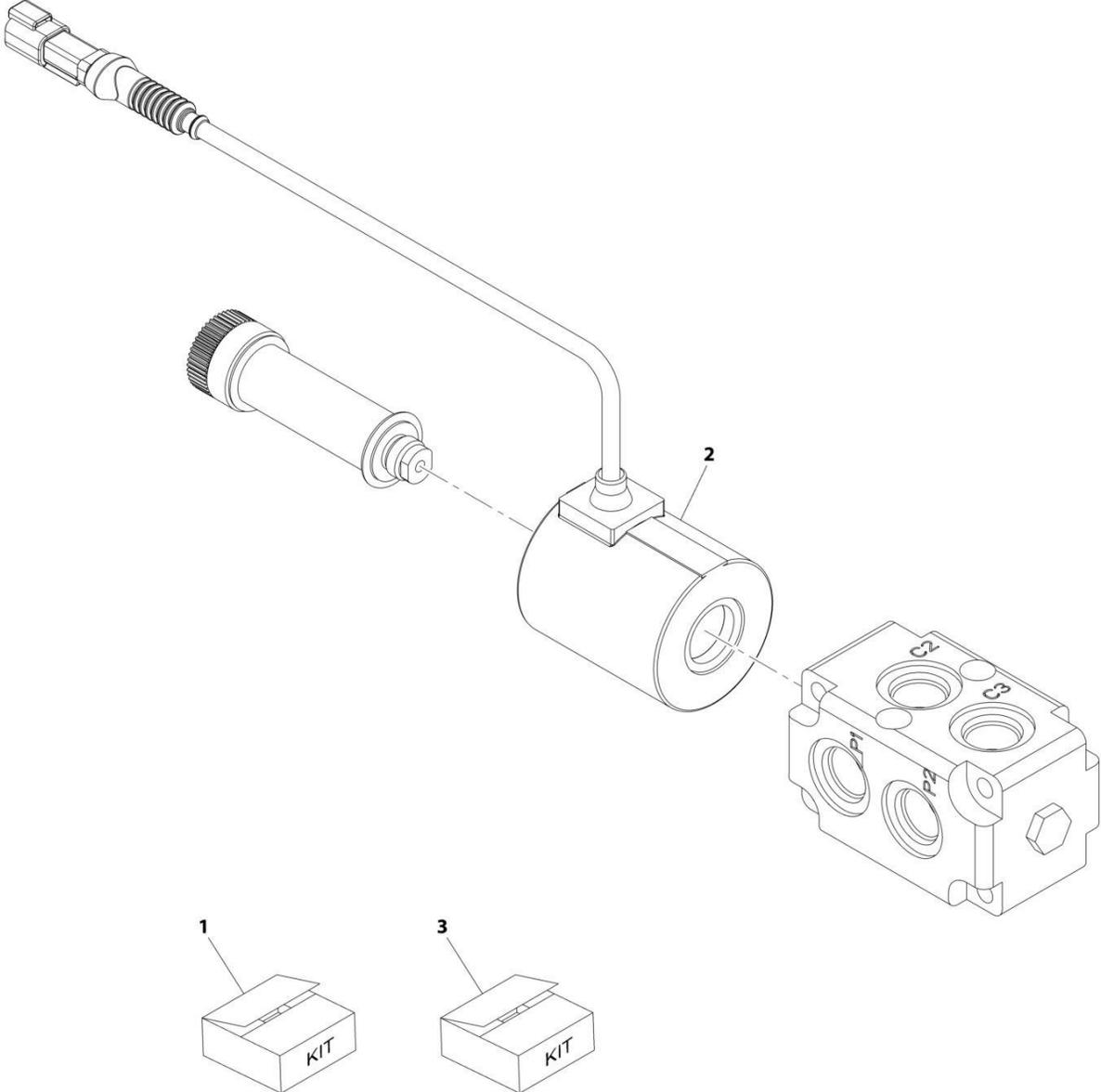
SECTION 9 - HYDRAULIC COMPONENTS

FIGURE 9-28. DIVERTOR VALVE

ITEM	PART NUMBER	QTY	DESCRIPTION	REV
	1001104477	Ref	DIVERTOR VALVE	D
1	70020764	1	Coil	
2	70021531	1	Retainer Kit (Includes Items 3-5)	
3	Kit	1	Nut	
4	Kit	1	O-Ring	
5	Kit	1	O-Ring	

SECTION 9 - HYDRAULIC COMPONENTS

FIGURE 9-29. DIVERTOR VALVE



ART_100110023-B

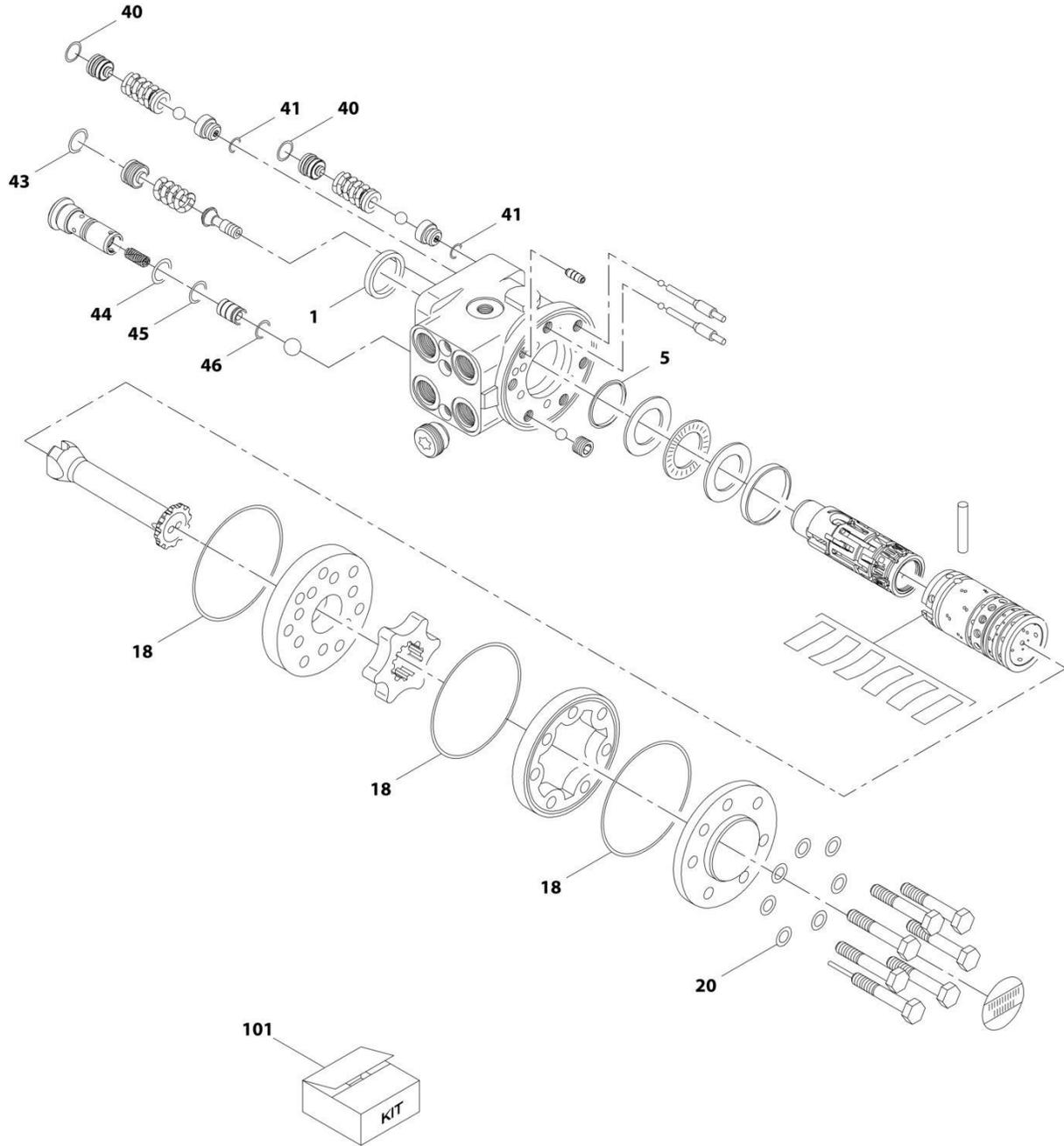
SECTION 9 - HYDRAULIC COMPONENTS

FIGURE 9-29. DIVERTOR VALVE

ITEM	PART NUMBER	QTY	DESCRIPTION	REV
	1001110023	Ref	Divertor Valve	B
1	70027596	1	Kit, Seal	
	Kit	2	O-Ring	
2	70020764	1	Coil	
3	70021531	1	Kit, Coil Nut	
	N.S.S.	1	O-Ring	
	N.S.S.	1	O-Ring	
	N.S.S.	1	Nut	

SECTION 9 - HYDRAULIC COMPONENTS

FIGURE 9-30. STEER UNIT VALVE



ART_1001178670-B

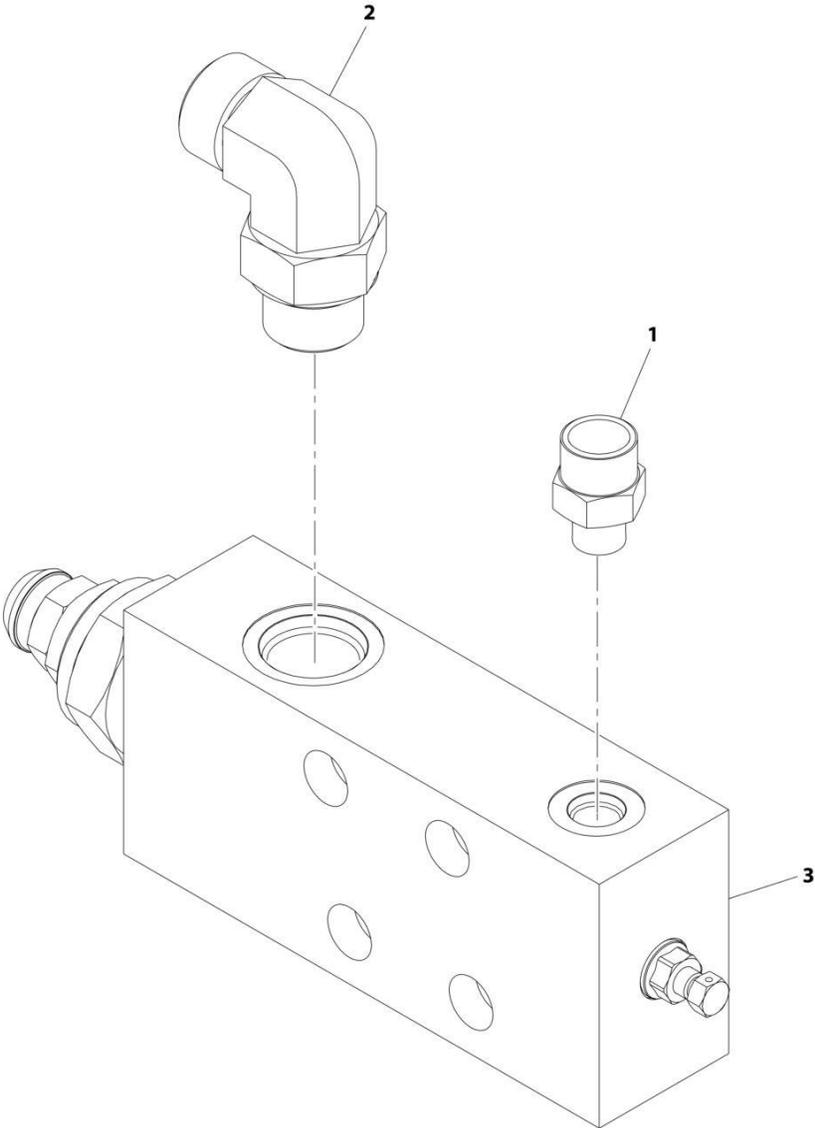
SECTION 9 - HYDRAULIC COMPONENTS

FIGURE 9-30. STEER UNIT VALVE

ITEM	PART NUMBER	QTY	DESCRIPTION	REV
	1001178670	Ref	Steer Unit Valve	B
1	Kit	2	Ring, Dust Seal	
5	Kit	2	Seal, Shaft	
18	Kit	2	O-Ring	
20	Kit	2	Washer	
40	Kit	2	O-Ring	
41	Kit	2	O-Ring	
43	Kit	2	O-Ring	
44	Kit	2	O-Ring	
45	Kit	2	O-Ring	
46	Kit	2	O-Ring	
101	70028285	1	Kit, Seal (includes items 1, 5, 18, 20, 40, 41 and 43 thru 46)	

SECTION 9 - HYDRAULIC COMPONENTS

FIGURE 9-31. COUNTERBALANCE VALVE INSTALLATION



ART_1001212349-A

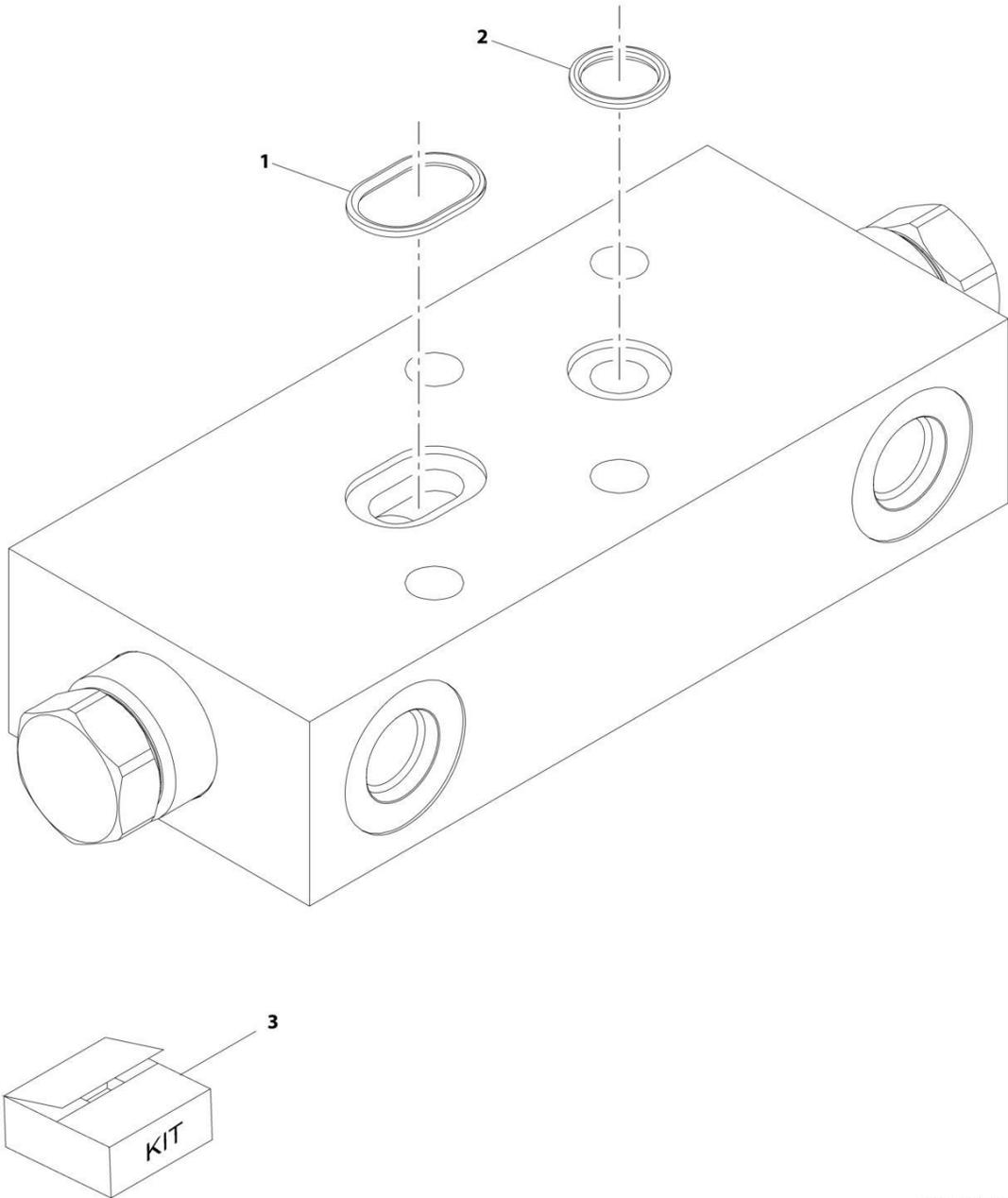
SECTION 9 - HYDRAULIC COMPONENTS

FIGURE 9-31. COUNTERBALANCE VALVE INSTALLATION

ITEM	PART NUMBER	QTY	DESCRIPTION	REV
	1001212349	Ref	Counterbalance Valve Installation	A
1	2110806	1	Fitting, Straight ORFS	
2	2131212	1	Fitting, 90 ORFS	
3	1001200111	1	Valve, Counterbalance (See Seperate Breakdown in this Section)	

SECTION 9 - HYDRAULIC COMPONENTS

FIGURE 9-32. COUNTERBALANCE VALVE



ART_1001168599-C

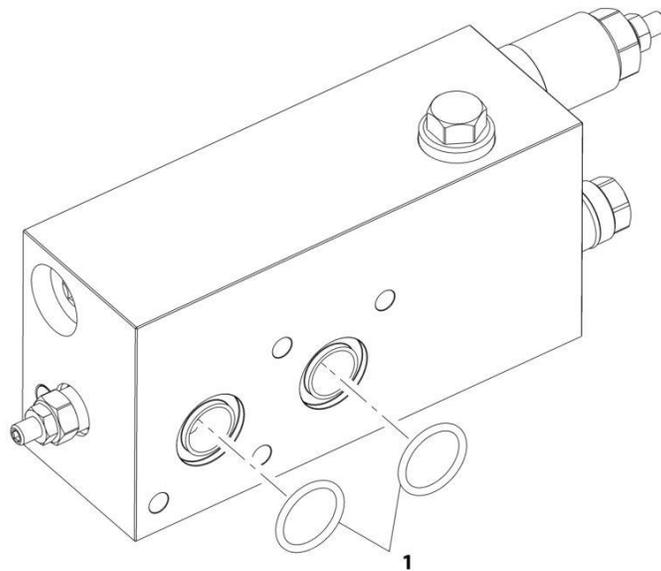
SECTION 9 - HYDRAULIC COMPONENTS

FIGURE 9-32. COUNTERBALANCE VALVE

ITEM	PART NUMBER	QTY	DESCRIPTION	REV
	1001168599	Ref	Counterbalance Valve	C
1	Kit	1	O-Ring	
2	Kit	1	O-Ring	
3	70028421	1	Kit, Seal (includes items 1 thru 2)	

SECTION 9 - HYDRAULIC COMPONENTS

FIGURE 9-33. COUNTERBALANCE VALVE



ART_1001224944-C

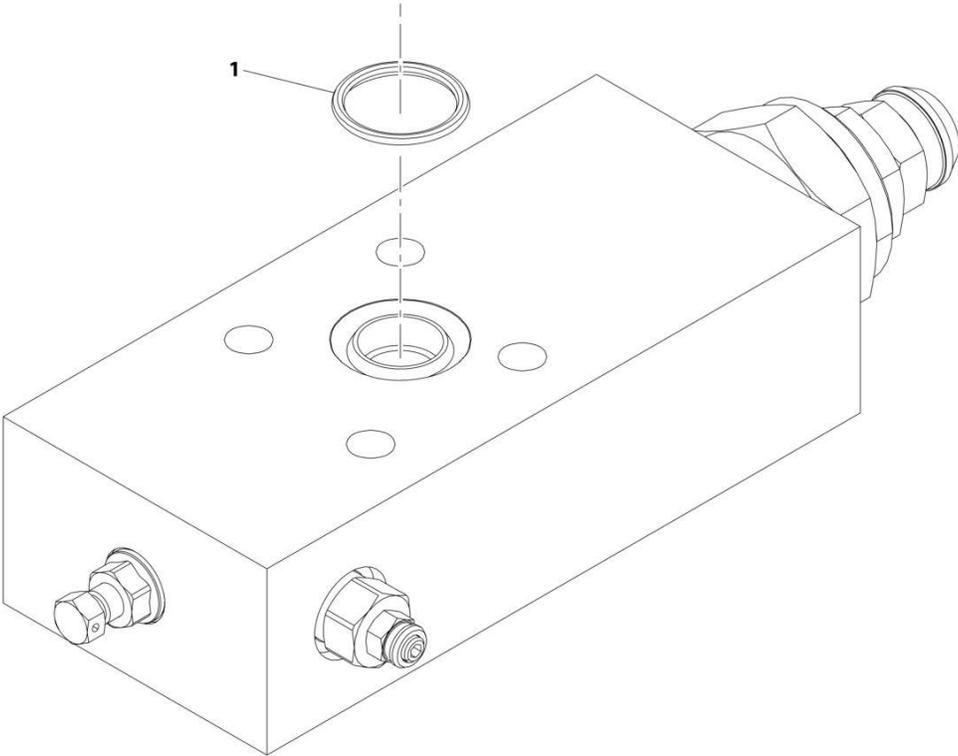
SECTION 9 - HYDRAULIC COMPONENTS

FIGURE 9-33. COUNTERBALANCE VALVE

ITEM	PART NUMBER	QTY	DESCRIPTION	REV
1	1001224944 70028282	Ref 1	Counterbalance Valve O-Ring	C

SECTION 9 - HYDRAULIC COMPONENTS

FIGURE 9-34. COUNTERBALANCE VALVE



ART_1001200111-D

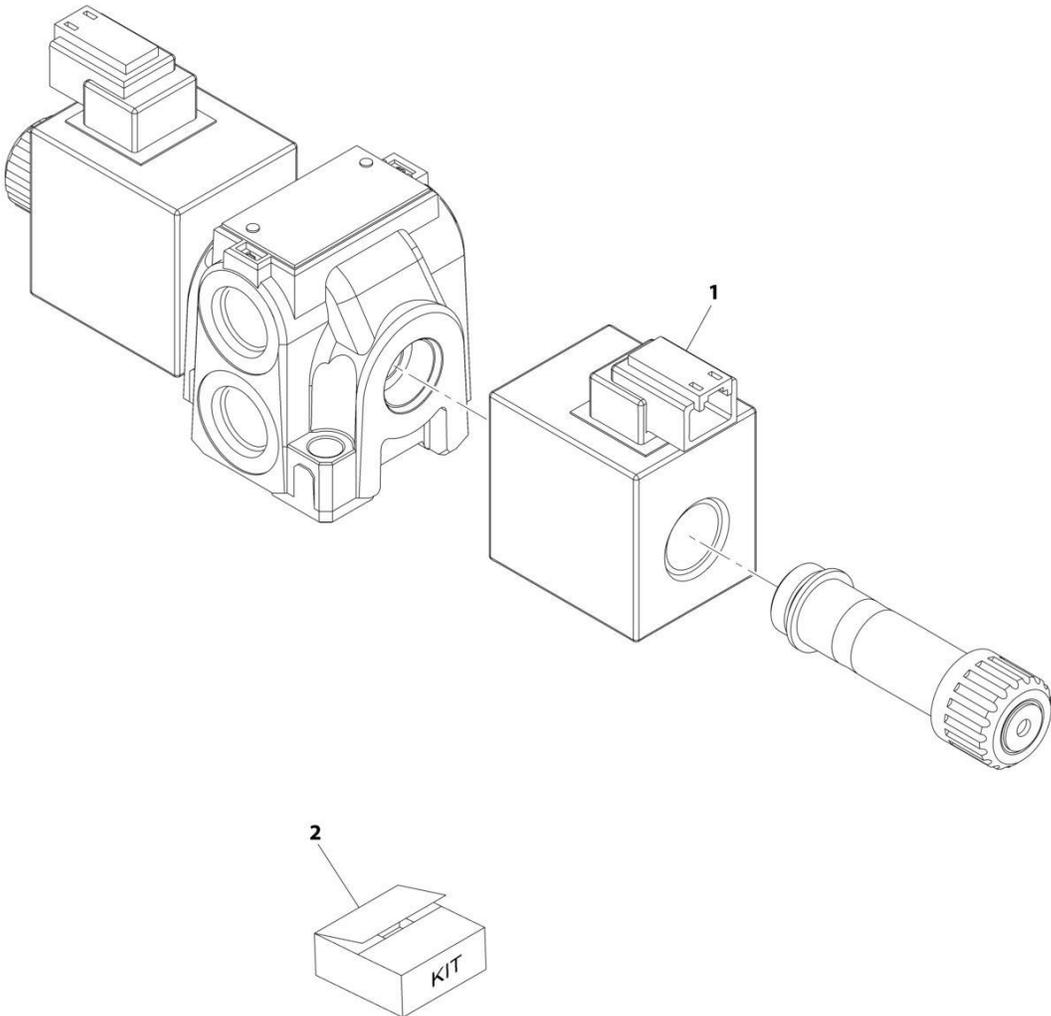
SECTION 9 - HYDRAULIC COMPONENTS

FIGURE 9-34. COUNTERBALANCE VALVE

ITEM	PART NUMBER	QTY	DESCRIPTION	REV
1	1001200111 70028422	Ref 1	Counterbalance Valve O-Ring	D

SECTION 9 - HYDRAULIC COMPONENTS

FIGURE 9-35. SPEED CONTROL VALVE



ART_4641520-B

SECTION 9 - HYDRAULIC COMPONENTS

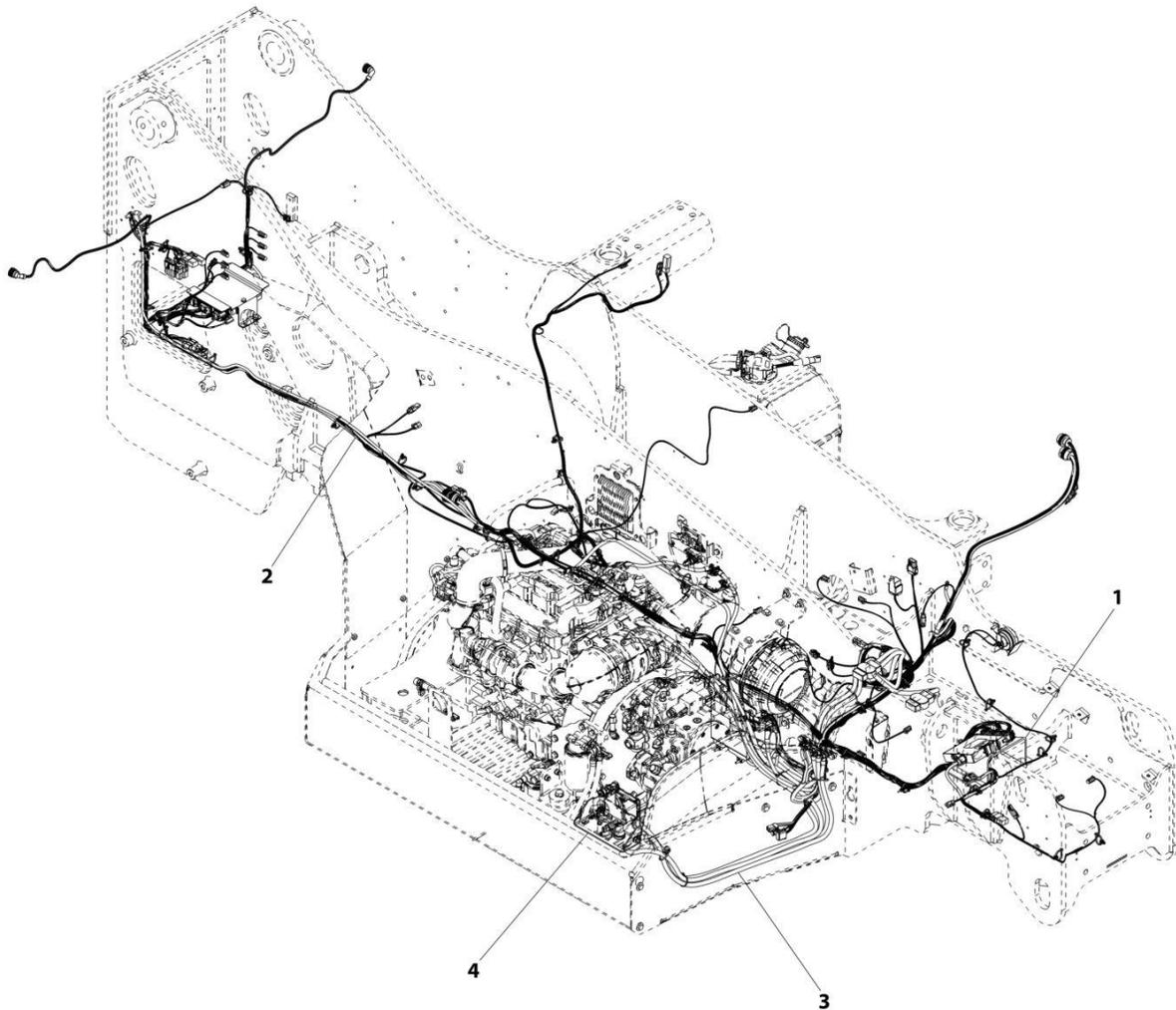
FIGURE 9-35. SPEED CONTROL VALVE

ITEM	PART NUMBER	QTY	DESCRIPTION	REV
	4641520	Ref	Speed Control Valve	B
1	70026582	1	SOLENOID	
2	70020867	1	Kit, Coil Nut	
	N.S.S.	1	Seal	
	N.S.S.	1	Seal	
	N.S.S.	1	Nut, Coil	

SECTION 10 - ELECTRICAL

SECTION 10 - ELECTRICAL

FIGURE 10-1. MAIN ELECTRICAL INSTALLATION (ULS)



ART_1001192537-B

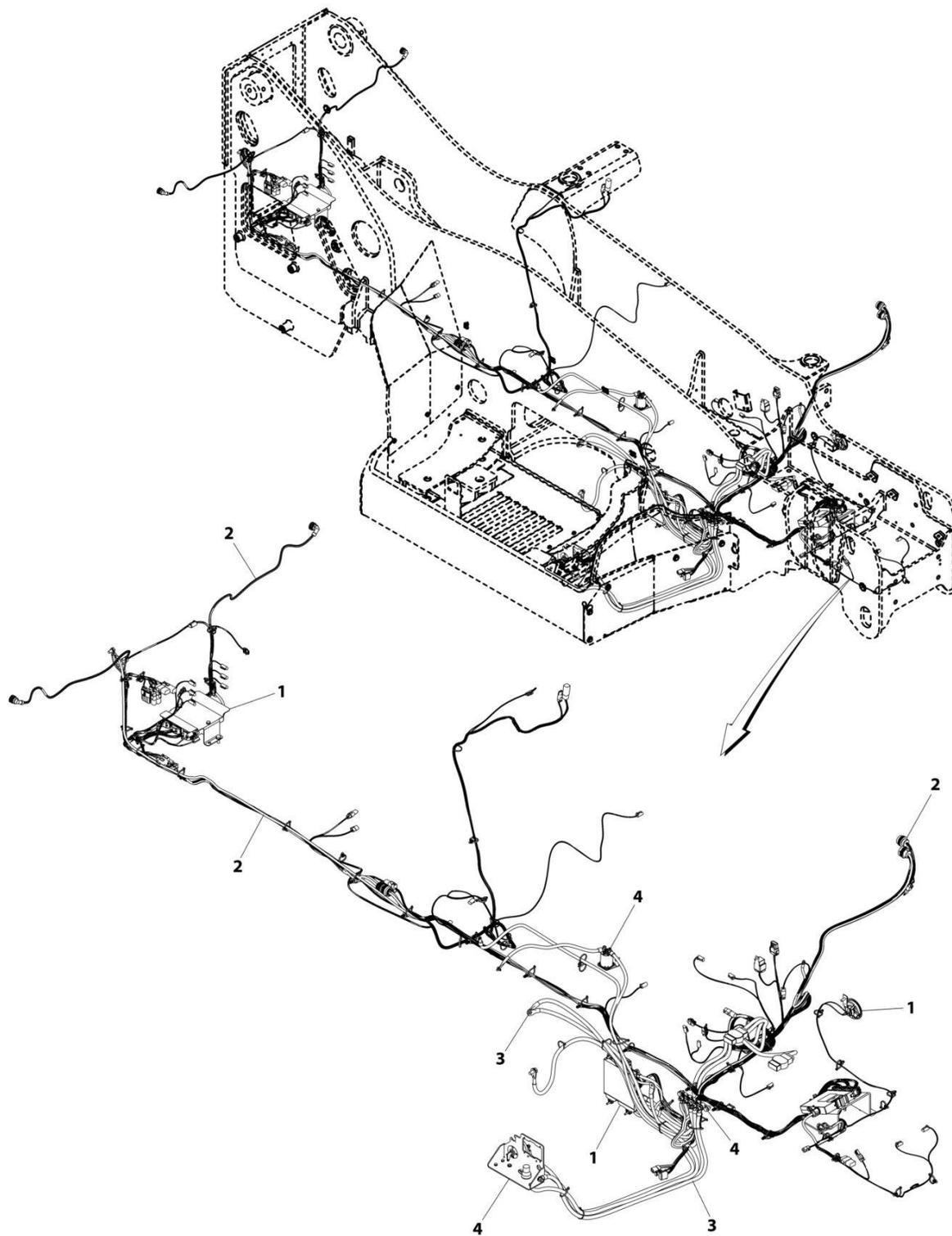
SECTION 10 - ELECTRICAL

FIGURE 10-1. MAIN ELECTRICAL INSTALLATION (ULS)

ITEM	PART NUMBER	QTY	DESCRIPTION	REV
1	1001192537	Ref	Main Electrical Installation (ULS)	B
	1001183272	Ref	Installation, Frame Electrical (See Separate Breakdown in this Section)	
2	1001200159	Ref	Installation, Frame Wiring (See Separate Breakdown in this Section)	
3	1001200160	Ref	Installation, Engine Bay Electrical	
4	1001202172	Ref	Installation, Engine Pod Electrical (ULS) (See Separate Breakdown in this Section)	

SECTION 10 - ELECTRICAL

FIGURE 10-2. MAIN ELECTRICAL INSTALLATION, MINING (ULS)



ART_1001228738-A

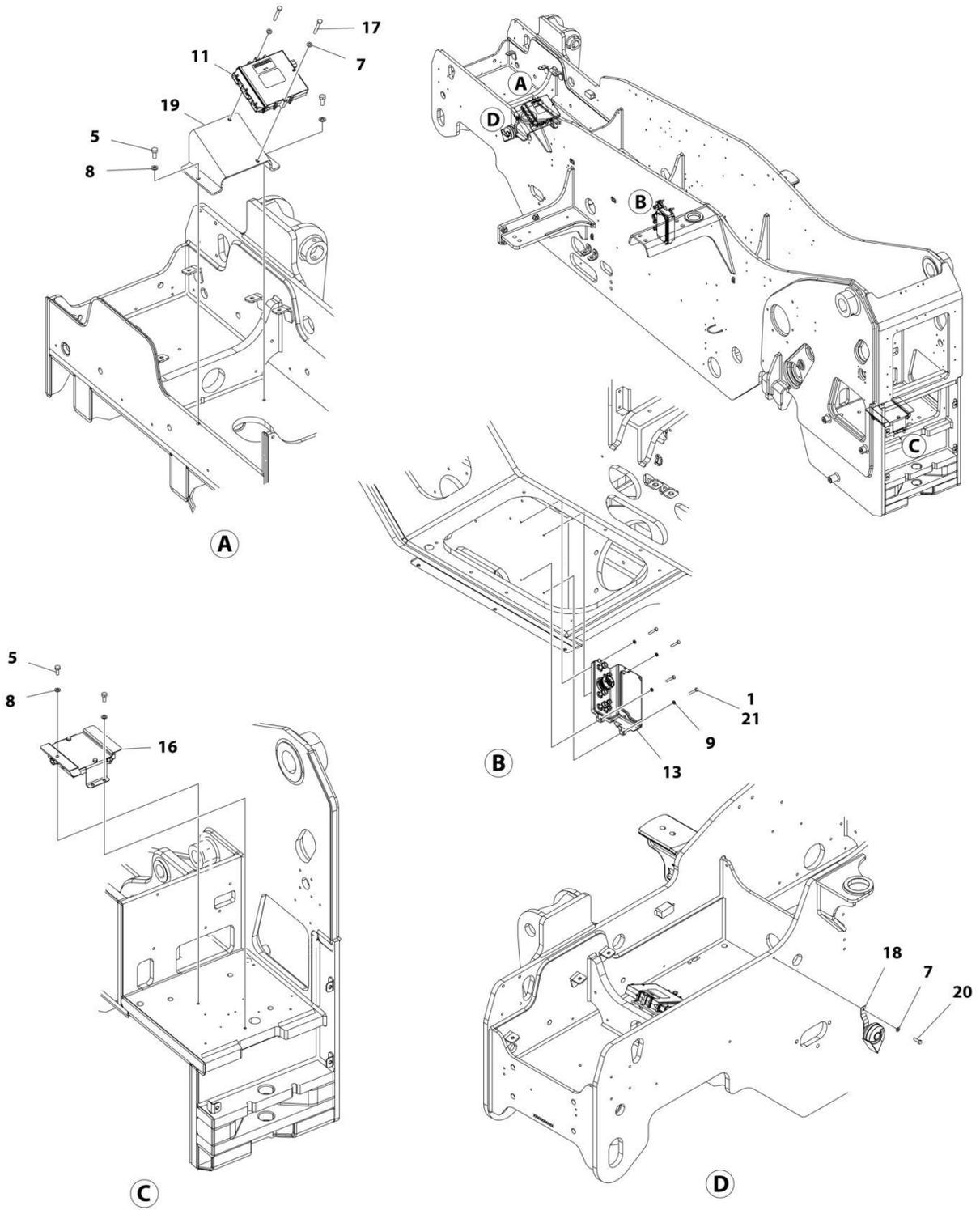
SECTION 10 - ELECTRICAL

FIGURE 10-2. MAIN ELECTRICAL INSTALLATION, MINING (ULS)

ITEM	PART NUMBER	QTY	DESCRIPTION	REV
1	1001228738	Ref	Main Electrical Installation, Mining (ULS)	A
	1001183272	Ref	Installation, Frame Electrical (See Separate Breakdown in this Section)	
2	1001228739	Ref	Installation, Frame Wiring (See Separate Breakdown in this Section)	
3	1001200160	Ref	Installation, Engine Bay Electrical	
4	1001202172	Ref	Installation, Engine Pod Electrical (ULS) (See Separate Breakdown in this Section)	

SECTION 10 - ELECTRICAL

FIGURE 10-3. FRAME ELECTRICAL INSTALLATION



ART_1001183272_I

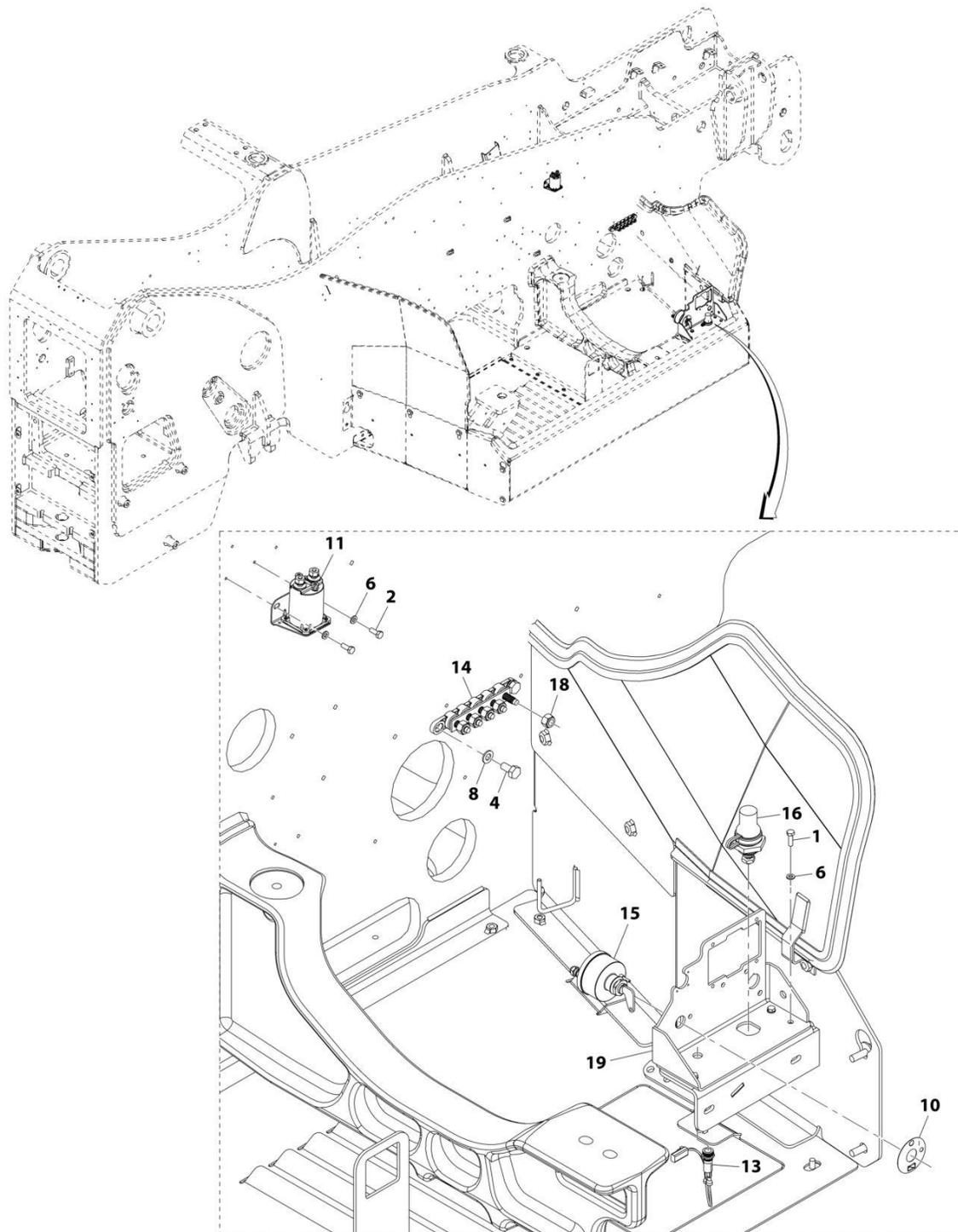
SECTION 10 - ELECTRICAL

FIGURE 10-3. FRAME ELECTRICAL INSTALLATION

ITEM	PART NUMBER	QTY	DESCRIPTION	REV
	1001183272	Ref	FRAME ELECTRICAL INSTALLATION	I
1	0700614	4	Bolt M6 x 30	
5	0761012	4	Bolt M10 x 25	
7	4811900	3	Washer M8	
8	4812000	4	Washer M10	
9	4831700	4	Washer M6	
11	1001270467	1	Control, Front Frame Module	
13	1001164402	1	Box, Power Distribution Electrical (See Separate Breakdown in this Section)	
16	1001210770	1	Installation, Rear Frame Module (See Separate Breakdown in this Section)	
17	0700820	2	Bolt M8 x 60	
18	10713707	1	Horn	
19	1001215208	1	Bracket	
20	0760812	1	Bolt M8 x 25	
21	1001180620	AR	Adhesive, Loctite	

SECTION 10 - ELECTRICAL

FIGURE 10-4. ENGINE POD ELECTRICAL INSTALLATION (ULS)



ART_1001202172-C

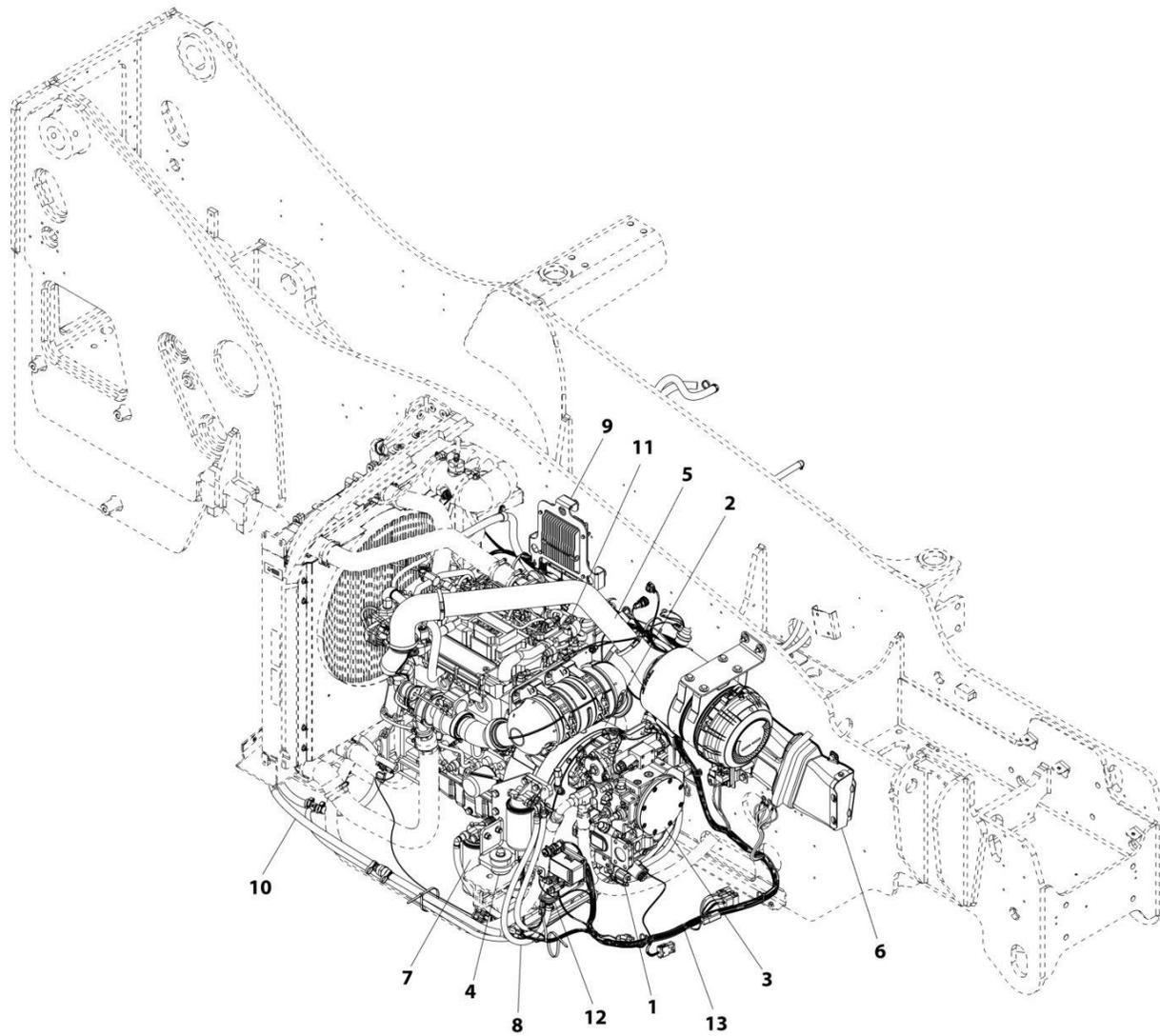
SECTION 10 - ELECTRICAL

FIGURE 10-4. ENGINE POD ELECTRICAL INSTALLATION (ULS)

ITEM	PART NUMBER	QTY	DESCRIPTION	REV
	1001202172	Ref	Engine Pod Electrical Installation (ULS)	B
1	0700610	4	Bolt, M6X20	
2	0760608	2	Bolt, M6X16	
4	0761010	2	Bolt, M10X20	
6	4811700	6	Washer, M6	
8	4812000	2	Washer, M10	
10	1001008540	1	Plate	
11	1001117308	1	Relay	
13	1001169825	1	Lamp, 12V Yellow	
14	1001181128	1	Bussbar	
15	1001192142	1	Switch, Disconnect	
16	1001193993	1	Terminal, Battery	
18	3291005	5	Nut, Lock M10X1.5	
19	1001212886	1	Bracket	

SECTION 10 - ELECTRICAL

FIGURE 10-5. ENGINE POD COMPONENT INSTALLATION (MINING) (ULS)



ART_1001228727-A

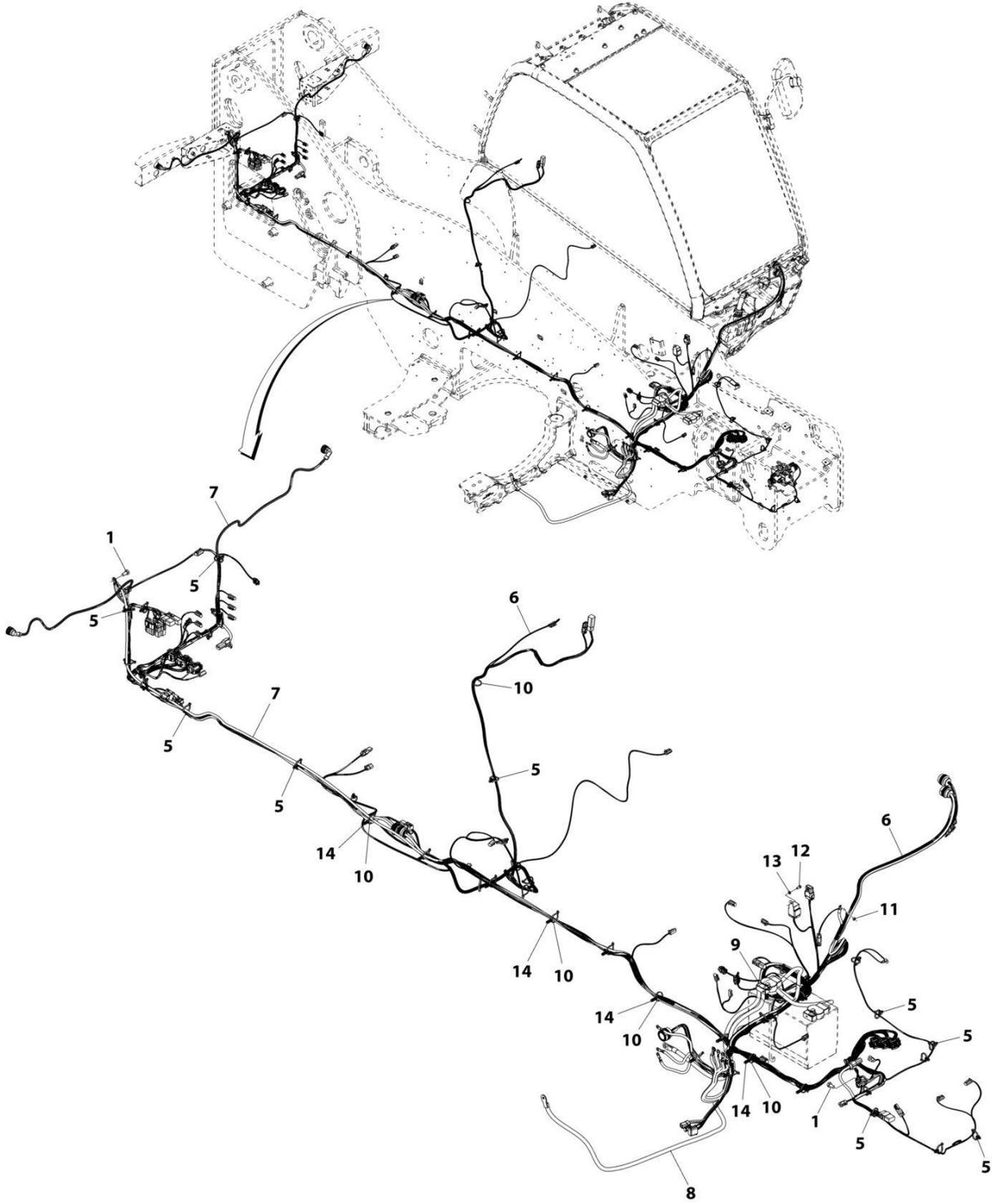
SECTION 10 - ELECTRICAL

FIGURE 10-5. ENGINE POD COMPONENT INSTALLATION (MINING) (ULS)

ITEM	PART NUMBER	QTY	DESCRIPTION	REV
	1001228727	Ref	Engine Pod Component Installation (Mining) (ULS)	B
1	1001193393	1	Installation, Implement Pump (See Separate Breakdown in this Section)	
2	1001193703	1	Installation, Hydrostatic Adaptor (See Separate Breakdown in this Section)	
3	1001193704	1	Installation, Hydrostatic Drive Pump (See Separate Breakdown in this Section)	
4	1001200862	1	Installation, Engine Mount (See Separate Breakdown in this Section)	
5	1001200863	1	Installation, Air Intake (See Separate Breakdown in this Section)	
6	1001200864	1	Installation, Air Cleaner (See Separate Breakdown in this Section)	
7	1001200865	1	Installation, Primary Fuel Filter (See Separate Breakdown in this Section)	
8	1001200866	1	Installation, Fuel Lines (See Separate Breakdown in this Section)	
9	1001284538	1	Installation, Engine ECU (See Separate Breakdown in ELECTRICAL Section)	
10	1001293070	1	Installation, DEF Coolant Lines (See Separate Breakdown in this Section)	
11	1001201425	1	Installation, Engine (See Separate Breakdown in this Section)	
12	1001221041	1	Installation, Remote Fuel Pump (See Separate Breakdown in this Section)	
13	1001228728	1	Installation, Engine Wiring (See Separate Breakdown in ELECTRICAL Section)	

SECTION 10 - ELECTRICAL

FIGURE 10-6. FRAME WIRING INSTALLATION



ART_1001200159-G

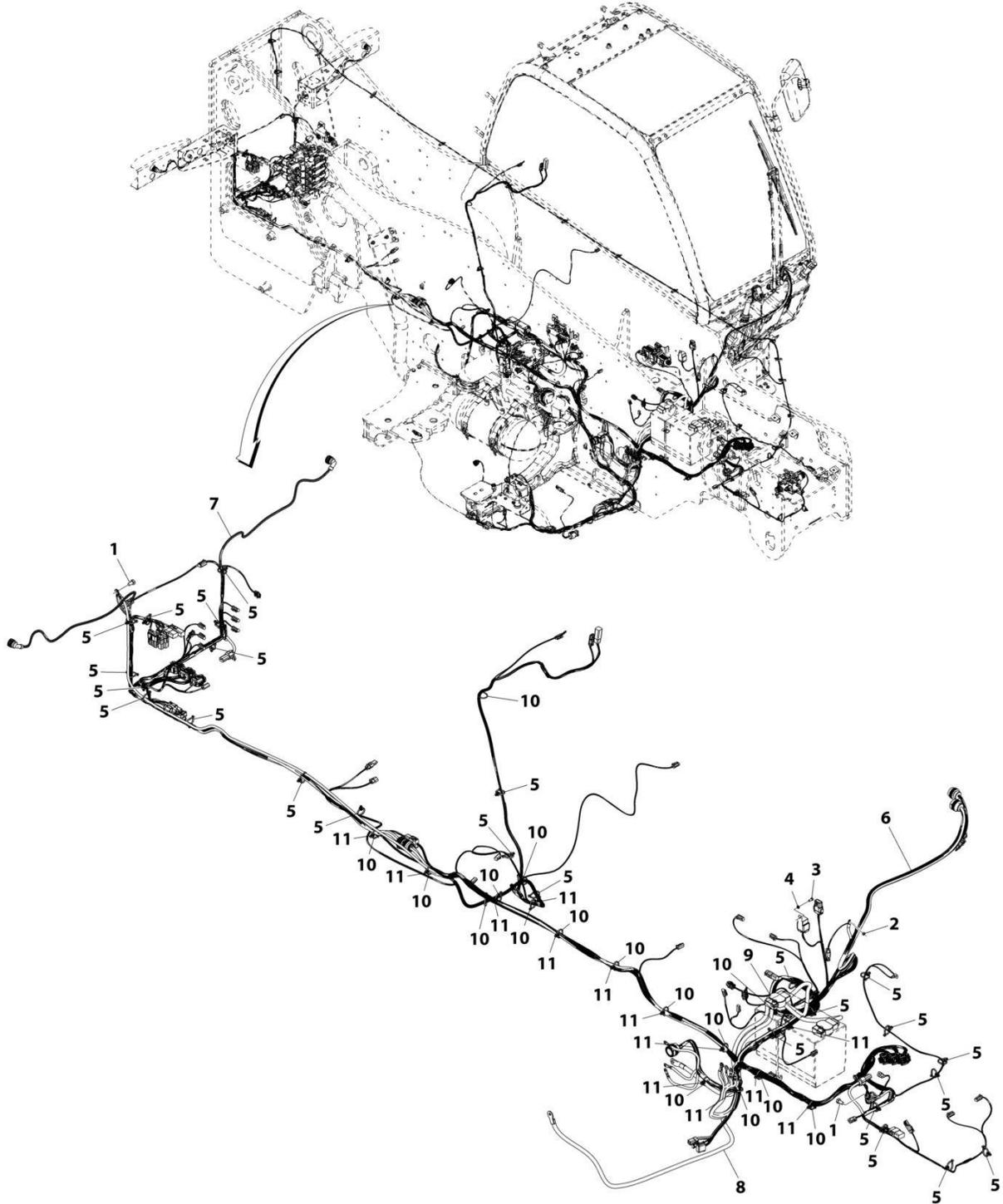
SECTION 10 - ELECTRICAL

FIGURE 10-6. FRAME WIRING INSTALLATION

ITEM	PART NUMBER	QTY	DESCRIPTION	REV
	1001200159	Ref	Frame Wiring Installation	G
1	0761010	2	Bolt M10 x 20	
5	1001146588	25	Tie, Cable	
6	1001184396	1	Harness, Front Frame (See Separate Breakdown in this Section)	
7	1001184397	1	Harness, Rear Frame (See Separate Breakdown in this Section)	
8	1001200168	1	Cable, Negative Battery	
9	1001200169	1	Cable, Positive Battery	
10	1001008559	16	Strap, Cable	
11	3290601	1	Nut M6 x 1	
12	0760607	1	Bolt M6 x 14	
13	4811700	1	Washer M6	
14	1001202986	13	Strap Push Mount	

SECTION 10 - ELECTRICAL

FIGURE 10-7. FRAME WIRING INSTALLATION, MINING



ART_1001228739-B

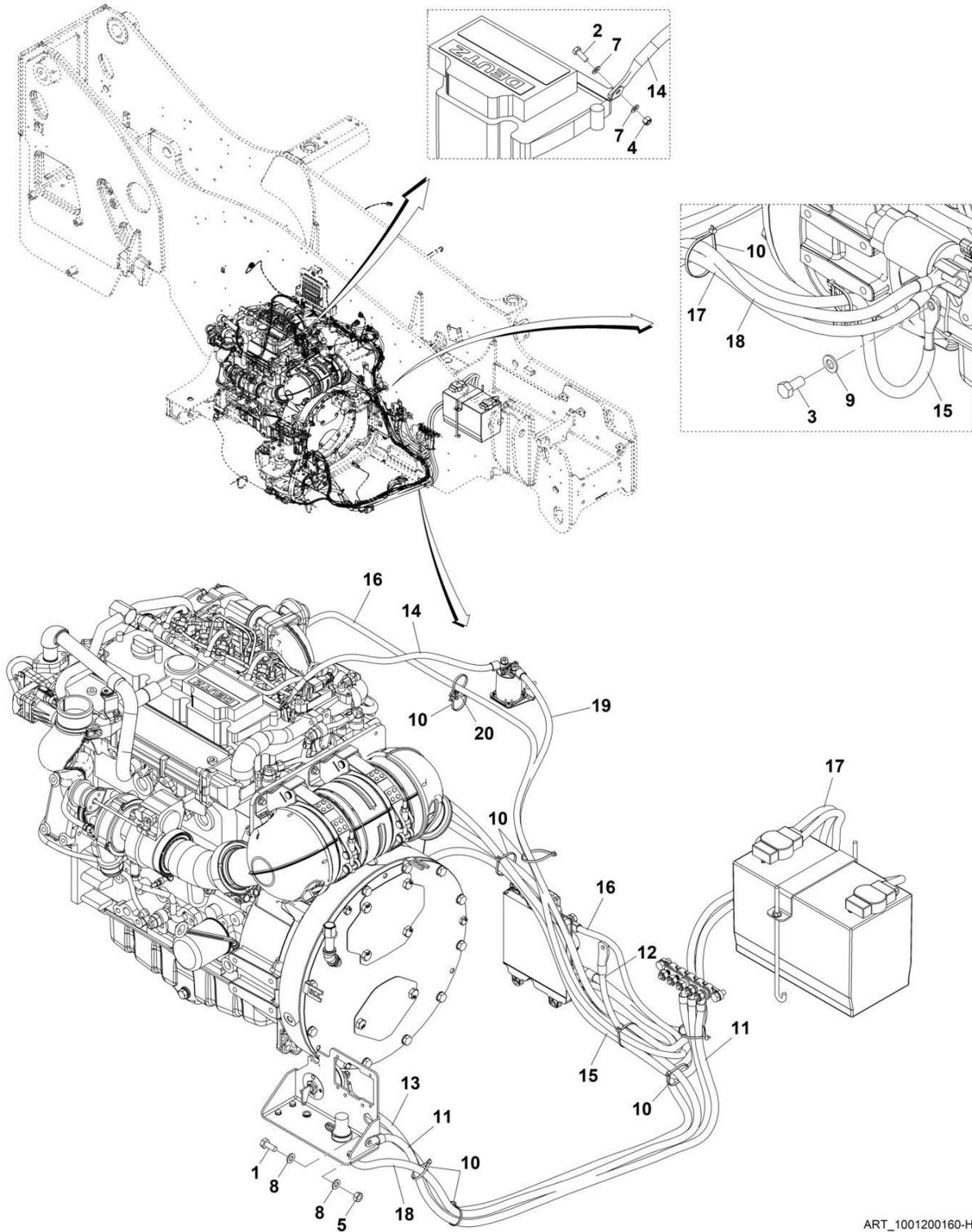
SECTION 10 - ELECTRICAL

FIGURE 10-7. FRAME WIRING INSTALLATION, MINING

ITEM	PART NUMBER	QTY	DESCRIPTION	REV
	1001228739	Ref	Frame Wiring Installation, Mining (ULS)	B
1	0761010	2	Bolt M10 x 20	
2	3290601	1	Nut M6 x 1	
3	0760607	1	Bolt M6 x 4	
4	4811700	1	Washer M6	
5	1001146588	25	Tie, Cable	
6	1001228740	1	Harness, Front Frame (See Separate Breakdown in this Section)	
7	1001228741	1	Harness, Rear Frame (See Separate Breakdown in this Section)	
8	1001200168	1	Cable, Negative Battery	
9	1001200169	1	Cable, Positive Battery	
10	1001008559	16	Strap, Cable	
11	1001202986	13	Push Mount, Strap	

SECTION 10 - ELECTRICAL

FIGURE 10-8. ENGINE BAY ELECTRICAL INSTALLATION (ULS)



ART_1001200160-H

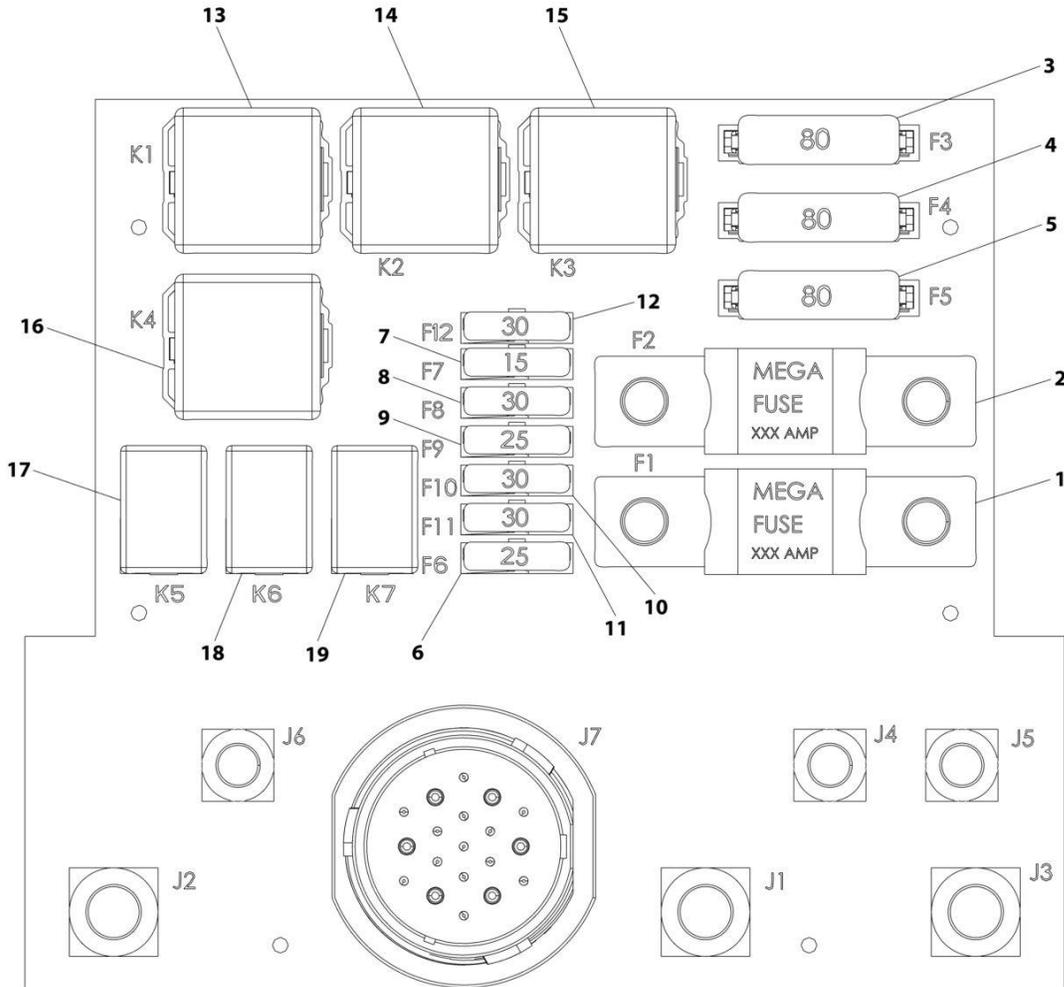
SECTION 10 - ELECTRICAL

FIGURE 10-8. ENGINE BAY ELECTRICAL INSTALLATION (ULS)

ITEM	PART NUMBER	QTY	DESCRIPTION	REV
	1001200160	Ref	Engine Bay Electrical Installation	I
1	0761012	1	Bolt, M10X25	
2	0760507	1	Bolt, M5X14	
3	0761212	1	Bolt, M12X25	
4	3290505	1	Nut, Lock M5X0.8	
5	3291001	1	Nut, M10X1.5	
7	4811600	2	Washer, M5	
8	4812000	2	Washer, M10	
9	4812100	1	Washer, M12	
10	1001008559	10	Tie, Strap	
11	1001194103	1	Cable	
12	1001194244	1	Cable	
13	1001196502	1	Cable	
14	1001200161	1	Cable	
15	1001200162	1	Cable	
16	1001200164	1	Cable	
17	1001200165	1	Cable	
18	1001200166	1	Cable	
19	1001200167	1	Cable	
20	1001004723	1	Saddle	
21	1001293972	1	Cable, ECM Power (Not Shown)	

SECTION 10 - ELECTRICAL

FIGURE 10-9. POWER DISTRIBUTION ELECTRICAL BOX



ART_1001164402-G

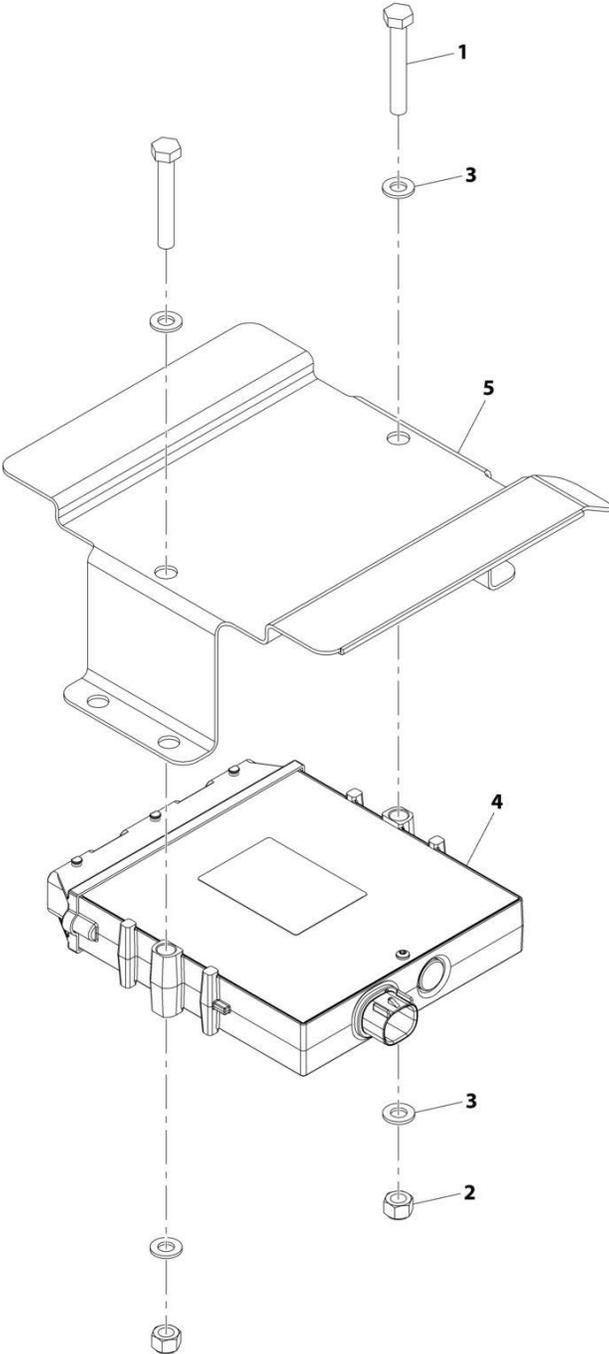
SECTION 10 - ELECTRICAL

FIGURE 10-9. POWER DISTRIBUTION ELECTRICAL BOX

ITEM	PART NUMBER	QTY	DESCRIPTION	REV
	1001164402	Ref	Power Distribution Electrical Box	G
1	1001095336	1	Fuse, 150AMP	
2	70026296	1	Fuse, 200AMP	
3	70026297	1	Fuse, 80AMP	
4	70026297	1	Fuse, 80AMP	
5	70026297	1	Fuse, 80AMP	
6	8229247	1	Fuse, 25AMP	
7	8229244	1	Fuse, 15AMP	
8	8229245	1	Fuse, 30AMP	
9	8229247	1	Fuse, 25AMP	
10	8229245	1	Fuse, 30AMP	
11	8229245	1	Fuse, 30AMP	
12	8229245	1	Fuse, 30AMP	
13	70026294	1	Fuse, 70AMP	
14	70026294	1	Fuse, 70AMP	
15	70026294	1	Fuse, 70AMP	
16	70026294	1	Fuse, 70AMP	
17	70026295	1	Fuse, 35AMP	
18	70026295	1	Fuse, 35AMP	
19	70026295	1	Fuse, 35AMP	

SECTION 10 - ELECTRICAL

FIGURE 10-10. REAR FRAME MODULE INSTALLATION



ART_1001210770-C

SECTION 10 - ELECTRICAL

FIGURE 10-10. REAR FRAME MODULE INSTALLATION

ITEM	PART NUMBER	QTY	DESCRIPTION	REV
	1001210770	Ref	Rear Frame Module Installation	C
1	0700819	2	Bolt, M8X55	
2	3290805	2	Nut, Lock M8X1.25	
3	4811900	4	Washer, M8	
4	1001162256	1	Module, Rear Frame	
5	1001225980	1	Bracket	

SECTION 10 - ELECTRICAL

FIGURE 10-11. ENGINE WIRING INSTALLATION (ULS)



ART_1001200106-H

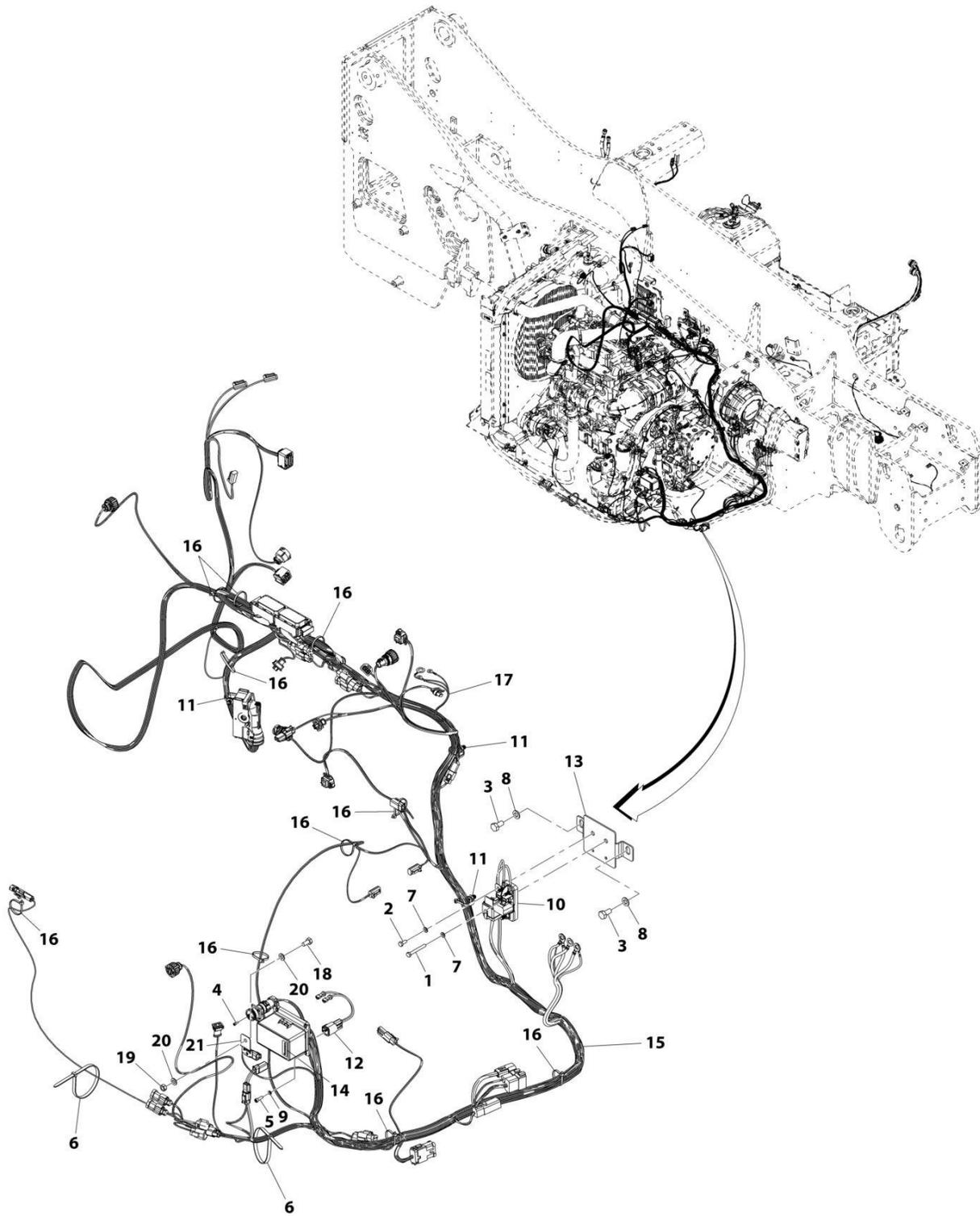
SECTION 10 - ELECTRICAL

FIGURE 10-11. ENGINE WIRING INSTALLATION (ULS)

ITEM	PART NUMBER	QTY	DESCRIPTION	REV
	1001200106	Ref	Engine Wiring Installation (ULS)	G
1	0700618	1	Bolt, M6X50	
2	0760607	1	Bolt, M6X14	
3	0761010	2	Bolt M10X20	
4	4031205	3	Bolt, M3X10	
5	4031607	4	Bolt, M5-0.8X16	
7	4811700	2	Washer, M6	
8	4812000	2	Washer, M10	
9	4831600	4	Washer, Lock M5	
10	1001131177	1	Fuse	
11	1001146588	3	Strap, Cable Tie	
12	1001182929	1	Harness, Fuel Pump (See Seperate Breakdown in this Section)	
13	1001189046	1	Bracket	
14	1001191546	1	Decal, Fuse	
15	1001200108	1	Harness, Engine (ULS) (See Seperate Breakdown in this Section)	
16	1001008559	11	Strap, Cable	
17	1001182930	1	Harness, Glow Plug Relay (See Seperate Breakdown in this Section)	
18	1062255	4	Strap, Tie	

SECTION 10 - ELECTRICAL

FIGURE 10-12. ENGINE WIRING INSTALLATION (MINING) (ULS)



ART_1001228728-B

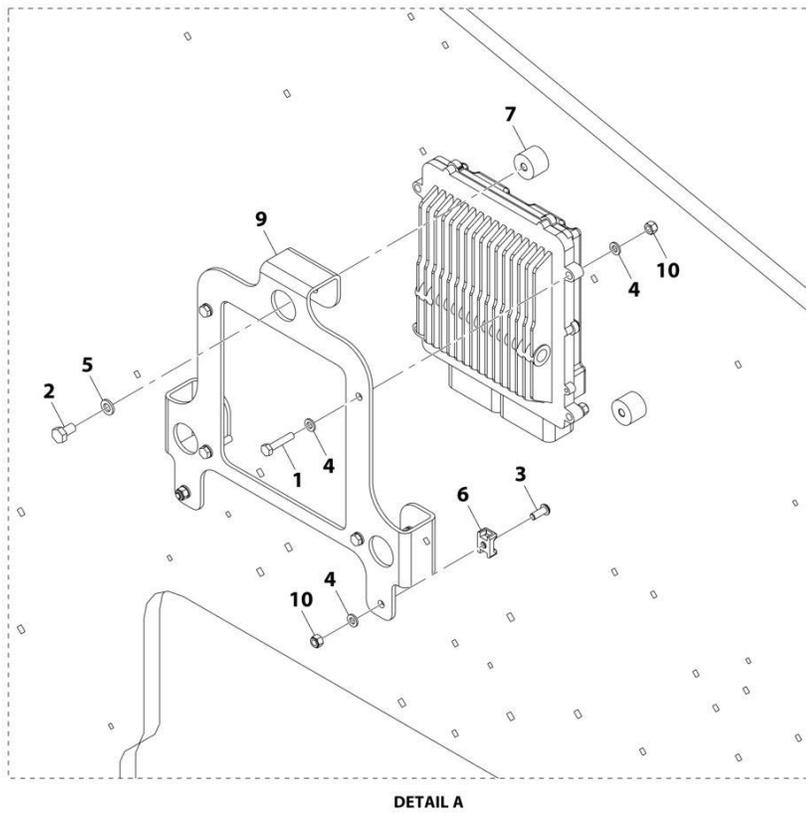
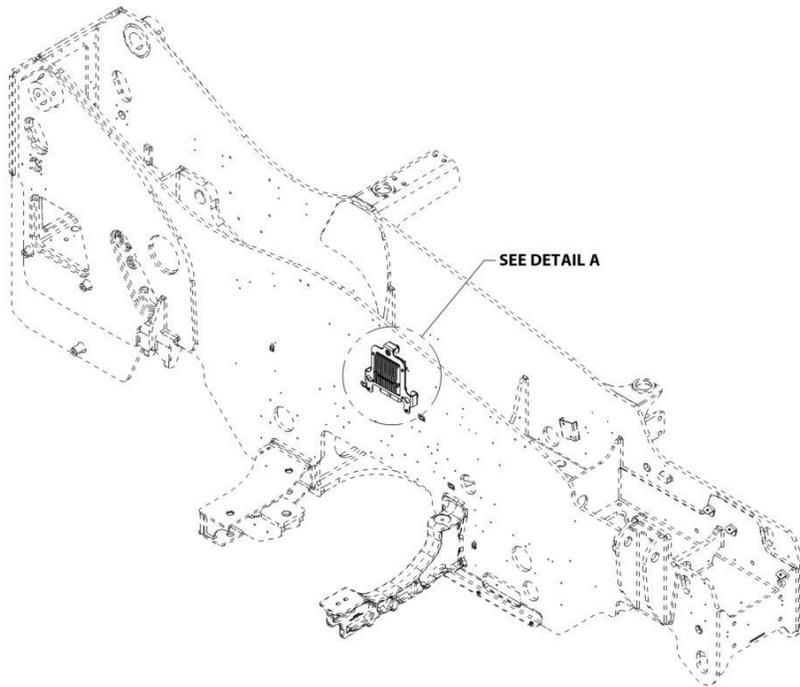
SECTION 10 - ELECTRICAL

FIGURE 10-12. ENGINE WIRING INSTALLATION (MINING) (ULS)

ITEM	PART NUMBER	QTY	DESCRIPTION	REV
	1001228728	Ref	Engine Wiring Installation (Mining) (ULS)	A
1	0700618	1	Bolt, M6X50	
2	0760607	1	Bolt, M6X14	
3	0761010	2	Bolt, M10X20	
4	4031205	3	Bolt, M3X10	
5	4031607	4	Bolt, M5X16	
6	1062255	4	Strap, Tie	
7	4811700	2	Washer, M6	
8	4812000	2	Washer, M10	
9	4831600	4	Washer, Lock M5	
10	1001131177	1	Fuse	
11	1001146588	3	Strap, Cable Tie	
12	1001228733	1	Harness, Fuel Pump (See Seperate Breakdown in this Section)	
13	1001189046	1	Bracket	
14	1001191546	1	Decal, Fuse	
15	1001228731	1	Harness, Engine (Mining) (ULS) (See Seperate Breakdown in this Section)	
16	1001008559	11	Strap, Cable	
17	1001228732	1	Harness, Glow Plug Relay (See Seperate Breakdown in this Section)	

SECTION 10 - ELECTRICAL

FIGURE 10-13. ENGINE ECU INSTALLATION



ART_1001200869-B

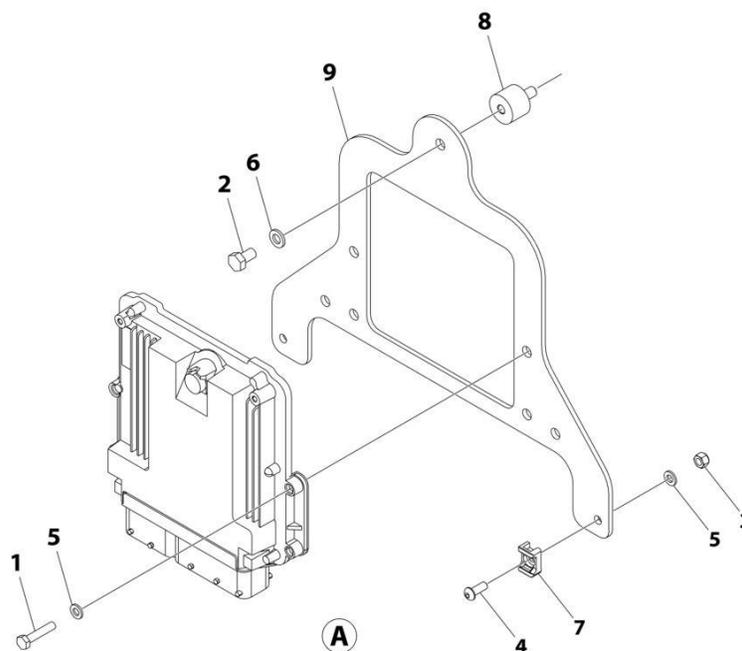
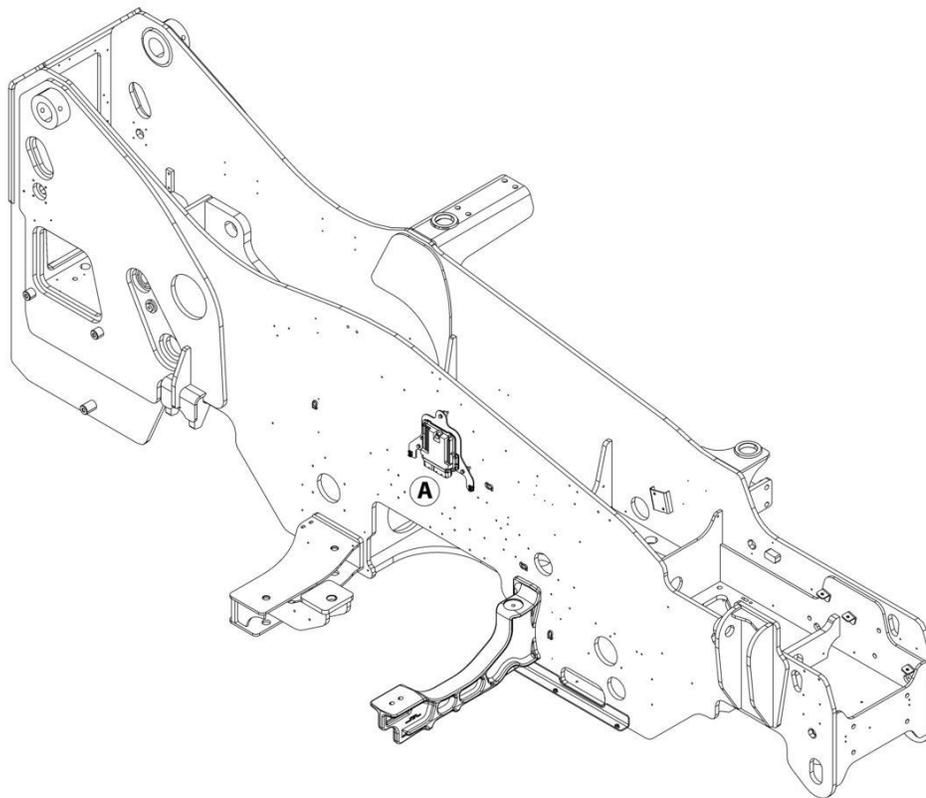
SECTION 10 - ELECTRICAL

FIGURE 10-13. ENGINE ECU INSTALLATION

ITEM	PART NUMBER	QTY	DESCRIPTION	REV
	1001200869	Ref	Engine ECU Installation	B
1	0700614	4	Bolt, M6X30	
2	0760807	3	Bolt, M8X14	
3	3900357	2	Capscrew, M6X16	
4	4811700	10	Washer, M6	
5	4831900	3	Washer, Lock M8	
6	1001138645	2	Mount, Cable Tie	
7	1001179907	3	Mount, Isolator	
9	1001210397	1	Plate	
10	3290605	6	Nut, Lock M6X1	

SECTION 10 - ELECTRICAL

FIGURE 10-14. ENGINE ECU INSTALLATION



ART_1001284530

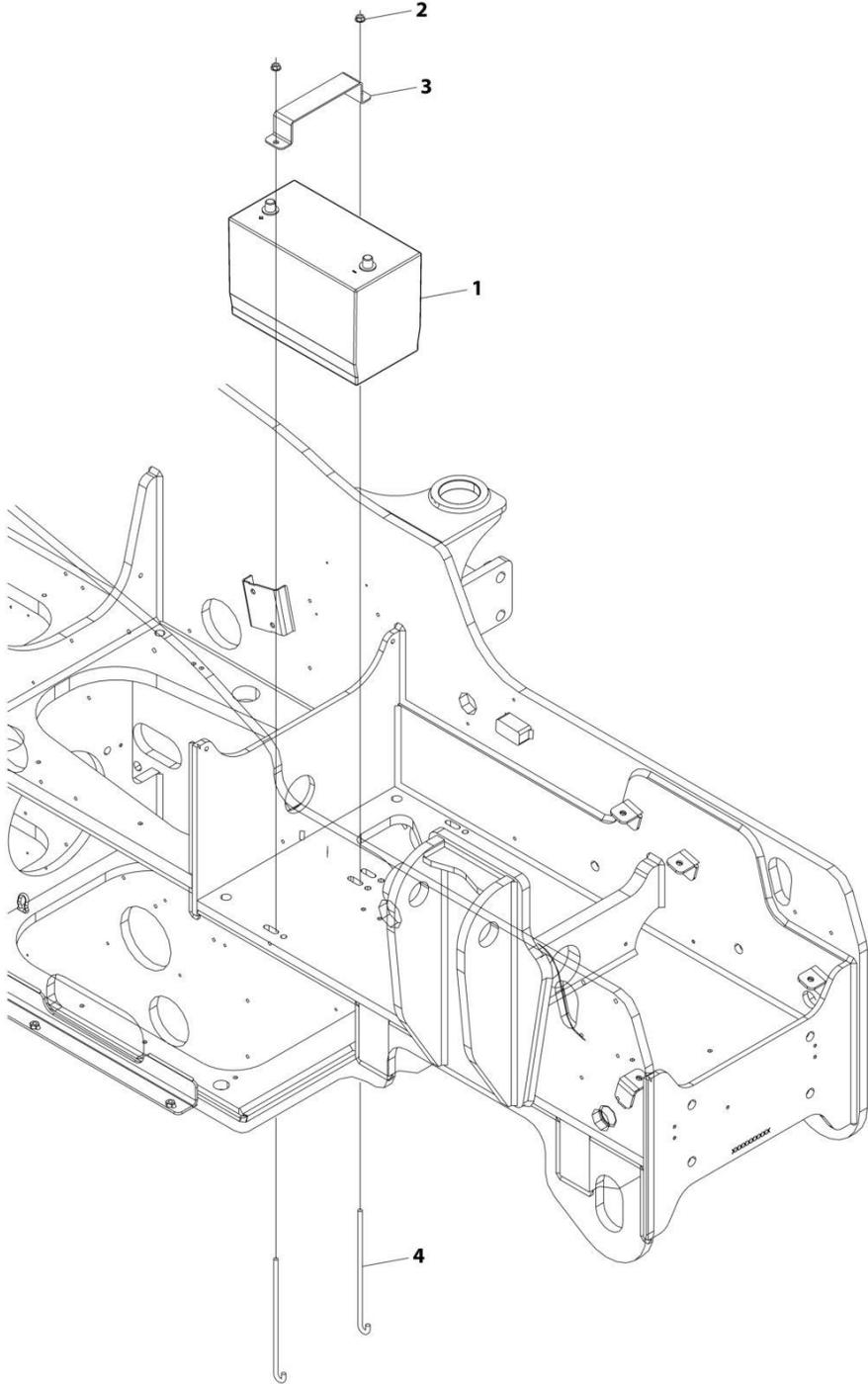
SECTION 10 - ELECTRICAL

FIGURE 10-14. ENGINE ECU INSTALLATION

ITEM	PART NUMBER	QTY	DESCRIPTION	REV
	1001284538	Ref	ENGINE ECU INSTALLATION	A
1	0700614	4	Bolt M6 x 30	
2	0760807	3	Bolt M8 x 14	
3	3290605	2	Nut M6	
4	3900357	2	Capscrew M6 x 16	
5	4811700	6	Washer M6	
6	4831900	3	Washer M8	
7	1001138645	2	Mount, Cable Tie	
8	1001179907	3	Mount, Isolator	
9	1001284534	1	Bracket	

SECTION 10 - ELECTRICAL

FIGURE 10-15. BATTERY INSTALLATION



ART_1001186855

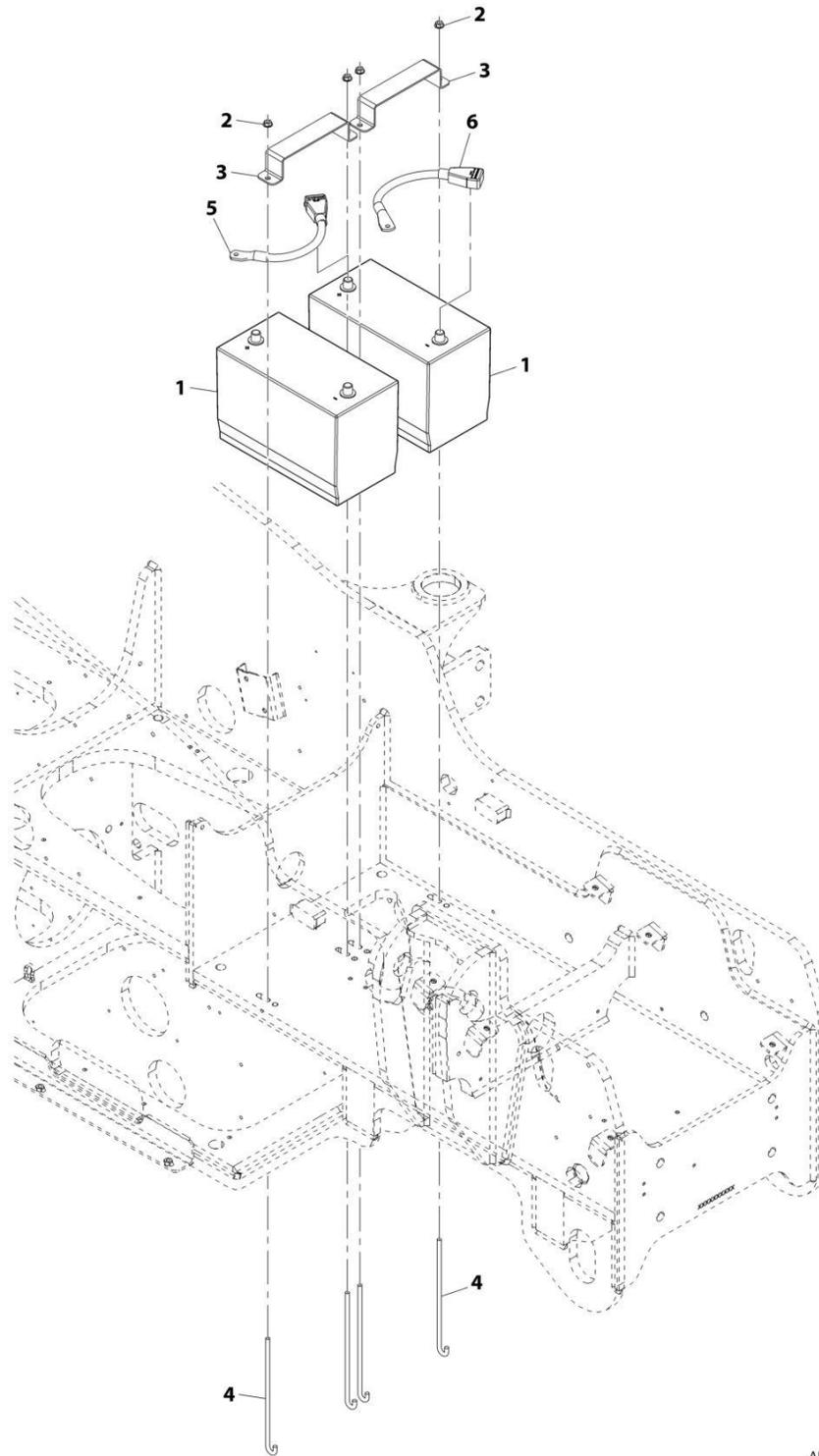
SECTION 10 - ELECTRICAL

FIGURE 10-15. BATTERY INSTALLATION

ITEM	PART NUMBER	QTY	DESCRIPTION	REV
	1001186855	Ref	Battery Installation	B
1	0400075	1	Battery, 12V	
2	5220800	2	Nut, Ripp M8	
3	1001160927	1	Plate	
4	1001160928	2	J-Bolt (270mm Length)	
4	1001181961	2	J-Bolt (220mm Length)	

SECTION 10 - ELECTRICAL

FIGURE 10-16. DUAL BATTERY INSTALLATION



ART_1001211445-B

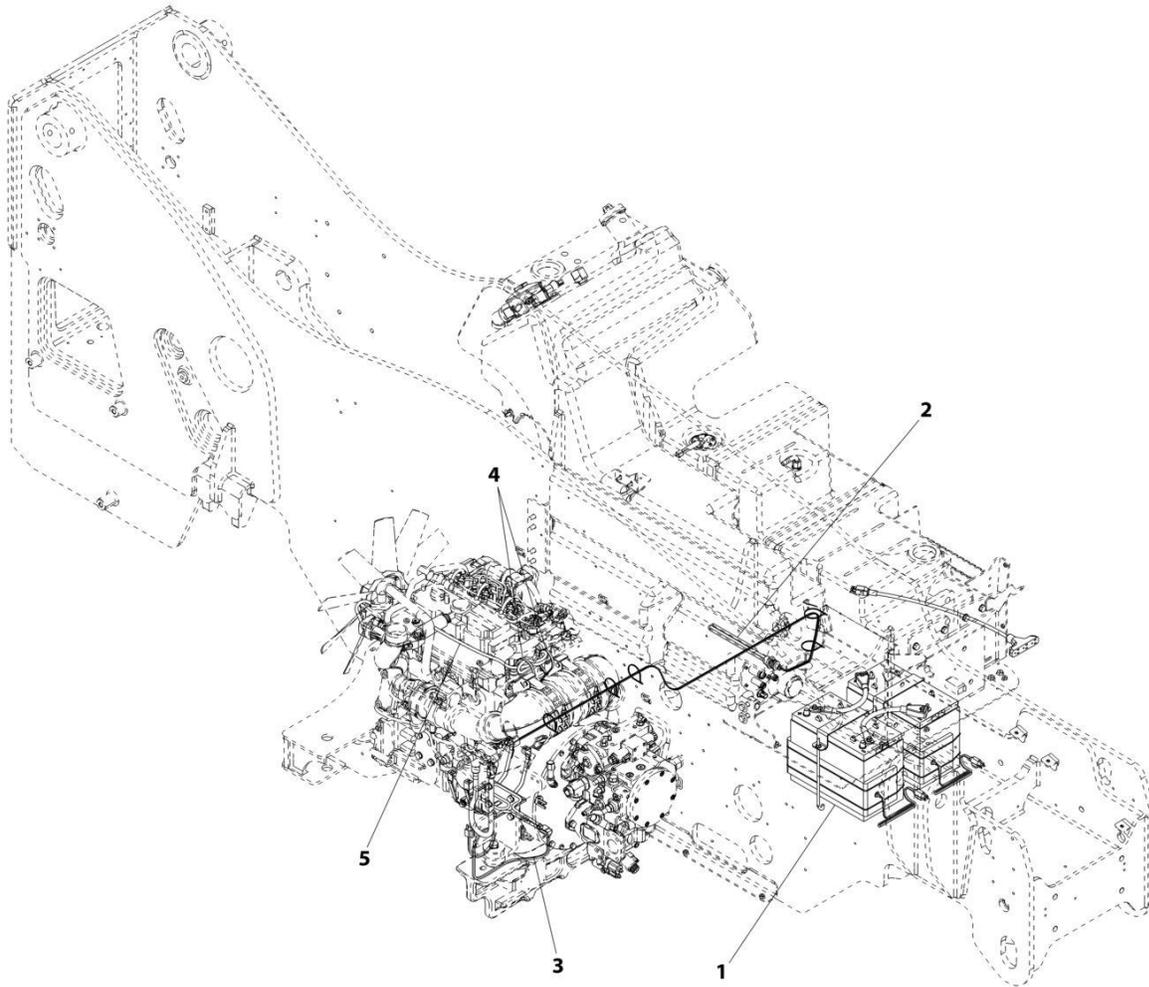
SECTION 10 - ELECTRICAL

FIGURE 10-16. DUAL BATTERY INSTALLATION

ITEM	PART NUMBER	QTY	DESCRIPTION	REV
	1001211445	Ref	Dual Battery Installation	B
1	0400075	2	Battery, 12V	
2	5220800	4	Nut, Ripp M8	
3	1001160927	2	Plate	
4	1001160928	4	J-Bolt	
5	1001172495	1	Cable, Positive Battery	
6	1001172496	1	Cable, Negative Battery	

SECTION 10 - ELECTRICAL

FIGURE 10-17. ARTIC BATTERY PACKAGE INSTALLATION (115V)



ART_1001186856-D

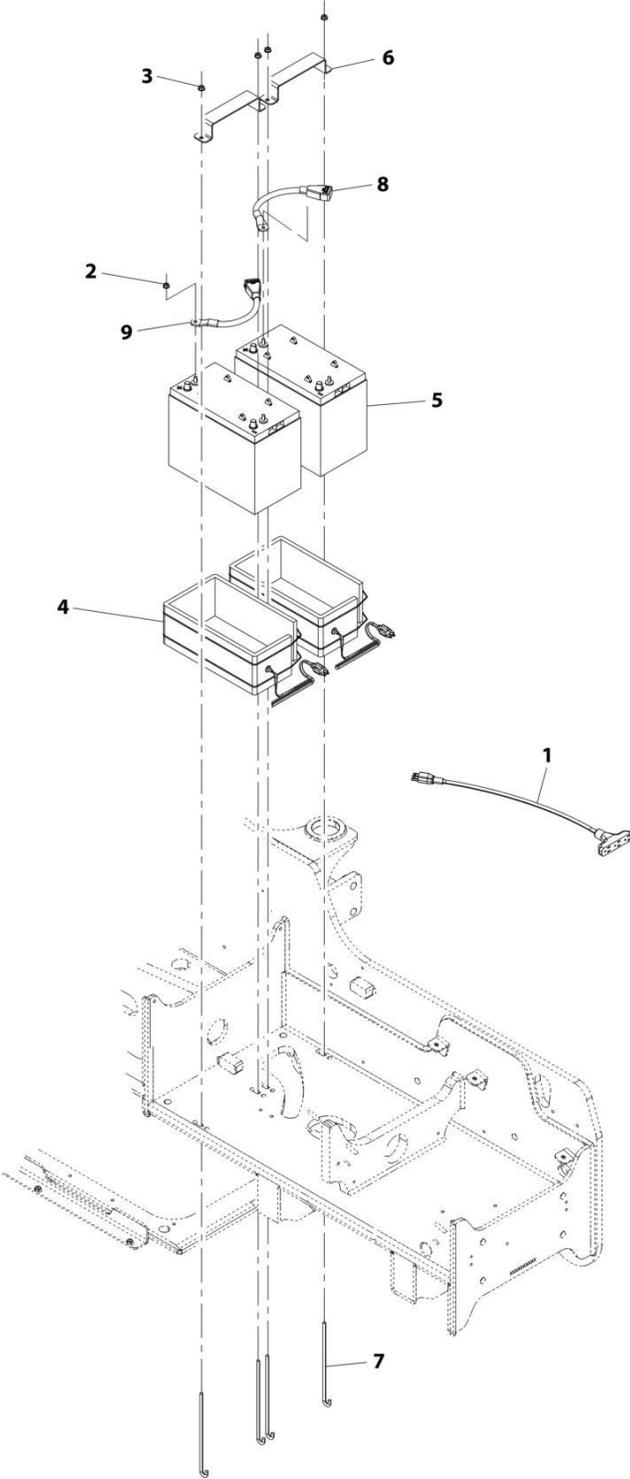
SECTION 10 - ELECTRICAL

FIGURE 10-17. ARTIC BATTERY PACKAGE INSTALLATION (115V)

ITEM	PART NUMBER	QTY	DESCRIPTION	REV
	1001186856	Ref	Arctic Battery Package Installation (115V)	D
1	1001195582	1	Installation, Arctic Battery Package (115V) (See Separate Breakdown in this Section)	
2	1001195593	1	Installation, Hydraulic Tank Heater (115V) (See Separate Breakdown in this Section)	
3	2580040	1	Heater, Engine Oil Pan	
4	1062255	2	Tie, Strap	
5	1001232509	1	Tube, Heated Breather	

SECTION 10 - ELECTRICAL

FIGURE 10-18. ARCTIC BATTERIES INSTALLATION (115V)



ART_1001195582-B

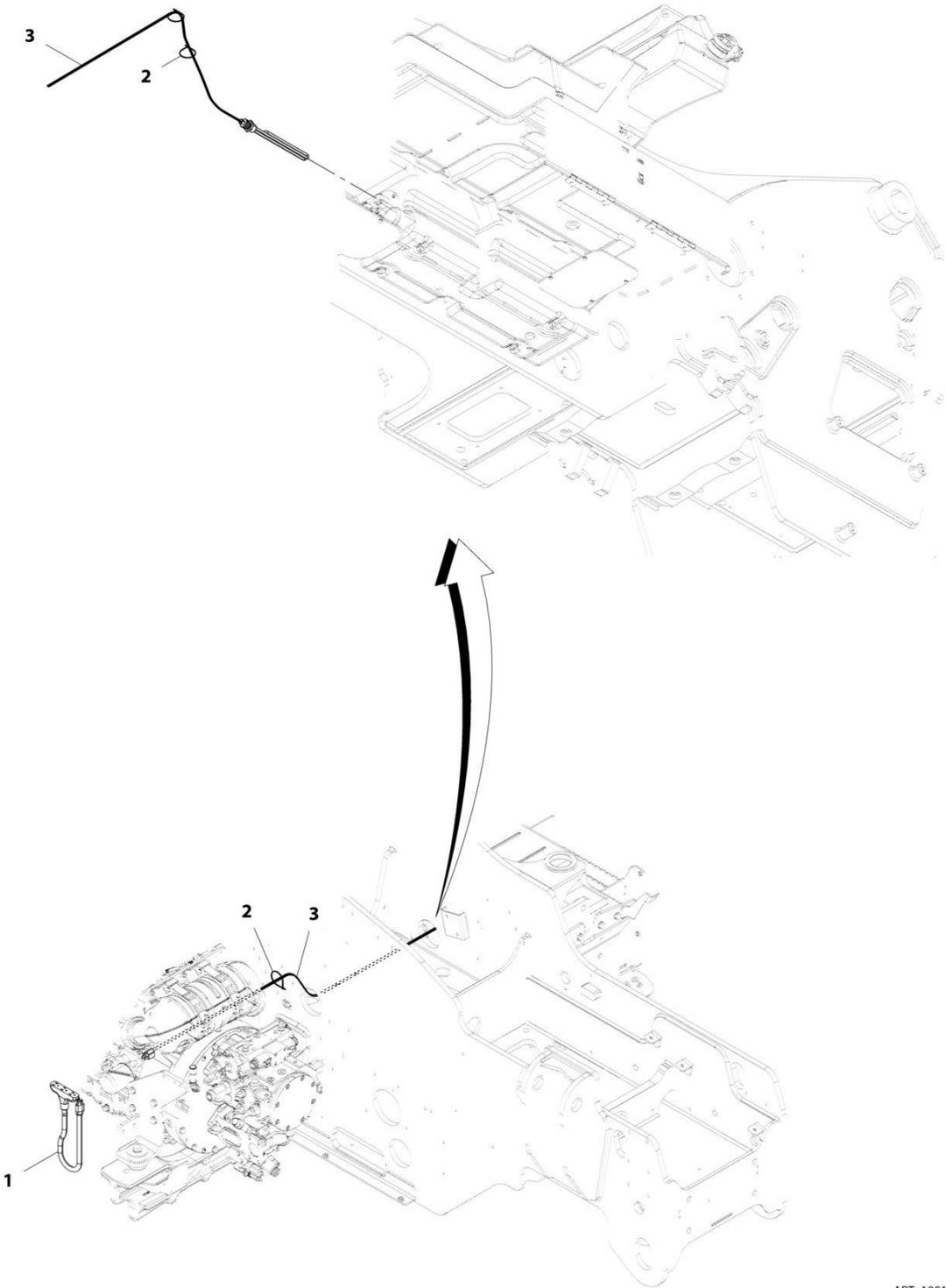
SECTION 10 - ELECTRICAL

FIGURE 10-18. ARCTIC BATTERIES INSTALLATION (115V)

ITEM	PART NUMBER	QTY	DESCRIPTION	REV
	1001195582	Ref	Arctic Batteries Installation (115V)	B
1	1060626	1	Cord, 3-Way Extension	
2	3311508	2	Nut 5/16	
3	5220800	4	Nut M8	
4	1001093564	2	Heater, Battery	
5	1001098762	2	Battery 12V	
6	1001160927	2	Plate, Battery Hold Down	
7	1001160928	4	J-Bolt	
8	1001172495	1	Cable, Positive Battery	
9	1001172496	1	Cable, Negative Battery	

SECTION 10 - ELECTRICAL

FIGURE 10-19. HYDRAULIC TANK HEATER INSTALLATION (115V)



ART_1001195593-B

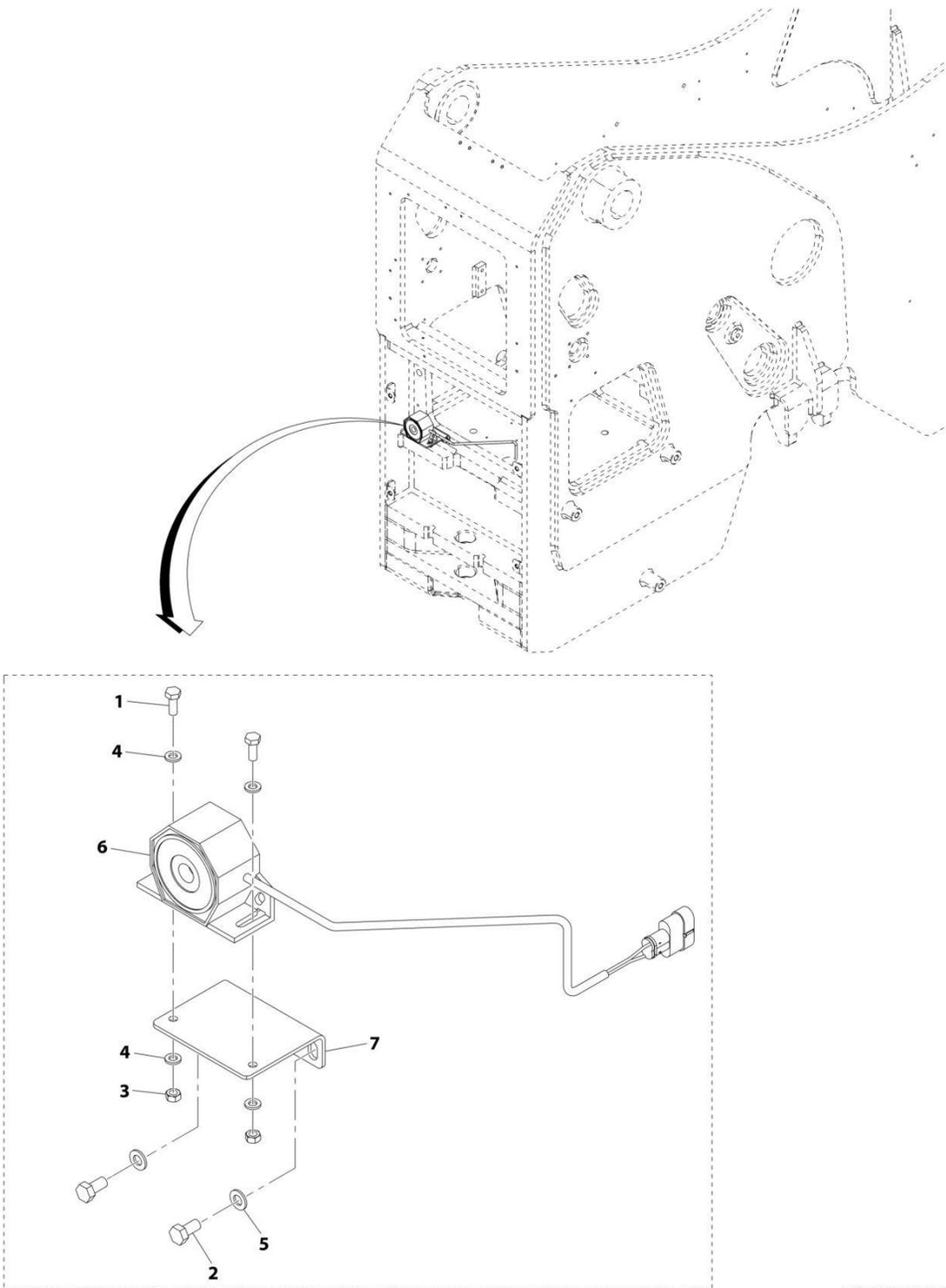
SECTION 10 - ELECTRICAL

FIGURE 10-19. HYDRAULIC TANK HEATER INSTALLATION (115V)

ITEM	PART NUMBER	QTY	DESCRIPTION	REV
	1001195593	Ref	Hydraulic Tank Heater Installation (115V)	B
1	1060626	1	Cord, 3-Way Extension	
2	4240099	AR	Tie, Wire	
3	1001105886	1	Heater, Immersion	

SECTION 10 - ELECTRICAL

FIGURE 10-20. BACKUP ALARM INSTALLATION



ART_1001192323-D

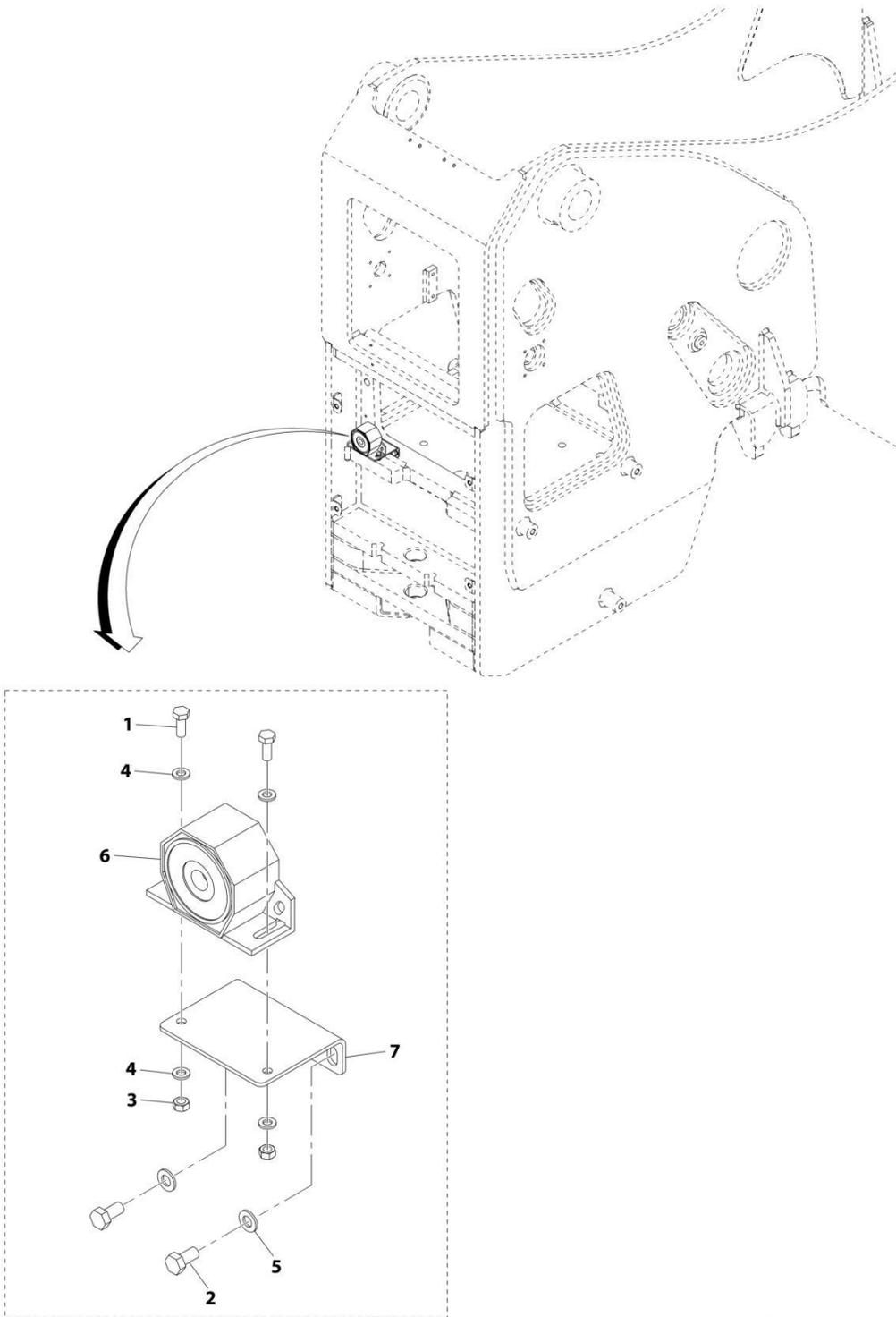
SECTION 10 - ELECTRICAL

FIGURE 10-20. BACKUP ALARM INSTALLATION

ITEM	PART NUMBER	QTY	DESCRIPTION	REV
	1001192323	Ref	Backup Alarm Installation	D
1	0760608	2	Bolt, M6X16	
2	0760808	2	Bolt, M8X16	
3	3290601	2	Nut, M6X1	
4	4811700	4	Washer, M6	
5	4811900	2	Washer, M8	
6	1001101808	1	Alarm, Backup	
7	1001193698	1	Bracket	

SECTION 10 - ELECTRICAL

FIGURE 10-21. BACKUP ALARM INSTALLATION (WHITE NOISE)



ART_1001195263-B

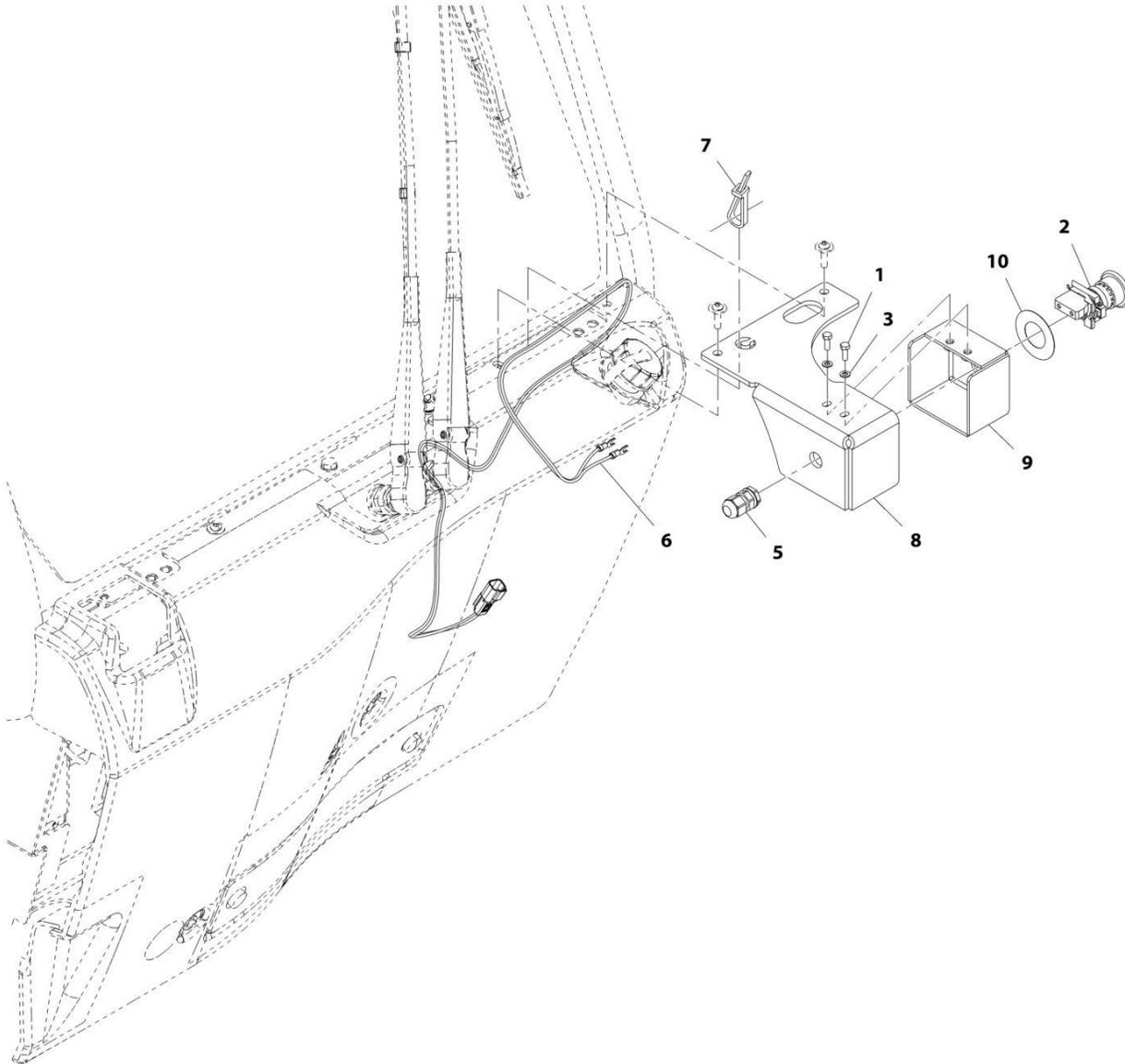
SECTION 10 - ELECTRICAL

FIGURE 10-21. BACKUP ALARM INSTALLATION (WHITE NOISE)

ITEM	PART NUMBER	QTY	DESCRIPTION	REV
	1001195263	Ref	Backup Alarm Installation (White Noise)	B
1	0760608	2	Bolt, M6X16	
2	0760808	2	Bolt, M8X16	
3	3290601	2	Nut, M6X1	
4	4811700	4	Washer, M6	
5	4811900	2	Washer, M8	
6	1001165827	1	Alarm, Backup (White Noise)	
7	1001193698	1	Bracket	

SECTION 10 - ELECTRICAL

FIGURE 10-22. EMERGENCY STOP EXTERNAL INSTALLATION



ART_1001195721-C

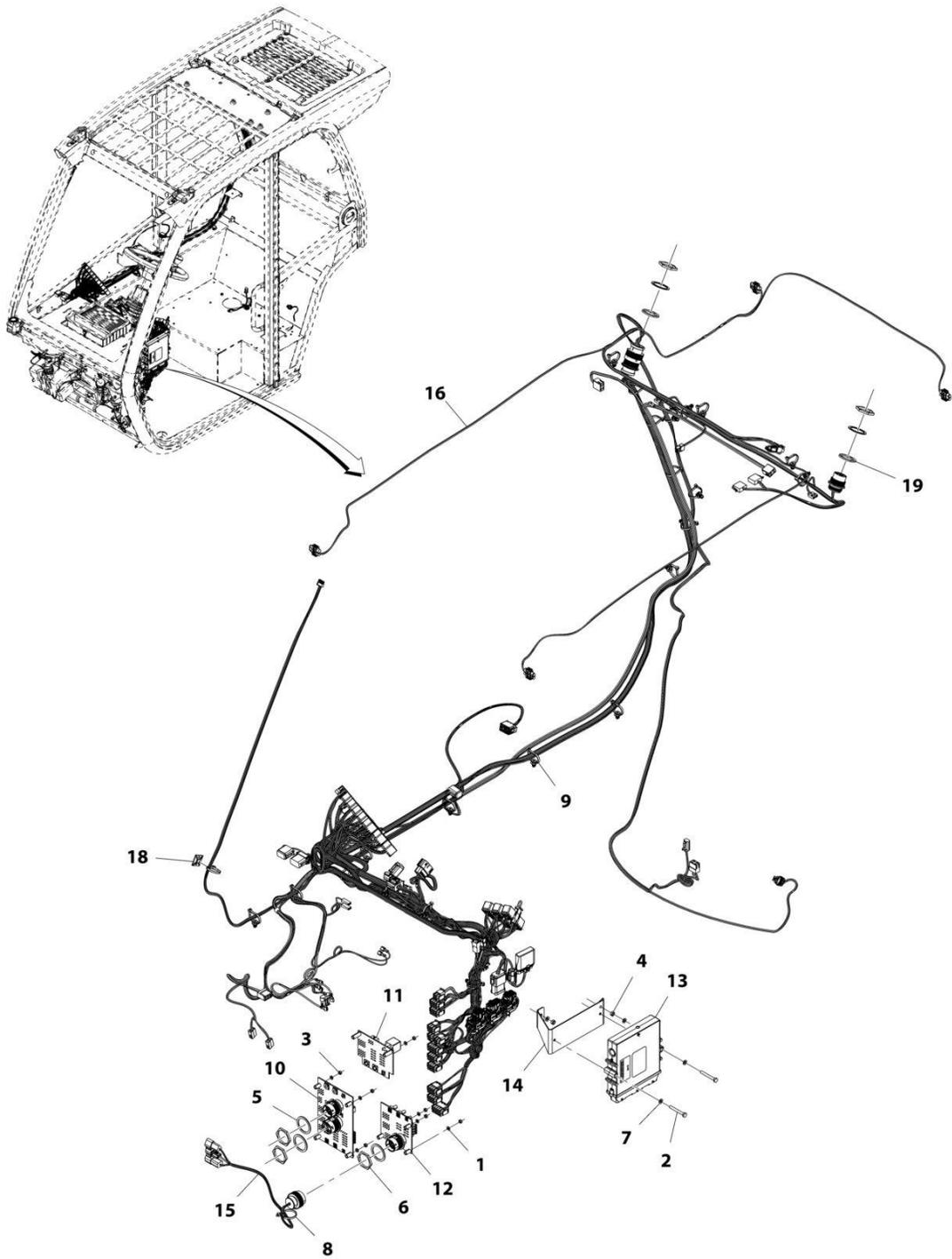
SECTION 10 - ELECTRICAL

FIGURE 10-22. EMERGENCY STOP EXTERNAL INSTALLATION

ITEM	PART NUMBER	QTY	DESCRIPTION	REV
	1001195721	Ref	Emergency Stop External Installation	C
1	0760507	2	Bolt, M5X14	
2	4360475	1	Switch, E-Stop	
3	4811600	2	Washer, M5	
5	4461000	1	Connector	
6	1001217320	1	Harness, External EMS	
7	1001008559	1	Strap, Tie	
8	1001220859	1	Bracket	
9	1001220861	1	Shield	
10	1704260	1	Decal, EMS	

SECTION 10 - ELECTRICAL

FIGURE 10-23. CAB ELECTRICAL INSTALLATION



ART_1001192558-I

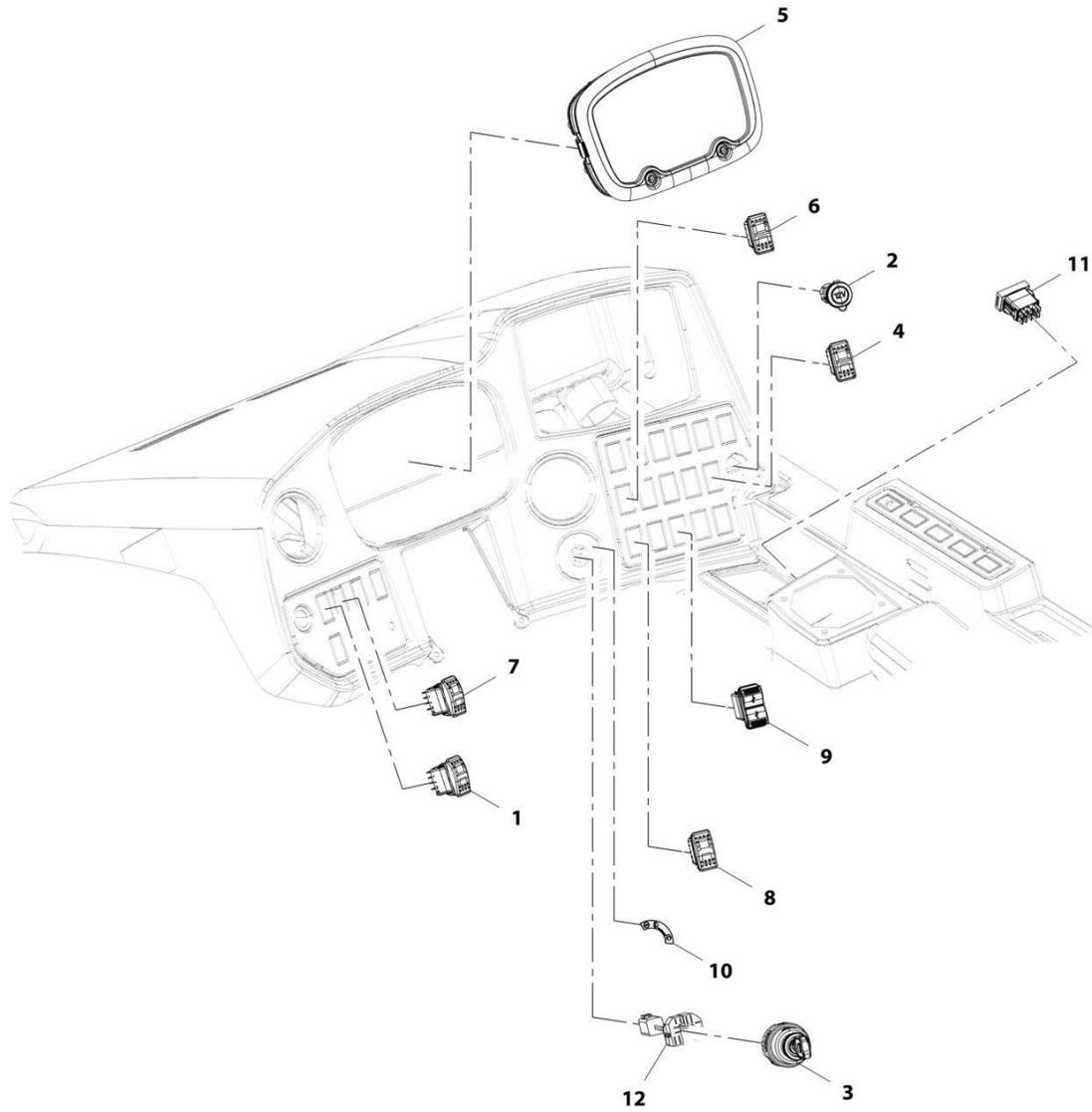
SECTION 10 - ELECTRICAL

FIGURE 10-23. CAB ELECTRICAL INSTALLATION

ITEM	PART NUMBER	QTY	DESCRIPTION	REV
	1001192558	Ref	Cab Electrical Installation	I
1	120034	7	Washer, Plastic	
2	0700618	2	Bolt, M6X50	
3	3290501	7	Nut, M5X0.8	
4	3290601	2	Nut, M6X1	
5	4460496	5	Washer, Terminal Lock	
6	4460497	5	Nut, Terminal	
7	4811700	4	Washer, M6	
8	1001008559	2	Strap, Cable Tie	
9	1001146588	24	Strap, Cable Tie	
10	1001161769	1	Assembly, Standard Electrical Board (See Separate Breakdown in Electrical Section)	
11	1001161770	1	Assembly, Option 1 Electrical Board (See Separate Breakdown in Electrical Section)	
12	1001161771	1	Assembly, Option 2 Electrical Board (See Separate Breakdown in Electrical Section)	
13	1001162249	1	Module, Cab Control	
14	1001178933	1	Bracket	
15	1001181681	1	Harness, Cab Option LBP (See Separate Breakdown in Electrical Section)	
16	1001193940	NLA	Harness, Cab (no longer available, use 1001241611 for replacement) (See Separate Breakdown in this Section)	
16	1001241611	1	Harness, Cab (See Separate Breakdown in this Section)	
18	4460234	1	Terminal, Mount Cable Tie	
19	1001211693	2	Seal	

SECTION 10 - ELECTRICAL

FIGURE 10-24. DASH ELECTRICAL INSTALLATION



ART_1001220717-C

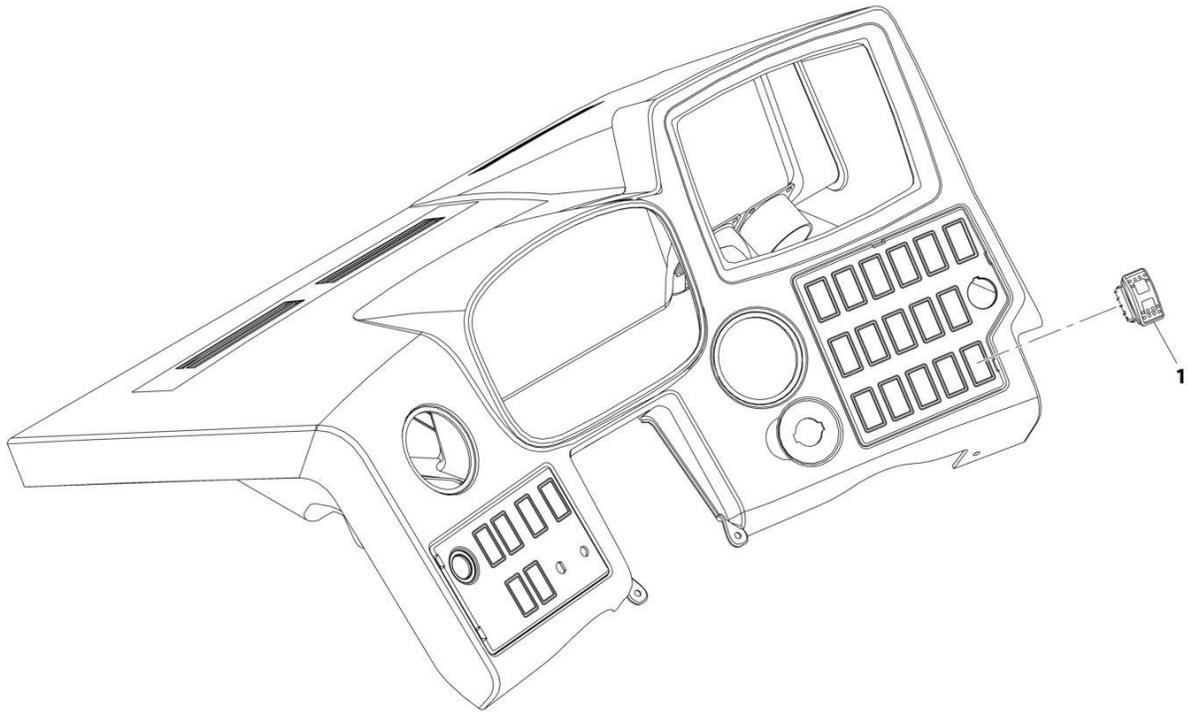
SECTION 10 - ELECTRICAL

FIGURE 10-24. DASH ELECTRICAL INSTALLATION

ITEM	PART NUMBER	QTY	DESCRIPTION	REV
	1001220717	Ref	Dash Electrical Installation	C
1	1001080978	1	Switch, Lift/Loader	
2	1001095804	1	Connector, 12V Power Socket	
3	1001102502	1	Switch, 4 Position Key	
3	70022765	1	Key, Ignition (set of 2)	
4	1001104654	1	Switch, AUX Decomp	
5	1001158146	1	Cluster, Electrical Gauge	
6	1001159735	1	Switch, Rear Wiper	
7	1001159741	1	Switch, Constant AUX	
8	1001159849	1	Switch, Steer Mode	
9	1001174712	1	Charger, USB	
10	1001181531	1	Decal, Ignition Switch	
11	1001212470	1	Switch, Frame Level	
12	1001223968	1	Harness, Ignition Switch (See Separate Breakdown in this Section)	

SECTION 10 - ELECTRICAL

FIGURE 10-25. LIGHT SWITCH INSTALLATION



ART_1001215121-A

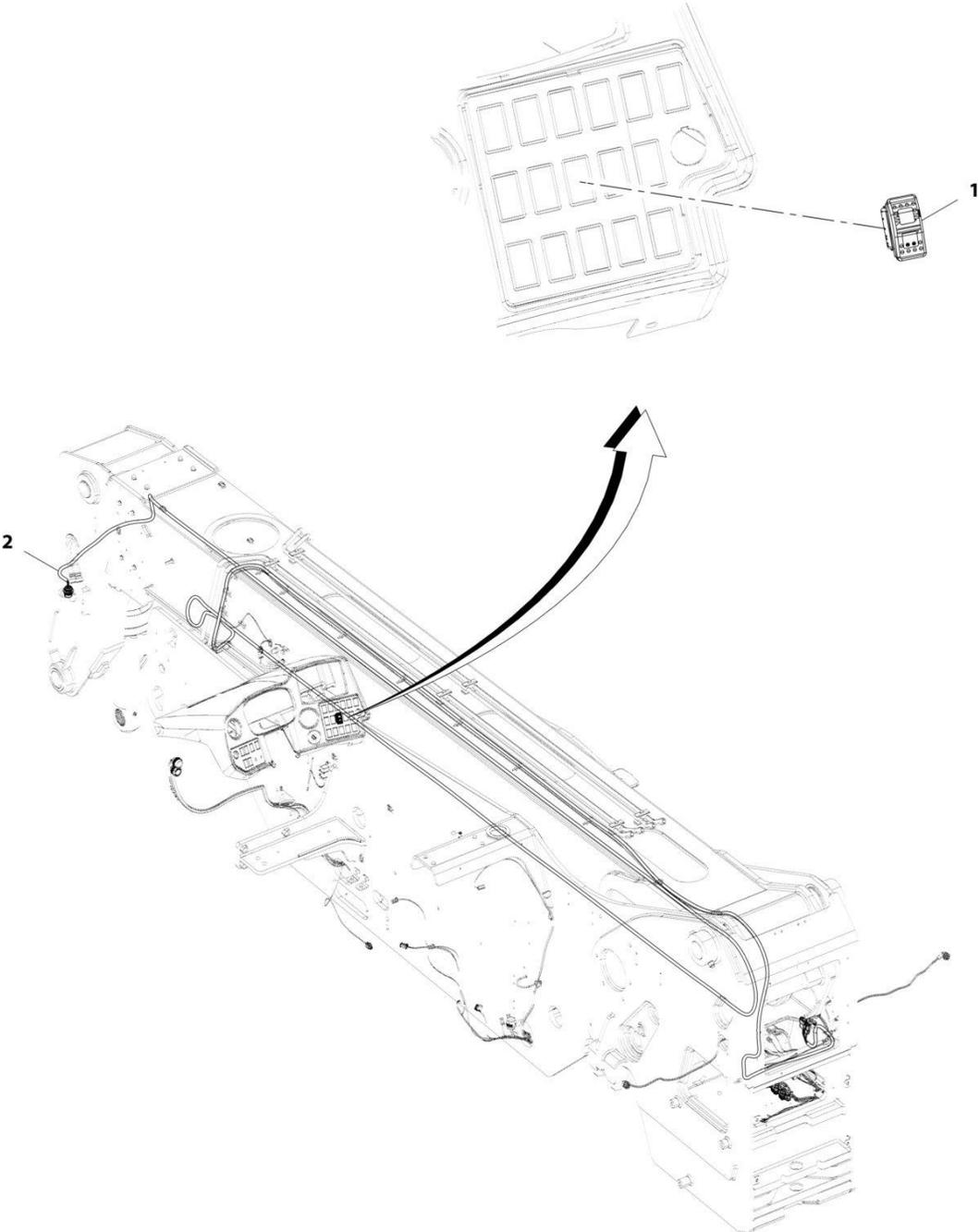
SECTION 10 - ELECTRICAL

FIGURE 10-25. LIGHT SWITCH INSTALLATION

ITEM	PART NUMBER	QTY	DESCRIPTION	REV
1	1001215121 1001163639	Ref 1	Light Switch Installation Switch, Light	A

SECTION 10 - ELECTRICAL

FIGURE 10-26. BOOM HARNESS INSTALLATION



ART_1001192575-B

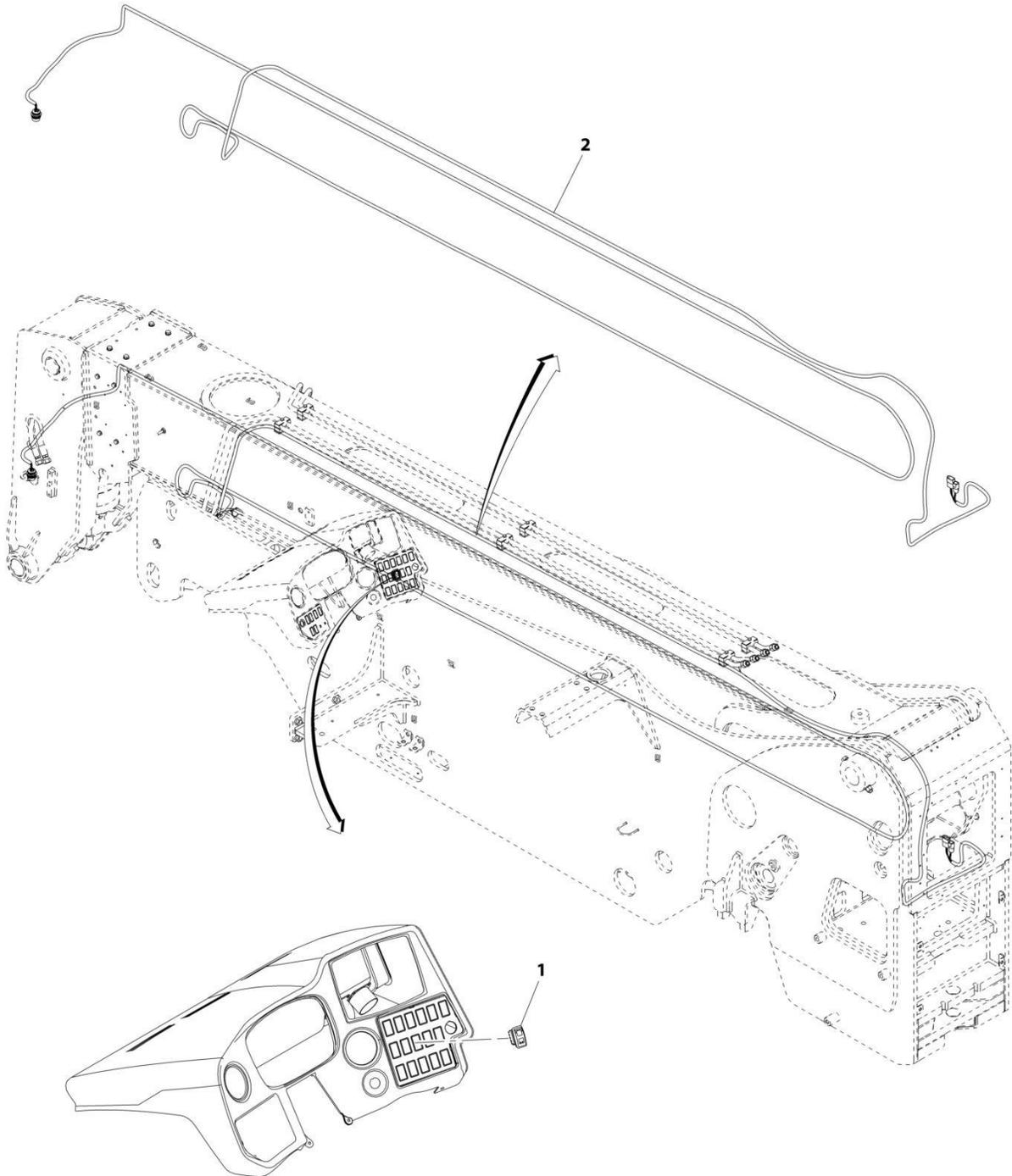
SECTION 10 - ELECTRICAL

FIGURE 10-26. BOOM HARNESS INSTALLATION

ITEM	PART NUMBER	QTY	DESCRIPTION	REV
	1001192575	Ref	Boom Harness Installation	B
1	1001159746	1	Switch, Aux Electric	
2	1001201124	1	Harness, Boom (See Separate Breakdown in this Section)	

SECTION 10 - ELECTRICAL

FIGURE 10-27. BOOM HARNESS INSTALLATION



ART_1001228743-A

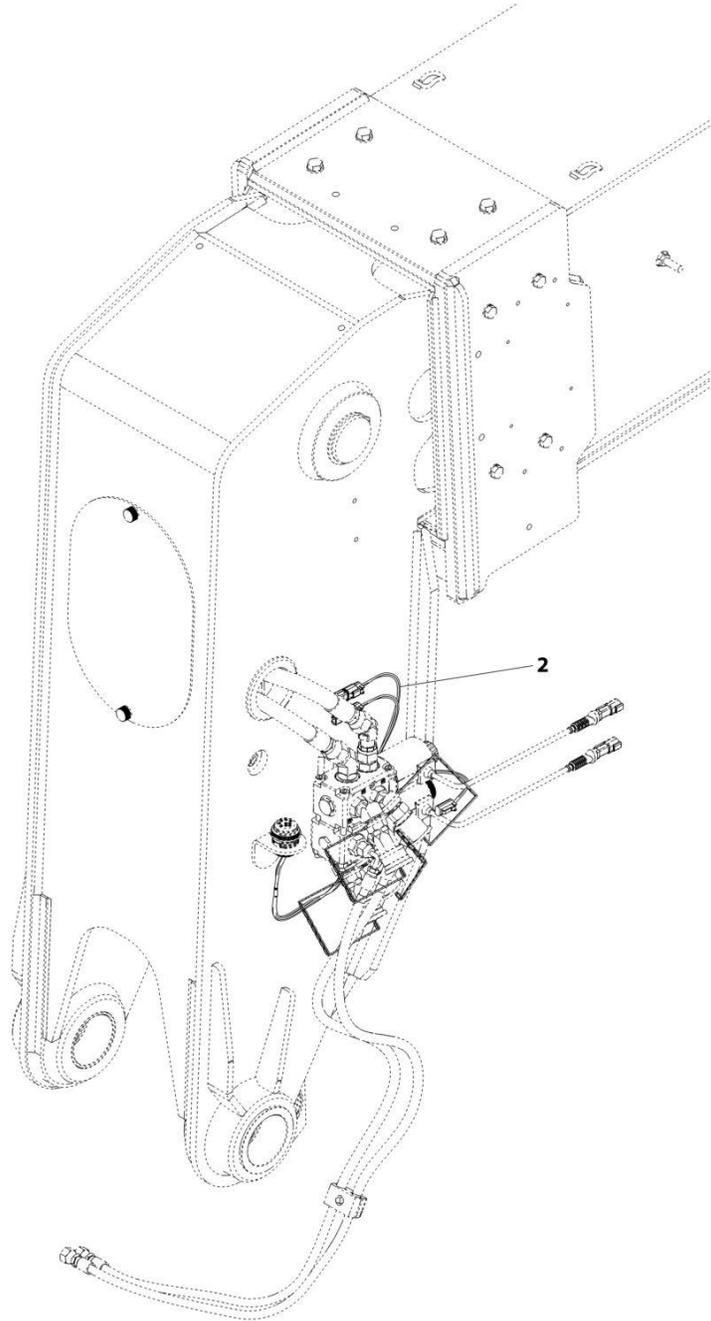
SECTION 10 - ELECTRICAL

FIGURE 10-27. BOOM HARNESS INSTALLATION

ITEM	PART NUMBER	QTY	DESCRIPTION	REV
	1001228743	Ref	Boom Harness Installation	A
1	1001159746	1	Switch, Aux Electric	
2	1001228744	1	Harness, Boom (See Separate Breakdown in this Section)	

SECTION 10 - ELECTRICAL

FIGURE 10-28. BOOM AUX HARNESS INSTALLATION



ART_1001192370-C

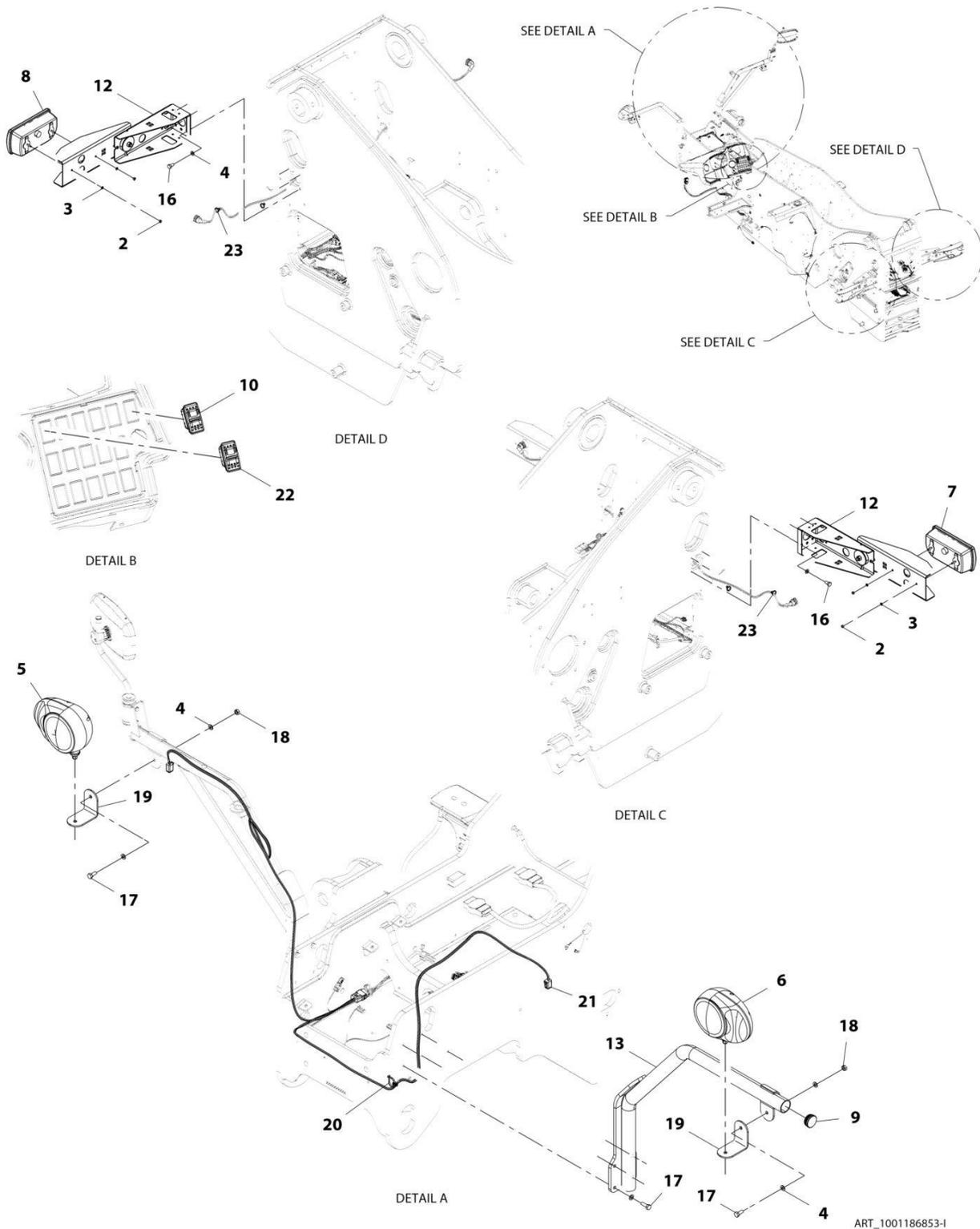
SECTION 10 - ELECTRICAL

FIGURE 10-28. BOOM AUX HARNESS INSTALLATION

ITEM	PART NUMBER	QTY	DESCRIPTION	REV
2	1001192370	Ref	Boom Aux Harness Installation	C
	1001206633	1	Harness, Boom AUX (See Separate Breakdown in this Section)	

SECTION 10 - ELECTRICAL

FIGURE 10-29. DRIVING LIGHT INSTALLATION (RH DIP)



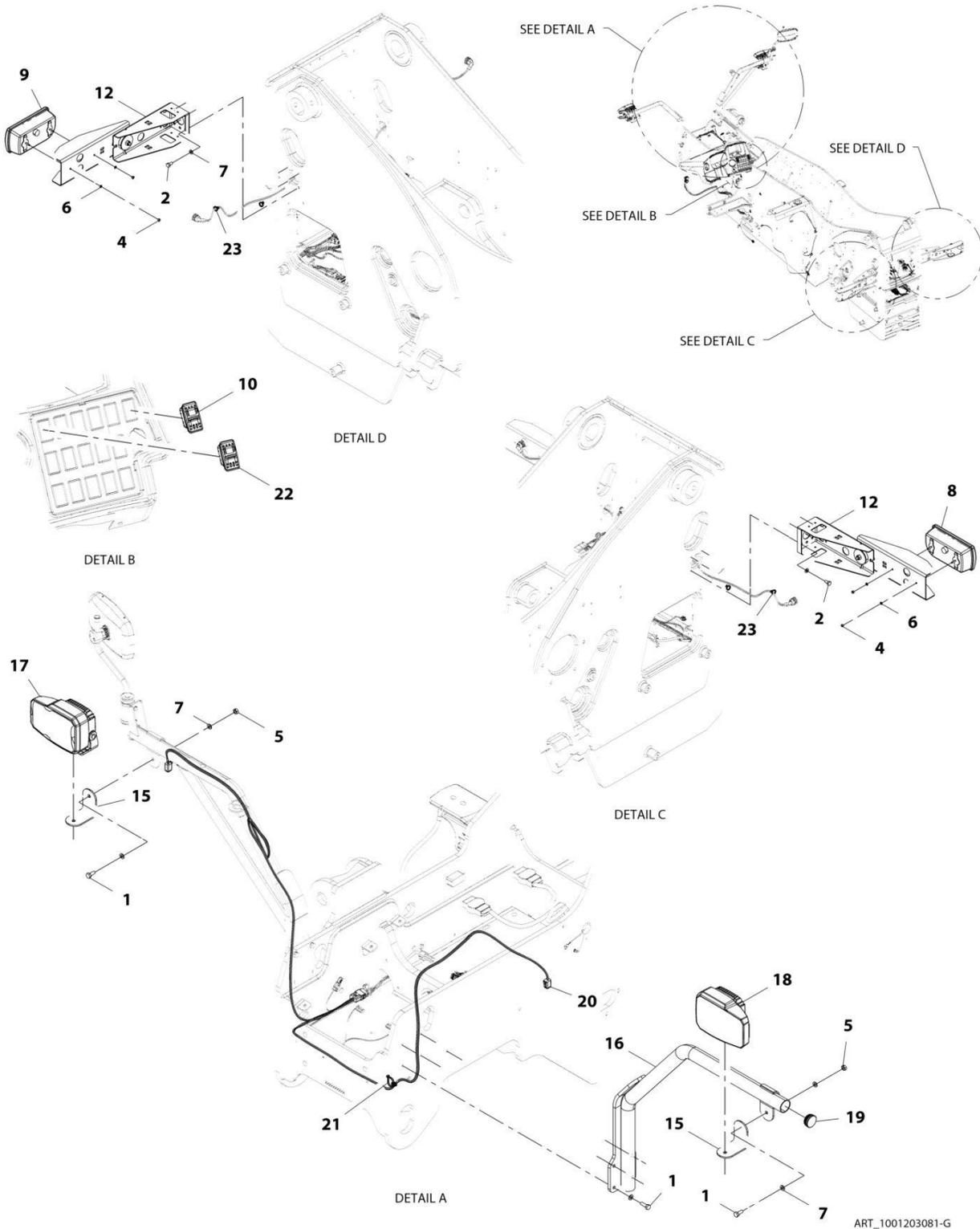
SECTION 10 - ELECTRICAL

FIGURE 10-29. DRIVING LIGHT INSTALLATION (RH DIP)

ITEM	PART NUMBER	QTY	DESCRIPTION	REV
	1001186853	Ref	Driving Light Installation (RH Dip)	1
2	3290607	4	Nut, Lock M6X1	
3	4811700	4	Washer, M6	
4	4812000	16	Washer, M10	
5	2920208	1	Light, Driving (RH) (RH Dip)	
	7029969	1	Bulb, 4W	
	7029970	1	Bulb, 55W	
	7029971	1	Bulb, 21W	
6	2920207	1	Light, Driving (LH) (RH Dip)	
	7029969	1	Bulb, 4W	
	7029970	1	Bulb, 55W	
	7029971	1	Bulb, 21W	
7	1001091715	1	Light, Rear (LH)	
	70021341	1	Bulb, 5W	
	70021340	1	Bulb, 21W	
	7029971	1	Bulb, 21W	
8	1001091716	1	Light, Rear (RH)	
	70021341	1	Bulb, 5W	
	70021340	1	Bulb, 21W	
	7029971	1	Bulb, 21W	
9	1001209697	1	Cap	
10	1001159734	1	Switch, Hazard	
12	1001183112	2	Assembly, Rear Light Bracket (See Separate Breakdown in this Section)	
13	1001206100	1	Bracket	
16	0761010	8	Bolt, M10X20	
17	0701014	6	Bolt, M10X30	
18	3291001	2	Nut, M10X1.5	
19	1001203368	2	Bracket	
20	1001146588	1	Strap, Tie	
21	1001215693	1	Harness, Headlight (See Separate Breakdown in this Section)	
22	1001159737	1	Switch, Fog Lights	
23	1001008559	4	Strap, Cable	

SECTION 10 - ELECTRICAL

FIGURE 10-30. DRIVING LIGHT INSTALLATION (LED) (RH DIP)



ART_1001203081-G

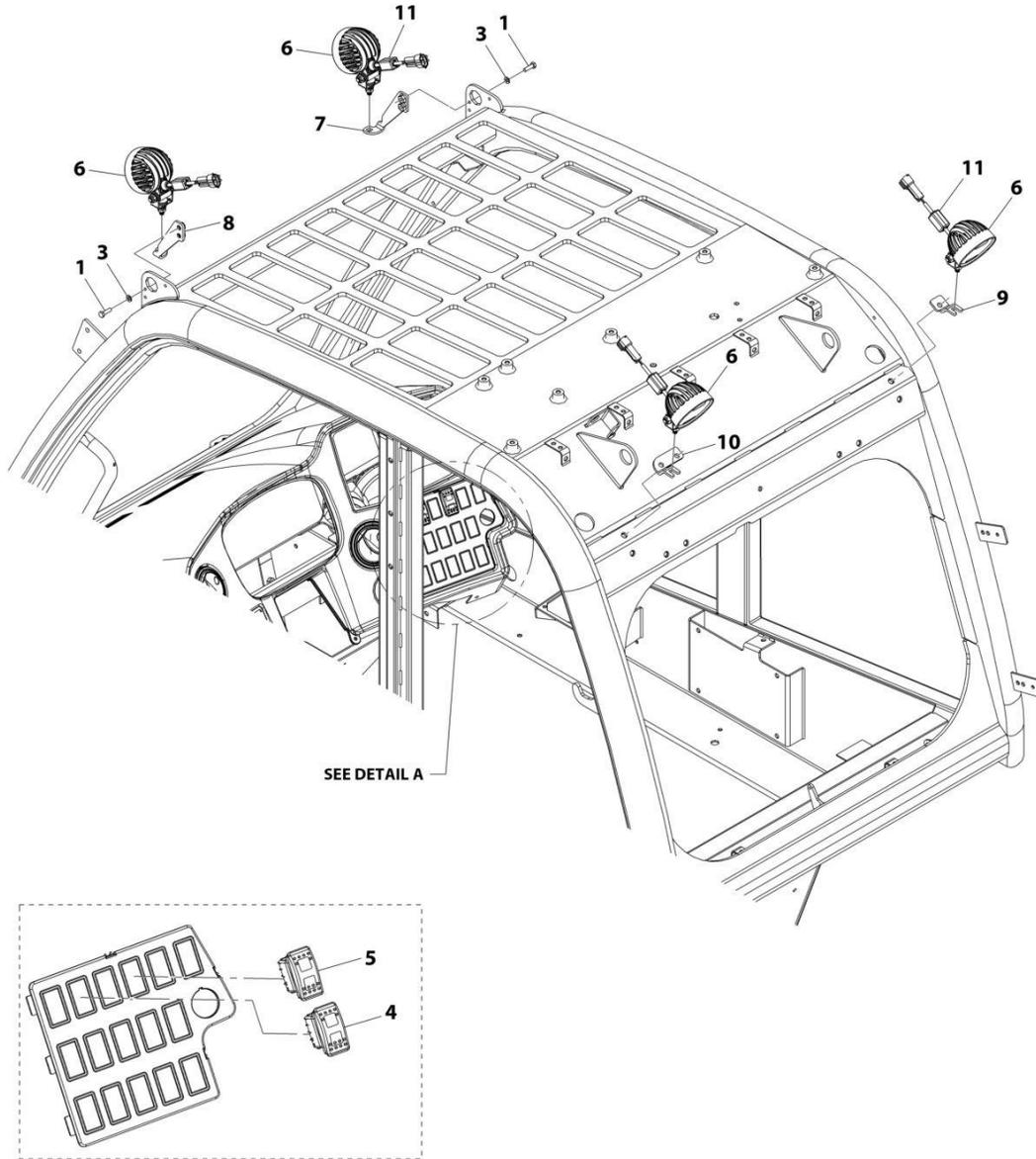
SECTION 10 - ELECTRICAL

FIGURE 10-30. DRIVING LIGHT INSTALLATION (LED) (RH DIP)

ITEM	PART NUMBER	QTY	DESCRIPTION	REV
	1001203081	Ref	Driving Light Installation (LED) (RH Dip)	G
1	0701014	6	Bolt, M10X30	
2	0761010	8	Bolt, M10X20	
4	3290607	4	Bolt, M6X1	
5	3291001	2	Nut, M10X1.5	
6	4811700	4	Washer, M6	
7	4812000	16	Washer, M10	
8	1001091715	1	Light, Rear (LH)	
	70021341	1	Bulb, 5W	
	70021340	1	Bulb, 21W	
	7029971	1	Bulb, 21W	
9	1001091716	1	Light, Rear (RH)	
	70021341	1	REPLACEMENT BULB, 12V-5W	
	70021340	1	Bulb, 21W	
	7029971	1	Bulb, 21W	
10	1001159734	1	Switch, Hazard	
12	1001183112	2	Assembly, Rear Light Bracket (See Separate Breakdown in this Section)	
15	1001203368	2	Bracket	
16	1001206100	1	Bracket	
17	1001209690	1	Light, Driving (RH - LED) (RH Dip)	
18	1001209691	1	Light, Driving (LH - LED) (LH Dip)	
19	1001209697	1	Cap	
20	1001215693	1	Harness, Headlights (See Separate Breakdown in this Section)	
21	1001146588	1	Strap, Cable Tie	
22	1001159737	1	Switch, Fog Lights	
23	1001008559	4	Strap, Cable Tie	

SECTION 10 - ELECTRICAL

FIGURE 10-31. CAB WORKLIGHTS INSTALLATION (NO A/C - LED)



ART_1001200538-D

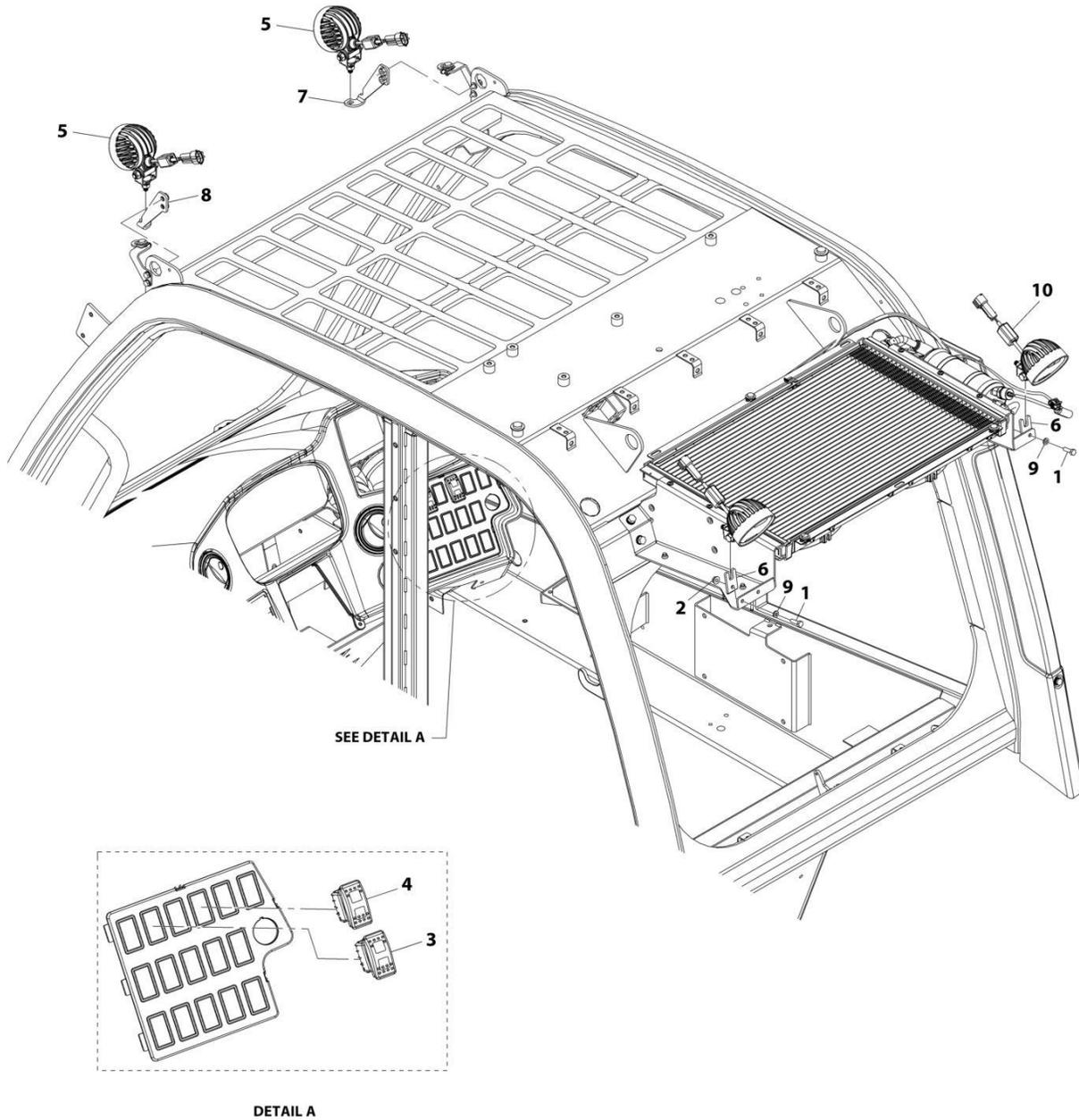
SECTION 10 - ELECTRICAL

FIGURE 10-31. CAB WORKLIGHTS INSTALLATION (NO A/C - LED)

ITEM	PART NUMBER	QTY	DESCRIPTION	REV
	1001200538	Ref	Cab Worklights Installation (No A/C - LED)	D
1	0700610	4	Bolt, M6X20	
3	4811700	4	Washer, M6	
4	1001159845	1	Switch, Front Worklights	
5	1001159846	1	Switch, Rear Worklights	
6	1001203640	4	Lamp, LED Work Light	
7	1001244193	1	Support, LED Work Light RH	
8	1001244192	1	Support, LED Work Light LH	
9	1001204528	1	Support, LED Work Light RH	
10	1001204530	1	Support, LED Work Light LH	
11	1001228989	4	Harness, Ferrite	

SECTION 10 - ELECTRICAL

FIGURE 10-32. CAB WORKLIGHTS INSTALLATION (A/C - LED)



ART_1001200539-D

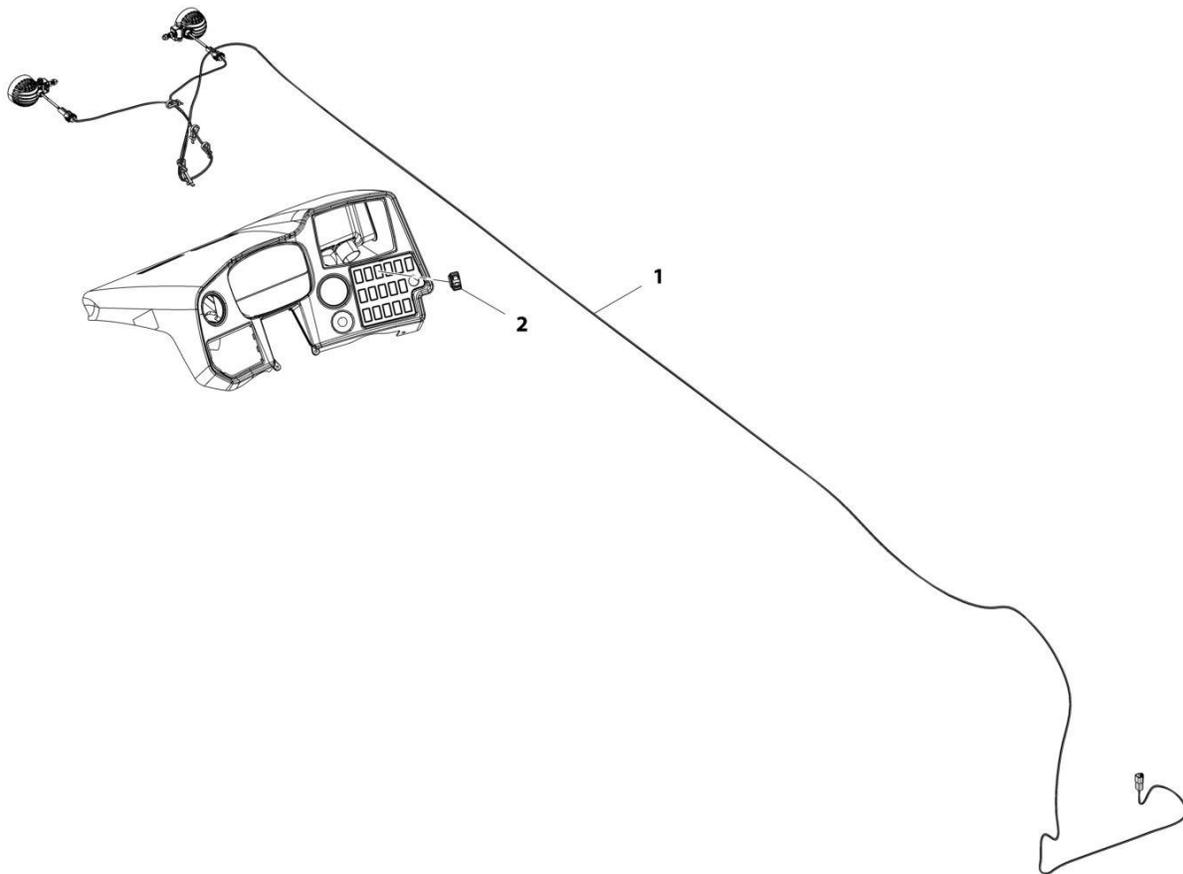
SECTION 10 - ELECTRICAL

FIGURE 10-32. CAB WORKLIGHTS INSTALLATION (A/C - LED)

ITEM	PART NUMBER	QTY	DESCRIPTION	REV
	1001200539	Ref	Cab Worklights Installation (A/C - LED)	D
1	0700610	2	Bolt, M6X20	
2	5220600	2	Nut, M6	
3	1001159845	1	Switch, Front Worklights	
4	1001159846	1	Switch, Rear Worklights	
5	1001203640	4	Lamp, LED Work Light	
6	1001204060	2	Bracket	
7	1001244193	1	Support, LED Work Light RH	
8	1001244192	1	Support, LED Work Light LH	
9	4811700	2	Washer, M6	
10	1001228989	4	Harness, Ferrite	

SECTION 10 - ELECTRICAL

FIGURE 10-33. BOOM WORK LIGHTS (LED)



ART_1001209427-B

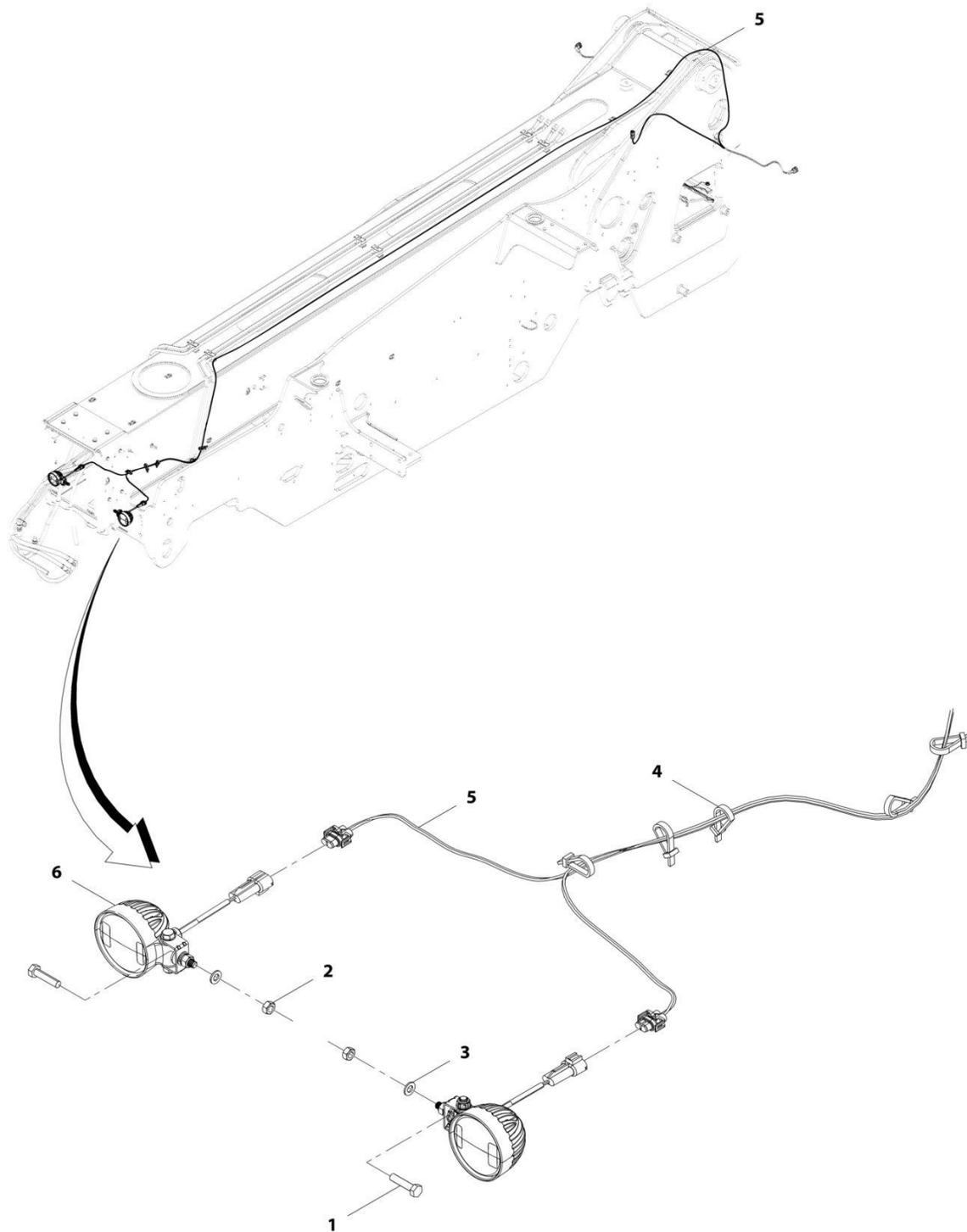
SECTION 10 - ELECTRICAL

FIGURE 10-33. BOOM WORK LIGHTS (LED)

ITEM	PART NUMBER	QTY	DESCRIPTION	REV
	1001209427	Ref	Boom Work Lights (LED)	B
1	1001159739	1	Switch, Boom Worklights	
2	1001209456	1	Installation, LED Boom Work lights (See Separate Breakdown in this Section)	

SECTION 10 - ELECTRICAL

FIGURE 10-34. BOOM WORK LIGHT INSTALLATION (LED)



ART_1001209456-C

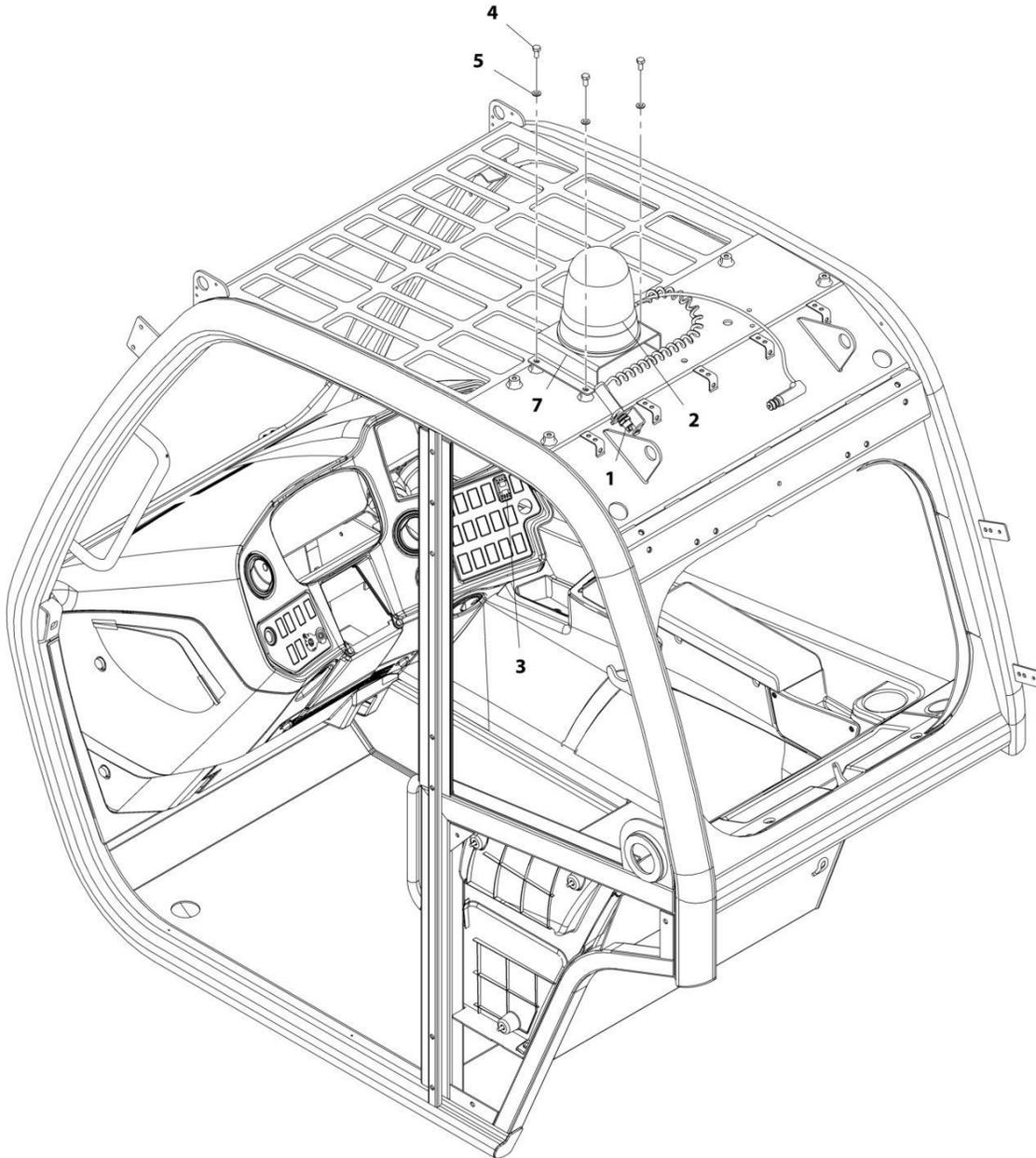
SECTION 10 - ELECTRICAL

FIGURE 10-34. BOOM WORK LIGHT INSTALLATION (LED)

ITEM	PART NUMBER	QTY	DESCRIPTION	REV
	1001209456	Ref	Boom Work Light Installation (LED)	C
1	0700815	2	Bolt, M8X35	
2	3290801	2	Nut, M8X1.25	
3	4811900	2	Washer, M8	
4	1001008923	5	Strap, Cable	
5	1001184796	1	Harness, Boom Work Lights (See Separate Breakdown in this Section)	
6	1001203640	2	Lamp, LED Worklight	

SECTION 10 - ELECTRICAL

FIGURE 10-35. BEACON INSTALLATION



ART_1001171162-E

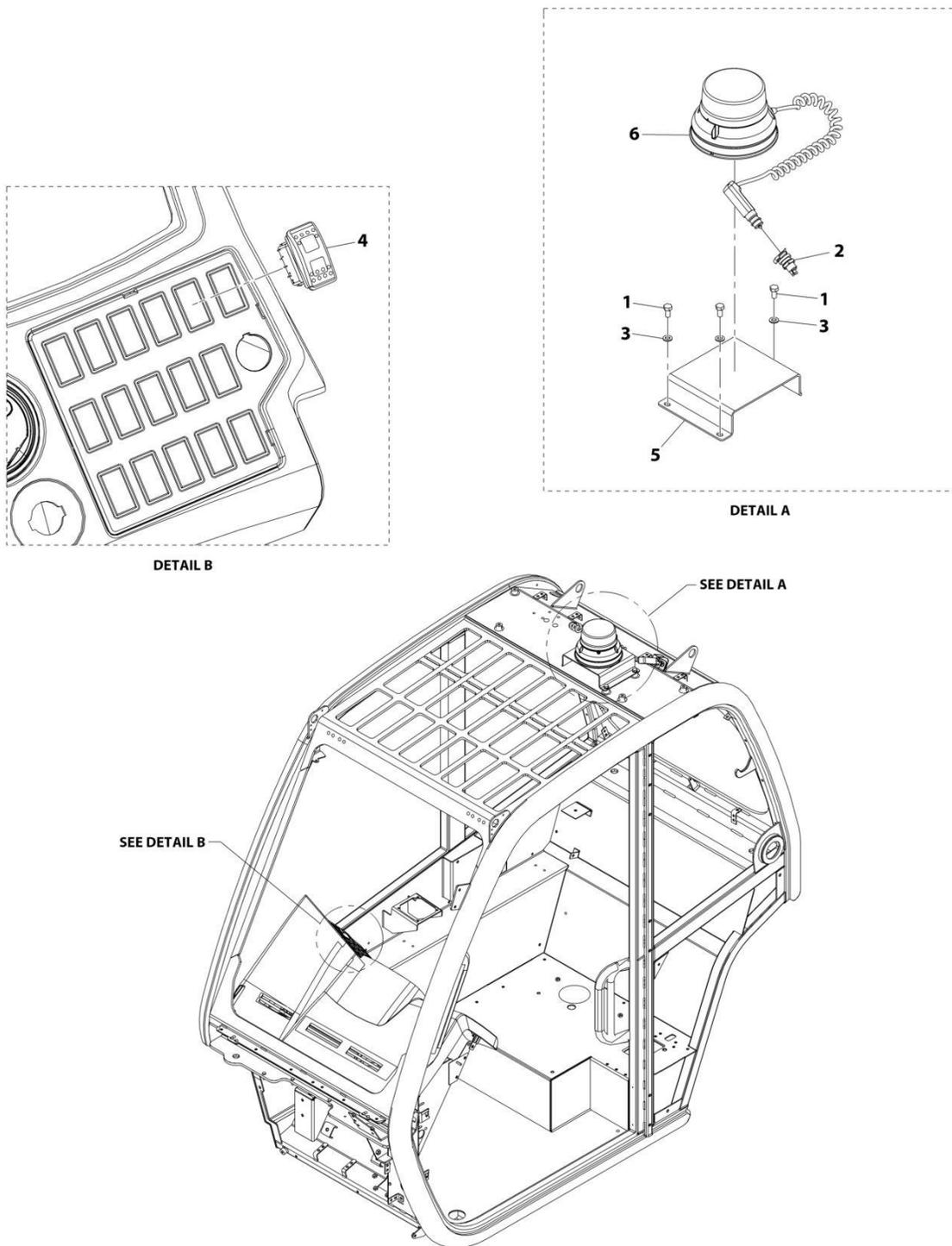
SECTION 10 - ELECTRICAL

FIGURE 10-35. BEACON INSTALLATION

ITEM	PART NUMBER	QTY	DESCRIPTION	REV
	1001171162	Ref	Beacon Installation	E
1	4461174	1	Terminal	
2	1001091573	NLA	Light, Warning, (no longer available, use 1001217623 for replacement)	
2	1001217623	1	Light, Warning	
3	1001159738	1	Switch	
4	0760808	3	Bolt, M8X16	
5	4811900	3	Washer, M8	
7	1001174796	1	Bracket	

SECTION 10 - ELECTRICAL

FIGURE 10-36. BEACON INSTALLATION (LED)



ART_1001195883-A

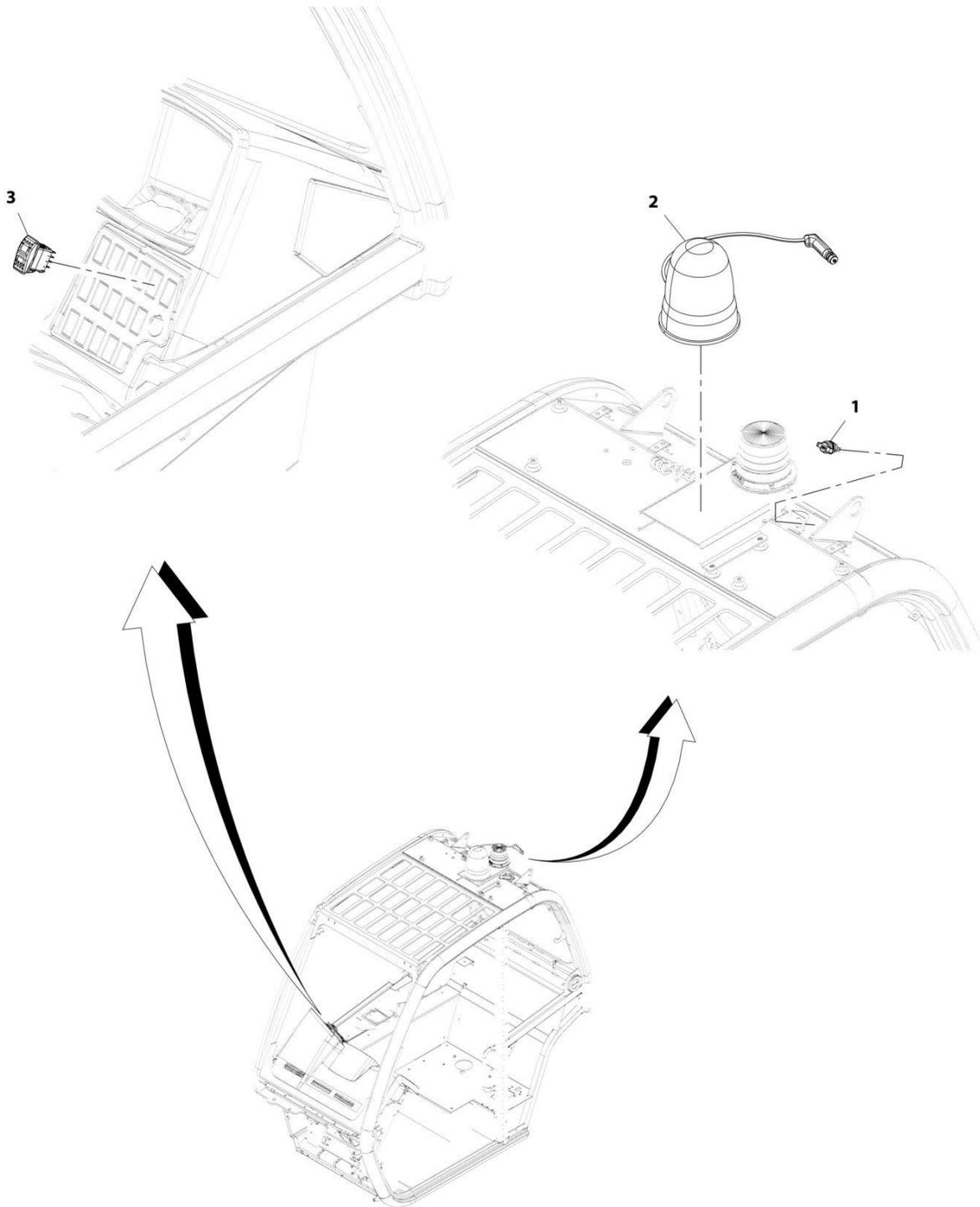
SECTION 10 - ELECTRICAL

FIGURE 10-36. BEACON INSTALLATION (LED)

ITEM	PART NUMBER	QTY	DESCRIPTION	REV
	1001195883	Ref	BEACON INSTALLATION (LED)	B
1	0760808	3	Bolt M8 x 16	
2	4461174	1	Terminal	
3	4811900	3	Washer M8	
4	1001159738	1	Switch, Beacon	
5	1001174796	1	Bracket	
	1001273075	1	Light, Beacon (LED)	

SECTION 10 - ELECTRICAL

FIGURE 10-37. BEACON (REMOTE BOOM CONTROL) INSTALLATION



ART_1001209357-B

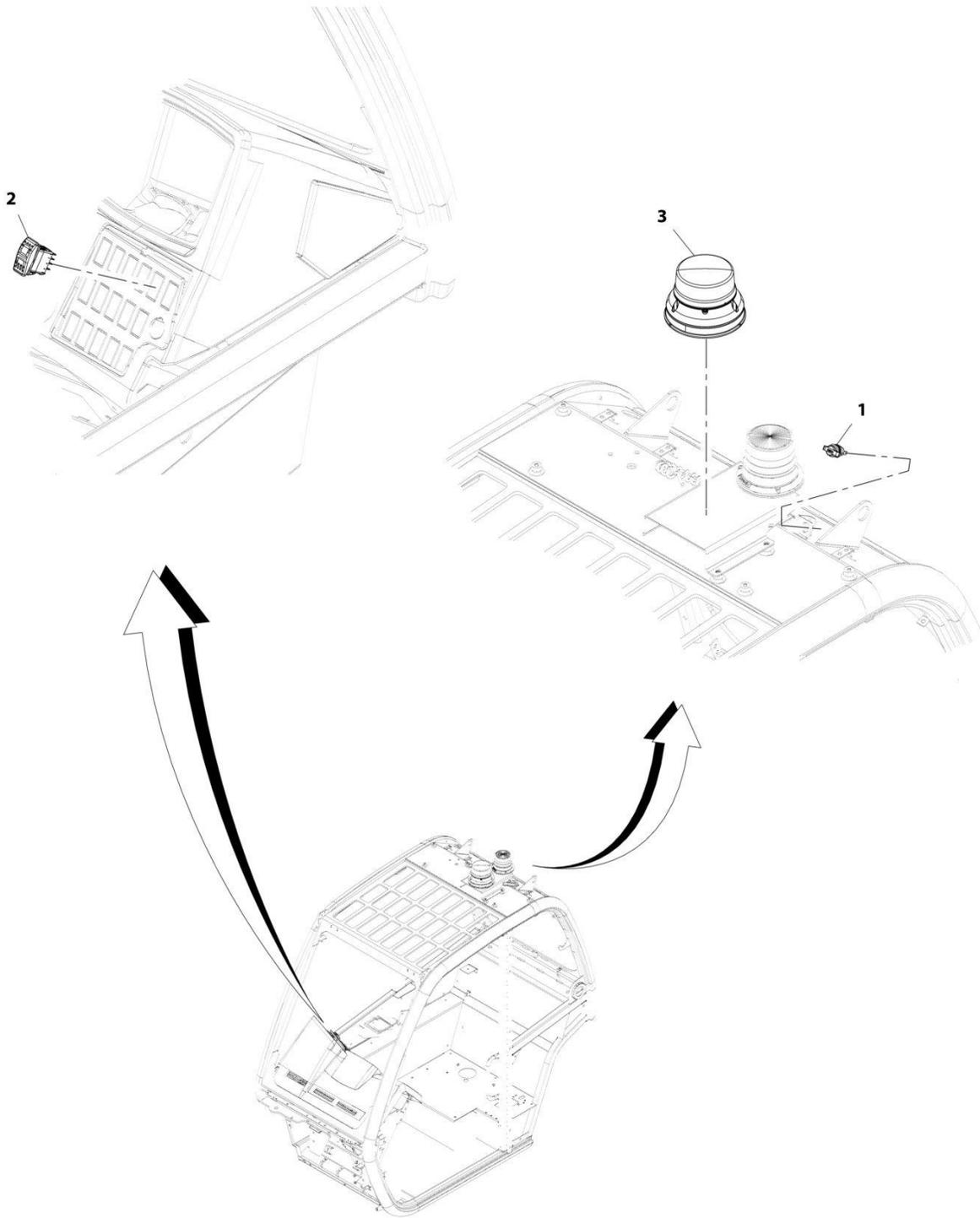
SECTION 10 - ELECTRICAL

FIGURE 10-37. BEACON (REMOTE BOOM CONTROL) INSTALLATION

ITEM	PART NUMBER	QTY	DESCRIPTION	REV
	1001209357	Ref	Beacon (Remote Boom Control) Installation	B
1	4461174	1	Terminal, 12 Volt	
2	1001217623	1	Light, Warning	
3	1001159738	1	Switch, Beacon	

SECTION 10 - ELECTRICAL

FIGURE 10-38. BEACON (LED) (REMOTE BOOM CONTROL) INSTALLATION



ART_1001209358-A

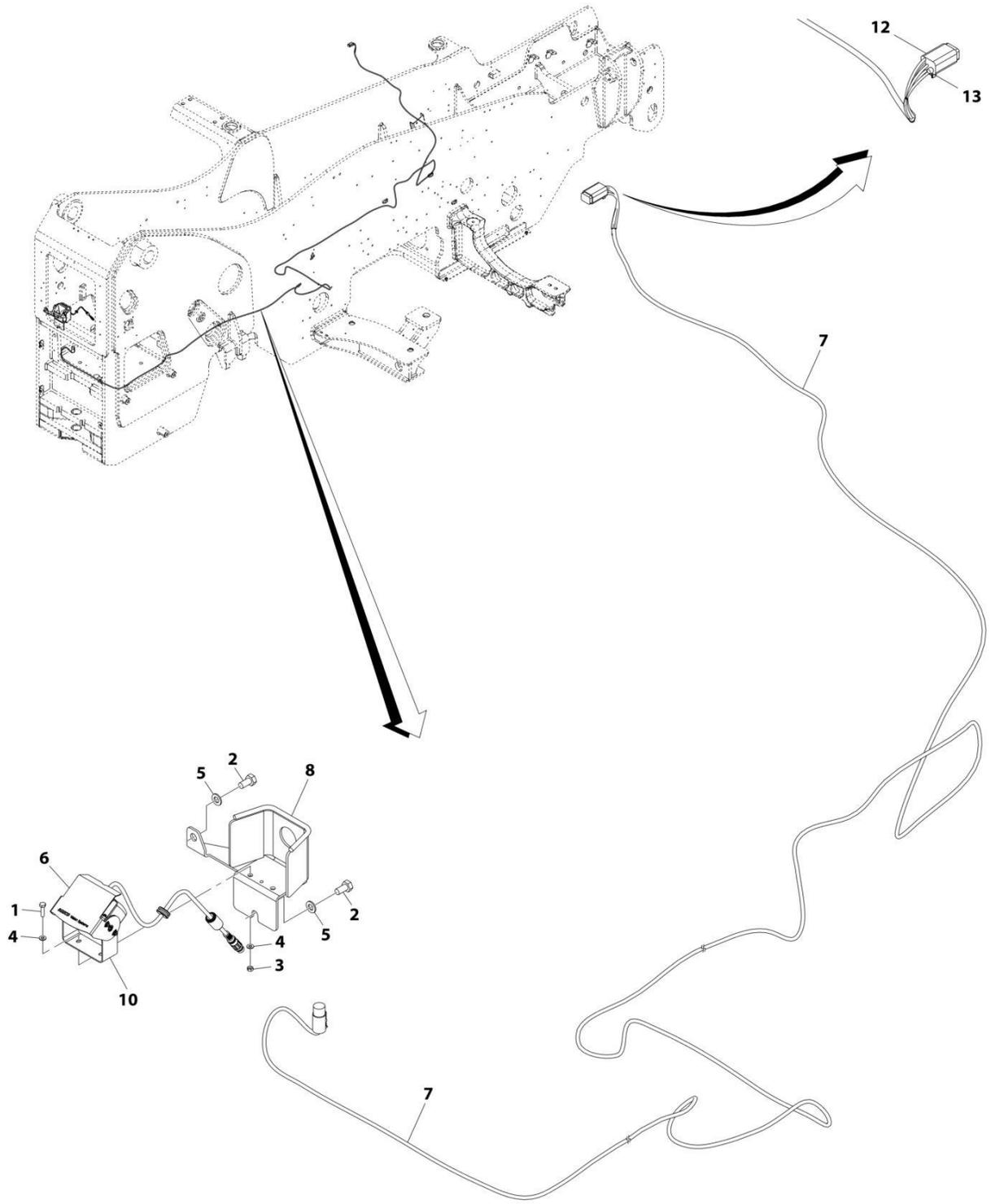
SECTION 10 - ELECTRICAL

FIGURE 10-38. BEACON (LED) (REMOTE BOOM CONTROL) INSTALLATION

ITEM	PART NUMBER	QTY	DESCRIPTION	REV
	1001209358	Ref	BEACON (LED) (REMOTE BOOM CONTROL) INSTALLATION	A
1	4461174	1	Terminal, 12 Volt	
2	1001159738	1	Switch, Beacon	
3	1001198893	1	Light, Warning	

SECTION 10 - ELECTRICAL

FIGURE 10-39. REVERSE CAMERA INSTALLATION



ART_1001192321-G

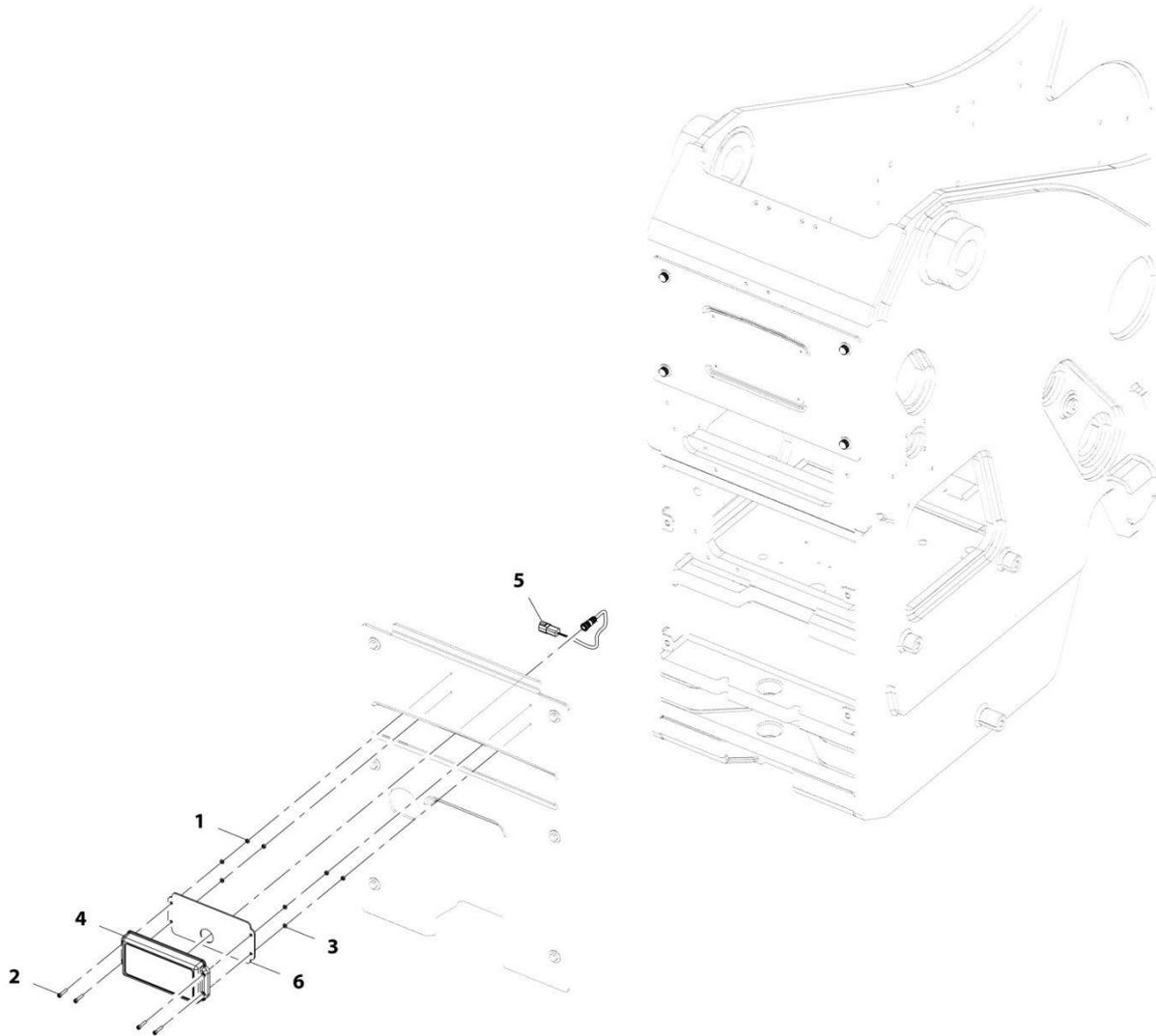
SECTION 10 - ELECTRICAL

FIGURE 10-39. REVERSE CAMERA INSTALLATION

ITEM	PART NUMBER	QTY	DESCRIPTION	REV
	1001192321	Ref	Reverse Camera Installation	G
1	0700408	2	Bolt, M4X16	
2	0760808	2	Bolt, M8X16	
3	3290401	2	Nut, M4X0.7	
4	4811400	4	Washer, M4	
5	4811900	2	Washer, M8	
6	1001167017	1	Camera, Reverse	
7	1001171962	1	Cable, Camera	
8	1001205307	1	Bracket	
10	1001202621	1	Bracket	
12	4460884	1	Connector	
13	4460466	1	Terminal	

SECTION 10 - ELECTRICAL

FIGURE 10-40. REVERSE SENSOR INSTALLATION



ART_1001192322-E

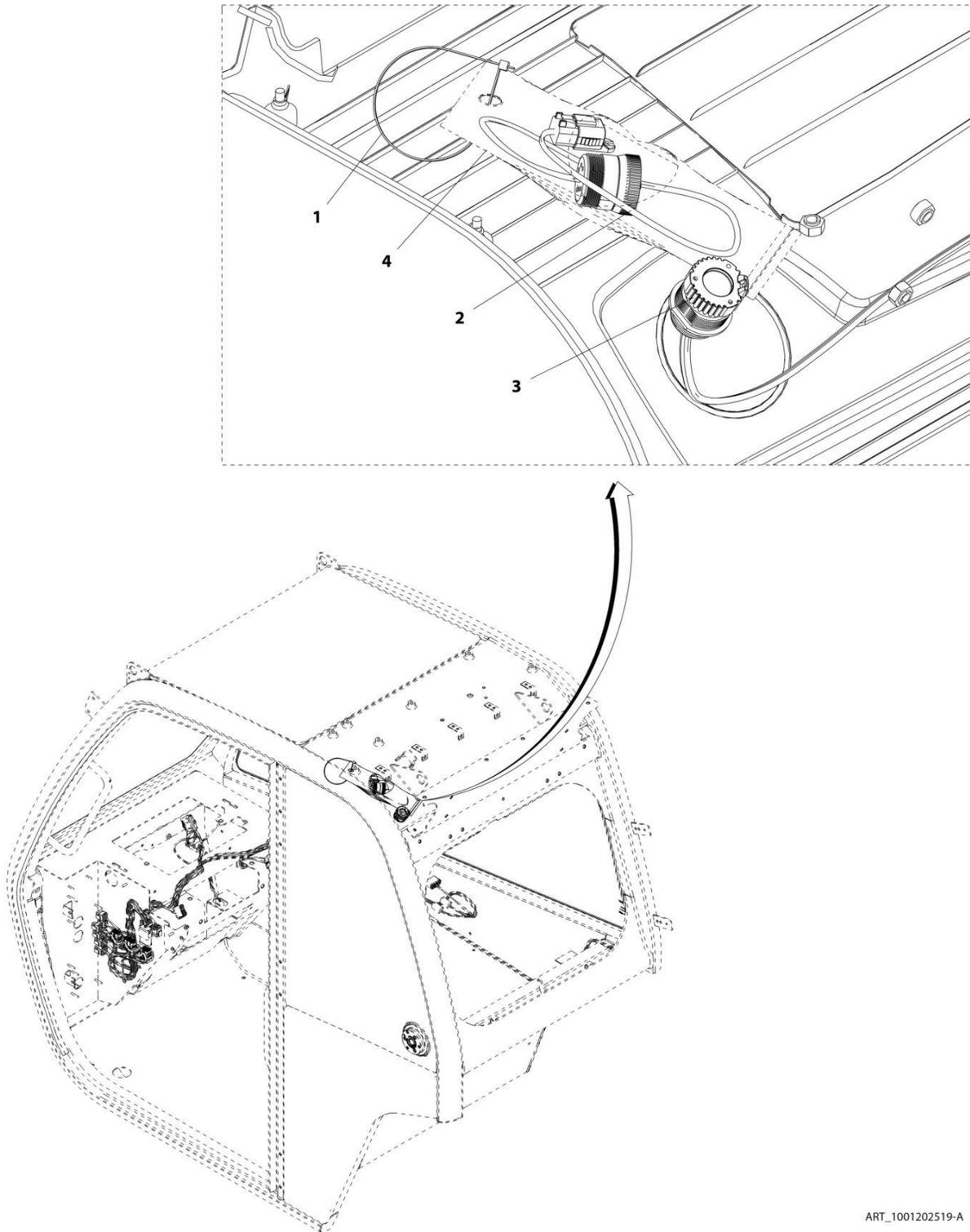
SECTION 10 - ELECTRICAL

FIGURE 10-40. REVERSE SENSOR INSTALLATION

ITEM	PART NUMBER	QTY	DESCRIPTION	REV
	1001192322	Ref	Reverse Sensor Installation	E
1	3290501	4	Nut, M5X0.8	
2	5271609	4	Screw, M5X25	
3	4811600	4	Washer, M5	
4	1001189997	1	Sensor, Reverse	
5	1001175776	1	Harness, Reverse Sensor (See Seperate Breakdown in this Section)	
6	1001231217	1	Plate	

SECTION 10 - ELECTRICAL

FIGURE 10-41. TELEMATICS READY INSTALLATION



ART_1001202519-A

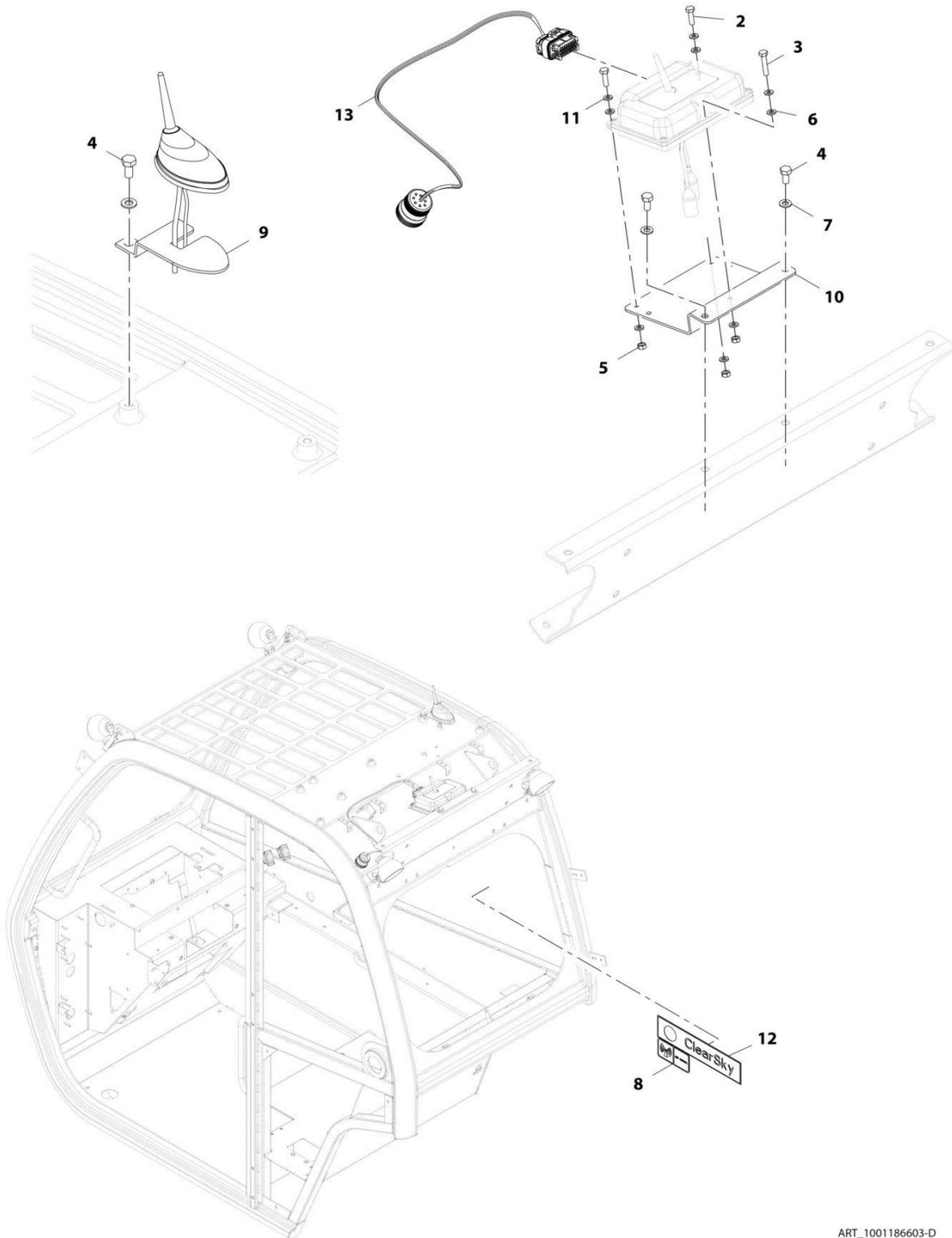
SECTION 10 - ELECTRICAL

FIGURE 10-41. TELEMATICS READY INSTALLATION

ITEM	PART NUMBER	QTY	DESCRIPTION	REV
	1001202519	Ref	Telematics Ready Installation	A
1	8584003	1	Strap, Tie	
2	1001196289	1	Harness, Telematics Ready (See Separate Breakdown in ELECTRICAL Section)	
3	1001201162	1	Cap	
4	1001202617	1	Bag	

SECTION 10 - ELECTRICAL

FIGURE 10-42. CLEARSKY INSTALLATION (NO A/C - SHORT ROOF CAP) (SN 016000001 through 0160087899)



ART_1001186603-D

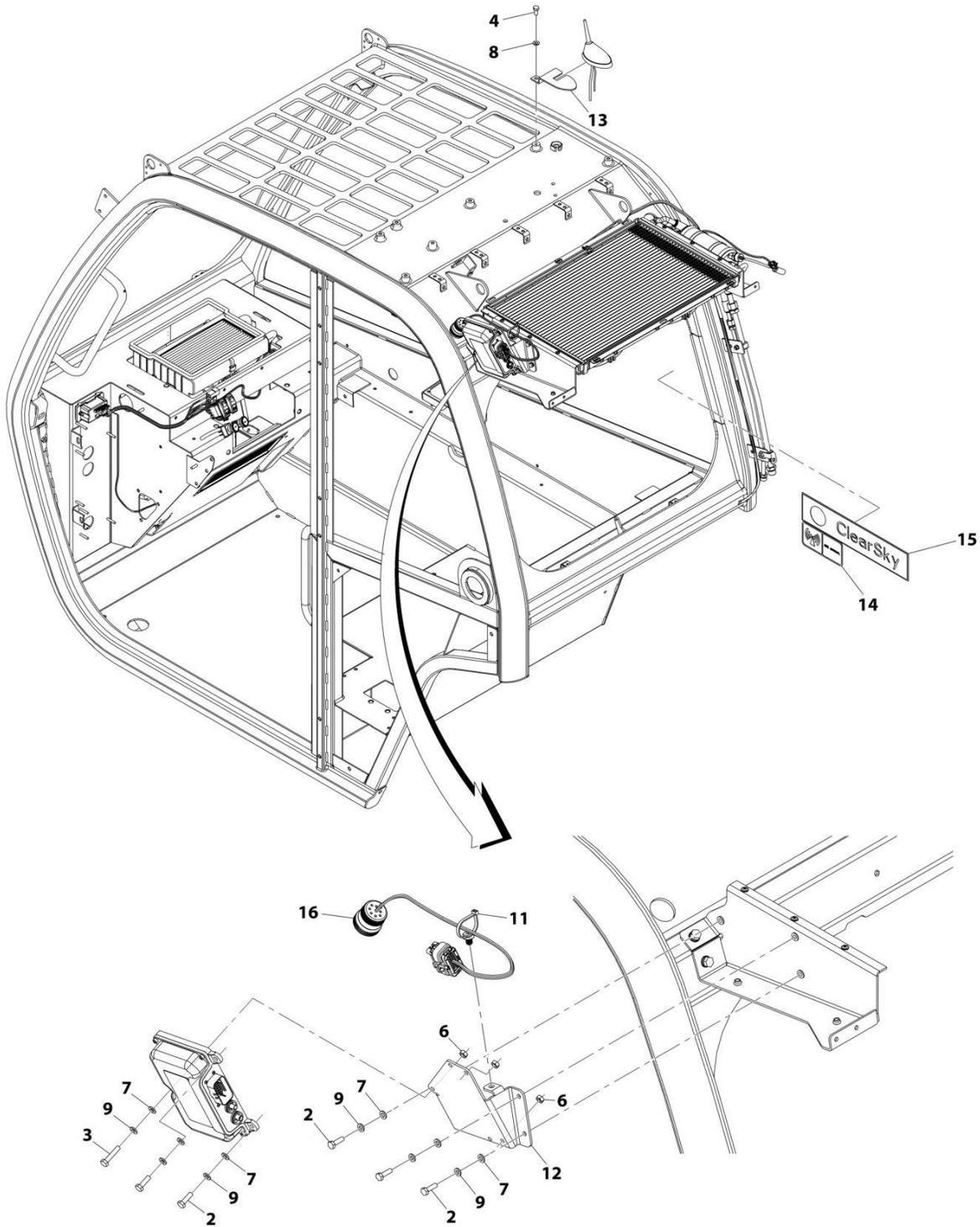
SECTION 10 - ELECTRICAL

FIGURE 10-42. CLEARSKY INSTALLATION (NO A/C - SHORT ROOF CAP) (SN 016000001 through 0160087899)

ITEM	PART NUMBER	QTY	DESCRIPTION	REV
	1001186603	Ref	Clearsky Installation (No A/C - Short Roof Cap)	D
2	0700610	2	Bolt, M6X20	
3	0700614	1	Bolt, M6X30	
4	0760808	3	Bolt, M8X16	
5	3290601	3	Nut, M6X1 Grade 8	
6	4811700	6	Washer, M6	
7	4811900	3	Washer, M8	
8	1001120989	1	Decal, Radio Frequency	
9	1001174372	1	Bracket, Antenna	
10	1001185722	1	Bracket	
11	4831700	3	Washer, Lock M6	
12	1001116208	1	Decal, Clearsky	
13	1001196452	1	Harness, Clearsky (See Separate Breakdown in this Section)	

SECTION 10 - ELECTRICAL

FIGURE 10-43. CLEARSKY INSTALLATION (A/C - LONG ROOF CAP) (SN 016000001 through 0160087899)



ART_1001174368-G

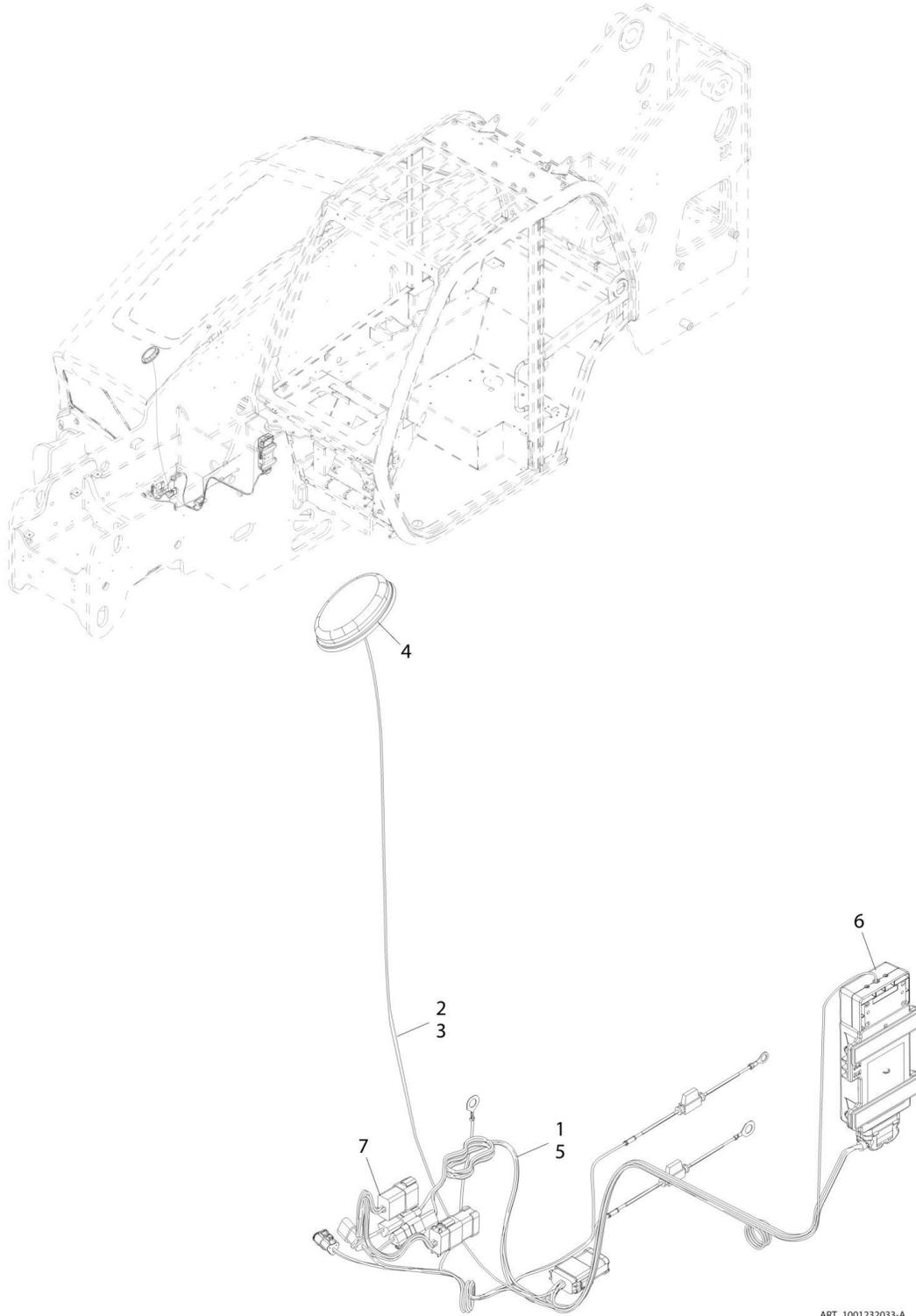
SECTION 10 - ELECTRICAL

FIGURE 10-43. CLEARSKY INSTALLATION (A/C - LONG ROOF CAP) (SN 0160000001 through 0160087899)

ITEM	PART NUMBER	QTY	DESCRIPTION	REV
	1001174368	Ref	Clearsky Installation (A/C - Long Roof Cap)	G
2	0700610	5	Bolt, M6X20	
3	0700614	1	Bolt, M6X30	
4	0760808	1	Bolt, M8X16	
6	3290601	3	Nut, M6X1 Grade 8	
7	4811700	6	Washer, M6	
8	4811900	1	Washer, M8	
9	4831700	6	Washer, Lock M6	
11	1001146588	1	Strap, Cable	
12	1001220947	1	Bracket	
13	1001174372	1	Bracket, Antenna	
14	1001120989	1	Decal, Radio Frequency	
15	1001116208	1	Decal, Clearsky	
16	1001196452	1	Harness, Clearsky (See Separate Breakdown in this Section)	

SECTION 10 - ELECTRICAL

FIGURE 10-44. INSTALLATION, TELEMATICS CANBUS ASSEMBLY (CLEARSKY 2) (SN 0160087899 through 0160100942)



ART_1001232033-A

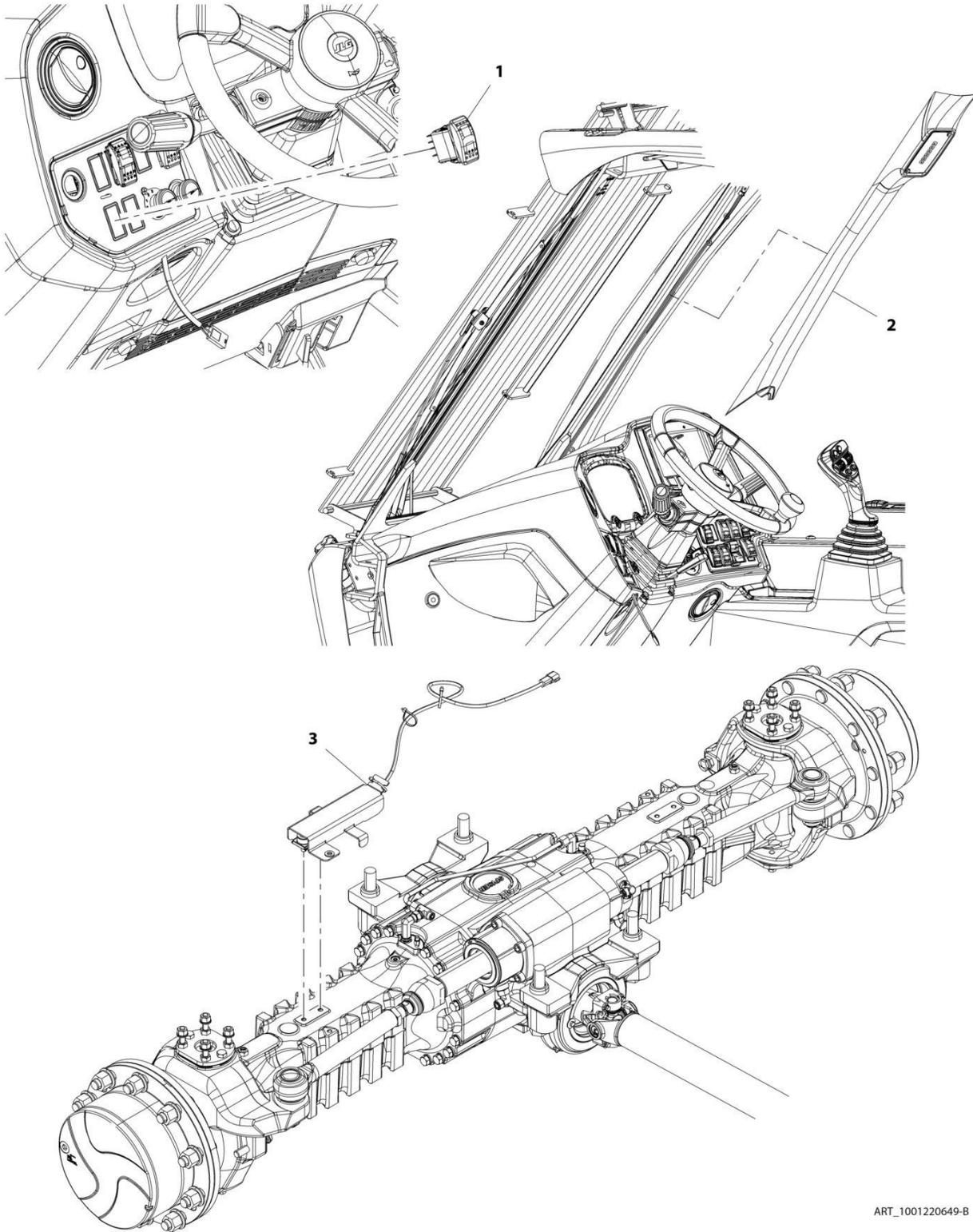
SECTION 10 - ELECTRICAL

FIGURE 10-44. INSTALLATION, TELEMATICS CANBUS ASSEMBLY (CLEARSKY 2) (SN 0160087899 through 0160100942)

ITEM	PART NUMBER	QTY	DESCRIPTION	REV
	1001232033	Ref	Clearsky Installation	A
1	1062255	1	Strap, Tie	
2	4240032	1	Strap, Tie	
3	4460234	1	Mount, Cable Tie	
4	1001226799	1	Antenna	
5	1001227297	1	Harness, Clearsky (See Separate Breakdown in Electrical Section)	
6	1001229955	1	Module	
7	1001232298	1	Harness, Telematics Option (See Separate Breakdown in Electrical Section)	

SECTION 10 - ELECTRICAL

FIGURE 10-45. LSI INSTALLATION



ART_1001220649-B

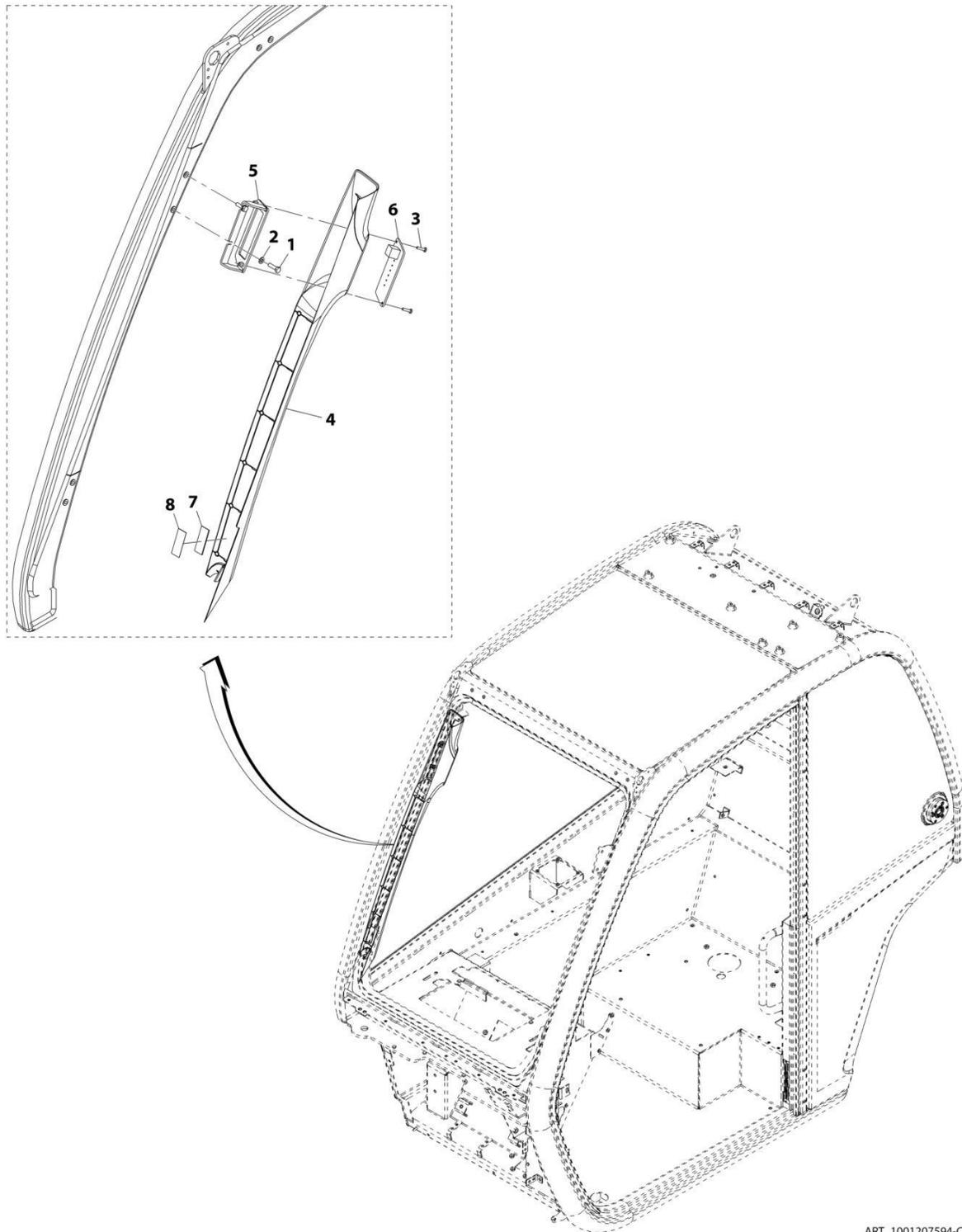
SECTION 10 - ELECTRICAL

FIGURE 10-45. LSI INSTALLATION

ITEM	PART NUMBER	QTY	DESCRIPTION	REV
	1001220649	Ref	LSI Installation	B
1	1001159742	1	Switch, LSI Override	
2	1001207594	Ref	Installation, LSI Display (See Separate Breakdown in this Section)	
3	1001220650	Ref	Installation, LSI Sensor (See Separate breakdown in this Section)	

SECTION 10 - ELECTRICAL

FIGURE 10-46. LSI DISPLAY INSTALLATION



ART_1001207594-C

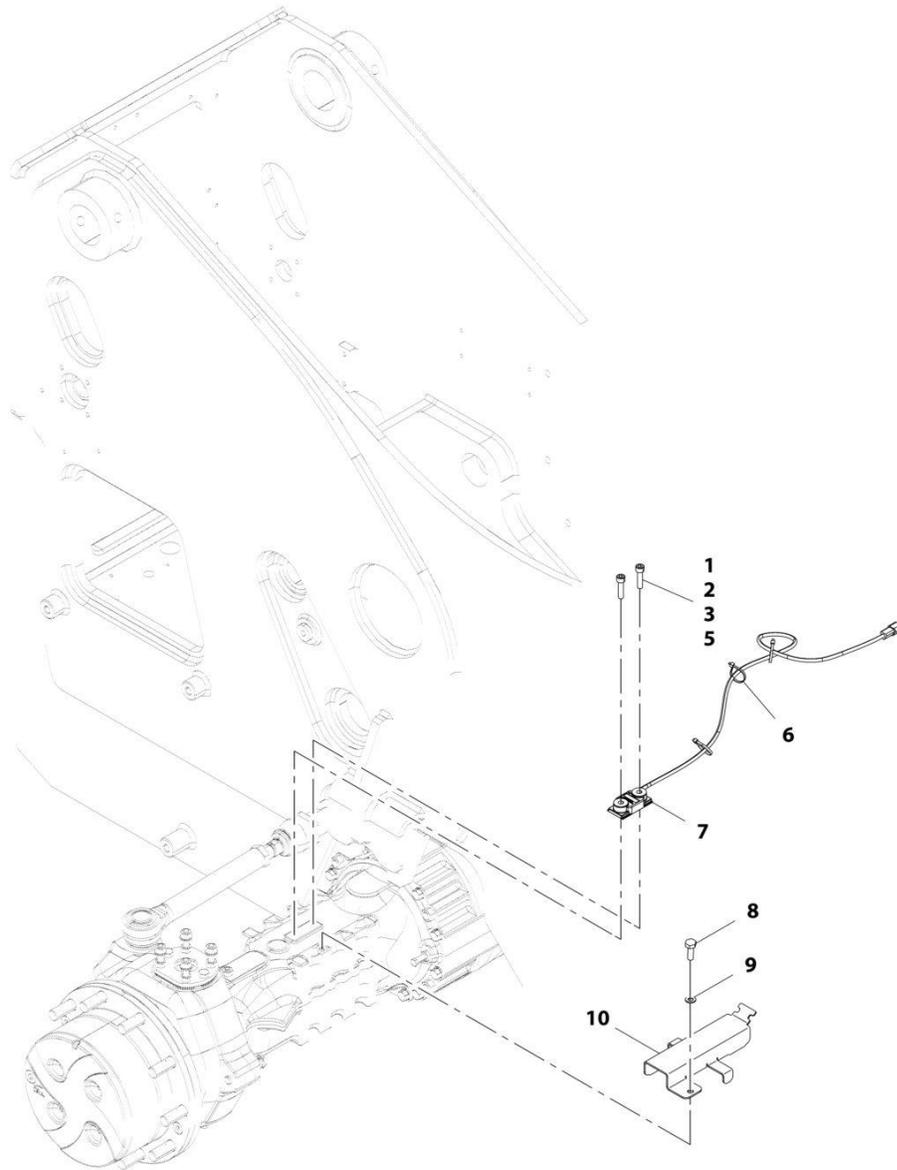
SECTION 10 - ELECTRICAL

FIGURE 10-46. LSI DISPLAY INSTALLATION

ITEM	PART NUMBER	QTY	DESCRIPTION	REV
	1001207594	Ref	LSI Display Installation	C
1	0760610	2	Bolt, M6X20	
2	4811700	2	Washer, M6	
3	1001126837	2	Screw, M4X16	
4	1001182839	1	Cover	
5	1001214401	1	Bracket	
6	1001213752	1	Display, LSI	
7	1001221318	1	Tape, Hook Fastener	
8	1001221319	1	Tape, Hook Fastener	

SECTION 10 - ELECTRICAL

FIGURE 10-47. LSI SENSOR INSTALLATION



ART_1001220650-B

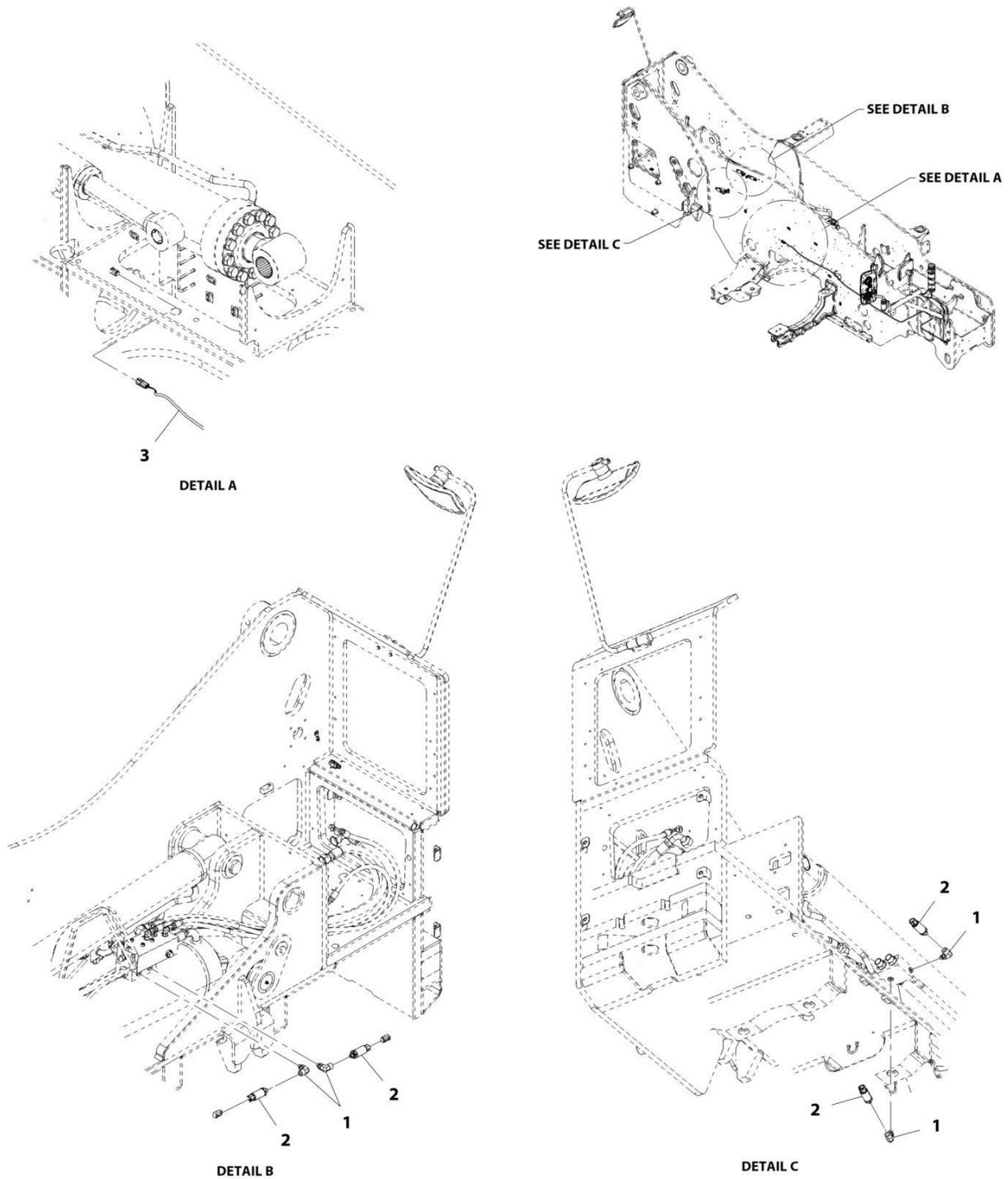
SECTION 10 - ELECTRICAL

FIGURE 10-47. LSI SENSOR INSTALLATION

ITEM	PART NUMBER	QTY	DESCRIPTION	REV
	1001220650	Ref	LSI Sensor Installation	B
1	5272012	2	Bolt, M10X40	
2	1001116128	AR	Sealant	
3	1001125465	AR	Compound, Locking	
5	1001129425	AR	Compound, Locking	
6	1001008559	3	Strap, Cable	
7	1001160730	1	Sensor, LSI	
8	0761010	1	Bolt, M10X20	
9	4812000	1	Washer, M10	
10	1001230850	1	Bracket, LSI Cover	

SECTION 10 - ELECTRICAL

FIGURE 10-48. LMIS INSTALLATION (HIGH END DISPLAY)



ART_1001183549-C

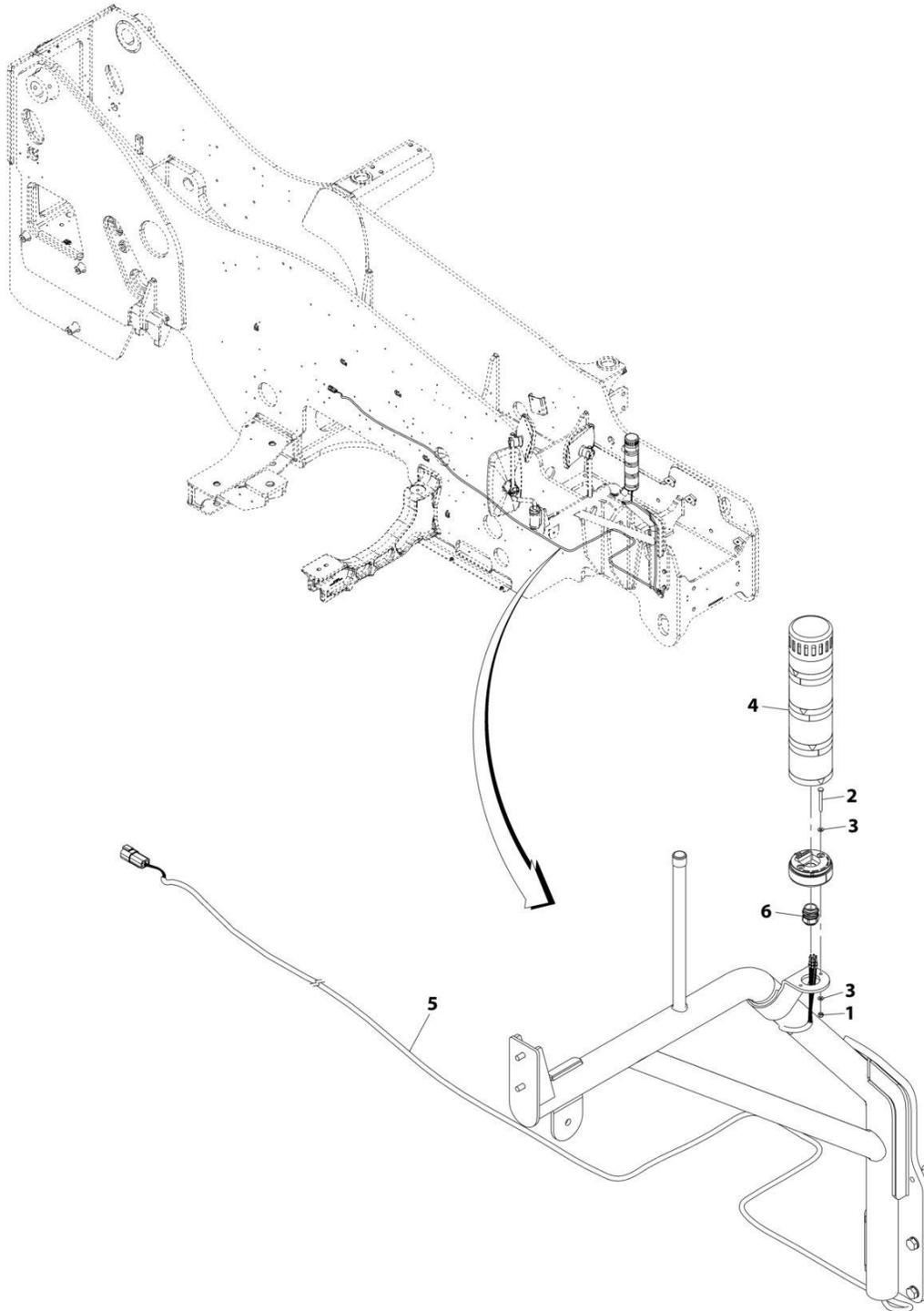
SECTION 10 - ELECTRICAL

FIGURE 10-48. LMIS INSTALLATION (HIGH END DISPLAY)

ITEM	PART NUMBER	QTY	DESCRIPTION	REV
	1001183549	Ref	LMIS Installation (High End Display)	C
1	1001101855	4	Fitting, 90	
2	1001162885	4	Sensor, LMIS	
3	1001195591	1	Installation, LMIS Beacon Light (See Separate Breakdown in this Section)	

SECTION 10 - ELECTRICAL

FIGURE 10-49. LMIS BEACON LIGHT INSTALLATION



ART_1001195591-D

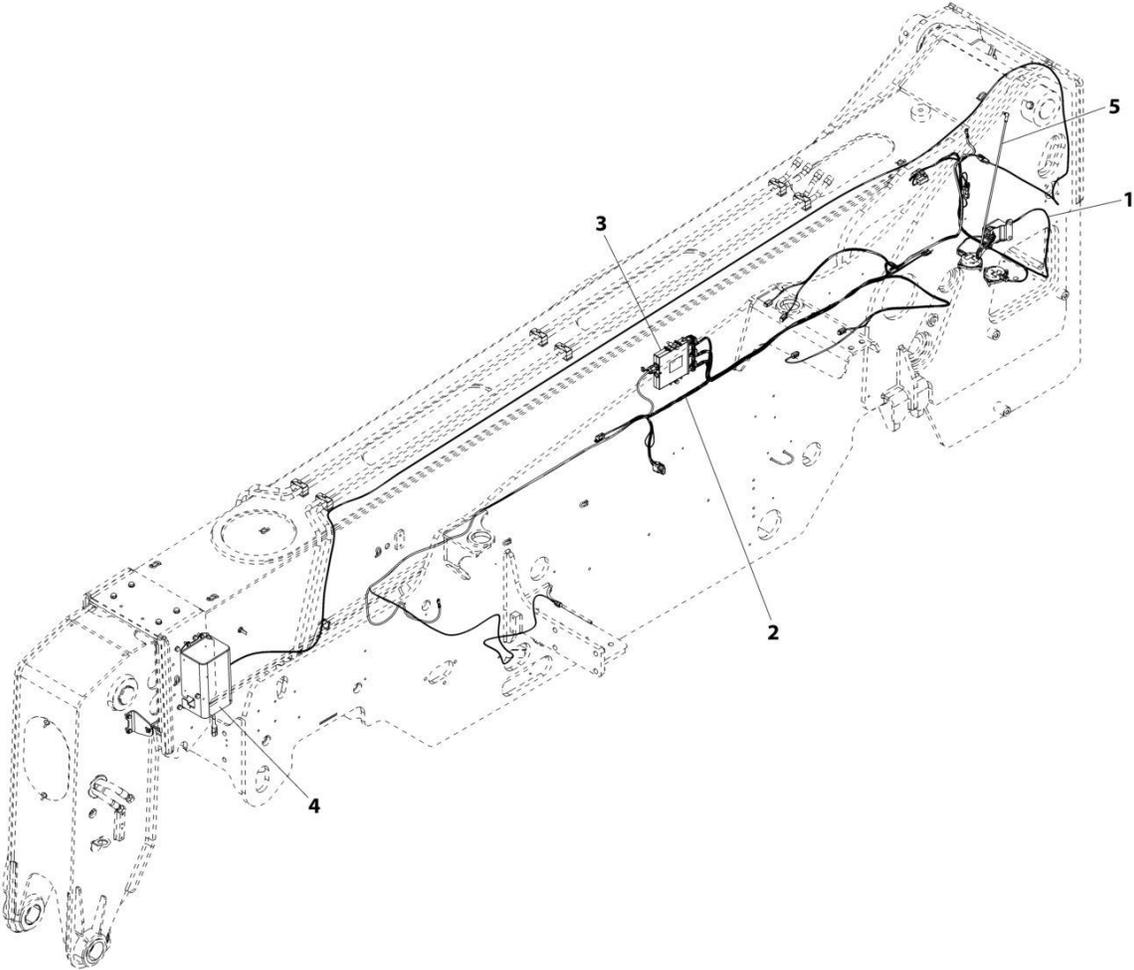
SECTION 10 - ELECTRICAL

FIGURE 10-49. LMIS BEACON LIGHT INSTALLATION

ITEM	PART NUMBER	QTY	DESCRIPTION	REV
	1001195591	Ref	LMIS Beacon Light Installation	D
1	3290405	2	Nut, Lock M4X0.7	
2	4010416	2	Screw, M4X40	
3	4811400	4	Washer, M4	
4	1001108661	1	Light, LMIS Beacon	
5	1001117247	1	Harness, LMIS Beacon Option (See Separate Breakdown in this Section)	
6	E000269	1	Relief, Strain	

SECTION 10 - ELECTRICAL

FIGURE 10-50. LMIS CONTROL PACKAGE INSTALLATION



ART_1001192431

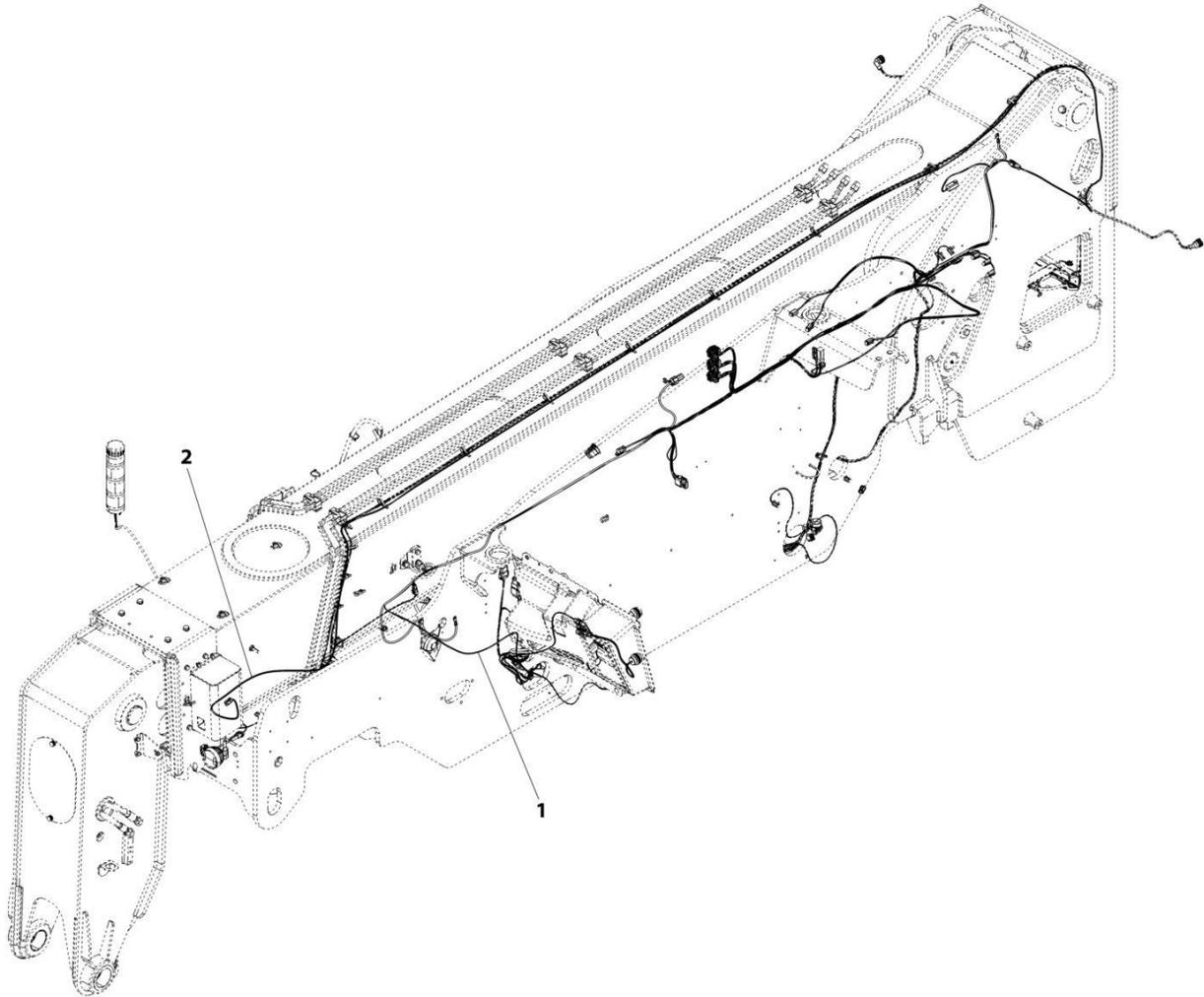
SECTION 10 - ELECTRICAL

FIGURE 10-50. LMIS CONTROL PACKAGE INSTALLATION

ITEM	PART NUMBER	QTY	DESCRIPTION	REV
	1001192431	Ref	LMIS Control Package Installation	E
1	1001195200	1	Installation, Tilt Sensor (See Separate Breakdown in this Section)	
2	1001195201	1	Installation, LMIS Wiring (See Separate Breakdown in this Section)	
3	1001195471	1	Installation, LMIS Controller (See Separate Breakdown in this Section)	
4	1001195473	1	Installation, LMIS Cable Reel (See Separate Breakdown in this Section)	
5	1001195590	1	Installation, Boom Angle Sensor (LMIS) (See Separate Breakdown in this Section)	

SECTION 10 - ELECTRICAL

FIGURE 10-51. LMIS WIRING INSTALLATION



ART_1001195201-F

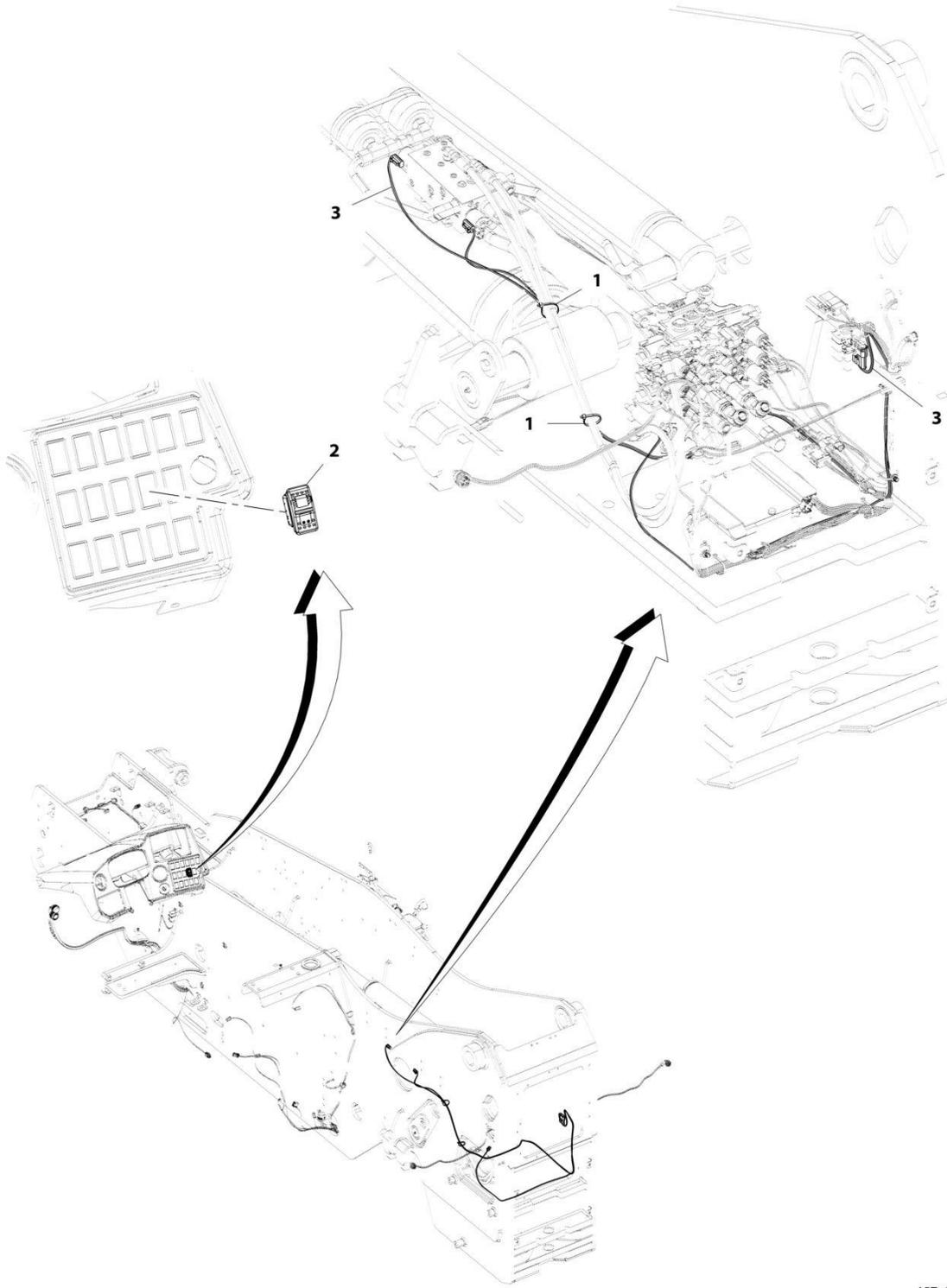
SECTION 10 - ELECTRICAL

FIGURE 10-51. LMIS WIRING INSTALLATION

ITEM	PART NUMBER	QTY	DESCRIPTION	REV
1	1001195201	Ref	LMIS Wiring Installation	F
	1001184795	1	Harness, Chassis Option (See Separate Breakdown in this Section)	
2	1001192619	1	Harness, LMIS Boom (See Separate Breakdown in this Section)	

SECTION 10 - ELECTRICAL

FIGURE 10-52. RIDE CONTROL WIRING INSTALLATION



ART_1001200105-B

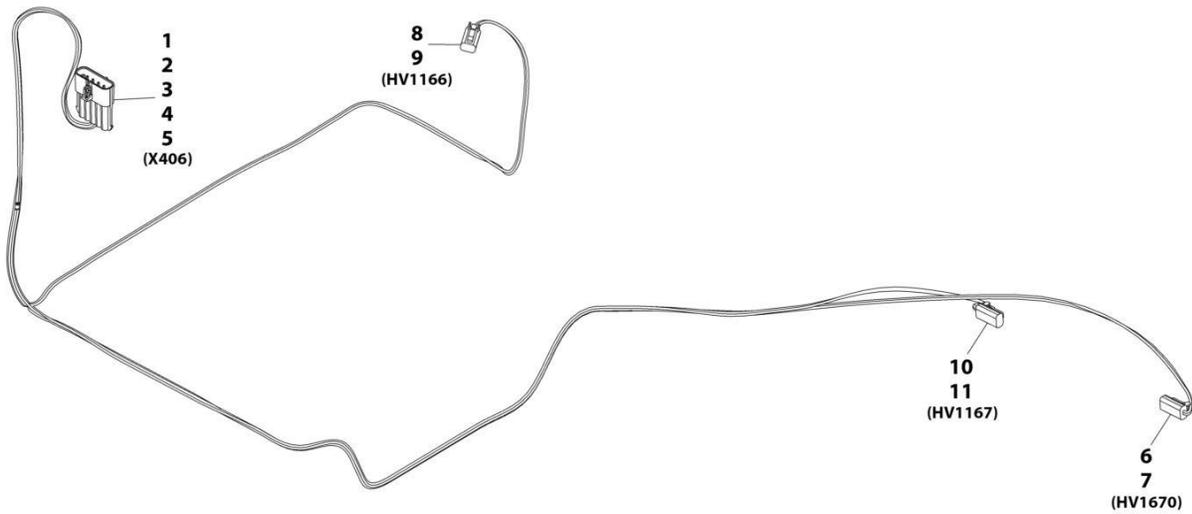
SECTION 10 - ELECTRICAL

FIGURE 10-52. RIDE CONTROL WIRING INSTALLATION

ITEM	PART NUMBER	QTY	DESCRIPTION	REV
	1001200105	Ref	Ride Control Wiring Installation	B
1	1001008559	2	Strap, Cable Tie	
2	1001159745	1	Switch, Boom Ride	
3	1001197668	1	Harness, Boom Ride Float (See Separate Breakdown in this Section)	

SECTION 10 - ELECTRICAL

FIGURE 10-53. BOOM RIDE CONTROL HARNESS



ART_1001197668-D

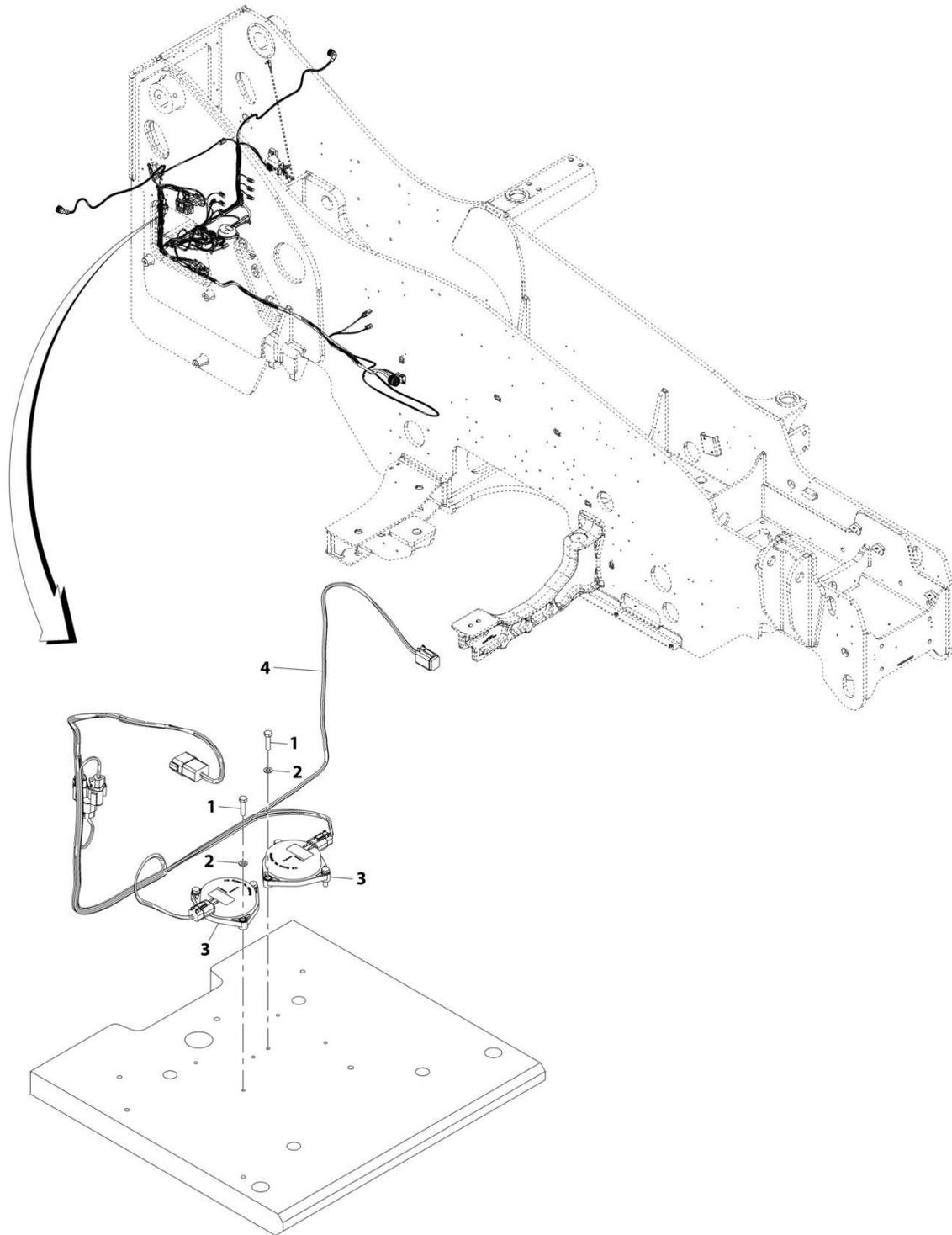
SECTION 10 - ELECTRICAL

FIGURE 10-53. BOOM RIDE CONTROL HARNESS

ITEM	PART NUMBER	QTY	DESCRIPTION	REV
	1001197668	Ref	Boom Ride Control Harness	D
1	1001121727	1	Connector	
2	1001116745	3	Terminal	
3	1001116729	1	Terminal	
4	4460458	4	Terminal Seal	
5	1001116727	1	Plug	
6	4460891	1	Connector	
7	4460465	2	Terminal	
8	4460891	1	Connector	
9	4460465	2	Terminal	
10	4460891	1	Connector	
11	4460465	2	Terminal	

SECTION 10 - ELECTRICAL

FIGURE 10-54. TILT SENSOR INSTALLATION



ART_1001195200-B

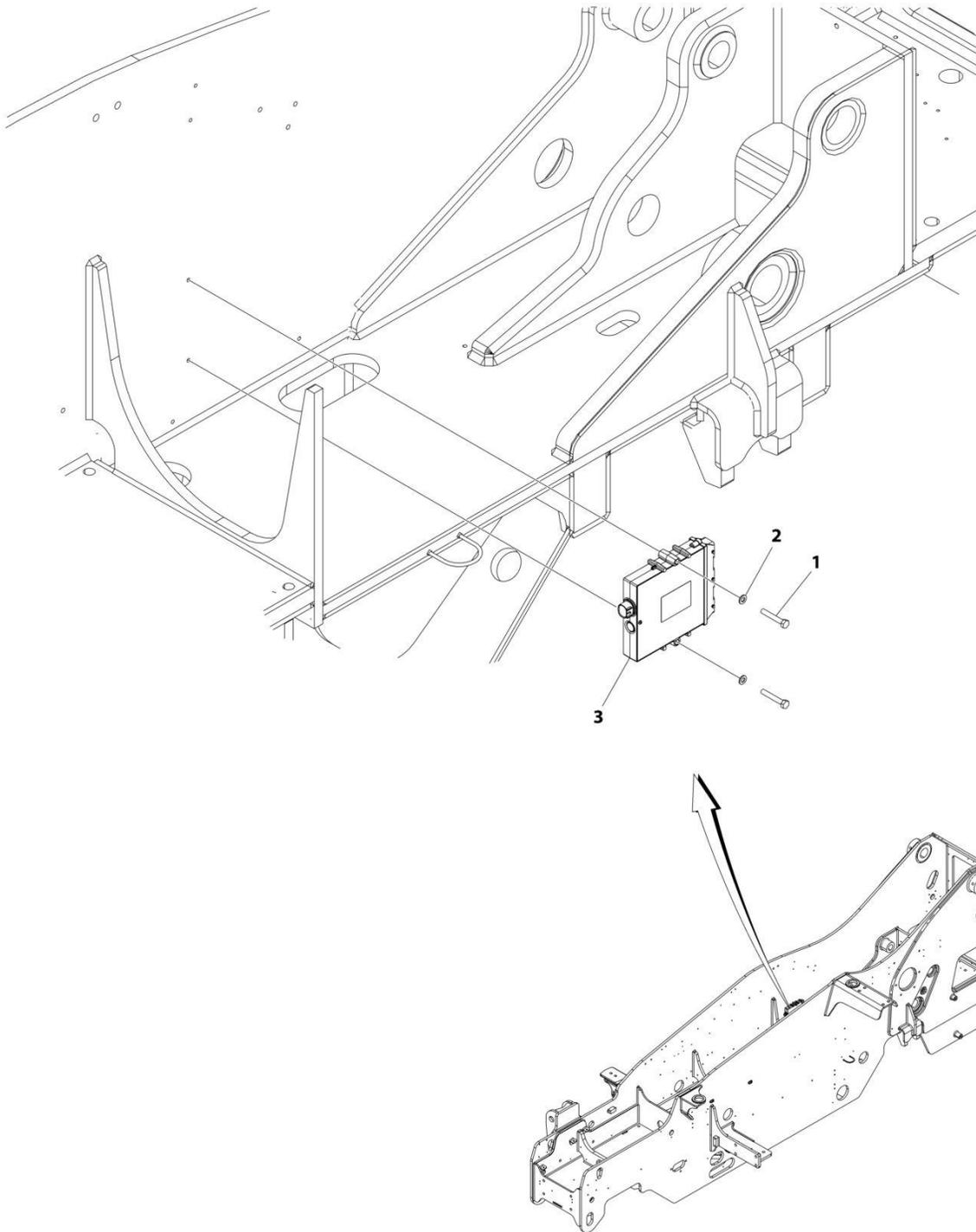
SECTION 10 - ELECTRICAL

FIGURE 10-54. TILT SENSOR INSTALLATION

ITEM	PART NUMBER	QTY	DESCRIPTION	REV
	1001195200	Ref	Tilt Sensor Installation	B
1	0700612	6	Bolt, M6X25	
2	4811700	6	Washer, M6	
3	1001163095	2	Sensor, Tilt	
4	1001195202	1	Harness, Platform Ready (See Separate Breakdown in this Section)	

SECTION 10 - ELECTRICAL

FIGURE 10-55. LMIS CONTROLLER INSTALLATION



ART_1001195471_C

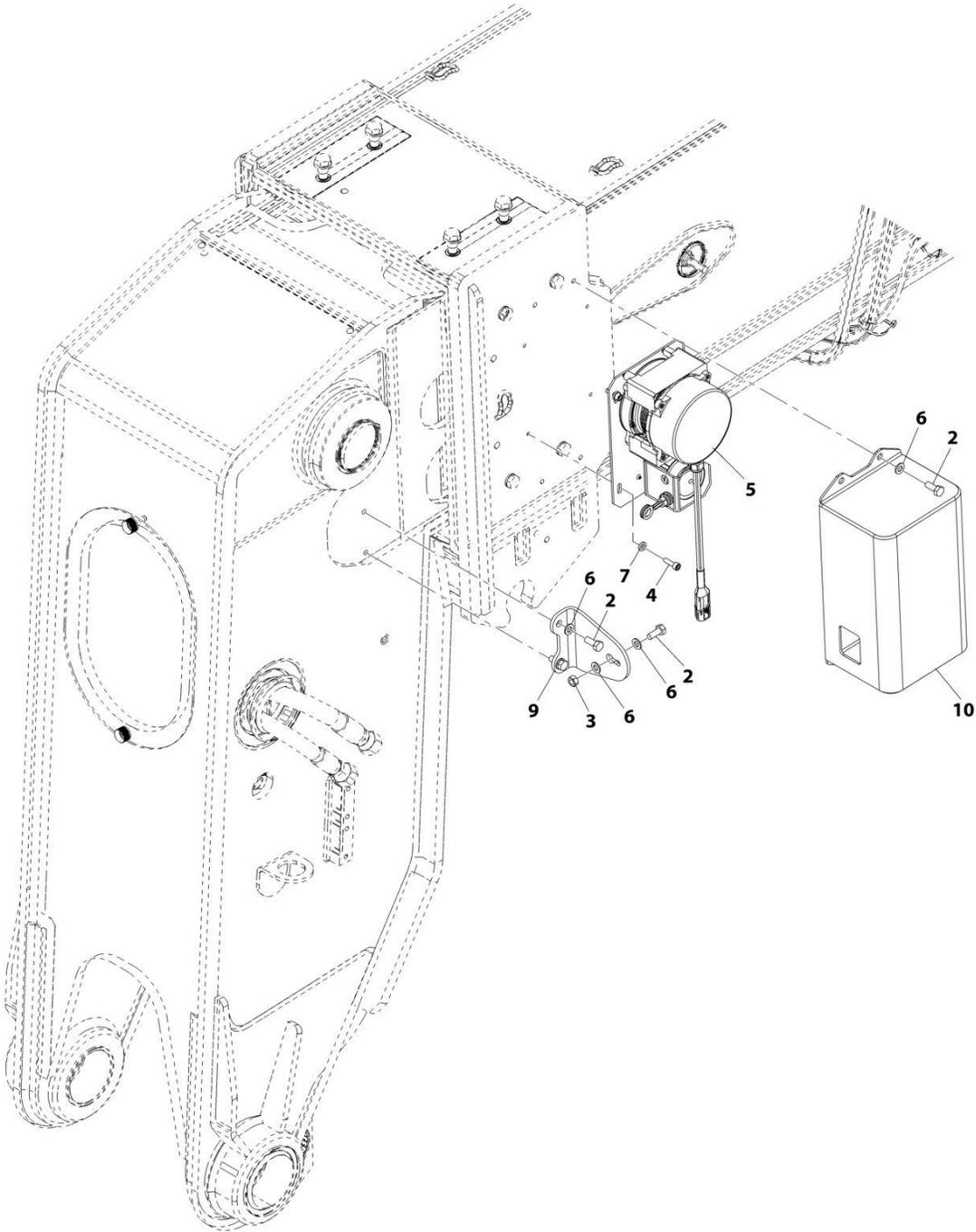
SECTION 10 - ELECTRICAL

FIGURE 10-55. LMIS CONTROLLER INSTALLATION

ITEM	PART NUMBER	QTY	DESCRIPTION	REV
	1001195471	Ref	LMIS CONTROLLER INSTALLATION	C
1	0700818	2	Bolt M8 x 50	
2	4811900	2	Washer M8	
3	1001270485	1	Module, LMIS Control	

SECTION 10 - ELECTRICAL

FIGURE 10-56. LMIS CABLE REEL INSTALLATION



ART_1001195473

SECTION 10 - ELECTRICAL

FIGURE 10-56. LMIS CABLE REEL INSTALLATION

ITEM	PART NUMBER	QTY	DESCRIPTION	REV
	1001195473	Ref	LMIS Cable Reel Installation	E
2	0760810	7	Bolt, M8X20	
3	3290801	1	Nut, M8X1.25	
4	4031708	4	Screw, M6X20	
5	1001223903	1	Sensor, Boom Length	
6	4811900	8	Washer, M8	
7	5240600	4	Washer, M6	
9	1001224127	1	Bracket	
10	1001224128	1	Panel	

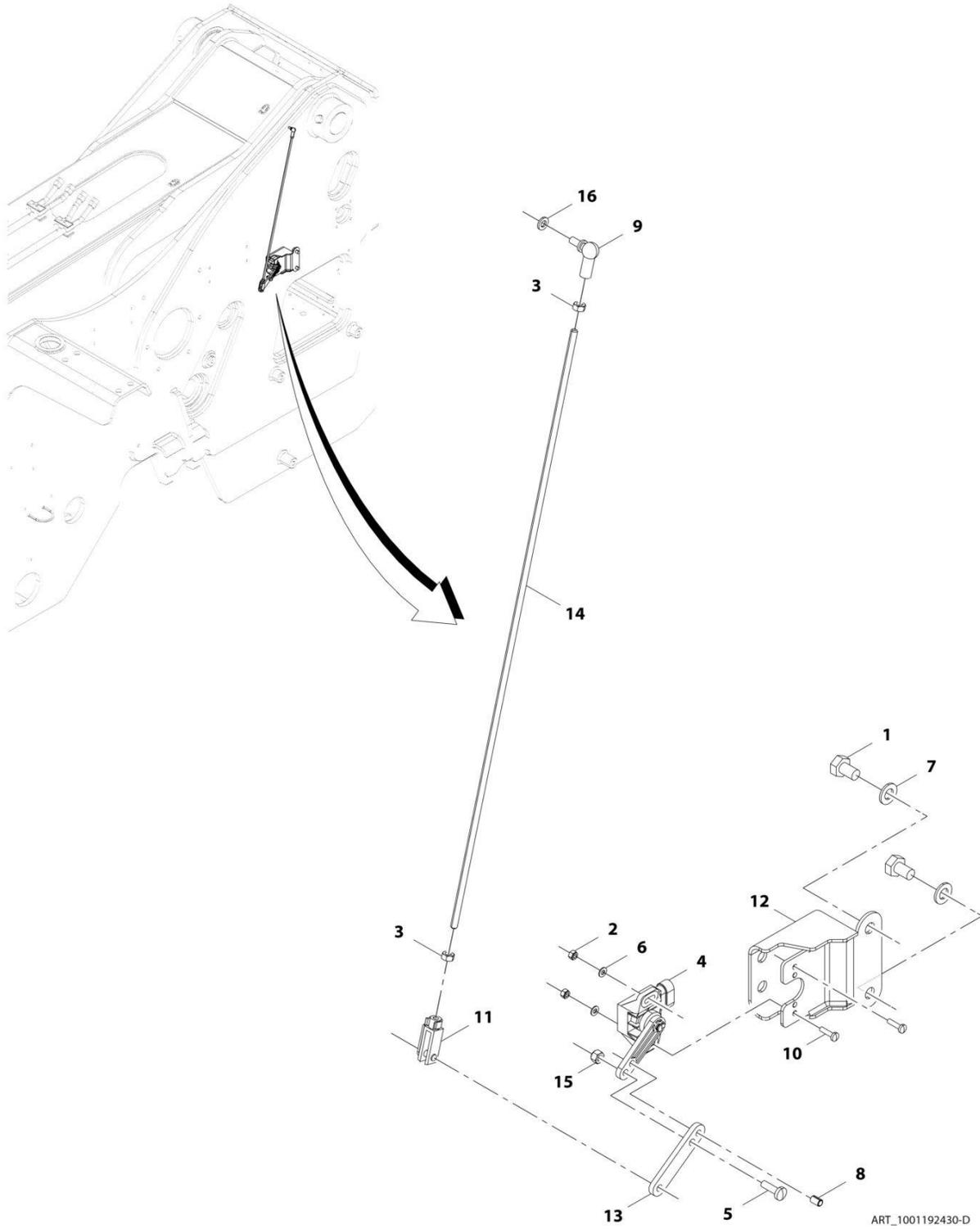
SECTION 10 - ELECTRICAL

FIGURE 10-57. BOOM ANGLE SENSOR INSTALLATION (LMIS)

ITEM	PART NUMBER	QTY	DESCRIPTION	REV
	1001195590	Ref	BOOM ANGLE SENSOR INSTALLATION (LMIS)	E
1	0761008	2	Bolt M10 x 16	
2	3290405	2	Nut M4	
3	3290601	2	Nut M6 x 1	
4	4010416	2	Screw M4 x 40	
5	4010610	1	Screw M6 x 20	
6	4811400	2	Washer M4	
7	4812000	2	Washer M10	
8	1001099717	1	Sensor, Boom Angle	
9	1001103156	1	Pin	
10	1001103300	1	Fitting, Ball Joint	
11	1001134274	1	Clevis	
12	1001213775	1	Bracket	
13	1001195731	1	Link, Boom Angle Sensor	
14	1001195732	1	Rod	
15	3290605	1	Nut M6 x 1	
16	4811700	1	Washer M6	
17	4761400	2	Washer 1/4	

SECTION 10 - ELECTRICAL

FIGURE 10-58. BOOM ANGLE SENSOR INSTALLATION (NO LMIS)



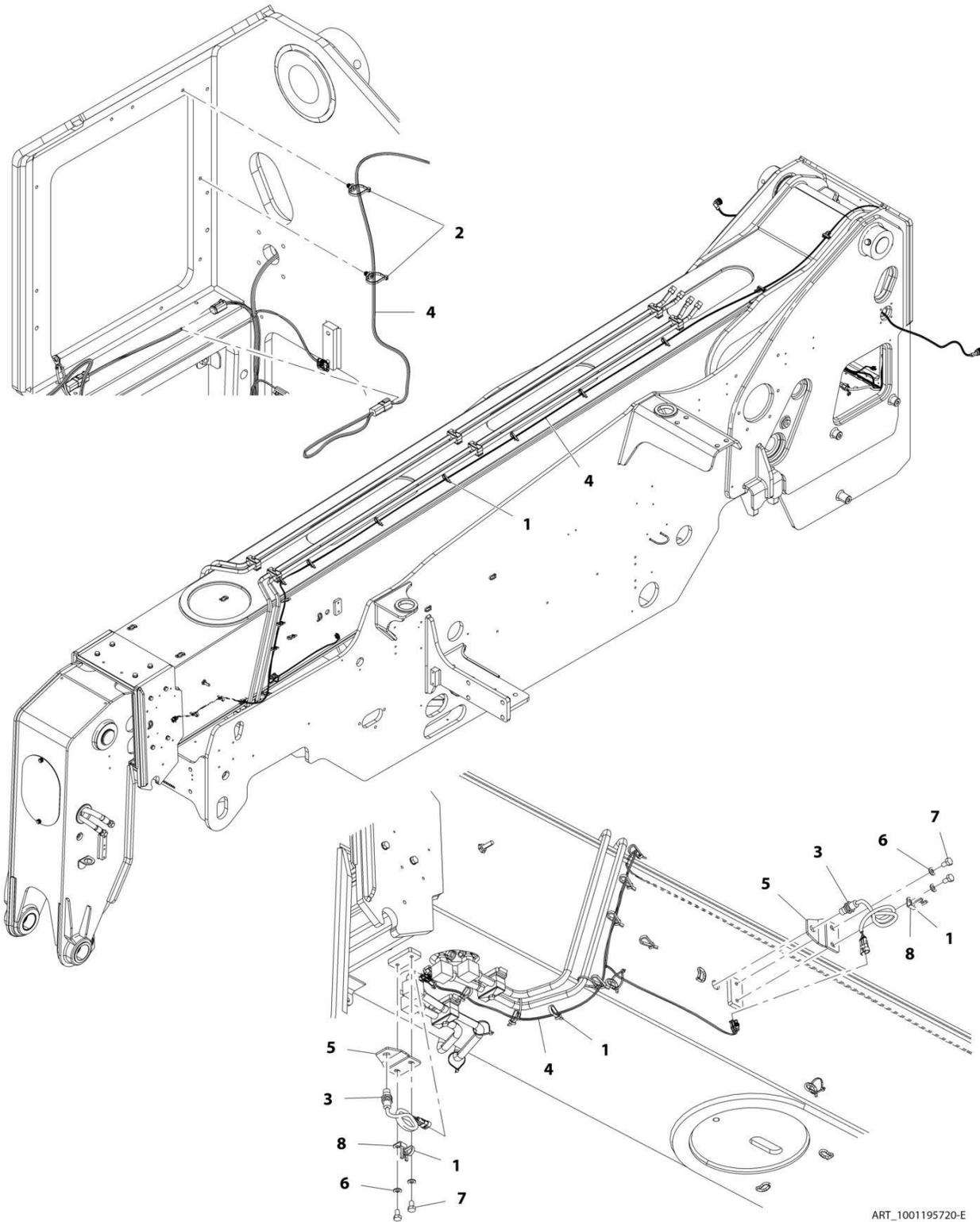
SECTION 10 - ELECTRICAL

FIGURE 10-58. BOOM ANGLE SENSOR INSTALLATION (NO LMIS)

ITEM	PART NUMBER	QTY	DESCRIPTION	REV
	1001192430	Ref	BOOM ANGLE SENSOR INSTALLATION (NO LMIS)	E
1	0761008	2	Bolt M10X16	
2	3290405	2	Nut, Lock M4	
3	3290601	2	Nut M6	
4	1001278028	1	Sensor, Angle	
5	4010610	1	Screw M6X20	
6	4811400	2	Washer M4	
7	4812000	2	Washer M10	
8	1001103156	1	Pin	
9	1001103300	1	Fitting, Ball Joint	
10	1001126837	2	Screw M4X16	
11	1001134274	1	Clevis	
12	1001213775	1	Bracket	
13	1001195731	1	Link	
14	1001195732	1	Rod	
15	3290605	1	Nut, Lock M6	
16	4811700	1	Washer M6	

SECTION 10 - ELECTRICAL

FIGURE 10-59. BOOM RETRACT SENSOR INSTALLATION



ART_1001195720-E

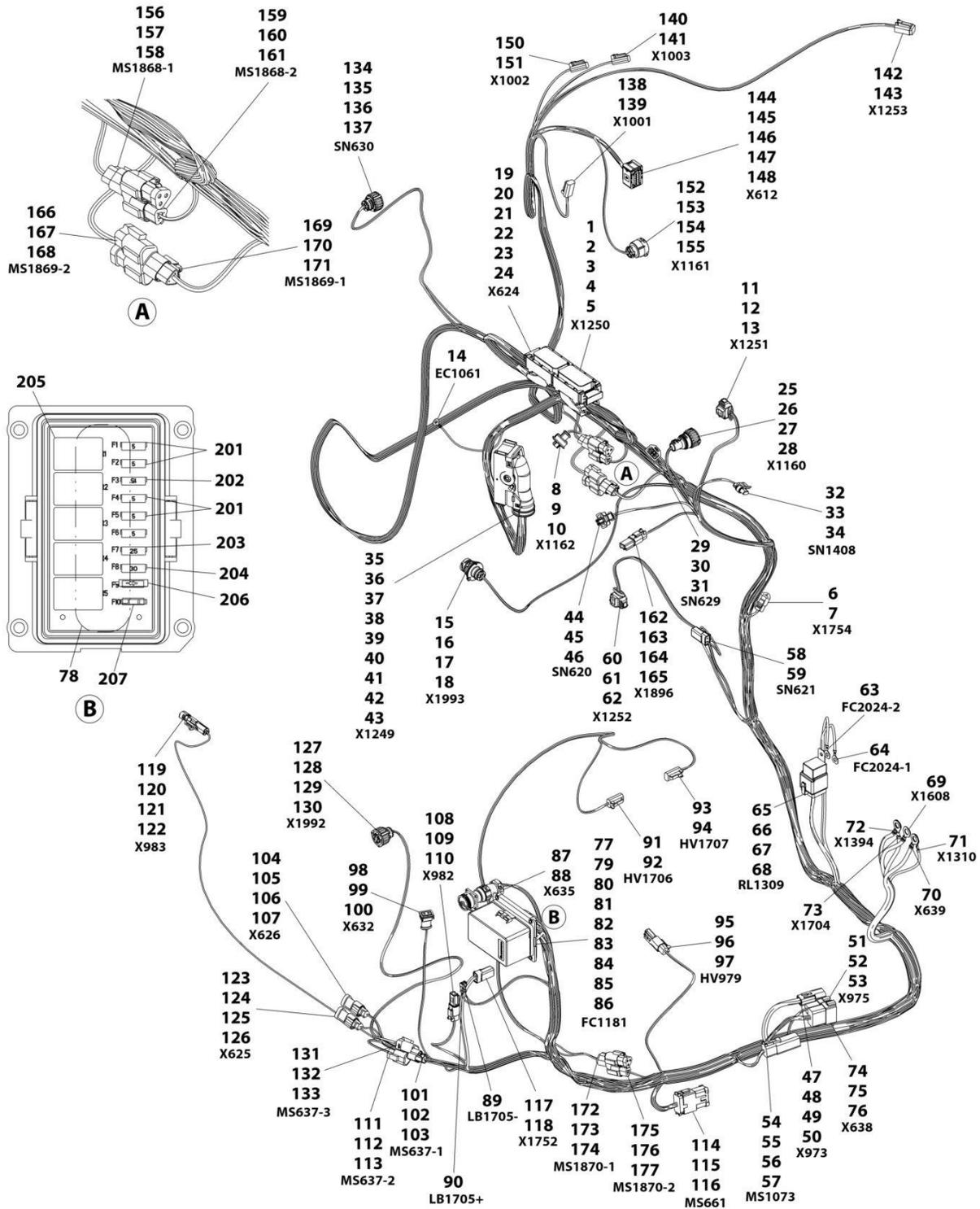
SECTION 10 - ELECTRICAL

FIGURE 10-59. BOOM RETRACT SENSOR INSTALLATION

ITEM	PART NUMBER	QTY	DESCRIPTION	REV
	1001195720	Ref	Boom Retract Sensor Installation	E
1	1001008923	19	Strap, Cable	
2	1001146588	2	Strap, Fir Tree Cable Tie	
3	1001183024	2	Sensor	
4	1001195953	1	Harness, Proximity Sensor	
5	1001210567	2	Bracket	
6	4812000	4	Washer, M10	
7	0761009	4	Bolt	
8	1001003305	2	Clip	

SECTION 10 - ELECTRICAL

FIGURE 10-60. ENGINE HARNESS (ULS)



ART_1001200108

SECTION 10 - ELECTRICAL

FIGURE 10-60. ENGINE HARNESS (ULS)

ITEM	PART NUMBER	QTY	DESCRIPTION	REV
	1001200108	Ref	Engine Harness (ULS)	M
1	1001202723	1	Connector	
2	1001167623	5	Plug	
3	1001166555	13	Terminal	
4	1001167621	50	Terminal	
5	1001167622	37	Plug	
6	4460539	1	Connector	
7	4460465	3	Terminal	
8	1001126487	1	Connector	
9	1001167635	2	Terminal	
10	1001126485	2	Terminal Seal	
11	1001167631	1	Connector	
12	1001167630	4	Terminal	
13	1001126485	4	Terminal Seal	
14	1001187070	1	Ring Terminal	
15	1001148842	1	Connector	
16	1001148841	3	Terminal	
17	1001135651	1	Plug	
18	1001135650	3	Terminal Seal	
19	1001202722	1	Connector	
20	1001166551	6	Terminal	
21	1001126353	6	Terminal Seal	
22	1001167622	58	Plug	
23	1001167621	21	Terminal	
24	1001167623	6	Plug	
25	1001138116	1	Connector	
26	1001187882	1	Cover	
27	1001133715	3	Terminal	
28	1001135650	4	Terminal Seal	
29	1001126487	1	Connector	
30	1001167634	2	Terminal	
31	1001126485	2	Terminal Seal	
32	1001209097	1	Connector	
33	8220124	2	Terminal	
34	4460608	2	Terminal Seal	
35	1001126362	1	Connector	
36	1001166556	26	Terminal	
37	1001126393	36	Terminal Seal	
38	1001126391	19	Plug	
39	4461008	2	Plug	
40	4461006	2	Terminal Seal	
41	4461054	2	Terminal Wire Seal	
42	1001166543	4	Terminal	
43	1001166774	10	Terminal	
44	1001126487	1	Connector	
45	1001167634	2	Terminal	
46	1001126485	2	Terminal Seal	
47	1001116811	1	Connector	
48	1001150610	2	Terminal	
49	4460508	1	Terminal	

SECTION 10 - ELECTRICAL

ITEM	PART NUMBER	QTY	DESCRIPTION	REV
50	4460466	1	Plug	
51	1001144147	1	Connector	
52	4460464	2	Terminal	
53	4460466	1	Plug	
54	4460894	1	Connector	
55	4460892	1	Mating Connector	
56	4460466	1	Plug	
57	4460465	5	Terminal	
58	1001126245	1	Connector	
59	1001126008	2	Terminal	
60	1001167629	1	Connector	
61	1001167630	4	Terminal	
62	1001126485	4	Terminal Seal	
63	1001207171	1	Ring Terminal, (with boot)	
64	1001207171	1	Ring Terminal, (with boot)	
65	1001118282	1	Connector	
66	1001116734	2	Terminal	
67	1001116732	2	Terminal	
68	1001128128	1	Plug	
69	1001187080	1	Ring Terminal	
70	1001187080	1	Ring Terminal	
71	1001187078	1	Ring Terminal	
72	1001187080	1	Ring Terminal	
73	1001187080	1	Ring Terminal	
74	4460970	1	Connector	
75	4460464	9	Terminal	
76	4460466	2	Plug	
77	1001167616	1	Fuse Box	
78	1001190921	1	Fuse Box Foam Seal	
79	4460748	7	Plug	
80	8220097	23	Terminal	
81	1001175265	19	Terminal Seal	
82	8220098	9	Terminal	
83	4460458	11	Terminal Seal	
84	1001116725	6	Terminal	
85	80963067	1	Terminal Seal	
86	1001190037	5	Terminal Seal	
87	2902443	1	Connector	
88	4461071	6	Terminal	
89	1001201885	1	Faston Terminal	
90	1001201885	1	Faston Terminal	
91	4460891	1	Connector	
92	4460465	2	Terminal	
93	4460891	1	Connector	
94	4460465	2	Terminal	
95	4460891	1	Connector	
96	4460465	2	Terminal	
97	4460897	1	Mating Connector	
98	1001167636	1	Connector	
99	1001166707	2	Terminal	
100	4461006	2	Terminal Seal	

SECTION 10 - ELECTRICAL

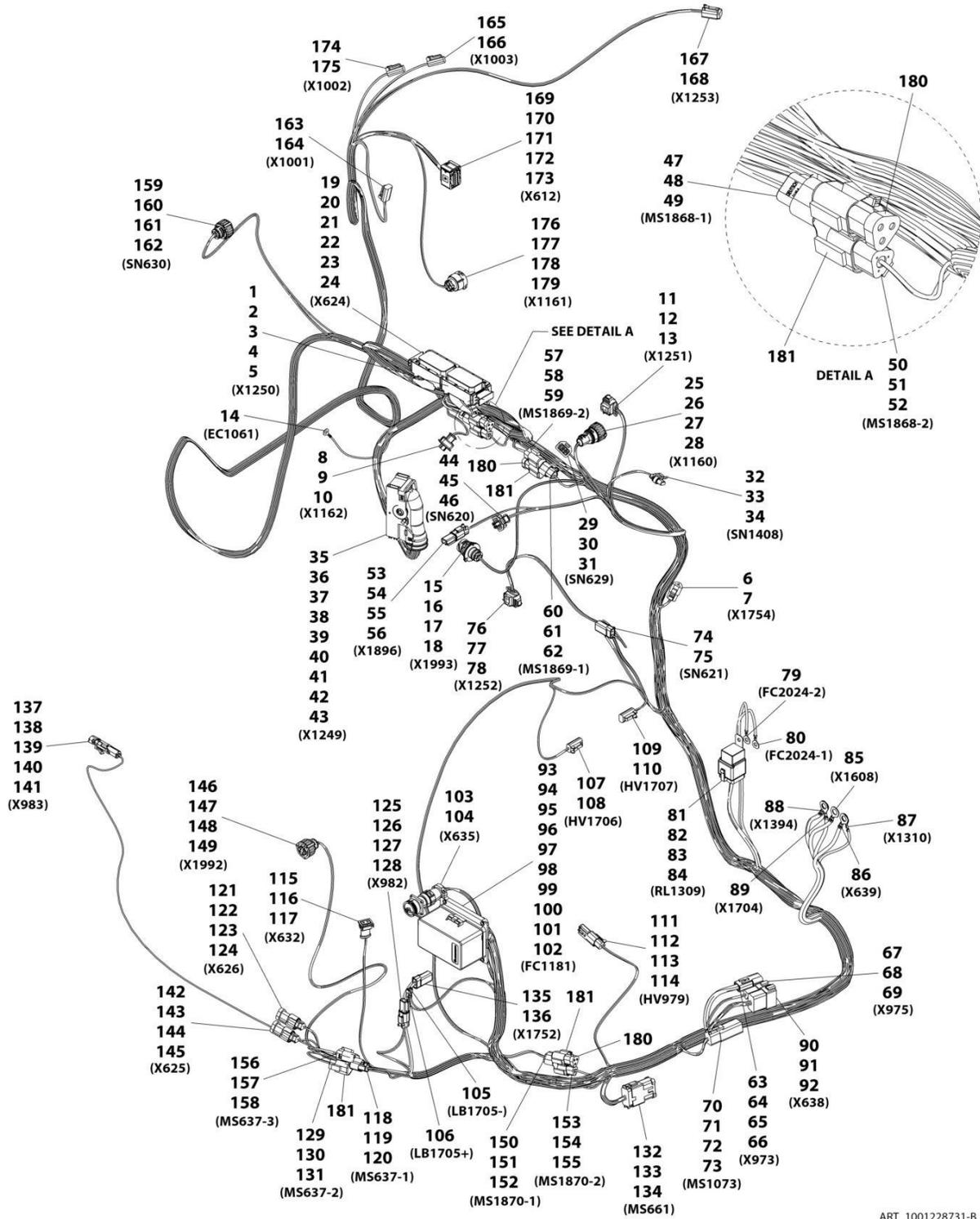
ITEM	PART NUMBER	QTY	DESCRIPTION	REV
101	1001116812	1	Connector	
102	4460944	2	Terminal	
103	4460466	1	Plug	
104	4461095	1	Connector	
105	4461070	1	Terminator Resistor	
106	4460944	2	Terminal	
107	4460466	1	Plug	
108	4460891	1	Connector	
109	4460897	1	Mating Connector	
110	4460465	2	Terminal	
111	4460539	1	Connector	
112	4460944	2	Terminal	
113	4460466	1	Plug	
114	4460933	1	Connector	
115	1001125677	1	Mating Connector	
116	4460465	12	Terminal	
117	4461018	1	Connector	
118	4460509	2	Terminal	
119	80963056	1	Connector	
120	80963055	1	Mating Connector	
121	4460979	1	Terminal	
122	1001175265	1	Terminal Seal	
123	4461095	1	Connector	
124	4461070	1	Terminator Resistor	
125	4460944	2	Terminal	
126	4460466	1	Plug	
127	1001133714	1	Connector	
128	1001133715	3	Terminal	
129	1001135650	3	Terminal Seal	
130	1001135651	1	Plug	
131	1001116812	1	Connector	
132	4460944	2	Terminal	
133	4460466	1	Plug	
134	1001133714	1	Connector	
135	1001133715	3	Terminal	
136	1001135650	3	Terminal Seal	
137	1001135651	1	Plug	
138	4460891	1	Connector	
139	4460942	2	Terminal	
140	4460891	1	Connector	
141	4460942	2	Terminal	
142	4460884	1	Connector	
143	4460465	4	Terminal	
144	1001165194	1	Connector	
145	1001126391	2	Plug	
146	1001166556	8	Terminal	
147	1001166774	2	Terminal	
148	1001126393	10	Terminal Seal	
150	4460891	1	Connector	
151	4460942	2	Terminal	
152	1001167620	1	Connector	

SECTION 10 - ELECTRICAL

ITEM	PART NUMBER	QTY	DESCRIPTION	REV
153	1001176004	2	Terminal	
154	1001176002	2	Terminal Seal	
155	1001167624	2	Plug	
156	1001116812	1	Connector	
157	4460944	2	Terminal	
158	4460466	1	Plug	
159	4460539	1	Connector	
160	4460944	2	Terminal	
161	4460466	1	Plug	
162	4460891	1	Connector	
163	4460897	1	Mating Connector	
164	4460466	1	Plug	
165	4460465	2	Terminal	
166	4460539	1	Connector	
167	4460944	2	Terminal	
168	4460466	1	Plug	
169	1001116812	1	Connector	
170	4460944	2	Terminal	
171	4460466	1	Plug	
172	1001116812	1	Connector	
173	4460944	2	Terminal	
174	4460466	1	Plug	
175	4460539	1	Connector	
176	4460944	2	Terminal	
177	4460466	1	Plug	
201	8229242	4	Fuse, 5 Amp	
202	8229244	1	Fuse, 15 Amp	
203	8229247	1	Fuse, 25 Amp	
204	8229245	1	Fuse, 30 Amp	
205	1001095704	5	Relay, 35 Amp	
206	1001177597	1	Diode, 6 Amp	
207	1001197719	1	Resistor, 620 Ohm	

SECTION 10 - ELECTRICAL

FIGURE 10-61. ENGINE HARNESS (MINING) (ULS)



ART_1001228731-B

SECTION 10 - ELECTRICAL

FIGURE 10-61. ENGINE HARNESS (MINING) (ULS)

ITEM	PART NUMBER	QTY	DESCRIPTION	REV
	1001228731	Ref	Engine Harness (Mining) (ULS)	B
1	1001202723	1	Connector	
2	1001167623	5	Plug	
3	1001166555	13	Terminal	
4	1001167621	50	Terminal	
5	1001167622	37	Plug	
6	4460539	1	Connector	
7	4460465	3	Terminal	
8	1001126487	1	Connector	
9	1001167635	2	Terminal	
10	1001126485	2	Terminal Seal	
11	1001167631	1	Connector	
12	1001167630	4	Terminal	
13	1001126485	4	Terminal Seal	
14	1001187070	1	Ring Terminal	
15	1001148842	1	Connector	
16	1001148841	3	Terminal	
17	1001135651	1	Plug	
18	1001135650	3	Terminal Seal	
19	1001202722	1	Connector	
20	1001166551	6	Terminal	
21	1001126353	6	Terminal Seal	
22	1001167622	58	Plug	
23	1001167621	21	Terminal	
24	1001167623	6	Plug	
25	1001138116	1	Connector	
26	1001187882	1	Cover	
27	1001133715	3	Terminal	
28	1001135650	4	Terminal Seal	
29	1001126487	1	Connector	
30	1001167634	2	Terminal	
31	1001126485	2	Terminal Seal	
32	1001209097	1	Connector	
33	8220124	2	Terminal	
34	4460608	2	Terminal Seal	
35	1001126362	1	Connector	
36	1001166556	26	Terminal	
37	1001126393	36	Terminal Seal	
38	1001126391	20	Plug	
39	4461008	2	Plug	
40	4461006	2	Seal	
41	4461054	2	Terminal Wire Seal	
42	1001166543	4	Terminal	
43	1001166774	10	Terminal	
44	1001126487	1	Connector	
45	1001167634	2	Terminal	
46	1001126485	2	Terminal Seal	
47	1001116812	1	Connector	
48	4460944	2	Terminal	
49	4460466	1	Plug	

SECTION 10 - ELECTRICAL

ITEM	PART NUMBER	QTY	DESCRIPTION	REV
50	4460539	1	Connector	
51	4460944	2	Terminal	
52	4460466	1	Plug	
53	4460891	1	Connector	
54	4460897	1	Mating Connector	
55	4460465	2	Terminal	
56	4460466	1	Plug	
57	4460539	1	Connector	
58	4460944	2	Terminal	
59	4460466	1	Plug	
60	1001116812	1	Connector	
61	4460944	2	Terminal	
62	4460466	1	Plug	
63	1001116811	1	Connector	
64	1001150610	2	Terminal	
65	4460508	1	Terminal	
66	4460466	1	Plug	
67	1001144147	1	Connector	
68	4460464	2	Terminal	
69	4460466	1	Plug	
70	4460894	1	Connector	
71	4460892	1	Mating Connector	
72	4460466	1	Plug	
73	4460465	5	Terminal	
74	1001126245	1	Connector	
75	1001126008	2	Terminal	
76	1001167629	1	Connector	
77	1001167630	4	Terminal	
78	1001126485	4	Terminal Seal	
79	1001207171	1	Ring Terminal, (with boot)	
80	1001207171	1	Ring Terminal, (with boot)	
81	1001118282	1	Connector	
82	1001116734	2	Terminal	
83	1001116732	2	Terminal	
84	1001128128	1	Plug	
85	1001187080	1	Ring Terminal	
86	1001187080	1	Ring Terminal	
87	1001187078	1	Ring Terminal	
88	1001187080	1	Ring Terminal	
89	1001187080	1	Ring Terminal	
90	4460970	1	Connector	
91	4460464	9	Terminal	
92	4460466	2	Plug	
93	1001167616	1	Connector	
94	1001190921	1	Fuse Box Foam Seal	
95	4460748	9	Plug	
96	8220097	21	Terminal	
97	1001175265	19	Terminal Seal	
98	8220098	9	Terminal	
99	4460458	11	Terminal Seal	
100	1001116725	6	Terminal	

SECTION 10 - ELECTRICAL

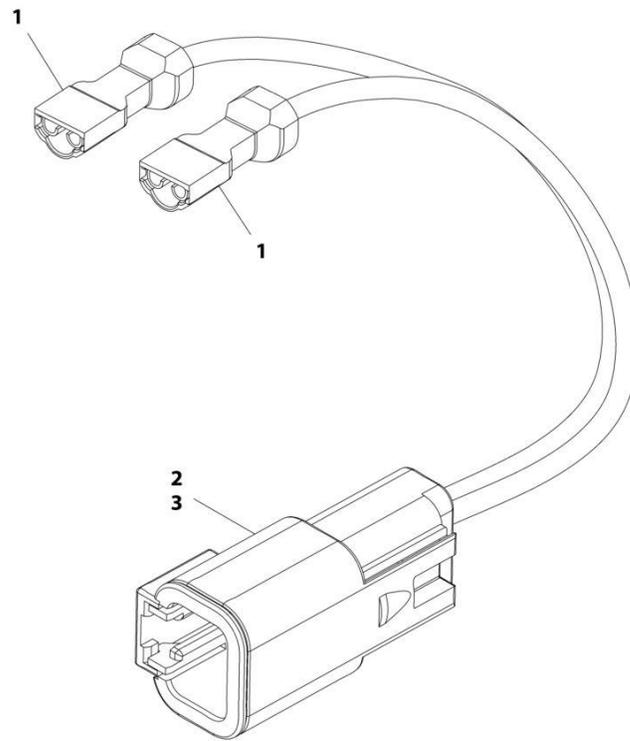
ITEM	PART NUMBER	QTY	DESCRIPTION	REV
101	80963067	1	Terminal Seal	
102	1001190037	5	Terminal Seal	
103	2902443	1	Connector	
104	4461071	6	Terminal	
105	1001201885	1	Faston Terminal	
106	1001201885	1	Faston Terminal	
107	4460891	1	Connector	
108	4460465	2	Terminal	
109	4460891	1	Connector	
110	4460465	2	Terminal	
111	4460891	1	Connector	
112	4460465	2	Terminal	
113	4460897	1	Mating Connector	
114	4460466	1	Plug	
115	1001167636	1	Connector	
116	1001166707	2	Terminal	
117	4461006	2	Terminal Seal	
118	1001116812	1	Connector	
119	4460944	2	Terminal	
120	4460466	1	Plug	
121	4461095	1	Connector	
122	4461070	1	Terminator Resistor	
123	4460944	2	Terminal	
124	4460466	1	Plug	
125	4460891	1	Connector	
126	4460897	1	Mating Connector	
127	4460465	2	Terminal	
128	4460466	1	Plug	
129	4460539	1	Connector	
130	4460944	2	Terminal	
131	4460466	1	Plug	
132	4460933	1	Connector	
133	1001125677	1	Mating Connector	
134	4460465	12	Terminal	
135	4461018	1	Connector	
136	4460509	2	Terminal	
137	80963056	1	Connector	
138	80963055	1	Mating Connector	
139	4460979	1	Terminal	
140	1001175265	1	Terminal Seal	
141	1001116727	1	Plug	
142	4461095	1	Connector	
143	4461070	1	Terminator Resistor	
144	4460944	2	Terminal	
145	4460466	1	Plug	
146	1001133714	1	Connector	
147	1001133715	3	Terminal	
148	1001135650	3	Terminal Seal	
149	1001135651	1	Plug	
150	1001116812	1	Connector	
151	4460944	2	Terminal	

SECTION 10 - ELECTRICAL

ITEM	PART NUMBER	QTY	DESCRIPTION	REV
152	4460466	1	Plug	
153	4460539	1	Connector	
154	4460944	2	Terminal	
155	4460466	1	Plug	
156	1001116812	1	Connector	
157	4460944	2	Terminal	
158	4460466	1	Plug	
159	1001133714	1	Connector	
160	1001133715	3	Terminal	
161	1001135650	3	Terminal Seal	
162	1001135651	1	Plug	
163	4460891	1	Connector	
164	4460942	2	Terminal	
165	4460891	1	Connector	
166	4460942	2	Terminal	
167	4460884	1	Connector	
168	4460465	4	Terminal	
169	1001165194	1	Connector	
170	1001126391	2	Plug	
171	1001166556	8	Terminal	
172	1001166774	2	Terminal	
173	1001126393	10	Terminal Seal	
174	4460891	1	Connector	
175	4460942	2	Terminal	
176	1001167620	1	Connector	
177	1001176004	2	Terminal	
178	1001176002	2	Terminal Seal	
179	1001167624	2	Plug	
180	1001116815	3	Connector	
181	4460945	4	Connector, 3 Way	

SECTION 10 - ELECTRICAL

FIGURE 10-62. FUEL PUMP HARNESS



ART_1001182929-E

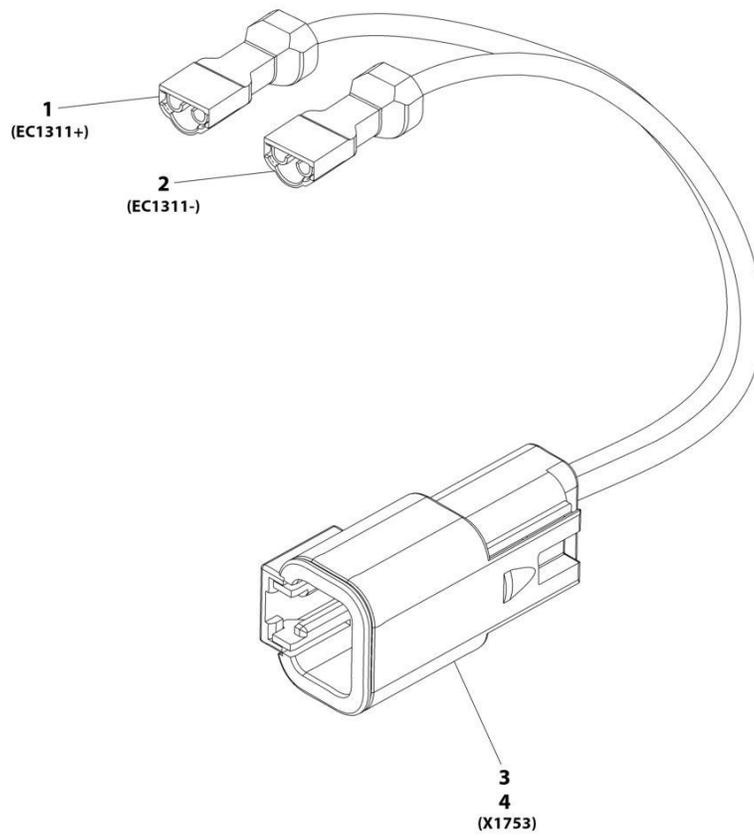
SECTION 10 - ELECTRICAL

FIGURE 10-62. FUEL PUMP HARNESS

ITEM	PART NUMBER	QTY	DESCRIPTION	REV
	1001182929	Ref	Fuel Pump Harness	E
1	8220043	2	Connector	
2	4461017	1	Connector	
3	4460508	2	Terminal	

SECTION 10 - ELECTRICAL

FIGURE 10-63. FUEL PUMP HARNESS (MINING) (ULS)



ART_1001228733-A

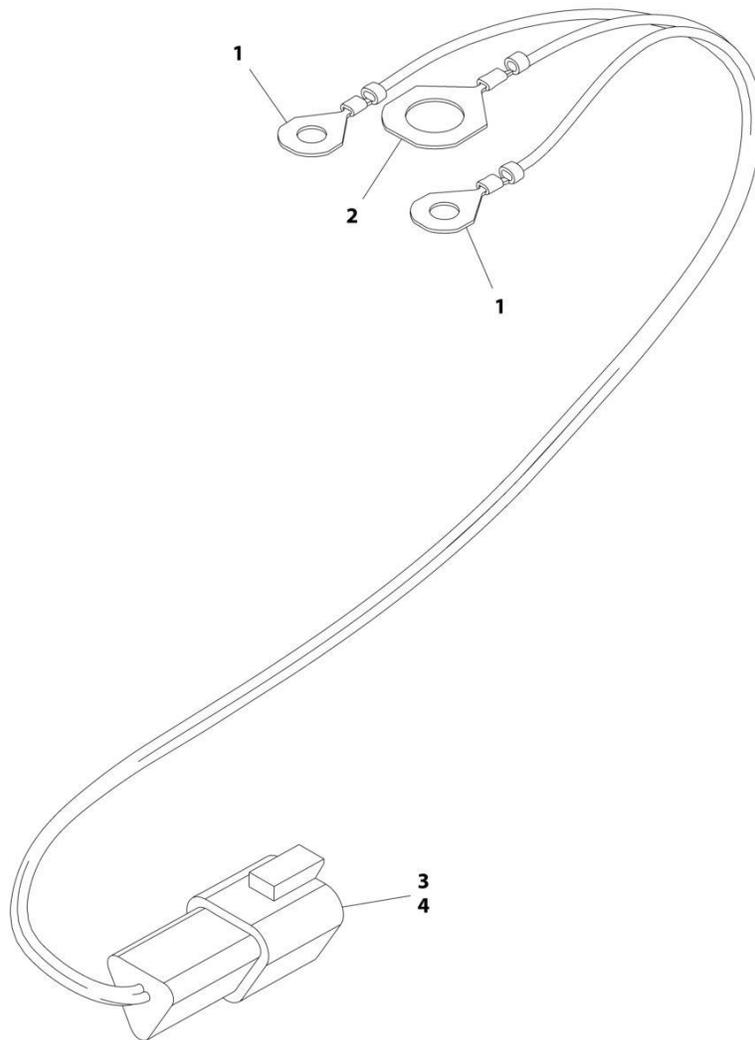
SECTION 10 - ELECTRICAL

FIGURE 10-63. FUEL PUMP HARNESS (MINING) (ULS)

ITEM	PART NUMBER	QTY	DESCRIPTION	REV
	1001228733	Ref	Fuel Pump Harness (Mining) (ULS)	A
1	8220043	1	Connector	
2	8220043	1	Connector	
3	4461017	1	Connector	
4	4460508	2	Terminal	

SECTION 10 - ELECTRICAL

FIGURE 10-64. GLOW PLUG RELAY HARNESS



ART_1001182930-C

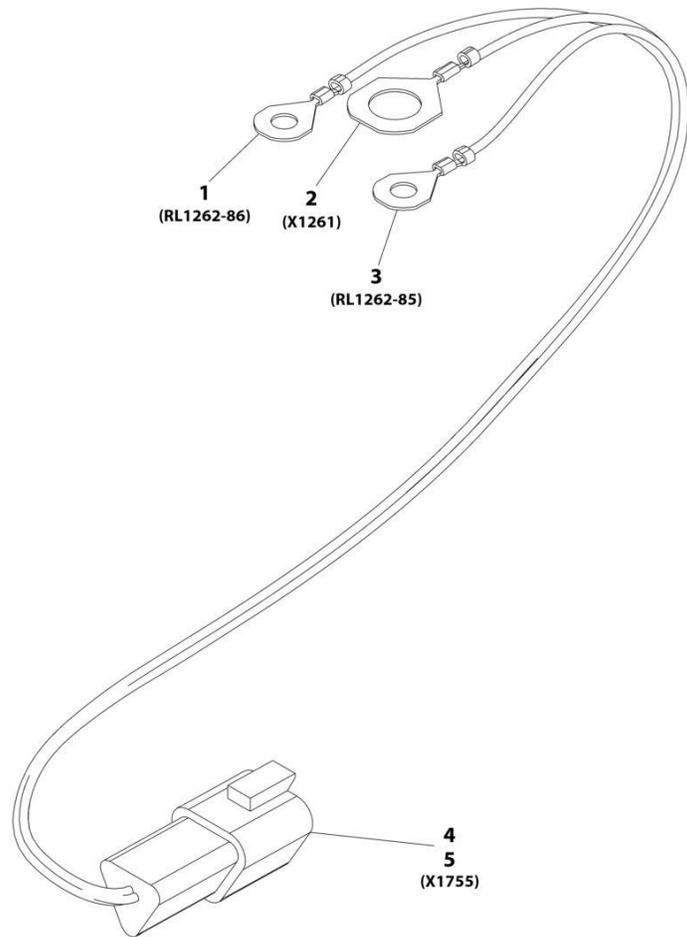
SECTION 10 - ELECTRICAL

FIGURE 10-64. GLOW PLUG RELAY HARNESS

ITEM	PART NUMBER	QTY	DESCRIPTION	REV
	1001182930	Ref	Glow Plug Relay Harness	C
1	1001187070	2	Ring, Terminal	
2	1001187077	1	Ring, Terminal	
3	4460536	1	Connector	
4	4460464	3	Terminal	

SECTION 10 - ELECTRICAL

FIGURE 10-65. GLOW PLUG RELAY HARNESS (MINING) (ULS)



ART_1001228732-A

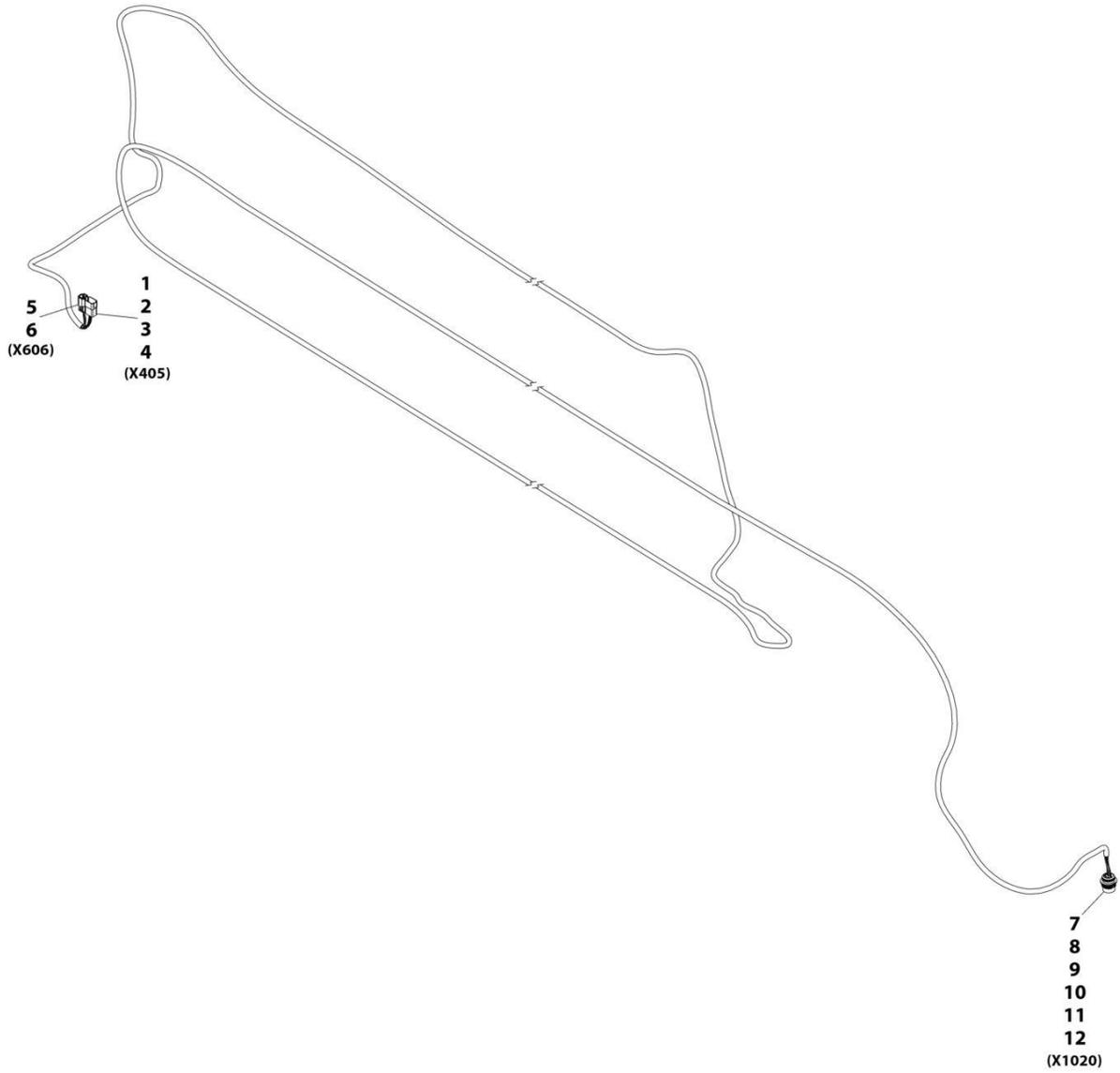
SECTION 10 - ELECTRICAL

FIGURE 10-65. GLOW PLUG RELAY HARNESS (MINING) (ULS)

ITEM	PART NUMBER	QTY	DESCRIPTION	REV
	1001228732	Ref	Glow Plug Relay Harness (Mining) (ULS)	A
1	1001187070	1	Ring, Terminal	
2	1001187077	1	Ring, Terminal	
3	1001187070	1	Ring, Terminal	
4	4460536	1	Connector	
5	4460464	3	Terminal	

SECTION 10 - ELECTRICAL

FIGURE 10-66. BOOM HARNESS



ART_1001201124-B

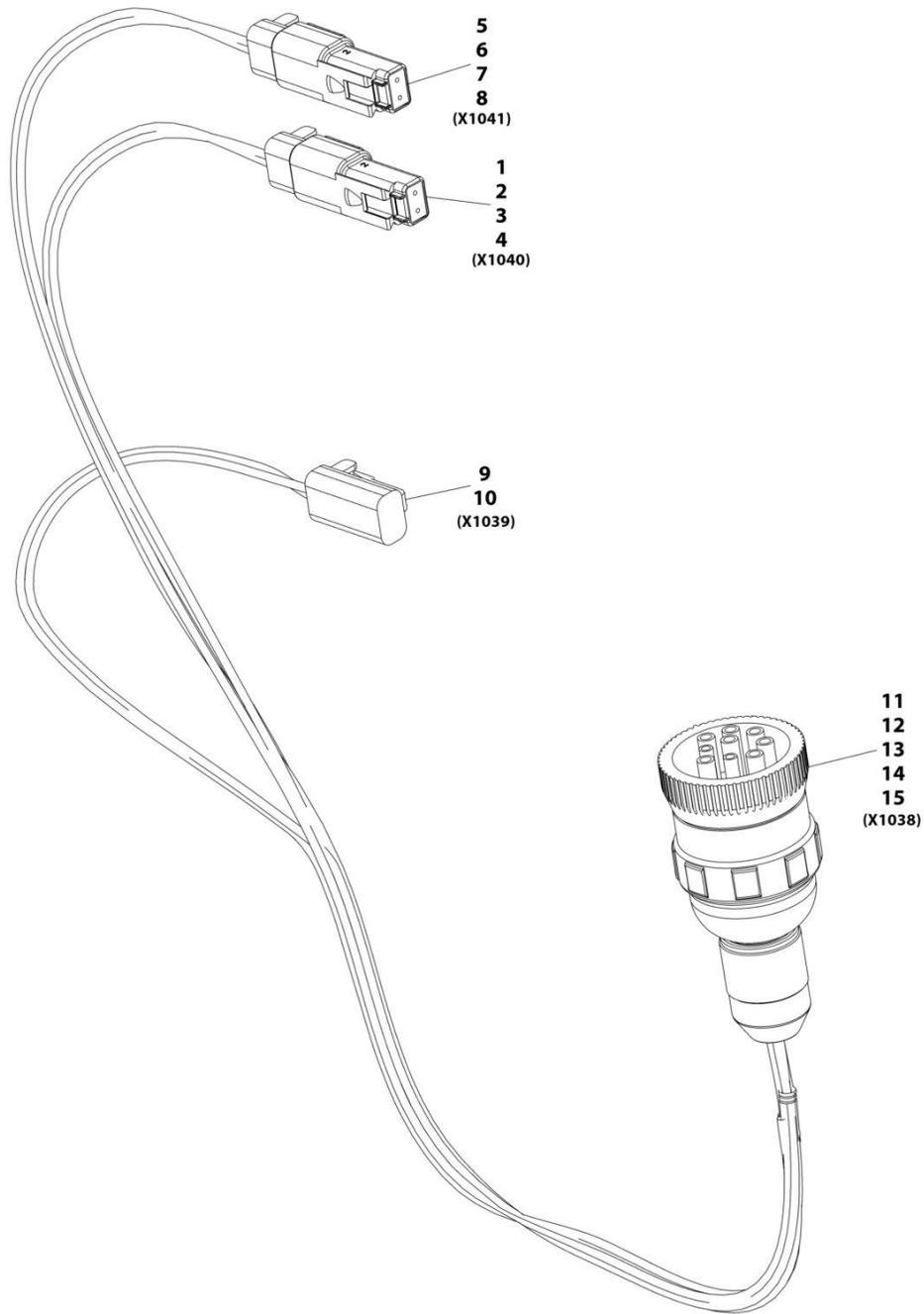
SECTION 10 - ELECTRICAL

FIGURE 10-66. BOOM HARNESS

ITEM	PART NUMBER	QTY	DESCRIPTION	REV
	1001201124	Ref	Boom Harness	B
1	4460931	1	Connector	
2	4460943	2	Terminal	
3	4460464	4	Terminal	
4	4460466	2	Plug	
5	4461017	1	Connector	
6	4460508	2	Terminal	
7	1001112612	1	Connector	
8	1001183221	1	Boot	
9	1001157891	2	Terminal	
10	4460464	4	Terminal	
11	4460943	2	Terminal	
12	4460466	1	Plug	

SECTION 10 - ELECTRICAL

FIGURE 10-67. BOOM AUX HARNESS



ART_1001206633-C

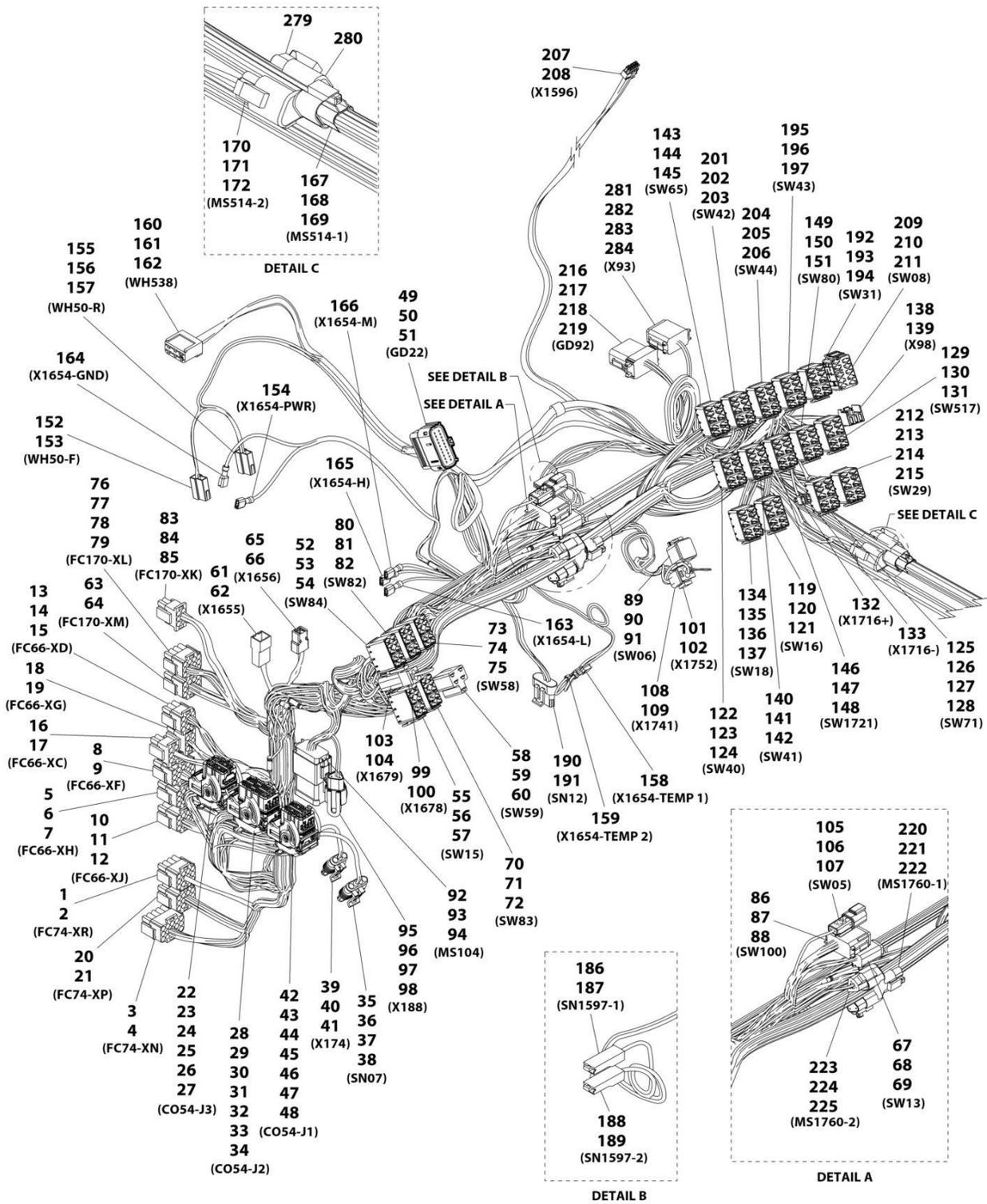
SECTION 10 - ELECTRICAL

FIGURE 10-67. BOOM AUX HARNESS

ITEM	PART NUMBER	QTY	DESCRIPTION	REV
	1001206633	Ref	Boom Aux Harness	C
1	4460891	1	Connector	
2	4460897	1	Mating Connector	
3	4460466	1	Plug	
4	4460465	2	Terminal	
5	4460891	1	Connector	
6	4460897	1	Mating Connector	
7	4460466	1	Terminal	
8	4460465	2	Terminal	
9	4460891	1	Connector	
10	4460465	2	Terminal	
11	1001112796	1	Connector	
12	4460465	4	Terminal	
13	4460466	5	Plug	
14	1001241590	1	Backshell	
15	1001241591	1	Nut	

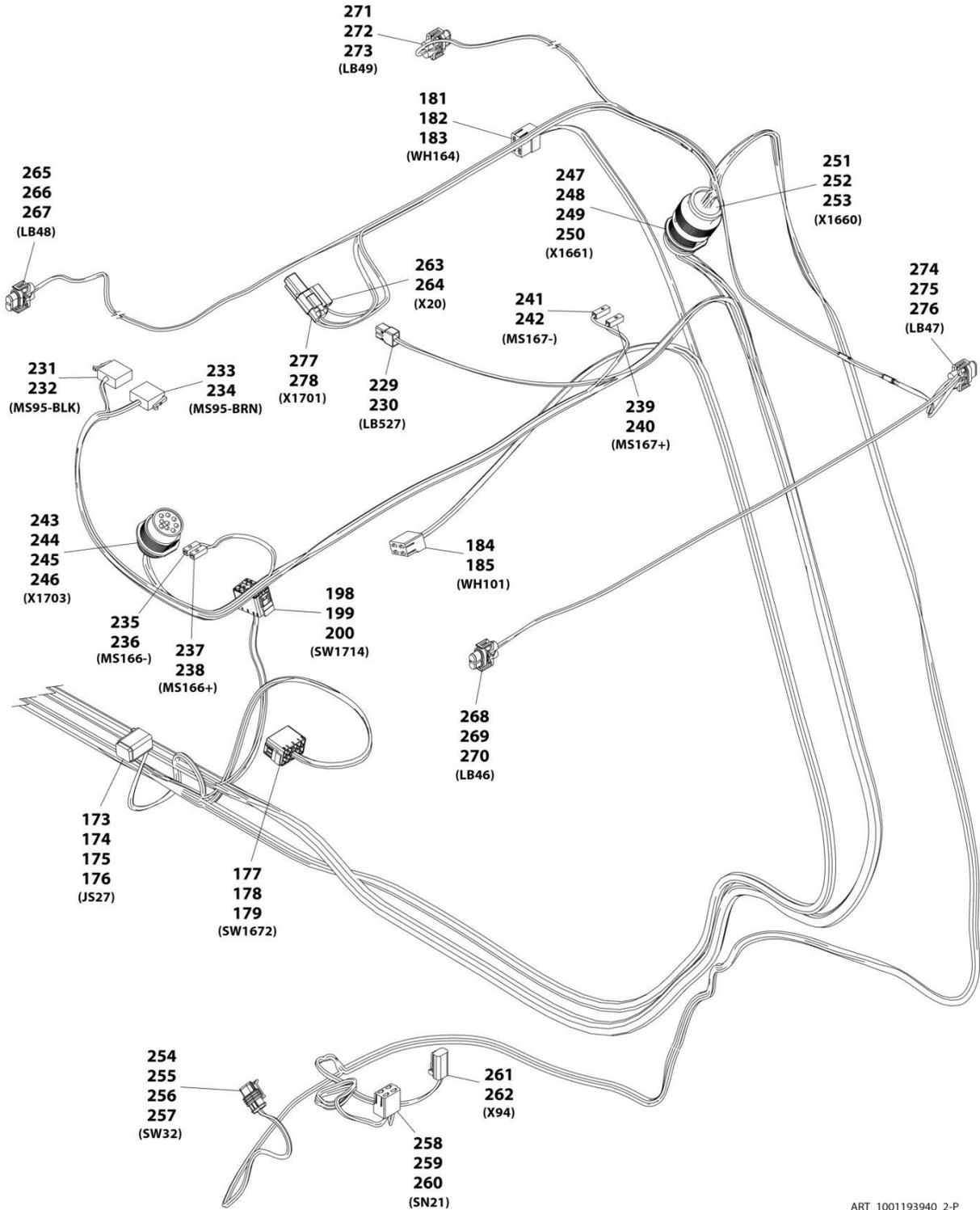
SECTION 10 - ELECTRICAL

FIGURE 10-68. CAB HARNESS



ART_1001193940_1-P

SECTION 10 - ELECTRICAL



ART_1001193940_2-P

SECTION 10 - ELECTRICAL

FIGURE 10-68. CAB HARNESS

ITEM	PART NUMBER	QTY	DESCRIPTION	REV
	1001193940	NLA	Cab Harness (no longer available, see items 1 through 284 for service or use 1001241611 for replacement)	P
1	4460343	1	Connector	
2	4460267	3	Terminal	
3	4460434	1	Connector	
4	4460268	9	Terminal	
5	4460343	1	Connector	
6	4460268	8	Terminal	
7	10011223457	1	Terminal	
8	4460434	1	Connector	
9	4460268	15	Terminal	
10	4460343	1	Connector	
11	4460267	8	Terminal	
12	1001223456	1	Terminal	
13	4460265	1	Connector	
14	1001223457	3	Terminal	
15	4460268	6	Terminal	
16	4460225	1	Connector	
17	4460267	4	Terminal	
18	4460225	1	Connector	
19	4460268	5	Terminal	
20	4460343	1	Connector	
21	4460268	8	Terminal	
22	1001161959	1	Connector	
23	943191201	1	Cover	
24	1001161100	10	Plug	
25	1001161097	14	Terminal	
26	1001161098	1	Terminal	
27	1001161101	7	Plug	
28	1001160502	1	Connector	
29	643201301	1	Cover	
30	1001161097	21	Terminal	
31	1001161100	19	Plug	
32	1001161098	5	Terminal	
33	1001161099	1	Terminal	
34	1001161101	2	Plug	
35	1001103012	1	Connector	
36	1001116698	2	Plug	
37	1001116697	2	Terminal	
38	1001104498	2	Terminal Seal	
39	4461262	1	Connector	
40	1001107854	3	Terminal	
41	1001104498	3	Terminal Seal	
42	1001160498	1	Connector	
43	643191201	1	Cover	
44	1001161097	19	Terminal	
45	1001161100	5	Plug	
46	1001161098	5	Terminal	
47	1001161101	2	Plug	
48	1001161099	1	Terminal	

SECTION 10 - ELECTRICAL

ITEM	PART NUMBER	QTY	DESCRIPTION	REV
49	1001162886	1	Connector	
50	1001163340	13	Plug	
51	1001162887	7	Terminal	
52	1001117081	1	Connector	
53	1001116723	6	Terminal	
54	1001222455	1	Terminal	
55	1001117081	1	Connector	
56	1001116723	6	Terminal	
57	1001223455	1	Terminal	
58	1001173411	1	Connector	
59	1001116716	3	Terminal	
60	1001104519	3	Terminal	
61	1001116999	1	Connector	
62	1001116700	4	Terminal	
63	4460343	1	Connector	
64	4460267	7	Terminal	
65	1001116991	1	Connector	
66	1001116723	2	Terminal	
67	4460933	1	Connector	
68	4460466	5	Plug	
69	4460465	7	Terminal	
70	1001117081	1	Connector	
71	1001116723	6	Terminal	
72	1001223455	1	Terminal	
73	1001117081	1	Connector	
74	1001116723	4	Terminal	
75	1001118384	2	Terminal	
76	4460343	1	Connector	
77	4460268	8	Terminal	
78	4460906	1	Terminal	
79	1001223457	1	Terminal	
80	1001117081	1	Connector	
81	1001116723	6	Terminal	
82	1001223455	1	Terminal	
83	4460225	1	Connector	
84	4460267	5	Terminal	
85	4460705	1	Terminal	
86	4460836	1	Connector	
87	4460942	4	Terminal	
88	4460465	8	Terminal	
89	4460894	1	Connector	
90	4460465	4	Terminal	
91	4460466	2	Plug	
92	4460933	1	Connector	
93	1001125677	1	Mating Connector	
94	4460465	12	Terminal	
95	1001116812	1	Connector	
96	1001144296	1	Cap	
97	4460944	2	Terminal	
98	4460466	1	Plug	
99	4460320	1	Connector	

SECTION 10 - ELECTRICAL

ITEM	PART NUMBER	QTY	DESCRIPTION	REV
100	4460267	2	Terminal	
101	4460320	1	Connector	
102	4460267	2	Terminal	
103	4460424	1	Connector	
104	4460268	2	Terminal	
105	4460897	1	Connector	
106	4460464	1	Terminal	
107	4460466	1	Plug	
108	4460424	1	Connector	
109	4460268	2	Terminal	
119	1001117081	1	Connector	
120	1001116723	6	Terminal	
121	1001223455	1	Terminal	
122	1001117081	1	Connector	
123	1001116723	6	Terminal	
124	1001118384	4	Terminal	
125	1001117081	1	Connector	
126	1001116723	6	Terminal	
127	1001223455	2	Terminal	
128	1001118384	2	Terminal	
129	1001117081	1	Connector	
130	1001116723	6	Terminal	
131	1001223455	1	Terminal	
132	1001194421	1	Terminal	
133	1001194421	1	Terminal	
134	1001117081	1	Connector	
135	1001116723	6	Terminal	
136	1001223455	3	Terminal	
137	1001118384	2	Terminal	
138	1001118684	1	Connector	
139	1001116754	2	Terminal	
140	1001117081	1	Connector	
141	1001116723	4	Terminal	
142	1001118384	3	Terminal	
143	1001117081	1	Connector	
144	1001116723	6	Terminal	
145	1001223455	1	Terminal	
146	1001117081	1	Connector	
147	1001116723	6	Terminal	
148	1001118384	1	Terminal	
149	1001117081	1	Connector	
150	1001116723	6	Terminal	
151	1001223455	1	Terminal	
152	4460994	1	Connector	
153	1001118384	2	Terminal	
154	8220051	1	Terminal	
155	4460994	1	Connector	
156	1001118384	1	Terminal	
157	1001116723	2	Terminal	
158	1001194421	1	Terminal	
159	1001194421	1	Terminal	

SECTION 10 - ELECTRICAL

ITEM	PART NUMBER	QTY	DESCRIPTION	REV
160	1001116997	1	Connector	
161	1001118384	4	Terminal	
162	1001116723	1	Terminal	
163	8220051	1	Terminal	
164	8220051	1	Terminal	
165	8220051	1	Terminal	
166	8220051	1	Terminal	
167	1001116812	1	Connector	
168	4460944	2	Terminal	
169	4460466	1	Plug	
170	4460539	1	Connector	
171	4460944	2	Terminal	
172	4460466	1	Plug	
173	4460894	1	Connector	
174	4460465	3	Terminal	
175	4460466	1	Plug	
176	4460944	2	Terminal	
177	1001117081	1	Connector	
178	1001116723	2	Terminal	
179	1001223455	4	Terminal	
181	1001116986	1	Connector	
182	1001117011	1	Mating Connector	
183	1001118384	4	Terminal	
184	1001116986	1	Connector	
185	1001118384	4	Terminal	
186	1001116995	1	Connector	
187	1001118379	1	Terminal	
188	1001116995	1	Connector	
189	1001118379	1	Terminal	
190	1001230931	1	Connector	
191	1001116748	6	Terminal	
192	1001117081	1	Connector	
193	1001116723	4	Terminal	
194	1001118384	2	Terminal	
195	1001117081	1	Connector	
196	1001116723	4	Terminal	
197	1001118384	2	Terminal	
198	1001117081	1	Connector	
199	1001223455	4	Terminal	
200	1001118384	1	Terminal	
201	1001117081	1	Connector	
202	1001116723	4	Terminal	
203	1001118384	2	Terminal	
204	1001117081	1	Connector	
205	1001116723	4	Terminal	
206	1001118384	2	Terminal	
207	1001150735	1	Connector	
208	1001150737	7	Terminal	
209	1001117079	1	Connector	
210	1001223455	2	Terminal	
211	1001116723	6	Terminal	

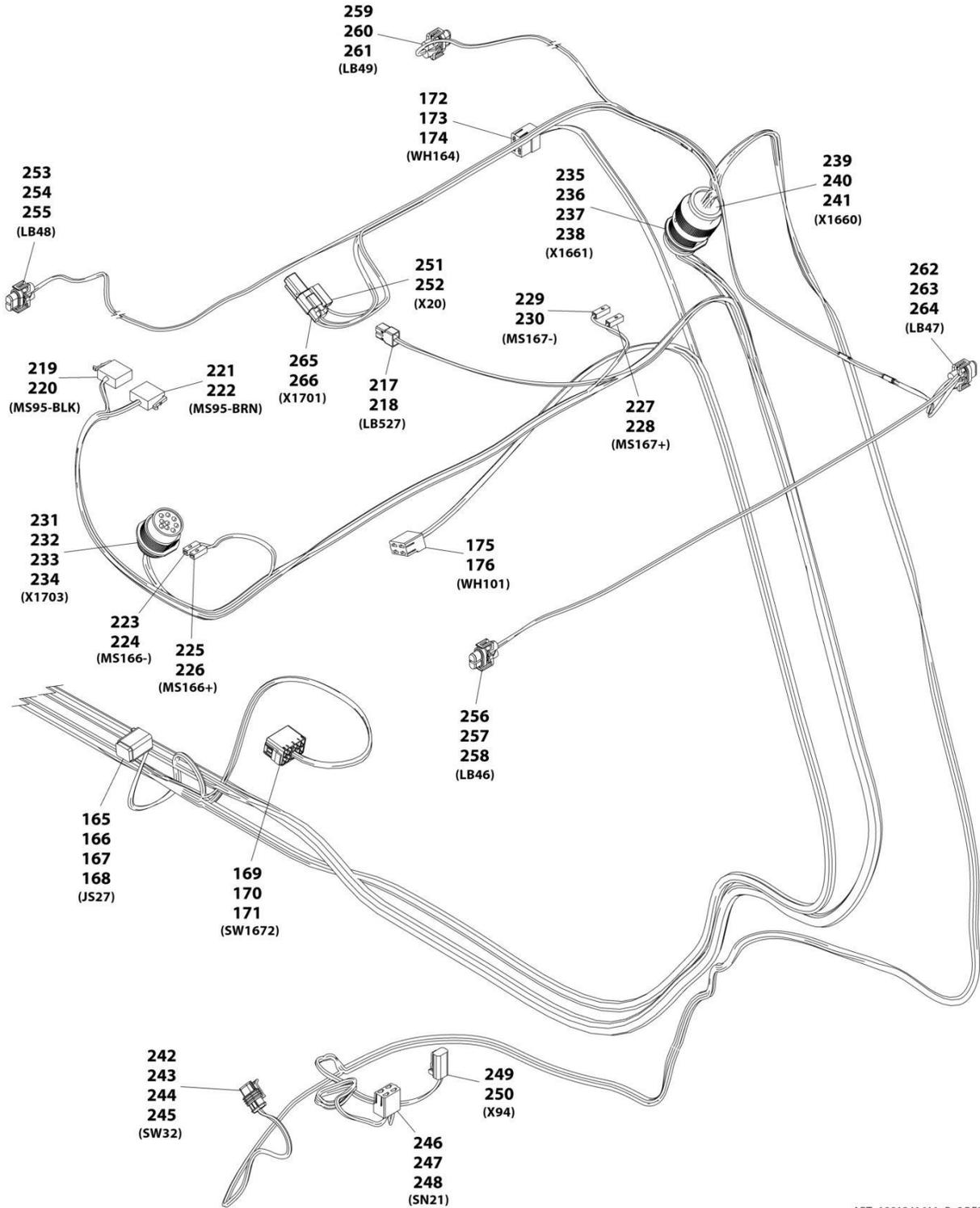
SECTION 10 - ELECTRICAL

ITEM	PART NUMBER	QTY	DESCRIPTION	REV
212	1001117081	1	Connector	
213	1001116723	8	Terminal	
214	1001118384	1	Terminal	
215	1001223455	1	Terminal	
216	1001176333	1	Connector	
217	4460466	11	Plug	
218	4460465	3	Terminal	
219	4460944	4	Terminal	
220	1001116812	1	Connector	
221	4460944	2	Terminal	
222	4460466	1	Plug	
223	4460539	1	Connector	
224	4460944	2	Terminal	
225	4460466	1	Plug	
229	1001116991	1	Connector	
230	1001118384	2	Terminal	
231	1001116985	1	Connector	
232	1001118386	3	Terminal	
233	1001116984	1	Connector	
234	1001118386	4	Terminal	
235	1001116998	1	Connector	
236	1001118387	1	Terminal	
237	1001116998	1	Connector	
238	1001118387	1	Terminal	
239	1001116998	1	Connector	
240	1001118387	1	Terminal	
241	1001116998	1	Connector	
242	1001118387	1	Terminal	
243	1001112612	1	Connector	
244	4460464	3	Terminal	
245	4460943	2	Terminal	
246	4460466	4	Plug	
247	1001137000	1	Connector	
248	4460928	3	Terminal	
249	1001126008	13	Terminal	
250	4460518	5	Plug	
251	1001136999	1	Connector	
252	1001126011	16	Terminal	
253	4460518	5	Plug	
254	4461262	1	Connector	
255	1001107854	2	Terminal	
256	1001116698	1	Terminal	
257	1001104498	3	Terminal Seal	
258	1001116986	1	Connector	
259	1001118384	3	Terminal	
260	1001116723	2	Terminal	
261	4460891	1	Connector	
262	4460465	2	Terminal	
263	4460944	1	Connector	
264	1001118384	2	Terminal	
265	4461115	1	Connector	

SECTION 10 - ELECTRICAL

ITEM	PART NUMBER	QTY	DESCRIPTION	REV
266	4460746	2	Terminal	
267	4460458	2	Terminal Seal	
268	4461115	1	Connector	
269	4460746	2	Terminal	
270	4460458	2	Terminal Seal	
271	4461115	1	Connector	
272	4460746	2	Terminal	
273	4460458	2	Terminal Seal	
274	4461115	1	Connector	
275	4460746	2	Terminal	
276	4460458	2	Terminal Seal	
277	4460891	1	Connector	
278	4460465	2	Terminal	
279	1001116815	1	Connector	
280	4460945	1	Connector, 3 Way	
281	4460930	1	Connector	
282	4460931	1	Mating Connector	
283	4460466	6	Plug	
284	4460465	2	Terminal	

SECTION 10 - ELECTRICAL



ART_1001241611_B_20F2

SECTION 10 - ELECTRICAL

FIGURE 10-69. CAB HARNESS

ITEM	PART NUMBER	QTY	DESCRIPTION	REV
	1001241611	Ref	Cab Harness	B
1	4460343	1	Connector	
2	4460267	3	Terminal	
3	4460434	1	Connector	
4	4460268	9	Terminal	
5	4460343	1	Connector	
6	4460268	8	Terminal	
7	10011223457	1	Terminal	
8	4460434	1	Connector	
9	4460268	15	Terminal	
10	4460343	1	Connector	
11	4460267	8	Terminal	
12	1001223456	1	Terminal	
13	4460265	1	Connector	
14	1001223457	3	Terminal	
15	4460268	6	Terminal	
16	4460225	1	Connector	
17	4460267	5	Terminal	
18	4460225	1	Connector	
19	4460268	5	Terminal	
20	4460343	1	Connector	
21	4460268	8	Terminal	
22	1001161959	1	Connector	
23	943191201	1	Cover	
24	1001161100	10	Plug	
25	1001161097	14	Terminal	
26	1001161098	1	Terminal	
27	1001161101	7	Plug	
28	1001160502	1	Connector	
29	643201301	1	Cover	
30	1001161097	19	Terminal	
31	1001161100	19	Plug	
32	1001161098	5	Terminal	
33	1001161099	1	Terminal	
34	1001161101	2	Plug	
35	1001103012	1	Connector	
36	1001116698	2	Plug	
37	1001116697	2	Terminal	
38	1001104498	2	Terminal Seal	
39	4461262	1	Connector	
40	1001107854	3	Terminal	
41	1001104498	3	Terminal Seal	
42	1001160498	1	Connector	
43	643191201	1	Cover	
44	1001161097	19	Terminal	
45	1001161100	5	Plug	
46	1001161098	5	Terminal	
47	1001161101	2	Plug	
48	1001161099	1	Terminal	
49	1001162886	1	Connector	

SECTION 10 - ELECTRICAL

ITEM	PART NUMBER	QTY	DESCRIPTION	REV
50	1001163340	13	Plug	
51	1001162887	7	Terminal	
52	1001117081	1	Connector	
53	1001116723	6	Terminal	
54	1001222455	1	Terminal	
55	1001117081	1	Connector	
56	1001116723	6	Terminal	
57	1001223455	1	Terminal	
58	1001173411	1	Connector	
59	1001116716	3	Terminal	
60	1001104519	3	Terminal	
61	1001116999	1	Connector	
62	1001116700	4	Terminal	
63	4460343	1	Connector	
64	4460267	7	Terminal	
65	1001116991	1	Connector	
66	1001116723	2	Terminal	
67	4460933	1	Connector	
68	4460466	5	Plug	
69	4460465	7	Terminal	
70	1001117081	1	Connector	
71	1001116723	6	Terminal	
72	1001223455	1	Terminal	
73	1001117081	1	Connector	
74	1001116723	4	Terminal	
75	1001118384	2	Terminal	
76	4460343	1	Connector	
77	4460268	8	Terminal	
78	4460906	1	Terminal	
79	1001223457	1	Terminal	
80	1001117081	1	Connector	
81	1001116723	6	Terminal	
82	1001223455	1	Terminal	
83	4460225	1	Connector	
84	4460267	5	Terminal	
85	4460705	1	Terminal	
86	4460836	1	Connector	
87	4460942	4	Terminal	
88	4460465	8	Terminal	
89	4460894	1	Connector	
90	4460465	4	Terminal	
91	4460466	2	Plug	
92	4460933	1	Connector	
93	1001125677	1	Mating Connector	
94	4460465	12	Terminal	
95	1001116812	1	Connector	
96	1001144296	1	Cap	
97	4460944	2	Terminal	
98	4460466	1	Plug	
99	4460320	1	Connector	
100	4460267	2	Terminal	

SECTION 10 - ELECTRICAL

ITEM	PART NUMBER	QTY	DESCRIPTION	REV
101	4460424	1	Connector	
102	4460268	2	Terminal	
103	4460897	1	Connector	
104	4460464	1	Terminal	
105	4460466	1	Plug	
106	4460744	1	Connector	
107	8220375	1	Cap	
108	4460748	2	Plug	
109	4460746	4	Terminal	
110	4460458	4	Seal	
111	1001117081	1	Connector	
112	1001116723	6	Terminal	
113	1001223455	1	Terminal	
114	1001117081	1	Connector	
115	1001116723	6	Terminal	
116	1001118384	4	Terminal	
117	1001117081	1	Connector	
118	1001116723	6	Terminal	
119	1001118384	2	Terminal	
120	1001223455	2	Terminal	
121	1001117081	1	Connector	
122	1001116723	6	Terminal	
123	1001223455	1	Terminal	
124	1001194421	1	Terminal	
125	1001194421	1	Terminal	
126	1001117081	1	Connector	
127	1001116723	6	Terminal	
128	1001223455	3	Terminal	
129	1001118384	2	Terminal	
130	1001118684	1	Connector	
131	1001116754	2	Terminal	
132	1001117081	1	Connector	
133	1001116723	4	Terminal	
134	1001118384	3	Terminal	
135	1001117081	1	Connector	
136	1001116723	5	Terminal	
137	1001223455	1	Terminal	
138	1001117081	1	Connector	
139	1001116723	6	Terminal	
140	1001118384	1	Terminal	
141	1001117081	1	Connector	
142	1001116723	6	Terminal	
143	1001223455	1	Terminal	
144	4460994	1	Connector	
145	1001118384	2	Terminal	
146	8220051	1	Terminal	
147	4460994	1	Connector	
148	1001118384	1	Terminal	
149	1001116723	2	Terminal	
150	1001194421	1	Terminal	
151	1001194421	1	Terminal	

SECTION 10 - ELECTRICAL

ITEM	PART NUMBER	QTY	DESCRIPTION	REV
152	1001116997	1	Connector	
153	1001118384	4	Terminal	
154	1001116723	1	Terminal	
155	8220051	1	Terminal	
156	8220051	1	Terminal	
157	8220051	1	Terminal	
158	8220051	1	Terminal	
159	1001116812	1	Connector	
160	4460944	2	Terminal	
161	4460466	1	Plug	
162	4460539	1	Connector	
163	4460944	2	Terminal	
164	4460466	1	Plug	
165	4460894	1	Connector	
166	4460465	3	Terminal	
167	4460466	1	Plug	
168	4460944	2	Terminal	
169	1001117081	1	Connector	
170	1001116723	2	Terminal	
171	1001223455	4	Terminal	
172	1001116986	1	Connector	
173	1001117011	1	Mating Connector	
174	1001118384	4	Terminal	
175	1001116986	1	Connector	
176	1001118384	4	Terminal	
177	1001116995	1	Connector	
178	1001118379	1	Terminal	
179	1001116995	1	Connector	
180	1001118379	1	Terminal	
181	1001230931	1	Connector	
182	1001116748	6	Terminal	
183	1001117081	1	Connector	
184	1001116723	4	Terminal	
185	1001118384	2	Terminal	
186	1001117081	1	Connector	
187	1001116723	4	Terminal	
188	1001118384	2	Terminal	
189	1001117081	1	Connector	
190	1001116723	4	Terminal	
191	1001118384	2	Terminal	
192	1001117081	1	Connector	
193	1001116723	4	Terminal	
194	1001118384	2	Terminal	
195	1001150735	1	Connector	
196	1001150737	7	Terminal	
197	1001117079	1	Connector	
198	1001223455	2	Terminal	
199	1001116723	6	Terminal	
200	1001117081	1	Connector	
201	1001116723	8	Terminal	
202	1001118384	1	Terminal	

SECTION 10 - ELECTRICAL

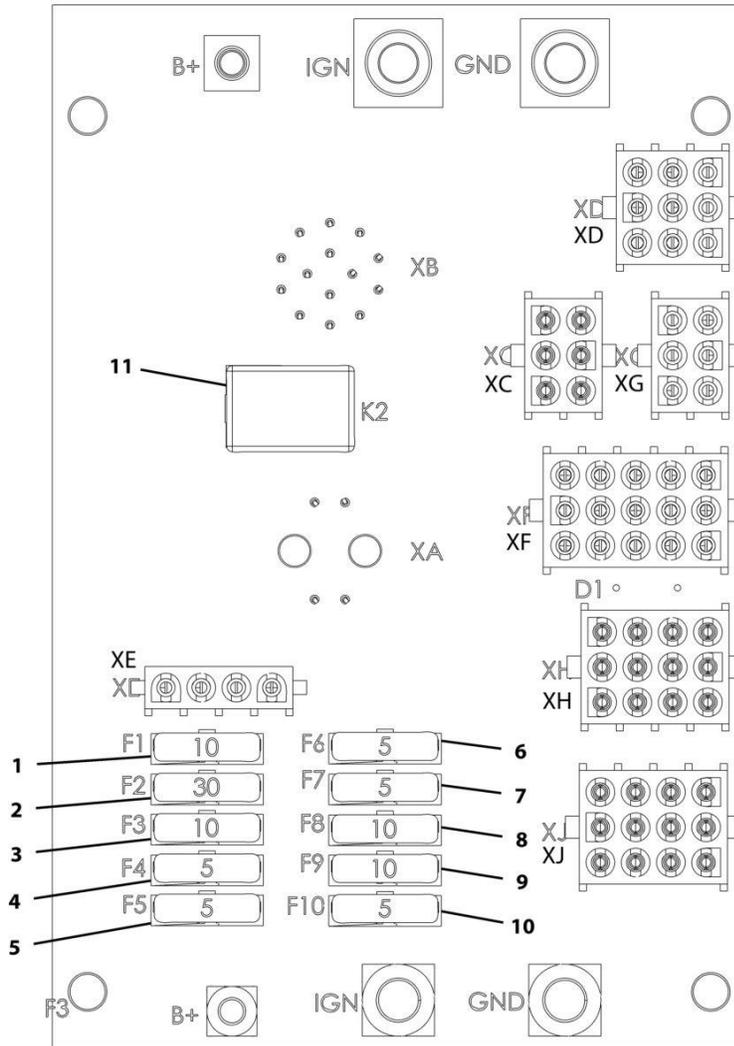
ITEM	PART NUMBER	QTY	DESCRIPTION	REV
203	1001223455	1	Terminal	
204	1001176333	1	Connector	
205	4460466	11	Plug	
206	4460465	3	Terminal	
207	4460944	4	Terminal	
208	1001116812	1	Connector	
209	4460944	2	Terminal	
210	4460466	1	Plug	
211	4460539	1	Connector	
212	4460944	2	Terminal	
213	4460466	1	Plug	
214	4460930	1	Connector	
215	4460931	1	Mating Connector	
216	4460466	6	Plug	
217	1001116991	1	Connector	
218	1001118384	2	Terminal	
219	1001116985	1	Connector	
220	1001118386	3	Terminal	
221	1001116984	1	Connector	
222	1001118386	4	Terminal	
223	1001116998	1	Connector	
224	1001118387	1	Terminal	
225	1001116998	1	Connector	
226	1001118387	1	Terminal	
227	1001116998	1	Connector	
228	1001118387	1	Terminal	
229	1001116998	1	Connector	
230	1001118387	1	Terminal	
231	1001112612	1	Connector	
232	4460464	3	Terminal	
233	4460943	2	Terminal	
234	4460466	4	Plug	
235	1001137000	1	Connector	
236	4460928	3	Terminal	
237	1001126008	12	Terminal	
238	4460518	6	Plug	
239	1001136999	1	Connector	
240	1001126011	15	Terminal	
241	4460518	6	Plug	
242	4461262	1	Connector	
243	1001107854	2	Terminal	
244	1001104499	1	Terminal	
245	1001104498	2	Terminal Seal	
246	1001116986	1	Connector	
247	1001118384	3	Terminal	
248	1001116723	1	Terminal	
249	4460891	1	Connector	
250	4460465	2	Terminal	
251	4460944	1	Connector	
252	1001118384	2	Terminal	
253	4461115	1	Connector	

SECTION 10 - ELECTRICAL

ITEM	PART NUMBER	QTY	DESCRIPTION	REV
254	4460746	2	Terminal	
255	4460458	2	Terminal Seal	
256	4461115	1	Connector	
257	4460746	2	Terminal	
258	4460458	2	Terminal Seal	
259	4461115	1	Connector	
260	4460746	2	Terminal	
261	4460458	2	Terminal Seal	
262	4461115	1	Connector	
263	4460746	2	Terminal	
264	4460458	2	Terminal Seal	
265	4460891	1	Connector	
266	4460465	2	Terminal	
267	1001116815	1	Connector	
268	4460945	1	Connector, 3 Way	

SECTION 10 - ELECTRICAL

FIGURE 10-70. STANDARD ELECTRICAL BOARD ASSEMBLY



ART_1001161769-C

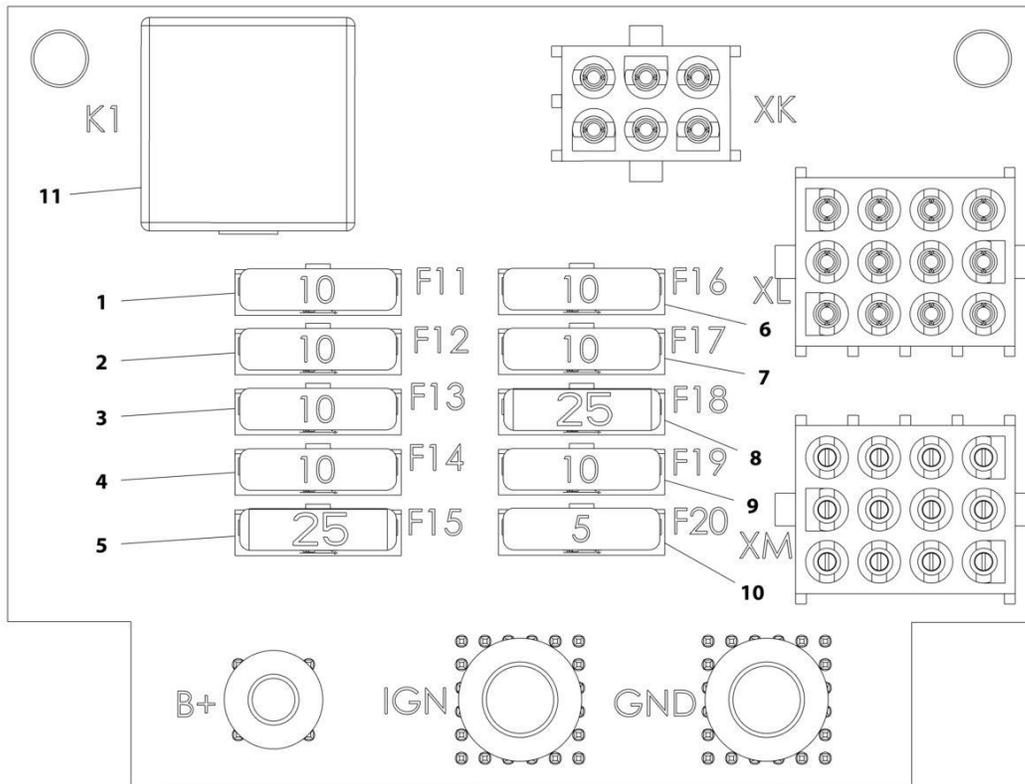
SECTION 10 - ELECTRICAL

FIGURE 10-70. STANDARD ELECTRICAL BOARD ASSEMBLY

ITEM	PART NUMBER	QTY	DESCRIPTION	REV
	1001161769	Ref	Standard Electrical Board Assembly	C
1	80983191	1	Fuse, 10AMP	
2	8229245	1	Fuse, 30AMP	
3	80983191	1	Fuse, 10AMP	
4	8229242	1	Fuse, 5AMP	
5	8229242	1	Fuse, 5AMP	
6	8229242	1	Fuse, 5AMP	
7	8229242	1	Fuse, 5AMP	
8	80983191	1	Fuse, 10AMP	
9	80983191	1	Fuse, 10AMP	
10	8229242	1	Fuse, 5AMP	
11	70026292	1	Fuse, 35AMP	

SECTION 10 - ELECTRICAL

FIGURE 10-71. OPTION 1 ELECTRICAL BOARD ASSEMBLY



ART_1001161770-C

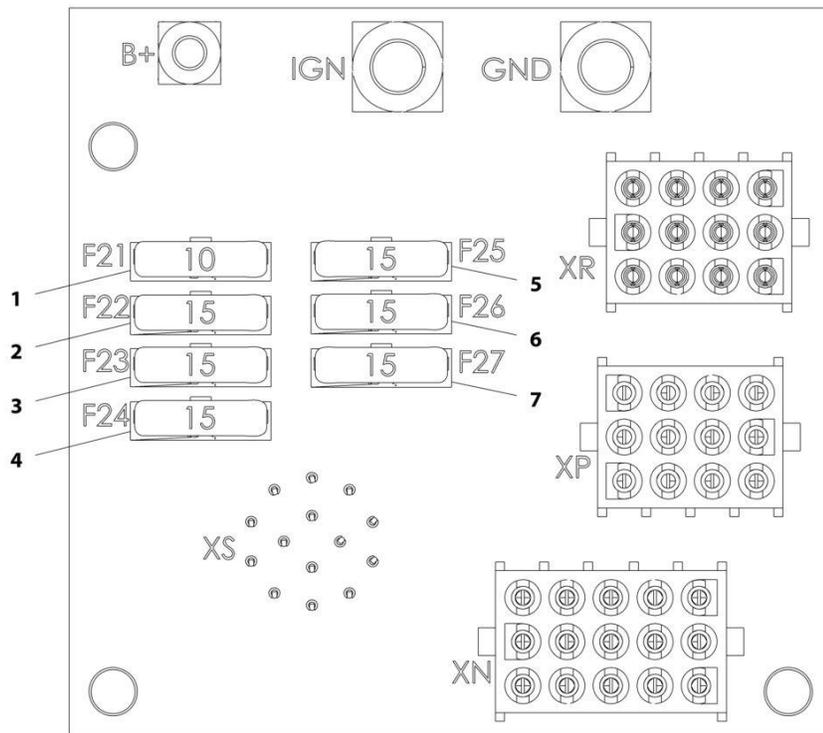
SECTION 10 - ELECTRICAL

FIGURE 10-71. OPTION 1 ELECTRICAL BOARD ASSEMBLY

ITEM	PART NUMBER	QTY	DESCRIPTION	REV
	1001161770	Ref	Option 1 Electrical Board Assembly	C
1	80983191	1	Fuse, 10AMP	
2	80983191	1	Fuse, 10AMP	
3	80983191	1	Fuse, 10AMP	
4	80983191	1	Fuse, 10AMP	
5	8229247	1	Fuse, 25AMP	
6	80983191	1	Fuse, 10AMP	
7	80983191	1	Fuse, 10AMP	
8	8229247	1	Fuse, 25AMP	
9	80983191	1	Fuse, 10AMP	
10	8229242	1	Fuse, 5AMP	
11	70026293	1	Fuse, 50AMP	

SECTION 10 - ELECTRICAL

FIGURE 10-72. OPTION 2 ELECTRICAL BOARD ASSEMBLY



ART_1001161771-B

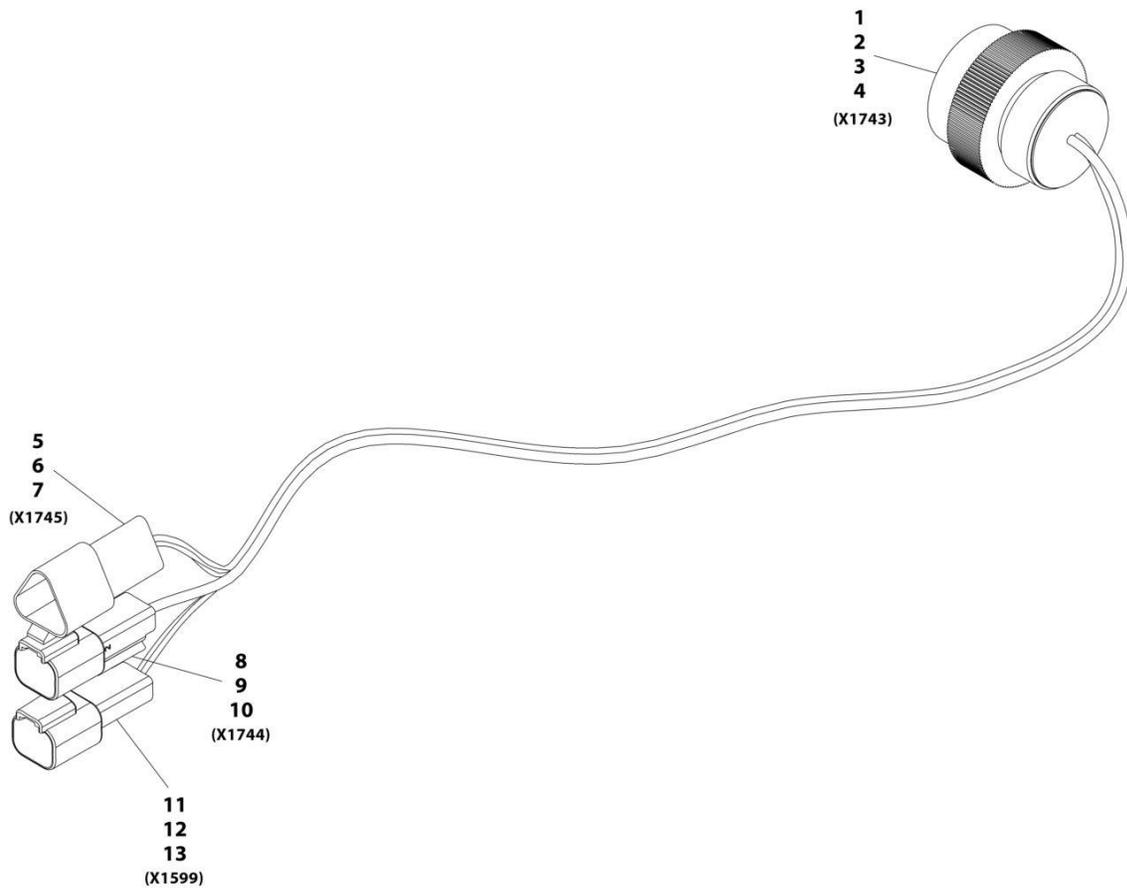
SECTION 10 - ELECTRICAL

FIGURE 10-72. OPTION 2 ELECTRICAL BOARD ASSEMBLY

ITEM	PART NUMBER	QTY	DESCRIPTION	REV
	1001161771	Ref	Option 2 Electrical Board Assembly	B
1	80983191	1	Fuse, 10AMP	
2	8229244	1	Fuse, 15AMP	
3	8229244	1	Fuse, 15AMP	
4	8229244	1	Fuse, 15AMP	
5	8229244	1	Fuse, 15AMP	
6	8229244	1	Fuse, 15AMP	
7	8229244	1	Fuse, 15AMP	

SECTION 10 - ELECTRICAL

FIGURE 10-73. CAB OPTION HARNESS



ART_1001181681-C

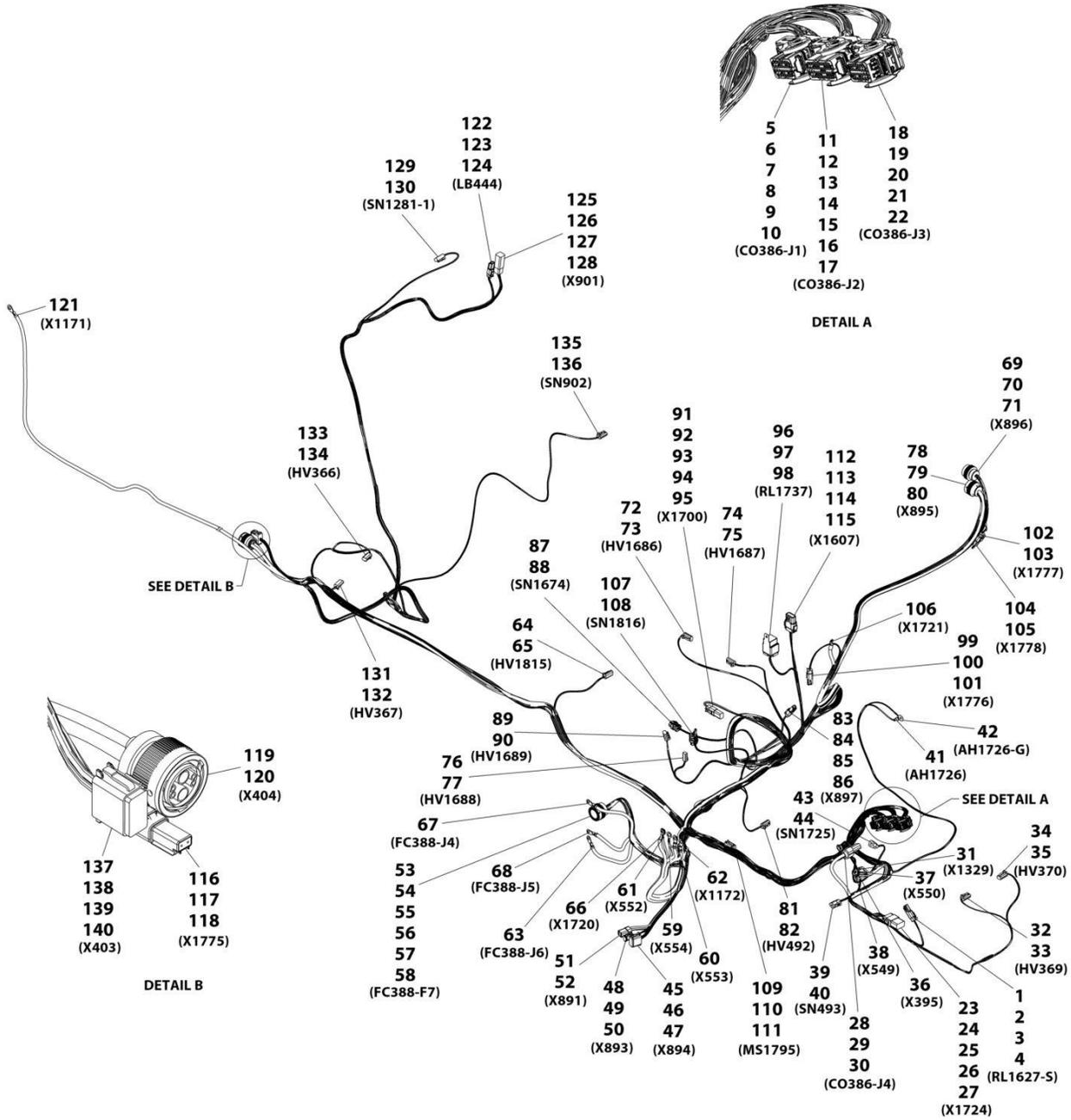
SECTION 10 - ELECTRICAL

FIGURE 10-73. CAB OPTION HARNESS

ITEM	PART NUMBER	QTY	DESCRIPTION	REV
	1001181681	Ref	Cab Option Harness	D
1	4461015	1	Connector	
2	4460465	5	Terminal	
3	4460466	8	Plug	
4	4460942	1	Terminal	
5	1001144147	1	Connector	
6	4460943	2	Terminal	
7	4460466	1	Plug	
8	4460897	1	Connector	
9	4460941	1	Terminal	
10	4460466	1	Plug	
11	4460932	1	Connector	
12	4460464	3	Terminal	
13	4460466	1	Plug	

SECTION 10 - ELECTRICAL

FIGURE 10-74. FRONT FRAME HARNESS



ART_1001184396-L

SECTION 10 - ELECTRICAL

FIGURE 10-74. FRONT FRAME HARNESS

ITEM	PART NUMBER	QTY	DESCRIPTION	REV
	1001184396	Ref	Front Frame Harness	L
1	4460891	1	Connector	
2	4460897	1	Mating Connector	
3	4460466	2	Plug	
4	4460465	2	Terminal	
5	1001161957	1	Connector	
6	643191201	1	Cover	
7	1001161100	12	Plug	
8	1001161097	12	Terminal	
9	1001161101	5	Plug	
10	1001161098	3	Terminal	
11	1001161963	1	Connector	
12	643201301	1	Cover	
13	1001161097	21	Terminal	
14	1001161100	19	Plug	
15	1001161099	6	Terminal	
16	1001161098	1	Terminal	
17	1001161101	1	Plug	
18	1001160500	1	Connector	
19	643191201	1	Cover	
20	1001161097	10	Terminal	
21	1001161100	15	Plug	
22	1001161099	7	Terminal	
23	4460933	1	Connector	
24	4460970	1	Mating Connector	
25	4460466	2	Plug	
26	4460942	10	Terminal	
27	4460466	2	Plug	
28	1001160509	1	Connector	
29	1001160510	1	Terminal	
30	1001175267	1	Seal	
31	1001187080	1	Ring Terminal	
32	4460891	1	Connector	
33	4460465	2	Terminal	
34	4460891	1	Connector	
35	4460465	2	Terminal	
36	1001187080	1	Ring Terminal	
37	1001187079	1	Ring Terminal	
38	1001187079	1	Ring Terminal	
39	4460539	1	Connector	
40	4460465	3	Terminal	
41	8220051	1	Ring Terminal	
42	1001187073	1	Ring Terminal	
43	4460539	1	Connector	
44	4460465	3	Terminal	
45	4460933	1	Connector	
46	4460465	11	Terminal	
47	4460466	1	Plug	
48	1001116812	1	Connector	
49	4460465	2	Terminal	

SECTION 10 - ELECTRICAL

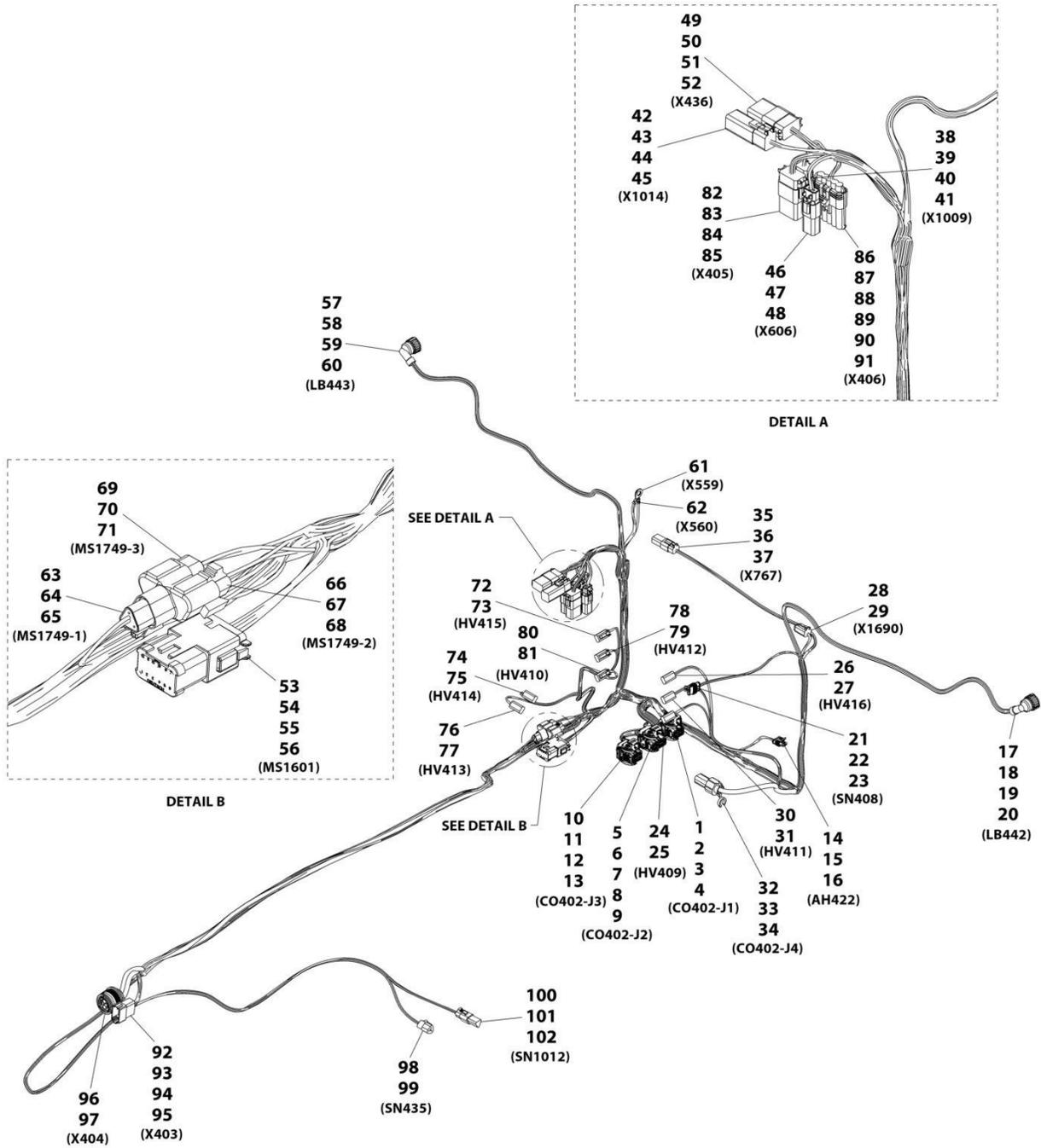
ITEM	PART NUMBER	QTY	DESCRIPTION	REV
50	4460466	1	Plug	
51	1001116810	1	Connector	
52	1001150611	4	Terminal	
53	1001165309	1	Connector	
54	4460466	2	Plug	
55	4460465	9	Terminal	
56	4460942	2	Terminal	
57	4460509	3	Terminal	
58	1001150611	3	Terminal	
59	1001187079	1	Ring Terminal	
60	1001187076	1	Ring Terminal	
61	1001187079	1	Ring Terminal	
62	1001187076	1	Ring Terminal	
63	1001187075	1	Ring Terminal	
64	4460891	1	Connector	
65	4460465	2	Terminal	
66	1001117109	1	Ring Terminal	
67	1001187075	1	Ring Terminal	
68	1001187075	1	Ring Terminal	
69	4461015	1	Connector	
70	4460465	12	Terminal	
71	4460466	2	Plug	
72	4460891	1	Connector	
73	4460465	2	Terminal	
74	4460891	1	Connector	
75	4460465	2	Terminal	
76	4461290	1	Connector	
77	4460928	2	Terminal	
78	1001118323	1	Connector	
79	4460942	4	Terminal	
80	91013192	2	Terminal	
81	4460891	1	Connector	
82	4460465	2	Terminal	
83	4460891	1	Connector	
84	4460897	1	Mating Connector	
85	4460942	1	Terminal	
86	4460466	1	Plug	
87	1001116950	1	Connector	
88	4460465	2	Terminal	
89	4460891	1	Connector	
90	4460465	2	Terminal	
91	4460884	1	Connector	
92	4460932	1	Mating Connector	
93	4460466	1	Sealing Plug	
94	4460465	3	Terminal	
95	4460942	1	Terminal	
96	1001118202	1	Connector	
97	1001116732	4	Terminal	
98	1001128128	1	Plug	
99	4460891	1	Connector	
100	4460897	1	Mating Connector	

SECTION 10 - ELECTRICAL

ITEM	PART NUMBER	QTY	DESCRIPTION	REV
101	4460465	2	Terminal	
102	4460891	1	Connector	
103	4460465	2	Terminal	
104	4460897	1	Connector	
105	4460464	2	Terminal	
106	8220116	1	Ring Terminal	
107	1001116950	1	Connector	
108	4460465	2	Terminal	
109	4460930	1	Connector	
110	4460984	1	Mating Connector	
111	4460465	8	Terminal	
112	1001116774	1	Connector	
113	1001132169	1	Mating Connector	
114	4460518	7	Plug	
115	1001126008	5	Terminal	
116	4460891	1	Connector	
117	4460897	1	Mating Connector	
118	4460465	2	Terminal	
119	1001165310	1	Connector	
120	91013192	2	Terminal	
121	1001187076	1	Ring Terminal	
122	4460891	1	Connector	
123	4460897	1	Mating Connector	
124	4460942	2	Terminal	
125	4460894	1	Connector	
126	4460899	1	Mating Connector	
127	4460465	2	Terminal	
128	4460942	4	Terminal	
129	4460891	1	Connector	
130	4460465	2	Terminal	
131	4460891	1	Connector	
132	4460465	2	Terminal	
133	4460891	1	Connector	
134	4460465	2	Terminal	
135	4460891	1	Connector	
136	4460465	2	Terminal	
137	4460933	1	Connector	
138	4460465	6	Terminal	
139	4460942	1	Terminal	
140	4460466	5	Plug	

SECTION 10 - ELECTRICAL

FIGURE 10-75. REAR FRAME HARNESS



ART_1001184397-1

SECTION 10 - ELECTRICAL

FIGURE 10-75. REAR FRAME HARNESS

ITEM	PART NUMBER	QTY	DESCRIPTION	REV
	1001184397	Ref	Rear Frame Harness	I
1	1001161957	1	Connector	
2	1001161097	6	Terminal	
3	1001161100	18	Plug	
4	1001161101	8	Plug	
5	1001161963	1	Connector	
6	1001161097	26	Terminal	
7	1001161100	14	Plug	
8	1001161099	6	Terminal	
9	1001161101	2	Plug	
10	1001160500	1	Connector	
11	1001161100	18	Plug	
12	1001161097	6	Terminal	
13	1001161099	8	Terminal	
14	4461118	1	Connector	
15	1001107854	2	Terminal	
16	1001116763	2	Terminal Seal	
17	1001116996	1	Connector	
18	1001118392	6	Terminal	
19	1001116696	1	Plug	
20	4461054	6	Terminal Seal	
21	4461262	1	Connector	
22	1001107854	3	Terminal	
23	1001104498	3	Terminal Seal	
24	4460891	1	Connector	
25	4460465	2	Terminal	
26	4460891	1	Connector	
27	4460465	2	Terminal	
28	4460884	1	Connector	
29	4460465	4	Terminal	
30	4460891	1	Connector	
31	4460465	2	Terminal	
32	1001160509	1	Connector	
33	1001160510	1	Terminal	
34	1001175267	1	Terminal Seal	
35	4460884	1	Connector	
36	4460932	1	Mating Connector	
37	4460465	4	Terminal	
38	4460884	1	Connector	
39	4460932	1	Mating Connector	
40	4460466	2	Plug	
41	4460465	2	Terminal	
42	4460894	1	Connector	
43	4460899	1	Mating Connector	
44	4460466	3	Plug	
45	4460465	3	Terminal	
46	4461018	1	Connector	
47	4461017	1	Mating Connector	
48	4460509	2	Terminal	
49	4460930	1	Connector	

SECTION 10 - ELECTRICAL

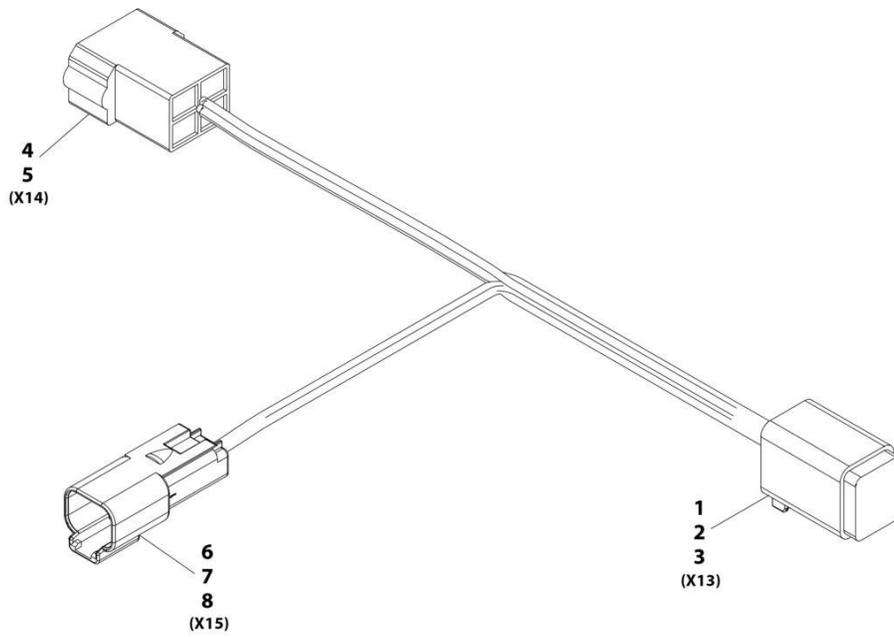
ITEM	PART NUMBER	QTY	DESCRIPTION	REV
50	4460931	1	Mating Connector	
51	4460466	2	Plug	
52	4460465	6	Terminal	
53	4460933	1	Connector	
54	1001125677	1	Bussbar Connector	
55	4460465	10	Terminal	
56	4460466	2	Plug	
57	1001116996	1	Connector	
58	1001118392	6	Terminal	
59	1001116696	1	Plug	
60	4461054	6	Terminal Seal	
61	1001187080	1	Ring Terminal	
62	1001187079	1	Ring Terminal	
63	1001116812	1	Connector	
64	4460944	2	Terminal	
65	4460466	1	Plug	
66	4460539	1	Connector	
67	4460944	2	Terminal	
68	4460466	1	Plug	
69	1001116812	1	Connector	
70	4460944	2	Terminal	
71	4460466	1	Plug	
72	4460891	1	Connector	
73	4460465	2	Terminal	
74	4460891	1	Connector	
75	4460465	2	Terminal	
76	4460891	1	Connector	
77	4460465	2	Terminal	
78	4460891	1	Connector	
79	4460465	2	Terminal	
80	4460891	1	Connector	
81	4460465	2	Terminal	
82	4460930	1	Connector	
83	4460931	1	Mating Connector	
84	4460466	2	Plug	
85	4460465	6	Terminal	
86	1001121726	1	Connector	
87	1001121727	1	Mating Connector	
88	1001116728	4	Terminal	
89	4460748	1	Plug	
90	1001175265	3	Terminal Seal	
91	4460458	1	Terminal Seal	
92	4460970	1	Connector	
93	4460464	6	Terminal	
94	4460941	1	Terminal	
95	4460466	5	Plug	
96	1001165311	1	Connector	
97	91013191	2	Terminal	
98	4460539	1	Connector	
99	4460944	3	Terminal	
100	4460539	1	Connector	

SECTION 10 - ELECTRICAL

ITEM	PART NUMBER	QTY	DESCRIPTION	REV
101	4460536	1	Mating Connector	
102	4460465	3	Terminal	

SECTION 10 - ELECTRICAL

FIGURE 10-76. SEAT ADAPTOR HARNESS



ART_1001168531-A

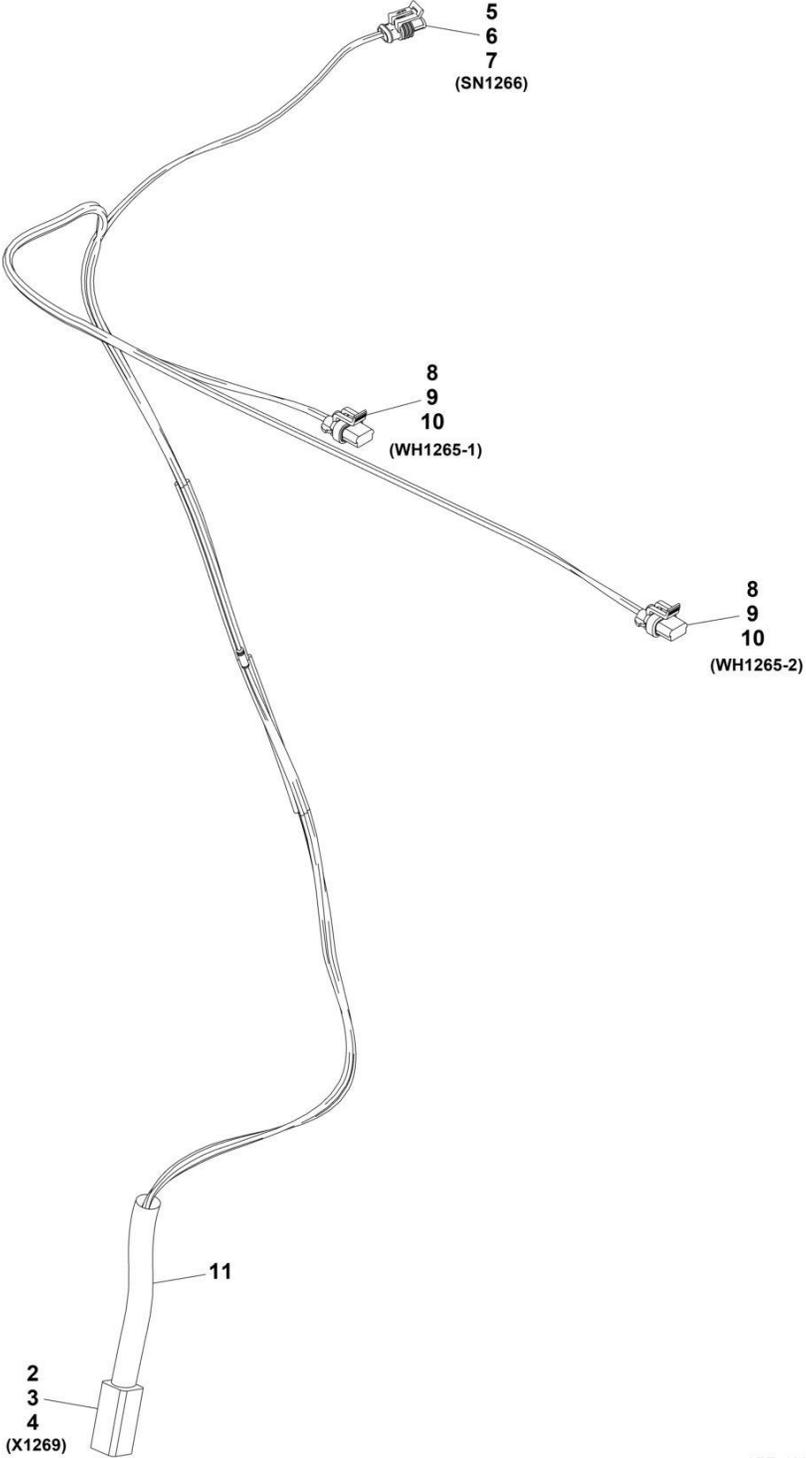
SECTION 10 - ELECTRICAL

FIGURE 10-76. SEAT ADAPTOR HARNESS

ITEM	PART NUMBER	QTY	DESCRIPTION	REV
	1001168531	Ref	Seat Adaptor Harness	A
1	4460894	1	Connector	
2	91504107	1	Lock, Connector	
3	4460465	6	Terminal	
4	1001117011	1	Connector	
5	1001116700	3	Terminal	
6	4460897	1	Connector	
7	80604017	1	Lock, Connector	
8	4460943	2	Terminal	

SECTION 10 - ELECTRICAL

FIGURE 10-77. A/C OPTION HARNESS



ART_1001169151

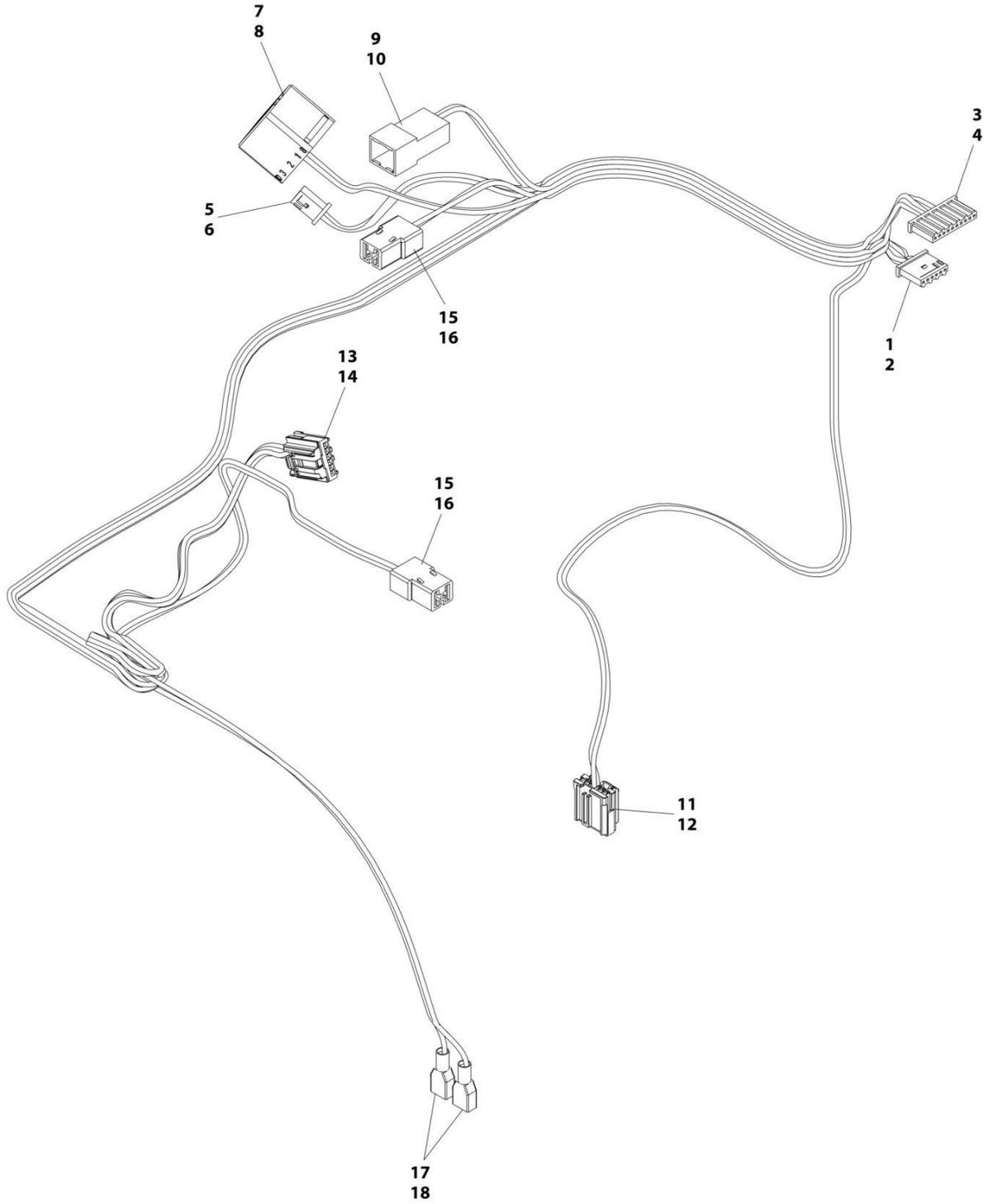
SECTION 10 - ELECTRICAL

FIGURE 10-77. A/C OPTION HARNESS

ITEM	PART NUMBER	QTY	DESCRIPTION	REV
	1001169151	Ref	A/C Option Harness	G
2	4460899	1	Connector	
3	4460941	4	Terminal	
4	4460464	2	Terminal	
5	4461118	1	Connector	
6	1001107854	2	Terminal	
7	1001116763	2	Seal	
8	1001117021	2	Connector	
9	1001116747	4	Terminal	
10	4460789	4	Seal	
11	70028546	1	Backshell	

SECTION 10 - ELECTRICAL

FIGURE 10-78. HVAC ACTUATORS HARNESS



ART_1001221056

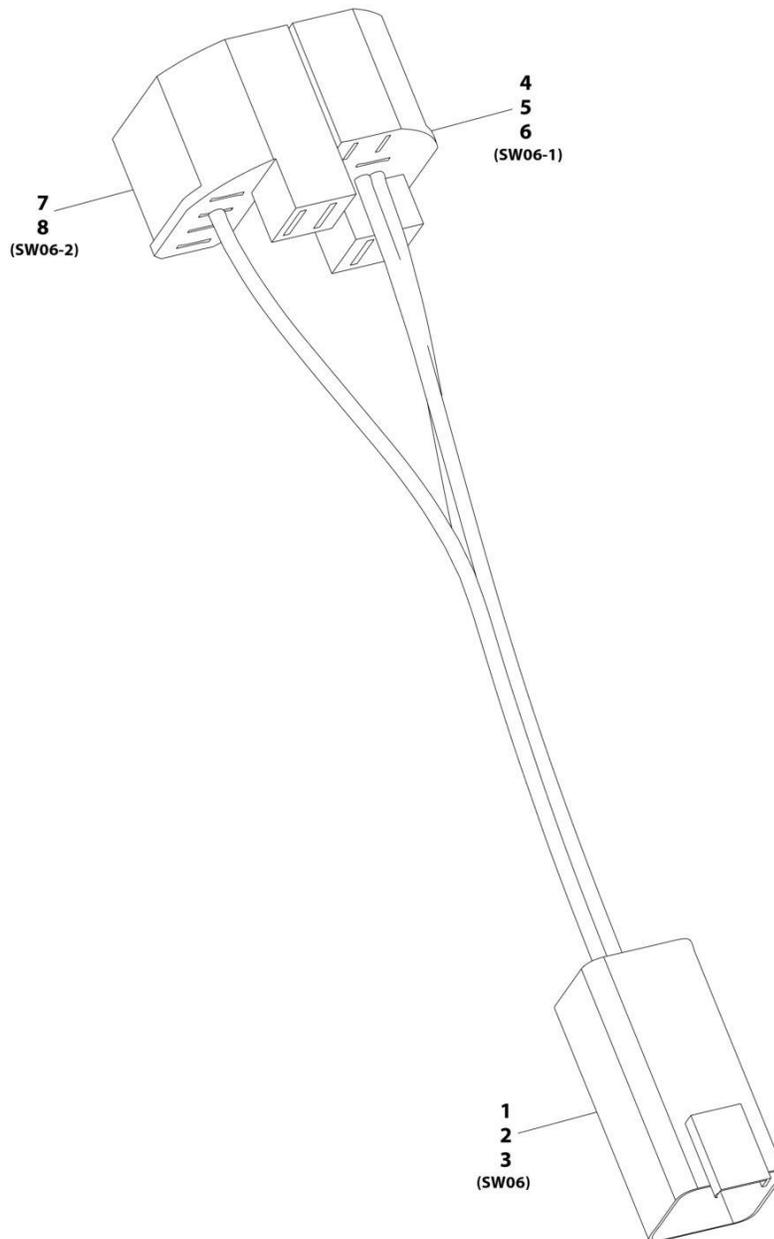
SECTION 10 - ELECTRICAL

FIGURE 10-78. HVAC ACTUATORS HARNESS

ITEM	PART NUMBER	QTY	DESCRIPTION	REV
	1001221056	Ref	HVAC ACTUATOR HARNESS	E
		Ref	Note: No Other Service Parts Available At Time of Printing.	
1		Ref	Connector	
2		Ref	Terminal	
3		Ref	Connector	
4		Ref	Terminal	
5	1001184473	1	Connector	
6		Ref	Terminal	
7		Ref	Connector	
8		Ref	Connector	
9	1001116999	1	Connector	
10	7029668	2	Terminal	
11		Ref	Connector	
12		Ref	Terminal	
13		Ref	Connector	
14		Ref	Terminal	
15	1001116991	2	Connector	
16		Ref	Terminal	
17	8220108	2	Connector	
18		Ref	Terminal	

SECTION 10 - ELECTRICAL

FIGURE 10-79. IGNITION SWITCH HARNESS



ART_1001223968-A

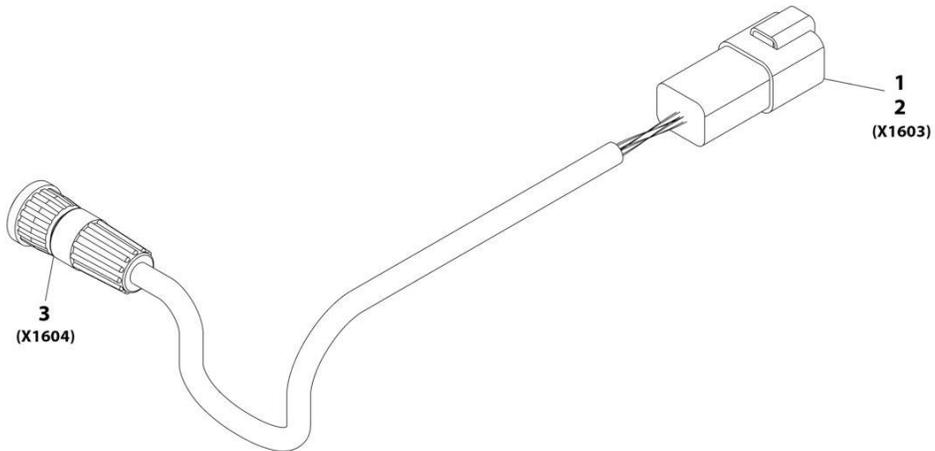
SECTION 10 - ELECTRICAL

FIGURE 10-79. IGNITION SWITCH HARNESS

ITEM	PART NUMBER	QTY	DESCRIPTION	REV
	1001223968	Ref	Ignition Switch Harness	A
1	4460899	1	Connector	
2	4460464	3	Terminal	
3	4460466	3	Plug	
4	1001118685	1	Connector	
5	1001104519	1	Terminal	
6	1001118383	1	Terminal	
7	1001117121	1	Connector	
8	1001104519	1	Terminal	

SECTION 10 - ELECTRICAL

FIGURE 10-80. REVERSE SENSOR HARNESS



ART_1001175776-C

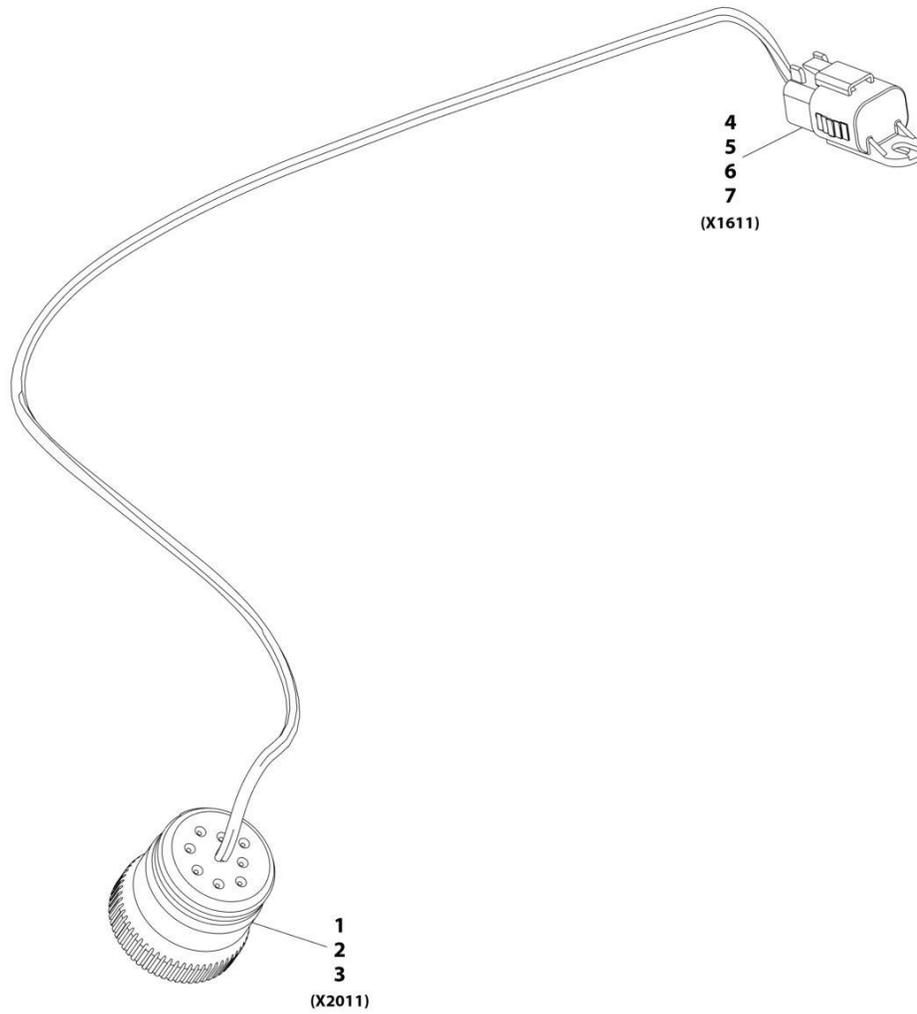
SECTION 10 - ELECTRICAL

FIGURE 10-80. REVERSE SENSOR HARNESS

ITEM	PART NUMBER	QTY	DESCRIPTION	REV
	1001175776	Ref	Reverse Sensor Harness	C
1	4460932	1	Connector	
2	4460464	4	Terminal	
3	1001175733	1	Connector	

SECTION 10 - ELECTRICAL

FIGURE 10-81. TELEMATICS READY HARNESS



ART_1001196289-A

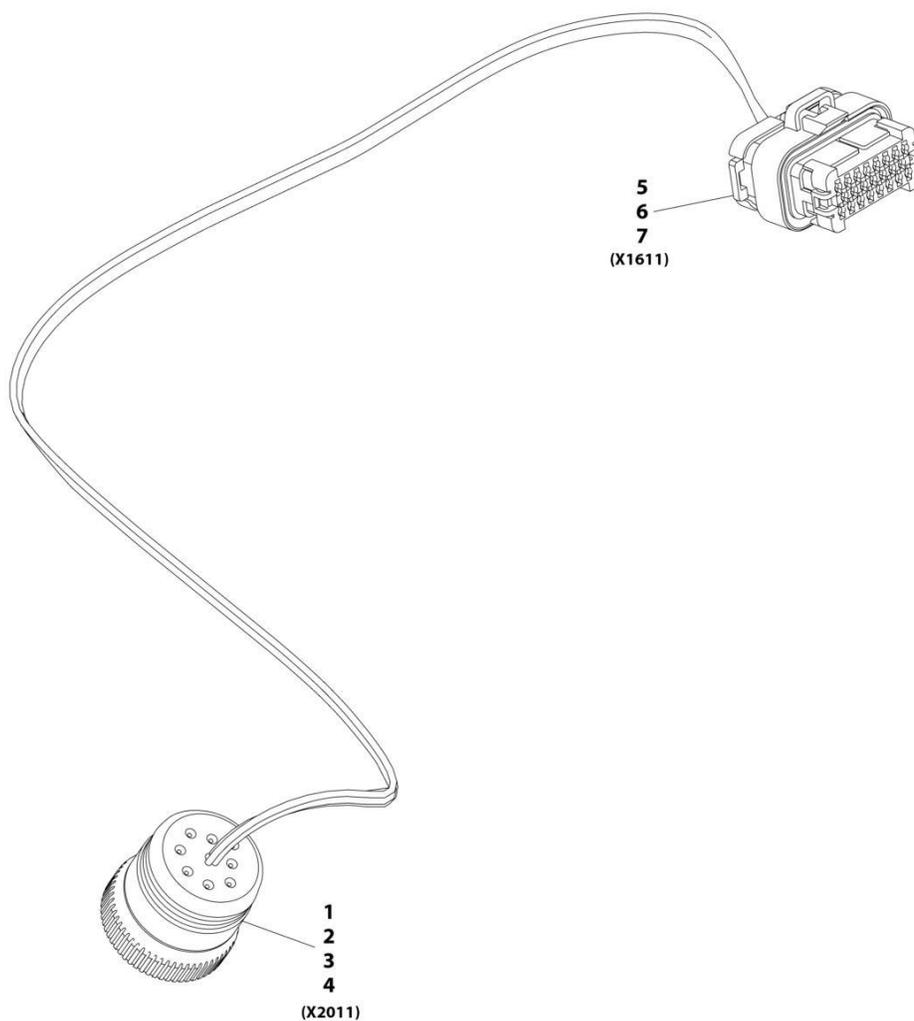
SECTION 10 - ELECTRICAL

FIGURE 10-81. TELEMATICS READY HARNESS

ITEM	PART NUMBER	QTY	DESCRIPTION	REV
	1001196289	Ref	Telematics Ready Harness	A
1	1001112796	1	Connector	
2	4460465	3	Terminal	
3	4460466	6	Plug	
4	4460884	1	Connector	
5	80604021	1	Lock, Connector	
6	4460465	3	Terminal	
7	4460466	1	Terminal	

SECTION 10 - ELECTRICAL

FIGURE 10-82. CLEARSKY HARNESS (A/C) (SN 016000001 through 0160087899)



ART_1001196452-A

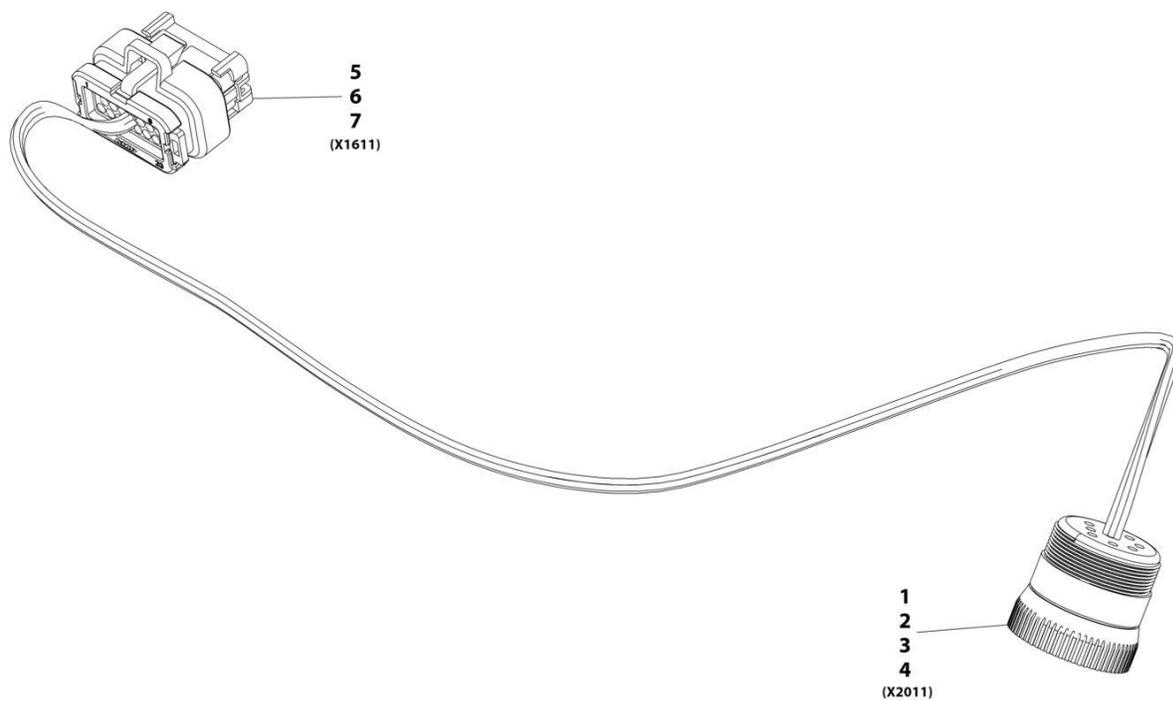
SECTION 10 - ELECTRICAL

FIGURE 10-82. CLEARSKY HARNESS (A/C) (SN 0160000001 through 0160087899)

ITEM	PART NUMBER	QTY	DESCRIPTION	REV
	1001196452	Ref	Clearsky Harness (A/C)	A
1	1001112796	1	Connector	
2	4460465	3	Terminal	
3	4460944	2	Terminal	
4	4460466	4	Plug	
5	1001116994	1	Connector	
6	4460871	5	Terminal	
7	4460905	18	Plug	

SECTION 10 - ELECTRICAL

FIGURE 10-83. CLEARSKY HARNESS (NO A/C) (SN 016000001 through 0160087899)



ART_1001176587-C

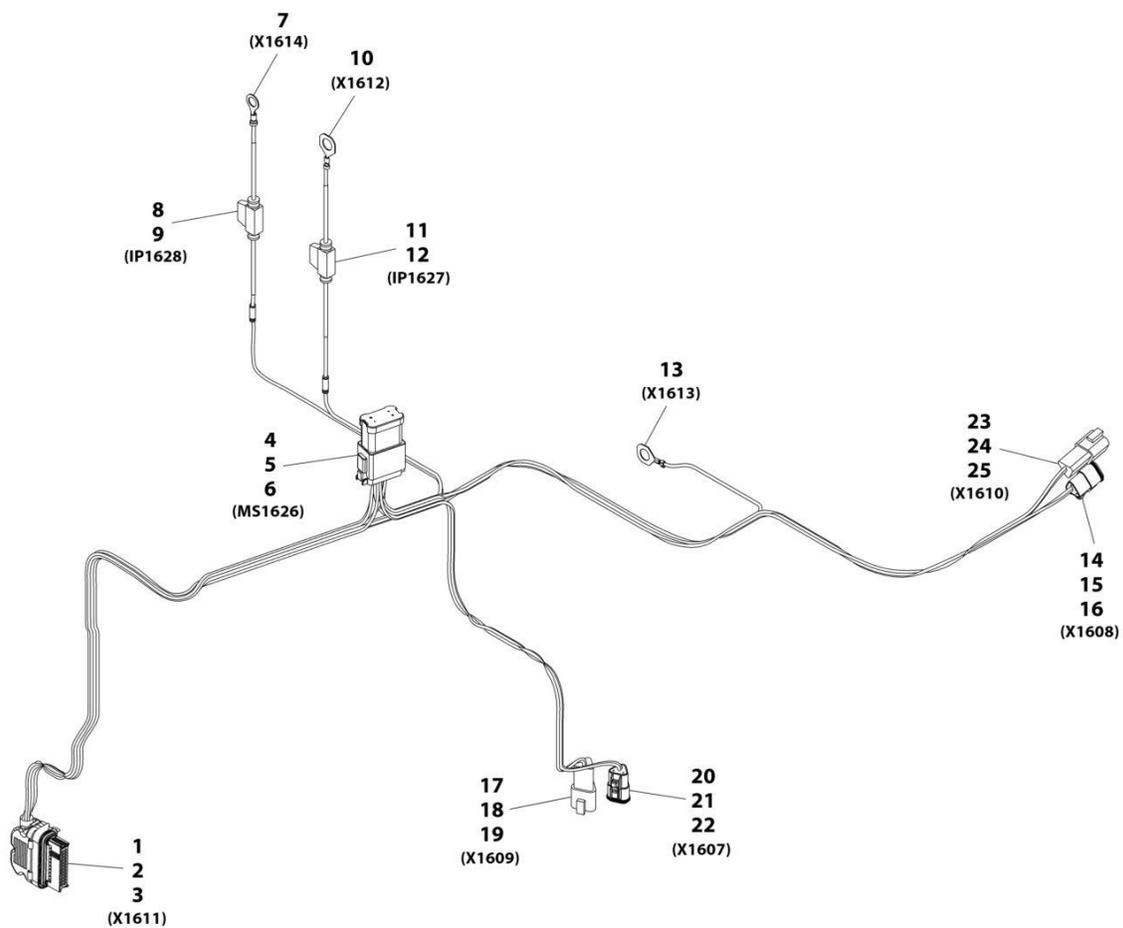
SECTION 10 - ELECTRICAL

FIGURE 10-83. CLEARSKY HARNESS (NO A/C) (SN 016000001 through 0160087899)

ITEM	PART NUMBER	QTY	DESCRIPTION	REV
	1001176587	Ref	Clearsky Harness (no A/C)	C
1	1001112796	1	Connector	
2	4460465	3	Terminal	
3	4460944	2	Terminal	
4	4460466	4	Plug	
5	1001116994	1	Connector	
6	4460871	5	Terminal	
7	4460905	18	Plug	

SECTION 10 - ELECTRICAL

FIGURE 10-84. 4WARD TELEMATIC, HARNESS (CLEARSKY 2) (SN 0160087899 through 0160100942)



ART_1001227297

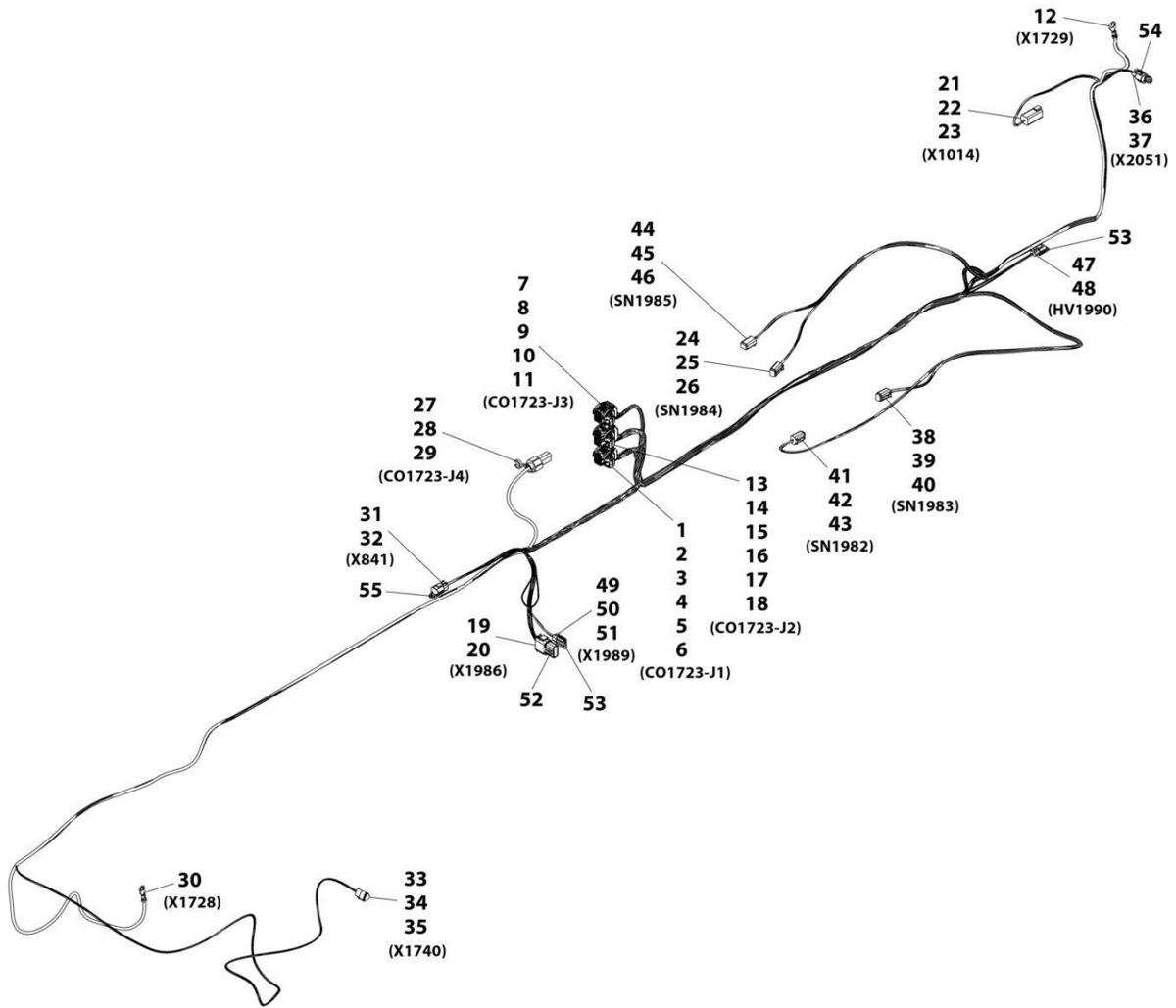
SECTION 10 - ELECTRICAL

FIGURE 10-84. 4WARD TELEMATIC, HARNESS (CLEARSKY 2) (SN 0160087899 through 0160100942)

ITEM	PART NUMBER	QTY	DESCRIPTION	REV
	1001227297	Ref	TELEMATIC 4WARD HARNESS (CLEARSKY 2)	C
1	1001226636	1	Connector	
2	1001226637	7	Terminal	
3	1001116731	17	Plug	
4	4460933	1	Connector	
5	4460465	12	Terminal	
6	1001200206	1	Connector, DT 12 Pin 4X3 Buss	
7	4460670	1	Connector	
8	2400060	1	Connector	
9	8229242	1	Fuse, 5amp	
10	1001187078	1	Connector	
11	2400060	1	Connector	
12	8229242	1	Fuse, 5amp	
13	1001187077	1	Connector	
14	1001116812	1	Connector	
15	4460465	2	Terminal	
16	4460466	1	Plug	
17	1001144147	1	Connector	
18	4460464	2	Terminal	
19	4460466	1	Plug	
20	1001116812	1	Connector	
21	4460465	2	Terminal	
22	4460466	1	Plug	
23	1001144147	1	Connector	
24	4460464	2	Terminal	
25	4460466	1	Plug	

SECTION 10 - ELECTRICAL

FIGURE 10-85. LMIS CHASSIS OPTION HARNESS



ART_1001184795-G

SECTION 10 - ELECTRICAL

FIGURE 10-85. LMIS CHASSIS OPTION HARNESS

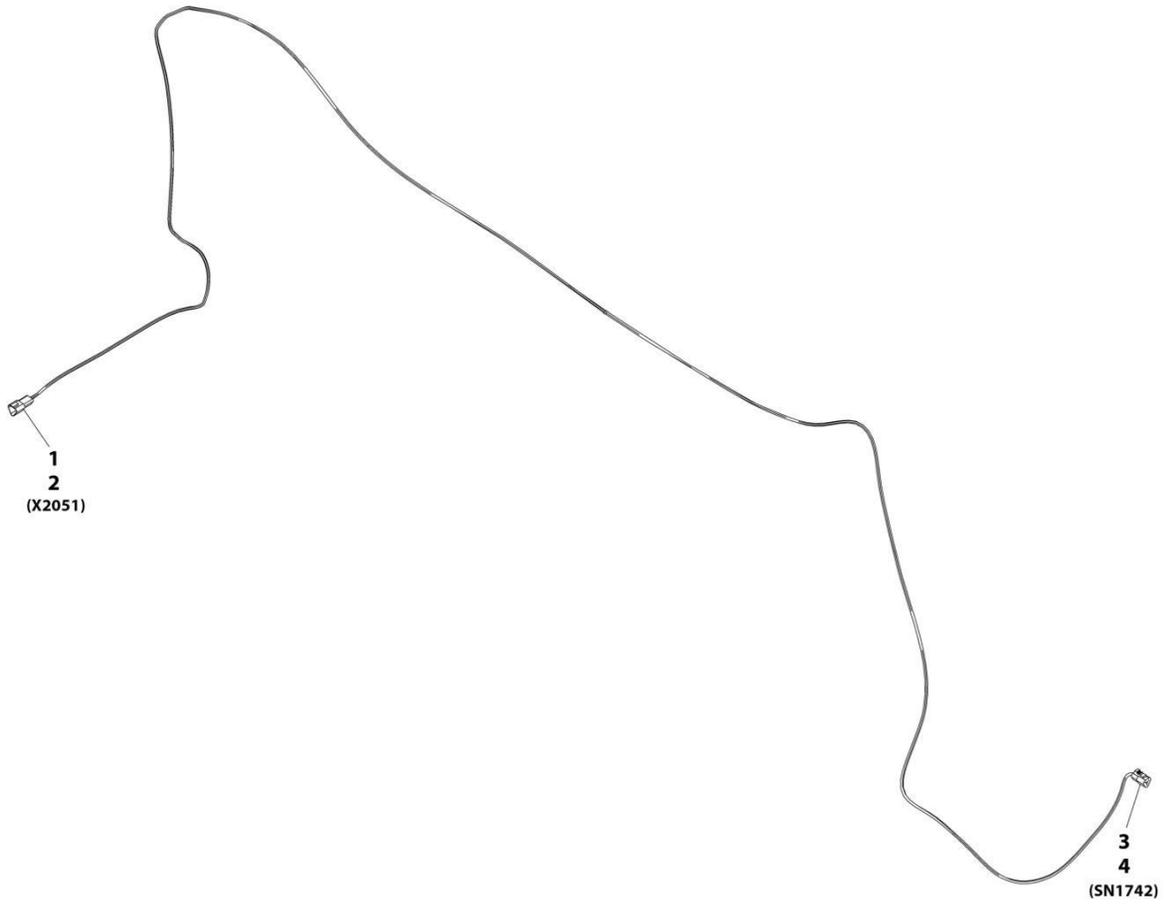
ITEM	PART NUMBER	QTY	DESCRIPTION	REV
	1001184795	Ref	LMIS Chassis Option Harness	G
1	1001161957	1	Connector	
2	1001161097	17	Terminal	
3	1001161100	7	Plug	
4	1001161101	2	Plug	
5	1001161098	2	Terminal	
6	1001161099	4	Terminal	
7	1001160500	1	Connector	
8	1001161100	16	Plug	
9	1001161097	8	Terminal	
10	1001161101	7	Plug	
11	1001161098	1	Terminal	
12	1001187076	1	Ring Terminal	
13	1001161963	1	Connector	
14	1001161097	24	Terminal	
15	1001161100	16	Plug	
16	1001161095	1	Terminal	
17	1001161099	3	Terminal	
18	1001161101	4	Plug	
19	1001116774	1	Connector	
20	4460928	12	Terminal	
21	4460899	1	Connector	
22	4460464	3	Terminal	
23	4460466	3	Plug	
24	4460884	1	Connector	
25	4460942	1	Terminal	
26	4460465	3	Terminal	
27	1001160509	1	Connector	
28	1001160510	1	Terminal	
29	1001175266	1	Terminal Seal	
30	1001187075	1	Ring Terminal	
31	4460884	1	Connector	
32	4460465	4	Terminal	
33	1001116812	1	Connector	
34	4460944	2	Terminal	
35	4460466	1	Plug	
36	4460539	1	Connector	
37	4460465	3	Terminal	
38	4460884	1	Connector	
39	4460942	1	Terminal	
40	4460465	3	Terminal	
41	4460884	1	Connector	
42	4460942	1	Terminal	
43	4460465	3	Terminal	
44	4460884	1	Connector	
45	4460942	1	Terminal	
46	4460465	3	Terminal	
47	4460891	1	Connector	
48	4460465	2	Terminal	
49	4460891	1	Connector	

SECTION 10 - ELECTRICAL

ITEM	PART NUMBER	QTY	DESCRIPTION	REV
50	4460465	1	Terminal	
51	4460942	1	Terminal	

SECTION 10 - ELECTRICAL

FIGURE 10-86. LMIS BOOM HARNESS



ART_1001192619-D

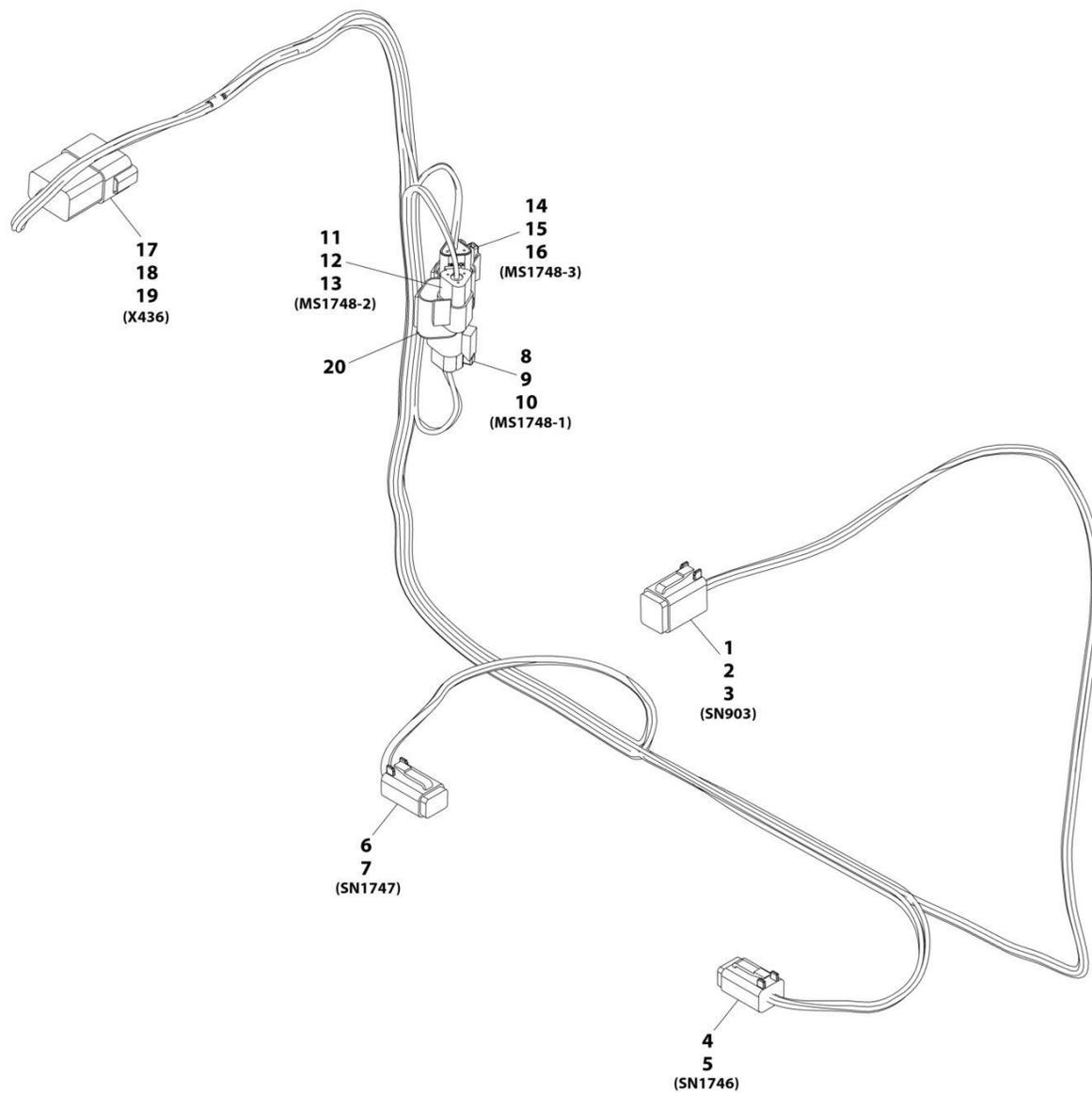
SECTION 10 - ELECTRICAL

FIGURE 10-86. LMIS BOOM HARNESS

ITEM	PART NUMBER	QTY	DESCRIPTION	REV
	1001192619	Ref	LMIS Boom Harness	D
1	4460536	1	Connector	
2	4460464	3	Terminal	
3	4460539	1	Connector	
4	4460465	3	Terminal	

SECTION 10 - ELECTRICAL

FIGURE 10-87. PLATFORM READY HARNESS



ART_1001195202-A

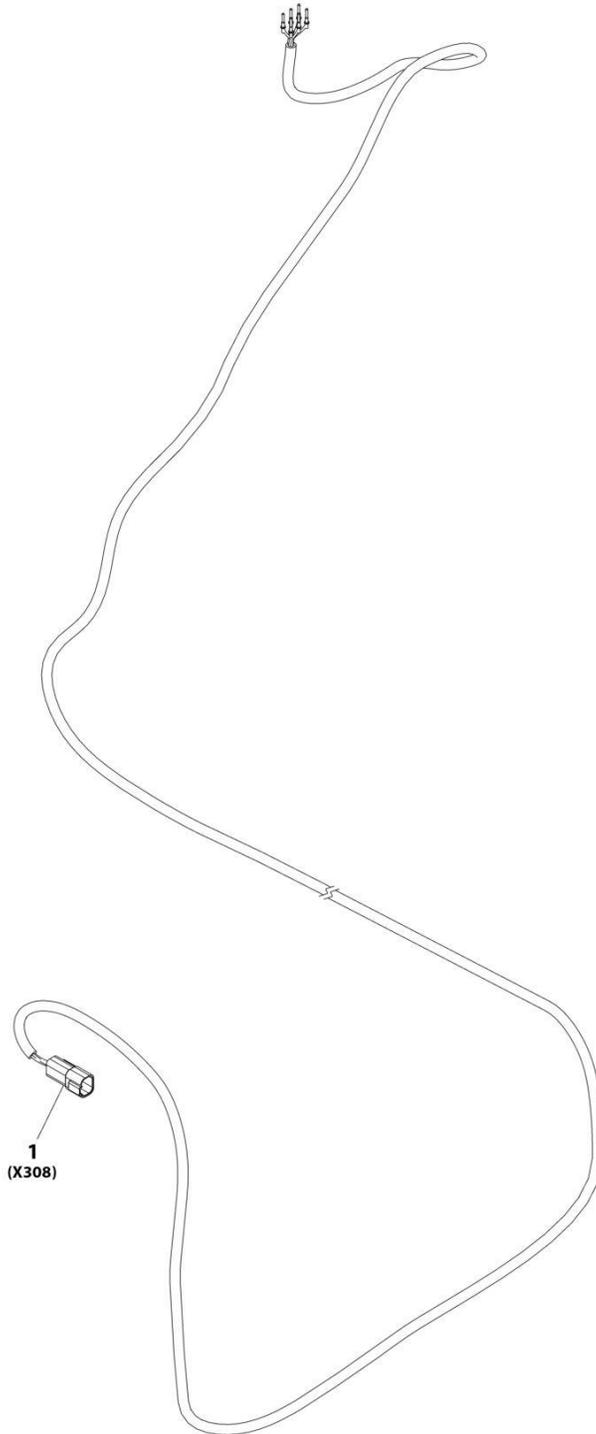
SECTION 10 - ELECTRICAL

FIGURE 10-87. PLATFORM READY HARNESS

ITEM	PART NUMBER	QTY	DESCRIPTION	REV
	1001195202	Ref	Platform Ready Harness	A
1	4460894	1	Connector	
2	4460465	4	Terminal	
3	4460466	2	Plug	
4	4460884	1	Connector	
5	4460944	4	Terminal	
6	4460884	1	Connector	
7	4460944	4	Terminal	
8	1001116812	1	Connector	
9	4460944	2	Terminal	
10	4460466	1	Plug	
11	4460539	1	Connector	
12	4460944	2	Terminal	
13	4460466	1	Plug	
14	1001116812	1	Connector	
15	4460944	2	Terminal	
16	4460466	1	Plug	
17	4460931	1	Connector	
18	4460464	6	Terminal	
19	4460466	2	Plug	
20	4460945	1	Connector, 3 Way	

SECTION 10 - ELECTRICAL

FIGURE 10-88. LMIS BEACON OPTION HARNESS



ART_1001117247

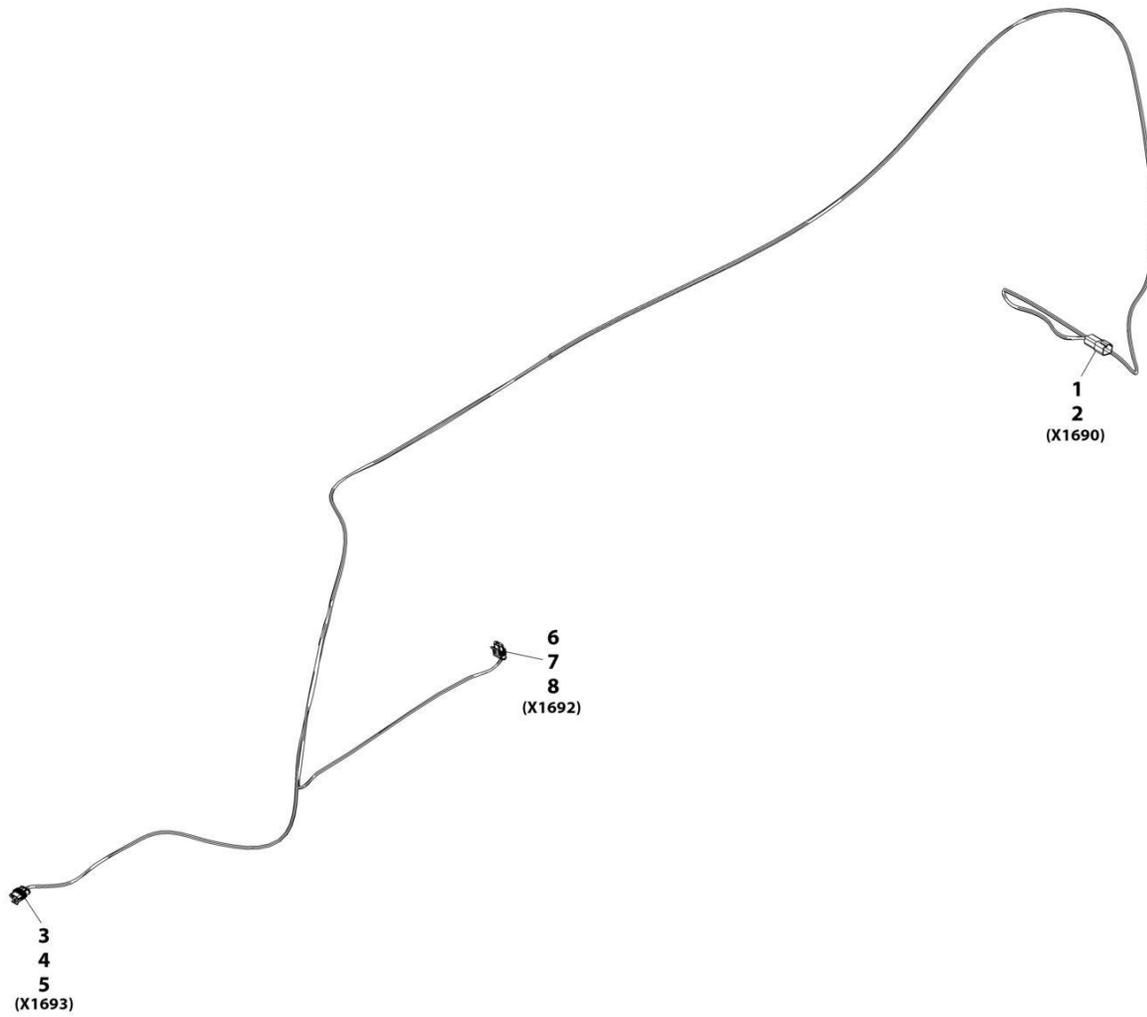
SECTION 10 - ELECTRICAL

FIGURE 10-88. LMIS BEACON OPTION HARNESS

ITEM	PART NUMBER	QTY	DESCRIPTION	REV
1	1001117247 4460932	Ref 1	LMIS Beacon Option Harness Connector	D

SECTION 10 - ELECTRICAL

FIGURE 10-89. PROXIMITY SENSOR HARNESS



ART_1001195953-G

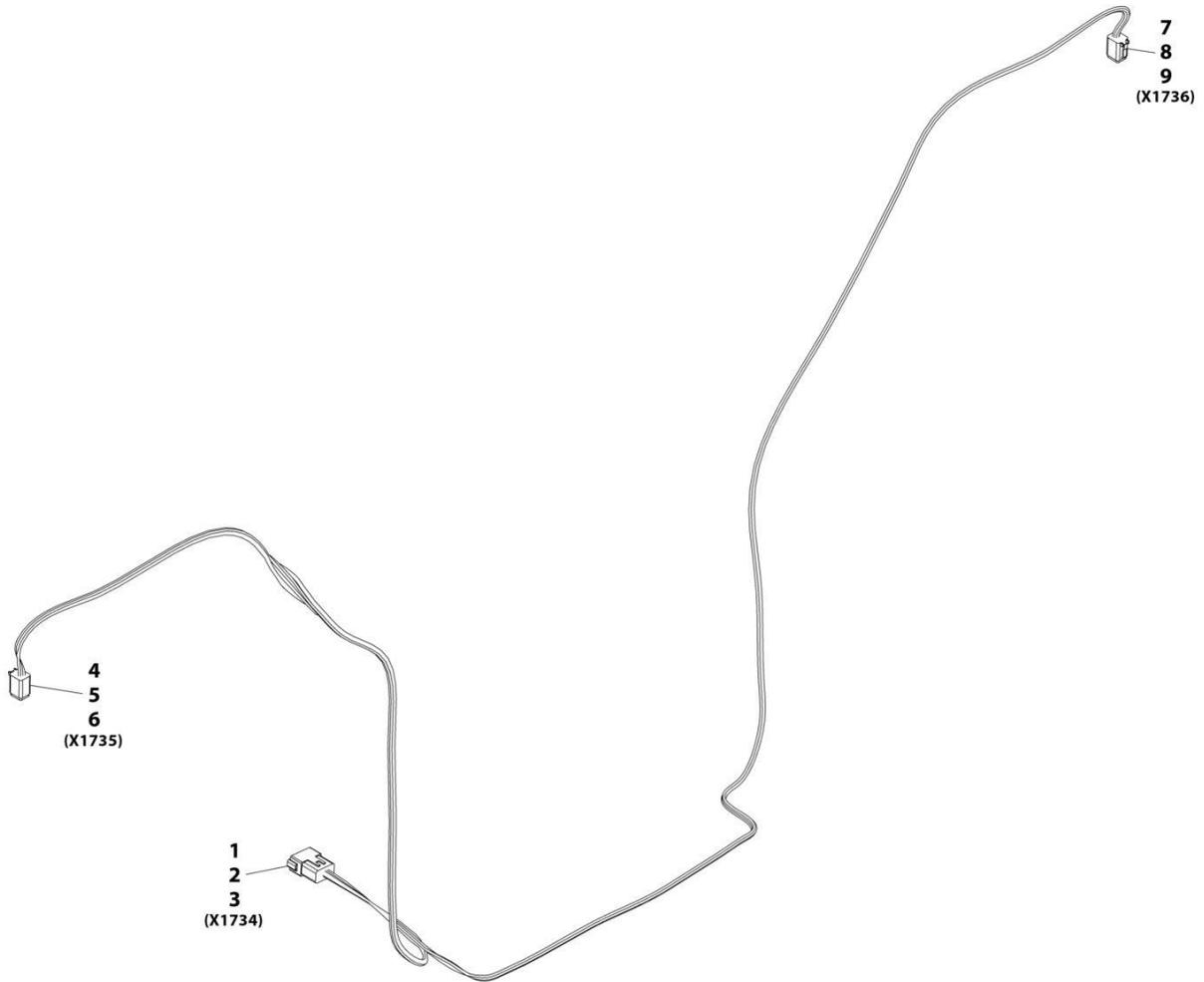
SECTION 10 - ELECTRICAL

FIGURE 10-89. PROXIMITY SENSOR HARNESS

ITEM	PART NUMBER	QTY	DESCRIPTION	REV
	1001195953	Ref	Proximity Sensor Harness	G
1	4460932	1	Connector	
2	4460464	4	Terminal	
3	4461262	1	Connector	
4	1001107854	3	Terminal	
5	1001104498	3	Terminal Seal	
6	4461262	1	Connector	
7	1001107854	3	Terminal	
8	1001104498	3	Terminal Seal	

SECTION 10 - ELECTRICAL

FIGURE 10-90. HEADLIGHT HARNESS



ART_1001215693-C

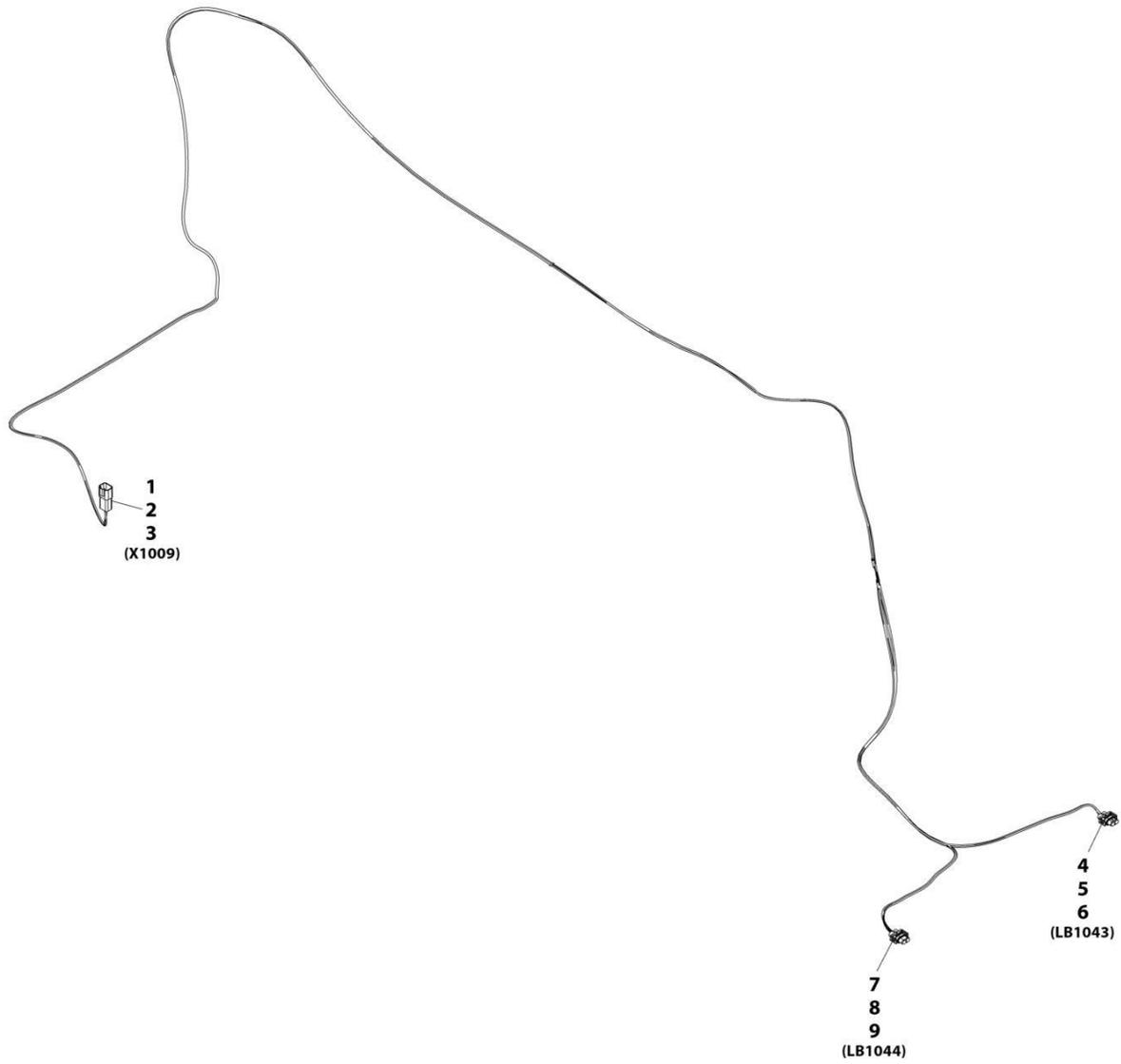
SECTION 10 - ELECTRICAL

FIGURE 10-90. HEADLIGHT HARNESS

ITEM	PART NUMBER	QTY	DESCRIPTION	REV
	1001215693	Ref	Headlight Harness	C
1	4460970	1	Connector	
2	4460941	10	Terminal	
3	4460466	2	Plug	
4	4460894	1	Connector	
5	4460942	5	Terminal	
6	4460466	1	Plug	
7	4460894	1	Connector	
8	4460942	5	Terminal	
9	4460466	1	Plug	

SECTION 10 - ELECTRICAL

FIGURE 10-91. BOOM WORKLIGHTS HARNESS



ART_1001184796-E

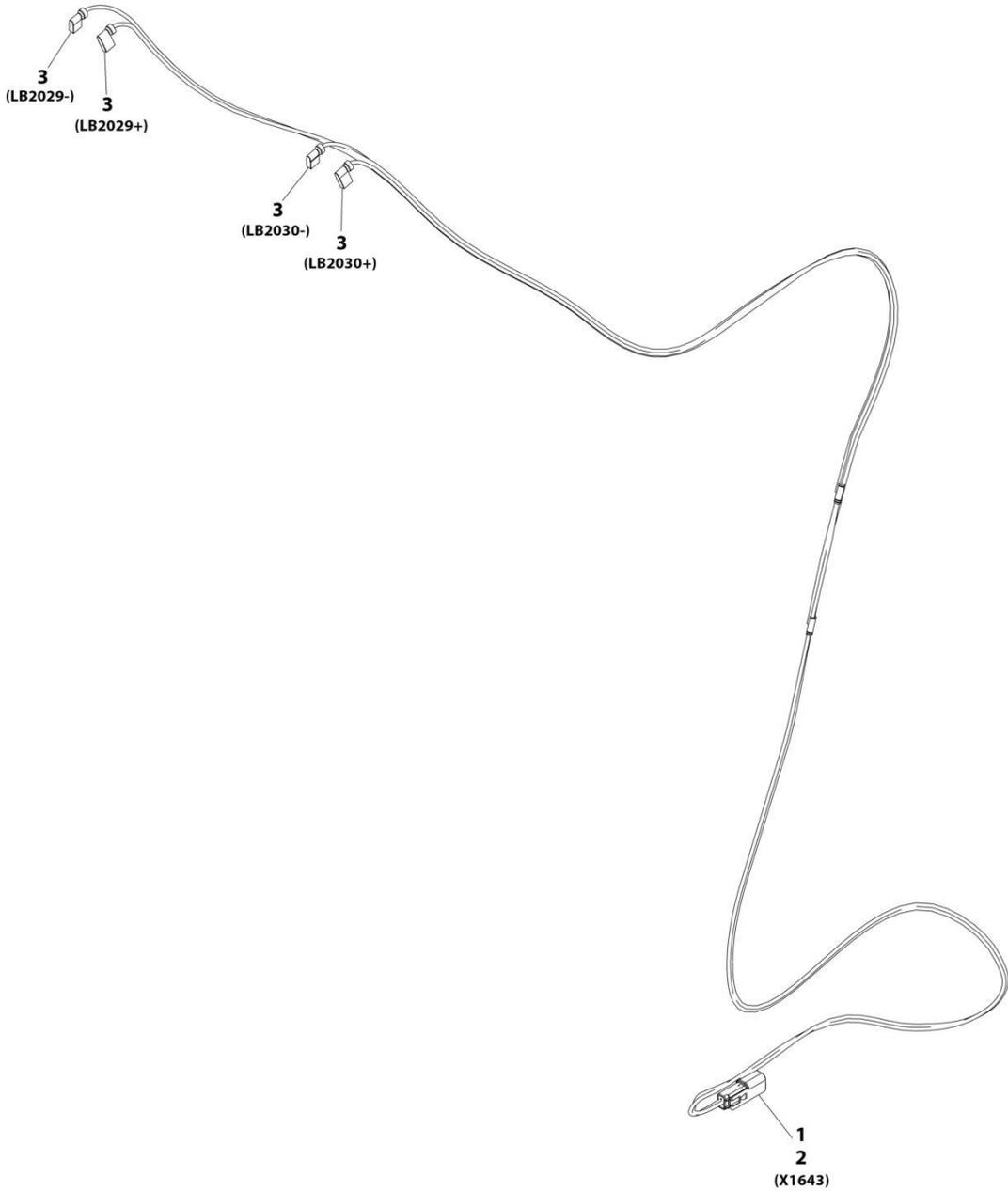
SECTION 10 - ELECTRICAL

FIGURE 10-91. BOOM WORKLIGHTS HARNESS

ITEM	PART NUMBER	QTY	DESCRIPTION	REV
	1001184796	Ref	Boom Worklights Harness	E
1	4460932	1	Connector	
2	4460464	2	Terminal	
3	4460466	2	Plug	
4	4461115	1	Connector	
5	1001116728	2	Terminal	
6	4460458	2	Terminal Seal	
7	4461115	1	Connector	
8	1001116728	2	Terminal	
9	4460458	2	Terminal Seal	

SECTION 10 - ELECTRICAL

FIGURE 10-92. LICENSE LIGHT HARNESS



ART_1001178053-C

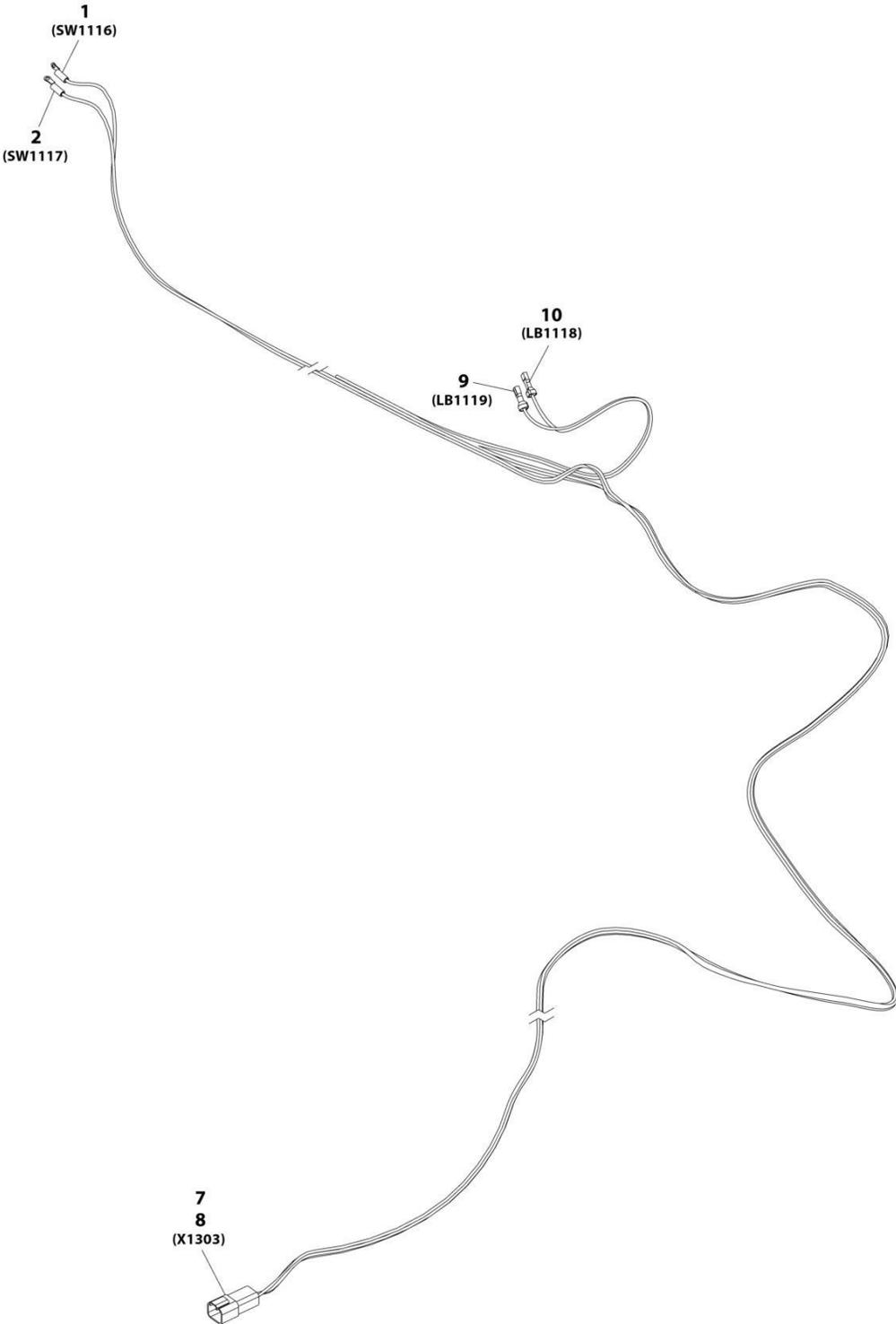
SECTION 10 - ELECTRICAL

FIGURE 10-92. LICENSE LIGHT HARNESS

ITEM	PART NUMBER	QTY	DESCRIPTION	REV
	1001178053	Ref	License Light Harness	C
1	4460897	1	Connector	
2	4460941	2	Terminal	
3	1001190396	4	Connector	

SECTION 10 - ELECTRICAL

FIGURE 10-93. AIR SHUTOFF VALVE HARNESS



ART_1001231407-C

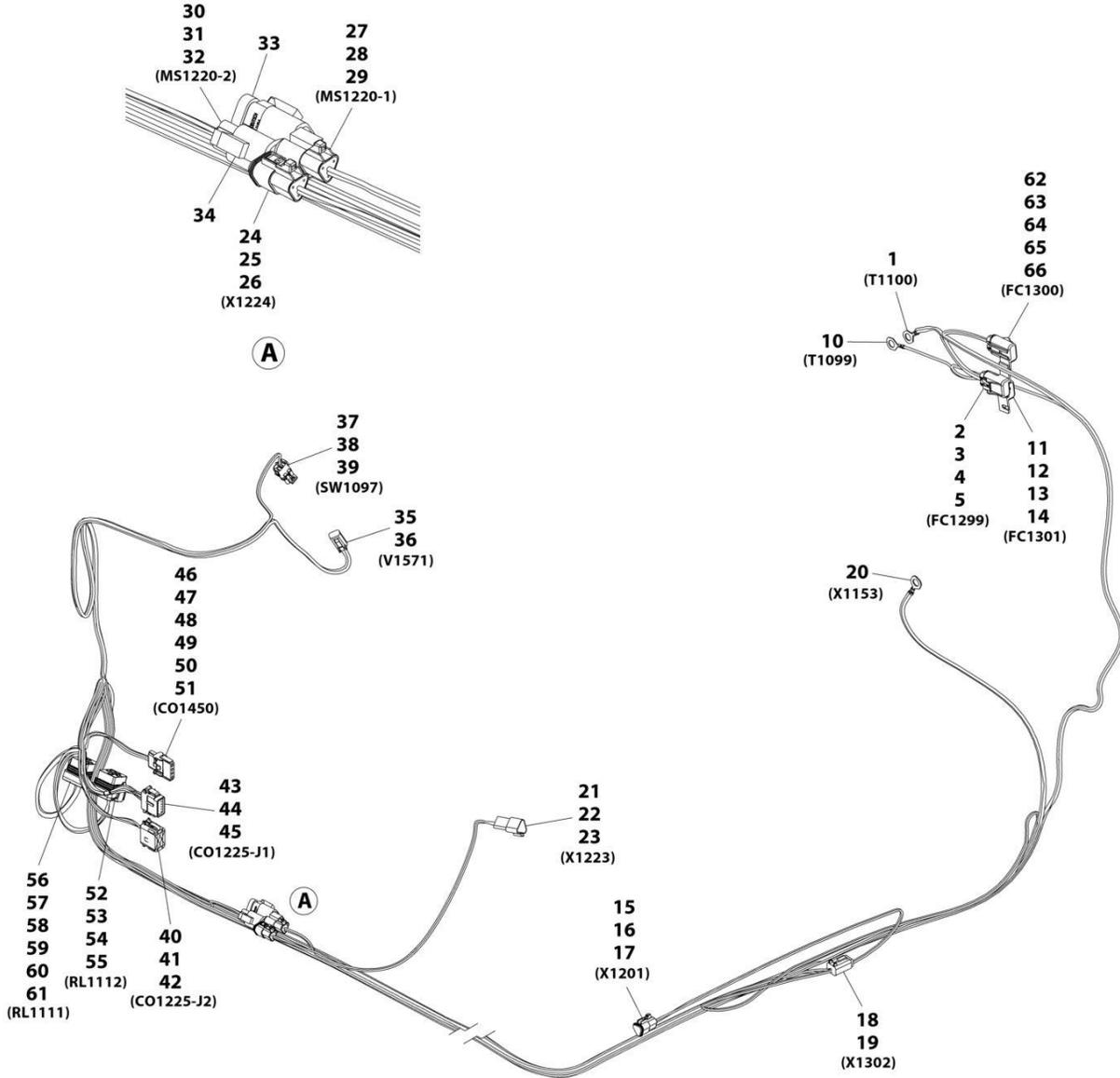
SECTION 10 - ELECTRICAL

FIGURE 10-93. AIR SHUTOFF VALVE HARNESS

ITEM	PART NUMBER	QTY	DESCRIPTION	REV
	1001231407	1	Air Shutoff Valve Harness	C
1	8220035	1	Terminal, Ring	
2	8220035	1	Terminal, Ring	
7	4460932	1	Connector	
8	4460464	4	Pin	
9	8220108	1	Connector, Female	
10	8220108	1	Connector, Female	

SECTION 10 - ELECTRICAL

FIGURE 10-94. AIR SHUT OFF VALVE HARNESS (ENGINE)



ART_1001231483_D

SECTION 10 - ELECTRICAL

FIGURE 10-94. AIR SHUT OFF VALVE HARNESS (ENGINE)

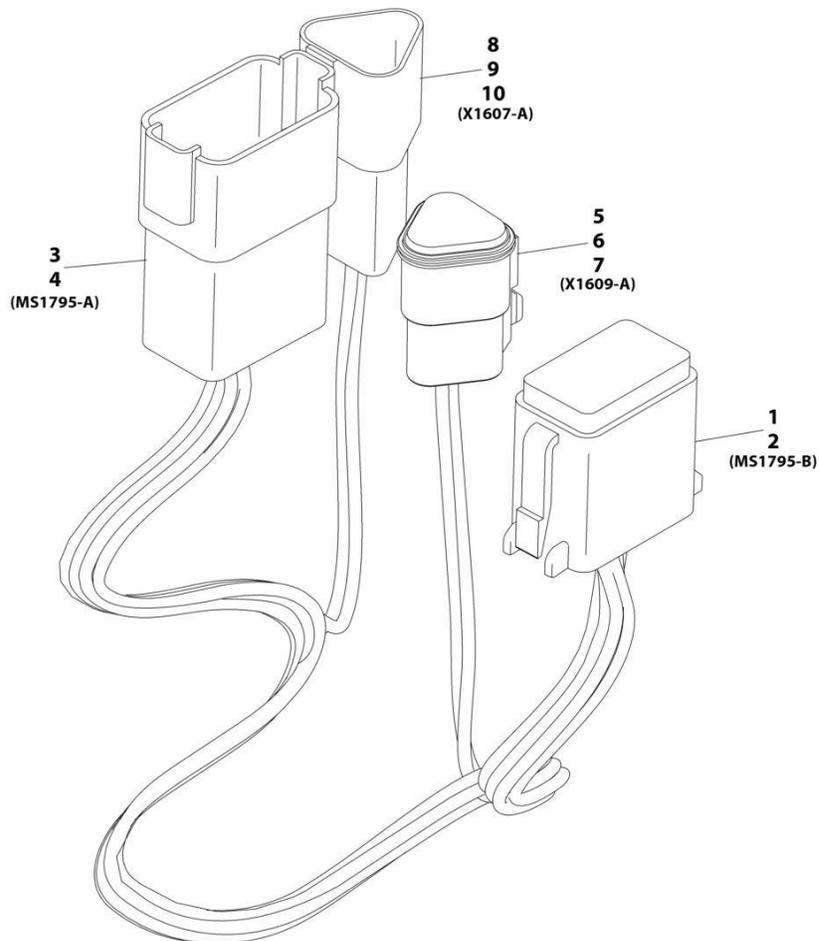
ITEM	PART NUMBER	QTY	DESCRIPTION	REV
	1001231483	Ref	Air Shut Off Valve Harness (Engine)	D
1	1001187079	1	Terminal, Ring	
2	1001231397	1	Connector	
3	8229235	1	Fuse, 20amp	
4	1001231401	2	Terminal	
5	1001230402	2	Seal	
10	1001187078	1	Terminal, Ring	
11	1001231397	1	Connector	
12	8229261	1	Fuse, 5amp	
13	1001231400	2	Terminal	
14	1001230403	2	Seal	
15	1001116812	1	Connector	
16	4460465	2	Terminal	
17	4460466	1	Plug	
18	4460884	1	Connector	
19	4460465	4	Terminal	
20	1001187079	1	Terminal, Ring	
21	1001144147	1	Connector	
22	4460464	2	Terminal	
23	4460466	1	Plug	
24	1001116812	1	Connector	
25	4460465	2	Terminal	
26	4460466	1	Plug	
27	1001116812	1	Connector	
28	4460465	2	Terminal	
29	4460466	1	Plug	
30	4460539	1	Connector	
31	4460465	2	Terminal	
32	4460466	1	Plug	
33	1001116815	1	Connector, 3 Pin	
34	4460945	1	Terminal, 3 Way "T" Receptacle	
35	4460891	1	Connector	
36	1001157890	2	Terminal	
37	4460742	1	Connector	
38	4460475	2	Terminal	
39	4460458	2	Plug	
40	1001116774	1	Connector	
41	4460518	8	Plug	
42	1001126008	4	Terminal	
43	1001116808	1	Connector	
44	1001126008	9	Terminal	
45	4460518	3	Plug	
46	4460761	1	Connector	
47	4460321	1	Terminal	
48	1001118378	4	Terminal	
49	4460809	4	Plug	
50	1001143551	1	Seal	
51	1001218358	1	Lanyard Rope	
52	1001231398	1	Connector	
53	1001231400	4	Terminal	

SECTION 10 - ELECTRICAL

ITEM	PART NUMBER	QTY	DESCRIPTION	REV
54	1001231404	4	Seal	
55	1001231406	1	Plug	
56	1001231398	1	Connector	
57	1001231401	2	Terminal	
58	1001231402	2	Seal	
59	1001231400	2	Terminal	
60	1001231404	2	Seal	
61	1001231406	1	Plug	
62	1001231397	1	Connector	
63	8229234	1	Fuse, 10amp	
64	1001231400	2	Terminal	
65	1001230403	1	Seal	
66	1001230404	1	Seal	

SECTION 10 - ELECTRICAL

FIGURE 10-95. TELEMATICS OPTION HARNESS (SN 0160087899 through 0160100942)



ART_1001232298-A

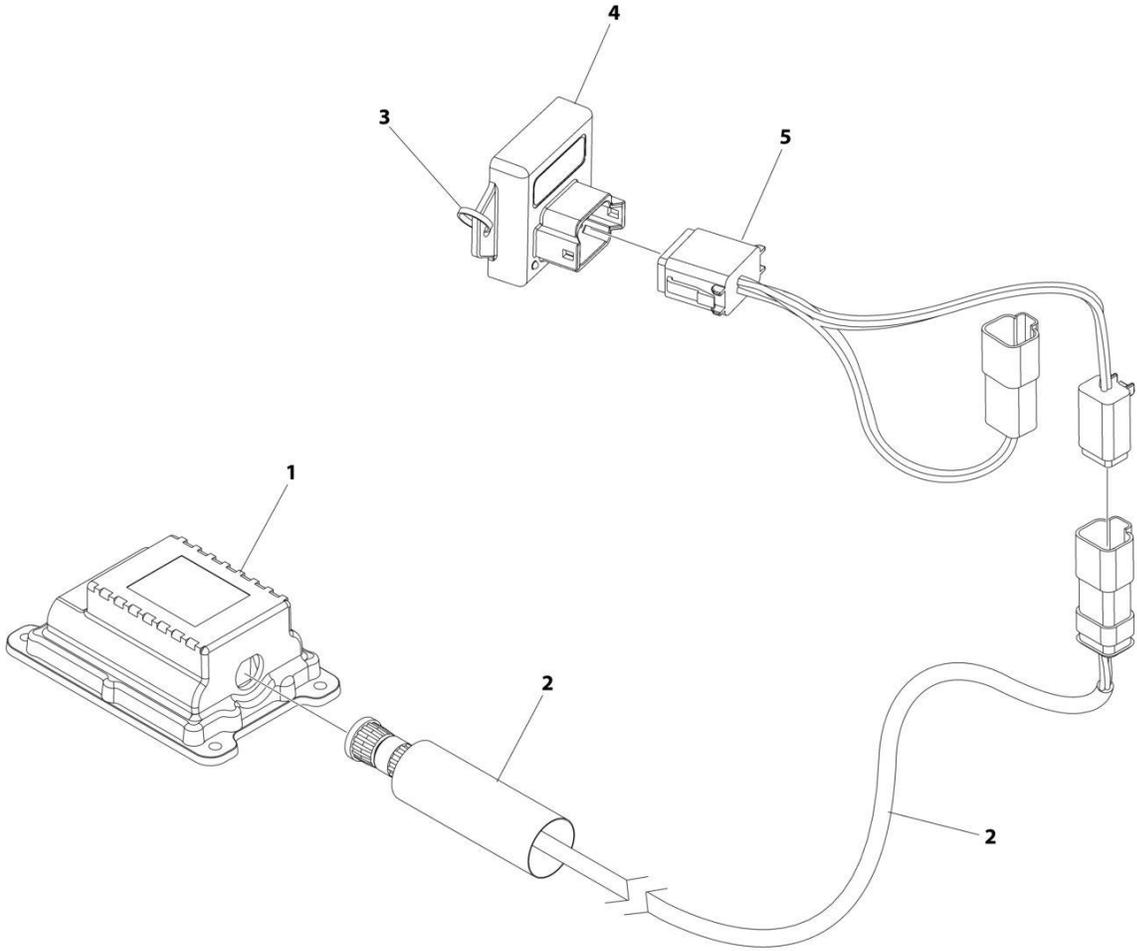
SECTION 10 - ELECTRICAL

FIGURE 10-95. TELEMATICS OPTION HARNESS (SN 0160087899 through 0160100942)

ITEM	PART NUMBER	QTY	DESCRIPTION	REV
	1001232298	Ref	Telematics Option Harness	A
1	4460930	1	Connector	
2	4460465	8	Terminal	
3	4460931	1	Mating Connector	
4	4460464	8	Terminal	
5	1001116812	1	Connector	
6	4460465	2	Terminal	
7	4460466	1	Plug	
8	1001144147	1	Connector	
9	4460464	2	Terminal	
10	4460466	1	Plug	

SECTION 10 - ELECTRICAL

FIGURE 10-96. CLEARSKY INSTALLATION 3-WIRE (ANSI)



ART_1001229107

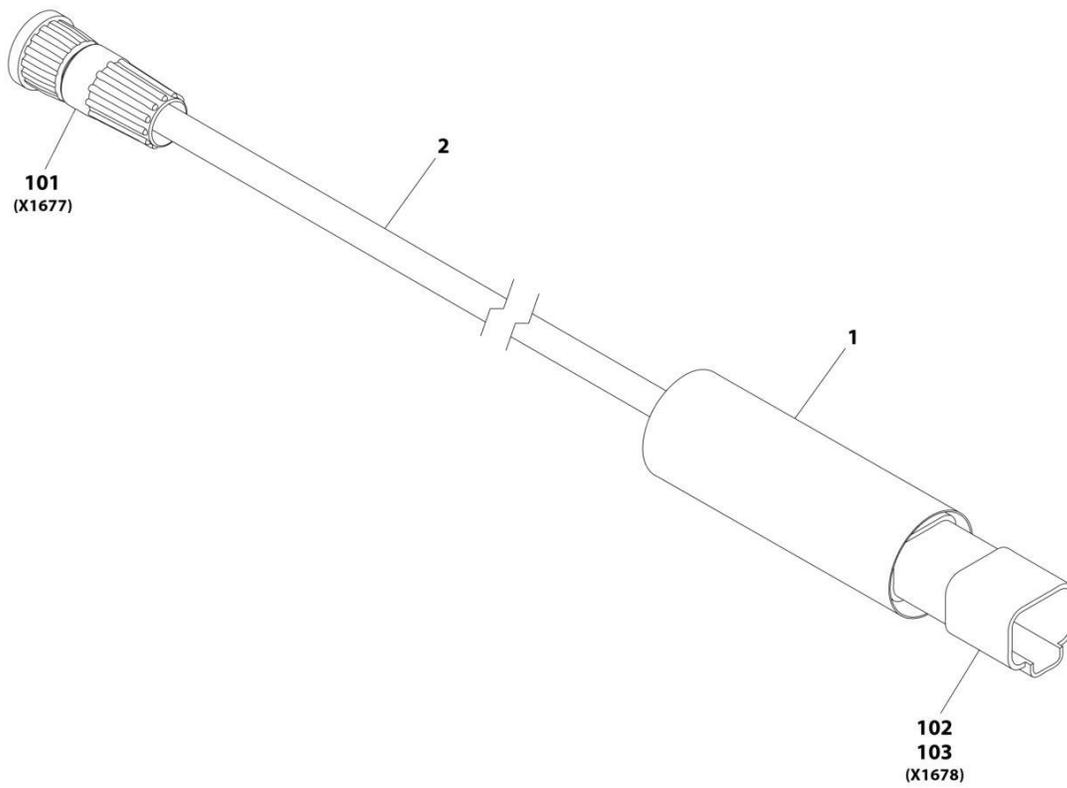
SECTION 10 - ELECTRICAL

FIGURE 10-96. CLEARSKY INSTALLATION 3-WIRE (ANSI)

ITEM	PART NUMBER	QTY	DESCRIPTION	REV
	1001229107	Ref	CLEARSKY INSTALLATION 3-WIRE	D
1	1001226328	1	Module, 3W TCU	
2	1001227066	1	Telematics ClearSky Harness (See Separate Breakdown in this Section)	
3	4240032	AR	Tie-Strap	
4	1001262960	1	Voltage Regulator	
5	1001262963	1	Harness, Xirgo Jumper	

SECTION 10 - ELECTRICAL

FIGURE 10-97. TELEMATICS HARNESS



ART_1001227066-A

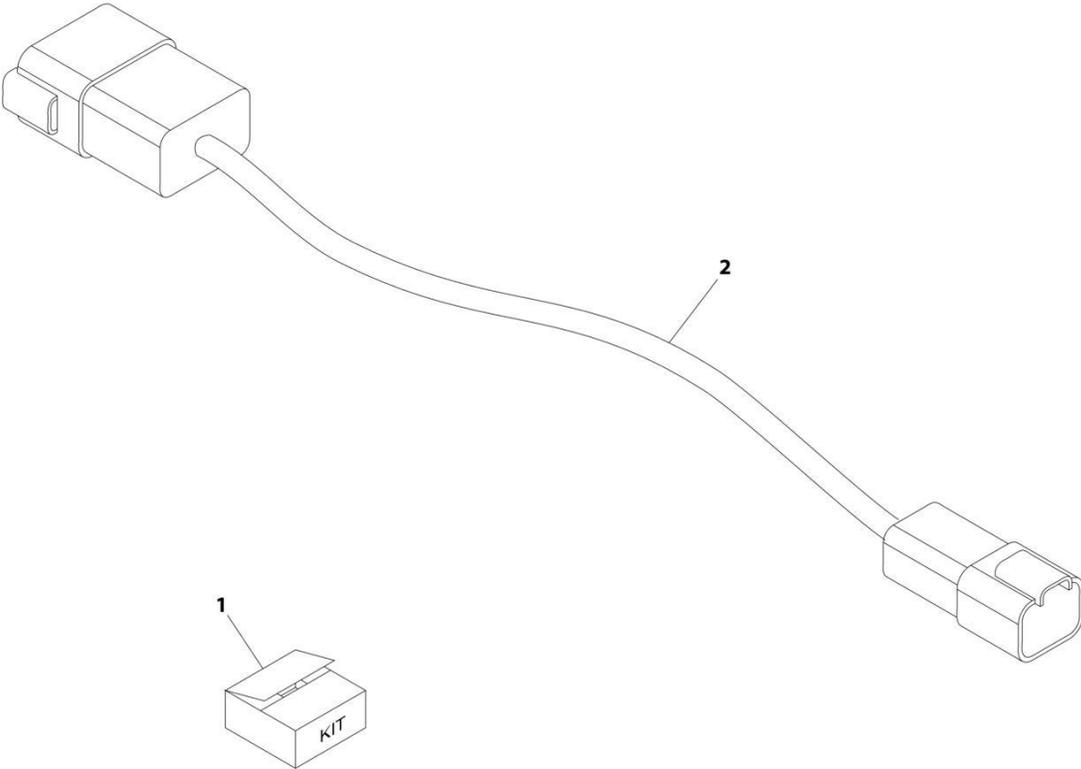
SECTION 10 - ELECTRICAL

FIGURE 10-97. TELEMATICS HARNESS

ITEM	PART NUMBER	QTY	DESCRIPTION	REV
	1001227066	Ref	CLEARSKY TELEMATICS HARNESS	A
1	1001226400	0.33 ft	Insulate, Heat Shrink	
2	1001227068	3.3 ft	Cable	
101	1001227266	1	Connector	
102	1001129407	1	Connector	
103	4460464	4	Terminal	

SECTION 10 - ELECTRICAL

FIGURE 10-98. TELEMATICS INSTALLATION, UNITED RENTALS



ART_1001195610-A

SECTION 10 - ELECTRICAL

FIGURE 10-98. TELEMATICS INSTALLATION, UNITED RENTALS

ITEM	PART NUMBER	QTY	DESCRIPTION	REV
	1001195610	Ref	Telematics Installation, United Rentals	A
1	N.S.S.	1	Telematics Kit	
2	1001195423	1	Harness, Jumper	

SECTION 10 - ELECTRICAL

FIGURE 10-99. FRONT FRAME HARNESS

ITEM	PART NUMBER	QTY	DESCRIPTION	REV
	1001228740	Ref	Front Frame Harness, Mining	C
1	4460891	1	Connector	
2	4460897	1	Mating Connector	
3	4460466	2	Plug	
4	4460465	2	Terminal	
5	1001161957	1	Connector	
6	643191201	1	Cover	
7	1001161100	12	Plug	
8	1001161097	12	Terminal	
9	1001161101	5	Plug	
10	1001161098	3	Terminal	
11	1001161963	1	Connector	
12	643201301	1	Cover	
13	1001161097	22	Terminal	
14	1001161100	19	Plug	
15	1001161099	6	Terminal	
16	1001161098	1	Terminal	
17	1001161101	1	Plug	
18	1001160500	1	Connector	
19	643191201	1	Cover	
20	1001161097	10	Terminal	
21	1001161100	15	Plug	
22	1001161099	7	Terminal	
23	4460933	1	Connector	
24	4460970	1	Mating Connector	
25	4460466	2	Plug	
26	4460942	10	Terminal	
27	4460466	2	Plug	
28	1001160509	1	Connector	
29	1001160510	1	Terminal	
30	1001175267	1	Seal	
31	1001187080	1	Ring Terminal	
32	4460891	1	Connector	
33	4460465	2	Terminal	
34	4460891	1	Connector	
35	4460465	2	Terminal	
36	1001187080	1	Ring Terminal	
37	1001187079	1	Ring Terminal	
38	1001187079	1	Ring Terminal	
39	4460539	1	Connector	
40	4460465	3	Terminal	
41	8220051	1	Ring Terminal	
42	1001187073	1	Ring Terminal	
43	4460539	1	Connector	
44	4460465	3	Terminal	
45	4460933	1	Connector	
46	4460465	11	Terminal	
47	4460466	1	Plug	
48	1001116812	1	Connector	
49	4460465	2	Terminal	

SECTION 10 - ELECTRICAL

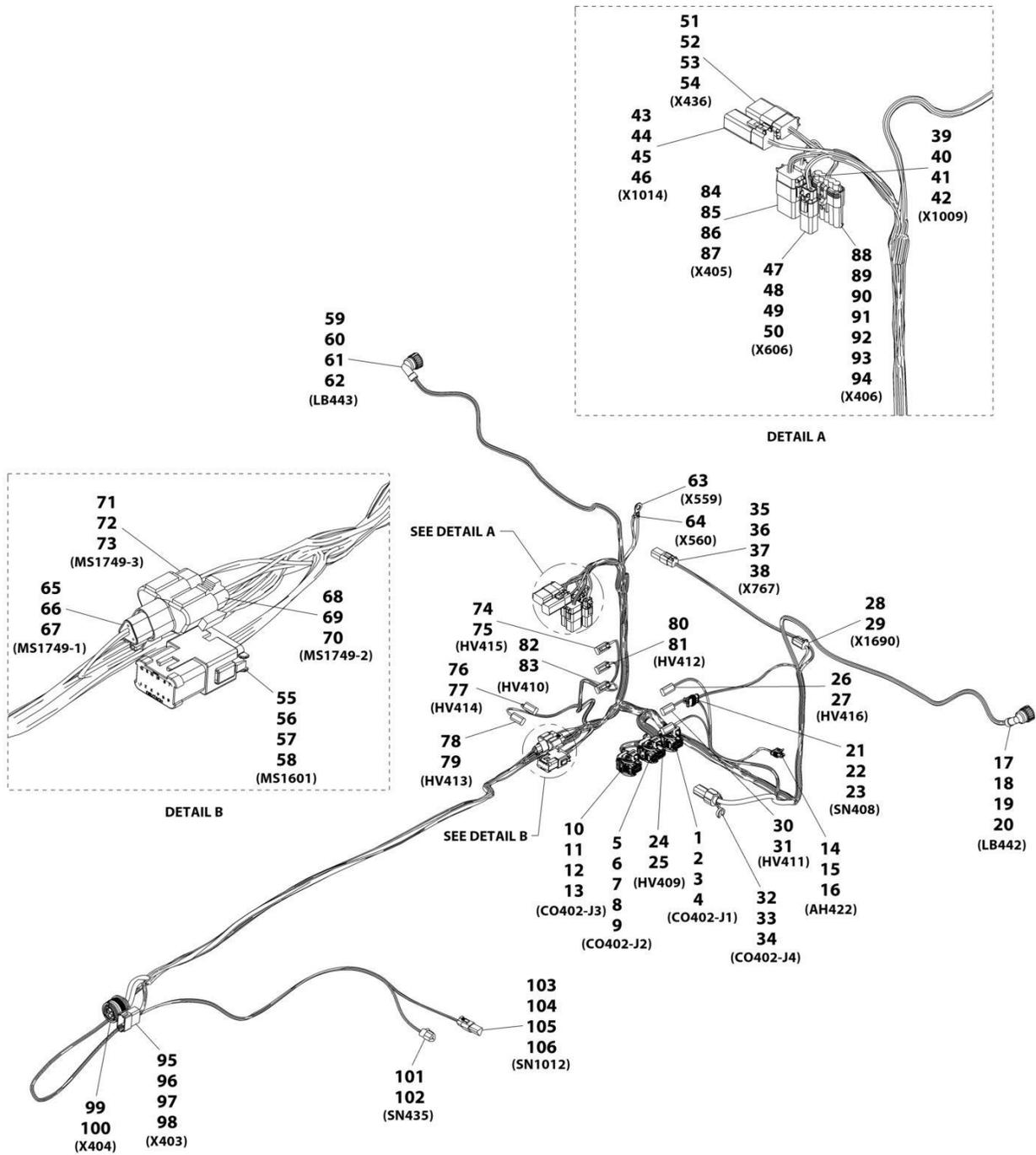
ITEM	PART NUMBER	QTY	DESCRIPTION	REV
50	4460466	1	Plug	
51	1001116810	1	Connector	
52	1001150611	4	Terminal	
53	1001165309	1	Connector	
54	4460466	2	Plug	
55	4460465	9	Terminal	
56	4460942	2	Terminal	
57	4460509	3	Terminal	
58	1001150611	3	Terminal	
59	1001187079	1	Ring Terminal	
60	1001187076	1	Ring Terminal	
61	1001187079	1	Ring Terminal	
62	1001187076	1	Ring Terminal	
63	1001187075	1	Ring Terminal	
64	4460891	1	Connector	
65	4460465	2	Terminal	
66	1001117109	1	Ring Terminal	
67	1001187075	1	Ring Terminal	
68	1001187075	1	Ring Terminal	
69	4461015	1	Connector	
70	4460465	12	Terminal	
71	4460466	2	Plug	
72	4460891	1	Connector	
73	4460465	2	Terminal	
74	4460891	1	Connector	
75	4460465	2	Terminal	
76	4461290	1	Connector	
77	4460928	2	Terminal	
78	1001118323	1	Connector	
79	4460942	4	Terminal	
80	91013192	2	Terminal	
81	4460891	1	Connector	
82	4460465	2	Terminal	
83	4460891	1	Connector	
84	4460897	1	Mating Connector	
85	4460942	1	Terminal	
86	4460466	1	Plug	
87	1001116950	1	Connector	
88	4460465	2	Terminal	
89	4460891	1	Connector	
90	4460465	2	Terminal	
91	4460884	1	Connector	
92	4460932	1	Mating Connector	
93	4460466	1	Sealing Plug	
94	4460465	3	Terminal	
95	4460942	1	Terminal	
96	1001118282	1	Connector	
97	1001116732	4	Terminal	
98	1001128128	1	Plug	
99	4460891	1	Connector	
100	4460897	1	Mating Connector	

SECTION 10 - ELECTRICAL

ITEM	PART NUMBER	QTY	DESCRIPTION	REV
101	4460465	2	Terminal	
102	4460466	1	Plug	
103	4460891	1	Connector	
104	4460465	2	Terminal	
105	4460897	1	Connector	
106	4460464	2	Terminal	
107	8220116	1	Ring Terminal	
108	1001116950	1	Connector	
109	4460465	2	Terminal	
110	4460930	1	Connector	
111	4460984	1	Mating Connector	
112	4460465	8	Terminal	
113	1001116774	1	Connector	
114	1001132169	1	Mating Connector	
115	4460518	7	Plug	
116	1001126008	5	Terminal	
117	4460891	1	Connector	
118	4460897	1	Mating Connector	
119	4460465	2	Terminal	
120	4460466	1	Plug	
121	1001165310	1	Connector	
122	91013192	2	Terminal	
123	1001187076	1	Ring Terminal	
124	4460891	1	Connector	
125	4460897	1	Mating Connector	
126	4460942	2	Terminal	
127	4460466	1	Plug	
128	4460894	1	Connector	
129	4460899	1	Mating Connector	
130	4460466	1	Plug	
131	4460465	2	Terminal	
132	4460942	4	Terminal	
133	4460891	1	Connector	
134	4460465	2	Terminal	
135	4460891	1	Connector	
136	4460465	2	Terminal	
137	4460891	1	Connector	
138	4460465	2	Terminal	
139	4460891	1	Connector	
140	4460465	2	Terminal	
141	4460933	1	Connector	
142	4460465	6	Terminal	
143	4460942	1	Terminal	
144	4460466	5	Plug	

SECTION 10 - ELECTRICAL

FIGURE 10-100. REAR FRAME HARNESS



ART_1001228741-A

SECTION 10 - ELECTRICAL

FIGURE 10-100. REAR FRAME HARNESS

ITEM	PART NUMBER	QTY	DESCRIPTION	REV
	1001228741	Ref	Front Frame Harness, Mining	A
1	1001161957	1	Connector	
2	1001161097	6	Terminal	
3	1001161100	18	Plug	
4	1001161101	8	Plug	
5	1001161963	1	Connector	
6	1001161097	26	Terminal	
7	1001161100	14	Plug	
8	1001161099	6	Terminal	
9	1001161101	2	Plug	
10	1001160500	1	Connector	
11	1001161100	18	Plug	
12	1001161097	6	Terminal	
13	1001161099	8	Terminal	
14	4461118	1	Connector	
15	1001107854	2	Terminal	
16	1001116763	2	Terminal Seal	
17	1001116996	1	Connector	
18	1001118392	6	Terminal	
19	1001116696	1	Plug	
20	4461054	6	Terminal Seal	
21	4461262	1	Connector	
22	1001107854	3	Terminal	
23	1001104498	3	Terminal Seal	
24	4460891	1	Connector	
25	4460465	2	Terminal	
26	4460891	1	Connector	
27	4460465	2	Terminal	
28	4460884	1	Connector	
29	4460465	4	Terminal	
30	4460891	1	Connector	
31	4460465	2	Terminal	
32	1001160509	1	Connector	
33	1001160510	1	Terminal	
34	1001175267	1	Terminal Seal	
35	4460884	1	Connector	
36	4460932	1	Mating Connector	
37	4460465	4	Terminal	
38	4460466	1	Plug	
39	4460884	1	Connector	
40	4460932	1	Mating Connector	
41	4460466	2	Plug	
42	4460465	2	Terminal	
43	4460894	1	Connector	
44	4460899	1	Mating Connector	
45	4460466	3	Plug	
46	4460465	3	Terminal	
47	4461018	1	Connector	
48	4461017	1	Mating Connector	
49	4460509	2	Terminal	

SECTION 10 - ELECTRICAL

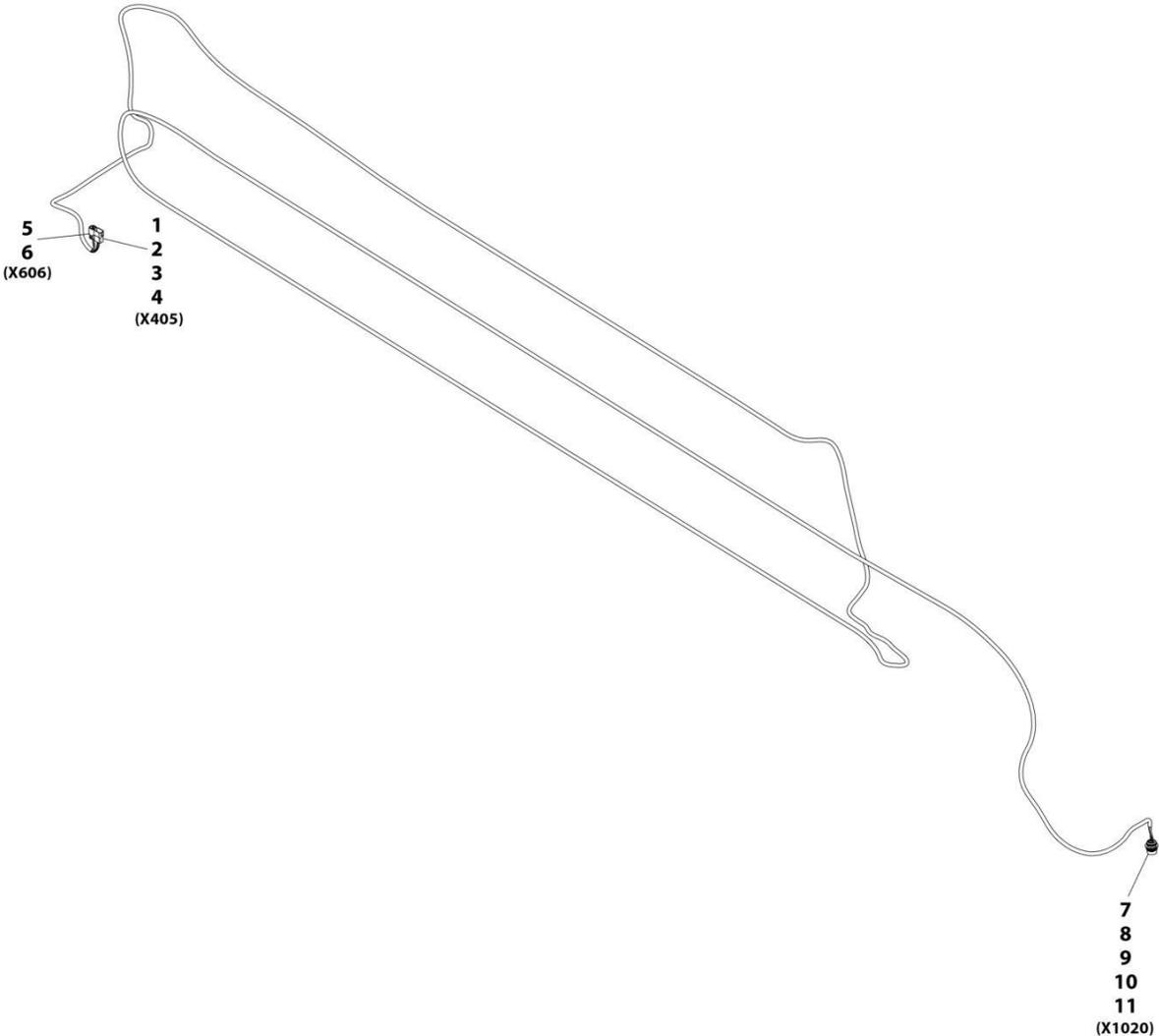
ITEM	PART NUMBER	QTY	DESCRIPTION	REV
51	4460930	1	Connector	
52	4460931	1	Mating Connector	
53	4460466	2	Plug	
54	4460465	6	Terminal	
55	4460933	1	Connector	
56	1001125677	1	Bussbar Connector	
57	4460465	10	Terminal	
58	4460466	2	Plug	
59	1001116996	1	Connector	
60	1001118392	6	Terminal	
61	1001116696	1	Plug	
62	4461054	6	Terminal Seal	
63	1001187080	1	Ring Terminal	
64	1001187079	1	Ring Terminal	
65	1001116812	1	Connector	
66	4460944	2	Terminal	
67	4460466	1	Plug	
68	4460539	1	Connector	
69	4460944	2	Terminal	
70	4460466	1	Plug	
71	1001116812	1	Connector	
72	4460944	2	Terminal	
73	4460466	1	Plug	
74	4460891	1	Connector	
75	4460465	2	Terminal	
76	4460891	1	Connector	
77	4460465	2	Terminal	
78	4460891	1	Connector	
79	4460465	2	Terminal	
80	4460891	1	Connector	
81	4460465	2	Terminal	
82	4460891	1	Connector	
83	4460465	2	Terminal	
84	4460930	1	Connector	
85	4460931	1	Mating Connector	
86	4460466	2	Plug	
87	4460465	6	Terminal	
88	1001121726	1	Connector	
89	1001121727	1	Mating Connector	
90	1001116728	4	Terminal	
91	1001116727	1	Plug	
92	4460748	1	Plug	
93	1001175265	3	Terminal Seal	
94	4460458	1	Terminal Seal	
95	4460970	1	Connector	
96	4460464	6	Terminal	
97	4460941	1	Terminal	
98	4460466	5	Plug	
99	1001165311	1	Connector	
100	91013191	2	Terminal	
101	4460539	1	Connector	

SECTION 10 - ELECTRICAL

ITEM	PART NUMBER	QTY	DESCRIPTION	REV
102	4460944	3	Terminal	
103	4460539	1	Connector	
104	4460536	1	Mating Connector	
105	4460466	1	Plug	
106	4460465	3	Terminal	

SECTION 10 - ELECTRICAL

FIGURE 10-101. BOOM HARNESS



ART_1001228744-A

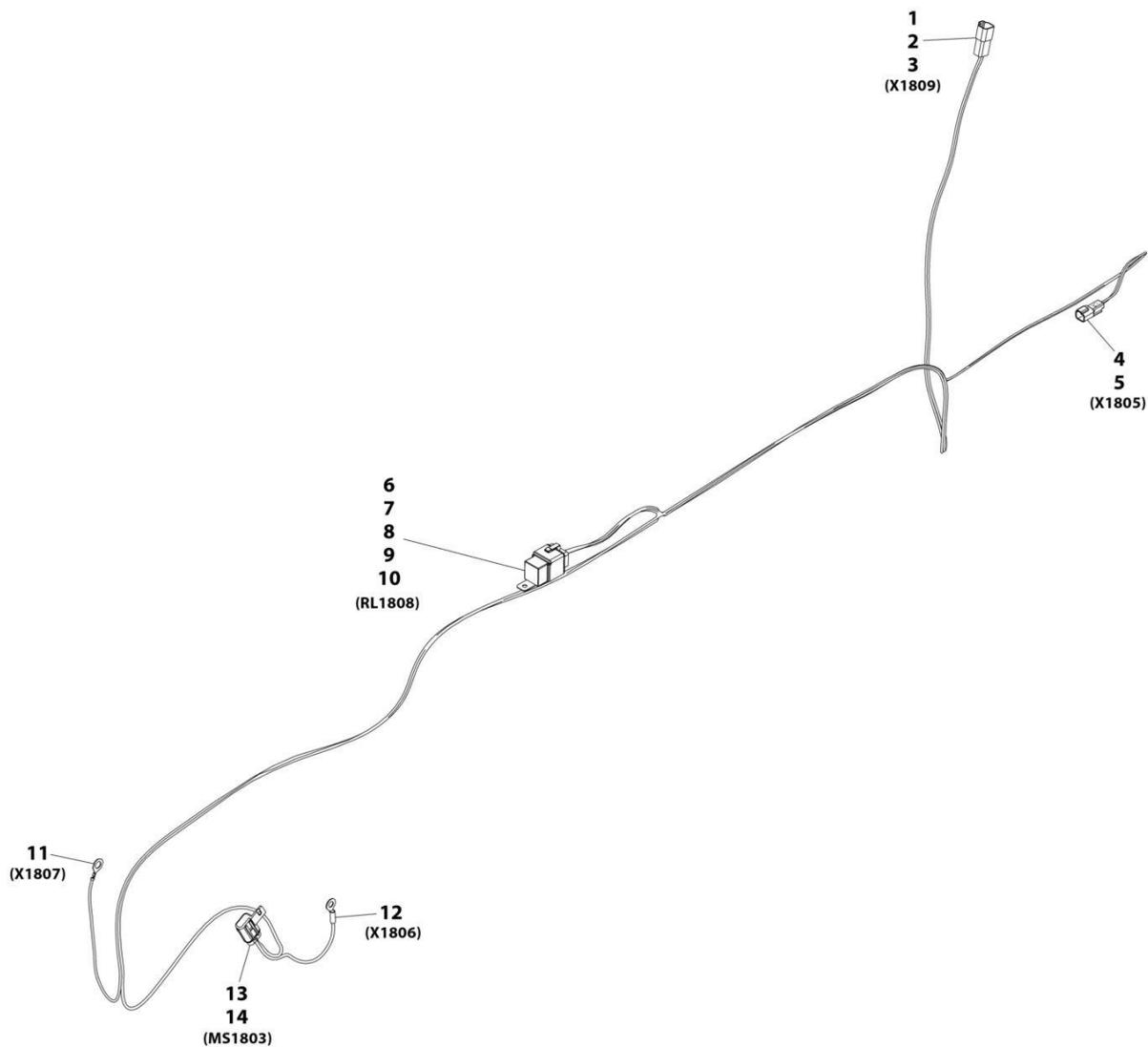
SECTION 10 - ELECTRICAL

FIGURE 10-101. BOOM HARNESS

ITEM	PART NUMBER	QTY	DESCRIPTION	REV
	1001228744	Ref	Boom Harness	A
1	4460931	1	Connector	
2	4460943	2	Terminal	
3	4460464	4	Terminal	
4	4460466	2	Plug	
5	4461017	1	Connector	
6	4460508	2	Terminal	
7	1001112612	1	Connector	
8	1001157891	2	Terminal	
9	4460464	4	Terminal	
10	4460943	2	Terminal	
11	4460466	1	Plug	

SECTION 10 - ELECTRICAL

FIGURE 10-102. REVERSING FAN HARNESS



ART_1001221493-B

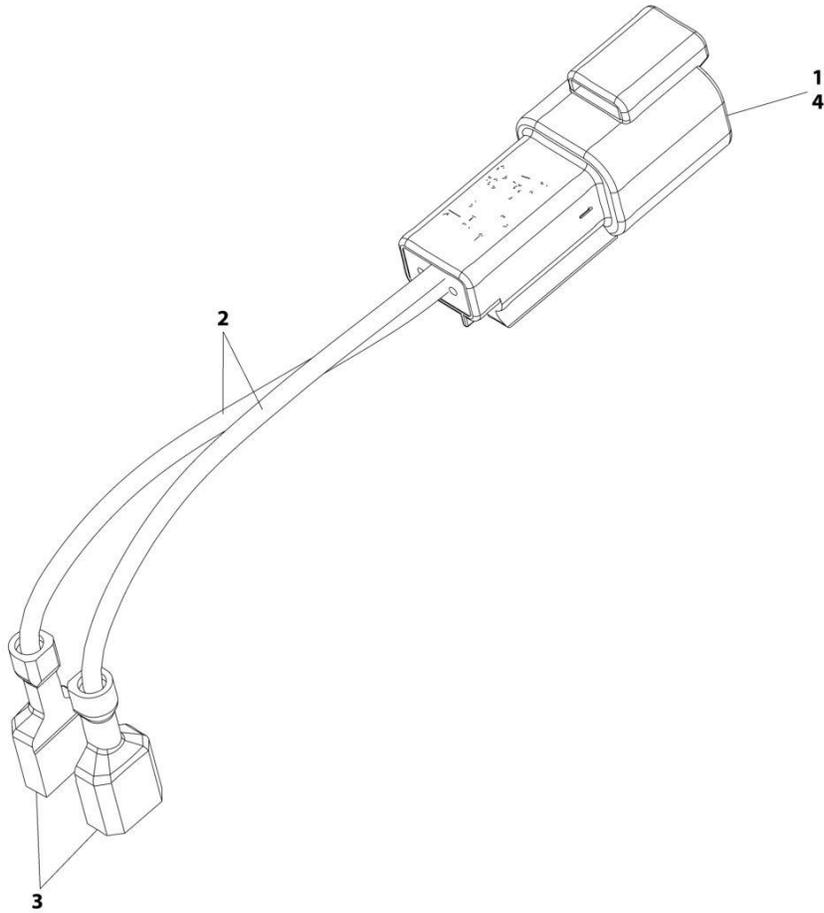
SECTION 10 - ELECTRICAL

FIGURE 10-102. REVERSING FAN HARNESS

ITEM	PART NUMBER	QTY	DESCRIPTION	REV
	1001221493	Ref	Reversing Fan Harness	B
1	4460932	1	Connector	
2	4460941	2	Terminal	
3	4460466	2	Plug	
4	4460897	1	Connector	
5	4460464	2	Terminal	
6	1001118282	1	Connector	
7	1001116734	1	Terminal	
8	1001116732	2	Terminal	
9	1001128128	1	Plug	
10	1001116733	1	Terminal	
11	1001187078	1	Ring Terminal	
12	8220045	1	Ring Terminal	
13	1001117024	1	Connector	
14	1001116734	2	Terminal	

SECTION 10 - ELECTRICAL

FIGURE 10-103. VEHICLE SPEED PIGTAIL HARNESS



ART_1001229981-A

SECTION 10 - ELECTRICAL

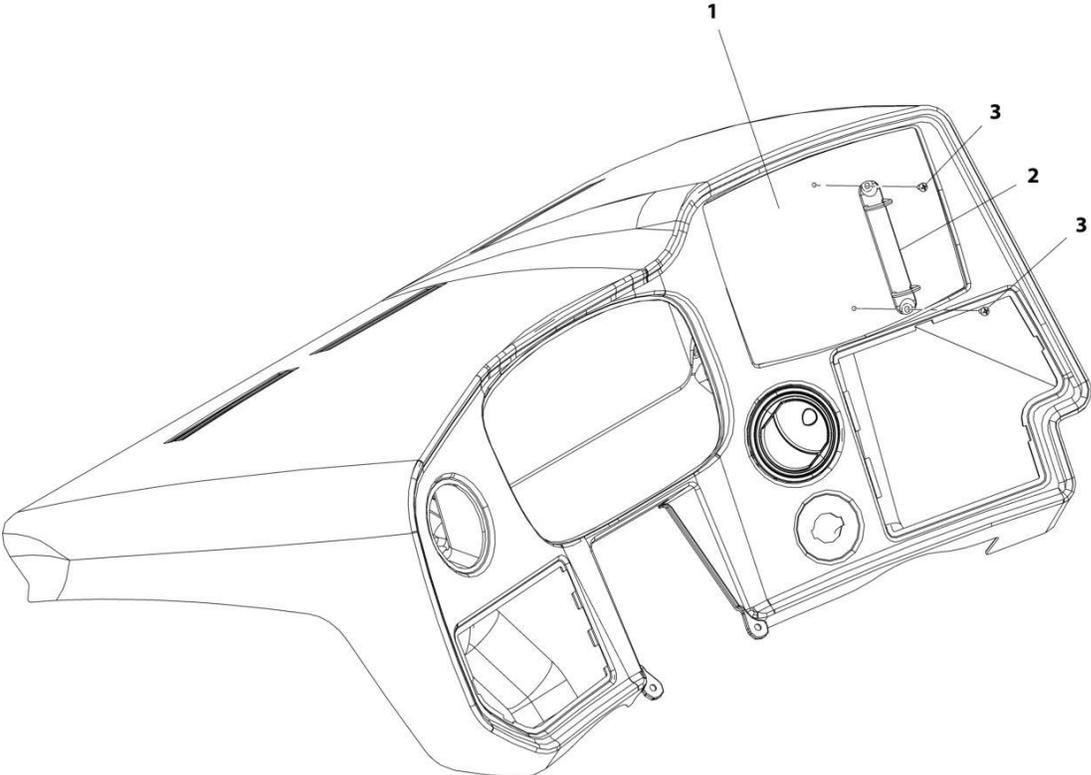
FIGURE 10-103. VEHICLE SPEED PIGTAIL HARNESS

ITEM	PART NUMBER	QTY	DESCRIPTION	REV
	1001229981	Ref	Vehicle Speed Pigtail Harness	A
1	4460464	2	Terminal	
2	4921614	200 mm	Wire, 18GA White	
3	1001194421	2	Terminal	
4	4460897	1	Connector	

SECTION 11 - DECALS

SECTION 11 - DECALS

FIGURE 11-1. CAPACITY CHART HOLDER INSTALLATION



ART_1001178706-A

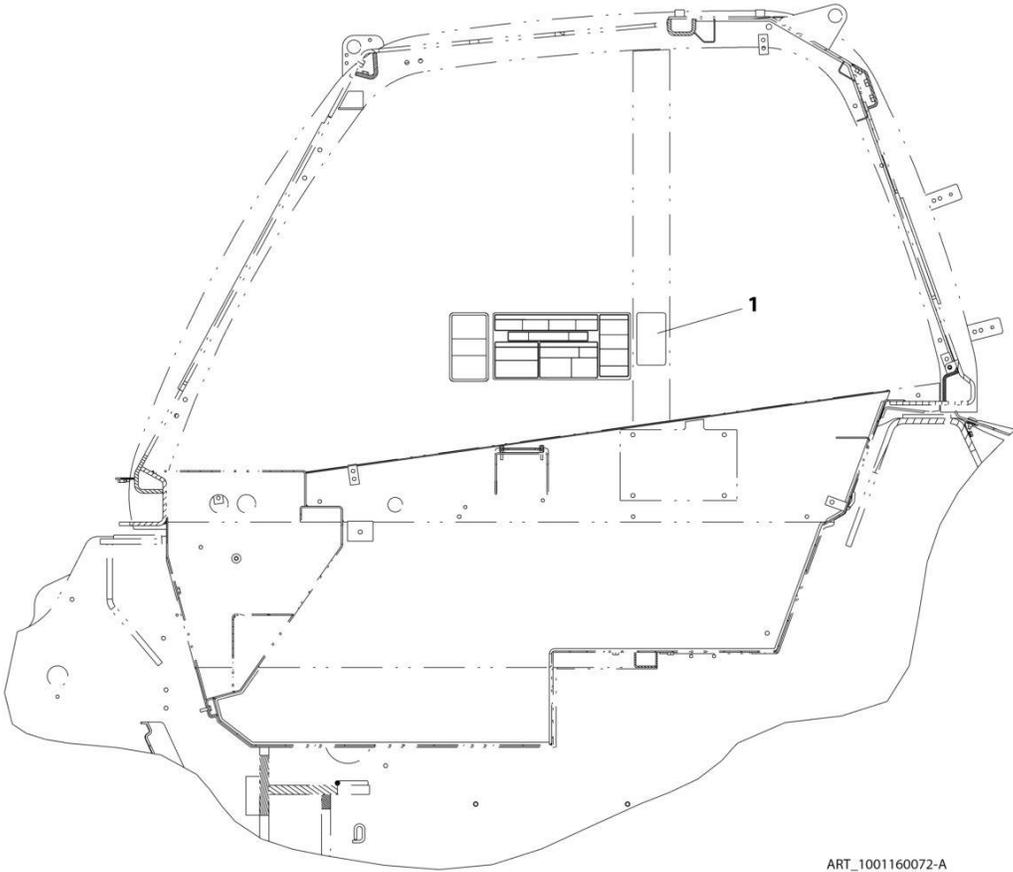
SECTION 11 - DECALS

FIGURE 11-1. CAPACITY CHART HOLDER INSTALLATION

ITEM	PART NUMBER	QTY	DESCRIPTION	REV
	1001178706	Ref	Capacity Chart Holder Installation	A
1	1001179297	1	Load Chart, Bezel	
2	1001005960	1	Holder	
3	7029486	2	Screw	

SECTION 11 - DECALS

FIGURE 11-2. REVERSE SENSOR SYSTEM DECAL (ENGLISH)



ART_1001160072-A

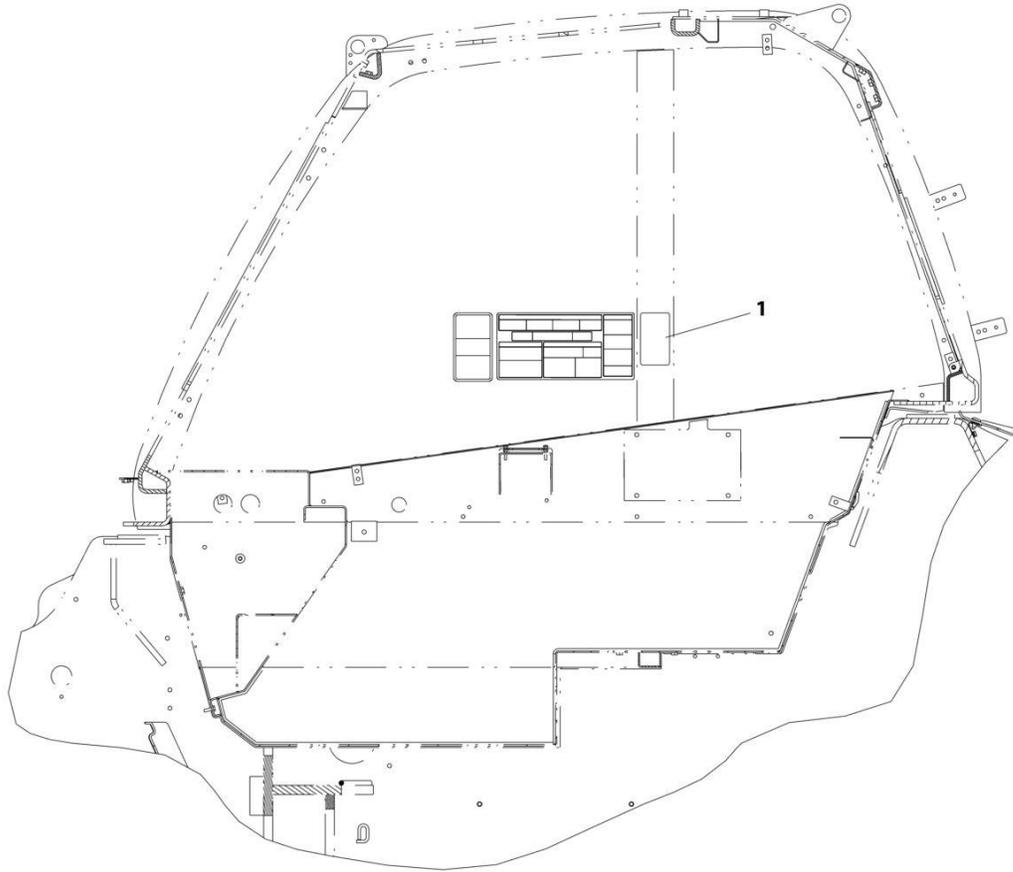
SECTION 11 - DECALS

FIGURE 11-2. REVERSE SENSOR SYSTEM DECAL (ENGLISH)

ITEM	PART NUMBER	QTY	DESCRIPTION	REV
1	1001160072	1	Reverse Sensor System Decal (English)	A

SECTION 11 - DECALS

FIGURE 11-3. REVERSE SENSING SYSTEM DECAL, (ENGLISH/FRENCH)



ART_1001160945-A

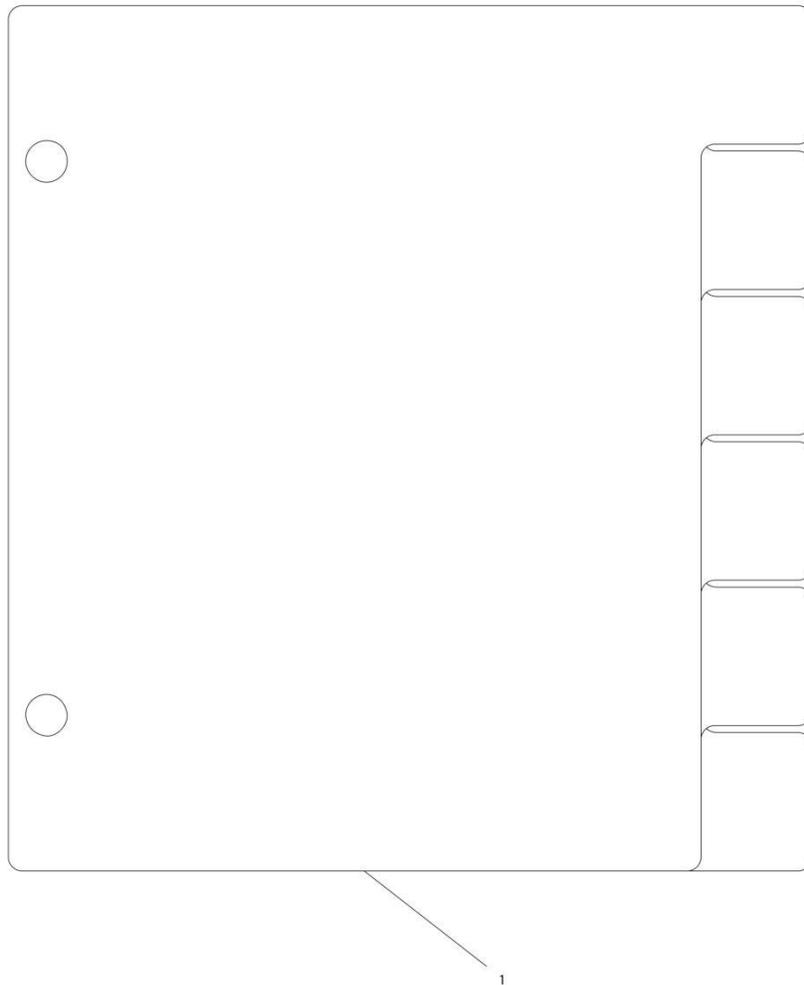
SECTION 11 - DECALS

FIGURE 11-3. REVERSE SENSING SYSTEM DECAL, (ENGLISH/FRENCH)

ITEM	PART NUMBER	QTY	DESCRIPTION	REV
1	1001160945	1	Reverse Sensor System Decal (ENGLISH/FRENCH)	A

SECTION 11 - DECALS

FIGURE 11-4. CAPACITY CHART



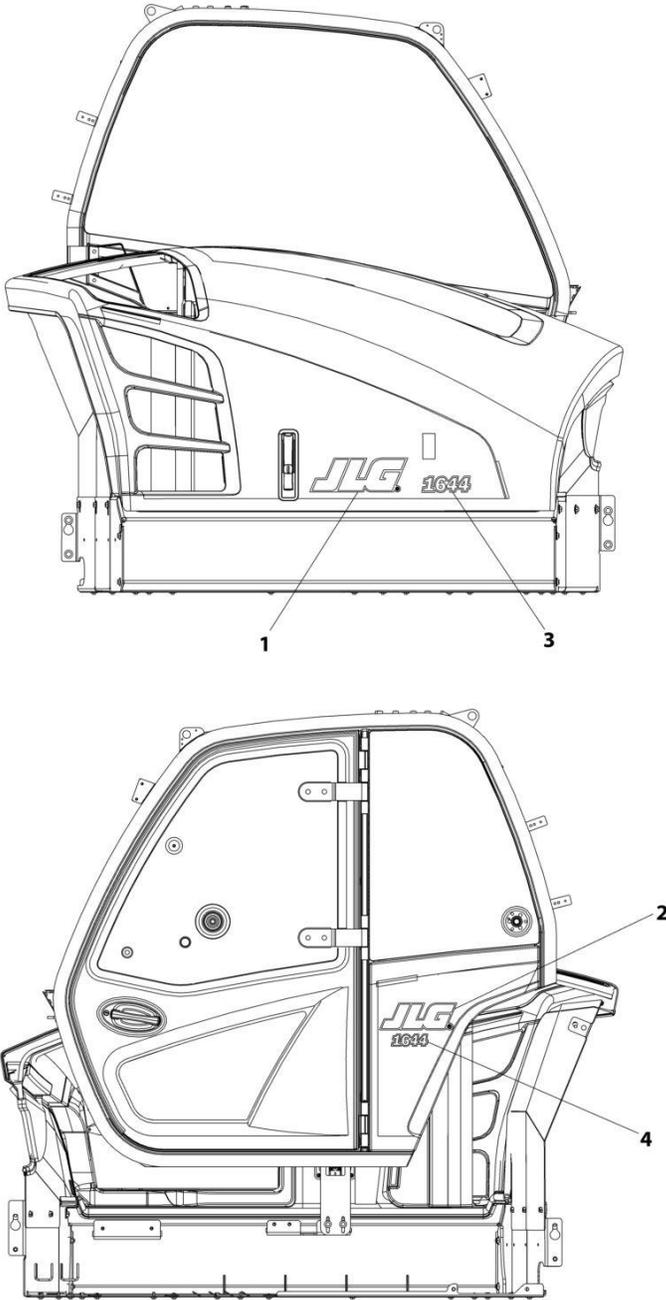
ART_1001233430-B

FIGURE 11-4. CAPACITY CHART

ITEM	PART NUMBER	QTY	DESCRIPTION	REV
1	1001233430	1	CAPACITY CHART	G

SECTION 11 - DECALS

FIGURE 11-5. 1644 DECAL INSTALLATION



ART_1001226533-A

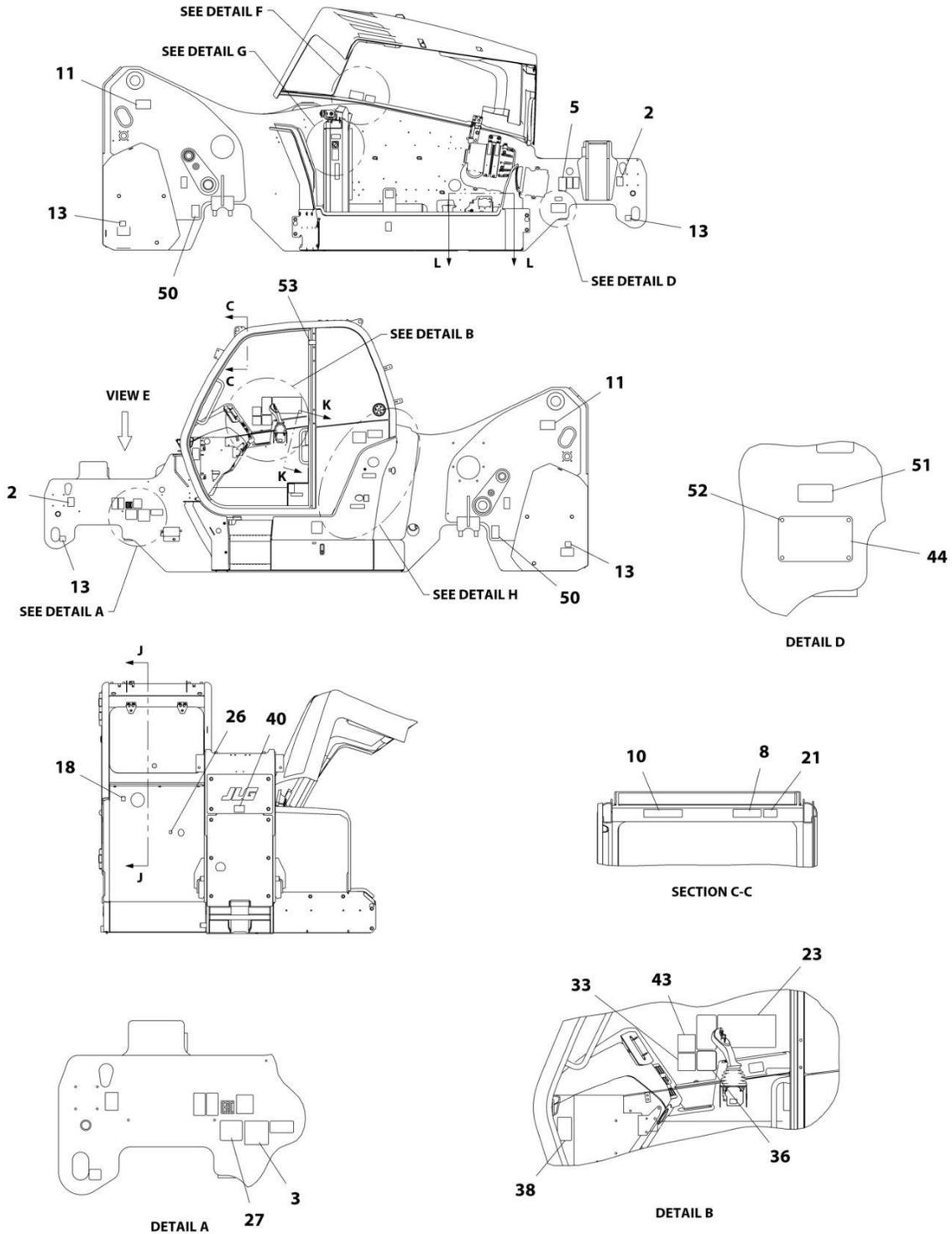
SECTION 11 - DECALS

FIGURE 11-5. 1644 DECAL INSTALLATION

ITEM	PART NUMBER	QTY	DESCRIPTION	REV
	1001226533	Ref	1644 Decal Installation	A
1	1001160775	1	Decal, JLG 5 Black	
2	1001169674	1	Decal, JLG M100X285	
3	1001226536	1	Decal, JLG 1644 Hood	
4	1001226537	1	Decal, JLG 1644 Cab	

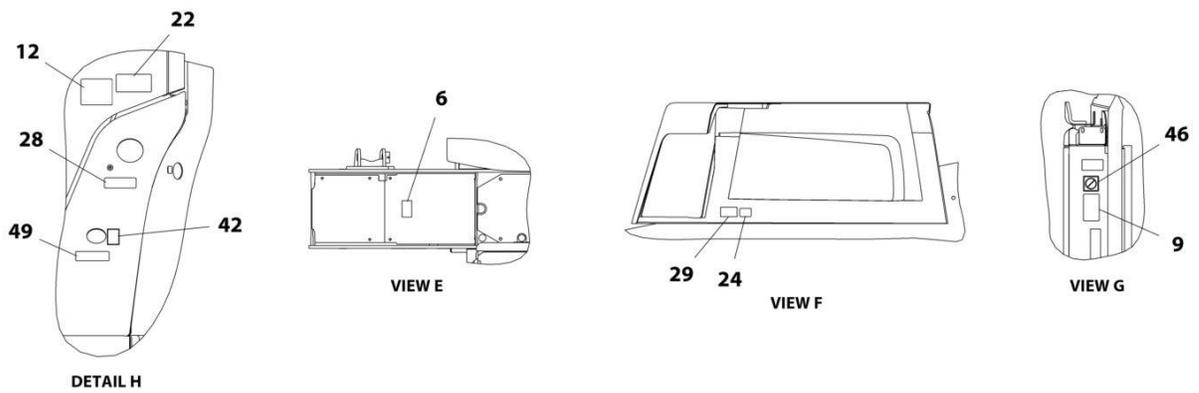
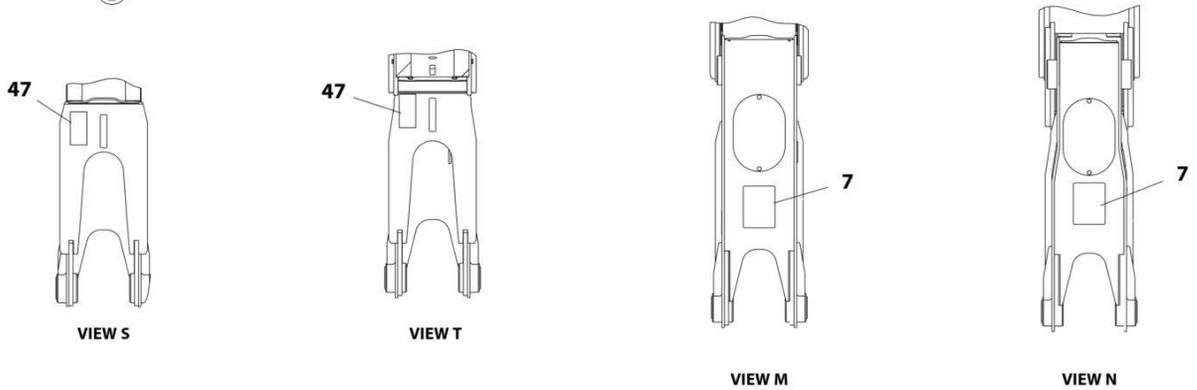
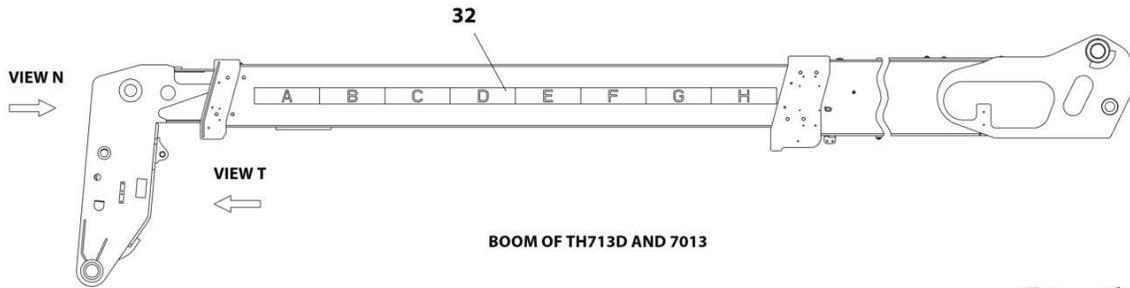
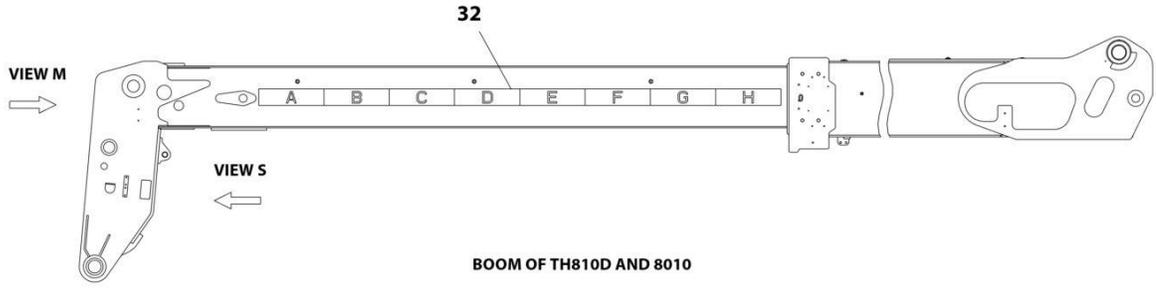
SECTION 11 - DECALS

FIGURE 11-6. DECAL INSTALLATION (ENGLISH)



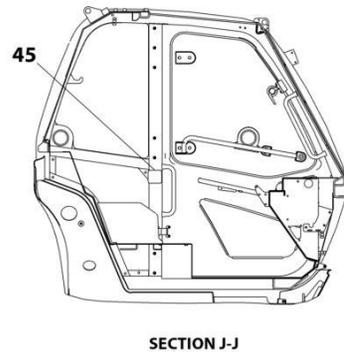
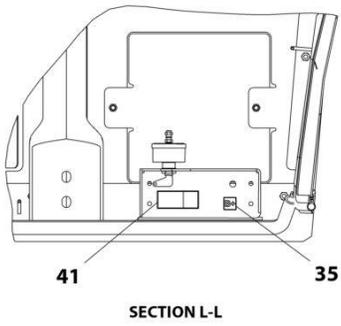
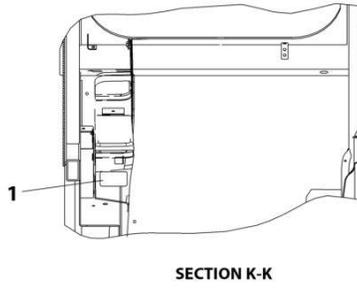
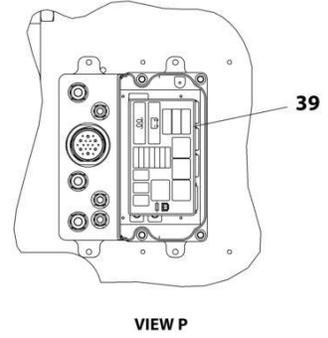
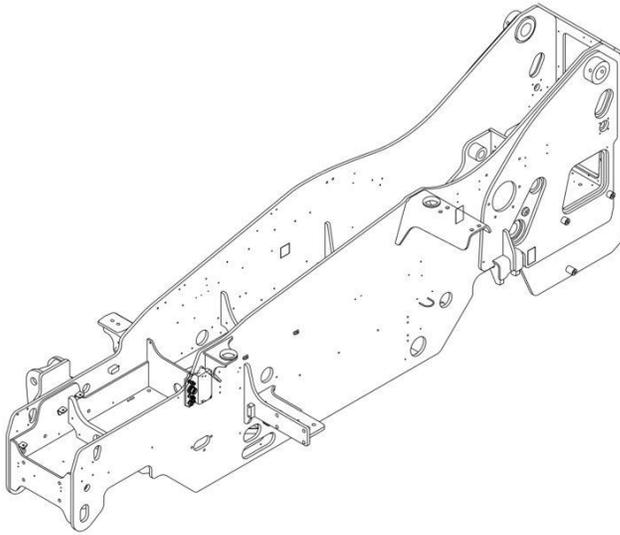
ART_1001192745_1-H

SECTION 11 - DECALS



ART_1001192745_2-H

SECTION 11 - DECALS



ART_1001192745_3-H

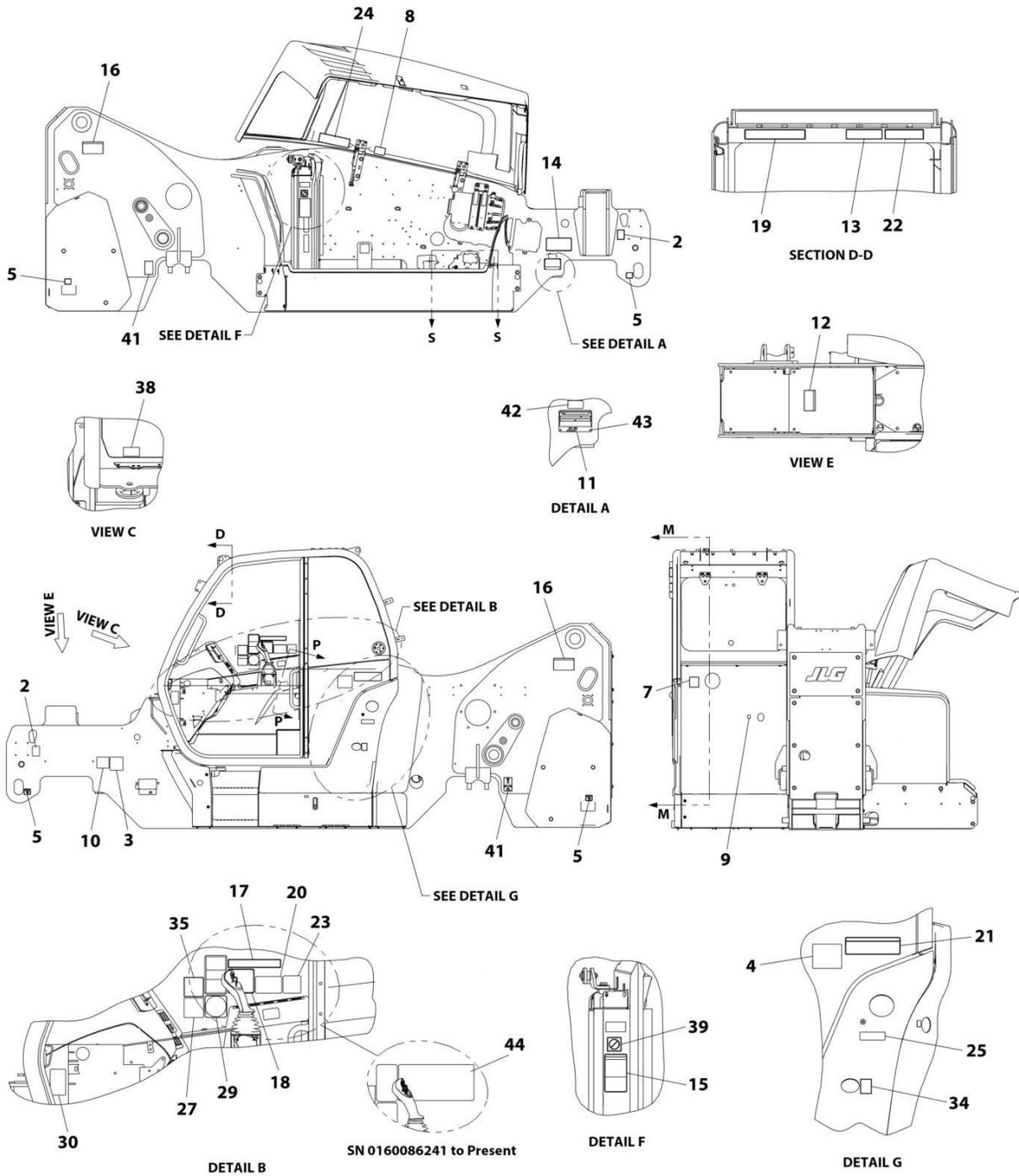
SECTION 11 - DECALS

FIGURE 11-6. DECAL INSTALLATION (ENGLISH)

ITEM	PART NUMBER	QTY	DESCRIPTION	REV
	1001192745	Ref	Decal Installation (English)	H
1	1670836	1	Cover, Boom	
2	1701500	2	Decal, Lift	
3	1702631	1	Decal, Bar Code	
5	1706300	1	Decal, Ether Warning	
6	1706296	1	Decal, Battery Warning	
7	1001195849	1	Decal, Carry Personnel	
8	1706299	1	Decal, Contacting Power Lines Warning	
9	1706301	1	Decal, Keep Clear Of Rotating Parts Warning	
10	1706306	1	Decal, Tip Over Warning	
11	1706302	2	Decal, Pinch Point Boom Holes	
12	3251813	1	Decal, USA	
13	4109801	4	Decal, Tie Down Point	
18	1001094708	1	Decal, Hydraulic Oil	
21	1706850	1	Decal, Crush Hazard Warning	
22	1706768	1	Decal, Vehicle Roll Away	
23	1707078	1	Decal, Warning/Danger	
24	1001109053	1	Decal, Coolant Fill	
26	1001130323	1	Decal, Oil Level	
27	1001131271	1	Decal, Patent	
28	1001218704	1	Decal, Ultra Low Sulfur Diesel	
29	1001139578	1	Decal, Hot Fluid Warning	
32	1001171277	1	Decal, Boom Extend	
33	1001172035	1	Decal, No Weld or Drill	
35	1001184632	1	Decal, Battery Positive	
36	1001188372	1	Decal, Sway	
38	1001191229	1	Decal, Fuse Panel	
39	1001191487	1	Decal, Fuse Panel	
41	1001195855	1	Decal, Battery Disconnect	
42	1001196806	1	Decal, Diesel Exhaust Fluid	
43	1001227287	1	Decal, Manual	
44	1001229575	1	Decal, SN Plate JLG	
44	1001154580	1	Decal, SN Plate JLG	
45	1001214206	1	Decal, Park Brake	
46	AU2105	1	Decal, No Karcher	
47	1001207217	1	Decal, Danger Swinging Loads	
48	1001218659	1	Decal, Brake Fluid	
49	1001219212	1	Decal, DEF Fluid	
50	1001222650	2	Decal, Axle Lift	
51	1001223453	1	DECAL,ICES (CAN)	
52	1001009178	4	Tack-Metal	
53	1001231801	1	Decal, Warning Prop 65	

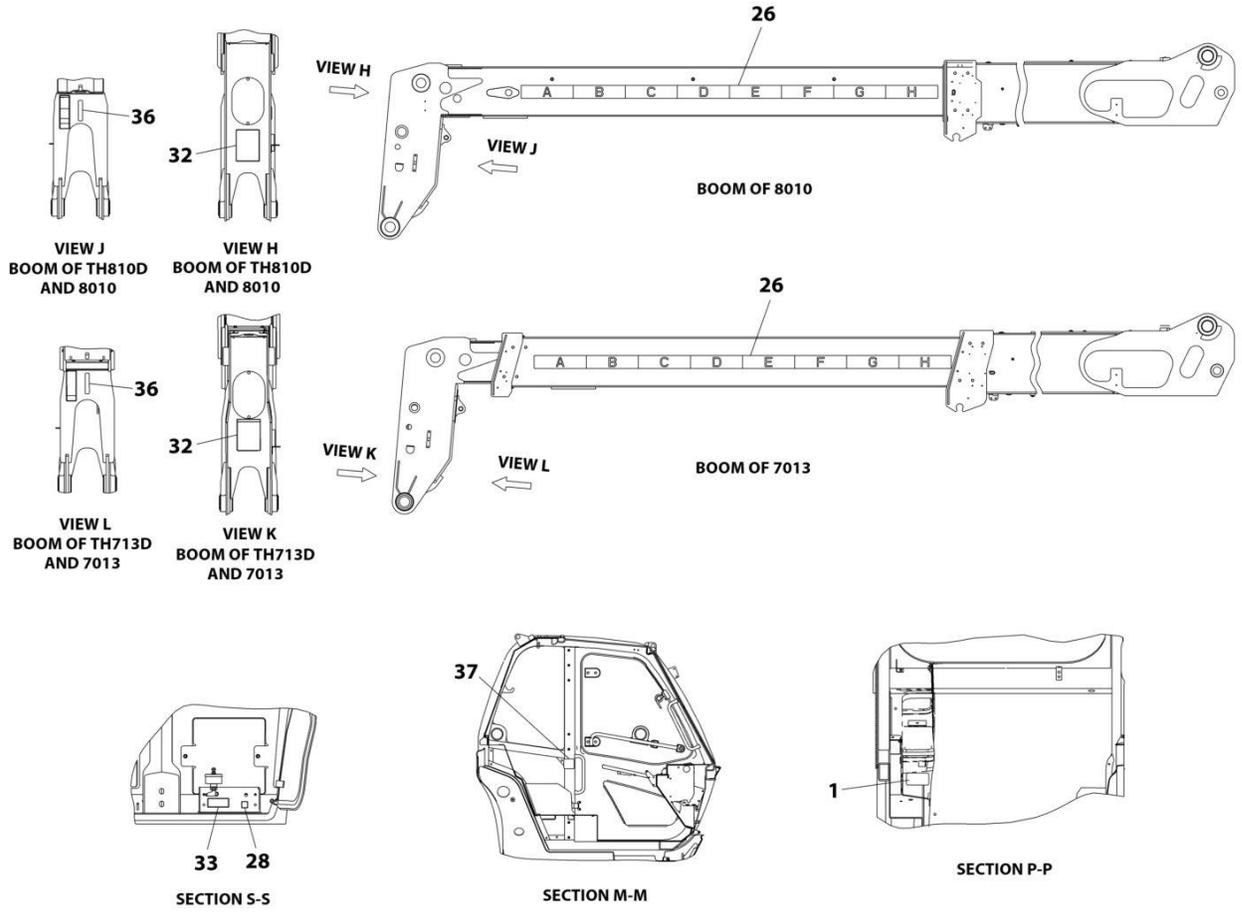
SECTION 11 - DECALS

FIGURE 11-7. DECAL INSTALLATION (ENGLISH/FRENCH)



ART_1001220230_1-H

SECTION 11 - DECALS



ART_1001220230_2-H

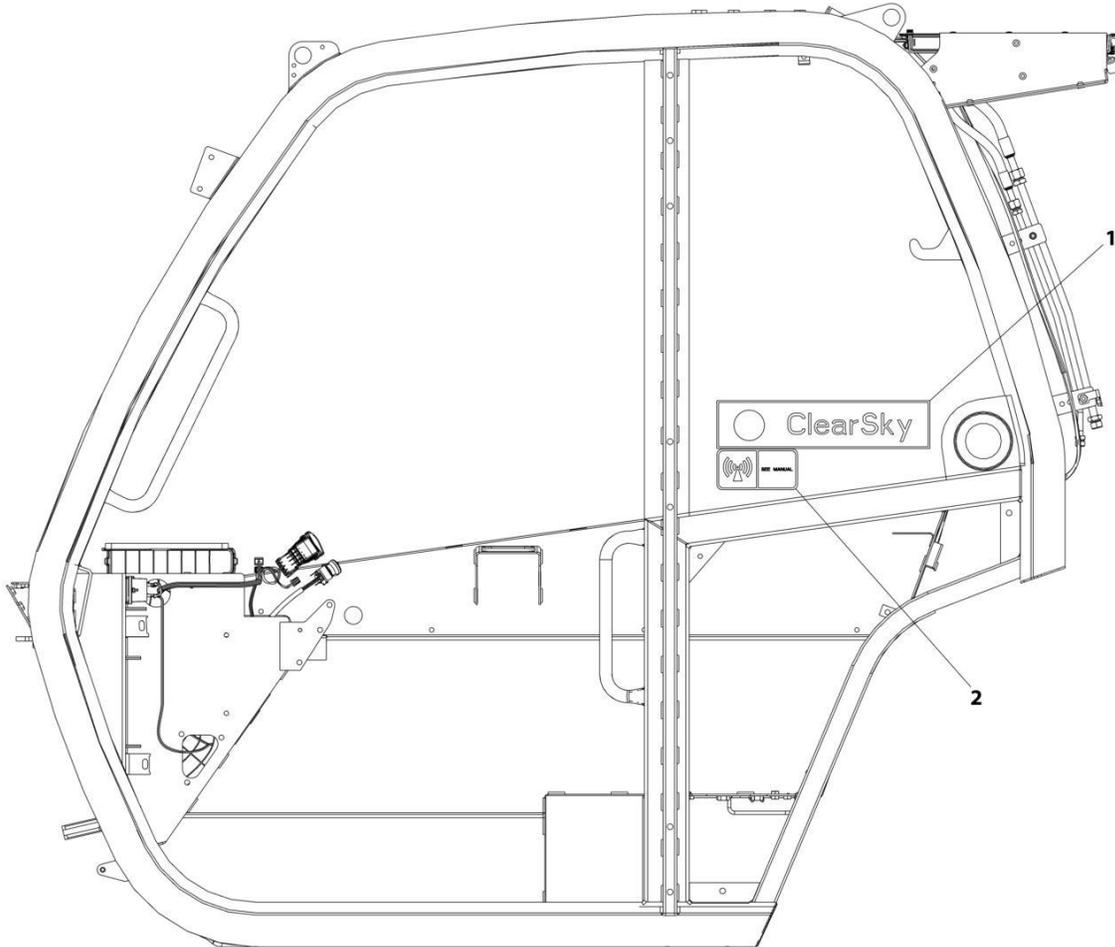
SECTION 11 - DECALS

FIGURE 11-7. DECAL INSTALLATION (ENGLISH/FRENCH)

ITEM	PART NUMBER	QTY	DESCRIPTION	REV
	1001220230	Ref	Decal Installation (English/French)	H
1	1670836	1	Cover, Boom	
2	1701500	2	Decal, Lift	
3	1702631	1	Decal, Bar Code	
4	3251813	1	Decal, USA	
5	4109801	4	Decal, Tie Down Point	
7	1001094708	1	Decal, Hydraulic Oil	
8	1001109053	1	Decal, Coolant Fill	
9	1001130323	1	Decal, Oil Level	
10	1001131271	1	Decal, Patent Telehandlers USA/Canada	
11	1001229575	1	Decal, SN Plate JLG	
12	1001163174	1	Decal, Battery Warning	
13	1001163210	1	Decal, Electrocutation Hazard	
14	1001163212	1	Decal, Warning No Either	
15	1001163222	1	Decal, Moving Parts	
16	1001163223	2	Decal, Pinch Point	
17	1001163273	1	Decal, Read Manual (SN 0160000001 through 0160086241)	
18	1001163276	1	Decal, Warning Run Over Hazard (SN 0160000001 through 0160086241)	
19	1001163285	1	Decal, Warning Tip Over	
20	1001163291	1	Decal, Warning Machine Roll Away (SN 0160000001 through 0160086241)	
21	1001163300	1	Decal, No Riders	
22	1001163304	1	Decal, Warning Crushing Hazard	
23	1001163321	1	Decal, Warning Do Not Jump (SN 0160000001 through 0160086241)	
24	1001163323	1	Decal, Warning Hot Fluid	
25	1001163355	1	Decal, Ultra Low Sulfur Diesel	
26	1001171277	1	Decal, Boom Extend	
27	1001172035	1	Decal, No Weld or Drill	
28	1001184632	1	Decal, Battery Positive	
29	1001188372	1	Decal, Sway	
30	1001191229	1	Decal, Fuse Panel	
32	1001195851	1	Decal, Carry Personnel	
33	1001195855	1	Decal, Battery Disconnect	
34	1001196806	1	Decal, Diesel Exhaust Fluid	
35	1001227287	1	Decal, Manual	
36	1001209625	1	Decal, Danger Swinging Loads	
37	1001214206	1	Decal, Park Brake	
38	1001219211	1	Decal, Brake Fluid	
39	AU2105	1	Decal, No Karcher	
41	1001222650	2	Decal, Axle Lift	
42	1001223453	1	Decal, ICES	
43	1001009178	4	Tack, Metal	
44	1001233558	1	Decal, Warning/Danger - Cab (SN 0160086241 through 0160100942)	

SECTION 11 - DECALS

FIGURE 11-8. CLEARSKY DECAL INSTALLATION



ART_1001229707

SECTION 11 - DECALS

FIGURE 11-8. CLEARSKY DECAL INSTALLATION

ITEM	PART NUMBER	QTY	DESCRIPTION	REV
	1001229707	Ref	Clearsky Decal Installation	C
1	1001294815	1	Decal - ClearSky	
2	1001120989	1	Radio Frequency Decal	

SECTION 12 - RECOMMENDED SPARE PARTS

SECTION 12 - RECOMMENDED SPARE PARTS

SECTION 12 - RECOMMENDED SPARE PARTS

FIGURE 12-1. RECOMMENDED SPARE PARTS

ITEM	PART NUMBER	QTY	DESCRIPTION	REV
		Ref	Frame and Attaching Parts	
	1001194980	1	Cap, Locking Fuel	
	1001142659	1	Cap, Hydraulic	
	1001191163	1	Filter	
		Ref	Boom	
	1001219905	AR	Shim, M50X169X1	
	1001219953	AR	Shim, Boom Pivot	
	8008640	AR	Shim, M50X200X0.5	
	1001003031	AR	Shim, M50X198X1.5	
	1001195194	AR	Shim, M0.5X67X204	
	1001201268	AR	Shim, M67X198X0.5	
	1001204198	AR	Shim, M49X181X1	
	1001204199	AR	Shim, M49X181X5	
	1001195655	AR	Pad, M44X50X160	
	8002200	AR	Pad, M15X50X200	
	1001227337	AR	Pad, M70X200X39	
	1001227334	AR	Pad, M34X54X165	
	1001163140	AR	Pad, M17X198X67	
	1001204200	AR	Pad, M35X181X49	
		Ref	Engine and Attaching Parts	
	7016331	1	Filter, Oil	
	70024961	1	Filter, Fuel (Primary)	
	70027417	1	Filter, Fuel (Secondary)	
	70005549	1	Filter, DEF	
	70027657	1	Dipstick	
	70028419	1	Belt, V-Ribbed	
	1001166565	1	Filter, Air Cleaner	
		Ref	Cab	
	1001218996	1	Filter, HVAC Air	
	1001172553	1	Filter, HVAC Recirculation Air	
	4807718	1	Blade, Rear Wiper	
	1001141281	1	Blade, Front Wiper	
	1001141313	1	Blade, Roof Wiper	
		Ref	Hydraulic Components	
	70028324	1	Kit, Lift Cylinder Seal	
	70027806	1	Kit, Extend/Retract Cylinder Seal	
	70028324	1	Kit, Tilt Cylinder Seal	
	70026253	1	Kit, Frame Level Cylinder Seal	
	70027601	1	Kit, Hydrostatic Motor Seal	
	70028410	1	Kit, Hydrostatic Pump Seal	
	70028413	1	Kit, Implement Pump Seal	
		Ref	Electrical	
	0400075	1	Battery, 12V	
	70022765	1	Key, Ignition (Set of 2)	

SECTION 12 - RECOMMENDED SPARE PARTS

PART NUMBER INDEX

SECTION 12 - RECOMMENDED SPARE PARTS

0100081.....29	0760607..... 47, 207, 209, 213, 215, 345, 557, 691, 693, 701, 703	1001004723 695	1001097587.....241, 247
0400075.....709, 711, 942	0760608 ... 153, 211, 367, 373, 377, 441, 453, 481, 485, 489, 491, 593, 687, 719, 721	1001005368 361	1001098128.....593
0498748.....345	0760610 771	1001005438 575	1001098150.....434
0630576.....47	0760615 515	1001005904 537, 541, 545	1001098762.....715
0641510.....165	0760806 211	1001005960 921	1001099566.....231
0641608.....583	0760807 41, 561, 705, 707	1001006730 459	1001099717.....793
0651607.....77	076080841, 77, 365, 449, 451, 547, 719, 721, 749, 751, 757, 763, 765	1001006731 457	1001100166.....621
0681714.....575	0760810 ... 39, 49, 53, 57, 59, 65, 177, 179, 181, 203, 211, 231, 371, 389, 393, 397, 403, 406, 449, 463, 467, 481, 515, 533, 535, 539, 621, 791	1001007056 71, 619	1001100169.....621
0700408.....487, 757	076081227, 29, 183, 185, 209, 327, 329, 349, 685	1001007641 367, 369	1001100319.....177, 179
0700610....25, 29, 47, 51, 209, 227, 441, 451, 687, 741, 743, 763, 765	0760815 349, 539, 543	1001008475 369	1001101041....91, 93, 99, 101, 107, 111, 114, 118, 533, 537, 541, 545
0700612.....47, 787	0760823 25, 217, 219	1001008540 687	1001101042....91, 93, 99, 101, 107, 111, 114, 118, 533, 537, 541, 545
0700614....209, 406, 587, 685, 705, 707, 763, 765	0761008 793, 795	1001008559 141, 185, 231, 517, 691, 693, 695, 701, 703, 723, 725, 737, 739, 773, 783	1001101042....91, 93, 99, 101, 107, 111, 114, 118, 533, 537, 541, 545
0700616.....515, 563	0761009 797	1001008834 93	1001101702.....489
0700618....701, 703, 725	0761010 ... 39, 41, 43, 45, 49, 83, 163, 191, 209, 489, 547, 687, 691, 693, 701, 703, 737, 739, 773	1001008857 27	1001101808.....719
0700814....41, 199, 201, 209, 581	0761012 ... 35, 39, 47, 67, 69, 155, 491, 557, 575, 685, 695	1001008604 369	1001101855.....775
0700815.....747	0761210 75, 183, 185	1001008654 561	1001102502.....727
0700816....177, 179, 195, 211	0761212 191, 695	1001008742 373	1001103012.....824, 832
0700817.....515	0761214 25, 149, 209	1001008834 93	1001103156.....793, 795
0700818....521, 577, 789	0761215 149, 183, 185	1001008923 349	1001103300.....793, 795
0700819.....699	0761217 131	1001008988 345	1001104477.....541, 545, 663
0700820....463, 465, 467, 567, 685	0761218 183, 185	1001008999 41	1001104498.....824, 828, 832, 836, 851, 883, 909
0700821.....593	0770814 483	1001009018 21	1001104499.....836
0700824.....491	0770815 203	1001009124 369	1001104519.....825, 833, 861
0700826.....211	0771010 63, 65	1001009178 307	1001104654.....727
0701014....41, 49, 53, 73, 159, 209, 227, 593, 737, 739	0771012 63	1001009325 163	1001105093.....515
0701016.....159, 549	0771212 63, 65	1001010646 457, 459	1001105886.....717
0701018....155, 183, 185, 227	0771414 611, 615	1001010647 457, 459	1001107192.....345
0701020.....27, 183, 185	0771416 299	1001010648 457, 459	1001107339.....227
0701024.....589	0771618 305	1001010649 457, 459	1001107854.....824, 828, 832, 836, 851, 857, 883, 909
0701026.....165	0771620 297	1001010650 457, 459	1001108661.....777
0701027.....519	0791605 195	1001010839 369	1001109053.....933, 936
0701216.25, 75, 595, 601	1001002946 349	1001010889 373	1001109387.....131
0701222.....29	1001002947 349	1001010917 301	1001110023.....537, 545, 665
0701618.....149	1001002953 349	1001010978 727	1001110115.....545
0701626.....149	1001002957 349	1001010979 727	1001111076.....453
0701628...85, 87, 89, 149	1001003031 ... 61, 63, 65, 942	1001010980 301	1001111140.....587
0701630.....149	1001003043 359	1001010981 301	1001111147.....453
0711015.....59	1001003227 41	1001010982 301	1001111317.....343, 347
0711016.....63	1001003301 35	1001010983 301	1001112612.....819, 828, 836, 913
0711017.....61	1001003305 163, 165, 185, 227, 797	1001010984 301	1001112796.....821, 865, 867, 869
0711027.....297	1001003427 31	1001010985 301	1001114495.....181, 193
0711030.....227	1001003803 67	1001010986 301	1001114803.....183, 185
0711215.....63	1001004640 491	1001010987 301	1001116128.....431, 773
0711216.....61, 63, 169	1001004720 141, 209	1001010988 301	1001116208.....763, 765
0711217.....61		1001010989 301	1001116696.....851, 852, 909, 910
0711230.....57		1001010990 301	1001116697.....824, 832
0711630.....37		1001010991 301	1001116698.....824, 828, 832
0711635.....57		1001010992 301	1001116700.....825, 833, 855
0712020.....335		1001010993 301	1001116716.....825, 833
0712022.....335		1001010994 301	1001116723.....825, 826, 827, 828, 833, 834, 835, 836
0712027.....337		1001010995 301	1001116725.....800, 806
0712442.....297, 519		1001010996 301	
0760405.....85, 87, 89		1001010997 301	
0760407.....83		1001010998 301	
0760507....161, 695, 723		1001010999 301	
0760512.....373		1001011000 301	
0760605....151, 345, 481, 485		1001011001 301	

SECTION 12 - RECOMMENDED SPARE PARTS

1001116727 785, 807, 910	1001118386..... 828, 836	1001139578..... 933	1001159746 731, 733
1001116728 852, 887, 910	1001118387..... 828, 836	1001141246..... 349	1001159845 741, 743
1001116729 785	1001118392..... 851, 852, 909, 910	1001141281..... 371, 942	1001159846 741, 743
1001116731 871	1001118684..... 826, 834	1001141311..... 427	1001159849 727
1001116732 800, 806, 848, 906, 915	1001118685..... 861	1001141312..... 385	1001159925 403, 406
1001116733 915	1001119467..... 389	1001141313..... 427, 942	1001160042 406
1001116734 800, 806, 915	1001120989..... 763, 765, 939	1001141461 585	1001160043 403
1001116745 785	1001121726..... 852, 910	1001141462 585	1001160072 923
1001116747 857	1001121727..... 785, 852, 910	1001141976..... 583, 585	1001160326 406
1001116748 827, 835	10011223457..... 824, 832	1001142659..... 942	1001160420 199
1001116754 826, 834	1001125117..... 61, 63, 65, 75	1001143200..... 363	1001160496 463
1001116763 851, 857, 909	1001125222..... 489	1001143551..... 893	1001160498 824, 832
1001116774 849, 873, 893, 907	1001125465..... 773	1001144147 800, 806, 845, 871, 893, 897	1001160500 847, 851, 873, 905, 909
1001116808 893	1001125677..... 801, 807, 825, 833, 852, 910	1001144296..... 825, 833	1001160502 824, 832
1001116810 848, 906	1001126008..... 800, 806, 828, 836, 849, 893, 907	1001145204..... 205	1001160503 463, 467
1001116811 799, 806	1001126011..... 828, 836	1001145390..... 71, 619	1001160506 465
1001116812 801, 802, 805, 806, 807, 808, 825, 827, 828, 833, 835, 836, 847, 852, 871, 873, 879, 893, 897, 905, 910	1001126245..... 800, 806	1001145391..... 69, 71	1001160508 339, 365
1001116815 808, 829, 837, 893	1001126353..... 799, 805	1001145539..... 406	1001160509 847, 851, 873, 905, 909
1001116950 848, 849, 906, 907	1001126362..... 799, 805	1001146588..... 163, 177, 179, 185, 191, 205, 209, 691, 693, 701, 703, 725, 737, 739, 765, 797	1001160510 847, 851, 873, 905, 909
1001116984 828, 836	1001126391..... 799, 801, 805, 808	1001147340..... 587	1001160730 773
1001116985 828, 836	1001126393..... 799, 801, 805, 808	1001147416..... 533, 537, 541, 545	1001160775 929
1001116986 827, 828, 835, 836	1001126485..... 799, 800, 805, 806	1001147449..... 434, 437	1001160927 709, 711, 715
1001116991 825, 828, 833, 836, 859	1001126487..... 799, 805	1001148841 799, 805	1001160928 709, 711, 715
1001116994 867, 869	1001126837..... 771, 795	1001148842 799, 805	1001160945 925
1001116995 827, 835	1001128128..... 800, 806, 848, 906, 915	1001149278..... 434, 437	1001161067 439
1001116996 851, 852, 909, 910	1001128144..... 195	1001150294..... 391	1001161078 455
1001116997 827, 835	1001128341..... 195	1001150610..... 799, 806	1001161080 455
1001116998 828, 836	1001128478..... 35, 307	1001150611 848, 906	1001161095 873
1001116999 825, 833, 859	1001129407..... 901	1001150735..... 827, 835	1001161097 824, 832, 847, 851, 873, 905, 909
1001117011 827, 835, 855	1001129425..... 773	1001150737..... 827, 835	1001161098 824, 832, 847, 873, 905
1001117021 857	1001130220..... 47, 51	1001152908..... 415, 421	1001161099 824, 832, 847, 851, 873, 905, 909
1001117024 915	1001130323..... 933, 936	1001152915..... 343	1001161100 824, 832, 847, 851, 873, 905, 909
1001117079 827, 835	1001131177..... 701, 703	1001152947..... 343	1001161101 824, 832, 847, 851, 873, 905, 909
1001117081 825, 826, 827, 828, 833, 834, 835	1001131271..... 933, 936	1001153748..... 555, 651	1001161109 824, 832, 847, 851, 873, 905, 909
1001117109 848, 906	1001132168..... 43, 45	1001154580 933	1001161125 434
1001117121 861	1001132169..... 849, 907	1001155228..... 341, 345	1001161253 434
1001117247 777, 881	1001132564..... 434	1001155276..... 491, 493	1001161259 47
1001117308 687	1001133714..... 801, 807, 808	1001155446..... 333, 337	1001161439 47
1001118202 848	1001133715..... 799, 801, 805, 807, 808	1001155447 339, 371	1001161499 339, 477
1001118282 800, 806, 906, 915	1001133793..... 159	1001155486 427	1001161672 491
1001118323 848, 906	1001134274..... 793, 795	1001155540..... 183, 185	1001161676 725, 839
1001118378 893	1001135650..... 799, 801, 805, 807, 808	1001155823..... 179	1001161769 725, 841
1001118379 827, 835	1001135651..... 799, 801, 805, 807, 808	1001156265..... 491	1001161770 725, 841
1001118383 861	1001136975..... 163	1001156265..... 491	1001161771 725, 843
1001118384 825, 826, 827, 828, 833, 834, 835, 836	1001136999..... 828, 836	1001157890..... 893	1001161851 437
	1001137000..... 828, 836	1001157891..... 819, 913	1001161855 434
	1001138116..... 799, 805	1001158146..... 727	1001161858 403, 415
	1001138645..... 705, 707	1001158596..... 393	1001161896 491
	1001138827..... 195	1001158601 389	1001161897 491
	1001138945..... 227	1001158736C 397	1001161898 491
	1001139551..... 427	1001158738C 389	1001161957 847, 851, 873, 905, 909
	1001139552..... 385	1001159028..... 477, 479	1001161959 824, 832
	1001139568..... 361	1001159734..... 737, 739	1001161963 847, 851, 873, 905, 909
		1001159735..... 727	1001162062 489
		1001159736..... 427	1001162212 177, 179
		1001159737..... 737, 739	1001162249 725
		1001159738..... 749, 751, 753, 755	1001162256 699
		1001159739..... 745	1001162662 35
		1001159741 727	
		1001159742 769	
		1001159745 783	

SECTION 12 - RECOMMENDED SPARE PARTS

1001162789.....339, 373	1001166634..... 347, 349	1001170326..... 379	1001174800.....451
1001162885.....775	1001166698..... 43	1001170366..... 339, 377	1001174801.....451
1001162886.....825, 832	1001166707..... 800, 807	1001170432..... 225	1001174812.....59, 625
1001162887.....825, 833	1001166715..... 155	1001170504..... 434	1001175058.....333
1001162920.....481	1001166754..... 337	1001170514..... 439	1001175201.....217, 219
1001162922.....481	1001166755..... 337	1001170518..... 434	1001175265.....800, 801, 806, 807, 852, 910
1001162953.....406, 409	1001166774..... 799, 801, 805, 808	1001170519..... 434, 439	1001175266.....873
1001163095.....787	1001167004..... 507	1001170601J.....345	1001175267.....847, 851, 905, 909
1001163140.....942	1001167015..... 429, 431	1001170944..... 349	1001175347.....21
1001163174.....936	1001167017..... 757	1001170993..... 381	1001175470.....379
1001163210.....936	1001167186..... 199	1001171037..... 353	1001175471.....377, 381
1001163212.....936	1001167266..... 409, 411	1001171162..... 749	1001175477.....345
1001163222.....936	1001167409..... 177, 179	1001171179..... 27	1001175568.....163
1001163223.....936	1001167616..... 800, 806	1001171182..... 361	1001175733.....863
1001163273.....936	1001167620..... 801, 808	1001171183..... 361	1001175776.....759, 863
1001163276.....936	1001167621..... 799, 805	1001171277..... 933, 936	1001175903.....434
1001163285.....936	1001167622..... 799, 805	1001171635..... 353	1001176002.....802, 808
1001163291.....936	1001167623..... 799, 805	1001171756..... 373	1001176004.....802, 808
1001163300.....936	1001167624..... 802, 808	1001171767..... 381	1001176121.....377, 379
1001163304.....936	1001167629..... 800, 806	1001171874..... 481	1001176272.....363
1001163321.....936	1001167629..... 800, 806	1001171885..... 39	1001176273.....363
1001163323.....936	1001167630..... 799, 800, 805, 806	1001171962..... 757	1001176333.....828, 836
1001163340.....825, 833	1001167631..... 799, 805	1001172035..... 933, 936	1001176338.....387
1001163355.....936	1001167634..... 799, 805	1001172088..... 481	1001176587.....869
1001163639.....729	1001167635..... 799, 805	1001172094..... 481	1001176626.....363
1001163695.....509	1001167636..... 800, 807	1001172146..... 27	1001177082.....27
1001163697.....497	1001167636..... 800, 807	1001172147..... 27	1001177597.....802
1001164183.....77	1001167937..... 355	1001172193..... 343, 347	1001178053.....889
1001164402.....685, 697	1001167958..... 345, 355	1001172401..... 339, 383	1001178123.....373
1001164655.....365	1001168030..... 565	1001172495..... 711, 715	1001178159.....343
1001164726.....345	1001168054..... 481	1001172496..... 711, 715	1001178160.....343
1001164967.....221	1001168142..... 491	1001172547..... 403, 406	1001178170.....406
1001164971.....297, 519	1001168151..... 491	1001172550..... 403, 406	1001178474.....25
1001164972.....297, 519	1001168264..... 327, 329	1001172551..... 415, 417, 419	1001178670.....491, 667
1001165035.....163	1001168327..... 406	1001172553..... 403, 406, 942	1001178680.....361
1001165194.....801, 808	1001168330..... 406	1001172693..... 31	1001178681.....361
1001165269.....373, 375	1001168331..... 406	1001172755..... 163	1001178693.....25
1001165270.....373	1001168456..... 406	1001172774..... 467	1001178706.....921
1001165273.....375	1001168531..... 397, 855	1001172995..... 75	1001178783.....387
1001165275.....349	1001168599..... 523, 671	1001172999..... 75	1001178791.....217, 219
1001165276.....347	1001168629..... 297	1001173257..... 465	1001178826.....471
1001165309.....848, 906	1001168758..... 47	1001173298..... 345	1001178933.....725
1001165310.....849, 907	1001168834..... 39, 43	1001173411..... 825, 833	1001179008.....469, 471
1001165311.....852, 910	1001169135..... 397, 399	1001173452..... 183, 185	1001179009.....469, 471
1001165327.....375	1001169151..... 406, 857	1001173457..... 183, 185	1001179080.....409
1001165351.....373	1001169265..... 41	1001173528..... 181, 193	1001179081.....409
1001165407.....373	1001169268..... 503	1001173571..... 415	1001179130.....409, 413
1001165416.....373	1001169354..... 499, 501	1001173679..... 75	1001179297.....921
1001165455.....373	1001169355..... 501	1001173739..... 75	1001179482.....453
1001165458.....373, 441	1001169367..... 501	1001173873..... 213, 215	1001179483.....453
1001165573.....393, 395	1001169368..... 195	1001173965..... 434	1001179484.....443
1001165637.....371	1001169454..... 25	1001174104..... 67	1001179592.....461
1001165827.....721	1001169603..... 434	1001174129..... 325	1001179850.....23, 27
1001166091.....421, 423, 425	1001169604..... 434, 437	1001174295..... 345, 357	1001179851.....27, 35
1001166092.....421, 423, 425	1001169674..... 929	1001174320..... 343	1001179852.....35
1001166191.....367	1001169751..... 499	1001174321..... 349	1001179907.....211, 705, 707
1001166192.....367	1001169763..... 503	1001174368..... 765	1001179931.....497
1001166385.....453	1001169825..... 687	1001174372..... 763, 765	1001180070.....175, 647
1001166543.....799, 805	1001169880..... 347	1001174652..... 437	1001180263.....465, 467
1001166551.....799, 805	1001169883..... 353	1001174653..... 437	1001180306.....21
1001166555.....799, 805	1001169885..... 353	1001174655..... 437	1001180437.....213, 215
1001166556.....799, 801, 805, 808	1001170106..... 31	1001174712..... 727	1001180542.....191
1001166565.....155, 157, 942	1001170113J..... 347, 353	1001174741..... 451	1001180553.....191
	1001170114..... 345, 347	1001174795..... 221, 223	1001180620.....685
	1001170231..... 481	1001174796..... 749, 751	
	1001170311..... 203		
	1001170325..... 461		

SECTION 12 - RECOMMENDED SPARE PARTS

1001180682 387	1001184795..... 781, 873	1001188577 421, 423,	1001191229 933, 936
1001180683 387	1001184796..... 747, 887	425	1001191255 333, 335
1001181128 687	1001184869..... 47	1001188578..... 421, 423,	1001191256 335
1001181411 361	1001184871..... 51	425	1001191257 335
1001181531 727	1001184872..... 47	1001188590..... 403, 406	1001191281 441, 443
1001181625 179	1001184874..... 47	1001188592..... 425	1001191282 443
1001181681 725, 845	1001184975..... 434	1001188594..... 421, 423,	1001191283 441, 445
1001181726 434, 441	1001184976..... 237	425	1001191284 441, 447
1001181920 363	1001184977..... 237, 239	1001188602..... 421, 423,	1001191285 441
1001181921 363	1001184978..... 237, 245	425	1001191310 445
1001181961 709	1001184979..... 237, 299	1001188603..... 421, 423,	1001191311 447
1001182123 363	1001184980..... 237, 305	425	1001191312 447
1001182139 363	1001184981..... 237, 309	1001188604..... 421, 423,	1001191313 447
1001182330 449	1001184982..... 239, 241	425	1001191370 441
1001182529 397, 399	1001184983..... 245, 247	1001188610..... 421, 423,	1001191487 933
1001182530 397	1001184984..... 241, 251,	425	1001191546 701, 703
1001182839 771	253, 255, 257, 259,	1001188612..... 421, 423,	1001191635 53
1001182881 151	261, 263	425	1001191685 35
1001182929 701, 811	1001184985..... 247, 265,	1001188614..... 421, 423,	1001191789 65
1001182930 701, 815	267, 269, 271, 273,	425	1001191915 489
1001183024 797	275, 277	1001188618..... 425	1001191959 447
1001183112 737, 739	1001184986..... 299, 301	1001188619..... 425	1001192096 593
1001183221 819	1001184987..... 309	1001188720..... 421, 423,	1001192124 31
1001183272 681, 683,	1001184988..... 309	425	1001192125 25, 31
685	1001185026..... 203	1001188725..... 421, 423,	1001192142 687
1001183306 325, 327	1001185633..... 449	425	1001192168 311
1001183307 325, 329	1001185722..... 763	1001188728..... 425	1001192170 317
1001183308 327	1001185870..... 434	1001188729..... 421, 423,	1001192177 311, 313
1001183309 329	1001185931..... 29	425	1001192178 311, 315
1001183447 85	1001185933..... 29	1001188733..... 421, 423,	1001192180 317
1001183549 775	1001185935..... 29	425	1001192181 317
1001183550 439	1001186603..... 763	1001188757 149	1001192240 443
1001183597 445	1001186843..... 575	1001188817 425	1001192309 345
1001183700 583	1001186853..... 737	1001188818 425	1001192320 39
1001183827 153	1001186855..... 709	1001188855 227	1001192321 757
1001183829 153	1001186856..... 713	1001188856 227	1001192322 759
1001183831 155	1001186898..... 155	1001188971 65	1001192323 719
1001183835 153, 155	1001187070..... 799, 805,	1001189023 425	1001192324 53
1001184275 421, 423,	815, 817	1001189024 425	1001192326 37
425	1001187073..... 847, 905	1001189025..... 421, 423,	1001192339 89
1001184278 421, 423,	1001187075..... 848, 873,	425	1001192342 93
425	906	1001189046 701, 703	1001192344 91
1001184280 425	1001187076..... 848, 849,	1001189048 425	1001192354 57
1001184294 421, 423,	873, 906, 907	1001189054 425	1001192358 69
425	1001187077..... 815, 817,	1001189182 434	1001192363 533
1001184295 421, 423,	871	1001189246 29	1001192365 539
425	1001187078..... 800, 806,	1001189288J 311, 313,	1001192366 535
1001184296 421, 423,	871, 893, 915	315, 317, 319, 321, 323	1001192367 543
425	1001187079..... 847, 848,	1001189980 419	1001192370 735
1001184297 421, 423,	852, 893, 905, 906, 910	1001189997 759	1001192392 31
425	1001187080..... 800, 806,	1001190037 800, 807	1001192410 491
1001184306 419	847, 852, 905, 910	1001190250 67, 69	1001192427 609
1001184307 419	1001187272 575	1001190254 57	1001192430 795
1001184309 419	1001187273 575	1001190256 57	1001192431 779
1001184310 419	1001187275 575	1001190257 57	1001192520 529
1001184396 691, 847	1001187355 597, 599	1001190260 57	1001192537 681
1001184397 691, 851	1001187423 311, 313,	1001190264 67, 69	1001192555 295, 547
1001184403 413	315, 317	1001190396 889	1001192558 725
1001184404 413	1001187820 67, 69	1001190921 800, 806	1001192575 731
1001184405 413	1001187821 67	1001191035 77	1001192615 95
1001184406 413	1001187847 67, 69	1001191036 77	1001192616 97
1001184427 425	1001187848 67, 69	1001191039 77	1001192619 781, 877
1001184439 345	1001187882 799, 805	1001191091 357	1001192622 39, 41
1001184473 859	1001188203 639	1001191108 85	1001192623J 41
1001184504 493	1001188303 406, 417	1001191110 59	1001192627 41
1001184610 69	1001188372 933, 936	1001191157 35	1001192631 41
1001184632 933, 936		1001191163 35, 942	1001192643 351

SECTION 12 - RECOMMENDED SPARE PARTS

1001192644.....	355	1001195263.....	721	1001196976.....	587	1001200443.....	137
1001192646.....	345	1001195342.....	411	1001196977.....	587	1001200445.....	183
1001192649.....	107	1001195343.....	411	1001196978.....	587	1001200447.....	209
1001192650.....	111	1001195345.....	411	1001196981.....	587	1001200451.....	225
1001192700.....	105	1001195346.....	411	1001196982.....	587	1001200453.....	227
1001192713.....	295	1001195385.....	411	1001196989.....	561	1001200498.....	183, 185
1001192722.....	113	1001195386.....	411	1001196992.....	561	1001200499.....	183, 185
1001192723.....	103	1001195423.....	903	1001196993.....	561	1001200538.....	741
1001192734.....	117	1001195430.....	581, 583	1001196995.....	561	1001200539.....	743
1001192735.....	121	1001195433.....	581	1001196996.....	561	1001200631.....	185
1001192737.....	481	1001195434.....	581	1001196997.....	561	1001200701.....	227
1001192745.....	933	1001195435.....	581	1001197011.....	593	1001200862.....	137, 139, 149, 689
1001192766.....	345, 351	1001195437.....	411	1001197056.....	49	1001200863.....	137, 139, 151, 689
1001192771.....	529	1001195438.....	411	1001197057.....	49	1001200864.....	137, 139, 155, 689
1001192772.....	529	1001195471.....	779, 789	1001197072.....	149	1001200865.....	137, 139, 159, 689
1001192885.....	595	1001195473.....	779, 791	1001197139.....	481	1001200866.....	137, 139, 163, 689
1001192886.....	595, 597	1001195582.....	713, 715	1001197196.....	513, 571	1001200867.....	213
1001192887.....	595, 601	1001195590.....	779, 793	1001197197.....	587, 589	1001200869.....	705
1001192888.....	597, 659	1001195591.....	775, 777	1001197198.....	589, 591	1001200870.....	575
1001193111.....	539, 543	1001195593.....	713, 717	1001197199.....	587	1001200871.....	149
1001193210.....	347	1001195610.....	903	1001197200.....	587	1001200872.....	149
1001193307.....	171, 645	1001195655.....	57, 942	1001197259.....	455	1001200873.....	149
1001193308.....	307, 643	1001195720.....	797	1001197262.....	59	1001200874.....	149
1001193393.....	137, 139, 173, 689	1001195721.....	723	1001197339.....	39	1001200885.....	151
1001193461.....	575	1001195731.....	793, 795	1001197414.....	143	1001200886.....	151
1001193474.....	489	1001195732.....	793, 795	1001197480.....	25	1001200968.....	431
1001193516.....	513, 553	1001195733.....	557	1001197481.....	29	1001201073.....	521, 627
1001193517.....	513, 557	1001195737.....	61, 63, 65	1001197489.....	547	1001201074.....	519, 521
1001193576.....	295	1001195814.....	341, 363	1001197667.....	495	1001201124.....	731, 819
1001193698.....	719, 721	1001195816.....	434	1001197668.....	783, 785	1001201162.....	761
1001193703.....	137, 139, 165, 689	1001195817.....	434	1001197719.....	802	1001201266.....	59, 61
1001193704.....	137, 139, 169, 689	1001195818.....	434	1001197733.....	49	1001201267J.....	61
1001193705.....	165, 167	1001195820.....	429	1001197734.....	49	1001201268.....	942
1001193709.....	513, 561	1001195821.....	431	1001197955.....	37	1001201269.....	61
1001193797.....	227	1001195822.....	429	1001198307.....	47, 49	1001201298.....	177
1001193803.....	133	1001195823.....	431	1001198577.....	609, 611	1001201299.....	177, 179
1001193836.....	601	1001195849.....	933	1001198578.....	609, 615	1001201300.....	177, 179
1001193838.....	599, 601	1001195851.....	936	1001198715.....	611, 613	1001201301.....	183, 185, 189
1001193839.....	599	1001195855.....	933, 936	1001198717.....	615, 617	1001201302.....	183, 185, 191
1001193917.....	629	1001195878.....	343	1001198893.....	755	1001201303.....	183, 193
1001193918J.....	297	1001195881.....	81	1001199325.....	59, 621	1001201304.....	183, 185, 195
1001193919.....	297	1001195883.....	751	1001199670.....	211	1001201305.....	183, 185, 197
1001193940.....	725, 824	1001195953.....	797, 883	1001199822.....	213	1001201309.....	191
1001193993.....	687	1001196191.....	183, 185	1001199823.....	213	1001201314.....	193
1001194103.....	695	1001196289.....	761, 865	1001199902.....	209	1001201315.....	181, 193
1001194244.....	695	1001196402.....	529	1001200105.....	529, 783	1001201316.....	181, 193
1001194282.....	491	1001196452.....	763, 765, 867	1001200106.....	137, 701	1001201317.....	195
1001194421.....	826, 834, 917	1001196502.....	695	1001200108.....	701, 799	1001201331.....	373
1001194534.....	155	1001196664.....	171	1001200111.....	623, 669, 675	1001201418J.....	19
1001194698.....	339	1001196778.....	131	1001200159.....	681, 691	1001201420.....	519
1001194699.....	339, 341	1001196779.....	131	1001200160.....	681, 683, 695	1001201425.....	137, 139, 141, 689
1001194700.....	341, 343	1001196782.....	131	1001200161.....	695	1001201432.....	75
1001194702.....	525	1001196806.....	933, 936	1001200162.....	695	1001201499.....	485
1001194969.....	41	1001196879.....	75	1001200164.....	695	1001201500.....	487
1001194980.....	33, 942	1001196949.....	129	1001200165.....	695	1001201501.....	485, 487
1001194981.....	35	1001196950.....	127	1001200166.....	695	1001201588.....	29
1001195089.....	211	1001196951.....	125	1001200167.....	695	1001201589.....	29
1001195194.....	61, 63, 65, 942	1001196952.....	123	1001200168.....	691, 693		
1001195200.....	779, 787	1001196959.....	575	1001200169.....	691, 693		
1001195201.....	779, 781	1001196964.....	587	1001200177.....	295, 297		
1001195202.....	787, 879	1001196967.....	587	1001200206.....	871		
1001195254.....	489	1001196969.....	587	1001200226.....	519		
		1001196970.....	587	1001200249.....	209		
		1001196973.....	587	1001200393.....	67, 69		
		1001196974.....	587	1001200395.....	69		
		1001196975.....	587				

SECTION 12 - RECOMMENDED SPARE PARTS

1001201848 47, 51	1001205381..... 515	1001210568..... 515	1001214220 481
1001201856 209	1001205528..... 621	1001210569..... 515	1001214254 87
1001201858 209	1001205532..... 345, 349	1001210635..... 587	1001214349 231
1001201885 800, 807	1001205564..... 197	1001210769..... 243, 249	1001214401 771
1001202018 209, 211	1001205565..... 197	1001210770..... 685, 699	1001214415 87
1001202020 529	1001205573..... 587	1001210771..... 169, 171	1001214429 575
1001202021 209	1001205618..... 593	1001210780..... 569	1001214430 575
1001202024 513, 575	1001205619..... 75	1001210797..... 587	1001214431 575
1001202025 513, 587	1001205621..... 75	1001210800..... 561	1001214829 529
1001202026 513, 581	1001205622..... 75	1001210801..... 569	1001215022 181, 193
1001202027 575	1001205627..... 75	1001210870..... 163	1001215024 181, 193
1001202172 681, 683, 687	1001206099..... 53	1001211020..... 587	1001215093 575
1001202247 181	1001206100..... 737, 739	1001211357..... 387	1001215121 729
1001202321 227, 229	1001206607..... 547	1001211427..... 57, 59	1001215208 685
1001202325 229	1001206608..... 547	1001211445..... 711	1001215212 575
1001202519 761	1001206633..... 735, 821	1001211616..... 197	1001215256 561
1001202526 177, 179, 225	1001206709..... 561	1001211617..... 197	1001215319 221, 223
1001202617 761	1001206725..... 83	1001211693..... 725	1001215341 557, 559
1001202621 757	1001206744..... 489	1001211899..... 49	1001215531 349
1001202645 513	1001207171..... 800, 806	1001211900..... 49	1001215539 575
1001202722 799, 805	1001207217..... 933	1001211907..... 434	1001215693 737, 739, 885
1001202723 799, 805	1001207325..... 519	1001212011..... 357	1001215802 575
1001202786 327, 329	1001207594..... 769, 771	1001212047..... 469	1001215941 185
1001202899 209	1001207788..... 587	1001212049..... 469	1001216263 451
1001202901 141	1001207789..... 587	1001212184..... 581	1001216265 449
1001202986 691, 693	1001207790..... 587	1001212349..... 669	1001216267 451
1001203005 177, 179	1001207866..... 81, 83	1001212369..... 371	1001216269 451
1001203081 739	1001207898..... 239, 243	1001212418..... 553, 555	1001216270 449
1001203181 185	1001207899..... 245, 249	1001212468..... 441	1001216331 611
1001203368 737, 739	1001207956..... 489	1001212470..... 727	1001216333 615
1001203640 741, 743, 747	1001208037..... 489	1001212511..... 629, 639	1001216757 505
1001203932 39	1001208308..... 434	1001212739..... 173, 175	1001216798 229
1001203933 39	1001208451..... 621	1001212788..... 561, 567	1001216799 229
1001203934 39	1001208532..... 587	1001212789..... 567, 569	1001216803 505
1001203947 183, 185	1001208534..... 587	1001212880..... 561	1001216974 389, 393, 397
1001203948 183, 185	1001209097..... 799, 805	1001212886..... 687	1001217226 611, 615
1001203985 59, 65	1001209200..... 515	1001212920..... 197	1001217320 723
1001203986 65	1001209201..... 515	1001212921..... 197	1001217353 59, 517
1001203987 65	1001209202..... 515	1001212923..... 217	1001217354 517
1001203989 59	1001209203..... 515	1001212924..... 217, 219	1001217355 517
1001203990 59	1001209346..... 53	1001212925..... 217, 219	1001217482 521, 523
1001204032 181	1001209357..... 753	1001213026..... 21, 513	1001217552 533
1001204060 743	1001209358..... 755	1001213265..... 481, 483	1001217553 533
1001204066 349	1001209387..... 43, 45	1001213306..... 575	1001217620 305, 307
1001204115 349	1001209388..... 41	1001213307..... 575	1001217623 749, 753
1001204120 349	1001209427..... 745	1001213308..... 575, 577	1001217669 307
1001204152 561	1001209427..... 745	1001213309..... 577, 579	1001217753 205
1001204177 59, 63	1001209463..... 453	1001213311..... 579, 657	1001217754 201
1001204178 63	1001209625..... 936	1001213317..... 539, 541	1001217755 201
1001204198 63, 942	1001209690..... 739	1001213318..... 535, 537	1001217756 205
1001204199 63, 942	1001209691..... 739	1001213319..... 543, 545	1001217757 205, 207
1001204200 63, 942	1001209697..... 737, 739	1001213322..... 37	1001217758 207
1001204411 209	1001209899..... 363	1001213323J..... 37	1001217759 207
1001204413 209	1001209972..... 515	1001213324J..... 37	1001217760 205
1001204414 209	1001210270..... 515	1001213331..... 349	1001217761 191
1001204486 41	1001210271..... 593	1001213331..... 349	1001217762 191
1001204528 741	1001210271..... 593	1001213462..... 59	1001217763 191
1001204530 741	1001210281..... 243	1001213562..... 621	1001217931 23
1001204576 629	1001210282..... 561	1001213752..... 771	1001217932 23, 25
1001204709 471	1001210326..... 67, 69	1001213775..... 793, 795	1001217933 25, 29
1001205061 481, 485	1001210327..... 561	1001213791..... 345	1001217948 575
1001205307 757	1001210397..... 705	1001213833..... 47	1001218358 893
1001205375 59, 515	1001210522..... 513, 593	1001213834..... 47	1001218529 403, 406
1001205380 515	1001210523..... 593	1001213959..... 59	1001218542 403, 406
	1001210524..... 593	1001213961..... 59	1001218659 933
	1001210525..... 593	1001214092..... 371	
	1001210526..... 593	1001214123..... 203	
	1001210567..... 797	1001214206..... 933, 936	

SECTION 12 - RECOMMENDED SPARE PARTS

1001218694.....49	1001221986..... 563, 565	1001227077 185	1001231400.....893, 894
1001218704.....933	1001221987..... 561, 563	1001227090 227	1001231401.....893, 894
1001218754.....89	1001221988..... 561	1001227133 434	1001231402.....894
1001218755.....85, 87, 89	1001221989..... 561	1001227186 343	1001231404.....894
1001218996.....403, 406, 942	1001222188..... 31	1001227187 347	1001231406.....894
1001218997.....593	1001222190..... 31	1001227188 347	1001231407..... 186, 891
1001219082..... 185	1001222455..... 825, 833	1001227266 901	1001231483..... 186, 893
1001219113J.....41	1001222460..... 141	1001227287 933, 936	1001231801.....933
1001219115.....41	1001222603..... 507	1001227297 767, 871	1001232033..... 767
1001219211.....936	1001222606..... 505	1001227334 ... 61, 63, 65, 942	1001232298..... 767, 897
1001219212.....933	1001222650..... 933, 936	1001227337 61, 942	1001232509..... 233, 713
1001219220.....363	1001222741..... 349	1001227440 529	1001232850.....163
1001219250.....41	1001223109..... 575	1001227670 ... 85, 87, 89, 91, 93, 95, 97, 103, 107, 114, 121	1001232988.....83
1001219615.....559, 653	1001223265..... 434	1001227802 345	1001233024.....233
1001219659.....567	1001223435..... 101	1001227945 491	1001233430.....927
1001219764.....525, 527	1001223453..... 933, 936	1001227964 185	1001233558.....936
1001219765.....529, 531	1001223455..... 825, 826, 827, 828, 833, 834, 835, 836	1001228132 423, 425	1001234395.....83
1001219863.....434	1001223456..... 824, 832	1001227945 491	1001234455.....45
1001219864.....434	1001223457..... 824, 825, 832, 833	1001227964 185	1001234596.....83
1001219865.....434	1001223618..... 181	1001228140 423, 425	1001234802.....83
1001219905.....57, 942	1001223628..... 181	1001228141 423, 425	1001235963..... 39, 45
1001219953.....57, 942	1001223645..... 181	1001228147 423, 425	1001236404.....507
1001220230.....936	1001223869..... 181, 185	1001228248 163	1001237897.....223
1001220248.....73	1001223874..... 185	1001228427 99	1001238154.....223
1001220286.....75	1001223902..... 63	1001228504 591	1001238470.....179
1001220295.....551, 648	1001223903..... 791	1001228643 185	1001238781.....173
1001220329.....339, 385	1001223920..... 63	1001228727 139, 689	1001239878.....215
1001220338.....359, 361	1001223948..... 63	1001228728 139, 689, 703	1001239879.....215
1001220339.....341, 359	1001223968..... 727, 861	1001228731 703, 805	1001241308.....351
1001220456.....549, 551	1001223983..... 63	1001228732 703, 817	1001241590.....821
1001220457.....513, 549	1001224127..... 791	1001228733 703, 813	1001241591.....821
1001220507.....495	1001224128..... 791	1001228738 683	1001241611.....725, 832
1001220540.....337	1001224450J..... 41	1001228739 683, 693	1001241950.....507
1001220641.....73	1001224450J..... 41	1001228740 693, 905	1001244192.....741, 743
1001220643.....571, 573	1001224598..... 243	1001228741 693, 909	1001244193.....741, 743
1001220649.....769	1001224938..... 249	1001228743 733	1001247184.....211
1001220650.....769, 773	1001224944..... 527, 673	1001228744 733, 913	1001249251.....81
1001220717.....727	1001224945..... 531, 661	1001228872 177, 179	1001250276.....81
1001220760.....307	1001224946..... 551	1001228989 741, 743	1001250708.....65
1001220859.....723	1001225317..... 325	1001229057 65	1001256073.....343
1001220861.....723	1001225390..... 529	1001229107 899	1001262960.....899
1001220942.....515	1001225392..... 525	1001229201 311	1001262963.....899
1001220947.....765	1001225393..... 525, 529	1001229407 37	1001270117.....379
1001221041.....137, 139, 161, 689	1001225656..... 569	1001229422 515	1001270467.....685
1001221052.....415, 423	1001225676..... 221	1001229543 345	1001270485.....789
1001221054.....417, 425	1001225677..... 221	1001229575 933, 936	1001273075.....751
1001221056.....415, 417, 859	1001225980..... 699	1001229609 39	1001278028.....795
1001221057.....423, 425	1001226328..... 899	1001229686 37	1001284531..... 141, 147
1001221058.....423, 425	1001226400..... 901	1001229707 939	1001284534.....707
1001221059.....403, 406	1001226481..... 434	1001229955 767	1001284536.....209
1001221087.....319, 321, 323	1001226523..... 151	1001229981 299, 917	1001284538..... 137, 139, 689, 707
1001221087.....319, 321, 323	1001226533..... 929	1001230163 357	1001288070.....389
1001221157.....319, 321	1001226536..... 929	1001230402 893	1001289563.....219
1001221270.....319	1001226537..... 929	1001230403 893, 894	1001293067.....209, 219
1001221295.....403, 406	1001226557..... 593	1001230404 894	1001293068.....209, 215
1001221318.....771	1001226636..... 871	1001230423 217, 223	1001293070..... 137, 139, 179, 689
1001221319.....771	1001226637..... 871	1001230850 773	1001293972.....695
1001221321.....319, 323	1001226681..... 217, 219	1001230931 827, 835	1001294815.....939
1001221349.....211	1001226797..... 209	1001230967 59	1060626.....715, 717
1001221383.....211	1001226799..... 767	1001230986 59	1062255.... 163, 177, 179, 191, 197, 205, 225, 229, 233, 587, 701, 703, 713, 767
1001221493.....205, 915	1001226828..... 525	1001231217 759	10713707.....685
1001221734.....319	1001226829..... 525, 529	1001231385 47	10725554.....255, 269
1001221868.....163	1001226947..... 621, 623	1001231393 569	
1001221928.....565, 655	1001227066..... 899, 901	1001231397 893, 894	
	1001227068..... 901	1001231398 893, 894	

SECTION 12 - RECOMMENDED SPARE PARTS

120034 725	2170208 491	3790152 181	827, 828, 829, 833,
1320022 406	2170216 197	3900357 705, 707	835, 836, 837, 845,
1320060 191	2170316 171	3900379 51, 461	847, 848, 849, 851,
1670836 933, 936	2170410 529	39844923 269	852, 853, 855, 865,
1701500 933, 936	2170704 171	3986405 301	867, 869, 871, 873,
1702631 933, 936	2170716 197	3986610 399	874, 877, 879, 893,
1704260 723	2170804 573	3986643 399	897, 905, 906, 907,
1706296 933	2170806 243, 249	4010416 777, 793	909, 910, 911
1706299 933	2171816 575	4010510 505, 507	4460466 ... 757, 800, 801,
1706300 933	2171832 575	4010608002 343, 345,	802, 805, 806, 807,
1706301 933	2172110 515	434, 451, 453	808, 819, 821, 825,
1706302 933	2172116 197	4010610 793, 795	826, 827, 828, 829,
1706306 933	2172410 529	4010610002 431, 434,	833, 834, 835, 836,
1706768 933	2200223 183, 185	451, 489	845, 847, 848, 849,
1706850 933	2220238 591	4010612002 347, 434,	851, 852, 861, 865,
1707078 933	2220239 35, 569	441, 445, 447	867, 869, 871, 873,
2080078 361	2220240 35	4031205 701, 703	879, 885, 887, 893,
2080086 343	2220767 191	403160731, 35, 495, 497,	897, 905, 906, 907,
2080087 343	2220811 307	701, 703	909, 910, 911, 913, 915
2080092 377	2220883 659	4031608 439	4460475 893
2110406 ... 579, 597, 599	2220886 659	4031608001 434	4460496 725
2110408 573	2400060 871	4031708 791	4460497 725
2110410 171	24921332 209	4031708001 429	4460508 ... 799, 806, 811,
211060669, 93, 579, 591,	2580040 713	4031712 515	813, 819, 913
597, 599	2720160 561	4031910 465, 467	4460509 ... 801, 807, 848,
2110610 541, 545	2902443 800, 807	4031912 553, 571	851, 906, 909
2110806 621, 669	2920207 737	4031918 535, 539, 543	4460518 ... 828, 836, 849,
2110808 ... 555, 559, 591	2920208 737	4031920 629	893, 907
2110810 ... 569, 597, 599	3020037 305	4031921 525, 529	4460536 ... 815, 817, 853,
2111008 639	314689 59	4032010 57	877, 911
2111010 ... 175, 515, 537,	3251813 933, 936	4032314 59	4460539 ... 799, 801, 802,
541, 545, 591, 597,	3290401 ... 403, 406, 441,	4060919 21	805, 806, 807, 808,
599, 615	757	4109801 933, 936	827, 828, 835, 836,
2111012 551	3290405 ... 83, 351, 777,	4240018 561, 587	847, 852, 873, 877,
2111212 551	793, 795	4240032 767, 899	879, 893, 905, 910, 911
2111216 171	3290501 725, 759	4240099 561, 575, 717	4460608 799, 805
2111616 ... 197, 307, 597,	3290505 75, 83, 185, 695	4280307 29	4460670 871
599	3290507 83	4360475 723	4460705 825, 833
2130404 ... 491, 527, 531,	3290601 ... 406, 441, 451,	4360658 487	4460742 181, 893
559, 591	481, 489, 691, 693,	4460225 ... 824, 825, 832,	4460744 834
2130406 171	719, 721, 725, 763,	833	4460746 ... 829, 834, 837
2130408 559	765, 793, 795	4460234 725, 767	4460748 ... 800, 806, 834,
2130606 551, 565	3290605 43, 45, 227, 434,	4460265 824, 832	852, 910
2130808 ... 243, 249, 491,	441, 447, 705, 707,	4460267 ... 824, 825, 826,	4460761 893
599	793, 795	832, 833	4460789 857
2131010 ... 515, 529, 531,	3290606 593	4460268 ... 824, 825, 826,	4460809 893
639	3290607 737, 739	832, 833, 834	4460836 825, 833
2131212 ... 527, 531, 583,	3290801 ... 181, 183, 185,	4460320 ... 825, 826, 833	4460871 867, 869
591, 621, 669	345, 477, 747, 791	4460321 893	4460884 ... 757, 801, 808,
2131216 171	3290805 ... 177, 179, 211,	4460343 ... 824, 825, 832,	848, 851, 865, 873,
2132016 551	483, 545, 699	833	879, 893, 906, 909
2144603 299	3290806 361	4460424 826, 834	4460891 ... 785, 800, 801,
2144606 159	3291001 ... 155, 163, 183,	4460434 824, 832	802, 806, 807, 808,
2150406 523	185, 227, 695, 737, 739	4460458 ... 785, 800, 806,	821, 828, 829, 836,
2150606 93	3291005 ... 159, 183, 185,	829, 834, 837, 852,	837, 847, 848, 849,
2150608 171	227, 297, 519, 687	887, 893, 910	851, 852, 873, 893,
2150808 ... 243, 249, 555	3291201 131, 191	4460464 ... 800, 806, 815,	905, 906, 907, 909, 910
2151010 ... 537, 541, 545	3291205 57	817, 819, 826, 828,	4460892 800, 806
2151212 583	3291601 37	834, 836, 845, 849,	4460894 ... 800, 806, 825,
2151616 197, 551	3291605 ... 57, 85, 87, 89,	852, 857, 861, 863,	827, 833, 835, 849,
2152020 35	149	871, 873, 877, 879,	851, 855, 879, 885,
2160016. 61, 67, 69, 297,	3311508 715	883, 887, 891, 893,	907, 909
519, 611, 615	3332011 337	897, 901, 907, 910,	4460897 ... 800, 801, 802,
2170104 175	3520028 489	913, 915, 917	806, 807, 821, 826,
2170106 551	3520193 37, 61	4460465 ... 785, 799, 800,	834, 845, 847, 848,
2170112 551	3740080 185	801, 802, 805, 806,	849, 855, 889, 905,
2170206 93, 551	3760348 481	807, 808, 821, 825,	906, 907, 915, 917

SECTION 12 - RECOMMENDED SPARE PARTS

4460899....849, 851, 857, 861, 873, 907, 909	4811400... 83, 85, 87, 89, 403, 406, 441, 487, 757, 777, 793, 795	5220600 743	70021341..... 737, 739
4460905.....867, 869	481160075, 83, 161, 185, 434, 695, 723, 759	5220800 709, 711, 715	70021349..... 91, 107, 111
4460906.....825, 833	4811700... 25, 29, 43, 45, 47, 51, 151, 209, 211, 227, 343, 345, 367, 373, 406, 429, 431, 441, 451, 453, 481, 485, 489, 557, 563, 593, 687, 691, 693, 701, 703, 705, 707, 719, 721, 725, 737, 739, 741, 743, 763, 765, 771, 787, 793, 795	5240600 791	70021350..... 107, 111
4460928.... 828, 836, 848, 873, 906	4811700001 434	5240800 533	70021367..... 111
4460930.... 829, 836, 849, 851, 852, 897, 907, 910	4811702... 153, 377, 451, 481, 485, 491	5241000 227	70021422..... 111
4460931.... 819, 829, 836, 852, 879, 897, 910, 913	4811702001 345, 347, 434, 507	5241200 131	70021440..... 631, 633
4460932.... 845, 848, 851, 863, 881, 883, 887, 891, 906, 909, 915	4811900... 25, 27, 29, 49, 53, 57, 59, 77, 165, 177, 179, 183, 185, 195, 203, 209, 211, 217, 219, 231, 345, 349, 365, 371, 389, 393, 397, 406, 449, 463, 465, 467, 477, 481, 491, 521, 535, 539, 545, 547, 561, 567, 577, 581, 593, 621, 685, 699, 719, 721, 747, 749, 751, 757, 763, 765, 789, 791	5241400 299	70021444..... 633
4460933.... 801, 807, 825, 833, 847, 849, 852, 871, 905, 907, 910	4811902. 39, 41, 65, 181, 199, 201, 209, 403, 406, 449, 451, 515	5241600 297	70021445..... 633
4460941.... 845, 852, 857, 885, 889, 910, 915	4812000... 35, 43, 45, 49, 53, 57, 59, 61, 63, 65, 67, 69, 73, 83, 155, 159, 165, 191, 209, 227, 297, 489, 491, 519, 547, 549, 557, 575, 583, 589, 593, 685, 687, 695, 701, 703, 737, 739, 773, 793, 795, 797	5252400 297, 519	70021446..... 633
4460942.... 801, 808, 825, 833, 845, 847, 848, 849, 873, 874, 885, 905, 906, 907	4812002... 27, 39, 41, 47, 49, 67, 69, 155, 163, 183, 185	5250608 411	70021447..... 633
4460943.... 819, 828, 836, 845, 855, 913	4812100. 25, 29, 57, 149, 191, 209, 595, 601, 695	5251012 141	70021448..... 633
4460944.... 801, 802, 805, 806, 807, 808, 825, 827, 828, 833, 835, 836, 852, 867, 869, 873, 879, 910, 911	4812102.... 25, 183, 185, 325	5271609 759	70021451..... 633
4460945.... 808, 829, 837, 879, 893	4812300. 37, 57, 59, 149, 305	5272012 773	70021452..... 633
4460970.... 800, 806, 847, 852, 885, 905, 910	4812500 335, 337	643191201 824, 832, 847, 905	70021531..... 663, 665
4460979..... 801, 807	4831400 403, 406, 441	643201301 824, 832, 847, 905	70021606..... 273
4460984..... 849, 907	4831600 35, 701, 703	70002963 655, 659	70021613..... 273
4460994..... 826, 834	4831700 47, 213, 215, 451, 489, 685, 763, 765	70004387 655	70022034..... 391
4461000..... 723	4831900... 199, 201, 403, 406, 481, 705, 707	70004512 143	70022140..... 255, 269
4461006.... 799, 800, 805, 807	4832100 183, 185	70004595 653	70022726..... 645
4461008..... 799, 805	4892600 241, 247	70005191 144	70022765..... 727, 942
4461015.... 845, 848, 906	4921614 917	70005490 143	70022773..... 261, 275
4461017.... 811, 813, 819, 851, 909, 913		70005492 143	70022938.... 99, 101, 114, 117
4461018.... 801, 807, 851, 909		70005504 143	70023179..... 399
4461054.... 799, 805, 851, 852, 909, 910		70005505 143	70023181..... 399
4461070..... 801, 807		70005507 143, 144	70023182..... 399
4461071..... 800, 807		70005510 143	70023184..... 399
4461095..... 801, 807		70005511 143	70023186..... 399
4461115.... 828, 829, 836, 837, 887		70005513 143	70023189..... 399
4461118.... 851, 857, 909		70005522 144	70023469..... 255, 269
4461174.... 749, 751, 753, 755		70005523 144	70023489..... 279
4461262.... 824, 828, 832, 836, 851, 883, 909		70005524 144	70023490..... 279, 281
4461290..... 848, 906		70005544 144	70023493..... 279
4641520..... 573, 677		70005548 144	70023494..... 255, 269
471678..... 373		70005549 144, 942	70023916..... 623
4740274..... 183, 185		70005556 144	70024004..... 281
4740532..... 169, 173		70005557 144	70024035..... 625
4740550..... 183, 185		70005558 144	70024107..... 399
4761400..... 793		70005559 144	70024123.. 101, 113, 117, 641
4761700..... 575		70005730 143	70024129.. 603, 635, 637, 641
4807718..... 385, 942		70006144 143	70024130.... 99, 101, 114, 117, 641
		70006427 659	70024142..... 637
		70020276 301	70024146... 257, 271, 289
		70020438 623, 627	70024147... 257, 271, 289
		70020476 617	70024164..... 619
		70020555 .. 103, 105, 133	70024165..... 619
		70020764 663, 665	70024166..... 619
		70020867 651, 677	70024167..... 619
		70020922 489	70024168..... 619
		70021251 391	70024210..... 259, 273
		70021252 391	70024213..... 259
		70021314 401	70024215..... 259
		70021316 401	70024216..... 273
		70021317 395	70024224..... 623
		70021318 395	70024228..... 623
		70021319 395, 473	70024229..... 623
		70021321 473	70024230..... 623
		70021322 395	70024231..... 623
		70021323 473	70024234..... 623
		70021324 473	70024235..... 623
		70021325 473	70024236..... 623
		70021326 473	70024237..... 623
		70021327 473	70024459..... 399
		70021328 473	70024474..... 144
		70021330 473	
		70021340 737, 739	

SECTION 12 - RECOMMENDED SPARE PARTS

70024484	143	70025859	483	70026503	603	70028256	635, 637
70024487	143	70025860	483	70026504	117, 603	70028257	635, 637
70024489	143	70025877	144	70026505	603	70028258	635, 637
70024493	143	70025884	263, 277	70026506	603	70028262	113
70024494	143	70025887	255, 269	70026582	651, 677	70028263	99
70024495	143	70025970	259	70026614	99, 101	70028267	114, 117
70024504	143	70026002	257, 271	70026616	101	70028270	635
70024505	144	70026011	143	70026631	301	70028281	661
70024507	143	70026081	189	70026745	103, 105, 133	70028282	527, 661, 673
70024538	113	70026210	144	70026746	103, 105, 133	70028285	667
70024721	114, 117	70026238	257, 271	70026747	273	70028307	613
70024733	641	70026249	627	70026748	273	70028308	613
70024734	603, 635, 637, 641	70026251	627	70026750	281	70028309	613, 625
70024772	114, 117	70026253	627, 942	70026838	617, 623	70028310	613, 625
70024848	259	70026260	257, 271, 283	70026892	301	70028311	613
70024849	259	70026261	257, 271, 285	70026896	301	70028312	613
70024856	399	70026262	259	70026897	301	70028314	625
70024857	399	70026263	259	70026898	301	70028315	625
70024858	399	70026264	259	70026901	301	70028316	625
70024859	399	70026265	263, 277	70026904	301	70028317	625
70024861	399	70026266	263, 277, 287	70026908	301	70028318	625
70024881	257, 271, 287	70026292	839	70026909	301	70028319	625
70024918	143	70026293	841	70026911	301	70028320	625
70024945	645	70026294	697	70026927	302	70028321	625
70024946	645	70026295	697	70027022	259, 273	70028322	625
70024961	143, 942	70026296	697	70027092	259	70028323	625
70025012	257	70026297	697	70027105	279, 281	70028324	613, 625, 942
70025014	257	70026312	659	70027109	301	70028325	613
70025153	143	70026314	659	70027110	301	70028326	399
70025242	144	70026315	659	70027180	123, 125, 127, 129	70028327	167
70025335	253, 267	70026353	189	70027317	259, 273	70028328	167
70025337	279	70026354	189	70027392	395, 401	70028329	167
70025338	279	70026359	189	70027392	395, 401	70028330	167
70025339	279, 281	70026361	493	70027393	401	70028331	167
70025483	391	70026362	493	70027394	401	70028332	167
70025485	391	70026363	493	70027395	395	70028333	167
70025486	391	70026364	493	70027405	143	70028334	167
70025489	391	70026365	493	70027417	143, 942	70028335	167
70025490	391	70026366	493	70027420	143	70028336	167
70025491	391	70026367	493	70027426	143	70028337	167
70025535	144	70026395	157	70027567	143	70028338	167
70025539	401	70026396	157	70027595	647	70028339	167
70025561	257, 271	70026434	483	70027596	665	70028340	167
70025562	257, 271	70026469	101, 603	70027598	645	70028341	167
70025590	613	70026470	101	70027601	643, 942	70028342	167
70025614	613, 625	70026471	101, 113	70027657	143, 942	70028343	167
70025707	144	70026472	101, 113	70027773	107	70028344	167
70025722	143	70026473	101, 113	70027796	259	70028345	167
70025737	143	70026474	101	70027801	623	70028346	167
70025743	143	70026475	101	70027806	942	70028347	167
70025755	143	70026476	101, 113	70027862	301	70028348	167
70025757	143	70026477	99, 101	70027862	301	70028349	167
70025760	144	70026478	101	70027879	93	70028350	167
70025761	144	70026479	99, 101	70027880	93	70028351	167
70025763	143	70026480	99, 101	70027881	93	70028352	167
70025765	143	70026481	99, 101, 113, 117	70027882	93	70028353	167
70025768	143	70026482	99, 101, 113, 117	70027887	93	70028354	167
70025772	143	70026482	99, 101, 113, 117	70027888	93	70028355	167
70025775	143	70026483	99	70027889	93	70028357	167
70025780	144	70026483	99	70027890	93	70028358	167
70025786	143	70026496	603	70027896	93	70028359	167
70025816	479	70026497	603	70027899	93	70028360	167
70025817	479	70026497	603	70027986	261, 275	70028361	657
70025850	157	70026498	603	70027989	91	70028362	627
70025851	157	70026499	603	70028243	653	70028364	623
70025856	281	70026500	603	70028253	113	70028367	623
		70026501	113, 603	70028254	635	70028368	623
		70026502	603, 635, 637	70028255	635		

SECTION 12 - RECOMMENDED SPARE PARTS

70028376.....	617	70028512.....	93	70028623.....	107	70028702.....	117
70028377.....	617	70028513.....	93	70028624.....	107	70028703.....	117
70028378.....	617	70028525.....	91	70028625.....	107	70028704.....	117, 641
70028379.....	617	70028526.....	91	70028626.....	107	70028705.....	117
70028380.....	617	70028546.....	857	70028627.....	107	70028706.....	117
70028381.....	483	70028548.....	189	70028628.....	107	70028707.....	117
70028382.....	483	70028549.....	189	70028629.....	107	70028708.....	117
70028383.....	483	70028550.....	189	70028630.....	107	70028709.....	117
70028384.....	617	70028554	91, 103, 107	70028631.....	107	70028710.....	117
70028387.....	257, 271	70028563.....	99	70028632.....	107	70028711.....	117
70028388..	253, 257, 267, 271	70028564.....	99	70028633.....	107	70028712.....	117
70028389..	253, 257, 267, 271	70028565.....	99	70028634.....	108	70028713.....	117
70028390.....	255, 281	70028566.....	99	70028635.....	107	70028714.....	117
70028391.....	255	70028567.....	99	70028636.....	107	70028715.....	117
70028392.....	257, 271	70028568.....	99	70028637.....	107	70028716.....	117
70028393.....	261, 275	70028569.....	99	70028638.....	107	70028717.....	117
70028394.....	261, 275	70028570.....	99	70028648.....	113	70028718.....	117
70028396.....	257, 271	70028571.....	99	70028649.....	113	70028719.....	117
70028397.....	271	70028572.....	99, 605	70028650.....	113	70028720.....	117
70028398.....	269, 279	70028573.....	99	70028651.....	113	70028721.....	117
70028399.....	269	70028574.....	99	70028652.....	113, 635	70028722.....	117
70028400.....	271	70028575.....	99	70028653.....	113, 637	70028723.....	117
70028401.....	255, 269	70028576.....	99	70028654.....	113	70028724.....	117
70028405.....	113	70028577.....	99	70028655.....	113	70028725.....	117
70028406.....	113	70028578.....	99	70028656.....	113	70028726.....	117
70028410.....	645, 942	70028579.....	99	70028657.....	113	70028727.....	117
70028411.....	645	70028580.....	99	70028658.....	113	70028728.....	641
70028412.....	647	70028581.....	605	70028659.....	113	70028729.....	641
70028413.....	647, 942	70028582.....	605	70028660.....	113	70028730.....	641
70028414.....	653	70028583.....	605	70028661.....	113	70028731.....	641
70028415.....	653	70028584.....	605	70028662.....	113	70028732.....	641
70028416.....	653	70028585.....	605	70028663.....	113	70028733.....	641
70028417.....	143	70028586.....	605	70028664.....	113	70028734.....	118
70028418.....	143	70028587.....	605	70028665.....	113	70028749.....	101
70028419.....	143, 942	70028588.....	605, 641	70028666.....	113	70028750.....	101
70028420.....	643	70028589.....	99	70028667.....	113	70028751.....	101
70028421.....	671	70028591.....	91	70028668.....	113	70028752.....	101
70028422.....	623, 675	70028592.....	91	70028669.....	113	70028753.....	101
70028485.....	91, 107, 111	70028593.....	91	70028670.....	113	70028767.....	113
70028486.....	91, 111	70028594.....	91	70028671.....	113	70028768.....	113
70028487.....	111	70028595.....	91	70028672 ..	101, 113, 117	70028770.....	635
70028488.....	91, 111	70028596.....	91	70028673.....	113	70028771.....	637
70028489.....	107, 111	70028597.....	91	70028674.....	113	70028801.....	302
70028490.....	107, 111	70028598.....	91	70028675.....	113	70028817.....	301
70028491.....	111	70028599.....	91, 631	70028676.....	113	70028818.....	301
70028492.....	111	70028600.....	91	70028677.....	113	70028819.....	301
70028493.....	111	70028601.....	91	70028678.....	114	70028820.....	301
70028494.....	111	70028602.....	91	70028679.....	114	70028821.....	301
70028495.....	91, 107, 111	70028603.....	91, 633	70028680.....	114	70028822.....	301
70028496.....	91, 107, 111	70028604.....	91	70028681.....	114	70028823.....	301
70028497.....	111	70028605.....	91	70028682.....	114	70028824.....	301
70028498.....	111	70028606.....	91	70028683.....	114	70028825.....	301
70028499.....	111	70028607.....	91	70028684.....	114	70028826.....	301
70028500.....	111	70028609.....	631	70028685.....	114	70028827.....	301
70028501.....	111	70028610.....	631	70028686.....	114	70028828.....	301
70028502.....	653	70028611.....	631	70028687.....	114, 117	70028829.....	301
70028503.....	653	70028612.....	633	70028688.....	114, 117	70028830.....	301
70028504.....	653	70028613.....	633	70028689.....	114, 117	70028831.....	301
70028505.....	93	70028614.....	633	70028690.....	114	70028832.....	301
70028506.....	93	70028615.....	107	70028691.....	635, 637	70028833.....	301
70028507.....	93	70028616.....	107	70028692.....	637	70028834.....	301
70028508.....	93	70028617.....	107	70028693.....	637	70028835.....	301
70028509.....	93	70028618.....	107	70028694.....	637	70028836.....	301
70028510.....	93	70028619.....	107	70028695.....	114	70028837.....	301
70028511.....	93	70028620.....	107	70028696.....	114	70028838.....	301
		70028621.....	107	70028697 ..	101, 114, 118	70028839.....	301
		70028622.....	107	70028701.....	117	70028840.....	301

SECTION 12 - RECOMMENDED SPARE PARTS

70028841	302	77133137	515	8229247.....	697, 802, 841	90554067.....	91, 107
70028842	302	77133497	515	8229261.....	893	91013191.....	852, 910
70028843	302	77213042	209	8275212.....	209	91013192.....	848, 849, 906, 907
70028844	302	8000759	361	8278020.....	183, 185	91043125.....	533, 537, 541, 545
70028845	302	8000803	345	8305919.....	153, 207, 377, 434, 451	91043126.....	533, 537, 541, 545
70028846	302	8002200	61, 63, 65, 942	8307219.....	207	9106-3039.....	587
70028847	302	8004398	361	8310559.....	357	9106-3040.....	587
70028848	302	8005901	431	8310686.....	553, 571	91083106.....	575
70028902	659	8006258	621	8405006.....	191, 561	91163268.....	209
70028903	659	8008175	261, 275	8405007.....	191, 575, 581, 587	91403193.....	237
70028904	659	8008640	61, 63, 65, 942	8405009.....	191, 217, 219, 481	91403530.....	77
70028905	659	80203020	301	8405101.....	191	91474364.....	301
70029016	623	80203021	301	8405102.....	197	91474512.....	253, 267
70029017	623	80204002	253, 267	8405104.....	191	91504107.....	855
70029018	623	80204005	253, 267, 291	8405201.....	191, 434, 437	91513266.....	325
70029019	623	80204007	301	8405402.....	151	91514081.....	257, 271
70029941	625	80204012	271	8406105.....	149	91514082.....	257, 271
70030353	205	80204016	301	8406112.....	231	91514083.....	257
70030355	205	80204033	255, 269	8406201.....	561	91514084.....	257
70030356	205	80204035	255, 269	8406202.....	535, 539	91514089.....	253, 257, 259, 267
70030365	257	80204043	255, 269	8410009.....	225, 403, 406	91514090.....	287
70031088	143	80204048	255, 269	8410013.....	177, 179, 561, 575	91514095.....	257, 271
7010543	655	80204060	259	8420053.....	91, 93, 99, 101, 107, 111, 114, 117	91514098.....	253, 267
70124445	143	80204065	257, 271	8420055.....	91, 93, 99, 101, 107, 111, 114, 117	91514101.....	253, 267
70126616	143	80204071	257, 271	8424233.....	575	91514111.....	283, 285
7016331	143, 942	80204076	257, 271	8430032.....	561, 599	91514112.....	257, 271
7020208	143	80204108	259	8430033.....	597, 599	91514117.....	257, 271
7020442	143	80204117	259, 273, 287	8430034.....	579	91514118.....	325
7022390	661	80204143	261, 275	8430081.....	561	91514123.....	255
7024947	647	80204144	261, 275	8466306.....	383	91514130.....	255, 269
7026731	293	80204176	301	8584003.....	761	91514133.....	255, 269
7028621	399	80204215	301	85941018.....	561	91514134.....	255, 269
7028714	257, 271	80204281	259, 273	8769123.....	539, 543	91514143.....	281
7028715	257, 271	80214120	257, 271	8769126.....	539, 543	91514146.....	291, 301
7028716	257, 271	80233218	481	8769146.....	515	91514147.....	291
7028733	257, 271	80264002	401	8769152.....	515	91514148.....	291
7029127	261, 275	80264004	401	8769199.....	515	91514149.....	257, 271, 291
7029288	253, 267	80333151	481	8770030.....	551	91514151.....	259
7029290	287	80363195	365	8770075.....	533	91514154.....	259, 273, 301
7029307	261, 275	80604017	855	8770104.....	551	91514159.....	259, 273
7029317	257	80604021	865	8770215.....	517	91514174.....	257, 271
7029486	429, 431, 921	80963055	801, 807	8770286.....	551	91514175.....	257, 271, 289
7029520	133	80963056	801, 807	8786549.....	311, 313, 315, 317, 319, 321, 323	91514177.....	257, 271, 289
7029668	859	80963067	800, 807	88662434.....	561, 587	91514178.....	257, 271
7029702	91	80983191	839, 841, 843	8880219-OM.....	309	91514179.....	257, 271
7029703	91	82033995	177, 179, 225	90206196.....	49	91514184.....	257, 293
7029704	91	8220035	891	90206198.....	561	91514185.....	257, 293
7029709	107	8220043	811, 813	90206202.....	21	91514186.....	257, 293
7029711	91, 107, 111	8220045	915	90554016.....	105	91514189.....	257, 271
7029712	107	8220051	826, 827, 834, 835, 847, 905	90554017.....	91	91574001.....	619
7029733	271, 293	8220097	800, 806	90554020.....	91	943191201.....	824, 832
7029734	259, 273	8220098	800, 806	90554042.....	91, 107, 111	AU2105.....	933, 936
7029735	259, 273	8220108	859, 891	90554045.....	91, 107, 111, 631, 633	E000269.....	777
7029743	257	8220116	849, 907	90554065.....	107	N.S.S.....	85, 87, 89, 655
7029767	391	8220124	799, 805	90554066.....	107		
7029785	273	8220375	834				
7029787	259	8229234	894				
7029969	737	8229235	893				
7029970	737	8229242	802, 839, 841, 871				
7029971	737, 739	8229244	697, 802, 843				
7169541	185	8229245	697, 802, 839				
7300435	149						
77133136	515						



31211281



An Oshkosh Corporation Company

Corporate Office
JLG Industries, Inc.
1 JLG Drive
McConnellsburg, PA 17233-9533 USA
☎ **(717) 485-5161 (Corporate)**
☎ **(877) 554-5438 (Customer Support)**
☎ **(717) 485-6417**

Visit our website for JLG Worldwide Locations.
www.jlg.com