



Illustrated Parts Manual

***Model
520AJ***

**PVC
2107**

**P/N
31217494**

July 15, 2023 - Rev E

**CE
EAC
UK
CA
AS/NZS**



An Oshkosh Corporation Company

REVISION LOG

July 1, 2021 - A - Original Issue of Manual (Edited to B/M 1001247248 Revision X)

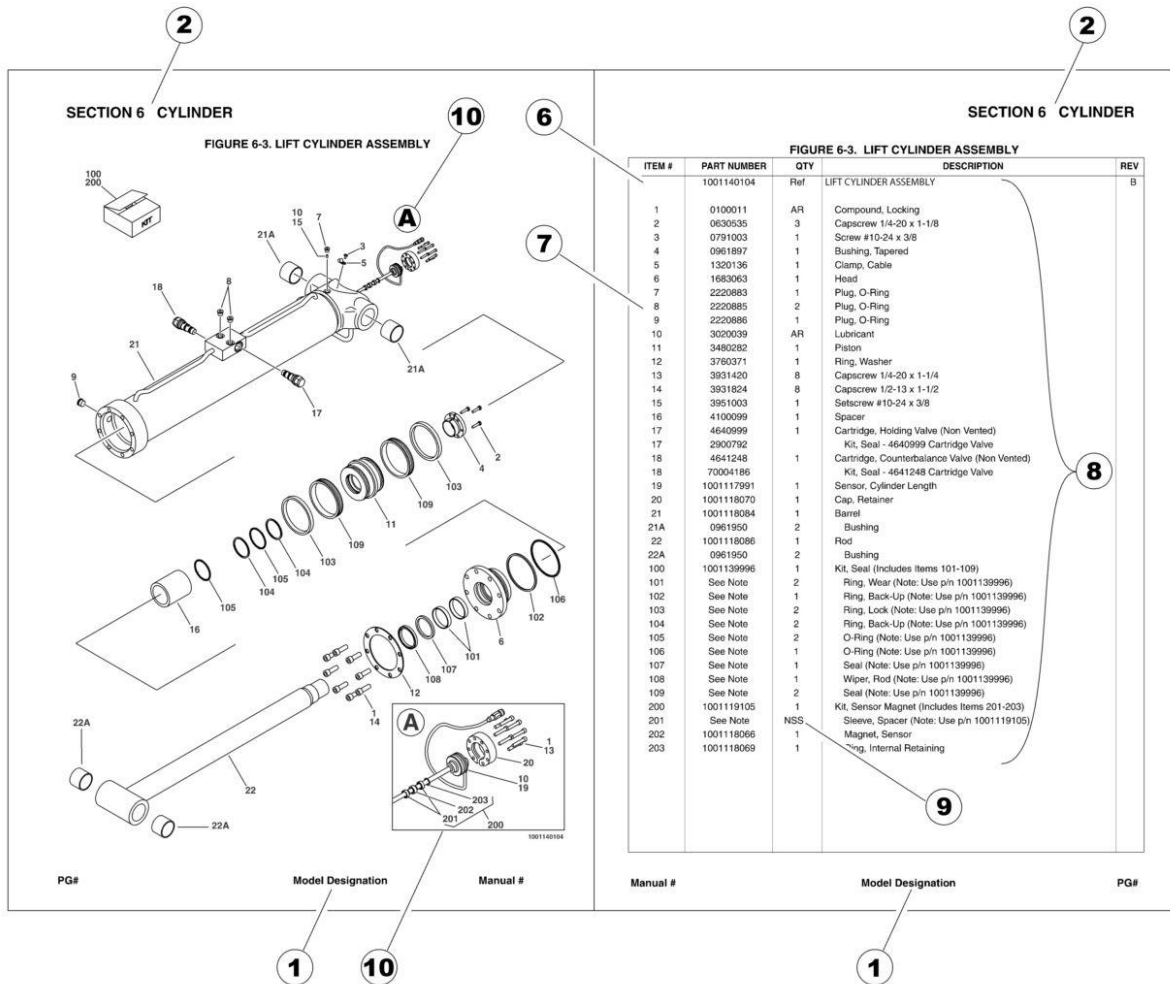
November 15, 2021 - B - Revised Manual (Edited to B/M 1001247248 Revision X)

July 11, 2022 - C - Revised Manual (Edited to B/M 1001247248 Revision X)

January 9, 2023 - D - Revised Manual (Edited to B/M 1001247248 Revision AK)

July 15, 2023 - E - Revised Manual (Edited to B/M 1001247248 Revision AK)

GENERAL INFORMATION



1) MACHINE IDENTIFICATION

Machines are identified by model and in some cases a combination of models, serial number (SN) or regional standard (i.e ANSI, CE, CSA). Components may also be identified by SN or manufacturer. Common components that may be identified by these characteristics are engines and hydraulic components.

2) PARTS MANUAL ORGANIZATION

Product information in this manual is organized under section titles. Frame, Cylinder, Hydraulic and Electrical are a few examples. Each section is organized by figure and page number. The information within the Figure is then organized by item number, part number, description and corresponding illustration (s).

3) TABLE OF CONTENTS (NOT SHOWN)

A table of contents is found toward the beginning of the manual. Figure number, description and page number are provided for quick reference to the page containing the related information.

4) RECOMMENDED SPARE PARTS (NOT SHOWN)

The Recommended Spare Parts List, located near the end of the manual, reference most frequently used maintenance parts.

5) PART NUMBER INDEX (NOT SHOWN)

A numerical index listing all part numbers and the corresponding page number(s) appears at the back of the manual.

GENERAL INFORMATION

6) NON-SERVICED PARTS

In some instances, it is necessary to display non-serviced parts, assemblies or installations. In the case of assemblies and installations there will be a Ref in the Qty. column. In case of parts that are not available for service within assemblies or components, there will be a NSS (Not Sold Separately) or NLA (No Longer Available) listed in the Qty. column of the manual.

7) PARTS LIST ITEM NUMBERS

Numbers shown in the item# column correspond to numbers used in the associated illustration (s). Item numbers which are missing from the sequence in the parts list are not used on that page.

8) INDENTED PARTS DESCRIPTION

An indented part description is included in the item under which it is indented.

9) ABBREVIATION AND SYMBOLS

AC.....	Alternating Current	L.....	Liter
ADE.....	Advanced Design Electronics	LB(LBS).....	Pounds
AG.....	Agricultural	LCD.....	Liquid Crystal Display
ANSI.....	American National Standards Institute	LED.....	Light Emitting Diodes
AR.....	As Required	LH.....	Left Hand
ASSY.....	Assembly	LRC.....	Low Rated Countries
AUS.....	Australia	LSS.....	Load Sensing System
AUX.....	Auxiliary	M(m).....	Metric/Meter
AWG.....	American Wire Gauge	MM(mm).....	Milimeter
B/M.....	Bill of Material	mA.....	Miliamps
CAC.....	Charge Air Cooler	NLA.....	No Longer Available
CE.....	European Conformity	NPT.....	National Pipe Threads
CCW.....	Counter Clockwise	NSS.....	Not Sold Separately
CM.....	Centimeter	OD.....	Outside Diameter
CW.....	Clockwise	ORB.....	O-Ring Boss
CSA.....	Canadian Standards Association	ORFS.....	O-Ring Face Seal
CYL.....	Cylinder	OZ (oz).....	Ounces
DIA.....	Diameter	PG.....	Page
DC.....	Direct Current	PN.....	Part Number
DEF.....	Diesel Exhaust Fluid	QT(qt.).....	Quarts
EMS.....	Emergency Stop	QTY.....	Quantity
ENG.....	Engine	REF.....	Reference
FT(ft).....	Feet	REV.....	Revision Level
GA(Ga).....	Gauge	RH.....	Right Hand
HRC.....	High Rated Countries	SAE.....	Society of Automotive Engineers
HVAC.....	Heating, Ventilating, and Air Conditioning	SN.....	Serial Number
HYD.....	Hydraulic	SPEC(S).....	Specifications
Hz.....	Hertz	T/T.....	Turntable
ID.....	Inside Diameter	UGM.....	Universal Ground Module
IN.....	inches	V.....	Volts
ISO.....	International Organization for Standards	W.....	Watts
JIC.....	Joint Industry Council	#.....	Number
KG.....	Kilogram		

10) ILLUSTRATION REFERENCE LETTERS

When necessary, illustrations may contain reference letters that are intended to track information (i. e. hoses, harnesses) from one point to another or to track visual enlargement of components to show details that may be located in another area on the illustration.

Note: Due to continuous product improvements, JLG Industries, Inc. reserves the right to make specification changes without prior notification. Contact JLG Industries, Inc. for updated information.

TABLE OF CONTENTS

SECTION 1 - FRAME.....	13
FIGURE 1-1. AXLE INSTALLATION	14
FIGURE 1-2. STEER INSTALLATION WITHOUT TOW PACKAGE	16
FIGURE 1-3. STEER INSTALLATION WITH TOW PACKAGE.....	18
FIGURE 1-4. WHEEL DRIVE INSTALLATION (4WD) (Prior to SN B300013939, Except SN B300012453 through B300012469, Excluding B300013849).....	20
FIGURE 1-5. WHEEL DRIVE INSTALLATION (4WD) (SN B300013939 to Present).....	22
FIGURE 1-6. DRIVE HUB AND BRAKE ASSEMBLY - REAR	24
FIGURE 1-7. DRIVE HUB ASSEMBLY - FRONT.....	28
FIGURE 1-8. DRIVE MOTOR ASSEMBLY (4WD)	30
FIGURE 1-9. FRAME SHIELD INSTALLATION	32
FIGURE 1-10. TIRE AND WHEEL INSTALLATION - 33 X 12-20 SOLID NON-MARKING	34
FIGURE 1-11. TIRE AND WHEEL INSTALLATION - 33/1550 X 16.5 FOAM-FILLED	36
FIGURE 1-12. TIRE AND WHEEL INSTALLATION - 315/55 D20 FOAM FILLED	38
FIGURE 1-13. TIRE AND WHEEL INSTALLATION - 315/55 D20 FOAM FILLED NON-MARKING	40
FIGURE 1-14. 4WD VALVES INSTALLATION - FRAME MOUNTED	42
FIGURE 1-15. TRACTION VALVE ASSEMBLY - 4WD.....	44
FIGURE 1-16. TOW PACKAGE INSTALLATION (OPTIONAL)	46
FIGURE 1-17. TOW BAR ASSEMBLY	48
SECTION 2 - TURNTABLE.....	51
FIGURE 2-1. 4WD VALVES INSTALLATION - TURNTABLE MOUNTED	52
FIGURE 2-2. MAIN VALVE ASSEMBLY	54
FIGURE 2-3. AUXILIARY PUMP ASSEMBLY.....	56
FIGURE 2-4. SWING DRIVE AND TURNTABLE BEARING INSTALLATION.....	58
FIGURE 2-5. SWING MOTOR ASSEMBLY	60
FIGURE 2-6. TURNTABLE BEARING ASSEMBLY	62
FIGURE 2-7. TURNTABLE COVERS INSTALLATION	64
FIGURE 2-8. TURNTABLE LOCK INSTALLATION.....	66
FIGURE 2-9. TANKS INSTALLATION (HYDRAULIC TANK WITH 6 INCH BREATHER).....	68
FIGURE 2-10. TANKS INSTALLATION (HYDRAULIC TANK WITH 4 INCH BREATHER).....	70
FIGURE 2-11. HYDRAULIC TANK ASSEMBLY - WITH 4 INCH BREATHER	72
FIGURE 2-12. DRIVE ORIENTATION INSTALLATION	74
FIGURE 2-13. GROUND CONTROL ASSEMBLY (ANSI EXPORT AND AUSTRALIAN SPECS).....	76
FIGURE 2-14. GROUND CONTROL ASSEMBLY (CE(LRC), CIS/EAC & UK CA SPECS).....	78
FIGURE 2-15. GROUND CONTROL ASSEMBLY (CE & UK CA SPECS).....	80
FIGURE 2-16. LIGHT PANEL INSTALLATION – GROUND CONTROL (Prior to SN B300012256, Excluding B300011971 and B300012231).....	82
FIGURE 2-17. LIGHT PANEL INSTALLATION - GROUND CONTROL (SN B300012256 to Present).....	84
FIGURE 2-18. ELECTRICAL SYSTEM INSTALLATION.....	86
FIGURE 2-19. BEACON LIGHT INSTALLATION - AMBER	90
FIGURE 2-20. BEACON LIGHT INSTALLATION - BLUE	92
FIGURE 2-21. BEACON LIGHT INSTALLATION - RED	94
FIGURE 2-22. BATTERY AND CABLE INSTALLATION.....	96
FIGURE 2-23. WHITE NOISE AMBIENT ALARM INSTALLATION.....	98

TABLE OF CONTENTS

FIGURE 2-24. WHITE NOISE ALARM INSTALLATION	100
FIGURE 2-25. HOOD PLUGS INSTALLATION (HOODS WITHOUT STROBE LIGHT)	102
FIGURE 2-26. HOODS INSTALLATION (ABS)	104
FIGURE 2-27. HOODS INSTALLATION (STEEL)	108
FIGURE 2-28. HOOD ASSEMBLY (ABS) - TANK SIDE	112
FIGURE 2-29. HOOD ASSEMBLY (STEEL) - ENGINE SIDE	114
FIGURE 2-30. HOOD ASSEMBLY (ABS) - ENGINE SIDE	116
FIGURE 2-31. HOOD ASSEMBLY (STEEL) - TANK SIDE	118
SECTION 3 - ENGINE	121
FIGURE 3-1. ENGINE INSTALLATION - DEUTZ D2.9L4 ARCTIC ENGINE (WITH ARCTIC PACKAGE) (ANSI EXPORT, AUSTRALIAN, CE (LRC), CIS/EAC & UK CA SPECS)	122
FIGURE 3-2. ENGINE INSTALLATION - DEUTZ D2.9L4 ARCTIC ENGINE (WITH ARCTIC PACKAGE) (ANSI EXPORT, AUSTRALIAN, CE (LRC), CIS/EAC & UK CA SPECS)	124
FIGURE 3-3. ENGINE INSTALLATION - DEUTZ D2.9L4 ARCTIC ENGINE (WITH ARCTIC PACKAGE) (ANSI EXPORT, AUSTRALIAN, CE (LRC), CIS/EAC & UK CA SPECS)	126
FIGURE 3-4. ENGINE INSTALLATION - DEUTZ D2011 ENGINE (WITH ARCTIC PACKAGE) (ANSI EXPORT, AUSTRALIAN, CE (LRC), CIS/EAC & UK CA SPECS)	130
FIGURE 3-5. ENGINE INSTALLATION - DEUTZ D2011 ENGINE (WITH ARCTIC PACKAGE) (ANSI EXPORT, AUSTRALIAN, CE (LRC), CIS/EAC & UK CA SPECS)	132
FIGURE 3-6. ENGINE INSTALLATION - DEUTZ D2011 ENGINE (WITH ARCTIC PACKAGE) (ANSI EXPORT, AUSTRALIAN, CE (LRC), CIS/EAC & UK CA SPECS)	134
FIGURE 3-7. ENGINE INSTALLATION - DEUTZ D2011 ENGINE (WITHOUT ARCTIC PACKAGE) (ANSI EXPORT, AUSTRALIAN, CE (LRC), CIS/EAC & UK CA SPECS)	136
FIGURE 3-8. ENGINE AND PUMP SUB-ASSEMBLY - DEUTZ D2011 (WITHOUT ARCTIC PACKAGE) (ANSI EXPORT, AUSTRALIAN, CE (LRC), CIS/EAC & UK CA SPECS)	140
FIGURE 3-9. ENGINE ASSEMBLY - DEUTZ D2011 ENGINE (WITHOUT ARCTIC PACKAGE) (ANSI EXPORT, AUSTRALIAN, CE (LRC), CIS/EAC & UK CA SPECS)	142
FIGURE 3-10. ENGINE COMPONENTS - DEUTZ D2011	146
FIGURE 3-11. ENGINE INSTALLATION - DEUTZ D2.9L4 ENGINE (STAGE V) (CE & UK CA SPECS)	150
FIGURE 3-12. ENGINE AND PUMP SUB-ASSEMBLY - DEUTZ D2.9L4 ENGINE (STAGE V) (CE & UK CA SPECS)	156
FIGURE 3-13. ENGINE ASSEMBLY – DEUTZ D2.9L4 ENGINE (STAGE V) (CE & UK CA SPECS)	158
FIGURE 3-14. MOTOR MOUNT INSTALLATION - (STAGE V ENIGNE WITHOUT GENERATOR)	164
FIGURE 3-15. MOTOR MOUNT INSTALLATION - (STAGE V ENIGNE WITH GENERATOR)	166
FIGURE 3-16. ENGINE COMPONENTS - DEUTZ D2.9L4 ENGINE (STAGE V) (CE & UK CA SPECS)	168
FIGURE 3-17. BRACKET ASSEMBLY - FUEL PUMP AND FILTER (DEUTZ D2.9L4 ENGINE) (STAGE V)	172
FIGURE 3-18. BREATHER HEATER INSTALLATION - DEUTZ D2.9L4 ENGINES (STAGE V) (CE & UK CA SPECS)	174
FIGURE 3-19. PUMP COUPLING KIT – DEUTZ ENGINES	176
FIGURE 3-20. PISTON PUMP ASSEMBLY	178
FIGURE 3-21. SPARK ARRESTOR INSTALLATION - DEUTZ D2011 ENGINE	182
FIGURE 3-22. ENGINE BAFFLE INSTALLATION - WITH DEUTZ ENGINES	184
FIGURE 3-23. GENERATOR INSTALLATION - 4000W/50HZ (DEUTZ D2011 ENGINE)	186
FIGURE 3-24. GENERATOR INSTALLATION - 4000W/50HZ (DEUTZ ENGINE) (STAGE V)	190
FIGURE 3-25. GENERATOR INSTALLATION - 7500W/50HZ (DEUTZ D2011 ENGINE)	194
SECTION 4 - BOOM	199
FIGURE 4-1. CYLINDER INSTALLATION	200
FIGURE 4-2. BOOM INSTALLATION	202
FIGURE 4-3. JIB INSTALLATION	204

TABLE OF CONTENTS

FIGURE 4-4. MAIN BOOM ASSEMBLY	206
FIGURE 4-5. TOWER BOOM ASSEMBLY	208
FIGURE 4-6. ROTATOR ASSEMBLY	210
FIGURE 4-7. PLATFORM SUPPORT INSTALLATION.....	212
FIGURE 4-8. VALVES INSTALLATION - BOOM MOUNTED	214
FIGURE 4-9. UPRIGHT VALVE ASSEMBLY	216
FIGURE 4-10. BOOM VALVE ASSEMBLY	218
SECTION 5 - PLATFORM.....	221
FIGURE 5-1. PLATFORM ASSEMBLY - 30IN X 4FT (76CM X 1.22M) - SIDE DROP-BAR ENTRY	222
FIGURE 5-2. PLATFORM ASSEMBLY - 30IN X 5FT (76CM X 1.52M) - SIDE GATE ENTRY	224
FIGURE 5-3. PLATFORM ASSEMBLY - 30IN X 5FT (76CM X 1.52M) - SIDE DROP-BAR ENTRY	226
FIGURE 5-4. PLATFORM ASSEMBLY - 30IN X 6FT (76CM X 1.83M) - SIDE GATE ENTRY	228
FIGURE 5-5. PLATFORM ASSEMBLY - 30IN X 6FT (76CM X 1.83M) - SIDE DROP-BAR ENTRY	230
FIGURE 5-6. CONSOLE BOX INSTALLATION	232
FIGURE 5-7. PLATFORM CONSOLE BOX ASSEMBLY	234
FIGURE 5-8. LIGHT PANEL INSTALLATION – PLATFORM CONSOLE (Prior to SN B300012256, Excluding B300011971 and B300012231).....	238
FIGURE 5-9. LIGHT PANEL INSTALLATION - PLATFORM CONSOLE (SN B300012256 to Present)	240
FIGURE 5-10. CONTROLLER ASSEMBLY - DRIVE AND STEER.....	242
FIGURE 5-11. CONTROLLER ASSEMBLY - LIFT AND SWING	244
FIGURE 5-12. FOOTSWITCH ASSEMBLY.....	248
FIGURE 5-13. TRAY ASSEMBLY	250
FIGURE 5-14. SKYEYE INSTALLATION	252
FIGURE 5-15. SKYGUARD BAR INSTALLATION	254
FIGURE 5-16. SKYLINE INSTALLATION	256
FIGURE 5-17. SKYGLAZIER INSTALLATION (AUSTRALIAN SPECS)	258
FIGURE 5-18. SKYSENSE MID TUBE SENSOR ASSEMBLY	260
FIGURE 5-19. SKYSENSE OVERHEAD SENSOR ASSEMBLY	262
FIGURE 5-20. PIPE RACK INSTALLATION (ALL SPECS EXCEPT AUSTRALIAN SPECS).....	264
FIGURE 5-21. PIPE RACK INSTALLATION (AUSTRALIAN SPECS).....	266
FIGURE 5-22. FALL ARREST INSTALLATION (BOLT-ON) (4FT/1.22M PLATFORM)	268
FIGURE 5-23. FALL ARREST INSTALLATION (BOLT-ON) (5FT/1.52M PLATFORM)	270
FIGURE 5-24. USB CHARGER INSTALLATION	272
SECTION 6 - CYLINDER.....	275
FIGURE 6-1. AXLE LOCKOUT CYLINDER ASSEMBLY	276
FIGURE 6-2. LEVEL (PLATFORM SLAVE) CYLINDER ASSEMBLY	278
FIGURE 6-3. LIFT CYLINDER ASSEMBLY - JIB.....	280
FIGURE 6-4. LIFT CYLINDER ASSEMBLY - MAIN BOOM	282
FIGURE 6-5. LIFT CYLINDER ASSEMBLY - TOWER BOOM.....	284
FIGURE 6-6. MASTER CYLINDER ASSEMBLY	286
FIGURE 6-7. STEER CYLINDER ASSEMBLY.....	288
FIGURE 6-8. TELESCOPE CYLINDER ASSEMBLY	290
SECTION 7 - HYDRAULIC	293
FIGURE 7-1. HYDRAULIC SYSTEM INSTALLATION	294

TABLE OF CONTENTS

SECTION 8 - ELECTRICAL.....	301
FIGURE 8-1. AC BOX AT PLATFORM INSTALLATION - 110V IEC YELLOW (CE, CIS/EAC & UK CA SPECS WITH 4000W/50HZ GENERATOR)	302
FIGURE 8-2. AC BOX AT PLATFORM INSTALLATION - 110V IEC 60309 YELLOW WITHOUT 2500W GENERATOR (CE, CIS/EAC & UK CA SPECS)	304
FIGURE 8-3. AC BOX AT PLATFORM INSTALLATION - 220V IEC BLUE (CE, CIS/EAC & UK CA SPECS WITH 4000W/50HZ GENERATOR)	306
FIGURE 8-4. AC BOX AT PLATFORM INSTALLATION - 220V IEC 60309 BLUE WITHOUT 2500W GENERATOR (CE, CIS/EAC & UK CA SPECS).....	308
FIGURE 8-5. AC BOX AT PLATFORM INSTALLATION - 220V CEE7 POST GROUND (2X4 BOX) WITHOUT 2500W GENERATOR (CE, CIS/EAC & UK CA SPECS)	310
FIGURE 8-6. AC BOX AT PLATFORM INSTALLATION - 220V CEE7 SIDE GROUND (2X4 BOX) WITHOUT 2500W GENERATOR (CE, CIS/EAC & UK CA SPECS)	312
FIGURE 8-7. AC BOX AT PLATFORM INSTALLATION - 220V CEE7 2IN X 4IN POST GROUND (CE, CIS/EAC & UK CA SPECS WITH 4000W/50HZ GENERATOR)	314
FIGURE 8-8. AC BOX AT PLATFORM INSTALLATION - 220V CEE7 2IN X 4IN SIDE GROUND (CE, CIS/EAC & UK CA SPECS WITH 4000W/50HZ GENERATOR)	316
FIGURE 8-9. AC BOX AT PLATFORM INSTALLATION - 220V AFSINT107 (CE, CIS/EAC & UK CA SPECS WITH 4000W/50HZ GENERATOR)	318
FIGURE 8-10. AC BOX AT PLATFORM INSTALLATION - 220V AFSINT 107 KEYED GROUND (2X4 BOX) WITHOUT 2500W GENERATOR (CE AND RUSSIA SPECS)	320
FIGURE 8-11. AC BOX AT PLATFORM INSTALLATION - 220V CUSTOMER SUPPLIED COMPONENTS (ALL SPECS).....	322
FIGURE 8-12. AC CABLE INSTALLATION - WITH TWO BREAKERS (CE, CIS/EAC & UK CA SPECS)	324
FIGURE 8-13. AC CABLE INSTALLATION - WITH THREE BREAKERS (CE, CIS/EAC & UK CA SPECS).....	326
FIGURE 8-14. BATTERY DISCONNECT SWITCH	328
FIGURE 8-15. BEACON LIGHT HARNESS (BLUE AND RED BEACON LIGHT)	330
FIGURE 8-16. BOOM CABLES & CLAMPS INSTALLATION (4000W GENERATOR).....	332
FIGURE 8-17. BOOM CABLES & CLAMPS INSTALLATION (7500W SKYPOWER GENERATOR)	336
FIGURE 8-18. BOOM HARNESS - MAIN BOOM	340
FIGURE 8-19. BOOM HARNESS - MAIN BOOM (8/5 4000W GENERATOR)	342
FIGURE 8-20. BOOM HARNESS - TOWER BOOM	344
FIGURE 8-21. BOOM HARNESS - TOWER BOOM (8/5 4000W GENERATOR).....	346
FIGURE 8-22. BREAKER BOX KIT WITH SINGLE DOUBLE POLE BREAKER (CE & UK CA SPEC).....	348
FIGURE 8-23. BREAKER BOX KIT WITH THREE BREAKERS (CE & UK CA SPEC)	350
FIGURE 8-24. BREAKER BOX KIT - 30MA/16 AMP	352
FIGURE 8-25. CHASSIS SOLENOID HARNESS	354
FIGURE 8-26. CLEARSKY 3-WIRE CONNECTION INSTALLATION.....	356
FIGURE 8-27. ENGINE HARNESS - DEUTZ D2011	358
FIGURE 8-28. ENGINE HARNESS - DEUTZ D2.9L4 ENGINE (STAGE V)	360
FIGURE 8-29. FUEL HARNESS - DEUTZ D2.9L4 ENGINE	364
FIGURE 8-30. GENERATOR HARNESS - 2500W GENERATOR (50HZ)	366
FIGURE 8-31. GENERATOR HARNESS - 4000W GENERATOR	368
FIGURE 8-32. GROUND CONTROL PANEL HARNESS	370
FIGURE 8-33. PLATFORM CONSOLE BOX HARNESS.....	372
FIGURE 8-34. PLATFORM INTERFACE HARNESS.....	374
FIGURE 8-35. RECEPTACLE BOX KIT - 110V IEC YELLOW (CE, CIS/EAC & UK CA SPEC).....	376
FIGURE 8-36. RECEPTACLE BOX KIT - 220V IEC BLUE (CE, CIS/EAC & UK CA SPEC)	378
FIGURE 8-37. RECEPTACLE BOX KIT - 220V CEE7 POST GROUND 2IN X 4IN BOX (CE, CIS/EAC & UK CA SPEC).....	380

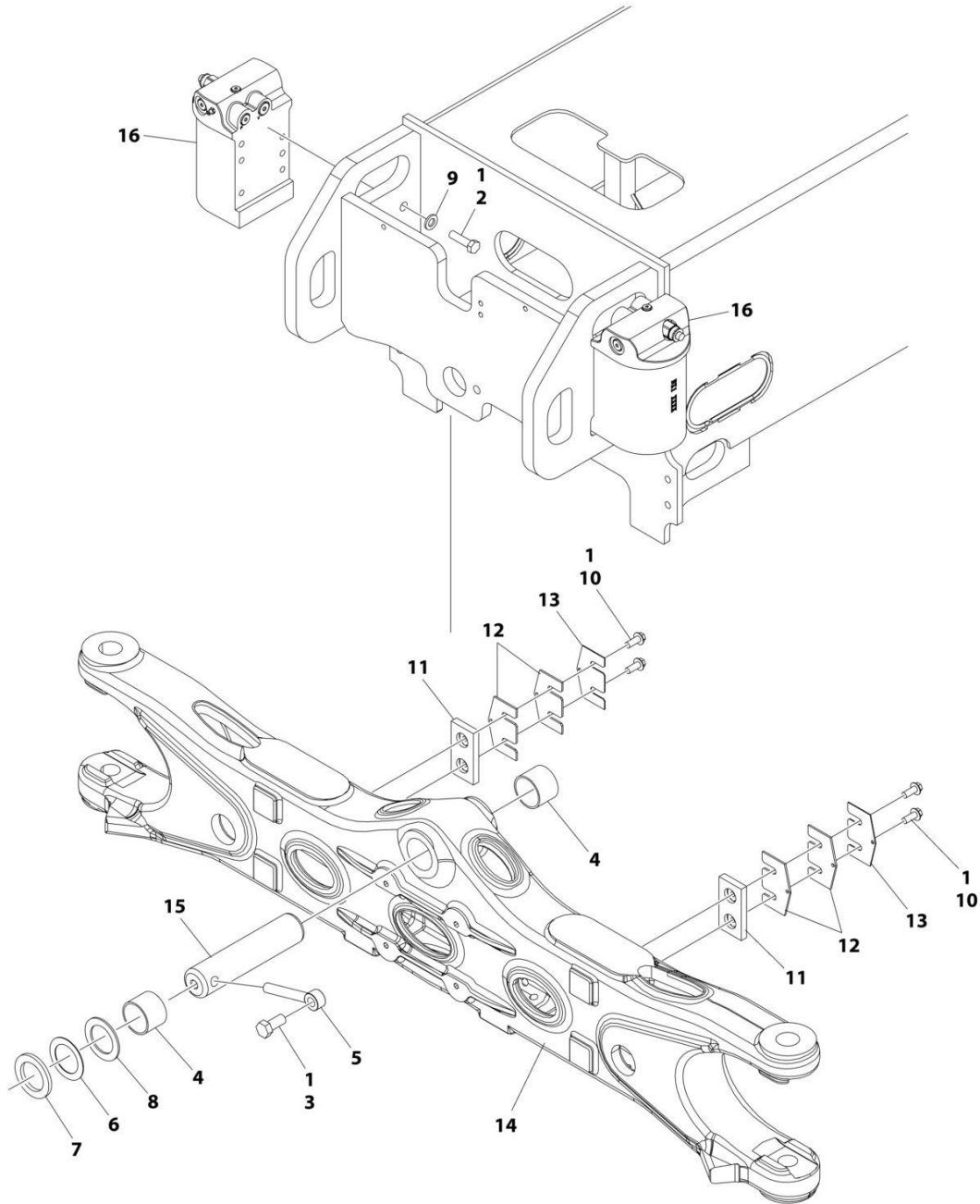
TABLE OF CONTENTS

FIGURE 8-38. RECEPTACLE BOX KIT - 220V CEE7 SIDE GROUND 2IN X 4IN BOX (CE, CIS/EAC & UK CA SPEC)	382
FIGURE 8-39. RECEPTACLE BOX KIT - 220V AFSINT 107 (CE, CIS/EAC & UK CA SPEC)	384
FIGURE 8-40. SKYEYE INTERMEDIATE HARNESS.....	386
FIGURE 8-41. SKYEYE RECEIVER HARNESS	388
FIGURE 8-42. SKYEYE EMITTER HARNESS.....	390
FIGURE 8-43. SKYLINE HARNESS.....	392
FIGURE 8-44. TURNTABLE HARNESS	394
FIGURE 8-45. VALVE HARNESS - BOOM VALVE.....	398
FIGURE 8-46. VALVE HARNESS - MAIN VALVE.....	400
FIGURE 8-47. VALVE HARNESS - PLATFORM VALVE	402
SECTION 9 - DECALS.....	405
FIGURE 9-1. DECAL INSTALLATION - AUSTRALIAN SPEC (ENGLISH)	406
FIGURE 9-2. DECAL INSTALLATION - CE & UK CA SPEC (ENGLISH)	408
FIGURE 9-3. DECAL INSTALLATION - CHINESE SPEC (CHINESE/ENGLISH)	410
FIGURE 9-4. DECAL INSTALLATION - OPTIONS	412
FIGURE 9-5. TOW BAR DECAL INSTALLATION - ENGLISH LANGUAGE (ANSI EXPORT, CE, CIS/EAC & UK CA SPECS) .	414
FIGURE 9-6. TOW BAR DECAL INSTALLATION - SPANISH LANGUAGE (CE, CIS/EAC & UK CA SPECS)	416
SECTION 10 - RECOMMENDED SERVICE PARTS STOCK	419
FIGURE 10-1. RECOMMENDED SERVICE PARTS STOCK	420
SECTION 11 - SPECIAL OPTIONS/ACCESORIES/KITS.....	423
FIGURE 11-1. SPECIAL OPTIONS.....	424
PART NUMBER INDEX	427

SECTION 1 - FRAME

SECTION 1 - FRAME

FIGURE 1-1. AXLE INSTALLATION



ART_1001264981

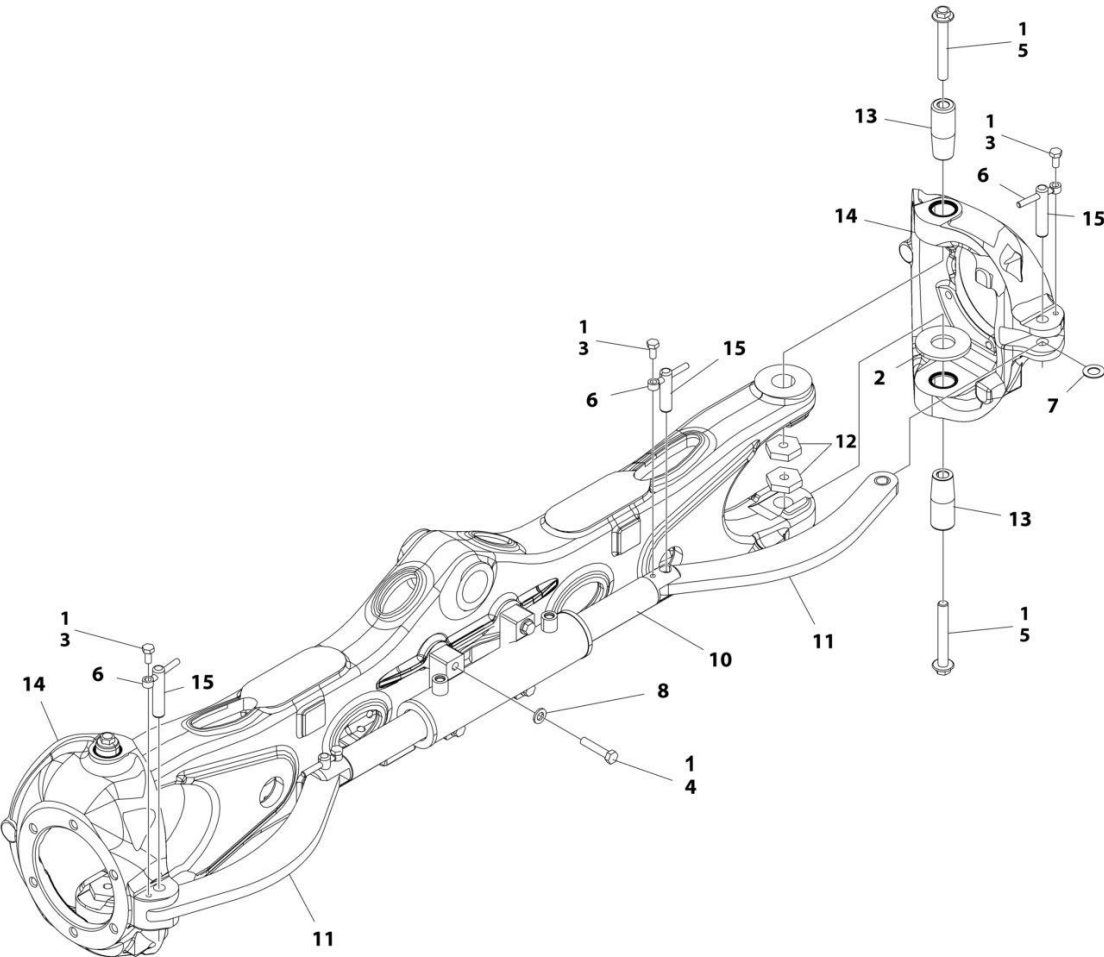
SECTION 1 - FRAME

FIGURE 1-1. AXLE INSTALLATION

ITEM	PART NUMBER	QTY	DESCRIPTION	REV
	1001264981	Ref	AXLE INSTALLATION	B
1	0100011	AR	Compound, Locking	
2	0701217	8	Bolt M12 x 45	
3	0761615	1	Bolt M16 x 35	
4	0961950	2	Bearing	
5	3841258	1	Keeper, Pin	
6	4071101	AR	Shim	
7	4740158	AR	Washer	
8	4740229	AR	Washer	
9	5241200	8	Washer M12	
10	5251012	4	Bolt M10 x 25	
11	1001118511	2	Pad, Wear	
12	1001118518	AR	Shim 11Ga	
13	1001118519	AR	Shim 16Ga	
14	1001162995	1	Axle	
15	1001185030	1	Pin	
16	1001256179	2	Axle Lockout Cylinder Assembly (See Separate Breakdown in CYLINDER Section)	

SECTION 1 - FRAME

FIGURE 1-2. STEER INSTALLATION WITHOUT TOW PACKAGE



ART_1001164092

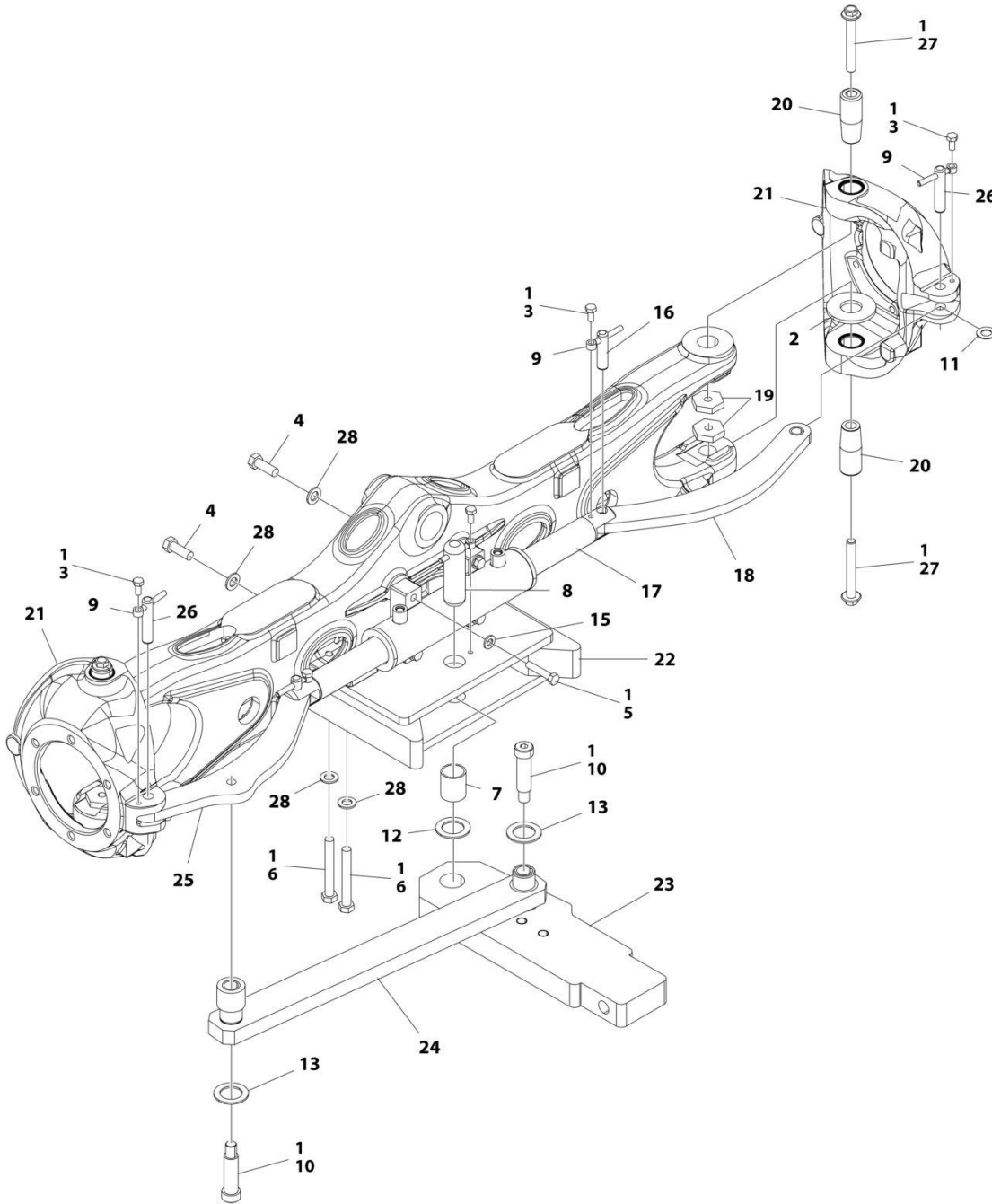
SECTION 1 - FRAME

FIGURE 1-2. STEER INSTALLATION WITHOUT TOW PACKAGE

ITEM	PART NUMBER	QTY	DESCRIPTION	REV
	1001164092	Ref	STEER INSTALLATION WITHOUT TOW PACKAGE	F
1	0100011	AR	Compound, Locking	
2	1001233139	2	Bearing, Thrust	
3	0761011	4	Bolt M10 x 22	
4	0711220	4	Bolt M12 x 60 Grade 10.9	
5	1001190368	4	Bolt M16 x 120	
6	3841143	4	Keeper, Pin	
7	4740086	4	Washer	
8	5241200	4	Washer M12	
10	1001163178	1	Steer Cylinder Assembly (See Separate Breakdown in CYLINDER SECTION)	
11	1001163179	2	Link	
11	1001164209	4	Bearing (2 Per Link)	
12	1001176848	4	Nut M16	
13	1001163405	4	Kingpin	
14	1001163715	2	Spindle	
14	0961948	4	Bearing (2 Per Spindle)	
14	1001163716	8	Seal (4 Per Spindle)	
15	3423304	4	Pin	

SECTION 1 - FRAME

FIGURE 1-3. STEER INSTALLATION WITH TOW PACKAGE



ART_1001164095

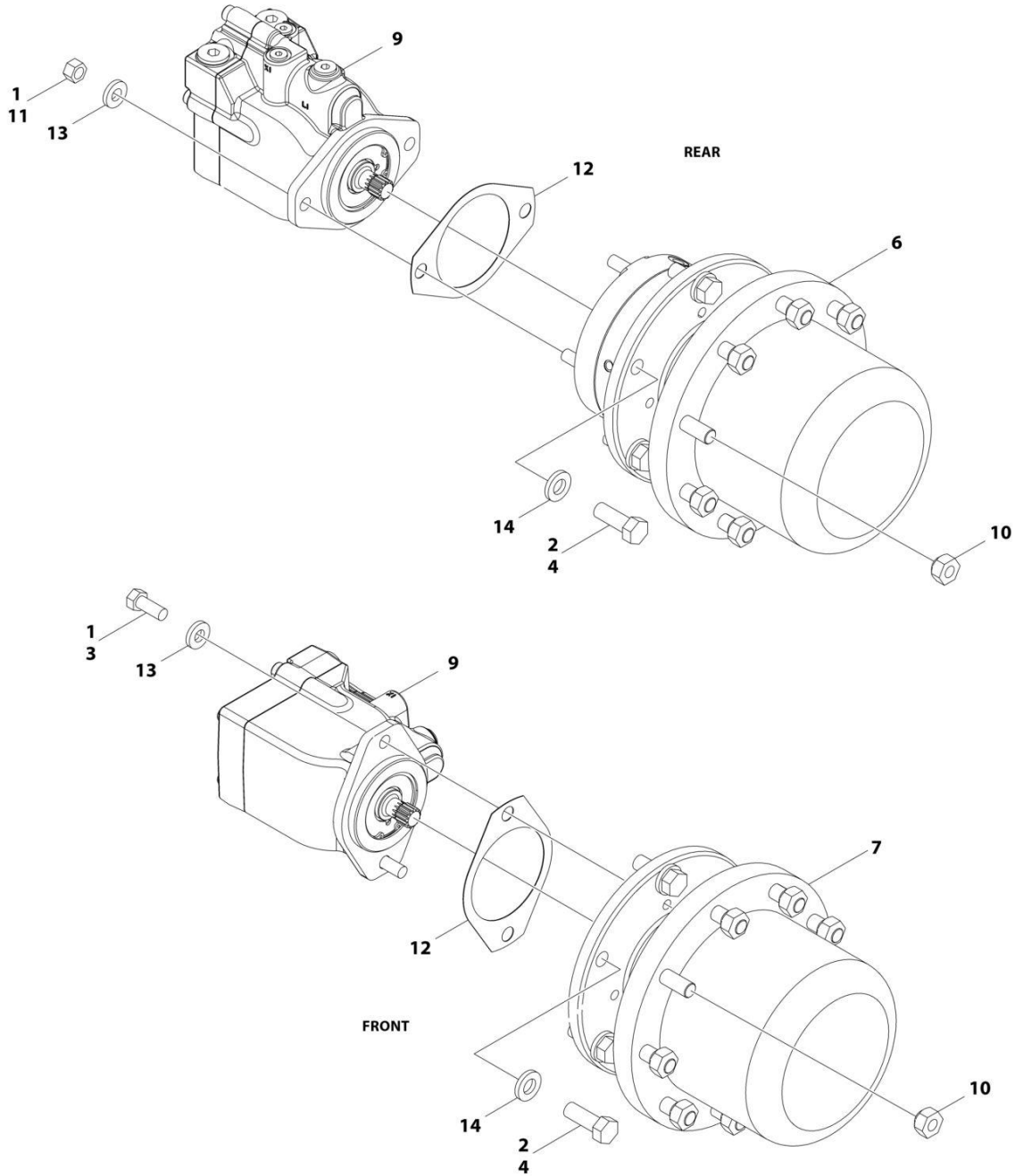
SECTION 1 - FRAME

FIGURE 1-3. STEER INSTALLATION WITH TOW PACKAGE

ITEM	PART NUMBER	QTY	DESCRIPTION	REV
	1001164095	Ref	STEER INSTALLATION WITH TOW PACKAGE	D
1	0100011	AR	Compound, Locking	
2	0440271	2	Bearing, Thrust	
3	0761011	5	Bolt M10 x 22	
4	0701617	2	Bolt M16 x 45	
5	0711220	4	Bolt M12 x 60 Grade 10.9	
6	0711629	4	Bolt M16 x 120	
7	0962348	1	Bearing	
8	3422848	1	Pin	
9	3841143	5	Keeper, Pin	
10	3900295	2	Bolt 1 X 3	
11	4740086	4	Washer	
12	4740155	1	Washer	
13	4740491	2	Washer	
15	5241200	4	Washer M12	
16	1001139586	2	Pin	
17	1001163178	1	Steer Cylinder Assembly (See Separate Breakdown in CYLINDER SECTION)	
18	1001163179	1	Link	
18	1001164209	2	Bearing	
19	1001176848	4	Nut M16	
20	1001163405	4	Kingpin	
21	1001163715	2	Spindle	
21	0961948	4	Bearing (2 per Spindle)	
21	1001163716	8	Seal (4 per Spindle)	
22	1001163717	1	Bracket, Tow	
23	1001163722	1	Plate	
24	1001163724	1	Link	
24	0962292	4	Bearing	
25	1001163726	1	Link	
25	1001164209	2	Bearing	
26	3423304	2	Pin	
27	1001190368	4	Bolt M16 x 120	
28	5241600	6	Washer M16	

SECTION 1 - FRAME

FIGURE 1-4. WHEEL DRIVE INSTALLATION (4WD) (Prior to SN B300013939, Except SN B300012453 through B300012469, Excluding B300013849)



ART_1001166239

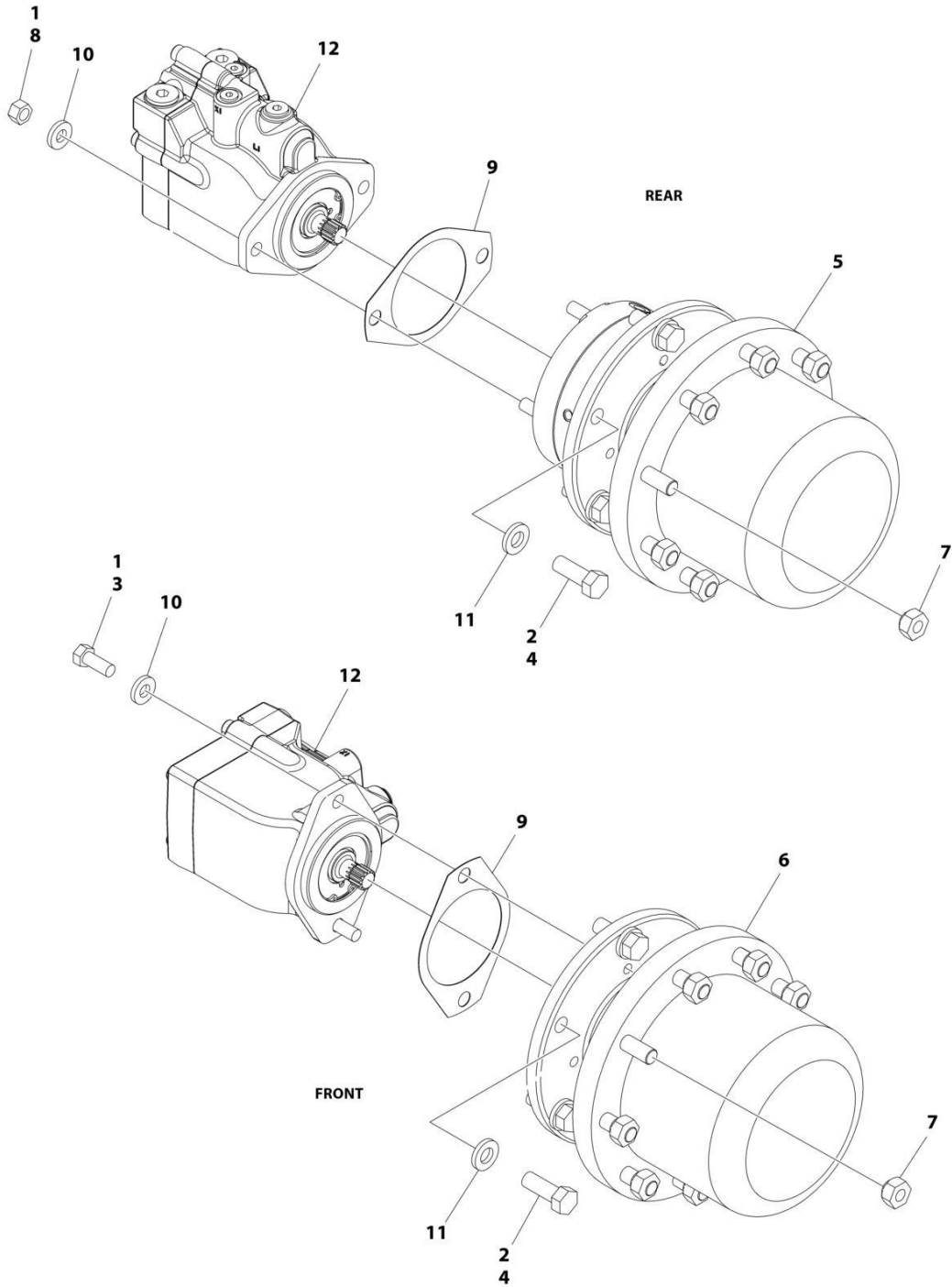
SECTION 1 - FRAME

FIGURE 1-4. WHEEL DRIVE INSTALLATION (4WD) (Prior to SN B300013939, Except SN B300012453 through B300012469, Excluding B300013849)

ITEM	PART NUMBER	QTY	DESCRIPTION	REV
	1001166239	Ref	WHEEL DRIVE INSTALLATION (4WD)	E
1	0100011	AR	Compound, Locking	
2	0100019	AR	Compound, Locking	
3	0681810	4	Bolt 1/2 x 1-1/4 Grade 8	
4	0682014	24	Bolt 5/8 x 1-3/4 Grade 8	
6	2780267	2	Drive Hub Assembly - Rear (See Separate Breakdown in this Section)	
7	2780268	2	Drive Hub Assembly - Front (See Separate Breakdown in this Section)	
9	3160348	4	Drive Motor Assembly (See Separate Breakdown in this Section)	
10	3300106	36	Lugnut	
11	3311801	4	Nut 1/2	
12	3960526	4	Gasket, Brake	
13	4891800	8	Washer 1/2	
14	4892000	24	Washer 5/8	

SECTION 1 - FRAME

FIGURE 1-5. WHEEL DRIVE INSTALLATION (4WD) (SN B300013939 to Present)



ART_1001285012

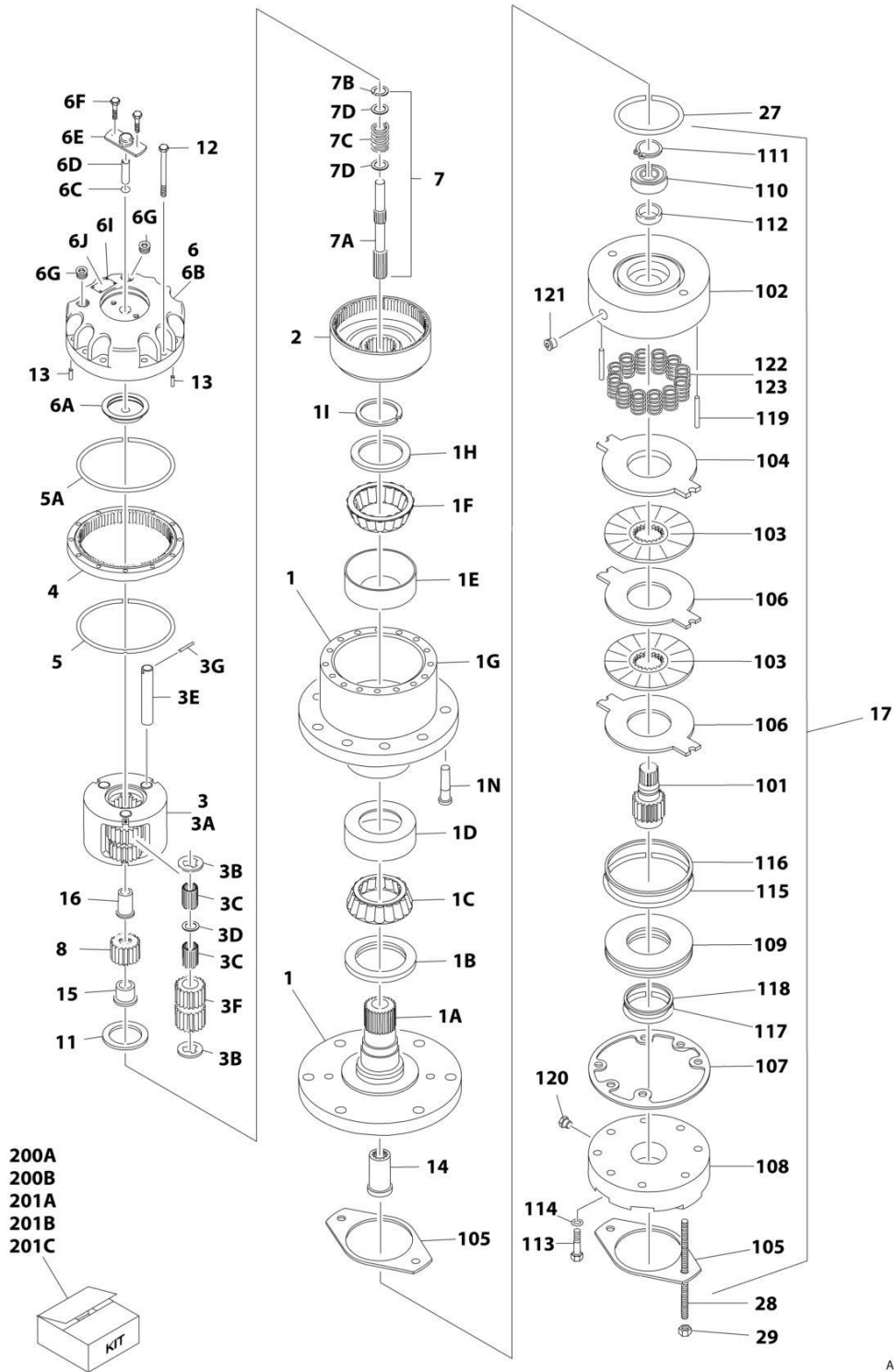
SECTION 1 - FRAME

FIGURE 1-5. WHEEL DRIVE INSTALLATION (4WD) (SN B300013939 to Present)

ITEM	PART NUMBER	QTY	DESCRIPTION	REV
	1001285012	Ref	WHEEL DRIVE INSTALLATION (4WD)	A
1	0100011	AR	Compound, Locking	
2	0100019	AR	Compound, Locking	
3	0681810	4	Bolt 1/2 x 1-1/4 Grade 8	
4	0682014	24	Bolt 5/8 x 1-3/4 Grade 8	
5	2780267	2	Drive Hub Assembly - Rear (See Separate Breakdown in this Section)	
6	2780268	2	Drive Hub Assembly - Front (See Separate Breakdown in this Section)	
7	3300106	36	Lugnut	
8	3311801	4	Nut 1/2	
9	3960526	4	Gasket, Brake	
10	4891800	8	Washer 1/2	
11	4892000	24	Washer 5/8	
12	1001278022	4	Drive Motor Assembly (See Separate Breakdown in this Section)	

SECTION 1 - FRAME

FIGURE 1-6. DRIVE HUB AND BRAKE ASSEMBLY - REAR



ART_2780267

SECTION 1 - FRAME

FIGURE 1-6. DRIVE HUB AND BRAKE ASSEMBLY - REAR

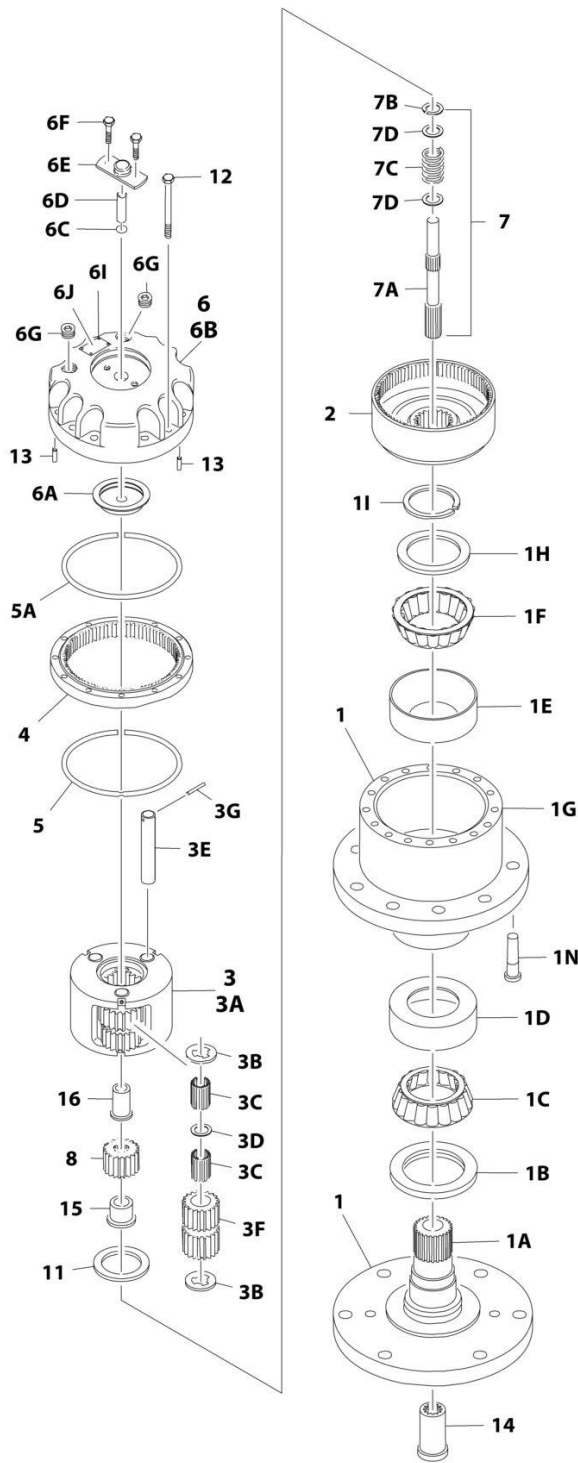
ITEM	PART NUMBER	QTY	DESCRIPTION	REV
	2780267	Ref	DRIVE HUB AND BRAKE ASSEMBLY - REAR	I
1	See Note	1	Spindle/Housing Assembly (Note: Purchase Individual Components)	
1A	7017059	1	Spindle	
1B	7001998	1	Seal	
1C	7010429	1	Cone, Bearing (Includes Item 1D)	
1D	7010429	1	Cup, Bearing (Includes Item 1C)	
1E	7000257	1	Cup, Bearing	
1F	7000258	1	Cone, Bearing	
1G	7007601	1	Housing/Ring Gear	
1H	7000232	1	Washer, Thrust	
1I	7000229	1	Ring, Retaining	
1N	7007640	9	Stud, Wheel	
2	7000246	1	Gear, Internal	
3	7024712	1	Carrier Assembly	
3A	See Note	1	Carrier (Note: Use Item 3)	
3B	See Note	6	Ring, Retaining (Note: Use Item 3)	
3C	See Note	AR	Bearing, Needle (Note: Use Item 3)	
3D	See Note	3	Washer, Thrust (Note: Use Item 3)	
3E	See Note	3	Shaft, Planet (Note: Use Item 3)	
3F	See Note	3	Gear, Planet (Note: Use Item 3)	
3G	See Note	3	Roll Pin (Note: Use Item 3)	
4	7000248	1	Ring Gear	
5	7000230	1	O-Ring	
5A	7017070	1	O-Ring	
6	70001349	1	Cover Assembly Kit	
6A	See Note	1	Spacer, Thrust (Note: Use Item 6)	
6B	See Note	1	Plate, Cover (Note: Use Item 6)	
6C	See Note	1	O-Ring (Note: Use Item 6)	
6D	See Note	1	Rod, Disconnect (Note: Use Item 6)	
6E	See Note	1	Cap, Disengage (Note: Use Item 6)	
6F	See Note	2	Bolt (Note: Use Item 6)	
6G	See Note	1	Plug, Pipe (Note: Use Item 6)	
6I	See Note	4	Rivet (Note: Not Available for Purchase)	
6J	See Note	1	Plate, ID (Note: Not Available for Purchase)	
7		Ref	Input Shaft Assembly	
7A	7024714	1	Shaft	
7B	7000261	1	Ring, Retaining	
7C	7000262	1	Spring	
7D	7000263	2	Spacer, Thrust	
8	7024713	1	Gear, Sun	
11	7000253	1	Washer, Thrust	
12	7017067	12	Bolt	
13	7017080	4	Pin, Dowel	
14	7000206	1	Coupling	
15	7024715	1	Spacer, Input	
16	7024716	1	Spacer, Input	
17	7024182	1	Brake Assembly (See Items 101-123 for Breakdown)	
27	7024705	1	O-Ring	
28	7024717	2	Rod, Threaded	

SECTION 1 - FRAME

ITEM	PART NUMBER	QTY	DESCRIPTION	REV
29	7024718	2	Nut 1/2in-13NC	
	7024182	Ref	BRAKE ASSEMBLY	
101	7024189	1	Shaft	
102	See Note	1	Housing (Note: Use Item 17)	
103	See Note	2	Plate, Friction (Note: Use Item 201B)	
104	See Note	1	Plate, Pressure (Note: Use Item 201B)	
105	7000731	2	Gasket	
106	See Note	2	Plate, Outer (Note: Use Item 201B)	
107	See Note	1	Gasket (Note: Use Item 200A, 201B or 201C)	
108	7024191	1	Cylinder	
109	7024192	1	Piston	
110	See Note	1	Bearing, Ball (Note: Use Item 201C)	
111	See Note	1	Ring, Retaining (Note: Use Item 201C)	
112	See Note	1	Seal, Shaft (Note: Use Item 201C)	
113	See Note	6	Capscrew (Note: Use Item 17)	
114	See Note	6	Lockwasher (Note: Use Item 17)	
115	See Note	1	O-Ring (Note: Use Item 200B)	
116	See Note	1	Ring, Back-up (Note: Use Item 200B)	
117	See Note	1	O-Ring (Note: Use Item 200B)	
118	See Note	1	Ring, Back-up (Note: Use Item 200B)	
119	7024190	2	Pin, Dowel	
120	See Note	1	Plug (Note: Use Item 17)	
121	See Note	2	Plug (Note: Use Item 17)	
122	See Note	12	Spring Kit (Natural) (Note: Use Item 201A)	
123	See Note	2	Spring Kit (Blue) (Note: Use Item 201A)	
		Ref	Kit Options	
200		Ref	Seal Kit Options:	
200A	See Note	1	Hub Seal Kit (Note: Purchase Individual Components)	
200B	7024194	1	Brake Seal Kit (Includes Items 105, 107 & 115-118)	
201		Ref	Repair Kit Options:	
201A	7024196	1	Brake Spring Kit (Includes 12 Natural Colored and 2 Blue Colored Springs Items 122 & 123)	
201B	7024193	1	Brake Friction Disc Kit (Includes Items 103, 104, 106 & 107)	
201C	7024197	1	Brake Bearing Kit (Includes Items 107 & 110-112)	

SECTION 1 - FRAME

FIGURE 1-7. DRIVE HUB ASSEMBLY - FRONT



ART_2780268

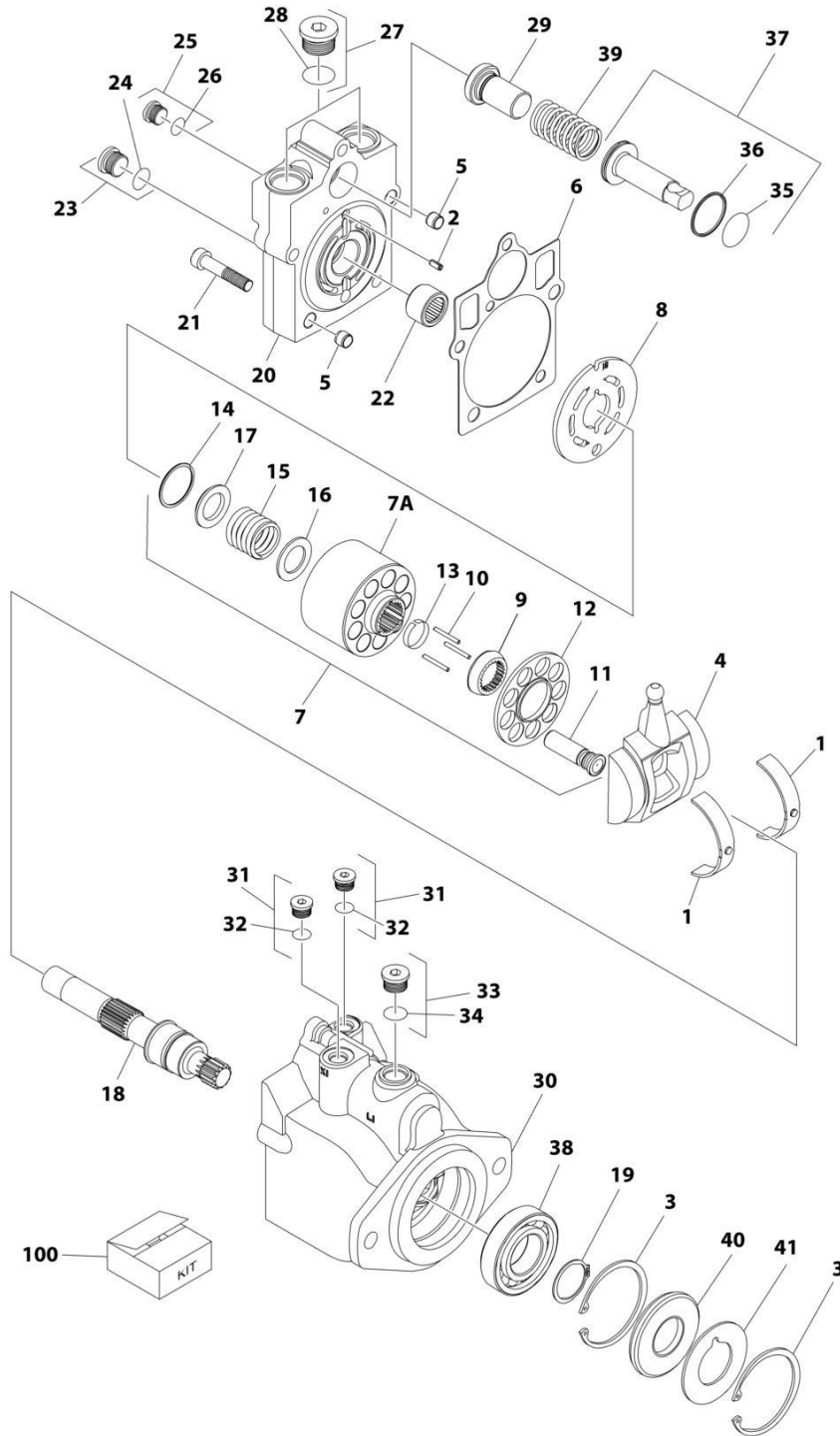
SECTION 1 - FRAME

FIGURE 1-7. DRIVE HUB ASSEMBLY - FRONT

ITEM	PART NUMBER	QTY	DESCRIPTION	REV
	2780268	Ref	DRIVE HUB ASSEMBLY - FRONT	F
1	See Note	1	Spindle/Housing Assembly (Note: Purchase Individual Components)	
1A	7017059	1	Spindle	
1B	7001998	1	Seal	
1C	7010429	1	Cone, Bearing (Includes Item 1D)	
1D	7010429	1	Cup, Bearing (Includes Item 1C)	
1E	7000257	1	Cup, Bearing	
1F	7000258	1	Cone, Bearing	
1G	7007601	1	Housing/Ring Gear	
1H	7000232	1	Washer, Thrust	
1I	7000229	1	Ring, Retaining	
1N	7007640	9	Stud, Wheel	
2	7000246	1	Gear, Internal	
3	7024712	1	Carrier Assembly	
3A	See Note	1	Carrier (Note: Use Item 3)	
3B	See Note	6	Ring, Retaining (Note: Use Item 3)	
3C	See Note	AR	Bearing, Needle (Note: Use Item 3)	
3D	See Note	3	Washer, Thrust (Note: Use Item 3)	
3E	See Note	3	Shaft, Planet (Note: Use Item 3)	
3F	See Note	3	Gear, Planet (Note: Use Item 3)	
3G	See Note	3	Roll Pin (Note: Use Item 3)	
4	7000248	1	Ring Gear	
5	7000230	1	O-Ring	
5A	7017070	1	O-Ring	
6	70001349	1	Cover Assembly Kit	
6A	See Note	1	Spacer, Thrust (Note: Use Item 6)	
6B	See Note	1	Plate, Cover (Note: Use Item 6)	
6C	See Note	1	O-Ring (Note: Use Item 6)	
6D	See Note	1	Rod, Disconnect (Note: Use Item 6)	
6E	See Note	1	Cap, Disengage (Note: Use Item 6)	
6F	See Note	2	Bolt (Note: Use Item 6)	
6G	See Note	1	Plug, Pipe (Note: Use Item 6)	
6I	See Note	4	Rivet (Note: Not Available for Purchase)	
6J	See Note	1	Plate, ID (Note: Not Available for Purchase)	
7		Ref	Input Shaft Assembly	
7A	7024714	1	Shaft	
7B	7000261	1	Ring, Retaining	
7C	7000262	1	Spring	
7D	7000263	2	Spacer, Thrust	
8	7024713	1	Gear, Sun	
11	7000253	1	Washer, Thrust	
12	7017067	12	Bolt	
13	7017080	4	Pin, Dowel	
14	7000206	1	Coupling	
15	7024715	1	Spacer, Input	
16	7024716	1	Spacer, Input	

SECTION 1 - FRAME

FIGURE 1-8. DRIVE MOTOR ASSEMBLY (4WD)



ART_3160348

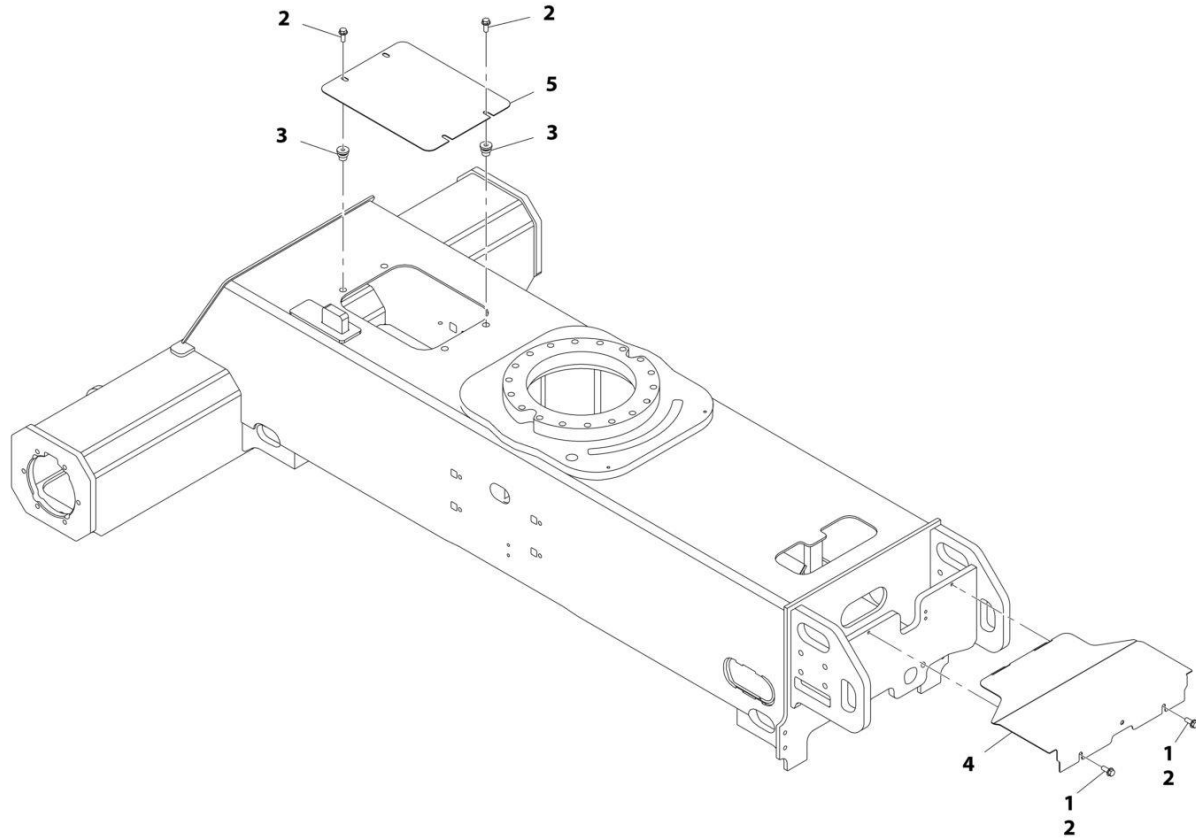
SECTION 1 - FRAME

FIGURE 1-8. DRIVE MOTOR ASSEMBLY (4WD)

ITEM	PART NUMBER	QTY	DESCRIPTION	REV
	3160348	Ref	DRIVE MOTOR ASSEMBLY	D
1	7022302	2	Bearing, Journal	
2	7007446	1	Pin	
3	7007438	2	Ring, Retaining	
4	7022305	1	Swash Plate	
5	See Note	2	Pin (Note: Not Available for Purchase)	
6	See Note	NSS	Gasket (Note: Use Item 100)	
7	7023907	1	Cylinder Block Kit (Includes Items 7A & 9-17)	
7A	See Note	NSS	Block, Cylinder (Note: Use Item 7)	
8	7023908	1	Plate, Valve	
9	7021277	1	Guide, Slipper Retainer	
10	7021275	3	Pin, Slipper Hold Down	
11	See Note	NSS	Piston Assembly (Note: Use Item 7)	
12	7022310	1	Retainer, Slipper	
13	7021276	1	Retainer, Hold Down Pin	
14	7022311	1	Ring, Retaining	
15	7022312	1	Spring	
16	7024868	1	Washer	
17	7022314	1	Retainer, Spring	
18	7023910	1	Shaft	
19	7007439	1	Ring, Retaining	
20	70000797	1	Cap, End - Axial	
21	7022368	5	Screw	
22	7021249	1	Bearing, Needle	
23	2220886	1	Plug (Includes Item 24)	
24	See Note	1	O-Ring (Note: Use Item 23 or 100)	
25	2220883	1	Plug (Includes Item 26)	
26	See Note	NSS	O-Ring (Note: Use Item 25 or 100)	
27	2220888	2	Plug (Includes Item 28)	
28	See Note	NSS	O-Ring (Note: Use Item 27 or 100)	
29	7022372	1	Seat, Spring	
30	See Note	NSS	Housing (Note: Not Available - Purchase Complete Assembly)	
31	2220883	2	Plug (Includes Item 32)	
32	See Note	NSS	O-Ring (Note: Use Item 31 or 100)	
33	2220886	1	Plug (Includes Item 34)	
34	See Note	NSS	O-Ring (Note: Use Item 33 or 100)	
35	See Note	NSS	O-Ring (Note: Use Item 100)	
36	See Note	NSS	Ring, Seal (Note: Use Item 100)	
37	7024854	1	Piston, Servo (Includes Items 35 & 36)	
38	7007437	1	Bearing	
39	7022326	1	Spring	
40	See Note	1	Seal, Lip (Note: Use Item 100)	
41	7022371	1	Washer, Support	
		Ref	KIT OPTIONS:	
100	7022328	1	Seal Kit (Includes Items 6, 24, 26, 28, 32, 34, 35, 36 & 40)	

SECTION 1 - FRAME

FIGURE 1-9. FRAME SHIELD INSTALLATION



ART_1001162105

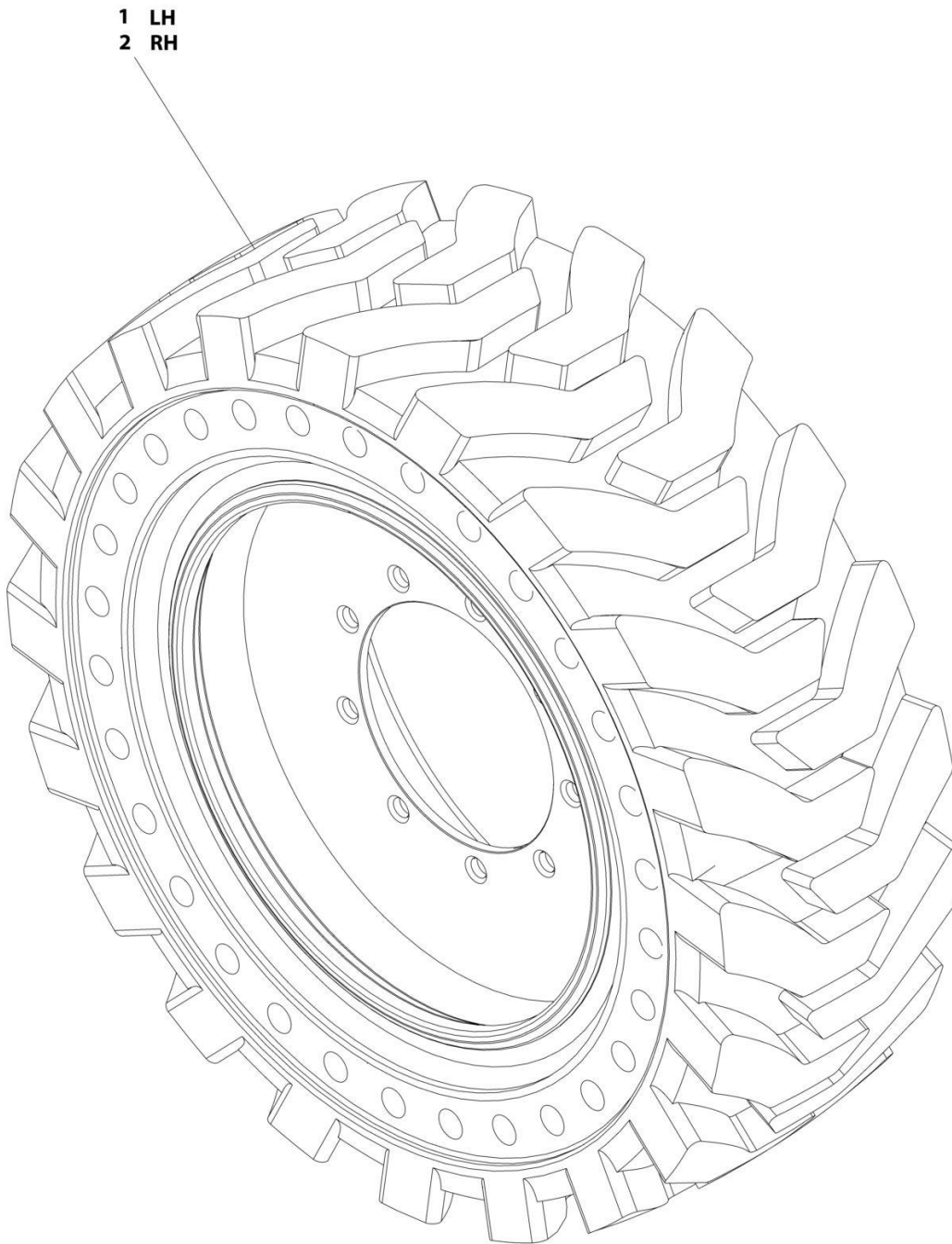
SECTION 1 - FRAME

FIGURE 1-9. FRAME SHIELD INSTALLATION

ITEM	PART NUMBER	QTY	DESCRIPTION	REV
	1001162105	Ref	FRAME SHIELD INSTALLATION	B
1	0100011	AR	Compound, Locking	
2	5251012	6	Bolt, M10 x 25	
3	1001180916	4	Nut	
4	1001162107	1	Plate, Valve Cover	
5	1001165968	1	Plate, Cover	

SECTION 1 - FRAME

FIGURE 1-10. TIRE AND WHEEL INSTALLATION - 33 X 12-20 SOLID NON-MARKING



ART_1001169062

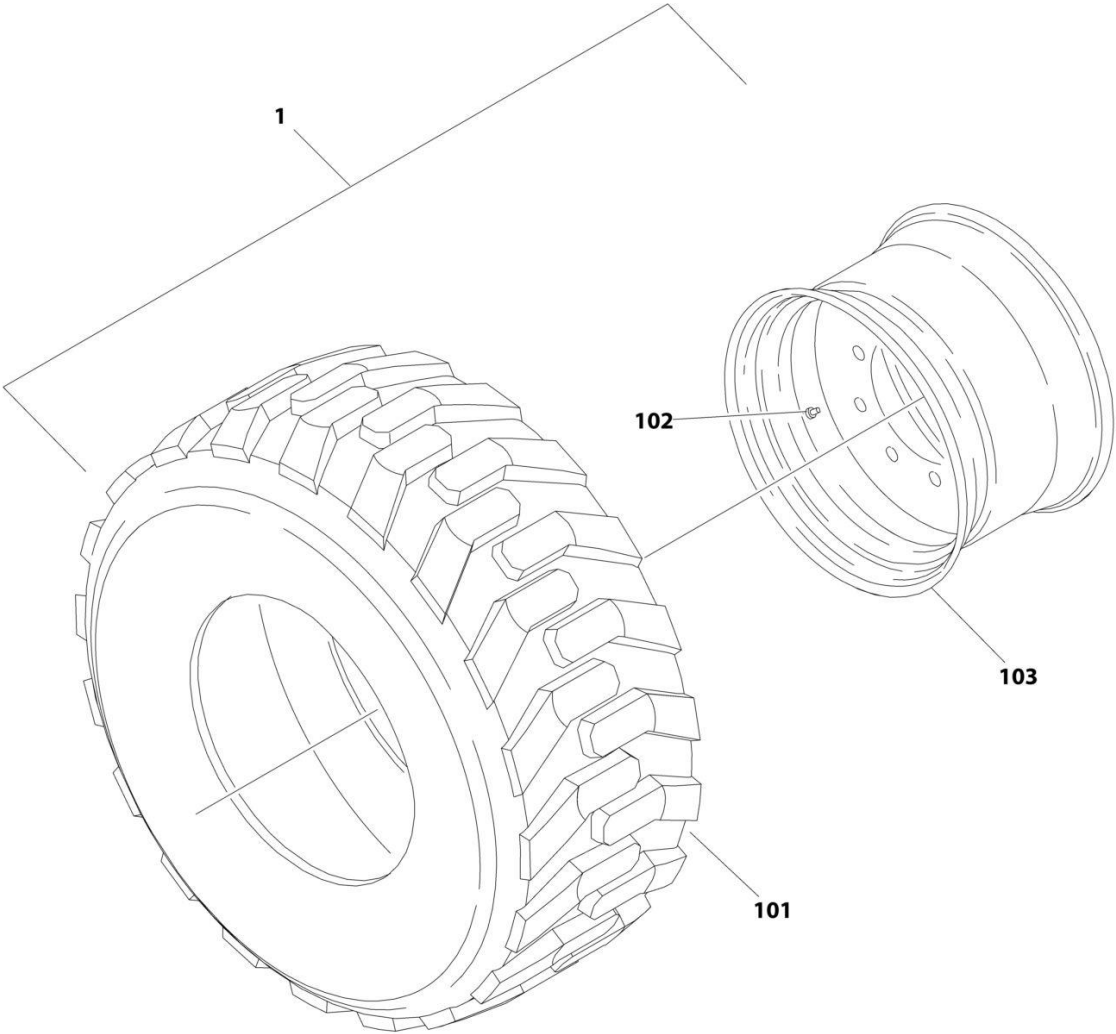
SECTION 1 - FRAME

FIGURE 1-10. TIRE AND WHEEL INSTALLATION - 33 X 12-20 SOLID NON-MARKING

ITEM	PART NUMBER	QTY	DESCRIPTION	REV
	1001169062	Ref	TIRE AND WHEEL INSTALLATION - 33 X 12-20 SOLID NON-MARKING	A
		Ref	Note: Due to critical stable weights, only replace tire and wheel assemblies with like components.	
1	1001170098	2	Tire and Wheel Assembly - 33 x 12-20 Solid Non-Marking (LH Side)	
2	1001170099	2	Tire and Wheel Assembly - 33 x 12-20 Solid Non-Marking (RH Side)	

SECTION 1 - FRAME

FIGURE 1-11. TIRE AND WHEEL INSTALLATION - 33/1550 X 16.5 FOAM-FILLED



ART_1001169075

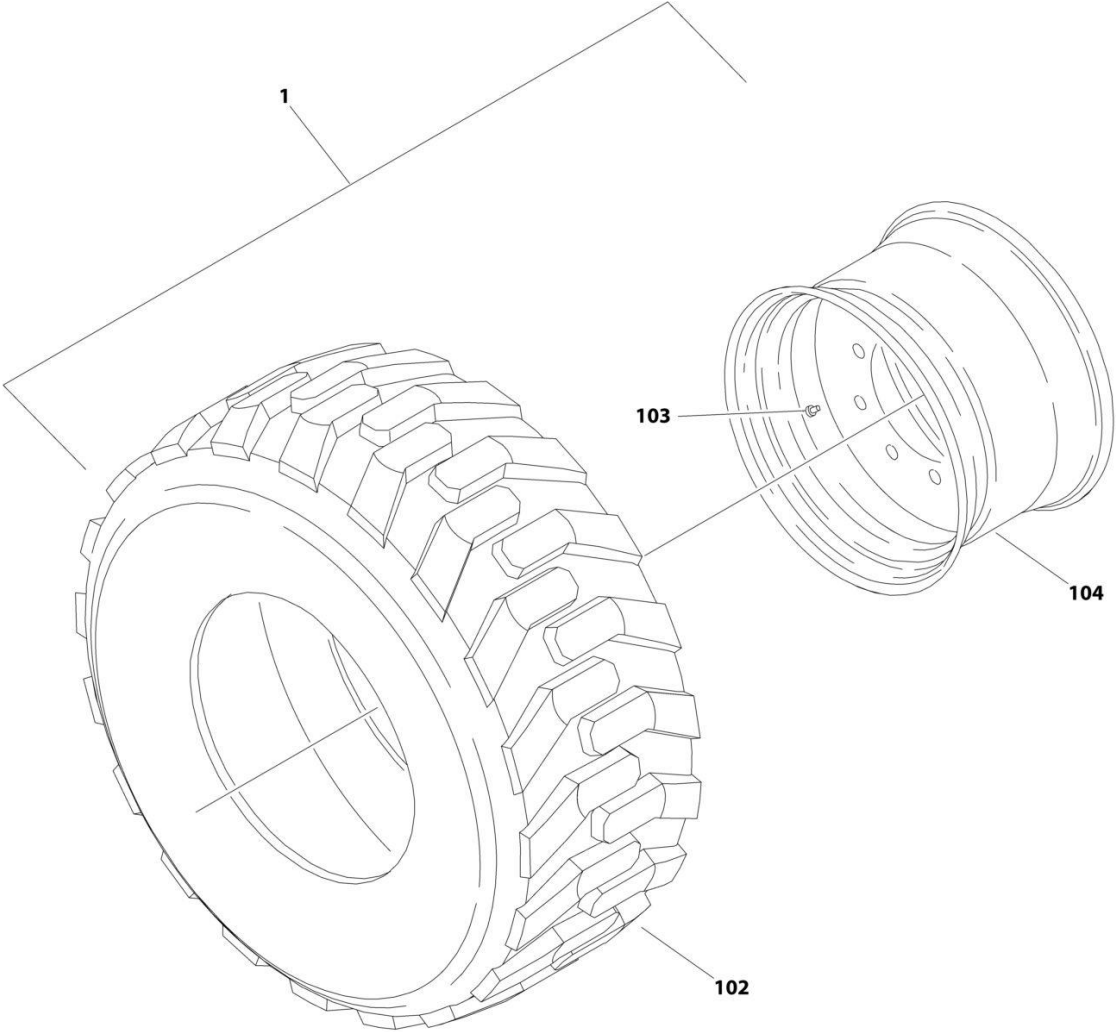
SECTION 1 - FRAME

FIGURE 1-11. TIRE AND WHEEL INSTALLATION - 33/1550 X 16.5 FOAM-FILLED

ITEM	PART NUMBER	QTY	DESCRIPTION	REV
	1001169075	Ref	TIRE AND WHEEL INSTALLATION - 33/1550 X 16.5 FOAM-FILLED	A
		Ref	Note: Assemblies may require ballast/foam filling to manufacturer's specifications prior to installing on a machine. Refer to Operation and Safety or Service and Maintenance Manuals. Purchase individual tire and/or rim only if able to foam fill tire and wheel assembly, otherwise, purchase complete assembly.	
1	0258011	2	Tire and Wheel Assembly (RH Side)	I
1	0258012	2	Tire and Wheel Assembly (LH Side)	I
101	4520217	4	Tire, 33/1550 x 16.5	
102	8786514	4	Valve, Stem	
103	4860179	4	Rim, Wheel	

SECTION 1 - FRAME

FIGURE 1-12. TIRE AND WHEEL INSTALLATION - 315/55 D20 FOAM FILLED



ART_1001166157

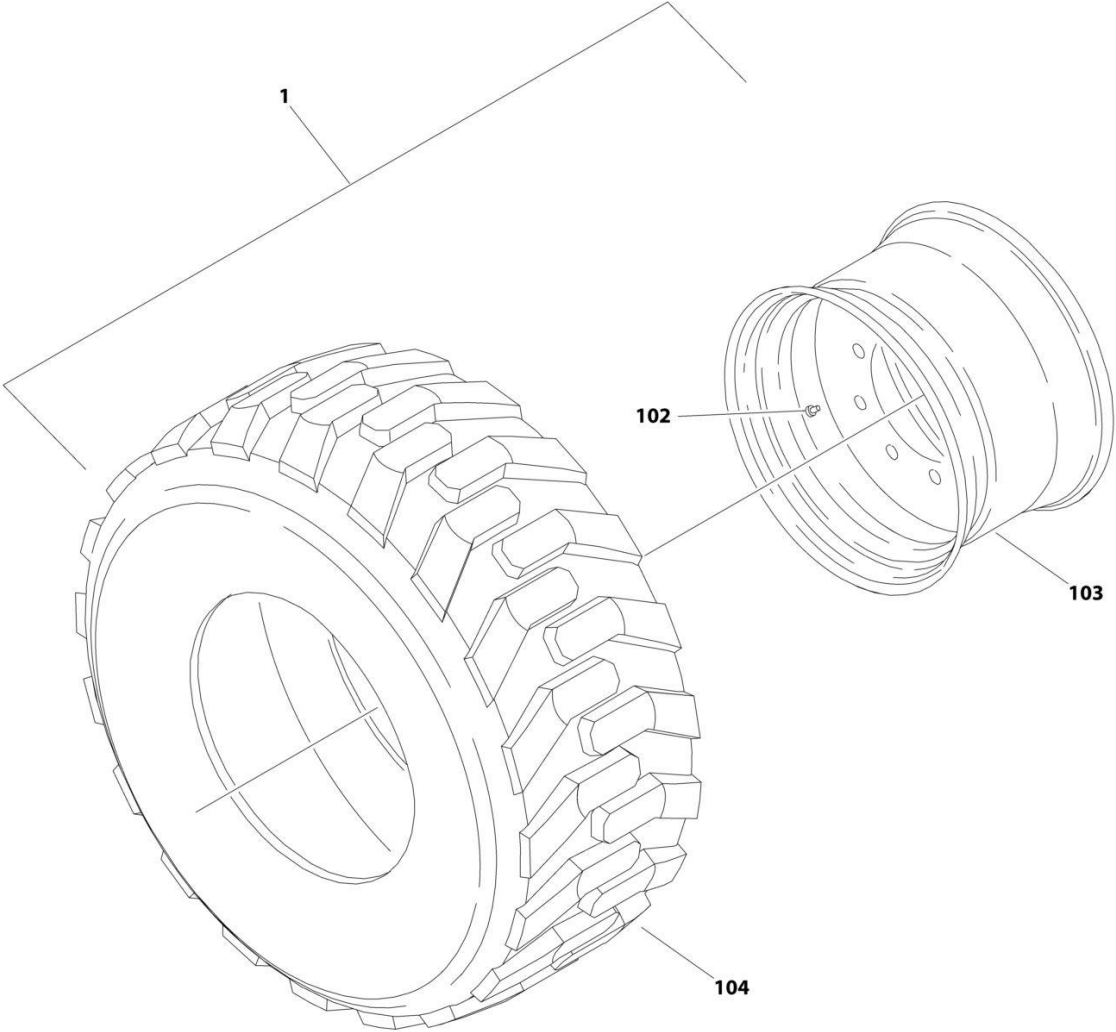
SECTION 1 - FRAME

FIGURE 1-12. TIRE AND WHEEL INSTALLATION - 315/55 D20 FOAM FILLED

ITEM	PART NUMBER	QTY	DESCRIPTION	REV
	1001166157	Ref Ref	TIRE AND WHEEL INSTALLATION - 315/55 D20 FOAM FILLED Note: Assemblies may require ballast/foam filling to manufacturer's specifications prior to installing on a machine. Refer to Operation and Safety or Service and Maintenance Manuals. Purchase individual tire and/or rim only if able to foam fill tire and wheel assembly, otherwise, purchase complete assembly.	A
1	1001166155	2	Tire and Wheel Assembly (LH Side)	I
1	1001166156	2	Tire and Wheel Assembly (RH Side)	I
102	4520608	4	Tire IN315/55/D20	
103	4641122	4	Valve, Stem	
104	1001166153	4	Rim, Wheel	

SECTION 1 - FRAME

FIGURE 1-13. TIRE AND WHEEL INSTALLATION - 315/55 D20 FOAM FILLED NON-MARKING



ART_1001169058

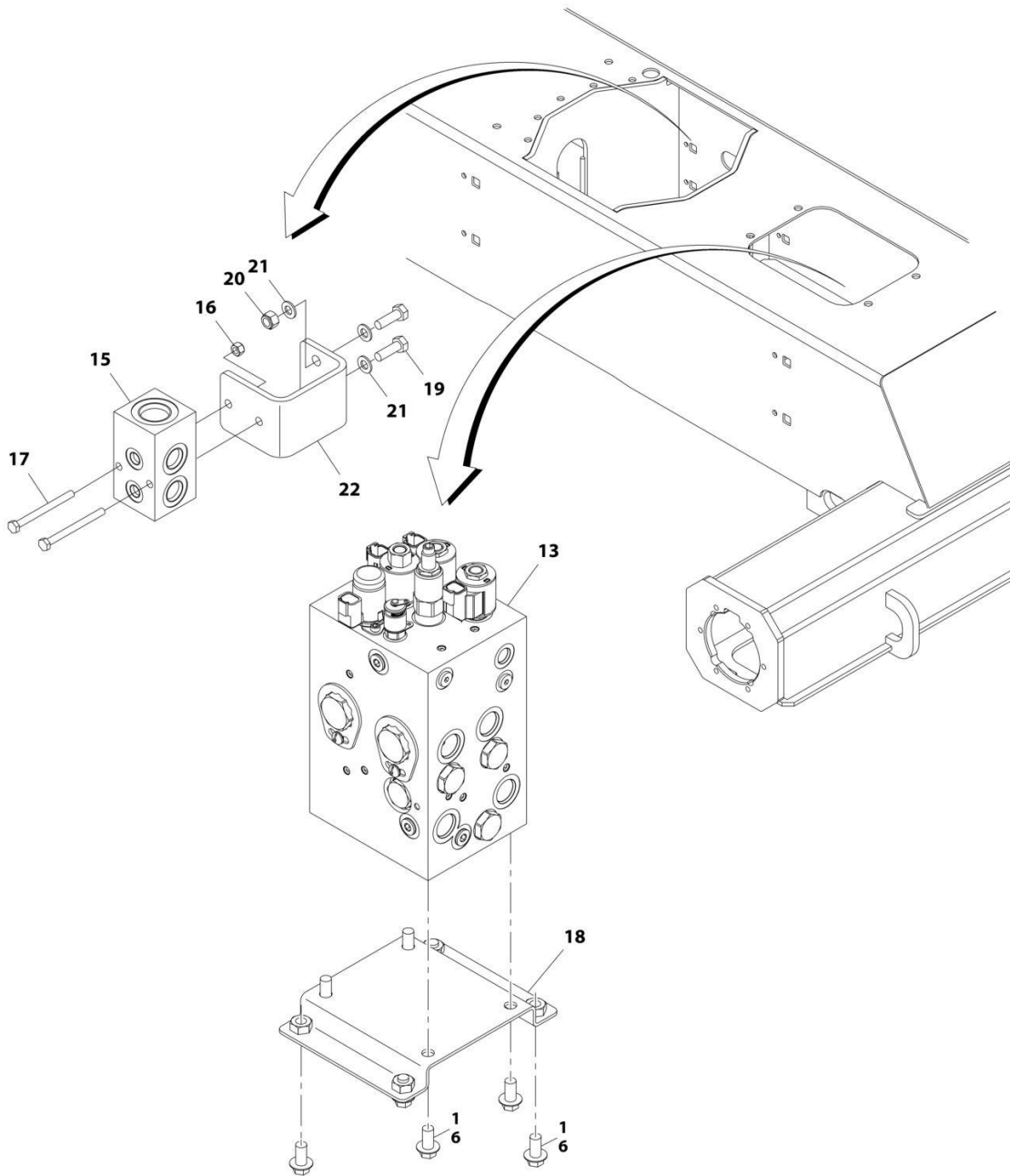
SECTION 1 - FRAME

FIGURE 1-13. TIRE AND WHEEL INSTALLATION - 315/55 D20 FOAM FILLED NON-MARKING

ITEM	PART NUMBER	QTY	DESCRIPTION	REV
	1001169058	Ref	TIRE AND WHEEL INSTALLATION - 315/55 D20 FOAM FILLED NON-MARKING	A
		Ref	Note: Assemblies may require ballast/foam filling to manufacturer's specifications prior to installing on a machine. Refer to Operation and Safety or Service and Maintenance Manuals. Purchase individual tire and/or rim only if able to foam fill tire and wheel assembly, otherwise, purchase complete assembly.	
1	1001170459	2	Tire and Wheel Assembly (RH Side)	F
1	1001170460	2	Tire and Wheel Assembly (LH Side)	F
102	4641122	4	Valve, Stem	
103	1001166153	4	Rim, Wheel	
104	1001170458	4	Tire 315/55 D20 Non Marking	

SECTION 1 - FRAME

FIGURE 1-14. 4WD VALVES INSTALLATION - FRAME MOUNTED



ART_1001165948_10F3

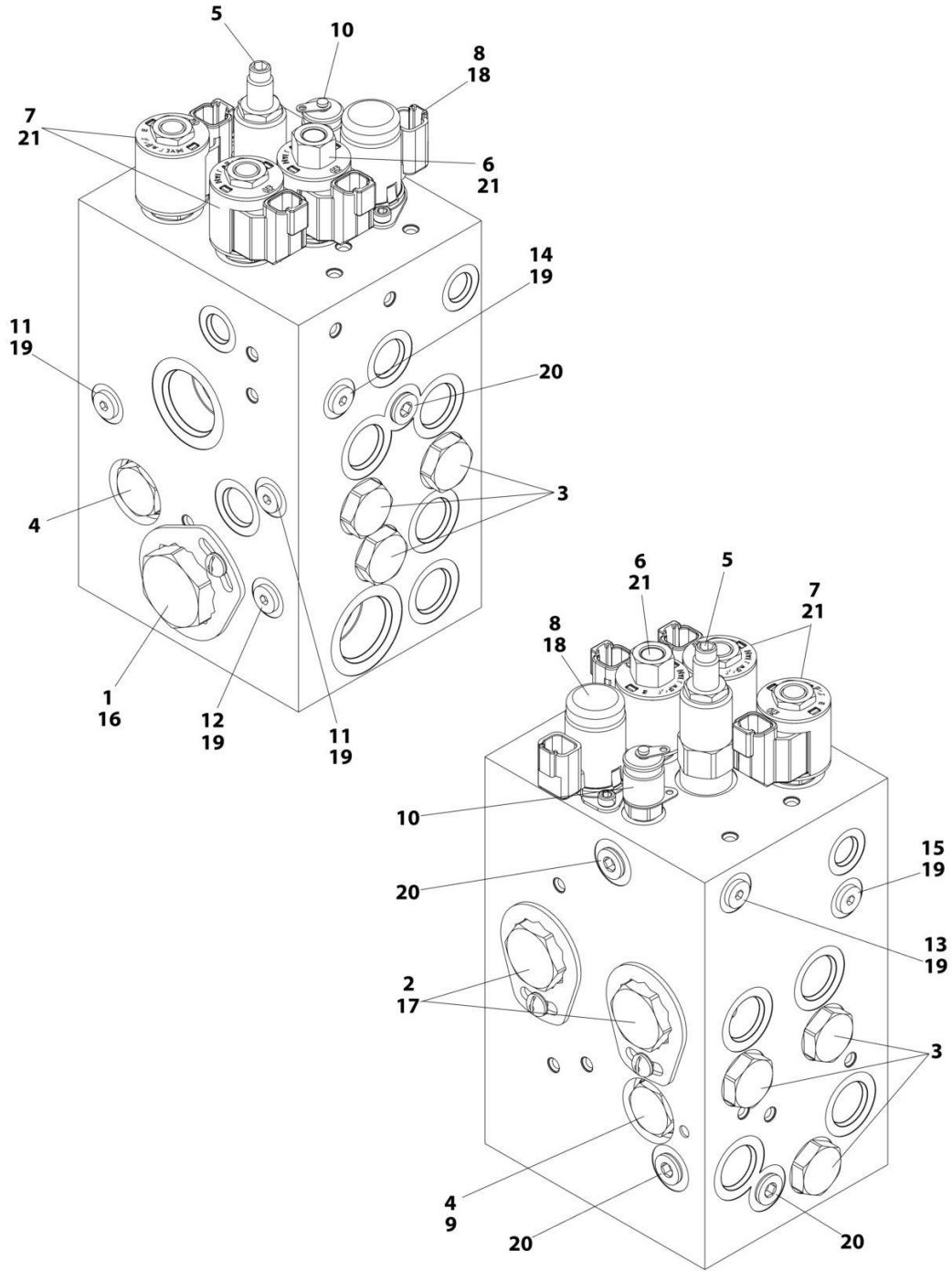
SECTION 1 - FRAME

FIGURE 1-14. 4WD VALVES INSTALLATION - FRAME MOUNTED

ITEM	PART NUMBER	QTY	DESCRIPTION	REV
	1001165948	Ref	4WD VALVES INSTALLATION - FRAME MOUNTED	J
1	0100011	AR	Compound, Locking	
3	0760812	1	Bolt M8 x 25	
6	5251010	4	Bolt M10 x 20 Class 10.9	
13	1001162539	1	Traction Valve Assembly (See Separate Breakdown in this Section)	
15	4641155	1	Junction Valve Assembly	
16	3290605	2	Nut, M6	
17	1001096653	2	Bolt M6 x 70	
18	1001179517	1	Bracket	
19	0760812	1	Bolt M8 x 25	
20	3290805	1	Nut M8	
21	4811900	1	Washer M8	
22	1001197221	1	Bracket	

SECTION 1 - FRAME

FIGURE 1-15. TRACTION VALVE ASSEMBLY - 4WD



ART_1001162539

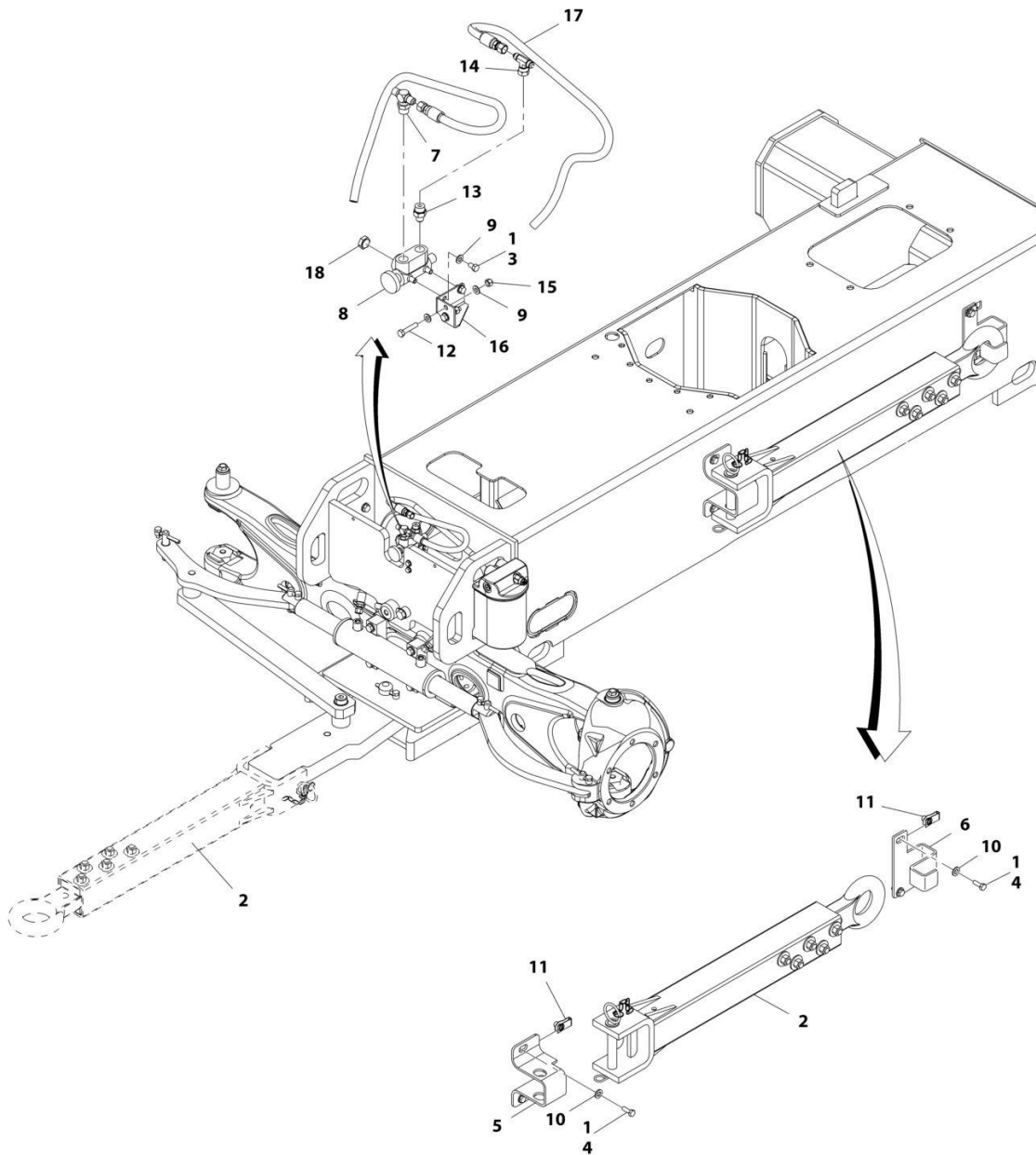
SECTION 1 - FRAME

FIGURE 1-15. TRACTION VALVE ASSEMBLY - 4WD

ITEM	PART NUMBER	QTY	DESCRIPTION	REV
	1001162539	Ref	TRACTION VALVE ASSEMBLY - 4WD	D
1	70004017	1	Cartridge, Flow Divider	
1	7021625	1	Seal Kit - 70004017 Valve	
2	70004885	2	Cartridge, Flow Divider	
2	70004577	2	Seal Kit - 70004885 Valve	
3	7022397	6	Cartridge, Check Valve	
3	7022399	6	Seal Kit - 7022397 Valve	
4	7021639	2	Cartridge, Check Valve	
4	2900756	2	Seal Kit - 7021639 Valve	
5	70004886	1	Cartridge, Relief Valve	
5	7017496	1	Seal Kit - 70004886 Valve	
6	7017410	1	Cartridge, Solenoid Less Coil	
6	7012967	1	Seal Kit - 7017410 Valve	
7	7012974	2	Cartridge, Solenoid Less Coil	
7	7010543	2	Seal Kit - 7012974 Valve	
8	70004887	1	Cartridge, Solenoid Less Coil	
8	70023606	1	Seal Kit - 70004887 Valve	
8	7024885	1	Coil	
9	7024881	1	Piston, Pilot	
10	2221086	1	Fitting, Diagnostic	
11	70003975	2	Orifice	
12	70002209	1	Orifice	
13	70002063	1	Orifice	
14	70004884	1	Orifice	
15	70004883	1	Orifice	
16	70000781	1	Locking Kit	
17	70002962	2	Locking Kit	
18	70004888	2	Screw	
19	2220883	6	Plug #4	
20	2220885	5	Plug #6	
21	70002386	3	Coil	

SECTION 1 - FRAME

FIGURE 1-16. TOW PACKAGE INSTALLATION (OPTIONAL)



ART_1001166232

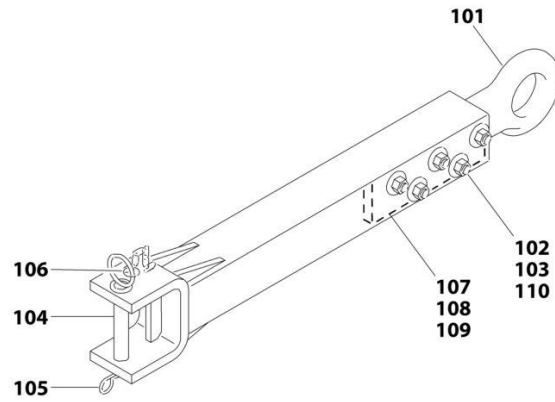
SECTION 1 - FRAME

FIGURE 1-16. TOW PACKAGE INSTALLATION (OPTIONAL)

ITEM	PART NUMBER	QTY	DESCRIPTION	REV
	1001166232	Ref	TOW PACKAGE INSTALLATION (OPTIONAL)	D
1	0100011	AR	Compound, Locking	
2	0363019	1	Tow Bar Assembly (See Separate Breakdown in this Section)	
3	0641504	2	Bolt 5/16 x 1/2	
4	0701014	4	Bolt M10 x 30	
5	0902733	1	Bracket	
6	0902734	1	Bracket	
7	2221052	1	Fitting, Tee JIC/ORB/JIC	
8	4640261	1	Steer/Tow Select Valve Assembly	
9	4711500	6	Washer 5/16	
10	5241200	4	Washer M12	
11	1001118972	4	Nut M10	
12	0700816	2	Bolt M8 x 40	
13	2220372	1	Fitting, Straight JIC/ORB	
14	2220579	1	Fitting, Tee JIC/FSJIC/JIC	
15	3290805	2	Nut M8	
16	1001181527	1	Bracket	
17	1001181913	2	Hose	
18	2220238	1	Plug	

SECTION 1 - FRAME

FIGURE 1-17. TOW BAR ASSEMBLY



ART_0363019

SECTION 1 - FRAME

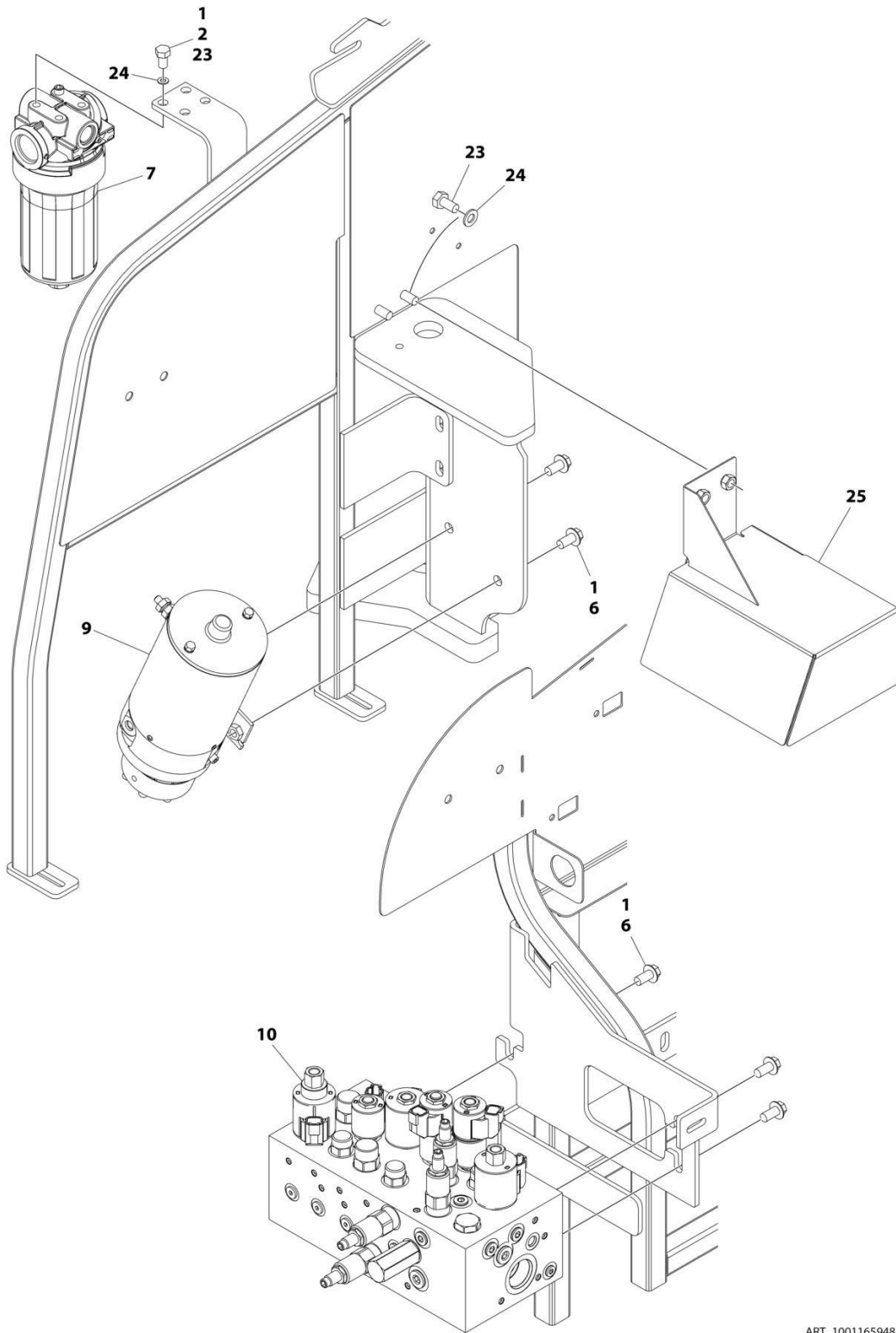
FIGURE 1-17. TOW BAR ASSEMBLY

ITEM	PART NUMBER	QTY	DESCRIPTION	REV
	0363019	Ref	TOW BAR ASSEMBLY	B
101	0360406	1	Pintle, Draw Eye	
102	0682040	5	Bolt 5/8 x 5	
103	3312005	5	Nut 5/8	
104	3420352	1	Pin, Towing	
105	3420372	1	Hairpin	
106	3760170	1	Ring, Split	
107	4070450	2	Shim (.07)	
108	4070560	2	Shim (.88)	
109	4070561	2	Shim (.12)	
110	4752000	10	Washer 5/8	

SECTION 2 - TURNTABLE

SECTION 2 - TURNTABLE

FIGURE 2-1. 4WD VALVES INSTALLATION - TURNTABLE MOUNTED



ART_1001165948_20F3

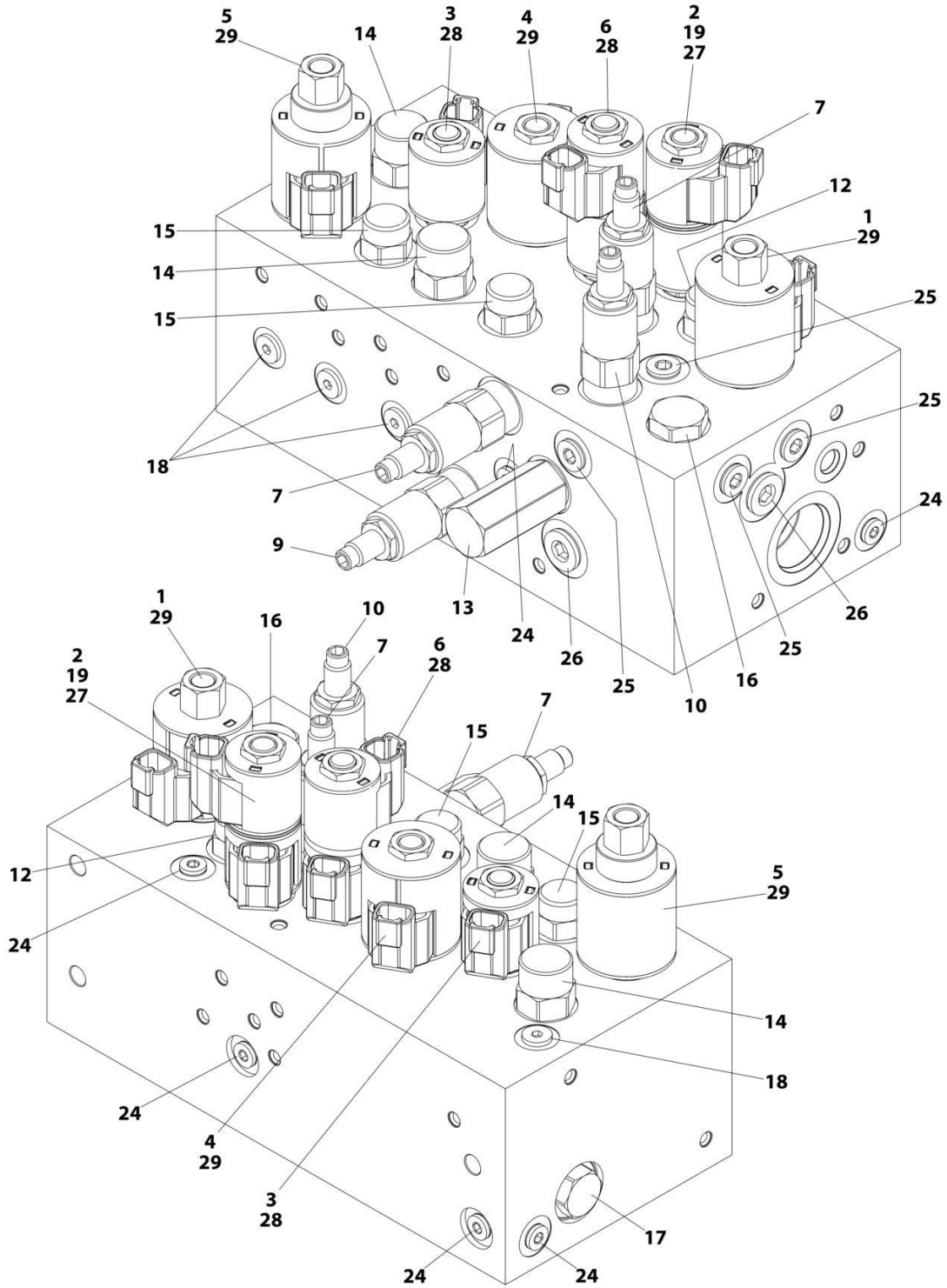
SECTION 2 - TURNTABLE

FIGURE 2-1. 4WD VALVES INSTALLATION - TURNTABLE MOUNTED

ITEM	PART NUMBER	QTY	DESCRIPTION	REV
	1001165948	Ref	4WD VALVES INSTALLATION - TURNTABLE MOUNTED	J
1	0100011	AR	Compound, Locking	
2	0641605	AR	Bolt 3/8 x 5/8	
6	5251010	15	Bolt M10 x 20 Class 10.9	
7	1001208874	1	Filter, Charge Pump	
7	70010383	1	Element, Filter (Includes O-Ring)	
9	1001185821	1	Auxiliary Pump Assembly (See Separate Breakdown in this Section)	
10	1001162534	1	Main Valve Assembly (See Separate Breakdown in this Section)	
23	0761010	AR	Bolt M10 x 20	
24	4812000	AR	Washer M10	
25	1001234295	1	Cover	

SECTION 2 - TURNTABLE

FIGURE 2-2. MAIN VALVE ASSEMBLY



ART_1001162534

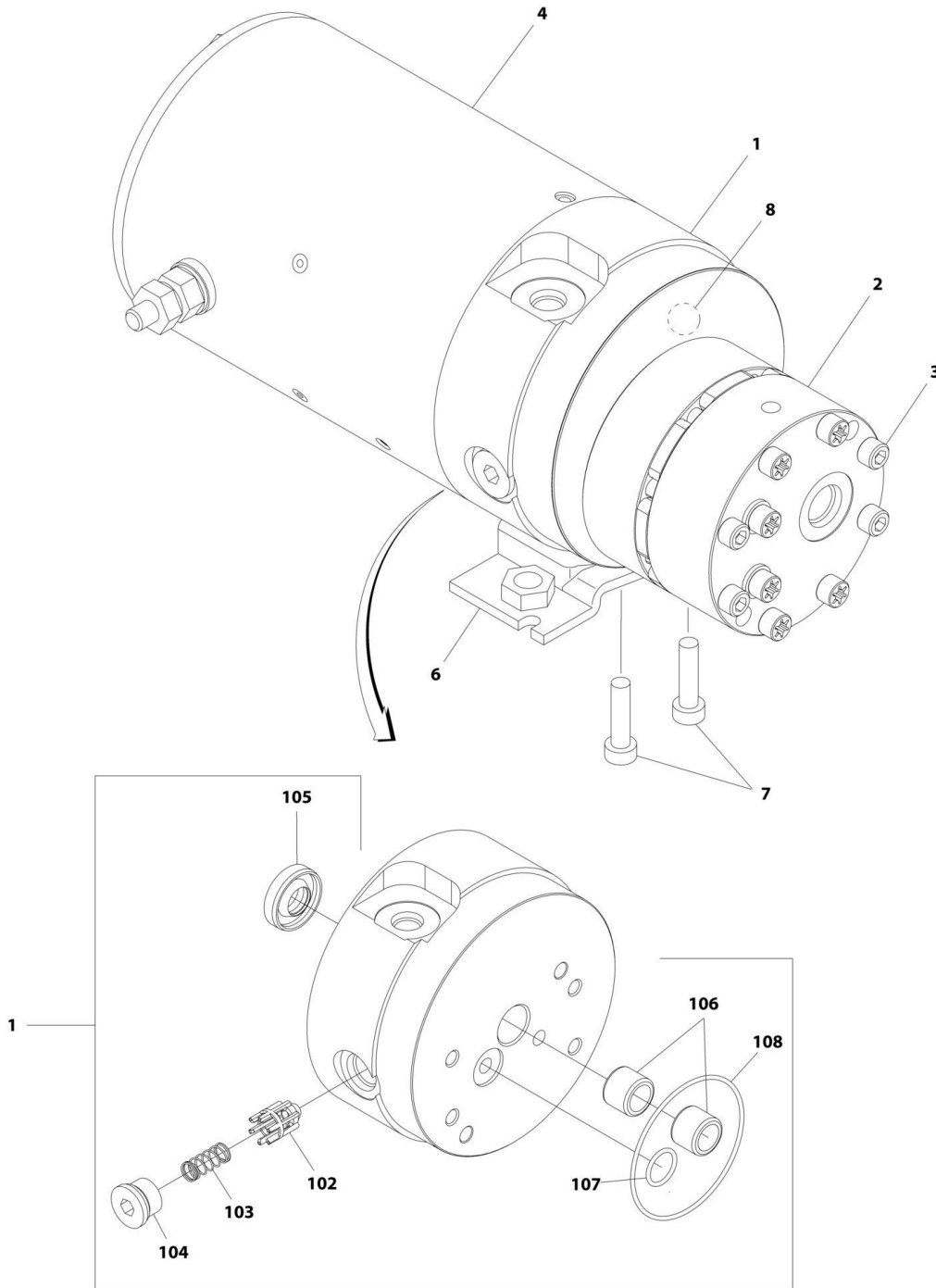
SECTION 2 - TURNTABLE

FIGURE 2-2. MAIN VALVE ASSEMBLY

ITEM	PART NUMBER	QTY	DESCRIPTION	REV
	1001162534	Ref	MAIN VALVE ASSEMBLY	F
1	70005069	1	Cartridge, Solenoid Less Coil (Main Dump)	
1	7022399	1	Seal Kit - 70005069 Valve	
1	70003977	1	Nut, Coil	
2	70005217	1	Cartridge, Solenoid Less Coil (Steer)	
2	70005071	1	Seal Kit - 70005217 Valve	
2	7022390	1	Nut, Coil	
3	70005094	1	Cartridge, Solenoid Less Coil (Main Lift Up)	
3	7023936	1	Seal Kit - 70005094 Valve	
3	7022390	1	Nut, Coil	
4	70005076	1	Cartridge, Solenoid Less Coil (Tower Lift Up)	
4	7022399	1	Seal Kit - 70005076 Valve	
4	7022390	1	Nut, Coil	
5	70005095	1	Cartridge, Solenoid Less Coil (Flow Control)	
5	7022399	1	Seal Kit - 70005095 Valve	
5	70003977	1	Nut, Coil	
6	70005096	1	Cartridge, Solenoid Less Coil (Swing)	
6	70005071	1	Seal Kit - 70005096 Valve	
7	70005097	1	Cartridge, Solenoid Less Coil	
7	70005082	2	Seal Kit - 70005097 Valve	
9	70005098	1	Cartridge, Relief Valve	
9	7023936	1	Seal Kit - 70005098 Valve	
10	70005080	1	Cartridge, Relief Valve	
10	7022399	1	Seal Kit - 70005080 Valve	
12	70005218	1	Cartridge, Valve	
12	70005082	1	Seal Kit - 70005218 Valve	
13	70005084	1	Cartridge, Valve	
13	70005085	1	Seal Kit - 70005084 Valve	
14	70005099	2	Cartridge, Valve	
14	70005087	2	Seal Kit - 70005099 Valve	
15	70005088	2	Cartridge, Valve	
15	7023900	2	Seal Kit - 70005088 Valve	
16	70005100	1	Cartridge, Check Valve	
16	7022399	1	Seal Kit - 70005100 Valve	
17	70005089	1	Cartridge, Check Valve	
17	7023936	1	Seal Kit - 70005089 Valve	
18	70005090	5	Cartridge, Check Valve	
18	70005092	5	Seal Kit - 70005092 Valve	
19	See Note	1	Disc, Check Valve (Note: Not Available for Purchase)	
24	91164059	7	Plug	
25	91164079	4	Plug	
26	91164057	2	Plug	
27	70005219	2	Coil	
28	70002386	3	Coil	
29	70003788	3	Coil	

SECTION 2 - TURNTABLE

FIGURE 2-3. AUXILIARY PUMP ASSEMBLY



ART_1001185821

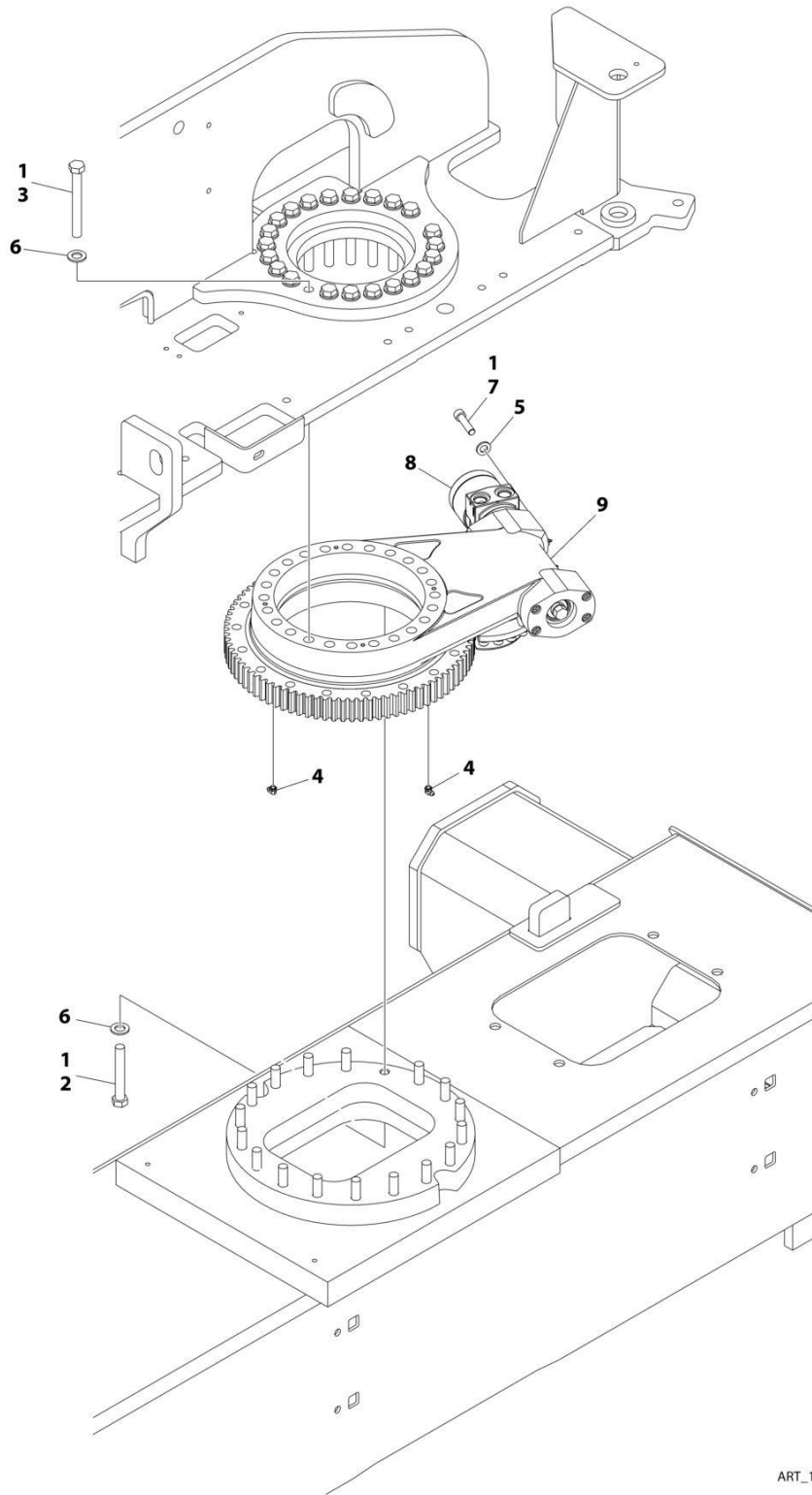
SECTION 2 - TURNTABLE

FIGURE 2-3. AUXILIARY PUMP ASSEMBLY

ITEM	PART NUMBER	QTY	DESCRIPTION	REV
	1001185821	Ref	AUXILIARY PUMP ASSEMBLY	B
1	70005065	1	Base Assembly (See Items 102-108 for Breakdown)	
2	70005066	1	Pump Assembly (Note: No Seal Kit or Internal Components are Available - Purchase Complete Pump Assembly)	
3	70005067	4	Capscrew 1/4 x 2-3/4	
4	70004013	1	Motor Assembly (Note: No Internal Components are Available - Purchase Complete Motor Assembly)	
6	70004014	1	Bracket	
7	70004000	2	Capscrew 3/8 x 1	
8	70005068	1	Relief Valve Assembly	
	70005065	Ref	BASE ASSEMBLY	
102	See Note	NSS	Poppet, Check (Note: Use p/n 70005065)	
103	See Note	NSS	Spring (Note: Use p/n 70005065)	
104	See Note	NSS	Plug (Note: Use p/n 70005065)	
105	7026330	1	Seal, Shaft	
106	70005139	2	Bearing	
107	70003612	1	O-Ring	
108	70004267	1	O-Ring	

SECTION 2 - TURNTABLE

FIGURE 2-4. SWING DRIVE AND TURNTABLE BEARING INSTALLATION



ART_1001277273

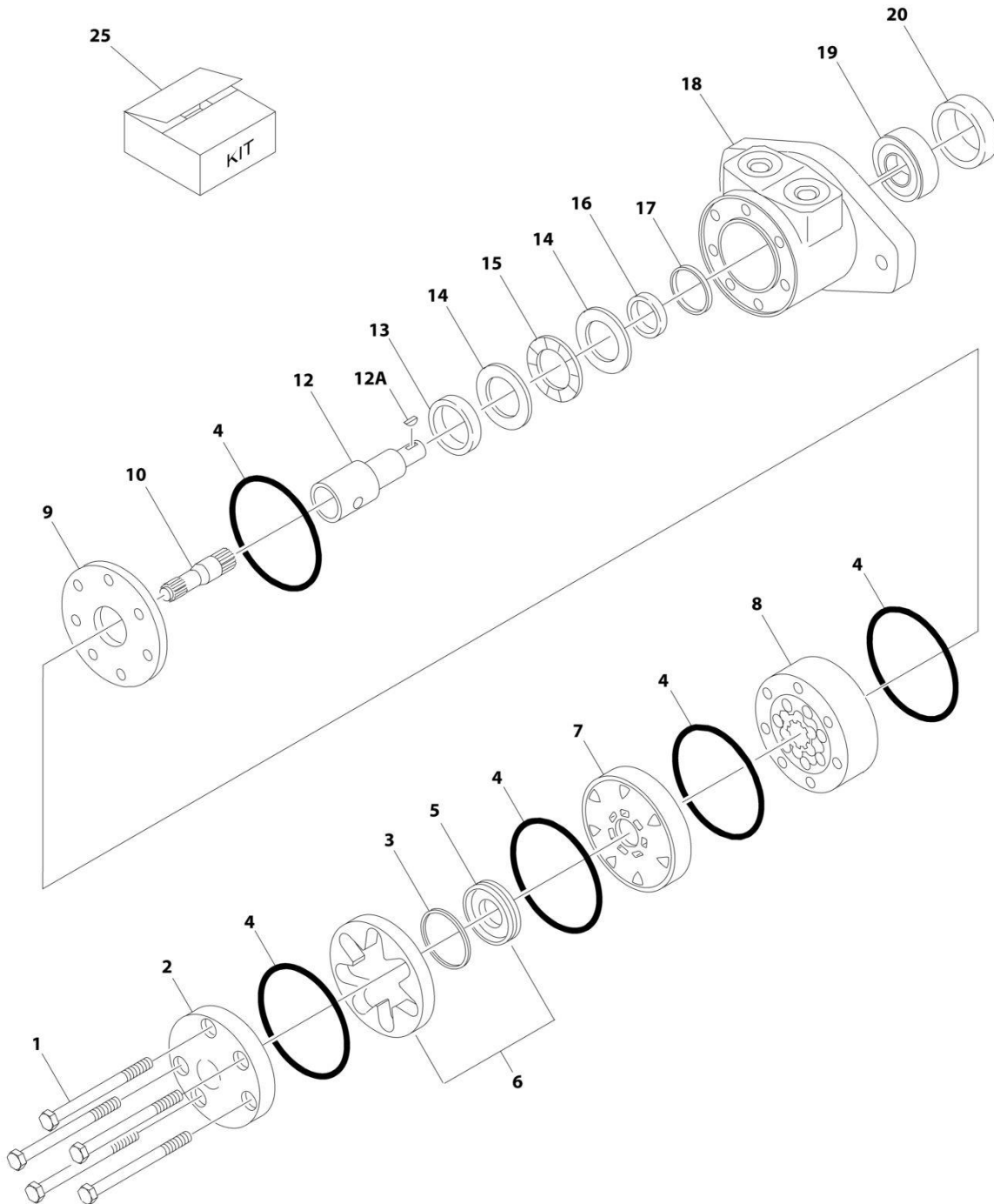
SECTION 2 - TURNTABLE

FIGURE 2-4. SWING DRIVE AND TURNTABLE BEARING INSTALLATION

ITEM	PART NUMBER	QTY	DESCRIPTION	REV
	1001277273	Ref	SWING DRIVE AND TURNTABLE BEARING INSTALLATION	A
1	0100019	AR	Compound, Locking	
2	0711628	18	Bolt M16 x 110 Grade 10.9	
3	0711631	23	Bolt M16 x 140	
4	2160001	2	Fitting, Grease 90	
5	5241200	2	Washer M12	
6	5241600	41	Washer M16	
7	5272114	2	Capscrew M12 x 50 Grade 12.9	
8	1001104850	1	Swing Motor Assembly (See Separate Breakdown in this Section)	
9	1001277009	1	Turntable Bearing Assembly (See Separate Breakdown in this Section)	

SECTION 2 - TURNTABLE

FIGURE 2-5. SWING MOTOR ASSEMBLY



ART_1001104850

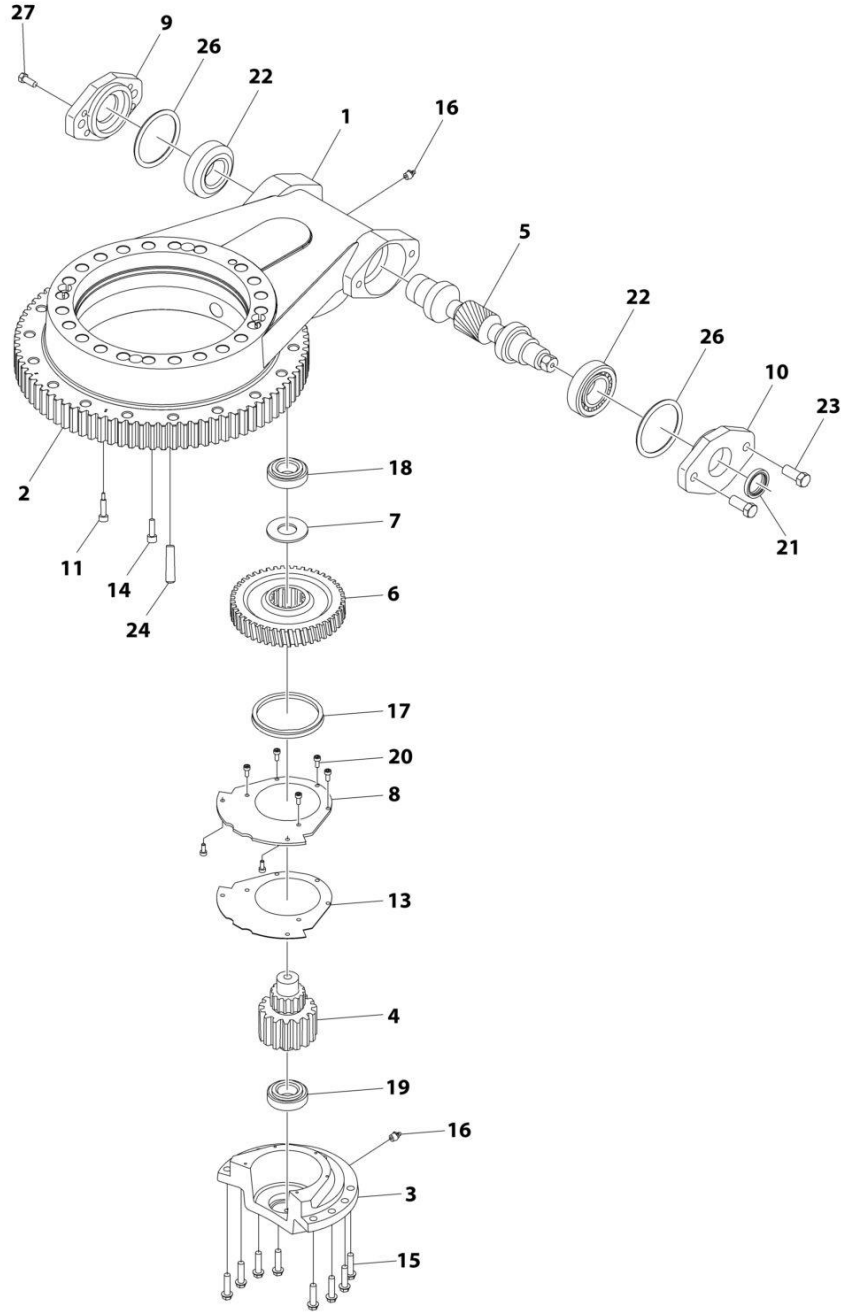
SECTION 2 - TURNTABLE

FIGURE 2-5. SWING MOTOR ASSEMBLY

ITEM	PART NUMBER	QTY	DESCRIPTION	REV
	1001104850	Ref	SWING MOTOR ASSEMBLY	A
1	See Note	5	Bolt (Note: Not Available for Purchase)	
2	7004035	1	Cover, End	
3	7023318	1	Seal, Commutator	
4	7004036	5	O-Ring	
5	See Note	NSS	Commutator (Note: Use Item 6)	
6	7024453	1	Commutator and Ring Assembly (Includes Item 5)	
7	7024379	1	Manifold	
8	70002206	1	Rotor Set	
9	7024380	1	Plate, Wear	
10	70002207	1	Link, Drive	
12	70000088	1	Shaft, Coupling	
12A	70000089	1	Key	
13	7024381	1	Bushing, Inner	
14	7004043	1	Thrustwasher	
15	7004044	1	Bearing, Thrust	
16	7004049	1	Seal, Inner Shaft	
17	7004045	1	Ring, Back-up	
18	See Note	NSS	Housing (Note: Not Available - Purchase Complete Motor)	
19	7024390	1	Bearing	
20	7004047	1	Seal, Outer Shaft	
25	7024389	1	Seal Kit (Includes Items 3, 4, 16, 17 & 20)	

SECTION 2 - TURNTABLE

FIGURE 2-6. TURNTABLE BEARING ASSEMBLY



ART_1001277009

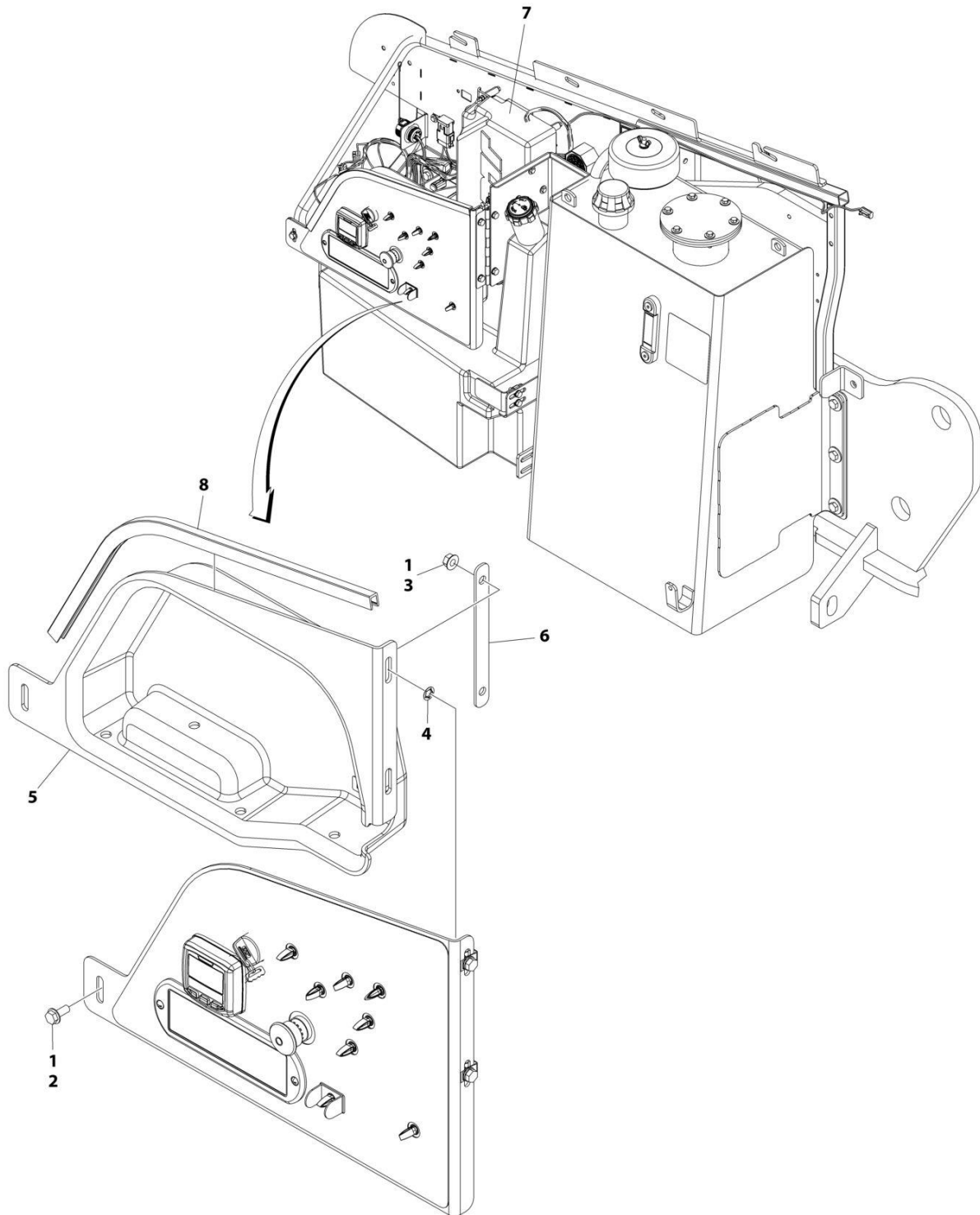
SECTION 2 - TURNTABLE

FIGURE 2-6. TURNTABLE BEARING ASSEMBLY

ITEM	PART NUMBER	QTY	DESCRIPTION	REV
	1001277009	Ref	TURNTABLE BEARING ASSEMBLY	A
1	See Note	NSS	Housing (Note: Not Sold Separately)	
2	70008371	1	Ring, Slewing	
3	70008372	1	Cap, Gear	
4	70008373	1	Gear, Pinion	
5	70008374	1	Gear, Worm	
6	70008375	1	Gear, Worm Wheel	
7	70008376	1	Adapter, Worm Wheel Gear	
8	70008377	1	Cover, Gear	
9	70008378	1	Adapter, Motor	
10	70008379	1	Cover	
11	70008380	2	Bolt, Positioning	
12	See Note	NSS	Plate, Serial Number (Not Shown) (Note: Not Sold Separately)	
13	70008381	AR	Shim	
14	70008382	4	Bolt M8 x 40 Class 12.9	
15	70008383	8	Bolt M10 x 30 Class 12.9	
16	70008384	2	Fitting, Grease	
17	70008385	1	Seal	
18	70008386	1	Bearing	
19	70008387	1	Bearing	
20	70008388	7	Bolt M4 x 8	
21	70008389	1	Seal	
22	70008390	2	Bearing	
23	70008391	4	Bolt M12 x 35	
24	70008392	2	Cotter, Tapered	
25	See Note	NSS	Rivet (Not Shown) (Note: Not Sold Separately)	
26	70008393	AR	Shim	
27	4031707	4	Bolt M5 x 16	

SECTION 2 - TURNTABLE

FIGURE 2-7. TURNTABLE COVERS INSTALLATION



ART_1001219129

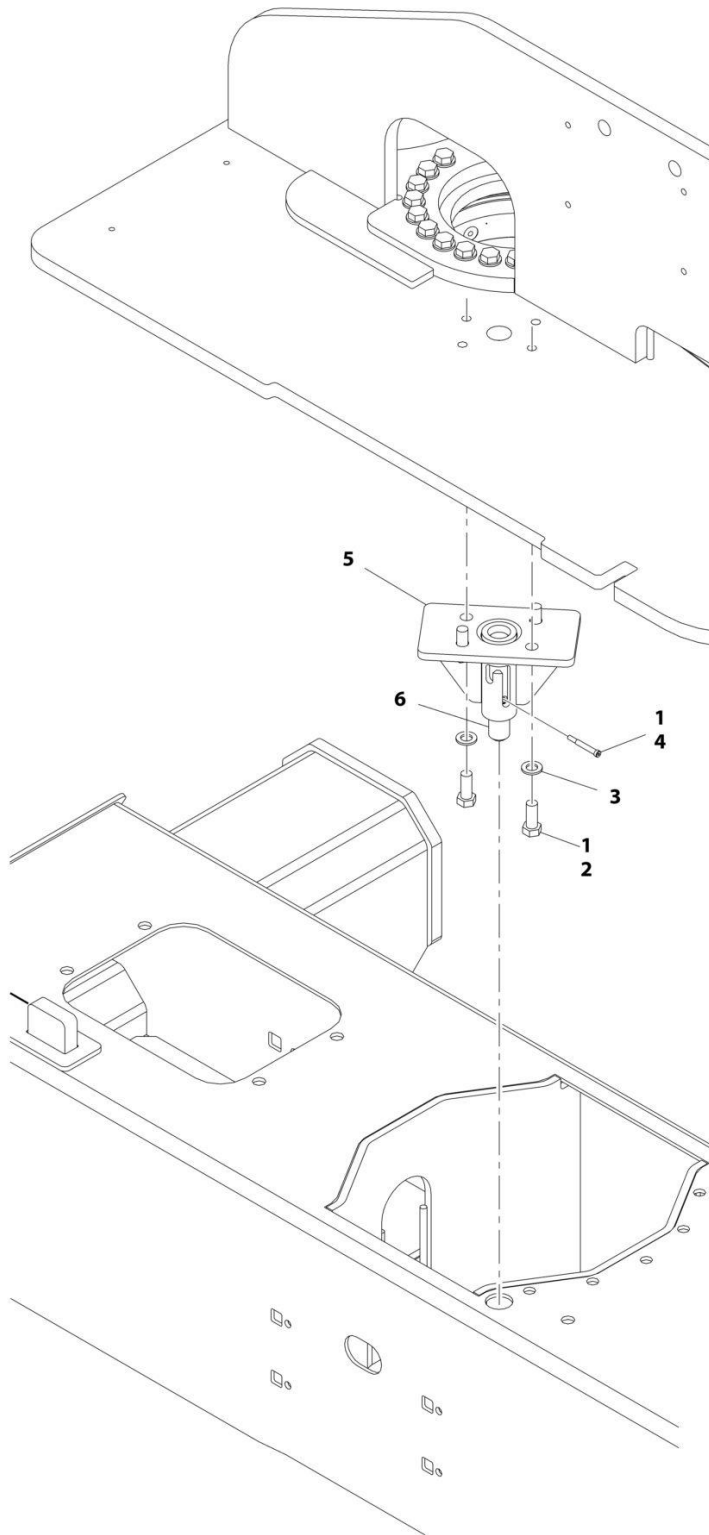
SECTION 2 - TURNTABLE

FIGURE 2-7. TURNTABLE COVERS INSTALLATION

ITEM	PART NUMBER	QTY	DESCRIPTION	REV
	1001219129	Ref	TURNTABLE COVERS INSTALLATION	A
1	0100011	AR	Compound, Locking	
2	5250812	1	Bolt M8 x 25	
3	5260800	2	Nut M8	
4	1001119228	2	Nut M8	
5	1001218533	1	Cover	
6	1001218535	1	Plate, Mounting	
7	1001218537	1	Cover	
8	4060806	2 ft/0.6m	Shield, Flex	

SECTION 2 - TURNTABLE

FIGURE 2-8. TURNTABLE LOCK INSTALLATION



ART_1001177820

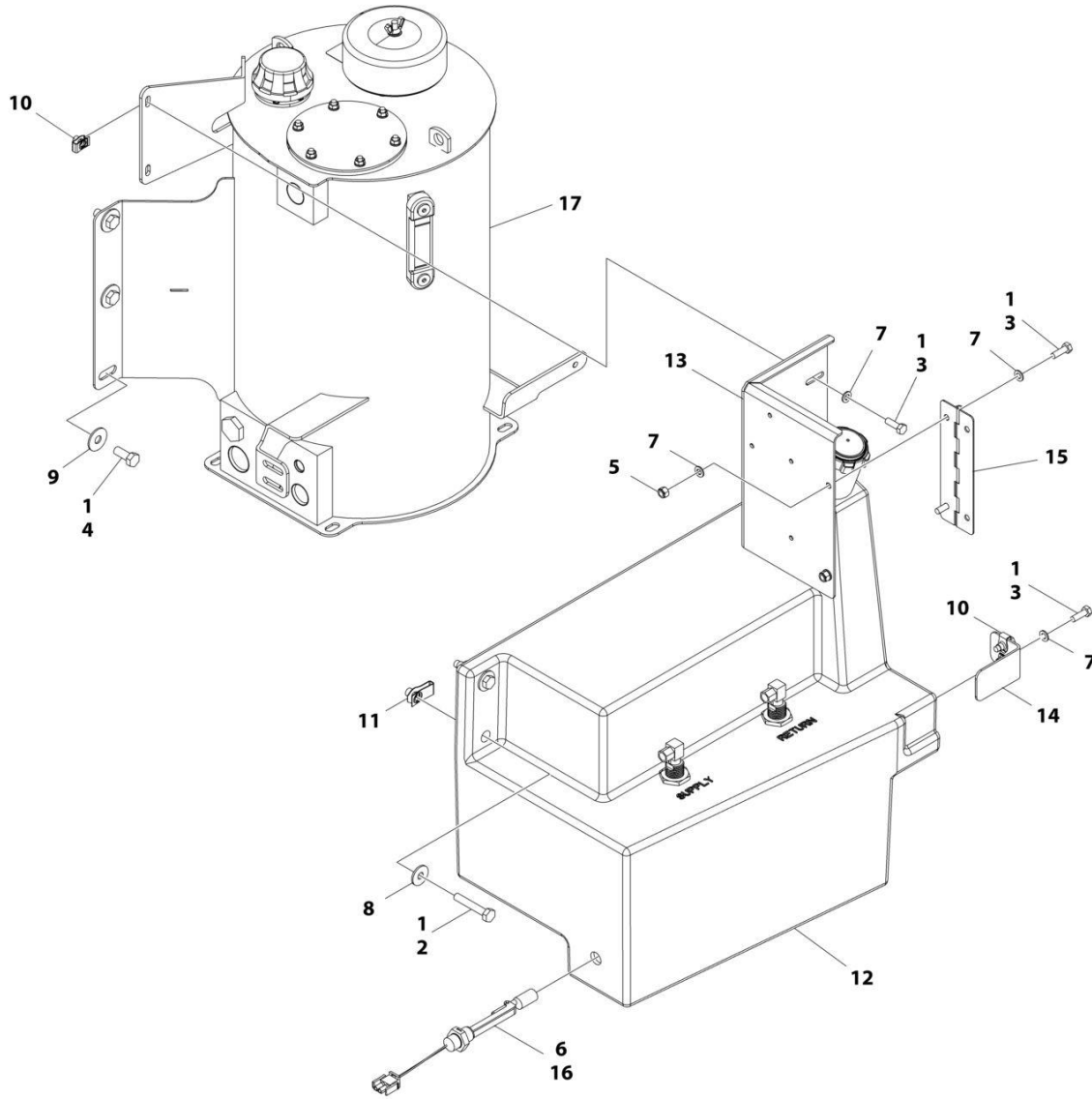
SECTION 2 - TURNTABLE

FIGURE 2-8. TURNTABLE LOCK INSTALLATION

ITEM	PART NUMBER	QTY	DESCRIPTION	REV
	1001177820	Ref	TURNTABLE LOCK INSTALLATION	B
1	0100011	AR	Compound, Locking	
2	0701616	4	Bolt M16 x 40	
3	4812300	4	Washer M16	
4	1001157466	1	Bolt M10 x 30	
5	1001177821	1	Support, Lock	
6	1001177834	1	Pin, Lock	
7	1001223118	1	Decal – Lift Diagram (Not Shown)	

SECTION 2 - TURNTABLE

FIGURE 2-9. TANKS INSTALLATION (HYDRAULIC TANK WITH 6 INCH BREATHER)



ART_1001207347

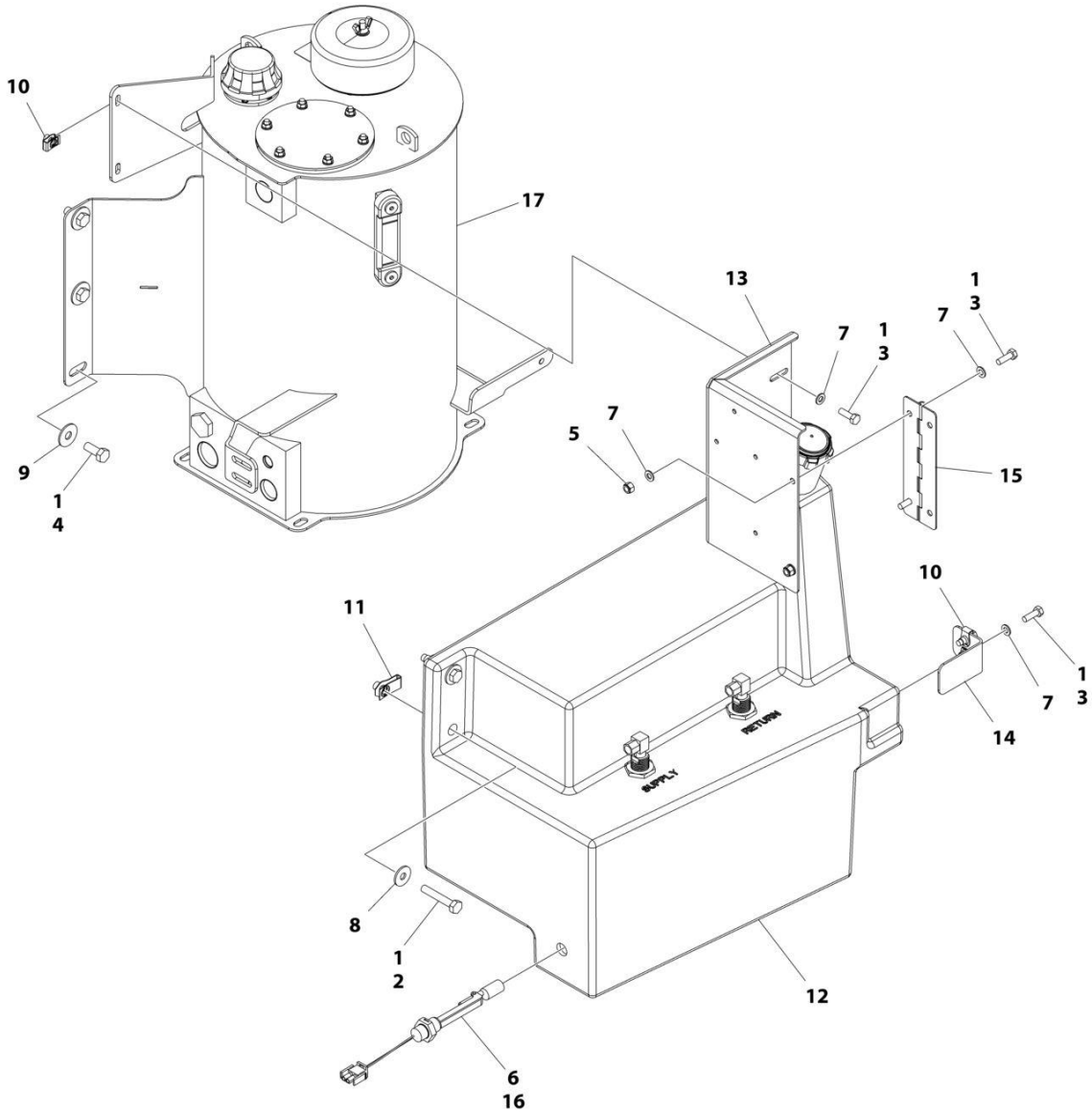
SECTION 2 - TURNTABLE

FIGURE 2-9. TANKS INSTALLATION (HYDRAULIC TANK WITH 6 INCH BREATHER)

ITEM	PART NUMBER	QTY	DESCRIPTION	REV
	1001207347	Ref	TANKS INSTALLATION - DIESEL MACHINES	B
1	0100011	AR	Compound, Locking	
2	0701020	2	Bolt M10 x 60	
3	0760812	6	Bolt M8 x 25	
4	0761214	6	Bolt M12 x 30	
5	3290805	2	Nut M8	
6	4360436	1	Switch, Fuel Level	
6	4460320	1	Plug, Male - 2 Position	
6	4460267	1	Pin, Male	
7	4811900	8	Washer M8	
8	4812002	2	Washer M10	
9	4812102	6	Washer M12	
10	1001118274	4	Nut M8	
11	1001118972	2	Nut M10	
12	1001163061	1	Fuel Tank Assembly	
12	1001193336	1	Cap, Fuel	
12	70004876	2	Tube, Pick-up	
12	0100020	AR	Compound, Locking	
13	1001169898	1	Support, Ground Control	
14	1001170480	1	Support, Tank	
15	1001179339	1	Hinge	
16	1001182997	AR	Adhesive	
17	1001206916	1	Hydraulic Tank Assembly	
17	70003614	1	Filter Kit (Includes Hydraulic Element, Breather Element and Gasket)	
17	70002838	1	Fill Cap Assembly (Includes Cap, Chain and Fill Basket)	
17	7024441	1	Gauge, Sight	
17	70002112	1	Plug, Drain	

SECTION 2 - TURNTABLE

FIGURE 2-10. TANKS INSTALLATION (HYDRAULIC TANK WITH 4 INCH BREATHER)



ART_1001282831

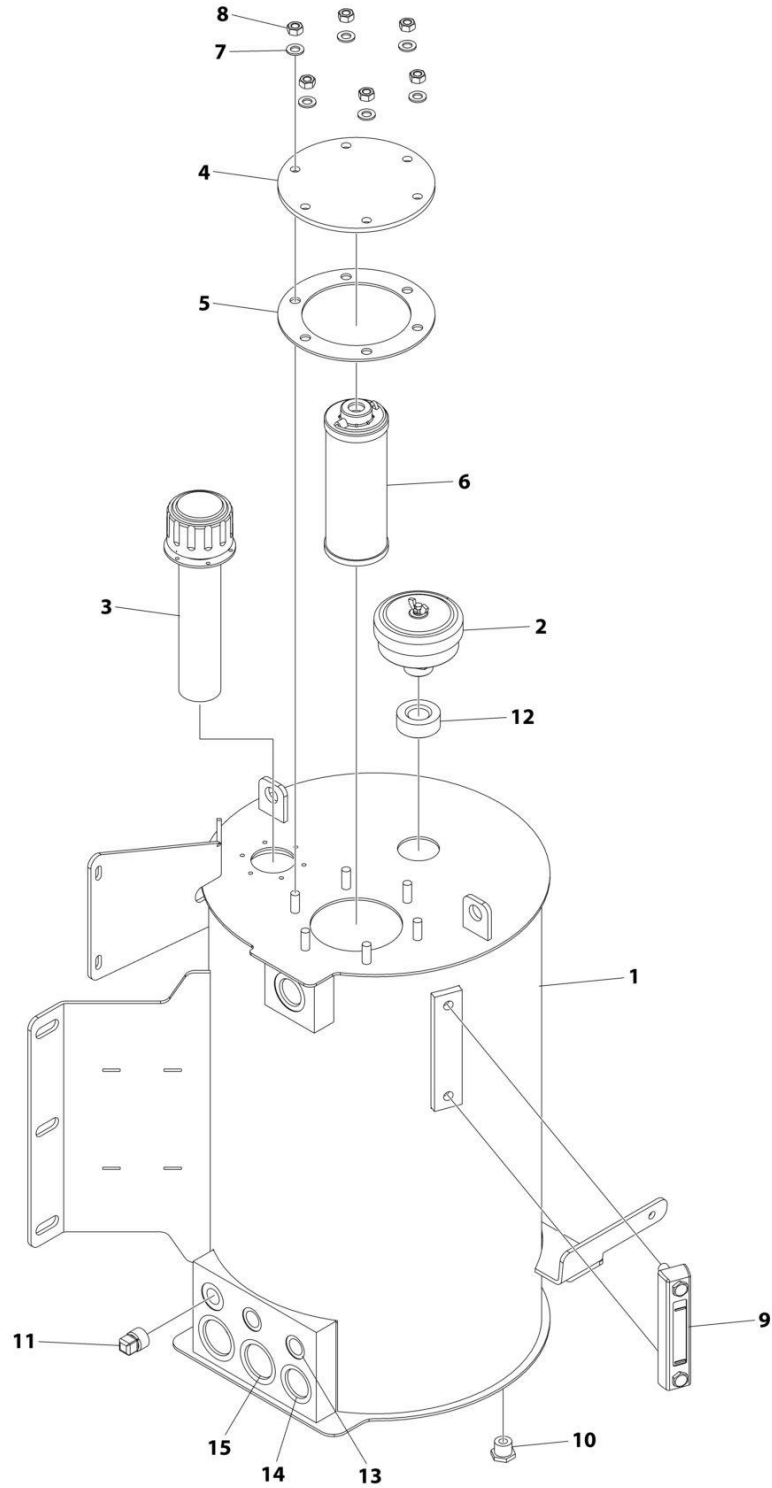
SECTION 2 - TURNTABLE

FIGURE 2-10. TANKS INSTALLATION (HYDRAULIC TANK WITH 4 INCH BREATHER)

ITEM	PART NUMBER	QTY	DESCRIPTION	REV
	1001282831	Ref	TANKS INSTALLATION - DIESEL MACHINES	A
1	0100011	AR	Compound, Locking	
2	0701020	2	Bolt M10 x 60	
3	0760812	6	Bolt M8 x 25	
4	0761214	6	Bolt M12 x 30	
5	3290805	2	Nut M8	
6	4360436	1	Switch, Fuel Level	
6	4460320	1	Plug, Male - 2 Position	
6	4460267	1	Pin, Male	
7	4811900	8	Washer M8	
8	4812002	2	Washer M10	
9	4812102	6	Washer M12	
10	1001118274	4	Nut M8	
11	1001118972	2	Nut M10	
12	1001163061	1	Fuel Tank Assembly	
12	1001193336	1	Cap, Fuel	
12	70004876	2	Tube, Pick-up	
12	0100020	AR	Compound, Locking	
13	1001169898	1	Support, Ground Control	
14	1001170480	1	Support, Tank	
15	1001179339	1	Hinge	
16	1001182997	AR	Adhesive	
17	1001274525	1	Hydraulic Tank Assembly (See Separate Breakdown in this Section)	

SECTION 2 - TURNTABLE

FIGURE 2-11. HYDRAULIC TANK ASSEMBLY - WITH 4 INCH BREATHER



ART_1001274525

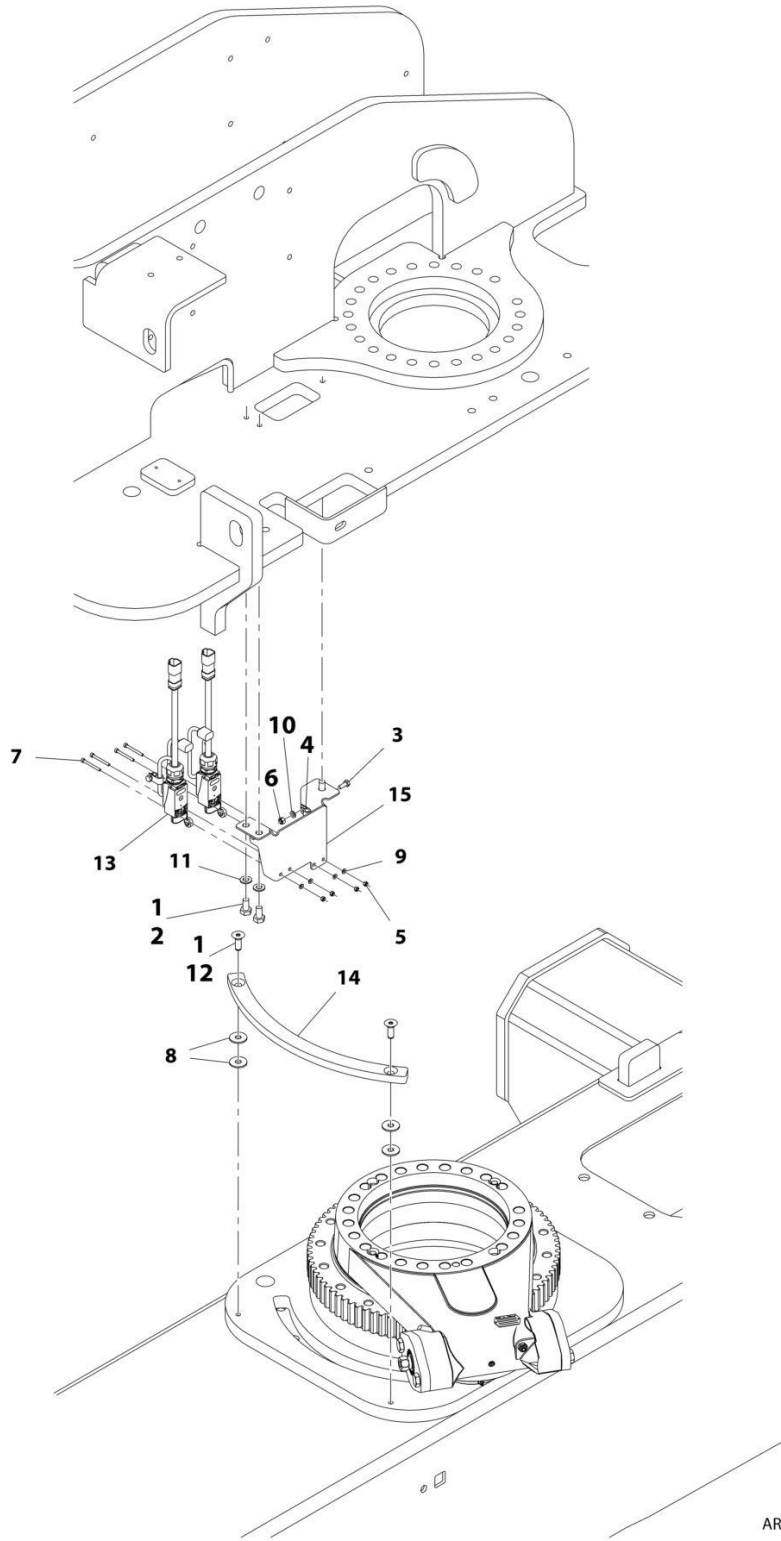
SECTION 2 - TURNTABLE

FIGURE 2-11. HYDRAULIC TANK ASSEMBLY - WITH 4 INCH BREATHER

ITEM	PART NUMBER	QTY	DESCRIPTION	REV
	1001274525	Ref	HYDRAULIC TANK ASSEMBLY	A
1	See Note	NSS	Tank (Note: Not Available for Purchase)	
2	70008258	1	Breather	
3	70008253	1	Cap, Fill	
4	70008259	1	Cover	
5	70008260	1	Gasket	
6	70008261	1	Filter	
7	70008262	6	Washer	
8	70008263	6	Nut M10	
9	70008264	1	Gauge, Level	
10	70008254	1	Plug 7/8	
11	70008265	1	Plug	
12	70008266	1	O-Ring	
13	70008256	2	Cover 3/4	
14	70008267	2	Cover 1-5/16	
15	70008268	2	Cover 1-5/8	

SECTION 2 - TURNTABLE

FIGURE 2-12. DRIVE ORIENTATION INSTALLATION



ART_1001166767

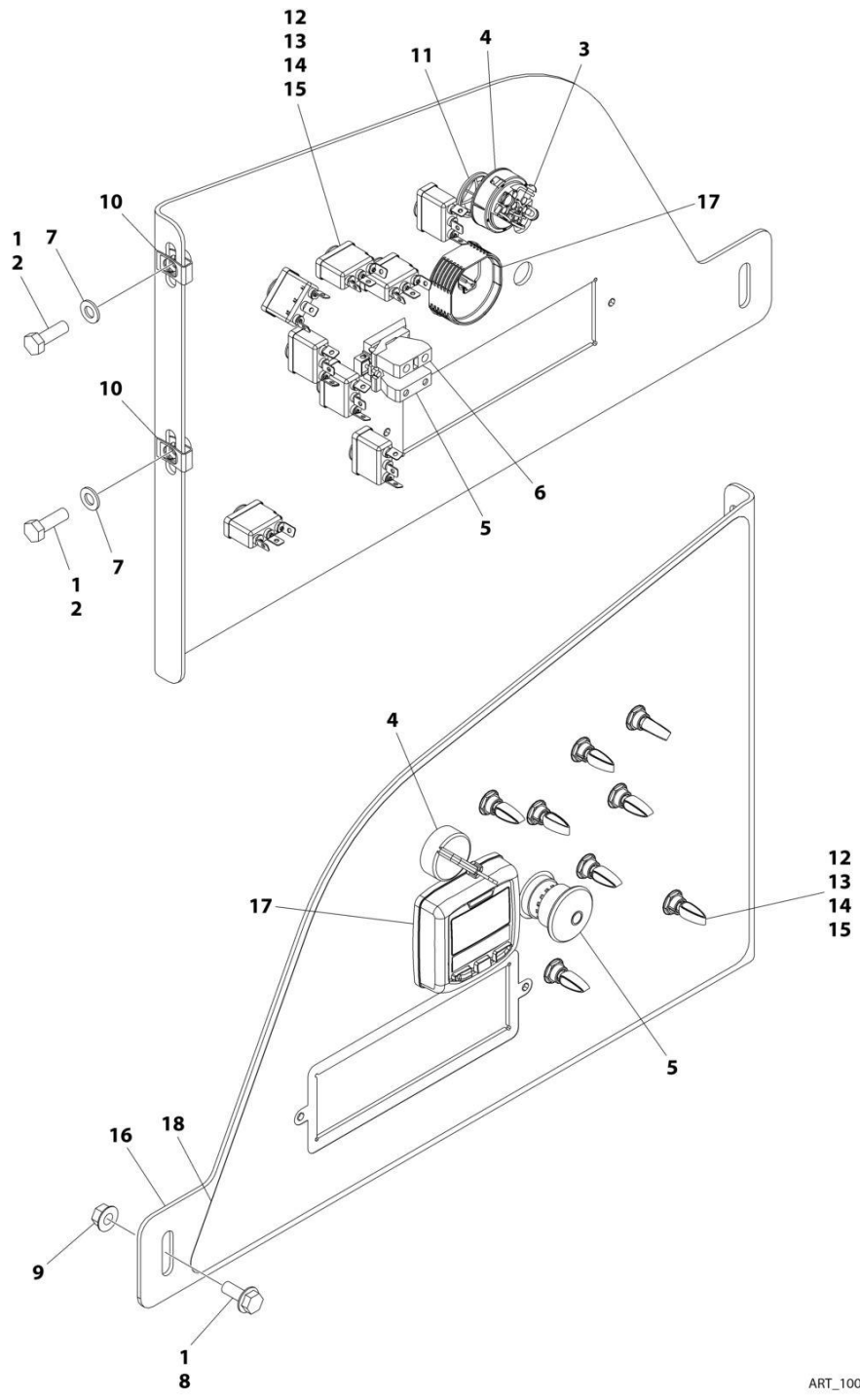
SECTION 2 - TURNTABLE

FIGURE 2-12. DRIVE ORIENTATION INSTALLATION

ITEM	PART NUMBER	QTY	DESCRIPTION	REV
	1001166767	Ref	DRIVE ORIENTATION INSTALLATION	F
1	0100011	AR	Compound, Locking	
2	0761010	3	Bolt M10 x 20	
3	0760608	2	Bolt M6 x 16	
4	1321293	2	Clamp, Cable	
5	3290405	4	Nut M4	
6	3290605	2	Nut M6	
7	4031512	4	Capscrew M4 x 40	
8	4812002	4	Washer M10	
9	4811400	4	Washer M4	
10	4811700	2	Washer M6	
11	4812000	3	Washer M10	
12	8310614	2	Screw M10 x 30	
13	1001119176	2	Switch, Limit	
13	1001129407	1	Receptacle, Female - 4 Position	
13	4460464	4	Pin, Male	
14	1001162106	1	Cam	
15	1001166768	1	Bracket	
16	8881800	AR	Tie-Strap (Not Shown)	

SECTION 2 - TURNTABLE

FIGURE 2-13. GROUND CONTROL ASSEMBLY (ANSI EXPORT AND AUSTRALIAN SPECS)



ART_1001246450

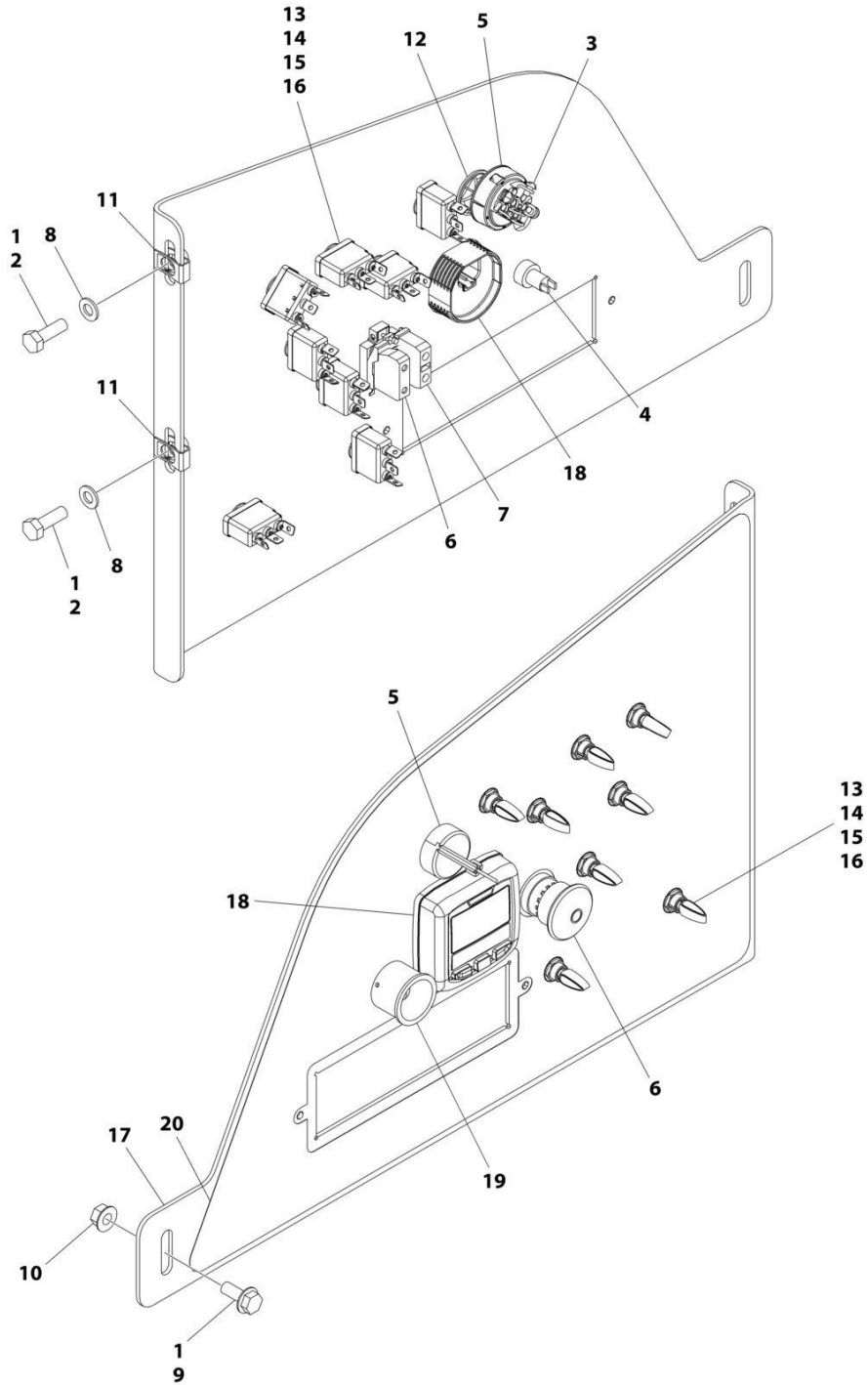
SECTION 2 - TURNTABLE

FIGURE 2-13. GROUND CONTROL ASSEMBLY (ANSI EXPORT AND AUSTRALIAN SPECS)

ITEM	PART NUMBER	QTY	DESCRIPTION	REV
	1001246450	Ref	GROUND CONTROL ASSEMBLY	B
1	0100011	AR	Compound, Locking	
2	0760812	2	Bolt M8 x 25	
3	3910804	3	Screw M8 x 1/4	
4	4360469	1	Switch, Key	
4	2860030	1	Key, Replacement	
5	4360475	1	Switch, Emergency	
5	7020175	1	Cap	
5	7020176	1	Block, Contact	
6	4360476	1	Block, Contact	
7	4811900	2	Washer M8	
8	5250810	1	Bolt M8 x 20	
9	5260800	1	Nut M8	
10	1001118274	2	Nut M8	
11	1001151393	1	Shim .063	
12	1001155043	8	Washer	
13	1001155044	8	Nut, Special 15/32-32	
14	1001155045	8	Switch, Toggle	
15	1001162807	8	Washer	
16	1001264735	1	Panel, Ground Control	
17	1001171482	1	Gauge, Display	
18	1001264733	1	Decal - Ground Control	

SECTION 2 - TURNTABLE

FIGURE 2-14. GROUND CONTROL ASSEMBLY (CE(LRC), CIS/EAC & UK CA SPECS)



ART_1001246451

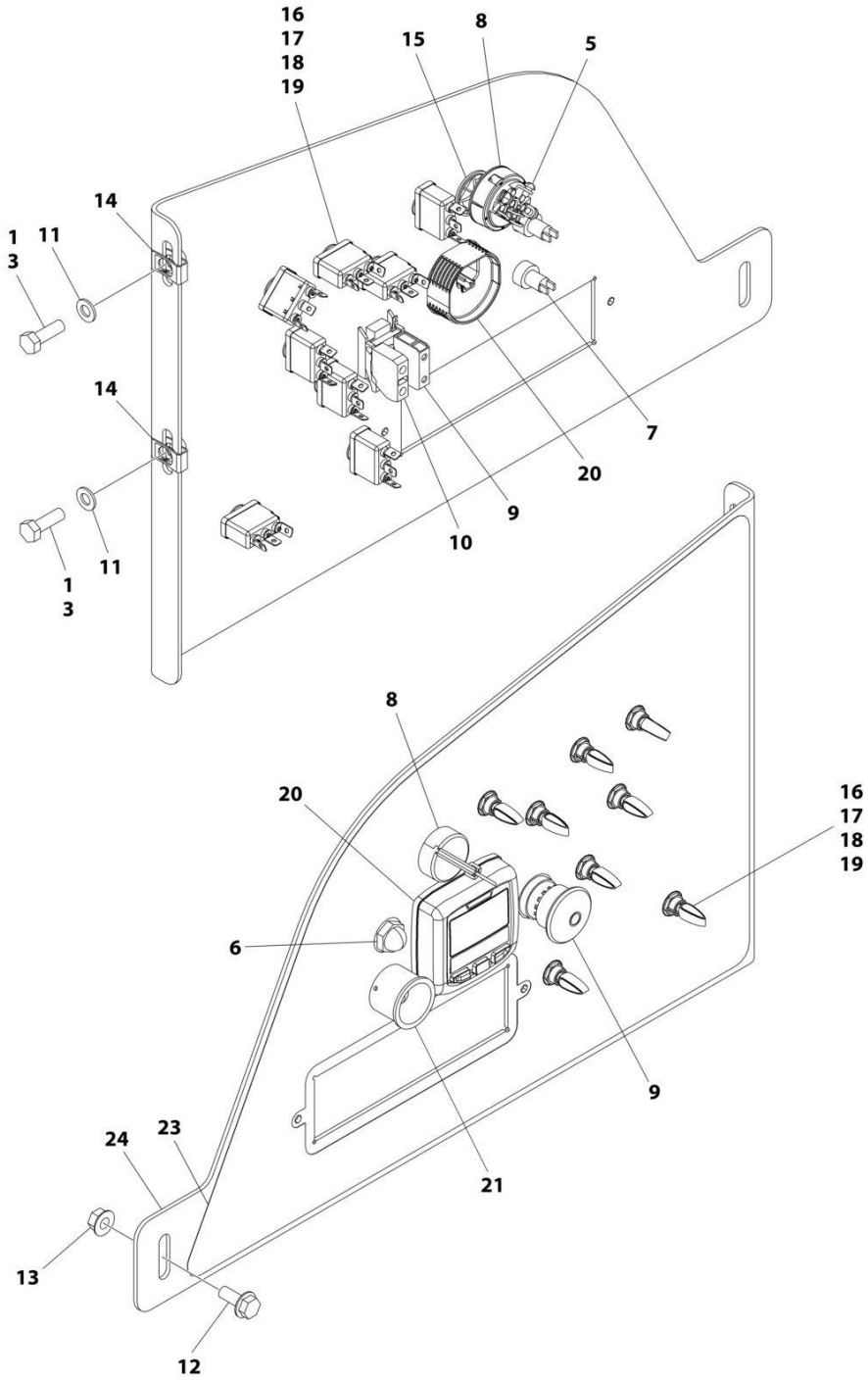
SECTION 2 - TURNTABLE

FIGURE 2-14. GROUND CONTROL ASSEMBLY (CE(LRC), CIS/EAC & UK CA SPECS)

ITEM	PART NUMBER	QTY	DESCRIPTION	REV
	1001246451	Ref	GROUND CONTROL ASSEMBLY	B
1	0100011	AR	Compound, Locking	
2	0760812	2	Bolt M8 x 25	
3	3910804	3	Screw M8 x 1/4	
4	4360387	1	Switch, Push Button	
5	4360469	1	Switch, Key	
5	2860030	1	Key, Replacement	
6	4360475	1	Switch, Emergency	
6	7020175	1	Cap	
6	7020176	1	Block, Contact	
7	4360476	1	Block, Contact	
8	4811900	2	Washer M8	
9	5250810	1	Bolt M8 x 20	
10	5260800	1	Nut M8	
11	1001118274	2	Nut M8	
12	1001151393	1	Shim .063	
13	1001155043	8	Washer	
14	1001155044	8	Nut, Special 15/32-32	
15	1001155045	8	Switch, Toggle	
16	1001162807	8	Washer	
17	1001264735	1	Panel, Ground Control	
18	1001171482	1	Gauge, Display	
19	1001176469	1	Shroud, Switch	
20	1001264732	1	Decal - Ground Control	

SECTION 2 - TURNTABLE

FIGURE 2-15. GROUND CONTROL ASSEMBLY (CE & UK CA SPECS)



ART_1001245656

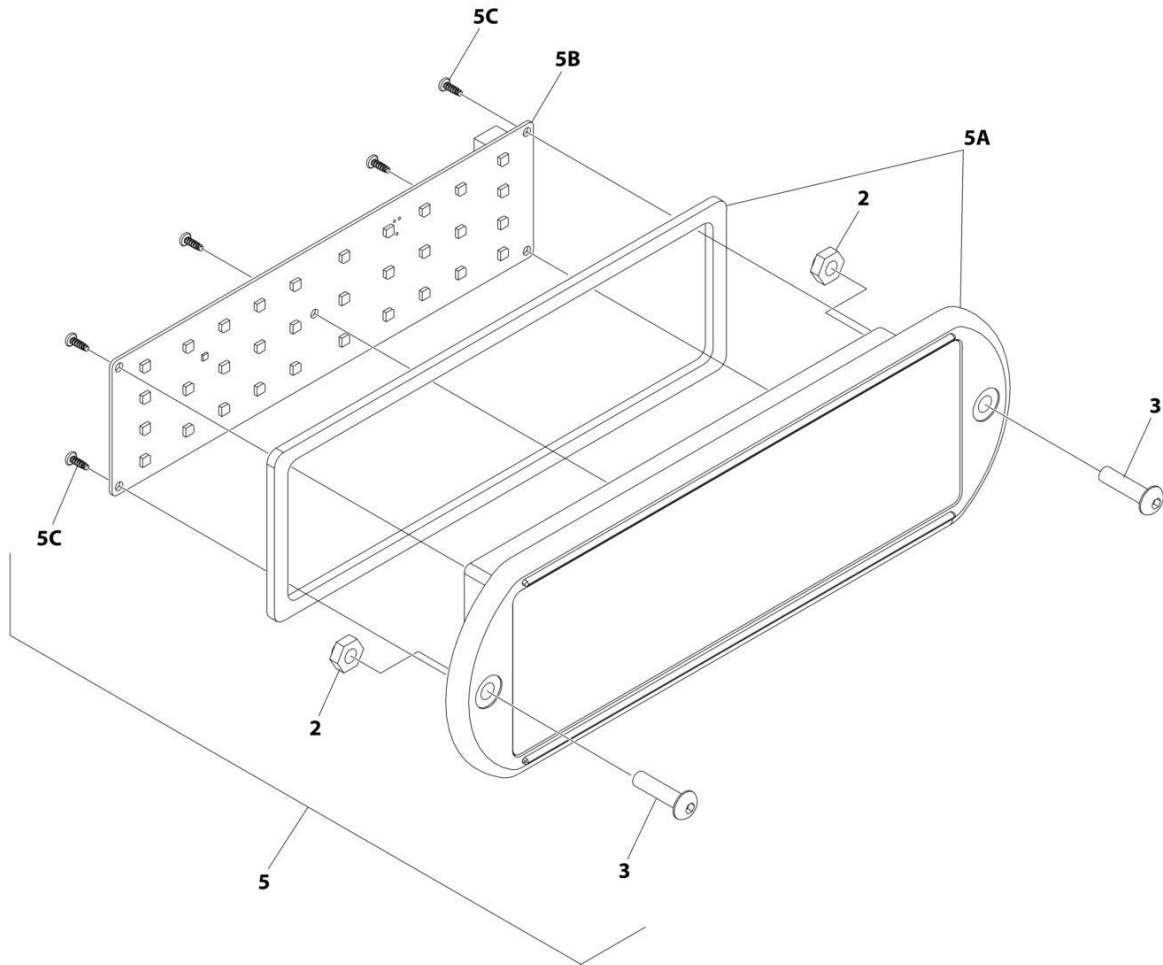
SECTION 2 - TURNTABLE

FIGURE 2-15. GROUND CONTROL ASSEMBLY (CE & UK CA SPECS)

ITEM	PART NUMBER	QTY	DESCRIPTION	REV
	1001245656	Ref	GROUND CONTROL ASSEMBLY	C
1	0100011	AR	Compound, Locking	
3	0760812	2	Bolt M8 x 25	
5	3910804	3	Screw M8 x 1/4	
6	4360274	1	Switch, Push Button	
7	4360387	1	Switch, Push Button	
8	4360469	1	Switch, Key	
8	2860030	1	Key, Replacement	
9	4360475	1	Switch, Emergency	
9	7020175	1	Cap	
9	7020176	1	Block, Contact	
10	4360476	1	Block, Contact	
11	4811900	2	Washer M8	
12	5250810	1	Bolt M8 x 20	
13	5260800	1	Nut M8	
14	1001118274	2	Nut M8	
15	1001151393	1	Shim .063	
16	1001155043	8	Washer	
17	1001155044	8	Nut, Special 15/32-32	
18	1001155045	8	Switch, Toggle	
19	1001162807	8	Washer	
20	1001171482	1	Gauge, Display	
21	1001176469	1	Shroud, Switch	
23	1001264731	1	Decal - Ground Control	
24	1001264735	1	Panel, Ground Control	

SECTION 2 - TURNTABLE

FIGURE 2-16. LIGHT PANEL INSTALLATION – GROUND CONTROL (Prior to SN B300012256, Excluding B300011971 and B300012231)



ART_1001241404_10F2

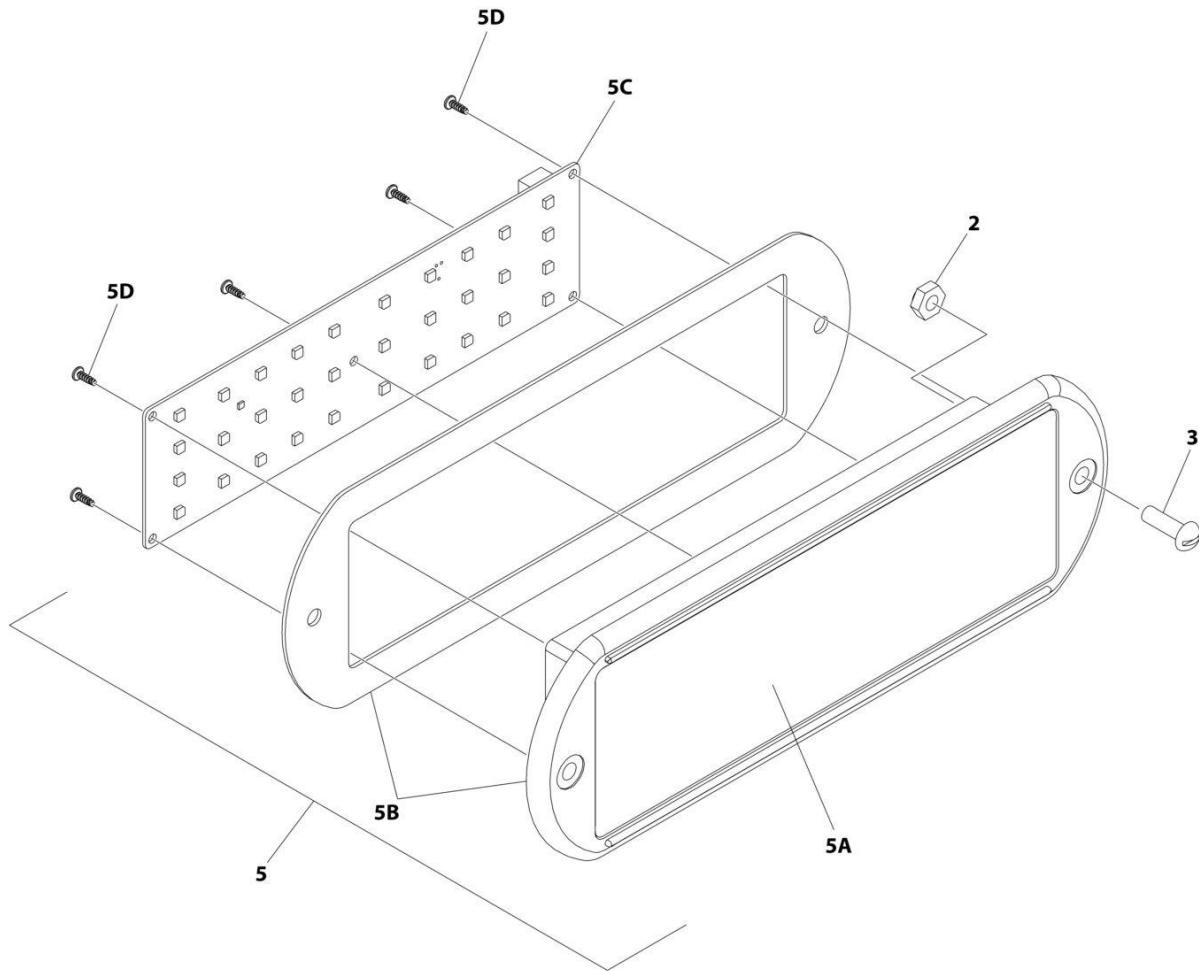
SECTION 2 - TURNTABLE

FIGURE 2-16. LIGHT PANEL INSTALLATION – GROUND CONTROL (Prior to SN B300012256, Excluding B300011971 and B300012231)

ITEM	PART NUMBER	QTY	DESCRIPTION	REV
	1001241404	Ref	LIGHT PANEL INSTALLATION - GROUND CONTROL	B
2	3300408	2	Nut, Nylon Insert	
3	0630518	2	Screw #10 x 3/4	
5	1001237547	1	Light Panel Assembly	G
5A	1001236092	1	Lens, I-Con (Includes Gasket)	
5B	1001187807	1	Panel, LED Light	
5C		Ref	Screw	

SECTION 2 - TURNTABLE

FIGURE 2-17. LIGHT PANEL INSTALLATION - GROUND CONTROL (SN B300012256 to Present)



ART_1001241398_10F2

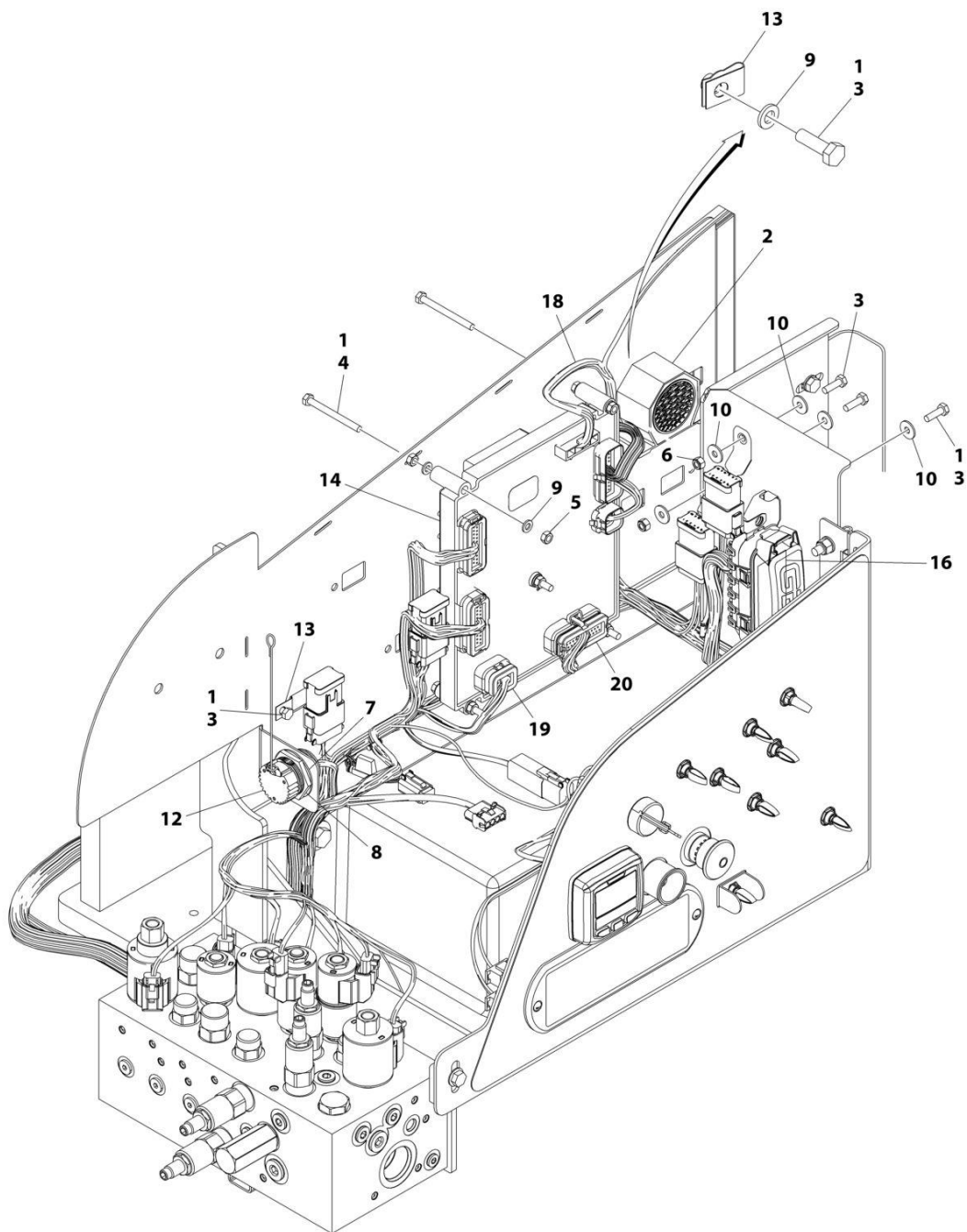
SECTION 2 - TURNTABLE

FIGURE 2-17. LIGHT PANEL INSTALLATION - GROUND CONTROL (SN B300012256 to Present)

ITEM	PART NUMBER	QTY	DESCRIPTION	REV
	1001241398	Ref	LIGHT PANEL INSTALLTION	B
2	3300408	2	Nut, Nylon Insert	
3	3911010	2	Screw #10 x 5/8	
5	1001238673	1	Light Panel Assembly	
5A	1001236091	1	Lens, I-Con	
5B	1001238752	1	Bezel (Includes Gasket)	
5C	1001238732	1	Panel, LED Light	
5D		Ref	Screw	

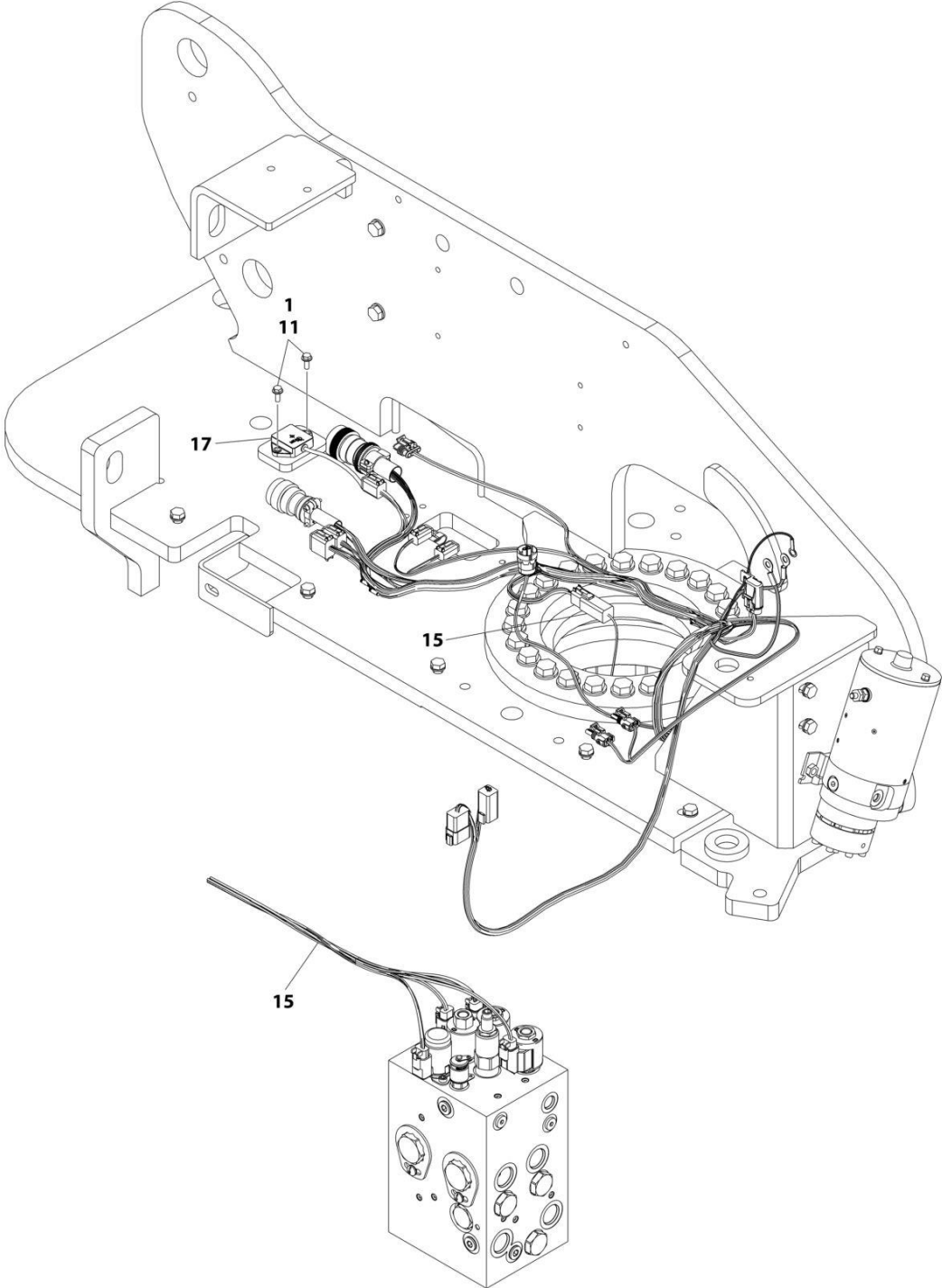
SECTION 2 - TURNTABLE

FIGURE 2-18. ELECTRICAL SYSTEM INSTALLATION



ART_1001246369_10F2

SECTION 2 - TURNTABLE



DETAIL OF TRACTION VALVE

ART_1001246369_2OF2

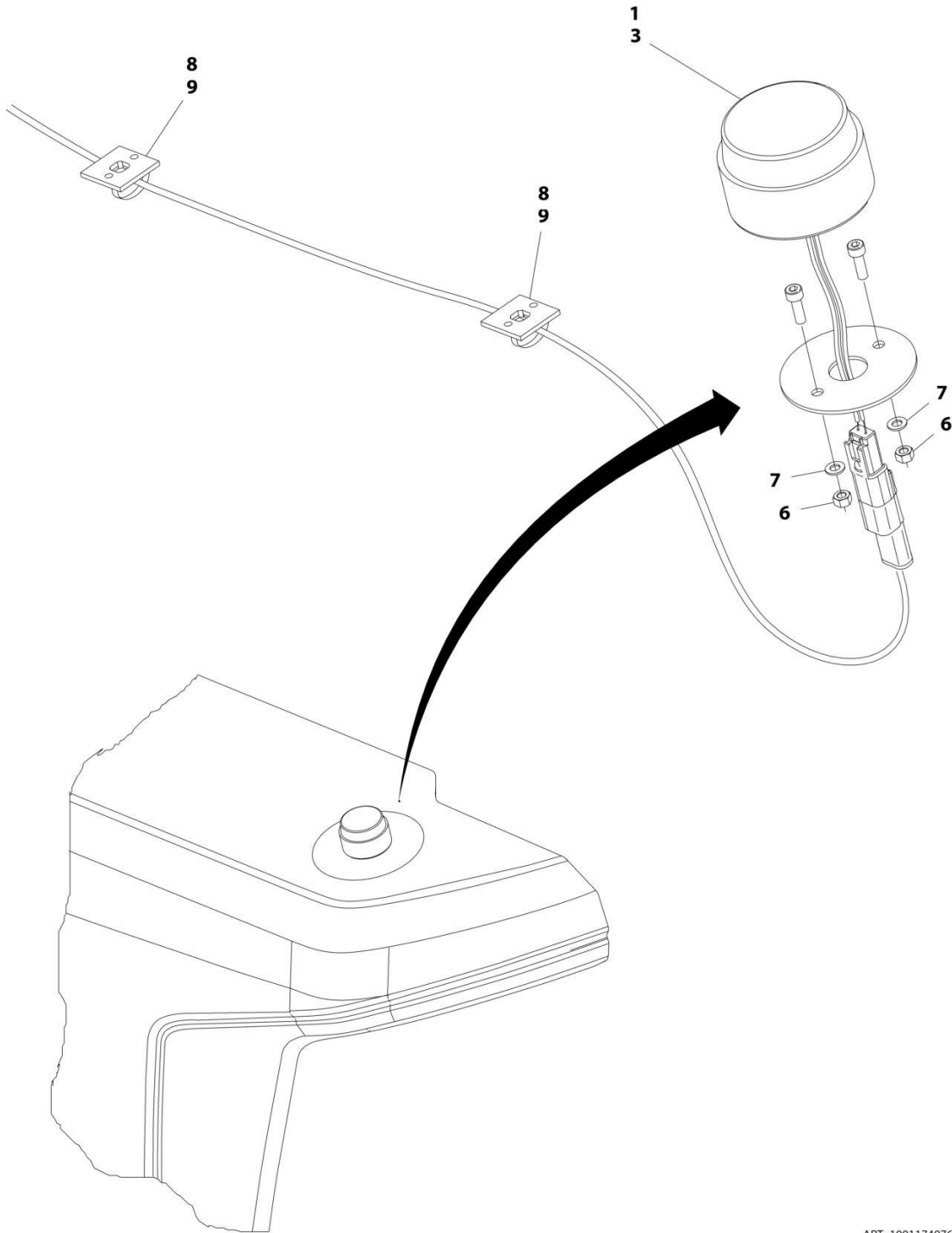
SECTION 2 - TURNTABLE

FIGURE 2-18. ELECTRICAL SYSTEM INSTALLATION

ITEM	PART NUMBER	QTY	DESCRIPTION	REV
	1001246369	Ref	ELECTRICAL SYSTEM INSTALLATION	A
1	0100011	AR	Compound, Locking	
2	0140043	1	Alarm	
3	0760610	7	Bolt M6 x 20	
4	0760621	5	Bolt M6 x 65	
5	3290601	10	Nut M6	
6	3290605	2	Nut M6	
7	4460496	1	Washer, Terminal	
8	4460497	1	Nut, Terminal	
9	4811700	12	Washer M6	
10	4811702	7	Washer M6	
11	5250608	2	Bolt M6 x 16	
12	1001106736	1	Cap, Dust	
13	1001130220	3	Nut, Tinnerman M6	
14	1001170094	1	Module, Ground Control	
	See Note	Ref	Note: Re-calibration Required when Replaced	
15	1001179236	1	Chassis Solenoid Harness (See Separate Breakdown in ELECTRICAL SECTION)	
16	1001196637	1	Decal - Fuse Box	
17	1001219601	1	Sensor	
17	See Note	1	Receptacle, Female - 4 Position (Note: Not Available for Purchase)	
17	See Note	4	Pin, Male (Note: Not Available for Purchase)	
18	1001244293	1	Turntable Harness (See Separate Breakdown in ELECTRICAL SECTION)	
19	1001244294	1	Valve Harness - Main Valve (See Separate Breakdown in ELECTRICAL SECTION)	
20	1001244295	1	Ground Control Panel Harness (See Separate Breakdown in ELECTRICAL SECTION)	

SECTION 2 - TURNTABLE

FIGURE 2-19. BEACON LIGHT INSTALLATION - AMBER



ART_1001174976

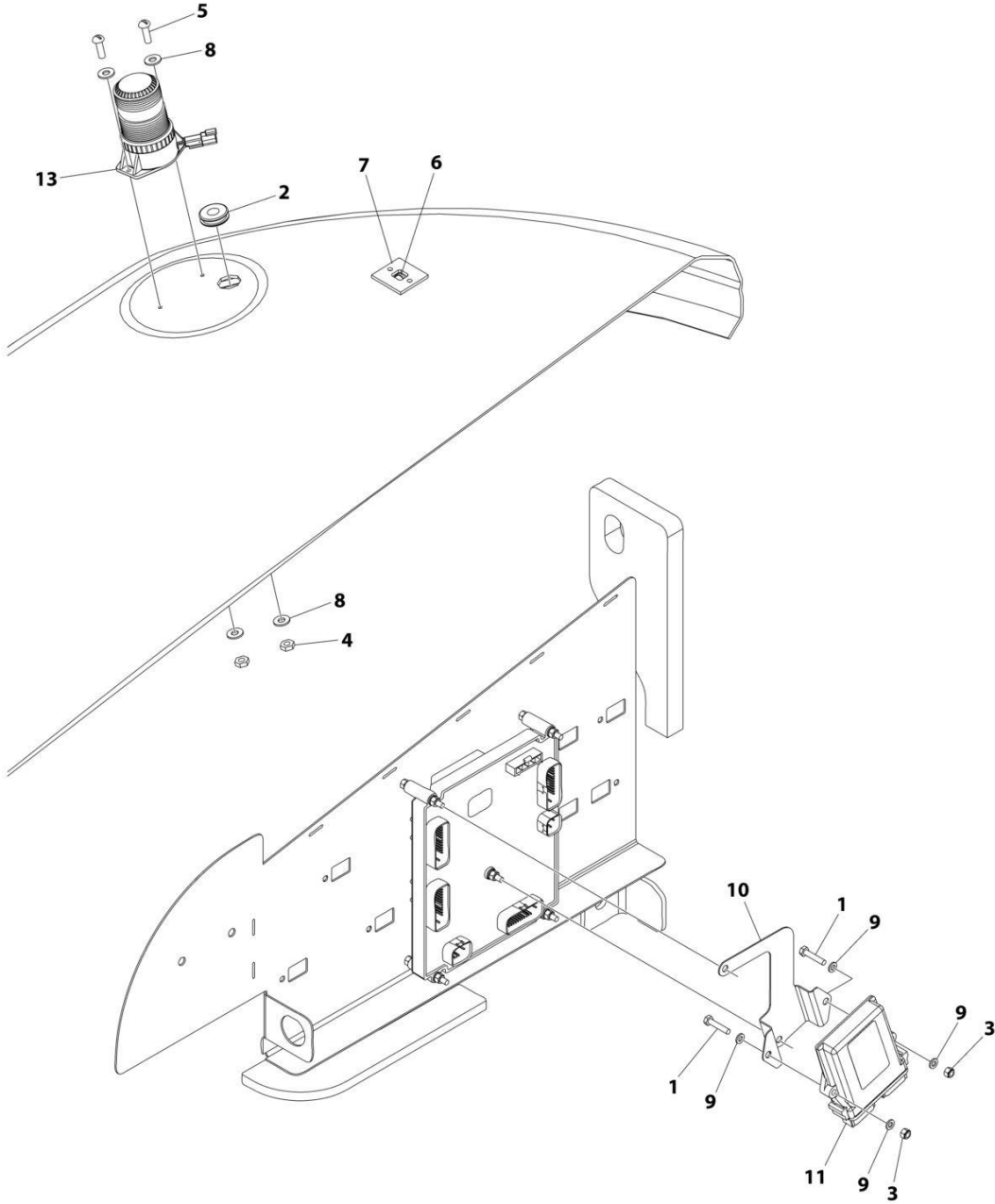
SECTION 2 - TURNTABLE

FIGURE 2-19. BEACON LIGHT INSTALLATION - AMBER

ITEM	PART NUMBER	QTY	DESCRIPTION	REV
	1001174976	Ref	BEACON LIGHT INSTALLATION - AMBER	D
1	0100048	AR	Compound, Silicone	
3	1001181405	1	Lamp, Strobe	
3	4460897	1	Receptacle, Female - 2 Position	
3	4460464	2	Pin, Male	
6	3290505	2	Nut M5	
7	4811600	2	Washer M5	
8	4240032	AR	Tie-Strap	
9	4460234	2	Mount, Tie-Strap	

SECTION 2 - TURNTABLE

FIGURE 2-20. BEACON LIGHT INSTALLATION - BLUE



ART_1001242855_B

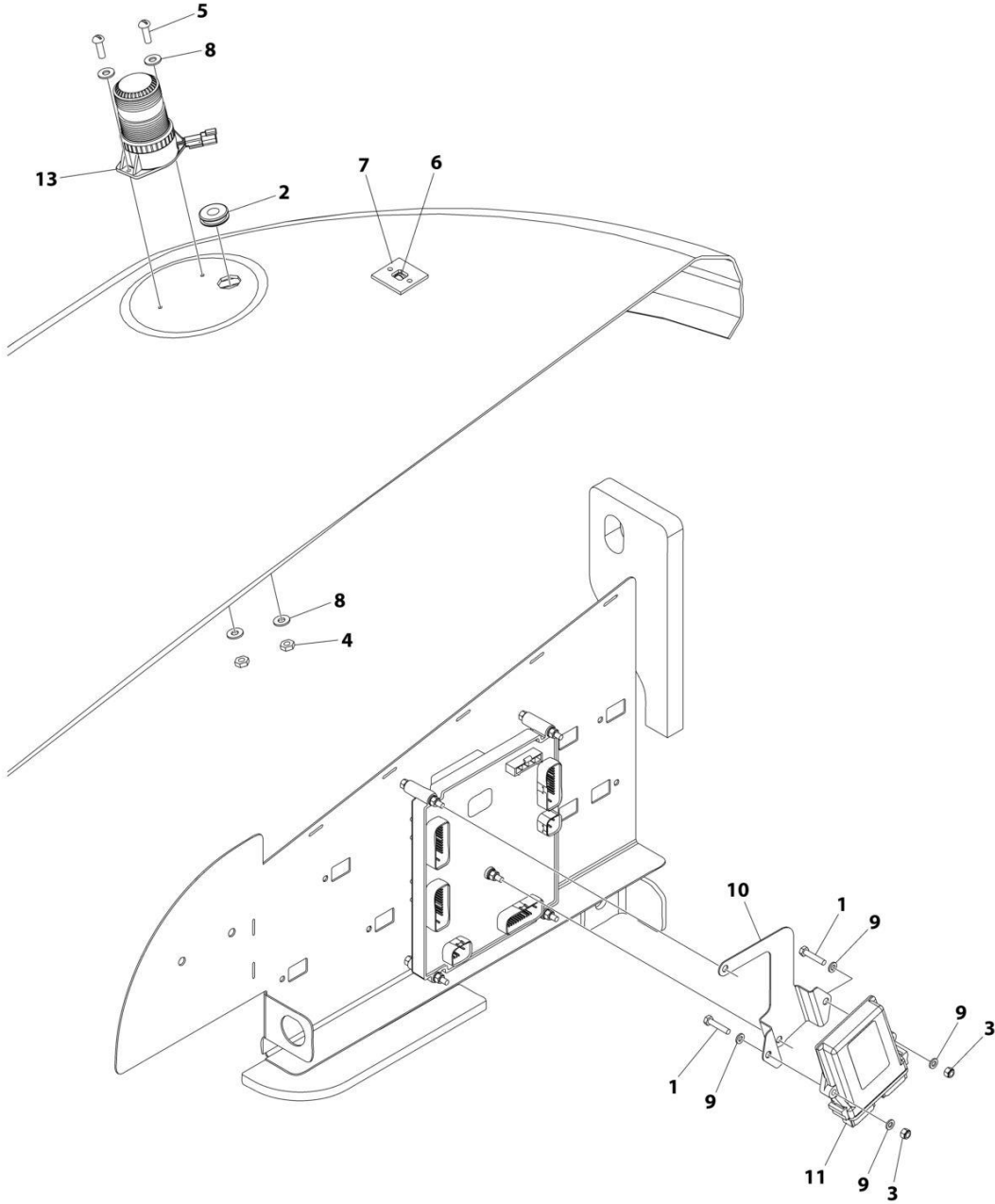
SECTION 2 - TURNTABLE

FIGURE 2-20. BEACON LIGHT INSTALLATION - BLUE

ITEM	PART NUMBER	QTY	DESCRIPTION	REV
	1001242855	Ref	BEACON LIGHT INSTALLATION - BLUE	B
1	0760614	2	Bolt M6 x 30	
2	2540020	1	Grommet	
3	3290605	2	Nut M6	
4	3311005	2	Nut #10	
5	3911010	2	Screw #10 x 5/8	
6	4240032	AR	Tie-Strap	
7	4460488	AR	Terminal, Mounting	
8	4711000	4	Washer #10	
9	4811700	4	Washer M6	
10	1001276626	1	Mount, Module	
11	1001142683	1	Module, Control	
12	1001142736	1	Beacon Harness (Not Shown - See Separate Breakdown in ELECTRICAL Section)	
13	1001200910	1	Light, Beacon	
13	4460897	1	Receptacle, Female - 2 Position	
13	4460943	2	Pin, Male	

SECTION 2 - TURNTABLE

FIGURE 2-21. BEACON LIGHT INSTALLATION - RED



ART_1001242856_B

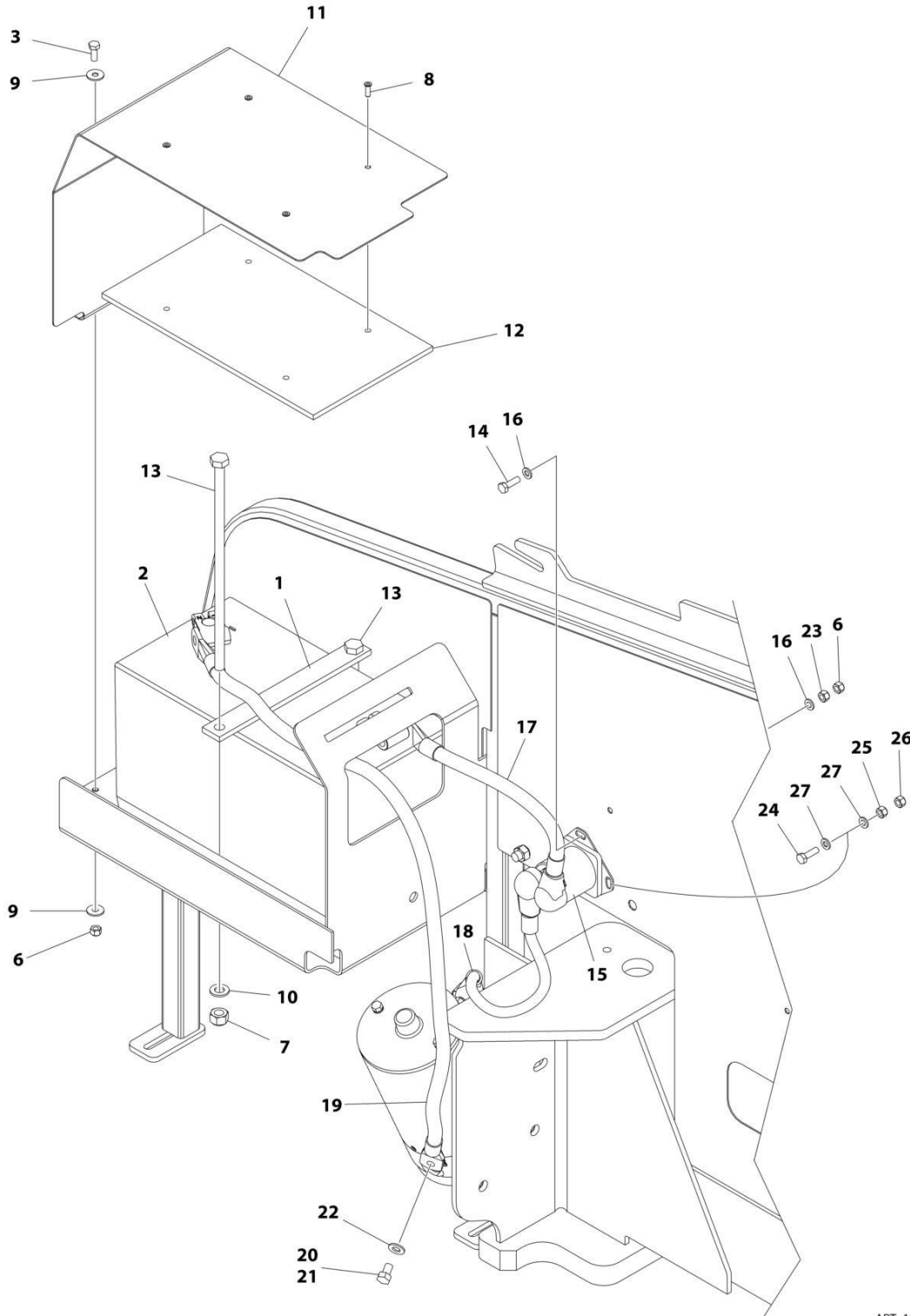
SECTION 2 - TURNTABLE

FIGURE 2-21. BEACON LIGHT INSTALLATION - RED

ITEM	PART NUMBER	QTY	DESCRIPTION	REV
	1001242856	Ref	BEACON LIGHT INSTALLATION - RED	B
1	0760614	2	Bolt M6 x 30	
2	2540020	1	Grommet	
3	3290605	2	Nut M6	
4	3311005	2	Nut #10	
5	3911010	2	Screw #10 x 5/8	
6	4240032	AR	Tie-Strap	
7	4460488	AR	Terminal, Mounting	
8	4711000	4	Washer #10	
9	4811700	4	Washer M6	
10	1001276626	1	Mount, Module	
11	1001142683	1	Module, Control	
12	1001142736	1	Beacon Harness (Not Shown - See Separate Breakdown in ELECTRICAL Section)	
13	1001207004	1	Light, Beacon	
13	4460897	1	Receptacle, Female - 2 Position	
13	4460943	2	Pin, Male	

SECTION 2 - TURNTABLE

FIGURE 2-22. BATTERY AND CABLE INSTALLATION



ART_1001166316_H

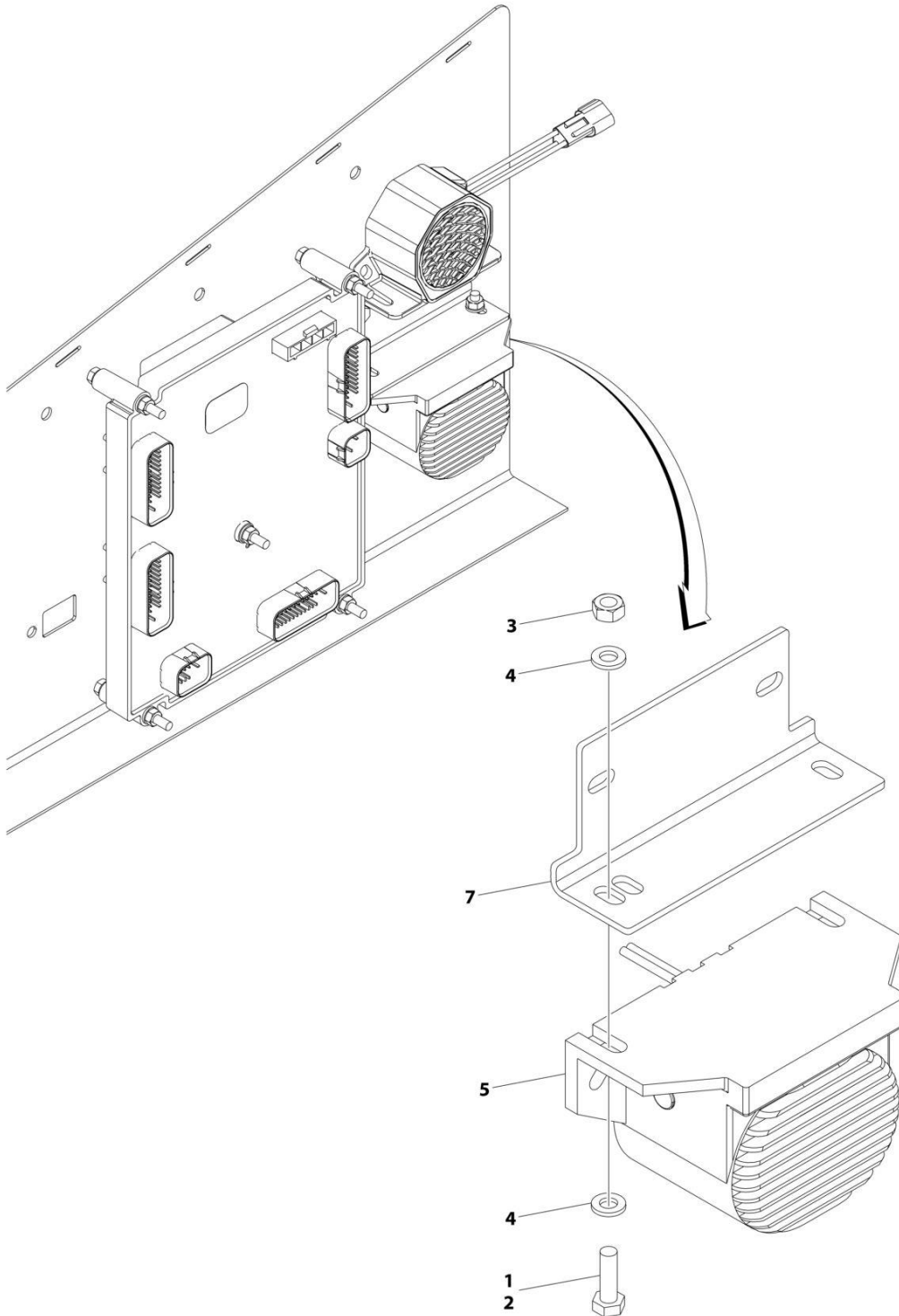
SECTION 2 - TURNTABLE

FIGURE 2-22. BATTERY AND CABLE INSTALLATION

ITEM	PART NUMBER	QTY	DESCRIPTION	REV
	1001166316	Ref	BATTERY AND CABLE INSTALLATION	H
1	0361810	1	Bar, Hold-down	
2	0400075	1	Battery	
3	0760610	2	Bolt M6 x 20	
6	3290605	3	Nut M6	
7	3291005	2	Nut M10	
8	3820032	4	Rivet	
9	4811702	4	Washer M6	
10	4812000	2	Washer M10	
11	1001117240	1	Cover	
12	1001119278	1	Insulation	
13	1001119280	2	Bolt M16 x 260	
14	0760612	1	Bolt M6 x 25	
15	3740067	1	Relay	
15	3300220	2	Nut 3/8	
15	1001111424	2	Washer 3/8	
15	3321001	1	Nut #10	
15	4761000	1	Washer #10	
16	4811700	2	Washer M6	
17	1001171678	1	Cable, Battery (Positive + to Aux Relay)	
18	1001171679	1	Cable, Battery (Aux Relay to Aux Pump)	
19	1001171680	1	Cable, Battery (Negative – to Aux Pump)	
20	0100011	AR	Compound, Locking	
21	0641504	1	Bolt 5/16 x 1/2	
22	4711500	1	Washer 5/16	
23	3290601	2	Nut M6	
24	0760512	1	Bolt M5 x 25	
25	3290501	1	Nut M5	
26	3290505	1	Nut M5	
27	4811600	2	Washer M5	

SECTION 2 - TURNTABLE

FIGURE 2-23. WHITE NOISE AMBIENT ALARM INSTALLATION



ART_1001209617

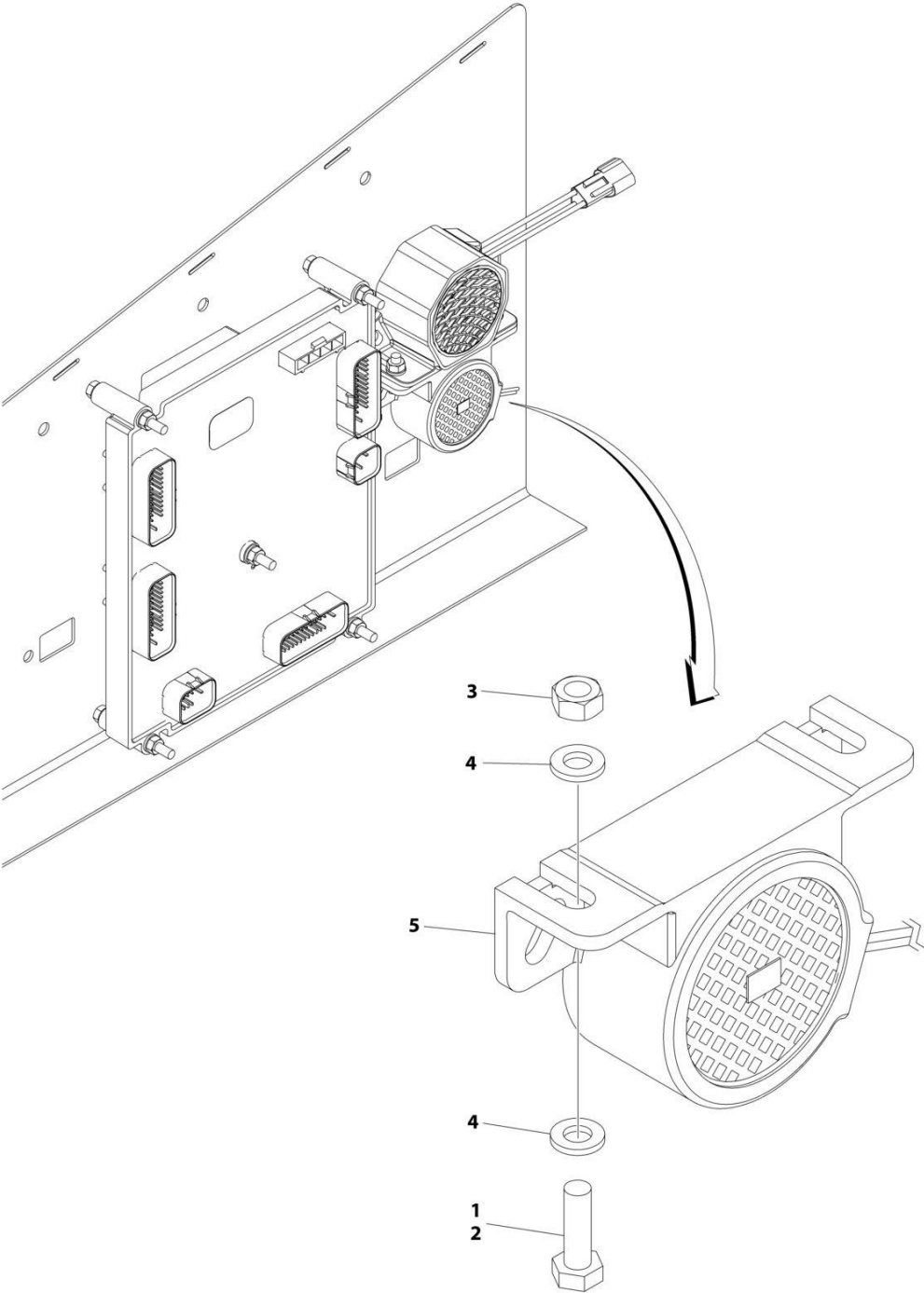
SECTION 2 - TURNTABLE

FIGURE 2-23. WHITE NOISE AMBIENT ALARM INSTALLATION

ITEM	PART NUMBER	QTY	DESCRIPTION	REV
	1001209617	Ref	WHITE NOISE AMBIENT ALARM INSTALLATION	C
1	0100011	AR	Compound, Locking	
2	0760610	2	Bolt M6 x 20	
3	3290601	2	Nut M6	
4	4811700	4	Washer M6	
5	1001182806	1	Alarm	
6	1001190663	1	Harness, Jumper (Not Shown)	
6	4460891	1	Connector – 2 Position	
6	4460465	2	Socket, Female	
6	4460871	2	Socket, Female	
7	1001231886	1	Plate	

SECTION 2 - TURNTABLE

FIGURE 2-24. WHITE NOISE ALARM INSTALLATION



ART_1001263174

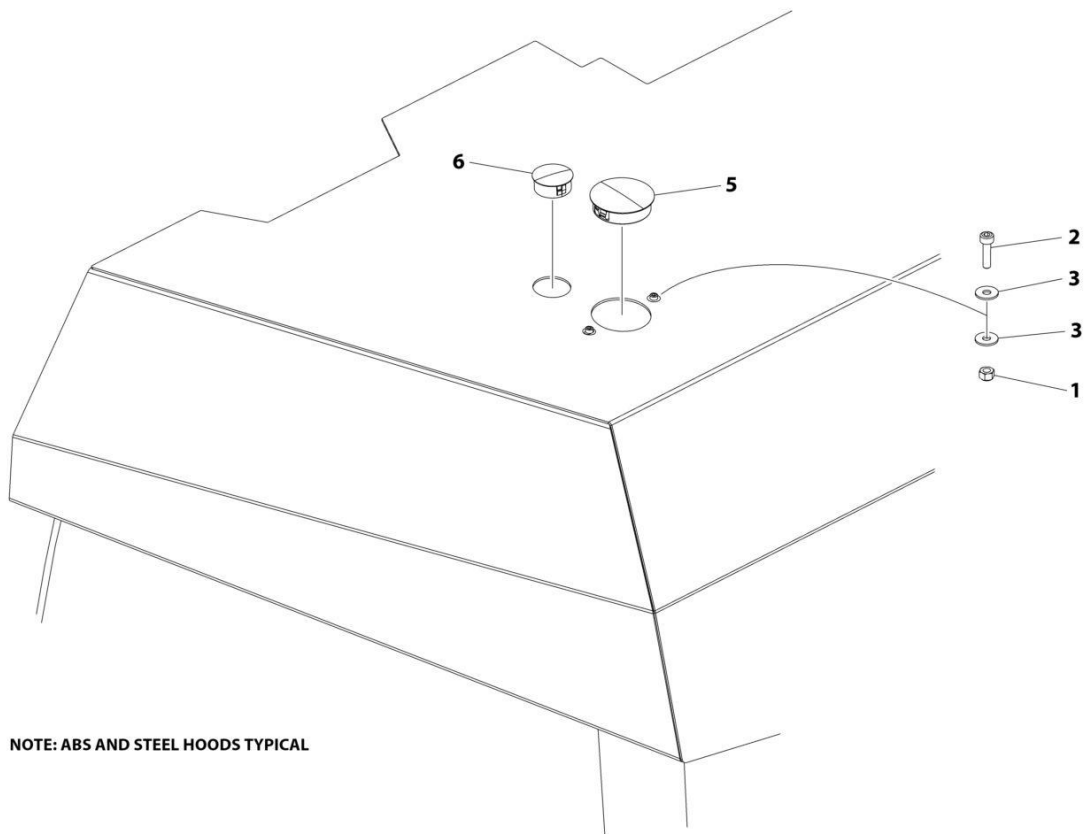
SECTION 2 - TURNTABLE

FIGURE 2-24. WHITE NOISE ALARM INSTALLATION

ITEM	PART NUMBER	QTY	DESCRIPTION	REV
	1001263174	Ref	WHITE NOISE ALARM INSTALLATION	A
1	0100011	AR	Compound, Locking	
2	0760610	2	Bolt M6 x 20	
3	3290601	2	Nut M6	
4	4811700	4	Washer M6	
5	1001184682	1	Alarm	
6	1001190663	1	Harness, Jumper (Not Shown)	
6	4460891	1	Connector – 2 Position	
6	4460465	2	Socket, Female	
6	4460871	2	Socket, Female	

SECTION 2 - TURNTABLE

FIGURE 2-25. HOOD PLUGS INSTALLATION (HOODS WITHOUT STROBE LIGHT)



NOTE: ABS AND STEEL HOODS TYPICAL

ART_1001285811

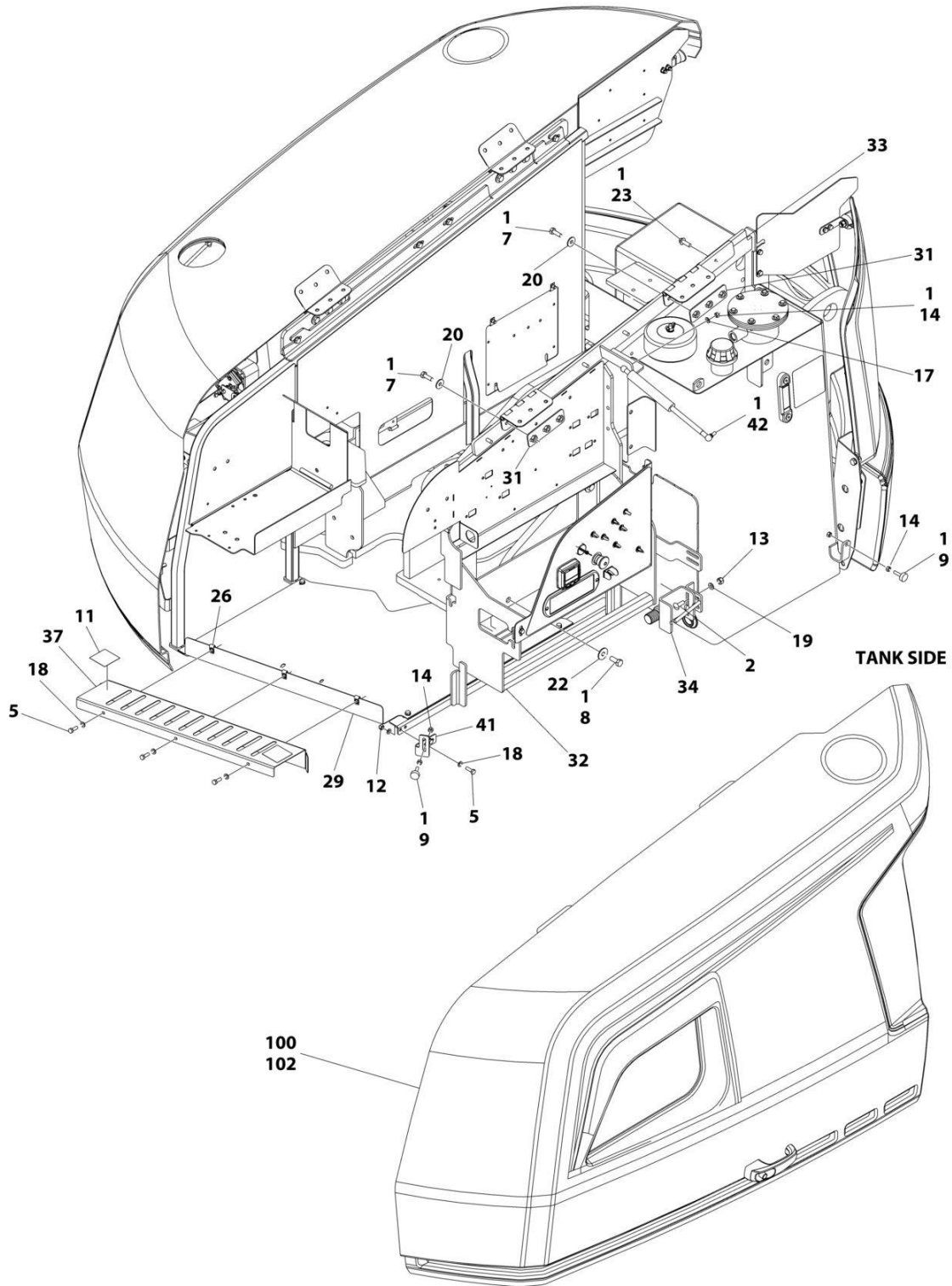
SECTION 2 - TURNTABLE

FIGURE 2-25. HOOD PLUGS INSTALLATION (HOODS WITHOUT STROBE LIGHT)

ITEM	PART NUMBER	QTY	DESCRIPTION	REV
	1001285811	Ref	HOOD PLUGS INSTALLATION	A
1	3290405	2	Nut M4	
2	4031507	2	Capscrew M4 x 16	
3	1001091102	4	Washer M6	
4	1001244462	1	Cap, Dust (Not Shown)	
5	1001285891	1	Plug	
6	1001285892	1	Plug	

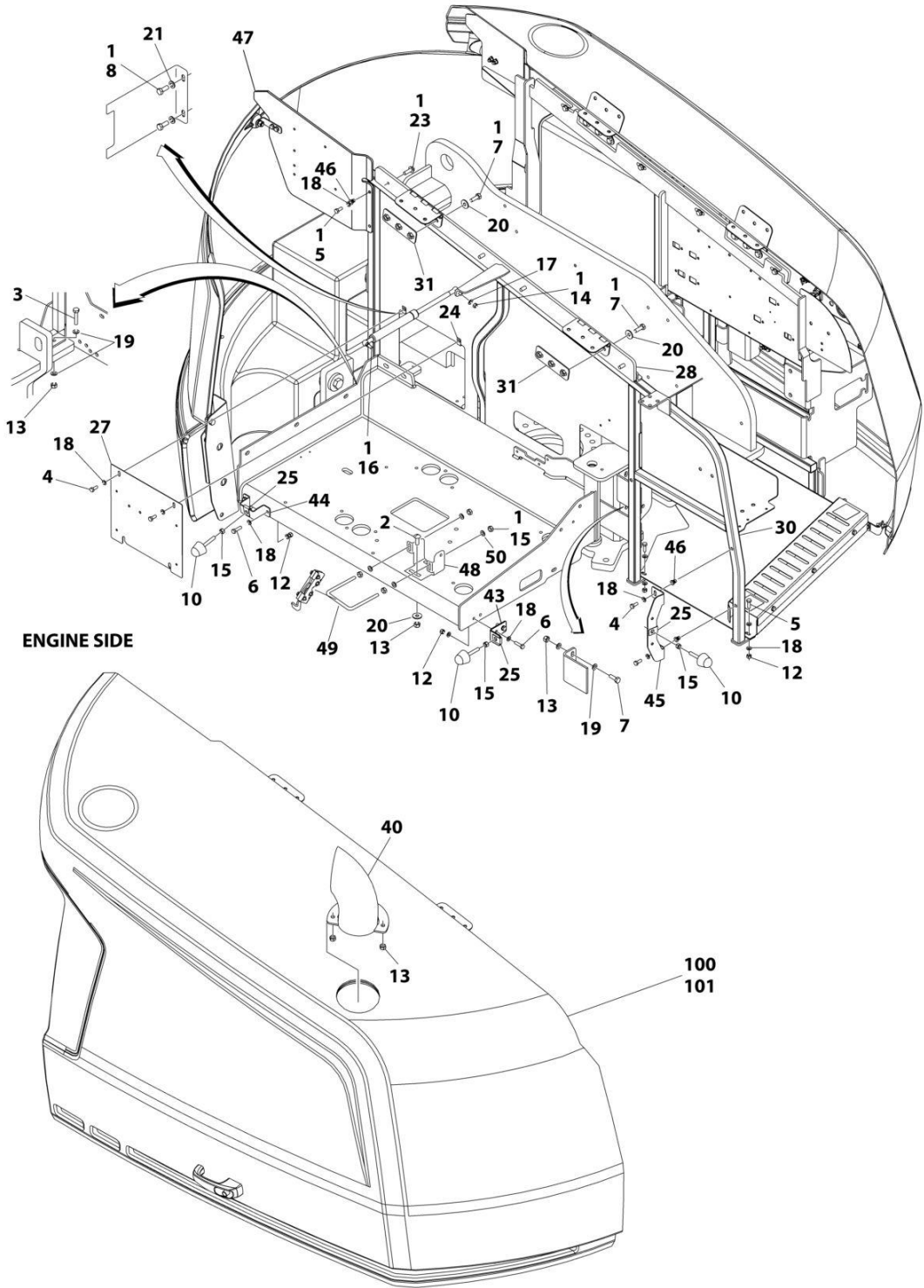
SECTION 2 - TURNTABLE

FIGURE 2-26. HOODS INSTALLATION (ABS)



ART_1001241286_D_10F2

SECTION 2 - TURNTABLE



ART_1001241286_D_20F2

SECTION 2 - TURNTABLE

FIGURE 2-26. HOODS INSTALLATION (ABS)

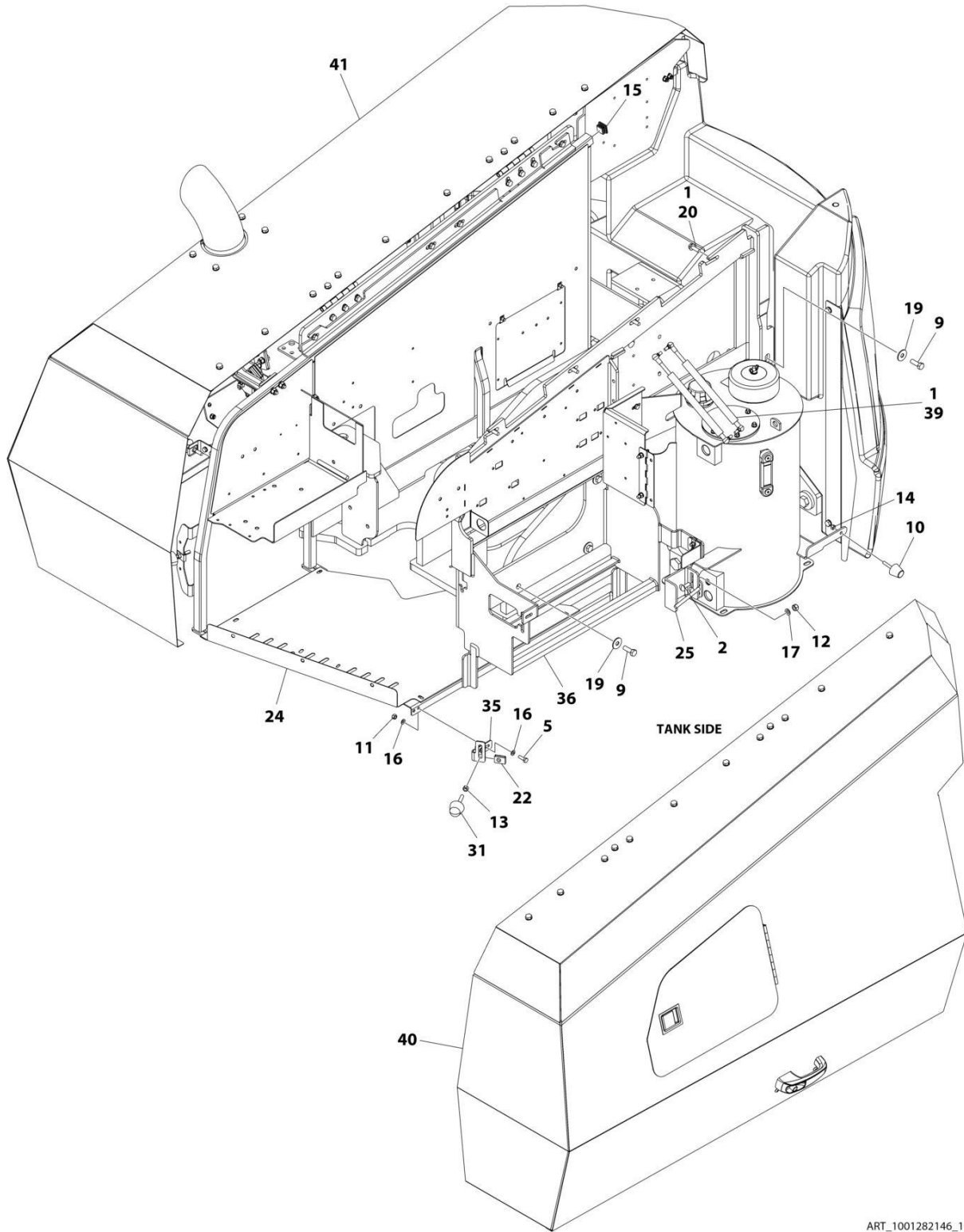
ITEM	PART NUMBER	QTY	DESCRIPTION	REV
	1001241286	Ref	HOODS INSTALLATION	D
1	0100011	AR	Compound, Locking	
2	0630613	4	Bolt M10 x 30	
3	0701018	5	Bolt M10 x 50	
4	0760810	4	Bolt M8 x 20	
5	0760812	11	Bolt M8 x 25	
6	0760814	4	Bolt M8 x 30	
7	0761014	14	Bolt M10 x 30	
8	0761214	6	Bolt M12 x 30	
9	0940049	2	Bumper	
10	0940071	3	Bumper	
11	1701691	2	Decal - No Step	
12	3290805	10	Nut M8	
13	3291005	14	Nut M10	
14	3311501	6	Nut 5/16	
15	3311601	7	Nut 3/8	
16	4160182	1	Spring, Gas	
17	4711500	2	Washer 5/16	
18	4811900	29	Washer M8	
19	4812000	16	Washer M10	
20	4812002	14	Washer M10	
21	4812100	2	Washer M12	
22	4812102	4	Washer M12	
23	5251014	8	Bolt M10 x 30	
24	8310686	2	Nut, Retainer M8	
25	88662523	3	Nut, Tinnerman	
26	1001118274	3	Nut M8	
27	1001167149	1	Panel, Filler	
28	1001167159	1	Mount	
29	1001167163	1	Tray	
30	1001167169	1	Mount	
31	1001169046	4	Nut	
32	1001211716	1	Support, Hood	
33	1001170018	1	Mount	
34	1001170022	1	Mount	
37	1001171216	1	Cover	
40	1001233899	1	Pipe, Exhaust	
41	1001179904	1	Mount	
42	1001182169	1	Spring, Gas	
43	1001182875	1	Mount	
44	1001182877	1	Mount	
45	1001182879	1	Mount	
46	1001191832	4	Rivnut M8	
47	1001211717	1	Panel, Filler	
48	1001250291	1	Bracket	
49	1001243414	1	U-Bolt	
50	4891600	4	Washer 3/8	
100	1001285789	1	Hood Kit (Includes Items 101-102)	A
101	1001241295	1	Hood Assembly - Engine Side (See Separate Breakdown in this Section)	

SECTION 2 - TURNTABLE

ITEM	PART NUMBER	QTY	DESCRIPTION	REV
102	1001285788	1	Hood Assembly - Tank Side (See Separate Breakdown in this Section)	

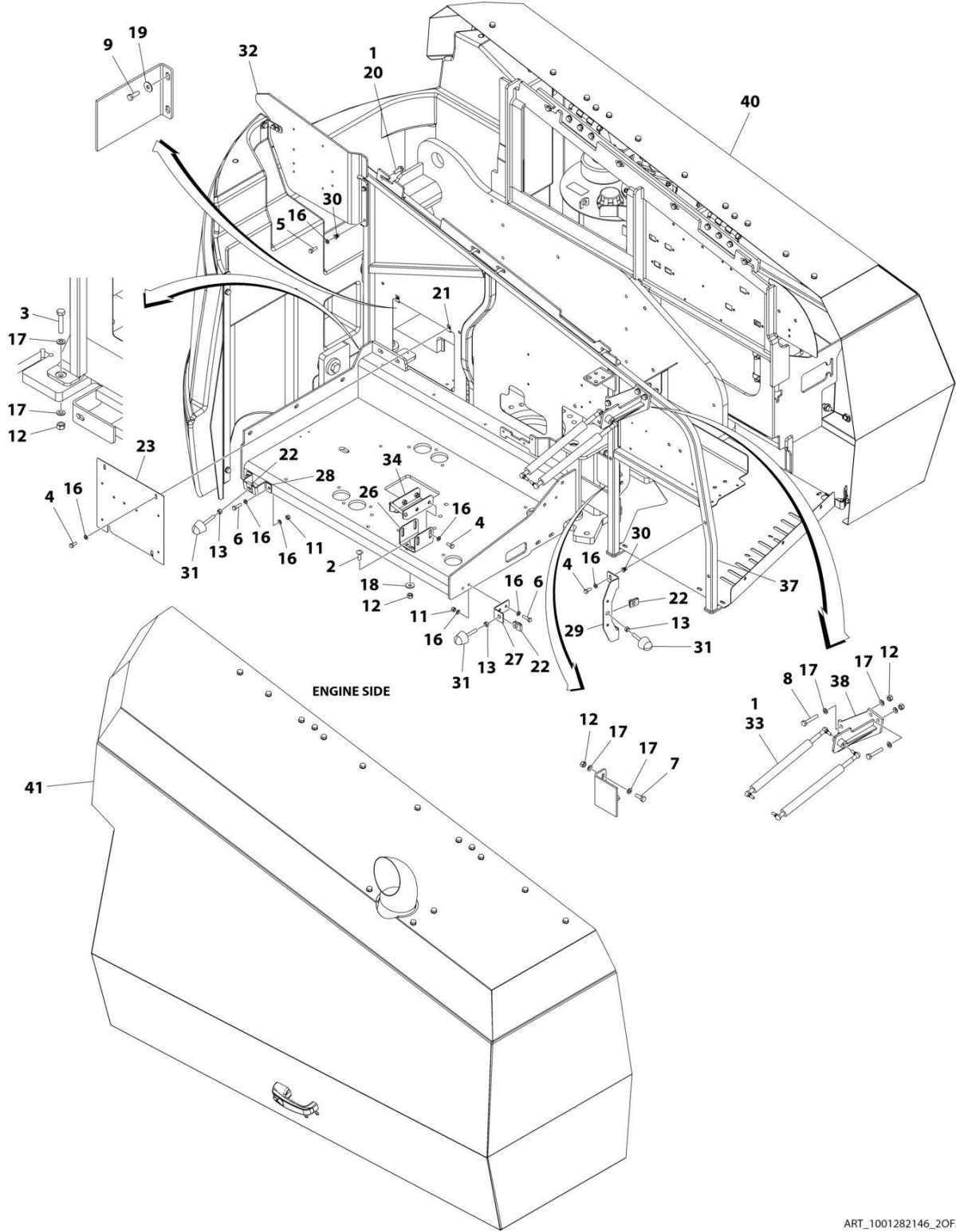
SECTION 2 - TURNTABLE

FIGURE 2-27. HOODS INSTALLATION (STEEL)



ART_1001282146_1OF2

SECTION 2 - TURNTABLE



ART_1001282146_20F2

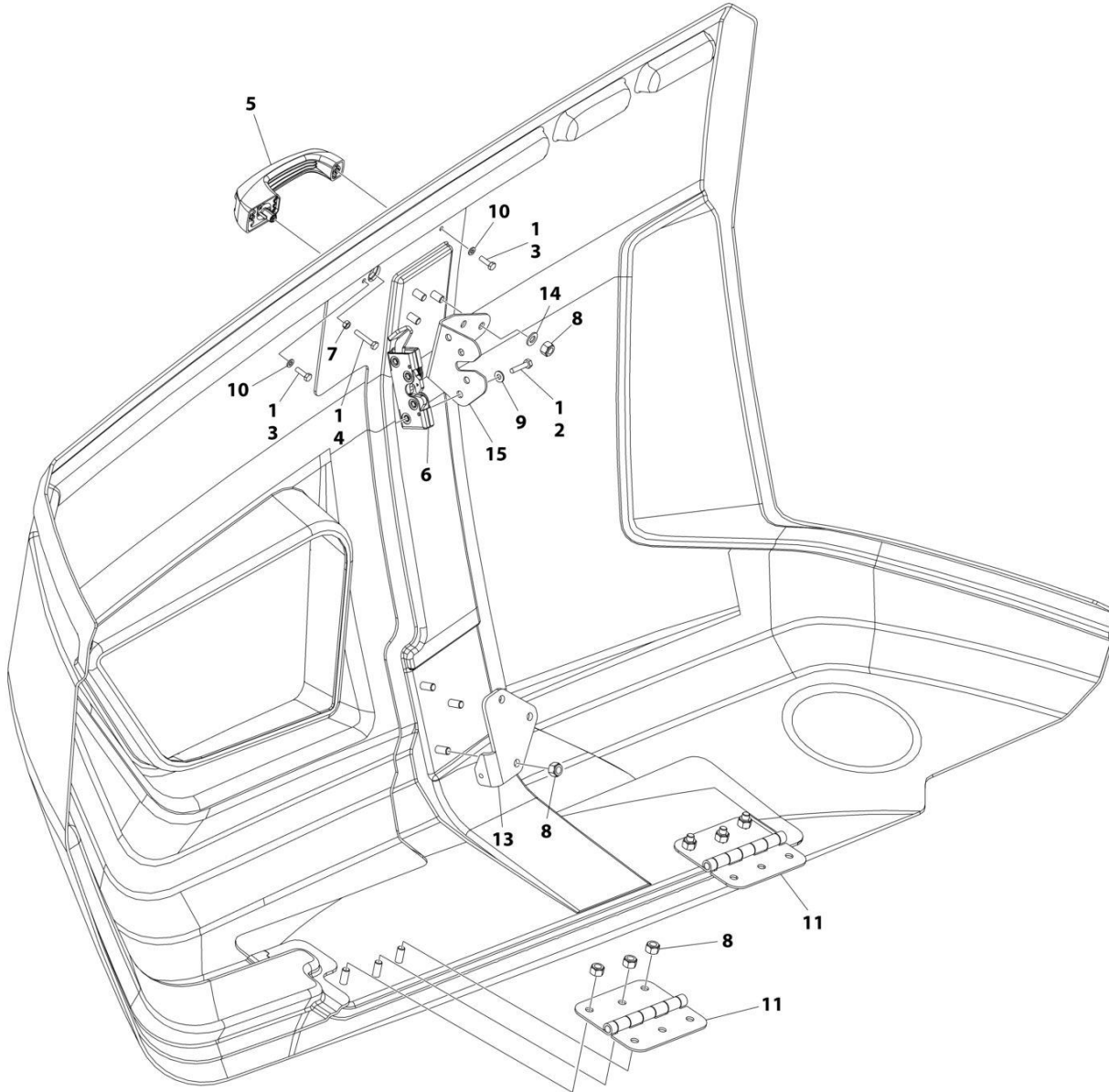
SECTION 2 - TURNTABLE

FIGURE 2-27. HOODS INSTALLATION (STEEL)

ITEM	PART NUMBER	QTY	DESCRIPTION	REV
	1001282146	Ref	HOODS INSTALLATION (STEEL)	B
1	0100011	AR	Compound, Locking	
2	0630613	4	Bolt M10 x 30	
3	0701019	5	Bolt M10 x 55	
4	0760810	8	Bolt M8 x 20	
5	0760812	4	Bolt M8 x 25	
6	0760814	4	Bolt M8 x 30	
7	0761014	2	Bolt M10 x 30	
8	0761020	4	Bolt M12 x 60	
9	0761215	6	Bolt M12 x 35	
10	0940088	1	Bumper	
11	3290805	6	Nut M8	
12	3291005	15	Nut M10	
13	3311601	4	Nut 3/8	
14	3321501	1	Nut 5/16	
15	3520072	1	Plug	
16	4811900	22	Washer M8	
17	4812000	24	Washer M10	
18	4812002	2	Washer M10	
19	4812102	6	Washer M12	
20	5251014	8	Bolt M10 x 30	
21	8310686	2	Nut, Retainer M8	
22	88662523	4	Nut, Tinnerman	
23	1001167149	1	Panel, Filler	
24	1001167163	1	Tray	
25	1001170022	1	Mount	
26	1001170859	1	Mount	
27	1001182875	1	Mount	
28	1001182877	1	Mount	
29	1001182879	1	Mount	
30	1001191832	4	Rivnut M8	
31	1001206314	4	Bumper	
32	1001211717	1	Panel, Filler	
33	1001213794	2	Spring, Gas	
34	1001223777	1	Support, Striker	
35	1001269476	1	Mount	
36	1001279651	1	Support, Hood	
37	1001280240	1	Mount	
38	1001280242	1	Mount	
39	1001280549	2	Spring, Gas	
40	1001285988	1	Hood Assembly - Tank Side (See Separate Breakdown in this Section)	
41	1001282143	1	Hood Assembly - Engine Side (See Separate Breakdown in this Section)	

SECTION 2 - TURNTABLE

FIGURE 2-28. HOOD ASSEMBLY (ABS) - TANK SIDE



NOTE: REPLACEMENT DECALS MUST BE ORDERED SEPARATELY - SEE DECAL SECTION.

ART_1001241296

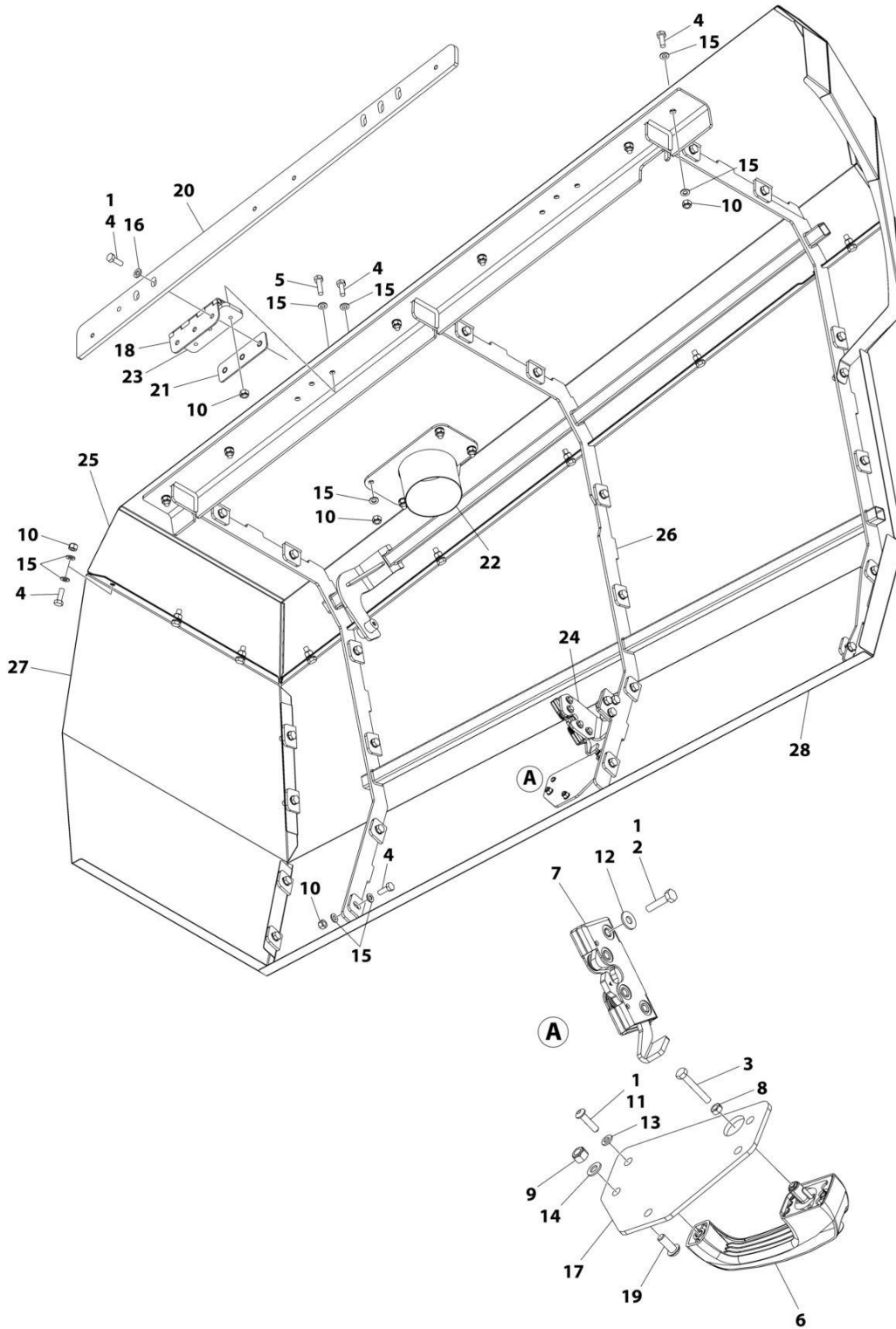
SECTION 2 - TURNTABLE

FIGURE 2-28. HOOD ASSEMBLY (ABS) - TANK SIDE

ITEM	PART NUMBER	QTY	DESCRIPTION	REV
	1001241296	Ref	HOOD ASSEMBLY - TANK SIDE	C
1	0100011	AR	Compound, Locking	
2	0641410	4	Bolt 1/4 x 1-1/4	
3	0760610	2	Bolt M6 x 20	
4	0760615	1	Bolt M6 x 35	
5	2560187	1	Handle	
6	2940173	1	Latch	
7	3290601	1	Nut M6	
8	3291005	12	Nut M10	
9	4711400	4	Washer 1/4	
10	4811700	2	Washer M6	
11	1001259230	2	Hinge	
13	1001170475	1	Bracket	
14	4812000	3	Washer M10	
15	1001203322	1	Support	

SECTION 2 - TURNTABLE

FIGURE 2-29. HOOD ASSEMBLY (STEEL) - ENGINE SIDE



ART_1001282143

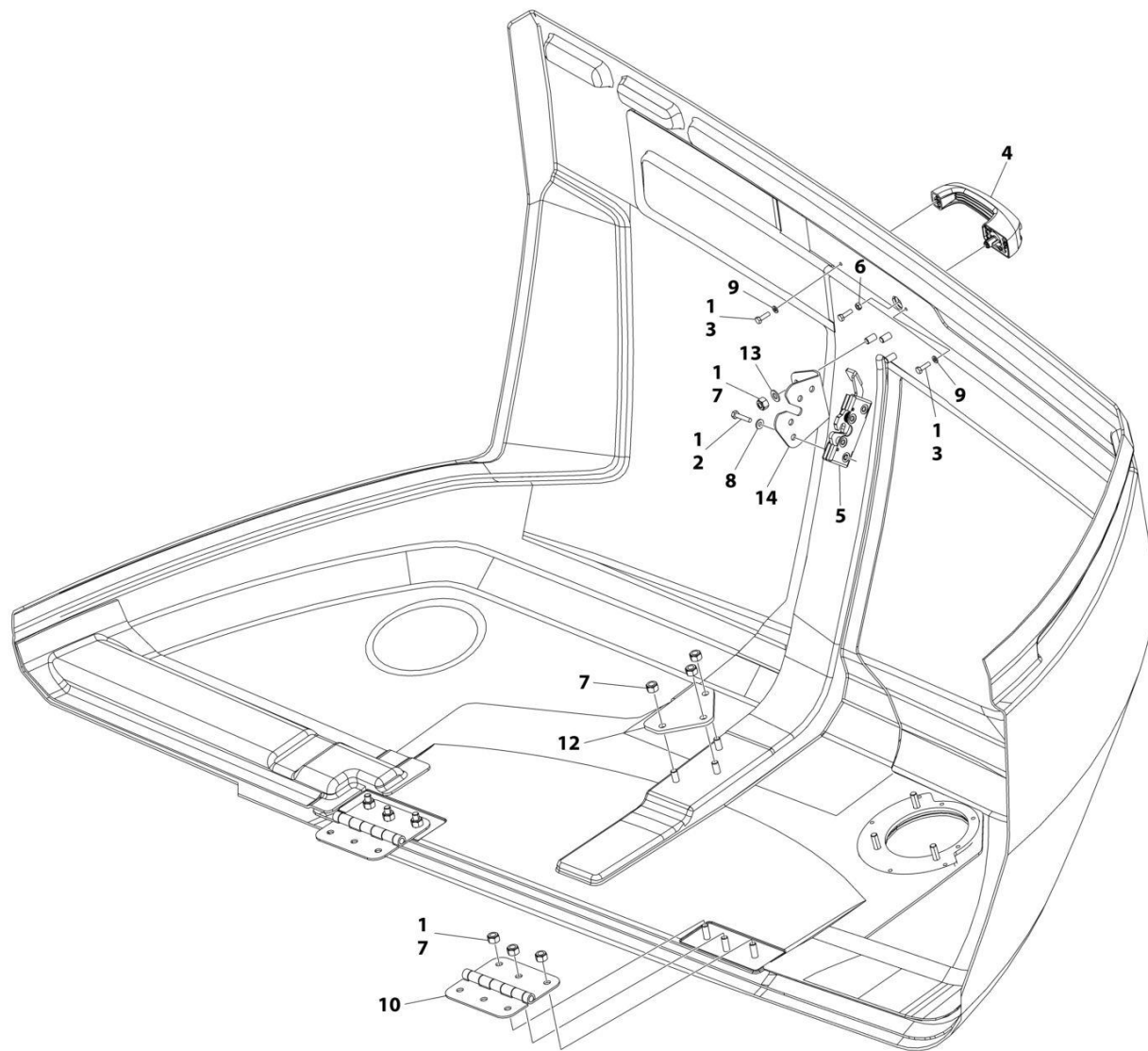
SECTION 2 - TURNTABLE

FIGURE 2-29. HOOD ASSEMBLY (STEEL) - ENGINE SIDE

ITEM	PART NUMBER	QTY	DESCRIPTION	REV
	1001282143	Ref	HOOD ASSEMBLY (STEEL) - ENGINE SIDE	A
1	0100011	AR	Compound, Locking	
2	0641409	4	Bolt 1/4 x 1/8	
3	0700616	1	Bolt M6 x 40	
4	0761014	50	Bolt M10 x 30	
5	0761016	6	Bolt M10 x 40	
6	2560187	1	Handle	
7	2940173	1	Latch	
8	3290601	1	Nut M6	
9	3290805	3	Nut M8 x 1-1/4	
10	3291005	50	Nut M10 x 1-1/2	
11	3900363	2	Screw M6 x 25	
12	4751400	4	Washer 1/4	
13	4811700	2	Washer M6	
14	4811900	3	Washer M8	
15	4812000	94	Washer M10	
16	5241000	6	Washer M10	
17	1001116290	1	Plate	
18	1001139384	2	Hinge	
19	1001164726	3	Screw M8 x 20	
20	1001167157	1	Mount, Hood	
21	1001169046	2	Nut	
22	1001194888	1	Pipe, Exhaust	
23	1001202333	2	Plate, Nut	
24	1001263664	1	Bracket	
25	1001263669	1	Panel (Top)	
26	1001263677	1	Bracket	
27	1001263693	1	Panel (End)	
28	1001265389	1	Panel (Side)	

SECTION 2 - TURNTABLE

FIGURE 2-30. HOOD ASSEMBLY (ABS) - ENGINE SIDE



NOTE: REPLACEMENT DECALS MUST BE ORDERED SEPARATELY - SEE DECAL SECTION.

ART_1001241295

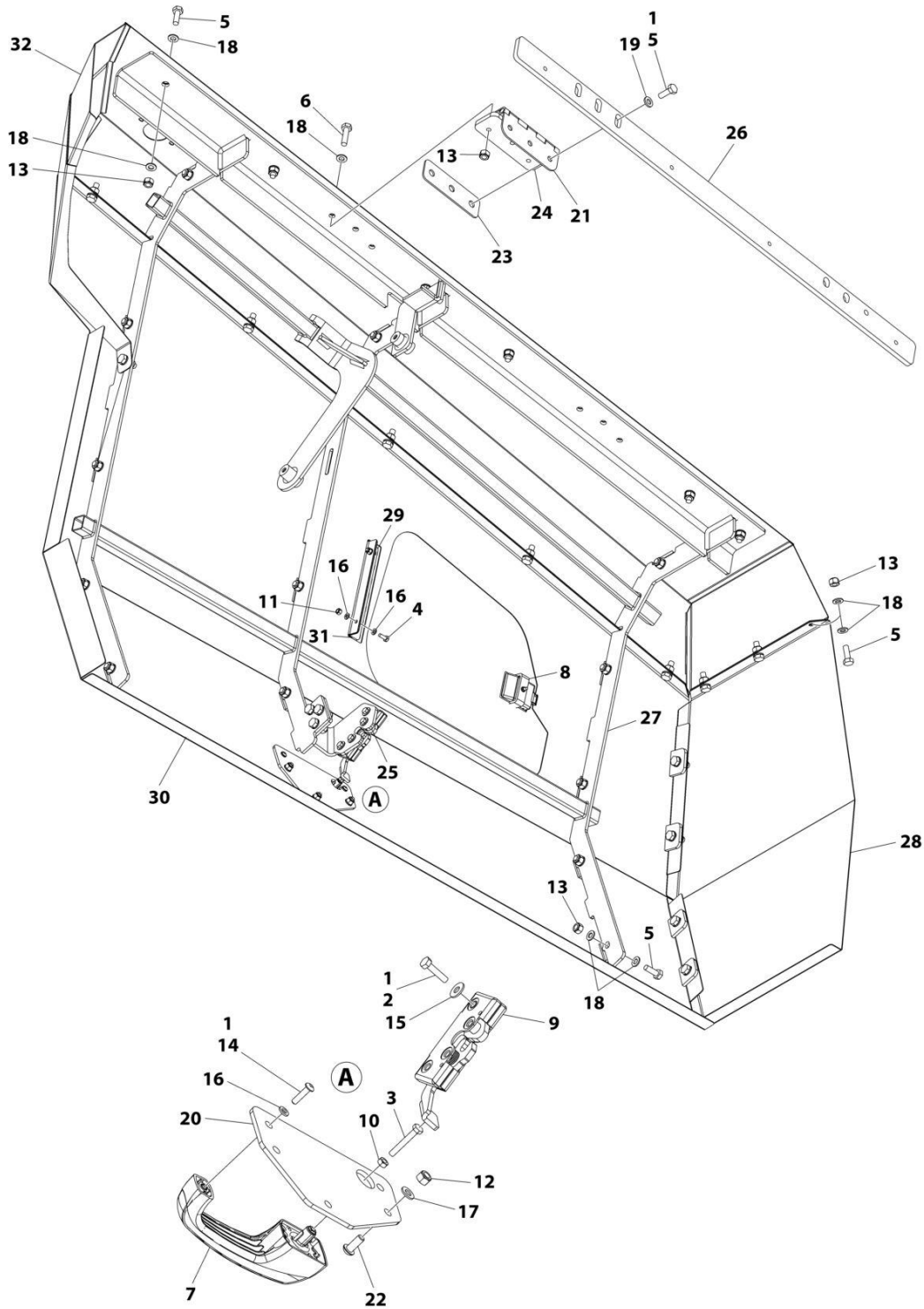
SECTION 2 - TURNTABLE

FIGURE 2-30. HOOD ASSEMBLY (ABS) - ENGINE SIDE

ITEM	PART NUMBER	QTY	DESCRIPTION	REV
	1001241295	Ref	HOOD ASSEMBLY - ENGINE SIDE	C
1	0100011	AR	Compound, Locking	
2	0641410	4	Bolt 1/4 x 1-1/4	
3	0760610	3	Bolt M6 x 20	
4	2560187	1	Handle	
5	2940173	1	Latch	
6	3290601	1	Nut M6	
7	3291005	12	Nut M10	
8	4711400	4	Washer 1/4	
9	4811700	2	Washer M6	
10	1001259230	2	Hinge	
12	1001178228	1	Bracket	
13	4812000	3	Washer M10	
14	1001202830	1	Support	

SECTION 2 - TURNTABLE

FIGURE 2-31. HOOD ASSEMBLY (STEEL) - TANK SIDE



ART_1001285988

SECTION 2 - TURNTABLE

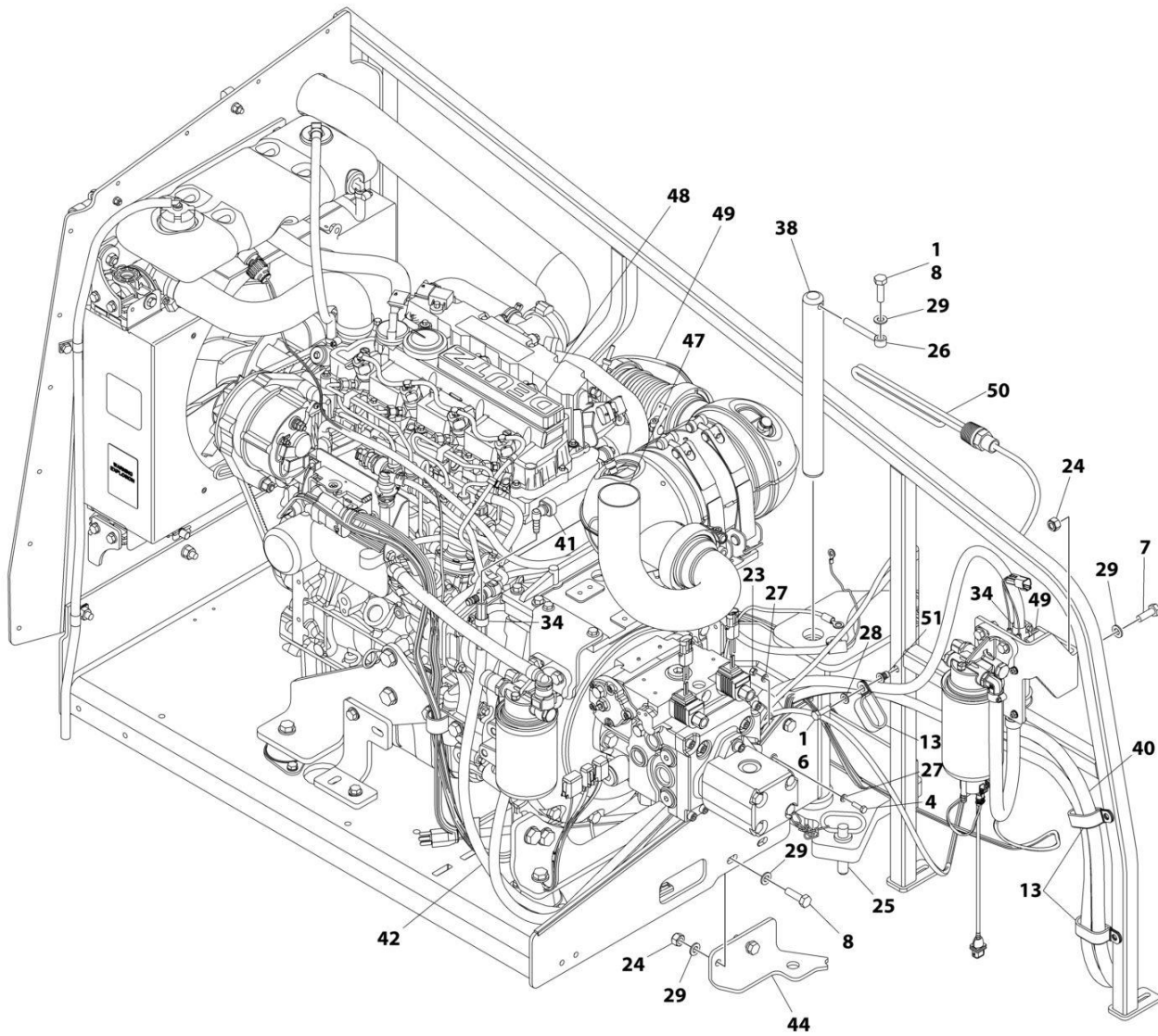
FIGURE 2-31. HOOD ASSEMBLY (STEEL) - TANK SIDE

ITEM	PART NUMBER	QTY	DESCRIPTION	REV
	1001285988	Ref	HOOD ASSEMBLY (STEEL) - TANK SIDE	A
1	0100011	AR	Compound, Locking	
2	0641409	4	Bolt 1/4 x 1/8	
3	0700616	1	Bolt M6 x 40	
4	0760608	2	Bolt M6 x 16	
5	0761014	42	Bolt M10 x 30	
6	0761016	6	Bolt M10 x 40	
7	2560187	1	Handle	
8	2940045	1	Latch	
9	2940173	1	Latch	
10	3290601	1	Nut M6	
11	3290605	2	Nut M6	
12	3290805	3	Nut M8 x 1-1/4	
13	3291005	42	Nut M10 x 1-1/2	
14	3900363	2	Screw M6 x 25	
15	4751400	4	Washer 1/4	
16	4811700	6	Washer M6	
17	4811900	3	Washer M8	
18	4812000	78	Washer M10	
19	5241000	6	Washer M10	
20	1001116290	1	Plate	
21	1001139384	2	Hinge	
22	1001164726	3	Screw M8 x 20	
23	1001169046	2	Nut	
24	1001202333	2	Plate, Nut	
25	1001263663	1	Bracket	
26	1001263668	1	Plate, Hinge	
27	1001263678	1	Bracket	
28	1001263694	1	Panel (End)	
29	1001263787	1	Door	
30	1001265390	1	Panel (Side)	
31	1001281623	4.88 ft/1.49m	Seal	
32	1001285640	1	Panel (Top)	

SECTION 3 - ENGINE

SECTION 3 - ENGINE

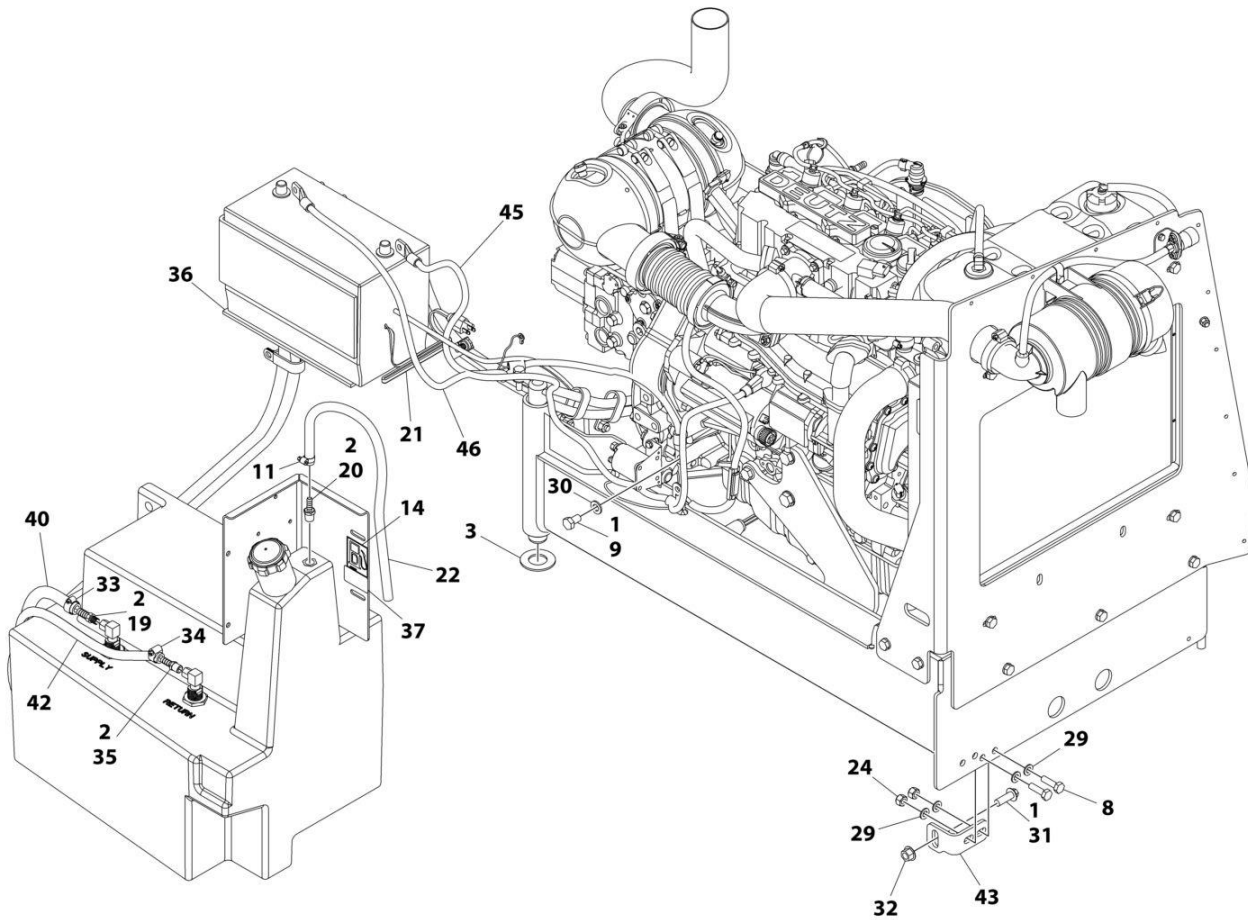
**FIGURE 3-1. ENGINE INSTALLATION - DEUTZ D2.9L4 ARCTIC ENGINE (WITH ARCTIC PACKAGE)
(ANSI EXPORT, AUSTRALIAN, CE (LRC), CIS/EAC & UK CA SPECS)**



ART_1001287815_10F3

SECTION 3 - ENGINE

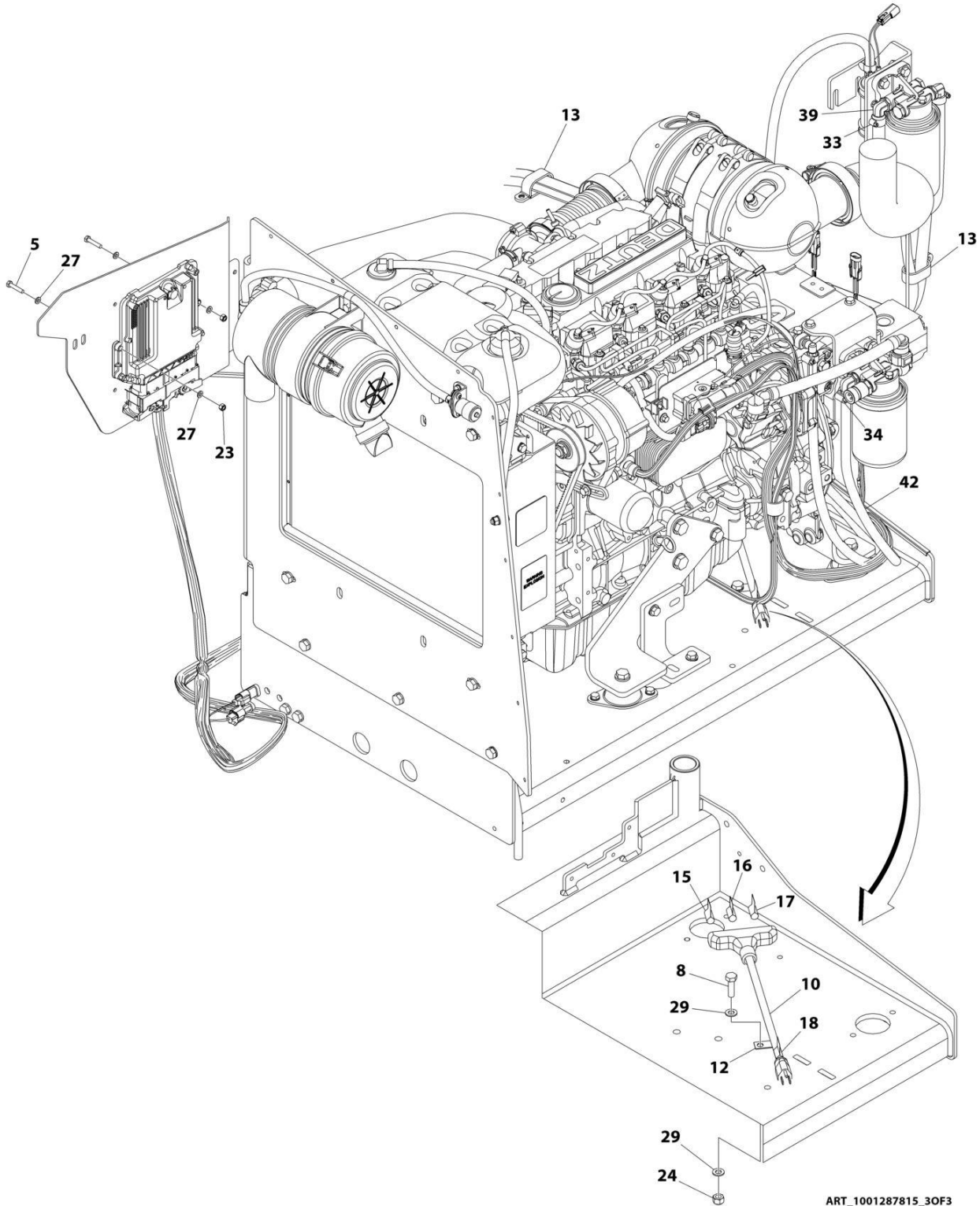
**FIGURE 3-2. ENGINE INSTALLATION - DEUTZ D2.9L4 ARCTIC ENGINE (WITH ARCTIC PACKAGE)
(ANSI EXPORT, AUSTRALIAN, CE (LRC), CIS/EAC & UK CA SPECS)**



ART_1001287815_2OF3

SECTION 3 - ENGINE

**FIGURE 3-3. ENGINE INSTALLATION - DEUTZ D2.9L4 ARCTIC ENGINE (WITH ARCTIC PACKAGE)
(ANSI EXPORT, AUSTRALIAN, CE (LRC), CIS/EAC & UK CA SPECS)**



SECTION 3 - ENGINE

**FIGURE 3-3. ENGINE INSTALLATION - DEUTZ D2.9L4 ARCTIC ENGINE (WITH ARCTIC PACKAGE)
(ANSI EXPORT, AUSTRALIAN, CE (LRC), CIS/EAC & UK CA SPECS)**

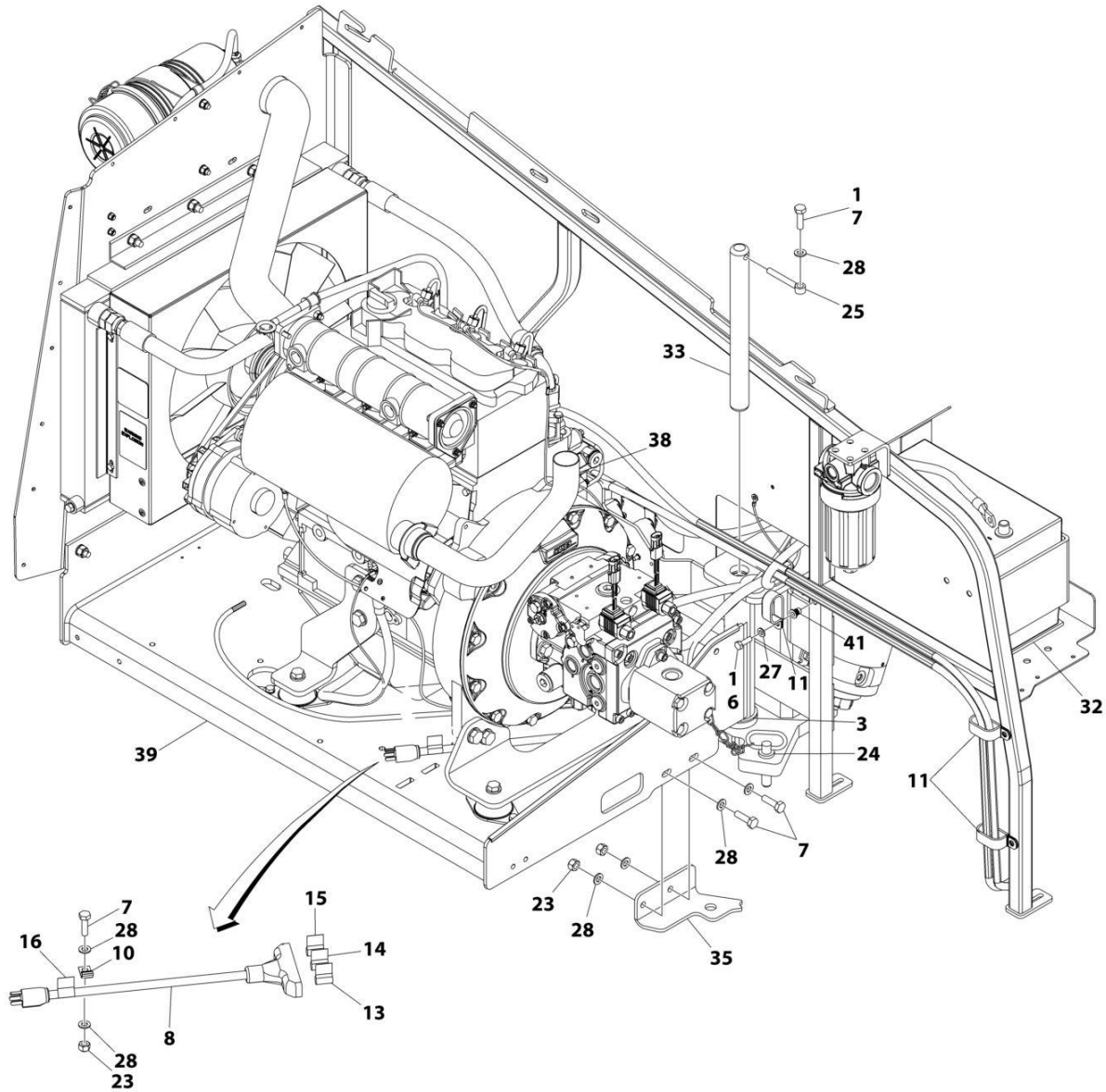
ITEM	PART NUMBER	QTY	DESCRIPTION	REV
	1001287815	Ref	ENGINE INSTALLATION - DEUTZ D2.9L4	A
1	0100011	AR	Compound, Locking	
2	0100020	AR	Sealant, Pipe	
3	0440162	1	Bearing	
4	0760610	1	Bolt M6 x 20	
5	0760614	4	Bolt M6 x 30	
6	0760812	1	Bolt M8 x 25	
7	0761014	2	Bolt M10 x 30	
8	0761015	6	Bolt M10 x 35	
9	0761210	1	Bolt M12 x 20	
10	1060626	1	Plug, 3 Way	
11	1320022	1	Clamp	
12	1320223	1	Clamp	
13	1321716	4	Clamp	
14	1701505	1	Decal - Diesel Fuel	
15	1702941	1	Decal - Battery Heater	
16	1702942	1	Decal - Engine Block Heater	
17	1702943	1	Decal - Hydraulic Tank Heater	
18	1702944	1	Decal - Heater Cord	
19	2180832	1	Fitting, Barbed	
20	2180876	1	Fitting, Barbed	
21	2580024	1	Heater, Battery	
22	2720058	2 ft /0.61m	Hose	
23	3290605	5	Nut, Lock M6	
24	3291005	7	Nut, Lock M10	
25	3422532	1	Pin	
26	3841143	1	Keeper, Pin	
27	4811700	10	Washer M6	
28	4811900	1	Washer, M8	
29	4812000	13	Washer M10	
30	4812100	1	Washer M12	
31	5251215	1	Bolt, M12 x 35 Class 10.9	
32	5261200	1	Nut, Flange M12 Class 10	
33	8405006	2	Clamp	
34	8410013	4	Clamp	
35	8430007	1	Coupling	
36	1001119278	1	Insulate	
37	1001125387	1	Decal - Ultra Low Sulfur Fuel	
38	1001135196	1	Pin	
39	1001142501	1	Fitting, Barbed 90	
40	1001154405	7.25 ft /2.21m	Hose	
41	1001155823	1	Coupling, Quick Disconnect 90	
42	1001165035	17.25 ft /5.26m	Hose	
43	1001167512	1	Bracket, Engine Tray	
44	1001169823	1	Plate, Engine Lock	
45	1001171683	1	Cable, Battery (Red) (Battery Positive to Auxiliary Power Relay)	

SECTION 3 - ENGINE

ITEM	PART NUMBER	QTY	DESCRIPTION	REV
46	1001171684	1	Cable, Battery (Black) (Battery Negative to Auxiliary Power Pump)	
47	1001172736	1	Pipe, Exhaust	
48	1001174778	1	Engine and Pump Sub-Assembly - Deutz D2.9L4 (With Arctic Package) (See Separate Breakdown in this Section)	
49	1001181358	1	Harness, Fuel Pump (See Separate Breakdown in ELECTRICAL Section)	
50	1001188972	1	Heater, Hydraulic Tank	
51	1001191832	1	Nut, Rivet M8	
52	1001233763	Ref	Breather Heater Installation (Not Shown - See Separate Breakdown in this Section)	

SECTION 3 - ENGINE

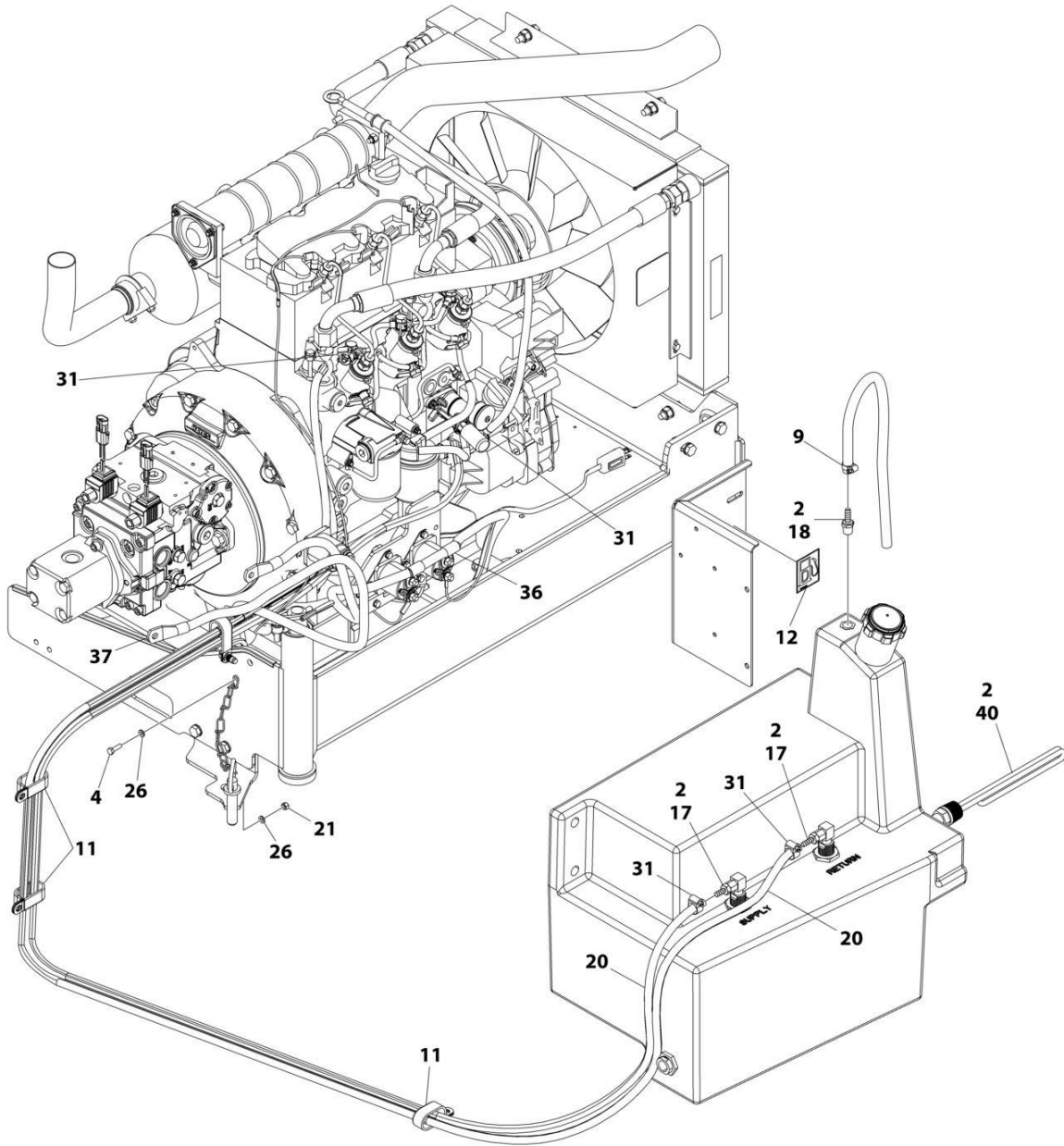
FIGURE 3-4. ENGINE INSTALLATION - DEUTZ D2011 ENGINE (WITH ARCTIC PACKAGE) (ANSI EXPORT, AUSTRALIAN, CE (LRC), CIS/EAC & UK CA SPECS)



ART_1001287816_10F3

SECTION 3 - ENGINE

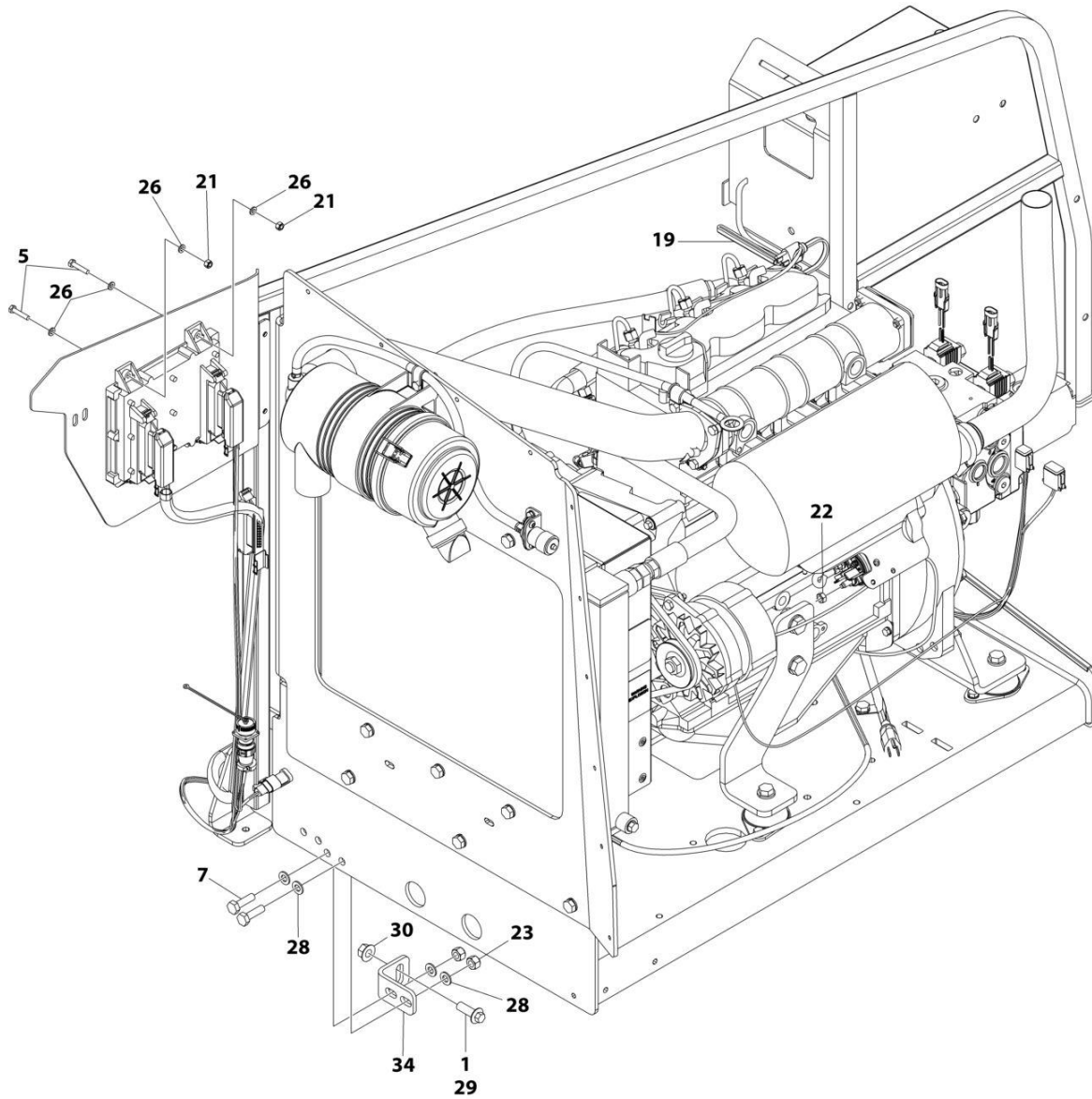
FIGURE 3-5. ENGINE INSTALLATION - DEUTZ D2011 ENGINE (WITH ARCTIC PACKAGE) (ANSI EXPORT, AUSTRALIAN, CE (LRC), CIS/EAC & UK CA SPECS)



ART_1001287816_20F3

SECTION 3 - ENGINE

FIGURE 3-6. ENGINE INSTALLATION - DEUTZ D2011 ENGINE (WITH ARCTIC PACKAGE) (ANSI EXPORT, AUSTRALIAN, CE (LRC), CIS/EAC & UK CA SPECS)



ART_1001287816_30F3

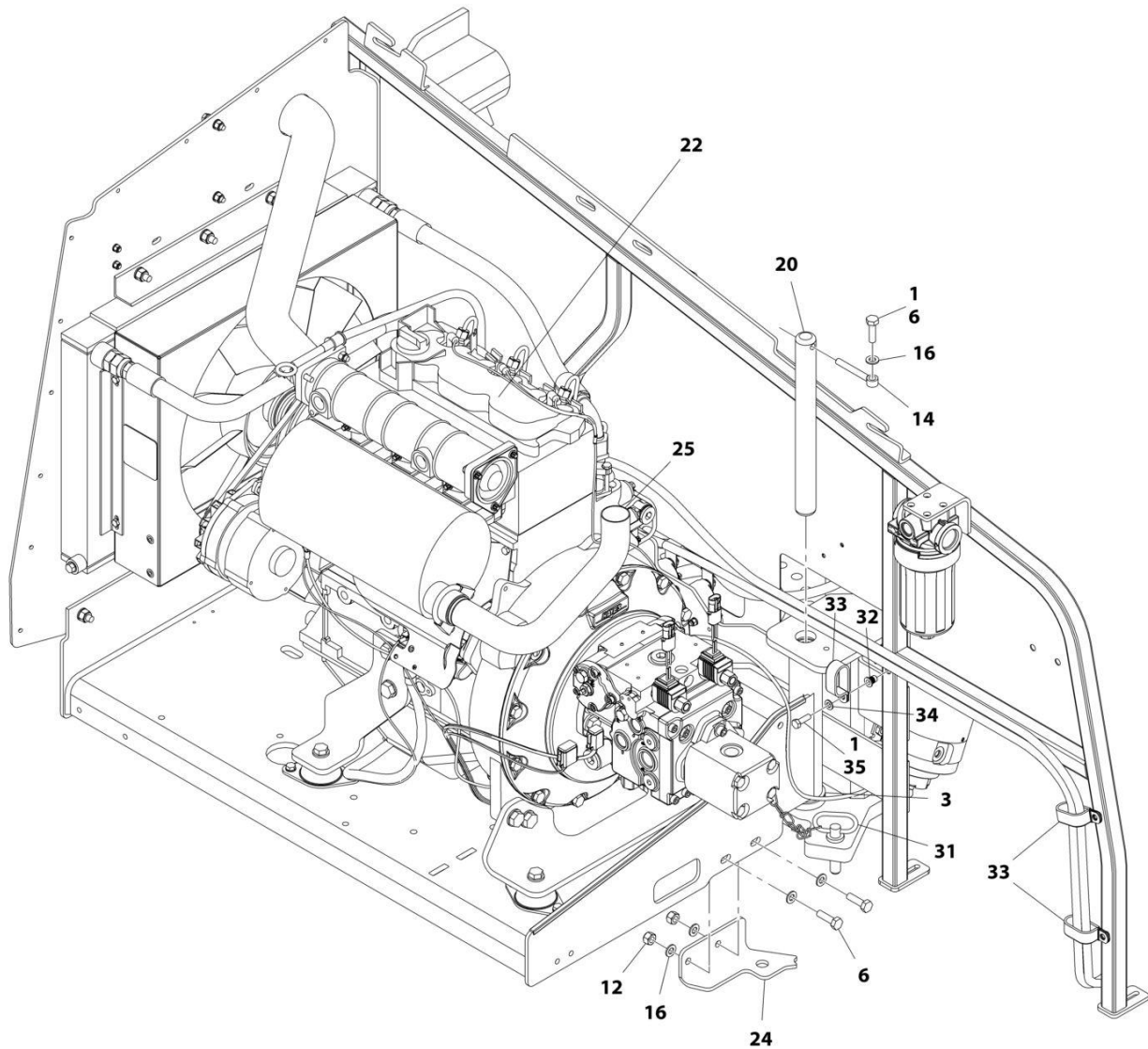
SECTION 3 - ENGINE

FIGURE 3-6. ENGINE INSTALLATION - DEUTZ D2011 ENGINE (WITH ARCTIC PACKAGE) (ANSI EXPORT, AUSTRALIAN, CE (LRC), CIS/EAC & UK CA SPECS)

ITEM	PART NUMBER	QTY	DESCRIPTION	REV
	1001287816	Ref	ENGINE INSTALLATION - DEUTZ D2011	A
1	0100011	AR	Compound, Locking	
2	0100020	AR	Sealant, Pipe	
3	0440162	1	Bearing	
4	0760610	1	Bolt M6 x 20	
5	0760614	4	Bolt M6 x 30	
6	0760812	1	Bolt M8 x 25	
7	0761015	6	Bolt M10 x 35	
8	1060626	1	Plug, 3 Way	
9	1320022	1	Clamp	
10	1320223	1	Clamp	
11	1321716	4	Clamp	
12	1701505	1	Decal - Diesel Fuel	
13	1702941	1	Decal - Battery Heater	
14	1702942	1	Decal - Engine Block Heater	
15	1702943	1	Decal - Hydraulic Tank Heater	
16	1702944	1	Decal - Heater Cord	
17	2180348	2	Fitting, Barbed	
18	2180876	1	Fitting, Barbed	
19	2580024	1	Heater, Battery	
20	2720058	22 ft /6.7m	Hose	
21	3290605	5	Nut, Lock M6	
22	3290801	1	Nut M8	
23	3291005	5	Nut, Lock M10	
24	3422532	1	Pin	
25	3841143	1	Keeper, Pin	
26	4811700	10	Washer M6	
27	4811900	1	Washer M8	
28	4812000	11	Washer M10	
29	5251215	1	Bolt M12 x 35 Class 10.9	
30	5261200	1	Nut, Flange M12 Class 10	
31	8410013	4	Clamp	
32	1001119278	1	Insulate	
33	1001135196	1	Pin	
34	1001167512	1	Bracket, Engine	
35	1001169823	1	Plate, Engine Lock	
36	1001171681	1	Cable, Battery (Red) (Battery Positive to Auxiliary Power Relay)	
37	1001171682	1	Cable, Battery (Black) (Battery Negative to Auxiliary Power Pump)	
38	1001172202	1	Pipe, Exhaust	
39	1001174784	1	Engine and Pump Sub-Assembly - Deutz D2011 (With Arctic Package) (See Separate Breakdown in this Section)	
40	1001188972	1	Heater, Hydraulic Tank	
41	1001191832	1	Nut, Rivet M8	

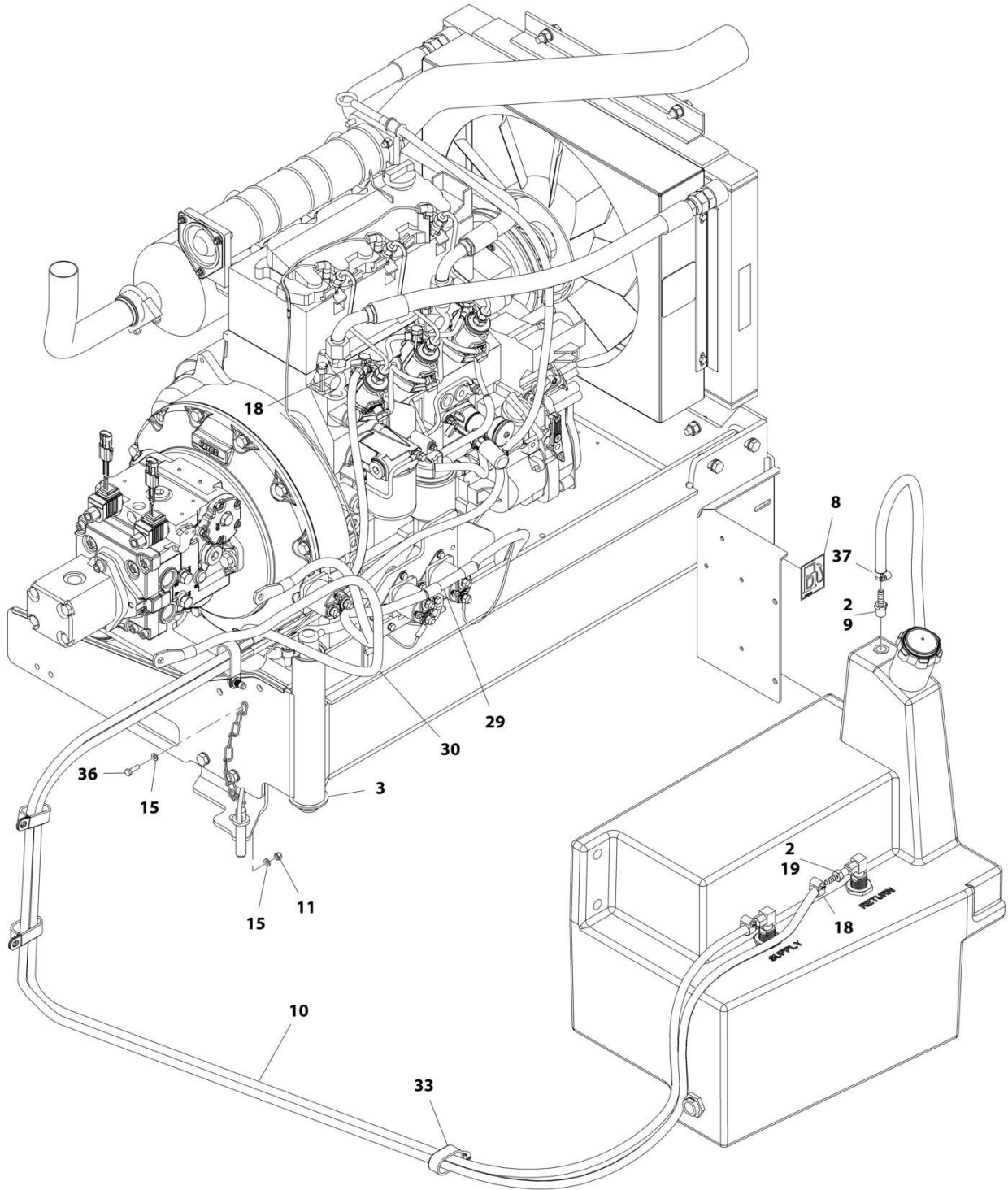
SECTION 3 - ENGINE

FIGURE 3-7. ENGINE INSTALLATION - DEUTZ D2011 ENGINE (WITHOUT ARCTIC PACKAGE) (ANSI EXPORT, AUSTRALIAN, CE (LRC), CIS/EAC & UK CA SPECS)



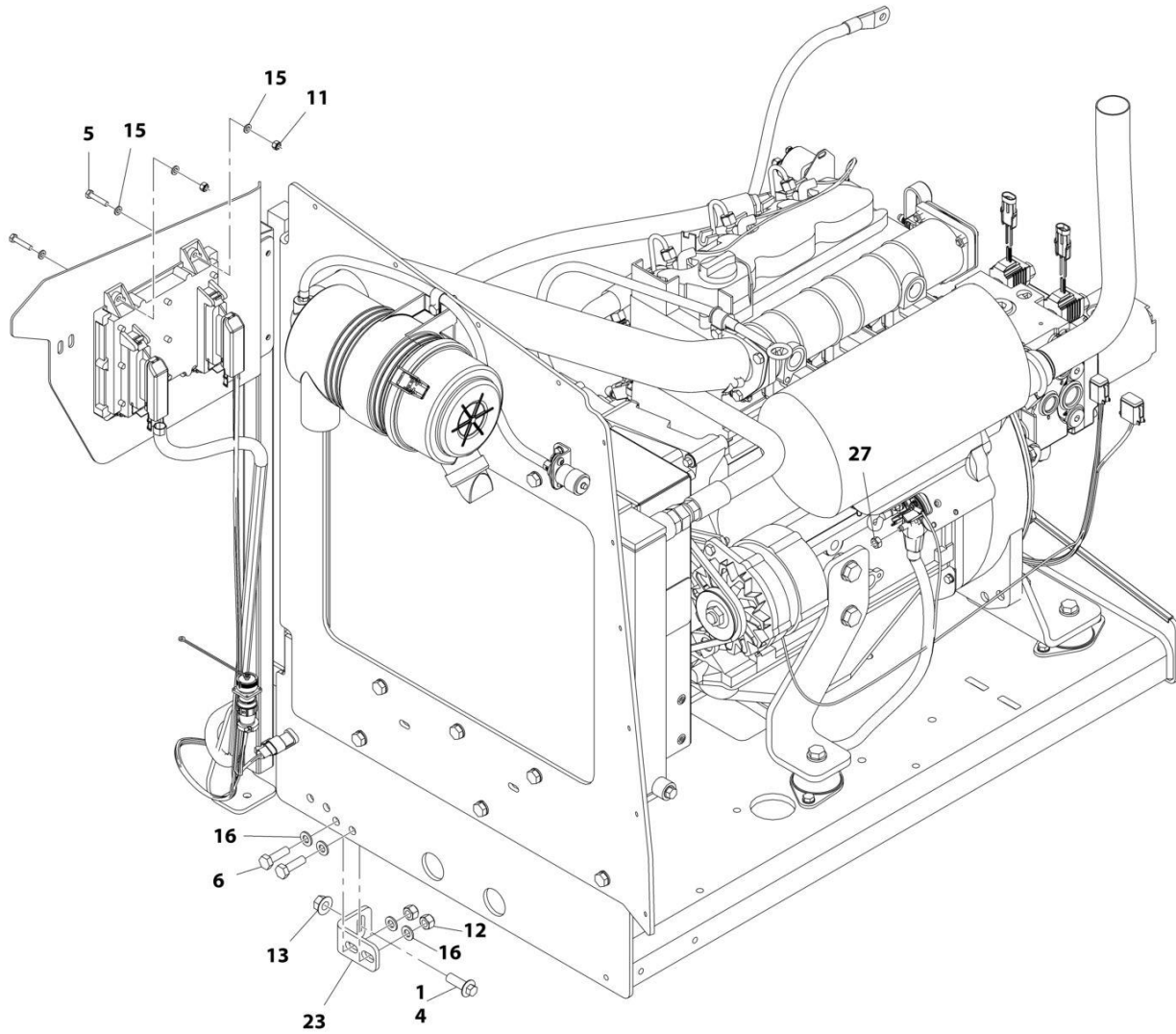
ART_1001166305_1OF3

SECTION 3 - ENGINE



ART_1001166305_2OF3

SECTION 3 - ENGINE



ART_1001166305_3OF3

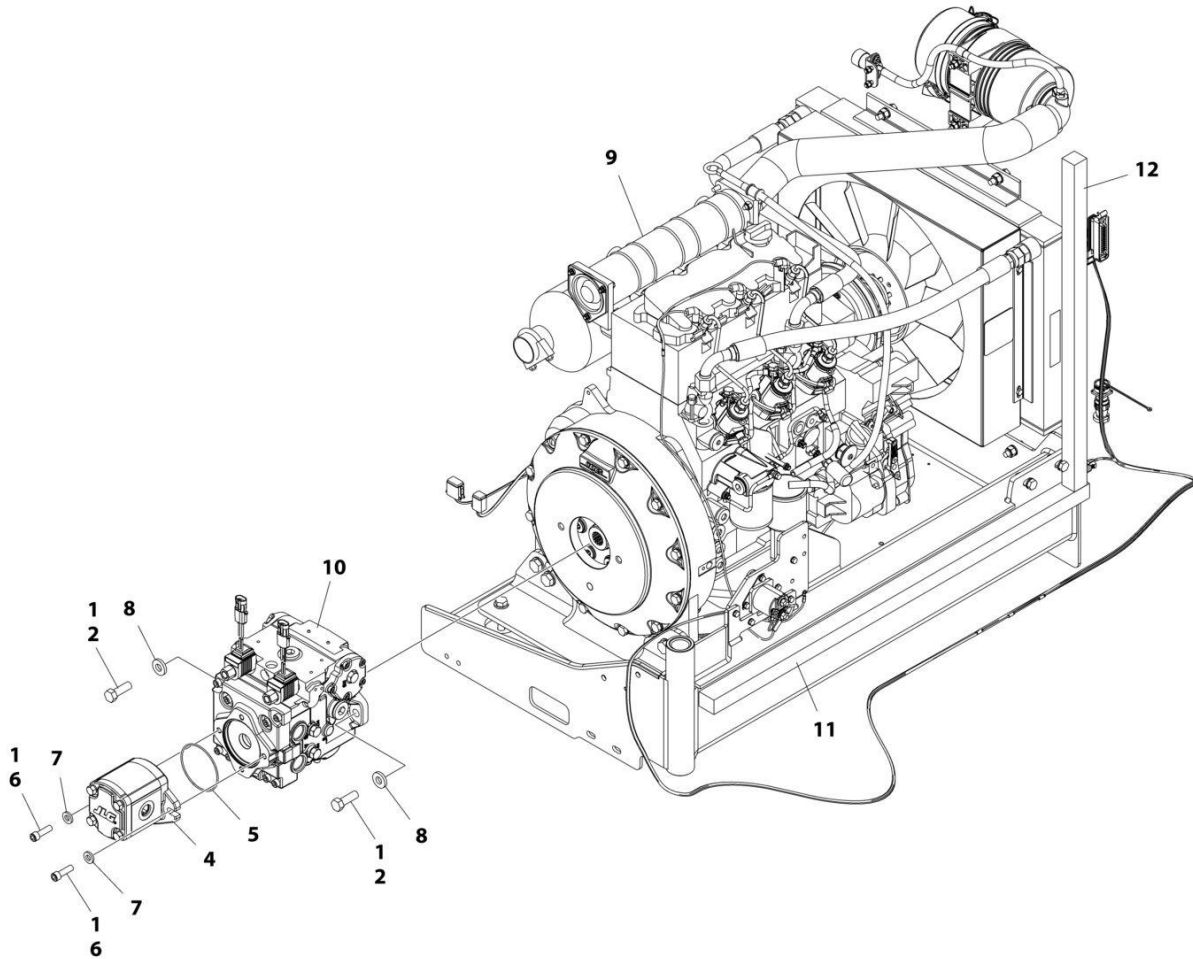
SECTION 3 - ENGINE

FIGURE 3-7. ENGINE INSTALLATION - DEUTZ D2011 ENGINE (WITHOUT ARCTIC PACKAGE) (ANSI EXPORT, AUSTRALIAN, CE (LRC), CIS/EAC & UK CA SPECS)

ITEM	PART NUMBER	QTY	DESCRIPTION	REV
	1001166305	Ref	ENGINE INSTALLATION - DEUTZ D2011 ENGINE (WITHOUT ARCTIC PACKAGE)	F
1	0100011	AR	Compound, Locking	
2	0100020	AR	Sealant, Pipe	
3	0440162	1	Bearing	
4	5251215	1	Bolt M12 x 35	
5	0760614	4	Bolt M6 x 30	
6	0761015	5	Bolt M10 x 35	
7	1704972	1	Decal - Warning Explosion/Fire	
8	1701505	1	Decal - Diesel Fuel	
9	2180876	1	Fitting, Barbed	
10	2720058	22 ft /6.7m	Hose	
11	3290605	5	Nut M6	
12	3291005	4	Nut M10	
13	5261200	1	Nut, Flange M12 Grade 10.9	
14	3841143	1	Keeper, Pin	
15	4811700	10	Washer M6	
16	4812000	9	Washer M10	
18	8410013	4	Clamp	
19	2180348	2	Fitting, Barbed	
20	1001135196	1	Pin	
22	1001166021	1	Engine and Pump Sub-Assembly - Deutz D2011 (Without Arctic Package) (See Separate Breakdown in this Section)	
23	1001167512	1	Bracket, Engine	
24	1001169823	1	Bracket, Engine	
25	1001172202	1	Pipe, Exhaust	
27	3290801	1	Nut M8	
29	1001171681	1	Cable, Battery (Red) (Battery Positive to Auxiliary Power Relay)	
30	1001171682	1	Cable, Battery (Black) (Battery Negative to Auxiliary Power Pump)	
31	3422532	1	Pin	
32	1001191832	1	Nut, Rivet, M8	
33	1321716	4	Clamp	
34	4811900	1	Washer M8	
35	0760812	1	Bolt M8 x 25	
36	0760610	1	Bolt M6 x 20	
37	1320022	1	Clamp	

SECTION 3 - ENGINE

**FIGURE 3-8. ENGINE AND PUMP SUB-ASSEMBLY - DEUTZ D2011 (WITHOUT ARCTIC PACKAGE)
(ANSI EXPORT, AUSTRALIAN, CE (LRC), CIS/EAC & UK CA SPECS)**



ART_1001166021_G

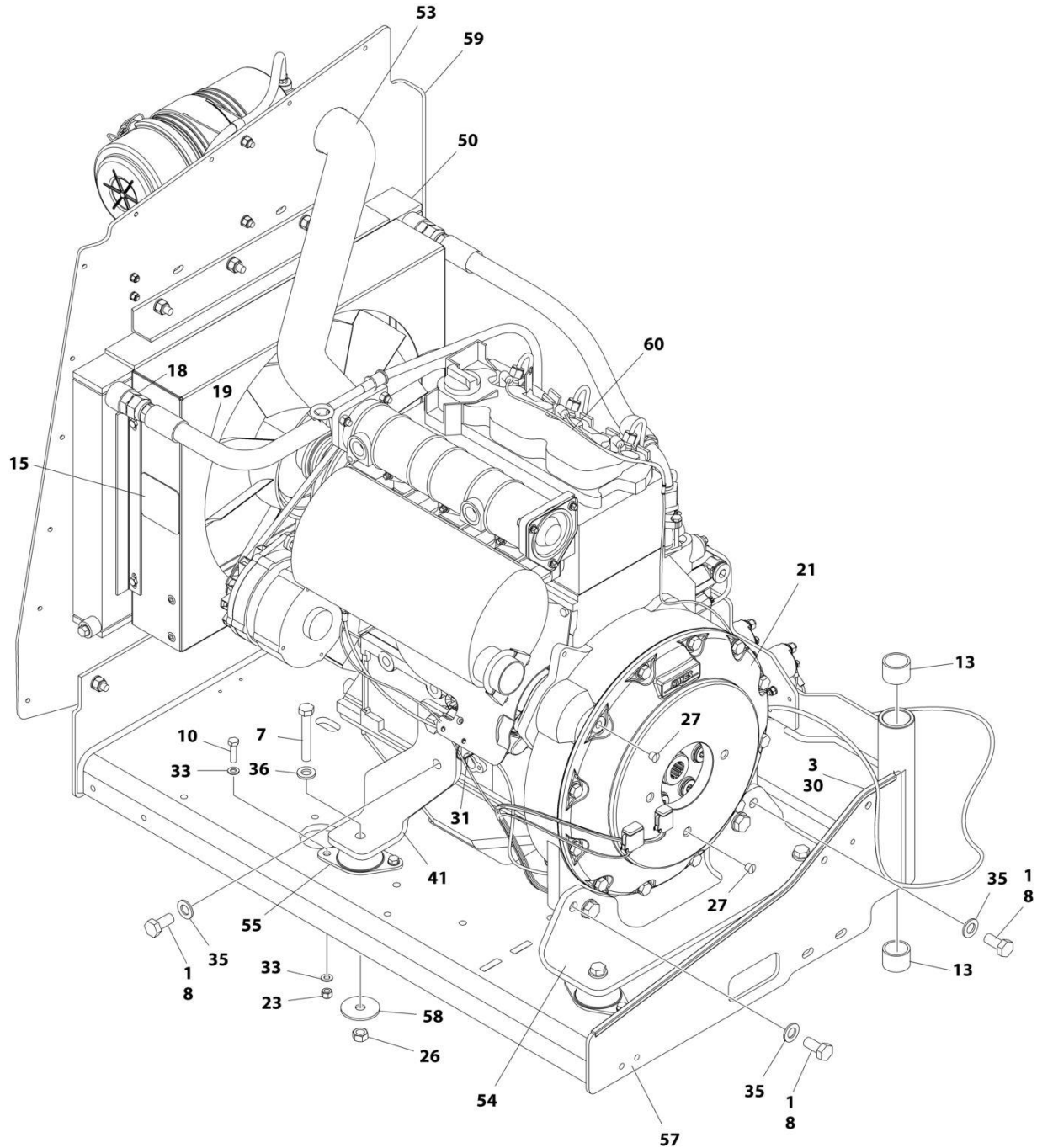
SECTION 3 - ENGINE

**FIGURE 3-8. ENGINE AND PUMP SUB-ASSEMBLY - DEUTZ D2011 (WITHOUT ARCTIC PACKAGE)
(ANSI EXPORT, AUSTRALIAN, CE (LRC), CIS/EAC & UK CA SPECS)**

ITEM	PART NUMBER	QTY	DESCRIPTION	REV
	1001166021	Ref	ENGINE AND PUMP SUB-ASSEMBLY - DEUTZ D2011 (WITHOUT ARCTIC PACKAGE)	G
1	0100011	AR	Compound, Locking	
2	0641812	2	Bolt 1/2 x 1-1/2	
4	1001214207	1	Gear Pump Assembly	
4	70006356	1	Seal Kit	
5	3790152	1	O-Ring	
6	3931618	2	Capscrew 3/8 x 1-1/8	
7	4891600	2	Washer 3/8 Hardened	
8	4891800	2	Washer 1/2 Hardened	
9	1001166020	1	Engine Assembly - Deutz D2011 Engine (Without Arctic Package) (See Separate Breakdown in this Section)	
10	1001167036	1	Piston Pump Assembly (See Separate Breakdown in this Section)	
11	1001171953	1	Seal	
12	1001171954	1	Seal	

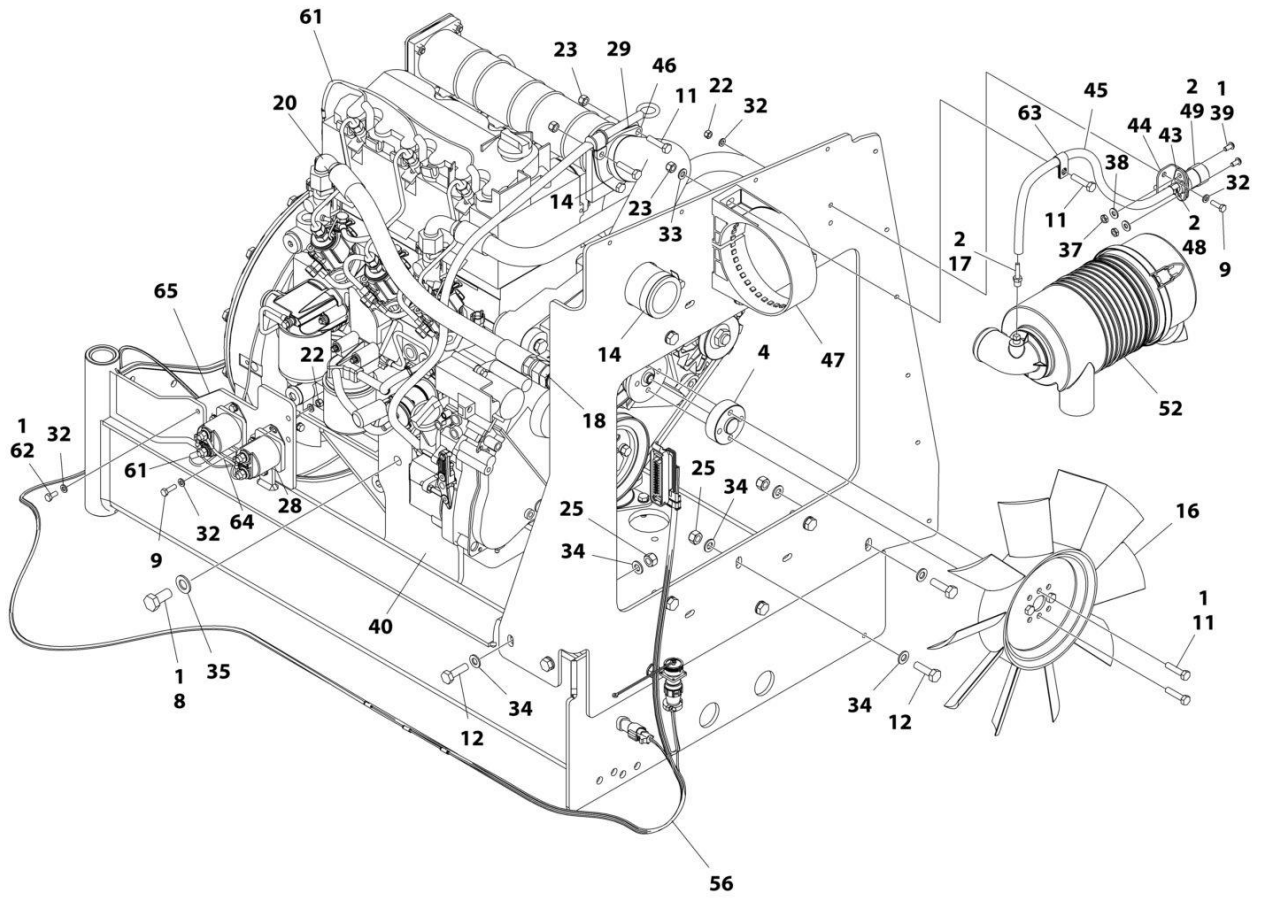
SECTION 3 - ENGINE

FIGURE 3-9. ENGINE ASSEMBLY - DEUTZ D2011 ENGINE (WITHOUT ARCTIC PACKAGE) (ANSI EXPORT, AUSTRALIAN, CE (LRC), CIS/EAC & UK CA SPECS)



ART_1001166020_10F2

SECTION 3 - ENGINE



ART_1001166020_20F2

SECTION 3 - ENGINE

FIGURE 3-9. ENGINE ASSEMBLY - DEUTZ D2011 ENGINE (WITHOUT ARCTIC PACKAGE) (ANSI EXPORT, AUSTRALIAN, CE (LRC), CIS/EAC & UK CA SPECS)

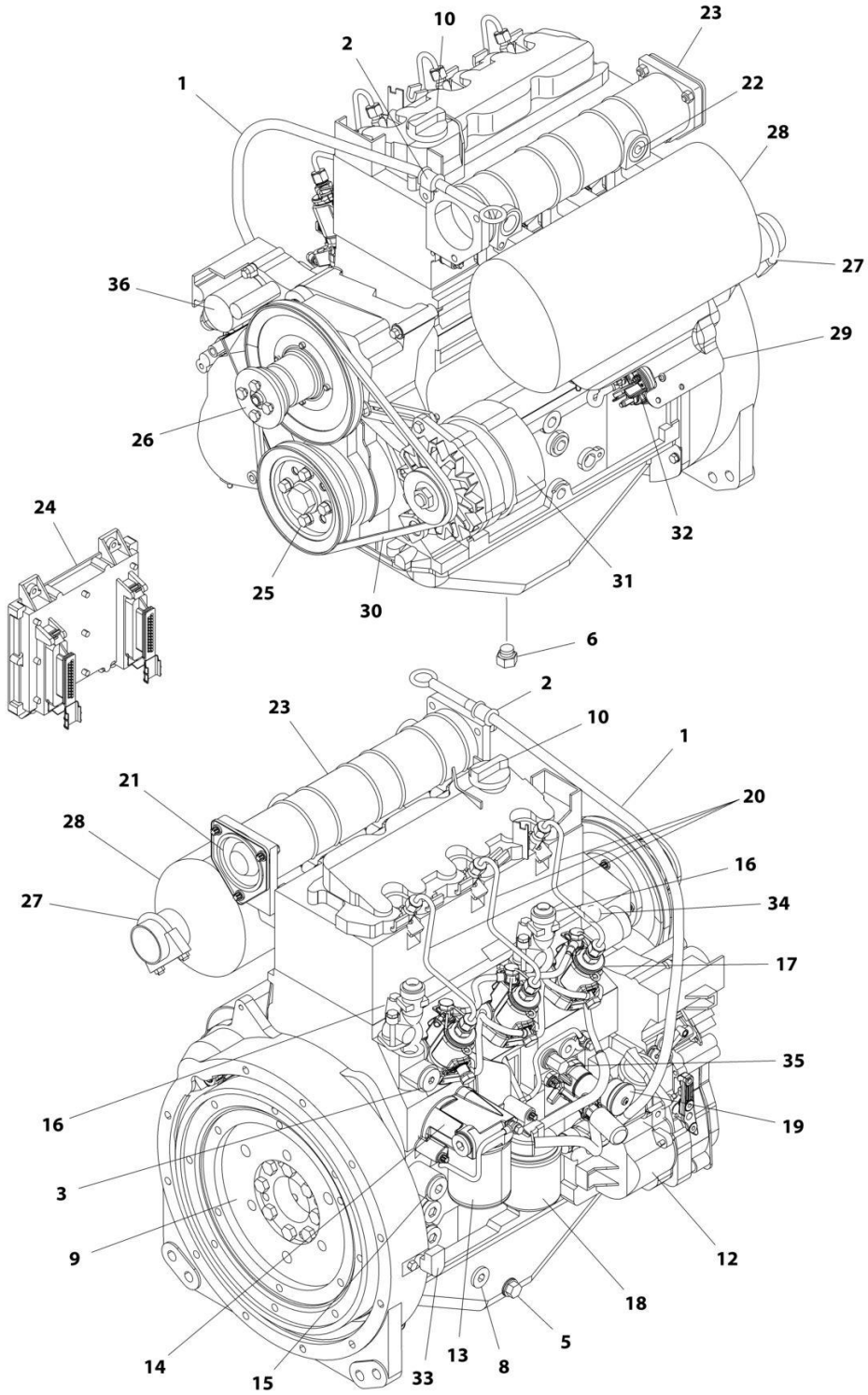
ITEM	PART NUMBER	QTY	DESCRIPTION	REV
	1001166020	Ref	ENGINE ASSEMBLY - DEUTZ D2011 ENGINE (WITHOUT ARCTIC PACKAGE)	O
1	0100011	AR	Compound, Locking	
2	0100020	AR	Sealant, Pipe	
3	0100081	AR	Adhesive	
4	0080231	1	Spacer, Fan	
7	0711224	4	Bolt M12 x 80 Grade 10.9	
8	0771414	8	Bolt M14 x 30 Grade 10.9	
9	0760610	6	Bolt M6 x 20	
10	0760814	8	Bolt M8 x 30	
11	0760815	9	Bolt M8 x 35	
12	0761015	11	Bolt M10 x 35	
13	0961951	2	Bushing	
14	1320016	2	Clamp	
15	1703162	2	Decal - Caution Fan	
16	2060025	1	Fan	
17	2220315	1	Fitting, Barbed	
18	2220451	2	Fitting, Straight JIC/ORB	
19	2720398	1	Hose	
20	2720447	1	Hose	
21	2902065	1	Pump Coupling Kit (See Separate Breakdown in this Section)	
22	3290605	6	Nut M6 x 1	
23	3290805	13	Nut M8 x 1-1/4	
25	3291005	11	Nut M10 x 1-1/2	
26	3331215	4	Nut M12 x 1-3/4	
27	3520054	2	Plug	
28	3740067	2	Relay Assembly	
28	3300220	2	Nut	
28	3321001	1	Nut #10	
28	3740140	1	Relay	
28	4761000	1	Washer #10	
28	1001111424	2	Washer	
29	3960407	1	Gasket	
30	4060805	2.25 ft/ 0.69m	Trim-Flex	
31	4240099	AR	Tie-Strap	
32	4811700	15	Washer M6	
33	4811900	20	Washer M8	
34	4812000	22	Washer M10	
35	4812200	8	Washer M14	
36	5241200	4	Washer M12	
37	8305401	2	Nut, Jam	
38	8307109	2	Washer, .250	
39	8310548	2	Screw 1/4 x 1/2	
40	1001132195	1	Bracket, Engine Mount	
41	1001132196	1	Bracket, Engine Mount	
43	1001138173	1	Support, Service Indicator	
44	1001138175	1	Bracket, Service Indicator	

SECTION 3 - ENGINE

ITEM	PART NUMBER	QTY	DESCRIPTION	REV
45	1001138248	2 ft/ 0.61m	Tube	
46	1001139819	1	Adapter, Air Intake	
47	1001141694	1	Clamp, Air Cleaner	
48	1001141995	1	Fitting, Barbed	
49	1001143390	1	Indicator	
50	1001150998	1	Radiator	
52	1001165388	1	Air Cleaner Assembly	
52	70003783	1	Element, Air Cleaner	
53	1001165389	1	Hose	
54	1001166717	1	Bracket, Engine Mount	
55	1001166718	4	Isolator, Engine Mount	
56	1001167111	1	Harness Engine - Deutz D2011 (See Separate Breakdown in ELECTRICAL SECTION)	
57	1001167520	1	Tray, Engine	
58	1001168018	4	Washer, Snubbing	
59	1001168059	1	Plate, Radiator Mounting	
60	1001170693	1	Engine, Deutz D2011 (See Separate Breakdown in this Section)	
61	4923451	1	Harness, Glow Plugs	
62	0760614	3	Bolt M6 x 30	
63	8406109	1	Clip	
64	1001178859	1	Cable, Alternator	
65	1001214975	1	Bracket	

SECTION 3 - ENGINE

FIGURE 3-10. ENGINE COMPONENTS - DEUTZ D2011



ART_1001170693

SECTION 3 - ENGINE

FIGURE 3-10. ENGINE COMPONENTS - DEUTZ D2011

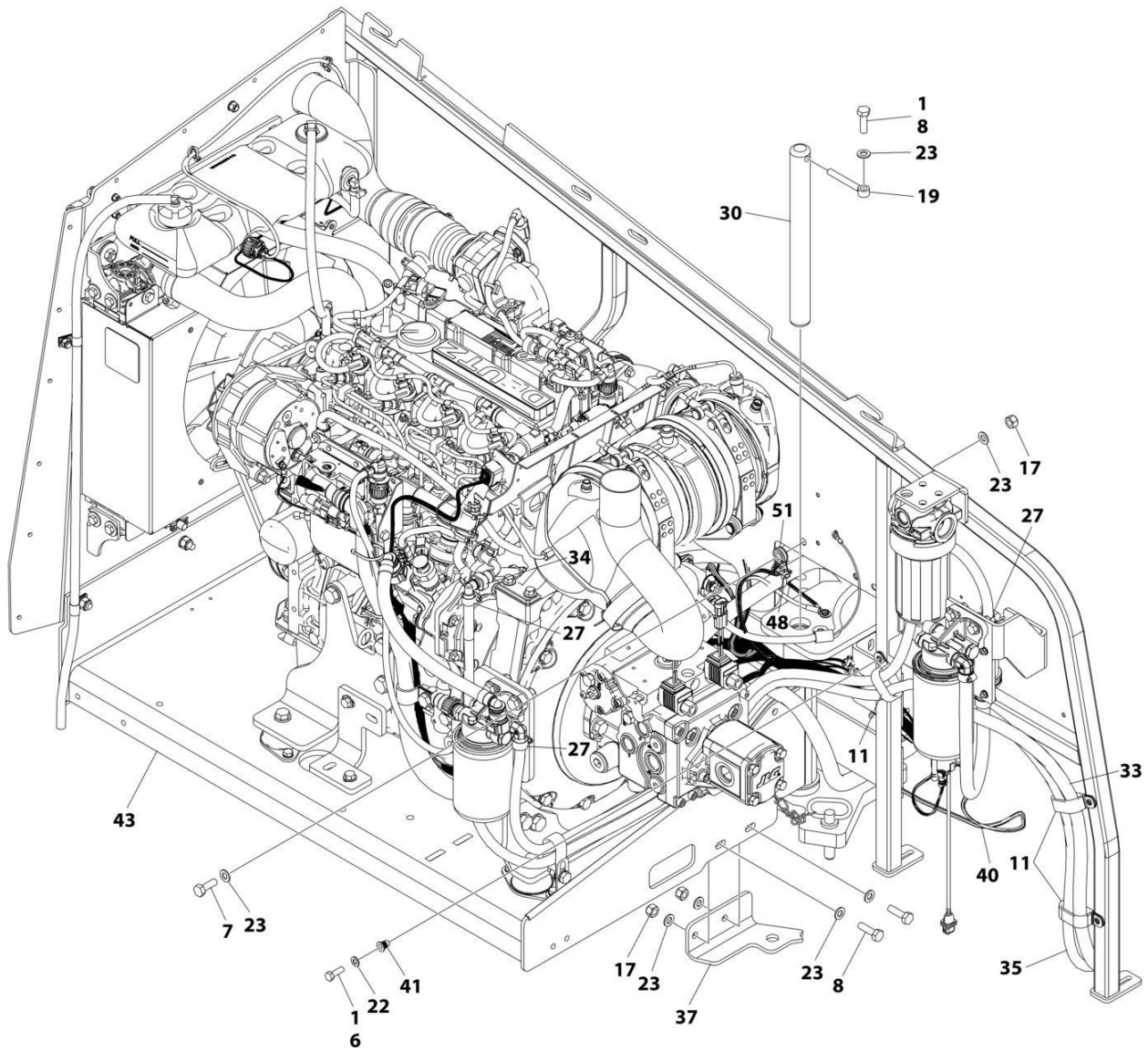
ITEM	PART NUMBER	QTY	DESCRIPTION	REV
	1001170693	Ref	ENGINE COMPONENTS - DEUTZ D2011	C
1	70001002	1	Tube, Dipstick	
1	7020403	1	Seal, Tube	
1	7020026	1	Dipstick	
2	70001654	1	Clamp	
2	70001655	1	Bolt	
3	70003475	1	Thermostat	
3	7020460	1	Spring	
4		Ref	Seal and Gasket Options (Not Shown):	
4	70002718	1	Seal, Rear Main	
4	7020430	1	Gasket, Valve Cover	
4	70003479	1	Gasket, Head - 1 Notch	
4	70003480	1	Gasket, Head - 2 Notch	
4	70003481	1	Gasket, Head - 3 Notch	
5	70025088	1	Plug	
6	70025667	1	Plug	
7	70025123	22	Bolt, Torx (Oil Pan Bolts) (Not Shown)	
8	7020492	1	Seal	
8	70025084	1	Plug	
9	70001870	1	Flywheel	
9	7024579	1	Ring Gear (Part of Flywheel)	
9	70025139	8	Bolt	
10	7020465	1	Cap, Oil Fill	
11	70000800	1	Timing Belt/Idler Kit (Includes Timing Belt, Tensioner and Tensioner Bolt) (Not Shown)	
12	70001850	1	Pump, Lubricating	
12	7020468	1	Seal, Pump to Engine Block (Not Shown)	
13	7016331	1	Filter, Oil	
14	70003472	1	Bracket, Oil Filter (Includes Plug with Seal, Temperature Sensor, Control Valve and Compression Spring)	
14	7027236	1	Sensor, Temperature	
14	70025082	1	Seal, Plug	
14	70025091	1	Plug	
14	70003473	1	Gasket, Bracket to Engine Block (Not Shown)	
15	70001181	1	Valve	
15	70025091	1	Plug	
15	70025082	1	Seal, Plug	
16	70004268	2	Connector, Radiator Neck	
16	70004269	2	Seal, Radiator Neck to Engine Block	
17	70000912	3	Pump, Fuel Injector - A Spec	
17	70000913	3	Pump, Fuel Injector - B Spec	
17	70000914	3	Pump, Fuel Injector - C Spec	
17	70000915	3	Pump, Fuel Injector - D Spec	
17	70003464	3	O-Ring, Pump to Engine Block	
18	7020023	1	Filter, Fuel	
18	70003463	1	Filter, Fuel - RME Resistant	
18	70001423	1	Bracket, Fuel Filter	
19	70000916	1	Pump Fuel Supply	
19	70000917	1	O-Seal Between Fuel Pump and Engine Block	
19	70000918	1	Sealing Ring Between Hand Pump and Supply Pump	

SECTION 3 - ENGINE

ITEM	PART NUMBER	QTY	DESCRIPTION	REV
19	70000919	1	Pump, Hand	
19	70001435	1	Repair Kit	
19	70025694	2	Bolt, Torx	
20	70000931	3	Pipe, High Pressure	
21	70003469	1	Flange, Intake	
21	70003468	1	Seal	
22	70025084	1	Plug	
22	7020492	1	Seal, Plug	
23	7027903	1	Manifold, Air Intake	
23	70001871	3	Gasket Between Manifold and Engine Block	
24	See Note	1	Module, Engine Control (Note: Not Currently Available)	
24	7027796	1	Cable, Electrical Between Module and Engine Harness (Not Shown)	
24	70001872	1	Harness, Engine (Connects to p/n 70004060) (Not Shown)	
24	70004060	1	Plug, Connector Located on Cable Near Module (Not Shown)	
24	70004059	1	Plug, Analyzer (Not Shown)	
25	70025123	4	Bolt, Torx	
26	70000787	1	Support, Fan (Includes Support, Internal Shaft, Bearings and Circlip)	
27	70001844	1	Clamp	
28	See Note	1	Muffler (Note: See Separate Breakdown in this Section)	
28	7020471	3	Gasket, Exhaust Between Muffler and Engine Block	
28	70004270	6	Stud, Muffler	
29	70001498	1	Shield, Starter	
29	70025693	3	Bolt	
30	70004102	1	V-Belt	
31	70004056	1	Alternator (Includes Voltage Regulator and Gaskets, Fan and Fan Mounting Hardware)	
31	70001868	1	Regulator, Voltage	
31	70001866	1	Gasket Set, Voltage Regulator	
31	70025131	1	Fan	
31	70025086	1	Nut, Fan	
31	70000851	1	Bracket, Alternator Mounting	
31	70002234	1	Bracket, Alternator Adjustment	
31	70004103	1	Harness, Alternator (Not Shown)	
32	7020479	1	Starter	
32	70025121	2	Bolt, Starter Mounting	
32	70004058	1	Relay	
32	70004062	1	Harness, Starter (Not Shown)	
33	7024565	1	Sensor, Speed	
33	70003931	1	Bolt	
33	70003932	1	Spacer, Sleeve	
34	7027791	1	Sensor, Temperature	
35	7027790	1	Sensor, Oil Pressure	
36	7027792	1	Actuator	
37	70000345	3	Plug, Glow (Not Shown)	

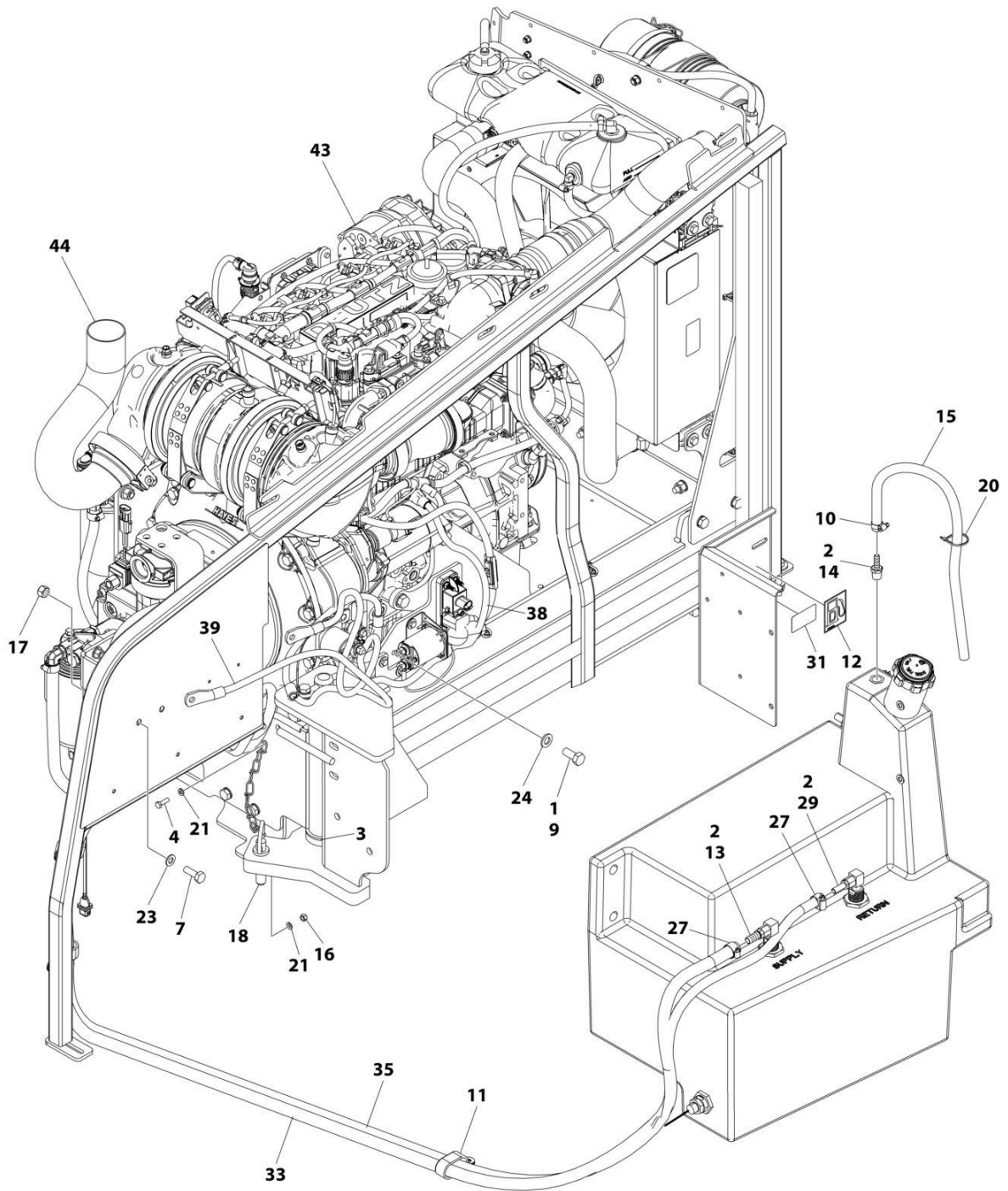
SECTION 3 - ENGINE

FIGURE 3-11. ENGINE INSTALLATION - DEUTZ D2.9L4 ENGINE (STAGE V) (CE & UK CA SPECS)



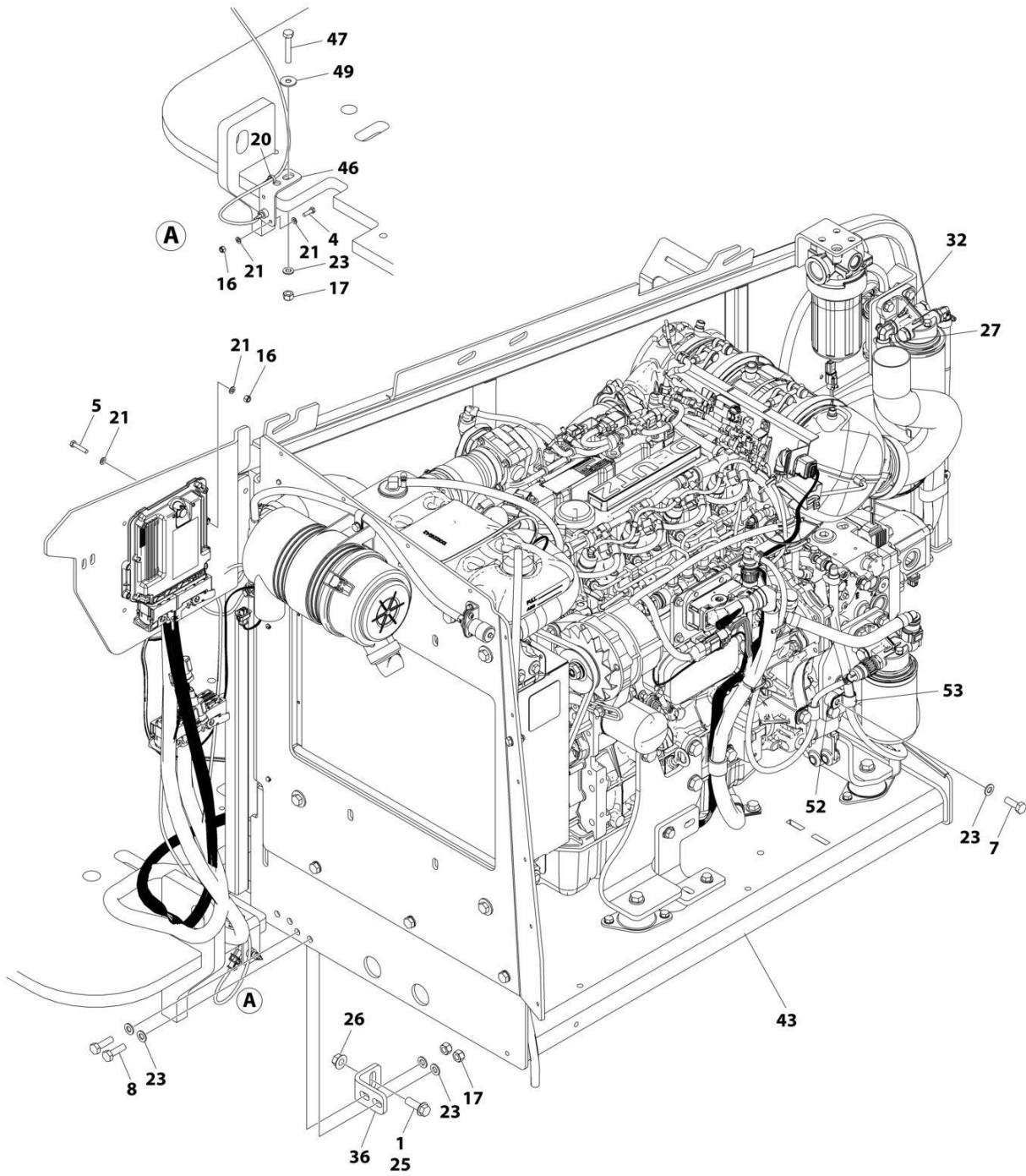
ART_1001244287_H_10F3

SECTION 3 - ENGINE



ART_1001244287_H_20F3

SECTION 3 - ENGINE



ART_1001244287_H_30F3

SECTION 3 - ENGINE

FIGURE 3-11. ENGINE INSTALLATION - DEUTZ D2.9L4 ENGINE (STAGE V) (CE & UK CA SPECS)

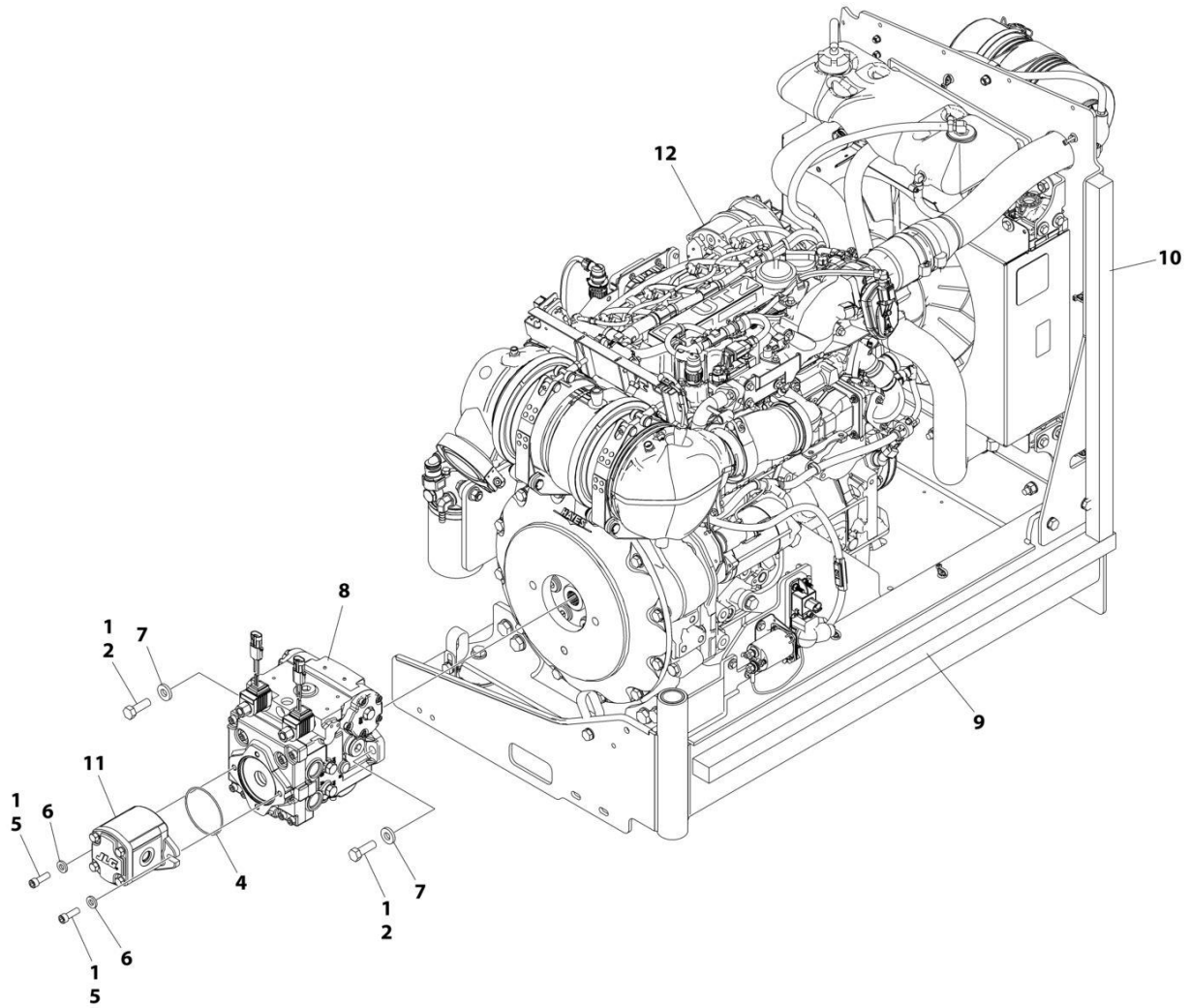
ITEM	PART NUMBER	QTY	DESCRIPTION	REV
	1001244287	Ref	ENGINE INSTALLATION - DEUTZ D2.9L4 ENGINE (STAGE V)	H
1	0100011	AR	Compound, Locking	
2	0100020	AR	Sealant, Pipe	
3	0440162	1	Bearing	
4	0760610	2	Bolt M6 x 20	
5	0760614	4	Bolt M6 x 30	
6	0760812	1	Bolt M8 x 25	
7	0761014	4	Bolt M10 x 30	
8	0761015	5	Bolt M10 x 35	
9	0771212	1	Bolt M12 x 25	
10	1320022	1	Clamp	
11	1321716	4	Clamp	
12	1701505	1	Decal - Diesel Fuel	
13	2180832	1	Fitting, Barbed	
14	2180876	1	Fitting, Barbed	
15	2720058	2 ft /0.6m	Hose	
16	3290605	6	Nut M6	
17	3291005	8	Nut M10	
18	3422532	1	Pin	
19	3841143	1	Keeper, Pin	
20	4240099	AR	Tie-Strap	
21	4811700	12	Washer M6	
22	4811900	1	Washer M8	
23	4812000	15	Washer M10	
24	4812100	1	Washer M12	
25	5251215	1	Bolt M12 x 35	
26	5261200	1	Nut, Flange M12 Grade 10.9	
27	8405006	6	Clamp	
29	2220767	AR	Fitting, Barbed 90	
29	8430007	AR	Fitting, Barbed	
30	1001135196	1	Pin	
31	1001139654	1	Decal - Ultra Low Sulfur Diesel	
32	1001142501	1	Fitting, Barbed 90	
33	1001154405	7.25 ft /2.21m	Hose	
34	1001155823	1	Coupling, Quick Disconnect 90	
35	1001165035	17.25 ft /5.26m	Hose	
36	1001167512	1	Bracket	
37	1001169823	1	Plate, Engine Lock	
38	1001171683	1	Cable, Battery (Red) (Battery Positive to Auxiliary Power Relay)	
39	1001171684	1	Cable, Battery (Black) (Battery Negative to Auxiliary Power Pump)	
40	1001181358	1	Harness, Fuel Pump (See Separate Breakdown in ELECTRICAL SECTION)	
41	1001191832	1	Nut, Rivet M8	
43	1001277600	1	Engine and Pump Sub-Assembly - Deutz D2.9L4 (Without Arctic Package) (See Separate Breakdown in this Section)	
44	1001247440	1	Pipe, Exhaust	
46	1001256879	1	Bracket	
47	0701020	1	Bolt M10 x 60	

SECTION 3 - ENGINE

ITEM	PART NUMBER	QTY	DESCRIPTION	REV
48	1062255	1	Tie-Strap	
49	4812002	1	Washer M10	
51	1001156107	1	Holder	
52	1001220266	1	Spacer	
53	1320061	1	Clamp	

SECTION 3 - ENGINE

FIGURE 3-12. ENGINE AND PUMP SUB-ASSEMBLY - DEUTZ D2.9L4 ENGINE (STAGE V) (CE & UK CA SPECS)



ART_1001244285

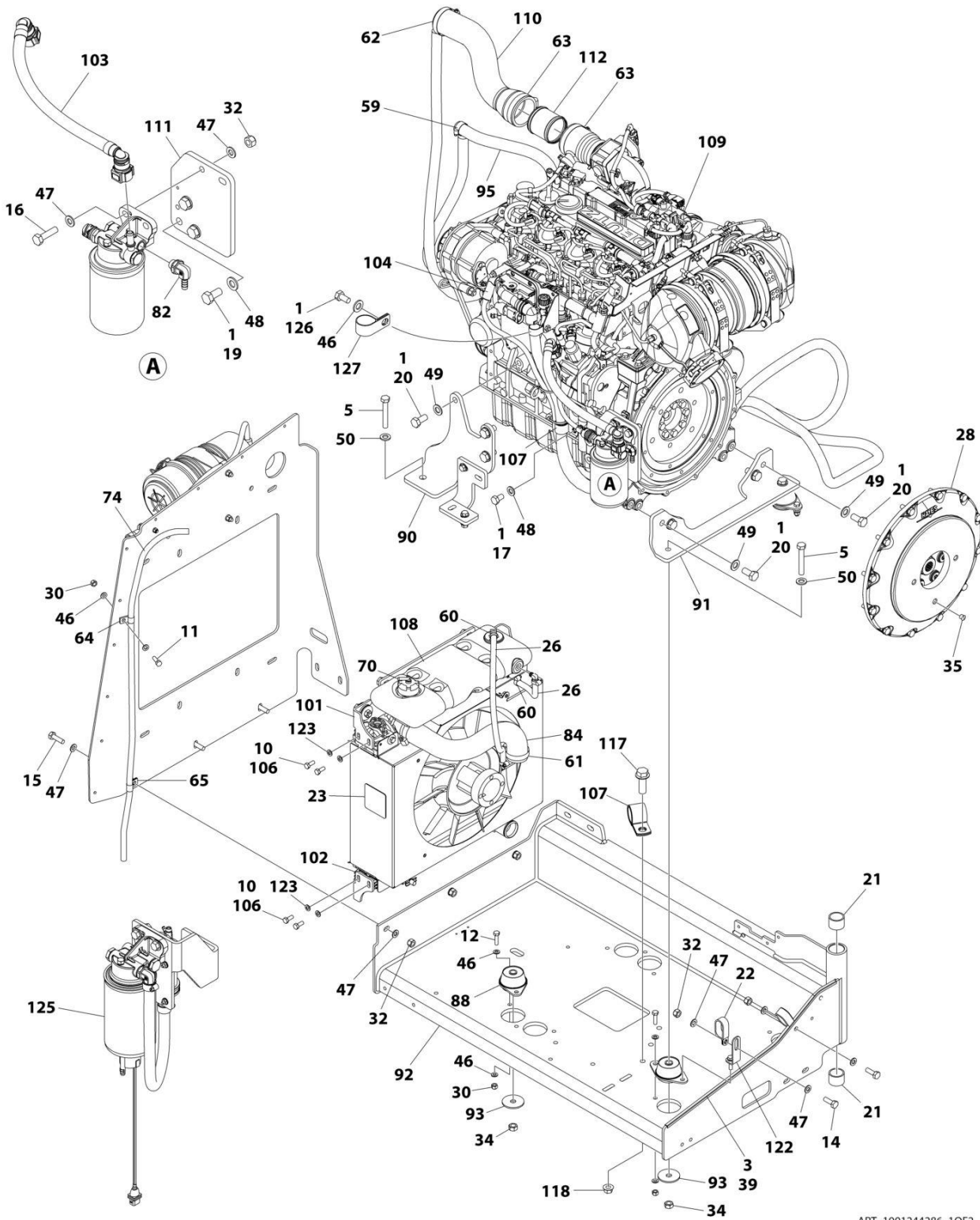
SECTION 3 - ENGINE

FIGURE 3-12. ENGINE AND PUMP SUB-ASSEMBLY - DEUTZ D2.9L4 ENGINE (STAGE V) (CE & UK CA SPECS)

ITEM	PART NUMBER	QTY	DESCRIPTION	REV
	1001244285	Ref	ENGINE AND PUMP SUB-ASSEMBLY - DEUTZ (STAGE V) ENGINE	E
1	0100011	AR	Compound, Locking	
2	0641812	2	Bolt 1/2 x 1-1/2	
4	3790152	1	O-Ring	
5	3931618	2	Capscrew, 3/8 x 1-1/8	
6	4891600	2	Washer, 3/8 Hardened	
7	4891800	2	Washer 1/2 Hardened	
8	1001167036	1	Piston Pump Assembly (See Separate Breakdown in this Section)	
9	1001171953	1	Seal	
10	1001171954	1	Seal	
11	1001214207	1	Gear Pump Assembly	
11	70006356	1	Seal Kit - 1001214207 Pump	
12	1001244286	1	Engine Assembly, Deutz (Stage V) Engine (See Separate Breakdown in this Section)	

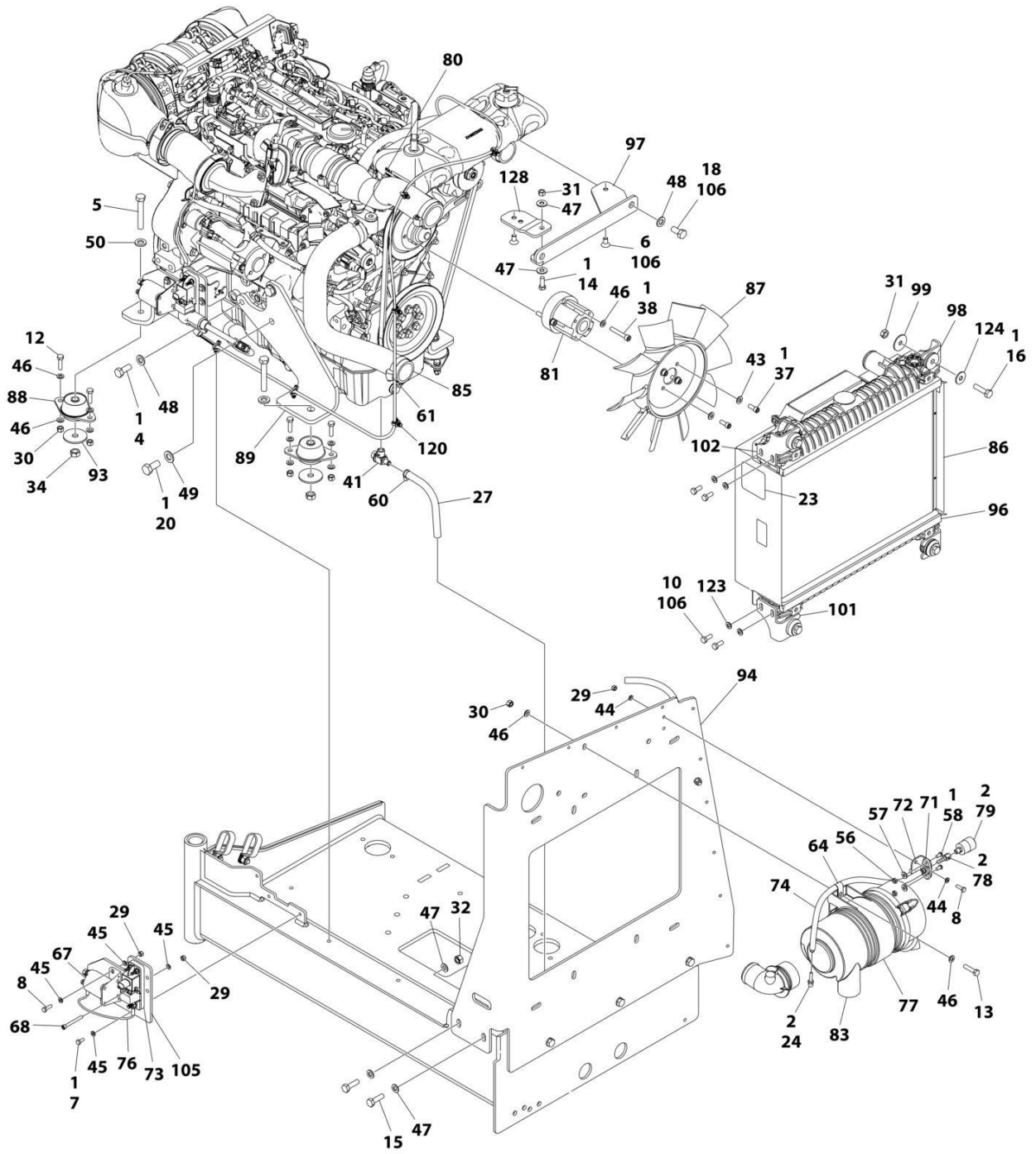
SECTION 3 - ENGINE

FIGURE 3-13. ENGINE ASSEMBLY – DEUTZ D2.9L4 ENGINE (STAGE V) (CE & UK CA SPECS)



ART_1001244286_10F2

SECTION 3 - ENGINE



ART_1001244286_2OF2

SECTION 3 - ENGINE

FIGURE 3-13. ENGINE ASSEMBLY – DEUTZ D2.9L4 ENGINE (STAGE V) (CE & UK CA SPECS)

ITEM	PART NUMBER	QTY	DESCRIPTION	REV
	1001244286	Ref	ENGINE ASSEMBLY, DEUTZ (STAGE V) ENGINE	K
1	0100011	AR	Compound, Locking	
2	0100020	AR	Sealant, Pipe	
3	0100081	AR	Adhesive	
4	0711214	1	Bolt M12 x 30	
5	0711224	AR	Bolt M12 x 80	
6	0741606	2	Screw 3/8 x 3/4	
7	0760607	3	Bolt M6 x 14	
8	0760610	4	Bolt M6 x 20	
10	0760810	8	Bolt M8 x 20	
11	0760812	1	Bolt M8 x 25	
12	0760814	AR	Bolt M8 x 30	
13	0760815	2	Bolt M8 x 35	
14	0761014	3	Bolt M10 x 30	
15	0761015	5	Bolt M8 x 35	
16	0761016	6	Bolt M10 x 40	
17	0761210	1	Bolt M12 x 20	
18	0761212	2	Bolt M12 x 25	
19	0771212	3	Bolt M12 x 25	
20	0771414	9	Bolt M14 x 30	
21	0961951	2	Bushing	
22	1321716	2	Clamp	
23	1703162	2	Decal - Caution Fan	
24	2220315	1	Fitting, Barbed	
26	2720015	1.94 ft /0.59m	Hose	
27	2720340	0.66 ft/ 0.20m	Hose	
28	2902065	1	Pump Coupling Kit (See Separate Breakdown in this Section)	
29	3290605	5	Nut M6	
30	3290805	AR	Nut M8	
31	3291001	5	Nut M10	
32	3291005	9	Nut M10	
34	3331215	4	Nut M12 x 1.75	
35	3520054	1	Plug	
37	3931512	4	Capscrew, 5/16 x 3/4	
38	4031914	4	Bolt M8 x 50	
39	4060805	2.03 ft /0.62m	Flex-Trim	
40	4240099	AR	Tie-Strap (Not Shown)	
41	4640751	1	Valve, Oil Drain	
43	4711500	4	Washer 5/16	
44	4811700	4	Washer M6	
45	4811702	8	Washer M6	
46	4811900	AR	Washer M8	
47	4812000	20	Washer M10	
48	4812100	7	Washer M12	
49	4812200	AR	Washer M14	
50	5241200	AR	Washer M12	
56	8305401	2	Nut Jam	

SECTION 3 - ENGINE

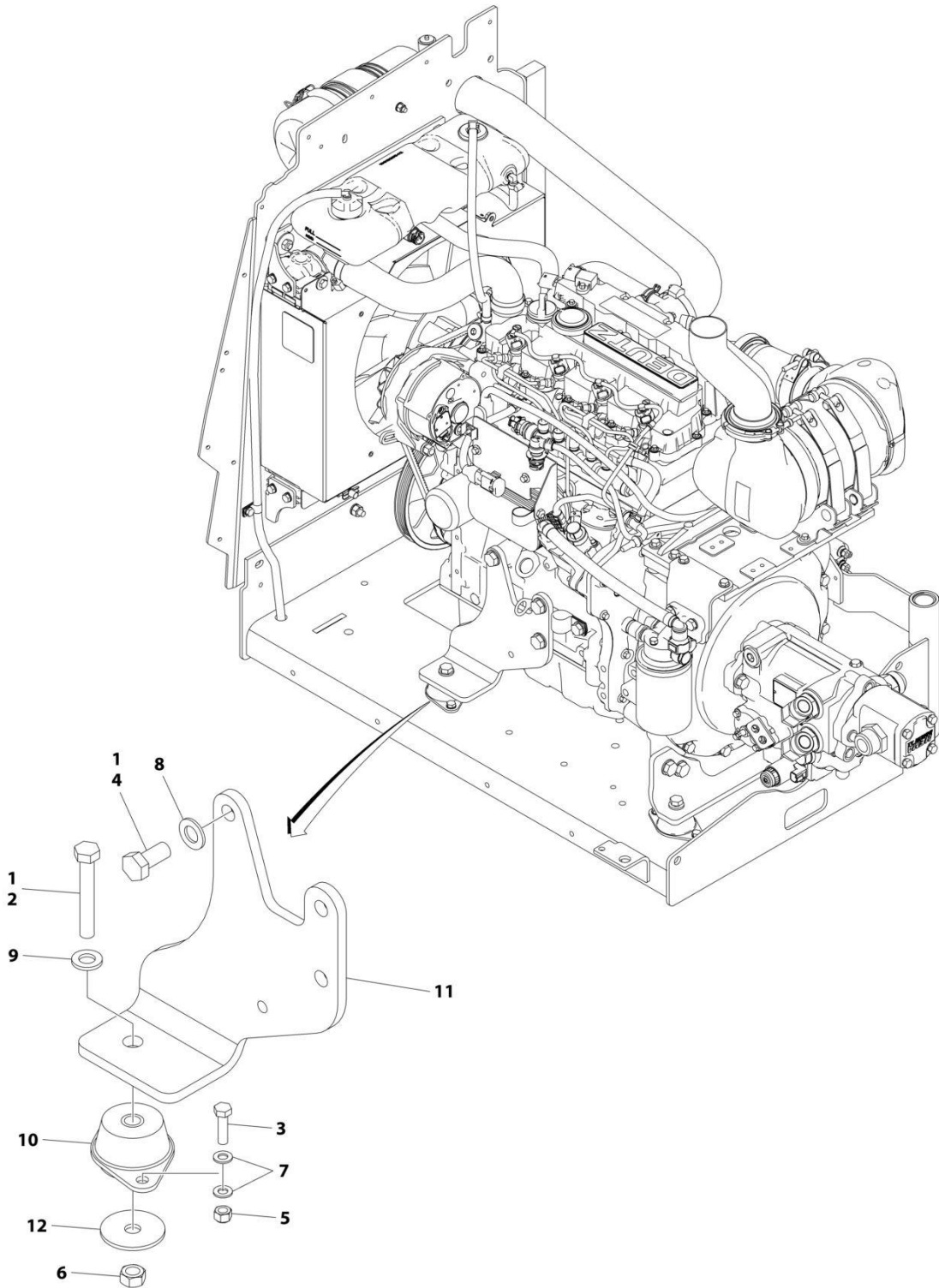
ITEM	PART NUMBER	QTY	DESCRIPTION	REV
57	8307109	2	Washer 1/4	
58	8310548	2	Screw 1/4 x 1/2	
59	8405007	2	Clamp	
60	8405009	5	Clamp	
61	8405104	4	Clamp	
62	8405202	1	Clamp	
63	8405204	2	Clamp	
64	8406109	2	Clip	
65	8406110	1	Clip	
67	1001117308	1	Relay, 200Amp	
68	1001118878	1	Bolt M6 x 55	
70	1001136834	1	Cap, Tank	
71	1001138173	1	Support, Service Indicator	
72	1001138175	1	Bracket, Service Indicator	
73	1001138228	1	Relay, Power Module	
74	1001138248	5.09 ft /1.55m	Tube	
76	1001141304	1	Harness, Glow Plug	
77	1001141694	1	Clamp, Air Cleaner	
78	1001141995	1	Fitting, Barbed	
79	1001143390	1	Indicator	
80	1001143797	1	Fitting, Barbed	
81	1001144116	1	Spacer, Fan	
82	1001152489	1	Fitting, Barbed 90	
83	1001165388	1	Air Cleaner Assembly	
83	70003783	1	Element, Air Cleaner	
84	1001165405	1	Hose, Upper Radiator	
85	1001165406	1	Hose, Lower Radiator	
86	1001165722	1	Radiator	
87	1001165849	1	Fan	
88	1001166718	AR	Mount, Motor	
89	1001166921	1	Plate, Engine Mount	
90	1001166922	1	Plate, Engine Mount (Prior to PVC2107)	
91	1001166924	1	Plate, Engine Mount	
92	1001167520	1	Tray, Engine	
93	1001168018	AR	Washer, Special	
94	1001168026	1	Plate, Radiator Mounting	
95	1001168099	1	Hose	
96	1001168166	2	Seal	
97	1001260420	1	Bracket (note: may require P/N 1001260412)	
98	1001169054	4	Isolator	
99	1001169138	4	Washer, Snubbing	
101	1001169967	2	Bracket	
102	1001170035	2	Bracket	
103	1001177359	1	Hose	
104	1001178788	1	Cable, Alternator	
105	1001179903	1	Bracket	
106	1001180620	AR	Adhesive	
107	1001191620	2	Clamp	
108	1001230635	1	Tank, Surge (Includes Items 62, 70, & 73)	
109	1001232545	1	Engine, Deutz 2.9L4 (Stage V) (See Separate Breakdown in this Section)	

SECTION 3 - ENGINE

ITEM	PART NUMBER	QTY	DESCRIPTION	REV
110	1001236780	1	Hose, Air Intake	
111	1001258804	1	Mount, Fuel Filter	
112	1001238911	1	Pipe, Air Intake	
113	1001245839	1	Harness, Engine (Not Shown - See Separate Breakdown in ELECTRICAL Section)	
117	5251215	1	Bolt M12 x 35	
118	5261200	1	Nut, Flange M12 Class10	
120	1001146588	AR	Tie-Strap (Not Shown)	
122	1001223122	1	Support	
123	4811902	8	Washer M8	
124	4812002	4	Washer M10	
125	1001235949	1	Bracket (See Separate Breakdown in this Section)	
126	0760808	1	Bolt M8 x 16	
127	8406201	1	Clip	
128	1001260412	1	Bracket	

SECTION 3 - ENGINE

FIGURE 3-14. MOTOR MOUNT INSTALLATION - (STAGE V ENIGNE WITHOUT GENERATOR)



ART_1001244024

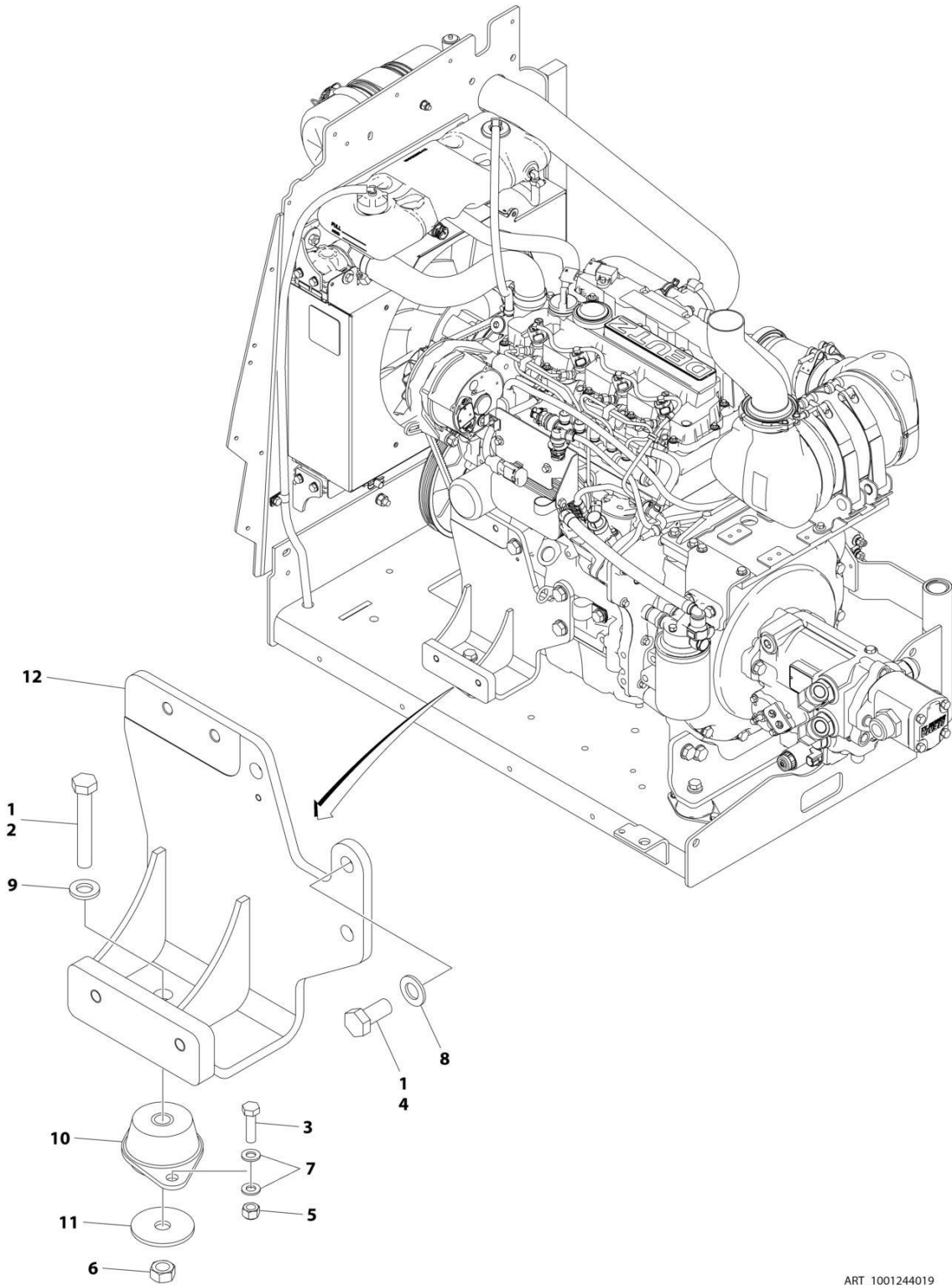
SECTION 3 - ENGINE

FIGURE 3-14. MOTOR MOUNT INSTALLATION - (STAGE V ENGINE WITHOUT GENERATOR)

ITEM	PART NUMBER	QTY	DESCRIPTION	REV
	1001244024	Ref	MOTOR MOUNT INSTALLATION	A
1	0100011	AR	Compound, Locking	
2	0711224	1	Bolt M12 x 80	
3	0760814	2	Bolt M8 x 30	
4	0771414	3	Bolt M14 x 30	
5	3290805	2	Nut M8	
6	3331211	1	Nut M12	
7	4811900	4	Washer M8	
8	4812200	3	Washer M14	
9	5241200	1	Washer M12	
10	1001166718	1	Mount, Motor	
11	1001166922	1	Mount	
12	1001168018	1	Washer	

SECTION 3 - ENGINE

FIGURE 3-15. MOTOR MOUNT INSTALLATION - (STAGE V ENIGNE WITH GENERATOR)



ART_1001244019

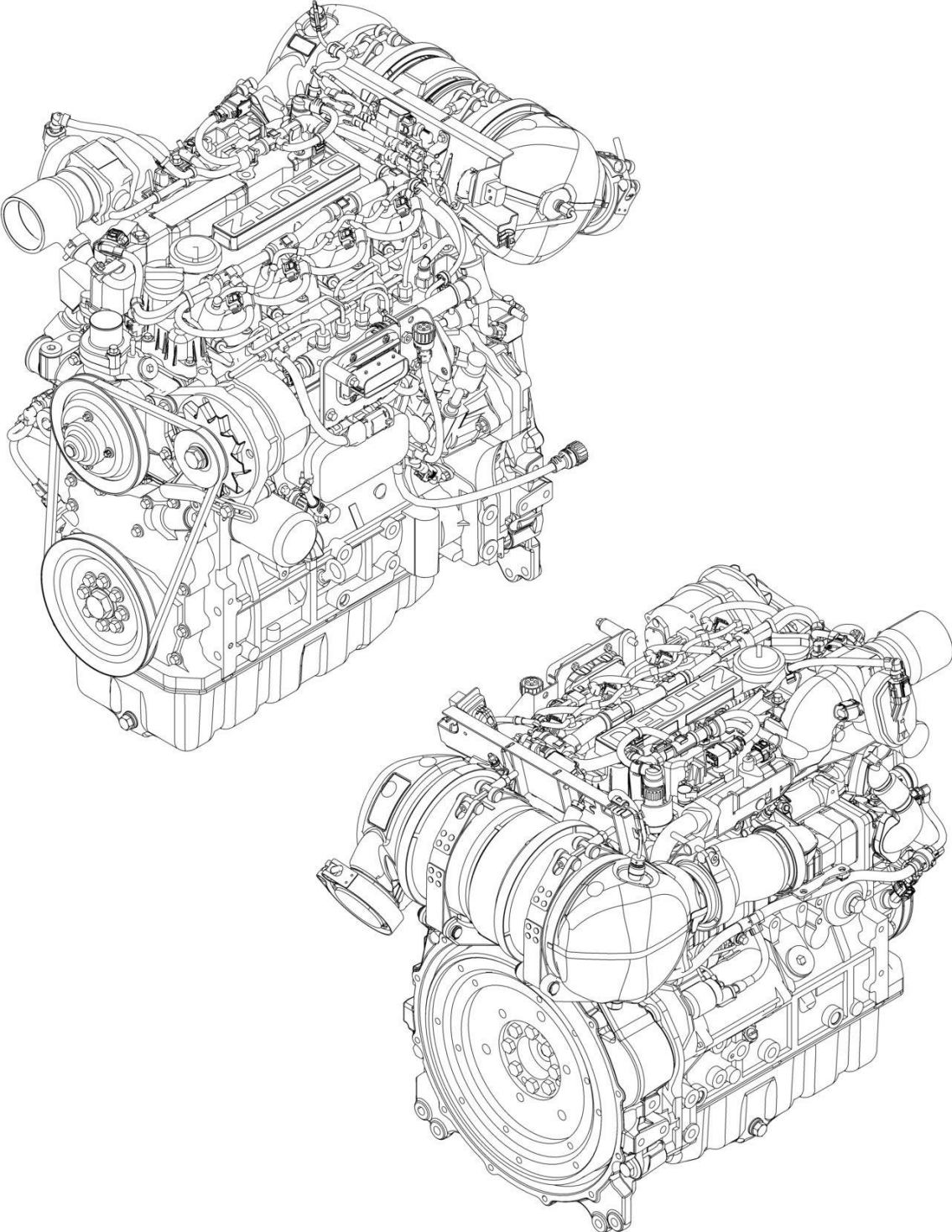
SECTION 3 - ENGINE

FIGURE 3-15. MOTOR MOUNT INSTALLATION - (STAGE V ENIGNE WITH GENERATOR)

ITEM	PART NUMBER	QTY	DESCRIPTION	REV
	1001244019	Ref	MOTOR MOUNT INSTALLATION	A
1	0100011	AR	Compound, Locking	
2	0711224	1	Bolt M12 x 80	
3	0760814	2	Bolt M8 x 30	
4	0771414	3	Bolt M14 x 30	
5	3290805	2	Nut M8	
6	3331211	1	Nut M12	
7	4811900	4	Washer M8	
8	4812200	3	Washer M14	
9	5241200	1	Washer M12	
10	1001166718	1	Mount, Motor	
11	1001168018	1	Washer	
12	1001168207	1	Mount	

SECTION 3 - ENGINE

FIGURE 3-16. ENGINE COMPONENTS - DEUTZ D2.9L4 ENGINE (STAGE V) (CE & UK CA SPECS)



ART_1001232545

SECTION 3 - ENGINE

FIGURE 3-16. ENGINE COMPONENTS - DEUTZ D2.9L4 ENGINE (STAGE V) (CE & UK CA SPECS)

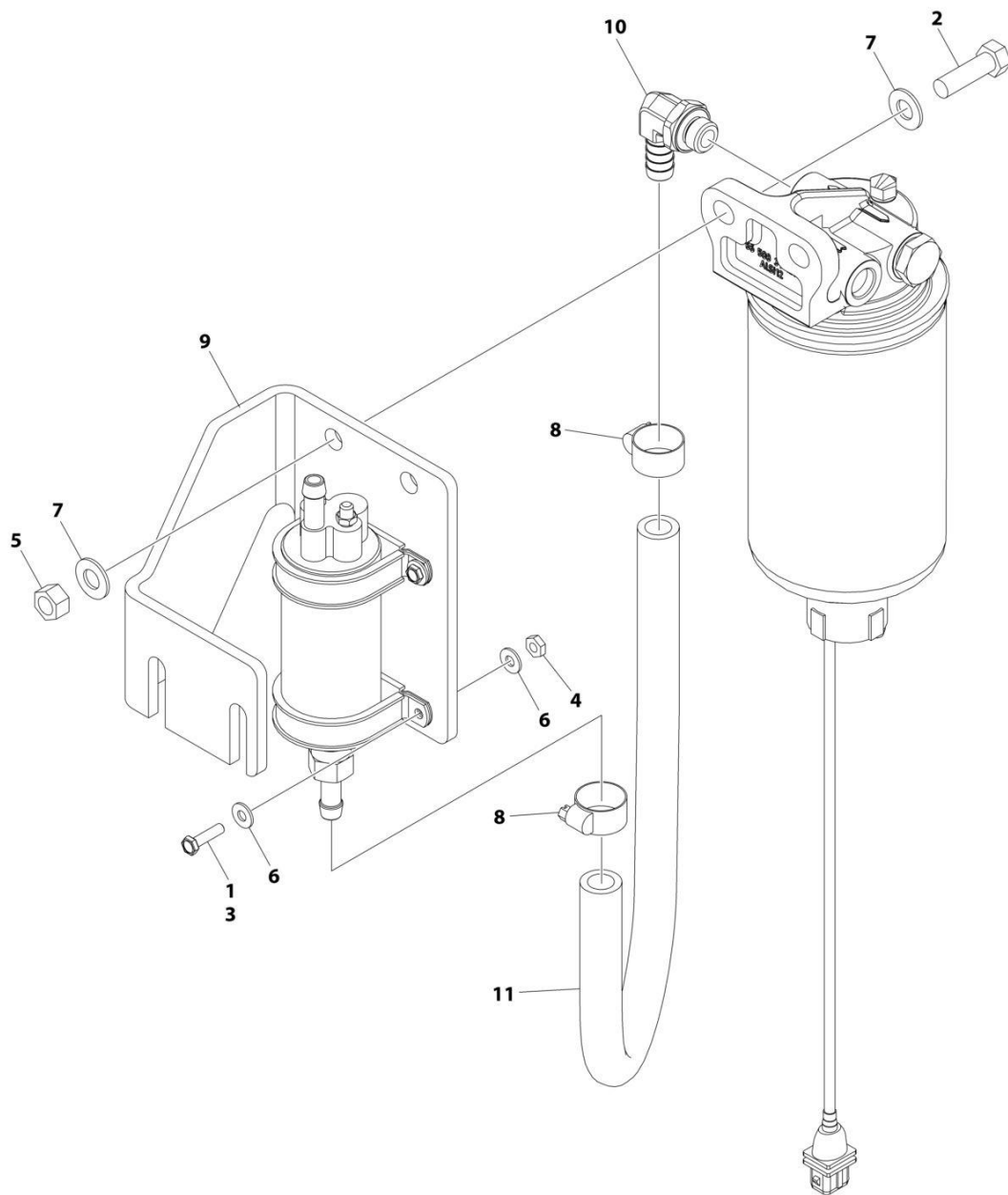
ITEM	PART NUMBER	QTY	DESCRIPTION	REV
	1001232545	Ref	DEUTZ ENGINE COMPONENTS	H
		Ref	Note: For complete list of parts, contact JLG Parts Department	
		Ref	Air Intake System Components	
		Ref	Charge Air Pipe	
	70025168	1	Intake Pipe	
		Ref	Mixing Tube	
		Ref	Throttle Valve	
		Ref	Cooling System Components	
	70029797	1	Pump, Coolant (Includes Gasket & Seals)	
	70007603	1	Thermostat	
	70005184	1	O-Ring	
	70005931	1	Gasket	
	70025142	1	Cover	
		Ref	Electrical System Components	
	70029512	1	Module, ECU/ECM	
	70007784	1	Alternator	
	70031143	1	Module, Alternator Control	
	70029015	1	Fan, Alternator	
	70029402	1	Nut, Alternator Fan	
	70029403	1	Nut, Alternator Power Stud	
	70029404	1	Washer, Alternator Power Stud Spring	
	70031144	1	Starter (Includes Solenoid)	
	70025099	1	Bolt, Starter Mounting	
	70026210	1	Sender, Tacho-Generator (Speed) (On Rear of Block) (Includes Seal)	
	70024916	1	Sender, Tacho-Generator (Speed) (On Cover) (Includes Seal)	
	70024918	1	Sender, Temperature (Includes Seal) (On Air Intake Manifold)	
		Ref	Sensor, Pressure (Includes Seal) (On Air Intake Manifold)	
	70024504	1	Sensor, Pressure (Includes Seal) (On Fuel Filter & Side of Block)	
	70005504	1	Sensor, Pressure (Includes Seal) (On Exhaust Manifold)	
	70027405	1	Sensor, Temperature (Includes Seal) (On Exhaust Manifold)	
	70000345	4	Plug, Glow	
		Ref	Exhaust System Components	
		Ref	Valve, EGR	
	70025130	8	Bolt, Exhaust Manifold	
	70025164	1	Gasket, Exhaust Manifold	
		Ref	Outlet, Muffler	
		Ref	Muffler	
		Ref	Bracket, Muffler Mounting	
	70004504	1	Compensator, Exhaust	
		Ref	Fuel System Components	
		Ref	Pump, High Pressure	
	70004281	1	Injector (Includes Sealing washer, Clamp & O-Ring)	
	70006144	1	Pump, Fuel Supply (Includes Clamps)	
	70024961	1	Filter, Fuel (Pre-Filter Assembly) (Includes Head, Spin on filter, Sensor Cable & Seal)	
	70025153	1	Filter, Fuel Spin On	
	70024513	1	Sensor Cable (Includes Seal)	
	70025160	1	Filter, Fuel (Assembly) (Includes Head & Spin on Filter)	
	70025161	1	Filter, Fuel Spin On	

SECTION 3 - ENGINE

ITEM	PART NUMBER	QTY	DESCRIPTION	REV
	70004508	1	Vol. Control Valve (Includes O-Ring & Gasket)	
		Ref	Lubricating System Components	
	7020465	2	Cap, Oil Fill	
	70005941	2	Plug, Oil Drain	
	70005942	2	Seal, Oil Drain Plug	
	70005172	1	Pump, Oil (Includes Seal & Gasket)	
	7016331	1	Filter, Oil	
	70024494	1	Cooler, Oil	
	70024925	1	Gasket, Oil Cooler	
	70024904	1	Dipstick (Includes Seal)	
		Ref	Mechanical Components	
	70001870	1	Flywheel (includes Gear)	
	70024913	1	V-Belt	
		Ref	Gasket Set - Complete	

SECTION 3 - ENGINE

FIGURE 3-17. BRACKET ASSEMBLY - FUEL PUMP AND FILTER (DEUTZ D2.9L4 ENGINE) (STAGE V)



ART_1001235949

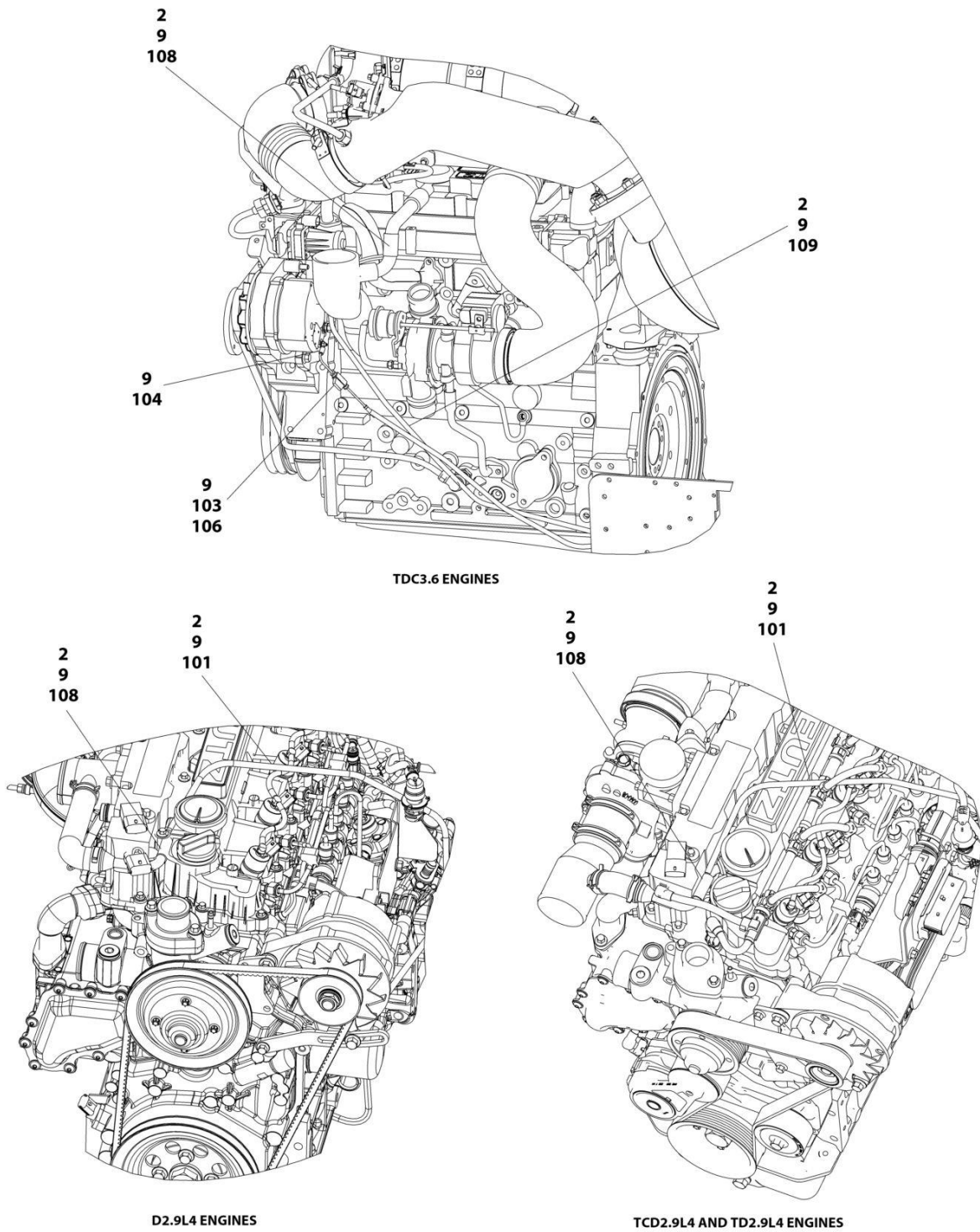
SECTION 3 - ENGINE

FIGURE 3-17. BRACKET ASSEMBLY - FUEL PUMP AND FILTER (DEUTZ D2.9L4 ENGINE) (STAGE V)

ITEM	PART NUMBER	QTY	DESCRIPTION	REV
	1001235949	Ref	BRACKET ASSEMBLY - FUEL PUMP AND FILTER (DEUTZ D2.9L4 (STAGE V) ENGINE)	A
1	0100035	AR	Compound, Locking	
2	0641610	2	Bolt 3/8 x 1-1/4	
3	0721006	4	Bolt #10 x 3/4	
4	3311001	4	Nut #10	
5	3311605	2	Nut 3/8	
6	4711000	8	Washer #10	
7	4711600	4	Washer 3/8	
8	8405006	2	Clamp	
9	1001141870	1	Plate, Fuel Pump Mount	
10	1001142501	1	Fitting, Elbow Barbed	
11	1001154405	1.5 ft /0.4m	Hose	

SECTION 3 - ENGINE

FIGURE 3-18. BREATHER HEATER INSTALLATION - DEUTZ D2.9L4 ENGINES (STAGE V) (CE & UK CA SPECS)



TDC3.6 ENGINES

D2.9L4 ENGINES

TCD2.9L4 AND TD2.9L4 ENGINES

ART_1001233763

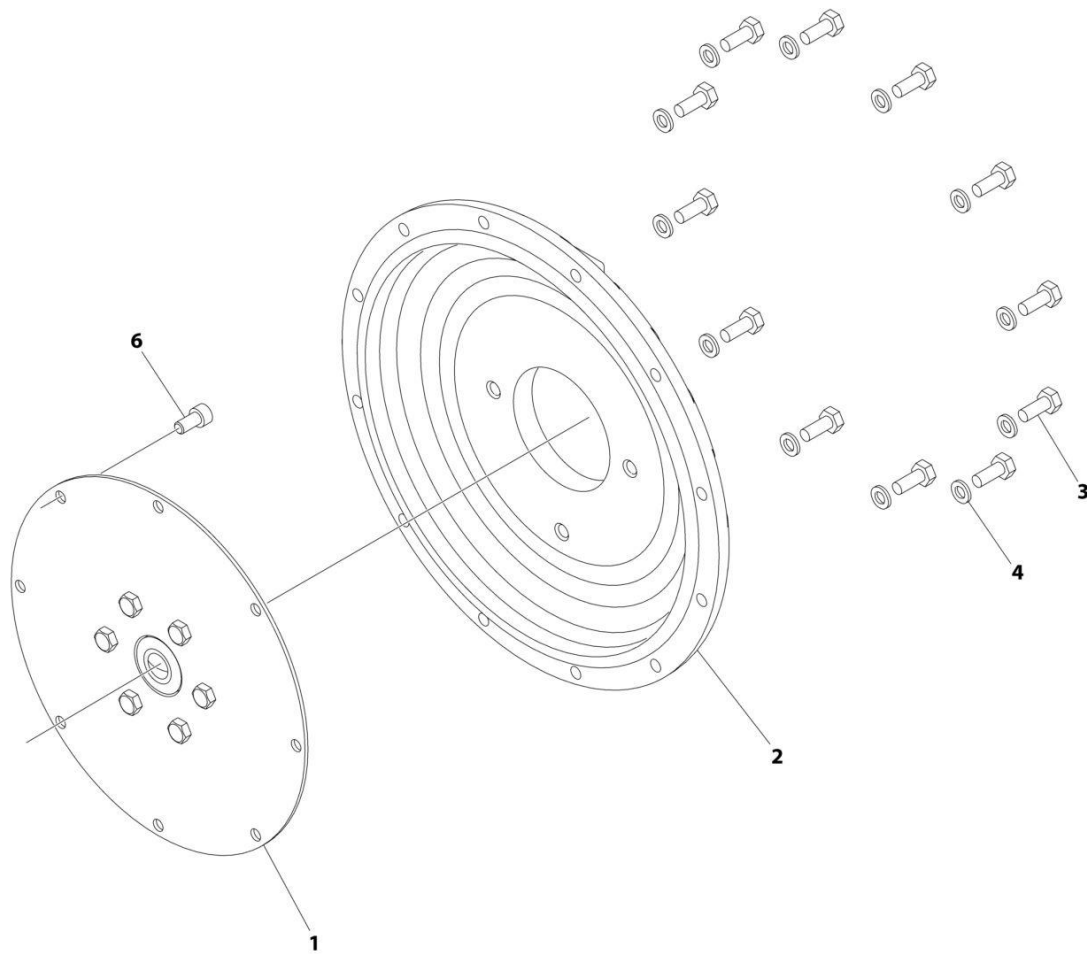
SECTION 3 - ENGINE

FIGURE 3-18. BREATHER HEATER INSTALLATION - DEUTZ D2.9L4 ENGINES (STAGE V) (CE & UK CA SPECS)

ITEM	PART NUMBER	QTY	DESCRIPTION	REV
	1001233763	Ref	BREATHER HEATER INSTALLATION - DEUTZ ENGINES	D
2	4240099	AR	Tie-Strap	
9	1001243895	1	Breather Heater Harness	C
101	2820035	AR	Insulation	
103	2400060	1	Fuseholder with Cover	
104	4460043	1	Terminal, Ring	
105	4460722	1	Terminal, Ring (Not Shown)	
106	1001196634	1	Fuse - 2 Amp	
108	1001232842	1	Breather Heater Kit	

SECTION 3 - ENGINE

FIGURE 3-19. PUMP COUPLING KIT – DEUTZ ENGINES



ART_2902065

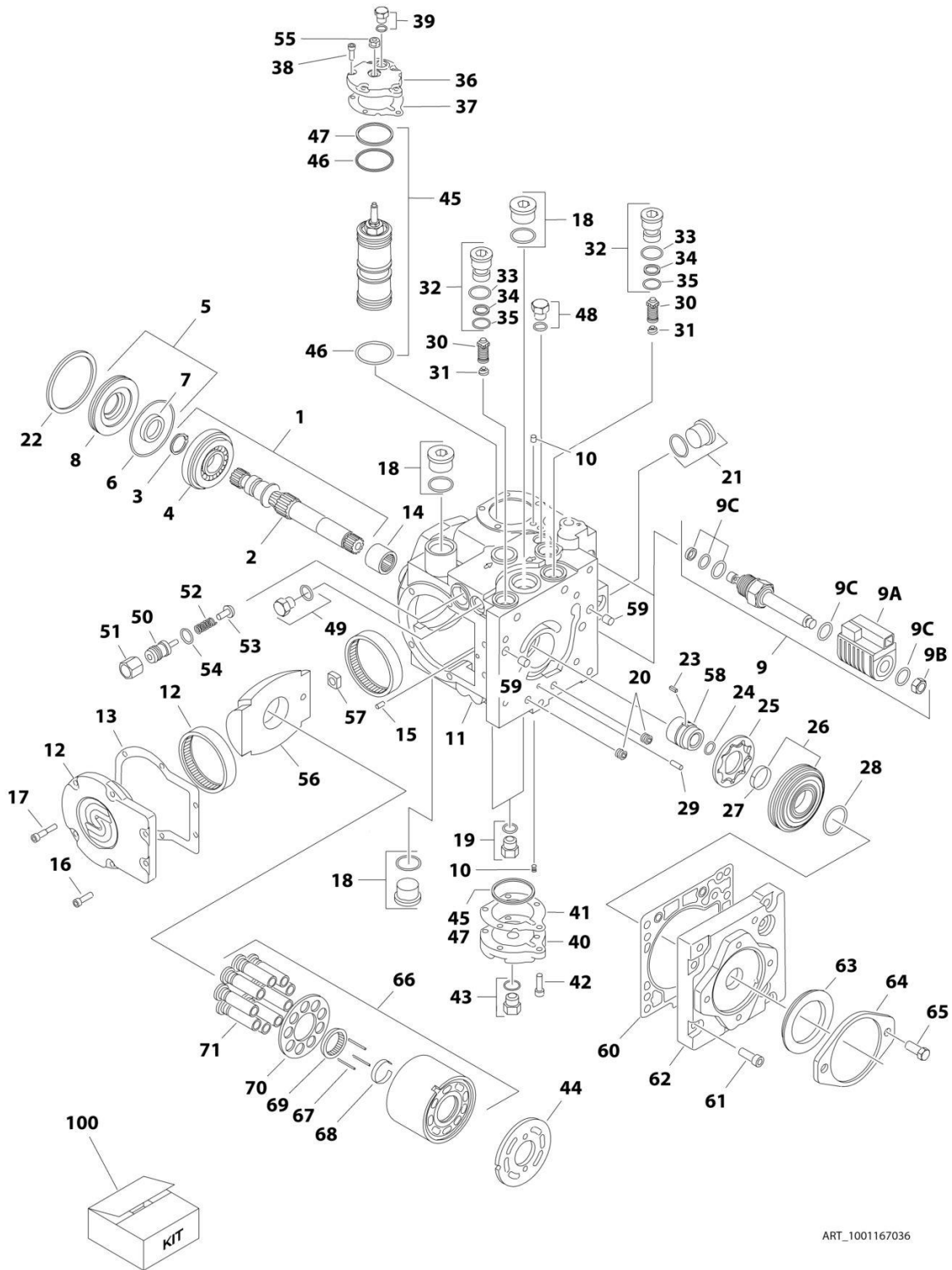
SECTION 3 - ENGINE

FIGURE 3-19. PUMP COUPLING KIT – DEUTZ ENGINES

ITEM	PART NUMBER	QTY	DESCRIPTION	REV
	2902065	Ref	PUMP COUPLING KIT	L
1	70000793	1	Coupling, Hayes	
2	See Note	NSS	Plate, Pump Adapter (Note: Use p/n 2902065)	
3	See Note	NSS	Bolt M10 x 30 Grade 10.9 (Note: Use p/n 2902065)	
4	See Note	NSS	Washer M10 (Note: Use p/n 2902065)	
6	See Note	NSS	Bolt M10 x 20 Grade 10.9 (Note: Use p/n 2902065)	

SECTION 3 - ENGINE

FIGURE 3-20. PISTON PUMP ASSEMBLY



ART_1001167036

SECTION 3 - ENGINE

FIGURE 3-20. PISTON PUMP ASSEMBLY

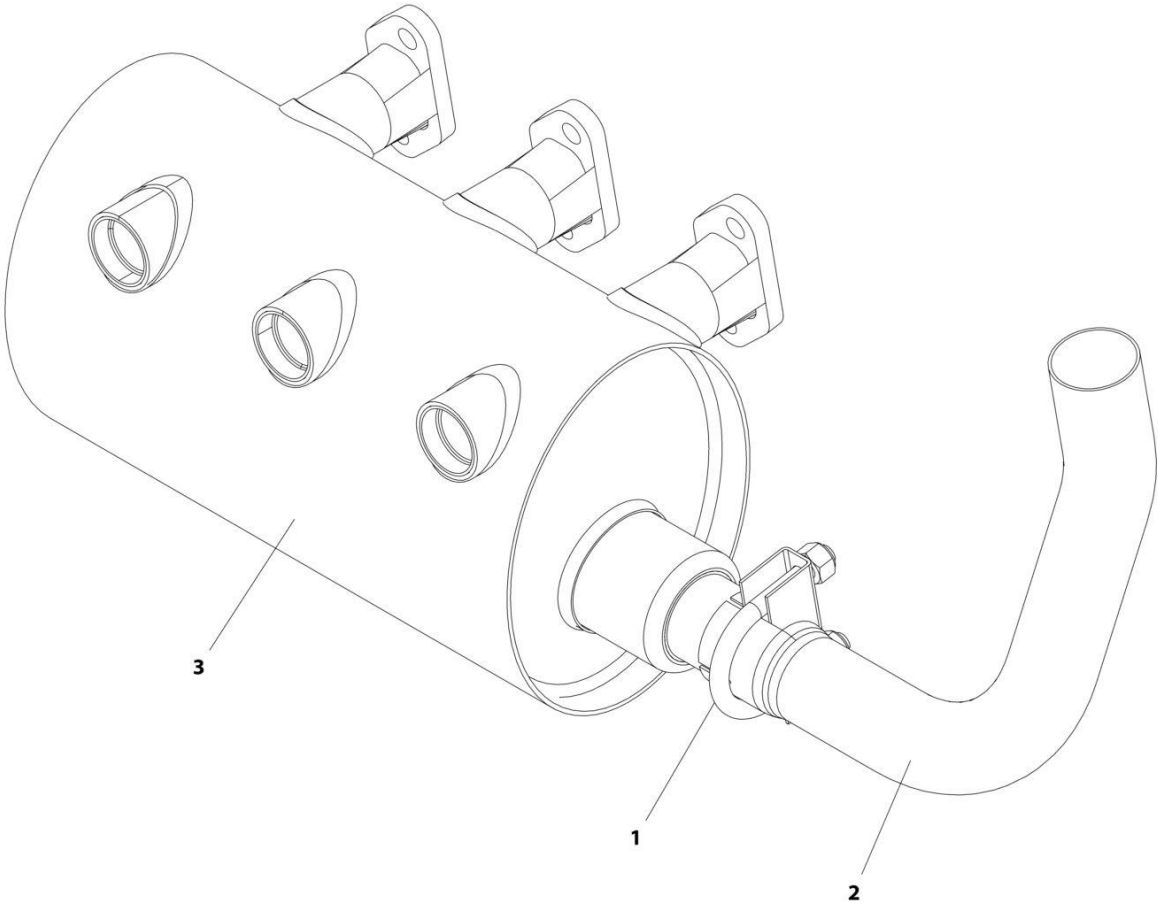
ITEM	PART NUMBER	QTY	DESCRIPTION	REV
	1001167036	Ref	PISTON PUMP ASSEMBLY	B
1	7021240	1	Shaft Assembly (Includes Items 2-4)	
2	7021237	1	Shaft	
3	7021238	1	Ring, Retaining	
4	7021239	1	Bearing, Roller	
5	70004896	1	Shaft Seal Kit (Includes Items 6-8)	
6	7021241	1	O-Ring	
7	7021242	1	Seal, Lip	
8	7021243	1	Carrier, Seal Shaft	
9	7024855	2	Solenoid Assembly	
9A	70004897	2	Coil (1 Per Assembly)	
9B	7024857	2	Nut (1 Per Assembly)	
9C	7024858	2	Seal Kit - 7024855 Cartridge (1 Per Assembly)	
10	70004889	2	Orifice	
11	See Note	NSS	Housing Assembly (Note: Not Available for Purchase)	
12	7021248	1	Side Cover Assembly (Includes Item 13)	
13	70004891	1	Gasket	
14	7021249	1	Bearing, Needle	
15	See Note	NSS	Pin (Note: Not Available for Purchase)	
16	70004890	2	Screw	
17	70004892	4	Screw	
18	7007419	2	Plug Assembly (Includes O-Ring)	
19	7007420	2	Plug Assembly (Includes O-Ring)	
20	See Note	NSS	Plug (Note: Not Available for Purchase)	
21	7007419	1	Plug Assembly (Includes O-Ring)	
22	7021257	1	Ring, Retaining	
23	70004893	1	Key	
24	7022341	1	Ring, Retaining	
25	7021258	1	Gerotor	
26	70004894	1	Gerotor Cover Assembly (Includes Item 27)	
27	7021259	1	Bearing, Journal	
28	7021262	1	O-Ring	
29	See Note	NSS	Pin (Note: Not Available for Purchase)	
30	7021263	2	Bypass Valve Assembly	
31	7024800	2	Spring	
32	7021265	2	Bypass Valve Assembly (Includes Items 32-34)	
33	7007415	2	O-Ring	
34	7021293	2	Ring, Back-up	
35	7022300	2	O-Ring	
36	70004895	1	Cover, Servo	
37	7021253	1	Gasket	
38	70004892	5	Screw	
39	7007420	1	Plug Assembly (Includes O-Ring)	
40	7021268	1	Cover, Servo	
41	7021253	1	Gasket	
42	70004892	5	Screw	
43	7007420	1	Plug Assembly (Includes O-Ring)	
44	7021281	1	Plate, Valve	
45	70004898	1	Servo Piston Kit (Includes Items 46 & 47)	
46	7007495	2	O-Ring	

SECTION 3 - ENGINE

ITEM	PART NUMBER	QTY	DESCRIPTION	REV
47	7007493	2	O-Ring	
48	7007420	1	Plug Assembly (Includes O-Ring)	
49	70004900	1	Plug Assembly (Includes O-Ring)	
50	7022346	1	Adjuster	
51	7021290	1	Nut	
52	7022347	1	Spring	
53	70004901	1	Poppet	
54	7007415	1	O-Ring	
55	70004902	1	Nut, Seal	
56	70004903	1	Swash Plate	
57	70004904	1	Bearing Assembly	
58	70004905	1	Coupling	
59	7001481	2	Pin	
60	70002257	1	Gasket	
61	70004906	8	Screw	
62	70004907	1	Cover, Charge Pump	
63	70004908	1	Seal	
64	7021299	1	Plate, Cover	
65	7007289	2	Screw	
66	70004909	1	Cylinder Block Assembly (Includes Items 67-71)	
67	70004910	3	Pin, Slipper Hold Down	
68	7021276	1	Retainer, Hold Down Pin	
69	7021277	1	Guide, Slipper Retainer	
70	7021278	1	Retainer, Slipper	
71	70004911	1	Piston Assembly	
100	70004899	1	Seal Kit (Includes Items 5-8, 33-35, 37, 41, 46, 47 & 54)	

SECTION 3 - ENGINE

FIGURE 3-21. SPARK ARRESTOR INSTALLATION - DEUTZ D2011 ENGINE



ART_1001174378

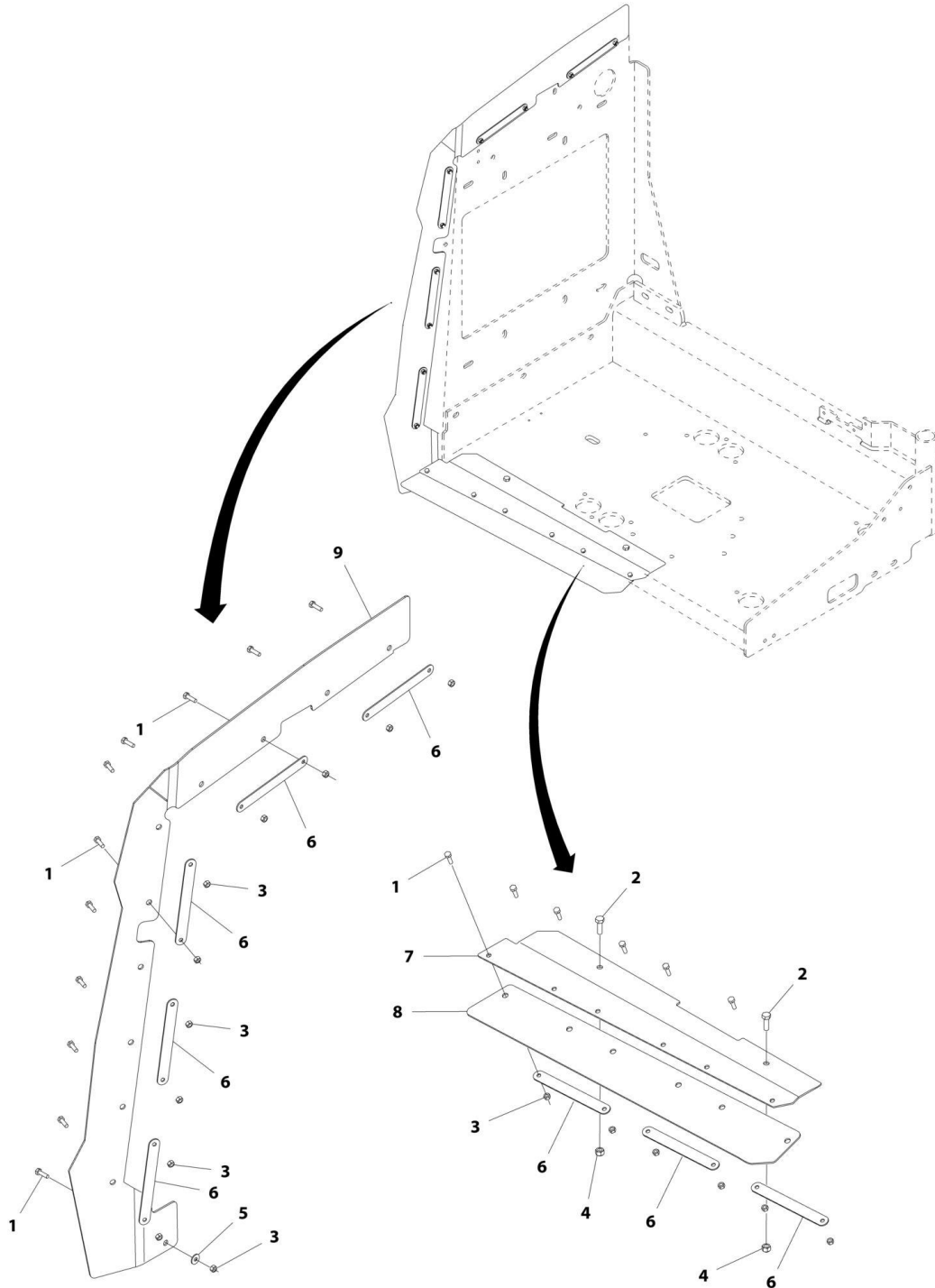
SECTION 3 - ENGINE

FIGURE 3-21. SPARK ARRESTOR INSTALLATION - DEUTZ D2011 ENGINE

ITEM	PART NUMBER	QTY	DESCRIPTION	REV
	1001174378	Ref	SPARK ARRESTOR INSTALLATION - DEUTZ D2011 ENGINE	A
1	1320176	1	Clamp	
2	1001169525	1	Pipe, Exhaust	
3	1001170224	1	Muffler, Spark Arresting	

SECTION 3 - ENGINE

FIGURE 3-22. ENGINE Baffle INSTALLATION - WITH DEUTZ ENGINES



ART_1001172265

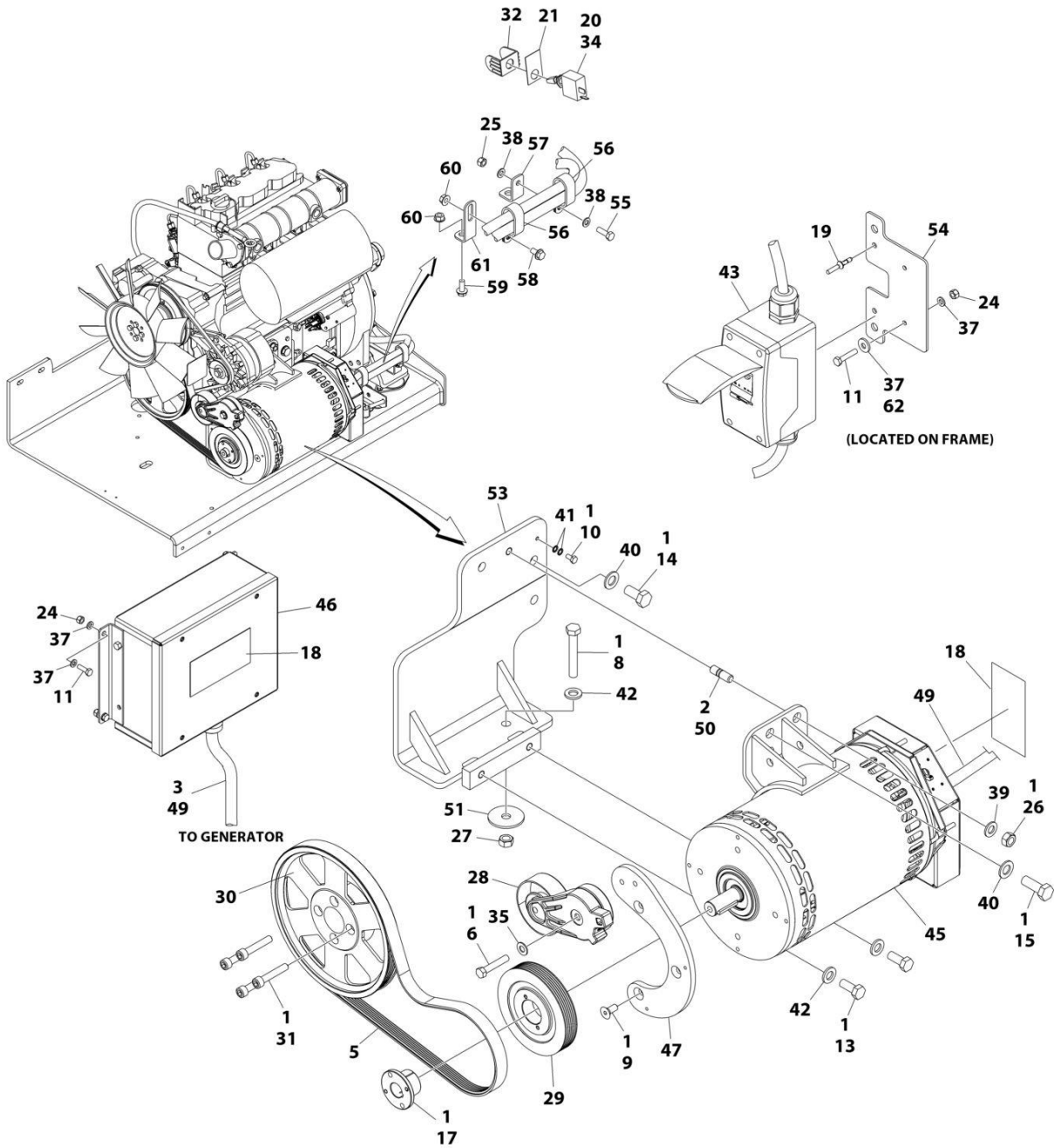
SECTION 3 - ENGINE

FIGURE 3-22. ENGINE BAFFLE INSTALLATION - WITH DEUTZ ENGINES

ITEM	PART NUMBER	QTY	DESCRIPTION	REV
	1001172265	Ref	ENGINE BAFFLE INSTALLATION - WITH DEUTZ/GM ENGINES	B
1	0760610	17	Bolt M6 x 20	
2	0760812	2	Bolt M8 x 25	
3	3290605	17	Nut M6	
4	3290805	2	Nut M8	
5	4811702	1	Washer M6	
6	1001167164	8	Plate, Support	
7	1001170663	1	Bracket	
8	1001170664	1	Seal	
9	1001172264	1	Seal	

SECTION 3 - ENGINE

FIGURE 3-23. GENERATOR INSTALLATION - 4000W/50HZ (DEUTZ D2011 ENGINE)



ART_1001173984

SECTION 3 - ENGINE

FIGURE 3-23. GENERATOR INSTALLATION - 4000W/50HZ (DEUTZ D2011 ENGINE)

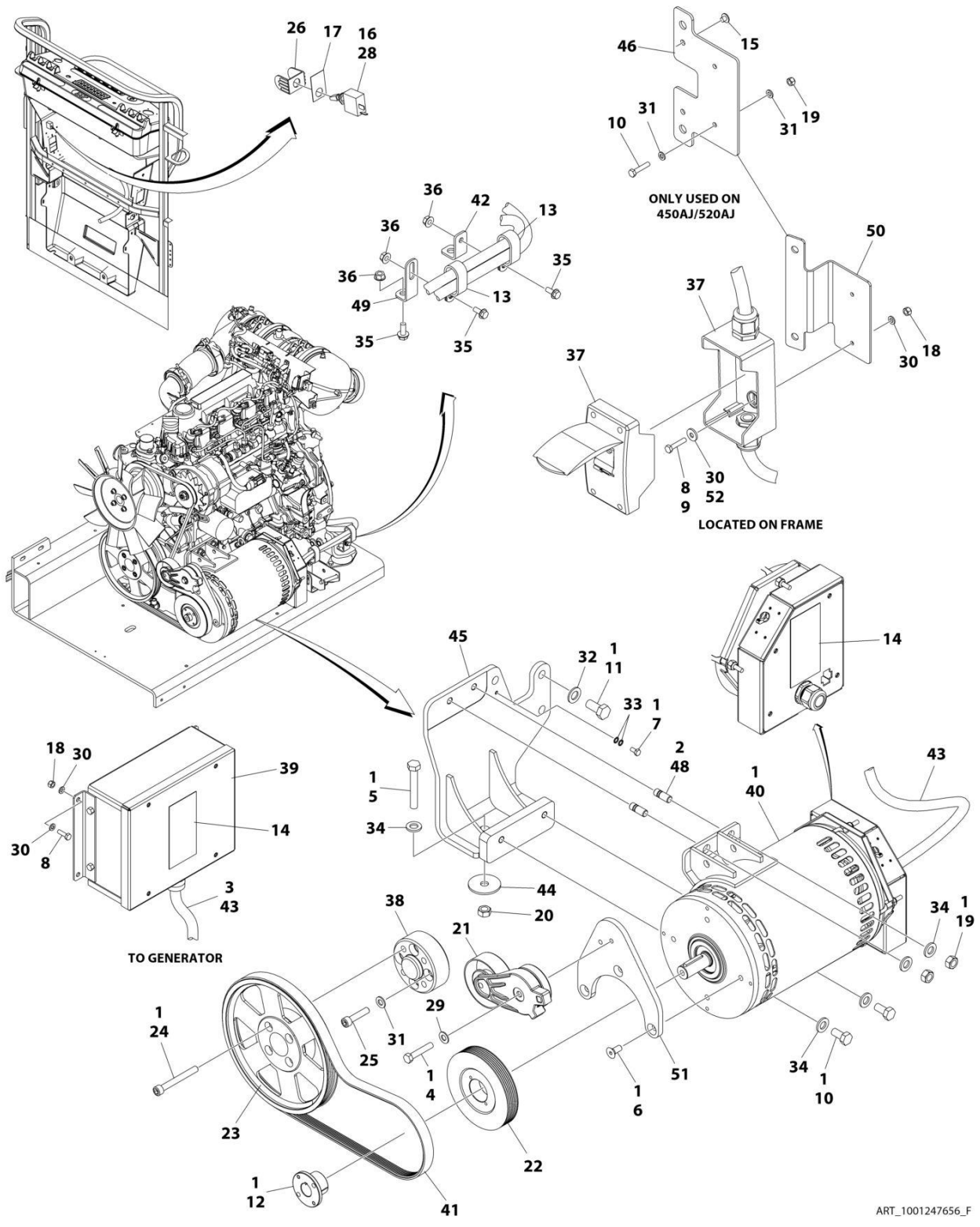
ITEM	PART NUMBER	QTY	DESCRIPTION	REV
	1001173984	Ref	GENERATOR INSTALLATION - 4000W/50HZ (DEUTZ D2011 ENGINE)	J
1	0100011	AR	Compound, Locking	
2	0100019	AR	Compound, Locking	
3	0100048	AR	Grease, Dielectric	
4	0100079	AR	Sealant (Not Shown)	
5	0480126	1	Belt	
6	0641616	1	Bolt 3/8 x 2	
8	0711224	1	Bolt M12 x 80 Grade 10.9	
9	0741607	3	Screw 3/8 x 7/8	
10	0760606	1	Bolt M6 x 12	
11	0760610	AR	Bolt M6 x 20	
11	0760614	AR	Bolt M6 x 30	
13	0761214	2	Bolt M12 x 30	
14	0771414	2	Bolt M14 x 30 Grade 10.9	
15	0771416	1	Bolt M14 x 40	
17	0962520	1	Bushing	
18	1705489	AR	Decal - Hazardous Voltage	
19	2080040	2	Fastener, Huck	
20	2820031	AR	Heat Shrink	
21	See Note	1	Nameplate (Note: Not Available for Purchase)	
24	3290605	6	Nut M6	
25	3290805	1	Nut M8	
26	3291201	1	Nut M12	
27	3331211	1	Nut M12	
28	3580317	1	Pulley	
29	3580319	1	Pulley	
30	3580320	1	Pulley	
31	4032015	4	Bolt M10 x 55	
32	4060802	1	Guard, Switch	
33	4240099	AR	Tie-Strap (Not Shown)	
34	4360336	1	Switch, Toggle	
35	4711600	1	Washer 3/8	
37	4811700	AR	Washer M6	
38	4811900	1	Washer M8	
39	4812100	1	Washer M12	
40	4812200	3	Washer M14	
41	4871700	2	Washer M6	
42	5241200	3	Washer M12 Hardened	
43	1001096070	1	Breaker Box Kit (50Hz) (See Separate Breakdown in ELECTRICAL Section)	
45	1001138565	1	Generator Assembly	
45	70003709	1	Ring, Retaining (External)	
45	70003708	1	Ring, Retaining (Internal)	
45	70001966	1	Bearing	
45	70004092	1	Endbell (Shaft End)	
45	70004171	1	Key	
45	70004676	1	Rotor	
45	70004677	1	Stator	
45	70004678	1	Endbell (Rear)	

SECTION 3 - ENGINE

ITEM	PART NUMBER	QTY	DESCRIPTION	REV
45	70004679	1	Cover, Endbell (Rear)	
45	70004680	1	Enclosure, Wiring	
45	70004681	1	Cover, Enclosure	
45	70004682	1	Switch, Reset (Located on Enclosure Cover)	
45	70004683	1	Connector, Strain Relief (Located on Enclosure Cover)	
46	1001138566	1	Box, Control	
46	70006552	1	Capacitor	
46	70006553	1	Relay	
47	1001139357	1	Mount, Tensioner	
49	1001152532	1	Harness, Generator (See Separate Breakdown in ELECTRICAL Section)	
50	1001196382	1	Stud	
51	1001168018	1	Washer, Snubbing	
53	1001173925	1	Mount	
54	1001174158	1	Mount	
55	0760812	1	Bolt M8 x 25	
56	1321716	2	Clamp	
57	1001148641	1	Bracket	
58	5250808	1	Bolt M8 x 16	
59	5250810	1	Bolt M8 x 20	
60	5260800	2	Nut M8	
61	1001223122	1	Support	
62	4811702	AR	Washer M6	

SECTION 3 - ENGINE

FIGURE 3-24. GENERATOR INSTALLATION - 4000W/50HZ (DEUTZ ENGINE) (STAGE V)



ART_1001247656_F

SECTION 3 - ENGINE

FIGURE 3-24. GENERATOR INSTALLATION - 4000W/50HZ (DEUTZ ENGINE) (STAGE V)

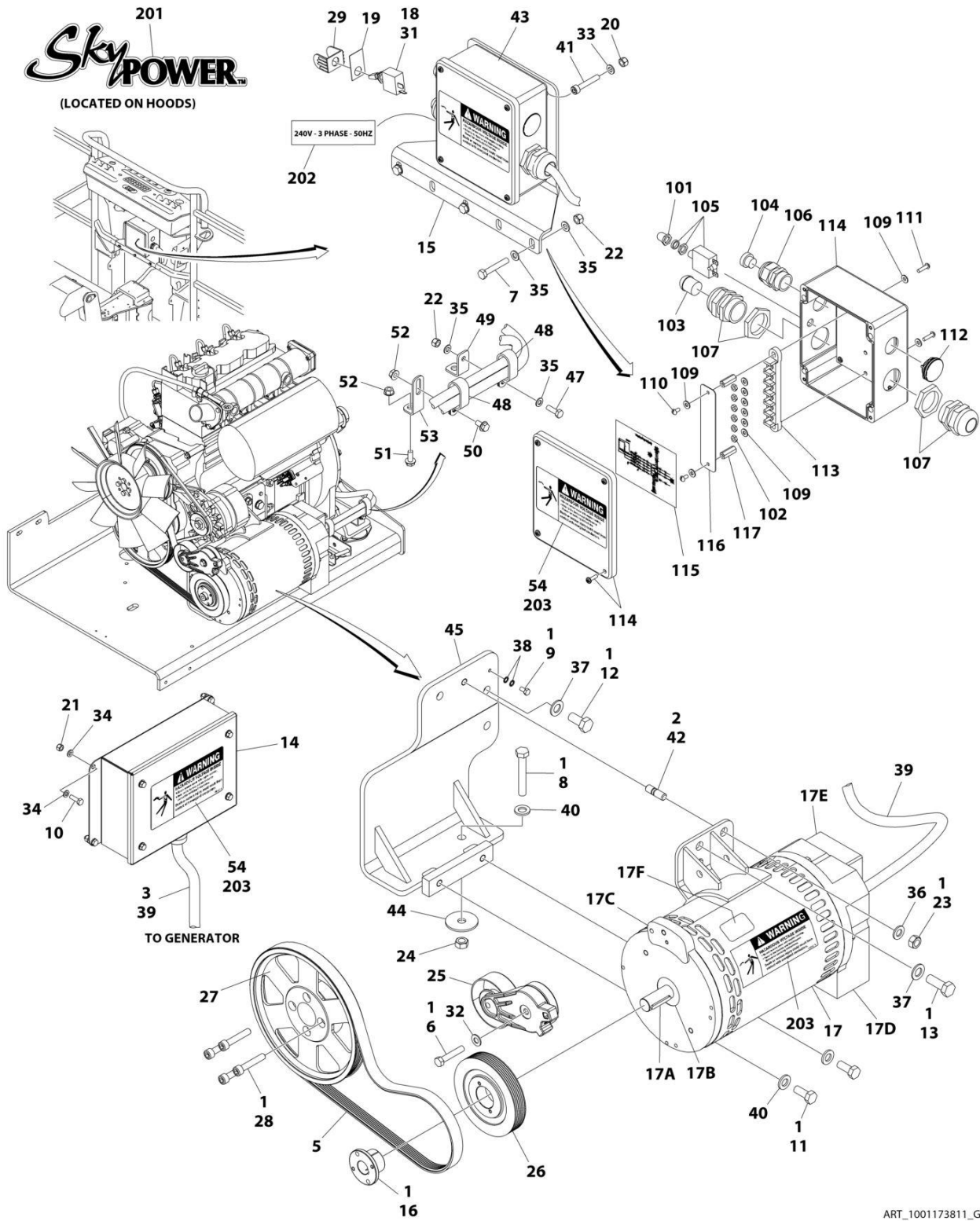
ITEM	PART NUMBER	QTY	DESCRIPTION	REV
	1001247656	Ref	GENERATOR INSTALLATION - 4000W/50HZ (DEUTZ (STAGE V) ENGINE)	F
1	0100011	AR	Compound, Locking	
2	0100019	AR	Compound, Locking	
3	0100048	AR	Grease, Dielectric	
4	0641616	1	Bolt 3/8 x 2	
5	0711224	AR	Bolt M12 x 80	
6	0741607	3	Screw 3/8 x 7/8	
7	0760606	1	Bolt M6 x 12	
8	0760610	AR	Bolt M6 x 20	
9	0760614	AR	Bolt M6 x 30	
10	0761212	2	Bolt M12 x 25	
11	0771414	AR	Bolt M14 x 30	
12	0962520	1	Bushing	
13	1321716	2	Clamp	
14	1705489	2	Decal - Hazardous Voltage	
15	2080040	2	Fastener, Huck	
16	2820031	0.33 ft /0.10m	Heat Shrink	
17	3251102	1	Nameplate, Generator	
18	3290605	AR	Nut M6	
19	3291201	2	Nut M12	
20	3331211	AR	Nut M12	
21	3580317	1	Pulley	
22	3580319	1	Pulley	
23	1001260432	1	Pulley	
24	1001261085	4	Capscrew M10 x 85	
25	1001261045	4	Capscrew M10 x 45	
26	4060802	1	Guard, Switch	
27	4240099	AR	Tie-Strap (Not Shown)	
28	4360336	1	Switch, Toggle	
29	4711600	1	Washer 3/8	
30	4811700	12	Washer M6	
31	4812000	4	Washer M14	
32	4812200	AR	Washer M14	
33	4871700	2	Washer M6	
34	5241200	AR	Washer M12 Hardened	
35	5250810	3	Bolt M8 x 20	
36	5260800	3	Nut M8	
37	1001096070	1	Breaker Box Kit (50Hz) (See Separate Breakdown in ELECTRICAL Section)	
38	1001135679	1	Adapter	
39	1001138566	1	Box, Control	
40	1001140347	1	Generator, 4000W/ 50HZ - Deutz Engine	
40	70003709	1	Ring, Retaining (External)	
40	70003708	1	Ring, Retaining (Internal)	
40	70001966	1	Bearing	
40	70004092	1	Endbell (Shaft End)	
40	70004099	1	Key	
40	70004676	1	Rotor	

SECTION 3 - ENGINE

ITEM	PART NUMBER	QTY	DESCRIPTION	REV
40	70004686	1	Stator	
40	70004678	1	Endbell (Rear)	
40	70004679	1	Cover, Endbell (Rear)	
40	70004680	1	Enclosure, Wiring	
40	70004681	1	Cover, Enclosure	
40	70004682	1	Switch, Reset (Located on Enclosure Cover)	
40	70004683	1	Connector, Strain Relief (Located on Enclosure Cover)	
41	1001148059	1	Belt, Generator	
42	1001148641	1	Bracket	
43	1001152532	1	Harness, Generator (See Separate Breakdown in ELECTRICAL Section)	
44	1001168018	AR	Washer, Snubbing	
45	1001168207	AR	Support (Prior to PVC 2107)	
46	1001174158	1	Mount	
47	1001174675	1	Wiring Diagram (Not Shown)	
48	1001196382	2	Stud	
49	1001223122	1	Support	
50	1001230784	1	Bracket	
51	1001248190	1	Support	
52	4811702	4	Washer M6	
		Ref	ELECTRICAL DIAGRAM COMPONENTS	
101	4922641	1	Generator Switch Harness (Not Shown)	

SECTION 3 - ENGINE

FIGURE 3-25. GENERATOR INSTALLATION - 7500W/50HZ (DEUTZ D2011 ENGINE)



ART_1001173811_G

SECTION 3 - ENGINE

FIGURE 3-25. GENERATOR INSTALLATION - 7500W/50HZ (DEUTZ D2011 ENGINE)

ITEM	PART NUMBER	QTY	DESCRIPTION	REV
	1001173811	Ref	GENERATOR INSTALLATION - 7500W/50HZ (DEUTZ D2011 ENGINE)	G
1	0100011	AR	Compound, Locking	
2	0100019	AR	Compound, Locking	
3	0100048	AR	Grease, Dielectric	
4	0100079	AR	Sealant (Not Shown)	
5	0480126	1	Belt	
6	0641616	1	Bolt 3/8 x 2	
7	0700818	3	Bolt M8 x 50	
8	0711224	1	Bolt M12 x 80 Grade 10.9	
9	0760606	1	Bolt M6 x 12	
10	0760610	4	Bolt M6 x 20	
11	0761214	2	Bolt M12 x 30	
12	0771414	2	Bolt M14 x 30 Grade 10.9	
13	0771416	1	Bolt M14 x 40	
14	0861572	1	Control Box Assembly	
14	7024488	1	Card, Circuit - Generator Power	
14	See Note	NSS	Fuse (Note: Not Available - Purchase Locally)	
14	7024489	1	Card, Circuit - Control	
14	70000619	1	Harness, Control Box (Internal)	
15	0902888	1	Bracket	
16	0962520	1	Bushing	
17	2460048	1	Generator Assembly	
17	70001100	1	Rotor (Includes p/n 70001384 & 70000863) (Not Shown)	
17	70001384	1	Bearing, Ball Radial (Not Shown)	
17	70000863	1	Fan (Not Shown)	
17	70002088	1	Stator (Not Shown)	
17	70002297	1	Stud	
17	70003631	1	Brushholder Assembly (Not Shown)	
17A	70004171	1	Key	
17B	70001966	1	Bearing, Ball Radial (Located in Belt Tensioner Endbell)	
17B	70003708	1	Ring, Internal Retaining (Located in Belt Tensioner Endbell)	
17B	70003709	1	Ring, External Retaining (Located in Belt Tensioner Endbell)	
17C	70001953	1	Endbell, Belt Tensioner	
17D	70004169	1	Endbell, Brush Block	
17E	70004169	1	Shroud	
17E	See Note	NSS	Insulator, Endbell (Note: Not Available for Purchase)	
17E	7027799	1	Block, Connector 6 Position (Not Shown)	
17E	70002460	1	Nut, Brass (Attaches p/n 7027799 to Cover) (Not Shown)	
17E	7024485	1	Breaker, Circuit 30Amp (Not Shown)	
17E	70001696	1	Boot, Breaker (Not Shown)	
17E	7026626	1	Connector, 6 Position (Includes Seal) (Not Shown - Plugs into Item 39)	
17E	7026597	1	Connector, with Leads (Not Shown)	
17E	7026188	1	Clamp, Cable Options (Not Shown)	
17E	70004169	1	Plate, End Panel	
17E	70001974	1	Decal - Terminal Connections	
17F	70001973	1	Decal - Warning Moving Parts	
18	2820031	AR	Heat Shrink	
19	3252764	1	Nameplate	

SECTION 3 - ENGINE

ITEM	PART NUMBER	QTY	DESCRIPTION	REV
20	3290505	4	Nut M5	
21	3290605	4	Nut M6	
22	3290805	4	Nut M8	
23	3291201	1	Nut M12	
24	3331211	1	Nut M12	
25	3580317	1	Pulley	
26	3580319	1	Pulley	
27	3580320	1	Pulley	
28	4032015	4	Bolt M10 x 55	
29	4060802	1	Guard, Switch	
30	4240099	AR	Tie-Strap (Not Shown)	
31	4360336	1	Switch, Toggle	
32	4711600	1	Washer 3/8	
33	4811600	4	Washer M5	
34	4811700	8	Washer M6	
35	4811900	8	Washer M8	
36	4812100	1	Washer M12	
37	4812200	3	Washer M14	
38	4871700	2	Washer M6	
39	4922925	1	Harness, Generator	
39	4460225	1	Plug, Male 6 Position (Plugs into Generator)	
39	See Note	NSS	Socket, Female (Use with 4460225)	
39	See Note	NSS	Seal, Plug (Use with 4460225)	
39	See Note	NSS	Seal, Interface (Use with 4460225)	
40	5241200	3	Washer M12 Hardened	
41	1001104029	4	Screw M5 x 30	
42	1001196382	1	Stud	
43	1001157525	1	Junction Box Assembly (See Items 101-117 for Breakdown)	
44	1001168018	1	Washer, Snubbing	
45	1001173925	1	Mount	
46	1001174675	1	Wiring Diagram (Not Shown)	
46	4922641	1	Harness, On/Off Switch (Not Shown - Located at Platform)	
47	0760812	1	Bolt M8 x 25	
48	1321716	2	Clamp	
49	1001148641	1	Bracket	
50	5250808	1	Bolt M8 x 16	
51	5250810	1	Bolt M8 x 20	
52	5260800	2	Nut M8	
53	1001223122	1	Support	
54	1705489	2	Decal - Hazardous Voltage	
	1001157525	Ref	JUNCTION BOX ASSEMBLY	B
101	3300396	1	Cover, Fuse	
102	3311001	6	Nut #10	
103	3520189	1	Plug	
104	3520192	1	Plug	
105	4360070	1	Circuit Breaker - 15Amp	
106	4460425	1	Connector, Strain Relief	
107	4460426	2	Connector, Strain Relief	
109	4711000	10	Flatwasher #10	
110	10702077	2	Screw #10 x 3/8	
111	10702082	2	Screw #10 x 3/4	

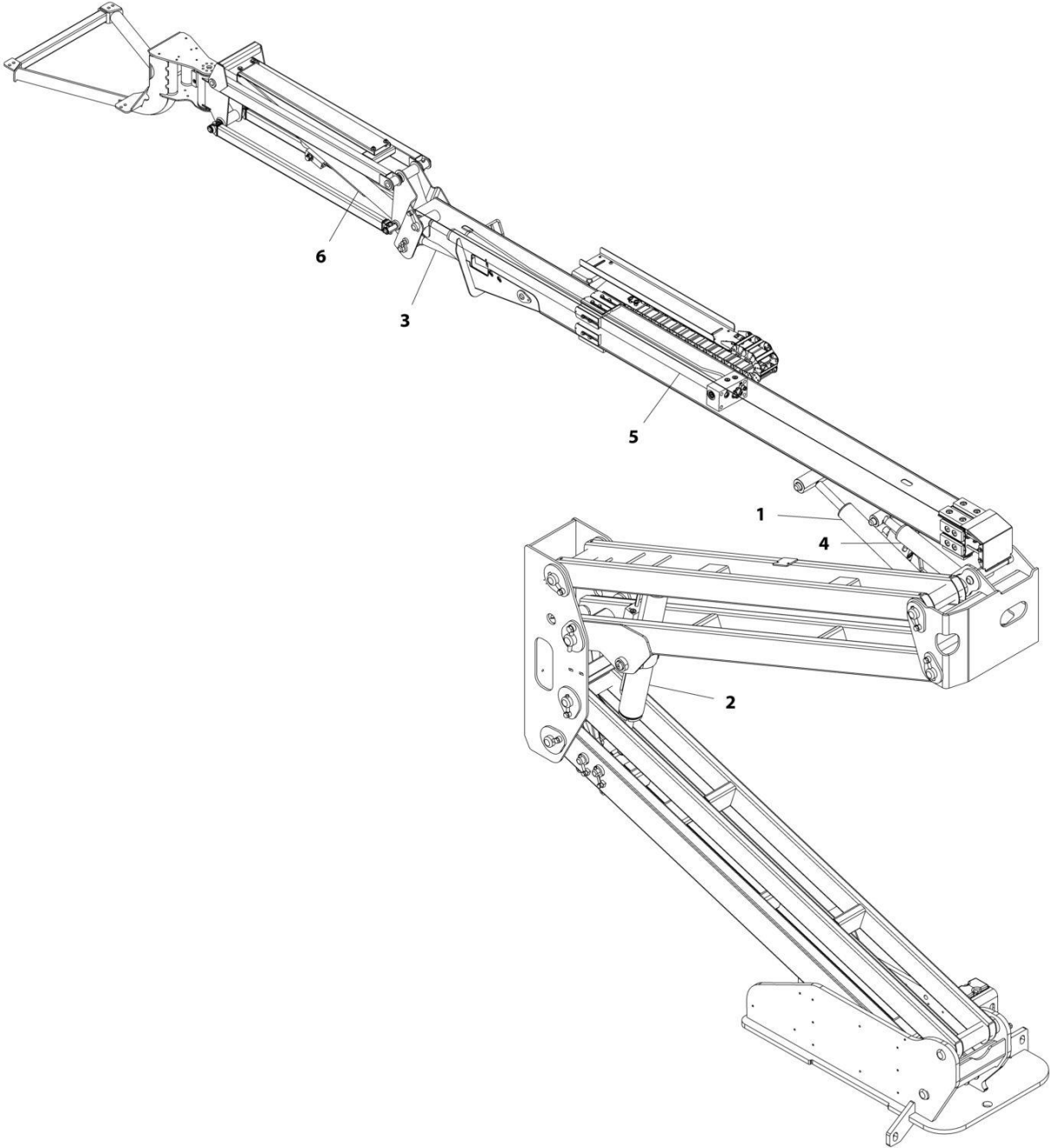
SECTION 3 - ENGINE

ITEM	PART NUMBER	QTY	DESCRIPTION	REV
112	1001152525	1	Plug	
113	1001157520	1	Block, Terminal	
114	1001157521	1	Box, Junction	
115	1001157528	1	Decal - Wiring Schematic	
116	1001158007	1	Cover, PVC	
117	1001158008	2	Stand-Off	
	0272589	Ref	DECAL INSTALLATION	A
201	1705460	2	Decal - SkyPower	
202	1705461	1	Decal - 240V - 3 Phase - 50Hz	
203	1705489	3	Decal - Hazardous Voltage	

SECTION 4 - BOOM

SECTION 4 - BOOM

FIGURE 4-1. CYLINDER INSTALLATION



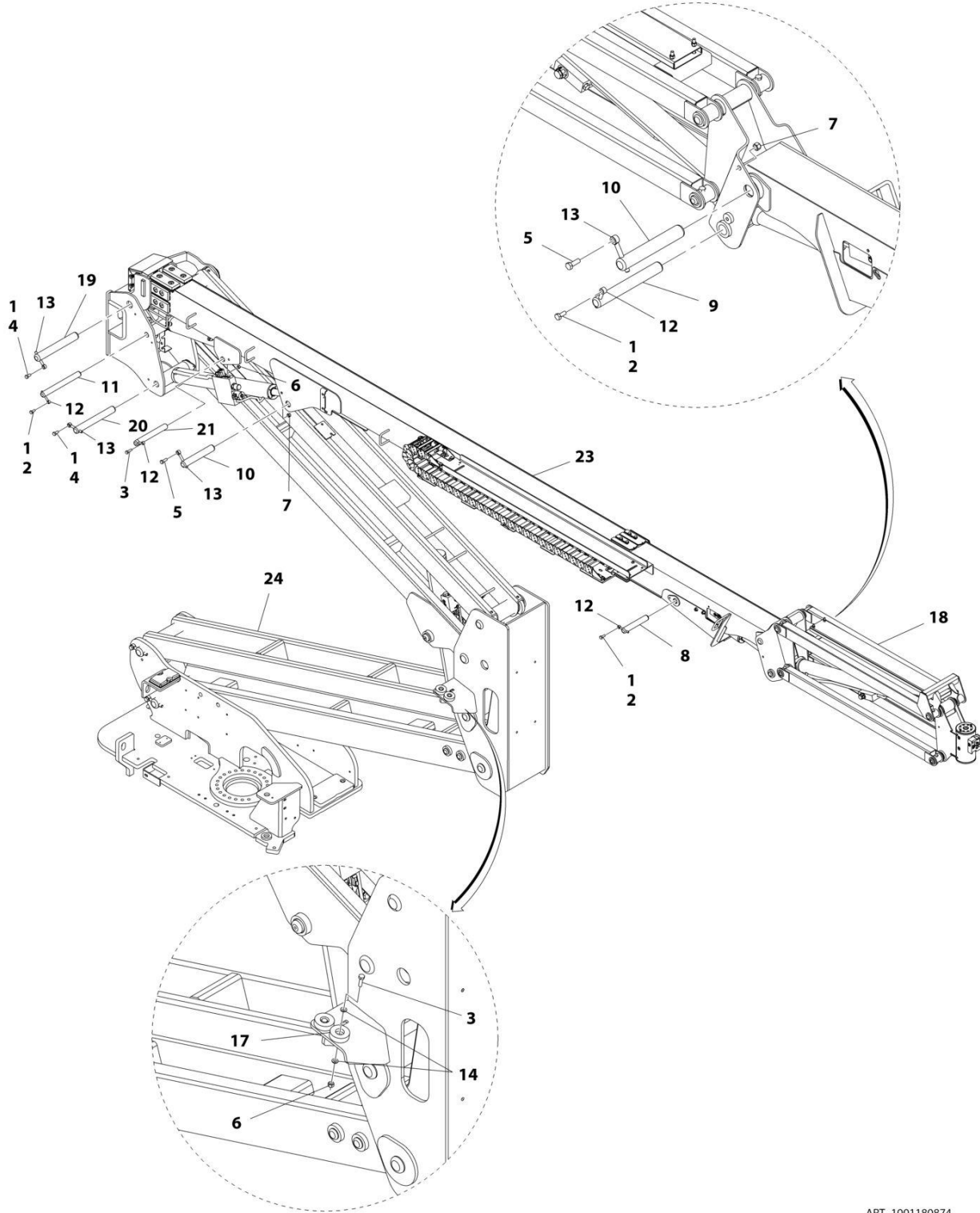
ART_1001163863

FIGURE 4-1. CYLINDER INSTALLATION

ITEM	PART NUMBER	QTY	DESCRIPTION	REV
	1001163863	Ref	CYLINDERS INSTALLATION	D
1	1001266738	1	Lift Cylinder Assembly - Main Boom (See Separate Breakdown in CYLINDER Section)	
2	1001254716	1	Lift Cylinder Assembly - Tower Boom (See Separate Breakdown in CYLINDER Section)	
3	1001161716	1	Level (Platform Slave) Cylinder Assembly (See Separate Breakdown in CYLINDER Section)	
4	1001161717	1	Master Cylinder Assembly (See Separate Breakdown in CYLINDER Section)	
5	1001266711	1	Telescope Cylinder Assembly (See Separate Breakdown in CYLINDER Section)	
6	1001163767	1	Lift Cylinder Assembly - Jib (See Separate Breakdown in CYLINDER Section)	

SECTION 4 - BOOM

FIGURE 4-2. BOOM INSTALLATION



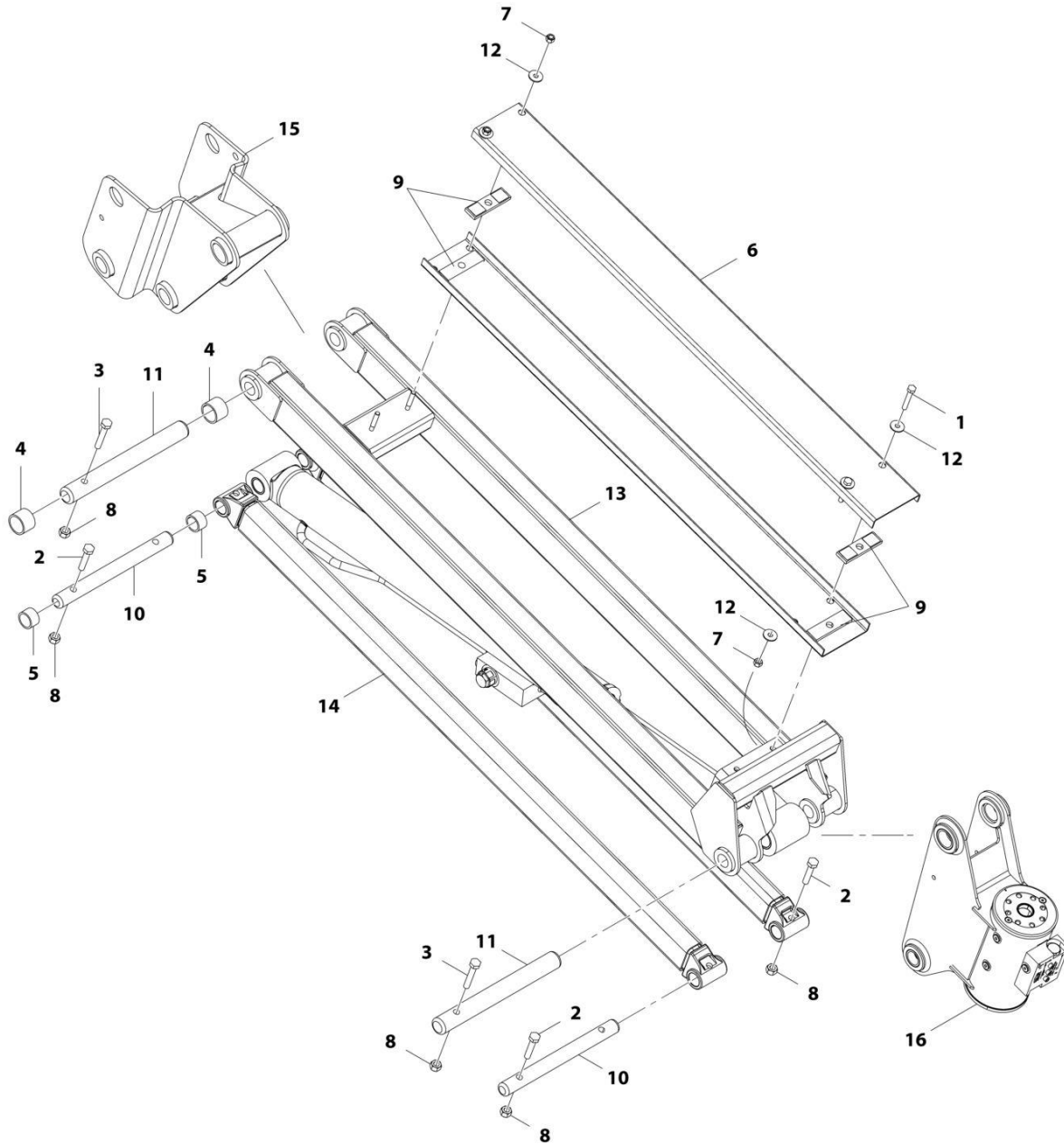
ART_1001180874

FIGURE 4-2. BOOM INSTALLATION

ITEM	PART NUMBER	QTY	DESCRIPTION	REV
	1001180874	Ref	BOOM INSTALLATION	C
1	0100011	AR	Compound, Locking	
2	0761012	3	Bolt, M10 x 25mm	
3	0761015	3	Bolt, M10 x 35mm	
4	0761212	2	Bolt, M12 x 25mm	
5	0761215	2	Bolt, M12 x 35mm	
6	3291005	3	Nut, Lock M10 x 1.5	
7	3291205	2	Nut, Lock M12 x 1.75	
8	3422755	1	Pin	
9	3422792	1	Pin	
10	3422793	2	Pin	
11	3422806	1	Pin	
12	3841143	4	Keeper, Pin	
13	3841203	4	Keeper, Pin	
14	4812000	4	Washer, M10	
17	1001112607	2	Block, Boom Rest	
18	1001164017	1	Jib Installation (See JIB INSTALLATION for Breakdown)	
19	1001169246	1	Pin	
20	1001169247	1	Pin	
21	3423038	1	Pin	
23	1001179626	1	Main Boom Assembly (See MAIN BOOM ASSEMBLY for Breakdown)	
24	1001180006	1	Tower Boom Assembly (See TOWER BOOM ASSEMBLY for Breakdown)	

SECTION 4 - BOOM

FIGURE 4-3. JIB INSTALLATION



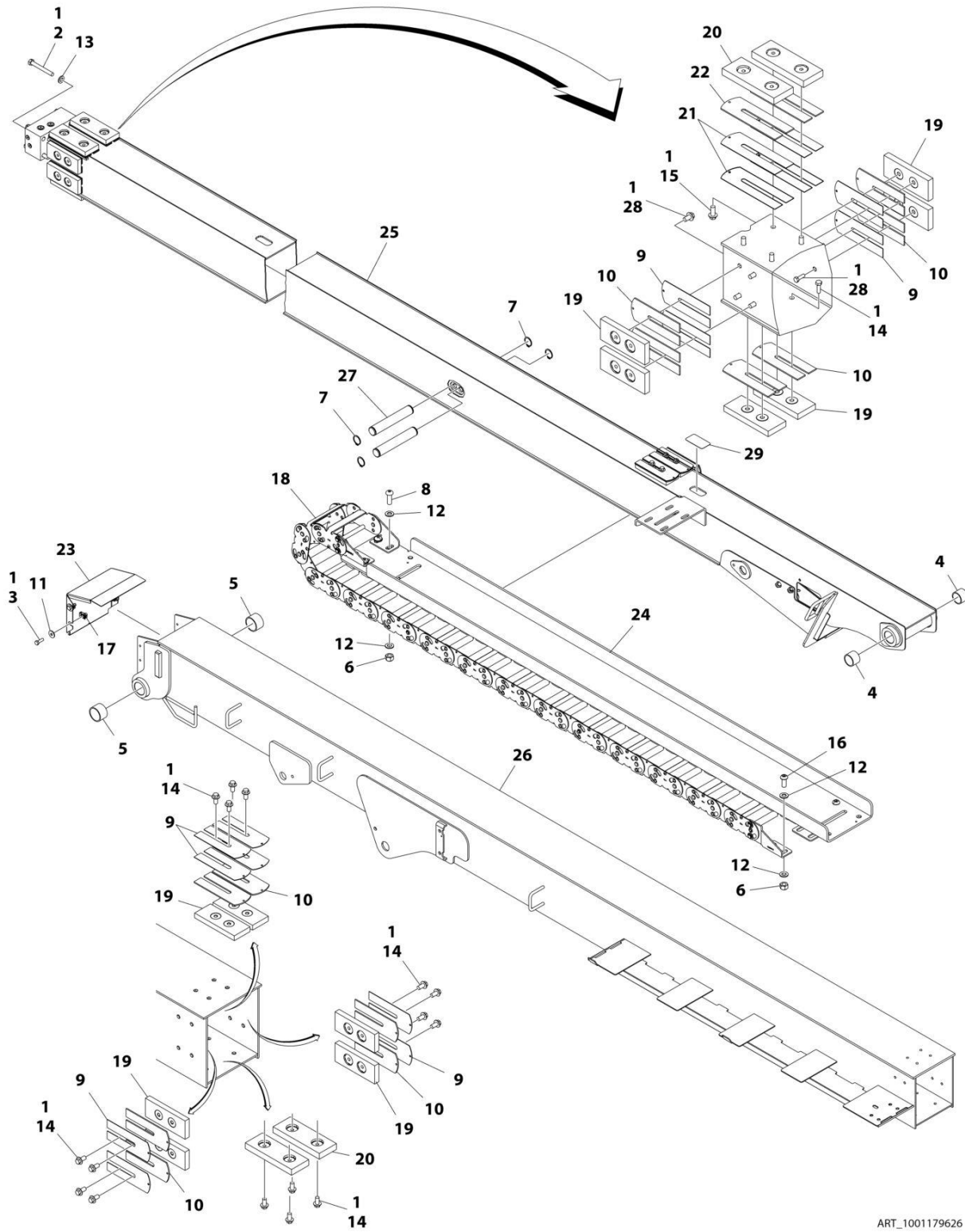
ART_1001164017

FIGURE 4-3. JIB INSTALLATION

ITEM	PART NUMBER	QTY	DESCRIPTION	REV
	1001164017	Ref	JIB INSTALLATION	D
1	0700820	2	Bolt M8 x 60	
2	0701019	4	Bolt M8 x 55	
3	0701020	2	Bolt M10 x 60	
4	0961951	2	Bushing	
5	0962292	2	Bearing	
6	3572551	2	Channel	
7	3290805	4	Nut M8	
8	3291005	6	Nut M10	
9	3340860	4	Pad, Rubber	
10	3422791	2	Pin	
11	1001116550	2	Pin	
12	4811902	6	Washer M8	
13	1001183171	1	Link (Upper)	
14	4846689	2	Link (Lower)	
15	1001163937	1	Pivot	
16	1001217779	1	Rotator Assembly (See Separate Breakdown in this Section)	

SECTION 4 - BOOM

FIGURE 4-4. MAIN BOOM ASSEMBLY



ART_1001179626

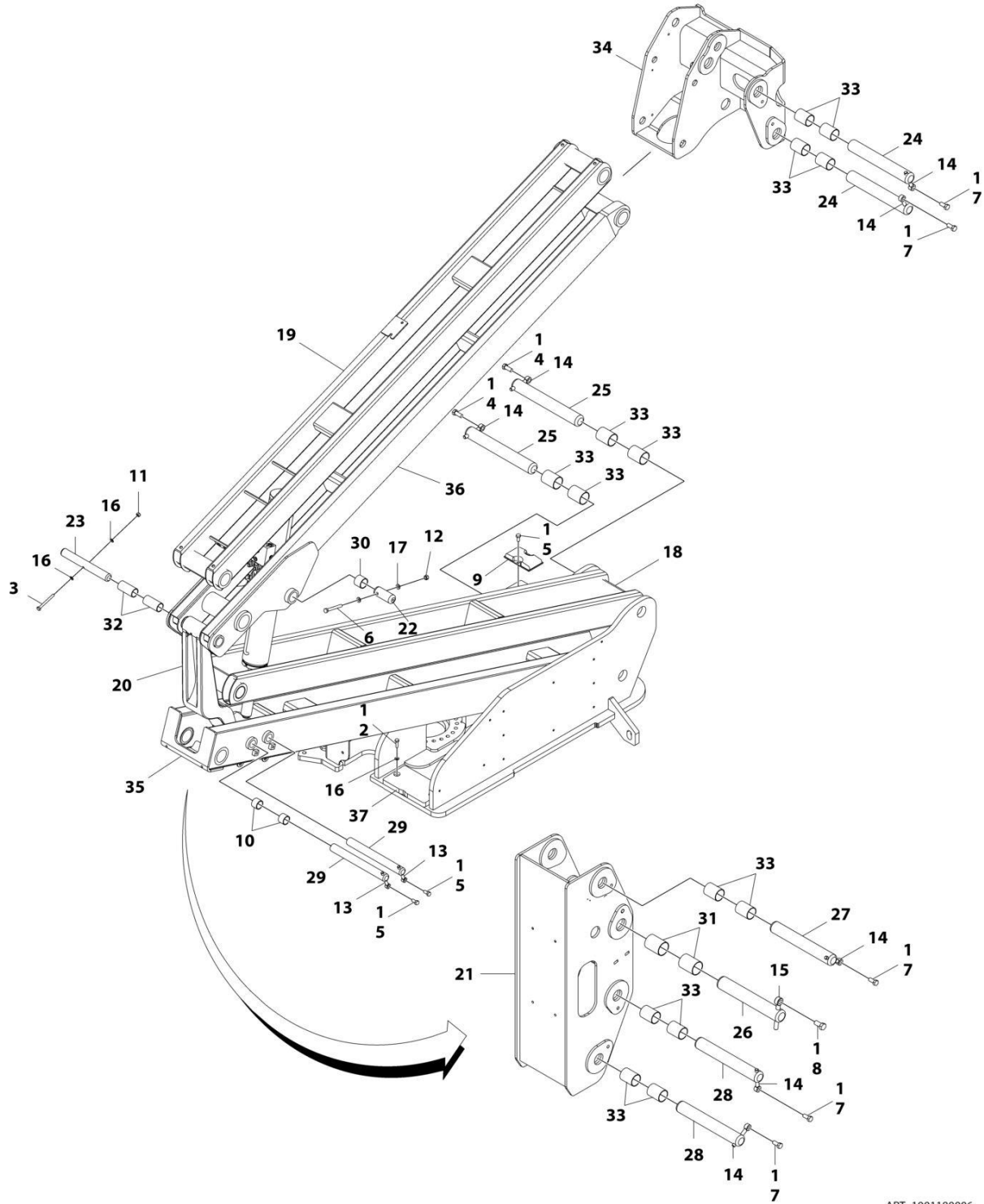
SECTION 4 - BOOM

FIGURE 4-4. MAIN BOOM ASSEMBLY

ITEM	PART NUMBER	QTY	DESCRIPTION	REV
	1001179626	Ref	MAIN BOOM ASSEMBLY	D
1	0100011	AR	Compound, Locking	
2	0711227	4	Bolt M12 x 100	
3	0760812	4	Bolt M8 x 25	
4	0961948	2	Bearing	
5	0961949	2	Bearing	
6	3291005	10	Nut M10	
7	3760351	4	Ring, Retaining	
8	3900351	4	Screw M10 x 30	
9	4070897	12	Shim	
10	4070898	12	Shim	
11	4811902	4	Washer M8	
12	4812000	18	Washer M10	
13	5241200	4	Washer M12 Hardened	
14	5251010	20	Bolt M10 x 20	
15	5251012	4	Bolt M10 x 25	
16	8310668	6	Screw M10 x 25 Grade 10.9	
17	1001118274	4	Nut M8	
18	1001224894	1	Powertrack Assembly	
18	70006256	1	Link, Repair	
18	70006272	1	Feet, Mounting	
19	1001169304	12	Pad, Wear	
20	1001169305	4	Pad, Wear	
21	1001169402	4	Shim	
22	1001169403	2	Shim	
23	1001170226	1	Cover, Boom End	
24	1001170334	1	Tube, Carrier	
25	1001178554	1	Fly, Boom	
26	1001178555	1	Base, Boom	
27	1001180541	2	Pin	
28	5251009	8	Bolt M10 x 18	
29	1670836	1	Cover	

SECTION 4 - BOOM

FIGURE 4-5. TOWER BOOM ASSEMBLY



ART_1001180006

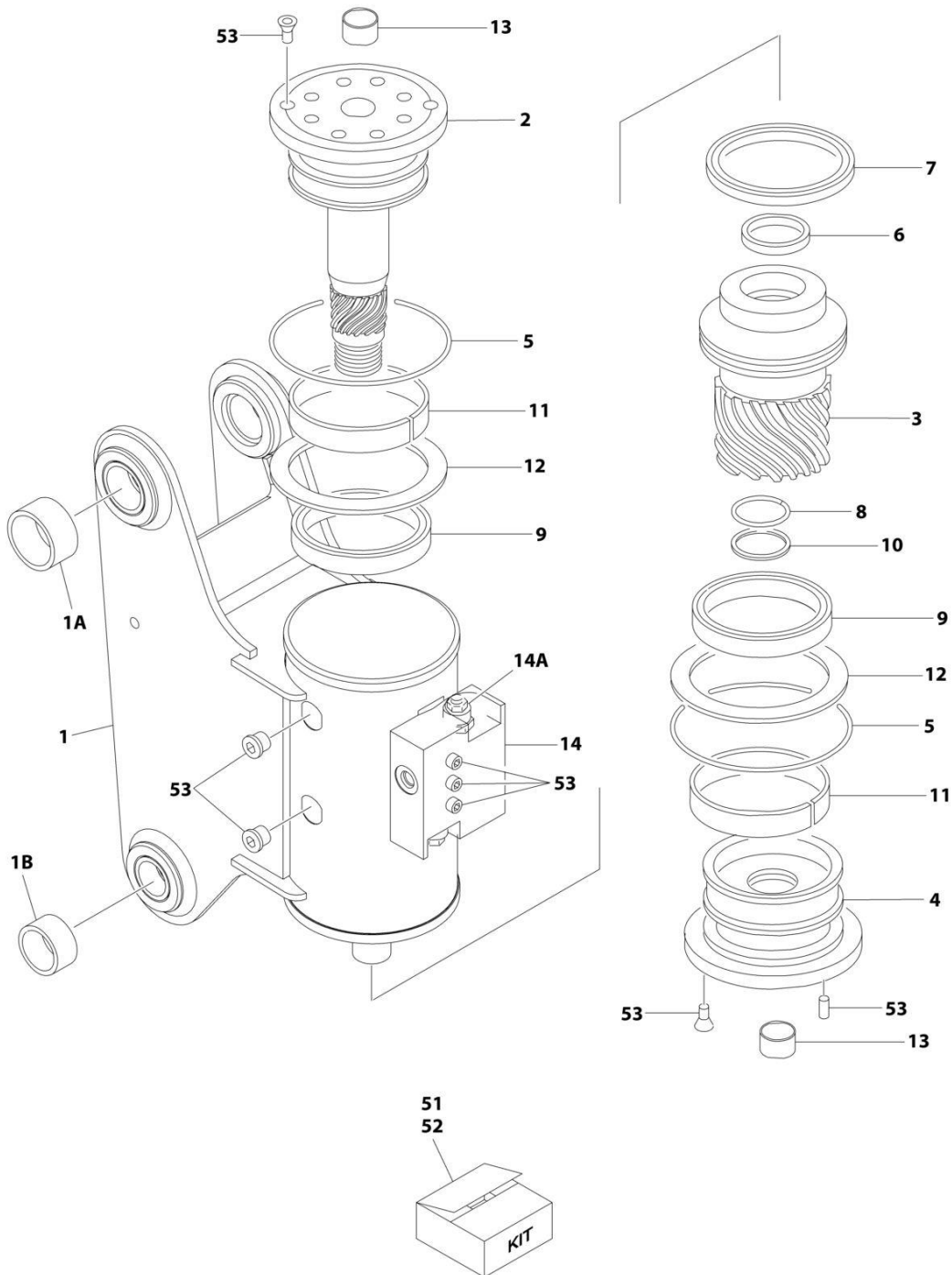
SECTION 4 - BOOM

FIGURE 4-5. TOWER BOOM ASSEMBLY

ITEM	PART NUMBER	QTY	DESCRIPTION	REV
	1001180006	Ref	TOWER BOOM ASSEMBLY - 450A	B
1	0100011	AR	Compound, Locking	
2	0701015	2	Bolt M10 x 35	
3	0701027	1	Bolt M10 x 100	
4	0701616	2	Bolt M16 x 40	
5	0761212	4	Bolt M12 x 25	
6	0761227	2	Bolt M12 x 100	
7	0761615	5	Bolt M16 x 35	
8	0762016	1	Bolt M20 x 40	
9	0940048	1	Bumper	
10	0961948	2	Bearing	
11	3291005	1	Nut M10	
12	3291205	2	Nut M12	
13	3841203	2	Keeper, Pin	
14	3841258	7	Keeper, Pin	
15	3841287	1	Keeper, Pin	
16	4812000	4	Washer M10	
17	4812100	4	Washer M12	
18	1001160859	1	Link, Lower Tower Boom	
19	1001160872	1	Link, Upper Tower Boom	
20	1001166096	1	Link, Timing	
21	1001166853	1	Upright, Lower	
22	1001169240	2	Pin	
23	1001169241	1	Pin	
24	1001169242	2	Pin	
25	1001169249	2	Pin	
26	1001169295	1	Pin	
27	1001169296	1	Pin	
28	1001169297	2	Pin	
29	1001169298	2	Pin	
30	1001169299	2	Bearing	
31	1001169300	2	Bearing	
32	1001169301	2	Bearing	
33	1001169302	14	Bearing	
34	1001174065	1	Upright, Upper	
35	1001178133	1	Tower Boom (Lower)	
36	1001178135	1	Tower, Boom (Upper)	
37	1001180056	1	Pad, Wear	
38	1001227993	1	Tower Boom Kit (Not Shown – Includes Items 18, 19, 35 & 36)	

SECTION 4 - BOOM

FIGURE 4-6. ROTATOR ASSEMBLY



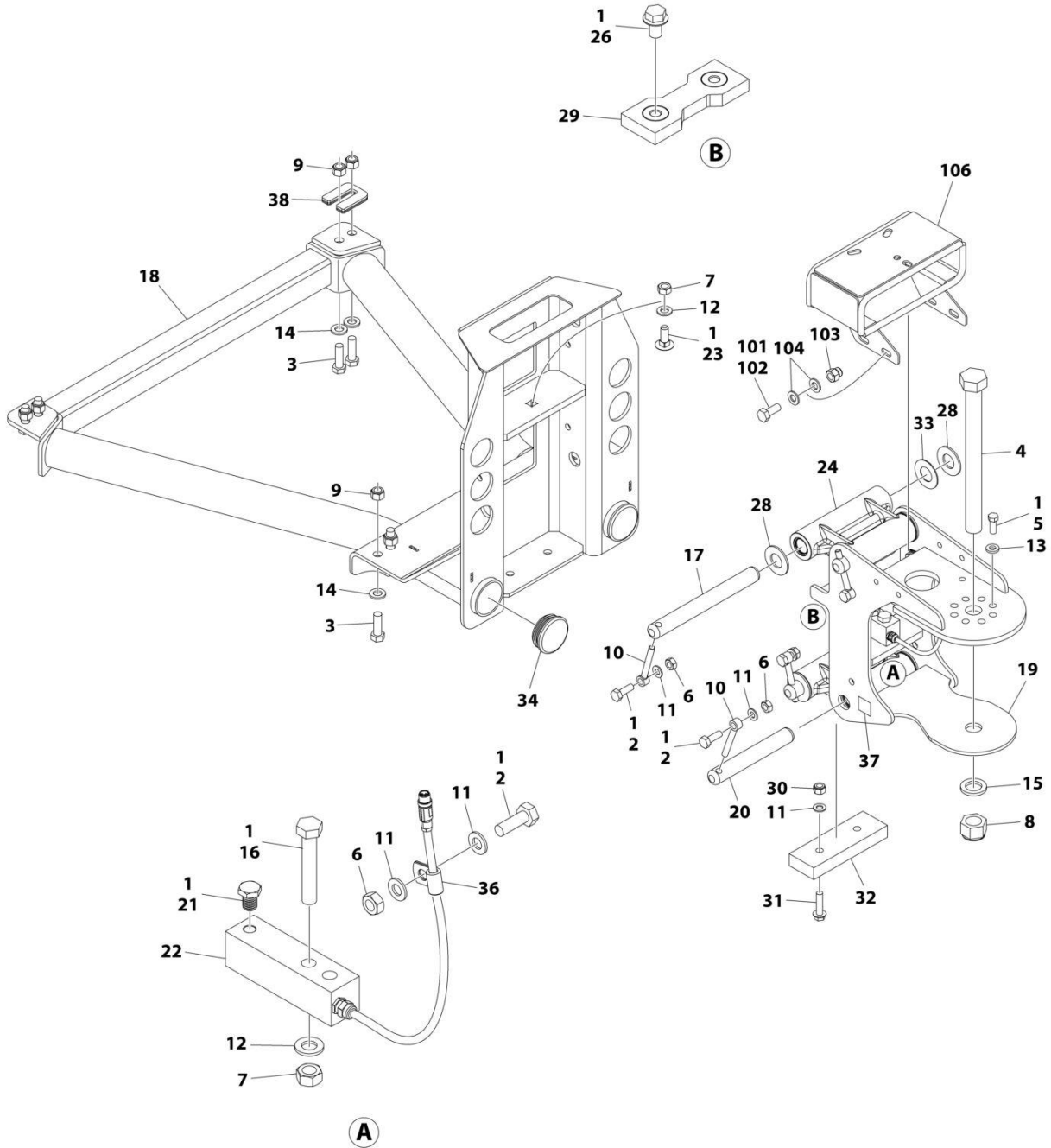
ART_1001217779

FIGURE 4-6. ROTATOR ASSEMBLY

ITEM	PART NUMBER	QTY	DESCRIPTION	REV
	1001217779	Ref	ROTATOR ASSEMBLY	B
1	See Note	NSS	Housing (Note: Purchase Complete Assembly)	
1A	0962257	2	Bushing	
1B	0961947	2	Bushing	
2	7017162	1	Shaft	
3	7017163	1	Piston	
4	7017164	1	Cap, End	
5	See Note	NSS	O-Ring (Note: Use p/n 70000342)	
6	See Note	NSS	Seal, Rod (Note: Purchase p/n 70000342)	
7	See Note	NSS	Seal, Piston (Note: Purchase p/n 70000342)	
8	See Note	NSS	Seal, Cap (Note: Purchase p/n 70000342)	
9	See Note	NSS	Packing, Bearing (Note: Purchase p/n 70000342)	
10	See Note	NSS	Ring, Back-up (Note: Purchase p/n 70000342)	
11	See Note	NSS	Bearing, Shaft (Note: Purchase p/n 7017159)	
12	See Note	NSS	Washer, Thrust (Note: Purchase p/n 7017159)	
13	7017195	2	Bushing	
14	7017172	1	Counterbalance Valve Assembly	
14A	7017192	2	Valve Cartridge (No Seal Kit Available)	
51	70000342	1	Seal Kit (Includes Items 5-10)	
52	7017159	1	Bearing Kit (Includes Items 11 & 12)	
53	7017142	1	Hardware Kit	

SECTION 4 - BOOM

FIGURE 4-7. PLATFORM SUPPORT INSTALLATION



ART_1001167596_N

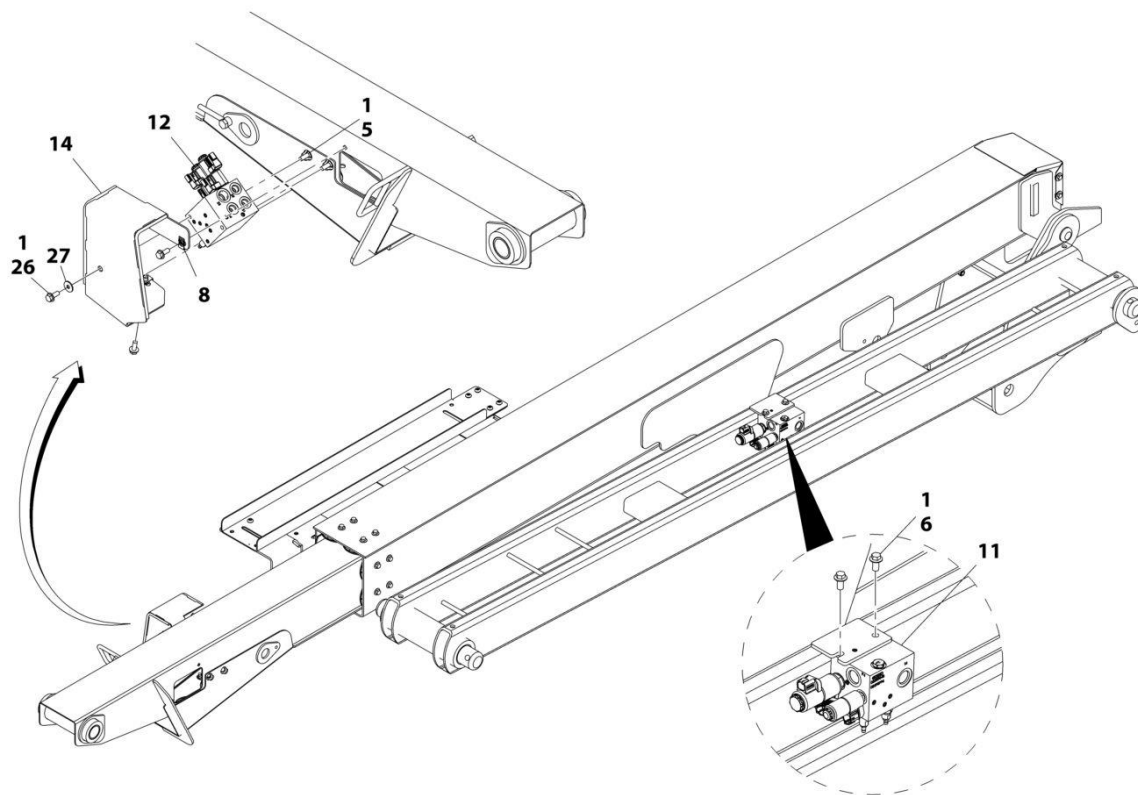
SECTION 4 - BOOM

FIGURE 4-7. PLATFORM SUPPORT INSTALLATION

ITEM	PART NUMBER	QTY	DESCRIPTION	REV
	1001167596	Ref	PLATFORM SUPPORT INSTALLATION	N
1	0100011	AR	Compound, Locking	
2	0761014	5	Bolt M10 x 30	
3	0761216	8	Bolt M12 x 40	
4	1001255133	1	Bolt 1 x 11 GRD8	
5	0681608	8	Bolt 3/8 x 1 GRD8	
6	3291001	5	Nut M10	
7	3291201	3	Nut M12	
8	1001174040	1	Nut 1	
9	3291205	8	Nut M12	
10	3841143	4	Keeper, Pin	
11	4812000	8	Washer M10	
12	4812100	3	Washer M12	
13	4891600	8	Washer 3/8	
14	5241200	8	Washer M12	
15	4892600001	1	Washer 1	
16	1001098828	2	Bolt M12 x 70 CL10.9	
17	1001167565	2	Pin	
18	1001200494	1	Support, Platform	
19	1001167567	1	Support, Rotator	
20	1001168402	2	Pin	
21	1001188622	1	Screw	
22	1001247468	1	Loadcell	
23	1001188844	1	Bolt M12 x 35	
24	1001201351	2	Link	
24	1001187382	4	Bearing	
24	1001187383	4	Seal	
26	5251008	2	Bolt M10 x 16 CL10.9	
28	1001189002	8	Bearing	
29	1001190985	1	Pad, Wear	
30	3291005	2	Nut M10	
31	5251016	2	Bolt M10 x 40 CL10.9	
32	1001200491	1	Pad, Wear	
33	1001189001	4	Bearing	
34	1001204725	2	Plug	
36	91203039	1	Clamp	
37	1001216630	2	Decal - Tie Down/No Lift	
38	1001238421	Ref	Kit, Platform Leveling (Not Shown)	
	1001202687	Ref	VALVE MOUNT INSTALLATION	B
101	0100011	AR	Compound, Locking	
102	0760810	4	Bolt M8 x 20	
103	3290806	4	Nut M8	
104	4811900	8	Washer M8	
106	1001208994	1	Mount, Valve	

SECTION 4 - BOOM

FIGURE 4-8. VALVES INSTALLATION - BOOM MOUNTED



ART_1001165948_30F3

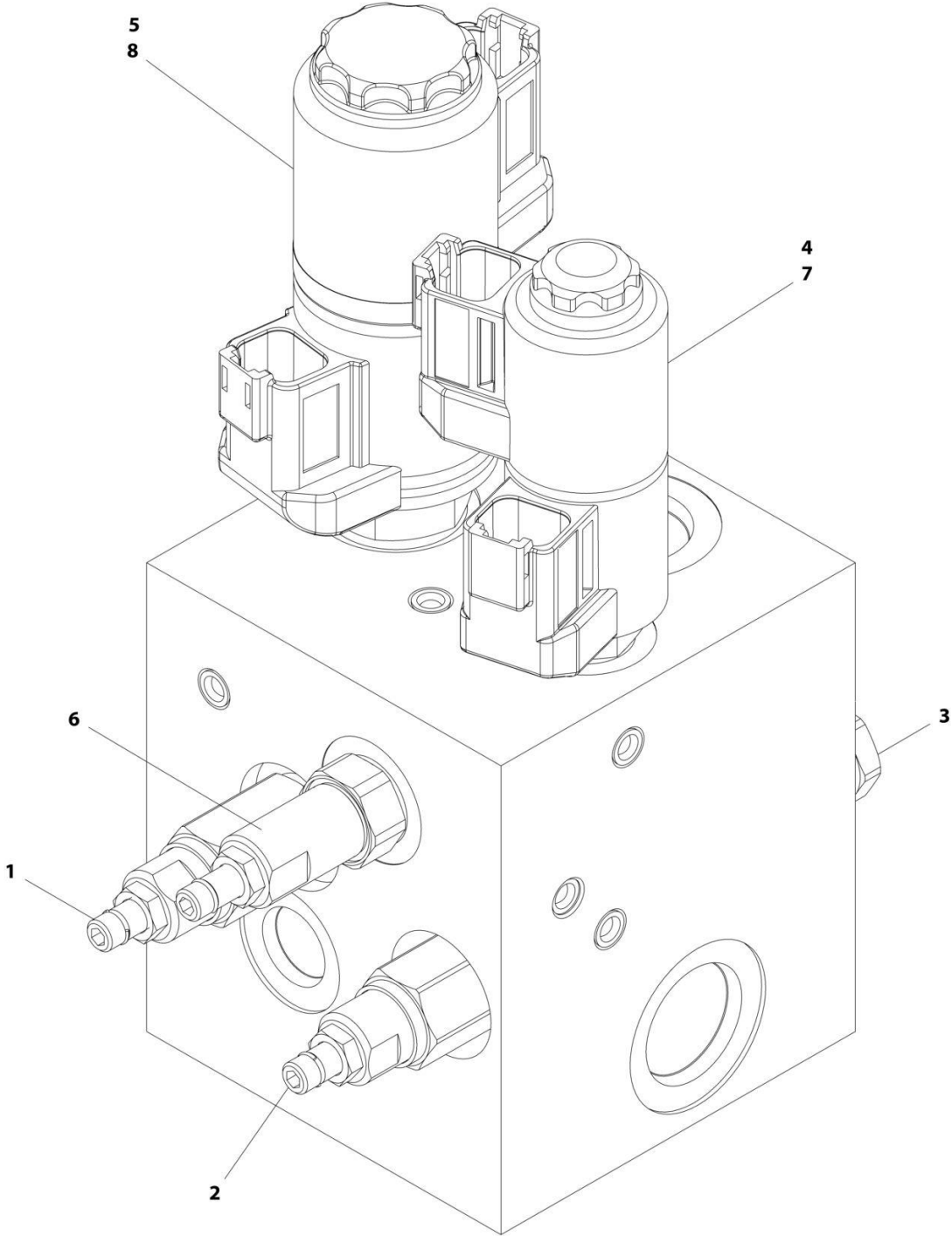
SECTION 4 - BOOM

FIGURE 4-8. VALVES INSTALLATION - BOOM MOUNTED

ITEM	PART NUMBER	QTY	DESCRIPTION	REV
	1001165948	Ref	4WD VALVES INSTALLATION - 450AJ BOOM MOUNTED	J
1	0100011	AR	Compound, Locking	
5	5250810	4	Bolt M8 x 20 Class 10.9	
6	5251010	2	Bolt M10 x 20 Class 10.9	
8	1001118274	2	Nut, Tinnerman M8	
11	1001162535	1	Upright Valve Assembly (See Separate Breakdown in this Section)	
12	1001162536	1	Boom Valve Assembly (See Separate Breakdown in this Section)	
14	1001170375	1	Shield (Prior to SN 0300280962, Prior to SN B300011406, Prior to SN E300008862)	
14	1001265186	1	Shield (SN 0300280962 to Present, SN E300008862 to Present, Including B300011406)	
26	0770810	1	Bolt M8 x 20 Class 10.9	
27	4811902	1	Washer M8	

SECTION 4 - BOOM

FIGURE 4-9. UPRIGHT VALVE ASSEMBLY



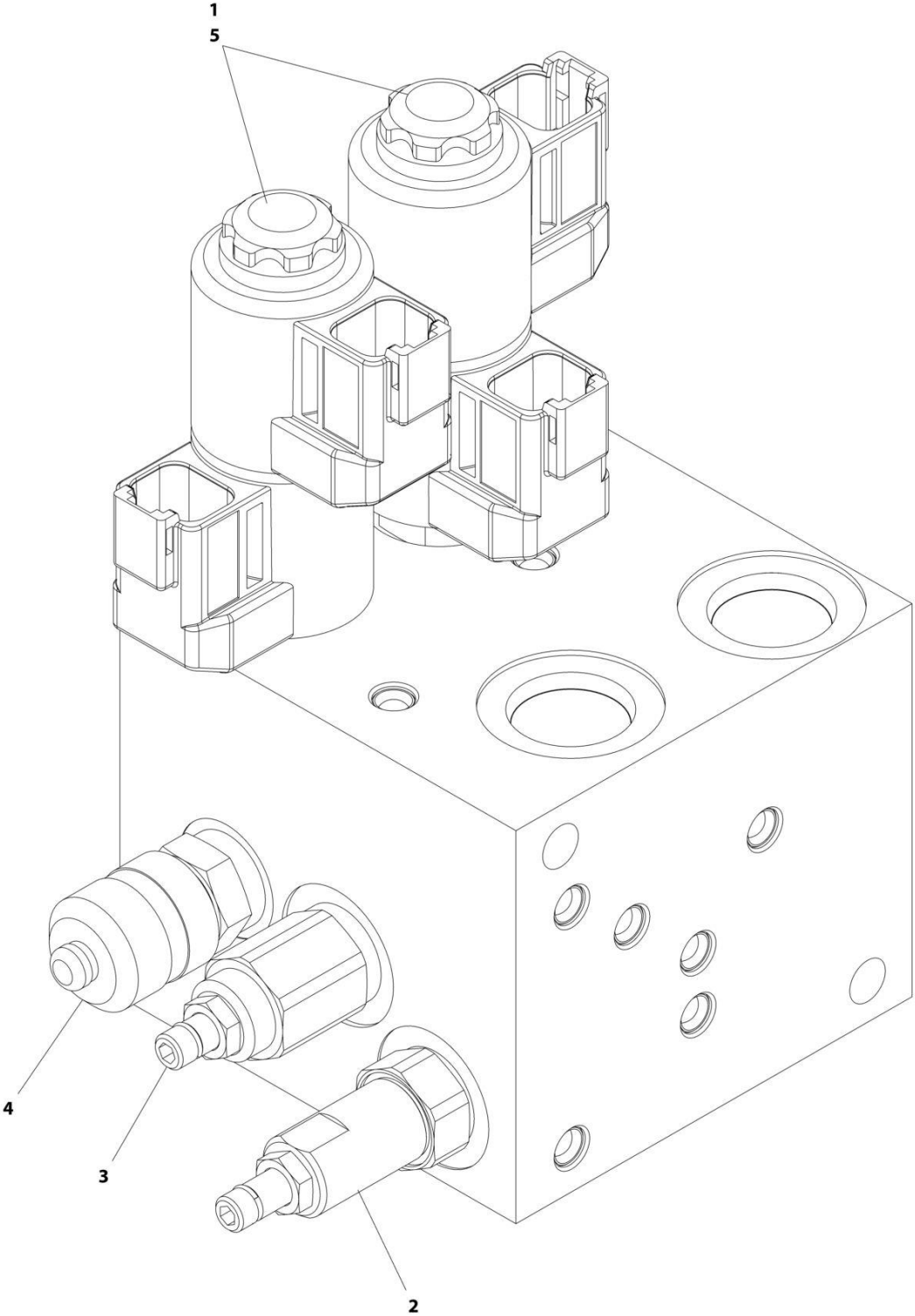
ART_1001162535

FIGURE 4-9. UPRIGHT VALVE ASSEMBLY

ITEM	PART NUMBER	QTY	DESCRIPTION	REV
	1001162535	Ref	UPRIGHT VALVE ASSEMBLY	D
1	70004864	1	Cartridge, Valve	
1	70004875	1	Seal Kit - 70004864 Valve	
2	70004865	1	Cartridge, Valve	
2	70004875	1	Seal Kit - 70004865 Valve	
3	70004866	1	Cartridge, Relief Valve	
3	70004867	1	Seal Kit - 70004866 Valve	
4	70004868	1	Cartridge, Solenoid Valve Less Coil	
4	70004869	1	Seal Kit - 70004868 Valve	
5	7027625	1	Cartridge, Solenoid Valve Less Coil	
5	70000100	1	Seal Kit - 7027625 Valve	
6	70006660	1	Cartridge, Valve	
6	70004867	1	Seal Kit - 70006660 Valve	
7	70004871	2	Coil	
8	7027628	2	Coil	

SECTION 4 - BOOM

FIGURE 4-10. BOOM VALVE ASSEMBLY



ART_1001162536_G

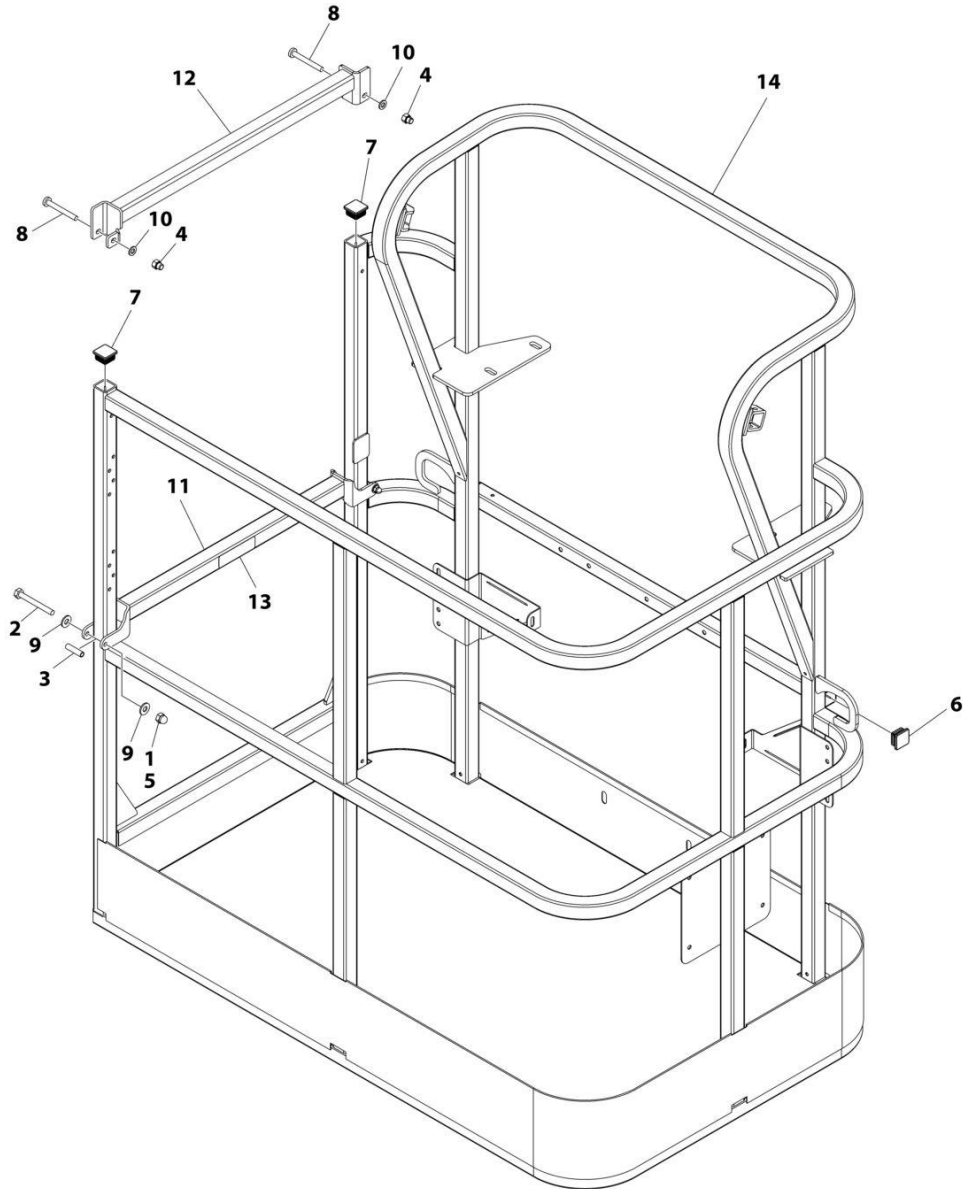
FIGURE 4-10. BOOM VALVE ASSEMBLY

ITEM	PART NUMBER	QTY	DESCRIPTION	REV
	1001162536	Ref	BOOM VALVE ASSEMBLY	G
1	70005243	2	Cartridge, Solenoid Valve Less Coil	
1	70004869	2	Seal Kit - 70005243 Valve	
2	70004873	1	Cartridge, Valve	
2	70004867	1	Seal Kit - 70004873 Valve	
3	70007556	1	Cartridge, Valve	
3	70004867	1	Seal Kit - 70006970 Valve	
4	2221086	1	Fitting, Test	
5	70004871	4	Coil	

SECTION 5 - PLATFORM

SECTION 5 - PLATFORM

FIGURE 5-1. PLATFORM ASSEMBLY - 30IN X 4FT (76CM X 1.22M) - SIDE DROP-BAR ENTRY



ART_1001186375

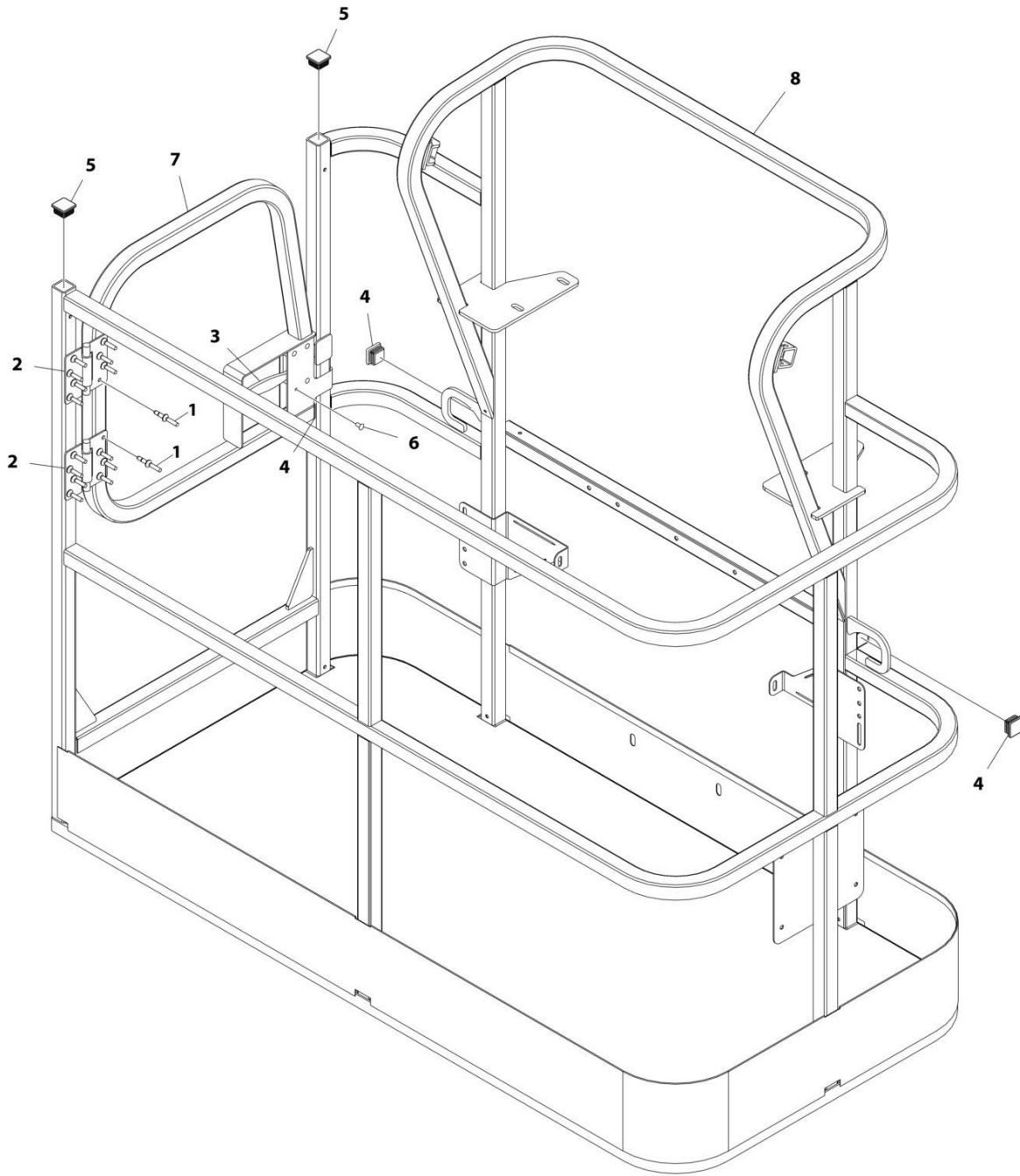
SECTION 5 - PLATFORM

FIGURE 5-1. PLATFORM ASSEMBLY - 30IN X 4FT (76CM X 1.22M) - SIDE DROP-BAR ENTRY

ITEM	PART NUMBER	QTY	DESCRIPTION	REV
	1001186375	Ref	PLATFORM ASSEMBLY	B
		Ref	Note: Platform and Mesh must be ordered separately for Platforms with Mesh. See SPECIAL OPTIONS SECTION for Mesh Installations.	
		Ref	Note: Replacement Decals Must be Ordered Separately - See DECALS SECTION.	
1	0100011	AR	Compound, Locking	
2	0641418	2	Bolt 1/4 x 2-1/4	
3	0961845	2	Bushing	
4	3290606	2	Nut M6	
5	3300151	2	Nut 1/4	
6	3520072	2	Plug	
7	3520198	2	Plug	
8	4010618	2	Screw M6 x 50	
9	4711400	4	Washer 1/4	
10	4811700	2	Washer M6	
11	1001138494	1	Bar, Drop	
12	1001138514	1	Rail - Top	
13	1001140429	1	Decal - Drop Bar	
14	See Note	1	Platform (Note: Not Available - Purchase Platform Assembly)	

SECTION 5 - PLATFORM

FIGURE 5-2. PLATFORM ASSEMBLY - 30IN X 5FT (76CM X 1.52M) - SIDE GATE ENTRY



ART_1001186386

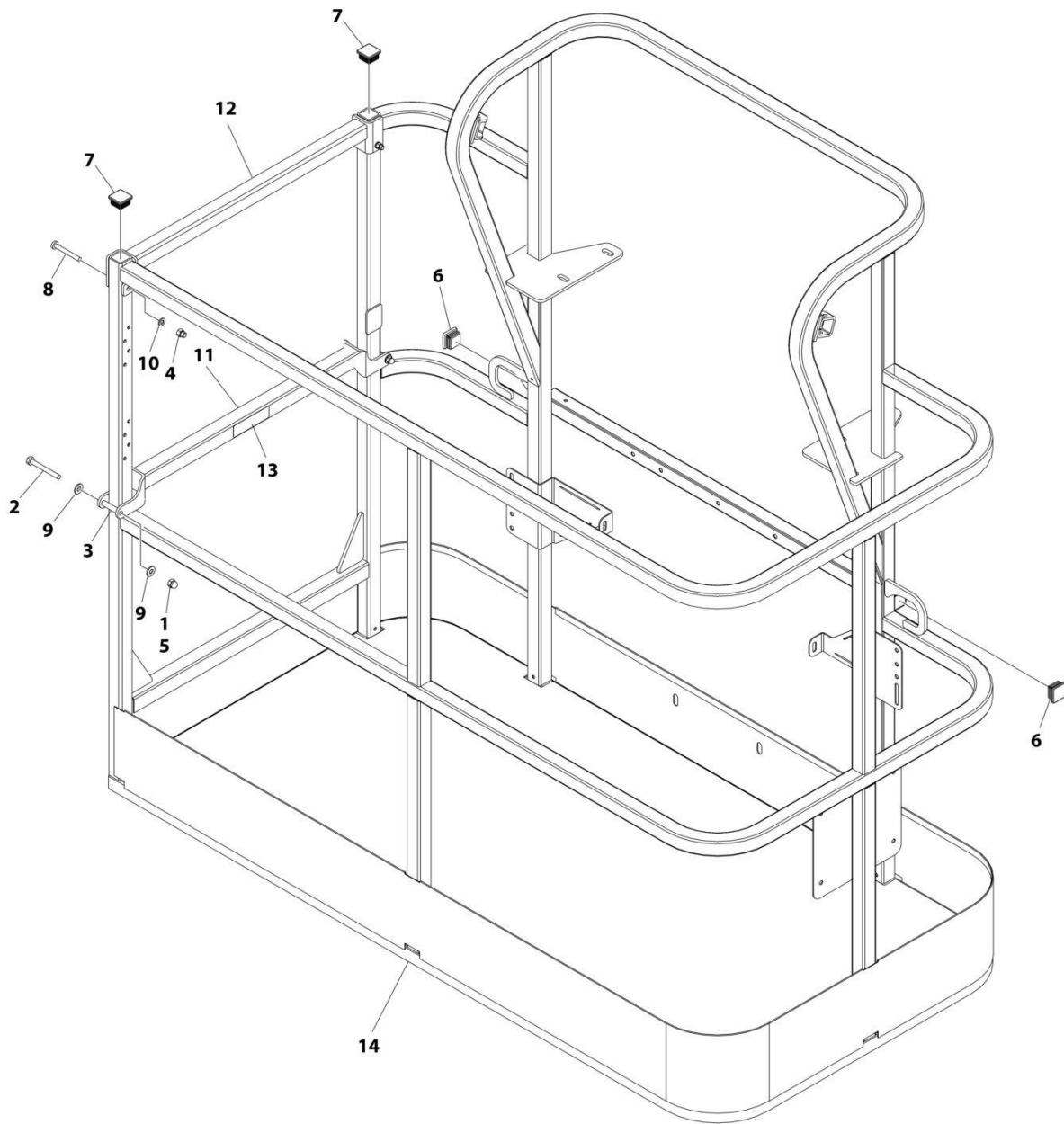
SECTION 5 - PLATFORM

FIGURE 5-2. PLATFORM ASSEMBLY - 30IN X 5FT (76CM X 1.52M) - SIDE GATE ENTRY

ITEM	PART NUMBER	QTY	DESCRIPTION	REV
	1001186386	Ref	PLATFORM ASSEMBLY	C
		Ref	Note: Platform and Mesh must be ordered separately for Platforms with Mesh. See SPECIAL OPTIONS SECTION for Mesh Installations.	
		Ref	Note: Replacement Decals Must be Ordered Separately - See DECALS SECTION.	
1	2080040	16	Fastener, Huck	
2	2600281	2	Hinge, Self-Closing	
3	2940074	1	Latch	
4	3520072	3	Plug	
5	3520198	2	Plug	
6	3820020	4	Rivet	
7	1001144629	1	Gate	
8	See Note	NSS	Platform (Note: Not Available - Purchase Platform Assembly)	

SECTION 5 - PLATFORM

FIGURE 5-3. PLATFORM ASSEMBLY - 30IN X 5FT (76CM X 1.52M) - SIDE DROP-BAR ENTRY



ART_1001186377

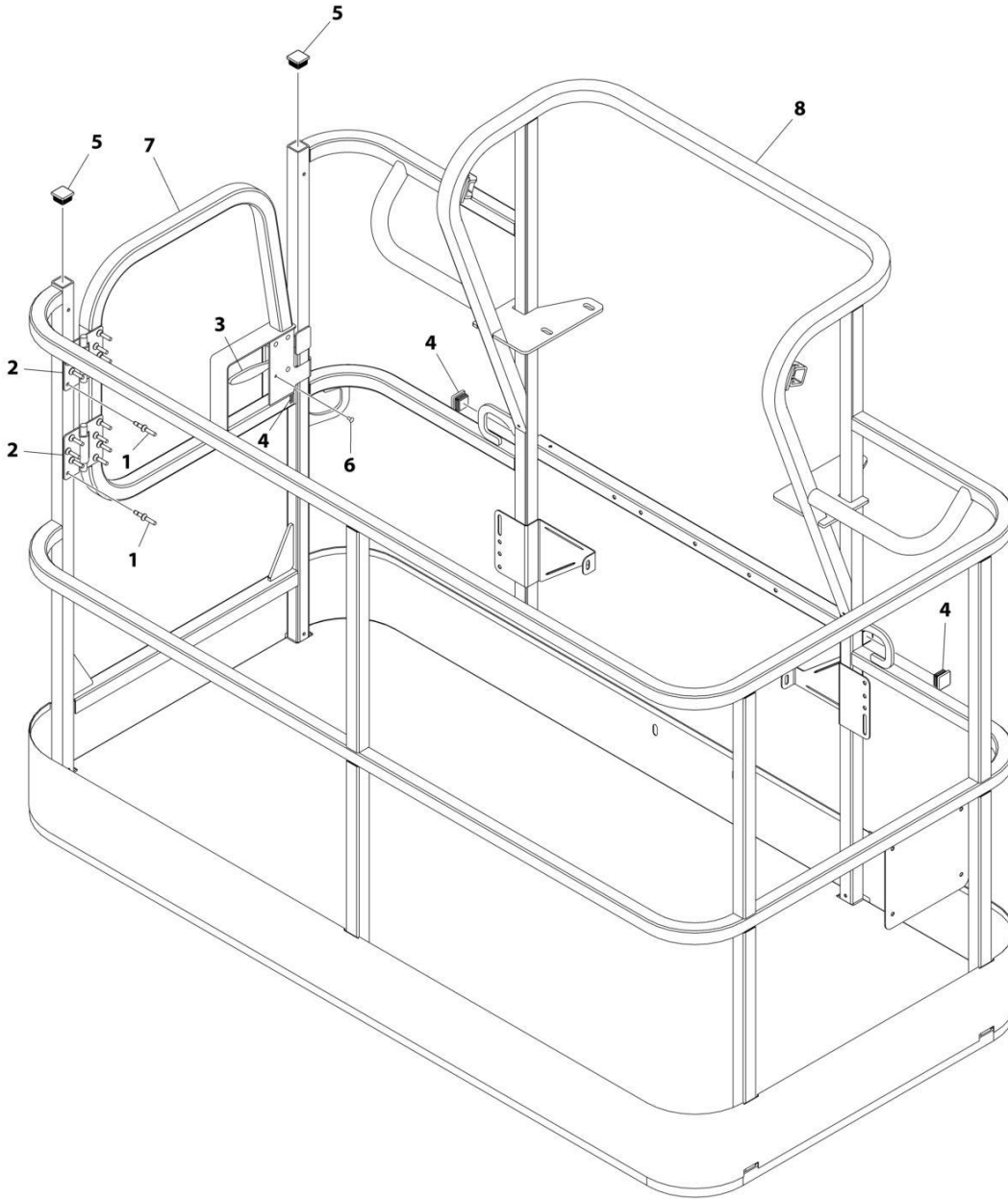
SECTION 5 - PLATFORM

FIGURE 5-3. PLATFORM ASSEMBLY - 30IN X 5FT (76CM X 1.52M) - SIDE DROP-BAR ENTRY

ITEM	PART NUMBER	QTY	DESCRIPTION	REV
	1001186377	Ref	PLATFORM ASSEMBLY	C
		Ref	Note: Platform and Mesh must be ordered separately for Platforms with Mesh. See SPECIAL OPTIONS SECTION for Mesh Installations.	
		Ref	Note: Replacement Decals Must be Ordered Separately - See DECALS SECTION.	
1	0100011	AR	Compound, Locking	
2	0641420	2	Bolt 1/4 x 2-1/2	
3	0961845	2	Bushing	
4	3290606	2	Nut M6	
5	3300151	2	Nut 1/4	
6	3520072	2	Plug	
7	3520198	2	Plug	
8	4010618	2	Screw M6 x 50	
9	4711400	4	Washer 1/4	
10	4811700	2	Washer M6	
11	1001138494	1	Bar, Drop	
12	1001138514	1	Rail (Top)	
13	1001140429	1	Decal - Drop Bar	
14	See Note	NSS	Platform (Note: Not Available - Purchase Platform Assembly)	

SECTION 5 - PLATFORM

FIGURE 5-4. PLATFORM ASSEMBLY - 30IN X 6FT (76CM X 1.83M) - SIDE GATE ENTRY



ART_1001186385

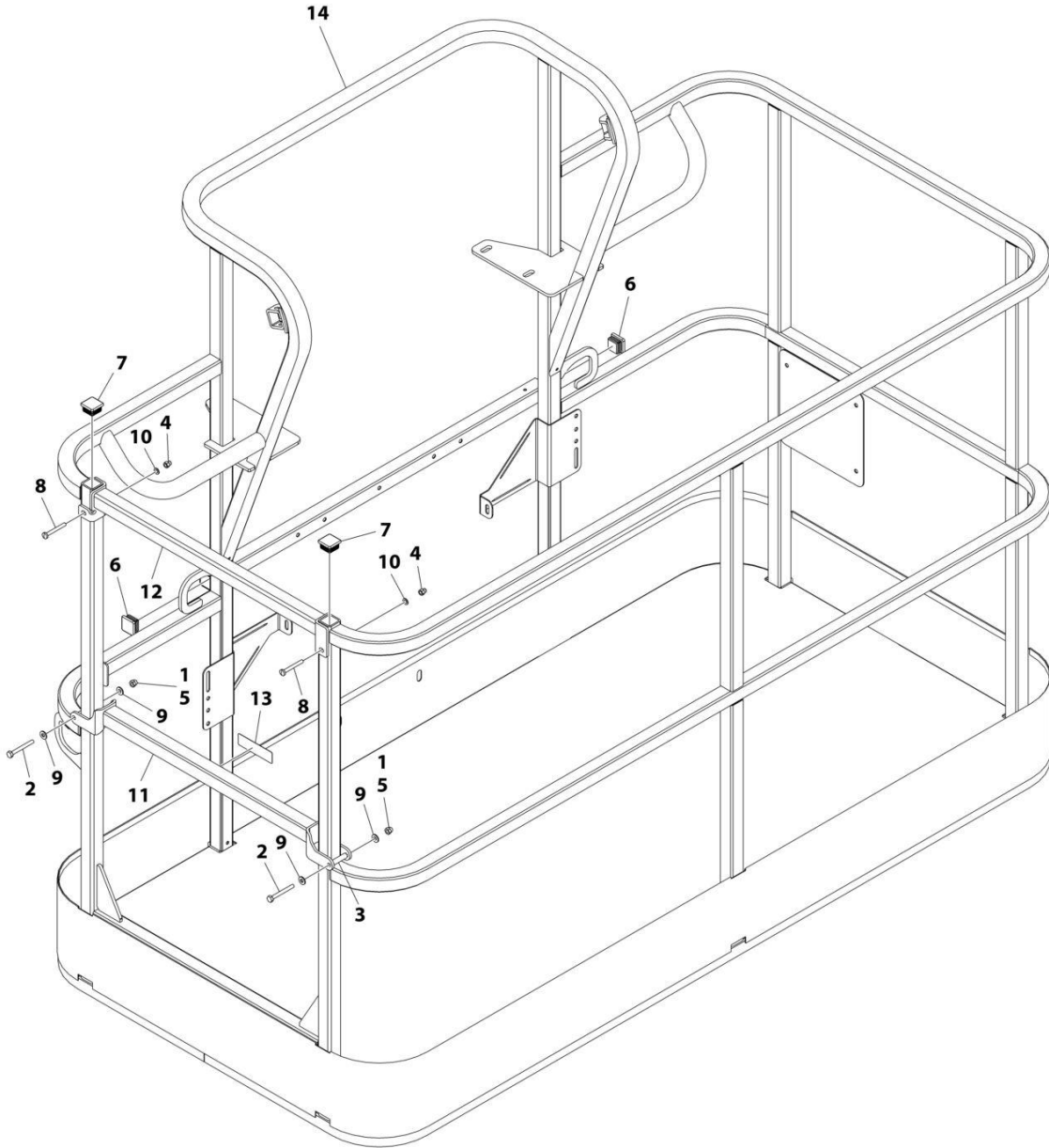
SECTION 5 - PLATFORM

FIGURE 5-4. PLATFORM ASSEMBLY - 30IN X 6FT (76CM X 1.83M) - SIDE GATE ENTRY

ITEM	PART NUMBER	QTY	DESCRIPTION	REV
	1001186385	Ref	PLATFORM ASSEMBLY	D
		Ref	Note: Platform and Mesh must be ordered separately for Platforms with Mesh. See SPECIAL OPTIONS SECTION for Mesh Installations.	
		Ref	Note: Replacement Decals Must be Ordered Separately - See DECALS SECTION.	
1	2080040	16	Fastener, Huck	
2	2600281	2	Hinge	
3	2940074	1	Latch	
4	3520072	3	Plug	
5	3520198	2	Plug	
6	3820020	4	Rivet	
7	1001144629	1	Gate	
8	See Note	NSS	Platform (Note: Not Available - Purchase Platform Assembly)	

SECTION 5 - PLATFORM

FIGURE 5-5. PLATFORM ASSEMBLY - 30IN X 6FT (76CM X 1.83M) - SIDE DROP-BAR ENTRY



ART_1001186378

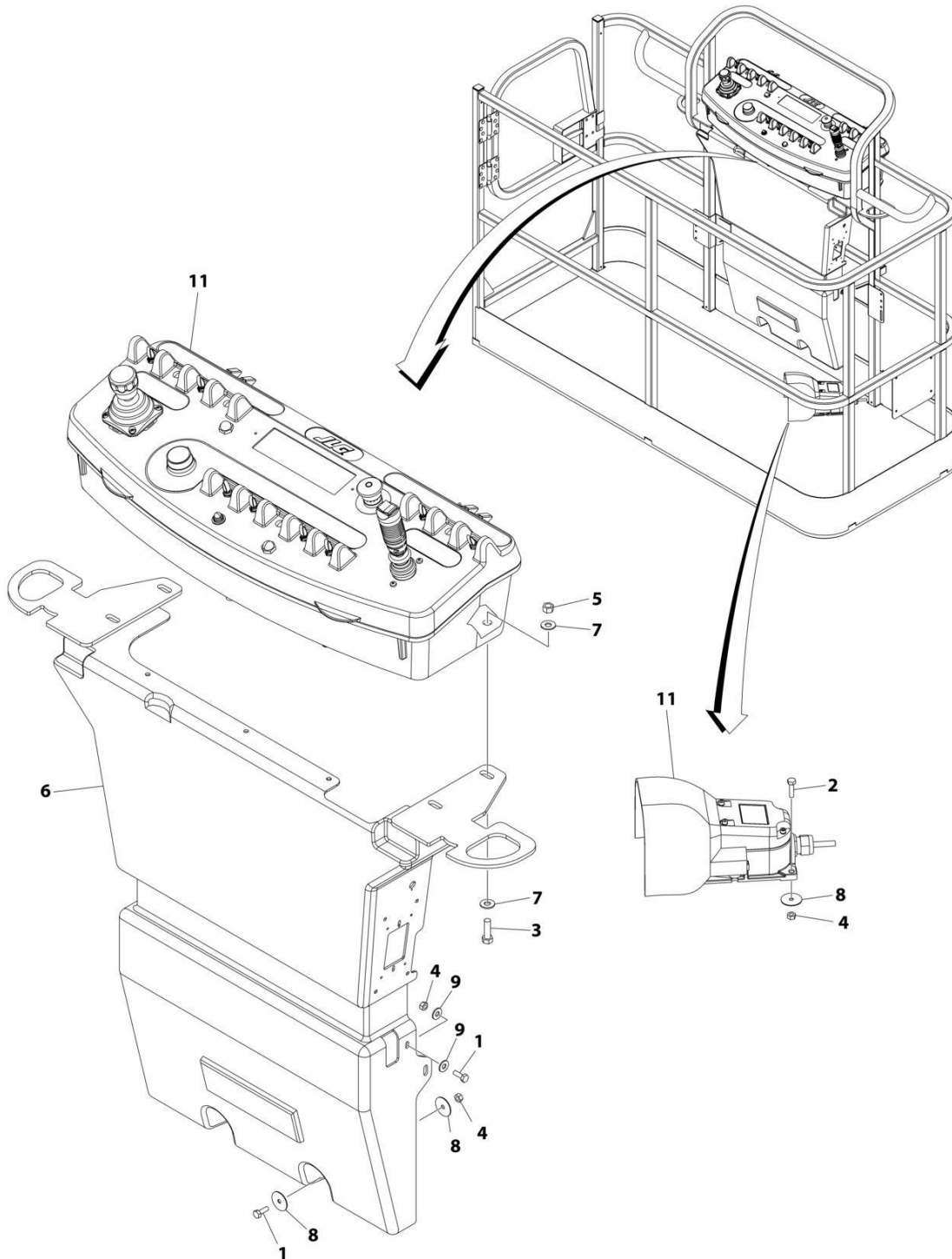
SECTION 5 - PLATFORM

FIGURE 5-5. PLATFORM ASSEMBLY - 30IN X 6FT (76CM X 1.83M) - SIDE DROP-BAR ENTRY

ITEM	PART NUMBER	QTY	DESCRIPTION	REV
	1001186378	Ref	PLATFORM ASSEMBLY	C
		Ref	Note: Platform and Mesh must be ordered separately for Platforms with Mesh. See SPECIAL OPTIONS SECTION for Mesh Installations.	
		Ref	Note: Replacement Decals Must be Ordered Separately - See DECALS SECTION.	
1	0100011	AR	Compound, Locking	
2	0641418	2	Bolt 1/4 x 2-1/4	
3	0961845	2	Bushing	
4	3290606	2	Nut M6	
5	3300151	2	Nut 1/4	
6	3520072	2	Plug	
7	3520198	2	Plug	
8	4010618	2	Screw M6 x 50	
9	4711400	4	Washer 1/4	
10	4811700	2	Washer M6	
11	1001138494	1	Bar, Drop	
12	1001138514	1	Rail (Top)	
13	1001140429	1	Decal - Drop Bar	
14	See Note	NSS	Platform (Note: Not Available - Purchase Platform Assembly)	

SECTION 5 - PLATFORM

FIGURE 5-6. CONSOLE BOX INSTALLATION



ART_1001246436

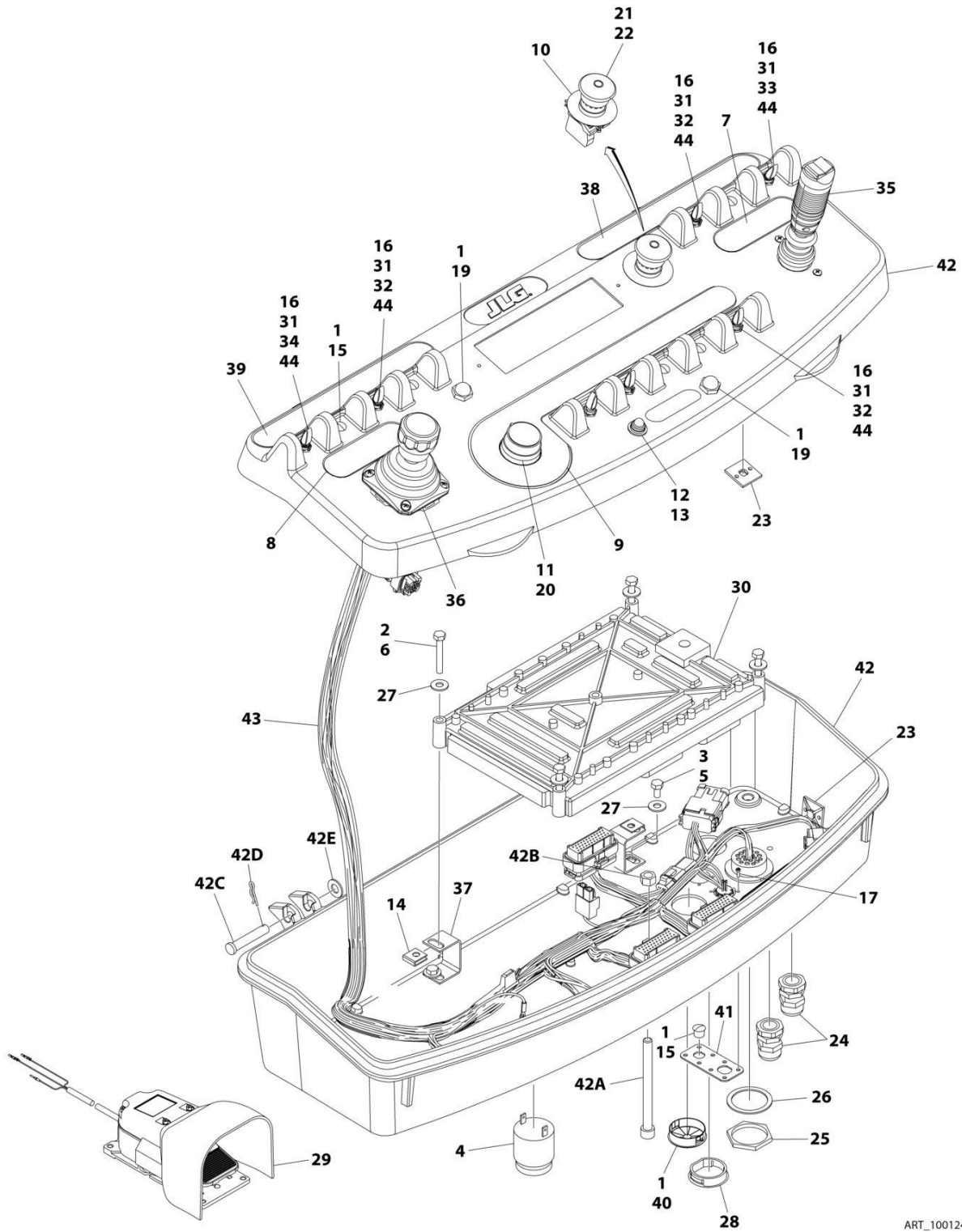
SECTION 5 - PLATFORM

FIGURE 5-6. CONSOLE BOX INSTALLATION

ITEM	PART NUMBER	QTY	DESCRIPTION	REV
	1001246436	Ref	CONSOLE BOX INSTALLATION	A
1	0641406	4	Bolt 1/4 x 3/4	
2	0641408	3	Bolt 1/4 x 1	
3	0641610	4	Bolt 3/8 x 1-1/4	
4	3311405	7	Nut Lock 1/4	
5	3311605	4	Nut Lock 3/8	
6	3380434	1	Panel, Decal Mount	
7	4751600	8	Washer 3/8	
8	4740362	7	Washer 1/4	
9	4751400	4	Washer 1/4	
10	1001164728	1	Harness, Platform Valve (Not Shown - See Separate Breakdown in ELECTRICAL SECTION)	
11	1001246435	1	Platform Console Box Assembly (See Separate Breakdown in this Section)	

SECTION 5 - PLATFORM

FIGURE 5-7. PLATFORM CONSOLE BOX ASSEMBLY



ART_1001246435

SECTION 5 - PLATFORM

FIGURE 5-7. PLATFORM CONSOLE BOX ASSEMBLY

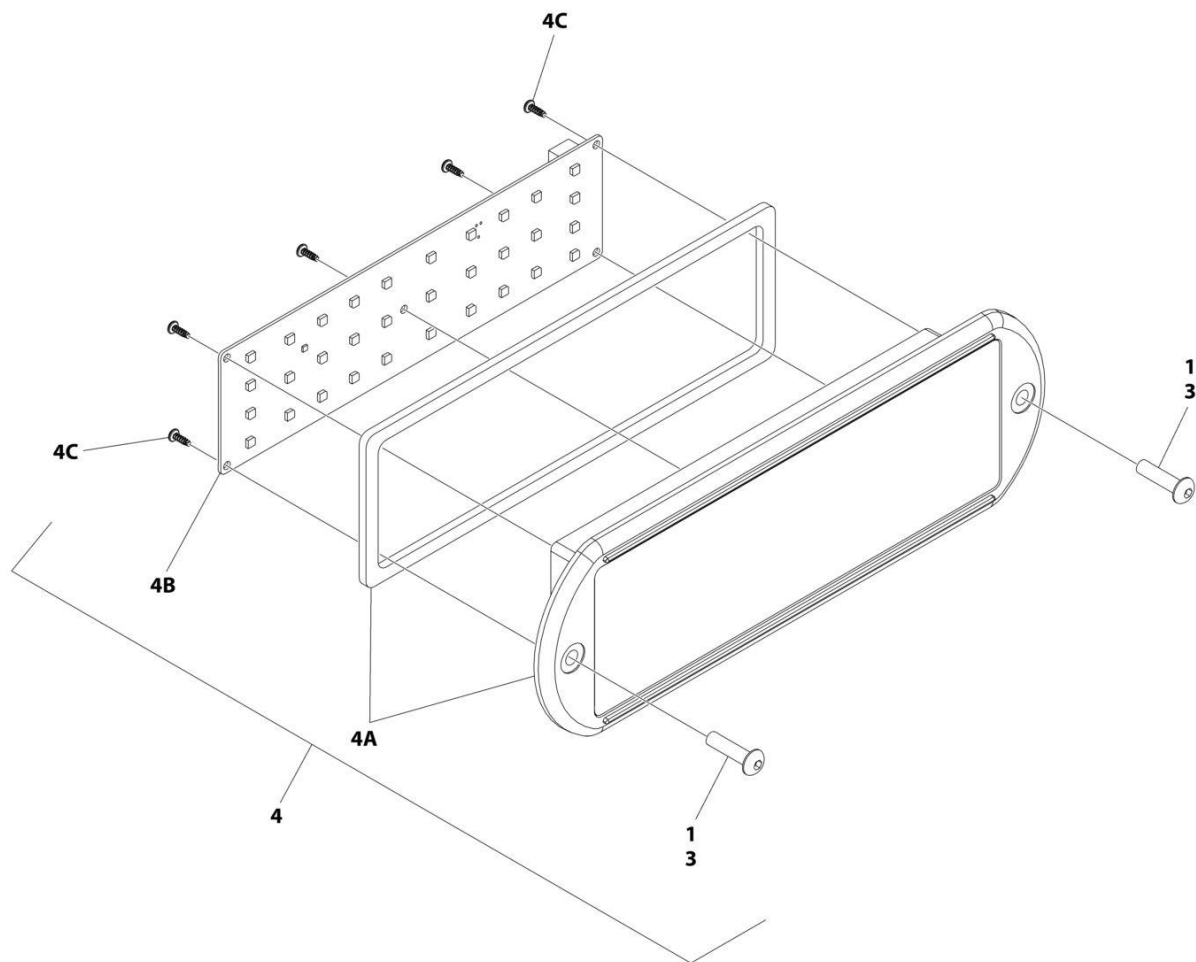
ITEM	PART NUMBER	QTY	DESCRIPTION	REV
	1001246435	Ref	PLATFORM CONSOLE BOX ASSEMBLY	B
1	0100009	AR	Sealant	
2	0100048	AR	Grease, Dielectric	
3	0100035	AR	Compound, Locking	
4	0140011	1	Alarm	
5	0641405	4	Bolt 1/4 x 5/8	
6	0641414	4	Bolt 1/4 x 1-3/4	
7	1702565	1	Decal - Drive and Steer	
8	1702566	1	Decal - Lift and Swing	
9	1702567	1	Decal - Function Speed	
10	1704260	1	Decal - EMS	
11	2560136	1	Handle, Knob	
12	2920028	1	Light, Indicator	
13	2920029	1	Bulb, Light	
14	3300353	4	Nut	
15	3520054	5	Plug	
16	3790012	8	O-Ring	
17	3900349	8	Screw	
18	4240099	AR	Tie-Strap (Not Shown)	
19	4360387	2	Switch, Pushbutton	
20	4360407	1	Switch, Potentiometer	
21	4360475	1	Switch, Emergency	
21	7020175	1	Cap, Red	
21	7020176	1	Contact Block	
22	4360476	1	Block, Contact	
23	4460234	4	Terminal	
24	4460428	2	Connector, Strain Relief	
25	4460470	1	Nut	
26	4460471	1	Washer	
27	4751400	8	Washer 1/4	
28	1001110434	1	Plug	
29	1001117174	1	Footswitch Assembly (See Separate Breakdown in this Section)	
30	1001118412	1	Module, Control	
31	1001155044	8	Nut 15/32	
32	1001155045	6	Switch, Toggle	
33	1001159256	1	Switch, Toggle	
34	1001161709	1	Switch, Toggle	
35	1001166538	NLA	Controller Assembly (Drive and Steer) (Use p/n 1001212415) (See Separate Breakdown in this Section)	
36	1001166539	NLA	Controller Assembly (Lift and Swing) (See Separate Breakdown in this Section) (Note: Use p/n 1001129555 as Replacement)	
37	1001172760	4	Bracket	
38	1001184618	1	Decal - Stop	
39	1001184626	1	Decal - Horn	
40	1001185281	1	Plug	
41	1001213882	1	Connector, Mounting	
42	1001215228	1	Platform Console Box	
42A	0630568	1	Capscrew 3/8 x 4-1/2	
42B	3311601	1	Nut 3/8	
42C	3430616	2	Pin, Clevis	

SECTION 5 - PLATFORM

ITEM	PART NUMBER	QTY	DESCRIPTION	REV
42D	3470003	2	Hairpin	
42E	4711600	2	Washer 3/8	
43	1001238254	1	Harness, Platform Console Box (See Separate Breakdown in ELECTRICAL SECTION)	
44	4740397	7	Spacer	

SECTION 5 - PLATFORM

FIGURE 5-8. LIGHT PANEL INSTALLATION – PLATFORM CONSOLE (Prior to SN B300012256, Excluding B300011971 and B300012231)



ART_1001241404_2OF2

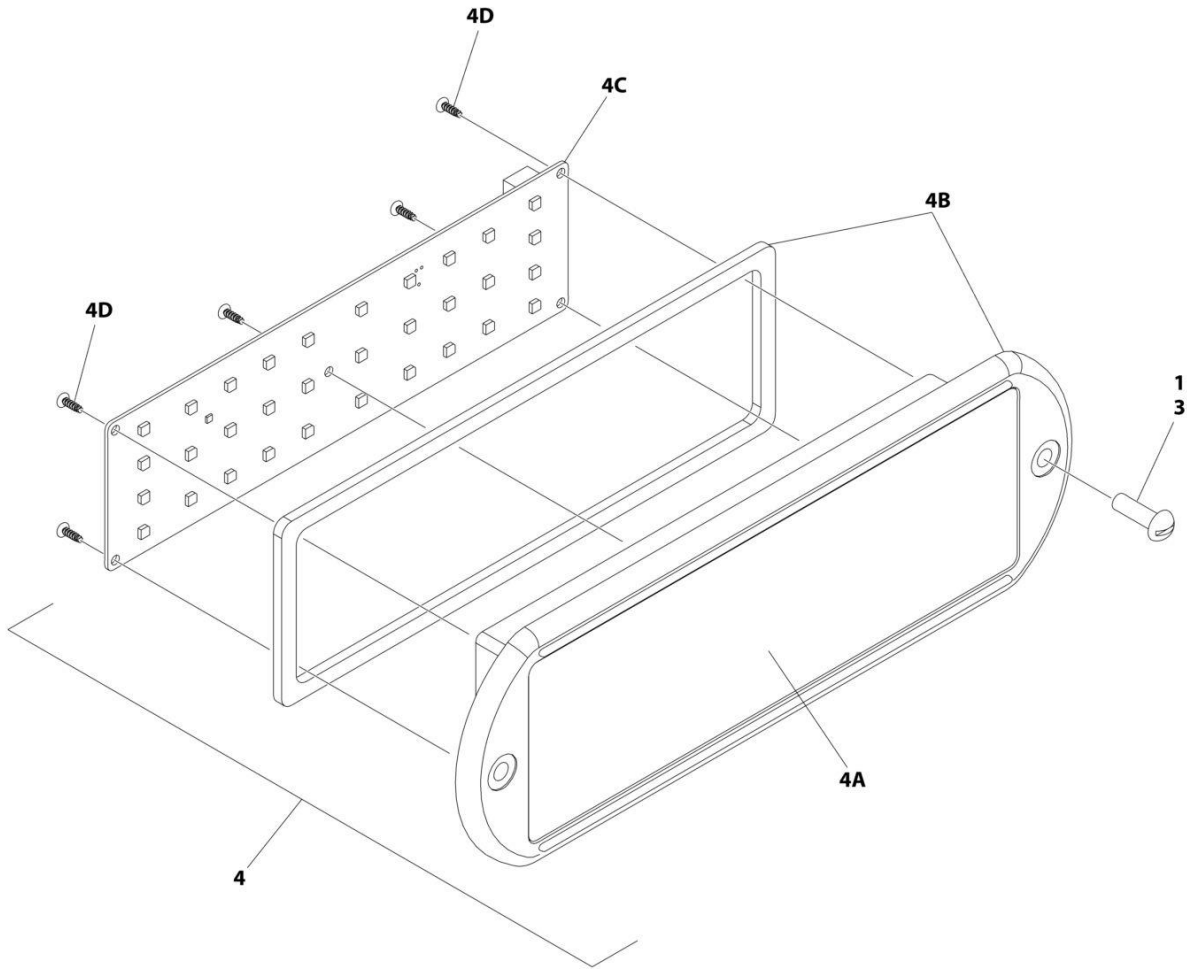
SECTION 5 - PLATFORM

**FIGURE 5-8. LIGHT PANEL INSTALLATION – PLATFORM CONSOLE (Prior to SN B300012256,
Excluding B300011971 and B300012231)**

ITEM	PART NUMBER	QTY	DESCRIPTION	REV
	1001241404	Ref	LIGHT PANEL INSTALLATION - PLATFORM CONSOLE	B
1	0100035	AR	Compound, Locking	
3	0630518	2	Screw #10 x 3/4	
4	1001237545	1	Light Panel Electrical Assembly	G
4A	1001236089	1	Lens, I-Con (Includes Gasket)	
4B	1001187807	1	Panel, LED Light	
4C		Ref	Screw	

SECTION 5 - PLATFORM

FIGURE 5-9. LIGHT PANEL INSTALLATION - PLATFORM CONSOLE (SN B300012256 to Present)



ART_1001241398_20F2

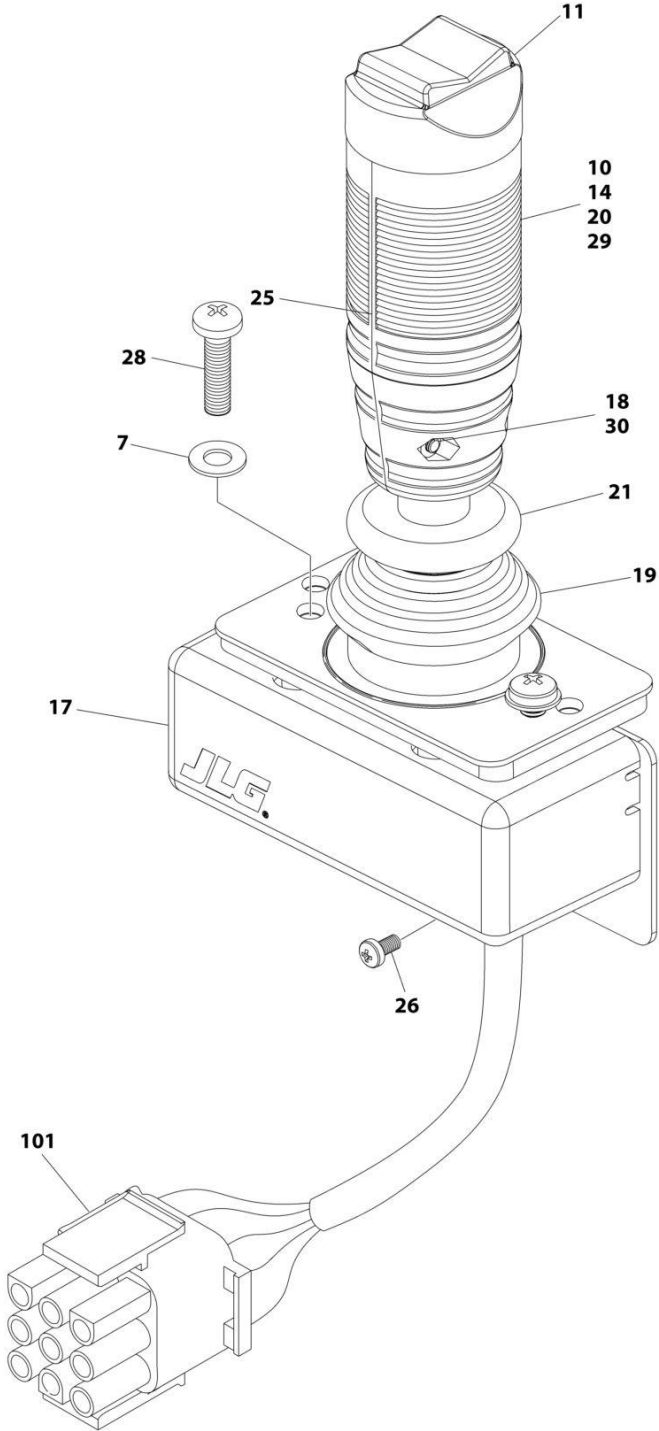
SECTION 5 - PLATFORM

FIGURE 5-9. LIGHT PANEL INSTALLATION - PLATFORM CONSOLE (SN B300012256 to Present)

ITEM	PART NUMBER	QTY	DESCRIPTION	REV
	1001241398	Ref	LIGHT PANEL INSTALLATION - PLATFORM CONSOLE	B
1	0100035	AR	Compound, Locking	
3	3911010	2	Screw #10 x 5/8	
4	1001238671	1	Light Panel Assembly	
4A	1001236087	1	Lens, I-Con	
4B	1001238750	1	Bezel (Includes Gasket)	
4C	1001238732	1	Panel, LED Light	
4D		Ref	Screw	

SECTION 5 - PLATFORM

FIGURE 5-10. CONTROLLER ASSEMBLY - DRIVE AND STEER



ART_1001166538

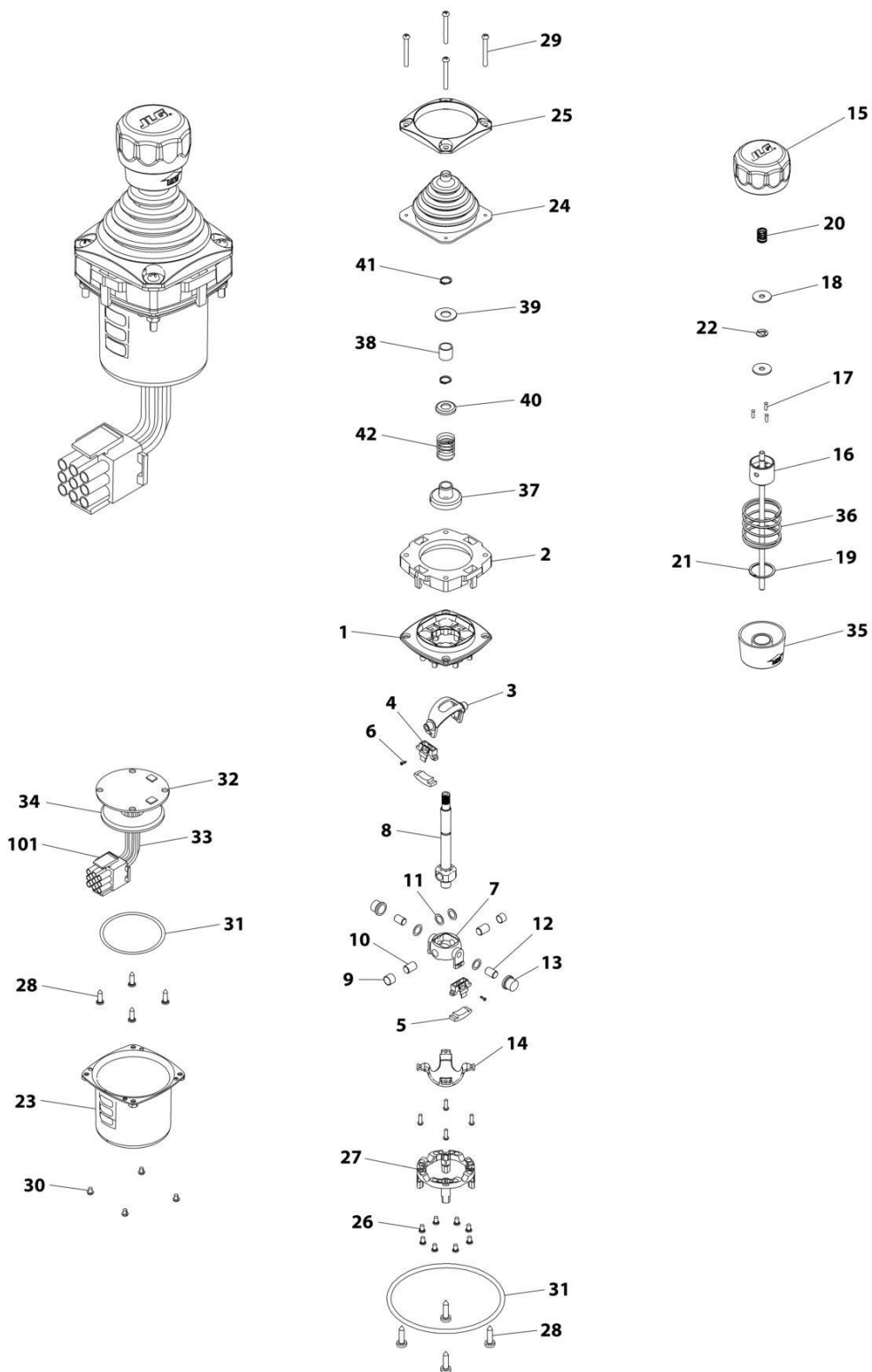
SECTION 5 - PLATFORM

FIGURE 5-10. CONTROLLER ASSEMBLY - DRIVE AND STEER

ITEM	PART NUMBER	QTY	DESCRIPTION	REV
	1001166538	Ref	CONTROLLER ASSEMBLY - DRIVE AND STEER	G
		Ref	Note: For Replacement, Use p/n 1001212415.	
7	70004738	2	Washer	
10	70004739	1	Roller	
11	70004740	1	Boot, Switch	
14	70004741	2	Half, Handle	
17	70004742	1	Enclosure	
18	70004743	4	Nut	
19	70004744	NLA	Boot, Controller (Use p/n 70005230 Boot/Base Assembly)	
20	70004745	NLA	Tube, Locking (Use p/n 70005230 Boot/Base Assembly)	
21	70004746	NLA	Disc, Locking (Use p/n 70005230 Boot/Base Assembly)	
25	70004747	2	Seal, Rope	
26	70004748	1	Screw M3 x 6	
28	70004749	2	Screw M5 x 20	
29	70004750	1	Pin, Dowel	
30	70004751	4	Screw M3 x 16	
101	4460265	1	Connector - 9 Position	
101	4460226	7	Socket, Female	

SECTION 5 - PLATFORM

FIGURE 5-11. CONTROLLER ASSEMBLY - LIFT AND SWING



ART_1001166539

SECTION 5 - PLATFORM

FIGURE 5-11. CONTROLLER ASSEMBLY - LIFT AND SWING

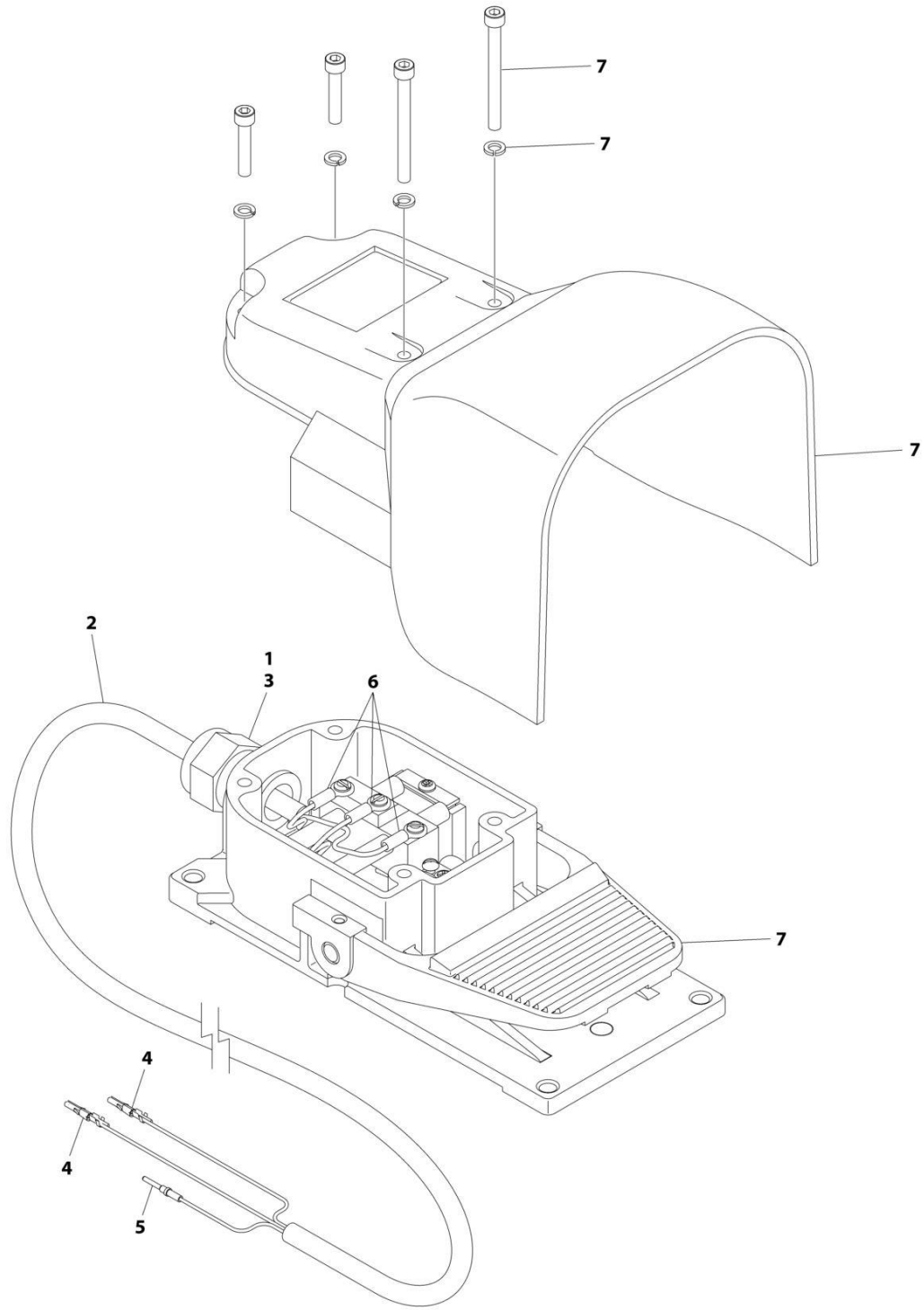
ITEM	PART NUMBER	QTY	DESCRIPTION	REV
	1001166539	Ref	CONTROLLER ASSEMBLY	E
		Ref	Note: Original Equipment Controller May Have Been Replaced with Service Replacement Controller. Visually Identify Controller Before Ordering Parts.	
		Ref	Note: For Replacement, Use p/n 1001129555	
1	See Note	NSS	Main Cast Body (Note: Not Available - Purchase Complete Assembly)	
2	70004752	1	Adapter	
3	See Note	NSS	Pivot Arm, Plastic (Note: Not Available - Purchase Complete Assembly)	
4	See Note	NSS	Holder, Magnet (Note: Not Available - Purchase Complete Assembly)	
5	See Note	NSS	Arc, Magnet (Note: Not Available - Purchase Complete Assembly)	
6	See Note	NSS	Screw (Note: Not Available for Purchase)	
7	See Note	NSS	Pivot Arm, Cast (Note: Not Available - Purchase Complete Assembly)	
8	See Note	NSS	Shaft, Main (Note: Not Available - Purchase Complete Assembly)	
9	See Note	NSS	Bearing (Note: Not Available - Purchase Complete Assembly)	
10	See Note	NSS	Pin (Note: Not Available - Purchase Complete Assembly)	
11	See Note	NSS	Shim (Note: Not Available - Purchase Complete Assembly)	
12	See Note	NSS	Pin (Note: Not Available - Purchase Complete Assembly)	
13	See Note	NSS	Bearing (Note: Not Available - Purchase Complete Assembly)	
14	See Note	NSS	Dome, Centering (Note: Not Available - Purchase Complete Assembly)	
15	70004753	1	Cap	
16	70004754	1	Insert, Cap	
17	70004755	3	Pin	
18	70004756	2	Washer	
19	70004757	1	Pin, Centering	
20	70004758	1	Spring	
21	70004759	1	Ring, Retaining	
22	70004760	1	E-Ring	
23	70004761	1	Can, Enclosure	
24	70004762	1	Boot	
25	70004763	1	Bezel	
26	See Note	NSS	Screw (Note: Not Available for Purchase)	
27	See Note	NSS	Base Mounting (Note: Not Available - Purchase Complete Assembly)	
28	See Note	NSS	Screw (Note: Not Available for Purchase)	
29	70004764	4	Screw	
30	70004765	4	Screw	
31	70004766	1	O-Ring	
32	See Note	NSS	Plate (Note: Not Available - Purchase Complete Assembly)	
33	See Note	NSS	Harness (Note: Not Available - Purchase Complete Assembly)	
34	70004767	1	Grommet, Rubber	
35	70004768	1	Housing	
36	70004769	1	Spring	
37	70004770	1	Stopper	
38	70004771	1	Spacer	
39	70004772	1	Washer	
40	70004773	1	Disc	

SECTION 5 - PLATFORM

ITEM	PART NUMBER	QTY	DESCRIPTION	REV
41	70004774	2	Ring, Retaining	
42	70004775	1	Spring	
101	4460265	1	Connector - 9 Position	
101	4460226	6	Socket, Female	

SECTION 5 - PLATFORM

FIGURE 5-12. FOOTSWITCH ASSEMBLY



ART_100117174

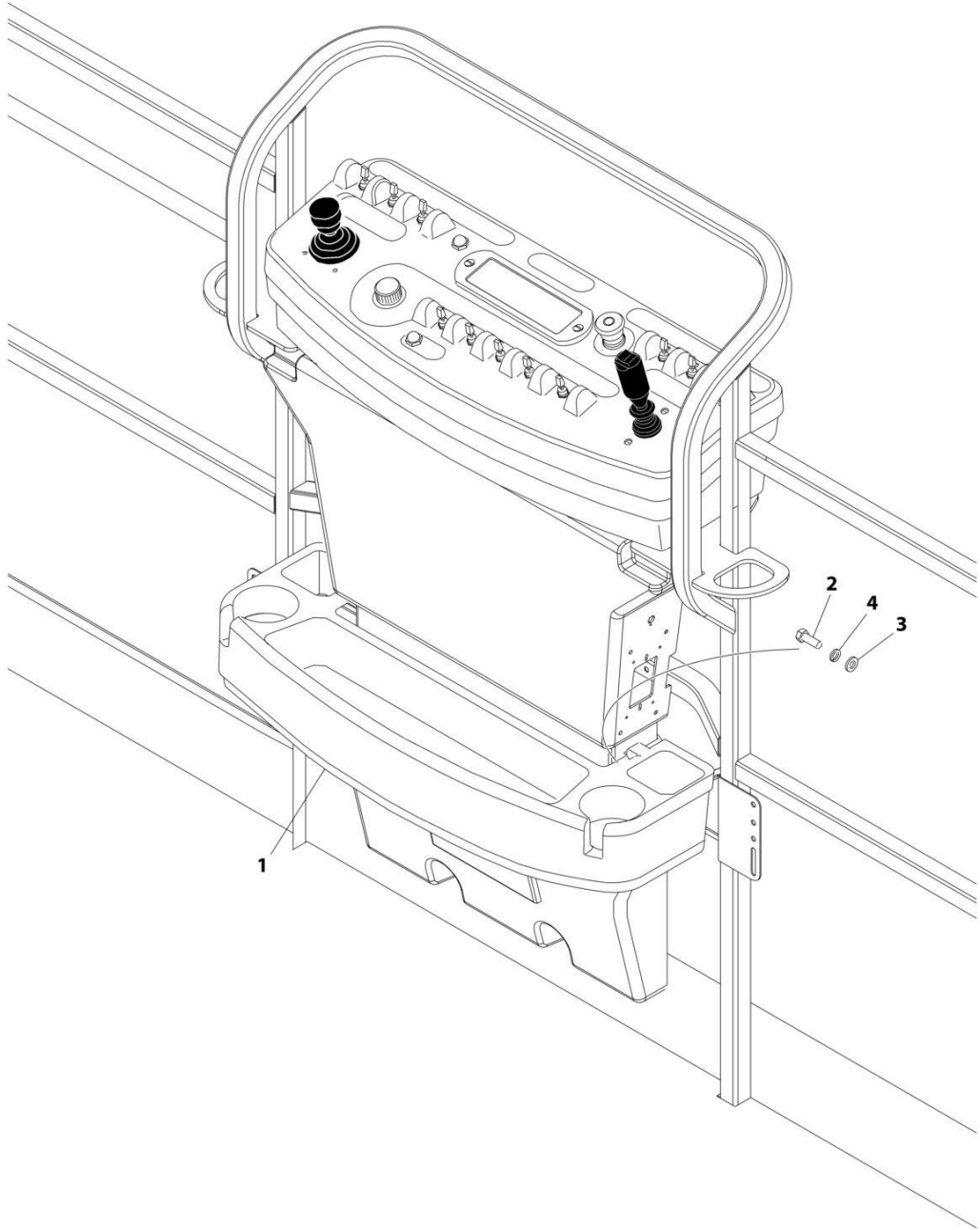
SECTION 5 - PLATFORM

FIGURE 5-12. FOOTSWITCH ASSEMBLY

ITEM	PART NUMBER	QTY	DESCRIPTION	REV
	1001117174	Ref	FOOTSWITCH ASSEMBLY	C
1	0100020	AR	Sealant	
2	1060918	7.5 ft/ 2.3m	Cable, Electrical - 18/3	
3	4460071	1	Connector, Strain Relief	
4	4460226	2	Socket, Female	
5	4460464	1	Pin, Male	
6	1001098122	3	Terminal	
7	1001117172	1	Footswitch	
7	70002902	1	Switch, 20Amp	
7	70002903	1	Gasket	
7	70002905	1	Cover	
7	70002904	1	Kit, Replacement Bolt	

SECTION 5 - PLATFORM

FIGURE 5-13. TRAY ASSEMBLY



ART_1580012

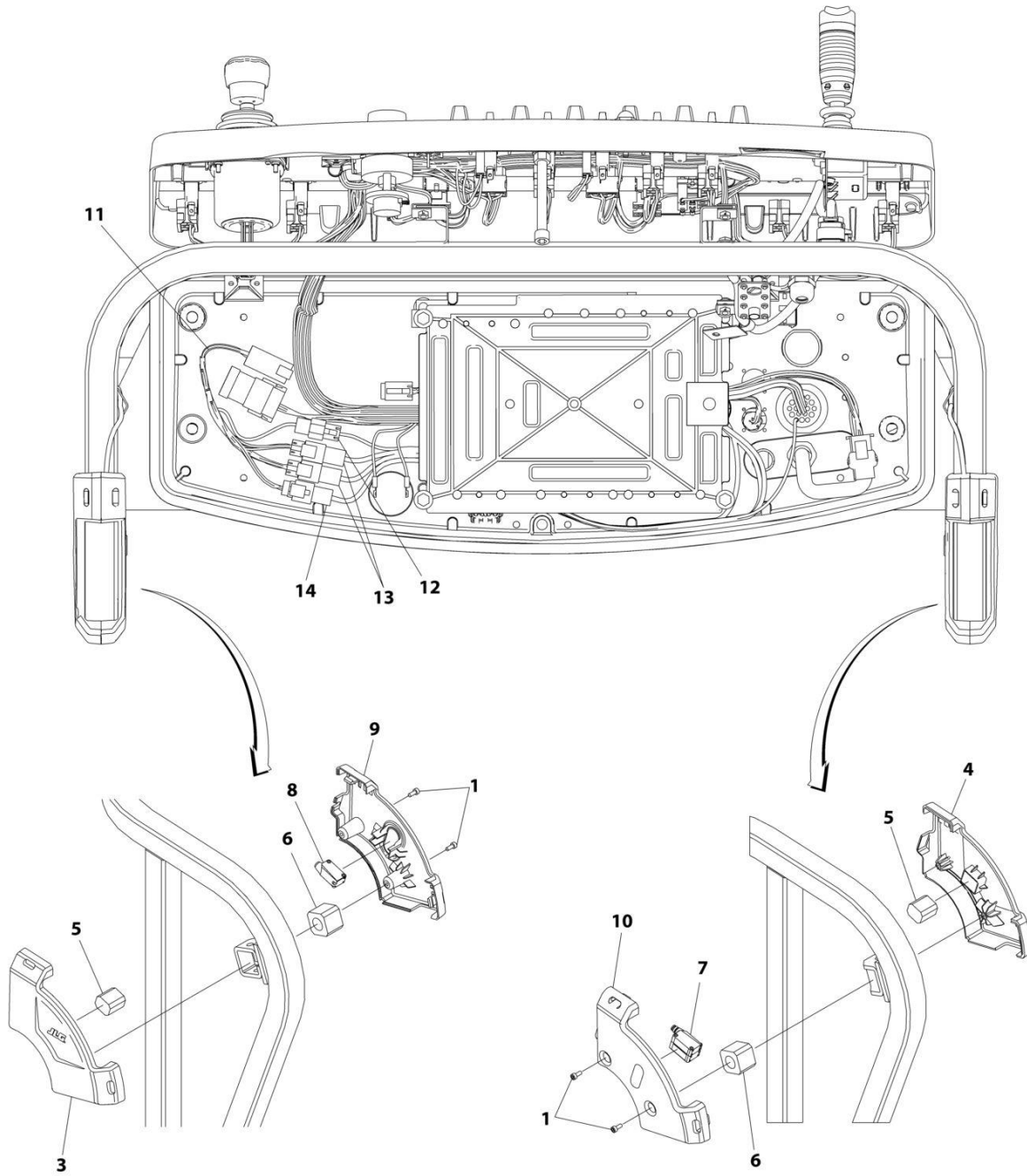
SECTION 5 - PLATFORM

FIGURE 5-13. TRAY ASSEMBLY

ITEM	PART NUMBER	QTY	DESCRIPTION	REV
	1580012	Ref	TRAY ASSEMBLY	C
1	See Note	NSS	Tray, Storage (Center) (Note: Purchase p/n 1580012)	
2	0641406	2	Bolt 1/4 x 3/4	
3	4751400	2	Washer 1/4	
4	4761400	2	Washer 1/4	

SECTION 5 - PLATFORM

FIGURE 5-14. SKYEYE INSTALLATION



ART_1001229341

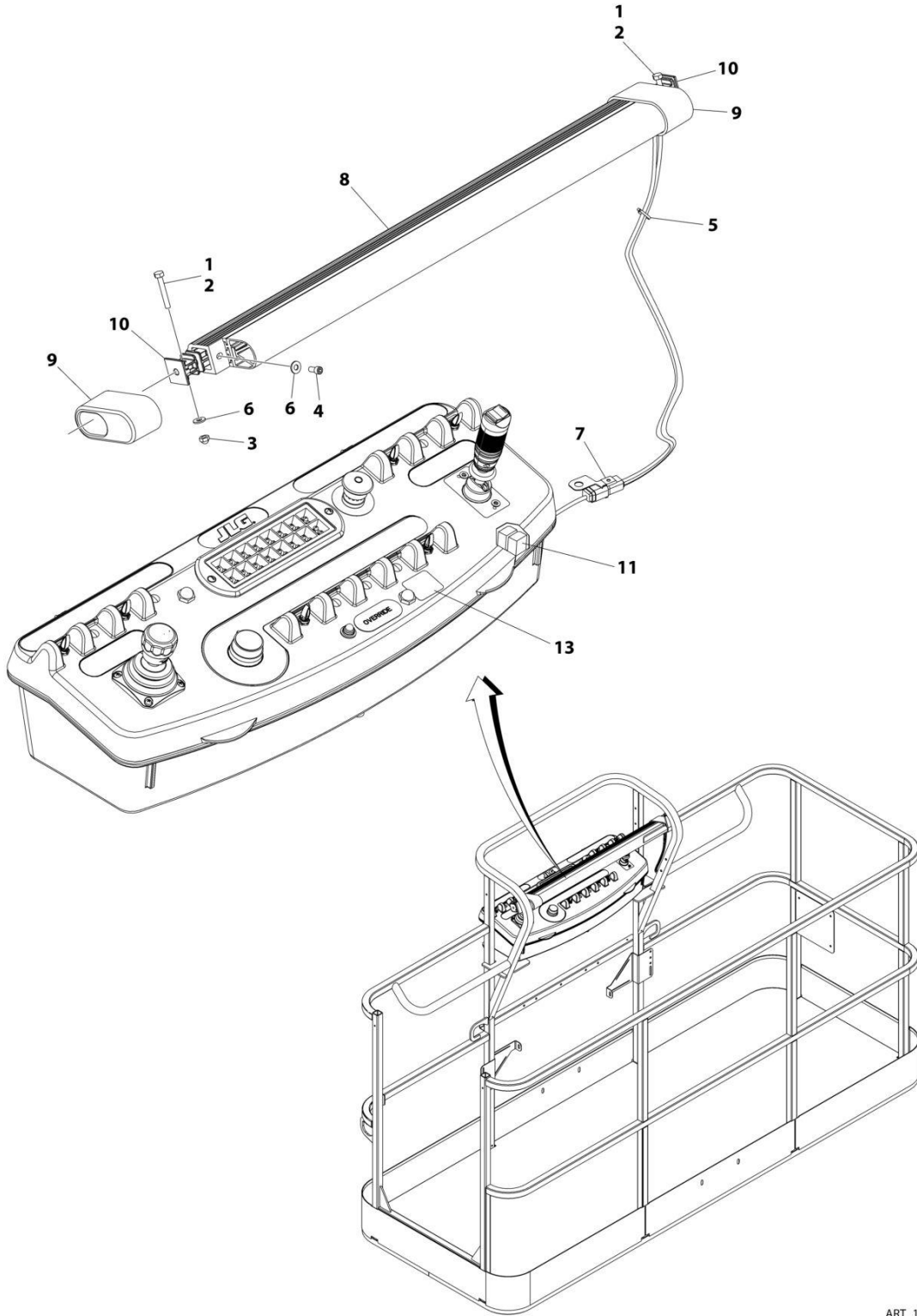
SECTION 5 - PLATFORM

FIGURE 5-14. SKYEYE INSTALLATION

ITEM	PART NUMBER	QTY	DESCRIPTION	REV
	1001229341	Ref	SKYEYE INSTALLATION	B
1	4031505	4	Bolt M4 x 10	
2	4240033	AR	Tie-Strap (Not Shown)	
3	1001227633	1	Housing, LH Outer	
4	1001227634	1	Housing, RH Outer	
5	1001227985	2	Shim	
6	1001227987	2	Shim	
7	1001228224	2	Sensor, Receiver	
8	1001228225	1	Sensor, Emitter	
9	1001232164	1	Housing, LH Inner	
10	1001232165	1	Housing, RH Inner	
11	1001237865	1	Harness, Skyeeye Intermediate (See Separate Breakdown in ELECTRICAL Section)	
12	1001238319	NLA	Harness, Skyeeye Drain Jumper	
12	1001187674	1	Plug, Male - 2 Position	
12	4460942	1	Terminal	
12	4460466	1	Plug, Terminal	
12	4460508	1	Pin, Male	
13	1001237863	2	Harness, Skyeeye Receiver (See Separate Breakdown in ELECTRICAL Section)	
14	1001237864	1	Harness, Skyeeye Emitter (See Separate Breakdown in ELECTRICAL Section)	

SECTION 5 - PLATFORM

FIGURE 5-15. SKYGUARD BAR INSTALLATION



ART_1001238495

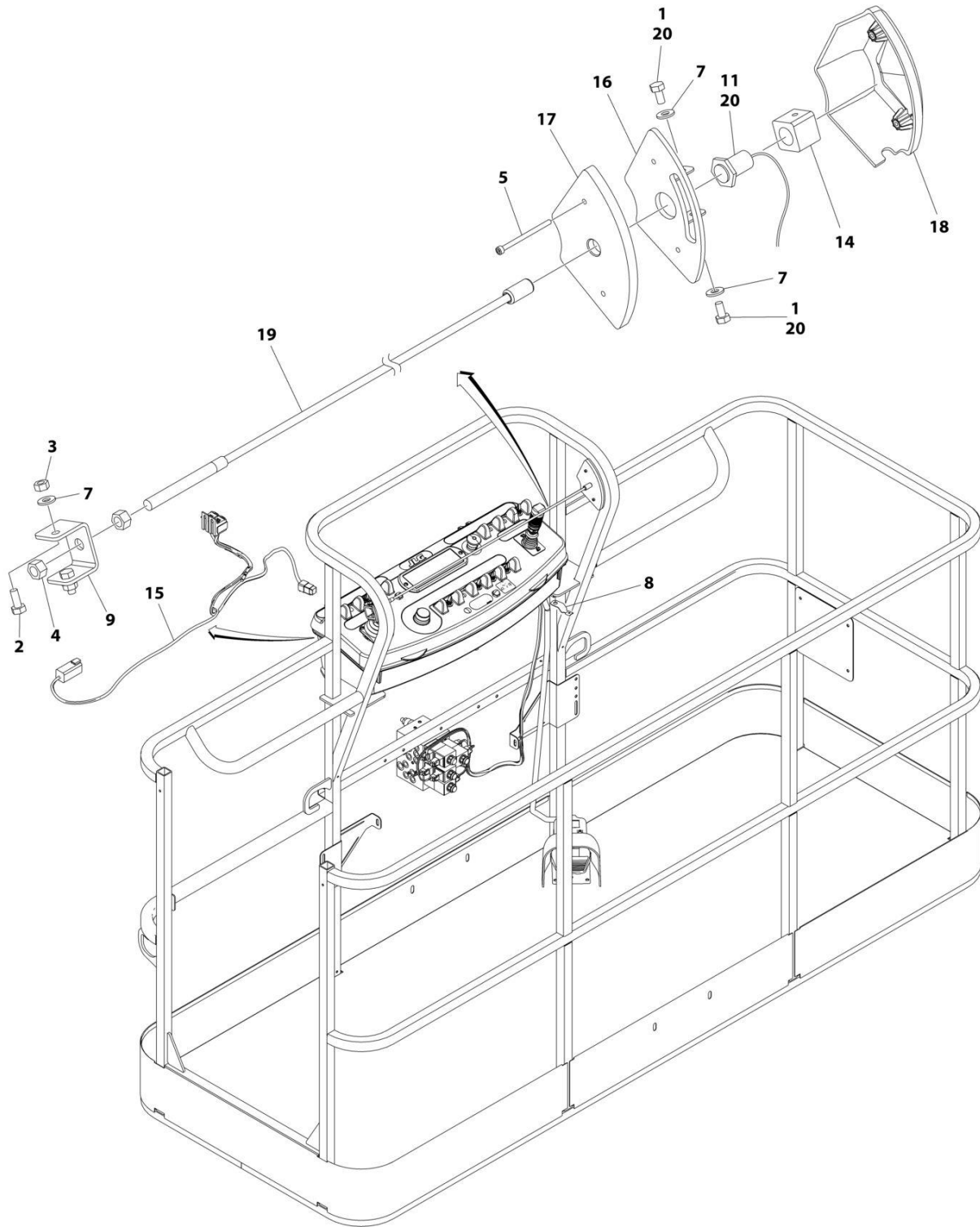
SECTION 5 - PLATFORM

FIGURE 5-15. SKYGUARD BAR INSTALLATION

ITEM	PART NUMBER	QTY	DESCRIPTION	REV
	1001238495	Ref	SKYGUARD BAR INSTALLATION	A
1	0100011	AR	Compound, Locking	
2	0641414	2	Bolt 1/4 x 1-3/4	
3	3300430	2	Nut 1/4	
4	3931408	2	Capscrew 1/4 x 1/2	
5	4240033	8	Tie-Strap	
6	4711400	6	Washer 1/4	
7	1001120328	1	Mount	
8	1001137673	1	SkyGuard Switch Assembly	
9	1001186517	2	Cover, Platform Sensor	
10	1001209664	2	Support, Block	
11	1001186431	2	Relay	
12	1001225580	1	Interface Harness Assembly (Not Shown - Located Inside Console Box) (See Separate Breakdown in ELECTRICAL Section)	
13	1001144433	1	Decal - No Weight SkyGuard	

SECTION 5 - PLATFORM

FIGURE 5-16. SKYLINE INSTALLATION



ART_1001238559_D

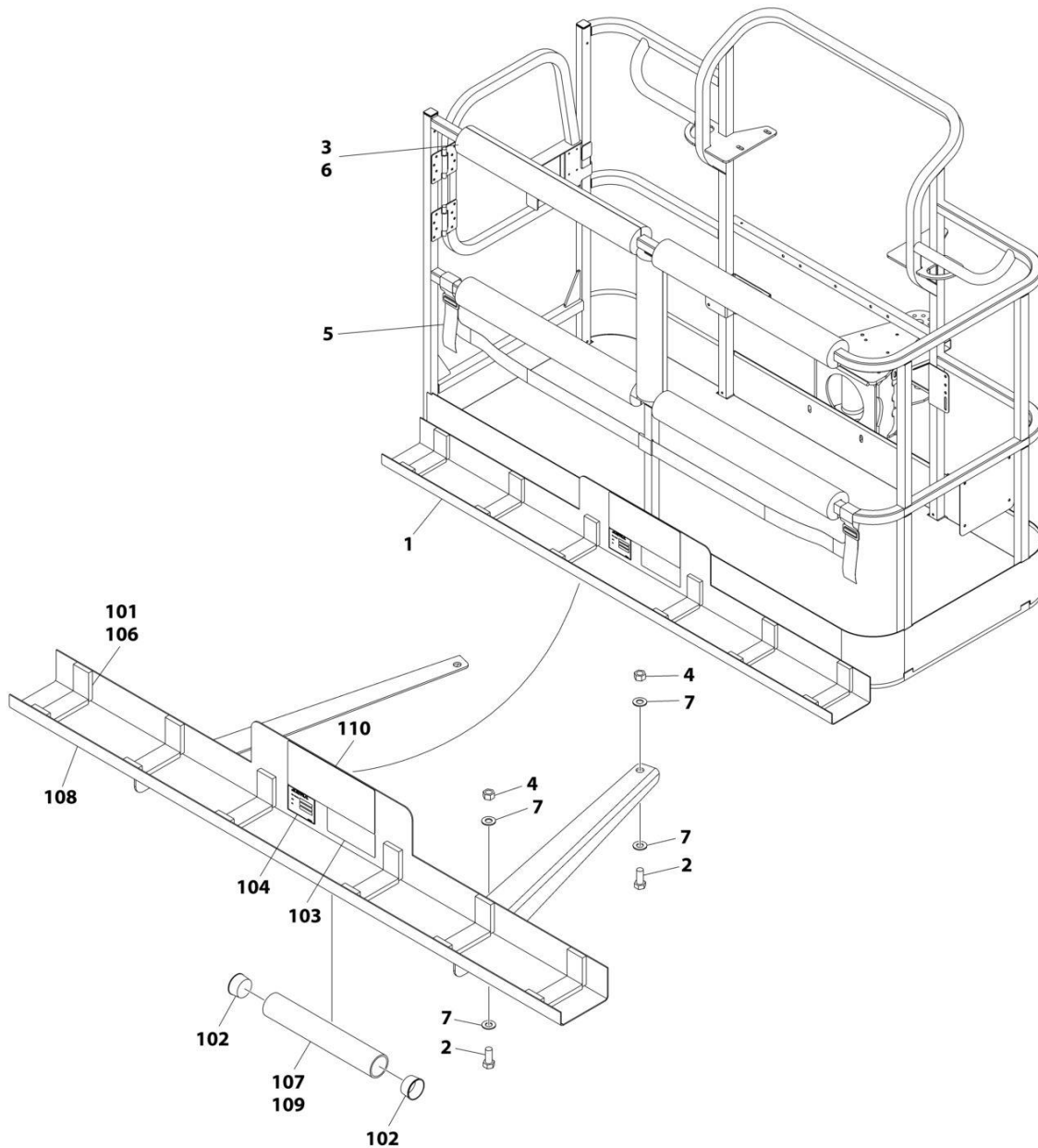
SECTION 5 - PLATFORM

FIGURE 5-16. SKYLINE INSTALLATION

ITEM	PART NUMBER	QTY	DESCRIPTION	REV
	1001238559	Ref	SKYLINE INSTALLATION	D
1	0641404	2	Bolt 1/4 x 1/2	
2	0641405	2	Bolt 1/4 x 5/8	
3	3311405	2	Nut 1/4	
4	3311601	2	Nut 3/8	
5	4031516	2	Capscrew M4 x 60	
6	4240033	AR	Tie-Strap (Not Shown)	
7	4711400	4	Washer 1/4	
8	1001120328	1	Mount	
9	1001232642	1	Bracket	
11	1001232667	1	Sensor, Proximity	
14	1001236552	1	Block	
15	1001238418	1	Harness, Skyline (See Separate Breakdown in ELECTRICAL Section)	
16	1001238472	1	Mount	
17	1001254473	1	Housing, LH	
18	1001241965	1	Housing, RH	
19	1001254472	1	Rod	
20	0100011	AR	Compound, Locking	

SECTION 5 - PLATFORM

FIGURE 5-17. SKYGLAZIER INSTALLATION (AUSTRALIAN SPECS)



ART_1001173975

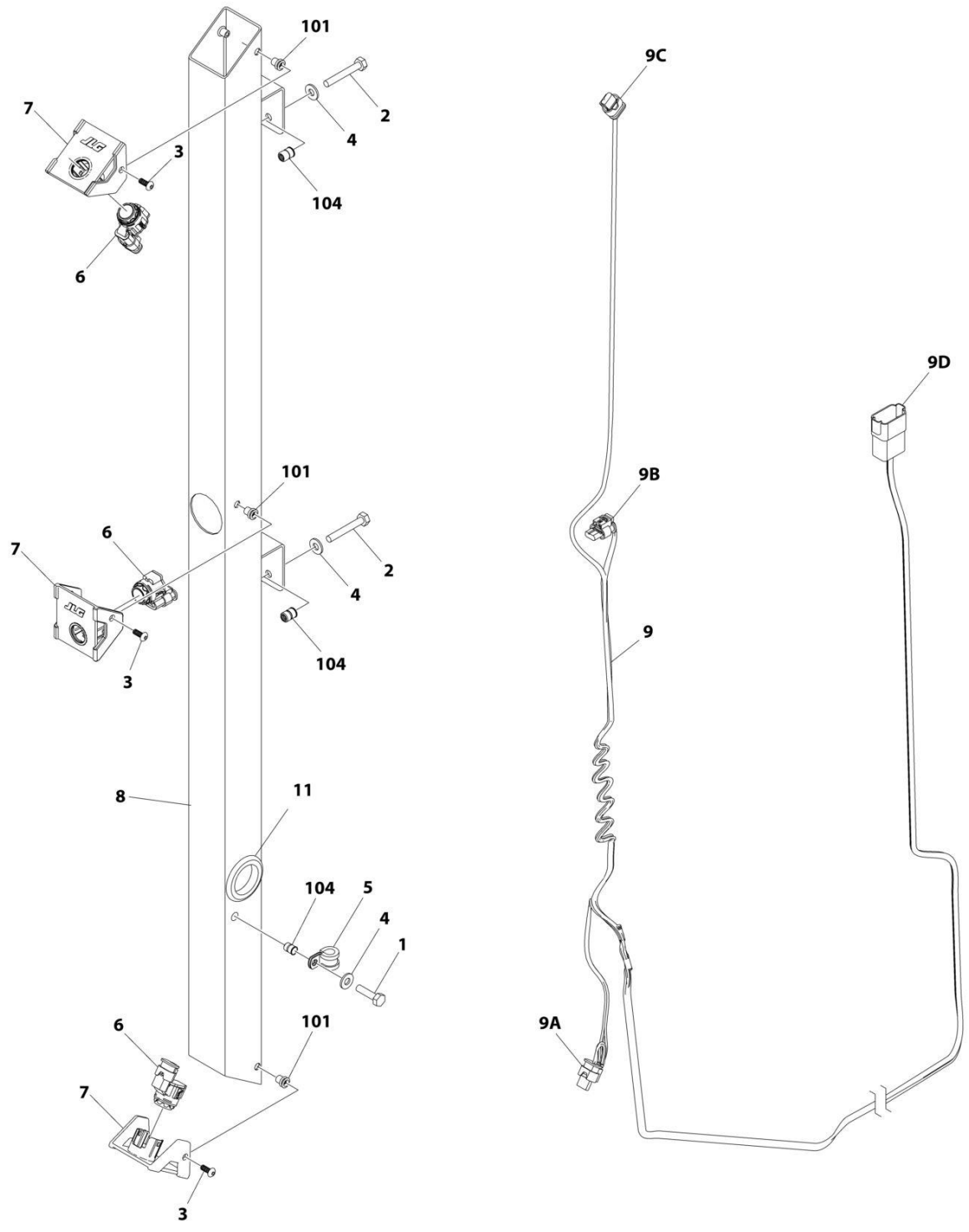
SECTION 5 - PLATFORM

FIGURE 5-17. SKYGLAZIER INSTALLATION (AUSTRALIAN SPECS)

ITEM	PART NUMBER	QTY	DESCRIPTION	REV
	1001173975	Ref	SKYGLAZIER INSTALLATION	B
1	1001173973	1	Tray Assembly (See Items 101-110 for Breakdown)	
2	0642012	4	Bolt 5/8 x 1-1/2	
3	0940199	1	Bumper Kit	
4	3312005	4	Nut 5/8	
5	4240149	1	Strap Kit	
6	4420014	AR	Tape	
7	4712000	8	Washer 5/8	
	1001173973	Ref	TRAY ASSEMBLY	C
101	0100081	AR	Adhesive	
102	1120555	2	Cap, Tube	
103	1701509	1	Decal - Manual	
104	See Note	NSS	Nameplate - Serial Number (Note: Not Available for Purchase)	
106	3340956	1	Pad Kit	
107	3460334	1	Tube	
108	4341415	1	Support	
109	4420066	AR	Tape, Double Sided	
110	1001229138	1	Decal - Glazier Capacity	

SECTION 5 - PLATFORM

FIGURE 5-18. SKYSENSE MID TUBE SENSOR ASSEMBLY



ART_1001243205

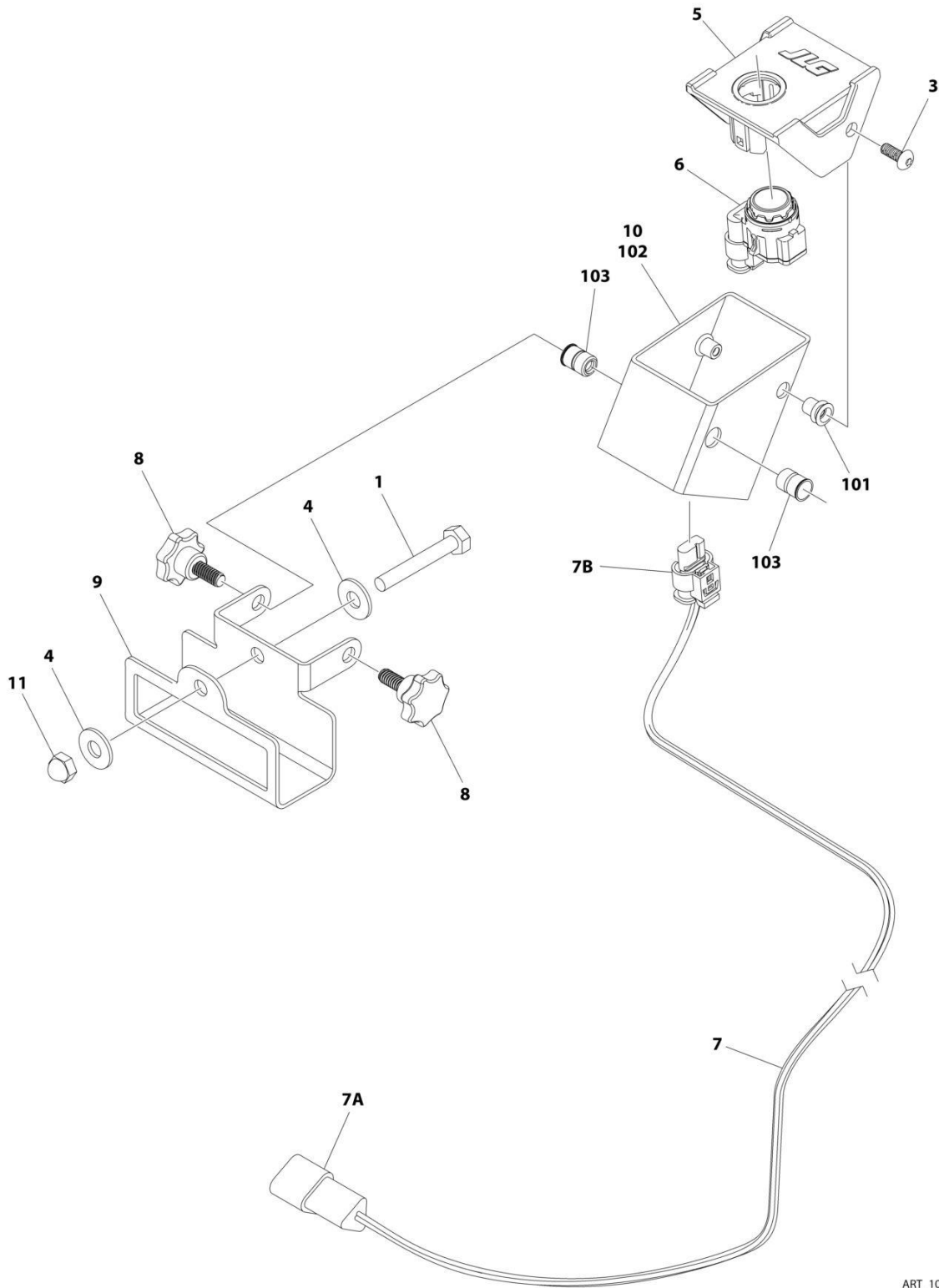
SECTION 5 - PLATFORM

FIGURE 5-18. SKYSENSE MID TUBE SENSOR ASSEMBLY

ITEM	PART NUMBER	QTY	DESCRIPTION	REV
	1001243205	Ref	SKYSENSE MID TUBE SENSOR ASSEMBLY	C
1	0641408	1	Bolt 1/4 x 1	
2	0641414	2	Bolt 1/4 x 1-3/4	
3	1001260525	6	Screw #10 x 1/2	
4	4711400	3	Washer 1/4	
5	1001260524	1	Clamp	
6	1001237902	3	Sensor, SkySense	
7	1001241162	3	Mount, Sensor	
8	1001243092	1	Tube Assembly (Includes items 101 through 104)	C
9	1001244336	1	Harness, SkySense Mid Tube	D
9A	1001237898	1	Connector	
9A	1001237888	3	Terminal	
9B	1001237898	1	Connector	
9B	1001237888	3	Terminal	
9C	1001237898	1	Connector	
9C	1001237888	3	Terminal	
9D	4460931	1	Connector	
9D	4460943	7	Pin	
9D	4460466	1	Plug	
10	1001246389	1	Decal (Not Shown)	
11	1001247252	1	Grommet	
101	2080069	6	Fastener	
104	1001258730	3	Rivnut	

SECTION 5 - PLATFORM

FIGURE 5-19. SKYSENSE OVERHEAD SENSOR ASSEMBLY



ART_1001244733

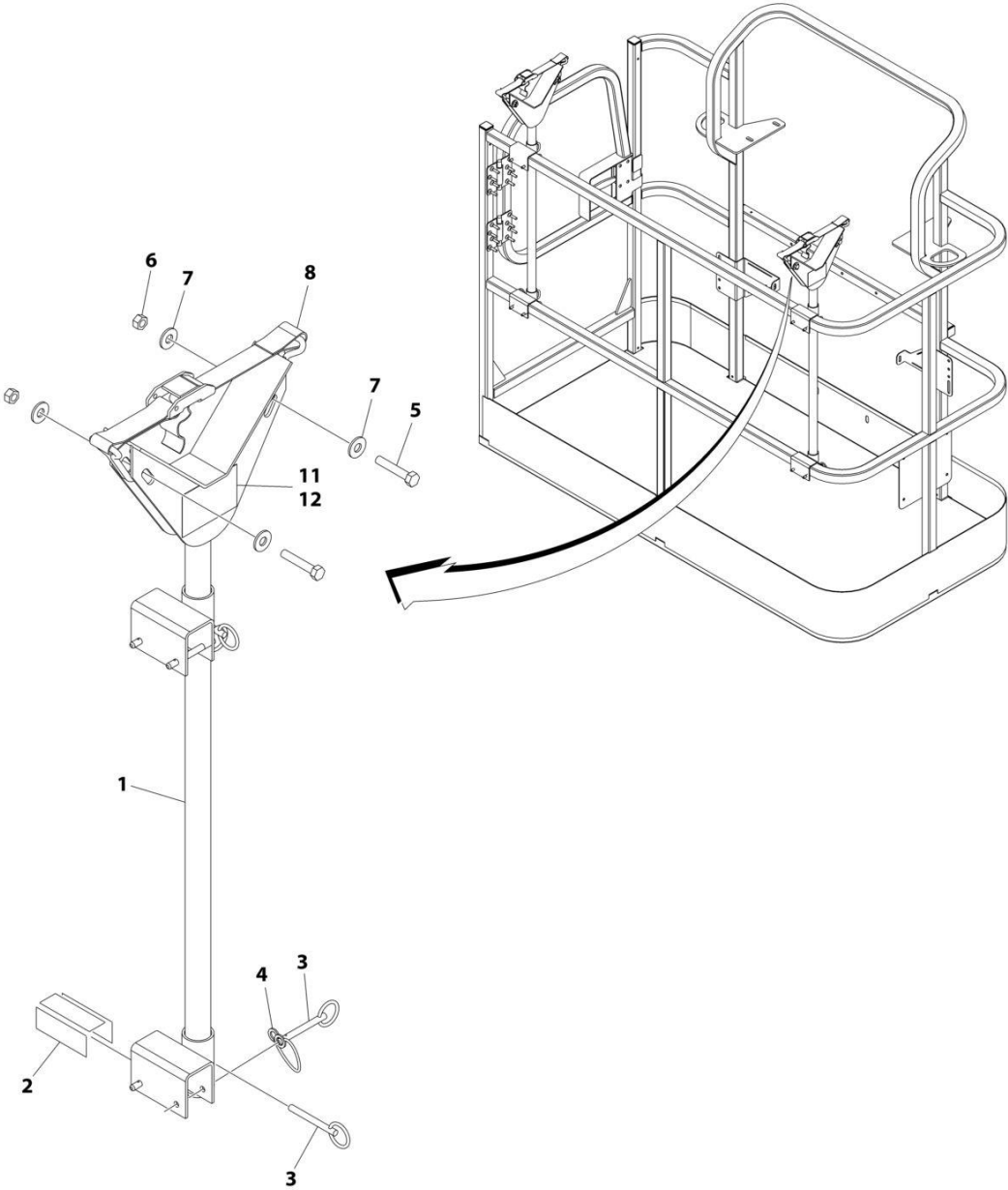
SECTION 5 - PLATFORM

FIGURE 5-19. SKYSENSE OVERHEAD SENSOR ASSEMBLY

ITEM	PART NUMBER	QTY	DESCRIPTION	REV
	1001244733	Ref	SKYSENSE OVERHEAD SENSOR ASSEMBLY	D
1	0641414	1	Bolt 1/4 x 1-3/4	
3	1001260525	2	Screw #10 x 1/2	
4	4751400	2	Washer 1/4	
5	1001237891	1	Mount, Sensor	
6	1001237902	1	Sensor, SkySense	
7	1001244335	1	Harness, SkySense Overhead	D
7A	4460536	1	Connector	
7A	4460943	3	Pin	
7B	1001237898	1	Connector	
7B	1001237888	1	Terminal	
8	1001244671	2	Knob	
9	1001244709	1	Bracket, Mounting	
10	1001244732	1	Housing Assembly (Includes items 101 through 103)	B
11	3300430	1	Nut	
101	2080069	2	Fastener	
102	1001244710	1	Housing, Sensor	
103	1001258730	2	Rivnut	

SECTION 5 - PLATFORM

FIGURE 5-20. PIPE RACK INSTALLATION (ALL SPECS EXCEPT AUSTRALIAN SPECS)



ART_0257728_E

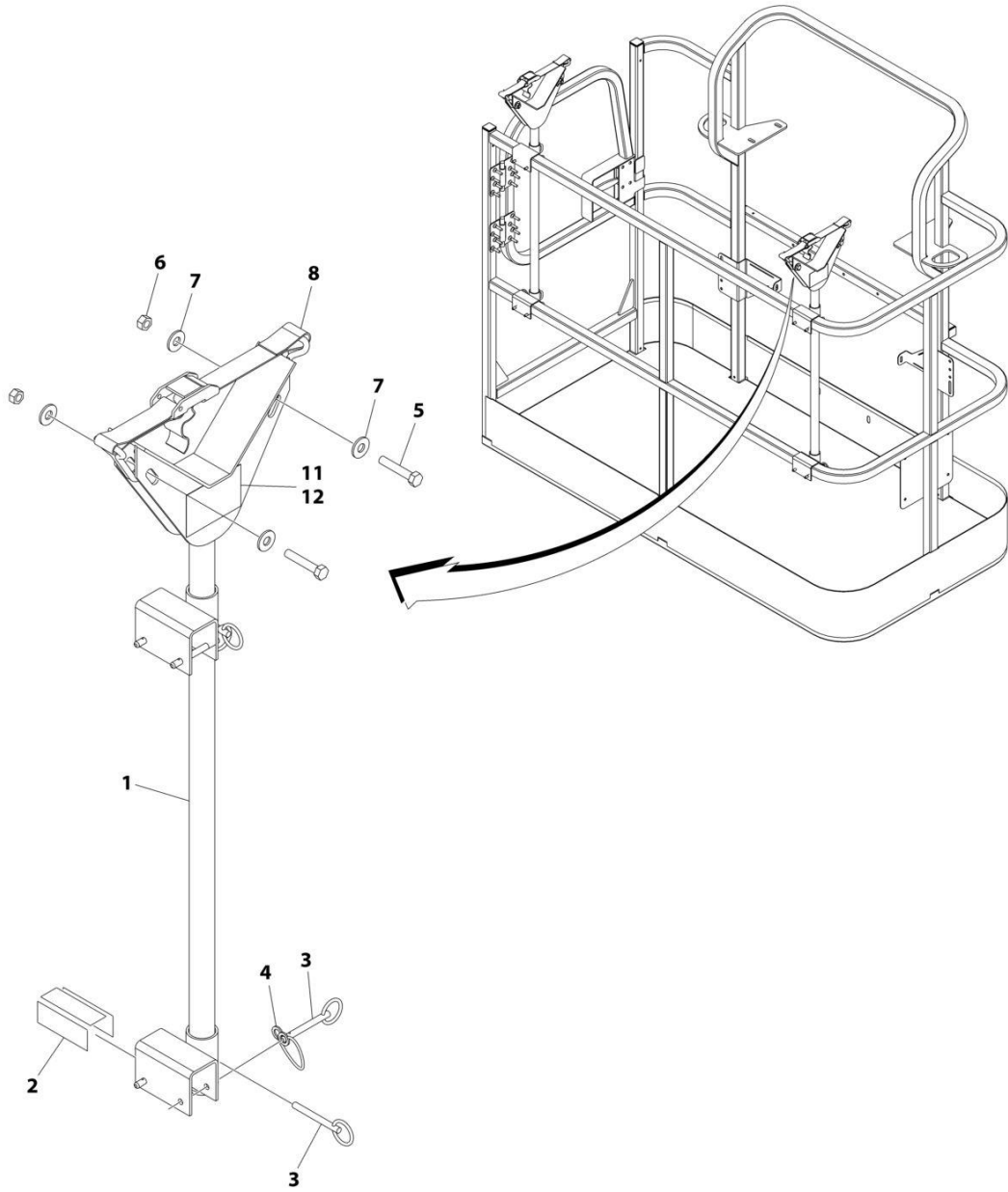
SECTION 5 - PLATFORM

FIGURE 5-20. PIPE RACK INSTALLATION (ALL SPECS EXCEPT AUSTRALIAN SPECS)

ITEM	PART NUMBER	QTY	DESCRIPTION	REV
	0257728	Ref	PIPE RACK INSTALLATION	E
1	4845582	2	Rack, Pipe	
2	4420062	AR	Tape	
3	3422661	10	Pin	
4	1060379	4	Lanyard	
5	0641514	4	Bolt 5/16 x 1-3/4	
6	3311505	4	Nut 5/16	
7	4751500	8	Washer 5/16	
8	0480100	2	Tie-Down	
11	1001252946	2	Decal - Capacity (500-600LBS/2227-272KG Zones)	
12	1001252947	2	Decal - Capacity (660-1000LBS/299-454KG Zones)	

SECTION 5 - PLATFORM

FIGURE 5-21. PIPE RACK INSTALLATION (AUSTRALIAN SPECS)



ART_0274661_C

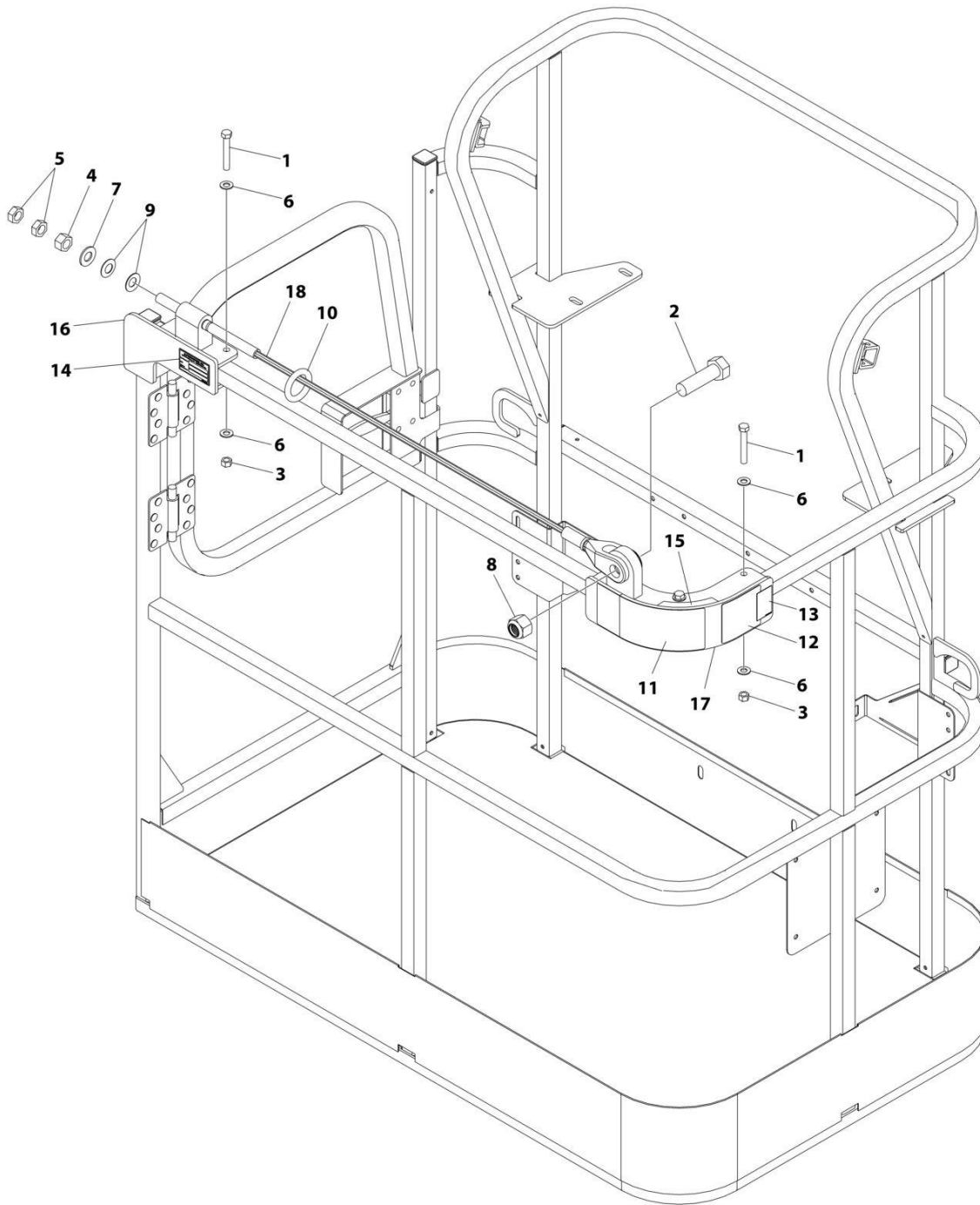
SECTION 5 - PLATFORM

FIGURE 5-21. PIPE RACK INSTALLATION (AUSTRALIAN SPECS)

ITEM	PART NUMBER	QTY	DESCRIPTION	REV
	0274661	Ref	PIPE RACK INSTALLATION	C
1	4845582	2	Rack, Pipe	
2	4420062	AR	Tape	
3	3422661	10	Pin	
4	1060379	4	Lanyard	
5	0641514	4	Bolt 5/16 x 1-3/4	
6	3311505	4	Nut 5/16	
7	4751500	8	Washer 5/16	
8	0480100	2	Tie-Down	
11	1001252946	2	Decal - Capacity (1) (500-600LBSS/227-272KG Zones)	
12	1001252947	2	Decal - Capacity (2) (660-1000LBSS/299-454KG Zones)	

SECTION 5 - PLATFORM

FIGURE 5-22. FALL ARREST INSTALLATION (BOLT-ON) (4FT/1.22M PLATFORM)



ART_1001261338

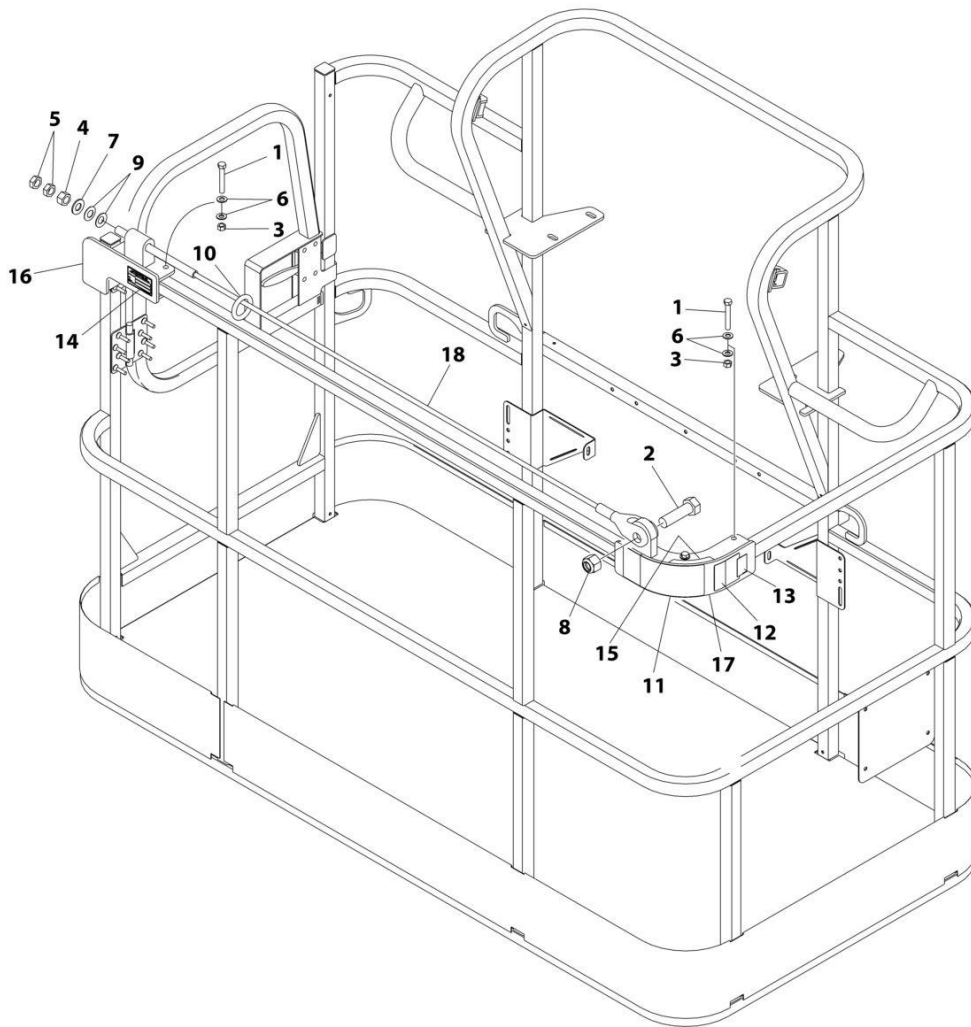
SECTION 5 - PLATFORM

FIGURE 5-22. FALL ARREST INSTALLATION (BOLT-ON) (4FT/1.22M PLATFORM)

ITEM	PART NUMBER	QTY	DESCRIPTION	REV
	1001261338	Ref	FALL ARREST INSTALLATION	A
1	0681620	6	Bolt 3/8 x 2-1/2	
2	0682424	1	Bolt 7/8 x 3	
3	3271605	6	Nut 3/8	
4	3272001	1	Nut 5/8	
5	3312002	2	Nut 5/8	
6	4711600	12	Washer 3/8	
7	4712000	1	Washer 5/8	
8	88521214	1	Nut 7/8	
9	1001236891	2	Washer	
10	1001236895	1	Ring	
11	1001238263	1	Decal - Warning Falling Hazard	
12	1001248140	1	Decal - Bolt Fall Arrest Re-Cert	
13	1001248141	1	Decal - Incription	
14	See Note	NSS	Nameplate - Manufacturers Serial Number (Note: Not Available for Purchase)	
15	1001252629	1	Decal - Weight	
16	1001257271	1	Bracket (RH)	
17	1001257274	1	Bracket (LH)	
18	1001261335	1	Rope	

SECTION 5 - PLATFORM

FIGURE 5-23. FALL ARREST INSTALLATION (BOLT-ON) (5FT/1.52M PLATFORM)



ART_1001257275

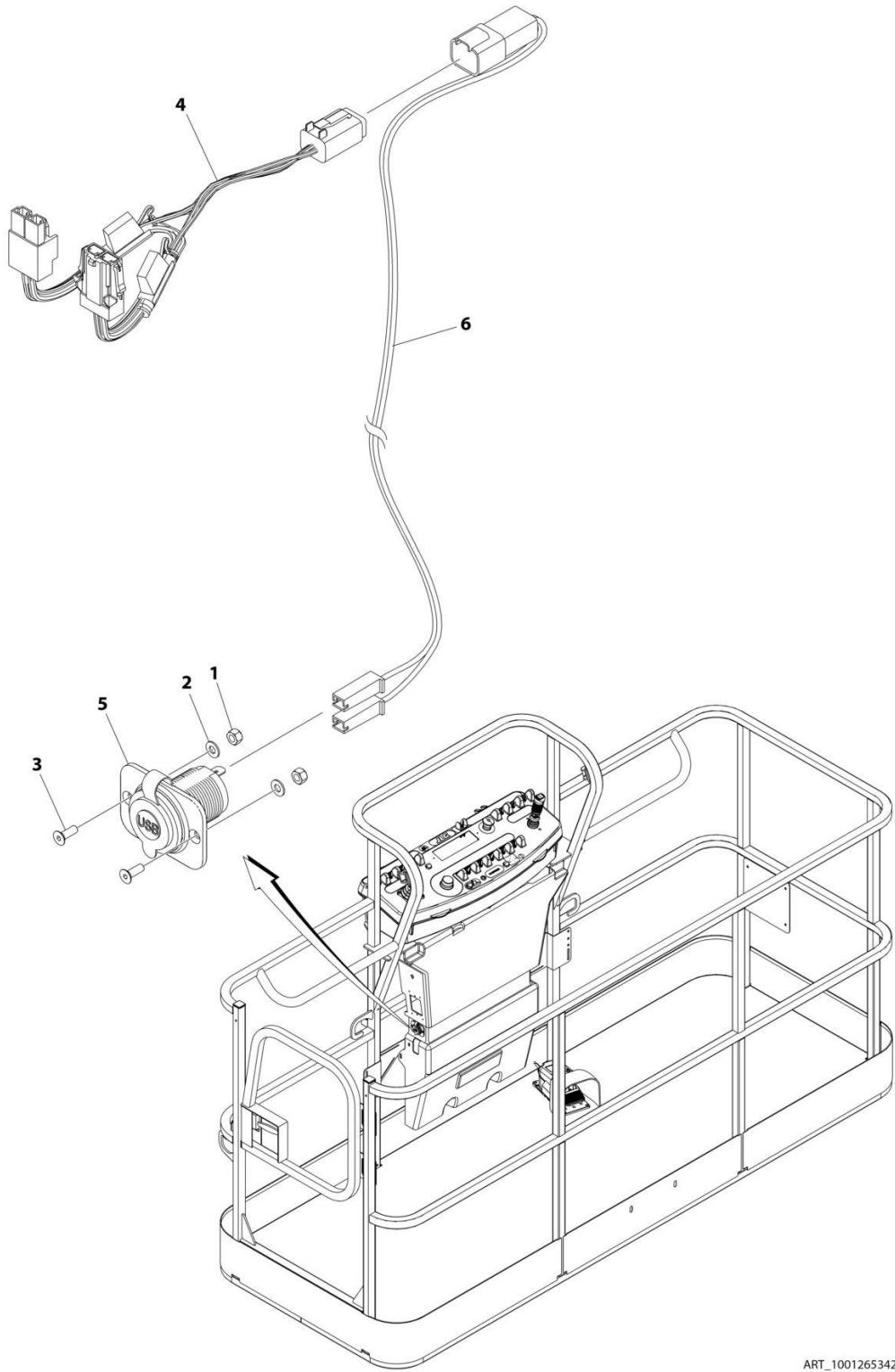
SECTION 5 - PLATFORM

FIGURE 5-23. FALL ARREST INSTALLATION (BOLT-ON) (5FT/1.52M PLATFORM)

ITEM	PART NUMBER	QTY	DESCRIPTION	REV
	1001257275	Ref	FALL ARREST INSTALLATION (BOLT - ON) 6FT/1.82M PLATFORM	A
1	0681620	6	Bolt 3/8 x 2-1/2	
2	0682424	1	Bolt 7/8 x 3	
3	3271605	6	Nut 3/8	
4	3272001	1	Nut 5/8	
5	3312002	2	Nut 5/8	
6	4711600	12	Washer 3/8	
7	4712000	1	Washer 5/8	
8	88521214	1	Nut 7/8	
9	1001236891	2	Washer	
10	1001236895	1	Ring	
11	1001238263	1	Decal - Warning Falling Hazard	
12	1001248140	1	Decal - Bolt Fall Arrest Re-Cert	
13	1001248141	1	Decal - Incription	
14	See Note	NSS	Nameplate - Manufacturers Serial Number (Note: Not Available for Purchase)	
15	1001252629	1	Decal - Weight	
16	1001257271	1	Bracket (RH)	
17	1001257274	1	Bracket (LH)	
18	1001258005	1	Rope	

SECTION 5 - PLATFORM

FIGURE 5-24. USB CHARGER INSTALLATION



ART_1001265342

SECTION 5 - PLATFORM

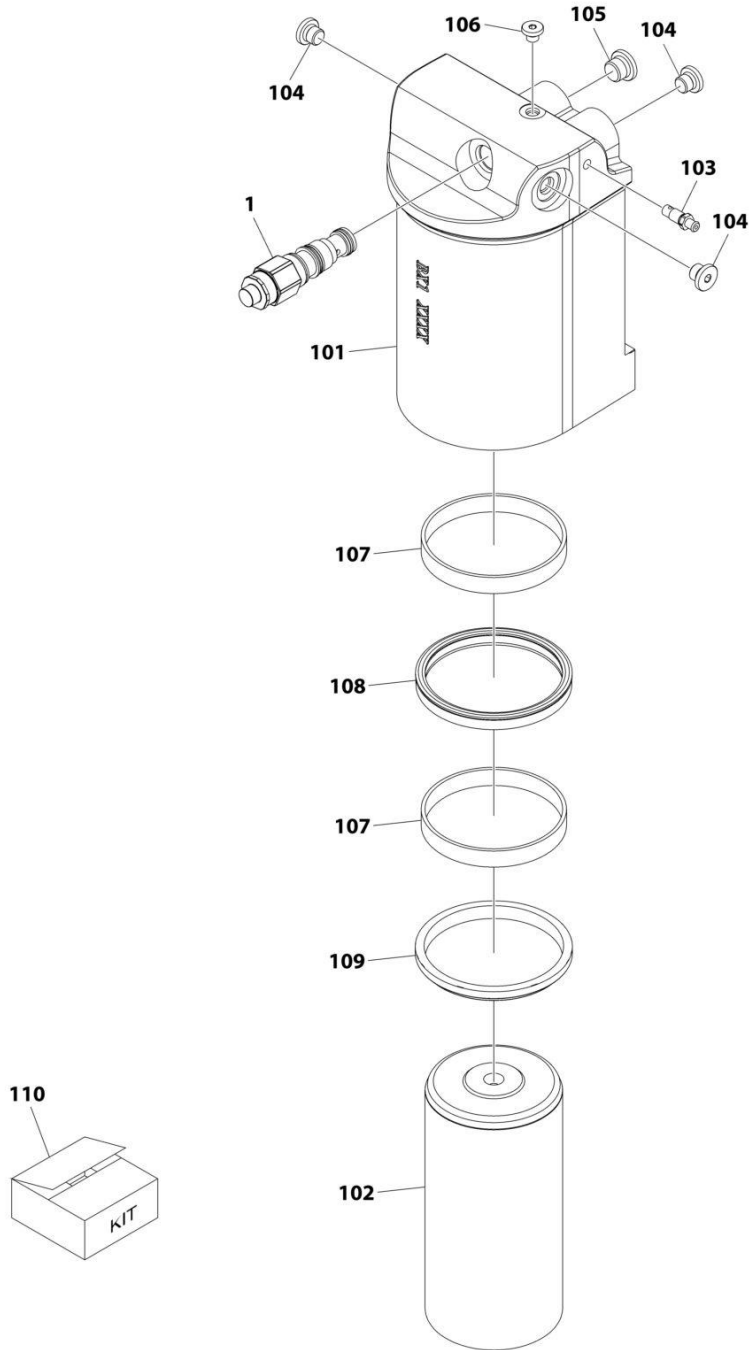
FIGURE 5-24. USB CHARGER INSTALLATION

ITEM	PART NUMBER	QTY	DESCRIPTION	REV
	1001265342	Ref	USB CHARGER INSTALLATION	A
1	3290405	2	Nut M4	
2	4811400	2	Washer M4	
3	1001097244	2	Screw M4 x 12	
4	1001120484	1	Harness, Work Lights	
4	4460879	1	Plug, Male - 2 Position	
4	4460887	2	Terminal	
4	2400060	2	Fuseholder Includes Cover	
4	8229249	2	Fuse, 3 Amp	
4	4460884	1	Connector - 4 Position	
4	4460465	4	Socket, Female	
4	1001120471	1	Connector - 2 Position	
4	1001120477	2	Terminal	
5	1001210636	1	Receptacle, USB	
6	1001265163	1	Harness, USB	A
6	4460260	2	Cover, Terminal	
6	4460259	2	Terminal	
6	4460932	1	Receptacle, Bussbar - 4 Position	
6	4460464	2	Pin, Male	
6	4460466	2	Plug, Terminal	

SECTION 6 - CYLINDER

SECTION 6 - CYLINDER

FIGURE 6-1. AXLE LOCKOUT CYLINDER ASSEMBLY



ART_1001256179

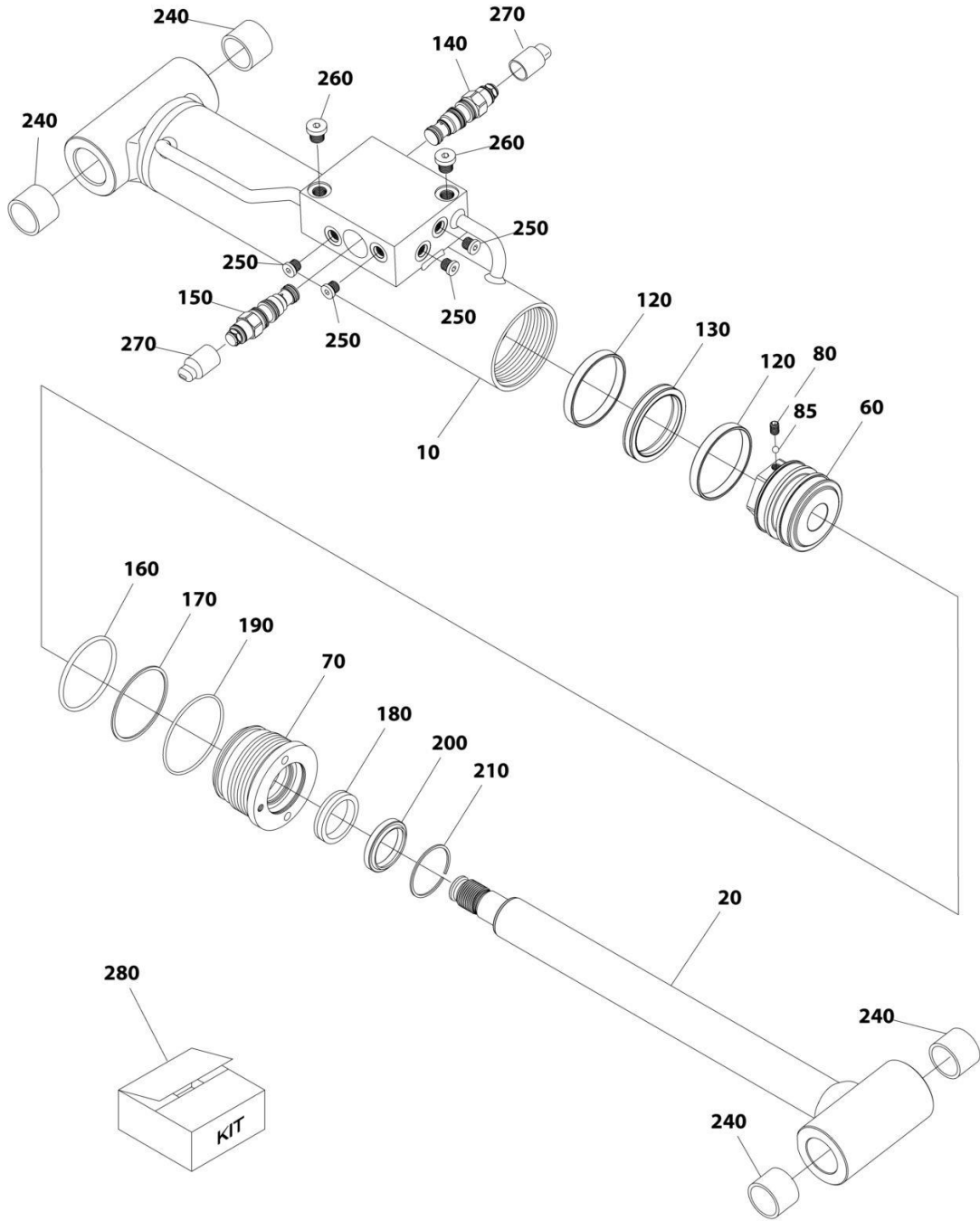
SECTION 6 - CYLINDER

FIGURE 6-1. AXLE LOCKOUT CYLINDER ASSEMBLY

ITEM	PART NUMBER	QTY	DESCRIPTION	REV
	1001256179	Ref	MASTER CYLINDER ASSEMBLY	A
		Ref	Note: Original Cylinder May Have Been Replaced with Service Replacement. Identify PN Stamped on Cylinder Before Ordering Parts.	
1	1001117372	1	Cartridge, Valve	
1	70002842	1	Seal Kit - 1001117372	
101	See Note	NSS	Tube (Note: Not Available for Purchase)	
102	70008244	1	Rod	
103	70008246	1	Plug, Bleeder	
104	2220883	3	Plug 7/16	
105	2220885	1	Plug 9/16	
106	2220881	1	Plug 5/16	
107	See Note	NSS	Ring, Wear (Note: Use Item 110)	
108	See Note	NSS	Seal, Rod (Note: Use Item 110)	
109	See Note	NSS	Wiper, Rod (Note: Use Item 110)	
110	70008247	1	Seal Kit (Includes Items 107-109)	

SECTION 6 - CYLINDER

FIGURE 6-2. LEVEL (PLATFORM SLAVE) CYLINDER ASSEMBLY



ART_1001161716

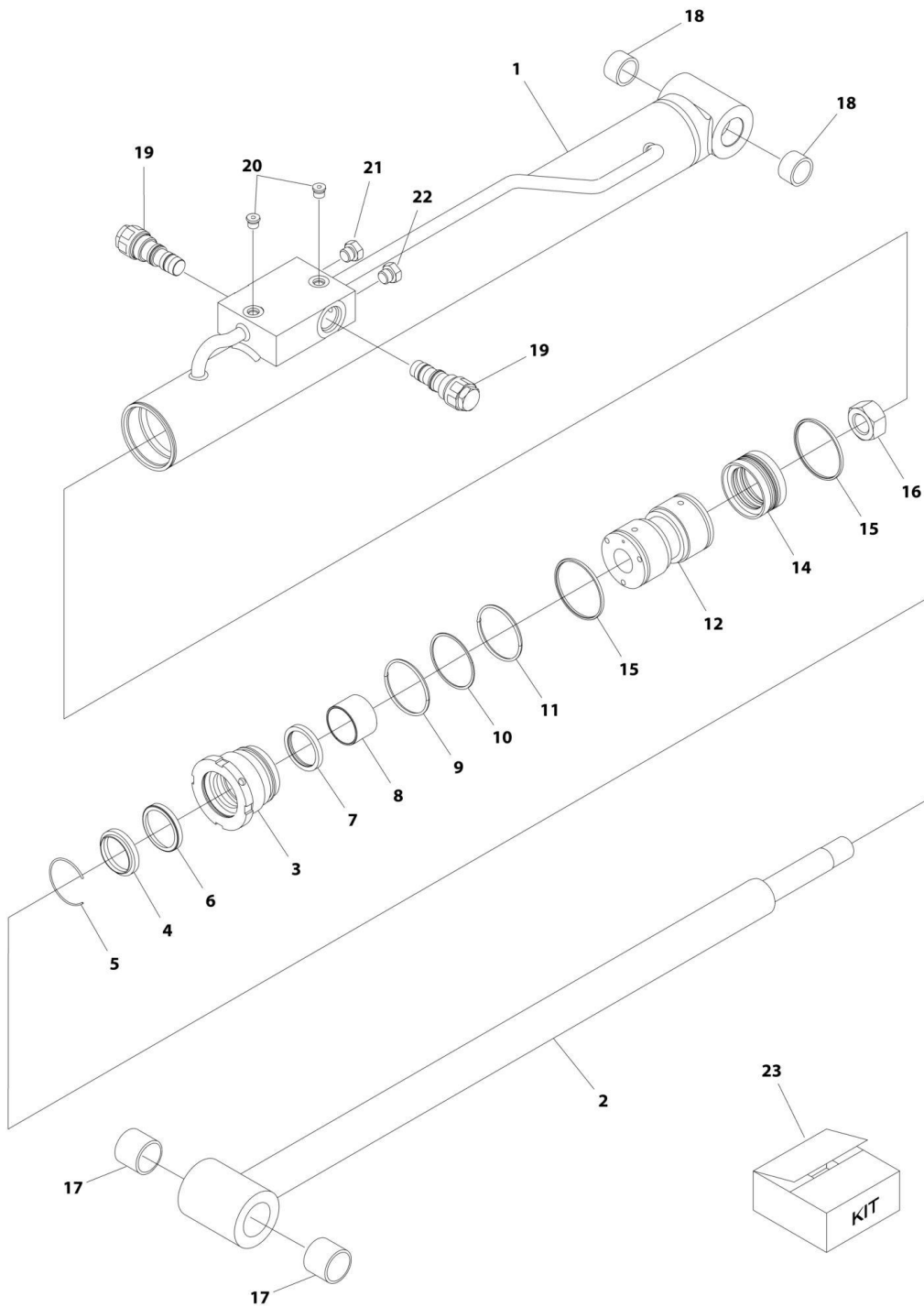
SECTION 6 - CYLINDER

FIGURE 6-2. LEVEL (PLATFORM SLAVE) CYLINDER ASSEMBLY

ITEM	PART NUMBER	QTY	DESCRIPTION	REV
	1001161716	Ref	LEVEL (PLATFORM SLAVE) CYLINDER ASSEMBLY	D
		Ref	Note: Original Cylinder May Have Been Replaced with Service Replacement. Identify PN Stamped on Cylinder Before Ordering Parts.	
10	70005010	1	Barrel	
20	70005011	1	Rod	
60	70005012	1	Piston	
70	70003837	1	Head	
80	70005013	1	Setscrew	
85	70005014	1	Ball	
120	See Note	NSS	Ring, Bearing (Note: Use Item 280)	
130	See Note	NSS	Seal, Piston (Note: Use Item 280)	
140	70002413	1	Cartridge, Valve	
140	2900770	1	Seal Kit - 70002413 Valve	
150	1001168210	1	Cartridge, Valve	
150	2900770	1	Seal Kit - 1001168210 Valve	
160	See Note	NSS	O-Ring (Note: Use Item 280)	
170	See Note	NSS	Seal (Note: Use Item 280)	
180	See Note	NSS	Seal (Note: Use Item 280)	
190	See Note	NSS	O-Ring (Note: Use Item 280)	
200	See Note	NSS	Wiper (Note: Use Item 280)	
210	70003838	1	Ring, Retaining	
240	0961951	4	Bushing	
250	70025619	4	Plug 7/16	
260	70024262	2	Plug 1/4	
270	See Note	2	Plug, Shipping (Note: Not Available for Purchase)	
280	70005016	1	Seal Kit - 1001161716 Cylinder (Includes Items 120 ,130 & 160-200)	

SECTION 6 - CYLINDER

FIGURE 6-3. LIFT CYLINDER ASSEMBLY - JIB



ART_1001163767

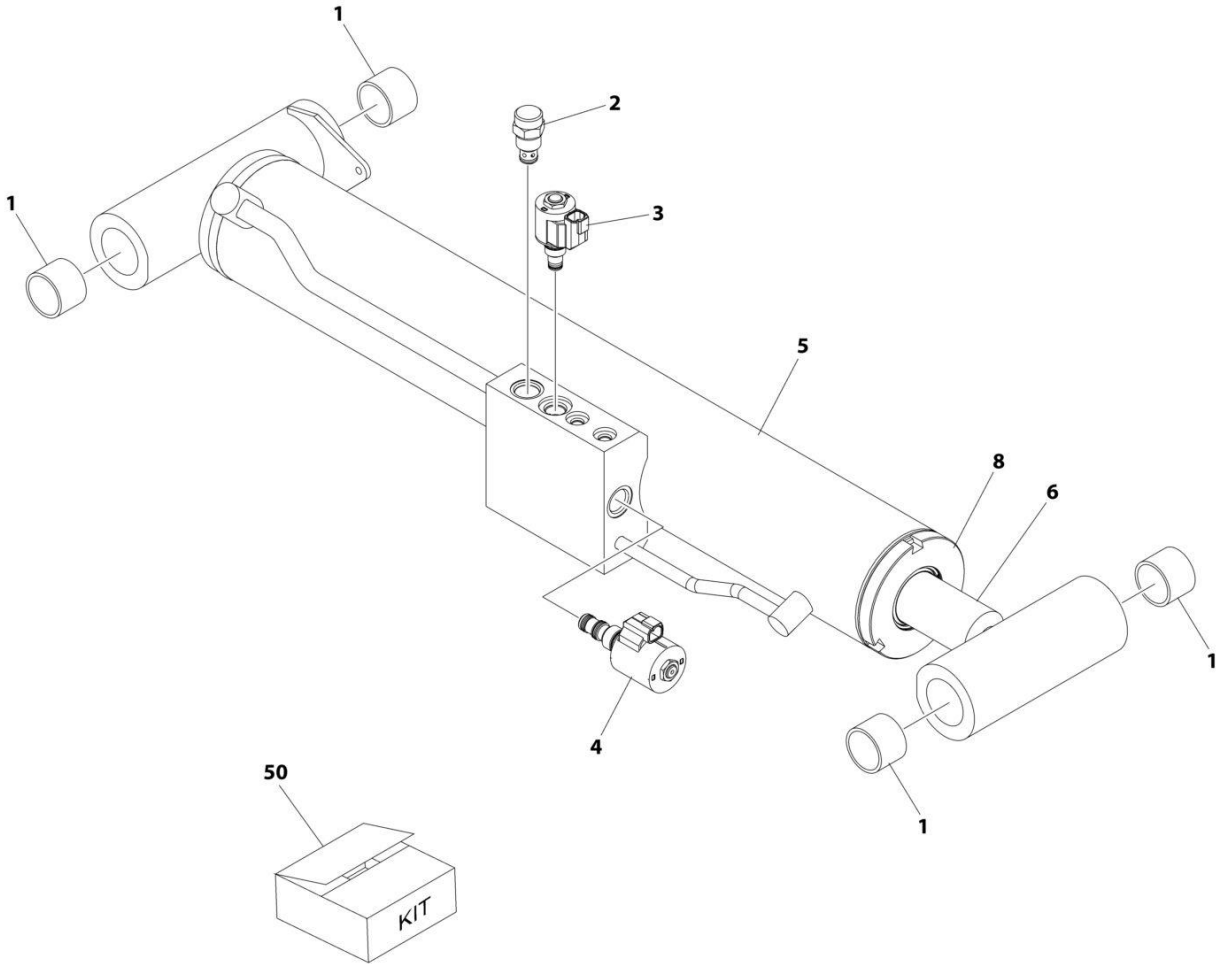
SECTION 6 - CYLINDER

FIGURE 6-3. LIFT CYLINDER ASSEMBLY - JIB

ITEM	PART NUMBER	QTY	DESCRIPTION	REV
	1001163767	Ref	LIFT CYLINDER ASSEMBLY - JIB	B
		Ref	Note: Original Cylinder May Have Been Replaced with Service Replacement. Identify PN Stamped on Cylinder Before Ordering Parts.	
1	70005155	1	Barrel	
2	70005156	1	Rod	
3	70005157	1	Head	
4	See Note	NSS	Wiper (Note: Use Item 23)	
5	70002373	1	Ring, Retaining	
6	See Note	NSS	Seal, Rod (Note: Use Item 23)	
7	See Note	NSS	Ring, Back-up (Note: Use Item 23)	
8	70005143	1	Bearing, Dry	
9	See Note	NSS	O-Ring (Note: Use Item 23)	
10	See Note	NSS	Ring, Back-up (Note: Use Item 23)	
11	See Note	NSS	O-Ring (Note: Use Item 23)	
12	70002371	1	Piston	
13	See Note	NSS	O-Ring (Note: Use Item 23)	
14	See Note	NSS	Seal, Piston (Note: Use Item 23)	
15	See Note	NSS	Ring, Piston (Note: Use Item 23)	
16	70002335	2	Nut	
17	70005158	2	Bushing	
18	70005159	2	Bushing	
19	4640509	2	Cartridge, Valve	
19	2900792	2	Seal Kit - 4640509 Valve	
20	70023370	2	Plug 7/16	
21	See Note	1	Plug 7/16 (Note: Not Available for Purchase)	
22	See Note	1	Plug 9/16 (Note: Not Available for Purchase)	
23	70005160	1	Seal Kit - 1001163767 Cylinder (Includes Items 4, 6, 7, 9-11 & 13-15)	

SECTION 6 - CYLINDER

FIGURE 6-4. LIFT CYLINDER ASSEMBLY - MAIN BOOM



ART_1001266738

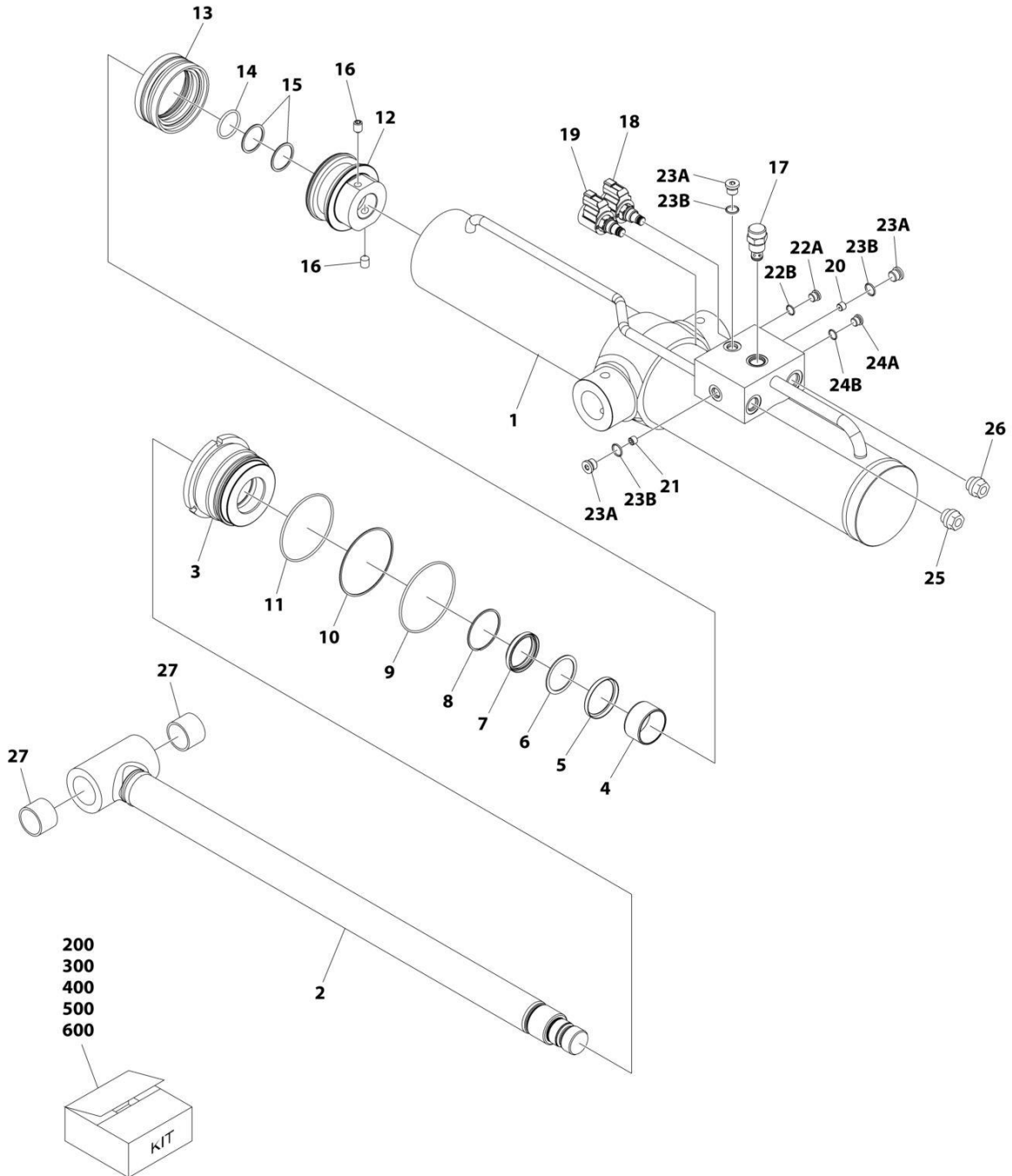
SECTION 6 - CYLINDER

FIGURE 6-4. LIFT CYLINDER ASSEMBLY - MAIN BOOM

ITEM	PART NUMBER	QTY	DESCRIPTION	REV
	1001266738	Ref	LIFT CYLINDER ASSEMBLY - MAIN BOOM	B
		Ref	Note: Original Cylinder May Have Been Replaced with Service Replacement. Identify PN Stamped on Cylinder Before Ordering Parts.	
1	0961948	4	Bushing	
2	4641390	1	Cartridge, Valve - Check	
2	7017496	1	Seal Kit - 4641390 Valve	
3	1001164709	1	Cartridge, Valve - ON/OFF	
3	7017467	1	Cartridge, Valve Less Coil	
3	7012998	1	Seal Kit - 1001164709 & 7017467 Valves	
3	70002386	1	Coil	
4	1001206625	1	Cartridge, Valve - Proportional	
4	70006104	1	Cartridge, Valve Less Coil	
4	70006105	1	Seal Kit - 1001206625 & 70006104 Valves	
4	70003788	1	Coil	
4	7022390	1	Nut, Coil	
5	See Note	NSS	Barrel (Note: Use PN 1001266738)	
6	See Note	NSS	Rod (Note: Use PN 1001266738)	
7	See Note	NSS	Piston (Not Shown) (Note: Use PN 1001266738)	
8	See Note	NSS	Head (Note: Use PN 1001266738)	
50	70007901	1	Seal Kit - 1001266738 Cylinder	

SECTION 6 - CYLINDER

FIGURE 6-5. LIFT CYLINDER ASSEMBLY - TOWER BOOM



ART_1001254716

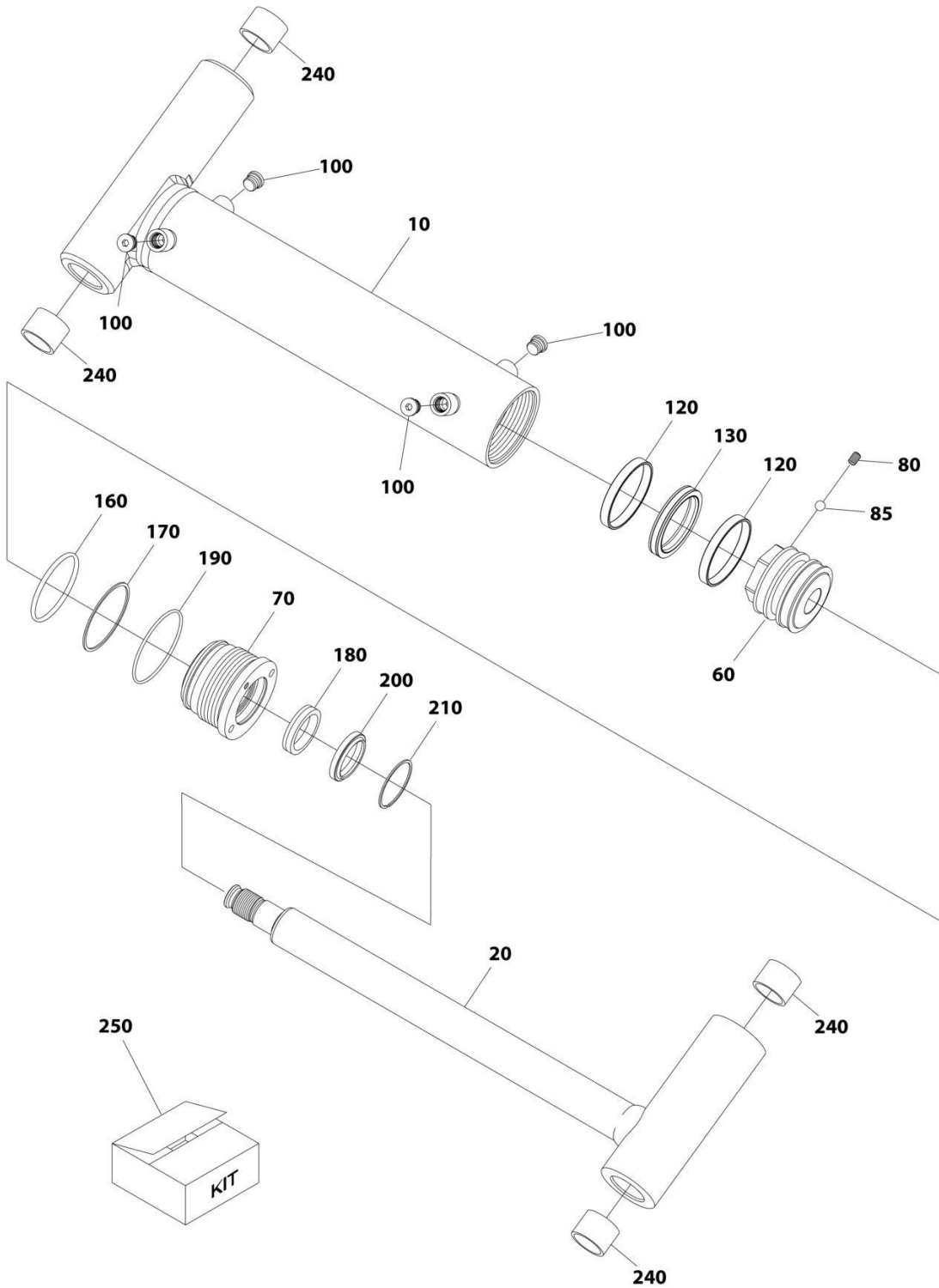
SECTION 6 - CYLINDER

FIGURE 6-5. LIFT CYLINDER ASSEMBLY - TOWER BOOM

ITEM	PART NUMBER	QTY	DESCRIPTION	REV
	1001254716	Ref	LIFT CYLINDER ASSEMBLY - TOWER BOOM	B
		Ref	Note: Original Cylinder May Have Been Replaced with Service Replacement. Identify PN Stamped on Cylinder Before Ordering Parts.	
1	See Note	NSS	Barrel (Note: Use PN 1001254716)	
2	See Note	NSS	Rod (Note: Use Item 200)	
3	See Note	NSS	Head (Note: Use Item 300)	
4	See Note	NSS	Ring, Wear (Note: Use Item 300)	
5	See Note	NSS	Seal (Note: Use Item 400)	
6	See Note	NSS	Ring, Back-up (Note: Use Item 400)	
7	See Note	NSS	Wiper (Note: Use Item 400)	
8	See Note	NSS	Ring, Retaining (Note: Use Item 400)	
9	See Note	NSS	O-Ring (Note: Use Item 400)	
10	See Note	NSS	Ring, Back-up (Note: Use Item 400)	
11	See Note	NSS	O-Ring (Note: Use Item 400)	
12	See Note	NSS	Piston (Note: Use Item 500)	
13	See Note	NSS	Seal (Note: Use Item 400)	
14	See Note	NSS	O-Ring (Note: Use Item 400)	
15	See Note	NSS	Ring, Back-up (Note: Use Item 400)	
16	See Note	NSS	Set Screw (Note: Use Item 500)	
17	4641390	1	Cartridge, Counterbalance Valve	
17	7017496	1	Seal Kit - 4641390 Valve	
18	1001164709	1	Cartridge, Solenoid Valve	
18	7012967	1	Seal Kit - 1001164709 Valve	
18	70002386	1	Coil	
19	1001166208	1	Cartridge, Solenoid Valve	
19	7012967	1	Seal Kit - 1001166208 Valve	
19	70002386	1	Coil	
20	See Note	NSS	Orifice (Note: Use PN 1001254716)	
21	See Note	NSS	Orifice (Note: Use PN 1001254716)	
22A	See Note	NSS	Plug (Note: Use Item 600)	
22B	See Note	NSS	O-Ring (Note: Use Item 600)	
23A	See Note	NSS	Plug (Note: Use Item 600)	
23B	See Note	NSS	O-Ring (Note: Use Item 600)	
24A	See Note	NSS	Plug (Note: Use Item 600)	
24B	See Note	NSS	O-Ring (Note: Use Item 600)	
25	See Note	NSS	Dust Cap (Note: Shipping Use Only)	
26	See Note	NSS	Dust Cap (Note: Shipping Use Only)	
27	0961948	2	Bushing (Note: Use Item 200)	
200	70007886	1	Rod Kit (Includes Items 2 & 27)	
300	70007887	1	Head Kit (Includes Items 3 & 4)	
400	70007888	1	Seal Kit (Includes Items 5-11 & 13-15)	
500	70007889	1	Piston Kit (Includes Items 12 & 16)	
600	70007890	1	Plug Kit (Includes Items 22A-24B)	

SECTION 6 - CYLINDER

FIGURE 6-6. MASTER CYLINDER ASSEMBLY



ART_1001161717

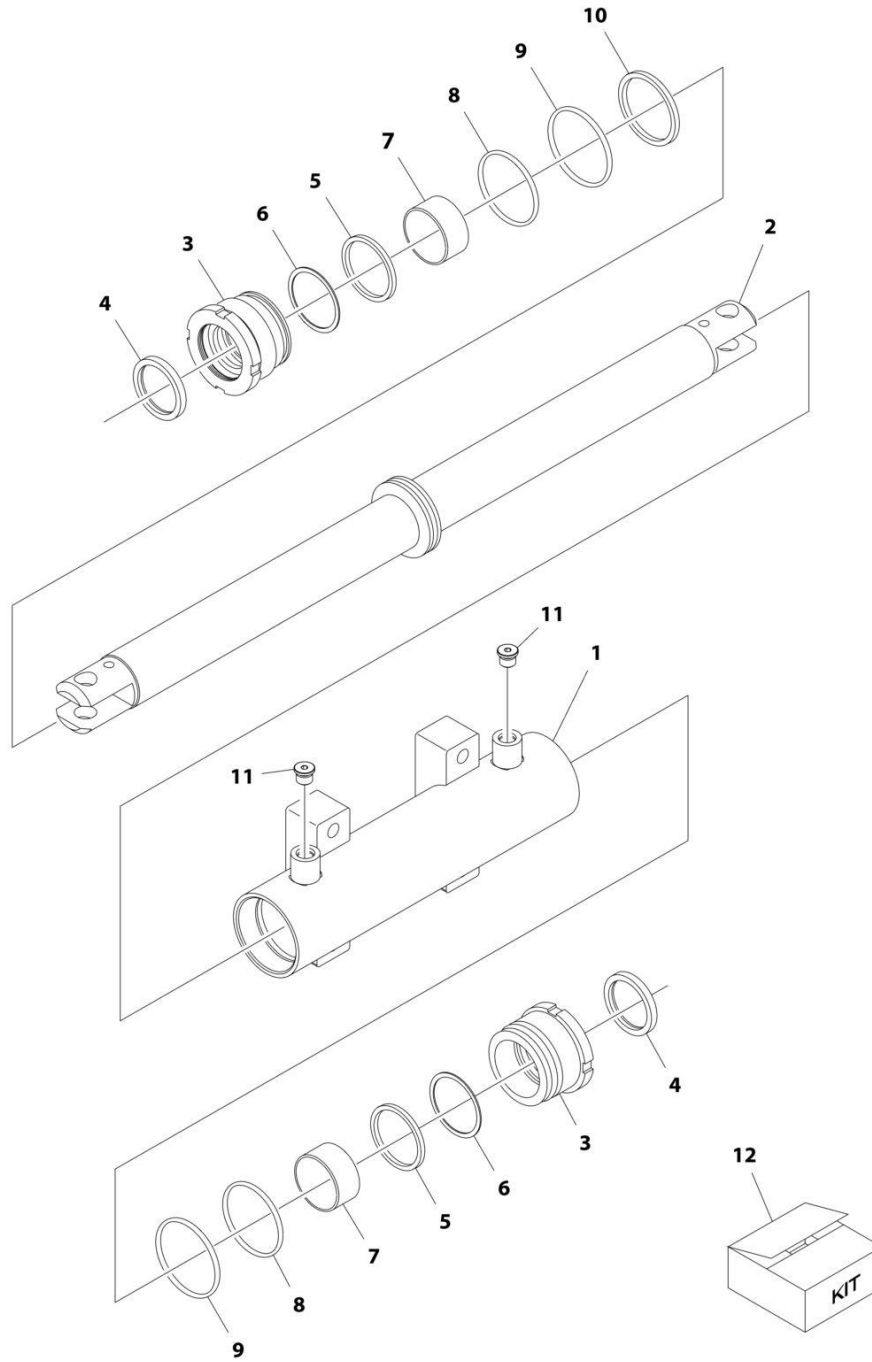
SECTION 6 - CYLINDER

FIGURE 6-6. MASTER CYLINDER ASSEMBLY

ITEM	PART NUMBER	QTY	DESCRIPTION	REV
	1001161717	Ref	MASTER CYLINDER ASSEMBLY	D
		Ref	Note: Original Cylinder May Have Been Replaced with Service Replacement. Identify PN Stamped on Cylinder Before Ordering Parts.	
10	70005017	1	Barrel	
20	70005018	1	Rod	
60	70005012	1	Piston	
70	70003837	1	Head	
80	70005013	1	Setscrew	
85	70005014	1	Ball	
100	70025959	4	Plug 9/16	
120	See Note	NSS	Ring, Piston (Note: Use Item 250)	
130	See Note	NSS	Seal (Note: Use Item 250)	
160	See Note	NSS	O-Ring (Note: Use Item 250)	
170	See Note	NSS	Ring (Note: Use Item 250)	
180	See Note	NSS	Seal (Note: Use Item 250)	
190	See Note	NSS	O-Ring (Note: Use Item 250)	
200	See Note	NSS	Wiper (Note: Use Item 250)	
210	70003838	1	Ring, Retaining	
240	0961951	4	Bushing	
250	70005016	1	Seal Kit - 1001161717 Cylinder (Includes Items 120-200)	

SECTION 6 - CYLINDER

FIGURE 6-7. STEER CYLINDER ASSEMBLY



ART_1001163178

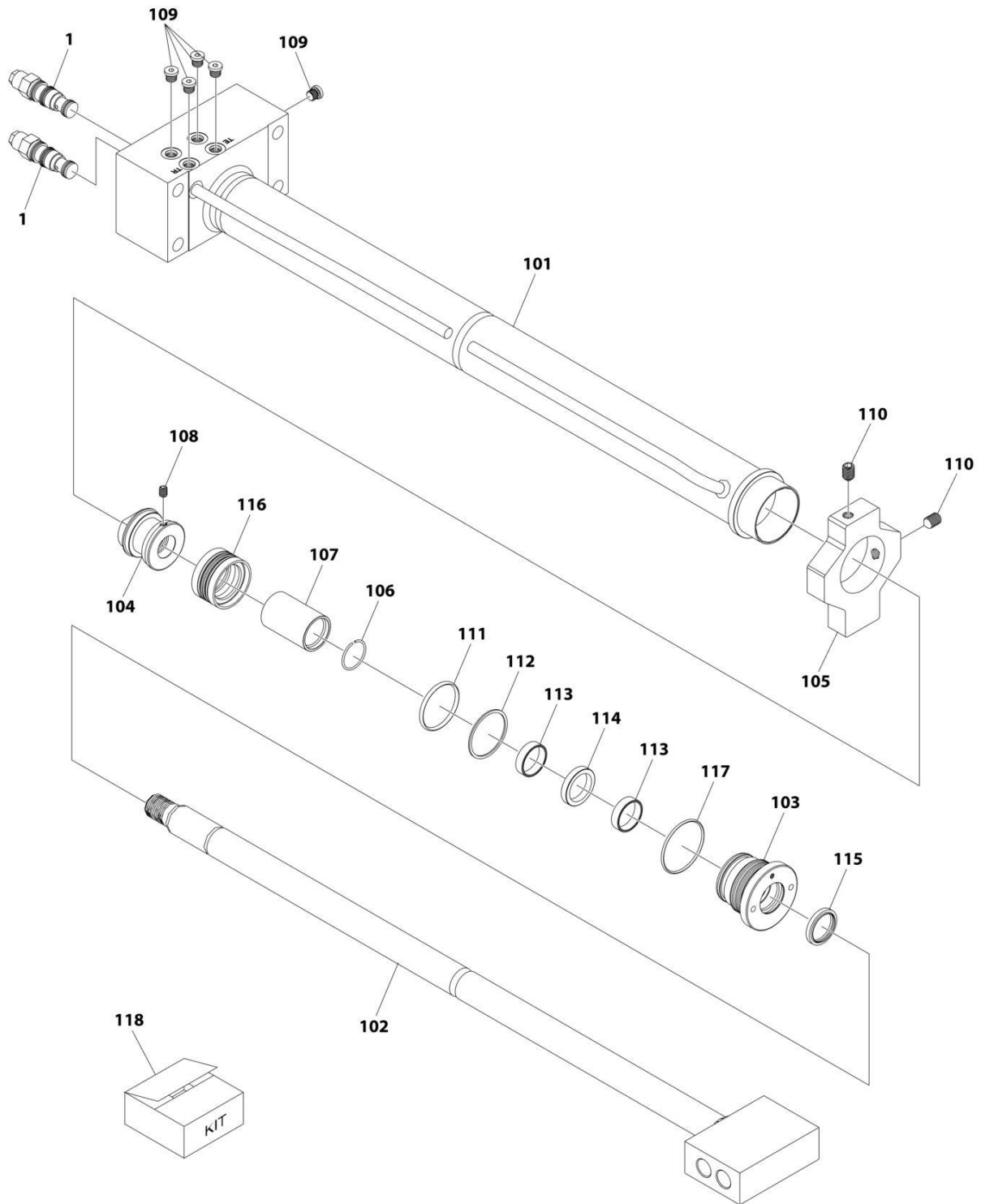
SECTION 6 - CYLINDER

FIGURE 6-7. STEER CYLINDER ASSEMBLY

ITEM	PART NUMBER	QTY	DESCRIPTION	REV
	1001163178	Ref	STEER CYLINDER ASSEMBLY	E
		Ref	Note: Original Cylinder May Have Been Replaced with Service Replacement. Identify PN Stamped on Cylinder Before Ordering Parts.	
1	70005150	1	Barrel	
2	70005151	1	Rod	
3	70005152	2	Head	
4	See Note	NSS	Wiper (Note: Use Item 12)	
5	See Note	NSS	Seal, Rod (Note: Use Item 12)	
6	See Note	NSS	Ring, Back-up (Note: Use Item 12)	
7	70005153	2	Bearing, Dry	
8	See Note	NSS	O-Ring (Note: Use Item 12)	
9	See Note	NSS	O-Ring (Note: Use Item 12)	
10	See Note	NSS	Seal, Piston (Note: Use Item 12)	
11	See Note	2	Plug 9/16 (Note: Not Available for Purchase)	
12	70005154	1	Seal Kit - 1001163178 Cylinder (Includes Items 4-6 & 8-10)	

SECTION 6 - CYLINDER

FIGURE 6-8. TELESCOPE CYLINDER ASSEMBLY



ART_1001266711

SECTION 6 - CYLINDER

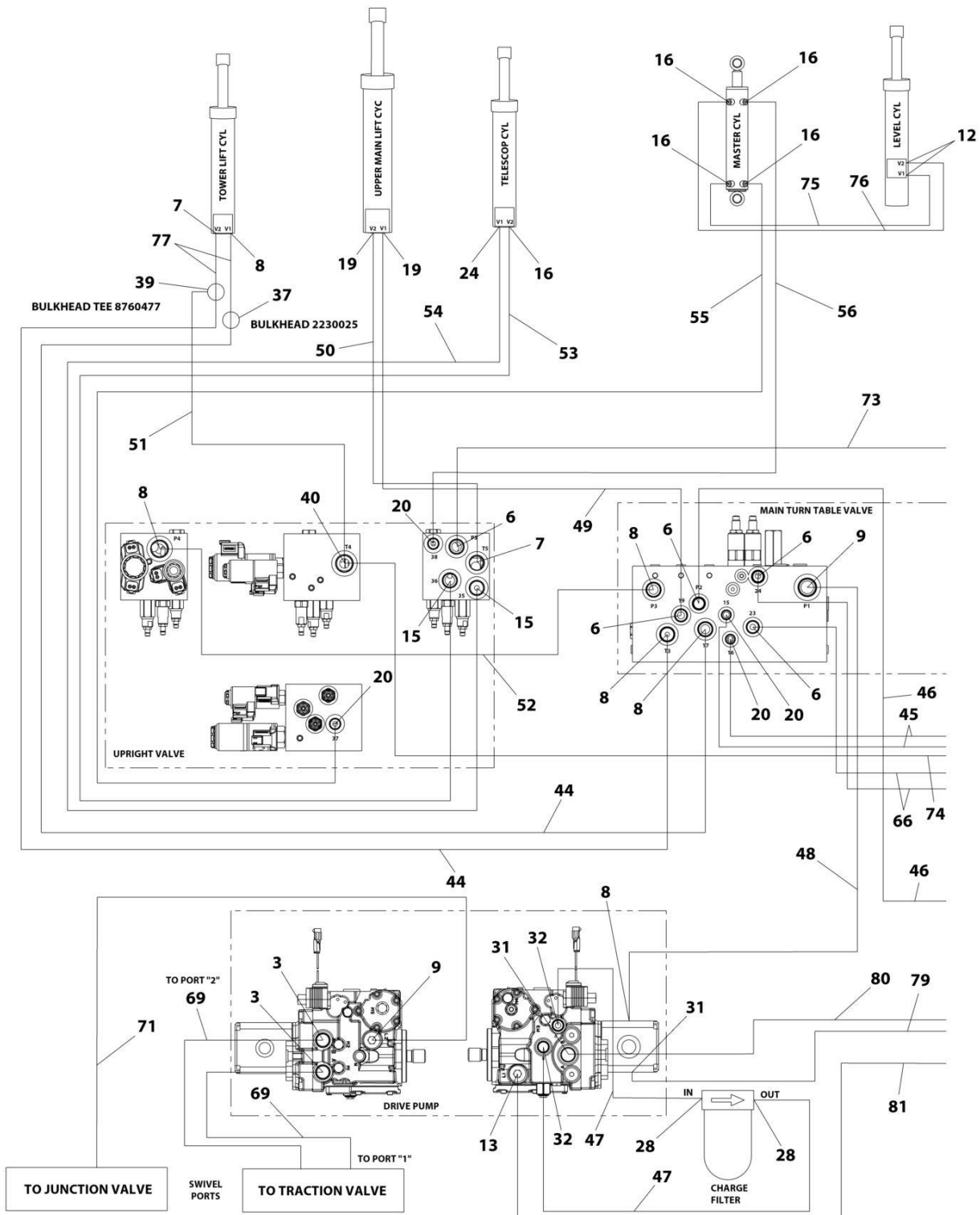
FIGURE 6-8. TELESCOPE CYLINDER ASSEMBLY

ITEM	PART NUMBER	QTY	DESCRIPTION	REV
	1001266711	Ref	TELESCOPE CYLINDER ASSEMBLY	B
		Ref	Note: Original Cylinder May Have Been Replaced with Service Replacement. Identify PN Stamped on Cylinder Before Ordering Parts.	
1	4640771	2	Valve, Motor Control	
1	2900770	2	Seal Kit - 4640771 Valve	
101	See Note	NSS	Barrel (Note: Not Available for Purchase)	
102	See Note	NSS	Rod (Note: Not Available for Purchase)	
103	70008135	1	Head	
104	70008136	1	Piston	
105	70008137	1	Mount	
106	70008138	1	Ring, Wire	
107	70008139	1	Spacer	
108	70027088	1	Setscrew	
109	70025619	5	Plug	
110	70008140	2	Setscrew	
111	See Note	NSS	O-Ring (Note: Use Item 118)	
112	See Note	NSS	Ring, Backup (Note: Use Item 118)	
113	See Note	NSS	Ring (Note: Use Item 118)	
114	See Note	NSS	Seal, Head (Note: Use Item 118)	
115	See Note	NSS	Seal, Wiper (Note: Use Item 118)	
116	See Note	NSS	Seal (Note: Use Item 118)	
117	See Note	NSS	O-Ring (Note: Use Item 118)	
118	70008141	1	Seal Kit (Includes Items 111-117)	

SECTION 7 - HYDRAULIC

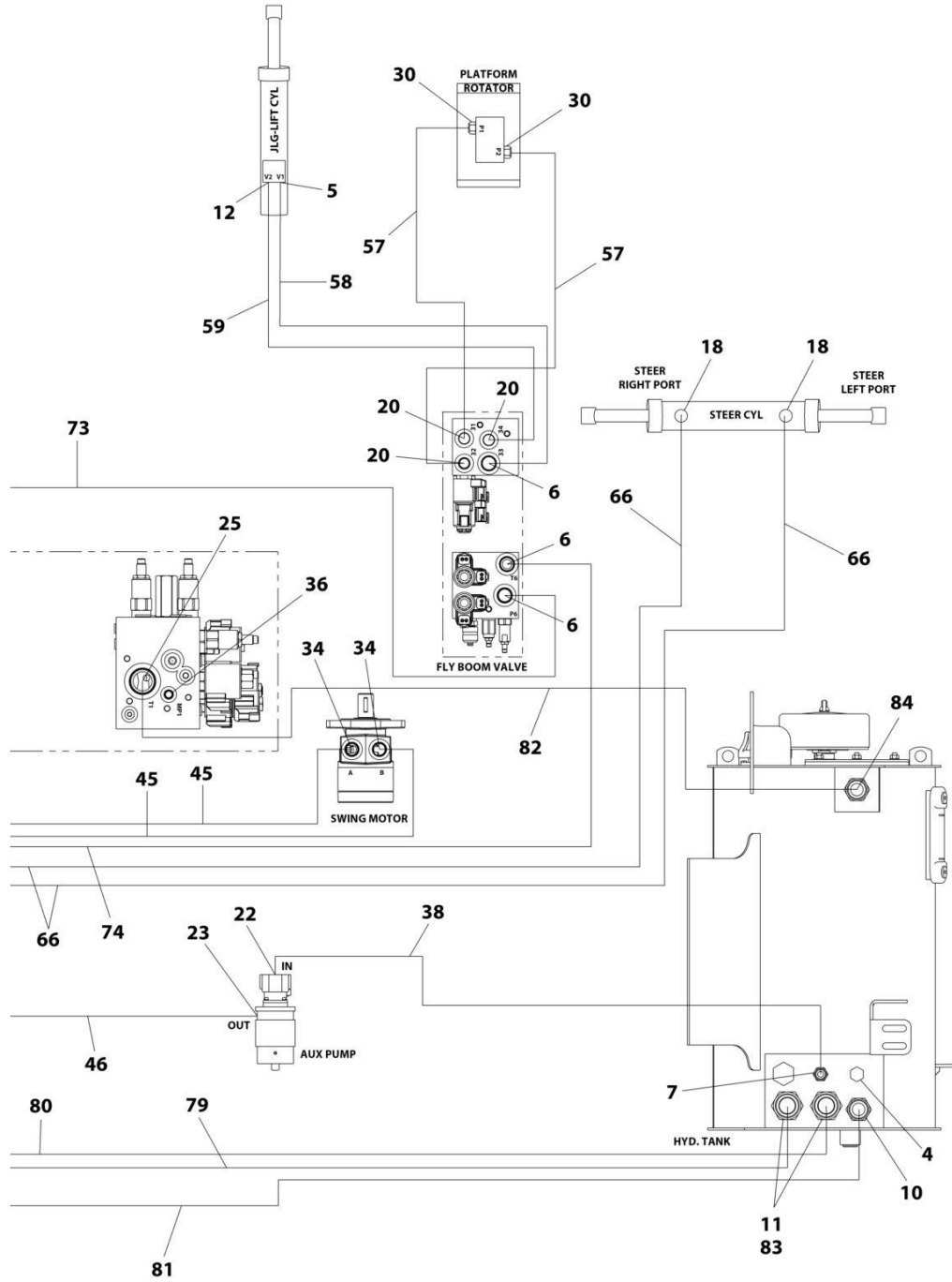
SECTION 7 - HYDRAULIC

FIGURE 7-1. HYDRAULIC SYSTEM INSTALLATION



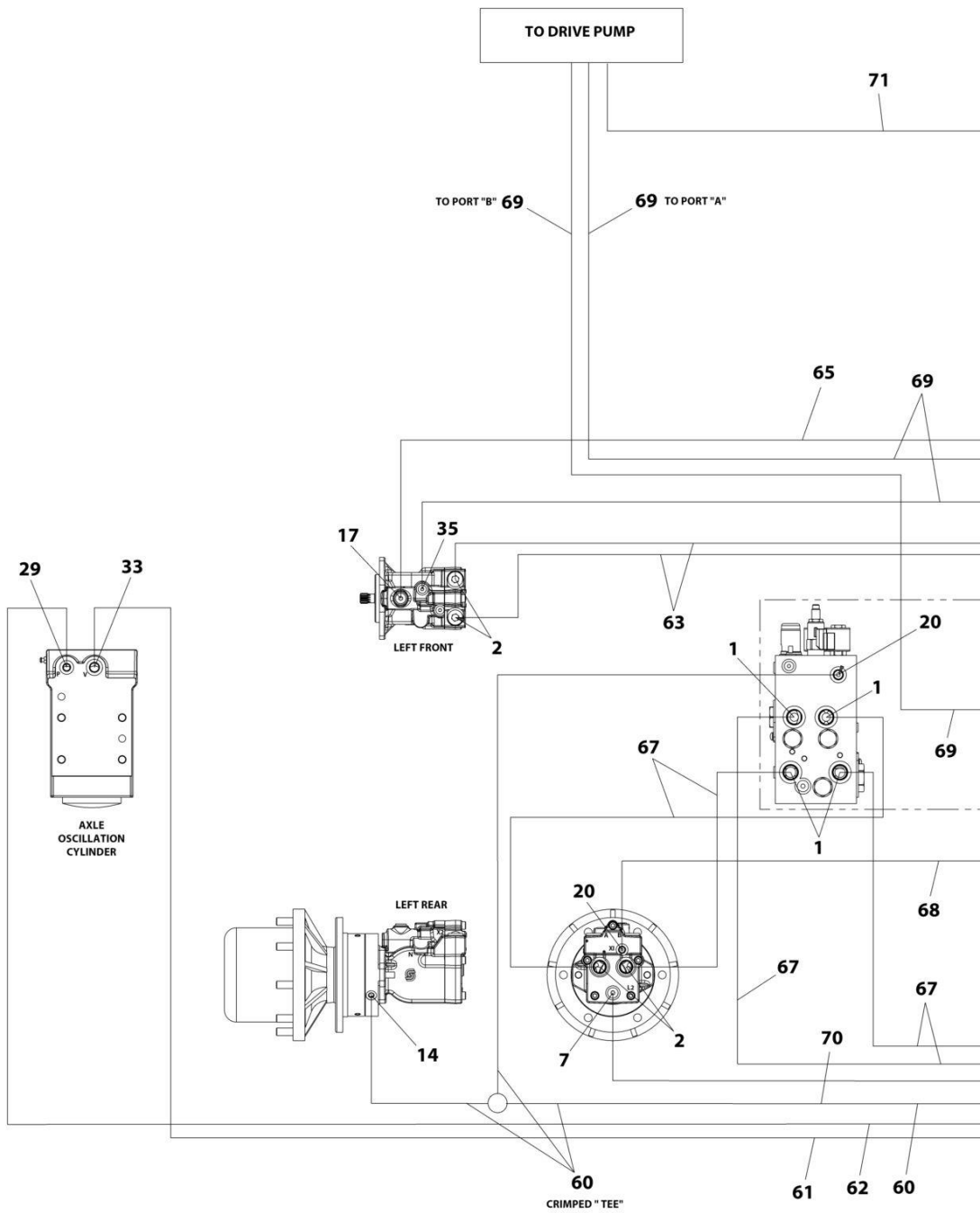
ART_1001207356_10F4

SECTION 7 - HYDRAULIC



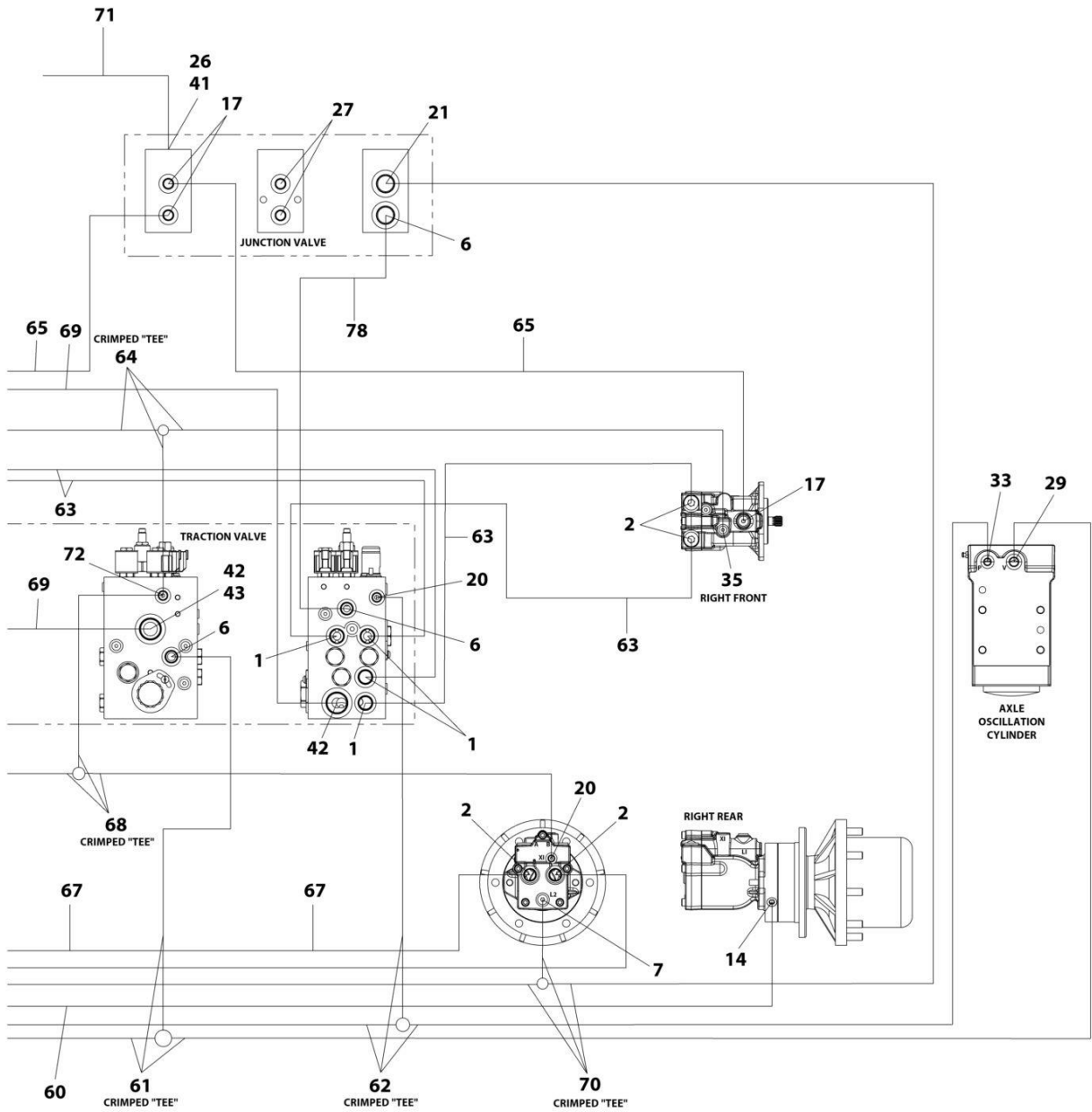
ART_1001207356_2OF4

SECTION 7 - HYDRAULIC



ART_1001207356_30F4

SECTION 7 - HYDRAULIC



ART_1001207356_4OF4

SECTION 7 - HYDRAULIC

FIGURE 7-1. HYDRAULIC SYSTEM INSTALLATION

ITEM	PART NUMBER	QTY	DESCRIPTION	REV
	1001207356	Ref	HYDRAULIC SYSTEM INSTALLATION	C
1	2110810	8	Fitting, Straight ORFS/ORB	
2	2110812	8	Fitting, Straight ORFS/ORB	
3	2151212	2	Fitting, 45 ORFS/ORB	
4	2220238	1	Plug	
5	2220371	1	Fitting, Straight JIC/ORB	
6	2220372	11	Fitting, Straight JIC/ORB	
7	2220373	5	Fitting, Straight JIC/ORB	
8	2220374	6	Fitting, Straight JIC/ORB	
9	2220375	2	Fitting, Straight JIC/ORB	
10	2220377	1	Fitting, Straight JIC/ORB	
11	1001202910	2	Fitting, Straight MORB	
12	2220415	3	Fitting, Straight JIC/ORB	
13	2220451	1	Fitting, Straight JIC/ORB	
14	2220466	2	Fitting, 90 JIC/ORB	
15	2220468	2	Fitting, Straight JIC/ORB	
16	2220472	5	Fitting, 90 JIC/ORB	
17	2220500	4	Fitting, 45 JIC/ORB	
18	2220501	2	Fitting, 45 JIC/ORB	
19	2220497	2	Fitting, Straight JIC/ORB	
20	2220582	11	Fitting, Straight JIC/ORB	
21	2220596	1	Fitting, 90 JIC/ORB	
22	2220600	1	Fitting, Straight JIC/ORB	
23	2220603	1	Fitting, Straight JIC/ORB	
24	2220628	1	Fitting, 90 JIC/ORB	
25	2220465	1	Fitting, 90 JIC/ORB	
26	2220811	1	Fitting, Straight FORB/ORB	
27	2220883	2	Plug #4	
28	2220906	2	Fitting, 90 JIC/ORB	
29	2220923	2	Fitting, Straight JIC/ORB	
30	2220940	2	Fitting, Elbow	
31	2220946	2	Fitting, Straight JIC/ORB	
32	2220947	2	Fitting, Straight JIC/ORB	
33	2220998	2	Fitting, Straight JIC/ORB	
34	2221033	2	Fitting, Straight JIC/ORB	
35	2221040	2	Fitting, 45 JIC/ORB	
36	2221086	1	Fitting, Diagnostic	
37	2230025	1	Fitting, Straight JIC/JIC	
38	2752519	1	Hose	
39	8760477	1	Fitting, Tee JIC/JIC/JIC	
40	8770289	1	Fitting, Tee JIC/ORB/JIC	
41	1001119627	1	Fitting, Straight JIC/ORB	
42	1001142679	2	Fitting, Straight ORFS/ORB	
43	1001143936	1	Fitting, 90 FORB/ORB	
44	1001173006	2	Hose	
45	1001173027	2	Hose	
46	1001173028	1	Hose	
47	1001173029	2	Hose	
48	2752504	1	Hose	
49	1001173034	1	Hose	

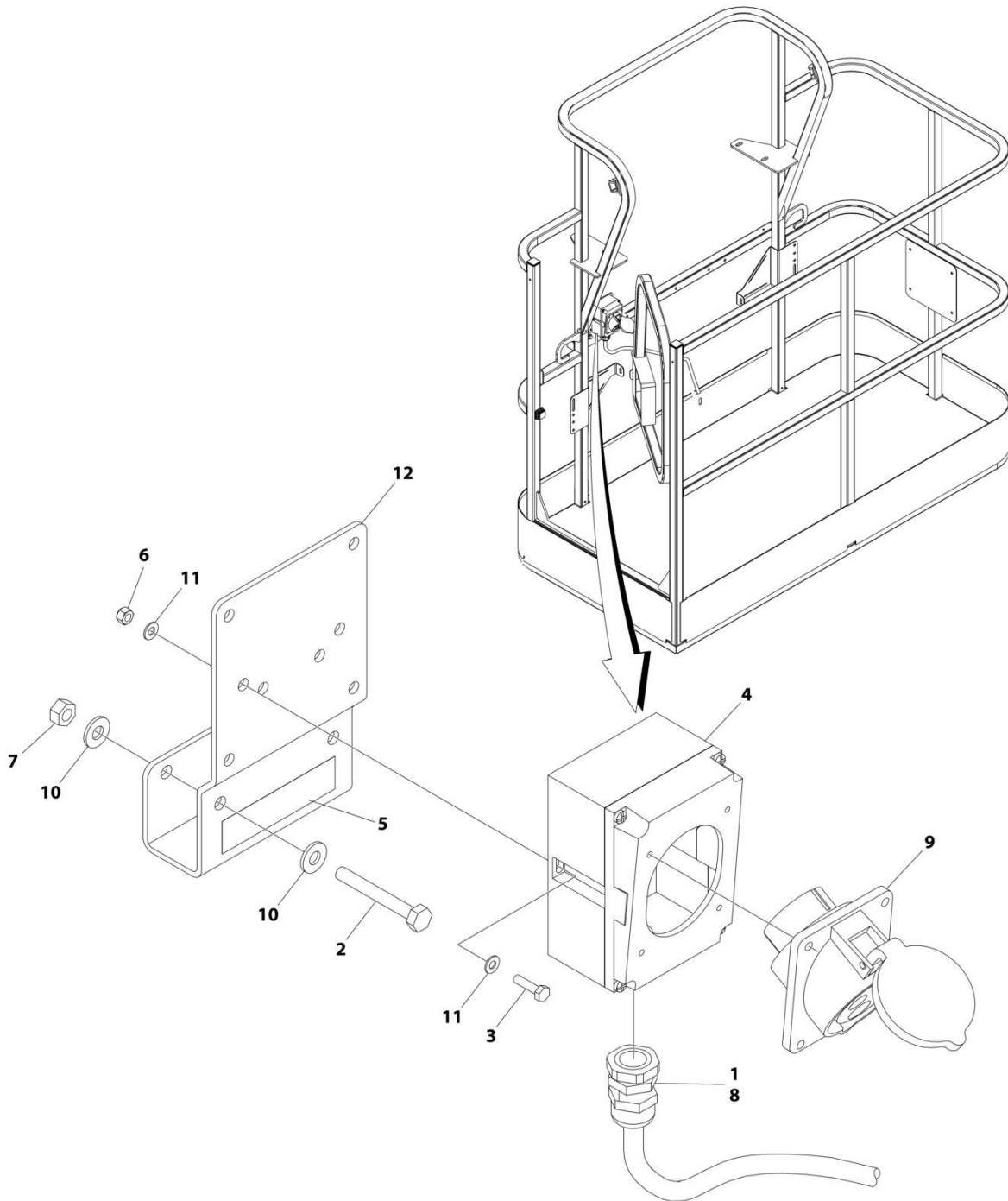
SECTION 7 - HYDRAULIC

ITEM	PART NUMBER	QTY	DESCRIPTION	REV
50	1001173035	1	Hose	
51	1001173036	1	Hose	
52	1001173037	1	Hose	
53	1001173038	1	Hose	
54	1001173039	1	Hose	
55	1001173042	1	Hose	
56	1001173043	1	Hose	
57	1001173046	2	Hose	
58	1001173048	1	Hose	
59	1001173049	1	Hose	
60	1001173052	1	Hose	
61	1001173053	1	Hose	
62	1001173054	1	Hose	
63	1001173055	4	Hose	
64	1001173056	1	Hose	
65	1001173057	2	Hose	
66	1001173058	2	Hose	
67	1001173059	4	Hose	
68	1001173061	1	Hose	
69	1001173062	2	Hose	
70	1001173063	1	Hose	
71	1001173066	1	Hose	
72	1001175024	1	Fitting, Tee JIC/JIC/ORB	
73	1001176299	1	Hose	
74	1001176300	1	Hose	
75	1001176301	1	Hose	
76	1001176302	1	Hose	
77	1001180035	2	Hose	
78	1001197039	1	Hose	
79	1001207335	1	Hose	
80	1001207335	1	Hose	
81	1001207336	1	Hose	
82	1001210356	1	Tube	
83	80633030	2	Clamp, Hose	
84	2220435	1	Fitting, Straight JIC/ORB	

SECTION 8 - ELECTRICAL

SECTION 8 - ELECTRICAL

FIGURE 8-1. AC BOX AT PLATFORM INSTALLATION - 110V IEC YELLOW (CE, CIS/EAC & UK CA SPECS WITH 4000W/50HZ GENERATOR)



ART_1001194203

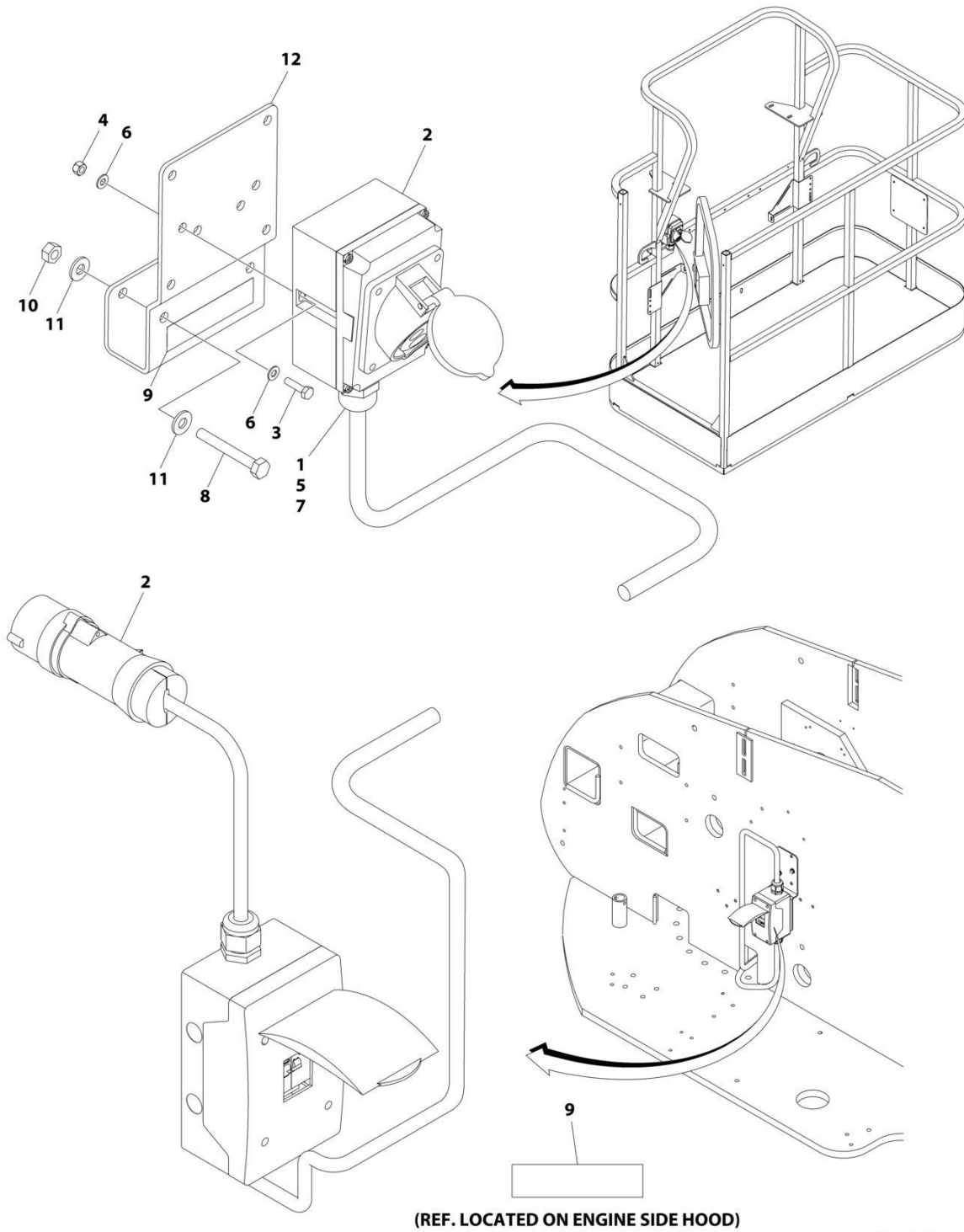
SECTION 8 - ELECTRICAL

FIGURE 8-1. AC BOX AT PLATFORM INSTALLATION - 110V IEC YELLOW (CE, CIS/EAC & UK CA SPECS WITH 4000W/50HZ GENERATOR)

ITEM	PART NUMBER	QTY	DESCRIPTION	REV
	1001194203	Ref	AC BOX AT PLATFORM INSTALLATION	B
1	0100020	AR	Sealant, Pipe	
2	0641416	2	Bolt 1/4 x 2	
3	0700408	2	Bolt M4 x 16	
4	0861781	1	Box, Switch	
5	1705325	1	Decal - 110V	
6	3290405	2	Nut M4	
7	3311405	2	Nut 1/4	
8	4460968	1	Connector, Strain Relief	
9	4461198	1	Receptacle	
10	4711400	4	Washer 1/4	
11	4811400	4	Washer M4	
12	1001193018	1	Bracket, AC Receptacle	

SECTION 8 - ELECTRICAL

FIGURE 8-2. AC BOX AT PLATFORM INSTALLATION - 110V IEC 60309 YELLOW WITHOUT 2500W GENERATOR (CE, CIS/EAC & UK CA SPECS)



ART_1001091969

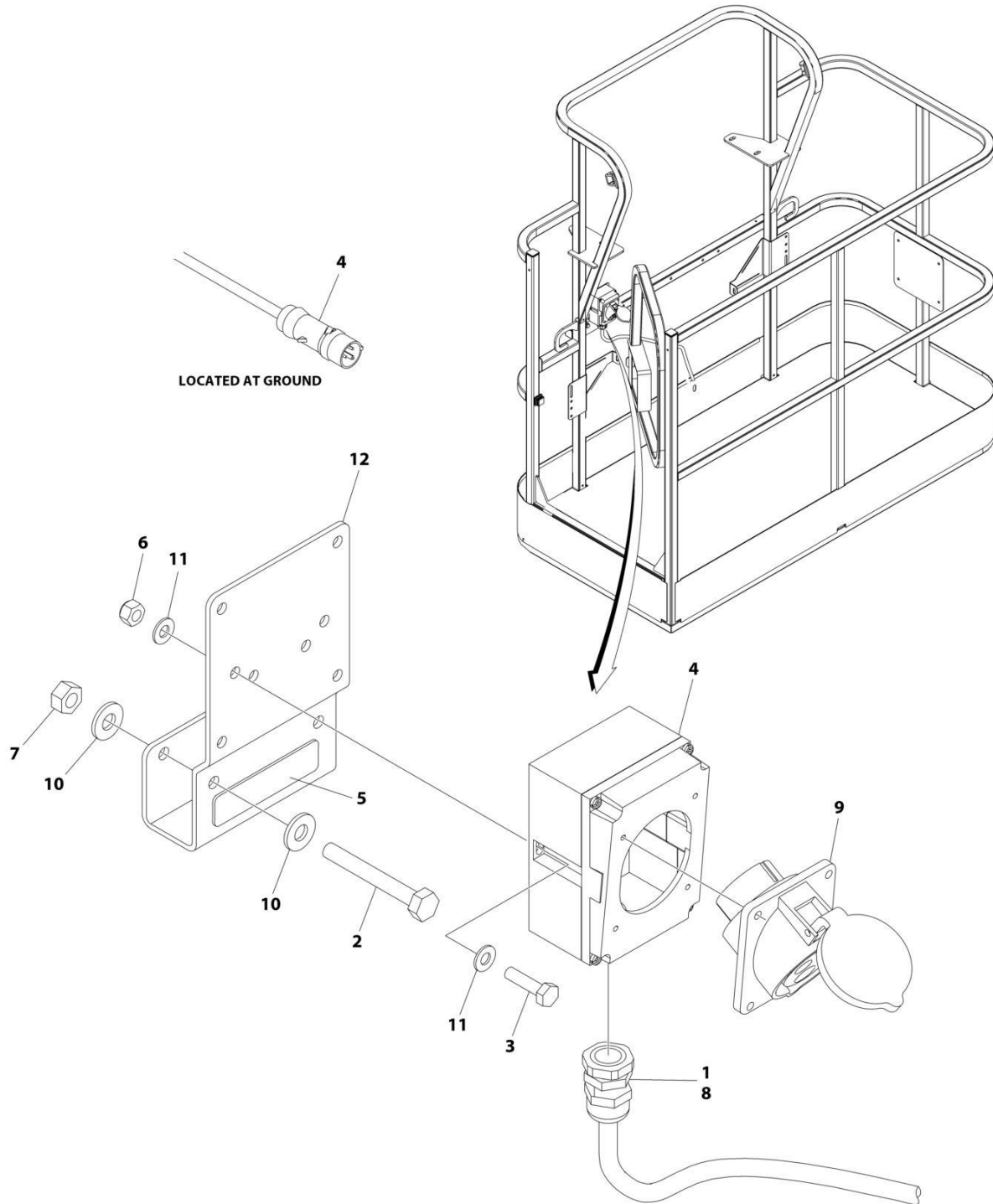
SECTION 8 - ELECTRICAL

FIGURE 8-2. AC BOX AT PLATFORM INSTALLATION - 110V IEC 60309 YELLOW WITHOUT 2500W GENERATOR (CE, CIS/EAC & UK CA SPECS)

ITEM	PART NUMBER	QTY	DESCRIPTION	REV
	1001091969	Ref	AC BOX AT PLATFORM INSTALLATION - 110V IEC YELLOW	D
1	0100020	AR	Sealant, Pipe	
2	0275216	1	Receptacle Box Kit (See Separate Breakdown in this Section)	
3	0700408	2	Bolt M4 x 16	
4	3290405	2	Nut M4	
5	1001101196	1	Adapter	
6	4811400	4	Washer M4	
7	1001101191	1	Connector, Strain Relief	
8	0641416	2	Bolt 1/4 x 2	
9	1705325	2	Decal - 110V	
10	3311405	2	Nut 1/4	
11	4711400	4	Washer 1/4	
12	1001193018	1	Bracket	

SECTION 8 - ELECTRICAL

FIGURE 8-3. AC BOX AT PLATFORM INSTALLATION - 220V IEC BLUE (CE, CIS/EAC & UK CA SPECS WITH 4000W/50HZ GENERATOR)



ART_1001194204

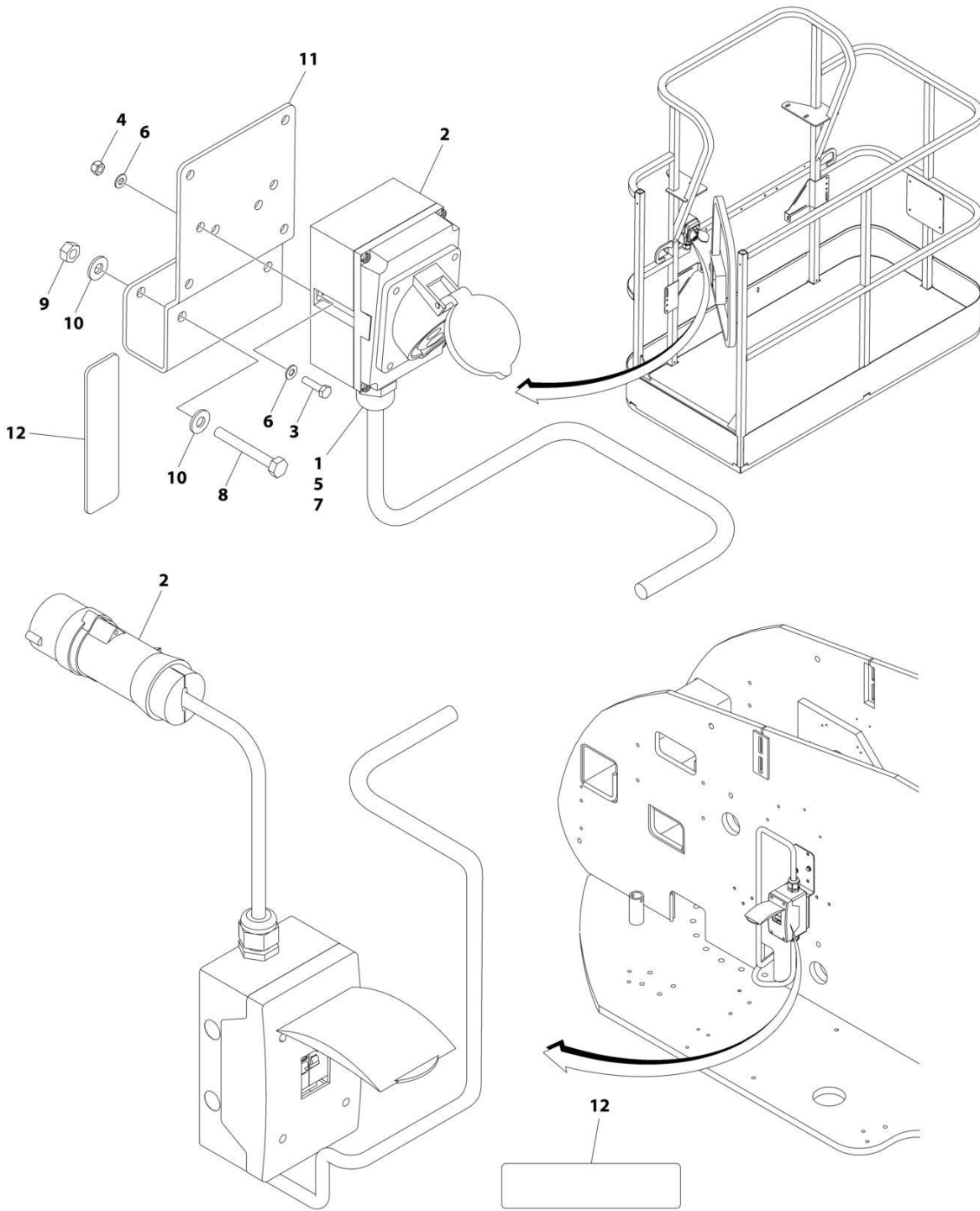
SECTION 8 - ELECTRICAL

FIGURE 8-3. AC BOX AT PLATFORM INSTALLATION - 220V IEC BLUE (CE, CIS/EAC & UK CA SPECS WITH 4000W/50HZ GENERATOR)

ITEM	PART NUMBER	QTY	DESCRIPTION	REV
	1001194204	Ref	AC BOX AT PLATFORM INSTALLATION	B
1	0100020	AR	Sealant, Pipe	
2	0641416	2	Bolt 1/4 x 2	
3	0700408	2	Bolt M4 x 16	
4	0861781	1	Box, Switch	
5	3251242	1	Decal - 240V/50Hz	
6	3290405	2	Nut M4	
7	3311405	2	Nut 1/4	
8	4460968	1	Connector, Strain Relief	
9	4461201	1	Receptacle	
10	4711400	4	Washer 1/4	
11	4811400	4	Washer M4	
12	1001193018	1	Bracket, AC Receptacle	

SECTION 8 - ELECTRICAL

FIGURE 8-4. AC BOX AT PLATFORM INSTALLATION - 220V IEC 60309 BLUE WITHOUT 2500W GENERATOR (CE, CIS/EAC & UK CA SPECS)



(REF. LOCATED ON ENGINE SIDE HOOD)

ART_1001091970

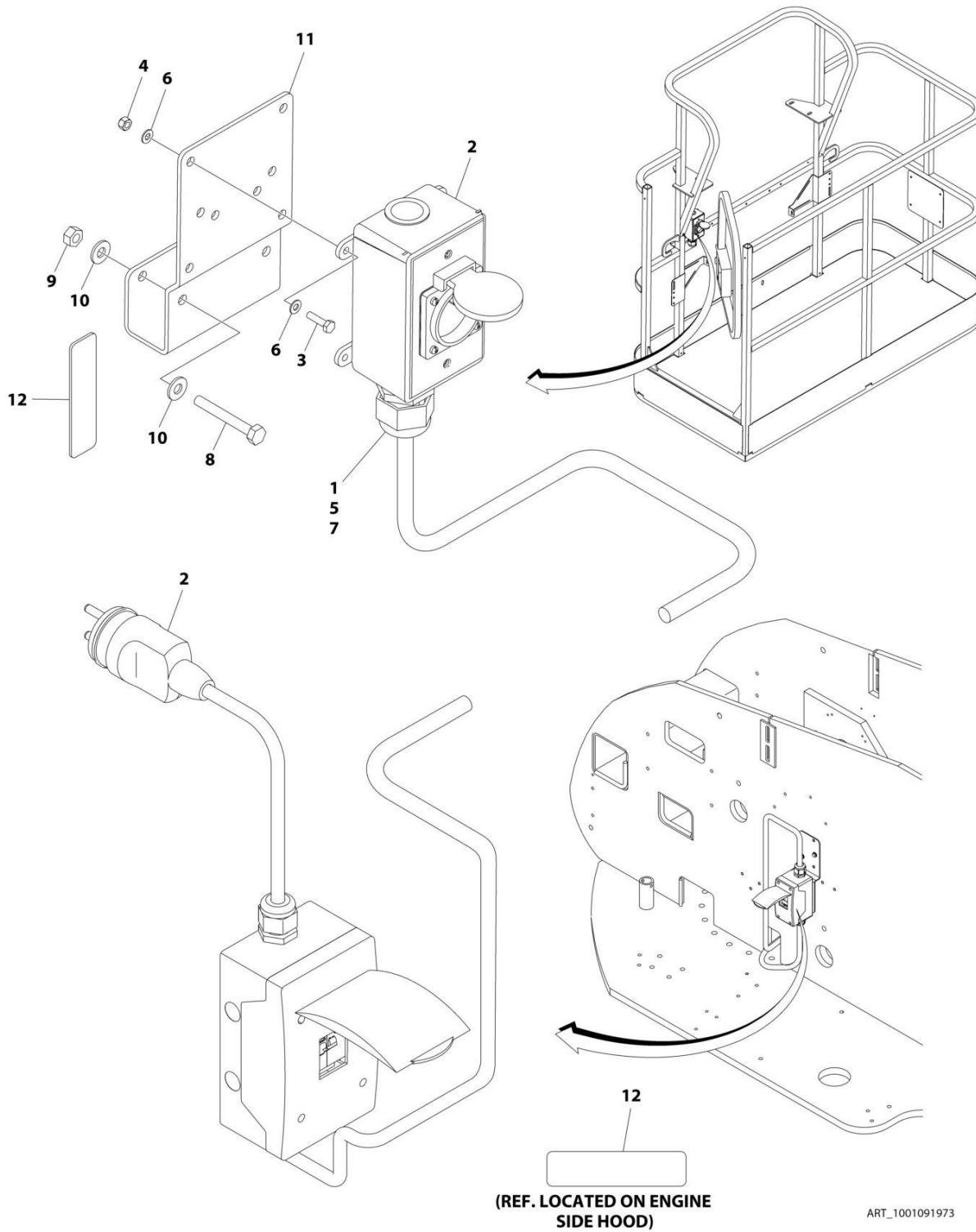
SECTION 8 - ELECTRICAL

FIGURE 8-4. AC BOX AT PLATFORM INSTALLATION - 220V IEC 60309 BLUE WITHOUT 2500W GENERATOR (CE, CIS/EAC & UK CA SPECS)

ITEM	PART NUMBER	QTY	DESCRIPTION	REV
	1001091970	Ref	AC BOX AT PLATFORM INSTALLATION - 220V IEC BLUE	D
1	0100020	AR	Sealant, Pipe	
2	0275217	1	Receptacle Box Kit (See Separate Breakdown in this Section)	
3	0700408	2	Bolt M4 x 16	
4	3290405	2	Nut M4	
5	1001101196	1	Adapter	
6	4811400	4	Washer M4	
7	1001101191	1	Connector, Strain Relief	
8	0641416	2	Bolt 1/4 x 2	
9	3311405	2	Nut 1/4	
10	4711400	4	Washer 1/4	
11	1001193018	1	Bracket	
12	3251242	2	Decal - 240V/50Hz	

SECTION 8 - ELECTRICAL

**FIGURE 8-5. AC BOX AT PLATFORM INSTALLATION - 220V CEE7 POST GROUND (2X4 BOX)
WITHOUT 2500W GENERATOR (CE, CIS/EAC & UK CA SPECS)**



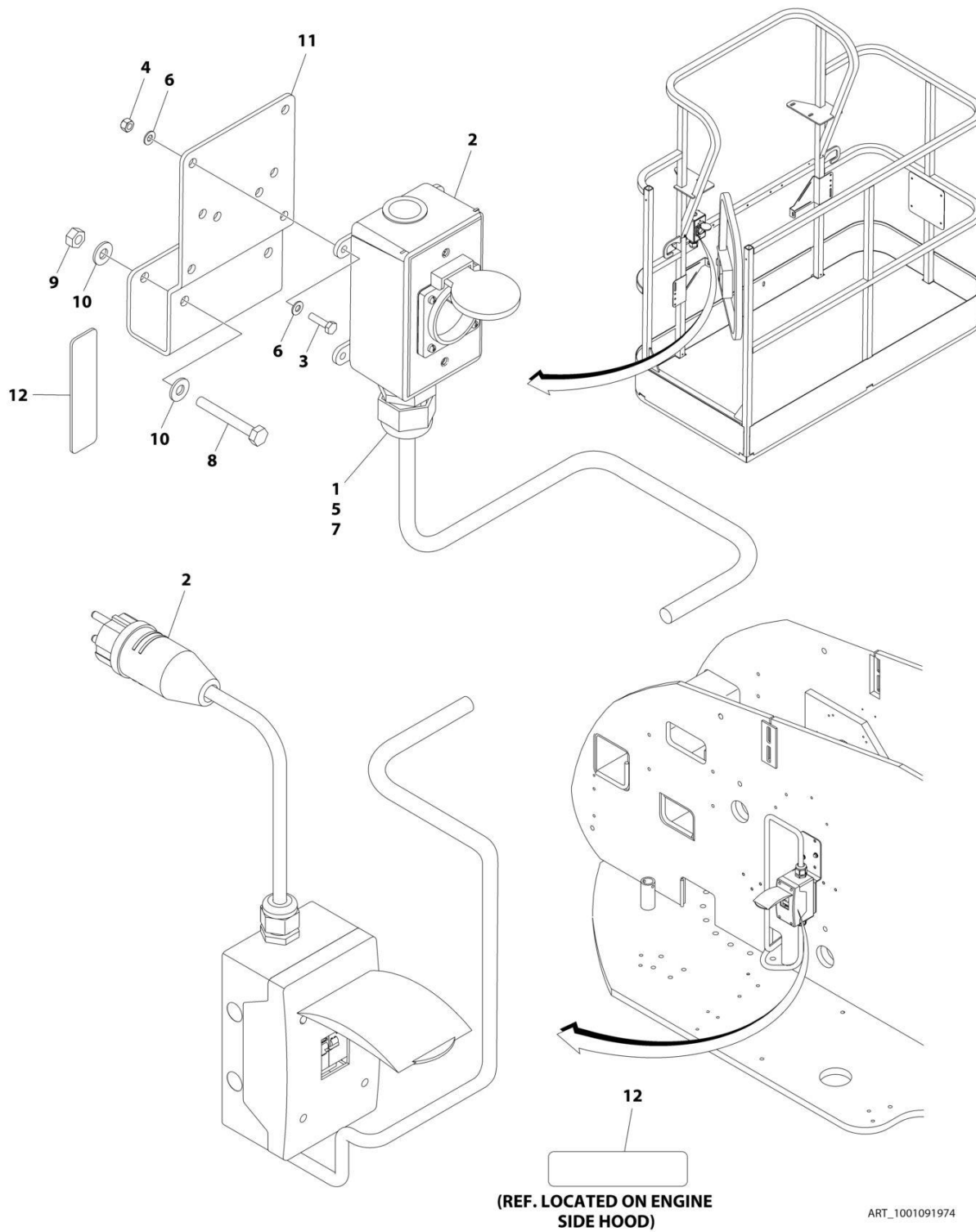
SECTION 8 - ELECTRICAL

**FIGURE 8-5. AC BOX AT PLATFORM INSTALLATION - 220V CEE7 POST GROUND (2X4 BOX)
WITHOUT 2500W GENERATOR (CE, CIS/EAC & UK CA SPECS)**

ITEM	PART NUMBER	QTY	DESCRIPTION	REV
	1001091973	Ref	AC BOX AT PLATFORM INSTALLATION - 220V CEE7 2X4 BOX POST GROUND	F
1	0100020	AR	Sealant, Pipe	
2	0275452	1	Receptacle Box Kit (See Separate Breakdown in this Section)	
3	0700408	4	Bolt M4 x 16	
4	3290405	4	Nut M4	
5	1001101197	1	Adapter	
6	4811400	8	Washer M4	
7	1001101191	1	Connector, Strain Relief	
8	0641416	2	Bolt 1/4 x 2	
9	3311405	2	Nut 1/4	
10	4711400	4	Washer 1/4	
11	1001193018	1	Bracket	
12	3251242	2	Decal - 240V/50Hz	
13	4460806	2	Terminal, Fork (Not Shown)	
14	1001205958	1	Terminal (Not Shown)	

SECTION 8 - ELECTRICAL

**FIGURE 8-6. AC BOX AT PLATFORM INSTALLATION - 220V CEE7 SIDE GROUND (2X4 BOX)
WITHOUT 2500W GENERATOR (CE, CIS/EAC & UK CA SPECS)**



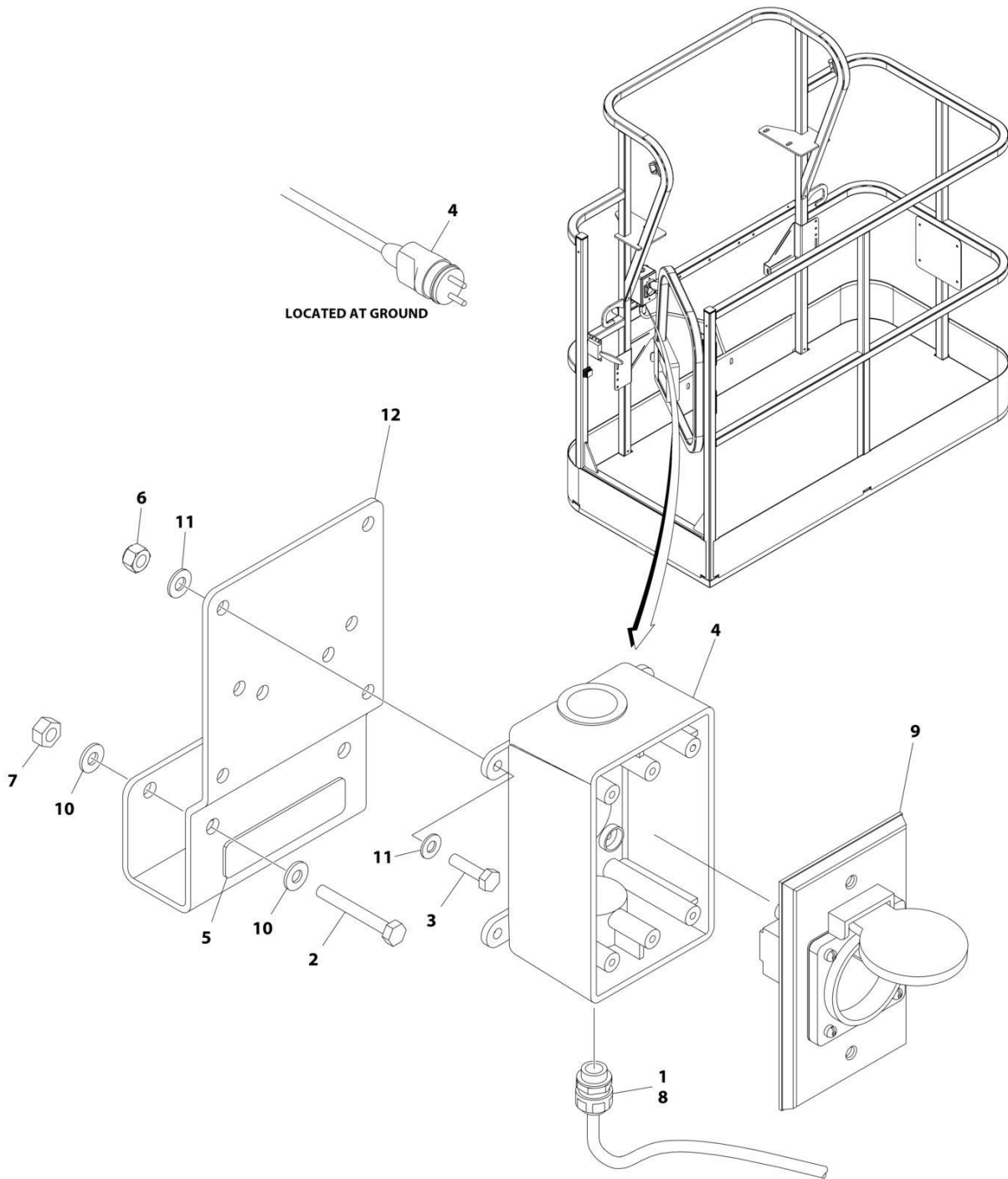
SECTION 8 - ELECTRICAL

**FIGURE 8-6. AC BOX AT PLATFORM INSTALLATION - 220V CEE7 SIDE GROUND (2X4 BOX)
WITHOUT 2500W GENERATOR (CE, CIS/EAC & UK CA SPECS)**

ITEM	PART NUMBER	QTY	DESCRIPTION	REV
	1001091974	Ref	AC BOX AT PLATFORM INSTALLATION - 220V CEE7 2X4 BOX SIDE GROUND	F
1	0100020	AR	Sealant, Pipe	
2	0275453	1	Receptacle Box Kit (See Separate Breakdown in this Section)	
3	0700408	4	Bolt M4 x 16	
4	3290405	4	Nut M4	
5	1001101197	1	Adapter	
6	4811400	8	Washer M4	
7	1001101191	1	Connector, Strain Relief	
8	0641416	2	Bolt 1/4 x 2	
9	3311405	2	Nut 1/4	
10	4711400	4	Washer 1/4	
11	1001193018	1	Bracket	
12	3251242	2	Decal - 240V/50Hz	
13	4460806	2	Terminal, Fork (Not Shown)	
14	1001205958	1	Terminal (Not Shown)	

SECTION 8 - ELECTRICAL

FIGURE 8-7. AC BOX AT PLATFORM INSTALLATION - 220V CEE7 2IN X 4IN POST GROUND (CE, CIS/EAC & UK CA SPECS WITH 4000W/50HZ GENERATOR)



ART_1001194197

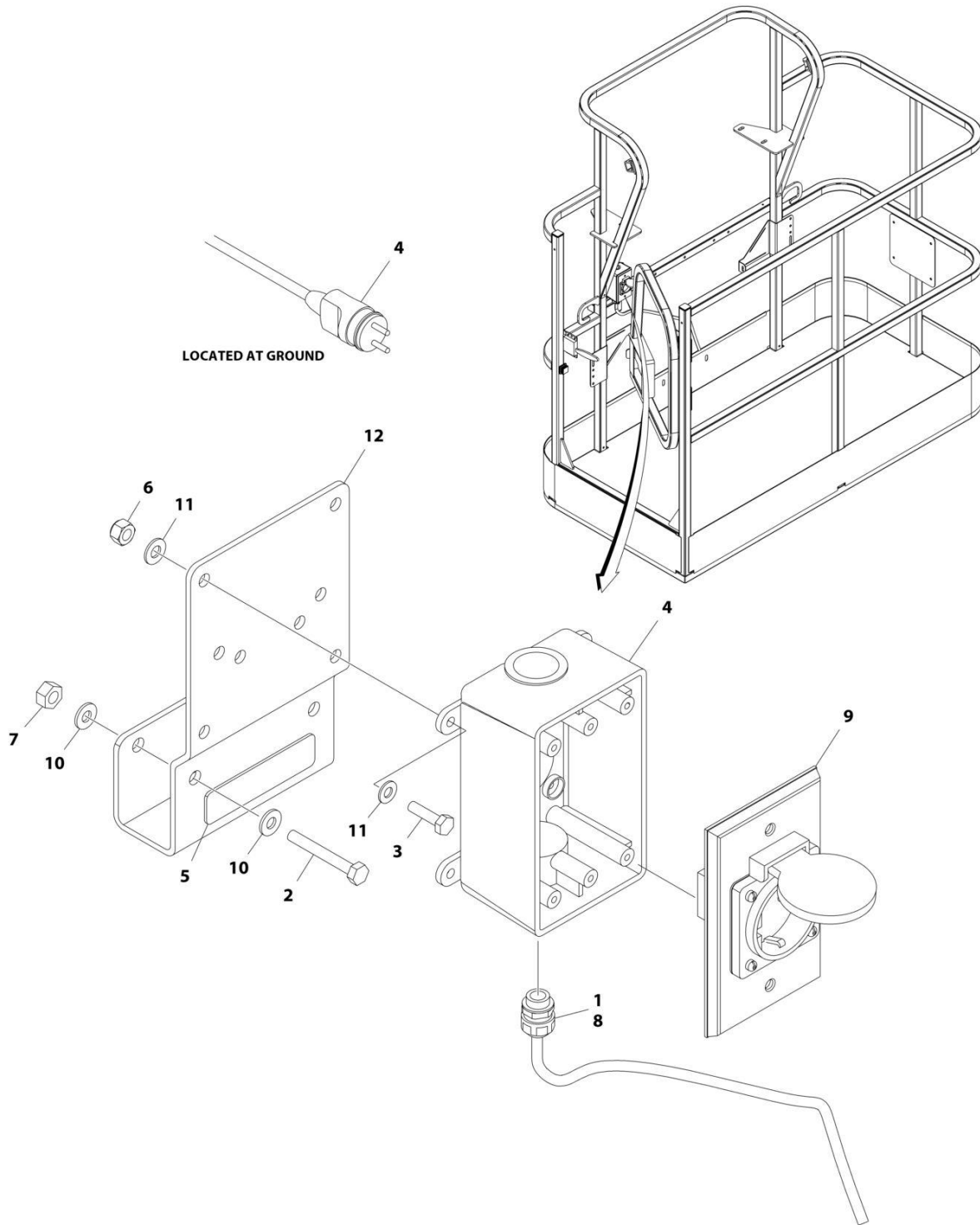
SECTION 8 - ELECTRICAL

FIGURE 8-7. AC BOX AT PLATFORM INSTALLATION - 220V CEE7 2IN X 4IN POST GROUND (CE, CIS/EAC & UK CA SPECS WITH 4000W/50HZ GENERATOR)

ITEM	PART NUMBER	QTY	DESCRIPTION	REV
	1001194197	Ref	AC BOX AT PLATFORM INSTALLATION	B
1	0100020	AR	Sealant, Pipe	
2	0641416	2	Bolt 1/4 x 2	
3	0700408	4	Bolt M4 x 16	
4	0861731	1	Box, Switch	
5	3251242	1	Decal - 240V/50Hz	
6	3290405	4	Nut M4	
7	3311405	2	Nut 1/4	
8	4460662	1	Connector, Strain Relief	
9	4461244	1	Receptacle	
10	4711400	4	Washer 1/4	
11	4811400	8	Washer M4	
12	1001193018	1	Bracket, AC Receptacle	
13	4460806	2	Terminal, Fork (Not Shown)	
14	1001205958	1	Terminal (Not Shown)	

SECTION 8 - ELECTRICAL

FIGURE 8-8. AC BOX AT PLATFORM INSTALLATION - 220V CEE7 2IN X 4IN SIDE GROUND (CE, CIS/EAC & UK CA SPECS WITH 4000W/50HZ GENERATOR)



ART_1001194198

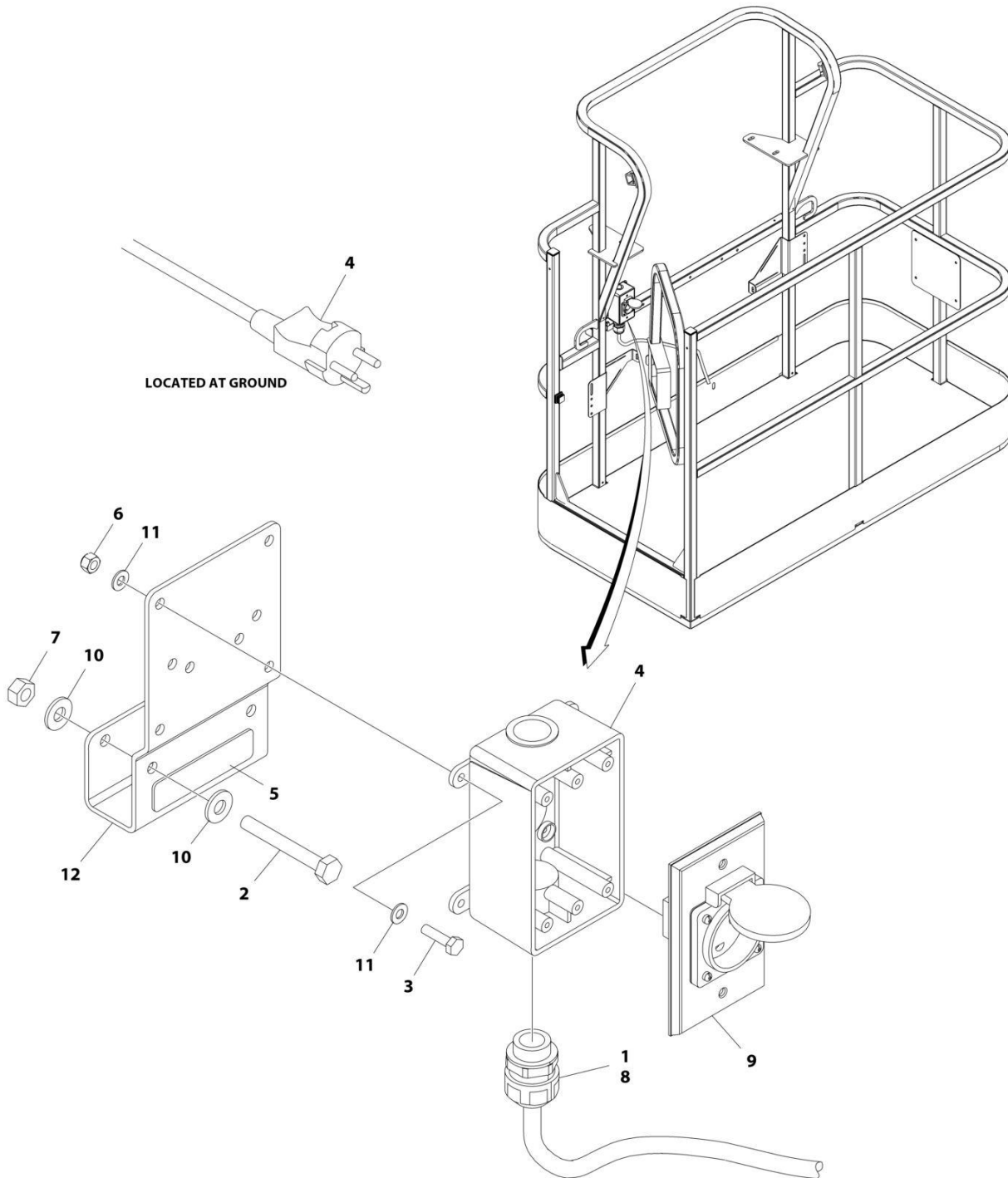
SECTION 8 - ELECTRICAL

FIGURE 8-8. AC BOX AT PLATFORM INSTALLATION - 220V CEE7 2IN X 4IN SIDE GROUND (CE, CIS/EAC & UK CA SPECS WITH 4000W/50HZ GENERATOR)

ITEM	PART NUMBER	QTY	DESCRIPTION	REV
	1001194198	Ref	AC BOX AT PLATFORM INSTALLATION	B
1	0100020	AR	Sealant, Pipe	
2	0641416	2	Bolt 1/4 x 2	
3	0700408	4	Bolt M4 x 16	
4	0861731	1	Box, Switch	
5	3251242	1	Decal - 240V/50Hz	
6	3290405	4	Nut M4	
7	3311405	2	Nut 1/4	
8	4460662	1	Connector, Strain Relief	
9	4461245	1	Receptacle	
10	4711400	4	Washer 1/4	
11	4811400	8	Washer M4	
12	1001193018	1	Bracket, AC Receptacle	
13	4460806	2	Terminal, Fork (Not Shown)	
14	1001205958	1	Terminal (Not Shown)	

SECTION 8 - ELECTRICAL

FIGURE 8-9. AC BOX AT PLATFORM INSTALLATION - 220V AFSINT107 (CE, CIS/EAC & UK CA SPECS WITH 4000W/50HZ GENERATOR)



ART_1001194200

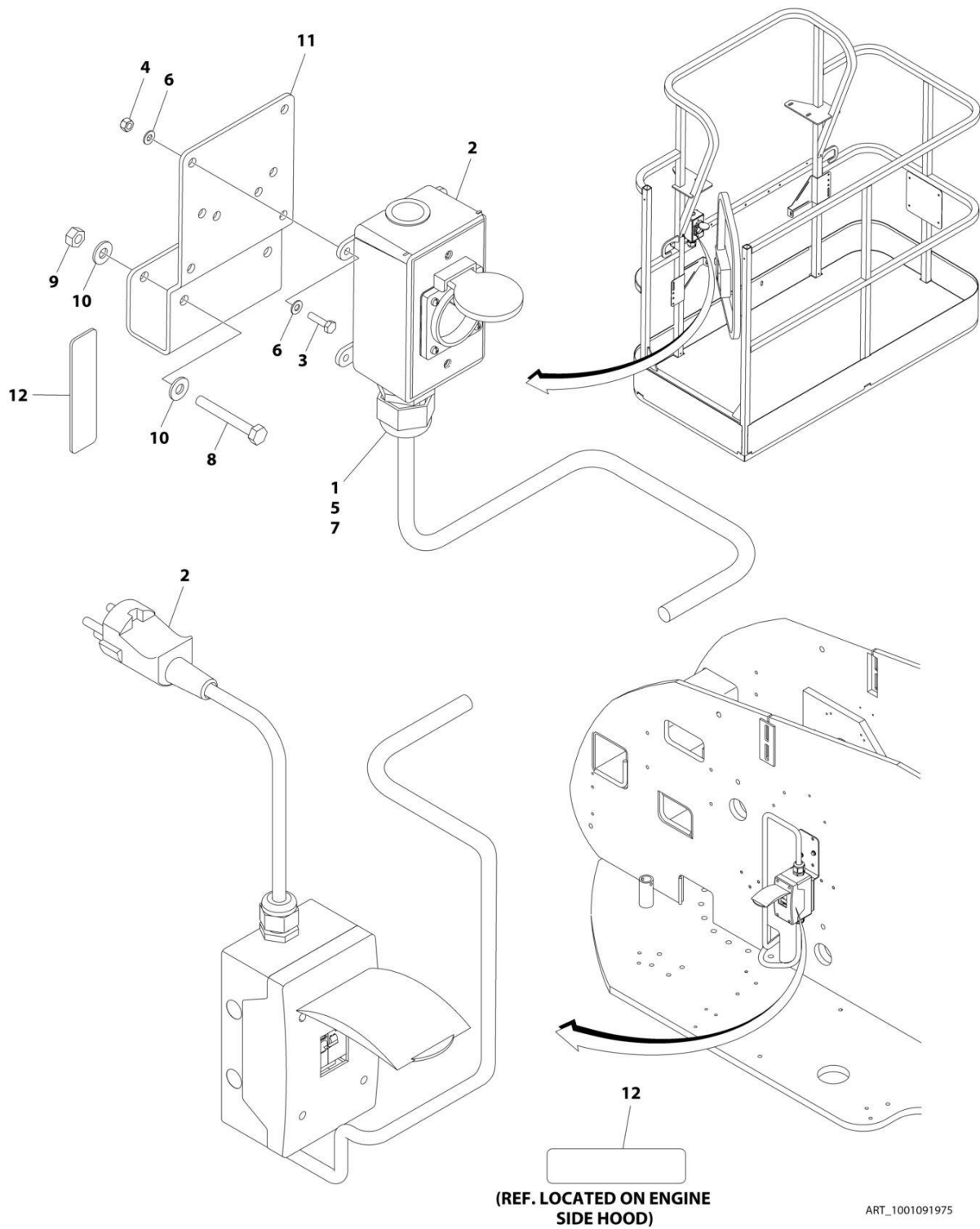
SECTION 8 - ELECTRICAL

FIGURE 8-9. AC BOX AT PLATFORM INSTALLATION - 220V AFSINT107 (CE, CIS/EAC & UK CA SPECS WITH 4000W/50HZ GENERATOR)

ITEM	PART NUMBER	QTY	DESCRIPTION	REV
	1001194200	Ref	AC BOX AT PLATFORM INSTALLATION	B
1	0100020	AR	Sealant, Pipe	
2	0641416	2	Bolt 1/4 x 2	
3	0700408	4	Bolt M4 x 16	
4	0861731	1	Box, Switch	
5	3251242	1	Decal - 240V/50Hz	
6	3290405	4	Nut M4	
7	3311405	2	Nut 1/4	
8	4460662	1	Connector, Strain Relief	
9	4461246	1	Receptacle	
10	4711400	4	Washer 1/4	
11	4811400	8	Washer M4	
12	1001193018	1	Bracket, AC Receptacle	
13	1001205958	1	Terminal (Not Shown)	

SECTION 8 - ELECTRICAL

FIGURE 8-10. AC BOX AT PLATFORM INSTALLATION - 220V AFSINT 107 KEYED GROUND (2X4 BOX) WITHOUT 2500W GENERATOR (CE AND RUSSIA SPECS)



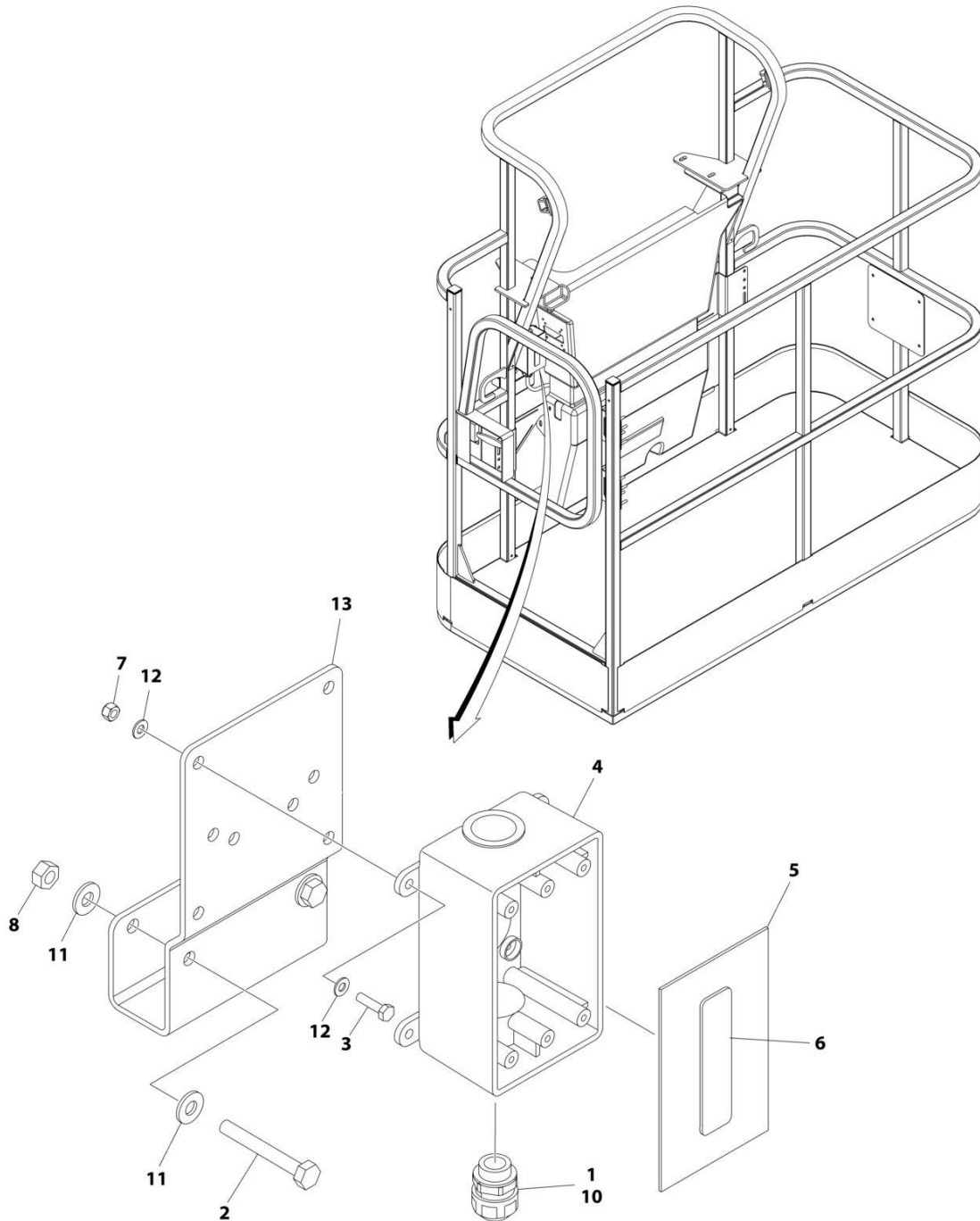
SECTION 8 - ELECTRICAL

FIGURE 8-10. AC BOX AT PLATFORM INSTALLATION - 220V AFSINT 107 KEYED GROUND (2X4 BOX) WITHOUT 2500W GENERATOR (CE AND RUSSIA SPECS)

ITEM	PART NUMBER	QTY	DESCRIPTION	REV
	1001091975	Ref	AC BOX AT PLATFORM INSTALLATION - 220V AFSINT 107 2X4 BOX KEYED GROUND	F
1	0100020	AR	Sealant, Pipe	
2	0275454	1	Receptacle Box Kit (See Separate Breakdown in this Section)	
3	0700408	4	Bolt M4 x 16	
4	3290405	4	Nut M4	
5	1001101197	1	Adapter	
6	4811400	8	Washer M4	
7	1001101191	1	Connector, Strain Relief	
8	0641416	2	Bolt 1/4 x 2	
9	3311405	2	Nut 1/4	
10	4711400	4	Washer 1/4	
11	1001193018	1	Bracket	
12	3251242	2	Decal - 240V/50Hz	
13	1001205958	3	Terminal (Not Shown)	

SECTION 8 - ELECTRICAL

FIGURE 8-11. AC BOX AT PLATFORM INSTALLATION - 220V CUSTOMER SUPPLIED COMPONENTS
(ALL SPECS)



ART_1001194365

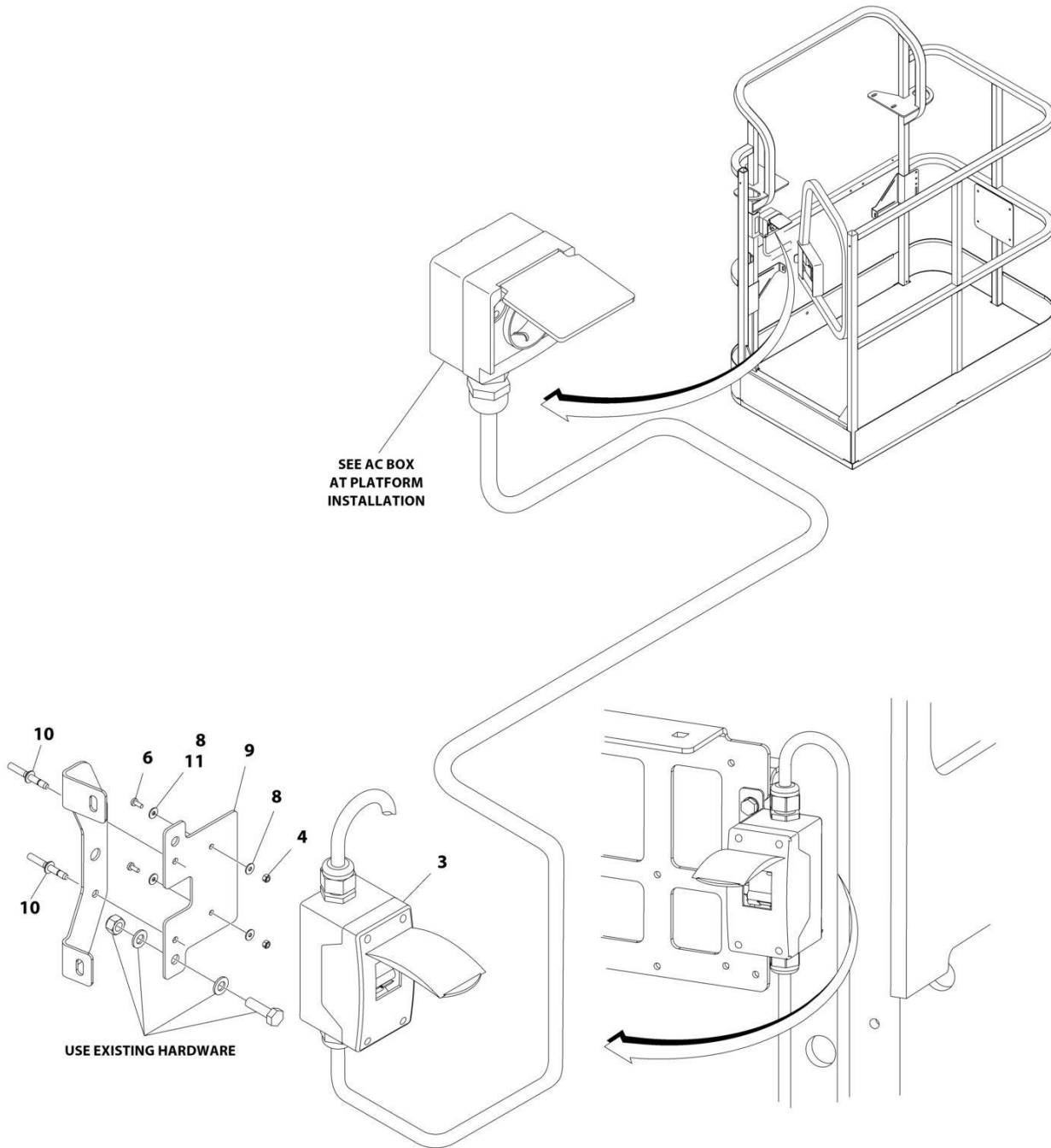
SECTION 8 - ELECTRICAL

**FIGURE 8-11. AC BOX AT PLATFORM INSTALLATION - 220V CUSTOMER SUPPLIED COMPONENTS
(ALL SPECS)**

ITEM	PART NUMBER	QTY	DESCRIPTION	REV
	1001194365	Ref	AC BOX AT PLATFORM INSTALLATION - BOX WITH COVER (2X4 BOX)	A
1	0100020	AR	Sealant	
2	0641416	2	Bolt 1/4 x 2	
3	0700408	4	Bolt M4 x 16	
4	0861731	1	Box, Switch	
5	1670603	1	Cover	
6	3251242	1	Decal - 240V/50Hz	
7	3290405	4	Nut M4	
8	3311405	2	Nut 1/4	
9	4460384	3	Terminal (Not Shown)	
10	4460662	1	Connector, Strain Relief	
11	4711400	4	Washer 1/4	
12	4811400	8	Washer M4	
13	1001193018	1	Bracket, AC Receptacle	

SECTION 8 - ELECTRICAL

FIGURE 8-12. AC CABLE INSTALLATION - WITH TWO BREAKERS (CE, CIS/EAC & UK CA SPECS)



ART_1001167312

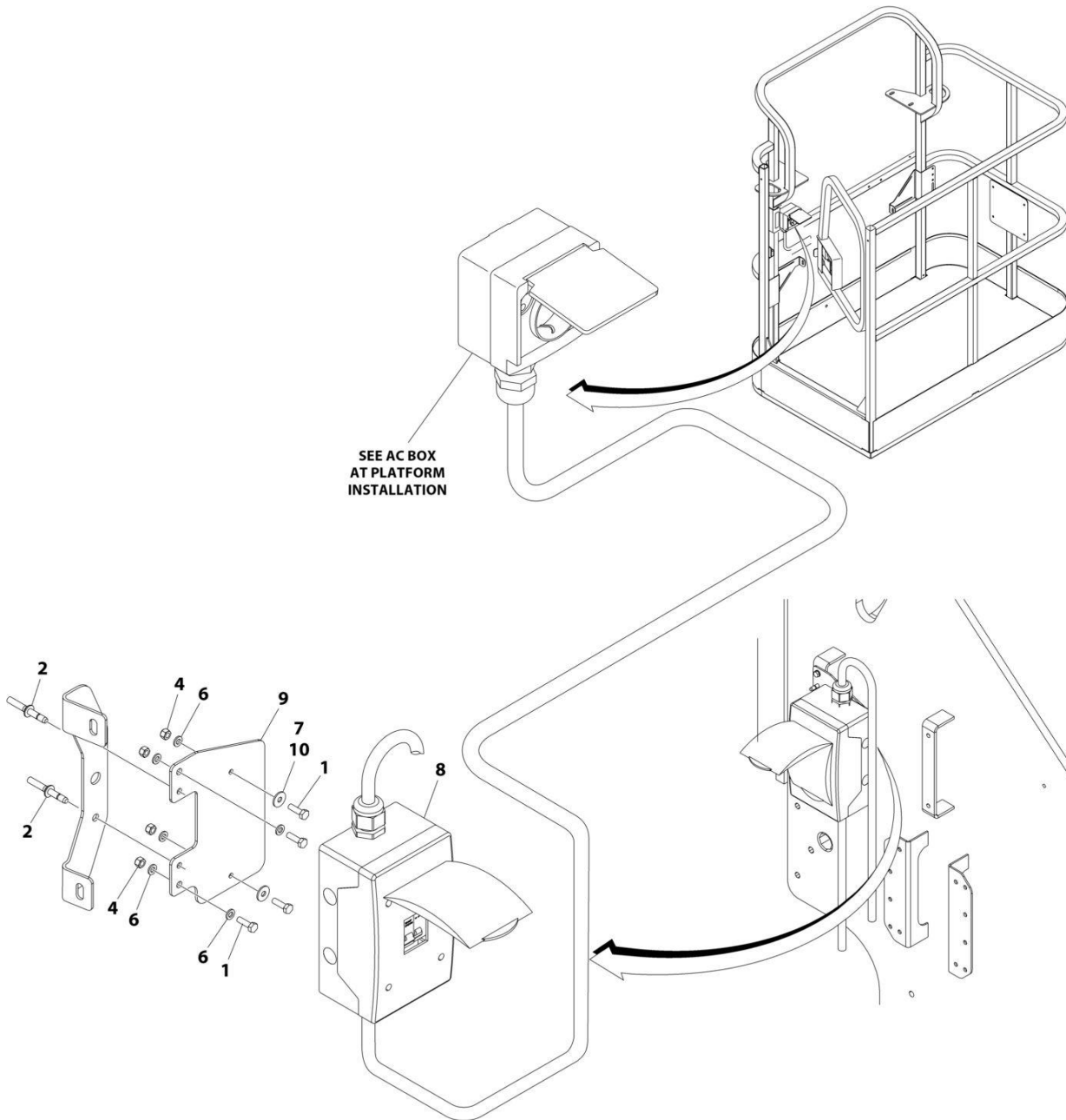
SECTION 8 - ELECTRICAL

FIGURE 8-12. AC CABLE INSTALLATION - WITH TWO BREAKERS (CE, CIS/EAC & UK CA SPECS)

ITEM	PART NUMBER	QTY	DESCRIPTION	REV
	1001167312	Ref	AC CABLE INSTALLATION - WITH TWO BREAKERS	G
3	2902549	1	Breaker Box Kit - CE Spec (See Separate Breakdown in this Section)	
4	3290405	2	Nut M4	
4	3290605	2	Nut M6	
6	4010405	AR	Screw M4 x 10	
6	0760610	AR	Screw M6 x 20	
6	0760614	AR	Screw M6 x 30	
8	1001091102	2	Washer M4	
8	4811700	AR	Washer M6	
9	1001174158	1	Bracket	
10	2080040	2	Fastener, Huck	
11	4811702	2	Washer M6	

SECTION 8 - ELECTRICAL

FIGURE 8-13. AC CABLE INSTALLATION - WITH THREE BREAKERS (CE, CIS/EAC & UK CA SPECS)



ART_1001209677

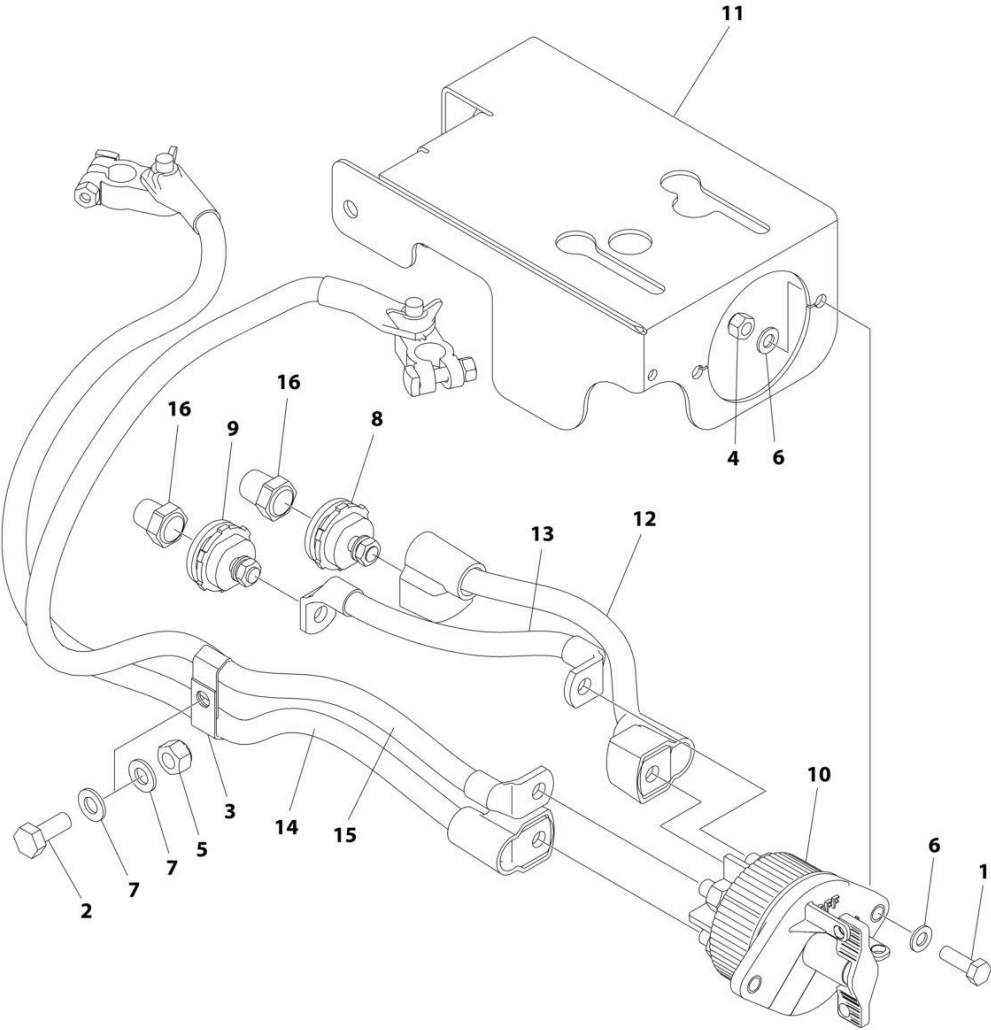
SECTION 8 - ELECTRICAL

FIGURE 8-13. AC CABLE INSTALLATION - WITH THREE BREAKERS (CE, CIS/EAC & UK CA SPECS)

ITEM	PART NUMBER	QTY	DESCRIPTION	REV
	1001209677	Ref	AC CABLE INSTALLATION - WITH THREE BREAKERS	B
1	0760610	AR	Bolt M6 x 20	
1	4010405	AR	Bolt M4 x 10	
2	2080040	AR	Fastener, Huck	
4	3290605	AR	Nut M6	
6	4811700	4	Washer M6	
7	1001091102	AR	Washer M4	
8	1001152485	1	Breaker Box Kit (See Separate Breakdown in this Section)	
9	1001209832	1	Bracket	
10	4811702	AR	Washer M6	

SECTION 8 - ELECTRICAL

FIGURE 8-14. BATTERY DISCONNECT SWITCH



ART_1001214397

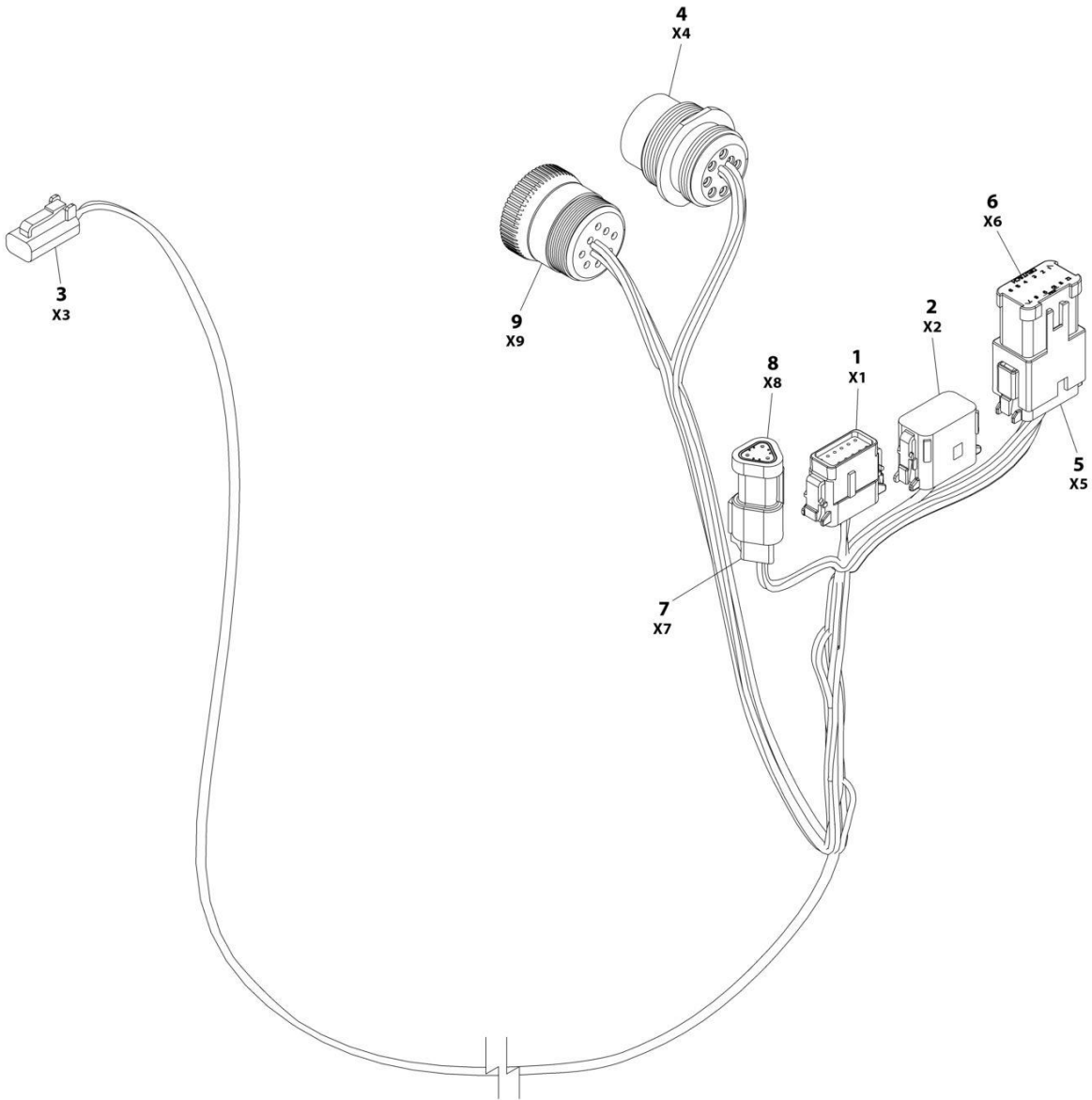
SECTION 8 - ELECTRICAL

FIGURE 8-14. BATTERY DISCONNECT SWITCH

ITEM	PART NUMBER	QTY	DESCRIPTION	REV
	1001214397	Ref	BATTERY DISCONNECT SWITCH	A
1	0760812	2	Bolt M8 x 25	
2	0761012	1	Bolt M10 x 25	
3	1320223	2	Clamp	
4	3290805	2	Nut M8	
5	3291005	1	Nut M10	
6	4811900	4	Washer M8	
7	4812000	2	Washer M10	
8	1001214570	1	Connector (Red)	
9	1001214571	1	Connector (Black)	
10	1001225346	1	Switch	
11	1001226530	1	Mount	
12	1001237878	1	Cable, Battery Disconnect (Positive)	
13	1001237879	1	Cable, Battery Disconnect (Negative)	
14	1001237880	1	Cable (Positive)	
15	1001237881	1	Cable (Negative)	
16	1001206476	1	Connector	

SECTION 8 - ELECTRICAL

FIGURE 8-15. BEACON LIGHT HARNESS (BLUE AND RED BEACON LIGHT)



ART_1001142736

SECTION 8 - ELECTRICAL

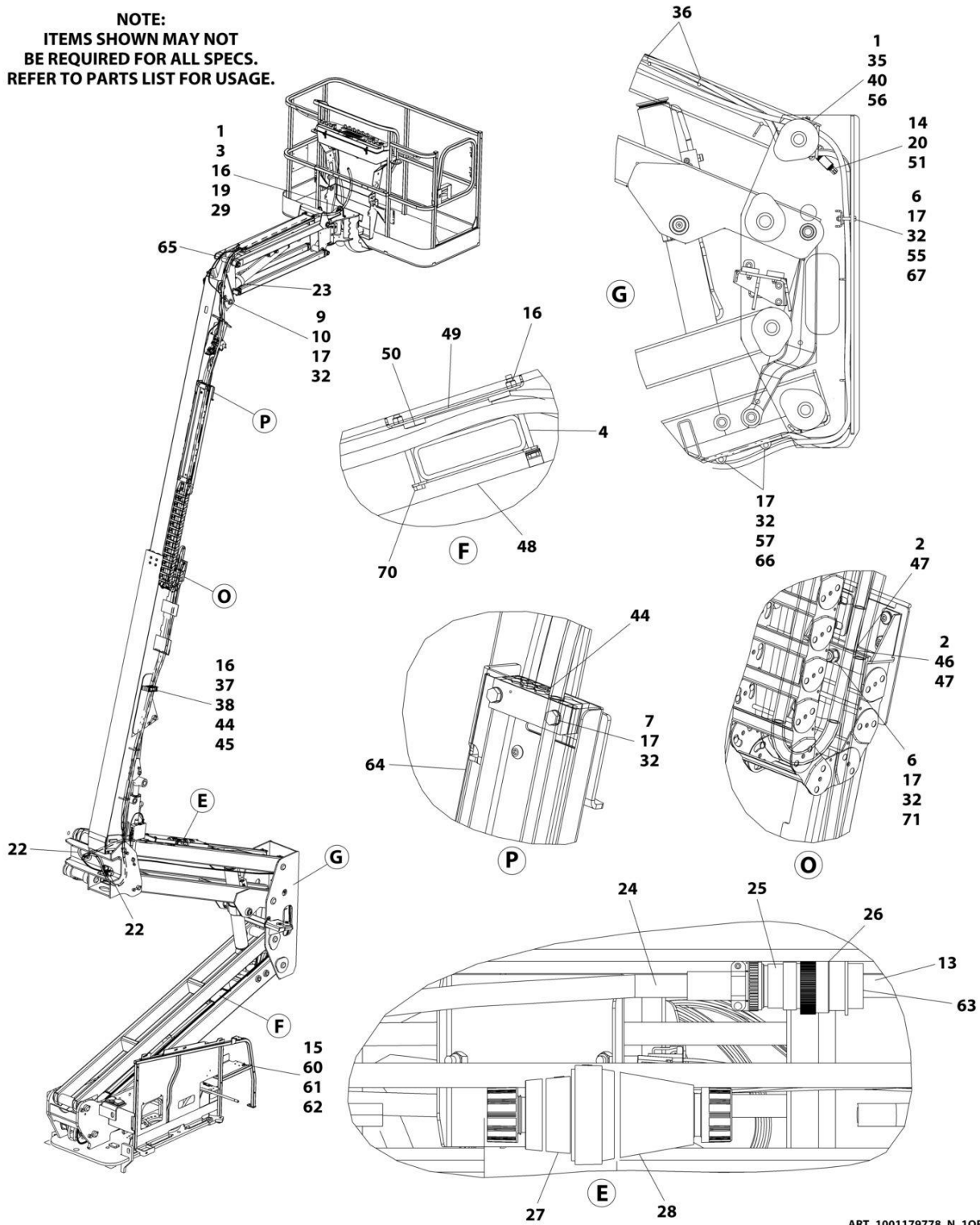
FIGURE 8-15. BEACON LIGHT HARNESS (BLUE AND RED BEACON LIGHT)

ITEM	PART NUMBER	QTY	DESCRIPTION	REV
	1001142736	Ref	STROBE LIGHT HARNESS	F
1	1001116808	1	Plug, Male - 12 Position	
1	4460928	3	Socket, Female	
1	4460518	9	Plug, Terminal	
2	1001116774	1	Plug, Male - 12 Position	
2	4460928	3	Socket, Female	
2	4460518	9	Plug, Terminal	
3	4460891	1	Plug, Male - 2 Position	
3	4460465	2	Socket, Female	
4	1001112612	1	Connector - 9 Position	
4	4460464	6	Pin, Male	
4	4460466	3	Plug, Terminal	
5	4460933	1	Plug, Male - 12 Position	
5	4460465	12	Socket, Female	
6	1001119020	1	Bussbar - 12 Position	
7	4461095	1	Plug, Male - 3 Position	
7	4460465	3	Socket, Female	
8	4461070	1	Bussbar - 3 Position	
9	1001112796	1	Connector - 9 Position	
9	4460465	6	Socket, Female	
9	4460466	3	Plug, Terminal	

SECTION 8 - ELECTRICAL

FIGURE 8-16. BOOM CABLES & CLAMPS INSTALLATION (4000W GENERATOR)

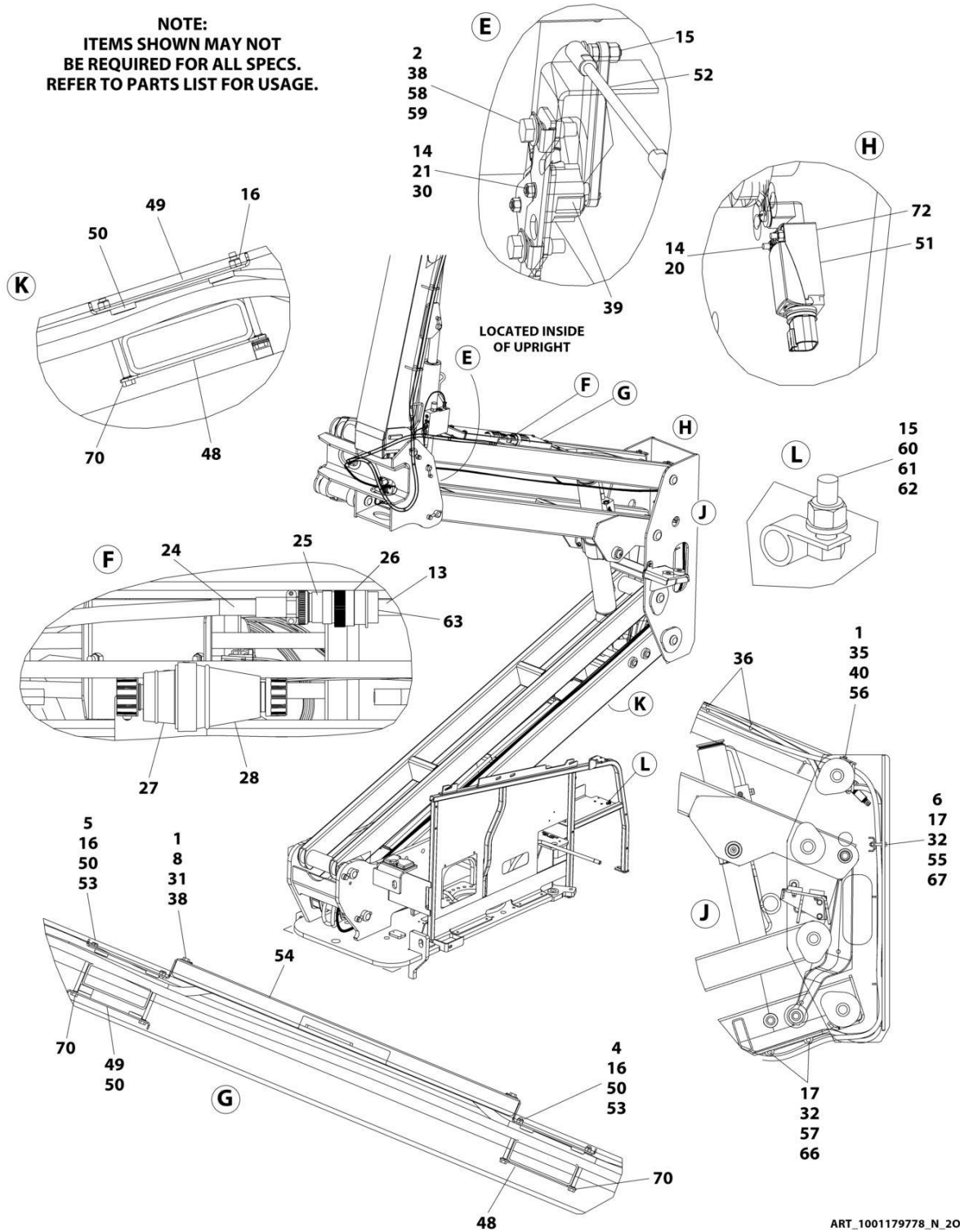
NOTE:
 ITEMS SHOWN MAY NOT
 BE REQUIRED FOR ALL SPECS.
 REFER TO PARTS LIST FOR USAGE.



ART_1001179778_N_10F2

SECTION 8 - ELECTRICAL

NOTE:
ITEMS SHOWN MAY NOT
BE REQUIRED FOR ALL SPECS.
REFER TO PARTS LIST FOR USAGE.



ART_1001179778_N_20F2

SECTION 8 - ELECTRICAL

FIGURE 8-16. BOOM CABLES & CLAMPS INSTALLATION (4000W GENERATOR)

ITEM	PART NUMBER	QTY	DESCRIPTION	REV
	1001179778	Ref	BOOM CABLES AND CLAMPS INSTALLATION	N
1	0100011	AR	Compound, Locking	
2	0100081	AR	Adhesive	
3	0760814	2	Bolt M8 x 30	
4	0700827	6	Bolt M8 x 100	
5	0700828	2	Bolt M8 x 110	
6	0701021	3	Bolt M10 x 65	
7	0701024	4	Bolt M10 x 80	
8	0760812	4	Bolt M8 x 25	
9	0761012	1	Bolt M10 x 25	
10	1320130	1	Clamp	
13	2820031	AR	Heat Shrink	
14	3290405	4	Nut M4	
15	3290605	3	Nut M6	
16	3290805	12	Nut M8	
17	3291005	10	Nut M10	
19	3841340	1	Loop, Hose	
20	4010417	2	Screw M4 x 45	
20	4010418	2	Screw M4 x 50	
21	4031511	2	Capscrew M4 x 35	
22	4060808	27.5 in /8.4m	Flex-Trim	
23	4240156	2	Strap, Clinch	
24	4460473	AR	Clamp, Cable	
25	4460865	1	Connector - 19 Position	
26	4460866	1	Connector - 19 Position	
29	4811900	4	Washer M8	
30	4811400	2	Washer M4	
31	4811902	4	Washer M8	
32	4812000	13	Washer M10	
33	1001176951	1	Harness, Tower Boom (Not Shown - See Separate Breakdown in this Section)	
34	1001174749	1	Harness, Tower Boom AC Cable (Not Shown - See Separate Breakdown in this Section)	
35	5251014	2	Bolt M10 x 30	
36	8881800	AR	Tie-Strap	
37	5281918	2	Screw M8 x 70	
37	5281920	2	Screw M8 x 80	
38	1001118274	8	Nut M8	
39	1001118971	1	Sensor, Angle	
39	70005667	1	Arm	
40	1001118972	2	Nut M10	
41	1001172335	1	Harness, Main Boom (Not Shown - See Separate Breakdown in this Section)	
42	1001172336	1	Harness, Main Boom AC Cable (Not Shown - See Separate Breakdown in this Section)	
43	1001164738	1	Harness, Boom Valve (Not Shown - See Separate Breakdown in this Section)	
44	1001273302	3	Block, Clamping	
45	1001273303	1	Plate	
46	1001168472	1	Plate, Clamping	

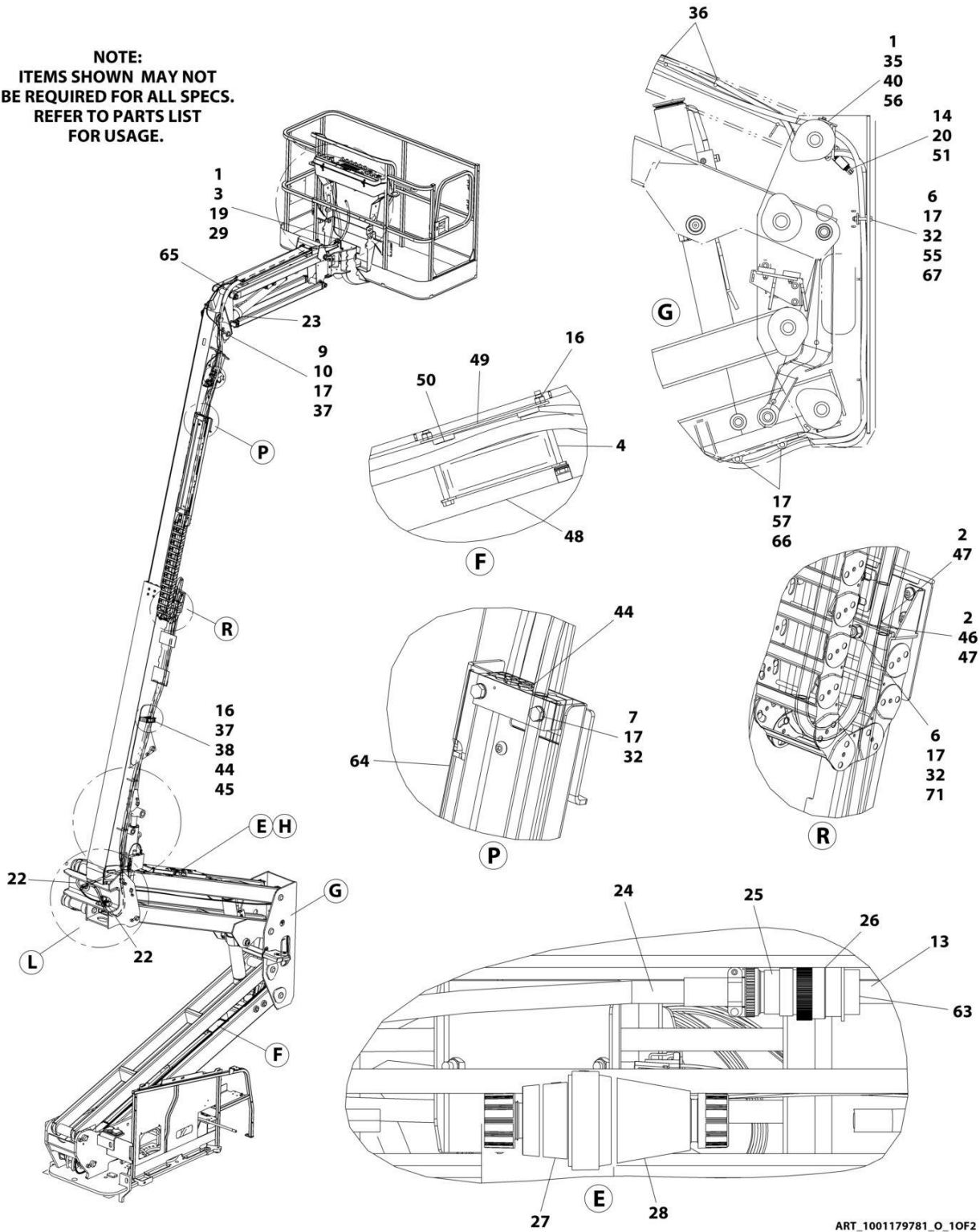
SECTION 8 - ELECTRICAL

ITEM	PART NUMBER	QTY	DESCRIPTION	REV
47	1001168473	2	Clamp, Rubber	
48	1001171553	3	Plate, Clamping	
49	1001171555	3	Plate, Clamping	
50	1001171559	10	Pad	
51	1001172271	1	Switch, Limit	
52	1001238466	1	Link, Sensor (Note: Sold as Assembly Only)	
53	1001178448	2	Plate, Clamping	
54	1001178449	1	Cover	
55	1001178644	1	Plate	
56	1001260306	1	Bracket	
57	1001182561	2	Roller	
58	5250812	2	Bolt M8 x 25	
59	1001179266	1	Plate, Mounting	
60	0760610	1	Bolt M6 x 20	
61	1320043	1	Clamp	
62	4811700	1	Washer M6	
63	4460466	AR	Plug, Terminal	
64	1001181875	1	Cover	
65	1001181923	1	Shield, Hose	
66	1001119280	2	Bolt M10 x 260	
67	1001185747	2	Pad	
70	1001119228	8	Nut M8	
71	8310070	1	Pushnut 3/8	
72	4750800	AR	Washer #8	

SECTION 8 - ELECTRICAL

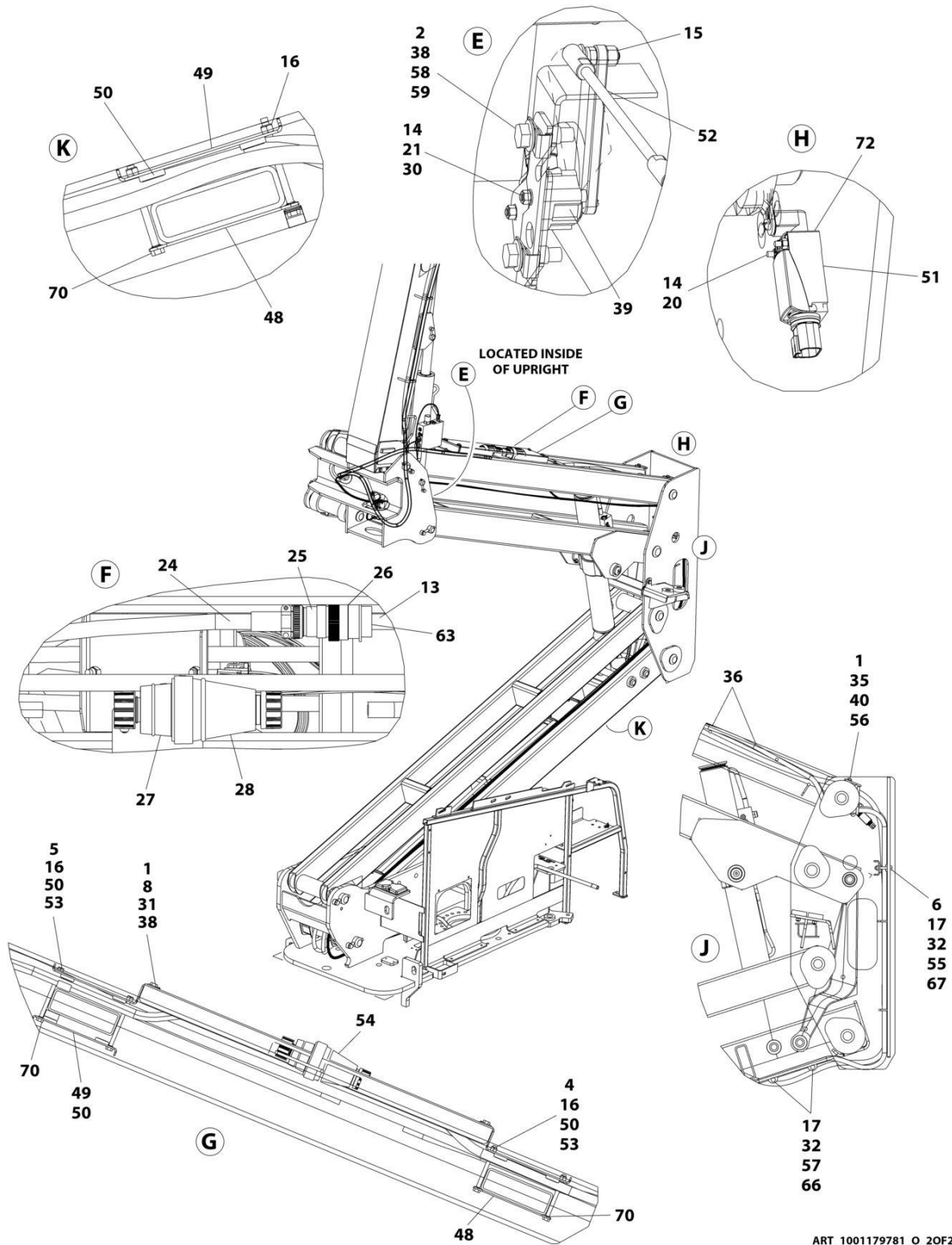
FIGURE 8-17. BOOM CABLES & CLAMPS INSTALLATION (7500W SKYPOWER GENERATOR)

NOTE:
ITEMS SHOWN MAY NOT
BE REQUIRED FOR ALL SPECS.
REFER TO PARTS LIST
FOR USAGE.



ART_1001179781_O_10F2

SECTION 8 - ELECTRICAL



ART_1001179781_O_20F2

SECTION 8 - ELECTRICAL

FIGURE 8-17. BOOM CABLES & CLAMPS INSTALLATION (7500W SKYPOWER GENERATOR)

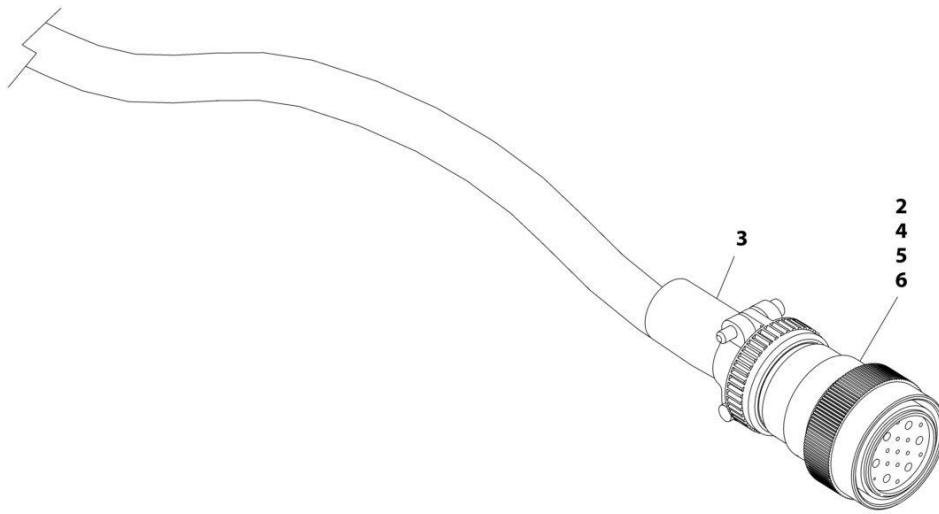
ITEM	PART NUMBER	QTY	DESCRIPTION	REV
	1001179228	Ref	BOOM CABLES AND CLAMPS INSTALLATION - REFERENCE CHART	P
	1001179781	Ref	BOOM CABLES AND CLAMPS INSTALLATION	P
1	0100011	AR	Compound, Locking	
2	0100081	AR	Adhesive	
3	0760814	2	Bolt M8 x 30	
4	0700827	6	Bolt M8 x 100	
5	0700828	2	Bolt M8 x 110	
6	0701021	3	Bolt M10 x 65	
7	0701024	4	Bolt M10 x 80	
8	0760812	4	Bolt M8 x 25	
9	0761012	1	Bolt M10 x 25	
10	1320130	1	Clamp	
13	2820031	AR	Heat Shrink	
14	3290405	4	Nut M4	
15	3290605	2	Nut M6	
16	3290805	12	Nut M8	
17	3291005	10	Nut M10	
19	3841340	1	Loop, Hose	
20	4010418	2	Screw M4 x 50	
21	4031511	2	Capscrew M4 x 35	
22	4060808	27.5 in/ 8.38m	Flex-Trim	
23	4240156	2	Strap, Clinch	
24	4460473	AR	Clamp, Cable	
25	4460865	1	Connector - 19 Position	
26	4460866	1	Connector - 19 Position	
27	1001218622	1	Terminal, Turnlock Plug	
28	1001218623	1	Terminal, Turnlock Connector	
29	4811900	4	Washer M8	
30	4811400	2	Washer M4	
31	4811902	4	Washer M8	
32	4812000	13	Washer M10	
33	1001176951	1	Harness, Tower Boom (Not Shown - See Separate Breakdown in this Section)	
34	4922929	1	Harness, Tower Boom - 8/5 - Lower Generator Cable (Not Shown)	
35	5251014	2	Bolt M10 x 30	
36	8881800	AR	Tie-Strap	
37	5281918	2	Screw M8 x 70	
37	5281920	2	Screw M8 x 80	
38	1001118274	8	Nut M8	
39	1001118971	1	Sensor, Angle	
39	70005667	1	Arm	
40	1001118972	2	Nut M10	
41	1001172335	1	Harness, Main Boom (Not Shown - See Separate Breakdown in this Section)	
42	1001172343	1	Harness, Main Boom - 8/5 - Upper Generator Cable (Not Shown)	
43	1001164738	1	Harness, Boom Valve (Not Shown - See Separate Breakdown in this Section)	
44	1001273302	3	Block, Clamping	

SECTION 8 - ELECTRICAL

ITEM	PART NUMBER	QTY	DESCRIPTION	REV
45	1001273303	1	Plate	
46	1001168472	1	Plate, Clamping	
47	1001168473	2	Clamp, Rubber	
48	1001171553	3	Plate, Clamping	
49	1001171555	3	Plate, Clamping	
50	1001171559	10	Pad	
51	1001172271	1	Switch, Limit	
52	1001238466	1	Link, Sensor (Note: Sold as Assembly Only)	
53	1001178448	2	Plate, Clamping	
54	1001178449	1	Cover	
55	1001178644	1	Plate	
56	1001260306	1	Bracket	
57	1001182561	2	Roller	
58	5250812	2	Bolt M8 x 25	
59	1001179266	1	Plate, Mounting	
63	4460466	AR	Plug, Terminal	
64	1001181875	1	Cover	
65	1001181923	1	Shield, Hose	
66	1001119280	2	Bolt M10 x 260	
67	1001185747	2	Pad	
70	1001119228	8	Nut M8	
71	8310070	1	Pushnut 3/8	
72	4750800	AR	Washer #8	

SECTION 8 - ELECTRICAL

FIGURE 8-18. BOOM HARNESS - MAIN BOOM



ART_1001172335

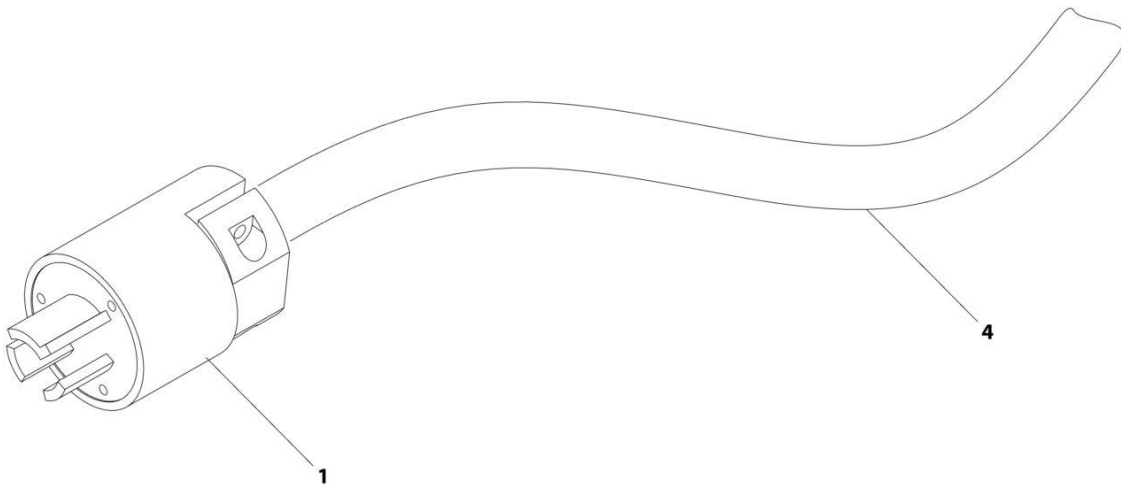
SECTION 8 - ELECTRICAL

FIGURE 8-18. BOOM HARNESS - MAIN BOOM

ITEM	PART NUMBER	QTY	DESCRIPTION	REV
	1001172335	Ref	BOOM HARNESS - 450A (MAIN BOOM)	E
2	4460865	1	Connector - 19 Position	
3	4460473	1	Clamp	
4	4460465	20	Socket, Female	
5	4460509	8	Socket, Female	
6	4460466	5	Plug, Socket	

SECTION 8 - ELECTRICAL

FIGURE 8-19. BOOM HARNESS - MAIN BOOM (8/5 4000W GENERATOR)



ART_1001172336

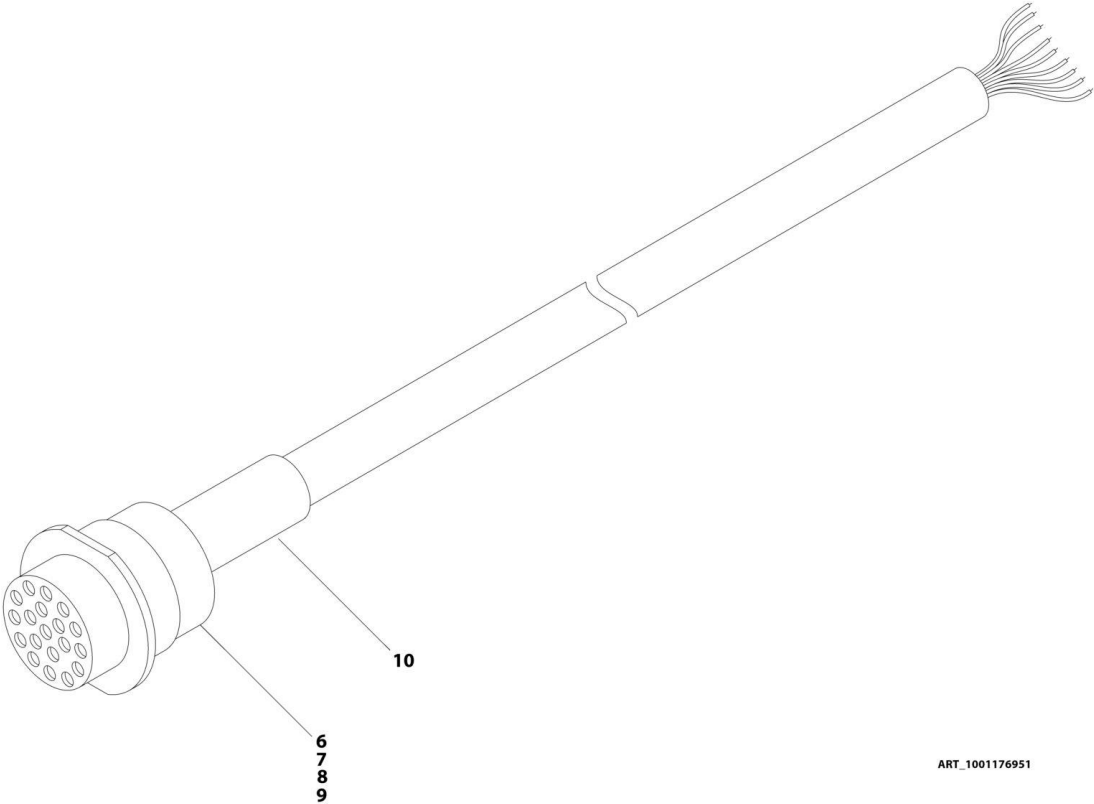
SECTION 8 - ELECTRICAL

FIGURE 8-19. BOOM HARNESS - MAIN BOOM (8/5 4000W GENERATOR)

ITEM	PART NUMBER	QTY	DESCRIPTION	REV
1	1001172336	Ref	BOOM HARNESS - 450A (MAIN BOOM AC CABLE)	C
4	1001120204	1	Plug, Male	
	1060461	494 in /12.6m	Cable, Electrical - 12/3	

SECTION 8 - ELECTRICAL

FIGURE 8-20. BOOM HARNESS - TOWER BOOM



ART_1001176951

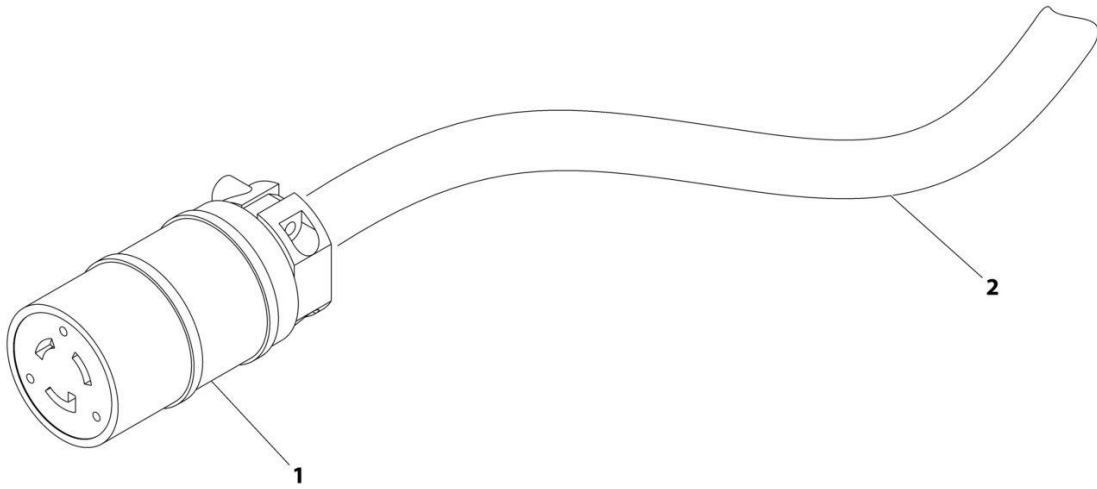
SECTION 8 - ELECTRICAL

FIGURE 8-20. BOOM HARNESS - TOWER BOOM

ITEM	PART NUMBER	QTY	DESCRIPTION	REV
	1001176951	Ref	BOOM HARNESS - TOWER BOOM	E
6	4460466	5	Plug, Terminal	
7	4460464	20	Pin, Male	
8	4460508	8	Pin, Male	
9	4460866	1	Connector - 19 Position	
10	2820031	AR	Heat Shrink	

SECTION 8 - ELECTRICAL

FIGURE 8-21. BOOM HARNESS - TOWER BOOM (8/5 4000W GENERATOR)



ART_1001174749

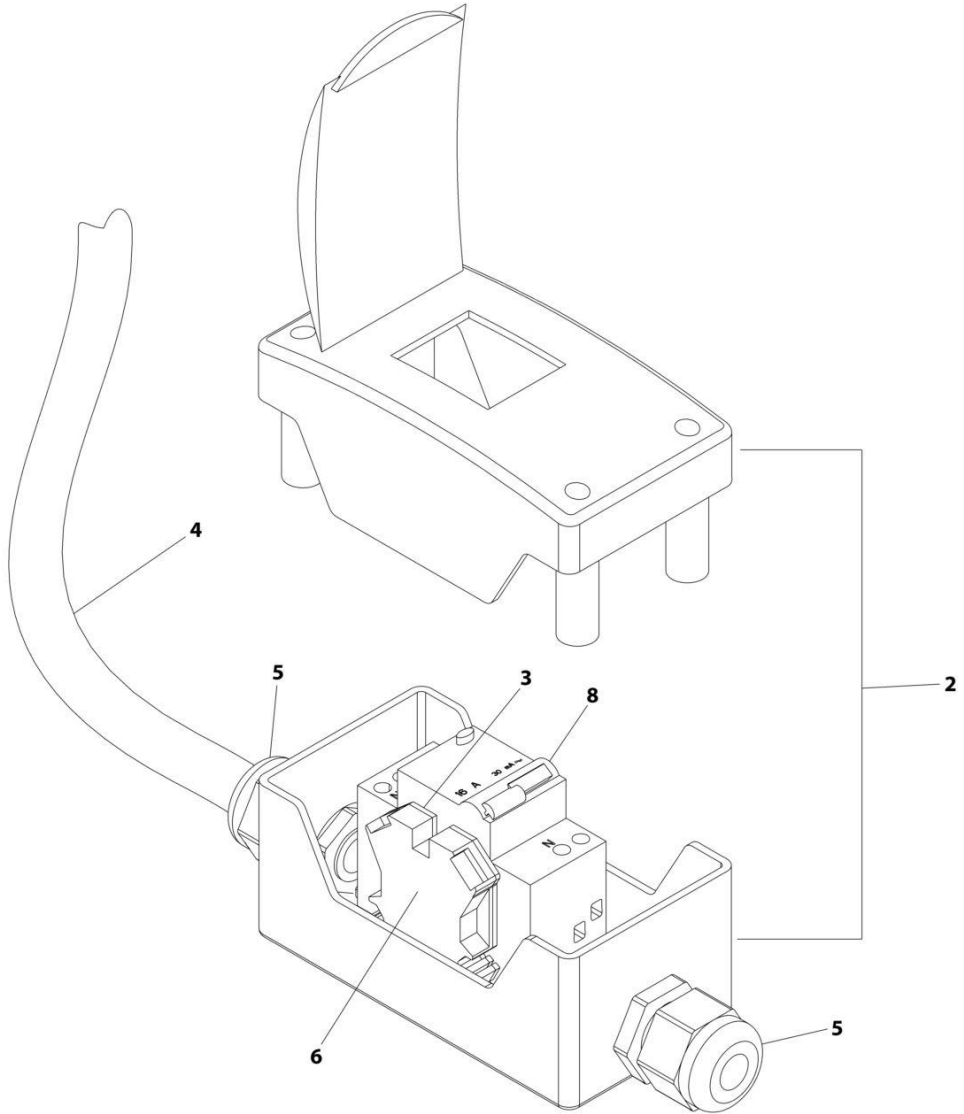
SECTION 8 - ELECTRICAL

FIGURE 8-21. BOOM HARNESS - TOWER BOOM (8/5 4000W GENERATOR)

ITEM	PART NUMBER	QTY	DESCRIPTION	REV
	1001174749	Ref	BOOM HARNESS - TOWER BOOM AC CABLE	C
1	1001120205	1	Connector, Female	
2	1060461	28 ft/ 8.5m	Electrical Cable, 12/3	

SECTION 8 - ELECTRICAL

FIGURE 8-22. BREAKER BOX KIT WITH SINGLE DOUBLE POLE BREAKER (CE & UK CA SPEC)



ART_2902549

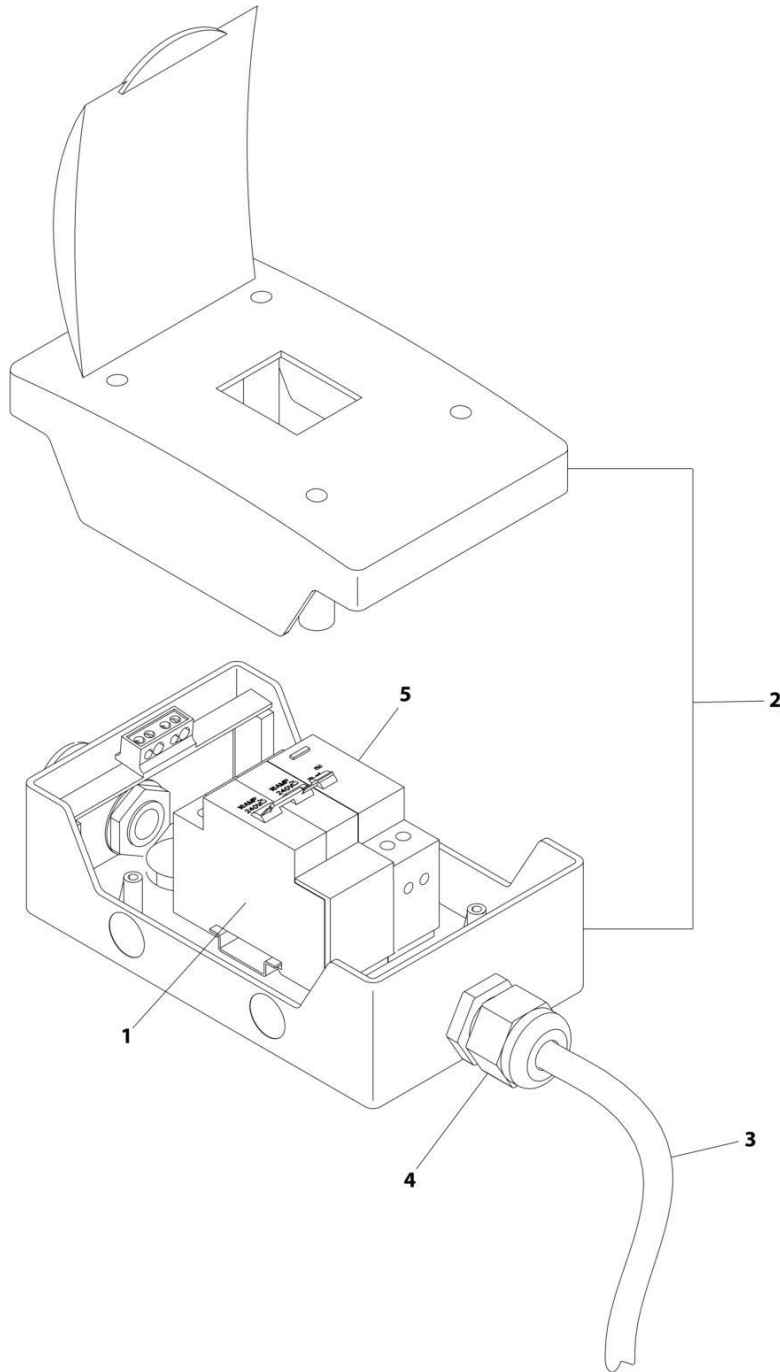
SECTION 8 - ELECTRICAL

FIGURE 8-22. BREAKER BOX KIT WITH SINGLE DOUBLE POLE BREAKER (CE & UK CA SPEC)

ITEM	PART NUMBER	QTY	DESCRIPTION	REV
	2902549	Ref	BREAKER BOX KIT - 110/220V 16AMP BREAKER	F
2	0861880	1	Box	
3	4460956	1	Barrier, Terminal	
4	1060908	6 ft/1.8m	Cable, 12/3	
5	1001097150	2	Connector, Strain Relief	
6	4460957	1	Block, Terminal	
8	1001181045	1	Breaker, Combination 16Amp/30mAmp	

SECTION 8 - ELECTRICAL

FIGURE 8-23. BREAKER BOX KIT WITH THREE BREAKERS (CE & UK CA SPEC)



ART_1001152485_F

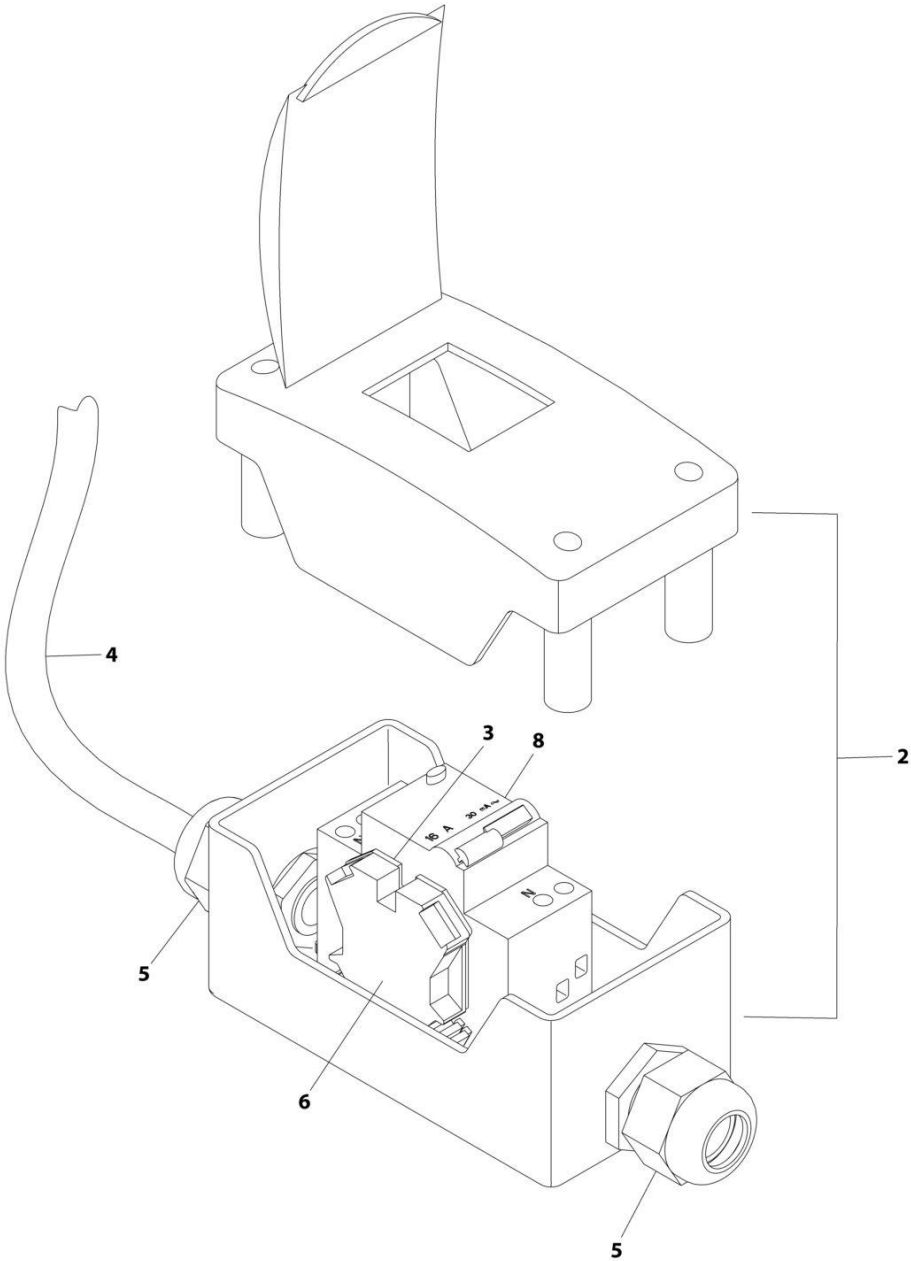
SECTION 8 - ELECTRICAL

FIGURE 8-23. BREAKER BOX KIT WITH THREE BREAKERS (CE & UK CA SPEC)

ITEM	PART NUMBER	QTY	DESCRIPTION	REV
	1001152485	Ref	BREAKER BOX KIT WITH TWO BREAKERS	F
1	1001189172	1	Breaker 16Amp Double	
2	1001152483	1	Box	
3	1060908	6 ft/1.8m	Cable, 12/3	
4	1001097150	2	Connector, Strain Relief	
5	1001189171	1	Breaker, 30mA	

SECTION 8 - ELECTRICAL

FIGURE 8-24. BREAKER BOX KIT - 30MA/16 AMP



ART_1001096070

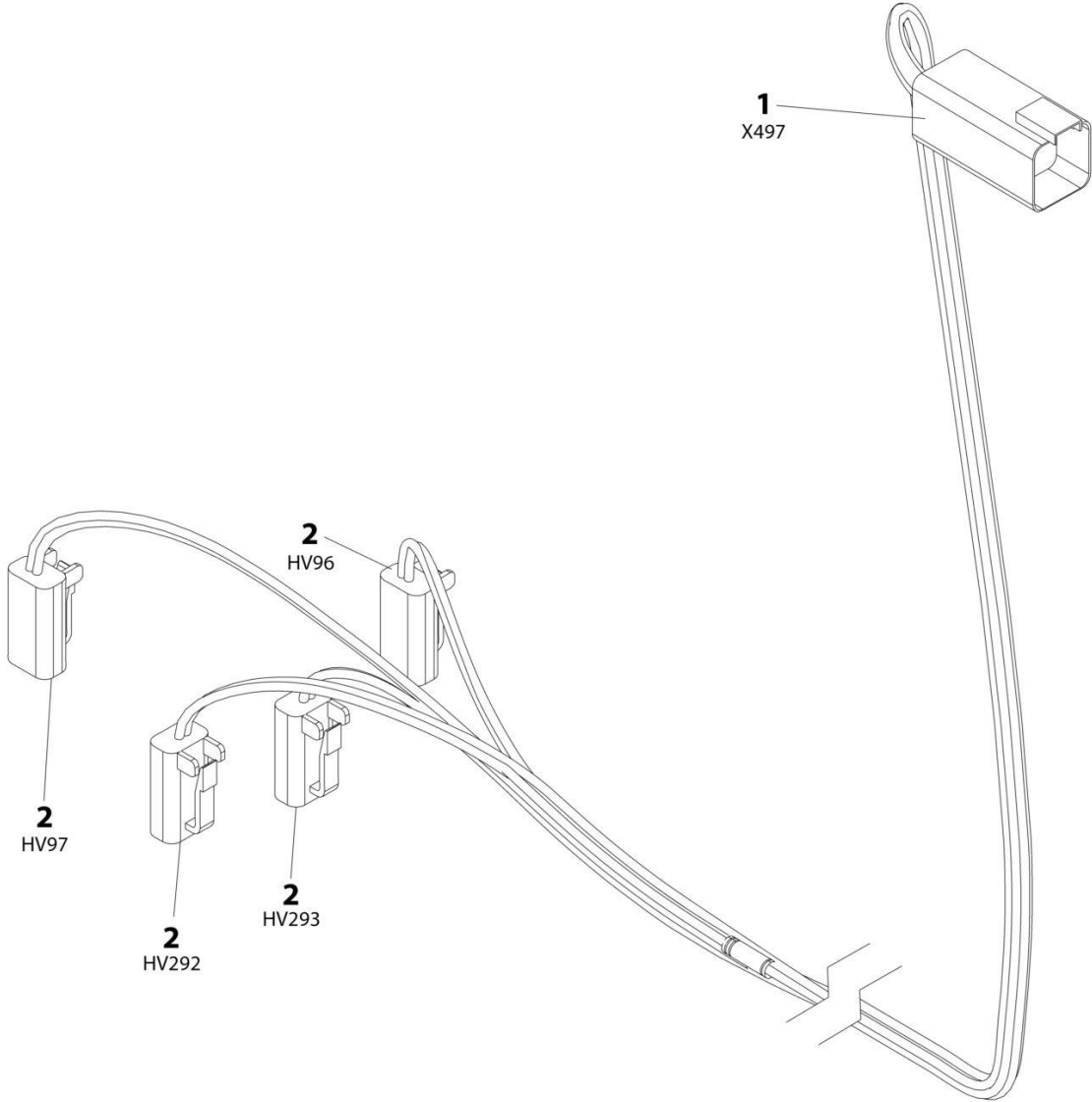
SECTION 8 - ELECTRICAL

FIGURE 8-24. BREAKER BOX KIT - 30MA/16 AMP

ITEM	PART NUMBER	QTY	DESCRIPTION	REV
	1001096070	Ref	BREAKER BOX KIT	E
2	0861880	1	Box	
3	4460956	1	Barrier, Terminal Block End	
4	1060908	12 ft/ 3.6m	Cable, 12/3	
5	1001097150	2	Connector, Strain Relief	
6	4460957	1	Block, Terminal	
8	1001181045	1	Breaker, 16Amp	

SECTION 8 - ELECTRICAL

FIGURE 8-25. CHASSIS SOLENOID HARNESS



ART_1001179236

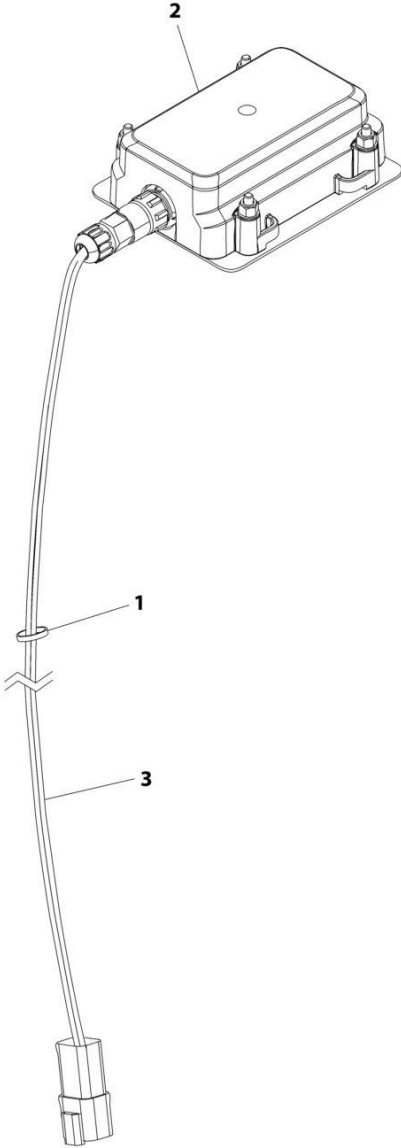
SECTION 8 - ELECTRICAL

FIGURE 8-25. CHASSIS SOLENOID HARNESS

ITEM	PART NUMBER	QTY	DESCRIPTION	REV
	1001179236	Ref	CHASSIS SOLENOID HARNESS	A
1	4460899	1	Receptacle, Female - 6 Position	
1	4460464	6	Pin, Male	
2	4460891	4	Plug, Male - 2 Position	
2	4460465	8	Socket, Female	

SECTION 8 - ELECTRICAL

FIGURE 8-26. CLEARSKY 3-WIRE CONNECTION INSTALLATION



ART_1001276610

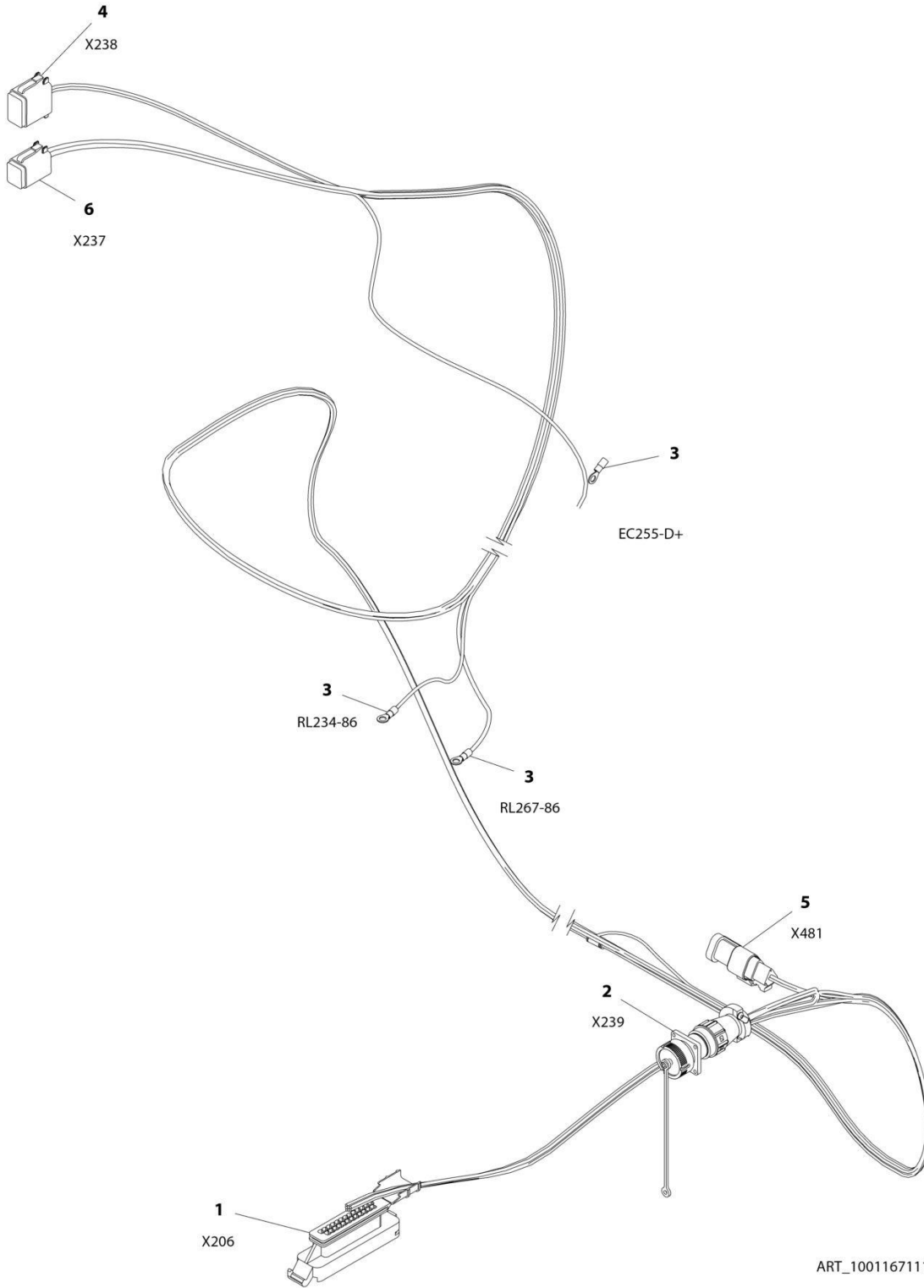
SECTION 8 - ELECTRICAL

FIGURE 8-26. CLEARSKY 3-WIRE CONNECTION INSTALLATION

ITEM	PART NUMBER	QTY	DESCRIPTION	REV
	1001276610	Ref	CLEARSKY INSTALLATION 3-WIRE CONNECTION	A
1	4240032	AR	Tie-Strap	
2	1001272659	1	Telematics Control Module Assembly (Note: Re-calibration Required when Replaced)	
3	1001273012	1	ClearSky Harness (See Separate Breakdown in this Section)	

SECTION 8 - ELECTRICAL

FIGURE 8-27. ENGINE HARNESS - DEUTZ D2011



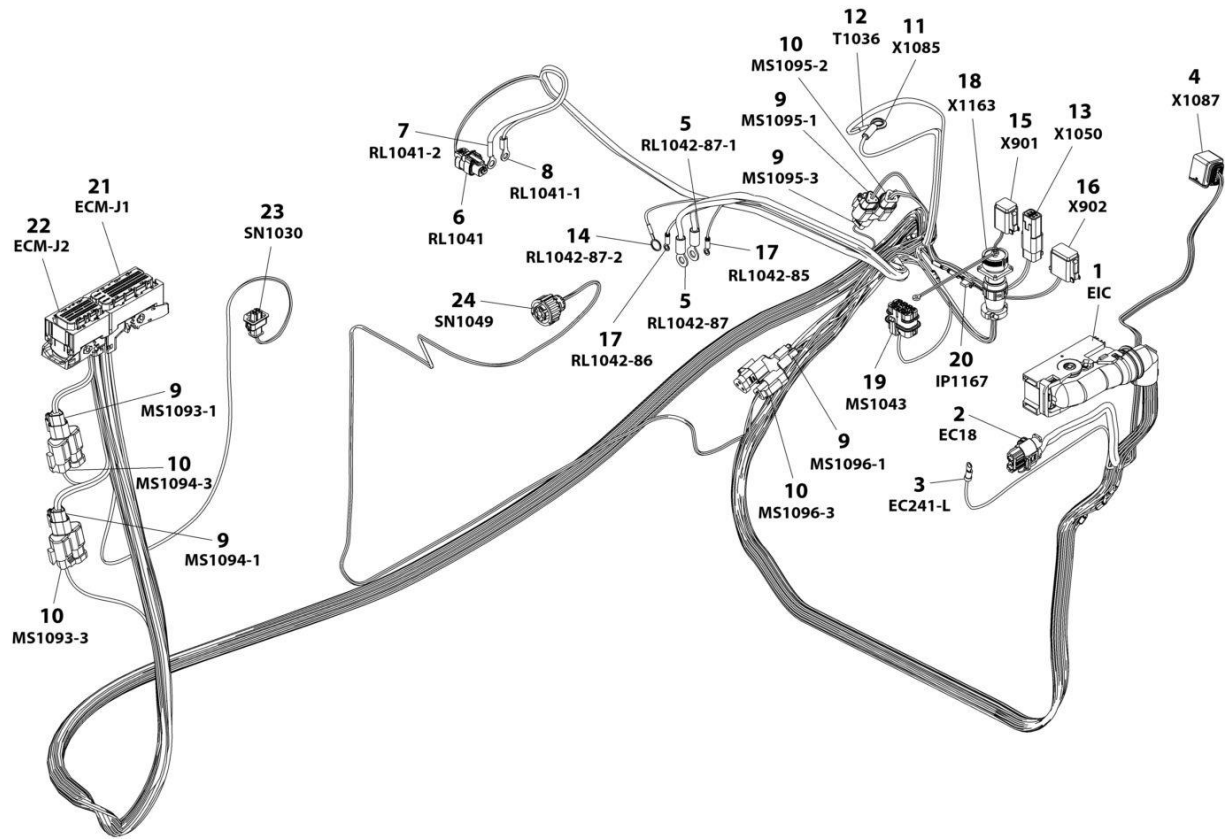
SECTION 8 - ELECTRICAL

FIGURE 8-27. ENGINE HARNESS - DEUTZ D2011

ITEM	PART NUMBER	QTY	DESCRIPTION	REV
	1001167111	Ref	ENGINE HARNESS - DEUTZ D2011	B
1	4461052	1	Connector - 25 Position	
1	4461005	7	Terminal	
1	4461008	18	Plug, Terminal	
2	2902443	1	Receptacle Kit	
2	4461071	8	Socket, Female	
2	4461072	1	Receptacle with Flange - 8 Position	
2	4461073	1	Cap, Dust	
2	4461074	1	Shell, Black	
3	4460313	3	Terminal, Ring	
4	4460930	1	Plug, Male - 8 Position	
4	4460465	2	Socket, Female	
4	4460466	6	Seal, Terminal	
5	4461095	1	Plug, Male - 3 Position	
5	4460465	3	Socket, Female	
6	4460894	1	Plug, Male - 6 Position	
6	4460465	6	Socket, Female	

SECTION 8 - ELECTRICAL

FIGURE 8-28. ENGINE HARNESS - DEUTZ D2.9L4 ENGINE (STAGE V)



ART_1001245839

SECTION 8 - ELECTRICAL

FIGURE 8-28. ENGINE HARNESS - DEUTZ D2.9L4 ENGINE (STAGE V)

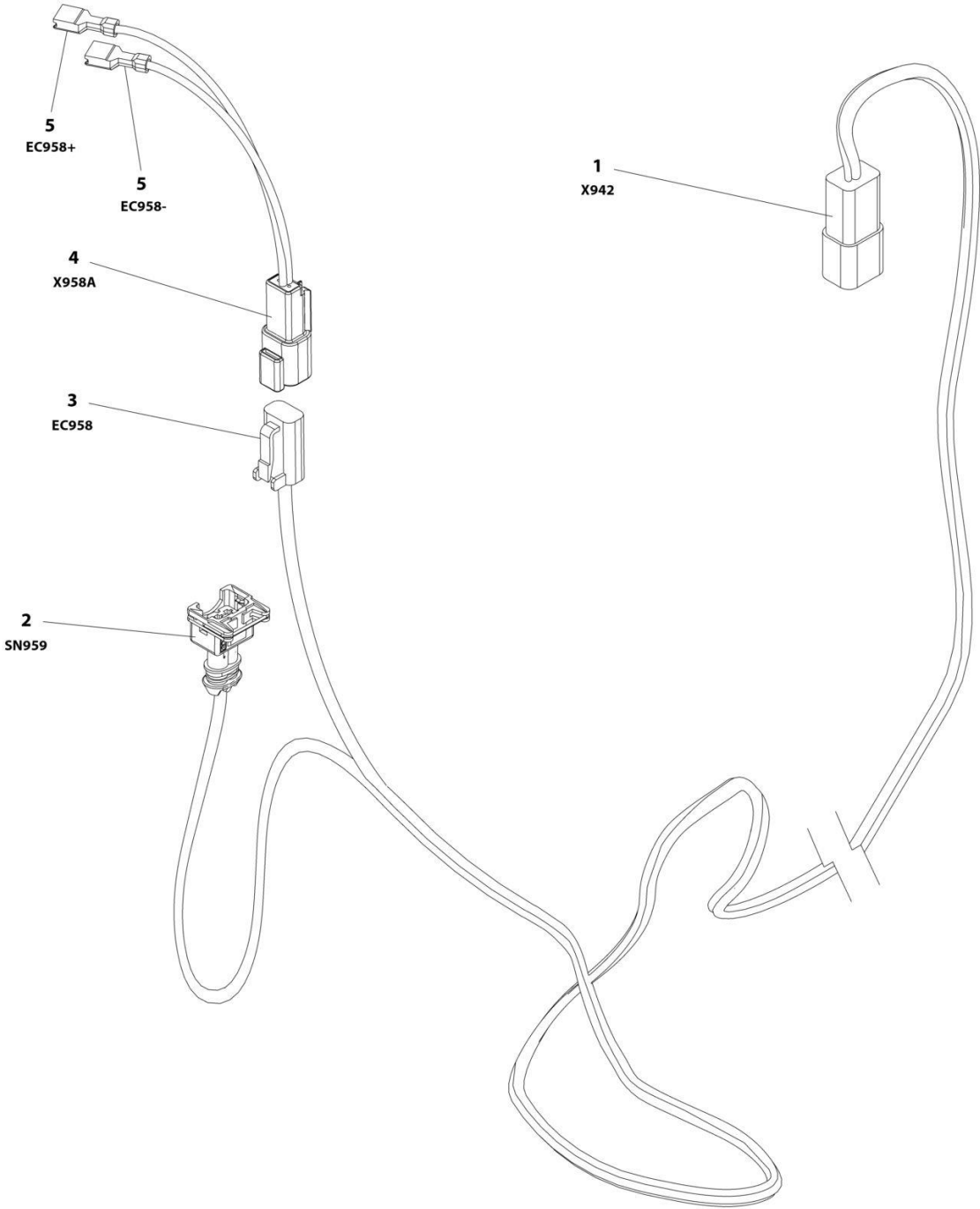
ITEM	PART NUMBER	QTY	DESCRIPTION	REV
	1001245839	Ref	ENGINE HARNESS - DEUTZ (STAGE V)	F
1	1001126362	1	Connector - 62 Position	
1	1001126363	37	Terminal	
1	1001126391	7	Seal, Terminal	
1	1001126392	12	Terminal	
1	4461008	4	Seal, Terminal	
1	1001167632	2	Terminal	
1	1001126364	36	Seal, Terminal	
1	1001223459	12	Seal, Terminal	
1	4461054	2	Seal, Terminal	
2	1001142938	1	Connector - 2 Position	
2	1001142940	2	Terminal	
2	1001142941	2	Seal, Terminal	
3	4460042	1	Terminal, Ring	
4	1001239202	1	Connector - 8 Position	
4	1001126363	7	Terminal	
4	1001126391	1	Seal, Terminal	
4	1001126364	7	Seal, Terminal	
5	1001117107	2	Terminal, Ring	
6	1001116952	1	Plug, Male - 2 Position	
6	4460465	2	Socket, Female	
7	1001117106	1	Terminal, Ring	
8	4460043	1	Terminal, Ring	
9	1001116812	5	Connector, 3 Position	
9	4460944	10	Socket, Female	
9	4460466	5	Plug, Terminal	
10	4460539	4	Plug, Male - 3 Position	
10	4460944	8	Socket, Female	
10	4460466	4	Plug, Terminal	
11	8220164	1	Terminal, Ring	
12	4460019	1	Terminal, Ring	
13	4460884	1	Plug, Male - 4 Position	
13	4460465	2	Socket, Female	
13	4460942	2	Socket, Female	
14	4460703	1	Terminal, Ring	
15	4460894	1	Plug, Male - 6 Position	
15	4460465	2	Socket, Female	
15	4460944	2	Socket, Female	
15	4460465	2	Socket, Female	
16	4460930	1	Plug, Male - 8 Position	
16	4460465	1	Socket, Female	
16	4460466	7	Plug, Terminal	
17	4460247	2	Terminal, Ring	
18	2902443	1	Receptacle Kit	
18	4461071	8	Socket, Female	
18	4461072	1	Receptacle with Flange - 8 Position	
18	4461073	1	Cap, Dust	
18	4461074	1	Shell, Black	
19	80484084	1	Connector - 8 Position	
19	4460746	3	Terminal	

SECTION 8 - ELECTRICAL

ITEM	PART NUMBER	QTY	DESCRIPTION	REV
19	1001234800	1	Terminal	
19	4460748	4	Plug, Terminal	
19	4460458	4	Seal	
20	1001170764	1	Holder, Fuse	
20	1001197719	1	Fuse 0.5 Watt	
21	1001133956	1	Connector, 94 Position	
21	1001182361	8	Terminal	
21	1001126351	3	Terminal	
21	1001230934	25	Terminal	
21	1001230935	55	Plug, Terminal	
21	1001252527	4	Terminal	
21	1001230936	1	Plug, Terminal	
21	1001182365	8	Seal	
22	1001133957	1	Connector - 60 Position	
22	1001230936	11	Plug, Terminal	
22	1001126351	13	Terminal	
22	1001230935	10	Plug, Terminal	
22	1001230934	26	Terminal	
23	1001126487	1	Connector - 2 Position	
23	1001167635	2	Terminal	
23	1001126485	2	Seal	
24	1001133714	1	Plug, Male - 4 Position	
24	1001133715	3	Terminal	
24	1001135651	1	Plug, Terminal	
24	1001135650	2	Seal	

SECTION 8 - ELECTRICAL

FIGURE 8-29. FUEL HARNESS - DEUTZ D2.9L4 ENGINE



ART_1001181358

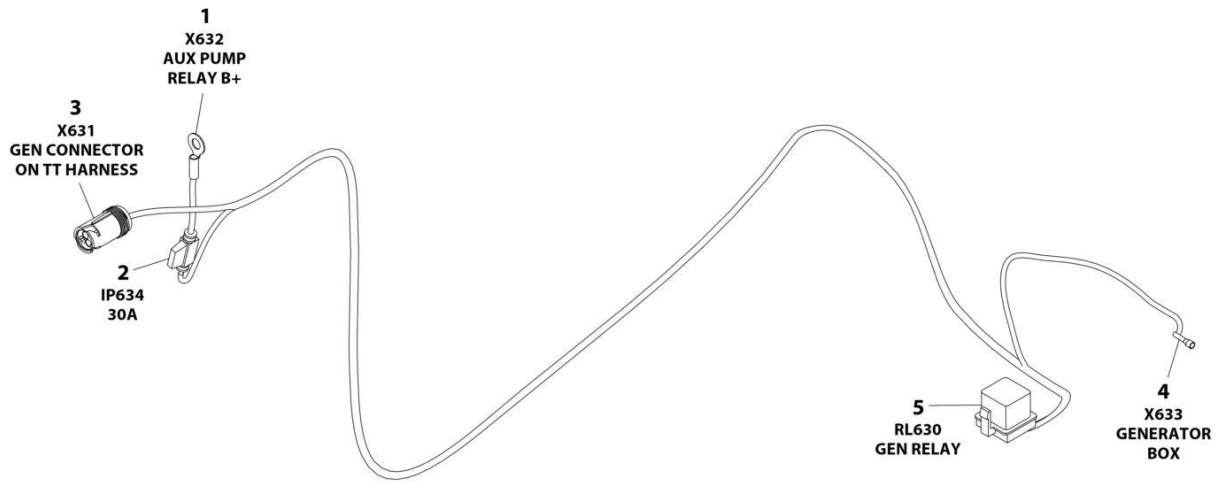
SECTION 8 - ELECTRICAL

FIGURE 8-29. FUEL HARNESS - DEUTZ D2.9L4 ENGINE

ITEM	PART NUMBER	QTY	DESCRIPTION	REV
	1001181358	Ref	FUEL HARNESS - DEUTZ D2.9L4 ENGINE	D
1	4460932	1	Receptacle, Female - 4 Position	
1	4460464	2	Pin, Male	
1	4460941	2	Pin, Male	
2	1001116983	1	Plug, Male - 2 Position	
2	4461060	2	Socket, Female	
2	4461054	2	Seal	
3	4460891	1	Plug, Male - 2 Position	
3	4460942	2	Socket, Female	
4	4460897	1	Receptacle, Female - 2 Position	
4	4460941	2	Pin, Male	
5	8220051	2	Coupler, Female	

SECTION 8 - ELECTRICAL

FIGURE 8-30. GENERATOR HARNESS - 2500W GENERATOR (50HZ)



ART_1001187352

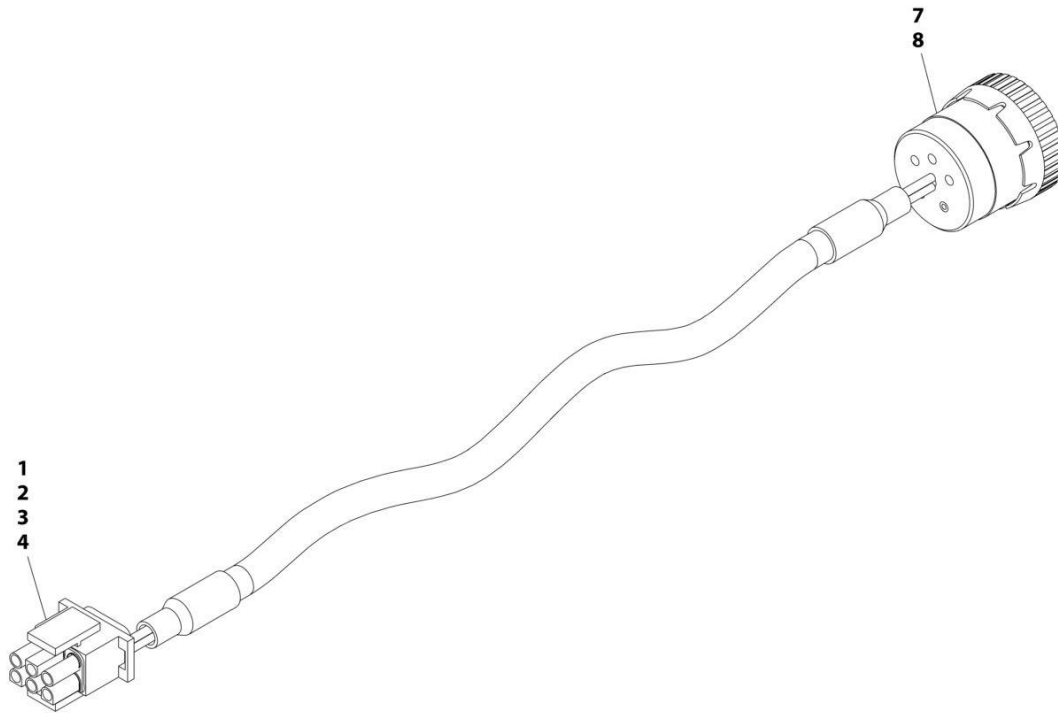
SECTION 8 - ELECTRICAL

FIGURE 8-30. GENERATOR HARNESS - 2500W GENERATOR (50HZ)

ITEM	PART NUMBER	QTY	DESCRIPTION	REV
	1001187352	Ref	GENERATOR HARNESS - 2500W GENERATOR (50HZ)	A
1	8220045	1	Terminal, Ring	
2	2400060	1	Holder, Fuse	
2	8229245	1	Fuse 30Amp	
3	1001154726	1	Connector - 3 Position	
3	4460464	2	Pin, Male	
3	4460466	1	Plug, Terminal	
4	1001100231	1	Terminal	
5	1001117057	1	Plug, Relay	
5	1001116734	2	Terminal	
5	1001116732	2	Terminal	

SECTION 8 - ELECTRICAL

FIGURE 8-31. GENERATOR HARNESS - 4000W GENERATOR



ART_1001152532

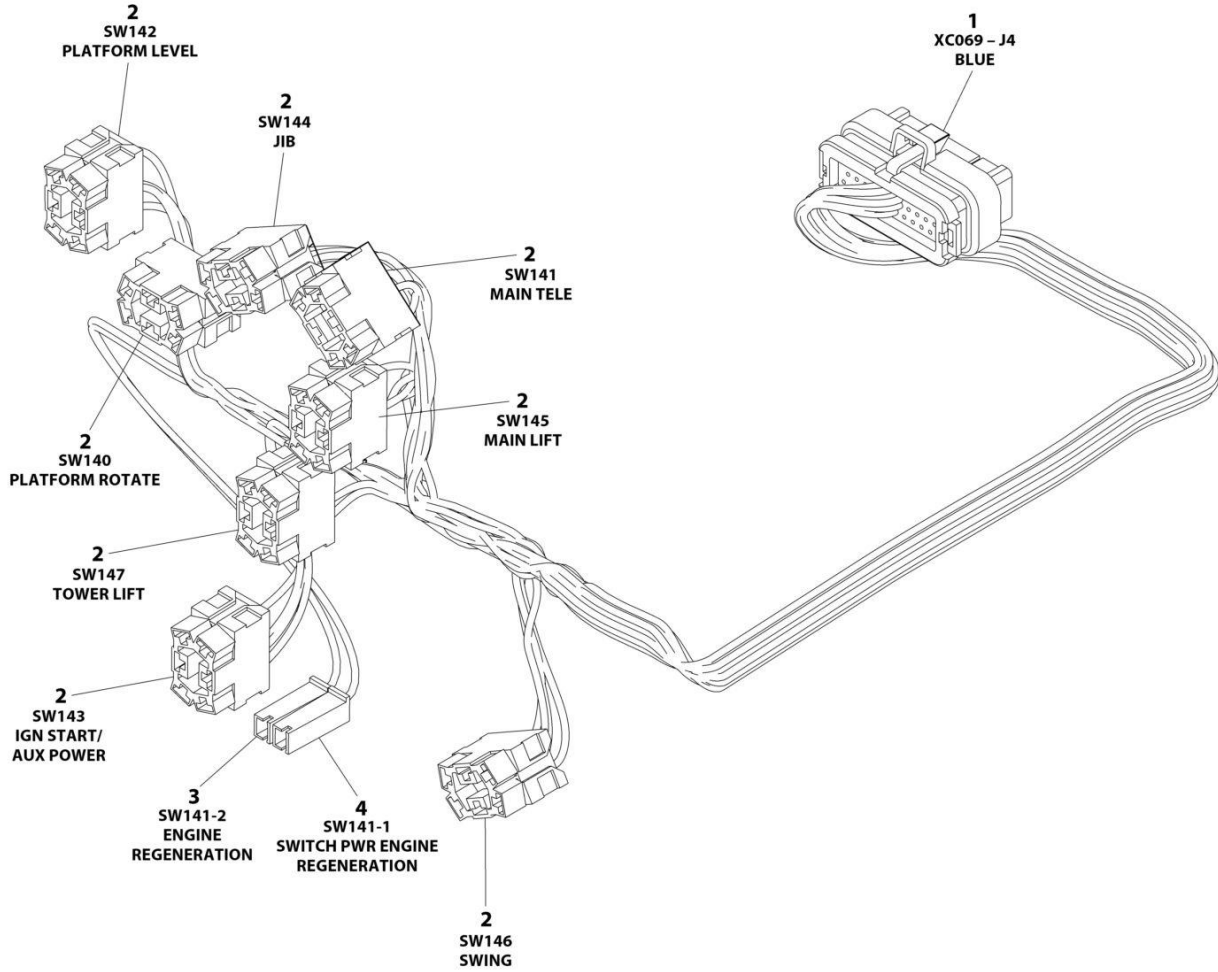
SECTION 8 - ELECTRICAL

FIGURE 8-31. GENERATOR HARNESS - 4000W GENERATOR

ITEM	PART NUMBER	QTY	DESCRIPTION	REV
	1001152532	Ref	GENERATOR HARNESS	A
1	4460225	1	Connector - 6 Position	
2	4460268	2	Socket, Female	
3	4460807	1	Seal	
4	4460808	1	Seal	
7	4460465	2	Socket, Female	
8	77363233	1	Connector - 6 Position	

SECTION 8 - ELECTRICAL

FIGURE 8-32. GROUND CONTROL PANEL HARNESS



ART_1001244295

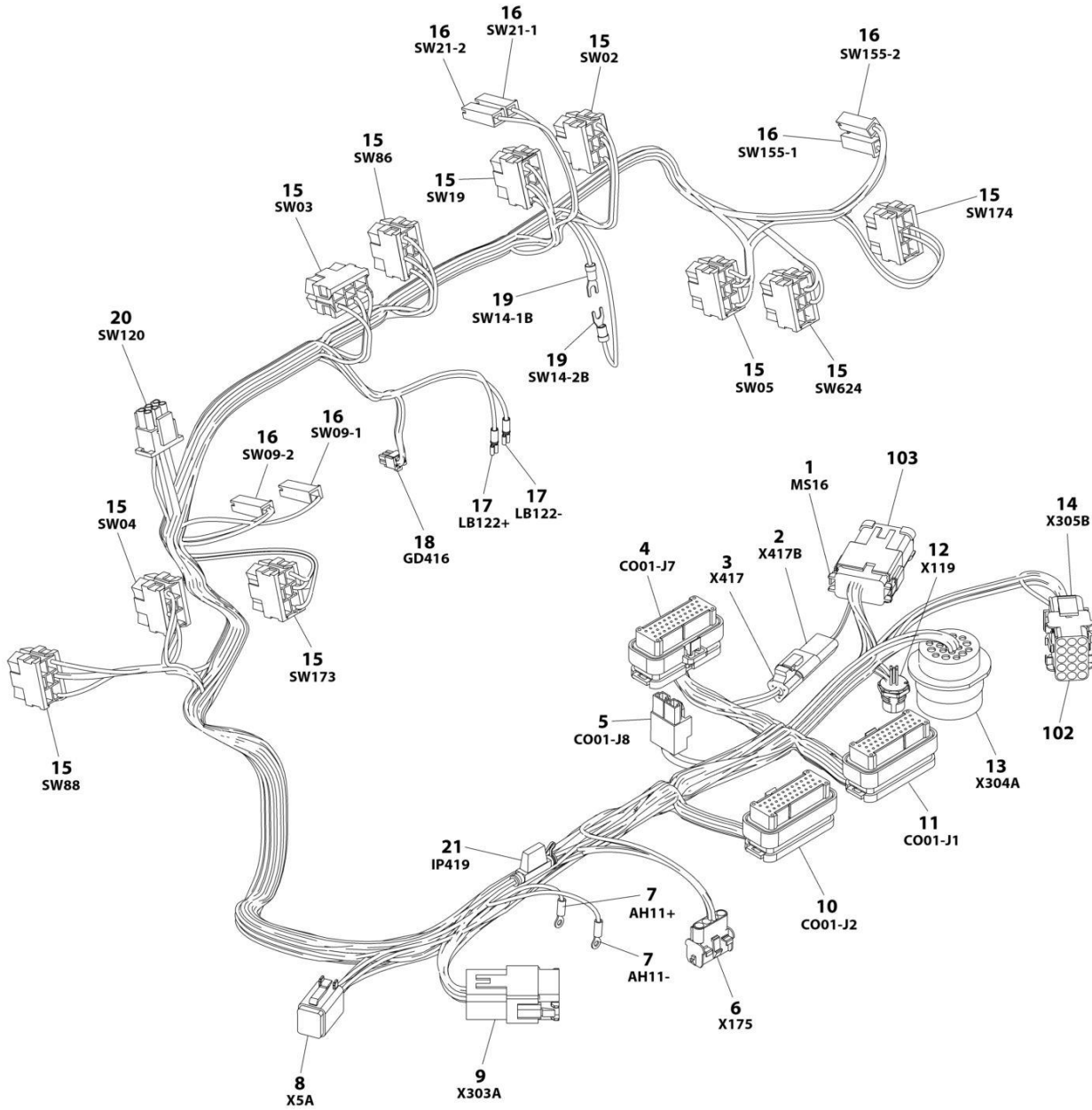
SECTION 8 - ELECTRICAL

FIGURE 8-32. GROUND CONTROL PANEL HARNESS

ITEM	PART NUMBER	QTY	DESCRIPTION	REV
	1001244295	Ref	GROUND CONTROL PANEL HARNESS	C
1	4460876	1	Connector - 35 Position	
1	4460871	18	Socket, Female	
1	4460905	17	Plug, Terminal	
2	4460418	8	Connector - 6 Position	
2	4460419	16	Terminal	
2	1001159186	16	Terminal	
3	4460260	2	Housing, Terminal	
3	4460259	2	Terminal	
4	4460260	1	Terminal, Housing	
4	4460259	1	Terminal	

SECTION 8 - ELECTRICAL

FIGURE 8-33. PLATFORM CONSOLE BOX HARNESS



ART_1001238254

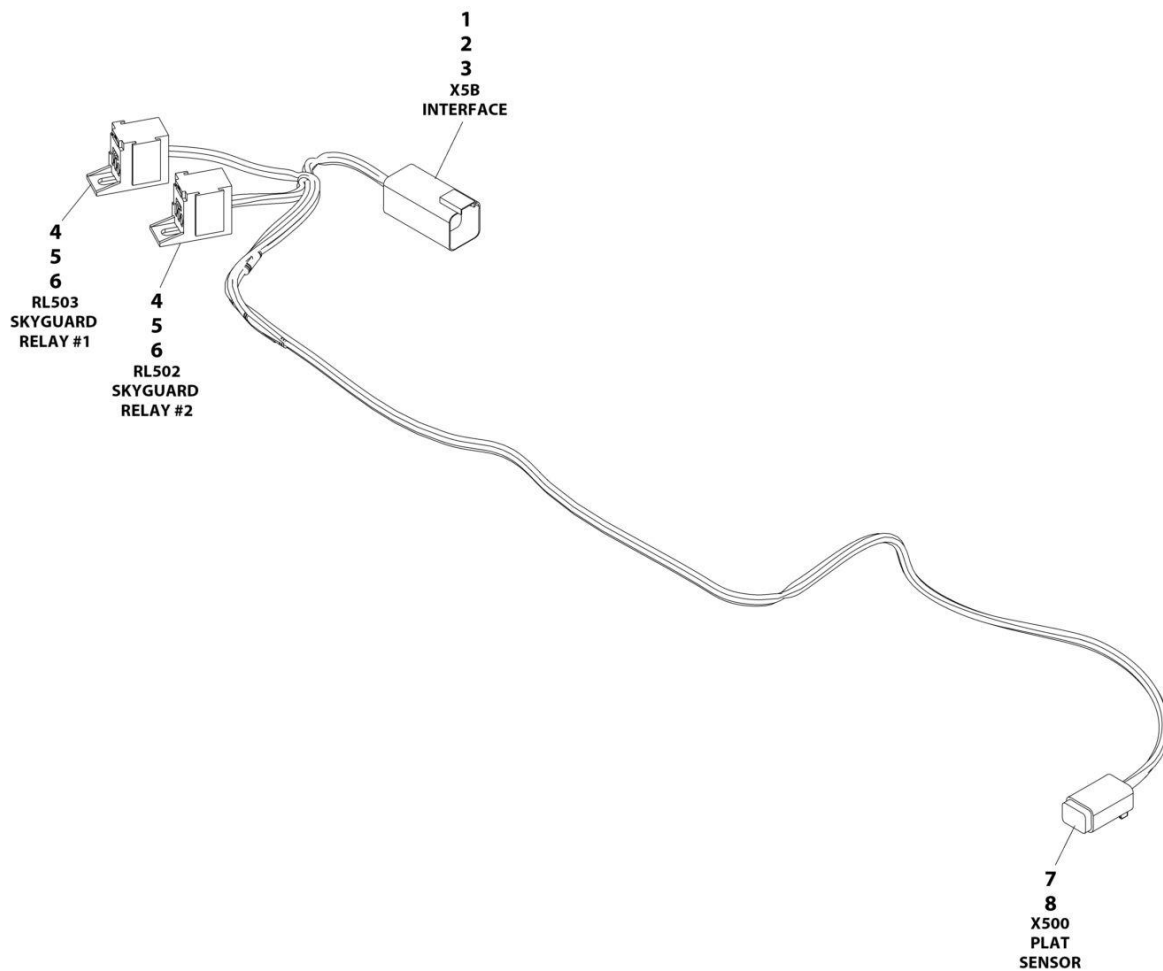
SECTION 8 - ELECTRICAL

FIGURE 8-33. PLATFORM CONSOLE BOX HARNESS

ITEM	PART NUMBER	QTY	DESCRIPTION	REV
	1001238254	Ref	PLATFORM CONSOLE BOX HARNESS	I
1	4460933	1	Plug, Male - 12 Position	
1	4460465	10	Socket, Female	
1	4460466	2	Plug, Terminal	
2	4460536	1	Receptacle, Female - 3 Position	
2	4460464	2	Pin, Male	
2	4460466	1	Plug, Terminal	
3	4460539	1	Plug, Male - 3 Position	
3	4460465	2	Socket, Female	
3	4460466	1	Plug, Terminal	
4	4460873	1	Connector - 35 Position	
4	4460871	21	Socket, Female	
4	4460905	14	Plug, Terminal	
5	4460879	1	Plug, Male - 2 Position	
5	4460887	2	Terminal	
6	4460761	1	Receptacle, Female - 4 Position	
6	4460267	4	Pin, Male	
7	1001098122	2	Terminal, Ring	
8	4460894	1	Plug, Male - 6 Position	
8	4460465	6	Socket, Female	
9	4460970	1	Receptacle, Female - 12 Position	
9	1001116693	11	Pin, Male	
9	4460466	1	Plug, Terminal	
10	4460875	1	Connector - 35 Position	
10	4460871	12	Socket, Female	
10	4460905	23	Plug, Terminal	
11	4460874	1	Connector - 35 Position	
11	4460871	27	Socket, Female	
11	4460905	8	Plug, Terminal	
12	1001213447	1	Connector - 4 Position	
12	See Note	NSS	Terminal (Note: Purchase p/n 1001213447)	
13	4460866	1	Connector - 19 Position	
13	4460464	5	Pin, Male	
13	4460466	11	Plug, Terminal	
13	4460508	1	Pin, Male	
14	4460434	1	Connector - 15 Position	
14	4460267	8	Pin, Male	
15	4460418	10	Connector - 6 Position	
15	4460419	45	Terminal	
16	4460260	6	Housing, Terminal	
16	4460259	8	Terminal	
17	1001271497	2	Terminal	
18	1001237667	1	Plug, Male - 6 Position	
18	1001237668	4	Terminal	
19	4460183	2	Terminal, Fork	
20	4460225	1	Plug, Male - 6 Position	
20	4460227	6	Pin, Male (Note: Used on Pump Potentiometer Connection Only)	
21	2400060	1	Fuse Holder	
102	4460708	1	Connector, Bussbar - 15 Position	
103	1001125677	1	Connector, Bussbar - 12 Position	

SECTION 8 - ELECTRICAL

FIGURE 8-34. PLATFORM INTERFACE HARNESS



ART_1001225580

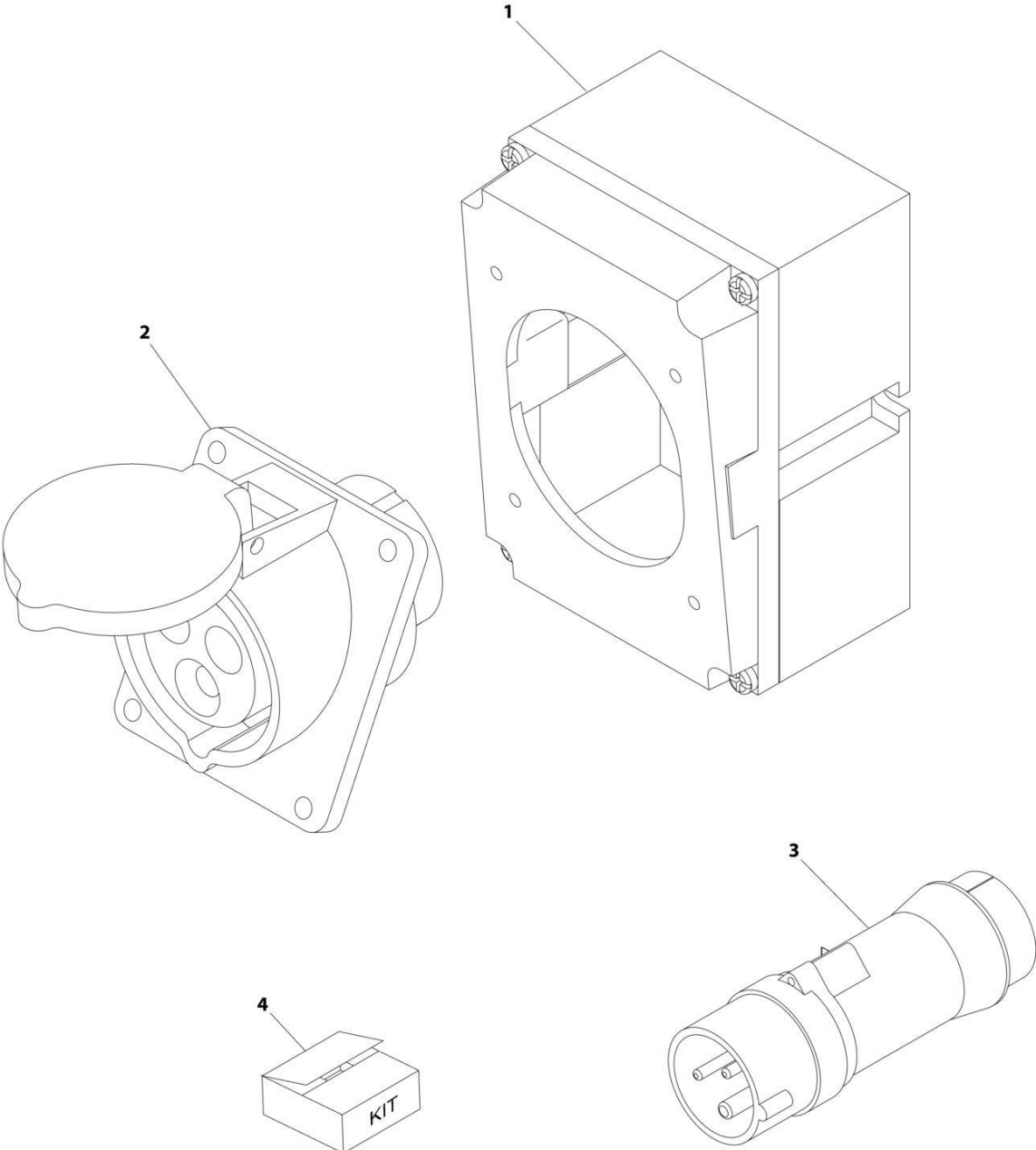
SECTION 8 - ELECTRICAL

FIGURE 8-34. PLATFORM INTERFACE HARNESS

ITEM	PART NUMBER	QTY	DESCRIPTION	REV
	1001225580	Ref	INTERFACE HARNESS - WITH 1 CELL LSS	D
1	4460899	1	Connector	
2	4460464	4	Terminal	
3	4460466	2	Plug	
4	1001186432	2	Connector	
5	1001116720	4	Terminal	
6	1001118388	4	Terminal	
7	4460884	1	Connector	
8	4460465	4	Terminal	

SECTION 8 - ELECTRICAL

FIGURE 8-35. RECEPTACLE BOX KIT - 110V IEC YELLOW (CE, CIS/EAC & UK CA SPEC)



ART_0275216

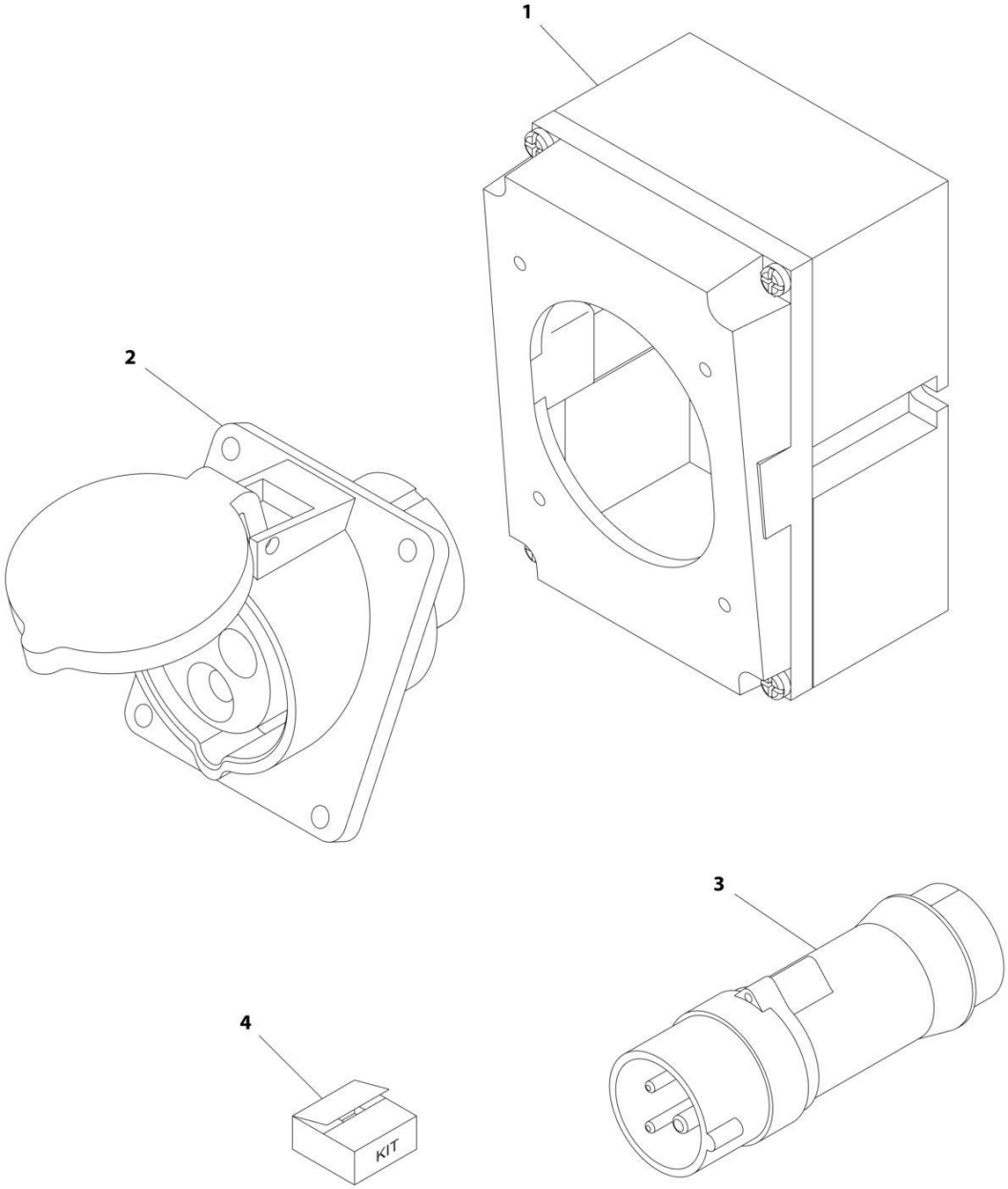
SECTION 8 - ELECTRICAL

FIGURE 8-35. RECEPTACLE BOX KIT - 110V IEC YELLOW (CE, CIS/EAC & UK CA SPEC)

ITEM	PART NUMBER	QTY	DESCRIPTION	REV
	0275216	Ref	RECEPTACLE BOX KIT - 110V IEC YELLOW	B
1	0861781	1	Box, Switch	
2	4461198	1	Receptacle	
3	4461196	1	Plug, Male	
4	1001100341	1	Plug and Socket Kit (Includes Items 1-3 and Female Plug p/n 4461197)	

SECTION 8 - ELECTRICAL

FIGURE 8-36. RECEPTACLE BOX KIT - 220V IEC BLUE (CE, CIS/EAC & UK CA SPEC)



ART_0275217

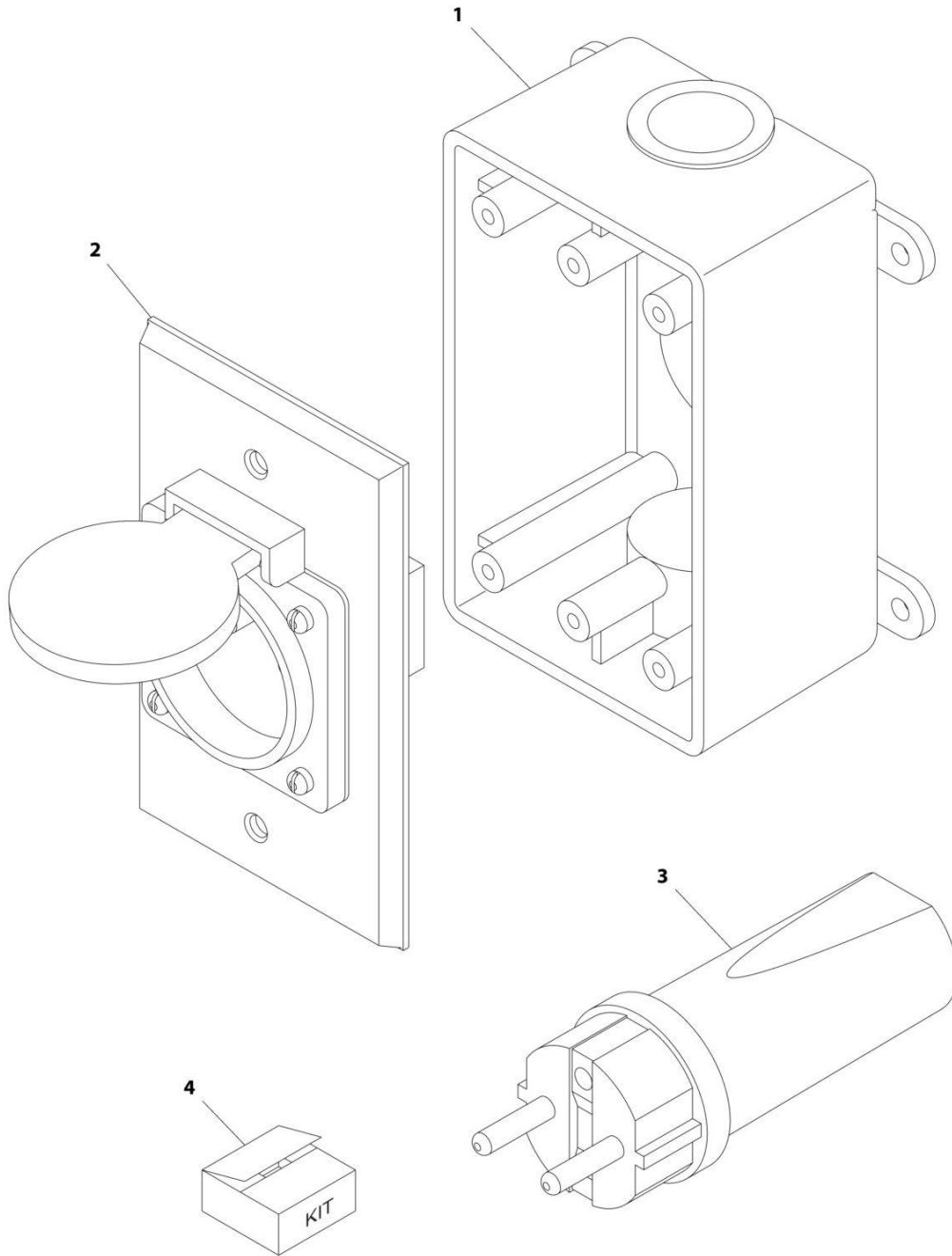
SECTION 8 - ELECTRICAL

FIGURE 8-36. RECEPTACLE BOX KIT - 220V IEC BLUE (CE, CIS/EAC & UK CA SPEC)

ITEM	PART NUMBER	QTY	DESCRIPTION	REV
	0275217	Ref	RECEPTACLE BOX KIT - 220V IEC BLUE	B
1	0861781	1	Box, Switch	
2	4461201	1	Receptacle	
3	4461199	1	Plug, Male	
4	1001100342	1	Plug and Socket Kit (Includes Items 1-3 and Female Plug p/n 4461200)	

SECTION 8 - ELECTRICAL

FIGURE 8-37. RECEPTACLE BOX KIT - 220V CEE7 POST GROUND 2IN X 4IN BOX (CE, CIS/EAC & UK CA SPEC)



ART_0275452

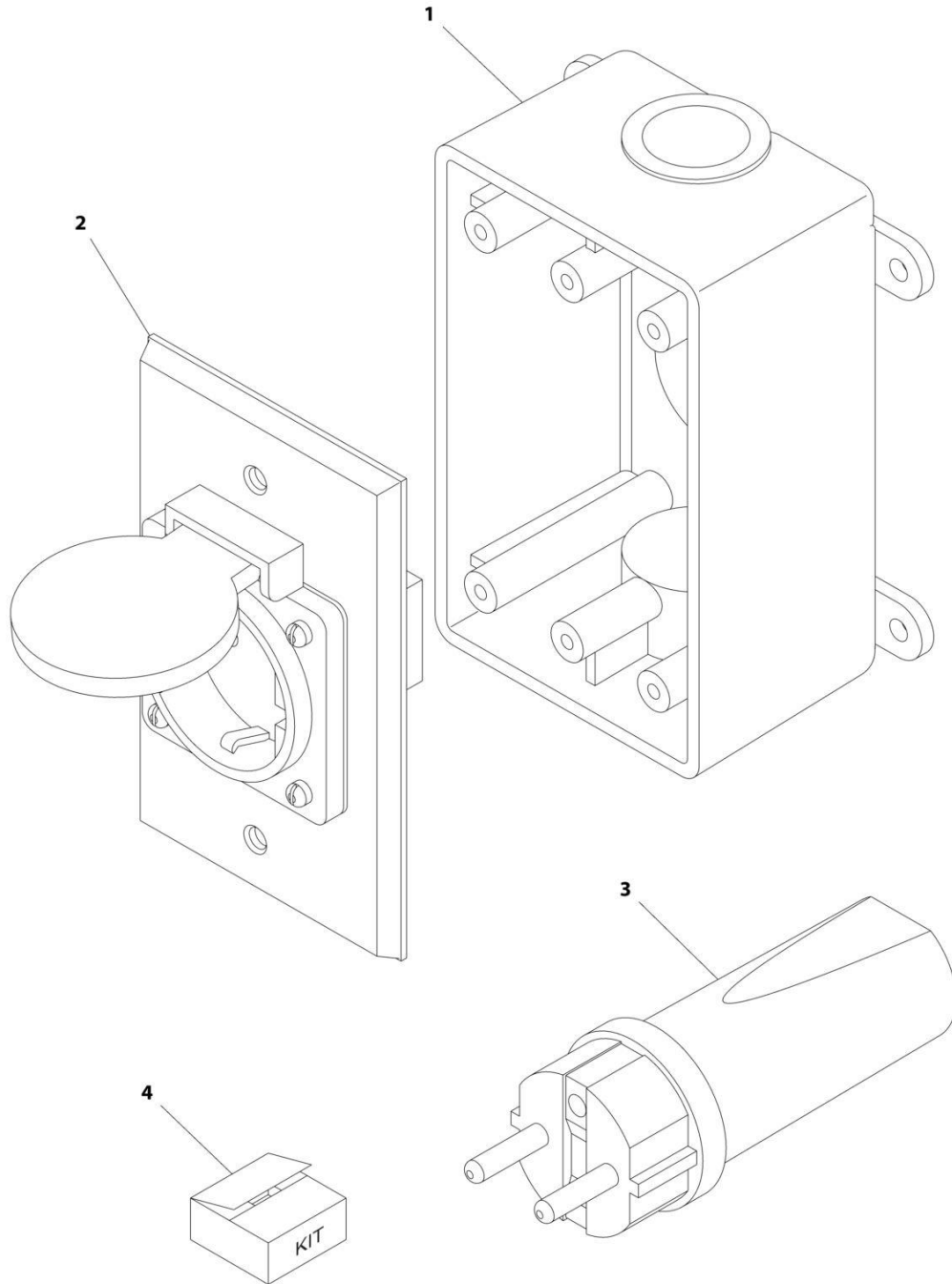
SECTION 8 - ELECTRICAL

FIGURE 8-37. RECEPTACLE BOX KIT - 220V CEE7 POST GROUND 2IN X 4IN BOX (CE, CIS/EAC & UK CA SPEC)

ITEM	PART NUMBER	QTY	DESCRIPTION	REV
	0275452	Ref	RECEPTACLE BOX KIT - 220V CEE7 POST GROUND	C
1	0861731	1	Box, Switch	
2	4461244	1	Receptacle	
3	4461205	1	Plug, Male	
4	1001100345	1	Plug and Socket Kit (Includes Items 1-3 and Female Plug p/n 4461206)	

SECTION 8 - ELECTRICAL

FIGURE 8-38. RECEPTACLE BOX KIT - 220V CEE7 SIDE GROUND 2IN X 4IN BOX (CE, CIS/EAC & UK CA SPEC)



ART_0275453

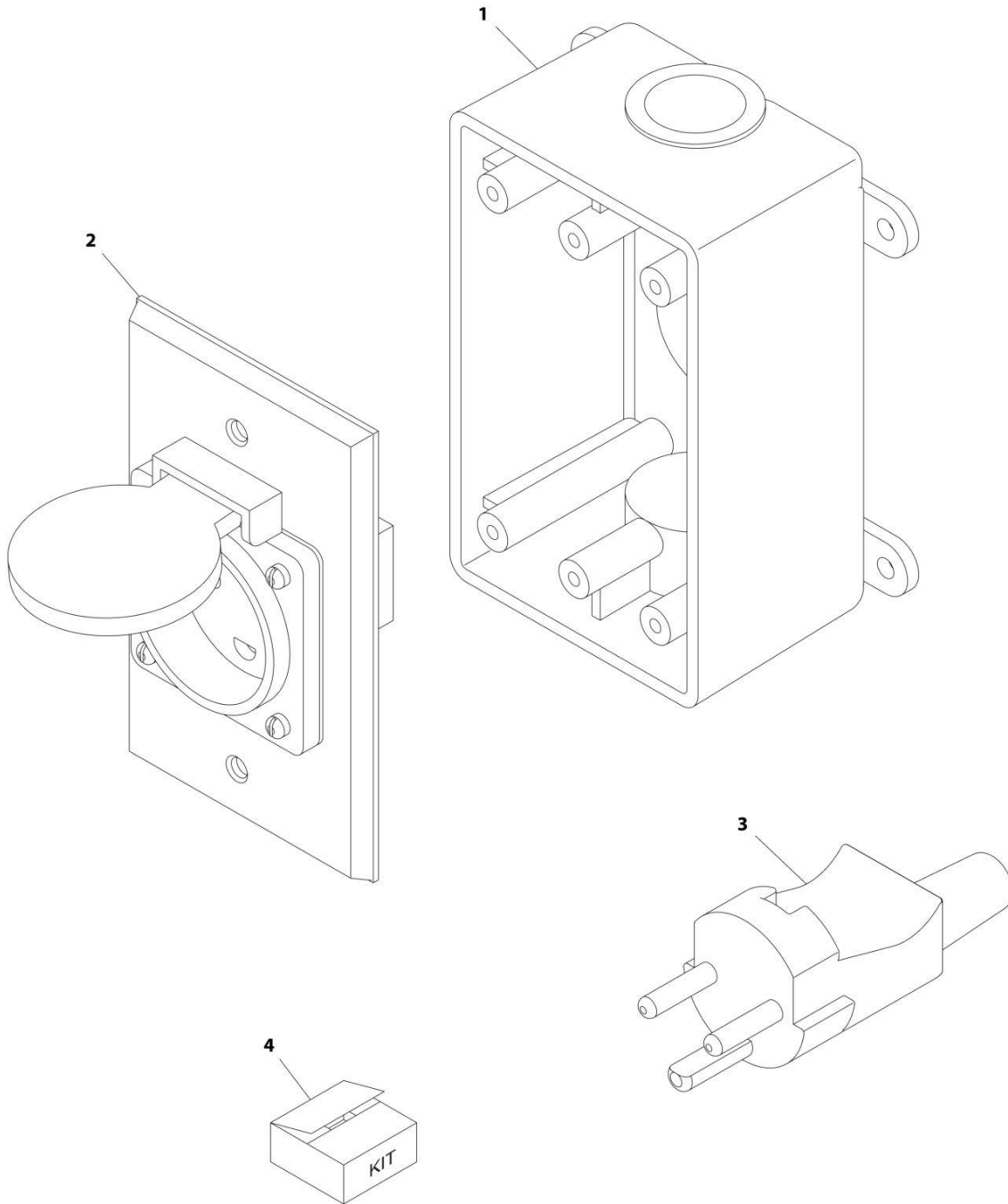
SECTION 8 - ELECTRICAL

FIGURE 8-38. RECEPTACLE BOX KIT - 220V CEE7 SIDE GROUND 2IN X 4IN BOX (CE, CIS/EAC & UK CA SPEC)

ITEM	PART NUMBER	QTY	DESCRIPTION	REV
	0275453	Ref	RECEPTACLE BOX KIT - 220V CEE7 SIDE GROUND	B
1	0861731	1	Box, Switch	
2	4461245	1	Receptacle	
3	4461205	1	Plug, Male	
4	1001100347	1	Plug and Socket Kit (Includes Items 1-3 and Female Plug p/n 4461206)	

SECTION 8 - ELECTRICAL

FIGURE 8-39. RECEPTACLE BOX KIT - 220V AFSINT 107 (CE, CIS/EAC & UK CA SPEC)



ART_0275454

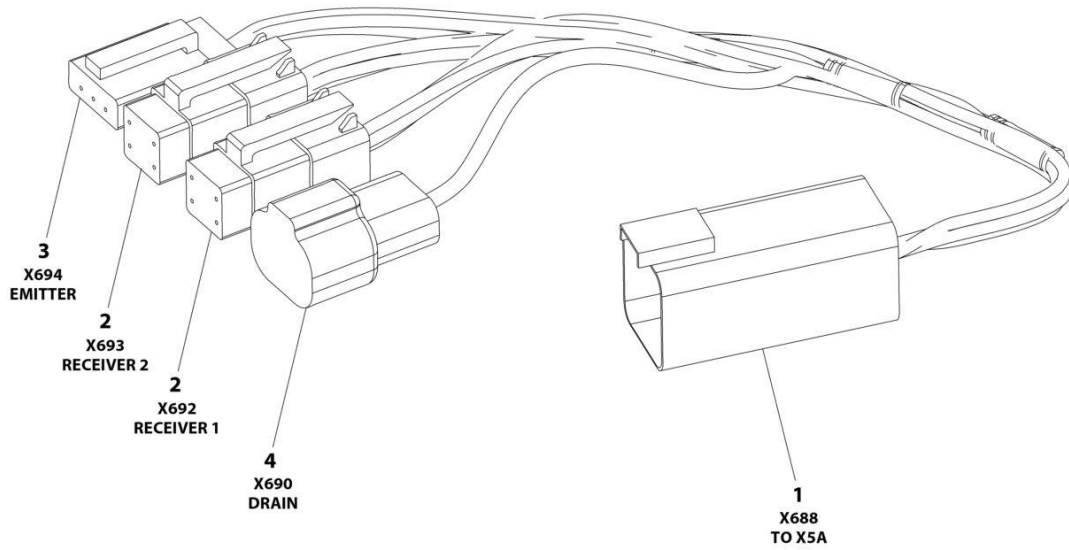
SECTION 8 - ELECTRICAL

FIGURE 8-39. RECEPTACLE BOX KIT - 220V AFSINT 107 (CE, CIS/EAC & UK CA SPEC)

ITEM	PART NUMBER	QTY	DESCRIPTION	REV
	0275454	Ref	RECEPTACLE BOX KIT - 220V AFSINT 107	B
1	0861731	1	Box, Switch	
2	4461246	1	Receptacle	
3	4461249	1	Plug, Male	
4	1001100346	1	Plug and Socket Kit (Includes Items 1-3 and Female Plug p/n 4461250)	

SECTION 8 - ELECTRICAL

FIGURE 8-40. SKYEYE INTERMEDIATE HARNESS



ART_1001237865

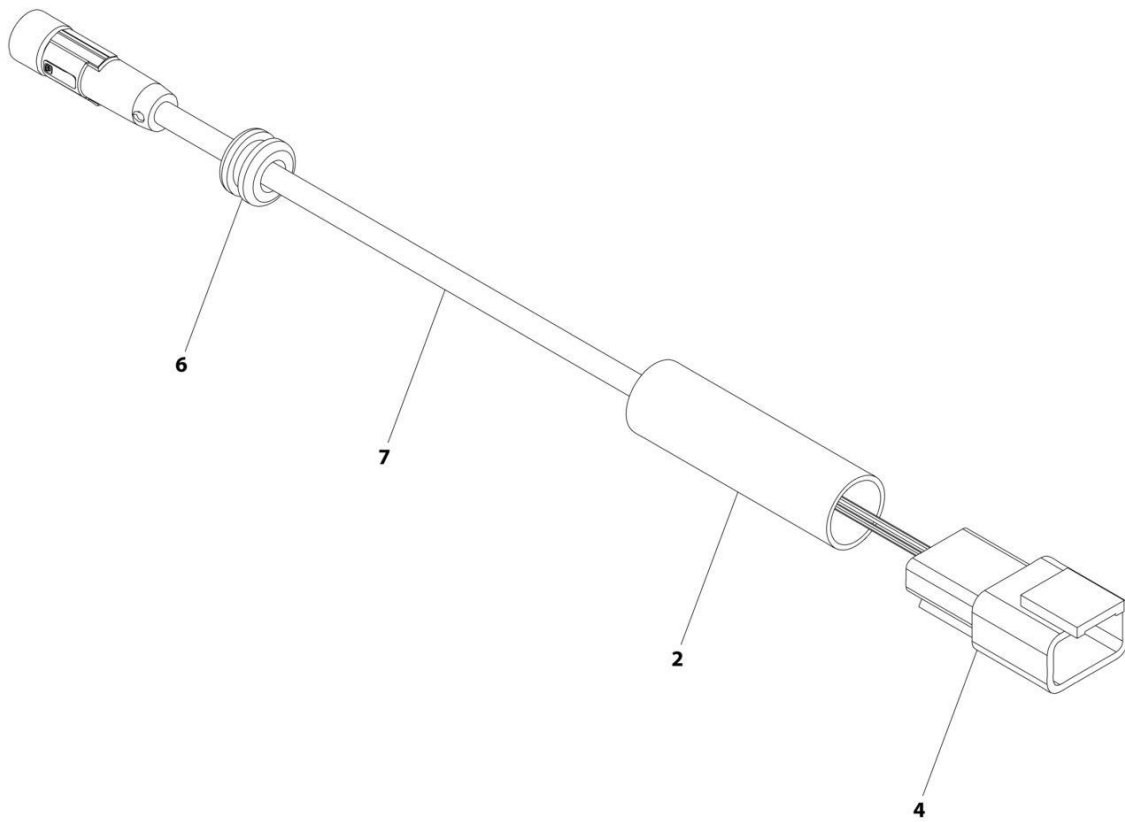
SECTION 8 - ELECTRICAL

FIGURE 8-40. SKYEYE INTERMEDIATE HARNESS

ITEM	PART NUMBER	QTY	DESCRIPTION	REV
	1001237865	Ref	SKYEYE INTERMEDIATE HARNESS	A
1	4460899	1	Connector - 6 Position	
1	4460943	4	Pin, Male	
1	4460466	2	Plug, Terminal	
2	4461077	2	Connector - 4 Position	
2	1001119619	8	Socket, Female	
3	4460911	1	Connector - 3 Position	
3	1001119619	3	Socket, Female	
4	1001187681	1	Connector - 2 Position	
4	4460941	1	Pin, Male	
4	4460466	1	Plug, Terminal	

SECTION 8 - ELECTRICAL

FIGURE 8-41. SKYEYE RECEIVER HARNESS



ART_1001237863_B

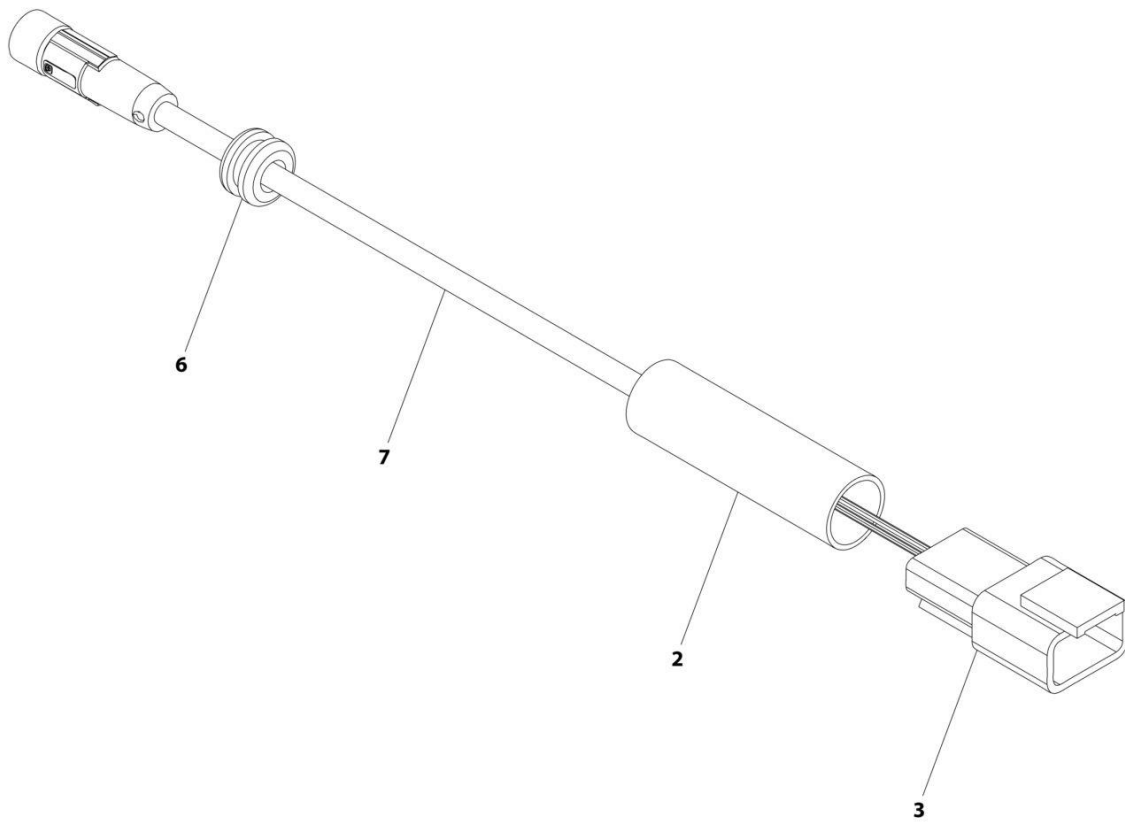
SECTION 8 - ELECTRICAL

FIGURE 8-41. SKYEYE RECEIVER HARNESS

ITEM	PART NUMBER	QTY	DESCRIPTION	REV
	1001237863	Ref	SKYEYE RECEIVER HARNESS	B
2	2820247	AR	Tubing, Heat Shrink	
4	1001097051	1	Connector - 4 Position	
4	1001119620	4	Pin, Male	
6	1001227996	1	Grommet	
7	1001258495	1	Cable, M8 Female Cordset	

SECTION 8 - ELECTRICAL

FIGURE 8-42. SKYEYE EMITTER HARNESS



ART_1001237864_B

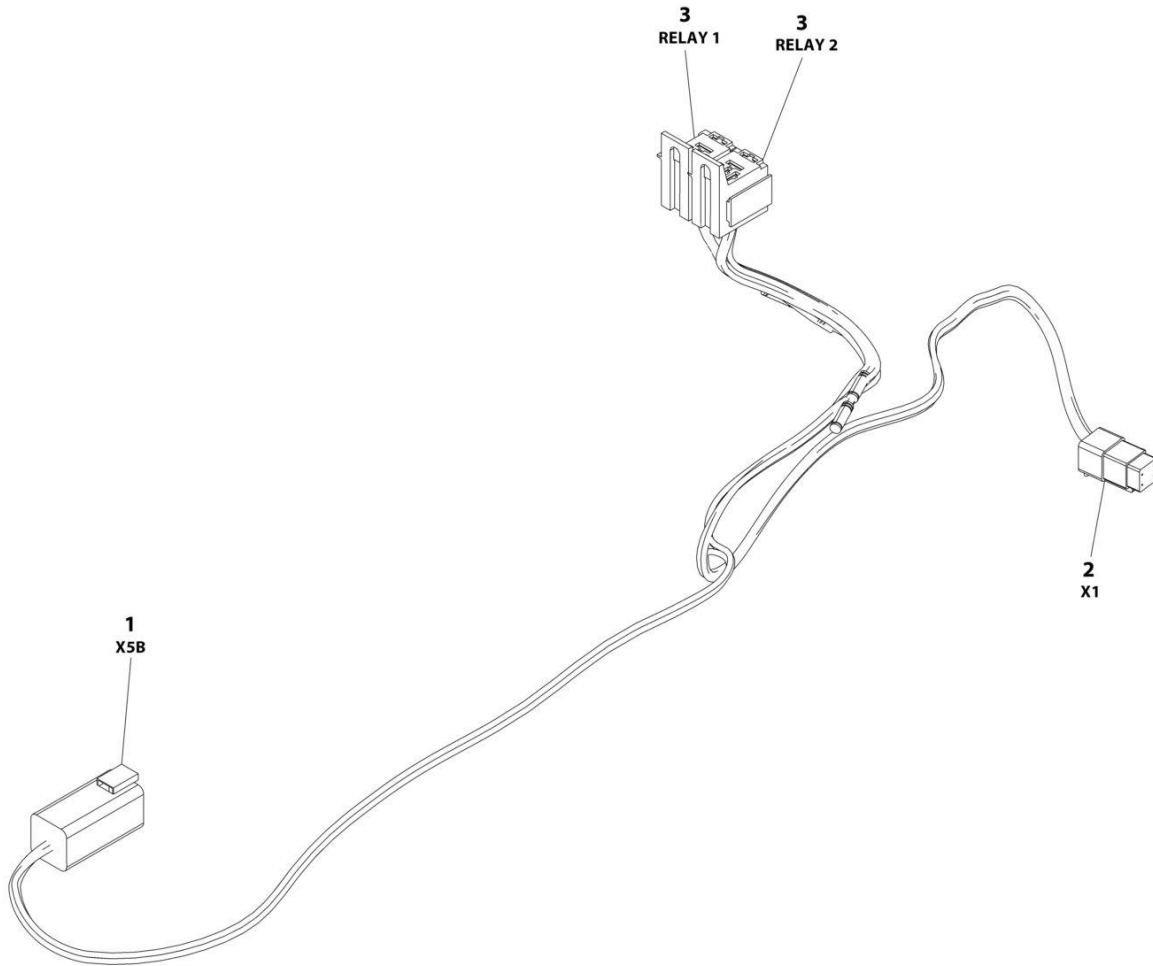
SECTION 8 - ELECTRICAL

FIGURE 8-42. SKYEYE EMITTER HARNESS

ITEM	PART NUMBER	QTY	DESCRIPTION	REV
	1001237864	Ref	SKYEYE EMITTER HARNESS	B
2	2820247	AR	Tubing, Heat Shrink	
3	4460910	1	Connector - 3 Position	
3	1001119620	3	Pin, Male	
6	1001227996	1	Grommet	
7	1001258495	1	Cable, M8 Female Cordset	

SECTION 8 - ELECTRICAL

FIGURE 8-43. SKYLINE HARNESS



ART_1001238418

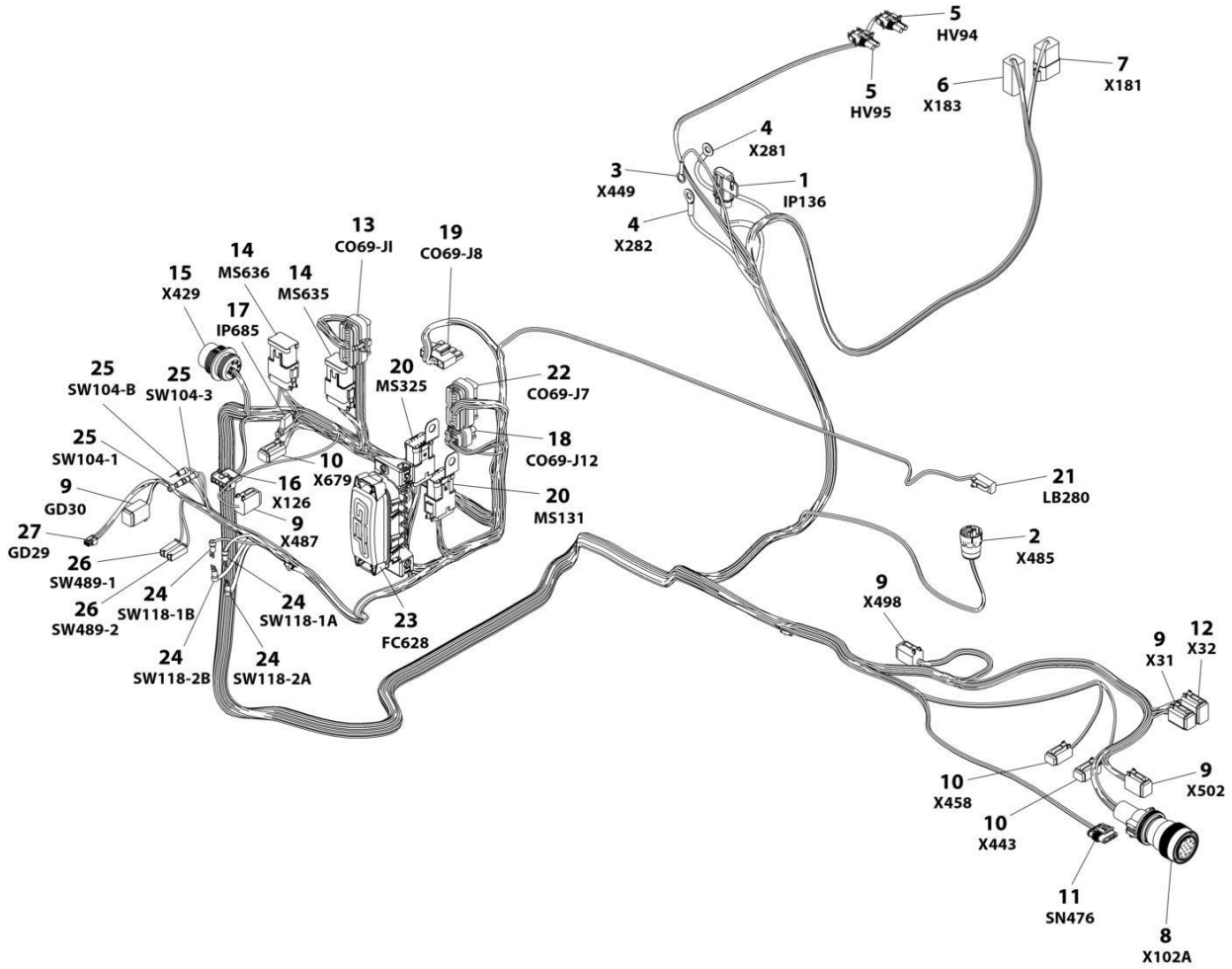
SECTION 8 - ELECTRICAL

FIGURE 8-43. SKYLINE HARNESS

ITEM	PART NUMBER	QTY	DESCRIPTION	REV
	1001238418	Ref	SKYLINE HARNESS	B
1	4460899	1	Connector - 6 Position	
1	4460464	4	Pin, Male	
1	4460466	2	Plug, Terminal	
2	4461077	1	Connector - 4 Position	
2	1001126009	4	Socket, Female	
3	1001186432	2	Plug, Relay	
3	1001118388	5	Terminal	
3	1001118384	3	Terminal	
3	3740086	2	Relay	

SECTION 8 - ELECTRICAL

FIGURE 8-44. TURNTABLE HARNESS



ART_1001244293

SECTION 8 - ELECTRICAL

FIGURE 8-44. TURNTABLE HARNESS

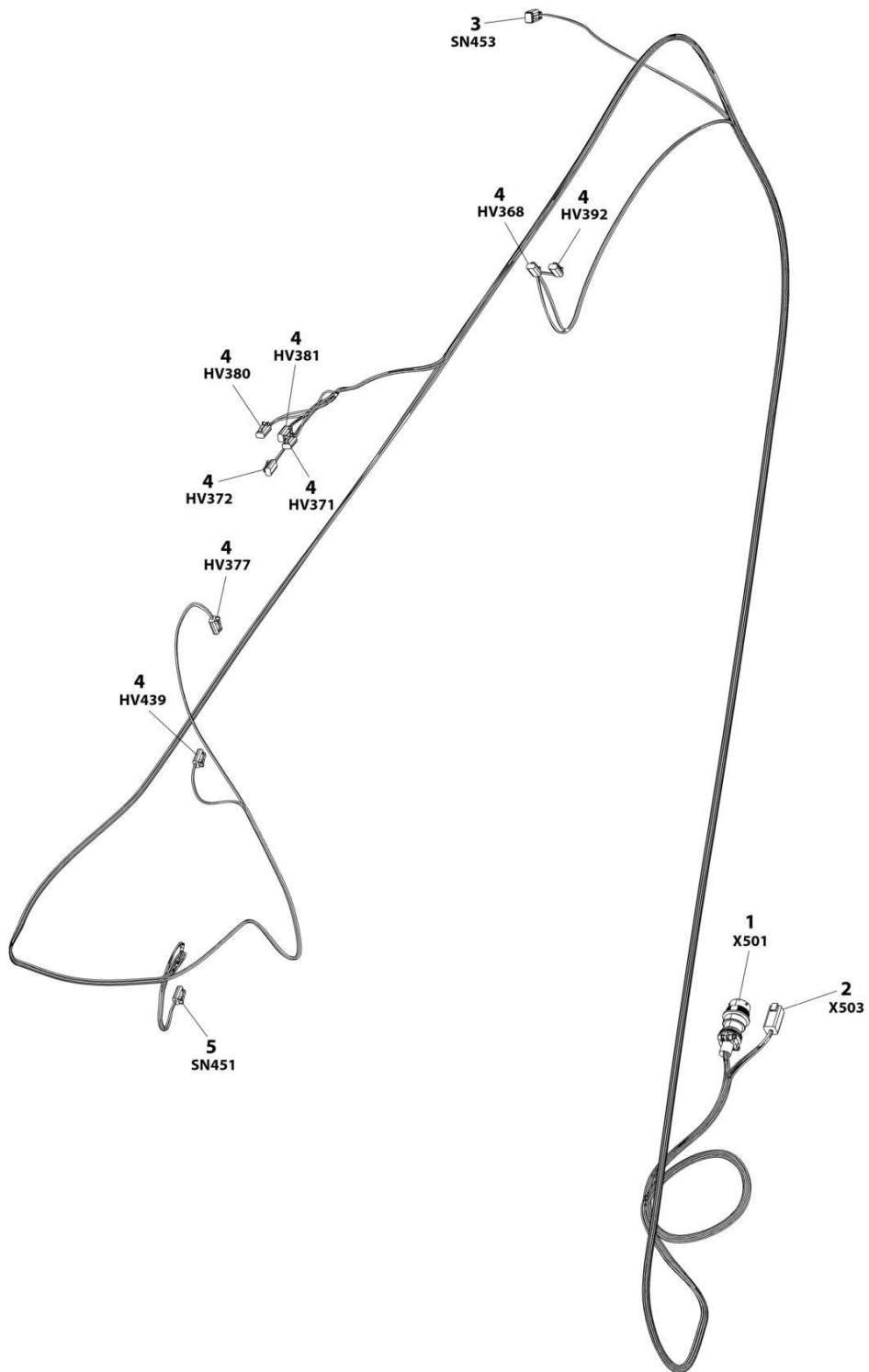
ITEM	PART NUMBER	QTY	DESCRIPTION	REV
	1001244293	Ref	TURNTABLE HARNESS	D
1	1001117070	1	Fuseholder with 30Amp Fuse	
1	See Note	1	Fuse 30Amp (Note: Not Available - Purchase Locally)	
1	1001116734	2	Terminal, Female	
2	4460967	1	Connector - 3 Position	
2	4460465	3	Socket, Female	
3	4460247	1	Terminal, Ring	
4	8220045	2	Terminal, Ring	
5	4460742	2	Plug, Male - 2 Position	
5	4460743	4	Socket, Female	
5	4460458	4	Seal, Terminal	
6	4460899	1	Receptacle, Female - 6 Position	
6	4460464	3	Pin, Male	
6	4460943	2	Pin, Male	
6	4460466	1	Plug, Terminal	
7	4460931	1	Receptacle, Female	
7	4460464	5	Pin, Male	
7	4460466	3	Plug, Terminal	
8	4460865	1	Connector - 19 Position	
8	4460465	6	Socket, Female	
8	4460509	2	Socket, Female	
8	4460466	11	Plug, Terminal	
8	1321647	1	Clamp	
9	4460894	5	Plug, Male - 6 Position	
9	4460465	24	Socket, Female	
9	4460466	6	Plug, Terminal	
10	4460884	3	Plug, Male - 4 Position	
10	4460465	8	Socket, Female	
10	4460466	4	Plug, Terminal	
11	1001103012	1	Connector - 4 Position	
11	1001107854	4	Socket, Female	
11	1001104498	4	Seal, Terminal	
12	4460930	1	Plug, Male - 8 Position	
12	4460465	6	Socket, Female	
12	4460466	2	Seal, Terminal	
13	4460874	1	Connector - 35 Position	
13	4460871	21	Socket, Female	
14	4460905	14	Plug, Terminal	
14	4460836	2	Connector - 12 Position	
14	4460465	16	Socket, Female	
14	4460466	8	Plug, Terminal	
14	4460837	2	Bussbar - 12 Position	
15	1001112612	1	Connector - 9 Position	
15	4460464	3	Pin, Male	
15	4460943	2	Pin, Male (Gold)	
15	4460466	4	Plug, Terminal	
16	4460761	1	Receptacle, Female - 4 Position	
16	4460267	4	Pin, Male	
17	2400060	1	Holder, Fuse	
17	8229242	1	Fuse 5Amp	

SECTION 8 - ELECTRICAL

ITEM	PART NUMBER	QTY	DESCRIPTION	REV
18	1001113961	1	Plug, Male - 8 Position	
18	4460871	5	Socket, Female	
18	4460905	3	Plug, Terminal	
19	4460878	1	Plug, Male - 4 Position	
19	4460887	4	Terminal	
20	4460933	2	Plug, Male - 12 Position	
20	4460465	12	Socket, Female	
20	4460466	11	Plug, Terminal	
20	1001125677	2	Bussbar - 12 Position	
20	1001120328	2	Clip, Mounting	
21	4460891	1	Plug, Male - 2 Position	
21	4460465	2	Socket, Female	
22	4460873	1	Connector - 35 Position	
22	4460871	28	Socket, Female	
22	4460905	7	Plug, Terminal	
23	1001185964	1	Fuse Box Assembly	
23	8229244	2	Fuse 15Amp	
23	8229242	4	Fuse 5Amp	
23	1001196635	1	Fuse 3Amp	
23	1001129285	2	Fuse with Diode	
23	1001095704	1	Relay	
23	1001116728	14	Terminal, Female	
23	8220125	9	Terminal, Female	
23	4460748	25	Plug, Terminal	
23	4460458	14	Seal, Terminal	
23	80963067	9	Seal, Cable	
24	4460806	4	Terminal, Fork	
25	4460142	3	Terminal, Ring	
26	4460260	2	Housing, Terminal	
26	4460259	2	Terminal	
27	1001237667	1	Connector - 6 Position	
27	1001237668	5	Socket, Female	

SECTION 8 - ELECTRICAL

FIGURE 8-45. VALVE HARNESS - BOOM VALVE



ART_1001164738

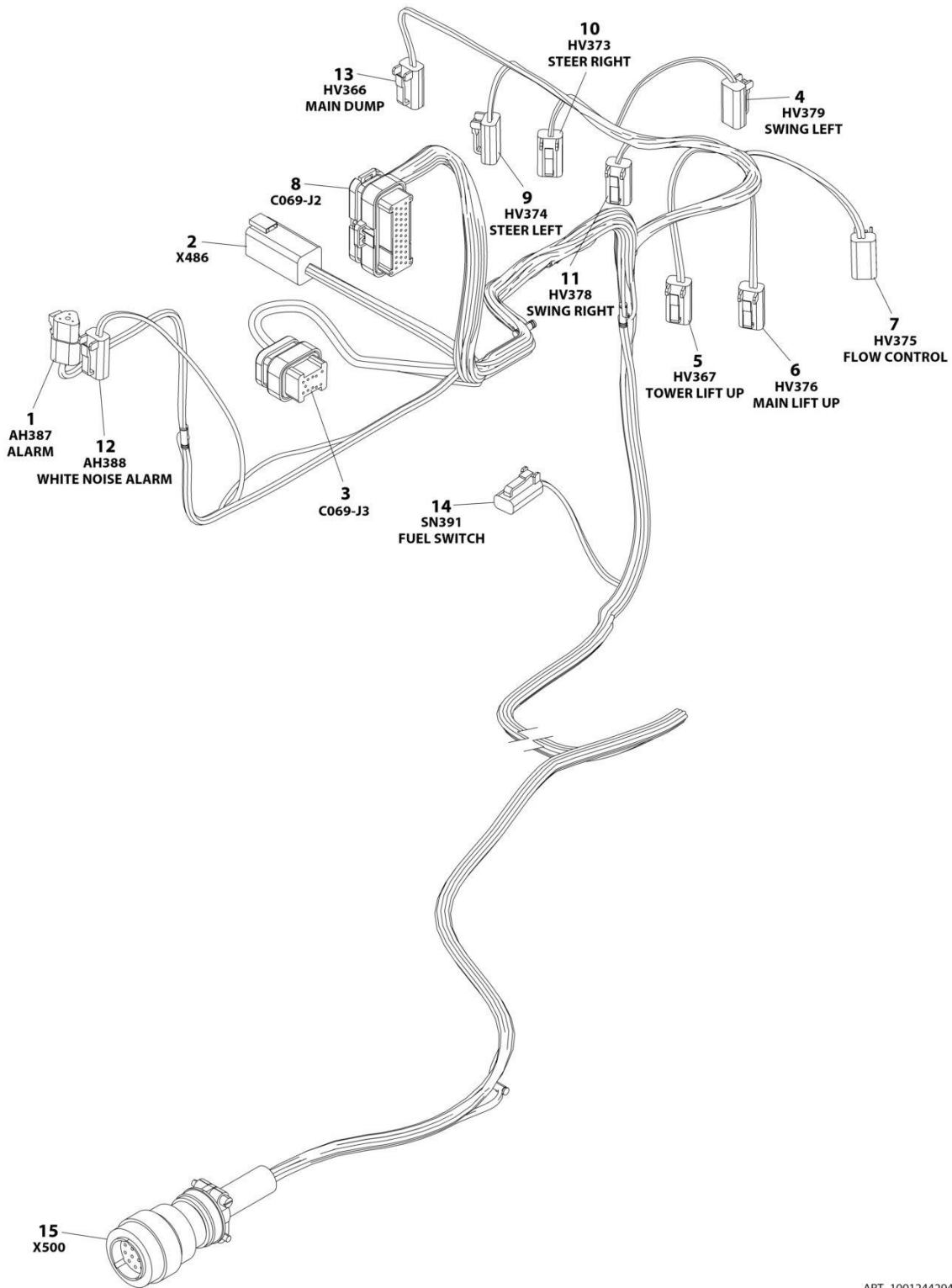
SECTION 8 - ELECTRICAL

FIGURE 8-45. VALVE HARNESS - BOOM VALVE

ITEM	PART NUMBER	QTY	DESCRIPTION	REV
	1001164738	Ref	BOOM VALVE HARNESS	I
1	1001156541	1	Connector - 19 Position	
1	4460464	13	Pin, Male	
1	4460466	1	Plug, Terminal	
2	4460899	1	Connector - 6 Position	
2	4460464	6	Pin, Male	
3	4460884	1	Plug, Male - 4 Position	
3	4460465	2	Socket, Female	
3	4460466	2	Plug, Terminal	
4	4460891	8	Plug, Male - 2 Position	
4	4460465	16	Socket, Female	
5	1001230931	1	Plug, Male - 6 Position	
5	1001116748	6	Terminal	

SECTION 8 - ELECTRICAL

FIGURE 8-46. VALVE HARNESS - MAIN VALVE



ART_1001244294

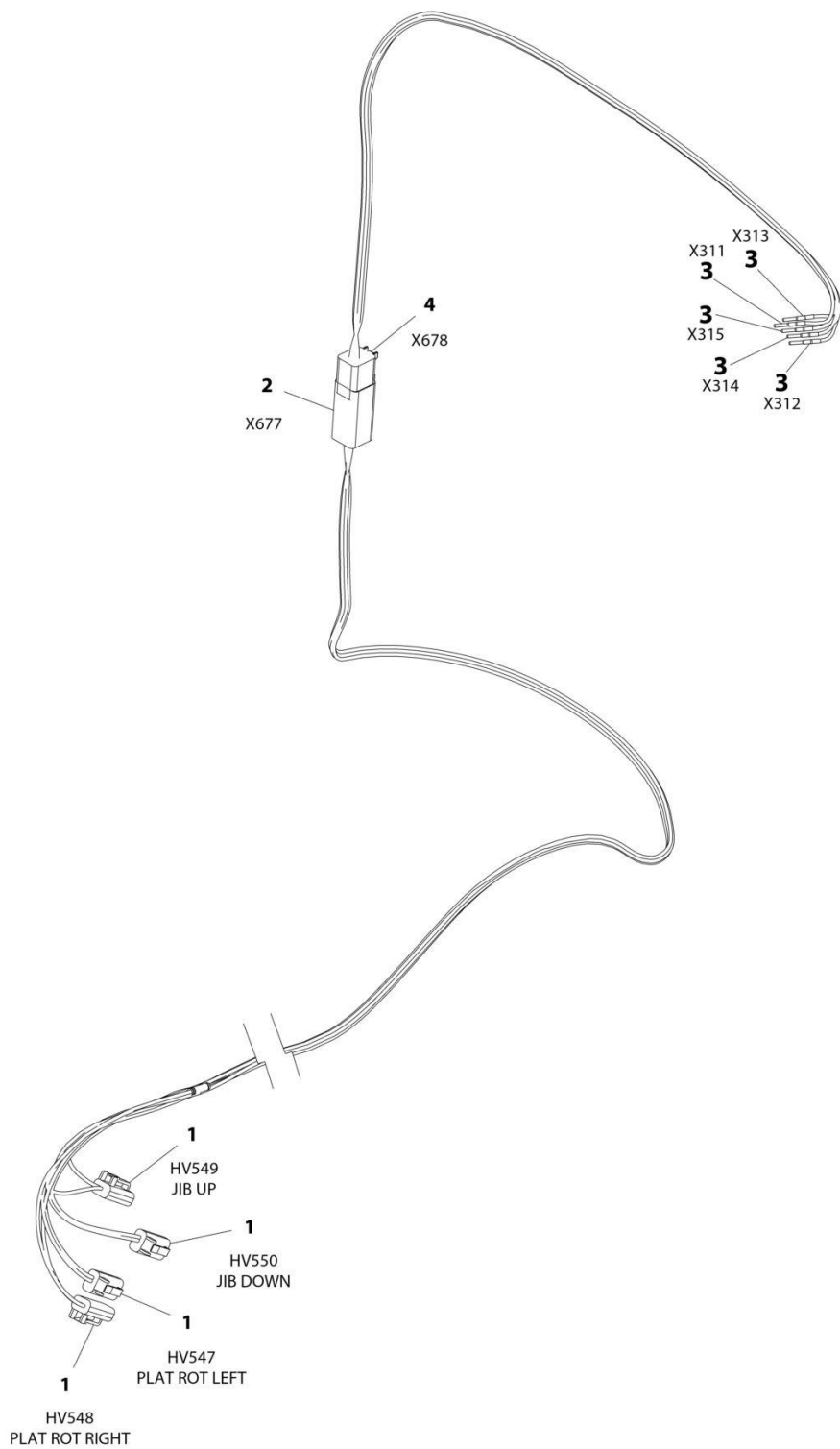
SECTION 8 - ELECTRICAL

FIGURE 8-46. VALVE HARNESS - MAIN VALVE

ITEM	PART NUMBER	QTY	DESCRIPTION	REV
	1001244294	Ref	TRACTION HARNESS	B
1	4460539	1	Plug, Male - 3 Position	
1	4460465	3	Socket, Female	
2	4460899	1	Connector - 6 Position	
2	4460464	4	Pin, Male	
2	4460466	2	Plug, Terminal	
3	4460872	1	Connector - 14 Position	
3	4460871	9	Terminal, Female	
3	4460905	5	Seal, Terminal	
4	4460891	1	Connector - 2 Position	
4	4460465	2	Socket, Female	
5	4460891	1	Connector - 2 Position	
5	4460465	2	Socket, Female	
6	4460891	1	Connector - 2 Position	
6	4460465	2	Socket, Female	
7	4460891	1	Connector - 2 Position	
7	4460465	2	Socket, Female	
8	4460875	1	Connector - 35 Position	
8	4460871	26	Socket, Female	
8	4460905	9	Plug, Terminal	
9	4460891	1	Plug, Male - 2 Position	
9	4460465	2	Socket, Female	
10	4460891	1	Connector - 2 Position	
10	4460465	2	Socket, Female	
11	4460891	1	Connector - 2 Position	
11	4460465	2	Socket, Female	
12	4460891	1	Connector - 2 Position	
12	4460465	2	Socket, Female	
13	4460891	1	Connector - 2 Position	
13	4460465	2	Socket, Female	
14	4460424	1	Connector - 2 Position	
14	4460268	2	Socket, Female	
15	4460754	1	Connector - 14 Position	
15	4460465	13	Socket, Female	
15	4460466	1	Plug, Terminal	

SECTION 8 - ELECTRICAL

FIGURE 8-47. VALVE HARNESS - PLATFORM VALVE



ART_1001164728

SECTION 8 - ELECTRICAL

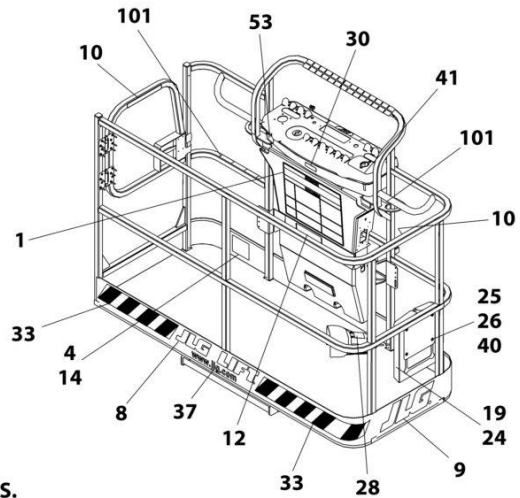
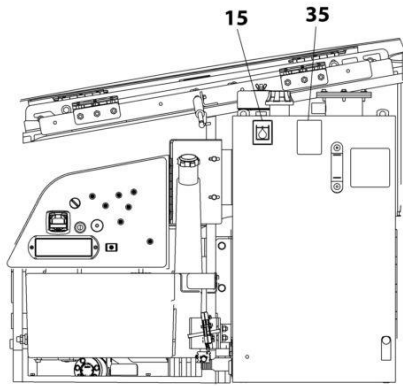
FIGURE 8-47. VALVE HARNESS - PLATFORM VALVE

ITEM	PART NUMBER	QTY	DESCRIPTION	REV
	1001164728	Ref	VALVE HARNESS - PLATFORM VALVE	D
1	4460891	4	Plug, Male - 2 Position	
1	4460465	8	Socket, Female	
2	4460899	1	Receptacle, Female - 6 Position	
2	4460464	5	Pin, Male	
2	4460466	1	Plug, Terminal	
3	4460465	5	Socket, Female	
4	4460894	1	Plug, Male - 6 Position	
4	4460465	5	Socket, Female	
4	4460466	1	Plug, Terminal	

SECTION 9 - DECALS

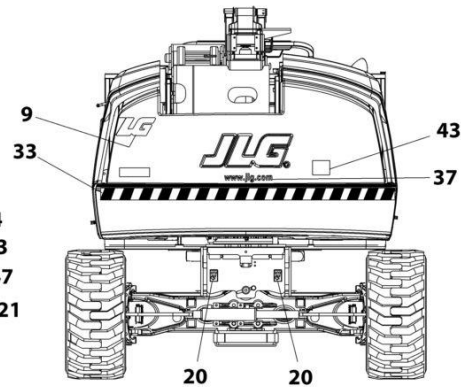
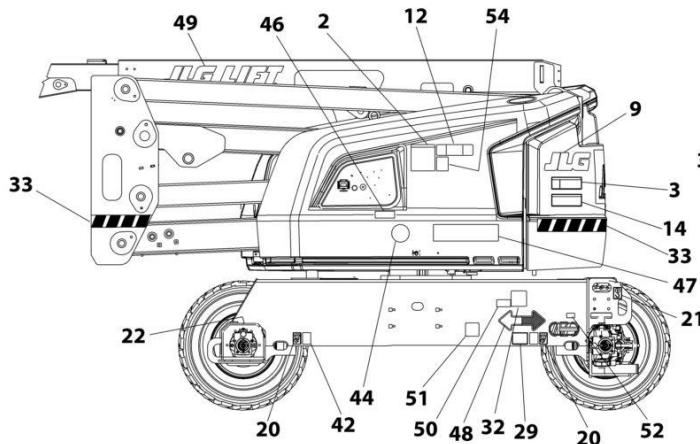
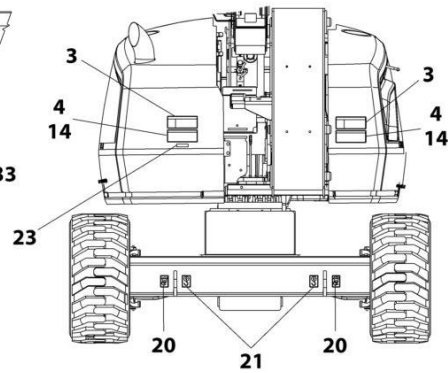
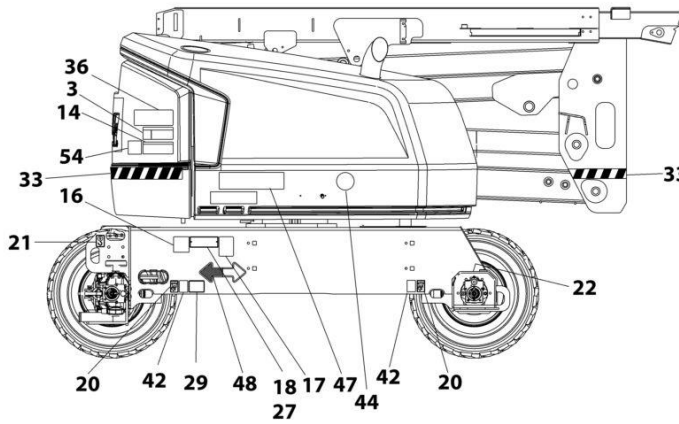
SECTION 9 - DECALS

FIGURE 9-1. DECAL INSTALLATION - AUSTRALIAN SPEC (ENGLISH)



NOTE: SOME DECALS ARE CALLED OUT ON OPTIONAL DECALS INSTALLATION.

NOTE: ITEMS SHOWN MAY NOT BE REQUIRED FOR ALL SPECS. REFER TO PARTS LIST FOR USAGE.



ART_1001162522

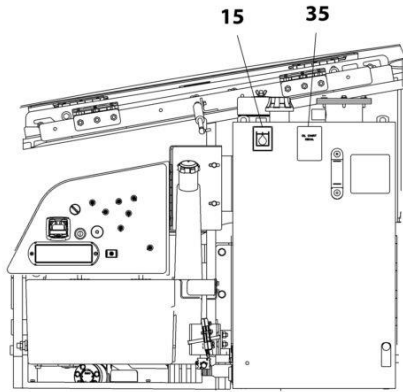
SECTION 9 - DECALS

FIGURE 9-1. DECAL INSTALLATION - AUSTRALIAN SPEC (ENGLISH)

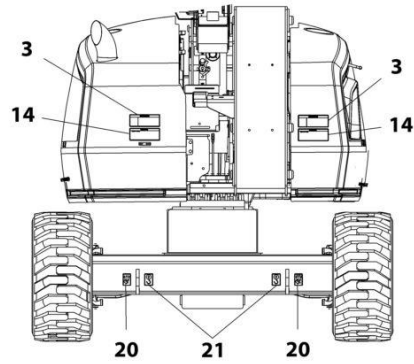
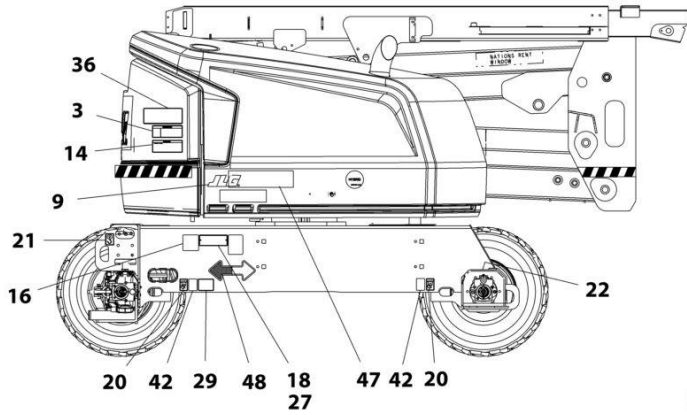
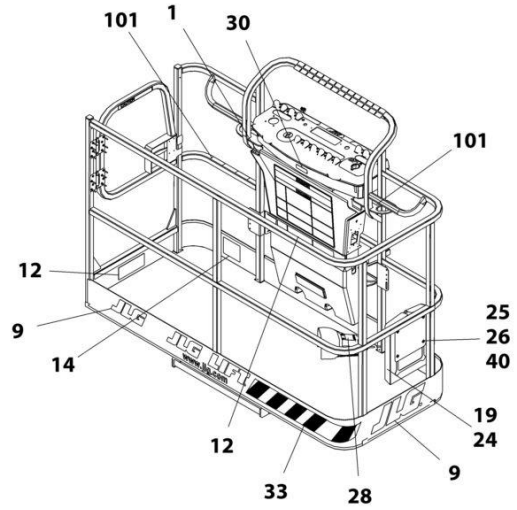
ITEM	PART NUMBER	QTY	DESCRIPTION	REV
	1001248008	Ref	DECAL INSTALLATION - REFERENCE CHART	C
	1001162522	Ref	DECAL INSTALLATION	I
1	1001162429	1	Decal - Tipping/Electrocution	
2	1705822	1	Decal - Electrocution/Safety Manual	
3	1705961	4	Decal - Danger Electrocution	
8		Ref	Decal, JLG (See DECAL INSTALLATION - OPTIONS)	
9		Ref	Decal, JLG (See DECAL INSTALLATION - OPTIONS)	
12	1001190913	2	Decal - Max Capacity	
14	1701518	6	Decal - Warning/Crushing	
15	1701504	1	Decal - Hydraulic Oil	
16	See Note	NSS	Decal - Bar Code (Note: Not Available for Purchase)	
18		Ref	Nameplate - Manufacturers Serial Number (See DECAL INSTALLATION - OPTIONS)	
19	1701509	1	Decal - Manual	
20	1702300	8	Decal - Tie Down /Lift	
21	1701500	4	Decal - Tie Down /Lift	
22	1703687	2	Decal - Arrow	
24	0860520	1	Box, Manual Storage	
25	4751400	4	Washer, 1/4	
26	3311405	4	Nut, Lock 1/4-20	
27	3820001	4	Rivet	
28	1705828	1	Decal - Footswitch	
29		Ref	Decal - Max Tire Load (See DECAL INSTALLATION - OPTIONS)	
33		Ref	Warning Stripes Installation (See DECAL INSTALLATION - OPTIONS)	
35	1704412	1	Decal - Hydraulic Fluid	
36	1001284875	1	Decal - Lift Diagram (Without Turntable Lock)	
36	1001223118	1	Decal - Lift Diagram (With Turntable Lock)	
37	1704885	2	Decal - Website	
40	0641406	4	Bolt, 1/4-20 x 3/4	
42	1701499	4	Decal - No Tie Down/Lift	
43	1001204510	1	Decal - Sound Power Level	
46	1001112551	1	Decal - Emergency Controls	
47		Ref	Decal - Model Designation (See DECAL INSTALLATION - OPTIONS)	
48	1701529	2	Decal - Arrow	
49		Ref	Decal, JLG (See DECAL INSTALLATION - OPTIONS)	
50		Ref	Decal - Emissions Compliance (See DECAL INSTALLATION - OPTIONS)	
100	1001232026	1	Decal - Platform Lanyard Kit (Not Shown)	
101	1704277	3	Decal - Attach Lanyard Here	

SECTION 9 - DECALS

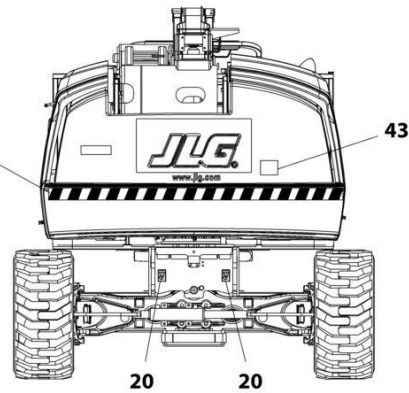
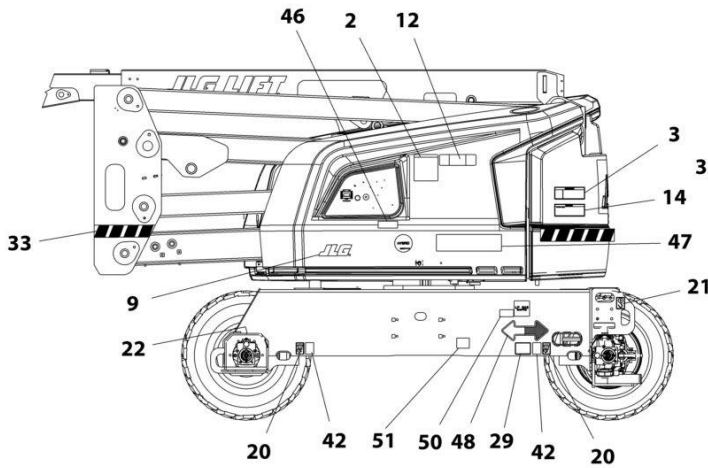
FIGURE 9-2. DECAL INSTALLATION - CE & UK CA SPEC (ENGLISH)



NOTE: SOME DECALS ARE CALLED OUT ON OPTIONAL DECALS INSTALLATION.



NOTE: ITEMS SHOWN MAY NOT BE REQUIRED FOR ALL SPECS. REFER TO PARTS LIST FOR USAGE.



ART_1001162528

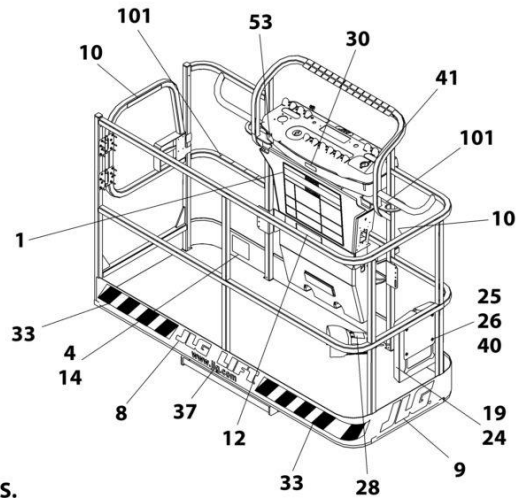
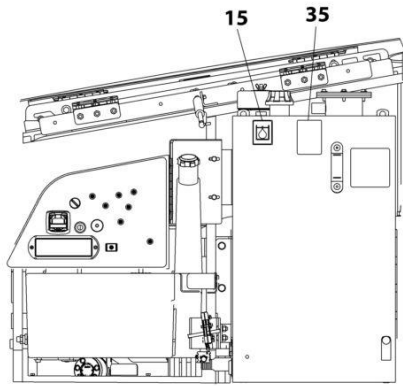
SECTION 9 - DECALS

FIGURE 9-2. DECAL INSTALLATION - CE & UK CA SPEC (ENGLISH)

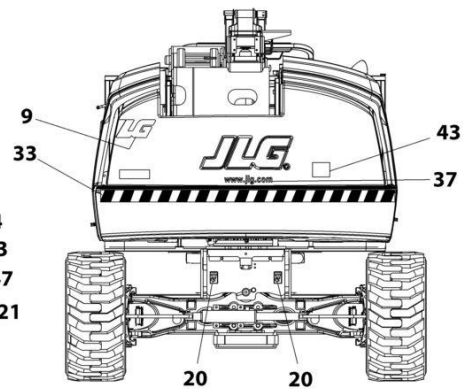
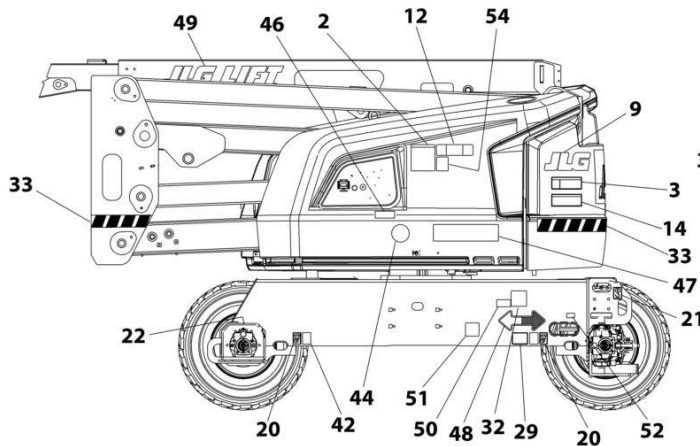
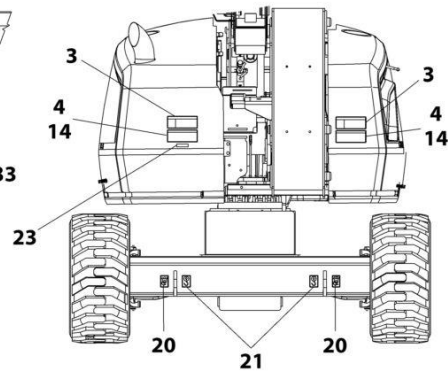
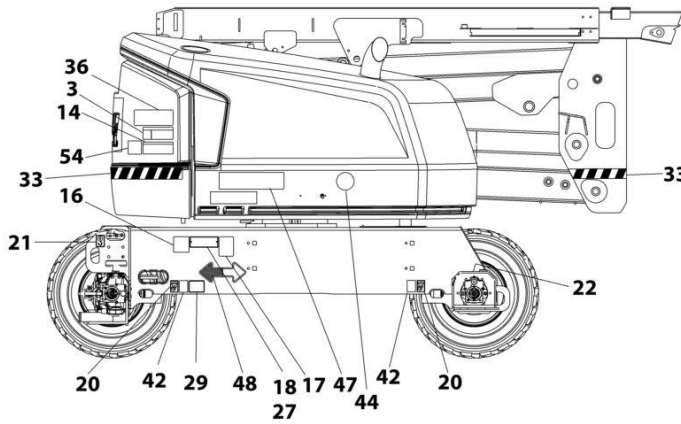
ITEM	PART NUMBER	QTY	DESCRIPTION	REV
	1001217904	Ref	DECAL INSTALLATION - REFERENCE CHART	G
	1001162528	Ref	DECAL INSTALLATION	J
1	1001162429	1	Decal - Tipping/Electrocution	
2	1705822	1	Decal - Electrocution/Safety Manual	
3	1705961	4	Decal - Danger Electrocution	
9	1702773	3	Decal - JLG	
12	1001190913	1	Decal - Max Capacity	
14	1701518	6	Decal - Warning/Crushing	
15	1701504	1	Decal - Hydraulic Oil	
16	See Note	NSS	Decal - Bar Code (Note: Not Available for Purchase)	
19	1701509	1	Decal - Manual	
20	1702300	8	Decal - Tie Down /Lift	
21	1701500	4	Decal - Tie Down /Lift	
22	1703687	2	Decal - Arrow	
24	0860520	1	Box, Manual Storage	
25	4751400	4	Washer, 1/4	
26	3311405	4	Nut, Lock 1/4-20	
27	3820001	4	Rivet	
28	1705828	1	Decal - Footswitch	
35	1704412	1	Decal - Hydraulic Fluid	
36	1001172217	1	Decal - Lift Diagram (Without Turntable Lock)	
36	1001223118	1	Decal - Lift Diagram (With Turntable Lock)	
40	0641406	4	Bolt, 1/4-20 x 3/4	
42	1701499	4	Decal - No Tie Down/Lift	
43	1001204510	1	Decal - Sound Power Level	
46	1001189882	1	Decal - MSSO	
48	1701529	2	Decal - Arrow	
100	1001232026	1	Decal - Platform Lanyard Kit (Not Shown)	
101	1704277	3	Decal - Attach Lanyard Here	

SECTION 9 - DECALS

FIGURE 9-3. DECAL INSTALLATION - CHINESE SPEC (CHINESE/ENGLISH)



NOTE: SOME DECALS ARE CALLED OUT ON OPTIONAL DECALS INSTALLATION.
NOTE: ITEMS SHOWN MAY NOT BE REQUIRED FOR ALL SPECS. REFER TO PARTS LIST FOR USAGE.



ART_1001246206

SECTION 9 - DECALS

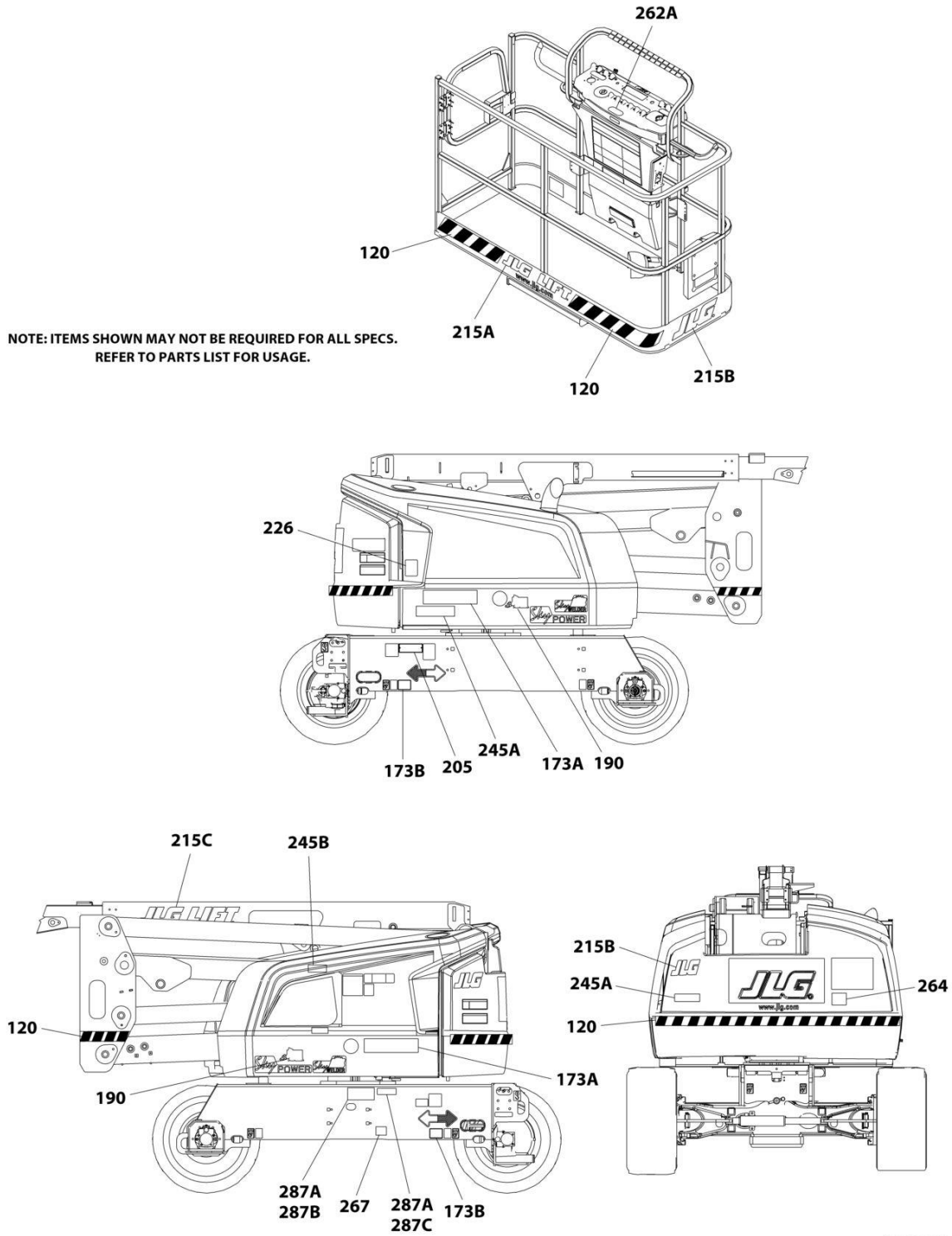
FIGURE 9-3. DECAL INSTALLATION - CHINESE SPEC (CHINESE/ENGLISH)

ITEM	PART NUMBER	QTY	DESCRIPTION	REV
	1001248008	Ref	DECAL INSTALLATION - REFERENCE CHART	C
	1001256206	Ref	DECAL INSTALLATION	B
1	1703925	1	Decal - Danger/Warning	
2	1001116849	1	Decal - Warning Inspection	
3	1703937	4	Decal - Danger Electrocution	
4	1703949	4	Decal - Warning/Crushing	
8		Ref	Decal, JLG (See DECAL INSTALLATION - OPTIONS)	
9		Ref	Decal, JLG (See DECAL INSTALLATION - OPTIONS)	
10	1705968	2	Decal - No Hands	
12	1001255514	2	Decal - Max Capacity	
14	1703943	2	Chinese Spec Decals (Chinese/English)	
15	1701504	1	Decal - Hydraulic Oil	
16	See Note	NSS	Decal - Bar Code (Note: Not Available for Purchase)	
18		Ref	Nameplate - Manufacturers Serial Number (See DECAL INSTALLATION - OPTIONS)	
19	1701509	1	Decal - Manual	
20	1702300	8	Decal - Tie Down /Lift	
21	1701500	4	Decal - Tie Down /Lift	
22	1703687	2	Decal - Arrow	
24	0860520	1	Box, Manual Storage	
25	4751400	4	Washer, 1/4	
26	3311405	4	Nut, Lock 1/4-20	
27	3820001	4	Rivet	
28	1703982	1	Decal - Footswitch	
29		Ref	Decal - Max Tire Load (See DECAL INSTALLATION - OPTIONS)	
33		Ref	Warning Stripes Installation (See DECAL INSTALLATION - OPTIONS)	
35	1704412	1	Decal - Hydraulic Fluid	
36	1001284875	1	Decal - Lift Diagram	
37	1704885	2	Decal - Website	
40	0641406	4	Bolt, 1/4-20 x 3/4	
41	1705430	1	Decal - Drive/Steer	
42	1701499	4	Decal - No Tie Down/Lift	
47		Ref	Decal - Model Designation (See DECAL INSTALLATION - OPTIONS)	
48	1701529	2	Decal - Arrow	
49		Ref	Decal, JLG (See DECAL INSTALLATION - OPTIONS)	
50		Ref	Decal - Emissions Compliance (See DECAL INSTALLATION - OPTIONS)	
51	1001224050	1	Decal - Yearly Inspection	
100	1001232026	1	Decal - Platform Lanyard Kit (Not Shown)	
101	1704277	3	Decal - Attach Lanyard Here	

SECTION 9 - DECALS

FIGURE 9-4. DECAL INSTALLATION - OPTIONS

NOTE: ITEMS SHOWN MAY NOT BE REQUIRED FOR ALL SPECS.
REFER TO PARTS LIST FOR USAGE.



ART_DECAL_OPTIONS

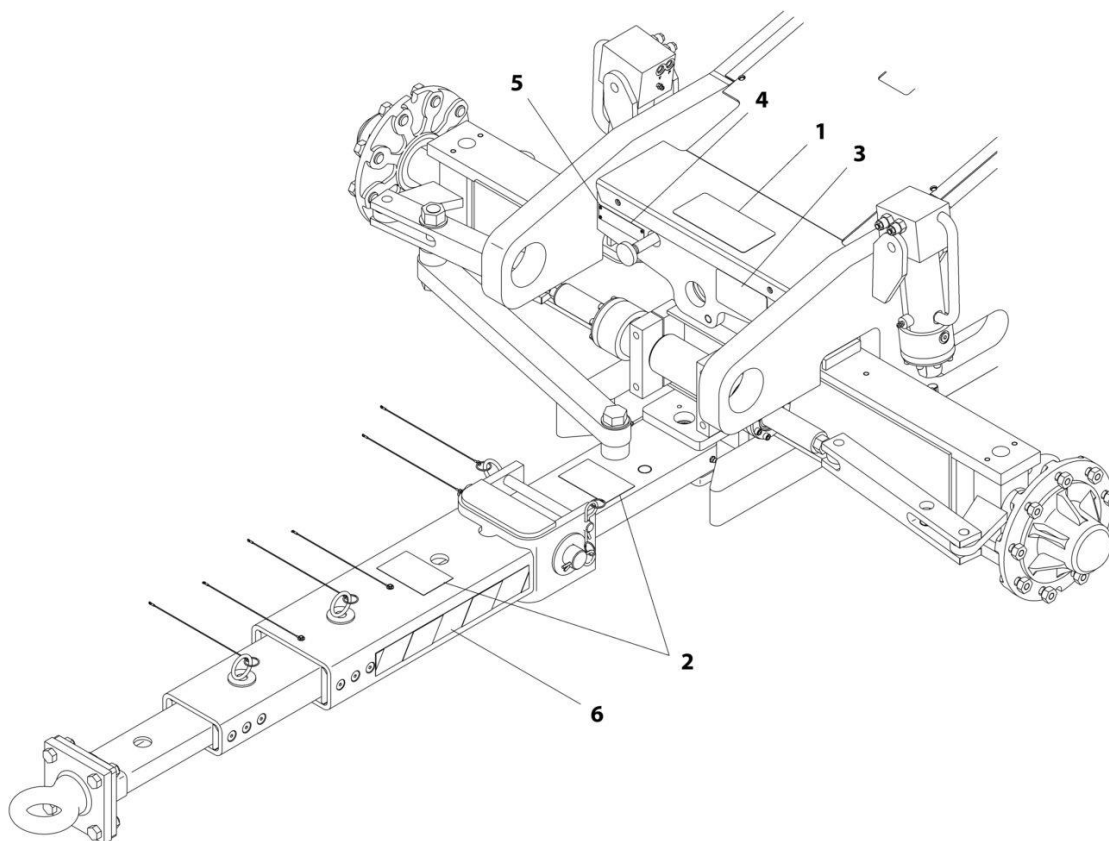
SECTION 9 - DECALS

FIGURE 9-4. DECAL INSTALLATION - OPTIONS

ITEM	PART NUMBER	QTY	DESCRIPTION	REV
	1001248008	Ref	DECAL INSTALLATION - REFERENCE CHART (ALL SPECS EXCEPT CE SPECS)	B
	1001217904	Ref	DECAL INSTALLATION - REFERENCE CHART (CE & UK CA SPECS)	E
	1001247248	Ref	DECAL INSTALLATION - OPTIONS	
120	1001188883	Ref	Warning Stripes Installation	A
120	4420051	21.5 ft /6.55m	Tape, Safety	
173	1001173076	Ref	Model Decal Installation - 520AJ	D
173A	1001267313	2	Decal - 520AJ	
190	1705358	2	Decal - SkyGlazier (Australian Specs)	
205	See Note	1	Nameplate - Manufacturers Serial Number (Note: Not Available for Purchase)	
	1001166085	Ref	JLG Logo Installation	C
215A	1702774	1	Decal - JLG Lift (3in)	
215B	1702773	1	Decal - JLG	
215C	1702860	1	Decal - JLG Lift (5in)	
226	1706098	1	Decal - Warning Explosion/Fire)	
245	1001127096	Ref	Decal - ClearSky	
245A	1001116208	2	Decal - ClearSky	
245B	1001120989	1	Decal - Radio Frequency	
262A	1001141300	1	Decal - SkyGuard Override	
264	1001204510	1	Decal - Sound Power (102 Db)	
264	1001130492	1	Decal - Sound Power (105 Db)	
267	1001200131	1	Decal - Quick Start Reference (Loxam Rental) (Danish Spec)	
267	1001200129	1	Decal - Quick Start Reference (Loxam Rental) (Dutch Spec)	
267	1001181145	1	Decal - Quick Start Reference (Loxam Rental) (English Spec)	
267	1001200128	1	Decal - Quick Start Reference (Loxam Rental) (French Spec)	
267	1001200130	1	Decal - Quick Start Reference (Loxam Rental) (German Spec)	
267	1001200134	1	Decal - Quick Start Reference (Loxam Rental) (Norwegians Spec)	
267	1001200133	1	Decal - Quick Start Reference (Loxam Rental) (Spanish Spec)	
267	1001200132	1	Decal - Quick Start Reference (Loxam Rental) (Swedish Spec)	
287	1001239371	Ref	Eco Label Installation	A
287A	3820001	8	Rivet	
287B	1001232904	1	Decal - Eco Label	
287C	1001236396	1	Nameplate - Mein Code	

SECTION 9 - DECALS

FIGURE 9-5. TOW BAR DECAL INSTALLATION - ENGLISH LANGUAGE (ANSI EXPORT, CE, CIS/EAC & UK CA SPECS)



ART_0270115

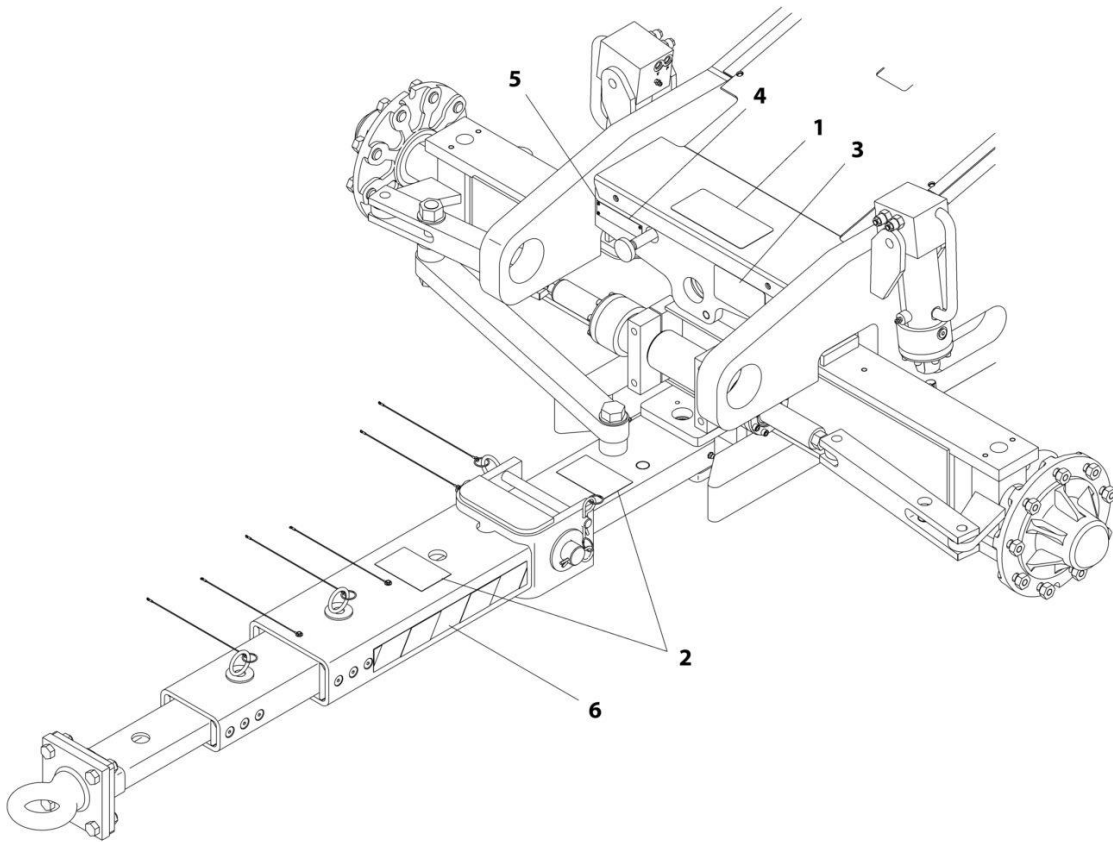
SECTION 9 - DECALS

FIGURE 9-5. TOW BAR DECAL INSTALLATION - ENGLISH LANGUAGE (ANSI EXPORT, CE, CIS/EAC & UK CA SPECS)

ITEM	PART NUMBER	QTY	DESCRIPTION	REV
	0270115	Ref	TOW BAR DECAL INSTALLATION	A
1	1704482	1	Decal - Tow Instructions	
2	1704578	3	Decal - Crushing	
3	1703450	1	Decal - Warning	
4	3250872	1	Nameplate - Steer/Tow Select Valve	
5	3820001	4	Rivet	
6	4420051	43 in /109.2cm	Tape, Safety	

SECTION 9 - DECALS

FIGURE 9-6. TOW BAR DECAL INSTALLATION - SPANISH LANGUAGE (CE, CIS/EAC & UK CA SPECS)



ART_0270116

SECTION 9 - DECALS

FIGURE 9-6. TOW BAR DECAL INSTALLATION - SPANISH LANGUAGE (CE, CIS/EAC & UK CA SPECS)

ITEM	PART NUMBER	QTY	DESCRIPTION	REV
	0270116	Ref	TOW BAR DECAL INSTALLATION	A
1	1704455	1	Decal - Tow Instructions	
2	1701518	3	Decal - Crushing	
3	1704456	1	Decal - Warning	
4	3252692	1	Nameplate - Steer/Tow Select Valve	
5	3820001	4	Rivet	
6	4420051	43 in /109.2cm	Tape, Safety	

SECTION 10 - RECOMMENDED SERVICE PARTS STOCK

SECTION 10 - RECOMMENDED SERVICE PARTS STOCK

SECTION 10 - RECOMMENDED SERVICE PARTS STOCK

FIGURE 10-1. RECOMMENDED SERVICE PARTS STOCK

ITEM	PART NUMBER	QTY	DESCRIPTION	REV
		Ref	Note: The following list will service one machine (built to current production per date on the front cover) with emergency repair parts which can be installed in the field. Parts from the list should be replaced when inventory is depleted to keep service parts stock supplied. For further information, contact your JLG dealer or the JLG Industries Parts Department.	
	7024485	1	Breaker, Circuit 30Amp (7500W/50HZ Generator)	
	1001181045	1	Breaker, Combination 16Amp/30mAmp (Breaker Box with Single Breaker)	
	1001189172	1	Breaker 16Amp Double (Breaker Box with Three Breakers)	
	1001189171	1	Breaker, 30mA (Breaker Box with Three Breakers)	
	4360070	1	Circuit Breaker - 15Amp (7500W/50HZ Generator)	
	7024885	1	Coil (Traction Valve)	
	70002386	1	Coil (Traction, & Main Control Valves)	
	70005219	1	Coil (Main Control Valve)	
	70003788	1	Coil (Main Control Valve)	
	70004897	1	Coil (Piston Pump)	
	70004871	1	Coil (Upright & Boom Valves)	
	7027628	1	Coil (Upright Valve)	
	1001212415	1	Controller Assembly (Drive and Steer)	
	1001129555	1	Controller Assembly (Lift and Swing)	
	4360407	1	Controller, Speed (Platform Controls)	
	70010383	1	Element, Filter (Charge Pump)	
		Ref	Engine - Deutz D2011	
	70003783	12	Element, Air Cleaner	
	7020023	12	Filter, Fuel	
	70003463	12	Filter, Fuel - RME Resistant	
	7016331	12	Filter, Oil	
	3740140	1	Relay, 100Amp	
		Ref	Engine - Deutz D2.9L4 (Stage V)	
	70003783	12	Element, Air Cleaner	
	70025161	12	Filter, Fuel	
	70025153	12	Filter, Fuel Pre	
	7016331	12	Filter, Oil	
	1001197719	2	Fuse 0.5 Watt	
	1001196634	2	Fuse - 2 Amp	
	1001117308	1	Relay, 200Amp	
	1001138228	1	Relay, Power Module	
	70003614	12	Filter Kit (Includes Hydraulic Element, Breather Element and Gasket) (Hydraulic Tank)	
	1001117174	1	Footswitch Assembly	
	8229249	2	Fuse, 3 Amp (USB Charger)	
	8229245	2	Fuse 30Amp (2500W/50HZ Generator)	
	8229242	2	Fuse 5Amp (Turntable Harness)	
	8229244	2	Fuse 15Amp (Turntable HHarness)	
	1001196635	2	Fuse 3Amp (Turntable Harness)	
	1001129285	2	Fuse with Diode (Turntable Harness)	
	2860030	1	Key, Replacement	
	2940074	1	Latch (Platforms with Side Entry)	
	1001170094	1	Module, Ground Control	

SECTION 10 - RECOMMENDED SERVICE PARTS STOCK

ITEM	PART NUMBER	QTY	DESCRIPTION	REV
	1001142683	1	Module, Control (Blue and Red Beacons)	
	1001118412	1	Module, Control (Platform Console Box)	
	70006553	1	Relay (4000W/50HZ Generator)	
	1001186431	1	Relay (SkyGuard)	
	3740086	1	Relay (SkyLine)	
	1001095704	1	Relay, (Turntable Harness)	
	1001219601	1	Sensor (At Ground Controls)	
	1001228225	1	Sensor, Emitter (SkyEye)	
	1001228224	1	Sensor, Receiver (SkyEye)	
	1001232667	1	Sensor, Proximity (SkyLine)	
	1001237902	1	Sensor (SkySense)	
	1001118971	1	Sensor, Angle (Boom)	
	1001119176	1	Switch, Limit (Drive Orientation)	
	4360469	1	Switch, Key (Ground Controls)	
	4360475	1	Switch, Emergency Stop (Ground & Platform Controls)	
	4360476	1	Switch, Contact Block (Ground & Platform Controls)	
	1001155045	1	Switch, Toggle (Ground & Platform Controls)	
	4360387	1	Switch, Push Button (Ground & Platform Controls)	
	4360274	1	Switch, Push Button (Ground Controls)	
	4360336	1	Switch, Toggle (Generator)	
	1001159256	1	Switch, Toggle (Platform Controls)	
	1001161709	1	Switch, Toggle (Platform Controls)	
	1001137673	1	Switch, Bar (SkyGuard)	
	1001172271	1	Switch, Limit (Boom)	

SECTION 11 - SPECIAL OPTIONS/ACCESORIES/KITS

SECTION 11 - SPECIAL OPTIONS/ACCESORIES/KITS

SECTION 11 - SPECIAL OPTIONS/ACCESORIES/KITS

FIGURE 11-1. SPECIAL OPTIONS

ITEM	PART NUMBER	QTY	DESCRIPTION	REV
	Note	Ref	Note: This list is to accommodate machines ordered with special equipment. Options may not be applicable to all models. For more specific parts information contact JLG Parts Department.	
		Ref	SPECIAL OPTIONS/ACCESSORIES/KITS	
	1001174661	Ref	Airline Installation	
	1001236123	Ref	Boom Wiper Cover Installation	
	1001172045	Ref	Cable Carrier Tray Installation	
		Ref	ClearSky Telematics (Factory Installed)	
	1001228960	Ref	ClearSky (Telematics) Installation (Factory Installed) 3G Canbus Connection (ANSI Export, CE & UK CA Specs)	
	1001227278	Ref	ClearSky (Telematics) Installation (Factory Installed) 4G Canbus Connection (All Specs)	
	1001233237	Ref	ClearSky (Telematics) Installation (Factory Installed) 3-Wire Connection (CE Specs)	
	1001246433	Ref	ClearSky (Telematics) Installation (Factory Installed) 3-Wire Connection (Australian Specs)	
	1001246434	Ref	ClearSky (Telematics) Installation (Factory Installed) 3-Wire Connection (China Specs)	
		Ref	ClearSky (Telematics) Installations (Dealer Installed)	
	1001243183	Ref	ClearSky (Telematics) Added-on Kit (Dealer Installed) (ANSI Export, CE & UK CA Specs)	
	1001243184	Ref	ClearSky (Telematics) Added-on Kit (Dealer Installed) (CE & UK CA Specs)	
	1001242639	Ref	ClearSky (Telematics) Access Control Installation Kit (Dealer Installed) (ANSI, ANSI Export, CSA, CE & UK CA Specs)	
	1001246142	Ref	ClearSky (Telematics) Service Kit (Dealer Installed) (Australian Specs)	
	1001174766	Ref	Cold Weather Package - Deutz D2.9L4 Engines (Stage V)	
	1001255807	Ref	Cold Weather Package - Deutz D2.9L4 Engines (Stage V)	
	1001174767	Ref	Cold Weather Package - Deutz D2011 Engines	
	1001186976	Ref	Cold Weather Transformer Installation (Required with Deutz D2011 Engines)	
	0272031	Ref	Container/Transport Wheels Installation - 33/1550 x 16.5 Tires	
	1001233047	Ref	Crankcase Breather Heater Kit	
	70006428	Ref	Drive Hub Bearing and Seal Kit (For Hub Assembly 2780267 & 2780268)	
	70006429	Ref	Drive Hub Seal Kit (For Hub Assembly 2780267 & 2780268)	
	1001243331	Ref	Fan Cover Installation - Deutz D2011 Engines	
	1001172751	Ref	Fan Guard Installation - Deutz D2.9L4 Engines (Stage V) (CE & UK CA Specs)	
		Ref	Filter Kits:	
	1001139099	Ref	Fire Extinguisher Installation	
	1001202749	Ref	Fuel Cap Cover (Black)	
	1001220003	Ref	Ground Control and UGM Covers Kit	
	1001258231	Ref	Hydraulic Load Installation (Deutz D2011, Deutz D2.9L4 and Stage V Engines)	
	1001265688	Ref	Hydraulic Tank Lock Instalaltion	
	1001172001	Ref	Lights Installation - Headlights and Taillights	
	1001120466	Ref	Lights Installation - Platform Worklights	
	1001183407	Ref	Low Temperature Cutout Installation (Russian Specs)	
	1001253618	Ref	Module Box Assembly Kit (Service Kit for P/N 1001246867)	
	1001253619	Ref	Module Box Assembly Kit (Service Kit for P/N 1001246860)	

SECTION 11 - SPECIAL OPTIONS/ACCESORIES/KITS

ITEM	PART NUMBER	QTY	DESCRIPTION	REV
	1001173664	Ref	Oil Cooler Installation - Deutz D2011 Engines	R
	1001164493	Ref	Oil Cooler Installation - Deutz D2.9L4 Engines (Stage V)	
	1001236122	Ref	Platform Console Cover Installation (Plastic)	
	1580013	Ref	Platform Corner Storage Tray	
	1001267283	Ref	Platform Hose/Cable Protection	
	1001238421	Ref	Platform Leveling Kit	
	1001209059	Ref	Platform Work Surface Installation	
	1001233080	Ref	Pump Rotation Kit (Re-orient Gear Pump 90 Degrees)	
	1001247800	Ref	Quad Tracks Replacement Kit	
	1001204110	Ref	Service Kits	
	1001247073	Ref	SkyEye Retrofit Kit	
	1001241547	Ref	SkyEye LH Housing Retrofit Kit	
	1001241548	Ref	SkyEye RH Retrofit Kit	
	1001250595	Ref	SkyGuard 6 Pin Retrofit Kit	
	1001203510	Ref	SkyGuard - Without Beacon	
	1001203511	Ref	SkyGuard Beacon Kit (Blue Light)	
	1001210036	Ref	SkyGuard Beacon Kit (Red Light)	
	1001250035	Ref	SkyGuard Platform Sensor Kit	
	1001249052	Ref	SkyGuard Retrofit Kit	
	1001262016	Ref	SkyLine Kit	
	1001250465	Ref	SkySense (EDS) Level 1 Booms Installation (Factory Installed)	
	1001250466	Ref	SkySense (EDS) Level 2 Booms Installation (Factory Installed)	
	1001252033	Ref	SkySense Enhanced Detection System (EDS) Level 1 (2-Bar) Add-on Kit (Dealer Installed)	
	1001252034	Ref	SkySense Enhanced Detection System (EDS) Level 2 (3-Bar) Add-on Kit (Dealer Installed)	
		Ref	Tools:	
	1001249695	Ref	Analyzer and Cable Kit	
	1001249941	Ref	Analyzer and Cable Kit (Battery Powered)	
	1001206436	Ref	Turntable Bearing Kit	
	1001270716	Ref	White Noise Alarm Add-on Kit (Dealer Installed)	
	1001270755	Ref	White Noise Alarm (Ambient) Add-on Kit (Dealer Installed)	

SECTION 11 - SPECIAL OPTIONS/ACCESORIES/KITS

PART NUMBER INDEX

SECTION 11 - SPECIAL OPTIONS/ACCESORIES/KITS

0080231.....144	0641418.....223, 231	185, 188, 196, 207,	1001096653.....43
0100009.....235	0641420.....227	329, 334, 338	1001097051.....389
0100011....15, 17, 19, 21,	0641504.....47, 97	0760814 ... 106, 110, 144,	1001097150.....349, 351,
23, 33, 43, 47, 53, 65,	0641514.....265, 267	160, 165, 167, 334, 338	353
67, 69, 71, 75, 77, 79,	0641605.....53	0760815.....144, 160	1001097244.....273
81, 88, 97, 99, 101,	0641610.....173, 233	0761010.....53, 75	1001098122.....249, 373
106, 110, 113, 115,	0641616....187, 191, 195	0761011.....17, 19	1001098828.....213
117, 119, 127, 135,	0641812.....141, 157	0761012 ... 203, 329, 334,	1001100231.....367
139, 141, 144, 153,	0642012.....259	338	1001100341.....377
157, 160, 165, 167,	0681608.....213	0761014 ... 106, 110, 115,	1001100342.....379
187, 191, 195, 203,	0681620.....269, 271	119, 127, 153, 160, 213	1001100345.....381
207, 209, 213, 215,	0681810.....21, 23	0761015 ... 127, 135, 139,	1001100346.....385
223, 227, 231, 255,	0682014.....21, 23	144, 153, 160, 203	1001100347.....383
257, 334, 338	0682040.....49	0761016 115, 119, 160	1001101191.....305, 309,
0100019..21, 23, 59, 187,	0682424.....269, 271	0761020.....110	311, 313, 321
191, 195	0700408...303, 305, 307,	0761210.....127, 160	1001101196.....305, 309
010002069, 71, 127, 135,	309, 311, 313, 315,	0761212 ... 160, 191, 203,	1001101197.....311, 313,
139, 144, 153, 160,	317, 319, 321, 323	209	321
249, 303, 305, 307,	0700616.....115, 119	076121469, 71, 106, 187,	1001103012.....395
309, 311, 313, 315,	0700816.....47	195	1001104029.....196
317, 319, 321, 323	0700818.....195	0761215.....110, 203	1001104498.....395
0100035....173, 235, 239,	0700820.....205	0761216.....213	1001104850.....59, 61
241	0700827.....334, 338	0761227.....209	1001106736.....88
0100048.....91, 187, 191,	0700828.....334, 338	0761615.....15, 209	1001107854.....395
195, 235	0701014.....47	0762016.....209	1001110434.....235
0100079.....187, 195	0701015.....209	0770810.....215	1001111424.....97, 144
0100081....144, 160, 259,	0701018.....106	0771212.....153, 160	1001112551.....407
334, 338	0701019.....110, 205	0771414 ... 144, 160, 165,	1001112607.....203
0140011.....235	0701020.69, 71, 153, 205	167, 187, 191, 195	1001112612.....331, 395
0140043.....88	0701021.....334, 338	0771416.....187, 195	1001112796.....331
0257728.....265	0701024.....334, 338	0860520 ... 407, 409, 411	1001113961.....396
0258011.....37	0701027.....209	0861572.....195	1001116208.....413
0258012.....37	0701217.....15	0861731 ... 315, 317, 319,	1001116290.....115, 119
0270115.....415	0701616.....67, 209	323, 381, 383, 385	1001116550.....205
0270116.....417	0701617.....19	0861781 ... 303, 307, 377,	1001116693.....373
0272031.....424	0711214.....160	379	1001116720.....375
0272589.....197	0711220.....17, 19	0861880.....349, 353	1001116728.....396
0274661.....267	0711224 ... 144, 160, 165,	0902733.....47	1001116732.....367
0275216.....305, 377	167, 187, 191, 195	0902734.....47	1001116734.....367, 395
0275217.....309, 379	0711227.....207	0902888.....195	1001116748.....399
0275452.....311, 381	0711628.....59	0940048.....209	1001116774.....331
0275453.....313, 383	0711629.....19	0940049.....106	1001116808.....331
0275454.....321, 385	0711631.....59	0940071.....106	1001116812.....361
0360406.....49	0721006.....173	0940088.....110	1001116849.....411
0361810.....97	0741606.....160	0940199.....259	1001116952.....361
0363019.....47, 49	0741607.....187, 191	0961845 ... 223, 227, 231	1001116983.....365
0400075.....97	0760512.....97	0961947.....211	1001117057.....367
0440162....127, 135, 139,	0760606 ... 187, 191, 195	096194817, 19, 207, 209,	1001117070.....395
153	0760607.....160	283, 285	1001117106.....361
0440271.....19	0760608.....75, 119	0961949.....207	1001117107.....361
0480100.....265, 267	0760610.88, 97, 99, 101,	0961950.....15	1001117172.....249
0480126.....187, 195	113, 117, 127, 135,	0961951 ... 144, 160, 205,	1001117174.....235, 249,
0630518.....83, 239	139, 144, 153, 160,	279, 287	420
0630568.....235	185, 187, 191, 195,	0962257.....211	1001117240.....97
0630613.....106, 110	325, 327, 335	0962292.....19, 205	1001117308.....161, 420
0641404.....257	0760612.....97	0962348.....19	1001117372.....277
0641405.....235, 257	076061493, 95, 127, 135,	0962520 ... 187, 191, 195	1001118274....69, 71, 77,
0641406....233, 251, 407,	139, 145, 153, 187,	1001091102 103, 325,	79, 81, 106, 207, 215,
409, 411	191, 325	327	334, 338
0641408.....233, 261	0760615.....113	1001091969.....305	1001118384.....393
0641409.....115, 119	0760621.....88	1001091970.....309	1001118388.....375, 393
0641410.....113, 117	0760808.....162	1001091973.....311	1001118412.....235, 421
0641414....235, 255, 261,	0760810...106, 110, 160,	1001091974.....313	1001118511.....15
263	213	1001091975.....321	1001118518.....15
0641416....303, 305, 307,	0760812...43, 69, 71, 77,	1001095704.....396, 421	1001118519.....15
309, 311, 313, 315,	79, 81, 106, 110, 127,	1001096070 187, 191,	1001118878.....161
317, 319, 321, 323	135, 139, 153, 160,	353	

SECTION 11 - SPECIAL OPTIONS/ACCESORIES/KITS

1001118971 334, 338, 421	1001140347..... 191	1001162536.....215, 219	1001167164 185
1001118972 ... 47, 69, 71, 334, 338	1001140429..... 223, 227, 231	1001162539.....43, 45	1001167169 106
1001119020 331	1001141300..... 413	1001162807.....77, 79, 81	1001167312 325
1001119176 75, 421	1001141304..... 161	1001162995..... 15	1001167512 127, 135, 139, 153
1001119228 65, 335, 339	1001141694..... 145, 161	1001163061.....69, 71	1001167520 145, 161
1001119278 97, 127, 135	1001141870..... 173	1001163178...17, 19, 289	1001167565 213
1001119280 97, 335, 339	1001141995..... 145, 161	1001163179..... 17, 19	1001167567 213
1001119619 387	1001142501..... 127, 153, 173	1001163405..... 17, 19	1001167596 213
1001119620 389, 391	1001142679..... 298	1001163715..... 17, 19	1001167632 361
1001119627 298	1001142683... 93, 95, 421	1001163716..... 17, 19	1001167635 362
1001120204 343	1001142736... 93, 95, 331	1001163717..... 19	1001168018 145, 161, 165, 167, 188, 192, 196
1001120205 347	1001142938..... 361	1001163722..... 19	1001168026 161
1001120328 255, 257, 396	1001142940..... 361	1001163724..... 19	1001168059 145
1001120466 424	1001142941..... 361	1001163767..... 201, 281	1001168099 161
1001120471 273	1001143390..... 145, 161	1001163863..... 201	1001168166 161
1001120477 273	1001143797..... 161	1001163937..... 205	1001168207 167, 192
1001120484 273	1001143936..... 298	1001164017..... 203, 205	1001168210 279
1001120989 413	1001144116..... 161	1001164092..... 17	1001168402 213
1001125387 127	1001144433..... 255	1001164095..... 19	1001168472 334, 339
1001125677 373, 396	1001144629..... 225, 229	1001164209..... 17, 19	1001168473 335, 339
1001126009 393	1001146588..... 162	1001164493..... 425	1001169046 106, 115, 119
1001126351 362	1001148059..... 192	1001164709..... 283, 285	1001169054 161
1001126362 361	1001148641..... 188, 192, 196	1001164726..... 115, 119	1001169058 41
1001126363 361	1001150998..... 145	1001164728..... 233, 403	1001169062 35
1001126364 361	1001151393..... 77, 79, 81	1001164738..... 334, 338, 399	1001169075 37
1001126391 361	1001152483..... 351	1001165035..... 127, 153	1001169138 161
1001126392 361	1001152485..... 327, 351	1001165388..... 145, 161	1001169140 209
1001126485 362	1001152489..... 161	1001165389..... 145	1001169240 209
1001126487 362	1001152525..... 197	1001165405..... 161	1001169241 209
1001127096 413	1001152532..... 188, 192, 369	1001165406..... 161	1001169242 209
1001129285 396, 420	1001154405..... 127, 153, 173	1001165722..... 161	1001169246 203
1001129407 75	1001154726..... 367	1001165849..... 161	1001169247 203
1001129555 420	1001155043..... 77, 79, 81	1001165948... 43, 53, 215	1001169249 209
1001130220 88	1001155044..... 77, 79, 81, 235	1001165968..... 33	1001169295 209
1001130492 413	1001155045..... 77, 79, 81, 235, 421	1001166020..... 141, 144	1001169296 209
1001132195 144	1001155823..... 127, 153	1001166021..... 139, 141	1001169297 209
1001132196 144	1001156107..... 154	1001166085..... 413	1001169298 209
1001133714 362	1001156541..... 399	1001166096..... 209	1001169299 209
1001133715 362	1001157466..... 67	1001166153..... 39, 41	1001169300 209
1001133956 362	1001157520..... 197	1001166155..... 39	1001169301 209
1001133957 362	1001157521..... 197	1001166156..... 39	1001169302 209
1001135196 127, 135, 139, 153	1001157525..... 196	1001166157..... 39	1001169304 207
1001135650 362	1001157528..... 197	1001166208..... 285	1001169305 207
1001135651 362	1001158007..... 197	1001166232..... 47	1001169402 207
1001135679 191	1001158008..... 197	1001166239..... 21	1001169403 207
1001136834 161	1001159186..... 371	1001166305..... 139	1001169525 183
1001137673 255, 421	1001159256..... 235, 421	1001166316..... 97	1001169823 127, 135, 139, 153
1001138173 144, 161	1001160859..... 209	1001166538..... 235, 243	1001169898 69, 71
1001138175 144, 161	1001160872..... 209	1001166539..... 235, 245	1001169967 161
1001138228 161, 420	1001161709..... 235, 421	1001166717..... 145	1001170018 106
1001138248 145, 161	1001161716..... 201, 279	1001166718..... 145, 161, 165, 167	1001170022 106, 110
1001138494 223, 227, 231	1001161717..... 201, 287	1001166767..... 75	1001170035 161
1001138514 223, 227, 231	1001162105..... 33	1001166768..... 75	1001170094 88, 420
1001138565 187	1001162106..... 75	1001166853..... 209	1001170098 35
1001138566 188, 191	1001162107..... 33	1001166921..... 161	1001170099 35
1001139099 424	1001162429..... 407, 409	1001166922..... 161, 165	1001170224 183
1001139357 188	1001162522..... 407	1001166924..... 161	1001170226 207
1001139384 115, 119	1001162528..... 409	1001167036..... 141, 157, 179	1001170334 207
1001139586 19	1001162534..... 53, 55	1001167111..... 145, 359	1001170375 215
1001139654 153	1001162535..... 215, 217	1001167149..... 106, 110	1001170458 41
1001139819 145		1001167157..... 115	1001170459 41
		1001167159..... 106	1001170460 41
		1001167163..... 106, 110	1001170475 113
			1001170480 69, 71

SECTION 11 - SPECIAL OPTIONS/ACCESORIES/KITS

1001170663.....185	1001173984.....187	1001182561.....335, 339	1001200129.....413
1001170664.....185	1001174040.....213	1001182806.....99	1001200130.....413
1001170693.....145, 147	1001174065.....209	1001182875.....106, 110	1001200131.....413
1001170764.....362	1001174158.....188, 192, 325	1001182877.....106, 110	1001200132.....413
1001170859.....110	1001174378.....183	1001182879.....106, 110	1001200133.....413
1001171216.....106	1001174661.....424	1001182997.....69, 71	1001200134.....413
1001171482.....77, 79, 81	1001174675.....192, 196	1001183171.....205	1001200491.....213
1001171553.....335, 339	1001174749.....334, 347	1001183407.....424	1001200494.....213
1001171555.....335, 339	1001174766.....424	1001184618.....235	1001200910.....93
1001171559.....335, 339	1001174767.....424	1001184626.....235	1001201351.....213
1001171678.....97	1001174778.....128	1001184682.....101	1001202333.....115, 119
1001171679.....97	1001174784.....135	1001185030.....15	1001202687.....213
1001171680.....97	1001174784.....135	1001185281.....235	1001202749.....424
1001171681.....135, 139	1001174976.....91	1001185747.....335, 339	1001202830.....117
1001171682.....135, 139	1001175024.....299	1001185821.....53, 57	1001202910.....298
1001171683.....127, 153	1001176299.....299	1001185964.....396	1001203322.....113
1001171684.....128, 153	1001176300.....299	1001186375.....223	1001203510.....425
1001171953.....141, 157	1001176301.....299	1001186377.....227	1001203511.....425
1001171954.....141, 157	1001176302.....299	1001186378.....231	1001204110.....425
1001172001.....424	1001176469.....79, 81	1001186385.....229	1001204510.....407, 409, 413
1001172045.....424	1001176848.....17, 19	1001186386.....225	1001204725.....213
1001172202.....135, 139	1001176951.....334, 338, 345	1001186431.....255, 421	1001205958.....311, 313, 315, 317, 319, 321
1001172217.....409	1001177359.....161	1001186432.....375, 393	1001206314.....110
1001172264.....185	1001177820.....67	1001186517.....255	1001206436.....425
1001172265.....185	1001177821.....67	1001186976.....424	1001206476.....329
1001172271.....335, 339, 421	1001177821.....67	1001187352.....367	1001206625.....283
1001172335.....334, 338, 341	1001177834.....67	1001187382.....213	1001206916.....69
1001172336.....334, 343	1001178133.....209	1001187383.....213	1001207004.....95
1001172343.....338	1001178135.....209	1001187674.....253	1001207004.....95
1001172736.....128	1001178228.....117	1001187681.....387	1001207335.....299
1001172751.....424	1001178448.....335, 339	1001187807.....83, 239	1001207336.....299
1001172760.....235	1001178449.....335, 339	1001188622.....213	1001207347.....69
1001173006.....298	1001178554.....207	1001188844.....213	1001207356.....298
1001173027.....298	1001178555.....207	1001188883.....413	1001208874.....53
1001173028.....298	1001178644.....335, 339	1001188972.....128, 135	1001208994.....213
1001173029.....298	1001178788.....161	1001189001.....213	1001209059.....425
1001173034.....298	1001178859.....145	1001189002.....213	1001209617.....99
1001173035.....299	1001179228.....338	1001189171.....351, 420	1001209664.....255
1001173036.....299	1001179236.....88, 355	1001189172.....351, 420	1001209677.....327
1001173037.....299	1001179266.....335, 339	1001189882.....409	1001209832.....327
1001173038.....299	1001179339.....69, 71	1001190368.....17, 19	1001210036.....425
1001173039.....299	1001179517.....43	1001190663.....99, 101	1001210356.....299
1001173042.....299	1001179626.....203, 207	1001190913.....407, 409	1001210636.....273
1001173043.....299	1001179778.....334	1001190985.....213	1001211716.....106
1001173046.....299	1001179781.....338	1001191620.....161	1001211717.....106, 110
1001173048.....299	1001179903.....161	1001191832.....106, 110, 128, 135, 139, 153	1001212415.....420
1001173049.....299	1001179904.....106	1001193018.....303, 305, 307, 309, 311, 313, 315, 317, 319, 321, 323	1001213447.....373
1001173052.....299	1001180006.....203, 209	1001193336.....69, 71	1001213794.....110
1001173053.....299	1001180035.....299	1001194197.....315	1001213882.....235
1001173054.....299	1001180056.....209	1001194198.....317	1001214207.....141, 157
1001173055.....299	1001180541.....207	1001194200.....319	1001214397.....329
1001173056.....299	1001180620.....161	1001194203.....319	1001214570.....329
1001173057.....299	1001180874.....203	1001194204.....307	1001214571.....329
1001173058.....299	1001180916.....33	1001194365.....323	1001214975.....145
1001173059.....299	1001181045.....349, 353, 420	1001194888.....115	1001215228.....235
1001173061.....299	1001181145.....413	1001196382.....188, 192, 196	1001216630.....213
1001173062.....299	1001181358.....128, 153, 365	1001196634.....175, 420	1001217779.....205, 211
1001173063.....299	1001181405.....91	1001196635.....396, 420	1001217904.....409, 413
1001173066.....299	1001181527.....47	1001196637.....88	1001218533.....65
1001173076.....413	1001181875.....335, 339	1001197039.....299	1001218535.....65
1001173664.....425	1001181913.....47	1001197221.....43	1001218537.....65
1001173811.....195	1001181923.....335, 339	1001197719.....362, 420	1001218622.....338
1001173925.....188, 196	1001182169.....106	1001200128.....413	1001218623.....338
1001173973.....259	1001182361.....362		1001219129.....65
1001173975.....259	1001182365.....362		1001219601.....88, 421
			1001220003.....424

SECTION 11 - SPECIAL OPTIONS/ACCESORIES/KITS

1001220266..... 154	1001237879..... 329	1001246435..... 233, 235	1001263678..... 119
1001223118 67, 407, 409	1001237880..... 329	1001246436..... 233	1001263693..... 115
1001223122..... 162, 188, 192, 196	1001237881..... 329	1001246450..... 77	1001263694..... 119
1001223459..... 361	1001237888..... 261, 263	1001246451..... 79	1001263787..... 119
1001223777..... 110	1001237891..... 263	1001247073..... 425	1001264731..... 81
1001224050..... 411	1001237898..... 261, 263	1001247248..... 413	1001264732..... 79
1001224894..... 207	1001237902..... 261, 263, 421	1001247252..... 261	1001264733..... 77
1001225346..... 329	1001238254..... 236, 373	1001247440..... 153	1001264735.... 77, 79, 81
1001225580..... 255, 375	1001238263..... 269, 271	1001247468..... 213	1001264981..... 15
1001226530..... 329	1001238319..... 253	1001247656..... 191	1001265163..... 273
1001227278..... 424	1001238418..... 257, 393	1001247800..... 425	1001265186..... 215
1001227633..... 253	1001238418..... 257, 393	1001248008..... 407, 411, 413	1001265342..... 273
1001227634..... 253	1001238421..... 213, 425	1001248140..... 269, 271	1001265389..... 115
1001227985..... 253	1001238466..... 335, 339	1001248141..... 269, 271	1001265390..... 119
1001227987..... 253	1001238472..... 257	1001248190..... 192	1001265688..... 424
1001227993..... 209	1001238495..... 255	1001249052..... 425	1001266711..... 201, 291
1001227996..... 389, 391	1001238559..... 257	1001249695..... 425	1001266738..... 201, 283
1001228224..... 253, 421	1001238671..... 241	1001249941..... 425	1001267283..... 425
1001228225..... 253, 421	1001238673..... 85	1001250035..... 425	1001267313..... 413
1001228960..... 424	1001238732..... 85, 241	1001250291..... 106	1001269476..... 110
1001229138..... 259	1001238750..... 241	1001250465..... 425	1001270716..... 425
1001229341..... 253	1001238752..... 85	1001250466..... 425	1001270755..... 425
1001230635..... 161	1001238911..... 162	1001250595..... 425	1001271497..... 373
1001230784..... 192	1001239202..... 361	1001252033..... 425	1001272659..... 357
1001230931..... 399	1001239371..... 413	1001252034..... 425	1001273012..... 357
1001230934..... 362	1001241162..... 261	1001252034..... 425	1001273302..... 334, 338
1001230935..... 362	1001241286..... 106	1001252527..... 362	1001273303..... 334, 339
1001230936..... 362	1001241295..... 106, 117	1001252629..... 269, 271	1001274525..... 71, 73
1001231886..... 99	1001241296..... 113	1001252946..... 265, 267	1001276610..... 357
1001232026..... 407, 409, 411	1001241398..... 85, 241	1001252947..... 265, 267	1001276626..... 93, 95
1001232164..... 253	1001241404..... 83, 239	1001253618..... 424	1001277009..... 59, 63
1001232165..... 253	1001241547..... 425	1001253619..... 424	1001277273..... 59
1001232545..... 161, 169	1001241548..... 425	1001254472..... 257	1001277600..... 153
1001232642..... 257	1001241965..... 257	1001254473..... 257	1001278022..... 23
1001232667..... 257, 421	1001242639..... 424	1001254716..... 201, 285	1001279651..... 110
1001232842..... 175	1001242855..... 93	1001255133..... 213	1001280240..... 110
1001232904..... 413	1001242856..... 95	1001255514..... 411	1001280242..... 110
1001233047..... 424	1001243092..... 261	1001255807..... 424	1001280549..... 110
1001233080..... 425	1001243183..... 424	1001256179..... 15, 277	1001281623..... 119
1001233139..... 17	1001243184..... 424	1001256206..... 411	1001282143..... 110, 115
1001233237..... 424	1001243205..... 261	1001256879..... 153	1001282146..... 110
1001233763..... 128, 175	1001243331..... 424	1001257271..... 269, 271	1001282831..... 71
1001233899..... 106	1001243414..... 106	1001257274..... 269, 271	1001284875..... 407, 411
1001234295..... 53	1001243895..... 175	1001257275..... 271	1001285012..... 23
1001234800..... 362	1001244019..... 167	1001258005..... 271	1001285640..... 119
1001235949..... 162, 173	1001244024..... 165	1001258231..... 424	1001285788..... 107
1001236087..... 241	1001244285..... 157	1001258495..... 389, 391	1001285789..... 106
1001236089..... 239	1001244286..... 157, 160	1001258730..... 261, 263	1001285811..... 103
1001236091..... 85	1001244287..... 153	1001258804..... 162	1001285891..... 103
1001236092..... 83	1001244293..... 88, 395	1001259230..... 113, 117	1001285892..... 103
1001236122..... 425	1001244294..... 88, 401	1001260306..... 335, 339	1001285988..... 110, 119
1001236123..... 424	1001244295..... 88, 371	1001260412..... 162	1001287815..... 127
1001236396..... 413	1001244335..... 263	1001260420..... 161	1001287816..... 135
1001236552..... 257	1001244336..... 261	1001260432..... 191	1060379..... 265, 267
1001236780..... 162	1001244462..... 103	1001260524..... 261	1060461..... 343, 347
1001236891..... 269, 271	1001244671..... 263	1001260525..... 261, 263	1060626..... 127, 135
1001236895..... 269, 271	1001244709..... 263	1001261045..... 191	1060908..... 349, 351, 353
1001237545..... 239	1001244710..... 263	1001261085..... 191	1060918..... 249
1001237547..... 83	1001244732..... 263	1001261335..... 269	1062255..... 154
1001237667..... 373, 396	1001244733..... 263	1001261338..... 269	10702077..... 196
1001237668..... 373, 396	1001245656..... 81	1001262016..... 425	10702082..... 196
1001237863..... 253, 389	1001245839..... 162, 361	1001263174..... 101	1120555..... 259
1001237864..... 253, 391	1001246142..... 424	1001263663..... 119	1320016..... 144
1001237865..... 253, 387	1001246369..... 88	1001263664..... 115	1320022... 127, 135, 139, 153
1001237878..... 329	1001246389..... 261	1001263668..... 119	1320043..... 335
	1001246433..... 424	1001263669..... 115	1320061..... 154
	1001246434..... 424	1001263677..... 115	

SECTION 11 - SPECIAL OPTIONS/ACCESSORIES/KITS

1320130.....334, 338	2151212 298	2820031 ... 187, 191, 195, 334, 338, 345	3311005.....93, 95
1320176.....183	2160001 59	2820035 175	3311405....233, 257, 303, 305, 307, 309, 311, 313, 315, 317, 319, 321, 323, 407, 409, 411
1320223.....127, 135, 329	2180348 135, 139	2820247 389, 391	3311501.....106
1321293.....75	2180832 127, 153	2860030 ..77, 79, 81, 420	3311505.....265, 267
1321647.....395	2180876 ... 127, 135, 139, 153	2900756 45	3311601....106, 110, 235, 257
1321716....127, 135, 139, 153, 160, 188, 191, 196	2220238 47, 298	2900770 279, 291	3311605.....173, 233
1580012.....251	2220315 144, 160	2900792 281	3311801.....21, 23
1580013.....425	2220371 298	2902065 144, 160, 177	3312002.....269, 271
1670603.....323	2220372 47, 298	2902443 359, 361	3312005.....49, 259
1670836.....207	2220373 298	2902549 325, 349	3321001.....97, 144
1701499....407, 409, 411	2220374 298	2920028 235	3321501.....110
1701500....407, 409, 411	2220375 298	2920029 235	3331211....165, 167, 187, 191, 196
1701504....407, 409, 411	2220377 298	2940045 119	3331215.....144, 160
1701505....127, 135, 139, 153	2220415 298	2940074 225, 229, 420	3340860.....205
1701509....259, 407, 409, 411	2220435 299	2940173 ... 113, 115, 117, 119	3340956.....259
1701518....407, 409, 417	2220451 144, 298	3160348 21, 31	3380434.....233
1701529....407, 409, 411	2220465 298	3250872 415	3420352.....49
1701691 106	2220466 298	3251102 191	3420372.....49
1702300....407, 409, 411	2220468 298	3251242 ... 307, 309, 311, 313, 315, 317, 319, 321, 323	3422532....127, 135, 139, 153
1702565.....235	2220472 298	3252692 417	3422661.....265, 267
1702566.....235	2220497 298	3252764 195	3422755.....203
1702567.....235	2220500 298	3271605 269, 271	3422791.....205
1702773.....409, 413	2220501 298	3272001 269, 271	3422792.....203
1702774.....413	2220579 47	3290405 75, 103, 273, 303, 305, 307, 309, 311, 313, 315, 317, 319, 321, 323, 325, 334, 338	3422793.....203
1702860.....413	2220582 298	3290501 97	3422806.....203
1702941 127, 135	2220596 298	3290505 91, 97, 196	3422848.....19
1702942 127, 135	2220600 298	3290601 .88, 97, 99, 101, 113, 115, 117, 119	3423038.....203
1702943 127, 135	2220603 298	3290605 ... 43, 75, 88, 93, 95, 97, 119, 127, 135, 139, 144, 153, 160, 185, 187, 191, 196, 325, 327, 334, 338	3423304.....17, 19
1702944 127, 135	2220628 298	3290801 135, 139	3430616.....235
1703162.....144, 160	2220767 153	3290805 ... 43, 47, 69, 71, 106, 110, 115, 119, 144, 160, 165, 167, 185, 187, 196, 205, 329, 334, 338	3460334.....259
1703450.....415	2220811 298	3291001 160, 213	3470003.....236
1703687....407, 409, 411	2220881 277	3291005 97, 106, 110, 113, 115, 117, 119, 127, 135, 139, 144, 153, 160, 203, 205, 207, 209, 213, 329, 334, 338	3520054....144, 160, 235
1703925.....411	2220883 .31, 45, 277, 298	3291201 ... 187, 191, 196, 213	3520072....110, 223, 225, 227, 229, 231
1703937.....411	2220885 45, 277	3291205 203, 209, 213	3520189.....196
1703943.....411	2220886 31	3300106 21, 23	3520192.....196
1703949.....411	2220888 31	3300151 223, 227, 231	3520198....223, 225, 227, 229, 231
1703982.....411	2220906 298	3300220 97, 144	3572551.....205
1704260.....235	2220923 298	3300353 235	3580317....187, 191, 196
1704277....407, 409, 411	2220940 298	3300396 196	3580319....187, 191, 196
1704412....407, 409, 411	2220946 298	3300408 83, 85	3580320.....187, 196
1704412....407, 409, 411	2220947 298	3300430 255, 263	3740067.....97, 144
1704455.....417	2220998 298	3311001 173, 196	3740086.....393, 421
1704456.....417	2221033 298		3740140.....144, 420
1704482.....415	2221040 298		3760170.....49
1704578.....415	2221052 47		3760351.....207
1704885.....407, 411	2221086 45, 219, 298		3790012.....235
1704972.....139	2230025 298		3790152.....141, 157
1705325.....303, 305	2400060 ... 175, 273, 367, 373, 395		3820001....407, 409, 411, 413, 415, 417
1705358.....413	2460048 195		3820020.....225, 229
1705430.....411	2540020 93, 95		3820032.....97
1705460.....197	2560136 235		3841143 17, 19, 127, 135, 139, 153, 203, 213
1705461.....197	2560187 ... 113, 115, 117, 119		3841203.....203, 209
1705489....187, 191, 196, 197	2580024 127, 135		3841258.....15, 209
1705822.....407, 409	2600281 225, 229		3841287.....209
1705828.....407, 409	2720015 160		3841340.....334, 338
1705961.....407, 409	2720058 ... 127, 135, 139, 153		3900295.....19
1705968.....411	2720340 160		3900349.....235
1706098.....413	2720398 144		
2060025.....144	2720447 144		
2080040....187, 191, 225, 229, 325, 327	2752504 298		
2080069.....261, 263	2752519 298		
2110810.....298	2780267 21, 23, 25		
2110812.....298	2780268 21, 23, 29		

SECTION 11 - SPECIAL OPTIONS/ACCESORIES/KITS

3900351	207	4460259 ...	273, 371, 373, 396	4460874	373, 395	4711400 ...	113, 117, 223, 227, 231, 255, 257, 261, 303, 305, 307, 309, 311, 313, 315, 317, 319, 321, 323	
3900363	115, 119	4460260 ...	273, 371, 373, 396	4460875	373, 401	4711500	47, 97, 106, 160	
3910804	77, 79, 81	4460265	243, 246	4460876	371	4711600 ...	173, 187, 191, 196, 236, 269, 271	
3911010	85, 93, 95, 241	4460267	69, 71, 373, 395	4460877	396	4740086	17, 19	
3931408	255	4460268	369, 401	4460878	396	4740155	19	
3931512	160	4460313	359	4460879	273, 373	4740158	15	
3931618	141, 157	4460320	69, 71	4460884	273, 361, 375, 395, 399	4740229	15	
3960407	144	4460384	323	4460887	273, 373, 396	4740362	233	
3960526	21, 23	4460418	371, 373	4460891	99, 101, 331, 355, 365, 396, 399, 401, 403	4740397	236	
4010405	325, 327	4460419	371, 373	4460905	371, 373, 395, 396, 401	4740491	19	
4010417	334	4460424	401	4460910	391	4750800	335, 339	
4010418	334, 338	4460425	196	4460911	387	4751400 ...	115, 119, 233, 235, 251, 263, 407, 409, 411	
4010618	223, 227, 231	4460426	196	4460928	331	4751500	265, 267	
4031505	253	4460428	235	4460930	359, 361, 395	4751600	233	
4031507	103	4460434	373	4460931	261, 395	4752000	49	
4031511	334, 338	4460458	362, 395, 396	4460932	273, 365	4761000	97, 144	
4031512	75	4460464 75, 91, 249, 273, 331, 345, 355, 365, 367, 373, 375, 393, 395, 399, 401, 403	4460465	99, 101, 273, 331, 341, 355, 359, 361, 369, 373, 375, 395, 396, 399, 401, 403	4460933	331, 373, 396	4761400	251
4031516	257	4460466 ...	253, 261, 273, 331, 335, 339, 341, 345, 359, 361, 367, 373, 375, 387, 393, 395, 396, 399, 401, 403	4460466 ...	253, 261, 273, 331, 335, 339, 341, 345, 359, 361, 367, 373, 375, 387, 393, 395, 396, 399, 401, 403	4460941	365, 387	
4031707	63	4460470	235	4460942	253, 361, 365	4460943 93, 95, 261, 263, 387, 395	4460944	361
4031914	160	4460471	235	4460956	349, 353	4460957	349, 353	
4032015	187, 196	4460473	334, 338, 341	4460967	395	4460968	303, 307	
4060802 ...	187, 191, 196	4460488	93, 95	4460970	373	4461005	359	
4060805	144, 160	4460496	88	4461008	359, 361	4461008	359, 361	
4060806	65	4460497	88	4461052	359	4461054	361, 365	
4060808	334, 338	4460508 ...	253, 345, 373	4461060	365	4461070	331	
4070450	49	4460509	341, 395	4461071	359, 361	4461071	359, 361	
4070560	49	4460518	331	4461072	359, 361	4461072	359, 361	
4070561	49	4460536	263, 373	4461073	359, 361	4461073	359, 361	
4070897	207	4460539 ...	361, 373, 401	4461074	359, 361	4461074	359, 361	
4070898	207	4460662 ...	315, 317, 319, 323	4461077	387, 393	4461077	387, 393	
4071101	15	4460703	361	4461095	331, 359	4461095	331, 359	
4160182	106	4460708	373	4461196	377	4461196	377	
4240032	91, 93, 95, 357	4460722	175	4461198	303, 377	4461198	303, 377	
4240033 ...	253, 255, 257	4460742	395	4461199	379	4461199	379	
4240099 ...	144, 153, 160, 175, 187, 191, 196, 235	4460743	395	4461201	307, 379	4461201	307, 379	
4240149	259	4460746	361	4461205	381, 383	4461205	381, 383	
4240156	334, 338	4460748	362, 396	4461244	315, 381	4461244	315, 381	
4341415	259	4460754	401	4461245	317, 383	4461245	317, 383	
4360070	196, 420	4460761	373, 395	4461246	319, 385	4461246	319, 385	
4360274	81, 421	4460807	369	4461249	385	4461249	385	
4360336 ...	187, 191, 196, 421	4460808	369	4520217	37	4520217	37	
4360387 79, 81, 235, 421		4460836	395	4520608	39	4520608	39	
4360407	235, 420	4460837	395	4640261	47	4640261	47	
4360436	69, 71	4460865 ...	334, 338, 341, 395	4640509	281	4640509	281	
4360469	77, 79, 81, 421	4460866 ...	334, 338, 345, 373	4640751	160	4640751	160	
4360475	77, 79, 81, 235, 421	4460871	99, 101, 371, 373, 395, 396, 401	4640771	291	4640771	291	
4360476	77, 79, 81, 235, 421	4460872	401	4641122	39, 41	4641122	39, 41	
4420014	259	4460873	373, 396	4641155	43	4641155	43	
4420051 ...	413, 415, 417			4641390	283, 285	4641390	283, 285	
4420062	265, 267			4711000	93, 95, 173, 196	4711000	93, 95, 173, 196	
4420066	259							
4460019	361							
4460042	361							
4460043	175, 361							
4460071	249							
4460142	396							
4460183	373							
4460225 ...	196, 369, 373							
4460226 ...	243, 246, 249							
4460227	373							
4460234	91, 235							
4460247	361, 395							

SECTION 11 - SPECIAL OPTIONS/ACCESORIES/KITS

4892000.....	21, 23	70001866.....	148	70003977.....	55	70004772.....	245
4892600001.....	213	70001868.....	148	70004000.....	57	70004773.....	245
4922641.....	192, 196	70001870.....	147, 170	70004013.....	57	70004774.....	246
4922925.....	196	70001871.....	148	70004014.....	57	70004775.....	246
4922929.....	338	70001872.....	148	70004017.....	45	70004864.....	217
4923451.....	145	70001953.....	195	70004056.....	148	70004865.....	217
5241000.....	115, 119	70001966..	187, 191, 195	70004058.....	148	70004866.....	217
5241200....	15, 17, 19, 47, 59, 144, 160, 165, 167, 187, 191, 196, 207, 213	70001973.....	195	70004059.....	148	70004867.....	217, 219
5241600.....	19, 59	70001974.....	195	70004060.....	148	70004868.....	217
5250608.....	88	7000206.....	25, 29	70004062.....	148	70004869.....	217, 219
5250808.....	188, 196	70002063.....	45	70004092.....	187, 191	70004871...	217, 219, 420
5250810..	77, 79, 81, 188, 191, 196, 215	70002088.....	195	70004099.....	191	70004873.....	219
5250812.....	65, 335, 339	70002112.....	69	70004102.....	148	70004875.....	217
5251008.....	213	70002206.....	61	70004103.....	148	70004876.....	69, 71
5251009.....	207	70002207.....	61	70004169.....	195	70004883.....	45
5251010.43, 53, 207, 215		70002209.....	45	70004171.....	187, 195	70004884.....	45
5251012.....	15, 33, 207	70002234.....	148	70004267.....	57	70004885.....	45
5251014....	106, 110, 334, 338	70002257.....	180	70004268.....	147	70004886.....	45
5251016.....	213	7000229.....	25, 29	70004269.....	147	70004887.....	45
5251215....	127, 135, 139, 153, 162	70002297.....	195	70004270.....	148	70004888.....	45
5260800....	65, 77, 79, 81, 188, 191, 196	7000230.....	25, 29	70004281.....	169	70004889.....	179
5261200....	127, 135, 139, 153, 162	7000232.....	25, 29	70004504.....	169	70004890.....	179
5272114.....	59	70002335.....	281	70004508.....	170	70004891.....	179
5281918.....	334, 338	70002371.....	281	70004577.....	45	70004892.....	179
5281920.....	334, 338	70002373.....	281	70004676.....	187, 191	70004893.....	179
70000088.....	61	70002386....	45, 55, 283, 285, 420	70004677.....	187	70004894.....	179
70000089.....	61	70002413.....	279	70004678.....	187, 192	70004895.....	179
70000100.....	217	7000246.....	25, 29	70004679.....	188, 192	70004896.....	179
70000342.....	211	70002460.....	195	70004680.....	188, 192	70004897.....	179, 420
70000345.....	148, 169	7000248.....	25, 29	70004681.....	188, 192	70004898.....	179
70000619.....	195	7000253.....	25, 29	70004682.....	188, 192	70004899.....	180
70000781.....	45	7000257.....	25, 29	70004683.....	188, 192	70004900.....	180
70000787.....	148	7000258.....	25, 29	70004686.....	192	70004901.....	180
70000793.....	177	7000258.....	25, 29	70004738.....	243	70004902.....	180
70000797.....	31	7000261.....	25, 29	70004739.....	243	70004903.....	180
70000800.....	147	7000262.....	25, 29	70004740.....	243	70004904.....	180
70000851.....	148	7000263.....	25, 29	70004741.....	243	70004905.....	180
70000863.....	195	70002718.....	147	70004742.....	243	70004906.....	180
70000912.....	147	70002838.....	69	70004743.....	243	70004907.....	180
70000913.....	147	70002842.....	277	70004744.....	243	70004908.....	180
70000914.....	147	70002902.....	249	70004745.....	243	70004909.....	180
70000915.....	147	70002903.....	249	70004746.....	243	70004910.....	180
70000916.....	147	70002904.....	249	70004747.....	243	70004911.....	180
70000917.....	147	70002905.....	249	70004748.....	243	70005010.....	279
70000918.....	147	70002962.....	45	70004749.....	243	70005011.....	279
70000919.....	148	70003463.....	147, 420	70004750.....	243	70005012.....	279, 287
70000931.....	148	70003464.....	147	70004751.....	243	70005013.....	279, 287
70001002.....	147	70003468.....	148	70004752.....	245	70005014.....	279, 287
70001100.....	195	70003469.....	148	70004753.....	245	70005016.....	279, 287
70001181.....	147	70003472.....	147	70004754.....	245	70005017.....	287
70001349.....	25, 29	70003473.....	147	70004755.....	245	70005018.....	287
70001384.....	195	70003475.....	147	70004756.....	245	70005065.....	57
70001423.....	147	70003479.....	147	70004757.....	245	70005066.....	57
70001435.....	148	70003480.....	147	70004758.....	245	70005067.....	57
70001498.....	148	70003481.....	147	70004759.....	245	70005068.....	57
70001654.....	147	70003612.....	57	70004760.....	245	70005069.....	55
70001655.....	147	70003614.....	69, 420	70004761.....	245	70005071.....	55
70001696.....	195	70003631.....	195	70004762.....	245	70005076.....	55
70001844.....	148	70003708..	187, 191, 195	70004763.....	245	70005080.....	55
70001850.....	147	70003709..	187, 191, 195	70004764.....	245	70005082.....	55
		70003783..	145, 161, 420	70004765.....	245	70005084.....	55
		70003788....	55, 283, 420	70004766.....	245	70005085.....	55
		70003837.....	279, 287	70004767.....	245	70005087.....	55
		70003838.....	279, 287	70004768.....	245	70005088.....	55
		70003931.....	148	70004769.....	245	70005089.....	55
		70003932.....	148	70004770.....	245	70005090.....	55
		70003975.....	45	70004771.....	245	70005092.....	55

SECTION 11 - SPECIAL OPTIONS/ACCESORIES/KITS

70005094.....	55	70008260.....	73	70025694.....	148	7021239.....	179
70005095.....	55	70008261.....	73	70025959.....	287	7021240.....	179
70005096.....	55	70008262.....	73	70026210.....	169	7021241.....	179
70005097.....	55	70008263.....	73	70027088.....	291	7021242.....	179
70005098.....	55	70008264.....	73	70027405.....	169	7021243.....	179
70005099.....	55	70008265.....	73	70029015.....	169	7021248.....	179
70005100.....	55	70008266.....	73	70029402.....	169	7021249.....	31, 179
70005139.....	57	70008267.....	73	70029403.....	169	7021253.....	179
70005143.....	281	70008268.....	73	70029404.....	169	7021257.....	179
70005150.....	289	70008371.....	63	70029512.....	169	7021258.....	179
70005151.....	289	70008372.....	63	70029797.....	169	7021259.....	179
70005152.....	289	70008373.....	63	70031143.....	169	7021262.....	179
70005153.....	289	70008374.....	63	70031144.....	169	7021263.....	179
70005154.....	289	70008375.....	63	7004035.....	61	7021265.....	179
70005155.....	281	70008376.....	63	7004036.....	61	7021268.....	179
70005156.....	281	70008377.....	63	7004043.....	61	7021275.....	31
70005157.....	281	70008378.....	63	7004044.....	61	7021276.....	31, 180
70005158.....	281	70008379.....	63	7004045.....	61	7021277.....	31, 180
70005159.....	281	70008380.....	63	7004047.....	61	7021278.....	180
70005160.....	281	70008381.....	63	7004049.....	61	7021281.....	179
70005172.....	170	70008382.....	63	7007289.....	180	7021290.....	180
70005184.....	169	70008383.....	63	7007415.....	179, 180	7021293.....	179
70005217.....	55	70008384.....	63	7007419.....	179	7021299.....	180
70005218.....	55	70008385.....	63	7007420.....	179, 180	7021625.....	45
70005219.....	55, 420	70008386.....	63	7007437.....	31	7021639.....	45
70005243.....	219	70008387.....	63	7007438.....	31	7022300.....	179
70005504.....	169	70008388.....	63	7007439.....	31	7022302.....	31
70005667.....	334, 338	70008389.....	63	7007446.....	31	7022305.....	31
70005931.....	169	70008390.....	63	7007493.....	180	7022310.....	31
70005941.....	170	70008391.....	63	7007495.....	179	7022311.....	31
70005942.....	170	70008392.....	63	7007601.....	25, 29	7022312.....	31
70006104.....	283	70008393.....	63	7007640.....	25, 29	7022314.....	31
70006105.....	283	70010383.....	53, 420	7010429.....	25, 29	7022326.....	31
70006144.....	169	7001481.....	180	7010543.....	45	7022328.....	31
70006256.....	207	7001998.....	25, 29	7012967.....	45, 285	7022341.....	179
70006272.....	207	70023370.....	281	7012974.....	45	7022346.....	180
70006356.....	141, 157	70023606.....	45	7012998.....	283	7022347.....	180
70006428.....	424	70024262.....	279	7016331.....	147, 170, 420	7022368.....	31
70006429.....	424	70024494.....	170	7017059.....	25, 29	7022371.....	31
70006552.....	188	70024504.....	169	7017067.....	25, 29	7022372.....	31
70006553.....	188, 421	70024513.....	169	7017070.....	25, 29	7022390.....	55, 283
70006660.....	217	70024904.....	170	7017080.....	25, 29	7022397.....	45
7000731.....	26	70024913.....	170	7017142.....	211	7022399.....	45, 55
70007556.....	219	70024916.....	169	7017159.....	211	7023318.....	61
70007603.....	169	70024918.....	169	7017162.....	211	7023900.....	55
70007784.....	169	70024925.....	170	7017163.....	211	7023907.....	31
70007886.....	285	70024961.....	169	7017164.....	211	7023908.....	31
70007887.....	285	70025082.....	147	7017172.....	211	7023910.....	31
70007888.....	285	70025084.....	147, 148	7017192.....	211	7023936.....	55
70007889.....	285	70025086.....	148	7017195.....	211	7024182.....	25, 26
70007890.....	285	70025088.....	147	7017410.....	45	7024189.....	26
70007901.....	283	70025091.....	147	7017467.....	283	7024190.....	26
70008135.....	291	70025099.....	169	7017496.....	45, 283, 285	7024191.....	26
70008136.....	291	70025121.....	148	7020023.....	147, 420	7024192.....	26
70008137.....	291	70025123.....	147, 148	7020026.....	147	7024193.....	26
70008138.....	291	70025130.....	169	7020175.....	77, 79, 81, 235	7024194.....	26
70008139.....	291	70025131.....	148	7020176.....	77, 79, 81, 235	7024196.....	26
70008140.....	291	70025139.....	147	7020403.....	147	7024197.....	26
70008141.....	291	70025142.....	169	7020430.....	147	7024379.....	61
70008244.....	277	70025153.....	169, 420	7020460.....	147	7024380.....	61
70008246.....	277	70025160.....	169	7020465.....	147, 170	7024381.....	61
70008247.....	277	70025161.....	169, 420	7020468.....	147	7024389.....	61
70008253.....	73	70025164.....	169	7020471.....	148	7024390.....	61
70008254.....	73	70025168.....	169	7020479.....	148	7024441.....	69
70008256.....	73	70025619.....	279, 291	7020492.....	147, 148	7024453.....	61
70008258.....	73	70025667.....	147	7021237.....	179	7024485.....	195, 420
70008259.....	73	70025693.....	148	7021238.....	179	7024488.....	195

SECTION 11 - SPECIAL OPTIONS/ACCESORIES/KITS

7024489.....	195	7024885	45, 420	8220045	367, 395	8405104.....	161
7024565.....	148	7026188	195	8220051	365	8405202.....	161
7024579.....	147	7026330	57	8220125	396	8405204.....	161
7024705.....	25	7026597	195	8220164	361	8406109.....	145, 161
7024712.....	25, 29	7026626	195	8229242	395, 396, 420	8406110.....	161
7024713.....	25, 29	7027236	147	8229244	396, 420	8406201.....	162
7024714.....	25, 29	7027625	217	8229245	367, 420	8410013.....	127, 135, 139
7024715.....	25, 29	7027628	217, 420	8229249	273, 420	8430007.....	127, 153
7024716.....	25, 29	7027790	148	8305401	144, 160	8760477.....	298
7024717.....	25	7027791	148	8307109	144, 161	8770289.....	298
7024718.....	26	7027792	148	8310070	335, 339	8786514.....	37
7024800.....	179	7027796	148	8310548	144, 161	88521214.....	269, 271
7024854.....	31	7027799	195	8310614	75	88662523.....	106, 110
7024855.....	179	7027903	148	8310668	207	8881800.....	75, 334, 338
7024857.....	179	77363233	369	8310686	106, 110	91164057.....	55
7024858.....	179	80484084	361	8405006	127, 153, 173	91164059.....	55
7024868.....	31	80633030	299	8405007	161	91164079.....	55
7024881.....	45	80963067	396	8405009	161	91203039.....	213



**Corporate Office
JLG Industries, Inc.
1 JLG Drive
McConnellsburg, PA 17233-9533 USA
☎ (717) 485-5161 (Corporate)
☎ (877) 554-5438 (Customer Support)
📠 (717) 485-6417**

**Visit our website for JLG Worldwide Locations.
www.jlg.com**



OSHKOSH™