



Illustrated Parts Manual

Models **400S HC3** **460SJ HC3**

PVC
2201

P/N
31219196

July 15, 2023 - Rev D

ANSI

CE



**UK
CA**

AS/NZS



An Oshkosh Corporation Company

REVISION LOG

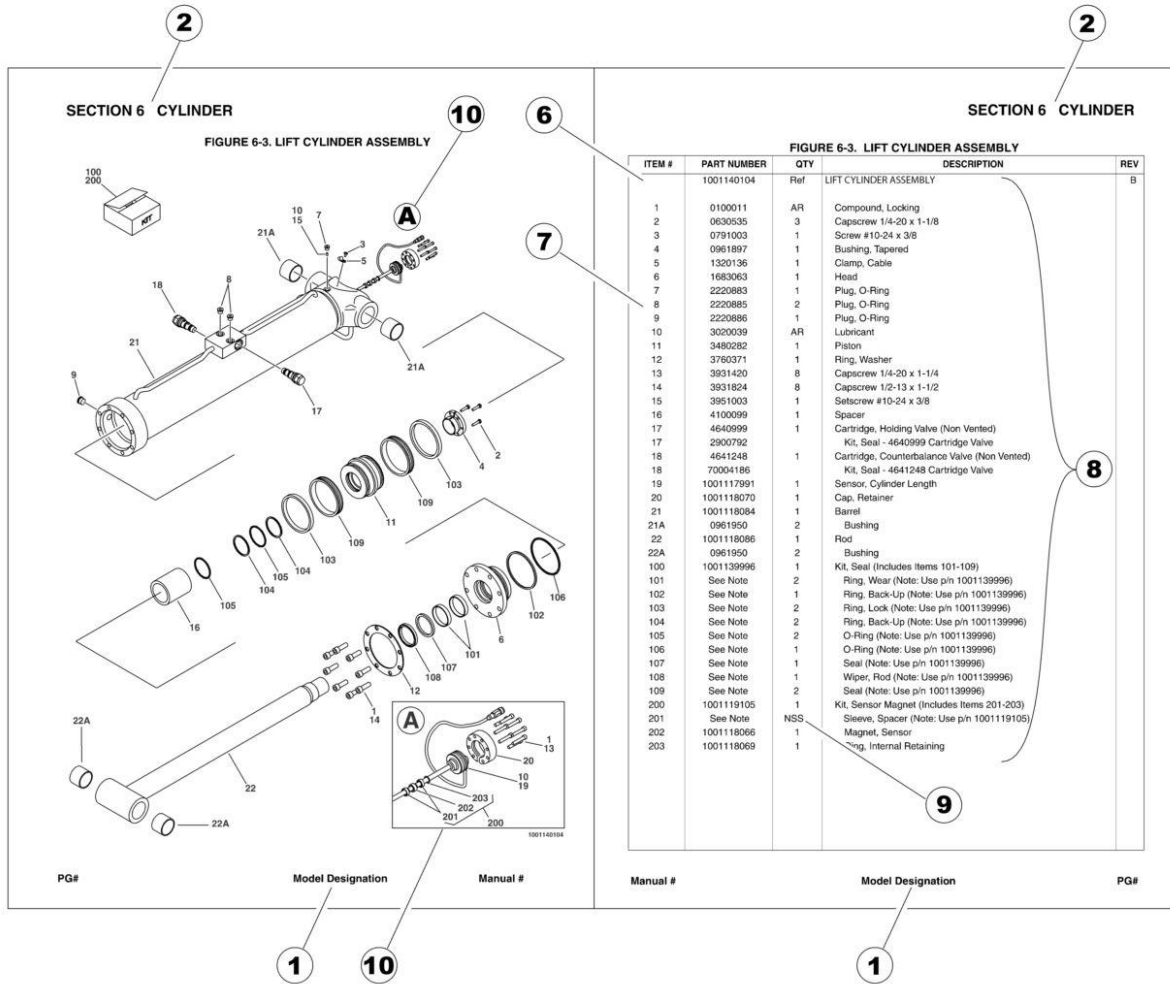
January 10, 2022 - A - Original Issue of Manual (Edited to 1001237527 Revision Q)

July 11, 2022 - B - Revised Manual (Edited to 1001237527 Revision Q)

January 9, 2023 - C - Revised Manual (Edited to 1001237527 Revision R)

July 15, 2023 - D - Revised Manual (Edited to 1001237527 Revision R)

GENERAL INFORMATION



1) MACHINE IDENTIFICATION

Machines are identified by model and in some cases a combination of models, serial number (SN) or regional standard (i.e ANSI, CE, CSA). Components may also be identified by SN or manufacturer. Common components that may be identified by these characteristics are engines and hydraulic components.

2) PARTS MANUAL ORGANIZATION

Product information in this manual is organized under section titles. Frame, Cylinder, Hydraulic and Electrical are a few examples. Each section is organized by figure and page number. The information within the Figure is then organized by item number, part number, description and corresponding illustration (s).

3) TABLE OF CONTENTS (NOT SHOWN)

A table of contents is found toward the beginning of the manual. Figure number, description and page number are provided for quick reference to the page containing the related information.

4) RECOMMENDED SPARE PARTS (NOT SHOWN)

The Recommended Spare Parts List, located near the end of the manual, reference most frequently used maintenance parts.

5) PART NUMBER INDEX (NOT SHOWN)

A numerical index listing all part numbers and the corresponding page number(s) appears at the back of the manual.

GENERAL INFORMATION

6) NON-SERVICED PARTS

In some instances, it is necessary to display non-serviced parts, assemblies or installations. In the case of assemblies and installations there will be a Ref in the Qty. column. In case of parts that are not available for service within assemblies or components, there will be a NSS (Not Sold Separately) or NLA (No Longer Available) listed in the Qty. column of the manual.

7) PARTS LIST ITEM NUMBERS

Numbers shown in the item# column correspond to numbers used in the associated illustration (s). Item numbers which are missing from the sequence in the parts list are not used on that page.

8) INDENTED PARTS DESCRIPTION

An indented part description is included in the item under which it is indented.

9) ABBREVIATION AND SYMBOLS

AC.....	Alternating Current	L.....	Liter
ADE.....	Advanced Design Electronics	LB(LBS).....	Pounds
AG.....	Agricultural	LCD.....	Liquid Crystal Display
ANSI.....	American National Standards Institute	LED.....	Light Emitting Diodes
AR.....	As Required	LH.....	Left Hand
ASSY.....	Assembly	LRC.....	Low Rated Countries
AUS.....	Australia	LSS.....	Load Sensing System
AUX.....	Auxiliary	M(m).....	Metric/Meter
AWG.....	American Wire Gauge	MM(mm).....	Milimeter
B/M.....	Bill of Material	mA.....	Miliamps
CAC.....	Charge Air Cooler	NLA.....	No Longer Available
CE.....	European Conformity	NPT.....	National Pipe Threads
CCW.....	Counter Clockwise	NSS.....	Not Sold Separately
CM.....	Centimeter	OD.....	Outside Diameter
CW.....	Clockwise	ORB.....	O-Ring Boss
CSA.....	Canadian Standards Association	ORFS.....	O-Ring Face Seal
CYL.....	Cylinder	OZ (oz).....	Ounces
DIA.....	Diameter	PG.....	Page
DC.....	Direct Current	PN.....	Part Number
DEF.....	Diesel Exhaust Fluid	QT(qt.).....	Quarts
EMS.....	Emergency Stop	QTY.....	Quantity
ENG.....	Engine	REF.....	Reference
FT(ft).....	Feet	REV.....	Revision Level
GA(Ga).....	Gauge	RH.....	Right Hand
HRC.....	High Rated Countries	SAE.....	Society of Automotive Engineers
HVAC.....	Heating, Ventilating, and Air Conditioning	SN.....	Serial Number
HYD.....	Hydraulic	SPEC(S).....	Specifications
Hz.....	Hertz	T/T.....	Turntable
ID.....	Inside Diameter	UGM.....	Universal Ground Module
IN.....	inches	V.....	Volts
ISO.....	International Organization for Standards	W.....	Watts
JIC.....	Joint Industry Council	#.....	Number
KG.....	Kilogram		

10) ILLUSTRATION REFERENCE LETTERS

When necessary, illustrations may contain reference letters that are intended to track information (i. e. hoses, harnesses) from one point to another or to track visual enlargement of components to show details that may be located in another area on the illustration.

Note: Due to continuous product improvements, JLG Industries, Inc. reserves the right to make specification changes without prior notification. Contact JLG Industries, Inc. for updated information.

TABLE OF CONTENTS

SECTION 1 - FRAME.....	15
FIGURE 1-1. AXLE INSTALLATION	16
FIGURE 1-2. STEER INSTALLATION - WITHOUT TOW PACKAGE (400S HC3)	18
FIGURE 1-3. STEER INSTALLATION - WITHOUT TOW PACKAGE (460SJ HC3).....	20
FIGURE 1-4. STEER INSTALLATION - WITH TOW PACKAGE (400S HC3).....	22
FIGURE 1-5. STEER INSTALLATION - WITH TOW PACKAGE (460SJ HC3).....	24
FIGURE 1-6. WHEEL DRIVE AND FRAME VALVES INSTALLATION (400S HC3)	26
FIGURE 1-7. WHEEL DRIVE AND FRAME VALVES INSTALLATION (460SJ HC3)	28
FIGURE 1-8. DRIVE HUB ASSEMBLY - FRONT (400S HC3).....	30
FIGURE 1-9. DRIVE HUB/BRAKE ASSEMBLY - REAR (400S HC3)	32
FIGURE 1-10. DRIVE HUB/BRAKE ASSEMBLY - REAR (460SJ HC3)	36
FIGURE 1-11. DRIVE MOTOR ASSEMBLY (400S HC3).....	40
FIGURE 1-12. DRIVE MOTOR ASSEMBLY (460SJ HC3).....	42
FIGURE 1-13. TRACTION VALVE ASSEMBLY	44
FIGURE 1-14. TIRE AND WHEEL INSTALLATION - 14 X 176.5 FOAM FILLED (400S HC3 & 460SJ HC3).....	46
FIGURE 1-15. TIRE AND WHEEL INSTALLATION - 12 X 16.5 FOAM FILLED (400S HC3)	48
FIGURE 1-16. TIRE AND WHEEL INSTALLATION - 33 X 12D610 FOAM-FILLED (460SJ HC3).....	50
FIGURE 1-17. TIRE AND WHEEL INSTALLATION - 12 X 16.5 FF NON-MARKING (400S HC3).....	52
FIGURE 1-18. TIRE AND WHEEL INSTALLATION - 14 X 17.5 FF NON-MARKING.....	54
FIGURE 1-19. TIRE AND WHEEL INSTALLATION - TURF	56
FIGURE 1-20. LP TANK BRACKETS INSTALLATIONS	58
FIGURE 1-21. FRAME SHIELDS INSTALLATION - WITHOUT TOW PACKAGE	60
FIGURE 1-22. FRAME SHIELDS INSTALLATION - WITH TOW PACKAGE	62
FIGURE 1-23. TOW PACKAGE INSTALLATION.....	64
FIGURE 1-24. TOW BAR ASSEMBLY	66
SECTION 2 - TURNTABLE.....	69
FIGURE 2-1. CONTROL VALVES INSTALLATION (400S HC3)	70
FIGURE 2-2. CONTROL VALVES INSTALLATION (460SJ HC3)	72
FIGURE 2-3. CONTROL VALVE ASSEMBLY (400S HC3).....	74
FIGURE 2-4. CONTROL VALVE ASSEMBLY (460SJ HC3).....	78
FIGURE 2-5. AXLE CONTROL VALVE ASSEMBLY.....	82
FIGURE 2-6. SWING DRIVE INSTALLATION	84
FIGURE 2-7. SWING DRIVE MOTOR/HUB ASSEMBLY	86
FIGURE 2-8. TURNTABLE BEARING INSTALLATION	90
FIGURE 2-9. BEARING LUBE INSTALLATION	92
FIGURE 2-10. TURNTABLE LOCK INSTALLATION.....	94
FIGURE 2-11. ROTARY COUPLING INSTALLATION	96
FIGURE 2-12. TANK INSTALLATION - DIESEL ENGINES (17.3 GAL).....	98
FIGURE 2-13. TANK INSTALLATION - DIESEL ENGINES (36 GAL).....	100
FIGURE 2-14. TANK INSTALLATION - GAS ENGINES (17.3 GAL).....	102
FIGURE 2-15. TANK INSTALLATION - GAS ENGINES (36 GAL).....	104
FIGURE 2-16. HYDRAULIC TANK ASSEMBLY ENGINES (17.3 GAL).....	106
FIGURE 2-17. HYDRAULIC TANK ASSEMBLY (36 GAL)	108
FIGURE 2-18. AUXILIARY POWER INSTALLATION - WITHOUT BATTERY DISCONNECT	110

TABLE OF CONTENTS

FIGURE 2-19. AUXILIARY POWER INSTALLATION - WITH BATTERY DISCONNECT.....	112
FIGURE 2-20. AUXILIARY POWER PUMP/MOTOR ASSEMBLY	114
FIGURE 2-21. ELECTRICAL INSTALLATION (400S HC3)	116
FIGURE 2-22. ELECTRICAL INSTALLATION (460SJ HC3)	118
FIGURE 2-23. ELECTRICAL INSTALLATION (460SJ HC3 WITH DEUTZ D2.9L4 (STAGE V) ENGINES)	120
FIGURE 2-24. ELECTRICAL PANEL ASSEMBLY (WITH GROUND CONTROL MODULE 1001170094).....	122
FIGURE 2-25. ELECTRICAL PANEL ASSEMBLY (WITH GROUND CONTROL MODULE 1001280340).....	124
FIGURE 2-26. GROUND CONTROL BOX ASSEMBLY (400S HC3).....	126
FIGURE 2-27. GROUND CONTROL BOX ASSEMBLY (460SJ HC3).....	128
FIGURE 2-28. GROUND CONTROL BOX ASSEMBLY (460SJ HC3 WITH DEUTZ D2.9L4 (STAGE V) ENGINES) (CE SPECS)	130
FIGURE 2-29. GROUND CONTROL BRACKET INSTALLATION (400S HC3)	132
FIGURE 2-30. GROUND CONTROL BRACKET INSTALLATION (460SJ HC3)	134
FIGURE 2-31. GROUND CONTROL BRACKET INSTALLATION (460SJ HC3 WITH DEUTZ D2.9L4 (STAGE V) ENGINES) (CE SPECS).....	136
FIGURE 2-32. KEYSWITCH AND PANEL DECAL INSTALLATION - 400S HC3	138
FIGURE 2-33. KEYSWITCH AND PANEL DECAL INSTALLATION - 460SJ HC3 (ALL SPECS EXCEPT CE & UK CA SPECS)	140
FIGURE 2-34. KEYSWITCH AND PANEL DECAL INSTALLATION - 460SJ HC3 (CE-LRC & UK CA SPECS)	142
FIGURE 2-35. KEYSWITCH AND PANEL DECAL INSTALLATION - 460SJ HC3 (CE & UK CA SPECS WITH DEUTZ D2.9L4 (STAGE V) ENGINES	144
FIGURE 2-36. LIGHT PANEL INSTALLATION.....	146
FIGURE 2-37. WHITE NOISE (AMBIENT) ALARM INSTALLATION	148
FIGURE 2-38. WHITE NOISE (CONSTANT) ALARM INSTALLATION	150
FIGURE 2-39. STROBE LIGHT INSTALLATION (AMBER).....	152
FIGURE 2-40. STROBE LIGHT INSTALLATION (BLUE)	154
FIGURE 2-41. STROBE LIGHT INSTALLATION (RED)	156
FIGURE 2-42. HOODS INSTALLATION - ABS (DEUTZ ENGINES)	158
FIGURE 2-43. HOODS INSTALLATION - ABS (KUBOTA ENGINES).....	162
FIGURE 2-44. HOODS INSTALLATION - STEEL	166
FIGURE 2-45. HOOD ASSEMBLY - ENGINE SIDE (ABS).....	170
FIGURE 2-46. HOOD ASSEMBLY - ENGINE SIDE (STEEL).....	172
FIGURE 2-47. HOOD ASSEMBLY - TANK SIDE (ABS).....	174
FIGURE 2-48. HOOD ASSEMBLY - TANK SIDE (STEEL).....	176
FIGURE 2-49. SOUND REDUCTION INSTALLATION (STEEL HOODS)	178
FIGURE 2-50. TURNTABLE COVERS INSTALLATION.....	180
SECTION 3 - ENGINE	183
FIGURE 3-1. DEUTZ D2011 ENGINE INSTALLATION (WITHOUT ARCTIC PACKAGE)	184
FIGURE 3-2. DEUTZ D2011 ENGINE AND PUMP SUB-ASSEMBLY (WITHOUT ARCTIC PACKAGE)	188
FIGURE 3-3. DEUTZ D2011 ENGINE ASSEMBLY (WITHOUT ARCTIC PACKAGE).....	190
FIGURE 3-4. DEUTZ D2011 ENGINE INSTALLATION (WITH ARCTIC PACKAGE)	194
FIGURE 3-5. DEUTZ D2011 ENGINE AND PUMP SUB-ASSEMBLY (WITH ARCTIC PACKAGE).....	198
FIGURE 3-6. DEUTZ D2011 ENGINE ASSEMBLY (WITH ARCTIC PACKAGE)	200
FIGURE 3-7. DEUTZ D2011 ENGINE COMPONENTS.....	204
FIGURE 3-8. DEUTZ D2.9L4 ENGINE INSTALLATION (WITHOUT ARCTIC PACKAGE)	208
FIGURE 3-9. DEUTZ D2.9L4 ENGINE AND PUMP SUB-ASSEMBLY (WITHOUT ARCTIC PACKAGE)	212

TABLE OF CONTENTS

FIGURE 3-10. DEUTZ D2.9L4 ENGINE ASSEMBLY (WITHOUT ARCTIC PACKAGE)	214
FIGURE 3-11. DEUTZ D2.9L4 ENGINE INSTALLATION (WITH ARCTIC PACKAGE)	220
FIGURE 3-12. DEUTZ D2.9L4 ENGINE AND PUMP SUB-ASSEMBLY (WITH ARCTIC PACKAGE)	224
FIGURE 3-13. DEUTZ D2.9L4 ENGINE ASSEMBLY (WITH ARCTIC PACKAGE)	226
FIGURE 3-14. DEUTZ D2.9L4 ENGINE COMPONENTS	232
FIGURE 3-15. DEUTZ D2.9L4 (STAGE V) ENGINE INSTALLATION.....	236
FIGURE 3-16. DEUTZ D2.9L4 (STAGE V) ENGINE AND PUMP SUB-ASSEMBLY	242
FIGURE 3-17. DEUTZ D2.9L4 (STAGE V) ENGINE ASSEMBLY.....	244
FIGURE 3-18. DEUTZ D2.9L4 (STAGE V) ENGINE COMPONENTS	250
FIGURE 3-19. FUEL PUMP/FILTER BRACKET ASSEMBLY (DEUTZ TD2.9L4 ENGINES)	254
FIGURE 3-20. FUEL PUMP/FILTER BRACKET ASSEMBLY (DEUTZ D2.9L4 (STAGE V) ENGINES)	256
FIGURE 3-21. BREATHER HEATER INST (DEUTZ D2.9L4 ENGINES).....	258
FIGURE 3-22. ENGINE MOUNT (WITH GENERATOR) – DEUTZ D2.9L4 (STAGE V) ENGINE	260
FIGURE 3-23. ENGINE MOUNT (WITHOUT GENERATOR) – DEUTZ D2.9L4 (STAGE V) ENGINE.....	262
FIGURE 3-24. KUBOTA ENGINE INSTALLATION (WITHOUT ARCTIC PACKAGE).....	264
FIGURE 3-25. KUBOTA ENGINE AND PUMP SUB-ASSEMBLY (WITHOUT ARCTIC PACKAGE)	270
FIGURE 3-26. KUBOTA ENGINE ASSEMBLY (WITHOUT ARCTIC PACKAGE).....	272
FIGURE 3-27. KUBOTA ENGINE INSTALLATION (WITH ARCTIC PACKAGE)	278
FIGURE 3-28. KUBOTA ENGINE AND PUMP SUB-ASSEMBLY (WITH ARCTIC PACKAGE).....	284
FIGURE 3-29. KUBOTA ENGINE ASSEMBLY (WITH ARCTIC PACKAGE)	286
FIGURE 3-30. KUBOTA ENGINE COMPONENTS.....	292
FIGURE 3-31. PUMP COUPLING KIT (DEUTZ ENGINES)	296
FIGURE 3-32. PUMP COUPLING KIT (KUBOTA ENGINES)	298
FIGURE 3-33. PISTON PUMP ASSEMBLY	300
FIGURE 3-34. SPARK ARRESTOR MUFFLER INSTALLATION - DEUTZ D2011 STAGE 5 ENGINES.....	304
FIGURE 3-35. ENGINE HOOD BAFFLE INSTALLATION - DEUTZ ENGINES WITH ABS HOODS	306
FIGURE 3-36. ENGINE HOOD BAFFLE INSTALLATION - DEUTZ ENGINES WITH STEEL HOODS	308
FIGURE 3-37. ENGINE HOOD BAFFLE INSTALLATION - KUBOTA ENGINES.....	310
FIGURE 3-38. ENGINE TRAY JACK INSTALLATION	312
FIGURE 3-39. 2500W/110V/60HZ GENERATOR INSTALLATION - DEUTZ D2011 ENGINES.....	314
FIGURE 3-40. 2500W/110V/60HZ GENERATOR INSTALLATION - DEUTZ D2.9L4 ENGINES.....	318
FIGURE 3-41. 2500W/110V/60HZ GENERATOR INSTALLATION - KUBOTA ENGINES.....	322
FIGURE 3-42. 4000W/50HZ GENERATOR INSTALLATION - DEUTZ D2011 ENGINES	326
FIGURE 3-43. 4000W/60HZ GENERATOR INSTALLATION - DEUTZ D2011 ENGINES	330
FIGURE 3-44. 4000W/60HZ GENERATOR INSTALLATION - DEUTZ D2.9L4 ENGINES	334
FIGURE 3-45. 4000W/50HZ GENERATOR INSTALLATION (DEUTZ D2.9L4 (STAGE V) ENGINES)	338
FIGURE 3-46. 7500W/50HZ SKYPOWER GENERATOR INSTALLATION - DEUTZ D2011 ENGINES.....	342
FIGURE 3-47. 7500W/60HZ SKYPOWER GENERATOR INSTALLATION - DEUTZ D2011 ENGINES.....	346
FIGURE 3-48. 7500W/60HZ SKYPOWER GENERATOR INSTALLATION - DEUTZ D2.9L4 ENGINES.....	350
FIGURE 3-49. 7500W/60HZ SKYPOWER GENERATOR INSTALLATION - KUBOTA ENGINES	354
FIGURE 3-50. 7500W/50HZ SKYPOWER GENERATOR INSTALLATION (DEUTZ D2.9L4 (STAGE V) ENGINES).....	358
SECTION 4 - BOOM	361
FIGURE 4-1. BOOM INSTALLATION - 400S HC3.....	362
FIGURE 4-2. BOOM INSTALLATION - 460SJ HC3	364
FIGURE 4-3. MAIN BOOM ASSEMBLY - 400S HC3	366

TABLE OF CONTENTS

FIGURE 4-4. MAIN BOOM ASSEMBLY - 460SJ HC3	368
FIGURE 4-5. JIB BOOM ASSEMBLY - 460SJ HC3.....	370
FIGURE 4-6. ROTATOR ASSEMBLY - 400S HC3	372
FIGURE 4-7. ROTATOR ASSEMBLY - 460SJ HC3	374
FIGURE 4-8. SUPPORT, PLATFORM INSTALLATION	376
FIGURE 4-9. POWER TRACK INSTALLATION - 400S HC3.....	378
FIGURE 4-10. POWER TRACK INSTALLATION - 460SJ HC3	380
FIGURE 4-11. CAPACITY SWITCH INSTALLATION - 400S HC3	382
FIGURE 4-12. CAPACITY SWITCH INSTALLATION - 460SJ HC3.....	384
FIGURE 4-13. TRANSPORT POSITION SWITCH INSTALLATION	386
SECTION 5 - PLATFORM.....	389
FIGURE 5-1. PLATFORM ASSEMBLY WITH DROP-BAR - 30IN X 3FT (76CM X .91M)	390
FIGURE 5-2. PLATFORM ASSEMBLY WITH DROP-BAR - 30IN X 5FT (76CM X 1.52M)	392
FIGURE 5-3. PLATFORM ASSEMBLY WITH DROP-BAR - 36IN X 6FT (91.5CM X 1.83M)	394
FIGURE 5-4. PLATFORM ASSEMBLY WITH DROP-BAR - 36IN X 8FT (91.5CM X 2.44M)	396
FIGURE 5-5. PLATFORM ASSEMBLY WITH GATE - 30IN X 5FT (76CM X 1.52M)	398
FIGURE 5-6. PLATFORM ASSEMBLY WITH GATE- 36IN X 6FT (91.5CM X 1.83M)	400
FIGURE 5-7. PLATFORM ASSEMBLY WITH GATE - 36IN X 8FT (91.5CM X 2.44M)	402
FIGURE 5-8. PLATFORM ASSEMBLY WITH FALL ARREST - 36IN X 6FT (91.5CM X 1.83M)	404
FIGURE 5-9. PLATFORM ASSEMBLY WITH TRI-ENTRY (1 GATE / 2 DROP BARS) - 36IN X 6FT (91.5CM X 1.83M)	406
FIGURE 5-10. PLATFORM ASSEMBLY WITH TRI-ENTRY (1 GATE/2 DROP BARS) - 36IN X 8FT (91.5CM X 2.44M)	408
FIGURE 5-11. PLATFORM ASSEMBLY WITH TRI-ENTRY (3 DROP BARS) - 36IN X 6FT (91.5CM X 1.83M).....	410
FIGURE 5-12. PLATFORM ASSEMBLY WITH TRI-ENTRY (3 DROP BARS) - 36IN X 8FT (91.5CM X 2.44M).....	412
FIGURE 5-13. CONSOLE BOX ASSEMBLY WITH FOOTSWITCH	414
FIGURE 5-14. FOOTSWITCH ASSEMBLY	416
FIGURE 5-15. CONTROLLER ASSEMBLY- DRIVE/STEER.....	418
FIGURE 5-16. CONTROLLER ASSEMBLY - LIFT/SWING	420
FIGURE 5-17. LIGHT PANEL INSTALLATION.....	424
FIGURE 5-18. SKYEYE INSTALLATION.....	426
FIGURE 5-19. SKYGUARD BAR INSTALLATION.....	428
FIGURE 5-20. SKYLINE INSTALLATION.....	430
FIGURE 5-21. STORAGE TRAY INSTALLATION - CENTER	432
FIGURE 5-22. SKYWELDER INSTALLATION (50HZ).....	434
FIGURE 5-23. SKYWELDER INSTALLATION (60HZ).....	436
FIGURE 5-24. WELDER ASSEMBLY	438
FIGURE 5-25. SKYWELDER PREP PACKAGE (60HZ) (MACHINES WITH SN STARTING WITH 03 ONLY	440
FIGURE 5-26. SKYGLAZIER INSTALLATION (400S HC3 ANSI, ANSI EXPORT, CE & CSA SPECS/460SJ HC3 ANSI, AUSTRALIAN & CSA SPECS).....	442
FIGURE 5-27. PLATFORM POWER - USB	444
FIGURE 5-28. SOFT TOUCH SYSTEM INSTALLATION - 6FT/1.83M FALL ARREST PLATFORM (MACHINES WITH SN STARTING WITH 03 ONLY)	446
FIGURE 5-29. SOFT TOUCH SYSTEM INSTALLATION - 8FT/2.44M PLATFORM (MACHINES WITH SN STARTING WITH 03 ONLY	448
FIGURE 5-30. FALL ARREST (BOLT-ON) INSTALLATION - 30IN PLATFORM.....	450
FIGURE 5-31. FALL ARREST (BOLT-ON) INSTALLATION - 72IN STANDARD PLATFORM	452
FIGURE 5-32. FALL ARREST (BOLT-ON) INSTALLATION - 72IN TRI-ENTRY PLATFORM.....	454

TABLE OF CONTENTS

FIGURE 5-33. FALL ARREST (BOLT-ON) INSTALLATION - 96IN PLATFORM	456
SECTION 6 - CYLINDER	459
FIGURE 6-1. AXLE LOCKOUT CYLINDER ASSEMBLY	460
FIGURE 6-2. LEVEL CYLINDER ASSEMBLY - PLATFORM SLAVE (400S HC3)	462
FIGURE 6-3. LEVEL CYLINDER ASSEMBLY - PLATFORM SLAVE (460S HC3)	464
FIGURE 6-4. LIFT CYLINDER ASSEMBLY - JIB (460SJ HC3)	466
FIGURE 6-5. LIFT CYLINDER ASSEMBLY - BOOM (400S HC3)	468
FIGURE 6-6. LIFT CYLINDER ASSEMBLY - BOOM (460SJ HC3).....	470
FIGURE 6-7. MASTER CYLINDER ASSEMBLY (400S HC3).....	472
FIGURE 6-8. MASTER CYLINDER ASSEMBLY (460SJ HC3)	474
FIGURE 6-9. STEER CYLINDER ASSEMBLY.....	476
FIGURE 6-10. TELESCOPE CYLINDER ASSEMBLY (400S HC3)	478
FIGURE 6-11. TELESCOPE CYLINDER ASSEMBLY (460SJ HC3).....	480
SECTION 7 - HYDRAULIC	483
FIGURE 7-1. HYDRAULIC DIAGRAM - 400S HC3.....	484
FIGURE 7-2. HYDRAULIC DIAGRAM - 460SJ HC3	492
SECTION 8 - ELECTRICAL	501
FIGURE 8-1. AC BOX AT PLATFORM INSTALLATION - 110V GFI (MACHINES WITH 2500W GENERATOR/NO GENERATOR OPTIONS) (ANSI AND CSA SPECS).....	502
FIGURE 8-2. AC BOX AT PLATFORM INSTALLATION - CUSTOMER SUPPLIED RECEPTACLE (ANSI EXPORT, CE, CHINA & UK CA SPECS)	504
FIGURE 8-3. AC BOX AT PLATFORM INSTALLATION - 110V IEC YELLOW (CE & UK CA SPECS) (2500W AND 7500W SKYPOWER GENERATORS).....	506
FIGURE 8-4. AC BOX AT PLATFORM INSTALLATION - 110V IEC YELLOW (CE & UK CA SPECS) (4000W GENERATOR)	508
FIGURE 8-5. AC BOX AT PLATFORM INSTALLATION - 220V IEC BLUE (CE & UK CA SPECS) (2500W AND 7500W SKYPOWER GENERATORS).....	510
FIGURE 8-6. AC BOX AT PLATFORM INSTALLATION - 220V IEC BLUE (CE & UK CA SPECS) (4000W GENERATOR)	512
FIGURE 8-7. AC BOX AT PLATFORM INSTALLATION - 220V CEE7 POST GROUND (CE & UK CA SPECS) (WITHOUT GENERATOR).....	514
FIGURE 8-8. AC BOX AT PLATFORM INSTALLATION - 220V CEE7 POST GROUND (CE & UK CA SPECS) (4000W GENERATOR).....	516
FIGURE 8-9. AC BOX AT PLATFORM INSTALLATION - 220V CEE7 SIDE GROUND (CE & UK CA SPECS) (WITHOUT GENERATOR).....	518
FIGURE 8-10. AC BOX AT PLATFORM INSTALLATION - 220V CEE7 SIDE GROUND (CE & UK CA SPECS) (4000W GENERATOR).....	520
FIGURE 8-11. AC BOX AT PLATFORM INSTALLATION - 220V AFSINT 107 (CE & UK CA SPECS) (WITHOUT GENERATOR)	522
FIGURE 8-12. AC BOX AT PLATFORM INSTALLATION - 220V AFSINT 107 (CE & UK CA SPECS) (4000W GENERATOR)	524
FIGURE 8-13. AC BOX AT PLATFORM INSTALLATION - 240V GFCI RECEPTACLE (ANSI, ANSI EXPORT AND CSA SPECS WITH 4000W SKYPOWER GENERATOR).....	526
FIGURE 8-14. BATTERY DISCONNECT INSTALLATION	528
FIGURE 8-15. BOOM HARNESS - 400S HC3	530
FIGURE 8-16. BOOM HARNESS - 460SJ HC3	532
FIGURE 8-17. BREAKER BOX INSTALLATION - 110V/220V WITH 1 BREAKER (CE & UK CA SPECS)	534
FIGURE 8-18. BREAKER BOX INSTALLATION - 110V/220V WITH 3 BREAKERS (CE & UK CA SPECS).....	536
FIGURE 8-19. BREAKER BOX KIT - 1 DOUBLE BREAKER (CE & UK CA SPECS)	538
FIGURE 8-20. BREAKER BOX KIT - 1 BREAKER (CE & UK CA SPECS).....	540

TABLE OF CONTENTS

FIGURE 8-21. BREAKER BOX KIT - 3 BREAKERS (CE & UK CA SPECS)	542
FIGURE 8-22. CABLES AND CLAMPS INSTALLATION - 400S HC3 WITH 2500W GENERATOR OR NO GENERATOR	544
FIGURE 8-23. CABLES AND CLAMPS INSTALLATION - 400S HC3 WITH 4000W/50HZ GENERATOR	546
FIGURE 8-24. CABLES AND CLAMPS INSTALLATION - 400S HC3 WITH 4000W/60HZ GENERATOR	548
FIGURE 8-25. CABLES AND CLAMPS INSTALLATION - 400S HC3 WITH 7500W GENERATOR	550
FIGURE 8-26. CABLES AND CLAMPS INSTALLATION - 460SJ HC3 WITH 2500W GENERATOR OR NO GENERATOR	552
FIGURE 8-27. CABLES AND CLAMPS INSTALLATION - 460SJ HC3 WITH 4000W/50HZ GENERATOR	554
FIGURE 8-28. CABLES AND CLAMPS INSTALLATION - 460SJ HC3 WITH 4000W/60HZ GENERATOR	556
FIGURE 8-29. CABLES AND CLAMPS INSTALLATION - 460SJ HC3 WITH 7500W GENERATOR	558
FIGURE 8-30. CAPACITY SWITCH HARNESS (400S HC3)	560
FIGURE 8-31. CAPACITY SWITCH HARNESS (460SJ HC3)	562
FIGURE 8-32. ENGINE HARNESS ASSEMBLY (DEUTZ D2011)	564
FIGURE 8-33. ENGINE HARNESS ASSEMBLY (DEUTZ D2.9L4)	566
FIGURE 8-34. ENGINE HARNESS – DEUTZ D2.9L4 (STAGE V) ENGINES	570
FIGURE 8-35. ENGINE HARNESS ASSEMBLY (KUBOTA)	574
FIGURE 8-36. FUEL HARNESS (DEUTZ D2.9L4 ENGINES)	576
FIGURE 8-37. FUEL HARNESS - DEUTZ D2.9L4 (STAGE V) ENGINE	578
FIGURE 8-38. FUEL HARNESS (KUBOTA ENGINES)	580
FIGURE 8-39. GENERATOR HARNESS - 2500W GENERATOR	582
FIGURE 8-40. GENERATOR HARNESS - 4000W GENERATOR (CONTROL BOX TO GENERATOR) (DEUTZ ENGINES) ...	584
FIGURE 8-41. GENERATOR HARNESS - 7500W GENERATOR (CONTROL BOX TO GENERATOR)	586
FIGURE 8-42. GROUND CONTROL BOX HARNESS	588
FIGURE 8-43. HIGH CAPACITY HARNESS (460SJ HC3)	590
FIGURE 8-44. PLATFORM CONSOLE BOX HARNESS	592
FIGURE 8-45. RECEPTACLE BOX KIT - 110V IEC YELLOW (CE & UK CA SPEC)	594
FIGURE 8-46. RECEPTACLE BOX KIT - 220V IEC BLUE (CE & UK CA SPEC)	596
FIGURE 8-47. RECEPTACLE BOX KIT - 220V CEE7 POST GROUND (CE & UK CA SPEC)	598
FIGURE 8-48. RECEPTACLE BOX KIT - 220V CEE7 SIDE GROUND (CE & UK CA SPEC)	600
FIGURE 8-49. RECEPTACLE BOX KIT - 220V AFSINT 107 (CE & UK CA SPEC)	602
FIGURE 8-50. RECEPTACLE/BREAKER BOX ASSEMBLY - 240V (4000W AND 7500W SKYPOWER GENERATORS) (ANSI, ANSI EXPORT AND CSA SPECS)	604
FIGURE 8-51. SKYEYE EMITTER HARNESS	606
FIGURE 8-52. SKYEYE INTERMEDIATE HARNESS	608
FIGURE 8-53. SKYEYE RECEIVER HARNESS	610
FIGURE 8-54. SKYGUARD HARNESS	612
FIGURE 8-55. SKYGUARD INTERFACE HARNESS	614
FIGURE 8-56. SKYLINE HARNESS	616
FIGURE 8-57. STROBE LIGHT HARNESS (BLUE AND RED STROBE LIGHTS)	618
FIGURE 8-58. TELESCOPE IN PROXIMITY SENSORS HARNESS (400S HC3)	620
FIGURE 8-59. TELESCOPE IN PROXIMITY SENSORS HARNESS (460SJ HC3)	622
FIGURE 8-60. TELESCOPE OUT PROXIMITY SENSORS HARNESS	624
FIGURE 8-61. TURNTABLE HARNESS	626
FIGURE 8-62. VALVE HARNESS	630
SECTION 9 - DECALS	633
FIGURE 9-1. DECAL INSTALLATION - ANSI SPECS (DIESEL MACHINES)	634

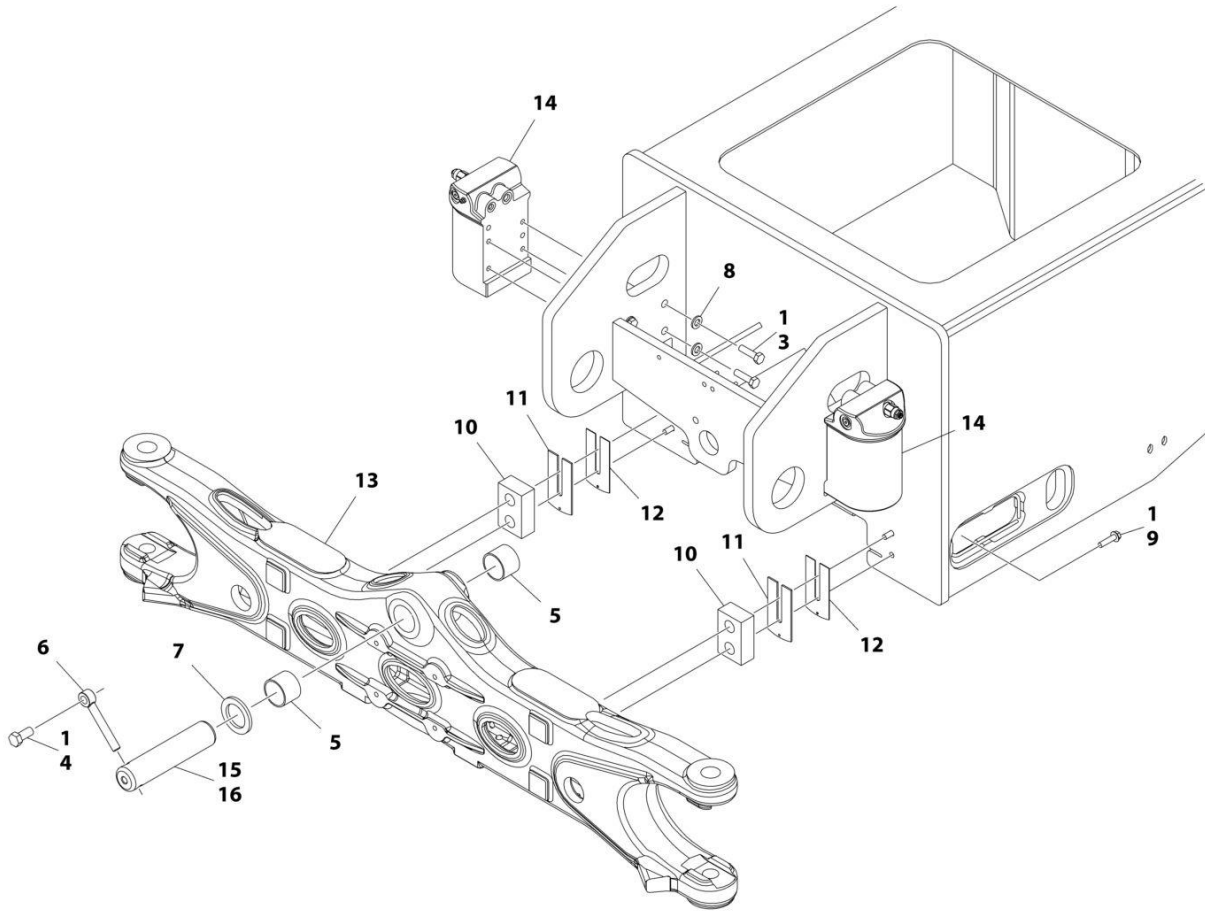
TABLE OF CONTENTS

FIGURE 9-2. DECAL INSTALLATION - ANSI SPECS (GAS MACHINES)	636
FIGURE 9-3. DECAL INSTALLATION - AUSTRALIAN SPECS	638
FIGURE 9-4. DECAL INSTALLATION - BRAZIL SPECS	640
FIGURE 9-5. DECAL INSTALLATION - CE SPECS	642
FIGURE 9-6. DECAL INSTALLATION - CHINESE SPECS	644
FIGURE 9-7. DECAL INSTALLATION - CSA SPECS (DIESEL MACHINES)	646
FIGURE 9-8. DECAL INSTALLATION - CSA SPECS (GAS MACHINES)	648
FIGURE 9-9. DECAL INSTALLATION - JAPANESE SPECS	650
FIGURE 9-10. DECAL INSTALLATION - KOREAN SPECS	652
FIGURE 9-11. DECAL INSTALLATION - LATIN AMERICAN SPECS	654
FIGURE 9-12. DECAL INSTALLATION - OPTIONS	656
FIGURE 9-13. DECAL INSTALLATION - SKYWELDER (50HZ)	660
FIGURE 9-14. DECAL INSTALLATION - SKYWELDER (60HZ)	662
SECTION 10 - RECOMMENDED SERVICE PARTS STOCK	665
FIGURE 10-1. RECOMMENDED SERVICE PARTS STOCK	666
SECTION 11 - SPECIAL OPTIONS	669
FIGURE 11-1. SPECIAL OPTIONS	670
PART NUMBER INDEX	675

SECTION 1 - FRAME

SECTION 1 - FRAME

FIGURE 1-1. AXLE INSTALLATION



ART_1001164094

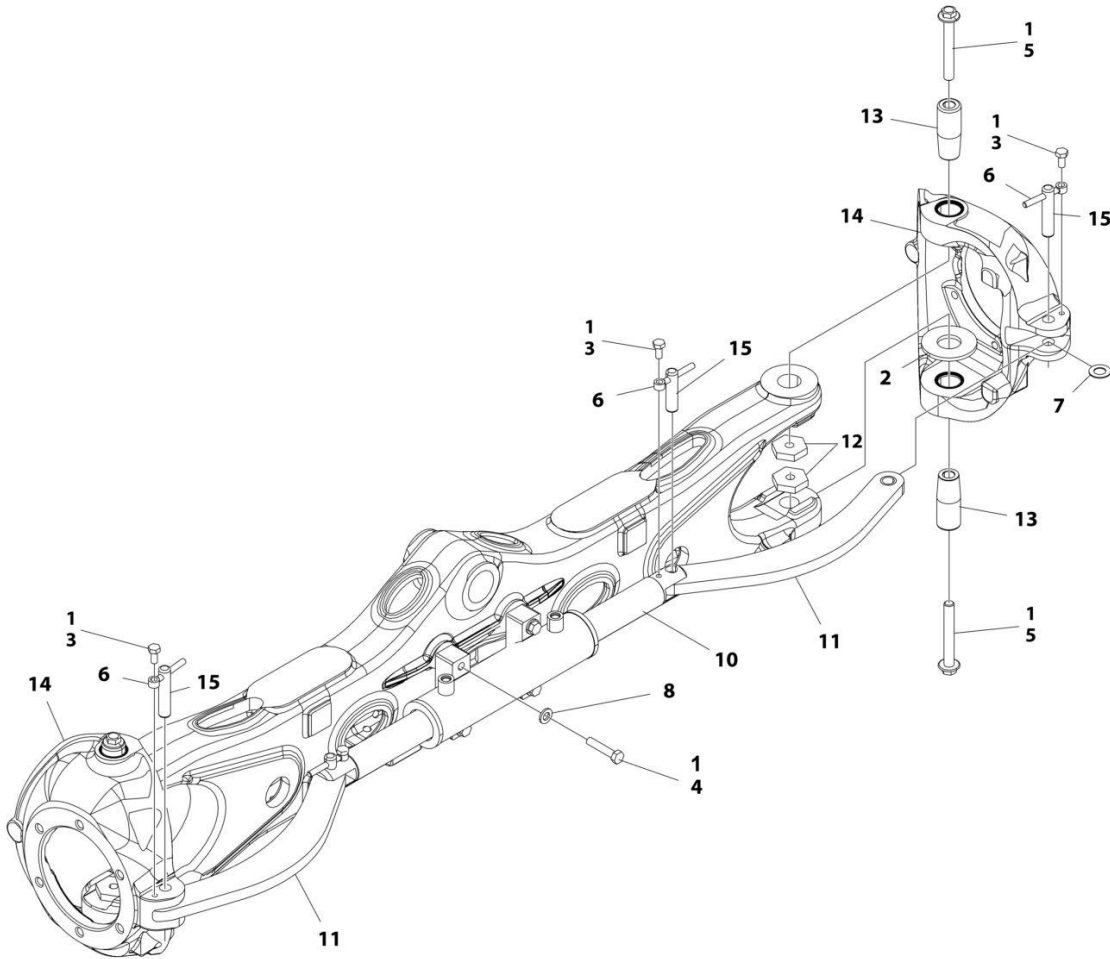
SECTION 1 - FRAME

FIGURE 1-1. AXLE INSTALLATION

ITEM	PART NUMBER	QTY	DESCRIPTION	REV
	1001164094	Ref	AXLE INSTALLATION	C
1	0100011	AR	Compound, Locking	
3	0701217	8	Bolt M12 x 45	
4	0761615	1	Bolt M16 x 35	
5	0961950	2	Bearing	
6	3841258	1	Keeper, Pin	
7	4740158	1	Washer	
8	5241200	8	Washer M12	
9	5251016	4	Bolt M10 x 40	
10	1001166563	2	Pad, Wear	
11	1001150324	2	Shim, 3	
12	1001150326	2	Shim, 1.2	
13	1001162995	1	Axle	
14	1001163580	2	Axle Lockout Cylinder Assembly (See Separate Breakdown in CYLINDER SECTION)	
15	1001164552	1	Pin	
16	3020039	AR	Lube	

SECTION 1 - FRAME

FIGURE 1-2. STEER INSTALLATION - WITHOUT TOW PACKAGE (400S HC3)



ART_1001164092

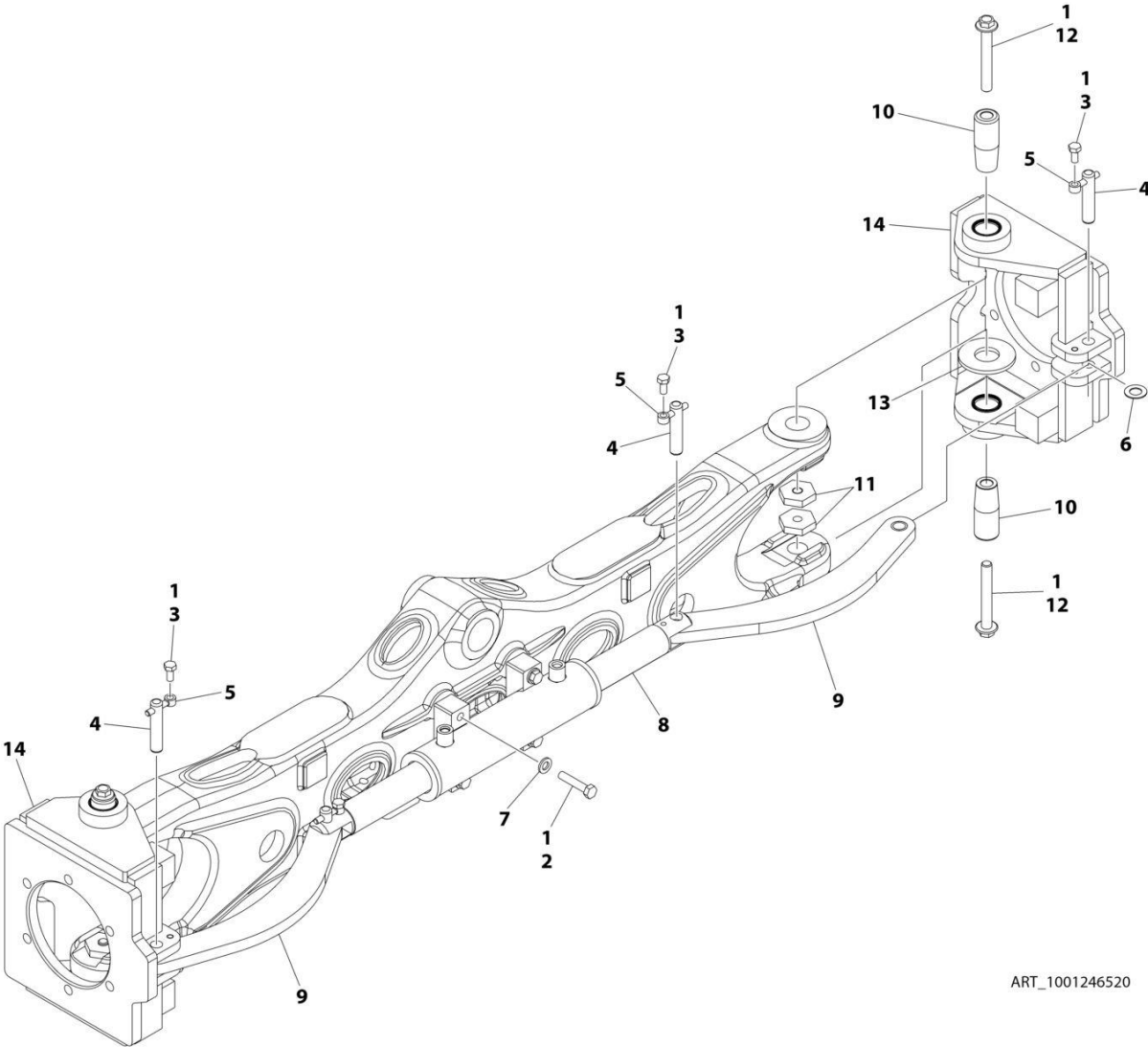
SECTION 1 - FRAME

FIGURE 1-2. STEER INSTALLATION - WITHOUT TOW PACKAGE (400S HC3)

ITEM	PART NUMBER	QTY	DESCRIPTION	REV
	1001164092	Ref	STEER INSTALLATION WITHOUT TOW PACKAGE	F
1	0100011	AR	Compound, Locking	
2	1001233139	2	Bearing, Thrust	
3	0761011	4	Bolt M10 x 22	
4	0711220	4	Bolt M12 x 60 Grade 10.9	
5	1001190368	4	Bolt M16 x 120	
6	3841143	4	Keeper, Pin	
7	4740086	4	Washer	
8	5241200	4	Washer M12	
10	1001163178	1	Steer Cylinder Assembly (See Separate Breakdown in CYLINDER SECTION)	
11	1001163179	2	Link	
11	1001164209	4	Bearing (2 Per Link)	
12	1001176848	4	Nut M16	
13	1001163405	4	Kingpin	
14	1001163715	2	Spindle	
14	0961948	4	Bearing (2 Per Spindle)	
14	1001163716	8	Seal (4 Per Spindle)	
15	3423304	4	Pin	

SECTION 1 - FRAME

FIGURE 1-3. STEER INSTALLATION - WITHOUT TOW PACKAGE (460SJ HC3)



ART_1001246520

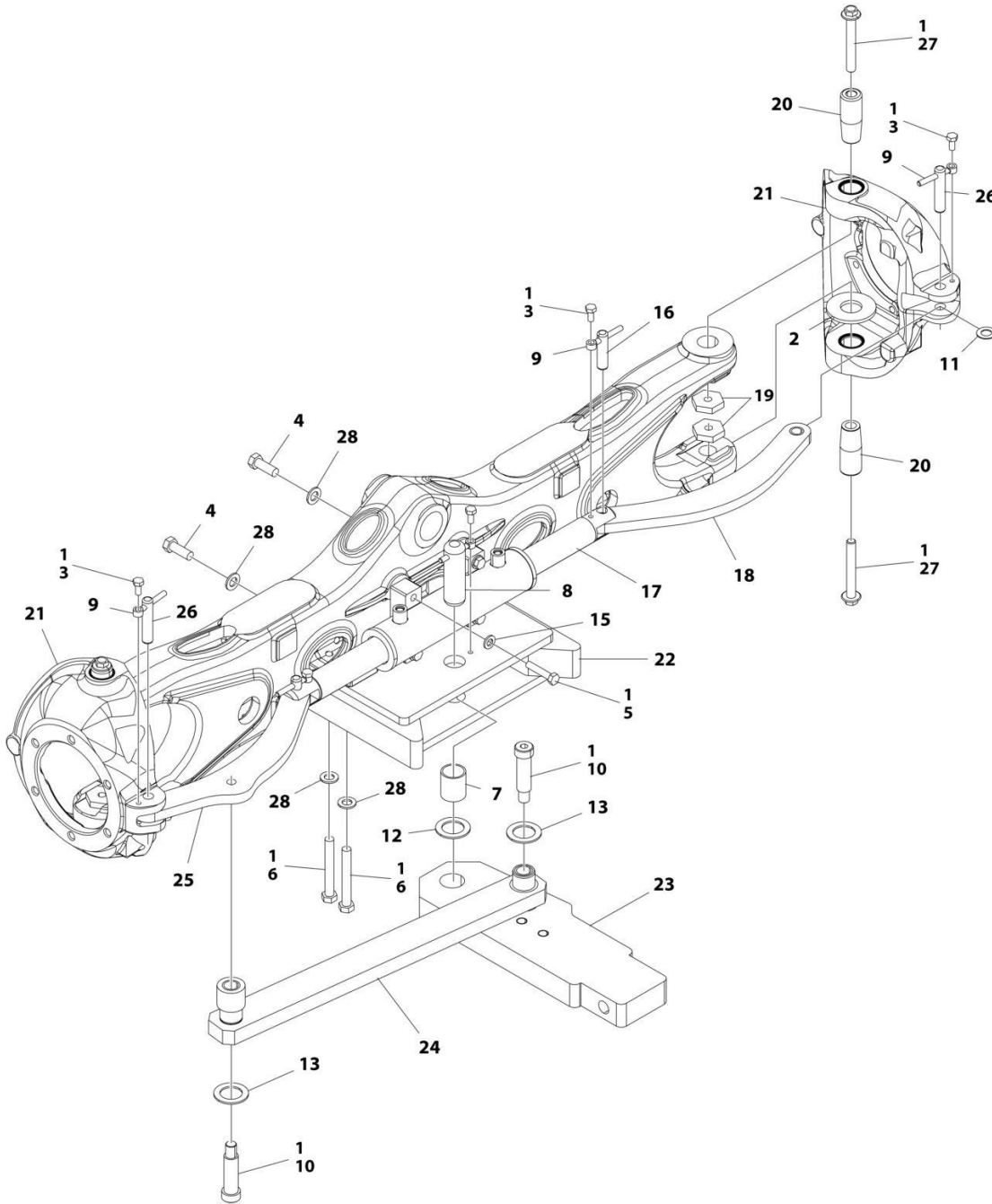
SECTION 1 - FRAME

FIGURE 1-3. STEER INSTALLATION - WITHOUT TOW PACKAGE (460SJ HC3)

ITEM	PART NUMBER	QTY	DESCRIPTION	REV
	1001246520	Ref	STEER INSTALLATION - WITHOUT TOW PACKAGE	A
1	0100011	AR	Compound, Locking	
2	0711220	4	Bolt M12 x 60 Grade 10.9	
3	0761011	4	Bolt M10 x 22	
4	3423304	4	Pin	
5	3841520	4	Keeper	
6	4740086	4	Washer	
7	5241200	4	Washer M12	
8	1001163178	1	Steer Cylinder Assembly (See Separate Breakdown in CYLINDER Section)	
9	1001163179	2	Link	
9	1001164209	4	Bearing (2 Per Link)	
10	1001163405	4	Kingpin	
11	1001176848	4	Nut M16	
12	1001190368	4	Bolt M16 x 120	
13	1001233139	2	Bearing, Thrust	
14	1001246551	2	Spindle	
14	0961948	4	Bearing (2 Per Spindle)	
14	1001163716	2	Seal (1 Per Spindle)	

SECTION 1 - FRAME

FIGURE 1-4. STEER INSTALLATION - WITH TOW PACKAGE (400S HC3)



ART_1001164095

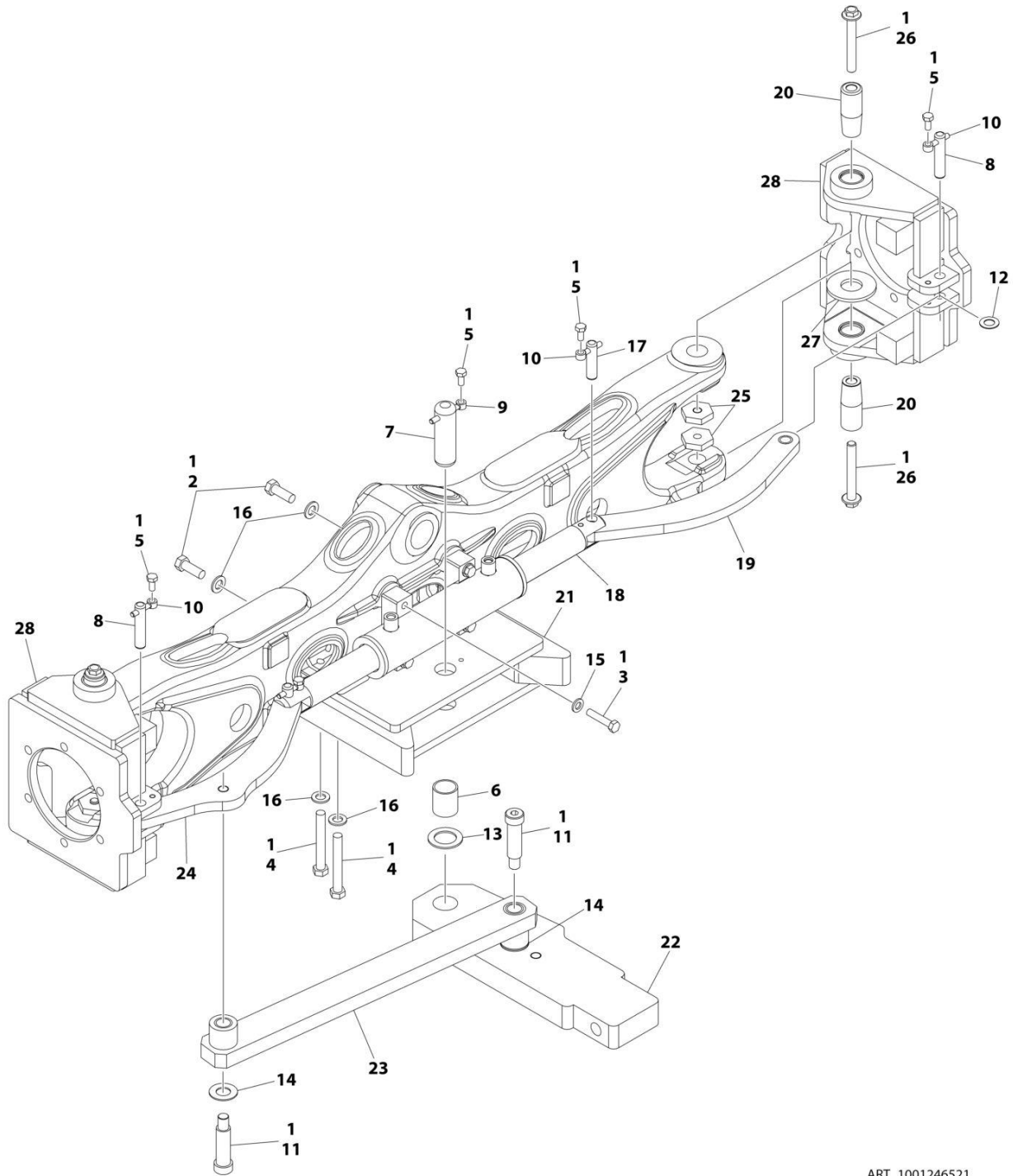
SECTION 1 - FRAME

FIGURE 1-4. STEER INSTALLATION - WITH TOW PACKAGE (400S HC3)

ITEM	PART NUMBER	QTY	DESCRIPTION	REV
	1001164095	Ref	STEER INSTALLATION WITH TOW PACKAGE	D
1	0100011	AR	Compound, Locking	
2	0440271	2	Bearing, Thrust	
3	0761011	5	Bolt M10 x 22	
4	0701617	2	Bolt M16 x 45	
5	0711220	4	Bolt M12 x 60 Grade 10.9	
6	0711629	4	Bolt M16 x 120	
7	0962348	1	Bearing	
8	3422848	1	Pin	
9	3841143	5	Keeper, Pin	
10	3900295	2	Bolt 1 X 3	
11	4740086	4	Washer	
12	4740155	1	Washer	
13	4740491	2	Washer	
15	5241200	4	Washer M12	
16	1001139586	2	Pin	
17	1001163178	1	Steer Cylinder Assembly (See Separate Breakdown in CYLINDER SECTION)	
18	1001163179	1	Link	
18	1001164209	2	Bearing	
19	1001176848	4	Nut M16	
20	1001163405	4	Kingpin	
21	1001163715	2	Spindle	
21	0961948	4	Bearing (2 per Spindle)	
21	1001163716	8	Seal (4 per Spindle)	
22	1001163717	1	Bracket, Tow	
23	1001163722	1	Plate	
24	1001163724	1	Link	
24	0962292	4	Bearing	
25	1001163726	1	Link	
25	1001164209	2	Bearing	
26	3423304	2	Pin	
27	1001190368	4	Bolt M16 x 120	
28	5241600	6	Washer M16	

SECTION 1 - FRAME

FIGURE 1-5. STEER INSTALLATION - WITH TOW PACKAGE (460SJ HC3)



ART_1001246521

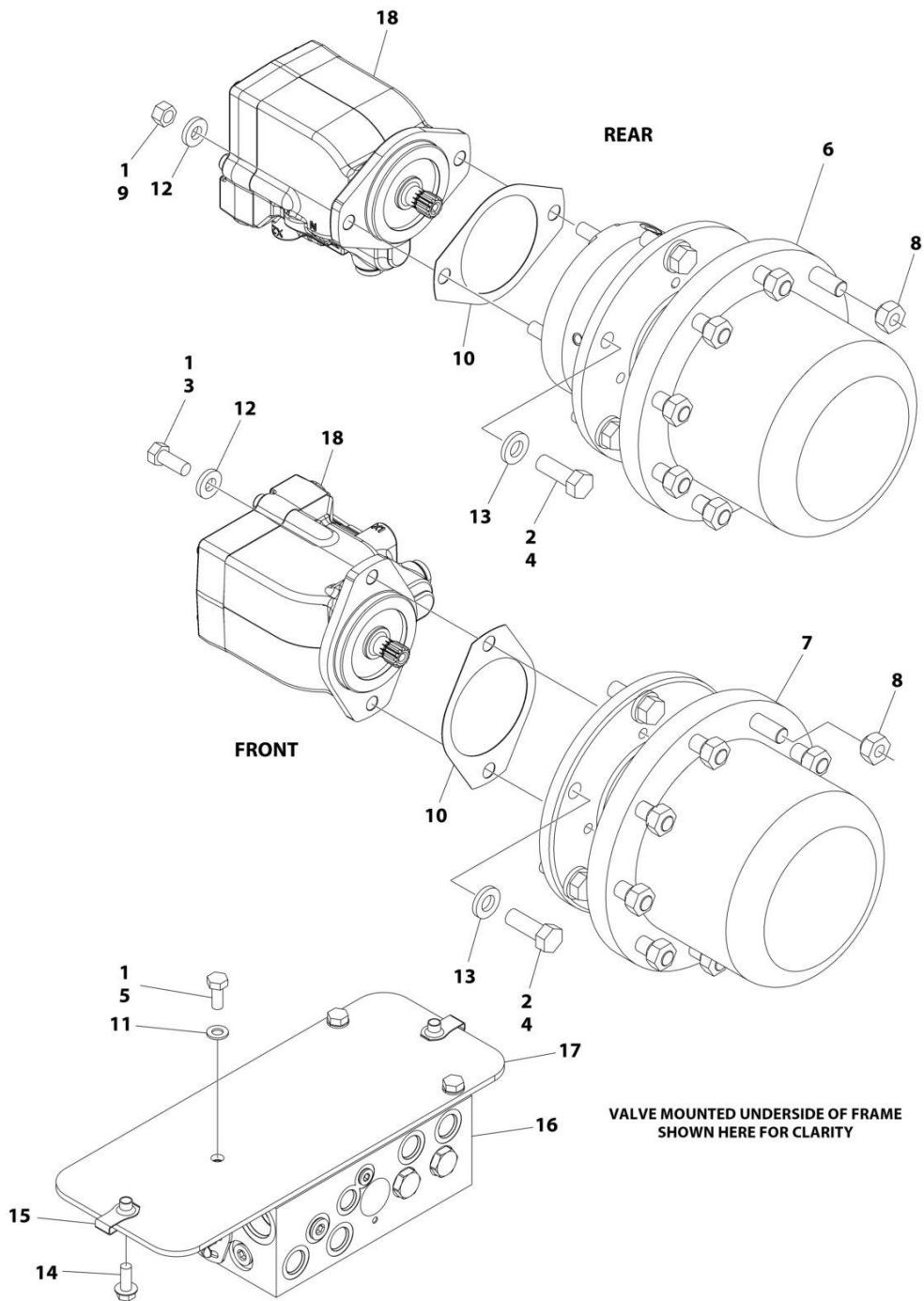
SECTION 1 - FRAME

FIGURE 1-5. STEER INSTALLATION - WITH TOW PACKAGE (460SJ HC3)

ITEM	PART NUMBER	QTY	DESCRIPTION	REV
	1001246521	Ref	STEER INSTALLATION - WITH TOW PACKAGE	B
1	0100011	AR	Compound, Locking	
2	0701617	2	Bolt M16 x 45	
3	0711220	4	Bolt M12 x 60 Grade 10.9	
4	0711629	4	Bolt M16 x 120	
5	0761011	5	Bolt M10 x 22	
6	0962348	1	Bearing	
7	3422848	1	Pin	
8	3423304	2	Pin	
9	3841143	1	Keeper, Pin	
10	3841520	4	Keeper	
11	3900295	2	Bolt 1 X 3	
12	4740086	4	Washer	
13	4740155	1	Washer	
14	4740491	2	Washer	
15	5241200	4	Washer M12	
16	5241600	6	Washer M16	
17	1001139586	2	Pin	
18	1001163178	1	Steer Cylinder Assembly (See Separate Breakdown in CYLINDER SECTION)	
19	1001163179	1	Link	
20	1001163405	4	Kingpin	
21	1001163717	1	Bracket, Tow	
22	1001163722	1	Plate	
23	1001163724	1	Link	
24	1001163726	1	Link	
25	1001176848	4	Nut M16	
26	1001190368	4	Bolt M16 x 120	
27	1001233139	2	Bearing, Thrust	
28	1001246551	2	Knuckle	

SECTION 1 - FRAME

FIGURE 1-6. WHEEL DRIVE AND FRAME VALVES INSTALLATION (400S HC3)



ART_1001285010

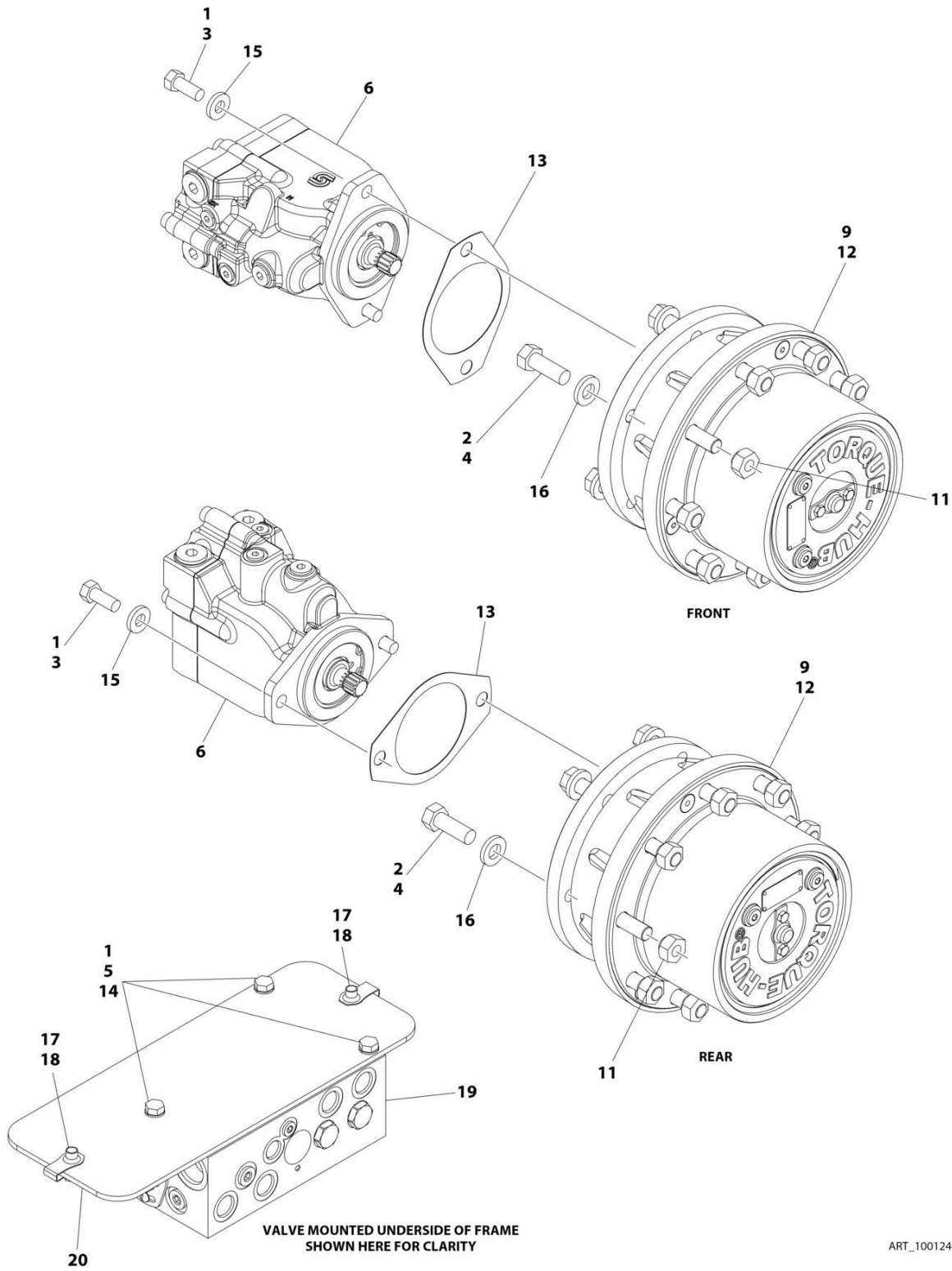
SECTION 1 - FRAME

FIGURE 1-6. WHEEL DRIVE AND FRAME VALVES INSTALLATION (400S HC3)

ITEM	PART NUMBER	QTY	DESCRIPTION	REV
	1001285010	Ref	WHEEL DRIVE INSTALLATION (4WD)	A
1	0100011	AR	Compound, Locking	
2	0100019	AR	Compound, Locking	
3	0681810	4	Bolt 1/2 x 1-1/4 (Grade 8)	
4	0682014	24	Bolt 5/8 x 1-3/4 (Grade 8)	
5	0761012	3	Bolt M10 x 25	
6	2780267	2	Drive Hub Assembly - Rear (See Separate Breakdown in this Section)	
7	2780268	2	Drive Hub Assembly - Front (See Separate Breakdown in this Section)	
8	3300106	36	Lugnut	
9	3311801	4	Nut 1/2	
10	3960526	4	Gasket, Brake	
11	4812000	3	Washer M10	
12	4891800	8	Washer 1/2	
13	4892000	24	Washer 5/8	
14	5251012	2	Bolt M10 x 25	
15	1001118972	2	Nut M10	
16	1001162537	1	Traction Valve Assembly (See Separate Breakdown in this Section)	
17	1001163959	1	Plate, Mounting	
18	1001278022	4	Drive Motor Assembly (See Separate Breakdown in this Section)	

SECTION 1 - FRAME

FIGURE 1-7. WHEEL DRIVE AND FRAME VALVES INSTALLATION (460SJ HC3)



ART_1001246374

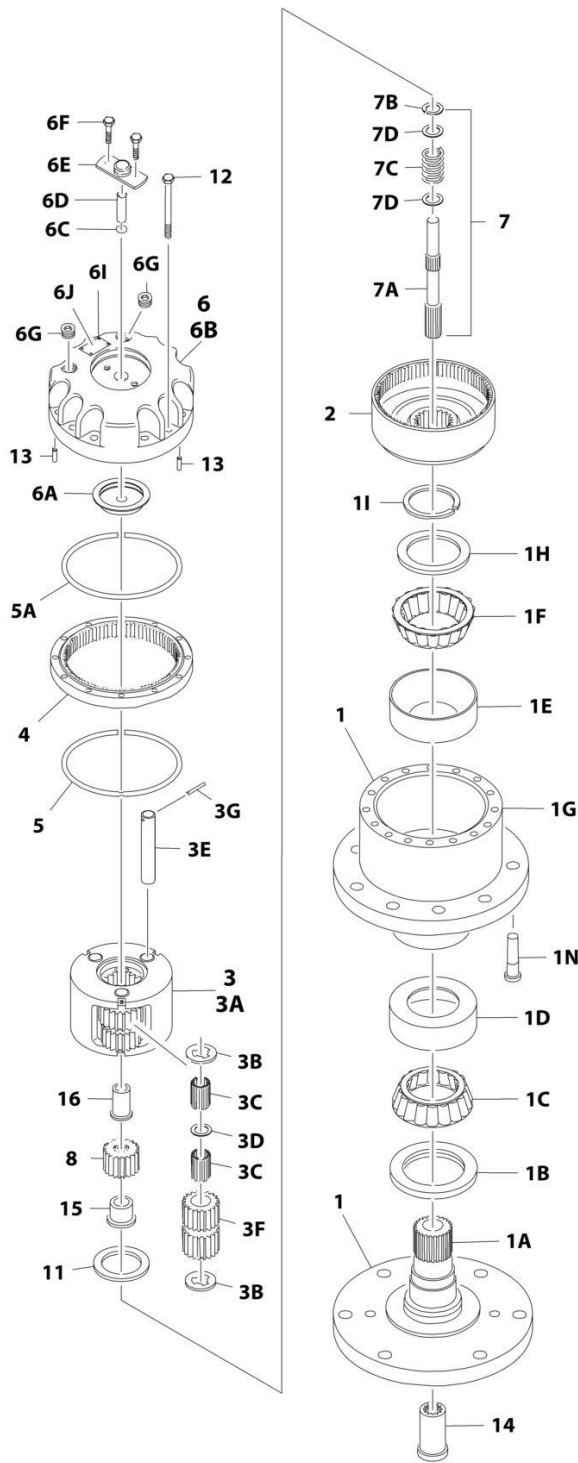
SECTION 1 - FRAME

FIGURE 1-7. WHEEL DRIVE AND FRAME VALVES INSTALLATION (460SJ HC3)

ITEM	PART NUMBER	QTY	DESCRIPTION	REV
	1001246374	Ref	WHEEL DRIVE AND FRAME VALVES INSTALLATION	B
1	0100011	AR	Compound, Locking	
2	0100019	AR	Compound, Locking	
3	0681810	8	Bolt 1/2 x 1-1/4 (Grade 8)	
4	0682014	24	Bolt 5/8 x 1-3/4 (Grade 8)	
5	0761012	3	Bolt M10 x 25	
6	1001245759	4	Drive Motor Assembly (See Separate Breakdown in this Section)	
9	3020008	0.75 gl	Lubricant	
11	3300106	36	Lugnut	
12	1001252541	4	Hub	
13	3960526	4	Gasket, Brake	
14	4812000	3	Washer M10	
15	4891800	8	Washer 1/2	
16	4892000	24	Washer 5/8	
17	5251012	2	Bolt M10 x 25	
18	1001118972	2	Nut M10 x 1.5	
19	1001162537	1	Traction Valve Assembly (See Separate Breakdown in this Section)	
20	1001163959	1	Plate, Mounting	

SECTION 1 - FRAME

FIGURE 1-8. DRIVE HUB ASSEMBLY - FRONT (400S HC3)



ART_2780268

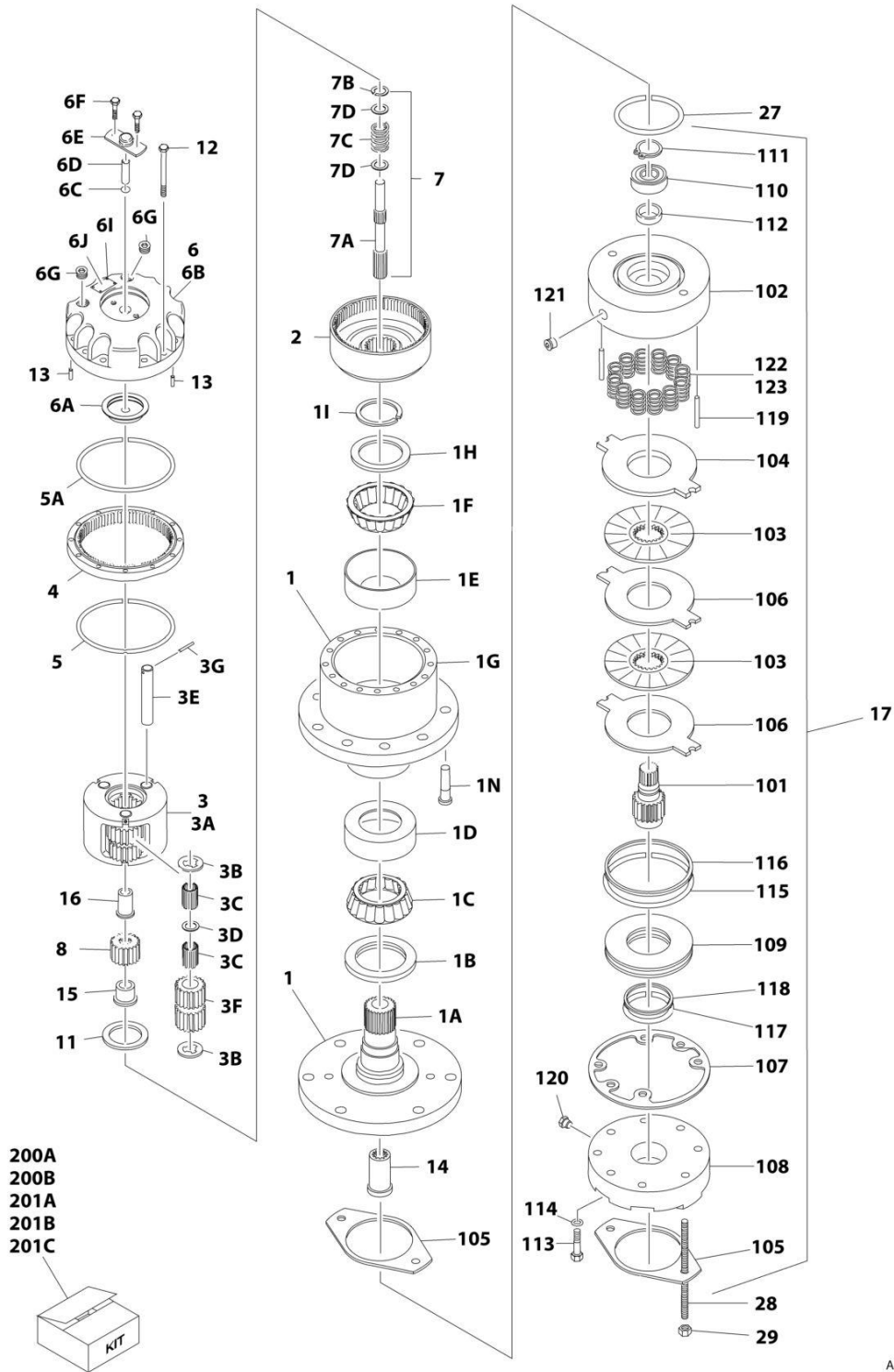
SECTION 1 - FRAME

FIGURE 1-8. DRIVE HUB ASSEMBLY - FRONT (400S HC3)

ITEM	PART NUMBER	QTY	DESCRIPTION	REV
	2780268	Ref	DRIVE HUB ASSEMBLY - FRONT	F
1	See Note	1	Spindle/Housing Assembly (Note: Purchase Individual Components)	
1A	7017059	1	Spindle	
1B	7001998	1	Seal	
1C	7010429	1	Cone, Bearing (Includes Item 1D)	
1D	7010429	1	Cup, Bearing (Includes Item 1C)	
1E	7000257	1	Cup, Bearing	
1F	7000258	1	Cone, Bearing	
1G	7007601	1	Housing/Ring Gear	
1H	7000232	1	Washer, Thrust	
1I	7000229	1	Ring, Retaining	
1N	7007640	9	Stud, Wheel	
2	7000246	1	Gear, Internal	
3	7024712	1	Carrier Assembly	
3A	See Note	1	Carrier (Note: Use Item 3)	
3B	See Note	6	Ring, Retaining (Note: Use Item 3)	
3C	See Note	AR	Bearing, Needle (Note: Use Item 3)	
3D	See Note	3	Washer, Thrust (Note: Use Item 3)	
3E	See Note	3	Shaft, Planet (Note: Use Item 3)	
3F	See Note	3	Gear, Planet (Note: Use Item 3)	
3G	See Note	3	Roll Pin (Note: Use Item 3)	
4	7000248	1	Ring Gear	
5	7000230	1	O-Ring	
5A	7017070	1	O-Ring	
6	70001349	1	Cover Assembly Kit	
6A	See Note	1	Spacer, Thrust (Note: Use Item 6)	
6B	See Note	1	Plate, Cover (Note: Use Item 6)	
6C	See Note	1	O-Ring (Note: Use Item 6)	
6D	See Note	1	Rod, Disconnect (Note: Use Item 6)	
6E	See Note	1	Cap, Disengage (Note: Use Item 6)	
6F	See Note	2	Bolt (Note: Use Item 6)	
6G	See Note	1	Plug, Pipe (Note: Use Item 6)	
6I	See Note	4	Rivet (Note: Not Available for Purchase)	
6J	See Note	1	Plate, ID (Note: Not Available for Purchase)	
7		Ref	Input Shaft Assembly	
7A	7024714	1	Shaft	
7B	7000261	1	Ring, Retaining	
7C	7000262	1	Spring	
7D	7000263	2	Spacer, Thrust	
8	7024713	1	Gear, Sun	
11	7000253	1	Washer, Thrust	
12	7017067	12	Bolt	
13	7017080	4	Pin, Dowel	
14	7000206	1	Coupling	
15	7024715	1	Spacer, Input	
16	7024716	1	Spacer, Input	

SECTION 1 - FRAME

FIGURE 1-9. DRIVE HUB/BRAKE ASSEMBLY - REAR (400S HC3)



ART_2780267

SECTION 1 - FRAME

FIGURE 1-9. DRIVE HUB/BRAKE ASSEMBLY - REAR (400S HC3)

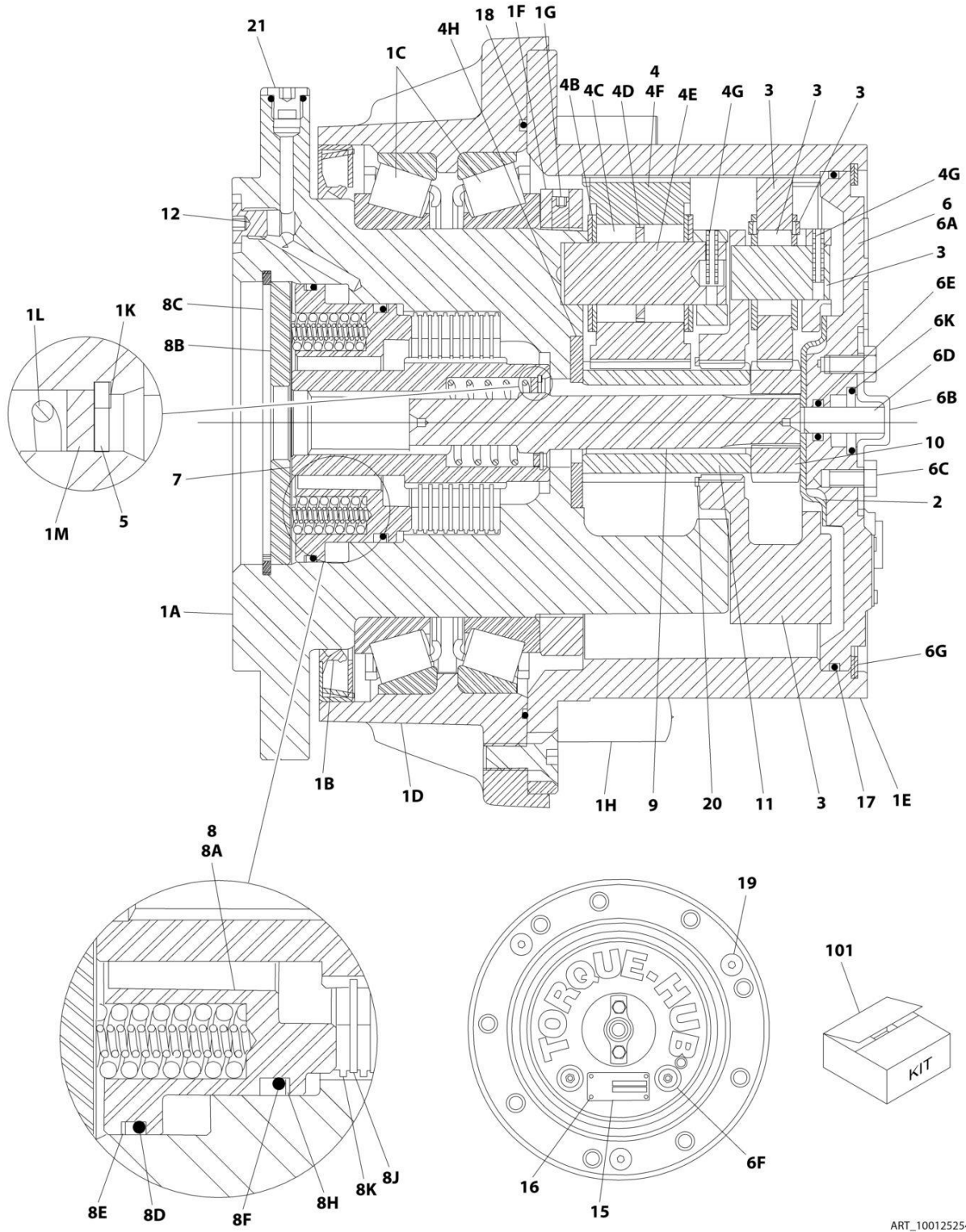
ITEM	PART NUMBER	QTY	DESCRIPTION	REV
	2780267	Ref	DRIVE HUB AND BRAKE ASSEMBLY - REAR	I
1	See Note	1	Spindle/Housing Assembly (Note: Purchase Individual Components)	
1A	7017059	1	Spindle	
1B	7001998	1	Seal	
1C	7010429	1	Cone, Bearing (Includes Item 1D)	
1D	7010429	1	Cup, Bearing (Includes Item 1C)	
1E	7000257	1	Cup, Bearing	
1F	7000258	1	Cone, Bearing	
1G	7007601	1	Housing/Ring Gear	
1H	7000232	1	Washer, Thrust	
1I	7000229	1	Ring, Retaining	
1N	7007640	9	Stud, Wheel	
2	7000246	1	Gear, Internal	
3	7024712	1	Carrier Assembly	
3A	See Note	1	Carrier (Note: Use Item 3)	
3B	See Note	6	Ring, Retaining (Note: Use Item 3)	
3C	See Note	AR	Bearing, Needle (Note: Use Item 3)	
3D	See Note	3	Washer, Thrust (Note: Use Item 3)	
3E	See Note	3	Shaft, Planet (Note: Use Item 3)	
3F	See Note	3	Gear, Planet (Note: Use Item 3)	
3G	See Note	3	Roll Pin (Note: Use Item 3)	
4	7000248	1	Ring Gear	
5	7000230	1	O-Ring	
5A	7017070	1	O-Ring	
6	70001349	1	Cover Assembly Kit	
6A	See Note	1	Spacer, Thrust (Note: Use Item 6)	
6B	See Note	1	Plate, Cover (Note: Use Item 6)	
6C	See Note	1	O-Ring (Note: Use Item 6)	
6D	See Note	1	Rod, Disconnect (Note: Use Item 6)	
6E	See Note	1	Cap, Disengage (Note: Use Item 6)	
6F	See Note	2	Bolt (Note: Use Item 6)	
6G	See Note	1	Plug, Pipe (Note: Use Item 6)	
6I	See Note	4	Rivet (Note: Not Available for Purchase)	
6J	See Note	1	Plate, ID (Note: Not Available for Purchase)	
7		Ref	Input Shaft Assembly	
7A	7024714	1	Shaft	
7B	7000261	1	Ring, Retaining	
7C	7000262	1	Spring	
7D	7000263	2	Spacer, Thrust	
8	7024713	1	Gear, Sun	
11	7000253	1	Washer, Thrust	
12	7017067	12	Bolt	
13	7017080	4	Pin, Dowel	
14	7000206	1	Coupling	
15	7024715	1	Spacer, Input	
16	7024716	1	Spacer, Input	
17	7024182	1	Brake Assembly (See Items 101-123 for Breakdown)	
27	7024705	1	O-Ring	
28	7024717	2	Rod, Threaded	

SECTION 1 - FRAME

ITEM	PART NUMBER	QTY	DESCRIPTION	REV
29	7024718	2	Nut 1/2in-13NC	
	7024182	Ref	BRAKE ASSEMBLY	
101	7024189	1	Shaft	
102	See Note	1	Housing (Note: Use Item 17)	
103	See Note	2	Plate, Friction (Note: Use Item 201B)	
104	See Note	1	Plate, Pressure (Note: Use Item 201B)	
105	7000731	2	Gasket	
106	See Note	2	Plate, Outer (Note: Use Item 201B)	
107	See Note	1	Gasket (Note: Use Item 200A, 201B or 201C)	
108	7024191	1	Cylinder	
109	7024192	1	Piston	
110	See Note	1	Bearing, Ball (Note: Use Item 201C)	
111	See Note	1	Ring, Retaining (Note: Use Item 201C)	
112	See Note	1	Seal, Shaft (Note: Use Item 201C)	
113	See Note	6	Capscrew (Note: Use Item 17)	
114	See Note	6	Lockwasher (Note: Use Item 17)	
115	See Note	1	O-Ring (Note: Use Item 200B)	
116	See Note	1	Ring, Back-up (Note: Use Item 200B)	
117	See Note	1	O-Ring (Note: Use Item 200B)	
118	See Note	1	Ring, Back-up (Note: Use Item 200B)	
119	7024190	2	Pin, Dowel	
120	See Note	1	Plug (Note: Use Item 17)	
121	See Note	2	Plug (Note: Use Item 17)	
122	See Note	12	Spring Kit (Natural) (Note: Use Item 201A)	
123	See Note	2	Spring Kit (Blue) (Note: Use Item 201A)	
		Ref	Kit Options	
200		Ref	Seal Kit Options:	
200A	See Note	1	Hub Seal Kit (Note: Purchase Individual Components)	
200B	7024194	1	Brake Seal Kit (Includes Items 105, 107 & 115-118)	
201		Ref	Repair Kit Options:	
201A	7024196	1	Brake Spring Kit (Includes 12 Natural Colored and 2 Blue Colored Springs Items 122 & 123)	
201B	7024193	1	Brake Friction Disc Kit (Includes Items 103, 104, 106 & 107)	
201C	7024197	1	Brake Bearing Kit (Includes Items 107 & 110-112)	

SECTION 1 - FRAME

FIGURE 1-10. DRIVE HUB/BRAKE ASSEMBLY - REAR (460SJ HC3)



ART_1001252541

SECTION 1 - FRAME

FIGURE 1-10. DRIVE HUB/BRAKE ASSEMBLY - REAR (460SJ HC3)

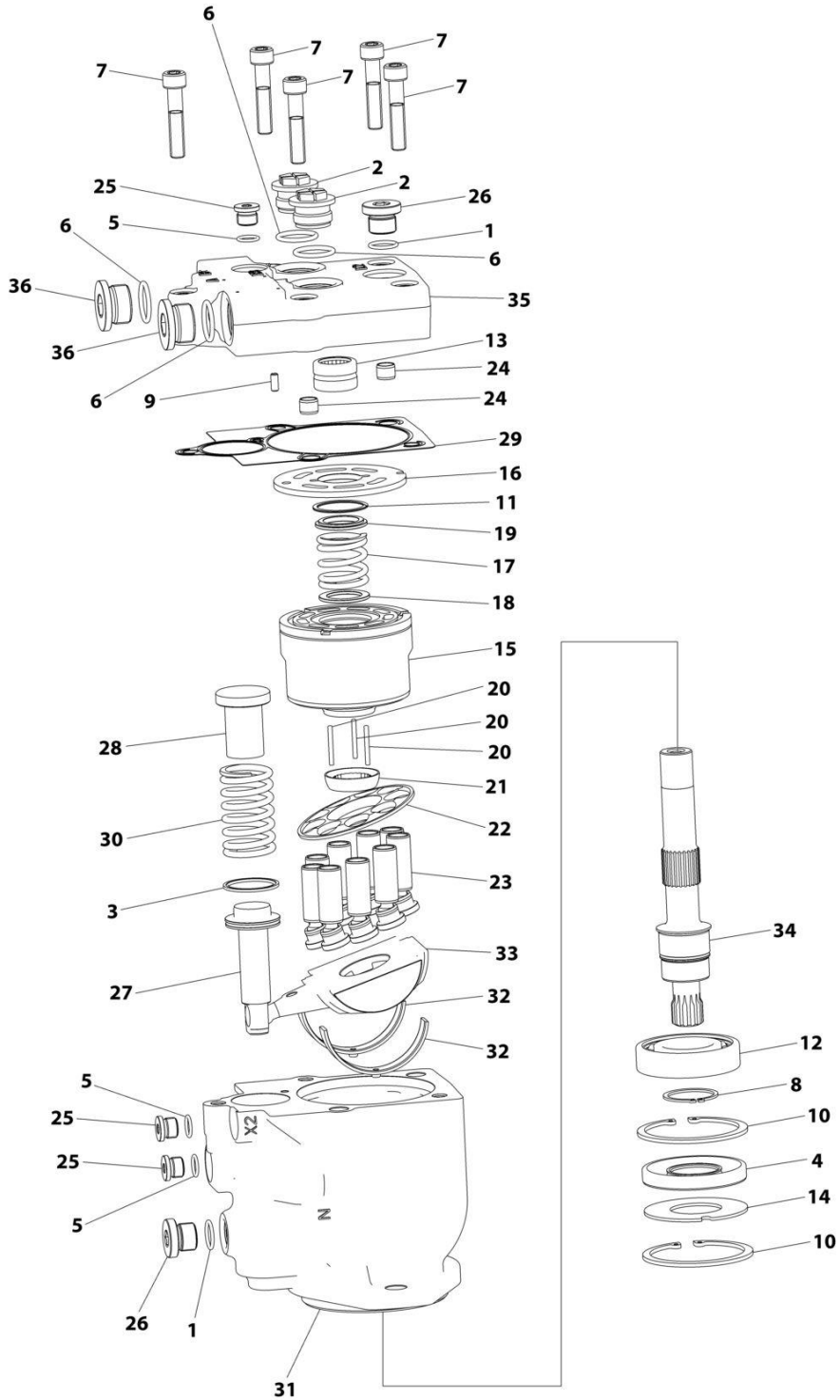
ITEM	PART NUMBER	QTY	DESCRIPTION	REV
	1001252541	Ref	DRIVE HUB AND BRAKE ASSEMBLY	C
1	See Note	Ref	Spindle Sub-Assembly (Note : Not Shown - Not Available as Assembly. Purchase Individual Components)	
1A	7024729	1	Spindle	
1B	70001119	1	Seal, Lip	
1C	7024735	2	Bearing, Tapered	
1D	See Note	NSS	Housing (Note: Not Available for Purchase)	
1E	7024730	1	Gear, Ring	
1F	70003000	1	Nut, Bearing	
1G	70002996	2	Screw	
1H	7007640	9	Stud	
1K	70005613	1	Ring, Retaining (Internal)	
1L	7024124	1	Spring	
1M	7024129	1	Thrust washer	
2	7024741	1	Spacer, Thrust	
3	70007171	1	Carrier, Sub-Assembly (Note: Sold as an Assembly Only)	
4	70007172	1	Planet Gear Sub-Assembly	
4B	7024740	12	Thrust washer	
4C	7024734	84	Bearing, Needle	
4D	7024736	3	Spacer, Thrust	
4E	7024726	3	Shaft, Planet	
4F	See Note	NSS	Gear, Planet (Note : Use PN 70007172)	
4G	7001913	3	Pin, Roll	
4H	7024742	1	Thrust washer	
5	7017027	1	Ring, Retaining (External)	
6	70001368	1	Cover Gear Sub-Assembly	
6A	See Note	NSS	Flange, Plate/Cover (Note: Use Item 6)	
6B	7017093	1	Cap, Disengage	
6C	7000216	2	Bolt 1/4 x 1/2	
6D	7024739	1	Pin, Dowel	
6E	7017095	1	O-Ring	
6F	7017072	2	Plug	
6G	7024738	1	Ring, Retaining (Internal)	
6K	See Note	NSS	O-Ring (Note: Not Available for Purchase)	
7	70007170	1	Coupling Sub-Assembly	
8	70007173	1	Brake Sub-Assembly	
8A	See Note	NSS	Housing, Brake (Note: Use PN 70007173)	
8B	See Note	NSS	Spacer	
8C	70004039	1	Ring, Retaining	
8D	70002070	1	O-Ring	
8E	70002071	1	Ring, Back-up	
8F	70002073	1	O-Ring	
8H	70002072	1	Ring, Back-up	
8J	70007175	8	Rotor, Brake	
8K	70007176	9	Stator, Brake	
9	70005606	1	Shaft, Input	
10	70007174	1	Gear, Sun	
11	7024723	1	Gear, Sun	
12	7017082	1	Plug	
15	See Note	NSS	Plate, ID (Note: Not Available for Purchase)	

SECTION 1 - FRAME

ITEM	PART NUMBER	QTY	DESCRIPTION	REV
16	See Note	NSS	Rivet (Note: Not Available for Purchase)	
17	7024134	1	O-Ring	
18	70002997	1	O-Ring	
19	7017022	5	Bolt (Not Shown)	
20	7024737	1	Ring, Retaining (External)	
21	70007177	1	Plug	
101	7024744	1	Seal Kit (Includes Items 1B, 1F, 1G, 17, 18 & 19)	

SECTION 1 - FRAME

FIGURE 1-11. DRIVE MOTOR ASSEMBLY (400S HC3)



ART_1001278022

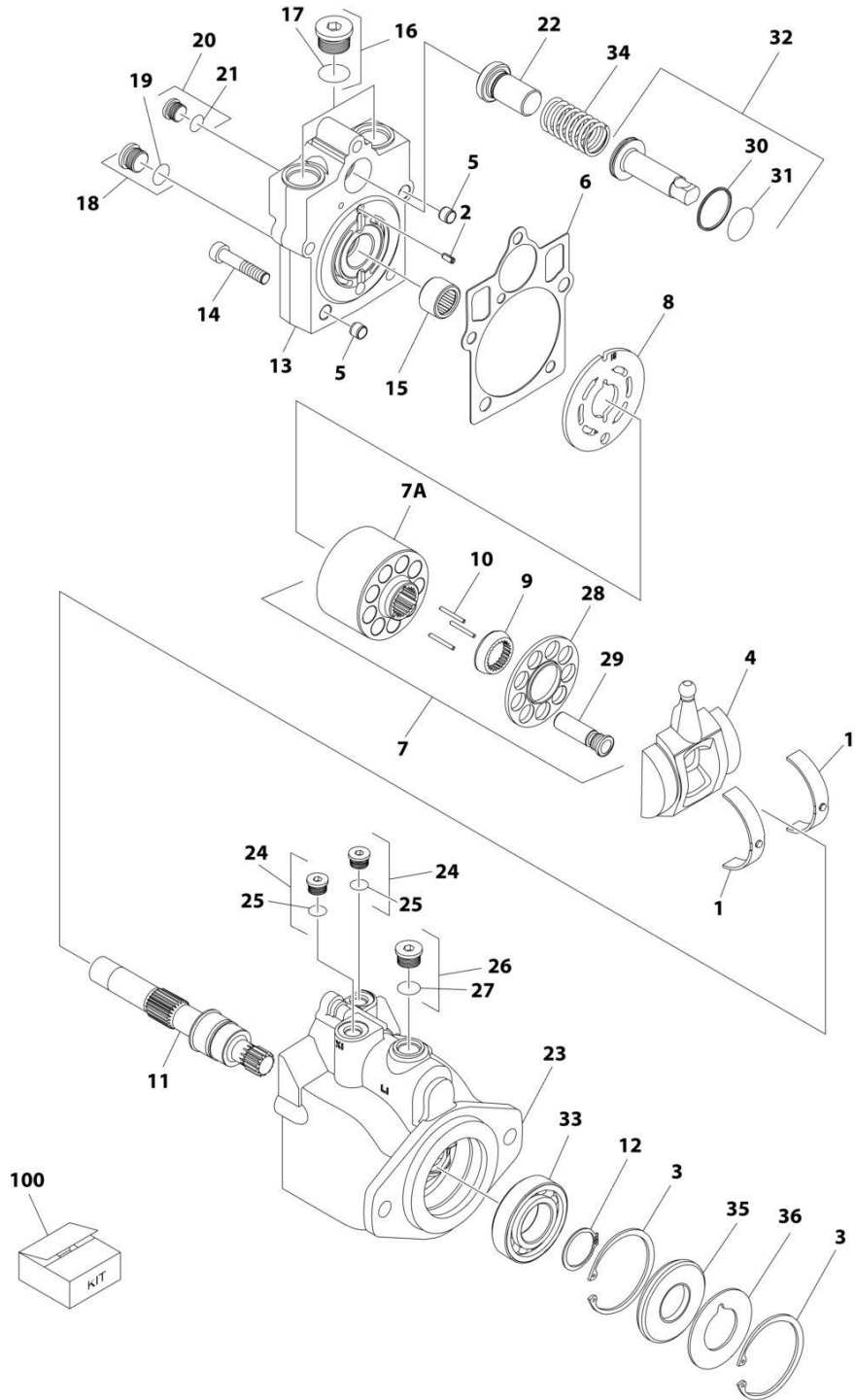
SECTION 1 - FRAME

FIGURE 1-11. DRIVE MOTOR ASSEMBLY (400S HC3)

ITEM	PART NUMBER	QTY	DESCRIPTION	REV
	1001278022	Ref	DRIVE MOTOR ASSEMBLY	B
1	70007847	2	O-Ring	
2	70007848	2	Plug	
3	70007849	1	Ring, Sealing	
4	70007850	1	Bearing	
5	70007851	3	O-Ring	
6	70007852	4	O-Ring	
7	70007853	5	Capscrew M10 x 50	
8	70007854	1	Circlip	
9	70007855	1	Pin	
10		Ref	Circlip	
11	70007856	1	Ring, Retaining	
12	70007857	1	Bearing	
13	70007858	1	Bearing	
14	70007859	1	Gasket	
15	70007860	1	Cylinder	
16	70007861	1	Plate, Valve	
17	70007862	1	Spring	
18	70007863	1	Gasket	
19	70007864	1	Gasket	
20	70007865	3	Pin	
21	70007866	1	Bushing	
22	70007867	1	Retainer	
23	70007868	9	Piston	
24	70007869	2	Pin	
25	70007870	3	Plug	
26	70007871	2	Plug	
27	70007872	1	Piston	
28	70007873	1	Seat, Spring	
29	70007874	1	Gasket	
30	70007875	1	Spring	
31	See Note	NSS	Housing (Note: Purchase Complete Assembly)	
32	70007876	2	Bushing	
33	70007877	1	Plate, Swash	
34	70007878	1	Shaft	
35	See Note	NSS	Cover (Note: Purchase Complete Assembly)	
36	See Note	Ref	Plug (Note: Shipping Use Only)	

SECTION 1 - FRAME

FIGURE 1-12. DRIVE MOTOR ASSEMBLY (460SJ HC3)



ART_1001245759

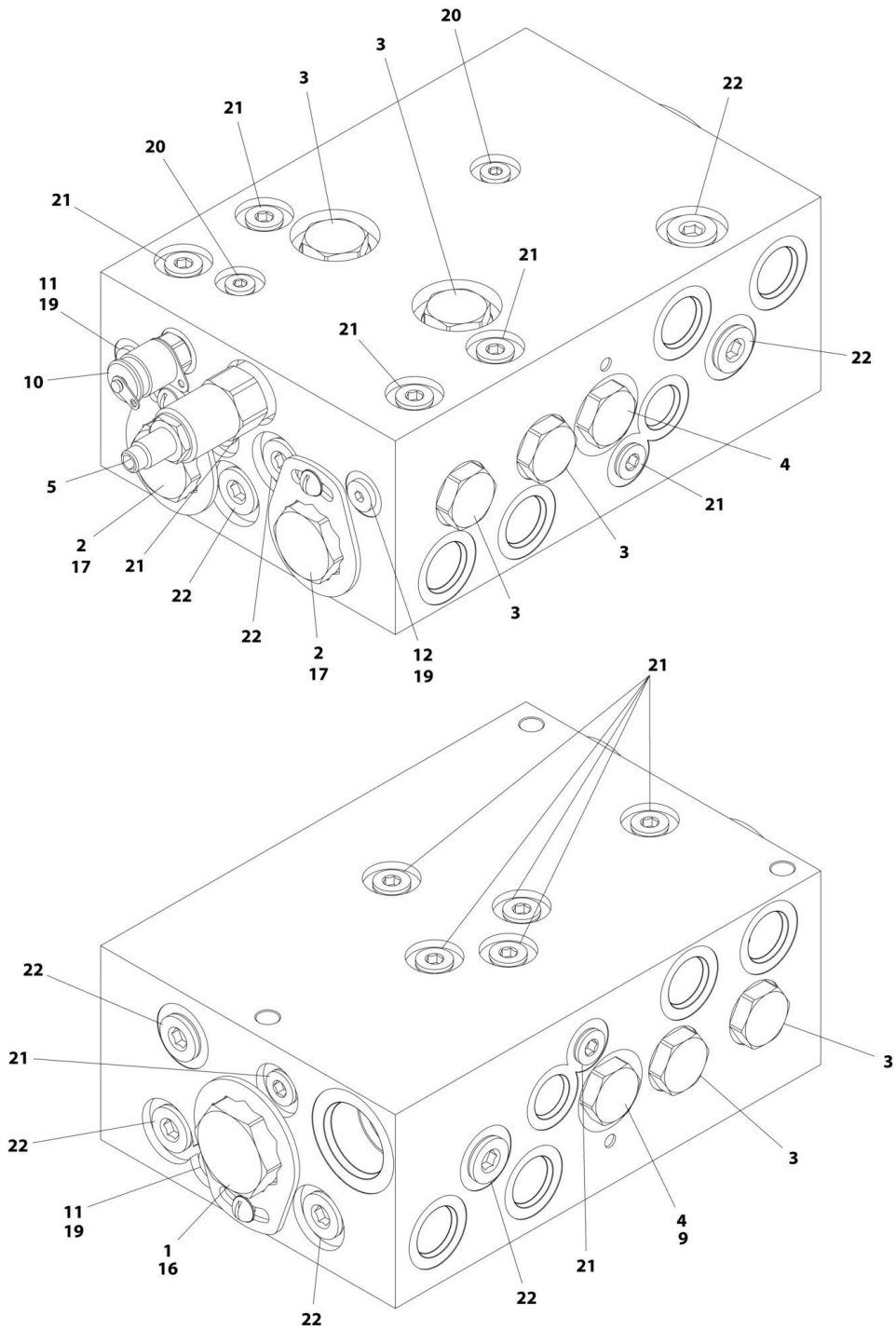
SECTION 1 - FRAME

FIGURE 1-12. DRIVE MOTOR ASSEMBLY (460SJ HC3)

ITEM	PART NUMBER	QTY	DESCRIPTION	REV
	1001245759	Ref	DRIVE MOTOR ASSEMBLY	C
1	70007145	1	Bearing Kit	
2	7007446	1	Pin	
3	7007438	2	Ring, Retaining	
4	70000794	1	Swash Plate	
5	70003628	2	Pin	
6	See Note	NSS	Gasket (Note: Use Item 100)	
7	7027740	1	Cylinder Block Kit (Includes Items 7A, 9, 28 & 29)	
7A	70007146	1	Block, Cylinder	
8	70000854	1	Plate, Valve	
9	70000856	1	Guide, Slipper Retainer	
10	7021275	3	Pin, Slipper Hold Down	
11	7023910	1	Shaft	
12	7007439	1	Ring, Retaining	
13	70000795	1	Cap, End - Axial	
14	7022368	5	Screw	
15	7021249	1	Bearing, Needle	
16	7007419	1	Plug (Includes Item 17)	
17	See Note	NSS	O-Ring (Note: Use Item 17 or 100)	
18	7022321	1	Plug (Includes Item 19)	
19	See Note	NSS	O-Ring (Note: Use Item 19 or 100)	
20	2220883	1	Plug (Includes Item 21)	
21	See Note	NSS	O-Ring (Note: Use Item 21 or 100)	
22	70007142	1	Seat, Spring	
23	70001932	1	Housing	
24	7007420	2	Plug (Includes Item 25)	
25	See Note	NSS	O-Ring (Note: Use Item 25 or 100)	
26	7022321	1	Plug (Includes Item 27)	
27	See Note	NSS	O-Ring (Note: Use Item 27 or 100)	
28	7000857	1	Retainer, Slipper	
29	7024865	9	Piston Assembly	
30	See Note	NSS	O-Ring (Note: Use Item 100)	
31	See Note	NSS	Ring, Seal (Note: Use Item 100)	
32	7024871	1	Piston, Servo (Includes Items 30 & 31)	
33	70007143	1	Bearing	
34	7022326	1	Spring	
35	See Note	1	Seal, Lip (Note: Use Item 100)	
36	7022371	1	Washer, Support	
37		Ref	KIT OPTIONS:	
100	7022328	1	Seal Kit (Includes Items 6, 17, 19, 21, 25, 27, 30 & 35)	

SECTION 1 - FRAME

FIGURE 1-13. TRACTION VALVE ASSEMBLY



ART_1001162537

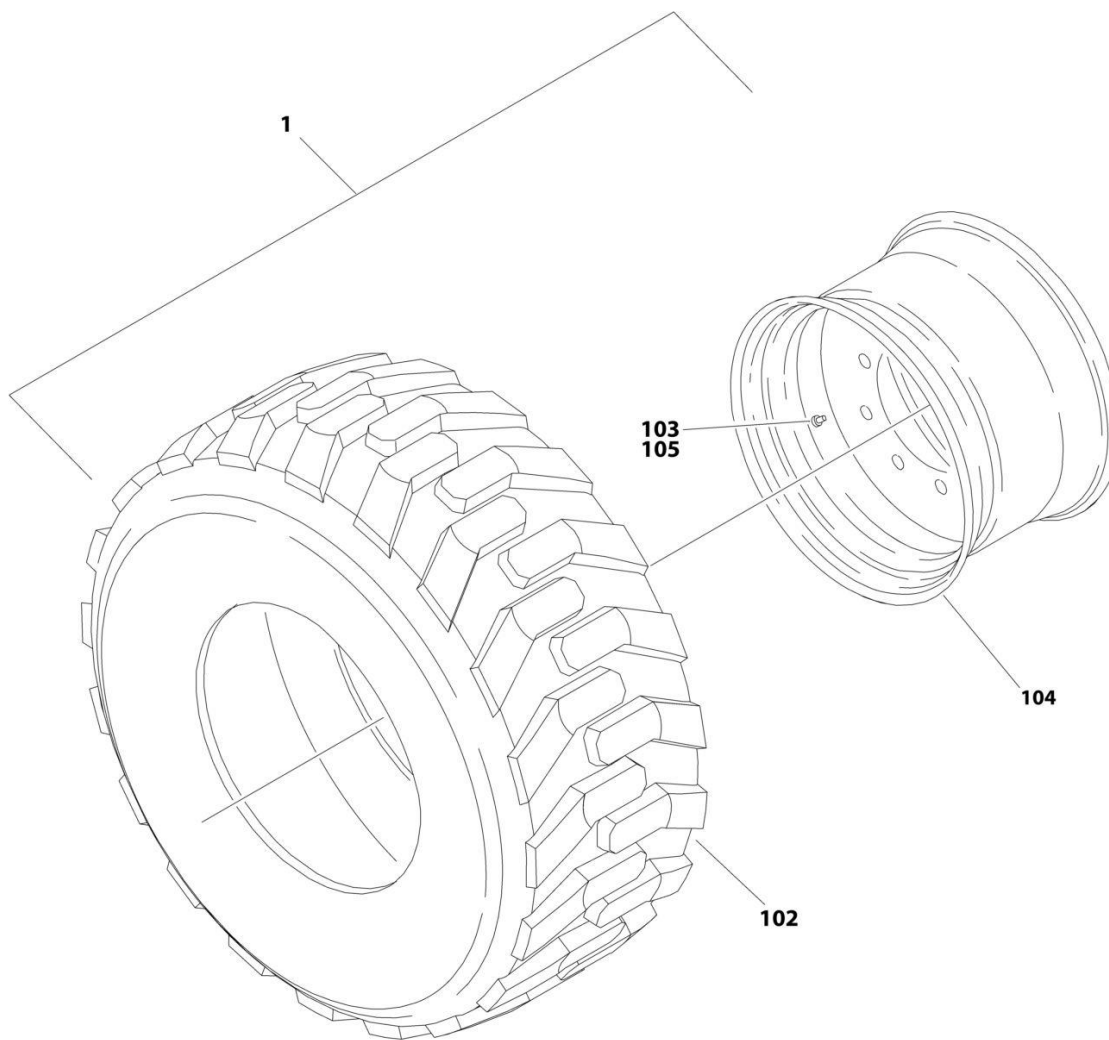
SECTION 1 - FRAME

FIGURE 1-13. TRACTION VALVE ASSEMBLY

ITEM	PART NUMBER	QTY	DESCRIPTION	REV
	1001162537	Ref	TRACTION VALVE ASSEMBLY (4WD)	E
1	70004017	1	Cartridge, Flow Divider Valve	
1	7021625	1	Seal Kit - 70004017 Valve	
2	70004885	2	Cartridge, Flow Divider Valve	
2	70004577	2	Seal Kit - 70004885 Valve	
3	7022397	6	Cartridge, Check Valve	
3	7022399	6	Seal Kit - 7022397 Valve	
4	7021639	2	Cartridge, Check Valve	
4	2900756	2	Seal Kit - 7021639 Valve	
5	70004886	1	Cartridge, Relief Valve	
5	7017496	1	Seal Kit - 70004886 Valve	
9	7024881	1	Piston, Pilot	
10	2221086	1	Fitting, Test Port	
11	70004884	2	Orifice	
12	70002209	1	Orifice	
16	70000781	1	Lockdown Kit	
17	70002962	2	Lockdown Kit	
19	2220883	3	Plug, #4	
20	See Note	NSS	Plug (Note: Not Available for Purchase)	
21	91164079	13	Plug	
22	91164057	8	Plug	

SECTION 1 - FRAME

FIGURE 1-14. TIRE AND WHEEL INSTALLATION - 14 X 176.5 FOAM FILLED (400S HC3 & 460SJ HC3)



ART_0271998

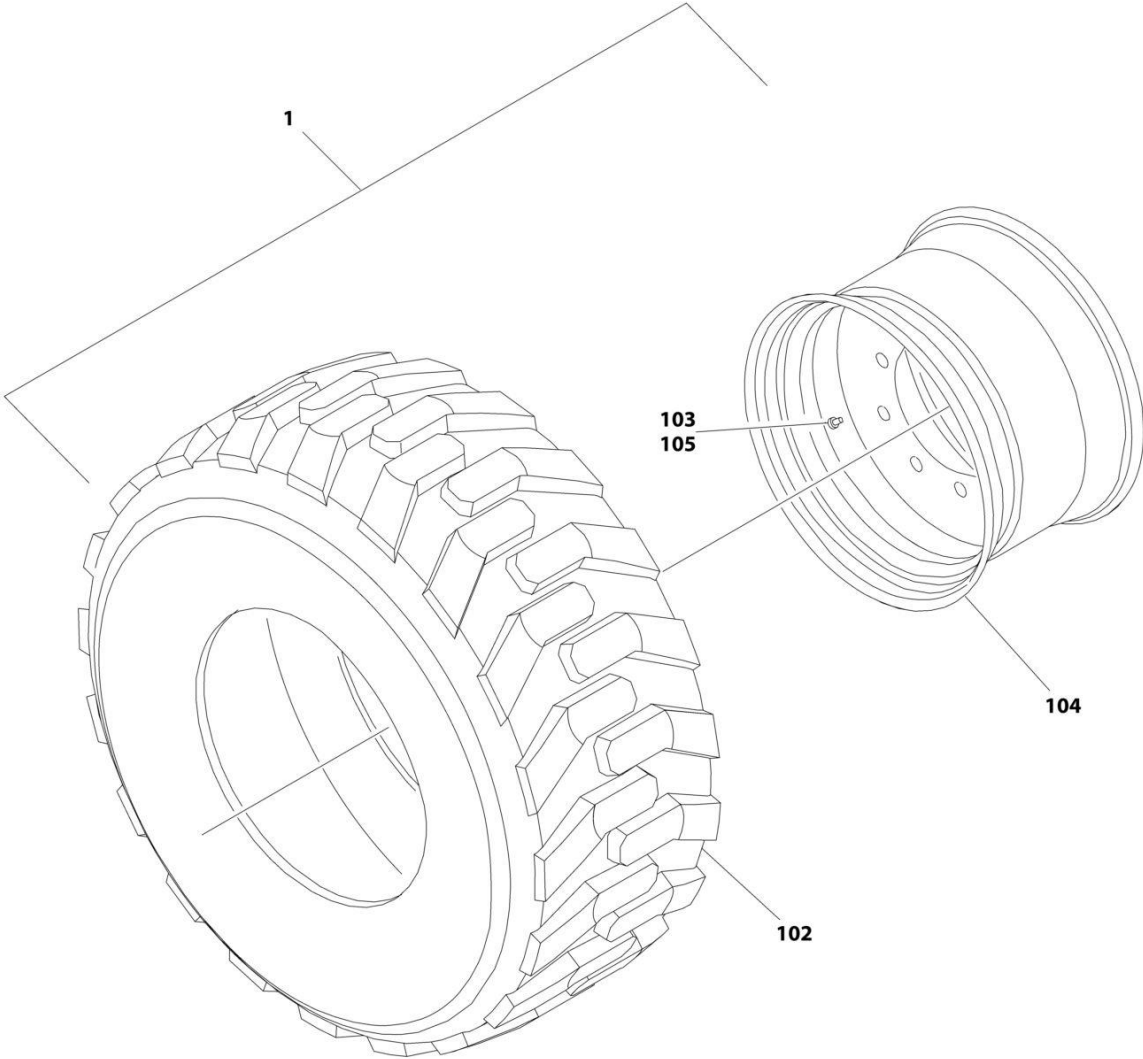
SECTION 1 - FRAME

FIGURE 1-14. TIRE AND WHEEL INSTALLATION - 14 X 176.5 FOAM FILLED (400S HC3 & 460SJ HC3)

ITEM	PART NUMBER	QTY	DESCRIPTION	REV
	0271998	Ref	TIRE AND WHEEL INSTALLATION - 14 X 17.5 FOAM FILLED	B
		Ref	Note: Assemblies may require ballast/foam filling to manufacturer's specifications prior to installing on a machine. Refer to Operation and Safety or Service and Maintenance Manuals. Purchase individual tire and/or rim only if able to foam fill tire and wheel assembly, otherwise, purchase complete assembly.	
1	1001148875	Ref	Tire and Wheel Assembly - 14 x 17.5 (RH Side)	F
1	1001148876	Ref	Tire and Wheel Assembly - 14 x 17.5 (LH Side)	F
102	4520259	4	Tire - 14 x 17.5	
103	4641122	4	Valve	
104	1001146397	4	Rim, Wheel	
105	1001149953	4	Cap, Valve Stem	

SECTION 1 - FRAME

FIGURE 1-15. TIRE AND WHEEL INSTALLATION - 12 X 16.5 FOAM FILLED (400S HC3)



ART_0270092

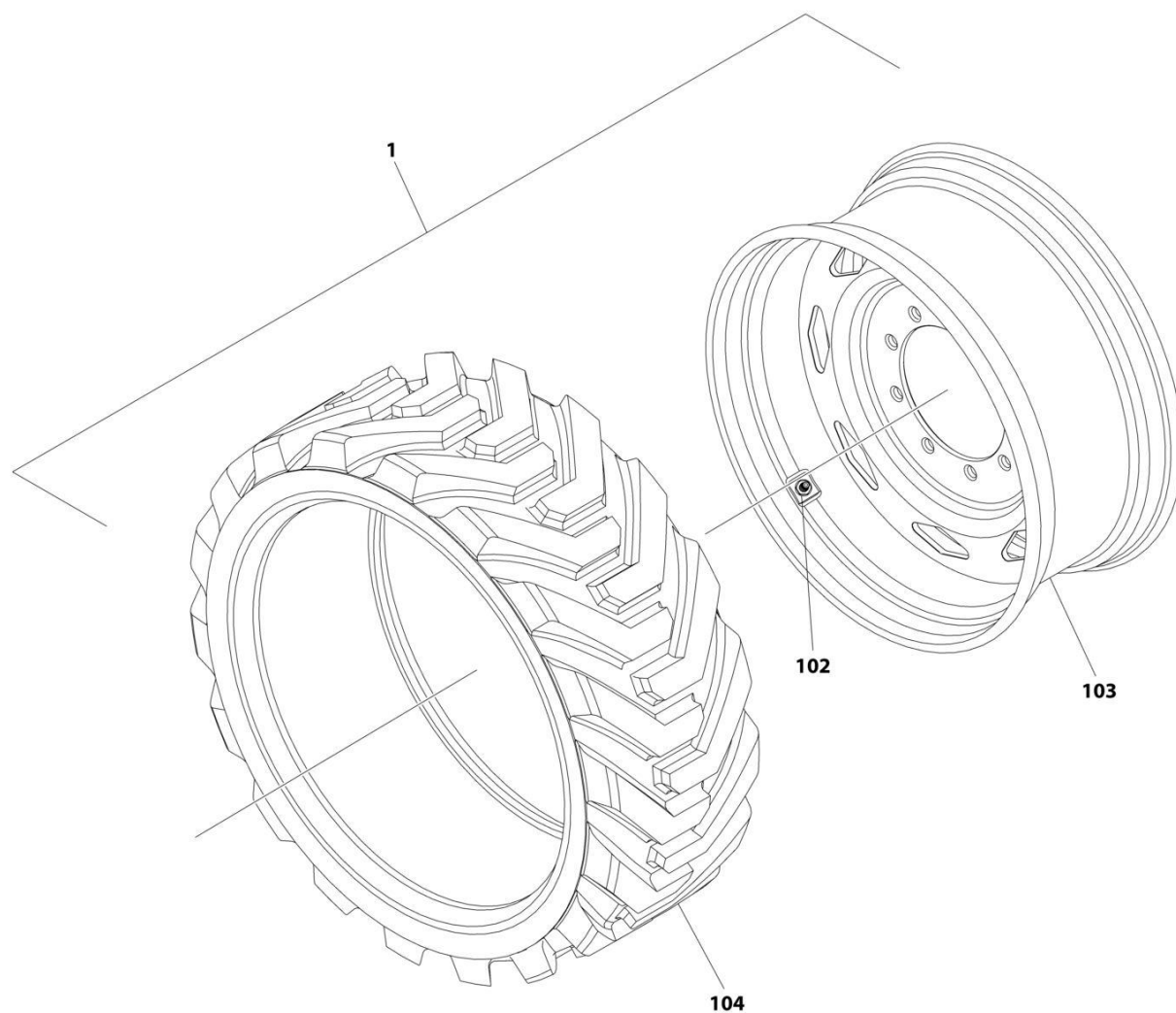
SECTION 1 - FRAME

FIGURE 1-15. TIRE AND WHEEL INSTALLATION - 12 X 16.5 FOAM FILLED (400S HC3)

ITEM	PART NUMBER	QTY	DESCRIPTION	REV
	0270092	Ref	TIRE AND WHEEL INSTALLATION - 12 X 16.5 FOAM FILLED	C
		Ref	Note: Assemblies may require ballast/foam filling to manufacturer's specifications prior to installing on a machine. Refer to Operation and Safety or Service and Maintenance Manuals. Purchase individual tire and/or rim only if able to foam fill tire and wheel assembly, otherwise, purchase complete assembly.	
1	1001148865	2	Tire and Wheel Assembly - 12 x 16.5 (RH Side)	G
1	1001148866	2	Tire and Wheel Assembly - 12 x 16.5 (LH Side)	G
102	4520216	4	Tire - 12 x 16.5	
103	4641122	4	Valve	
104	1001147274	4	Rim, Wheel	
105	1001149953	4	Cap, Valve Stem	

SECTION 1 - FRAME

FIGURE 1-16. TIRE AND WHEEL INSTALLATION - 33 X 12D610 FOAM-FILLED (460SJ HC3)



ART_1001245211

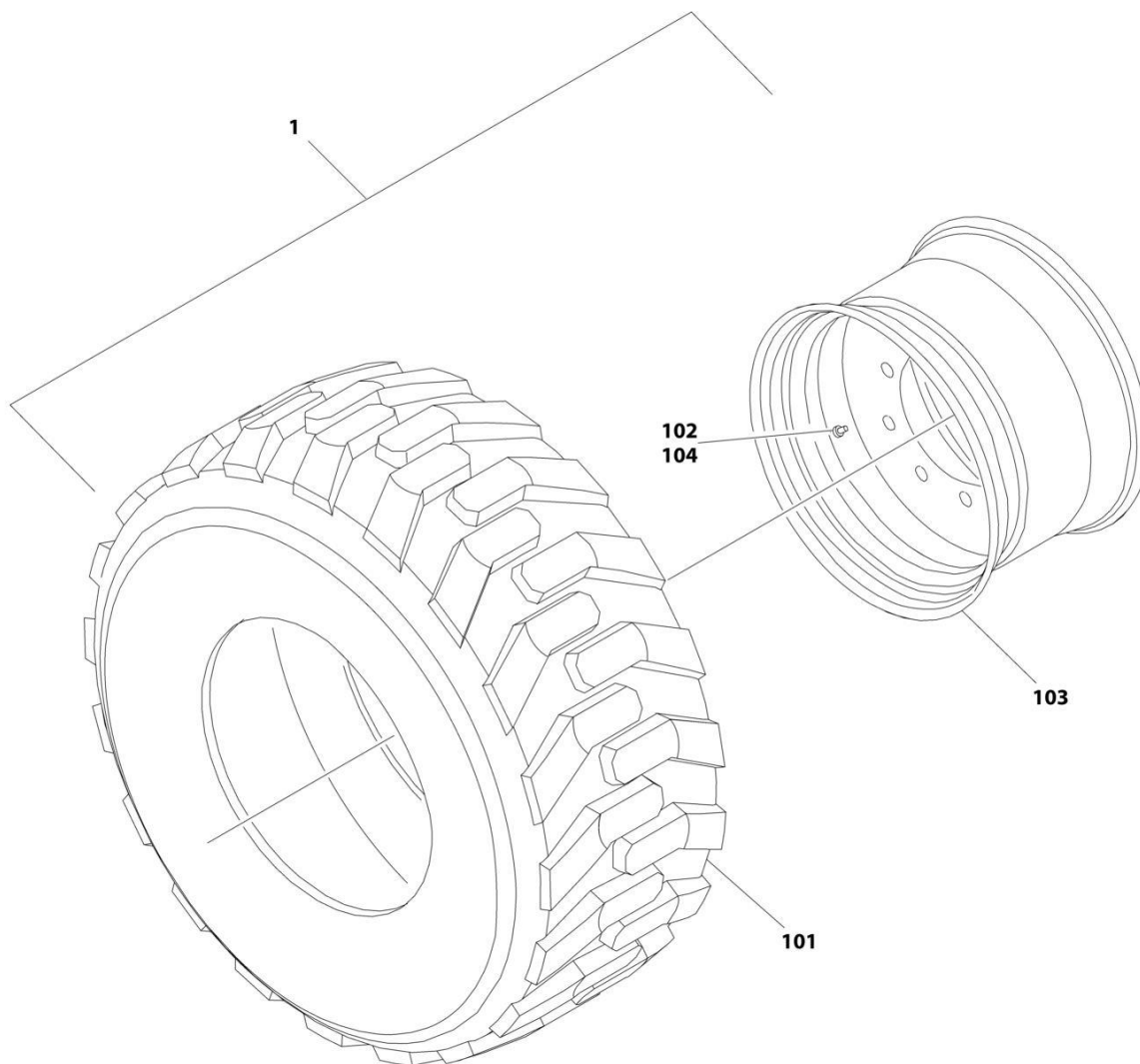
SECTION 1 - FRAME

FIGURE 1-16. TIRE AND WHEEL INSTALLATION - 33 X 12D610 FOAM-FILLED (460SJ HC3)

ITEM	PART NUMBER	QTY	DESCRIPTION	REV
	1001245211	Ref	TIRE AND WHEEL INSTALLATION - 33 x 12D610 FOAM-FILLED	A
		Ref	Note: Assemblies may require ballast/foam filling to manufacturer's specifications prior to installing on a machine. Refer to Operation and Safety or Service and Maintenance Manuals.	
		Ref	Note: Purchase individual tire and/or rim only if able to foam fill tire and wheel assembly, otherwise, purchase complete assembly.	
1	1001245197	2	Tire and Wheel Assembly - 33 x 12 (RH Side)	
1	1001245198	2	Tire and Wheel Assembly - 33 x 12 (LH Side)	
102	4641122	1	Valve	
103	1001245195	1	Wheel	
104	1001245196	1	Tire - 33 x 12	

SECTION 1 - FRAME

FIGURE 1-17. TIRE AND WHEEL INSTALLATION - 12 X 16.5 FF NON-MARKING (400S HC3)



ART_0270653

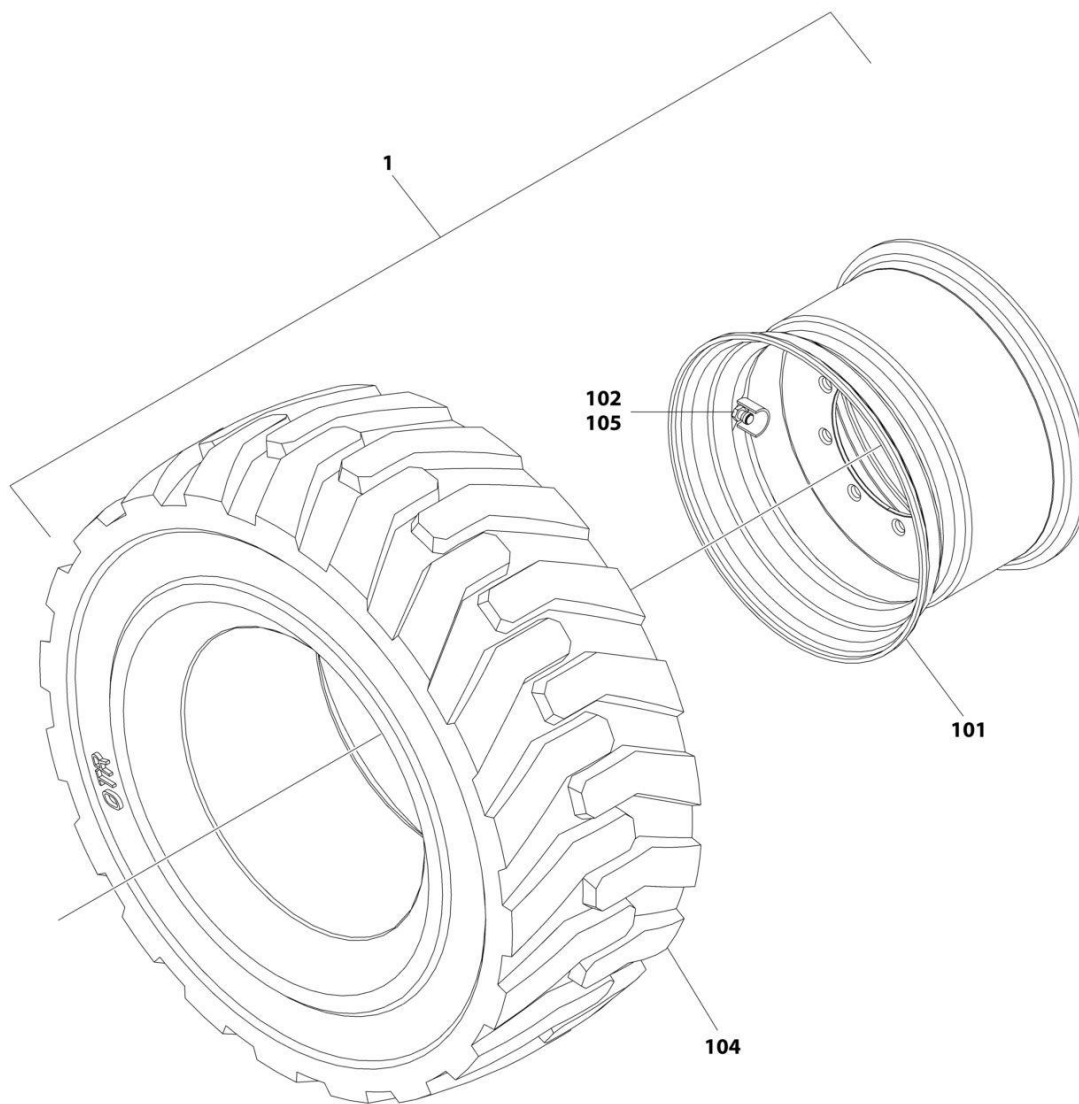
SECTION 1 - FRAME

FIGURE 1-17. TIRE AND WHEEL INSTALLATION - 12 X 16.5 FF NON-MARKING (400S HC3)

ITEM	PART NUMBER	QTY	DESCRIPTION	REV
	0270653	Ref Ref	TIRE AND WHEEL INSTALLATION - 12 X 16.5 FOAM FILLED Note: Assemblies may require ballast/foam filling to manufacturer's specifications prior to installing on a machine. Refer to Operation and Safety or Service and Maintenance Manuals. Purchase individual tire and/or rim only if able to foam fill tire and wheel assembly, otherwise, purchase complete assembly.	B
1	1001148869	1	Tire and Wheel Assembly - Right Side	H
1	1001148870	1	Tire and Wheel Assembly - Left Side	H
101	4520240	1	Tire 12 x 16.5 Non-Marking	
102	4641122	1	Valve	
103	1001147274	1	Rim, Wheel	
104	1001149953	1	Cap, Valve Stem	

SECTION 1 - FRAME

FIGURE 1-18. TIRE AND WHEEL INSTALLATION - 14 X 17.5 FF NON-MARKING



ART_1001258898

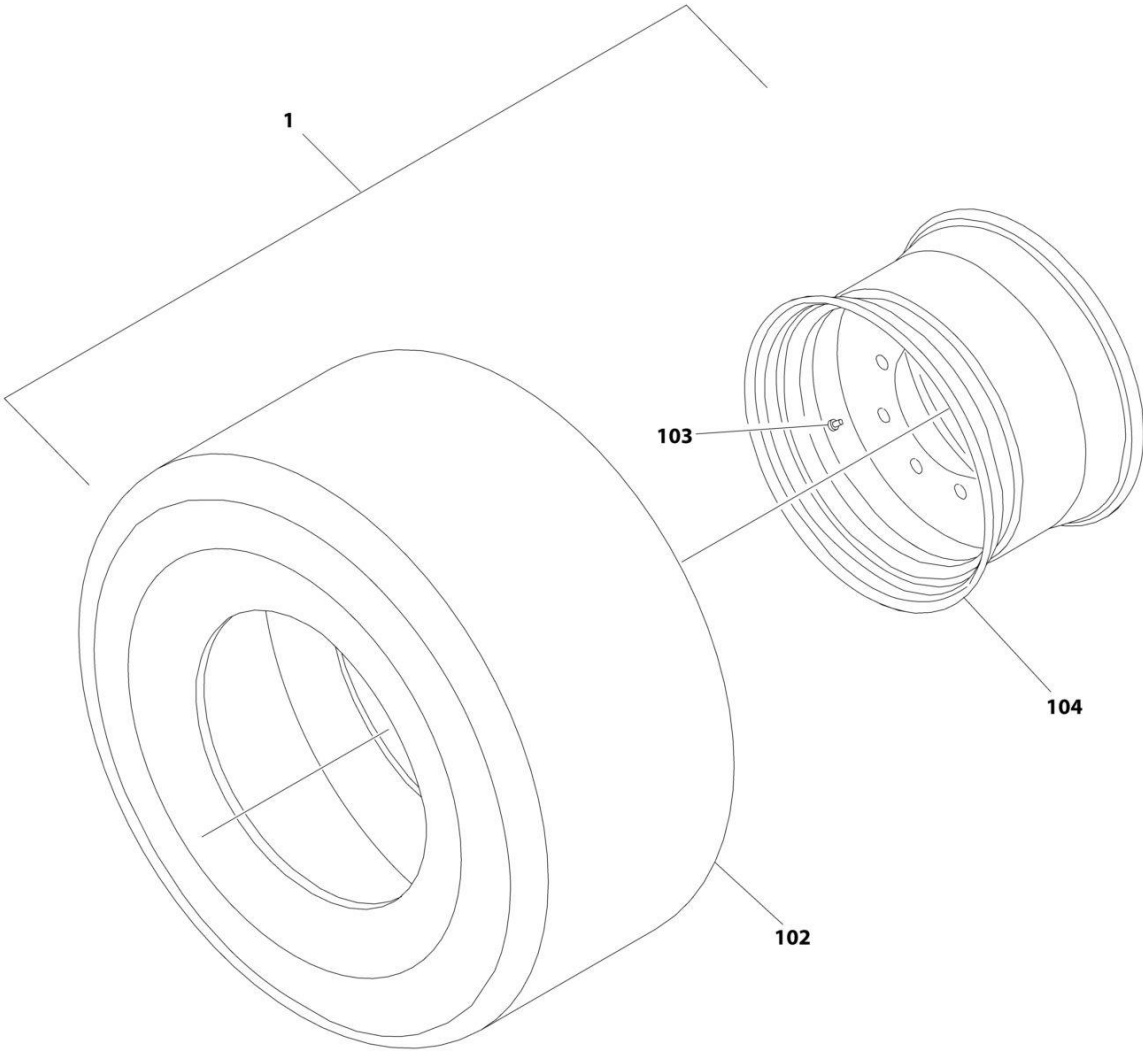
SECTION 1 - FRAME

FIGURE 1-18. TIRE AND WHEEL INSTALLATION - 14 X 17.5 FF NON-MARKING

ITEM	PART NUMBER	QTY	DESCRIPTION	REV
	1001258898	Ref	TIRE AND WHEEL INSTALLATION - 14 X 17.5 FF NON-MARKING	A
		Ref	Note: Assemblies may require ballast/foam filling to manufacturer's specifications prior to installing on a machine. Refer to Operation and Safety or Service and Maintenance Manuals. Purchase individual tire and/or rim only if able to foam fill tire and wheel assembly, otherwise, purchase complete assembly.	
1	1001258896	1	Tire and Wheel Assembly - Right Side	H
1	1001258897	1	Tire and Wheel Assembly - Left Side	H
101	1001146397	1	Rim, Wheel	
102	1001149953	1	Cap, Valve Stem	
104	1001258895	1	Tire 14 x 17.5 Non-Marking	
105	4641122	1	Valve	

SECTION 1 - FRAME

FIGURE 1-19. TIRE AND WHEEL INSTALLATION - TURF



ART_1001269298

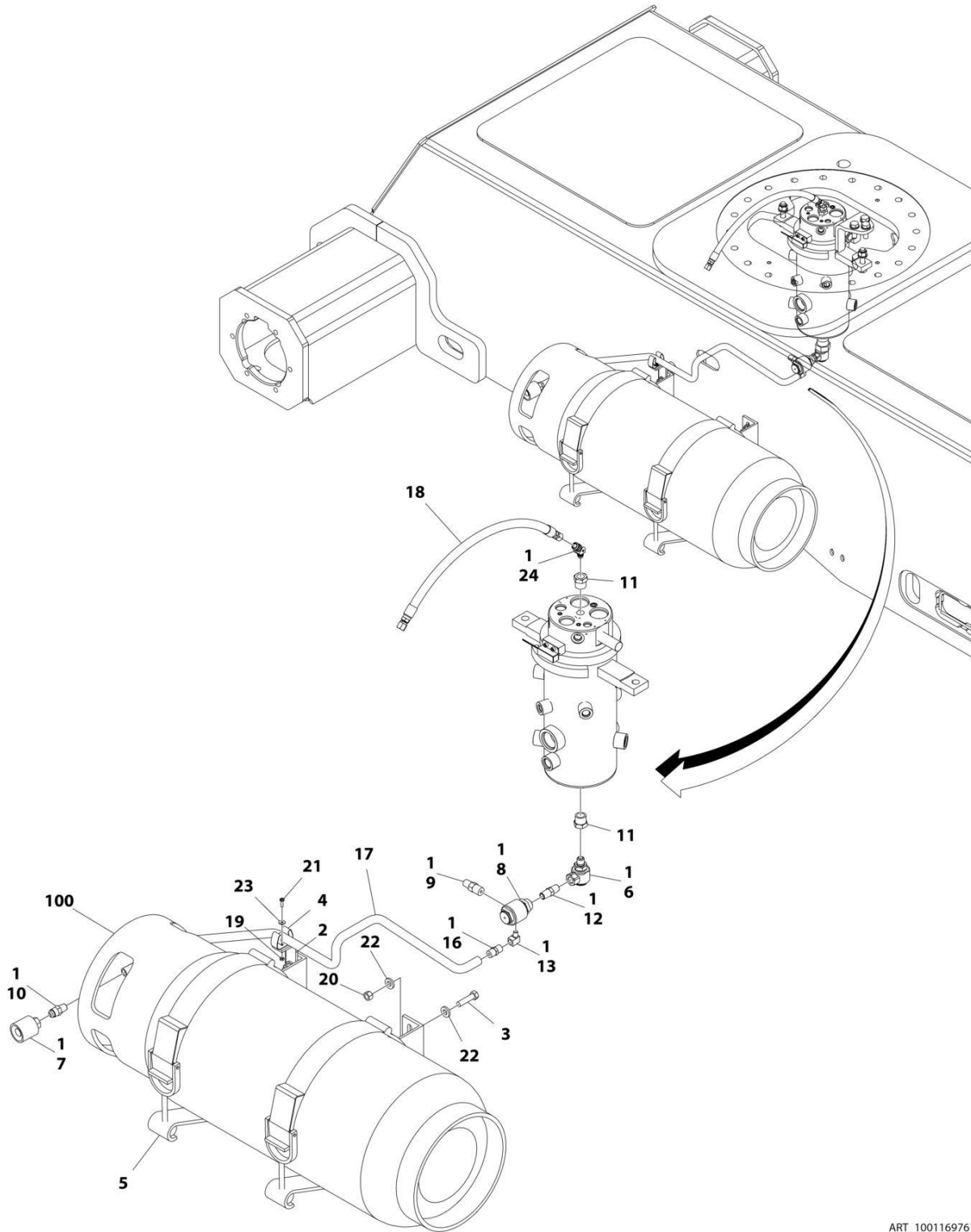
SECTION 1 - FRAME

FIGURE 1-19. TIRE AND WHEEL INSTALLATION - TURF

ITEM	PART NUMBER	QTY	DESCRIPTION	REV
	1001269298	Ref	TIRE AND WHEEL INSTALLATION - 33/16LL X 16.1 FOAM FILLED TURF	A
		Ref	Note: Assemblies may require ballast/foam filling to manufacturer's specifications prior to installing on a machine. Refer to Operation and Safety or Service and Maintenance Manuals. Purchase individual tire and/or rim only if able to foam fill tire and wheel assembly, otherwise, purchase complete assembly.	
1	1001269297	2	Tire and Wheel Assembly 33/16LL X 16.1	A
102	1300018	4	Tire - 33/16LL X 16.1	
103	4641122	4	Valve	
104	4860214	4	Rim, Wheel	

SECTION 1 - FRAME

FIGURE 1-20. LP TANK BRACKETS INSTALLATIONS



ART_1001169761_F

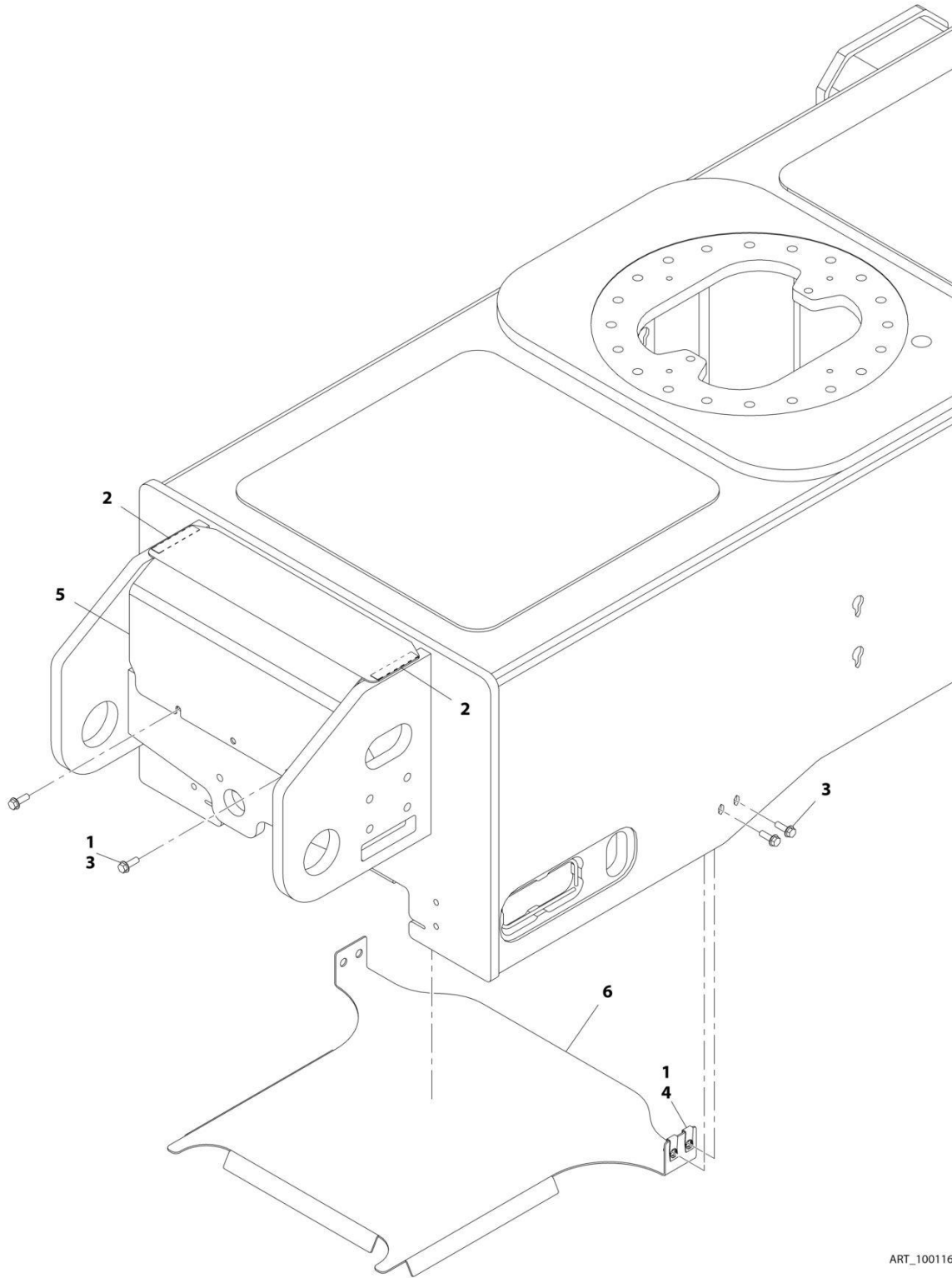
SECTION 1 - FRAME

FIGURE 1-20. LP TANK BRACKETS INSTALLATIONS

ITEM	PART NUMBER	QTY	DESCRIPTION	REV
	1001169761	Ref	LP TANK BRACKETS INSTALLATION	F
1	0100020	AR	Sealant, Pipe	
2	0181949	1	Angle, Support	
4	1320218	1	Clamp	
5	1320220	1	Clamp	
6	1001247358	1	Fitting, Swivel 90	
7	2180387	1	Fitting, Straight	
8	2180388	1	Fitting, Bulkhead	
9	2180389	1	Valve, Relief	
10	2180418	1	Fitting, Straight	
11	2221197	2	Fitting, Reducer	
12	2220261	1	Fitting, Nipple	
13	2220648	1	Fitting, 90 FNPTF/NPTF	
16	2221024	1	Fitting, Nipple	
17	2720144	1	Hose	
18	2720392	1	Hose	
19	3290401	1	Nut M4 x 0.7	
21	3900332	1	Screw M4 x 14	
23	1001091102	1	Washer	
24	1001239802	1	Fitting, 45	
25	3311601	4	Nut 3/8	
26	4891600	8	Washer 3/8	
27	0641612	4	Bolt 3/8 x 1-1/2	
100	4400275	1	Tank, LP 43.5 Lbs (Aluminum)	

SECTION 1 - FRAME

FIGURE 1-21. FRAME SHIELDS INSTALLATION - WITHOUT TOW PACKAGE



ART_1001169973

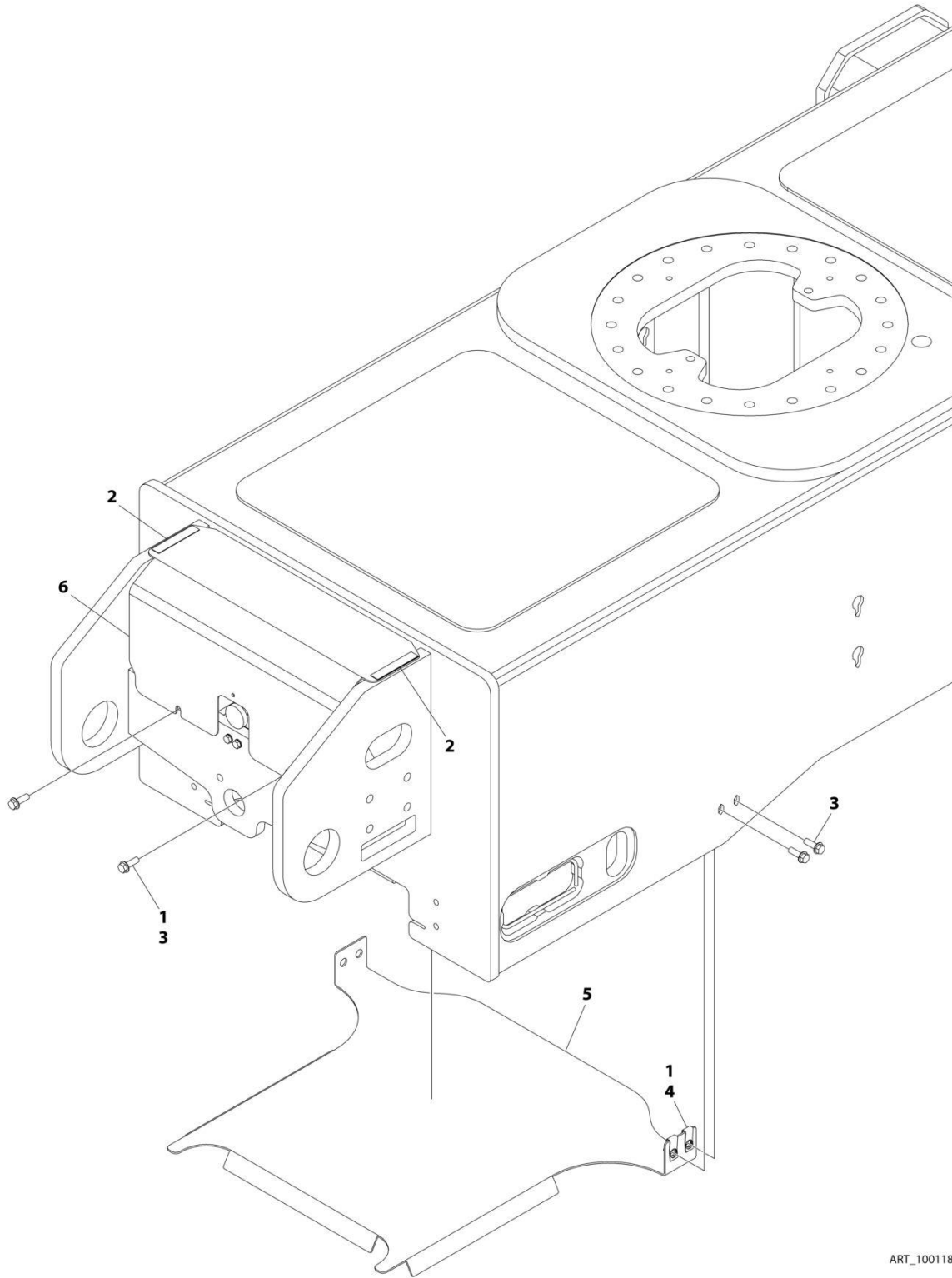
SECTION 1 - FRAME

FIGURE 1-21. FRAME SHIELDS INSTALLATION - WITHOUT TOW PACKAGE

ITEM	PART NUMBER	QTY	DESCRIPTION	REV
	1001169973	Ref	FRAME SHIELD INSTALLATION - WITHOUT TOW BAR	E
1	0100011	AR	Compound, Locking	
2	4280296	8 in / 20.3cm	Strip, Wear	
3	5251014	6	Bolt M10 x 30	
4	1001118972	4	Nut M10 x 1.5	
5	1001169086	1	Plate, Cover	
6	1001169955	1	Plate, Valve Cover	

SECTION 1 - FRAME

FIGURE 1-22. FRAME SHIELDS INSTALLATION - WITH TOW PACKAGE



ART_1001182245

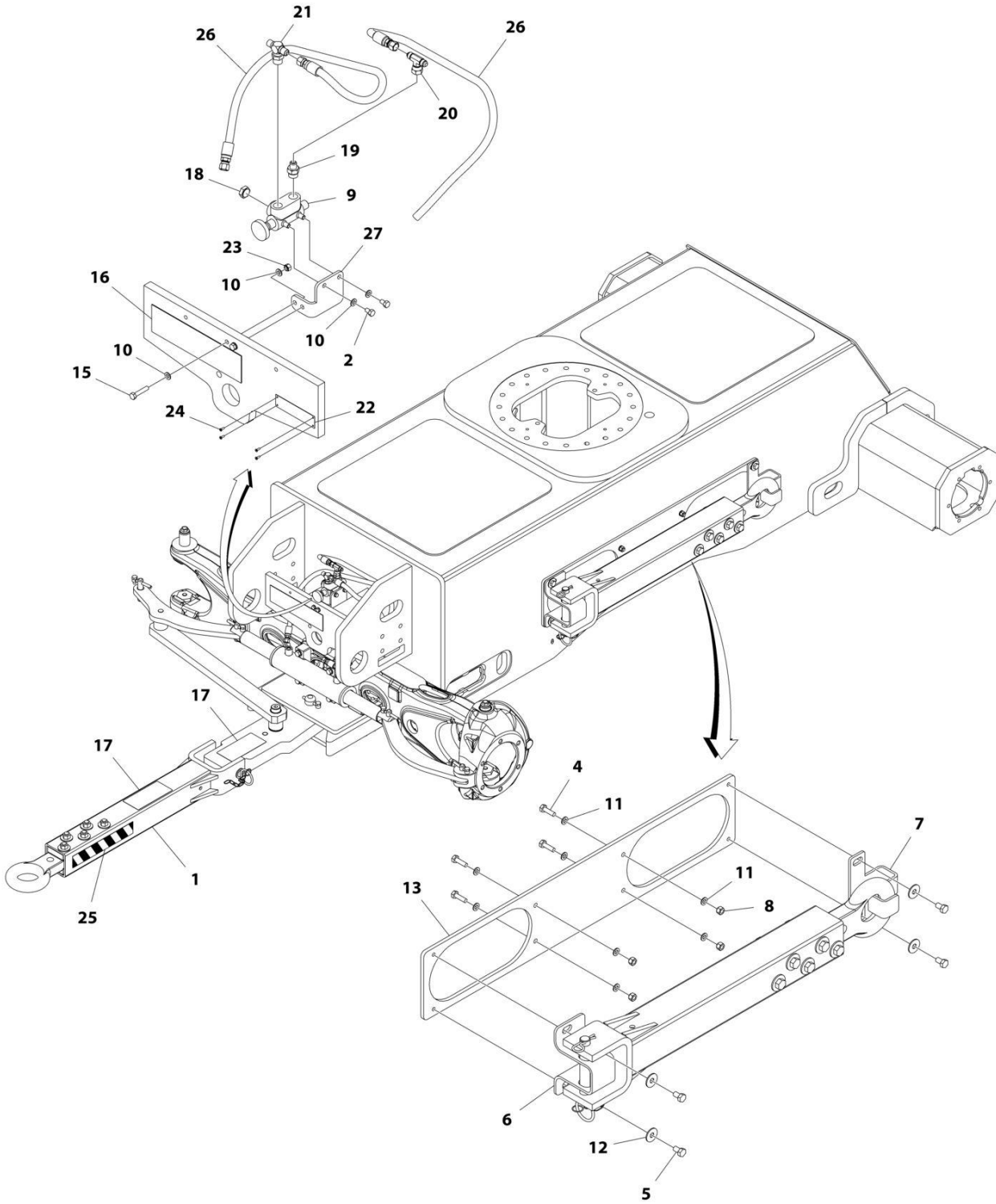
SECTION 1 - FRAME

FIGURE 1-22. FRAME SHIELDS INSTALLATION - WITH TOW PACKAGE

ITEM	PART NUMBER	QTY	DESCRIPTION	REV
	1001182245	Ref	FRAME SHIELD INSTALLATION - WITH TOW BAR	C
1	0100011	AR	Compound, Locking	
2	4280296	8 in / 20.3cm	Strip, Wear	
3	5251014	6	Bolt M10 x 30	
4	1001118972	4	Nut M10 x 1.5	
5	1001169955	1	Plate, Valve Cover	
6	1001182250	1	Plate, Cover	

SECTION 1 - FRAME

FIGURE 1-23. TOW PACKAGE INSTALLATION



ART_1001170736

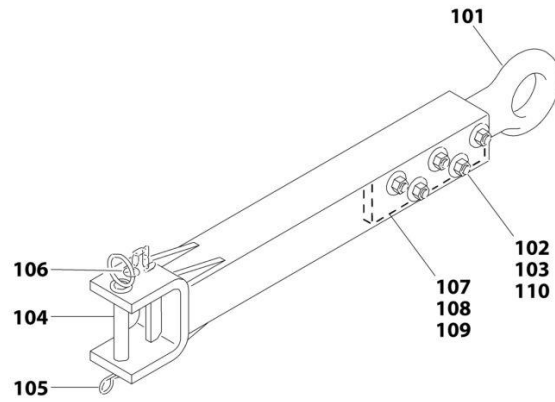
SECTION 1 - FRAME

FIGURE 1-23. TOW PACKAGE INSTALLATION

ITEM	PART NUMBER	QTY	DESCRIPTION	REV
	1001170736	Ref	TOW BAR INSTALLATION	D
1	0363019	1	Tow Bar Assembly (See Separate Breakdown in this Section)	
2	0641504	2	Bolt 5/16 x 1/2	
4	0641612	4	Bolt 3/8 x 1-1/2	
5	0761210	4	Bolt M12 x 20	
6	0902733	1	Bracket, Storage (Front)	
7	0902734	1	Bracket, Storage (Rear)	
8	3311605	4	Nut 3/8	
9	4640261	1	Steer/Tow Select Valve	
10	4811900	6	Washer M8	
11	4891600	8	Washer 3/8	
12	4812102	4	Washer M12	
13	1001166478	1	Plate, Tow Bar Mount	
15	0760816	2	Bolt M8 x 40	
16	1702968	1	Decal - Towing Instructions	
17	1704578	3	Decal - Crushing	
18	2220238	1	Plug ORB	
19	2220372	1	Fitting, Straight JIC/ORB	
20	2220579	1	Fitting, Tee JIC/FSJIC/JIC	
21	2221052	1	Fitting, Tee JIC/ORB/JIC	
22	3250872	1	Nameplate, Steer/Tow Select Valve	
23	3290805	2	Nut M8 x 1.25	
24	3820001	4	Rivet	
25	4420051	48 in /1.21m	Tape, Safety	
26	1001181913	2	Hose	
27	1001182155	1	Bracket, Valve Mounting	

SECTION 1 - FRAME

FIGURE 1-24. TOW BAR ASSEMBLY



ART_0363019

SECTION 1 - FRAME

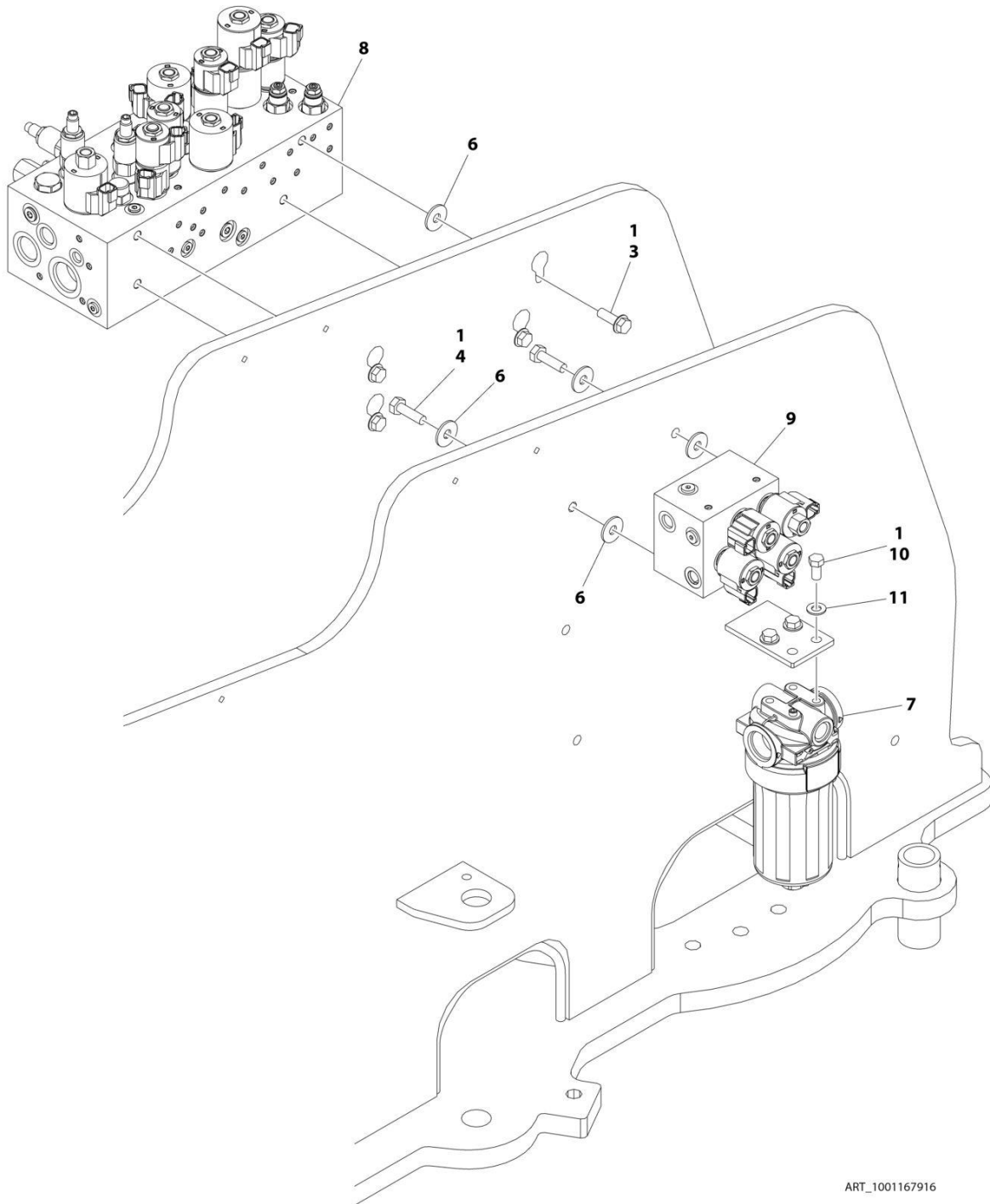
FIGURE 1-24. TOW BAR ASSEMBLY

ITEM	PART NUMBER	QTY	DESCRIPTION	REV
	0363019	Ref	TOW BAR ASSEMBLY	B
101	0360406	1	Pintle, Draw Eye	
102	0682040	5	Bolt 5/8 x 5	
103	3312005	5	Nut 5/8	
104	3420352	1	Pin, Towing	
105	3420372	1	Hairpin	
106	3760170	1	Ring, Split	
107	4070450	2	Shim (.07)	
108	4070560	2	Shim (.88)	
109	4070561	2	Shim (.12)	
110	4752000	10	Washer 5/8	

SECTION 2 - TURNTABLE

SECTION 2 - TURNTABLE

FIGURE 2-1. CONTROL VALVES INSTALLATION (400S HC3)



ART_1001167916

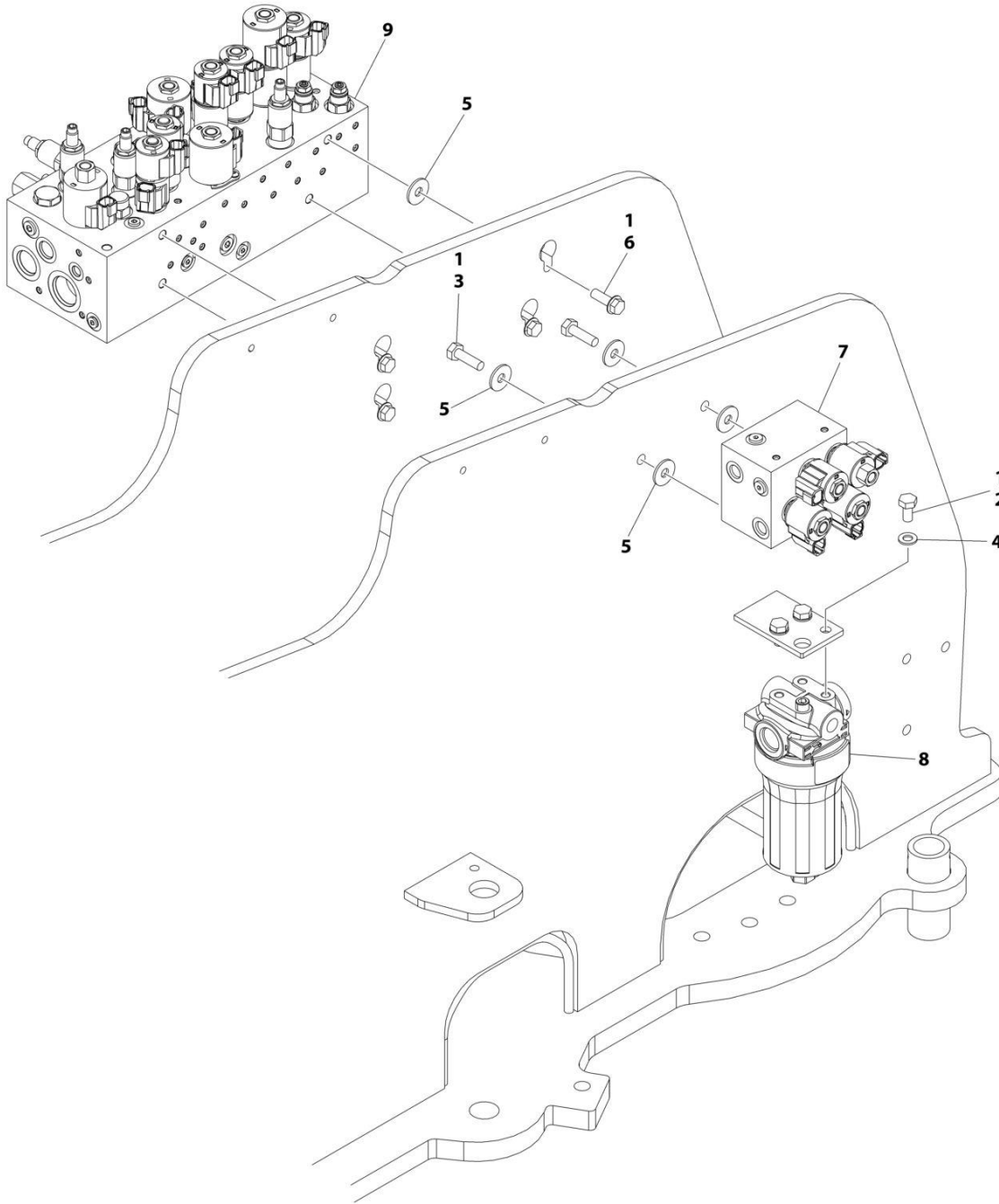
SECTION 2 - TURNTABLE

FIGURE 2-1. CONTROL VALVES INSTALLATION (400S HC3)

ITEM	PART NUMBER	QTY	DESCRIPTION	REV
	1001167916	Ref	CONTROL VALVES INSTALLATION	F
1	0100011	AR	Compound, Locking	
3	5251014	4	Bolt M10 x 30	
4	0761015	2	Bolt M10 x 35	
6	4812002	8	Washer M10	
7	1001208874	1	Filter, Charge Pump	
7	70010383	1	Element, Filter (Includes O-Ring)	
8	1001162531	1	Main Valve Assembly (See Separate Breakdown in this Section)	
9	1001162538	1	Axle Valve Assembly (See Separate Breakdown in this Section)	
10	0761010	3	Bolt M10 x 20	
11	4812000	3	Washer M10	

SECTION 2 - TURNTABLE

FIGURE 2-2. CONTROL VALVES INSTALLATION (460SJ HC3)



ART_1001249357

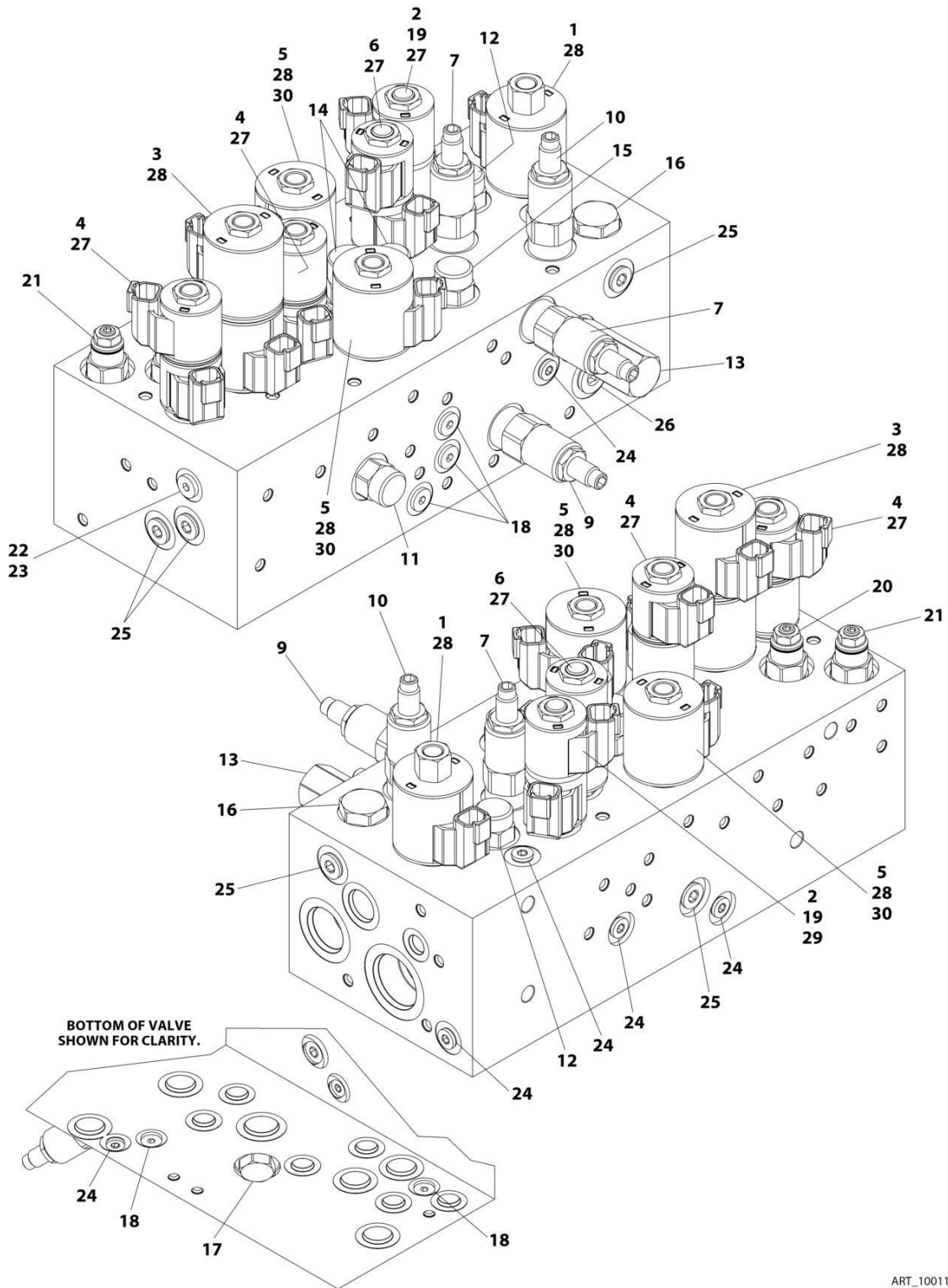
SECTION 2 - TURNTABLE

FIGURE 2-2. CONTROL VALVES INSTALLATION (460SJ HC3)

ITEM	PART NUMBER	QTY	DESCRIPTION	REV
	1001249357	Ref	CONTROL VALVES INSTALLATION	A
1	0100011	AR	Compound, Locking	
2	0761010	3	Bolt M10 x 20	
3	0761015	2	Bolt M10 x 35	
4	4812000	3	Washer M10	
5	4812002	8	Washer M10	
6	5251014	4	Bolt M10 x 30	
7	1001162538	1	Axle Valve Assembly (See Separate Breakdown in this Section)	
8	1001208874	1	Filter, Charge Pump	
8	70010383	1	Element, Filter Charge Pump (Includes O-Ring)	
9	1001249356	1	Main Valve Assembly (See Separate Breakdown in this Section)	

SECTION 2 - TURNTABLE

FIGURE 2-3. CONTROL VALVE ASSEMBLY (400S HC3)



ART_1001162531

SECTION 2 - TURNTABLE

FIGURE 2-3. CONTROL VALVE ASSEMBLY (400S HC3)

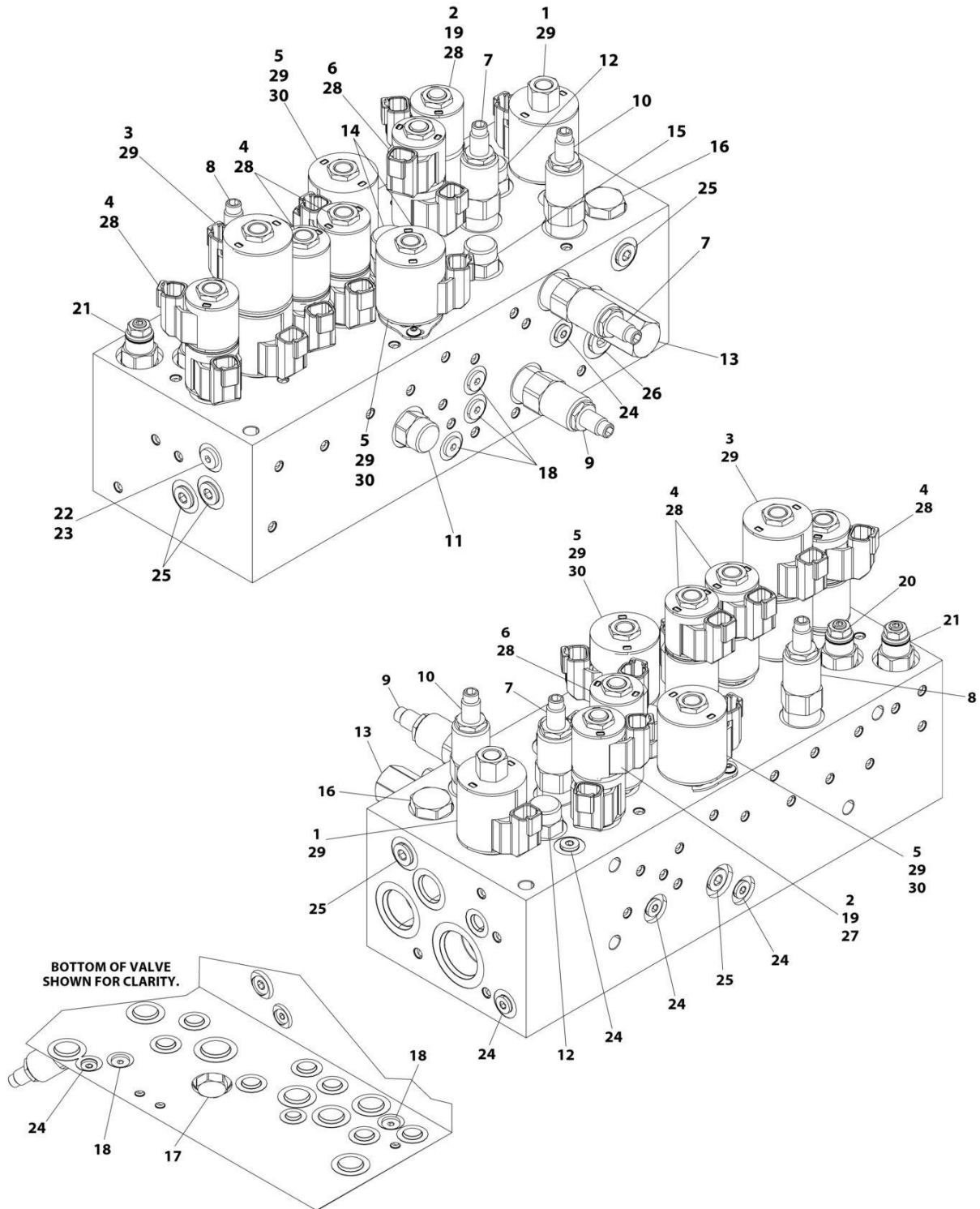
ITEM	PART NUMBER	QTY	DESCRIPTION	REV
	1001162531	Ref	MAIN VALVE ASSEMBLY	F
1	70005069	1	Cartridge, Solenoid Less Coil (Main Dump)	
1	7022399	1	Seal Kit - 70005069 Valve	
1	70003977	1	Nut, Coil	
2	70005217	1	Cartridge, Solenoid Less Coil (Steer)	
2	70005071	1	Seal Kit - 70005217 Valve	
2	7022390	1	Nut, Coil	
3	70005072	1	Cartridge, Solenoid Less Coil (Tele)	
3	70005073	1	Seal Kit - 70005072 Valve	
3	7022390	1	Nut, Coil	
3	70003024	1	Spacer, Coil	
4	70005074	2	Cartridge, Solenoid Valve Less Coil (Platform Level and Rotate)	
4	70005075	2	Seal Kit - 70005074 Valve	
4	7022390	2	Nut, Coil	
4	70003023	2	Spacer, Coil	
5	70005076	2	Cartridge, Solenoid Less Coil (Lift Up and Flow Control)	
5	7022399	2	Seal Kit - 70005076 Valve	
5	7022390	2	Nut, Coil	
6	70005077	1	Cartridge, Solenoid Valve Less Coil (Swing)	
6	70005071	1	Seal Kit - 70005077 Valve	
6	7022390	1	Nut, Coil	
6	70003023	1	Spacer, Coil	
7	70005078	2	Cartridge, Relief Valve	
7	7023936	2	Seal Kit - 70005078 Valve	
9	70005079	1	Cartridge, Relief Valve	
9	7023936	1	Seal Kit - 70005079 Valve	
10	70005080	1	Cartridge, Relief Valve	
10	7022399	1	Seal Kit - 70005080 Valve	
11	70005081	1	Cartridge, Valve	
11	70005082	1	Seal Kit - 70005081 Valve	
12	70005218	1	Cartridge, Valve	
12	70005082	1	Seal Kit - 70005218 Valve	
13	70005084	1	Cartridge, Valve	
13	70005085	1	Seal Kit - 70005084 Valve	
14	70005086	2	Cartridge, Valve	
14	70005087	2	Seal Kit - 70005086 Valve	
15	70005088	1	Cartridge, Valve	
15	7023900	1	Seal Kit - 70005088 Valve	
16	70003408	1	Cartridge, Valve	
16	7022399	1	Seal Kit - 70005100 Valve	
17	70005089	1	Cartridge, Check Valve	
17	7023936	1	Seal Kit - 70005089 Valve	
18	70005090	5	Cartridge, Check Valve	
18	70005092	5	Seal Kit - 70005090 Valve	
19	70002974	1	Disc, Check Valve	
20	70005108	1	Cartridge, Valve	
20	2900770	1	Seal Kit - 70005108 Valve	
21	70005109	1	Cartridge, Valve	
21	2900770	1	Seal Kit - 70005109 Valve	
22	70005091	1	Orifice	

SECTION 2 - TURNTABLE

ITEM	PART NUMBER	QTY	DESCRIPTION	REV
23	2220883	1	Plug, O-Ring #4	
24	91164059	6	Plug	
25	91164079	6	Plug	
26	91164057	1	Plug	
27	70002386	6	Coil	
28	70003788	5	Coil	
29	70005219	2	Coil	
30	70005724	2	Lockdown Kit	

SECTION 2 - TURNTABLE

FIGURE 2-4. CONTROL VALVE ASSEMBLY (460SJ HC3)



ART_1001249356

SECTION 2 - TURNTABLE

FIGURE 2-4. CONTROL VALVE ASSEMBLY (460SJ HC3)

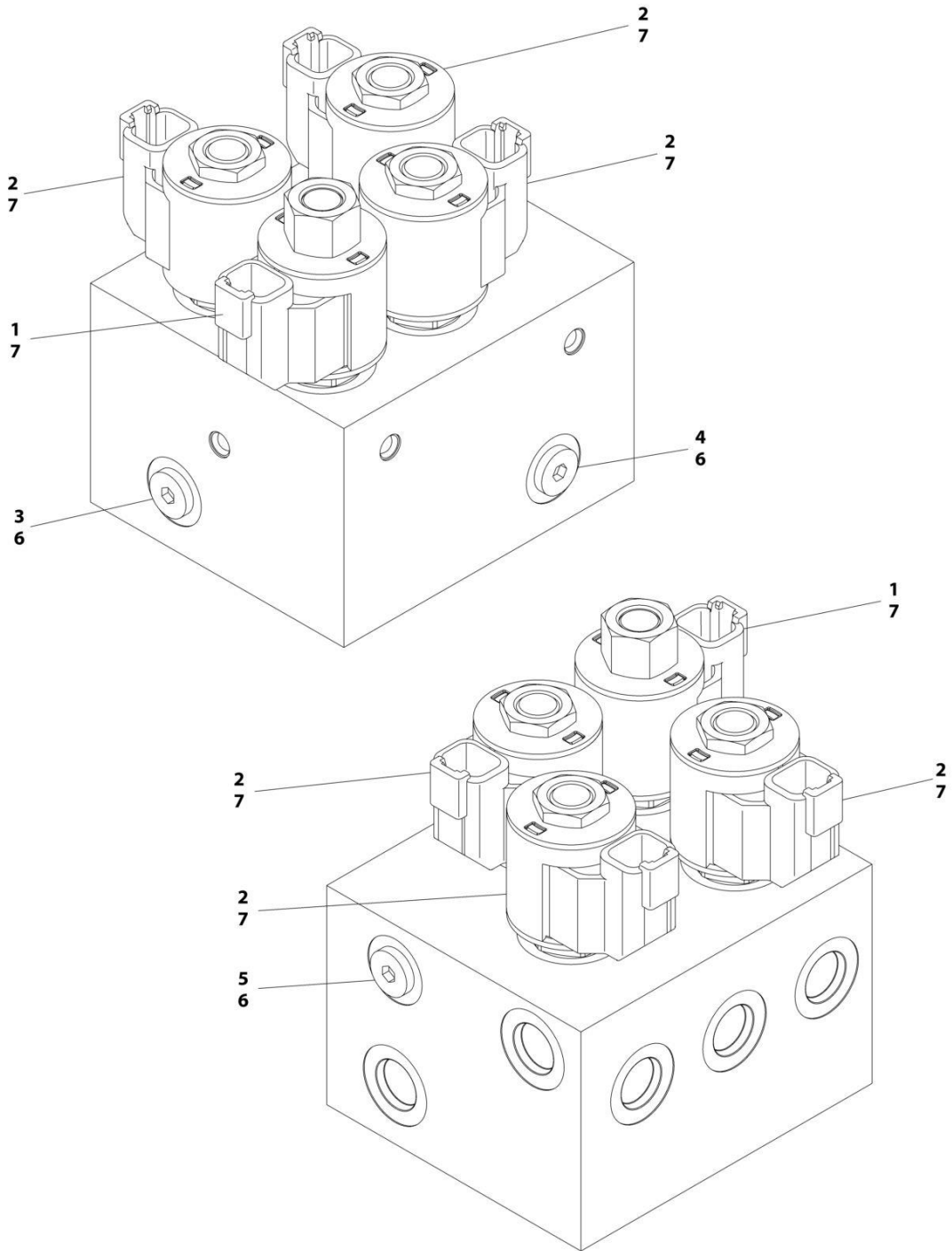
ITEM	PART NUMBER	QTY	DESCRIPTION	REV
	1001249356	Ref	MAIN VALVE ASSEMBLY	B
1	70005069	1	Cartridge, Solenoid Less Coil (Main Dump)	
1	7022399	1	Seal Kit - 70005069 Valve	
1	70003977	1	Nut, Coil	
2	70005217	1	Cartridge, Solenoid Less Coil (Steer)	
2	70005071	1	Seal Kit - 70005217 Valve	
2	7022390	1	Nut, Coil	
3	70005072	1	Cartridge, Solenoid Less Coil (Tele)	
3	70005073	1	Seal Kit - 70005072 Valve	
3	7022390	1	Nut, Coil	
3	70003024	1	Spacer, Coil	
4	70005074	3	Cartridge, Solenoid Valve Less Coil (Platform Level and Rotate)	
4	70005075	3	Seal Kit - 70005074 Valve	
4	7022390	3	Nut, Coil	
4	70003023	3	Spacer, Coil	
5	70005076	2	Cartridge, Solenoid Less Coil (Lift Up and Flow Control)	
5	7022399	2	Seal Kit - 70005076 Valve	
5	7022390	2	Nut, Coil	
6	70005077	1	Cartridge, Solenoid Valve Less Coil (Swing)	
6	70005071	1	Seal Kit - 70005077 Valve	
6	7022390	1	Nut, Coil	
6	70003023	1	Spacer, Coil	
7	70005097	1	Cartridge, Relief Valve	
7	70005082	1	Seal Kit - 70005097 Valve	
8	70005093	1	Cartridge Relief Valve	
8	7023936	1	Seal Kit - 70005093 Valve	
9	70005079	1	Cartridge, Relief Valve	
9	7023936	1	Seal Kit - 70005079 Valve	
10	70005080	1	Cartridge, Relief Valve	
10	7022399	1	Seal Kit - 70005080 Valve	
11	70005081	1	Cartridge, Valve	
11	70005082	1	Seal Kit - 70005081 Valve	
12	70005218	1	Cartridge, Valve	
12	70005082	1	Seal Kit - 70005218 Valve	
13	70005084	1	Cartridge, Valve	
13	70005085	1	Seal Kit - 70005084 Valve	
14	70005086	2	Cartridge, Valve	
14	70005087	2	Seal Kit - 70005086 Valve	
15	70005088	1	Cartridge, Valve	
15	7023900	1	Seal Kit - 70005088 Valve	
16	70003408	1	Cartridge, Valve	
16	7022399	1	Seal Kit - 70005100 Valve	
17	70005089	1	Cartridge, Check Valve	
17	7023936	1	Seal Kit - 70005089 Valve	
18	70005090	5	Cartridge, Check Valve	
18	70005092	5	Seal Kit - 70005090 Valve	
19	70002974	1	Disc, Check Valve	
20	10740145	1	Cartridge, Valve	
20	2900770	1	Seal Kit - 70005108 Valve	
21	70005109	1	Cartridge, Valve	

SECTION 2 - TURNTABLE

ITEM	PART NUMBER	QTY	DESCRIPTION	REV
21	2900770	1	Seal Kit - 70005109 Valve	
22	70005091	1	Orifice	
23	2220883	1	Plug, O-Ring #4	
24	91164059	6	Plug	
25	91164079	6	Plug	
26	91164057	1	Plug	
27	70005219	2	Coil	
28	70002386	8	Coil	
29	70003788	5	Coil	
30	70005724	2	Lockdown Kit	

SECTION 2 - TURNTABLE

FIGURE 2-5. AXLE CONTROL VALVE ASSEMBLY



ART_1001162538

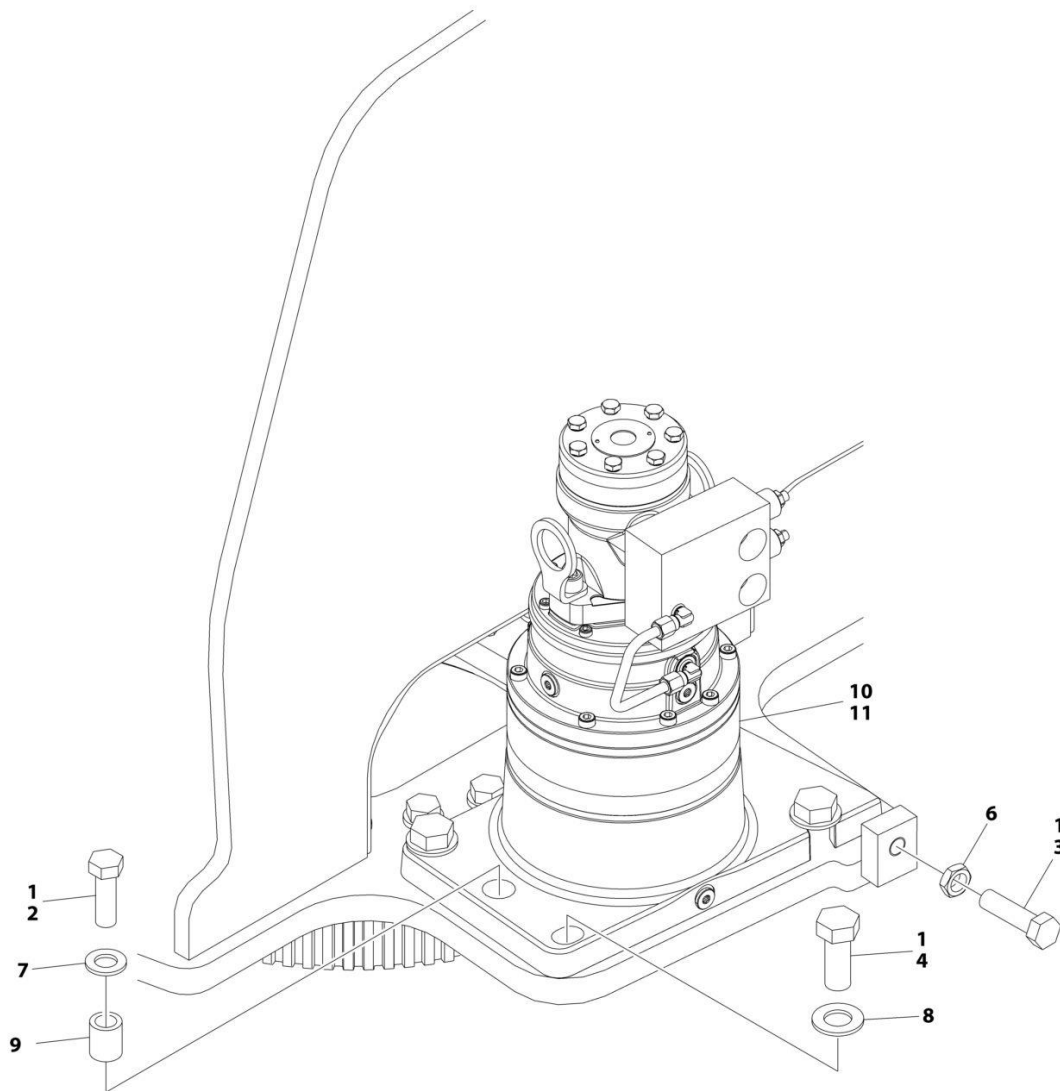
SECTION 2 - TURNTABLE

FIGURE 2-5. AXLE CONTROL VALVE ASSEMBLY

ITEM	PART NUMBER	QTY	DESCRIPTION	REV
	1001162538	Ref	AXLE VALVE ASSEMBLY	D
1	7017410	1	Cartridge, Solenoid Valve Less Coil (Secondary Axle Release)	
1	7012967	1	Seal Kit - 7017410 Valve	
2	7012941	3	Cartridge, Solenoid Valve Less Coil (Brake Release, Primary Axle Release and 2 Speed)	
2	7010543	3	Seal Kit - 7012941 Valve	
3	70004883	1	Orifice	
4	70004884	1	Orifice	
5	70002063	1	Orifice	
6	2220883	3	Plug, O-Ring #4	
7	70002386	4	Coil	

SECTION 2 - TURNTABLE

FIGURE 2-6. SWING DRIVE INSTALLATION



ART_1001228492

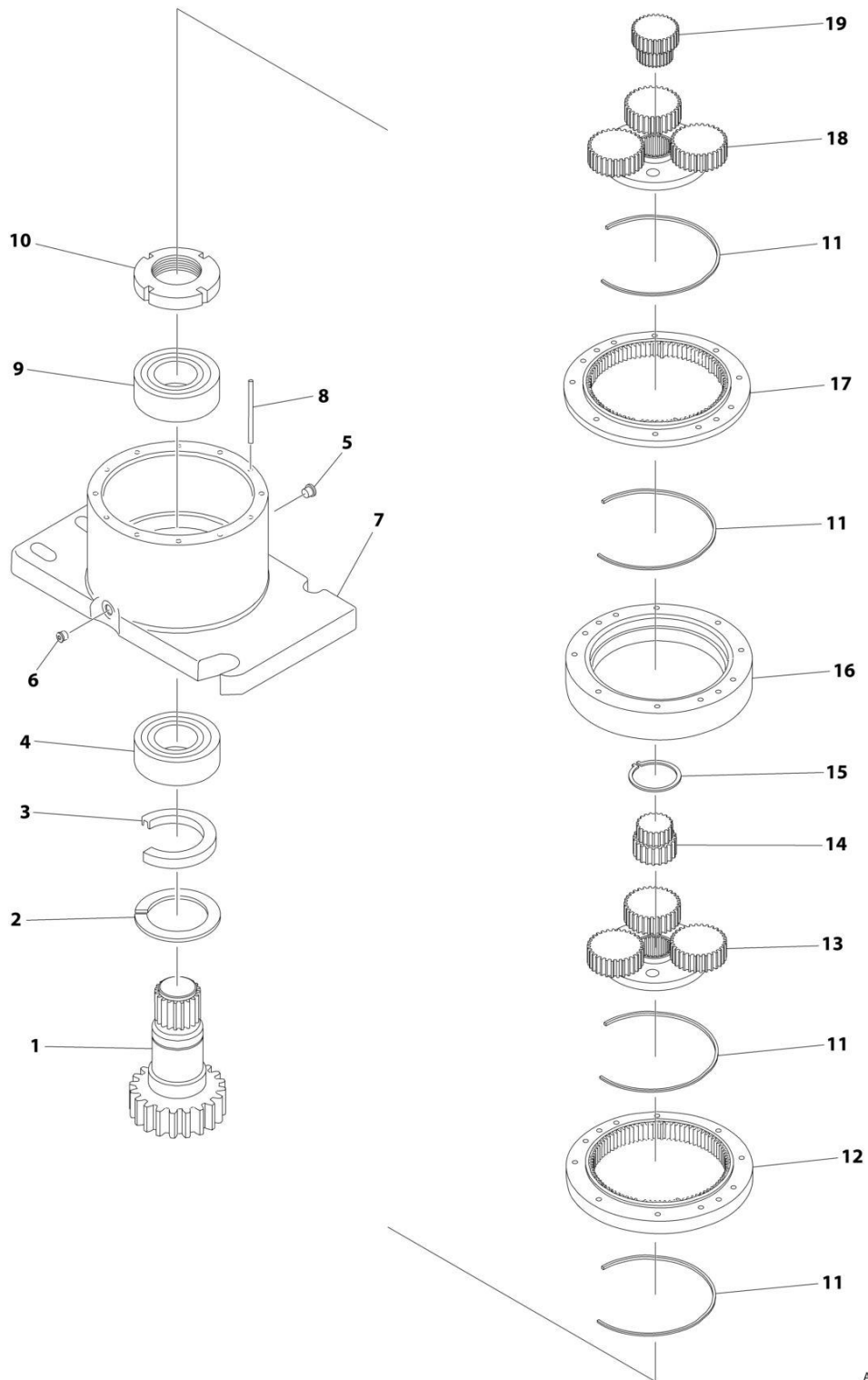
SECTION 2 - TURNTABLE

FIGURE 2-6. SWING DRIVE INSTALLATION

ITEM	PART NUMBER	QTY	DESCRIPTION	REV
	1001228492	Ref	SWING DRIVE INSTALLATION	C
1	0100019	AR	Compound, Locking	
2	0701618	1	Bolt M16 x 50	
3	0761620	1	Bolt M16 x 60	
4	0772018	4	Bolt M20 x 50 Grade 10.9	
6	3291602	1	Nut M16	
7	5241600	1	Washer M16	
8	5242000	4	Washer M20	
9	1001134543	1	Sleeve, Spacer	
10	4071009	1	Shim	
11	1001228487	1	Swing Hub/Motor Assembly (See Separate Breakdown in this Section)	

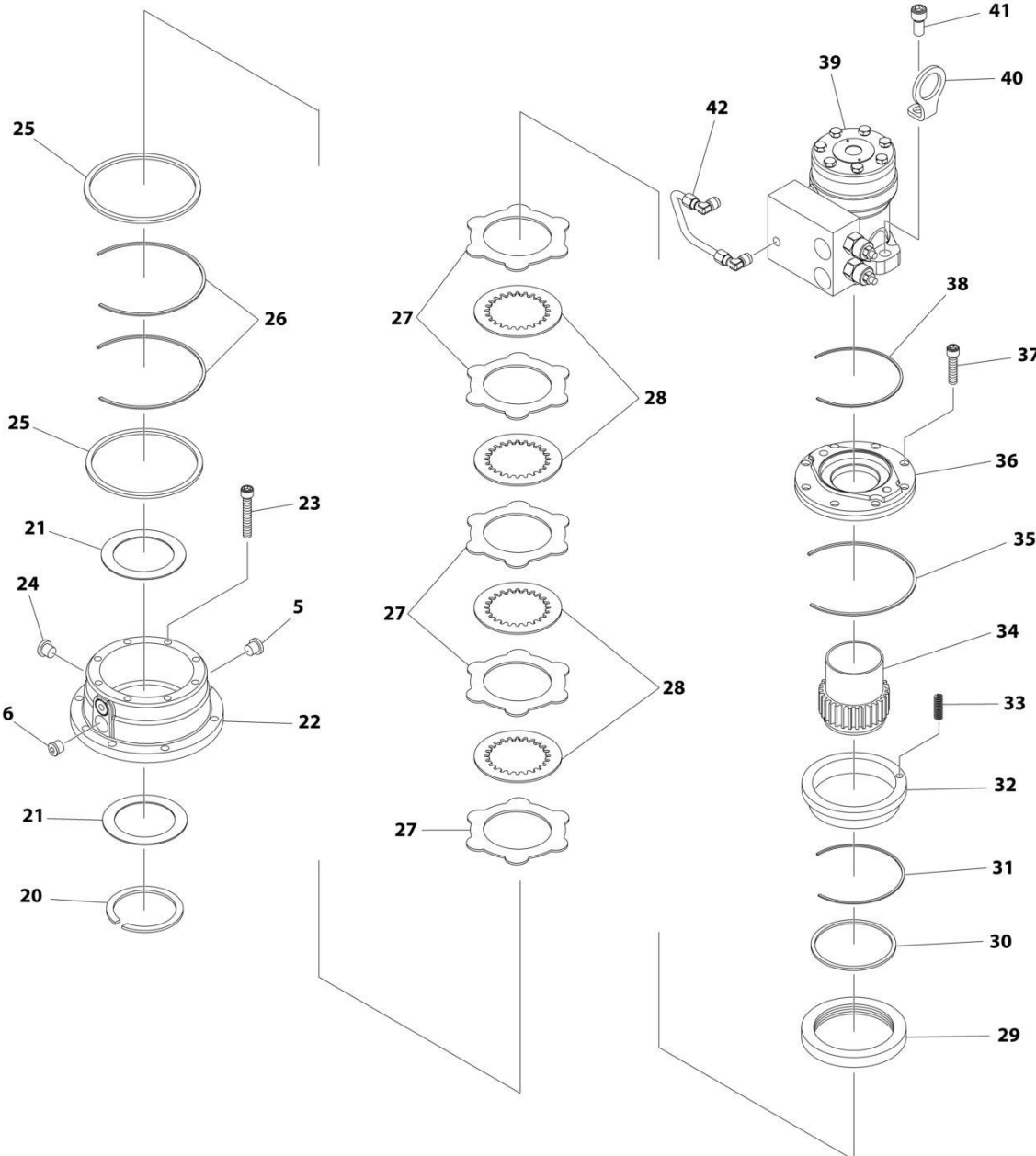
SECTION 2 - TURNTABLE

FIGURE 2-7. SWING DRIVE MOTOR/HUB ASSEMBLY



ART_1001228487_10F2

SECTION 2 - TURNTABLE



ART_1001228487_2OF2

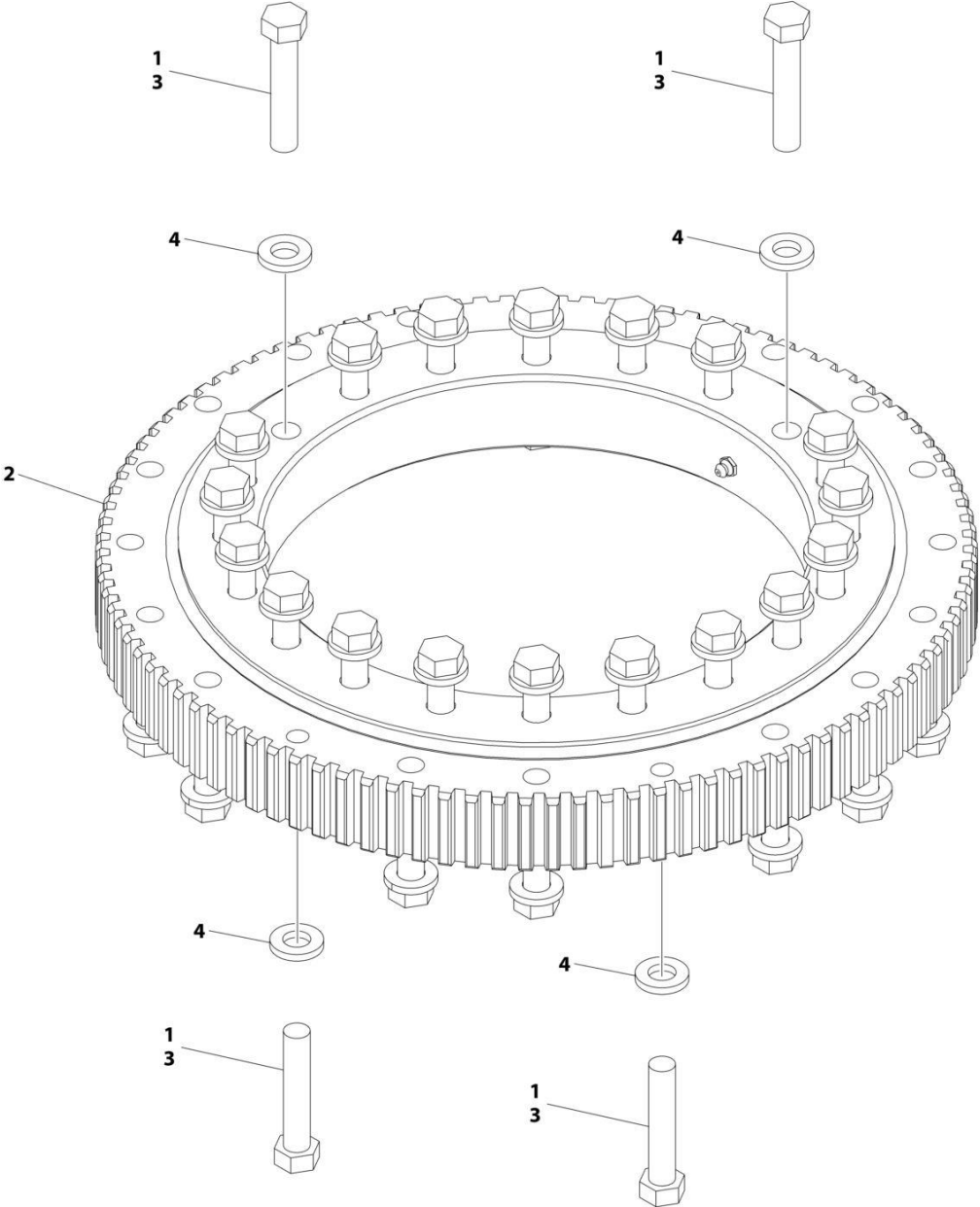
SECTION 2 - TURNTABLE

FIGURE 2-7. SWING DRIVE MOTOR/HUB ASSEMBLY

ITEM	PART NUMBER	QTY	DESCRIPTION	REV
	1001228487	Ref	SWING HUB/MOTOR ASSEMBLY	C
1	70007022	1	Output Shaft	
2	70007023	1	Ring	
3		Ref	Oil Seal	
4	70007024	1	Tapered Roller Bearing	
5	70004469	2	Magnetic Plug with O-Ring	
6	70002057	4	Plug with O-Ring	
7	NSS	1	Output Support	
8	70007025	2	Spring Pin	
9	70007026	1	Tapered Roller Bearing	
10	70007027	1	Ring Nut	
11		Ref	O-Ring	
12	70006990	1	Planetary Ring	
13	70007028	1	Complete Reduction	
14	70007029	1	Pinion	
15	70007030	1	Seeger	
16	70006994	1	Spacer	
17	70004481	1	Planetary Ring	
18	70004482	1	Complete Reduction	
19	70007031	1	Pinion	
20	70006997	1	Ring	
21	70006998	2	Washer	
22	NSS	1	Brake Housing	
23	70007032	8	Screw	
24	70006999	1	Level Oil Plug	
25		Ref	Parbak	
26		Ref	O-Ring	
27		Ref	Iron Disc	
28		Ref	Sintered Disc	
29	70005317	1	Brake Spacer	
30		Ref	Parbak	
31		Ref	O-Ring	
32	70005318	1	Brake Piston	
33		Ref	Brake Spring	
34	70007001	1	Input Shaft	
35		Ref	O-Ring	
36	70007002	1	Cover	
37	70007003	8	Screw	
38		Ref	O-Ring	
39		Ref	Motor with Valve	
40	NSS	2	Vertical Lift Support	
41	70004494	2	Screw	
42	70007004	1	Brake/Valve Adapter	
43	70007046	1	Seal Kit	
44	70007006	1	Kit, Brake Repair	

SECTION 2 - TURNTABLE

FIGURE 2-8. TURNTABLE BEARING INSTALLATION



ART_1001168992

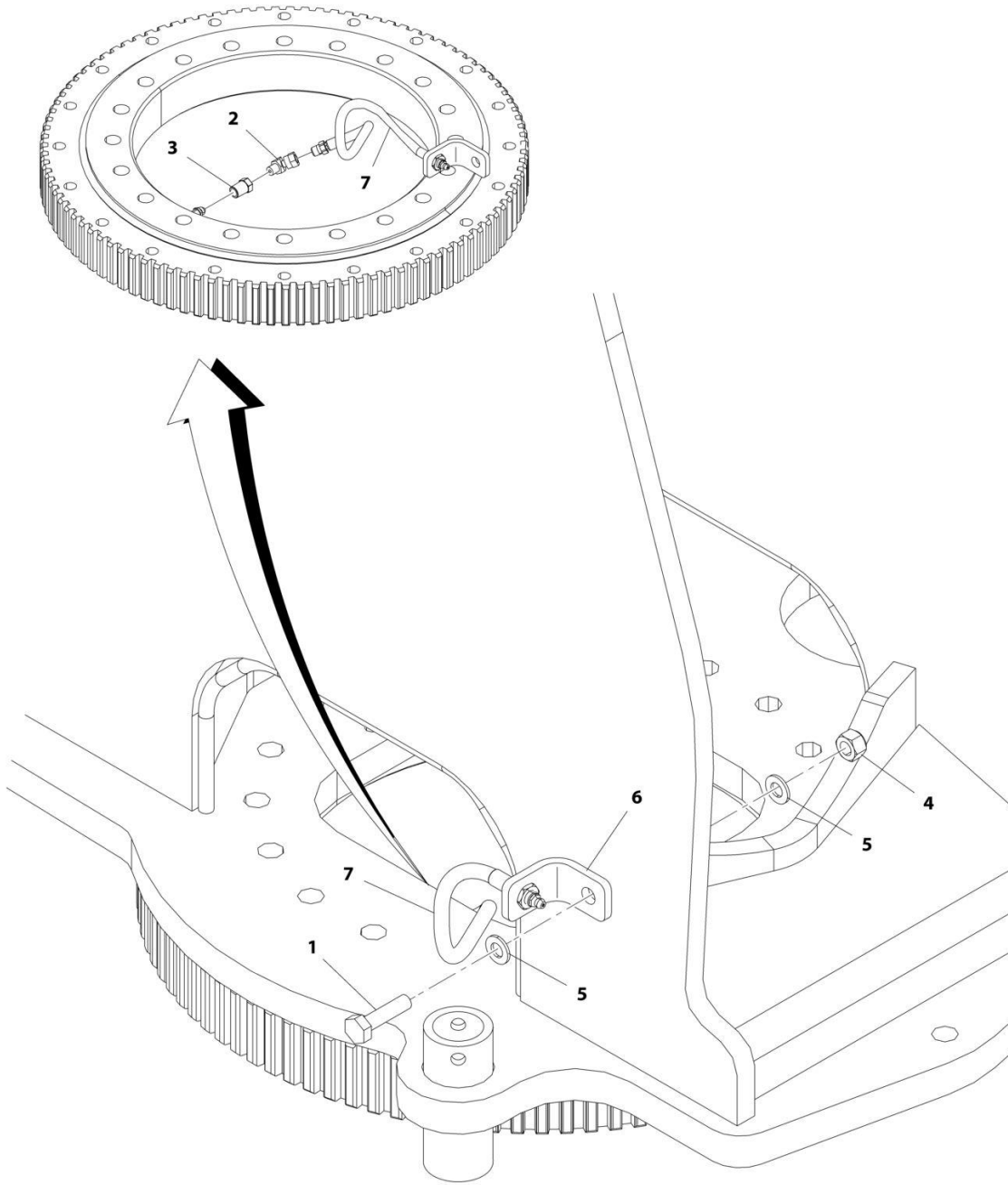
SECTION 2 - TURNTABLE

FIGURE 2-8. TURNTABLE BEARING INSTALLATION

ITEM	PART NUMBER	QTY	DESCRIPTION	REV
	1001168992	Ref	TURNTABLE BEARING INSTALLATION	A
1	0100019	AR	Compound, Locking	
2	0440240	1	Bearing, Turntable	
3	0682026	40	Bolt 5/8 x 3-1/4 Grade 8	
4	4892000	40	Washer 5/8	

SECTION 2 - TURNTABLE

FIGURE 2-9. BEARING LUBE INSTALLATION



ART_1001169191

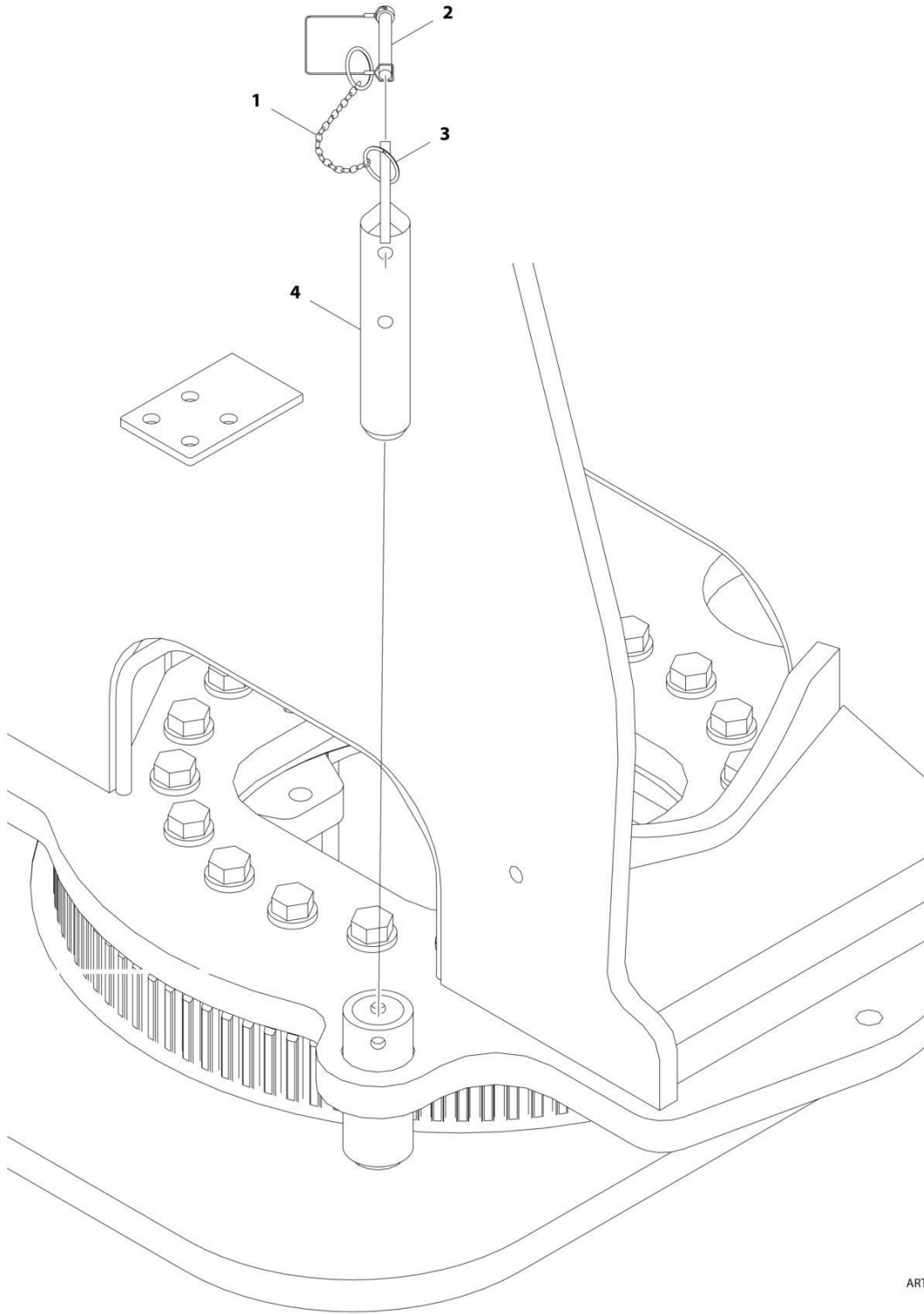
SECTION 2 - TURNTABLE

FIGURE 2-9. BEARING LUBE INSTALLATION

ITEM	PART NUMBER	QTY	DESCRIPTION	REV
	1001169191	Ref	BEARING LUBE INSTALLATION	A
1	0761016	1	Bolt M10 x 40	
2	2220124	1	Fitting, 45 1/8NPT	
3	2220273	1	Fitting, Straight FNPTF/NPTF	
4	3291005	1	Nut M10	
5	4812000	2	Washer M10	
6	1001169192	1	Mount, Bulkhead	
7	1001169193	1	Hose	

SECTION 2 - TURNTABLE

FIGURE 2-10. TURNTABLE LOCK INSTALLATION



ART_1001169496

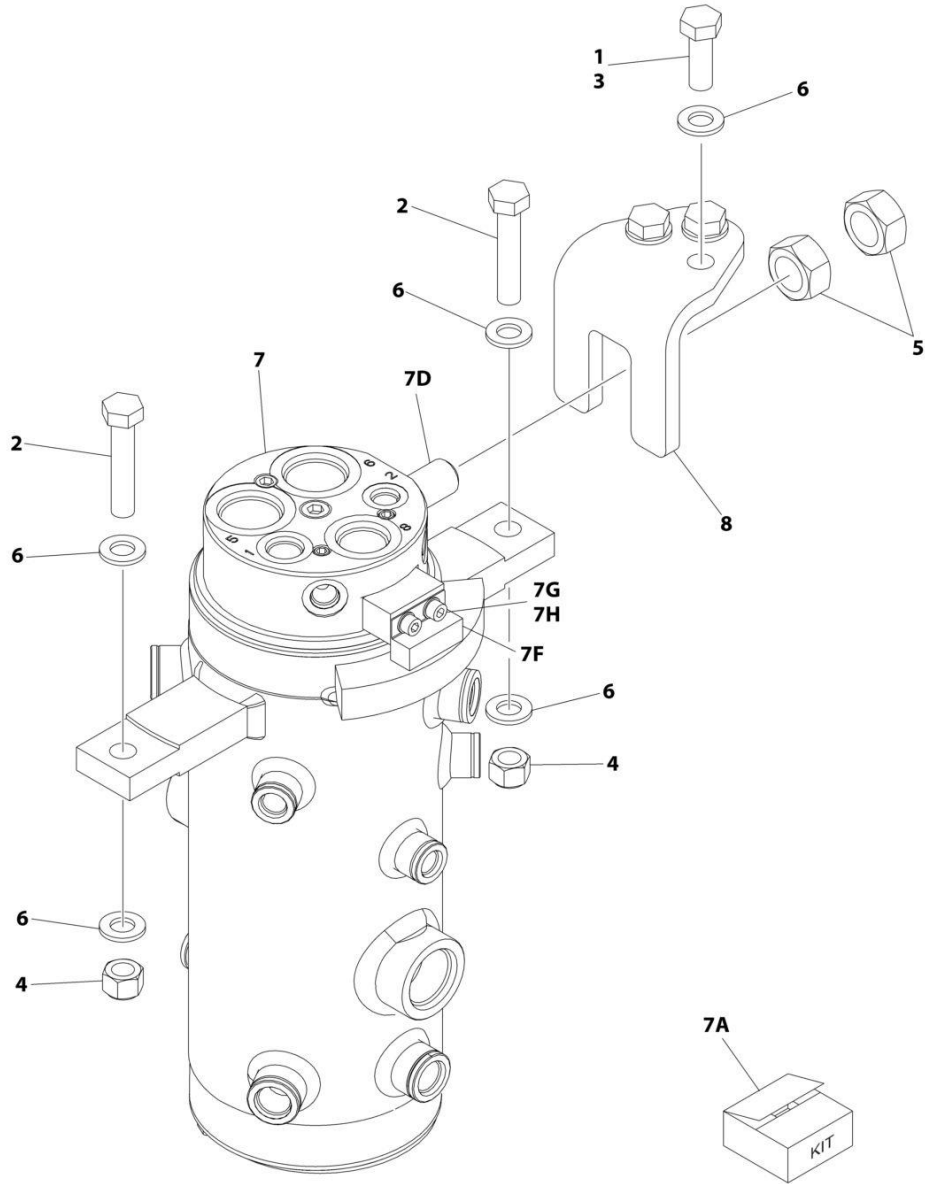
SECTION 2 - TURNTABLE

FIGURE 2-10. TURNTABLE LOCK INSTALLATION

ITEM	PART NUMBER	QTY	DESCRIPTION	REV
	1001169496	Ref	TURNTABLE LOCK INSTALLATION	B
1	1260017	1	Chain	
2	3421565	1	Pin, Snap	
3	3760170	2	Ring, Split	
4	1001169582	1	Pin	

SECTION 2 - TURNTABLE

FIGURE 2-11. ROTARY COUPLING INSTALLATION



ART_1001168855

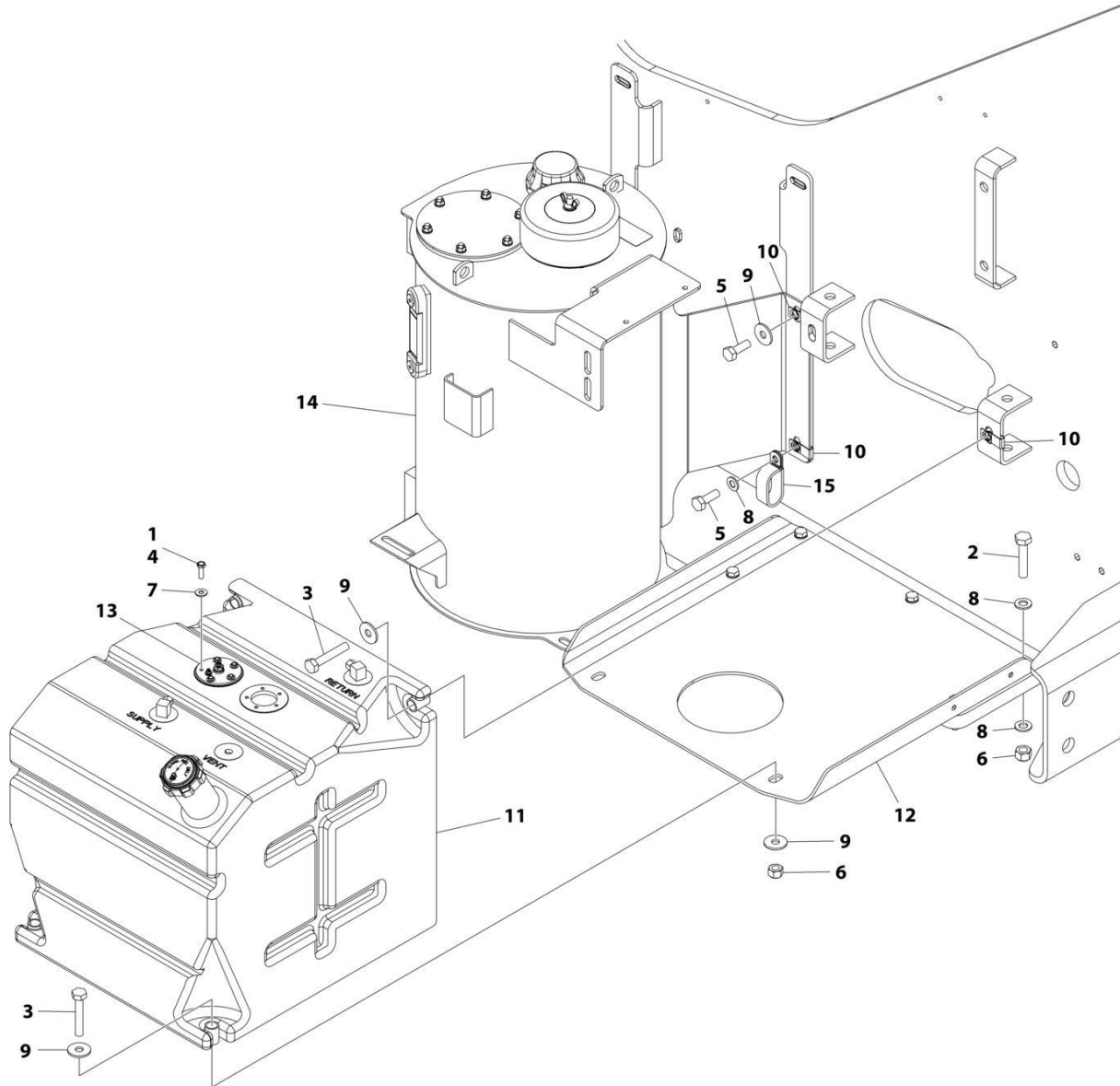
SECTION 2 - TURNTABLE

FIGURE 2-11. ROTARY COUPLING INSTALLATION

ITEM	PART NUMBER	QTY	DESCRIPTION	REV
	1001168855	Ref	ROTARY COUPLING INSTALLATION	C
1	0100011	AR	Compound, Locking	
2	0701220	2	Bolt M12 x 60	
3	0761215	3	Bolt M12 x 35	
4	3291201	2	Nut M12	
5	3292001	2	Nut M20	
6	4812100	7	Washer M12	
7	1001188334	1	Rotary Coupling Assembly	
7A	70005716	1	Seal Kit - 1001188334 Coupling	
7B	70005710	1	Spacer (Not Shown)	
7C	70005711	1	Spacer (Not Shown)	
7D	70005712	1	Threaded Spigot	
7E	70005713	1	Circlip (Not Shown)	
7F	4360517	1	Switch, Proximity	
7G	70005714	1	Bolt	
7H	70005715	1	Washer	
8	1001169185	1	Mount	
9	2220238	1	Fitting, Plug ORB (Not Shown)	

SECTION 2 - TURNTABLE

FIGURE 2-12. TANK INSTALLATION - DIESEL ENGINES (17.3 GAL)



ART_1001207349

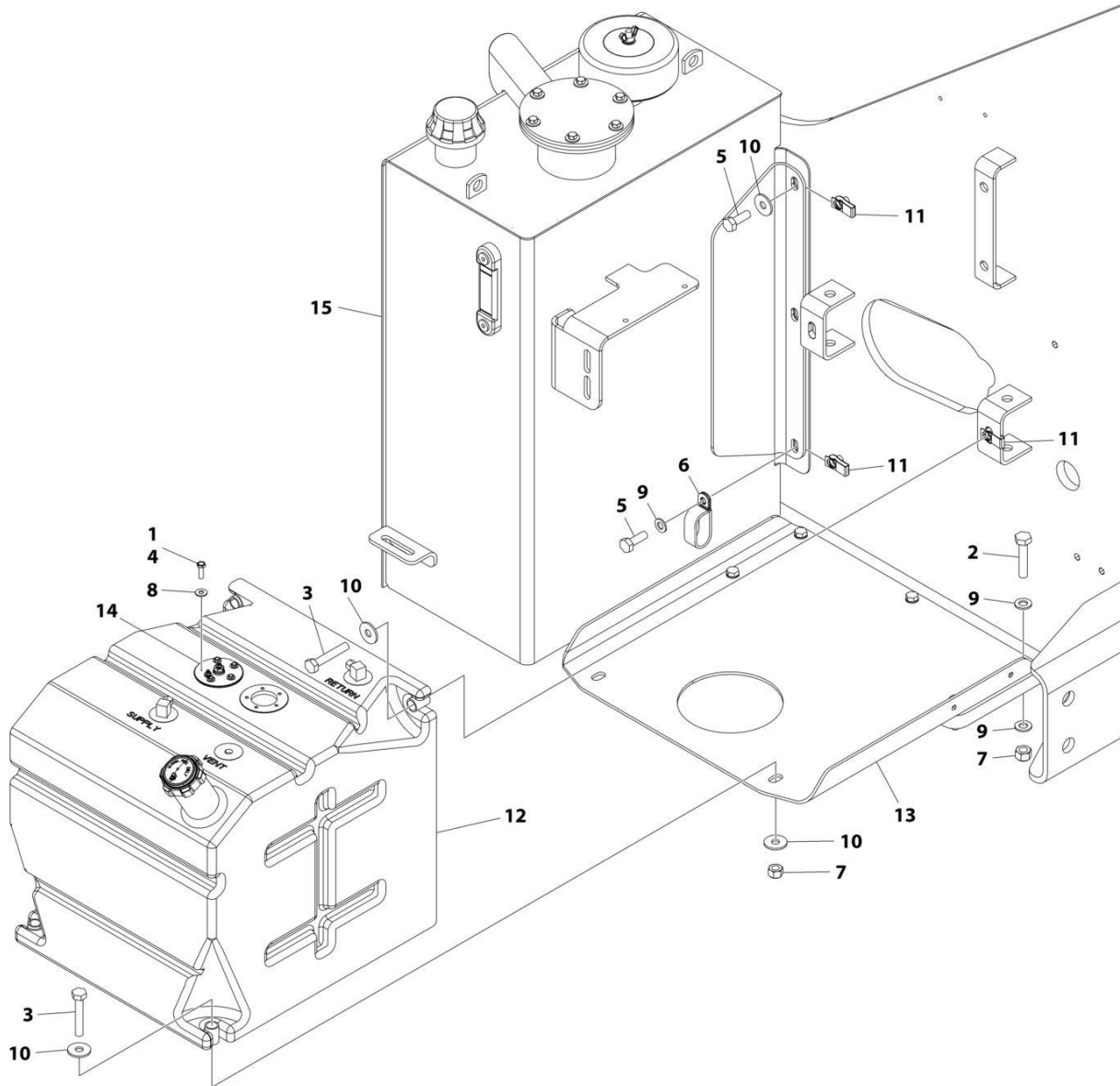
SECTION 2 - TURNTABLE

FIGURE 2-12. TANK INSTALLATION - DIESEL ENGINES (17.3 GAL)

ITEM	PART NUMBER	QTY	DESCRIPTION	REV
	1001207349	Ref	TANKS INSTALLATION - DIESEL MACHINES	C
1	0100035	AR	Compound, Locking	
2	0701018	5	Bolt M10 x 50	
3	0701020	4	Bolt M10 x 60	
4	0731005	5	Screw #10 x .625	
5	0761014	4	Bolt M10 x 30	
6	3291005	7	Nut M10	
7	4751000	5	Washer #10	
8	4812000	12	Washer M10	
9	4812002	8	Washer M10	
10	1001118972	6	Nut M10	
11	1001163418	1	Tank, Fuel	
11	1001193336	1	Cap, Fill with Chain and Stop Spring	
11	70004794	1	Tube, Pick-up	
12	1001166710	1	Plate	
13	1001231195	1	Sensor, Fuel Level	
14	1001206917	1	Tank, Hydraulic (See Separate Breakdown in this Section)	
15	1321716	2	Clamp	

SECTION 2 - TURNTABLE

FIGURE 2-13. TANK INSTALLATION - DIESEL ENGINES (36 GAL)



ART_1001286149

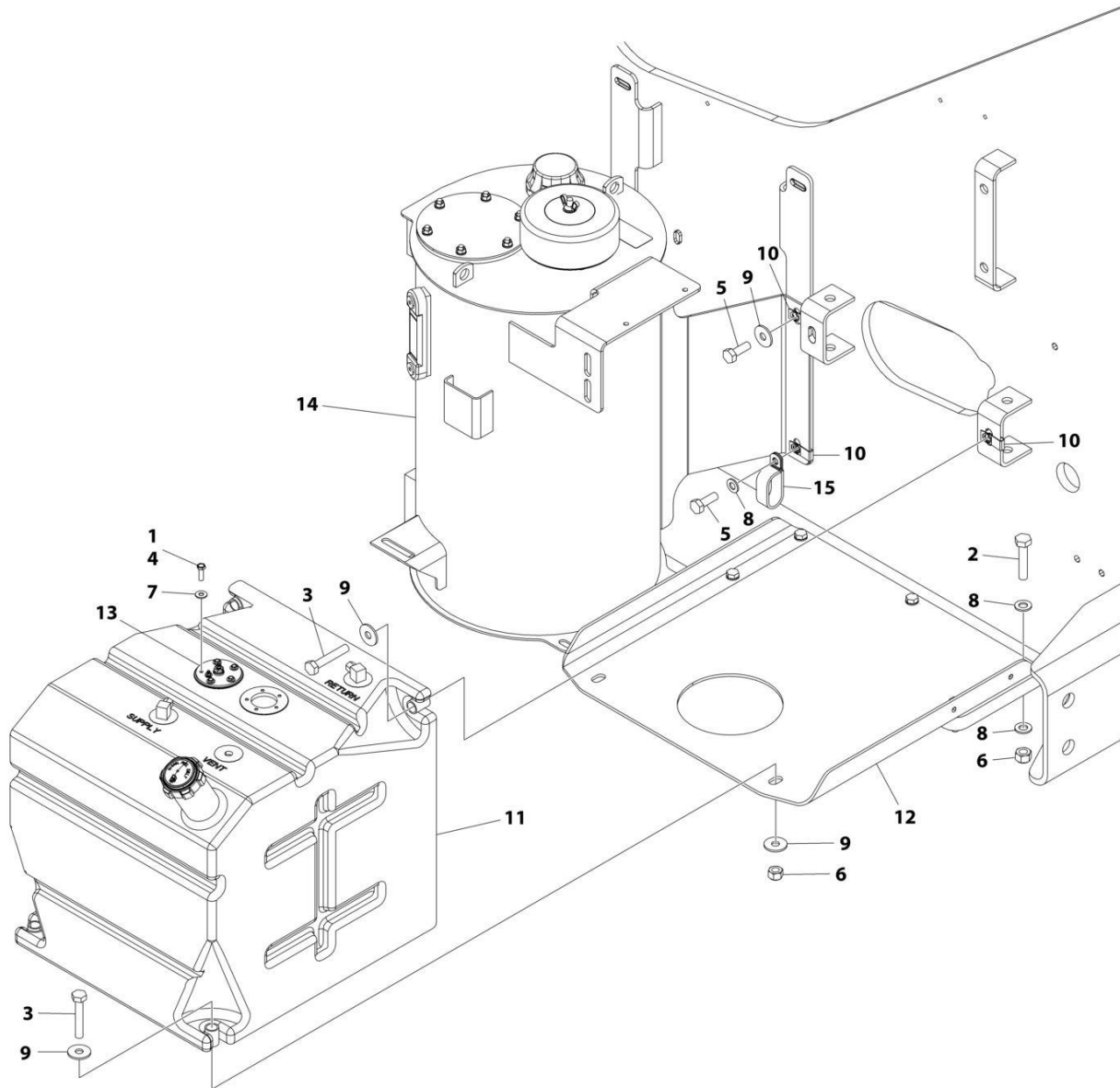
SECTION 2 - TURNTABLE

FIGURE 2-13. TANK INSTALLATION - DIESEL ENGINES (36 GAL)

ITEM	PART NUMBER	QTY	DESCRIPTION	REV
	1001286149	Ref	TANKS INSTALLATION - GAS MACHINES	A
1	0100035	AR	Compound, Locking	
2	0701018	5	Bolt M10 x 50	
3	0701020	4	Bolt M10 x 60	
4	0731005	5	Screw #10 x .625	
5	0761014	4	Bolt M10 x 30	
6	1321716	2	Clamp	
7	3291005	7	Nut M10	
8	4751000	5	Washer #10	
9	4812000	12	Washer M10	
10	4812002	8	Washer M10	
11	1001118972	6	Nut M10	
12	1001163418	1	Tank, Fuel	
12	1001193336	1	Cap, Fill with Chain and Stop Spring	
12	70004794	1	Tube, Pick-up	
13	1001166710	1	Plate	
14	1001231195	1	Sensor, Fuel Level	
15	1001286148	1	Tank, Hydraulic (See Separate Breakdown in this Section)	

SECTION 2 - TURNTABLE

FIGURE 2-14. TANK INSTALLATION - GAS ENGINES (17.3 GAL)



ART_1001207350

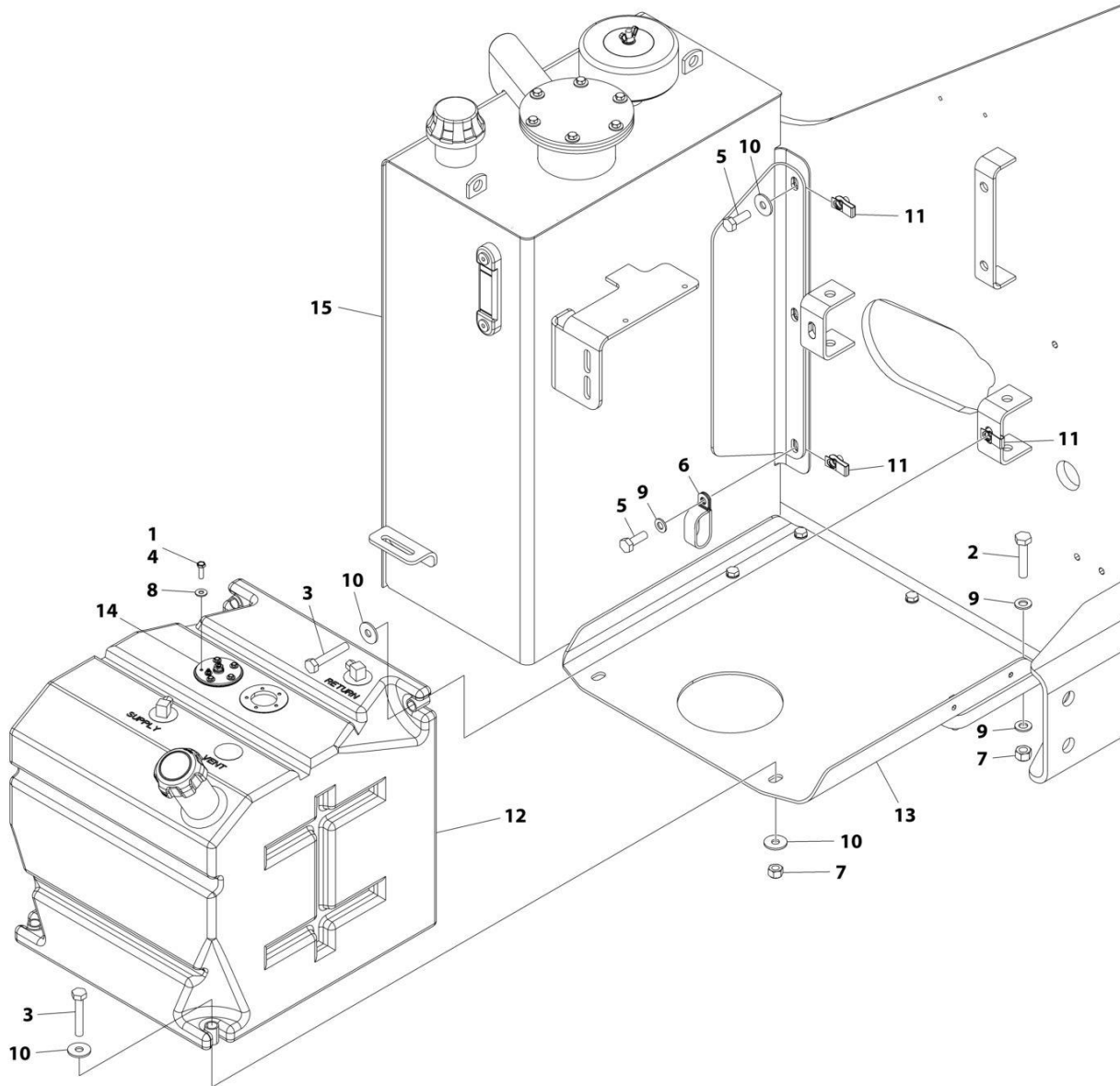
SECTION 2 - TURNTABLE

FIGURE 2-14. TANK INSTALLATION - GAS ENGINES (17.3 GAL)

ITEM	PART NUMBER	QTY	DESCRIPTION	REV
	1001207350	Ref	TANKS INSTALLATION - GAS MACHINES	D
1	0100035	AR	Compound, Locking	
2	0701018	5	Bolt M10 x 50	
3	0701020	4	Bolt M10 x 60	
4	0731005	5	Screw #10 x 5/8	
5	0761014	4	Bolt M10 x 30	
6	3291005	7	Nut M10	
7	4751000	5	Washer #10	
8	4812000	12	Washer M10	
9	4812002	8	Washer M10	
10	1001118972	6	Nut M10	
11	1001163671	1	Tank, Fuel	
11	1001211336	1	Cap, Fill with Lanyard and Stop	
11	70004794	2	Tube, Pick up	
12	1001166710	1	Plate	
13	1001231195	1	Sensor, Fuel Level	
14	1001206917	1	Tank, Hydraulic (See Separate Breakdown in this Section)	
15	1321716	2	Clamp	

SECTION 2 - TURNTABLE

FIGURE 2-15. TANK INSTALLATION - GAS ENGINES (36 GAL)



ART_1001286150

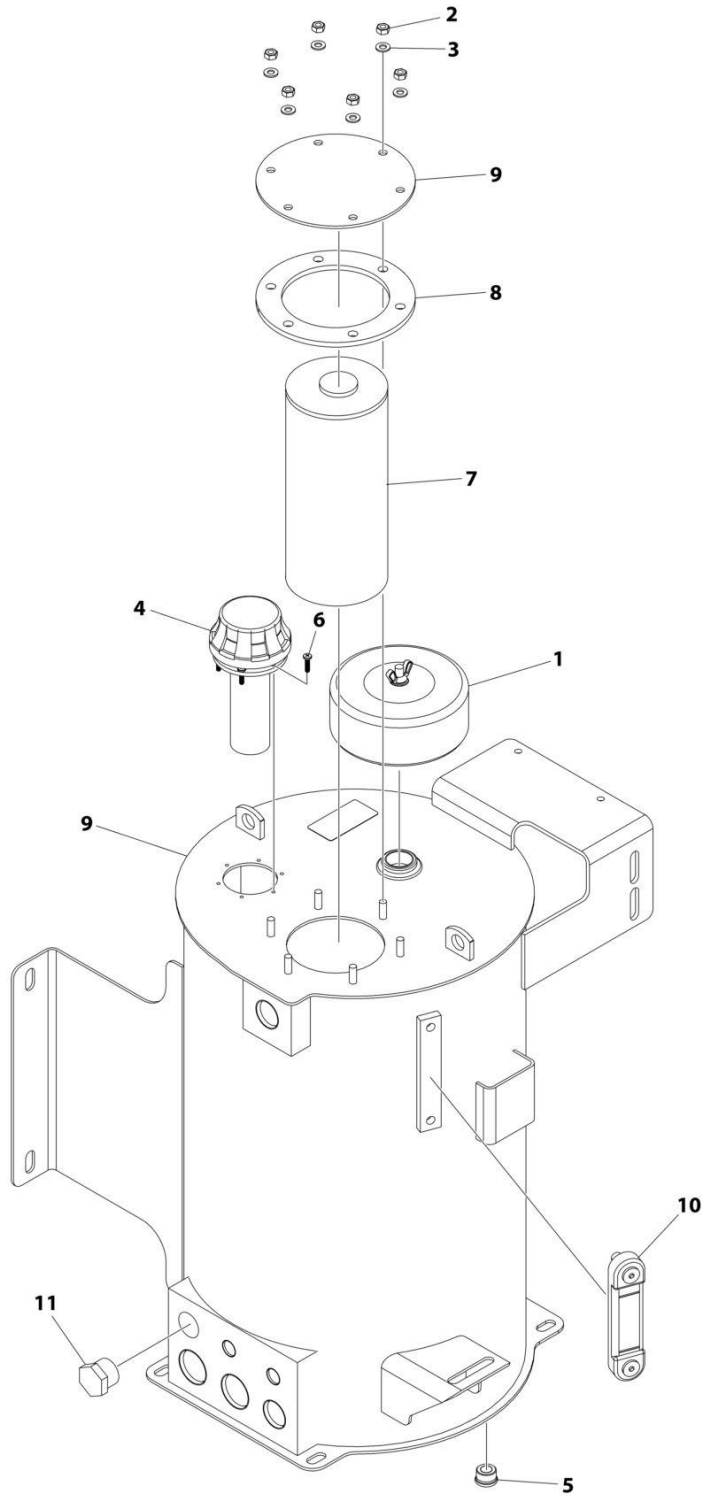
SECTION 2 - TURNTABLE

FIGURE 2-15. TANK INSTALLATION - GAS ENGINES (36 GAL)

ITEM	PART NUMBER	QTY	DESCRIPTION	REV
	1001286150	Ref	TANKS INSTALLATION - GAS MACHINES	A
1	0100035	AR	Compound, Locking	
2	0701018	5	Bolt M10 x 50	
3	0701020	4	Bolt M10 x 60	
4	0731005	5	Screw #10 x 5/8	
5	0761014	4	Bolt M10 x 30	
6	1321716	2	Clamp	
7	3291005	7	Nut M10	
8	4751000	5	Washer #10	
9	4812000	12	Washer M10	
10	4812002	8	Washer M10	
11	1001118972	6	Nut M10	
12	1001163671	1	Tank, Fuel	
12	1001211336	1	Cap, Fill with Lanyard and Stop	
12	70004794	2	Tube, Pick up	
13	1001166710	1	Plate	
14	1001231195	1	Sensor, Fuel Level	
15	1001286148	1	Tank, Hydraulic (See Separate Breakdown in this Section)	

SECTION 2 - TURNTABLE

FIGURE 2-16. HYDRAULIC TANK ASSEMBLY ENGINES (17.3 GAL)



ART_1001206917

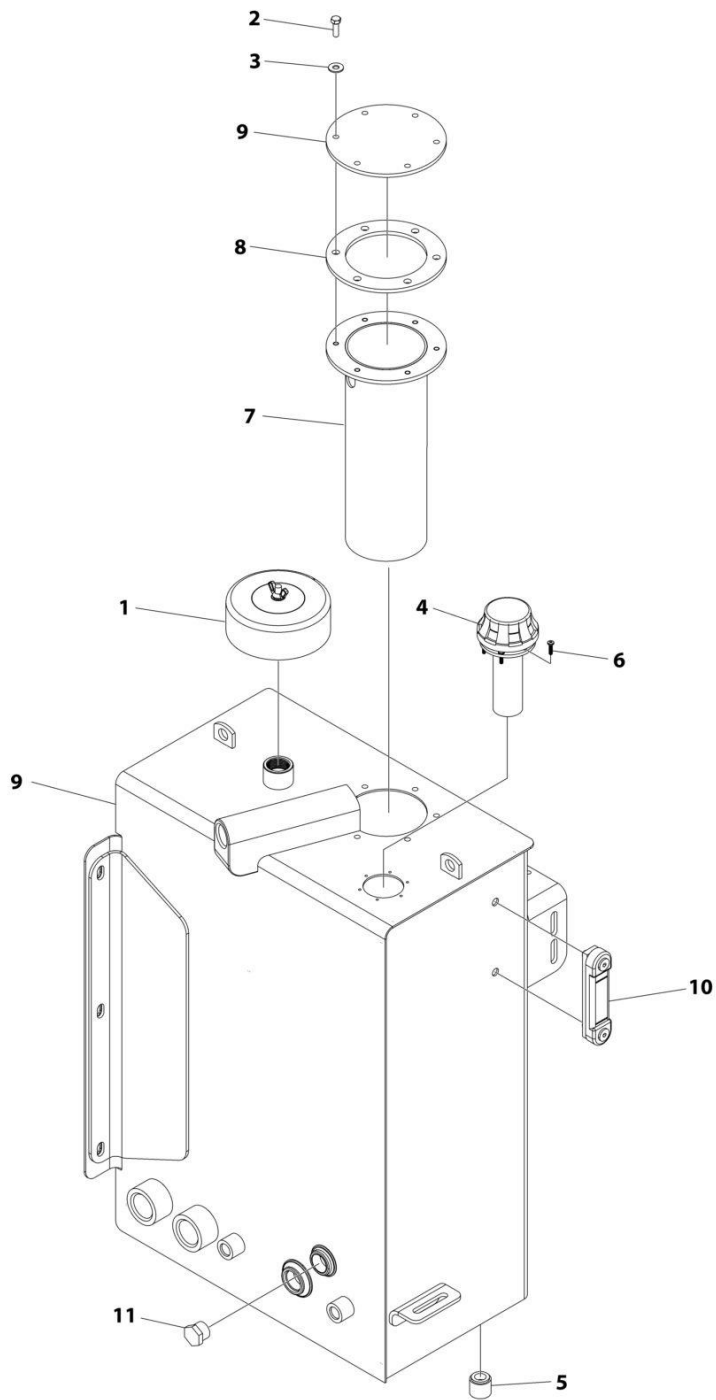
SECTION 2 - TURNTABLE

FIGURE 2-16. HYDRAULIC TANK ASSEMBLY ENGINES (17.3 GAL)

ITEM	PART NUMBER	QTY	DESCRIPTION	REV
	1001206917	Ref	HYDRAULIC TANK ASSEMBLY	A
1	See Note	NSS	Breather Assembly (Note: Use p/n 70003614)	
2	3311501	6	Nut 5/16	
3	4751400	6	Washer 1/4	
4	70002838	1	Cap, Fill	
5	70002112	1	Plug	
6	See Note	NSS	Screw #10 x 3/4 (Note: Not Available for purchase)	
7	See Note	NSS	Element, Filter (Note: Use p/n 70003614)	
8	1001199177	1	Gasket	
9	See Note	NSS	Reservoir (Note: Not Available for purchase)	
10	7024441	1	Gauge, Level	
11	2220887	1	Plug	

SECTION 2 - TURNTABLE

FIGURE 2-17. HYDRAULIC TANK ASSEMBLY (36 GAL)



ART_1001286148

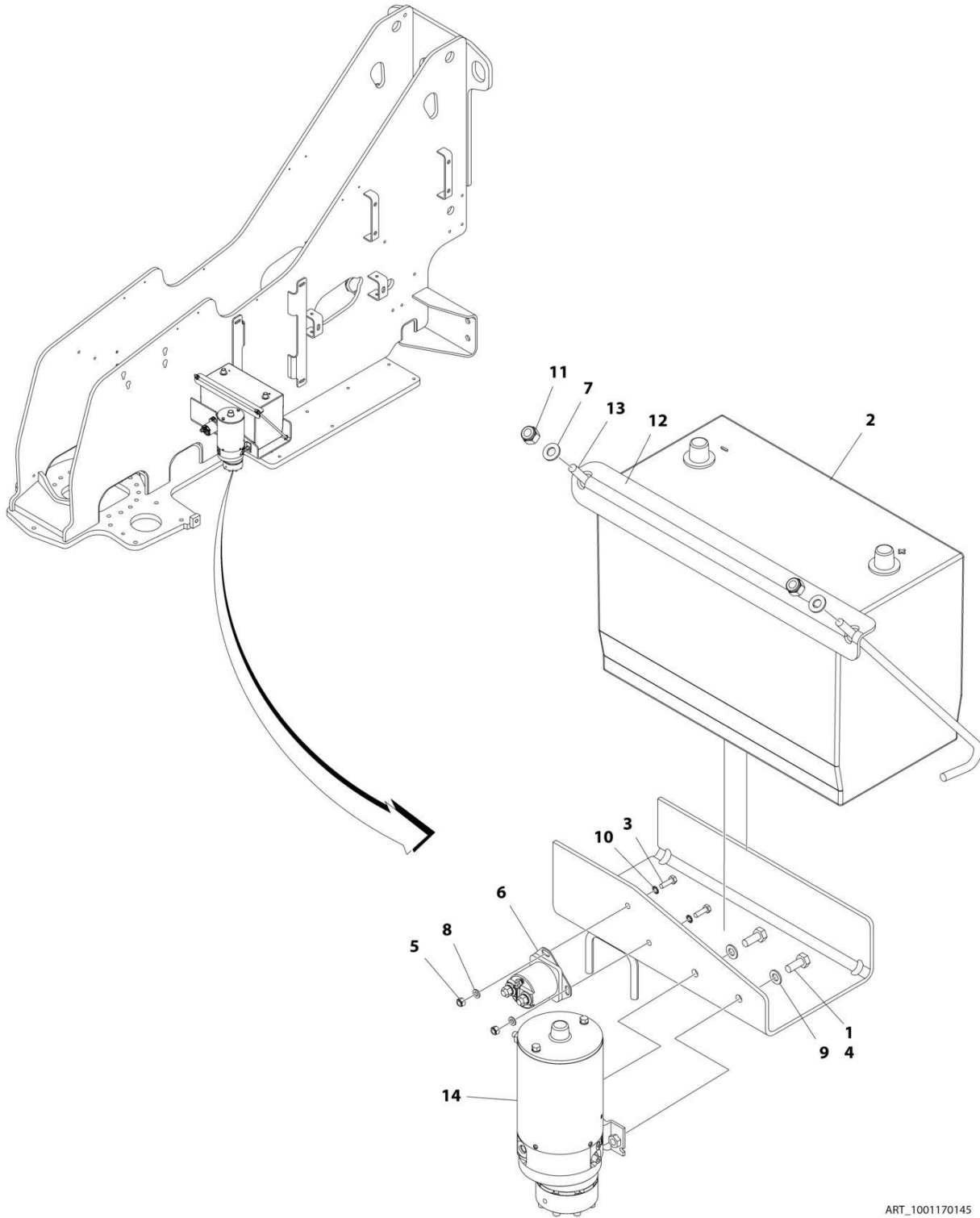
SECTION 2 - TURNTABLE

FIGURE 2-17. HYDRAULIC TANK ASSEMBLY (36 GAL)

ITEM	PART NUMBER	QTY	DESCRIPTION	REV
	1001286148	Ref	HYDRAULIC TANK ASSEMBLY	A
1	See Note	NSS	Breather Assembly (Note: Use p/n 70003614)	
2		Ref	Bolt	
3	4751400	6	Washer 1/4	
4	70002838	1	Cap, Fill	
5	70002112	1	Plug	
6	See Note	NSS	Screw #10 x 3/4 (Note: Not Available for purchase)	
7	See Note	NSS	Element, Filter (Note: Use p/n 70003614)	
8	1001199177	1	Gasket	
9	See Note	NSS	Reservoir (Note: Not Available for purchase)	
10	7024441	1	Gauge, Level	
11	2220887	1	Plug	

SECTION 2 - TURNTABLE

FIGURE 2-18. AUXILIARY POWER INSTALLATION - WITHOUT BATTERY DISCONNECT



ART_1001170145

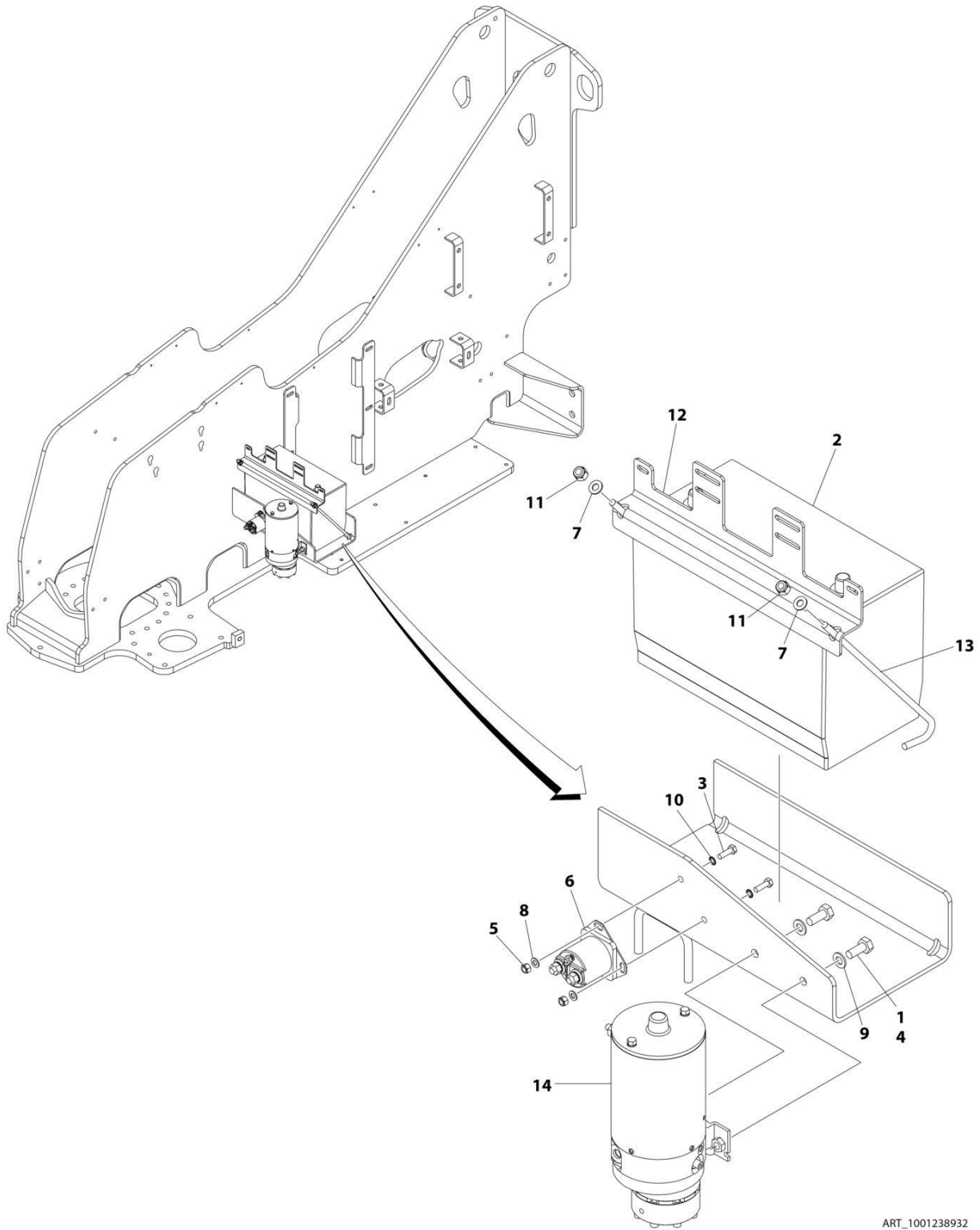
SECTION 2 - TURNTABLE

FIGURE 2-18. AUXILIARY POWER INSTALLATION - WITHOUT BATTERY DISCONNECT

ITEM	PART NUMBER	QTY	DESCRIPTION	REV
	1001170145	Ref	AUXILIARY PUMP AND BATTERY INSTALLATION	C
1	0100011	AR	Compound, Locking	
2	0400075	1	Battery	
3	0760610	2	Bolt M6 x 20	
4	0761012	2	Bolt M10 x 25	
5	3290605	2	Nut M6	
6	3740067	1	Relay	
6	3300220	2	Nut 3/8	
6	3321001	1	Nut #10	
6	4761000	1	Washer #10	
6	1001111424	2	Washer 3/8	
7	4711500	2	Washer 5/16	
8	4811700	2	Washer M6	
9	4812000	2	Washer M10	
10	4871700	2	Washer M6	
11	88521205	2	Nut 5/16	
12	91401281	1	Bracket	
13	1001093382	2	J-Bolt	
14	1001185821	1	Auxiliary Pump Assembly (See Separate Breakdown in this Section)	

SECTION 2 - TURNTABLE

FIGURE 2-19. AUXILIARY POWER INSTALLATION - WITH BATTERY DISCONNECT



ART_1001238932

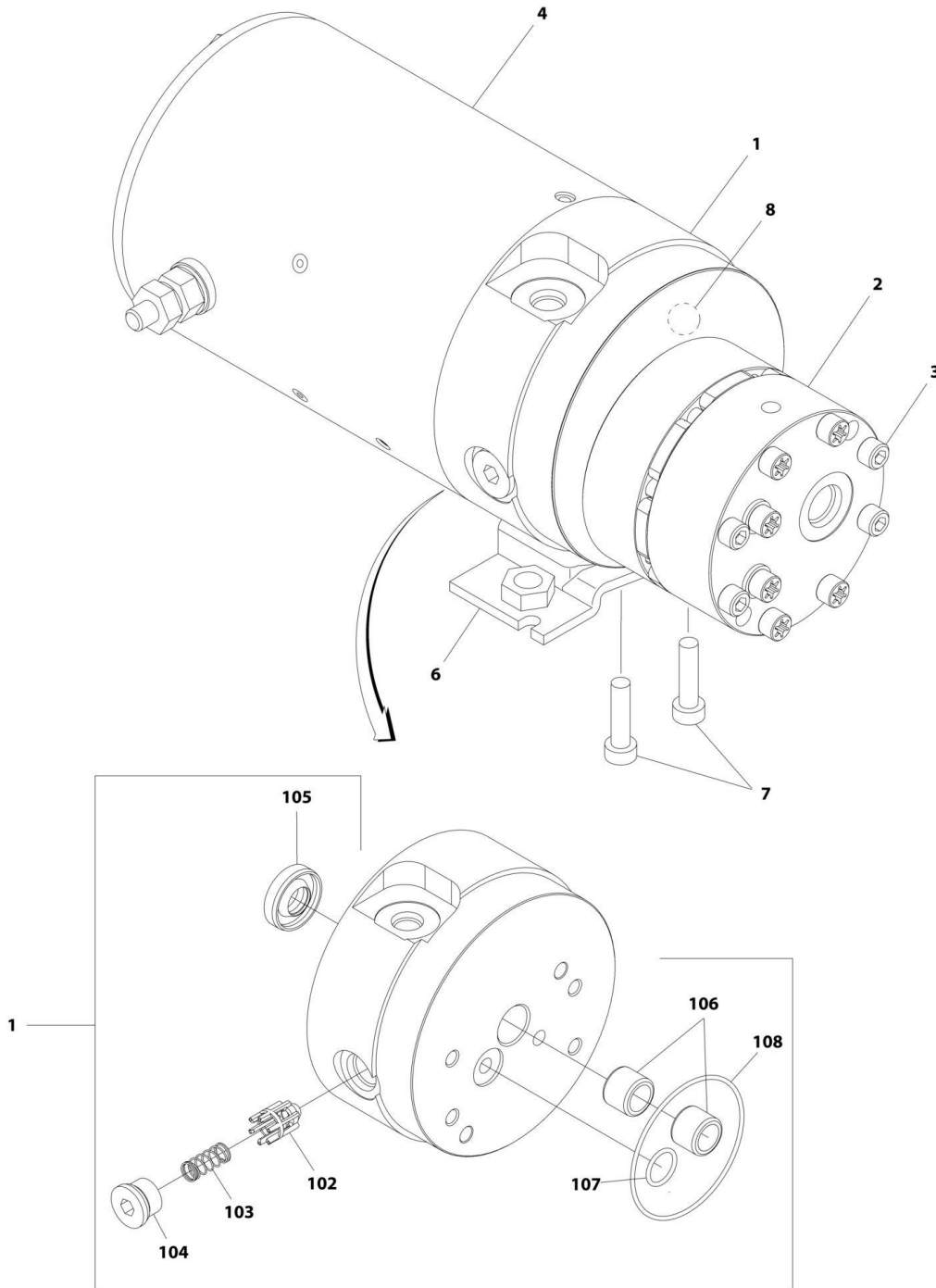
SECTION 2 - TURNTABLE

FIGURE 2-19. AUXILIARY POWER INSTALLATION - WITH BATTERY DISCONNECT

ITEM	PART NUMBER	QTY	DESCRIPTION	REV
	1001238932	Ref	AUXILIARY PUMP AND BATTERY INSTALLATION WITH DISCONNECT	A
1	0100011	AR	Compound, Locking	
2	0400075	1	Battery	
3	0760610	2	Bolt M6 x 20	
4	0761012	2	Bolt M10 x 25	
5	3290605	2	Nut M6	
6	3740067	1	Relay	
6	3300220	2	Nut 3/8	
6	3321001	1	Nut #10	
6	4761000	1	Washer #10	
6	1001111424	2	Washer 3/8	
7	4711500	2	Washer 5/16	
8	4811700	2	Washer M6	
9	4812000	2	Washer M10	
10	4871700	2	Washer M6	
11	88521205	2	Nut 5/16	
12	1001236303	1	Bracket	
13	1001093382	2	J-Bolt	
14	1001185821	1	Auxiliary Pump Assembly (See Separate Breakdown in this Section)	

SECTION 2 - TURNTABLE

FIGURE 2-20. AUXILIARY POWER PUMP/MOTOR ASSEMBLY



ART_1001185821

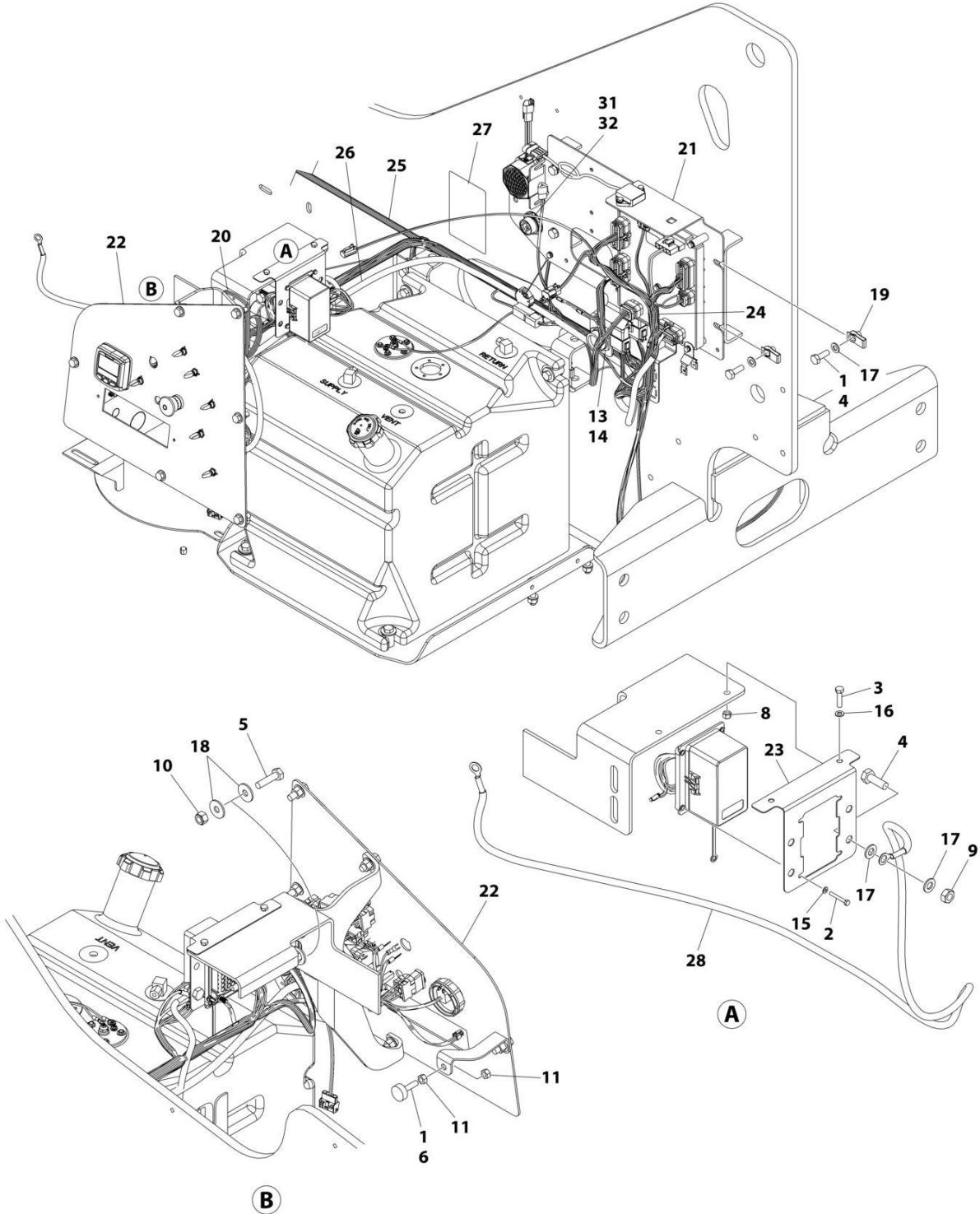
SECTION 2 - TURNTABLE

FIGURE 2-20. AUXILIARY POWER PUMP/MOTOR ASSEMBLY

ITEM	PART NUMBER	QTY	DESCRIPTION	REV
	1001185821	Ref	AUXILIARY PUMP ASSEMBLY	B
1	70005065	1	Base Assembly (See Items 102-108 for Breakdown)	
2	70005066	1	Pump Assembly (Note: No Seal Kit or Internal Components are Available - Purchase Complete Pump Assembly)	
3	70005067	4	Capscrew 1/4 x 2-3/4	
4	70004013	1	Motor Assembly (Note: No Internal Components are Available - Purchase Complete Motor Assembly)	
6	70004014	1	Bracket	
7	70004000	2	Capscrew 3/8 x 1	
8	70005068	1	Relief Valve Assembly	
	70005065	Ref	BASE ASSEMBLY	
102	See Note	NSS	Poppet, Check (Note: Use p/n 70005065)	
103	See Note	NSS	Spring (Note: Use p/n 70005065)	
104	See Note	NSS	Plug (Note: Use p/n 70005065)	
105	7026330	1	Seal, Shaft	
106	70005139	2	Bearing	
107	70003612	1	O-Ring	
108	70004267	1	O-Ring	

SECTION 2 - TURNTABLE

FIGURE 2-21. ELECTRICAL INSTALLATION (400S HC3)



ART_1001236965_E

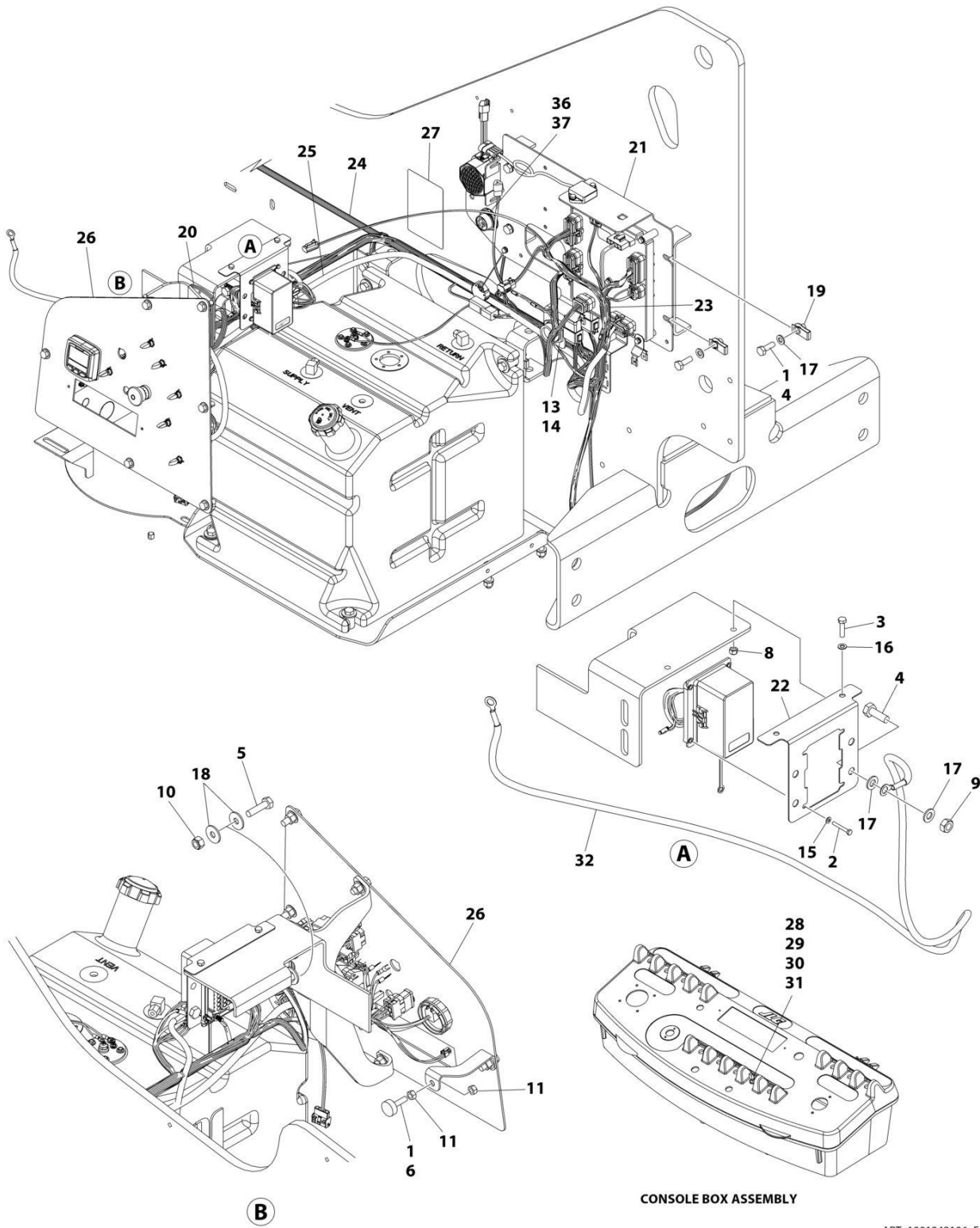
SECTION 2 - TURNTABLE

FIGURE 2-21. ELECTRICAL INSTALLATION (400S HC3)

ITEM	PART NUMBER	QTY	DESCRIPTION	REV
	1001236965	Ref	ELECTRICAL INSTALLATION - 400S	E
1	0100011	AR	Compound, Locking	
2	0731005	4	Bolt #10 x .625	
3	0760612	2	Bolt M6 x 25	
4	0761014	5	Bolt M10 x 30	
5	0761016	2	Bolt M10 x 40	
6	0940049	1	Stopper, Hood	
8	3290605	2	Nut M6	
9	3291001	1	Nut M10	
10	3291005	2	Nut M10	
11	3311501	2	Nut 5/16	
12	4240099	AR	Tie-Strap (Not Shown)	
13	4460470	1	Nut, Terminal	
14	4460471	1	Washer, Terminal	
15	4711000	4	Washer #10	
16	4811700	4	Washer M6	
17	4812000	6	Washer M10	
18	4812002	4	Washer M10	
19	1001118972	4	Nut M10	
20	1001150324	AR	Shim 3	
21	1001172757	1	Electrical Panel Assembly (See Separate Breakdown in this Section)	
22	1001239294	1	Ground Control Assembly (See Separate Breakdown in this Section)	
23	1001237822	1	Plate	
24	1001237849	1	Turntable Harness (See Separate Breakdown in ELECTRICAL SECTION)	
25	1001238160	1	Valve Harness (See Separate Breakdown in ELECTRICAL SECTION)	
26	1001238161	1	Ground Control Box Harness (See Separate Breakdown in ELECTRICAL SECTION)	
27	1001239512	1	Decal - Fuse Box	
28	1001250681	1	Battery Cable (Negative)	
29	4460466	8	Seal, Terminal (Not Shown)	
30	4460931	1	Connector - 8 Position (Not Shown)	
31	4460496	1	Washer, Lock	
32	4460497	1	Nut	

SECTION 2 - TURNTABLE

FIGURE 2-22. ELECTRICAL INSTALLATION (460SJ HC3)



ART_1001242106_E

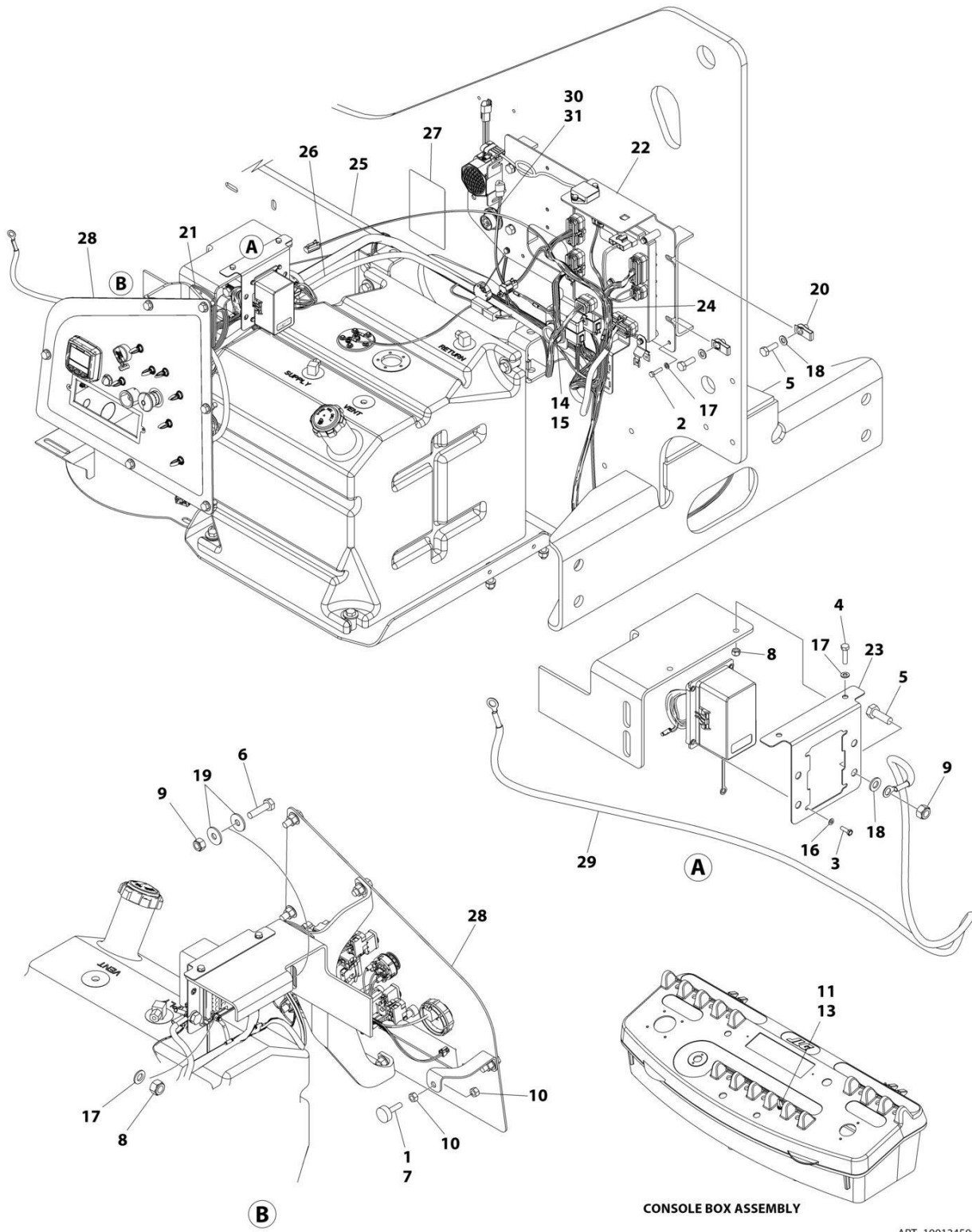
SECTION 2 - TURNTABLE

FIGURE 2-22. ELECTRICAL INSTALLATION (460SJ HC3)

ITEM	PART NUMBER	QTY	DESCRIPTION	REV
	1001242106	Ref	ELECTRICAL INSTALLATION - 460SJ	E
1	0100011	AR	Compound, Locking	
2	0731005	4	Bolt #10 x .625	
3	0760612	2	Bolt M6 x 25	
4	0761014	5	Bolt M10 x 30	
5	0761016	2	Bolt M10 x 40	
6	0940049	1	Stopper, Hood	
8	3290605	2	Nut M6	
9	3291001	1	Nut M10	
10	3291005	2	Nut M10	
11	3311501	2	Nut 5/16	
12	4240099	AR	Tie-Strap (Not Shown)	
13	4460470	1	Nut, Terminal	
14	4460471	1	Washer, Terminal	
15	4711000	4	Washer #10	
16	4811700	4	Washer M6	
17	4812000	6	Washer M10	
18	4812002	4	Washer M10	
19	1001118972	4	Nut M10	
20	1001150324	AR	Shim 3	
21	1001172757	1	Electrical Panel Assembly (See Separate Breakdown in this Section)	
22	1001237822	1	Plate	
23	1001237849	1	Turntable Harness (See Separate Breakdown in ELECTRICAL SECTION)	
24	1001238160	1	Valve Harness (See Separate Breakdown in ELECTRICAL SECTION)	
25	1001238161	1	Ground Control Box Harness (See Separate Breakdown in ELECTRICAL SECTION)	
26	1001239293	1	Ground Control Assembly (See Separate Breakdown in this Section)	
27	1001239512	1	Decal - Fuse Box	
28	3790012	1	O-Ring	
29	4360328	1	Switch, Toggle	
30	4740397	1	Spacer	
31	1001155044	1	Nut 15/32	
32	1001250681	1	Battery Cable (Negative)	
33	4460466	16	Seal, Terminal (Not Shown)	
34	4460930	1	Connector - 8 Position (Not Shown)	
35	4460931	1	Connector - 8 Position (Not Shown)	
36	4460496	1	Washer, Lock	
37	4460497	1	Nut	

SECTION 2 - TURNTABLE

FIGURE 2-23. ELECTRICAL INSTALLATION (460SJ HC3 WITH DEUTZ D2.9L4 (STAGE V) ENGINES)



CONSOLE BOX ASSEMBLY

ART_1001245993

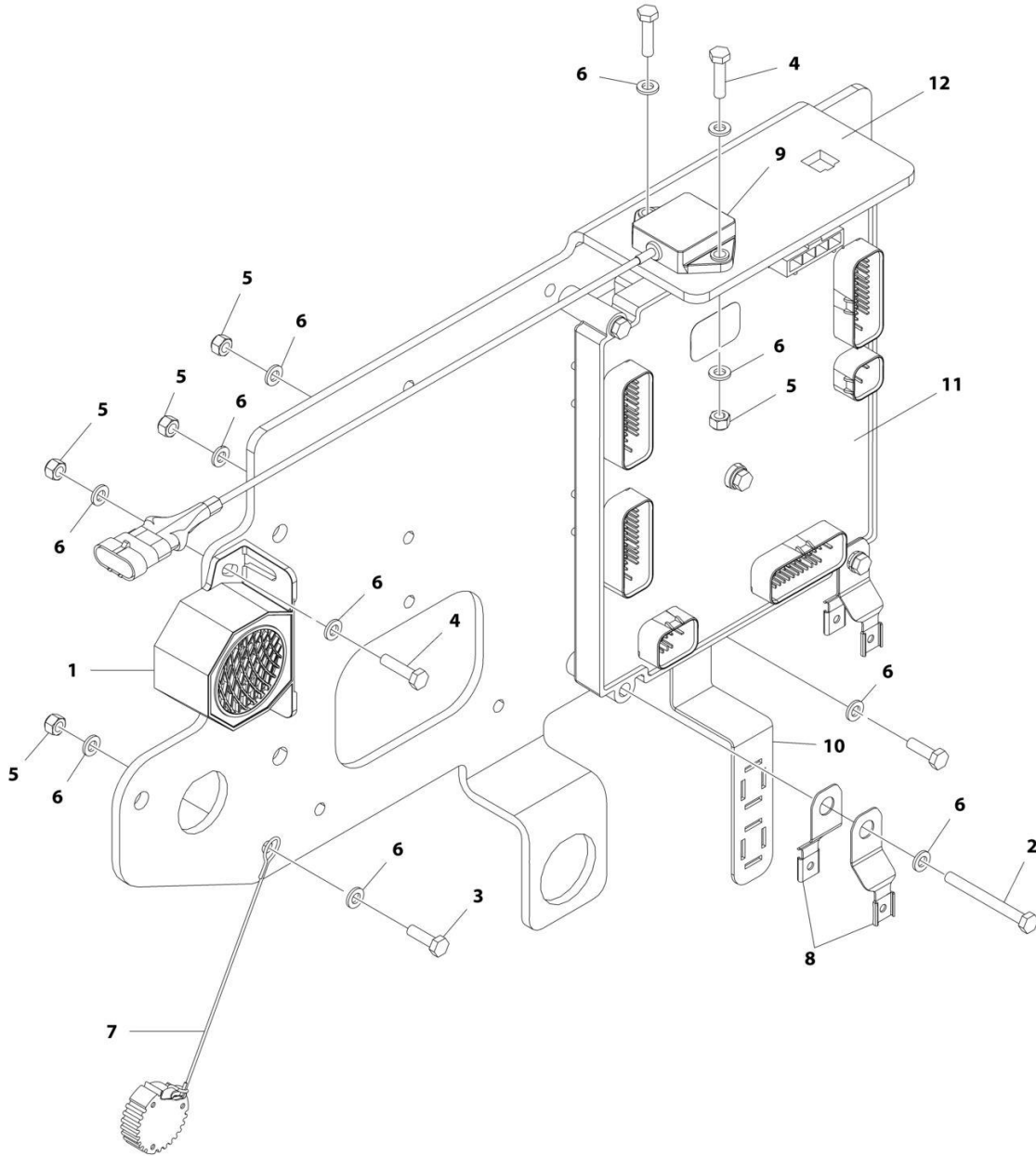
SECTION 2 - TURNTABLE

FIGURE 2-23. ELECTRICAL INSTALLATION (460SJ HC3 WITH DEUTZ D2.9L4 (STAGE V) ENGINES)

ITEM	PART NUMBER	QTY	DESCRIPTION	REV
	1001245993	Ref	ELECTRICAL INSTALLATION - DEUTZ (STAGE V)	B
1	0100011	AR	Compound, Locking	
2	0700612	1	Screw M6 x 25	
3	0731005	4	Screw #10 x 5/8	
4	0760610	2	Bolt M6 x 20	
5	0761014	5	Bolt M10 x 30	
6	0761016	2	Bolt M10 x 40	
7	0940049	1	Stopper, Hood	
8	3290605	4	Nut M6	
9	3291005	3	Nut M10	
10	3311501	2	Nut 5/16	
11	3790012	1	O-Ring	
12	4240099	AR	Tie-Strap (Not Shown)	
13	4360328	1	Switch, Toggle	
14	4460470	1	Nut, Terminal	
15	4460471	1	Washer, Terminal	
16	4711000	4	Washer #10	
17	4711700	7	Washer M6	
18	4812000	5	Washer M10	
19	4812002	4	Washer M10	
20	1001118972	4	Nut M10	
21	1001150324	AR	Shim 3	
22	1001172757	1	Electrical Panel Assembly (See Separate Breakdown in this Section)	
23	1001237822	1	Plate	
24	1001237849	1	Turntable Harness (See Separate Breakdown in ELECTRICAL SECTION)	
25	1001238160	1	Valve Harness (See Separate Breakdown in ELECTRICAL SECTION)	
26	1001238161	1	Ground Control Box Harness (See Separate Breakdown in ELECTRICAL SECTION)	
27	1001239512	1	Decal - Fuse Box	
28	1001245380	1	Electrical Assembly, Ground Control Panel (See Separate Breakdown in this Section)	
29	1001250681	1	Battery Cable (Negative)	
30	4460496	1	Washer	
31	4460497	1	Nut	

SECTION 2 - TURNTABLE

FIGURE 2-24. ELECTRICAL PANEL ASSEMBLY (WITH GROUND CONTROL MODULE 1001170094)



ART_1001172757

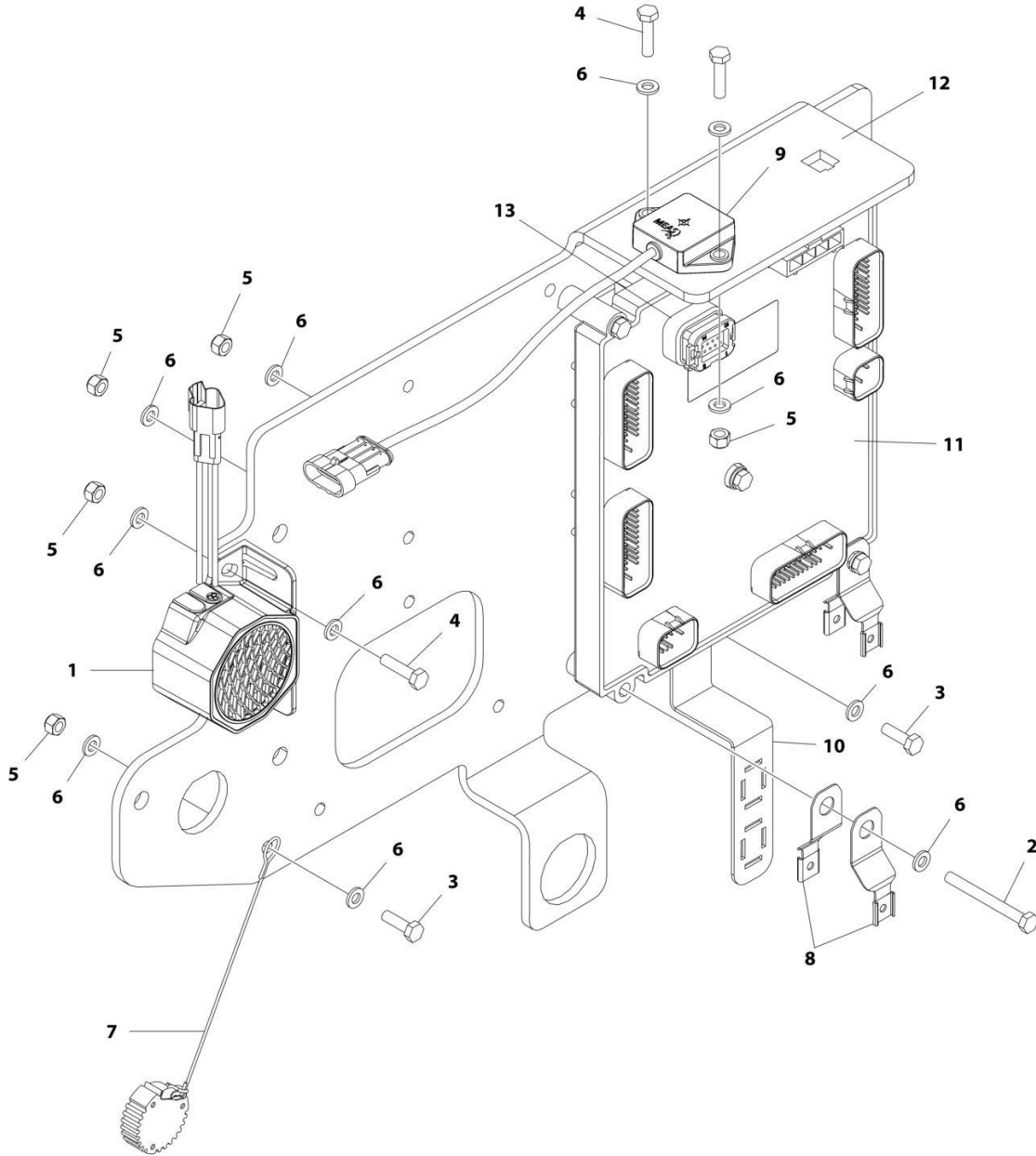
SECTION 2 - TURNTABLE

FIGURE 2-24. ELECTRICAL PANEL ASSEMBLY (WITH GROUND CONTROL MODULE 1001170094)

ITEM	PART NUMBER	QTY	DESCRIPTION	REV
	1001172757	Ref	ELECTRICAL PANEL ASSEMBLY	E
1	0140043	1	Alarm	
1	4460536	1	Plug, Male - 3 Position	
1	4460943	3	Terminal	
2	0700620	5	Bolt M6 x 60	
3	0760610	2	Bolt M6 x 20	
4	0760612	4	Bolt M6 x 25	
5	3290605	11	Nut M6	
6	4811700	22	Washer M6	
7	1001106736	1	Cap, Dust	
8	1001120328	4	Clip, Mounting	
9	1001219601	1	Sensor	
10	1001159162	1	Bracket	
11	1001170094	1	Module, Ground Control (Note: Re-calibration Required when Replaced.)	
12	1001215373	1	Plate	

SECTION 2 - TURNTABLE

FIGURE 2-25. ELECTRICAL PANEL ASSEMBLY (WITH GROUND CONTROL MODULE 1001280340)



ART_1001172757_F

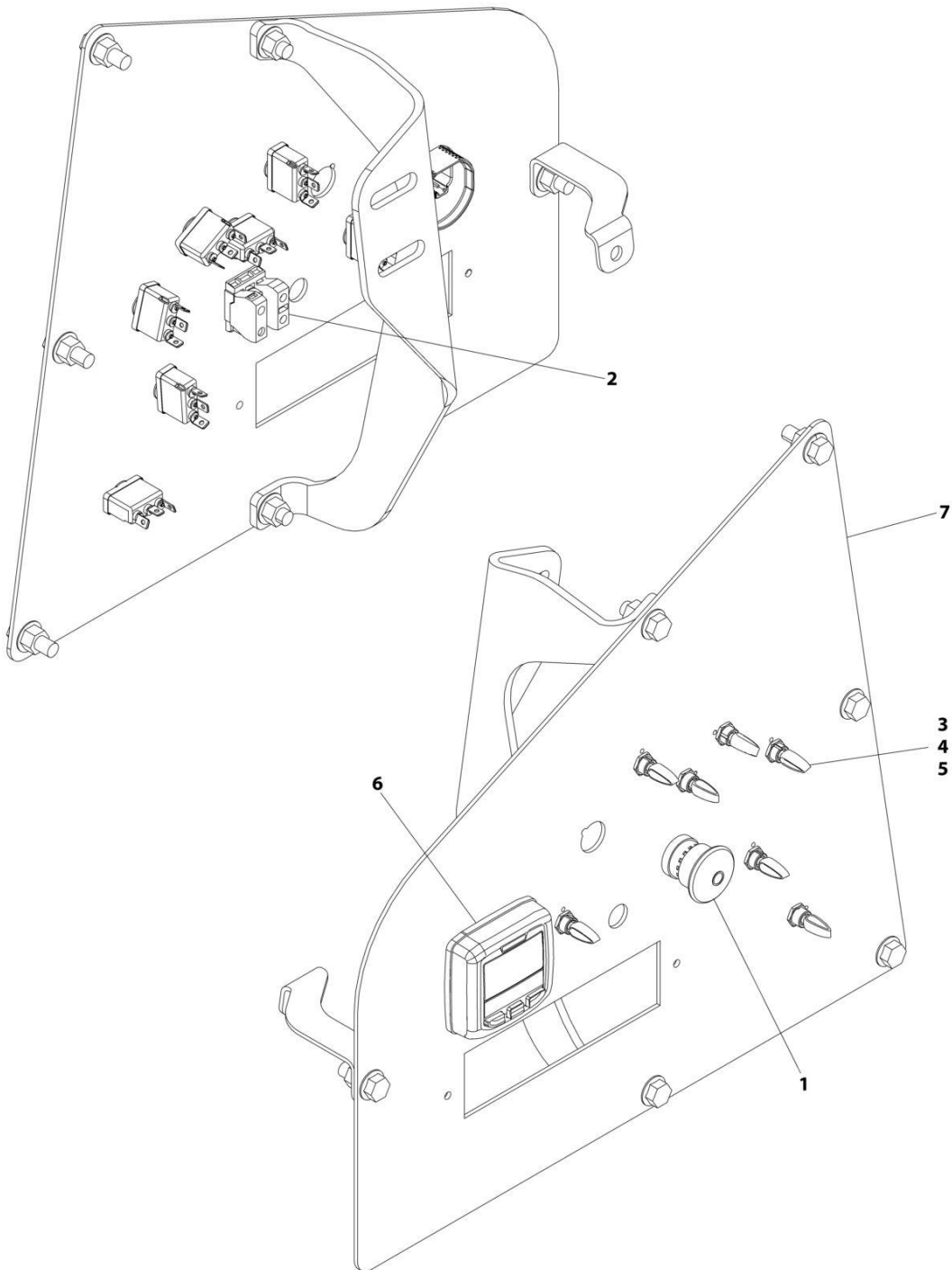
SECTION 2 - TURNTABLE

FIGURE 2-25. ELECTRICAL PANEL ASSEMBLY (WITH GROUND CONTROL MODULE 1001280340)

ITEM	PART NUMBER	QTY	DESCRIPTION	REV
	1001172757	Ref	ELECTRICAL PANEL ASSEMBLY	F
1	0140043	1	Alarm	
1	4460536	1	Plug, Male - 3 Position	
1	4460943	3	Terminal	
2	0700620	5	Bolt M6 x 60	
3	0760610	2	Bolt M6 x 20	
4	0760612	4	Bolt M6 x 25	
5	3290605	11	Nut M6	
6	4811700	22	Washer M6	
7	1001106736	1	Cap, Dust	
8	1001120328	4	Clip, Mounting	
9	1001219601	1	Sensor	
10	1001159162	1	Bracket	
11	1001280340	1	Module, Ground Control (Note: Re-calibration Required when Replaced.)	
12	1001215373	1	Plate	
13	1001246859	1	Connector, 14 Position	

SECTION 2 - TURNTABLE

FIGURE 2-26. GROUND CONTROL BOX ASSEMBLY (400S HC3)



ART_1001239293_B

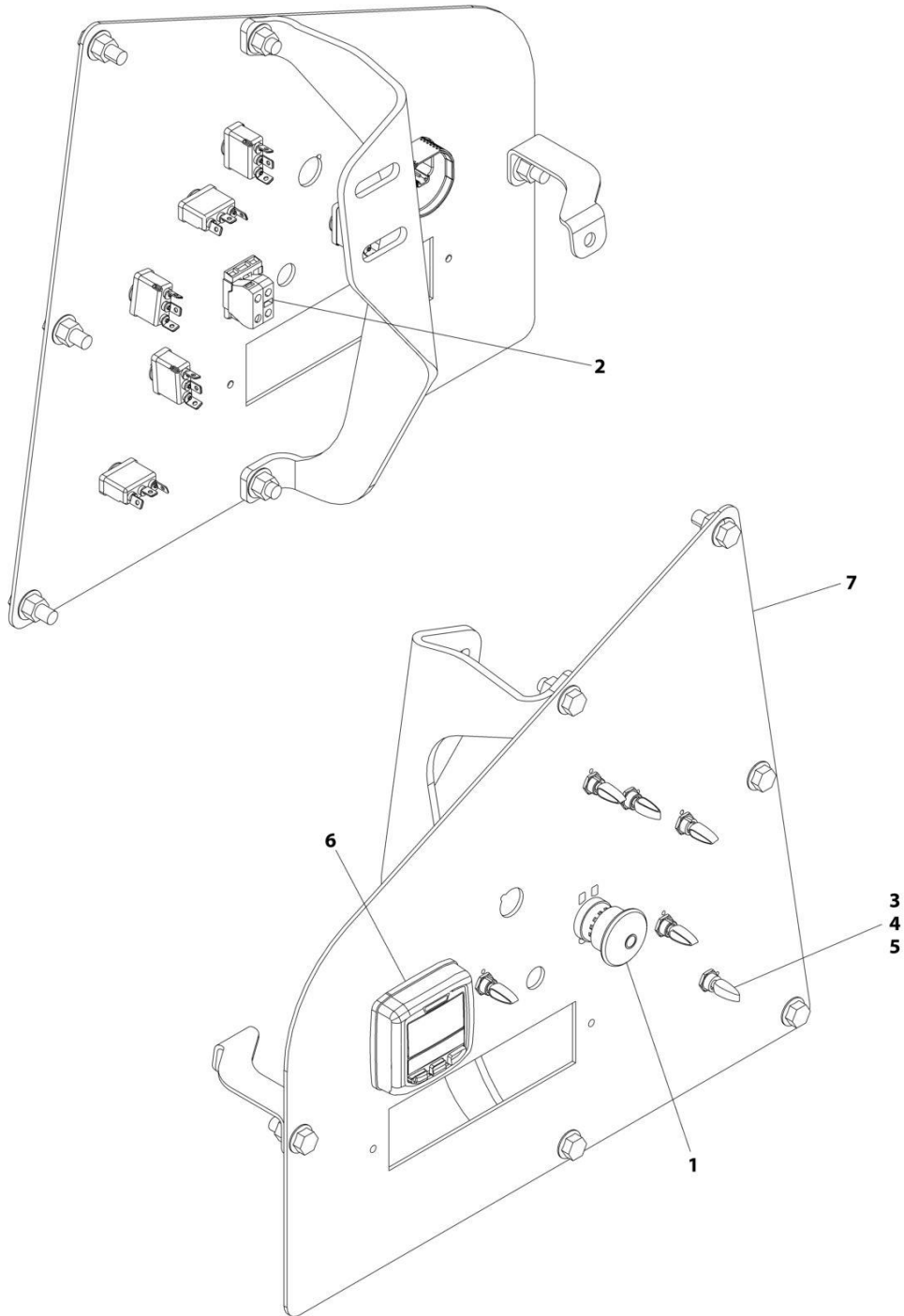
SECTION 2 - TURNTABLE

FIGURE 2-26. GROUND CONTROL BOX ASSEMBLY (400S HC3)

ITEM	PART NUMBER	QTY	DESCRIPTION	REV
	1001239293	Ref	GROUND CONTROL ASSEMBLY - 460SJ	B
1	1001274559	1	Switch, Emergency Stop	
2	4360476	1	Block, Contact	
3	1001155043	7	Washer	
4	1001155044	7	Nut 15/32	
5	1001155045	7	Switch, Toggle	
6	1001171482	1	Gauge	
7	1001235531	1	Mount, Ground Control Panel (See Separate Breakdown in this Section)	

SECTION 2 - TURNTABLE

FIGURE 2-27. GROUND CONTROL BOX ASSEMBLY (460SJ HC3)



ART_1001239294_B

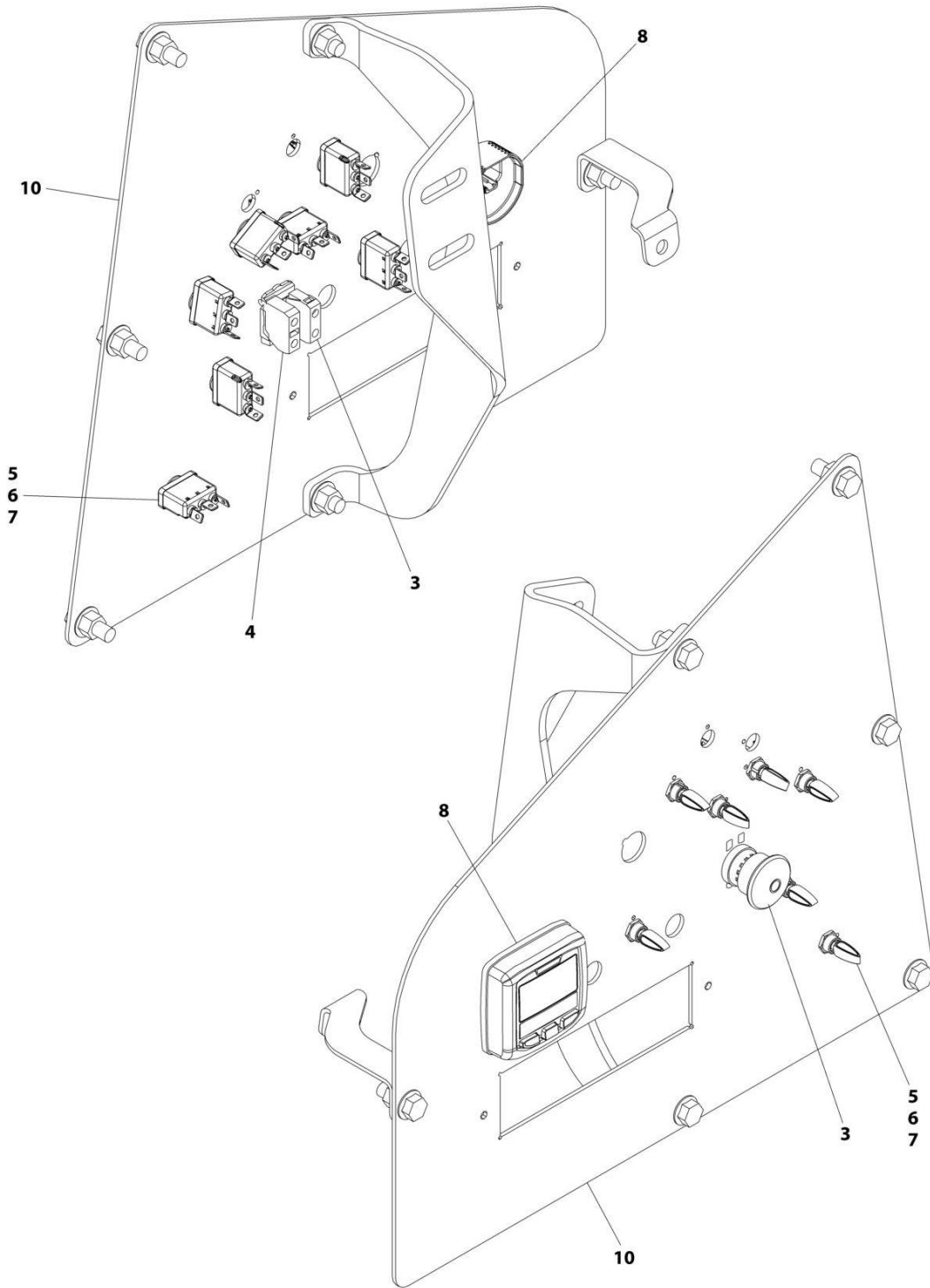
SECTION 2 - TURNTABLE

FIGURE 2-27. GROUND CONTROL BOX ASSEMBLY (460SJ HC3)

ITEM	PART NUMBER	QTY	DESCRIPTION	REV
	1001239294	Ref	GROUND CONTROL ASSEMBLY - 400S	B
1	1001274559	1	Switch, Emergency Stop	
2	4360476	1	Block, Contact	
3	1001155043	6	Washer	
4	1001155044	6	Nut 15/32	
5	1001155045	6	Switch, Toggle	
6	1001171482	1	Gauge	
7	1001238887	1	Mount, Ground Control Panel (See Separate Breakdown in this Section)	

SECTION 2 - TURNTABLE

FIGURE 2-28. GROUND CONTROL BOX ASSEMBLY (460SJ HC3 WITH DEUTZ D2.9L4 (STAGE V) ENGINES) (CE SPECS)



ART_1001245380_C

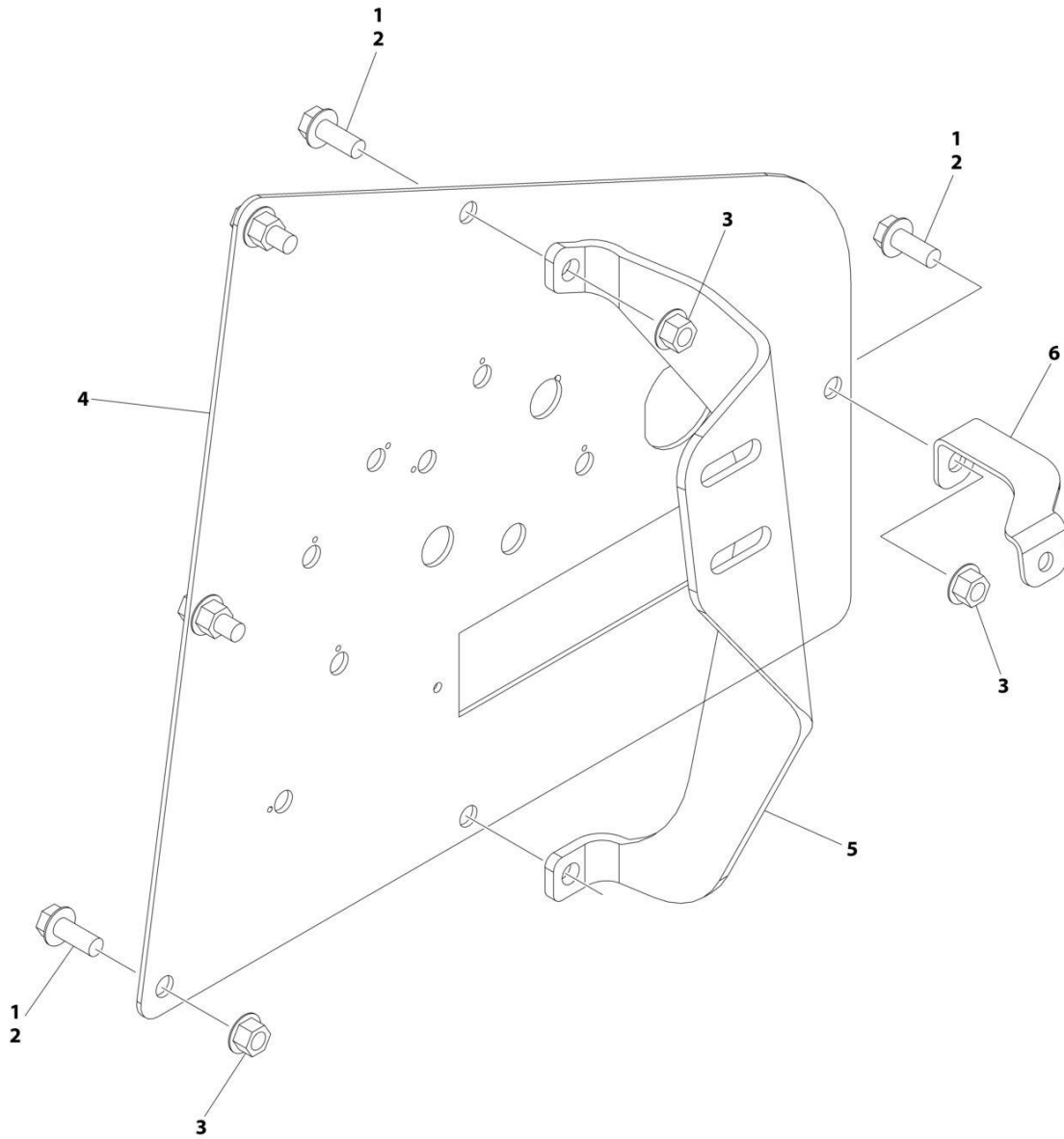
SECTION 2 - TURNTABLE

FIGURE 2-28. GROUND CONTROL BOX ASSEMBLY (460SJ HC3 WITH DEUTZ D2.9L4 (STAGE V) ENGINES) (CE SPECS)

ITEM	PART NUMBER	QTY	DESCRIPTION	REV
	1001245380	Ref	GROUND CONTROL ASSEMBLY	C
3	1001274559	1	Switch, Emergency Stop	
4	4360476	1	Block, Contact	
5	1001155043	7	Washer	
6	1001155044	7	Nut 15/32	
7	1001155045	7	Switch, Toggle	
8	1001171482	1	Gauge	
10	1001245379	1	Ground Control Mounting (See Separate Breakdown in this Section)	

SECTION 2 - TURNTABLE

FIGURE 2-29. GROUND CONTROL BRACKET INSTALLATION (400S HC3)



ART_1001235531

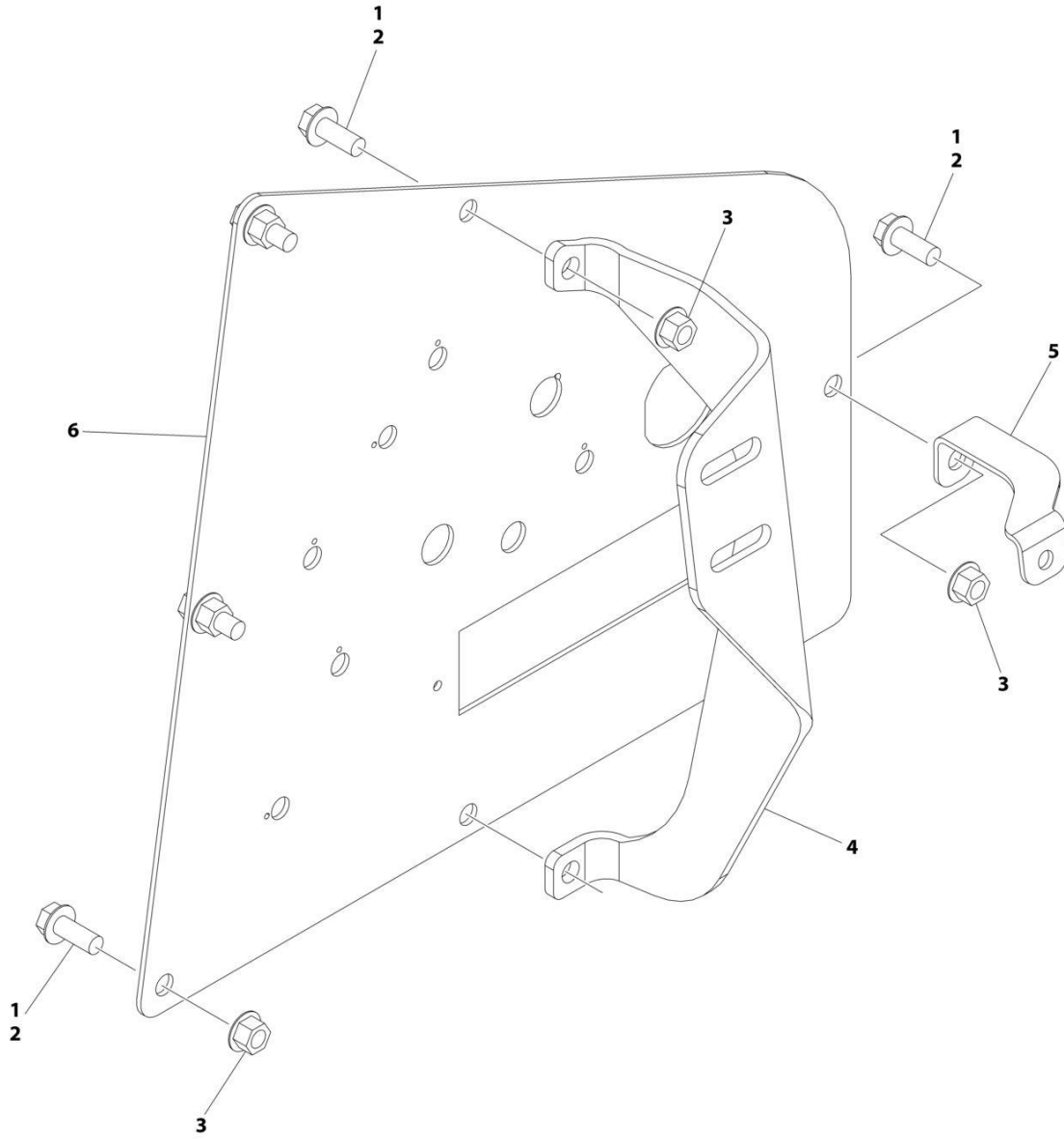
SECTION 2 - TURNTABLE

FIGURE 2-29. GROUND CONTROL BRACKET INSTALLATION (400S HC3)

ITEM	PART NUMBER	QTY	DESCRIPTION	REV
	1001235531	Ref	GROUND CONTORL MOUNTING - 460SJ	B
1	0100011	AR	Compound, Locking	
2	5251012	6	Bolt M10 x 25	
3	5261000	6	Nut M10	
4	1001235527	1	Plate, Ground Control	
5	1001235528	1	Support	
6	1001235529	1	Bracket	

SECTION 2 - TURNTABLE

FIGURE 2-30. GROUND CONTROL BRACKET INSTALLATION (460SJ HC3)



ART_1001238887

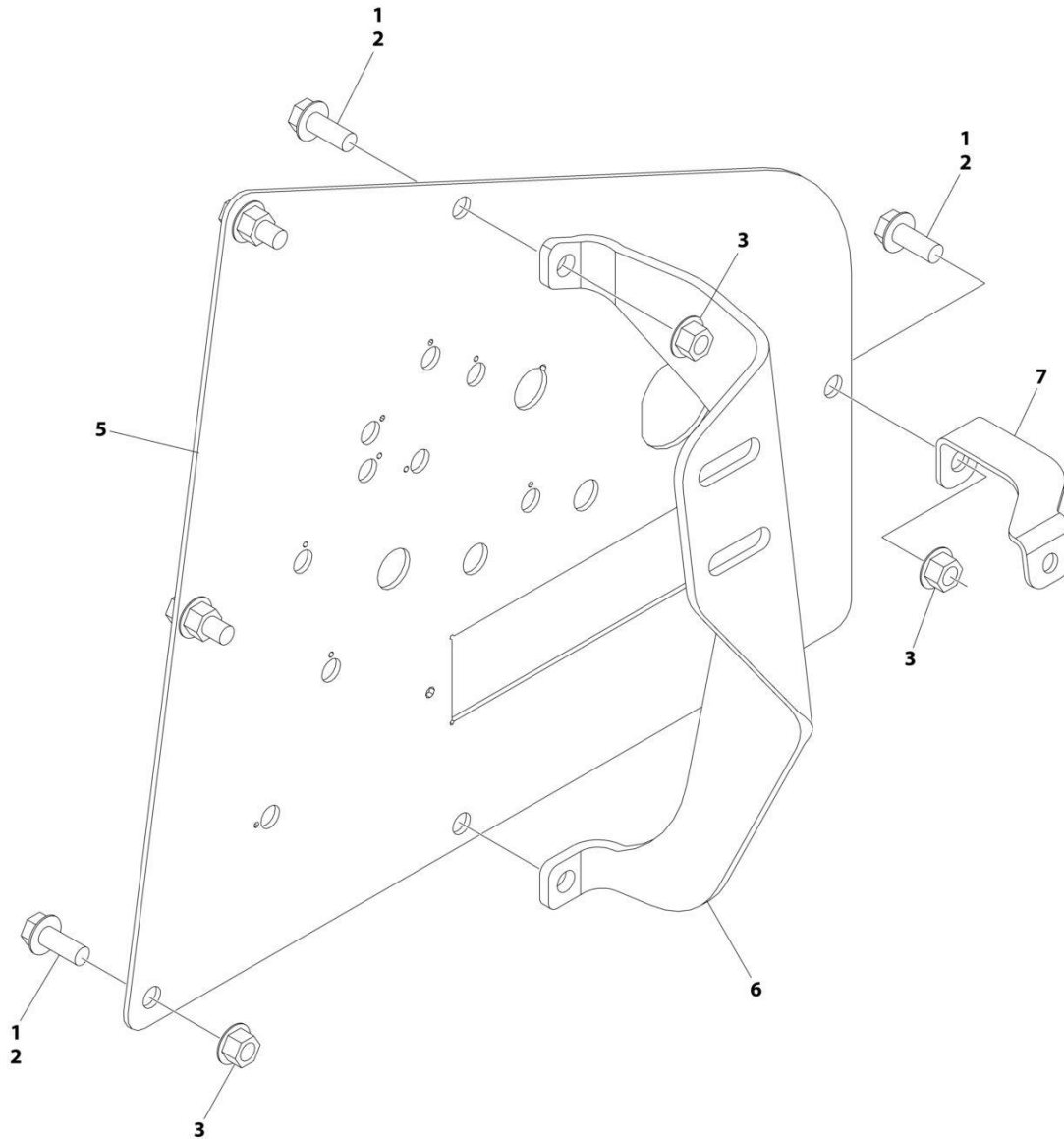
SECTION 2 - TURNTABLE

FIGURE 2-30. GROUND CONTROL BRACKET INSTALLATION (460SJ HC3)

ITEM	PART NUMBER	QTY	DESCRIPTION	REV
	1001238887	Ref	GROUND CONTROL PANEL MOUNTING	A
1	0100011	AR	Compound, Locking	
2	5251012	6	Bolt M10 x 25	
3	5261000	6	Nut M10	
4	1001235528	1	Support	
5	1001235529	1	Bracket	
6	1001238886	1	Plate, Ground Control	

SECTION 2 - TURNTABLE

FIGURE 2-31. GROUND CONTROL BRACKET INSTALLATION (460SJ HC3 WITH DEUTZ D2.9L4 (STAGE V) ENGINES) (CE SPECS)



ART_1001245379

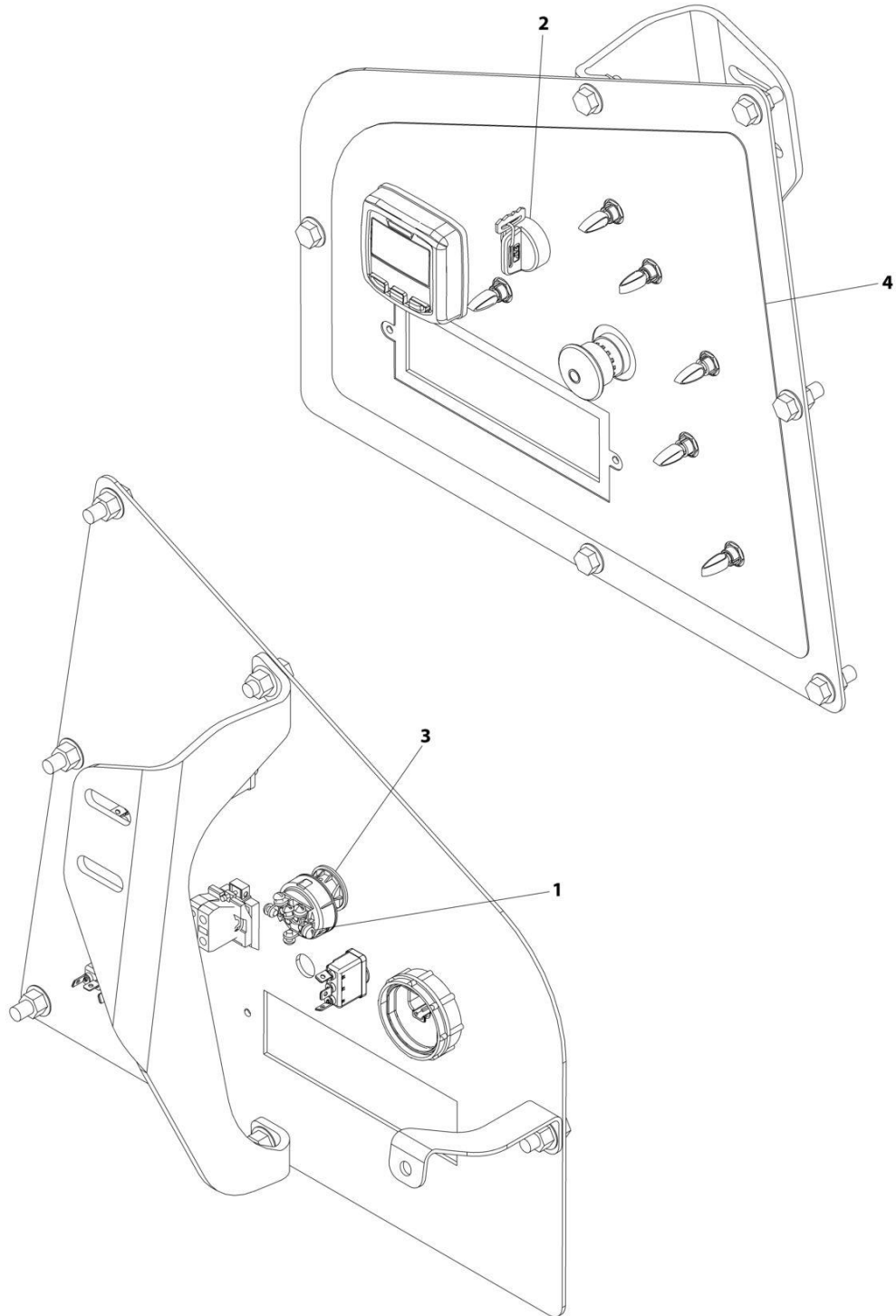
SECTION 2 - TURNTABLE

FIGURE 2-31. GROUND CONTROL BRACKET INSTALLATION (460SJ HC3 WITH DEUTZ D2.9L4 (STAGE V) ENGINES) (CE SPECS)

ITEM	PART NUMBER	QTY	DESCRIPTION	REV
	1001245379	Ref	GROUND CONTORL MOUNTING	B
1	0100035	AR	Compound, Locking	
2	5251012	6	Bolt M10 x 25	
3	5261000	6	Nut M10	
5	1001245317	1	Plate, Ground Control	
6	1001235528	1	Support	
7	1001235529	1	Bracket	

SECTION 2 - TURNTABLE

FIGURE 2-32. KEYSWITCH AND PANEL DECAL INSTALLATION - 400S HC3



ART_1001222139

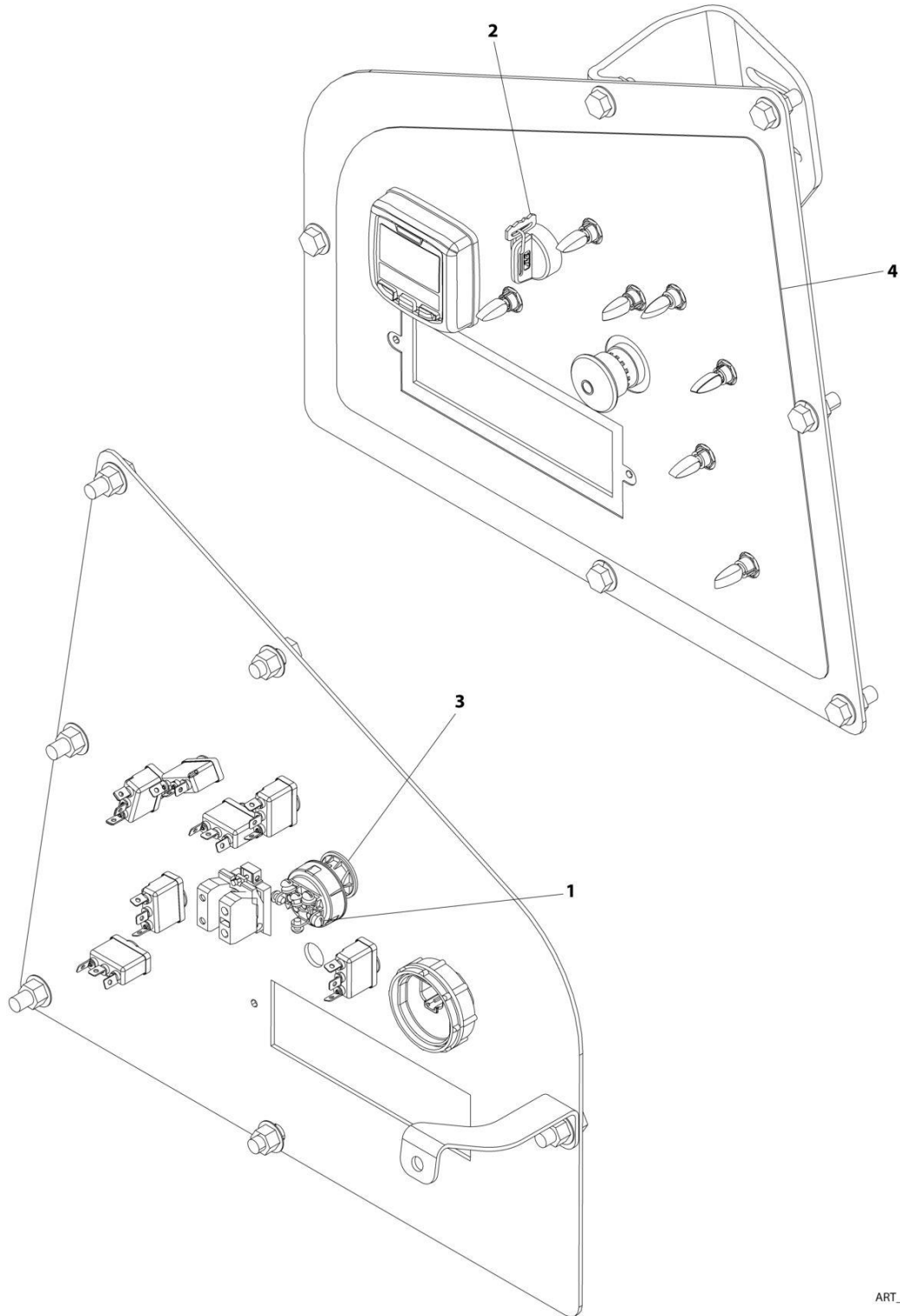
SECTION 2 - TURNTABLE

FIGURE 2-32. KEYSWITCH AND PANEL DECAL INSTALLATION - 400S HC3

ITEM	PART NUMBER	QTY	DESCRIPTION	REV
	1001222139	Ref	GROUND CONTROL DECAL AND KEYSWITCH INSTALLATION - 400S	B
1	3910804	6	Screw #8 x 1/4	
2	4360469	1	Switch, Key	
2	2860030	1	Key, Replacement	
3	1001151393	1	Shim .063	
4	1001221402	1	Decal - Ground Control	

SECTION 2 - TURNTABLE

FIGURE 2-33. KEYSWITCH AND PANEL DECAL INSTALLATION - 460SJ HC3 (ALL SPECS EXCEPT CE & UK CA SPECS)



ART_1001222140

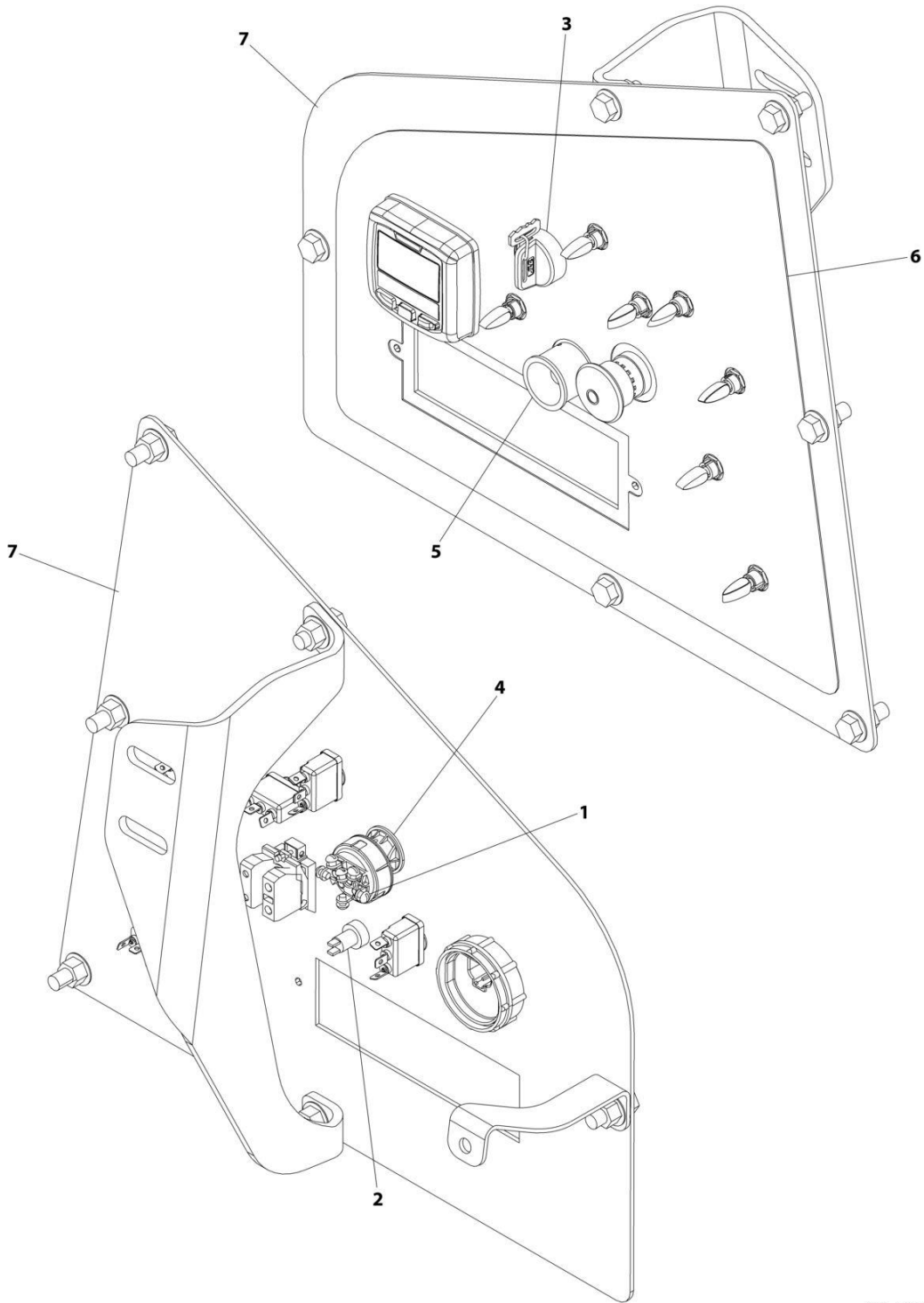
SECTION 2 - TURNTABLE

FIGURE 2-33. KEYSWITCH AND PANEL DECAL INSTALLATION - 460SJ HC3 (ALL SPECS EXCEPT CE & UK CA SPECS)

ITEM	PART NUMBER	QTY	DESCRIPTION	REV
	1001222140	Ref	GROUND CONTROL DECAL AND KEYSWITCH INSTALLATION - 460SJ	B
1	3910804	6	Screw #8 x 1/4	
2	4360469	1	Switch, Key	
2	2860030	1	Key, Replacement	
3	1001151393	1	Shim .063	
4	1001221403	1	Decal - Ground Control	

SECTION 2 - TURNTABLE

FIGURE 2-34. KEYSWITCH AND PANEL DECAL INSTALLATION - 460SJ HC3 (CE-LRC & UK CA SPECS)



ART_1001222142

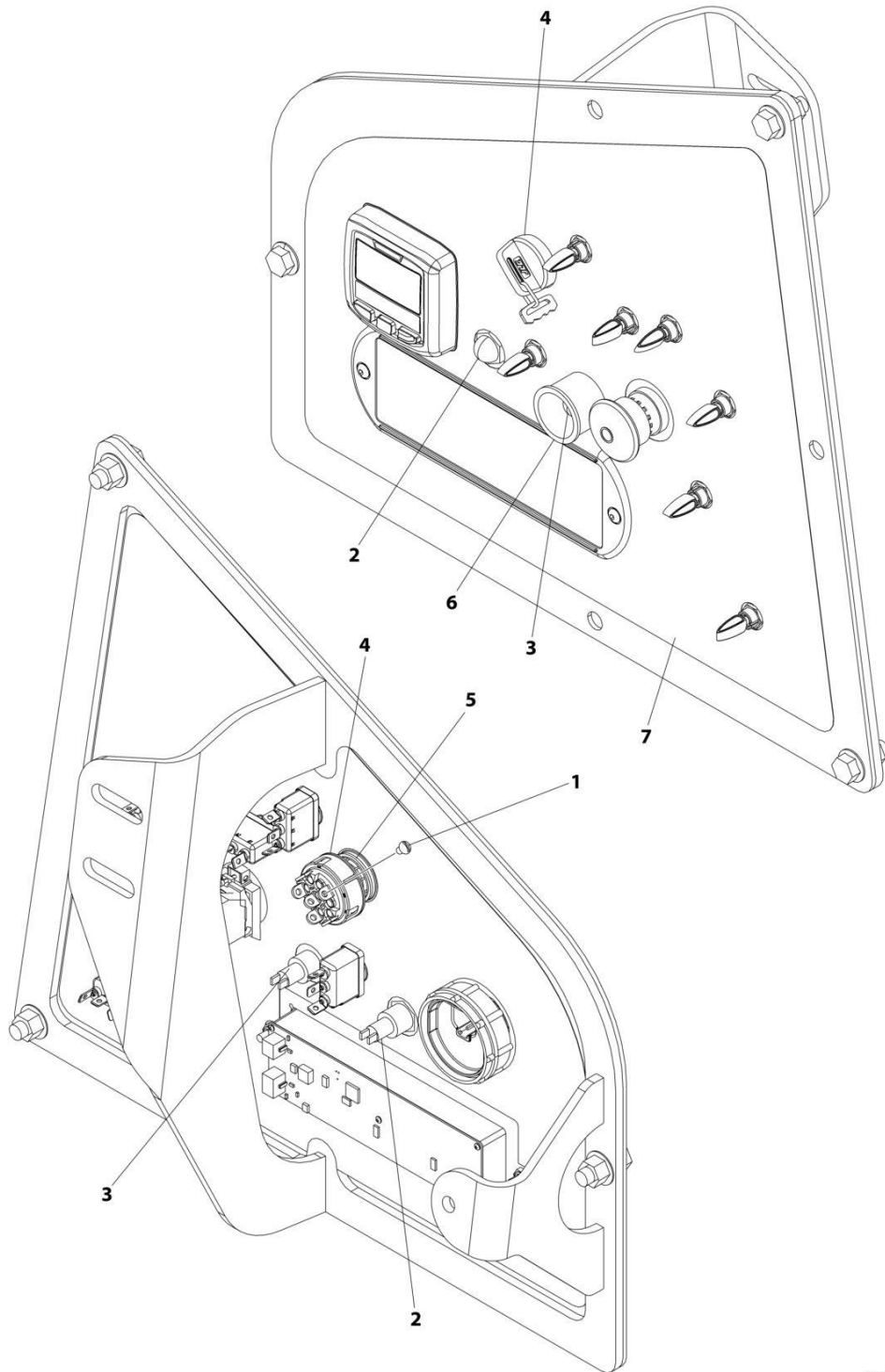
SECTION 2 - TURNTABLE

FIGURE 2-34. KEYSWITCH AND PANEL DECAL INSTALLATION - 460SJ HC3 (CE-LRC & UK CA SPECS)

ITEM	PART NUMBER	QTY	DESCRIPTION	REV
	1001222142	Ref	GROUND CONTROL DECAL AND KEYSWITCH INSTALLATION - 460SJ	C
1	3910804	6	Screw #8 x 1/4	
2	4360387	1	Switch, Push Button	
3	4360469	1	Switch, Key	
3	2860030	1 set	Key, Replacement	
4	1001151393	1	Shim .063	
5	1001176469	1	Shroud, Switch	
6	1001221405	1	Decal - Ground Control	
7	1001239293	1	Mount	

SECTION 2 - TURNTABLE

FIGURE 2-35. KEYSWITCH AND PANEL DECAL INSTALLATION - 460SJ HC3 (CE & UK CA SPECS WITH DEUTZ D2.9L4 (STAGE V) ENGINES)



ART_1001245831

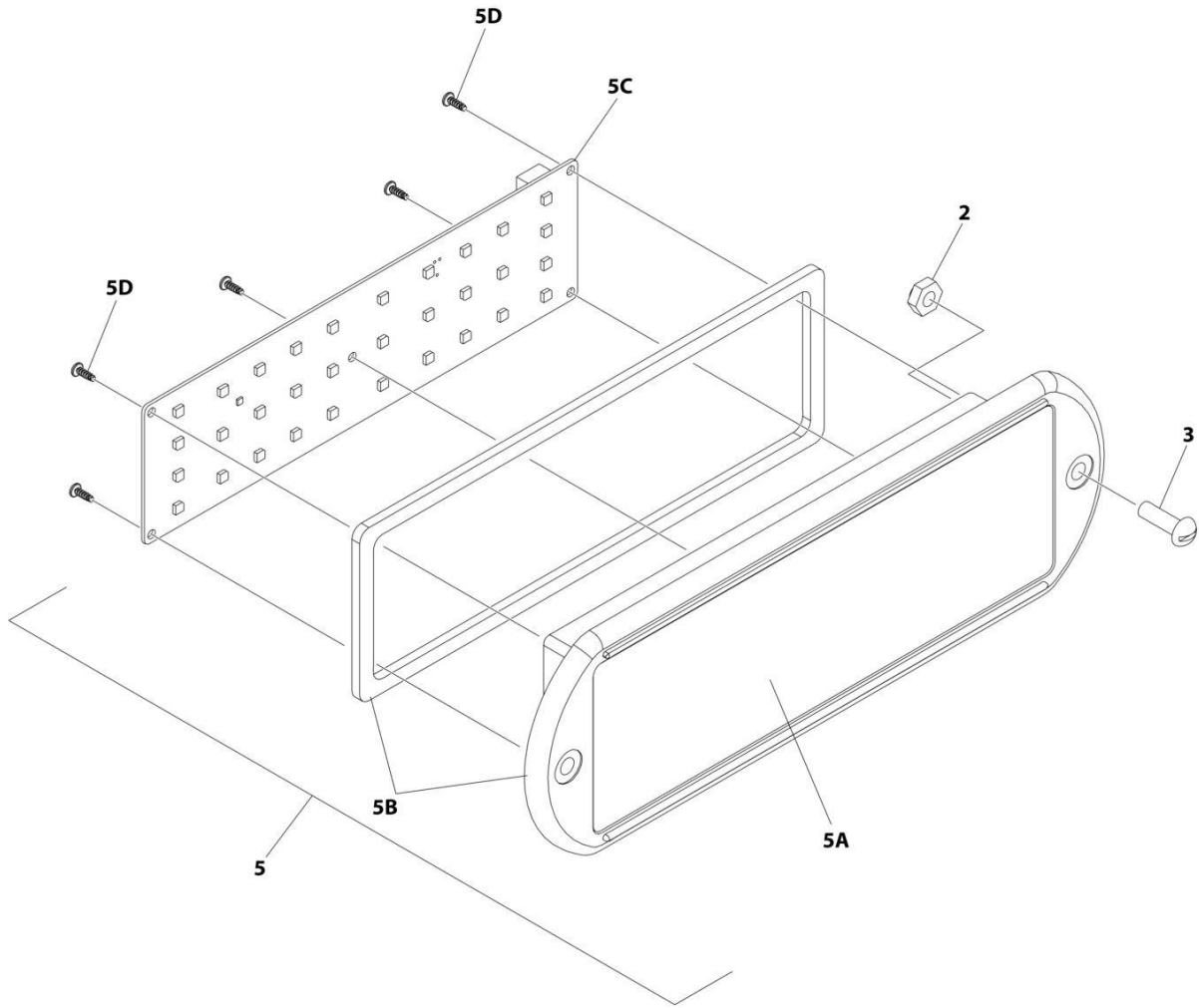
SECTION 2 - TURNTABLE

FIGURE 2-35. KEYSWITCH AND PANEL DECAL INSTALLATION - 460SJ HC3 (CE & UK CA SPECS WITH DEUTZ D2.9L4 (STAGE V) ENGINES

ITEM	PART NUMBER	QTY	DESCRIPTION	REV
	1001245831	Ref	GROUND CONTROL DECAL AND KEYSWITCH INSTALLATION	B
1	3910804	6	Screw #8 x 1/4	
2	4360274	1	Switch, Push Button	
3	4360387	1	Switch, Push Button	
4	4360469	1	Switch, Key	
4	2860030	1	Key, Replacement	
5	1001151393	1	Shim .063	
6	1001176469	1	Shroud, Switch	
7	1001245827	1	Decal, Ground Control	

SECTION 2 - TURNTABLE

FIGURE 2-36. LIGHT PANEL INSTALLATION



ART_1001233959_10F2

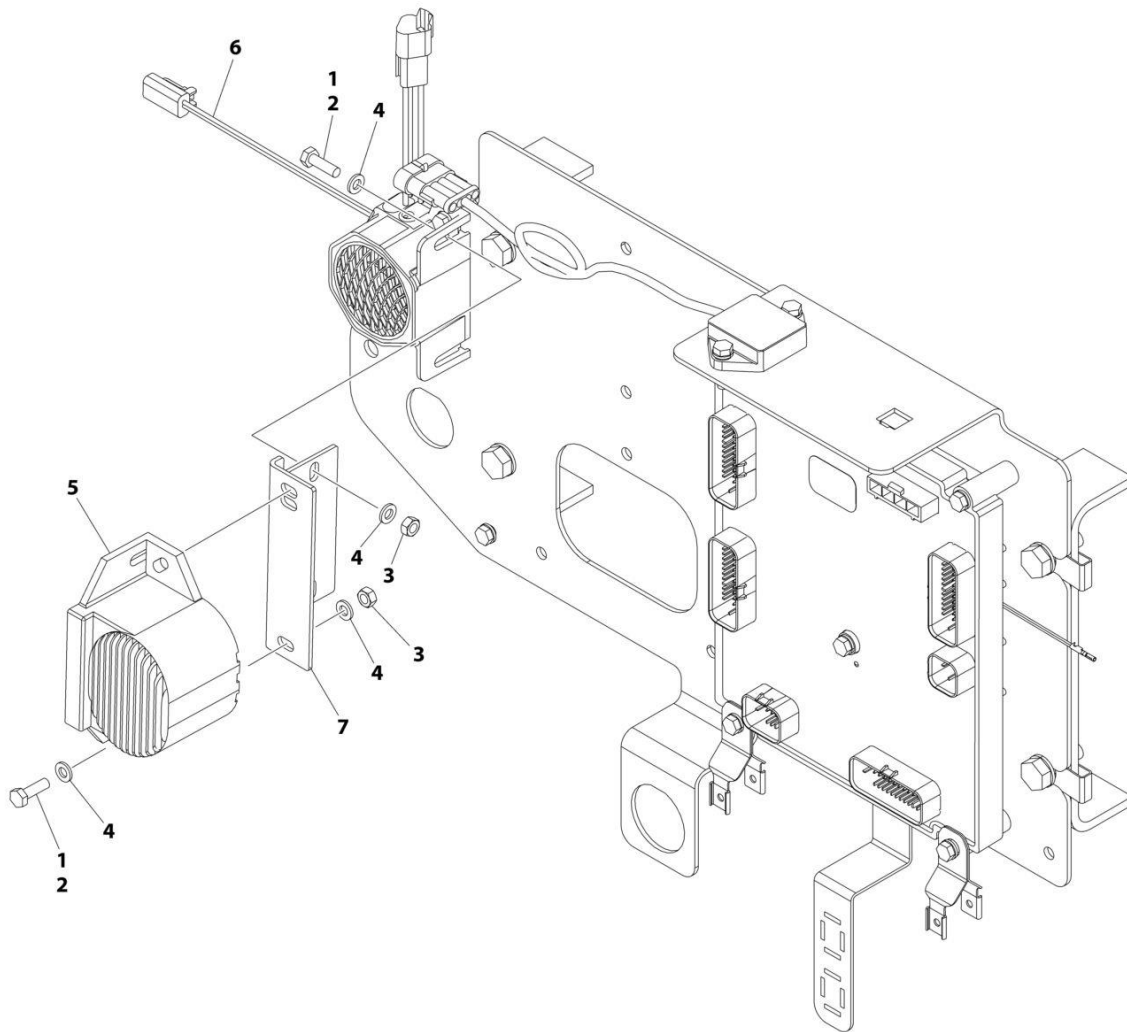
SECTION 2 - TURNTABLE

FIGURE 2-36. LIGHT PANEL INSTALLATION

ITEM	PART NUMBER	QTY	DESCRIPTION	REV
	1001233959	Ref	LIGHT PANEL INSTALLATION	C
2	3300408	2	Nut, Nylon Insert	
3	0630518	2	Screw #10 x 3/4	
5	1001237546	1	Light Panel Assembly	
5A	1001236091	1	Lens, I-Con/Bezel	
5C	1001187807	1	Panel, LED Light	
5D		Ref	Screw	

SECTION 2 - TURNTABLE

FIGURE 2-37. WHITE NOISE (AMBIENT) ALARM INSTALLATION



ART_1001209618

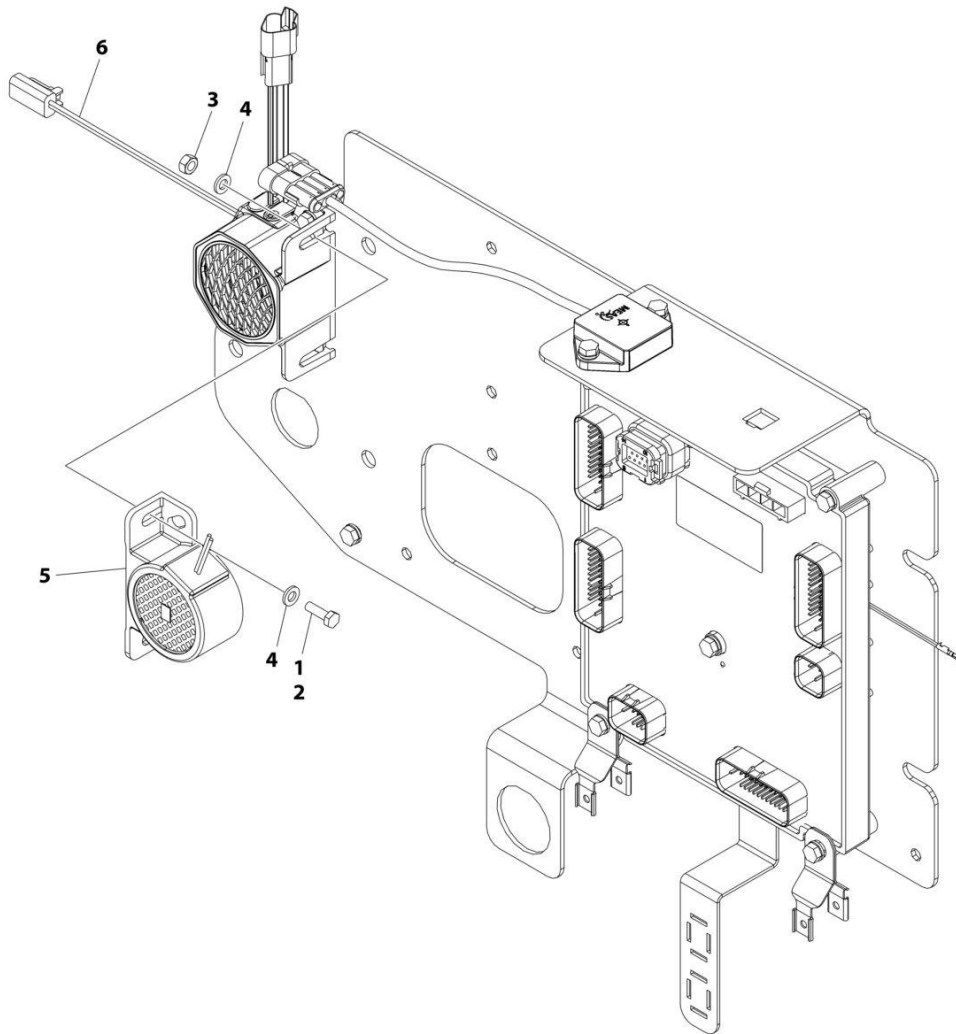
SECTION 2 - TURNTABLE

FIGURE 2-37. WHITE NOISE (AMBIENT) ALARM INSTALLATION

ITEM	PART NUMBER	QTY	DESCRIPTION	REV
	1001209618	Ref	WHITE NOISE ALARM INSTALLATION	C
1	0100011	AR	Compound, Locking	
2	0760610	4	Bolt M6 x 20	
3	3290601	4	Nut M6	
4	4811700	8	Washer M6	
5	1001182806	1	Alarm	
6	1001190663	1	Harness, Jumper	
6	4460891	1	Connector - 2 Position	
6	4460465	2	Socket, Female	
6	4460871	2	Socket, Female	
7	1001231886	1	Plate	

SECTION 2 - TURNTABLE

FIGURE 2-38. WHITE NOISE (CONSTANT) ALARM INSTALLATION



ART_1001263176

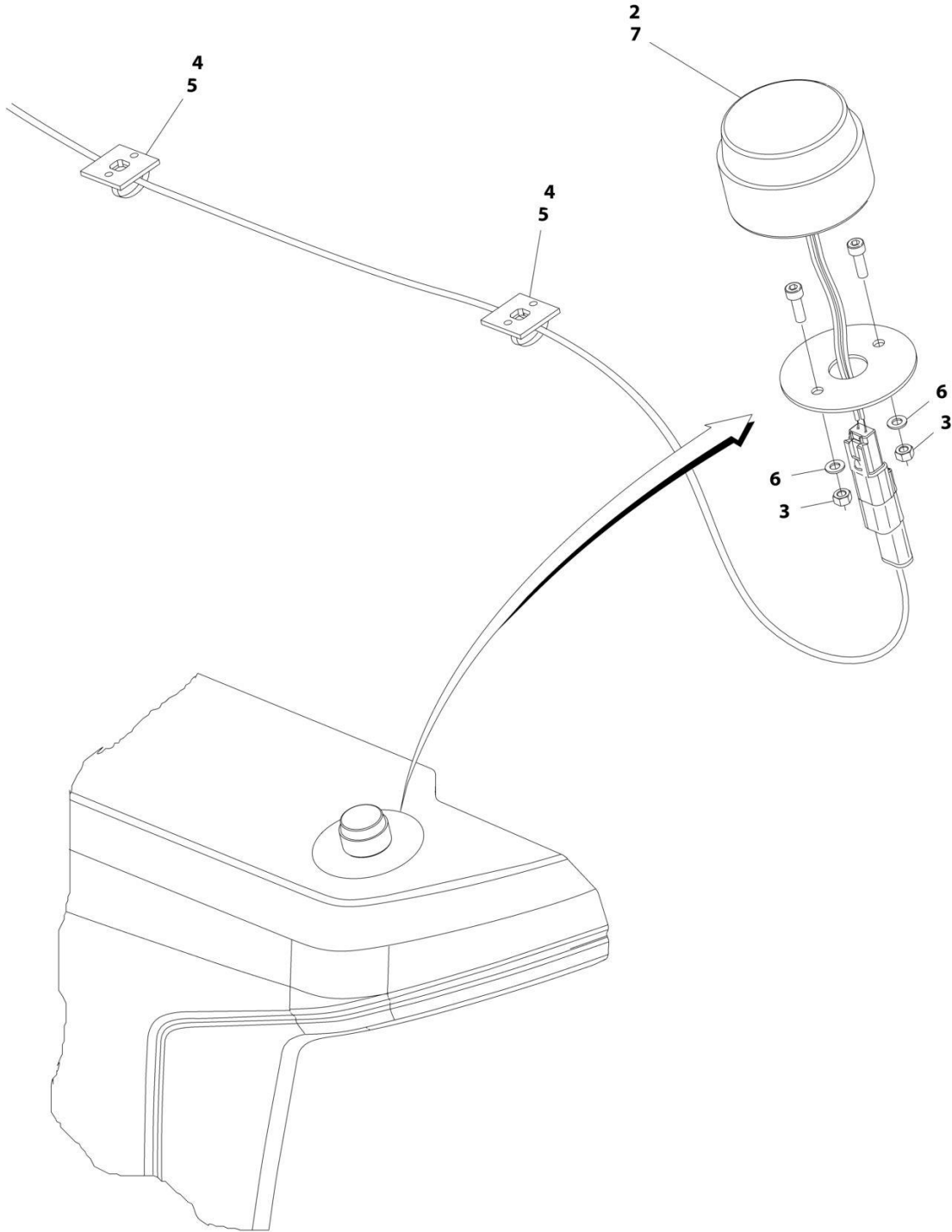
SECTION 2 - TURNTABLE

FIGURE 2-38. WHITE NOISE (CONSTANT) ALARM INSTALLATION

ITEM	PART NUMBER	QTY	DESCRIPTION	REV
	1001263176	Ref	WHITE NOISE ALARM INSTALLATION	A
1	0100011	AR	Compound, Locking	
2	0760610	2	Bolt M6 x 20	
3	3290601	2	Nut M6	
4	4811700	4	Washer M6	
5	1001184682	1	Alarm	
6	1001190663	1	Harness, Jumper	
6	4460891	2	Connector - 2 Position	
6	4460465	2	Socket, Female	
6	4460871	1	Socket, Female	

SECTION 2 - TURNTABLE

FIGURE 2-39. STROBE LIGHT INSTALLATION (AMBER)



ART_1001172816

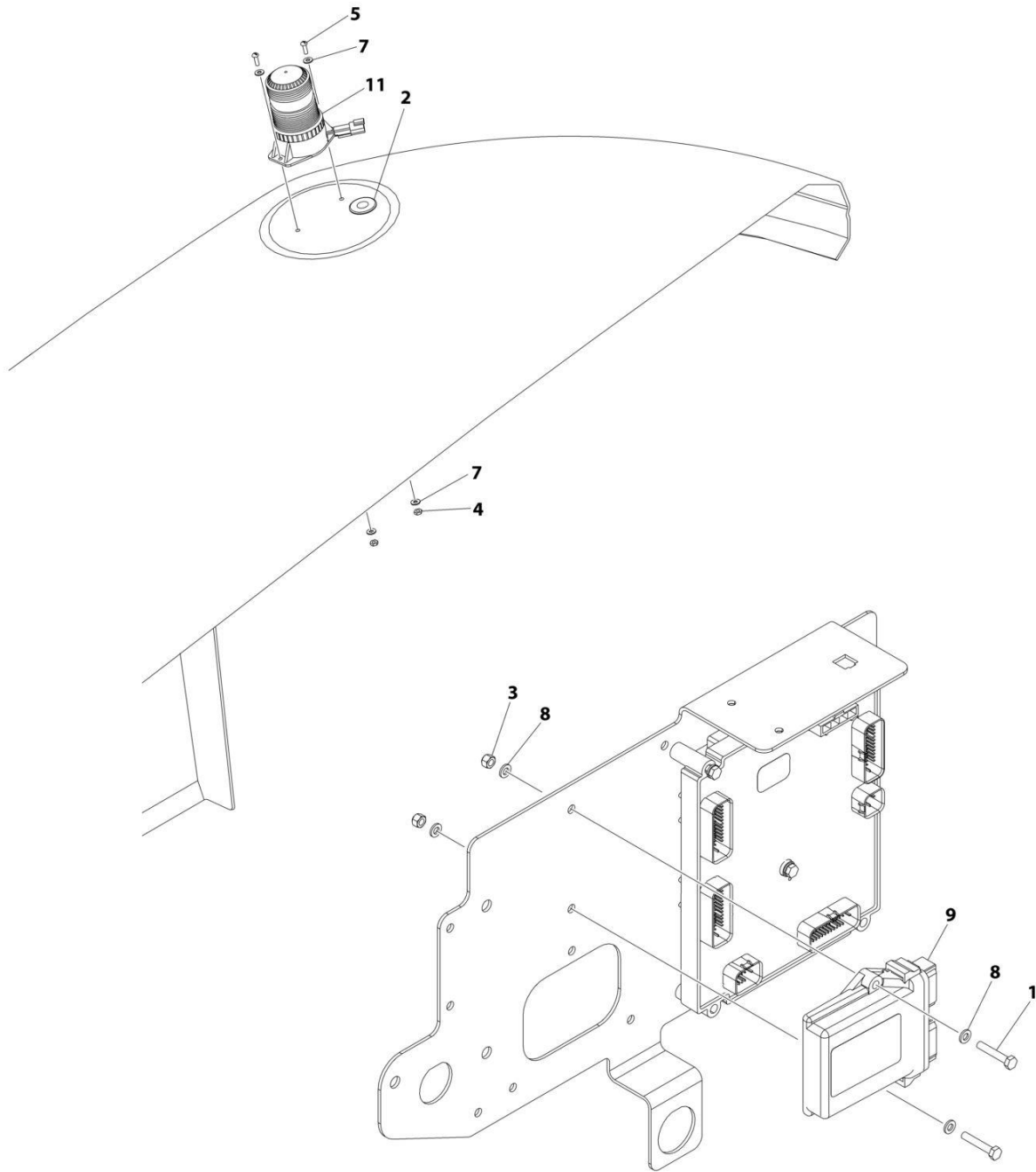
SECTION 2 - TURNTABLE

FIGURE 2-39. STROBE LIGHT INSTALLATION (AMBER)

ITEM	PART NUMBER	QTY	DESCRIPTION	REV
	1001172816	Ref	BEACON LIGHT INSTALLATION - AMBER	C
2	1001181405	1	Light, Strobe (Amber)	
2	4460897	1	Receptacle, Female - 2 Position	
2	4460464	2	Pin, Male	
3	3290505	2	Nut M5	
4	4240032	AR	Tie-Strap	
5	4460234	2	Mount, Tie-Strap	
6	4811600	2	Washer M5	
7	0100048	1	Grease, Terminal	

SECTION 2 - TURNTABLE

FIGURE 2-40. STROBE LIGHT INSTALLATION (BLUE)



ART_1001242851

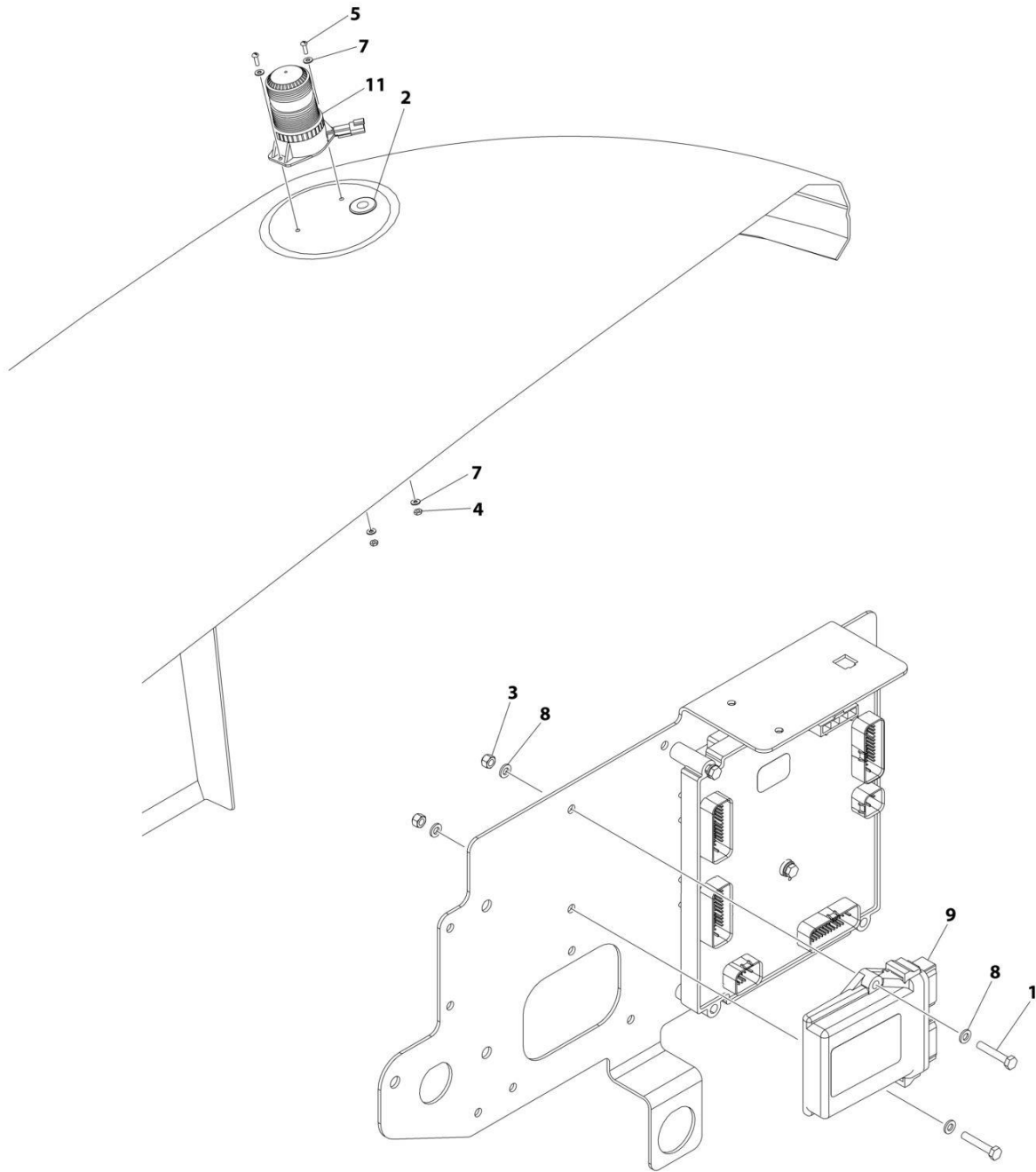
SECTION 2 - TURNTABLE

FIGURE 2-40. STROBE LIGHT INSTALLATION (BLUE)

ITEM	PART NUMBER	QTY	DESCRIPTION	REV
	1001242851	Ref	BEACON LIGHT INSTALLATION - BLUE	A
1	0760615	2	Bolt M6 x 35	
2	2540020	1	Grommet, Insulation	
3	3290605	2	Nut M6	
4	3311005	2	Nut #10	
5	3911010	2	Screw #10 x 5/8	
6	4240099	AR	Tie-Strap (Not Shown)	
7	4711000	4	Washer #10	
8	4811700	4	Washer M6	
9	1001142683	1	Control Module (Note: Re-calibration Required when Replaced)	
10	1001142736	1	Beacon Harness (Not Shown - See Separate Breakdown in ELECTRICAL SECTION)	
11	1001200910	1	Light, Beacon	
11	4460897	1	Receptacle, Female - 2 Position	
11	4460943	2	Pin, Male	

SECTION 2 - TURNTABLE

FIGURE 2-41. STROBE LIGHT INSTALLATION (RED)



ART_1001242852

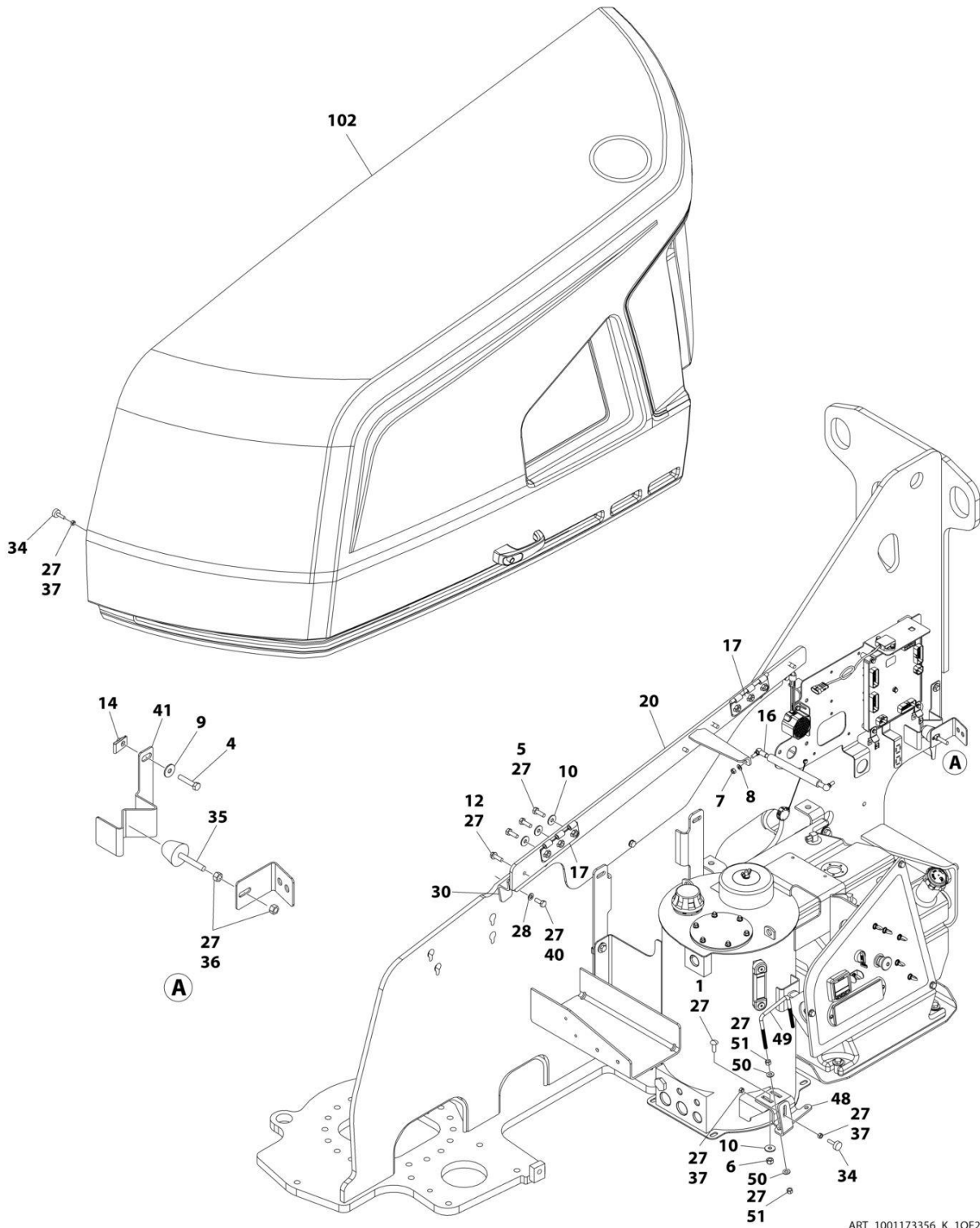
SECTION 2 - TURNTABLE

FIGURE 2-41. STROBE LIGHT INSTALLATION (RED)

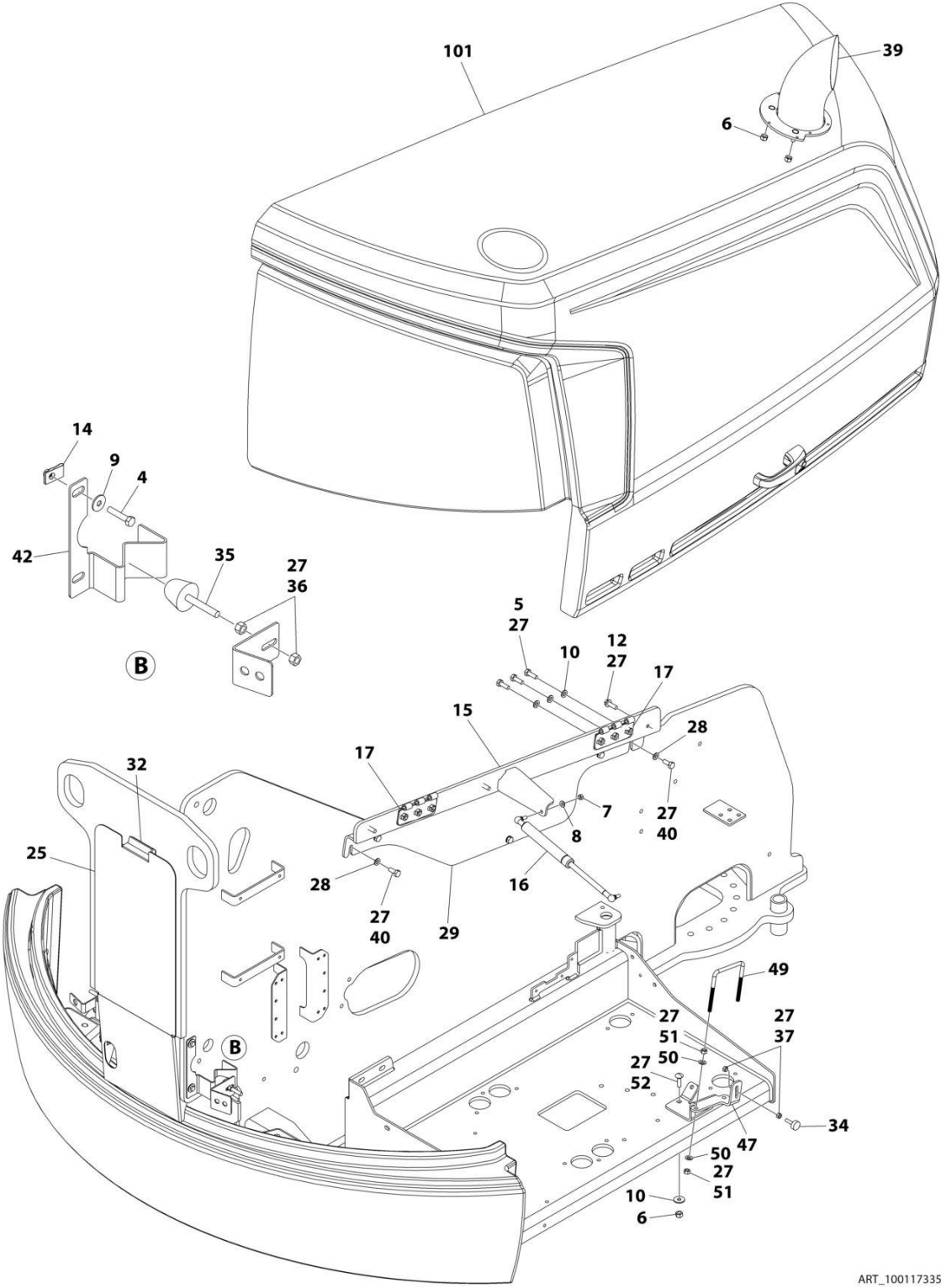
ITEM	PART NUMBER	QTY	DESCRIPTION	REV
	1001242852	Ref	BEACON LIGHT INSTALLATION - RED	A
1	0760615	2	Bolt M6 x 35	
2	2540020	1	Grommet, Insulation	
3	3290605	2	Nut M6	
4	3311005	2	Nut #10	
5	3911010	2	Screw #10 x 5/8	
6	4240099	AR	Tie-Strap (Not Shown)	
7	4711000	4	Washer #10	
8	4811700	4	Washer M6	
9	1001142683	1	Control Module (Note: Re-calibration Required when Replaced)	
10	1001142736	1	Beacon Harness (Not Shown - See Separate Breakdown in ELECTRICAL SECTION)	
11	1001207004	1	Light, Red Beacon	
11	4460897	1	Receptacle, Female - 2 Position	
11	4460943	2	Pin, Male	

SECTION 2 - TURNTABLE

FIGURE 2-42. HOODS INSTALLATION - ABS (DEUTZ ENGINES)



SECTION 2 - TURNTABLE



ART_1001173356_K_20F2

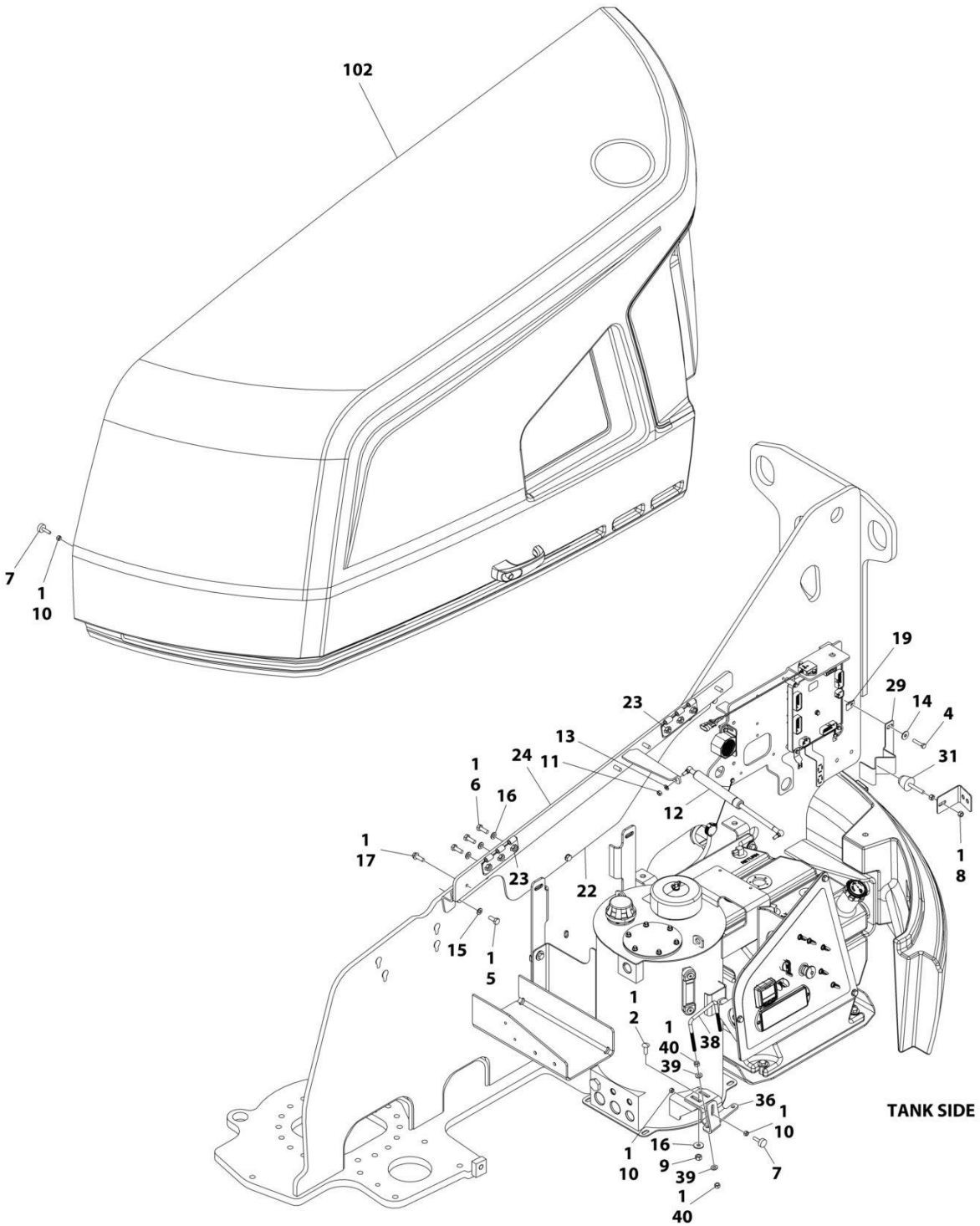
SECTION 2 - TURNTABLE

FIGURE 2-42. HOODS INSTALLATION - ABS (DEUTZ ENGINES)

ITEM	PART NUMBER	QTY	DESCRIPTION	REV
	1001173356	Ref	HOOD INSTALLATION	K
1	0630613	2	Bolt M10 x 30	
4	0760816	4	Bolt M8 x 40	
5	0761014	12	Bolt M10 x 30	
6	3291005	7	Nut M10	
7	3311505	2	Nut 5/16	
8	4711500	2	Washer 5/16	
9	4811902	4	Washer M8	
10	4812002	16	Washer M10	
12	5251014	8	Bolt M10 x 30	
14	1001149160	4	Nut, Tinnerman M8	
15	1001167159	1	Mount, Adjustment	
16	4160182	2	Spring, Gas	
17	1001169046	4	Nut	
20	1001170850	1	Mount, Adjustment	
25	1001173354	1	Cover	
27	0100011	AR	Compound, Locking	
28	4812000	10	Washer M10	
29	1001165060	1	Plate	
30	1001168173	1	Mount, Hinge	
32	90200755	AR	Tape, Gasket	
34	0940049	4	Stopper	
35	1001206314	2	Bumper	
36	3271601	4	Nut 3/8	
37	3311501	8	Nut 5/16	
39	1001174098	1	Outlet, Exhaust	
40	0761012	10	Bolt M10 x 25	
41	1001199207	1	Bracket, Bumper	
42	1001199901	1	Bracket, Bumper	
47	1001250287	1	Bracket, Engine	
48	1001250289	1	Bracket, Tank	
49	1001243414	2	Bolt, U-Bolt	
50	4711600	8	Washer 3/8	
51	3311601	8	Nut 3/8	
52	1001228406	2	Bolt M10 x 35	
100	1001202298	1	Hood Kit (Not Shown) (Includes Items 101-102)	
101	1001170551	1	Hood Assembly - Engine Side (See Separate Breakdown in this Section)	
102	1001170552	1	Hood Assembly - Tank Side (See Separate Breakdown in this Section)	

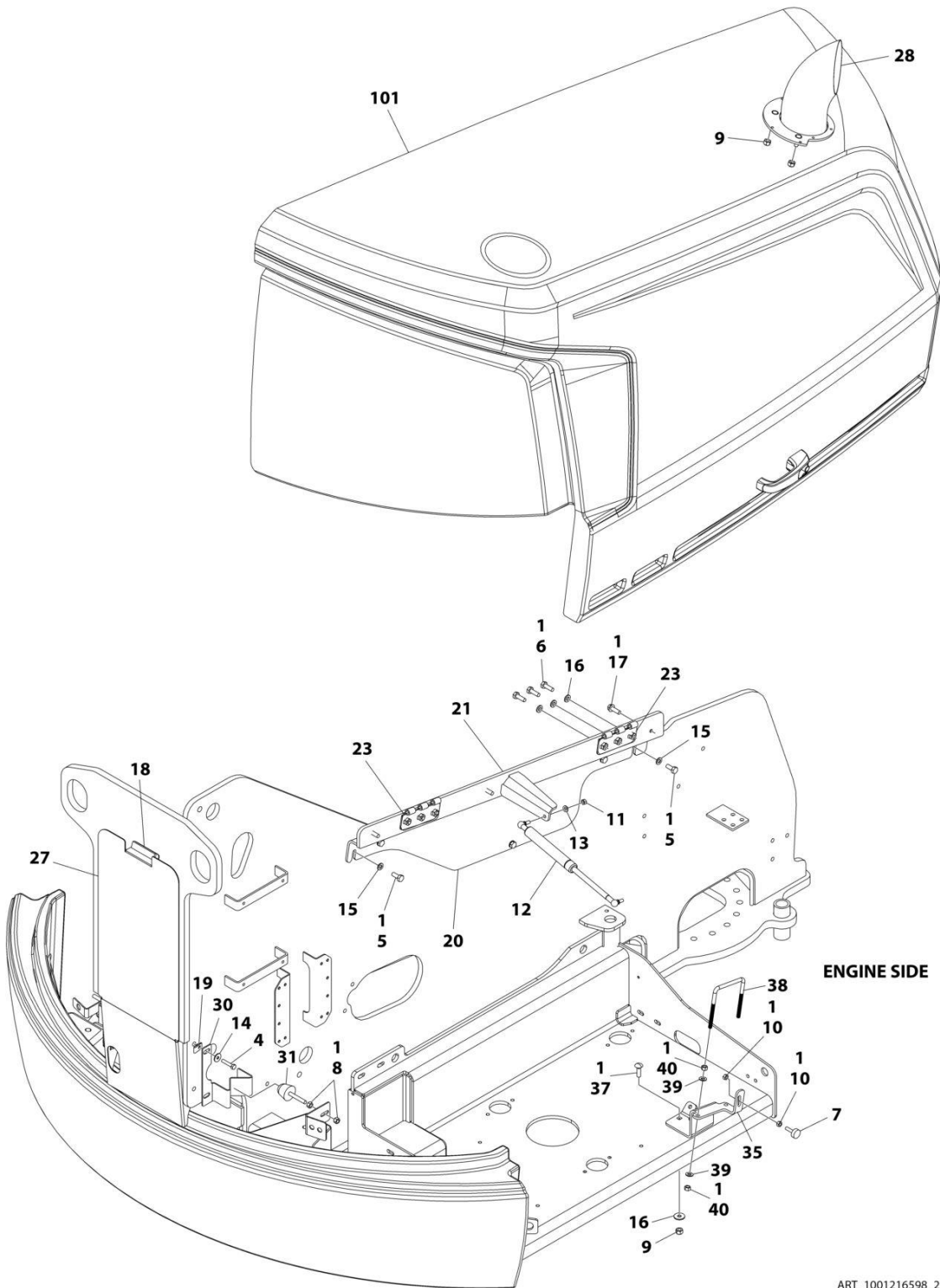
SECTION 2 - TURNTABLE

FIGURE 2-43. HOODS INSTALLATION - ABS (KUBOTA ENGINES)



ART_1001216598_10F2

SECTION 2 - TURNTABLE



ART_1001216598_2OF2

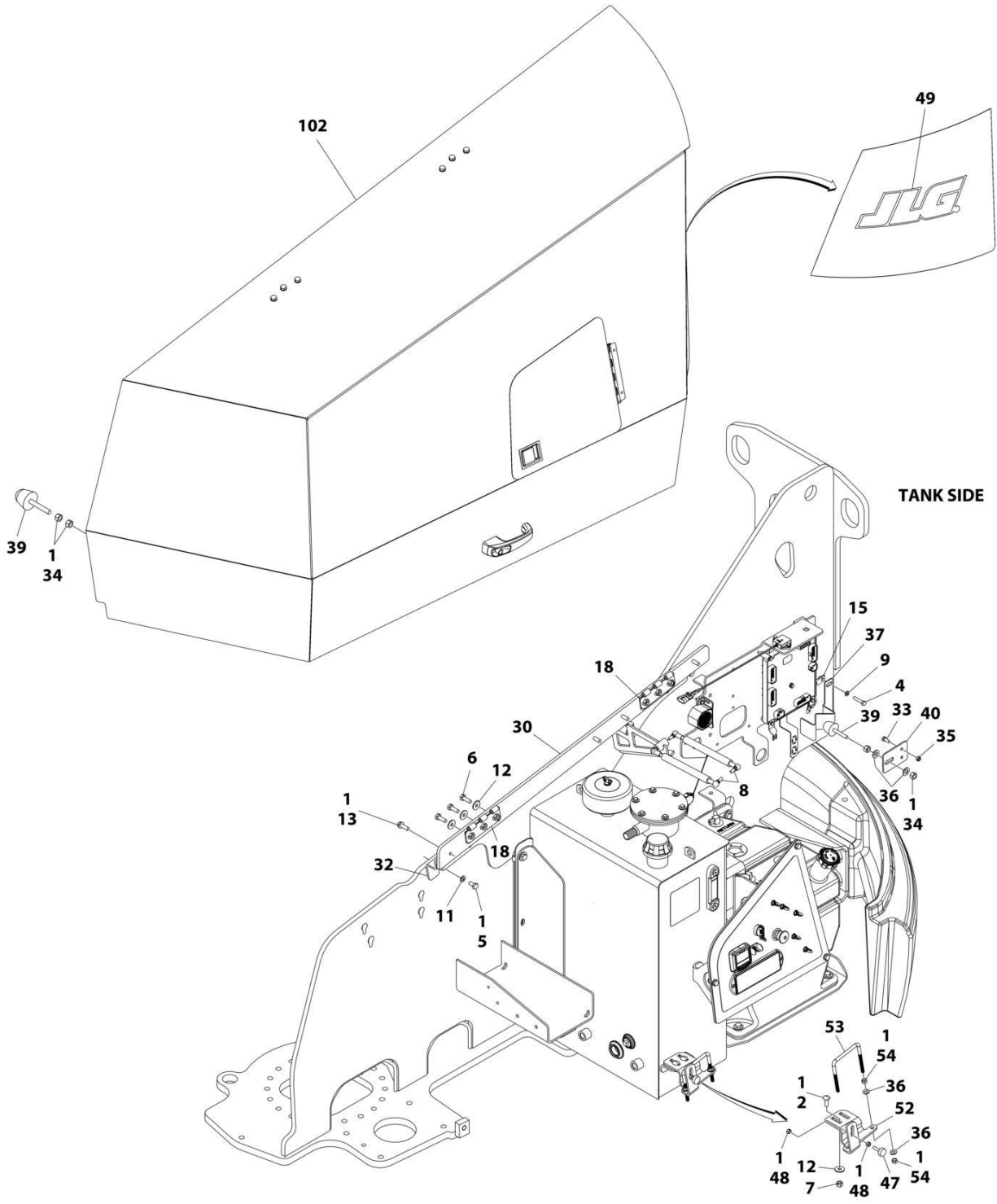
SECTION 2 - TURNTABLE

FIGURE 2-43. HOODS INSTALLATION - ABS (KUBOTA ENGINES)

ITEM	PART NUMBER	QTY	DESCRIPTION	REV
	1001216598	Ref	KUBOTA HOOD INSTALLATION	B
1	0100011	AR	Compound, Locking	
2	0630613	2	Bolt M10 x 30	
4	0760816	4	Bolt M8 x 40	
5	0761012	10	Bolt M10 x 25	
6	0761014	12	Bolt M10 x 30	
7	0940049	4	Stopper	
8	3271601	4	Nut 3/8	
9	3291005	7	Nut M10	
10	3311501	8	Nut 5/16	
11	3311505	2	Nut 5/16	
12	4160182	2	Spring, Gas	
13	4711500	2	Washer 5/16	
14	4811902	AR	Washer M8	
15	4812000	10	Washer M10	
16	4812002	16	Washer M10	
17	5251014	8	Bolt M10 x 30	
18	90200755	AR	Tape, Gasket	
19	1001149160	4	Nut, Tinnerman M8	
20	1001165060	1	Plate	
21	1001167159	1	Mount, Adjustment	
22	1001168173	1	Mount, Hinge	
23	1001169046	4	Nut	
24	1001170850	1	Mount, Adjustment	
27	1001173354	1	Cover	
28	1001174098	1	Outlet, Exhaust	
29	1001199207	1	Bracket, Bumper	
30	1001199901	1	Bracket, Bumper	
31	1001206314	2	Bumper	
35	1001250288	1	Bracket, Engine	
36	1001250289	1	Bracket, Tank	
37	1001228406	2	Bolt, Carriage	
38	1001243414	2	Bolt, U-bolt	
39	4711600	AR	Washer 3/8	
40	3311601	AR	Nut 3/8	
100	1001202298	1	Hood Kit (Not Shown - Includes Items 101 & 102)	
101	1001170551	1	Hood Assembly - Engine Side (See Separate Breakdown in this Section)	
102	1001170552	1	Hood Assembly - Tank Side (See Separate Breakdown in this Section)	

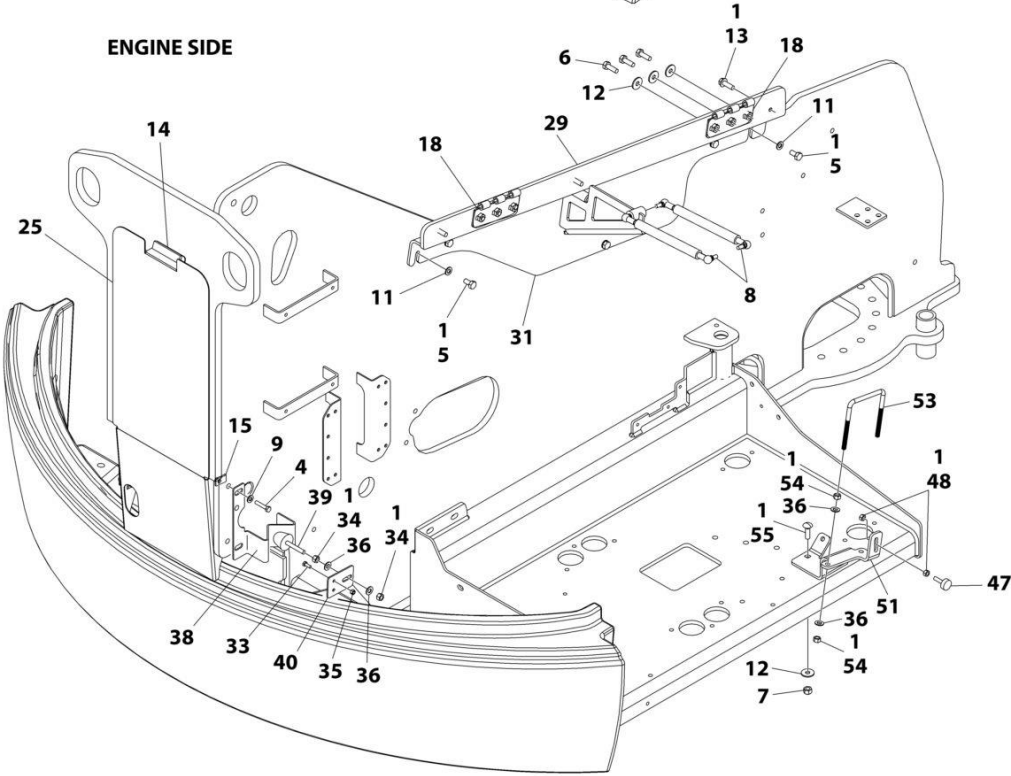
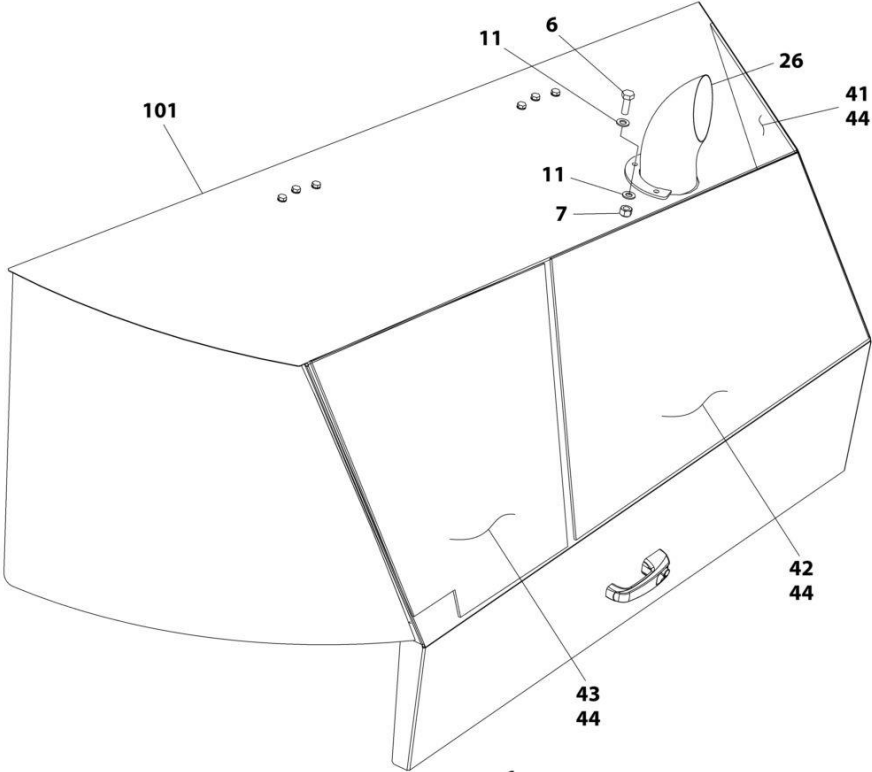
SECTION 2 - TURNTABLE

FIGURE 2-44. HOODS INSTALLATION - STEEL



ART_1001206402_1OF2

SECTION 2 - TURNTABLE



ART_1001206402_20F2

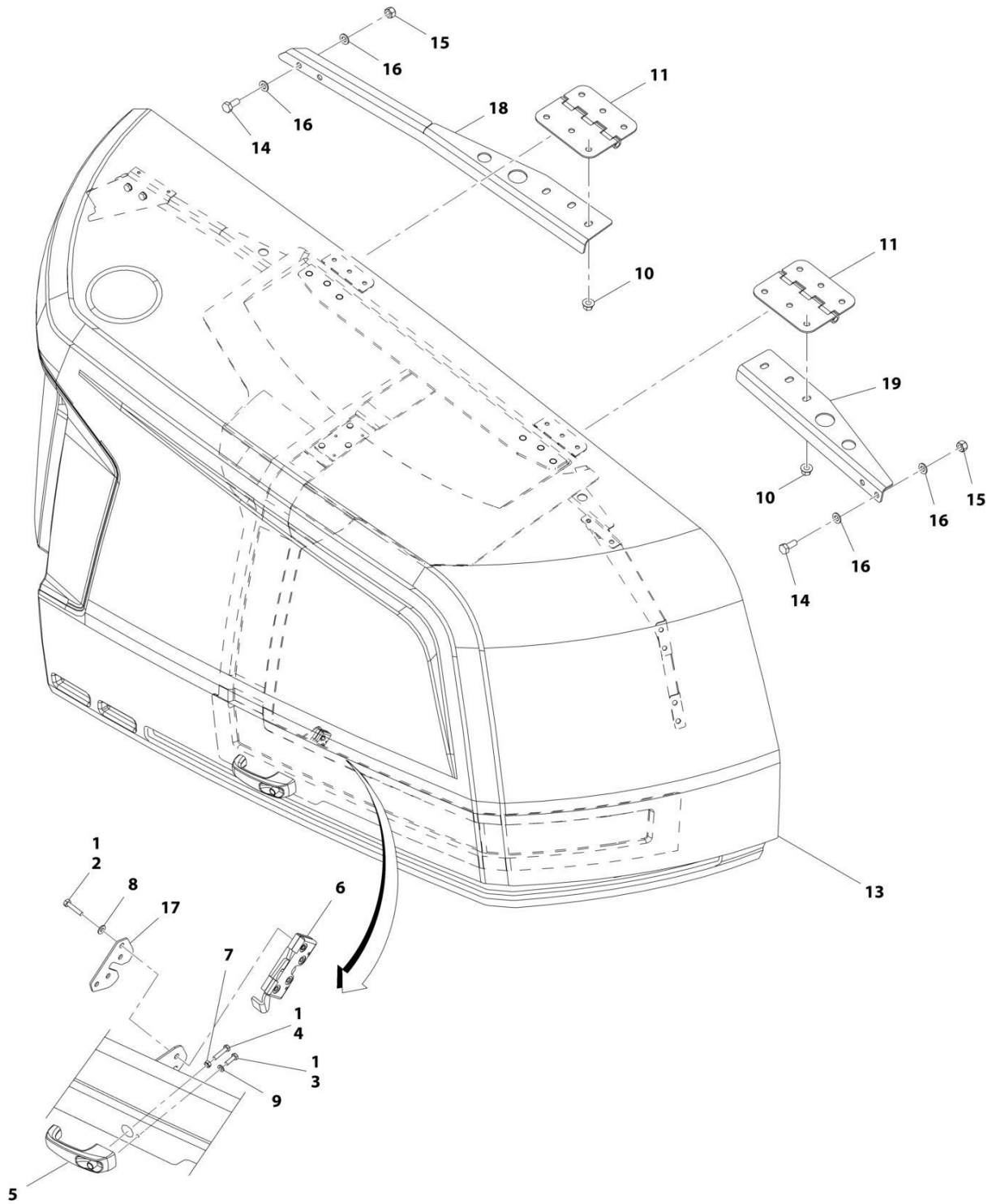
SECTION 2 - TURNTABLE

FIGURE 2-44. HOODS INSTALLATION - STEEL

ITEM	PART NUMBER	QTY	DESCRIPTION	REV
	1001206402	Ref	STEEL HOOD INSTALLATION	H
1	0100011	AR	Compound, Locking	
2	0630613	2	Bolt M10 x 30	
4	0760816	4	Bolt M8 x 40	
5	0761012	10	Bolt M10 x 25	
6	0761014	15	Bolt M10 x 30	
7	3291005	7	Nut M10	
8	1001167918	4	Spring, Gas	
9	4811900	4	Washer M8	
11	4812000	16	Washer M10	
12	4812002	16	Washer M10	
13	5251012	8	Bolt M10 x 25	
14	90200755	85 mm	Tape, Gasket	
15	1001149160	4	Nut, Tinnerman M8	
18	1001169046	4	Nut	
25	1001173354	1	Cover	
26	1001174098	1	Outlet, Exhaust	
29	1001211633	1	Plate	
30	1001211636	1	Plate	
31	1001212819	1	Mount, Hinge	
32	1001212822	1	Mount, Hinge	
33	0760608	4	Bolt M6 x 16	
34	3271601	8	Nut 3/8	
35	3290605	4	Nut M6	
36	4711600	4	Washer 3/8	
37	1001199207	1	Bracket, Bumper	
38	1001199901	1	Bracket, Bumper	
39	1001206314	4	Bumper	
40	1001219134	2	Plate, Bumper Mount	
41	1001222043	1	Insulate, Heat Shield	
42	1001222044	1	Insulate, Heat Shield	
43	1001223387	1	Insulate, Heat Shield	
44	1001117140	AR	Tape	
47	0940049	2	Stopper	
48	3311501	4	Nut	
49	1001159323	1	Decal - JLG	
50	1001113047	AR	Adhesive (Not Shown)	
51	1001250287	1	Bracket, Engine	
52	1001250289	1	Bracket, Tank	
53	1001243414	2	Bolt, U-Bolt	
54	3311601	8	Nut 3/8	
55	1001228406	2	Bolt, Carriage	
100	1001206403	1	Hood Kit (Not Shown - Includes Items 101 & 102)	
101	1001206404	1	Steel Hood Assembly - Engine Side (See Separate Breakdown in this Section)	
102	1001206418	1	Steel Hood Assembly - Tank Side (See Separate Breakdown in this Section)	

SECTION 2 - TURNTABLE

FIGURE 2-45. HOOD ASSEMBLY - ENGINE SIDE (ABS)



ART_1001170551

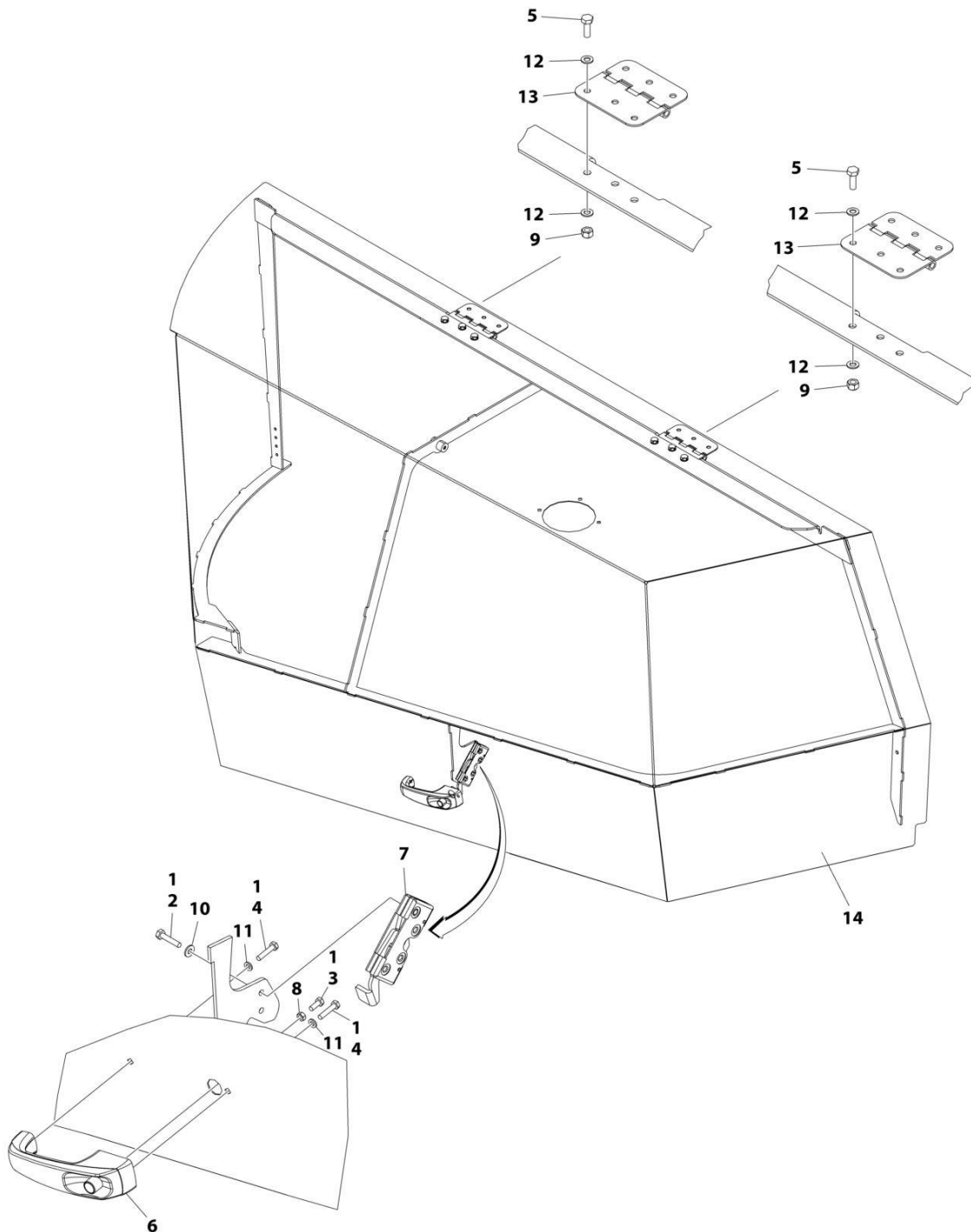
SECTION 2 - TURNTABLE

FIGURE 2-45. HOOD ASSEMBLY - ENGINE SIDE (ABS)

ITEM	PART NUMBER	QTY	DESCRIPTION	REV
	1001170551	Ref	HOOD ASSEMBLY - ENGINE SIDE	F
1	0100011	AR	Compound, Locking	
2	0641410	4	Bolt 1/4 x 1-1/4	
3	0760610	2	Bolt M6 x 20	
4	0760614	1	Bolt M6 x 30	
5	2560187	1	Handle, Push Button	
6	2940173	1	Latch, Rotary	
7	3290601	1	Nut M6	
8	4711400	4	Washer 1/4	
9	4811700	2	Washer M6	
10	5261018	6	Nut M10 Grade 10.9	
11	1001139384	2	Hinge	
13	See Note	NSS	Hood - Engine Side (Note: Purchase pn 1001170551)	
14	0761012	4	Bolt M10 x 25	
15	3291005	4	Nut M10	
16	4812000	8	Washer M10	
17	1001200458	1	Plate	
18	1001201636	1	Hood Support	
19	1001201635	1	Hood Support	

SECTION 2 - TURNTABLE

FIGURE 2-46. HOOD ASSEMBLY - ENGINE SIDE (STEEL)



ART_1001206404

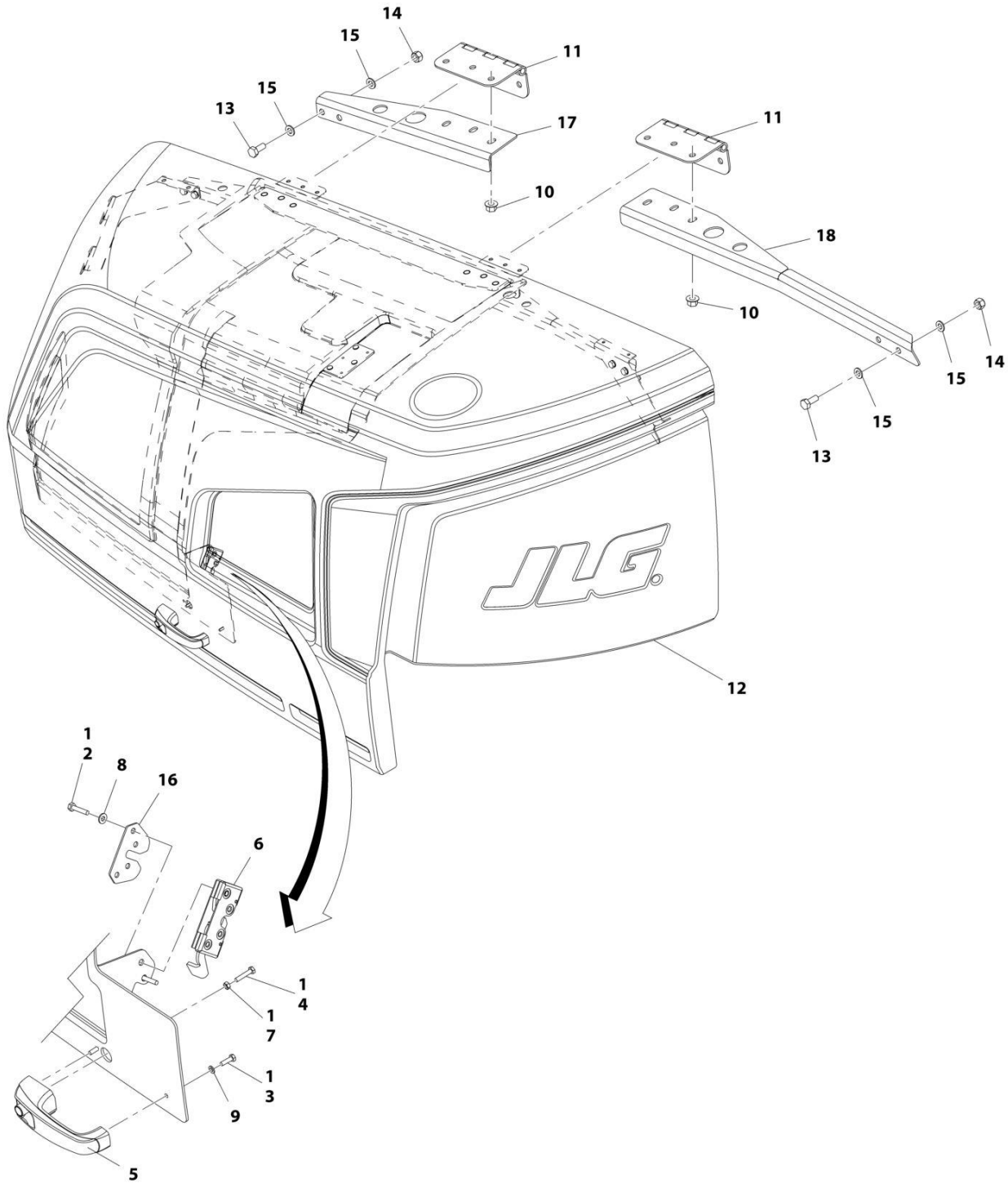
SECTION 2 - TURNTABLE

FIGURE 2-46. HOOD ASSEMBLY - ENGINE SIDE (STEEL)

ITEM	PART NUMBER	QTY	DESCRIPTION	REV
	1001206404	Ref	STEEL HOOD ASSEMBLY - ENGINE SIDE	E
1	0100011	AR	Compound, Locking	
2	0641410	4	Bolt 1/4 x 1-1/4	
3	0760608	1	Bolt M6 x 16	
4	0760614	2	Bolt M6 x 30	
5	0761014	6	Bolt M10 x 30	
6	2560187	1	Handle, Push Button	
7	2940173	1	Latch, Rotary	
8	3290601	1	Nut M6	
9	3291005	6	Nut M10	
10	4711400	4	Washer 1/4	
11	4811700	2	Washer M6	
12	4812000	12	Washer M10	
13	1001139384	2	Hinge	
14	1001206405	1	Hood, Engine Side	

SECTION 2 - TURNTABLE

FIGURE 2-47. HOOD ASSEMBLY - TANK SIDE (ABS)



ART_1001170552

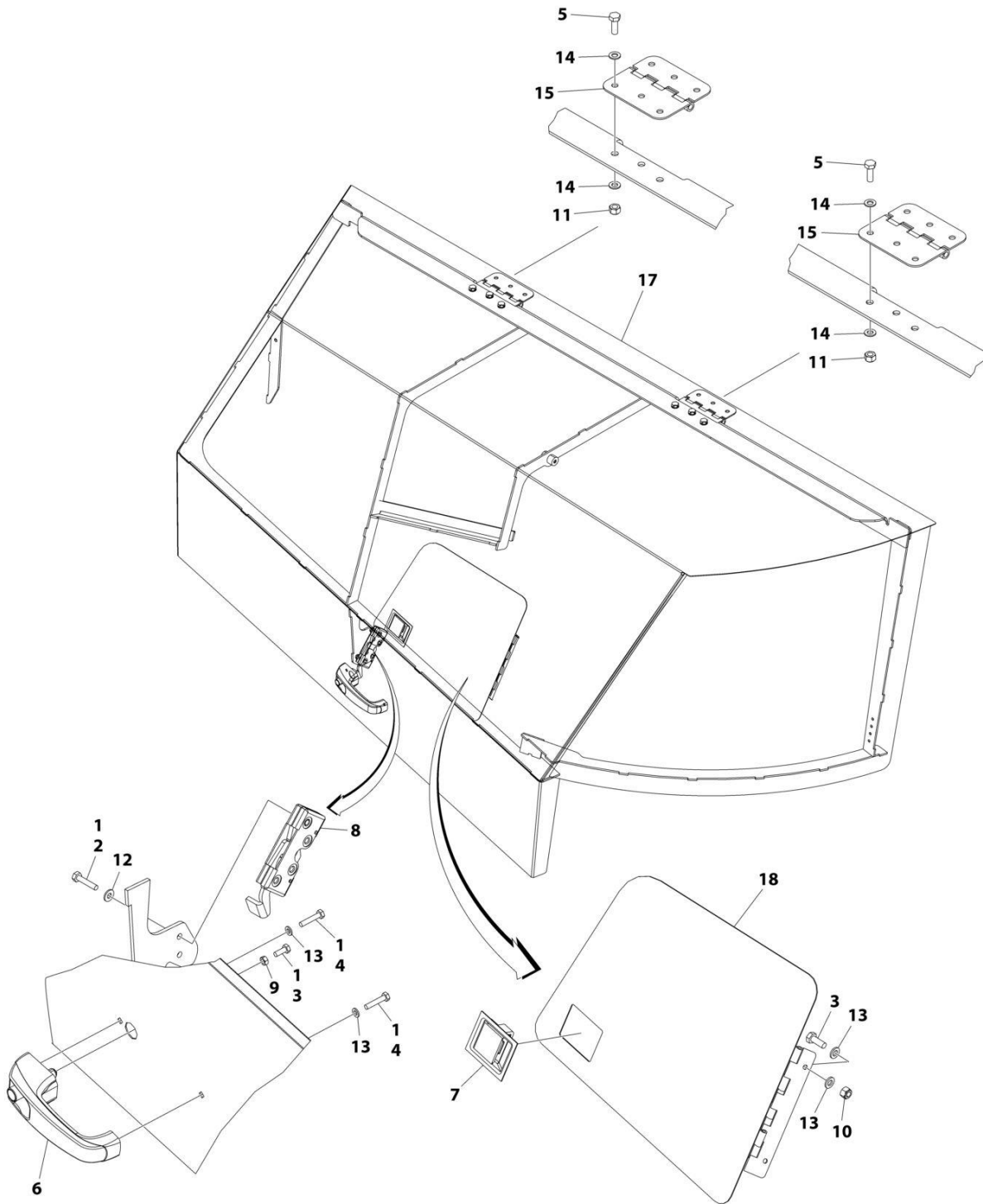
SECTION 2 - TURNTABLE

FIGURE 2-47. HOOD ASSEMBLY - TANK SIDE (ABS)

ITEM	PART NUMBER	QTY	DESCRIPTION	REV
	1001170552	Ref	HOOD ASSEMBLY - TANK SIDE	F
1	0100011	AR	Compound, Locking	
2	0641410	4	Bolt 1/4 x 1-1/4	
3	0760610	2	Bolt M6 x 20	
4	0760614	1	Bolt M6 x 30	
5	2560187	1	Handle, Push Button	
6	2940173	1	Latch, Rotary	
7	3290601	1	Nut M6	
8	4711400	4	Washer 1/4	
9	4811700	2	Washer M6	
10	5261018	6	Nut M10 Grade 10.9	
11	1001139384	2	Hinge	
12	See Note	NSS	Hood (Note: Use PN 1001170552)	
13	0761012	4	Bolt M10 x 25	
14	3291005	4	Nut M10	
15	4812000	8	Washer M10	
16	1001200458	AR	Plate	
17	1001201633	1	Hood Support	
18	1001201634	1	Hood Support	

SECTION 2 - TURNTABLE

FIGURE 2-48. HOOD ASSEMBLY - TANK SIDE (STEEL)



ART_1001206418

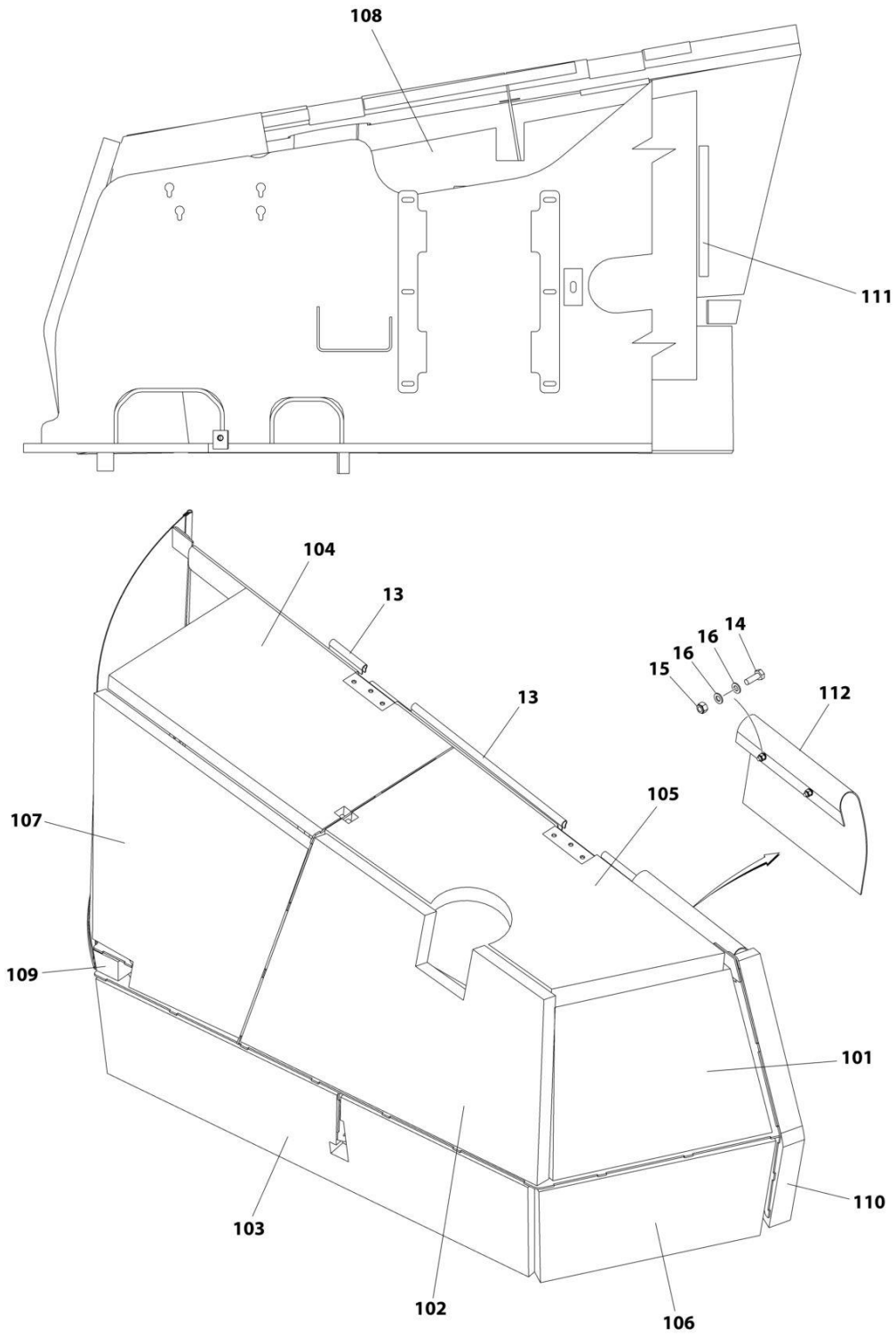
SECTION 2 - TURNTABLE

FIGURE 2-48. HOOD ASSEMBLY - TANK SIDE (STEEL)

ITEM	PART NUMBER	QTY	DESCRIPTION	REV
	1001206418	Ref	STEEL HOOD ASSEMBLY - TANK SIDE	F
1	0100011	AR	Compound, Locking	
2	0641410	4	Bolt 1/4 x 1-1/4	
3	0760608	3	Bolt M6 x 16	
4	0760614	2	Bolt M6 x 30	
5	0761014	6	Bolt M10 x 30	
6	2560187	1	Handle, Push Button	
7	2940045	1	Latch, Paddle	
8	2940173	1	Latch, Rotary	
9	3290601	1	Nut M6	
10	3290605	2	Nut M6	
11	3291005	6	Nut M10	
12	4711400	4	Washer 1/4	
13	4811700	6	Washer M6	
14	4812000	12	Washer M10	
15	1001139384	2	Hinge	
17	See Note	NSS	Hood - Tank Side (Note: Use PN 1001206418)	
18	1001207726	1	Door, Ground Control Panel	

SECTION 2 - TURNTABLE

FIGURE 2-49. SOUND REDUCTION INSTALLATION (STEEL HOODS)



ART_1001233048

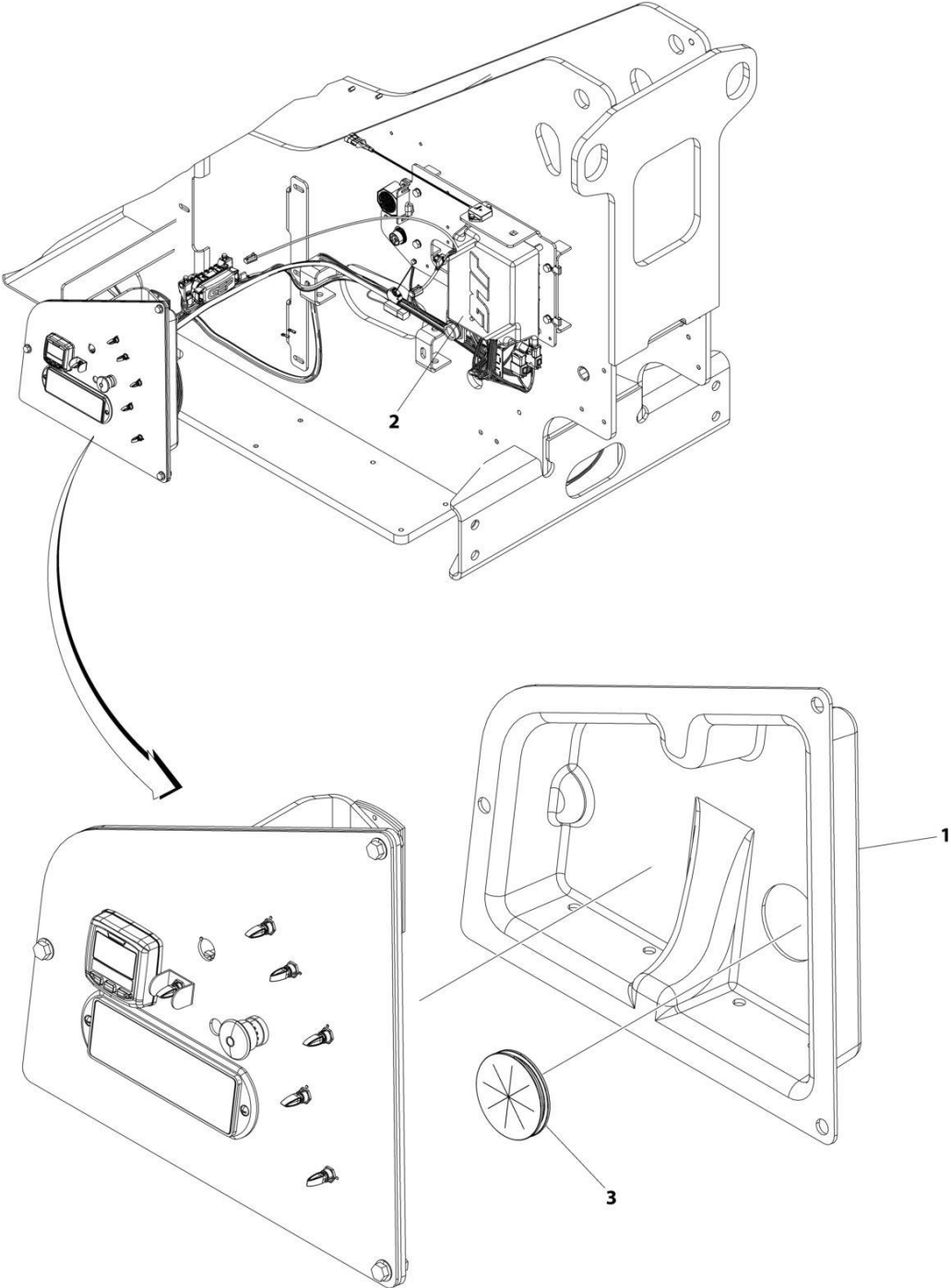
SECTION 2 - TURNTABLE

FIGURE 2-49. SOUND REDUCTION INSTALLATION (STEEL HOODS)

ITEM	PART NUMBER	QTY	DESCRIPTION	REV
	1001233048	Ref	SOUND REDUCTION INSTALLATION	C
13	3960389	11 ft/ 3.4m	Flex-Trim	
14	0761014	2	Bolt M10 x 30	
15	3291005	2	Nut M10	
16	4812000	4	Washer M10	
100	1001237549	Ref	Sound Insulation Kit (Includes Item 101-112)	
101	1001232907	1	Shield, Sound	
102	1001232908	1	Shield, Sound	
103	1001232913	1	Shield, Sound	
104	1001232915	1	Shield, Sound	
105	1001232916	1	Shield, Sound	
106	1001232917	1	Shield, Sound	
107	1001233075	1	Shield, Sound	
108	1001233076	1	Shield, Sound	
109	1001233077	1	Shield, Sound	
110	1001233412	1	Shield, Sound	
111	1001233413	2	Shield, Sound	
112	1001233436	1	Baffle Rubber	

SECTION 2 - TURNTABLE

FIGURE 2-50. TURNTABLE COVERS INSTALLATION



ART_1001219130

SECTION 2 - TURNTABLE

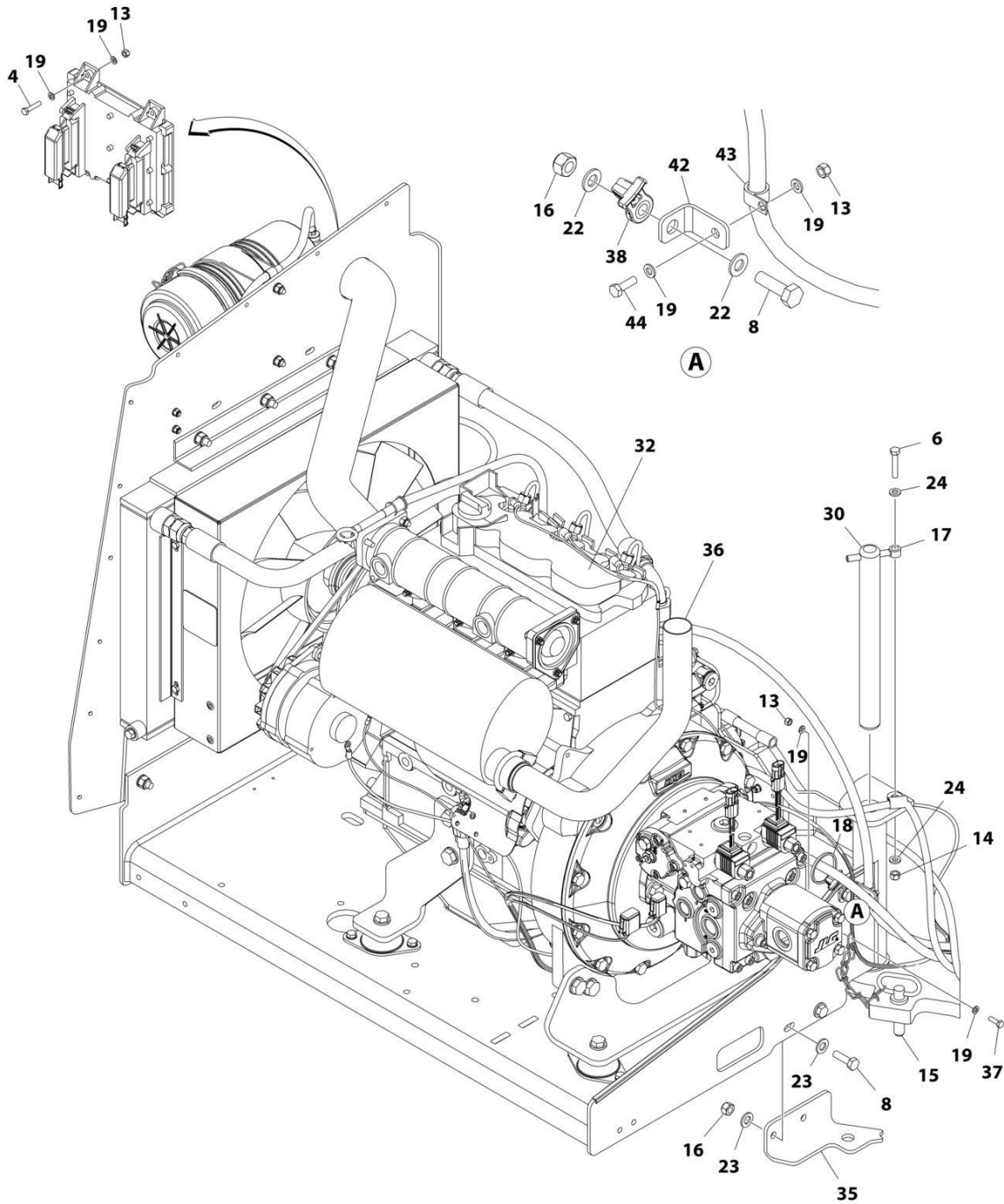
FIGURE 2-50. TURNTABLE COVERS INSTALLATION

ITEM	PART NUMBER	QTY	DESCRIPTION	REV
	1001219130	Ref	TURNTABLE COVERS INSTALLATION	C
1	1001246087	1	Cover, Control Panel	
2	1001218538	1	Cover, Controller	
3	1001218676	1	Grommet	

SECTION 3 - ENGINE

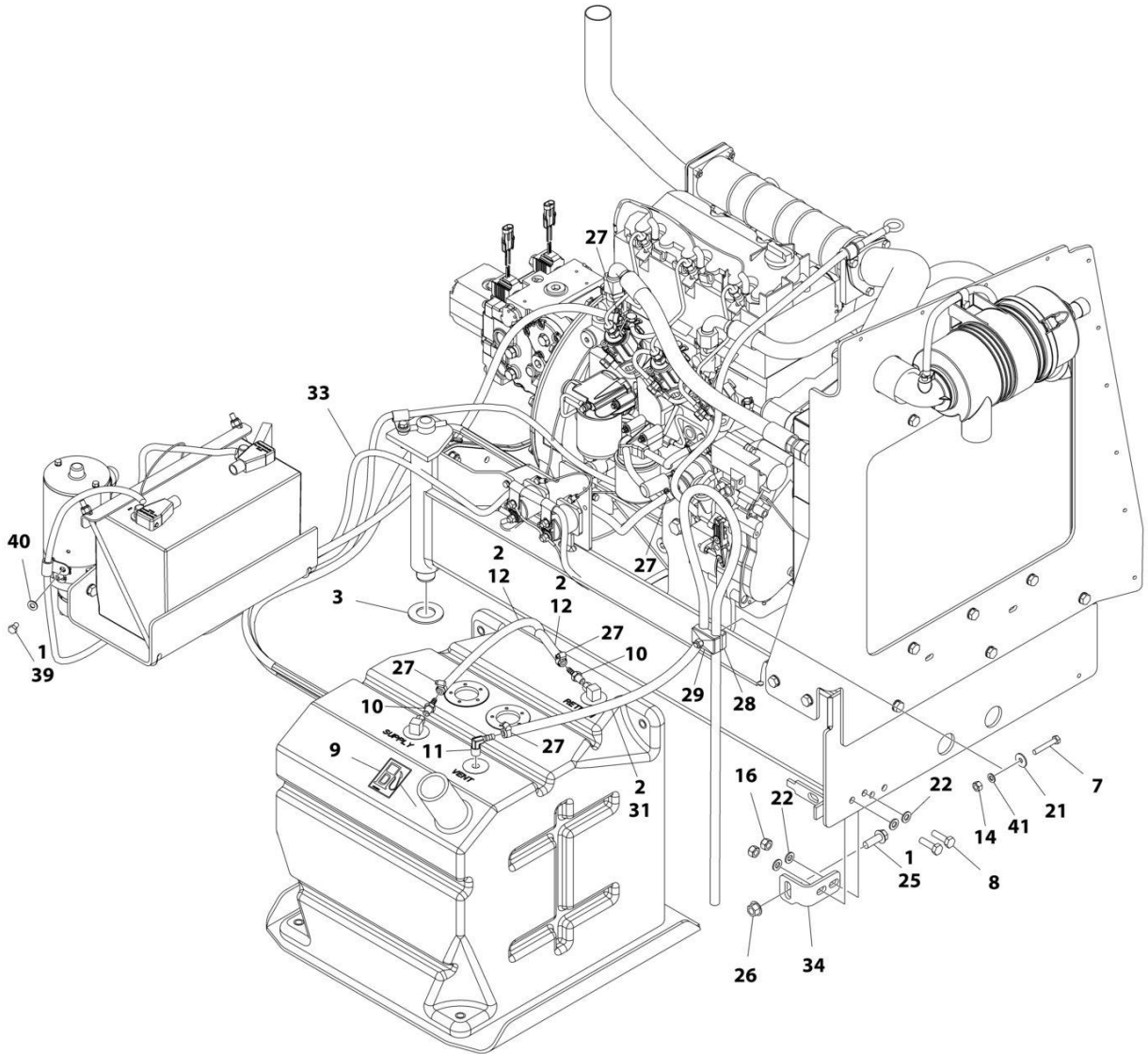
SECTION 3 - ENGINE

FIGURE 3-1. DEUTZ D2011 ENGINE INSTALLATION (WITHOUT ARCTIC PACKAGE)



ART_1001166022_I_10F2

SECTION 3 - ENGINE



ART_1001166022_I_20F2

SECTION 3 - ENGINE

FIGURE 3-1. DEUTZ D2011 ENGINE INSTALLATION (WITHOUT ARCTIC PACKAGE)

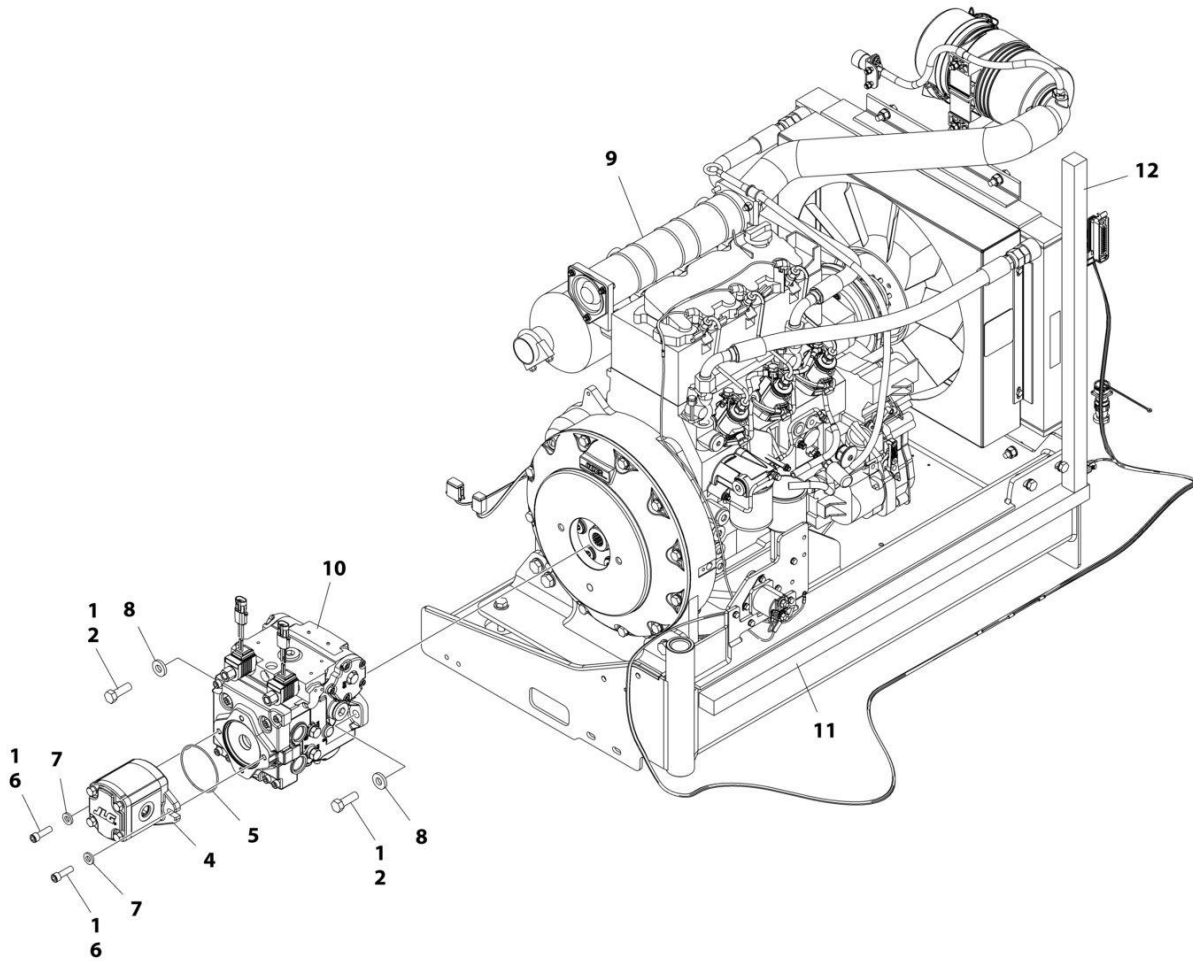
ITEM	PART NUMBER	QTY	DESCRIPTION	REV
	1001166022	Ref	ENGINE INSTALLATION - DEUTZ D2011 ENGINE (WITHOUT ARCTIC PACKAGE)	I
1	0100011	AR	Compound, Locking	
2	0100020	AR	Sealant, Pipe	
3	0440162	1	Bearing	
4	0700614	4	Bolt M6 x 30	
6	0700817	1	Bolt M8 x 45	
7	0700821	1	Bolt M8 x 65	
8	0761015	5	Bolt M10 x 35	
9	1701505	1	Decal - Diesel Fuel	
10	2180348	2	Fitting, Barbed	
11	2220313	1	Fitting, Barbed 90	
12	2720058	17 ft / 5.18m	Hose	
13	3290605	6	Nut M6	
14	3290805	2	Nut M8	
15	3422532	1	Pin	
16	3291005	5	Nut M10	
17	3841143	1	Pin	
18	4240099	AR	Tie-Strap	
19	4811700	12	Washer M6	
21	4811902	1	Washer M8	
22	4812000	6	Washer M10	
23	4812100	4	Washer M12	
24	5240800	2	Washer M8	
25	5251215	1	Bolt M12 x 35	
26	5261200	1	Nut, M12 Class10	
27	8405009	5	Clamp	
28	1320187	1	Clamp	
29	1320190	1	Clamp	
30	1001135196	1	Pin	
31	2750532	6 ft/ 1.83m	Hose	
32	1001166021	1	Engine and Pump Sub-Assembly - Deutz D2011 (See Separate Breakdown in this Section)	
33	1001167038	1	Battery Cable Kit	F
33	70009004	1	Cable, Battery (Black) (Battery Negative, Auxiliary Power Pump, Turntable Ground to Engine Ground)	
33	70009005	1	Cable, Battery (Red) (Battery Positive, Auxiliary Power Relay, Starter Relay to Starter)	
33	70009002	1	Cable, Battery (Red) (Auxiliary Power Relay to Auxiliary Power Pump)	
34	1001167512	1	Bracket, Engine	
35	1001169823	1	Plate, Engine Lock	
36	1001172195	1	Pipe, Exhaust	
37	0760610	1	Bolt M6 x 20	
38	1001156107	1	Holder, Cable	
39	0641504	1	Bolt 5/16 x 1/2	
40	4711500	1	Washer 5/16	
41	4811900	AR	Washer M8	
42	1001148641	1	Bracket, Clamp Mounting	

SECTION 3 - ENGINE

ITEM	PART NUMBER	QTY	DESCRIPTION	REV
43	1320224	1	Clamp, Cable	
44	0700610	1	Bolt M6 x 20	

SECTION 3 - ENGINE

FIGURE 3-2. DEUTZ D2011 ENGINE AND PUMP SUB-ASSEMBLY (WITHOUT ARCTIC PACKAGE)



ART_1001166021_G

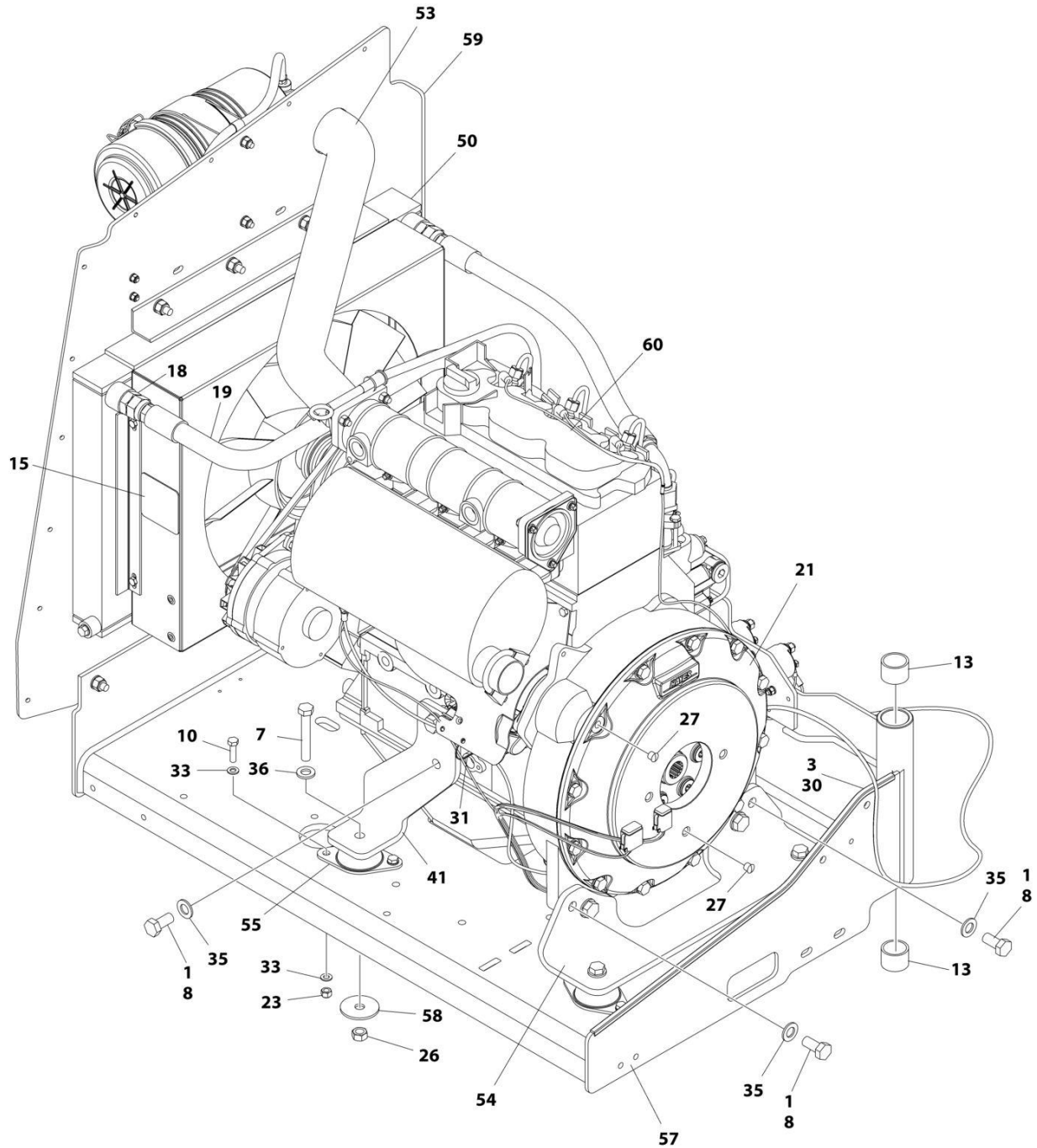
SECTION 3 - ENGINE

FIGURE 3-2. DEUTZ D2011 ENGINE AND PUMP SUB-ASSEMBLY (WITHOUT ARCTIC PACKAGE)

ITEM	PART NUMBER	QTY	DESCRIPTION	REV
	1001166021	Ref	ENGINE AND PUMP SUB-ASSEMBLY - DEUTZ D2011 (WITHOUT ARCTIC PACKAGE)	G
1	0100011	AR	Compound, Locking	
2	0641812	2	Bolt 1/2 x 1-1/2	
4	1001214207	1	Gear Pump Assembly	
4	70006356	1	Seal Kit	
5	3790152	1	O-Ring	
6	3931618	2	Capscrew 3/8 x 1-1/8	
7	4891600	2	Washer 3/8 Hardened	
8	4891800	2	Washer 1/2 Hardened	
9	1001166020	1	Engine Assembly - Deutz D2011 Engine (Without Arctic Package) (See Separate Breakdown in this Section)	
10	1001167036	1	Piston Pump Assembly (See Separate Breakdown in this Section)	
11	1001171953	1	Seal	
12	1001171954	1	Seal	

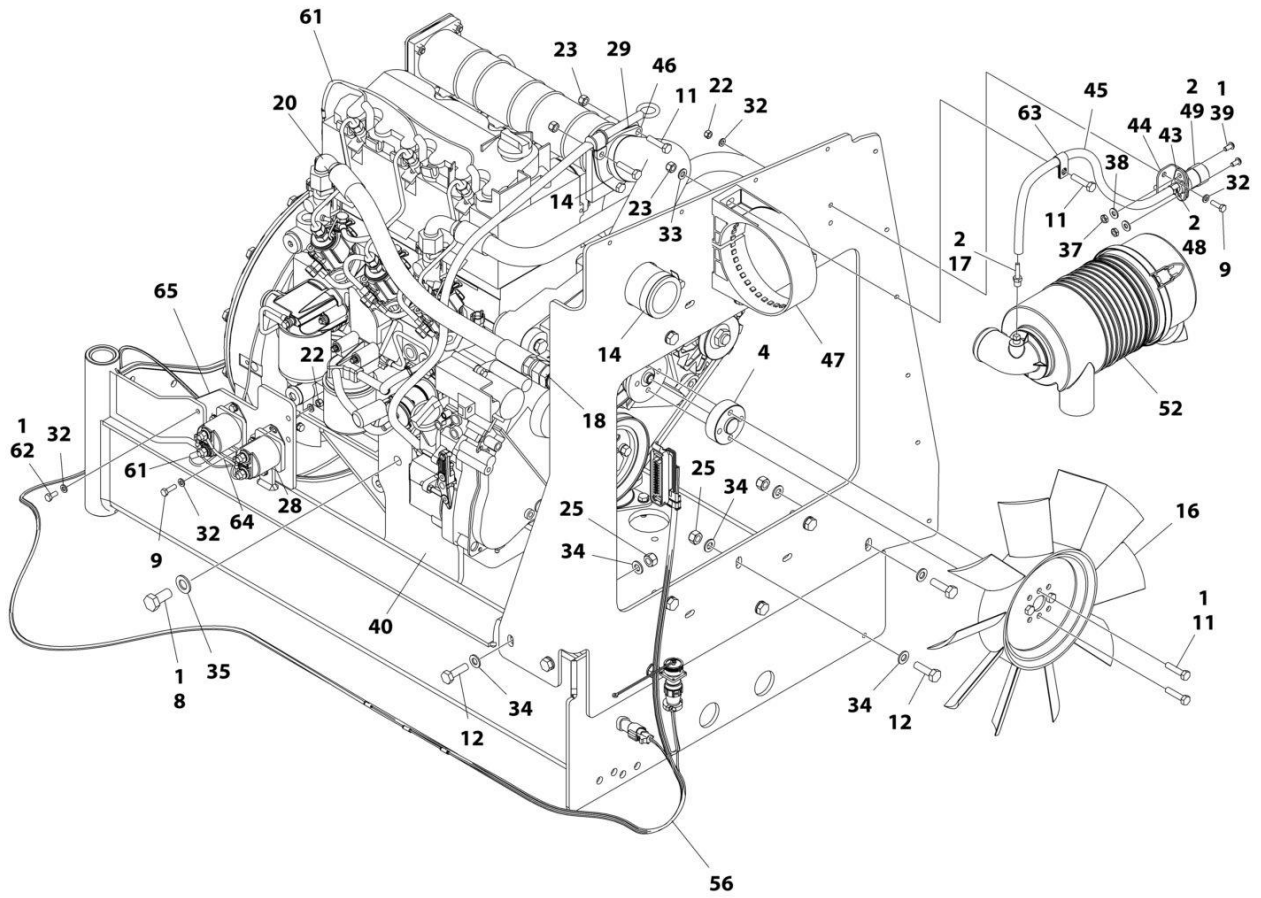
SECTION 3 - ENGINE

FIGURE 3-3. DEUTZ D2011 ENGINE ASSEMBLY (WITHOUT ARCTIC PACKAGE)



ART_1001166020_N_10F2

SECTION 3 - ENGINE



ART_1001166020_N_20F2

SECTION 3 - ENGINE

FIGURE 3-3. DEUTZ D2011 ENGINE ASSEMBLY (WITHOUT ARCTIC PACKAGE)

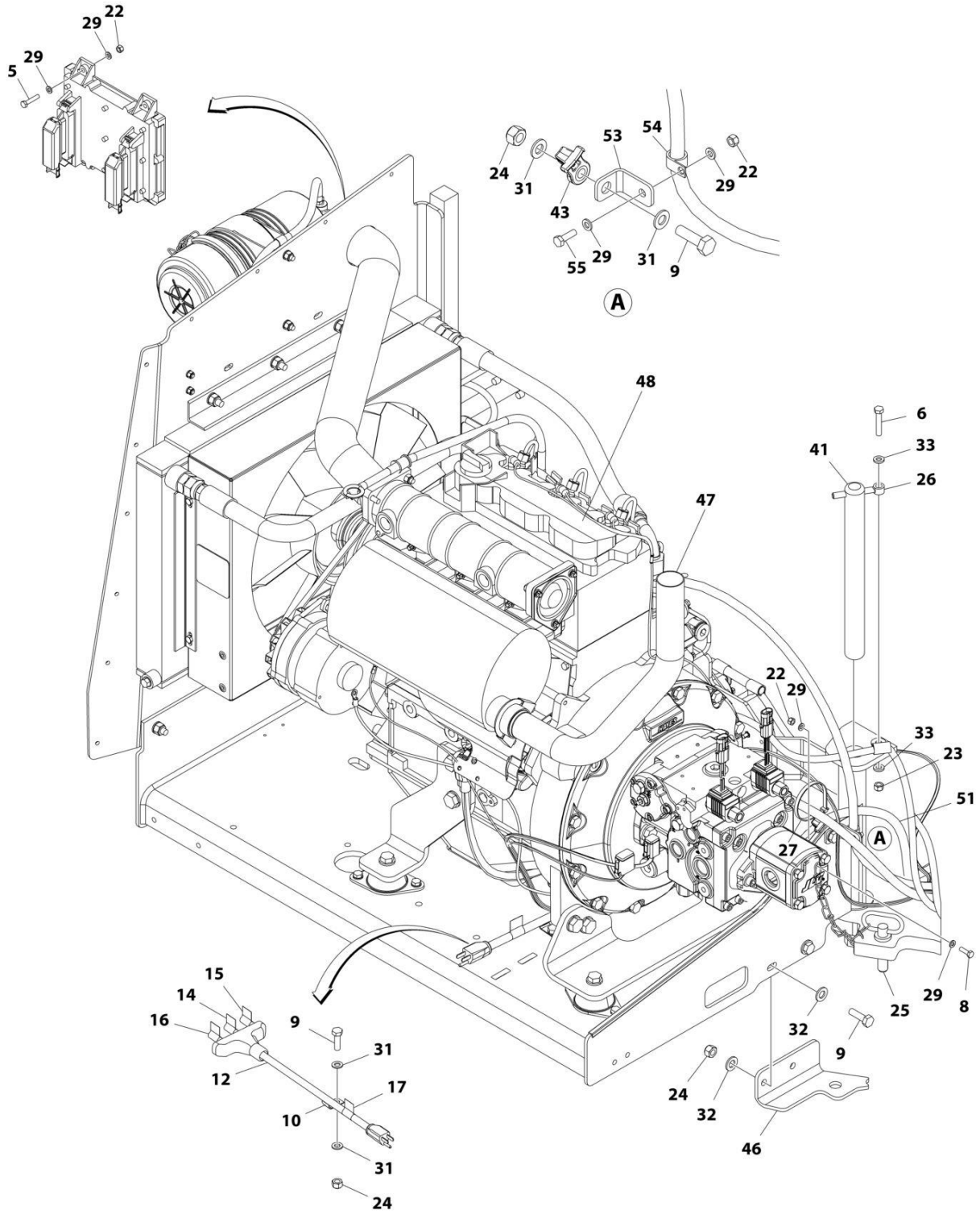
ITEM	PART NUMBER	QTY	DESCRIPTION	REV
	1001166020	Ref	ENGINE ASSEMBLY - DEUTZ D2011 ENGINE	N
1	0100011	AR	Compound, Locking	
2	0100020	AR	Sealant, Pipe	
3	0100081	AR	Adhesive	
4	0080231	1	Spacer, Fan	
7	0711224	4	Bolt M12 x 80 Grade 10.9	
8	0771414	8	Bolt M14 x 30 Grade 10.9	
9	0760610	6	Bolt M6 x 20	
10	0760814	8	Bolt M8 x 30	
11	0760815	9	Bolt M8 x 35	
12	0761015	11	Bolt M10 x 35	
13	0961951	2	Bushing	
14	1320016	2	Clamp	
15	1703162	2	Decal - Caution Fan	
16	2060025	1	Fan	
17	2220315	1	Fitting, Barbed	
18	2220451	2	Fitting, Straight JIC/ORB	
19	2720398	1	Hose	
20	2720447	1	Hose	
21	2902065	1	Pump Coupling Kit (See Separate Breakdown in this Section)	
22	3290605	6	Nut M6 x 1	
23	3290805	13	Nut M8 x 1-1/4	
25	3291005	11	Nut M10 x 1-1/2	
26	3331215	4	Nut M12 x 1-3/4	
27	3520054	2	Plug	
28	3740067	2	Relay Assembly	
28	3300220	2	Nut	
28	3321001	1	Nut #10	
28	3740140	1	Relay	
28	4761000	1	Washer #10	
28	1001111424	2	Washer	
29	3960407	1	Gasket	
30	4060805	2.25 ft/ 0.69m	Trim-Flex	
31	4240099	AR	Tie-Strap	
32	4811700	15	Washer M6	
33	4811900	20	Washer M8	
34	4812000	22	Washer M10	
35	4812200	8	Washer M14	
36	5241200	4	Washer M12	
37	8305401	2	Nut, Jam	
38	8307109	2	Washer, .250	
39	8310548	2	Screw 1/4 x 1/2	
40	1001132195	1	Bracket, Engine Mount	
41	1001132196	1	Bracket, Engine Mount	
43	1001138173	1	Support, Service Indicator	
44	1001138175	1	Bracket, Service Indicator	
45	1001138248	2 ft/ 0.61m	Tube	
46	1001139819	1	Adapter, Air Intake	

SECTION 3 - ENGINE

ITEM	PART NUMBER	QTY	DESCRIPTION	REV
47	1001141694	1	Clamp, Air Cleaner	
48	1001141995	1	Fitting, Barbed	
49	1001143390	1	Indicator	
50	1001150998	1	Radiator	
52	1001165388	1	Air Cleaner Assembly	
52	70003783	1	Element, Air Cleaner	
53	1001165389	1	Hose	
54	1001166717	1	Bracket, Engine Mount	
55	1001166718	4	Isolator, Engine Mount	
56	1001167111	1	Harness Engine - Deutz D2011 (See Separate Breakdown in ELECTRICAL SECTION)	
57	1001167520	1	Tray, Engine	
58	1001168018	4	Washer, Snubbing	
59	1001168059	1	Plate, Radiator Mounting	
60	1001170693	1	Engine, Deutz D2011 (See Separate Breakdown in this Section)	
61	4923451	1	Harness, Glow Plugs	
62	0760614	3	Bolt M6 x 30	
63	8406109	1	Clip	
64	1001178859	1	Cable, Alternator	
65	1001214975	1	Bracket	

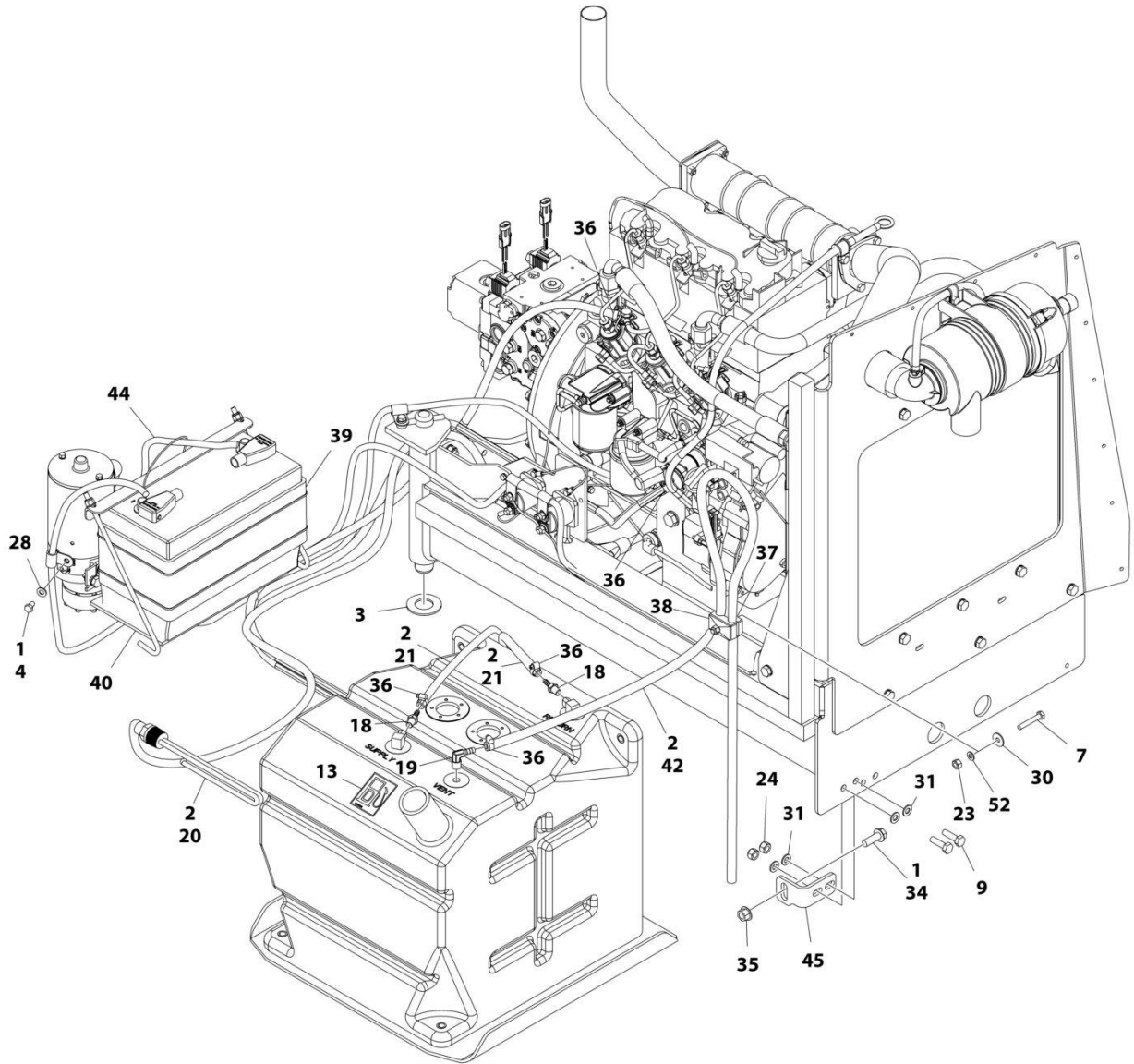
SECTION 3 - ENGINE

FIGURE 3-4. DEUTZ D2011 ENGINE INSTALLATION (WITH ARCTIC PACKAGE)



ART_1001166023_G_10F2

SECTION 3 - ENGINE



ART_1001166023_G_20F2

SECTION 3 - ENGINE

FIGURE 3-4. DEUTZ D2011 ENGINE INSTALLATION (WITH ARCTIC PACKAGE)

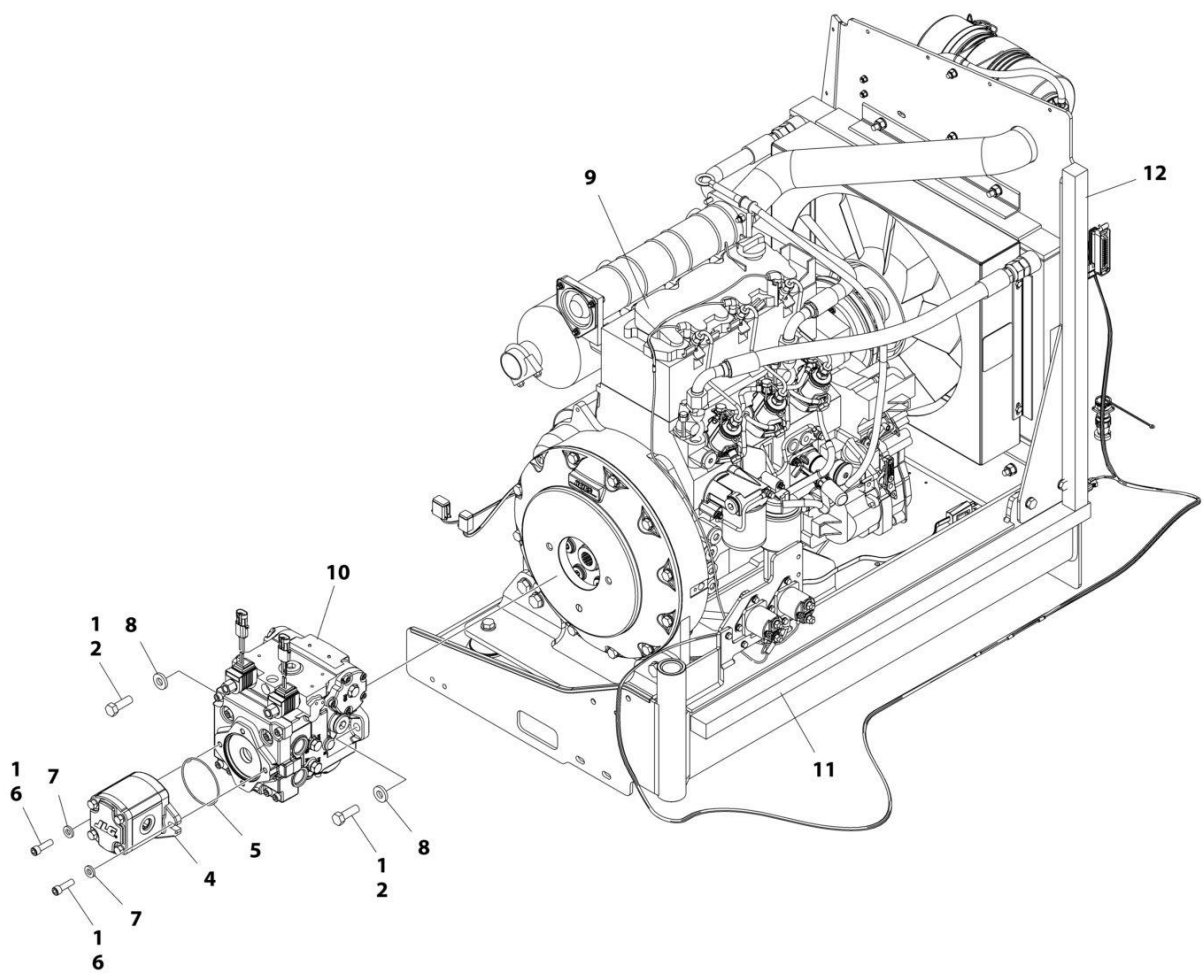
ITEM	PART NUMBER	QTY	DESCRIPTION	REV
	1001166023	Ref	ENGINE INSTALLATION - DEUTZ D2011 ENGINE (WITH ARCTIC PACKAGE)	G
1	0100011	AR	Compound, Locking	
2	0100020	AR	Sealant, Pipe	
3	0440162	1	Bearing	
4	0641504	1	Bolt 5/16 x 1/2	
5	0700614	4	Bolt M6 x 30	
6	0700817	1	Bolt M8 x 45	
7	0700821	1	Bolt M8 x 65	
8	0760610	1	Bolt M6 x 20	
9	0761015	6	Bolt M10 x 35	
10	1320223	1	Clip	
12	1060626	1	Plug, 3 Way	
13	1701505	1	Decal - Diesel Fuel	
14	1702941	1	Decal - Battery Heater	
15	1702942	1	Decal - Engine Block Heater	
16	1702943	1	Decal - Hydraulic Tank Heater	
17	1702944	1	Decal - Heater Cord	
18	2180348	2	Fitting, Barbed	
19	2220313	1	Fitting, Barbed 90	
20	1001188972	1	Heater, Hydraulic Tank	
21	2720058	17 ft / 5.18m	Hose	
22	3290605	6	Nut M6 x 1	
23	3290805	2	Nut M8	
24	3291005	6	Nut M10	
25	3422532	1	Pin	
26	3841143	1	Keeper, Pin	
27	4240099	AR	Tie-Strap	
28	4711500	1	Washer 5/16	
29	4811700	12	Washer M6	
30	4811902	1	Washer M8	
31	4812000	8	Washer M10	
32	4812100	4	Washer M12	
33	5240800	2	Washer M8	
34	5251215	1	Bolt M12 x 35	
35	5261200	1	Nut M12	
36	8405009	5	Clamp	
37	1320187	1	Clamp	
38	1320190	1	Clamp	
39	2580024	1	Heater, Battery	
40	1001119278	1	Insulate	
41	1001135196	1	Pin	
42	2750532	6 ft/ 1.83m	Hose	
43	1001156107	1	Holder, Cable	
44	1001167038	1	Battery Cable Kit	
44	70009004	1	Cable, Battery (Black) (Battery Negative, Auxiliary Power Pump, Turntable Ground to Engine Ground)	
44	70009005	1	Cable, Battery (Red) (Battery Positive, Auxiliary Power Relay, Starter Relay to Starter)	

SECTION 3 - ENGINE

ITEM	PART NUMBER	QTY	DESCRIPTION	REV
44	70009002	1	Cable, Battery (Red) (Auxiliary Power Relay to Auxiliary Power Pump)	
45	1001167512	1	Bracket, Engine	
46	1001169823	1	Plate, Engine Lock	
47	1001172195	1	Pipe, Exhaust	
48	1001174784	1	Engine and Pump Sub-Assembly - Deutz D2011(See Separate Breakdown in this Section)	
51	1001150918	1	Cable, Extension Cord	
52	4811900	1	Washer M8	
53	1001148641	1	Bracket, Clamp Mounting	
54	1320224	1	Clamp, Cable	
55	0700610	1	Bolt M6 x 20	

SECTION 3 - ENGINE

FIGURE 3-5. DEUTZ D2011 ENGINE AND PUMP SUB-ASSEMBLY (WITH ARCTIC PACKAGE)



ART_1001174784_G

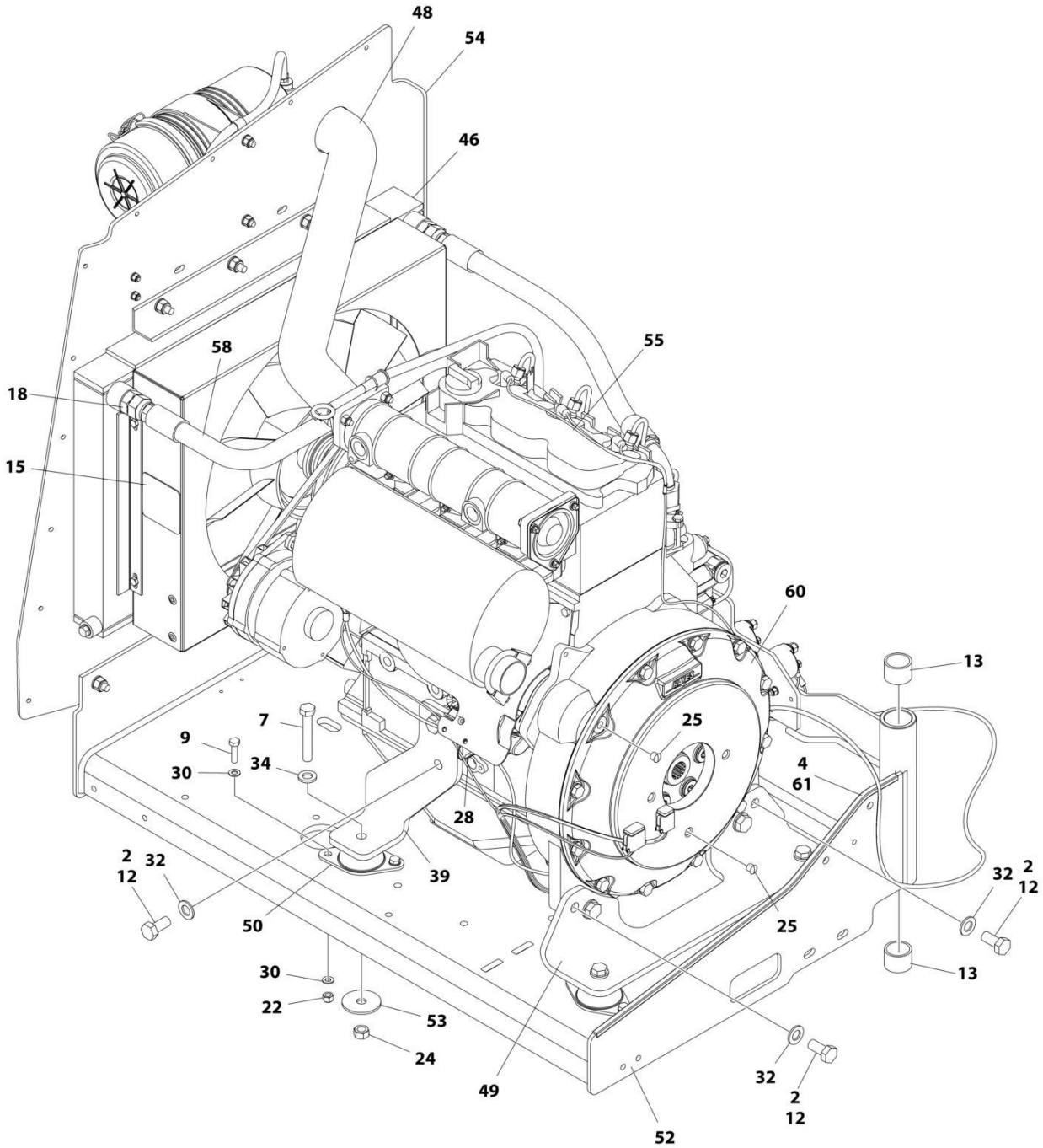
SECTION 3 - ENGINE

FIGURE 3-5. DEUTZ D2011 ENGINE AND PUMP SUB-ASSEMBLY (WITH ARCTIC PACKAGE)

ITEM	PART NUMBER	QTY	DESCRIPTION	REV
	1001174784	Ref	ENGINE AND PUMP SUB-ASSEMBLY - DEUTZ D2011 (WITH ARCTIC PACKAGE)	G
1	0100011	AR	Compound, Locking	
2	0641812	2	Bolt 1/2 x 1-1/2	
4	1001214207	1	Gear Pump Assembly	
4	70006356	1	Seal Kit - 1001214207 Pump	
5	3790152	1	O-Ring	
6	3931618	2	Capscrew 3/8 x 1 1/8	
7	4891600	2	Washer 3/8 Hardened	
8	4891800	2	Washer 1/2 Hardened	
9	1001174783	1	Engine Assembly - Deutz D2011 Engine (With Arctic Package) (See Separate Breakdown in this Section)	
10	1001167036	1	Piston Pump Assembly (See Separate Breakdown in this Section)	
11	1001171953	1	Seal	
12	1001171954	1	Seal	

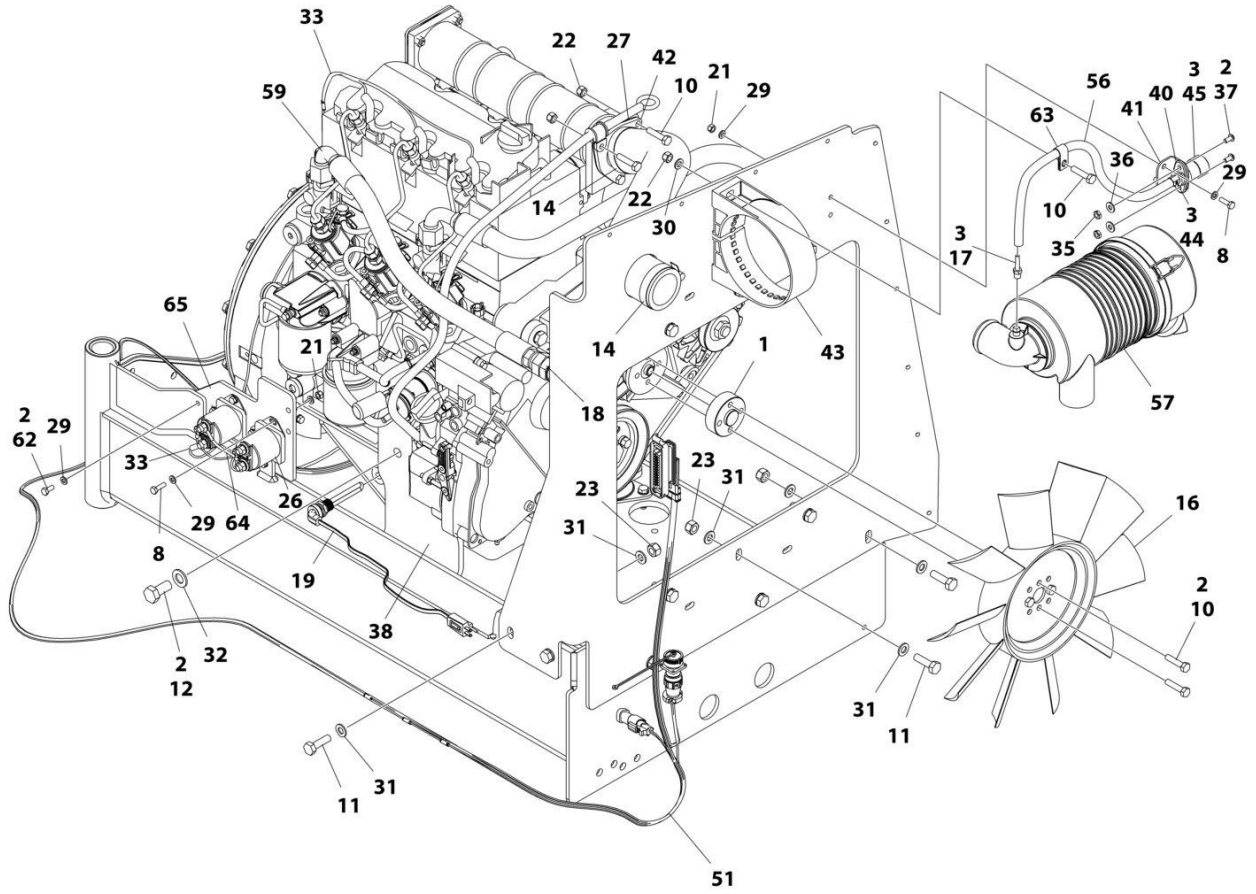
SECTION 3 - ENGINE

FIGURE 3-6. DEUTZ D2011 ENGINE ASSEMBLY (WITH ARCTIC PACKAGE)



ART_1001174783_M_10F2

SECTION 3 - ENGINE



ART_1001174783_M_20F2

SECTION 3 - ENGINE

FIGURE 3-6. DEUTZ D2011 ENGINE ASSEMBLY (WITH ARCTIC PACKAGE)

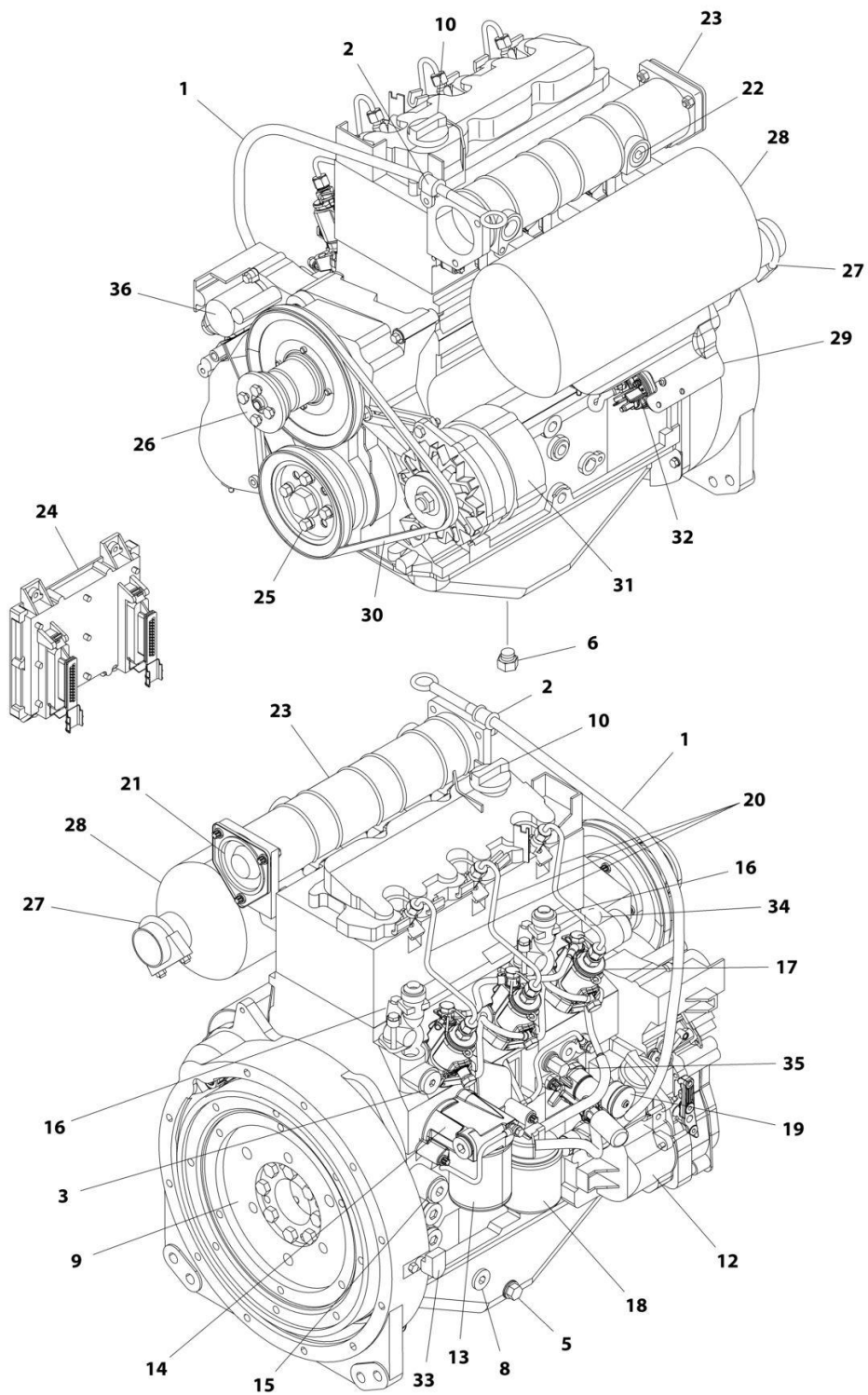
ITEM	PART NUMBER	QTY	DESCRIPTION	REV
	1001174783	Ref	ENGINE ASSEMBLY - DEUTZ D2011 ENGINE (WITH ARCTIC PACKAGE)	M
1	0080231	1	Spacer, Fan	
2	0100011	AR	Compound, Locking	
3	0100020	AR	Sealant, Pipe	
4	0100081	AR	Adhesive	
7	0711224	4	Bolt M12 x 80 Grade 10.9	
8	0760610	6	Bolt M6 x 20	
9	0760814	8	Bolt M8 x 30	
10	0760815	9	Bolt M8 x 35	
11	0761015	11	Bolt M10 x 35	
12	0771414	8	Bolt M14 x 30 Grade 10.9	
13	0961951	2	Bushing	
14	1320016	2	Clamp	
15	1703162	2	Decal - Caution Fan	
16	2060025	1	Fan	
17	2220315	1	Fitting, Barbed	
18	2220451	2	Fitting, Straight JIC/ORB	
19	2580062	1	Heater, Engine Block	
21	3290605	6	Nut M6	
22	3290805	13	Nut M8	
23	3291005	11	Nut M10	
24	3331215	4	Nut M12	
25	3520054	2	Plug	
26	3740067	2	Relay Assembly	
26	3300220	2	Nut	
26	3321001	1	Nut #10	
26	3740140	1	Relay	
26	4761000	1	Washer #10	
26	1001111424	2	Washer	
27	3960407	1	Gasket	
28	4240099	AR	Tie-Strap (Not Shown)	
29	4811700	15	Washer M6	
30	4811900	20	Washer M8	
31	4812000	22	Washer M10	
32	4812200	8	Washer M14	
33	4923451	1	Harness, Glow Plugs	
34	5241200	4	Washer M12	
35	8305401	2	Nut, Jam	
36	8307109	2	Washer	
37	8310548	2	Screw 1/4 x 1/2	
38	1001132195	1	Bracket, Engine Mount	
39	1001132196	1	Bracket, Engine Mount	
40	1001138173	1	Support, Service Indicator	
41	1001138175	1	Bracket, Service Indicator	
42	1001139819	1	Adapter, Air Intake	
43	1001141694	1	Clamp, Air Cleaner	
44	1001141995	1	Fitting, Barbed	
45	1001143390	1	Indicator	
46	1001150998	1	Radiator	

SECTION 3 - ENGINE

ITEM	PART NUMBER	QTY	DESCRIPTION	REV
48	1001165389	1	Hose	
49	1001166717	1	Bracket, Engine Mount	
50	1001166718	4	Isolator, Engine Mount	
51	1001167111	1	Harness Engine - Deutz D2011 (See Separate Breakdown in ELECTRICAL SECTION)	
52	1001167520	1	Tray, Engine	
53	1001168018	4	Washer, Snubbing	
54	1001168059	1	Plate, Radiator Mounting	
55	1001170693	1	Engine, Deutz D2011 (See Separate Breakdown in this Section)	
56	1001138248	2 ft/ 0.61m	Tube	
57	1001165388	1	Air Cleaner Assembly	
57	70003783	1	Element, Air Cleaner	
58	2720398	1	Hose	
59	2720447	1	Hose	
60	2902065	1	Pump Coupling Kit (See Separate Breakdown in this Section)	
61	4060805	2.25 ft/ 0.69m	Flex-Trim	
62	0760614	3	Bolt M6 x 30	
63	8406109	1	Clip	
64	1001178859	1	Cable, Alternator	
65	1001214975	1	Bracket	

SECTION 3 - ENGINE

FIGURE 3-7. DEUTZ D2011 ENGINE COMPONENTS



ART_1001170693

SECTION 3 - ENGINE

FIGURE 3-7. DEUTZ D2011 ENGINE COMPONENTS

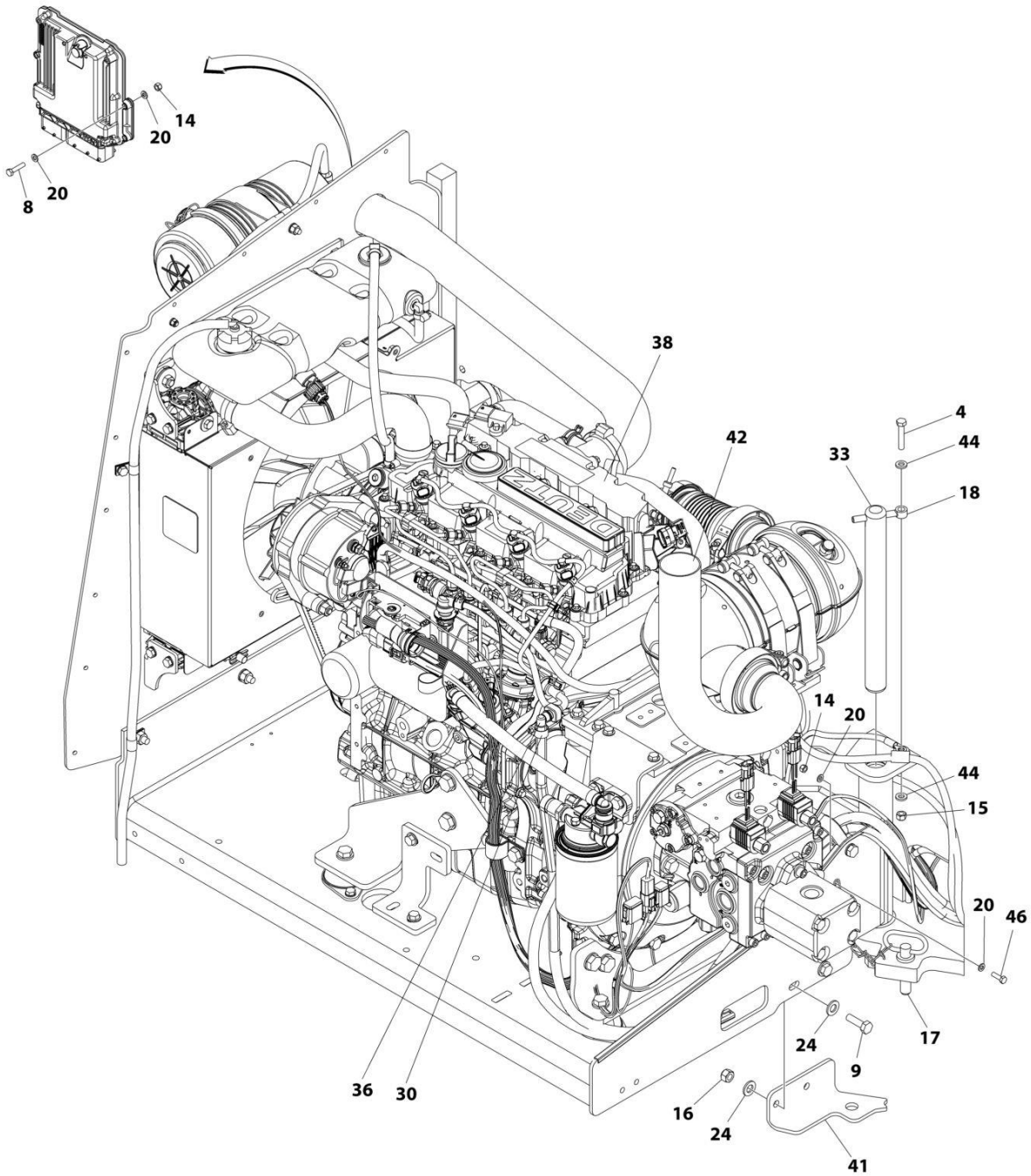
ITEM	PART NUMBER	QTY	DESCRIPTION	REV
	1001170693	Ref	ENGINE COMPONENTS - DEUTZ D2011	C
1	70001002	1	Tube, Dipstick	
1	7020403	1	Seal, Tube	
1	7020026	1	Dipstick	
2	70001654	1	Clamp	
2	70001655	1	Bolt	
3	70003475	1	Thermostat	
3	7020460	1	Spring	
4		Ref	Seal and Gasket Options (Not Shown):	
4	70002718	1	Seal, Rear Main	
4	7020430	1	Gasket, Valve Cover	
4	70003479	1	Gasket, Head - 1 Notch	
4	70003480	1	Gasket, Head - 2 Notch	
4	70003481	1	Gasket, Head - 3 Notch	
5	70025088	1	Plug	
6	70025667	1	Plug	
7	70025123	22	Bolt, Torx (Oil Pan Bolts) (Not Shown)	
8	7020492	1	Seal	
8	70025084	1	Plug	
9	70001870	1	Flywheel	
9	7024579	1	Ring Gear (Part of Flywheel)	
9	70025139	8	Bolt	
10	7020465	1	Cap, Oil Fill	
11	70000800	1	Timing Belt/Idler Kit (Includes Timing Belt, Tensioner and Tensioner Bolt) (Not Shown)	
12	70001850	1	Pump, Lubricating	
12	7020468	1	Seal, Pump to Engine Block (Not Shown)	
13	7016331	1	Filter, Oil	
14	70003472	1	Bracket, Oil Filter (Includes Plug with Seal, Temperature Sensor, Control Valve and Compression Spring)	
14	7027236	1	Sensor, Temperature	
14	70025082	1	Seal, Plug	
14	70025091	1	Plug	
14	70003473	1	Gasket, Bracket to Engine Block (Not Shown)	
15	70001181	1	Valve	
15	70025091	1	Plug	
15	70025082	1	Seal, Plug	
16	70004268	2	Connector, Radiator Neck	
16	70004269	2	Seal, Radiator Neck to Engine Block	
17	70000912	3	Pump, Fuel Injector - A Spec	
17	70000913	3	Pump, Fuel Injector - B Spec	
17	70000914	3	Pump, Fuel Injector - C Spec	
17	70000915	3	Pump, Fuel Injector - D Spec	
17	70003464	3	O-Ring, Pump to Engine Block	
18	7020023	1	Filter, Fuel	
18	70003463	1	Filter, Fuel - RME Resistant	
18	70001423	1	Bracket, Fuel Filter	
19	70000916	1	Pump Fuel Supply	
19	70000917	1	O-Seal Between Fuel Pump and Engine Block	
19	70000918	1	Sealing Ring Between Hand Pump and Supply Pump	

SECTION 3 - ENGINE

ITEM	PART NUMBER	QTY	DESCRIPTION	REV
19	70000919	1	Pump, Hand	
19	70001435	1	Repair Kit	
19	70025694	2	Bolt, Torx	
20	70000931	3	Pipe, High Pressure	
21	70003469	1	Flange, Intake	
21	70003468	1	Seal	
22	70025084	1	Plug	
22	7020492	1	Seal, Plug	
23	7027903	1	Manifold, Air Intake	
23	70001871	3	Gasket Between Manifold and Engine Block	
24	See Note	1	Module, Engine Control (Note: Not Currently Available)	
24	7027796	1	Cable, Electrical Between Module and Engine Harness (Not Shown)	
24	70001872	1	Harness, Engine (Connects to p/n 70004060) (Not Shown)	
24	70004060	1	Plug, Connector Located on Cable Near Module (Not Shown)	
24	70004059	1	Plug, Analyzer (Not Shown)	
25	70025123	4	Bolt, Torx	
26	70000787	1	Support, Fan (Includes Support, Internal Shaft, Bearings and Circlip)	
27	70001844	1	Clamp	
28	See Note	1	Muffler (Note: See Separate Breakdown in this Section)	
28	7020471	3	Gasket, Exhaust Between Muffler and Engine Block	
28	70004270	6	Stud, Muffler	
29	70001498	1	Shield, Starter	
29	70025693	3	Bolt	
30	70004102	1	V-Belt	
31	70004056	1	Alternator (Includes Voltage Regulator and Gaskets, Fan and Fan Mounting Hardware)	
31	70001868	1	Regulator, Voltage	
31	70001866	1	Gasket Set, Voltage Regulator	
31	70025131	1	Fan	
31	70025086	1	Nut, Fan	
31	70000851	1	Bracket, Alternator Mounting	
31	70002234	1	Bracket, Alternator Adjustment	
31	70004103	1	Harness, Alternator (Not Shown)	
32	7020479	1	Starter	
32	70025121	2	Bolt, Starter Mounting	
32	70004058	1	Relay	
32	70004062	1	Harness, Starter (Not Shown)	
33	7024565	1	Sensor, Speed	
33	70003931	1	Bolt	
33	70003932	1	Spacer, Sleeve	
34	7027791	1	Sensor, Temperature	
35	7027790	1	Sensor, Oil Pressure	
36	7027792	1	Actuator	
37	70000345	3	Plug, Glow (Not Shown)	

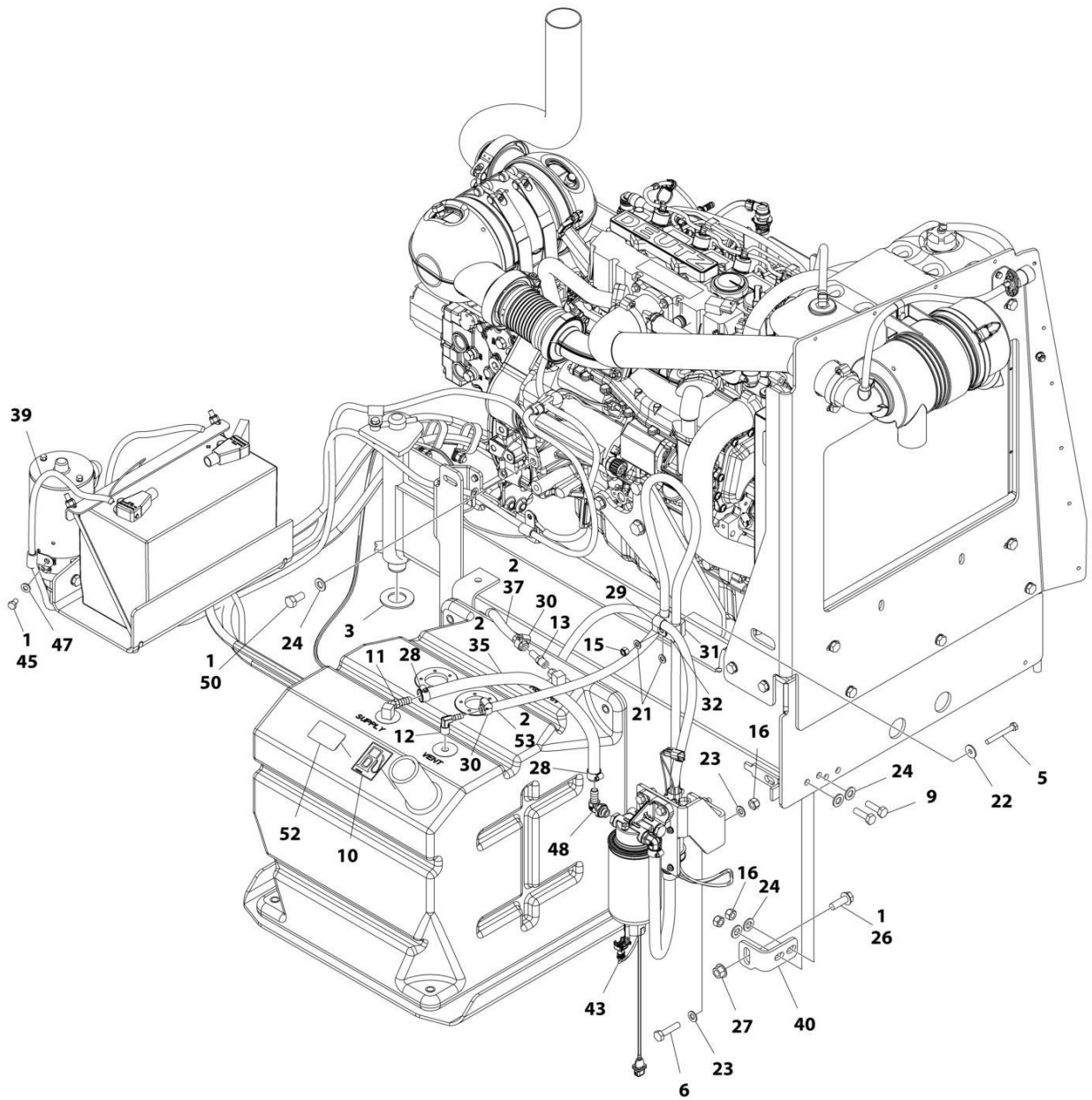
SECTION 3 - ENGINE

FIGURE 3-8. DEUTZ D2.9L4 ENGINE INSTALLATION (WITHOUT ARCTIC PACKAGE)



ART_1001166002_L_1OF2

SECTION 3 - ENGINE



ART_1001166002_L_20F2

SECTION 3 - ENGINE

FIGURE 3-8. DEUTZ D2.9L4 ENGINE INSTALLATION (WITHOUT ARCTIC PACKAGE)

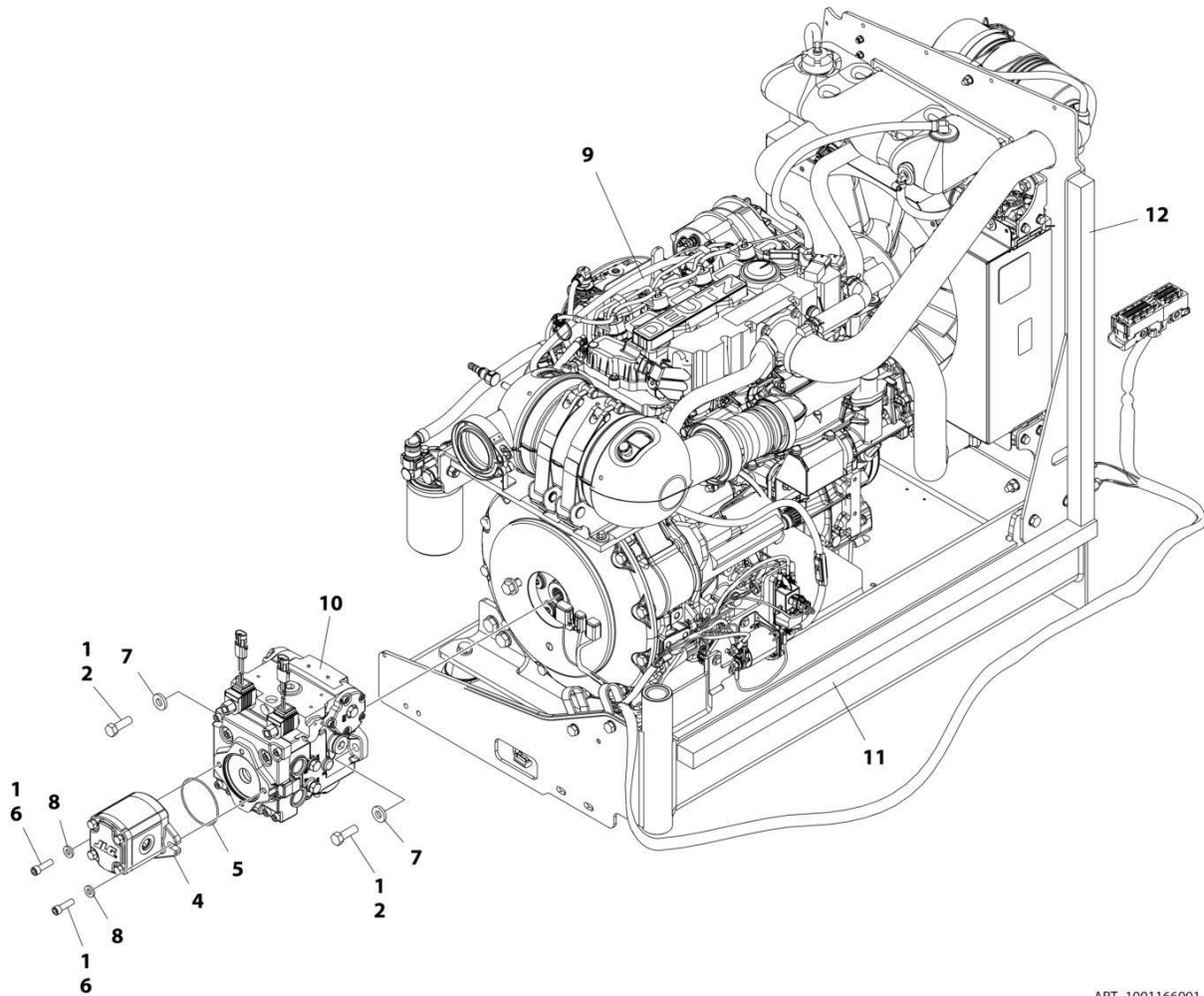
ITEM	PART NUMBER	QTY	DESCRIPTION	REV
	1001166002	Ref	ENGINE INSTALLATION - DEUTZ D2.9L4 ENGINE (WITHOUT ARCTIC PACKAGE)	L
1	0100011	AR	Compound, Locking	
2	0100020	AR	Sealant, Pipe	
3	0440162	1	Bearing	
4	0700817	1	Bolt M8 x 45	
5	0700821	1	Bolt M8 x 65	
6	0701017	2	Bolt M10 x 45	
8	0760613	4	Bolt M6 x 28	
9	0761015	4	Bolt M10 x 35	
10	1701505	2	Decal - Diesel Fuel	
11	2180832	1	Fitting, Barbed	
12	2220313	1	Fitting, Barbed 90	
13	2220767	1	Fitting, Barbed	
14	3290605	5	Nut, Lock M6 x 1	
15	3290805	2	Bolt, M8 x 1.25	
16	3291005	6	Nut, Lock M10 x 1.5	
17	3422532	1	Pin	
18	3841143	1	Keeper, Pin	
19	4240099	AR	Tie-Strap	
20	4811700	10	Washer, M6	
21	4811900	2	Washer, M8	
22	4811902	1	Washer, M8	
23	4812000	4	Washer, M10	
24	4812100	9	Washer, M12	
26	5251215	1	Bolt M12 x 35	
27	5261200	1	Nut, Flange M12	
28	8405006	3	Clamp	
29	8406101	1	Clip	
30	8410013	4	Clamp	
31	1320187	1	Clamp	
32	1320190	1	Clamp	
33	1001135196	1	Pin	
35	1001154405	27.56 in /70cm	Hose	
36	1001155823	1	Coupling, Quick Disconnect 90	
37	1001165035	21 ft /6.42m	Hose	
38	1001166001	1	Engine and Pump Sub-Assembly - Deutz D2.9L4 (Without Arctic Package) (See Separate Breakdown in this Section)	
39	1001166970	1	Battery and Auxiliary Power Pump Cable Kit	E
39	70009006	1	Cable, Battery (Black) (Battery to Ground)	
39	70009002	1	Cable, Battery (Red) (Auxiliary Power Relay to Auxiliary Power Pump)	
39	70009007	1	Cable, Battery (Red) (Battery to Auxiliary Power Relay)	
40	1001167512	1	Bracket, Engine Tray	
41	1001169823	1	Plate, Engine Lock	
42	1001172594	1	Pipe, Exhaust	
43	1001173342	1	Harness, Fuel Pump (See Separate Breakdown in ELECTRICAL SECTION)	
44	5240800	2	Washer, M8 Hardened	

SECTION 3 - ENGINE

ITEM	PART NUMBER	QTY	DESCRIPTION	REV
45	0641504	1	Bolt 5/16 x 1/2	
46	0760610	1	Bolt M6 x 20	
47	4711500	1	Washer, 5/16	
48	1001142501	1	Fitting, Barbed 90	
50	0771212	1	Bolt M12 x 25	
52	1001125387	1	Decal - Ultra Low Sulfur Fuel	
53	2750532	5.54 ft /1.69m	Hose	

SECTION 3 - ENGINE

FIGURE 3-9. DEUTZ D2.9L4 ENGINE AND PUMP SUB-ASSEMBLY (WITHOUT ARCTIC PACKAGE)



ART_1001166001_J

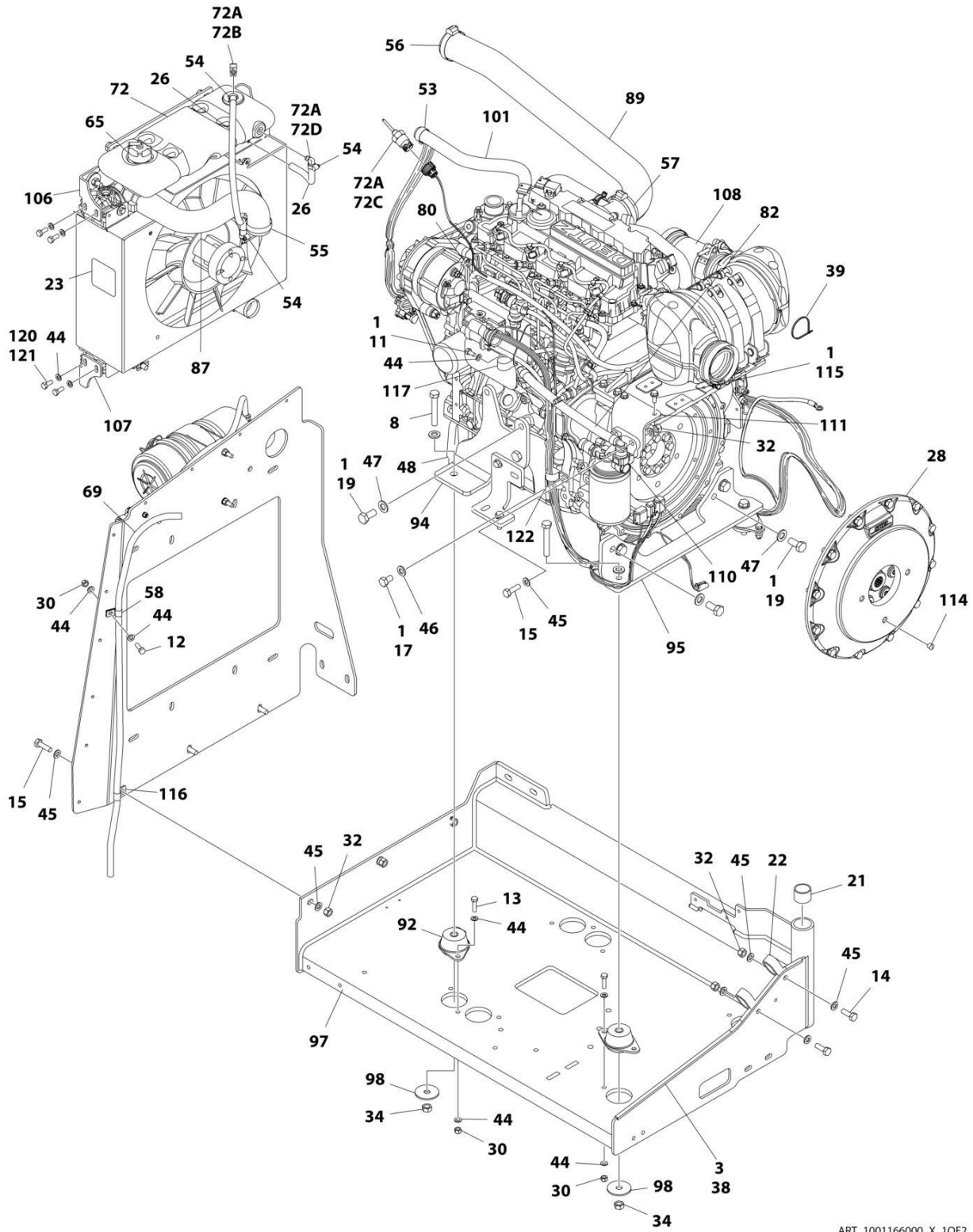
SECTION 3 - ENGINE

FIGURE 3-9. DEUTZ D2.9L4 ENGINE AND PUMP SUB-ASSEMBLY (WITHOUT ARCTIC PACKAGE)

ITEM	PART NUMBER	QTY	DESCRIPTION	REV
	1001166001	Ref	ENGINE AND PUMP SUB-ASSEMBLY - DEUTZ D2.9L4 (WITHOUT ARCTIC PACKAGE)	J
1	0100011	AR	Compound, Locking	
2	0641812	2	Bolt 1/2 x 1-1/2	
4	1001214207	1	Gear Pump Assembly	
4	70006356	1	Seal Kit - 1001214207 Pump	
5	3790152	1	O-Ring	
6	3931618	2	Capscrew 3/8 x 1-1/8	
7	4891800	2	Washer 1/2 Hardened	
8	4891600	2	Washer 3/8 Hardened	
9	1001166000	1	Engine Assembly - Deutz D2.9L4 Engine (Without Arctic Package) (See Separate Breakdown in this Section)	
10	1001167036	1	Piston Pump Assembly (See Separate Breakdown in this Section)	
11	1001171953	1	Seal	
12	1001171954	1	Seal	

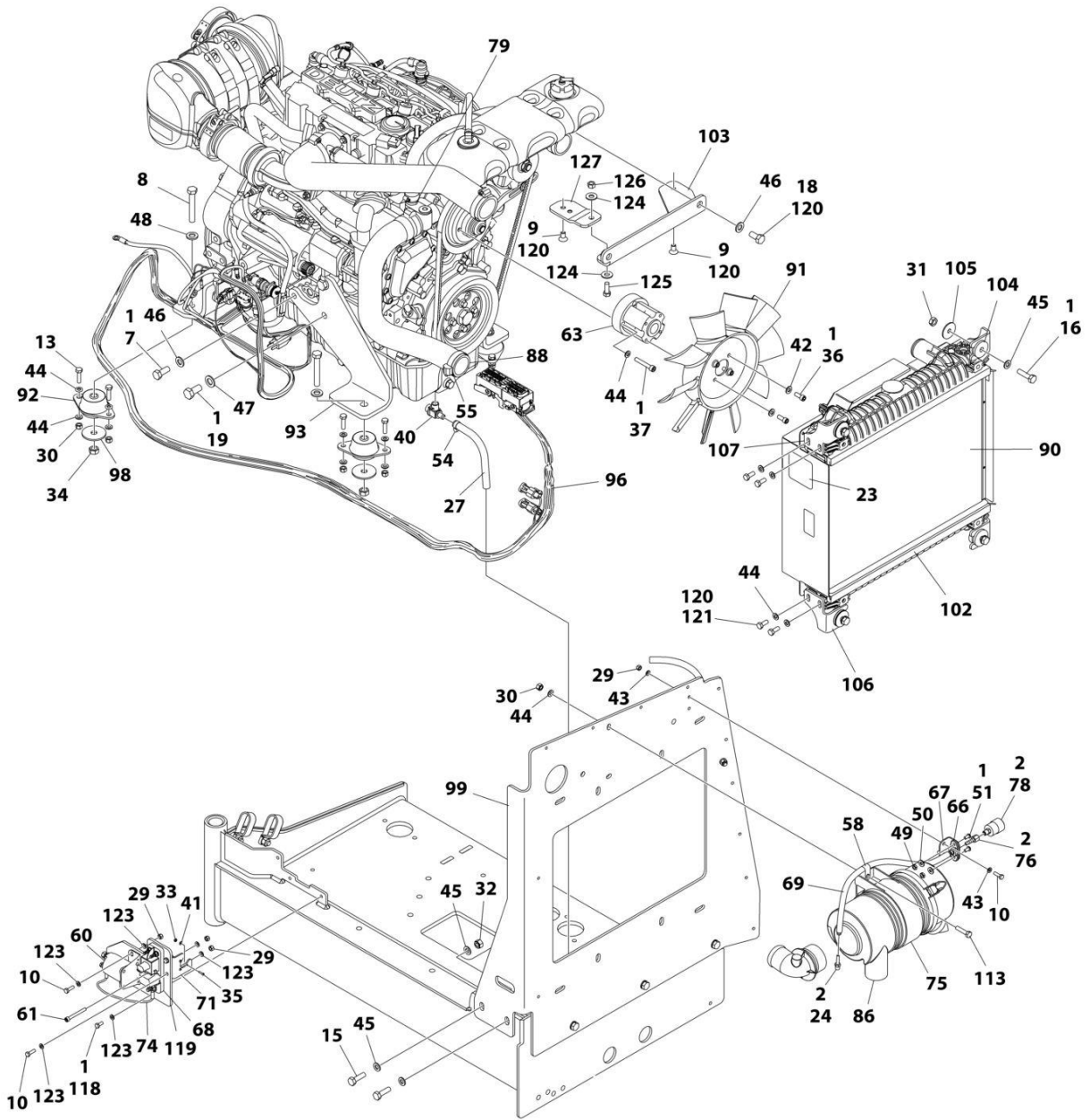
SECTION 3 - ENGINE

FIGURE 3-10. DEUTZ D2.9L4 ENGINE ASSEMBLY (WITHOUT ARCTIC PACKAGE)



ART_1001166000_X_10F2

SECTION 3 - ENGINE



ART_1001166000_X_20F2

SECTION 3 - ENGINE

FIGURE 3-10. DEUTZ D2.9L4 ENGINE ASSEMBLY (WITHOUT ARCTIC PACKAGE)

ITEM	PART NUMBER	QTY	DESCRIPTION	REV
	1001166000	Ref	ENGINE ASSEMBLY - DEUTZ D2.9L4 ENGINE (WITHOUT ARCTIC PACKAGE)	Y
1	0100011	AR	Compound, Locking	
2	0100020	AR	Sealant, Pipe	
3	0100081	AR	Adhesive	
7	0711214	1	Bolt M12 x 30	
8	0711224	AR	Bolt M12 x 80 Grade 10.9	
9	0741606	2	Screw 3/8 x 3/4	
10	0760610	6	Bolt M6 x 20	
11	0760808	1	Bolt M8 x 16	
12	0760812	1	Bolt M8 x 25	
13	0760814	AR	Bolt M8 x 30	
14	0761014	2	Bolt M10 x 30	
15	0761015	7	Bolt M10 x 35	
16	0761016	4	Bolt M10 x 40	
17	0761210	1	Bolt M12 x 20	
18	0761212	2	Bolt M12 x 25	
19	0771414	AR	Bolt M14 x 30 Grade 10.9	
21	0961951	2	Bushing	
22	1321716	2	Clamp	
23	1703162	2	Decal - Caution Fan	
24	2220315	1	Fitting, Straight Barbed	
26	2720015	2 ft/ 0.61m	Hose	
27	2720340	8 in/ 20.3cm	Hose	
28	2902065	1	Pump Coupling Kit (See Separate Breakdown in this Section)	
29	3290605	7	Nut M6	
30	3290805	AR	Nut M8	
31	3291001	4	Nut M10	
32	3291005	9	Nut M10	
33	3310401	3	Nut #4	
34	3331215	AR	Nut M12	
35	3910408	3	Screw #4- x 1/2	
36	3931512	4	Capscrew, 5/16 x 3/4	
37	4031914	4	Bolt M8 x 50	
38	4060805	2.25 ft/ 0.69m	Flex-Trim	
39	4240099	AR	Tie-Strap	
40	4640751	1	Valve, Oil Drain	
41	4710400	3	Washer #4	
42	4711500	4	Washer 5/16	
43	4811700	4	Washer M6	
44	4811900	AR	Washer M8	
45	4812000	22	Washer M10	
46	4812100	4	Washer M12	
47	4812200	AR	Washer M14	
48	5241200	4	Washer M12 Hardened	
49	8305401	2	Nut, Jam	
50	8307109	2	Washer	

SECTION 3 - ENGINE

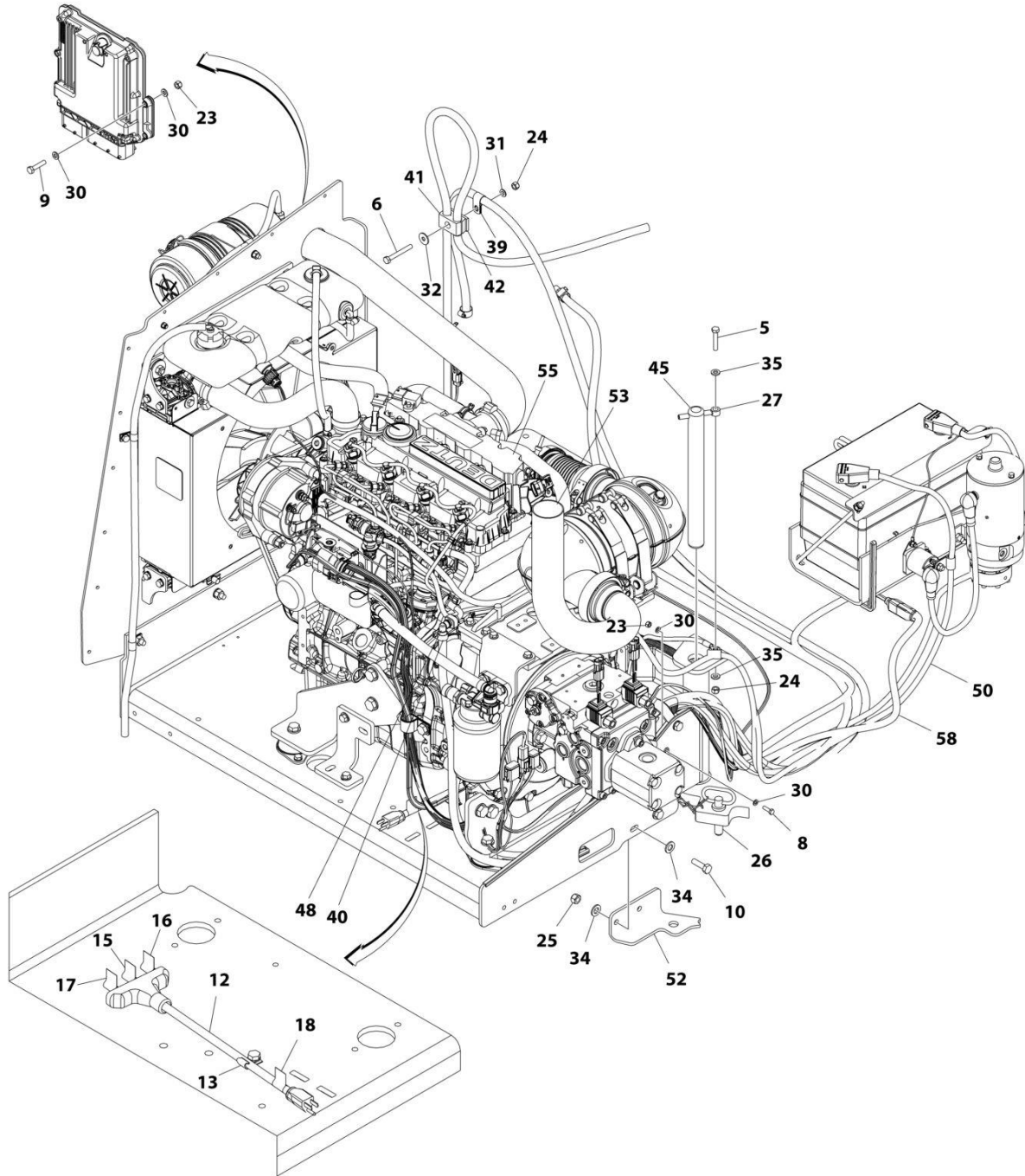
ITEM	PART NUMBER	QTY	DESCRIPTION	REV
51	8310548	2	Screw, 1/4 x 1/2	
53	8405007	2	Clamp	
54	8405009	5	Clamp	
55	8405104	4	Clamp	
56	8405202	1	Clamp	
57	8405204	1	Clamp	
58	8406109	2	Clip	
60	1001117308	1	Relay, 200Amp	
60	3300220	2	Nut	
60	3321001	2	Nut #10	
60	4761000	2	Washer #10	
60	1001111424	2	Washer	
61	1001118878	1	Bolt M6 x 55	
63	1001144116	1	Spacer, Fan	
65	1001136834	1	Cap, Tank	
66	1001138173	1	Support, Service Indicator	
67	1001138175	1	Bracket, Service Indicator	
68	1001138228	1	Relay, Power Module	
68	70023592	1	Fuse 20Amp	
68	70023593	1	Fuse 30Amp	
69	1001138248	5.25 ft/ 1.6m	Tube	
71	1001139240	1	Bracket	
72	1001230635	1	Tank, Surge (Includes Items 72A-72D)	
72A	0100020	AR	Sealant, Pipe	
72B	1001134488	1	Fitting, Barbed	
72C	1001138827	1	Sensor, Coolant Level	
72D	1001140564	1	Fitting, Barbed 90	
74	1001141304	1	Harness, Glow Plug	
75	1001141694	1	Clamp, Air Cleaner	
76	1001141995	1	Fitting, Barbed	
78	1001143390	1	Indicator	
79	1001143797	1	Fitting, Barbed	
80	1001178788	1	Cable, Alternator	
82	1001152489	1	Fitting, Barbed 90	
86	1001165388	1	Air Cleaner Assembly	
86	70003783	1	Element, Air Cleaner	
87	1001165405	1	Hose, Upper Radiator	
88	1001165406	1	Hose, Lower Radiator	
89	1001165721	1	Hose, Air Intake	
90	1001165722	1	Radiator	
91	1001165849	1	Fan	
92	1001166718	AR	Mount, Motor	
93	1001166921	1	Plate, Engine Mount	
94	1001166922	Ref	Plate, Engine Mount	
95	1001166924	1	Plate, Engine Mount	
96	1001167108	1	Harness Engine - Deutz D2.9L4 (See Separate Breakdown in ELECTRICAL SECTION)	
97	1001167520	1	Tray, Engine	
98	1001168018	4	Washer, Special	
99	1001168026	1	Plate, Radiator Mounting	
101	1001168099	1	Hose	

SECTION 3 - ENGINE

ITEM	PART NUMBER	QTY	DESCRIPTION	REV
102	1001168166	2	Seal	
103	1001260420	1	Bracket	
104	1001169054	4	Isolator	
105	1001169138	4	Washer, Snubbing	
106	1001169967	2	Bracket	
107	1001170035	2	Bracket	
108	1001249965	1	Engine, Deutz D2.9L4 (See Separate Breakdown in this Section)	
110	1001177359	1	Hose	
111	1001178876	1	Mount, Fuel Filter	
113	0760815	2	Bolt M8 x 35	
114	3520054	1	Plug	
115	5250810	2	Bolt M8 x 20	
116	8406110	1	Clip	
117	8406201	1	Clip	
118	0760607	3	Bolt M6 x 14	
119	1001179903	1	Bracket	
120	1001180620	AR	Adhesive	
121	0760810	8	Bolt M8 x 20	
122	1001191620	1	Clamp	
123	4811702	12	Washer M6	
124	4751600	2	Washer 3/8	
125	0681608	1	Bolt 3/8 x 1	
126	3311605	1	Nut 3/8	
127	1001260412	1	Bracket	
128	1001162335	1	Bracket Assembly - Fuel Pump/Filter (Not Shown - See Separate Breakdown in this Section)	

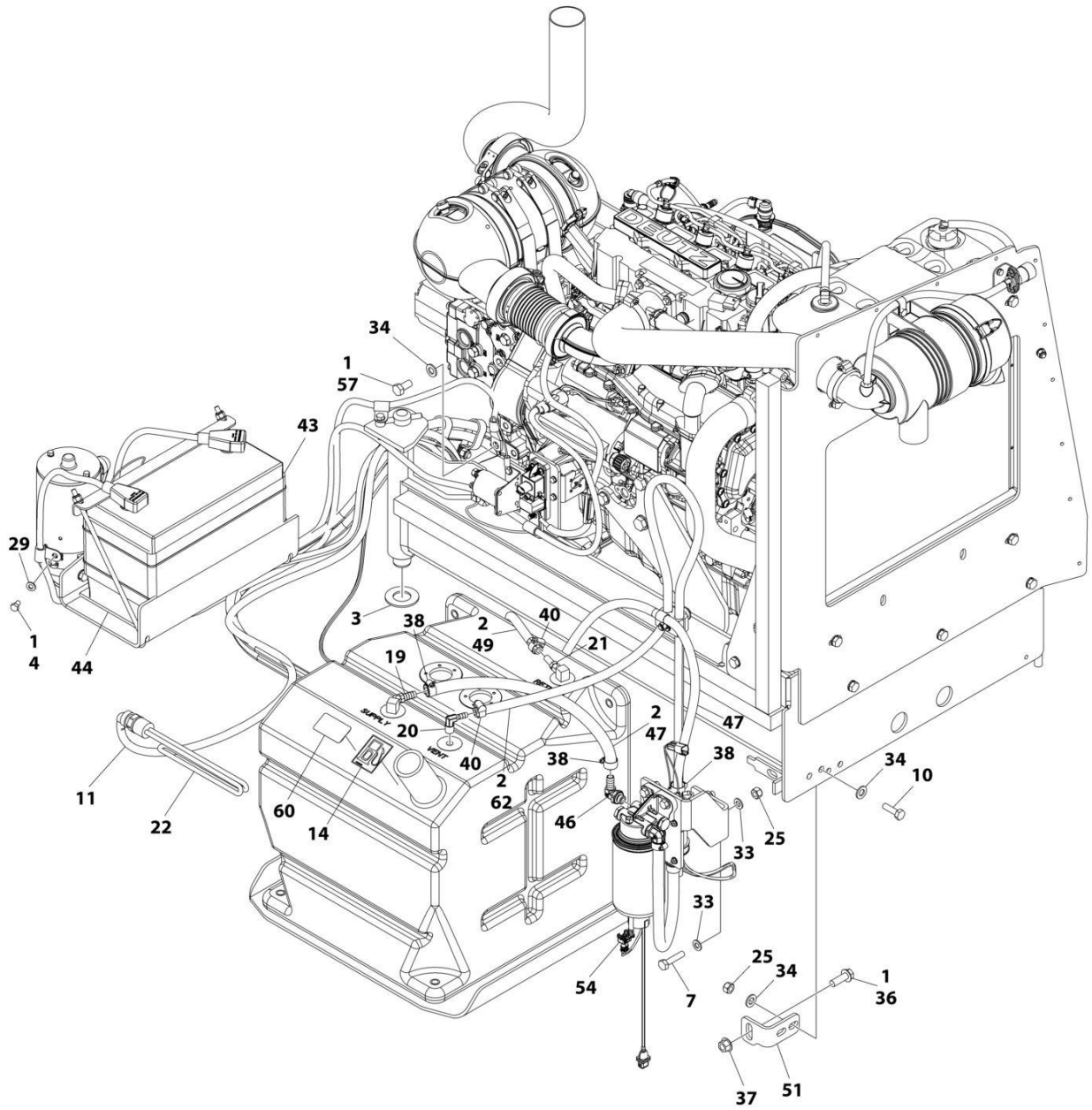
SECTION 3 - ENGINE

FIGURE 3-11. DEUTZ D2.9L4 ENGINE INSTALLATION (WITH ARCTIC PACKAGE)



ART_1001166003_K_10F2

SECTION 3 - ENGINE



ART_1001166003_K_20F2

SECTION 3 - ENGINE

FIGURE 3-11. DEUTZ D2.9L4 ENGINE INSTALLATION (WITH ARCTIC PACKAGE)

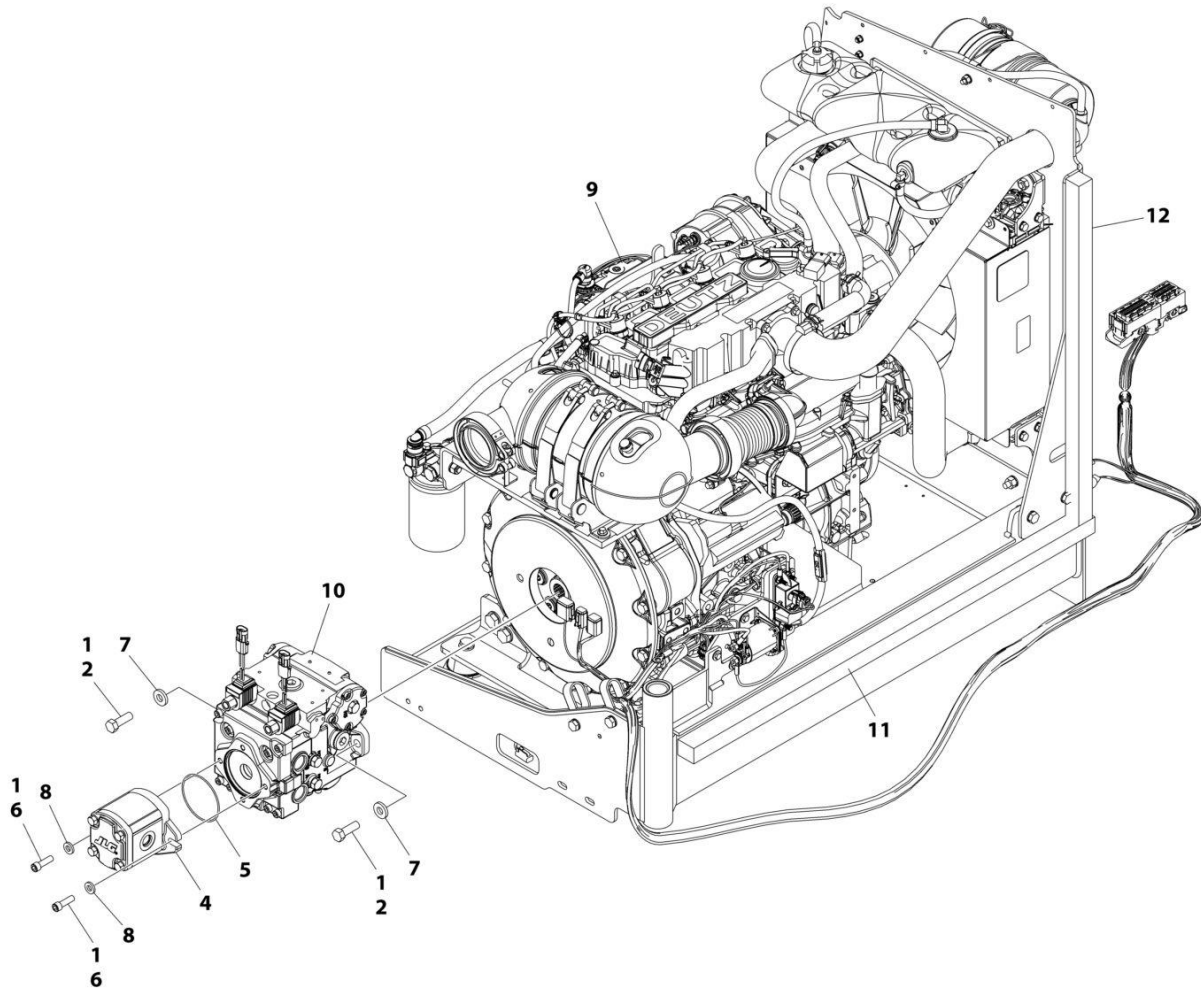
ITEM	PART NUMBER	QTY	DESCRIPTION	REV
	1001166003	Ref	ENGINE INSTALLATION - DEUTZ D2.9L4 ENGINE (WITH ARCTIC PACKAGE)	K
1	0100011	AR	Compound, Locking	
2	0100020	AR	Sealant, Pipe	
3	0440162	1	Bearing	
4	0641504	1	Bolt 5/16 x 1/2	
5	0700817	1	Bolt M8 x 45	
6	0700821	1	Bolt M8 x 65	
7	0701017	2	Bolt M10 x 45	
8	0760610	1	Bolt M6 x 20	
9	0760613	4	Bolt M6 x 28	
10	0761015	5	Bolt M10 x 35	
12	1060626	1	Plug, 3 Way	
13	1320223	1	Clamp	
14	1701505	2	Decal - Diesel Fuel	
15	1702941	1	Decal - Battery Heater	
16	1702942	1	Decal - Engine Block Heater	
17	1702943	1	Decal - Hydraulic Tank Heater	
18	1702944	1	Decal - Heater Cord	
19	2180832	1	Fitting, Barbed	
20	2220313	1	Fitting, Barbed 90	
21	2220767	1	Fitting, Barbed	
22	1001188972	1	Heater, Hydraulic Tank	
23	3290605	5	Nut, Lock M6 x 1	
24	3290805	2	Nut, Lock M8 x 1.25	
25	3291005	7	Nut, Lock M10 x 1.5	
26	3422532	1	Pin	
27	3841143	1	Keeper, Pin	
28	4240099	AR	Tie-Strap	
29	4711500	1	Washer, 5/16	
30	4811700	10	Washer, M6	
31	4811900	1	Washer, M8	
32	4811902	1	Washer, M8	
33	4812000	6	Washer, M10	
34	4812100	9	Washer, M12	
35	5240800	2	Washer, M8 Hardened	
36	5251215	1	Bolt M12 x 35	
37	5261200	1	Nut, Flange M12 Class10	
38	8405006	3	Clamp	
39	8406101	1	Clip	
40	8410013	4	Clamp	
41	1320187	1	Clamp	
42	1320190	1	Clamp	
43	2580024	1	Heater, Battery	
44	1001119278	1	Insulate	
45	1001135196	1	Pin	
46	1001142501	1	Fitting, Barbed 90	
47	1001154405	28 in/.7m	Hose	
48	1001155823	1	Coupling, Quick Disconnect 90	

SECTION 3 - ENGINE

ITEM	PART NUMBER	QTY	DESCRIPTION	REV
49	1001165035	21 ft /6.42m	Hose	
50	1001166970	1	Battery and Auxiliary Power Pump Cable Kit	E
50	70009006	1	Cable, Battery (Black) (Battery to Ground)	
50	70009002	1	Cable, Battery (Red) (Auxiliary Power Relay to Auxiliary Power Pump)	
50	70009007	1	Cable, Battery (Red) (Battery to Auxiliary Power Relay)	
51	1001167512	1	Bracket, Engine Tray	
52	1001169823	1	Plate, Engine Lock	
53	1001172594	1	Pipe, Exhaust	
54	1001173342	1	Harness, Fuel Pump (See Separate Breakdown in ELECTRICAL SECTION)	
55	1001174778	1	Engine and Pump Sub-Assembly - Deutz D2.9L4 (With Arctic Package) (See Separate Breakdown in this Section)	
57	0771212	1	Bolt M12 x 25	
58	1001150918	1	Cable, Extension Cord	
60	1001125387	1	Decal - Ultra Low Sulfur Fuel	
62	2750532	5.54 ft /1.69m	Hose	
63	1001233763	1	Breather Heater Installation (Not Shown - See Separate Breakdown in this Section)	

SECTION 3 - ENGINE

FIGURE 3-12. DEUTZ D2.9L4 ENGINE AND PUMP SUB-ASSEMBLY (WITH ARCTIC PACKAGE)



ART_1001174778_I

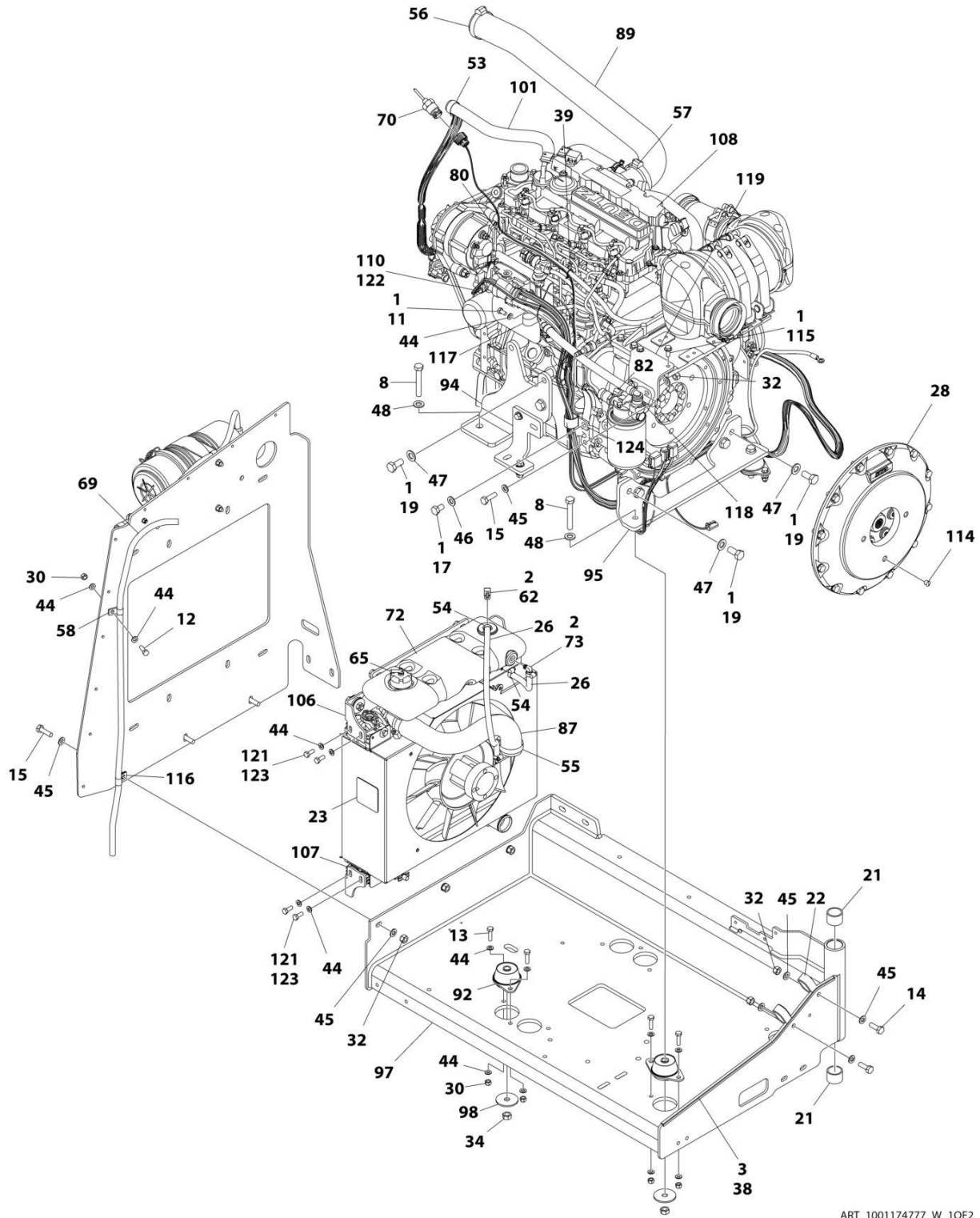
SECTION 3 - ENGINE

FIGURE 3-12. DEUTZ D2.9L4 ENGINE AND PUMP SUB-ASSEMBLY (WITH ARCTIC PACKAGE)

ITEM	PART NUMBER	QTY	DESCRIPTION	REV
	1001174778	Ref	ENGINE AND PUMP SUB-ASSEMBLY - DEUTZ D2.9L4 (WITH ARCTIC PACKAGE)	I
1	0100011	AR	Compound, Locking	
2	0641812	2	Bolt 1/2 x 1-1/2	
4	1001214207	1	Gear Pump Assembly	
4	70006356	1	Seal Kit - 1001214207 Pump	
5	3790152	1	O-Ring	
6	3931618	2	Capscrew 3/8 x 1 1/8	
7	4891800	2	Washer 1/2 Hardened	
8	4891600	2	Washer 3/8 Hardened	
9	1001174777	1	Engine Assembly - Deutz D2.9L4 Engine (With Arctic Package) (See Separate Breakdown in this Section)	
10	1001167036	1	Piston Pump Assembly (See Separate Breakdown in this Section)	
11	1001171953	1	Seal	
12	1001171954	1	Seal	

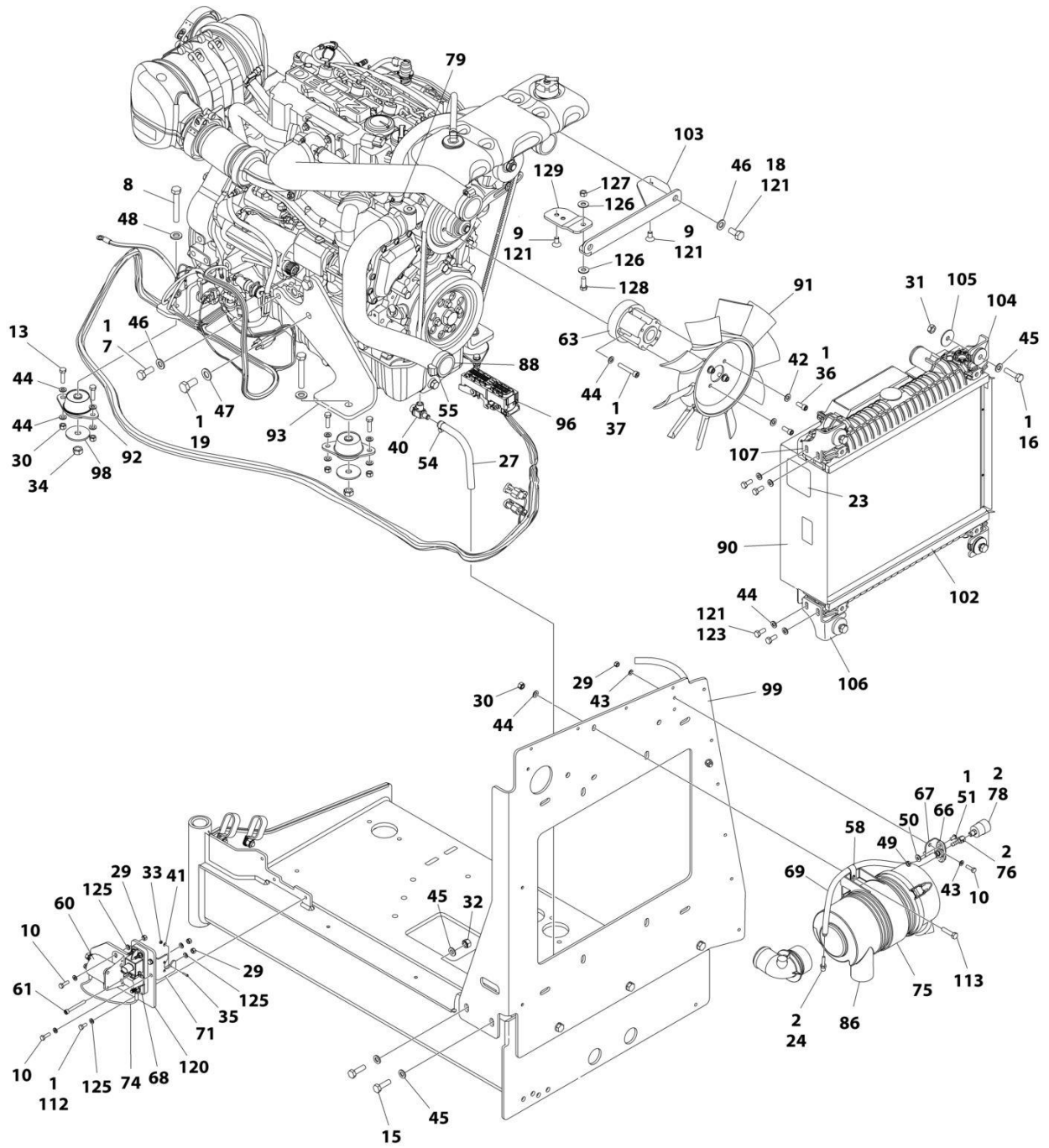
SECTION 3 - ENGINE

FIGURE 3-13. DEUTZ D2.9L4 ENGINE ASSEMBLY (WITH ARCTIC PACKAGE)



ART_1001174777_W_10F2

SECTION 3 - ENGINE



ART_1001174777_W_20F2

SECTION 3 - ENGINE

FIGURE 3-13. DEUTZ D2.9L4 ENGINE ASSEMBLY (WITH ARCTIC PACKAGE)

ITEM	PART NUMBER	QTY	DESCRIPTION	REV
	1001174777	Ref	ENGINE ASSEMBLY - DEUTZ D2.9L4 ENGINE (WITH ARCTIC PACKAGE)	X
1	0100011	AR	Compound, Locking	
2	0100020	AR	Sealant, Pipe	
3	0100081	AR	Adhesive	
7	0711214	1	Bolt M12 x 30	
8	0711224	AR	Bolt M12 x 80	
9	0741606	2	Screw 3/8 x 3/4	
10	0760610	6	Bolt M6 x 20	
11	0760808	1	Bolt M8 x 16	
12	0760812	1	Bolt M8 x 25	
13	0760814	8	Bolt M8 x 30	
14	0761014	2	Bolt M10 x 30	
15	0761015	7	Bolt M10 x 35	
16	0761016	4	Bolt M10 x 40	
17	0761210	1	Bolt M12 x 20	
18	0761212	2	Bolt M12 x 25	
19	0771414	AR	Bolt M14 x 30 Grade 10.9	
21	0961951	2	Bushing	
22	1321716	2	Clamp	
23	1703162	2	Decal - Caution Fan	
24	2220315	1	Fitting, Barbed	
26	2720015	2 ft/0.61m	Hose	
27	2720340	8 in /0.2m	Hose	
28	2902065	1	Pump Coupling Kit (See Separate Breakdown in this Section)	
29	3290605	7	Nut M6	
30	3290805	AR	Nut M8	
31	3291001	4	Nut M10	
32	3291005	9	Nut M10	
33	3310401	3	Nut #4	
34	3331215	AR	Nut M12 x 1.75	
35	3910408	3	Screw #4- x 1/2	
36	3931512	4	Capscrew 5/16 x 3/4	
37	4031914	4	Bolt M8 x 50	
38	4060805	2.25 ft/ 0.69m	Flex-Trim	
39	4240099	AR	Tie-Strap	
40	4640751	1	Valve, Oil Drain	
41	4710400	3	Washer #4	
42	4711500	4	Washer 5/16	
43	4811700	4	Washer M6	
44	4811900	AR	Washer M8	
45	4812000	22	Washer M10	
46	4812100	4	Washer M12	
47	4812200	9	Washer M14	
48	5241200	AR	Washer M12	
49	8305401	2	Nut Jam	
50	8307109	2	Washer, .250	
51	8310548	2	Screw 1/4 x 1/2	
53	8405007	2	Clamp	

SECTION 3 - ENGINE

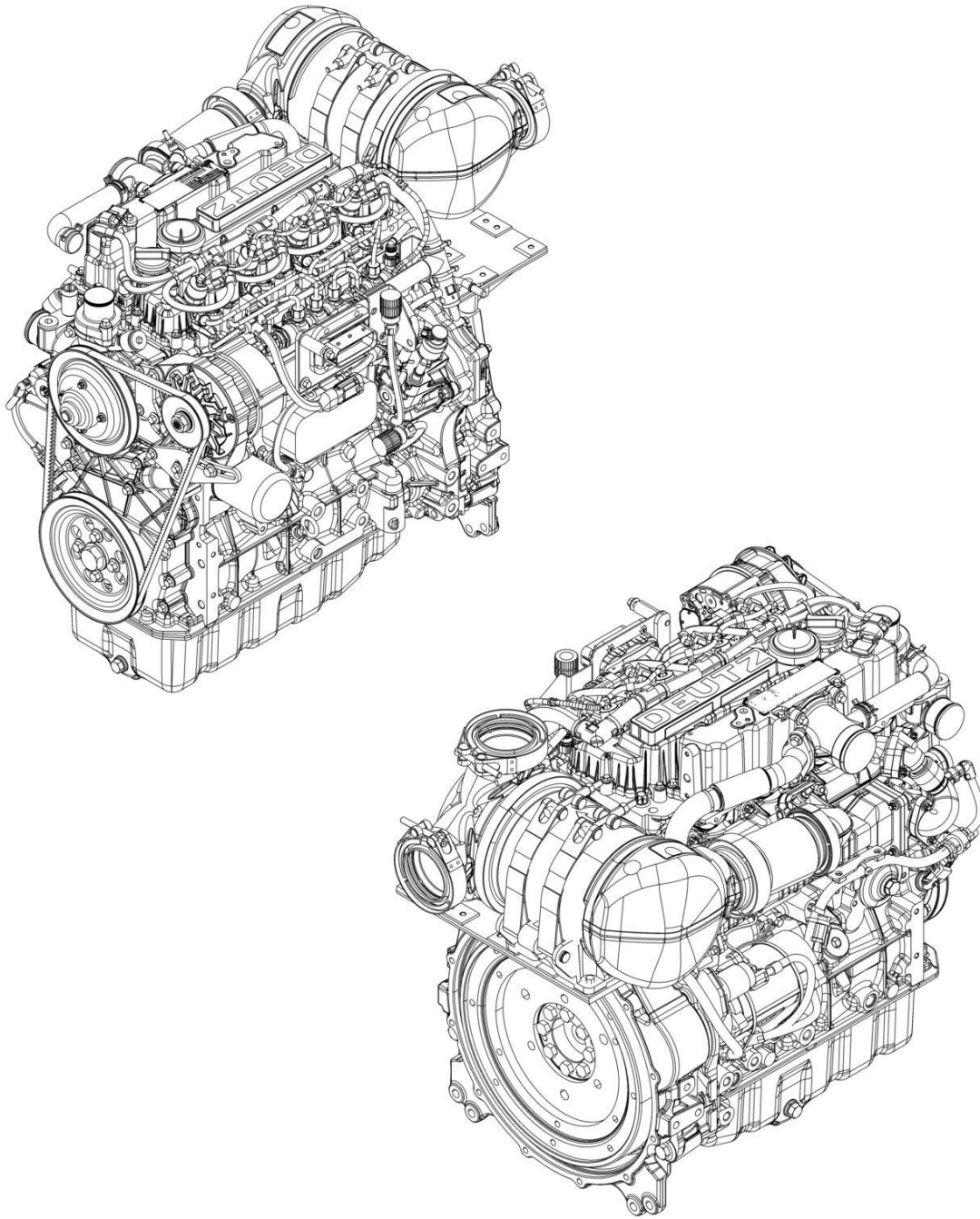
ITEM	PART NUMBER	QTY	DESCRIPTION	REV
54	8405009	5	Clamp	
55	8405104	4	Clamp	
56	8405202	1	Clamp	
57	8405204	1	Clamp	
58	8406109	2	Clip	
60	1001117308	1	Relay, 200Amp	
60	3300220	2	Nut	
60	3321001	2	Nut #10	
60	4761000	2	Washer #10	
60	1001111424	2	Washer	
61	1001118878	1	Bolt M6 x 55	
62	1001134488	1	Fitting, Barbed 90	
63	1001144116	1	Spacer, Fan	
65	1001136834	1	Cap, Tank	
66	1001138173	1	Support, Service Indicator	
67	1001138175	1	Bracket, Service Indicator	
68	1001138228	1	Relay, Power Module	
68	70023592	1	Fuse 20Amp	
68	70023593	1	Fuse 30Amp	
69	1001138248	5.25 ft/ 1.6m	Tube	
70	1001138827	1	Sensor, Coolant Level	
71	1001139240	1	Bracket	
72	1001230635	1	Tank, Surge (Includes Items 62, 70 & 73)	
73	1001140564	1	Fitting, Barbed 90	
74	1001141304	1	Harness, Glow Plug	
75	1001141694	1	Clamp, Air Cleaner	
76	1001141995	1	Fitting, Barbed	
78	1001143390	1	Indicator	
79	1001143797	1	Fitting, Barbed	
80	1001178788	1	Cable, Alternator	
82	1001152489	1	Fitting, Barbed 90	
86	1001165388	1	Air Cleaner Assembly	
86	70003783	1	Element, Air Cleaner	
87	1001165405	1	Hose, Upper Radiator	
88	1001165406	1	Hose, Lower Radiator	
89	1001165721	1	Hose, Air Intake	
90	1001165722	1	Radiator	
91	1001165849	1	Fan	
92	1001166718	AR	Mount, Motor	
93	1001166921	1	Plate, Engine Mount	
94	1001166922	Ref	Plate, Engine Mount	
95	1001166924	1	Plate, Engine Mount	
96	1001167108	1	Harness Engine - Deutz D2.9L4 (See Separate Breakdown in ELECTRICAL SECTION)	
97	1001167520	1	Tray, Engine	
98	1001168018	AR	Washer, Special	
99	1001168026	1	Plate, Radiator Mounting	
101	1001168099	1	Hose	
102	1001168166	2	Seal	
103	1001260420	1	Bracket	
104	1001169054	4	Isolator	

SECTION 3 - ENGINE

ITEM	PART NUMBER	QTY	DESCRIPTION	REV
105	1001169138	4	Washer, Snubbing	
106	1001169967	2	Bracket	
107	1001170035	2	Bracket	
108	1001249965	1	Engine, Deutz D2.9L4 (See Separate Breakdown in this Section)	
110	1001140312	1	Heater, Engine Block	
112	0760607	3	Bolt M6 x 14	
113	0760815	2	Bolt M8 x 35	
114	3520054	1	Plug	
115	5250810	2	Bolt M8 x 20	
116	8406110	1	Clip	
117	8406201	1	Clip	
118	1001177359	1	Hose	
119	1001178876	1	Mount, Fuel Filter	
120	1001179903	1	Bracket	
121	1001180620	AR	Adhesive	
122	1001181895	AR	Adhesive	
123	0760810	8	Bolt M8 x 20	
124	1001191620	1	Clamp	
125	4811702	12	Washer M6	
126	4751600	2	Washer 3/8	
127	3311605	1	Nut 3/8	
128	0681608	1	Bolt 3/8 x 1	
129	1001260412	1	Bracket	
130	1001162335	1	Bracket Assembly - Fuel Pump/Filter (Not Shown) (See Separate Breakdown in this Section)	

SECTION 3 - ENGINE

FIGURE 3-14. DEUTZ D2.9L4 ENGINE COMPONENTS



ART_1001249965

SECTION 3 - ENGINE

FIGURE 3-14. DEUTZ D2.9L4 ENGINE COMPONENTS

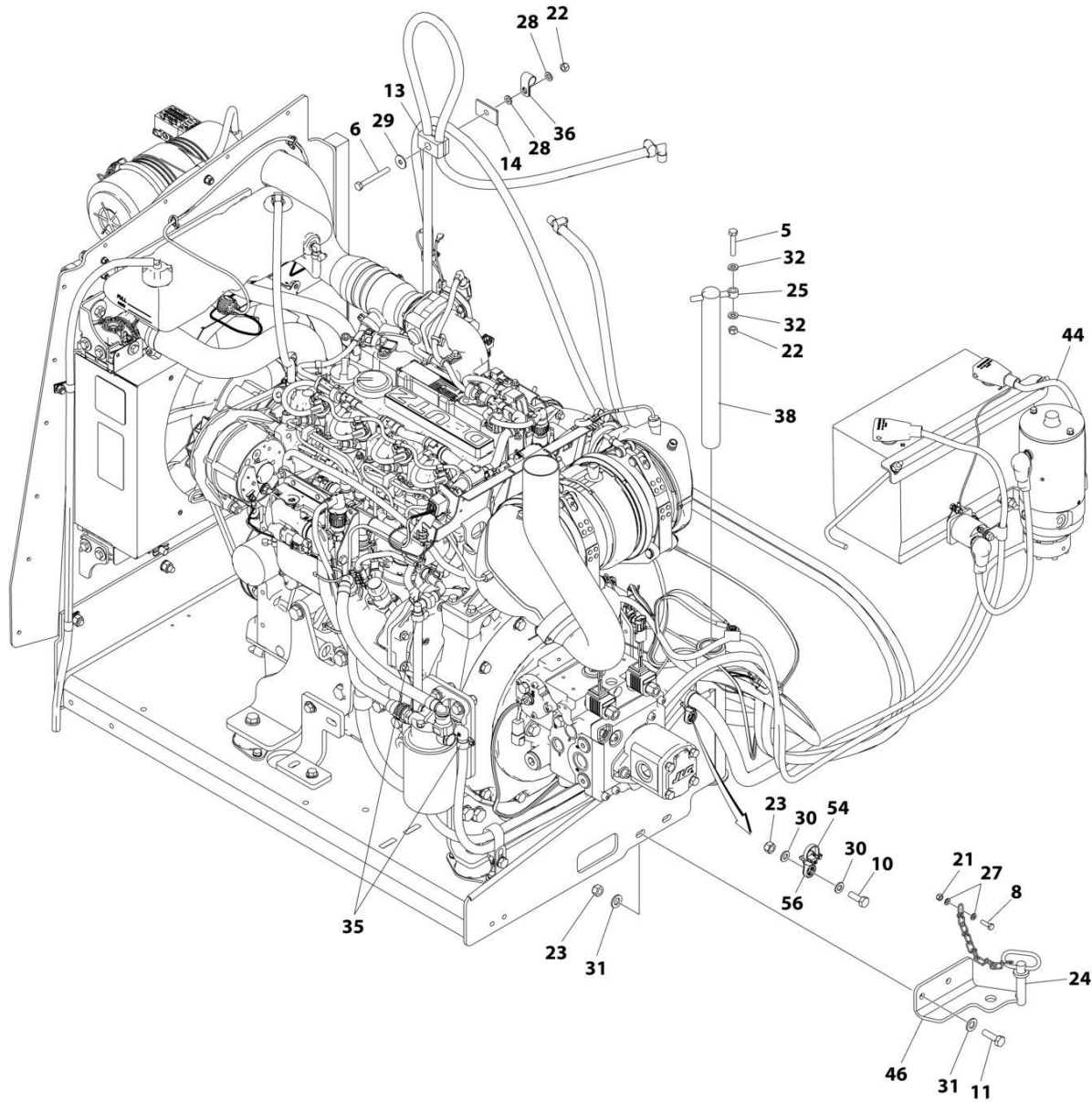
ITEM	PART NUMBER	QTY	DESCRIPTION	REV
	1001249965	Ref	DEUTZ D2.9L4 - EMR4 (49HP) ENGINE COMPONENTS	B
	See Note	Ref	Note: Contact JLG Customer Service for Availability of Additional Components.	
		Ref	Air Intake System	
	70005182	1	Charge Air Elbow	
	70005183	1	Breather Line	
		Ref	Cooling System Components	
	70030360	1	Pump, Coolant	
	70007603	1	Thermostat	
		Ref	Electrical Components	
	70025210	1	Module, Engine Control (ECM/ECU)	
	70024513	1	Harness, Fuel Filter Sensor	
	70024504	1	Sensor, Fuel Pressure	
	70006652	1	Generator	
	70024915	1	Starter	
	70025231	1	Harness, Glow Plug	
	70028540	1	Sensor, Temperature	
	70026210	1	Sensor, Speed	
	70024507	1	Sensor, Pressure (Air Intake)	
	70031145	4	Plug, Glow	
		Ref	Exhaust Components	
	70031136	1	Pipe, Exhaust	
	70004282	1	Exhaust Manifold	
		Ref	Fuel System Components	
	70030381	1	Pump, High Pressure	
	700004508	1	Valve, Volume Control	
	70004281	1	Injector, Fuel	
	70006144	1	Pump, Fuel Supply (Includes Qty 2 Mounting Clamps)	
	1001225430	1	Filter, Fuel (Pre-Filter) Assembly	
	70024961	1	Filter, Fuel	
	70025239	1	Seal	
	70024513	1	Cable, Sensor	
	70029451	1	Filter, Fuel	
		Ref	Gasket & Seal Components	
	70024905	1	Seal, Dipstick	
	70005942	2	Seal, Oil Plug	
	70024906	1	Gasket, Head	
	70005171	1	Gasket, Valve Cover	
	70002718	1	Seal, Rear Main	
	70025135	1	O-Ring, Oil Lube Pump	
	70005173	1	Gasket, Oil Lube Pump	
	70024925	1	Seal, Oil Cooler	
	70005177	1	Gasket, Charge Air Housing	
	70025200	1	O-Ring, Coolant Pump	
	70007325	1	Seal, Coolant Pump	
	70005184	1	O-Ring, Thermostat	
	70005931	1	Seal, Thermostat	
	70025164	1	Gasket, Exhaust Manifold to Head	
	70007354	1	Gasket, Short Exhaust Pipe to JLG supplied Exhaust	
	70007326	1	Gasket EGR Valve	

SECTION 3 - ENGINE

ITEM	PART NUMBER	QTY	DESCRIPTION	REV
	70031095	1	Gasket, Exhaust Return Pipe (to Air Intake Housing)	
		Ref	Other Components	
	70001870	1	Flywheel	
	7024579	1	Gear, Ring	
		Ref	Oil Lube System	
	7020465	1	Cap, Oil Fill	
	70024904	1	Dipstick	
	70005941	2	Plug, Oil (Includes Seal)	
	70005172	1	Pump, Oil Lube (Includes O-Ring & Gasket)	
	70024494	1	Oil Cooler	
	7016331	1	Filter, Oil	

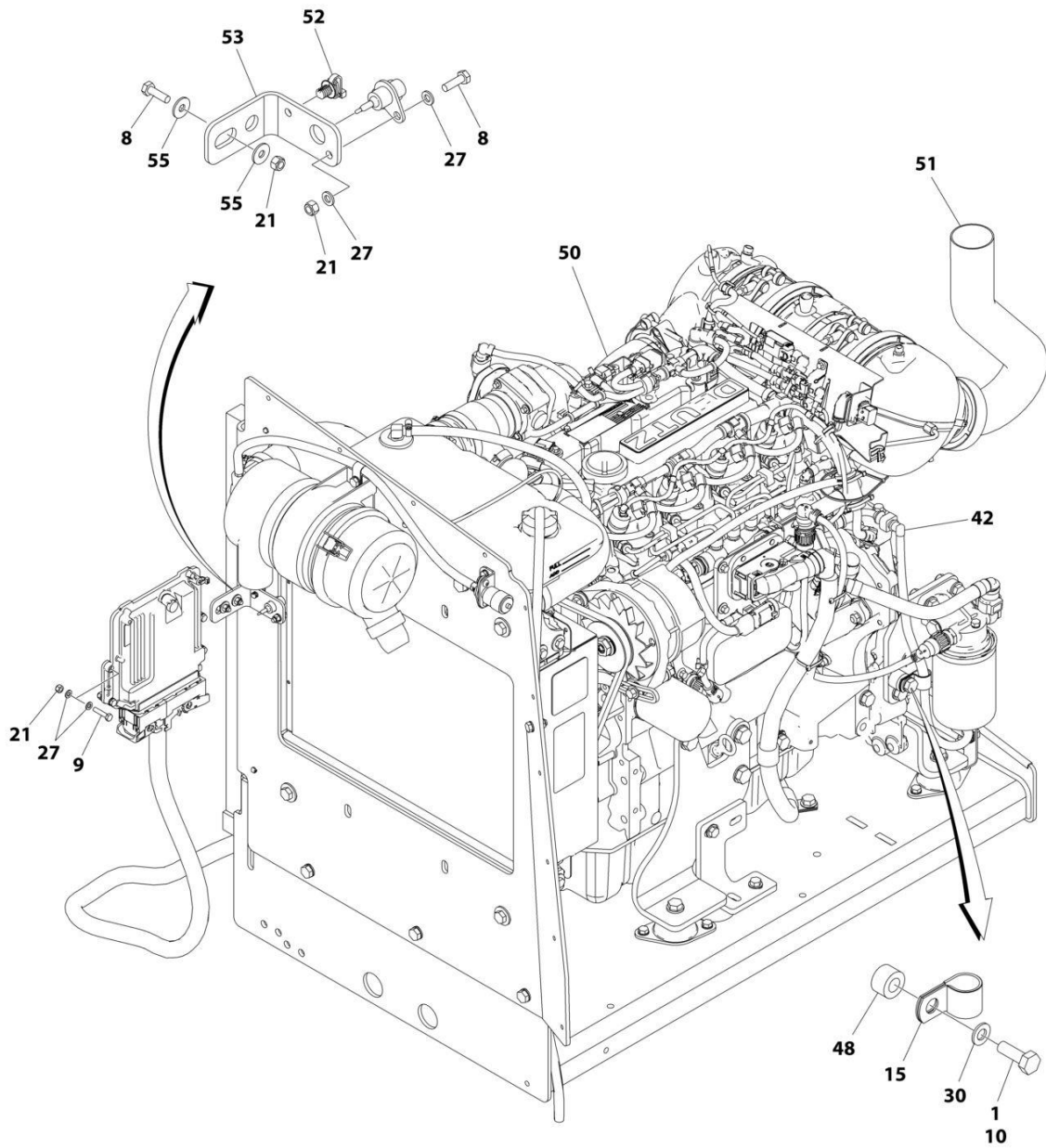
SECTION 3 - ENGINE

FIGURE 3-15. DEUTZ D2.9L4 (STAGE V) ENGINE INSTALLATION



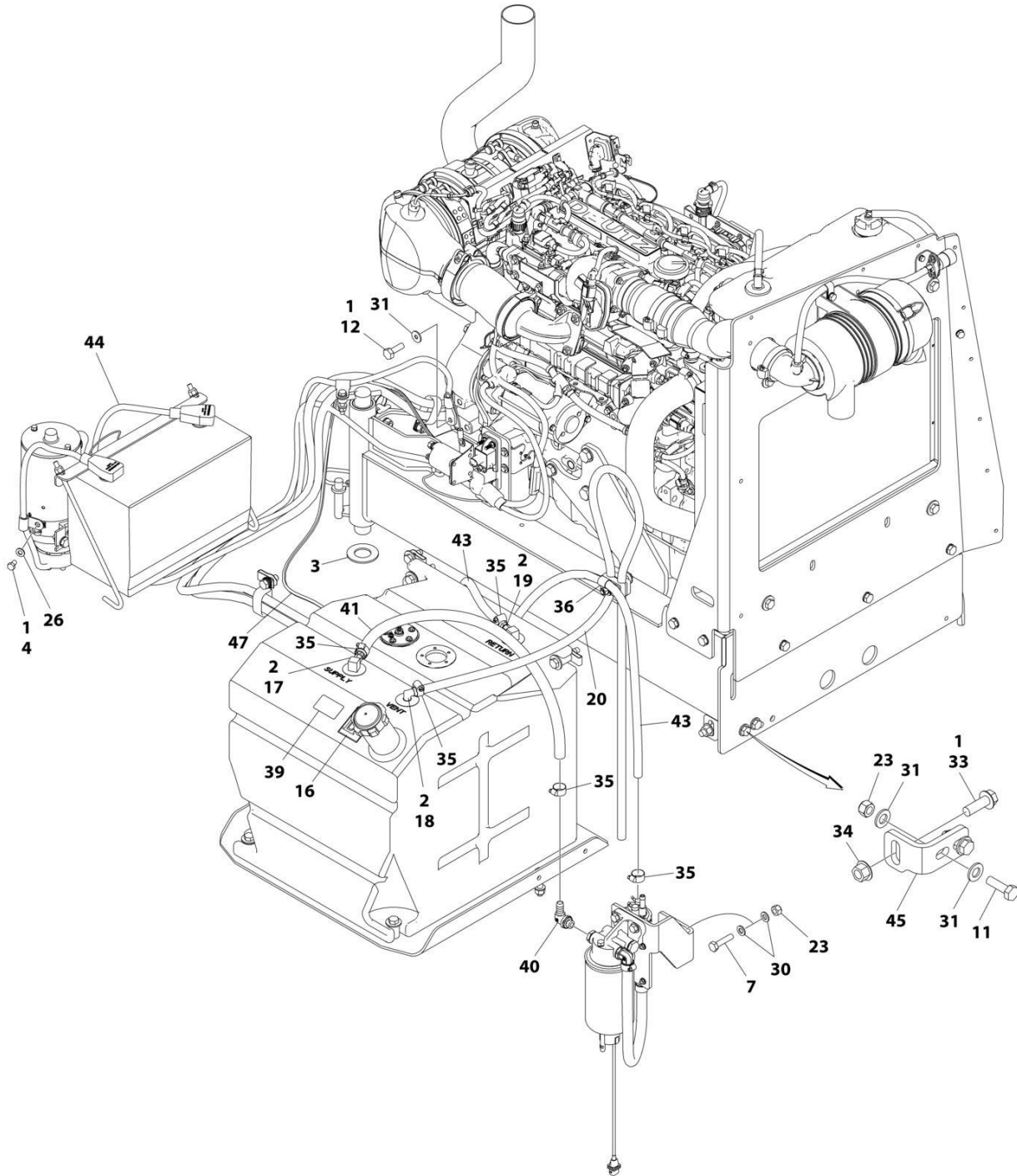
ART_1001244283_10F3

SECTION 3 - ENGINE



ART_1001244283_2OF3

SECTION 3 - ENGINE



ART_1001244283_3OF3

SECTION 3 - ENGINE

FIGURE 3-15. DEUTZ D2.9L4 (STAGE V) ENGINE INSTALLATION

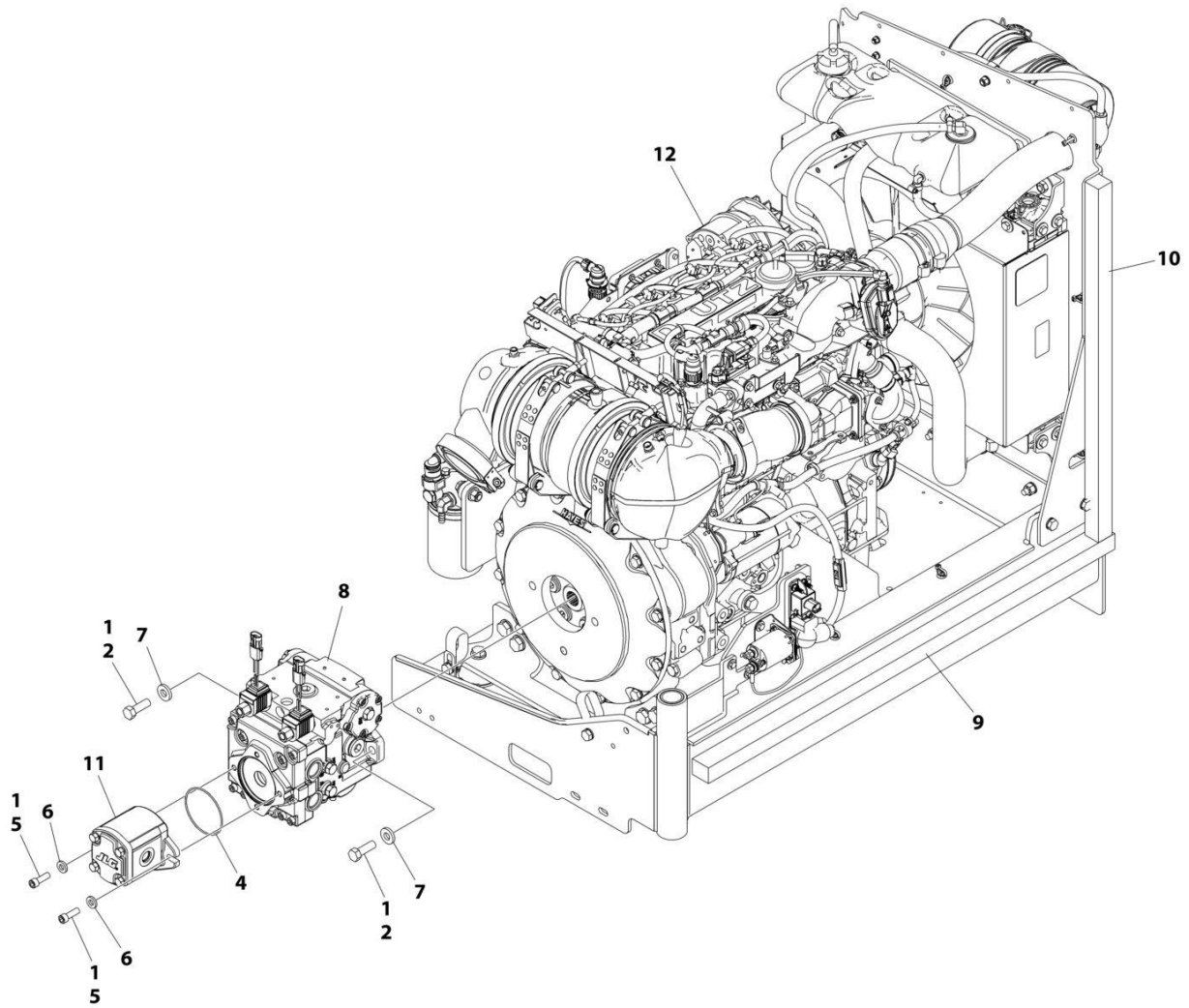
ITEM	PART NUMBER	QTY	DESCRIPTION	REV
	1001244283	Ref	ENGINE INSTALLATION - DEUTZ STAGE V ENGINE	G
1	0100011	AR	Compound, Locking	
2	0100020	1	Sealant, Pipe	
3	0440162	1	Bearing	
4	0641504	1	Bolt 5/16 x 1/2	
5	0700817	1	Bolt M8 x 45	
6	0700822	1	Bolt M8 x 70	
7	0701017	2	Bolt M10 x 45	
8	0760610	4	Bolt M6 x 20	
9	0760613	4	Bolt M6 x 28	
10	0761014	4	Bolt M10 x 30	
11	0761015	2	Bolt M10 x 35	
12	0771212	1	Bolt M12 x 25	
13	1320187	1	Clamp	
14	1320190	1	Clamp	
15	1320061	1	Clamp	
16	1701505	1	Decal - Diesel Fuel	
17	2180832	1	Fitting, Barbed	
18	2220313	1	Fitting, Barbed 90 3/8 NPTF / 3/8	
19	2220767	AR	Fitting, Barbed 90	
19	8430007	AR	Fitting, Barbed	
20	2750532	5.5 ft /1.69m	Hose	
21	3290605	8	Nut M6	
22	3290805	2	Nut M8	
23	3291005	7	Nut M10	
24	3422532	1	Pin	
25	3841143	1	Keeper, Pin	
26	4711500	1	Washer, 5/16	
27	4811700	12	Washer, M6	
28	4811900	2	Washer, M8	
29	4811902	1	Washer, M8	
30	4812000	7	Washer, M10	
31	4812100	9	Washer, M12	
32	5240800	2	Washer, M8 Hardened	
33	5251215	1	Bolt M12 x 35	
34	5261200	1	Nut, Flange M12 Class10	
35	8405006	7	Clamp	
36	8406101	1	Clip	
38	1001135196	1	Pin	
39	1001139654	1	Decal, Ultra Low Sulfur Fuel	
40	1001142501	1	Fitting, Barbed 90	
41	1001154405	2.29 ft /0.70m	Hose	
42	1001155823	1	Coupling, Quick Disconnect 90	
43	1001165035	21.06 ft /6.42m	Hose	
44	1001166970	1	Battery and Auxiliary Power Pump Cable Kit	
45	1001167512	1	Bracket, Engine Tray	
46	1001169823	1	Plate, Engine Lock	

SECTION 3 - ENGINE

ITEM	PART NUMBER	QTY	DESCRIPTION	REV
47	1001173342	1	Harness, Fuel Pump (See Separate Breakdown in ELECTRICAL SECTION)	
48	1001220266	1	Bar, Spacer M12 x 12	
50	1001244285	1	Engine Assy, Deutz Stage V W/Pumps (See Separate Breakdown in this Section)	
51	1001245305	1	Pipe, Exhaust	
52	1001146588	2	Strap	
53	1001256879	1	Bracket	
54	1062255	AR	Tie-Strap (Not Shown)	
55	4811702	4	Washer M6	
56	1001156107	1	Holder	

SECTION 3 - ENGINE

FIGURE 3-16. DEUTZ D2.9L4 (STAGE V) ENGINE AND PUMP SUB-ASSEMBLY



ART_1001244285

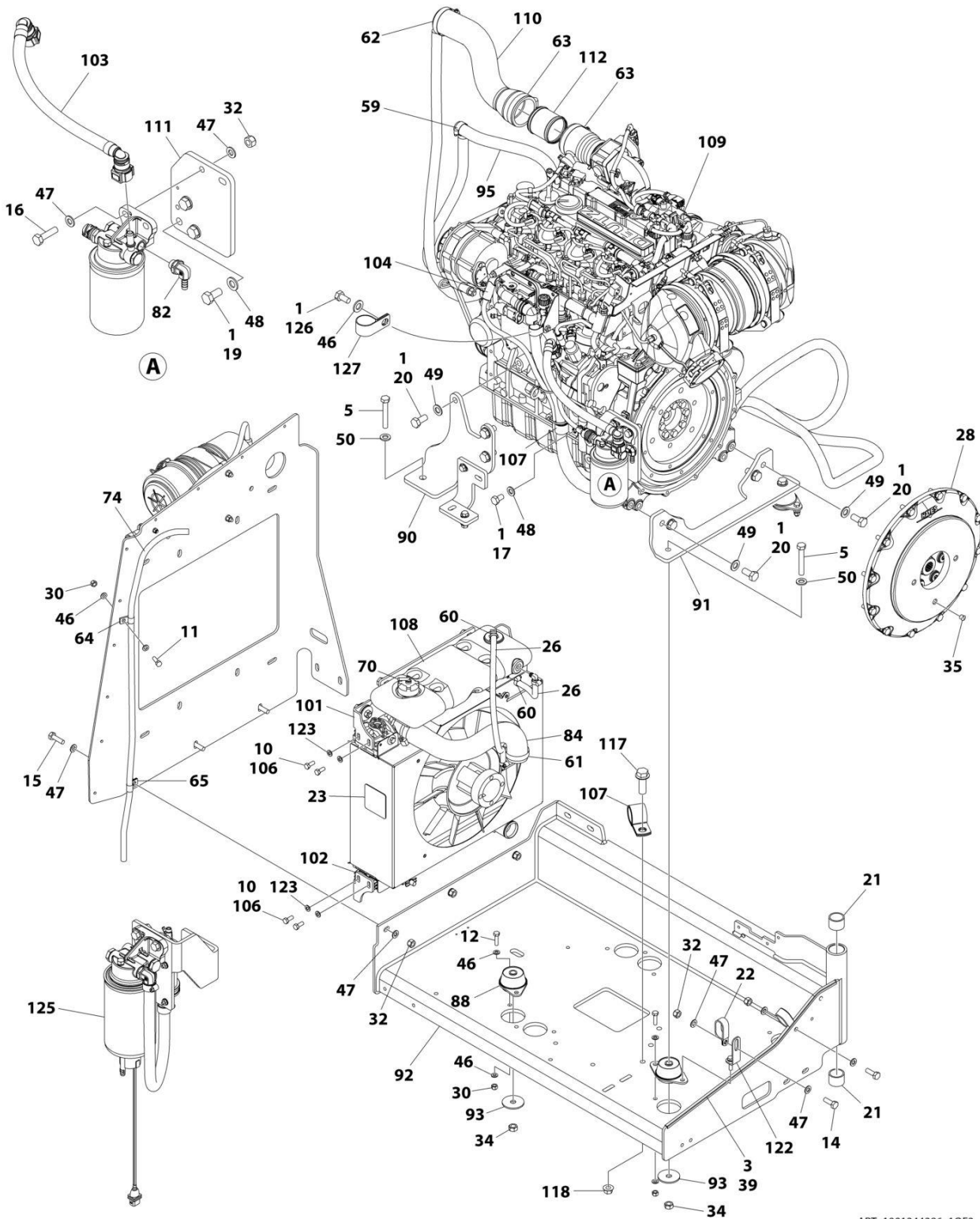
SECTION 3 - ENGINE

FIGURE 3-16. DEUTZ D2.9L4 (STAGE V) ENGINE AND PUMP SUB-ASSEMBLY

ITEM	PART NUMBER	QTY	DESCRIPTION	REV
	1001244285	Ref	ENGINE AND PUMP SUB-ASSEMBLY - DEUTZ (STAGE V) ENGINE	E
1	0100011	AR	Compound, Locking	
2	0641812	2	Bolt 1/2 x 1-1/2	
4	3790152	1	O-Ring	
5	3931618	2	Capscrew, 3/8 x 1-1/8	
6	4891600	2	Washer, 3/8 Hardened	
7	4891800	2	Washer 1/2 Hardened	
8	1001167036	1	Piston Pump Assembly (See Separate Breakdown in this Section)	
9	1001171953	1	Seal	
10	1001171954	1	Seal	
11	1001214207	1	Gear Pump Assembly	
11	70006356	1	Seal Kit - 1001214207 Pump	
12	1001244286	1	Engine Assembly, Deutz (Stage V) Engine (See Separate Breakdown in this Section)	

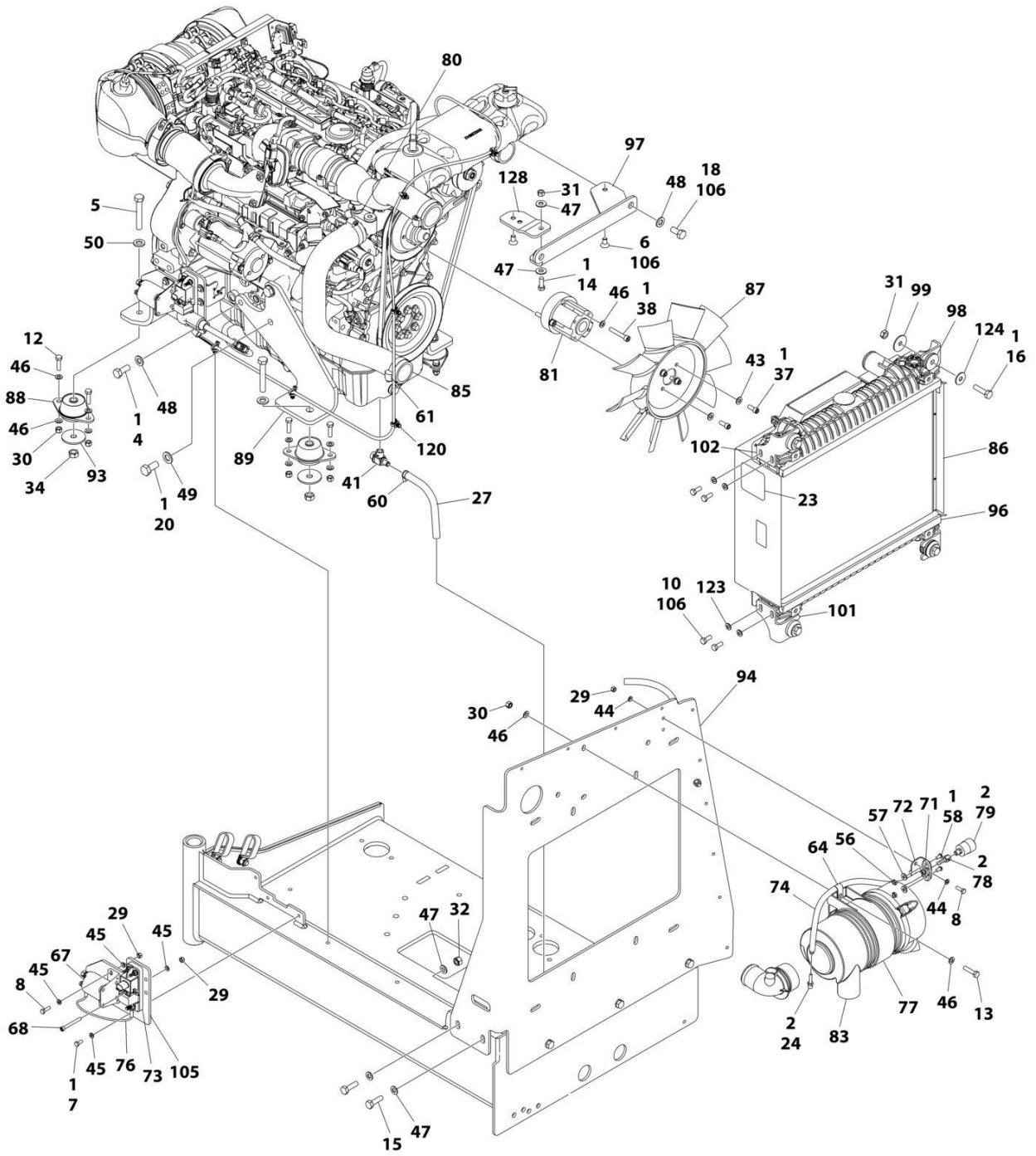
SECTION 3 - ENGINE

FIGURE 3-17. DEUTZ D2.9L4 (STAGE V) ENGINE ASSEMBLY



ART_1001244286_10F2

SECTION 3 - ENGINE



ART_1001244286_2OF2

SECTION 3 - ENGINE

FIGURE 3-17. DEUTZ D2.9L4 (STAGE V) ENGINE ASSEMBLY

ITEM	PART NUMBER	QTY	DESCRIPTION	REV
	1001244286	Ref	ENGINE ASSEMBLY, DEUTZ (STAGE V) ENGINE	K
1	0100011	AR	Compound, Locking	
2	0100020	AR	Sealant, Pipe	
3	0100081	AR	Adhesive	
4	0711214	1	Bolt M12 x 30	
5	0711224	AR	Bolt M12 x 80	
6	0741606	2	Screw 3/8 x 3/4	
7	0760607	3	Bolt M6 x 14	
8	0760610	4	Bolt M6 x 20	
10	0760810	8	Bolt M8 x 20	
11	0760812	1	Bolt M8 x 25	
12	0760814	AR	Bolt M8 x 30	
13	0760815	2	Bolt M8 x 35	
14	0761014	3	Bolt M10 x 30	
15	0761015	5	Bolt M8 x 35	
16	0761016	6	Bolt M10 x 40	
17	0761210	1	Bolt M12 x 20	
18	0761212	2	Bolt M12 x 25	
19	0771212	3	Bolt M12 x 25	
20	0771414	9	Bolt M14 x 30	
21	0961951	2	Bushing	
22	1321716	2	Clamp	
23	1703162	2	Decal - Caution Fan	
24	2220315	1	Fitting, Barbed	
26	2720015	1.94 ft /0.59m	Hose	
27	2720340	0.66 ft/ 0.20m	Hose	
28	2902065	1	Pump Coupling Kit (See Separate Breakdown in this Section)	
29	3290605	5	Nut M6	
30	3290805	AR	Nut M8	
31	3291001	5	Nut M10	
32	3291005	9	Nut M10	
34	3331215	4	Nut M12 x 1.75	
35	3520054	1	Plug	
37	3931512	4	Capscrew, 5/16 x 3/4	
38	4031914	4	Bolt M8 x 50	
39	4060805	2.03 ft /0.62m	Flex-Trim	
40	4240099	AR	Tie-Strap (Not Shown)	
41	4640751	1	Valve, Oil Drain	
43	4711500	4	Washer 5/16	
44	4811700	4	Washer M6	
45	4811702	8	Washer M6	
46	4811900	AR	Washer M8	
47	4812000	20	Washer M10	
48	4812100	7	Washer M12	
49	4812200	AR	Washer M14	
50	5241200	AR	Washer M12	
56	8305401	2	Nut Jam	

SECTION 3 - ENGINE

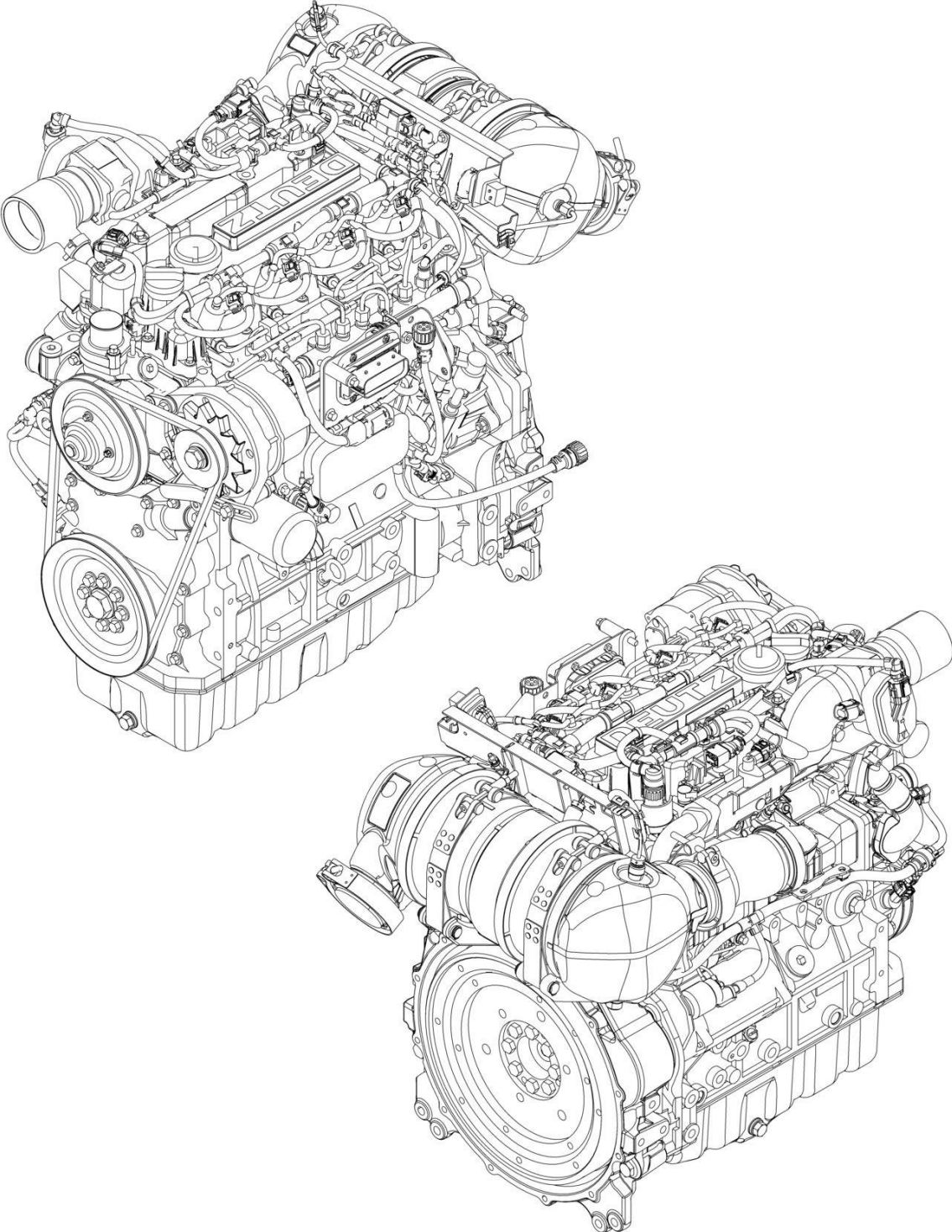
ITEM	PART NUMBER	QTY	DESCRIPTION	REV
57	8307109	2	Washer 1/4	
58	8310548	2	Screw 1/4 x 1/2	
59	8405007	2	Clamp	
60	8405009	5	Clamp	
61	8405104	4	Clamp	
62	8405202	1	Clamp	
63	8405204	2	Clamp	
64	8406109	2	Clip	
65	8406110	1	Clip	
67	1001117308	1	Relay, 200Amp	
68	1001118878	1	Bolt M6 x 55	
70	1001136834	1	Cap, Tank	
71	1001138173	1	Support, Service Indicator	
72	1001138175	1	Bracket, Service Indicator	
73	1001138228	1	Relay, Power Module	
74	1001138248	5.09 ft /1.55m	Tube	
76	1001141304	1	Harness, Glow Plug	
77	1001141694	1	Clamp, Air Cleaner	
78	1001141995	1	Fitting, Barbed	
79	1001143390	1	Indicator	
80	1001143797	1	Fitting, Barbed	
81	1001144116	1	Spacer, Fan	
82	1001152489	1	Fitting, Barbed 90	
83	1001165388	1	Air Cleaner Assembly	
83	70003783	1	Element, Air Cleaner	
84	1001165405	1	Hose, Upper Radiator	
85	1001165406	1	Hose, Lower Radiator	
86	1001165722	1	Radiator	
87	1001165849	1	Fan	
88	1001166718	AR	Mount, Motor	
89	1001166921	1	Plate, Engine Mount	
90	1001166922	1	Plate, Engine Mount (Prior to PVC2107)	
91	1001166924	1	Plate, Engine Mount	
92	1001167520	1	Tray, Engine	
93	1001168018	AR	Washer, Special	
94	1001168026	1	Plate, Radiator Mounting	
95	1001168099	1	Hose	
96	1001168166	2	Seal	
97	1001260420	1	Bracket (note: may require P/N 1001260412)	
98	1001169054	4	Isolator	
99	1001169138	4	Washer, Snubbing	
101	1001169967	2	Bracket	
102	1001170035	2	Bracket	
103	1001177359	1	Hose	
104	1001178788	1	Cable, Alternator	
105	1001179903	1	Bracket	
106	1001180620	AR	Adhesive	
107	1001191620	2	Clamp	
108	1001230635	1	Tank, Surge (Includes Items 62, 70, & 73)	
109	1001232545	1	Engine, Deutz 2.9L4 (Stage V) (See Separate Breakdown in this Section)	

SECTION 3 - ENGINE

ITEM	PART NUMBER	QTY	DESCRIPTION	REV
110	1001236780	1	Hose, Air Intake	
111	1001258804	1	Mount, Fuel Filter	
112	1001238911	1	Pipe, Air Intake	
113	1001245839	1	Harness, Engine (Not Shown - See Separate Breakdown in ELECTRICAL Section)	
117	5251215	1	Bolt M12 x 35	
118	5261200	1	Nut, Flange M12 Class10	
120	1001146588	AR	Tie-Strap (Not Shown)	
122	1001223122	1	Support	
123	4811902	8	Washer M8	
124	4812002	4	Washer M10	
125	1001235949	1	Bracket (See Separate Breakdown in this Section)	
126	0760808	1	Bolt M8 x 16	
127	8406201	1	Clip	
128	1001260412	1	Bracket	

SECTION 3 - ENGINE

FIGURE 3-18. DEUTZ D2.9L4 (STAGE V) ENGINE COMPONENTS



ART_1001232545

SECTION 3 - ENGINE

FIGURE 3-18. DEUTZ D2.9L4 (STAGE V) ENGINE COMPONENTS

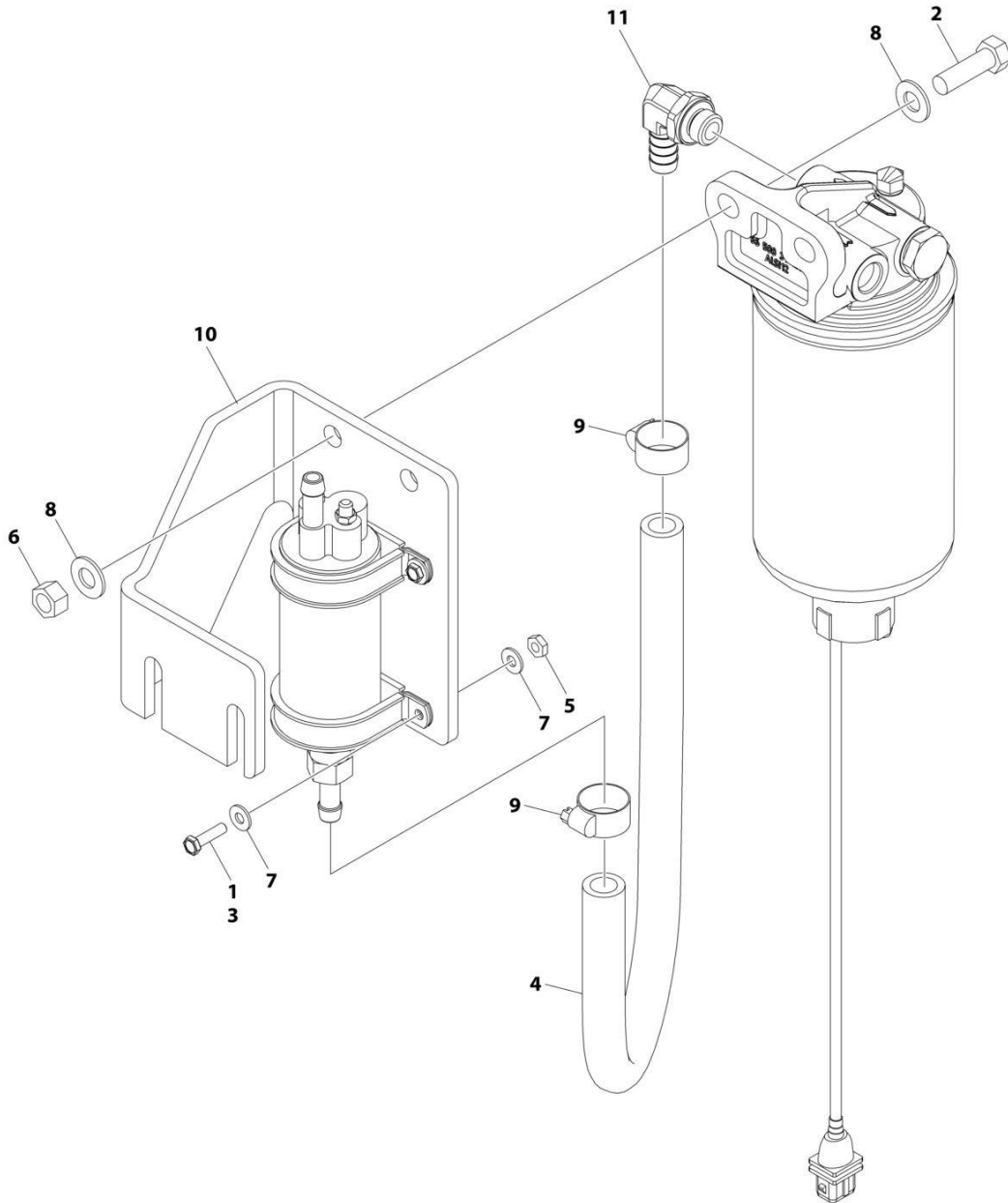
ITEM	PART NUMBER	QTY	DESCRIPTION	REV
	1001232545	Ref	DEUTZ ENGINE COMPONENTS	H
		Ref	Note: For complete list of parts, contact JLG Parts Department	
		Ref	Air Intake System Components	
		Ref	Charge Air Pipe	
	70025168	1	Intake Pipe	
		Ref	Mixing Tube	
		Ref	Throttle Valve	
		Ref	Cooling System Components	
	70029797	1	Pump, Coolant (Includes Gasket & Seals)	
	70007603	1	Thermostat	
	70005184	1	O-Ring	
	70005931	1	Gasket	
	70025142	1	Cover	
		Ref	Electrical System Components	
	70029512	1	Module, ECU/ECM	
	70007784	1	Alternator	
	70031143	1	Module, Alternator Control	
	70029015	1	Fan, Alternator	
	70029402	1	Nut, Alternator Fan	
	70029403	1	Nut, Alternator Power Stud	
	70029404	1	Washer, Alternator Power Stud Spring	
	70031144	1	Starter (Includes Solenoid)	
	70025099	1	Bolt, Starter Mounting	
	70026210	1	Sender, Tacho-Generator (Speed) (On Rear of Block) (Includes Seal)	
	70024916	1	Sender, Tacho-Generator (Speed) (On Cover) (Includes Seal)	
	70024918	1	Sender, Temperature (Includes Seal) (On Air Intake Manifold)	
		Ref	Sensor, Pressure (Includes Seal) (On Air Intake Manifold)	
	70024504	1	Sensor, Pressure (Includes Seal) (On Fuel Filter & Side of Block)	
	70005504	1	Sensor, Pressure (Includes Seal) (On Exhaust Manifold)	
	70027405	1	Sensor, Temperature (Includes Seal) (On Exhaust Manifold)	
	70000345	4	Plug, Glow	
		Ref	Exhaust System Components	
		Ref	Valve, EGR	
	70025130	8	Bolt, Exhaust Manifold	
	70025164	1	Gasket, Exhaust Manifold	
		Ref	Outlet, Muffler	
		Ref	Muffler	
		Ref	Bracket, Muffler Mounting	
	70004504	1	Compensator, Exhaust	
		Ref	Fuel System Components	
		Ref	Pump, High Pressure	
	70004281	1	Injector (Includes Sealing washer, Clamp & O-Ring)	
	70006144	1	Pump, Fuel Supply (Includes Clamps)	
	70024961	1	Filter, Fuel (Pre-Filter Assembly) (Includes Head, Spin on filter, Sensor Cable & Seal)	
	70025153	1	Filter, Fuel Spin On	
	70024513	1	Sensor Cable (Includes Seal)	
	70025160	1	Filter, Fuel (Assembly) (Includes Head & Spin on Filter)	
	70025161	1	Filter, Fuel Spin On	

SECTION 3 - ENGINE

ITEM	PART NUMBER	QTY	DESCRIPTION	REV
	70004508	1	Vol. Control Valve (Includes O-Ring & Gasket)	
		Ref	Lubricating System Components	
	7020465	2	Cap, Oil Fill	
	70005941	2	Plug, Oil Drain	
	70005942	2	Seal, Oil Drain Plug	
	70005172	1	Pump, Oil (Includes Seal & Gasket)	
	7016331	1	Filter, Oil	
	70024494	1	Cooler, Oil	
	70024925	1	Gasket, Oil Cooler	
	70024904	1	Dipstick (Includes Seal)	
		Ref	Mechanical Components	
	70001870	1	Flywheel (includes Gear)	
	70024913	1	V-Belt	
		Ref	Gasket Set - Complete	

SECTION 3 - ENGINE

FIGURE 3-19. FUEL PUMP/FILTER BRACKET ASSEMBLY (DEUTZ TD2.9L4 ENGINES)



ART_1001162335

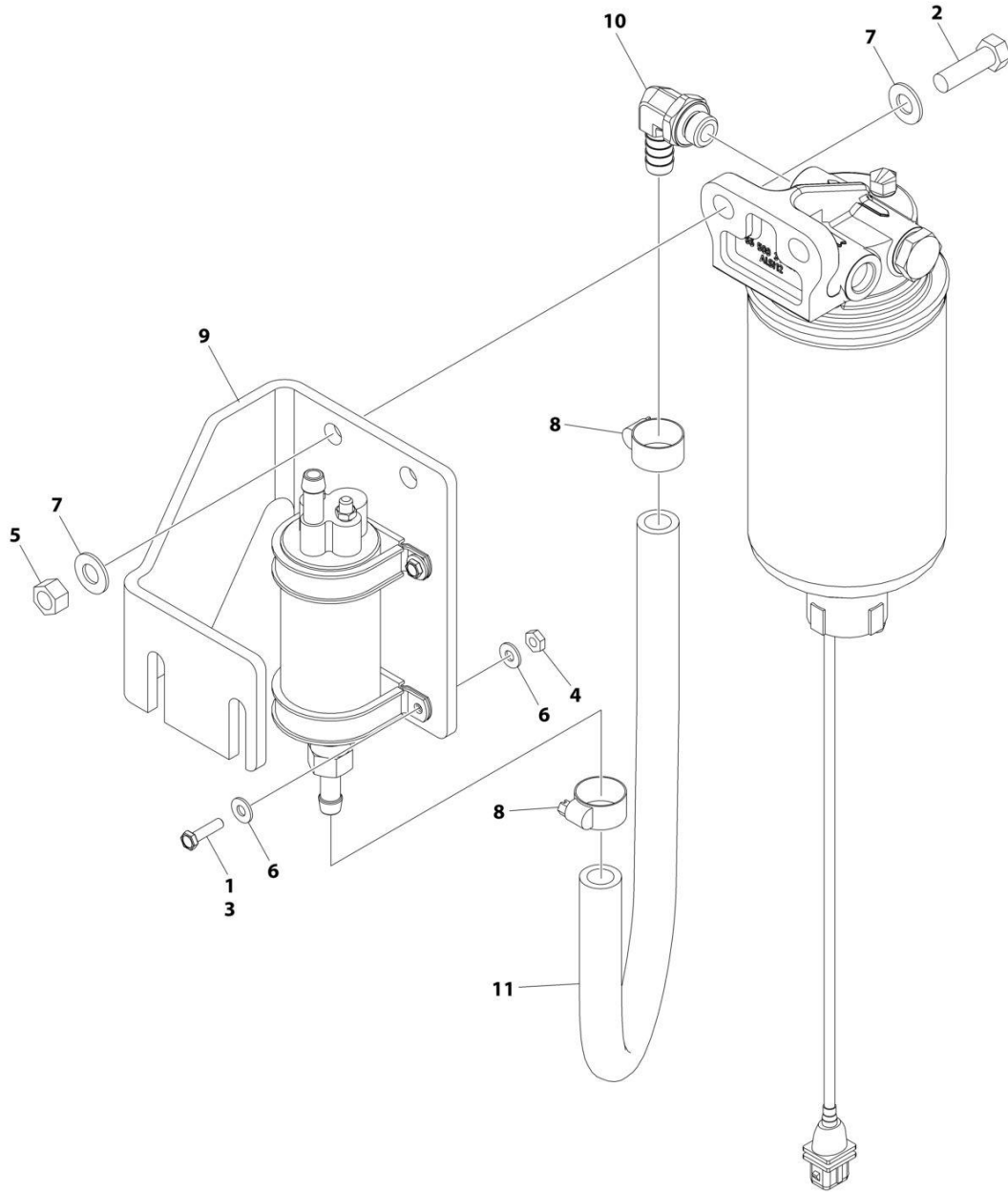
SECTION 3 - ENGINE

FIGURE 3-19. FUEL PUMP/FILTER BRACKET ASSEMBLY (DEUTZ TD2.9L4 ENGINES)

ITEM	PART NUMBER	QTY	DESCRIPTION	REV
	1001162335	Ref	BRACKET ASSEMBLY - FUEL PUMP AND FILTER (DEUTZ D2.9L4 ENGINE)	E
1	0100011	AR	Compound, Locking	
2	0641610	2	Bolt 3/8 x 1-1/4	
3	0721006	4	Bolt #10 x 3/4	
4	1001154405	AR	Hose	
5	3311001	4	Nut #10	
6	3311605	2	Nut 3/8	
7	4711000	8	Washer #10	
8	4711600	4	Washer 3/8	
9	8405006	2	Clamp	
10	1001141870	1	Plate, Fuel Pump Mount	
11	1001142501	1	Fitting, Elbow Barbed	

SECTION 3 - ENGINE

FIGURE 3-20. FUEL PUMP/FILTER BRACKET ASSEMBLY (DEUTZ D2.9L4 (STAGE V) ENGINES)



ART_1001235949

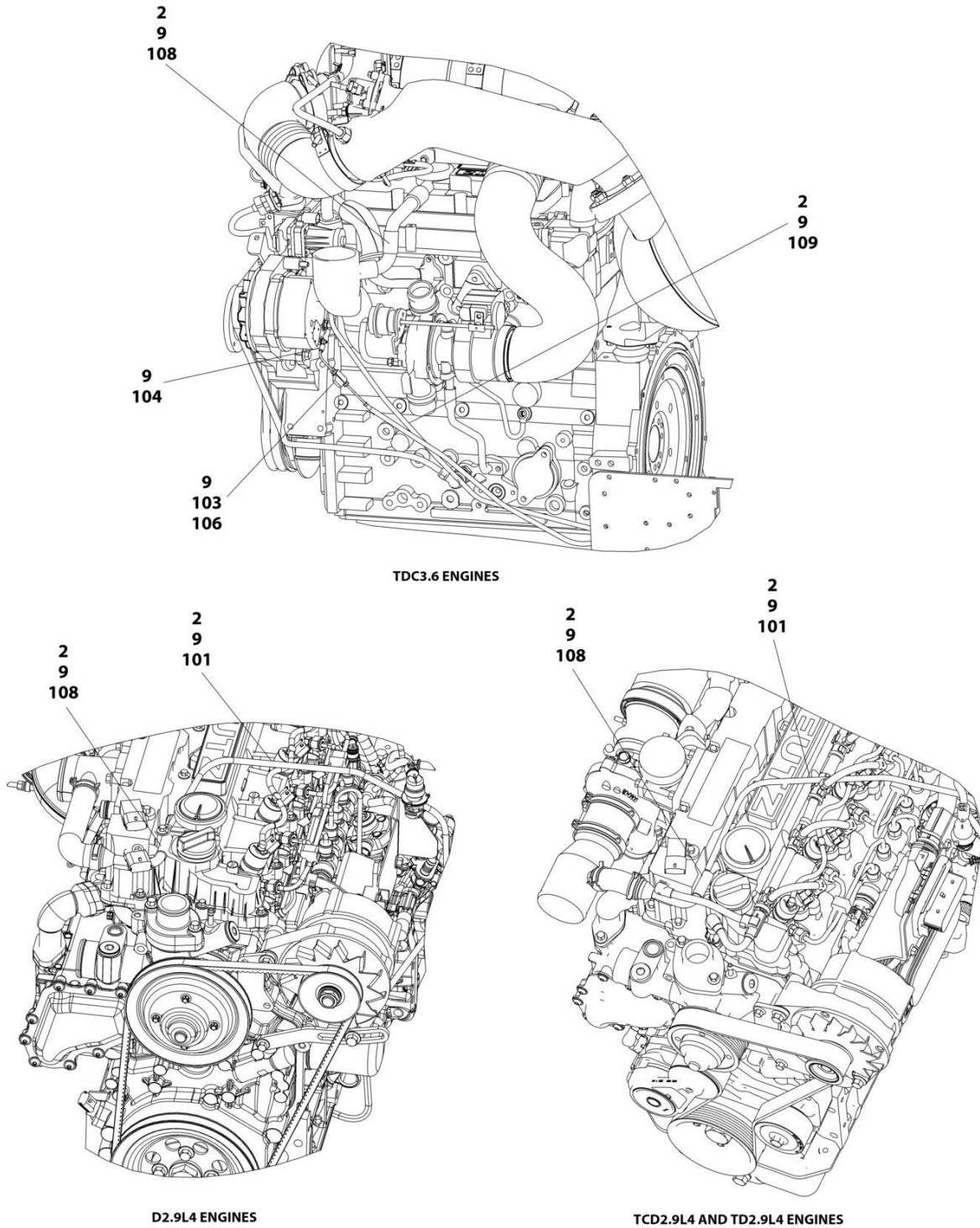
SECTION 3 - ENGINE

FIGURE 3-20. FUEL PUMP/FILTER BRACKET ASSEMBLY (DEUTZ D2.9L4 (STAGE V) ENGINES)

ITEM	PART NUMBER	QTY	DESCRIPTION	REV
	1001235949	Ref	BRACKET ASSEMBLY - FUEL PUMP AND FILTER (DEUTZ D2.9L4 (STAGE V) ENGINE)	A
1	0100035	AR	Compound, Locking	
2	0641610	2	Bolt 3/8 x 1-1/4	
3	0721006	4	Bolt #10 x 3/4	
4	3311001	4	Nut #10	
5	3311605	2	Nut 3/8	
6	4711000	8	Washer #10	
7	4711600	4	Washer 3/8	
8	8405006	2	Clamp	
9	1001141870	1	Plate, Fuel Pump Mount	
10	1001142501	1	Fitting, Elbow Barbed	
11	1001154405	1.5 ft /0.4m	Hose	

SECTION 3 - ENGINE

FIGURE 3-21. BREATHER HEATER INST (DEUTZ D2.9L4 ENGINES)



ART_1001233763

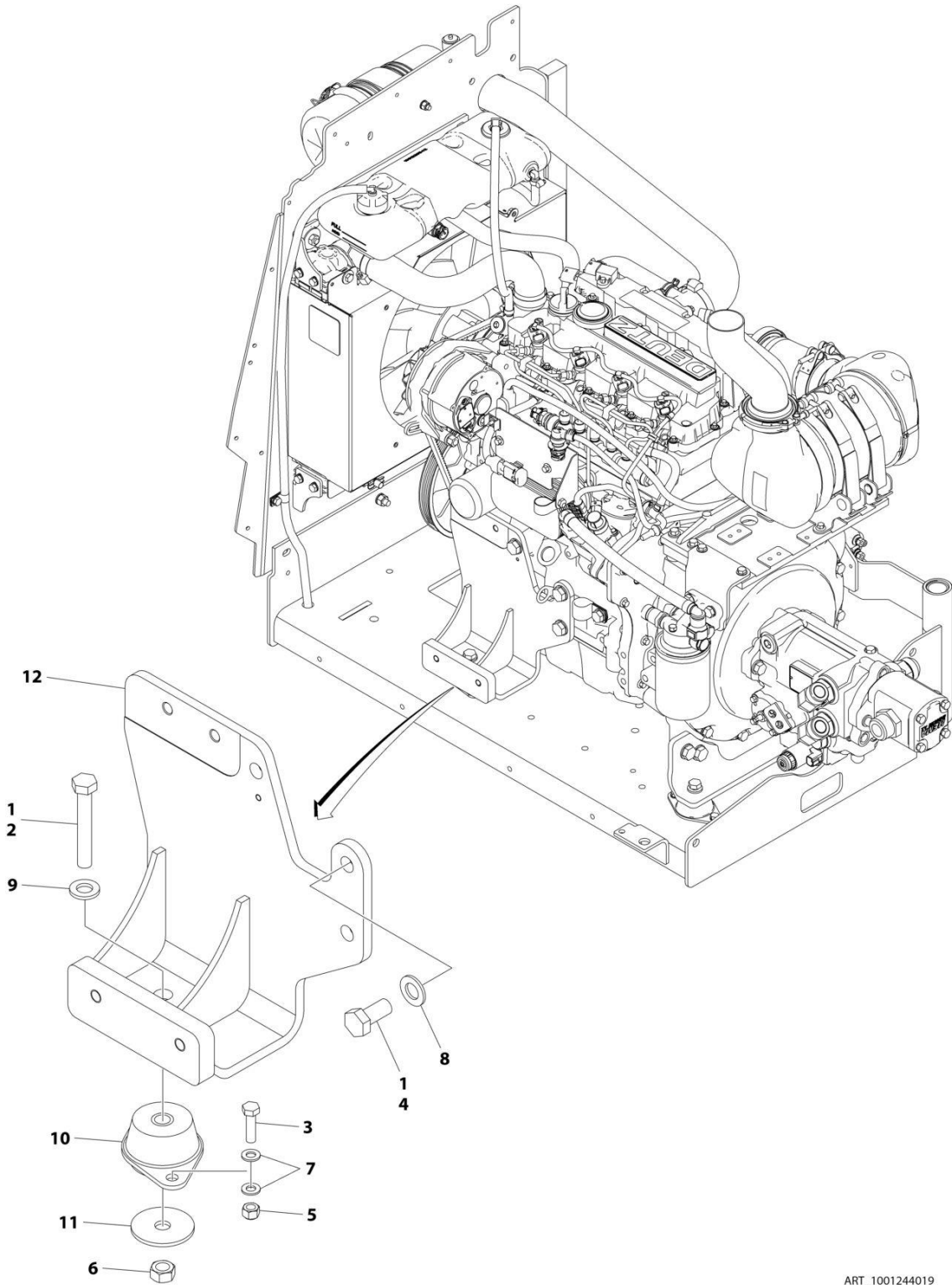
SECTION 3 - ENGINE

FIGURE 3-21. BREATHER HEATER INST (DEUTZ D2.9L4 ENGINES)

ITEM	PART NUMBER	QTY	DESCRIPTION	REV
	1001233763	Ref	BREATHER HEATER INSTALLATION - DEUTZ ENGINES	D
2	4240099	AR	Tie-Strap	
9	1001243895	1	Breather Heater Harness	C
101	2820035	AR	Insulation	
103	2400060	1	Fuseholder with Cover	
104	4460043	1	Terminal, Ring	
105	4460722	1	Terminal, Ring (Not Shown)	
106	1001196634	1	Fuse - 2 Amp	
108	1001232842	1	Breather Heater Kit	

SECTION 3 - ENGINE

FIGURE 3-22. ENGINE MOUNT (WITH GENERATOR) – DEUTZ D2.9L4 (STAGE V) ENGINE



ART_1001244019

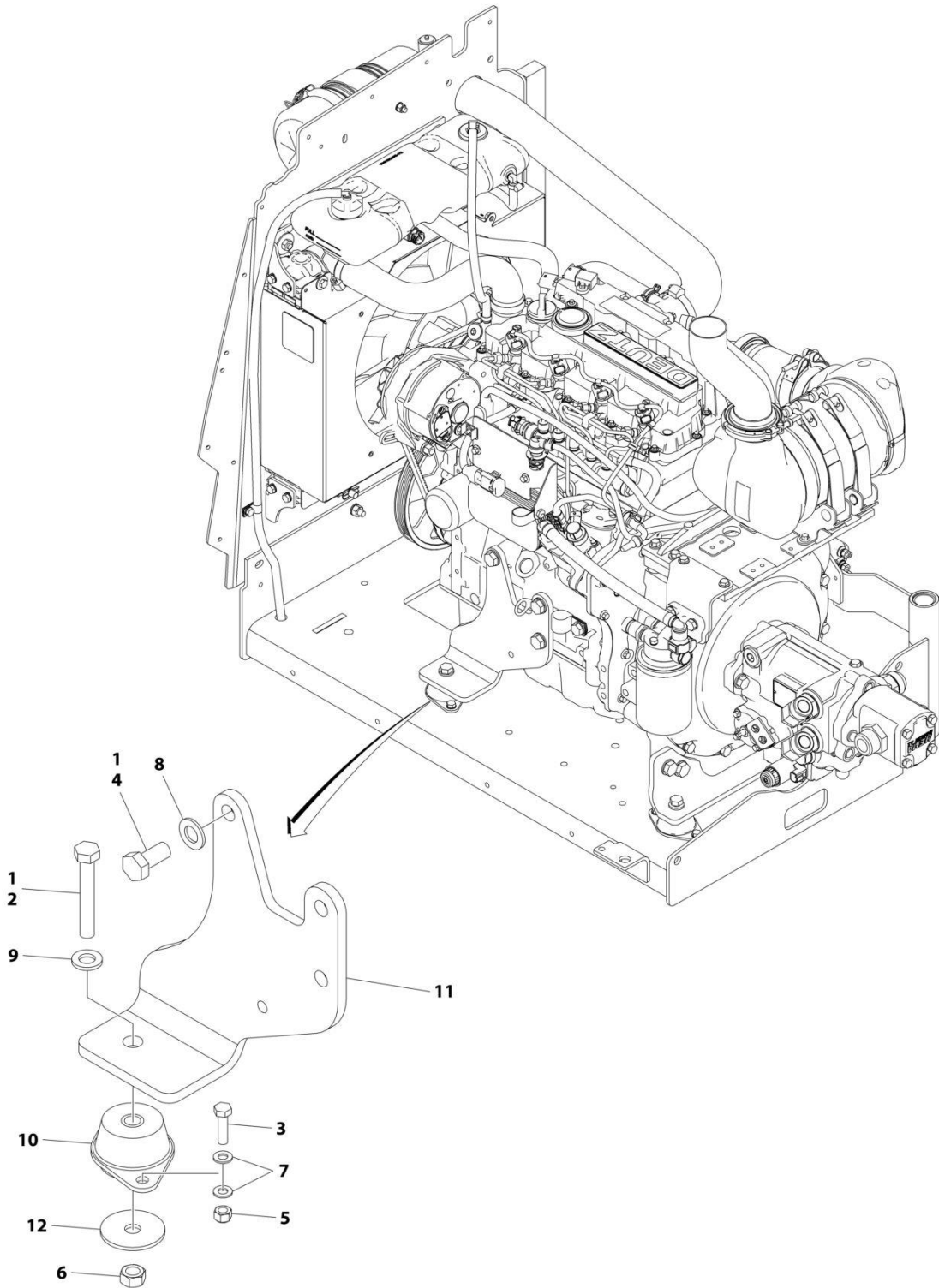
SECTION 3 - ENGINE

FIGURE 3-22. ENGINE MOUNT (WITH GENERATOR) – DEUTZ D2.9L4 (STAGE V) ENGINE

ITEM	PART NUMBER	QTY	DESCRIPTION	REV
	1001244019	Ref	MOTOR MOUNT INSTALLATION	A
1	0100011	AR	Compound, Locking	
2	0711224	1	Bolt M12 x 80	
3	0760814	2	Bolt M8 x 30	
4	0771414	3	Bolt M14 x 30	
5	3290805	2	Nut M8	
6	3331211	1	Nut M12	
7	4811900	4	Washer M8	
8	4812200	3	Washer M14	
9	5241200	1	Washer M12	
10	1001166718	1	Mount, Motor	
11	1001168018	1	Washer	
12	1001168207	1	Mount	

SECTION 3 - ENGINE

FIGURE 3-23. ENGINE MOUNT (WITHOUT GENERATOR) – DEUTZ D2.9L4 (STAGE V) ENGINE



ART_1001244024

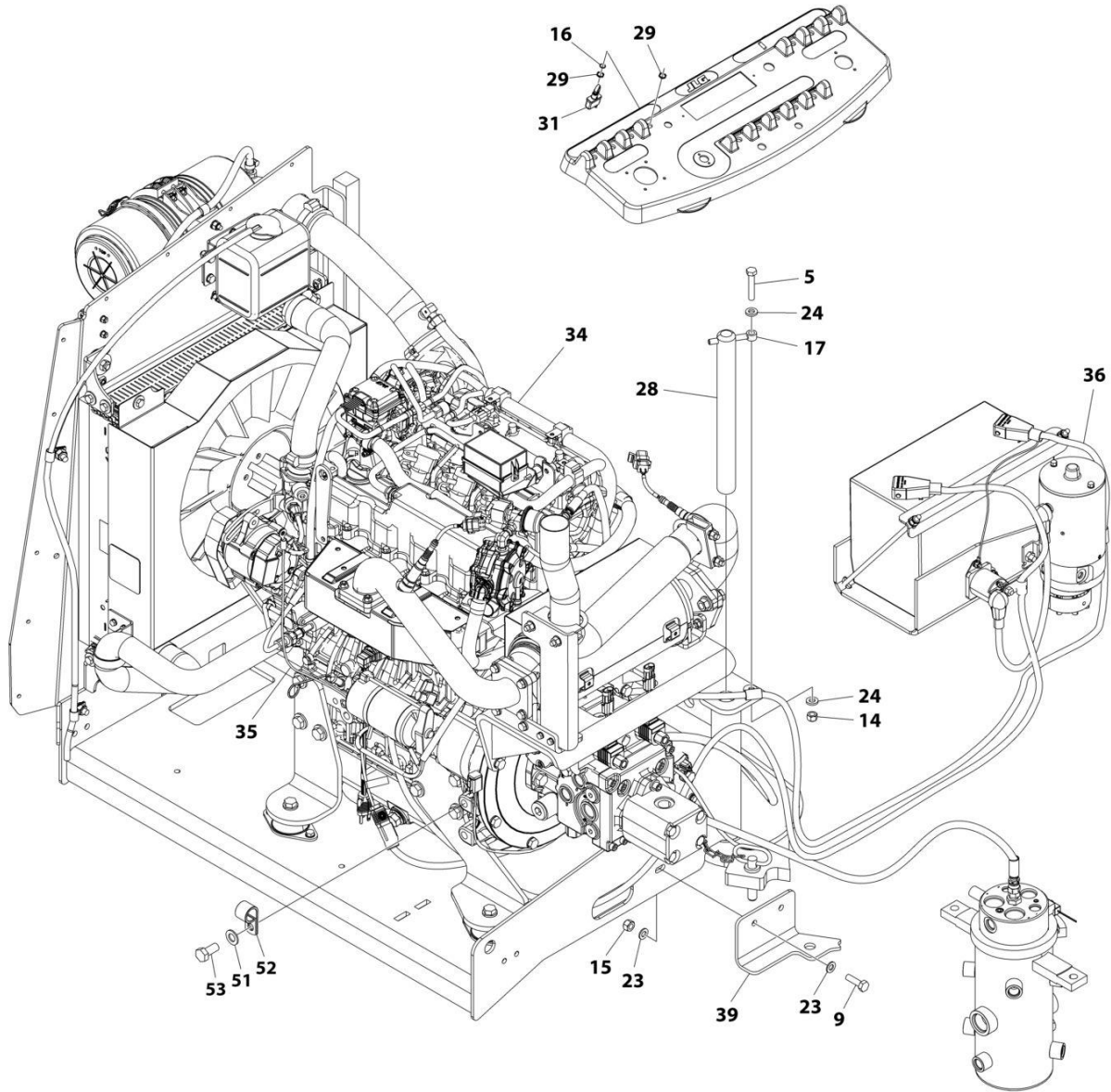
SECTION 3 - ENGINE

FIGURE 3-23. ENGINE MOUNT (WITHOUT GENERATOR) – DEUTZ D2.9L4 (STAGE V) ENGINE

ITEM	PART NUMBER	QTY	DESCRIPTION	REV
	1001244024	Ref	MOTOR MOUNT INSTALLATION	A
1	0100011	AR	Compound, Locking	
2	0711224	1	Bolt M12 x 80	
3	0760814	2	Bolt M8 x 30	
4	0771414	3	Bolt M14 x 30	
5	3290805	2	Nut M8	
6	3331211	1	Nut M12	
7	4811900	4	Washer M8	
8	4812200	3	Washer M14	
9	5241200	1	Washer M12	
10	1001166718	1	Mount, Motor	
11	1001166922	1	Mount	
12	1001168018	1	Washer	

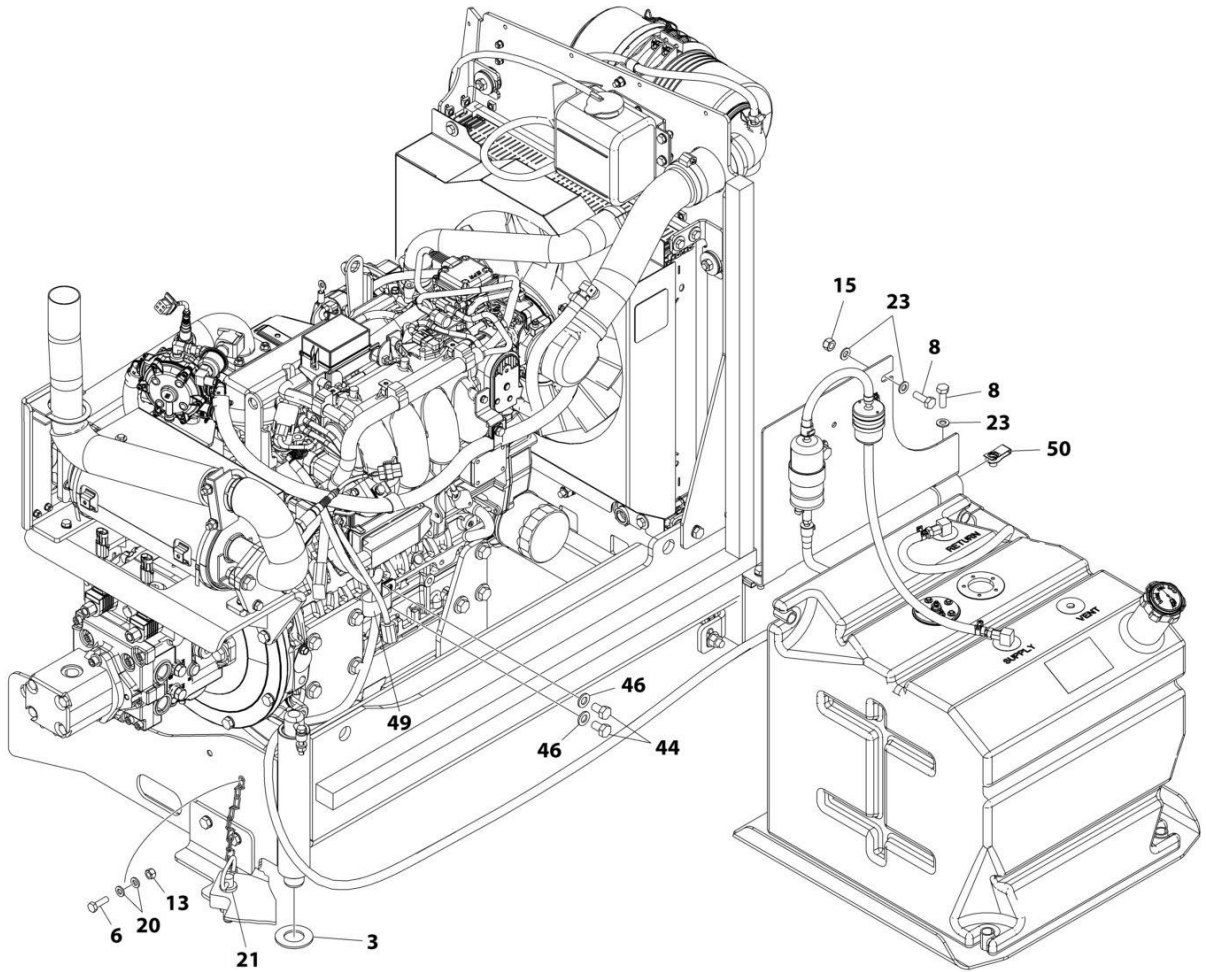
SECTION 3 - ENGINE

FIGURE 3-24. KUBOTA ENGINE INSTALLATION (WITHOUT ARCTIC PACKAGE)



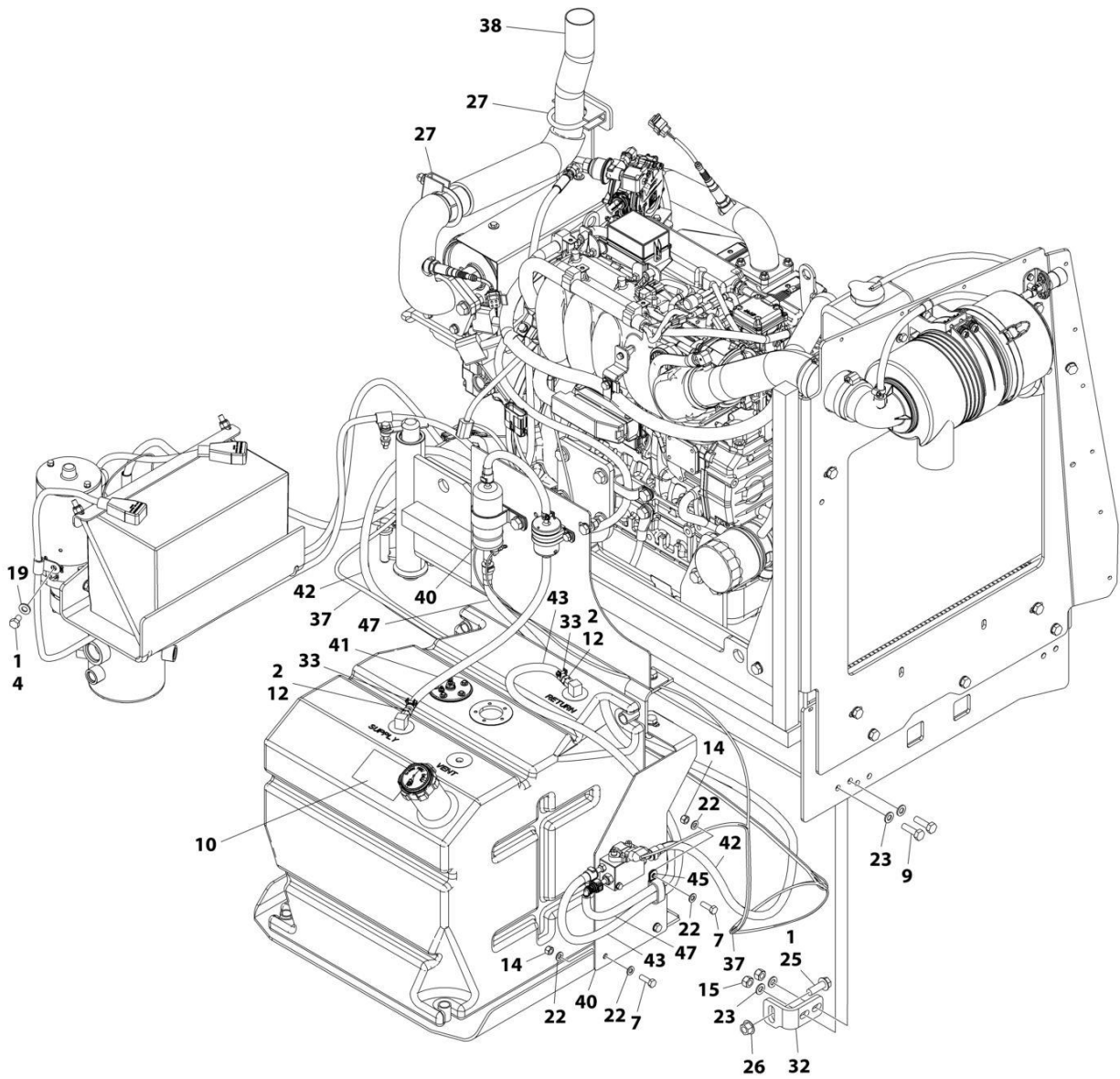
ART_1001236250_10F3

SECTION 3 - ENGINE



ART_1001236250_20F3

SECTION 3 - ENGINE



ART_1001236250_30F3

SECTION 3 - ENGINE

FIGURE 3-24. KUBOTA ENGINE INSTALLATION (WITHOUT ARCTIC PACKAGE)

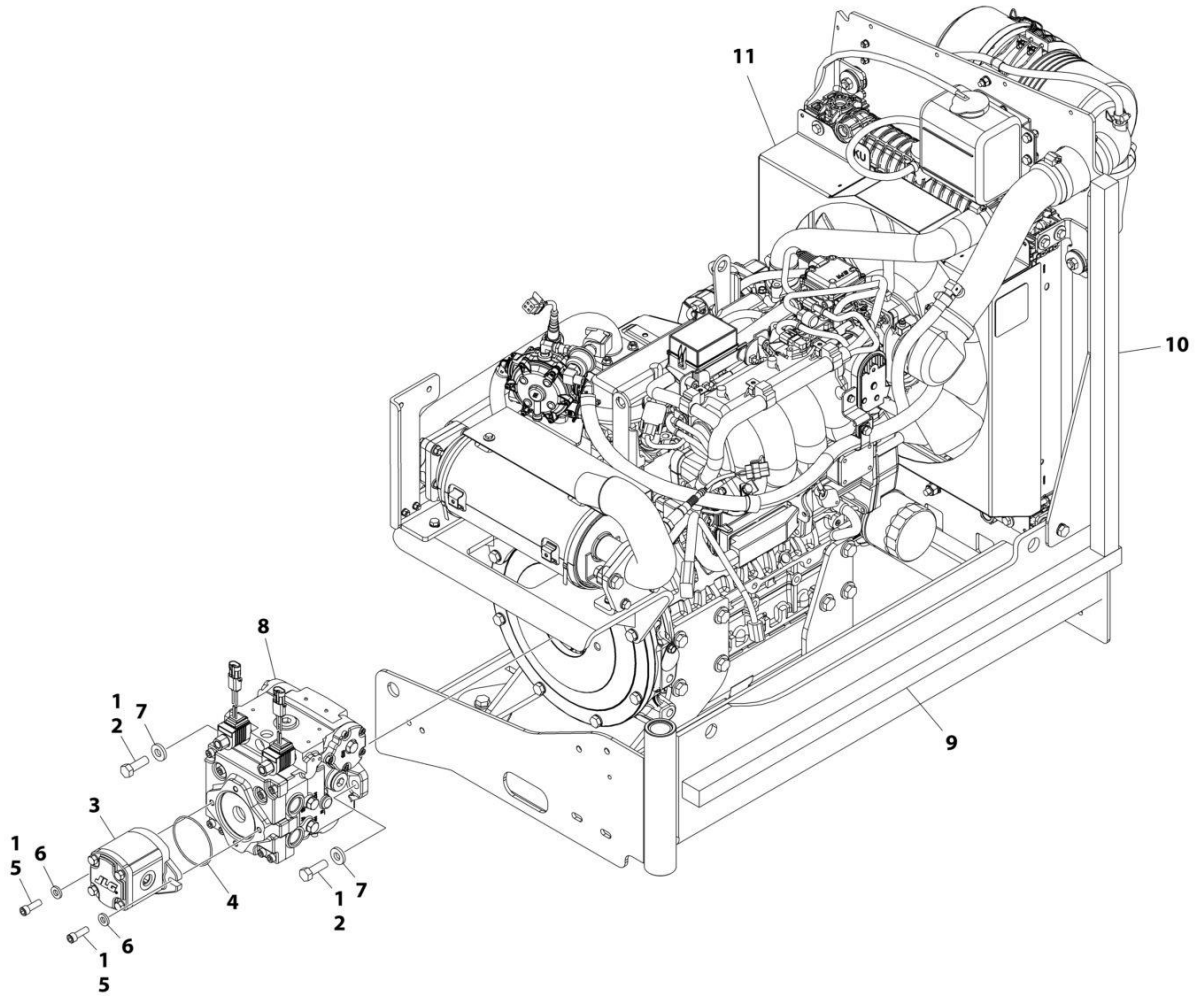
ITEM	PART NUMBER	QTY	DESCRIPTION	REV
	1001236250	Ref	ENGINE INSTALLATION - KUBOTA ENGINE (WITHOUT ARCTIC PACKAGE)	A
1	0100011	AR	Compound, Locking	
2	0100020	AR	Sealant, Pipe	
3	0440162	1	Bearing	
4	0641504	1	Bolt 5/16 x 1/2	
5	0700817	1	Bolt M8 x 45	
6	0760610	1	Bolt M6 x 20	
7	0760812	3	Bolt M8 x 25	
8	0761014	4	Bolt M10 x 30	
9	0761015	4	Bolt M10 x 35	
10	1701542	2	Decal - Gas	
11	1701543	1	Decal - LPG (Not Shown)	
12	2180348	2	Fitting, Barbed	
13	3290605	1	Nut M6	
14	3290805	4	Nut M8	
15	3291005	5	Nut M10	
16	3790012	1	O-Ring	
17	3841143	1	Keeper, Pin	
18	4240099	AR	Tie-Strap (Not Shown)	
19	4711500	1	Washer 5/16	
20	4811700	2	Washer M6	
21	3422532	1	Pin	
22	4811900	6	Washer M8	
23	4812000	13	Washer M10	
24	5240800	2	Washer M8	
25	5251215	1	Bolt M12 x 35	
26	5261200	1	Nut M12 (Grade 10.9)	
27	1001217785	2	Clamp, Muffler	
28	1001135196	1	Pin	
29	1001155044	2	Nut 15/32	
31	1001161710	1	Switch, Toggle	
32	1001167512	1	Bracket, Engine Tray Stow	
33	1001174486	2	Clamp	
34	1001236254	1	Engine and Pump Sub-Assembly - Kubota Engine (Without Arctic Package) (See Separate Breakdown in this Section)	
35	1001212257	1	Cable, Kubota Alternator	
36	1001213062	1	Cable, Battery Cable Kit	
37	1001213599	1	Harness Engine - Kubota Engine (See Separate Breakdown in ELECTRICAL SECTION)	
38	1001214502	1	Pipe, Tail Pipe	
39	1001215259	1	Plate, Engine Lock	
40	1001215801	1	Mount, Fuel System	
41	1001156819	20 in/ 53cm	Hose	
42	1001216396	1	Hose	
43	1001216397	1	Hose	
44	1001217494	2	Bolt M12 x 20	
45	1321283	1	Clamp	
46	4812100	2	Washer M12	

SECTION 3 - ENGINE

ITEM	PART NUMBER	QTY	DESCRIPTION	REV
47	1001216399	1	Hose	
49	1001195039	1	Clamp	
50	1001118972	3	Nut M10	
51	4812200	1	Washer M14	
52	24431386	1	Support Clamp 15/16	
53	1001217345	1	Bolt M14 x 30	
54	1001229798	1	Harness - Kubota Dual Fuel Power (Not Shown - See Separate Breakdown in ELECTRICAL SECTION)	
55	4460466	8	Terminal, Sealing Plug (Not Shown)	
56	4460930	1	Plug, Male - 8 Position (Deutsch) (Not Shown)	

SECTION 3 - ENGINE

FIGURE 3-25. KUBOTA ENGINE AND PUMP SUB-ASSEMBLY (WITHOUT ARCTIC PACKAGE)



ART_1001236254

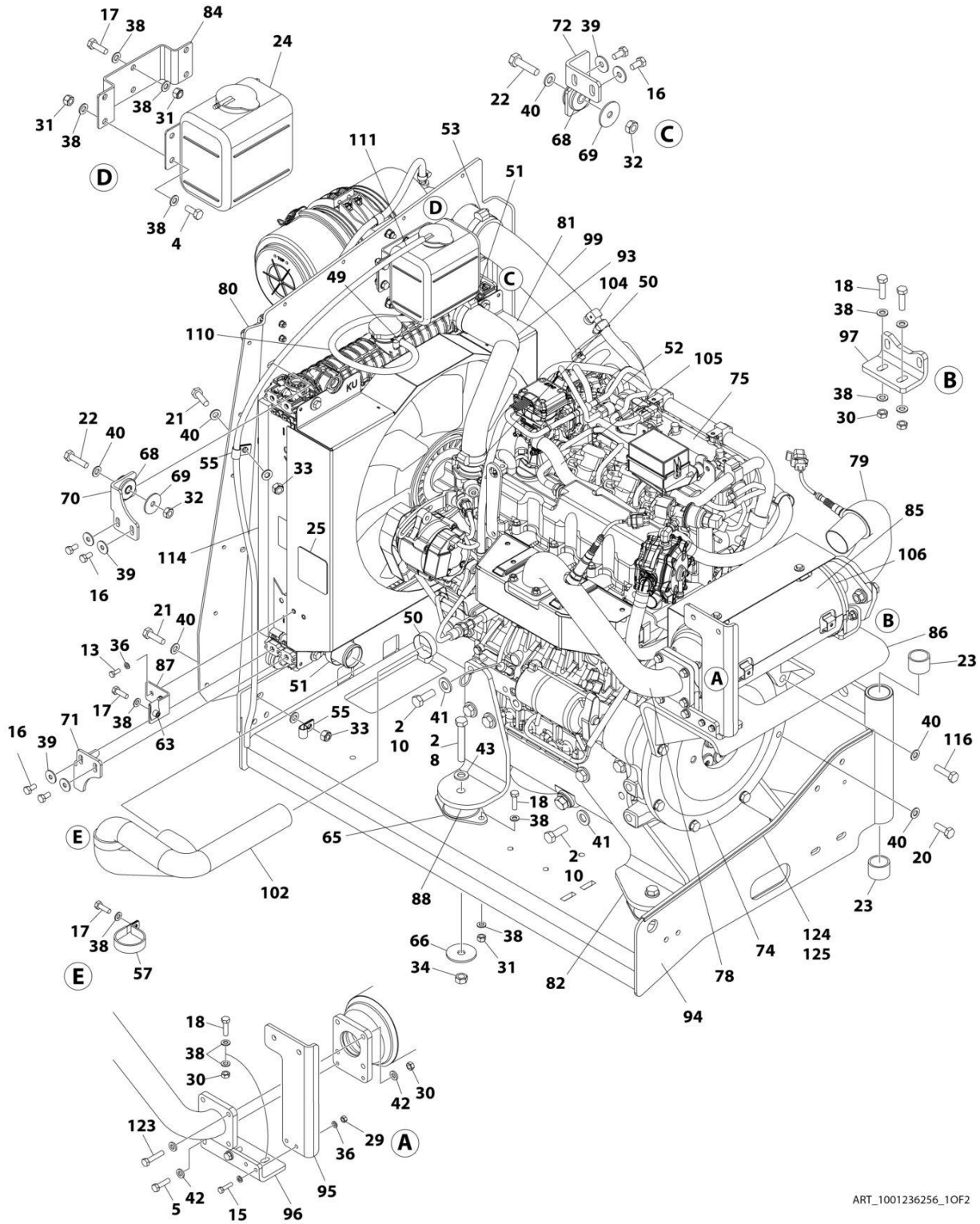
SECTION 3 - ENGINE

FIGURE 3-25. KUBOTA ENGINE AND PUMP SUB-ASSEMBLY (WITHOUT ARCTIC PACKAGE)

ITEM	PART NUMBER	QTY	DESCRIPTION	REV
	1001236254	Ref	ENGINE AND PUMP SUB-ASSEMBLY - KUBOTA ENGINE (WITHOUT ARCTIC PACKAGE)	A
1	0100011	AR	Compound, Locking	
2	0641812	2	Bolt 1/2 x 1-1/2	
3	1001214207	1	Pump, Gear	
3	70006356	1	Seal Kit - 1001214207 Pump	
4	3790152	1	O-Ring	
5	3931618	2	Bolt 3/8 x 1-1/8	
6	4891600	2	Washer 3/8	
7	4891800	2	Washer 1/2	
8	1001167036	1	Piston Pump Assembly (See Separate Breakdown in this Section)	
9	1001171953	1	Seal, Gasket	
10	1001171954	1	Seal, Gasket	
11	1001236256	1	Engine Assembly - Kubota Engine (Without Arctic Package) (See Separate Breakdown in this Section)	

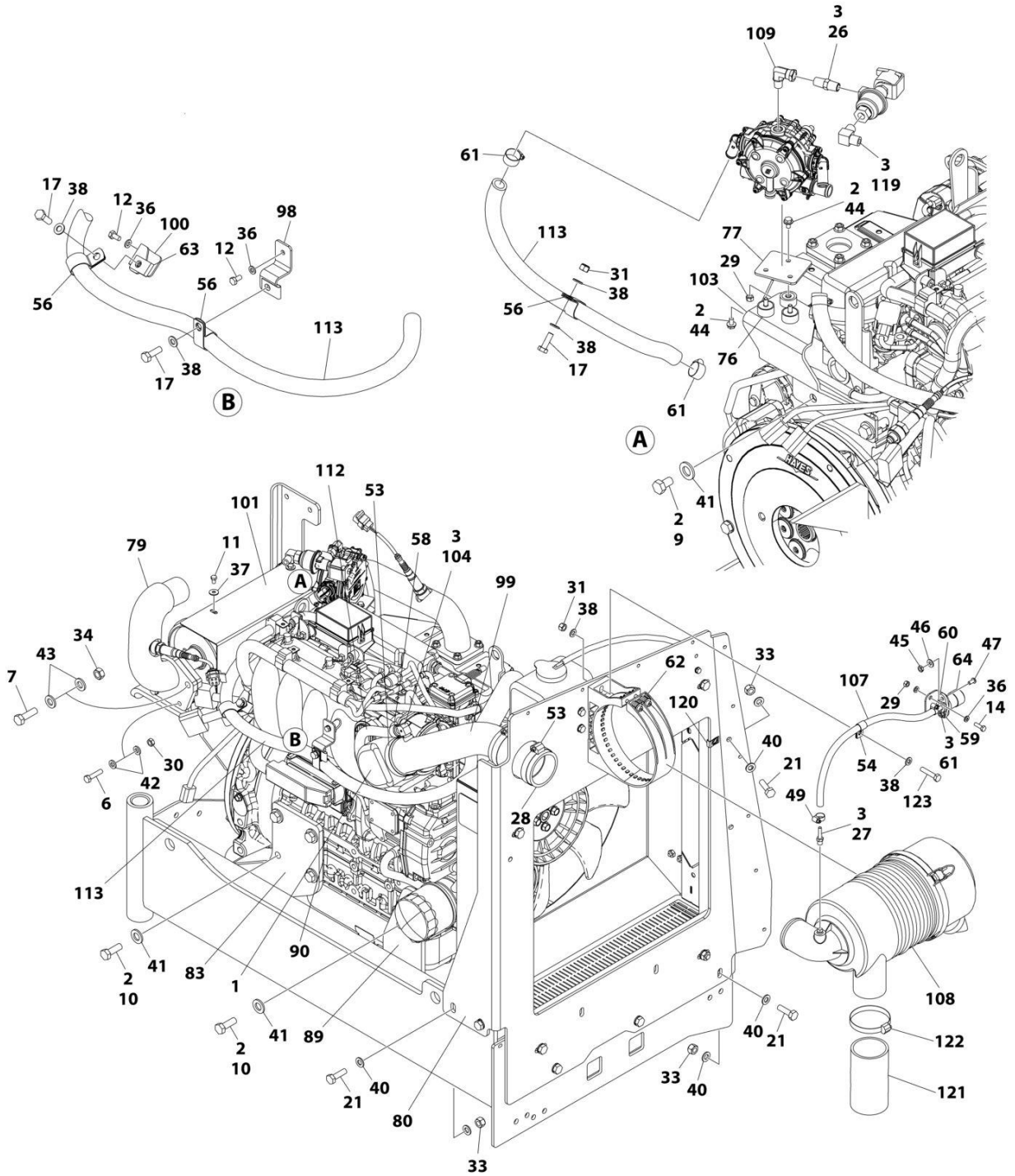
SECTION 3 - ENGINE

FIGURE 3-26. KUBOTA ENGINE ASSEMBLY (WITHOUT ARCTIC PACKAGE)



ART_1001236256_10F2

SECTION 3 - ENGINE



ART_1001236256_20F2

SECTION 3 - ENGINE

FIGURE 3-26. KUBOTA ENGINE ASSEMBLY (WITHOUT ARCTIC PACKAGE)

ITEM	PART NUMBER	QTY	DESCRIPTION	REV
	1001236256	Ref	ENGINE ASSEMBLY - KUBOTA ENGINE (WITHOUT ARCTIC PACKAGE)	E
1	0080201	1	Adapter, 90	
2	0100011	AR	Compound, Locking	
3	0100020	AR	Sealant, Pipe	
4	0700810	4	Bolt M8 x 20	
5	0700814	2	Bolt M8 x 30	
6	0700815	2	Bolt M8 x 35	
7	0701216	2	Bolt M12 x 40	
8	0701224	4	Bolt M12 x 80	
9	1001217494	2	Bolt M12 x 20	
10	1001217343	14	Bolt M12 x 35	
11	0760605	4	Bolt M6 x 10	
12	0760606	2	Bolt M6 x 12	
13	0760608	2	Bolt M6 x 16	
14	0760610	2	Bolt M6 x 20	
15	0760612	2	Bolt M6 x 25	
16	0760808	8	Bolt M8 x 16	
17	0760812	6	Bolt M8 x 25	
18	0760814	12	Bolt M8 x 30	
19	0760815	1	Bolt M8 x 35	
20	0761014	4	Bolt M10 x 30	
21	0761015	6	Bolt M10 x 35	
22	0761016	4	Bolt M10 x 40	
23	0961951	2	Bushing	
24	1580011	1	Container, Coolant Overflow	
25	1703162	2	Decal - Caution Fan	
26	2220261	1	Fitting, Nipple NPTF/NPTF	
27	2220315	1	Fitting, Barbed	
28	2720644	1	Hose	
29	3290607	5	Nut M6	
30	3290801	10	Nut M8	
31	3290805	17	Nut M8	
32	3291001	4	Nut M10	
33	3291005	6	Nut M10	
34	3291201	6	Nut M12	
35	4240099	AR	Tie-Strap (Not Shown)	
36	4811700	12	Washer M6	
37	4811702	4	Washer M6	
38	4811900	45	Washer M8	
39	4811902	8	Washer M8	
40	4812000	24	Washer M10	
41	5241400	16	Washer M14	
42	5240800	14	Washer M8	
43	5241200	8	Washer M12	
44	5250605	3	Bolt M6 x 10	
45	8305401	2	Nut 1/4	
46	8307109	2	Washer 1/4	
47	8310548	2	Screw 1/4 NC x 1/2	
48	1001173535	2	Clamp	

SECTION 3 - ENGINE

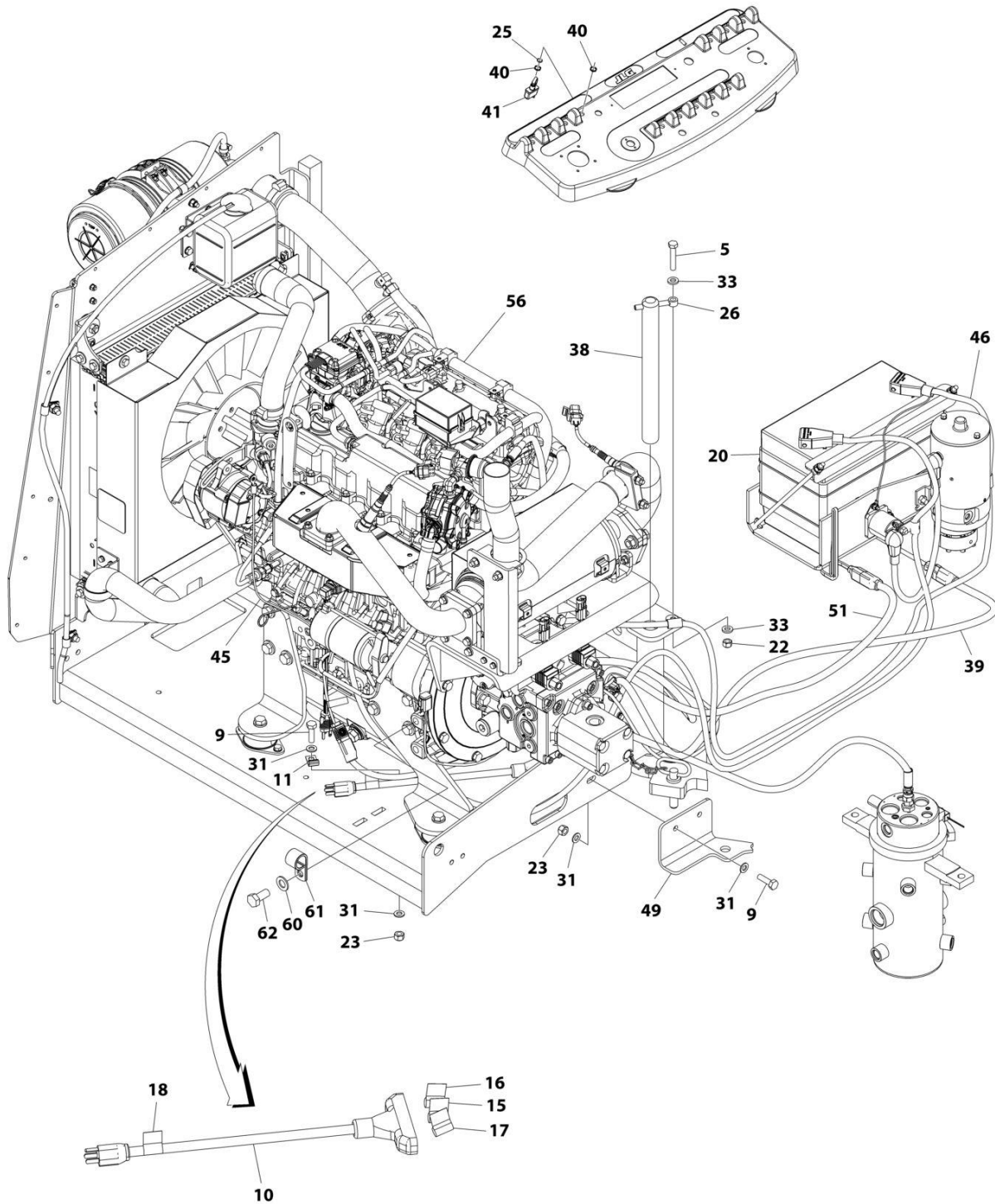
ITEM	PART NUMBER	QTY	DESCRIPTION	REV
49	8405009	4	Clamp	
50	8405102	2	Clamp	
51	8405104	2	Clamp	
52	8405202	1	Clamp	
53	8405203	3	Clamp	
54	8406109	1	Clip	
55	8406110	2	Clip	
56	8406201	3	Clip	
57	8410001	1	Clamp	
58	8410009	6	Clamp	
59	1001138173	1	Support, Service Indicator	
60	1001138175	1	Bracket, Service Indicator	
61	1001141995	1	Fitting, Barbed	
62	1001147812	1	Clamp, Air Cleaner	
63	1001149160	3	Nut M8	
64	1001149639	1	Indicator, Air Intake	
65	1001166718	4	Isolator, Engine Mount	
66	1001168018	4	Washer, Snubbing	
67	1001168166	2	Seal	
68	1001169054	4	Isolator, Radiator	
69	1001169138	4	Washer, Snubbing	
70	1001169967	2	Bracket	
71	1001170035	1	Bracket	
72	1001176330	1	Bracket	
73	1001180620	AR	Adhesive	
74	1001209844	1	Pump Coupling Kit (See Separate Breakdown in this Section)	
75	1001236393	1	Engine, Kubota (See Separate Breakdown in this Section)	
76	1001211794	3	Mount	
77	1001211797	1	Mount	
78	1001212989	1	Pipe, Exhaust (Inlet)	
79	1001212993	1	Pipe Exhaust (Outlet)	
80	1001213305	1	Plate, Mounting	
81	1001236257	1	Radiator	
82	1001213425	1	Plate, Engine Mount (Left Rear)	
83	1001213426	1	Plate, Engine Mount (Right Rear)	
84	1001213482	1	Bracket	
85	1001213824	1	Insulation	
86	1001214138	1	Bracket	
87	1001214205	1	Support	
88	1001214233	1	Plate (Front Left)	
89	1001214234	1	Plate (Front Right)	
90	1001214276	1	Shim	
91	1001214277	1	Shim	
92	1001214278	2	Shim	
93	1001214307	1	Hose	
94	1001214508	1	Support	
95	1001214553	1	Support	
96	1001214555	1	Bracket	
97	1001214556	1	Bracket	
98	1001214558	1	Bracket	
99	1001214598	1	Tube	

SECTION 3 - ENGINE

ITEM	PART NUMBER	QTY	DESCRIPTION	REV
100	1001214599	1	Bracket	
101	1001214664	1	Cover	
102	1001214694	1	Hose	
103	1001214841	1	Bracket	
104	1001215125	1	Fitting, 90	
105	1001215869	1	Hose	
106	1001137336	2	Strap	
107	1001138248	2 ft/ 0.61m	Tube	
108	1001147813	1	Air Cleaner Assembly Including Filter Element	
108	70004020	1	Element, Air Filter	
109	1001247359	1	Fitting, 90	
110	2720058	1.75 ft/ 0.53m	Hose	
111	2720271	4 ft/ 1.22m	Hose	
112	2720615	1.25 ft/ 0.38m	Hose	
113	82033995	5.5 ft/ 1.68m	Hose	
114	1001216825	2	Seal	
115	0700816	4	Bolt M8 x 40	
116	0701016	4	Bolt M10 x 40	
119	2180504	1	Fitting, Barbed	
120	1001118274	1	Nut, Special M8	
121	1001001939	1	Tube, Flex	
122	8410011	1	Clamp	
123	0760816	1	Bolt M8 x 40	
124	4060805	1.94 ft/ 0.59m	Flex-Trim	
125	0100081	AR	Adhesive	

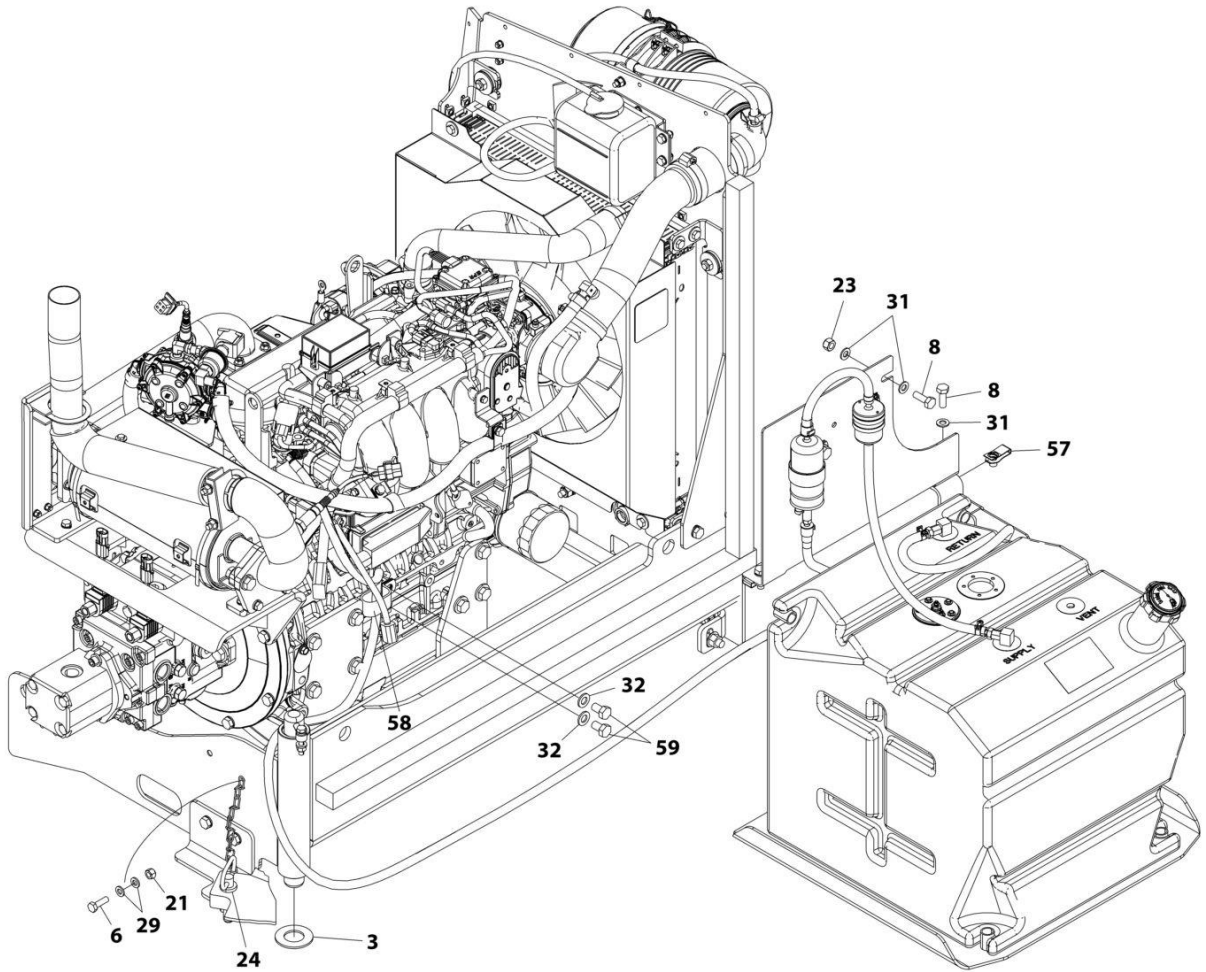
SECTION 3 - ENGINE

FIGURE 3-27. KUBOTA ENGINE INSTALLATION (WITH ARCTIC PACKAGE)



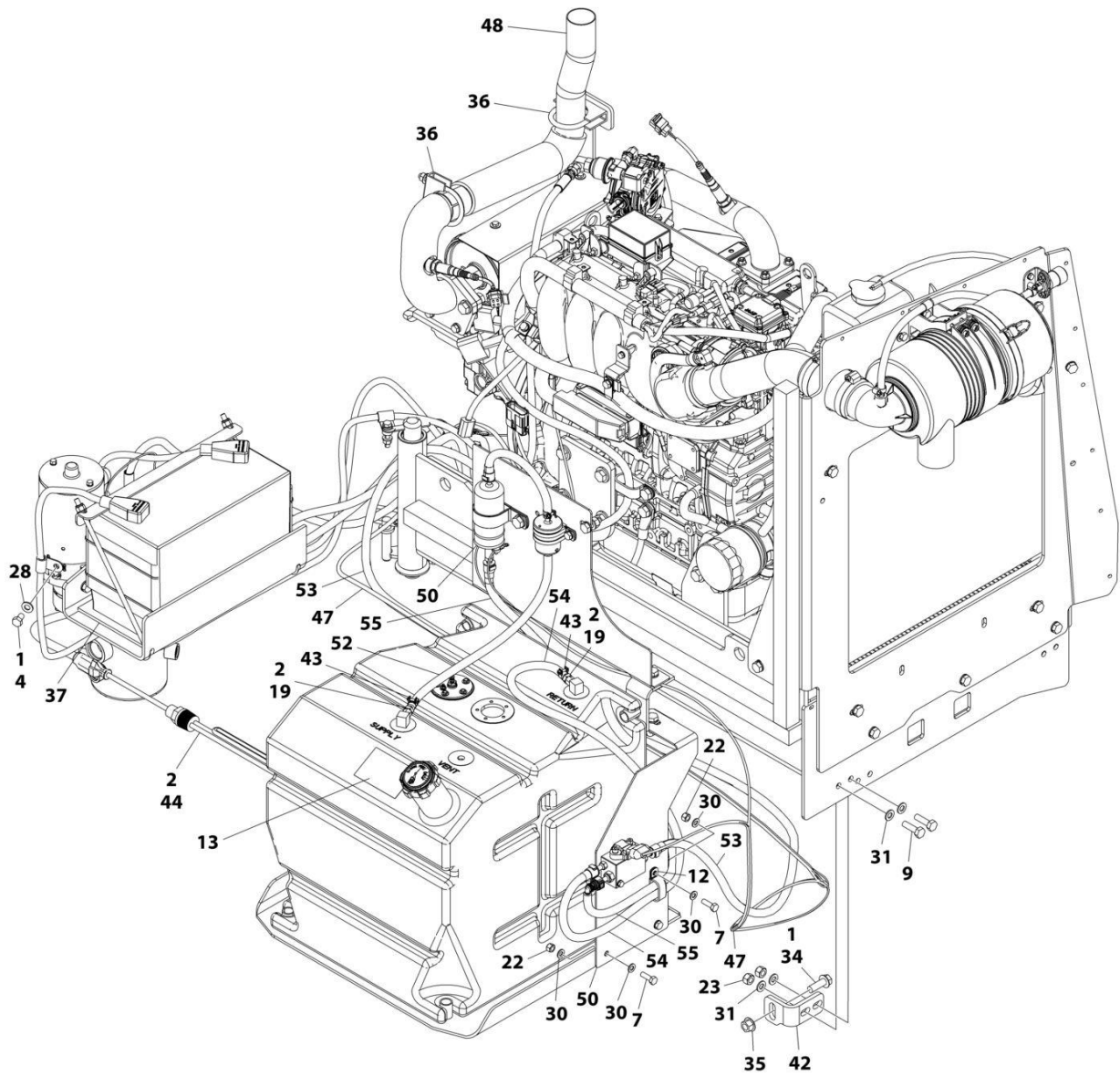
ART_1001236252_10F3

SECTION 3 - ENGINE



ART_1001236252_20F3

SECTION 3 - ENGINE



ART_1001236252_30F3

SECTION 3 - ENGINE

FIGURE 3-27. KUBOTA ENGINE INSTALLATION (WITH ARCTIC PACKAGE)

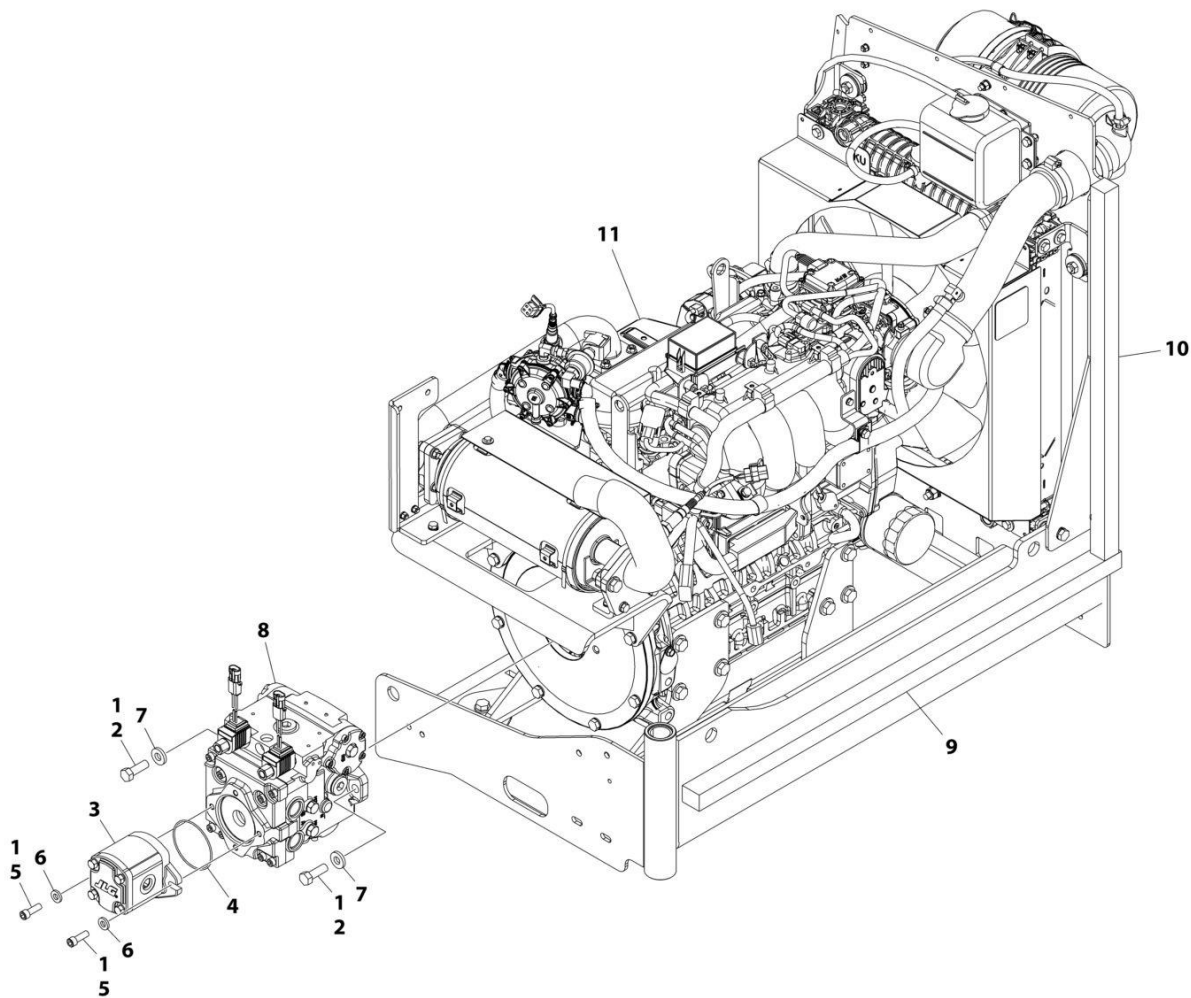
ITEM	PART NUMBER	QTY	DESCRIPTION	REV
	1001236252	Ref	ENGINE INSTALLATION - KUBOTA ENGINE (WITH ARCTIC PACKAGE)	B
1	0100011	AR	Compound, Locking	
2	0100020	AR	Sealant, Pipe	
3	0440162	1	Bearing	
4	0641504	1	Bolt 5/16 x 1/2	
5	0700817	1	Bolt M8 x 45	
6	0760610	1	Bolt M6 x 20	
7	0760812	3	Bolt M8 x 25	
8	0761014	4	Bolt M10 x 30	
9	0761015	5	Bolt M10 x 35	
10	1060626	1	Plug, 3 Way	
11	1320223	1	Clamp	
12	1321283	1	Clamp	
13	1701542	2	Decal - Gas	
14	1701543	1	Decal - LPG (Not Shown)	
15	1702941	1	Decal - Battery Heater	
16	1702942	1	Decal - Engine Block Heater	
17	1702943	1	Decal - Hydraulic Tank Heater	
18	1702944	1	Decal - Heater Cord	
19	2180348	2	Fitting, Barbed	
20	2580024	1	Heater, Battery	
21	3290605	1	Nut M6	
22	3290805	4	Nut M8	
23	3291005	6	Nut M10	
24	3422532	1	Pin	
25	3790012	1	O-Ring	
26	3841143	1	Keeper, Pin	
27	4240099	AR	Tie-Strap (Not Shown)	
28	4711500	1	Washer 5/16	
29	4811700	2	Washer M6	
30	4811900	6	Washer M8	
31	4812000	15	Washer M10	
32	4812100	2	Washer M12	
33	5240800	2	Washer M8	
34	5251215	1	Bolt M12 x 35	
35	5261200	1	Nut M12 Class10	
36	1001217785	2	Clamp, Muffler	
37	1001119278	1	Insulate	
38	1001135196	1	Pin	
39	1001150918	1	Cable, Extension Cord	
40	1001155044	2	Nut 15/32	
41	1001161710	1	Switch, Toggle	
42	1001167512	1	Bracket, Engine Tray Stow	
43	1001174486	2	Clamp	
44	1001188972	1	Heater, Hydraulic Tank	
45	1001212257	1	Cable, Kubota Alternator	
46	1001213062	1	Cable, Battery Cable Kit Kubota	
47	1001213599	1	Harness Engine - Kubota Engine (See Separate Breakdown in ELECTRICAL SECTION)	

SECTION 3 - ENGINE

ITEM	PART NUMBER	QTY	DESCRIPTION	REV
48	1001214502	1	Pipe, Tail Pipe	
49	1001215259	1	Plate, Engine Lock	
50	1001215801	1	Mount, Fuel System (Kubota)	
51	1001216080	2	Cable, Extension Cord	
52	1001156819	20.9 in/ 53cm	Hose	
53	1001216396	1	Hose	
54	1001216397	1	Hose	
55	1001216399	1	Hose	
56	1001236258	1	Engine and Pump Sub-Assembly - Kubota Engine (With Arctic Package) (See Separate Breakdown in this Section)	
57	1001118972	3	Nut M10	
58	1001195039	1	Clamp	
59	1001217494	2	Capscrew M12	
60	4812200	1	Washer M14	
61	24431386	1	Support, Clamp	
62	1001217345	1	Bolt M14 x 30	
63	1001229798	1	Harness - Kubota B6 D/F Power (Not Shown - See Separate Breakdown in ELECTRICAL SECTION)	
64	4460466	8	Terminal, Sealing Plug (Not Shown)	
65	4460930	1	Plug, Male - 8 Position (Deutsch) (Not Shown)	

SECTION 3 - ENGINE

FIGURE 3-28. KUBOTA ENGINE AND PUMP SUB-ASSEMBLY (WITH ARCTIC PACKAGE)



ART_1001236258

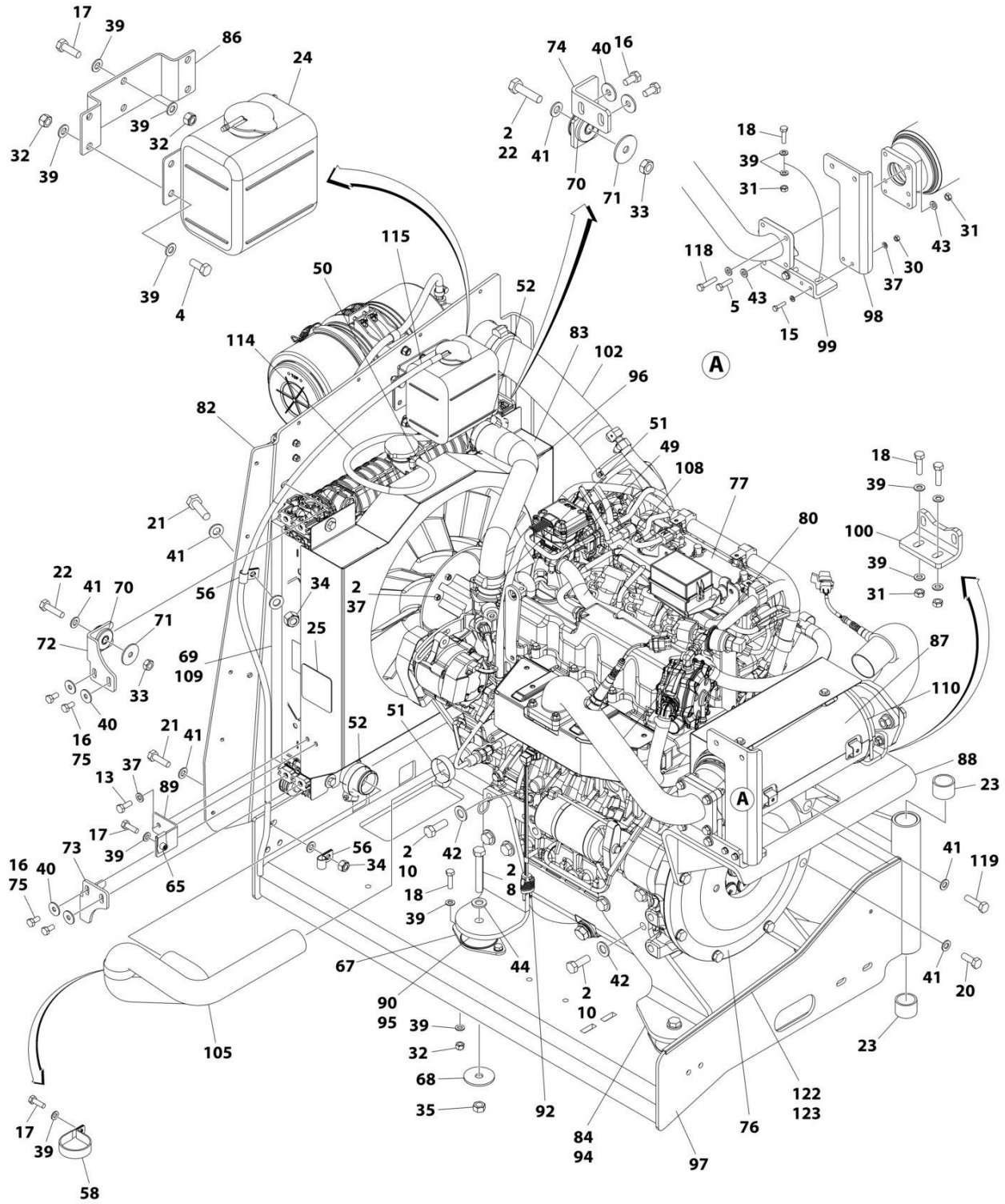
SECTION 3 - ENGINE

FIGURE 3-28. KUBOTA ENGINE AND PUMP SUB-ASSEMBLY (WITH ARCTIC PACKAGE)

ITEM	PART NUMBER	QTY	DESCRIPTION	REV
	1001236258	Ref	ENGINE AND PUMP SUB-ASSEMBLY - KUBOTA ENGINE (WITH ARCTIC PACKAGE)	A
1	0100011	AR	Compound, Locking	
2	0641812	2	Bolt 1/2 x 1-1/2	
3	1001214207	1	Gear Pump Assembly	
3	70006356	1	Seal Kit - 1001214207 Pump	
4	3790152	1	O-Ring	
5	3931618	2	Capscrew 3/8 x 1-1/8	
6	4891600	2	Washer 3/8	
7	4891800	2	Washer 1/2	
8	1001167036	1	Piston Pump Assembly (See Separate Breakdown in this Section)	
9	1001171953	1	Seal	
10	1001171954	1	Seal	
11	1001236259	1	Engine Assembly - Kubota Engine (With Arctic Package) (See Separate Breakdown in this Section)	

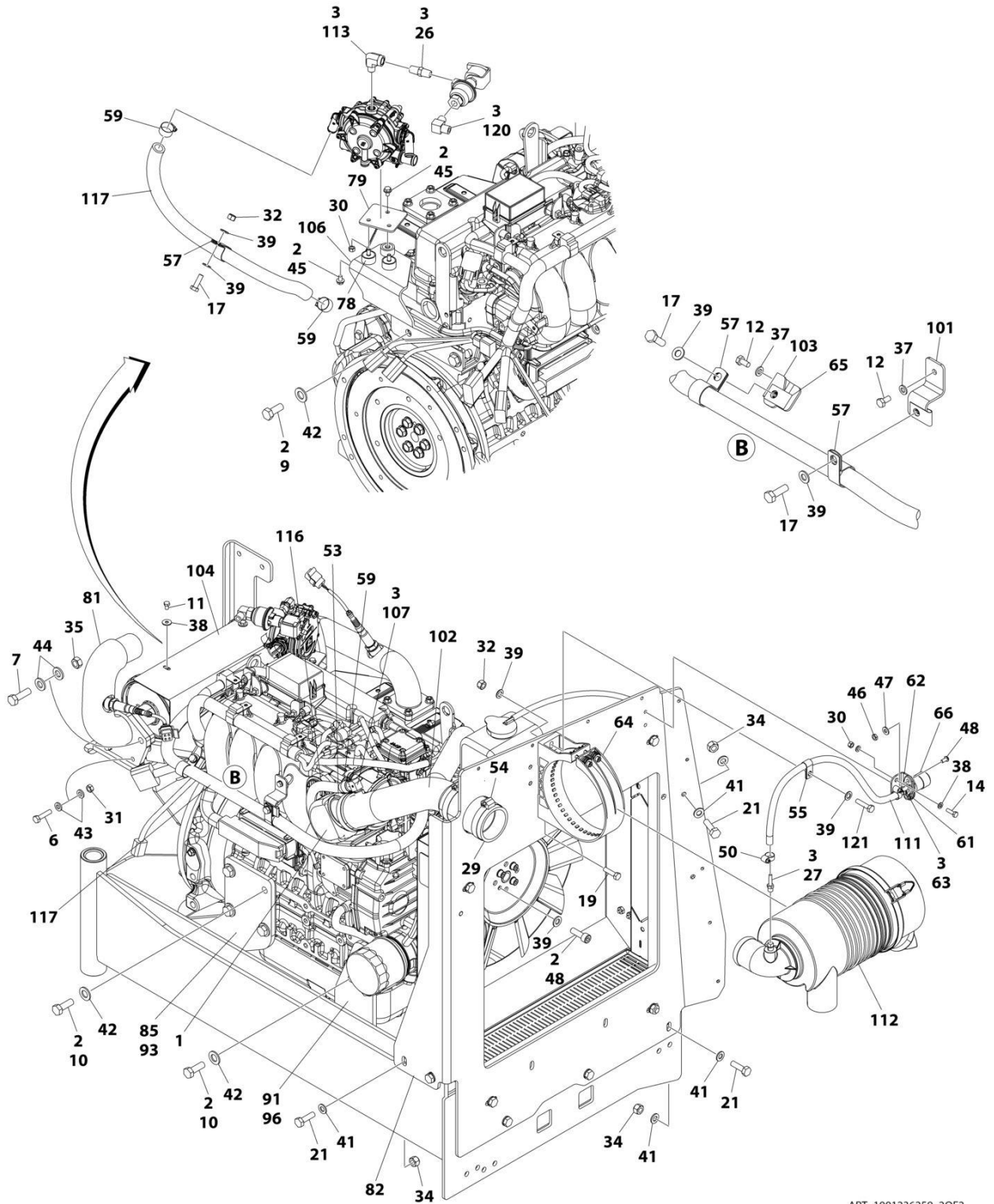
SECTION 3 - ENGINE

FIGURE 3-29. KUBOTA ENGINE ASSEMBLY (WITH ARCTIC PACKAGE)



ART_1001236259_10F2

SECTION 3 - ENGINE



ART_1001236259_2OF2

SECTION 3 - ENGINE

FIGURE 3-29. KUBOTA ENGINE ASSEMBLY (WITH ARCTIC PACKAGE)

ITEM	PART NUMBER	QTY	DESCRIPTION	REV
	1001236259	Ref	ENGINE ASSEMBLY - KUBOTA ENGINE (WITH ARCTIC PACKAGE)	E
1	0080201	1	Adapter, 90	
2	0100011	AR	Compound, Locking	
3	0100020	AR	Sealant, Pipe	
4	0700810	4	Bolt M8 x 20	
5	0700814	2	Bolt M8 x 30	
6	0700815	2	Bolt M8 x 35	
7	0701216	2	Bolt M12 x 40	
8	0701224	4	Bolt M12 x 80	
9	1001217494	2	Bolt M12 x 20	
10	1001217343	14	Bolt M12 x 35	
11	0760605	4	Bolt M6 x 10	
12	0760606	2	Bolt M6 x 12	
13	0760608	2	Bolt M6 x 16	
14	0760610	2	Bolt M6 x 20	
15	0760612	2	Bolt M6 x 25	
16	0760808	8	Bolt M8 x 16	
17	0760812	6	Bolt M8 x 25	
18	0760814	12	Bolt M8 x 30	
19	0760815	1	Bolt M8 x 35	
20	0761014	4	Bolt M10 x 30	
21	0761015	6	Bolt M10 x 35	
22	0761016	4	Bolt M10 x 40	
23	0961951	2	Bushing	
24	1580011	1	Container, Coolant Overflow	
25	1703162	2	Decal - Caution Fan	
26	2220261	1	Fitting, Nipple NPTF/NPTF	
27	2220315	1	Fitting, Barbed	
29	2720644	1	Hose	
30	3290607	5	Nut M6	
31	3290801	10	Nut M8	
32	3290805	17	Nut M8	
33	3291001	4	Nut M10	
34	3291005	6	Nut M10	
35	3291201	6	Nut M12	
36	4240099	AR	Tie-Strap (Not Shown)	
37	4811700	16	Washer M6	
38	4811702	4	Washer M6	
39	4811900	45	Washer M8	
40	4811902	8	Washer M8	
41	4812000	24	Washer M10	
42	5241400	16	Washer M14	
43	5240800	14	Washer M8	
44	5241200	8	Washer M12	
45	5250605	3	Bolt M6 x 10	
46	8305401	2	Nut 1/4	
47	8307109	2	Washer 1/4	
48	8310548	2	Screw 1/4 x 1/2	
49	1001173535	2	Clamp	

SECTION 3 - ENGINE

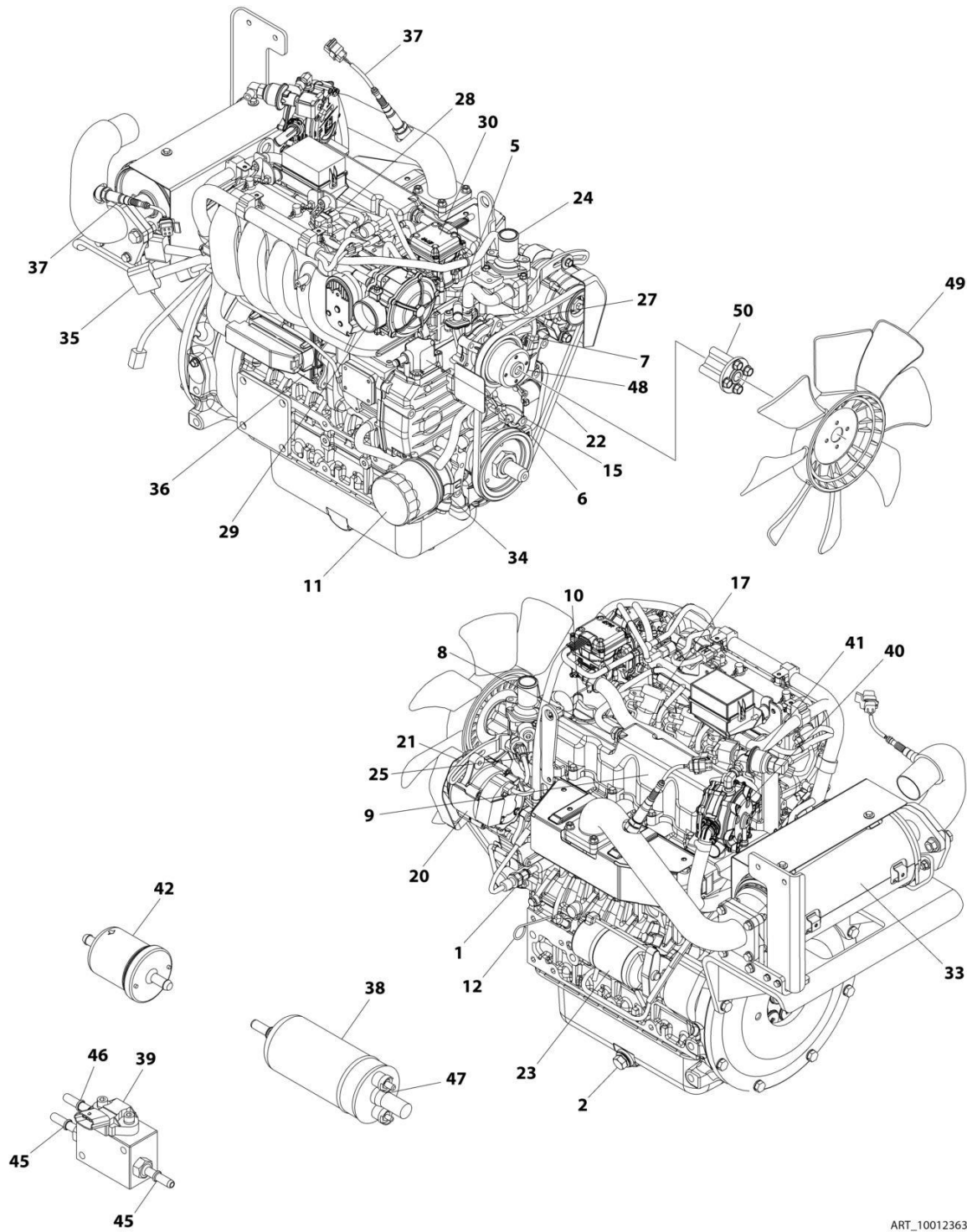
ITEM	PART NUMBER	QTY	DESCRIPTION	REV
50	8405009	4	Clamp	
51	8405102	2	Clamp	
52	8405104	2	Clamp	
53	8405202	1	Clamp	
54	8405203	3	Clamp	
55	8406109	1	Clip	
56	8406110	2	Clip	
57	8406201	3	Clip	
58	8410001	1	Clamp	
59	8410009	6	Clamp	
61	1001138173	1	Support, Service Indicator	
62	1001138175	1	Bracket, Service Indicator	
63	1001141995	1	Fitting, Barbed	
64	1001147812	1	Clamp, Air Cleaner	
65	1001149160	3	Nut M8	
66	1001149639	1	Indicator, Air Intake	
67	1001166718	4	Isolator, Engine Mount	
68	1001168018	4	Washer, Snubbing	
69	1001168166	2	Seal	
70	1001169054	4	Isolator, Radiator	
71	1001169138	4	Washer, Snubbing	
72	1001169967	2	Bracket	
73	1001170035	1	Bracket	
74	1001176330	1	Bracket	
75	1001180620	AR	Adhesive	
76	1001209844	1	Pump Coupling Kit (See Separate Breakdown in this Section)	
77	1001236393	1	Engine, Kubota (See Separate Breakdown in this Section)	
78	1001211794	3	Mount	
79	1001211797	1	Mount	
80	1001212989	1	Pipe, Exhaust (Inlet)	
81	1001212993	1	Pipe, Exhaust (Outlet)	
82	1001213305	1	Plate, Mounting	
83	1001236257	1	Radiator	
84	1001213425	1	Plate, Engine Mount (Left Rear)	
85	1001213426	1	Plate, Engine Mount (Right Rear)	
86	1001213482	1	Bracket	
87	1001213824	1	Insulation	
88	1001214138	1	Bracket	
89	1001214205	1	Support	
90	1001214233	1	Plate (Front Left)	
91	1001214234	1	Plate (Front Right)	
92	1001214269	1	Heater, Block	
93	1001214276	1	Shim	
94	1001214277	1	Shim	
95	1001214278	2	Shim	
96	1001214307	1	Hose	
97	1001214508	1	Support	
98	1001214553	1	Support	
99	1001214555	1	Bracket	
100	1001214556	1	Bracket	
101	1001214558	1	Bracket	

SECTION 3 - ENGINE

ITEM	PART NUMBER	QTY	DESCRIPTION	REV
102	1001214598	1	Tube	
103	1001214599	1	Bracket	
104	1001214664	1	Cover	
105	1001214694	1	Hose	
106	1001214841	1	Bracket	
107	1001215125	1	Fitting, 90	
108	1001215869	1	Hose	
109	1001216825	2	Seal	
110	1001137336	2	Strap	
111	1001138248	2 ft/ 0.6m	Tube	
112	1001147813	1	Air Cleaner Assembly Including Filter Element	
112	70004020	1	Element, Filter (Not Shown)	
113	1001247359	1	Fitting, Street Elbow	
114	2720058	1.8 ft/ 0.5m	Hose	
115	2720271	4 ft/ 1.2m	Hose	
116	2720615	1.2 ft/ 0.4m	Hose	
117	82033995	5.5 ft/ 1.7m	Hose	
118	0700816	4	Bolt M8 x 40	
119	0701016	4	Bolt M10 x 40	
120	2180504	1	Fitting, Barbed	
121	0760816	1	Bolt M8 x 40	
122	4060805	1.94 ft/ 59m	Flex-Trim	
123	0100081	AR	Adhesive	

SECTION 3 - ENGINE

FIGURE 3-30. KUBOTA ENGINE COMPONENTS



ART_1001236393

SECTION 3 - ENGINE

FIGURE 3-30. KUBOTA ENGINE COMPONENTS

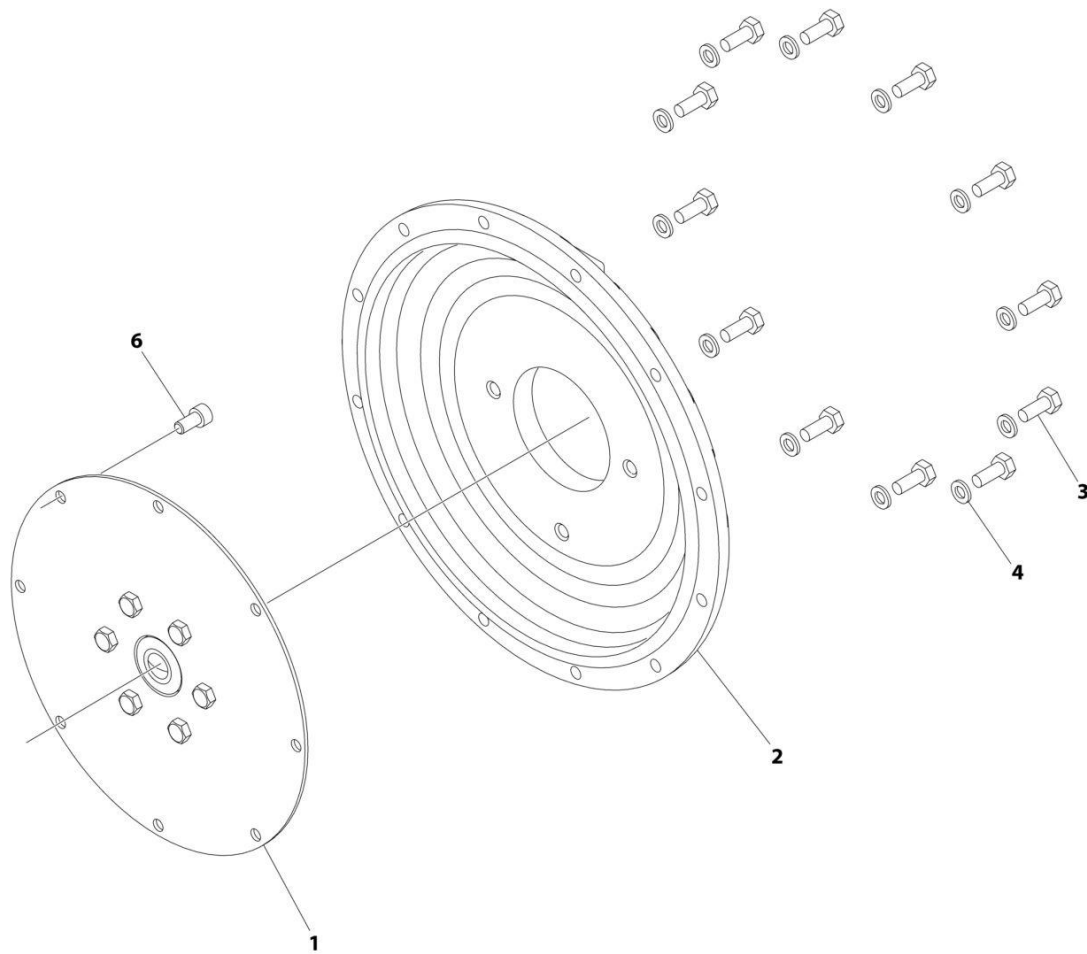
ITEM	PART NUMBER	QTY	DESCRIPTION	REV
	1001236393	Ref	ENGINE COMPONENTS - KUBOTA	D
1	70005745	1	Switch, Oil	
1	70006013	1	Adapter	
2	7023154	1	Plug, Drain	
2	7017904	1	Gasket, Oil Pan Drain	
3	70006014	1	Gasket, Cylinder Head (Not Shown)	
4	70006015	1	Sensor (Knock) (Not Shown - Located on Left Side of Engine)	
5	70006016	1	Flange Assembly (Water Return)	
5	70002316	1	Pipe	
5	70006017	1	Gasket	
6	70005737	1	Sensor Stick Assembly	
7	70006018	1	Sensor	
8	70006019	1	Valve (PCV)	
8	70006020	1	Seal	
9	7017932	3	Element, Breather	
9	70006021	1	Gasket	
10	70002318	1	Oil Filler Cap	
10	70006022	1	O-Ring	
11	70006023	1	Filter, Oil	
12	70006024	1	Dipstick	
13	70006025	1	Pump Assembly, Oil (Not Shown - Located Under Front Cover)	
13	70006026	1	Gasket	
13	70006027	1	Key	
14	70006028	1	Flywheel (Not Shown - Located Behind Coupling Plate)	
14	70006029	1	Ring Gear (Part of Flywheel)	
15	70006030	1	Flange Assembly (Breather)	
15	70002316	1	Pipe	
15	70006031	1	Gasket	
16	70006035	1	Pipe Assembly (Not Shown)	
16	70005727	1	Gasket	
17	70006034	4	Coil	
17	70006033	4	Spark Plug	
18	70006032	1	Gasket (Not Shown)	
19	70005751	4	Injector (Not Shown)	
20	70006036	1	Alternator (Includes Voltage Regulator and Gaskets, Fan and Fan Mounting Hardware)	
21	70006037	1	Bracket	
22	70006038	1	Belt	
23	70006039	1	Starter	
24	70006041	1	Thermostat	
24	70002326	1	Gasket	
25	70005726	1	Sensor	
25	70006042	1	O-Ring	
26	70006040	1	Gasket (Not Shown - Located Between Engine Head and Water Flange)	
27	70006043	1	Water Pump Assembly	
27	70004829	1	Pipe	
27	70006044	1	Gasket	
28	70005746	1	Sensor (TMAP)	
28	70005747	1	O-Ring	

SECTION 3 - ENGINE

ITEM	PART NUMBER	QTY	DESCRIPTION	REV
29	70006049	1	Mixer Assembly	
29	70006050	1	Seal, Rubber	
29	70006045	1	Throttle Body	
29	70006046	1	Gasket	
29	70006047	1	Adapter	
29	70006048	1	O-Ring	
30	70006051	1	Regulator Assembly	
30	70006052	1	Seal, Rubber	
30	70006053	1	Seal, Rubber	
30	70006054	1	Seal, Rubber	
31	70006055	1	Gasket (Not Shown - Located Between Intake Manifold and Engine Head)	
32	70006056	1	Gasket (Not Shown - Located Between Exhaust Manifold and Engine Head)	
33	70006057	1	Muffler	
33	70006065	1	Gasket	
33	70006066	1	Gasket	
33	70006072	1	Gasket	
34	70006058	1	Oil Cooler Assembly	
34	70006059	1	Seal	
34	7017959	2	Clamp	
35	70006060	1	Engine Harness	
36	70006061	1	Module, Engine Control	
37	70006062	2	Sensor (O2)	
38	70006063	1	Pump, Fuel	
39	70006064	1	Manifold (FPM)	
40	70006067	1	Regulator Assembly	
40	70006068	1	Connector	
40	70006069	3	Clip	
40	70006070	2	Connector	
41	70006071	1	Valve, Lockoff	
41	70006078	1	Valve, Lockoff Kit	
42	7017992	1	Filter, Fuel	
43	70006079	1	Gasket Kit (Upper) (Not Shown)	
44	70006080	1	Gasket Kit (Lower) (Not Shown)	
45	70006074	2	Joint (Includes O-Ring)	
46	70006075	1	Joint (Includes O-Ring)	
47	70006076	1	Joint (Includes O-Ring)	
47	70006077	1	Gasket	
48	70006379	1	Pulley	
49	70006639	1	Fan	
50	70006640	1	Collar, Fan	

SECTION 3 - ENGINE

FIGURE 3-31. PUMP COUPLING KIT (DEUTZ ENGINES)



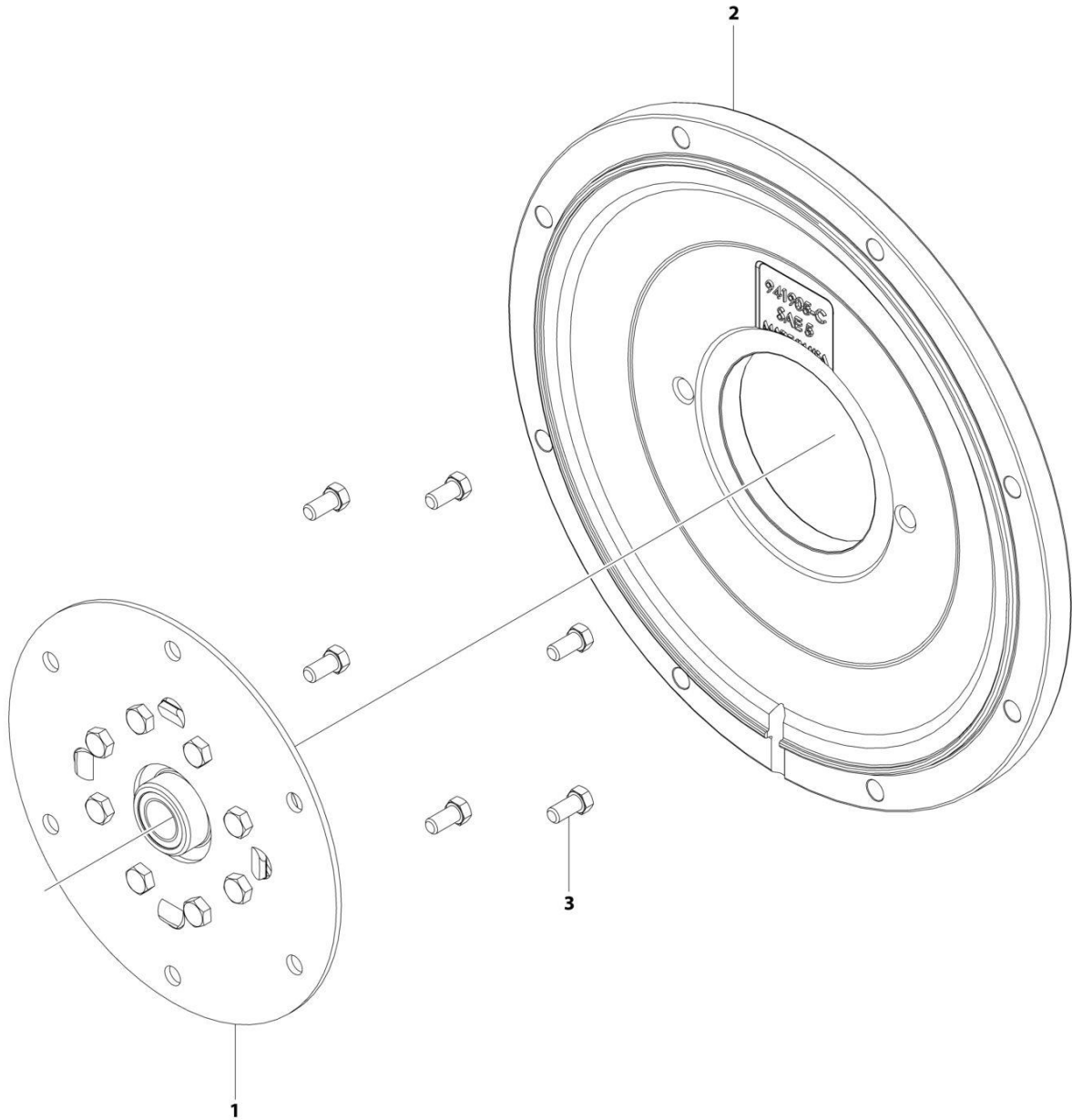
ART_2902065

SECTION 3 - ENGINE**FIGURE 3-31. PUMP COUPLING KIT (DEUTZ ENGINES)**

ITEM	PART NUMBER	QTY	DESCRIPTION	REV
	2902065	Ref	PUMP COUPLING KIT	L
1	70000793	1	Coupling, Hayes	
2	See Note	NSS	Plate, Pump Adapter (Note: Use p/n 2902065)	
3	See Note	NSS	Bolt M10 x 30 Grade 10.9 (Note: Use p/n 2902065)	
4	See Note	NSS	Washer M10 (Note: Use p/n 2902065)	
6	See Note	NSS	Bolt M10 x 20 Grade 10.9 (Note: Use p/n 2902065)	

SECTION 3 - ENGINE

FIGURE 3-32. PUMP COUPLING KIT (KUBOTA ENGINES)



ART_1001209844

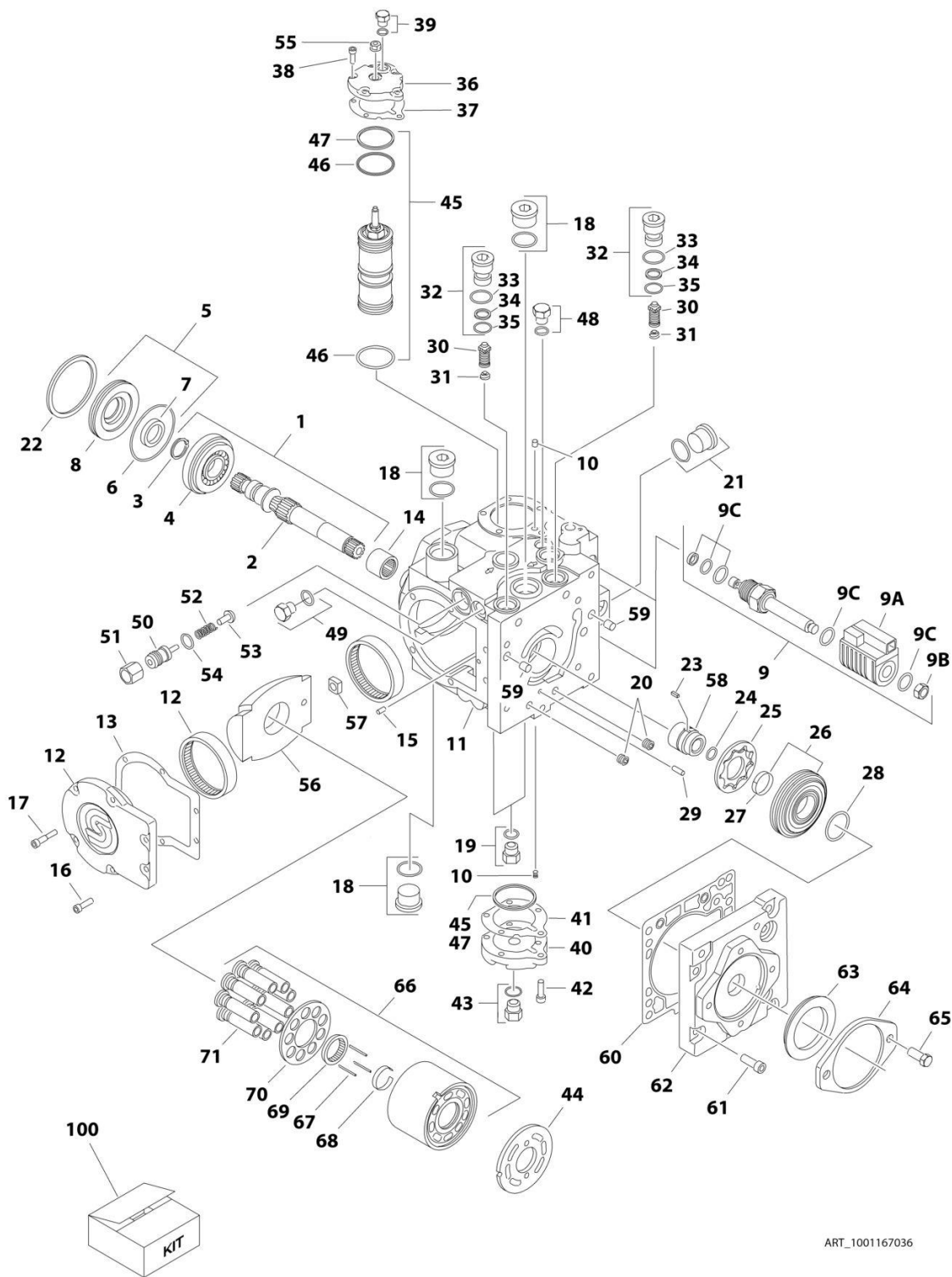
SECTION 3 - ENGINE

FIGURE 3-32. PUMP COUPLING KIT (KUBOTA ENGINES)

ITEM	PART NUMBER	QTY	DESCRIPTION	REV
	1001209844	Ref	PUMP COUPLING KIT - KUBOTA ENGINE	C
1	70006010	1	Coupling Assembly, Hayes	
2	70006011	1	Plate, Pump Adapter	
3	70006012	1	Bolt Kit	

SECTION 3 - ENGINE

FIGURE 3-33. PISTON PUMP ASSEMBLY



ART_1001167036

SECTION 3 - ENGINE

FIGURE 3-33. PISTON PUMP ASSEMBLY

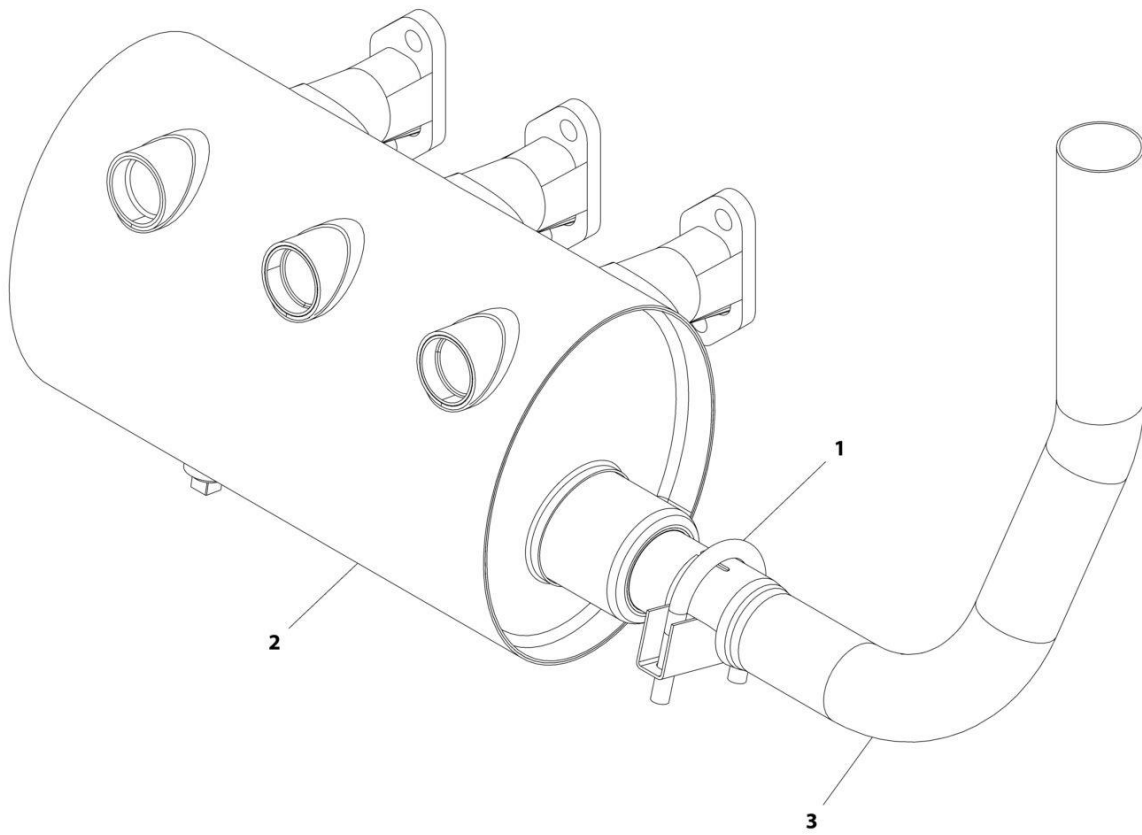
ITEM	PART NUMBER	QTY	DESCRIPTION	REV
	1001167036	Ref	PISTON PUMP ASSEMBLY	B
1	7021240	1	Shaft Assembly (Includes Items 2-4)	
2	7021237	1	Shaft	
3	7021238	1	Ring, Retaining	
4	7021239	1	Bearing, Roller	
5	70004896	1	Shaft Seal Kit (Includes Items 6-8)	
6	7021241	1	O-Ring	
7	7021242	1	Seal, Lip	
8	7021243	1	Carrier, Seal Shaft	
9	7024855	2	Solenoid Assembly	
9A	70004897	2	Coil (1 Per Assembly)	
9B	7024857	2	Nut (1 Per Assembly)	
9C	7024858	2	Seal Kit - 7024855 Cartridge (1 Per Assembly)	
10	70004889	2	Orifice	
11	See Note	NSS	Housing Assembly (Note: Not Available for Purchase)	
12	7021248	1	Side Cover Assembly (Includes Item 13)	
13	70004891	1	Gasket	
14	7021249	1	Bearing, Needle	
15	See Note	NSS	Pin (Note: Not Available for Purchase)	
16	70004890	2	Screw	
17	70004892	4	Screw	
18	7007419	2	Plug Assembly (Includes O-Ring)	
19	7007420	2	Plug Assembly (Includes O-Ring)	
20	See Note	NSS	Plug (Note: Not Available for Purchase)	
21	7007419	1	Plug Assembly (Includes O-Ring)	
22	7021257	1	Ring, Retaining	
23	70004893	1	Key	
24	7022341	1	Ring, Retaining	
25	7021258	1	Gerotor	
26	70004894	1	Gerotor Cover Assembly (Includes Item 27)	
27	7021259	1	Bearing, Journal	
28	7021262	1	O-Ring	
29	See Note	NSS	Pin (Note: Not Available for Purchase)	
30	7021263	2	Bypass Valve Assembly	
31	7024800	2	Spring	
32	7021265	2	Bypass Valve Assembly (Includes Items 32-34)	
33	7007415	2	O-Ring	
34	7021293	2	Ring, Back-up	
35	7022300	2	O-Ring	
36	70004895	1	Cover, Servo	
37	7021253	1	Gasket	
38	70004892	5	Screw	
39	7007420	1	Plug Assembly (Includes O-Ring)	
40	7021268	1	Cover, Servo	
41	7021253	1	Gasket	
42	70004892	5	Screw	
43	7007420	1	Plug Assembly (Includes O-Ring)	
44	7021281	1	Plate, Valve	
45	70004898	1	Servo Piston Kit (Includes Items 46 & 47)	
46	7007495	2	O-Ring	

SECTION 3 - ENGINE

ITEM	PART NUMBER	QTY	DESCRIPTION	REV
47	7007493	2	O-Ring	
48	7007420	1	Plug Assembly (Includes O-Ring)	
49	70004900	1	Plug Assembly (Includes O-Ring)	
50	7022346	1	Adjuster	
51	7021290	1	Nut	
52	7022347	1	Spring	
53	70004901	1	Poppet	
54	7007415	1	O-Ring	
55	70004902	1	Nut, Seal	
56	70004903	1	Swash Plate	
57	70004904	1	Bearing Assembly	
58	70004905	1	Coupling	
59	7001481	2	Pin	
60	70002257	1	Gasket	
61	70004906	8	Screw	
62	70004907	1	Cover, Charge Pump	
63	70004908	1	Seal	
64	7021299	1	Plate, Cover	
65	7007289	2	Screw	
66	70004909	1	Cylinder Block Assembly (Includes Items 67-71)	
67	70004910	3	Pin, Slipper Hold Down	
68	7021276	1	Retainer, Hold Down Pin	
69	7021277	1	Guide, Slipper Retainer	
70	7021278	1	Retainer, Slipper	
71	70004911	1	Piston Assembly	
100	70004899	1	Seal Kit (Includes Items 5-8, 33-35, 37, 41, 46, 47 & 54)	

SECTION 3 - ENGINE

FIGURE 3-34. SPARK ARRESTOR MUFFLER INSTALLATION - DEUTZ D2011 STAGE 5 ENGINES



ART_1001175071

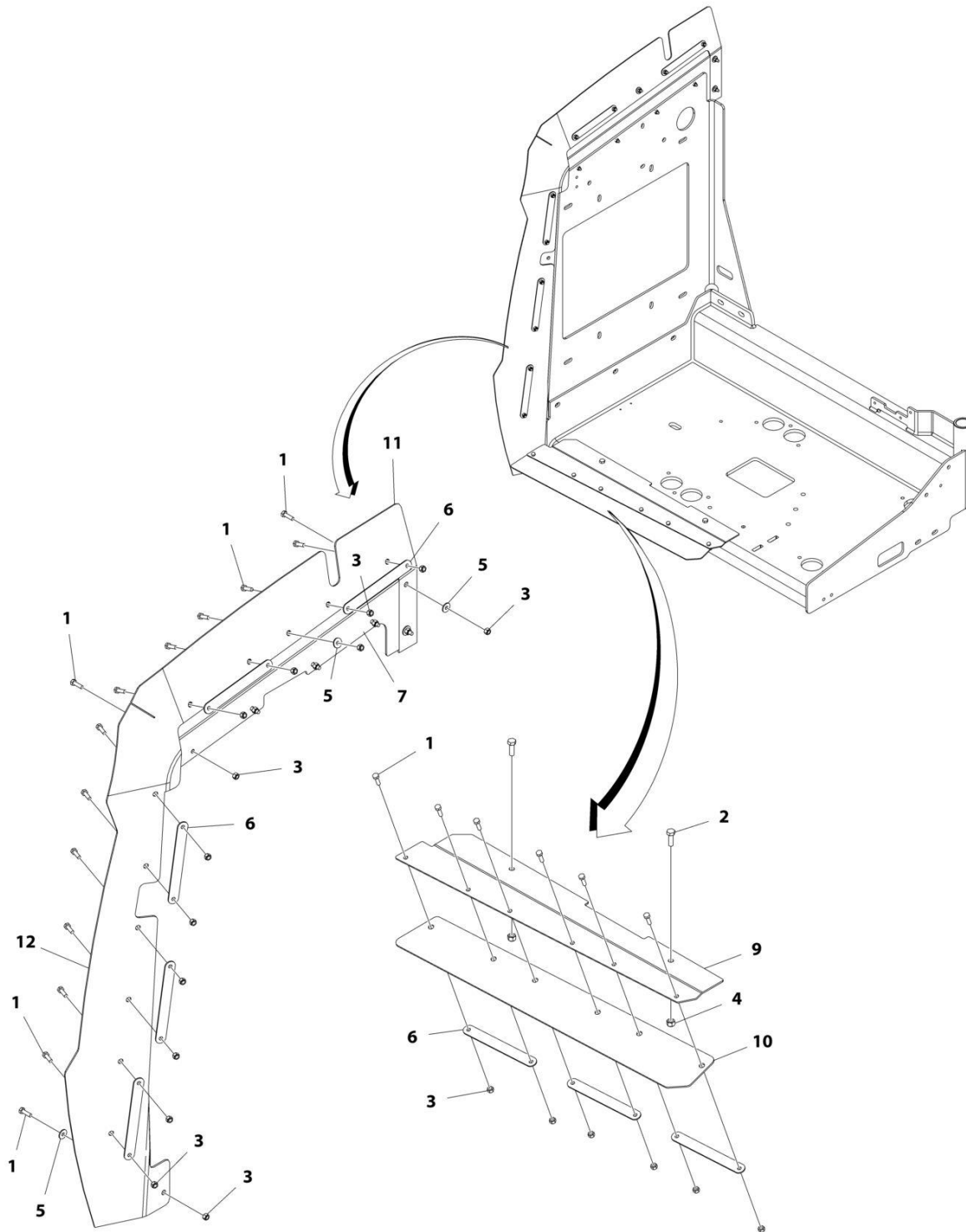
SECTION 3 - ENGINE

FIGURE 3-34. SPARK ARRESTOR MUFFLER INSTALLATION - DEUTZ D2011 STAGE 5 ENGINES

ITEM	PART NUMBER	QTY	DESCRIPTION	REV
	1001175071	Ref	SPARK ARRESTOR INSTALLATION	A
1	1320176	1	Clamp	
2	1001170224	1	Muffler, Spark Arresting	
3	1001175068	1	Pipe, Exhaust	

SECTION 3 - ENGINE

FIGURE 3-35. ENGINE HOOD Baffle INSTALLATION - DEUTZ ENGINES WITH ABS HOODS



ART_1001170662

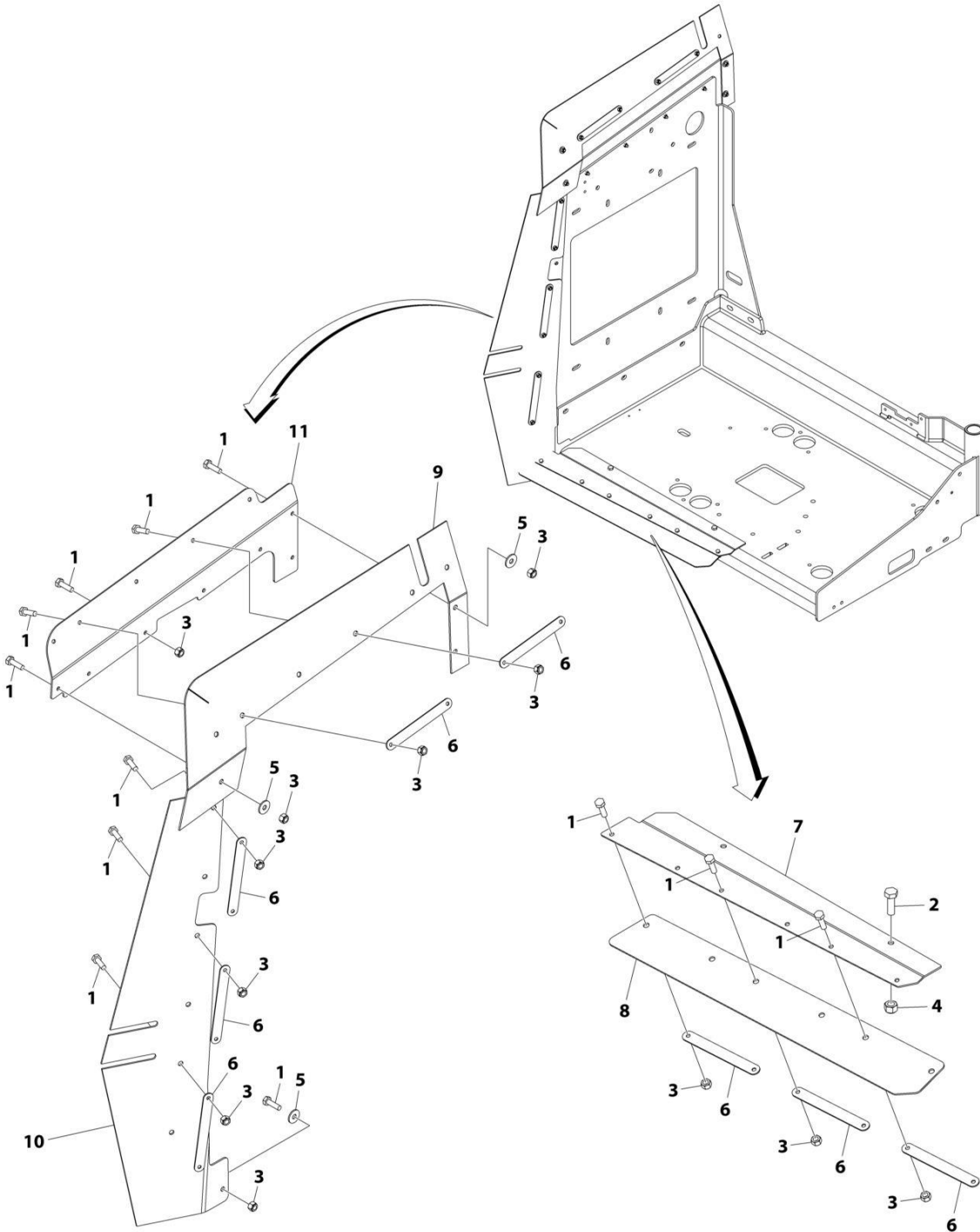
SECTION 3 - ENGINE

FIGURE 3-35. ENGINE HOOD BAFFLE INSTALLATION - DEUTZ ENGINES WITH ABS HOODS

ITEM	PART NUMBER	QTY	DESCRIPTION	REV
	1001170662	Ref	ENGINE BAFFLE INSTALLATION	F
1	0760610	24	Bolt M6 x 20	
2	0760812	2	Bolt M8 x 25	
3	3290605	24	Nut M6 x 1	
4	3290805	2	Nut M8 x 1.25	
5	4811702	4	Washer M6	
6	1001167164	8	Plate, Support	
7	1001170650	1	Bracket	
9	1001170663	1	Bracket	
10	1001170664	1	Seal	
11	1001211877	1	Seal	
12	1001211878	1	Seal	

SECTION 3 - ENGINE

FIGURE 3-36. ENGINE HOOD Baffle INSTALLATION - DEUTZ ENGINES WITH STEEL HOODS



ART_1001223454

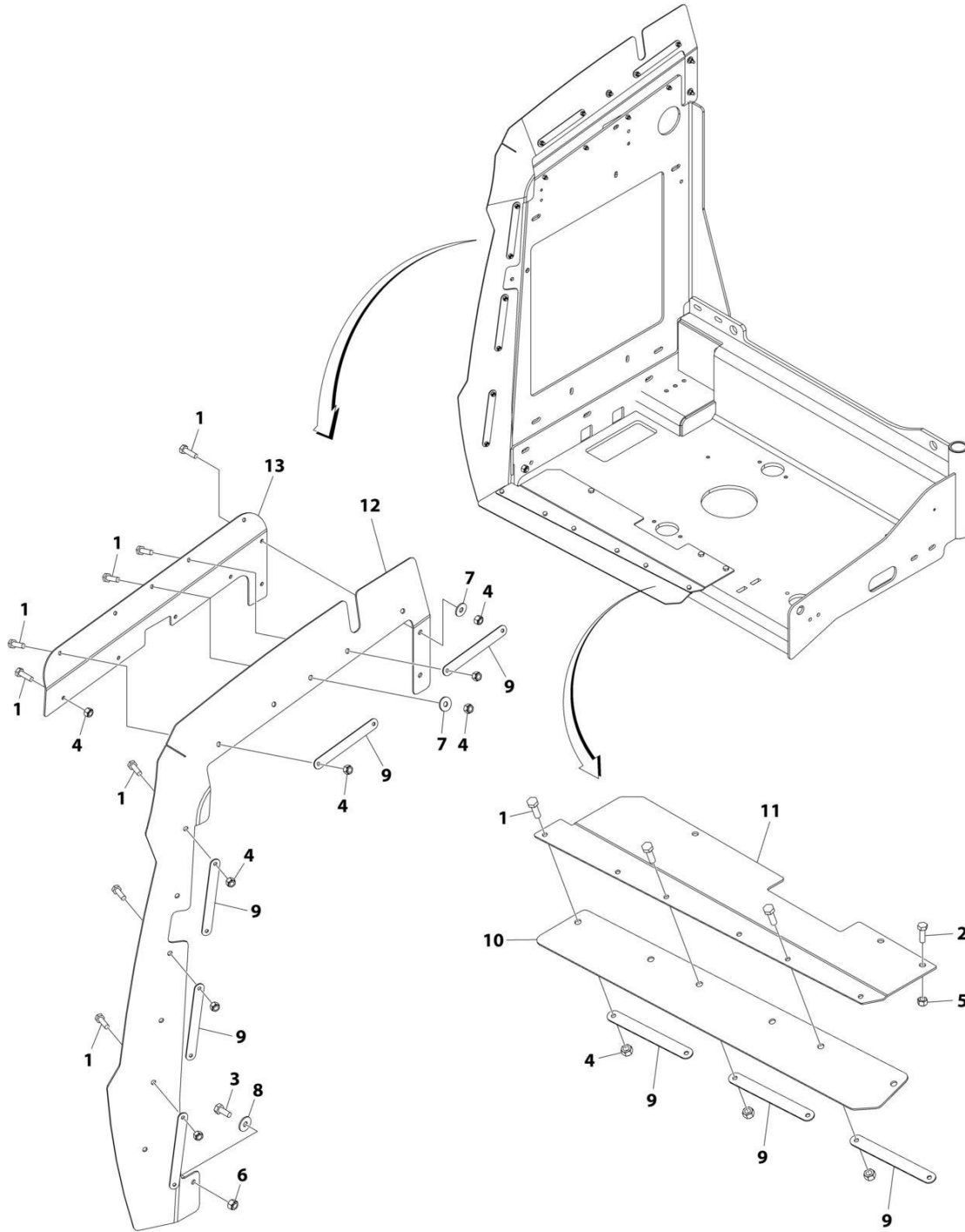
SECTION 3 - ENGINE

FIGURE 3-36. ENGINE HOOD BAFFLE INSTALLATION - DEUTZ ENGINES WITH STEEL HOODS

ITEM	PART NUMBER	QTY	DESCRIPTION	REV
	1001223454	Ref	STEEL HOOD ENGINE BAFFLE INSTALLATION	A
1	0760610	25	Bolt M6 x 20	
2	0760812	2	Bolt M8 x 25	
3	3290605	25	Nut M6 x 1	
4	3290805	2	Nut M8 x 1.25	
5	4811702	5	Washer M6	
6	1001167164	8	Plate, Support	
7	1001170663	1	Bracket	
8	1001170664	1	Seal	
9	1001223309	1	Seal	
10	1001223310	1	Seal	
11	1001223328	1	Bracket	

SECTION 3 - ENGINE

FIGURE 3-37. ENGINE HOOD Baffle INSTALLATION - KUBOTA ENGINES



ART_1001216547

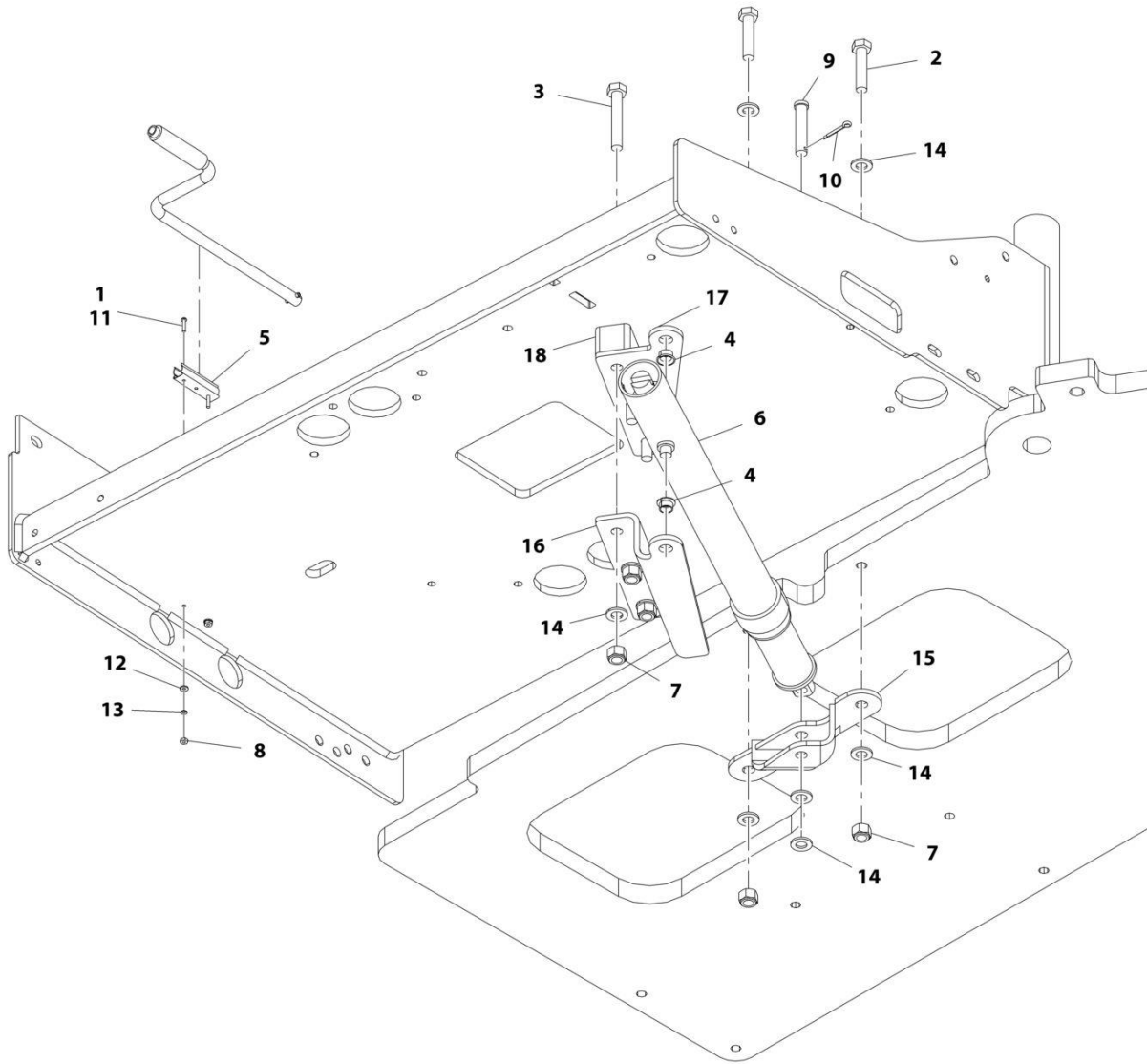
SECTION 3 - ENGINE

FIGURE 3-37. ENGINE HOOD Baffle INSTALLATION - KUBOTA ENGINES

ITEM	PART NUMBER	QTY	DESCRIPTION	REV
	1001216547	Ref	KUBOTA ENGINE Baffle INSTALLATION	B
1	0760610	24	Bolt M6 x 20	
2	0760812	3	Bolt M8 x 25	
3	0761012	1	Bolt M10 x 25	
4	3290605	23	Nut M6 x 1	
5	3290805	3	Nut M8 x 1.25	
6	3291005	1	Nut M10	
7	4811702	3	Washer M6	
8	4812002	1	Washer M10	
9	1001167164	8	Plate, Support	
10	1001170664	1	Seal	
11	1001216512	1	Bracket	
12	1001216548	1	Seal	
13	1001216549	1	Bracket	

SECTION 3 - ENGINE

FIGURE 3-38. ENGINE TRAY JACK INSTALLATION



ART_1001164202

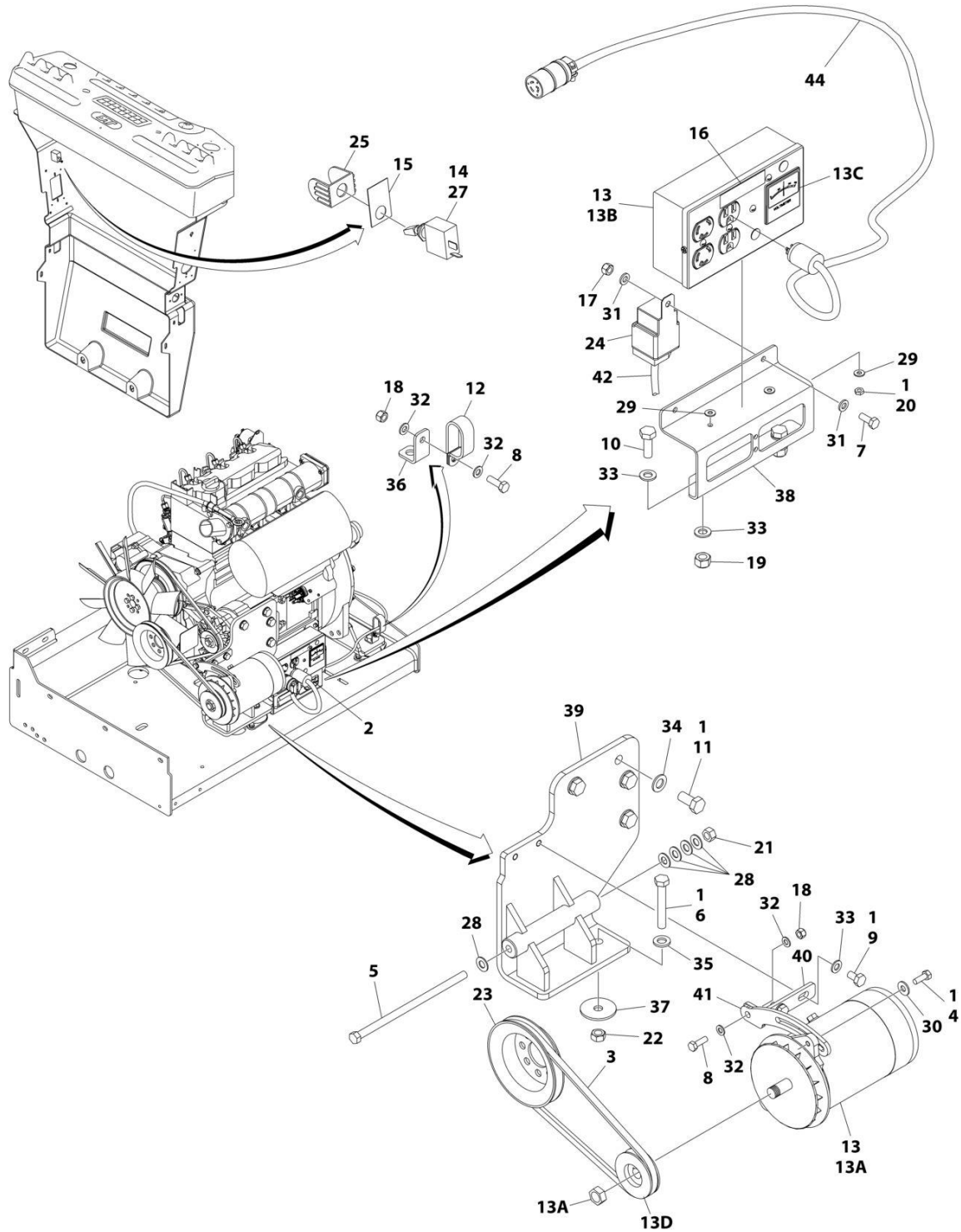
SECTION 3 - ENGINE

FIGURE 3-38. ENGINE TRAY JACK INSTALLATION

ITEM	PART NUMBER	QTY	DESCRIPTION	REV
	1001164202	Ref	ENGINE TRAY JACK	E
1	0100011	AR	Compound, Locking	
2	0701219	2	Bolt M12 x 55	
3	0701223	AR	Bolt M12 x 75	
3	0701224	AR	Bolt M12 x 80	
4	0962051	2	Bearing	
5	1380147	1	Clip	
6	2840016	1	Screw Jack Assembly	
6	7024598	1	Handle	
6	7016322	1	Wiper	
7	3291205	5	Nut M12 x 1.75	
8	3310601	2	Nut #6	
9	3430820	1	Pin, Clevis	
10	3450404	1	Pin, Cotter	
11	3910610	2	Screw 6 x 5/8	
12	4750600	2	Washer #6	
13	4770600	2	Washer Star #6	
14	4812100	9	Washer M12	
15	1001166894	1	Support, Engine Tray Jack	
16	1001175073	1	Support, Engine Tray Jack	
17	1001175074	1	Support, Engine Tray Jack	
18	1001175075	1	Shim	

SECTION 3 - ENGINE

FIGURE 3-39. 2500W/110V/60HZ GENERATOR INSTALLATION - DEUTZ D2011 ENGINES



ART_1001180798

SECTION 3 - ENGINE

FIGURE 3-39. 2500W/110V/60HZ GENERATOR INSTALLATION - DEUTZ D2011 ENGINES

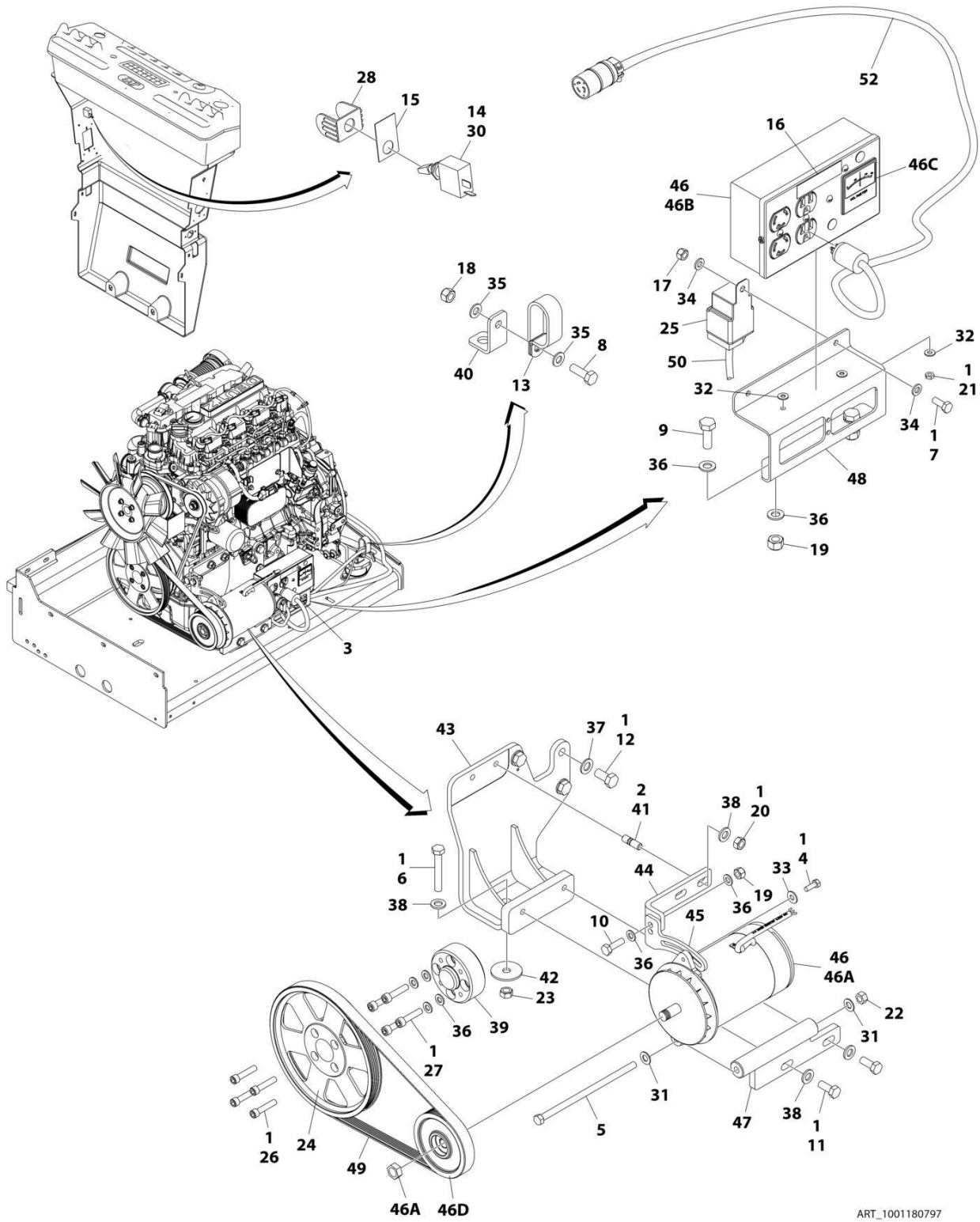
ITEM	PART NUMBER	QTY	DESCRIPTION	REV
	1001180798	Ref	GENERATOR INSTALLATION - 2500W/60HZ (DEUTZ D2011 ENGINE)	B
1	0100011	AR	Compound, Locking	
2	0100048	AR	Grease, Dielectric	
3	0480122	1	Belt	
4	0641507	1	Bolt 5/16 x 7/8	
5	0641772	1	Bolt 7/16 x 9	
6	0711224	1	Bolt M12 x 80 Grade 10.9	
7	0760608	1	Bolt M6 x 16	
8	0760812	2	Bolt M8 x 25	
9	0761009	2	Bolt M10 x 18	
10	0761014	2	Bolt M10 x 30	
11	0771414	4	Bolt M14 x 30 Grade 10.9	
12	1321716	1	Clamp	
13	2460055	1	Generator and Control Box Assembly	
13A	7012558	1	Generator	
	See Note	Ref	Note: Replacement Generators come standard with p/n 3580134 pulley. This pulley may not be correct for all applications. Refer to pulley options below.	
13A	7026199	1	Armature with Slip Rings	
13A	7012513	3	Cap, Brush Holder	
13A	7020108	4	Brush	
13A	7020109	4	Holder, Brush	
13A	7012514	1	Fan	
13A	7020110	1	Bell, Front	
13A	7020111	1	Bell, Rear	
13A	7020190	1	Bearing	
13B	7019680	1	Box, Control	
13B	4460190	1	Receptacle, Standard	
13B	4460027	1	Receptacle, Twistlock	
13B	4360542	1	Breaker, Circuit	
13B	3520028	1	Plug, Hole	
13B	4460961	1	Connector - 4 Position	
13B	4460705	4	Pin, Male	
13B	4460321	1	Connector - 4 Position (Note: Mate to p/n 4460961 Purchase Separately)	
13B	4460268	3	Socket, Female (Note: Mate to p/n 4460705 Purchase Separately)	
13C	2420203	1	Voltmeter	
13D	3580276	1	Pulley	
13D	7027887	1	Key, Woodruff	
14	2820031	AR	Heat Shrink	
15	See Note	1	Nameplate (Note: Not Available for Purchase)	
16	3251243	1	Nameplate 120V-60Hz	
17	3290605	1	Nut M6	
18	3290805	2	Nut M8	
19	3291005	2	Nut M10	
20	3311001	2	Nut #10	
21	3311705	1	Nut 7/16	
22	3331211	1	Nut M12	
23	3580158	1	Pulley	

SECTION 3 - ENGINE

ITEM	PART NUMBER	QTY	DESCRIPTION	REV
24	3740080	1	Relay	
25	4060802	1	Guard, Switch	
26	4240099	AR	Tie-Strap (Not Shown)	
27	4360336	1	Switch, Toggle	
28	4711700	5	Washer 7/16	
29	4751000	4	Washer #10	
30	4751500	1	Washer 5/16	
31	4811700	2	Washer M6	
32	4811900	4	Washer M8	
33	4812000	6	Washer M10	
34	4812200	4	Washer M14	
35	5241200	1	Washer M12 Hardened	
36	1001148641	1	Bracket	
37	1001168018	1	Washer, Snubbing	
38	1001183477	1	Support	
39	1001184637	1	Mount, Engine	
40	1001184644	1	Support	
41	1001184645	1	Bracket	
42	1001187522	1	Harness, Generator (See Separate Breakdown in ELECTRICAL SECTION)	
43	1001188731	1	Wiring Diagram (Not Shown)	
43	4922641	1	Harness, On/Off Switch (Not Shown - Located at Platform)	
44	1001182296	1	Harness, Inverter	
44	1060494	10 ft/3.5m	Cable, Electrical - 12/3	
44	4460134	1	Receptacle, Female	
44	4460138	1	Plug, Male	

SECTION 3 - ENGINE

FIGURE 3-40. 2500W/110V/60HZ GENERATOR INSTALLATION - DEUTZ D2.9L4 ENGINES



ART_1001180797

SECTION 3 - ENGINE

FIGURE 3-40. 2500W/110V/60HZ GENERATOR INSTALLATION - DEUTZ D2.9L4 ENGINES

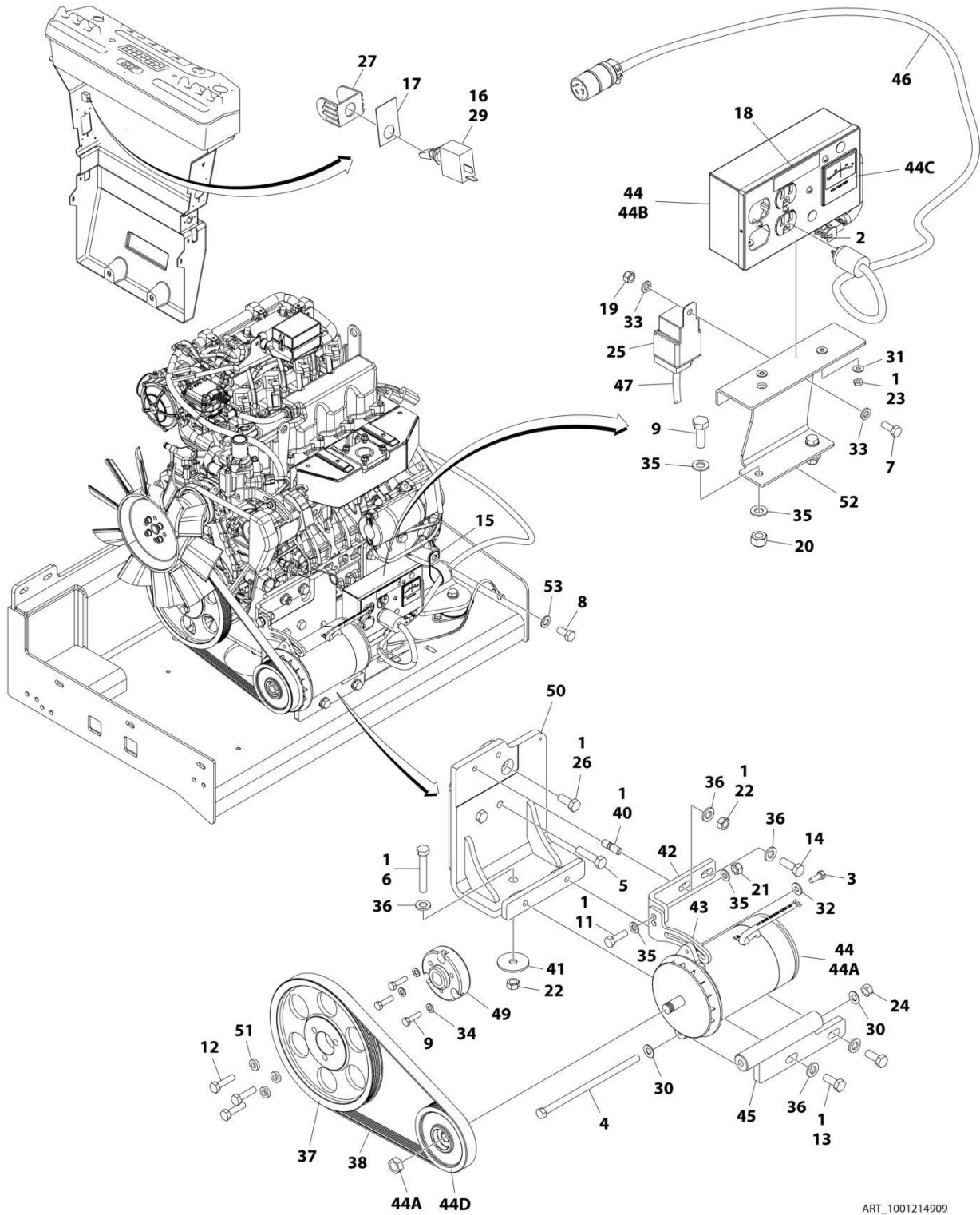
ITEM	PART NUMBER	QTY	DESCRIPTION	REV
	1001180797	Ref	GENERATOR INSTALLATION - 2500W/60HZ (DEUTZ D2.9L4 ENGINE)	F
1	0100011	AR	Compound, Locking	
2	0100019	AR	Compound, Locking	
3	0100048	AR	Grease, Dielectric	
4	0641507	1	Bolt 5/16 x 7/8	
5	0641772	1	Bolt 7/16 x 9	
6	0711224	AR	Bolt M12 x 80 Grade 10.9	
7	0760608	1	Bolt M6 x 16	
8	0760812	1	Bolt M8 x 25	
9	0761014	2	Bolt M10 x 30	
10	0761015	1	Bolt M10 x 35	
11	0761214	2	Bolt M12 x 30	
12	0771414	3	Bolt M14 x 30 Grade 10.9	
13	1321716	1	Clamp	
14	2820031	AR	Heat Shrink	
15	See Note	1	Nameplate (Note: Not Available for Purchase)	
16	3251243	1	Nameplate 120V-60Hz	
17	3290605	1	Nut M6	
18	3290805	1	Nut M8	
19	3291005	3	Nut M10	
20	3291201	2	Nut M12	
21	3311001	2	Nut #10	
22	3311705	1	Nut 7/16	
23	3331211	AR	Nut M12	
24	3580320	1	Pulley	
25	3740080	1	Relay	
26	3931628	4	Capscrew 3/8 x 1-3/4	
27	4032014	4	Bolt M10 x 50	
28	4060802	1	Guard, Switch	
29	4240099	AR	Tie-Strap (Not Shown)	
30	4360336	1	Switch, Toggle	
31	4711700	2	Washer 7/16	
32	4751000	4	Washer #10	
33	4751500	1	Washer 5/16	
34	4811700	2	Washer M6	
35	4811900	2	Washer M8	
36	4812000	AR	Washer M10	
37	4812200	AR	Washer M14	
38	5241200	AR	Washer M12 Hardened	
39	1001135679	1	Adapter	
40	1001148641	1	Bracket	
41	1001155041	2	Stud	
42	1001168018	AR	Washer, Snubbing	
43	1001168207	Ref	Support	
44	1001179836	1	Mount, Upper Generator	
45	1001179837	1	Arm Adjustment	
46	1001180001	1	Generator	
46A	7026199	1	Armature with Slip Rings	
46A	7012513	3	Cap, Brush Holder	

SECTION 3 - ENGINE

ITEM	PART NUMBER	QTY	DESCRIPTION	REV
46A	7020108	4	Brush	
46A	7020109	4	Holder, Brush	
46A	7012514	1	Fan	
46A	7020110	1	Bell, Front	
46A	7020111	1	Bell, Rear	
46A	7020190	1	Bearing	
46B	7019680	1	Box, Control	
46B	4460190	1	Receptacle, Standard	
46B	4460027	1	Receptacle, Twistlock	
46B	4360542	1	Breaker, Circuit	
46B	3520028	1	Plug, Hole	
46B	4460961	1	Connector - 4 Position	
46B	4460705	4	Pin, Male	
46B	4460321	1	Connector - 4 Position (Note: Mate to p/n 4460961 Purchase Separately)	
46B	4460268	3	Socket, Female (Note: Mate to p/n 4460705 Purchase Separately)	
46C	2420203	1	Voltmeter	
46D	1001179893	1	Pulley	
46D	7027887	1	Key, Woodruff	
47	1001181243	1	Mount, Lower Generator	
48	1001183477	1	Support	
49	1001148138	1	Belt	
50	1001187522	1	Harness, Generator (See Separate Breakdown in ELECTRICAL SECTION)	
51	1001188731	1	Wiring Diagram (Not Shown)	
51	4922641	1	Harness, On/Off Switch (Not Shown - Located at Platform)	
52	1001182296	1	Harness, Inverter	
52	1060494	10 ft/3.5m	Cable, Electrical - 12/3	
52	4460134	1	Receptacle, Female	
52	4460138	1	Plug, Male	

SECTION 3 - ENGINE

FIGURE 3-41. 2500W/110V/60HZ GENERATOR INSTALLATION - KUBOTA ENGINES



ART_1001214909

SECTION 3 - ENGINE

FIGURE 3-41. 2500W/110V/60HZ GENERATOR INSTALLATION - KUBOTA ENGINES

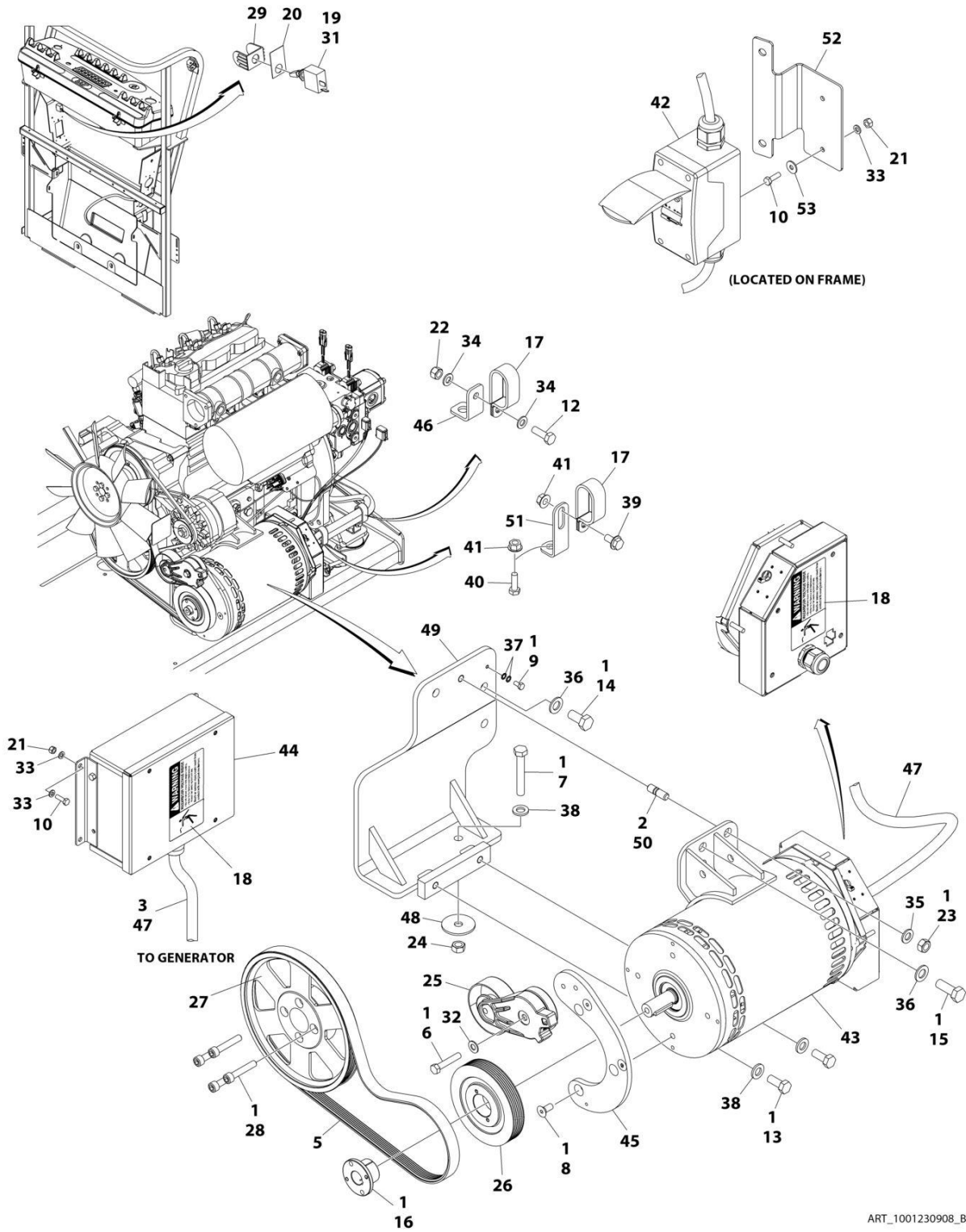
ITEM	PART NUMBER	QTY	DESCRIPTION	REV
	1001214909	Ref	GENERATOR INSTALLATION - 2500W/60Hz (KUBOTA ENGINE)	E
1	0100011	AR	Compound, Locking	
2	0100048	AR	Grease, Dielectric	
3	0641507	1	Bolt 5/16 x 7/8	
4	0641772	1	Bolt 7/16 x 9	
5	1001217344	2	Bolt M12 x 50	
6	0711224	AR	Bolt M12 x 80 Grade 10.9	
6	0701224	AR	Bolt M12 x 80	
7	0760608	1	Bolt M6 x 16	
8	1001217345	1	Bolt M14 x 30	
9	0760814	5	Bolt M8 x 30	
11	0761015	1	Bolt M10 x 35	
12	0761016	3	Bolt M10 x 40	
13	0761214	2	Bolt M12 x 30	
14	0761215	1	Bolt M12 x 35	
15	84521061	1	Clamp	
16	2820031	AR	Heat Shrink	
17	See Note	1	Nameplate (Note: Not Available for Purchase)	
18	3251243	1	Nameplate 120V-60Hz	
19	3290605	1	Nut M6	
20	3290805	2	Nut M8	
21	3291005	1	Nut M10	
22	3291201	2	Nut M12	
23	3311001	2	Nut #10	
24	3311705	1	Nut 7/16	
25	3740080	1	Relay	
26	1001217342	1	Bolt M12 x 30	
27	4060802	1	Guard, Switch	
28	4240099	AR	Tie-Strap (Not Shown)	
29	4360336	1	Switch, Toggle	
30	4711700	2	Washer 7/16	
31	4751000	4	Washer #10	
32	4751500	1	Washer 5/16	
33	4811700	2	Washer M6	
34	4811900	5	Washer M8	
35	4812000	4	Washer M10	
36	5241200	1	Washer M12 Hardened	
37	1001147233	1	Pulley	
38	1001148138	1	Belt	
40	1001155041	1	Stud	
41	1001168018	1	Washer, Snubbing	
42	1001179836	1	Mount, Upper Generator	
43	1001179837	1	Arm Adjustment	
44	1001180001	1	Generator	
44A	7026199	1	Armature with Slip Rings	
44A	7012513	3	Cap, Brush Holder	
44A	7020108	4	Brush	
44A	7020109	4	Holder, Brush	
44A	7012514	1	Fan	
44A	7020110	1	Bell, Front	

SECTION 3 - ENGINE

ITEM	PART NUMBER	QTY	DESCRIPTION	REV
44A	7020111	1	Bell, Rear	
44A	7020190	1	Bearing	
44B	7019680	1	Box, Control	
44B	4460190	1	Receptacle, Standard	
44B	4460027	1	Receptacle, Twistlock	
44B	4360542	1	Breaker, Circuit	
44B	3520028	1	Plug, Hole	
44B	4460961	1	Connector - 4 Position	
44B	4460705	4	Pin, Male	
44B	4460321	1	Connector - 4 Position (Note: Mate to p/n 4460961 Purchase Separately)	
44B	4460268	3	Socket, Female (Note: Mate to p/n 4460705 Purchase Separately)	
44C	2420203	1	Voltmeter	
44D	1001179893	1	Pulley	
44D	7027887	1	Key, Woodruff	
45	1001181243	1	Mount, Lower Generator	
46	1001182296	1	Harness, Inverter	
46	1060494	10 ft/ 3.5m	Cable, Electrical - 12/3	
46	4460134	1	Receptacle, Female	
46	4460138	1	Plug, Male	
47	1001187522	1	Harness, Generator (See Separate Breakdown in ELECTRICAL SECTION)	
48	1001188731	1	Wiring Diagram (Not Shown)	
48	4922641	1	Harness, On/Off Switch (Not Shown - Located at Platform)	
49	1001213029	1	Adapter, Pulley	
50	1001214546	1	Support	
51	1001216805	1	Spacer	
52	1001216840	1	Support	
53	4812200	1	Washer M14	

SECTION 3 - ENGINE

FIGURE 3-42. 4000W/50HZ GENERATOR INSTALLATION - DEUTZ D2011 ENGINES



ART_1001230908_B

SECTION 3 - ENGINE

FIGURE 3-42. 4000W/50HZ GENERATOR INSTALLATION - DEUTZ D2011 ENGINES

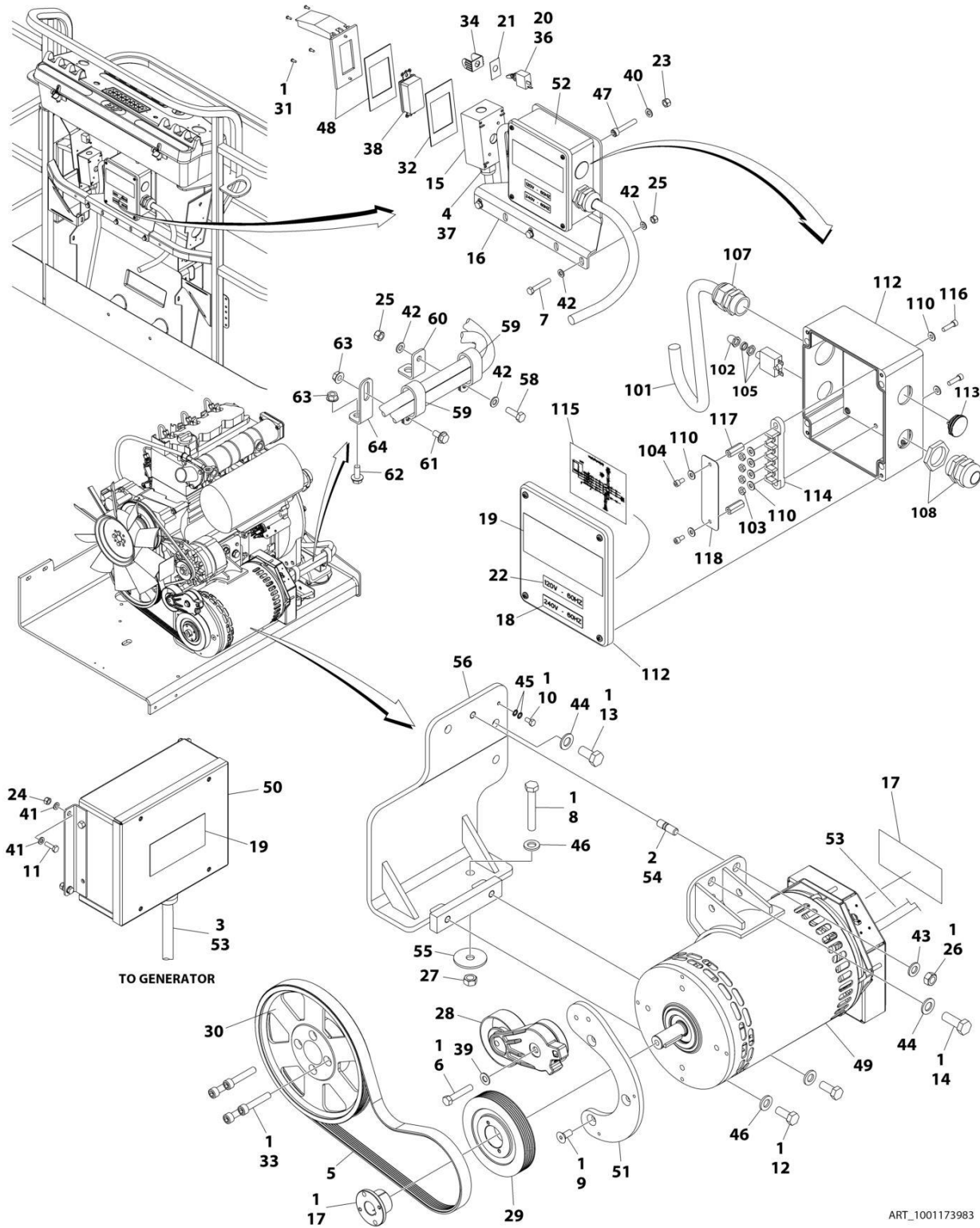
ITEM	PART NUMBER	QTY	DESCRIPTION	REV
	1001230908	Ref	4000W/50Hz GENERATOR INSTALLATION - DEUTZ D2011 ENGINES	B
1	0100011	AR	Compound, Locking	
2	0100019	AR	Compound, Locking	
3	0100048	AR	Grease, Dielectric	
4	0100079	AR	Sealant (Not Shown)	
5	0480126	1	Belt	
6	0641616	1	Bolt 3/8 x 2	
7	0711224	1	Bolt M12 x 80 Grade 10.9	
8	0741607	3	Screw 3/8 x 7/8	
9	0760606	1	Bolt M6 x 12	
10	0760610	6	Bolt M6 x 20	
12	0760812	1	Bolt M8 x 25	
13	0761214	2	Bolt M12 x 30	
14	0771414	2	Bolt M14 x 30 Grade 10.9	
15	0771416	1	Bolt M14 x 40	
16	0962520	1	Bushing	
17	1321716	2	Clamp	
18	1705489	2	Decal - Hazardous Voltage	
19	2820031	0.3 ft/ 0.1m	Heat Shrink	
20	3251102	1	Nameplate, Generator	
21	3290605	6	Nut M6	
22	3290805	1	Nut M8	
23	3291201	1	Nut M12	
24	3331211	1	Nut M12	
25	3580317	1	Pulley	
26	3580319	1	Pulley	
27	3580320	1	Pulley	
28	4032015	4	Bolt M10 x 55	
29	4060802	1	Guard, Switch	
30	4240099	AR	Tie-Strap (Not Shown)	
31	4360336	1	Switch, Toggle	
32	4711600	1	Washer 3/8	
33	4811700	10	Washer M6	
34	4811900	2	Washer M8	
35	4812100	1	Washer M12	
36	4812200	3	Washer M14	
37	4871700	2	Washer M6	
38	5241200	3	Washer M12 Hardened	
39	5250808	1	Bolt M8 x 16	
40	5250810	1	Bolt M8 x 20	
41	5260800	2	Flange Nut M8	
42	1001096070	1	Breaker Box Kit (50Hz) (See Separate Breakdown in ELECTRICAL Section)	
43	1001138565	1	Generator Assembly	
43	70003709	1	Ring, Retaining (External)	
43	70003708	1	Ring, Retaining (Internal)	
43	70001966	1	Bearing	
43	70004092	1	Endbell (Shaft End)	

SECTION 3 - ENGINE

ITEM	PART NUMBER	QTY	DESCRIPTION	REV
43	70004171	1	Key	
43	70004676	1	Rotor	
43	70004677	1	Stator	
43	70004678	1	Endbell (Rear)	
43	70004679	1	Cover, Endbell (Rear)	
43	70004680	1	Enclosure, Wiring	
43	70004681	1	Cover, Enclosure	
43	70004682	1	Switch, Reset (Located on Enclosure Cover)	
43	70004683	1	Connector, Strain Relief (Located on Enclosure Cover)	
44	1001138566	1	Box, Control	
45	1001139357	1	Mount, Tensioner	
46	1001148641	1	Bracket	
47	1001152532	1	Harness, Generator (See Separate Breakdown in ELECTRICAL Section)	
48	1001168018	1	Washer, Snubbing	
49	1001173925	1	Mount	
50	1001196382	1	Stud	
51	1001223122	1	Support, P-Clamp	
52	1001230784	1	Bracket	
53	4811702	2	Washer M6	
		Ref	ELECTRICAL DIAGRAM COMPONENTS	
101	4922641	1	Generator Switch Harness (Not Shown)	

SECTION 3 - ENGINE

FIGURE 3-43. 4000W/60HZ GENERATOR INSTALLATION - DEUTZ D2011 ENGINES



ART_1001173983

SECTION 3 - ENGINE

FIGURE 3-43. 4000W/60HZ GENERATOR INSTALLATION - DEUTZ D2011 ENGINES

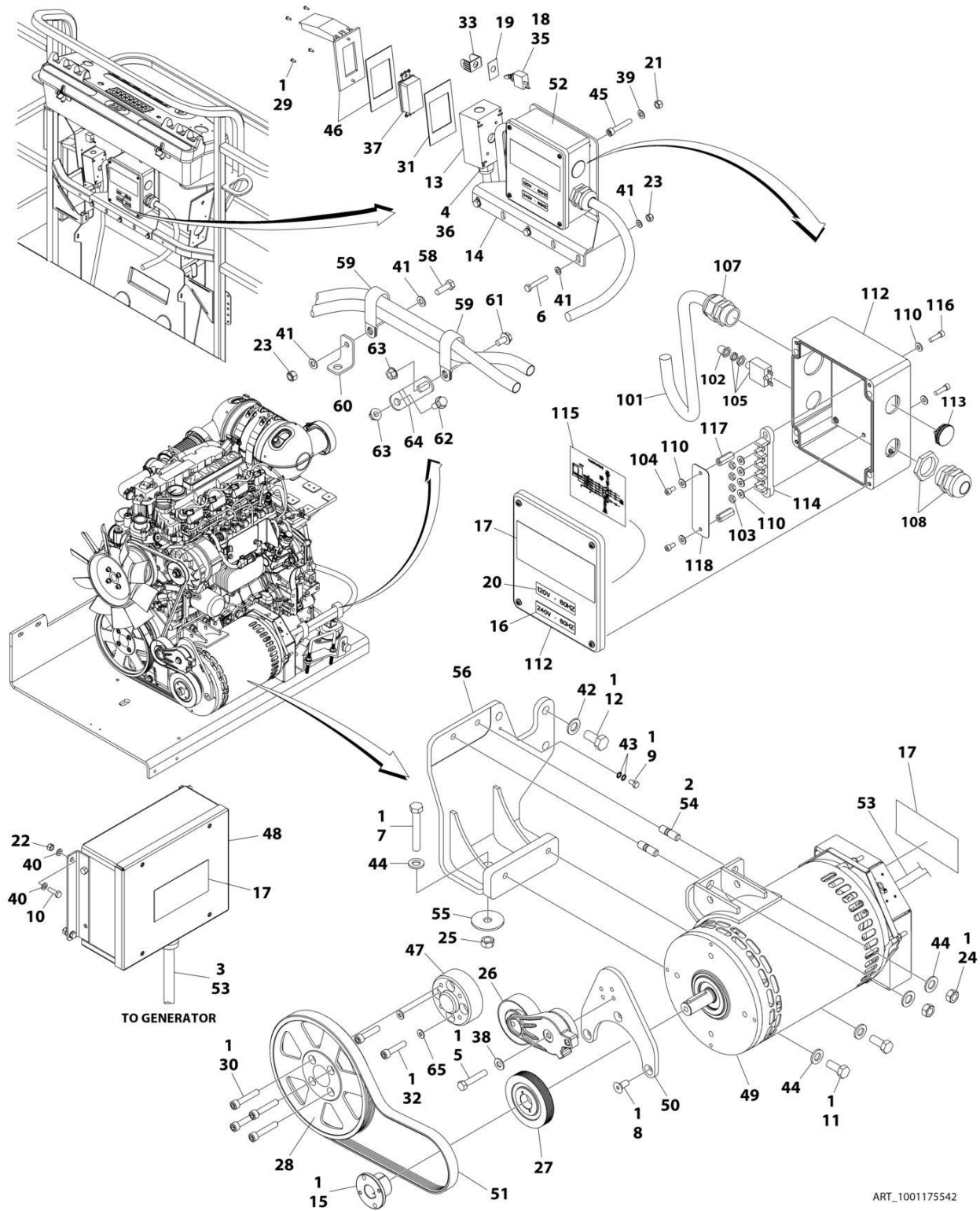
ITEM	PART NUMBER	QTY	DESCRIPTION	REV
	1001173983	Ref	GENERATOR INSTALLATION - 4000W/60HZ (DEUTZ D2011 ENGINE)	F
1	0100011	AR	Compound, Locking	
2	0100019	AR	Compound, Locking	
3	0100048	AR	Grease, Dielectric	
4	0100079	AR	Sealant	
5	0480128	1	Belt	
6	0641616	1	Bolt 3/8 x 2	
7	0700818	3	Bolt M8 x 50	
8	0711224	1	Bolt M12 x 80 Grade 10.9	
9	0741607	3	Screw 3/8 x 7/8	
10	0760606	1	Bolt M6 x 12	
11	0760610	4	Bolt M6 x 20	
12	0761214	2	Bolt M12 x 30	
13	0771414	2	Bolt M14 x 30 Grade 10.9	
14	0771416	1	Bolt M14 x 40	
15	0860038	1	Box, Switch	
16	0902888	1	Bracket	
17	0962520	1	Bushing	
18	1705374	1	Decal - 240V-60Hz	
19	1705387	3	Decal - Hazardous Voltage	
20	2820031	AR	Heat Shrink	
21	See Note	1	Nameplate (Note: Not Available for Purchase)	
22	3251243	1	Nameplate 120V-60Hz	
23	3290505	4	Nut M5	
24	3290605	4	Nut M6	
25	3290805	4	Nut M8	
26	3291201	2	Nut M12	
27	3331211	1	Nut M12	
28	3580317	1	Pulley	
29	3580318	1	Pulley	
30	3580320	1	Pulley	
31	3910606	4	Screw #6 x 3/8	
32	3960422	1	Gasket	
33	4032015	4	Bolt M10 x 55	
34	4060802	1	Guard, Switch	
35	4240099	AR	Tie-Strap (Not Shown)	
36	4360336	1	Switch, Toggle	
37	4460071	1	Connector, Strain Relief	
38	4460346	1	Receptacle	
39	4711600	1	Washer 3/8	
40	4811600	4	Washer M5	
41	4811700	8	Washer M6	
42	4811900	8	Washer M8	
43	4812100	1	Washer M12	
44	4812200	3	Washer M14	
45	4871700	2	Washer M6	
46	5241200	3	Washer M12 Hardened	
47	1001104029	4	Screw M5 x 30	
48	1001110873	1	Shield, Cover	

SECTION 3 - ENGINE

ITEM	PART NUMBER	QTY	DESCRIPTION	REV
49	1001129858	1	Generator	
49	70003709	1	Ring, Retaining (External)	
49	70003708	1	Ring, Retaining (Internal)	
49	70001966	1	Bearing	
49	70004092	1	Endbell (Shaft End)	
49	70004171	1	Key	
49	70004676	1	Rotor	
49	70004684	1	Stator	
49	70004678	1	Endbell (Rear)	
49	70004679	1	Cover, Endbell (Rear)	
49	70004680	1	Enclosure, Wiring	
49	70004685	1	Cover, Enclosure	
49	70004682	1	Switch, Reset (Located on Enclosure Cover)	
49	70004098	1	Connector, Strain Relief (Located on Enclosure Cover)	
50	1001138566	1	Box, Control	
50	70006552	1	Capacitor	
50	70006553	1	Relay	
51	1001139357	1	Mount, Tensioner	
52	1001152457	1	Generator Junction Box Assembly (See Items 101-118 for Breakdown)	
53	1001152532	1	Harness, Generator (See Separate Breakdown in ELECTRICAL SECTION)	
54	1001196382	1	Stud	
55	1001168018	1	Washer, Snubbing	
56	1001173925	1	Mount	
57	1001175631	1	Wiring Diagram (Not Shown)	
57	4922641	1	Harness, On/Off Switch (Not Shown - Located at Platform)	
58	0760812	1	Bolt M8 x 25	
59	1321716	2	Clamp	
60	1001148641	1	Bracket	
61	5250808	1	Bolt M8 x 16	
62	5250810	1	Bolt M8 x 20	
63	5260800	2	Nut M8	
64	1001223122	1	Support	
	1001152457	Ref	GENERATOR JUNCTION BOX COMPONENTS	
101	1001179154	2.5 ft/ 0.8m	Cable, Electrical - 12/3	
102	3300396	1	Cover, Breaker	
103	3311001	4	Nut #10	
104	3900300	2	Screw	
105	4360070	1	Breaker, Circuit - 15Amp	
107	4460425	1	Connector, Strain Relief (LH Side)	
108	4460426	1	Connector, Strain Relief (RH Side)	
110	4711000	8	Washer #10	
112	1001152456	1	Box, Junction	
113	1001152525	1	Plug	
114	1001152530	1	Terminal, Block	
115	1001153260	1	Decal - Wiring Diagram	
116	3900267	2	Screw	
117	1001158008	2	Stand-Off	
118	1001158363	1	Cover, Terminal Block	

SECTION 3 - ENGINE

FIGURE 3-44. 4000W/60HZ GENERATOR INSTALLATION - DEUTZ D2.9L4 ENGINES



ART_1001175542

SECTION 3 - ENGINE

FIGURE 3-44. 4000W/60HZ GENERATOR INSTALLATION - DEUTZ D2.9L4 ENGINES

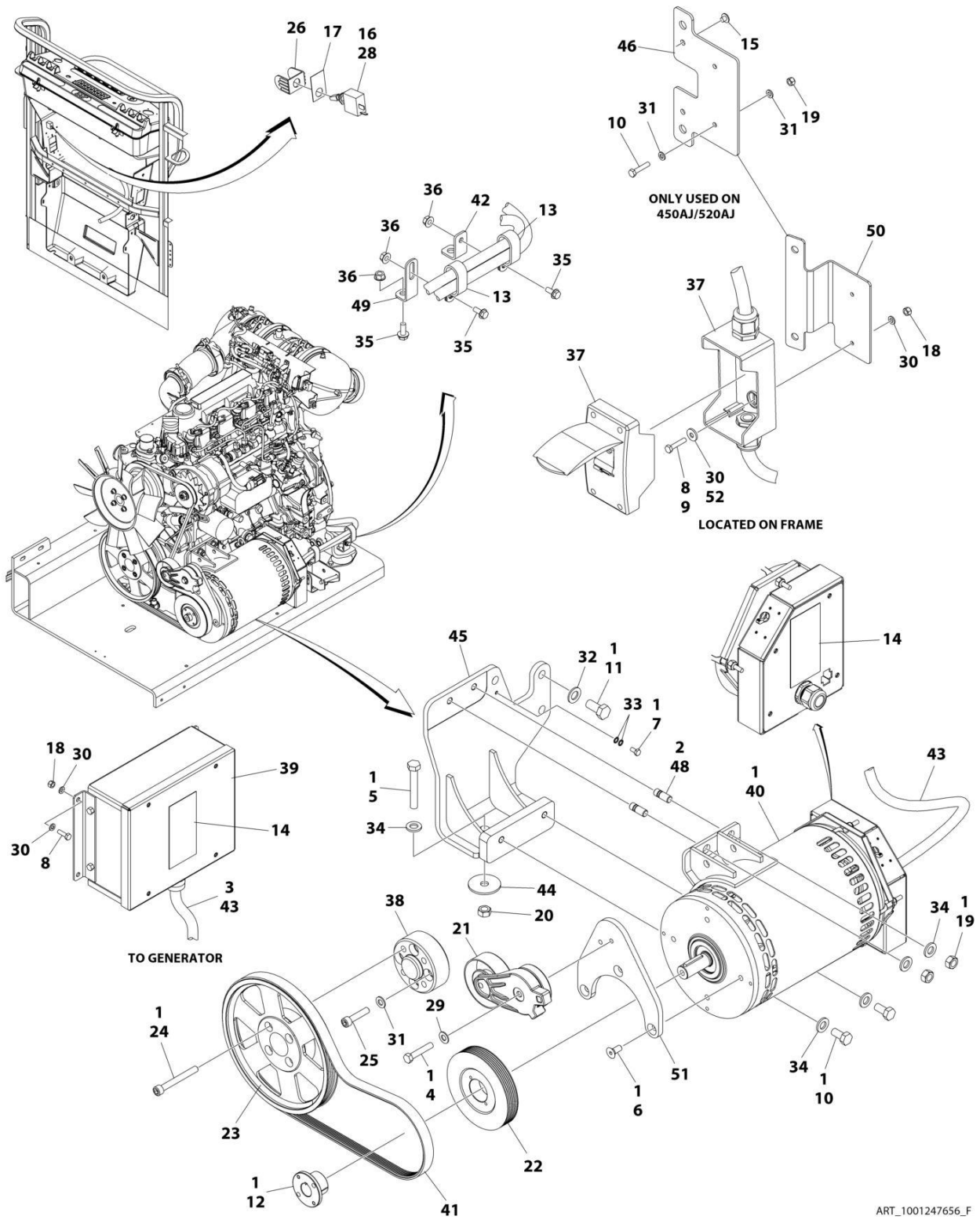
ITEM	PART NUMBER	QTY	DESCRIPTION	REV
	1001175542	Ref	GENERATOR INSTALLATION - 4000W/60HZ (DEUTZ D2.9L4 ENGINE)	J
1	0100011	AR	Compound, Locking	
2	0100019	AR	Compound, Locking	
3	0100048	AR	Grease, Dielectric	
4	0100079	AR	Sealant	
5	0641616	1	Bolt 3/8 x 2	
6	0700818	3	Bolt M8 x 50	
7	0711224	AR	Bolt M12 x 80 Grade 10.9	
8	0741607	3	Screw 3/8 x 7/8	
9	0760606	1	Bolt M6 x 12	
10	0760610	4	Bolt M6 x 20	
11	0761212	2	Bolt M12 x 25	
12	0771414	AR	Bolt M14 x 30 Grade 10.9	
13	0860038	1	Box, Switch	
14	0902888	1	Bracket	
15	0962520	1	Bushing	
16	1705374	1	Decal - 240V-60Hz	
17	1705387	3	Decal - Hazardous Voltage	
18	2820031	AR	Heat Shrink	
19	See Note	1	Nameplate (Note: Not Available for Purchase)	
20	3251243	1	Nameplate 120V-60Hz	
21	3290505	4	Nut M5	
22	3290605	4	Nut M6	
23	3290805	4	Nut M8	
24	3291201	2	Nut M12	
25	3331211	AR	Nut M12	
26	3580317	1	Pulley	
27	3580318	1	Pulley	
28	3580320	1	Pulley	
29	3910606	4	Screw #6 x 3/8	
30	3931628	4	Capscrew 3/8 x 1-3/4	
31	3960422	1	Gasket	
32	4032014	4	Capscrew M10 x 50	
33	4060802	1	Guard, Switch	
34	4240099	AR	Tie-Strap (Not Shown)	
35	4360336	1	Switch, Toggle	
36	4460071	1	Connector, Strain Relief	
37	4460346	1	Receptacle	
38	4711600	1	Washer 3/8	
39	4811600	4	Washer M5	
40	4811700	8	Washer M6	
41	4811900	8	Washer M8	
42	4812200	AR	Washer M14	
43	4871700	2	Washer M6	
44	5241200	AR	Washer M12 Hardened	
45	1001104029	4	Screw M5 x 30	
46	1001110873	1	Shield, Cover	
47	1001135679	1	Adapter	
48	1001138566	1	Box, Control	

SECTION 3 - ENGINE

ITEM	PART NUMBER	QTY	DESCRIPTION	REV
49	1001140346	1	Generator Assembly	
49	70003709	1	Ring, Retaining (External)	
49	70003708	1	Ring, Retaining (Internal)	
49	70001966	1	Bearing	
49	70004092	1	Endbell (Shaft End)	
49	70004099	1	Key	
49	70004676	1	Rotor	
49	70004687	1	Stator	
49	70004678	1	Endbell (Rear)	
49	70004679	1	Cover, Endbell (Rear)	
49	70004680	1	Enclosure, Wiring	
49	70004685	1	Cover, Enclosure	
49	70004682	1	Switch, Reset (Located on Enclosure Cover)	
49	70004098	1	Connector, Strain Relief (Located on Enclosure Cover)	
50	1001142643	1	Support	
51	1001142646	1	Belt	
52	1001152457	1	Generator Junction Box Assembly (See Items 101-118 for Breakdown)	
53	1001152532	1	Harness, Generator (See Separate Breakdown in ELECTRICAL SECTION)	
54	1001196382	2	Stud	
55	1001168018	AR	Washer, Snubbing	
56	1001168207	Ref	Support	
57	1001175631	1	Wiring Diagram (Not Shown)	
57	4922641	1	Harness, On/Off Switch (Not Shown - Located at Platform)	
58	0760812	1	Bolt M8 x 25	
59	1321716	2	Clamp	
60	1001148641	1	Bracket	
61	5250808	1	Bolt M8 x 16	
62	5250810	1	Bolt M8 x 20	
63	5260800	2	Nut M8	
64	1001223122	1	Support	
65	4812000	4	Washer M10	
	1001152457	Ref	GENERATOR JUNCTION BOX COMPONENTS	
101	1001179154	2.5 ft/ 0.8m	Cable, Electrical - 12/3	
102	3300396	1	Cover, Breaker	
103	3311001	4	Nut #10	
104	3900300	2	Screw	
105	4360070	1	Breaker, Circuit - 15Amp	
107	4460425	1	Connector, Strain Relief (LH Side)	
108	4460426	1	Connector, Strain Relief (RH Side)	
110	4711000	8	Washer #10	
112	1001152456	1	Box, Junction	
113	1001152525	1	Plug	
114	1001152530	1	Terminal, Block	
115	1001153260	1	Decal - Wiring Diagram	
116	3900267	2	Screw	
117	1001158008	2	Stand-Off	
118	1001158363	1	Cover, Terminal Block	

SECTION 3 - ENGINE

FIGURE 3-45. 4000W/50HZ GENERATOR INSTALLATION (DEUTZ D2.9L4 (STAGE V) ENGINES)



ART_1001247656_F

SECTION 3 - ENGINE

FIGURE 3-45. 4000W/50HZ GENERATOR INSTALLATION (DEUTZ D2.9L4 (STAGE V) ENGINES)

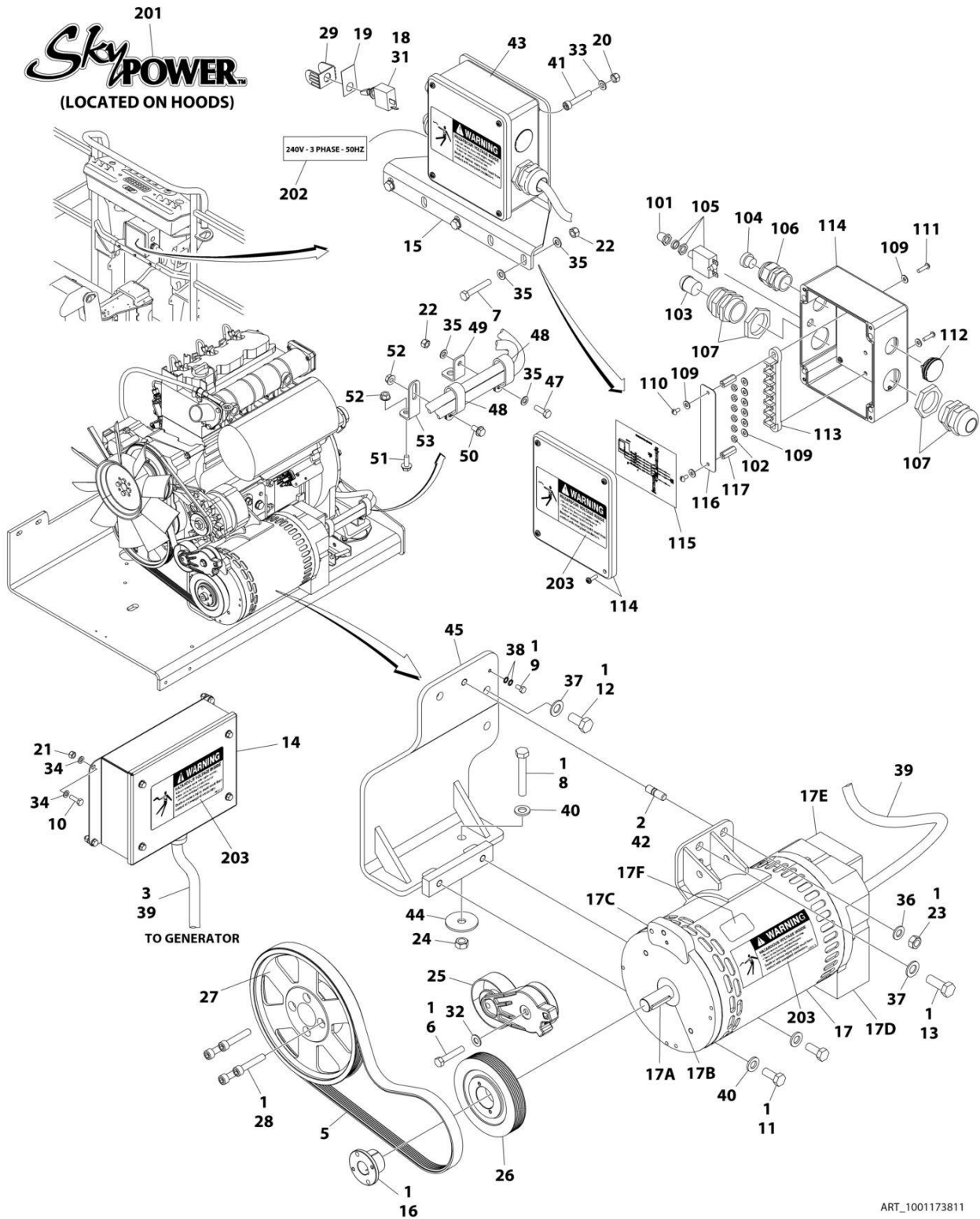
ITEM	PART NUMBER	QTY	DESCRIPTION	REV
	1001247656	Ref	GENERATOR INSTALLATION - 4000W/50HZ (DEUTZ (STAGE V) ENGINE)	F
1	0100011	AR	Compound, Locking	
2	0100019	AR	Compound, Locking	
3	0100048	AR	Grease, Dielectric	
4	0641616	1	Bolt 3/8 x 2	
5	0711224	AR	Bolt M12 x 80	
6	0741607	3	Screw 3/8 x 7/8	
7	0760606	1	Bolt M6 x 12	
8	0760610	AR	Bolt M6 x 20	
9	0760614	AR	Bolt M6 x 30	
10	0761212	2	Bolt M12 x 25	
11	0771414	AR	Bolt M14 x 30	
12	0962520	1	Bushing	
13	1321716	2	Clamp	
14	1705489	2	Decal - Hazardous Voltage	
15	2080040	2	Fastener, Huck	
16	2820031	0.33 ft /0.10m	Heat Shrink	
17	3251102	1	Nameplate, Generator	
18	3290605	AR	Nut M6	
19	3291201	2	Nut M12	
20	3331211	AR	Nut M12	
21	3580317	1	Pulley	
22	3580319	1	Pulley	
23	1001260432	1	Pulley	
24	1001261085	4	Capscrew M10 x 85	
25	1001261045	4	Capscrew M10 x 45	
26	4060802	1	Guard, Switch	
27	4240099	AR	Tie-Strap (Not Shown)	
28	4360336	1	Switch, Toggle	
29	4711600	1	Washer 3/8	
30	4811700	12	Washer M6	
31	4812000	4	Washer M14	
32	4812200	AR	Washer M14	
33	4871700	2	Washer M6	
34	5241200	AR	Washer M12 Hardened	
35	5250810	3	Bolt M8 x 20	
36	5260800	3	Nut M8	
37	1001096070	1	Breaker Box Kit (50Hz) (See Separate Breakdown in ELECTRICAL Section)	
38	1001135679	1	Adapter	
39	1001138566	1	Box, Control	
40	1001140347	1	Generator, 4000W/ 50HZ - Deutz Engine	
40	70003709	1	Ring, Retaining (External)	
40	70003708	1	Ring, Retaining (Internal)	
40	70001966	1	Bearing	
40	70004092	1	Endbell (Shaft End)	
40	70004099	1	Key	
40	70004676	1	Rotor	

SECTION 3 - ENGINE

ITEM	PART NUMBER	QTY	DESCRIPTION	REV
40	70004686	1	Stator	
40	70004678	1	Endbell (Rear)	
40	70004679	1	Cover, Endbell (Rear)	
40	70004680	1	Enclosure, Wiring	
40	70004681	1	Cover, Enclosure	
40	70004682	1	Switch, Reset (Located on Enclosure Cover)	
40	70004683	1	Connector, Strain Relief (Located on Enclosure Cover)	
41	1001148059	1	Belt, Generator	
42	1001148641	1	Bracket	
43	1001152532	1	Harness, Generator (See Separate Breakdown in ELECTRICAL Section)	
44	1001168018	AR	Washer, Snubbing	
45	1001168207	AR	Support (Prior to PVC 2107)	
46	1001174158	1	Mount	
47	1001174675	1	Wiring Diagram (Not Shown)	
48	1001196382	2	Stud	
49	1001223122	1	Support	
50	1001230784	1	Bracket	
51	1001248190	1	Support	
52	4811702	4	Washer M6	
		Ref	ELECTRICAL DIAGRAM COMPONENTS	
101	4922641	1	Generator Switch Harness (Not Shown)	

SECTION 3 - ENGINE

FIGURE 3-46. 7500W/50HZ SKYPOWER GENERATOR INSTALLATION - DEUTZ D2011 ENGINES



ART_1001173811

SECTION 3 - ENGINE

FIGURE 3-46. 7500W/50HZ SKYPOWER GENERATOR INSTALLATION - DEUTZ D2011 ENGINES

ITEM	PART NUMBER	QTY	DESCRIPTION	REV
	1001173811	Ref	GENERATOR INSTALLATION - 7500W/50HZ (DEUTZ D2011 ENGINE)	F
1	0100011	AR	Compound, Locking	
2	0100019	AR	Compound, Locking	
3	0100048	AR	Grease, Dielectric	
4	0100079	AR	Sealant (Not Shown)	
5	0480126	1	Belt	
6	0641616	1	Bolt 3/8 x 2	
7	0700818	3	Bolt M8 x 50	
8	0711224	1	Bolt M12 x 80 Grade 10.9	
9	0760606	1	Bolt M6 x 12	
10	0760610	4	Bolt M6 x 20	
11	0761214	2	Bolt M12 x 30	
12	0771414	2	Bolt M14 x 30 Grade 10.9	
13	0771416	1	Bolt M14 x 40	
14	0861572	1	Control Box Assembly	
14	7024488	1	Card, Circuit - Generator Power	
14	See Note	NSS	Fuse (Note: Not Available - Purchase Locally)	
14	7024489	1	Card, Circuit - Control	
14	70000619	1	Harness, Control Box (Internal)	
15	0902888	1	Bracket	
16	0962520	1	Bushing	
17	2460048	1	Generator Assembly	
17	70001100	1	Rotor (Includes p/n 70001384 & 70000863) (Not Shown)	
17	70001384	1	Bearing, Ball Radial (Not Shown)	
17	70000863	1	Fan (Not Shown)	
17	70002088	1	Stator (Not Shown)	
17	70002297	1	Stud	
17	70003631	1	Brushholder Assembly (Not Shown)	
17A	70004171	1	Key	
17B	70001966	1	Bearing, Ball Radial (Located in Belt Tensioner Endbell)	
17B	70003708	1	Ring, Internal Retaining (Located in Belt Tensioner Endbell)	
17B	70003709	1	Ring, External Retaining (Located in Belt Tensioner Endbell)	
17C	70001953	1	Endbell, Belt Tensioner	
17D	70004169	1	Endbell, Brush Block	
17E	70004169	1	Shroud	
17E	See Note	NSS	Insulator, Endbell (Note: Not Available for Purchase)	
17E	7027799	1	Block, Connector 6 Position (Not Shown)	
17E	70002460	1	Nut, Brass (Attaches p/n 7027799 to Cover) (Not Shown)	
17E	7024485	1	Breaker, Circuit 30Amp (Not Shown)	
17E	70001696	1	Boot, Breaker (Not Shown)	
17E	7026626	1	Connector, 6 Position (Includes Seal) (Not Shown - Plugs into Item 39)	
17E	7026597	1	Connector, with Leads (Not Shown)	
17E	7026188	1	Clamp, Cable Options (Not Shown)	
17E	70004169	1	Plate, End Panel	
17E	70001974	1	Decal - Terminal Connections	
17F	70001973	1	Decal - Warning Moving Parts	
18	2820031	AR	Heat Shrink	
19	3252764	1	Nameplate	

SECTION 3 - ENGINE

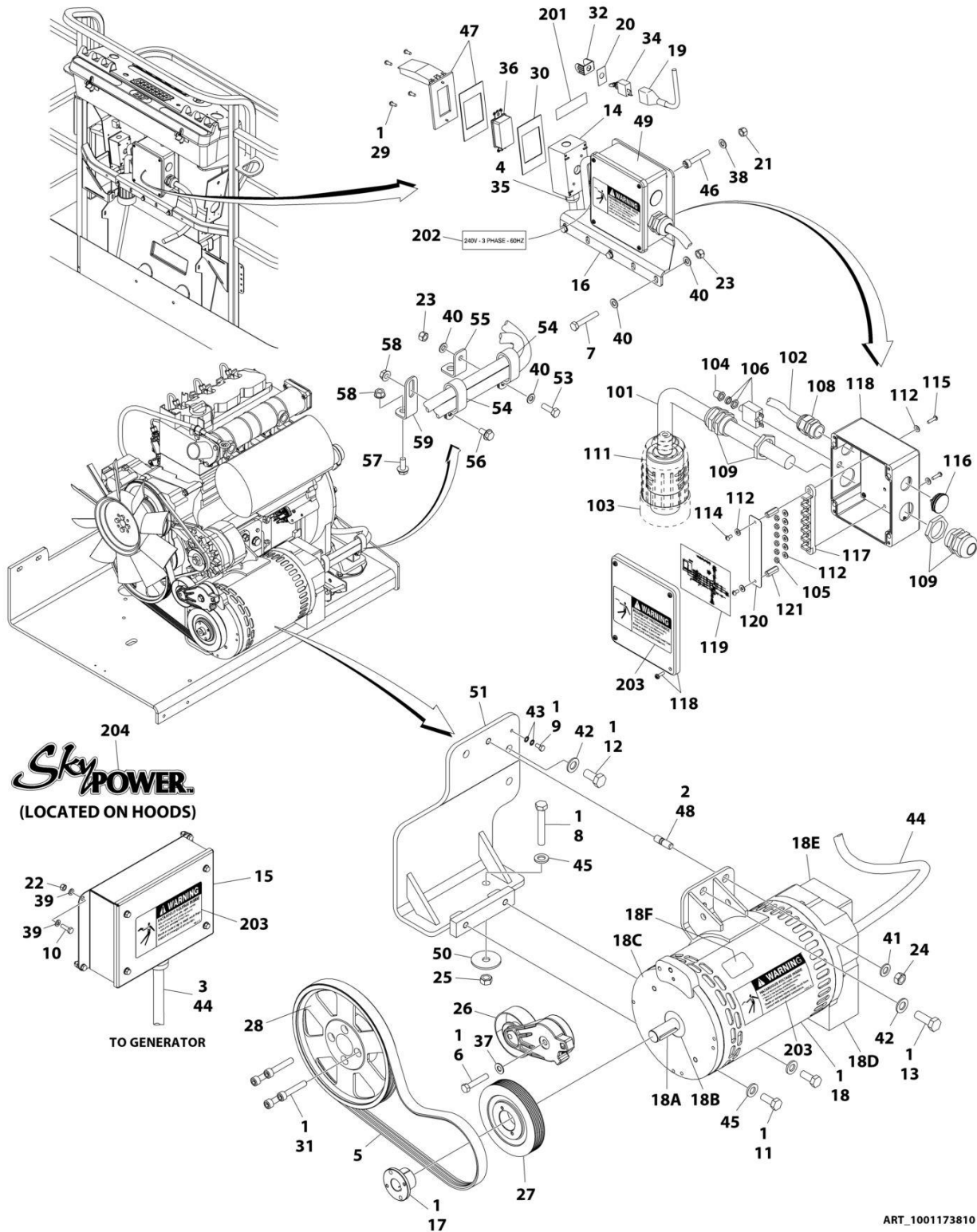
ITEM	PART NUMBER	QTY	DESCRIPTION	REV
20	3290505	4	Nut M5	
21	3290605	4	Nut M6	
22	3290805	4	Nut M8	
23	3291201	1	Nut M12	
24	3331211	1	Nut M12	
25	3580317	1	Pulley	
26	3580319	1	Pulley	
27	3580320	1	Pulley	
28	4032015	4	Bolt M10 x 55	
29	4060802	1	Guard, Switch	
30	4240099	AR	Tie-Strap (Not Shown)	
31	4360336	1	Switch, Toggle	
32	4711600	1	Washer 3/8	
33	4811600	4	Washer M5	
34	4811700	8	Washer M6	
35	4811900	8	Washer M8	
36	4812100	1	Washer M12	
37	4812200	3	Washer M14	
38	4871700	2	Washer M6	
39	4922925	1	Harness, Generator	
39	4460225	1	Plug, Male 6 Position (Plugs into Generator)	
39	See Note	NSS	Socket, Female (Use with 4460225)	
39	See Note	NSS	Seal, Plug (Use with 4460225)	
39	See Note	NSS	Seal, Interface (Use with 4460225)	
40	5241200	3	Washer M12 Hardened	
41	1001104029	4	Screw M5 x 30	
42	1001196382	1	Stud	
43	1001157525	1	Junction Box Assembly (See Items 101-117 for Breakdown)	
44	1001168018	1	Washer, Snubbing	
45	1001173925	1	Mount	
46	1001174675	1	Wiring Diagram (Not Shown)	
46	4922641	1	Harness, On/Off Switch (Not Shown - Located at Platform)	
47	0760812	1	Bolt M8 x 25	
48	1321716	2	Clamp	
49	1001148641	1	Bracket	
50	5250808	1	Bolt M8 x 16	
51	5250810	1	Bolt M8 x 20	
52	5260800	2	Nut M8	
53	1001223122	1	Support	
	1001157525	Ref	JUNCTION BOX ASSEMBLY	B
101	3300396	1	Cover, Fuse	
102	3311001	6	Nut #10	
103	3520189	1	Plug	
104	3520192	1	Plug	
105	4360070	1	Circuit Breaker - 15Amp	
106	4460425	1	Connector, Strain Relief	
107	4460426	2	Connector, Strain Relief	
109	4711000	10	Flatwasher #10	
110	10702077	2	Screw #10 x 3/8	
111	10702082	2	Screw #10 x 3/4	
112	1001152525	1	Plug	

SECTION 3 - ENGINE

ITEM	PART NUMBER	QTY	DESCRIPTION	REV
113	1001157520	1	Block, Terminal	A
114	1001157521	1	Box, Junction	
115	1001157528	1	Decal - Wiring Schematic	
116	1001158007	1	Cover, PVC	
117	1001158008	2	Stand-Off	
	0272589	Ref	DECAL INSTALLATION	
201	1705460	2	Decal - SkyPower	
202	1705461	1	Decal - 240V - 3 Phase - 50Hz	
203	1705489	3	Decal - Hazardous Voltage	

SECTION 3 - ENGINE

FIGURE 3-47. 7500W/60HZ SKYPOWER GENERATOR INSTALLATION - DEUTZ D2011 ENGINES



SECTION 3 - ENGINE

FIGURE 3-47. 7500W/60HZ SKYPOWER GENERATOR INSTALLATION - DEUTZ D2011 ENGINES

ITEM	PART NUMBER	QTY	DESCRIPTION	REV
	1001173810	Ref	GENERATOR INSTALLATION - 7500W/60Hz (DEUTZ D2011 ENGINE)	F
1	0100011	AR	Compound, Locking	
2	0100019	AR	Compound, Locking	
3	0100048	AR	Grease, Dielectric	
4	0100079	AR	Sealant	
5	0480128	1	Belt	
6	0641616	1	Bolt 3/8 x 2	
7	0700818	3	Bolt M8 x 50	
8	0711224	1	Bolt M12 x 80 Grade 10.9	
9	0760606	1	Bolt M6 x 12	
10	0760610	4	Bolt M6 x 20	
11	0761214	2	Bolt M12 x 30	
12	0771414	2	Bolt M14 x 30 Grade 10.9	
13	0771416	1	Bolt M14 x 40	
14	0860038	1	Box, Switch	
15	0861538	1	Control Box Assembly	
15	7024488	1	Card, Circuit - Generator Power	
15	See Note	NSS	Fuse (Note: Not Available - Purchase Locally)	
15	7024489	1	Card, Circuit - Control	
15	70000619	1	Harness, Control Box (Internal)	
16	0902888	1	Bracket	
17	0962520	1	Bushing	
18	2460048	1	Generator Assembly	
18	70001100	1	Rotor (Includes p/n 70001384 & 70000863) (Not Shown)	
18	70001384	1	Bearing, Ball Radial (Not Shown)	
18	70000863	1	Fan (Not Shown)	
18	70002088	1	Stator (Not Shown)	
18	70002297	1	Stud	
18	70003631	1	Brushholder Assembly (Not Shown)	
18A	70004171	1	Key	
18B	70001966	1	Bearing, Ball Radial (Located in Belt Tensioner Endbell)	
18B	70003708	1	Ring, Internal Retaining (Located in Belt Tensioner Endbell)	
18B	70003709	1	Ring, External Retaining (Located in Belt Tensioner Endbell)	
18C	70001953	1	Endbell, Belt Tensioner	
18D	70004169	1	Endbell, Brush Block	
18E	70004169	1	Shroud	
18E	See Note	NSS	Insulator, Endbell (Note: Not Available for Purchase)	
18E	7027799	1	Block, Connector 6 Position (Not Shown)	
18E	70002460	1	Nut, Brass (Attaches p/n 7027799 to Cover) (Not Shown)	
18E	7024485	1	Breaker, Circuit 30Amp (Not Shown)	
18E	70001696	1	Boot, Breaker (Not Shown)	
18E	7026626	1	Connector, 6 Position (Includes Seal) (Not Shown - Plugs into Item 39)	
18E	7026597	1	Connector, with Leads (Not Shown)	
18E	7026188	1	Clamp, Cable Options (Not Shown)	
18E	70004169	1	Plate, End Panel	
18E	70001974	1	Decal - Terminal Connections	
18F	70001973	1	Decal - Warning Moving Parts	
19	2820031	AR	Heat Shrink	

SECTION 3 - ENGINE

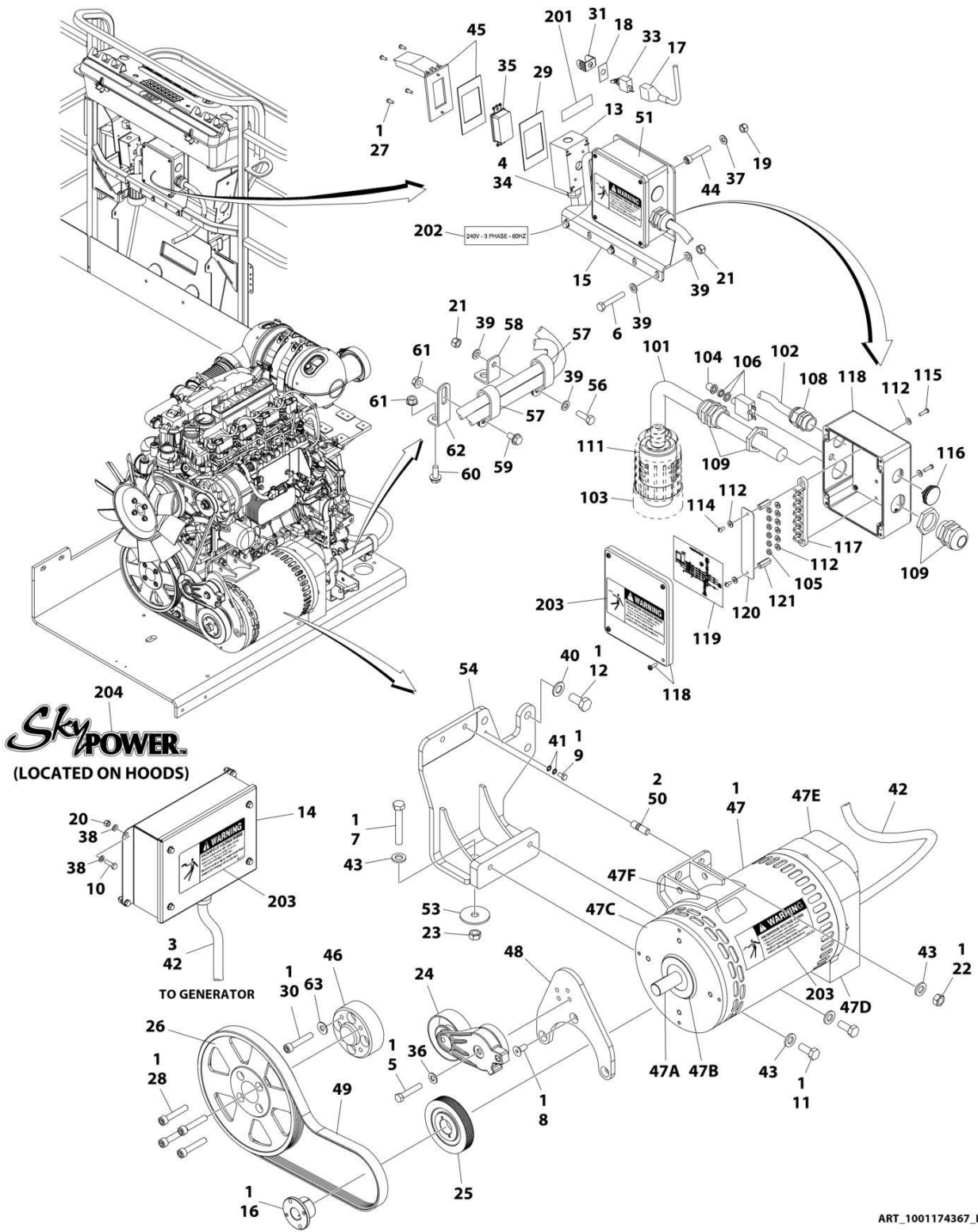
ITEM	PART NUMBER	QTY	DESCRIPTION	REV
20	3252764	1	Nameplate	
21	3290505	4	Nut M5	
22	3290605	4	Nut M6	
23	3290805	4	Nut M8	
24	3291201	1	Nut M12	
25	3331211	1	Nut M12	
26	3580317	1	Pulley	
27	3580318	1	Pulley	
28	3580320	1	Pulley	
29	3910606	4	Screw #6 x 3/8	
30	3960422	1	Gasket	
31	4032015	4	Bolt M10 x 55	
32	4060802	1	Guard, Switch	
33	4240099	AR	Tie-Strap (Not Shown)	
34	4360336	1	Switch, Toggle	
35	4460071	1	Connector, Strain Relief	
36	4460346	1	Receptacle	
37	4711600	1	Washer 3/8	
38	4811600	4	Washer M5	
39	4811700	8	Washer M6	
40	4811900	8	Washer M8	
41	4812100	1	Washer M12	
42	4812200	3	Washer M14	
43	4871700	2	Washer M6	
44	4922925	1	Harness, Generator	
44	4460225	1	Plug, Male 6 Position (Plugs into Generator)	
44	See Note	NSS	Socket, Female (Use with 4460225)	
44	See Note	NSS	Seal, Plug (Use with 4460225)	
44	See Note	NSS	Seal, Interface (Use with 4460225)	
45	5241200	3	Washer M12 Hardened	
46	1001104029	4	Screw M5 x 30	
47	1001110873	1	Shield, Cover	
48	1001196382	1	Stud	
49	1001157592	1	Junction Box Assembly Options (See Items 101-121 for Breakdown)	
50	1001168018	1	Washer, Snubbing	
51	1001173925	1	Mount	
52	1001174675	1	Wiring Diagram (Not Shown)	
52	4922641	1	Harness, On/Off Switch (Not Shown - Located at Platform)	
53	0760812	1	Bolt M8 x 25	
54	1321716	2	Clamp	
55	1001148641	1	Bracket	
56	5250808	1	Bolt M8 x 16	
57	5250810	1	Bolt M8 x 20	
58	5260800	2	Nut M8	
59	1001223122	1	Support	
	1001157592	Ref	JUNCTION BOX ASSEMBLY	C
101	1060343	1.5 ft /0.5m	Cable, Electrical 10/4	
102	1001179154	2.5 ft /0.8m	Cable, Electrical 12/3	
103	1671092	1	Cover	

SECTION 3 - ENGINE

ITEM	PART NUMBER	QTY	DESCRIPTION	REV
104	3300396	1	Cover, Fuse	
105	3311001	6	Nut #10	
106	4360070	1	Circuit Breaker - 15Amp	
108	4460425	1	Connector, Strain Relief	
109	4460426	2	Connector, Strain Relief	
111	4460963	1	Connector	
112	4711000	10	Flatwasher #10	
114	10702077	2	Screw #10 x 3/8	
115	10702082	2	Screw #10 x 3/4	
116	1001152525	1	Plug	
117	1001157520	1	Block, Terminal	
118	1001157521	1	Box, Junction	
119	1001157528	1	Decal - Wiring Schematic	
120	1001158007	1	Cover, PVC	
121	1001158008	2	Stand-Off	
	0272435	Ref	DECAL INSTALLATION	D
	0273380	Ref	DECAL INSTALLATION	B
201	3251243	1	Decal - 120V - 60Hz	
202	1705375	1	Decal - 240V - 3 Phase - 60Hz	
203	1705387	3	Decal - Hazardous Voltage	
204	1705460	2	Decal - SkyPower	

SECTION 3 - ENGINE

FIGURE 3-48. 7500W/60HZ SKYPOWER GENERATOR INSTALLATION - DEUTZ D2.9L4 ENGINES



SECTION 3 - ENGINE

FIGURE 3-48. 7500W/60HZ SKYPOWER GENERATOR INSTALLATION - DEUTZ D2.9L4 ENGINES

ITEM	PART NUMBER	QTY	DESCRIPTION	REV
	1001174367	Ref	GENERATOR INSTALLATION - 7500W/60Hz (DEUTZ D2.9L4 ENGINE)	J
1	0100011	AR	Compound, Locking	
2	0100019	AR	Compound, Locking	
3	0100048	AR	Grease, Dielectric	
4	0100079	AR	Sealant	
5	0641616	1	Bolt 3/8 x 2	
6	0700818	3	Bolt M8 x 50	
7	0711224	Ref	Bolt M12 x 80 Grade 10.9	
8	0741607	3	Screw 3/8 x 7/8	
9	0760606	1	Bolt M6 x 12	
10	0760610	4	Bolt M6 x 20	
11	0761212	2	Bolt M12 x 25	
12	0771414	Ref	Bolt M14 x 30 Grade 10.9	
13	0860038	1	Box, Switch	
14	0861538	1	Control Box Assembly	
14	7024488	1	Card, Circuit - Generator Power	
14	See Note	NSS	Fuse (Note: Not Available - Purchase Locally)	
14	7024489	1	Card, Circuit - Control	
14	70000619	1	Harness, Control Box (Internal)	
15	0902888	1	Bracket	
16	0962520	1	Bushing	
17	2820031	AR	Heat Shrink	
18	3252764	1	Nameplate	
19	3290505	4	Nut M5	
20	3290605	4	Nut M6	
21	3290805	4	Nut M8	
22	3291201	2	Nut M12	
23	3331211	Ref	Nut M12	
24	3580317	1	Pulley	
25	3580318	1	Pulley	
26	3580320	1	Pulley	
27	3910606	4	Screw #6 x 3/8	
28	3931628	4	Capscrew 3/8 x 1-3/4	
29	3960422	1	Gasket	
30	4032014	4	Bolt M10 x 50	
31	4060802	1	Guard, Switch	
32	4240099	AR	Tie-Strap (Not Shown)	
33	4360336	1	Switch, Toggle	
34	4460071	1	Connector, Strain Relief	
35	4460346	1	Receptacle	
36	4711600	1	Washer 3/8	
37	4811600	4	Washer M5	
38	4811700	8	Washer M6	
39	4811900	8	Washer M8	
40	4812200	Ref	Washer M14	
41	4871700	2	Washer M6	
42	4922925	1	Harness, Generator	
42	4460225	1	Plug, Male 6 Position (Plugs into Generator)	
42	See Note	NSS	Socket, Female (Use with 4460225)	

SECTION 3 - ENGINE

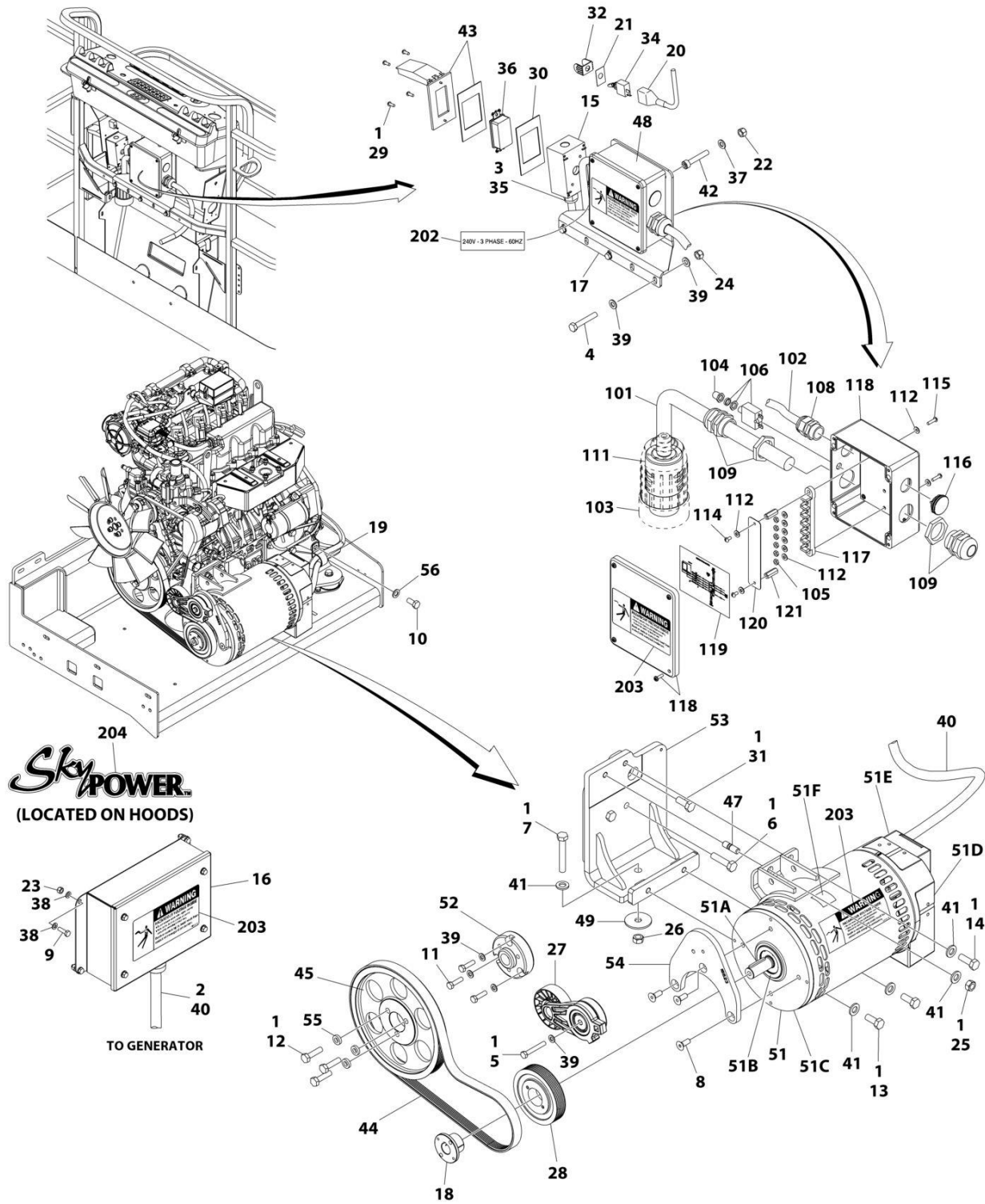
ITEM	PART NUMBER	QTY	DESCRIPTION	REV
42	See Note	NSS	Seal, Plug (Use with 4460225)	
42	See Note	NSS	Seal, Interface (Use with 4460225)	
43	5241200	5	Washer M12 Hardened	
44	1001104029	4	Screw M5 x 30	
45	1001110873	1	Shield, Cover	
46	1001135679	1	Adapter	
47	1001212223	1	Generator Assembly	
47	70001100	1	Rotor (Includes p/n 70001384 & 70000863) (Not Shown)	
47	70001384	1	Bearing, Ball Radial (Not Shown)	
47	70000863	1	Fan (Not Shown)	
47	70006093	1	Stator (Not Shown)	
47	70002297	1	Stud	
47	70003631	1	Brushholder Assembly (Not Shown)	
47A	70004099	1	Key	
47B	70001966	1	Bearing, Ball Radial (Located in Belt Tensioner Endbell)	
47B	70003708	1	Ring, Internal Retaining (Located in Belt Tensioner Endbell)	
47B	70003709	1	Ring, External Retaining (Located in Belt Tensioner Endbell)	
47C	70004092	1	Endbell, Belt Tensioner	
47D	70004094	1	Endbell, Brush Block	
47E	70006094	1	Shroud	
47E	70002291	1	Insulator, Endbell	
47E	7027799	1	Block, Connector 6 Position (Not Shown)	
47E	70002460	1	Nut, Brass (Attaches p/n 7027799 to Cover) (Not Shown)	
47E	70006095	1	Breaker, Circuit 30Amp (Not Shown)	
47E	70006096	1	Guard, Breaker (Not Shown)	
47E	7026626	1	Connector, 6 Position (Includes Seal) (Not Shown - Plugs into Item 36)	
47E	7026597	1	Connector, with Leads (Not Shown)	
47E	70004098	1	Clamp, Cable (Not Shown)	
47E	70006097	1	Plate, End Panel	
47E	70001974	1	Decal - Terminal Connections	
47F	70001973	1	Decal - Warning Moving Parts	
48	1001142643	1	Support	
49	1001142646	1	Belt	
50	1001196382	2	Stud	
51	1001157592	1	Junction Box Assembly Options (See Items 101-121 for Breakdown)	
53	1001168018	Ref	Washer, Snubbing	
54	1001168207	Ref	Support	
55	1001174675	1	Wiring Diagram (Not Shown)	
55	4922641	1	Harness, On/Off Switch (Not Shown - Located at Platform)	
56	0760812	1	Bolt M8 x 25	
57	1321716	2	Clamp	
58	1001148641	1	Bracket	
59	5250808	1	Bolt M8 x 16	
60	5250810	1	Bolt M8 x 20	
61	5260800	2	Nut M8	
62	1001223122	1	Support	
63	4812000	4	Washer M10	
	1001157592	Ref	JUNCTION BOX ASSEMBLY	C
101	1060343	1.5 ft/ 0.5m	Cable, Electrical 10/4	

SECTION 3 - ENGINE

ITEM	PART NUMBER	QTY	DESCRIPTION	REV
102	1001179154	2.5 ft/ 0.8m	Cable, Electrical 12/3	
103	1671092	1	Cover	
104	3300396	1	Cover, Fuse	
105	3311001	6	Nut #10	
106	4360070	1	Circuit Breaker - 15Amp	
108	4460425	1	Connector, Strain Relief	
109	4460426	2	Connector, Strain Relief	
111	4460963	1	Connector	
112	4711000	10	Flatwasher #10	
114	10702077	2	Screw #10 x 3/8	
115	10702082	2	Screw #10 x 3/4	
116	1001152525	1	Plug	
117	1001157520	1	Block, Terminal	
118	1001157521	1	Box, Junction	
119	1001157528	1	Decal - Wiring Schematic	
120	1001158007	1	Cover, PVC	
121	1001158008	2	Stand-Off	
	0272435	Ref	DECAL INSTALLATION	D
	0273380	Ref	DECAL INSTALLATION	B
201	3251243	1	Decal - 120V - 60Hz	
202	1705375	1	Decal - 240V - 3 Phase - 60Hz	
203	1705387	3	Decal - Hazardous Voltage	
204	1705460	2	Decal - SkyPower	

SECTION 3 - ENGINE

FIGURE 3-49. 7500W/60HZ SKYPOWER GENERATOR INSTALLATION - KUBOTA ENGINES



ART_1001214910

SECTION 3 - ENGINE

FIGURE 3-49. 7500W/60HZ SKYPOWER GENERATOR INSTALLATION - KUBOTA ENGINES

ITEM	PART NUMBER	QTY	DESCRIPTION	REV
	1001214910	Ref	GENERATOR INSTALLATION - 7500W/60HZ (KUBOTA ENGINE)	C
1	0100011	AR	Compound, Locking	
2	0100048	AR	Grease, Dielectric	
3	0100079	AR	Sealant	
4	0700818	3	Bolt M8 x 50	
5	0700819	1	Bolt M8 x 55	
6	1001217344	2	Bolt M12 x 50	
7	0711224	AR	Bolt M12 x 80 Grade 10.9	
7	0701224	AR	Bolt M12 x 80	
8	0741608	3	Screw 3/8 x 1	
9	0760610	4	Bolt M6 x 20	
10	1001217345	1	Bolt M14 x 30	
11	0760814	3	Bolt M8 x 30	
12	0701016	3	Bolt M10 x 40	
13	0761214	2	Bolt M12 x 30	
14	0761215	1	Bolt M12 x 35	
15	0860038	1	Box, Switch	
16	0861538	1	Control Box Assembly	
16	7024488	1	Card, Circuit - Generator Power	
16	See Note	NSS	Fuse (Note: Not Available - Purchase Locally)	
16	7024489	1	Card, Circuit - Control	
16	70000619	1	Harness, Control Box (Internal)	
17	0902888	1	Bracket	
18	0962520	1	Bushing	
19	84521062	1	Clamp	
20	2820031	AR	Heat Shrink	
21	3252764	1	Nameplate	
22	3290505	4	Nut M5	
23	3290605	4	Nut M6	
24	3290805	3	Nut M8	
25	3291201	AR	Nut M12	
26	3331211	AR	Nut M12	
27	3580317	1	Pulley	
28	3580318	1	Pulley	
29	3910606	4	Screw #6 x 3/8	
30	3960422	1	Gasket	
31	1001217342	1	Bolt M12 x 30	
32	4060802	1	Guard, Switch	
33	4240099	AR	Tie-Strap (Not Shown)	
34	4360336	1	Switch, Toggle	
35	4460071	1	Connector, Strain Relief	
36	4460346	1	Receptacle	
37	4811600	4	Washer M5	
38	4811700	8	Washer M6	
39	4811900	10	Washer M8	
40	4922925	1	Harness, Generator	
40	4460225	1	Plug, Male - 6 Position (Plugs into Generator)	
40	See Note	NSS	Socket, Female (Use with 4460225)	
40	See Note	NSS	Seal, Plug (Use with 4460225)	
40	See Note	NSS	Seal, Interface (Use with 4460225)	

SECTION 3 - ENGINE

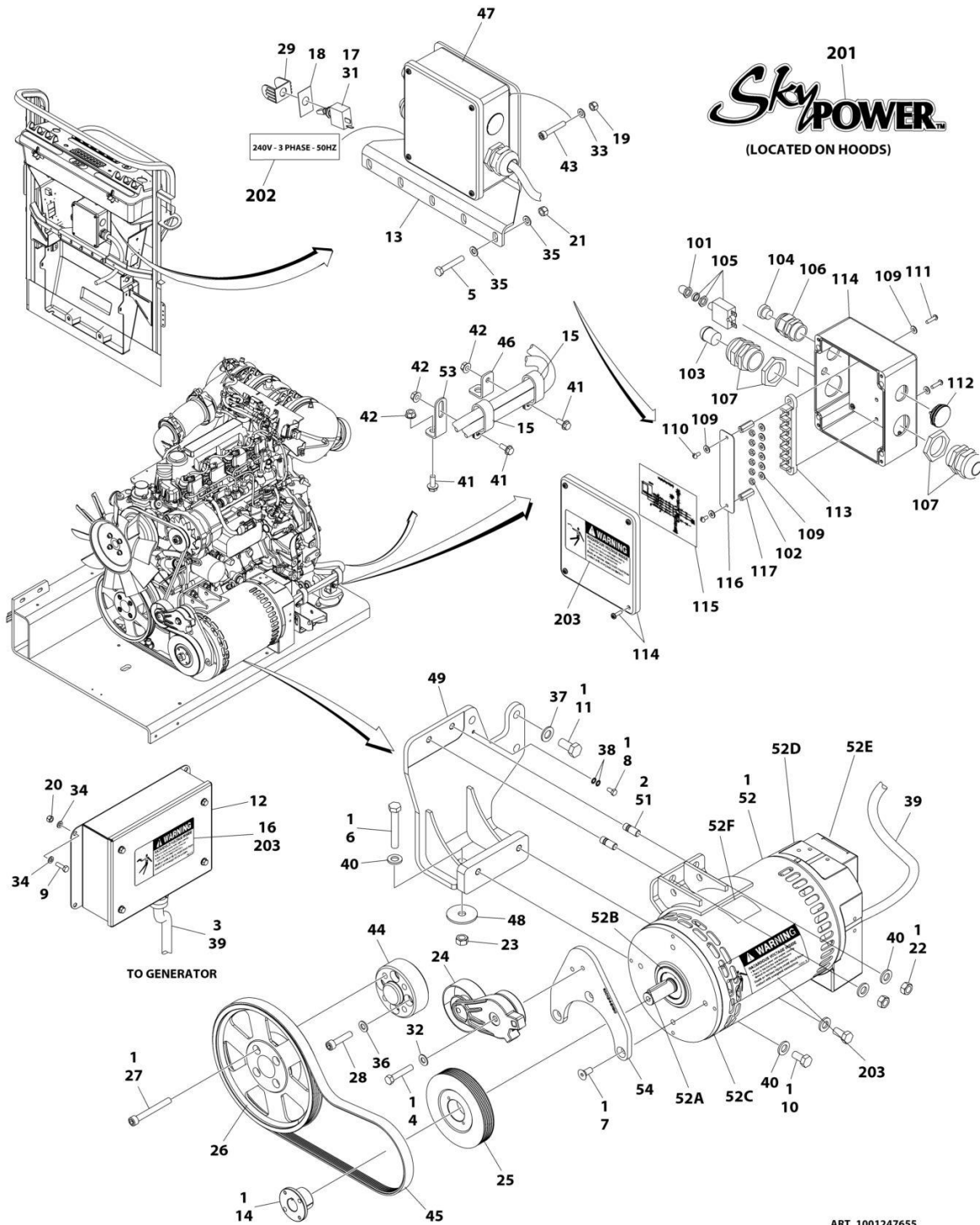
ITEM	PART NUMBER	QTY	DESCRIPTION	REV
41	5241200	5	Washer M12 Hardened	
42	1001104029	4	Screw M5 x 30	
43	1001110873	1	Shield, Cover	
44	0480129	1	Belt	
45	1001147233	1	Pulley	
47	1001155041	1	Stud	
48	1001157592	1	Junction Box Assembly (See Items 101-121 for Breakdown)	
49	1001168018	1	Washer, Snubbing	
50	1001174675	1	Wiring Diagram (Not Shown)	
50	4922641	1	Harness, On/Off Switch (Not Shown - Located at Platform)	
51	1001212223	1	Generator Assembly	
51	70001100	1	Rotor (Includes p/n 70001384 & 70000863) (Not Shown)	
51	70001384	1	Bearing, Ball Radial (Not Shown)	
51	70000863	1	Fan (Not Shown)	
51	70006093	1	Stator (Not Shown)	
51	70002297	1	Stud	
51	70003631	1	Brushholder Assembly (Not Shown)	
51A	70004099	1	Key	
51B	70001966	1	Bearing, Ball Radial (Located in Belt Tensioner Endbell)	
51B	70003708	1	Ring, Internal Retaining (Located in Belt Tensioner Endbell)	
51B	70003709	1	Ring, External Retaining (Located in Belt Tensioner Endbell)	
51C	70004092	1	Endbell, Belt Tensioner	
51D	70004094	1	Endbell, Brush Block	
51E	70006094	1	Shroud	
51E	70002291	1	Insulator, Endbell	
51E	7027799	1	Block, Connector 6 Position (Not Shown)	
51E	70002460	1	Nut, Brass (Attaches p/n 7027799 to Cover) (Not Shown)	
51E	70006095	1	Breaker, Circuit 30Amp (Not Shown)	
51E	70006096	1	Guard, Breaker (Not Shown)	
51E	7026626	1	Connector, 6 Position (Includes Seal) (Not Shown - Plugs into Item 36)	
51E	70004098	1	Clamp, Cable (Not Shown)	
51E	70006097	1	Plate, End Panel	
51E	70001974	1	Decal - Terminal Connections	
51F	70001973	1	Decal - Warning Moving Parts	
52	1001213029	1	Adapter, Pulley	
53	1001214546	1	Support	
54	1001215523	1	Support	
55	1001216805	3	Spacer	
56	4812200	1	Washer M14	
	1001157592	Ref	JUNCTION BOX ASSEMBLY	C
101	1060343	1.5 ft/ 0.5m	Cable, Electrical 10/4	
102	1001179154	2.5 ft/ 0.8m	Cable, Electrical 12/3	
103	1671092	1	Cover	
104	3300396	1	Cover, Fuse	
105	3311001	6	Nut #10	
106	4360070	1	Circuit Breaker - 15Amp	
108	4460425	1	Connector, Strain Relief	
109	4460426	2	Connector, Strain Relief	
111	4460963	1	Connector	

SECTION 3 - ENGINE

ITEM	PART NUMBER	QTY	DESCRIPTION	REV
112	4711000	10	Washer #10	
114	10702077	2	Screw #10 x 3/8	
115	10702082	2	Screw #10 x 3/4	
116	1001152525	1	Plug	
117	1001157520	1	Block, Terminal	
118	1001157521	1	Box, Junction	
119	1001157528	1	Decal - Wiring Schematic	
120	1001158007	1	Cover, PVC	
121	1001158008	2	Stand-Off	
	0272435	Ref	DECAL INSTALLATION	D
	0273380	Ref	DECAL INSTALLATION	B
201	3251243	1	Decal - 120V - 60Hz	
202	1705375	1	Decal - 240V-3 Phase-60Hz	
203	1705387	3	Decal - Hazardous Voltage	
204	1705460	2	Decal - SkyPower	

SECTION 3 - ENGINE

FIGURE 3-50. 7500W/50HZ SKYPOWER GENERATOR INSTALLATION (DEUTZ D2.9L4 (STAGE V) ENGINES)



SECTION 3 - ENGINE

FIGURE 3-50. 7500W/50HZ SKYPOWER GENERATOR INSTALLATION (DEUTZ D2.9L4 (STAGE V) ENGINES)

ITEM	PART NUMBER	QTY	DESCRIPTION	REV
	1001247655	Ref	GENERATOR INSTALLATION - 7500W/50HZ (DEUTZ D2.9L4 (STAGE V) ENGINE)	D
1	0100011	AR	Compound, Locking	
2	0100019	AR	Compound, Locking	
3	0100048	AR	Grease, Dielectric	
4	0641616	1	Bolt 3/8 x 2	
5	0700818	3	Bolt M8 x 50	
6	0711224	1	Bolt M12 x 80	
7	0741607	3	Screw 3/8 x 7/8	
8	0760606	1	Bolt M6 x 12	
9	0760610	4	Bolt M6 x 20	
10	0761212	2	Bolt M12 x 25	
11	0771414	3	Bolt M14 x 30	
12	0861572	1	Control Box Assembly	
13	0902888	1	Bracket	
14	0962520	1	Bushing	
15	1321716	2	Clamp	
16	1705489	1	Decal - Hazardous Voltage	
17	2820031	0.33 ft /0.10m	Heat Shrink	
18	3252764	1	Nameplate	
19	3290505	4	Nut M5	
20	3290605	4	Nut M6	
21	3290805	3	Nut M8	
22	3291201	2	Nut M12	
23	3331211	1	Nut M12	
24	3580317	1	Pulley	
25	3580319	1	Pulley	
26	1001260432	1	Pulley	
27	1001261085	4	Capscrew M10 x 85	
28	1001261045	4	Capscrew M10 x 45	
29	4060802	1	Guard, Switch	
30	4240099	AR	Tie-Strap (Not Shown)	
31	4360336	1	Switch, Toggle	
32	4711600	1	Washer 3/8	
33	4811600	4	Washer M5	
34	4811700	8	Washer M6	
35	4811900	6	Washer M8	
36	4812000	4	Washer M10	
37	4812200	3	Washer M14	
38	4871700	2	Washer M6	
39	4922925	1	Harness, Generator	
40	5241200	5	Washer M12 Hardened	
41	5250810	3	Bolt M8 x 20	
42	5260800	3	Nut M8	
43	1001104029	4	Screw M5 x 30	
44	1001258800	1	Adapter	
45	1001148059	1	Belt, Generator	
46	1001148641	1	Bracket	

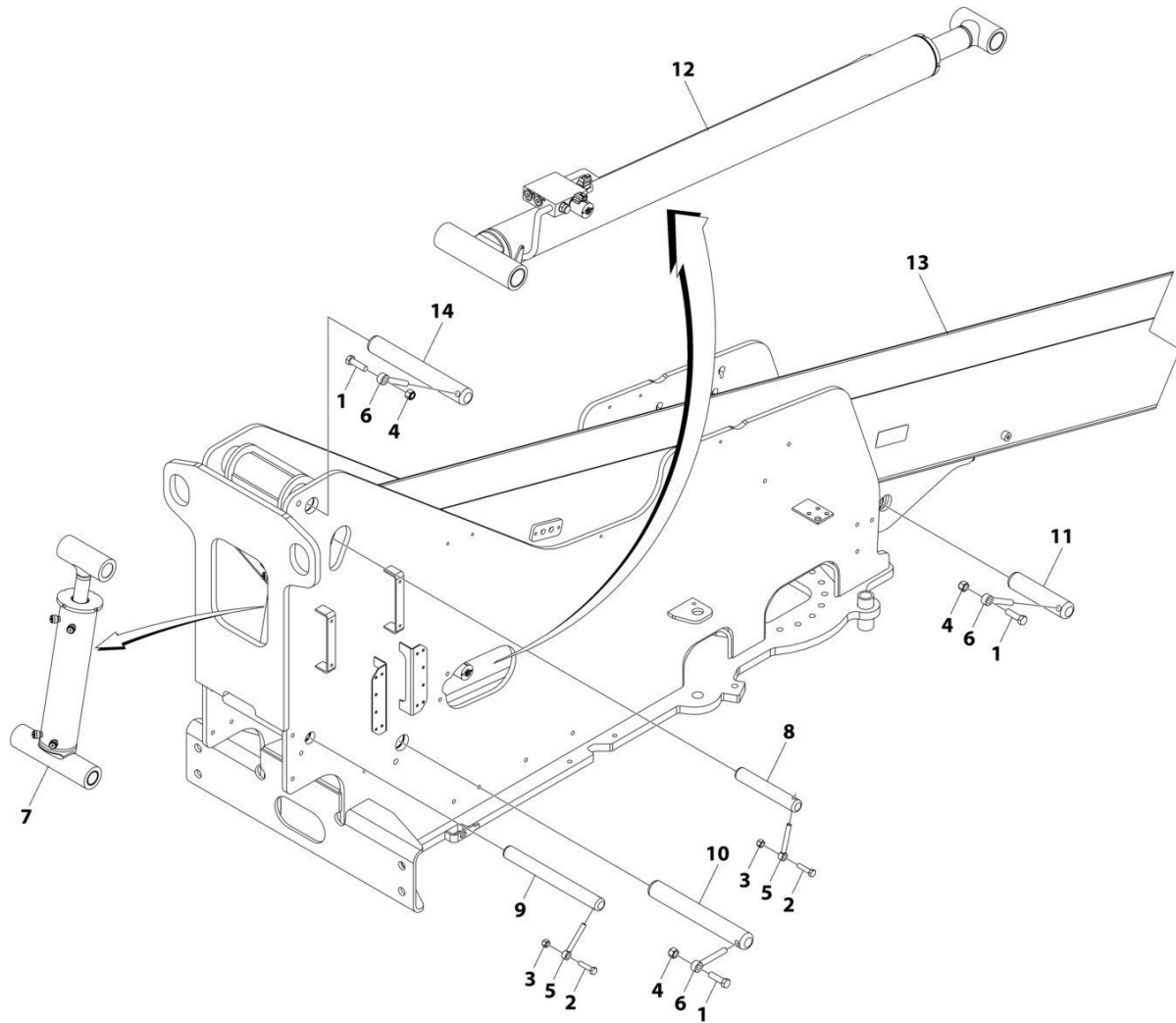
SECTION 3 - ENGINE

ITEM	PART NUMBER	QTY	DESCRIPTION	REV
47	1001157525	1	Junction Box Assembly (See Items 101-117 for Breakdown)	
48	1001168018	1	Washer, Snubbing	
49	1001168207	1	Support	
50	1001174675	1	Wiring Diagram (Not Shown)	
51	1001196382	2	Stud	
52	1001212223	1	Generator Assembly	
52	70001100	1	Rotor (Includes p/n 70001384 & 70000863) (Not Shown)	
52	70001384	1	Bearing, Ball Radial (Not Shown)	
52	70000863	1	Fan (Not Shown)	
52	70006093	1	Stator (Not Shown)	
52	70003631	1	Brushholder Assembly (Not Shown)	
52A	70004099	1	Key	
52B	70001966	1	Bearing, Ball Radial (Located in Belt Tensioner Endbell)	
52B	70003708	1	Ring, Internal Retaining (Located in Belt Tensioner Endbell)	
52B	70003709	1	Ring, External Retaining (Located in Belt Tensioner Endbell)	
52C	70004092	1	Endbell, Belt Tensioner	
52D	70004094	1	Endbell, Brush Block	
52E	70006094	1	Shroud	
52E	70002291	1	Insulator, Endbell	
52E	7027799	1	Block, Connector 6 Position (Not Shown)	
52E	70002460	1	Nut, Brass (Attaches p/n 7027799 to Cover) (Not Shown)	
52E	70006095	1	Breaker, Circuit 30Amp	
52E	70006096	1	Boot, Breaker	
52E	7026626	1	Connector, 6 Position (Includes Seal) (Not Shown)	
52E	70006097	1	Plate, End Panel	
52E	70004098	1	Clamp, Cable	
52E	70001974	1	Decal - Terminal Connections	
52F	70001973	1	Decal - Warning Moving Parts	
53	1001223122	1	Support	
54	1001248190	1	Support	
	1001157525	Ref	JUNCTION BOX ASSEMBLY	B
101	3300396	1	Cover, Fuse	
102	3311001	6	Nut #10	
103	3520189	1	Plug	
104	3520192	1	Plug	
105	4360070	1	Circuit Breaker - 15Amp	
106	4460425	1	Connector, Strain Relief	
107	4460426	2	Connector, Strain Relief	
109	4711000	10	Washer #10	
110	10702077	2	Screw #10 x 3/8	
111	10702082	2	Screw #10 x 3/4	
112	1001152525	1	Plug	
113	1001157520	1	Block, Terminal	
114	1001157521	1	Box, Junction	
115	1001157528	1	Decal - Wiring Schematic	
116	1001158007	1	Cover, PVC	
117	1001158008	2	Stand-Off	
	0272589	Ref	DECAL INSTALLATION	A
201	1705460	1	Decal - SkyPower	
202	1705461	1	Decal - 240V - 3 Phase - 50Hz	
203	1705489	1	Decal - Hazardous Voltage	

SECTION 4 - BOOM

SECTION 4 - BOOM

FIGURE 4-1. BOOM INSTALLATION - 400S HC3



ART_1001233896

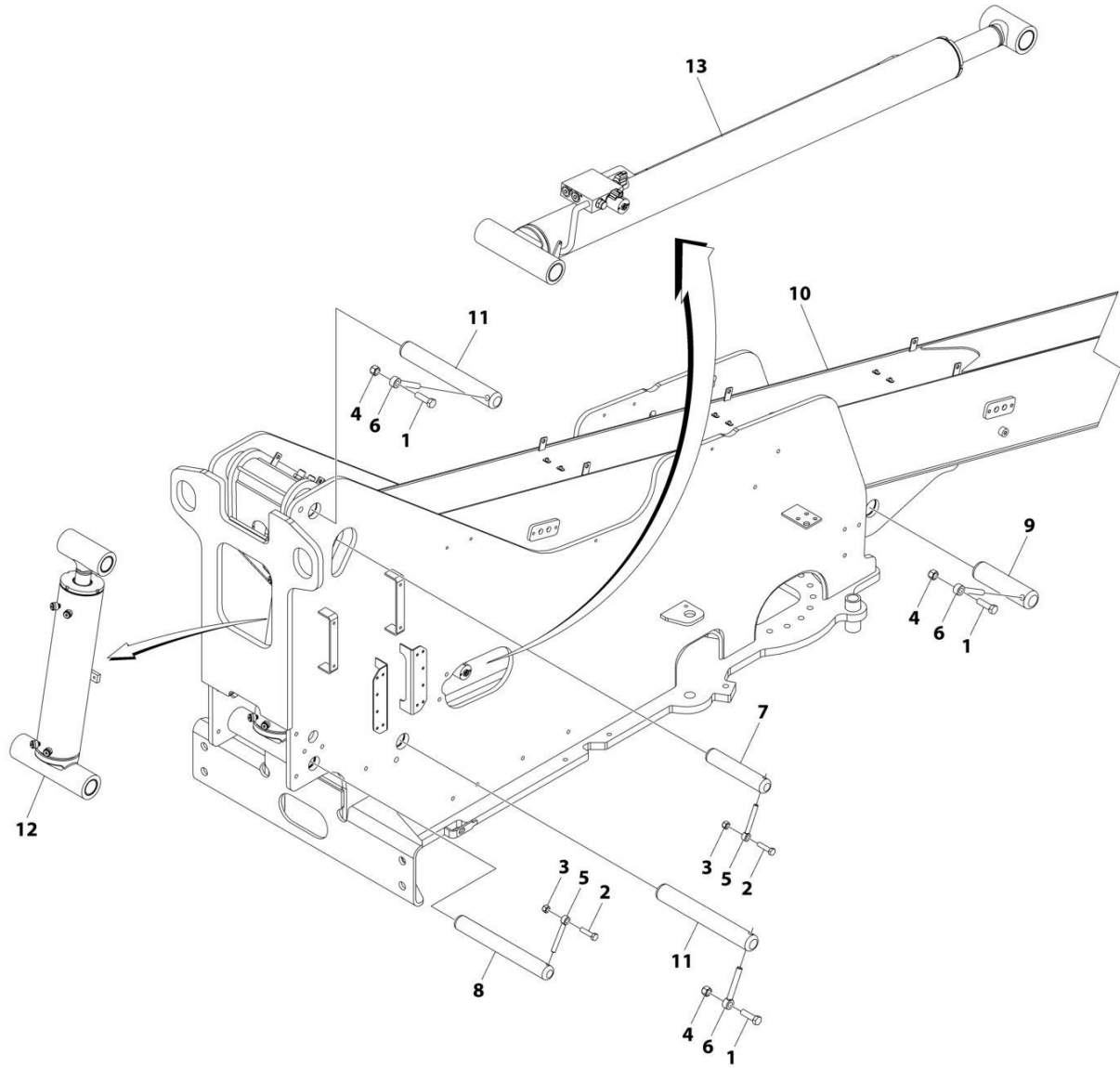
SECTION 4 - BOOM

FIGURE 4-1. BOOM INSTALLATION - 400S HC3

ITEM	PART NUMBER	QTY	DESCRIPTION	REV
	1001233896	Ref	BOOM INSTALLATION - 400S HC3	C
1	0701619	3	Bolt M16 x 55	
2	0761218	2	Bolt M12 x 50	
3	3291205	2	Nut M12	
4	3291605	3	Nut M16	
5	3841203	2	Keeper, Pin	
6	3841258	3	Keeper, Pin	
7	1001163385	1	Master Cylinder Assembly (See Separate Breakdown in CYLINDER SECTION)	
8	1001168843	1	Pin	
9	1001168844	1	Pin	
10	1001168845	1	Pin	
11	1001168854	1	Pin	
12	1001228092	1	Lift Cylinder Assembly (See Separate Breakdown in CYLINDER SECTION)	
13	1001233893	1	Main Boom Assembly (See Separate Breakdown in this Section)	
14	1001237143	1	Pin	

SECTION 4 - BOOM

FIGURE 4-2. BOOM INSTALLATION - 460SJ HC3



ART_1001235833

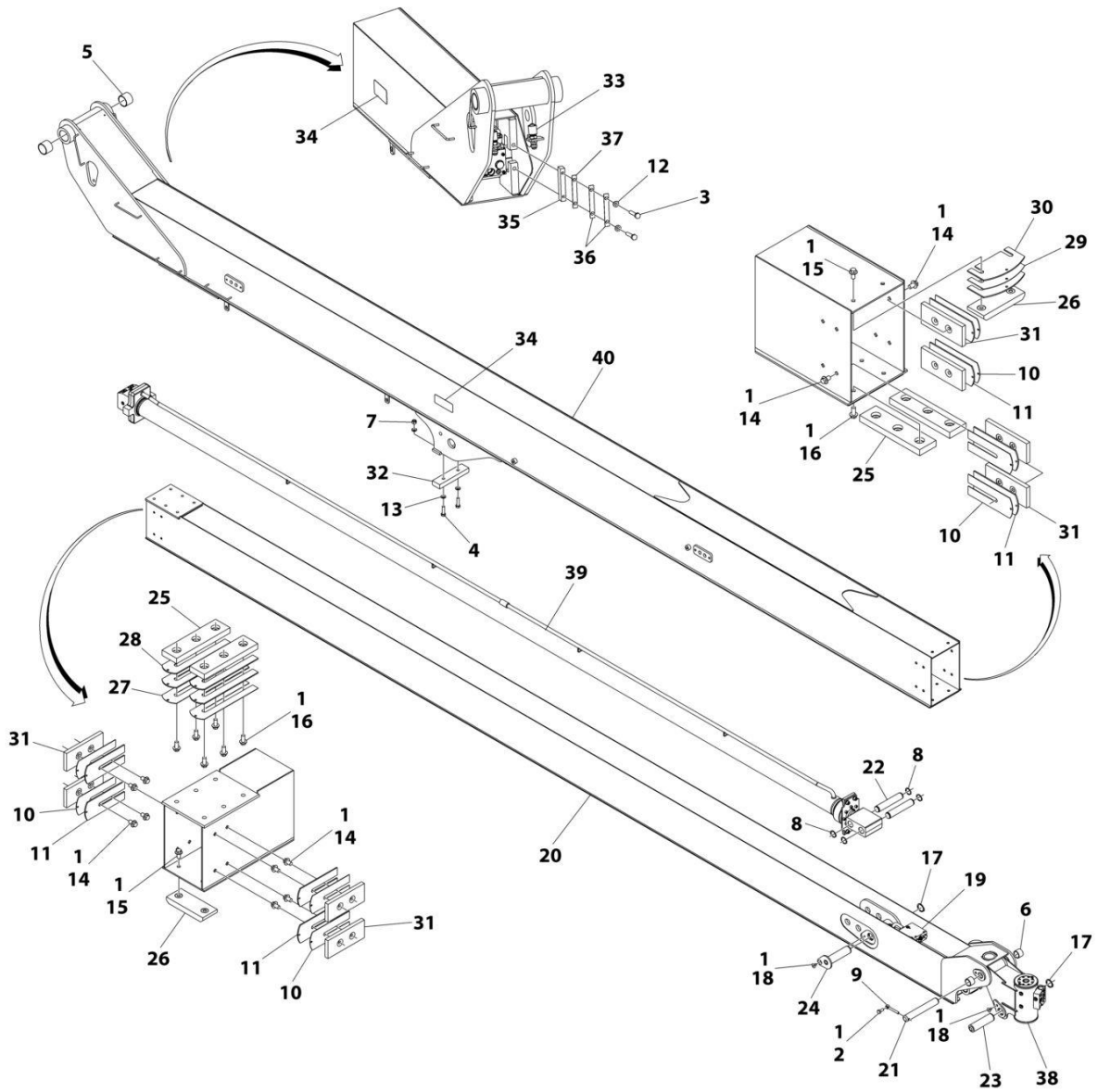
SECTION 4 - BOOM

FIGURE 4-2. BOOM INSTALLATION - 460SJ HC3

ITEM	PART NUMBER	QTY	DESCRIPTION	REV
	1001235833	Ref	BOOM AND CYLINDERS INSTALLATION	C
1	0701619	3	Bolt M16 x 55	
2	0761218	2	Bolt M12 x 50	
3	3291205	2	Nut M12	
4	3291605	3	Nut M16	
5	3841203	2	Keeper, Pin	
6	3841258	3	Keeper, Pin	
7	1001237138	1	Pin	
8	1001237139	1	Pin	
9	1001248396	1	Pin	
10	1001235832	1	Main Boom Assembly (See Separate Breakdown in this Section)	
11	1001237143	2	Pin	
12	1001237698	1	Master Cylinder Assembly (See Separate Breakdown in CYLINDER SECTION)	
13	1001237699	1	Lift Cylinder Assembly (See Separate Breakdown in CYLINDER SECTION)	

SECTION 4 - BOOM

FIGURE 4-3. MAIN BOOM ASSEMBLY - 400S HC3



ART_1001233893

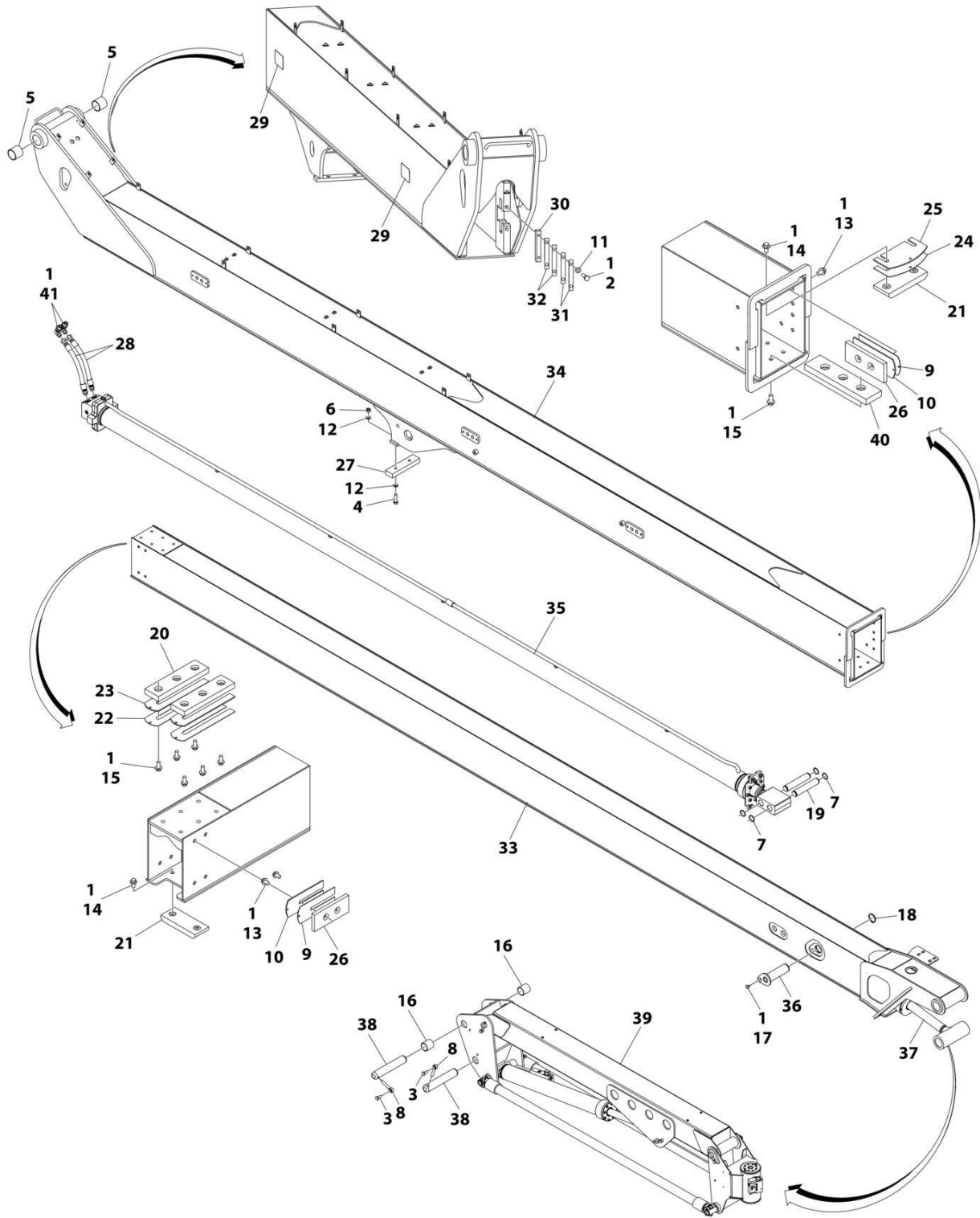
SECTION 4 - BOOM

FIGURE 4-3. MAIN BOOM ASSEMBLY - 400S HC3

ITEM	PART NUMBER	QTY	DESCRIPTION	REV
	1001233893	Ref	MAIN BOOM ASSEMBLY	B
1	0100011	AR	Compound, Locking	
2	0761012	1	Bolt M10 x 25	
3	0761019	4	Bolt M10 x 55	
4	0761217	2	Bolt M12 x 45	
5	0961950	2	Bearing	
6	0961951	2	Bushing	
7	3291205	2	Nut M12	
8	3760133	4	Ring	
9	3841143	1	Keeper, Pin	
10	4070897	AR	Shim 18 Ga	
11	4070898	AR	Shim 11 Ga	
12	4812000	4	Washer M10	
13	4812100	4	Washer M12	
14	5251008	16	Bolt M10 x 16	
15	5251009	4	Bolt M10 x 18	
16	5251011	12	Bolt M10 x 22	
17	1001099560	2	Ring, Retaining	
18	1001137032	2	Screw M10 x 16	
19	1001163386	1	Level (Platform Slave) Cylinder Assembly (See Separate Breakdown in CYLINDER SECTION)	
20	1001163459	1	Fly, Boom	
21	1001168841	1	Pin	
22	1001168842	2	Pin	
23	1001168848	1	Pin	
24	1001168849	1	Pin	
25	1001169284	4	Pad	
26	1001169285	2	Pad	
27	1001169286	AR	Shim	
28	1001169287	AR	Shim	
29	1001169288	AR	Shim	
30	1001169289	AR	Shim	
31	1001169380	8	Pad	
32	1001171067	1	Pad	
33	1001171112	2	Hose	
34	1001171324	3	Cover	
35	1001171667	2	Bar	
36	1001171966	AR	Shim 20Ga	
37	1001171967	AR	Shim 16Ga	
38	1001221927	1	Platform Rotator Assembly (See Separate Breakdown in this Section)	
39	1001251075	1	Telescope Cylinder Assembly (See Separate Breakdown in CYLINDER SECTION)	
40	1001233774	1	Boom	

SECTION 4 - BOOM

FIGURE 4-4. MAIN BOOM ASSEMBLY - 460SJ HC3



ART_1001235832

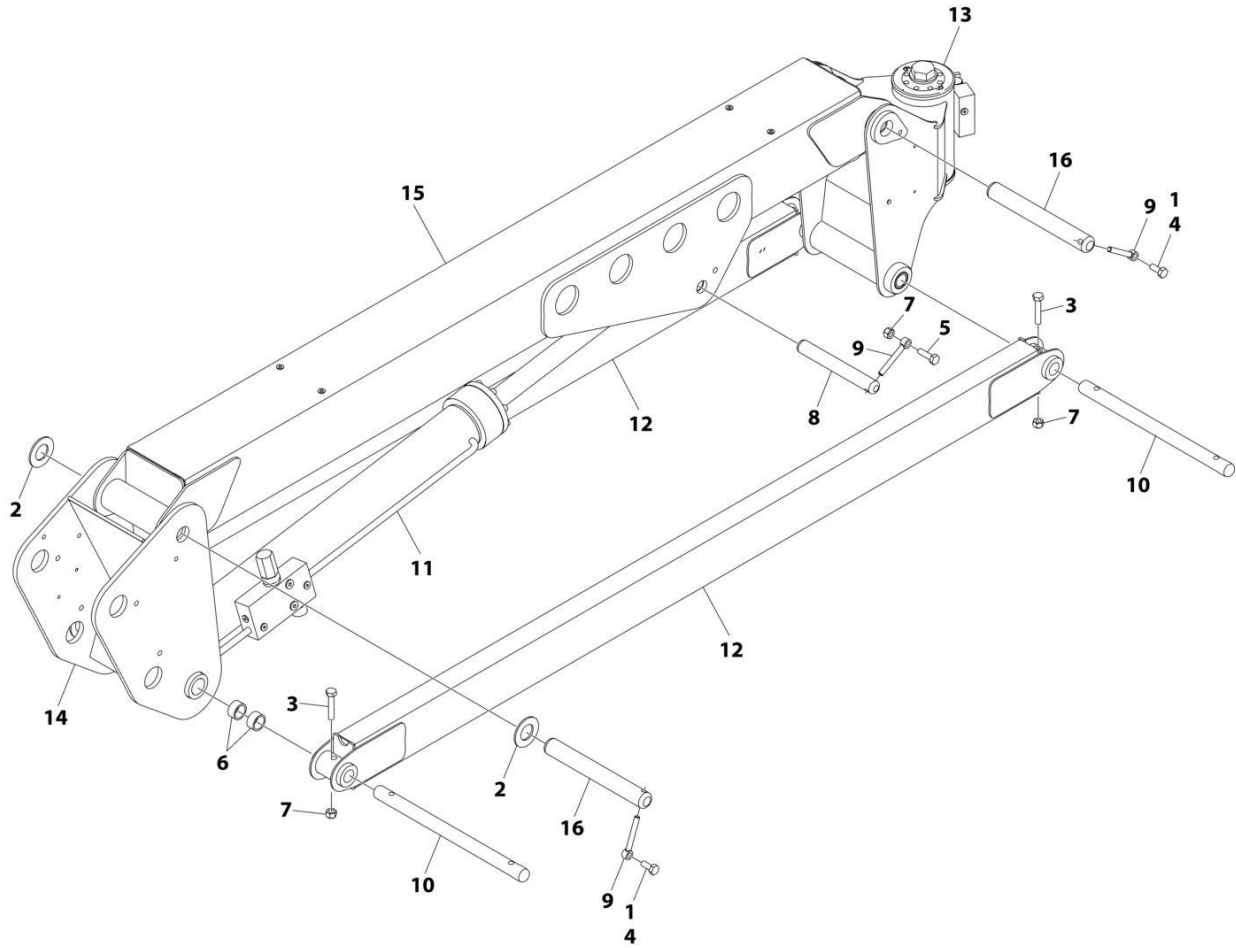
SECTION 4 - BOOM

FIGURE 4-4. MAIN BOOM ASSEMBLY - 460SJ HC3

ITEM	PART NUMBER	QTY	DESCRIPTION	REV
	1001235832	Ref	MAIN BOOM ASSEMBLY	C
1	0100011	AR	Compound, Locking	
2	0761019	4	Bolt M10 x 55	
3	0761212	2	Bolt M12 x 25	
4	0761217	2	Bolt M12 x 45	
5	0962036	2	Bush	
6	3291205	2	Nut M12	
7	3760133	4	Ring	
8	3841203	2	Keeper, Pin	
9	4070897	AR	Shim 18 Ga	
10	4070898	AR	Shim 11 Ga	
11	4812000	4	Washer M10	
12	4812100	4	Washer M12	
13	5251008	16	Bolt M10 x 16	
14	5251009	4	Bolt M10 x 18	
15	5251011	12	Bolt M10 x 22	
16	1001118666	2	Bearing	
17	1001137032	1	Screw M10 x 16	
18	1001138671	1	Ring	
19	1001168842	2	Pin	
20	1001169284	2	Pad	
21	1001169285	2	Pad	
22	1001169286	AR	Shim	
23	1001169287	AR	Shim	
24	1001169288	AR	Shim	
25	1001169289	AR	Shim	
26	1001169380	8	Pad	
27	1001171067	1	Pad	
28	1001250451	2	Hose	
29	1001171324	3	Cover	
30	1001171667	2	Bar	
31	1001171966	AR	Shim 20Ga	
32	1001171967	AR	Shim 16Ga	
33	1001235830	1	Boom, Fly Weldment	
34	1001235831	1	Boom, Base Weldment	
35	1001236653	1	Telescope Cylinder Assembly (See Separate Breakdown in CYLINDER SECTION)	
36	1001237142	1	Pin	
37	1001237697	1	Level Cylinder Assembly - Platform Slave (460SJ HC3) (See Separate Breakdown in CYLINDER SECTION)	
38	1001237949	2	Pin	
39	1001238328	1	Jib Boom Assembly (See Separate Breakdown in this Section)	
40	1001242864	2	Pad	
41	2171208	2	Fitting, 90 ORFS/ORF	

SECTION 4 - BOOM

FIGURE 4-5. JIB BOOM ASSEMBLY - 460SJ HC3



ART_1001238328_F

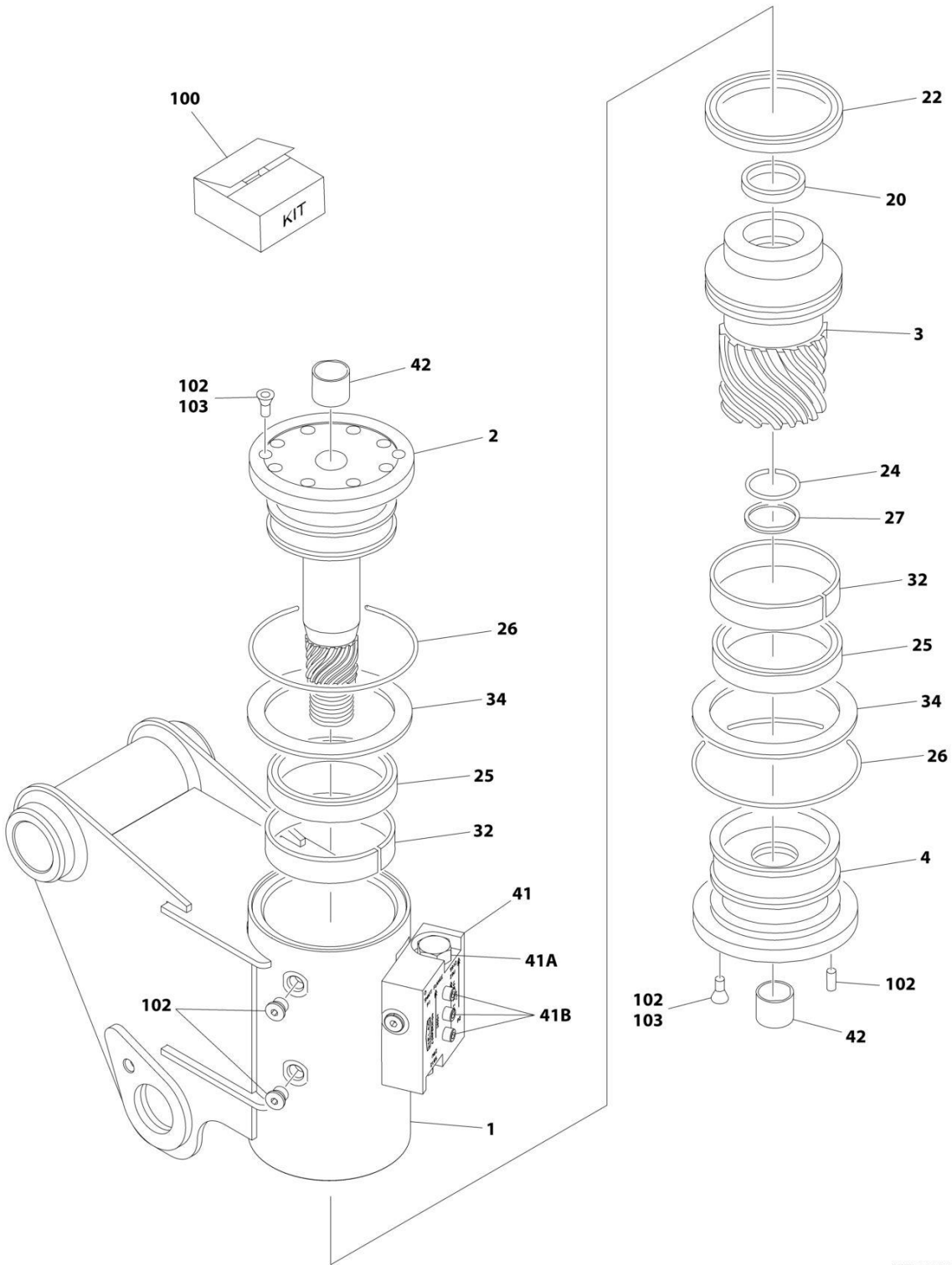
SECTION 4 - BOOM

FIGURE 4-5. JIB BOOM ASSEMBLY - 460SJ HC3

ITEM	PART NUMBER	QTY	DESCRIPTION	REV
	1001238328	Ref	JIB BOOM ASSEMBLY	F
1	0100011	AR	Compound, Locking	
2	0440162	2	Thrustwasher 0.188IN Thick	
2	0440237	1	Thrustwasher 0.125IN Thick	
3	0701020	1	Bolt M10 x 60	
4	0761012	2	Bolt M10 x 25	
5	0761015	1	Bolt M10 x 35	
6	0961947	4	Bearing 1IN ID x 1.25IN OD x 5/8IN L	
6	1001134289	4	Bearing 1IN ID x 1.5IN OD x 1IN L	
7	3291005	5	Nut M10	
8	3422867	1	Pin	
9	3841143	3	Keeper, Pin	
10	3422861	1	Pin	
11	1001264991	1	Lift Cylinder Assembly - Jib (See Separate Breakdown in CYLINDER SECTION)	
12	4844817	1	Link	
13	1001234811	1	Rotator Assembly (See Separate Breakdown in this Section)	
14	1001238168	1	Pivot	
15	1001238333	1	Tube (Upper)	
15	0962155	1	Bushing	
16	1001238398	2	Pin	

SECTION 4 - BOOM

FIGURE 4-6. ROTATOR ASSEMBLY - 400S HC3



ART_1001221927

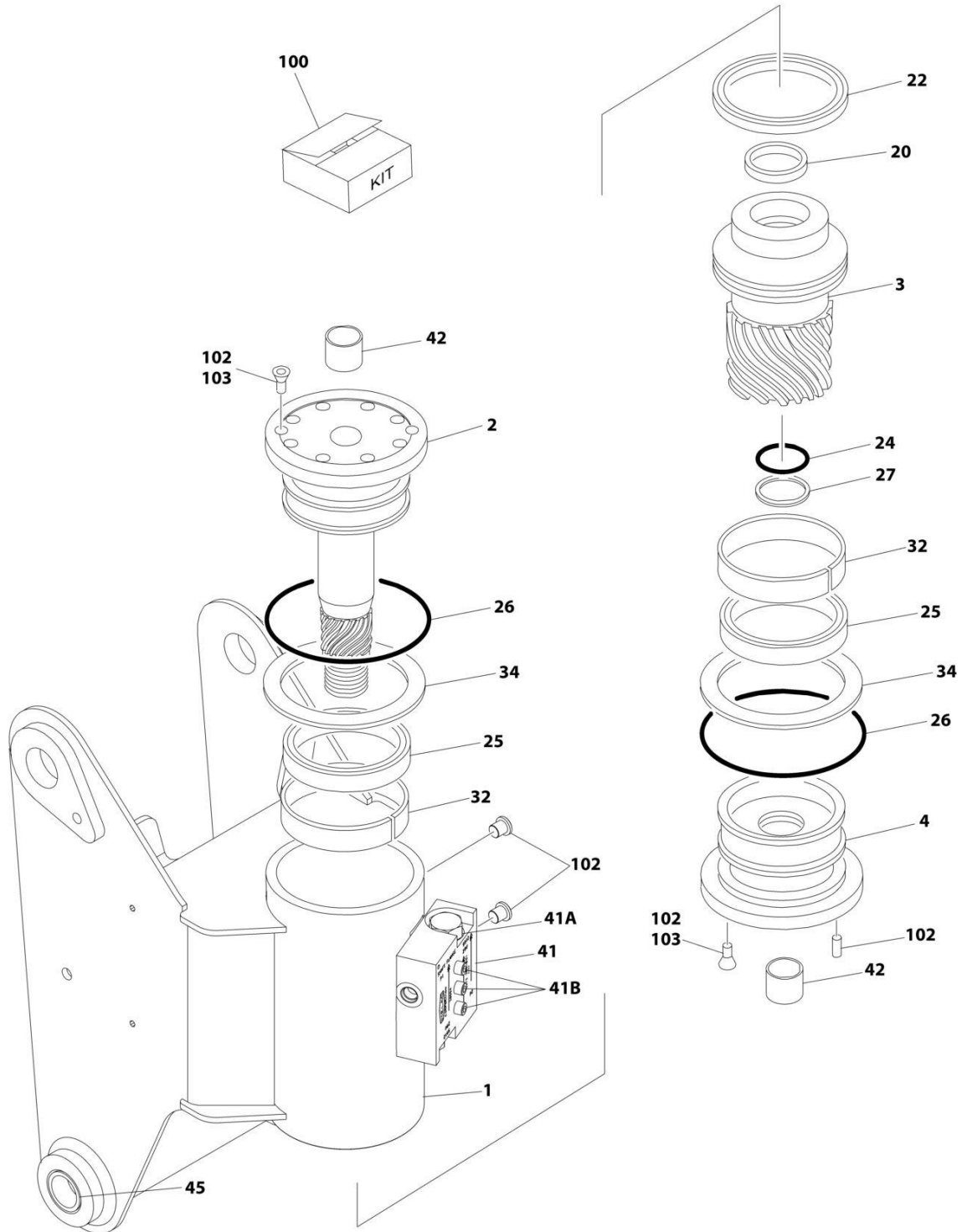
SECTION 4 - BOOM

FIGURE 4-6. ROTATOR ASSEMBLY - 400S HC3

ITEM	PART NUMBER	QTY	DESCRIPTION	REV
	1001221927	Ref	ROTATOR ASSEMBLY - 400SC	A
1	See Note	NSS	Housing/Ring Gear Assembly (Note: Not Available - Purchase Complete Rotator Assembly)	
2	7017162	1	Shaft Weldment	
3	7017163	1	Piston/Sleeve Assembly	
4	7017164	1	Cap, End	
20	See Note	NSS	T-Seal (Note: Use Item 100)	
22	See Note	NSS	T-Seal (Note: Use Item 100)	
24	See Note	NSS	O-Ring (Note: Use Item 100)	
25	See Note	NSS	Seal (Note: Use Item 100)	
26	See Note	NSS	O-Ring (Note: Use Item 100)	
27	See Note	NSS	Ring, Back-up (Note: Use Item 100)	
32	See Note	NSS	Ring, Wear (Note: Use Item 101)	
34	See Note	NSS	Washer, Thrust (Note: Use Item 101)	
40	70006580	1	Tube, Stop (Not Shown)	
41	7017172	AR	Valve Assembly	
41A	7017192	2	Cartridge, Valve	
41A	See Note	NSS	Seal Kit - 7017192 Valve (Note: Not Available for Purchase)	
41B	See Note	3	Bolt 1/4 x 1-1/2 (Grade 8) (Note: Not Available - Purchase Locally)	
42	7017195	2	Bushing	
100	70000342	1	Seal Kit (Includes Items 20, 22, 24, 25, 27)	
101	7017159	1	Bearing Kit (Includes Items 32 & 34)	
102	7017142	1	Hardware Kit	
103	70001697	4	Screw, Countersunk 1/4 x 3/8 Grade 8	

SECTION 4 - BOOM

FIGURE 4-7. ROTATOR ASSEMBLY - 460SJ HC3



ART_1001234811

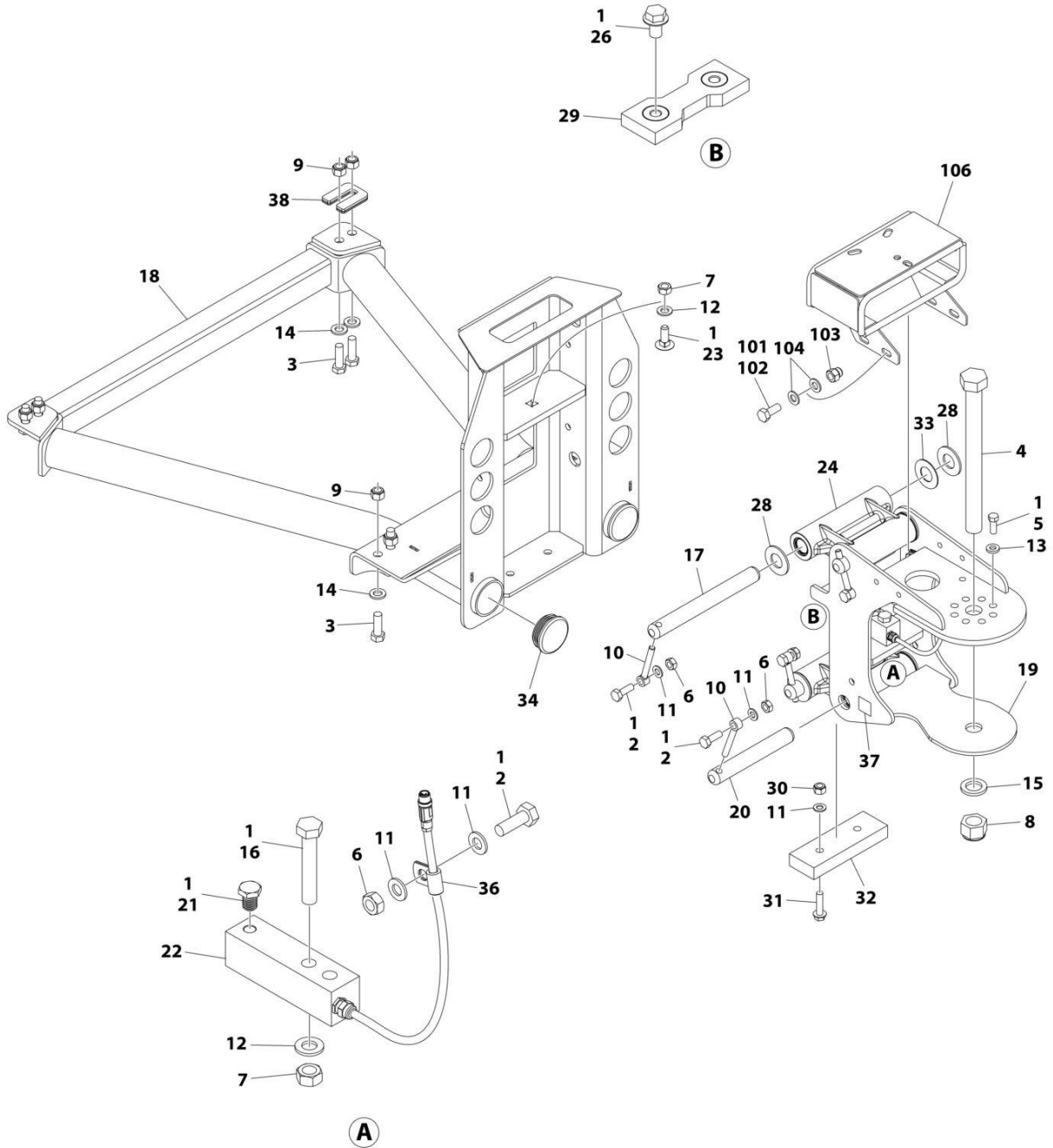
SECTION 4 - BOOM

FIGURE 4-7. ROTATOR ASSEMBLY - 460SJ HC3

ITEM	PART NUMBER	QTY	DESCRIPTION	REV
	1001234811	Ref	ROTATOR ASSEMBLY	B
1	See Note	NSS	Housing/Ring Gear Assembly (Note: Not Available - Purchase Complete Rotator Assembly)	
2	7017162	1	Shaft Weldment	
3	7017163	1	Piston/Sleeve Assembly	
4	7017164	1	Cap, End	
20	See Note	NSS	T-Seal (Note: Use Item 100)	
22	See Note	NSS	T-Seal (Note: Use Item 100)	
24	See Note	NSS	O-Ring (Note: Use Item 100)	
25	See Note	NSS	Seal (Note: Use Item 100)	
26	See Note	NSS	O-Ring (Note: Use Item 100)	
27	See Note	NSS	Ring, Back-up (Note: Use Item 100)	
32	See Note	NSS	Ring, Wear (Note: Use Item 101)	
34	See Note	NSS	Washer, Thrust (Note: Use Item 101)	
41	7017172	AR	Valve Assembly	
41A	7017192	2	Cartridge, Valve	
41A	See Note	NSS	Seal Kit - 7017192 Valve (Note: Not Available for Purchase)	
41B	See Note	3	Bolt 1/4-20NC x 1-1/2 Grade 8 (Note: Not Available - Purchase Locally)	
42	7017195	2	Bushing	
45	0961947	2	Bushing 1IN ID x 1.25IN OD x 5/8IN L	
45	1001134289	2	Bushing 1IN ID x 1.5IN OD x 1IN L	
100	70000342	1	Seal Kit (Includes Items 20, 22, 24, 25, 27 & 33)	
101	7017159	1	Bearing Kit (Includes Items 32 & 34)	
102	7017142	1	Hardware Kit	
103	70001697	4	Screw, Countersunk 1/4 x 3/8 Grade 8	

SECTION 4 - BOOM

FIGURE 4-8. SUPPORT, PLATFORM INSTALLATION



ART_1001167596_N

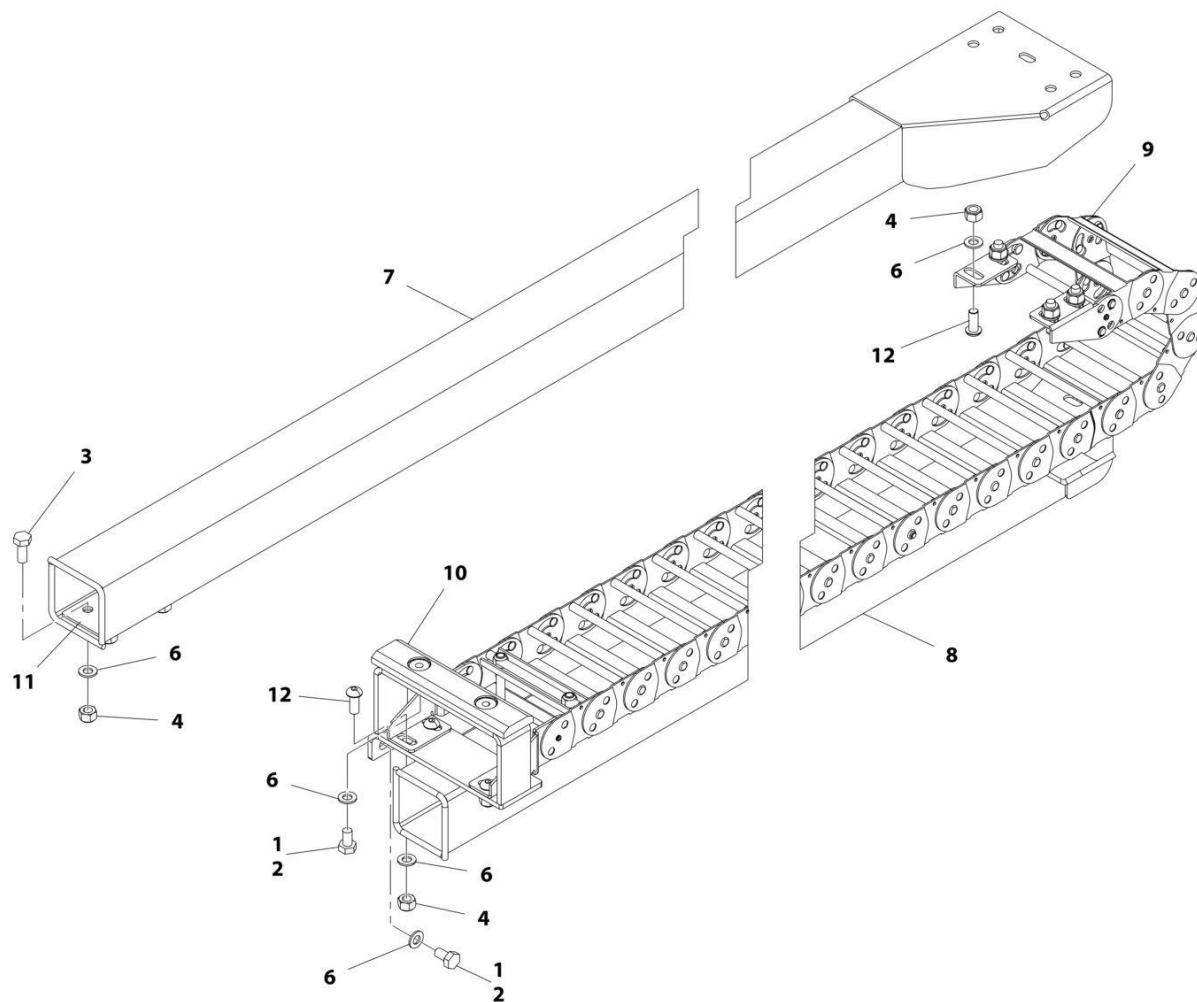
SECTION 4 - BOOM

FIGURE 4-8. SUPPORT, PLATFORM INSTALLATION

ITEM	PART NUMBER	QTY	DESCRIPTION	REV
	1001167596	Ref	PLATFORM SUPPORT INSTALLATION	N
1	0100011	AR	Compound, Locking	
2	0761014	5	Bolt M10 x 30	
3	0761216	8	Bolt M12 x 40	
4	1001255133	1	Bolt 1 x 11 GRD8	
5	0681608	8	Bolt 3/8 x 1 GRD8	
6	3291001	5	Nut M10	
7	3291201	3	Nut M12	
8	1001174040	1	Nut 1	
9	3291205	8	Nut M12	
10	3841143	4	Keeper, Pin	
11	4812000	8	Washer M10	
12	4812100	3	Washer M12	
13	4891600	8	Washer 3/8	
14	5241200	8	Washer M12	
15	4892600001	1	Washer 1	
16	1001098828	2	Bolt M12 x 70 CL10.9	
17	1001167565	2	Pin	
18	1001200494	1	Support, Platform	
19	1001167567	1	Support, Rotator	
20	1001168402	2	Pin	
21	1001188622	1	Screw	
22	1001247468	1	Loadcell	
23	1001188844	1	Bolt M12 x 35	
24	1001201351	2	Link	
24	1001187382	4	Bearing	
24	1001187383	4	Seal	
26	5251008	2	Bolt M10 x 16 CL10.9	
28	1001189002	8	Bearing	
29	1001190985	1	Pad, Wear	
30	3291005	2	Nut M10	
31	5251016	2	Bolt M10 x 40 CL10.9	
32	1001200491	1	Pad, Wear	
33	1001189001	4	Bearing	
34	1001204725	2	Plug	
36	91203039	1	Clamp	
37	1001216630	2	Decal - Tie Down/No Lift	
38	1001238421	Ref	Kit, Platform Leveling (Not Shown)	
	1001202687	Ref	VALVE MOUNT INSTALLATION	B
101	0100011	AR	Compound, Locking	
102	0760810	4	Bolt M8 x 20	
103	3290806	4	Nut M8	
104	4811900	8	Washer M8	
106	1001208994	1	Mount, Valve	

SECTION 4 - BOOM

FIGURE 4-9. POWER TRACK INSTALLATION - 400S HC3



ART_1001165538

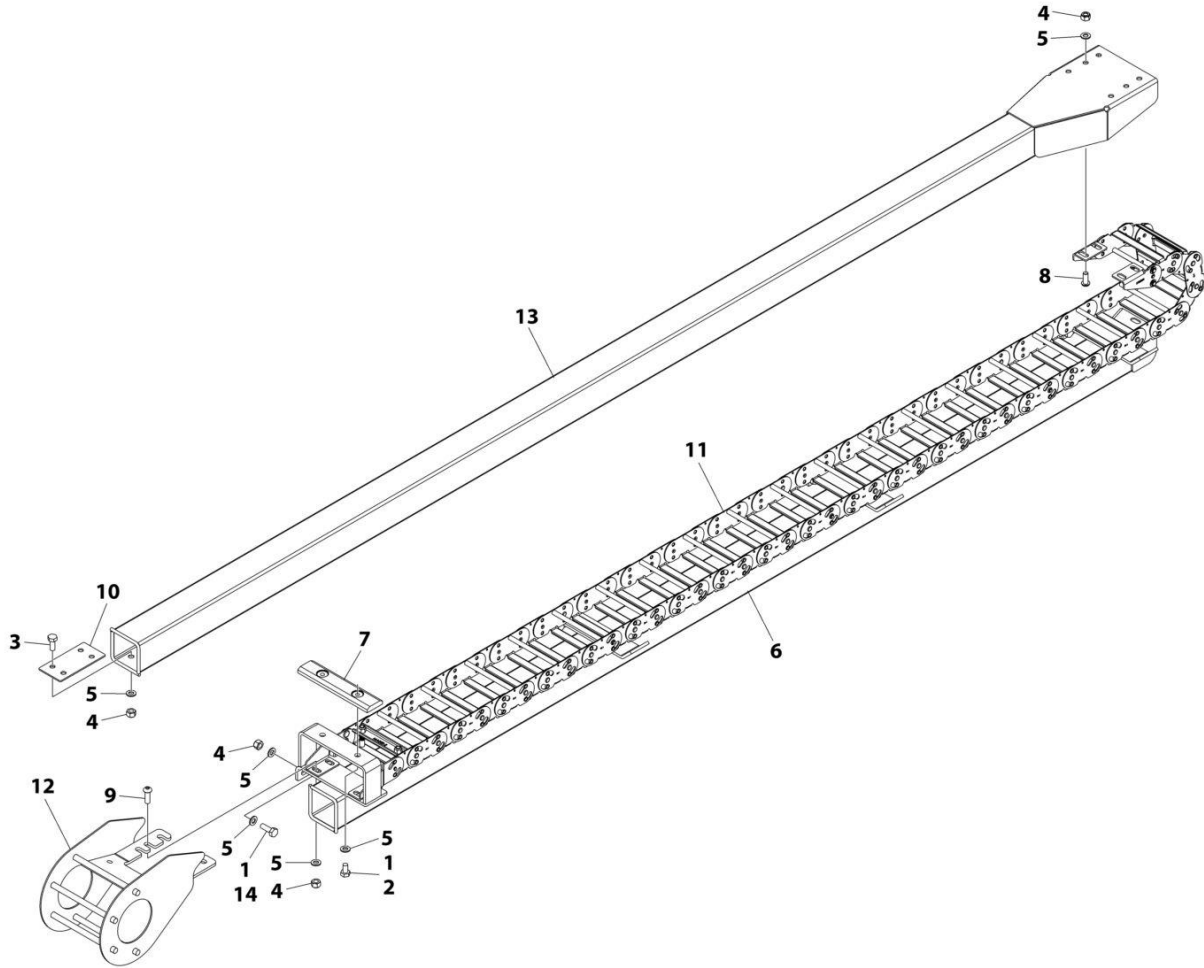
SECTION 4 - BOOM

FIGURE 4-9. POWER TRACK INSTALLATION - 400S HC3

ITEM	PART NUMBER	QTY	DESCRIPTION	REV
	1001165538	Ref	POWER TRACK INSTALLATION	E
1	0100011	AR	Compound, Locking	
2	0761009	10	Bolt M10 x 18	
3	0761012	4	Bolt M10 x 25	
4	3291005	12	Nut M10	
6	4812000	22	Washer M10	
7	1001165531	1	Tube, Push	
8	1001165534	1	Tube, Carrier	
9	1001224888	1	Power Track	
9	70006255	1	Repair Section without Clamp - 10 Links	
9	70006270	1	Feet, Mounting (Includes 1 each Left and Right Mounting Feet)	
10	1001169611	1	Pad, Wear	
11	1001176899	1	Plate, Support	
12	1001173763	8	Screw M10 x 25	

SECTION 4 - BOOM

FIGURE 4-10. POWER TRACK INSTALLATION - 460SJ HC3



ART_1001242177

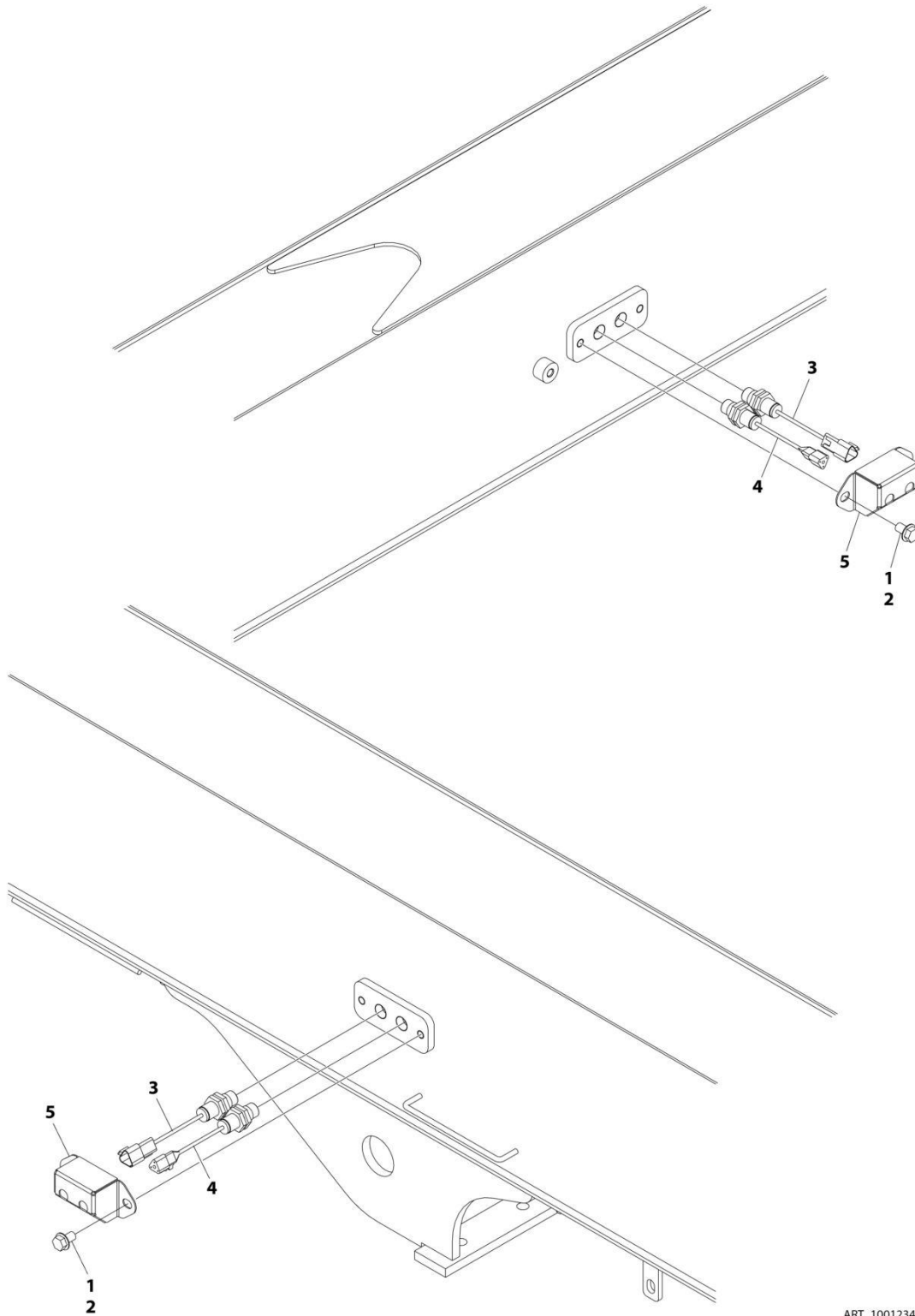
SECTION 4 - BOOM

FIGURE 4-10. POWER TRACK INSTALLATION - 460SJ HC3

ITEM	PART NUMBER	QTY	DESCRIPTION	REV
	1001242177	Ref	POWER TRACK INSTALLATION	C
1	0100011	AR	Compound, Locking	
2	0761009	2	Bolt M10 x 18	
3	0761012	4	Bolt M10 x 25	
4	3291005	20	Nut M10	
5	4812000	30	Washer M10	
6	1001165534	1	Tube, Carrier	
7	1001169611	1	Pad, Wear	
8	1001173763	4	Screw M10 x 25	
9	1001174673	4	Screw M10	
10	1001176899	1	Plate, Support	
11	1001224888	1	Power Track	
11	70006255	1	Repair Section	
11	70006270	1	Fleet, Mounting (Includes 4 Feet and Hardware)	
12	1001243755	1	Mount, Carrier Tube	
13	1001243756	1	Tube	
14	0761014	8	Bolt M10 x 30	

SECTION 4 - BOOM

FIGURE 4-11. CAPACITY SWITCH INSTALLATION - 400S HC3



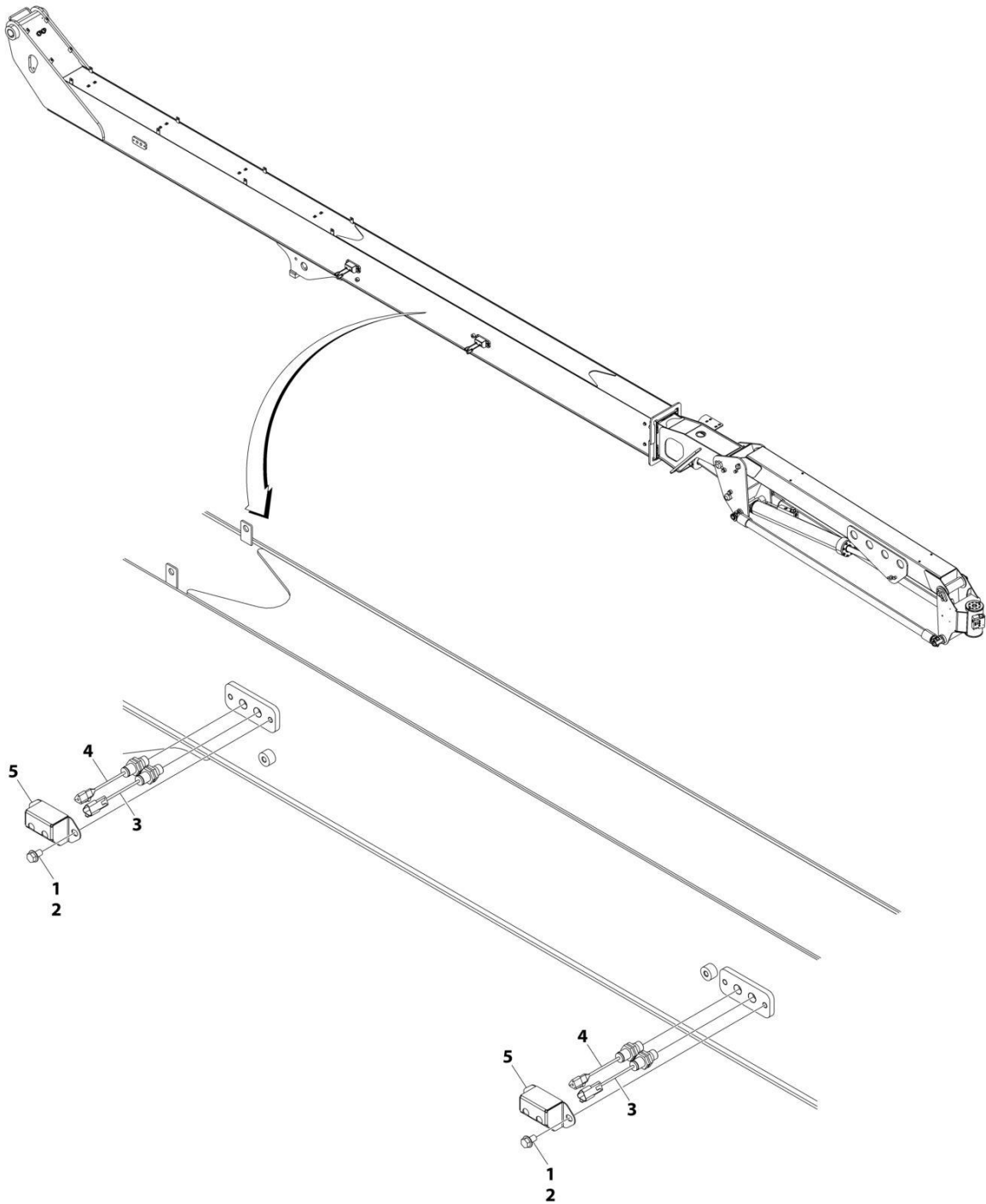
ART_1001234229

FIGURE 4-11. CAPACITY SWITCH INSTALLATION - 400S HC3

ITEM	PART NUMBER	QTY	DESCRIPTION	REV
	1001234229	Ref	CAPACITY SWITCH INSTALLATION	C
1	0100011	AR	Compound, Locking	
2	5251008	4	Bolt M10 x 16	
3	1001170847	2	Sensor, Proximity	
3	4460536	1	Connector - 3 Position	
3	4460464	1	Pin, Male	
4	1001182570	2	Sensor, Proximity	
4	4460539	1	Connector 3 Position	
4	4460465	3	Socket, Female	
5	1001204715	2	Bracket, Cover	

SECTION 4 - BOOM

FIGURE 4-12. CAPACITY SWITCH INSTALLATION - 460SJ HC3



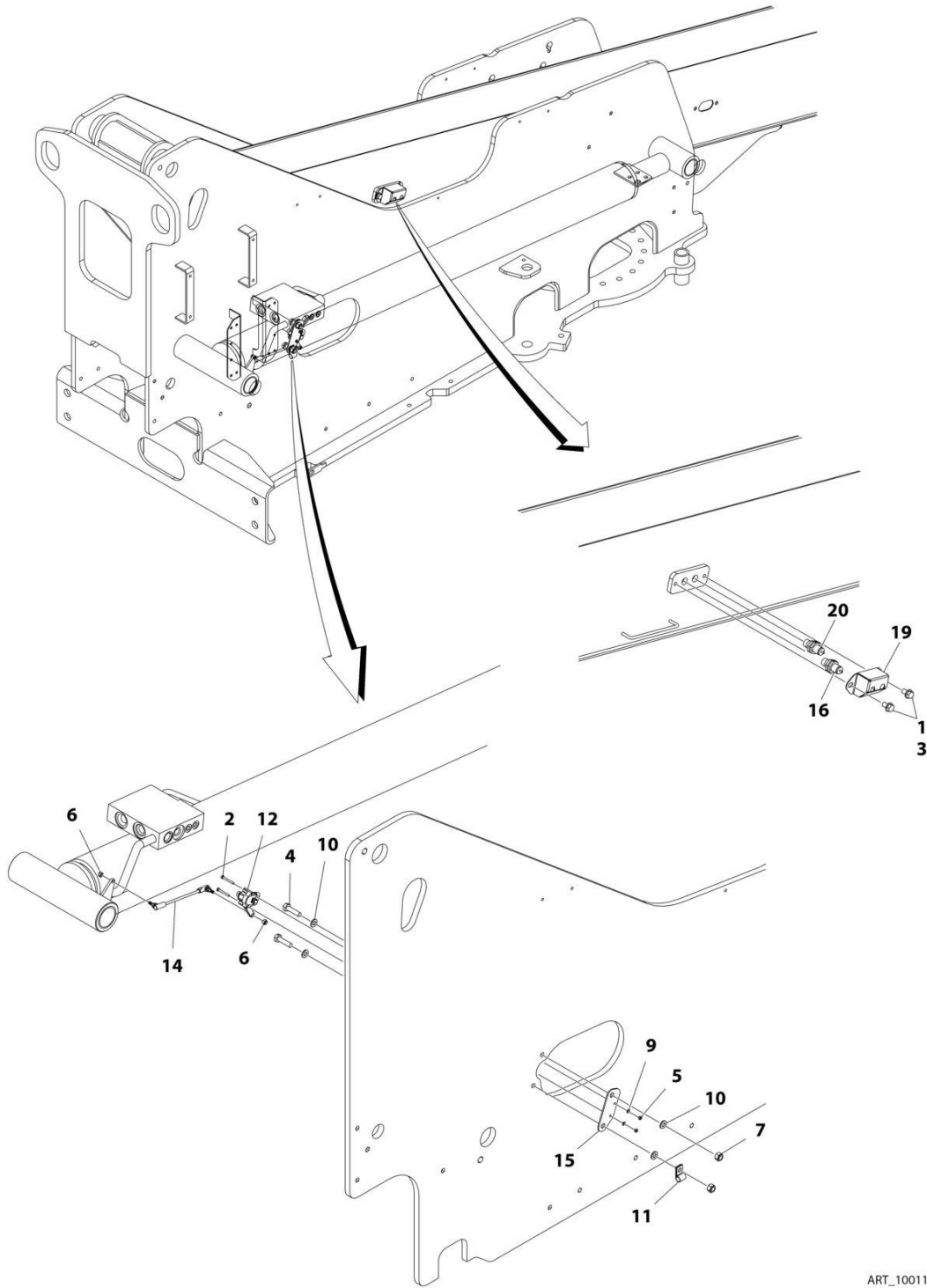
ART_1001246773

FIGURE 4-12. CAPACITY SWITCH INSTALLATION - 460SJ HC3

ITEM	PART NUMBER	QTY	DESCRIPTION	REV
	1001246773	Ref	CAPACITY SWITCH INSTALLATION	C
1	0100011	AR	Compound, Locking	
2	5251008	4	Bolt M10 x 16	
3	1001170847	2	Sensor, Proximity	
3	4460536	1	Connector - 3 Position	
3	4460464	3	Pin, Male	
4	1001182570	2	Sensor, Proximity	
4	4460539	1	Connector 3 Position	
4	4460465	3	Socket, Female	
5	1001204715	2	Bracket, Cover	

SECTION 4 - BOOM

FIGURE 4-13. TRANSPORT POSITION SWITCH INSTALLATION



ART_1001170642

SECTION 4 - BOOM

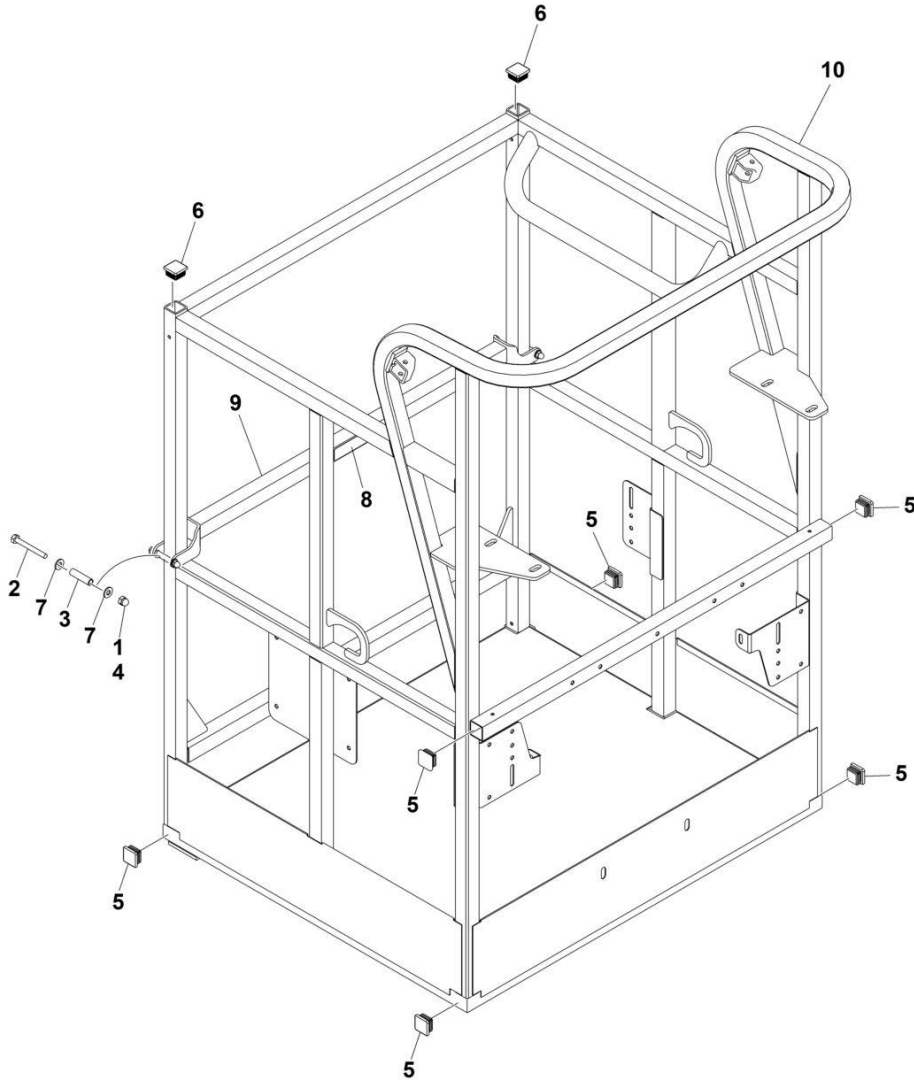
FIGURE 4-13. TRANSPORT POSITION SWITCH INSTALLATION

ITEM	PART NUMBER	QTY	DESCRIPTION	REV
	1001170642	Ref	TRANSPORT SWITCHES INSTALLATION	I
1	0100011	AR	Compound, Locking	
2	0760415	2	Bolt M4 x 35	
3	5251008	2	Bolt M10 x 16	
4	0761016	2	Bolt M10 x 40	
5	3290405	2	Nut M4 x 0.7	
6	3290605	2	Nut M6 x 1	
7	3291005	2	Nut M10 x 1.5	
9	4811400	2	Washer M4	
10	4812000	4	Washer M10	
11	8406110	1	Clip	
12	1001118971	1	Angle, Sensor	
14	1001170564	1	Link, Sensor	
15	1001170565	1	Bracket	
16	1001170847	1	Sensor, Proximity	
16	4460536	1	Connector - 3 Position	
16	4460464	3	Pin, Male	
19	1001204715	1	Bracket, Switch Cover	
20	1001182570	1	Sensor, Proximity	
20	4460539	1	Connector - 3 Position	
20	4460465	3	Socket, Female	
21	1001288195	1	Boom Angle Sensr Jumper Harness	

SECTION 5 - PLATFORM

SECTION 5 - PLATFORM

FIGURE 5-1. PLATFORM ASSEMBLY WITH DROP-BAR - 30IN X 3FT (76CM X .91M)



ART_1001228215

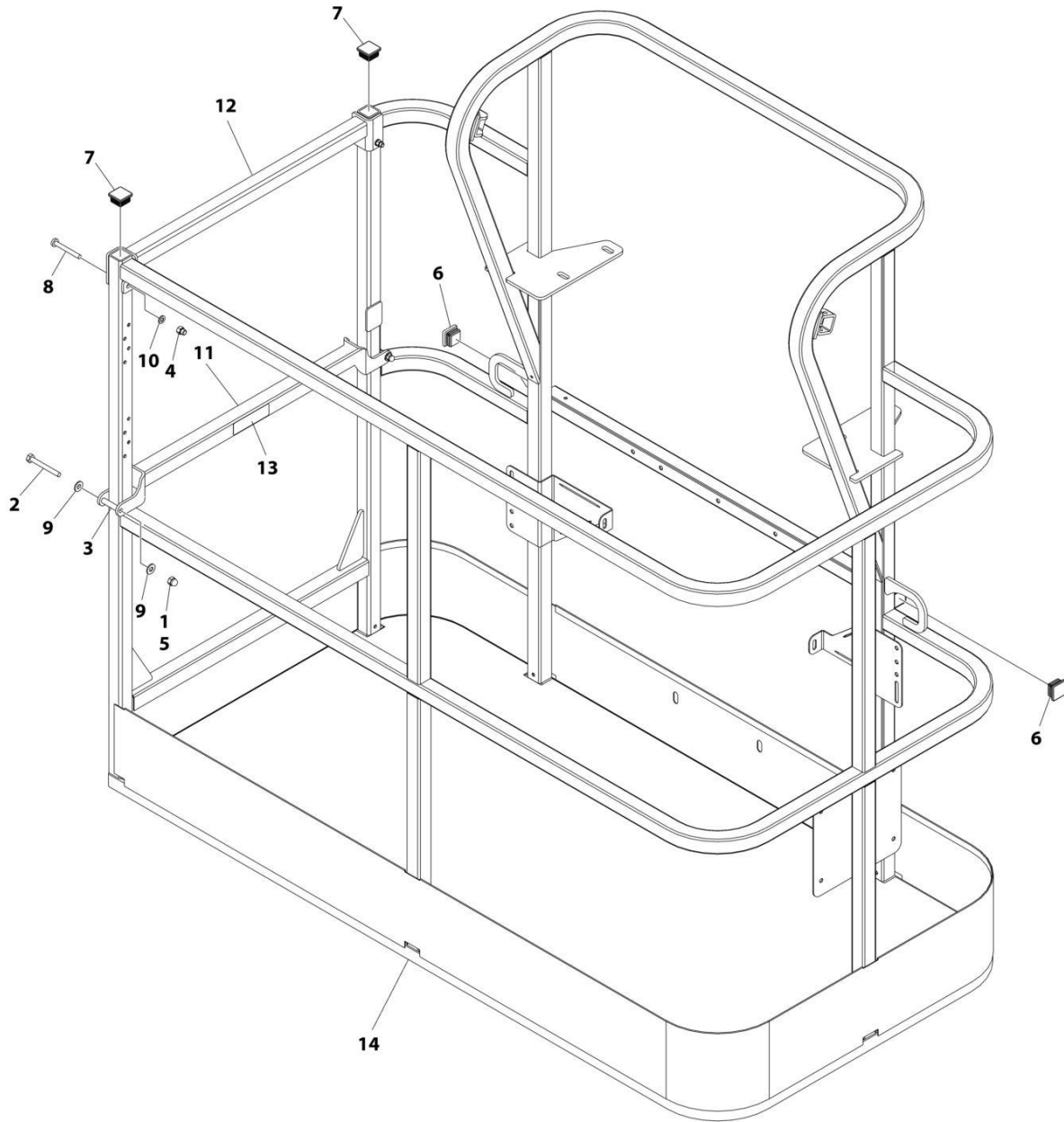
SECTION 5 - PLATFORM

FIGURE 5-1. PLATFORM ASSEMBLY WITH DROP-BAR - 30IN X 3FT (76CM X .91M)

ITEM	PART NUMBER	QTY	DESCRIPTION	REV
	1001228215	Ref	PLATFORM ASSEMBLY	A
	See Note	Ref	Note: Platform and Mesh must be ordered separately for Platforms with Mesh. See SPECIAL OPTIONS SECTION for Mesh Installations.	
	See Note	Ref	Note: Replacement Decals Must be Ordered Separately - See DECAL SECTION.	
1	0100011	AR	Compound, Locking	
2	0641418	2	Bolt 1/4 x 2-1/4	
3	0961845	2	Bushing	
4	3300151	2	Nut 1/4	
5	3520072	6	Cap, Plug	
6	3520198	2	Cap, Plug	
7	4711400	4	Washer 1/4	
8	1001140429	1	Decal - Drop Bar	
9	1001226872	1	Bar, Drop	
10	See Note	NSS	Platform (Note: Not Available - Purchase Platform Assembly)	

SECTION 5 - PLATFORM

FIGURE 5-2. PLATFORM ASSEMBLY WITH DROP-BAR - 30IN X 5FT (76CM X 1.52M)



ART_1001186377

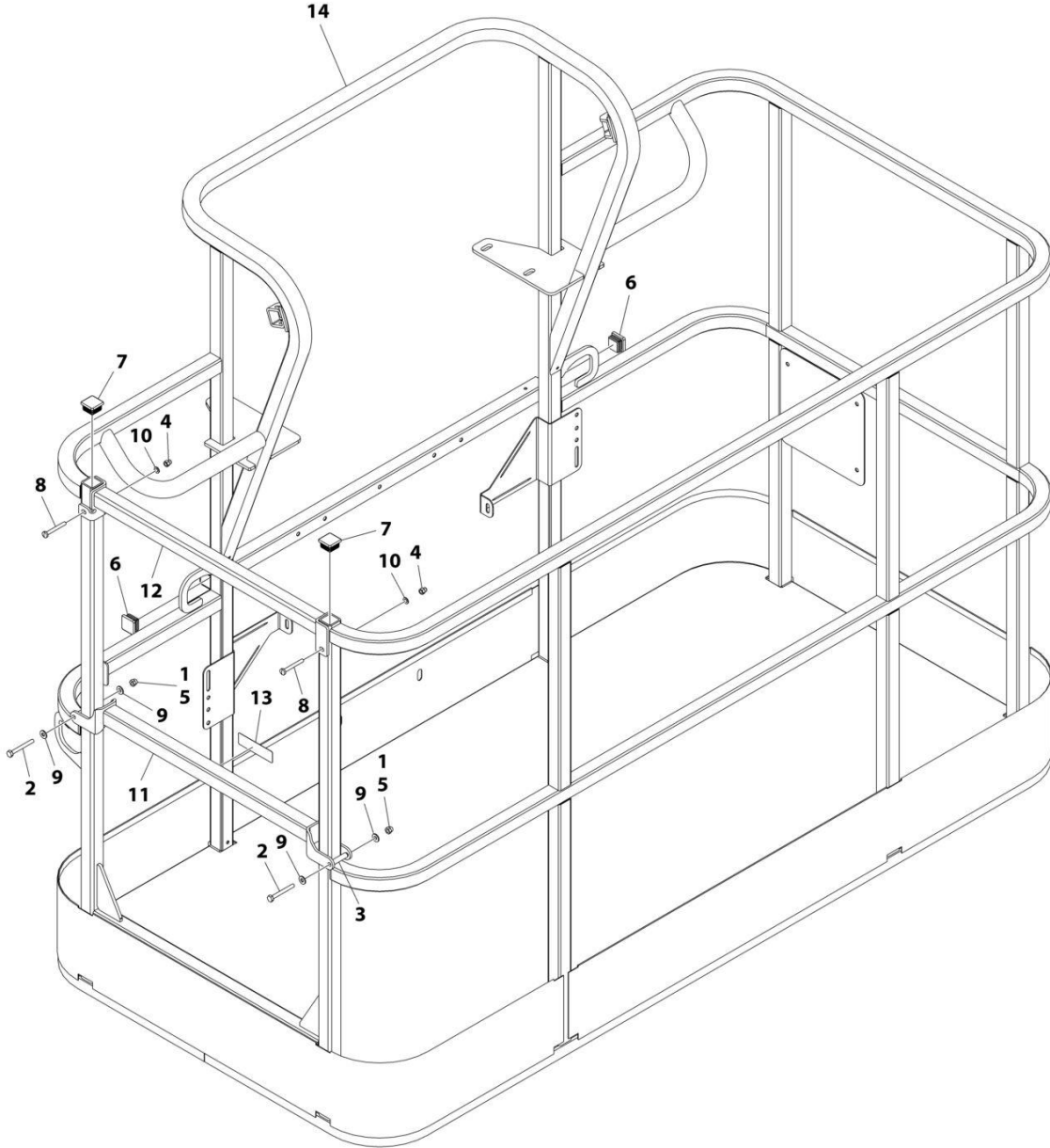
SECTION 5 - PLATFORM

FIGURE 5-2. PLATFORM ASSEMBLY WITH DROP-BAR - 30IN X 5FT (76CM X 1.52M)

ITEM	PART NUMBER	QTY	DESCRIPTION	REV
	1001186377	Ref	PLATFORM ASSEMBLY	C
		Ref	Note: Platform and Mesh must be ordered separately for Platforms with Mesh. See SPECIAL OPTIONS SECTION for Mesh Installations.	
		Ref	Note: Replacement Decals Must be Ordered Separately - See DECALS SECTION.	
1	0100011	AR	Compound, Locking	
2	0641420	2	Bolt 1/4 x 2-1/2	
3	0961845	2	Bushing	
4	3290606	2	Nut M6	
5	3300151	2	Nut 1/4	
6	3520072	2	Plug	
7	3520198	2	Plug	
8	4010618	2	Screw M6 x 50	
9	4711400	4	Washer 1/4	
10	4811700	2	Washer M6	
11	1001138494	1	Bar, Drop	
12	1001138514	1	Rail (Top)	
13	1001140429	1	Decal - Drop Bar	
14	See Note	NSS	Platform (Note: Not Available - Purchase Platform Assembly)	

SECTION 5 - PLATFORM

FIGURE 5-3. PLATFORM ASSEMBLY WITH DROP-BAR - 36IN X 6FT (91.5CM X 1.83M)



ART_1001186379

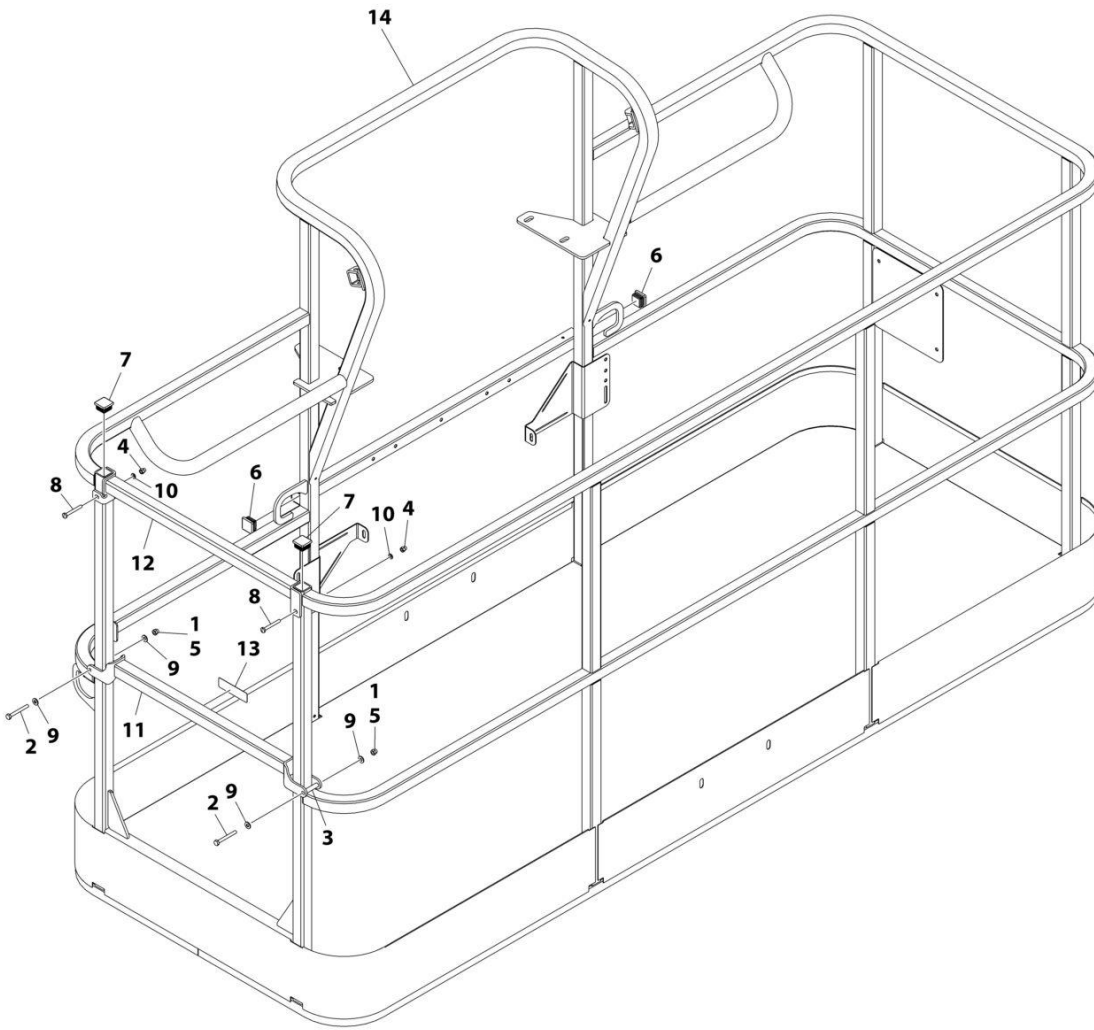
SECTION 5 - PLATFORM

FIGURE 5-3. PLATFORM ASSEMBLY WITH DROP-BAR - 36IN X 6FT (91.5CM X 1.83M)

ITEM	PART NUMBER	QTY	DESCRIPTION	REV
	1001186379	Ref	PLATFORM ASSEMBLY - 36IN X 6FT (91.5CM X 1.83M) WITH DROP BAR	B
		Ref	Note: Platform and Mesh must be ordered separately for Platforms with Mesh. See SPECIAL OPTIONS SECTION for Mesh Installations.	
		Ref	Note: Replacement Decals Must be Ordered Separately - See DECALS SECTION.	
1	0100011	AR	Compound, Locking	
2	0641418	2	Bolt 1/4 x 2-1/4	
3	0961845	2	Bushing	
4	3290606	2	Nut M6	
5	3300151	2	Nut 1/4	
6	3520072	2	Plug	
7	3520198	2	Plug	
8	4010618	2	Screw M6 x 50	
9	4711400	4	Washer 1/4	
10	4811700	2	Washer M6	
11	1001138494	1	Bar, Drop	
12	1001138514	1	Rail (Top)	
13	1001140429	1	Decal - Drop Bar	
14	See Note	NSS	Platform (Note: Not Available - Purchase Platform Assembly)	

SECTION 5 - PLATFORM

FIGURE 5-4. PLATFORM ASSEMBLY WITH DROP-BAR - 36IN X 8FT (91.5CM X 2.44M)



ART_1001186382

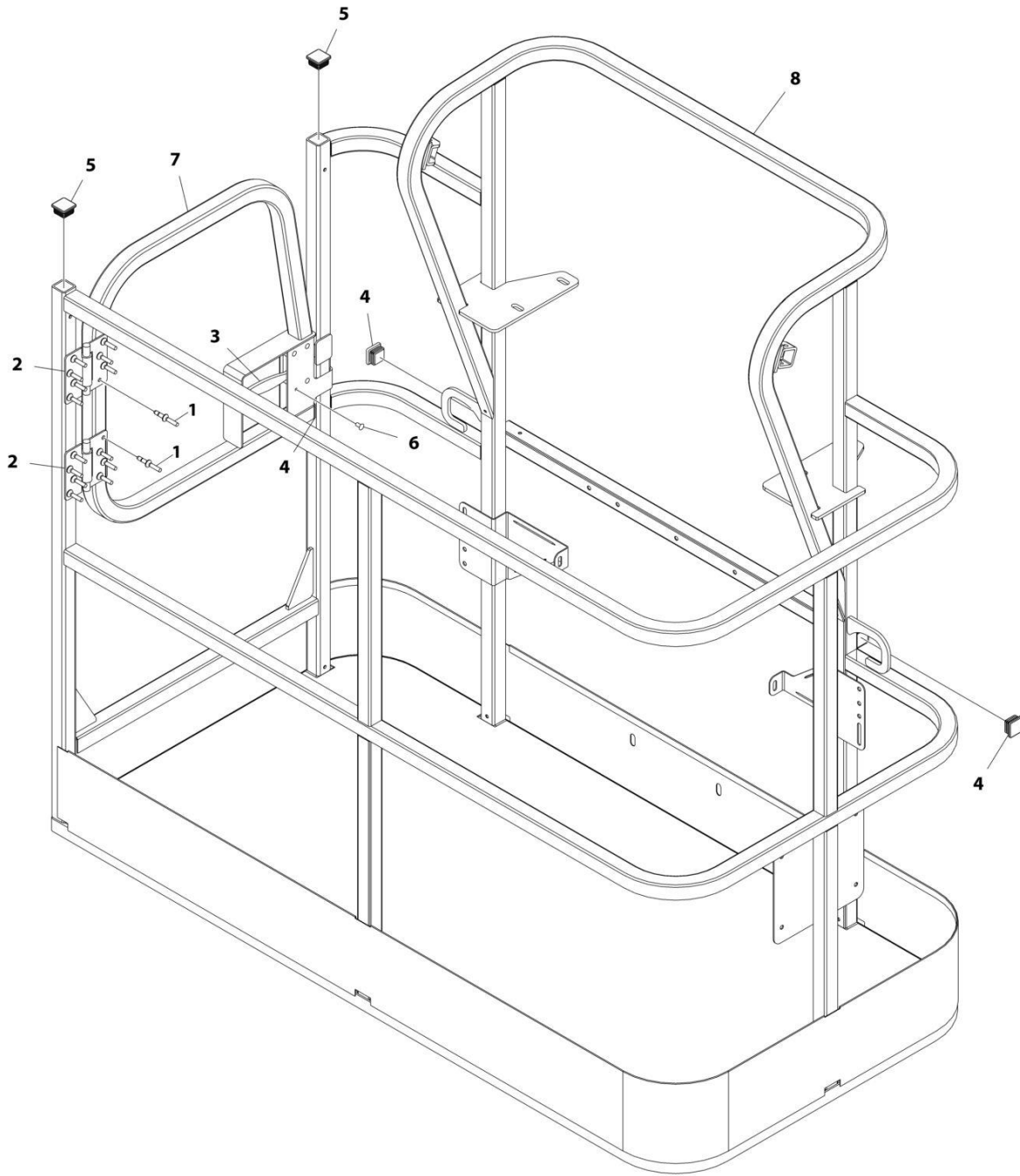
SECTION 5 - PLATFORM

FIGURE 5-4. PLATFORM ASSEMBLY WITH DROP-BAR - 36IN X 8FT (91.5CM X 2.44M)

ITEM	PART NUMBER	QTY	DESCRIPTION	REV
	1001186382	Ref	PLATFORM ASSEMBLY - 36IN X 8FT (91.5CM X 2.44M) WITH DROP BAR	C
		Ref	Note: Platform and Mesh must be ordered separately for Platforms with Mesh. See SPECIAL OPTIONS SECTION for Mesh Installations.	
		Ref	Note: Replacement Decals Must be Ordered Separately - See DECALS SECTION.	
1	0100011	AR	Compound, Locking	
2	0641418	2	Bolt 1/4 x 2-1/4	
3	0961845	2	Bushing	
4	3290606	2	Nut M6	
5	3300151	2	Nut 1/4	
6	3520072	2	Plug	
7	3520198	2	Plug	
8	4010618	2	Screw M6 x 50	
9	4711400	4	Washer 1/4	
10	4811700	2	Washer M6	
11	1001138494	1	Bar, Drop	
12	1001138514	1	Rail (Top)	
13	1001140429	1	Decal - Drop Bar	
14	See Note	NSS	Platform (Note: Not Available - Purchase Platform Assembly)	

SECTION 5 - PLATFORM

FIGURE 5-5. PLATFORM ASSEMBLY WITH GATE - 30IN X 5FT (76CM X 1.52M)



ART_1001186386

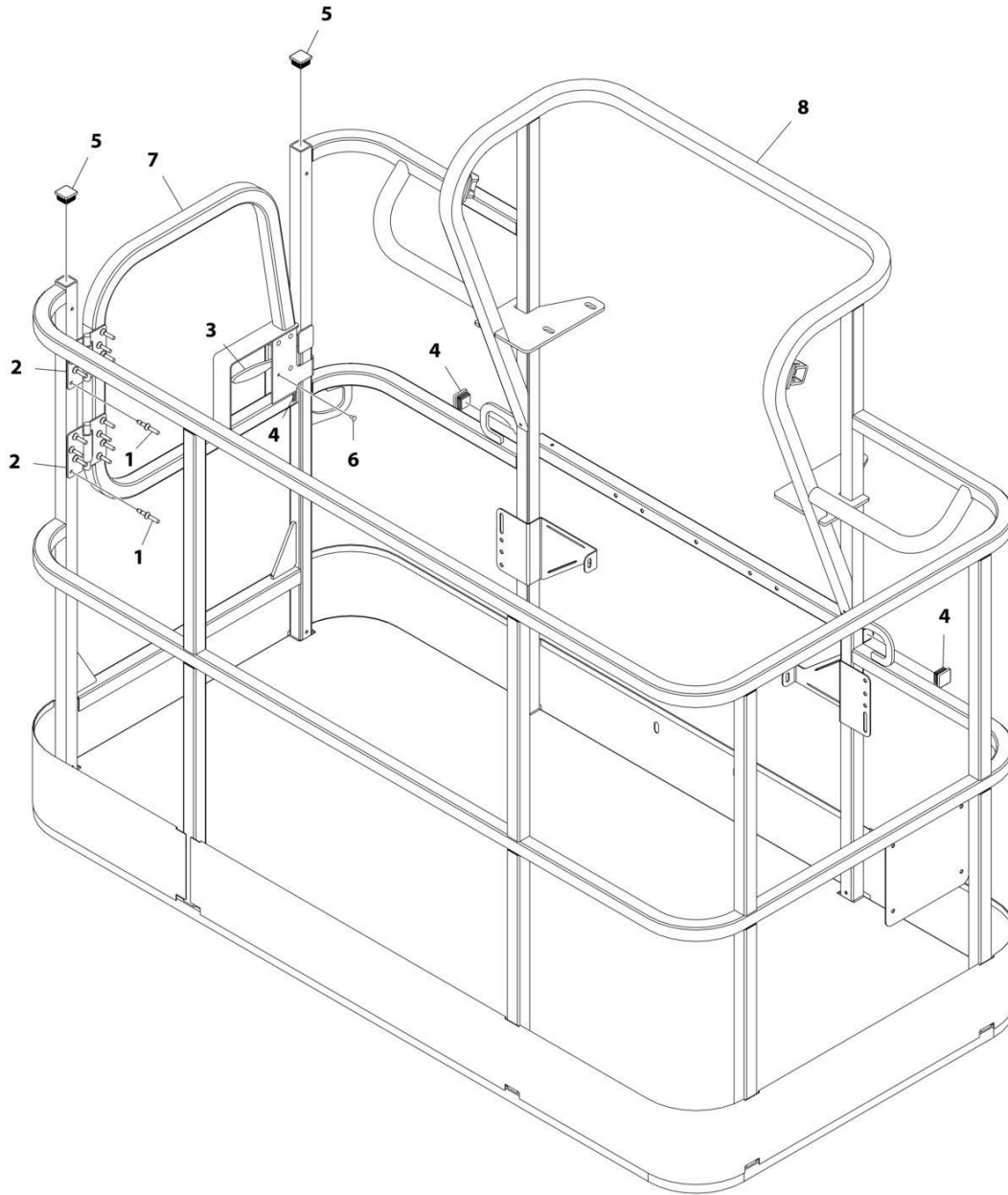
SECTION 5 - PLATFORM

FIGURE 5-5. PLATFORM ASSEMBLY WITH GATE - 30IN X 5FT (76CM X 1.52M)

ITEM	PART NUMBER	QTY	DESCRIPTION	REV
	1001186386	Ref	PLATFORM ASSEMBLY	C
		Ref	Note: Platform and Mesh must be ordered separately for Platforms with Mesh. See SPECIAL OPTIONS SECTION for Mesh Installations.	
		Ref	Note: Replacement Decals Must be Ordered Separately - See DECALS SECTION.	
1	2080040	16	Fastener, Huck	
2	2600281	2	Hinge, Self-Closing	
3	2940074	1	Latch	
4	3520072	3	Plug	
5	3520198	2	Plug	
6	3820020	4	Rivet	
7	1001144629	1	Gate	
8	See Note	NSS	Platform (Note: Not Available - Purchase Platform Assembly)	

SECTION 5 - PLATFORM

FIGURE 5-6. PLATFORM ASSEMBLY WITH GATE- 36IN X 6FT (91.5CM X 1.83M)



ART_1001186384

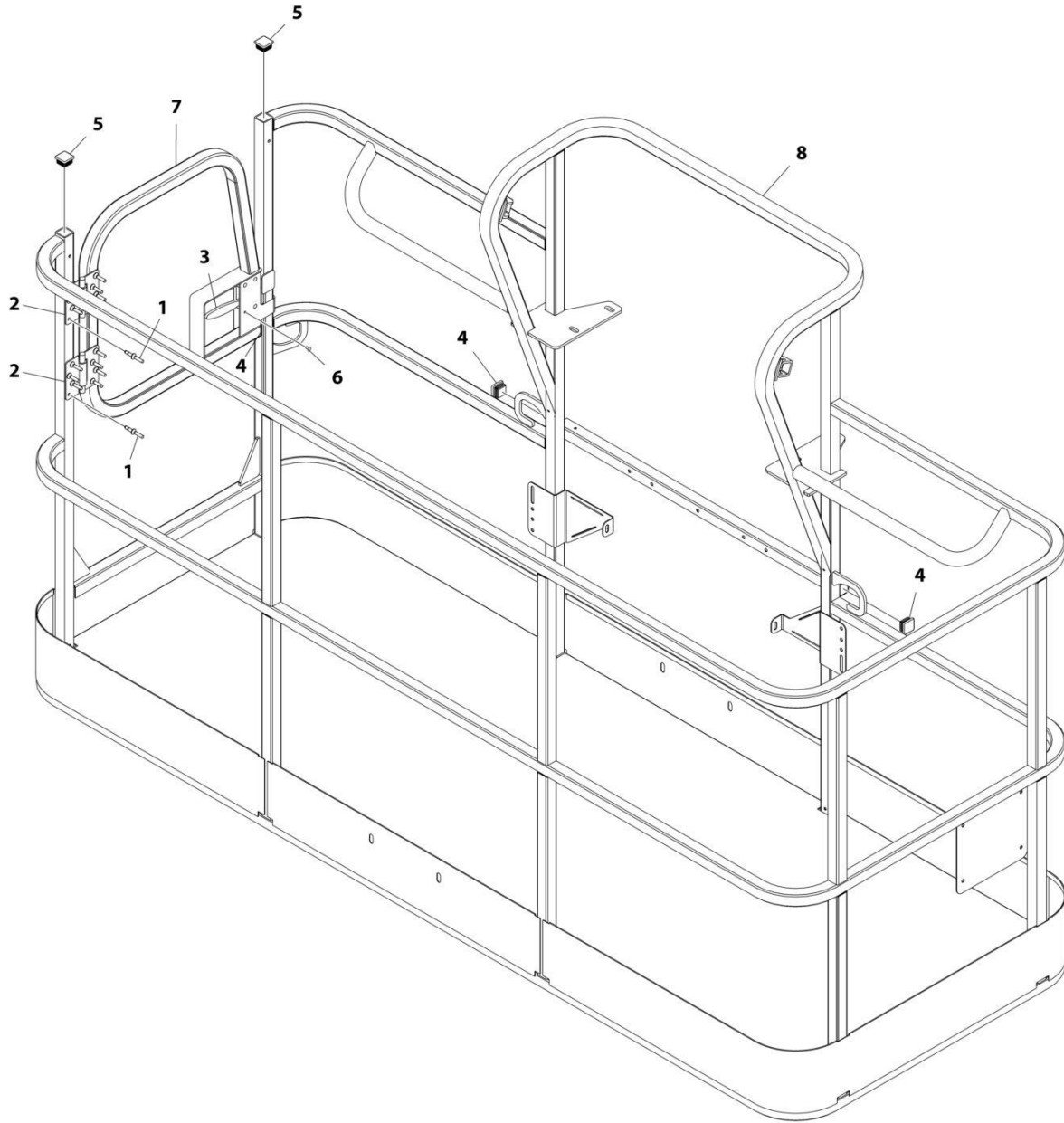
SECTION 5 - PLATFORM

FIGURE 5-6. PLATFORM ASSEMBLY WITH GATE- 36IN X 6FT (91.5CM X 1.83M)

ITEM	PART NUMBER	QTY	DESCRIPTION	REV
	1001186384	Ref	PLATFORM ASSEMBLY - 36IN X 6FT (91.5CM X 1.83M) WITH SWING GATE	C
	See Note	Ref	Note: Platform and Mesh must be ordered separately for Platforms with Mesh. See SPECIAL OPTIONS SECTION for Mesh Installations.	
	See Note	Ref	Note: Replacement Decals Must be Ordered Separately - See DECALS SECTION.	
1	2080040	16	Fastener, Huck	
2	2600281	2	Hinge	
3	2940074	1	Latch	
4	3520072	3	Plug	
5	3520198	2	Plug	
6	3820020	4	Rivet	
7	1001144629	1	Gate	
8	See Note	NSS	Platform (Note: Not Available - Purchase Platform Assembly)	

SECTION 5 - PLATFORM

FIGURE 5-7. PLATFORM ASSEMBLY WITH GATE - 36IN X 8FT (91.5CM X 2.44M)



ART_1001186383

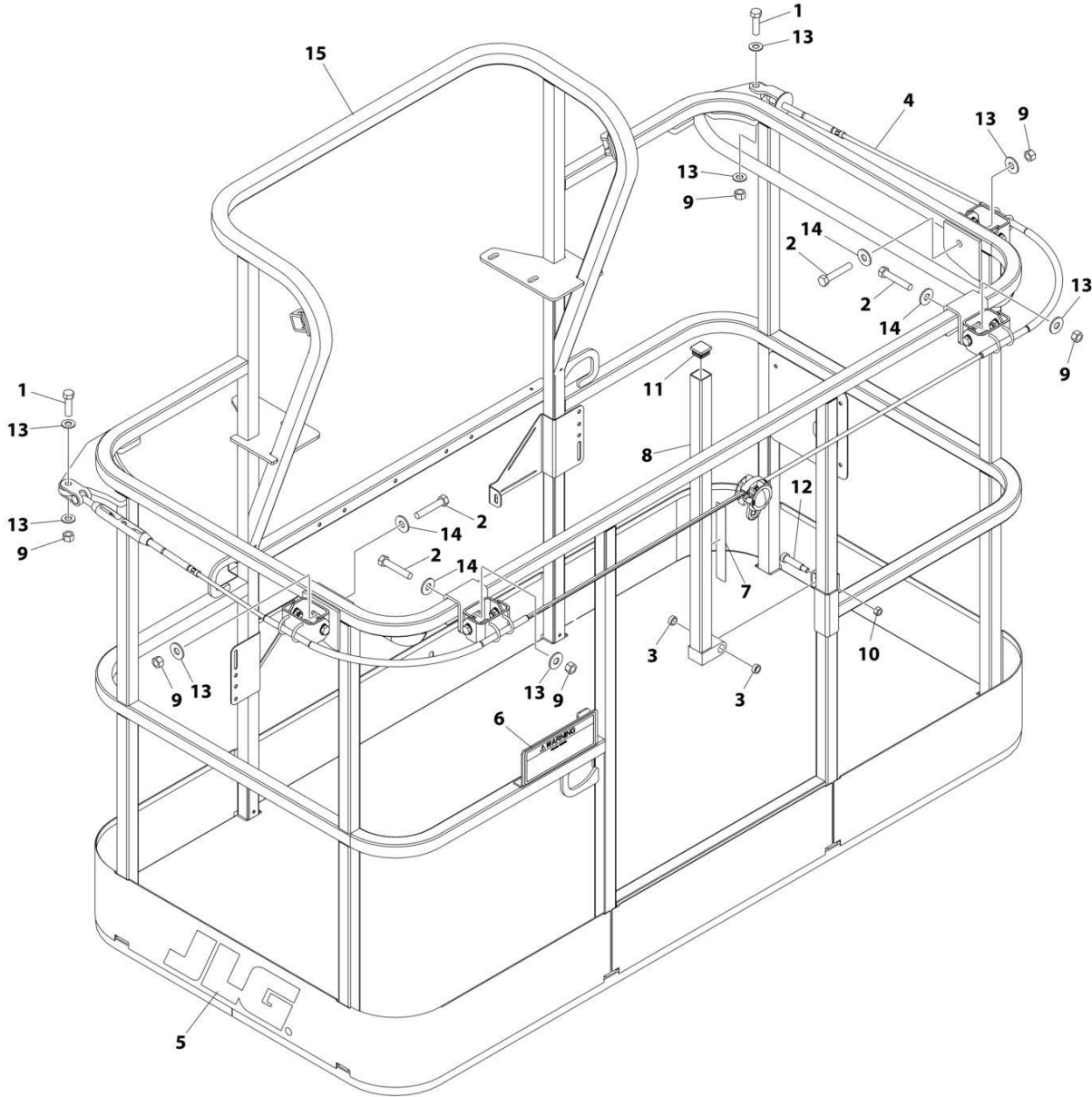
SECTION 5 - PLATFORM

FIGURE 5-7. PLATFORM ASSEMBLY WITH GATE - 36IN X 8FT (91.5CM X 2.44M)

ITEM	PART NUMBER	QTY	DESCRIPTION	REV
	1001186383	Ref	PLATFORM ASSEMBLY - 36IN X 8FT (91.5CM X 2.44M) WITH SWING GATE	D
		Ref	Note: Platform and Mesh must be ordered separately for Platforms with Mesh. See SPECIAL OPTIONS SECTION for Mesh Installations.	
		Ref	Note: Replacement Decals Must be Ordered Separately - See DECALS SECTION.	
1	2080040	16	Fastener, Huck	
2	2600281	2	Hinge	
3	2940074	1	Latch	
4	3520072	3	Plug	
5	3520198	2	Plug	
6	3820020	4	Rivet	
7	1001144629	1	Gate	
8	See Note	NSS	Platform (Note: Not Available - Purchase Platform Assembly)	

SECTION 5 - PLATFORM

FIGURE 5-8. PLATFORM ASSEMBLY WITH FALL ARREST - 36IN X 6FT (91.5CM X 1.83M)



ART_1001186333

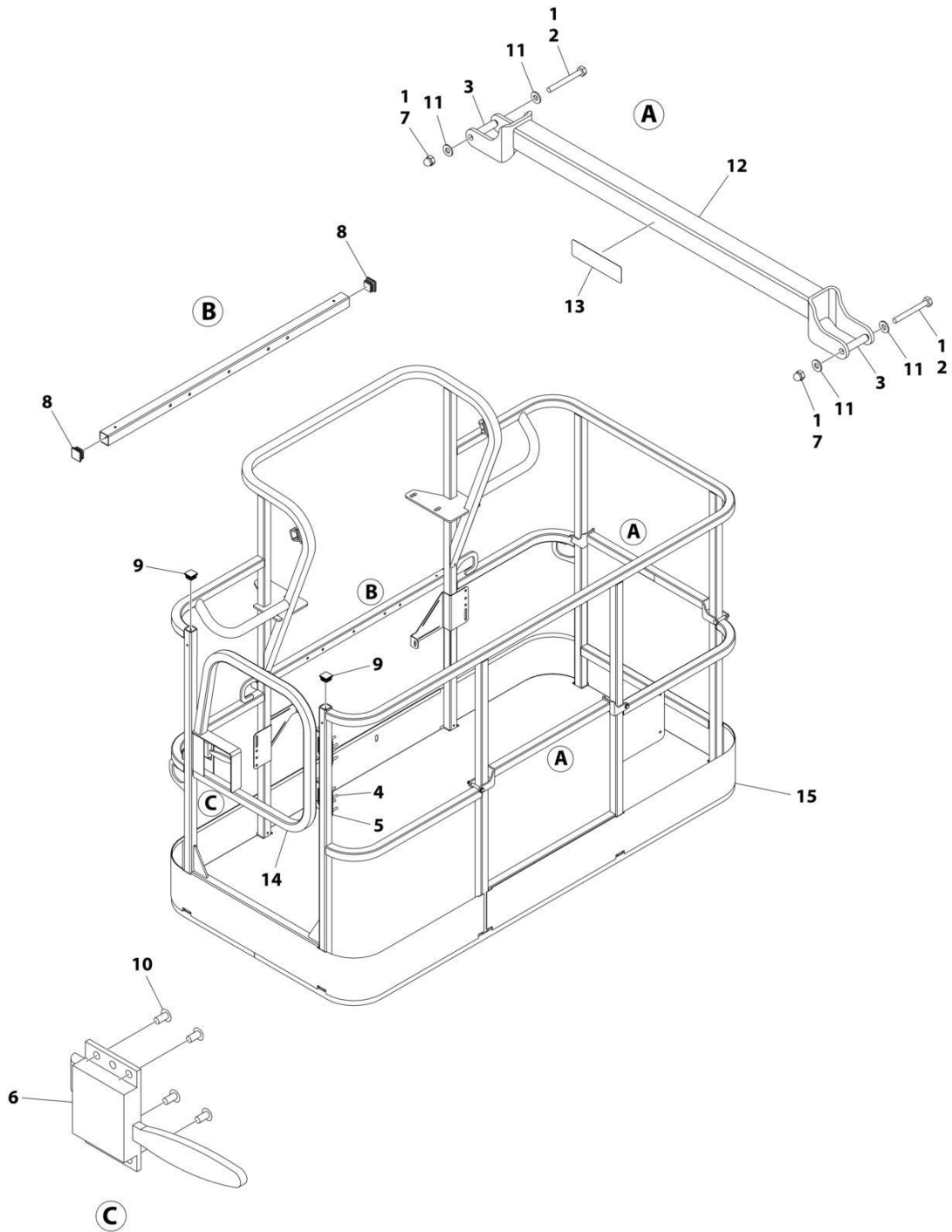
SECTION 5 - PLATFORM

FIGURE 5-8. PLATFORM ASSEMBLY WITH FALL ARREST - 36IN X 6FT (91.5CM X 1.83M)

ITEM	PART NUMBER	QTY	DESCRIPTION	REV
	1001186333	Ref	PLATFORM ASSEMBLY	C
		Ref	Note: Replacement Decals Must be Ordered Separately - See DECALS SECTION.	
1	0681814	2	Bolt 1/2 x 1-3/4 Grade 8	
2	0681822	4	Bolt 1/2 x 2-3/4 Grade 8	
3	0962270	2	Bearing	
4	1001203655	1	Cable	
5	1702773	1	Decal - JLG	
6	1705014	1	Decal - Safety	
7	1706385	1	Decal - Drop Bar	
8	2410014	1	Bar, Drop	
9	3271805	6	Nut 1/2 Grade 8	
10	3311605	1	Nut 3/8	
11	3520072	1	Plug	
12	3900054	1	Bolt 1/2 x 1-3/4	
13	4711800	8	Washer 1/2	
14	4751800	4	Washer 1/2	
15	See Note	NSS	Platform (Note: Not Available - Purchase Platform Assembly)	

SECTION 5 - PLATFORM

FIGURE 5-9. PLATFORM ASSEMBLY WITH TRI-ENTRY (1 GATE / 2 DROP BARS) - 36IN X 6FT (91.5CM X 1.83M)



ART_1001228376

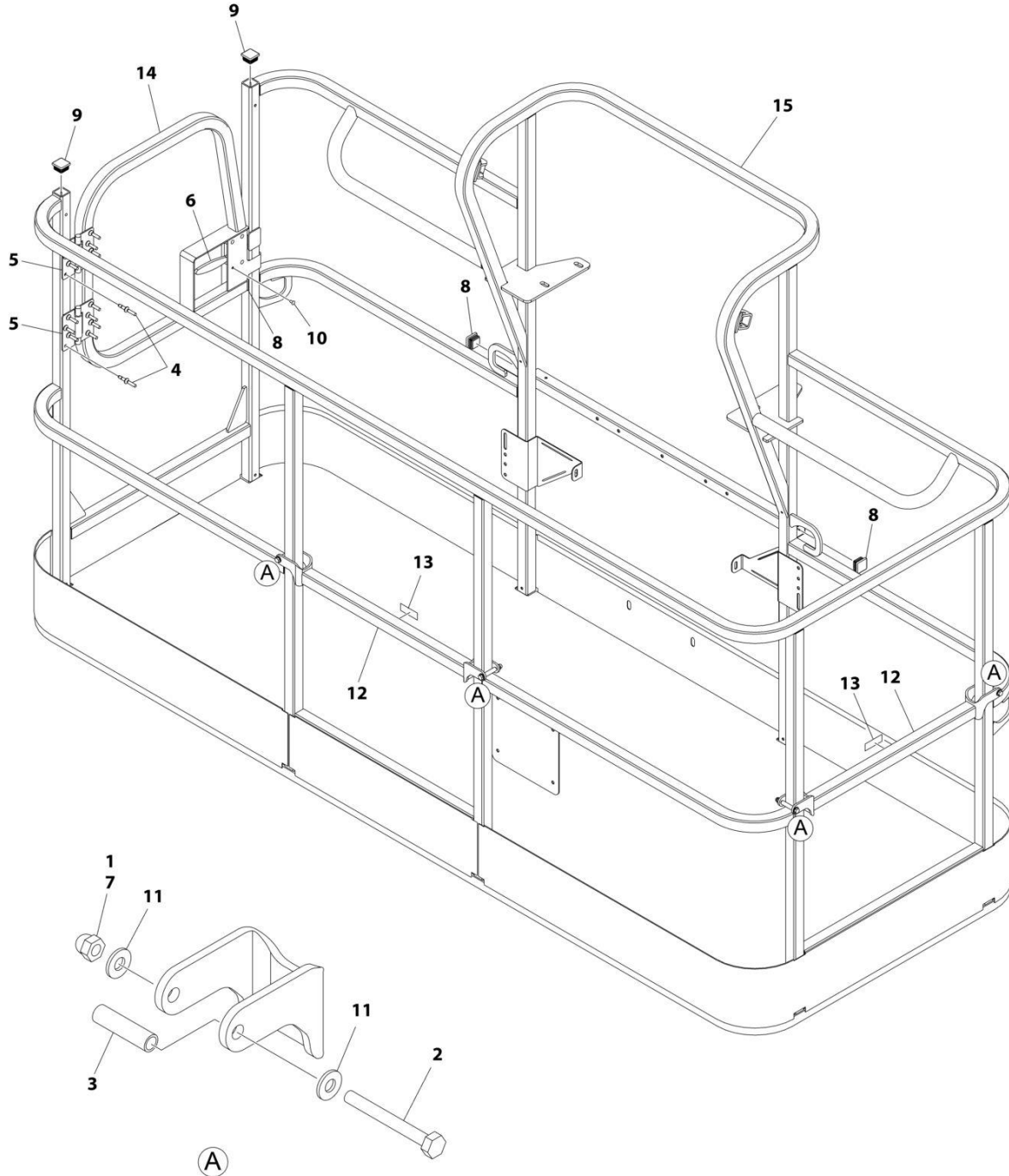
SECTION 5 - PLATFORM

**FIGURE 5-9. PLATFORM ASSEMBLY WITH TRI-ENTRY (1 GATE / 2 DROP BARS) - 36IN X 6FT
(91.5CM X 1.83M)**

ITEM	PART NUMBER	QTY	DESCRIPTION	REV
	1001228376	Ref	PLATFORM ASSEMBLY - 36IN x 6FT (91.5CM x 1.83M)	B
		Ref	Note: Platform and Mesh must be ordered separately for Platforms with Mesh. See SPECIAL OPTIONS SECTION for Mesh Installations.	
		Ref	Note: Replacement Decals Must be Ordered Separately - See DECAL SECTION.	
1	0100011	AR	Compound, Locking	
2	0641418	4	Bolt 1/4 x 2-1/4	
3	0961845	4	Bushing	
4	2080040	16	Fastener	
5	2600281	2	Hinge	
6	2940074	1	Latch	
7	3300151	4	Nut 1/4	
8	3520072	3	Plug	
9	3520198	2	Plug	
10	3820020	4	Rivet	
11	4711400	8	Washer 1/4	
12	1001138494	2	Bar, Drop	
13	1001140429	2	Decal - Drop Bar	
14	1001144629	1	Gate	
15	See Note	NSS	Platform (Note: Not Available - Purchase Platform Assembly)	

SECTION 5 - PLATFORM

FIGURE 5-10. PLATFORM ASSEMBLY WITH TRI-ENTRY (1 GATE/2 DROP BARS) - 36IN X 8FT (91.5CM X 2.44M)



ART_1001228243

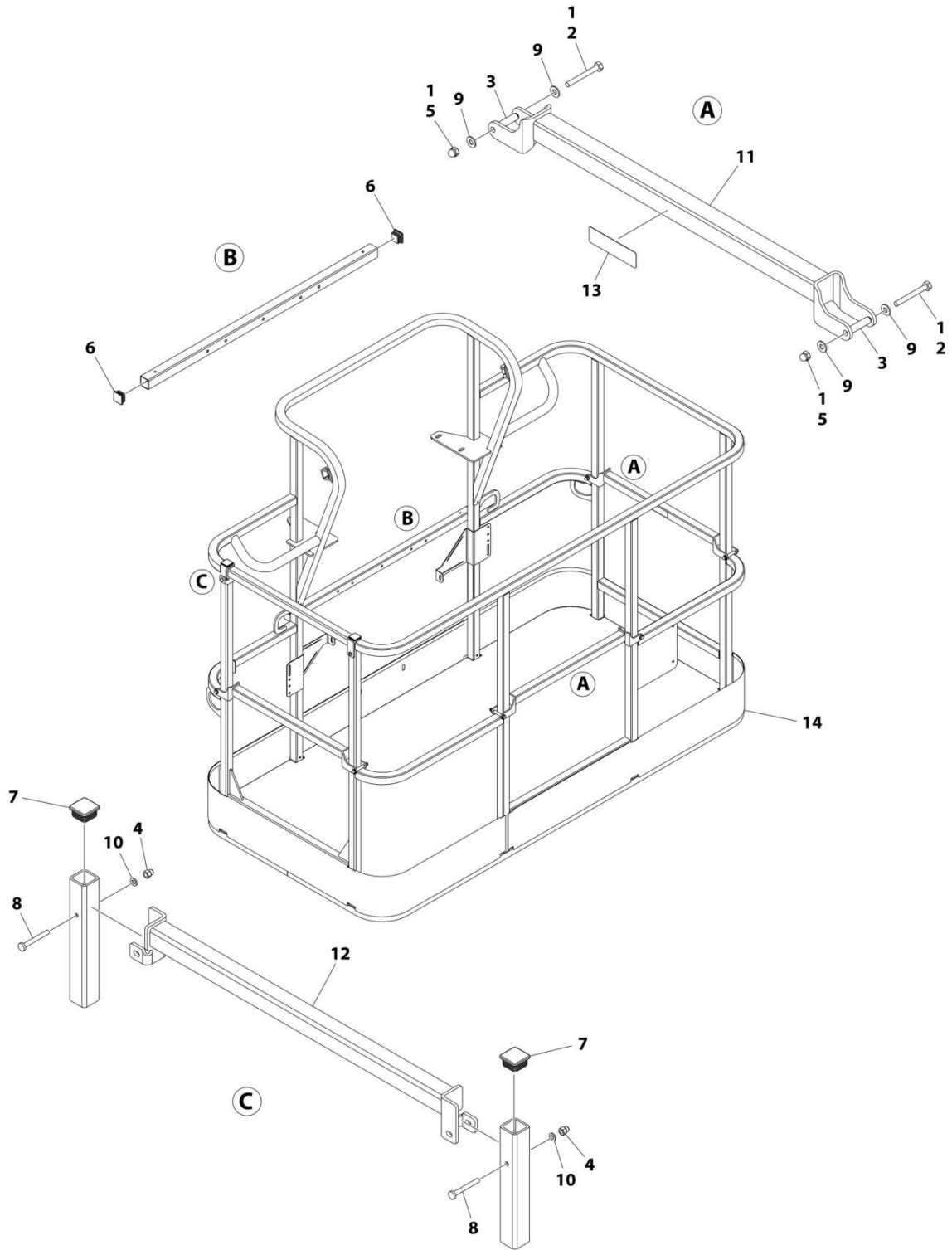
SECTION 5 - PLATFORM

**FIGURE 5-10. PLATFORM ASSEMBLY WITH TRI-ENTRY (1 GATE/2 DROP BARS) - 36IN X 8FT
(91.5CM X 2.44M)**

ITEM	PART NUMBER	QTY	DESCRIPTION	REV
	1001228243	Ref	PLATFORM ASSEMBLY - 36IN X 8FT (91.5CM X 2.44M) WITH TRI-ENTRY	A
		Ref	Note: Platform and Mesh must be ordered separately for Platforms with Mesh. See SPECIAL OPTIONS SECTION for Mesh Installations.	
1	0100011	AR	Compound, Locking	
2	0641418	4	Bolt 1/4 x 2-1/4	
3	0961845	4	Bushing	
4	2080040	16	Fastener, Huck	
5	2600281	2	Hinge, Self-Closing	
6	2940074	1	Latch	
7	3300151	4	Nut 1/4	
8	3520072	3	Cap, Plug	
9	3520198	2	Cap, Plug	
10	3820020	4	Rivet	
11	4711400	8	Washer 1/4	
12	1001138494	2	Bar, Drop	
13	1001140429	2	Decal - Drop Bar	
14	1001144629	1	Gate, Weldment	
15	See Note	1	Platform (Note: Not Available - Purchase Platform Assembly)	

SECTION 5 - PLATFORM

FIGURE 5-11. PLATFORM ASSEMBLY WITH TRI-ENTRY (3 DROP BARS) - 36IN X 6FT (91.5CM X 1.83M)



ART_1001228377

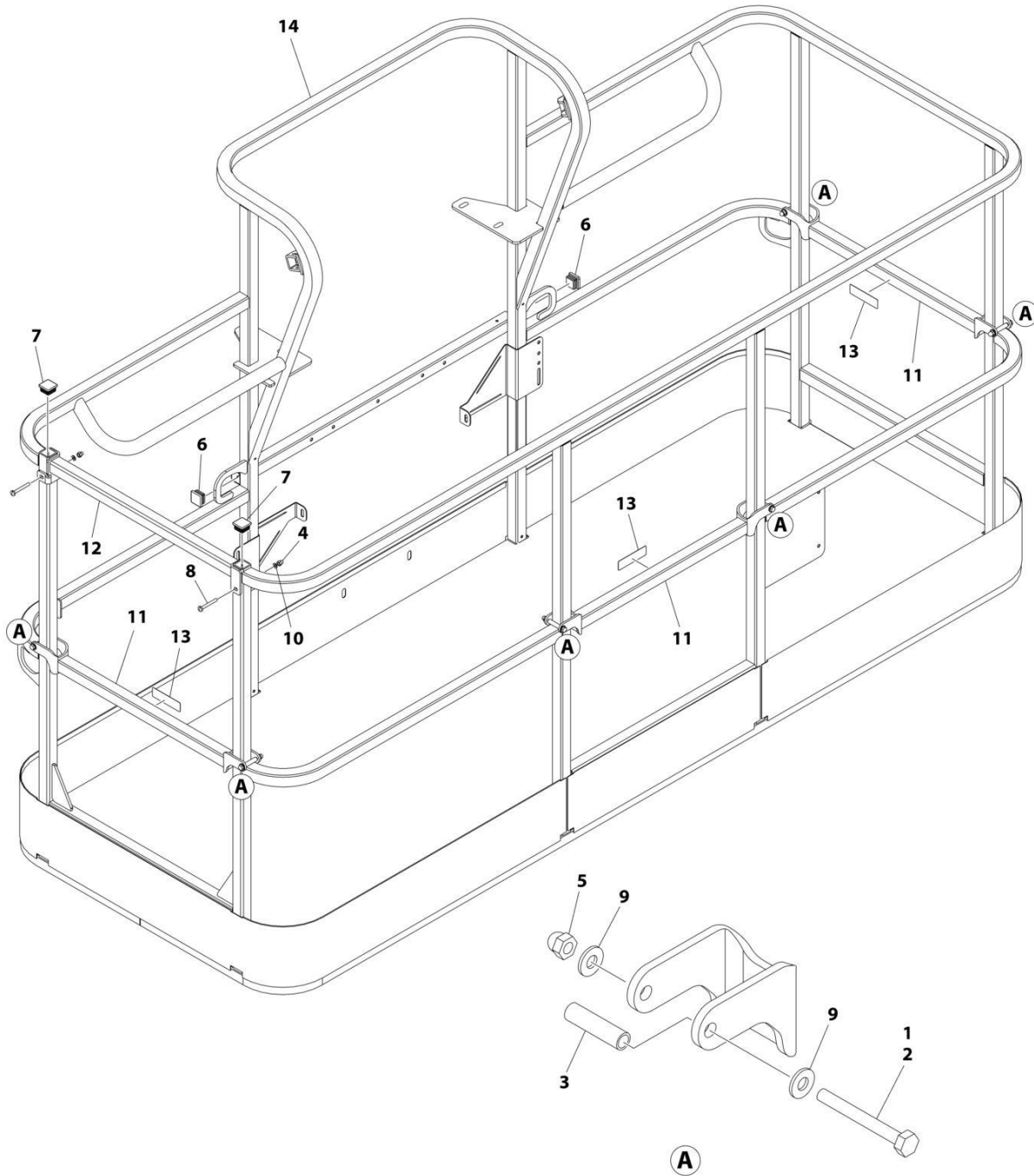
SECTION 5 - PLATFORM

FIGURE 5-11. PLATFORM ASSEMBLY WITH TRI-ENTRY (3 DROP BARS) - 36IN X 6FT (91.5CM X 1.83M)

ITEM	PART NUMBER	QTY	DESCRIPTION	REV
	1001228377	Ref	PLATFORM ASSEMBLY - 36IN x 6FT (91.5CM x 1.83M)	B
		Ref	Note: Platform and Mesh must be ordered separately for Platforms with Mesh. See SPECIAL OPTIONS SECTION for Mesh Installations.	
		Ref	Note: Replacement Decals Must be Ordered Separately - See DECAL SECTION.	
1	0100011	1	Compound, Locking	
2	0641418	6	Bolt 1/4 x 2-1/4	
3	0961845	6	Bushing	
4	3290606	2	Nut M6	
5	3300151	6	Nut 1/4	
6	3520072	2	Plug	
7	3520198	2	Plug	
8	4010618	2	Screw M6 x 50	
9	4711400	12	Washer 1/4	
10	4811700	2	Washer M6	
11	1001138494	3	Bar, Drop	
12	1001138514	1	Rail (Top)	
13	1001140429	3	Decal - Drop Bar	
14	See Note	NSS	Platform, Weldment (Note: Not Available - Purchase Platform Assembly)	

SECTION 5 - PLATFORM

FIGURE 5-12. PLATFORM ASSEMBLY WITH TRI-ENTRY (3 DROP BARS) - 36IN X 8FT (91.5CM X 2.44M)



ART_1001228375

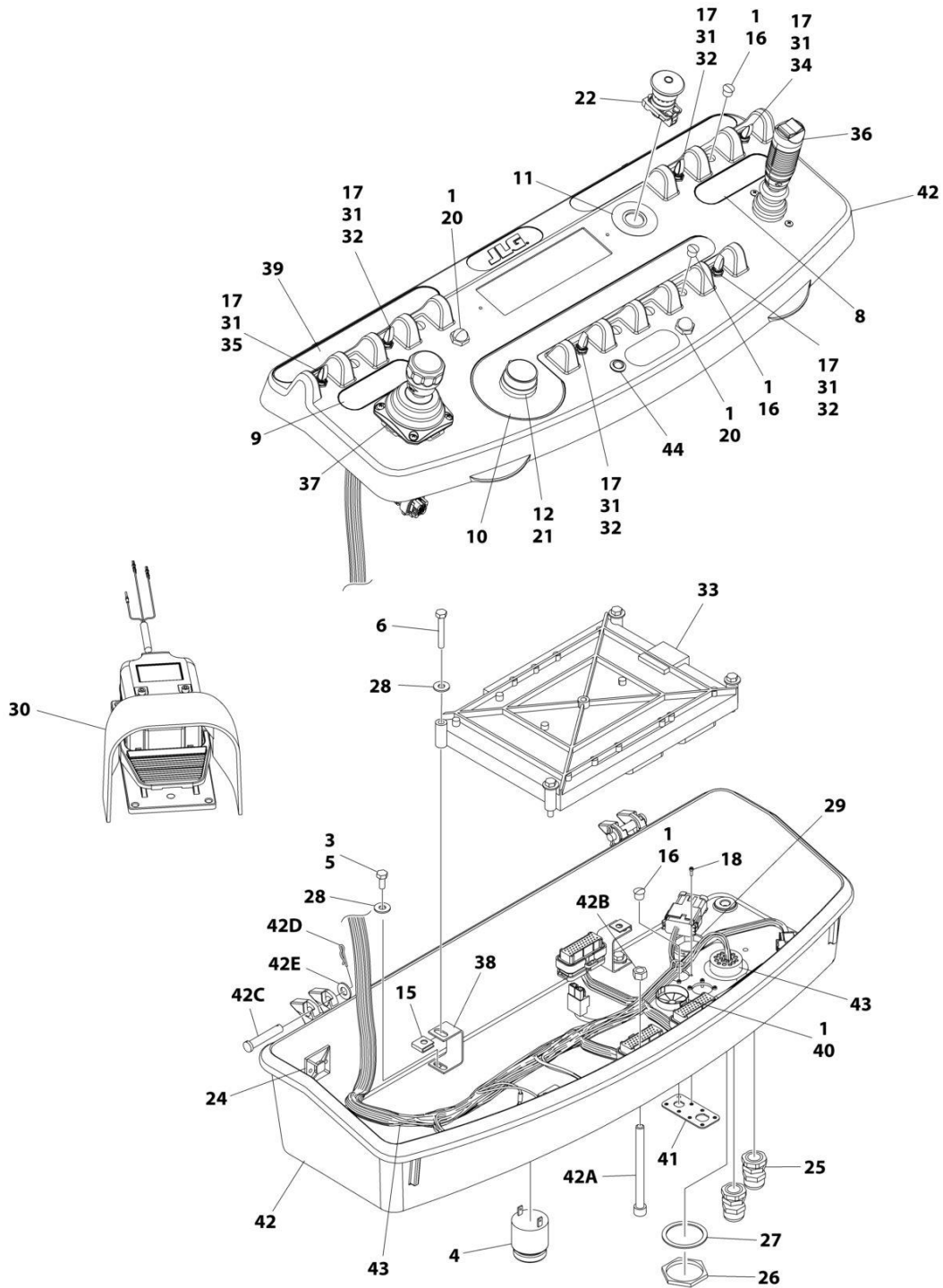
SECTION 5 - PLATFORM

FIGURE 5-12. PLATFORM ASSEMBLY WITH TRI-ENTRY (3 DROP BARS) - 36IN X 8FT (91.5CM X 2.44M)

ITEM	PART NUMBER	QTY	DESCRIPTION	REV
	1001228375	Ref	PLATFORM ASSEMBLY - 36IN X 8FT (91.5CM X 2.44M) WITH TRI-ENTRY	A
		Ref	Note: Platform and Mesh must be ordered separately for Platforms with Mesh. See SPECIAL OPTIONS SECTION for Mesh Installations.	
		Ref	Note: Replacement Decals Must be Ordered Separately - See DECAL SECTION.	
1	0100011	AR	Compound, Locking	
2	0641418	6	Bolt 1/4 x 2-1/4	
3	0961845	6	Bushing	
4	3290606	2	Nut M6 x 1	
5	3300151	6	Nut 1/4	
6	3520072	2	Cap, Plug	
7	3520198	2	Cap, Plug	
8	4010618	2	Screw M6 x 50	
9	4711400	12	Washer 1/4	
10	4811700	2	Washer M6	
11	1001138494	3	Bar, Drop	
12	1001138514	1	Rail (Top)	
13	1001140429	3	Decal - Drop Bar	
14	See Note	1	Platform (Note: Not Available - Purchase Platform Assembly)	

SECTION 5 - PLATFORM

FIGURE 5-13. CONSOLE BOX ASSEMBLY WITH FOOTSWITCH



ART_1001244976_B

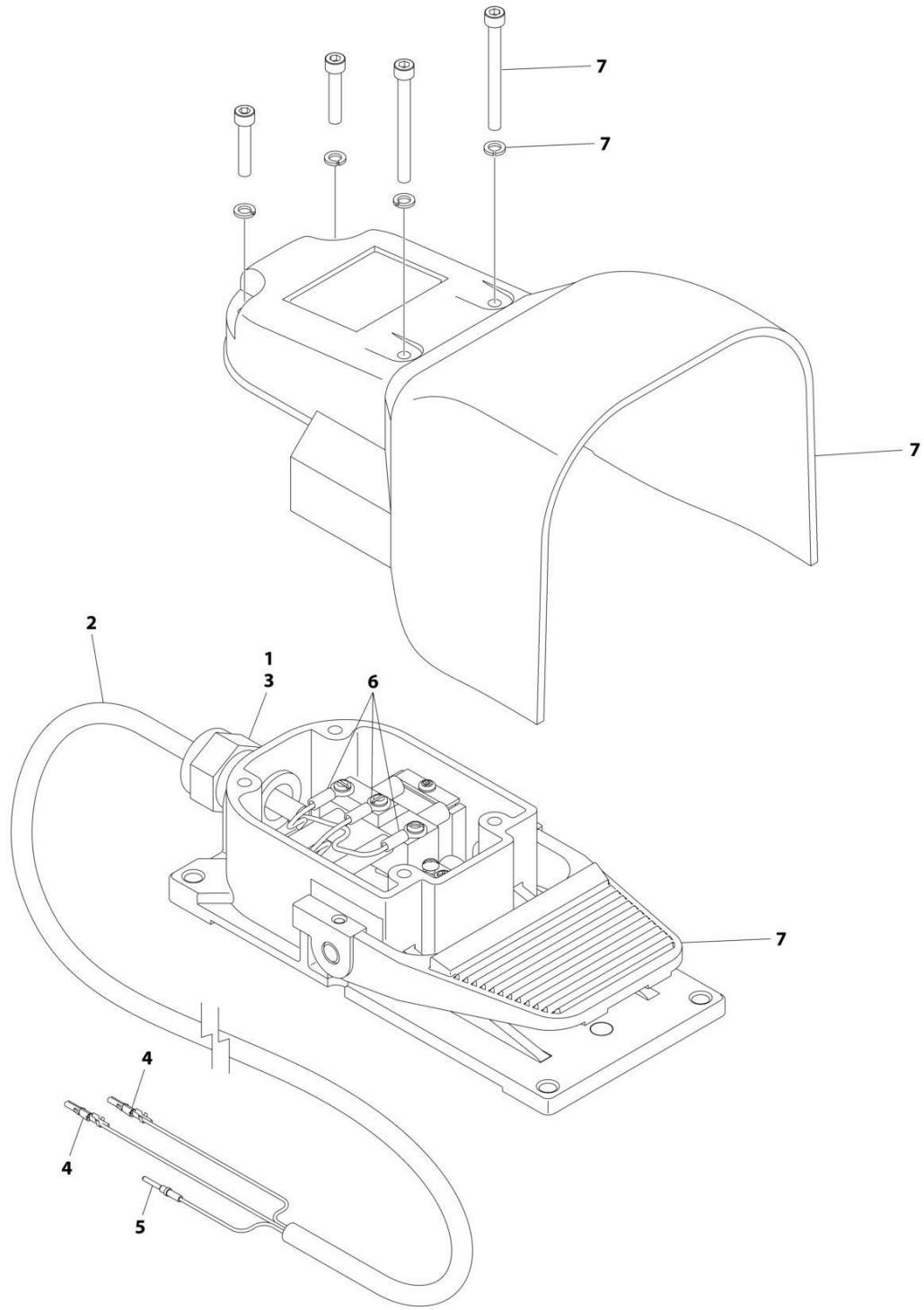
SECTION 5 - PLATFORM

FIGURE 5-13. CONSOLE BOX ASSEMBLY WITH FOOTSWITCH

ITEM	PART NUMBER	QTY	DESCRIPTION	REV
	1001244976	Ref	PLATFORM CONSOLE BOX ASSEMBLY	B
1	0100009	AR	Sealant	
3	0100035	AR	Compound, Locking	
4	0140011	1	Alarm	
5	0641405	4	Bolt 1/4 x 5/8	
6	0641414	4	Bolt 1/4 x 1-3/4	
8	1702565	1	Decal - Drive and Steer	
9	1702566	1	Decal - Lift and Swing	
10	1702567	1	Decal - Function Speed	
11	1704260	1	Decal - EMS	
12	2560136	1	Handle, Knob	
15	3300353	4	Nut, Tinnerman	
16	3520054	7	Plug	
17	3790012	6	O-Ring	
18	3900349	8	Screw M2.5	
19	4240099	AR	Tie-Strap (Not Shown)	
20	4360387	2	Switch, Pushbutton	
21	4360407	1	Switch, Potentiometer	
22	1001274559	1	Switch, Emergency	
24	4460234	6	Terminal	
25	4460428	2	Connector, Strain Relief	
26	4460470	1	Nut, Terminal	
27	4460471	1	Washer	
28	4751400	8	Washer 1/4	
29	1001110434	1	Plug	
30	1001117174	1	Footswitch Assembly (See Separate Breakdown in this Section)	
31	1001155044	6	Nut 15/32	
32	1001155045	4	Switch, Toggle	
33	1001157196	1	Controller, Module (Note: Re-calibration Required when Replaced)	
34	1001159256	1	Switch, Toggle	
35	1001161709	1	Switch, Toggle	
36	1001166538	NLA	Controller Assembly (Drive and Steer) (Use p/n 1001212415) (See Separate Breakdown in this Section)	
37	1001166539	1	Controller Assembly (Lift and Swing) (See Separate Breakdown in this Section)	
38	1001172760	4	Bracket	
39	1001184626	1	Decal - Horn	
40	1001185281	1	Plug	
41	1001213882	1	Connector Mount	
42	1001215228	1	Platform Console Box	
42A	0630568	1	Capscrew 3/8 x 4-1/2	
42B	3311601	1	Nut 3/8	
42C	3430616	2	Pin	
42D	3470003	2	Hairpin	
42E	4711600	2	Washer 3/8	
43	1001238254	1	Harness, Platform Console Box (See Separate Breakdown in ELECTRICAL Section)	
44	1001206532	1	Lamp, LED Indicator Yellow	

SECTION 5 - PLATFORM

FIGURE 5-14. FOOTSWITCH ASSEMBLY



ART_1001117174

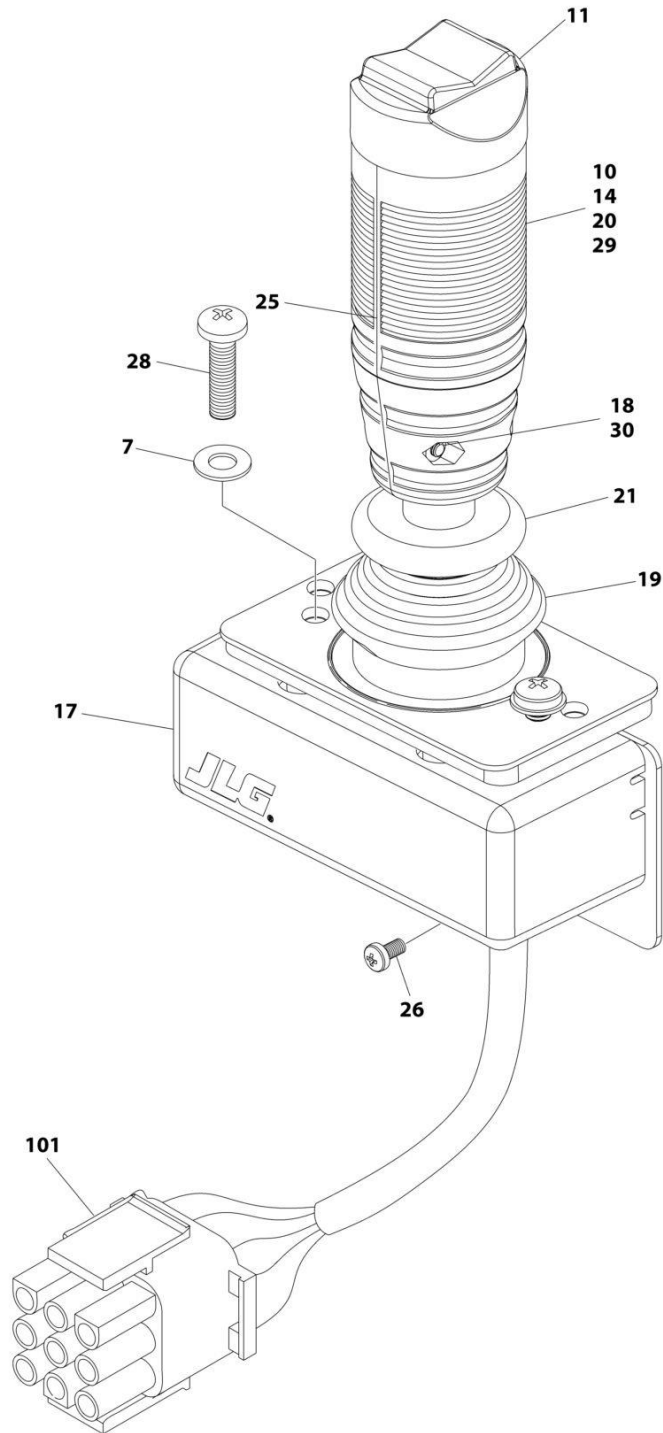
SECTION 5 - PLATFORM

FIGURE 5-14. FOOTSWITCH ASSEMBLY

ITEM	PART NUMBER	QTY	DESCRIPTION	REV
	1001117174	Ref	FOOTSWITCH ASSEMBLY	C
1	0100020	AR	Sealant	
2	1060918	7.5 ft/ 2.3m	Cable, Electrical - 18/3	
3	4460071	1	Connector, Strain Relief	
4	4460226	2	Socket, Female	
5	4460464	1	Pin, Male	
6	1001098122	3	Terminal	
7	1001117172	1	Footswitch	
7	70002902	1	Switch, 20Amp	
7	70002903	1	Gasket	
7	70002905	1	Cover	
7	70002904	1	Kit, Replacement Bolt	

SECTION 5 - PLATFORM

FIGURE 5-15. CONTROLLER ASSEMBLY- DRIVE/STEER



ART_1001166538

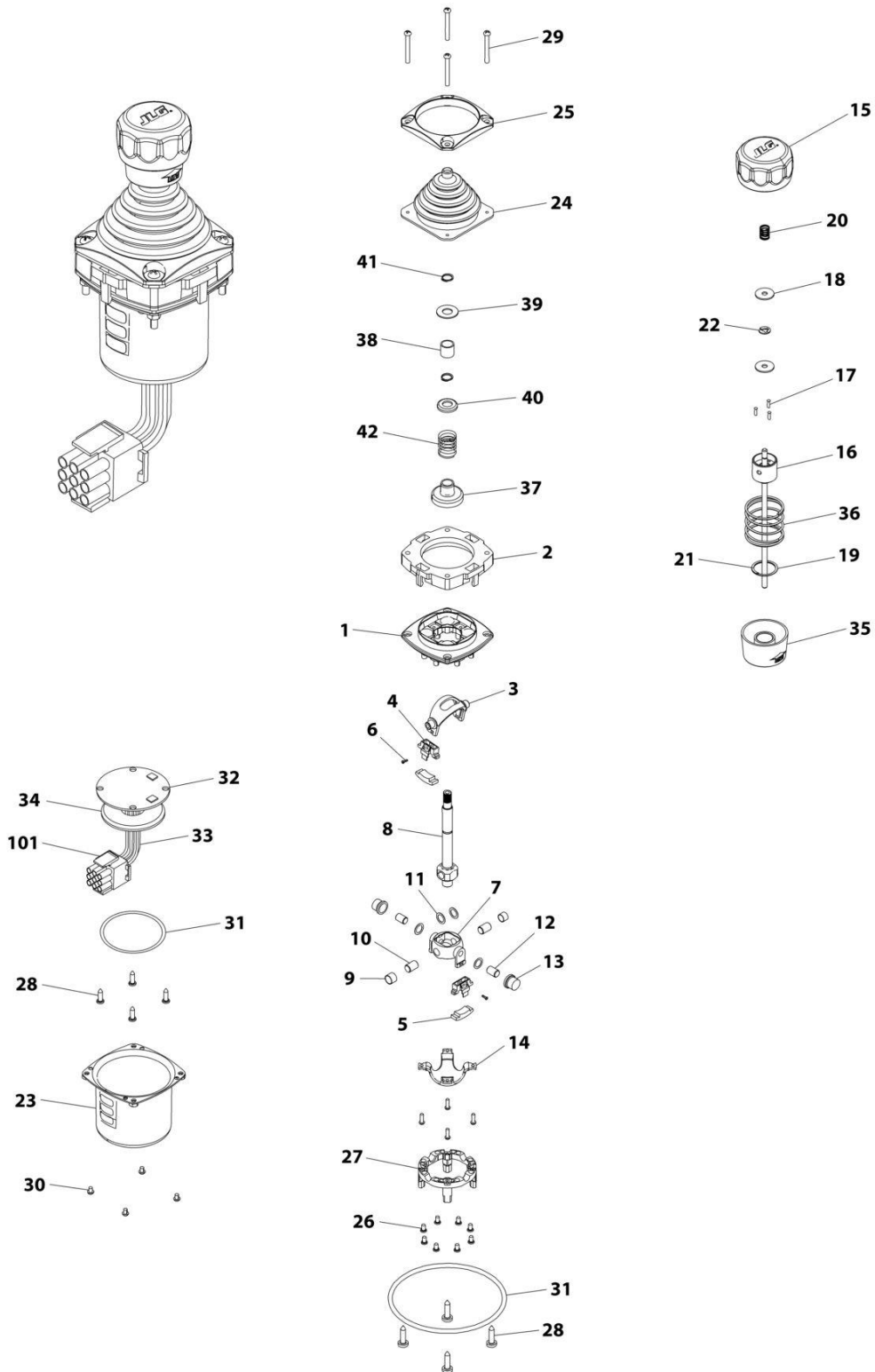
SECTION 5 - PLATFORM

FIGURE 5-15. CONTROLLER ASSEMBLY- DRIVE/STEER

ITEM	PART NUMBER	QTY	DESCRIPTION	REV
	1001166538	Ref	CONTROLLER ASSEMBLY - DRIVE AND STEER	G
		Ref	Note: For Replacement, Use p/n 1001212415.	
7	70004738	2	Washer	
10	70004739	1	Roller	
11	70004740	1	Boot, Switch	
14	70004741	2	Half, Handle	
17	70004742	1	Enclosure	
18	70004743	4	Nut	
19	70004744	NLA	Boot, Controller (Use p/n 70005230 Boot/Base Assembly)	
20	70004745	NLA	Tube, Locking (Use p/n 70005230 Boot/Base Assembly)	
21	70004746	NLA	Disc, Locking (Use p/n 70005230 Boot/Base Assembly)	
25	70004747	2	Seal, Rope	
26	70004748	1	Screw M3 x 6	
28	70004749	2	Screw M5 x 20	
29	70004750	1	Pin, Dowel	
30	70004751	4	Screw M3 x 16	
101	4460265	1	Connector - 9 Position	
101	4460226	7	Socket, Female	

SECTION 5 - PLATFORM

FIGURE 5-16. CONTROLLER ASSEMBLY - LIFT/SWING



ART_1001166539

SECTION 5 - PLATFORM

FIGURE 5-16. CONTROLLER ASSEMBLY - LIFT/SWING

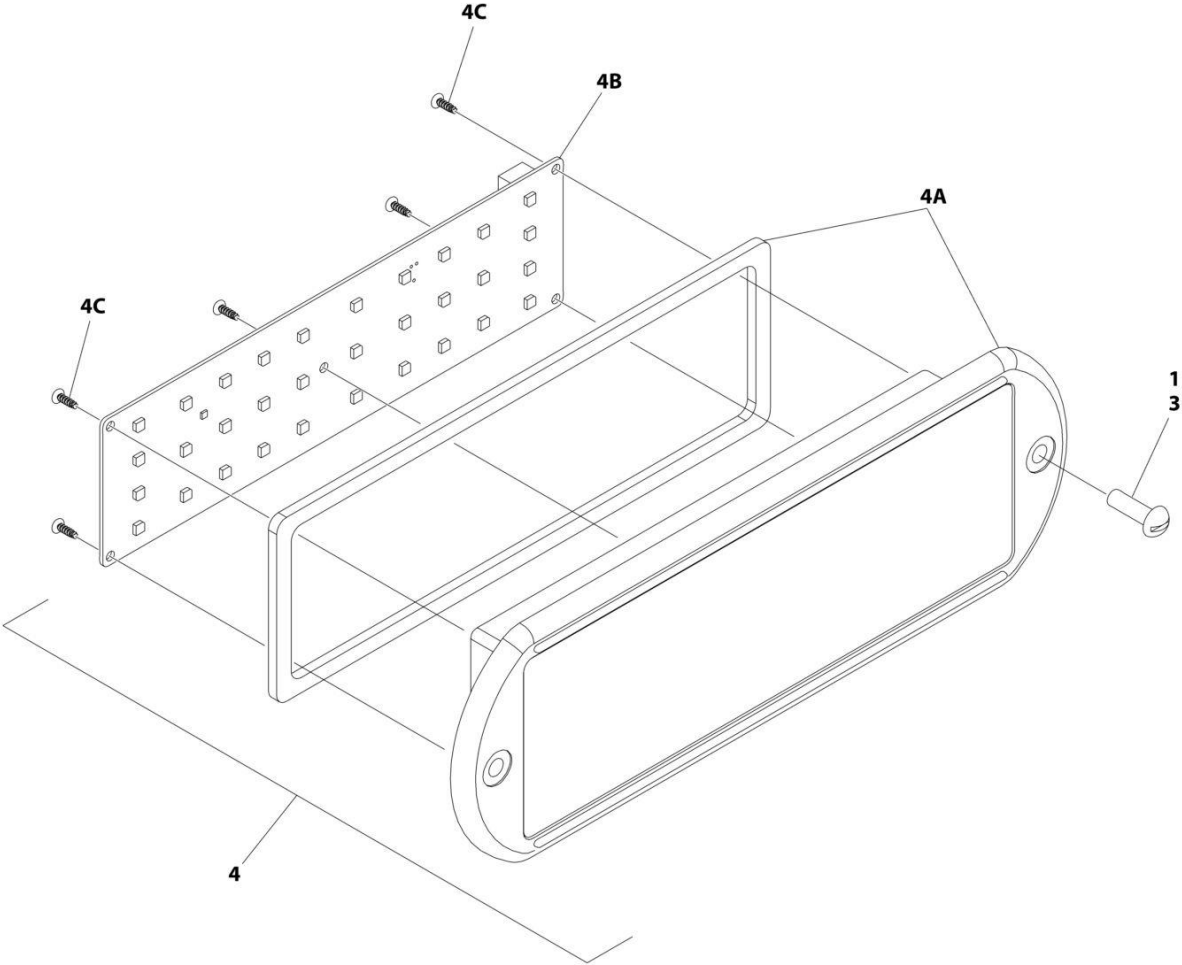
ITEM	PART NUMBER	QTY	DESCRIPTION	REV
	1001166539	Ref	CONTROLLER ASSEMBLY	E
		Ref	Note: Original Equipment Controller May Have Been Replaced with Service Replacement Controller. Visually Identify Controller Before Ordering Parts.	
		Ref	Note: For Replacement, Use p/n 1001129555	
1	See Note	NSS	Main Cast Body (Note: Not Available - Purchase Complete Assembly)	
2	70004752	1	Adapter	
3	See Note	NSS	Pivot Arm, Plastic (Note: Not Available - Purchase Complete Assembly)	
4	See Note	NSS	Holder, Magnet (Note: Not Available - Purchase Complete Assembly)	
5	See Note	NSS	Arc, Magnet (Note: Not Available - Purchase Complete Assembly)	
6	See Note	NSS	Screw (Note: Not Available for Purchase)	
7	See Note	NSS	Pivot Arm, Cast (Note: Not Available - Purchase Complete Assembly)	
8	See Note	NSS	Shaft, Main (Note: Not Available - Purchase Complete Assembly)	
9	See Note	NSS	Bearing (Note: Not Available - Purchase Complete Assembly)	
10	See Note	NSS	Pin (Note: Not Available - Purchase Complete Assembly)	
11	See Note	NSS	Shim (Note: Not Available - Purchase Complete Assembly)	
12	See Note	NSS	Pin (Note: Not Available - Purchase Complete Assembly)	
13	See Note	NSS	Bearing (Note: Not Available - Purchase Complete Assembly)	
14	See Note	NSS	Dome, Centering (Note: Not Available - Purchase Complete Assembly)	
15	70004753	1	Cap	
16	70004754	1	Insert, Cap	
17	70004755	3	Pin	
18	70004756	2	Washer	
19	70004757	1	Pin, Centering	
20	70004758	1	Spring	
21	70004759	1	Ring, Retaining	
22	70004760	1	E-Ring	
23	70004761	1	Can, Enclosure	
24	70004762	1	Boot	
25	70004763	1	Bezel	
26	See Note	NSS	Screw (Note: Not Available for Purchase)	
27	See Note	NSS	Base Mounting (Note: Not Available - Purchase Complete Assembly)	
28	See Note	NSS	Screw (Note: Not Available for Purchase)	
29	70004764	4	Screw	
30	70004765	4	Screw	
31	70004766	1	O-Ring	
32	See Note	NSS	Plate (Note: Not Available - Purchase Complete Assembly)	
33	See Note	NSS	Harness (Note: Not Available - Purchase Complete Assembly)	
34	70004767	1	Grommet, Rubber	
35	70004768	1	Housing	
36	70004769	1	Spring	
37	70004770	1	Stopper	
38	70004771	1	Spacer	
39	70004772	1	Washer	
40	70004773	1	Disc	

SECTION 5 - PLATFORM

ITEM	PART NUMBER	QTY	DESCRIPTION	REV
41	70004774	2	Ring, Retaining	
42	70004775	1	Spring	
101	4460265	1	Connector - 9 Position	
101	4460226	6	Socket, Female	

SECTION 5 - PLATFORM

FIGURE 5-17. LIGHT PANEL INSTALLATION



ART_1001233959_20F2

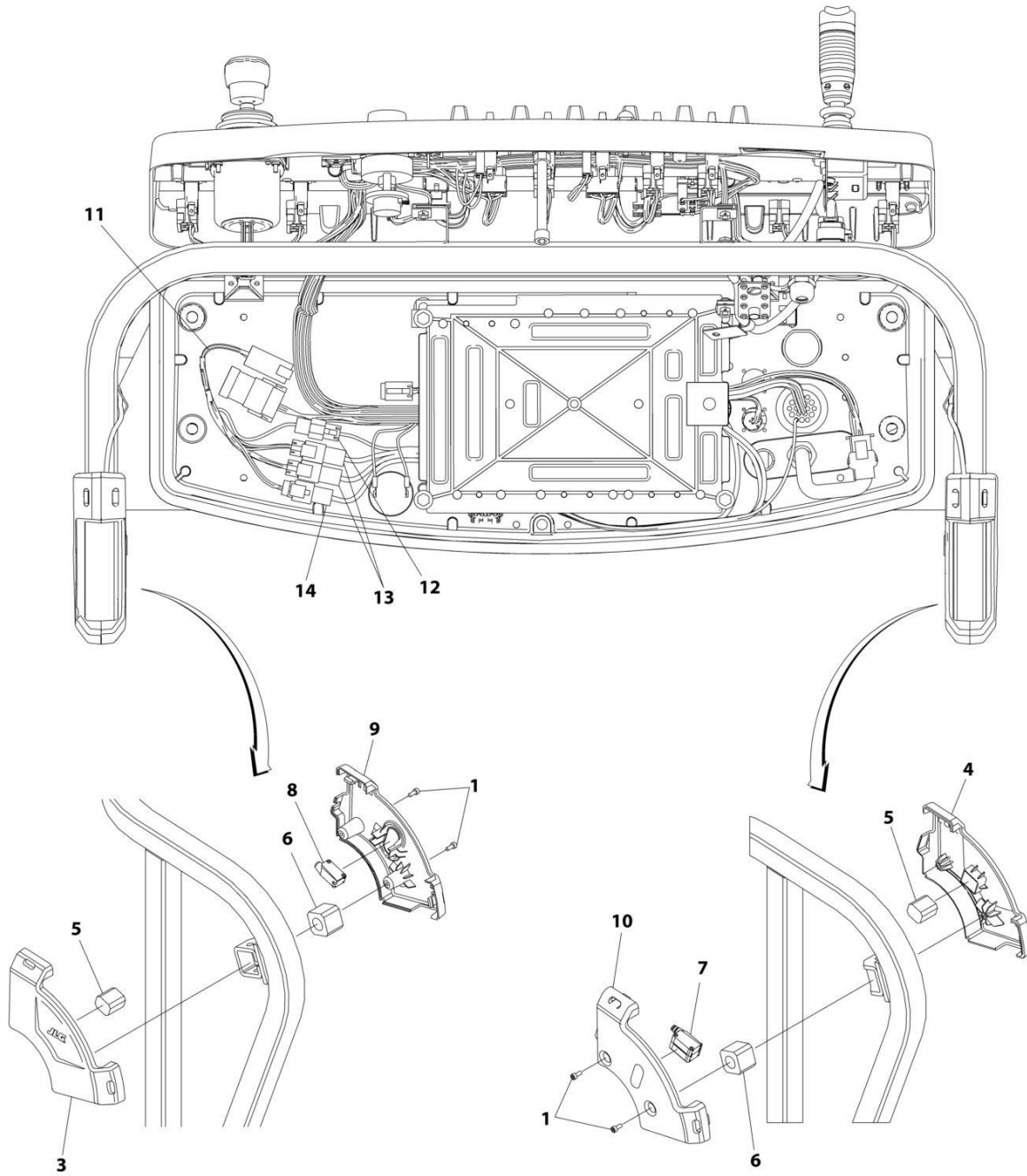
SECTION 5 - PLATFORM

FIGURE 5-17. LIGHT PANEL INSTALLATION

ITEM	PART NUMBER	QTY	DESCRIPTION	REV
	1001233959	Ref	LIGHT PANEL INSTALLATION - PLATFORM CONSOLE	C
1	0100035	AR	Compound, Locking	
3	0630518	2	Screw #10 x 3/4	
4	1001237544	1	Light Panel Assembly	
4A	1001236087	1	Lens, I-Con (Includes Gasket)	
4B	1001187807	1	Panel, LED Light	
4C		Ref	Screw	

SECTION 5 - PLATFORM

FIGURE 5-18. SKYEYE INSTALLATION



ART_1001229341

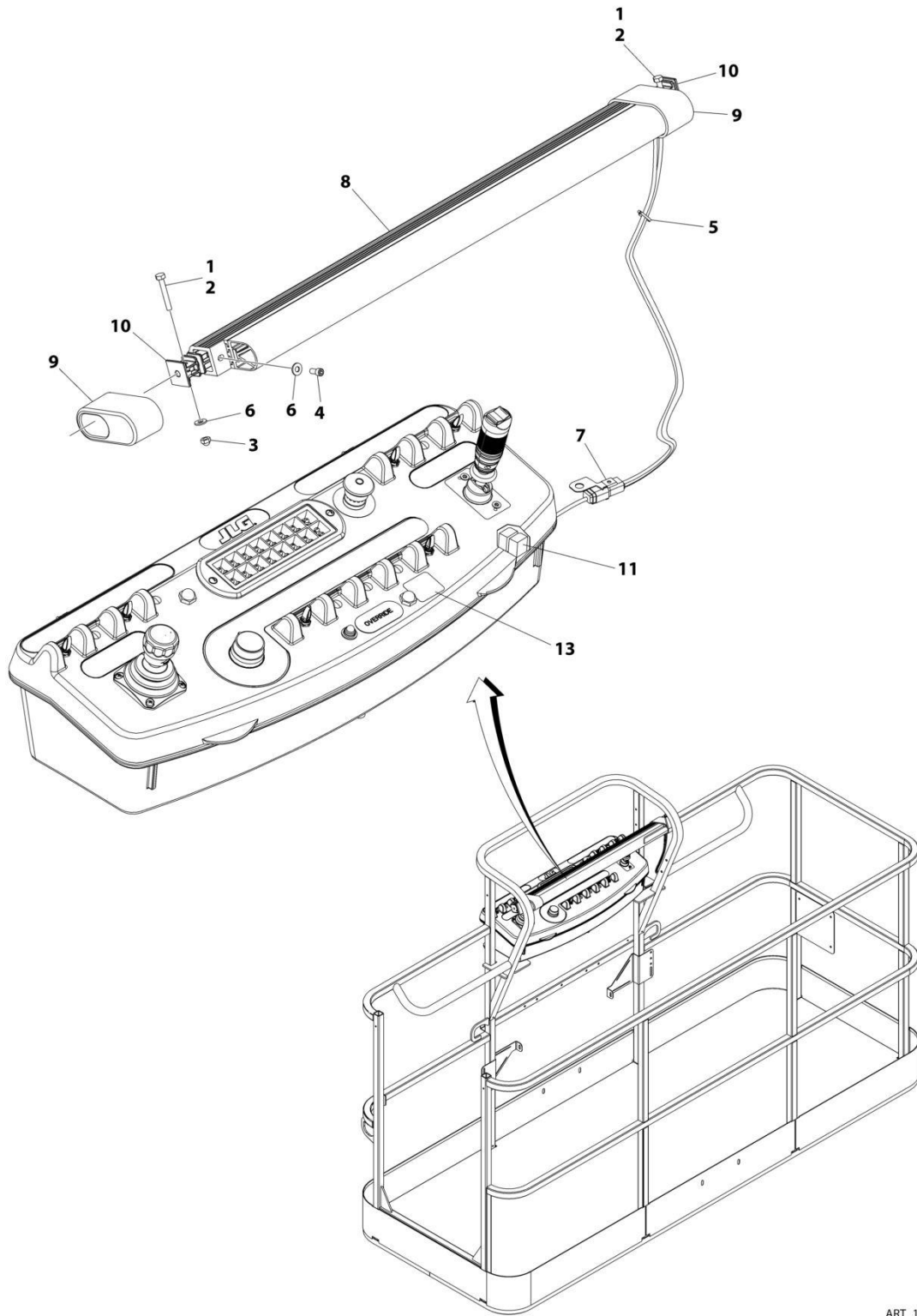
SECTION 5 - PLATFORM

FIGURE 5-18. SKYEYE INSTALLATION

ITEM	PART NUMBER	QTY	DESCRIPTION	REV
	1001229341	Ref	SKYEYE INSTALLATION	B
1	4031505	4	Bolt M4 x 10	
2	4240033	AR	Tie-Strap (Not Shown)	
3	1001227633	1	Housing, LH Outer	
4	1001227634	1	Housing, RH Outer	
5	1001227985	2	Shim	
6	1001227987	2	Shim	
7	1001228224	2	Sensor, Receiver	
8	1001228225	1	Sensor, Emitter	
9	1001232164	1	Housing, LH Inner	
10	1001232165	1	Housing, RH Inner	
11	1001237865	1	Harness, Skyeeye Intermediate (See Separate Breakdown in ELECTRICAL Section)	
12	1001238319	NLA	Harness, Skyeeye Drain Jumper	
12	1001187674	1	Plug, Male - 2 Position	
12	4460942	1	Terminal	
12	4460466	1	Plug, Terminal	
12	4460508	1	Pin, Male	
13	1001237863	2	Harness, Skyeeye Receiver (See Separate Breakdown in ELECTRICAL Section)	
14	1001237864	1	Harness, Skyeeye Emitter (See Separate Breakdown in ELECTRICAL Section)	

SECTION 5 - PLATFORM

FIGURE 5-19. SKYGUARD BAR INSTALLATION



ART_1001238495

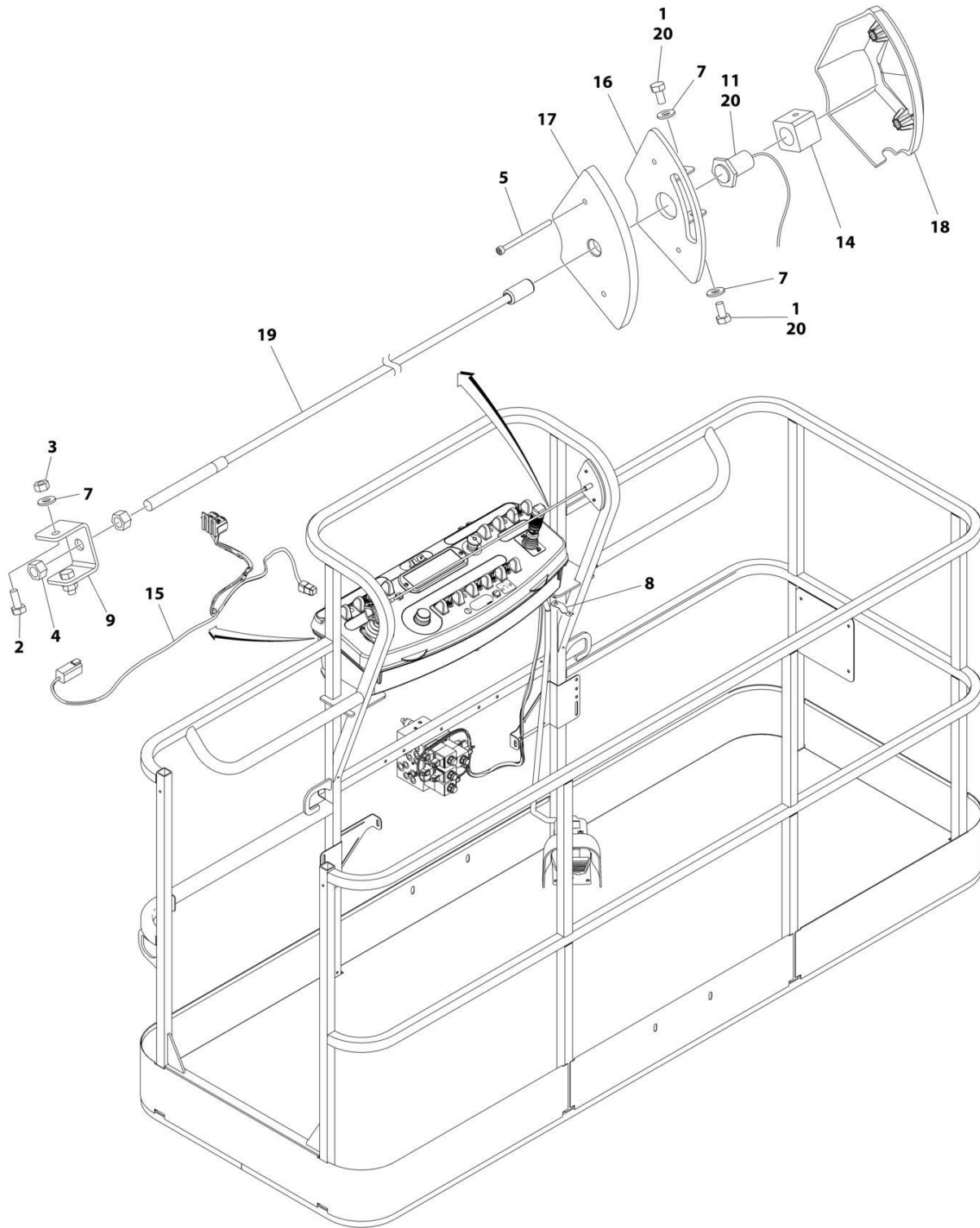
SECTION 5 - PLATFORM

FIGURE 5-19. SKYGUARD BAR INSTALLATION

ITEM	PART NUMBER	QTY	DESCRIPTION	REV
	1001238495	Ref	SKYGUARD BAR INSTALLATION	A
1	0100011	AR	Compound, Locking	
2	0641414	2	Bolt 1/4 x 1-3/4	
3	3300430	2	Nut 1/4	
4	3931408	2	Capscrew 1/4 x 1/2	
5	4240033	8	Tie-Strap	
6	4711400	6	Washer 1/4	
7	1001120328	1	Mount	
8	1001137673	1	SkyGuard Switch Assembly	
9	1001186517	2	Cover, Platform Sensor	
10	1001209664	2	Support, Block	
11	1001186431	2	Relay	
12	1001225580	1	Interface Harness Assembly (Not Shown - Located Inside Console Box) (See Separate Breakdown in ELECTRICAL Section)	
13	1001144433	1	Decal - No Weight SkyGuard	

SECTION 5 - PLATFORM

FIGURE 5-20. SKYLINE INSTALLATION



ART_1001238559_D

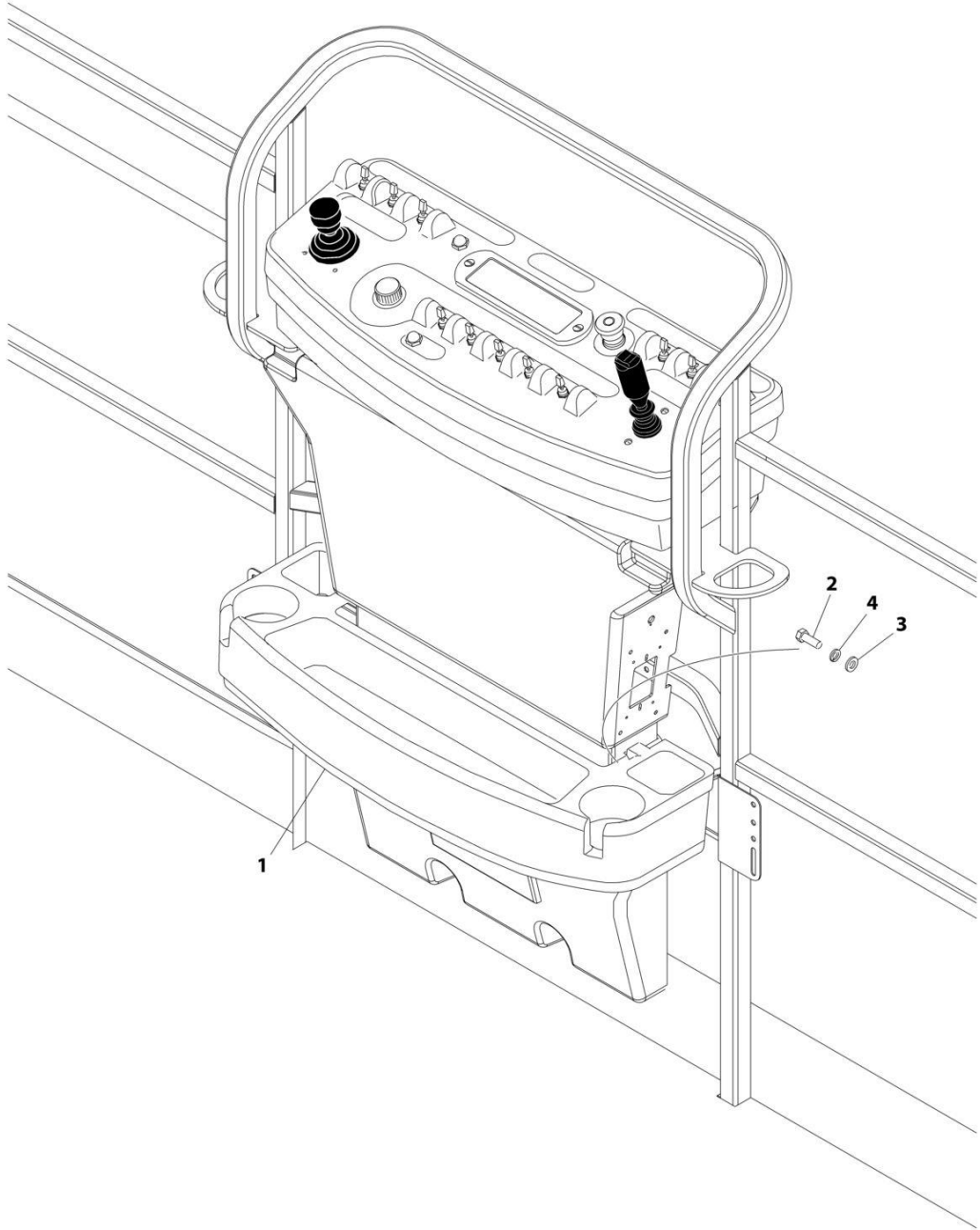
SECTION 5 - PLATFORM

FIGURE 5-20. SKYLINE INSTALLATION

ITEM	PART NUMBER	QTY	DESCRIPTION	REV
	1001238559	Ref	SKYLINE INSTALLATION	D
1	0641404	2	Bolt 1/4 x 1/2	
2	0641405	2	Bolt 1/4 x 5/8	
3	3311405	2	Nut 1/4	
4	3311601	2	Nut 3/8	
5	4031516	2	Capscrew M4 x 60	
6	4240033	AR	Tie-Strap (Not Shown)	
7	4711400	4	Washer 1/4	
8	1001120328	1	Mount	
9	1001232642	1	Bracket	
11	1001232667	1	Sensor, Proximity	
14	1001236552	1	Block	
15	1001238418	1	Harness, Skyline (See Separate Breakdown in ELECTRICAL Section)	
16	1001238472	1	Mount	
17	1001254473	1	Housing, LH	
18	1001241965	1	Housing, RH	
19	1001254472	1	Rod	
20	0100011	AR	Compound, Locking	

SECTION 5 - PLATFORM

FIGURE 5-21. STORAGE TRAY INSTALLATION - CENTER



ART_1580012

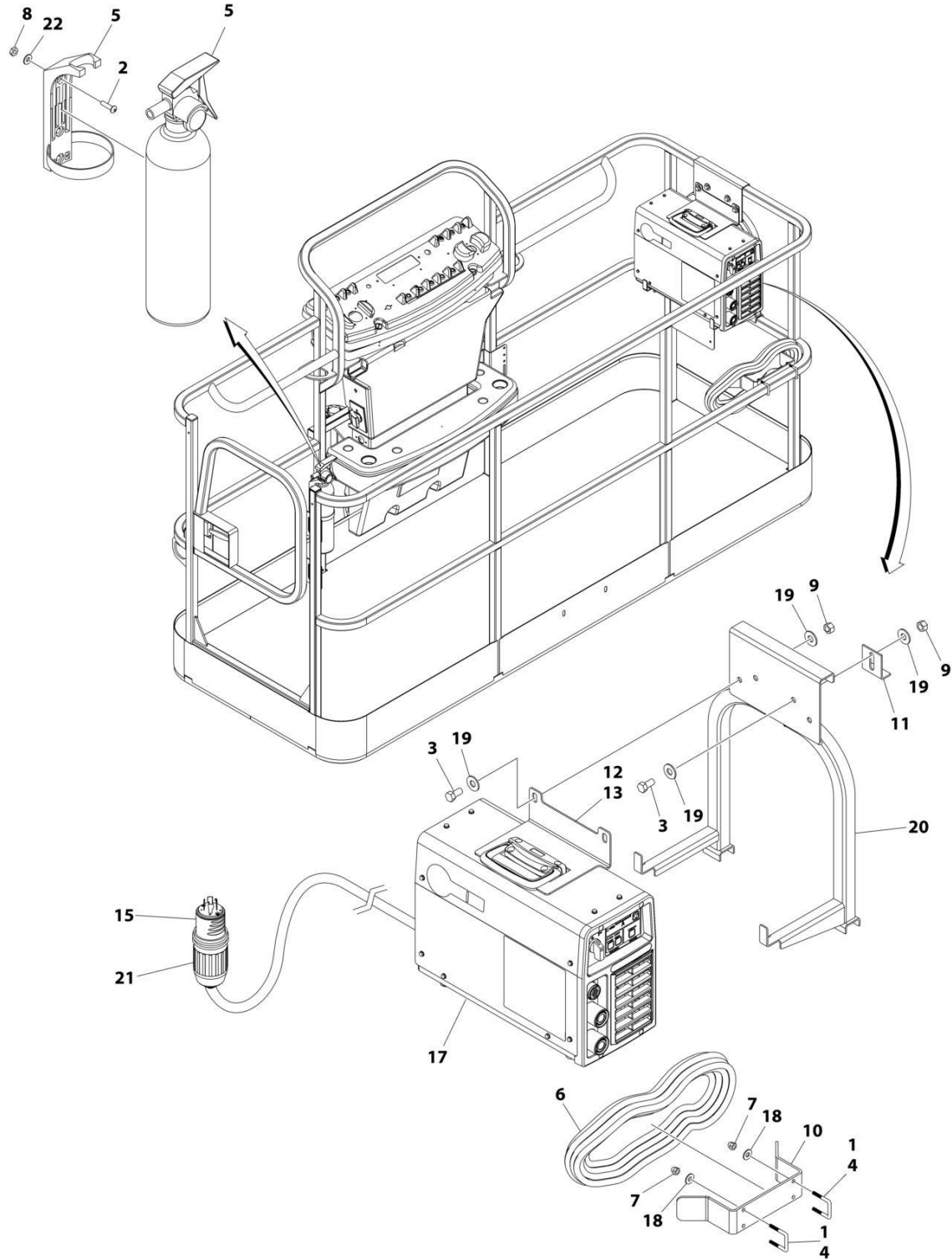
SECTION 5 - PLATFORM

FIGURE 5-21. STORAGE TRAY INSTALLATION - CENTER

ITEM	PART NUMBER	QTY	DESCRIPTION	REV
	1580012	Ref	TRAY ASSEMBLY	C
1	See Note	NSS	Tray, Storage (Center) (Note: Purchase p/n 1580012)	
2	0641406	2	Bolt 1/4 x 3/4	
3	4751400	2	Washer 1/4	
4	4761400	2	Washer 1/4	

SECTION 5 - PLATFORM

FIGURE 5-22. SKYWELDER INSTALLATION (50HZ)



ART_0272254_J

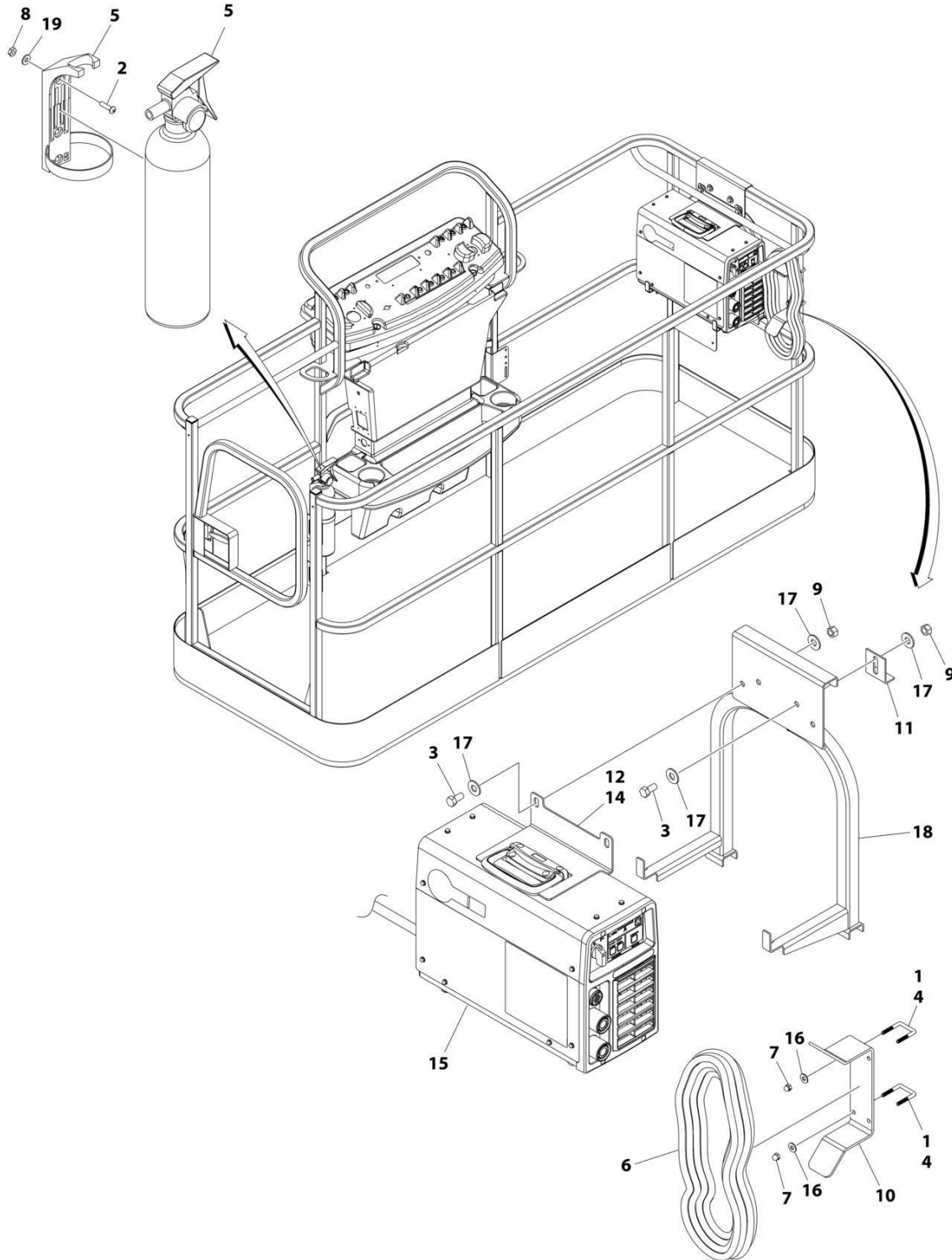
SECTION 5 - PLATFORM

FIGURE 5-22. SKYWELDER INSTALLATION (50HZ)

ITEM	PART NUMBER	QTY	DESCRIPTION	REV
	0272254	Ref	SKYWELDER INSTALLATION	J
1	0100011	AR	Compound, Locking	
2	0630518	2	Screw #10 x 3/4	
3	0641606	4	Bolt 3/8 x 3/4	
4	1320302	2	U-Clamp	
5	2030010	1	Extinguisher, Fire	
6	2902217	1	Weld Leads Kit	
7	3300151	4	Nut 1/4	
8	3311005	2	Nut #10	
9	3311605	4	Nut 3/8	
10	3573400	1	Bracket	
11	3577121	2	Angle	
12	1001269573	1	Plate	
13	4420037	AR	Tape	
14	4240099	AR	Tie-Strap (Not Shown)	
15	4460962	1	Plug, Male Twistlock	
17	1001268820	1	Welder Assembly (See Separate Breakdown in this Section)	
18	4751400	4	Washer 1/4	
19	4751600	8	Washer 3/8	
20	1001269322	1	Support	
21	1671093	1	Cover, Plug	
22	4751000	2	Washer #10	

SECTION 5 - PLATFORM

FIGURE 5-23. SKYWELDER INSTALLATION (60HZ)



ART_0272521_G

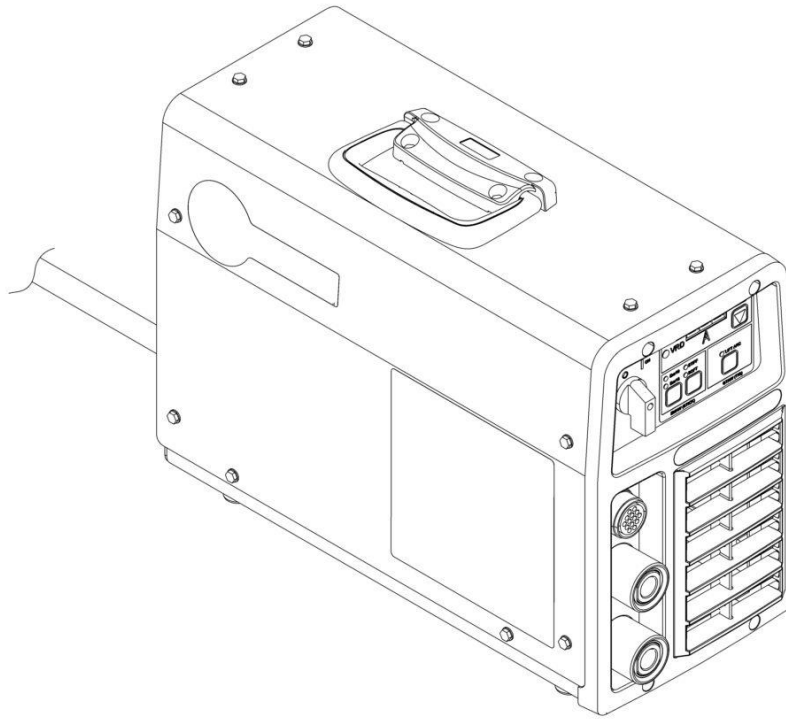
SECTION 5 - PLATFORM

FIGURE 5-23. SKYWELDER INSTALLATION (60HZ)

ITEM	PART NUMBER	QTY	DESCRIPTION	REV
	0272521	Ref	SKYWELDER INSTALLATION	G
1	0100011	AR	Compound, Locking	
2	0630518	2	Screw #10 x 3/4	
3	0641606	4	Bolt 3/8 x 3/4	
4	1320302	2	U-Clamp	
5	2030010	1	Extinguisher, Fire	
6	2902217	1	Weld Leads Kit	
7	3300151	4	Nut 1/4	
8	3311005	2	Nut #10	
9	3311605	4	Nut 3/8	
10	3573400	1	Bracket	
11	3577121	2	Angle	
12	1001269573	1	Plate	
13	4240099	AR	Tie-Strap (Not Shown)	
14	4420037	AR	Tape	
15	1001268820	1	Welder Assembly (See Separate Breakdown in this Section)	
16	4751400	4	Washer 1/4	
17	4751600	8	Washer 3/8	
18	1001269322	1	Support	
19	4751000	2	Washer #10	

SECTION 5 - PLATFORM

FIGURE 5-24. WELDER ASSEMBLY



ART_1001268820

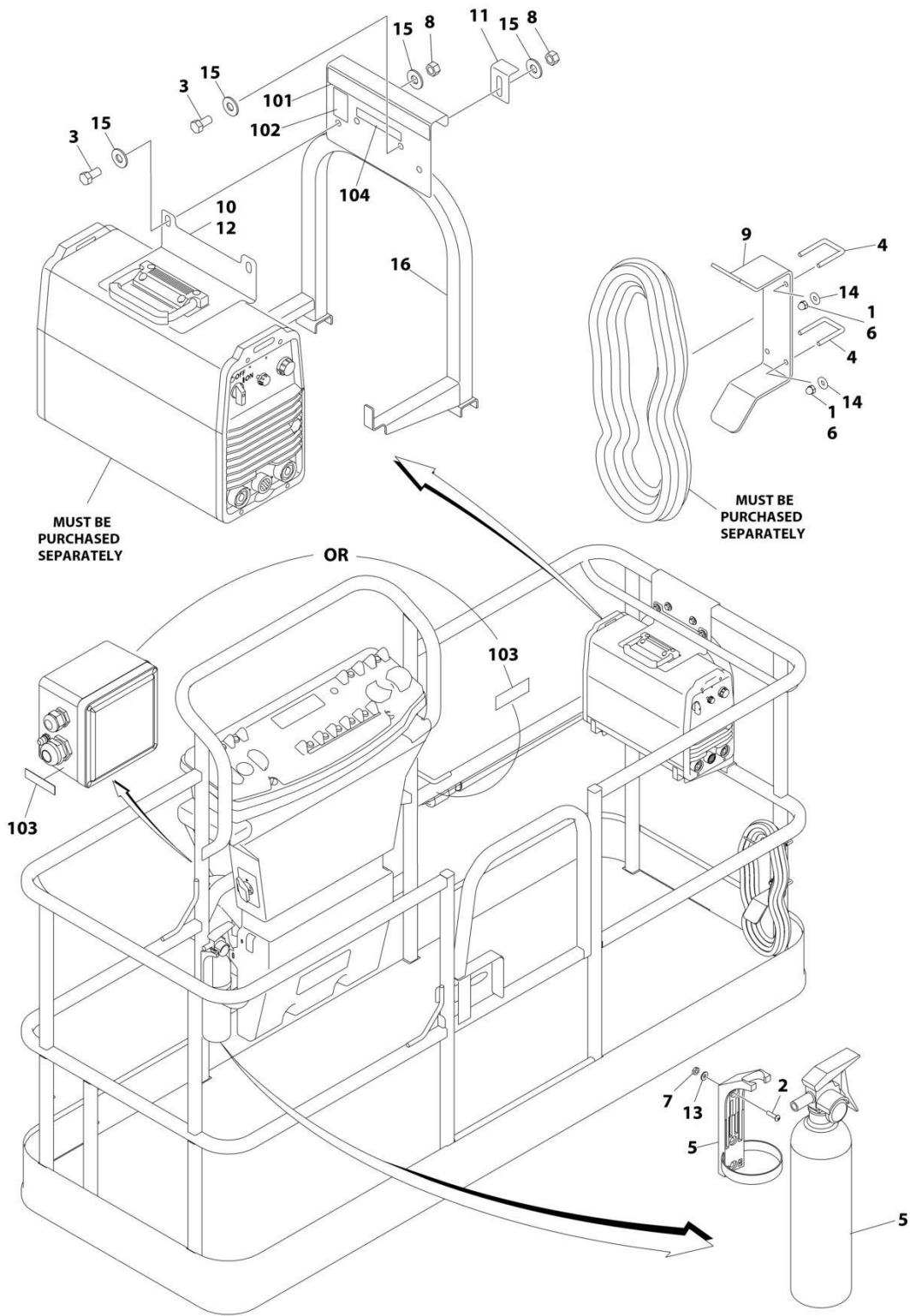
SECTION 5 - PLATFORM

FIGURE 5-24. WELDER ASSEMBLY

ITEM	PART NUMBER	QTY	DESCRIPTION	REV
	1001268820	1 Ref	WELDER ASSEMBLY Note: No Service Parts available at time of Printing.	B

SECTION 5 - PLATFORM

FIGURE 5-25. SKYWELDER PREP PACKAGE (60HZ) (MACHINES WITH SN STARTING WITH 03 ONLY)



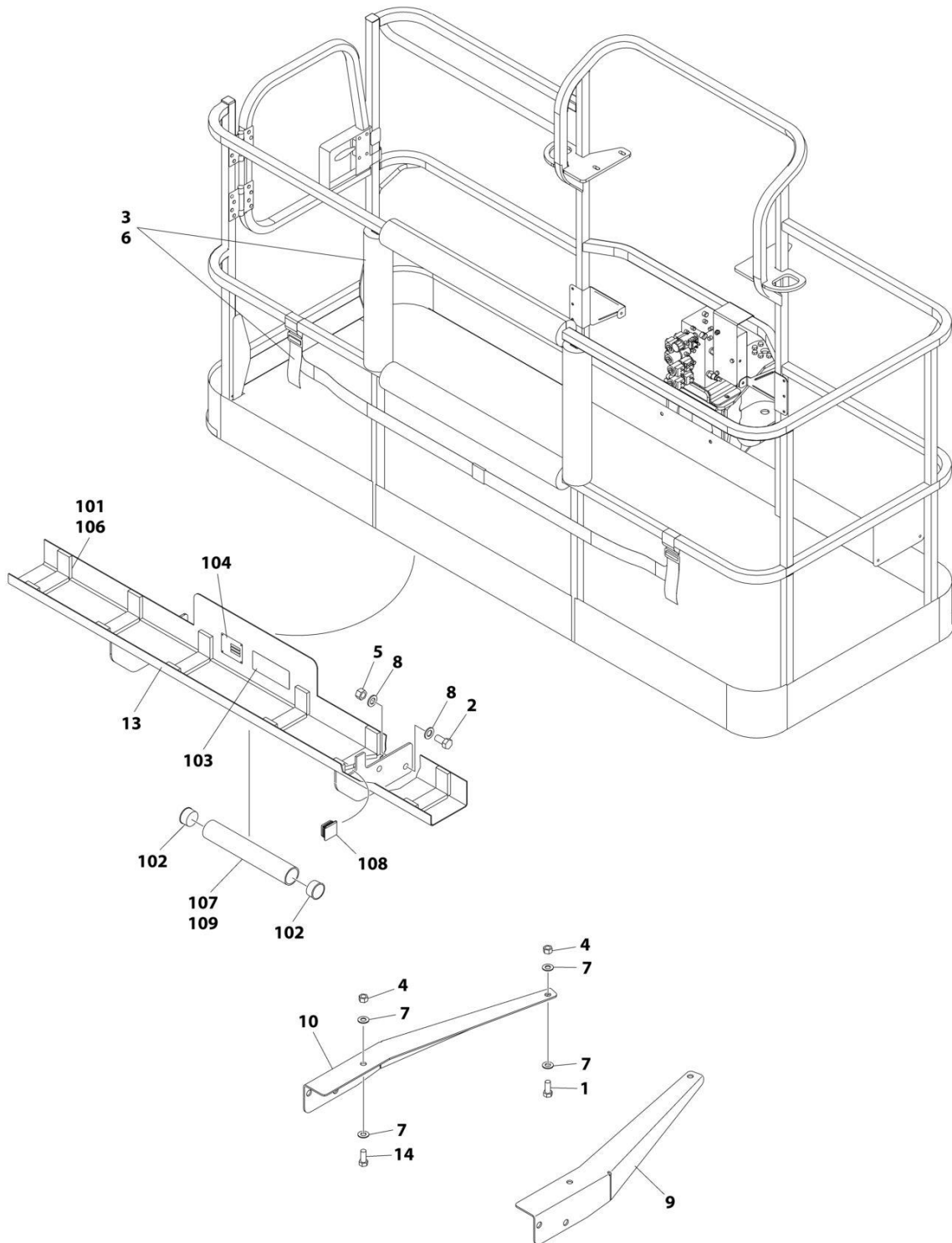
SECTION 5 - PLATFORM

FIGURE 5-25. SKYWELDER PREP PACKAGE (60HZ) (MACHINES WITH SN STARTING WITH 03 ONLY)

ITEM	PART NUMBER	QTY	DESCRIPTION	REV
	1001128527	Ref	SKYWELDER PREP PACKAGE	B
1	0100011	AR	Compound, Locking	
2	0630518	2	Screw #10 x 3/4	
3	0641606	4	Bolt 3/8 x 3/4	
4	1320302	2	U-Clamp	
5	2030010	1	Extinguisher, Fire	
6	3300151	4	Nut 1/4	
7	3311005	2	Nut #10	
8	3311605	4	Nut 3/8	
9	3573400	1	Bracket	
10	3573642	1	Plate	
11	3577121	2	Angle	
12	4420037	AR	Tape	
13	4751000	2	Washer #10	
14	4751400	4	Washer 1/4	
15	4751600	8	Washer 3/8	
16	4846627	1	Support	
	1001128556	Ref	SKYWELDER DECAL INSTALLATION	C
101	1702868	1	Decal - No Hands	
102	1705305	1	Decal - Weld Lead	
103	1705375	1	Decal - 240V - 3 Phase - 60Hz	
104	1001228988	1	Decal - Weight	

SECTION 5 - PLATFORM

FIGURE 5-26. SKYGLAZIER INSTALLATION (400S HC3 ANSI, ANSI EXPORT, CE & CSA SPECS/460SJ HC3 ANSI, AUSTRALIAN & CSA SPECS)



ART_1001172578_C

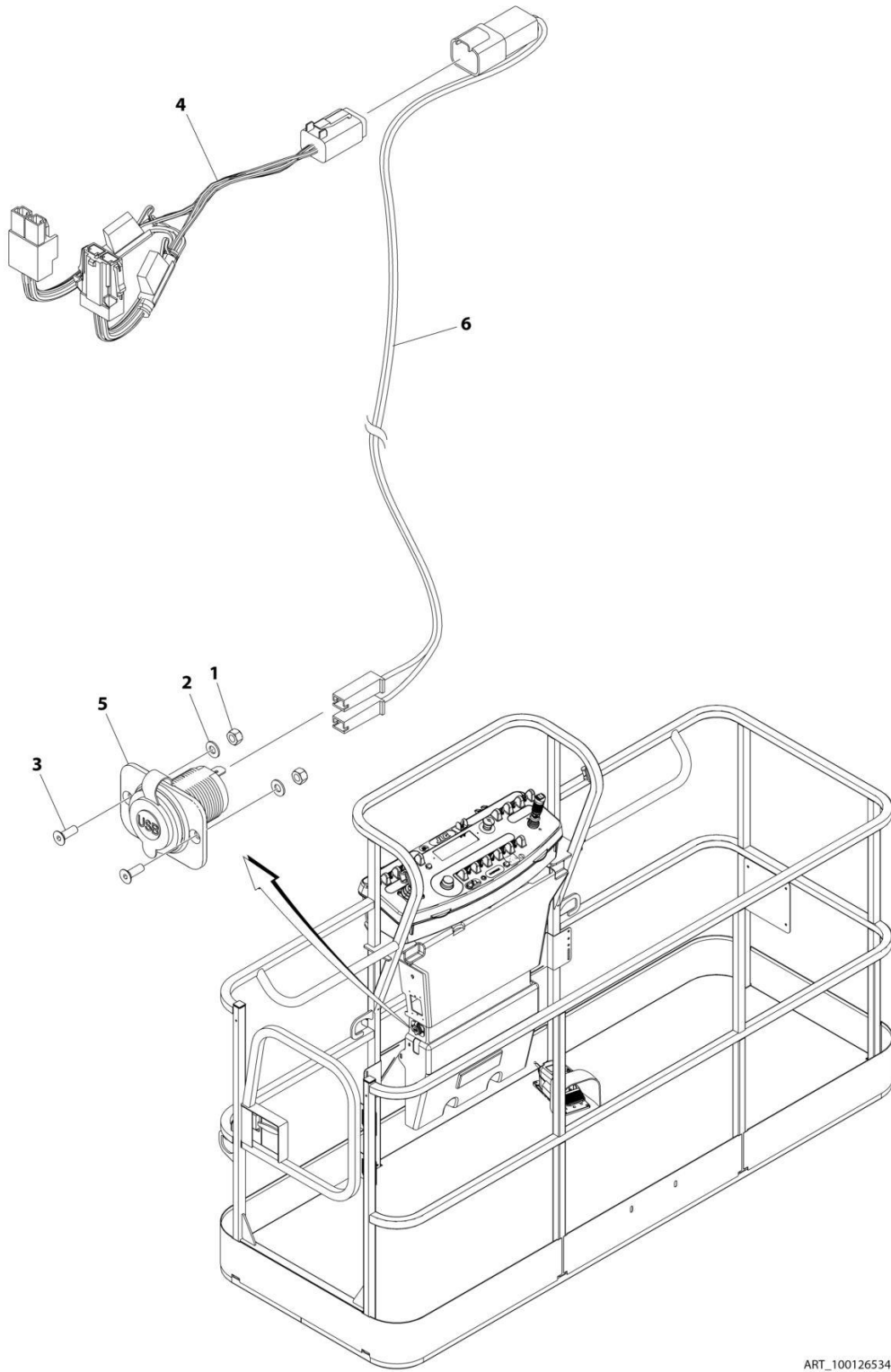
SECTION 5 - PLATFORM

FIGURE 5-26. SKYGLAZIER INSTALLATION (400S HC3 ANSI, ANSI EXPORT, CE & CSA SPECS/460SJ HC3 ANSI, AUSTRALIAN & CSA SPECS)

ITEM	PART NUMBER	QTY	DESCRIPTION	REV
	1001172578	Ref	SKYGLAZIER INSTALLATION	C
1	0642012	2	Bolt 5/8 x 1-1/2	
2	0642212	4	Bolt 3/4 x 1-1/2	
3	2902212	1	Bumpers and Strap Kit	
3	0940102	1	Bumper Only	
3	4240149	1	Strap Only	
4	3312005	1	Nut 5/8	
5	3312205	4	Nut 3/4	
6	4420014	AR	Tape	
7	4712000	6	Washer 5/8	
8	4712200	8	Washer 3/4	
9	1001099366	1	Support	
10	1001099367	1	Support	
13	1001172577	1	Tray Assembly (See Items 101-109 for Breakdown)	
14	8310129	2	Bolt 3/4 x 2-1/2	
	1001172577	Ref	TRAY ASSEMBLY	C
101	0100081	AR	Adhesive	
102	1120555	2	Cap, Tube	
103	1701509	1	Decal - Manual	
104	See Note	NSS	Nameplate - Serial Number (Note: Not Available for Purchase)	
106	3340956	1	Pad Kit	
107	3460334	1	Tube	
108	3520071	2	Plug	
109	4420066	AR	Tape, Double Sided	

SECTION 5 - PLATFORM

FIGURE 5-27. PLATFORM POWER - USB



ART_1001265342

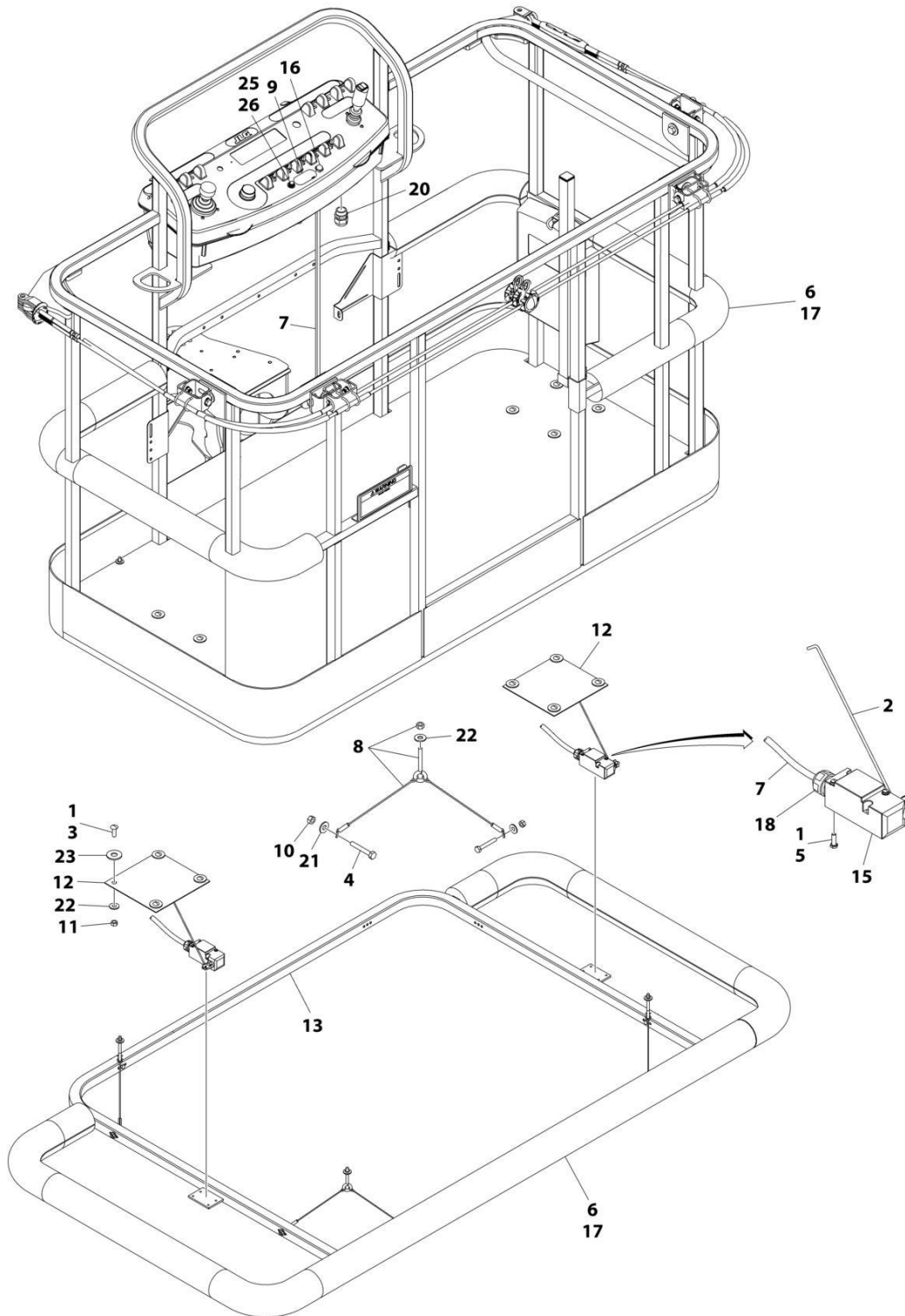
SECTION 5 - PLATFORM

FIGURE 5-27. PLATFORM POWER - USB

ITEM	PART NUMBER	QTY	DESCRIPTION	REV
	1001265342	Ref	USB CHARGER INSTALLATION	A
1	3290405	2	Nut M4	
2	4811400	2	Washer M4	
3	1001097244	2	Screw M4 x 12	
4	1001120484	1	Harness, Work Lights	
4	4460879	1	Plug, Male - 2 Position	
4	4460887	2	Terminal	
4	2400060	2	Fuseholder Includes Cover	
4	8229249	2	Fuse, 3 Amp	
4	4460884	1	Connector - 4 Position	
4	4460465	4	Socket, Female	
4	1001120471	1	Connector - 2 Position	
4	1001120477	2	Terminal	
5	1001210636	1	Receptacle, USB	
6	1001265163	1	Harness, USB	A
6	4460260	2	Cover, Terminal	
6	4460259	2	Terminal	
6	4460932	1	Receptacle, Bussbar - 4 Position	
6	4460464	2	Pin, Male	
6	4460466	2	Plug, Terminal	

SECTION 5 - PLATFORM

**FIGURE 5-28. SOFT TOUCH SYSTEM INSTALLATION - 6FT/1.83M FALL ARREST PLATFORM
(MACHINES WITH SN STARTING WITH 03 ONLY)**



ART_1001108256

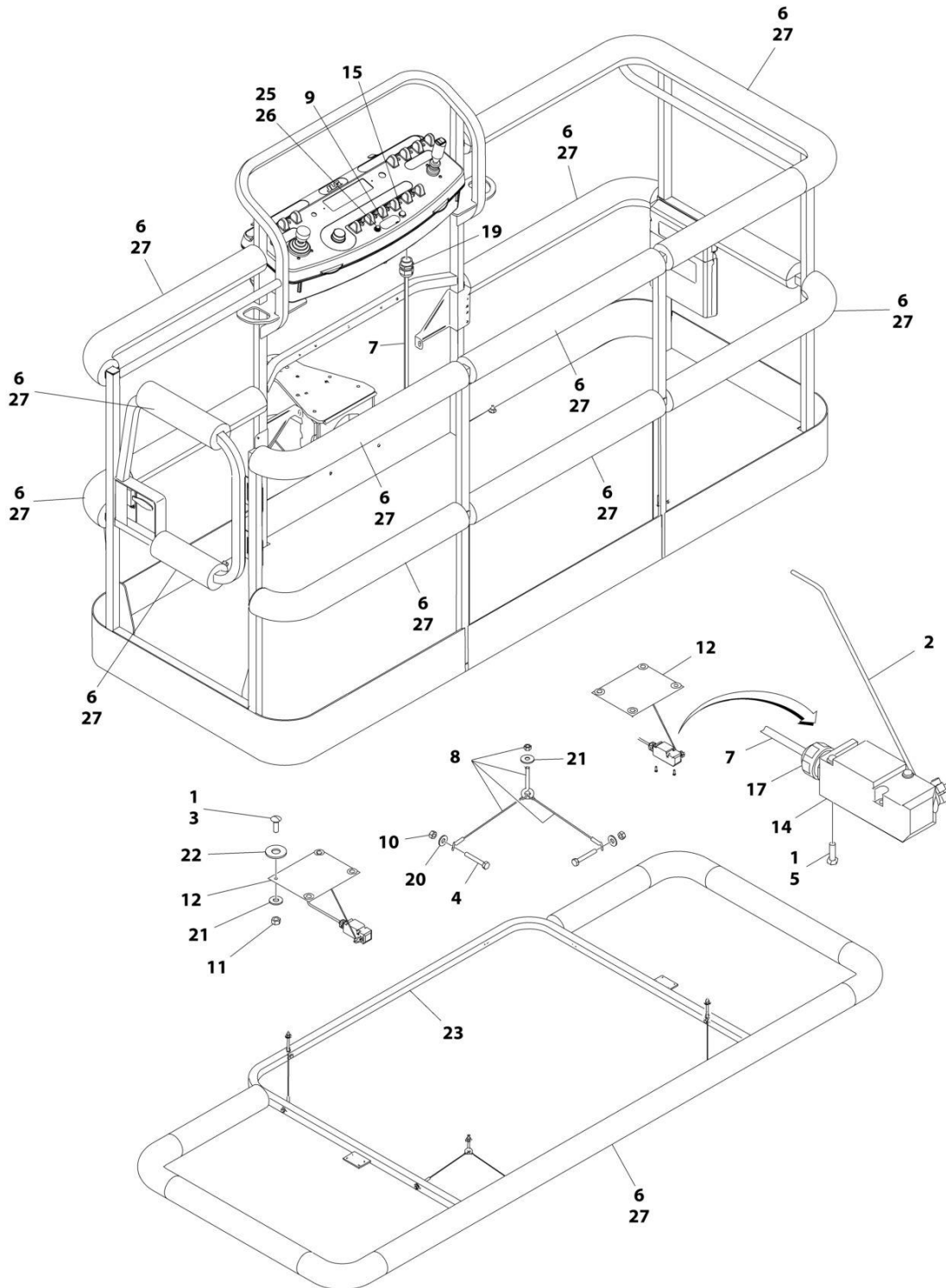
SECTION 5 - PLATFORM

**FIGURE 5-28. SOFT TOUCH SYSTEM INSTALLATION - 6FT/1.83M FALL ARREST PLATFORM
(MACHINES WITH SN STARTING WITH 03 ONLY)**

ITEM	PART NUMBER	QTY	DESCRIPTION	REV
	1001108256	Ref	SOFT TOUCH INSTALLATION	C
1	0100011	AR	Compound, Locking	
2	0200048	2	Arm, Switch	
3	0630462	8	Bolt	
4	0641414	8	Bolt 1/4 x 1-3/4	
5	0731005	4	Bolt #10 x 5/8	
6	0940177	1	Bumper Kit (Includes Corners and Enough Straight Material for One Platform)	
6	0940092	8	Bumper (Corner)	
6	0940094	AR	Bumper (12ft Length)	
7	1060341	23 ft/7m	Cable, Soft Touch - 16/2	
8	1060903	4	Wire Rope and Eyebolt Assembly	
9	1702938	1	Decal - Soft Touch Override	
10	3311401	8	Nut 1/4	
11	3311501	8	Nut 5/16	
12	3575359	2	Plate, Switch Strike	
13	3641569	1	Rail, Soft Touch	
14	4240099	7	Tie-Strap (Not Shown)	
15	4360057	2	Switch, Limit	
16	4360387	1	Switch, Push Button	
17	4420068	AR	Tape, Adhesive	
17	1001197017	AR	Tie-Strap	
18	4460049	2	Connector, Strain Relief	
19	4460234	7	Tie-Strap (Not Shown)	
20	4460425	1	Connector, Strain Relief	
21	4751400	8	Washer 1/4	
22	4751500	9	Washer 5/16	
23	4751800	8	Washer 1/2	
25	2920028	1	Light, Indicator	
26	2920029	1	Bulb, Light	

SECTION 5 - PLATFORM

FIGURE 5-29. SOFT TOUCH SYSTEM INSTALLATION - 8FT/2.44M PLATFORM (MACHINES WITH SN STARTING WITH 03 ONLY)



ART_0272427_G

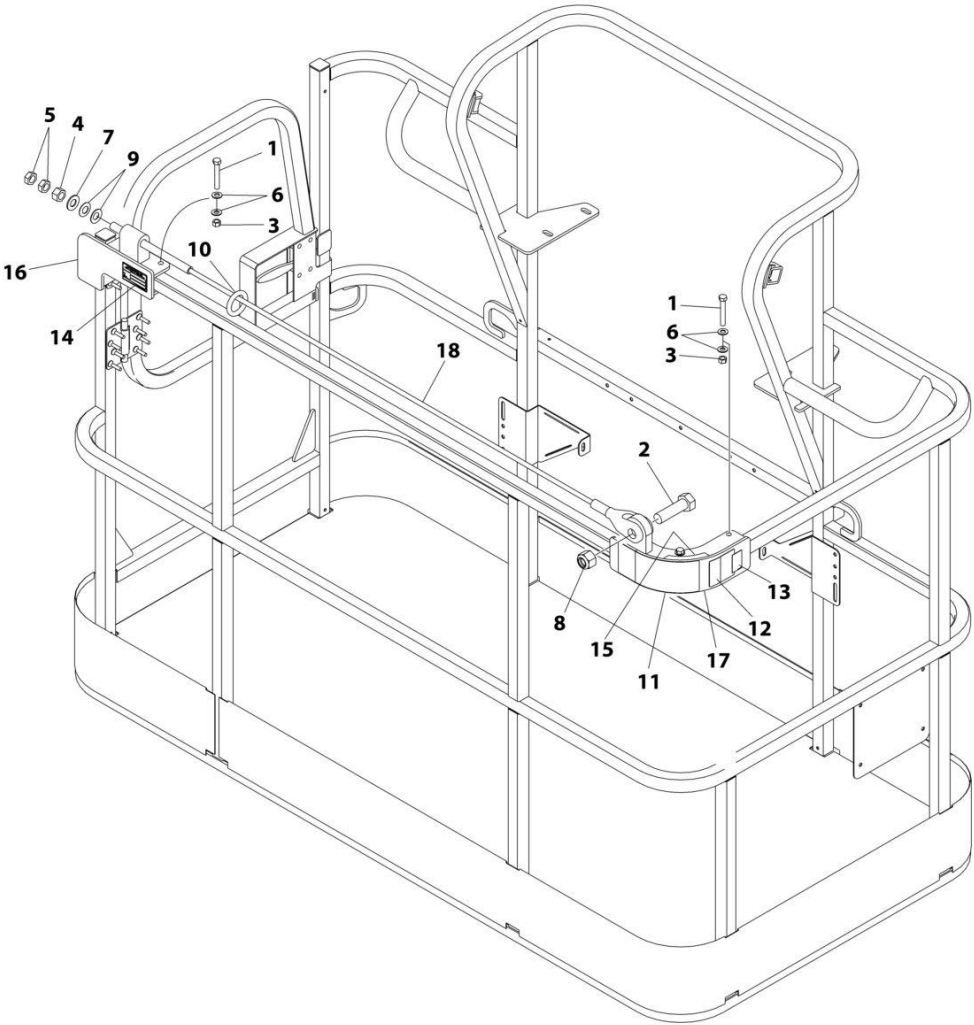
SECTION 5 - PLATFORM

FIGURE 5-29. SOFT TOUCH SYSTEM INSTALLATION - 8FT/2.44M PLATFORM (MACHINES WITH SN STARTING WITH 03 ONLY)

ITEM	PART NUMBER	QTY	DESCRIPTION	REV
	0272427	Ref	SOFT TOUCH INSTALLATION - 36IN X 8FT (91.5CM X 2.44M) PLATFORM (OPTIONAL)	G
1	0100011	AR	Compound, Locking	
2	0200048	2	Arm, Switch	
3	0630462	8	Bolt	
4	0641414	8	Bolt 1/4 x 1-3/4	
5	0721005	4	Bolt #10 x 5/8	
6	0940103	1	Bumper Kit (Includes Corners and Enough Straight Material for One Platform)	
6	0940092	12	Bumper (Corner)	
6	0940094	AR	Bumper (12ft Length)	
7	1060341	23 ft/7m	Cable, Soft Touch - 16/2	
8	1060903	4	Wire Rope and Eyebolt Assembly	
9	1702938	1	Decal - Soft Touch Override	
10	3311401	8	Nut 1/4	
11	3311501	8	Nut 5/16	
12	3574091	2	Plate, Switch Strike	
13	4240099	7	Tie-Strap (Not Shown)	
14	4360057	2	Switch, Limit	
15	4360387	1	Switch, Push Button	
16	4420068	AR	Tape, Adhesive	
16	1001197017	AR	Tie-Strap	
17	4460049	2	Connector, Strain Relief	
18	4460234	7	Tie-Strap (Not Shown)	
19	4460425	1	Connector, Strain Relief	
20	4751400	8	Washer 1/4	
21	4751500	12	Washer 5/16	
22	4751800	8	Washer 1/2	
23	4846673	1	Rail, Soft Touch	
24	4933218	1	Soft Touch Wiring Diagram (Not Shown - Reference Only)	
25	2920028	1	Light, Indicator	
26	2920029	1	Bulb, Light	

SECTION 5 - PLATFORM

FIGURE 5-30. FALL ARREST (BOLT-ON) INSTALLATION - 30IN PLATFORM



ART_1001257275

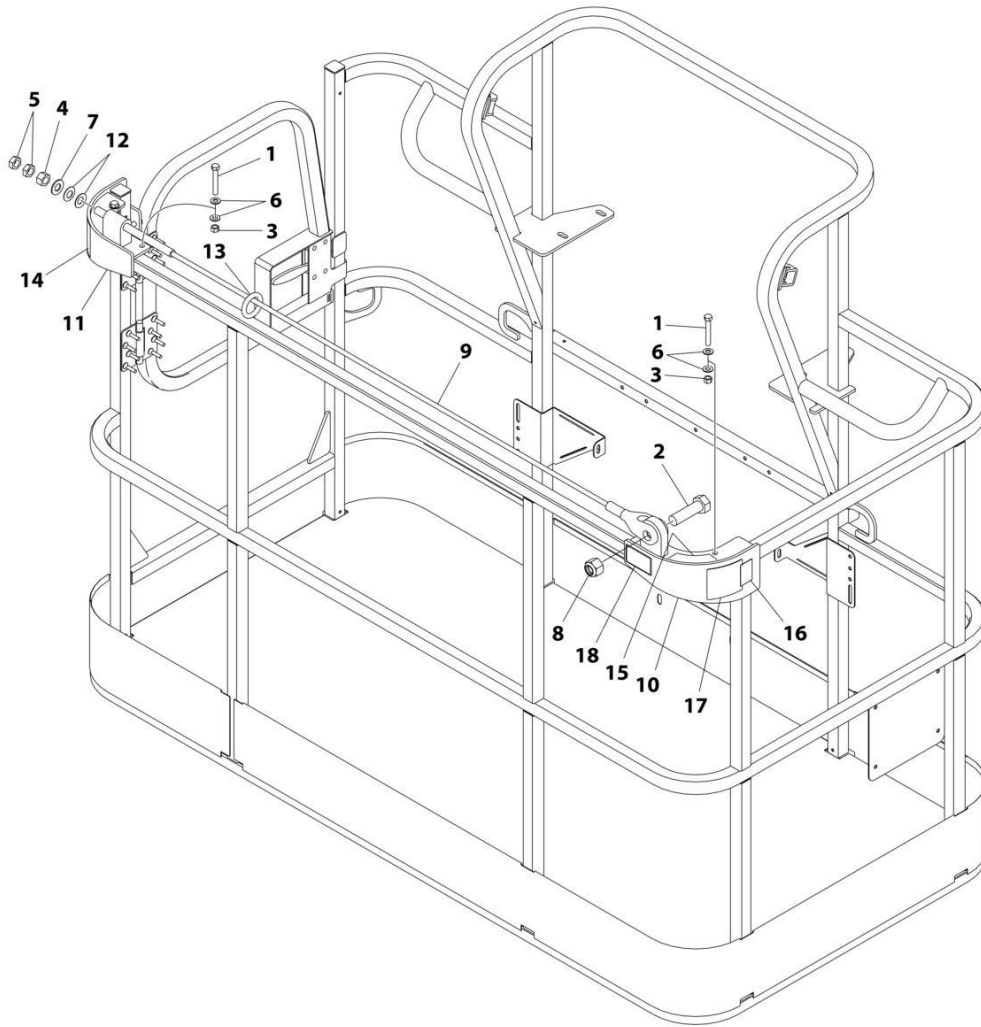
SECTION 5 - PLATFORM

FIGURE 5-30. FALL ARREST (BOLT-ON) INSTALLATION - 30IN PLATFORM

ITEM	PART NUMBER	QTY	DESCRIPTION	REV
	1001257275	Ref	FALL ARREST INSTALLATION (BOLT - ON) 6FT/1.82M PLATFORM	A
1	0681620	6	Bolt 3/8 x 2-1/2	
2	0682424	1	Bolt 7/8 x 3	
3	3271605	6	Nut 3/8	
4	3272001	1	Nut 5/8	
5	3312002	2	Nut 5/8	
6	4711600	12	Washer 3/8	
7	4712000	1	Washer 5/8	
8	88521214	1	Nut 7/8	
9	1001236891	2	Washer	
10	1001236895	1	Ring	
11	1001238263	1	Decal - Warning Falling Hazard	
12	1001248140	1	Decal - Bolt Fall Arrest Re-Cert	
13	1001248141	1	Decal - Incription	
14	See Note	NSS	Nameplate - Manufacturers Serial Number (Note: Not Available for Purchase)	
15	1001252629	1	Decal - Weight	
16	1001257271	1	Bracket (RH)	
17	1001257274	1	Bracket (LH)	
18	1001258005	1	Rope	

SECTION 5 - PLATFORM

FIGURE 5-31. FALL ARREST (BOLT-ON) INSTALLATION - 72IN STANDARD PLATFORM



ART_1001236747

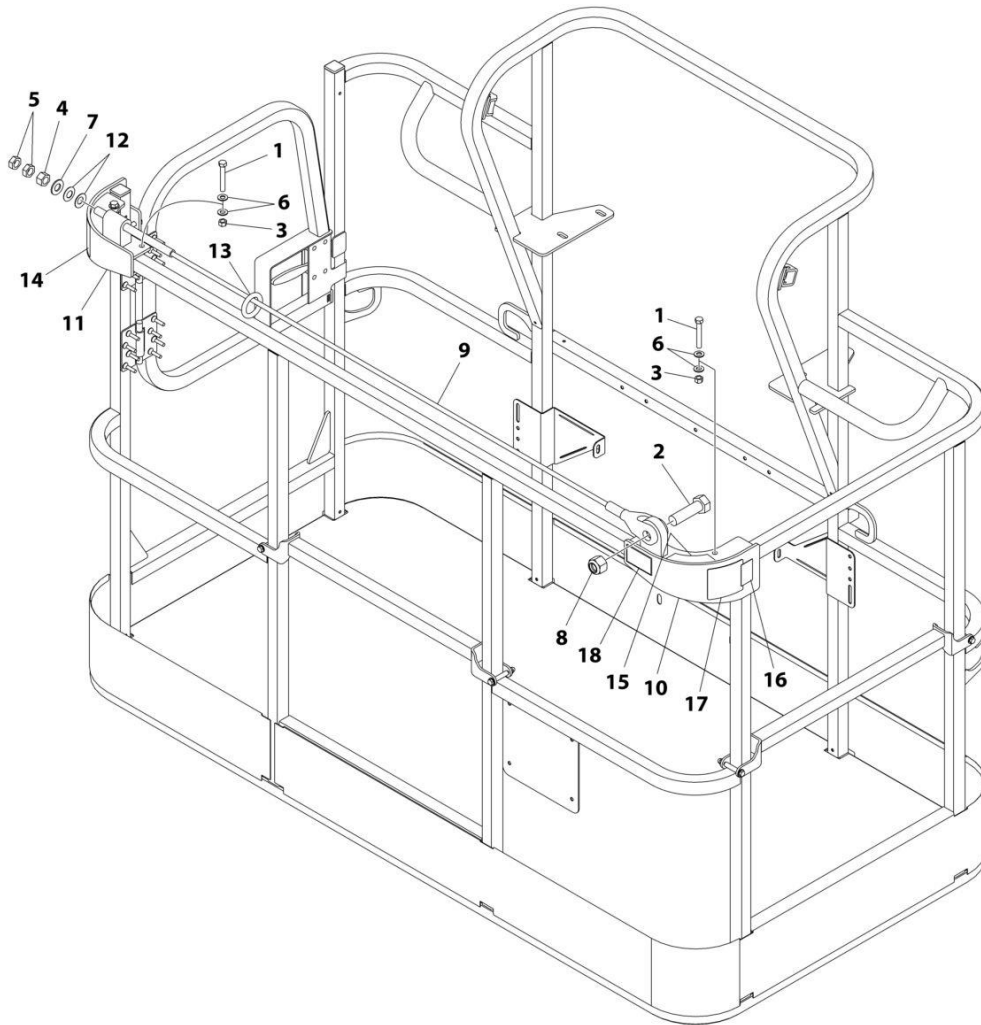
SECTION 5 - PLATFORM

FIGURE 5-31. FALL ARREST (BOLT-ON) INSTALLATION - 72IN STANDARD PLATFORM

ITEM	PART NUMBER	QTY	DESCRIPTION	REV
	1001236747	Ref	FALL ARREST INSTALLATION (BOLT - ON) 6FT/1.82M PLATFORM	C
1	0681620	6	Bolt 3/8 x 2-1/2	
2	0682424	1	Bolt 7/8 x 3	
3	3271605	6	Nut 3/8	
4	3272001	1	Nut 5/8	
5	3312002	2	Nut 5/8	
6	4711600	12	Washer 3/8	
7	4712000	1	Washer 5/8	
8	88521214	1	Nut 7/8	
9	1001231950	1	Rope	
10	1001232010	1	Bracket (RH)	
11	1001232011	1	Bracket (LH)	
12	1001236891	2	Washer	
13	1001236895	1	Ring	
14	1001238263	1	Decal - Warning Falling Hazard	
15	1001252629	1	Decal - Weight	
16	1001248140	1	Decal - Bolt Fall Arrest Re-Cert	
17	1001248141	1	Decal - Inscription	

SECTION 5 - PLATFORM

FIGURE 5-32. FALL ARREST (BOLT-ON) INSTALLATION - 72IN TRI-ENTRY PLATFORM



ART_1001238463

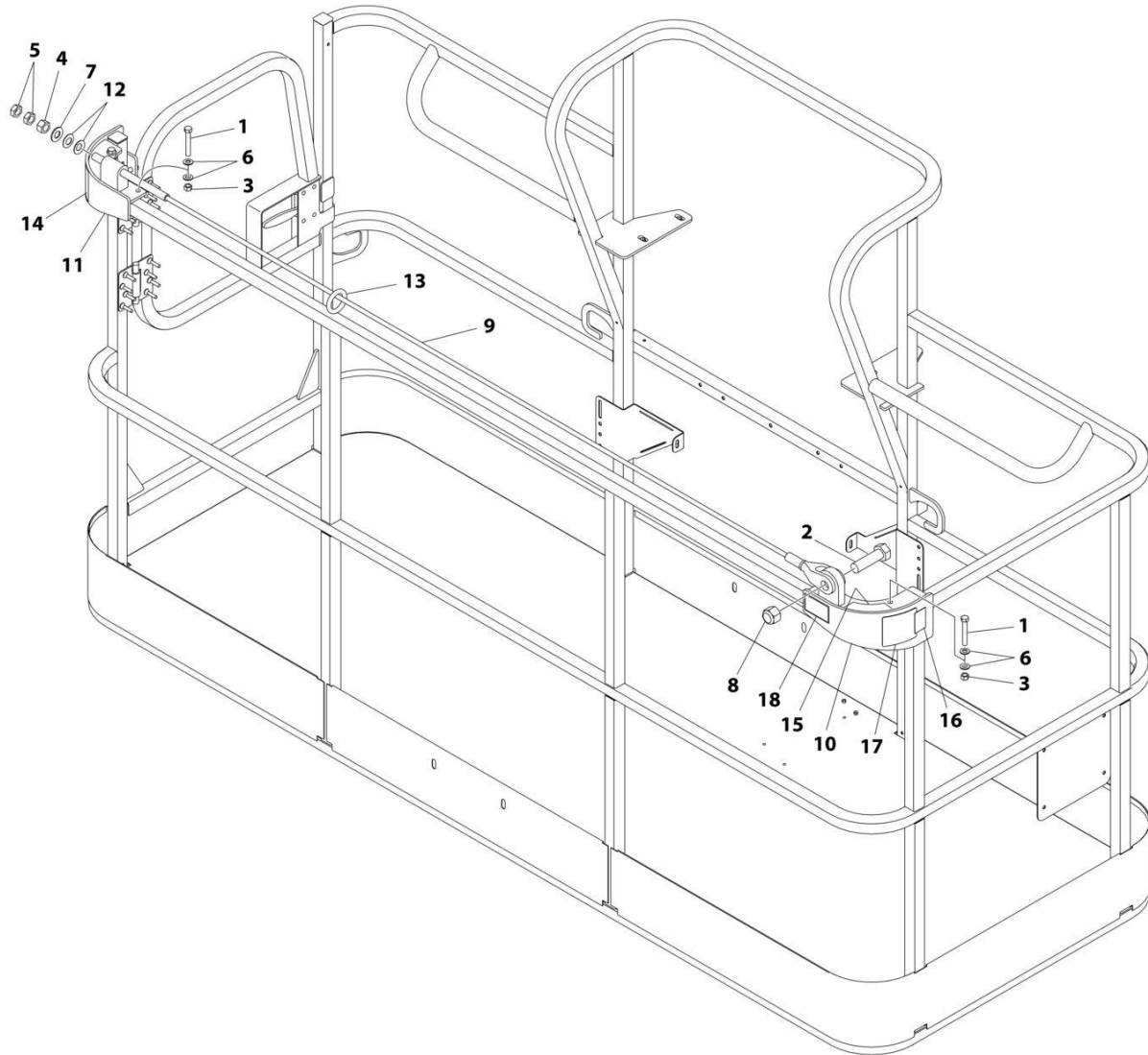
SECTION 5 - PLATFORM

FIGURE 5-32. FALL ARREST (BOLT-ON) INSTALLATION - 72IN TRI-ENTRY PLATFORM

ITEM	PART NUMBER	QTY	DESCRIPTION	REV
	1001238463	Ref	FALL ARREST INSTALLATION (BOLT - ON) 6FT/1.82M PLATFORM	C
1	0681620	6	Bolt 3/8 x 2-1/2	
2	0682424	1	Bolt 7/8 x 3	
3	3271605	6	Nut 3/8	
4	3272001	1	Nut 5/8	
5	3312002	2	Nut 5/8	
6	4711600	12	Washer 3/8	
7	4712000	1	Washer 5/8	
8	88521214	1	Nut 7/8	
9	1001231950	1	Rope	
10	1001232010	1	Bracket (RH)	
11	1001232011	1	Bracket (LH)	
12	1001236891	2	Washer	
13	1001236895	1	Ring	
14	1001238263	1	Decal - Warning Falling Hazard	
15	1001252629	1	Decal - Weight	
16	1001248140	1	Decal - Bolt Fall Arrest Re-Cert	
17	1001248141	1	Decal - Inscription	

SECTION 5 - PLATFORM

FIGURE 5-33. FALL ARREST (BOLT-ON) INSTALLATION - 96IN PLATFORM



ART_1001236746

SECTION 5 - PLATFORM

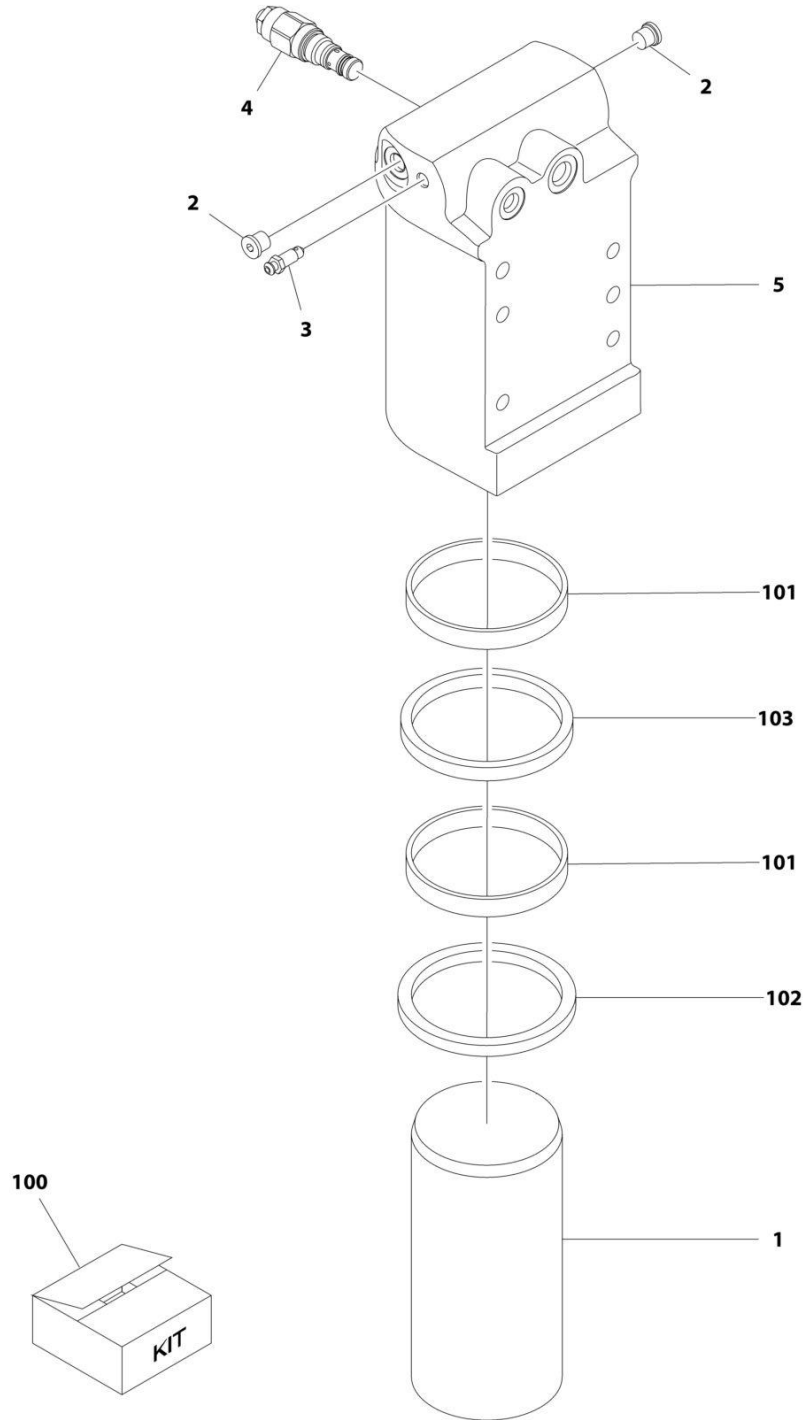
FIGURE 5-33. FALL ARREST (BOLT-ON) INSTALLATION - 96IN PLATFORM

ITEM	PART NUMBER	QTY	DESCRIPTION	REV
	1001236746	Ref	FALL ARREST INSTALLATION (BOLT - ON) 8FT/2.4M PLATFORM	C
1	0681620	6	Bolt 3/8 x 2-1/2	
2	0682424	1	Bolt 7/8 x 3	
3	3271605	6	Nut 3/8	
4	3272001	1	Nut 5/8	
5	3312002	2	Nut 5/8	
6	4711600	12	Washer 3/8	
7	4712000	1	Washer 5/8	
8	88521214	1	Nut 7/8	
9	1001231949	1	Rope	
10	1001232010	1	Bracket (RH)	
11	1001232011	1	Bracket (LH)	
12	1001236891	2	Washer	
13	1001236895	1	Ring	
14	1001238263	1	Decal - Warning Falling Hazard	
15	1001252629	1	Decal - Weight 23LBS/10.4KG	
16	1001248140	1	Decal - Bolt Fall Arrest Re-Cert	
17	1001248141	1	Decal - Inscription	

SECTION 6 - CYLINDER

SECTION 6 - CYLINDER

FIGURE 6-1. AXLE LOCKOUT CYLINDER ASSEMBLY



ART_1001163580

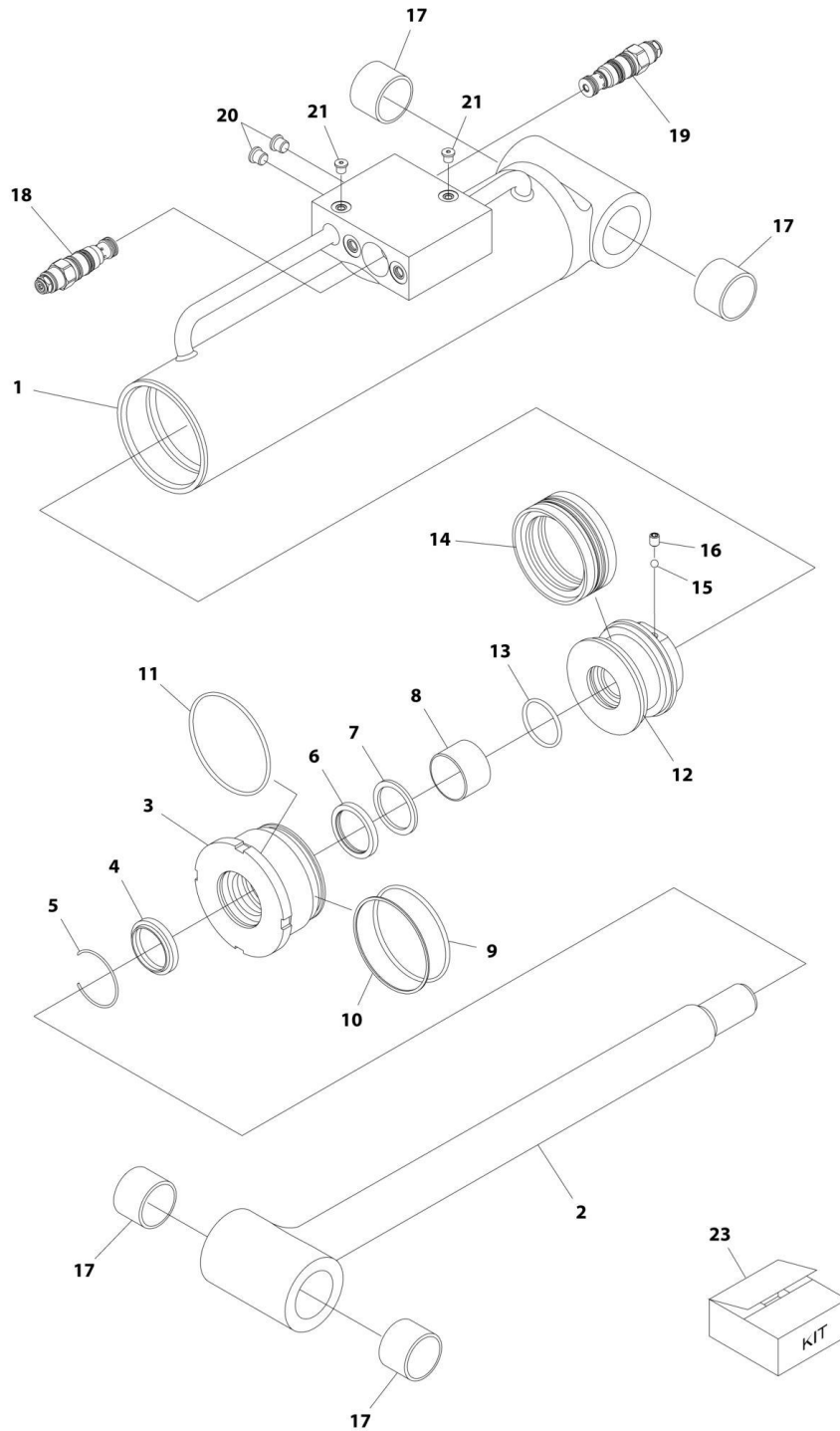
SECTION 6 - CYLINDER

FIGURE 6-1. AXLE LOCKOUT CYLINDER ASSEMBLY

ITEM	PART NUMBER	QTY	DESCRIPTION	REV
	1001163580	Ref	AXLE LOCKOUT CYLINDER ASSEMBLY	1
		Ref	Note: Original Cylinder May Have Been Replaced with Service Replacement. Identify PN Stamped on Cylinder Before Ordering Parts.	
1	1684290	1	Rod	
2	2220883	2	Plug #4	
3	4640858	1	Valve, Bleeder	
4	1001117372	1	Cartridge, Valve	
4	70002842	1	Seal Kit - 1001117372 Valve	
5	1001164817	1	Barrel	
100	2902266	NLA	Seal Kit - 1001163590 Cylinder (Includes Items 101-103)	
101	See Note	NSS	Ring, Wear (Note: Use Item 100)	
102	See Note	NSS	Seal (Note: Use Item 100)	
103	See Note	NSS	Wiper (Note: Use Item 100)	

SECTION 6 - CYLINDER

FIGURE 6-2. LEVEL CYLINDER ASSEMBLY - PLATFORM SLAVE (400S HC3)



ART_1001163386

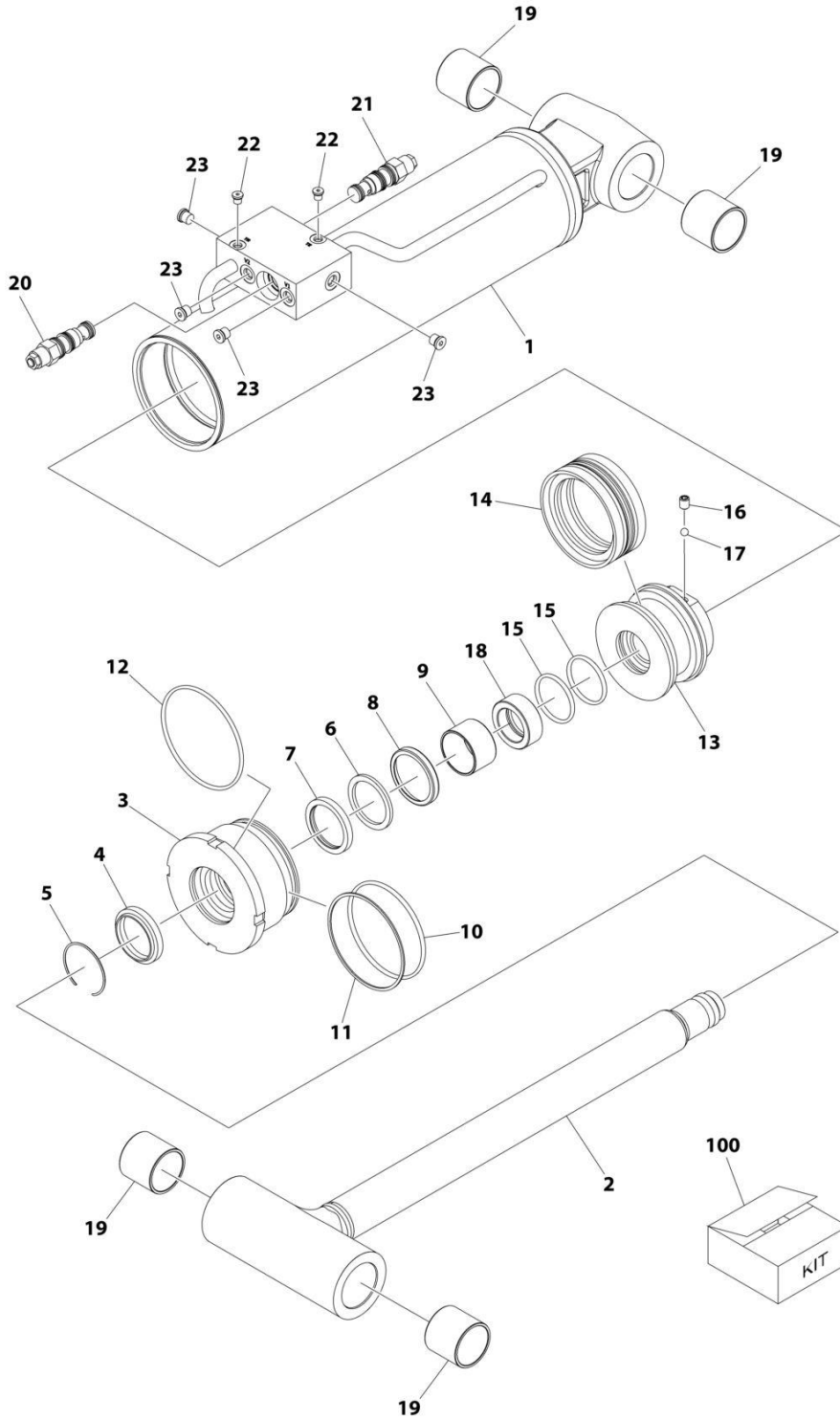
SECTION 6 - CYLINDER

FIGURE 6-2. LEVEL CYLINDER ASSEMBLY - PLATFORM SLAVE (400S HC3)

ITEM	PART NUMBER	QTY	DESCRIPTION	REV
	1001163386	Ref	LEVEL (PLATFORM SLAVE) CYLINDER ASSEMBLY	G
		Ref	Note: Original Cylinder May Have Been Replaced with Service Replacement. Identify PN Stamped on Cylinder Before Ordering Parts.	
1	70005147	1	Barrel	
2	70005148	1	Rod	
3	70005142	1	Head	
4	See Note	NSS	Wiper (Note: Use Item 23)	
5	70002373	1	Ring, Retaining	
6	See Note	NSS	Seal, Rod (Note: Use Item 23)	
7	See Note	NSS	Ring, Back-up (Note: Use Item 23)	
8	70005143	1	Bearing, Dry	
9	See Note	NSS	O-Ring (Note: Use Item 23)	
10	See Note	NSS	Ring, Back-up (Note: Use Item 23)	
11	See Note	NSS	O-Ring (Note: Use Item 23)	
12	70005144	1	Piston	
13	See Note	NSS	O-Ring (Note: Use Item 23)	
14	See Note	NSS	Seal, Piston (Note: Use Item 23)	
15	70022564	1	Ball	
16	70023369	1	Setscrew	
17	70005145	4	Bearing	
18	1001168209	1	Cartridge, Valve	
18	2900770	1	Seal Kit - 1001168209 Valve	
19	1001168210	1	Cartridge, Valve	
19	2900770	1	Seal Kit - 1001168210 Valve	
20	70023370	1	Plug 7/16	
21	2220881	1	Plug, O-Ring 5/16	
23	70005149	1	Seal Kit - 1001163386 Cylinder (Includes Items 4, 6, 7, 9, 10, 11, 13 & 14)	

SECTION 6 - CYLINDER

FIGURE 6-3. LEVEL CYLINDER ASSEMBLY - PLATFORM SLAVE (460S HC3)



ART_1001237697

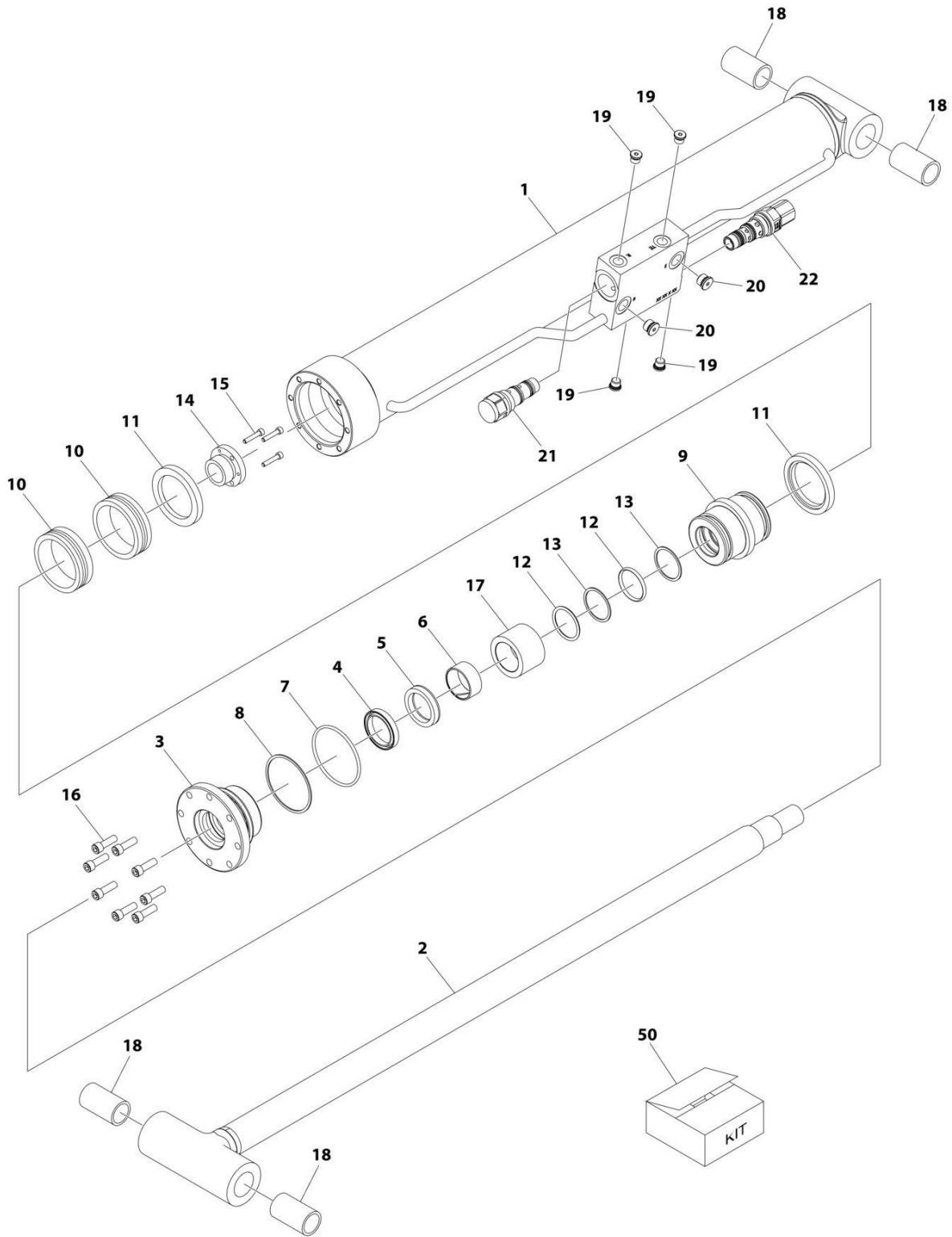
SECTION 6 - CYLINDER

FIGURE 6-3. LEVEL CYLINDER ASSEMBLY - PLATFORM SLAVE (460S HC3)

ITEM	PART NUMBER	QTY	DESCRIPTION	REV
	1001237697	Ref	LEVEL (PLATFORM SLAVE) CYLINDER ASSEMBLY	B
		Ref	Note: Original Cylinder May Have Been Replaced with Service Replacement. Identify PN Stamped on Cylinder Before Ordering Parts.	
1	See Note	NSS	Barrel (Note: Use PN 1001237697)	
2	70007168	1	Rod	
3	70007157	1	Head	
4	See Note	NSS	Wiper (Note: Use Item 100)	
5	70002410	1	Ring, Retaining	
6	See Note	NSS	Seal, Rod (Note: Use Item 100)	
7	See Note	NSS	Ring, Back-up (Note: Use Item 100)	
8	See Note	NSS	Ring (Note: Use Item 100)	
9	70004237	1	Bearing, Dry	
10	See Note	NSS	O-Ring (Note: Use Item 100)	
11	See Note	NSS	Ring, Back-up (Note: Use Item 100)	
12	See Note	NSS	O-Ring (Note: Use Item 100)	
13	70007161	1	Piston	
14	See Note	NSS	Seal, Piston (Note: Use Item 100)	
15	See Note	NSS	O-Ring (Note: Use Item 100)	
16	70023369	1	Setscrew	
17	70022564	1	Ball	
18	70007169	1	Spacer	
19	70007159	4	Bearing	
20	1001168209	1	Cartridge, Valve	
20	2900770	1	Seal Kit - 1001168209 Valve	
21	1001168210	1	Cartridge, Valve	
21	2900770	1	Seal Kit - 1001168210 Valve	
22	2220881	2	Plug, O-Ring 5/16	
23	2220883	4	Plug 7/16	
100	70007160	1	Seal Kit - 1001237697 Cylinder (Includes Items 4, 6, 7, 8, 10, 11, 12, 14 & 15)	

SECTION 6 - CYLINDER

FIGURE 6-4. LIFT CYLINDER ASSEMBLY - JIB (460SJ HC3)



ART_1001264991

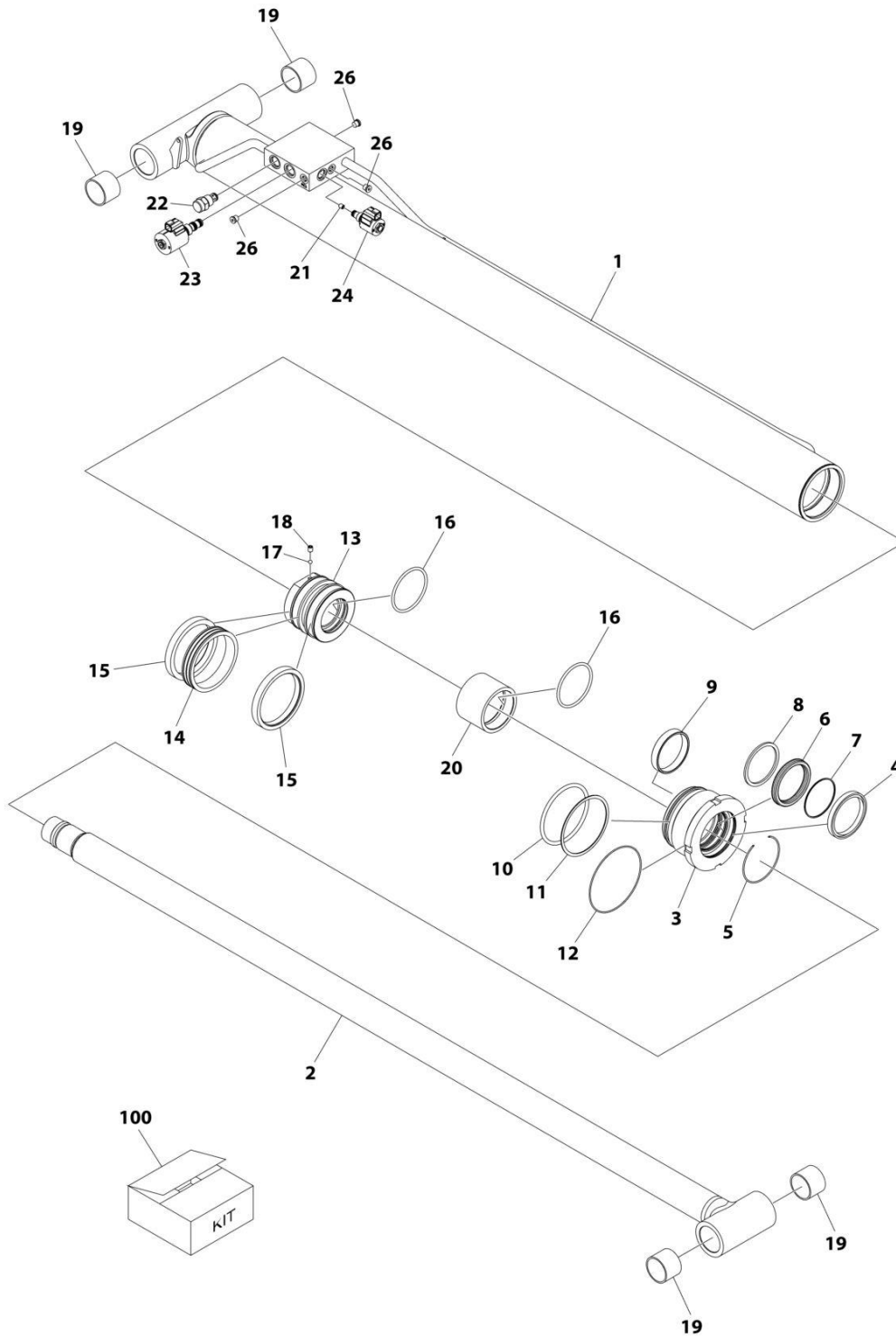
SECTION 6 - CYLINDER

FIGURE 6-4. LIFT CYLINDER ASSEMBLY - JIB (460SJ HC3)

ITEM	PART NUMBER	QTY	DESCRIPTION	REV
	1001264991	Ref	LIFT CYLINDER ASSEMBLY - JIB	B
		Ref	Note: Original Cylinder May Have Been Replaced with Service Replacement. Identify PN Stamped on Cylinder Before Ordering Parts.	
1	See Note	NSS	Barrel (Note: Use PN 1001264991)	
2	70006734	1	Rod	
3	70006649	1	Head	
4	See Note	NSS	Wiper (Note: Use Item 50)	
5	See Note	NSS	Seal, Rod (Note: Use Item 50)	
6	See Note	NSS	Ring, Wear (Note: Use Item 50)	
7	See Note	NSS	O-Ring (Note: Use Item 50)	
8	See Note	NSS	Ring, Back-up (Note: Use Item 50)	
9	70006650	1	Piston	
10	See Note	NSS	Ring, Hydro Lock (Note: Use Item 50)	
11	See Note	NSS	Ring, Guide Lock (Note: Use Item 50)	
12	See Note	NSS	O-Ring (Note: Use Item 50)	
13	See Note	NSS	Ring, Back-up (Note: Use Item 50)	
14	0961893	1	Bushing, Tapered	
15	0630534	3	Capscrew	
16	70006735	8	Capscrew	
17	70006736	1	Spacer	
18	0962336	4	Bearing	
19	70023370	4	Plug	
20	70023371	2	Plug	
21	4640509	1	Cartridge, Counterbalance Valve	
21	2900792	1	Seal Kit - 4640509 Valve	
22	1001263800	1	Cartridge, Counterbalance Valve	
22	70004186	1	Seal Kit - 1001263800 Valve	
50	1001138795	1	Seal Kit - 1001264991 Cylinder (Includes Items 4-8 & 10-13)	

SECTION 6 - CYLINDER

FIGURE 6-5. LIFT CYLINDER ASSEMBLY - BOOM (400S HC3)



ART_1001228092

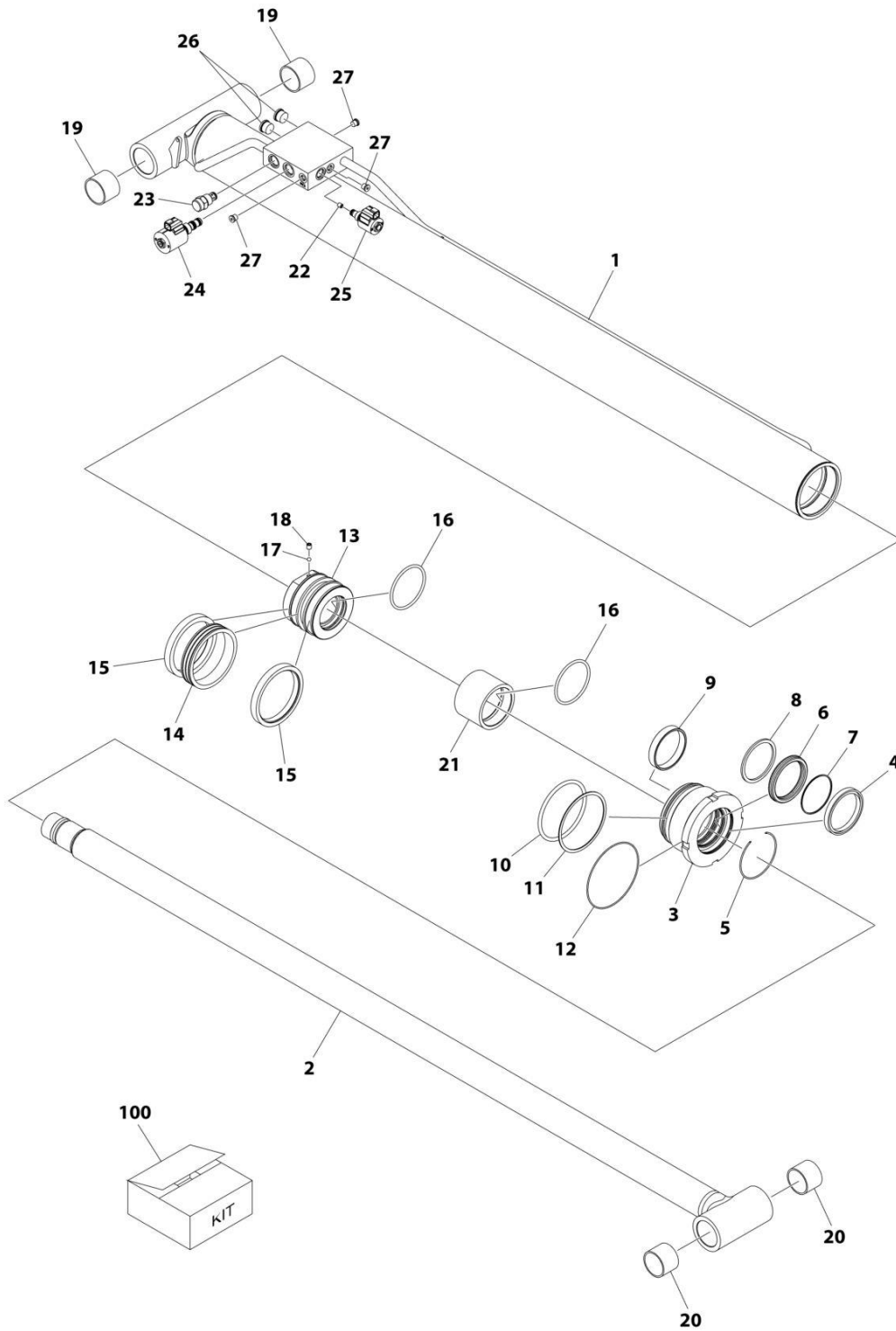
SECTION 6 - CYLINDER

FIGURE 6-5. LIFT CYLINDER ASSEMBLY - BOOM (400S HC3)

ITEM	PART NUMBER	QTY	DESCRIPTION	REV
	1001228092	Ref	LIFT CYLINDER ASSEMBLY - MAIN BOOM	B
		Ref	Note: Original Cylinder May Have Been Replaced with Service Replacement. Identify PN Stamped on Cylinder Before Ordering Parts.	
1	See Note	NSS	Barrel (Use p/n 1001228092)	
2	70006702	1	Rod	
3	70006703	1	Head	
4	See Note	NSS	Wiper (Note: Use Item 100)	
5	70050795	1	Ring, Retainer	
6	See Note	NSS	Seal, Rod (Note: Use Item 100)	
7	See Note	NSS	O-Ring (Note: Use Item 100)	
8	See Note	NSS	Ring (Note: Use Item 100)	
9	70006636	1	Ring, Wear	
10	See Note	NSS	O-Ring (Note: Use Item 100)	
11	See Note	NSS	Ring, Back-up (Note: Use Item 100)	
12	See Note	NSS	O-Ring (Note: Use Item 100)	
13	70006704	1	Piston	
14	See Note	NSS	Seal (Note: Use Item 100)	
15	See Note	NSS	Ring, Wear (Note: Use Item 100)	
16	See Note	NSS	Seal (Note: Use Item 100)	
17	70022564	1	Ball	
18	70023369	1	Setscrew M8 x 10	
19	0961950	4	Bearing	
20	70006705	1	Spacer	
21	70004231	1	Orifice	
22	4641390	1	Cartridge, Check Valve	
22	7017496	1	Seal Kit - 4641390 Valve	
23	1001206625	1	Cartridge, Valve (Includes Coil)	
23	70006104	1	Cartridge, Less Coil	
23	70006105	1	Seal Kit - 70006104 & 1001206625 Cartridges	
23	70003788	1	Coil	
23	7022390	1	Nut, Coil	
24	1001164709	1	Cartridge, Valve (Includes Coil)	
24	7017467	1	Cartridge, Less Coil	
24	7012998	1	Seal Kit - 7017467 & 1001164709 Cartridges	
24	70002386	1	Coil	
26	2220883	3	Plug #4	
100	70006706	1	Seal Kit - 1001228092 Cylinder (Includes Item 4, 6-8, 10-12 & 14-16)	

SECTION 6 - CYLINDER

FIGURE 6-6. LIFT CYLINDER ASSEMBLY - BOOM (460SJ HC3)



ART_1001237699

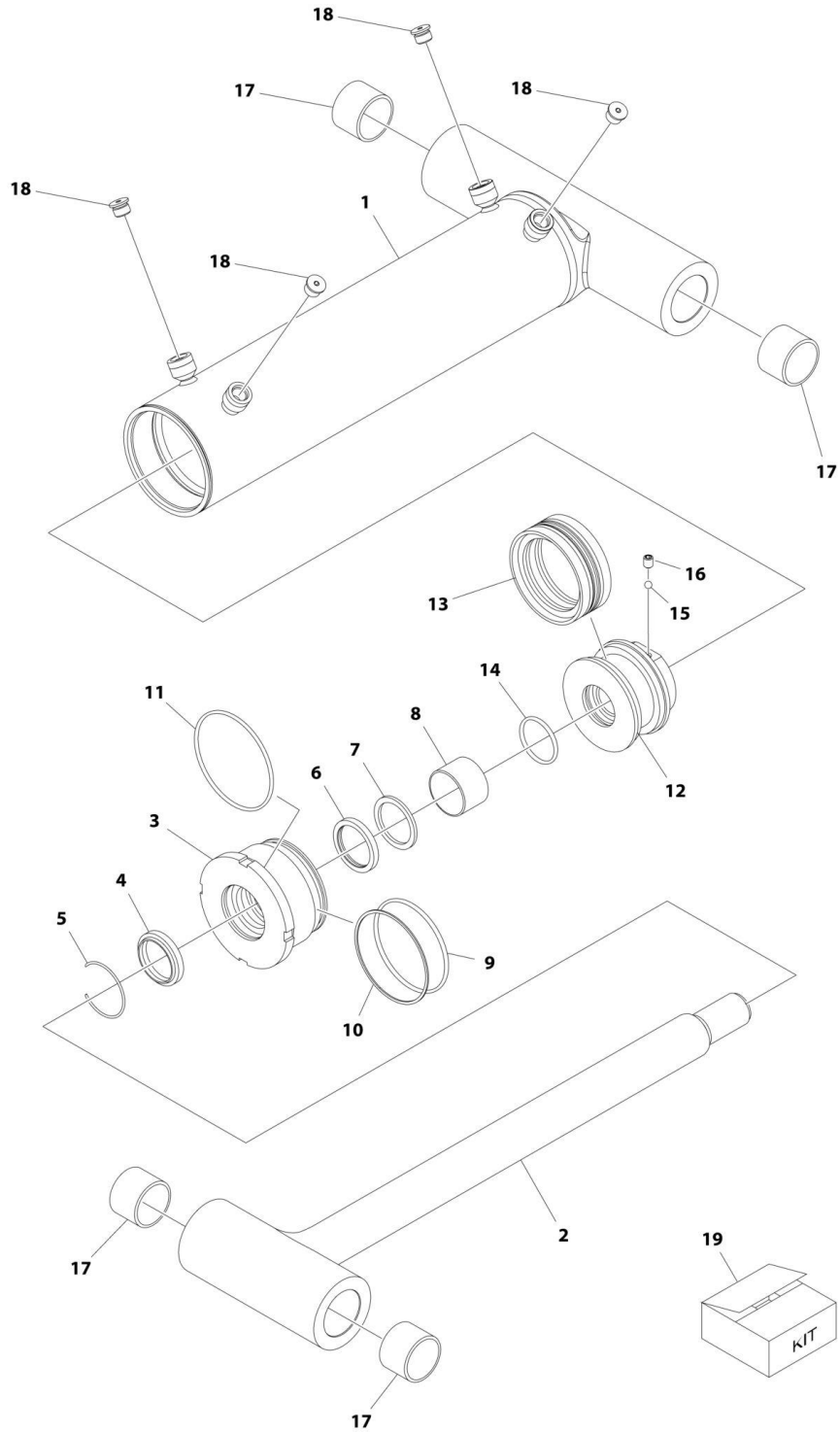
SECTION 6 - CYLINDER

FIGURE 6-6. LIFT CYLINDER ASSEMBLY - BOOM (460SJ HC3)

ITEM	PART NUMBER	QTY	DESCRIPTION	REV
	1001237699	Ref	LIFT CYLINDER ASSEMBLY- MAIN BOOM	C
		Ref	Note: Original Cylinder May Have Been Replaced with Service Replacement. Identify PN Stamped on Cylinder Before Ordering Parts.	
1	See Note	NSS	Barrel (Use p/n 1237699)	
2	70007150	1	Rod	
3	70007151	1	Head	
4	See Note	NSS	Wiper (Note: Use Item 100)	
5	70050795	1	Ring, Retainer	
6	See Note	NSS	Seal, Rod (Note: Use Item 100)	
7	See Note	NSS	Ring (Note: Use Item 100)	
8	See Note	NSS	Ring (Note: Use Item 100)	
9	70006636	1	Ring, Wear	
10	See Note	NSS	O-Ring (Note: Use Item 100)	
11	See Note	NSS	Ring, Back-up (Note: Use Item 100)	
12	See Note	NSS	O-Ring (Note: Use Item 100)	
13	70007152	1	Piston	
14	See Note	NSS	Seal (Note: Use Item 100)	
15	See Note	NSS	Ring, Wear (Note: Use Item 100)	
16	See Note	NSS	O-Ring (Note: Use Item 100)	
17	70022564	1	Ball	
18	70023369	1	Setscrew M8 x 10	
19	0961950	2	Bearing	
20	70007153	2	Bearing	
21	70007154	1	Spacer	
22	70004231	1	Orifice	
23	4641390	1	Cartridge, Check Valve	
23	7017496	1	Seal Kit - 4641390 Valve	
24	1001206625	1	Cartridge, Valve (Includes Coil)	
24	70006104	1	Cartridge, Less Coil	
24	70006105	1	Seal Kit - 70006104 & 1001206625 Cartridges	
24	70003788	1	Coil	
24	7022390	1	Nut, Coil	
25	1001164709	1	Cartridge, Valve (Includes Coil)	
25	7017467	1	Cartridge, Less Coil	
25	7012998	1	Seal Kit - 7017467 & 1001164709 Cartridges	
25	70002386	1	Coil	
26	2220887	2	Plug	
27	2220883	3	Plug #4	
100	70006706	1	Seal Kit - 1001237699 Cylinder (Includes Item 4, 6-8, 10-12 & 14-16)	

SECTION 6 - CYLINDER

FIGURE 6-7. MASTER CYLINDER ASSEMBLY (400S HC3)



ART_1001163385

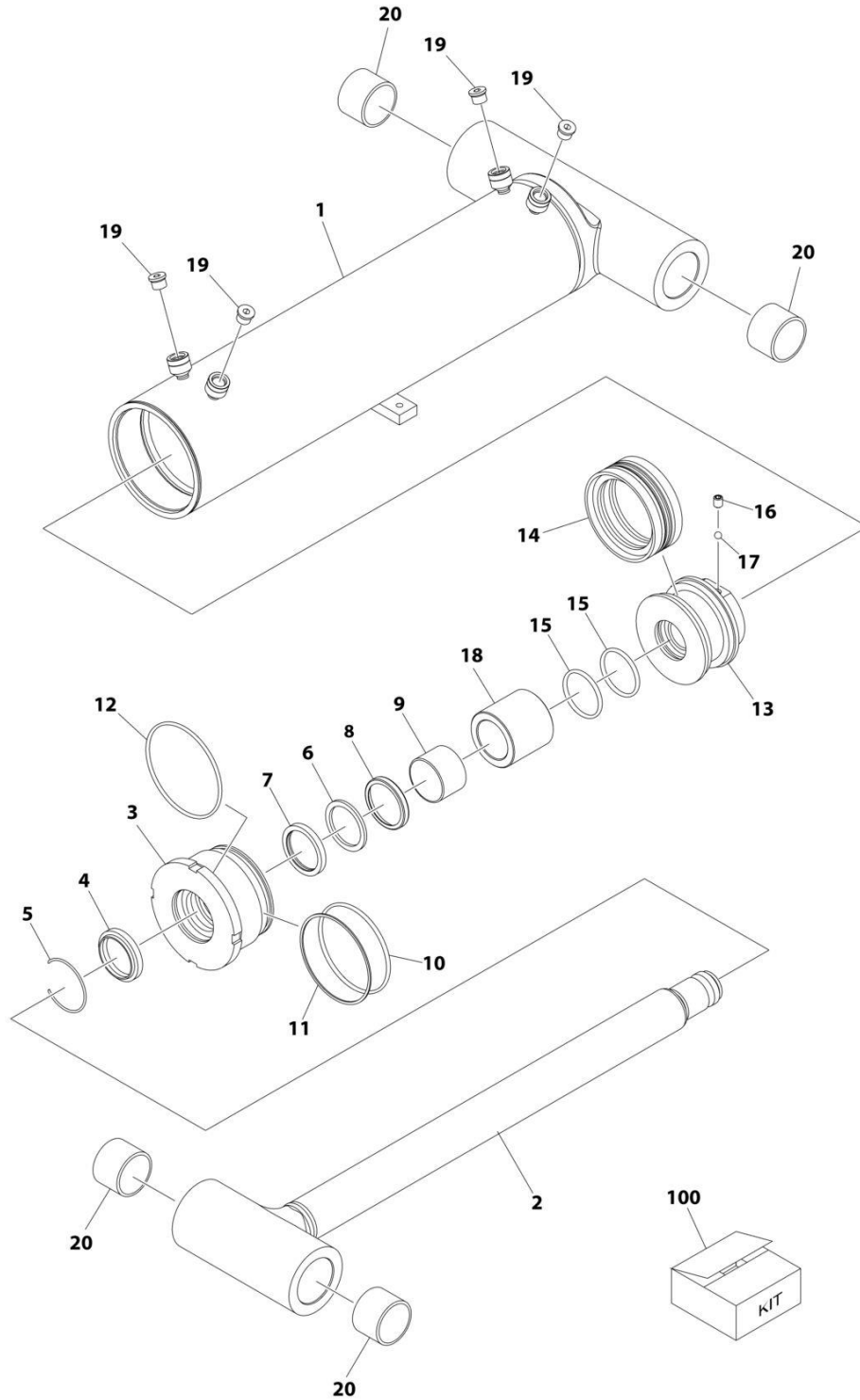
SECTION 6 - CYLINDER

FIGURE 6-7. MASTER CYLINDER ASSEMBLY (400S HC3)

ITEM	PART NUMBER	QTY	DESCRIPTION	REV
	1001163385	Ref	MASTER CYLINDER ASSEMBLY	F
		Ref	Note: Original Cylinder May Have Been Replaced with Service Replacement. Identify PN Stamped on Cylinder Before Ordering Parts.	
1	70005140	1	Barrel	
2	70005141	1	Rod	
3	70005142	1	Head, Cylinder	
4	See Note	NSS	Wiper (Note: Use Item 19)	
5	70002373	1	Ring, Retaining	
6	See Note	NSS	Seal, Rod (Note: Use Item 19)	
7	See Note	NSS	Ring, Back-up (Note: Use Item 19)	
8	70005143	1	Bearing, Dry	
9	See Note	NSS	O-Ring (Note: Use Item 19)	
10	See Note	NSS	Ring, Back-up (Note: Use Item 19)	
11	See Note	NSS	O-Ring (Note: Use Item 19)	
12	70005144	1	Piston	
13	See Note	NSS	Seal, Piston	
14	See Note	NSS	O-Ring (Note: Use Item 19)	
15	70022564	1	Ball	
16	70023369	1	Setscrew M8 x 31.75	
17	70005145	4	Bearing	
18	700023371	4	Plug 9/16	
19	70005146	1	Seal Kit - 1001163385 Cylinder (Includes Items 4, 6, 7, 9, 10, 11, 13 & 14)	

SECTION 6 - CYLINDER

FIGURE 6-8. MASTER CYLINDER ASSEMBLY (460SJ HC3)



ART_1001237698

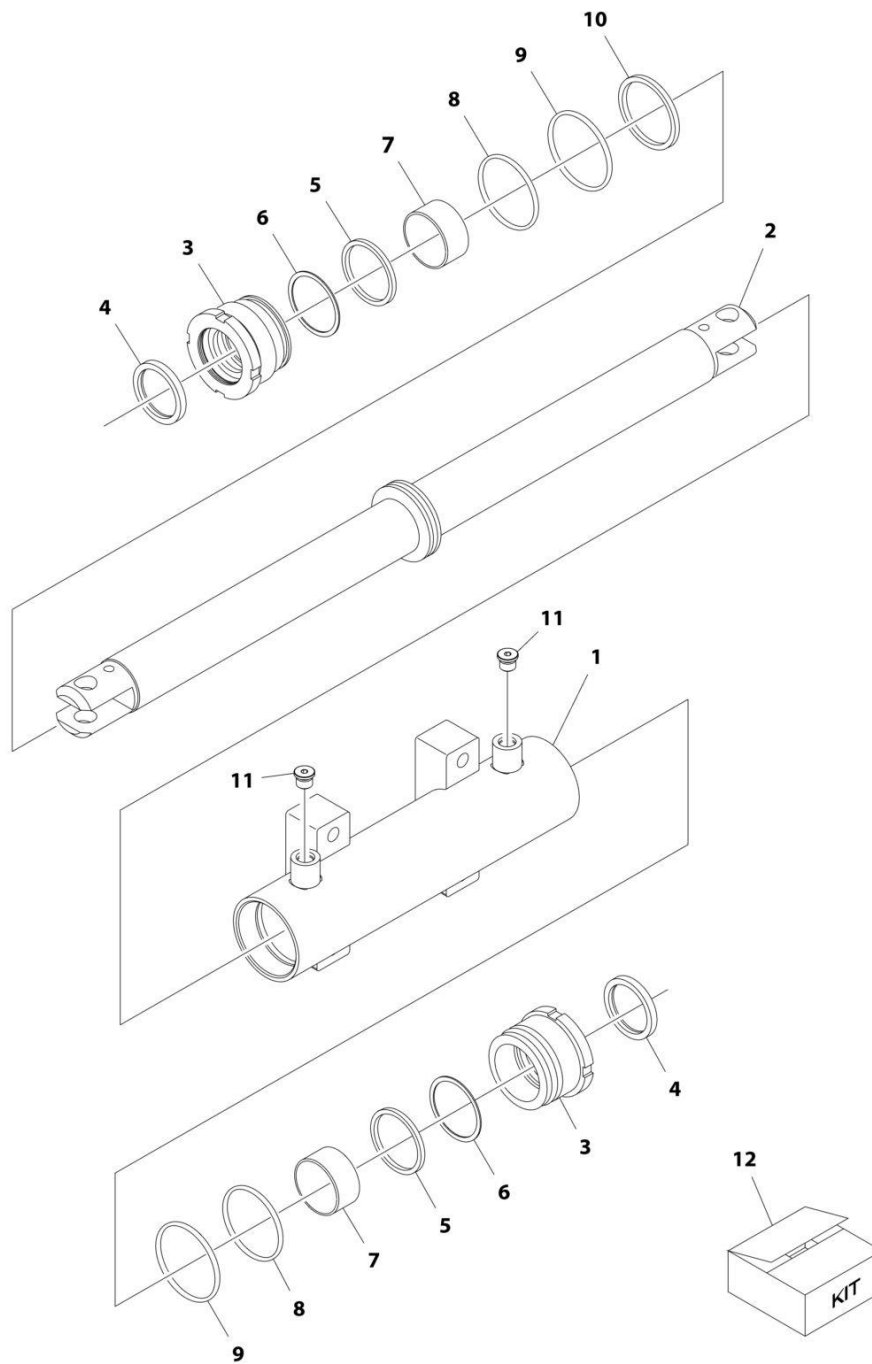
SECTION 6 - CYLINDER

FIGURE 6-8. MASTER CYLINDER ASSEMBLY (460SJ HC3)

ITEM	PART NUMBER	QTY	DESCRIPTION	REV
	1001237698	Ref	MASTER CYLINDER ASSEMBLY	B
		Ref	Note: Original Cylinder May Have Been Replaced with Service Replacement. Identify PN Stamped on Cylinder Before Ordering Parts.	
1	See Note	NSS	Barrel	
2	70007156	1	Rod	
3	70007157	1	Head, Cylinder	
4	See Note	NSS	Wiper (Note: Use Item 100)	
5	70002410	1	Ring, Retaining	
6	See Note	NSS	Seal, Rod (Note: Use Item 100)	
7	See Note	NSS	Ring, Back-up (Note: Use Item 100)	
8	See Note	1	Ring (Note: Use Item 100)	
9	70004237	1	Bearing, Dry	
10	See Note	NSS	O-Ring (Note: Use Item 100)	
11	See Note	NSS	Ring, Back-up (Note: Use Item 100)	
12	See Note	NSS	O-Ring (Note: Use Item 100)	
13	70007161	1	Piston	
14	See Note	NSS	Seal, Piston	
15	See Note	NSS	O-Ring (Note: Use Item 100)	
16	70023369	1	Setscrew M8 x 31.75	
17	70022564	1	Ball	
18	70007158	1	Spacer	
19	2220885	1	Plug 9/16	
20	70005145	4	Bearing	
100	70005146	1	Seal Kit - 1001237698 Cylinder (Includes Items 4, 6, 7, 8, 10, 11, 12, 14 & 15)	

SECTION 6 - CYLINDER

FIGURE 6-9. STEER CYLINDER ASSEMBLY



ART_1001163178

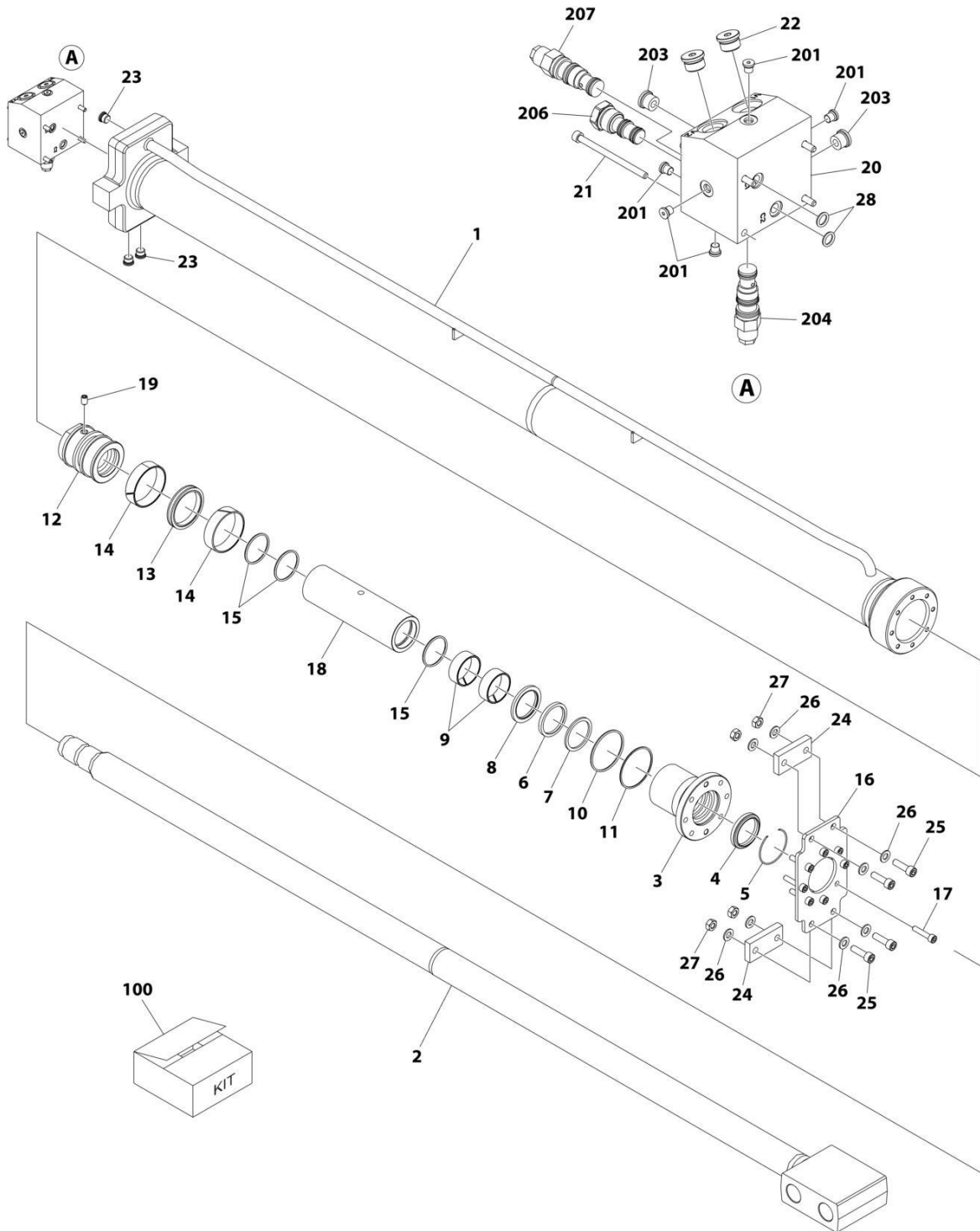
SECTION 6 - CYLINDER

FIGURE 6-9. STEER CYLINDER ASSEMBLY

ITEM	PART NUMBER	QTY	DESCRIPTION	REV
	1001163178	Ref	STEER CYLINDER ASSEMBLY	E
		Ref	Note: Original Cylinder May Have Been Replaced with Service Replacement. Identify PN Stamped on Cylinder Before Ordering Parts.	
1	70005150	1	Barrel	
2	70005151	1	Rod	
3	70005152	2	Head	
4	See Note	NSS	Wiper (Note: Use Item 12)	
5	See Note	NSS	Seal, Rod (Note: Use Item 12)	
6	See Note	NSS	Ring, Back-up (Note: Use Item 12)	
7	70005153	2	Bearing, Dry	
8	See Note	NSS	O-Ring (Note: Use Item 12)	
9	See Note	NSS	O-Ring (Note: Use Item 12)	
10	See Note	NSS	Seal, Piston (Note: Use Item 12)	
11	See Note	2	Plug 9/16 (Note: Not Available for Purchase)	
12	70005154	1	Seal Kit - 1001163178 Cylinder (Includes Items 4-6 & 8-10)	

SECTION 6 - CYLINDER

FIGURE 6-10. TELESCOPE CYLINDER ASSEMBLY (400S HC3)



ART_1001251075

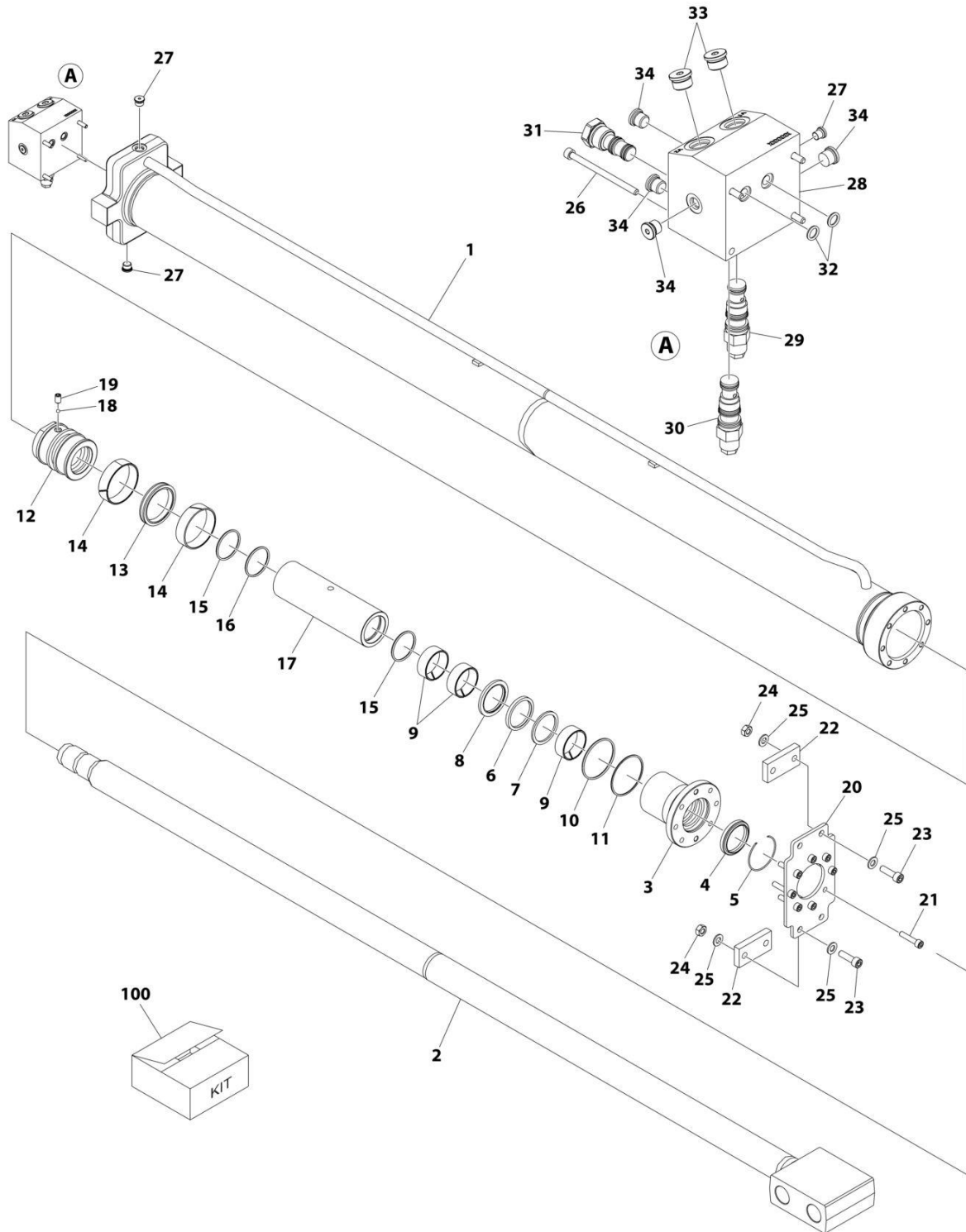
SECTION 6 - CYLINDER

FIGURE 6-10. TELESCOPE CYLINDER ASSEMBLY (400S HC3)

ITEM	PART NUMBER	QTY	DESCRIPTION	REV
	1001251075	Ref	TELESCOPE CYLINDER ASSEMBLY	B
		Ref	Note: Original Cylinder May Have Been Replaced with Service Replacement. Identify PN Stamped on Cylinder Before Ordering Parts.	
1	See Note	NSS	Barrel (Note: Purchase Complete Assembly)	
2	70007062	1	Rod	
3	70007063	1	Head	
4	See Note	NSS	Wiper (Note: Use Item 100)	
5	70002412	1	Ring, Retaining	
6	See Note	NSS	Seal (Note: Use Item 100)	
7	See Note	NSS	Ring, Back-up (Note: Use Item 100)	
8	See Note	NSS	Ring, Wear (Note: Use Item 100)	
9	See Note	NSS	Ring, Wear (Note: Use Item 100)	
10	See Note	NSS	O-Ring (Note: Use Item 100)	
11	See Note	NSS	Ring, Back-up (Note: Use Item 100)	
12	70007064	1	Piston	
13	See Note	NSS	Seal (Note: Use Item 100)	
14	See Note	NSS	Ring, Wear (Note: Use Item 100)	
15	See Note	NSS	O-Ring (Note: Use Item 100)	
16	70007065	1	Plate	
17	70007066	8	Capscrew	
18	70007067	1	Spacer	
19	70006817	1	Set Screw	
20	1001166997	1	Valve Block Assembly (See Items 201-207 for Breakdown)	
21	70007068	4	Capscrew	
22	2220886	2	Plug, O-Ring	
23	2220885	3	Plug	
24	70007069	2	Pad, Wear	
25	70007070	4	Bolt	
26	70006344	8	Washer	
27	70007071	4	Nut	
28	See Note	NSS	O-Ring (Note: Use Item 100)	
100	70007072	1	Seal Kit - 1001251075 Cylinder (Includes Items 4, 6-11, 13-15 & 28)	
	1001166997	Ref	VALVE BLOCK ASSEMBLY	
201	2220881	5	Plug	
203	2220885	2	Plug	
204	4640452	1	Cartridge, Counterbalance Valve	
204	2900770	1	Seal Kit - 4640452 Valve	
206	1001165363	1	Cartridge, Shuttle Valve	
206	7012518	1	Seal Kit - 1001165363 Valve	
207	1001168209	1	Cartridge, Counterbalance Valve	
207	2900770	1	Seal Kit - 1001168209 Valve	

SECTION 6 - CYLINDER

FIGURE 6-11. TELESCOPE CYLINDER ASSEMBLY (460SJ HC3)



ART_1001236653

SECTION 6 - CYLINDER

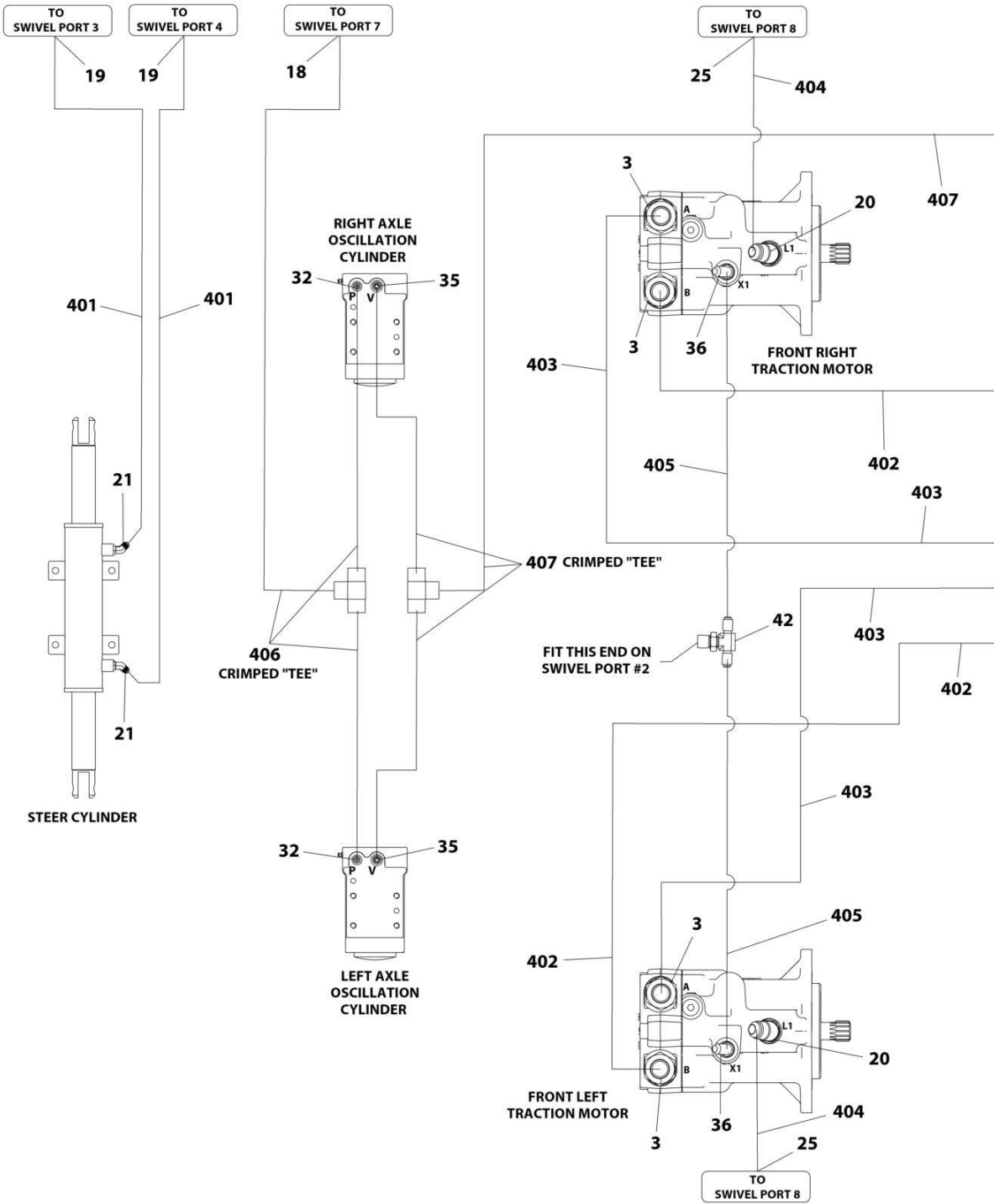
FIGURE 6-11. TELESCOPE CYLINDER ASSEMBLY (460SJ HC3)

ITEM	PART NUMBER	QTY	DESCRIPTION	REV
	1001236653	Ref	TELESCOPE CYLINDER ASSEMBLY	E
		Ref	Note: Original Cylinder May Have Been Replaced with Service Replacement. Identify PN Stamped on Cylinder Before Ordering Parts.	
1	See Note	NSS	Barrel (Note: Purchase Complete Assembly)	
2	70007162	1	Rod	
3	70007163	1	Head	
4	See Note	NSS	Wiper (Note: Use Item 100)	
5	70027244	1	Ring, Retaining	
6	See Note	NSS	Seal (Note: Use Item 100)	
7	See Note	NSS	Ring, Back-up (Note: Use Item 100)	
8	See Note	NSS	Ring (Note: Use Item 100)	
9	See Note	NSS	Ring, Wear (Note: Use Item 100)	
10	See Note	NSS	O-Ring (Note: Use Item 100)	
11	See Note	NSS	Ring, Back-up (Note: Use Item 100)	
12	70007164	1	Piston	
13	See Note	NSS	Seal (Note: Use Item 100)	
14	See Note	NSS	Ring, Wear (Note: Use Item 100)	
15	See Note	NSS	O-Ring (Note: Use Item 100)	
16	See Note	NSS	O-Ring (Note: Use Item 100)	
17	70007165	1	Spacer	
18	7022564	1	Ball	
19	70023369	1	Set Screw	
20	70007166	1	Plate	
21	70006982	8	Capscrew	
22	70007069	2	Pad, Wear	
23	70007070	4	Bolt	
24	70007071	4	Nut	
25	70006344	8	Washer	
26	70007068	4	Capscrew	
27	2220885	3	Plug	
28	See Note	NSS	Block, Valve (Note: Use P/N 1001236653. Not Sold as an Assembly - Purchase Individual Components)	
29	4640452	1	Cartridge, Counterbalance Valve	
29	2900770	1	Seal Kit - 4640452 Valve	
30	1001168209	1	Cartridge, Counterbalance Valve	
30	2900770	1	Seal Kit - 1001168209 Valve	
31	1001165363	1	Cartridge, Shuttle Valve	
31	7012518	1	Seal Kit - 1001165363 Valve	
32	See Note	NSS	O-Ring (Note: Use Item 100)	
33	2220886	2	Plug, O-Ring	
34	2220883	4	Plug	
100	70007072	1	Seal Kit - 1001236653 Cylinder (Includes Items 4, 6-11, 13-15 & 32)	

SECTION 7 - HYDRAULIC

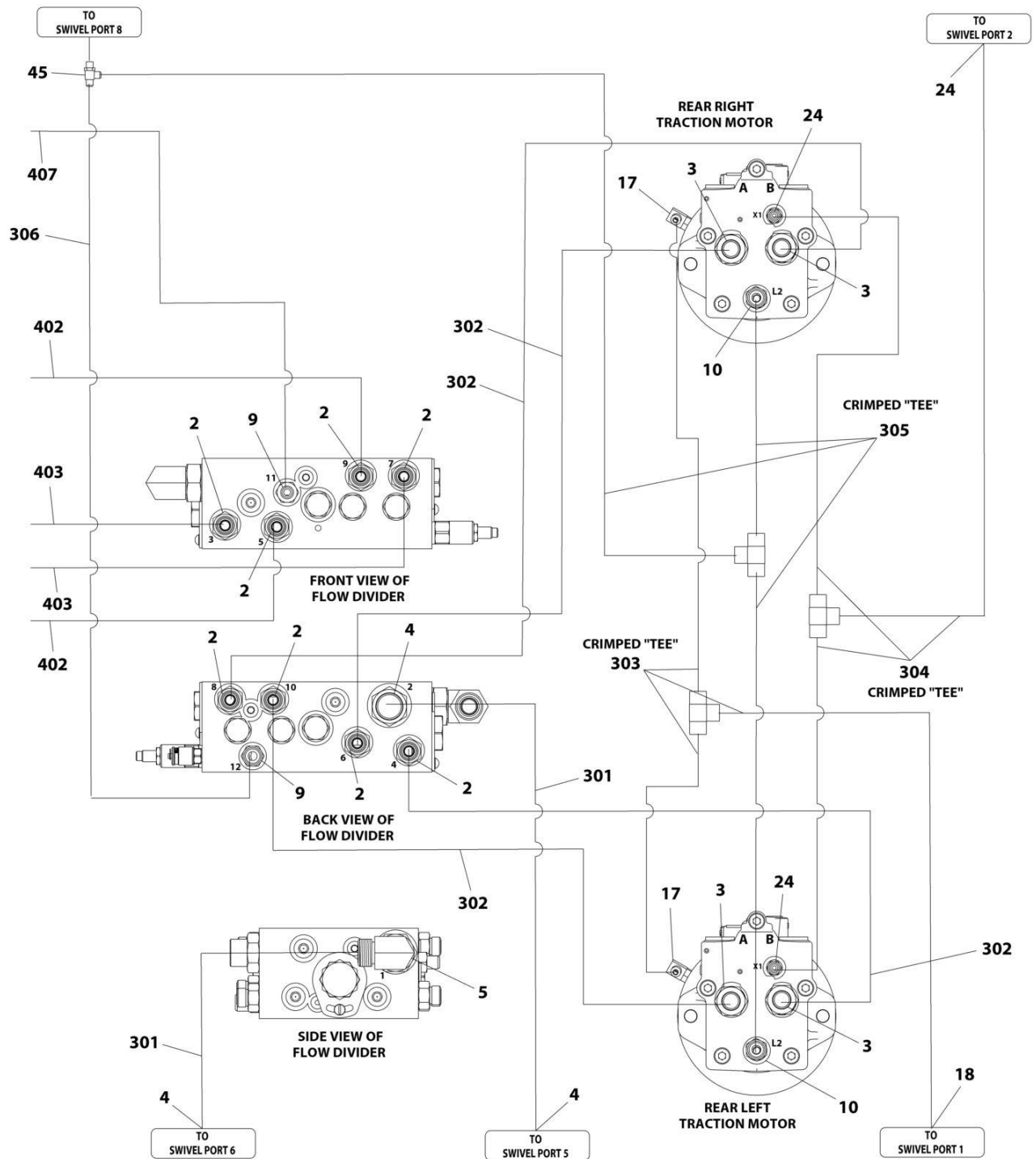
SECTION 7 - HYDRAULIC

FIGURE 7-1. HYDRAULIC DIAGRAM - 400S HC3



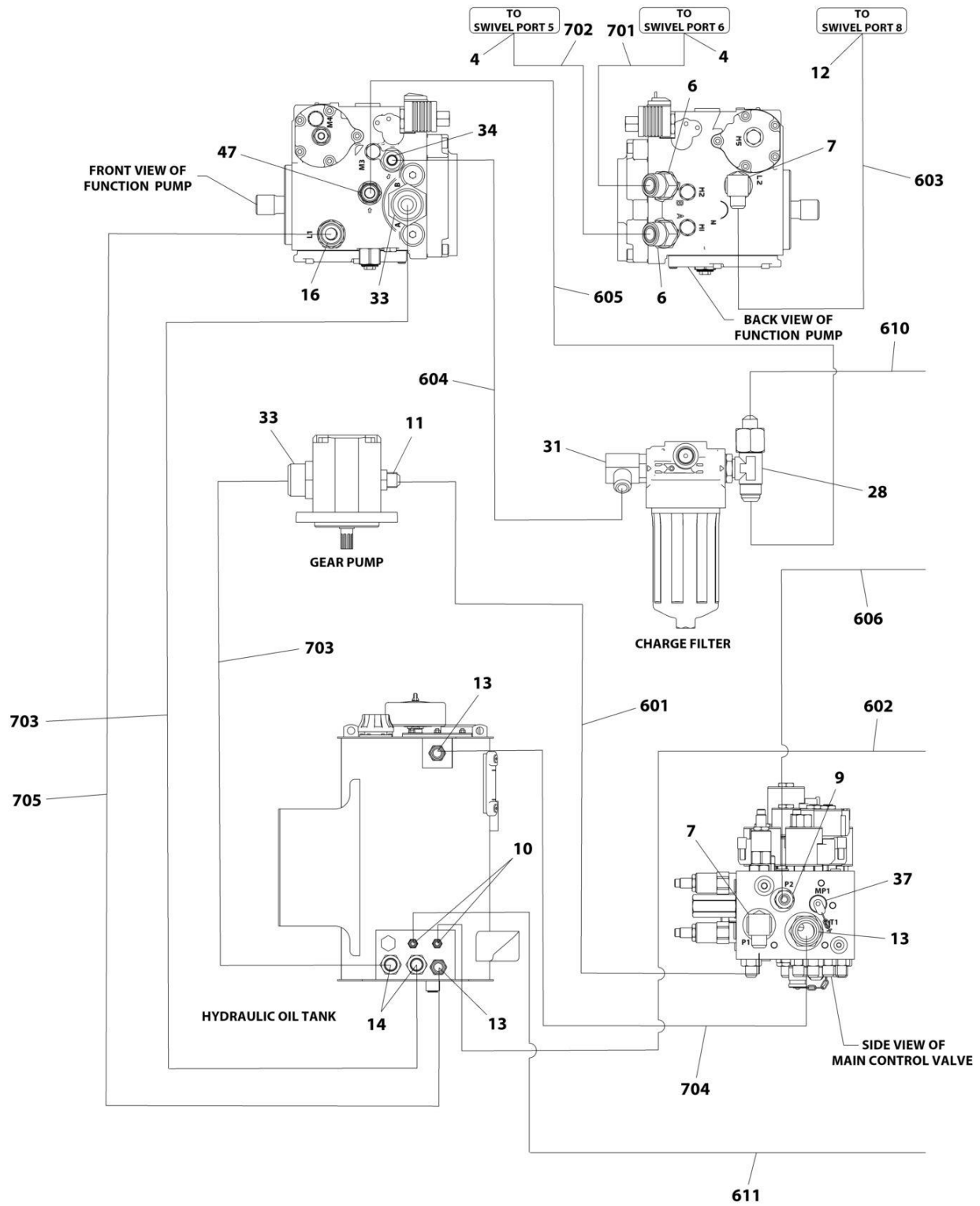
ART_1001207340_I_10F6

SECTION 7 - HYDRAULIC



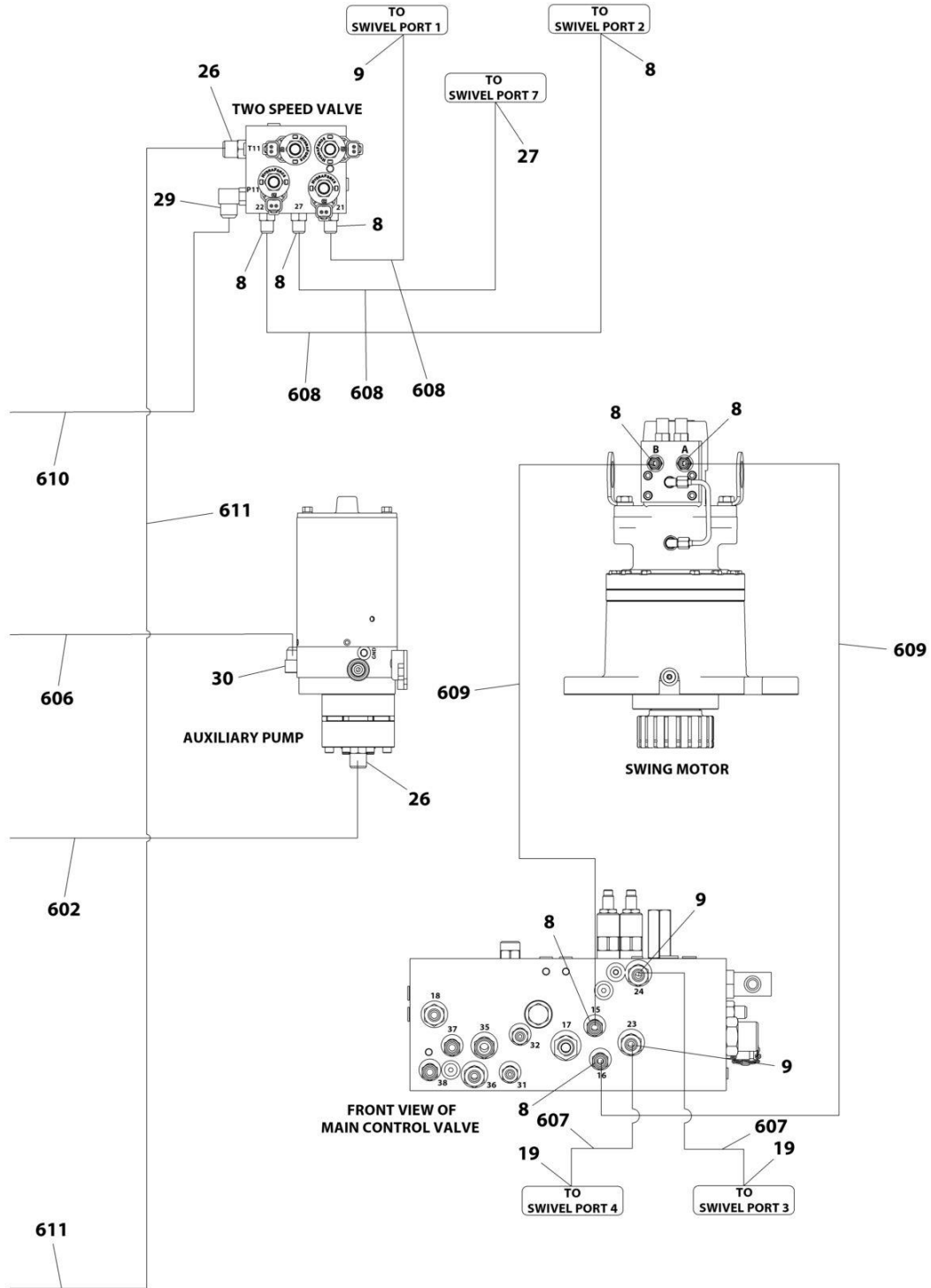
ART_1001207340_I_20F6

SECTION 7 - HYDRAULIC



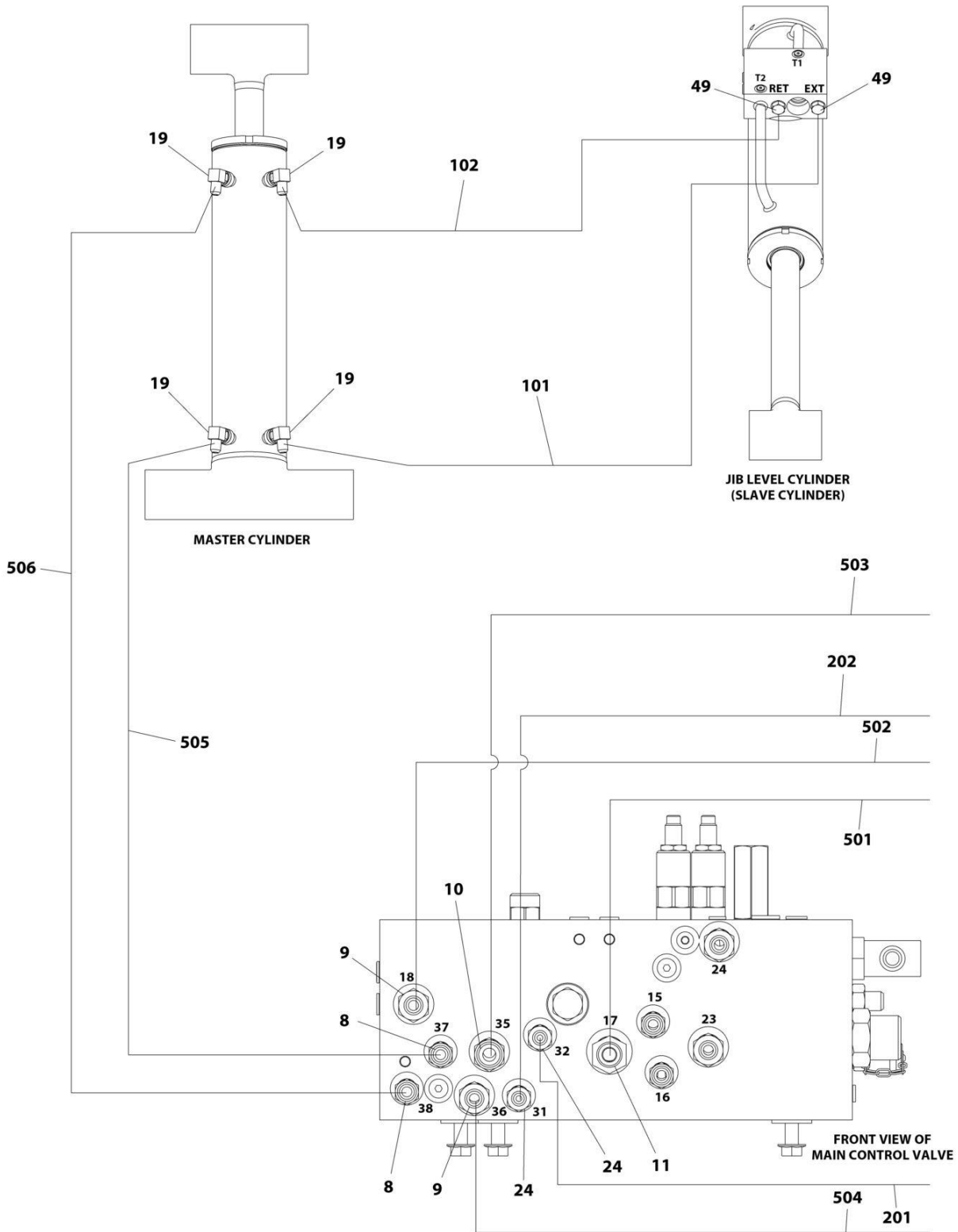
ART_1001207340_I_30F6

SECTION 7 - HYDRAULIC



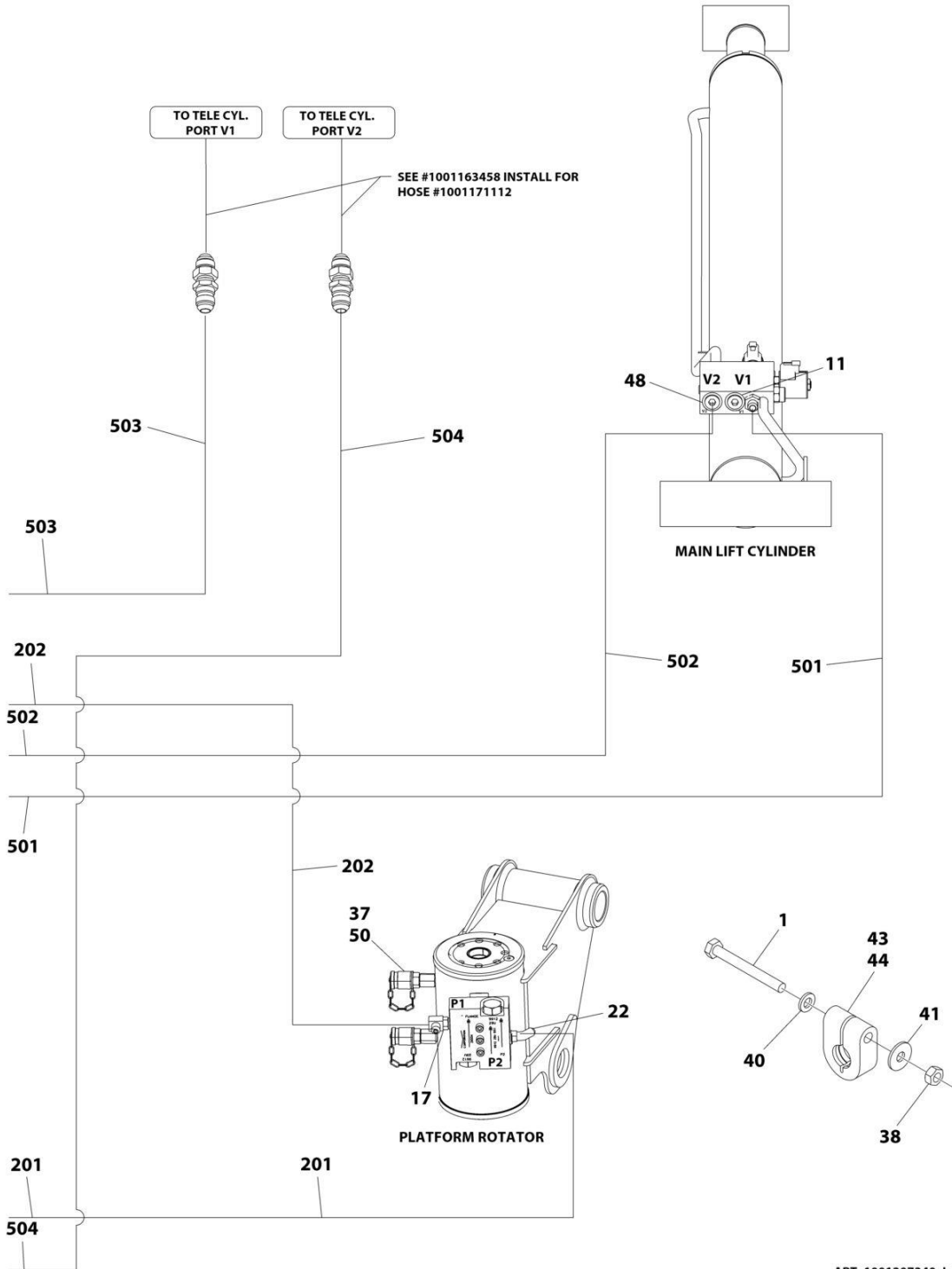
ART_1001207340_I_40F6

SECTION 7 - HYDRAULIC



ART_1001207340_I_50F6

SECTION 7 - HYDRAULIC



ART_1001207340_I_60F6

SECTION 7 - HYDRAULIC

FIGURE 7-1. HYDRAULIC DIAGRAM - 400S HC3

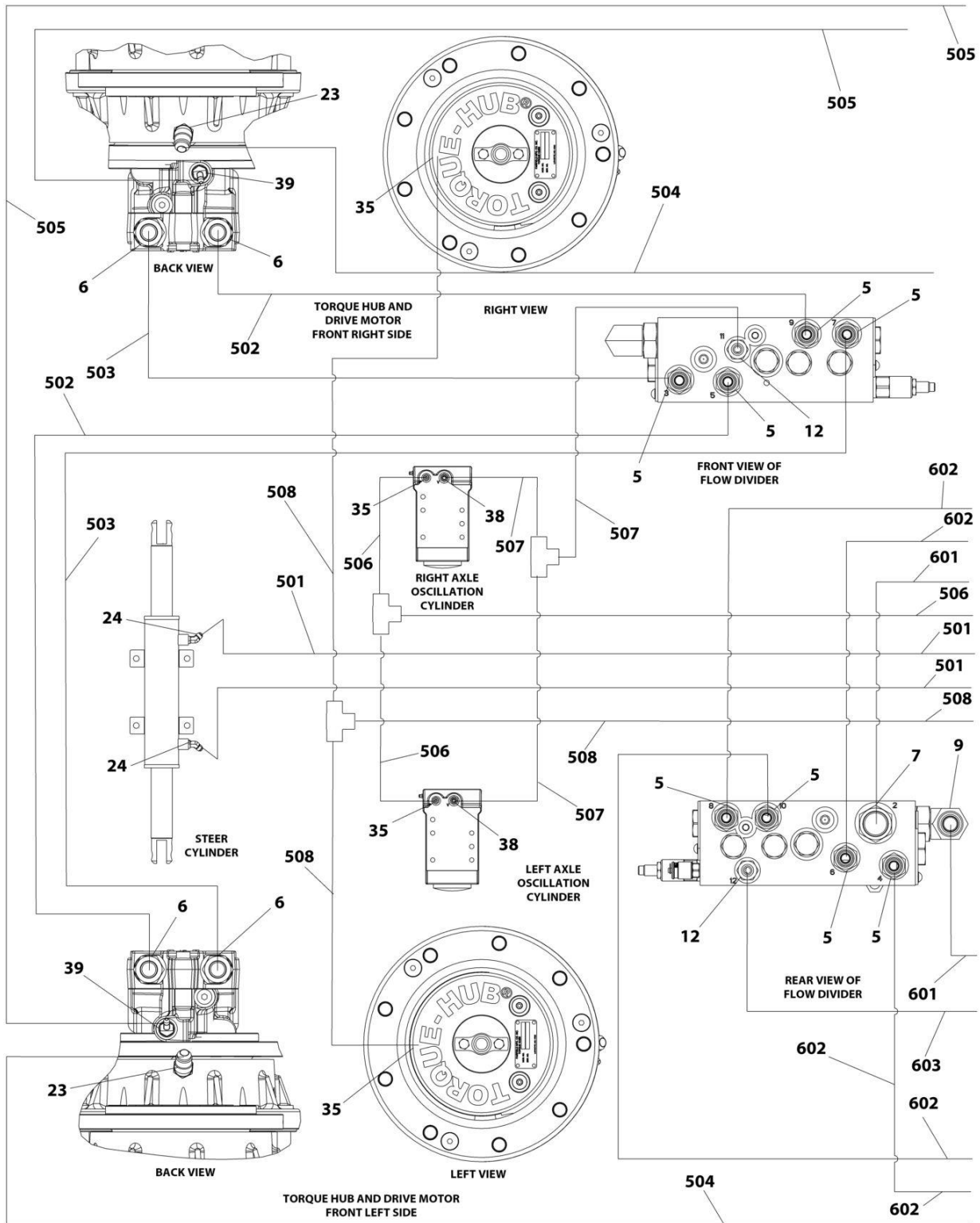
ITEM	PART NUMBER	QTY	DESCRIPTION	REV
	1001207340	Ref	HYDRAULIC SYSTEM INSTALLATION	I
1	0700619	2	Bolt M6 x 55	
2	2110810	8	Fitting, Straight ORFS/ORB	
3	2110812	8	Fitting, Straight ORFS/ORB	
4	2111216	5	Fitting, Straight ORFS/ORB	
5	2131216	1	Fitting, 90 ORFS/ORB	
6	2131212	2	Fitting, 90 ORFS/ORB	
7	2220366	2	Fitting, 90 JIC/ORB	
8	2220371	10	Fitting, Straight JIC/ORB	
9	2220372	8	Fitting, Straight JIC/ORB	
10	2220373	5	Fitting, Straight JIC/ORB	
11	2220374	3	Fitting, Straight JIC/ORB	
12	2220375	1	Fitting, Straight JIC/ORB	
13	2220377	3	Fitting, Straight JIC/ORB	
14	1001202910	2	Fitting, Straight MORB	
16	2220451	1	Fitting, Straight JIC/ORB	
17	2220466	3	Fitting, 90 JIC/ORB	
18	2220468	2	Fitting, Straight JIC/ORB	
19	2220473	8	Fitting, 90 JIC/ORB	
20	2220500	2	Fitting, 45 JIC/ORB	
21	2220501	2	Fitting, 45 JIC/ORB	
22	2220502	1	Fitting, 45 JIC/ORB	
24	2220582	5	Fitting, Straight JIC/ORB	
25	2220596	2	Fitting, 90 JIC/ORB	
26	2220600	2	Fitting, Straight JIC/ORB	
27	2220628	1	Fitting, 90 JIC/ORB	
28	2220695	1	Fitting, Tee JIC/ORB/JIC	
29	2220726	1	Fitting, 90 JIC/ORB	
30	2220775	1	Fitting, 90 JIC/ORB	
31	2220906	1	Fitting, 90 JIC/ORB	
32	2220923	2	Fitting, Straight JIC/ORB	
33	2220946	2	Fitting, Straight JIC/ORB	
34	2220947	1	Fitting, Straight JIC/ORB	
35	2220998	2	Fitting, Straight JIC/ORB	
36	2221040	2	Fitting, 45 JIC/ORB	
37	2221086	3	Fitting, Diagnostic Test Port	
38	3290601	2	Nut M6 x 1	
39	4240018	AR	Tie-Strap (Not Shown)	
40	4811700	2	Washer M6	
41	4811702	2	Washer M6	
42	1001175024	1	Fitting, Tee JIC/JIC/ORB	
43	1001191275	1	Clamp	
44	1001191276	1	Clamp	
45	1001197272	1	Fitting, Tee JIC/ORB/JIC	
46	1001275635	2	Clamp, Hose (Not Shown)	
47	88662037	1	Fitting, Straight JIC/ORB	
48	2220497	1	Fitting, Straight JIC/ORB	
49	2220603	2	Fitting, Straight JIC/ORB	
50	2060404	2	Fitting, Straight FORB/ORB	
100	1001202940	1	Kit, Upper Boom (Not Shown)	

SECTION 7 - HYDRAULIC

ITEM	PART NUMBER	QTY	DESCRIPTION	REV
101	1001173909	1	Hose	
102	1001173937	1	Hose	
200	1001202941	1	Kit, S Boom (Not Shown)	
201	1001172694	1	Hose	
202	1001172696	1	Hose	
300	1001202943	1	Kit, Chassis Rear Hose (Not Shown)	
301	1001172695	2	Hose	
302	1001172697	4	Hose	
303	1001184561	1	Hose	
304	1001184562	1	Hose	
305	1001184563	1	Hose	
306	1001197284	1	Hose	
400	1001202944	1	Kit, Chassis Front Hose (Not Shown)	
401	1001172692	2	Hose	
402	1001172698	2	Hose	
403	1001172699	2	Hose	
404	1001172703	2	Hose	
405	1001172707	2	Hose	
406	1001184542	1	Hose	
407	1001184543	1	Hose	
500	1001202946	1	Kit, Turntable Hosing (Not Shown)	
501	1001173901	1	Hose	
502	1001173902	1	Hose	
503	1001173903	1	Hose	
504	1001173904	1	Hose	
505	1001173907	1	Hose	
506	1001173908	1	Hose	
600	1001252922	1	Kit, Turntable Hosing (Not Shown)	
601	2752500	1	Hose	
602	1001172716	1	Hose	
603	1001172717	1	Hose	
604	1001172718	1	Hose	
605	1001172719	1	Hose	
606	1001172721	1	Hose	
607	1001172722	2	Hose	
608	1001172723	3	Hose	
609	1001173900	2	Hose	
610	1001181075	1	Hose	
611	1001193654	1	Hose	
700	1001252923	1	Kit, Turntable Hosing (Not Shown)	
701	1001173898	1	Hose	
702	1001181074	1	Hose	
703	1001207332	1	Hose	
704	1001207333	1	Hose	
705	1001216655	1	Hose	

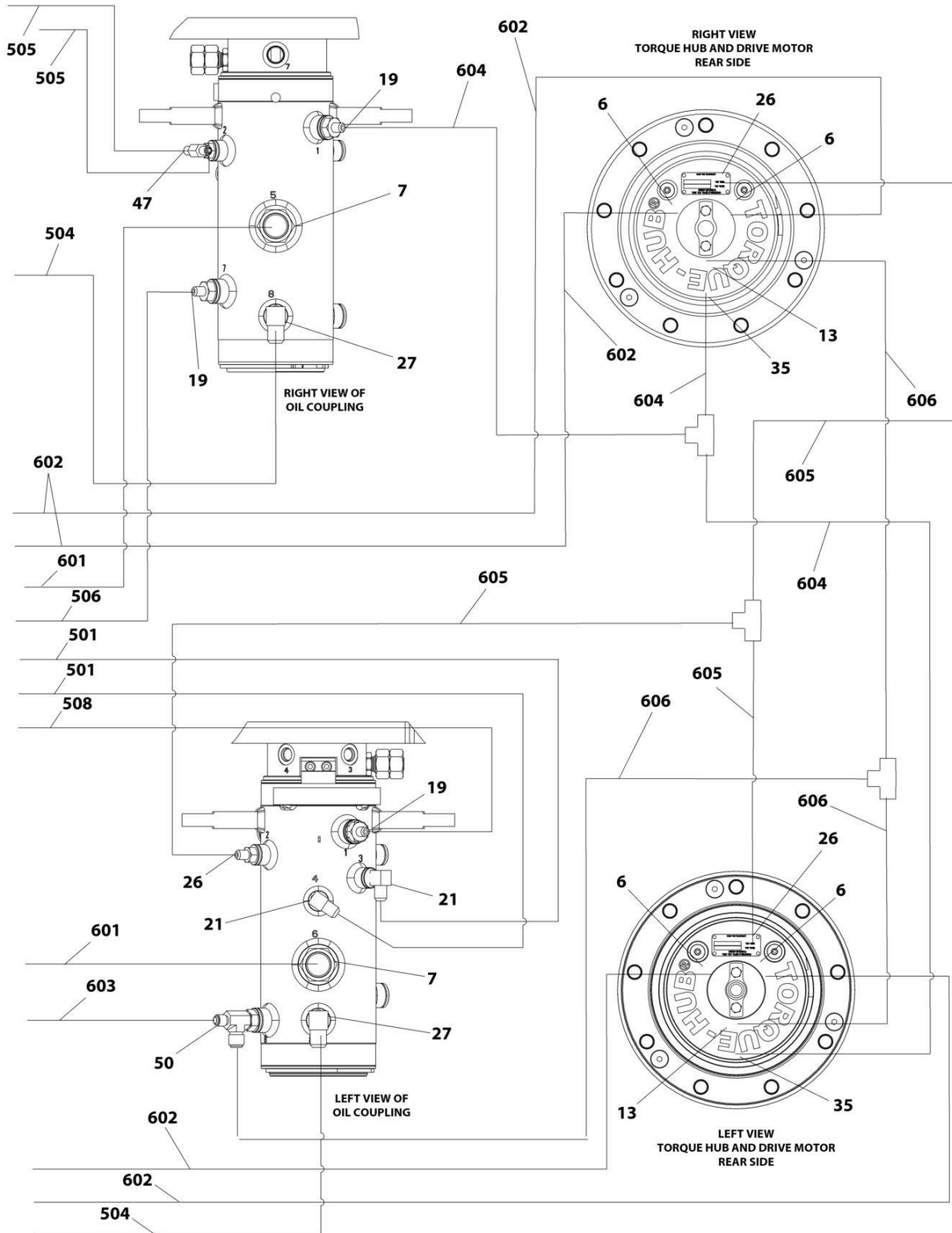
SECTION 7 - HYDRAULIC

FIGURE 7-2. HYDRAULIC DIAGRAM - 460SJ HC3



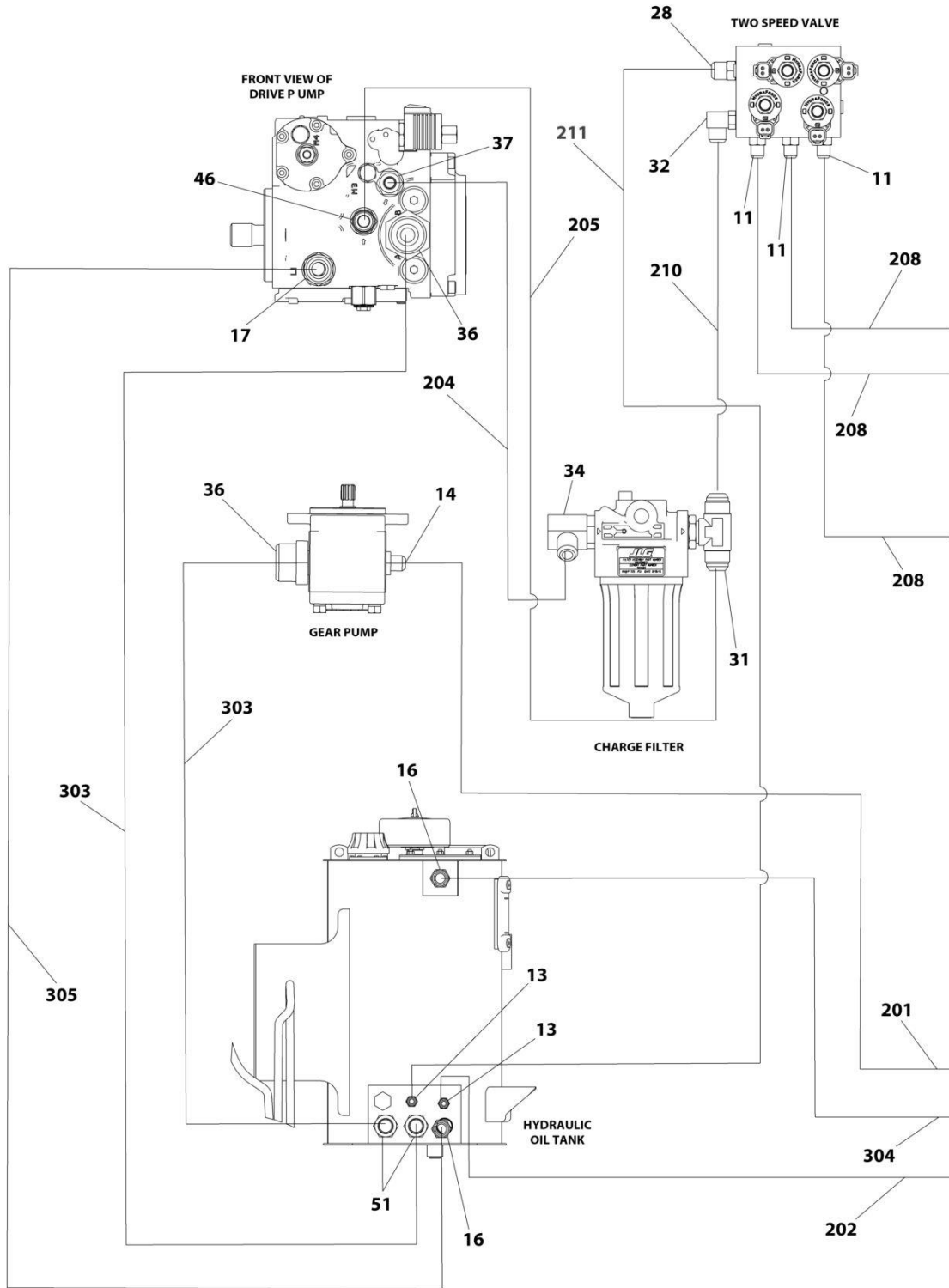
ART_1001242134_I_10F6

SECTION 7 - HYDRAULIC



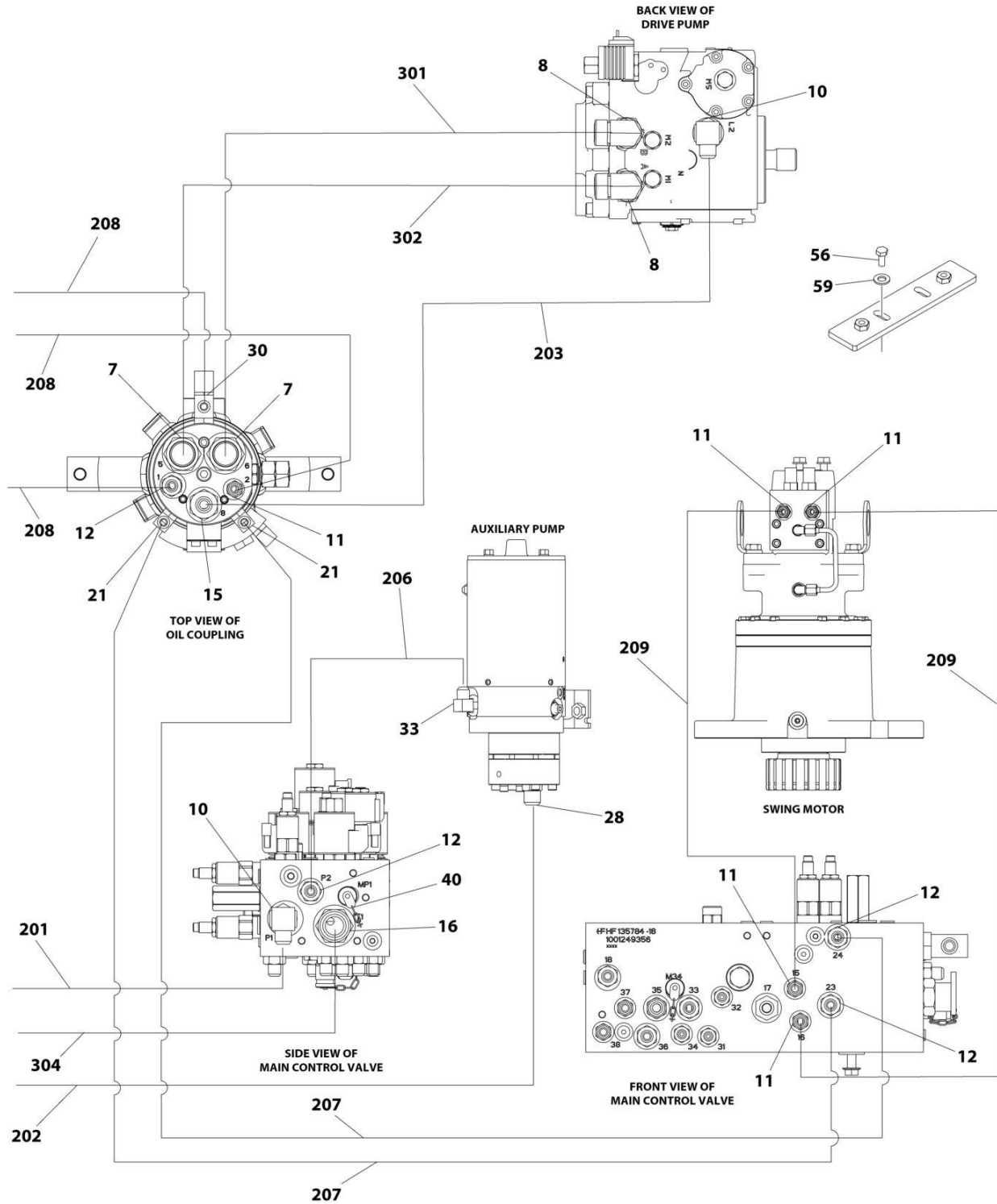
ART_1001242134_I_20F6

SECTION 7 - HYDRAULIC



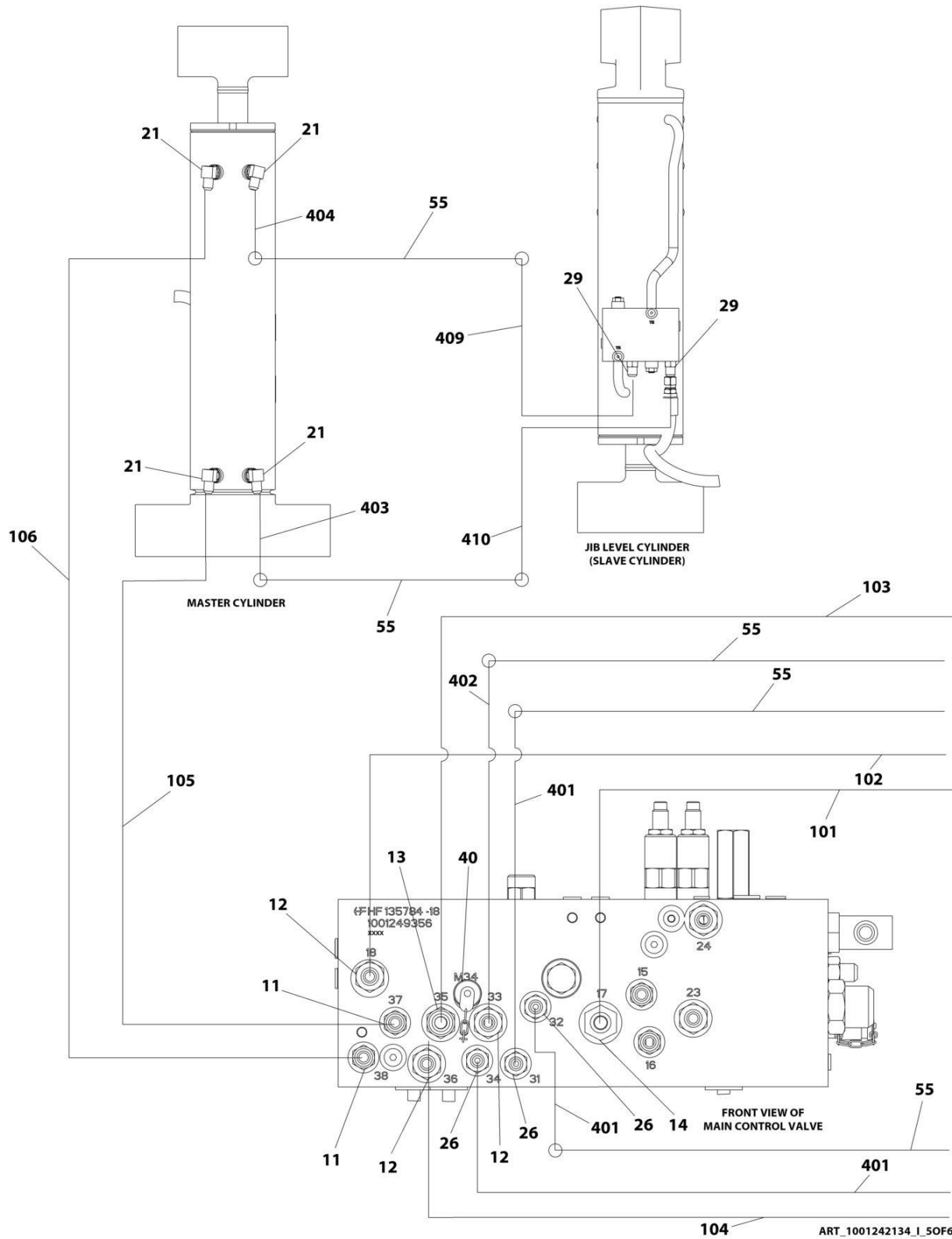
ART_1001242134_I_30F6

SECTION 7 - HYDRAULIC

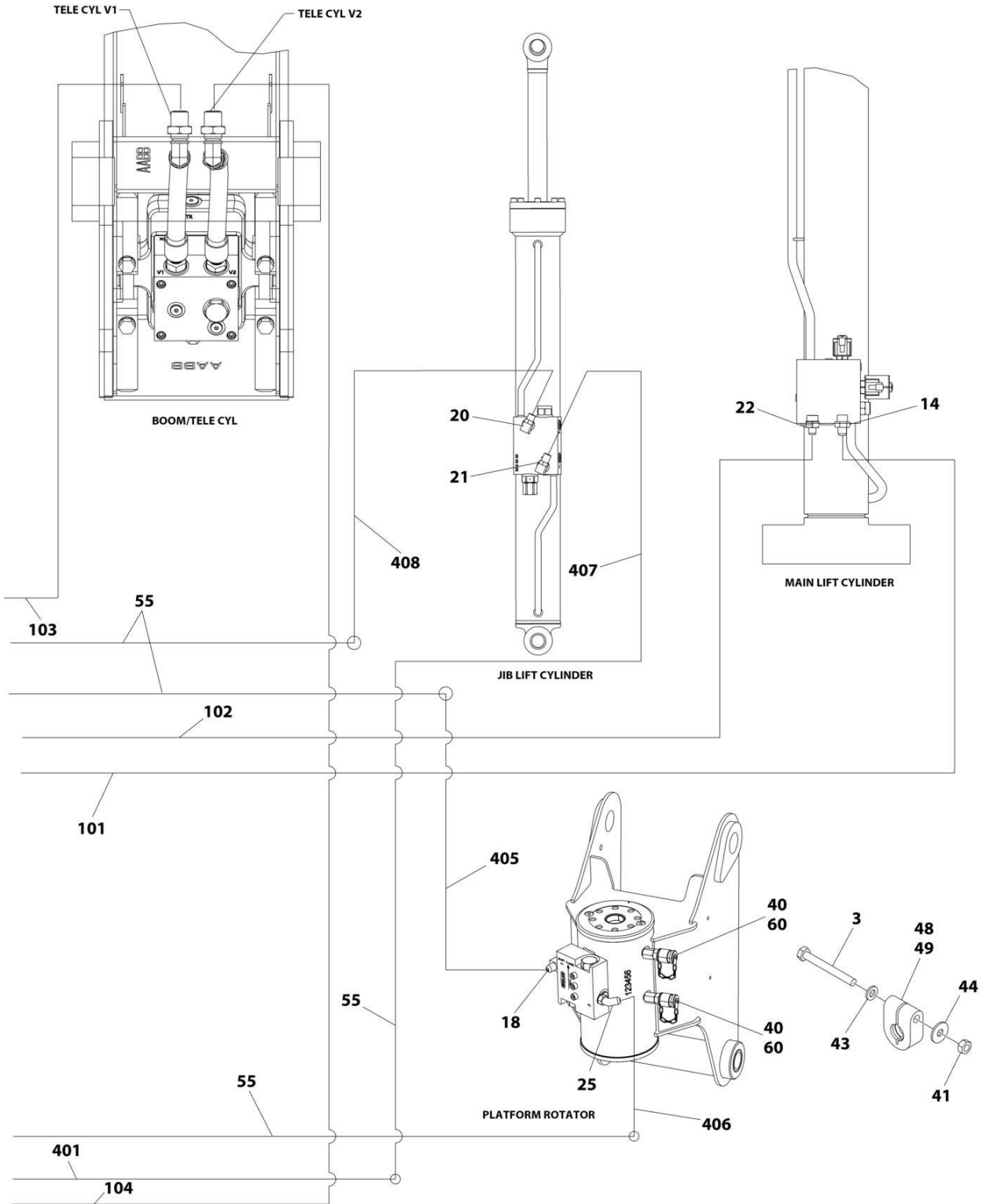


ART_1001242134_L_40F6

SECTION 7 - HYDRAULIC



SECTION 7 - HYDRAULIC



ART_1001242134_I_60F6

SECTION 7 - HYDRAULIC

FIGURE 7-2. HYDRAULIC DIAGRAM - 460SJ HC3

ITEM	PART NUMBER	QTY	DESCRIPTION	REV
	1001242134	Ref	DRIVE HYDRAULIC DIAGRAM	I
3	0760619	2	Bolt M6 x 55	
5	2110810	8	Fitting, Straight ORFS/ORB	
6	2110812	8	Fitting, Straight ORFS/ORB	
7	2111216	5	Fitting, Straight ORFS/ORB	
8	2131212	2	Fitting, 90 ORFS/ORB	
9	2131216	1	Fitting, 90 ORFS/ORB	
10	2220366	2	Fitting, 90 JIC/ORB	
11	2220371	10	Fitting, Straight JIC/ORB	
12	2220372	9	Fitting, Straight JIC/ORB	
13	2220373	5	Fitting, Straight JIC/ORB	
14	2220374	3	Fitting, Straight JIC/ORB	
15	2220375	1	Fitting, Straight JIC/ORB	
16	2220377	3	Fitting, Straight JIC/ORB	
17	2220451	1	Fitting, Straight JIC/ORB	
18	2220466	1	Fitting, 90 JIC/ORB	
19	2220468	3	Fitting, Straight JIC/ORB	
20	2220472	1	Fitting, 90 JIC/ORB	
21	2220473	9	Fitting, 90 JIC/ORB	
22	2220497	1	Fitting, Straight JIC/ORB	
23	2220500	2	Fitting, 45 JIC/ORB	
24	2220501	2	Fitting, 45 JIC/ORB	
25	2220502	1	Fitting, 45 JIC/ORB	
26	2220582	6	Fitting, Straight JIC/ORB	
27	2220596	2	Fitting, 90 JIC/ORB	
28	2220600	2	Fitting, Straight JIC/ORB	
29	2220603	2	Fitting, Straight JIC/ORB	
30	2220628	1	Fitting, 90 JIC/ORB	
31	2220695	1	Fitting, Tee JIC/ORB/JIC	
32	2220726	1	Fitting, 90 JIC/ORB	
33	2220775	1	Fitting, 90 JIC/ORB	
34	2220906	1	Fitting, 90 JIC/ORB	
35	2220923	6	Fitting, Straight JIC/ORB	
36	2220946	2	Fitting, Straight JIC/ORB	
37	2220947	1	Fitting, Straight JIC/ORB	
38	2220998	2	Fitting, Straight JIC/ORB	
39	2221040	2	Fitting, 45 JIC/ORB	
40	2221086	4	Fitting, Diagnostic Test Port	
41	3290601	2	Nut M6	
43	4811700	2	Washer M6	
44	4811702	2	Washer M6	
45	1001275635	2	Clamp (Not Shown)	
46	88662037	1	Fitting, Straight JIC/ORB	
47	1001175024	1	Fitting, Tee JIC/JIC/ORB	
48	1001191275	1	Clamp	
49	1001191276	1	Clamp	
50	1001197272	1	Fitting, Tee JIC/ORB/JIC	
51	1001202910	2	Fitting, Straight MORB	
55	1001241994	1	Pipe, Weldment	
56	0760607	8	Bolt M6 x 14	

SECTION 7 - HYDRAULIC

ITEM	PART NUMBER	QTY	DESCRIPTION	REV
57	4240018	25	Tie-Strap (Not Shown)	
58	1001136358	1	Cover, Hose Wrap	
59	4811900	8	Washer M8	
60	2060404	2	Fitting, Straight FORB/ORB	
100	1001250478	1	Kit, Turntable	
101	1001173901	1	Hose	
102	1001173902	1	Hose	
103	1001250474	1	Hose	
104	1001250477	1	Hose	
105	1001173907	1	Hose	
106	1001173908	1	Hose	
200	1001252922	1	Kit, Turntable	
201	2752500	1	Hose	
202	1001172716	1	Hose	
203	1001172717	1	Hose	
204	1001172718	1	Hose	
205	1001172719	1	Hose	
206	1001172721	1	Hose	
207	1001172722	2	Hose	
208	1001172723	3	Hose	
209	1001173900	2	Hose	
210	1001181075	1	Hose	
211	1001193654	1	Hose	
300	1001252923	1	Kit, Turntable	
301	1001173898	1	Hose	
302	1001181074	1	Hose	
303	1001207332	2	Hose	
304	1001207333	1	Hose	
305	1001216655	1	Hose	
400	1001247999	1	Kit, Upper Boom	
401	1001247393	1	Hose	
402	1001247394	1	Hose	
403	1001247395	1	Hose	
404	1001247396	1	Hose	
405	1001247397	1	Hose	
406	1001247398	1	Hose	
407	1001268998	1	Hose	
408	1001268997	1	Hose	
409	1001247402	1	Hose	
410	1001254980	1	Hose	
500	1001248003	1	Kit, Chassis Front Hose	
501	1001172692	2	Hose	
502	1001172698	2	Hose	
503	1001172699	2	Hose	
504	1001172703	2	Hose	
505	1001172707	2	Hose	
506	1001184542	1	Hose	
507	1001184543	1	Hose	
508	1001247577	1	Hose	
600	1001248004	1	Kit, Chassis Rear Hose	
601	1001172695	1	Hose	

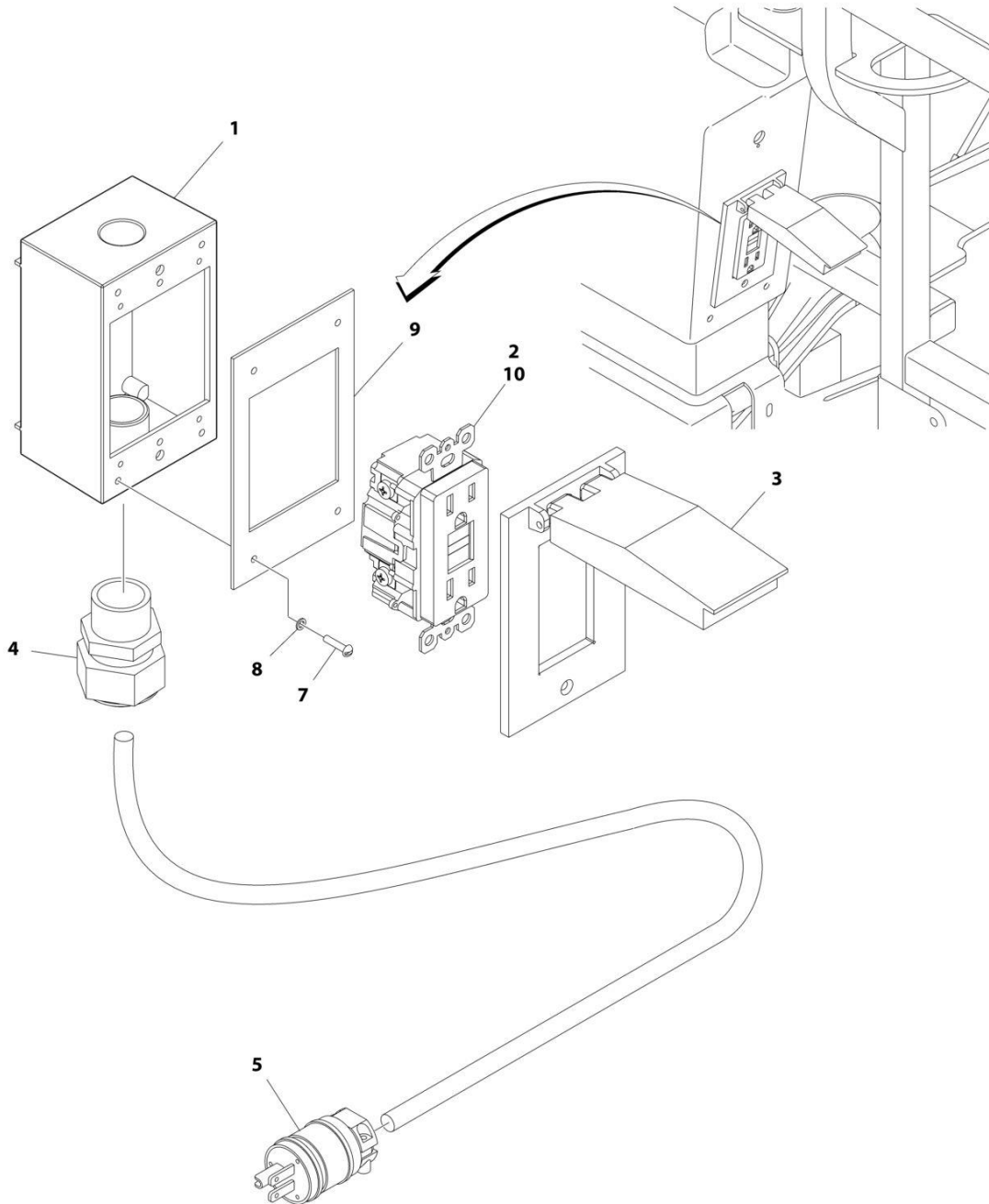
SECTION 7 - HYDRAULIC

ITEM	PART NUMBER	QTY	DESCRIPTION	REV
602	1001172697	4	Hose	
603	1001197284	1	Hose	
604	1001247996	1	Hose	
605	1001247997	1	Hose	
606	1001247998	1	Hose	

SECTION 8 - ELECTRICAL

SECTION 8 - ELECTRICAL

FIGURE 8-1. AC BOX AT PLATFORM INSTALLATION - 110V GFI (MACHINES WITH 2500W GENERATOR/NO GENERATOR OPTIONS) (ANSI AND CSA SPECS)



ART_0270022

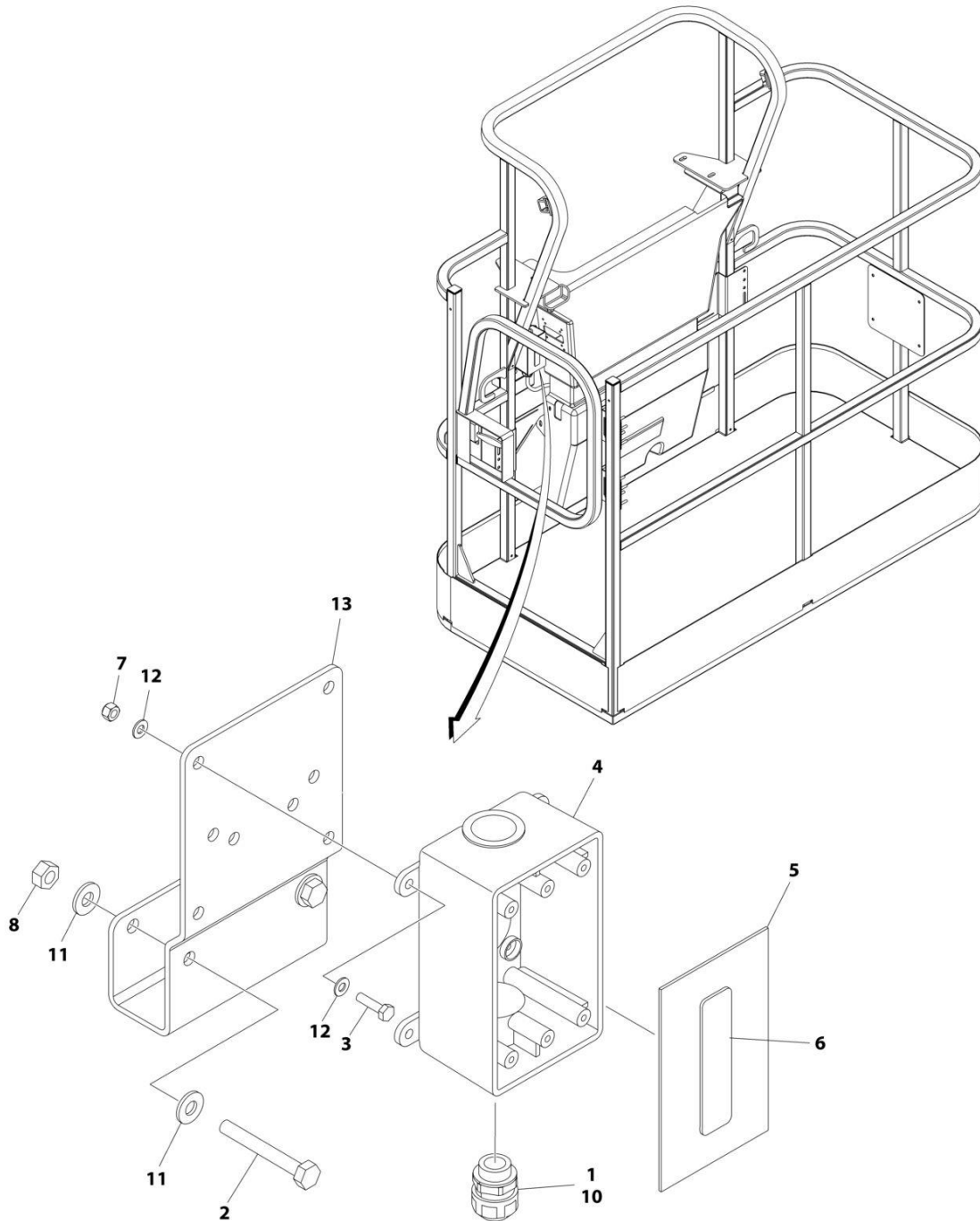
SECTION 8 - ELECTRICAL

FIGURE 8-1. AC BOX AT PLATFORM INSTALLATION - 110V GFI (MACHINES WITH 2500W GENERATOR/NO GENERATOR OPTIONS) (ANSI AND CSA SPECS)

ITEM	PART NUMBER	QTY	DESCRIPTION	REV
	0270022	Ref	AC BOX AT PLATFORM INSTALLATION - 110V	4-B
1	0860038	1	Box, Switch	
2	4460346	1	Receptacle	
3	1001110873	1	Shield, Cover	
4	4460071	1	Connector, Strain Relief	
5	4460205	1	Plug, Male	
7	3910610	4	Screw #6 x 5/8	
8	4760600	4	Washer #6	
9	3960422	1	Gasket	
10	4460315	1	Terminal, Spade	

SECTION 8 - ELECTRICAL

FIGURE 8-2. AC BOX AT PLATFORM INSTALLATION - CUSTOMER SUPPLIED RECEPTACLE (ANSI EXPORT, CE, CHINA & UK CA SPECS)



ART_1001194365

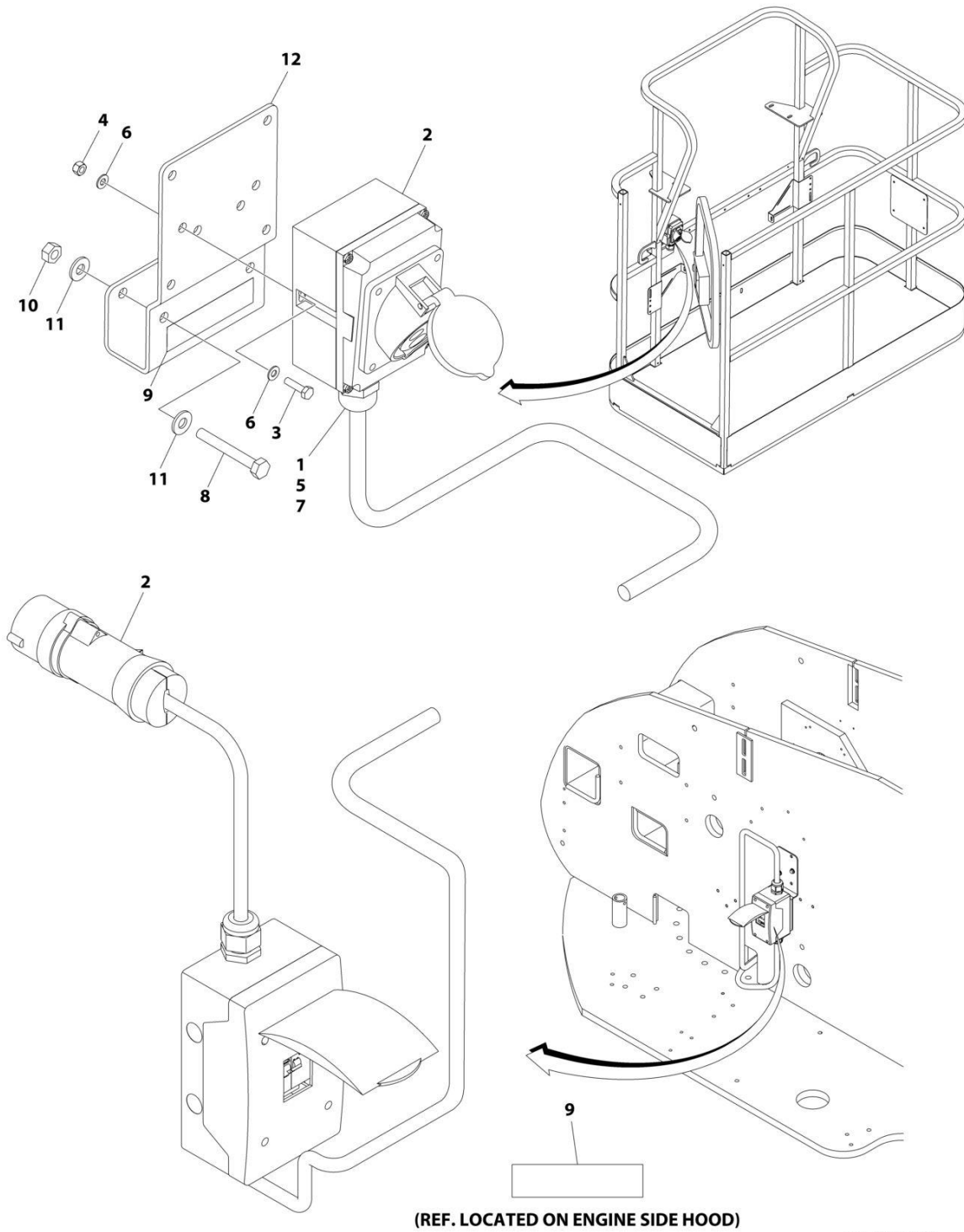
SECTION 8 - ELECTRICAL

FIGURE 8-2. AC BOX AT PLATFORM INSTALLATION - CUSTOMER SUPPLIED RECEPTACLE (ANSI EXPORT, CE, CHINA & UK CA SPECS)

ITEM	PART NUMBER	QTY	DESCRIPTION	REV
	1001194365	Ref	AC BOX AT PLATFORM INSTALLATION - BOX WITH COVER (2X4 BOX)	A
1	0100020	AR	Sealant	
2	0641416	2	Bolt 1/4 x 2	
3	0700408	4	Bolt M4 x 16	
4	0861731	1	Box, Switch	
5	1670603	1	Cover	
6	3251242	1	Decal - 240V/50Hz	
7	3290405	4	Nut M4	
8	3311405	2	Nut 1/4	
9	4460384	3	Terminal (Not Shown)	
10	4460662	1	Connector, Strain Relief	
11	4711400	4	Washer 1/4	
12	4811400	8	Washer M4	
13	1001193018	1	Bracket, AC Receptacle	

SECTION 8 - ELECTRICAL

**FIGURE 8-3. AC BOX AT PLATFORM INSTALLATION - 110V IEC YELLOW (CE & UK CA SPECS)
(2500W AND 7500W SKYPOWER GENERATORS)**



ART_1001091969

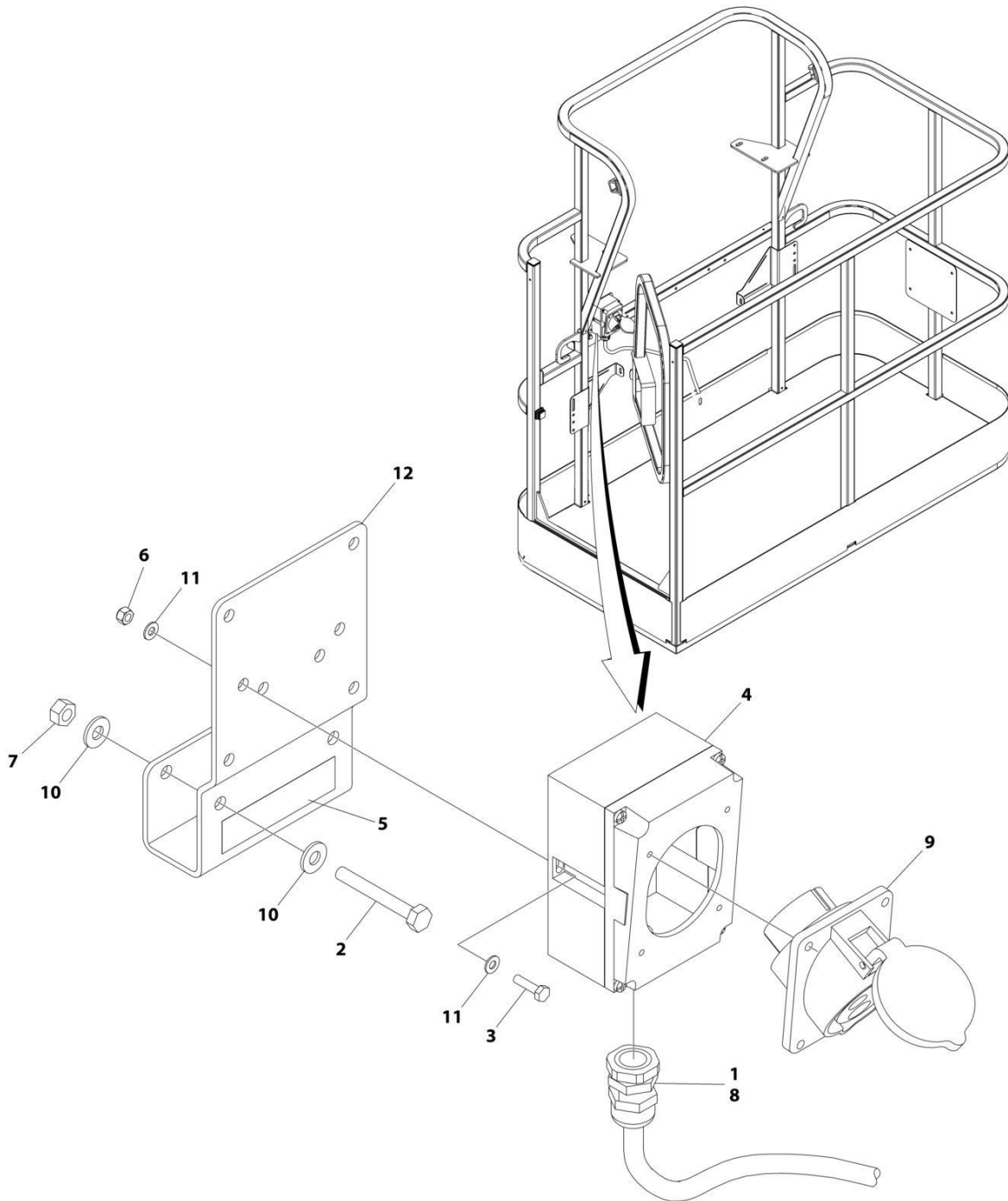
SECTION 8 - ELECTRICAL

**FIGURE 8-3. AC BOX AT PLATFORM INSTALLATION - 110V IEC YELLOW (CE & UK CA SPECS)
(2500W AND 7500W SKYPOWER GENERATORS)**

ITEM	PART NUMBER	QTY	DESCRIPTION	REV
	1001091969	Ref	AC BOX AT PLATFORM INSTALLATION - 110V IEC YELLOW	D
1	0100020	AR	Sealant, Pipe	
2	0275216	1	Receptacle Box Kit (See Separate Breakdown in this Section)	
3	0700408	2	Bolt M4 x 16	
4	3290405	2	Nut M4	
5	1001101196	1	Adapter	
6	4811400	4	Washer M4	
7	1001101191	1	Connector, Strain Relief	
8	0641416	2	Bolt 1/4 x 2	
9	1705325	2	Decal - 110V	
10	3311405	2	Nut 1/4	
11	4711400	4	Washer 1/4	
12	1001193018	1	Bracket	

SECTION 8 - ELECTRICAL

FIGURE 8-4. AC BOX AT PLATFORM INSTALLATION - 110V IEC YELLOW (CE & UK CA SPECS)
(4000W GENERATOR)



ART_1001194203

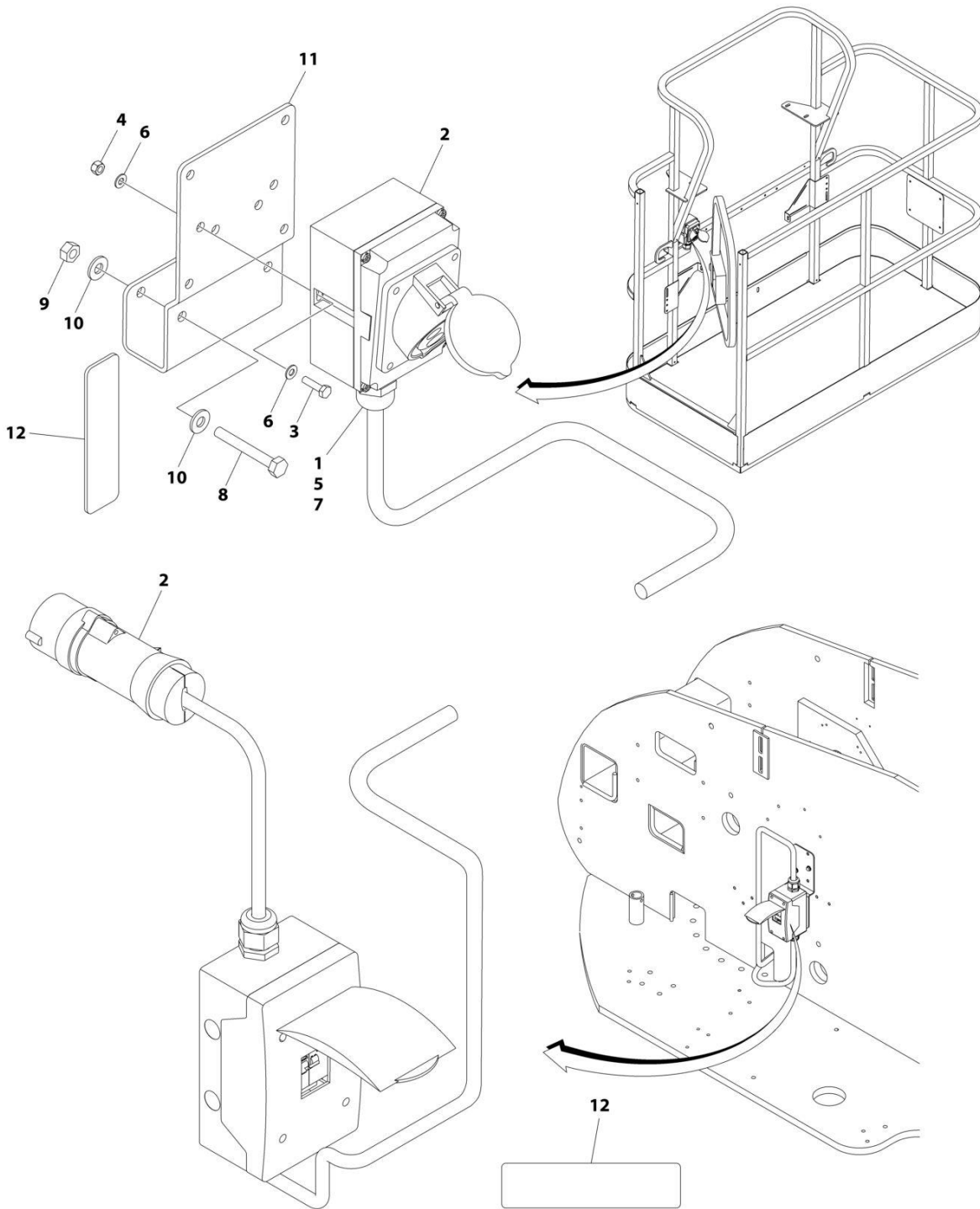
SECTION 8 - ELECTRICAL

**FIGURE 8-4. AC BOX AT PLATFORM INSTALLATION - 110V IEC YELLOW (CE & UK CA SPECS)
(4000W GENERATOR)**

ITEM	PART NUMBER	QTY	DESCRIPTION	REV
	1001194203	Ref	AC BOX AT PLATFORM INSTALLATION	B
1	0100020	AR	Sealant, Pipe	
2	0641416	2	Bolt 1/4 x 2	
3	0700408	2	Bolt M4 x 16	
4	0861781	1	Box, Switch	
5	1705325	1	Decal - 110V	
6	3290405	2	Nut M4	
7	3311405	2	Nut 1/4	
8	4460968	1	Connector, Strain Relief	
9	4461198	1	Receptacle	
10	4711400	4	Washer 1/4	
11	4811400	4	Washer M4	
12	1001193018	1	Bracket, AC Receptacle	

SECTION 8 - ELECTRICAL

FIGURE 8-5. AC BOX AT PLATFORM INSTALLATION - 220V IEC BLUE (CE & UK CA SPECS) (2500W AND 7500W SKYPOWER GENERATORS)



(REF. LOCATED ON ENGINE SIDE HOOD)

ART_1001091970

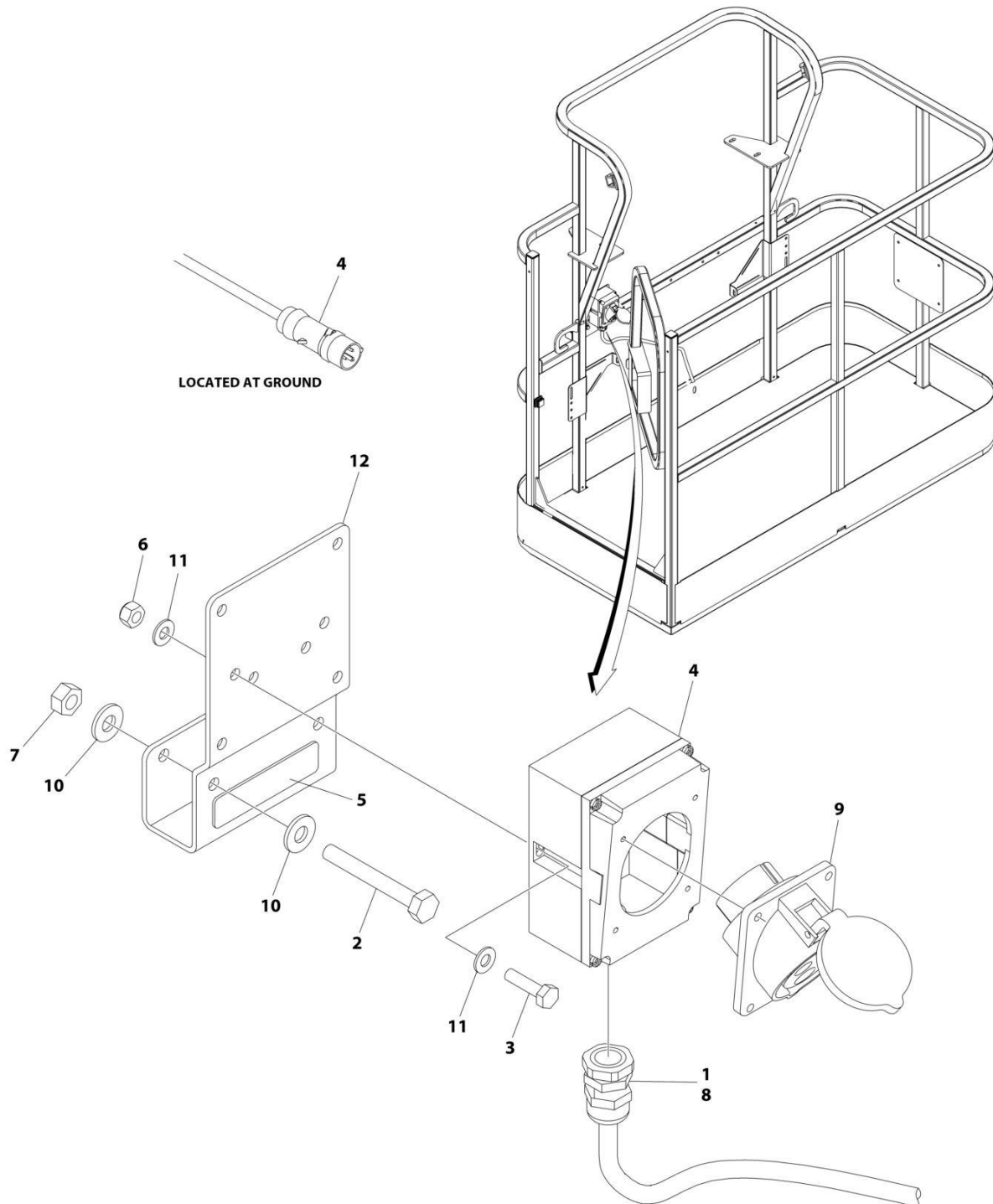
SECTION 8 - ELECTRICAL

FIGURE 8-5. AC BOX AT PLATFORM INSTALLATION - 220V IEC BLUE (CE & UK CA SPECS) (2500W AND 7500W SKYPOWER GENERATORS)

ITEM	PART NUMBER	QTY	DESCRIPTION	REV
	1001091970	Ref	AC BOX AT PLATFORM INSTALLATION - 220V IEC BLUE	D
1	0100020	AR	Sealant, Pipe	
2	0275217	1	Receptacle Box Kit (See Separate Breakdown in this Section)	
3	0700408	2	Bolt M4 x 16	
4	3290405	2	Nut M4	
5	1001101196	1	Adapter	
6	4811400	4	Washer M4	
7	1001101191	1	Connector, Strain Relief	
8	0641416	2	Bolt 1/4 x 2	
9	3311405	2	Nut 1/4	
10	4711400	4	Washer 1/4	
11	1001193018	1	Bracket	
12	3251242	2	Decal - 240V/50Hz	

SECTION 8 - ELECTRICAL

FIGURE 8-6. AC BOX AT PLATFORM INSTALLATION - 220V IEC BLUE (CE & UK CA SPECS) (4000W GENERATOR)



ART_1001194204

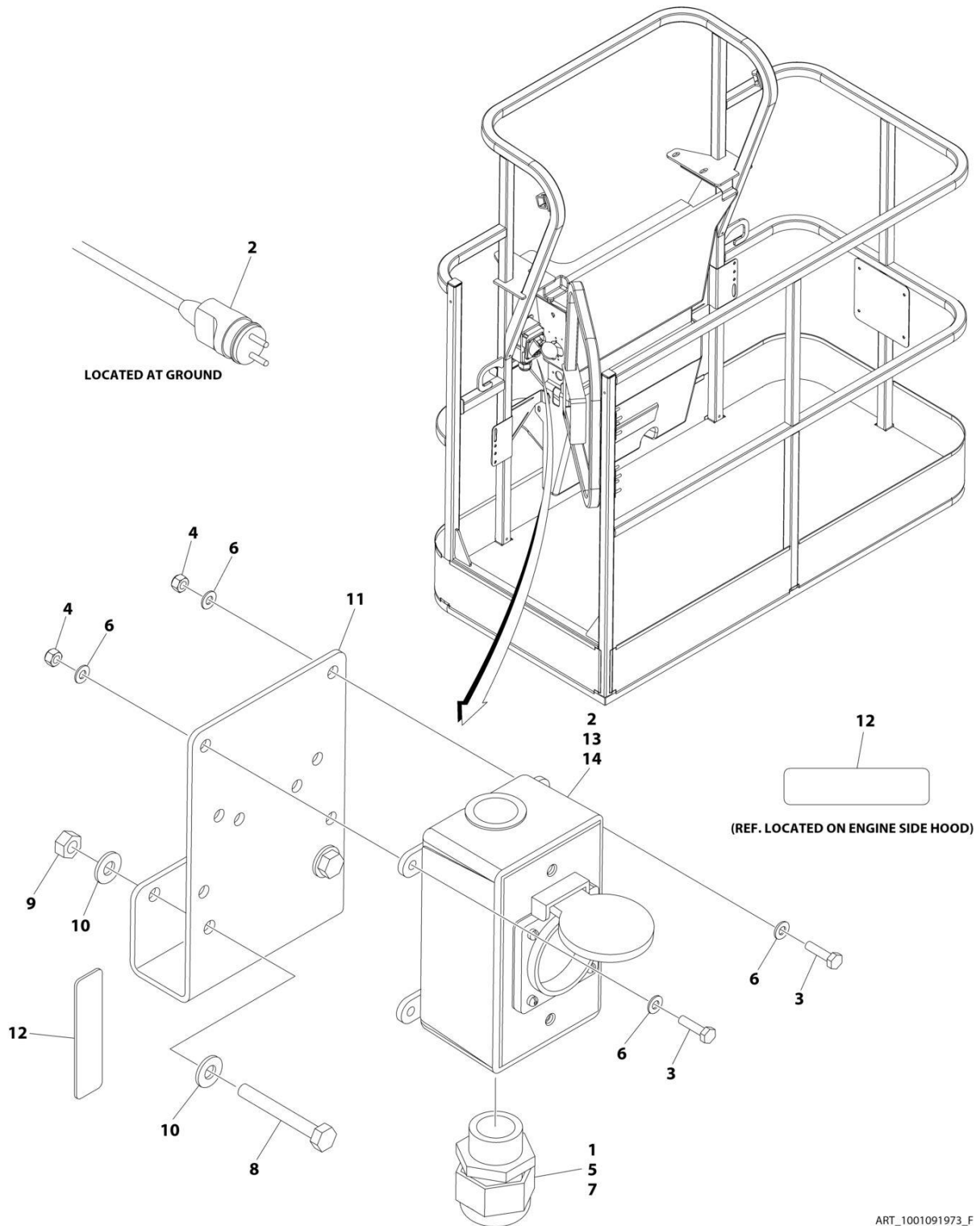
SECTION 8 - ELECTRICAL

FIGURE 8-6. AC BOX AT PLATFORM INSTALLATION - 220V IEC BLUE (CE & UK CA SPECS) (4000W GENERATOR)

ITEM	PART NUMBER	QTY	DESCRIPTION	REV
	1001194204	Ref	AC BOX AT PLATFORM INSTALLATION	B
1	0100020	AR	Sealant, Pipe	
2	0641416	2	Bolt 1/4 x 2	
3	0700408	2	Bolt M4 x 16	
4	0861781	1	Box, Switch	
5	3251242	1	Decal - 240V/50Hz	
6	3290405	2	Nut M4	
7	3311405	2	Nut 1/4	
8	4460968	1	Connector, Strain Relief	
9	4461201	1	Receptacle	
10	4711400	4	Washer 1/4	
11	4811400	4	Washer M4	
12	1001193018	1	Bracket, AC Receptacle	

SECTION 8 - ELECTRICAL

FIGURE 8-7. AC BOX AT PLATFORM INSTALLATION - 220V CEE7 POST GROUND (CE & UK CA SPECS) (WITHOUT GENERATOR)



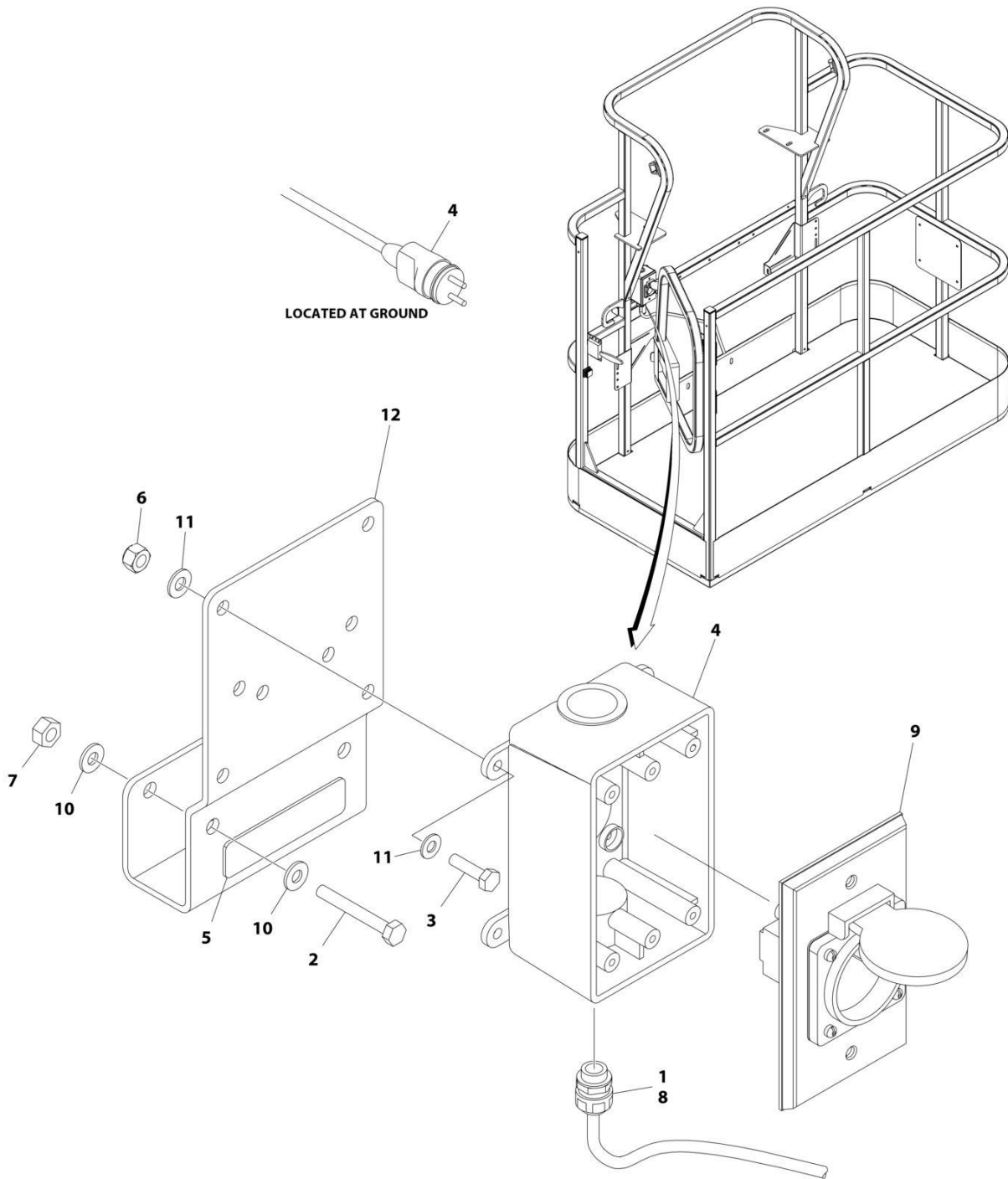
SECTION 8 - ELECTRICAL

FIGURE 8-7. AC BOX AT PLATFORM INSTALLATION - 220V CEE7 POST GROUND (CE & UK CA SPECS) (WITHOUT GENERATOR)

ITEM	PART NUMBER	QTY	DESCRIPTION	REV
	1001091973	Ref	AC BOX AT PLATFORM INSTALLATION - 220V CEE7 2X4 BOX POST GROUND	F
1	0100020	AR	Sealant, Pipe	
2	0275452	1	Receptacle Box Kit (See Separate Breakdown in this Section)	
3	0700408	4	Bolt M4 x 16	
4	3290405	4	Nut M4	
5	1001101197	1	Adapter	
6	4811400	8	Washer M4	
7	1001101191	1	Connector, Strain Relief	
8	0641416	2	Bolt 1/4 x 2	
9	3311405	2	Nut 1/4	
10	4711400	4	Washer 1/4	
11	1001193018	1	Bracket	
12	3251242	2	Decal - 240V/50Hz	
13	4460806	2	Terminal, Fork (Not Shown)	
14	1001205958	1	Terminal (Not Shown)	

SECTION 8 - ELECTRICAL

FIGURE 8-8. AC BOX AT PLATFORM INSTALLATION - 220V CEE7 POST GROUND (CE & UK CA SPECS) (4000W GENERATOR)



ART_1001194197

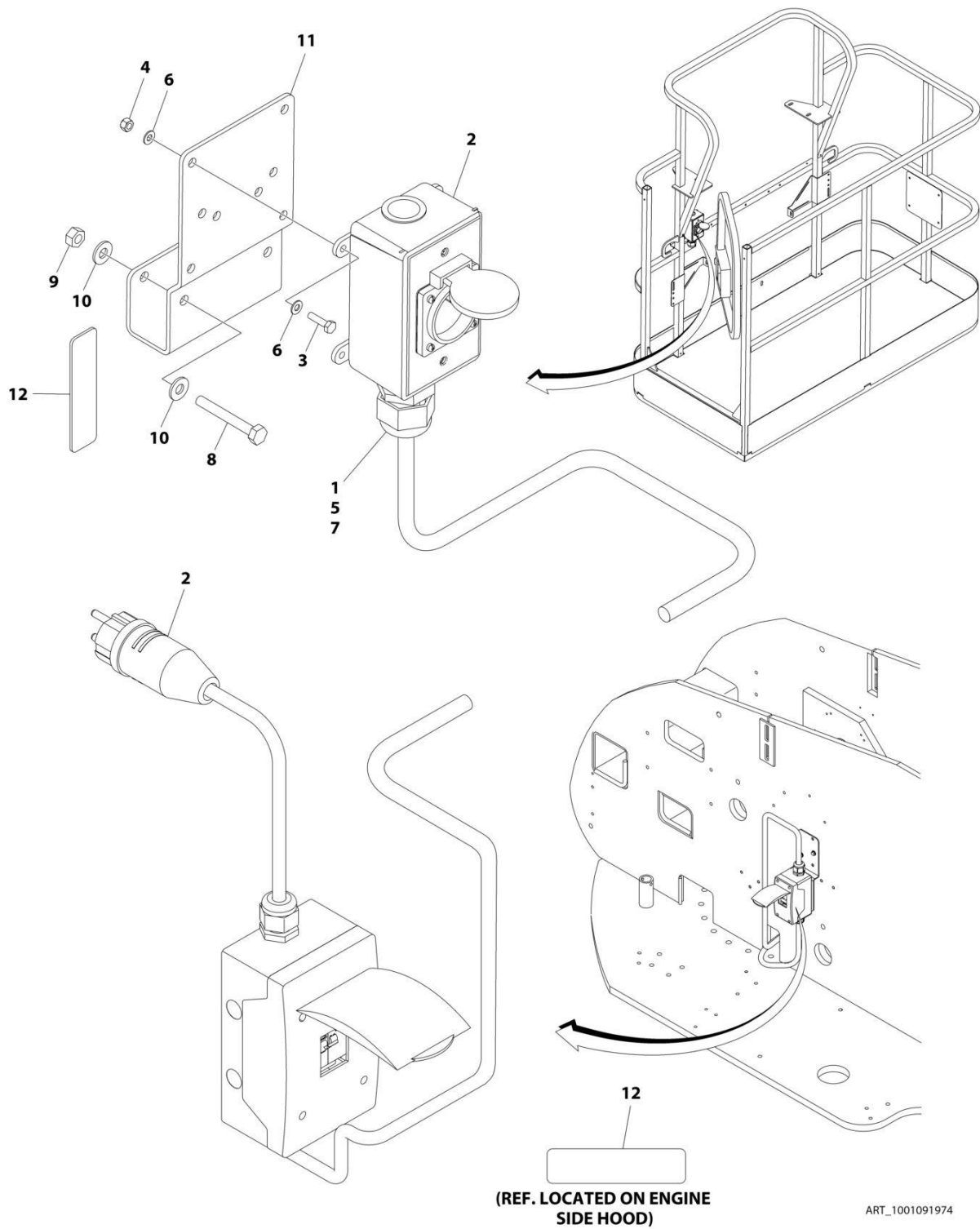
SECTION 8 - ELECTRICAL

FIGURE 8-8. AC BOX AT PLATFORM INSTALLATION - 220V CEE7 POST GROUND (CE & UK CA SPECS) (4000W GENERATOR)

ITEM	PART NUMBER	QTY	DESCRIPTION	REV
	1001194197	Ref	AC BOX AT PLATFORM INSTALLATION	B
1	0100020	AR	Sealant, Pipe	
2	0641416	2	Bolt 1/4 x 2	
3	0700408	4	Bolt M4 x 16	
4	0861731	1	Box, Switch	
5	3251242	1	Decal - 240V/50Hz	
6	3290405	4	Nut M4	
7	3311405	2	Nut 1/4	
8	4460662	1	Connector, Strain Relief	
9	4461244	1	Receptacle	
10	4711400	4	Washer 1/4	
11	4811400	8	Washer M4	
12	1001193018	1	Bracket, AC Receptacle	
13	4460806	2	Terminal, Fork (Not Shown)	
14	1001205958	1	Terminal (Not Shown)	

SECTION 8 - ELECTRICAL

FIGURE 8-9. AC BOX AT PLATFORM INSTALLATION - 220V CEE7 SIDE GROUND (CE & UK CA SPECS) (WITHOUT GENERATOR)



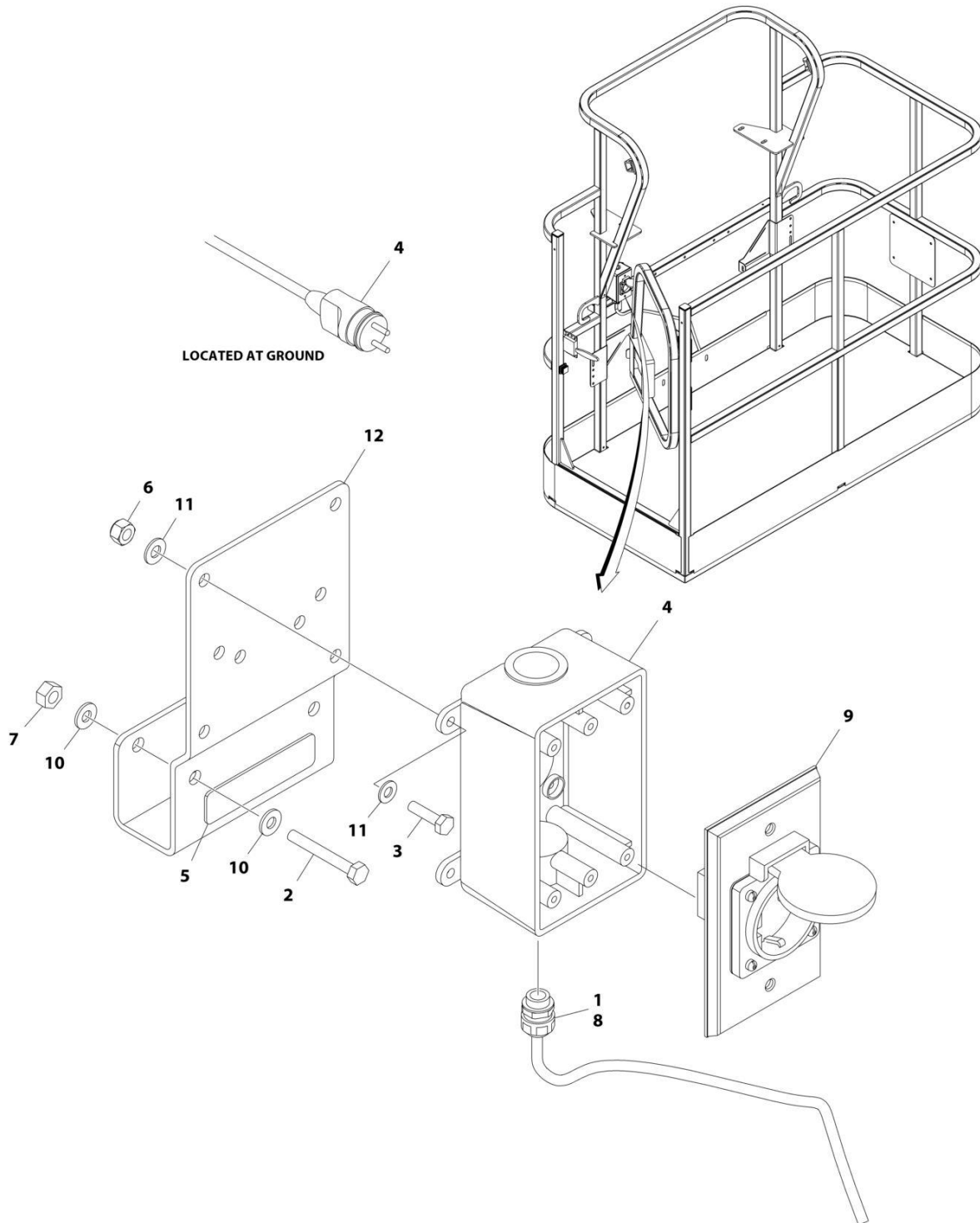
SECTION 8 - ELECTRICAL

FIGURE 8-9. AC BOX AT PLATFORM INSTALLATION - 220V CEE7 SIDE GROUND (CE & UK CA SPECS) (WITHOUT GENERATOR)

ITEM	PART NUMBER	QTY	DESCRIPTION	REV
	1001091974	Ref	AC BOX AT PLATFORM INSTALLATION - 220V CEE7 2X4 BOX SIDE GROUND	F
1	0100020	AR	Sealant, Pipe	
2	0275453	1	Receptacle Box Kit (See Separate Breakdown in this Section)	
3	0700408	4	Bolt M4 x 16	
4	3290405	4	Nut M4	
5	1001101197	1	Adapter	
6	4811400	8	Washer M4	
7	1001101191	1	Connector, Strain Relief	
8	0641416	2	Bolt 1/4 x 2	
9	3311405	2	Nut 1/4	
10	4711400	4	Washer 1/4	
11	1001193018	1	Bracket	
12	3251242	2	Decal - 240V/50Hz	
13	4460806	2	Terminal, Fork (Not Shown)	
14	1001205958	1	Terminal (Not Shown)	

SECTION 8 - ELECTRICAL

FIGURE 8-10. AC BOX AT PLATFORM INSTALLATION - 220V CEE7 SIDE GROUND (CE & UK CA SPECS) (4000W GENERATOR)



ART_1001194198

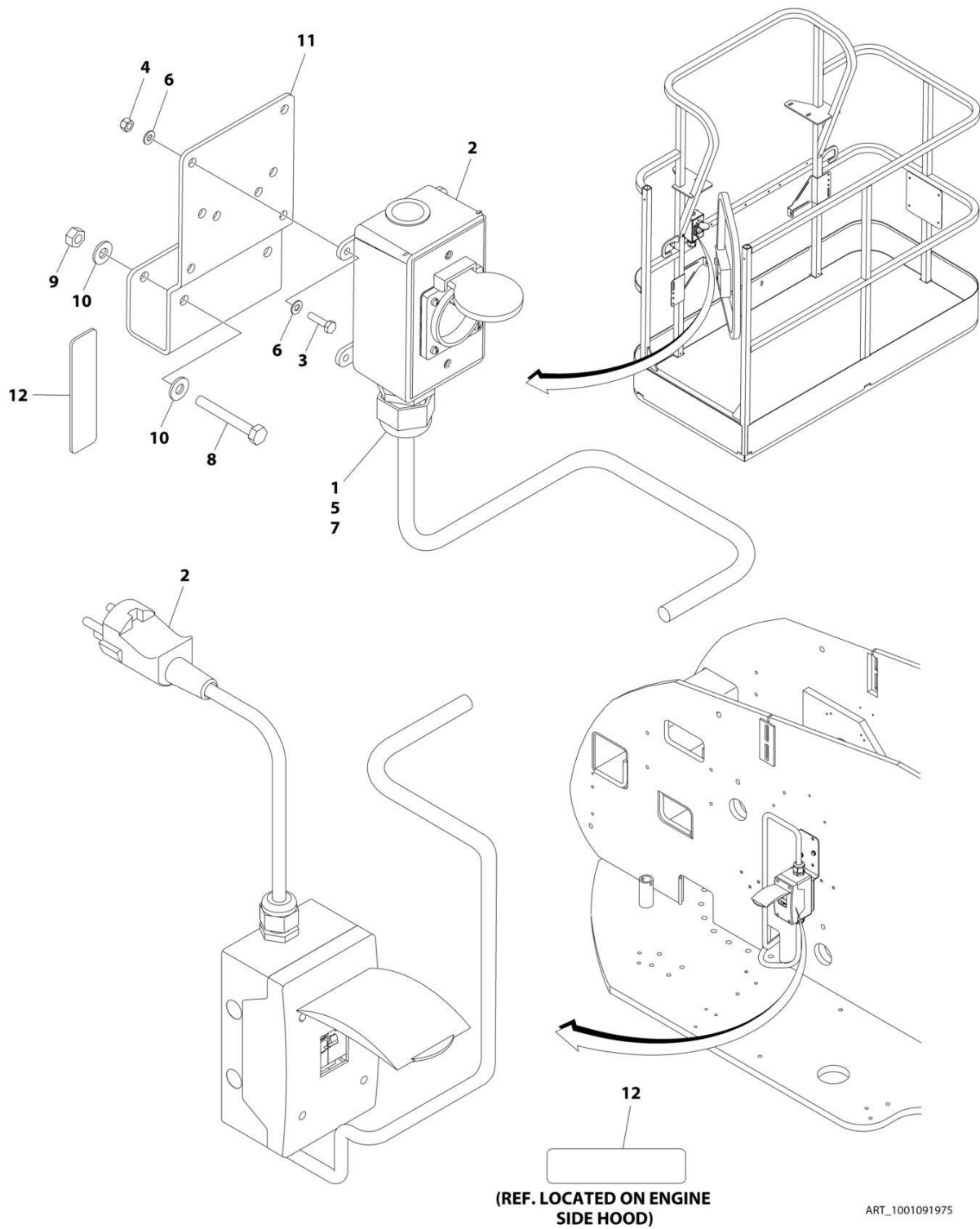
SECTION 8 - ELECTRICAL

FIGURE 8-10. AC BOX AT PLATFORM INSTALLATION - 220V CEE7 SIDE GROUND (CE & UK CA SPECS) (4000W GENERATOR)

ITEM	PART NUMBER	QTY	DESCRIPTION	REV
	1001194198	Ref	AC BOX AT PLATFORM INSTALLATION	B
1	0100020	AR	Sealant, Pipe	
2	0641416	2	Bolt 1/4 x 2	
3	0700408	4	Bolt M4 x 16	
4	0861731	1	Box, Switch	
5	3251242	1	Decal - 240V/50Hz	
6	3290405	4	Nut M4	
7	3311405	2	Nut 1/4	
8	4460662	1	Connector, Strain Relief	
9	4461245	1	Receptacle	
10	4711400	4	Washer 1/4	
11	4811400	8	Washer M4	
12	1001193018	1	Bracket, AC Receptacle	
13	4460806	2	Terminal, Fork (Not Shown)	
14	1001205958	1	Terminal (Not Shown)	

SECTION 8 - ELECTRICAL

FIGURE 8-11. AC BOX AT PLATFORM INSTALLATION - 220V AFSINT 107 (CE & UK CA SPECS) (WITHOUT GENERATOR)



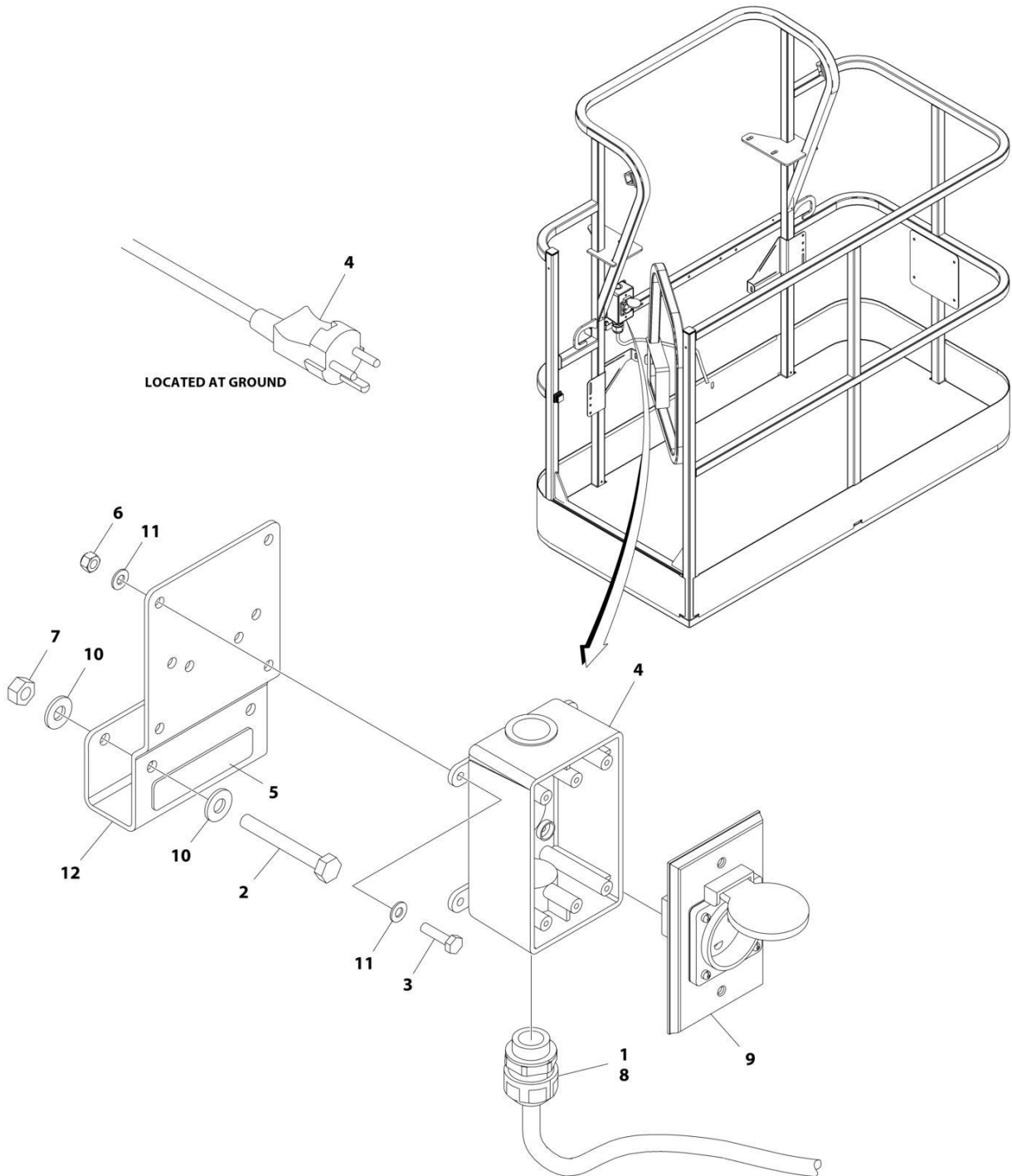
SECTION 8 - ELECTRICAL

**FIGURE 8-11. AC BOX AT PLATFORM INSTALLATION - 220V AFSINT 107 (CE & UK CA SPECS)
(WITHOUT GENERATOR)**

ITEM	PART NUMBER	QTY	DESCRIPTION	REV
	1001091975	Ref	AC BOX AT PLATFORM INSTALLATION - 220V AFSINT 107 2X4 BOX KEYED GROUND	F
1	0100020	AR	Sealant, Pipe	
2	0275454	1	Receptacle Box Kit (See Separate Breakdown in this Section)	
3	0700408	4	Bolt M4 x 16	
4	3290405	4	Nut M4	
5	1001101197	1	Adapter	
6	4811400	8	Washer M4	
7	1001101191	1	Connector, Strain Relief	
8	0641416	2	Bolt 1/4 x 2	
9	3311405	2	Nut 1/4	
10	4711400	4	Washer 1/4	
11	1001193018	1	Bracket	
12	3251242	2	Decal - 240V/50Hz	
13	1001205958	3	Terminal (Not Shown)	

SECTION 8 - ELECTRICAL

FIGURE 8-12. AC BOX AT PLATFORM INSTALLATION - 220V AFSINT 107 (CE & UK CA SPECS)
(4000W GENERATOR)



ART_1001194200

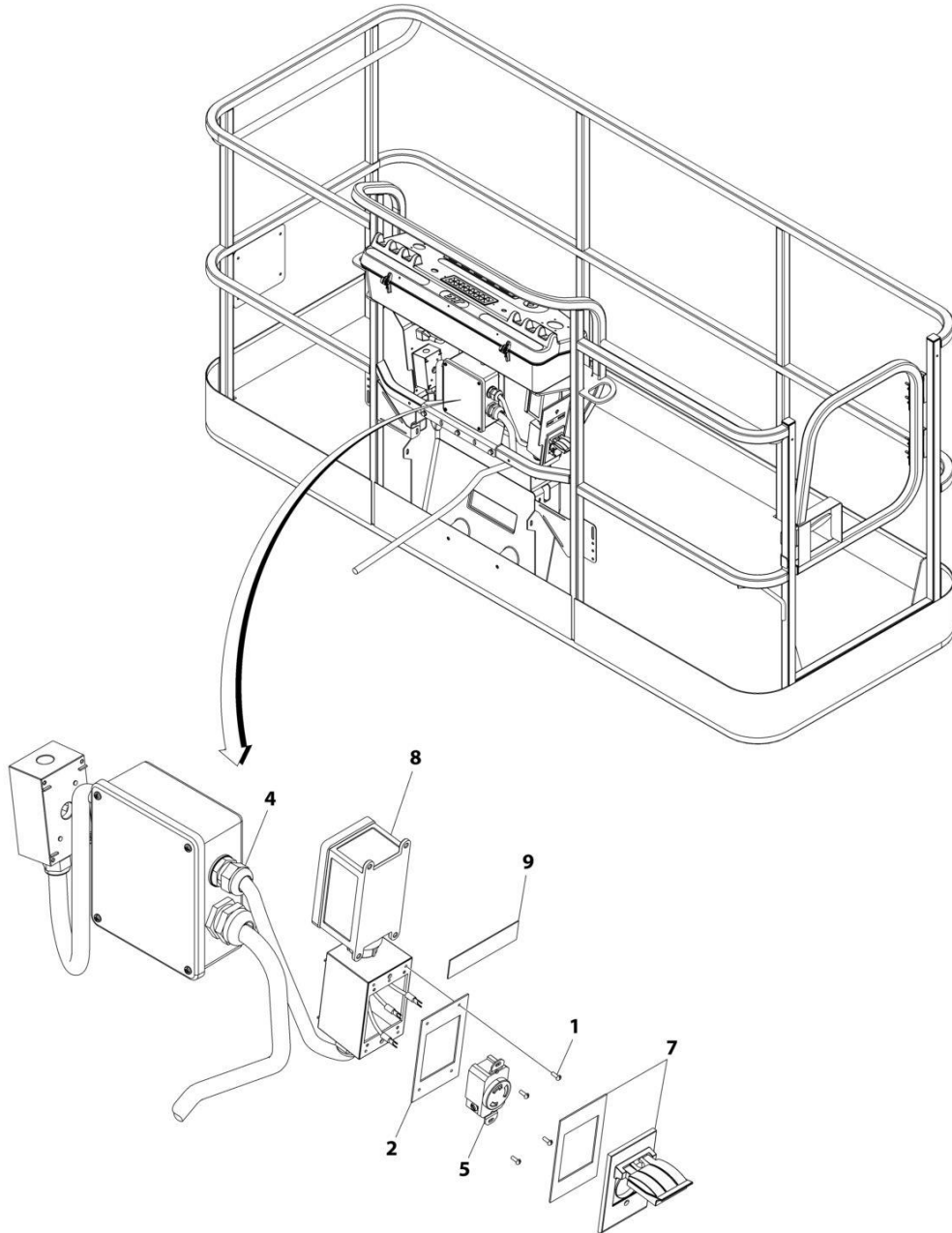
SECTION 8 - ELECTRICAL

**FIGURE 8-12. AC BOX AT PLATFORM INSTALLATION - 220V AFSINT 107 (CE & UK CA SPECS)
(4000W GENERATOR)**

ITEM	PART NUMBER	QTY	DESCRIPTION	REV
	1001194200	Ref	AC BOX AT PLATFORM INSTALLATION	B
1	0100020	AR	Sealant, Pipe	
2	0641416	2	Bolt 1/4 x 2	
3	0700408	4	Bolt M4 x 16	
4	0861731	1	Box, Switch	
5	3251242	1	Decal - 240V/50Hz	
6	3290405	4	Nut M4	
7	3311405	2	Nut 1/4	
8	4460662	1	Connector, Strain Relief	
9	4461246	1	Receptacle	
10	4711400	4	Washer 1/4	
11	4811400	8	Washer M4	
12	1001193018	1	Bracket, AC Receptacle	
13	1001205958	1	Terminal (Not Shown)	

SECTION 8 - ELECTRICAL

FIGURE 8-13. AC BOX AT PLATFORM INSTALLATION - 240V GFCI RECEPTACLE (ANSI, ANSI EXPORT AND CSA SPECS WITH 4000W SKYPOWER GENERATOR)



ART_1001171131

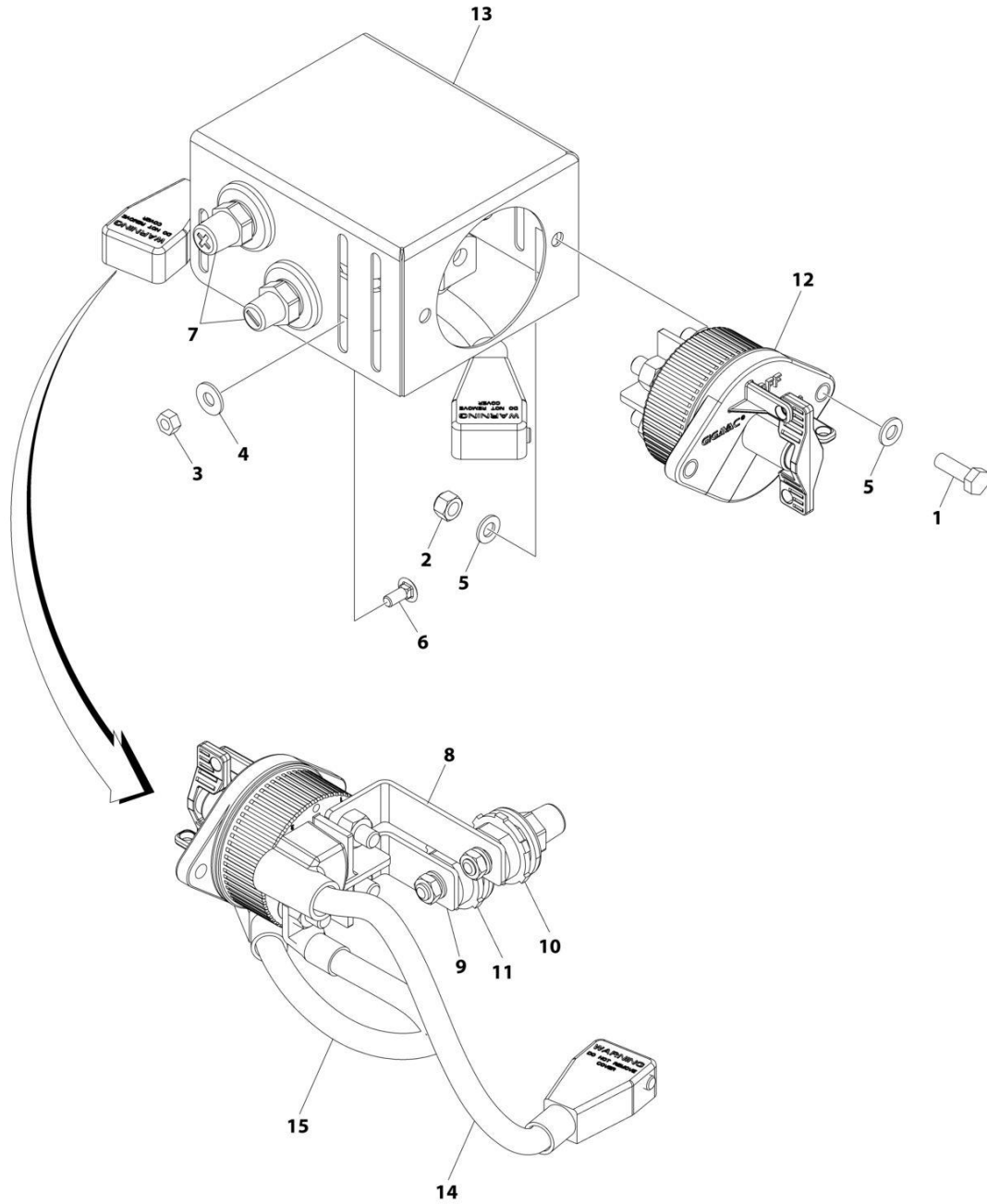
SECTION 8 - ELECTRICAL

FIGURE 8-13. AC BOX AT PLATFORM INSTALLATION - 240V GFCI RECEPTACLE (ANSI, ANSI EXPORT AND CSA SPECS WITH 4000W SKYPOWER GENERATOR)

ITEM	PART NUMBER	QTY	DESCRIPTION	REV
	1001171131	Ref	AC BOX AT PLATFORM INSTALLATION - 240V RECEPTACLE	B
1	3910606	4	Screw 6 x 3/8	
2	3960422	1	Gasket	
3	4240018	AR	Tie-Strap (Not Shown)	
4	4460425	1	Connector, Strain Relief	
5	1001176862	1	Receptacle	
7	1001110872	1	Cover, Receptacle	
8	1001159120	1	Receptacle/Breaker Box Assembly	
8	1001148675	1	Box, Receptacle	
8	1001159118	1	Breaker GFCI 30Amp 240VAC	
8	4460612	1	Connector, Strain Relief	
8	1001159119	1	Connector (Between Boxes)	
9	1705374	1	Decal - 240V/60Hz	

SECTION 8 - ELECTRICAL

FIGURE 8-14. BATTERY DISCONNECT INSTALLATION



ART_1001236304

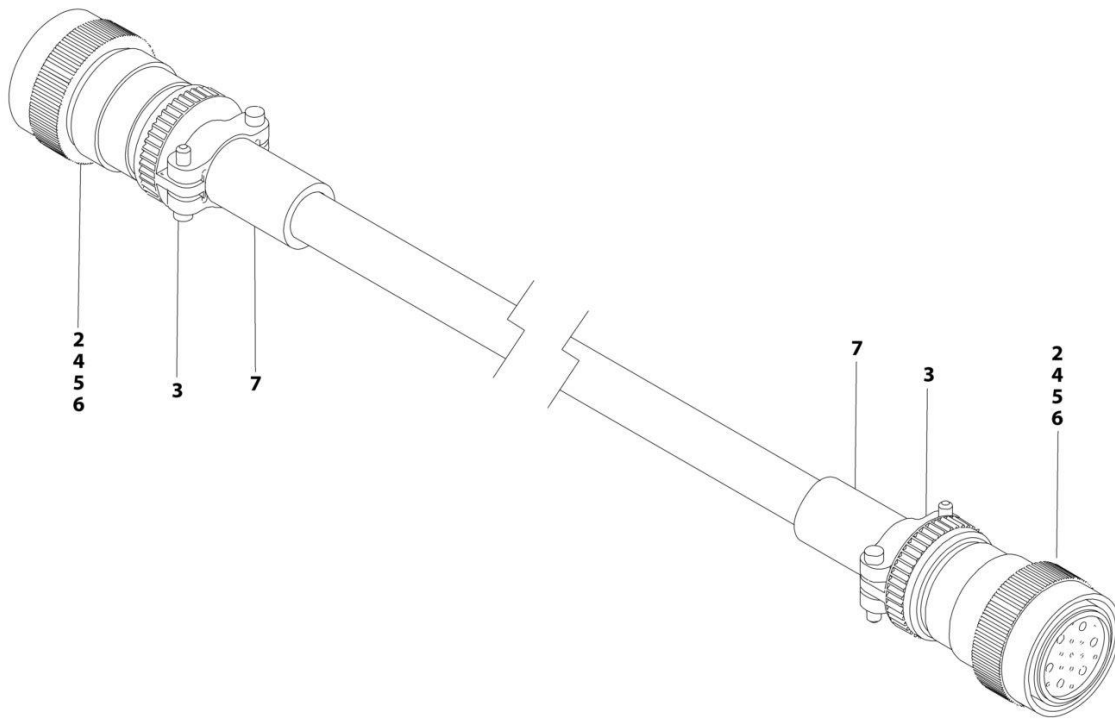
SECTION 8 - ELECTRICAL

FIGURE 8-14. BATTERY DISCONNECT INSTALLATION

ITEM	PART NUMBER	QTY	DESCRIPTION	REV
	1001236304	Ref	BATTERY DISCONNECT SWITCH INSTALLATION	A
1	0760812	2	Bolt M8 x 25	
2	3290805	2	Nut M8	
3	3311405	3	Nut 1/4	
4	4751400	3	Washer 1/4	
5	4811900	4	Washer M8	
6	88411013	3	Bolt 1/4 x 3/4	
7	1001206476	1	Connectors, Post	
8	1001209432	1	Bussbar	
9	1001209474	1	Bussbar	
10	1001214570	1	Connector (Red)	
11	1001214571	1	Connector (Black)	
12	1001225346	1	Switch, Battery	
13	1001226531	1	Mount	
14	1001236504	1	Cable, Battery (+)	
15	1001236505	1	Cable, Battery (-)	

SECTION 8 - ELECTRICAL

FIGURE 8-15. BOOM HARNESS - 400S HC3



ART_1001176952

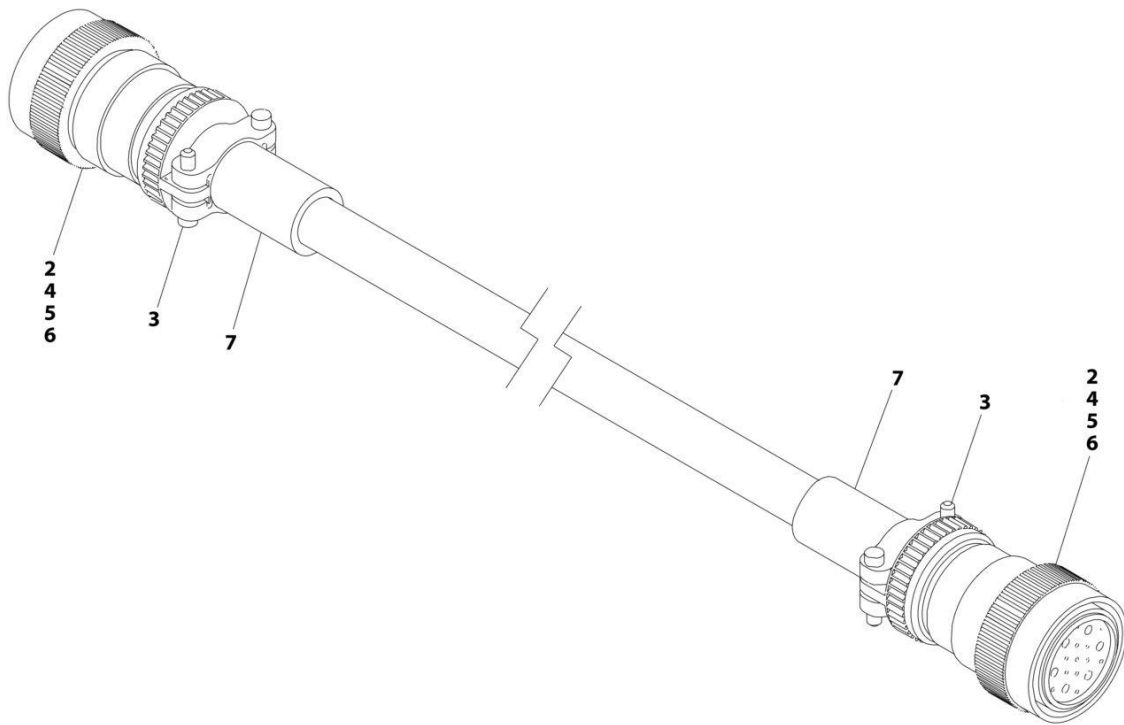
SECTION 8 - ELECTRICAL

FIGURE 8-15. BOOM HARNESS - 400S HC3

ITEM	PART NUMBER	QTY	DESCRIPTION	REV
	1001176952	Ref	BOOM HARNESS	C
2	4460865	2	Connector - 19 Position	
3	4460473	2	Clamp	
4	4460465	20	Socket, Female	
5	4460509	8	Socket, Female	
6	4460466	10	Plug, Socket	
7	1001226400	AR	Heat Shrink	

SECTION 8 - ELECTRICAL

FIGURE 8-16. BOOM HARNESS - 460SJ HC3



ART_1001248180

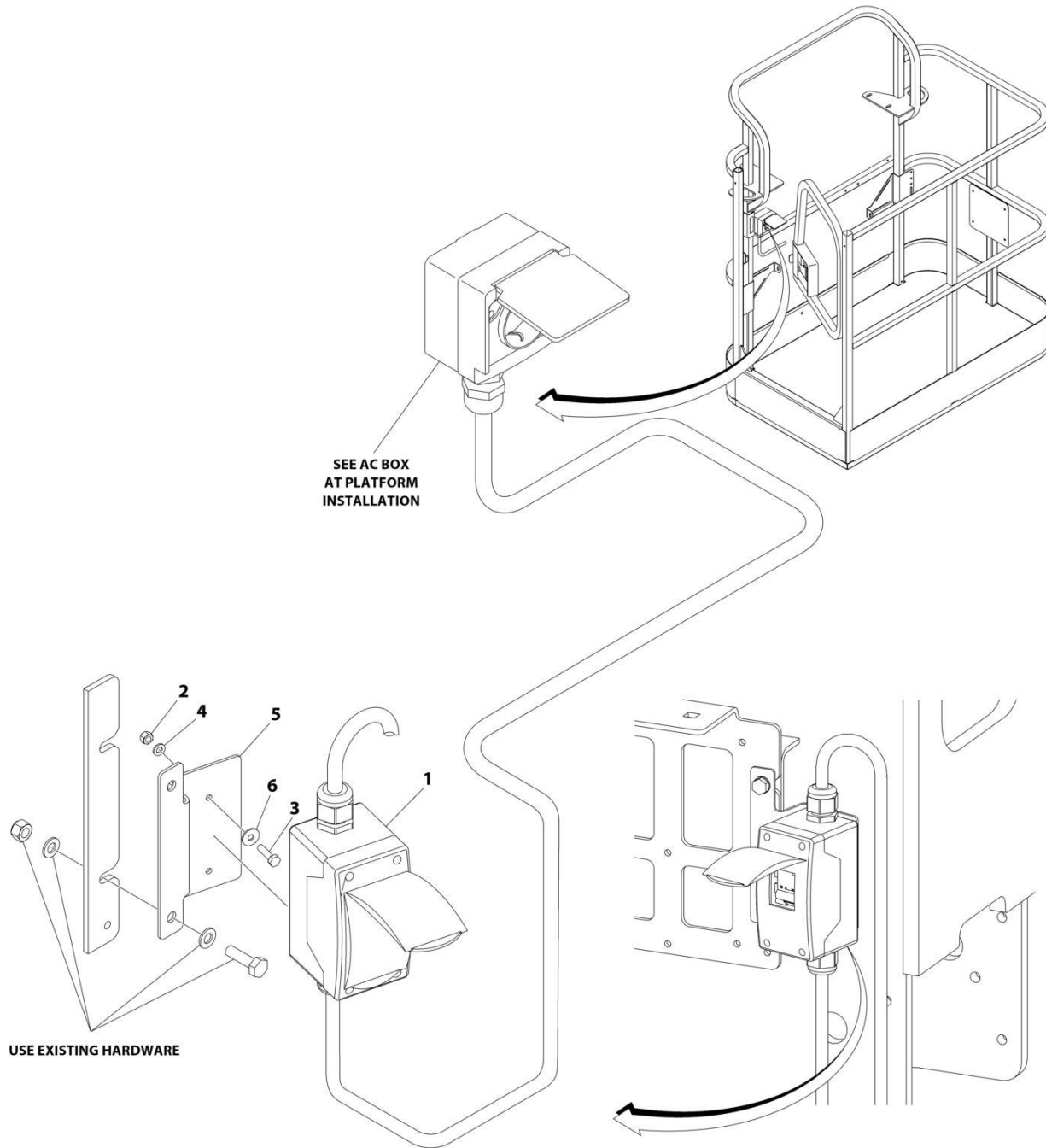
SECTION 8 - ELECTRICAL

FIGURE 8-16. BOOM HARNESS - 460SJ HC3

ITEM	PART NUMBER	QTY	DESCRIPTION	REV
	1001248180	Ref	BOOM HARNESS	A
2	4460865	2	Connector - 19 Position	
3	4460473	2	Clamp	
4	4460465	20	Socket, Female	
5	4460509	8	Socket, Female	
6	4460466	10	Plug, Socket	
7	1001226400	2	Heat Shrink	

SECTION 8 - ELECTRICAL

FIGURE 8-17. BREAKER BOX INSTALLATION - 110V/220V WITH 1 BREAKER (CE & UK CA SPECS)



ART_1001230907

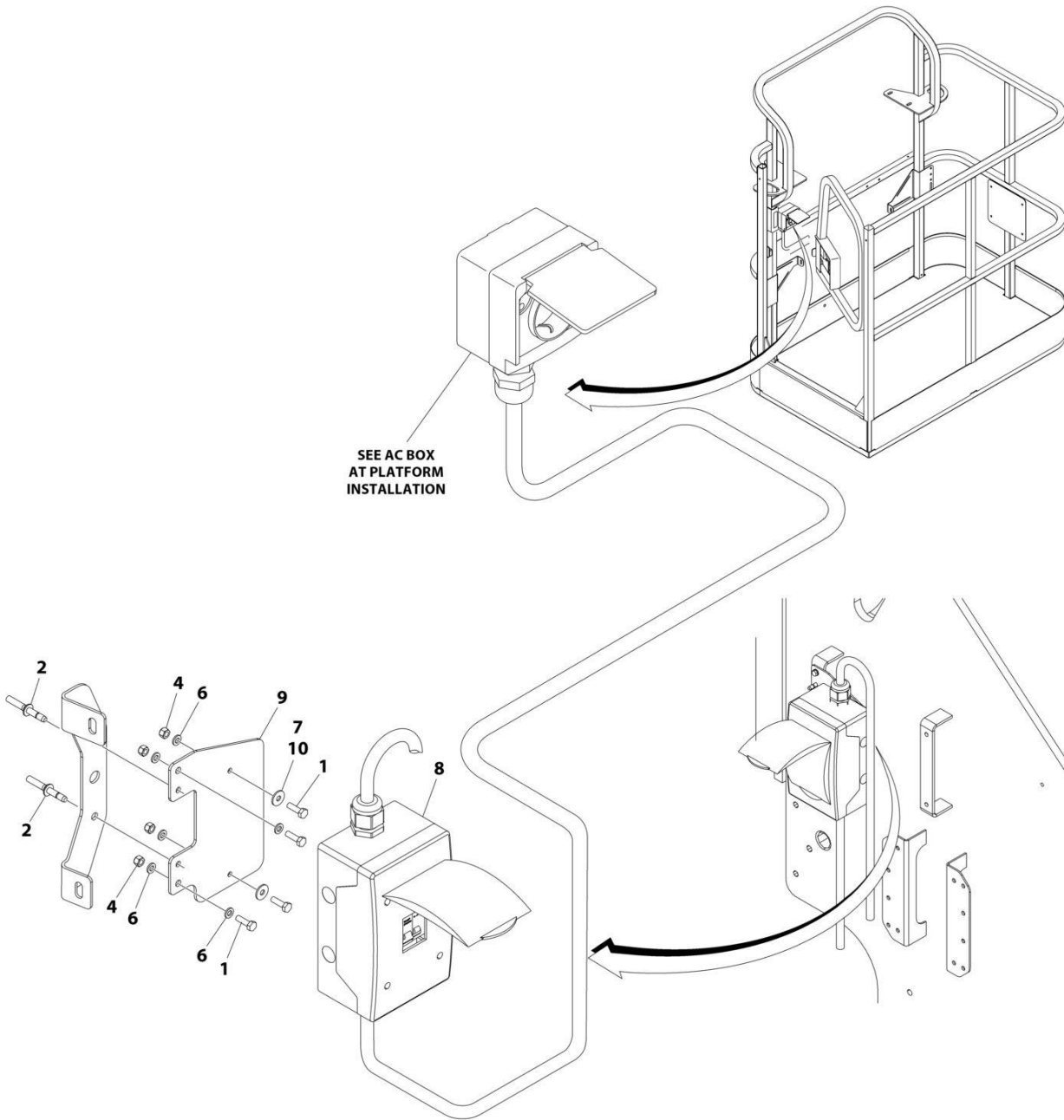
SECTION 8 - ELECTRICAL

FIGURE 8-17. BREAKER BOX INSTALLATION - 110V/220V WITH 1 BREAKER (CE & UK CA SPECS)

ITEM	PART NUMBER	QTY	DESCRIPTION	REV
	1001230907	Ref	BREAKER BOX INSTALLATION - 110/220V 16AMP BREAKER	C
1	2902549	1	Breaker Box Kit (See Separate Breakdown in this Section)	
2	3290405	2	Nut M4	
2	3290605	2	Nut M6	
3	4010405	2	Screw M4 x 10	
3	0760614	2	Screw M6 x 30	
4	1001091102	2	Washer M4	
4	4811700	2	Washer M6	
5	1001230784	1	Bracket	
6	4811702	2	Washer M6	

SECTION 8 - ELECTRICAL

FIGURE 8-18. BREAKER BOX INSTALLATION - 110V/220V WITH 3 BREAKERS (CE & UK CA SPECS)



ART_1001209677

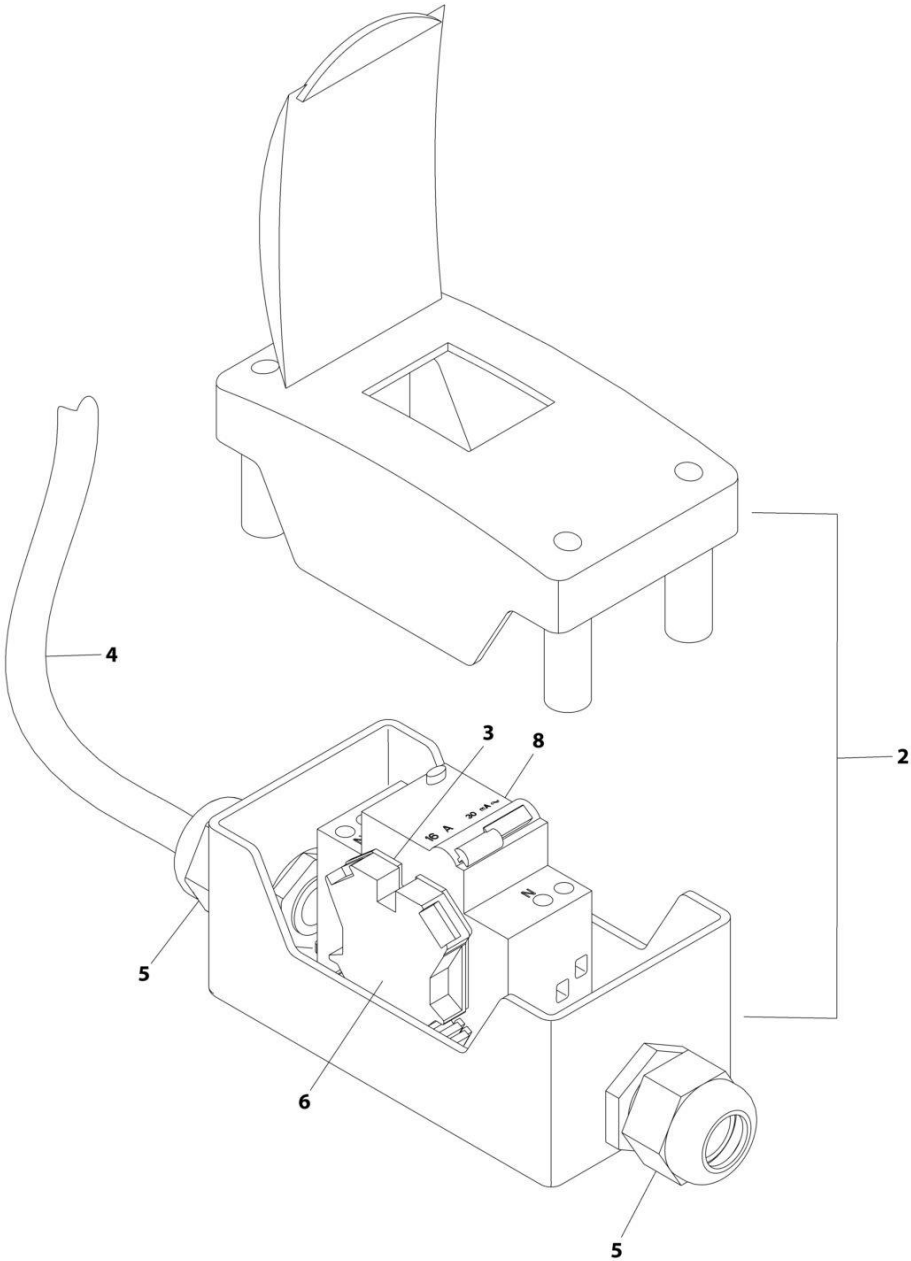
SECTION 8 - ELECTRICAL

FIGURE 8-18. BREAKER BOX INSTALLATION - 110V/220V WITH 3 BREAKERS (CE & UK CA SPECS)

ITEM	PART NUMBER	QTY	DESCRIPTION	REV
	1001209677	Ref	AC CABLE INSTALLATION - WITH THREE BREAKERS	B
1	0760610	AR	Bolt M6 x 20	
1	4010405	AR	Bolt M4 x 10	
2	2080040	AR	Fastener, Huck	
4	3290605	AR	Nut M6	
6	4811700	4	Washer M6	
7	1001091102	AR	Washer M4	
8	1001152485	1	Breaker Box Kit (See Separate Breakdown in this Section)	
9	1001209832	1	Bracket	
10	4811702	AR	Washer M6	

SECTION 8 - ELECTRICAL

FIGURE 8-19. BREAKER BOX KIT - 1 DOUBLE BREAKER (CE & UK CA SPECS)



ART_1001096070

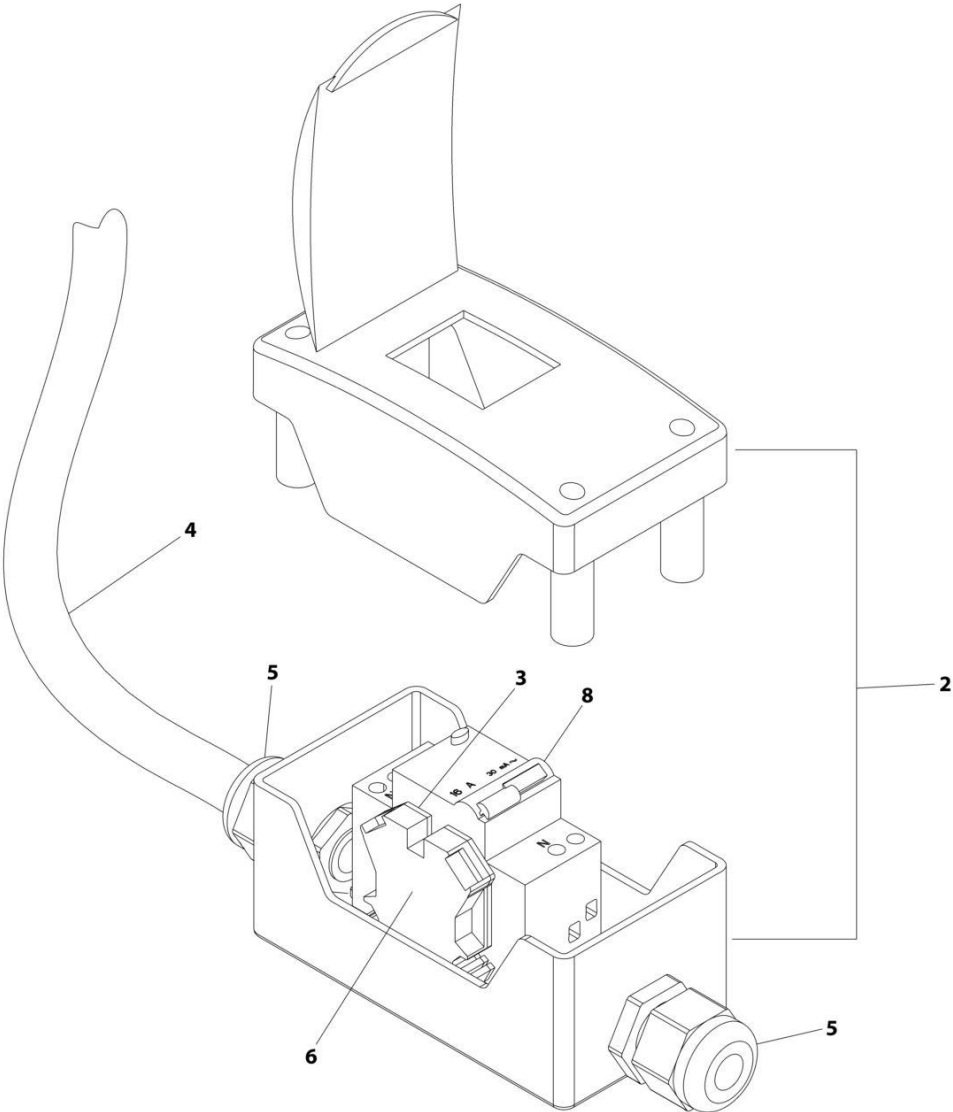
SECTION 8 - ELECTRICAL

FIGURE 8-19. BREAKER BOX KIT - 1 DOUBLE BREAKER (CE & UK CA SPECS)

ITEM	PART NUMBER	QTY	DESCRIPTION	REV
	1001096070	Ref	BREAKER BOX KIT	E
2	0861880	1	Box	
3	4460956	1	Barrier, Terminal Block End	
4	1060908	12 ft/ 3.6m	Cable, 12/3	
5	1001097150	2	Connector, Strain Relief	
6	4460957	1	Block, Terminal	
8	1001181045	1	Breaker, 16Amp	

SECTION 8 - ELECTRICAL

FIGURE 8-20. BREAKER BOX KIT - 1 BREAKER (CE & UK CA SPECS)



ART_2902549_F

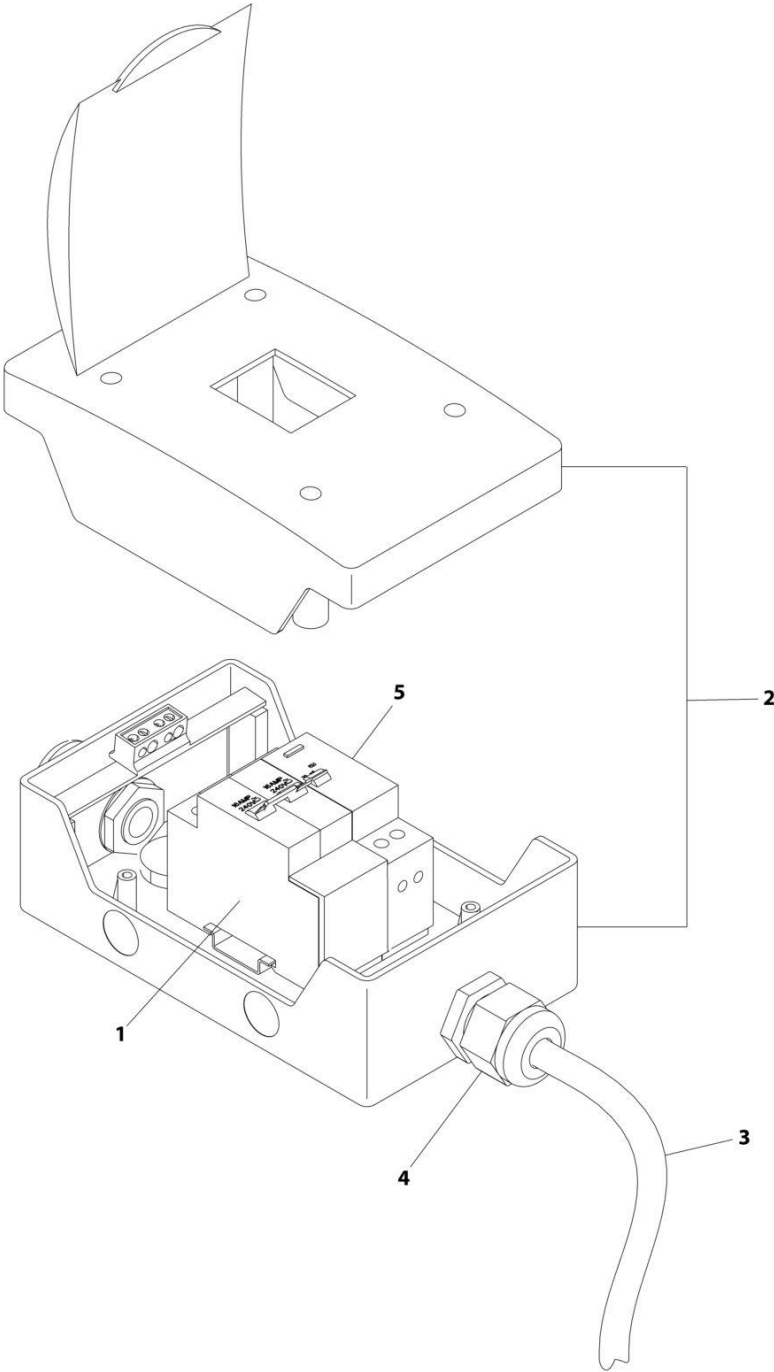
SECTION 8 - ELECTRICAL

FIGURE 8-20. BREAKER BOX KIT - 1 BREAKER (CE & UK CA SPECS)

ITEM	PART NUMBER	QTY	DESCRIPTION	REV
	2902549	Ref	BREAKER BOX KIT	F
2	0861880	1	Box	
3	4460956	1	Barrier, Terminal	
4	1060908	6 ft/1.8m	Cable, 12/3	
5	1001097150	2	Connector, Strain Relief	
6	4460957	1	Block, Terminal	
8	1001181045	1	Breaker, 16Amp	

SECTION 8 - ELECTRICAL

FIGURE 8-21. BREAKER BOX KIT - 3 BREAKERS (CE & UK CA SPECS)



ART_1001152485_F

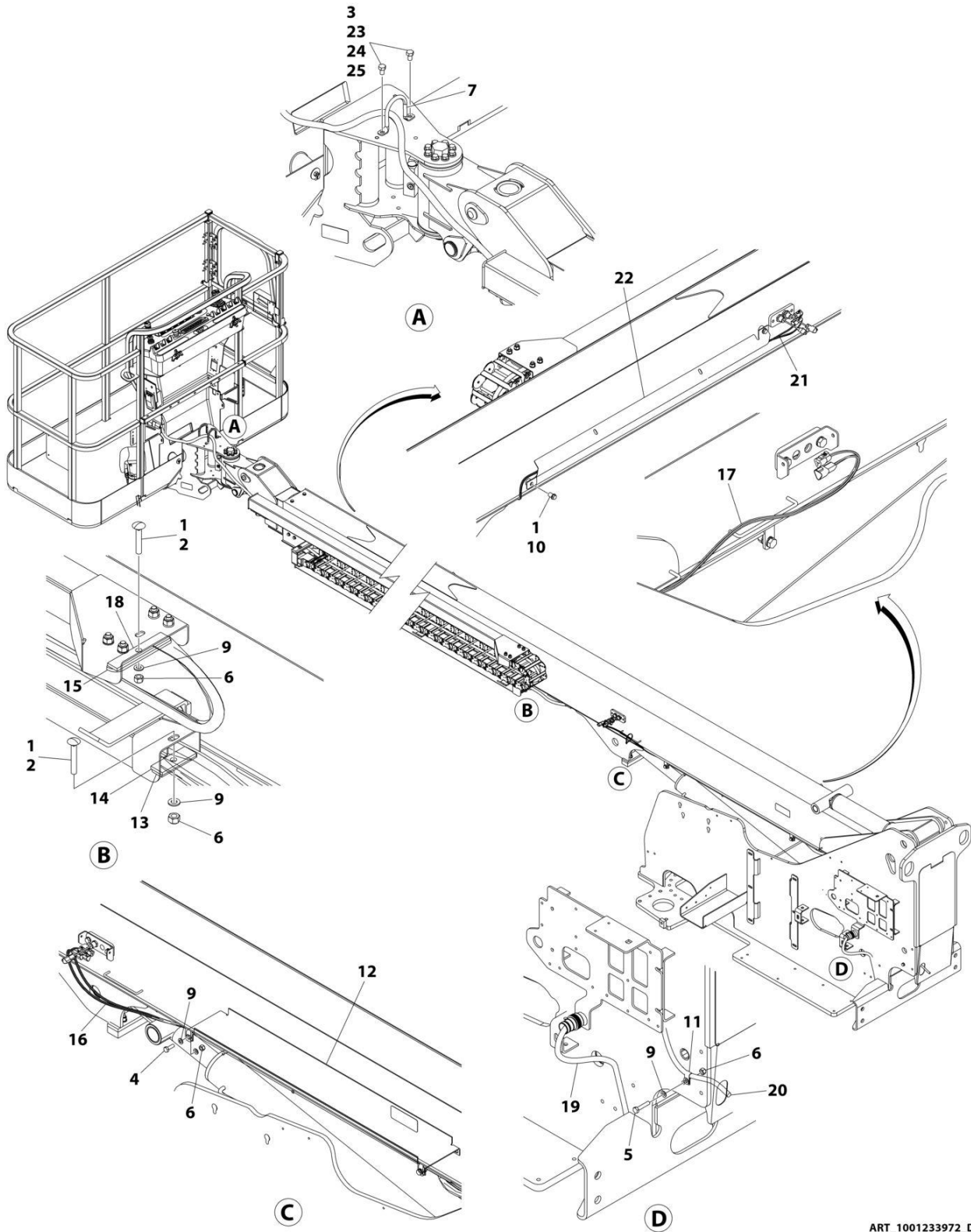
SECTION 8 - ELECTRICAL

FIGURE 8-21. BREAKER BOX KIT - 3 BREAKERS (CE & UK CA SPECS)

ITEM	PART NUMBER	QTY	DESCRIPTION	REV
	1001152485	Ref	BREAKER BOX KIT WITH TWO BREAKERS	F
1	1001189172	1	Breaker 16Amp Double	
2	1001152483	1	Box	
3	1060908	6 ft/1.8m	Cable, 12/3	
4	1001097150	2	Connector, Strain Relief	
5	1001189171	1	Breaker, 30mA	

SECTION 8 - ELECTRICAL

FIGURE 8-22. CABLES AND CLAMPS INSTALLATION - 400S HC3 WITH 2500W GENERATOR OR NO GENERATOR



ART_1001233972_D

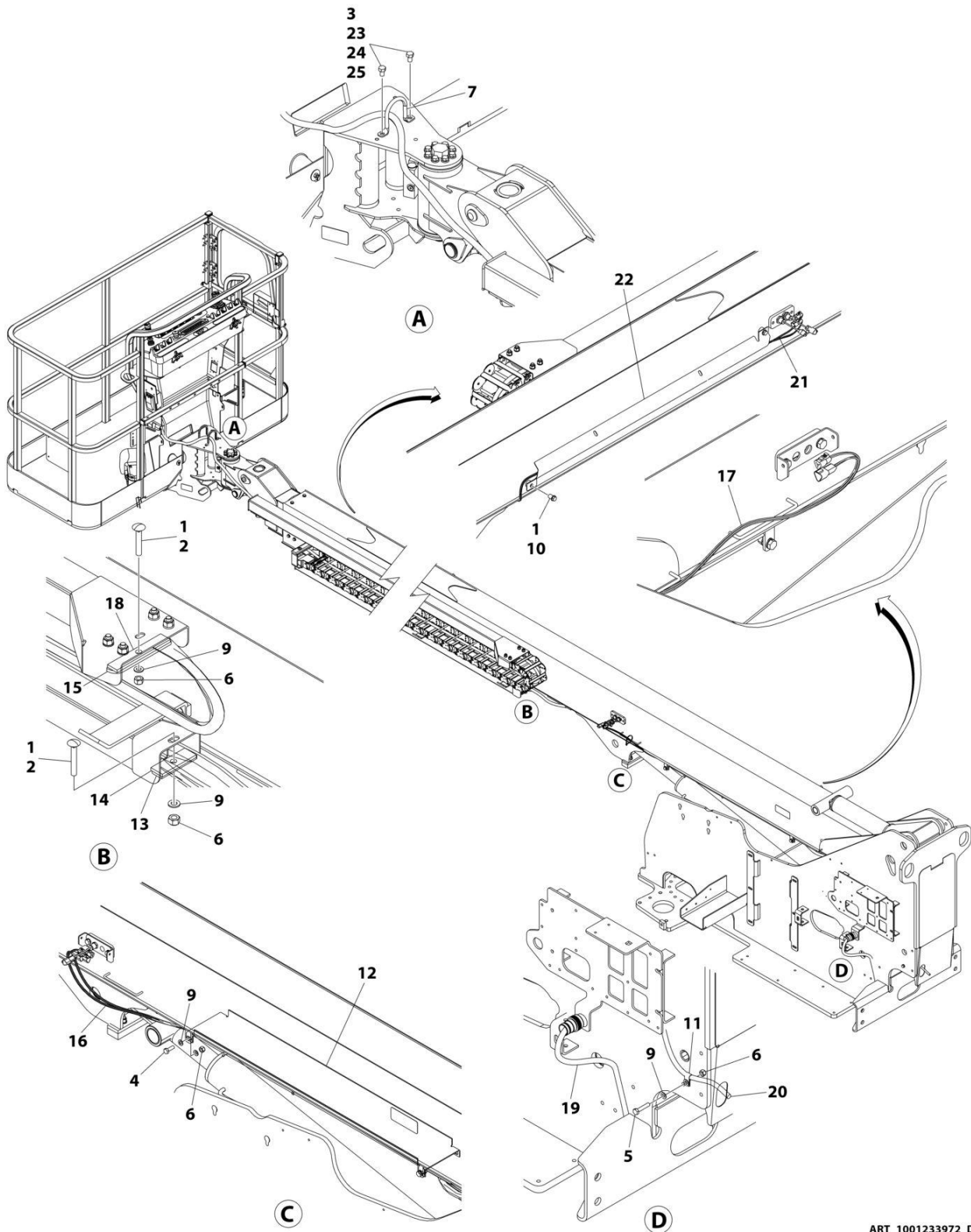
SECTION 8 - ELECTRICAL

FIGURE 8-22. CABLES AND CLAMPS INSTALLATION - 400S HC3 WITH 2500W GENERATOR OR NO GENERATOR

ITEM	PART NUMBER	QTY	DESCRIPTION	REV
	1001233972	Ref	CABLES AND CLAMPS INSTALLATION	D
1	0100081	AR	Adhesive	
2	0630563	2	Bolt M10 x 60	
3	0641504	2	Bolt 5/16 x 1/2	
4	0761014	4	Bolt M10 x 30	
5	0761018	1	Bolt M10 x 50	
6	3291005	7	Nut, Lock M10	
7	3841340	1	Hose Loop	
8	4240033	4	Tie - Strap (Not Shown)	
9	4812000	12	Washer M10	
10	5261008	2	Nut M10 Class 10	
11	8406110	1	Clip	
12	1001172128	1	Bracket, Hose Cover	
13	1001173456	1	Clamp	
14	1001173665	1	Clamp	
15	1001173761	1	Bracket	
16	1001173807	1	Harness, Capacity Switch (See Separate Breakdown in this Section)	
17	1001173808	1	Harness, Telescope In Proximity Sensors (See Separate Breakdown in this Section)	
18	1001173927	1	Clamp	
19	1001176952	1	Harness, Boom (See Separate Breakdown in this Section)	
20	1001203434	1	Cable, Electrical 12/3	
21	1001248183	1	Telescope Out Proximity Sensors Harness (See Separate Breakdown in this Section)	
22	1001238138	1	Angle	
23	0760814	2	Bolt M8 x 30	
24	3290805	2	Nut, Lock M8	
25	4811900	4	Washer M8	

SECTION 8 - ELECTRICAL

FIGURE 8-23. CABLES AND CLAMPS INSTALLATION - 400S HC3 WITH 4000W/50HZ GENERATOR



ART_1001233972_D

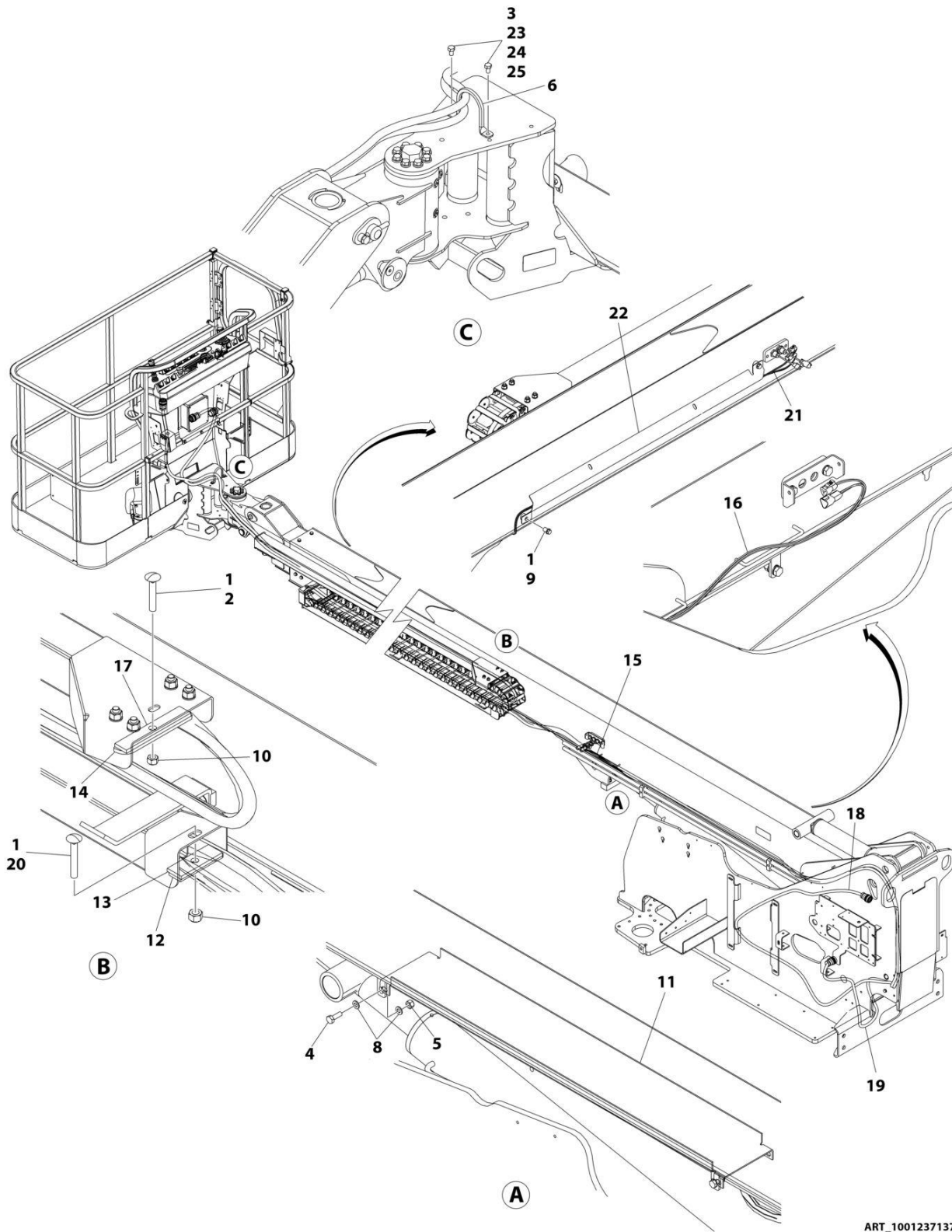
SECTION 8 - ELECTRICAL

FIGURE 8-23. CABLES AND CLAMPS INSTALLATION - 400S HC3 WITH 4000W/50HZ GENERATOR

ITEM	PART NUMBER	QTY	DESCRIPTION	REV
	1001233972	Ref	CABLES AND CLAMPS INSTALLATION	D
1	0100081	AR	Adhesive	
2	0630563	2	Bolt M10 x 60	
3	0641504	2	Bolt 5/16 x 1/2	
4	0761014	4	Bolt M10 x 30	
5	0761018	1	Bolt M10 x 50	
6	3291005	7	Nut, Lock M10	
7	3841340	1	Hose Loop	
8	4240033	4	Tie - Strap (Not Shown)	
9	4812000	12	Washer M10	
10	5261008	2	Nut M10 Class 10	
11	8406110	1	Clip	
12	1001172128	1	Bracket, Hose Cover	
13	1001173456	1	Clamp	
14	1001173665	1	Clamp	
15	1001173761	1	Bracket	
16	1001173807	1	Harness, Capacity Switch (See Separate Breakdown in this Section)	
17	1001173808	1	Harness, Telescope In Proximity Sensors (See Separate Breakdown in this Section)	
18	1001173927	1	Clamp	
19	1001176952	1	Harness, Boom (See Separate Breakdown in this Section)	
20	1001203434	1	Cable, Electrical 12/3	
21	1001248183	1	Telescope Out Proximity Sensors Harness (See Separate Breakdown in this Section)	
22	1001238138	1	Angle	
23	0760814	2	Bolt M8 x 30	
24	3290805	2	Nut, Lock M8	
25	4811900	4	Washer M8	

SECTION 8 - ELECTRICAL

FIGURE 8-24. CABLES AND CLAMPS INSTALLATION - 400S HC3 WITH 4000W/60HZ GENERATOR



ART_1001237137_D

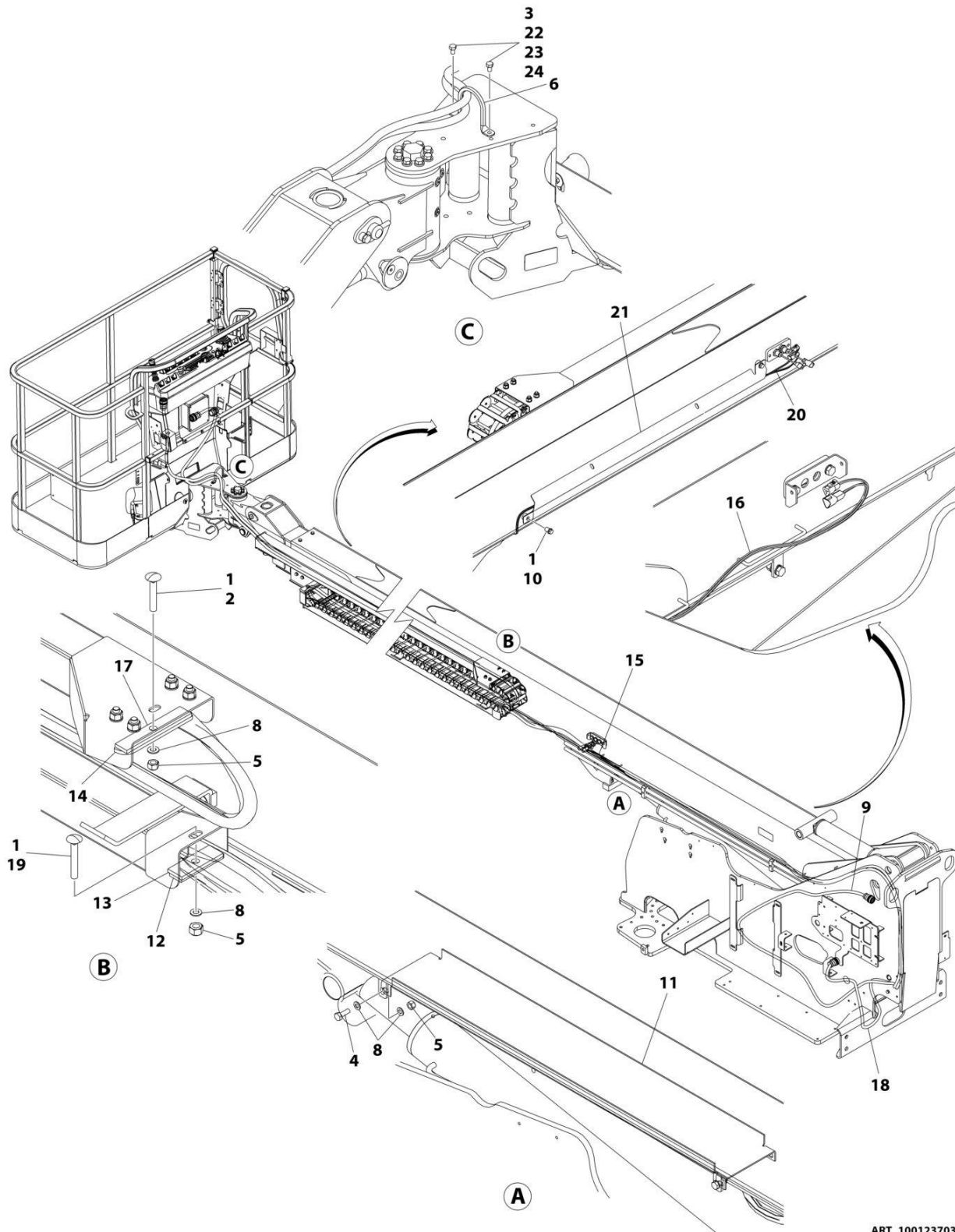
SECTION 8 - ELECTRICAL

FIGURE 8-24. CABLES AND CLAMPS INSTALLATION - 400S HC3 WITH 4000W/60HZ GENERATOR

ITEM	PART NUMBER	QTY	DESCRIPTION	REV
	1001237137	Ref	CABLES AND CLAMPS INSTALLATION	D
1	0100081	AR	Adhesive	
2	0630563	1	Bolt M10 x 60	
3	0641605	2	Bolt 3/8 x 5/8	
4	0761014	4	Bolt M10 x 30	
5	3291005	4	Nut M10	
6	3841340	1	Hose Loop	
7	4240033	4	Tie - Strap (Not Shwon)	
8	4812000	8	Washer M10	
9	5261008	2	Nut M10 Class 10	
10	5261018	2	Nut M10 Class 10	
11	1001172128	1	Bracket, Hose Cover	
12	1001173456	1	Clamp	
13	1001173665	1	Clamp	
14	1001173761	1	Bracket	
15	1001173807	1	Harness, Capacity Switch (See Separate Breakdown in this Section)	
16	1001173808	1	Harness, Telescope In Proximity Sensors (See Separate Breakdown in this Section)	
17	1001173927	1	Clamp	
18	1001175170	1	Cable, Electrical 10/4	
19	1001176952	1	Harness, Boom (See Separate Breakdown in this Section)	
20	1001181329	1	Bolt M10x70	
21	1001248183	1	Telescope Out Proximity Sensor Harness (See Separate Breakdown in this Section)	
22	1001238138	1	Angle	
23	0760814	2	Bolt M8 x 30	
24	3290805	2	Nut, Lock M8	
25	4811900	4	Washer M8	

SECTION 8 - ELECTRICAL

FIGURE 8-25. CABLES AND CLAMPS INSTALLATION - 400S HC3 WITH 7500W GENERATOR



ART_1001237036_D

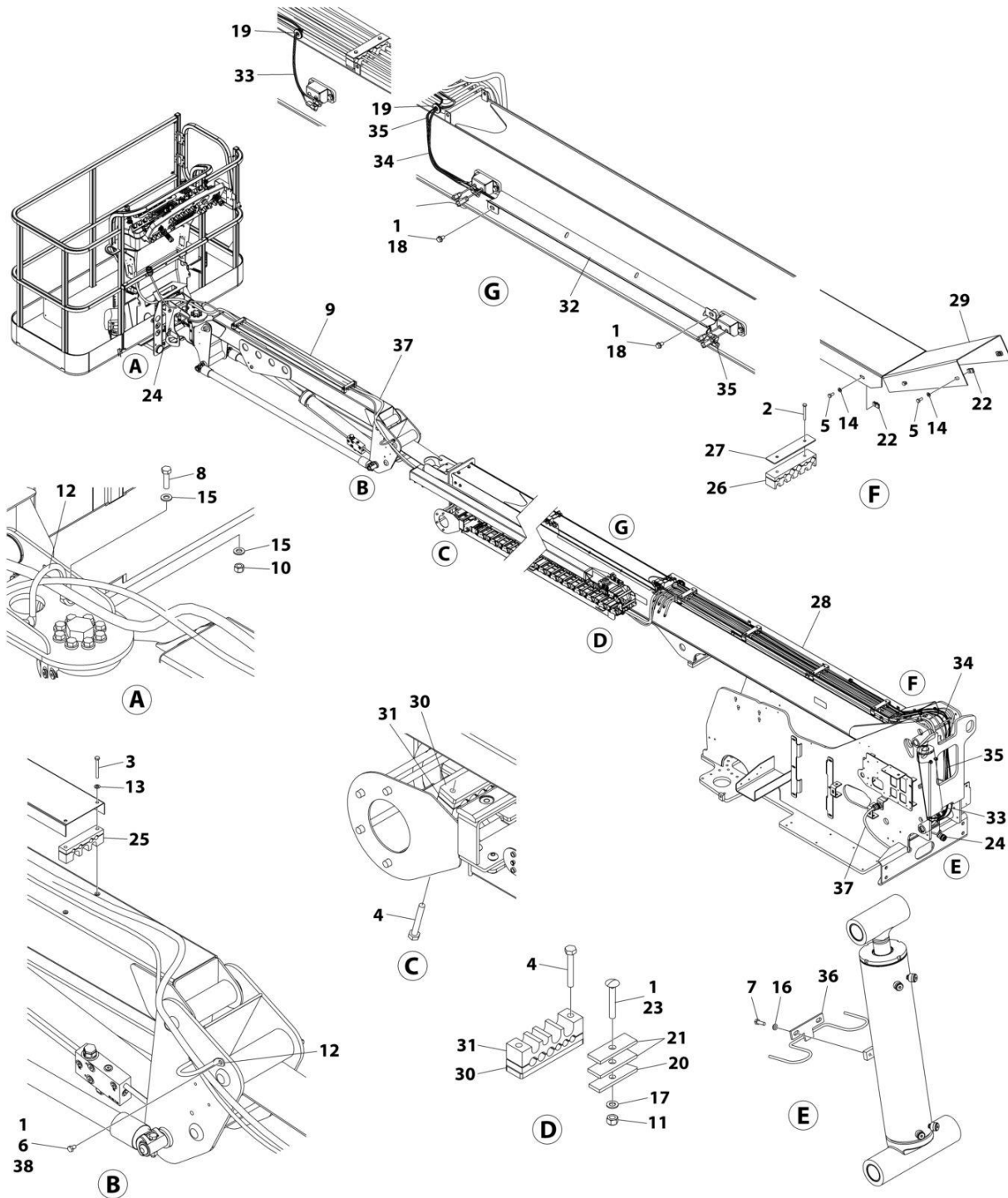
SECTION 8 - ELECTRICAL

FIGURE 8-25. CABLES AND CLAMPS INSTALLATION - 400S HC3 WITH 7500W GENERATOR

ITEM	PART NUMBER	QTY	DESCRIPTION	REV
	1001237036	Ref	CABLES & CLAMPS INSTALLATION	D
1	0100081	AR	Adhesive	
2	0630563	1	Bolt M10 x 60	
3	0641504	2	Bolt 5/16 x 1/2	
4	0761014	4	Bolt M10 x 30	
5	3291005	6	Nut, Lock M10	
6	3841340	1	Loop, Hose	
7	4240033	4	Tie - Strap (Not Shown)	
8	4812000	10	Washer M10	
9	4922802	1	Cable, Electrical 8/5	
10	5251008	2	Bolt M10 x 16 Class 10.9	
11	1001172128	1	Bracket	
12	1001173456	1	Clamp	
13	1001173665	1	Clamp, Rubber	
14	1001173761	1	Bracket	
15	1001173807	1	Capacity Switch Harness (See Separate Breakdown in this Section)	
16	1001173808	1	Telescope In Proximity Sensors Harness (See Separate Breakdown in this Section)	
17	1001173927	1	Clamp	
18	1001176952	1	Boom Harness (See Separate Breakdown in this Section)	
19	1001181329	1	Bolt M10 x 70	
20	1001248183	1	Telescope Out Proximity Sensors Harness (See Separate Breakdown in this Section)	
21	1001238138	1	Angle	
22	0760814	2	Bolt M8 x 30	
23	3290805	2	Nut, Lock M8	
24	4811900	4	Washer M8	

SECTION 8 - ELECTRICAL

FIGURE 8-26. CABLES AND CLAMPS INSTALLATION - 460SJ HC3 WITH 2500W GENERATOR OR NO GENERATOR



ART_1001247436_D

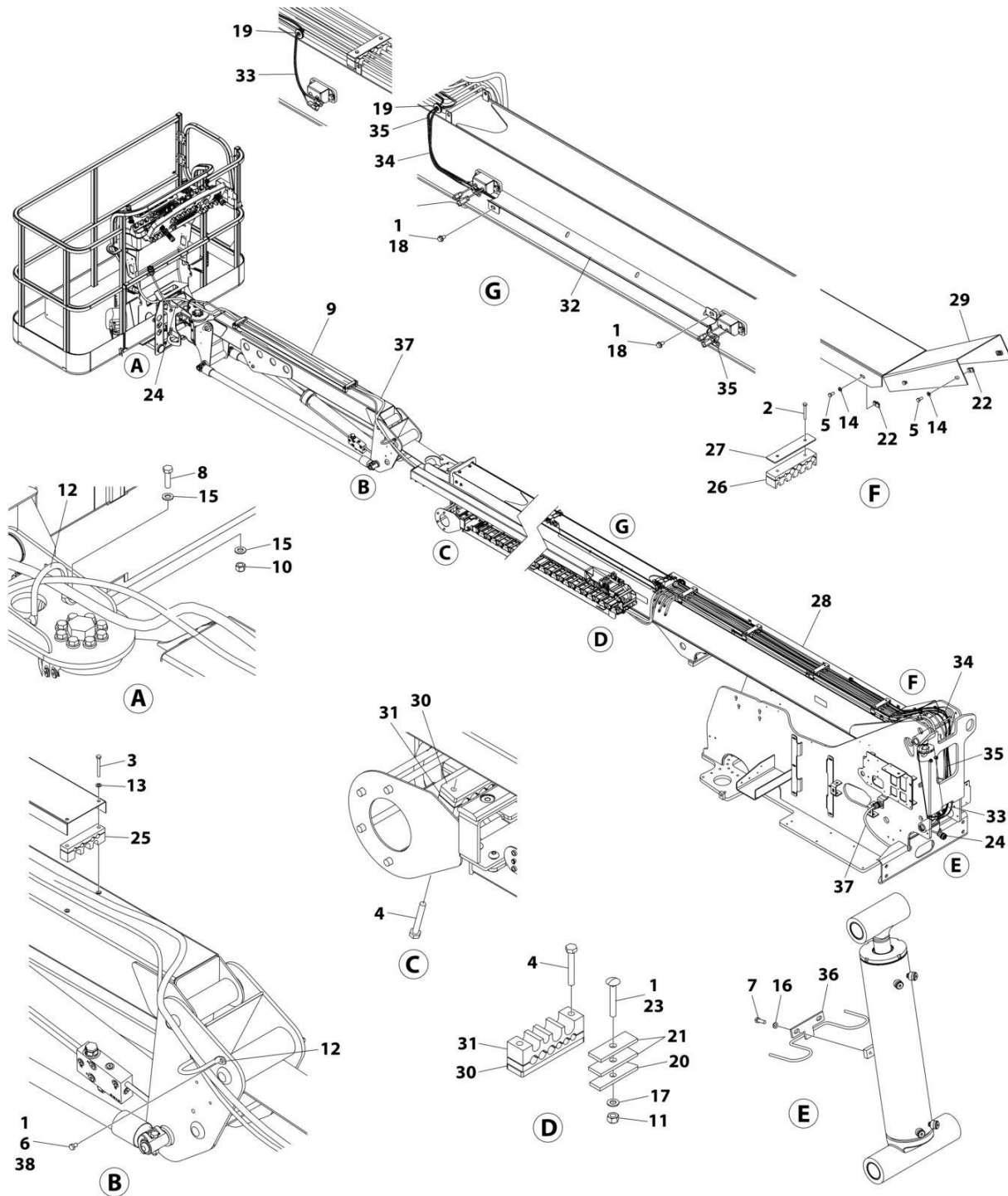
SECTION 8 - ELECTRICAL

FIGURE 8-26. CABLES AND CLAMPS INSTALLATION - 460SJ HC3 WITH 2500W GENERATOR OR NO GENERATOR

ITEM	PART NUMBER	QTY	DESCRIPTION	REV
	1001247436	Ref	CABLES AND CLAMPS INSTALLATION	D
1	0100081	AR	Adhesive	
2	0700618	8	Bolt M6 x 50	
3	0700619	4	Bolt M6 x 55	
4	0701022	4	Bolt M10 x 70	
5	0760608	12	Bolt M6 x 16	
6	0760806	2	Bolt M8 x 12	
7	0760812	2	Bolt M8 x 25	
8	0760814	2	Bolt M8 x 30	
9	1670769	1	Cover	
10	3290805	2	Nut, Lock M8	
11	3291005	1	Nut, Lock M10	
12	3841340	2	Hoose Loop	
13	4811700	4	Washer M6	
14	4811702	12	Washer M6	
15	4811900	4	Washer M8	
16	4811902	2	Washer M8	
17	4812000	1	Washer M10	
18	5251008	2	Bolt M10 x 16 Class 10.9	
19	2540049	2	Grommet	
20	1001173456	1	Clamp	
21	1001173665	2	Clamp	
22	1001176336	12	Fastener M6	
23	1001181329	1	Bolt M10 x 70	
24	1001203435	1	Cable, Electrical 12/3	
25	1001203459	2	Clamp, Block	
26	1001242139	4	Clamp	
27	1001242180	4	Plate	
28	1001242190	1	Shield	
29	1001242191	1	Shield	
30	1001244541	2	Plate	
31	1001244545	2	Block	
32	1001247453	1	Angle	
33	1001248181	1	Telescope IN Proximity Sensors Harness (See Separate Breakdown in this Section)	
34	1001248182	1	Capacity Switch Harness (See Separate Breakdown in this Section)	
35	1001248183	1	Hi Capacity Harness (See Separate Breakdown in this Section)	
36	1001250199	1	Guide, Hose	
37	1001248180	1	Harness, Boom (See Separate Breakdown in this Section)	
38	0761006	2	Bolt M10 x 12	

SECTION 8 - ELECTRICAL

FIGURE 8-27. CABLES AND CLAMPS INSTALLATION - 460SJ HC3 WITH 4000W/50HZ GENERATOR



ART_1001247436_D

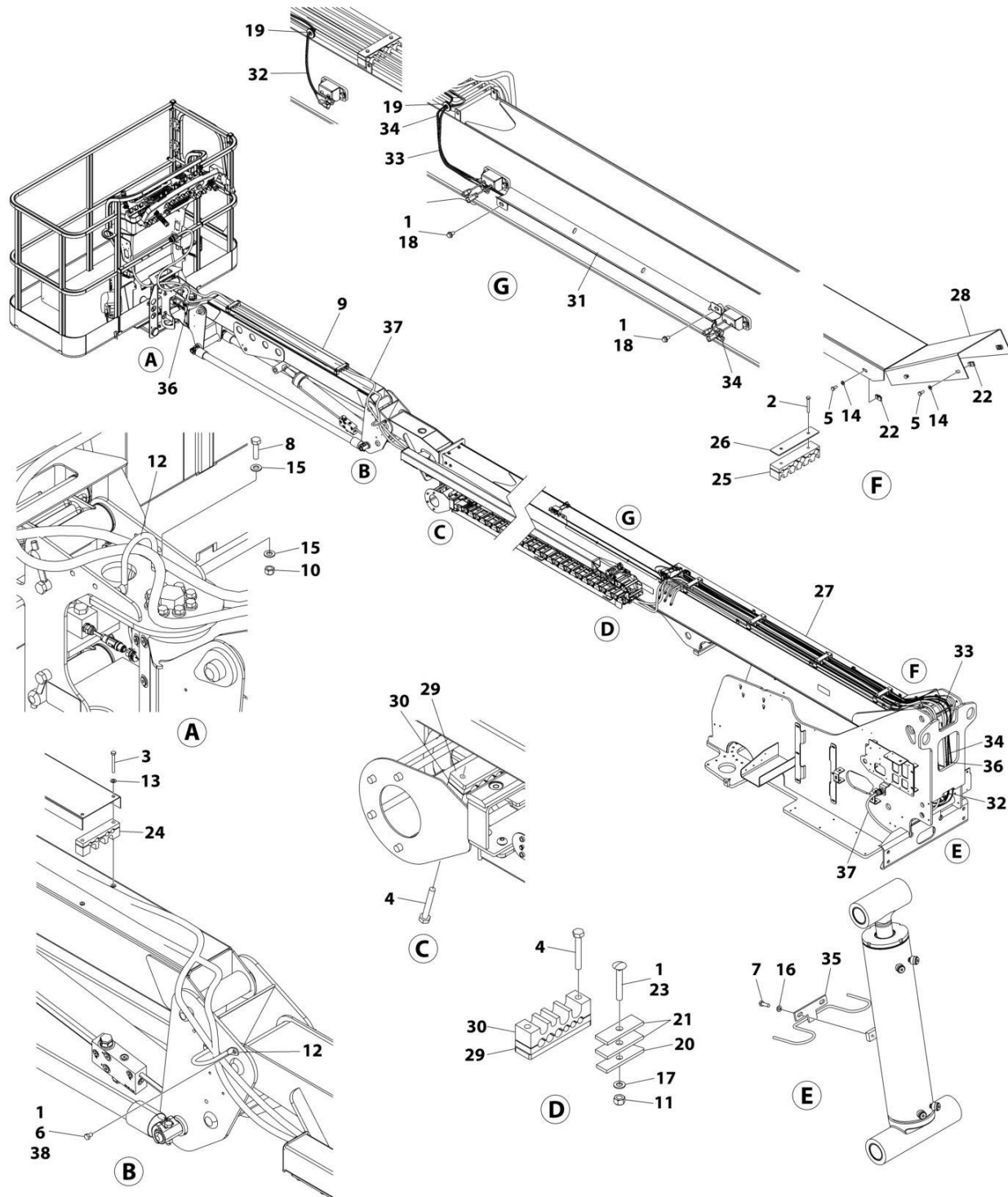
SECTION 8 - ELECTRICAL

FIGURE 8-27. CABLES AND CLAMPS INSTALLATION - 460SJ HC3 WITH 4000W/50HZ GENERATOR

ITEM	PART NUMBER	QTY	DESCRIPTION	REV
	1001247436	Ref	CABLES AND CLAMPS INSTALLATION	D
1	0100081	AR	Adhesive	
2	0700618	8	Bolt M6 x 50	
3	0700619	4	Bolt M6 x 55	
4	0701022	4	Bolt M10 x 70	
5	0760608	12	Bolt M6 x 16	
6	0760806	2	Bolt M8 x 12	
7	0760812	2	Bolt M8 x 25	
8	0760814	2	Bolt M8 x 30	
9	1670769	1	Cover	
10	3290805	2	Nut, Lock M8	
11	3291005	1	Nut, Lock M10	
12	3841340	2	Hoose Loop	
13	4811700	4	Washer M6	
14	4811702	12	Washer M6	
15	4811900	4	Washer M8	
16	4811902	2	Washer M8	
17	4812000	1	Washer M10	
18	5251008	2	Bolt M10 x 16 Class 10.9	
19	2540049	2	Grommet	
20	1001173456	1	Clamp	
21	1001173665	2	Clamp	
22	1001176336	12	Fastener M6	
23	1001181329	1	Bolt M10 x 70	
24	1001203435	1	Cable, Electrical 12/3	
25	1001203459	2	Clamp, Block	
26	1001242139	4	Clamp	
27	1001242180	4	Plate	
28	1001242190	1	Shield	
29	1001242191	1	Shield	
30	1001244541	2	Plate	
31	1001244545	2	Block	
32	1001247453	1	Angle	
33	1001248181	1	Telescope IN Proximity Sensors Harness (See Separate Breakdown in this Section)	
34	1001248182	1	Capacity Switch Harness (See Separate Breakdown in this Section)	
35	1001248183	1	Hi Capacity Harness (See Separate Breakdown in this Section)	
36	1001250199	1	Guide, Hose	
37	1001248180	1	Harness, Boom (See Separate Breakdown in this Section)	
38	0761006	2	Bolt M10 x 12	

SECTION 8 - ELECTRICAL

FIGURE 8-28. CABLES AND CLAMPS INSTALLATION - 460SJ HC3 WITH 4000W/60HZ GENERATOR



ART_1001247438

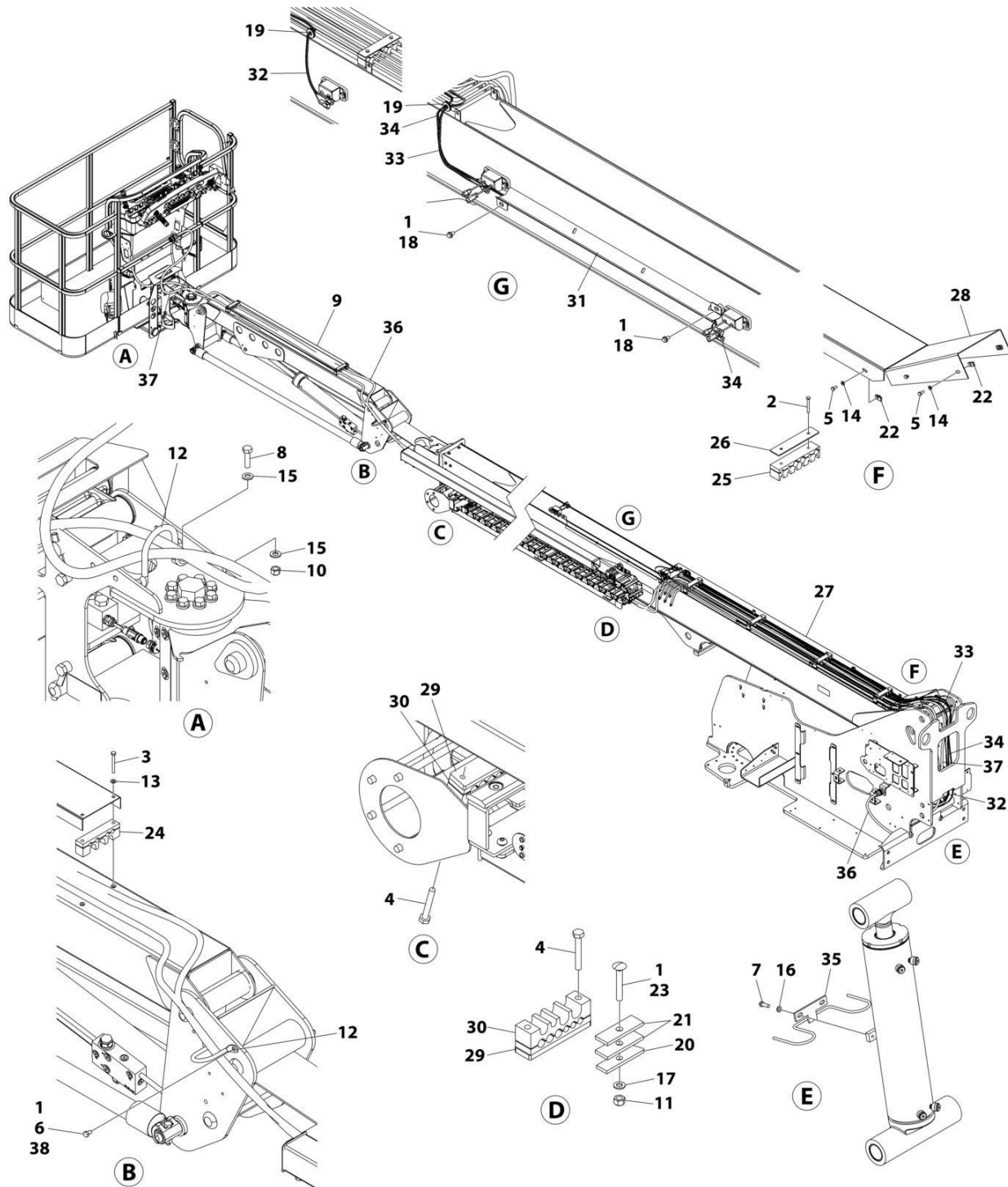
SECTION 8 - ELECTRICAL

FIGURE 8-28. CABLES AND CLAMPS INSTALLATION - 460SJ HC3 WITH 4000W/60HZ GENERATOR

ITEM	PART NUMBER	QTY	DESCRIPTION	REV
	1001247438	Ref	Cables and Clamps Installation	D
1	0100081	AR	Adhesive	
2	0700618	8	Bolt M6 x 50	
3	0700619	4	Bolt M6 x 55	
4	0701022	4	Bolt M10 x 70	
5	0760608	12	Bolt M6 x 16	
6	0760806	2	Bolt M8 x 12	
7	0760812	2	Bolt M8 x 25	
8	0760814	2	Bolt M8 x 30	
9	1670769	1	Cover	
10	3290805	2	Nut, Lock M8	
11	3291005	1	Nut, Lock M10	
12	3841340	2	Loop, Hose	
13	4811700	4	Washer M6	
14	4811702	12	Washer M6	
15	4811900	4	Washer M8	
16	4811902	2	Washer M8	
17	4812000	1	Washer M10	
18	5251008	2	Bolt M10 x 16 Class 10.9	
19	2540049	2	Grommet	
20	1001173456	1	Clamp	
21	1001173665	2	Clamp, Rubber	
22	1001176336	12	Fastener, M6	
23	1001181329	1	Bolt M10 x 70	
24	1001203459	2	Clamp, Block	
25	1001242139	4	Clamp	
26	1001242180	4	Plate	
27	1001242190	1	Shield	
28	1001242191	1	Shield	
29	1001244541	2	Plate	
30	1001244545	2	Block	
31	1001247453	1	Angle	
32	1001248181	1	Telescope in Proximity Senors Harness (See Separate Breakdown in this Section)	
33	1001248182	1	Capacity Switch Harness (See Separate Breakdown in this Section)	
34	1001248183	1	High Capacity Harness (See Separate Breakdown in this Section)	
35	1001250199	1	Guide, Hose	
36	1001175171	1	4000W Gen CBL	
37	1001248180	1	Harness (See Separate Breakdown in this Section)	
38	0761006	2	Bolt M10 x 12	

SECTION 8 - ELECTRICAL

FIGURE 8-29. CABLES AND CLAMPS INSTALLATION - 460SJ HC3 WITH 7500W GENERATOR



ART_1001247437

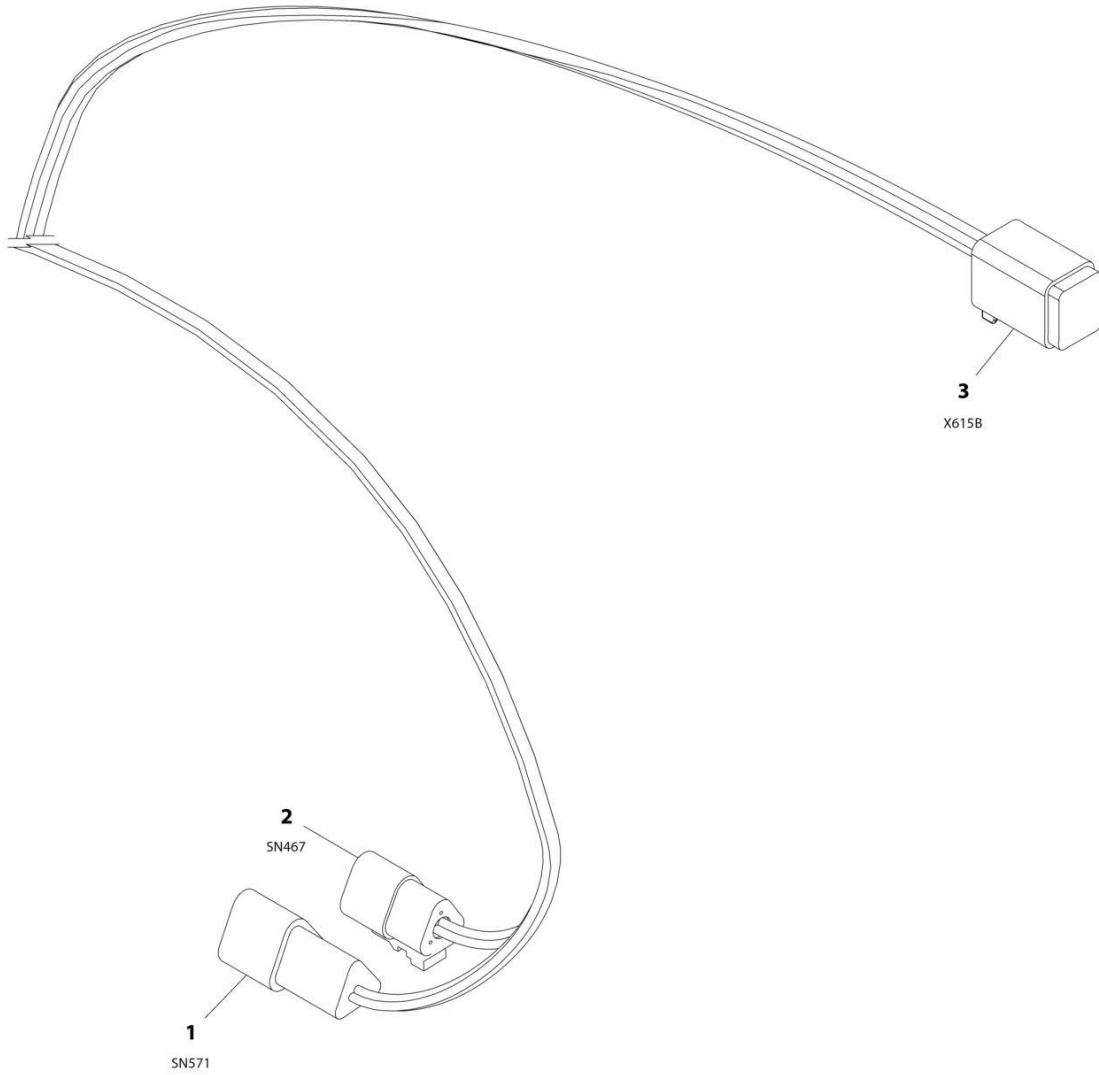
SECTION 8 - ELECTRICAL

FIGURE 8-29. CABLES AND CLAMPS INSTALLATION - 460SJ HC3 WITH 7500W GENERATOR

ITEM	PART NUMBER	QTY	DESCRIPTION	REV
	1001247437	Ref	CABLES AND CLAMPS INSTALLATION	D
1	0100081	AR	Adhesive	
2	0700618	8	Bolt M6 x 50	
3	0700619	4	Bolt M6 x 55	
4	0701022	4	Bolt M10 x 70	
5	0760608	12	Bolt M6 x 16	
6	0760806	2	Bolt M8 x 12	
7	0760812	2	Bolt M8 x 25	
8	0760814	2	Bolt M8 x 30	
9	1670769	1	Cover	
10	3290805	2	Nut, Lock M8	
11	3291005	1	Nut, Lock M10	
12	3841340	2	Loop, Hose	
13	4811700	4	Washer M6	
14	4811702	12	Washer M6	
15	4811900	4	Washer M8	
16	4811902	2	Washer M8	
17	4812000	1	Washer M10	
18	5251008	2	Bolt M10 x 16	
19	2540049	2	Grommet	
20	1001173456	1	Clamp	
21	1001173665	2	Clamp, Rubber	
22	1001176336	12	Fastener, M6	
23	1001181329	1	Bolt M10 x 70	
24	1001203459	2	Clamp, Block	
25	1001242139	4	Clamp	
26	1001242180	4	Plate	
27	1001242190	1	Shield	
28	1001242191	1	Shield	
29	1001244541	2	Plate	
30	1001244545	2	Block	
31	1001247453	1	Angle	
32	1001248181	1	Telescope in Proximity Senors Harness (See Separate Breakdown in this Section)	
33	1001248182	1	Capacity Switch Harness (See Separate Breakdown in this Section)	
34	1001248183	1	High Capacity Harness (See Separate Breakdown in this Section)	
35	1001250199	1	Guide, Hose	
36	1001248180	1	Harness (See Separate Breakdown in this Section)	
37	4922803	1	Cable, Electrical - 8/5	
38	0761006	2	Bolt M10 x 12	

SECTION 8 - ELECTRICAL

FIGURE 8-30. CAPACITY SWITCH HARNESS (400S HC3)



ART_1001173807

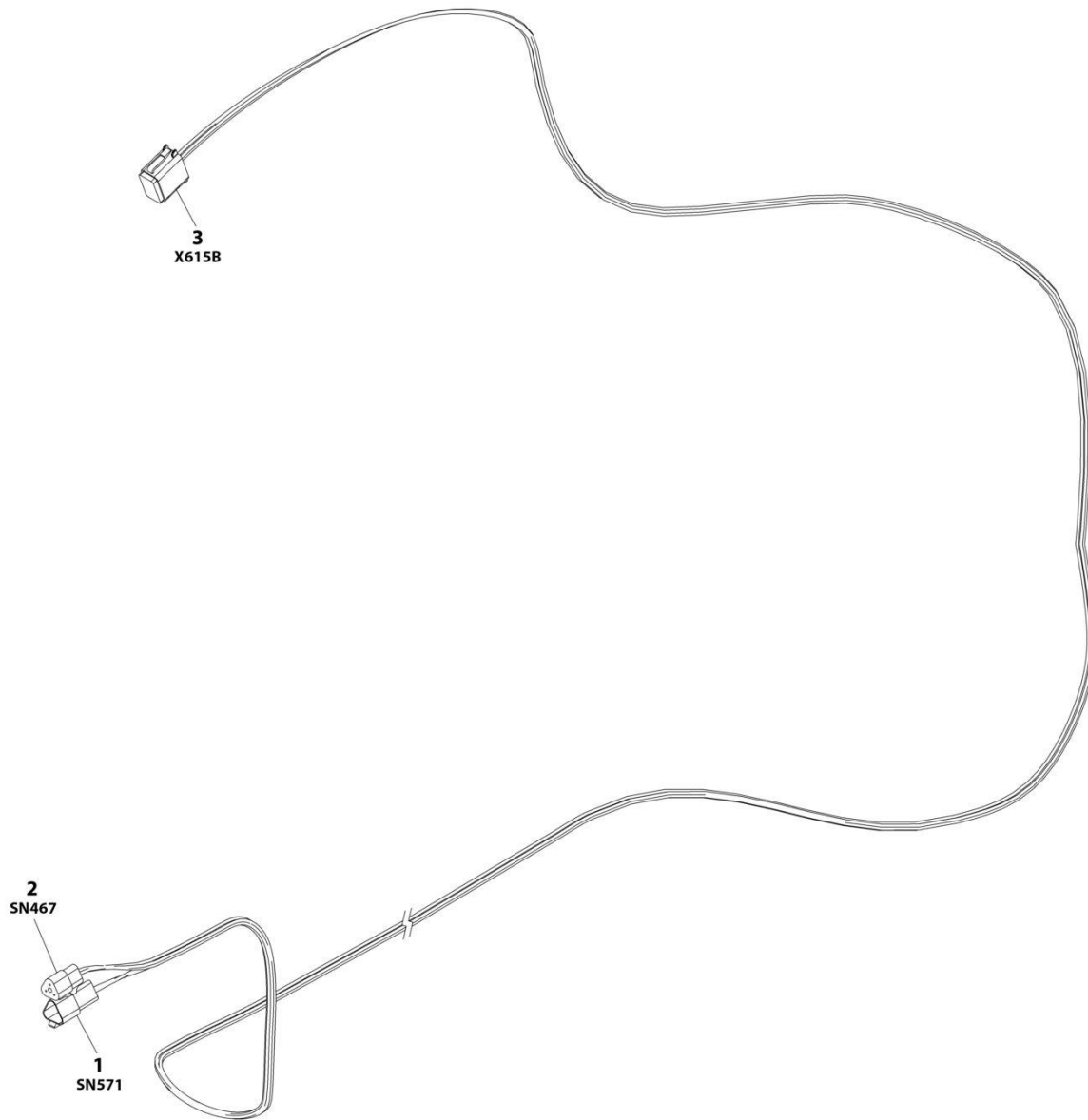
SECTION 8 - ELECTRICAL

FIGURE 8-30. CAPACITY SWITCH HARNESS (400S HC3)

ITEM	PART NUMBER	QTY	DESCRIPTION	REV
	1001173807	Ref	BOOM CAPACITY PROXIMITY SWITCH HARNESS	C
1	4460536	1	Receptacle, Female - 3 Position	
1	4460464	3	Pin, Male	
2	4460539	1	Plug, Male - 3 Position	
2	4460465	1	Socket, Female	
3	4460930	1	Plug, Male - 8 Position	
3	4460465	6	Socket, Female	
3	4460466	2	Plug, Terminal	

SECTION 8 - ELECTRICAL

FIGURE 8-31. CAPACITY SWITCH HARNESS (460SJ HC3)



ART_1001248182

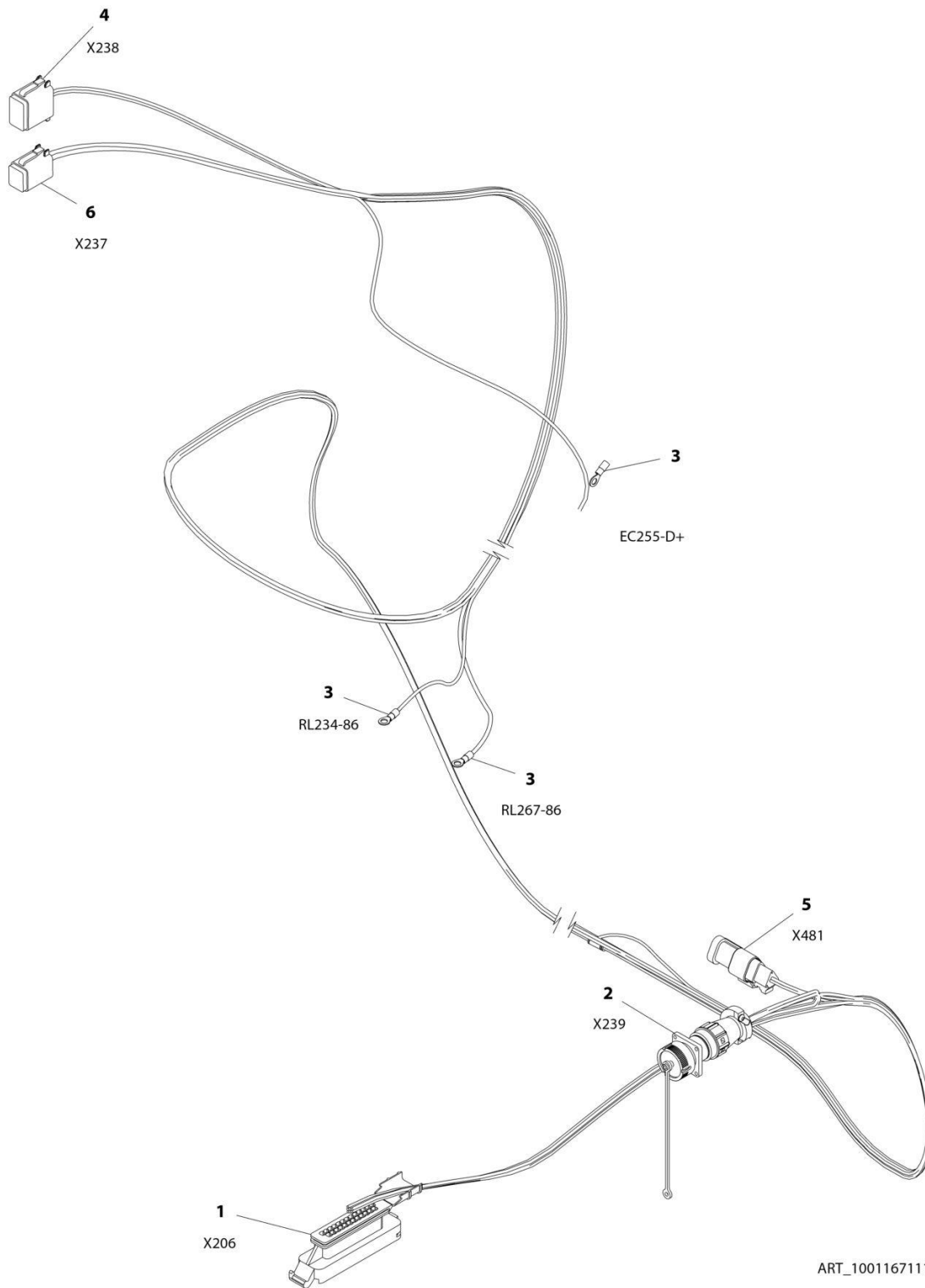
SECTION 8 - ELECTRICAL

FIGURE 8-31. CAPACITY SWITCH HARNESS (460SJ HC3)

ITEM	PART NUMBER	QTY	DESCRIPTION	REV
	1001248182	Ref	BOOM CAPACITY PROXIMITY SWITCH HARNESS	A
1	4460536	1	Receptacle, Female - 3 Position	
1	4460464	3	Pin, Male	
2	4460539	1	Plug, Male - 3 Position	
2	4460465	3	Socket, Female	
3	4460930	1	Plug, Male - 8 Position	
3	4460465	6	Socket, Female	
3	4460466	2	Plug, Terminal	

SECTION 8 - ELECTRICAL

FIGURE 8-32. ENGINE HARNESS ASSEMBLY (DEUTZ D2011)



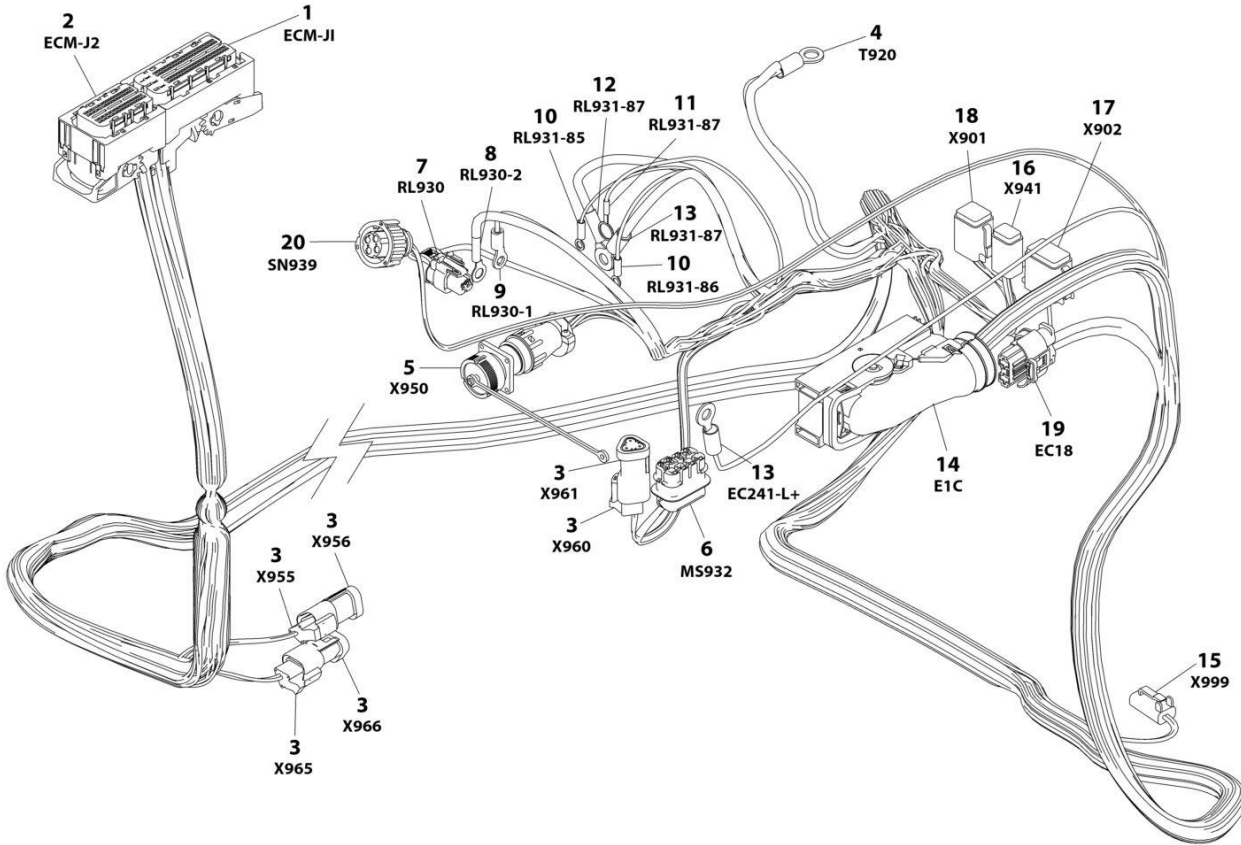
SECTION 8 - ELECTRICAL

FIGURE 8-32. ENGINE HARNESS ASSEMBLY (DEUTZ D2011)

ITEM	PART NUMBER	QTY	DESCRIPTION	REV
	1001167111	Ref	ENGINE HARNESS - DEUTZ D2011	B
1	4461052	1	Connector - 25 Position	
1	4461005	7	Terminal	
1	4461008	18	Plug, Terminal	
2	2902443	1	Receptacle Kit	
2	4461071	8	Socket, Female	
2	4461072	1	Receptacle with Flange - 8 Position	
2	4461073	1	Cap, Dust	
2	4461074	1	Shell, Black	
3	4460313	3	Terminal, Ring	
4	4460930	1	Plug, Male - 8 Position	
4	4460465	2	Socket, Female	
4	4460466	6	Seal, Terminal	
5	4461095	1	Plug, Male - 3 Position	
5	4460465	3	Socket, Female	
6	4460894	1	Plug, Male - 6 Position	
6	4460465	6	Socket, Female	

SECTION 8 - ELECTRICAL

FIGURE 8-33. ENGINE HARNESS ASSEMBLY (DEUTZ D2.9L4)



ART_1001167108

SECTION 8 - ELECTRICAL

FIGURE 8-33. ENGINE HARNESS ASSEMBLY (DEUTZ D2.9L4)

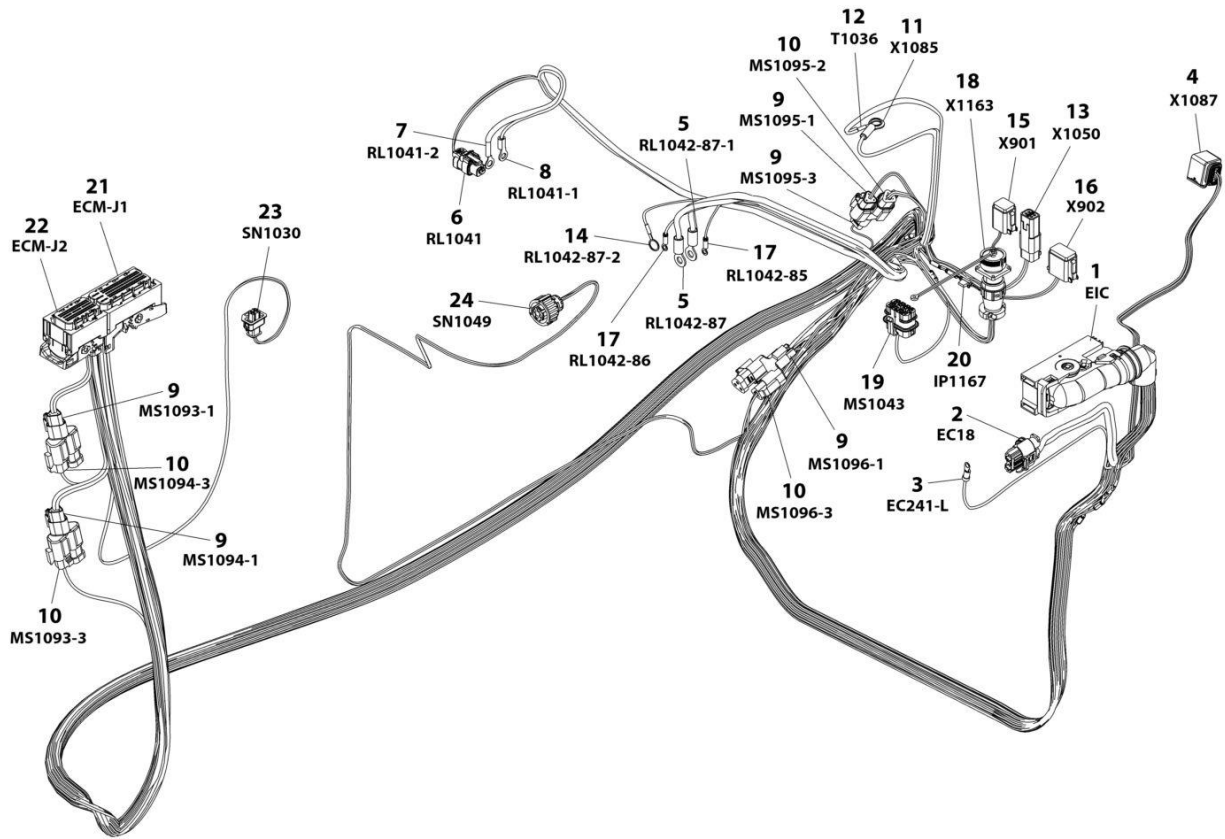
ITEM	PART NUMBER	QTY	DESCRIPTION	REV
	1001167108	Ref	ENGINE HARNESS - DEUTZ D2.9L4	I
1	1001133956	1	Connector, 94 Position	
1	1001126352	6	Terminal	
1	1001126357	2	Seal, Terminal	
1	1001126356	63	Seal, Terminal	
1	1001126384	21	Terminal	
1	1001126351	2	Terminal	
2	1001133957	1	Connector - 60 Position	
2	1001126357	11	Seal, Terminal	
2	1001126351	13	Terminal	
2	1001126356	19	Seal, Terminal	
2	1001126384	17	Terminal	
3	4461095	3	Plug, Male - 3 Position	
3	4460944	6	Socket, Female	
3	4460466	3	Plug, Terminal	
3	4461070	3	Connector, Female with Resistor 3 Position	
4	8220115	1	Terminal, Ring	
5	2902443	1	Receptacle Kit	
5	4461071	8	Socket, Female	
5	4461072	1	Receptacle with Flange - 8 Position	
5	4461073	1	Cap, Dust	
5	4461074	1	Shell, Black	
6	80484084	1	Connector - 8 Position	
6	1001116727	4	Plug, Terminal	
6	1001116728	4	Terminal	
6	8229242	1	Fuse - 5Amp	
6	80983191	1	Fuse - 10Amp	
6	1001147264	1	Cap	
7	1001116952	1	Plug, Male - 2 Position	
7	4460465	2	Socket, Female	
8	1001117106	1	Terminal, Ring	
9	4460043	1	Terminal, Ring	
10	4460247	2	Terminal, Ring	
11	4460703	1	Terminal, Ring	
12	8220164	1	Terminal, Ring	
13	1001117107	2	Terminal, Ring	
14	1001126362	1	Connector - 62 Position	
14	1001126363	33	Terminal	
14	1001126391	23	Seal, Terminal	
14	4461008	4	Seal, Terminal	
14	1001126365	2	Terminal	
15	4460891	1	Plug, Male - 2 Position	
15	4460465	2	Socket, Female	
16	4460884	1	Plug, Male - 4 Position	
16	4460465	4	Socket, Female	
17	4460930	1	Plug, Male - 8 Position	
17	4460465	1	Socket, Female	
17	4460466	7	Seal, Terminal	
18	4460894	1	Plug, Male - 6 Position	
18	4460465	6	Socket, Female	

SECTION 8 - ELECTRICAL

ITEM	PART NUMBER	QTY	DESCRIPTION	REV
19	1001142938	1	Connector - 2 Position	
19	1001142940	2	Terminal	
20	1001133714	1	Plug, Male - 4 Position	
20	1001133715	3	Terminal	
20	1001135651	1	Plug, Terminal	

SECTION 8 - ELECTRICAL

FIGURE 8-34. ENGINE HARNESS – DEUTZ D2.9L4 (STAGE V) ENGINES



ART_1001245839

SECTION 8 - ELECTRICAL

FIGURE 8-34. ENGINE HARNESS – DEUTZ D2.9L4 (STAGE V) ENGINES

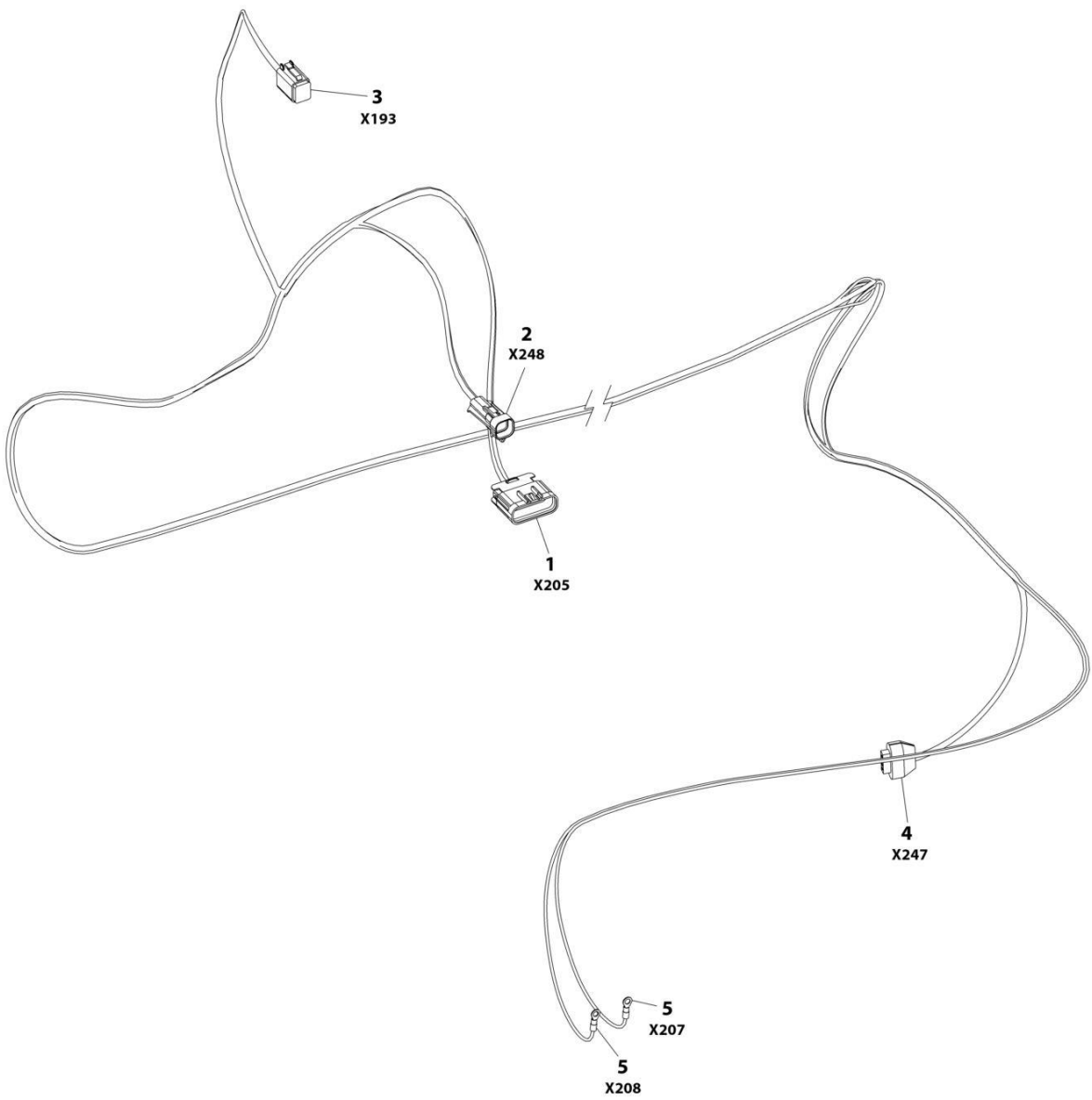
ITEM	PART NUMBER	QTY	DESCRIPTION	REV
	1001245839	Ref	ENGINE HARNESS - DEUTZ (STAGE V)	F
1	1001126362	1	Connector - 62 Position	
1	1001126363	37	Terminal	
1	1001126391	7	Seal, Terminal	
1	1001126392	12	Terminal	
1	4461008	4	Seal, Terminal	
1	1001167632	2	Terminal	
1	1001126364	36	Seal, Terminal	
1	1001223459	12	Seal, Terminal	
1	4461054	2	Seal, Terminal	
2	1001142938	1	Connector - 2 Position	
2	1001142940	2	Terminal	
2	1001142941	2	Seal, Terminal	
3	4460042	1	Terminal, Ring	
4	1001239202	1	Connector - 8 Position	
4	1001126363	7	Terminal	
4	1001126391	1	Seal, Terminal	
4	1001126364	7	Seal, Terminal	
5	1001117107	2	Terminal, Ring	
6	1001116952	1	Plug, Male - 2 Position	
6	4460465	2	Socket, Female	
7	1001117106	1	Terminal, Ring	
8	4460043	1	Terminal, Ring	
9	1001116812	5	Connector, 3 Position	
9	4460944	10	Socket, Female	
9	4460466	5	Plug, Terminal	
10	4460539	4	Plug, Male - 3 Position	
10	4460944	8	Socket, Female	
10	4460466	4	Plug, Terminal	
11	8220164	1	Terminal, Ring	
12	4460019	1	Terminal, Ring	
13	4460884	1	Plug, Male - 4 Position	
13	4460465	2	Socket, Female	
13	4460942	2	Socket, Female	
14	4460703	1	Terminal, Ring	
15	4460894	1	Plug, Male - 6 Position	
15	4460465	2	Socket, Female	
15	4460944	2	Socket, Female	
15	4460465	2	Socket, Female	
16	4460930	1	Plug, Male - 8 Position	
16	4460465	1	Socket, Female	
16	4460466	7	Plug, Terminal	
17	4460247	2	Terminal, Ring	
18	2902443	1	Receptacle Kit	
18	4461071	8	Socket, Female	
18	4461072	1	Receptacle with Flange - 8 Position	
18	4461073	1	Cap, Dust	
18	4461074	1	Shell, Black	
19	80484084	1	Connector - 8 Position	
19	4460746	3	Terminal	

SECTION 8 - ELECTRICAL

ITEM	PART NUMBER	QTY	DESCRIPTION	REV
19	1001234800	1	Terminal	
19	4460748	4	Plug, Terminal	
19	4460458	4	Seal	
20	1001170764	1	Holder, Fuse	
20	1001197719	1	Fuse 0.5 Watt	
21	1001133956	1	Connector, 94 Position	
21	1001182361	8	Terminal	
21	1001126351	3	Terminal	
21	1001230934	25	Terminal	
21	1001230935	55	Plug, Terminal	
21	1001252527	4	Terminal	
21	1001230936	1	Plug, Terminal	
21	1001182365	8	Seal	
22	1001133957	1	Connector - 60 Position	
22	1001230936	11	Plug, Terminal	
22	1001126351	13	Terminal	
22	1001230935	10	Plug, Terminal	
22	1001230934	26	Terminal	
23	1001126487	1	Connector - 2 Position	
23	1001167635	2	Terminal	
23	1001126485	2	Seal	
24	1001133714	1	Plug, Male - 4 Position	
24	1001133715	3	Terminal	
24	1001135651	1	Plug, Terminal	
24	1001135650	2	Seal	

SECTION 8 - ELECTRICAL

FIGURE 8-35. ENGINE HARNESS ASSEMBLY (KUBOTA)



ART_1001213599

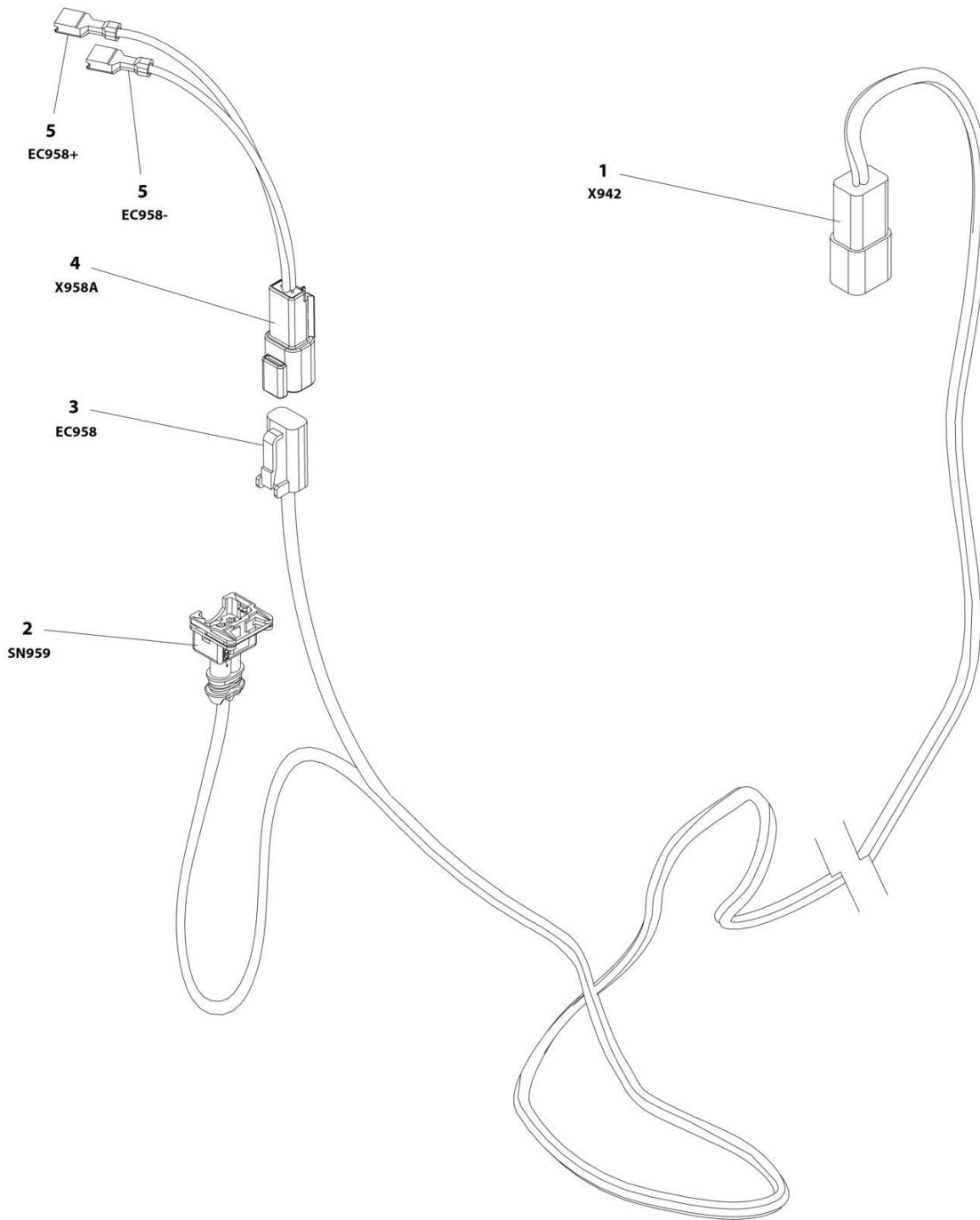
SECTION 8 - ELECTRICAL

FIGURE 8-35. ENGINE HARNESS ASSEMBLY (KUBOTA)

ITEM	PART NUMBER	QTY	DESCRIPTION	REV
	1001213599	Ref	ENGINE HARNESS - KUBOTA	C
1	4461109	1	Plug, Male - 16 Position	
1	4461111	7	Terminal	
1	4461113	9	Plug	
2	4461124	1	Connector - 4 Position	
2	4460693	4	Terminal	
3	4460894	1	Plug, Male - 6 Position	
3	4460465	5	Socket, Female	
3	4460466	1	Plug, Terminal	
4	4461121	1	Plug, Male - 4 Position	
4	4461122	4	Terminal	
4	4461123	4	Seal	
5	4460042	2	Terminal, Ring	

SECTION 8 - ELECTRICAL

FIGURE 8-36. FUEL HARNESS (DEUTZ D2.9L4 ENGINES)



ART_1001173342

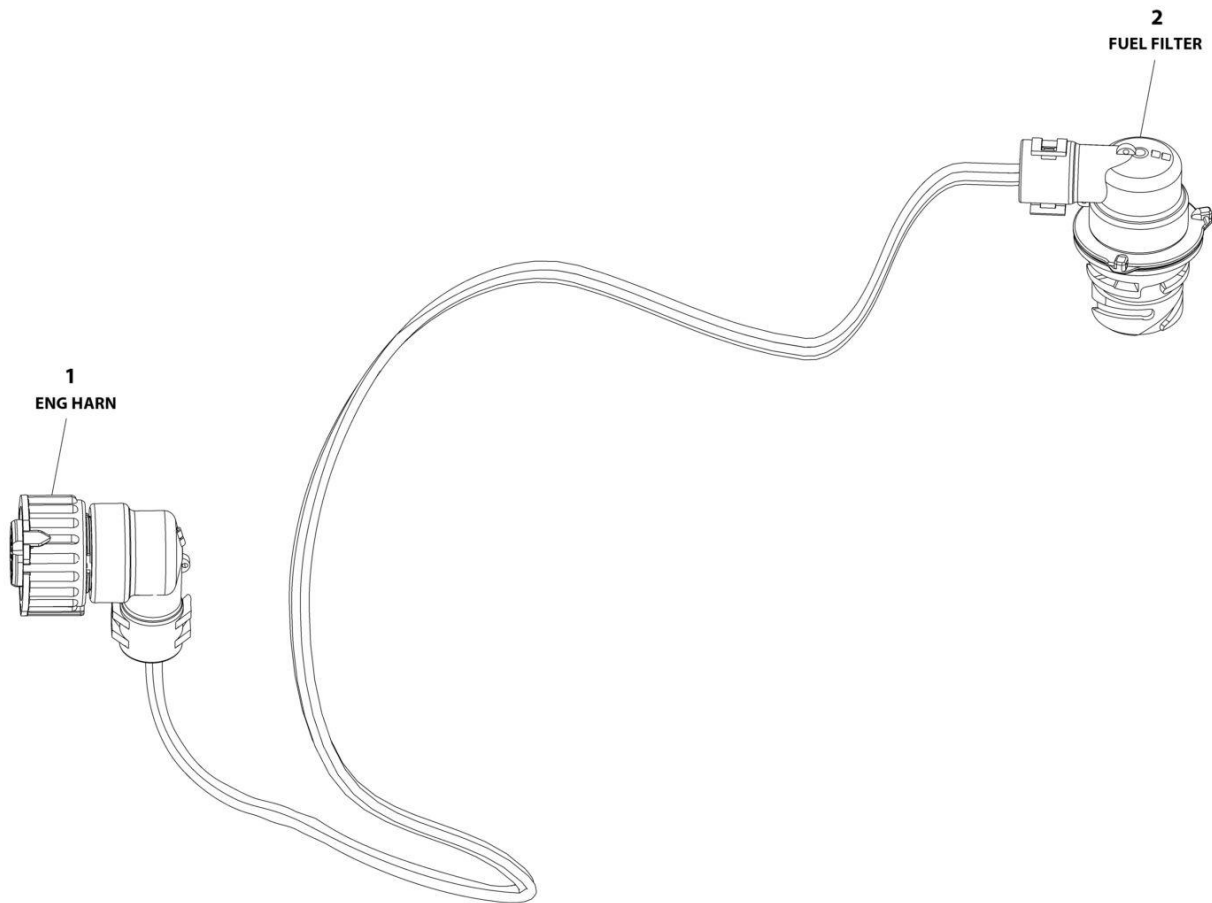
SECTION 8 - ELECTRICAL

FIGURE 8-36. FUEL HARNESS (DEUTZ D2.9L4 ENGINES)

ITEM	PART NUMBER	QTY	DESCRIPTION	REV
	1001173342	Ref	FUEL HARNESS - DEUTZ D2.9L4 ENGINE	C
1	4460932	1	Receptacle, Female - 4 Position	
1	4460464	2	Pin, Male	
1	4460941	2	Pin, Male	
2	1001116983	1	Plug, Male - 2 Position	
2	1001116710	2	Socket, Female	
3	4460891	1	Plug, Male - 2 Position	
3	4460942	2	Socket, Female	
4	4460897	1	Receptacle, Female - 2 Position	
4	4460941	2	Pin, Male	
5	8220051	2	Coupler, Female	

SECTION 8 - ELECTRICAL

FIGURE 8-37. FUEL HARNESS - DEUTZ D2.9L4 (STAGE V) ENGINE



ART_1001245913

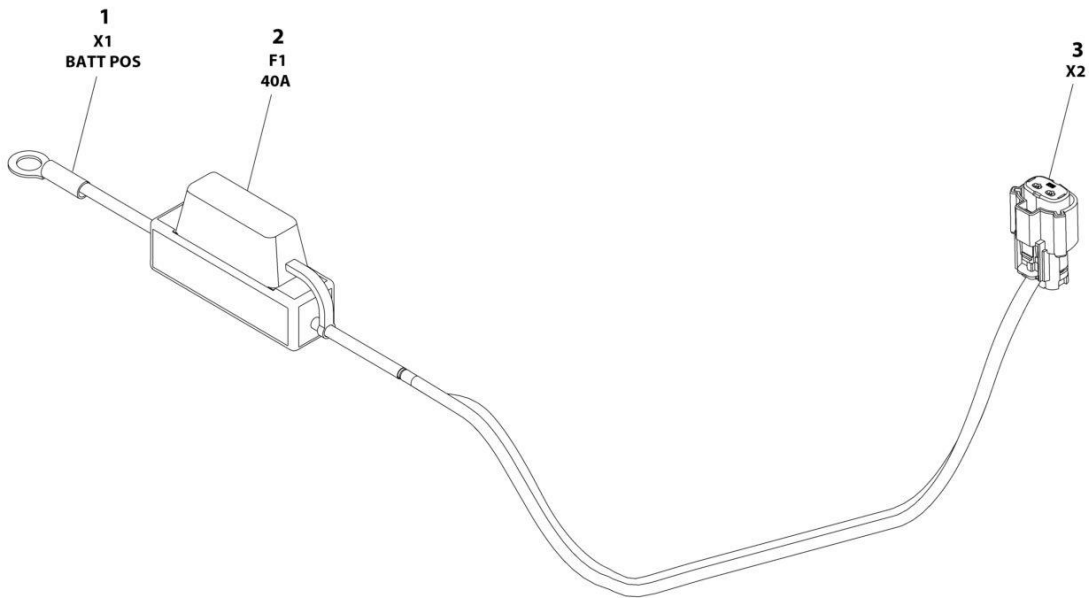
SECTION 8 - ELECTRICAL

FIGURE 8-37. FUEL HARNESS - DEUTZ D2.9L4 (STAGE V) ENGINE

ITEM	PART NUMBER	QTY	DESCRIPTION	REV
	1001245913	Ref	FUEL HARNESS - DEUTZ (STAGE V) ENGINE	D
1	1001148842	1	Connector - 4 Position	
1	1001148841	4	Pin, Male	
1	1001135650	4	Seal	
2	1001133714	1	Plug, Male - 4 Position	
2	1001133715	4	Socket, Female	
2	1001135650	4	Seal	

SECTION 8 - ELECTRICAL

FIGURE 8-38. FUEL HARNESS (KUBOTA ENGINES)



ART_1001229798

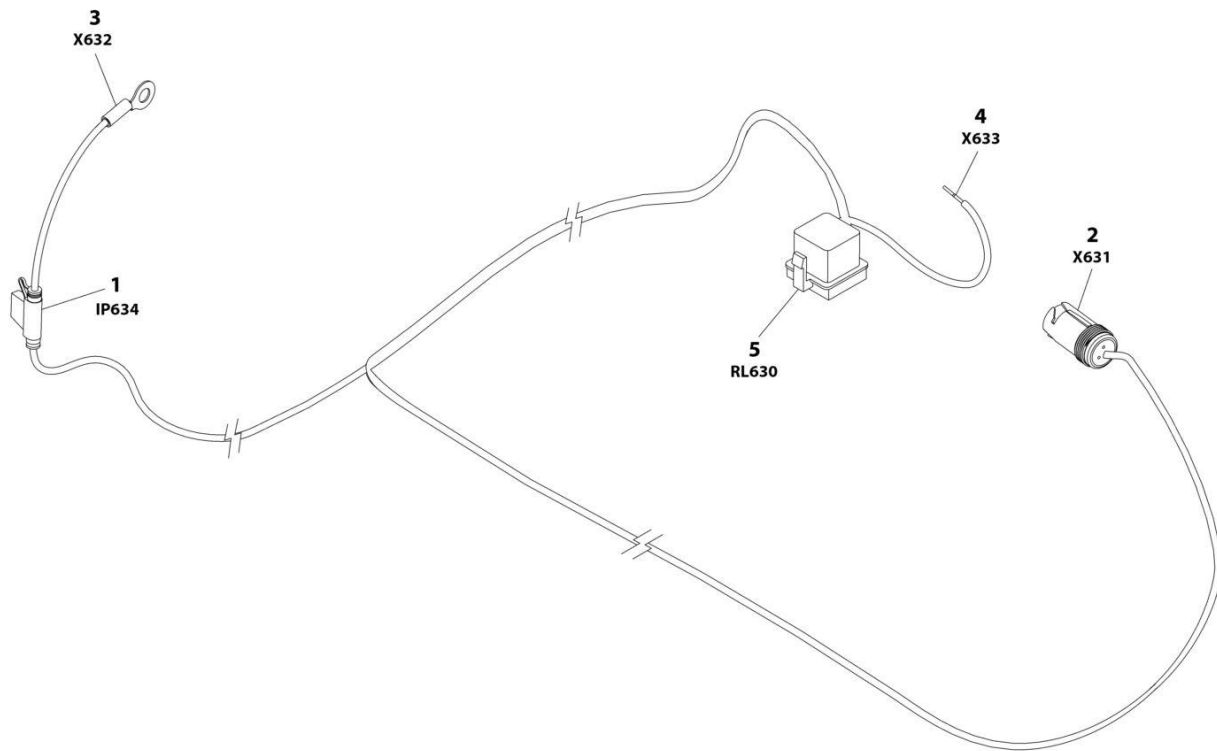
SECTION 8 - ELECTRICAL

FIGURE 8-38. FUEL HARNESS (KUBOTA ENGINES)

ITEM	PART NUMBER	QTY	DESCRIPTION	REV
	1001229798	Ref	FUEL HARNESS - KUBOTA ENGINE	A
1	4460977	1	Terminal, Ring	
2	2400082	1	Fuse 40Amp	
3	1001229795	1	Connector - 2 Position	
3	1001229796	1	Socket, Female	

SECTION 8 - ELECTRICAL

FIGURE 8-39. GENERATOR HARNESS - 2500W GENERATOR



ART_1001187522

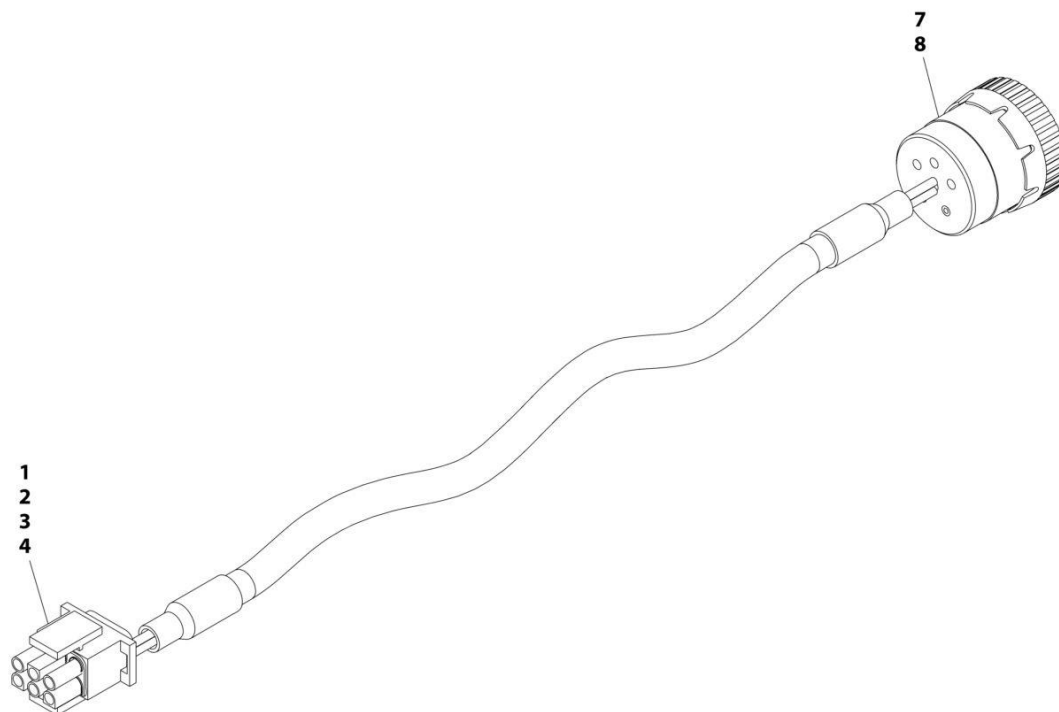
SECTION 8 - ELECTRICAL

FIGURE 8-39. GENERATOR HARNESS - 2500W GENERATOR

ITEM	PART NUMBER	QTY	DESCRIPTION	REV
	1001187522	Ref	GENERATOR HARNESS - 2500W	B
1	2400066	1	Fuseholder - 30Amp (Includes Cover)	
1	8229245	1	Fuse 30Amp	
2	1001154726	1	Receptacle, Female - 3 Position	
2	4460464	2	Pin, Male	
2	4460466	1	Plug, Terminal	
3	8220045	1	Terminal, Ring	
4	4460906	1	Socket, Female	
5	1001117057	1	Connector, Relay	
5	1001116734	2	Terminal	
5	1001116732	2	Terminal	
5	3740080	1	Relay	

SECTION 8 - ELECTRICAL

**FIGURE 8-40. GENERATOR HARNESS - 4000W GENERATOR (CONTROL BOX TO GENERATOR)
(DEUTZ ENGINES)**



ART_1001152532

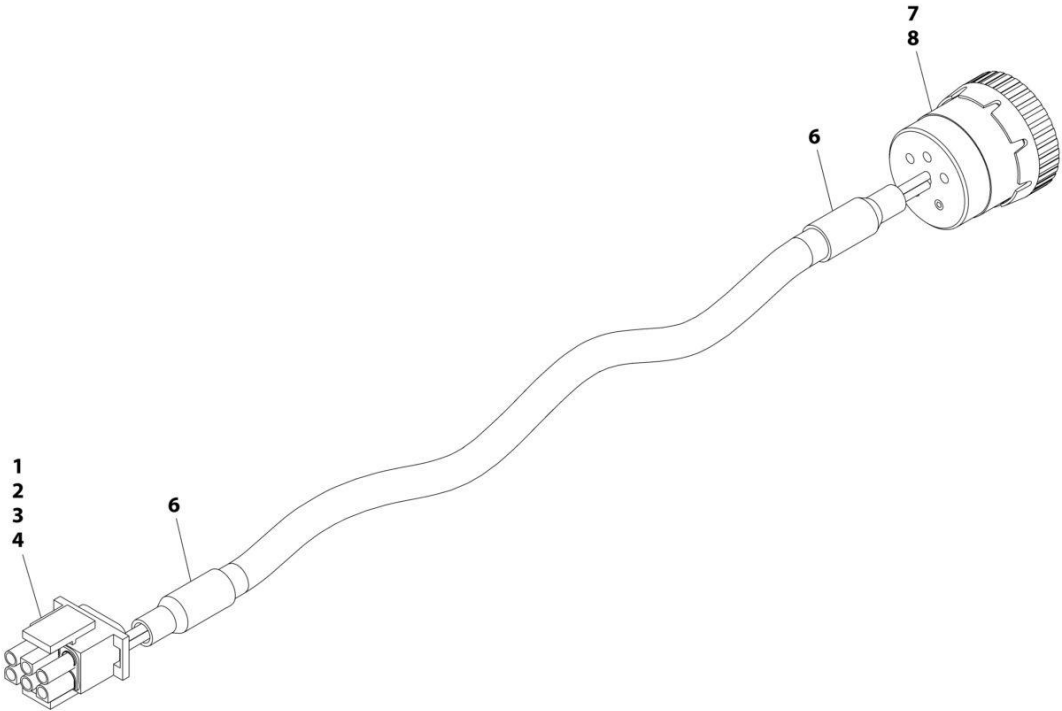
SECTION 8 - ELECTRICAL

**FIGURE 8-40. GENERATOR HARNESS - 4000W GENERATOR (CONTROL BOX TO GENERATOR)
(DEUTZ ENGINES)**

ITEM	PART NUMBER	QTY	DESCRIPTION	REV
	1001152532	Ref	GENERATOR HARNESS	A
1	4460225	1	Connector - 6 Position	
2	4460268	2	Socket, Female	
3	4460807	1	Seal	
4	4460808	1	Seal	
7	4460465	2	Socket, Female	
8	77363233	1	Connector - 6 Position	

SECTION 8 - ELECTRICAL

FIGURE 8-41. GENERATOR HARNESS - 7500W GENERATOR (CONTROL BOX TO GENERATOR)



ART_4922925

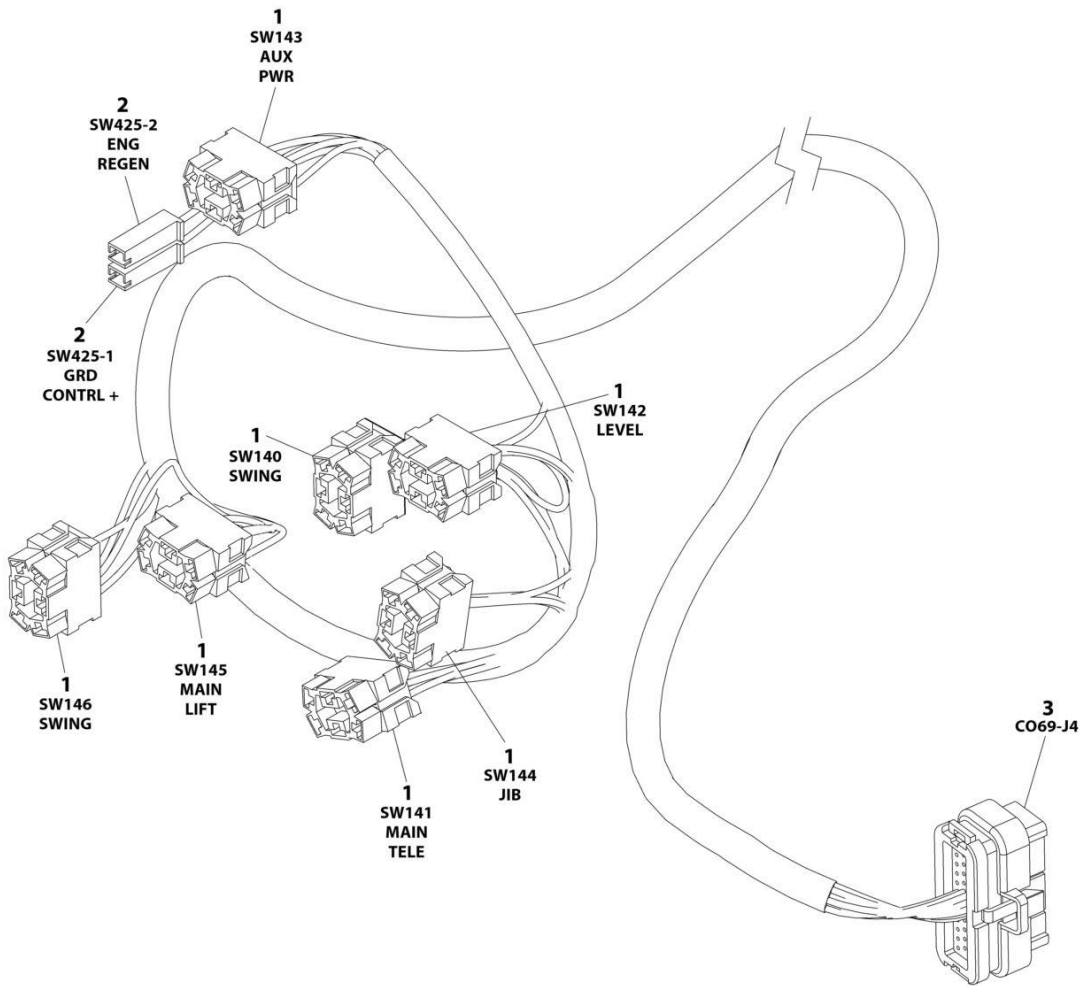
SECTION 8 - ELECTRICAL

FIGURE 8-41. GENERATOR HARNESS - 7500W GENERATOR (CONTROL BOX TO GENERATOR)

ITEM	PART NUMBER	QTY	DESCRIPTION	REV
	4922925	Ref	GENERATOR TO CONTROL BOX HARNESS (7500W GENERATOR)	C
1	4460225	1	Plug, Male - 2 Position	
2	4460268	6	Socket, Female	
3	4460807	1	Seal	
4	4460808	1	Seal	
6	2820019	AR	Heat Shrink	
7	4460465	6	Socket, Female	
8	77363233	1	Connector - 6 Position	

SECTION 8 - ELECTRICAL

FIGURE 8-42. GROUND CONTROL BOX HARNESS



ART_1001238161

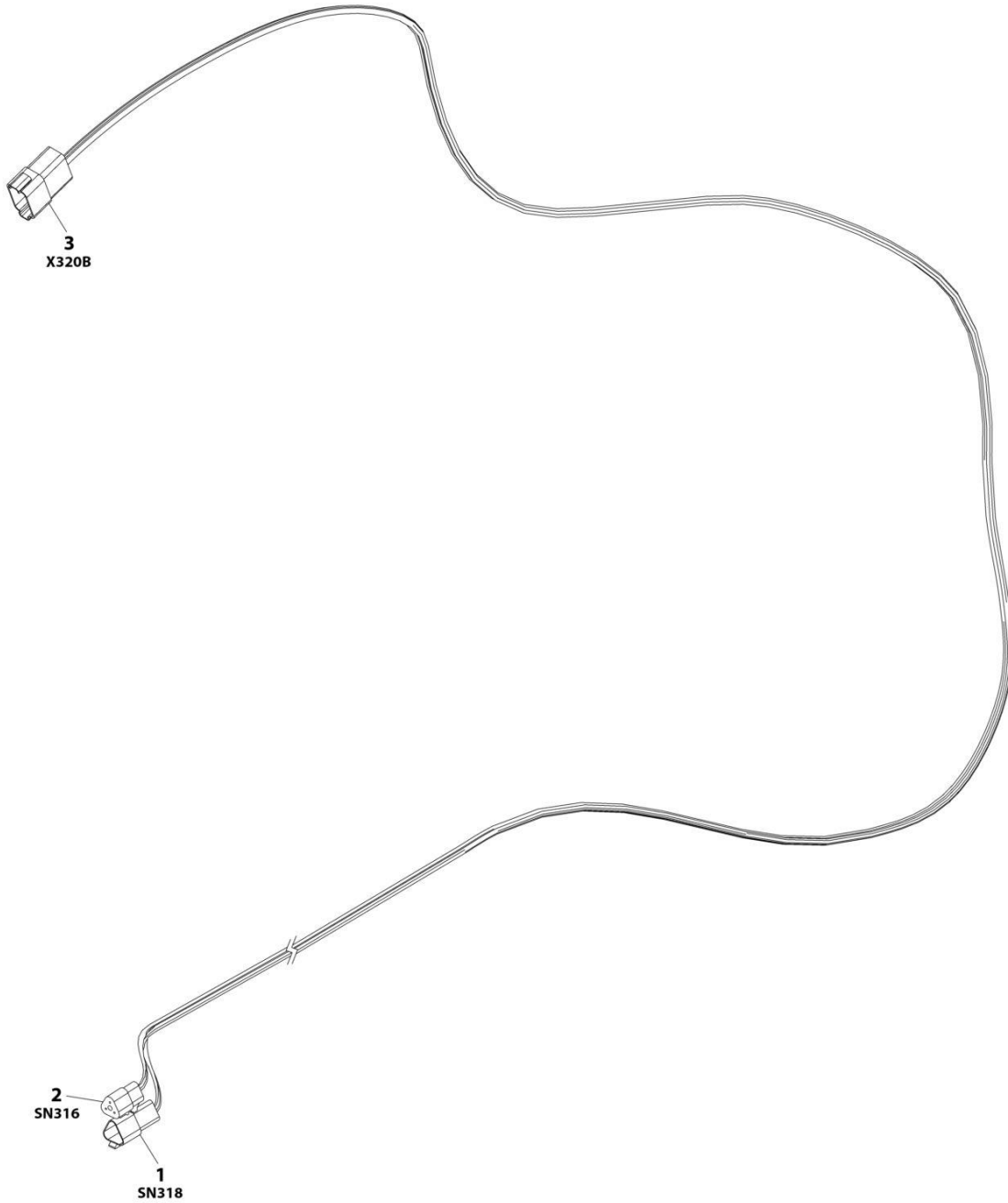
SECTION 8 - ELECTRICAL

FIGURE 8-42. GROUND CONTROL BOX HARNESS

ITEM	PART NUMBER	QTY	DESCRIPTION	REV
	1001238161	Ref	GROUND CONTROL BOX HARNESS	C
1	4460418	7	Connector - 6 Position	
1	4460419	27	Terminal	
2	4460260	2	Housing, Terminal	
2	4460259	2	Terminal	
3	4460876	1	Connector - 35 Position	
3	4460871	16	Socket, Female	
3	4460905	19	Plug, Terminal	

SECTION 8 - ELECTRICAL

FIGURE 8-43. HIGH CAPACITY HARNESS (460SJ HC3)



ART_1001248183

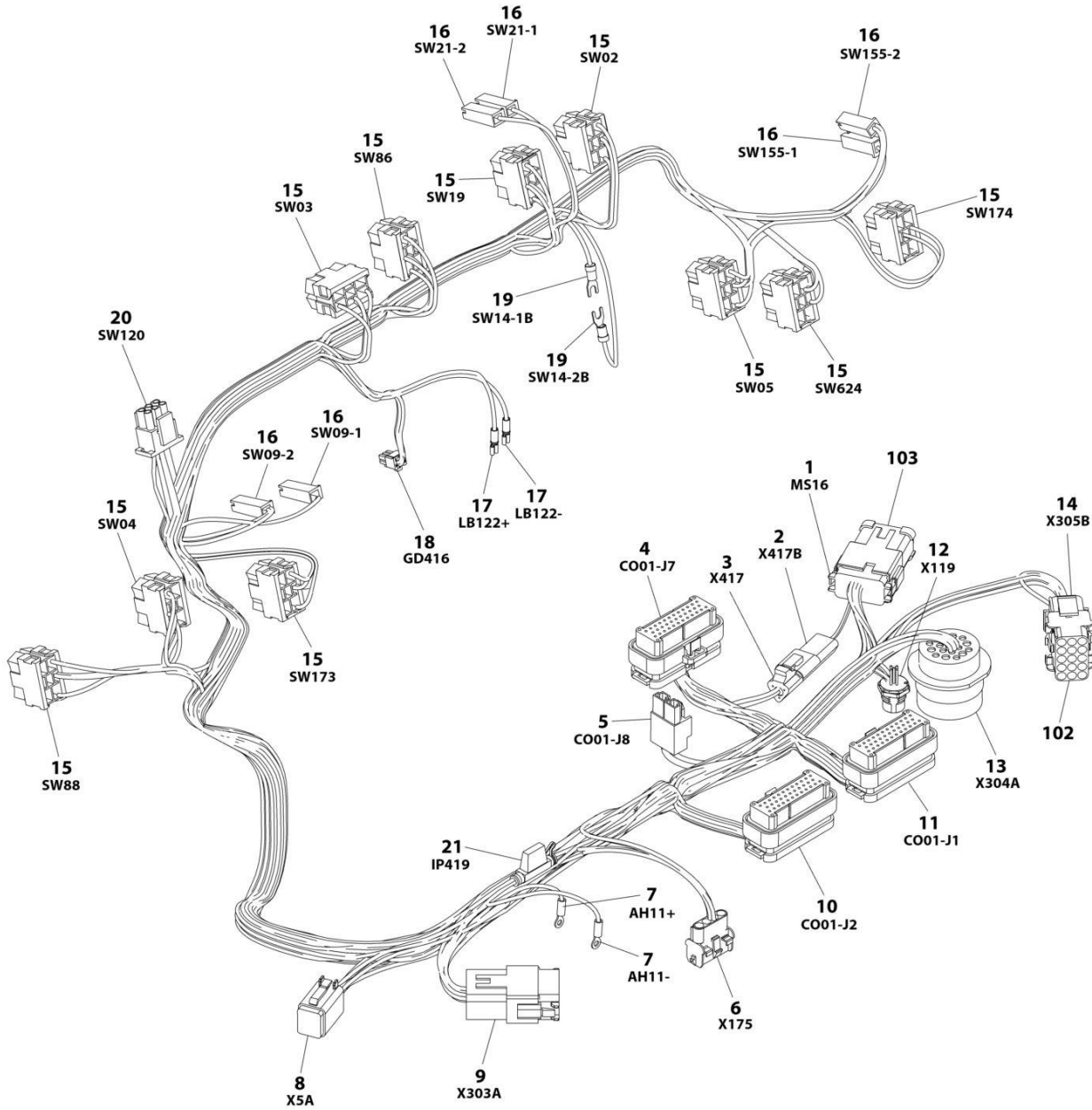
SECTION 8 - ELECTRICAL

FIGURE 8-43. HIGH CAPACITY HARNESS (460SJ HC3)

ITEM	PART NUMBER	QTY	DESCRIPTION	REV
	1001248183	Ref	HIGH CAPACITY HARNESS	B
1	4460536	1	Receptacle, Female - 3 Position	
1	4460464	3	Pin, Male	
2	4460539	1	Plug, Male - 3 Position	
2	4460465	1	Socket, Female	
3	4460931	1	Receptacle, Female - 8 Position	
3	4460464	1	Pin, Male	
3	4460466	2	Plug, Terminal	

SECTION 8 - ELECTRICAL

FIGURE 8-44. PLATFORM CONSOLE BOX HARNESS



ART_1001238254

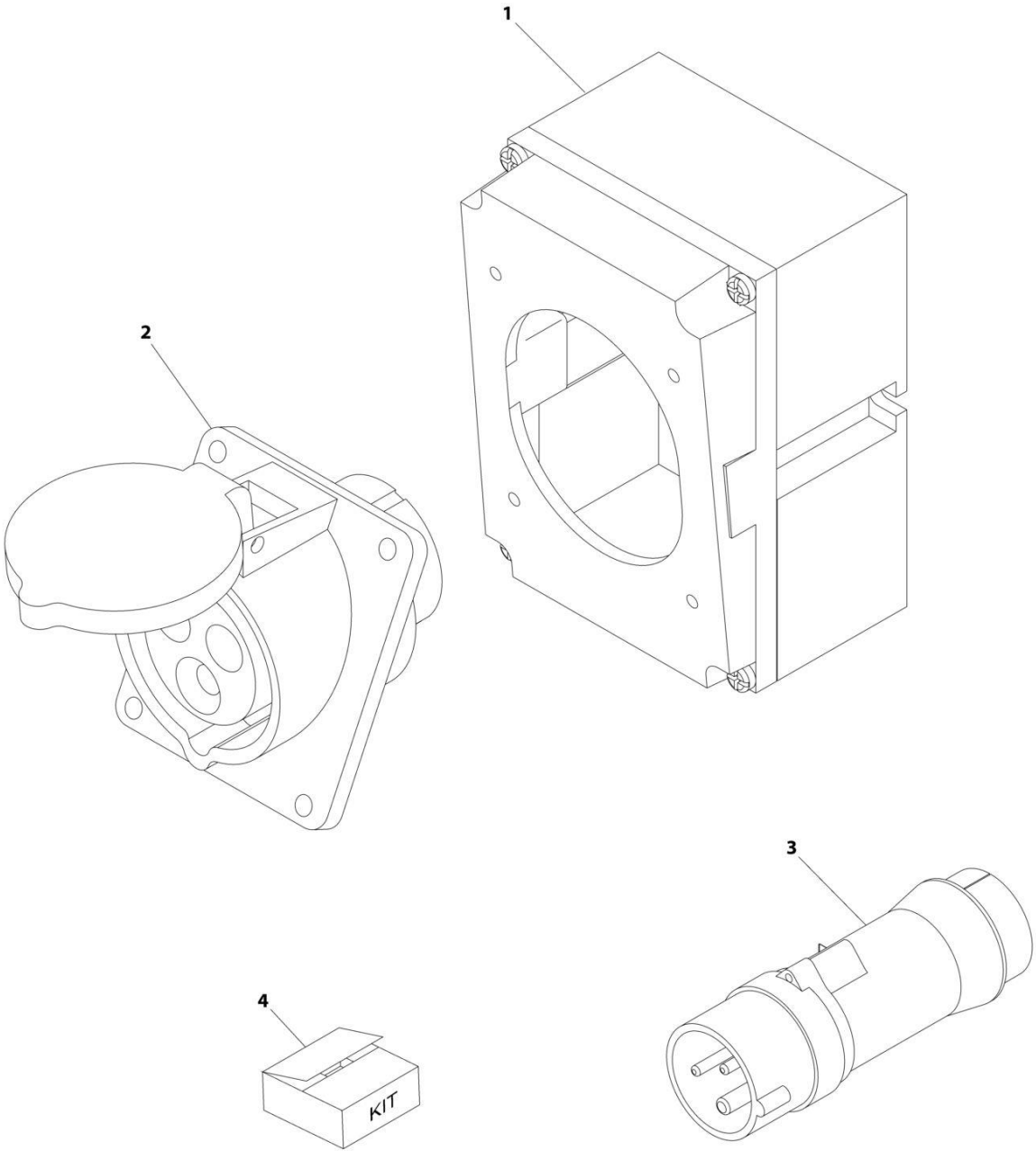
SECTION 8 - ELECTRICAL

FIGURE 8-44. PLATFORM CONSOLE BOX HARNESS

ITEM	PART NUMBER	QTY	DESCRIPTION	REV
	1001238254	Ref	PLATFORM CONSOLE BOX HARNESS	I
1	4460933	1	Plug, Male - 12 Position	
1	4460465	10	Socket, Female	
1	4460466	2	Plug, Terminal	
2	4460536	1	Receptacle, Female - 3 Position	
2	4460464	2	Pin, Male	
2	4460466	1	Plug, Terminal	
3	4460539	1	Plug, Male - 3 Position	
3	4460465	2	Socket, Female	
3	4460466	1	Plug, Terminal	
4	4460873	1	Connector - 35 Position	
4	4460871	21	Socket, Female	
4	4460905	14	Plug, Terminal	
5	4460879	1	Plug, Male - 2 Position	
5	4460887	2	Terminal	
6	4460761	1	Receptacle, Female - 4 Position	
6	4460267	4	Pin, Male	
7	1001098122	2	Terminal, Ring	
8	4460894	1	Plug, Male - 6 Position	
8	4460465	6	Socket, Female	
9	4460970	1	Receptacle, Female - 12 Position	
9	1001116693	11	Pin, Male	
9	4460466	1	Plug, Terminal	
10	4460875	1	Connector - 35 Position	
10	4460871	12	Socket, Female	
10	4460905	23	Plug, Terminal	
11	4460874	1	Connector - 35 Position	
11	4460871	27	Socket, Female	
11	4460905	8	Plug, Terminal	
12	1001213447	1	Connector - 4 Position	
12	See Note	NSS	Terminal (Note: Purchase p/n 1001213447)	
13	4460866	1	Connector - 19 Position	
13	4460464	5	Pin, Male	
13	4460466	11	Plug, Terminal	
13	4460508	1	Pin, Male	
14	4460434	1	Connector - 15 Position	
14	4460267	8	Pin, Male	
15	4460418	10	Connector - 6 Position	
15	4460419	45	Terminal	
16	4460260	6	Housing, Terminal	
16	4460259	8	Terminal	
17	1001271497	2	Terminal	
18	1001237667	1	Plug, Male - 6 Position	
18	1001237668	4	Terminal	
19	4460183	2	Terminal, Fork	
20	4460225	1	Plug, Male - 6 Position	
20	4460227	6	Pin, Male (Note: Used on Pump Potentiometer Connection Only)	
21	2400060	1	Fuse Holder	
102	4460708	1	Connector, Bussbar - 15 Position	
103	1001125677	1	Connector, Bussbar - 12 Position	

SECTION 8 - ELECTRICAL

FIGURE 8-45. RECEPTACLE BOX KIT - 110V IEC YELLOW (CE & UK CA SPEC)



ART_0275216

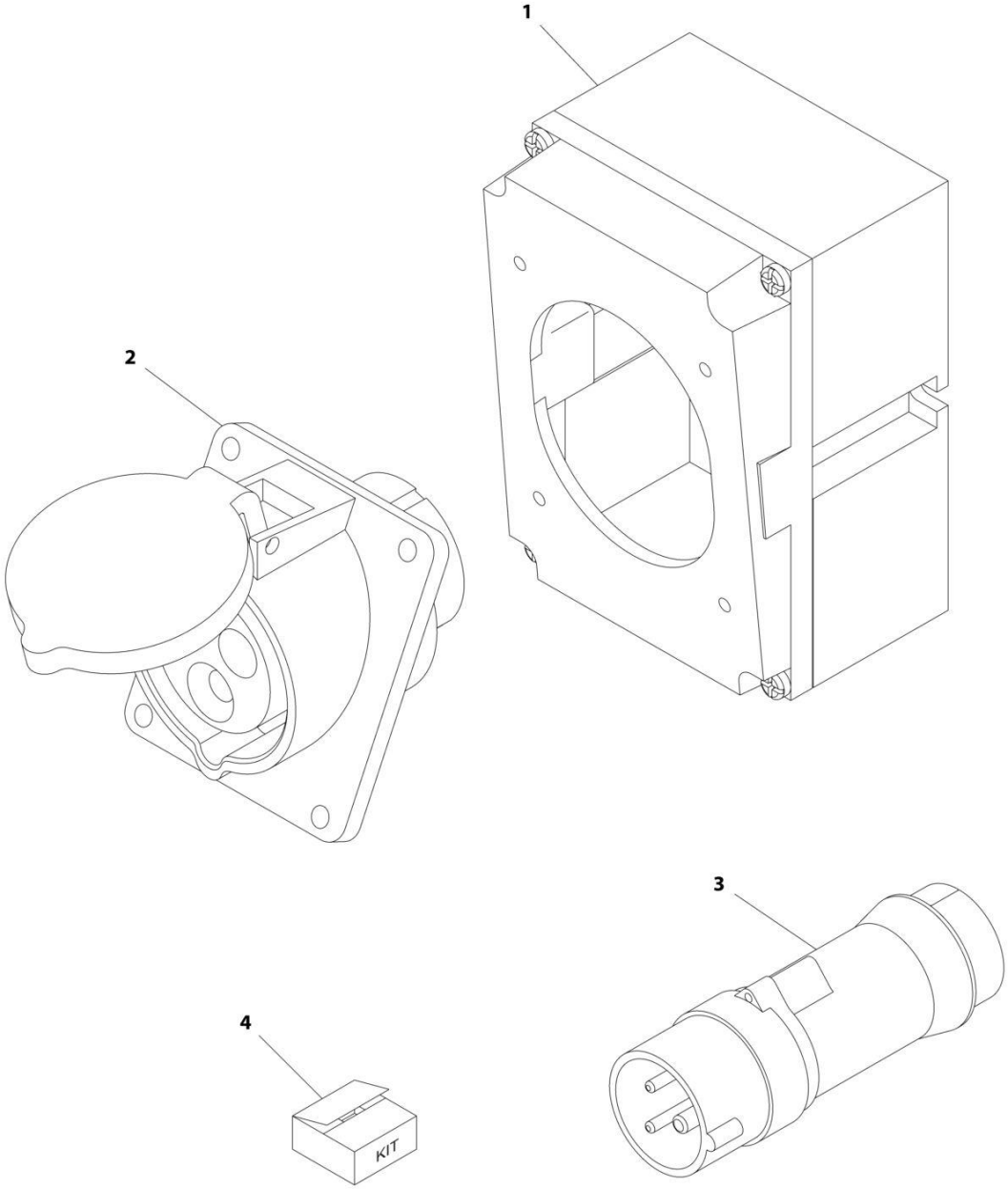
SECTION 8 - ELECTRICAL

FIGURE 8-45. RECEPTACLE BOX KIT - 110V IEC YELLOW (CE & UK CA SPEC)

ITEM	PART NUMBER	QTY	DESCRIPTION	REV
	0275216	Ref	RECEPTACLE BOX KIT - 110V IEC YELLOW	B
1	0861781	1	Box, Switch	
2	4461198	1	Receptacle	
3	4461196	1	Plug, Male	
4	1001100341	1	Plug and Socket Kit (Includes Items 1-3 and Female Plug p/n 4461197)	

SECTION 8 - ELECTRICAL

FIGURE 8-46. RECEPTACLE BOX KIT - 220V IEC BLUE (CE & UK CA SPEC)



ART_0275217

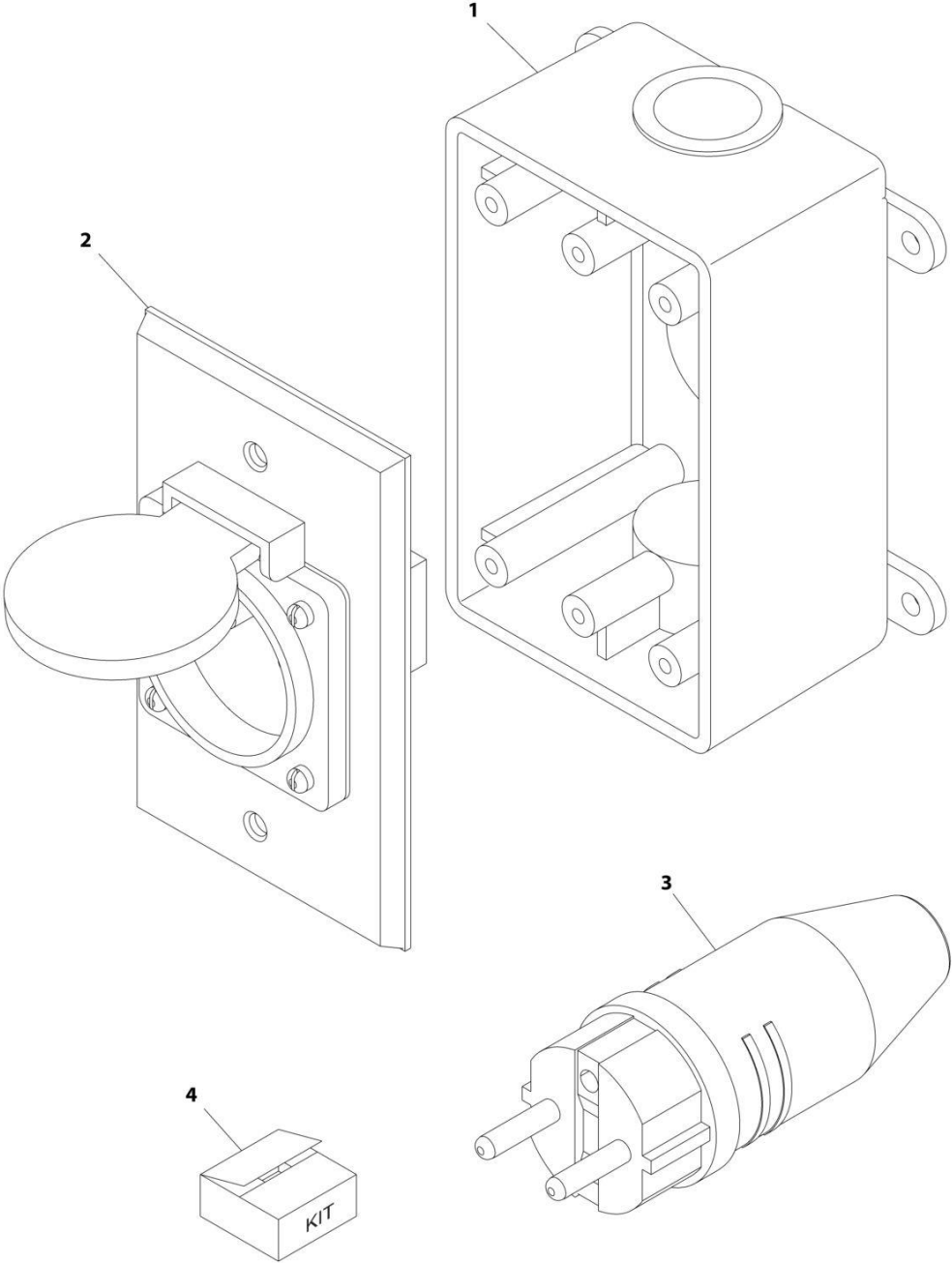
SECTION 8 - ELECTRICAL

FIGURE 8-46. RECEPTACLE BOX KIT - 220V IEC BLUE (CE & UK CA SPEC)

ITEM	PART NUMBER	QTY	DESCRIPTION	REV
	0275217	Ref	RECEPTACLE BOX KIT - 220V IEC BLUE	B
1	0861781	1	Box, Switch	
2	4461201	1	Receptacle	
3	4461199	1	Plug, Male	
4	1001100342	1	Plug and Socket Kit (Includes Items 1-3 and Female Plug p/n 4461200)	

SECTION 8 - ELECTRICAL

FIGURE 8-47. RECEPTACLE BOX KIT - 220V CEE7 POST GROUND (CE & UK CA SPEC)



ART_0275452-C

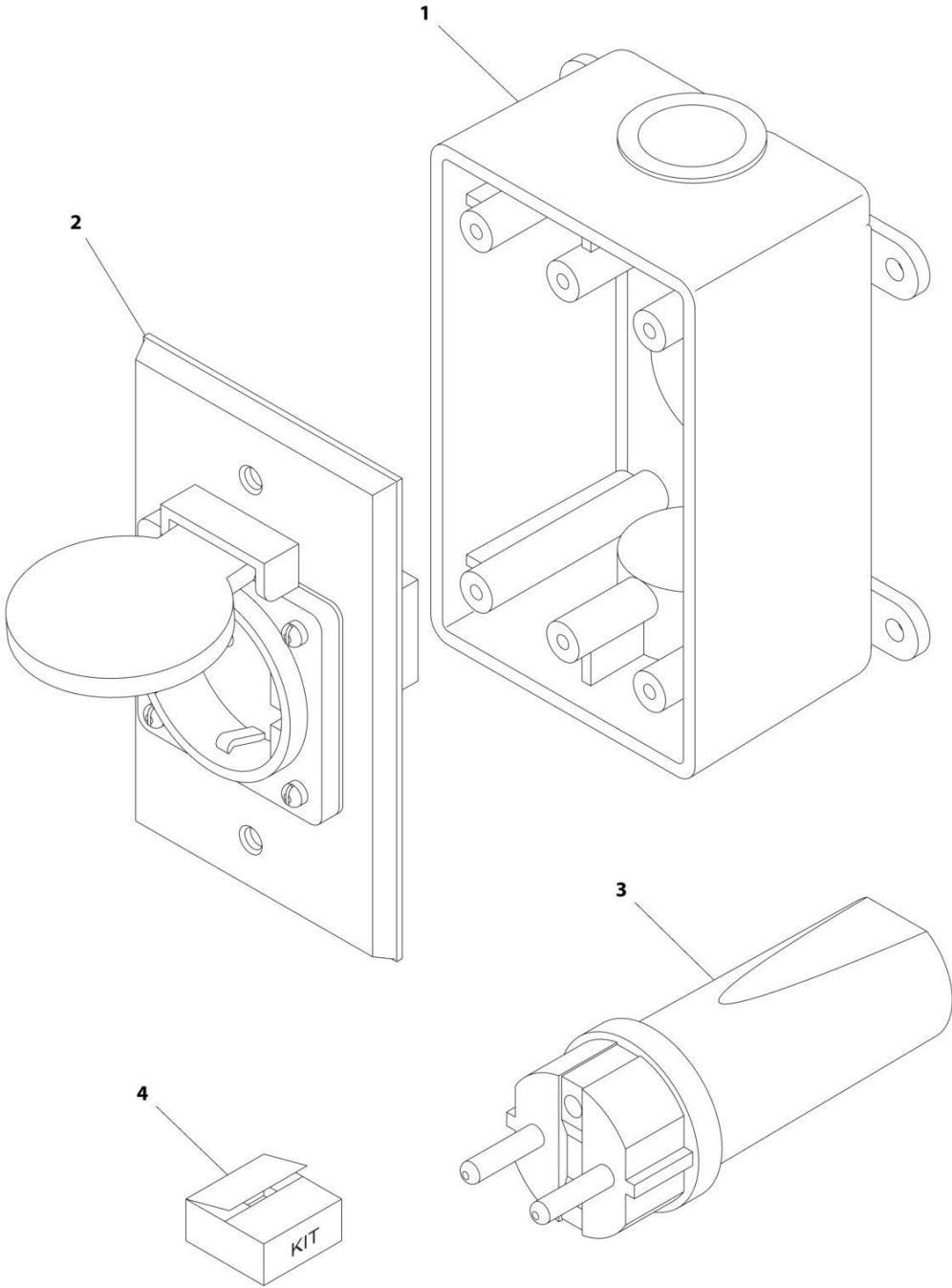
SECTION 8 - ELECTRICAL

FIGURE 8-47. RECEPTACLE BOX KIT - 220V CEE7 POST GROUND (CE & UK CA SPEC)

ITEM	PART NUMBER	QTY	DESCRIPTION	REV
	0275452	Ref	RECEPTACLE BOX KIT - 220V CEE7 POST GROUND 2IN X 4IN BOX	C
1	0861731	1	Box, Switch	
2	4461244	1	Receptacle	
3	4461205	1	Plug, Male	
4	1001100345	1	Plug and Socket Kit (Includes Items 1-3 and Female Plug p/n 4461203)	

SECTION 8 - ELECTRICAL

FIGURE 8-48. RECEPTACLE BOX KIT - 220V CEE7 SIDE GROUND (CE & UK CA SPEC)



ART_0275453

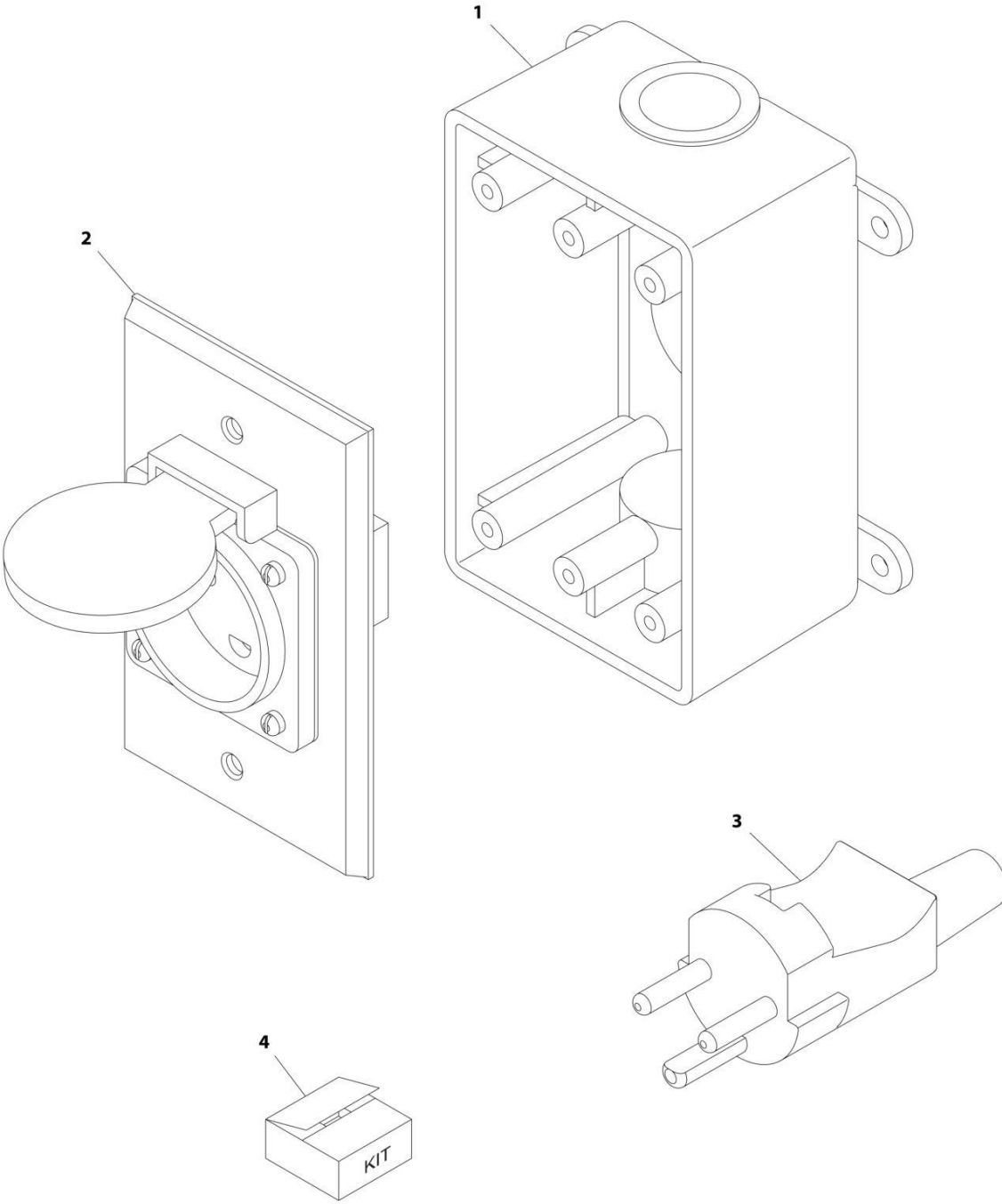
SECTION 8 - ELECTRICAL

FIGURE 8-48. RECEPTACLE BOX KIT - 220V CEE7 SIDE GROUND (CE & UK CA SPEC)

ITEM	PART NUMBER	QTY	DESCRIPTION	REV
	0275453	Ref	RECEPTACLE BOX KIT - 220V CEE7 SIDE GROUND	B
1	0861731	1	Box, Switch	
2	4461245	1	Receptacle	
3	4461205	1	Plug, Male	
4	1001100347	1	Plug and Socket Kit (Includes Items 1-3 and Female Plug p/n 4461206)	

SECTION 8 - ELECTRICAL

FIGURE 8-49. RECEPTACLE BOX KIT - 220V AFSINT 107 (CE & UK CA SPEC)



ART_0275454

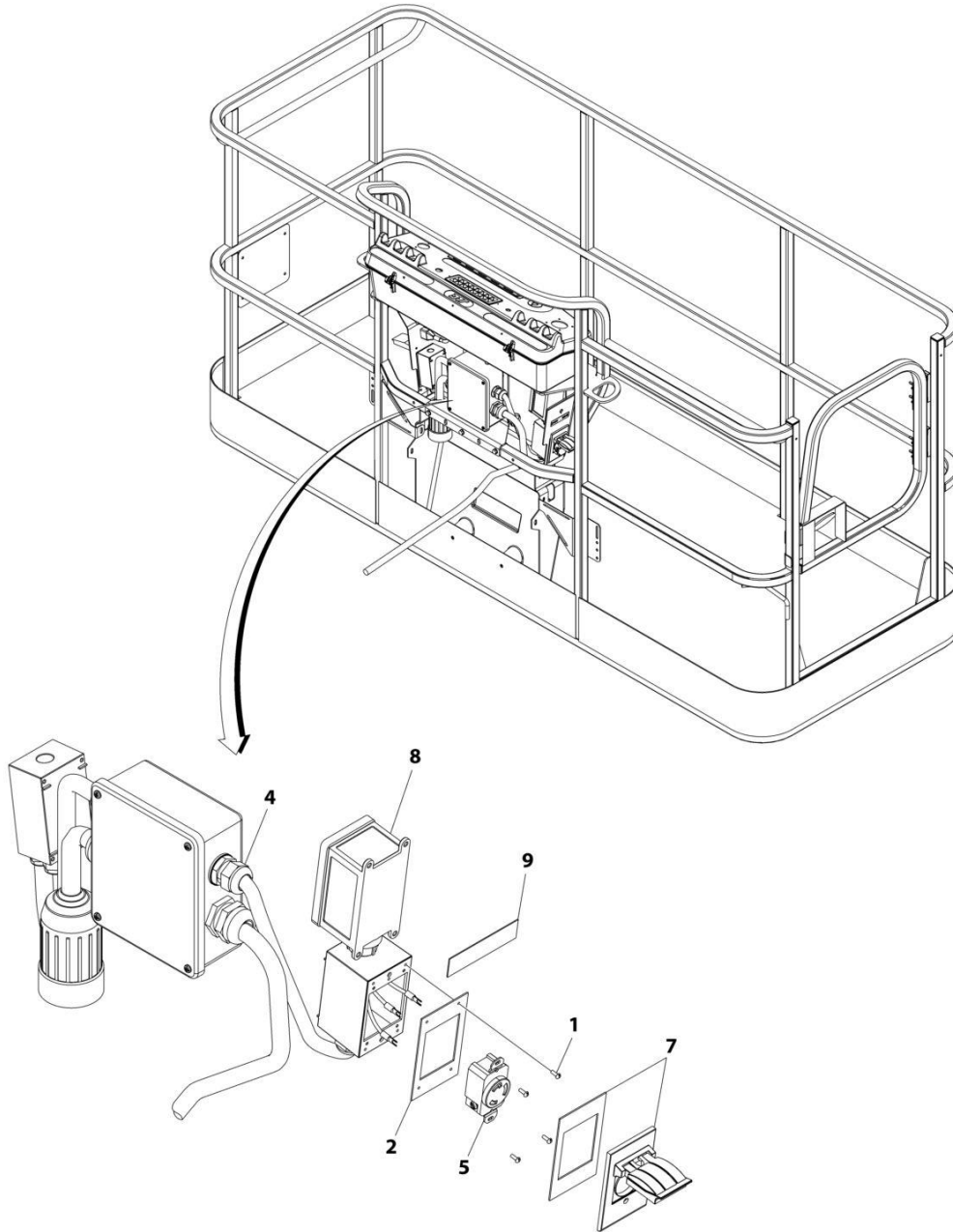
SECTION 8 - ELECTRICAL

FIGURE 8-49. RECEPTACLE BOX KIT - 220V AFSINT 107 (CE & UK CA SPEC)

ITEM	PART NUMBER	QTY	DESCRIPTION	REV
	0275454	Ref	RECEPTACLE BOX KIT - 220V AFSINT 107	B
1	0861731	1	Box, Switch	
2	4461246	1	Receptacle	
3	4461249	1	Plug, Male	
4	1001100346	1	Plug and Socket Kit (Includes Items 1-3 and Female Plug p/n 4461250)	

SECTION 8 - ELECTRICAL

FIGURE 8-50. RECEPTACLE/BREAKER BOX ASSEMBLY - 240V (4000W AND 7500W SKYPOWER GENERATORS) (ANSI, ANSI EXPORT AND CSA SPECS)



ART_1001159121

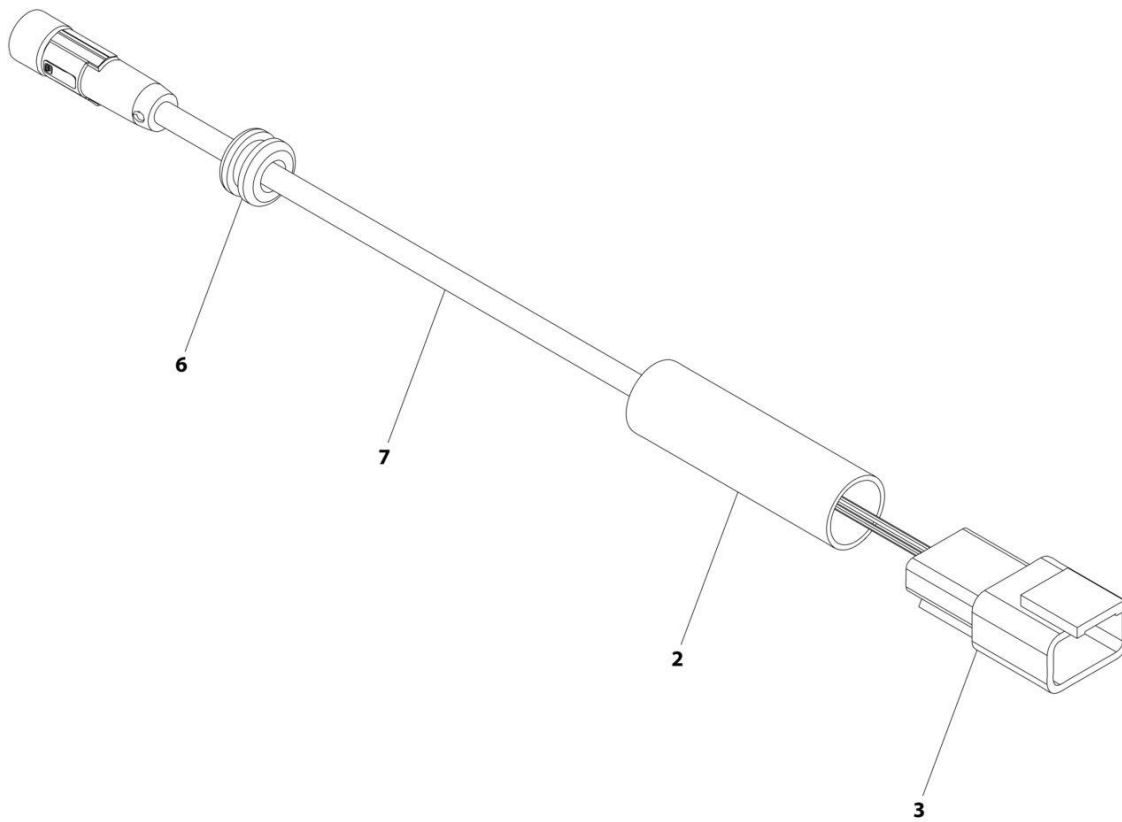
SECTION 8 - ELECTRICAL

FIGURE 8-50. RECEPTACLE/BREAKER BOX ASSEMBLY - 240V (4000W AND 7500W SKYPOWER GENERATORS) (ANSI, ANSI EXPORT AND CSA SPECS)

ITEM	PART NUMBER	QTY	DESCRIPTION	REV
	1001159121	Ref	AC BOX AT PLATFORM INSTALLATION - 240V RECEPTACLE	B
1	3910606	4	Screw 6 x 3/8	
2	3960422	1	Gasket	
3	4240018	AR	Tie-Strap (Not Shown)	
4	4460425	1	Connector, Strain Relief	
5	4460958	1	Receptacle	
7	1001110872	1	Cover, Receptacle	
8	1001159120	1	Receptacle/Breaker Box Assembly	
8	1001148675	1	Box, Receptacle	
8	1001159118	1	Breaker Box Assembly	
8	4460612	1	Connector, Strain Relief	
8	1001159119	1	Connector (Between Boxes)	
9	1705374	1	Decal - 240V/60Hz	

SECTION 8 - ELECTRICAL

FIGURE 8-51. SKYEYE EMITTER HARNESS



ART_1001237864

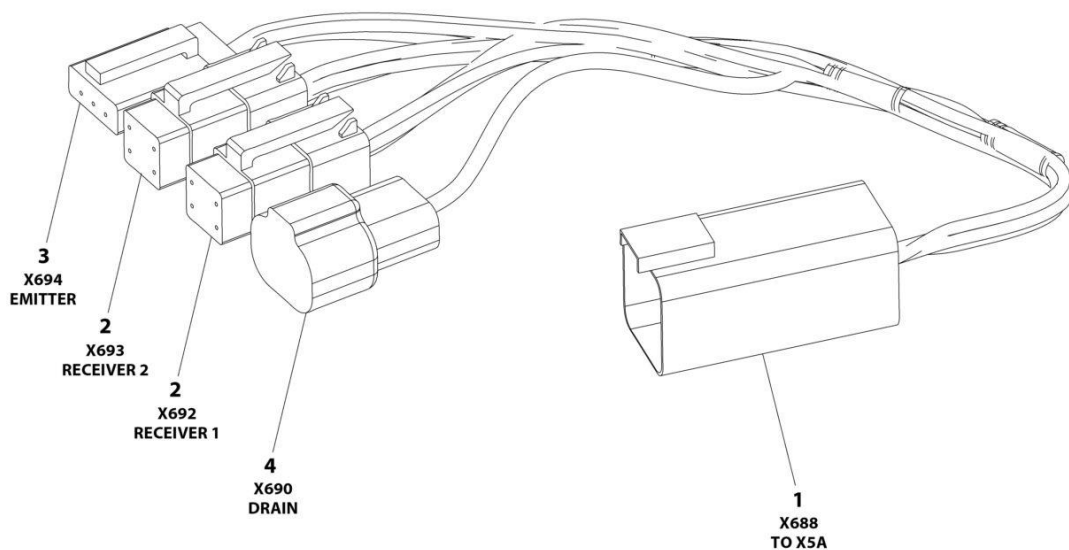
SECTION 8 - ELECTRICAL

FIGURE 8-51. SKYEYE EMITTER HARNESS

ITEM	PART NUMBER	QTY	DESCRIPTION	REV
	1001237864	Ref	SKYEYE EMITTER HARNESS	A
2	2820247	AR	Tubing, Heat Shrink	
3	4460910	1	Connector - 3 Position	
3	1001119620	3	Pin, Male	
6	1001227996	1	Grommet	
7	1001237862	1	Cable, M8 Female Cordset	

SECTION 8 - ELECTRICAL

FIGURE 8-52. SKYEYE INTERMEDIATE HARNESS



ART_1001237865

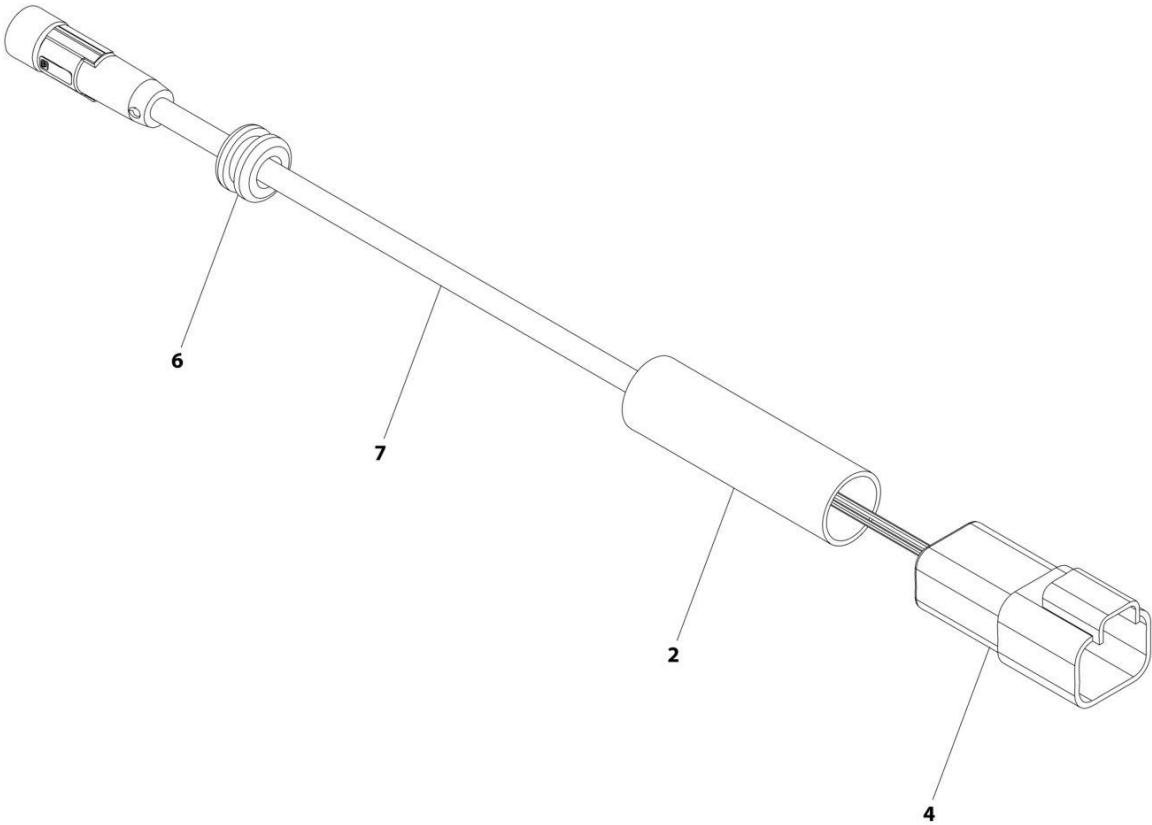
SECTION 8 - ELECTRICAL

FIGURE 8-52. SKYEYE INTERMEDIATE HARNESS

ITEM	PART NUMBER	QTY	DESCRIPTION	REV
	1001237865	Ref	SKYEYE INTERMEDIATE HARNESS	A
1	4460899	1	Connector - 6 Position	
1	4460943	4	Pin, Male	
1	4460466	2	Plug, Terminal	
2	4461077	2	Connector - 4 Position	
2	1001119619	8	Socket, Female	
3	4460911	1	Connector - 3 Position	
3	1001119619	3	Socket, Female	
4	1001187681	1	Connector - 2 Position	
4	4460941	1	Pin, Male	
4	4460466	1	Plug, Terminal	

SECTION 8 - ELECTRICAL

FIGURE 8-53. SKYEYE RECEIVER HARNESS



ART_1001237863

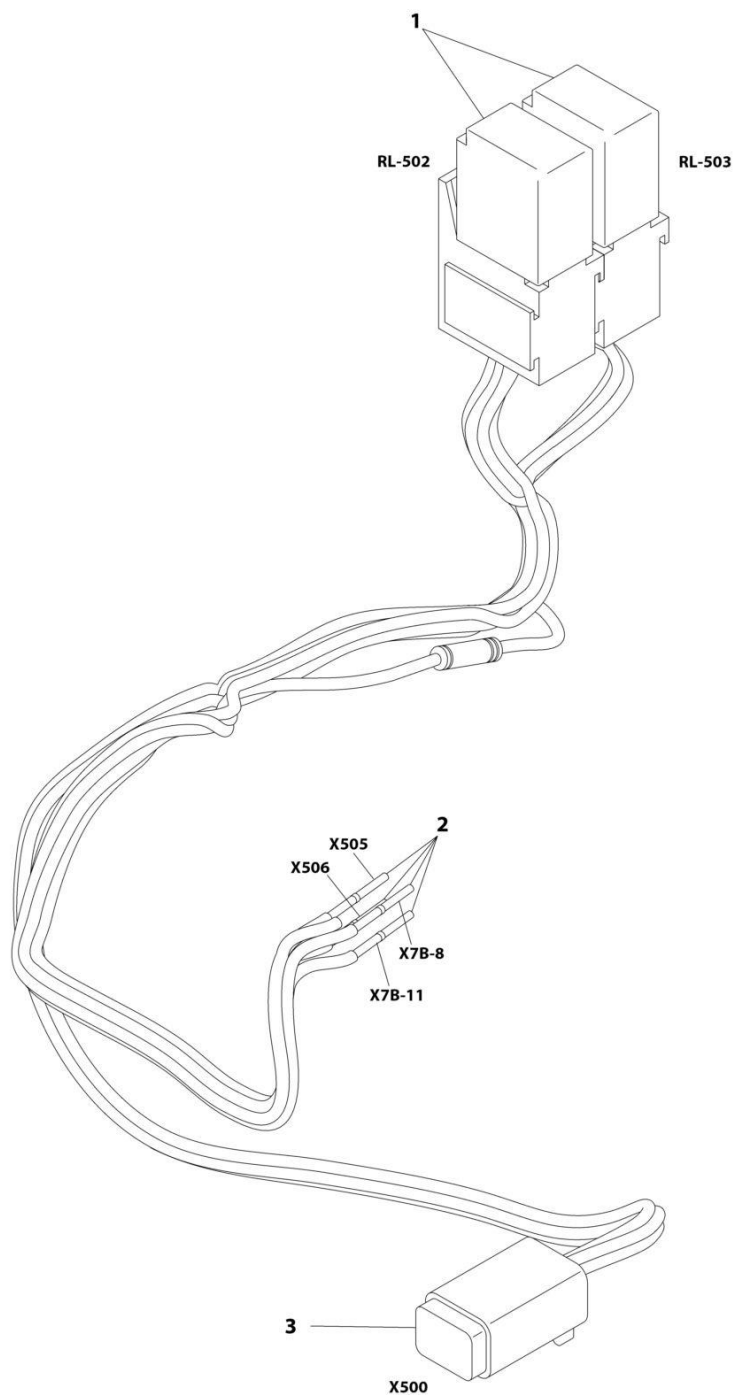
SECTION 8 - ELECTRICAL

FIGURE 8-53. SKYEYE RECEIVER HARNESS

ITEM	PART NUMBER	QTY	DESCRIPTION	REV
	1001237863	Ref	SKYEYE RECEIVER HARNESS	A
2	2820247	AR	Tubing, Heat Shrink	
4	1001097051	1	Connector - 4 Position	
4	1001119620	4	Pin, Male	
6	1001227996	1	Grommet	
7	1001237862	1	Cable, M8 Female Cordset	

SECTION 8 - ELECTRICAL

FIGURE 8-54. SKYGUARD HARNESS



ART_1001192292

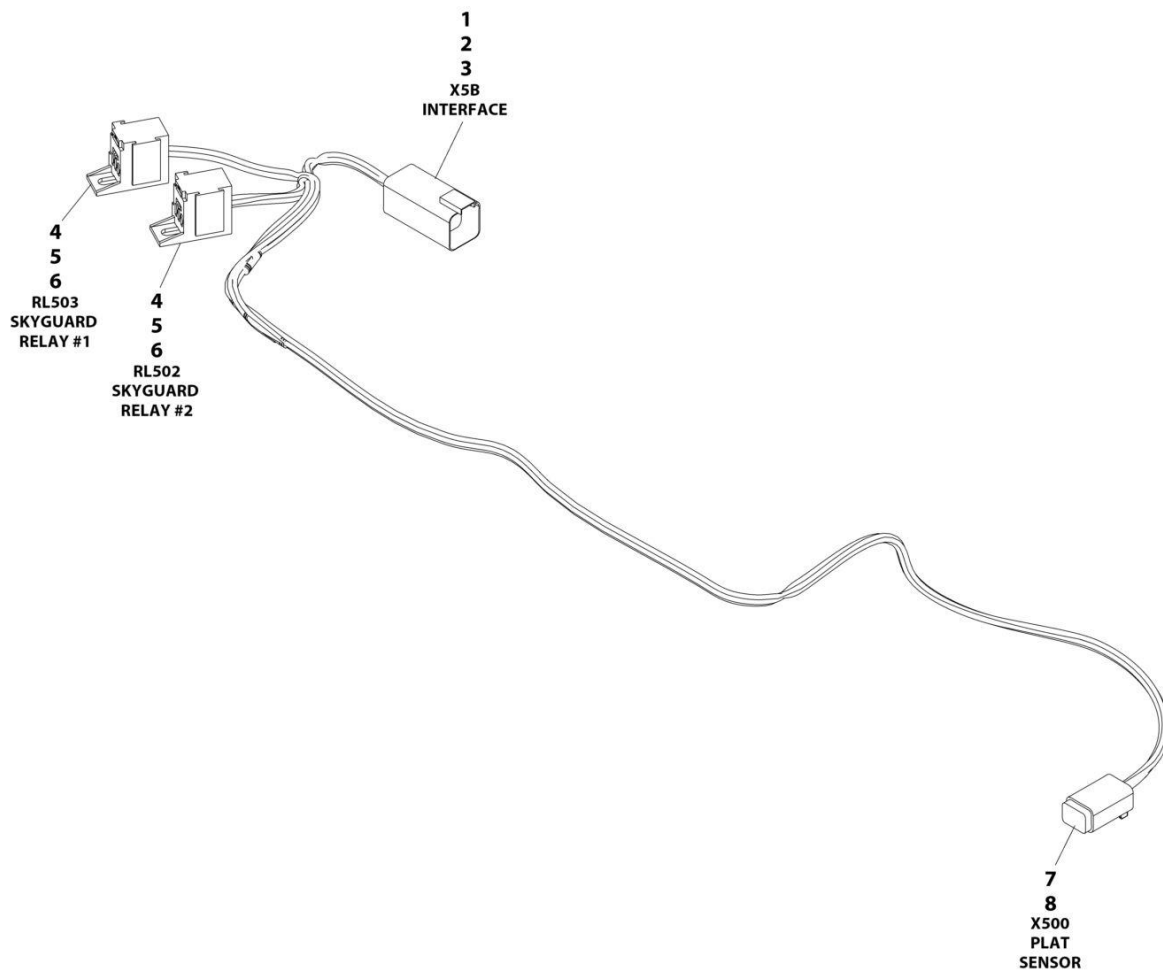
SECTION 8 - ELECTRICAL

FIGURE 8-54. SKYGUARD HARNESS

ITEM	PART NUMBER	QTY	DESCRIPTION	REV
	1001192292	Ref	SKYGUARD HARNESS	B
1	1001186432	2	Holder, Micro Relay	
1	1001186431	2	Relay, Micro 35 Amp	
1	1001116720	11	Terminal	
2	4460226	4	Socket, Female	
3	4460884	1	Plug, Male - 4 Position	
3	4460465	2	Socket, Female	

SECTION 8 - ELECTRICAL

FIGURE 8-55. SKYGUARD INTERFACE HARNESS



ART_1001225580

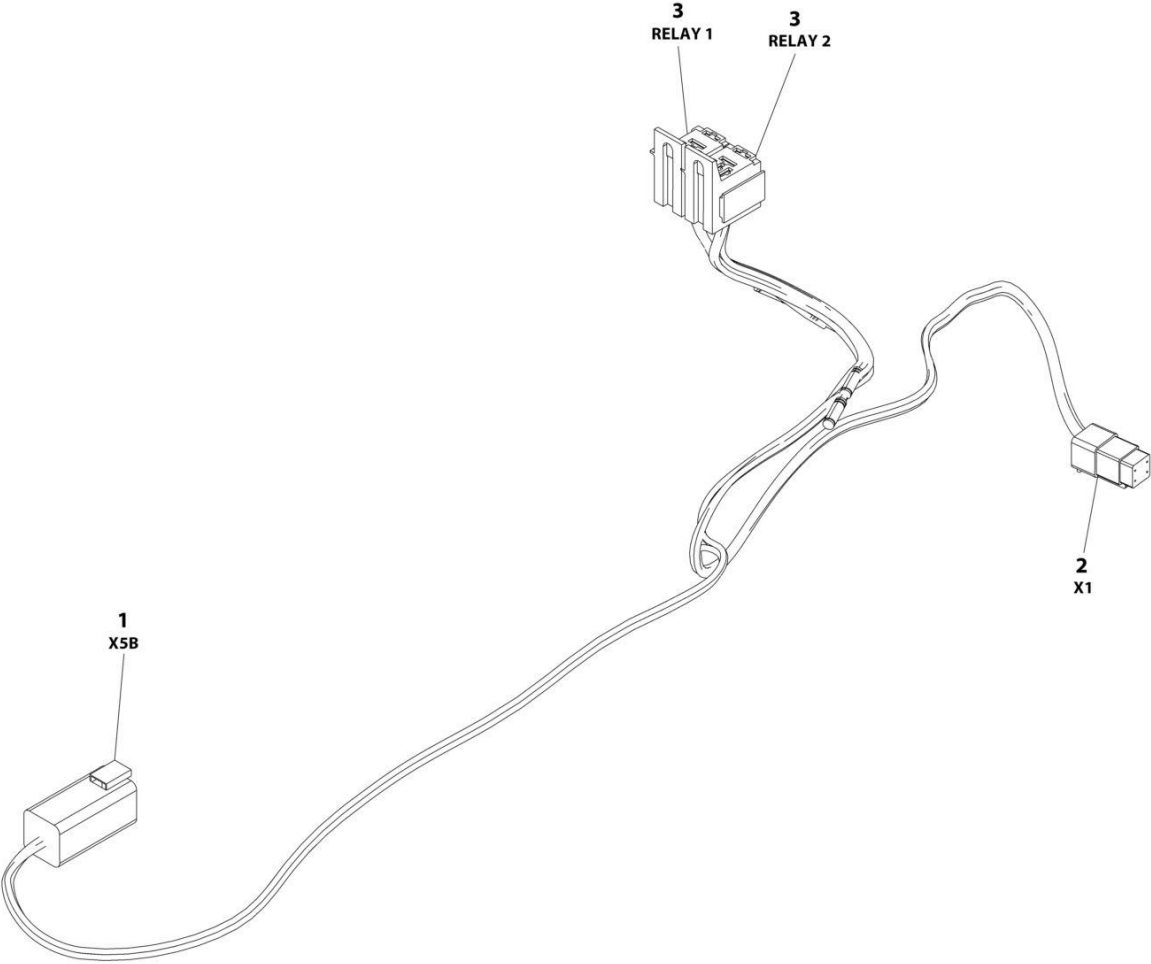
SECTION 8 - ELECTRICAL

FIGURE 8-55. SKYGUARD INTERFACE HARNESS

ITEM	PART NUMBER	QTY	DESCRIPTION	REV
	1001225580	Ref	INTERFACE HARNESS - WITH 1 CELL LSS	D
1	4460899	1	Connector	
2	4460464	4	Terminal	
3	4460466	2	Plug	
4	1001186432	2	Connector	
5	1001116720	4	Terminal	
6	1001118388	4	Terminal	
7	4460884	1	Connector	
8	4460465	4	Terminal	

SECTION 8 - ELECTRICAL

FIGURE 8-56. SKYLINE HARNESS



ART_1001238418

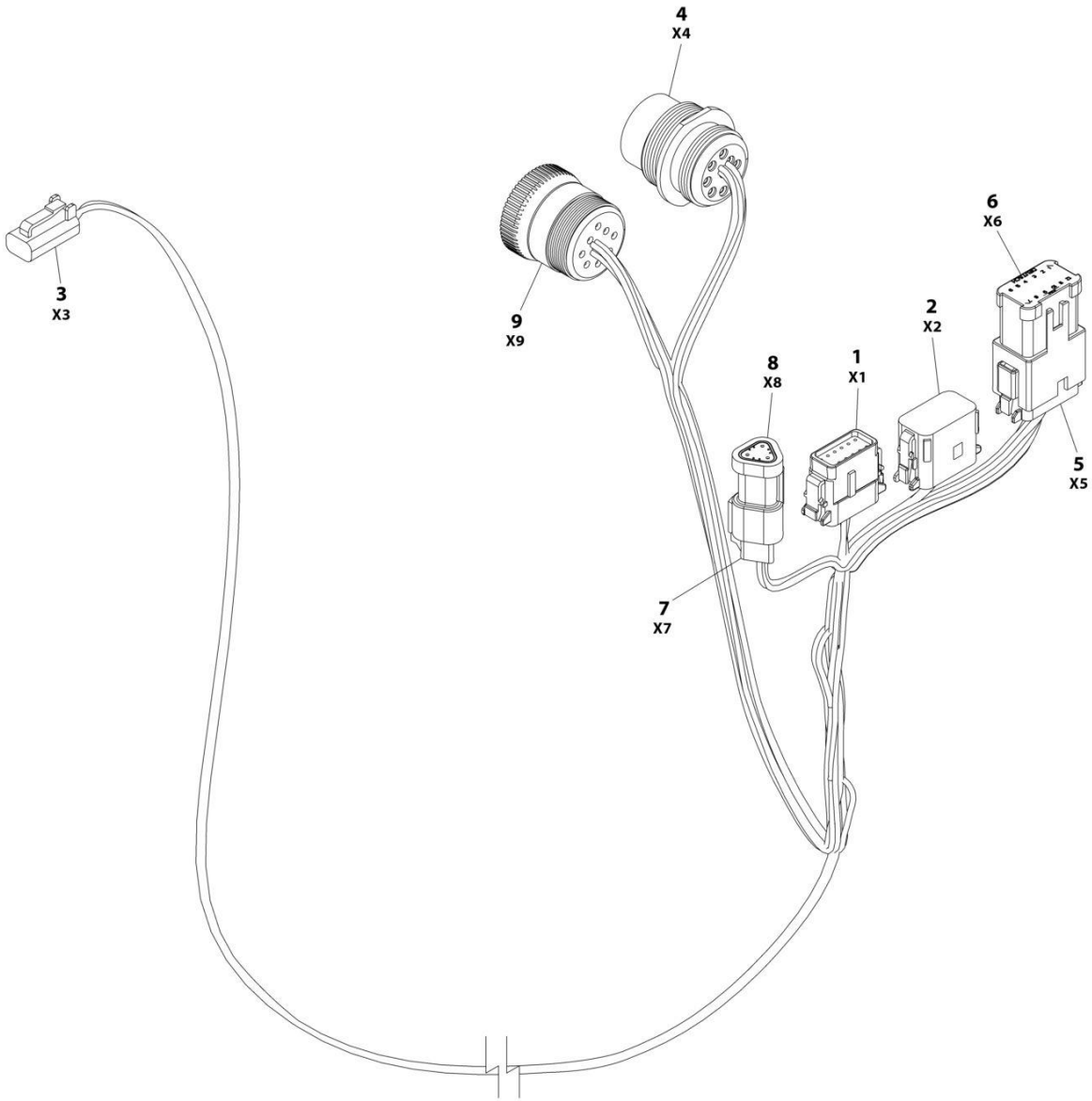
SECTION 8 - ELECTRICAL

FIGURE 8-56. SKYLINE HARNESS

ITEM	PART NUMBER	QTY	DESCRIPTION	REV
	1001238418	Ref	SKYLINE HARNESS	B
1	4460899	1	Connector - 6 Position	
1	4460464	4	Pin, Male	
1	4460466	2	Plug, Terminal	
2	4461077	1	Connector - 4 Position	
2	1001126009	4	Socket, Female	
3	1001186432	2	Plug, Relay	
3	1001118388	5	Terminal	
3	1001118384	3	Terminal	
3	3740086	2	Relay	

SECTION 8 - ELECTRICAL

FIGURE 8-57. STROBE LIGHT HARNESS (BLUE AND RED STROBE LIGHTS)



ART_1001142736

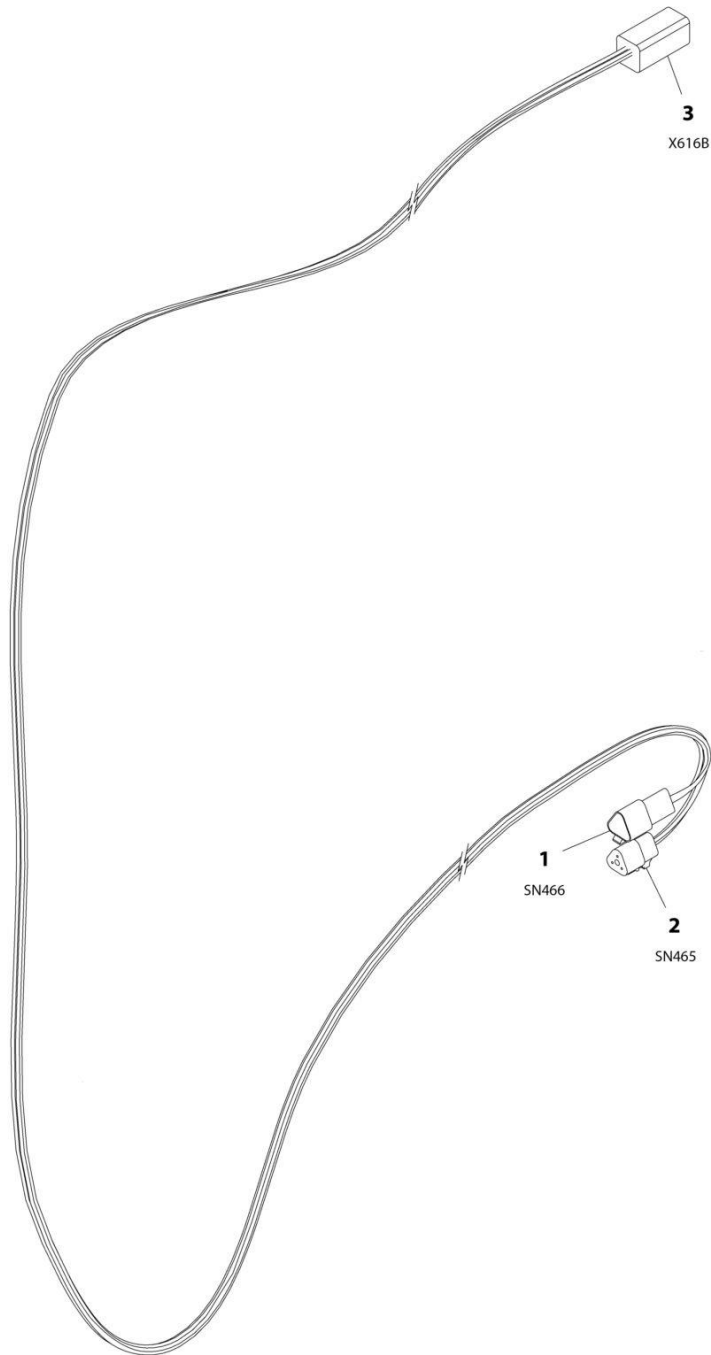
SECTION 8 - ELECTRICAL

FIGURE 8-57. STROBE LIGHT HARNESS (BLUE AND RED STROBE LIGHTS)

ITEM	PART NUMBER	QTY	DESCRIPTION	REV
	1001142736	Ref	STROBE LIGHT HARNESS	F
1	1001116808	1	Plug, Male - 12 Position	
1	4460928	3	Socket, Female	
1	4460518	9	Plug, Terminal	
2	1001116774	1	Plug, Male - 12 Position	
2	4460928	3	Socket, Female	
2	4460518	9	Plug, Terminal	
3	4460891	1	Plug, Male - 2 Position	
3	4460465	2	Socket, Female	
4	1001112612	1	Connector - 9 Position	
4	4460464	6	Pin, Male	
4	4460466	3	Plug, Terminal	
5	4460933	1	Plug, Male - 12 Position	
5	4460465	12	Socket, Female	
6	1001119020	1	Bussbar - 12 Position	
7	4461095	1	Plug, Male - 3 Position	
7	4460465	3	Socket, Female	
8	4461070	1	Bussbar - 3 Position	
9	1001112796	1	Connector - 9 Position	
9	4460465	6	Socket, Female	
9	4460466	3	Plug, Terminal	

SECTION 8 - ELECTRICAL

FIGURE 8-58. TELESCOPE IN PROXIMITY SENSORS HARNESS (400S HC3)



ART_1001173808

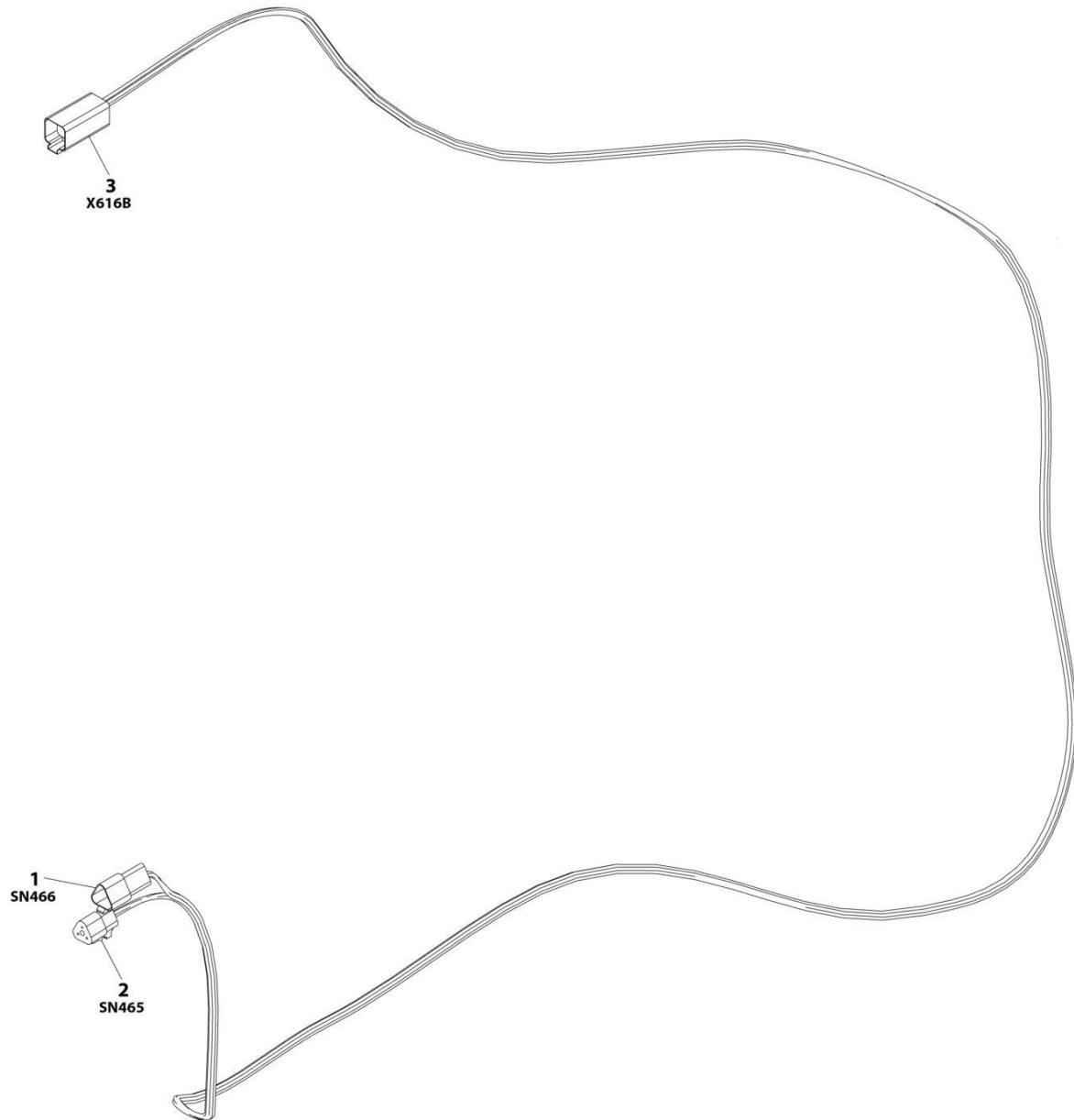
SECTION 8 - ELECTRICAL

FIGURE 8-58. TELESCOPE IN PROXIMITY SENSORS HARNESS (400S HC3)

ITEM	PART NUMBER	QTY	DESCRIPTION	REV
	1001173808	Ref	BOOM TELE IN PROXIMITY SWITCH HARNESS	C
1	4460536	1	Receptacle, Female - 3 Position	
1	4460464	3	Pin, Male	
2	4460539	1	Plug, Male - 3 Position	
2	4460465	1	Socket, Female	
3	4460899	1	Receptacle, Female - 6 Position	
3	4460464	1	Pin, Male	

SECTION 8 - ELECTRICAL

FIGURE 8-59. TELESCOPE IN PROXIMITY SENSORS HARNESS (460SJ HC3)



ART_1001248181

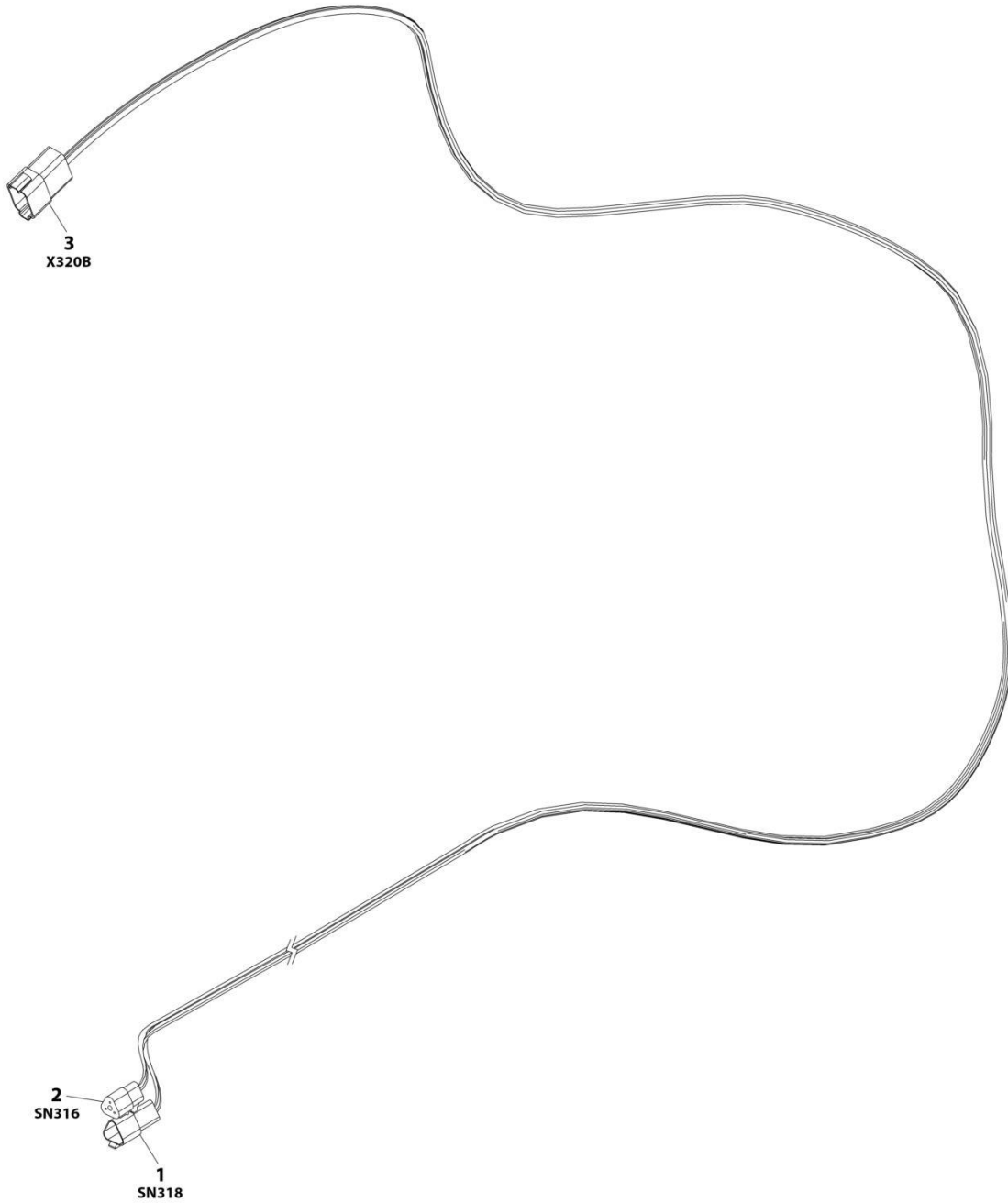
SECTION 8 - ELECTRICAL

FIGURE 8-59. TELESCOPE IN PROXIMITY SENSORS HARNESS (460SJ HC3)

ITEM	PART NUMBER	QTY	DESCRIPTION	REV
	1001248181	Ref	TELESCOPE IN PROXIMITY SWITCH HARNESS	A
1	4460536	1	Receptacle, Female - 3 Position	
1	4460464	3	Pin, Male	
2	4460539	1	Plug, Male - 3 Position	
2	4460465	3	Socket, Female	
3	4460899	1	Receptacle, Female - 6 Position	
3	4460464	6	Pin, Male	

SECTION 8 - ELECTRICAL

FIGURE 8-60. TELESCOPE OUT PROXIMITY SENSORS HARNESS



ART_1001248183_D

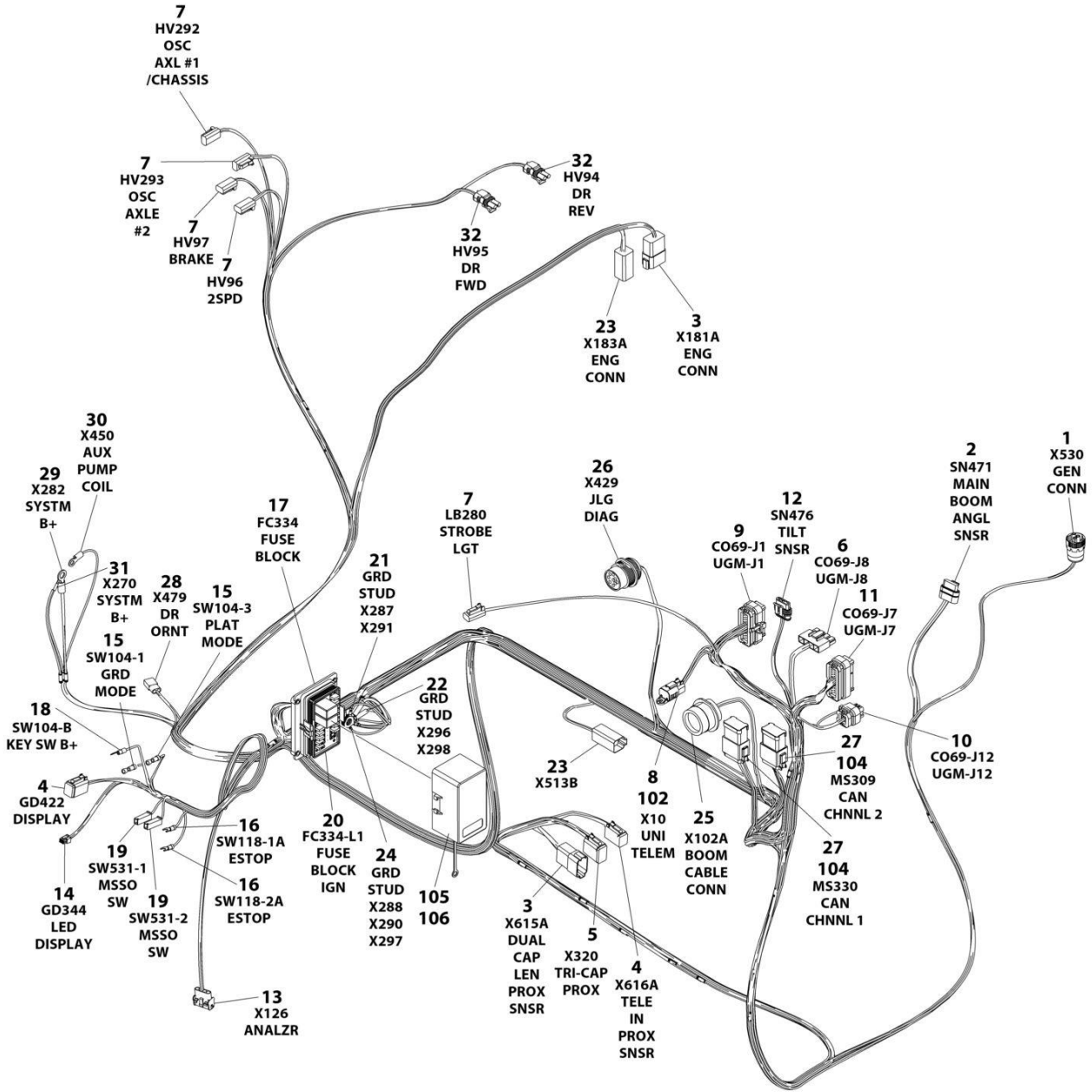
SECTION 8 - ELECTRICAL

FIGURE 8-60. TELESCOPE OUT PROXIMITY SENSORS HARNESS

ITEM	PART NUMBER	QTY	DESCRIPTION	REV
	1001248183	Ref	HIGH CAPACITY HARNESS	D
1	4460536	1	Receptacle, Female - 3 Position	
1	4460464	3	Pin, Male	
2	4460539	1	Plug, Male - 3 Position	
2	4460465	1	Socket, Female	
3	4460931	1	Receptacle, Female - 8 Position	
3	4460464	1	Pin, Male	
3	4460466	2	Plug, Terminal	

SECTION 8 - ELECTRICAL

FIGURE 8-61. TURNTABLE HARNESS



ART_1001237849

SECTION 8 - ELECTRICAL

FIGURE 8-61. TURNTABLE HARNESS

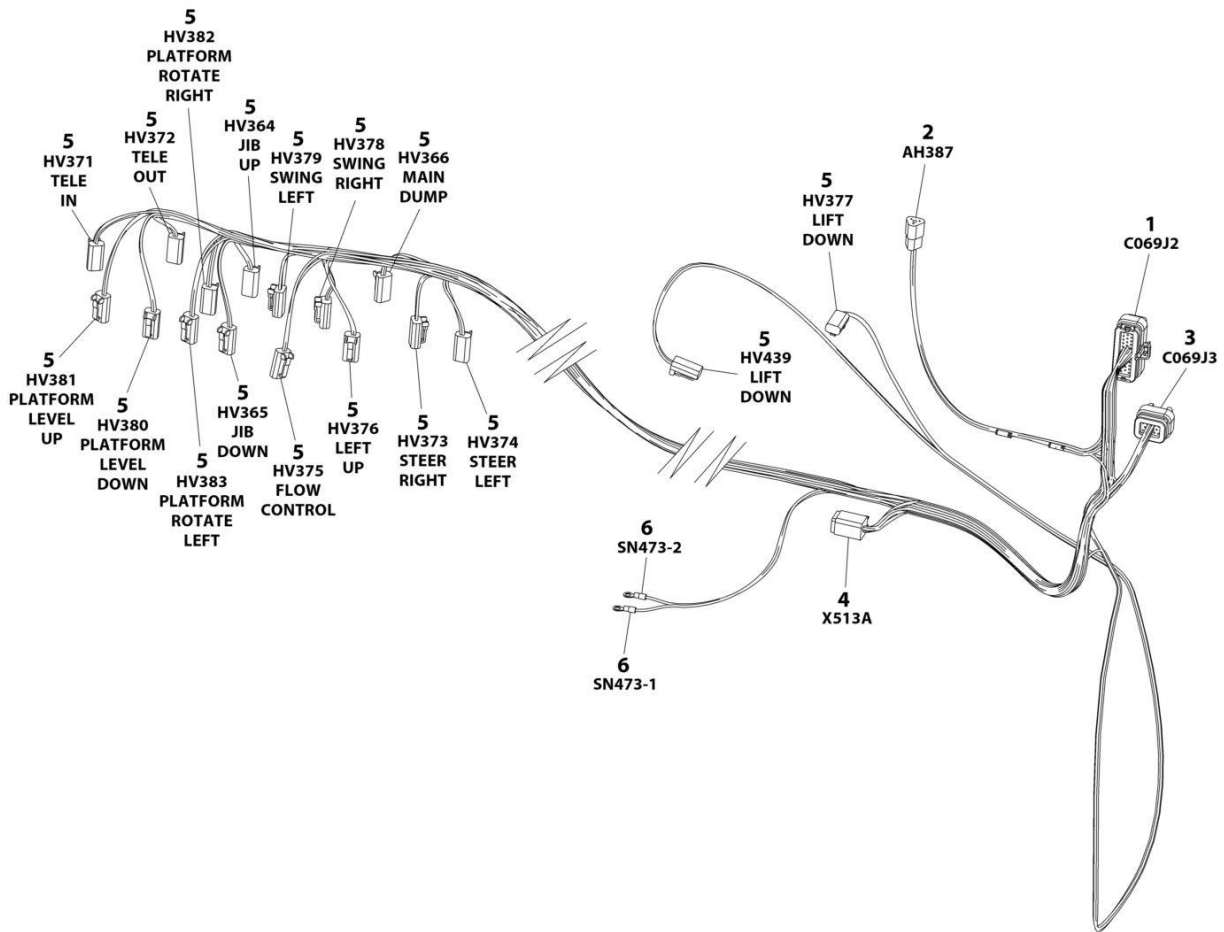
ITEM	PART NUMBER	QTY	DESCRIPTION	REV
	1001237849	Ref	TURNTABLE HARNESS	G
1	4460967	1	Connector - 3 Position	
1	4460465	3	Socket, Female	
2	1001230931	1	Plug, Male - 6 Position	
2	1001116748	6	Terminal, Female	
3	4460931	2	Receptacle, Female - 8 Position	
3	4460464	11	Pin, Male	
3	4460466	5	Plug, Terminal	
4	4460894	2	Plug, Male - 6 Position	
4	4460465	10	Socket, Female	
4	4460466	2	Plug, Terminal	
5	4460930	1	Plug, Male - 8 Position	
5	4460465	6	Socket, Female	
5	4460466	2	Plug, Terminal	
6	4460878	1	Plug, Male - 4 Position	
6	4460887	AR	Terminal	
7	4460891	5	Plug, Male - 2 Position	
7	4460465	10	Socket, Female	
8	4460884	1	Plug, Male - 4 Position	
8	4460465	4	Socket, Female	
9	4460874	1	Connector - 35 Position	
9	4460871	22	Socket, Female	
9	4460905	13	Plug, Terminal	
10	1001113961	1	Plug, Male - 8 Position	
10	4460871	5	Socket, Female	
10	4460905	3	Plug, Terminal	
11	4460873	1	Connector - 35 Position	
11	4460871	35	Socket, Female	
11	4460905	10	Plug, Terminal	
12	1001103012	1	Plug, Male - 4 Position	
12	1001107854	2	Socket, Female	
12	1001196589	2	Terminal	
12	1001116763	AR	Seal, Red	
12	1001104498	4	Seal, Yellow	
13	1001119032	1	Receptacle, Female - 4 Position	
13	1001118378	4	Pin, Male	
14	1001237667	1	Plug, Male - 6 Position	
14	1001237668	5	Terminal	
15	4460042	2	Terminal, Fork	
16	4460183	2	Terminal, Fork	
17	1001196602	1	Fuse Box Assembly	
17	8220098	AR	Terminal	
17	1001116725	6	Terminal	
17	8220097	18	Terminal	
17	4460748	10	Plug, Terminal	
17	4460458	AR	Seal	
17	80963067	6	Seal (for 1001116725 Terminal)	
17	1001196636	2	Connector with Diode	
17	8229244	3	Fuse 15Amp	
17	8229242	6	Fuse 5Amp	

SECTION 8 - ELECTRICAL

ITEM	PART NUMBER	QTY	DESCRIPTION	REV
17	1001196634	2	Fuse - 2 Amp	
17	1001095704	2	Relay 35Amp	
18	4460313	1	Terminal, Fork	
19	4460260	2	Housing, Terminal	
19	4460259	2	Terminal	
20	1001117106	1	Terminal, Ring	
21	1001187078	2	Terminal, Ring	
22	1001117110	2	Terminal, Ring	
23	4460899	2	Connector - 6 Position	
23	4460464	7	Pin, Male	
23	4460466	5	Plug, Terminal	
24	1001187077	3	Terminal, Ring	
25	4460866	1	Connector - 19 Position	
25	4460464	6	Pin, Male	
25	4460508	2	Pin, Male	
25	4460466	11	Plug, Terminal	
26	1001112612	1	Connector - 9 Position	
26	4460464	5	Pin, Male	
26	4460466	4	Plug, Terminal	
27	4460933	2	Plug, Male - 12 Position	
27	4460465	16	Socket, Female	
27	4460466	8	Plug, Terminal	
27	1001119020	2	Bussbar - 12 Position	
28	4460424	1	Plug, Male - 2 Position	
28	4460226	2	Socket, Female	
29	8220045	1	Terminal, Ring	
30	4460702	1	Terminal, Ring	
31	4460703	1	Terminal, Ring	
32	4460742	2	Plug, Male - 2 Position	
32	4460743	1	Socket, Female	
32	4460458	4	Seal	
102	1001192401	1	Cap, Dust	
104	1001125677	2	Bussbar - 12 Position	
105	1001196604	1	Cover, Fuse Box	
106	1001190921	1	Seal, Cover	

SECTION 8 - ELECTRICAL

FIGURE 8-62. VALVE HARNESS



ART_1001238160

SECTION 8 - ELECTRICAL

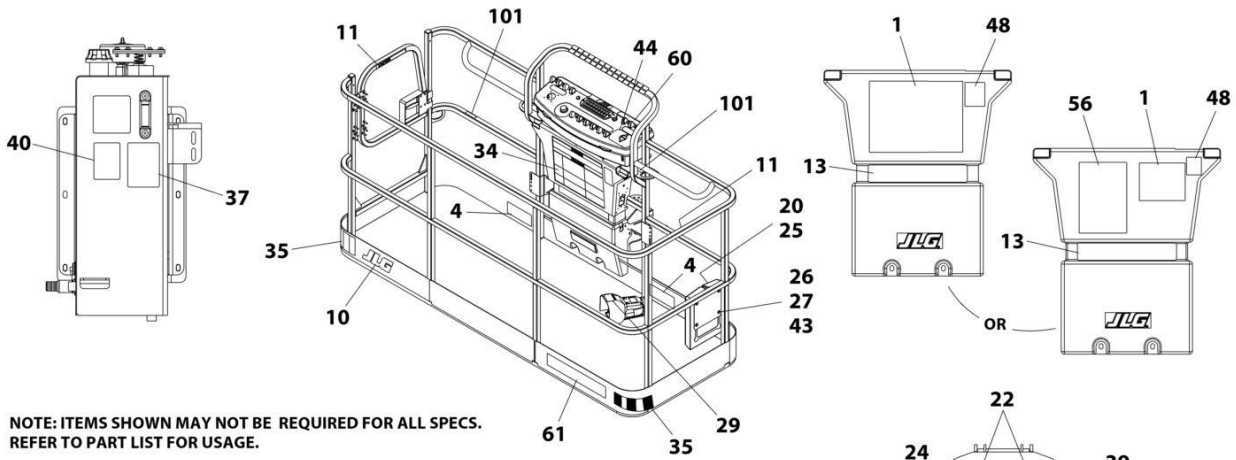
FIGURE 8-62. VALVE HARNESS

ITEM	PART NUMBER	QTY	DESCRIPTION	REV
	1001238160	Ref	VALVE HARNESS - MAIN VALVE	C
1	4460875	1	Connector - 35 Position	
1	4460871	27	Socket, Female	
1	4460905	8	Plug, Terminal	
2	4460539	1	Plug, Male - 3 Position	
2	4460465	3	Socket, Female	
3	4460872	1	Connector - 14 Position	
3	4460871	8	Socket, Female	
3	4460905	6	Plug, Terminal	
4	4460894	1	Plug, Male - 6 Position	
4	4460465	5	Socket, Female	
4	4460466	1	Plug, Terminal	
5	4460891	17	Plug, Male - 2 Position	
5	4460465	34	Socket, Female	
6	4460313	2	Terminal, Ring	

SECTION 9 - DECALS

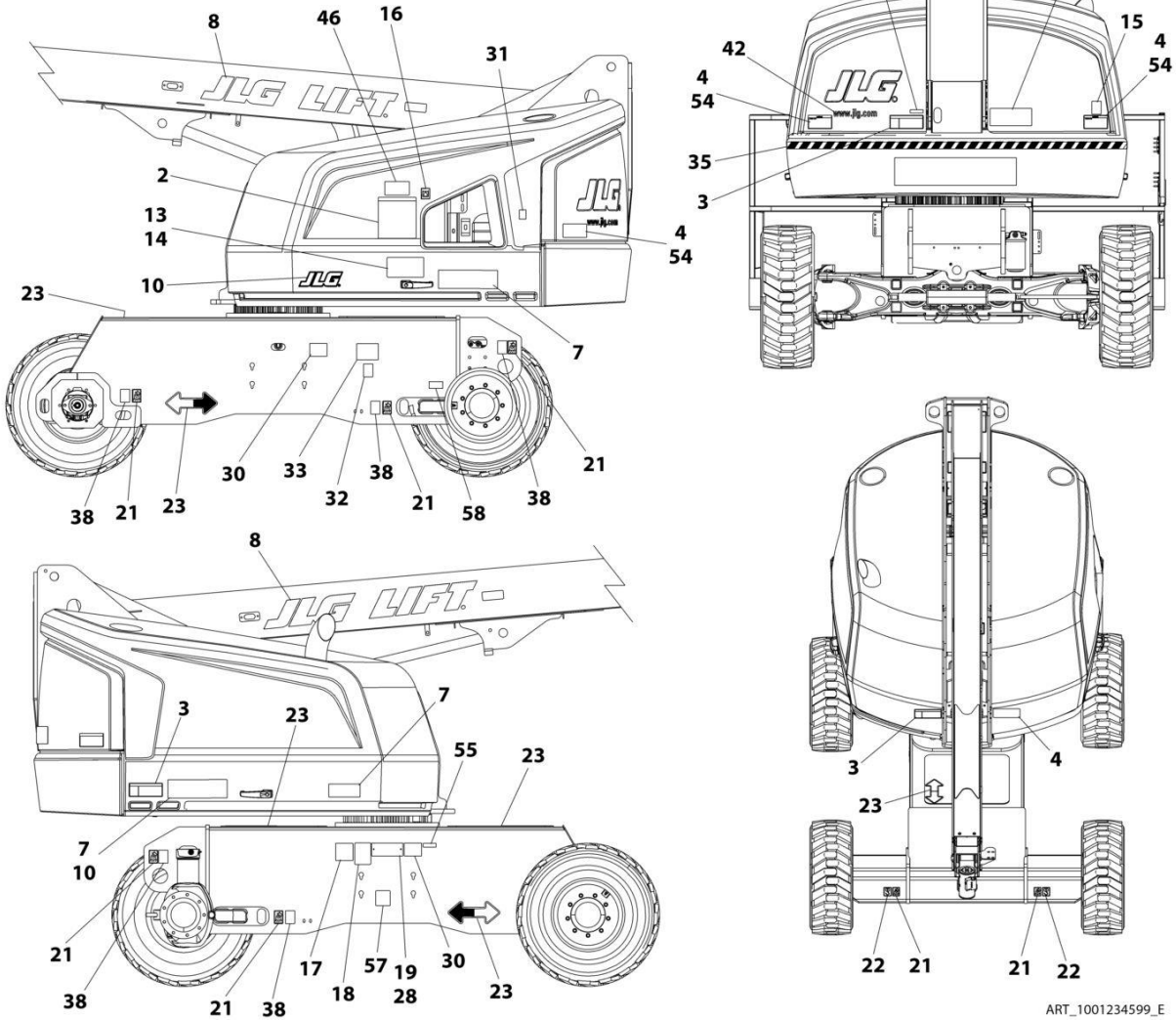
SECTION 9 - DECALS

FIGURE 9-1. DECAL INSTALLATION - ANSI SPECS (DIESEL MACHINES)



NOTE: ITEMS SHOWN MAY NOT BE REQUIRED FOR ALL SPECS. REFER TO PART LIST FOR USAGE.

NOTE: ADDITIONAL DECALS ARE CALLED OUT ON DECALS INSTALLATION - OPTIONS.



ART_1001234599_E

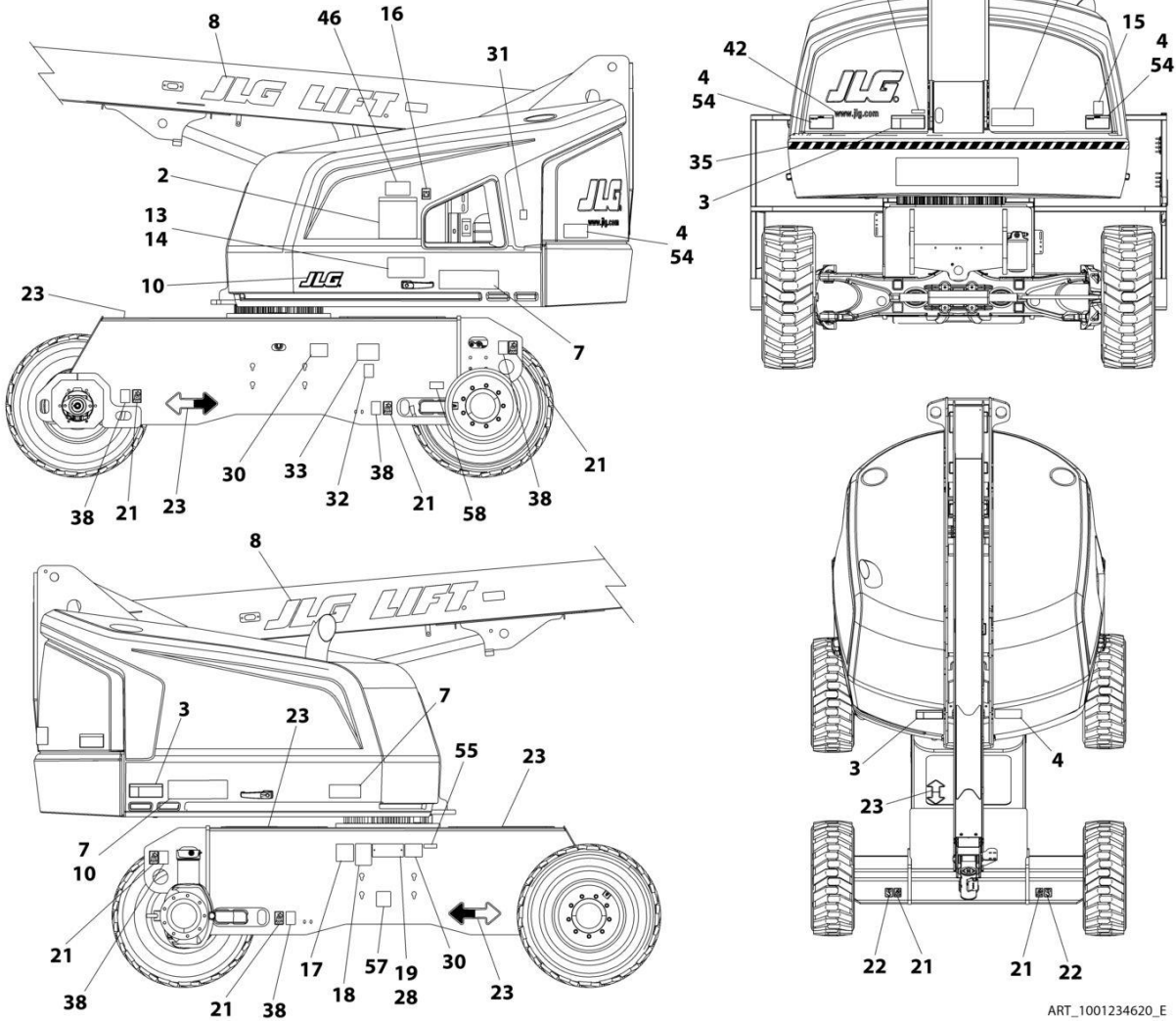
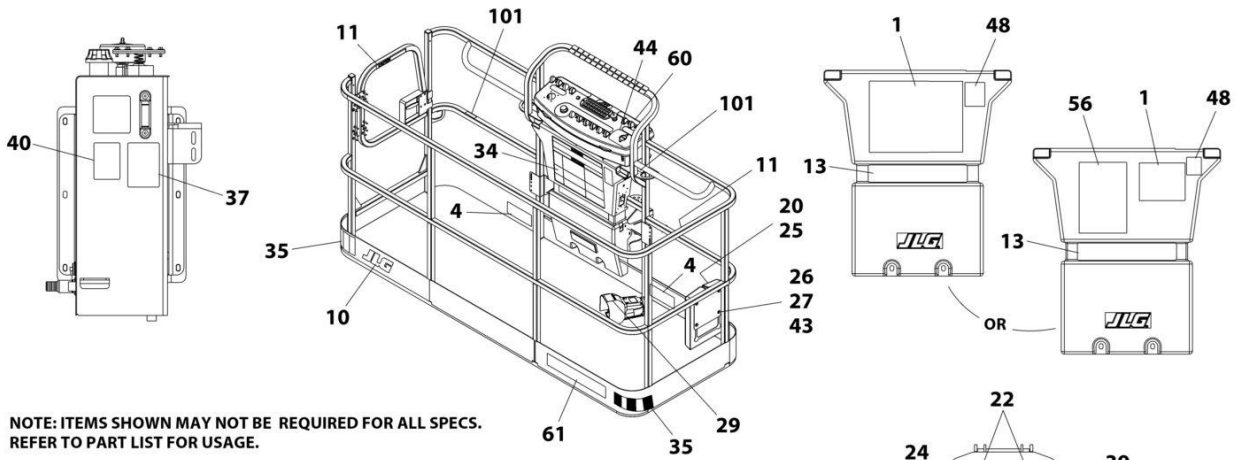
SECTION 9 - DECALS

FIGURE 9-1. DECAL INSTALLATION - ANSI SPECS (DIESEL MACHINES)

ITEM	PART NUMBER	QTY	DESCRIPTION	REV
	1001234599	Ref	DECAL INSTALLATION - ANSI SPECS (ENGLISH LANGUAGE)	E
1	1703797	1	Decal - Danger/Warning	
2	1703798	1	Decal - Danger/Warning	
3	1703805	3	Decal - Danger Electrocution	
4	1703804	3	Decal - Warning Crushing	
11	1702868	2	Decal - No Hands	
13	1001234425	1	Decal - Warning Tri Cap	
14	1001234426	1	Decal - Warning Tri Cap	
16	1701504	1	Decal - Hydraulic Oil	
17	See Note	NSS	Decal - Bar Code (Note: Not Available for Purchase)	
18	1001131269	1	Decal - Patent	
20	1701509	1	Decal - Manual	
21	1702300	8	Decal - Tie Down	
22	1701500	4	Decal - Lift	
23	1701529	4	Decal - Arrow	
24	3251243	1	Nameplate - 120V - 60Hz	
25	0860520	1	Box, Manual Storage	
26	4751400	4	Washer 1/4	
27	3311405	4	Nut 1/4	
28	3820001	2	Rivet	
29	3252347	1	Nameplate - Footswitch	
38	1701499	6	Decal - No Lifting	
40	1704412	1	Decal - Hydraulic Oil Chart	
43	0641406	4	Bolt 1/4 x 3/4	
44	1705351	1	Decal - Drive/Steer Instructions	
54	1703953	2	Decal - Warning Crushing	
57	1001223055	1	Decal - Yearly Inspection	
58	1001223453	1	Decal - ICES	
60	1001184618	1	Decal - Stop	
100	1001232026	1	Decal - Lanyard Platform Kit (Not Shown)	
101	1704277	3	Decal - Lanyard Attach Graphic	

SECTION 9 - DECALS

FIGURE 9-2. DECAL INSTALLATION - ANSI SPECS (GAS MACHINES)



ART_1001234620_E

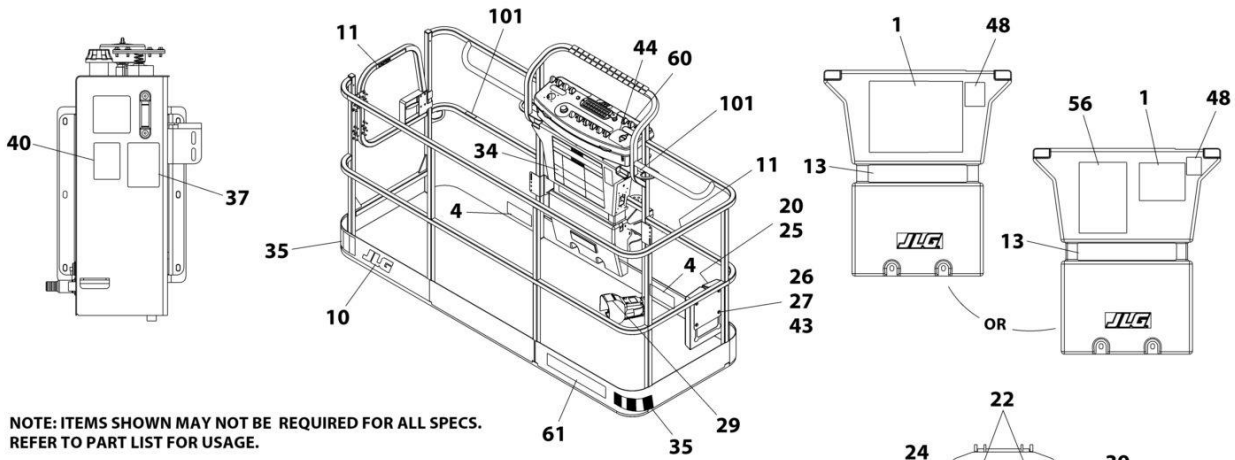
SECTION 9 - DECALS

FIGURE 9-2. DECAL INSTALLATION - ANSI SPECS (GAS MACHINES)

ITEM	PART NUMBER	QTY	DESCRIPTION	REV
	1001234620	Ref	DECAL INSTALLATION - ANSI SPECS (ENGLISH LANGUAGE)	E
1	1703797	1	Decal - Danger/Warning	
2	1703798	1	Decal - Danger/Warning	
3	1703805	3	Decal - Danger Electrocution	
4	1703804	3	Decal - Warning Crushing	
11	1702868	2	Decal - No Hands	
13	1001234425	1	Decal - Warning Tri Cap	
14	1001234426	1	Decal - Warning Tri Cap	
16	1701504	1	Decal - Hydraulic Oil	
17	See Note	NSS	Decal - Bar Code (Note: Not Available for Purchase)	
18	1001131269	1	Decal - Patent	
20	1701509	1	Decal - Manual	
21	1702300	8	Decal - Tie Down	
22	1701500	4	Decal - Lift	
23	1701529	4	Decal - Arrow	
24	3251243	1	Nameplate - 120V - 60Hz	
25	0860520	1	Box, Manual Storage	
26	4751400	4	Washer 1/4	
27	3311405	4	Nut 1/4	
28	3820001	2	Rivet	
29	3252347	1	Nameplate - Footswitch	
38	1701499	6	Decal - No Lifting	
40	1704412	1	Decal - Hydraulic Oil Chart	
43	0641406	4	Bolt 1/4 x 3/4	
44	1705351	1	Decal - Drive/Steer Instructions	
54	1703953	2	Decal - Warning Crushing	
57	1001223055	1	Decal - Yearly Inspection	
60	1001184618	1	Decal - Stop	
100	1001232026	1	Decal - Lanyard Platform Kit (Not Shown)	
101	1704277	3	Decal - Lanyard Attach Graphic	

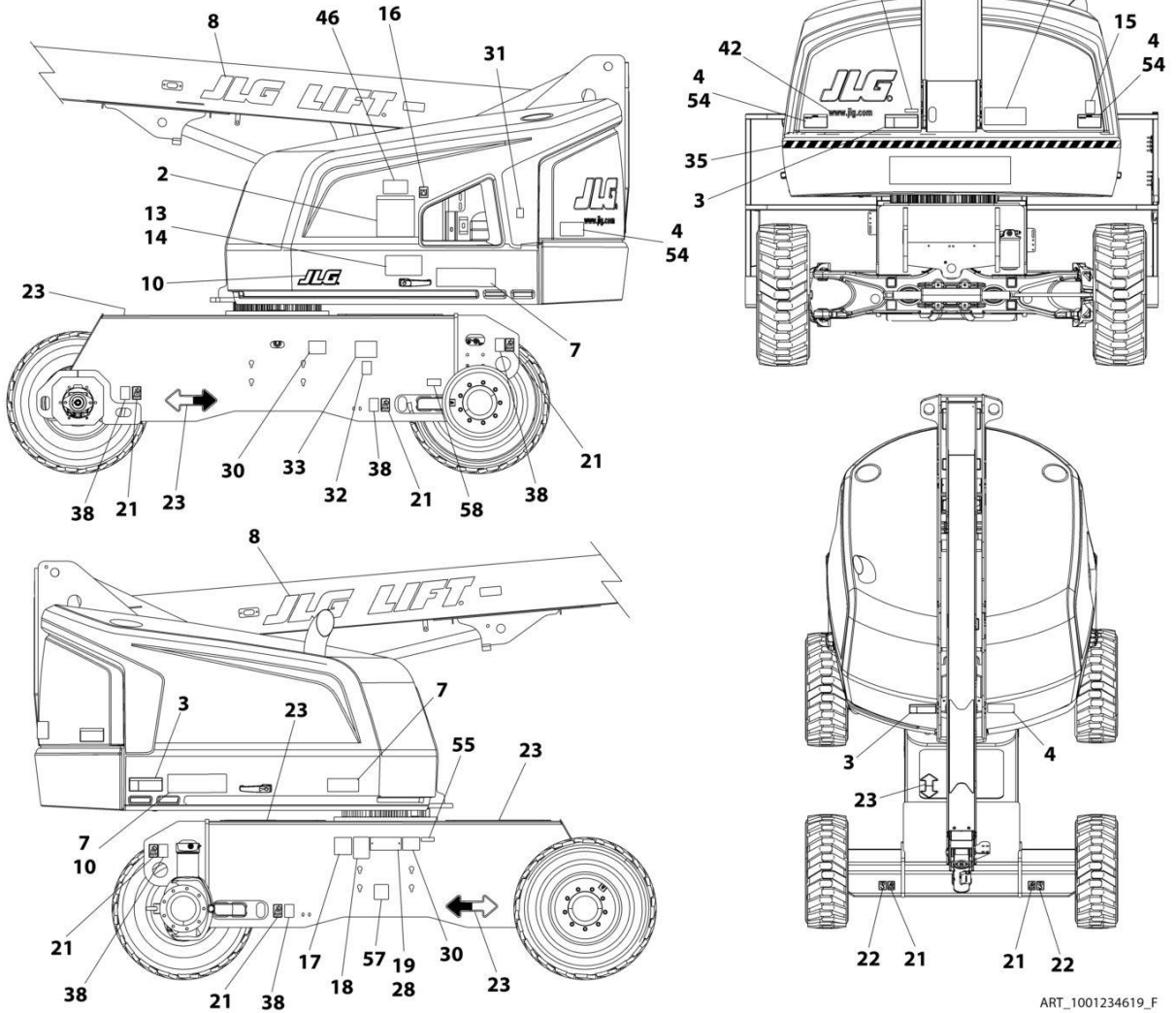
SECTION 9 - DECALS

FIGURE 9-3. DECAL INSTALLATION - AUSTRALIAN SPECS



NOTE: ITEMS SHOWN MAY NOT BE REQUIRED FOR ALL SPECS. REFER TO PART LIST FOR USAGE.

NOTE: ADDITIONAL DECALS ARE CALLED OUT ON DECALS INSTALLATION - OPTIONS.



ART_1001234619_F

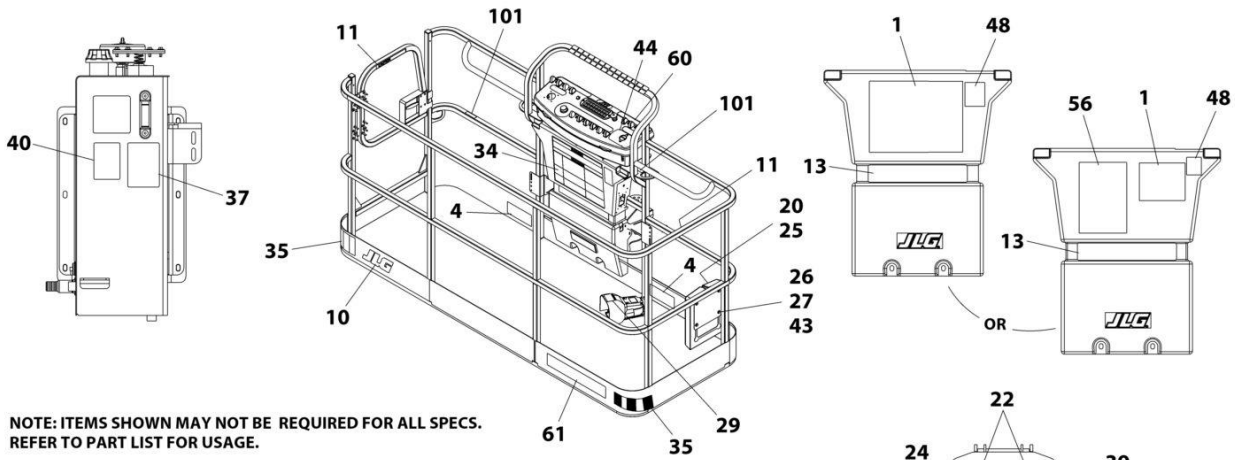
SECTION 9 - DECALS

FIGURE 9-3. DECAL INSTALLATION - AUSTRALIAN SPECS

ITEM	PART NUMBER	QTY	DESCRIPTION	REV
	1001234619	Ref	DECAL INSTALLATION - AUSTRALIAN SPECS (ENGLISH LANGUAGE)	F
1	1705921	1	Decal - Tipping/Electrocution	
2	1705822	1	Decal - Electrocution/Safety Manual	
3	1705961	3	Decal - Electrocution	
4	1701518	5	Decal - Crushing	
13	1001234439	2	Decal - Warning Tri Cap	
15	1001204510	1	Decal - Sound Power Level	
16	1701504	1	Decal - Hydraulic Oil	
17	See Note	NSS	Decal - Bar Code (Note: Not Available for Purchase)	
20	1701509	1	Decal - Manual	
21	1702300	8	Decal - Tie Down	
22	1701500	4	Decal - Lift	
23	1701529	4	Decal - Arrow	
25	0860520	1	Box, Manual Storage	
26	4751400	4	Washer 1/4	
27	3311405	4	Nut 1/4	
28	3820001	2	Rivet	
29	1705828	1	Decal - Footswitch	
38	1701499	6	Decal - No Lift	
40	1704412	1	Decal - Hydraulic Oil Chart	
43	0641406	4	Bolt 1/4 x 3/4	
46	1001112551	1	Decal - Emergency Controls	
59	1001184618	1	Decal - Stop	
100	1001232026	1	Decal - Platform Lanyard Kit (Not Shown)	
101	1704277	3	Decal - Attach Lanyard	

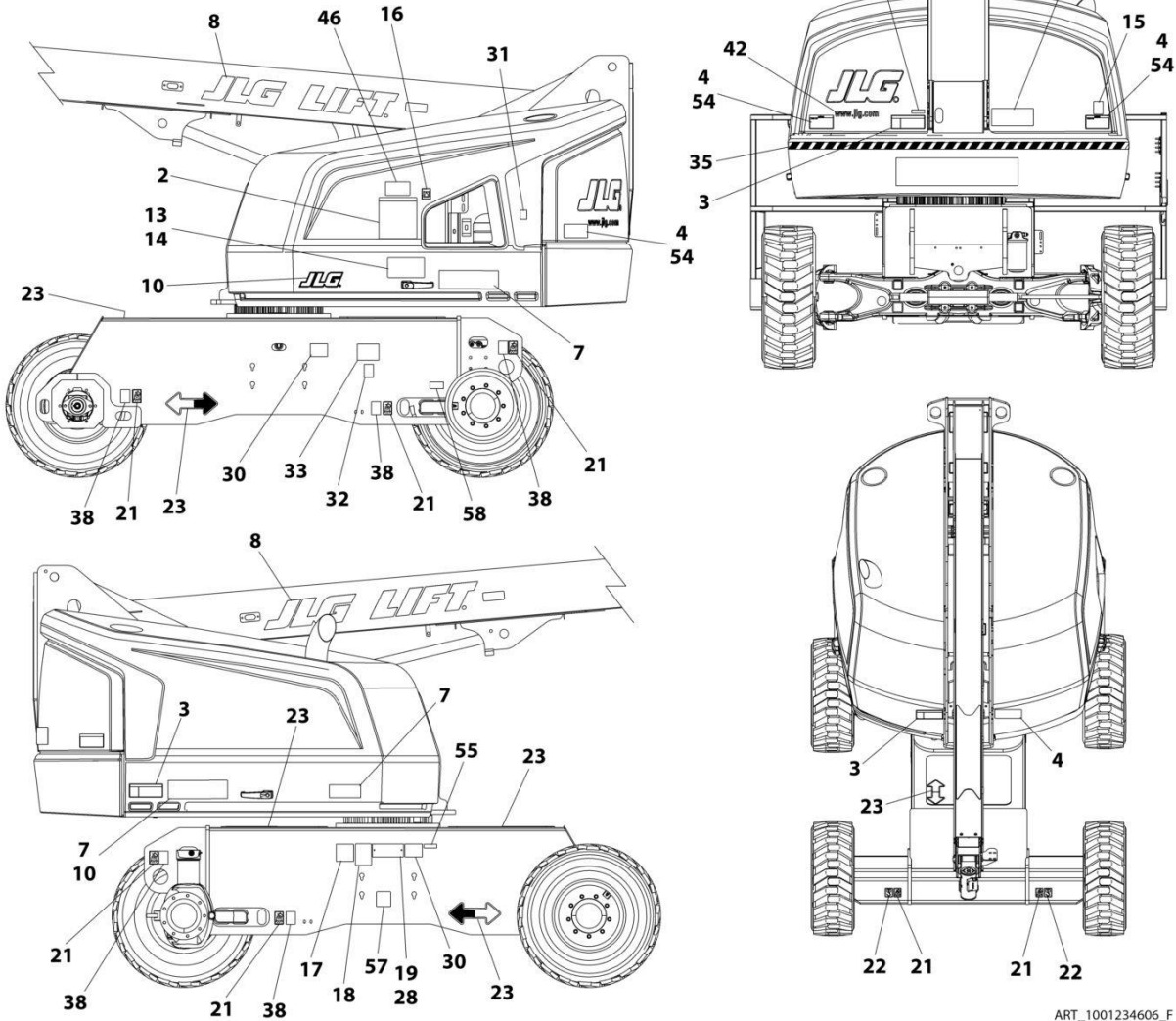
SECTION 9 - DECALS

FIGURE 9-4. DECAL INSTALLATION - BRAZIL SPECS



NOTE: ITEMS SHOWN MAY NOT BE REQUIRED FOR ALL SPECS. REFER TO PART LIST FOR USAGE.

NOTE: ADDITIONAL DECALS ARE CALLED OUT ON DECALS INSTALLATION - OPTIONS.



ART_1001234606_F

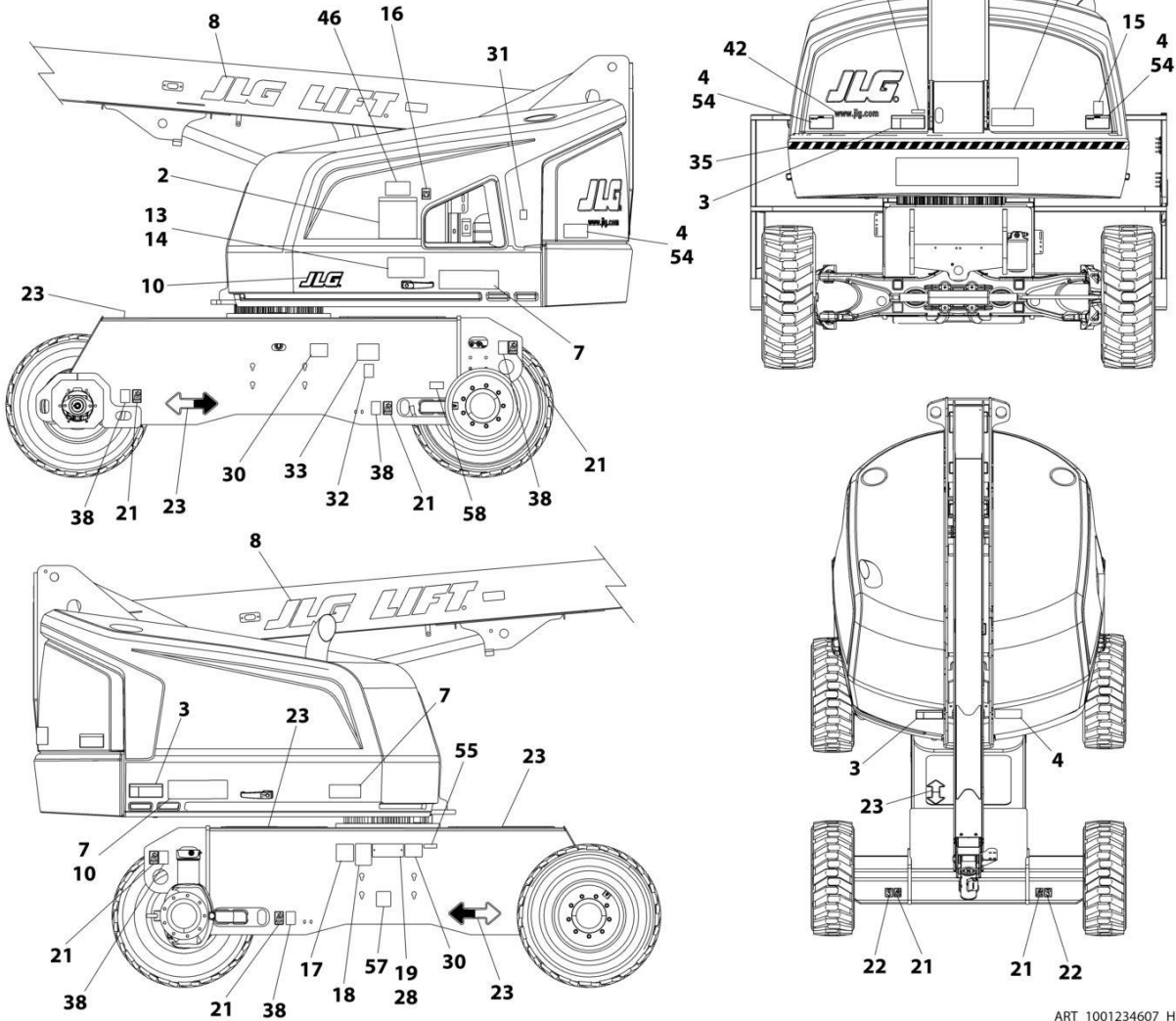
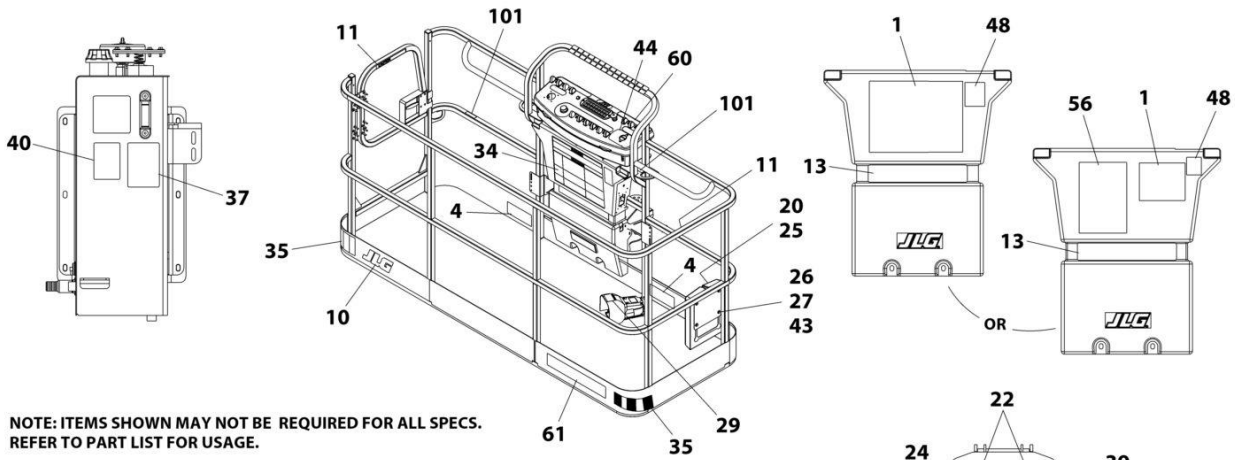
SECTION 9 - DECALS

FIGURE 9-4. DECAL INSTALLATION - BRAZIL SPECS

ITEM	PART NUMBER	QTY	DESCRIPTION	REV
	1001234606	Ref	DECAL INSTALLATION - BRAZIL SPECS (PORTUGUESE/SPANISH LANGUAGES)	F
1	1703928	1	Decal - Danger/Warning	
2	1703934	1	Decal - Danger/Warning	
3	1703940	3	Decal - Electrocutation	
4	1703952	3	Decal - Crushing	
11	1704002	2	Decal - No Hands	
13	1001234437	1	Decal - Warning Tri Cap	
14	1001234438	1	Decal - Warning Tri Cap	
16	1701504	1	Decal - Hydraulic Oil	
17	See Note	NSS	Decal - Bar Code (Note: Not Available for Purchase)	
20	1701509	1	Decal - Manual	
21	1702300	8	Decal - Tie Down	
22	1701500	4	Decal - Lift	
23	1701529	4	Decal - Arrow	
24	3251243	1	Nameplate - 120V - 60Hz	
25	0860520	1	Box, Manual Storage	
26	4751400	4	Washer 1/4	
27	3311405	4	Nut 1/4	
28	3820001	2	Rivet	
29	1703985	1	Decal - Footswitch	
38	1701499	6	Decal - No Lifting	
40	1704412	1	Decal - Hydraulic Oil Chart	
43	0641406	4	Bolt 1/4 x 3/4	
44	1001113680	1	Decal - Drive/Steer Instruction	
54	1703946	2	Decal - Warning Crushing	
57	1001224052	1	Decal - Yearly Inspection (Not Shown)	
60	1001184618	1	Decal - Stop	
100	1001232026	1	Decal - Lanyard Platform Kit (Not Shown)	
101	1704277	3	Decal - Lanyard Attach Graphic	

SECTION 9 - DECALS

FIGURE 9-5. DECAL INSTALLATION - CE SPECS



ART_1001234607_H

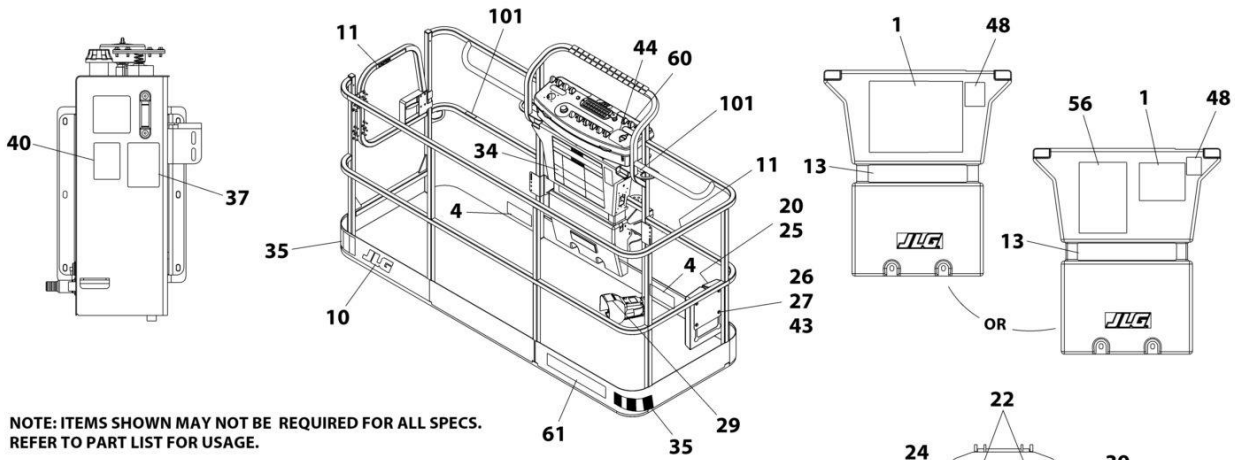
SECTION 9 - DECALS

FIGURE 9-5. DECAL INSTALLATION - CE SPECS

ITEM	PART NUMBER	QTY	DESCRIPTION	REV
	1001234607	Ref	DECAL INSTALLATION - CE SPECS (ENGLISH LANGUAGE)	H
1	1705921	1	Decal - Tipping/Electrocution	
2	1705822	1	Decal - Electrocution/Safety Manual	
3	1705961	3	Decal - Electrocution	
4	1701518	5	Decal - Crushing	
13	1001234439	2	Decal - Warning Tri Cap	
16	1701504	1	Decal - Hydraulic Oil	
17	See Note	NSS	Decal - Bar Code (Note: Not Available for Purchase)	
20	1701509	1	Decal - Manual	
21	1702300	8	Decal - Tie Down	
22	1701500	4	Decal - Lift	
23	1701529	4	Decal - Arrow	
25	0860520	1	Box, Manual Storage	
26	4751400	4	Washer 1/4	
27	3311405	4	Nut 1/4	
28	3820001	2	Rivet	
29	1705828	1	Decal - Footswitch	
38	1701499	6	Decal - No Lift	
40	1704412	1	Decal - Hydraulic Oil Chart	
43	0641406	4	Bolt 1/4 x 3/4	
46	1001197408	1	Decal - MSSO Operation	
60	1001184618	1	Decal - Stop	
100	1001232026	1	Decal - Platform Lanyard Kit (Not Shown)	
101	1704277	3	Decal - Attach Lanyard	

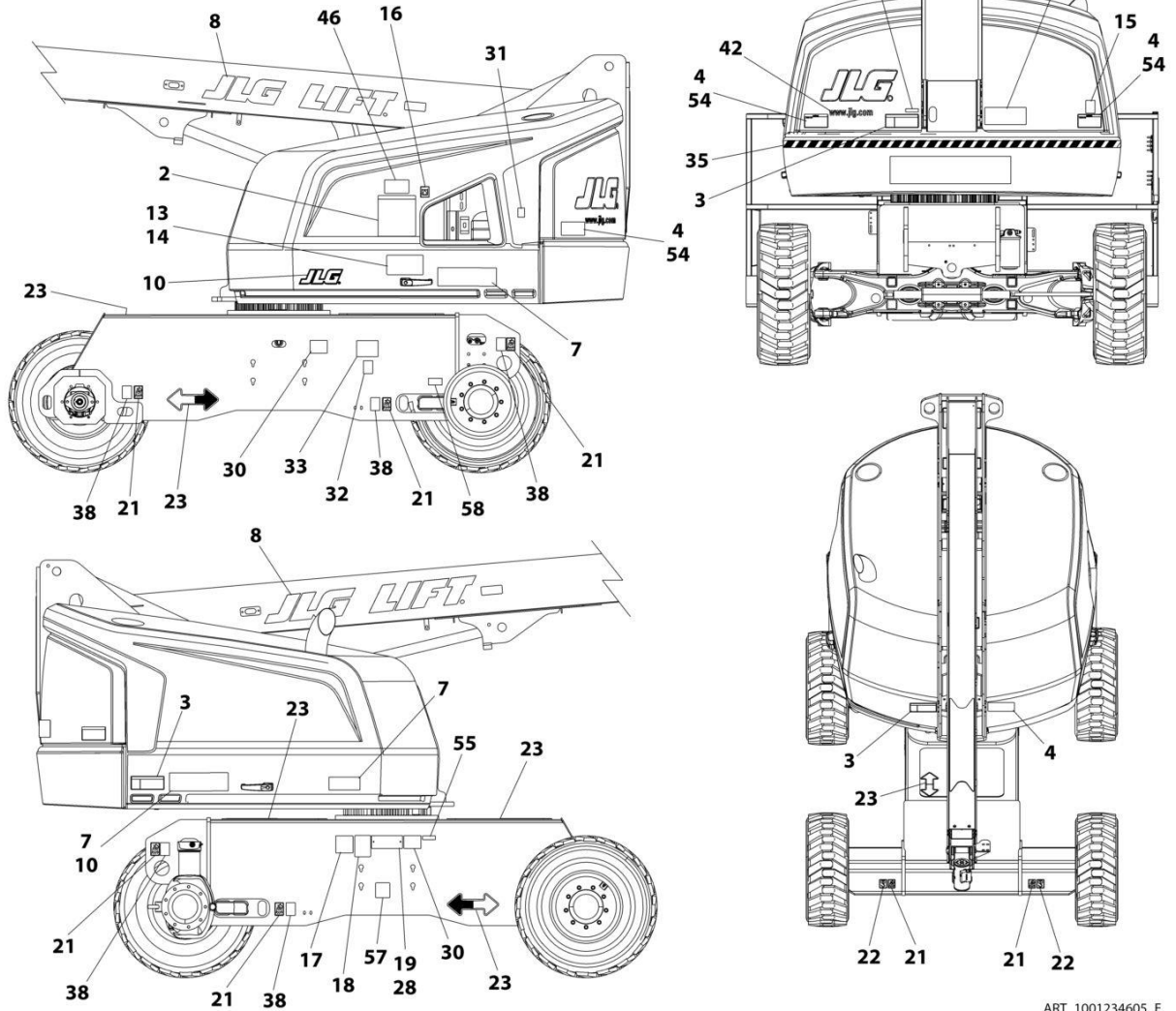
SECTION 9 - DECALS

FIGURE 9-6. DECAL INSTALLATION - CHINESE SPECS



NOTE: ITEMS SHOWN MAY NOT BE REQUIRED FOR ALL SPECS. REFER TO PART LIST FOR USAGE.

NOTE: ADDITIONAL DECALS ARE CALLED OUT ON DECALS INSTALLATION - OPTIONS.



ART_1001234605_E

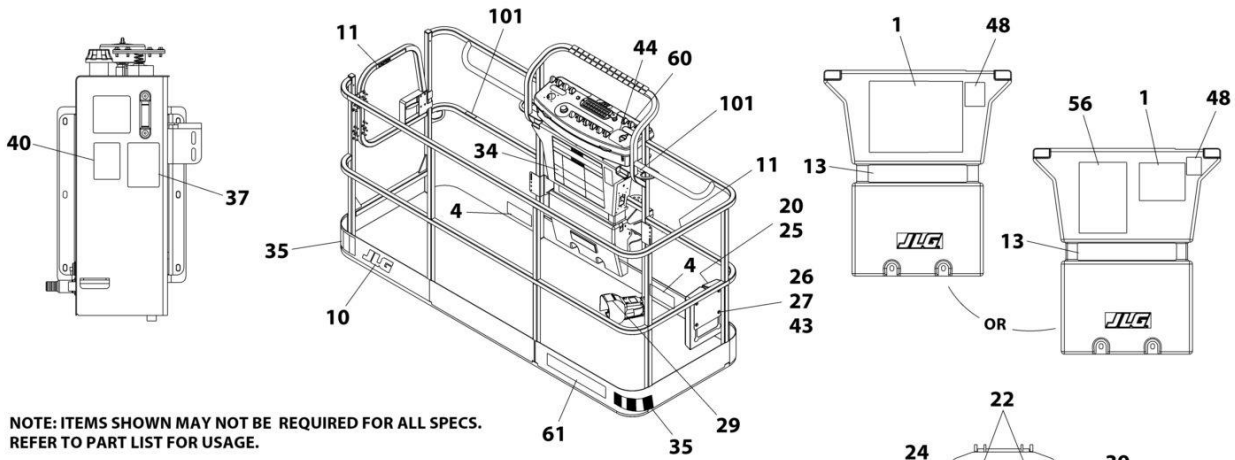
SECTION 9 - DECALS

FIGURE 9-6. DECAL INSTALLATION - CHINESE SPECS

ITEM	PART NUMBER	QTY	DESCRIPTION	REV
	1001234605	Ref	DECAL INSTALLATION - CHINESE SPECS (CHINESE/ENGLISH LANGUAGES)	E
1	1703925	1	Decal - Danger/Warning	
2	1703931	1	Decal - Danger/Warning	
3	1703937	3	Decal - Electrocutation	
4	1703949	3	Decal - Warning Crushing	
13	1001234435	1	Decal - Warning Tri Cap	
14	1001234436	1	Decal - Warning Tri Cap	
16	1701504	1	Decal - Hydraulic Oil	
17	1702631	1	Decal - Hydraulic Oil	
20	1701509	1	Decal - Manual	
21	1702300	8	Decal - Tie Down	
22	1701500	4	Decal - Lift	
23	1701529	4	Decal - Arrow	
25	0860520	1	Box, Manual Storage	
26	4751400	4	Washer 1/4	
27	3311405	4	Nut 1/4	
28	3820001	2	Rivet	
29	1703982	1	Decal - Post Switch	
38	1701499	6	Decal - No Lifting	
40	1704412	1	Decal - Hydraulic Oil Chart	
43	0641406	4	Bolt 1/4 x 3/4	
44	1705430	1	Decal - Drive/Steer Instruction	
54	1703943	2	Decal - Warning Crushing	
60	1001224050	1	Decal - Yearly Inspection (Not Shown)	
60	1001184618	1	Decal - Stop	
100	1001232026	1	Decal - Lanyard Platform Kit (Not Shown)	
101	1704277	3	Decal - Lanyard Attach Graphic	

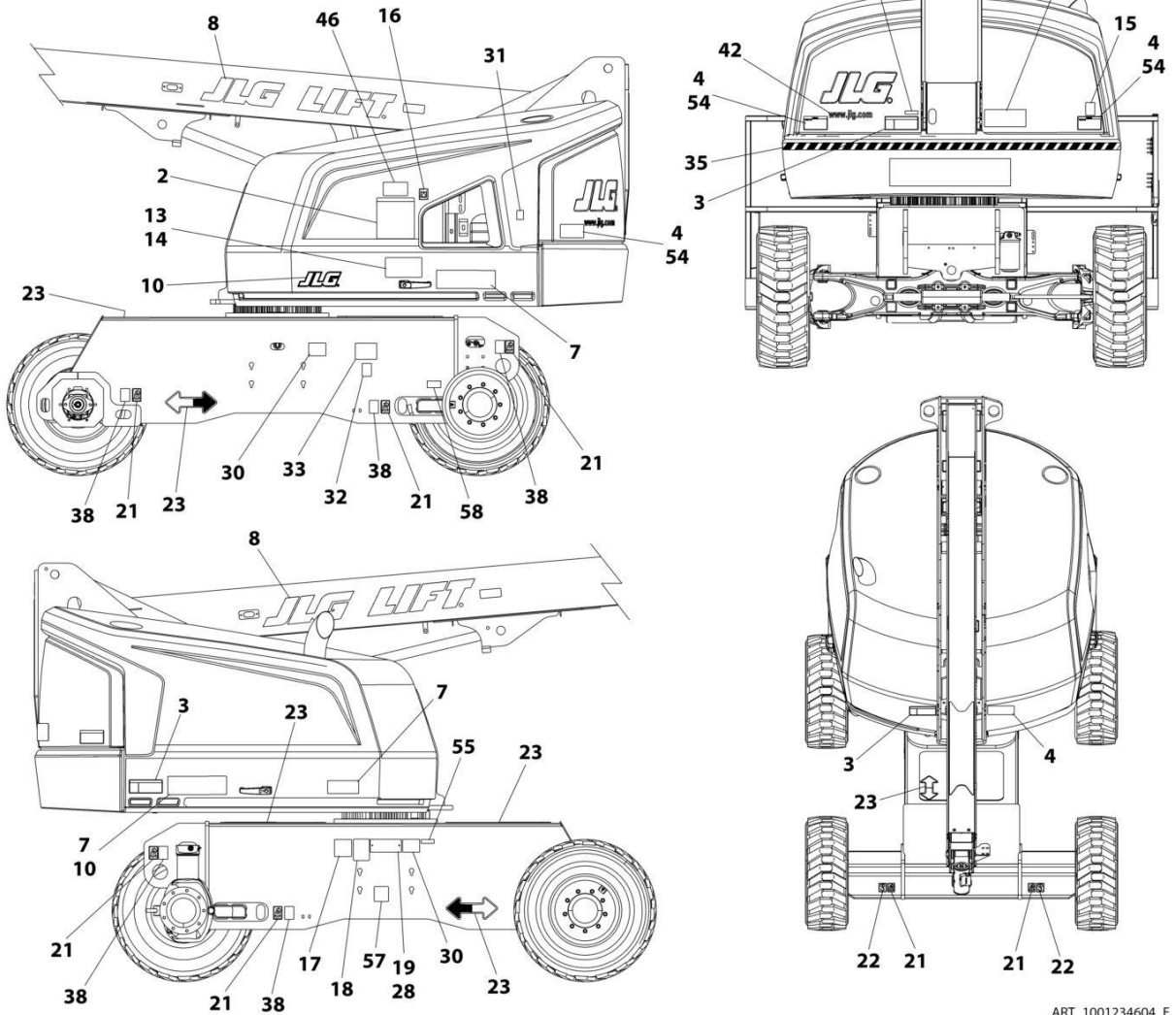
SECTION 9 - DECALS

FIGURE 9-7. DECAL INSTALLATION - CSA SPECS (DIESEL MACHINES)



NOTE: ITEMS SHOWN MAY NOT BE REQUIRED FOR ALL SPECS. REFER TO PART LIST FOR USAGE.

NOTE: ADDITIONAL DECALS ARE CALLED OUT ON DECALS INSTALLATION - OPTIONS.



ART_1001234604_E

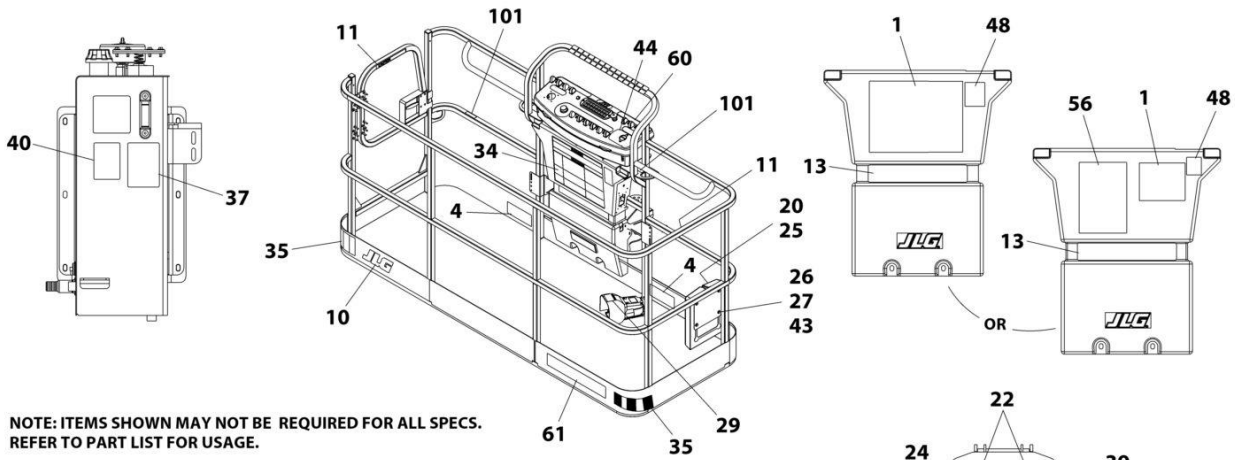
SECTION 9 - DECALS

FIGURE 9-7. DECAL INSTALLATION - CSA SPECS (DIESEL MACHINES)

ITEM	PART NUMBER	QTY	DESCRIPTION	REV
	1001234604	Ref	DECAL INSTALLATION - CSA SPECS (ENGLISH/FRENCH LANGUAGES)	E
1	1703924	1	Decal - Warning/Danger	
2	1703930	1	Decal - Warning/Danger	
3	1703936	3	Decal - Electrocution	
4	1703948	3	Decal - Warning Crushing	
11	1704000	2	Decal - No Hands	
13	1001234433	1	Decal - Warning Tri Cap	
14	1001234434	1	Decal - Warning Tri Cap	
16	1701504	1	Decal - Hydraulic Oil	
17	See Note	NSS	Decal - Bar Code (Note: Not Available for Purchase)	
18	1001131269	1	Decal - Patent	
20	1701509	1	Decal - Manual	
21	1702300	8	Decal - Tie Down	
22	1701500	4	Decal - Lift	
23	1701529	4	Decal - Arrow	
24	3251243	1	Nameplate - 120V - 60Hz	
25	0860520	1	Box - Manual Storage	
26	4751400	4	Washer 1/4	
27	3311405	4	Nut 1/4	
28	3820001	2	Rivet	
29	1703984	1	Decal - Footswitch	
38	1701499	6	Decal - No Lifting	
40	1704412	1	Decal - Hydraulic Oil Chart	
43	0641406	4	Bolt 1/4 x 3/4	
44	1705429	2	Decal - Drive/Steer Instructions	
54	1703942	1	Decal - Warning Crushing	
57	1001223971	1	Decal - Yearly Inspection	
58	1001223453	1	Decal - ICES	
60	1001184618	1	Decal - Stop	
100	1001232026	1	Decal - Lanyard Platform Kit (Not Shown)	
101	1704277	3	Decal - Lanyard Attach Graphic	

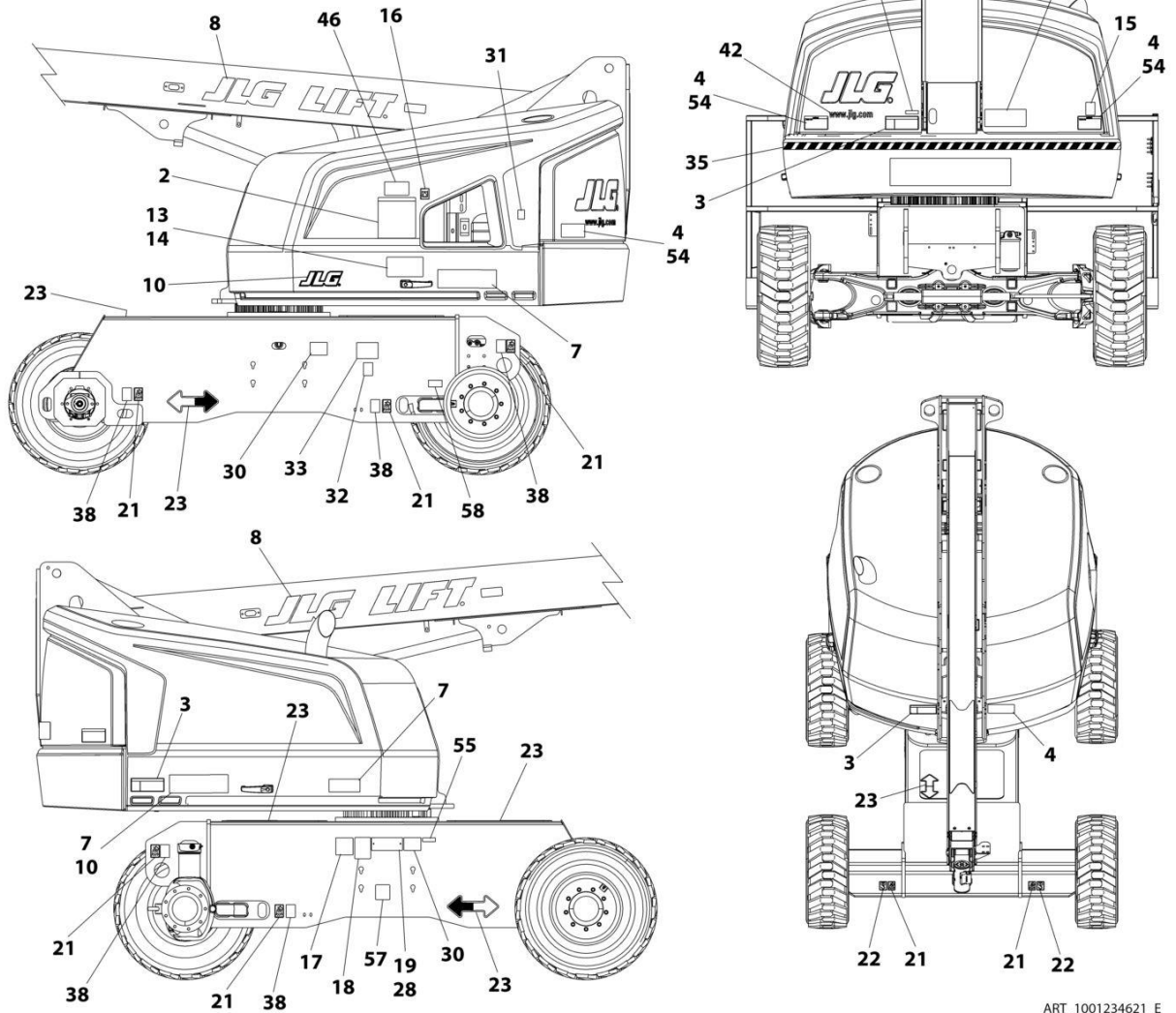
SECTION 9 - DECALS

FIGURE 9-8. DECAL INSTALLATION - CSA SPECS (GAS MACHINES)



NOTE: ITEMS SHOWN MAY NOT BE REQUIRED FOR ALL SPECS. REFER TO PART LIST FOR USAGE.

NOTE: ADDITIONAL DECALS ARE CALLED OUT ON DECALS INSTALLATION - OPTIONS.



ART_1001234621_E

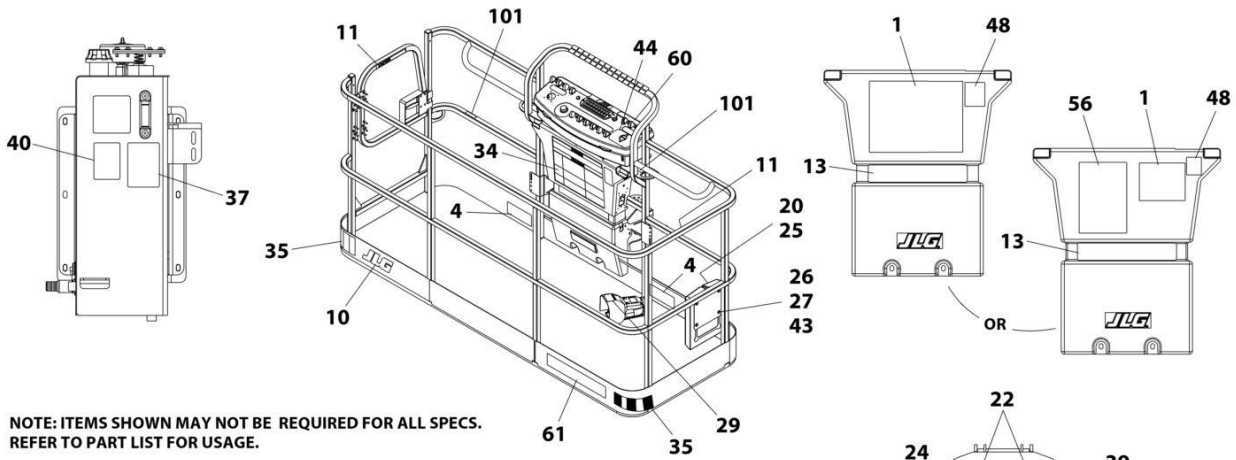
SECTION 9 - DECALS

FIGURE 9-8. DECAL INSTALLATION - CSA SPECS (GAS MACHINES)

ITEM	PART NUMBER	QTY	DESCRIPTION	REV
	1001234621	Ref	DECAL INSTALLTION - CSA SPECS (ENGLISH/FRENCH LANGUAGE)	E
1	1703924	1	Decal - Warning/Danger	
2	1703930	1	Decal - Warning/Danger	
3	1703936	3	Decal - Electrocution	
4	1703948	3	Decal - Warning Crushing	
11	1704000	2	Decal - No Hands	
13	1001234433	1	Decal - Warning Tri Cap	
14	1001234434	1	Decal - Warning Tri Cap	
16	1701504	1	Decal - Hydraulic Oil	
17	See Note	NSS	Decal - Bar Code (Note: Not Available for Purchase)	
18	1001131269	1	Decal - Patent	
20	1701509	1	Decal - Manual	
21	1702300	8	Decal - Tie Down	
22	1701500	4	Decal - Lift	
23	1701529	4	Decal - Arrow	
24	3251243	1	Nameplate - 120V - 60Hz	
25	0860520	1	Box - Manual Storage	
26	4751400	4	Washer 1/4	
27	3311405	4	Nut 1/4	
28	3820001	2	Rivet	
29	1703984	1	Decal - Footswitch	
38	1701499	6	Decal - No Lifting	
40	1704412	1	Decal - Hydraulic Oil Chart	
43	0641406	4	Bolt 1/4 x 3/4	
44	1705429	2	Decal - Drive/Steer Instructions	
54	1703942	1	Decal - Warning Crushing	
57	1001223971	1	Decal - Yearly Inspection	
60	1001184618	1	Decal - Stop	
100	1001232026	1	Decal - Lanyard Platform Kit (Not Shown)	
101	1704277	3	Decal - Lanyard Attach Graphic	

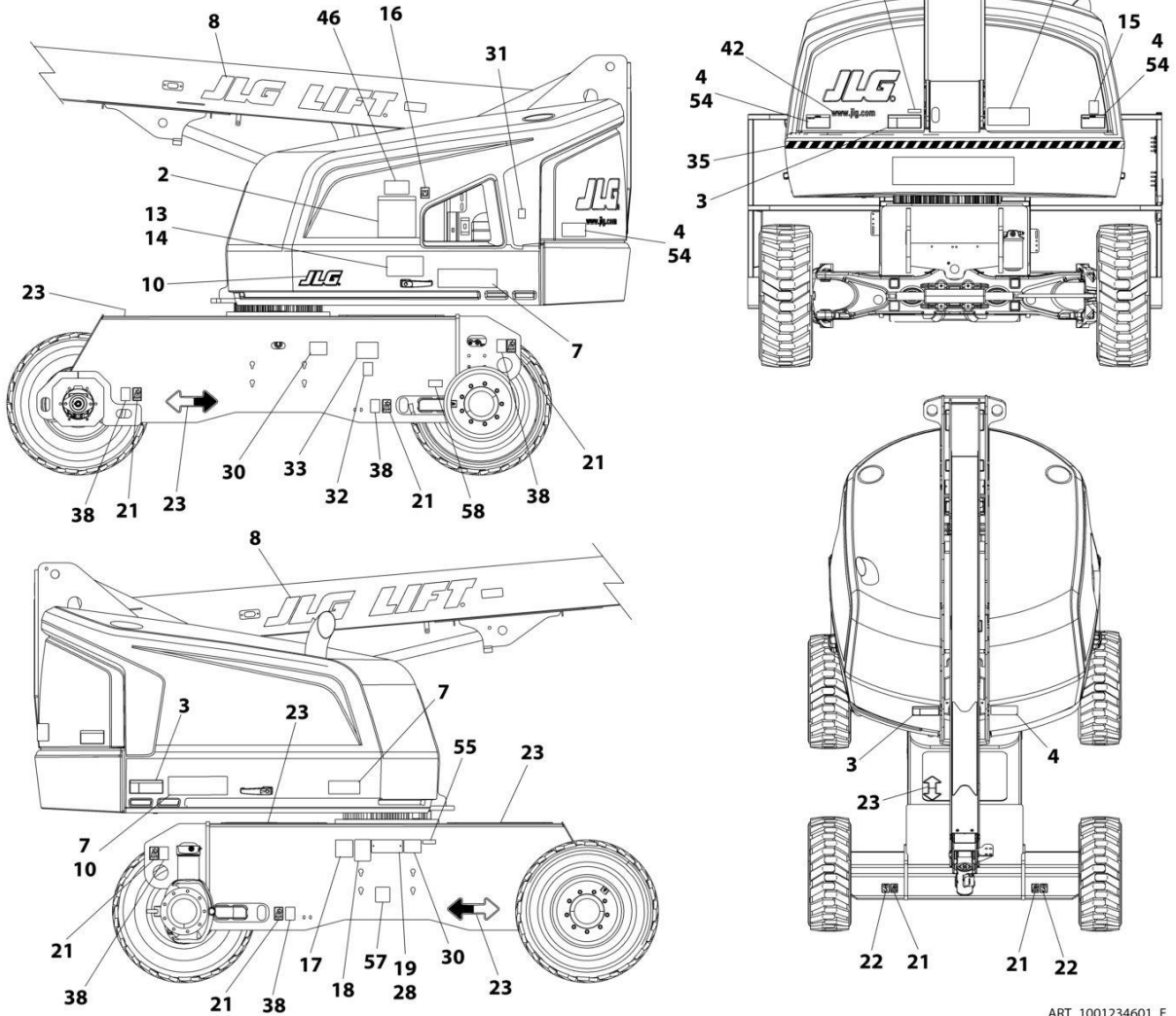
SECTION 9 - DECALS

FIGURE 9-9. DECAL INSTALLATION - JAPANESE SPECS



NOTE: ITEMS SHOWN MAY NOT BE REQUIRED FOR ALL SPECS. REFER TO PART LIST FOR USAGE.

NOTE: ADDITIONAL DECALS ARE CALLED OUT ON DECALS INSTALLATION - OPTIONS.



ART_1001234601_E

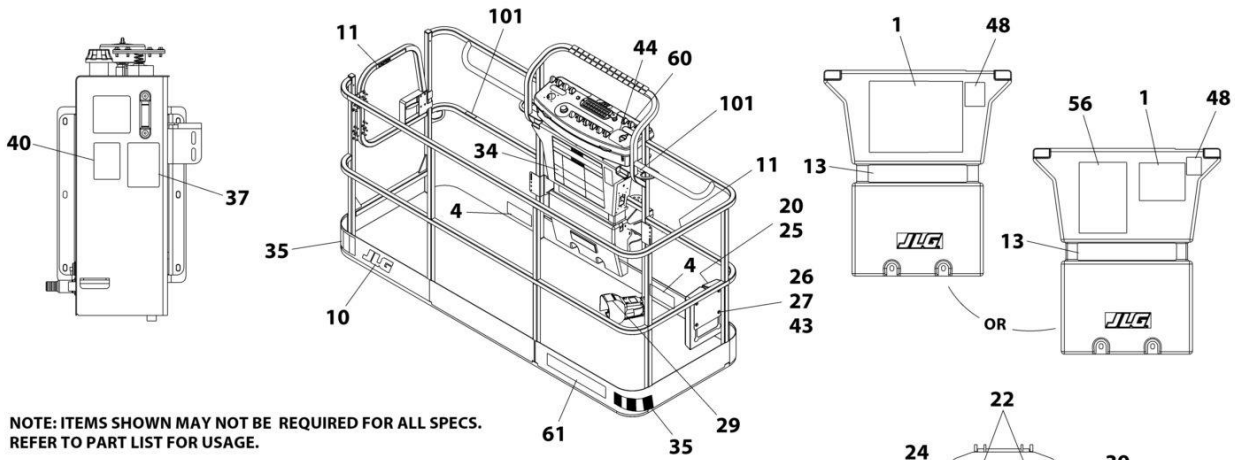
SECTION 9 - DECALS

FIGURE 9-9. DECAL INSTALLATION - JAPANESE SPECS

ITEM	PART NUMBER	QTY	DESCRIPTION	REV
	1001234601	Ref	DECAL INSTALLATION - JAPANESE SPECS(JAPANESE/ENGLISH LANGUAGES)	E
1	1703926	1	Decal - Warning/Danger	
2	1703932	1	Decal - Warning/Danger	
3	1703938	3	Decal - Electrocutation	
4	1703950	3	Decal - Warning Crushing	
13	1001234428	1	Decal - Warning Tri Cap	
14	1001234429	1	Decal - Warning Dual Cap	
19	1701504	1	Decal - Hydraulic Oil	
17	See Note	NSS	Decal - Bar Code (Note: Not Available for Purchase)	
20	1701509	1	Decal - Manual	
21	1702300	8	Decal - Tie Down	
22	1701500	4	Decal - Lift	
23	1701529	4	Decal - Arrow	
25	0860520	1	Box - Manual Storage	
26	4751400	4	Washer 1/4	
27	3311405	4	Nut 1/4	
28	3820001	2	Rivet	
29	1703980	1	Decal - Footswitch	
38	1701499	6	Decal - No Lifting	
40	1704412	1	Decal - Hydraulic Oil Chart	
43	0641406	4	Bolt 1/4 x 3/4	
44	1705426	1	Decal - Drive/Steer Instructions	
54	1703944	2	Decal - Warning Crushing	
57	1001224053	1	Decal - Yearly Inspection	
60	1001184618	1	Decal - Stop	
100	1001232026	1	Decal - Lanyard Platform Kit (Not Shown)	
101	1704277	3	Decal - Lanyard Attach Graphic	

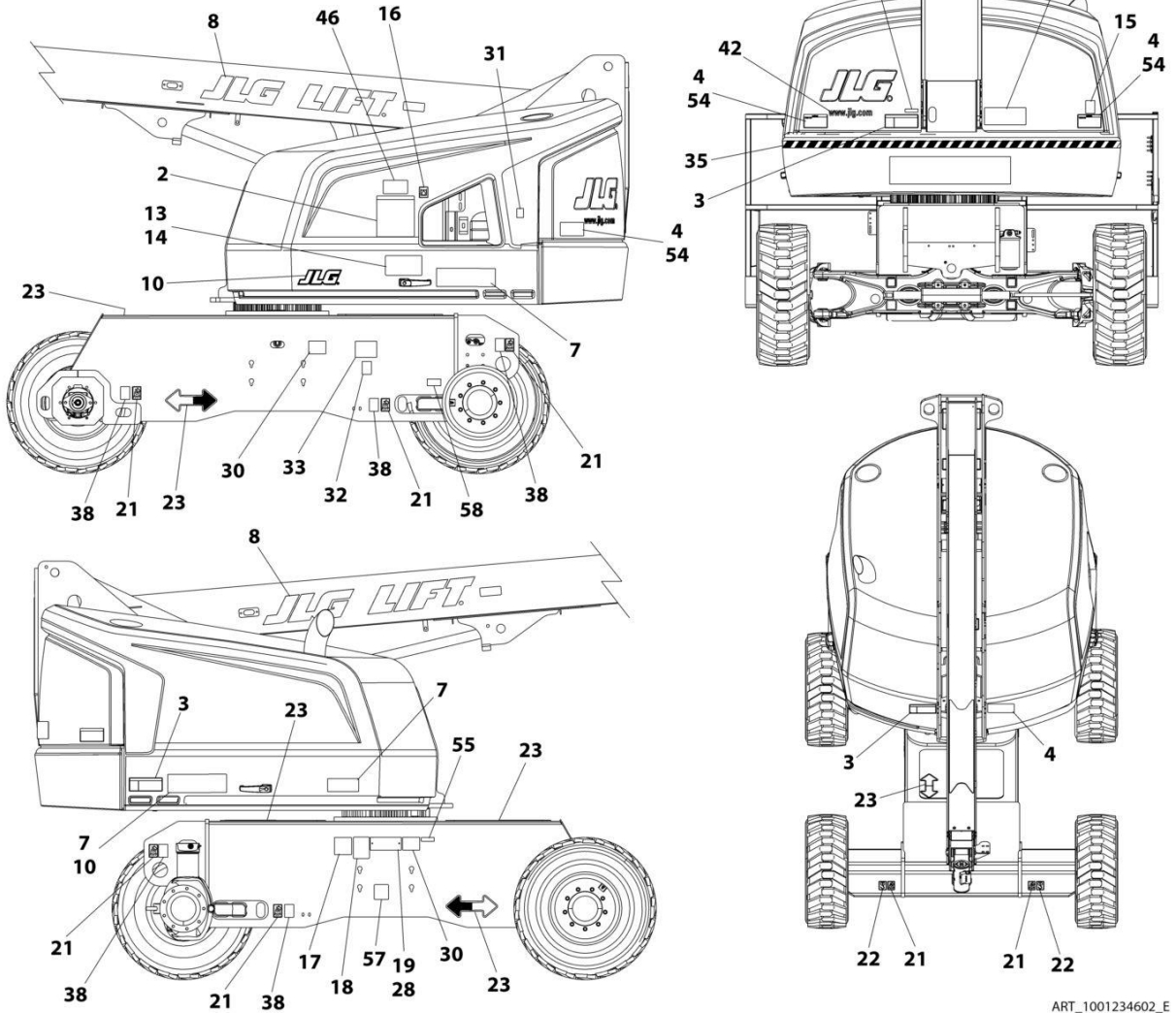
SECTION 9 - DECALS

FIGURE 9-10. DECAL INSTALLATION - KOREAN SPECS



NOTE: ITEMS SHOWN MAY NOT BE REQUIRED FOR ALL SPECS. REFER TO PART LIST FOR USAGE.

NOTE: ADDITIONAL DECALS ARE CALLED OUT ON DECALS INSTALLATION - OPTIONS.



ART_1001234602_E

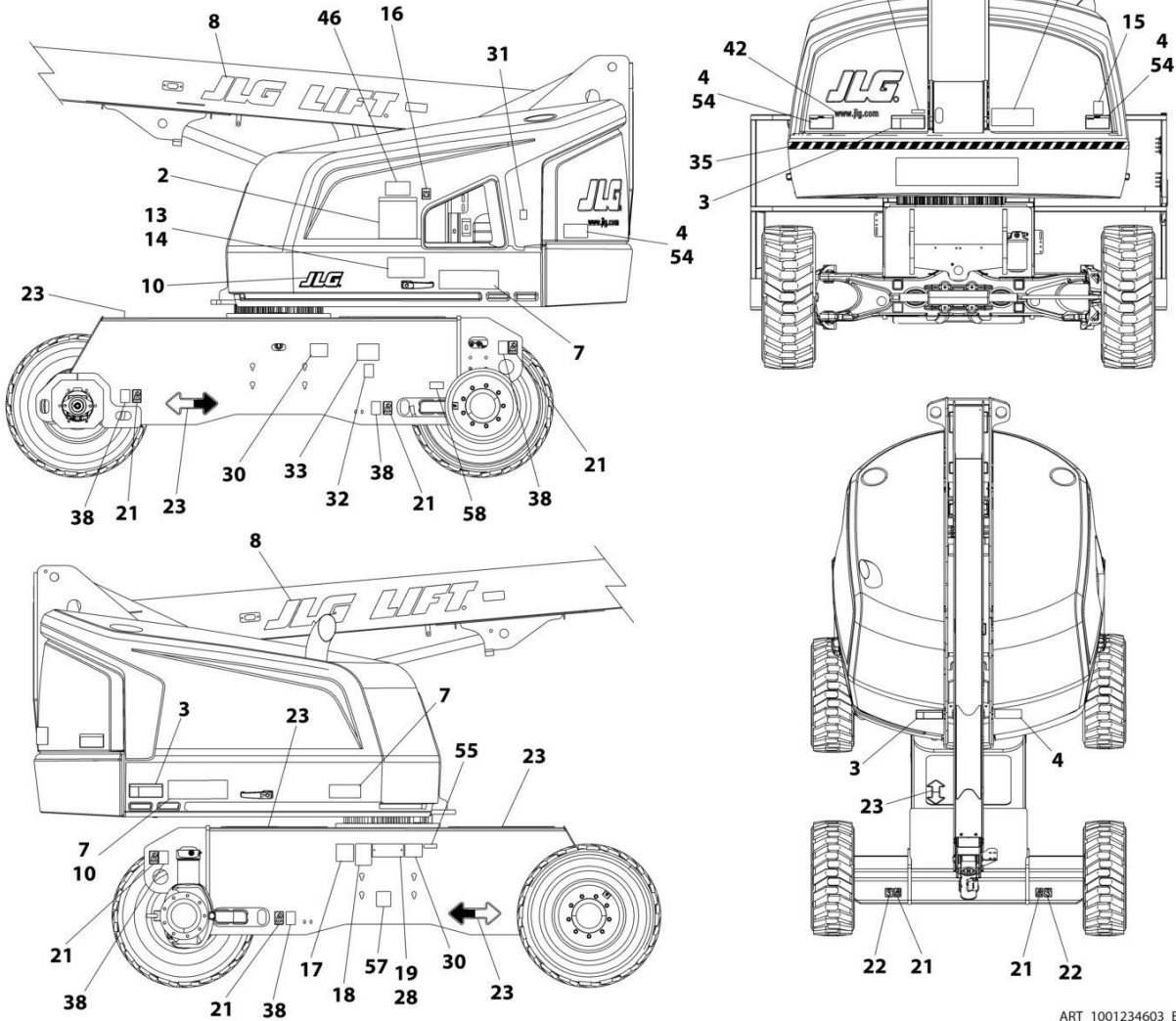
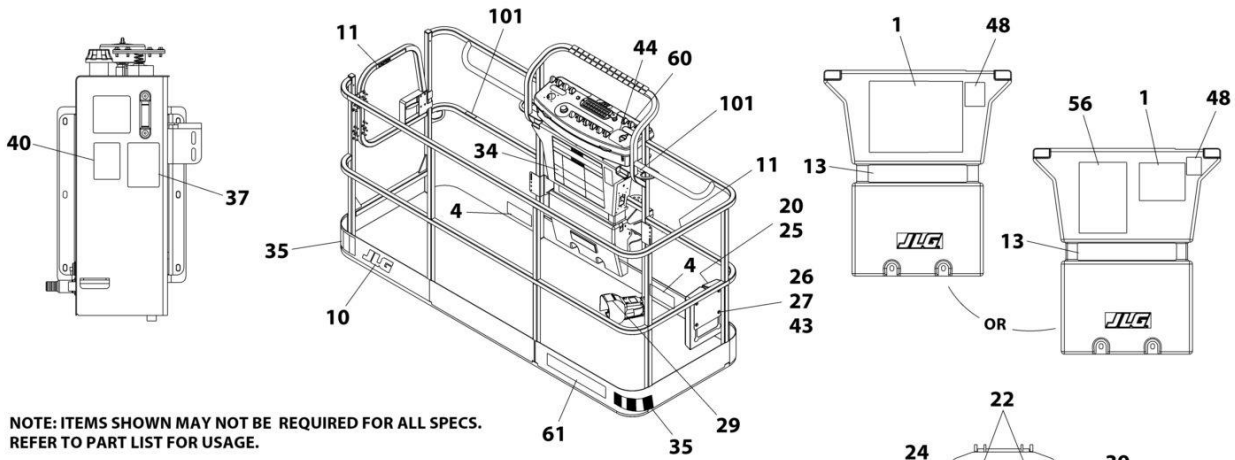
SECTION 9 - DECALS

FIGURE 9-10. DECAL INSTALLATION - KOREAN SPECS

ITEM	PART NUMBER	QTY	DESCRIPTION	REV
	1001234602	Ref	DECAL INSTALLATION - KOREAN SPECS (KOREAN; ENGLISH LANGUAGES)	E
1	1703927	1	Decal - Warning/Danger	
2	1703933	1	Decal - Warning/Danger	
3	1703939	3	Decal - Electrocution	
4	1703951	3	Decal - Warning Crushing	
13	1001234430	1	Decal - Warning Tri Cap	
14	1001235585	1	Decal - Warning Dual Cap	
16	1701504	1	Decal - Hydraulic Oil	
17	See Note	NSS	Decal - Bar Code (Note: Not Available for Purchase)	
20	1701509	1	Decal - Manual	
21	1702300	8	Decal - Tie Down	
22	1701500	4	Decal - Lift	
23	1701529	4	Decal - Arrow	
25	0860520	1	Box - Manual Storage	
26	4751400	4	Washer 1/4	
27	3311405	4	Nut 1/4	
29	1703981	1	Decal - Footswitch	
38	1701499	6	Decal - No Lifting	
40	1704412	1	Decal - Hydraulic Oil Chart	
43	0641406	4	Bolt 1/4 x 3/4	
44	1705427	1	Decal - Drive/Steer Instructions	
54	1703945	2	Decal - Warning Crushing	
57	1001224048	1	Decal - Yearly Inspection	
60	1001184618	1	Decal - Stop	
100	1001232026	1	Decal - Lanyard Platform Kit (Not Shown)	
101	1704277	3	Decal - Lanyard Attach Graphic	

SECTION 9 - DECALS

FIGURE 9-11. DECAL INSTALLATION - LATIN AMERICAN SPECS



ART_1001234603_E

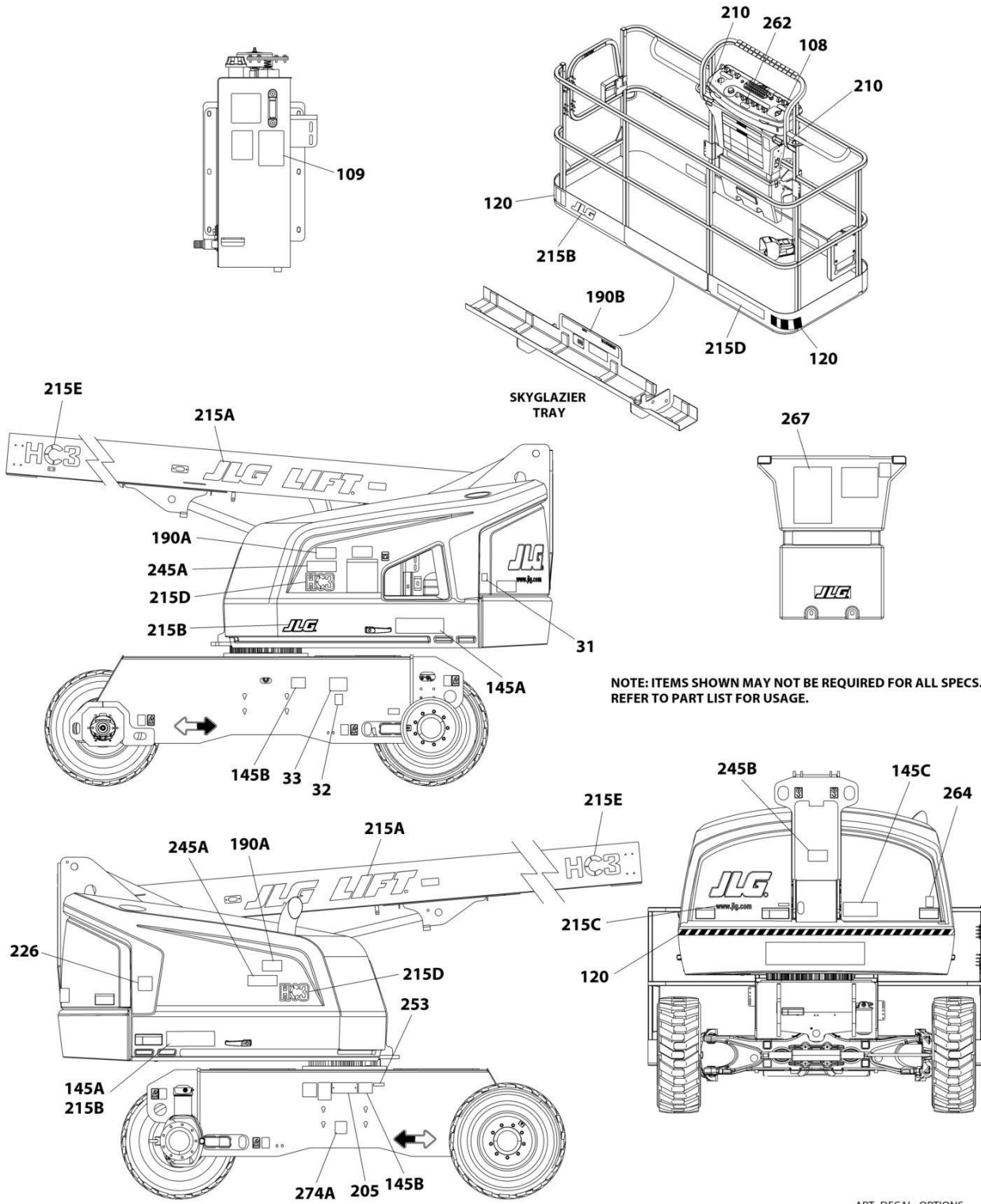
SECTION 9 - DECALS

FIGURE 9-11. DECAL INSTALLATION - LATIN AMERICAN SPECS

ITEM	PART NUMBER	QTY	DESCRIPTION	REV
	1001234603	1	DECAL INSTALLATION - LATIN, AMERICAN SPECS (SPANISH/ENGLISH LANUGUAGES)	E
1	1703923	1	Decal - Warning/Danger	
2	1703229	1	Decal - Warning/Danger	
3	1703935	3	Decal - Electrocution	
4	1703947	3	Decal - Warning Crushing	
11	1704001	2	Decal - Cautions No Hands	
13	1001234431	1	Decal - Warning Tri Cap	
14	1001234432	1	Decal - Warning Tri Cap	
16	1701504	1	Decal - Hydraulic Oil	
17	See Note	NSS	Decal - Bar Code (Note: Not Available for Purchase)	
20	1701509	1	Decal - Manual	
21	1702300	8	Decal - Tie Down	
22	1701500	4	Decal - Lift	
23	1701529	4	Decal - Arrow	
24	3251243	1	Nameplate - 120V - 60Hz	
25	0860520	1	Box - Manual Storage	
26	4751400	4	Washer 1/4	
27	3311405	4	Nut 1/4	
28	3820001	2	Rivet	
29	1703983	1	Decal - Footswitch	
38	1701499	6	Decal - No Lifting	
40	1704412	1	Decal - Hydraulic Oil Chart	
43	0641406	4	Bolt 1/4 x 3/4	
44	1705910	1	Decal - Drive/Steer Instructions	
54	1703941	2	Decal - Warning Crushing	
57	1001224049	1	Decal - Yearly Inspection	
58	1001223453	1	Decal - ICES	
60	1001184618	1	Decal - Stop	
100	1001232026	1	Decal - Lanyard Platform Kit (Not Shown)	
101	1704277	3	Decal - Lanyard Attach Graphic	

SECTION 9 - DECALS

FIGURE 9-12. DECAL INSTALLATION - OPTIONS



SECTION 9 - DECALS

FIGURE 9-12. DECAL INSTALLATION - OPTIONS

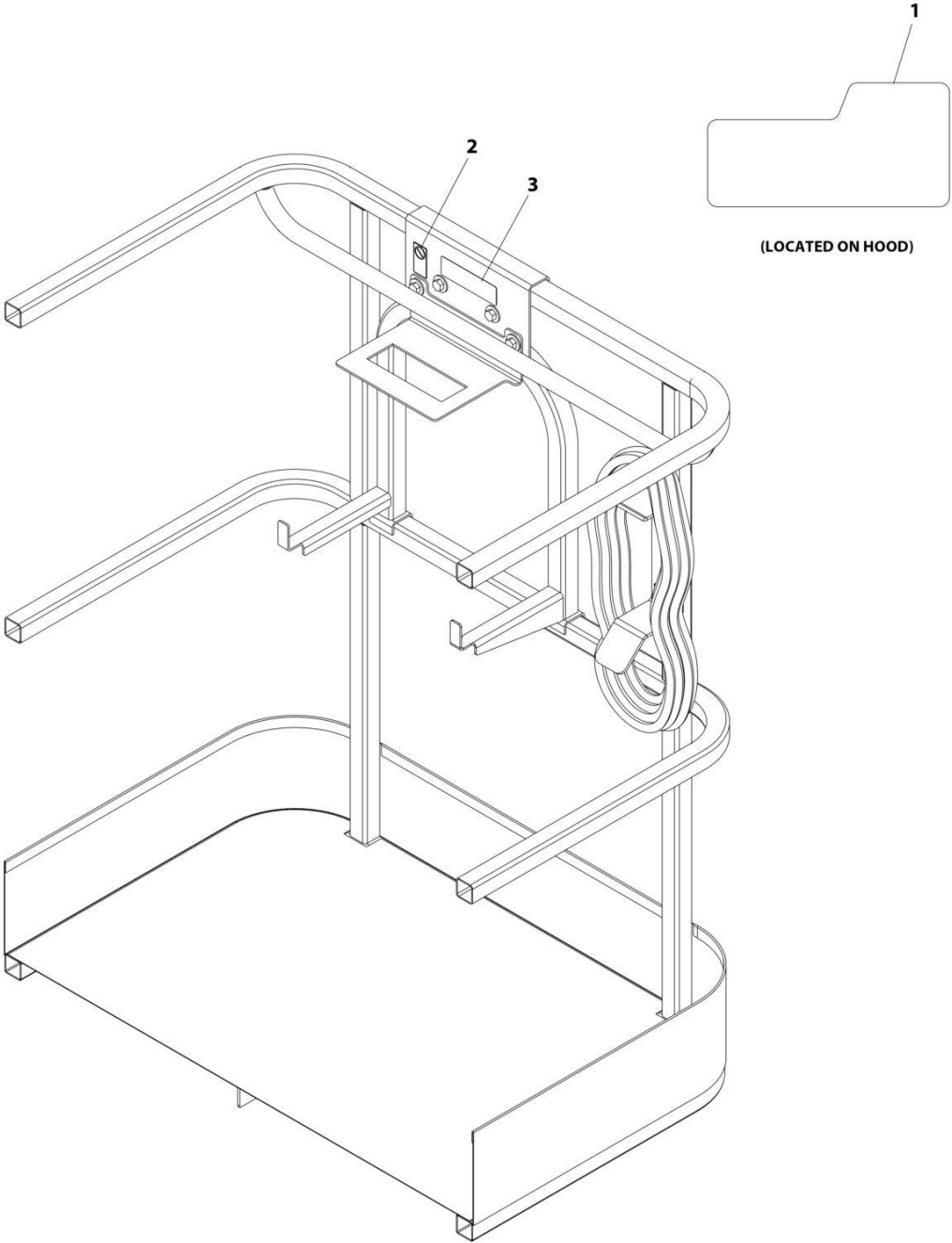
ITEM	PART NUMBER	QTY	DESCRIPTION	REV
	1001234622	Ref	DECAL INSTALLATION - REFERENCE CHART (ALL SPECS EXCEPT CE SPECS)	G
	1001235535	Ref	DECAL INSTALLATION - REFERENCE CHART (CE SPECS)	E
	1001237527	Ref	DECAL INSTALLATION - OPTIONS	B
31	1701505	1	Decal - Diesel Fuel	
31	1701542	1	Decal - Gas	
32	1701543	1	Decal - LPG	
33	1700818	1	Decal - LP Gas Liquid Withdrawal System (ANSI Spec)	
33	1704271	1	Decal - LP Gas Liquid Withdrawal System (CSA Spec)	
108	1001231801	1	Decal - Proposition 65 (Machines with SN Starting with 03)	
109	1702788	1	Decal - Biodegradeable Hydraulic Fluid (All Specs except German Spec)	
109	1703479	1	Decal - Biodegradeable Hydraulic Fluid (German Spec)	
109	1704174	1	Decal - SYN Biodegradeable Hydraulic Fluid (All Specs except German Spec)	
109	1704175	1	Decal - SYN Biodegradeable Hydraulic Fluid (German Spec)	
120	1001178415	Ref	Warning Strip Installation (Not Shown)	
120	4420051	14.5 ft/ 4.42m	Tape, Safety	
145	1001234608	Ref	Decal - Model Designation (400SHC3) (Not Shown)	
145	1001251723	Ref	Decal - Model Designation (400SJHC3) (Not Shown)	
145A	1704472	2	Decal - 400S	
145A	1704473	2	Decal - 460SJ	
145B	1001236680	2	Decal - Max Tire Load (400SHC3)	
145B	1001251692	2	Decal - Max Tire Load (400SJHC3)	
145C	1001177451	1	Decal - Lift Diagram	
190	1001172570	Ref	Decal, Installation - Skyglazier (English Language) (Not Shown)	
190	1001172571	Ref	Decal, Installation - Skyglazier (ANSI Export Spanish Language) (Not Shown)	
190	1001172572	Ref	Decal, Installation - Skyglazier (Brazil Portuguese Language) (Not Shown)	
190	1001172620	Ref	Decal, Installation - Skyglazier (Australian English Language) (Not Shown)	
190A	1705358	2	Decal - Skygalzier	
190B	1001199035	2	Decal - Skygalzier Capacity (English Language)	
190B	1001172564	2	Decal - Skygalzier Capacity (Ansi Export Spanish Language)	
190B	1001172565	2	Decal - Skygalzier Capacity (Brazil Portuguese Language)	
190B	1001199036	2	Decal - Skygalzier Capacity (Australian English Language) (Not Shown)	
205	See Note	NSS	Name Plate - Manufacturers Serial Number (Note: Not Available For Purchase)	
210	1702868	2	Decal - No Hands (Ansi, Australian & CE Specs)	
210	1704000	2	Decal - No Hands (CSA Specs)	
215	1001245410	Ref	Decal Installation - JLG Logo (Not Shown) (All Specs Except CE Specs)	C
215	1001251612	Ref	Decal Installation - JLG Logo (Not Shown) (CE Specs)	B
215A	1702861	2	Decal - JLG Lift (All Specs Except CE Specs)	
215A	1001159323	2	Decal - JLG (CE Specs)	
215B	1702773	AR	Decal - JLG	
215C	1704885	1	Decal - Website (All except CE Specs)	
215D	1001244212	AR	Decal - HC3	
215E	1001256906	2	Decal - HC3 (SN E300007713 to Present)	

SECTION 9 - DECALS

ITEM	PART NUMBER	QTY	DESCRIPTION	REV
226	1704972	1	Decal - Warning Explosion/Fire (ANSI Spec)	
226	1706064	1	Decal -Warning Explosion/Fire (CSA Spec - Dual Language English/French)	
226	1706098	1	Decal -Warning Explosion/Fire Australian and CE Specs)	
226	1706059	1	Decal -Warning Explosion/Fire (Brazil Spec- Dual Language English/Portuguese)	
226	1706060	1	Decal -Warning Explosion/Fire (Chinese Spec- Dual Language English/Chinese)	
226	1706061	1	Decal - Warning Explosion/Fire (Korean Spec - Dual Language English/Korean)	
226	1706062	1	Decal - Warning Explosion/Fire (Japanese Spec - Dual Language English/Japanese)	
226	1706063	1	Decal -Warning Explosion/Fire (Latin American - Dual Language English/Spanish)	
245	1001178435	Ref	Decal Installation - Clearsky	
245A	1001116208	2	Decal - Clearsky	
245B	1001120989	1	Decal - Radio Frequency	
253	1001143852	1	Decal - Emission Compliance (Machines with Diesel Engines) (ANSI Export, Australian, CE and China Specs)	
262	1001141300	1	Decal - Skyguard Override (Machines Without Soft Touch)	
262	1001141302	1	Decal - Skyguard Override (Machines With Soft Touch)	
264	1001204510	1	Decal - Sound Power (T4i)	
264	1001130492	1	Decal - Sound Power (Stage V)	
274	1001214029	1	Decal - EAC Installation (CIS and Russia Specs)	
274A	1001173703	1	Decal - EAC	
267	1001200128	1	Decal, Quick Start Guide (French)	
267	1001200129	1	Decal, Quick Start Guide (Dutch)	
267	1001200130	1	Decal, Quick Start Guide (German)	
267	1001200131	1	Decal, Quick Start Guide (Danish)	
267	1001200132	1	Decal, Quick Start Guide (Swedish)	
267	1001200133	1	Decal, Quick Start Guide (Spanish)	
267	1001200134	1	Decal, Quick Start Guide (Norwegian)	
267	1001181145	1	Decal, Quick Start Guide (English)	

SECTION 9 - DECALS

FIGURE 9-13. DECAL INSTALLATION - SKYWELDER (50HZ)



ART_0272588

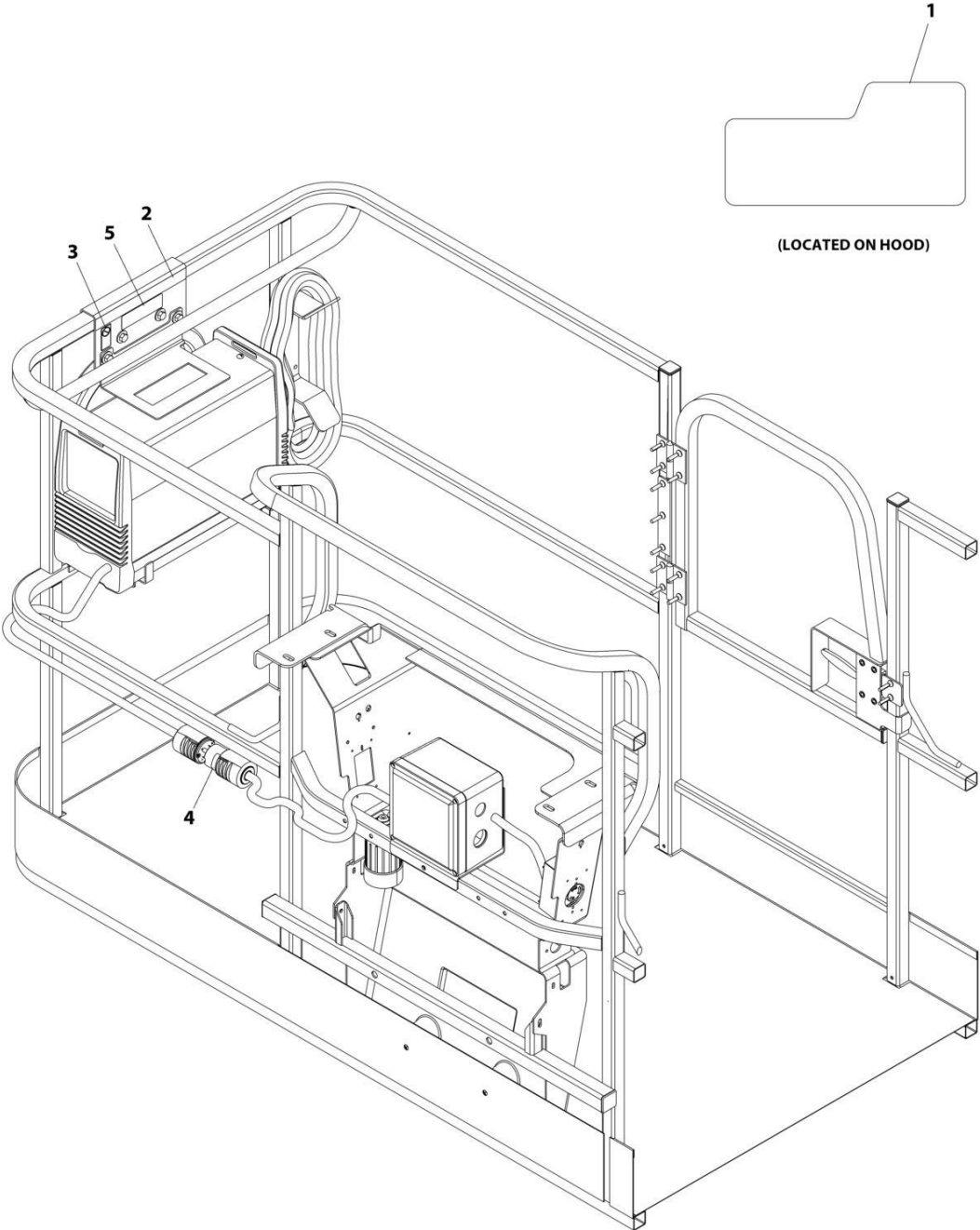
SECTION 9 - DECALS

FIGURE 9-13. DECAL INSTALLATION - SKYWELDER (50HZ)

ITEM	PART NUMBER	QTY	DESCRIPTION	REV
	0272588	Ref	SKYWELDER DECAL INSTALLATION - 50Hz	B
1	1705355	2	Decal - SkyWelder	
2	1705305	1	Decal - Weld Lead	
3	1001228988	1	Decal - Weight	

SECTION 9 - DECALS

FIGURE 9-14. DECAL INSTALLATION - SKYWELDER (60HZ)



ART_0272448

SECTION 9 - DECALS

FIGURE 9-14. DECAL INSTALLATION - SKYWELDER (60HZ)

ITEM	PART NUMBER	QTY	DESCRIPTION	REV
	0272448	Ref	SKYWELDER DECAL INSTALLATION - 60Hz	B
1	1705355	2	Decal - SkyWelder	
2	1702868	1	Decal - No Hands	
3	1705305	1	Decal - Weld Lead	
4	1705375	1	Decal - 240V - 3 Phase - 60Hz	
5	1001228988	1	Decal - Weight	

SECTION 10 - RECOMMENDED SERVICE PARTS STOCK

SECTION 10 - RECOMMENDED SERVICE PARTS STOCK

SECTION 10 - RECOMMENDED SERVICE PARTS STOCK

FIGURE 10-1. RECOMMENDED SERVICE PARTS STOCK

ITEM	PART NUMBER	QTY	DESCRIPTION	REV
		Ref	Note: The following list will service one machine (built to current production per date on the front cover) with emergency repair parts which can be installed in the field. Parts from the list should be replaced when inventory is depleted to keep service parts stock supplied. For further information, contact your JLG dealer or the JLG Industries Parts Department.	
	1001189172	1	Breaker, 16 Amp	
	1001189171	1	Breaker, 30mA	
	1001181045	1	Breaker, 30mA/16 Amp	
	70003788	1	Coil (Main Valve Assembly - 400S HC3)	
	70005219	1	Coil (Main Valve Assembly - 400S HC3)	
	70002386	1	Coil (Main Valve Assembly - 460SJ HC3)	
	70004897	1	Coil (Piston Pump Assembly)	
	1001212415	1	Controller Assembly (Drive and Steer)	
	1001166539	1	Controller Assembly (Lift and Swing)	
	70010383	1	Element, Filter Charge Pump (Includes O-Ring)	
		Ref	Engine Components (Deutz D2011 Engines)	
	70003783	12	Element, Air Cleaner (Deutz D2011 Engines)	
	7020023	12	Filter, Fuel (Deutz D2011 Engines)	
	70003463	12	Filter, Fuel - RME Resistant (Deutz D2011 Engines)	
	7016331	12	Filter, Oil (Deutz Engines)	
		Ref	Engine Components (Deutz 2.9L4 Engines)	
	70003783	12	Element, Air Cleaner (Deutz 2.9L4 Engines)	
	7016331	12	Filter, Oil (Deutz Engines)	
	1001225431	12	Filter, Fuel (Deutz 2.9L4 Engines)	
	1001225430	12	Filter, Fuel (Deutz 2.9L4 Engines)	
	70029512	1	Module, ECU (Deutz 2.9L4 Engines)	
	70025210	1	Module, ECU (Deutz 2.9L4 Engines)	
		Ref	Engine Components (Kubota Engines)	
	1001147813	12	Element, Air Cleaner (Kubota Engines)	
	7017992	12	Filter, Fuel (Kubota Engines)	
	70006023	12	Filter, Oil (Kubota Engines)	
	70006061	1	Module, ECU (Kubota Engines)	
	70003614	1	Filter Kit (Includes Hydraulic Element, Breather Element and Gasket)	
	80983191	1	Fuse - 10Amp	
	8229244	1	Fuse - 15Amp	
	70023592	1	Fuse - 20Amp	
	1001196634	1	Fuse - 2Amp	
	70023593	1	Fuse - 30Amp	
	2400082	1	Fuse - 40 Amp	
	8229242	1	Fuse - 5Amp	
	2860030	1	Key, Replacement	
	2940074	1	Latch (Machines with Gate)	
	1001142683	1	Module, Beacon Light Control	
	1001170094	1	Module, Ground Control	
	1001157196	1	Module, Platform Control	
	1001138228	1	Module, Power Relay	
	3740067	1	Relay (Auxiliary Pump and Battery Installation)	
	3740140	1	Relay (Deutz D2011 Engine Assembly)	

SECTION 10 - RECOMMENDED SERVICE PARTS STOCK

ITEM	PART NUMBER	QTY	DESCRIPTION	REV
	4360476	1	Switch, Contact Block (Platform Console Box Assembly)	
	1001274559	1	Switch, Emergency Stop (Ground & Platform Controls)	
	4360057	1	Switch, Limit (Soft Touch Option)	
	4360407	1	Switch, Potentiometer (Platform Console Box Assembly)	
	4360387	1	Switch, Push Button (Platform Console Box Assembly)	
	1001137673	1	Switch, SkyGuard Assembly (CE Specs Machines)	
	1001161710	1	Switch, Toggle (Dual Fuel Machines - GM and Kubota Engines)	
	4360328	1	Switch, Toggle (Electrical Installation - 460SJ HC3)	
	4360336	1	Switch, Toggle (Generator Option)	
	1001155045	1	Switch, Toggle (Platform Console Box Assembly)	
	1001159256	1	Switch, Toggle (Platform Console Box Assembly)	
	1001161709	1	Switch, Toggle (Platform Console Box Assembly)	
	4360387	1	Switch, Toggle (Soft Touch Option)	

SECTION 11 - SPECIAL OPTIONS

SECTION 11 - SPECIAL OPTIONS

FIGURE 11-1. SPECIAL OPTIONS

ITEM	PART NUMBER	QTY	DESCRIPTION	REV
		Ref	Note: This list is to accommodate machines ordered with special equipment. Options may not be applicable to all models. For more specific parts information contact JLG Parts Department.	
		Ref	MISCELLANEOUS SPECIAL OPTIONS	
	1001174347	Ref	Airline Installation - 400S HC3	
	1001247683	Ref	Airline Installation- 460SJ HC3	
	1001171499	Ref	Boom and Chassis Bellows Installation (400S HC3)	
	1001249499	Ref	Boom and Chassis Bellows Installation (460SJ HC3)	
	1001206437	Ref	Boom Wear Pad Kit	
	1001172630	Ref	Boom Wiper Installation	
	1001247254	Ref	Boom Wiper Installation (460SJ HC3)	
	1001172045	Ref	Cable Carrier Tray Installation (460SJ HC3 Only) (Australian Specs)	
	1001227453	Ref	ClearSky Installation (ANSI and CSA Specs) (Canbus) (Factory Installed)	
	1001228955	Ref	ClearSky Installation (ANSI Export, CE & UK CA Specs) (Canbus) (Factory Installed)	
	1001246456	Ref	ClearSky Installation (Australian Specs) (Canbus) (Factory Installed)	
	1001246457	Ref	ClearSky Installation (China Specs) (Canbus) (Factory Installed)	
	1001276610	Ref	ClearSky (Telematics) Installation (3 Wire) (Factory Installed)	
	1001243183	Ref	ClearSky (Telematics) Added-on-Kit (Dealer Installed) (ANSI, ANSI Export, CSA and CE Specs)	
	1001246142	Ref	ClearSky (Telematics) Added-on-Kit (Dealer Installed) (Australian Specs)	
	1001243184	Ref	ClearSky (Telematics) Added-on-Kit (Dealer Installed) (CE & UK CA Specs)	
	1001276923	Ref	ClearSky (Telematics) GT1030 3 Wire Added-on-Kit (Dealer Installed)	
	1001242639	Ref	ClearSky (Telematics) Access Control Kit (Dealer Installed) (ANSI, ANSI Export, CSA, CE & UK CA Specs)	
	1001183207	Ref	Cold Weather Package - Deutz D2011 Engines (Factory Installed)	
	1001183206	Ref	Cold Weather Package - Deutz D2.9L4 Engines (Factory Installed)	
	1001204996	Ref	Cold Weather Package - Deutz D2.9L4 (400S HC3 Without Sky Power) (Dealer Installed)	
	1001204997	Ref	Cold Weather Package - Deutz D2.9L4 (400S HC3 With Sky Power) (Dealer Installed)	
	1001205008	Ref	Cold Weather Package - Deutz D2.9L4 (460SJ HC3 Without Sky Power) (Dealer Installed)	
	1001205009	Ref	Cold Weather Package - Deutz D2.9L4 (460SJ HC3 With Sky Power) (Dealer Installed)	
	1001216914	Ref	Cold Weather Package - Kubota Engines (Factory Installed)	
	1001255807	Ref	Cold Weather Package – Deutz Stage 5 (CE Specs)	
	1001177840	Ref	Container/Transport Wheels Installation - 12 x 16.5 Tires	
	1001177841	Ref	Container/Transport Wheels Installation - 14 x 17.5 Tires	
	1001247904	Ref	Container/Transport Wheels Installation - 33 x 12 D410 Tires	
	1001276007	Ref	Controller Service Kit - Drive/Steer	
	1001276008	Ref	Controller Service Kit - Lift/Swing	
	1001177524	Ref	Cribbing Switch Installation (ANSI and CSA Specs)	
	1001241340	Ref	Decal Kit - Platform Console Box	

SECTION 11 - SPECIAL OPTIONS

ITEM	PART NUMBER	QTY	DESCRIPTION	REV
	1001148902	Ref	Electrical Connector Kit - Amp/Tyco Electrical Connectors	
	1001148903	Ref	Electrical Connector Kit - Deutsch DT Electrical Connectors	
	1001148904	Ref	Electrical Connector Kit - Deutsch HD Electrical Connectors	
	1001148905	Ref	Electrical Connector Kit - Packard Electrical Connectors	
	1001148906	Ref	Electrical Connector Kit - Various Electrical Connectors	
	1001214833	Ref	Engine Block Heater - Kubota Engines	
	1001269630	Ref	Fall Arrest (Bolt-on) Add-on Kit - 48in Platform (Dealer Installed)	
	1001269629	Ref	Fall Arrest (Bolt-on) Add-on Kit - 60in Platform (Dealer Installed)	
	1001269631	Ref	Fall Arrest (Bolt-on) Add-on Kit - 72in Platform (Dealer Installed)	
	1001237883	Ref	Fall Arrest (Bolt-on) Add-on Kit - 72in Platform (Dealer Installed)	
	1001237882	Ref	Fall Arrest (Bolt-on) Add-on Kit - 96in Platform (Dealer Installed)	
	1001172751	Ref	Fan Cover Installation - Deutz D2.9L4 Engines	
	1001204482	Ref	Filter Kit - Combined (Hydraulic Oil/Air & Engine Air/Fuel Oil) (Deutz D2.9L4)	
	1001204481	Ref	Filter Kit - Combined (Hydraulic Oil/Air & Engine Air/Fuel Oil) (Deutz D2011)	
	1001225794	Ref	Filter Kit - Combined (Hydraulic Oil/Air & Engine Air/Fuel Oil) (Deutz D2.3L3)	
	1001236496	Ref	Filter Kit - Combined (Hydraulic Oil/Air & Engine Air/Fuel Oil) (Deutz D2.9L4) (Wet Stacking)	
	1001117294	Ref	Footswitch Shield Installation	
	1001202749	Ref	Fuel Cap Cover (Lockable) (Black) (Note: Lock Not Included Purchase Separately)	
	1001191395	Ref	Fuel Cap Cover (Lockable) (Green - Diesel Machines) (Note: Lock Not Included Purchase Separately)	
	1001191394	Ref	Fuel Cap Cover (Lockable) (Red - Gas Machines) (Note: Lock Not Included Purchase Separately)	
	1001220004	Ref	Ground Control Module Cover Kit	
	1001206439	Ref	Hose Kit - Power Track (Upper) (400S HC3)	
	1001206440	Ref	Hose Kit - Power Track (Upper) (460SJ HC3)	
	1001241396	Ref	Hostile Environment Kit (460S HC3)	
	1001241402	Ref	Hostile Environment Kit (460SJ HC3)	
	1001268751	Ref	Jib Lift Cylinder Kit (460SJ HC3)	
	1001174926	Ref	Lights Installation - Chassis Illumination	
	1001174925	Ref	Lights Installation - Headlights and Taillights	
	1001120466	Ref	Lights Installation - Platform Worklights	
	1001183407	Ref	Low Temperature Cutout Installation (Russian Specs)	
	1001173664	Ref	Oil Cooler Installation - Deutz D2011 Engines	
	1001164493	Ref	Oil Cooler Installation - Deutz D2.9L4 Engines/Deutz D2.9L4 Engines (Stage V)	
	1001216552	Ref	Oil Cooler Installation - Kubota Engines	
	1001258230	Ref	Oil Cooler Installation - T4F / Stage V	
	1001272166	Ref	Pipe Racks Add-on Kit (Dealer Installed)	
	1580013	Ref	Platform Corner Storage Tray	
	1001195304	Ref	Platform Cover Installation - Clear	
	1001266290	Ref	Platform Cover Installation - Steel	
	1001274832	Ref	Platform Floormat Add-on Kit - 30x60 Platform (Dealer Installed)	
	1001274830	Ref	Platform Floormat Add-on Kit - 36x72 Platform (Dealer Installed)	
	1001274829	Ref	Platform Floormat Add-on Kit - 36x96 Platform (Dealer Installed)	
	1001238421	Ref	Platform Leveling Kit	
	1001219794	Ref	Platform Hose and Cable Protection (400S HC3)	
	1001258715	Ref	Platform Hose and Cable Protection (460SJ HC3)	

SECTION 11 - SPECIAL OPTIONS

ITEM	PART NUMBER	QTY	DESCRIPTION	REV
	1001138773	Ref	Platform Mesh to Mid Rail Installation - 36 x 96 Platforms (Factory Installed)	
	1001266489	Ref	Plastic Platform Mesh to Top Rail Installation - 36 x 72 Platforms (Factory Installed)	
	1001266056	Ref	Plastic Platform Mesh to Top Rail Installation - 36 x 96 Platforms (Factory Installed)	
	1001266098	Ref	Plastic Platform Mesh to Mid Rail Installation - 36 x 96 Platforms (Factory Installed)	
	1001214478	Ref	Platform Mesh to Mid Rail Kit - 30 x 48 Platforms (Dealer Installed)	
	1001214515	Ref	Platform Mesh to Mid Rail Kit - 30 x 60 Platforms (Dealer Installed)	
	1001214540	Ref	Platform Mesh to Mid Rail Kit - 36 x 72 Platforms (Dealer Installed)	
	1001214548	Ref	Platform Mesh to Mid Rail Kit - 36 x 96 Platforms (Dealer Installed)	
	0273149	Ref	Platform Mesh to Top Rail Installation - 36 x 72 Platforms (Factory Installed)	
	0273145	Ref	Platform Mesh to Top Rail Installation - 36 x 96 Platforms (Factory Installed)	
	1001214552	Ref	Platform Mesh to Top Rail Kit - 30 x 48 Platforms (Dealer Installed)	
	1001214559	Ref	Platform Mesh to Top Rail Kit - 30 x 60 Platforms (Dealer Installed)	
	1001214560	Ref	Platform Mesh to Top Rail Kit - 30 x 72 Platforms (Dealer Installed)	
	1001214561	Ref	Platform Mesh to Top Rail Kit - 36 x 72 Platforms (Dealer Installed)	
	1001214562	Ref	Platform Mesh to Top Rail Kit - 36 x 96 Platforms (Dealer Installed)	
	0272733	Ref	Platform Rail Extension Installation - 36 x 72 Platforms	
	0272725	Ref	Platform Rail Extension Installation - 36 x 96 Platforms	
	1001233079	Ref	Pump Rotation Pump	
	1001204963	Ref	Service Kits	S
	1001247073	Ref	SkyEye Retrofit Kit	
	1001241547	Ref	SkyEye LH Housing Kit	
	1001241548	Ref	SkyEye RH Housing Kit	
	1001262102	Ref	SkyGlazier Decal (English)	
	1001262103	Ref	SkyGlazier Decal (Spanish)	
	1001262104	Ref	SkyGlazier Decal (Portuguese)	
	1001262105	Ref	SkyGlazier Decal (Australian)	
	1001203510	Ref	SkyGuard Kit (Without Beacon)	
	1001203512	Ref	SkyGuard Kit (With Blue Beacon)	
	1001210037	Ref	SkyGuard Kit (With Red Beacon)	
	1001262016	Ref	SkyLine Add-on Kit (Dealer Installed)	
	1001250465	Ref	SkySense/Enhanced Detection System (EDS) Level 1 (2 Bar) Installation (Factory Installed)	
	1001250466	Ref	SkySense/Enhanced Detection System (EDS) Level 2 (3 Bar) Installation (Factory Installed)	
	1001252033	Ref	SkySense/Enhanced Detection System (EDS) Level 1 (2 Bar) Add-on Kit (Dealer Installed)	
	1001252034	Ref	SkySense/Enhanced Detection System (EDS) Level 2 (3 Bar) Add-on Kit (Dealer Installed)	
	1001178951	Ref	Strobe Light Installation - Platform Mounted (Amber)	
	1001177570	Ref	Strobe Light Installation - Platform/Ground Mounted (Amber)	

SECTION 11 - SPECIAL OPTIONS

ITEM	PART NUMBER	QTY	DESCRIPTION	REV
	1001231235	Ref	Sky Welder Locking Bracket	
	2901443	Ref	Tools - Analyzer Kit	
	1001249695	Ref	Analyzer & Cable Kit	
	1001249941	Ref	Analyzer & Cable Kit (Battery Powered)	
	1001137005	Ref	Tools - Cable Kit, Software	
	7002821	Ref	Tools - Crimper, Wire	
	7002823	Ref	Tools - Pin Extractor - Universal (For Electrical Connectors with Pins and Sockets)	
	4460510	Ref	Tools - Pin Extractor - 12-14 Gauge (For Removal of Pin/Sockets from Deutsch Connectors)	
	4460467	Ref	Tools - Pin Extractor - 16-18 Gauge (For Removal of Pin/Sockets from Deutsch Connectors)	
	7016654	Ref	Tools - Screwdriver, Magnetic	
	7002822	Ref	Tools - Screwdriver, Potentiometer	
	7004275	Ref	Tools - Seal Tool 1 (For Cylinders)	
	7004276	Ref	Tools - Seal Tool 1-1/2 (For Cylinders)	
	2915102	Ref	Turntable Bearing Kit	
	1001274249	Ref	USB Charger Port Add-on Kit (Dealer Installed)	
	1001262959	Ref	Voltage Regulator Relocation Kit	
	1001209059	Ref	Work Surface Installation	
	1001270755	Ref	White Noise Alarm (Ambient) Add-on Kit (Dealer Installed)	
	1001270716	Ref	White Noise Alarm (Constant) Add-on Kit (Dealer Installed)	

PART NUMBER INDEX

SECTION 11 - SPECIAL OPTIONS

0080201.....274, 288	0275216 507, 595	0700408 ... 505, 507, 509,	0760610.... 111, 113, 121,
0080231192, 202	0275217 511, 597	511, 513, 515, 517,	123, 125, 149, 151,
0100009.....415	0275452 515, 599	519, 521, 523, 525	171, 175, 186, 192,
0100011.... 17, 19, 21, 23,	0275453 519, 601	0700610 187, 197	196, 202, 211, 216,
25, 27, 29, 61, 63, 71,	0275454 523, 603	0700612 121	222, 228, 239, 246,
73, 97, 111, 113, 117,	0360406 67	0700614 186, 196	267, 274, 281, 288,
119, 121, 133, 135,	0363019 65, 67	0700618 ... 553, 555, 557,	307, 309, 311, 327,
149, 151, 160, 164,	0400075 111, 113	559	331, 335, 339, 343,
168, 171, 173, 175,	0440162 ... 186, 196, 210,	0700619 ... 490, 553, 555,	347, 351, 355, 359, 537
177, 186, 189, 192,	222, 239, 267, 281, 371	557, 559	0760612.... 117, 119, 123,
196, 199, 202, 210,	0440237 371	0700620 123, 125	125, 274, 288
213, 216, 222, 225,	0440240 91	0700810 274, 288	0760613..... 210, 222, 239
228, 239, 243, 246,	0440271 23	0700814 274, 288	0760614.... 171, 173, 175,
255, 261, 263, 267,	0480122 315	0700815 274, 288	177, 193, 203, 339, 535
271, 274, 281, 285,	0480126 327, 343	0700816 276, 290	0760615..... 155, 157
288, 313, 315, 319,	0480128 331, 347	0700817 ... 186, 196, 210,	0760619..... 498
323, 327, 331, 335,	0480129 356	222, 239, 267, 281	0760806.... 553, 555, 557,
339, 343, 347, 351,	0630462 447, 449	0700818 ... 331, 335, 343,	559
355, 359, 367, 369,	0630518 ... 147, 425, 435,	347, 351, 355, 359	0760808.... 216, 228, 248,
371, 377, 379, 381,	437, 441	0700819 355	274, 288
383, 385, 387, 391,	0630534 467	0700821 ... 186, 196, 210,	0760810.... 218, 230, 246,
393, 395, 397, 407,	0630563 ... 545, 547, 549,	222	377
409, 411, 413, 429,	551	0700822 239	0760812.... 216, 228, 246,
431, 435, 437, 441,	0630568 415	0701016 276, 290, 355	267, 274, 281, 288,
447, 449	0630613 160, 164, 168	0701017 210, 222, 239	307, 309, 311, 315,
0100019.... 27, 29, 85, 91,	0641404 431	0701018 99, 101, 103,	319, 327, 332, 336,
319, 327, 331, 335,	0641405 415, 431	105	344, 348, 352, 529,
339, 343, 347, 351, 359	0641406 ... 433, 635, 637,	0701020 99, 101, 103,	553, 555, 557, 559
0100020..... 59, 186, 192,	639, 641, 643, 645,	105, 371	0760814.... 192, 202, 216,
196, 202, 210, 216,	647, 649, 651, 653, 655	0701022 ... 553, 555, 557,	228, 246, 261, 263,
217, 222, 228, 239,	0641410 ... 171, 173, 175,	559	274, 288, 323, 355,
246, 267, 274, 281,	177	0701216 274, 288	545, 547, 549, 551,
288, 417, 505, 507,	0641414 ... 415, 429, 447,	0701217 17	553, 555, 557, 559
509, 511, 513, 515,	449	0701219 313	0760815.... 192, 202, 218,
517, 519, 521, 523, 525	0641416 ... 505, 507, 509,	0701220 97	230, 246, 274, 288
0100035..... 99, 101, 103,	511, 513, 515, 517,	0701223 313	0760816..... 65, 160, 164,
105, 137, 257, 415, 425	519, 521, 523, 525	0701224 ... 274, 288, 313,	168, 276, 290
0100048.... 153, 315, 319,	0641418 ... 391, 395, 397,	323, 355	0761006.... 553, 555, 557,
323, 327, 331, 335,	407, 409, 411, 413	0701617 23, 25	559
339, 343, 347, 351,	0641420 393	0701618 85	0761009.... 315, 379, 381
355, 359	0641504 65, 186, 196,	0701619 363, 365	0761010..... 71, 73
0100079.... 327, 331, 335,	211, 222, 239, 267,	0711214 216, 228, 246	0761011.... 19, 21, 23, 25
343, 347, 351, 355	281, 545, 547, 551	0711220 19, 21, 23, 25	0761012 27, 29, 111, 113,
0100081.... 192, 202, 216,	0641507 ... 315, 319, 323	0711224 ... 192, 202, 216,	160, 164, 168, 171,
228, 246, 276, 290,	0641605 549	228, 246, 261, 263,	175, 311, 367, 371,
443, 545, 547, 549,	0641606 435, 437, 441	315, 319, 323, 327,	379, 381
551, 553, 555, 557, 559	0641610 255, 257	331, 335, 339, 343,	0761014..... 99, 101, 103,
0140011 415	0641612 59, 65	347, 351, 355, 359	105, 117, 119, 121,
0140043 123, 125	0641616 ... 327, 331, 335,	0711629 23, 25	160, 164, 168, 173,
0181949 59	339, 343, 347, 351, 359	0721005 449	177, 179, 216, 228,
0200048 447, 449	0641772 ... 315, 319, 323	0721006 255, 257	239, 246, 267, 274,
0270022 503	0641812 ... 189, 199, 213,	0731005 99, 101, 103,	281, 288, 315, 319,
0270092 49	225, 243, 271, 285	105, 117, 119, 121, 447	377, 381, 545, 547,
0270653 53	0642012 443	0741606 216, 228, 246	549, 551
0271998 47	0642212 443	0741607 ... 327, 331, 335,	0761015 71, 73, 186, 192,
0272254 435	0681608 ... 218, 230, 377	339, 351, 359	196, 202, 210, 216,
0272427 449	0681620 ... 451, 453, 455,	0741608 355	222, 228, 239, 246,
0272435.... 349, 353, 357	457	0760415 387	267, 274, 281, 288,
0272448 663	0681810 27, 29	0760605 274, 288	319, 323, 371
0272521 437	0681814 405	0760606 ... 274, 288, 327,	0761016..... 93, 117, 119,
0272588 661	0681822 405	331, 335, 339, 343,	121, 216, 228, 246,
0272589 345, 360	0682014 27, 29	347, 351, 359	274, 288, 323, 387
0272725 672	0682026 91	0760607 ... 218, 230, 246,	0761018..... 545, 547
0272733 672	0682040 67	498	0761019..... 367, 369
0273145 672	0682424 ... 451, 453, 455,	0760608 ... 168, 173, 177,	0761210..... 65, 216, 228,
0273149 672	457	274, 288, 315, 319,	246
0273380.... 349, 353, 357		323, 553, 555, 557, 559	

SECTION 11 - SPECIAL OPTIONS

0761212 ... 216, 228, 246, 335, 339, 351, 359, 369	1001091974..... 519	1001117174..... 415, 417	1001135679 319, 335, 339, 352
0761214 ... 319, 323, 327, 331, 343, 347, 355	1001091975..... 523	1001117294..... 671	1001136358 499
0761215 97, 323, 355	1001093382..... 111, 113	1001117308..... 217, 229, 247	1001136834 217, 229, 247
0761216 377	1001095704..... 628	1001117372..... 461	1001137005 673
0761217 367, 369	1001096070..... 327, 339, 539	1001118274..... 276	1001137032 367, 369
0761218 363, 365	1001097051..... 611	1001118378..... 627	1001137336 276, 290
0761615 17	1001097150..... 539, 541, 543	1001118384..... 617	1001137673 429, 667
0761620 85	1001097244..... 445	1001118388..... 615, 617	1001138173 192, 202, 217, 229, 247, 275, 289
0771212 ... 211, 223, 239, 246	1001098122..... 417, 593	1001118666..... 369	1001138175 192, 202, 217, 229, 247, 275, 289
0771414 ... 192, 202, 216, 228, 246, 261, 263, 315, 319, 327, 331, 335, 339, 343, 347, 351, 359	1001098828..... 377	1001118878..... 217, 229, 247	1001138228 217, 229, 247, 666
0771416 ... 327, 331, 343, 347	1001099366..... 443	1001118971..... 387	1001138248 192, 203, 217, 229, 247, 276, 290
0772018 85	1001099367..... 443	1001118972..... 27, 29, 61, 63, 99, 101, 103, 105, 117, 119, 121, 268, 282	1001138494 393, 395, 397, 407, 409, 411, 413
0860038 ... 331, 335, 347, 351, 355, 503	1001099560..... 367	1001119020..... 619, 628	1001138514 393, 395, 397, 411, 413
0860520 ... 635, 637, 639, 641, 643, 645, 647, 649, 651, 653, 655	1001100341..... 595	1001119032..... 627	1001138565 327
0861538 ... 347, 351, 355	1001100342..... 597	1001119278..... 196, 222, 281	1001138566 328, 332, 335, 339
0861572 343, 359	1001100345..... 599	1001119619..... 609	1001138671 369
0861731 ... 505, 517, 521, 525, 599, 601, 603	1001100346..... 603	1001119620..... 607, 611	1001138773 672
0861781 ... 509, 513, 595, 597	1001100347..... 601	1001120328..... 123, 125, 429, 431	1001138795 467
0861880 539, 541	1001101191..... 507, 511, 515, 519, 523	1001120466..... 671	1001138827 217, 229
0902733 65	1001101196..... 507, 511	1001120471 445	1001139240 217, 229
0902734 65	1001101197..... 515, 519, 523	1001120477 445	1001139357 328, 332
0902888 ... 331, 335, 343, 347, 351, 355, 359	1001103012..... 627	1001120484..... 445	1001139384 171, 173, 175, 177
0940049 ... 117, 119, 121, 160, 164, 168	1001104029..... 331, 335, 344, 348, 352, 356, 359	1001120989..... 658	1001139586 23, 25
0940092 447, 449	1001104498..... 627	1001125387..... 211, 223	1001139654 239
0940094 447, 449	1001106736..... 123, 125	1001125677..... 593, 628	1001139819 192, 202
0940102 443	1001107854..... 627	1001126009..... 617	1001140312 230
0940103 449	1001108256..... 447	1001126351..... 567, 572	1001140346 336
0940177 447	1001110434..... 415	1001126352..... 567	1001140347 339
0961845 ... 391, 393, 395, 397, 407, 409, 411, 413	1001110872..... 527, 605	1001126356..... 567	1001140429 391, 393, 395, 397, 407, 409, 411, 413
0961893 467	1001110873..... 331, 335, 348, 352, 356, 503	1001126357..... 567	1001140564 217, 229
0961947 371, 375	1001111424..... 111, 113, 192, 202, 217, 229	1001126362..... 567, 571	1001141300 658
0961948 19, 21, 23	1001112551..... 639	1001126363..... 567, 571	1001141302 658
0961950 17, 367, 469, 471	1001112612..... 619, 628	1001126364..... 571	1001141304 217, 229, 247
0961951 ... 192, 202, 216, 228, 246, 274, 288, 367	1001112796..... 619	1001126365..... 567	1001141694 193, 202, 217, 229, 247
0962036 369	1001113047..... 168	1001126384..... 567	1001141870 255, 257
0962051 313	1001113680..... 641	1001126391..... 567, 571	1001141995 193, 202, 217, 229, 247, 275, 289
0962155 371	1001113961..... 627	1001126392..... 571	1001142501 211, 222, 239, 255, 257
0962270 405	1001116208..... 658	1001126485..... 572	1001142643 336, 352
0962292 23	1001116693..... 593	1001126487..... 572	1001142646 336, 352
0962336 467	1001116710..... 577	1001128527..... 441	1001142683 155, 157, 666
0962348 23, 25	1001116720..... 613, 615	1001128556..... 441	1001142736 155, 157, 619
0962520 ... 327, 331, 335, 339, 343, 347, 351, 355, 359	1001116725..... 627	1001129858..... 332	1001142938 568, 571
1001001939 276	1001116727..... 567	1001130492..... 658	1001142940 568, 571
1001091102 59, 535, 537	1001116728..... 567	1001131269..... 635, 637, 647, 649	1001142941 571
1001091969 507	1001116732..... 583	1001132195..... 192, 202	1001143390 193, 202, 217, 229, 247
1001091970 511	1001116734..... 583	1001132196..... 192, 202	1001143797 217, 229, 247
1001091973 515	1001116748..... 627	1001133714..... 568, 572, 579	1001143852 658
	1001116763..... 627	1001133715..... 568, 572, 579	
	1001116774..... 619	1001133956..... 567, 572	
	1001116808..... 619	1001133957..... 567, 572	
	1001116812..... 571	1001134289..... 371, 375	
	1001116952..... 567, 571	1001134488..... 217, 229	
	1001116983..... 577	1001134543..... 85	
	1001117057..... 583	1001135196..... 186, 196, 210, 222, 239, 267, 281	
	1001117106..... 567, 571, 628	1001135650..... 572, 579	
	1001117107..... 567, 571	1001135651..... 568, 572	
	1001117110..... 628		
	1001117140..... 168		
	1001117172..... 417		

SECTION 11 - SPECIAL OPTIONS

1001144116.....217, 229, 247	1001155045..... 127, 129, 131, 415, 667	1001165035 210, 223, 239	1001167635.....572
1001144433.....429	1001155823..... 210, 222, 239	1001165060 160, 164	1001167916.....71
1001144629.....399, 401, 403, 407, 409	1001156107 186, 196, 240	1001165363 479, 481	1001167918..... 168
1001146397.....47, 55	1001156819 267, 282	1001165388 193, 203, 217, 229, 247	1001168018..... 193, 203, 217, 229, 247, 261, 263, 275, 289, 316, 319, 323, 328, 332, 336, 340, 344, 348, 352, 356, 360
1001146588.....240, 248	1001157196 415, 666	1001165389 193, 203	1001168026.....217, 229, 247
1001147233.....323, 356	1001157520 345, 349, 353, 357, 360	1001165405 217, 229, 247	1001168059..... 193, 203
1001147264.....567	1001157521 345, 349, 353, 357, 360	1001165406 217, 229, 247	1001168099.....217, 229, 247
1001147274.....49, 53	1001157525 344, 360	1001165531 379	1001168166.....218, 229, 247, 275, 289
1001147812.....275, 289	1001157528 345, 349, 353, 357, 360	1001165534 379, 381	1001168173..... 160, 164
1001147813.....276, 290, 666	1001157592 348, 352, 356	1001165538 379	1001168207.....261, 319, 336, 340, 352, 360
1001148059.....340, 359	1001158007 345, 349, 353, 357, 360	1001165721 217, 229	1001168209..... 463, 465, 479, 481
1001148138.....320, 323	1001158008 332, 336, 345, 349, 353, 357, 360	1001165722 217, 229, 247	1001168210..... 463, 465
1001148641.....186, 197, 316, 319, 328, 332, 336, 340, 344, 348, 352, 359	1001158363 332, 336	1001165849 217, 229, 247	1001168402..... 377
1001148675.....527, 605	1001159118 527, 605	1001166000 213, 216	1001168841..... 367
1001148841.....579	1001159119 527, 605	1001166001 210, 213	1001168842..... 367, 369
1001148842.....579	1001159120 527, 605	1001166002 210	1001168843..... 363
1001148865.....49	1001159121 605	1001166003 222	1001168844..... 363
1001148866.....49	1001159162 123, 125	1001166020 189, 192	1001168845..... 363
1001148869.....53	1001159256 415, 667	1001166021 186, 189	1001168848..... 367
1001148870.....53	1001159323 168, 657	1001166022 186	1001168849..... 367
1001148875.....47	1001161709 415, 667	1001166023 196	1001168854..... 363
1001148876.....47	1001161710 267, 281, 667	1001166478 65	1001168855..... 97
1001148902.....671	1001162335 218, 230, 255	1001166538 415, 419	1001168992..... 91
1001148903.....671	1001162531 71, 75	1001166539 415, 421, 666	1001169046..... 160, 164, 168
1001148904.....671	1001162537 27, 29, 45	1001166563 17	1001169054.....218, 229, 247, 275, 289
1001148905.....671	1001162538 71, 73, 83	100116671099, 101, 103, 105	1001169086..... 61
1001148906.....671	1001162995 17	1001166717 193, 203	1001169138.....218, 230, 247, 275, 289
1001149160.....160, 164, 168, 275, 289	1001163178 ... 19, 21, 23, 25, 477	1001166718 193, 203, 217, 229, 247, 261, 263, 275, 289	1001169185..... 97
1001149639.....275, 289	1001163179 ... 19, 21, 23, 25	1001166894 313	1001169191..... 93
1001149953.....47, 49, 53, 55	1001163385 363, 473	1001166921 217, 229, 247	1001169192..... 93
1001150324 17, 117, 119, 121	1001163386 367, 463	1001166922 217, 229, 247, 263	1001169193..... 93
1001150326.....17	1001163405 ... 19, 21, 23, 25	1001166924 217, 229, 247	1001169284..... 367, 369
1001150918.....197, 223, 281	1001163418 99, 101	1001166970 210, 223, 239	1001169285..... 367, 369
1001150998..... 193, 202	1001163459 367	1001166997 479	1001169286..... 367, 369
1001151393..... 139, 141, 143, 145	1001163580 17, 461	1001167036 189, 199, 213, 225, 243, 271, 285, 301	1001169287..... 367, 369
1001152456.....332, 336	1001163671 103, 105	1001167038 186, 196	1001169288..... 367, 369
1001152457.....332, 336	1001163715 19, 23	1001167108 217, 229, 567	1001169289..... 367, 369
1001152483.....543	1001163716 19, 21, 23	1001167111 193, 203, 565	1001169380..... 367, 369
1001152485.....537, 543	1001163717 23, 25	1001167159 160, 164	1001169496..... 95
1001152489.....217, 229, 247	1001163722 23, 25	1001167164 307, 309, 311	1001169582..... 95
1001152525.....332, 336, 344, 349, 353, 357, 360	1001163724 23, 25	1001167512 186, 197, 210, 223, 239, 267, 281	1001169611..... 379, 381
1001152530.....332, 336	1001163726 23, 25	1001167520 193, 203, 217, 229, 247	1001169761..... 59
1001152532..... 328, 332, 336, 340, 585	1001163959 27, 29	1001167565 377	1001169823..... 186, 197, 210, 223, 239
1001153260.....332, 336	1001164092 19	1001167567 377	1001169955..... 61, 63
1001154405.....210, 222, 239, 255, 257	1001164094 17	1001167596 377	1001169967.....218, 230, 247, 275, 289
1001154726.....583	1001164095 23	1001167632 571	1001169973..... 61
1001155041.....319, 323, 356	1001164202 313		1001170035.....218, 230, 247, 275, 289
1001155043.....127, 129, 131	1001164209 19, 21, 23		1001170094..... 123, 666
1001155044.....119, 127, 129, 131, 267, 281, 415	1001164493 671		1001170145..... 111
	1001164552 17		1001170224..... 305
	1001164709 469, 471		
	1001164817 461		

SECTION 11 - SPECIAL OPTIONS

1001170551 160, 164, 171	1001172816..... 153	1001176336.....553, 555, 557, 559	1001184618..... 635, 637, 639, 641, 643, 645, 647, 649, 651, 653, 655
1001170552 160, 164, 175	1001173342.....210, 223, 240, 577	1001176469..... 143, 145	1001184626 415
1001170564 387	1001173354..... 160, 164, 168	1001176848.... 19, 21, 23, 25	1001184637 316
1001170565 387	1001173356..... 160	1001176862.....527	1001184644 316
1001170642 387	1001173456..... 545, 547, 549, 551, 553, 555, 557, 559	1001176899.....379, 381	1001184645 316
1001170650 307	1001173535..... 274, 288	1001176952.....531, 545, 547, 549, 551	1001184682 151
1001170662 307	1001173664..... 671	1001177359.....218, 230, 247	1001185281 415
1001170663 307, 309	1001173665..... 545, 547, 549, 551, 553, 555, 557, 559	1001177451 657	1001185821 111, 113, 115
1001170664 307, 309, 311	1001173703..... 658	1001177524 670	1001186333 405
1001170693 193, 203, 205	1001173761..... 545, 547, 549, 551	1001177570.....672	1001186377 393
1001170736 65	1001173763..... 379, 381	1001177840 670	1001186379 395
1001170764 572	1001173807..... 545, 547, 549, 551, 561	1001177841 670	1001186382 397
1001170847 383, 385, 387	1001173808..... 545, 547, 549, 551, 621	1001177845.....657	1001186383 403
1001170850 160, 164	1001173810..... 347	1001178415.....657	1001186384 401
1001171067 367, 369	1001173811..... 343	1001178435.....658	1001186386 399
1001171112 367	1001173889..... 491, 499	1001178788.....217, 229, 247	1001186431 429, 613
1001171131 527	1001173900..... 491, 499	1001178859..... 193, 203	1001186432 613, 615, 617
1001171324 367, 369	1001173901..... 491, 499	1001178876.....218, 230	1001186517 429
1001171482 127, 129, 131	1001173902..... 491, 499	1001178951 672	1001187077 628
1001171499 670	1001173903..... 491	1001179154..... 332, 336, 348, 353, 356	1001187078 628
1001171667 367, 369	1001173904..... 491	1001179836..... 319, 323	1001187382 377
1001171953 189, 199, 213, 225, 243, 271, 285	1001173907..... 491, 499	1001179837 319, 323	1001187383 377
1001171954 189, 199, 213, 225, 243, 271, 285	1001173908..... 491, 499	1001179893.....320, 324	1001187522 316, 320, 324, 583
1001171966 367, 369	1001173909..... 491	1001179903.....218, 230, 247	1001187674 427
1001171967 367, 369	1001173925..... 328, 332, 344, 348	1001180001.....319, 323	1001187681 609
1001172045 670	1001173927..... 545, 547, 549, 551	1001180620.....218, 230, 247, 275, 289	1001187807 147, 425
1001172128 545, 547, 549, 551	1001173937..... 491	1001180797 319	1001188334 97
1001172195 186, 197	1001173983..... 331	1001180798 315	1001188622 377
1001172564 657	1001174040..... 377	1001181045.....539, 541, 666	1001188731 316, 320, 324
1001172565 657	1001174098..... 160, 164, 168	1001181074..... 491, 499	1001188844 377
1001172570 657	1001174158..... 340	1001181075..... 491, 499	1001188972 196, 222, 281
1001172571 657	1001174347..... 670	1001181145 658	1001189001 377
1001172572 657	1001174367..... 351	1001181243..... 320, 324	1001189002 377
1001172577 443	1001174486..... 267, 281	1001181329..... 549, 551, 553, 555, 557, 559	1001189171 543, 666
1001172578 443	1001174673..... 381	1001181405 153	1001189172 543, 666
1001172594 210, 223	1001174675..... 340, 344, 348, 352, 356, 360	1001181895 230	1001190368 ... 19, 21, 23, 25
1001172620 657	1001174777..... 225, 228	1001181899 65	1001190663 149, 151
1001172630 670	1001174778..... 223, 225	1001182155 65	1001190921 628
1001172692 491, 499	1001174783..... 199, 202	1001182245 63	1001190985 377
1001172694 491	1001174784..... 197, 199	1001182250 63	1001191275 490, 498
1001172695 491, 499	1001174925..... 671	1001182296.....316, 320, 324	1001191276 490, 498
1001172696 491	1001174926..... 671	1001182361 572	1001191394 671
1001172697 491, 500	1001175024..... 490, 498	1001182365 572	1001191395 671
1001172698 491, 499	1001175068..... 305	1001182570.....383, 385, 387	1001191620 218, 230, 247
1001172699 491, 499	1001175071..... 305	1001182806 149	1001192292 613
1001172703 491, 499	1001175073..... 313	1001183206 670	1001192401 628
1001172707 491, 499	1001175074..... 313	1001183207 670	1001193018 505, 507, 509, 511, 513, 515, 517, 519, 521, 523, 525
1001172716 491, 499	1001175075..... 313	1001183407 671	1001193336 99, 101
1001172717 491, 499	1001175170..... 549	1001183477 316, 320	1001193654 491, 499
1001172718 491, 499	1001175171..... 557	1001184542..... 491, 499	1001194197 517
1001172719 491, 499	1001175542..... 335	1001184543..... 491, 499	1001194198 521
1001172721 491, 499	1001175631..... 332, 336	1001184561 491	1001194200 525
1001172722 491, 499	1001176330..... 275, 289	1001184562 491	1001194203 509
1001172723 491, 499		1001184563 491	1001194204 513
1001172751 671			1001194365 505
1001172757 117, 119, 121, 123, 125			1001195039 268, 282
1001172760 415			

SECTION 11 - SPECIAL OPTIONS

1001195304.....671	1001206314 160, 164, 168	1001214269 289	1001219601..... 123, 125
1001196382.....328, 332, 336, 340, 344, 348, 352, 360	1001206402 168	1001214276 275, 289	1001219794.....671
1001196589.....627	1001206403 168	1001214277 275, 289	1001220004.....671
1001196602.....627	1001206404 168, 173	1001214278 275, 289	1001220266.....240
1001196604.....628	1001206405 173	1001214307 275, 289	1001221402.....139
1001196634.....259, 628, 666	1001206418 168, 177	1001214478 672	1001221403.....141
1001196636.....627	1001206437 670	1001214502 267, 282	1001221405.....143
1001197017 447, 449	1001206439 671	1001214508 275, 289	1001221927..... 367, 373
1001197272 490, 498	1001206440 671	1001214515 672	1001222043.....168
1001197284 491, 500	1001206440 671	1001214540 672	1001222044.....168
1001197408 643	1001206476 529	1001214546 324, 356	1001222139.....139
1001197719 572	1001206532 415	1001214548 672	1001222140.....141
1001199035.....657	1001206625 469, 471	1001214552 672	1001222142.....143
1001199036.....657	1001206917 99, 103, 107	1001214553 275, 289	1001222305..... 635, 637
1001199177 107, 109	1001207004 157	1001214555 275, 289	1001223122..... 248, 328, 332, 336, 340, 344, 348, 352, 360
1001199207 160, 164, 168	1001207332 491, 499	1001214556 275, 289	1001223309..... 309
1001199901 160, 164, 168	1001207333 491, 499	1001214558 275, 289	1001223310..... 309
1001200128.....658	1001207340 490	1001214559 672	1001223328..... 309
1001200129.....658	1001207349 99	1001214560 672	1001223387..... 168
1001200130.....658	1001207350 103	1001214561 672	1001223453..... 635, 647, 655
1001200131 658	1001207726 177	1001214562 672	1001223454..... 309
1001200132 658	1001208874 71, 73	1001214570 529	1001223459.....571
1001200133 658	1001208994 377	1001214571 529	1001223971..... 647, 649
1001200134 658	1001209059 673	1001214598 275, 290	1001224048..... 653
1001200458 171, 175	1001209432 529	1001214599 276, 290	1001224049..... 655
1001200491 377	1001209474 529	1001214664 276, 290	1001224050..... 645
1001200494 377	1001209618 149	1001214694 276, 290	1001224052..... 641
1001200910 155	1001209664 429	1001214833 671	1001224053..... 651
1001201351 377	1001209677 537	1001214841 276, 290	1001224888..... 379, 381
1001201633 175	1001209832 537	1001214909 323	1001225346..... 529
1001201634 175	1001209844 275, 289, 299	1001214910 355	1001225430..... 233, 666
1001201635 171	1001210037 672	1001214975 193, 203	1001225431..... 666
1001201636 171	1001210636 445	1001215125 276, 290	1001225580..... 429, 615
1001202298 160, 164	1001211336 103, 105	1001215228 415	1001225794..... 671
1001202687 377	1001211633 168	1001215259 267, 282	1001226400..... 531, 533
1001202749 671	1001211636 168	1001215373 123, 125	1001226531..... 529
1001202910 490, 498	1001211794 275, 289	1001215523 356	1001226872..... 391
1001202940 490	1001211797 275, 289	1001215801 267, 282	1001227453..... 670
1001202941 491	1001211877 307	1001215869 276, 290	1001227633..... 427
1001202943 491	1001211878 307	1001216080 282	1001227634..... 427
1001202944 491	1001212223 352, 356, 360	1001216396 267, 282	1001227985..... 427
1001202946 491	1001212257 267, 281	1001216397 267, 282	1001227987..... 427
1001203434 545, 547	1001212415 666	1001216399 268, 282	1001227996..... 607, 611
1001203435 553, 555	1001212819 168	1001216512 311	1001228092..... 363, 469
1001203459 553, 555, 557, 559	1001212822 168	1001216547 311	1001228215..... 391
1001203510 672	1001212989 275, 289	1001216549 311	1001228224..... 427
1001203512 672	1001212993 275, 289	1001216552 671	1001228225..... 427
1001203655 405	1001213029 324, 356	1001216598 164	1001228243..... 409
1001204481 671	1001213062 267, 281	1001216630 377	1001228375..... 413
1001204482 671	1001213305 275, 289	1001216655 491, 499	1001228376..... 407
1001204510 639, 658	1001213425 275, 289	1001216805 324, 356	1001228377..... 411
1001204715 383, 385, 387	1001213426 275, 289	1001216825 276, 290	1001228406..... 160, 164, 168
1001204725 377	1001213447 593	1001216840 324	1001228487..... 85, 88
1001204963 672	1001213482 275, 289	1001216914 670	1001228492..... 85
1001204996 670	1001213599 267, 281, 575	1001217342 323, 355	1001228955..... 670
1001204997 670	1001213824 275, 289	1001217343 274, 288	1001228988..... 441, 661, 663
1001205008 670	1001213882 415	1001217344 323, 355	1001229341..... 427
1001205009 670	1001214029 658	1001217345 268, 282, 323, 355	1001229795..... 581
1001205958 515, 517, 519, 521, 523, 525	1001214138 275, 289	1001217494 267, 274, 282, 288	1001229796..... 581
	1001214205 275, 289	1001217785 267, 281	1001229798..... 268, 282, 581
	1001214207 189, 199, 213, 225, 243, 271, 285	1001218538 181	
	1001214233 275, 289	1001218676 181	
	1001214234 275, 289	1001219130 181	
		1001219134 168	

SECTION 11 - SPECIAL OPTIONS

1001230635 217, 229, 247	1001234601..... 651	1001237698..... 365, 475	1001243184 670
1001230784 328, 340, 535	1001234602..... 653	1001237699..... 365, 471	1001243414 160, 164, 168
1001230907 535	1001234603..... 655	1001237822..... 117, 119, 121	1001243755 381
1001230908 327	1001234604..... 647	1001237849..... 117, 119, 121, 627	1001243756 381
1001230931 627	1001234605..... 645	1001237862..... 607, 611	1001243895 259
1001230934 572	1001234606..... 641	1001237863..... 427, 611	1001244019 261
1001230935 572	1001234607..... 643	1001237864..... 427, 607	1001244024 263
1001230936 572	1001234608..... 657	1001237865..... 427, 609	1001244212 657
1001231195 99, 101, 103, 105	1001234619..... 639	1001237882..... 671	1001244283 239
1001231235 673	1001234620..... 637	1001237883..... 671	1001244285 240, 243
1001231801 657	1001234621..... 649	1001237949..... 369	1001244286 243, 246
1001231886 149	1001234622..... 657	1001238138..... 545, 547, 549, 551	1001244541 553, 555, 557, 559
1001231949 457	1001234800..... 572	1001238160..... 117, 119, 121, 631	1001244545 553, 555, 557, 559
1001231950 453, 455	1001234811..... 371, 375	1001238161..... 117, 119, 121, 589	1001244976 415
1001232010 453, 455, 457	1001235527..... 133	1001238168..... 371	1001245195 51
1001232011 453, 455, 457	1001235528..... 133, 135, 137	1001238254..... 415, 593	1001245196 51
1001232026 635, 637, 639, 641, 643, 645, 647, 649, 651, 653, 655	1001235529..... 133, 135, 137	1001238263..... 451, 453, 455, 457	1001245197 51
1001232164 427	1001235531..... 127, 133	1001238319..... 427	1001245198 51
1001232165 427	1001235535..... 657	1001238328..... 369, 371	1001245211 51
1001232545 247, 251	1001235585..... 653	1001238333..... 371	1001245305 240
1001232642 431	1001235830..... 369	1001238398..... 371	1001245317 137
1001232667 431	1001235831..... 369	1001238418..... 431, 617	1001245379 131, 137
1001232842 259	1001235832..... 365, 369	1001238421..... 377, 671	1001245380 121, 131
1001232907 179	1001235833..... 365	1001238463..... 455	1001245410 657
1001232908 179	1001235949..... 248, 257	1001238472..... 431	1001245759 29, 43
1001232913 179	1001236087..... 425	1001238495..... 429	1001245827 145
1001232915 179	1001236091..... 147	1001238559..... 431	1001245831 145
1001232916 179	1001236250..... 267	1001238886..... 135	1001245839 248, 571
1001232917 179	1001236252..... 281	1001238887..... 129, 135	1001245913 579
1001233048 179	1001236254..... 267, 271	1001238911..... 248	1001245993 121
1001233075 179	1001236256..... 271, 274	1001238932..... 113	1001246087 181
1001233076 179	1001236257..... 275, 289	1001239202..... 571	1001246142 670
1001233077 179	1001236258..... 282, 285	1001239293..... 119, 127, 143	1001246374 29
1001233079 672	1001236259..... 285, 288	1001239294..... 117, 129	1001246456 670
1001233139 19, 21, 25	1001236303..... 113	1001239512..... 117, 119, 121	1001246457 670
1001233412 179	1001236304..... 529	1001239802..... 59	1001246520 21
1001233413 179	1001236496..... 671	1001241340..... 670	1001246521 25
1001233436 179	1001236504..... 529	1001241396..... 671	1001246551 21, 25
1001233763 223, 259	1001236505..... 529	1001241402..... 671	1001246773 385
1001233774 367	1001236552..... 431	1001241547..... 672	1001246859 125
1001233893 363, 367	1001236653..... 369, 481	1001241548..... 672	1001247073 672
1001233896 363	1001236680..... 657	1001241965..... 431	1001247254 670
1001233959 147, 425	1001236746..... 457	1001241994..... 498	1001247358 59
1001233972 545, 547	1001236747..... 453	1001242106..... 119	1001247359 276, 290
1001234229 383	1001236780..... 248	1001242134..... 498	1001247393 499
1001234425 635, 637	1001236891..... 451, 453, 455, 457	1001242139..... 553, 555, 557, 559	1001247394 499
1001234426 635, 637	1001236895..... 451, 453, 455, 457	1001242177 381	1001247395 499
1001234428 651	1001236965..... 117	1001242180..... 553, 555, 557, 559	1001247396 499
1001234429 651	1001237036..... 551	1001242190..... 553, 555, 557, 559	1001247397 499
1001234430 653	1001237137..... 549	1001242191..... 553, 555, 557, 559	1001247402 499
1001234431 655	1001237138..... 365	1001242639..... 670	1001247436 553, 555
1001234432 655	1001237139..... 365	1001242851..... 155	1001247437 559
1001234433 647, 649	1001237142..... 369	1001242852..... 157	1001247438 557
1001234434 647, 649	1001237143..... 363, 365	1001242864..... 369	1001247453 553, 555, 557, 559
1001234435 645	1001237527..... 657	1001243183..... 670	1001247468 377
1001234436 645	1001237544..... 425		1001247577 499
1001234437 641	1001237546..... 147		1001247655 359
1001234438 641	1001237549..... 179		1001247656 339
1001234439 639, 643	1001237667..... 593, 627		1001247683 670
1001234599 635	1001237668..... 593, 627		1001247904 670
	1001237697..... 369, 465		1001247996 500
			1001247997 500

SECTION 11 - SPECIAL OPTIONS

1001247998.....500	1001258895..... 55	1060918..... 417	1702788.....657
1001247999.....499	1001258896..... 55	1062255..... 240	1702861.....657
1001248003.....499	1001258897..... 55	10702077 . 344, 349, 353, 357, 360	1702868....441, 635, 637, 657, 663
1001248004.....499	1001258898..... 55	10702082 . 344, 349, 353, 357, 360	1702938.....447, 449
1001248140.....451, 453, 455, 457	1001260412 218, 230, 248	10740145 79	1702941..... 196, 222, 281
1001248141.....451, 453, 455, 457	1001260420 218, 229, 247	1120555 443	1702942..... 196, 222, 281
1001248180.....533, 553, 555, 557, 559	1001260432 339, 359	1260017 95	1702943..... 196, 222, 281
1001248181.....553, 555, 557, 559, 623	1001261045 339, 359	1300018 57	1702944..... 196, 222, 281
1001248182.....553, 555, 557, 559, 563	1001261085 339, 359	1320016 192, 202	1702968..... 65
1001248183.....545, 547, 549, 551, 553, 555, 557, 559, 591, 625	1001262016 672	1320061 239	1703162.... 192, 202, 216, 228, 246, 274, 288
1001248190.....340, 360	1001262102 672	1320176 305	1703229..... 655
1001248396.....365	1001262103 672	1320187 ... 186, 196, 210, 222, 239	1703479.....657
1001249356.....73, 79	1001262104 672	1320190 ... 186, 196, 210, 222, 239	1703797.....635, 637
1001249357.....73	1001262105 672	1320218 59	1703798.....635, 637
1001249499.....670	1001262959 673	1320220 59	1703804.....635, 637
1001249695.....673	1001263176 151	1320223 ... 196, 222, 281	1703805.....635, 637
1001249941.....673	1001263800 467	1320224 187, 197	1703923.....655
1001249965.....218, 230, 233	1001264991 371, 467	1320302 ... 435, 437, 441	1703924.....647, 649
1001250199.....553, 555, 557, 559	1001265163 445	1321283 267, 281	1703925.....645
1001250287..... 160, 168	1001265342 445	1321716 99, 101, 103, 105, 216, 228, 246, 315, 319, 327, 332, 336, 339, 344, 348, 352, 359	1703926.....651
1001250288..... 164	1001266056 672	1380147 313	1703927.....653
1001250289.....160, 164, 168	1001266098 672	1580011 274, 288	1703928.....641
1001250451.....369	1001266290 671	1580012 433	1703930.....647, 649
1001250465.....672	1001266489 672	1580013 671	1703937.....645
1001250466.....672	1001268751 671	1670603 505	1703938.....651
1001250474.....499	1001268820 435, 437, 439	1670769 ... 553, 555, 557, 559	1703939.....653
1001250477.....499	1001268997 499	1671092 348, 353, 356	1703940.....641
1001250478.....499	1001268998 499	1671093 435	1703941.....655
1001250681.....117, 119, 121	1001269297 57	1684290 461	1703942.....647, 649
1001251075.....367, 479	1001269298 57	1700818 657	1703943.....645
1001251612.....657	1001269322 435, 437	1701499 ... 635, 637, 639, 641, 643, 645, 647, 649, 651, 653, 655	1703944.....651
1001251692.....657	1001269573 435, 437	1701500 ... 635, 637, 639, 641, 643, 645, 647, 649, 651, 653, 655	1703945.....653
1001251723.....657	1001269629 671	1701504 ... 635, 637, 639, 641, 643, 645, 647, 649, 651, 653, 655	1703946.....641
1001252033.....672	1001269630 671	1701505 ... 186, 196, 210, 222, 239, 657	1703947.....655
1001252034.....672	1001269631 671	1701509 ... 443, 635, 637, 639, 641, 643, 645, 647, 649, 651, 653, 655	1703948.....647, 649
1001252527.....572	1001270716 673	1701518 639, 643	1703949.....645
1001252541.....29, 37	1001270755 673	1701529 ... 635, 637, 639, 641, 643, 645, 647, 649, 651, 653, 655	1703950.....651
1001252629.....451, 453, 455, 457	1001271497 593	1701542 267, 281, 657	1703951.....653
1001252922.....491, 499	1001272166 671	1701543 267, 281, 657	1703952.....641
1001252923.....491, 499	1001272429 673	1702300 ... 635, 637, 639, 641, 643, 645, 647, 649, 651, 653, 655	1703953.....635, 637
1001254472.....431	1001274559 127, 129, 131, 415, 667	1702565 415	1703980.....651
1001254473.....431	1001274829 671	1702566 415	1703981.....653
1001254980.....499	1001274830 671	1702567 415	1703982.....645
1001255133.....377	1001274832 671	1702631 645	1703983.....655
1001255807.....670	1001275635 490, 498	1702773 405, 657	1703984.....647, 649
1001256879.....240	1001276007 670		1703985.....641
1001256906.....657	1001276008 670		1704000.....647, 649, 657
1001257271.....451	1001276008 670		1704001.....655
1001257274.....451	1001276610 670		1704002.....641
1001257275.....451	1001276923 670		1704174.....657
1001258005.....451	1001278022 27, 41		1704175.....657
1001258230.....671	1001280340 125		1704260.....415
1001258715.....671	1001285010 27		1704271.....657
1001258800.....359	1001286148 101, 105, 109		1704277.... 635, 637, 639, 641, 643, 645, 647, 649, 651, 653, 655
1001258804.....248	1001286149 101		1704412.... 635, 637, 639, 641, 643, 645, 647, 649, 651, 653, 655
	1001286150 105		
	1001288195 387		
	1060341 447, 449		
	1060343 348, 352, 356		
	1060494 316, 320, 324		
	1060626 196, 222, 281		
	1060903 447, 449		
	1060908 539, 541, 543		

SECTION 11 - SPECIAL OPTIONS

1704472 657	2220371 490, 498	2720340.....216, 228, 246	3290601 ... 149, 151, 171,
1704473 657	2220372 65, 490, 498	2720392.....59	173, 175, 177, 490, 498
1704578 65	2220373 490, 498	2720398.....192, 203	3290605 ... 111, 113, 117,
1704885 657	2220374 490, 498	2720447.....192, 203	119, 121, 123, 125,
1704972 658	2220375 490, 498	2720615.....276, 290	155, 157, 168, 177,
1705014 405	2220377 490, 498	2720644.....274, 288	186, 192, 196, 202,
1705305 ... 441, 661, 663	2220451 ... 192, 202, 490,	2750532....186, 196, 211,	210, 216, 222, 228,
1705325 507, 509	498	223, 239	239, 246, 267, 281,
1705351 635, 637	2220466 490, 498	2752500.....491, 499	307, 309, 311, 315,
1705355 661, 663	2220468 490, 498	2780267.....27, 33	319, 323, 327, 331,
1705358 657	2220472 498	2780268.....27, 31	335, 339, 344, 348,
1705374 ... 331, 335, 527,	2220473 490, 498	2820019.....587	351, 355, 359, 387,
605	2220497 490, 498	2820031....315, 319, 323,	535, 537
1705375 ... 349, 353, 357,	2220500 490, 498	327, 331, 335, 339,	3290606 ... 393, 395, 397,
441, 663	2220501 490, 498	343, 347, 351, 355, 359	411, 413
1705387 ... 331, 335, 349,	2220502 490, 498	2820035.....259	3290607 274, 288
353, 357	2220579 65	2820247.....607, 611	3290801 274, 288
1705426 651	2220582 490, 498	2840016.....313	3290805 65, 186, 192,
1705427 653	2220596 490, 498	2860030....139, 141, 143,	196, 202, 210, 216,
1705429 647, 649	2220600 490, 498	145, 666	222, 228, 239, 246,
1705430 645	2220603 490, 498	2900756.....45	261, 263, 267, 274,
1705460 ... 345, 349, 353,	2220628 490, 498	2900770..75, 79, 80, 463,	281, 288, 307, 309,
357, 360	2220648 59	465, 479, 481	311, 315, 319, 323,
1705461 345, 360	2220695 490, 498	2900792.....467	327, 331, 335, 344,
1705489 ... 327, 339, 345,	2220726 490, 498	2901443.....673	348, 351, 355, 359,
359, 360	2220767 ... 210, 222, 239	2902065....192, 203, 216,	529, 545, 547, 549,
1705822 639, 643	2220775 490, 498	228, 246, 297	551, 553, 555, 557, 559
1705828 639, 643	2220881 ... 463, 465, 479	2902212.....443	3290806 377
1705910 655	2220883 ... 43, 45, 76, 80,	2902217.....435, 437	3291001 ... 117, 119, 216,
1705921 639, 643	83, 461, 465, 469, 471,	2902266.....461	228, 246, 274, 288, 377
1705961 639, 643	481	2902443....565, 567, 571	329100593, 99, 101, 103,
1706059 658	2220885 ... 475, 479, 481	2902549.....535, 541	105, 117, 119, 121,
1706060 658	2220886 479, 481	2915102.....673	160, 164, 168, 171,
1706061 658	2220887 ... 107, 109, 471	2920028.....447, 449	173, 175, 177, 179,
1706062 658	2220906 490, 498	2920029.....447, 449	186, 192, 196, 202,
1706063 658	2220923 490, 498	2940045.....177	210, 216, 222, 228,
1706064 658	2220946 490, 498	2940074....399, 401, 403,	239, 246, 267, 274,
1706098 658	2220947 490, 498	407, 409, 666	281, 288, 311, 315,
1706385 405	2220998 490, 498	2940173....171, 173, 175,	319, 323, 371, 377,
2030010 ... 435, 437, 441	2221024 59	177	379, 381, 387, 545,
2060025 192, 202	2221040 490, 498	3020008.....29	547, 549, 551, 553,
2060404 490, 499	2221052 65	3020039.....17	555, 557, 559
2080040 ... 339, 399, 401,	2221086 45, 490, 498	3250872.....65	3291201 97, 274, 288,
403, 407, 409, 537	2221197 59	3251102.....327, 339	319, 323, 327, 331,
2110810 490, 498	2400060 ... 259, 445, 593	3251242....505, 511, 513,	335, 339, 344, 348,
2110812 490, 498	2400066 583	515, 517, 519, 521,	351, 355, 359, 377
2111216 490, 498	2400082 581, 666	523, 525	3291205 ... 313, 363, 365,
2131212 490, 498	2410014 405	3251243....315, 319, 323,	367, 369, 377
2131216 490, 498	2420203 ... 315, 320, 324	331, 335, 349, 353,	3291602 85
2171208 369	24431386 268, 282	357, 635, 637, 641,	3291605 363, 365
2180348 ... 186, 196, 267,	2460048 343, 347	647, 649, 655	3292001 97
281	2460055 315	3252347.....635, 637	3300106 27, 29
2180387 59	2540020 155, 157	3252764....343, 348, 351,	3300151 ... 391, 393, 395,
2180388 59	2540049 ... 553, 555, 557,	355, 359	397, 407, 409, 411,
2180389 59	559	3271601....160, 164, 168	413, 435, 437, 441
2180418 59	2560136 415	3271605....451, 453, 455,	3300220 ... 111, 113, 192,
2180504 276, 290	2560187 ... 171, 173, 175,	457	202, 217, 229
2180832 ... 210, 222, 239	177	3271805.....405	3300353 415
2220124 93	2580024 ... 196, 222, 281	3272001....451, 453, 455,	3300396 ... 332, 336, 344,
2220238 65, 97	2580062 202	457	349, 353, 356, 360
2220261 59, 274, 288	2600281 ... 399, 401, 403,	3290401.....59	3300408 147
2220273 93	407, 409	3290405....387, 445, 505,	3300430 429
2220313 ... 186, 196, 210,	2720015 ... 216, 228, 246	507, 509, 511, 513,	3310401 216, 228
222, 239	2720058 ... 186, 196, 276,	515, 517, 519, 521,	3310601 313
2220315 ... 192, 202, 216,	290	523, 525, 535	3311001 ... 255, 257, 315,
228, 246, 274, 288	2720144 59	3290505....153, 331, 335,	319, 323, 332, 336,
2220366 490, 498	2720271 276, 290	344, 348, 351, 355, 359	344, 349, 353, 356, 360

SECTION 11 - SPECIAL OPTIONS

3311005....155, 157, 435, 437, 441	3580317 ... 327, 331, 335, 339, 344, 348, 351, 355, 359	4060802 ... 316, 319, 323, 327, 331, 335, 339, 344, 348, 351, 355, 359	4460226....417, 419, 422, 613, 628
3311401.....447, 449	3580318 ... 331, 335, 348, 351, 355	4060805 ... 192, 203, 216, 228, 246, 276, 290	4460227.....593
3311405....431, 505, 507, 509, 511, 513, 515, 517, 519, 521, 523, 525, 529, 635, 637, 639, 641, 643, 645, 647, 649, 651, 653, 655	3580319 ... 327, 339, 344, 359	4070450 67	4460234.... 153, 415, 447, 449
3311501 107, 117, 119, 121, 160, 164, 168, 447, 449	3580320 ... 319, 327, 331, 335, 344, 348, 351	4070560 67	4460247.....567, 571
3311505.....160, 164	3641569 447	4070561 67	4460259....445, 589, 593, 628
3311601.....59, 160, 164, 168, 415, 431	3740067 ... 111, 113, 192, 202, 666	4070897 367, 369	4460260....445, 589, 593, 628
3311605.....65, 218, 230, 255, 257, 405, 435, 437, 441	3740080 ... 316, 319, 323, 583	4071009 85	4460265.....419, 422
3311705.....315, 319, 323	3740086 617	4160182 160, 164	4460267.....593
3311801.....27	3740140 192, 202, 666	4240018 ... 490, 499, 527, 605	4460268....315, 320, 324, 585, 587
3312002....451, 453, 455, 457	3760133 367, 369	4240032 153	4460313....565, 628, 631
3312005.....67, 443	3760170 67, 95	4240033 ... 427, 429, 431, 545, 547, 549, 551	4460315.....503
3312205.....443	3790012 ... 119, 121, 267, 281, 415	4240099 ... 117, 119, 121, 155, 157, 186, 192, 196, 202, 210, 216, 222, 228, 246, 259, 267, 274, 281, 288, 316, 319, 323, 327, 331, 335, 339, 344, 348, 351, 355, 359, 415, 435, 437, 447, 449	4460321....315, 320, 324
3321001 111, 113, 192, 202, 217, 229	3790152 ... 189, 199, 213, 225, 243, 271, 285	4240149 443	4460346....331, 335, 348, 351, 355, 503
3331211....261, 263, 315, 319, 327, 331, 335, 339, 344, 348, 351, 355, 359	3820001 65, 635, 637, 639, 641, 643, 645, 647, 649, 651, 655	4280296 61, 63	4460384.....505
3331215.....192, 202, 216, 228, 246	3820020 ... 399, 401, 403, 407, 409	4360057 447, 449, 667	4460418.....589, 593
3340956.....443	3841143 . 19, 23, 25, 186, 196, 210, 222, 239, 267, 281, 367, 371, 377	4360070 ... 332, 336, 344, 349, 353, 356, 360	4460419.....589, 593
3420352.....67	3841203 363, 365, 369	4360274 145	4460424.....628
3420372.....67	3841258 17, 363, 365	4360328 119, 121, 667	4460425....332, 336, 344, 349, 353, 356, 360, 447, 449, 527, 605
3421565.....95	3841340 ... 545, 547, 549, 551, 553, 555, 557, 559	4360336 ... 316, 319, 323, 327, 331, 335, 339, 344, 348, 351, 355, 359, 667	4460426....332, 336, 344, 349, 353, 356, 360
3422532....186, 196, 210, 222, 239, 267, 281	3841520 21, 25	4360407 415, 667	4460428.....415
3422848.....23, 25	3900054 405	4360469 ... 139, 141, 143, 145	4460434.....593
3422861.....371	3900267 332, 336	4360476 ... 127, 129, 131, 667	4460458....572, 627, 628
3422867.....371	3900295 23, 25	4360517 97	4460464....153, 383, 385, 387, 417, 445, 561, 563, 577, 583, 591, 593, 615, 617, 619, 621, 623, 625, 627, 628
3423304....19, 21, 23, 25	3900300 332, 336	4360542 315, 320, 324	4460465....149, 151, 383, 385, 387, 445, 531, 533, 561, 563, 565, 567, 571, 575, 585, 587, 591, 593, 613, 615, 619, 621, 623, 625, 627, 628, 631
3430616.....415	3900332 59	4400275 59	4460466....117, 119, 268, 282, 427, 445, 531, 533, 561, 563, 565, 567, 571, 575, 583, 591, 593, 609, 615, 617, 619, 625, 627, 628, 631
3430820.....313	3900349 415	4420014 443	4460467.....673
3450404.....313	3910408 216, 228	4420037 435, 437, 441	4460470....117, 119, 121, 415
3460334.....443	3910606 ... 331, 335, 348, 351, 355, 527, 605	4420051 65, 657	4460471....117, 119, 121, 415
3470003.....415	3910610 313, 503	4420066 443	4460473.....531, 533
3520028....315, 320, 324	3910804 ... 139, 141, 143, 145	4420068 447, 449	4460496....117, 119, 121
3520054....192, 202, 218, 230, 246, 415	3911010 155, 157	4460019 571	4460497....117, 119, 121
3520071.....443	3931408 429	4460027 315, 320, 324	4460508....427, 593, 628
3520072....391, 393, 395, 397, 399, 401, 403, 405, 407, 409, 411, 413	3931512 216, 228, 246	4460042 571, 575, 627	4460510.....673
3520189.....344, 360	3931618 ... 189, 199, 213, 225, 243, 271, 285	4460043 259, 567, 571	4460518.....619
3520192.....344, 360	3931628 319, 335, 351	4460049 447, 449	4460536....123, 125, 383, 385, 387, 561, 563, 591, 593, 621, 623, 625
3520198....391, 393, 395, 397, 399, 401, 403, 407, 409, 411, 413	3960389 179	4460071 ... 331, 335, 348, 351, 355, 417, 503	
3573400....435, 437, 441	3960407 192, 202	4460134 316, 320, 324	
3573642.....441	3960422 ... 331, 335, 348, 351, 355, 503, 527, 605	4460138 316, 320, 324	
3574091.....449	3960526 27, 29	4460183 593, 627	
3575359.....447	4010405 535, 537	4460190 315, 320, 324	
3577121 435, 437, 441	4010618 ... 393, 395, 397, 411, 413	4460205 503	
3580158.....315	4031505 427	4460225 ... 344, 348, 351, 355, 585, 587, 593	
3580276.....315	4031516 431		
	4031914 216, 228, 246		
	4032014 319, 335, 351		
	4032015 ... 327, 331, 344, 348		

SECTION 11 - SPECIAL OPTIONS

4460539 ... 383, 385, 387, 561, 563, 571, 591, 593, 621, 623, 625, 631	4460967 627	4712000.... 443, 451, 453, 455, 457	248, 274, 288, 553, 555, 557, 559
4460612 527, 605	4460968 509, 513	4712200..... 443	4812000 ... 27, 29, 71, 73, 93, 99, 101, 103, 105, 111, 113, 117, 119, 121, 160, 164, 168, 171, 173, 175, 177, 179, 186, 192, 196, 202, 210, 216, 222, 228, 239, 246, 267, 274, 281, 288, 316, 319, 323, 336, 339, 352, 359, 367, 369, 377, 379, 381, 387, 545, 547, 549, 551, 553, 555, 557, 559
4460662 ... 505, 517, 521, 525	4460970 593	4740086..... 19, 21, 23, 25	4812002. 71, 73, 99, 101, 103, 105, 117, 119, 121, 160, 164, 168, 248, 311
4460693 575	4460977 581	4740155..... 23, 25	4812100 97, 186, 196, 210, 216, 222, 228, 239, 246, 267, 281, 313, 327, 331, 344, 348, 367, 369, 377
4460702 628	4461005 565	4740158..... 17	4812102 65
4460703 567, 571, 628	4461008 565, 567, 571	4740397..... 119	4812200 ... 192, 202, 216, 228, 246, 261, 263, 268, 282, 316, 319, 324, 327, 331, 335, 339, 344, 348, 351, 356, 359
4460705 315, 320, 324	4461052 565	4740491..... 23, 25	4844817 371
4460708 593	4461054 571	4750600..... 313	4846627 441
4460722 259	4461070 567, 619	4751000..... 99, 101, 103, 105, 316, 319, 323, 435, 437, 441	4846673 449
4460742 628	4461071 ... 565, 567, 571	4751400.... 107, 109, 415, 433, 435, 437, 441, 447, 449, 529, 635, 637, 639, 641, 643, 645, 647, 649, 651, 653, 655	4860214 57
4460743 628	4461072 ... 565, 567, 571	4751500.... 316, 319, 323, 447, 449	4871700 ... 111, 113, 327, 331, 335, 339, 344, 348, 351, 359
4460746 571	4461073 ... 565, 567, 571	4751600.... 218, 230, 435, 437, 441	489160059, 65, 189, 199, 213, 225, 243, 271, 285, 377
4460748 572, 627	4461074 ... 565, 567, 571	4751800.... 405, 447, 449	489180027, 29, 189, 199, 213, 225, 243, 271, 285
4460761 593	4461077 609, 617	4752000..... 67	4892000 27, 29, 91
4460806 ... 515, 517, 519, 521	4461095 ... 565, 567, 619	4760600..... 503	4892600001 377
4460807 585, 587	4461109 575	4761000.... 111, 113, 192, 202, 217, 229	4922641 ... 316, 320, 324, 328, 332, 336, 340, 344, 348, 352, 356
4460808 585, 587	4461111 575	4761400..... 433	4922802 551
4460865 531, 533	4461122 575	4770600..... 313	4922803 559
4460866 593, 628	4461123 575	4811400.... 387, 445, 505, 507, 509, 511, 513, 515, 517, 519, 521, 523, 525	4922925 ... 344, 348, 351, 355, 359, 587
4460871 ... 149, 151, 589, 593, 627, 631	4461124 575	4811600.... 153, 331, 335, 344, 348, 351, 355, 359	4923451 193, 202
4460872 631	4461196 595	4811700.... 111, 113, 117, 119, 123, 125, 149, 151, 155, 157, 171, 173, 175, 177, 186, 192, 196, 202, 210, 216, 222, 228, 239, 246, 267, 274, 281, 288, 316, 319, 323, 327, 331, 335, 339, 344, 348, 351, 355, 359, 393, 395, 397, 411, 413, 490, 498, 535, 537, 553, 555, 557, 559	4933218 449
4460873 593, 627	4461198 509, 595	4811702.... 218, 230, 240, 246, 274, 288, 307, 309, 311, 328, 340, 490, 498, 535, 537, 553, 555, 557, 559	5240800 ... 186, 196, 210, 222, 239, 267, 274, 281, 288
4460874 593, 627	4461199 597	4811900..... 65, 168, 186, 192, 197, 202, 210, 216, 222, 228, 239, 246, 261, 263, 267, 274, 281, 288, 316, 319, 323, 327, 331, 335, 344, 348, 351, 355, 359, 377, 499, 529, 545, 547, 549, 551, 553, 555, 557, 559	5241200 ... 17, 19, 21, 23, 25, 192, 202, 216, 228, 246, 261, 263, 274, 288, 316, 319, 323, 327, 331, 335, 339, 344, 348, 352, 356, 359, 377
4460875 593, 631	4461201 513, 597	4811902.... 160, 164, 186, 196, 210, 222, 239,	5241400 274, 288
4460876 589	4461205 599, 601		5241600 23, 25, 85
4460878 627	4461244 517, 599		
4460879 445, 593	4461245 521, 601		
4460884 ... 445, 567, 571, 613, 615, 627	4461246 525, 603		
4460887 445, 593, 627	4461249 603		
4460891 ... 149, 151, 567, 577, 619, 627, 631	4520216 49		
4460894 ... 565, 567, 571, 575, 593, 627, 631	4520240 53		
4460897 ... 153, 155, 157, 577	4520259 47		
4460899 ... 609, 615, 617, 621, 623, 628	4640261 65		
4460905 ... 589, 593, 627, 631	4640452 479, 481		
4460906 583	4640509 467		
4460910 607	4640751 ... 216, 228, 246		
4460911 609	4640858 461		
4460928 619	4641122 ... 47, 49, 51, 53, 55, 57		
4460930 ... 119, 268, 282, 561, 563, 565, 567, 571, 627	4641390 469, 471		
4460931 ... 117, 119, 591, 625, 627	4710400 216, 228		
4460932 445, 577	4711000 ... 117, 119, 121, 155, 157, 255, 257, 332, 336, 344, 349, 353, 357, 360		
4460933 593, 619, 628	4711400 ... 171, 173, 175, 177, 391, 393, 395, 397, 407, 409, 411, 413, 429, 431, 505, 507, 509, 511, 513, 515, 517, 519, 521, 523, 525		
4460941 577, 609	4711500 ... 111, 113, 160, 164, 186, 196, 211, 216, 222, 228, 239, 246, 267, 281		
4460942 427, 571, 577	4711600 ... 160, 164, 168, 255, 257, 327, 331, 335, 339, 344, 348, 351, 359, 415, 451, 453, 455, 457		
4460943 ... 123, 125, 155, 157, 609	4711700 ... 121, 316, 319, 323		
4460944 567, 571	4711800 405		
4460956 539, 541			
4460957 539, 541			
4460958 605			
4460961 315, 320, 324			
4460962 435			
4460963 349, 353, 356			

SECTION 11 - SPECIAL OPTIONS

5242000.....85	70001844 206	70003024 75, 79	70004508.....252
5250605.....274, 288	70001850 205	70003408 75, 79	70004577.....45
5250808....327, 332, 336, 344, 348, 352	70001866 206	70003463 205, 666	70004676..328, 332, 336, 339
5250810....218, 230, 327, 332, 336, 339, 344, 348, 352, 359	70001868 206	70003464 205	70004677.....328
5251008....367, 369, 377, 383, 385, 387, 551, 553, 555, 557, 559	70001870 .. 205, 234, 252	70003468 206	70004678..328, 332, 336, 340
5251009.....367, 369	70001871 206	70003469 206	70004679..328, 332, 336, 340
5251011.....367, 369	70001872 206	70003472 205	70004680..328, 332, 336, 340
525101227, 29, 133, 135, 137, 168	70001932 43	70003473 205	70004681.....328, 340
5251014....61, 63, 71, 73, 160, 164	70001953 343, 347	70003475 205	70004682..328, 332, 336, 340
5251016.....17, 377	70001966 .327, 332, 336, 339, 343, 347, 352, 356, 360	70003479 205	70004683.....328, 340
5251215....186, 196, 210, 222, 239, 248, 267, 281	70001973 . 343, 347, 352, 356, 360	70003480 205	70004684.....332
5260800....327, 332, 336, 339, 344, 348, 352, 359	70001974 .343, 347, 352, 356, 360	70003481 205	70004685.....332, 336
5261000....133, 135, 137	70002057 88	70003612 115	70004686.....340
5261008....545, 547, 549	7000206 31, 33	70003614 666	70004687.....336
5261018....171, 175, 549	70002063 83	70003628 43	70004738.....419
5261200....186, 196, 210, 222, 239, 248, 267, 281	70002070 37	70003631 . 343, 347, 352, 356, 360	70004739.....419
70000342.....373, 375	70002071 37	70003708 . 327, 332, 336, 339, 343, 347, 352, 356, 360	70004740.....419
70000345.....206, 251	70002072 37	70003709 . 327, 332, 336, 339, 343, 347, 352, 356, 360	70004741.....419
700004508.....233	70002073 37	70003783 . 193, 203, 217, 229, 247, 666	70004742.....419
70000619..343, 347, 351, 355	70002088 343, 347	70003788 76, 80, 469, 471, 666	70004743.....419
70000781.....45	70002112 107, 109	70003931 206	70004744.....419
70000787.....206	7000216 37	70003932 206	70004745.....419
70000793.....297	70002209 45	70003977 75, 79	70004746.....419
70000794.....43	70002234 206	70004000 115	70004747.....419
70000795.....43	70002257 302	70004013 115	70004748.....419
70000800.....205	7000229 31, 33	70004014 115	70004749.....419
70000851.....206	70002291 .. 352, 356, 360	70004017 45	70004750.....419
70000854.....43	70002297 . 343, 347, 352, 356	70004020 276, 290	70004751.....419
70000856.....43	7000230 31, 33	70004039 37	70004752.....421
70000863..343, 347, 352, 356, 360	70002316 293	70004056 206	70004753.....421
70000912.....205	70002318 293	70004058 206	70004754.....421
70000913.....205	7000232 31, 33	70004059 206	70004755.....421
70000914.....205	70002326 293	70004060 206	70004756.....421
70000915.....205	700023371 473	70004062 206	70004757.....421
70000916.....205	70002373 463, 473	70004092 . 327, 332, 336, 339, 352, 356, 360	70004758.....421
70000917.....205	70002386 76, 80, 83, 469, 471, 666	70004094 .. 352, 356, 360	70004759.....421
70000918.....205	70002410 465, 475	70004098 . 332, 336, 352, 356, 360	70004760.....421
70000919.....206	70002412 479	70004099 . 336, 339, 352, 356, 360	70004761.....421
70000931.....206	7000246 31, 33	70004102 206	70004762.....421
70001002.....205	70002460 . 343, 347, 352, 356, 360	70004103 206	70004763.....421
70001100..343, 347, 352, 356, 360	7000248 31, 33	70004169 343, 347	70004764.....421
70001119.....37	7000253 31, 33	70004171 . 328, 332, 343, 347	70004765.....421
70001181.....205	7000257 31, 33	70004186 467	70004766.....421
70001349.....31, 33	7000258 31, 33	70004231 469, 471	70004767.....421
70001368.....37	7000261 31, 33	70004237 465, 475	70004768.....421
70001384..343, 347, 352, 356, 360	7000262 31, 33	70004267 115	70004769.....421
70001423.....205	7000263 31, 33	70004268 205	70004770.....421
70001435.....206	7000263 31, 33	70004269 205	70004771.....421
70001498.....206	70002718 205, 233	70004270 206	70004772.....421
70001654.....205	70002838 107, 109	70004281 233, 251	70004773.....421
70001655.....205	70002842 461	70004282 233	70004774.....422
70001696.....343, 347	70002902 417	70004469 88	70004775.....422
70001697.....373, 375	70002903 417	70004481 88	70004794.... 99, 101, 103, 105
	70002904 417	70004482 88	70004829.....293
	70002905 417	70004494 88	70004883.....83
	70002962 45	70004504 251	70004884.....45, 83
	70002974 75, 79		70004885.....45
	70002996 37		70004886.....45
	70002997 38		70004889.....301
	70003000 37		70004890.....301
	70003023 75, 79		70004891.....301

SECTION 11 - SPECIAL OPTIONS

70004892	301	70005172	234, 252	70006045	294	70006982	481
70004893	301	70005173	233	70006046	294	70006990	88
70004894	301	70005177	233	70006047	294	70006994	88
70004895	301	70005182	233	70006048	294	70006997	88
70004896	301	70005183	233	70006049	294	70006998	88
70004897	301, 666	70005184	233, 251	70006050	294	70006999	88
70004898	301	70005217	75, 79	70006051	294	70007001	88
70004899	302	70005218	75, 79	70006052	294	70007002	88
70004900	302	70005219	76, 80, 666	70006053	294	70007003	88
70004901	302	70005317	88	70006054	294	70007004	88
70004902	302	70005318	88	70006055	294	70007006	88
70004903	302	70005504	251	70006056	294	70007022	88
70004904	302	70005606	37	70006057	294	70007023	88
70004905	302	70005613	37	70006058	294	70007024	88
70004906	302	70005710	97	70006059	294	70007025	88
70004907	302	70005711	97	70006060	294	70007026	88
70004908	302	70005712	97	70006061	294, 666	70007027	88
70004909	302	70005713	97	70006062	294	70007028	88
70004910	302	70005714	97	70006063	294	70007029	88
70004911	302	70005715	97	70006064	294	70007030	88
70005065	115	70005716	97	70006065	294	70007031	88
70005066	115	70005724	76, 80	70006066	294	70007032	88
70005067	115	70005726	293	70006067	294	70007046	88
70005068	115	70005727	293	70006068	294	70007062	479
70005069	75, 79	70005737	293	70006069	294	70007063	479
70005071	75, 79	70005745	293	70006070	294	70007064	479
70005072	75, 79	70005746	293	70006071	294	70007065	479
70005073	75, 79	70005747	293	70006072	294	70007066	479
70005074	75, 79	70005751	293	70006074	294	70007067	479
70005075	75, 79	70005931	233, 251	70006075	294	70007068	479, 481
70005076	75, 79	70005941	234, 252	70006076	294	70007069	479, 481
70005077	75, 79	70005942	233, 252	70006077	294	70007070	479, 481
70005078	75	70006010	299	70006078	294	70007071	479, 481
70005079	75, 79	70006011	299	70006079	294	70007072	479, 481
70005080	75, 79	70006012	299	70006080	294	70007142	43
70005081	75, 79	70006013	293	70006093	352, 356, 360	70007143	43
70005082	75, 79	70006014	293	70006094	352, 356, 360	70007145	43
70005084	75, 79	70006015	293	70006095	352, 356, 360	70007146	43
70005085	75, 79	70006016	293	70006096	352, 356, 360	70007150	471
70005086	75, 79	70006017	293	70006097	352, 356, 360	70007151	471
70005087	75, 79	70006018	293	70006104	469, 471	70007152	471
70005088	75, 79	70006019	293	70006105	469, 471	70007153	471
70005089	75, 79	70006020	293	70006144	233, 251	70007154	471
70005090	75, 79	70006021	293	70006255	379, 381	70007156	475
70005091	75, 80	70006022	293	70006270	379, 381	70007157	465, 475
70005092	75, 79	70006023	293, 666	70006344	479, 481	70007158	475
70005093	79	70006024	293	70006356	189, 199, 213, 225, 243, 271, 285	70007159	465
70005097	79	70006025	293	70006379	294	70007160	465
70005108	75	70006026	293	70006552	332	70007161	465, 475
70005109	75, 79	70006027	293	70006553	332	70007162	481
70005139	115	70006028	293	70006553	332	70007163	481
70005140	473	70006029	293	70006580	373	70007164	481
70005141	473	70006030	293	70006636	469, 471	70007165	481
70005142	463, 473	70006031	293	70006639	294	70007166	481
70005143	463, 473	70006032	293	70006640	294	70007168	465
70005144	463, 473	70006033	293	70006649	467	70007169	465
70005145	463, 473, 475	70006034	293	70006650	467	70007170	37
70005146	473, 475	70006035	293	70006652	233	70007171	37
70005147	463	70006036	293	70006702	469	70007172	37
70005148	463	70006037	293	70006703	469	70007173	37
70005149	463	70006038	293	70006704	469	70007174	37
70005150	477	70006039	293	70006705	469	70007175	37
70005151	477	70006040	293	70006706	469, 471	70007176	37
70005152	477	70006041	293	70006734	467	70007177	38
70005153	477	70006042	293	70006735	467	7000731	34
70005154	477	70006043	293	70006736	467	70007325	233
70005171	233	70006044	293	70006817	479	70007326	233

SECTION 11 - SPECIAL OPTIONS

70007354.....	233	70025082.....	205	7012967.....	83	7021278.....	302
70007603.....	233, 251	70025084.....	205, 206	7012998.....	469, 471	7021281.....	301
70007784.....	251	70025086.....	206	7016322.....	313	7021290.....	302
70007847.....	41	70025088.....	205	7016331 ...	205, 234, 252, 666	7021293.....	301
70007848.....	41	70025091.....	205	7016654.....	673	7021299.....	302
70007849.....	41	70025099.....	251	7017022.....	38	7021625.....	45
70007850.....	41	70025121.....	206	7017027.....	37	7021639.....	45
70007851.....	41	70025123.....	205, 206	7017059.....	31, 33	7022300.....	301
70007852.....	41	70025130.....	251	7017067.....	31, 33	7022321.....	43
70007853.....	41	70025131.....	206	7017070.....	31, 33	7022326.....	43
70007854.....	41	70025135.....	233	7017072.....	37	7022328.....	43
70007855.....	41	70025139.....	205	7017080.....	31, 33	7022341.....	301
70007856.....	41	70025142.....	251	7017082.....	37	7022346.....	302
70007857.....	41	70025153.....	251	7017093.....	37	7022347.....	302
70007858.....	41	70025160.....	251	7017095.....	37	7022368.....	43
70007859.....	41	70025161.....	251	7017142.....	373, 375	7022371.....	43
70007860.....	41	70025164.....	233, 251	7017159.....	373, 375	7022390.75, 79, 469, 471	
70007861.....	41	70025168.....	251	7017162.....	373, 375	7022397.....	45
70007862.....	41	70025200.....	233	7017163.....	373, 375	7022399.....	45, 75, 79
70007863.....	41	70025210.....	233, 666	7017164.....	373, 375	7022564.....	481
70007864.....	41	70025231.....	233	7017172.....	373, 375	7023154.....	293
70007865.....	41	70025239.....	233	7017192.....	373, 375	7023900.....	75, 79
70007866.....	41	70025667.....	205	7017195.....	373, 375	7023910.....	43
70007867.....	41	70025693.....	206	7017410.....	83	7023936.....	75, 79
70007868.....	41	70025694.....	206	7017467.....	469, 471	7024124.....	37
70007869.....	41	70026210.....	233, 251	7017496.....	45, 469, 471	7024129.....	37
70007870.....	41	70027244.....	481	7017904.....	293	7024134.....	38
70007871.....	41	70027405.....	251	7017932.....	293	7024182.....	33, 34
70007872.....	41	7002821.....	673	7017959.....	294	7024189.....	34
70007873.....	41	7002822.....	673	7017992.....	294, 666	7024190.....	34
70007874.....	41	7002823.....	673	7019680 ...	315, 320, 324	7024191.....	34
70007875.....	41	70028540.....	233	7020023.....	205, 666	7024192.....	34
70007876.....	41	70029015.....	251	7020026.....	205	7024193.....	34
70007877.....	41	70029402.....	251	7020108 ...	315, 320, 323	7024194.....	34
70007878.....	41	70029403.....	251	7020109 ...	315, 320, 323	7024196.....	34
7000857.....	43	70029404.....	251	7020110 ...	315, 320, 323	7024197.....	34
70009002..	186, 197, 210, 223	70029451.....	233	7020111 ...	315, 320, 324	7024441.....	107, 109
70009004.....	186, 196	70029512.....	251, 666	7020190 ...	315, 320, 324	7024485.....	343, 347
70009005.....	186, 196	70029797.....	251	7020403.....	205	7024488....	343, 347, 351, 355
70009006.....	210, 223	70030360.....	233	7020430.....	205	7024489....	343, 347, 351, 355
70009007.....	210, 223	70030381.....	233	7020460.....	205	7024565.....	206
70010383.....	71, 73, 666	70031095.....	234	7020465 ...	205, 234, 252	7024579.....	205, 234
7001481.....	302	70031136.....	233	7020468.....	205	7024598.....	313
7001913.....	37	70031143.....	251	7020471.....	206	7024705.....	33
7001998.....	31, 33	70031144.....	251	7020479.....	206	7024712.....	31, 33
70022564..	463, 465, 469, 471, 473, 475	70031145.....	233	7020492.....	205, 206	7024713.....	31, 33
70023369..	463, 465, 469, 471, 473, 475, 481	7004275.....	673	7021237.....	301	7024714.....	31, 33
70023370.....	463, 467	7004276.....	673	7021238.....	301	7024715.....	31, 33
70023371.....	467	70050795.....	469, 471	7021239.....	301	7024716.....	31, 33
70023592...217, 229, 666		7007289.....	302	7021240.....	301	7024717.....	33
70023593...217, 229, 666		7007415.....	301, 302	7021241.....	301	7024718.....	34
70024494.....	234, 252	7007419.....	43, 301	7021242.....	301	7024723.....	37
70024504.....	233, 251	7007420.....	43, 301, 302	7021243.....	301	7024726.....	37
70024507.....	233	7007438.....	43	7021248.....	301	7024729.....	37
70024513.....	233, 251	7007439.....	43	7021249.....	43, 301	7024730.....	37
70024904.....	234, 252	7007446.....	43	7021253.....	301	7024734.....	37
70024905.....	233	7007493.....	302	7021257.....	301	7024735.....	37
70024906.....	233	7007495.....	301	7021258.....	301	7024736.....	37
70024913.....	252	7007601.....	31, 33	7021259.....	301	7024737.....	38
70024915.....	233	7007640.....	31, 33, 37	7021262.....	301	7024738.....	37
70024916.....	251	7010429.....	31, 33	7021263.....	301	7024739.....	37
70024918.....	251	7010543.....	83	7021265.....	301	7024740.....	37
70024925.....	233, 252	7012513 ...	315, 319, 323	7021268.....	301	7024741.....	37
70024961.....	233, 251	7012514 ...	315, 320, 323	7021275.....	43	7024742.....	37
		7012518.....	479, 481	7021276.....	302	7024744.....	38
		7012558.....	315	7021277.....	302		
		7012941.....	83				

SECTION 11 - SPECIAL OPTIONS

7024800 301	7027887 315, 320, 324	8310129.....443	8406201 ... 218, 230, 248, 275, 289
7024855 301	7027903206	8310548....192, 202, 217, 228, 247, 274, 288	8410001 275, 289
7024857 301	77363233 585, 587	8405006....210, 222, 239, 255, 257	8410009 275, 289
7024858 301	80484084 567, 571	8405007....217, 228, 247	8410011 276
7024865 43	80963067627	8405009....186, 196, 217, 229, 247, 275, 289	8410013 210, 222
7024871 43	80983191 567, 666	8405102.....275, 289	8430007 239
7024881 45	82033995 276, 290	8405104....217, 229, 247, 275, 289	84521061 323
7026188 343, 347	8220045 583, 628	8405202....217, 229, 247, 275, 289	84521062 355
7026199 315, 319, 323	8220051577	8405203.....275, 289	88411013 529
7026330 115	8220097627	8405204....217, 229, 247	88521205 111, 113
7026597 343, 347, 352	8220098627	8406101.....210, 222, 239	88521214. 451, 453, 455, 457
7026626 ... 343, 347, 352, 356, 360	8220115567	8406109....193, 203, 217, 229, 247, 275, 289	88662037 490, 498
7027236 205	8220164 567, 571	8406110....218, 230, 247, 275, 289, 387, 545, 547	90200755.. 160, 164, 168
7027740 43	8229242 567, 627, 666		91164057 45, 76, 80
7027790 206	8229244 627, 666		91164059 76, 80
7027791 206	8229245583		91164079 45, 76, 80
7027792 206	8229249445		91203039 377
7027796 206	8305401 ... 192, 202, 216, 228, 246, 274, 288		91401281 111
7027799 ... 343, 347, 352, 356, 360	8307109 ... 192, 202, 216, 228, 247, 274, 288		



**Corporate Office
JLG Industries, Inc.
1 JLG Drive
McConnellsburg, PA 17233-9533 USA
☎ (717) 485-5161 (Corporate)
☎ (877) 554-5438 (Customer Support)
📠 (717) 485-6417**

**Visit our website for JLG Worldwide Locations.
www.jlg.com**



OSHKOSH™