

Lull®

Illustrated Parts Manual

Models
1044

10709912

May 1998

ANSI

JLG®

GENERAL INFORMATION

The parts book assembly numbers and date appear in the lower right hand corner of each page. Each page also lists the machine serial number to assist in identifying the machine to which the parts book page applies.

The quantity shown in the "Qty." column is the number of parts used on that assembly. Where parts are referenced, the part shown is included in another assembly or part of another item. For certain parts such as shims, spacers, etc. an "A/R" will be shown in the "Qty." column. This "A/R" indicates that the quantity to be used is as required.

Always check illustration and parts listing page before ordering. Never order from illustration alone. When ordering parts, order by part number only and not by assembly number unless the complete assembly is desired.

The following abbreviations are used in this manual:

A/R	= As Required	N/A	= Not Applicable
Ass'y	= Assembly	N.L.A.	= No Longer Available
Cont.	= Continues	Neg.	= Negative
Cyl.	= Cylinder	N.S.S.	= Not Sold Separately
Dia.	= Diameter	O.D.	= Outside Diameter
Diff.	= Differential	Osc.	= Oscillation
Ext.	= Extension	P/N	= Part Number
Ga.	= Gauge	Pos.	= Positive
GR	= Grade	Pt.	= Point
Hd.	= Head	REF	= Reference
Hx.	= Hex	Req.	= Required
Hyd.	= Hydraulic	R.H.	= Right Hand
I.D.	= Inside Diameter	Rd.	= Round
Incl.	= Includes	Slot.	= Slotted
Int.	= Internal	Soc.	= Socket
LG.	= Long	S/N	= Serial Number
L.H.	= Left Hand	Trans	= Transmission

NOTE: Because of owner requirements, equipment variations may exist. It is therefore the owner's responsibility to contact his Lull dealer for specific information that is not covered in this parts book.

WARNING: Do not service or operate the Lull fork-lift without taking the necessary safety precautions. See Operator Safety and Operating Procedures in the Owner/Operator's Manual for this model.

24600-1 MODEL 1044 FINAL ASSEMBLY - DEERE

24600-2 MODEL 1044 FINAL ASSEMBLY - DEUTZ

● **DRIVE TRAIN (Includes Axle and Transmission Breakdown)**

- 24602 Drive Train Assembly - Deere
- 24603 Radiator & Transmission Cooler Assembly
- 24604 Throttle Assembly
- 24605 Air Cleaner Assembly
- 24606 Exhaust Assembly

- 24607 Drive Train Assembly - Deutz
- 24608 Transmission Cooler Assembly
- 24609 Throttle Assembly
- 24610 Air Cleaner Assembly
- 24611 Exhaust Assembly

- 24612 Transmission Disconnect Assembly

● **FRAME & PLATFORM**

- 24613 Main Frame Assembly
- 24614 Operators Platform & Instrument Panel Assembly

● **BOOM & TRANSFER**

- 24616 Telescopic Boom Assembly
- 24617 Hose Reel & Cable Assembly
- 24618 Transfer Carriage Assembly

● **UPPER HYDRAULICS**

- 24619 Boom Hydraulic Assembly
- 24620 Quick Attach Cylinder Assembly
- 24621 Carriage Tilt Cylinder Assembly
- 24622 Upper Boom Extension Cylinder Assembly (Rear)
- 24623 Lower Boom Extension Cylinder Assembly (Front)
- 24624 Hoist - Transfer Hydraulic Assembly
- 24625 Hoist Cylinder Assembly
- 24626 Transfer Cylinder Assembly

● **LOWER HYDRAULICS**

- 24627 Control Hydraulic Assembly
- 24628 Frame Tilt Cylinder Assembly
- 24629 Hydraulic Control Handle Assembly
- 24630 Pump, Suction - Return Hydraulic Assembly
- 24631 Hydraulic Steering and Diff. Lock Assembly

● **OUTRIGGERS**

- 24632 Hydraulic Outrigger Assembly
- 24633 Outrigger Extension Cylinder Assembly

● **BRAKES**

- 24634 Hydraulic Service Brake Assembly
- 24635 Parking Brake Assembly

● **ELECTRICAL**

- 24636 Electrical Assembly - Deere
- 24637 Wiring Diagram

- 24638 Electrical Assembly - Deutz
- 24639 Wiring Diagram

● **DECAL & ACCESSORIES**

- 24640 Decal Group Assembly
- Optional Equipment (Accessories)

● **FORK CARRIAGE(S)**

LUBRICATION SCHEDULE - MODEL 1044

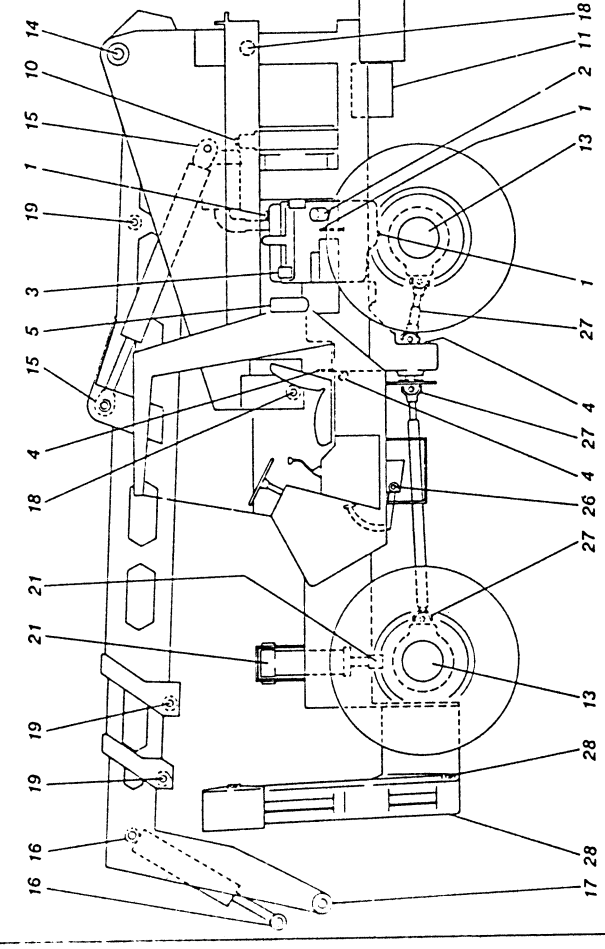
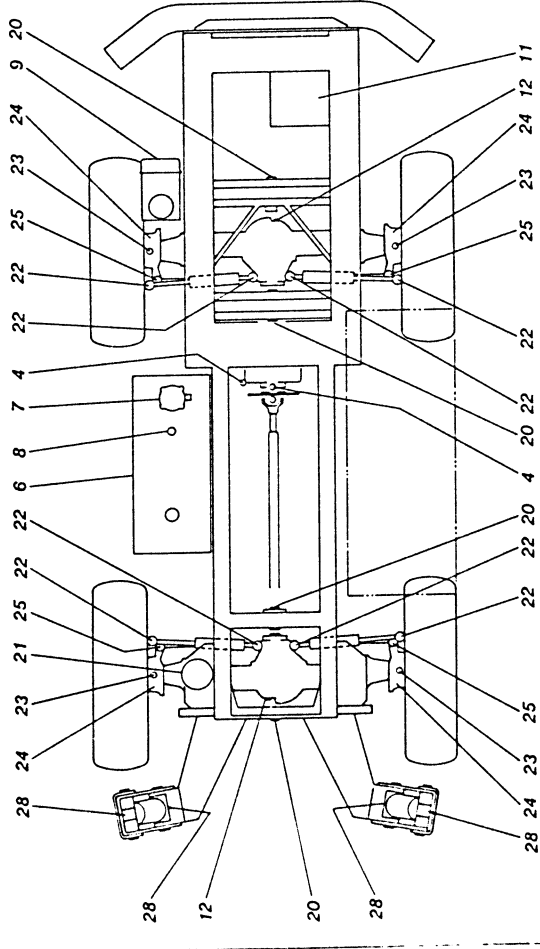
ITEM	DESCRIPTION	DAILY WEEKLY	HOURS OF OPERATION							FLUID TYPE AND FILTER PART NO.
			20	50	100	200	500	1000	DEERE / DEUTZ	
1	ENGINE OIL	C	*CR	CR	CR				SEE ENGINE MANUAL	
2	ENGINE OIL FILTER		*CR	CR	CR				USE P22635 / P19848	
3	FUEL FILTER					CR			USE P22836 / P19856	
4	TRANSMISSION FLUID	C	*CR						ALLISON C-3 (MIL-L-2104 GR10)	
5	TRANSMISSION FILTER		*CR						USE P19133	
6	HYD. RESERVOIR OIL	C						CR	AMOCO RYKON MV (OR EQUIV.)	
7	HYD. FILTER ELEMENT		*CR					CR	USE P27810	
8	HYDRAULIC BREATHER					CLN		CR	USE P21674	
9	AIR CLEANER ELEMENT				CLN			CR	USE P19476 / P26220	
10	RADIATOR COOLANT				C			CR	50/50 PERMAGUARD ANTI-FREEZE	
11	BATTERY						C		DISTILLED WATER	
12	AXLE DIFFERENTIAL		*CR				C	CR	SAE-90 API-GL5	
13	PLANETARY HUBS		*CR				C	CR	JD HY-GUARD W/ FRICTION MODIFIER	
14	BOOM PIVOT	LUBE							GREASE FITTINGS PER ITEM	
15	HOIST PIVOTS	LUBE								
16	TILT CYLINDER PIVOTS	LUBE								
17	CARRIAGE PIVOT	LUBE								
18	TRANSFER ROLLERS	LUBE								
19	BOOM ROLLERS	LUBE								
20	OSCILLATION PIVOTS	LUBE								
21	FRAME TILT CYLINDER	LUBE								
22	STEER CYLINDERS	LUBE							FOR LUBE USE MULTI-PURPOSE LITHIUM GREASE	
23	STEER SPINDLES	LUBE								
24	STEER UNIVERSALS	LUBE								
25	TIE ROD ENDS	LUBE								
26	BRAKE PEDAL PIVOT	LUBE								
27	DRIVE SHAFT/U-JOINTS	LUBE								
28	OUTRIGGER PIVOTS	LUBE								

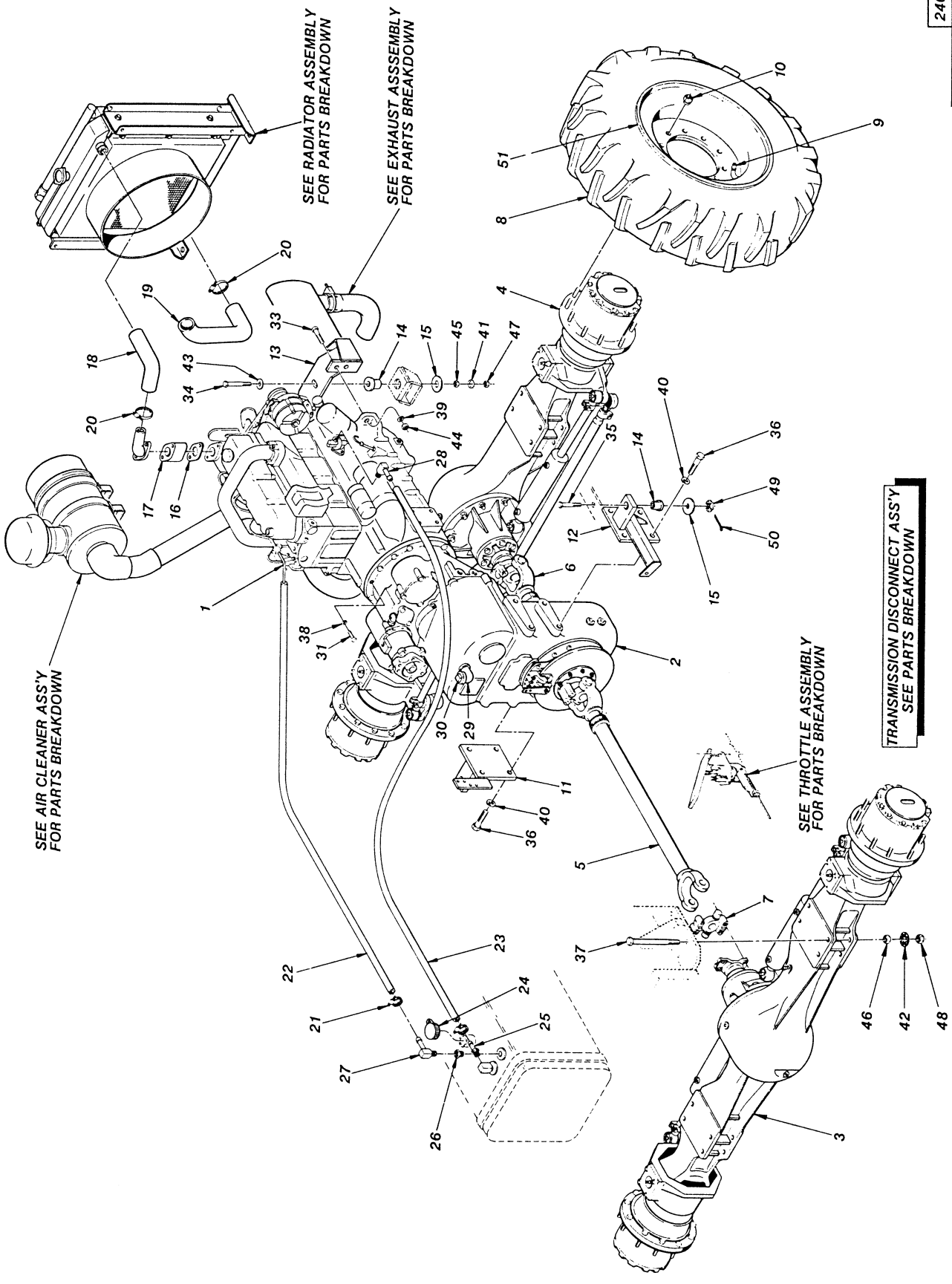
* - FIRST HOURS OF OPERATION
 C - CHECK FLUID LEVELS AND ADD FLUID AS NECESSARY
 CR - CHANGE FLUID OR REPLACE FILTER
 CLN - CLEAN ITEM WITH CARE TO DISLODGE DUST, ETC.

UNDER DUSTY OR SEVERE OPERATING CONDITIONS - SHORTEN SERVICE INTERVALS ACCORDINGLY

CAPACITIES

TRANSMISSION - DRAIN AND REFILL	15 QTS.	TIRES - 14:00 x 24 - 10 PLY	PER TIRE
DIFFERENTIAL	12.8 QTS.	CALCIUM CHLORIDE	13.4 LBS.
PLANETARY HUB (WITH VENT)	2.4 PTS.	WATER	38 GALS.
FRICTION MODIFIER	3 OZ.	MAX. TIRE PRESSURE (COLD)	80 PSI
PLANETARY HUB (WITHOUT VENT)	3.6 PTS.	ALL FLUID SYSTEMS SHOULD BE INSPECTED AND CHANGED WHENEVER FLUID SHOWS TRACES OF CONTAMINATION OR HIGH OPERATING TEMPERATURES EVIDENCED BY STRONG ODOR, DISCOLORING ON SEPARATION.	
FRICTION MODIFIER	6 OZ.		
HYDRAULIC SYSTEM AND RESERVOIR	65 GALS.		
FUEL TANK	40 GALS.		
COOLING SYSTEM	18 QTS.		
ENGINE CRANKCASE	SEE ENGINE MANUAL		24601





SEE AIR CLEANER ASS'Y
FOR PARTS BREAKDOWN

SEE RADIATOR ASSEMBLY
FOR PARTS BREAKDOWN

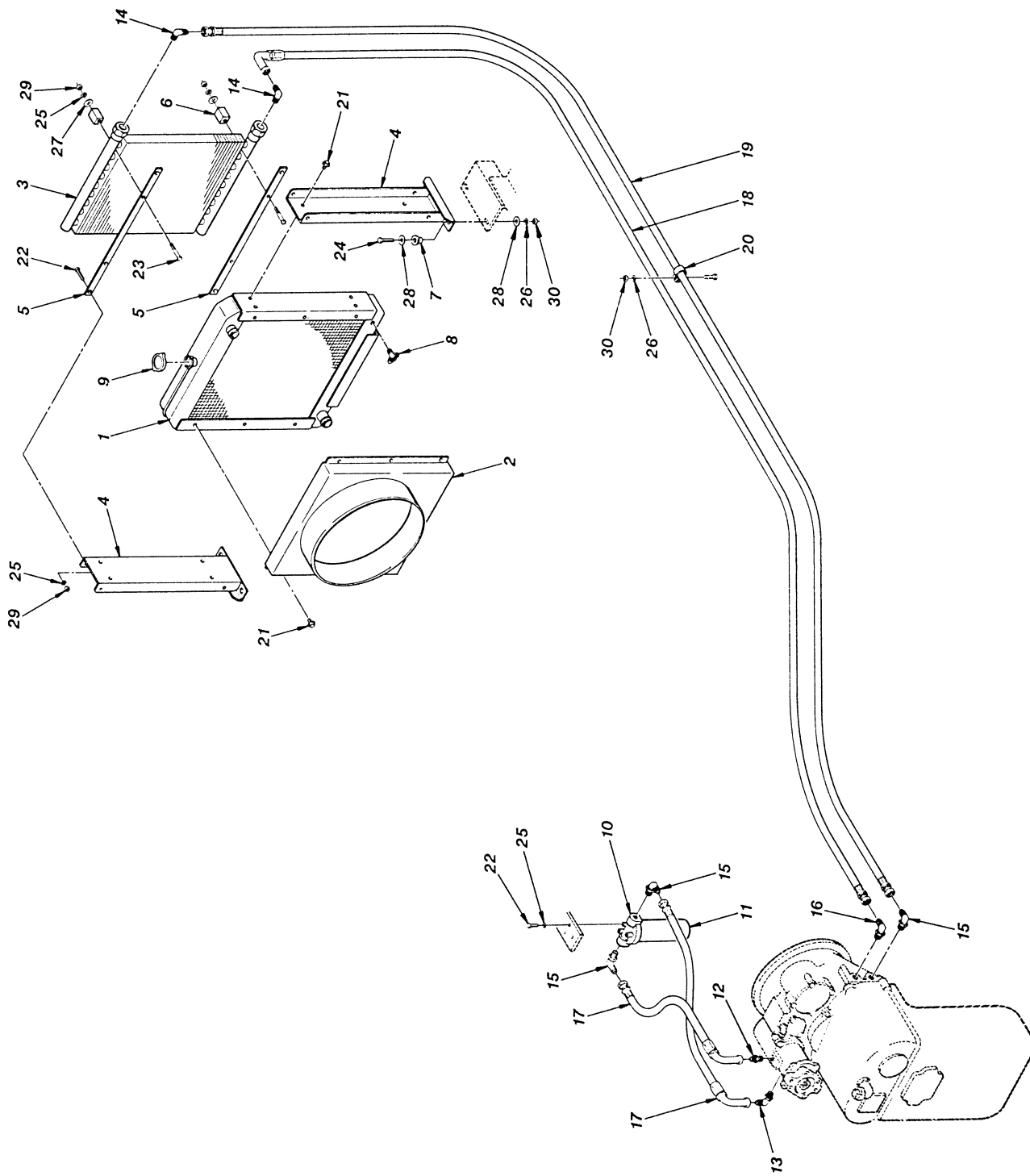
SEE EXHAUST ASSEMBLY
FOR PARTS BREAKDOWN

SEE THROTTLE ASSEMBLY
FOR PARTS BREAKDOWN

TRANSMISSION DISCONNECT ASS'Y
SEE PARTS BREAKDOWN

- 1 Engine
- 2 Chassis
- 3 Transmission
- 4 Rear Axle
- 5 Drive Shaft
- 6 Differential
- 7 Front Axle
- 8 Rear Wheel
- 9 Wheel Hub
- 10 Tire
- 11 Throttle Lever
- 12 Throttle Cable
- 13 Throttle Linkage
- 14 Throttle Cable Bracket
- 15 Throttle Cable End
- 16 Air Cleaner
- 17 Air Filter
- 18 Air Filter Element
- 19 Air Filter Housing
- 20 Air Filter Seal
- 21 Air Filter Gasket
- 22 Air Filter Mounting
- 23 Air Filter Support
- 24 Air Filter Bracket
- 25 Air Filter Nut
- 26 Air Filter Washer
- 27 Air Filter Seal
- 28 Radiator
- 29 Radiator Mounting
- 30 Radiator Support
- 31 Radiator Bracket
- 32 Radiator Seal
- 33 Radiator Gasket
- 34 Radiator Nut
- 35 Radiator Washer
- 36 Radiator Seal
- 37 Radiator Seal
- 38 Radiator Seal
- 39 Radiator Seal
- 40 Radiator Seal
- 41 Radiator Seal
- 42 Radiator Seal
- 43 Radiator Seal
- 44 Radiator Seal
- 45 Radiator Seal
- 46 Radiator Seal
- 47 Radiator Seal
- 48 Radiator Seal
- 49 Radiator Seal
- 50 Radiator Seal
- 51 Radiator Seal

ITEM	PART NUMBER	DESCRIPTION	QTY.	DESCRIPTION	ITEM	PART NUMBER	QTY.	DESCRIPTION	
1	P25975	Engine, 4 Cyl. 239 Deere Turbo	1	Engine, 4 Cyl. 239 Deere Turbo	38	P01310	11	Lockwasher, 3/8"	
2	P24604	Transmission (Includes Item 30)	1	Transmission (Includes Item 30)	39	P01314	4	Lockwasher, 5/8"	
3	P26003	Axle, Front (Includes Item 10)	1	Axle, Front (Includes Item 10)	40	P01315	8	Lockwasher, 3/4"	
4	P26004	Axle, Rear (Includes Item 10)	1	Axle, Rear (Includes Item 10)	41	P01363	1	Starwasher, 5/8"	
5	P27581	Drive Shaft, Front (Includes Item 7)	1	Drive Shaft, Front (Includes Item 7)	42	P01364	16	Starwasher, 3/4"	
6	P24722	Drive Shaft, Rear (Includes Item 7)	1	Drive Shaft, Rear (Includes Item 7)	43	P01408	1	Flatwasher, 5/8"	
7	P18749	Cross & Bearing (Includes Hardware)	REF	Cross & Bearing (Includes Hardware)	44	P01512	2	Nut, Hx., 5/8"-11	
8	P26002	Tire, 14.00 x 24 10 Ply	4	Tire, 14.00 x 24 10 Ply	45	P01535	1	Nut, Hx., 5/8"-18	
	P29147	Tire, 14.00 x 24 12 Ply Steelguard	-	Tire, 14.00 x 24 12 Ply Steelguard	46	P01536	16	Nut, Hx., 3/4"-16	
	P27330	Tire, 14.00 x 24 12 Ply Steel Belted Radial	-	Tire, 14.00 x 24 12 Ply Steel Belted Radial	47	P01585	1	Jam Nut, Hx., 5/8"-18	
8A*	P27329	Tube, 14.00 x 24	REF	Tube, 14.00 x 24	48	P01586	16	Jam Nut, Hx., 3/4"-16	
9	P13673	Valve Stem	4	Valve Stem	49	P01635	2	Castle Nut, Hx., 5/8"-18	
10	P13894	Lug Nut	REF	Lug Nut	50	P03838	2	Cotter Pin, 1/8" x 1"	
11	22868C	Transmission Mount, R.H.	1	Transmission Mount, R.H.	51	12749C	4	Wheel, Rim	
12	22869C	Transmission Mount, L.H.	1	Transmission Mount, L.H.	51A*	P17260	-	Flange	
13	22839B	Engine Mount	1	Engine Mount	51B*	P16439	-	Lock Ring	
14	P18181	Rubber Mount	3	Rubber Mount	51C*	P16441	-	O-Ring	
15	P20395	Snubbing Washer	3	Snubbing Washer		20844B	-	Engine Block Heater Kit (1000 Watts)	
16	P25386	Gasket, Thermostat	1	Gasket, Thermostat		21577B	-	Flywheel	
17	P21785	Housing Extension	1	Housing Extension		P22635	-	Engine Oil Filter	
18	P24298	Radiator Hose, Upper	1	Radiator Hose, Upper		P22636	-	Engine Fuel Filter	
19	P24299	Radiator Hose, Lower	1	Radiator Hose, Lower		P19133	-	Transmission Filter	
20	P10601	Hose Clamp	4	Hose Clamp					
21	P14047	Hose Clamp	4	Hose Clamp					
22	N11796	Return Line, 1/4" I.D. Hose	1	Return Line, 1/4" I.D. Hose					
23	N11437	Fuel Line, 5/16" I.D. Hose	1	Fuel Line, 5/16" I.D. Hose					
24	P12182	Fuel Cap	REF	Fuel Cap					
25	P13619	Adapter, Pipe to Hose	1	Adapter, Pipe to Hose					
26	P10690	Reducer Bushing	1	Reducer Bushing					
27	P21317	90° Elbow, Pipe to Hose	1	90° Elbow, Pipe to Hose					
28	P21236	90° Elbow, Pipe to Hose	1	90° Elbow, Pipe to Hose					
29	P10133	90° Street Elbow	1	90° Street Elbow					
30	P10730	Oil Fill Plug, Pipe	REF	Oil Fill Plug, Pipe					
31	P00205	Bolt, Hx., 3/8"-16 x 1 1/4"	11	Bolt, Hx., 3/8"-16 x 1 1/4"					
32*	P00604	Bolt, Hx., 5/8"-11 x 2"	2	Bolt, Hx., 5/8"-11 x 2"					
33	P00605	Bolt, Hx., 5/8"-11 x 2 1/4"	2	Bolt, Hx., 5/8"-11 x 2 1/4"					
34	P00690	Bolt, Hx., 5/8"-18 x 3 3/4"	1	Bolt, Hx., 5/8"-18 x 3 3/4"					
35	P29099	Bolt, Hx., 5/8"-18 x 4 1/2"	2	Bolt, Hx., 5/8"-18 x 4 1/2"					
36	P00701	Bolt, Hx., 3/4"-10 x 1 3/4"	8	Bolt, Hx., 3/4"-10 x 1 3/4"					
37	P00791	Bolt, Hx., 3/4"-16 x 7" GR 8	16	Bolt, Hx., 3/4"-16 x 7" GR 8					
								* Not Illustrated	24602
								1044 S/N 101 THRU	6/89
								DRIVE TRAIN ASSEMBLY (Deere)	

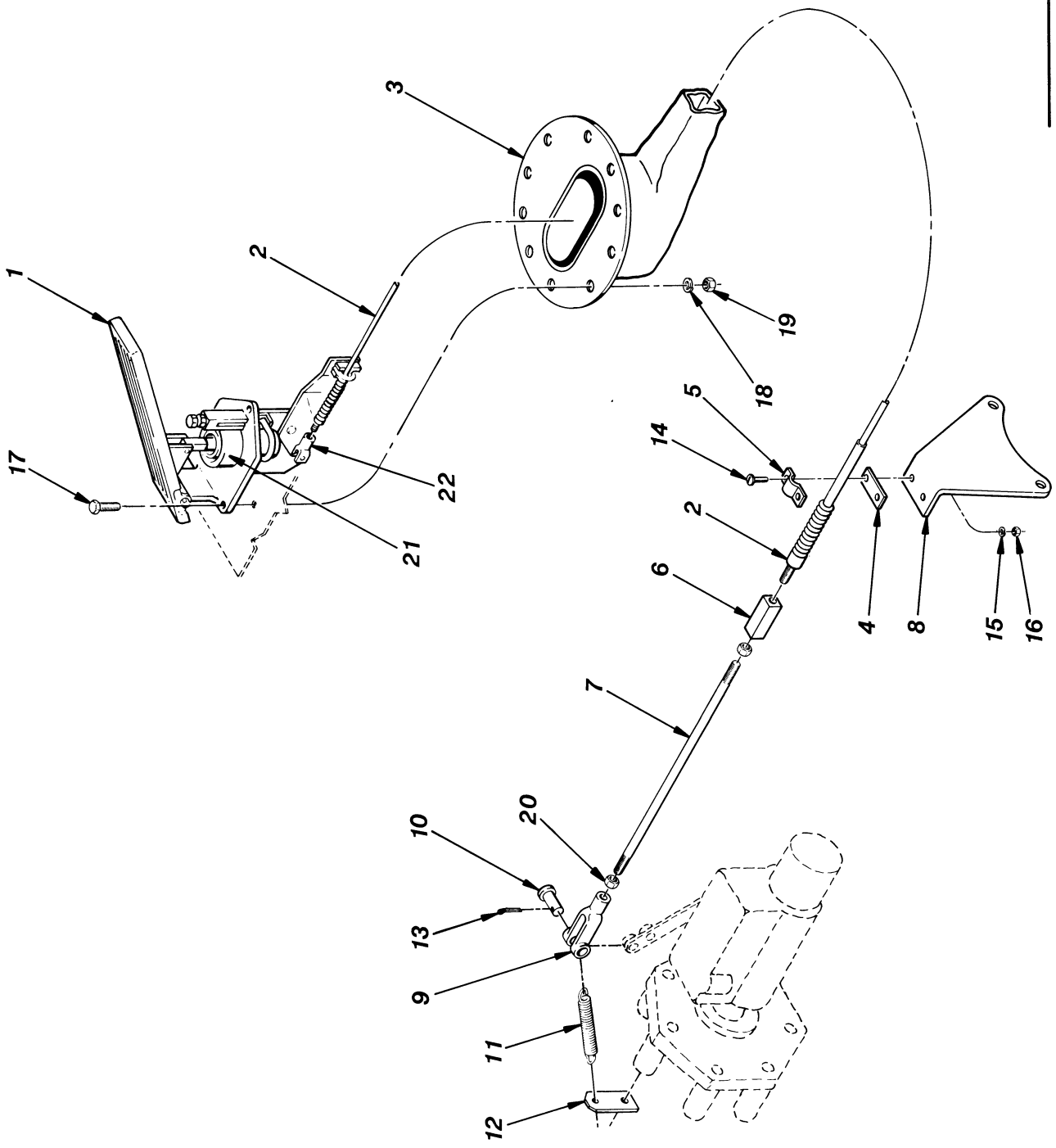


ITEM	PART NUMBER	QTY.	DESCRIPTION	ITEM	PART NUMBER	QTY.	DESCRIPTION
1	P26544	1	Radiator (Includes Items 8 & 9)				
2	P25926	1	Fan Shroud				
3	P17598	1	Transmission Cooler				
4	23189B	2	Support Bracket				
5	24747A	2	Mounting Bar, Cooler				
6	P26312	4	Rubber Mounting Block				
7	P18723	4	Rubber Grommet				
8	P16675	REF	Drain Cock				
9	P25365	REF	Cap, Radiator				
10	P19132	REF	Filter Base (Includes Item 11)				
11	P19133	REF	Filter, Transmission				
12	P17805	1	Connector, O-Ring				
13	P17802	1	90° Elbow, O-Ring				
14	P17808	2	90° Elbow, JIC-Pipe				
15	P20359	3	90° Elbow, O-Ring				
16	25685A	1	90° Elbow, Special				
17	P17798	2	Hose, Transmission Filter, 29" LG.				
18	P27748	1	Hose, Transmission Cooler, 54" LG.				
19	P21953	1	Hose, Transmission Cooler, 79" LG.				
20	P17593	3	Clamp, Hyd. Hose				
21	P24307	14	Bolt, Flange Hd., 5/16"-18 x 1/2"				
22	P00102	7	Bolt, Hx., 5/16"-18 x 3/4"				
23	P00111	4	Bolt, Hx., 5/16"-18 x 2 3/4"				
24	P00205	4	Bolt, Hx., 3/8"-16 x 1 1/4"				
25	P01309	11	Lockwasher, 5/16"				
26	P01310	5	Lockwasher, 3/8"				
27	P01453	4	Flatwasher, 5/16" - Fender				
28	P01404	8	Flatwasher, 3/8"				
29	P01507	9	Nut, Hx., 5/16"-18				
30	P01508	5	Nut, Hx., 3/8"-16				

24603

1044 S/N 101 THRU 6/89
RADIATOR & TRANS. OIL COOLER ASSEMBLY (Deere)

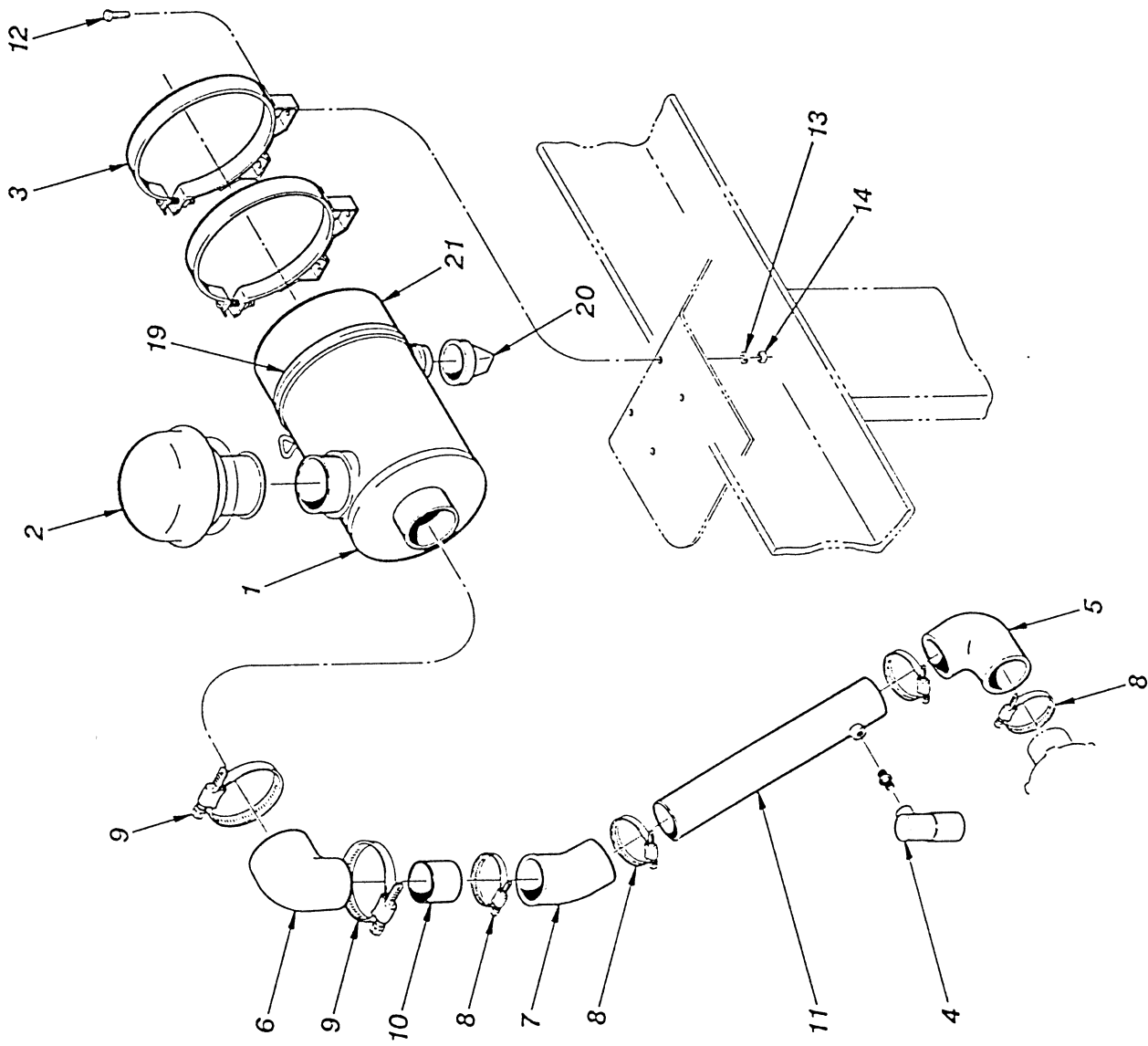
24604



ITEM	PART NUMBER	DESCRIPTION	QTY.	DESCRIPTION	ITEM	PART NUMBER	QTY.	DESCRIPTION
1	P19263	Accelerator Pedal (Includes Items 21 & 22)	1					
2	P19264	Cable, Throttle	1					
3	P19268	Boot Guard	1					
4	P19128	Shim, Cable Clamp	1					
5	P17678	Clamp, Cable	1					
6	P27815	Coupling Nut	1					
7	23084B	Extension Rod	1					
8	23081C	Bracket, Cable	1					
9	P01508	Clevis	1					
10	P01509	Clevis Pin	1					
11	P21260	Spring	1					
12	17786A	Spring Anchor	1					
13	P03823	Cotter Pin, 3/32" x 3/4"	1					
14	P02054	Screw, Rd. Hd., #10-24 x 3/4"	2					
15	P01306	Lockwasher, #10	2					
16	P01594	Nut, Hx., #10-24	2					
17	P00005	Bolt, Hx., 1/4"-20 x 1"	3					
18	P01308	Lockwasher, 1/4"	3					
19	P01506	Nut, Hx., 1/4"-20	3					
20	P01529	Nut, Hx., 1/4"-28	2					
21	P20069	Bellows, Accelerator	REF					
22	P20072	Clevis Kit	REF					

24604

1044 S/N 101 THRU
 THROTTLE ASSEMBLY (Deere)
 6/89

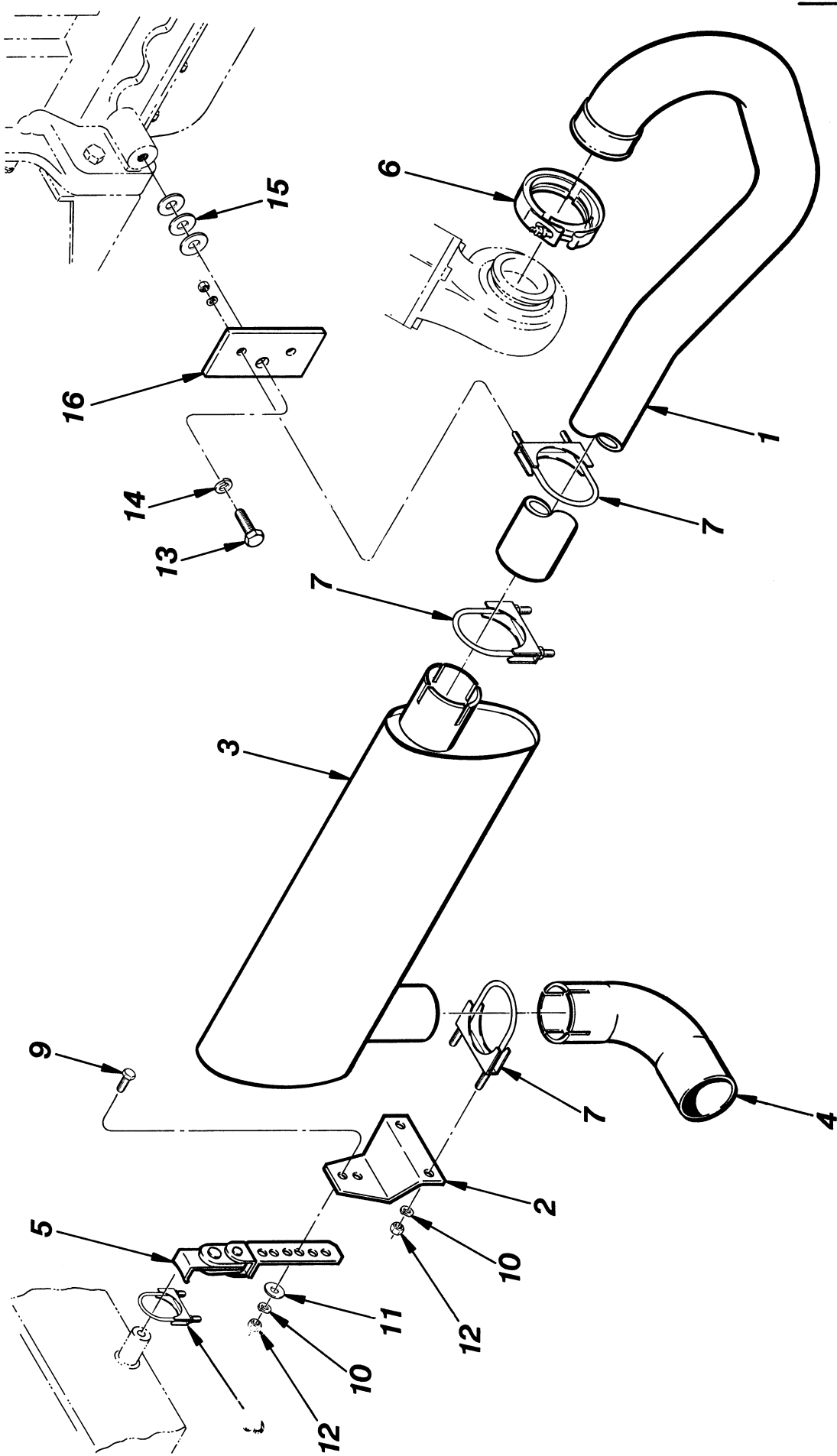


ITEM	PART NUMBER	QTY.	DESCRIPTION	ITEM	PART NUMBER	QTY.	DESCRIPTION
1	P19261	1	Air Cleaner (Includes Items 16 - 21)				
2	P19265	1	Rain Cap				
3	P19266	2	Mounting Band				
4	P21309	1	Service Indicator (Includes Fitting)				
5	P20854	1	90° Elbow, Rubber				
6	P26206	1	90° Reducer Elbow, Rubber				
7	P24312	1	45° Elbow, Rubber (Not used S/N 101 & 102)				
8	P10553	4	Hose Clamp, #48				
9	P19267	2	Hose Clamp, #64				
10	18347C-37	1	Tube, Adaptor (Not used S/N 101 & 102)				
11	23085B	1	Tube, Air Intake				
12	P00204	4	Bolt, Hx., 3/8"-16 x 1"				
13	P01310	4	Lockwasher, 3/8"				
14	P01508	4	Nut, Hx., 3/8"-16				
16*	P19476	REF	Filter Element				
17*	P21435	REF	Thumb Screw				
18*	P21433	REF	Baffle				
19	P21431	REF	Clamp, Air Cleaner				
20	P20342	REF	Vacuator Valve				
21	P19729	REF	Vacuator Cup				
REF*	P21310	-	Pre Cleaner - Optional				

24605

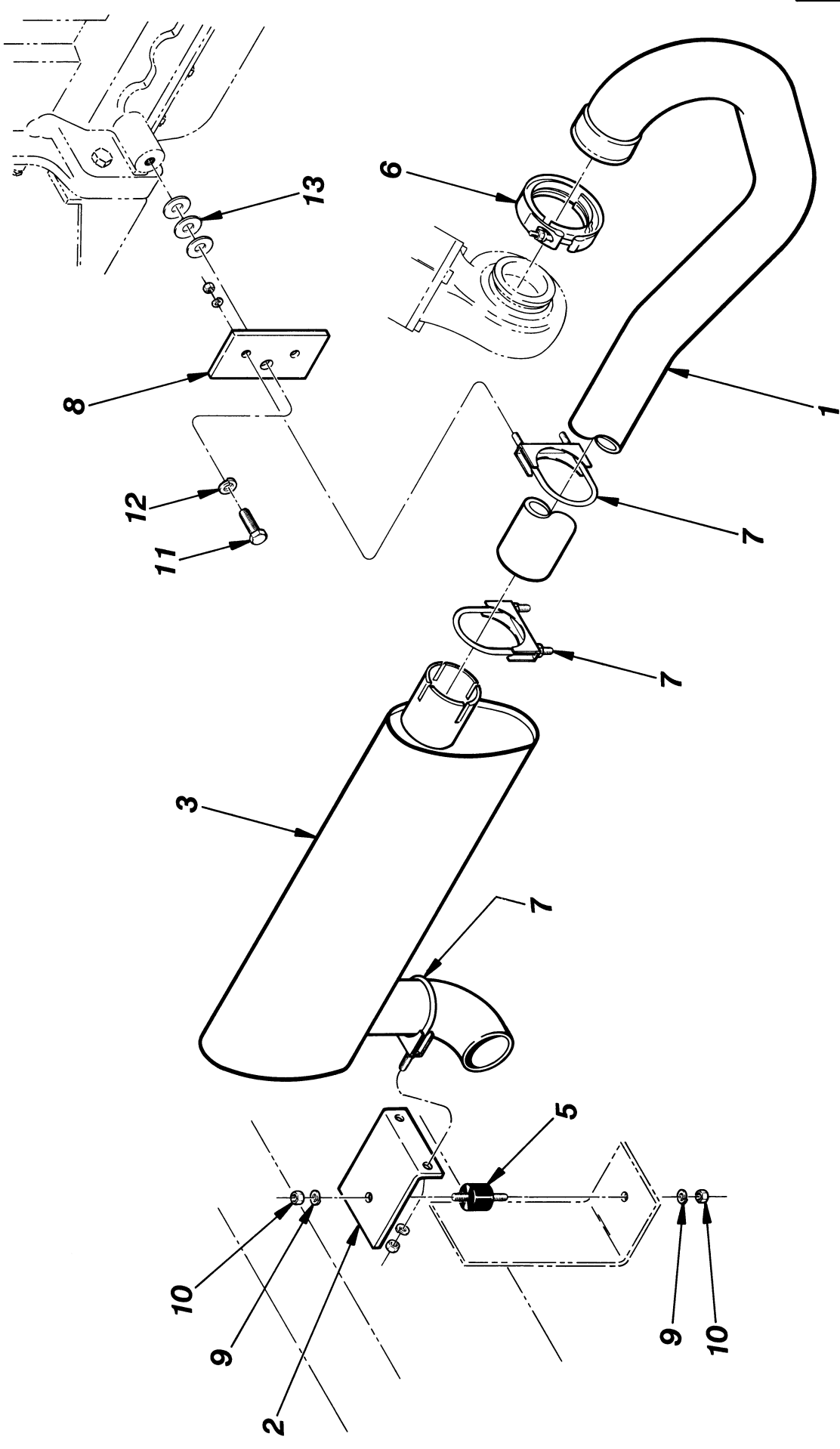
1044 S/N 101 THRU
 AIR CLEANER ASSEMBLY (Deere)
 6/89

* Not Illustrated



24606

ITEM	PART NUMBER	QTY.	DESCRIPTION	ITEM	PART NUMBER	QTY.	DESCRIPTION
1	24795C	1	Exhaust Pipe				
2	25074B	1	Bracket, Muffler Hanger				
3	A)P26080	1	Muffler, Exhaust				
4	P26751	1	Tail Pipe (Used S/N 101 - 172 only)				
5	B)P25469	1	Swivel Hanger, Muffler				
6	P19518	1	Clamp, V-Band				
7	P17169	3	Muffler Clamp				
8	P15470	1	Muffler Clamp				
9	P00202	2	Bolt, Hx., 3/8"-16 x 3/4"				
10	P01310	4	Lockwasher, 3/8"				
11	P01404	2	Flatwasher, 3/8"				
12	P01508	2	Nut, Hx., 3/8"-16				
13	C)P00602	1	Bolt, Hx., 5/8"-11 x 1 1/2"				
14	C)P01314	1	Lockwasher, 5/8"				
15	C)P01408	A/R	Flatwasher, 5/8"				
16	C)26165A	1	Mount Plate, Exhaust Pipe				
<p>NOTES:</p> <p>A) For repair, Muffler and Tail Pipe are one piece construction.</p> <p>B) Early Production Hanger may vary. For repair, use Current Production.</p> <p>C) Not used in Early Production.</p>							
							24606
							1044 S/N 101 - 197
							6/89
EXHAUST ASSEMBLY (Deere)							



24606-1

ITEM	PART NUMBER	QTY.	DESCRIPTION	ITEM	PART NUMBER	QTY.	DESCRIPTION
1	24795C	1	Exhaust Pipe				
2	26313A	1	Bracket, Muffler Hanger				
3	P26080	1	Muffler, Exhaust				
5	P27620	1	Rubber Mount				
6	P19518	1	Clamp, V-Band				
7	P17169	3	Muffler Clamp				
8	26165A	1	Mount Plate, Exhaust Pipe				
9	P01310	4	Lockwasher, 3/8"				
10	P01508	2	Nut, Hx., 3/8"-16				
11	P00602	1	Bolt, Hx., 5/8"-11 x 1 1/2"				
12	P01314	1	Lockwasher, 5/8"				
13	P01408	A/R	Flatwasher, 5/8"				
24606-1							
1044 S/N 198 THRU 6/89							
EXHAUST ASSEMBLY (Deere)							

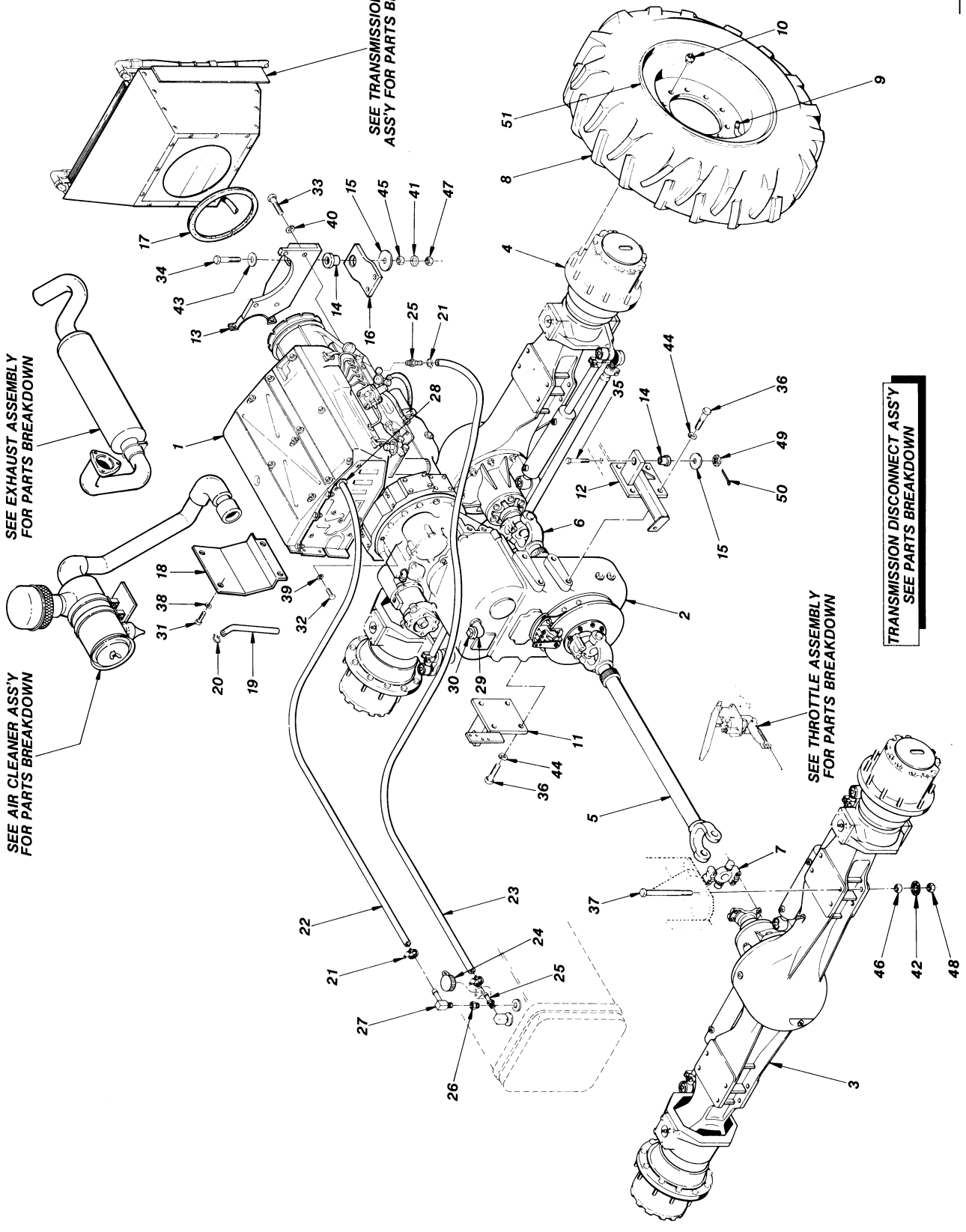
SEE AIR CLEANER ASS'Y
FOR PARTS BREAKDOWN

SEE EXHAUST ASSEMBLY
FOR PARTS BREAKDOWN

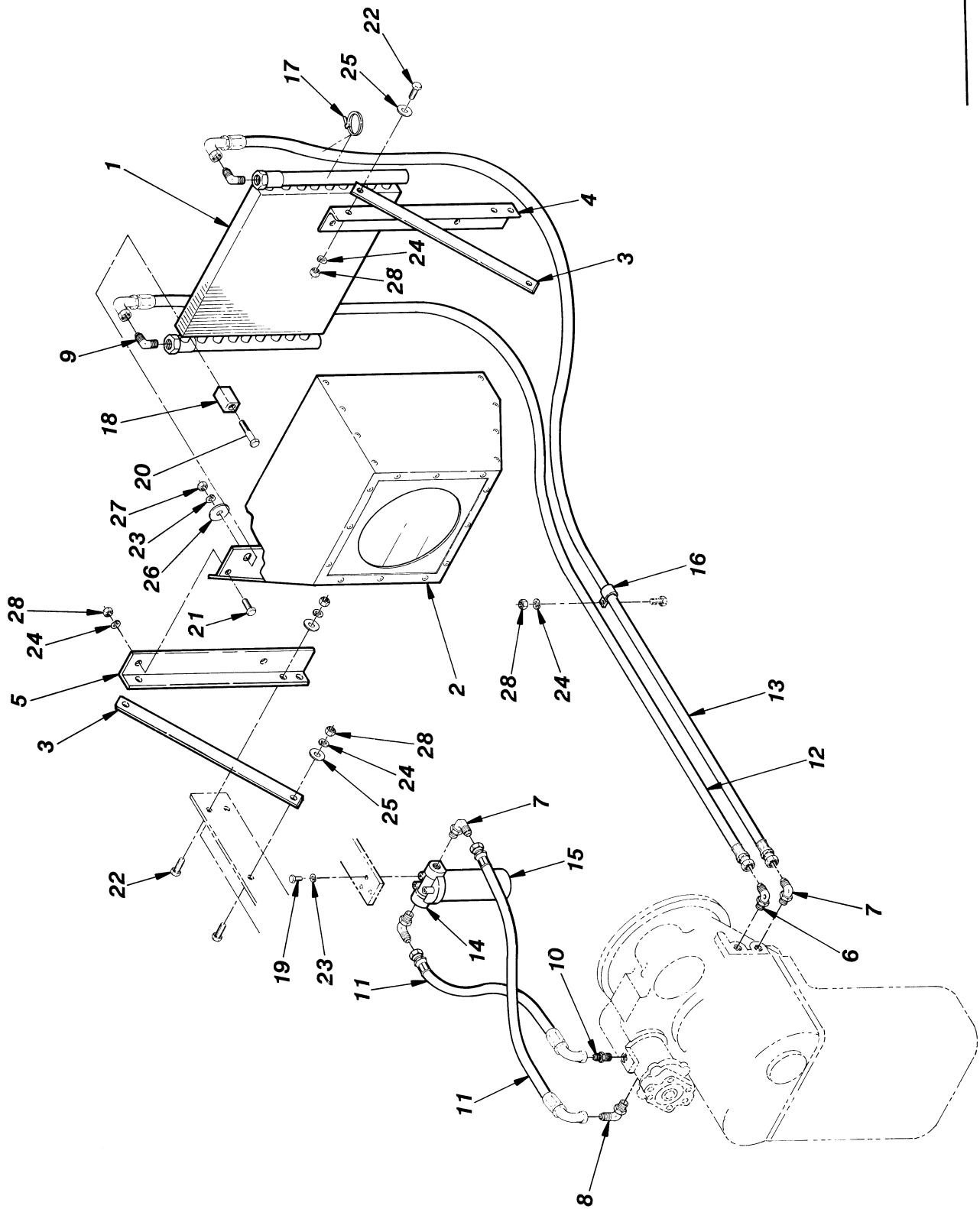
SEE TRANSMISSION COOLER
ASSY FOR PARTS BREAKDOWN

SEE THROTTLE ASSEMBLY
FOR PARTS BREAKDOWN

TRANSMISSION DISCONNECT ASS'Y
SEE PARTS BREAKDOWN

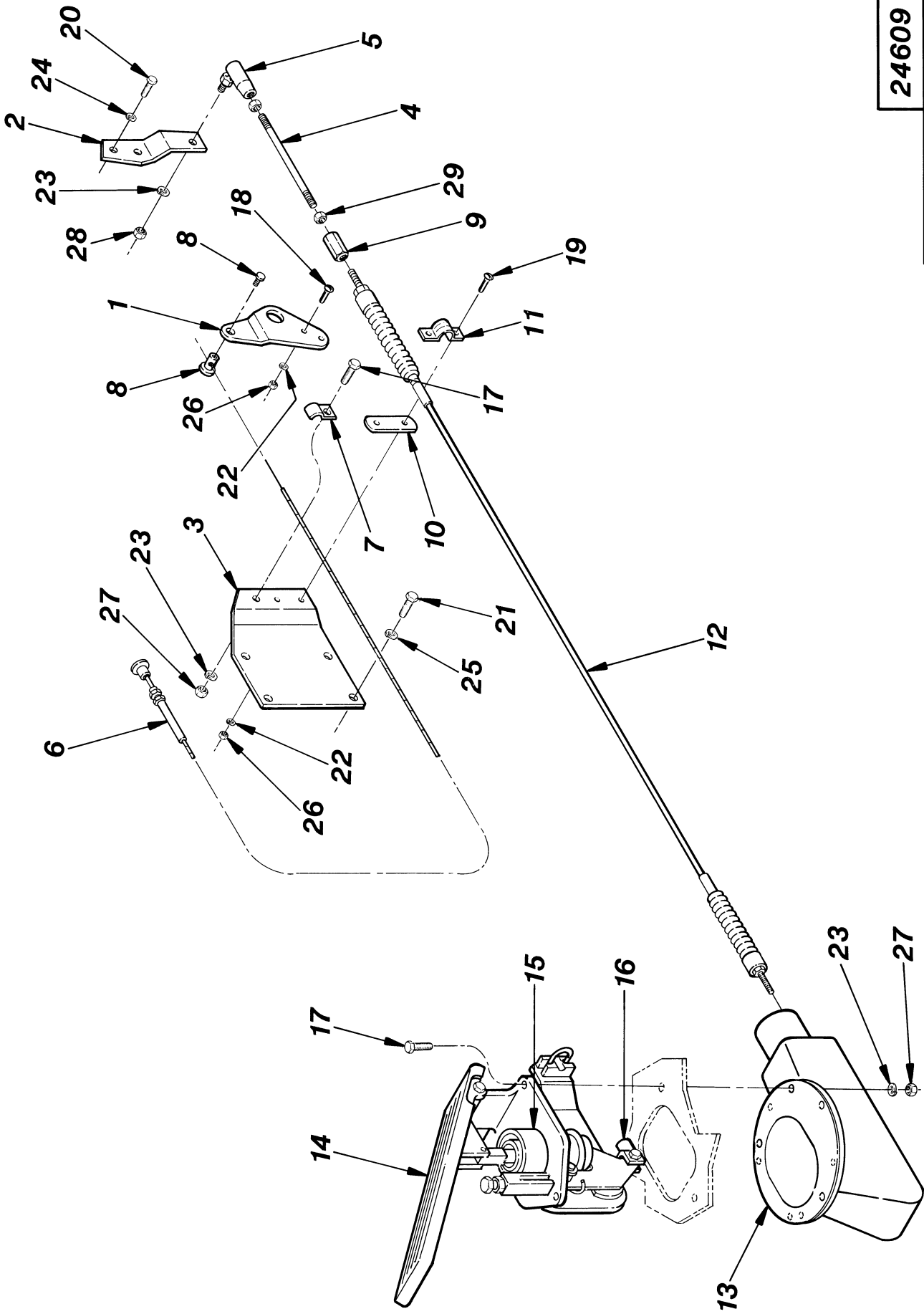


ITEM	PART NUMBER	DESCRIPTION	QTY.	DESCRIPTION	ITEM	PART NUMBER	QTY.	DESCRIPTION
1	P27577	Engine, 4 Cyl. (4.1L) Deutz Turbo	1	Engine, 4 Cyl. (4.1L) Deutz Turbo	38	P04607	4	Lockwasher, M8
2	P24604	Transmission (Includes Item 30)	1	Transmission (Includes Item 30)	39	P04608	11	Lockwasher, M10
3	P26003	Axle, Front (Includes Item 10)	1	Axle, Front (Includes Item 10)	40	P04610	4	Lockwasher, M14
4	P26004	Axle, Rear (Includes Item 10)	1	Axle, Rear (Includes Item 10)	41	P01363	1	Starwasher, 5/8"
5	P27581	Drive Shaft, Front (Includes Item 7)	1	Drive Shaft, Front (Includes Item 7)	42	P01364	16	Starwasher, 3/4"
6	P24722	Drive Shaft, Rear (Includes Item 7)	1	Drive Shaft, Rear (Includes Item 7)	43	P01408	1	Flatwasher, 5/8"
7	P18749	Cross & Bearing (Includes Hardware)	REF	Cross & Bearing (Includes Hardware)	44	P01315	8	Lockwasher, 3/4"
8	P26002	Tire, 14.00 x 24 10 Ply	4	Tire, 14.00 x 24 10 Ply	45	P01535	1	Nut, Hx., 5/8"-18
	P29147	Tire, 14.00 x 24 12 Ply Steelguard	-	Tire, 14.00 x 24 12 Ply Steelguard	46	P01536	16	Nut, Hx., 3/4"-16
	P27330	Tire, 14.00 x 24 12 Ply Steel Belted Radial	-	Tire, 14.00 x 24 12 Ply Steel Belted Radial	47	P01585	1	Jam Nut, Hx., 5/8"-18
8A*	P27329	Tube, 14.00 x 24	REF	Tube, 14.00 x 24	48	P01586	16	Jam Nut, Hx., 3/4"-16
9	P13673	Valve Stem	4	Valve Stem	49	P01635	2	Castle Nut, Hx., 5/8"-18
10	P13894	Lug Nut	REF	Lug Nut	50	P03838	2	Cotter Pin, 1/8" x 1"
11	22868C	Transmission Mount, R.H.	1	Transmission Mount, R.H.	51	12749C	4	Wheel, Rim
12	22869C	Transmission Mount, L.H.	1	Transmission Mount, L.H.	51A*	P17260	-	Flange
13	25713B	Engine Mount	1	Engine Mount	51B*	P16439	-	Lock Ring
14	P18181	Rubber Mount	3	Rubber Mount	51C*	P16441	-	O-Ring
15	P20395	Snubbing Washer	3	Snubbing Washer	REF	P19848	-	Engine Oil Filter
16	25701C	Lug, Engine Mount	1	Lug, Engine Mount	REF	P19856	-	Engine Fuel Filter
17	N11424	Sponge Gasket	1	Sponge Gasket	REF	P19133	-	Transmission Filter
18	25999B	Heat Shield	1	Heat Shield				
19	26000A	Breather Tube	1	Breather Tube				
20	P14044	Hose Clamp	1	Hose Clamp				
21	P14047	Hose Clamp	4	Hose Clamp				
22	N11429	Return Line, 3/16" I.D. Hose	1	Return Line, 3/16" I.D. Hose				
23	N11438	Fuel Line, 5/16" I.D. Hose	1	Fuel Line, 5/16" I.D. Hose				
24	P12182	Fuel Cap	REF	Fuel Cap				
25	P13619	Adapter, Pipe to Hose	2	Adapter, Pipe to Hose				
26	P10690	Reducer Bushing	1	Reducer Bushing				
27	P20830	90° Elbow, Pipe to Hose	1	90° Elbow, Pipe to Hose				
28	P24306	Grommet, Fuel Return Line	1	Grommet, Fuel Return Line				
29	P10133	90° Street Elbow	1	90° Street Elbow				
30	P10730	Oil Fill Plug, Pipe	REF	Oil Fill Plug, Pipe				
31	P04102	Bolt, Hx., M8 -1.25 x 16mm	4	Bolt, Hx., M8 -1.25 x 16mm				
32	P04154	Bolt, Hx., M10 -1.5 x 30mm	11	Bolt, Hx., M10 -1.5 x 30mm				
33	P04264	Bolt, Hx., M14 -2 x 100mm	4	Bolt, Hx., M14 -2 x 100mm				
34	P00689	Bolt, Hx., 5/8"-18 x 3 1/2" GR 8	1	Bolt, Hx., 5/8"-18 x 3 1/2" GR 8				
35	P29099	Bolt, Hx., 3/8"-18 x 4 1/2" GR 8 (w/Hole)	2	Bolt, Hx., 3/8"-18 x 4 1/2" GR 8 (w/Hole)				
36	P00701	Bolt, Hx., 3/4"-10 x 1 3/4"	8	Bolt, Hx., 3/4"-10 x 1 3/4"				
37	P00791	Bolt, Hx., 3/4"-16 x 7" GR 8	16	Bolt, Hx., 3/4"-16 x 7" GR 8				
								* Not Illustrated
								24607
								1044 S/N 101 THRU
								6/89
								DRIVE TRAIN ASSEMBLY (Deutz)



24608

ITEM	PART NUMBER	QTY.	DESCRIPTION	ITEM	PART NUMBER	QTY.	DESCRIPTION
1	P17598	1	Transmission Cooler				
2	17072D	1	Shroud, Air				
3	17087A	2	Cross Support				
4	25583B	1	Upright Support, L.H.				
5	25584B	1	Upright Support, R.H.				
6	25685A	1	90° Elbow, Special				
7	P20359	3	90° Elbow, O-Ring				
8	P17802	1	90° Elbow, O-Ring				
9	P17808	2	90° Elbow, JIC-Pipe				
10	P17805	1	Connector, O-Ring				
11	P17798	2	Hose, Transmission Filter, 29" LG.				
12	P27746	1	Hose, Transmission Cooler, 96" LG.				
13	P27747	1	Hose, Transmission Cooler, 80" LG.				
14	P19132	REF	Base, Filter (Includes Item 15)				
15	P19133	REF	Filter, Transmission				
16	P17593	4	Clamp, Hose				
17	P20496	7	Ty-Wrap				
18	P26312	4	Rubber Mounting Block				
19	P00102	3	Bolt, Hx., 5/16"-18 x 3/4"				
20	P00111	4	Bolt, Hx., 5/16"-18 x 2 3/4"				
21	P00203	4	Bolt, Hx., 3/8"-16 x 3/4"				
22	P00205	8	Bolt, Hx., 3/8"-16 x 1 1/4"				
23	P01309	7	Lockwasher, 5/16"				
24	P01310	13	Lockwasher, 3/8"				
25	P01404	8	Flatwasher, 3/8"				
26	P01453	8	Flatwasher, 5/16" - Fender				
27	P01507	4	Nut, Hx., 5/16"-18				
28	P01508	13	Nut, Hx., 3/8"-16				
							24608
							1044 S/N 101 THRU
							6/89
TRANSMISSION OIL COOLER ASSEMBLY (Deutz)							



24609

ITEM	PART NUMBER	QTY.	DESCRIPTION	ITEM	PART NUMBER	QTY.	DESCRIPTION
1	25717B	1	Shutdown Link				
2	25718B	1	Throttle Link				
3	25795B	1	Cable Bracket				
4	N11910	1	Extension Rod				
5	P10505	1	Ball Joint				
6	P20078	1	Cable, Shutoff				
7	P12497	1	Clip, Cable				
8	P20455	1	Cable Stop				
9	P27815	1	Coupling Nut				
10	P19128	1	Shim, Cable				
11	P17678	1	Clamp, Cable				
12	P21773	1	Cable, Throttle				
13	P19268	1	Boot, Rubber				
14	P19263	1	Accelerator Pedal (Includes 15 & 16)				
15	P20069	REF	Bellows, Accelerator				
16	P20072	REF	Clevis Kit				
17	P00005	4	Bolt, Hx., 1/4"-20 x 1"				
18	P02054	2	Screw, Rd. Hd., #10-24 x 1/2"				
19	P02057	2	Screw, Rd. Hd., #10-24 x 3/4"				
20	P04052	2	Bolt, Hx., M6-1.0 x 12mm				
21	P04102	4	Bolt, Hx., M8-1.25 x 16mm				
22	P01306	4	Lockwasher, #10				
23	P01308	5	Lockwasher, 1/4"				
24	P04606	2	Lockwasher, M6				
25	P04607	4	Lockwasher, M8				
26	P01504	4	Nut, Hx., #10-24				
27	P01506	4	Nut, Hx., 1/4"-20				
28	P01529	1	Nut, Hx., 1/4"-28				
29	P01579	2	Jam Nut, Hx., 1/4"-28				

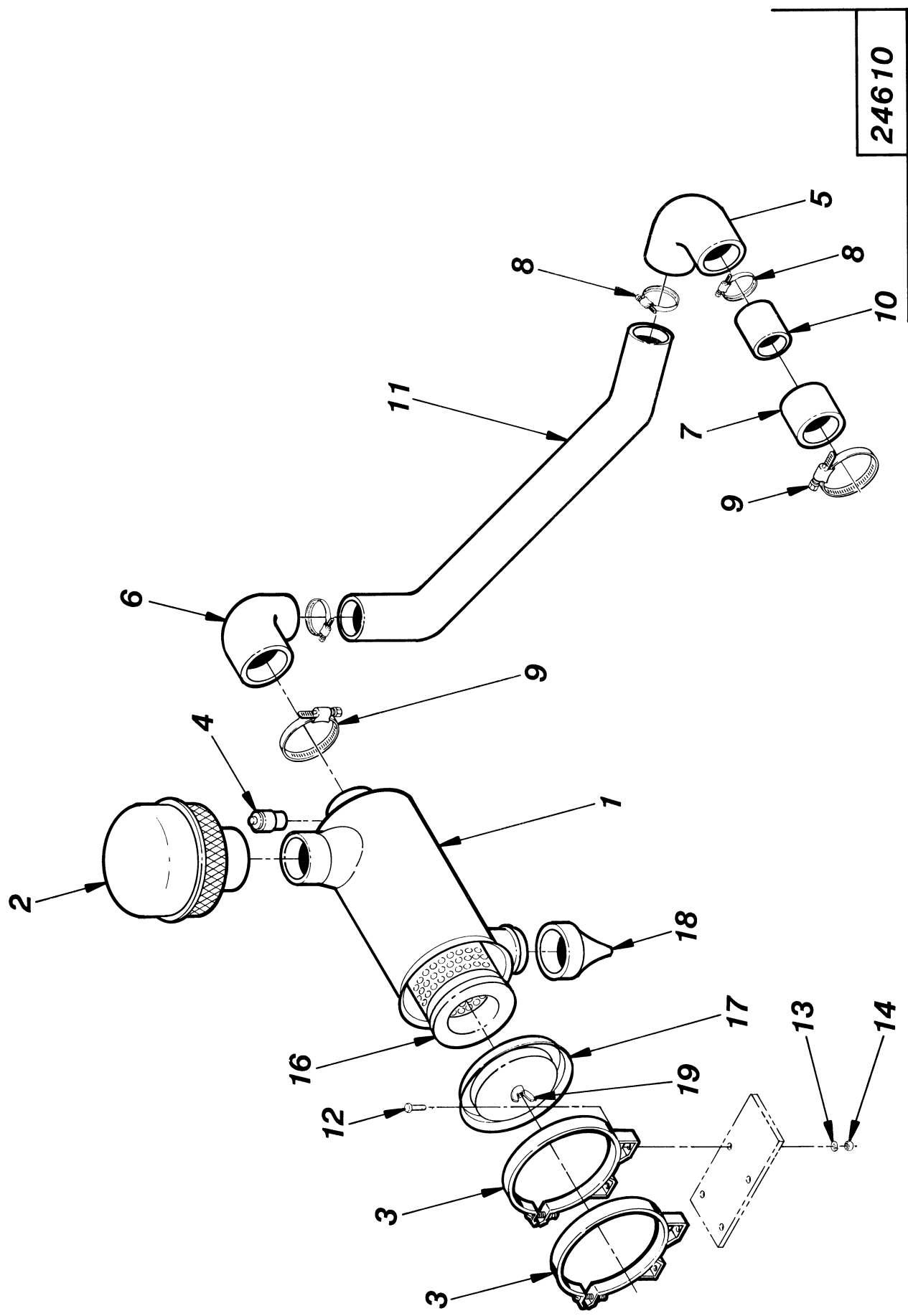
24609

1044 S/N 101 THRU

6/89

THROTTLE ASSEMBLY (Deutz)

24610



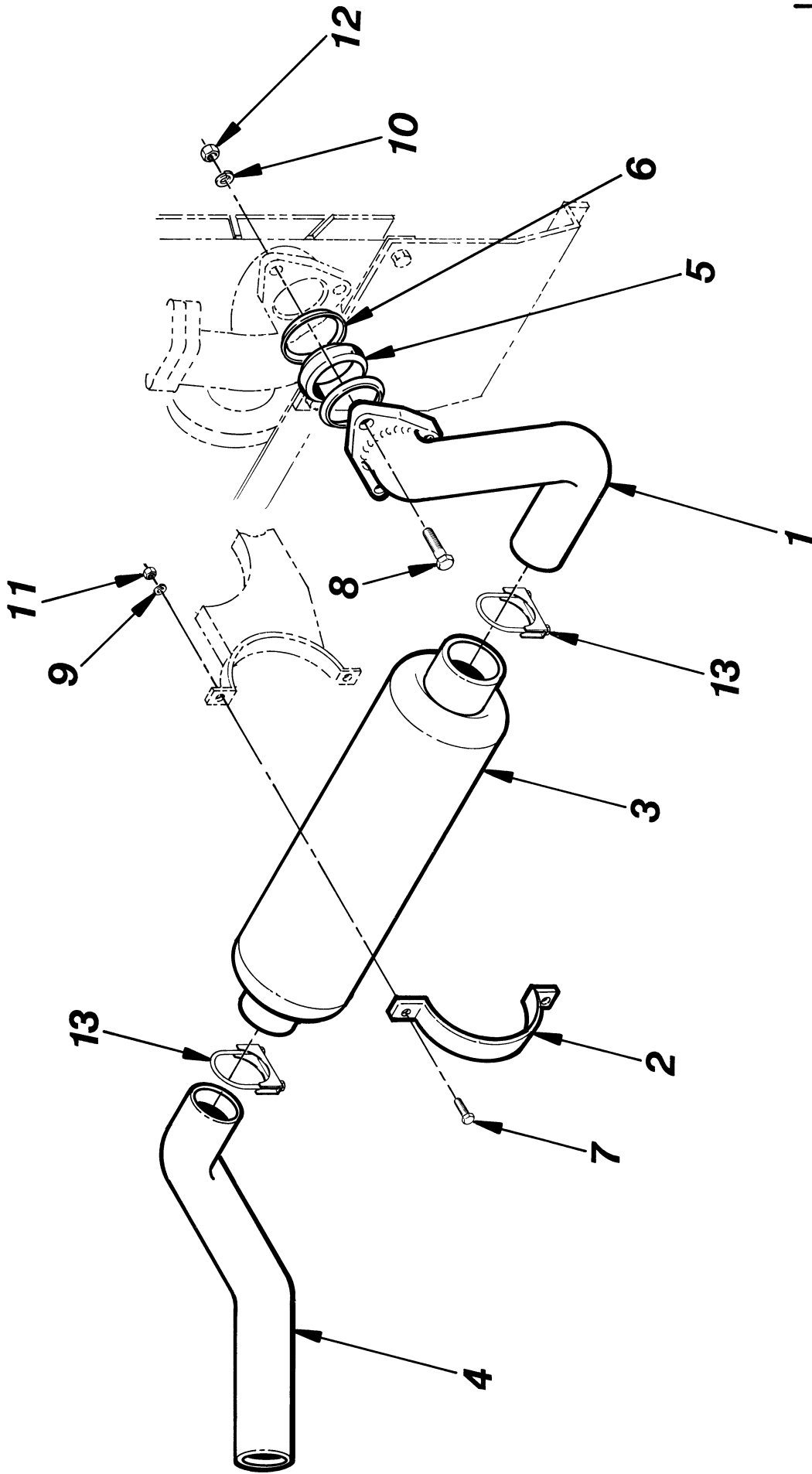
ITEM	PART NUMBER	DESCRIPTION	QTY.	DESCRIPTION	ITEM	PART NUMBER	QTY.	DESCRIPTION
1	P25490	Air Cleaner (Includes Items 16 - 19)	1					
2	P25491	Air Inlet Hood	1					
3	P17137	Mounting Band	2					
4	P24953	Service Indicator	1					
5	P20854	90° Elbow, Rubber	1					
6	P27646	90° Reducer Elbow, Rubber	1					
7	N11551	Adaptor, Rubber	1					
8	P10553	Hose Clamp, #48	3					
9	P19267	Hose Clamp, #64	3					
10	18347C-37	Tube, Adaptor	1					
11	P27589	Tube, Intake	1					
12	P00003	Bolt, Hx., 1/4"-20 x 3/4"	4					
13	P01308	Lockwasher, 1/4"	4					
14	P01506	Nut, Hx., 1/4"-20	4					
16	P26220	Filter Element	REF					
17	P26221	Cover, End	REF					
18	P26222	Vacuator Valve	REF					
19	P21496	Wing Nut	REF					

24610

6/89

1044 S/N 101 THRU

AIR CLEANER ASSEMBLY (Deutz)



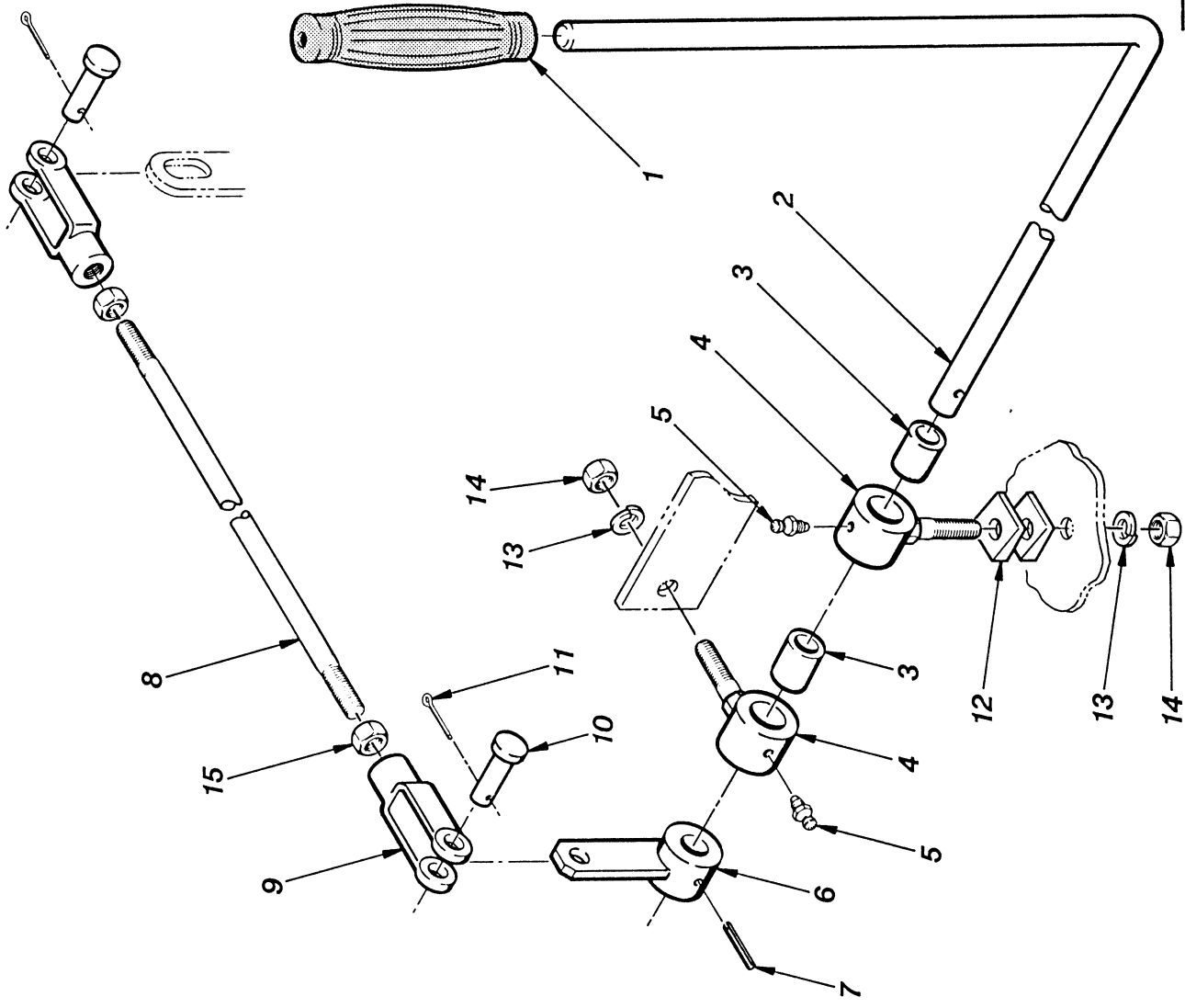
24611

ITEM	PART NUMBER	QTY.	DESCRIPTION	ITEM	PART NUMBER	QTY.	DESCRIPTION
1	25579B	1	Exhaust Pipe				
2	25571B	1	Mounting Band, Muffler				
3	P27575	1	Muffler, Exhaust				
4	P27591	1	Tail Pipe				
5	P27959	REF	Packing Ring, Brass				
6	P27960	REF	Packing Ring, Aluminum (2 Req.)				
7	P00006	2	Bolt, Hx., 1/4"-20 x 1 1/4"				
8	P00303	3	Bolt, Hx., 7/16"-14 x 1 1/4"				
9	P01308	2	Lockwasher, 1/4"				
10	P01311	3	Lockwasher, 7/16"				
11	P01506	2	Nut, Hx., 1/4"-20				
12	P01509	3	Nut, Hx., 7/16"-14				
13	P17169	2	Muffler Clamp				

24611

1044 S/N 101 THRU
EXHAUST ASSEMBLY (Deutz)
6/89

24612



ITEM	PART NUMBER	QTY.	DESCRIPTION	ITEM	PART NUMBER	QTY.	DESCRIPTION
1	P18720	1	Handle Grip				
2	25275B	1	Lever, Disconnect				
3	P20368	2	Bushing, Lever Support				
4	15818A	2	Lever Support				
5	P16611	2	Grease Zerk				
6	25274A	1	Arm Link, Disconnect				
7	P10378	1	Roll Pin				
8	25276A	1	Rod Link				
9	P10193	2	Clevis				
10	P20833	2	Clevis Pin, 3/8" x 1"				
11	P03837	2	Cotter Pin, 1/8" x 3/4"				
12	P06014	2	Bevel Washer				
13	P01311	2	Lockwasher, 7/16"				
14	P01532	2	Nut, Hx., 7/16"-20				
15	P01531	2	Nut, Hx., 3/8"-24				

24612

1044 S/N 101 THRU

6/89

TRANSMISSION DISCONNECT ASSEMBLY

FUNK TRANSMISSION BREAKDOWN

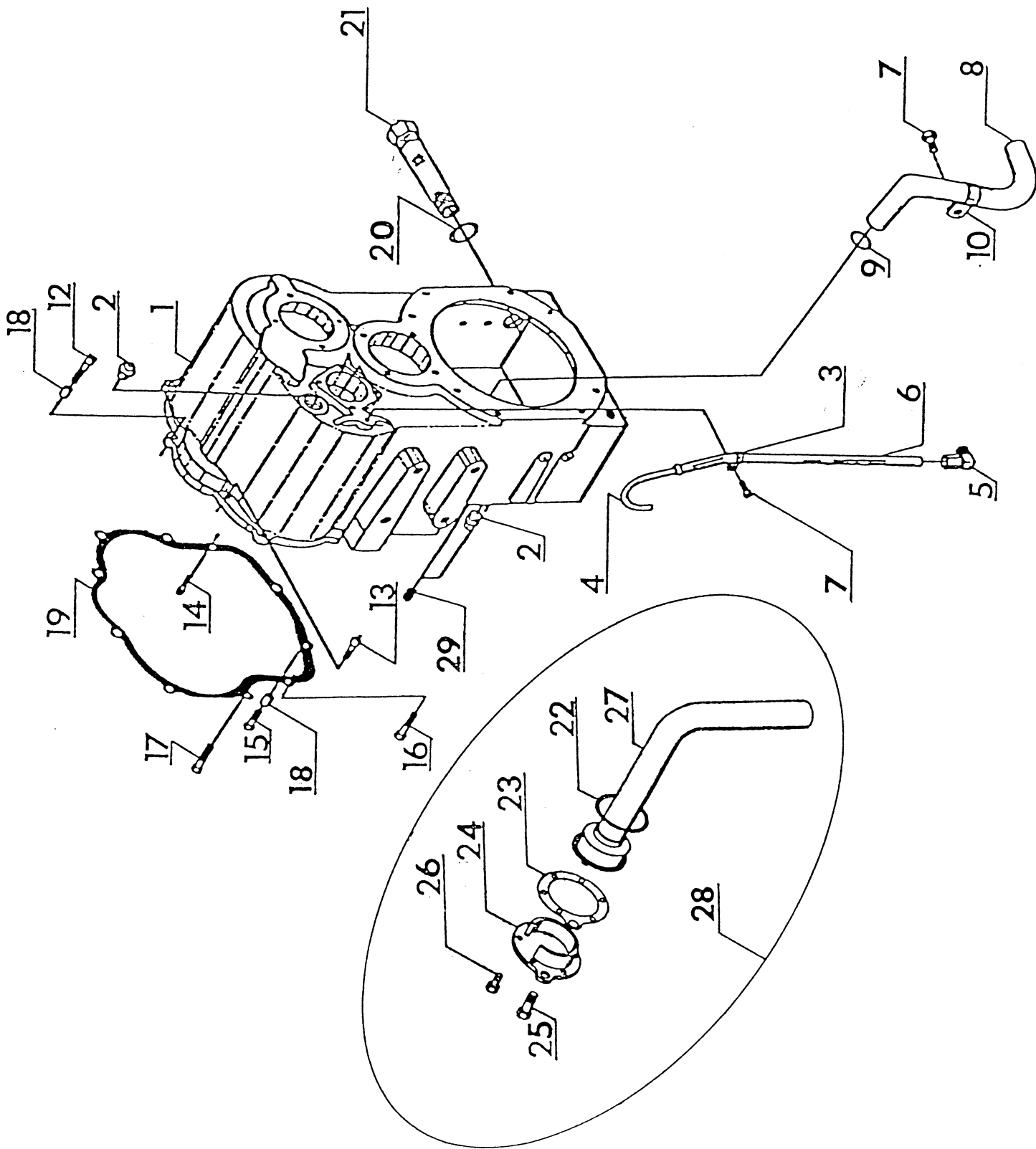
Spec #7711, 8239 & 9673 Transmission Variations

844 S/N 440, 443 THRU
(Except S/N 626, 632, 634, 636, 638, 639, 642, 653, 660 & 661)

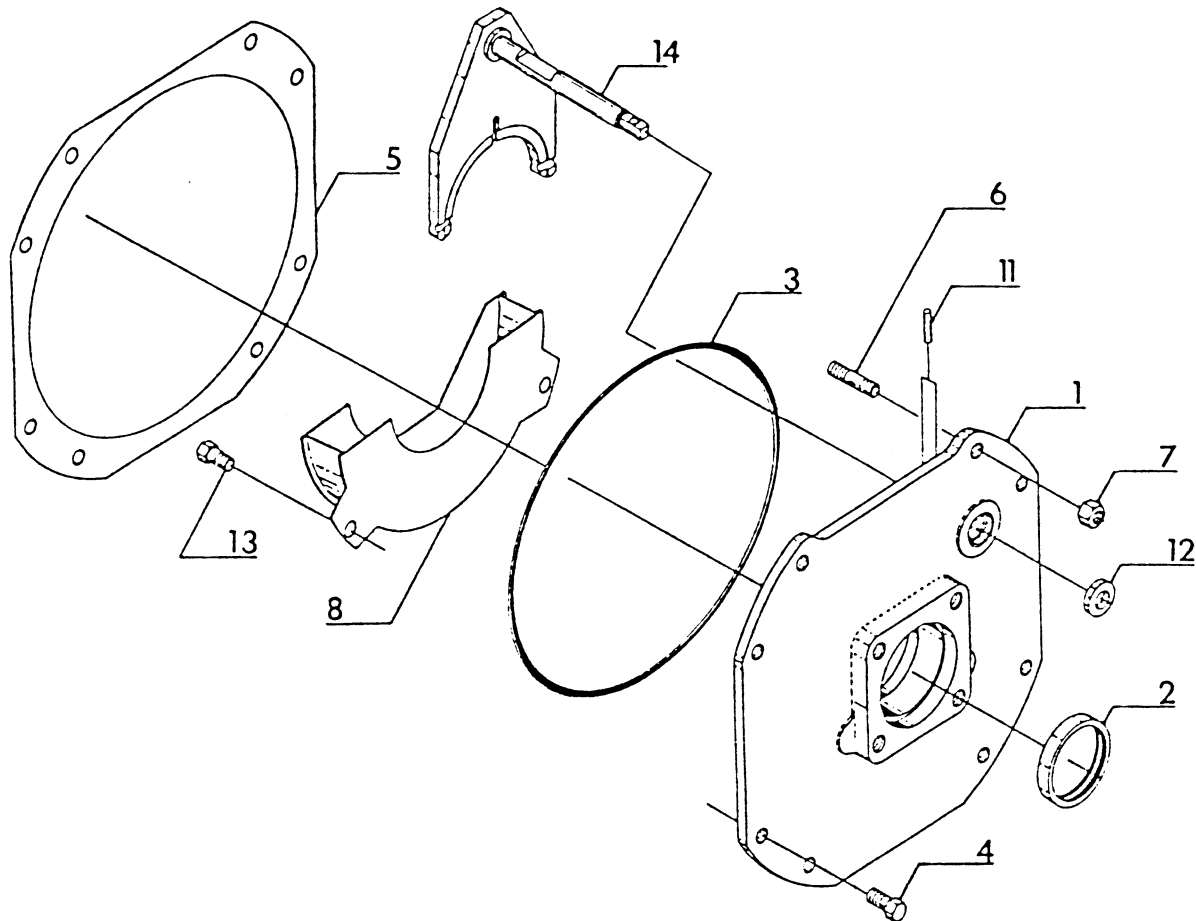
400B S/N 2157 THRU

INDEX OF PARTS

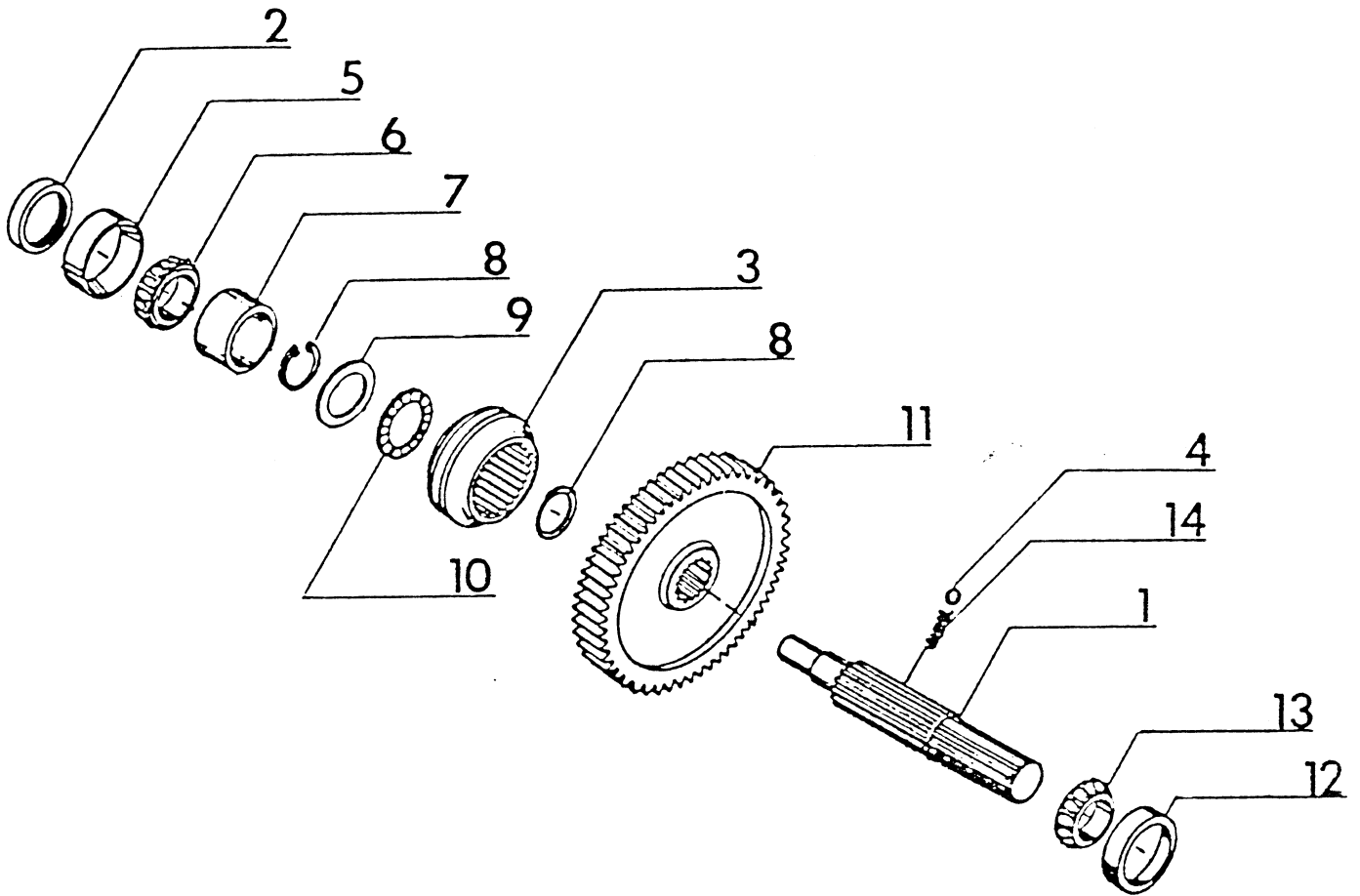
<u>ASSEMBLY</u>	<u>PUBLICATION NO.</u>
Main Case Assembly	1807
Output Group Assembly	1808
Output Retainer Assembly	1808
Clutch Assembly, 1st Stage	1809
Clutch Assembly, 2nd Stage	1810
Clutch Assembly, 3rd Stage	1811
Front Cover Assembly	1812
Pump Assembly	1813
Valve Control Assembly	1814
Yoke Group Assembly	1815
Drive Plate Assembly	1815
Remote Oil Filter Assembly	1816
Parking Brake Assembly - Spec 9673C	1816
Conver Assembly - Spec 8239 & 9673	1817
Conver Assembly - Spec 7711A	1818
Converter Assembly - Spec 7711B & 9673	1819
Converter Assembly - Spec 9673C	1819-1



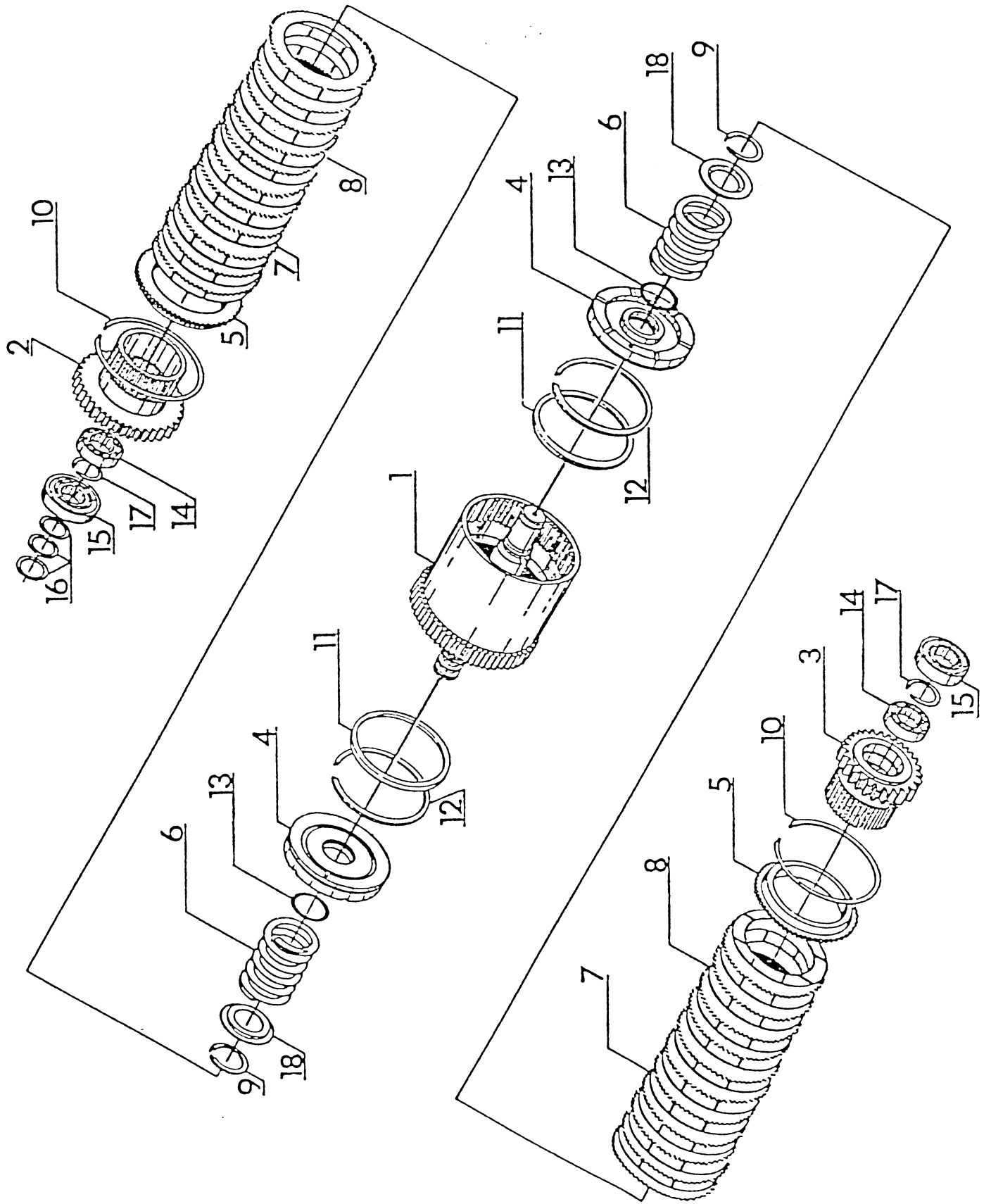
ITEM	PART NO.	DESCRIPTION		QTY.
	P20860	Main Case Group Assy.	Spec 7711A & 8239A	1
	P24572	Main Case Group Assy.	Spec 7711B & 8239B & 9673	1
1	P20861	Main Case	Spec 7711A & 8239A	1
	P24571	Main Case	Spec 7711B & 8239B & 9673	1
2	P18565	Pipe Plug		2
3	P24542	Clamp, Dipstick	Spec 7711B & 8239B & 9673	1
4	P24544	Dipstick	Spec 7711B & 8239B & 9673	1
5	P24540	90° Elbow, Male	Spec 7711B & 8239B & 9673	1
6	P24545	Tube, Dipstick	Spec 7711B & 8239B & 9673	1
7	P22788	Capscrew	Spec 7711B & 8239B & 9673	2
8	P24568	Tube, Suction	Spec 7711B & 8239B & 9673	1
9	P24584	O-Ring	Spec 7711B & 8239B & 9673	1
10	P24543	Clamp, Tube	Spec 7711B & 8239B & 9673	1
11				1
12	P19790	Capscrew	Spec 7711A & 8239A	1
	P24595	Capscrew	Spec 7711B & 8239B & 9673	1
13	P19791	Capscrew	Spec 7711A & 8239A	3
	P24596	Capscrew	Spec 7711B & 8239B & 9673	3
14	P18573	Capscrew		3
15	P18571	Capscrew		1
16	P22792	Capscrew		1
17	P18580	Capscrew		1
18	P18570	Locating Bushing		2
19	P18568	Gasket, Main Case		1
20	P20863	Gasket, Suction Screen		1
21	P20862	Suction Screen	Spec 7711A & 8239A	1
	P24534	Suction Screen	Spec 7711B & 8239B & 9673	1
22	P18649	O-Ring, Strainer	Spec 7711A & 8239A	1
23	P18651	Gasket, Strainer	Spec 7711A & 8239A	1
24	P24581	Cover, Strainer	Spec 7711A & 8239A	1
25	P22793	Capscrew	Spec 7711A & 8239A	1
26	P18542	Capscrew	Spec 7711A & 8239A	6
27	P24580	Tube, Suction	Spec 7711A & 8239A	1
28	P20864	Oil Strainer Assembly	Spec 7711A & 8239A	1
29	P18567	Pipe Plug		2



ITEM	PART NO.	DESCRIPTION	QTY.	
1	P20641	Output Group Retainer Assy.	Spec 7711A & 8239A	1
	P24573	Output Group Retainer Assy.	Spec 7711B,8239B,9673	1
	P20745	Cap, Output Retainer	Spec 7711A & 8239A	1
	P24570	Cap, Output Retainer	Spec 7711B,8239B, 9673	1
2	P18680	Oil Seal		1
3	P20752	O-Ring		1
4	P20753	Capscrew		6
5	P20758	Shim Pack		1
	P24564	Shim - .001		A/R
	P24565	Shim - .005		A/R
	P24566	Shim - .015		A/R
6	P20767	Stud		2
7	P20813	Nut		2
8	P20814	Oil Trough	Spec 7711A & 8239A	1
	P24569	Oil Trough	Spec 7711B,8239B,9673	1
9	P20421	Capscrew		3
10	P20422	Dynaseal Washers		3
11	P20423	Powell Pin		2
12	P20424	Oil Seal		1
13	P24592	Capscrew	Spec 7711B,8239B,9673	2
14	P20865	Fork Shaft	Spec 7711A & 8239A	1
	P24567	Fork Shaft	Spec 7711B, 8239B & 9673	1
	P25407	Fork Shaft	Spec 9673C	1

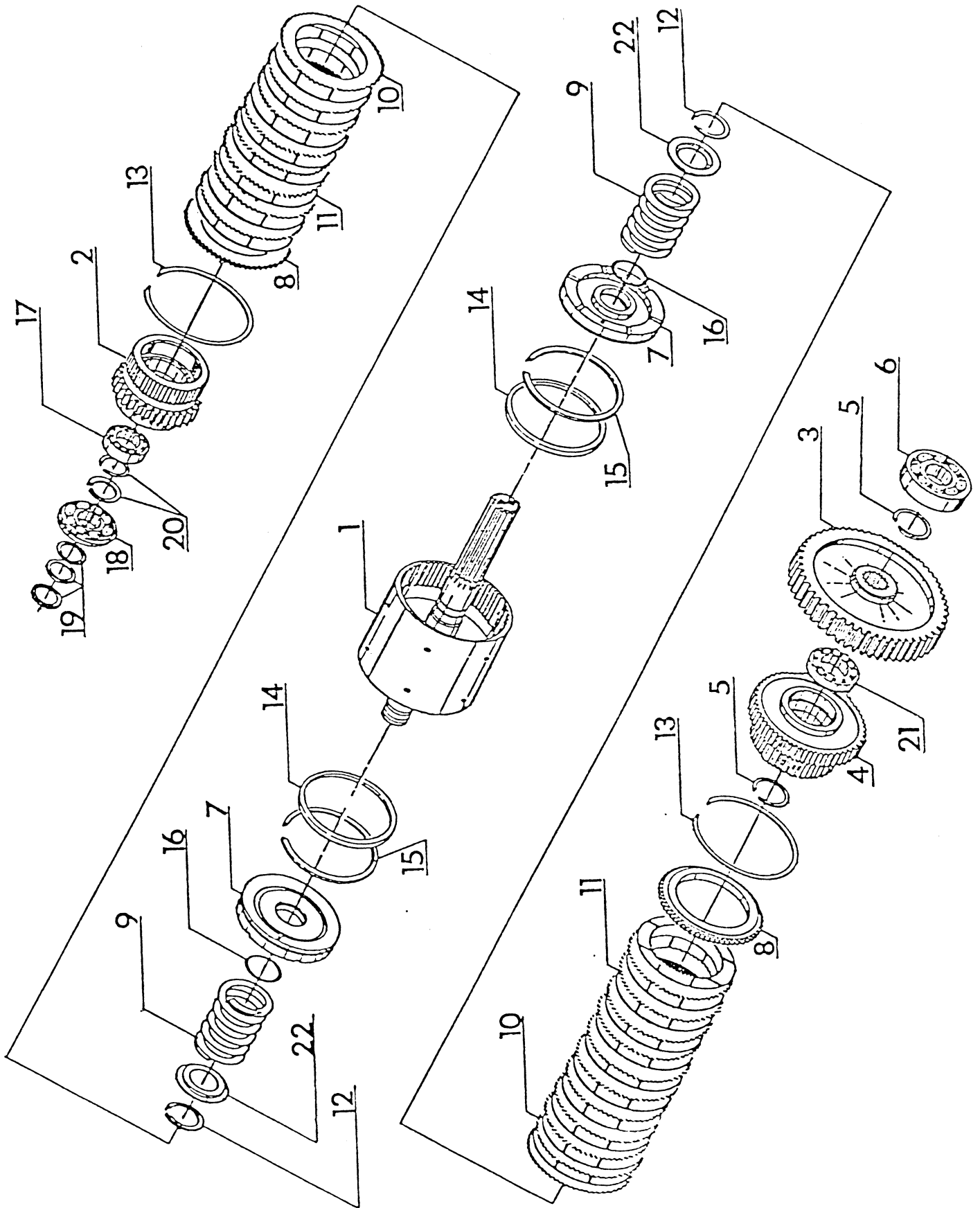


ITEM	PART NO.	DESCRIPTION	QTY
	P20629	Output Group Assembly Spec 7711, 8239 & 9673	1
1	P20656	Output Shaft	1
2	P20710	Oil Seal	1
3	P20658	Shift Collar	1
4	P20659	Ball	3
5	P20667	Cup Bearing	1
6	P20668	Cone Bearing	1
7	P20690	Spacer	1
8	P20685	Snap Ring	2
9	P20686	Thrust Washer	1
10	P20688	Thrust Bearing	1
11	P20722	Output Gear	1
12	P20705	Cup Bearing	1
13	P20709	Cone Bearing	1
14	P20728	Spring	3

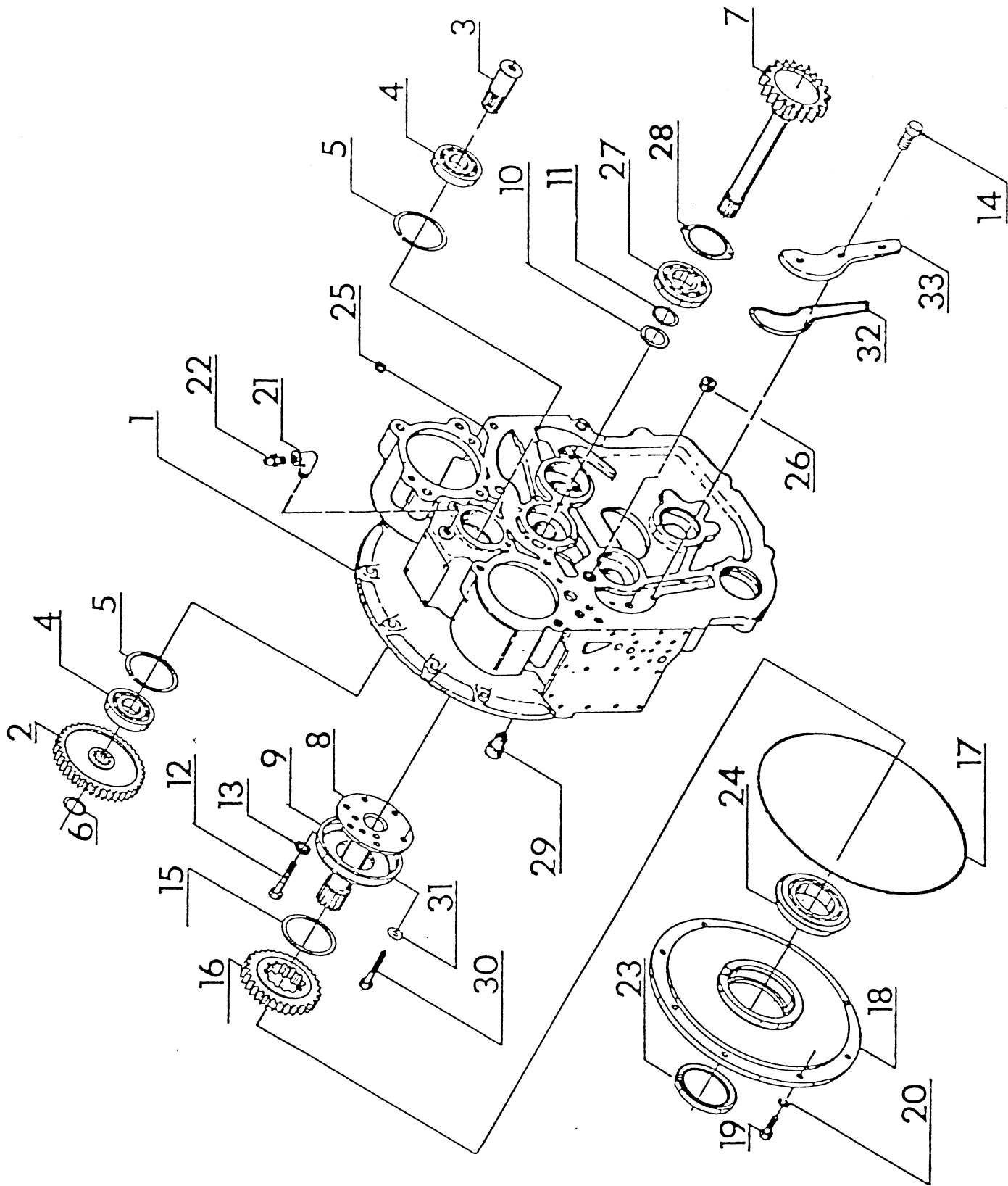


ITEM	PART NO.	DESCRIPTON	QTY.
	P24518	Clutch Assy., 1st Stage	1
	P20517	Clutch Assy., 1st Stage	1
	P20521	Clutch Assy., 1st Stage	1
	P24575	Clutch Assy., 1st Stage	1
	P26890	Clutch Assy., 1st Stage	1
		Spec 8239A	
		Spec 8239B & 9673	
		Spec 7711A	
		Spec 7711B	
		Spec 9673D	
1	P26887	Shaft	1
	P24574	Shaft	1
2	P20642	Gear & Hub	1
	P20573	Gear & Hub	1
3	P20578	Gear & Hub	1
4	P20591	Piston, Clutch	2
	P26886	Piston, Clutch	2
		Spec 9673D	
5	P20592	Retainer Plate	2
6	P20599	Belleville Spring	8
7	P18608	Clutch Plate	12
8	P18609	Separator Plate	12
9	P20605	Retaining Ring	2
10	P18611	Snap Ring	2
11	P25400	Ring Seal, Incl. Back-Up Ring	2
	P26878	Ring Seal	2
		Spec 9673D	
12	P25400	Back-Up Ring, Incl. Ring Seal-Not Used	2
		Spec 9673D	
13	P20612	O-Ring	2
	P26876	O-Ring	2
		Spec 9673D	
14	P24451	Bearing	2
15	P24450	Roller Bearing	2
16	P18620	Ring Seal	3
	P26882	Ring Seal	3
		Spec 9673D	
17	P18618	Retaining Ring	2
18	P20625	Spring Retainer	2

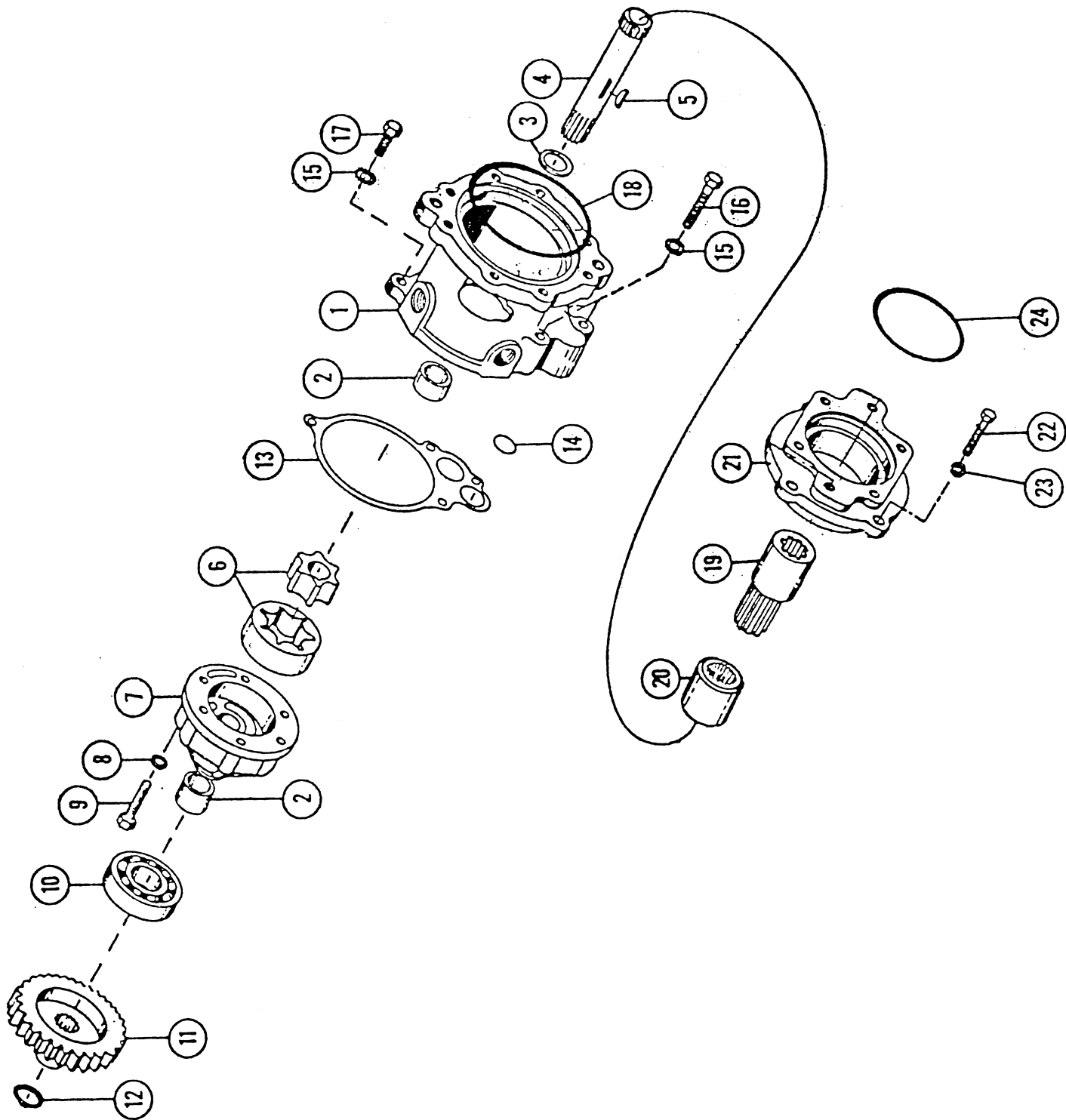
ITEM	PART NO.	DESCRIPTION	QTY.
	P24519	Clutch Assy., 2nd Stage	1
	P20626	Clutch Assy., 2nd Stage	1
	P20628	Clutch Assy., 2nd Stage	1
	P24578	Clutch Assy., 2nd Stage	1
	P26891	Clutch Assy., 2nd Stage	1
1	P20646	Shaft	1
	P24577	Shaft	1
	P26888	Shaft	1
2	P20669	Gear & Hub	1
	P26884	Gear & Hub	1
3	P20573	Gear & Hub	1
	P20642	Gear & Hub	1
	P26885	Gear & Hub	1
4	P20591	Piston, Clutch	2
5	P18609	Seperator Plate	12
6	P20599	Belleville Spring	8
7	P20592	Retainer Plate	2
8	P20602	Clutch Plate	12
9	P20605	Retaining Ring	2
10	P18611	Snap Ring	2
11	P25400	Ring Seal, Including Back-Up Ring	2
12	P25400	Back-Up Ring, Including Ring Seal	2
13	P20612	O-Ring	2
14	P24451	Bearing	1
15	P24450	Bearing	1
16	P22741	Bearing	2
17	P20670	Bearing	1
18	P18620	Ring Seal	3
19	P18614	Retaining Ring	2
20	P18618	Retaining Ring	1
21	P20625	Retaining Ring	2



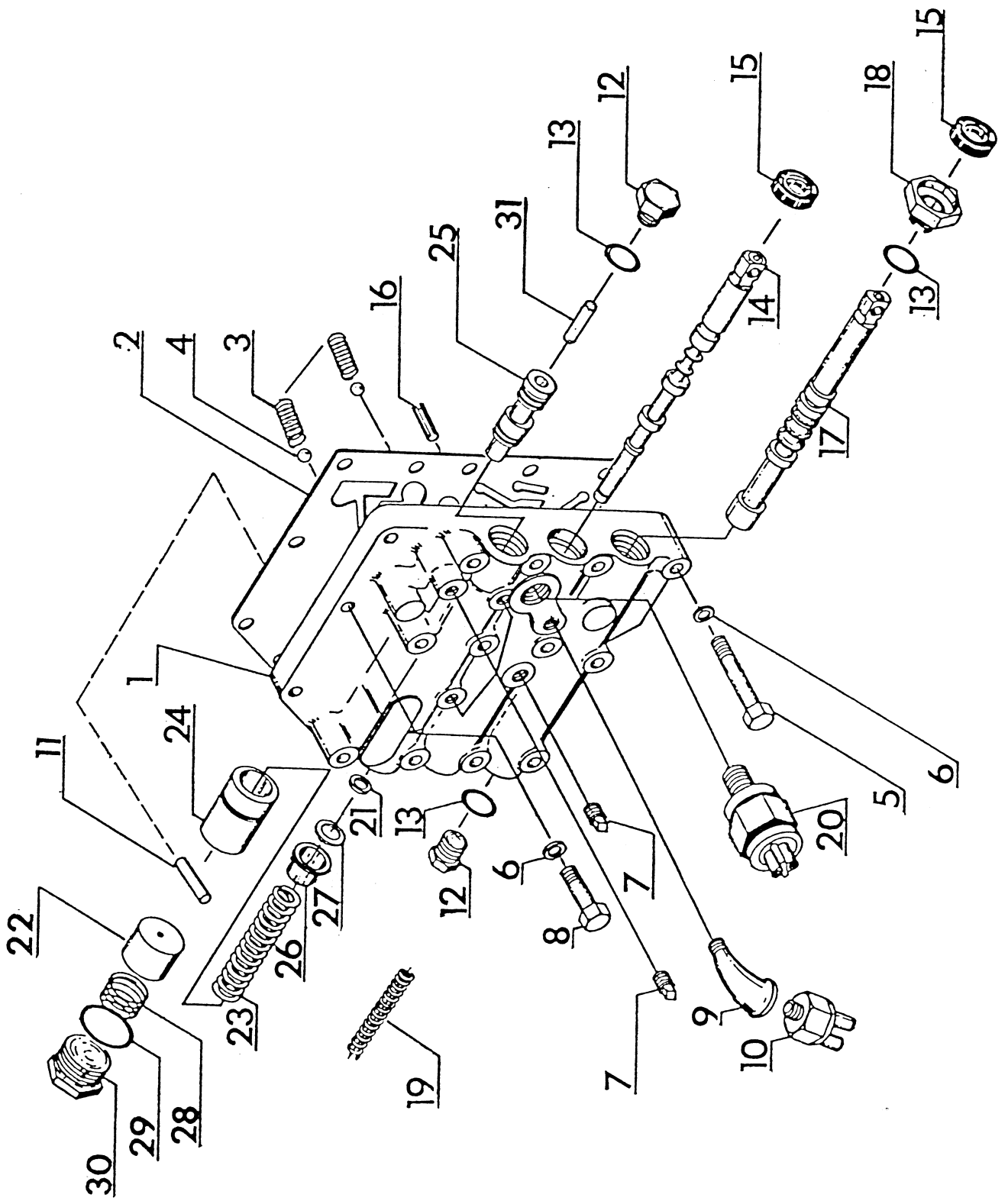
ITEM	PART NO.	DESCRIPTION	QTY.
	P24538	Clutch Assy., 3rd Stage	1
	P20672	Clutch Assy., 3rd Stage	1
	P26892	Clutch Assy., 3rd Stage	1
1	P20673	Shaft	1
	P24576	Shaft	1
	P26889	Shaft	1
2	P20678	Gear & Hub	1
3	P20682	Gear, Hi Range	1
4	P20683	Gear & Hub	1
5	P18614	Retaining Ring	2
6	P20670	Bearing	1
7	P20591	Piston, Clutch	2
8	P20592	Retainer Plate, Clutch	2
9	P20599	Belleville Spring	8
10	P20602	Clutch Plate	10
11	P18609	Seperator Plate	10
12	P20605	Retaining Ring	2
13	P18611	Snap Ring	2
14	P25400	Ring Seal, Including Back-Up Ring	2
15	P25400	Back-Up Ring, Including Ring Seal	2
16	P20612	O-Ring	2
17	P24451	Bearing	1
18	P24450	Bearing	1
19	P18620	Ring Seal	3
20	P18618	Retaining Ring	2
21	P22741	Bearing	1
22	P20625	Spring Retainer	2



ITEM	PART NO.	DESCRIPTION	QTY.
	P19433	Front Cover Assembly	Spec 6037 1
	P24531	Front Cover Assembly	Spec 8239A 1
	P24523	Front Cover Assembly	Spec 8239B & 9673 1
	P18505	Front Cover Assembly	Spec 7201 & 5800 1
	P24532	Front Cover Assembly	Spec 7711A 1
	P24524	Front Cover Assembly	Spec 7711B 1
1	P18506	Front Cover	Spec 6037, 7201 & 5800 1
	P24521	Front Cover	Spec 7711A & 8239A 1
	P24525	Front Cover	Spec 7711B, 8239B & 9673 1
2	P18507	Gear	1
3	P18508	Shaft	1
4	P18509	Bearing	2
5	P18510	Ring Retainer	2
6	P18511	Ring Retainer	1
7	P18512	Input Shaft	Spec 5800, 7201, 8239, & 9673 1
	P19754	Input Shaft	Spec 6037 & 7711A 1
	P24537	Input Shaft	Spec 7711B 1
	P26880	Input Shaft, 24T	Spec 9673D 1
8	P18516	Tube	1
	P19443	Tube	Spec 6037 & 7711A ONLY 1
9	P18517	Cover Plate	1
10	P19755	Ring Seal	1
	P26883	Ring Seal	Spec 9673D 1
11	P18514	Snap Ring	1
	P26877	Snap Ring	Spec 9673D 1
12	P18518	Capscrew	6
13	P18519	Lockwasher	6
14	P19758	Capscrew	1
15	P19444	Washer Thrust Pump	1
16	P18524	Input Hub Gear	1
17	P18525	Gasket	Spec 6037, 7201, & 5800 1
	P24582	Gasket, Plastic Strip	Spec 7711, 8239, & 9673 1
18	P18526	Bearing Retainer	1
19	P18529	Capscrew	7
20	P18530	Lockwasher	7
21	P18531	Elbow	1
22	P18532	Breather	1
	P12034	Breather	Spec 7711, 8239, & 9673 1
	P25444	Breather	Spec 9673C 1
23	P18528	Oil Seal	1
24	P18527	Bearing	1
25	P18672	Plug	1
26	P19759	Plug	1
27	P18513	Bearing	1
	P26979	Bearing	Spec 9673D 1
28	P18522	Bearing Retainer	Spec 7711A & 8239A ONLY 1
	P24579	Bearing Retainer	Spec 1
	P26881	bearing Retainer	Spec 9673D 1
29	P19760	Regulator Valve	1
30	P18520	Capscrew	4
31	P18521	Starwasher	4
32	P19756	O-Ring	1
33	P19757	Oil Passage Cover	1

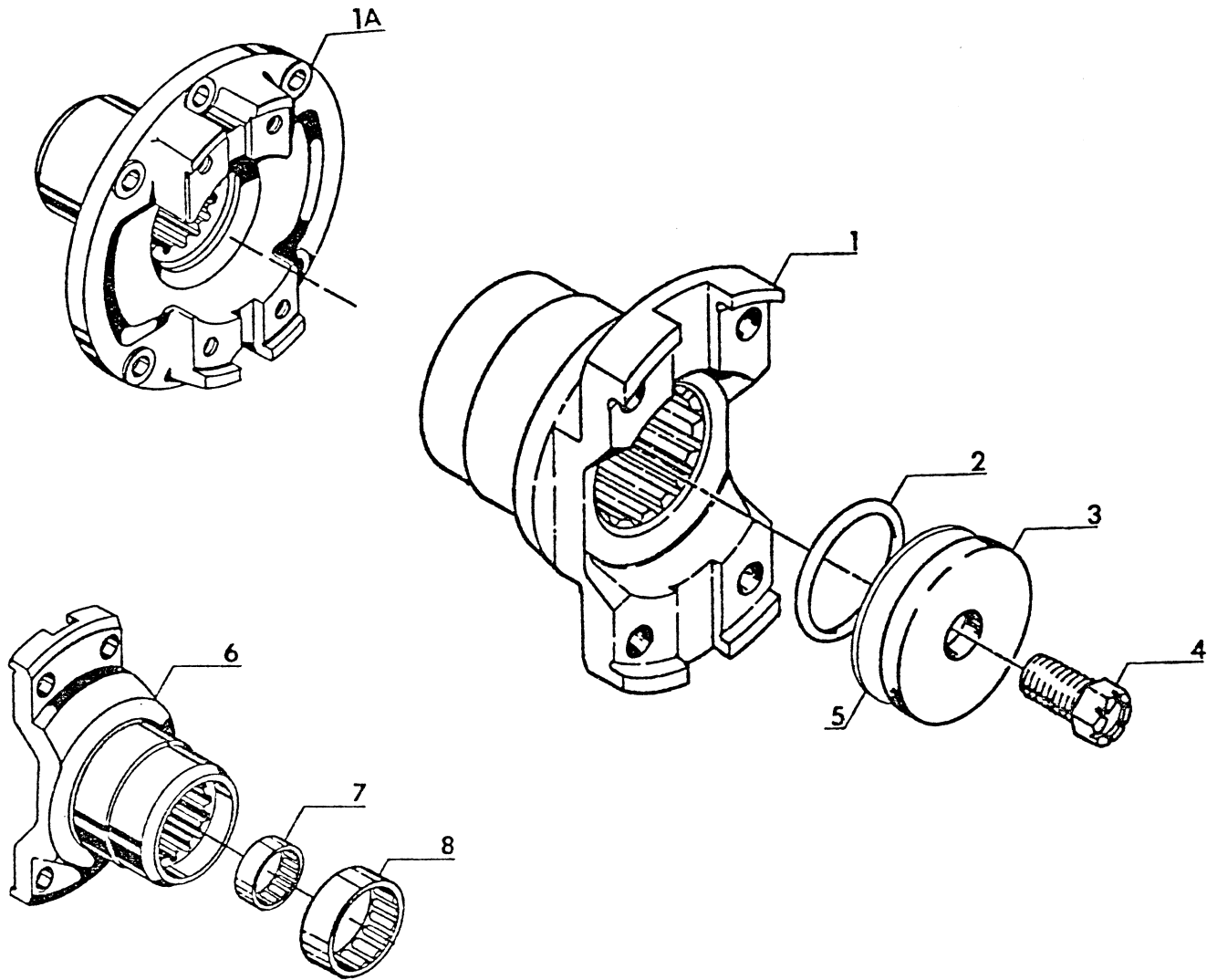


ITEM	PART NO.	DESCRIPTION	QTY.
	P18004	Pump Assembly (Use P18581 For Spec 5800)	1
1	P18582	Housing	1
2	P19826	Bearing (Use P18583 For Spec 5800)	2
3	P18584	Thrust Washer	1
4	P19827	Drive Shaft (Use P18585 For Spec 5800)	1
5	P19828	Key, Woodruff (Use P18586 For Spec 5800)	1
6	P18587	Gerotor	1
7	P18588	Pump Retainer	1
8	P18702	Starwasher, Ext. 5/16"	6
9	P18589	Capscrew	6
10	P18590	Bearing	1
11	P18591	Gear	1
12	P18592	Retaining Ring	1
13	P18593	Gasket	1
14	P18594	O-Ring	1
15	P18703	Starwasher, 3/8"	4
16	P18595	Capscrew	3
17	P18596	Capscrew	1
18	P18597	O-Ring	2
19	P18598	Adaptor Sleeve, "8"	1
20	P18599	Sleeve Spacer	1
21	P18600	Adaptoe Plate	1
22	P18573	Capscrew	4
23	P18572	Lockwasher	4
24	P18602	O-Ring	1

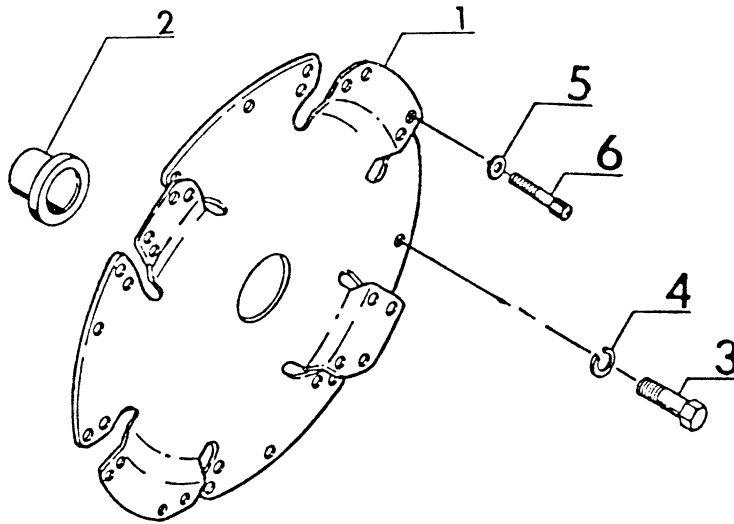


ITEM	PART NO.	DESCRIPTION	QTY.
	P18653	Valve Control Assy. Spec 5800, 6037, 7201, 7711A, 8239A	1
	P24530	Valve Control Assy. Spec 7711B, 8239B, 9673	1
1	P18654	Body, Control Valve, Spec 7711A, 8239A, 6037, 7201, 5800	1
	P24529	Body, Control Valve, Spec 7711B, 8239B, 9673	1
2	P18675	Gasket, Valve Body	1
3	P18676	Spring, Detent	2
4	P18677	Ball	2
5	P22796	Capscrew	12
6	P22799	Flat Washer	15
7	P18672	Plug, Pipe	4
8	P18518	Capscrew	3
9	P19825	45° Elbow, Street	1
10	P19105	Switch, Reverse Alarm - See Note	1
11	P19822	Pin, Use P18657, Snap Ring For Spec 5800	1
12	P18665	Plug	2
13	P18666	O-Ring	3
14	P19823	Stem, Forward - Reverse	1
15	P18668	Oil Seal	2
16	P18669	Roll Pin	1
17	P19824	Stem, Spec 5800, 6037 & 7201	1
	P24522	Stem, Spec 7711, 8239 & 9673	1
18	P18671	Plug	1
19	P18662	Spring, Regulator-Spec 7711A, 8239A, 6037, 7201 & 5800 ONLY	1
20	P18673	Switch, Neutral Safety	1
21	P18674	Spacer, Spring	A/R
22	P18658	Valve, Pump	1
23	P18656	Spring, Accumulator	1
24	P18655	Valve Modulator, Spec 7711A, 8239A, 6037, 7201, 5800	1
	P24527	Valve Modulator, Spec 7711B, 8239B, 9673	1
25	P18663	Valve, Regulator, Spec 7711A, 8239A, 6037, 7201, 5800	1
	P24528	Valve, Regulator, Spec 7711B, 8239B, 9673	1
26	P24526	Cap, Regulator, Spec 7711B, 8239B, 9673	1
27	P24599	Washer, Spec 7711B, 8239B, 9673	1
28	P18659	Spring, Pump Valve	1
29	P18661	O-Ring	1
30	P18660	Plug, Pump Valve	1
31	P18664	Dowel Pin	1

NOTE: There is no port on valve for reverse alarm switch on transmission Spec 5800.



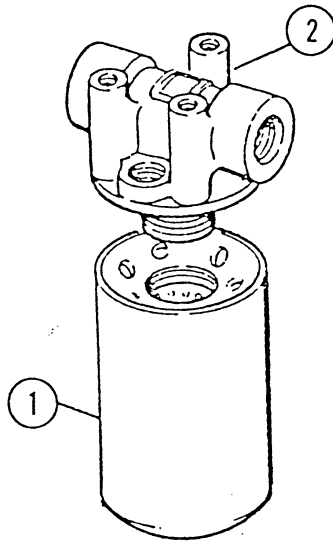
ITEM	PART NO.	DESCRIPTION	QTY.
	P18683	Yoke Group Assembly Spec 5800, 6037 & 7201	1
	P20426	Yoke Group Assembly Spec 7711, 8239 & 9673	1
	P25409	Yoke Group Assembly Spec 9673C only	1
1	P18684	Yoke Flange, Front	1
1A	P25410	Yoke Flange, Front Spec 9673C only	1
2	P18685	O-Ring	1
3	P18686	Washer Spec 5800, 6037 & 7201	1
	P20427	Washer Spec 7711, 8239 & 9673	1
4	P20428	Bolt, Special	1
5	P19820	Shim Package (not shown)	1
6	P20429	Yoke Flange, Rear	1
7	P24457	Bearing	1
8	P24458	Bearing	1



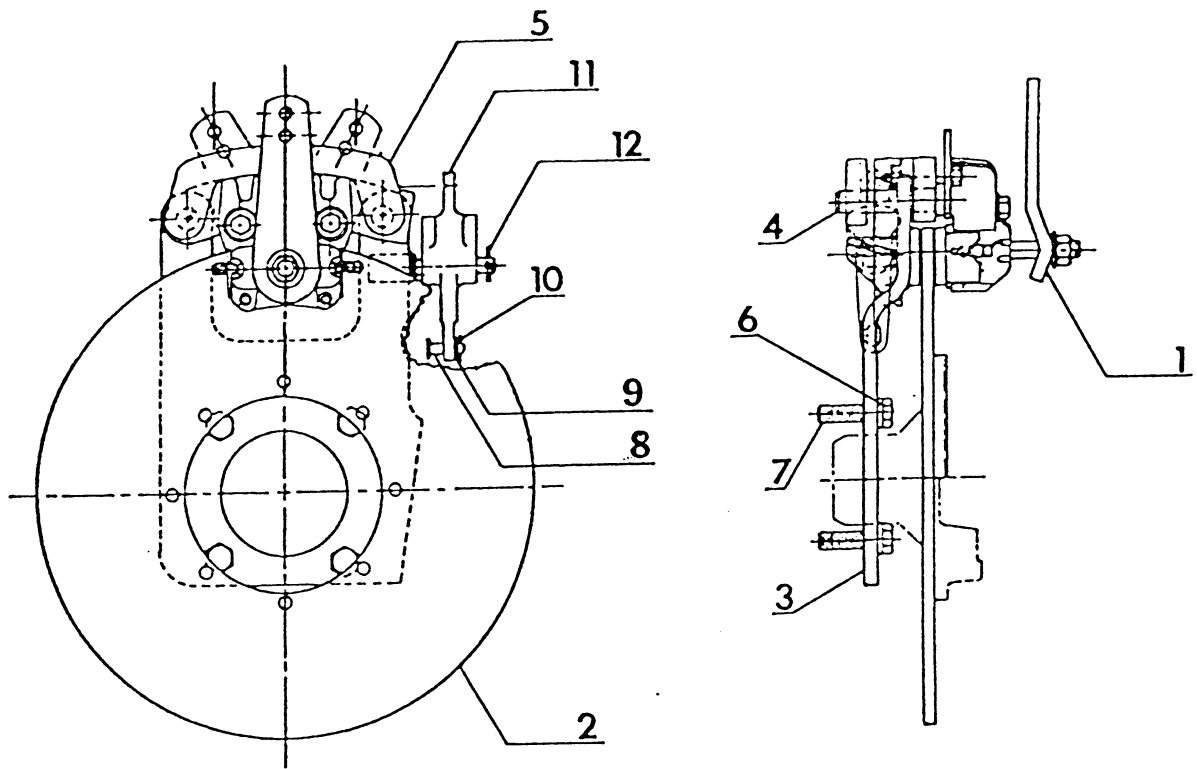
ITEM	PART NO.	DESCRIPTION	QTY.
		Drive Plate Assembly (Incl. Item 2)	
1		CHRYSLER ENGINES	
	P20968	Spec 5800, 7201 & 8239	1
	P20969	Spec 6037 & 7711	1
		WAUKESHA ENGINES	
	P20968	Spec 5800	1
	P19278	Spec 6037 & 7711A	1
	P22802	Spec 7711B & 9673	1
		DETROIT ENGINES	
	P19441	Spec 7201, 8239 & 9673	1
		DEUTZ ENGINES	
P19278	Spec 7711A	1	
P22802	Spec 7711B & 9673	1	
	DEERE ENGINES		
P20968	Spec 8239	1	
P22647	Spec 9673	1	
2	P25406	Sleeve Hub - DEERE (DEUTZ Use P25405)	1
3	P18536	Cap screw, 3/8-16 NC x 3/4	8
4	P18530	Lockwasher, 3/8 Medium Spring	8
5	P18537	Washer, Half Round	8
	P22799	Washer, Flat	8
6	P18538(B)	Cap screw, Socket Hd., 5/16-24 NF x 2 3/4 (Nylock)	8
	P19438(C)	Cap screw, Socket Hd., 5/16-24 NF x 1 1/4 (Nylock)	8

NOTES:

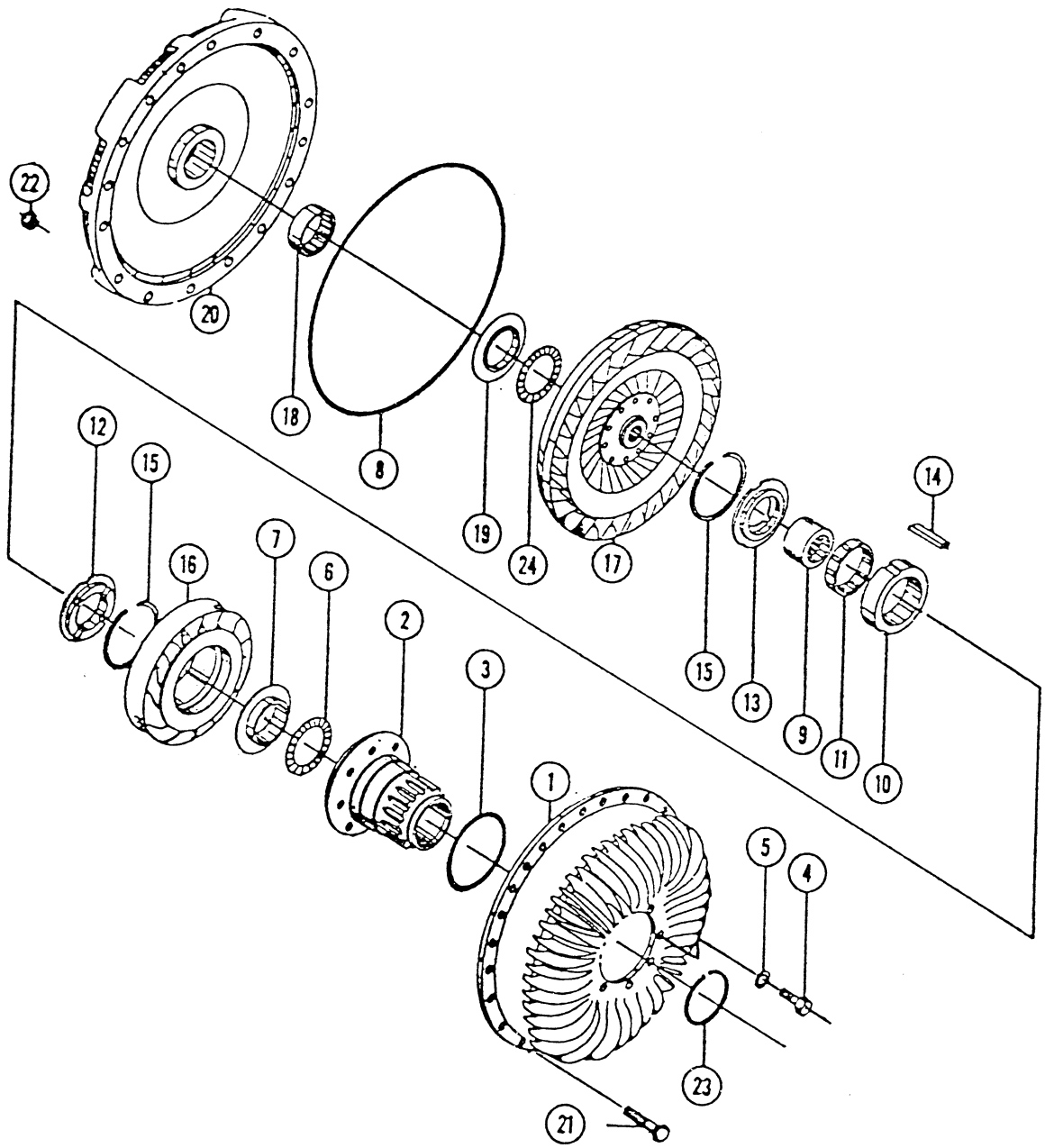
- A) Items 3 Thru 6 Are Used to Bolt Drive Plate to Converter.
- B) Used With 12 3/4" Converter.
- C) Used With 11 3/4" Converter.



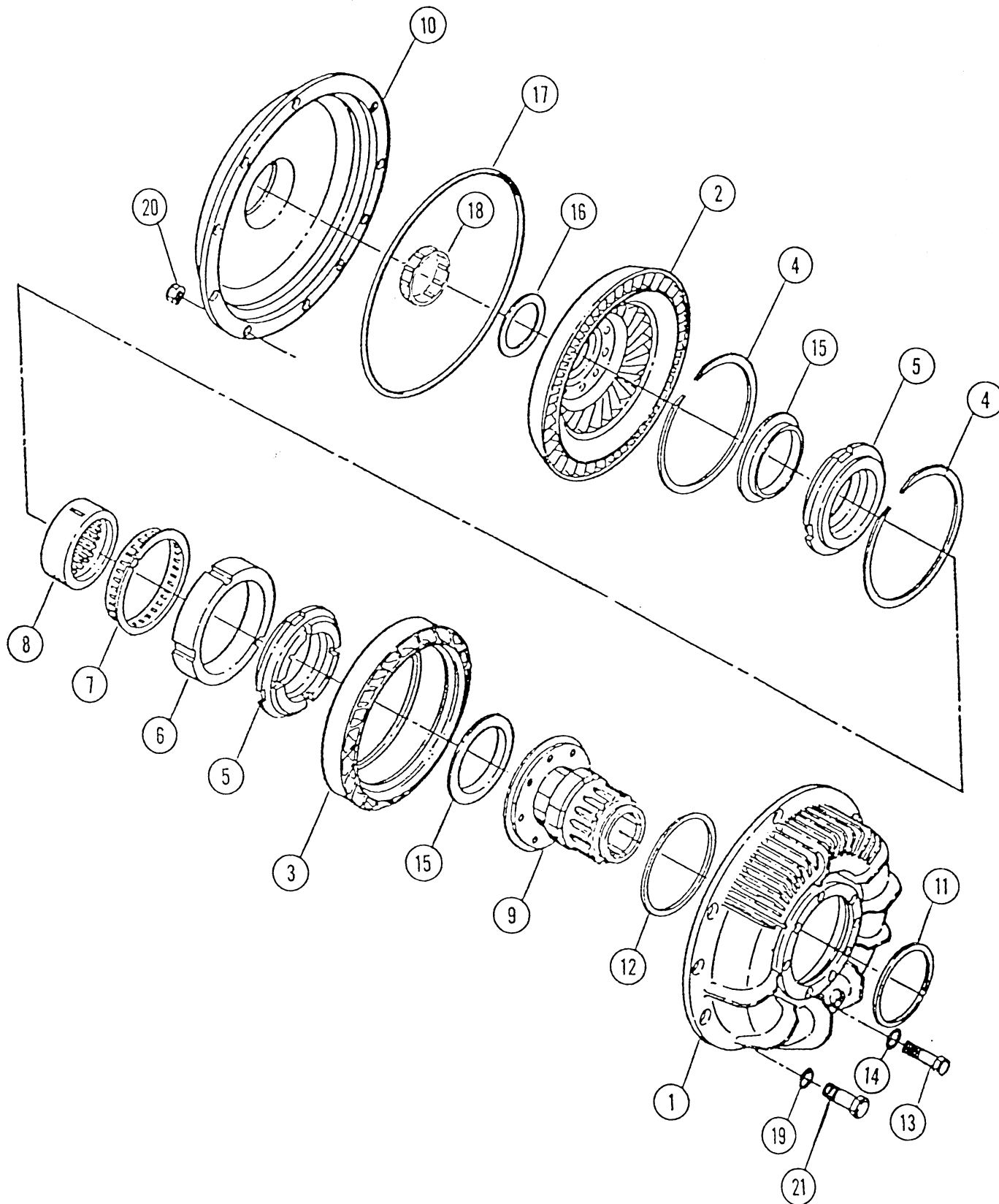
ITEM	PART NO.	DESCRIPTION	QTY.
	P19132	Remote Filter & Base Assembly	1
1.	P19133	Filter	1
2.	P19821	Base	1



ITEM	PART NO.	DESCRIPTION	QTY.
1	P24539	Brake Caliper W/Pads	1
2	P25075	Disc. Brake	1
3	P25402	Mounting Bracket	1
4	P25424	Pin	2
5	P25403	Retainer, Pin	1
6	P18572	Lockwasher	4
7	P18573	Capscrew	4
8	P25423	Clevis Pin	1
9	P25427	Flatwasher	1
10	P25425	Cotter Pin	1
11	P25404	Lever, Disconnect	1
12	P25426	Cotter Pin	1
13	P24602	Spring, Short	2
14	P24601	Spring, Long	1
15	P26210	Brake Pad Kit	1

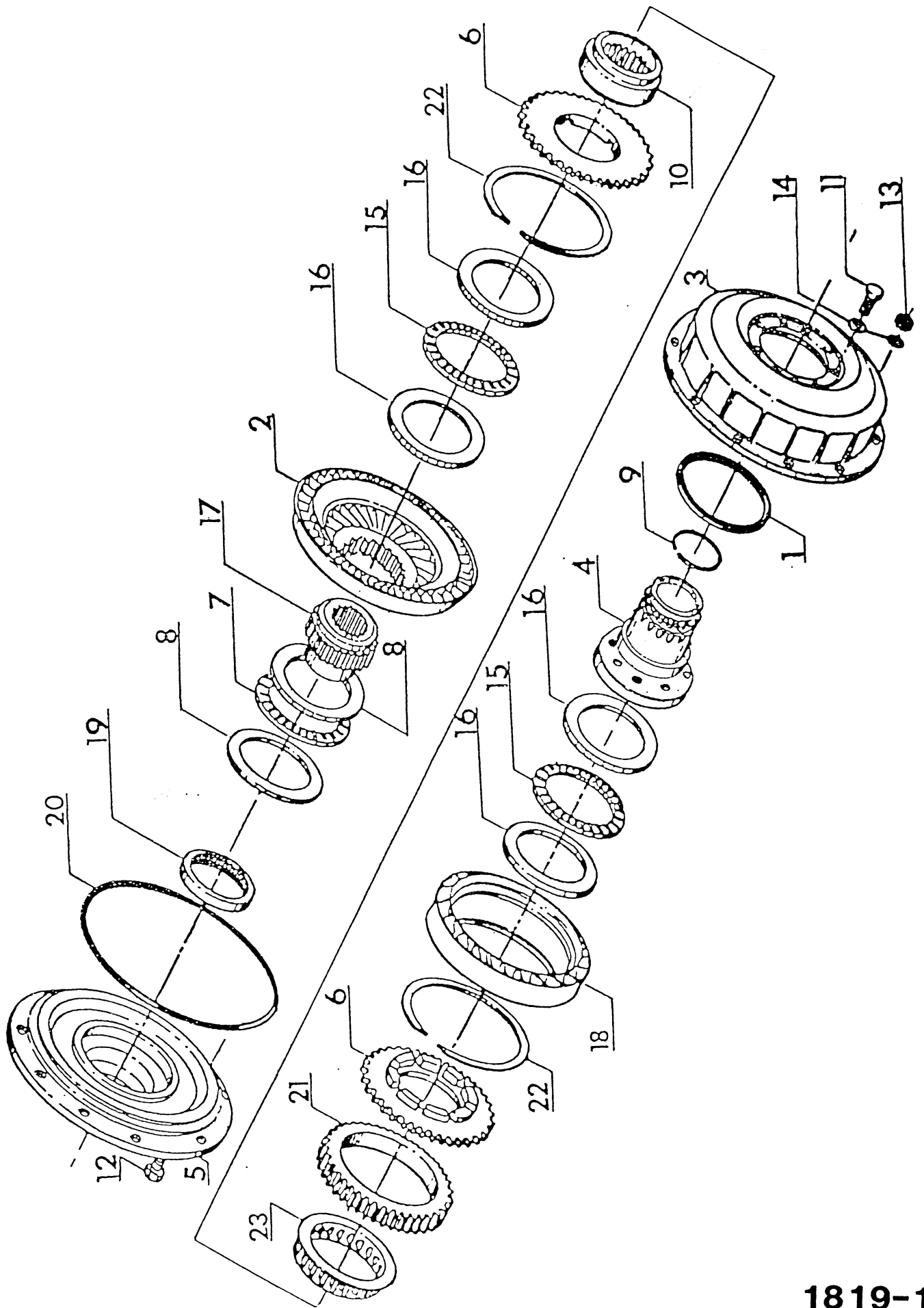


ITEM	PART NO.	DESCRIPTION	QTY.
	P17773	Converter Assembly Spec 5800	1
	P19439	Converter Assembly Spec 7201	1
	P20647	Converter Assembly Spec 8239A & 8239B Spec 9673 (Detroit Only)	1
1	P18539	Impeller	1
2	P18540	Hub	1
	P20734	Hub (Use w/P20647 Assy. Only)	1
3	P18541	O-Ring	1
4	P18542	Capscrew	12
5	P18543	Seal Washer	12
6	P18544	Bearing	2
7	P18545	Thrust Washer, Rear	1
8	P18546	O-Ring Gasket	1
9	P18547	Inner Race Clutch	1
10	P18548	Outer Race Clutch	1
11	P18549	Clutch Sprag	1
12	P18550	Clutch Retainer, Rear	1
	P20736	Clutch Retainer, Rear (Use W/P20647 Assy.Only)	1
13	P18551	Clutch Retainer, Front	1
14	P18552	Key, Square	4
15	P18553	Snap Ring	2
16	P18554	Stator	1
17	P19762	Turbine	1
18	P18556	Bearing	1
19	P18557	Thrust Washer	1
20	P18558	Front Cover (Use W/P17773 Assy. Only)	1
	P19761	Front Cover	1
21	P18559	Capscrew	16
22	P18560	Flanged Nut	16
23	P18561	Ring Seal (Use W/P17773 Assy. ONLY)	1
	P19466	Ring Seal	1
24	P20742	Bearing	1

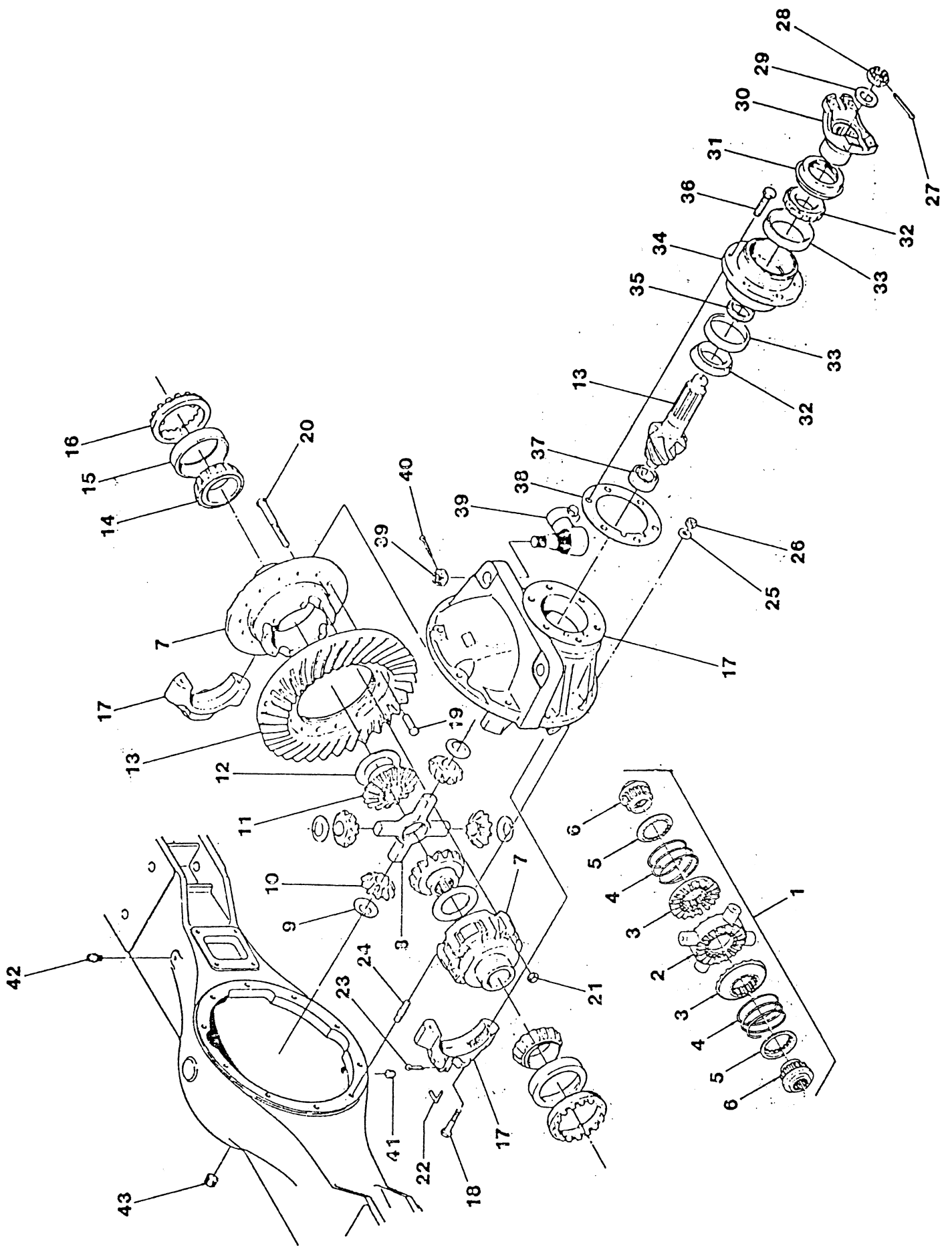


ITEM	PART NO.	DESCRIPTION	QTY.
	P19434	Converter Assembly	1
		Spec 6037 & 7711A	
1	P19454	Impeller	1
2	P19457	Turbine	1
3	P19450	Stator	1
4	P19451	Retaining Ring	2
5	P19449	Retainer, Stator	2
6	P19446	Outer Race	1
7	P19447	Clutch Sprag	1
8	P19448	Inner Race	1
9	P19452	Hub, Impeller	1
10	P19459	Converter Cover	1
11	P19466	Seal Ring	1
12	P19453	Seal Ring	1
13	P19455	Capscrew	8
14	P19456	Lockwasher	8
15	P19458	Thrust Washer	2
16	P20649	Thrust Washer	1
17	P19460	O-Ring	1
18	P19467	Bearing	1
19	P19464	Washer	10
20	P19462	Lock Nut	10
21	P19461	Capscrew	10

ITEM	PART NO.	DESCRIPTION	QTY.
	P22803	Conveter Assembly	1
		Spec 7711B & 9673	
1	P24506	Impeller	1
2	P24508	Turbine	1
3	P22727	Stator	1
4	P24507	Impeller Hub	1
5	P22731	Cover	1
6	P22774	Retaining Ring	2
7	P22756	Thrust Bearing	2
8	P22729	Retainer	1
9	P22750	Bearing	1
10	P22730	Seal	1
11	P22789	Capscrew	8
12	P22790	Capscrew	12
13	P18560	Nut, Hex	12
14	P22799	Flatwasher	20
15	P18544	Thrust Bearing	1
16	P22758	Thrust Race	2
17	P22733	Retainer	1
18	P22759	Thrust Race	1
19	P22760	Thrust Race	1
20	P24470	Roll Pin	2
21	P19466	Ring Seal	1
22	P18549	Clutch Sprag	1
23	P22762	O-Ring	1
24	P24509	Race, Inner	1
25	P22728	Race, Outer	1



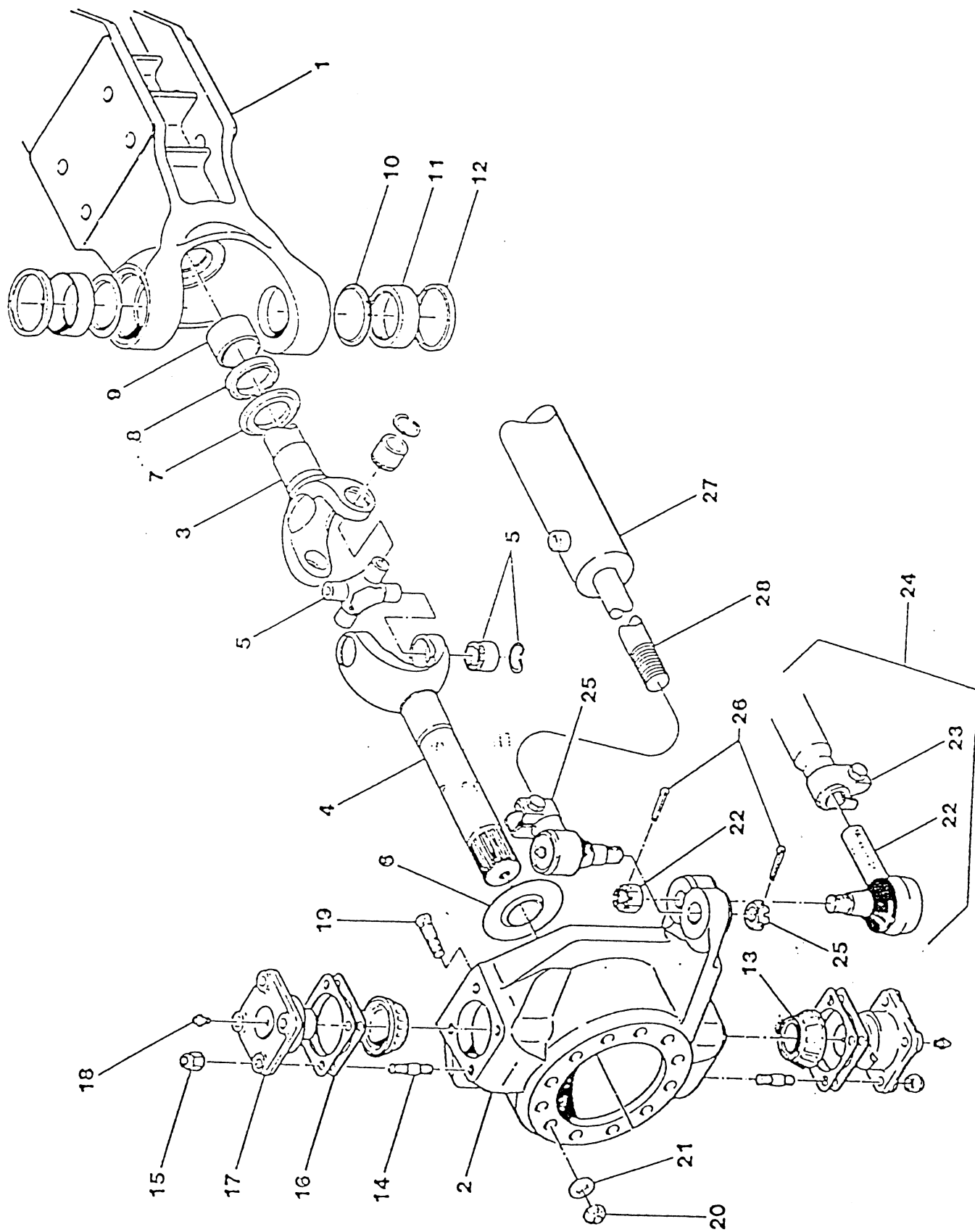
ITEM	PART NO.	DESCRIPTION	QTY.
	P22803	Complete Converter Assembly Spec 9673C	1
1	P22762	O-Ring	1
2	P25414	Turbine	1
3	P25433	Impeller	1
4	P25434	Hub, Impeller	1
5	P22731	Cover	1
6	P25416	Clutch Retainer	2
7	P22756	Thrust Bearing	1
8	P22760	Thrust Race	2
9	P18561	Ring Seal	1
10	P24509	Inner Race	1
11	P22789	Capscrew	8
12	P18518	Capscrew	12
13	P25430	Nut, Hx.	12
14	P22648	Flatwasher	20
15	P25431	Thrust Bearing	2
16	P25417	Thrust Washer	4
17	P25435	Hub, Turbine	1
18	P25418	Stator	1
19	P22750	Bearing	1
20	P22730	Seal	1
21	P25413	Outer Race	1
22	P25408	Retaining Ring	2
23	P18549	Clutch Sprag	1



644 S/N 1695 Thru
 844 S/N 1722, 1724 Thru
 1044 S/N 101 Thru

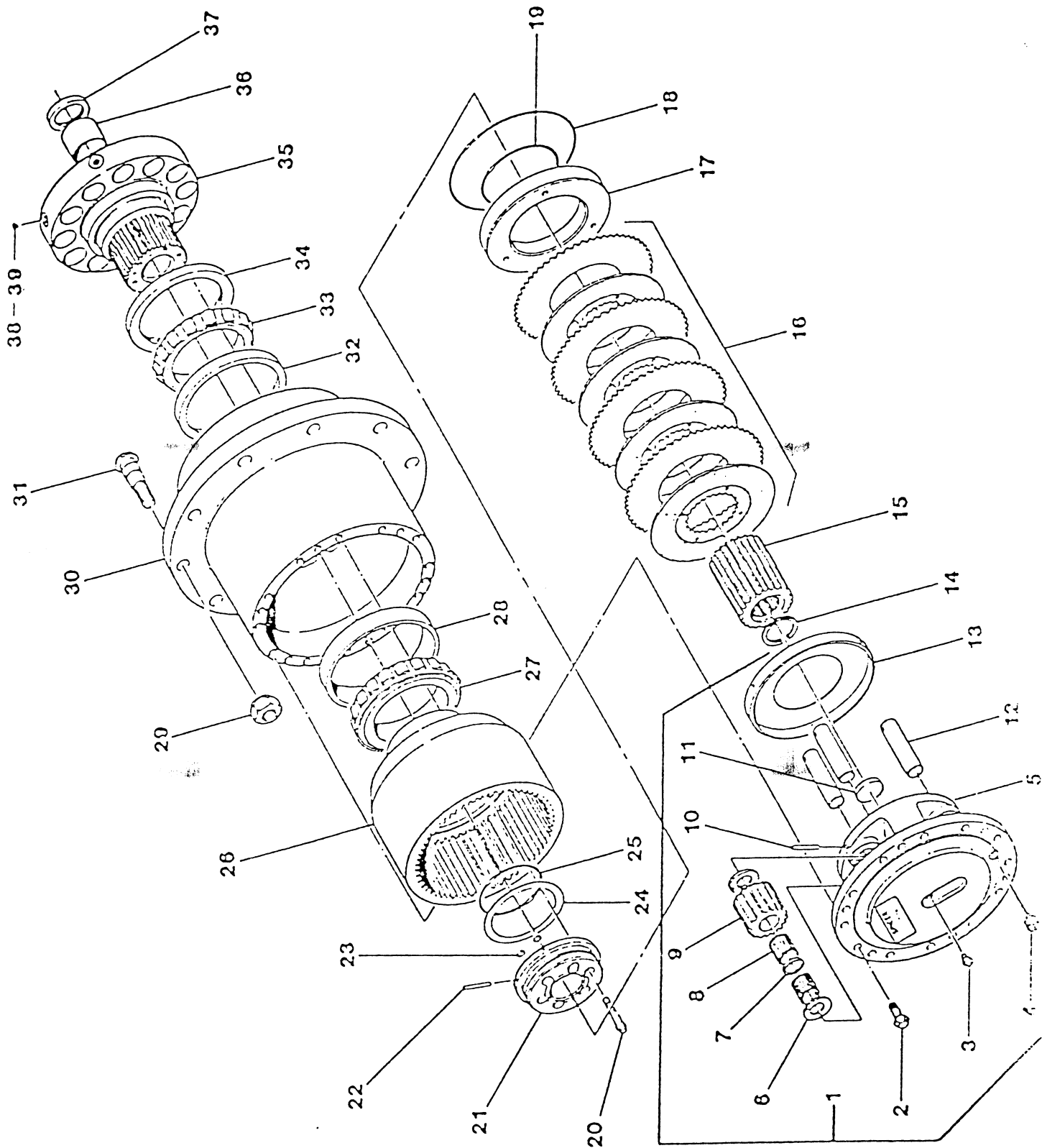
ITEM	PART NO.	DESCRIPTION	QUANTITY PER AXLE
1	P26157	No-Spin Differential Ass'y	1
2	P25142	Spider	1
3	P25143	Clutch Member	2
4	P25144	Spring	2
5	P25145	Spring Retainer	2
6	P25146	Side Gear	2
7	P26809	Differential Case Ass'y (W/Diff. Lock)	1
	P24840	Differential Case Ass'y	1
8	P24836	Spider	1
9	P24837	Thrustwasher, Pinion	4
10	P26800	Pinion, Differential	4
11	P26811	Gear, Differential	2
12	P24834	Thrustwasher, Gear	2
13	P26160	Ring Gear & Pinion	1
14	P24812	Adjusting Ring	2
15	P24831	Bearing Cup	2
16	P24832	Bearing Cone	2
17	P26810	Carrier Housing & Cap (Incl. Item 34)	1
18	P24830	Bolt, Hex	4
19	p24869	Rivet	14
20	P24841	Bolt, Hex	8
21	P24839	Lock Nut	8
22	P24829	Lock, Bearing Adjuster	2
23	P24828	Cotter Pin	2
24	P13833	Stud, 7/16 - 14 & 7/16 - 20 X 2.00	6
	P25162	Stud, 7/16 - 14 & 7/16 - 20 X 2.38	2
	P25163	Stud, 7/16 - 14 & 7/16 - 20 X 2.81	2
25	P21813	Flatwasher	10
26	P17537	Locknut	10
27	P13818	Cotter Pin	1
28	P24826	Nut, Pinion	1
29	P24827	Flatwasher	1
30	P26848	End Yoke	1
31	P24825	Oil Seal	1
32	P24816	Bearing Cone	2
33	P24817	Bearing Cup	2
34	P25141	Bearing Cap Retainer (Incl. Item 33)	1
35	P24818	Spacer, Pinion - STD (See Note)	1
36	P24844	Bolt, Hex	6
37	P24814	Roller Bearing	1
38	P25131	Shim, Pinion - .010"	A/R
	P25132	Shim, Pinion - .030"	A/R
	P25133	Shim, Pinion - .005"	A/R
39	P13915	Socket, Steer Cylinder (Incl. Nut)	4
40	P13835	Cotter Pin	4
41	P13780	Drain Plug, Magnetic	1
42	P13784	Vent	1
43	P19300	Pipe Plug	1

NOTE: Consult Factory



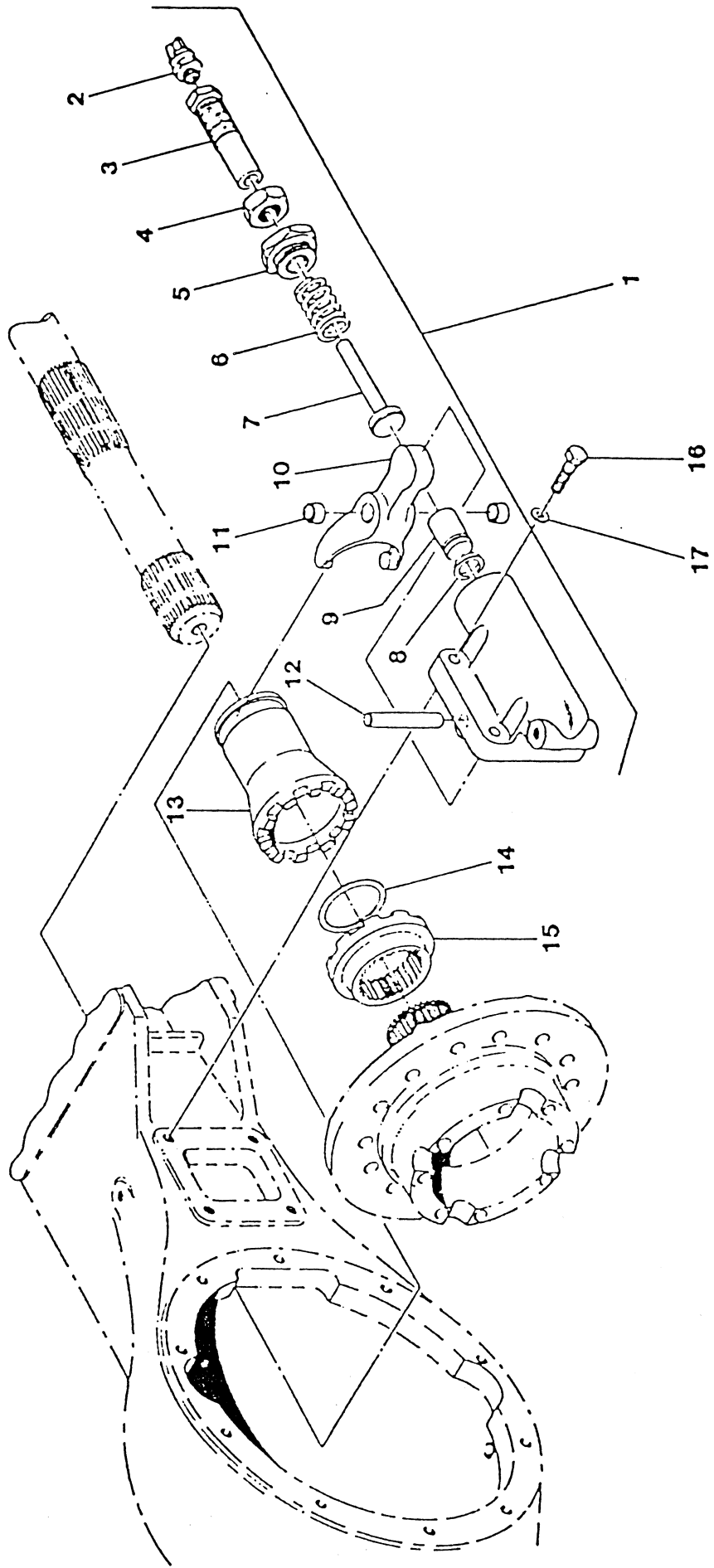
644 S/N 1695 Thru
 844 S/N 1722, 1724 Thru
 1044 S/N 101 Thru

ITEM	PART NO.	DESCRIPTION	QUANTITY PER AXLE
1	P26158	Axle Housing	1
	P26159	Axle Housing W/Diff. Lock	1
2	P26824	Steer Knuckle, L.H.	1
	P26836	Steer Knuckle, R.H.	1
3	P26835	Inner Yoke Shaft, L.F. & R.R.	1
	P26831	Inner Yoke Shaft, L.R. & R.F.	1
4	P26817	Outer Yoke Shaft	2
5	P26175	U-Joint	2
6	P26846	Dust Slinger, Outer	2
7	P26847	Dust Slinger, Inner	2
8	P25156	Oil Seal	2
9	P26844	Bushing	2
10	P26802	Grease Retainer	4
11	P25148	Bearing Cup	4
12	P26801	Seal, King Pin	4
13	P25149	Bearing Cone	4
14	P25160	Stud, King Pin	16
15	P13842	Locknut	16
16	P13839	Shim - .005"	A/R
	P13840	Shim - .010"	A/R
17	P25804	Cap, King Pin	4
18	P13786	Grease Zerk	4
19	P25158	Stud, Spindle	24
20	P25165	Locknut	24
21	P25167	Flatwasher	24
22	P26190	Tie Rod End, 1.125 - 12 THD (Incl. Nut)	1
	P26191	Tie Rod End, 1.125 - 16 THD (Incl. Nut)	1
23	P26193	Clamp, Tie Rod	2
24	P26843	Tie Rod Ass'y (Incl. Items 22 & 23)	1
25	P13915	Socket, Steer Cylinder (incl. Nut)	4
26	P13835	Cotter Pin	6
27	P26162	Steer Cylinder	2
	P26161	Steer Cylinder-Model 1044 Only	2
REF	P21823	Seal Kit, Steer Cylinder	-
	P26163	Rod, Steer Cylinder	-



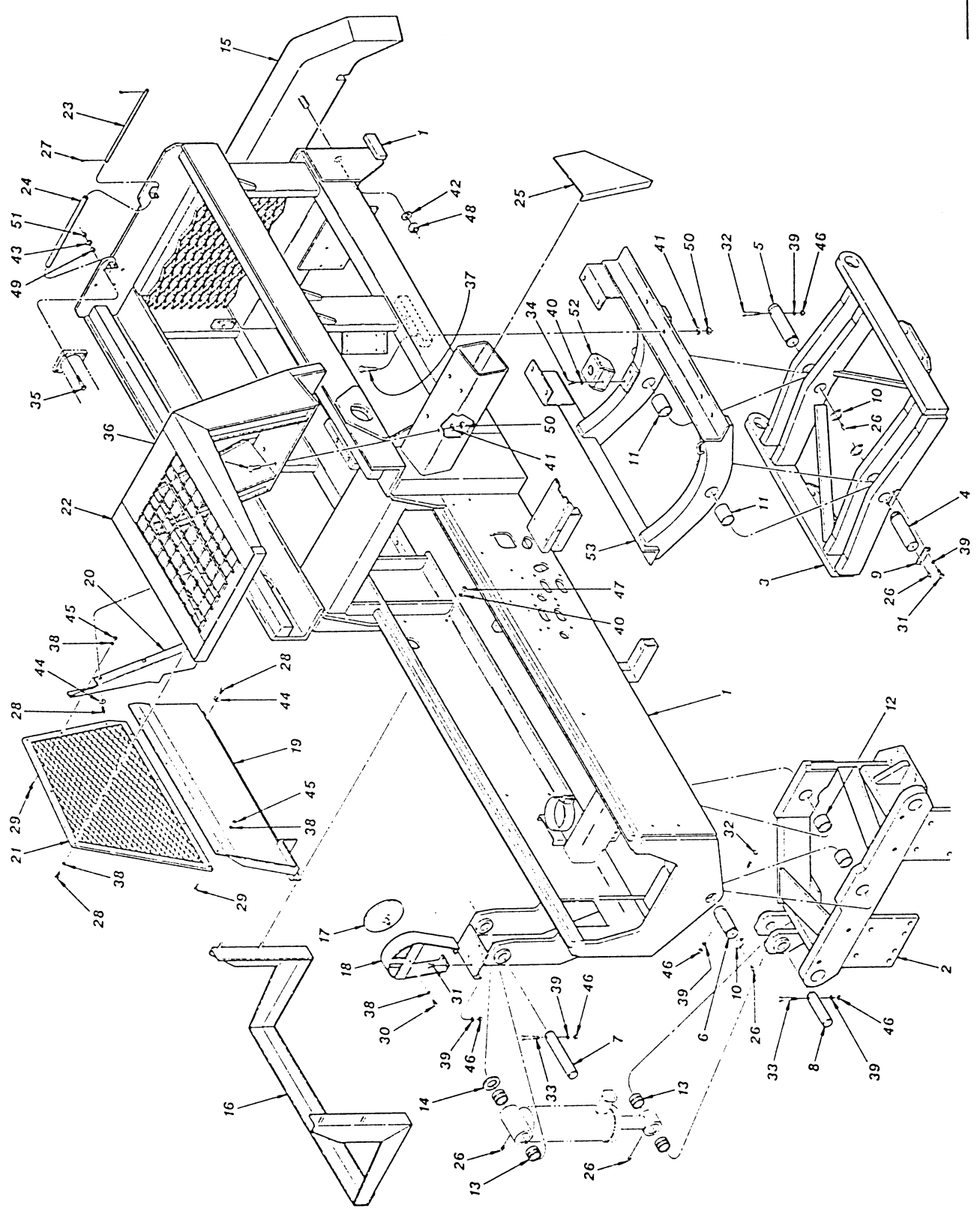
644 S/N 1695 Thru
 344 S/N 1722, 1724 Thru
 1044 S/N 101 Thru

ITEM	PART NO.	DESCRIPTION	QUANTITY PER AXLE
1	P26155	Planetary Gear Ass'y (Incl. Items 2-12)	2
2	P25159	Bolt, Hx. Self Locking	36
3	P21821	Vent	2
4	P13780	Drain Plug, Magnetic	2
5	P26830	Drive Flange	2
6	P13903	Keyed Washer	12
7	P13905	Washer, Bearing	6
8	P13901	Roller Bearing, Needle	300
9	P26812	Gear, Spur Planet	6
10	P26829	Roll Pin	6
11	P19336	Washer, Drive Flange	2
12	P26840	Shaft, Planet Gear	6
13	P26845	Plate, Lining Stop	2
14	P13783	Snap Ring	2
15	P26827	Gear, Spur	2
16	P26807	Disc Replacement Kit	2
17	P26825	Piston	2
18	P26828	O-Ring, Large	2
19	P26834	O-Ring, Small	2
20	P26821	Cap Screw, 12 Pt.	12
21	P26839	Retainer, Bearing	2
22	P26816	Tubing, Brake	2
23	P26838	O-Ring	4
24	P26871	Shim - .002"	A/R
	P26872	Shim - .005"	A/R
	P26873	Shim - .010"	A/R
	P26874	Shim - .020"	A/R
	P26875	Shim - .030"	A/R
25	P26841	O-Ring	2
26	P26813	Planetary Ring Gear	2
27	P26179	Bearing Cone, Outer	2
28	P26178	Bearing Cup, Outer	2
29	P13894	Lug Nut	20
30	P26156	Planetary Hub (Incl. Items 31-33)	2
31	P13888	Wheel Stud	20
32	P26176	Bearing Cup, Inner	2
33	P26177	Bearing Cone, Inner	2
34	P26820	Oil Seal	2
35	P26842	Spindle (incl. Items 36 & 38)	2
36	P13872	Bushing	2
37	P13869	Oil Seal	2
38	P26826	Seat, Insert	4
39	P25111	Bleeder (Not Shown)	2
REF	P26808	O-Ring Kit (Incl. Item 18, 19, 23 & 25)	



644 S/N 1695 Thru
844 S/N 1722, 1724 Thru
1044 S/N 101 Thru

ITEM	PART NO.	DESCRIPTION	QUANTITY PER AXLE
1	P26806	Differential Lock Ass'y (Incl. Item 2-12)	1
2	P26180	Switch	1
3	P26815	Locating Bolt	1
4	P26803	Jam Nut	1
5	P26819	Retainer Nut, Spring	1
6	P26174	Spring	1
7	P26818	Rod	1
8	P26814	Oil Seal	1
9	P26823	Piston	1
10	P26833	Shift Fork	1
11	P26849	Bushing	2
12	P26837	Pin, Shift Fork	1
13	P26805	Clutch Collar	1
14	P26822	Retaining Ring	1
15	P26832	Clutch Collar	1
16	PG0206	Bolt, Hx. 3/8 - 16 X 1 1/2	4
17	P01404	Flatwasher, 3/8	4
18	COM'L	Gasket Sealer	A/R



ITEM	PART NUMBER	DESCRIPTION	QTY.	DESCRIPTION	ITEM	PART NUMBER	QTY.	DESCRIPTION
1	22920R	Main Frame	1		41	P01315	14	Lockwasher, 3/4"
2	22628D	Oscillation Frame, Front	1		42	G)P01317	2	Lockwasher, 1"
3	22834D	Oscillation Frame, Rear	1		43	P01361	4	Starwasher, 1/2"
4	22864B	Pin, Rear Osc. Frame, Front Pivot	1		44	P01402	7	Flatwasher, 1/4"
5	22870B	Pin, Rear Osc. Frame, Rear Pivot	1		45	P01506	6	Nut, Hx., 1/4"-20
6	23022A	Pin, Front Osc. Frame	2		46	P01508	9	Nut, Hx., 3/8"-16
7	A)24732A	Pin, Frame Tilt Cylinder - Upper	1		47	P01510	4	Nut, Hx., 1/2"-13
8	B)24733A	Pin, Frame Tilt Cylinder - Lower	1		48	G)P01515	2	Nut, Hx., 1"-8
9	15614A	Clip, Pin Holder	1		49	P01533	4	Nut, Hx., 1/2"-20
10	P19477	Retaining Ring	4		50	P01536	14	Nut, Hx., 3/4"-16
11	C)P28790	Bushing, Rear Osc. Frame - Subframe	2		51	P01560	4	Jam Nut, Hx., 1/2"-20
12	D)P26493	Bushing, Front Osc. Frame	2		52	24543B	1	Engine Mount - Deere
13	P19106	Bushing, Frame Tilt Cylinder	4		*	25701C	1	Engine Mount - Deutz
14	P21586	Shim, Frame Tilt Cylinder	A/R		53	22826D	1	Subframe - Deere
15	P18062	Counterweight, 1665 lbs.	1		*	25580D	1	Subframe - Deutz
16	E)P27904	Tank Support Mount	1					
17	P21368	Mirror, Convex	1					
18	17164C	Guard, Mirror	1					
19	23180C	Panel, Side Shield	1					
20	F)26279C	Panel, Rear Shield	1					
21	24326B	Screen Guard	1					
22	24316D	Overhead Guard	1					
23	25100A	Roller Shaft	1					
24	25101A	Roller, Hose	1					
25	P24712	End Cover	1					
26	P16611	Grease Zerk	6					
27	P03811	Cotter Pin, 1/16" x 3/4"	2					
28	P03651	Screw, Self-Tap, Hx. Hd., 1/4"-20 x 1/2"	10					
29	P00003	Bolt, Hx., 1/4"-20 x 3/4"	6					
30	P00005	Bolt, Hx., 1/4"-20 x 1"	1					
31	P00205	Bolt, Hx., 3/8"-16 x 1 1/4"	6					
32	P00214	Bolt, Hx., 3/8"-16 x 3 1/2"	3					
33	P00215	Bolt, Hx., 3/8"-16 x 3 3/4"	2					
34	P00429	Bolt, Hx., 1/2"-13 x 1"	2					
35	P00458	Bolt, Hx., 1/2"-20 x 2 1/2"	4					
36	P00775	Bolt, Hx., 3/4"-16 x 1 1/2"	6					
37	P00778	Bolt, Hx., 3/4"-16 x 2 1/4"	8					
38	P01308	Lockwasher, 1/4"	10					
39	P01310	Lockwasher, 3/8"	11					
40	P01312	Lockwasher, 1/2"	6					

NOTES:

- A) For S/N 101 - 113, use 18339A.
- B) For S/N 101 - 113, use 15636A.
For Retaining Ring, use P18838.
- C) For S/N 101 - 246, use P26064.
- D) For S/N 101 - 247, use P26061.
- E) For S/N 101 - 126, 128 - 150, use P25510.
- F) For S/N 101 - 211, use 23182B.
- G) Early Production Counterweights used 1 1/8"-8 Studs.

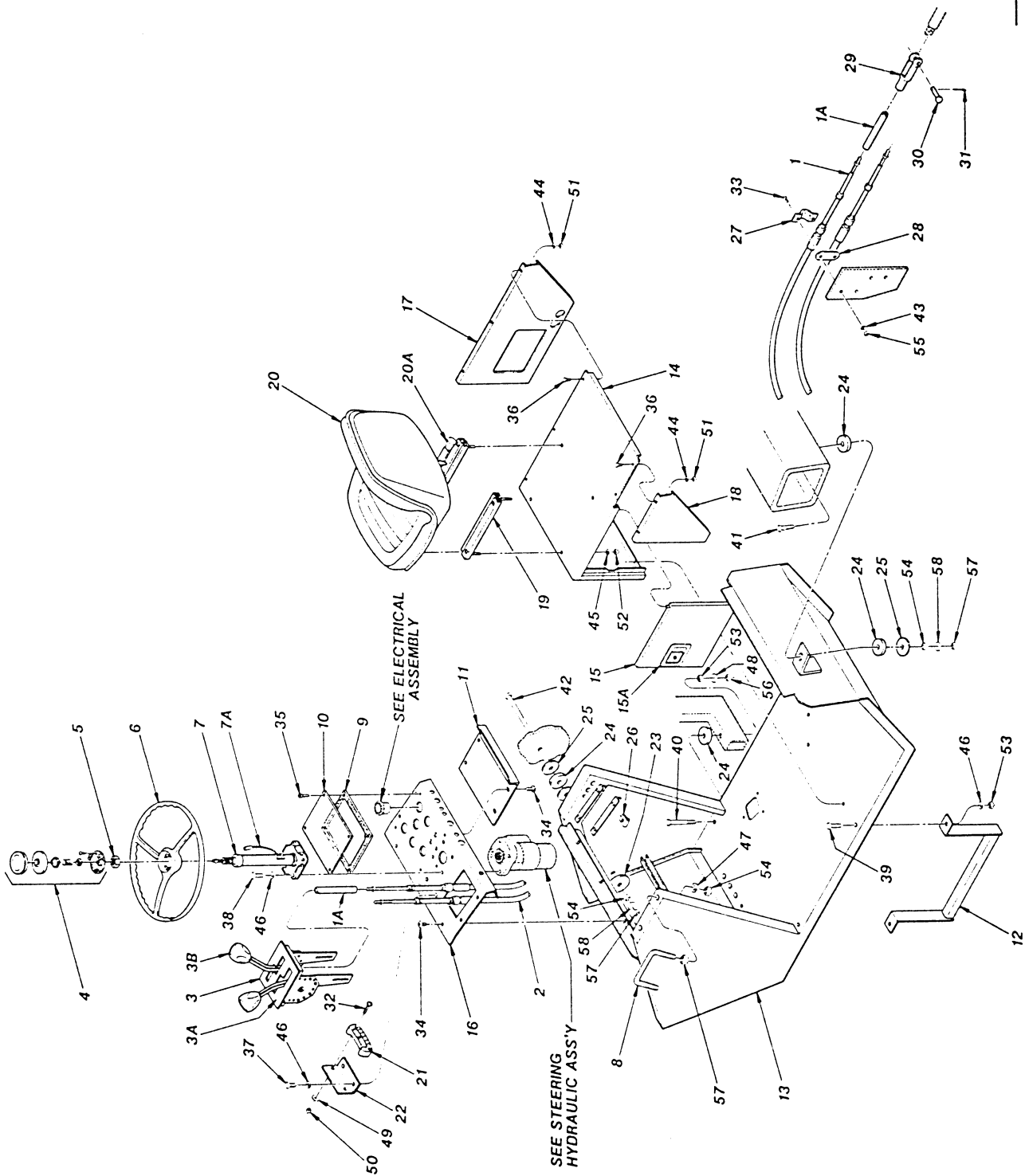
* Not Illustrated

24613

1044 S/N 101 THRU

6/89

MAIN FRAME ASSEMBLY

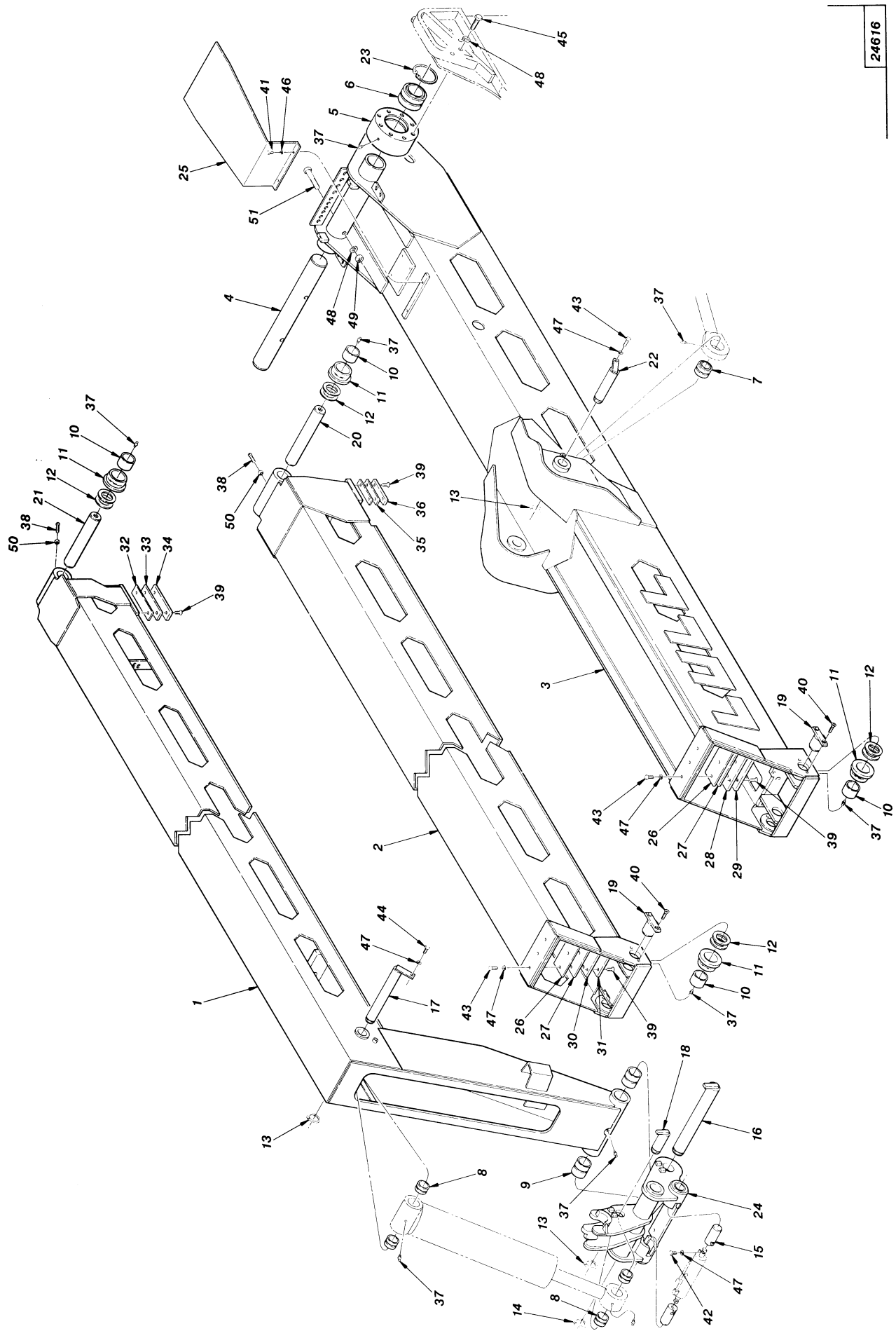


ITEM	PART NUMBER	DESCRIPTION	QTY.	DESCRIPTION	ITEM	PART NUMBER	QTY.	DESCRIPTION
1	P17591	Cable, Shift Control	2		37	P00202	4	Bolt, Hx., 3/8"-16 x 3/4"
1A	P26232	Umbrella Seal, Shift Cable	REF		38	P00205	4	Bolt, Hx., 3/8"-16 x 1 1/4"
3	P25375	Shift Control	1		39	P00208	2	Bolt, Hx., 3/8"-16 x 2"
3A	P24985	Knob, Shifter	REF		40	P00217	2	Bolt, Hx., 3/8"-16 x 4 1/2"
3B	P27979	Gate Plate w/Screws	REF		41	D)P00408	1	Bolt, Hx., 1/2"-13 x 2 1/2"
4	P18141	Horn Button Kit	1		42	D)P00417	1	Bolt, Hx., 1/2"-13 x 5 1/2"
5	P13009	Nut, Steering	1		43	P01306	4	Lockwasher, #10
6	P13006	Steering Wheel	1		44	P01308	15	Lockwasher, 1/4"
7	P18726	Steering Column	1		45	P01309	4	Lockwasher, 5/16"
7A	P18737	Brush, Horn	REF		46	P01310	10	Lockwasher, 3/8"
8	15573A	Grab Handle	1		47	P01312	2	Lockwasher, 1/2"
9	P24707	Gasket, Vandal Cover	1		48	P01359	2	Starwasher, 3/8"
10	21192B	Vandal Cover, Upper	1		49	P01427	2	Flatwasher, #8
11	25077B	Vandal Cover, Lower	1		50	P01653	2	Locknut, Hx., #8-32
12	23133A	Step, Platform	1		51	P01506	15	Nut, Hx., 1/4"-20
13	22882D	Operators Platform	1		52	P01507	4	Nut, Hx., 5/16"-18
14	21226C	Seat Box	1		53	P01508	4	Nut, Hx., 3/8"-16
15	21227C	Door, Seat Box	1		54	P01510	4	Nut, Hx., 1/2"-13
15A	P19085	Door Latch w/Key	REF		55	P01528	4	Nut, Hx., #10-32
16	22985D	Instrument Panel	1		56	P01558	2	Jam Nut, Hx., 3/8"-16
17	24411C	Side Panel, R.H.	1		57	P01560	4	Jam Nut, Hx., 1/2"-13
18	21230C	Side Panel, L.H.	1		58	P01361	2	Starwasher, 1/2"
20	P17742	Seat, Operators	1					
20A	P24773	Rail Set, Seat	REF					
21	A)P28470	Level Indicator	1		REF*	P19429	A/R	Plug, 7/16" Hole
22	B)26333A	Mounting Bracket, Level	1		REF*	P19430	A/R	Plug, 5/8" Hole
23	P20395	Mounting Washer, Platform	1		REF*	P27328	A/R	Plug, 3/4" Hole
24	P21746	Pad, Rubber	A/R		REF*	P19431	A/R	Plug, 7/8" Hole
25	P20396	Snubbing Washer	2					
26	P20459	Speed Nut	11					
27	P17678	Clamp, Cable	2					
28	P19128	Shim, Cable Clamp	2					
29	P17679	Clevis	2					
30	P20833	Clevis Pin	2					
31	P03838	Cotter Pin, 1/8" x 1"	2					
32	C)P02034	Screw, Rd. Hd., #8-32 x 1/2"	2					
33	P02082	Screw, Rd. Hd., #10-32 x 3/4"	4					
34	P27829	Screw, Phillips Hd., 5/16"-18 x 3/4"	11					
35	P19424	Bolt, Button Hd. Socket, 1/4"-20 x 1"	4					
36	P00001	Bolt, Hx., 1/4"-20 x 1/2"	15					

NOTES:
A) For S/N 101 - 217, use 26461B. (Replacement Kit)
B) For S/N 101 - 217, use 23153A.
C) For S/N 101 - 217, use P02005. (#5-40 x 3/4")
D) S/N 101 - 245, used 3/8" Bolts.

24614

* Not Illustrated



ITEM PART NUMBER QTY. DESCRIPTION ITEM PART NUMBER QTY. DESCRIPTION

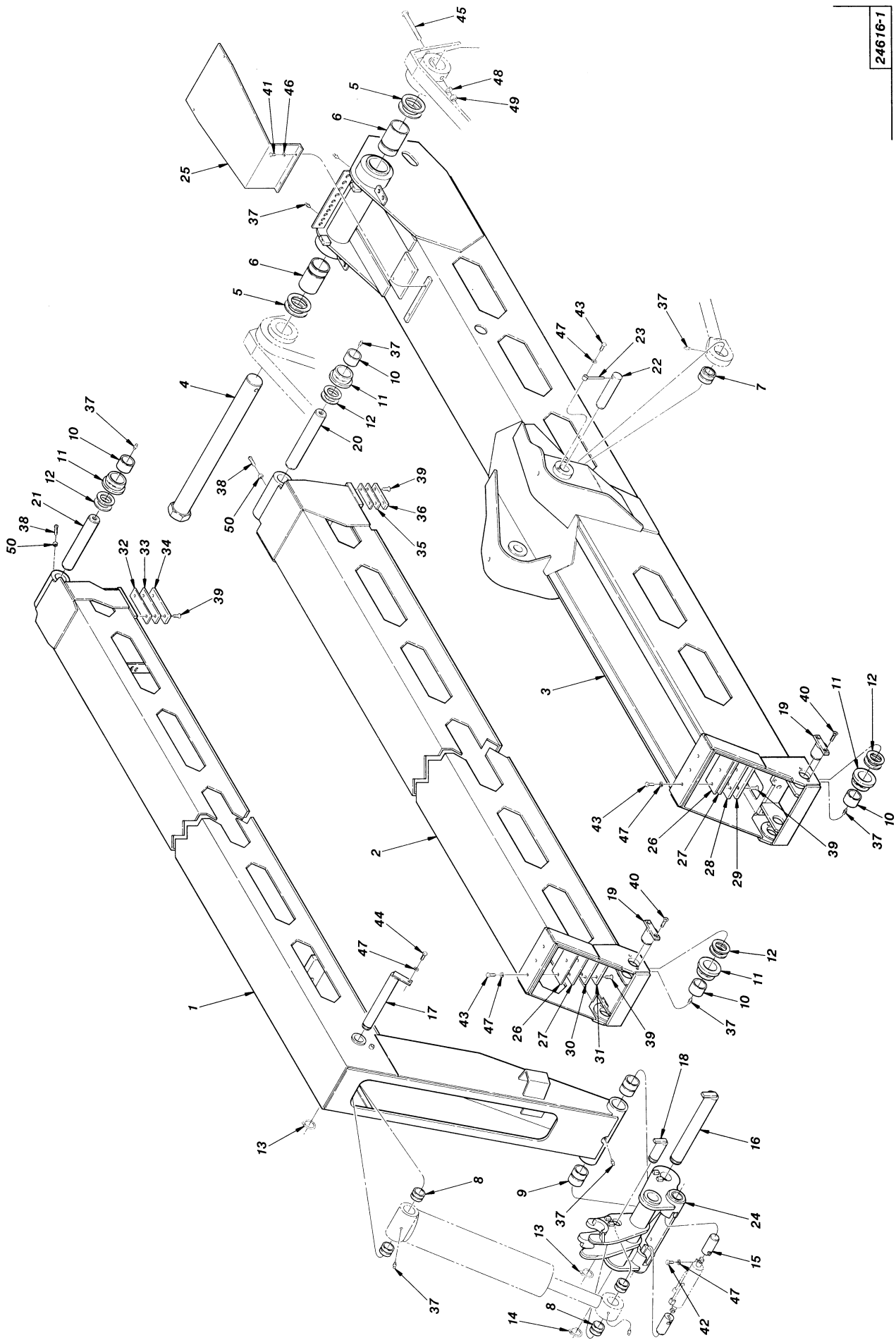
1	23601R	1	Inner Boom	40	P03116	8	Screw, Socket Flat Hd., 1/2"-13 x 1 1/2"
2	23637R	1	Center Boom	41	P00202	4	Bolt, Hx., 3/8"-16 x 3/4"
3	23682R	1	Outer Boom	42	P00400	2	Bolt, Hx., 1/2"-13 x 3/4"
4	23026B	1	Shaft, Boom Pivot	43	P00403	8	Bolt, Hx., 1/2"-13 x 1 1/4"
5	22881D	2	Eccentric	44	P00406	1	Bolt, Hx., 1/2"-13 x 2"
6	P25494	2	Bushing, Boom Pivot	45	P00706	16	Bolt, Hx., 3/4"-10 x 3"
7	P18830	2	Bushing, Hoist Cylinder	46	P01310	4	Lockwasher, 3/8"
8	P19106	4	Bushing, Carriage Tilt Cylinder	47	P01312	11	Lockwasher, 1/2"
9	P28790	2	Bushing, Quick Attach Pivot	48	P01315	18	Lockwasher, 3/4"
10	P26493	8	Bushing, Roller	49	P01513	2	Nut, Hx., 3/4"-10
11	P24735	8	Roller, Boom	50	P01560	2	Jam Nut, Hx., 1/2"-13
12	P20431	A/R	Spacer Washer	51	P00713	2	Bolt, Hx., 3/4"-10 x 5 1/2"
13	P18838	4	Snap Ring, Tilt & Hoist Cylinder Pin				
14	P19477	1	Snap Ring, Quick Attach Pin				
15	P26779	2	Pin, Quick Attach Cylinder				
16	23038B	1	Pin, Quick Attach Pivot				
17	23033B	1	Pin, Tilt Cylinder - Upper				
18	23039B	1	Pin, Tilt Cylinder - Lower				
19	23656B	4	Pin, Front Roller				
20	23655B	1	Pin, Center Roller				
21	23752A	1	Pin, Inner Roller				
22	23079B	2	Pin, Hoist Cylinder				
23	P25496	2	Snap Ring, Eccentric				
24	22800D	1	Quick Attach				
25	25120A	1	Cover, Leveling Valve				
26	16361A	A/R	Shim, 1/16" Center & Outer Boom - Front				
27	16362A	A/R	Shim, 1/8" Center & Outer Boom - Front				
28	23720A	1	Base, Slide Plate, Outer Boom - Front				
29	P27598	1	Slide Plate, Outer Boom - Front				
30	23749A	1	Base, Slide Plate, Center Boom - Front				
31	P27599	1	Slide Plate, Center Boom - Front				
32	17962A	A/R	Shim, 16 GA., Inner Boom - Rear				
33	15764A	A/R	Shim, 12 GA., Inner Boom - Rear				
34	P26296	2	Slide Plate, Inner Boom - Rear				
35	23719A	A/R	Shim, 12 GA., Center Boom - Rear				
36	26209A	A/R	Shim, 16 GA., Center Boom - Rear				
37	P27597	2	Slide Plate, Center Boom - Rear				
38	P16611	15	Grease Zerk				
39	P02753	2	Setscrew, Square Hd., 1/2"-13 x 1"				
	P17676	16	Screw, Slotted Flat Hd., Brass				

24616

1044 S/N 101 - 113

6/89

TELESCOPIC BOOM ASSEMBLY



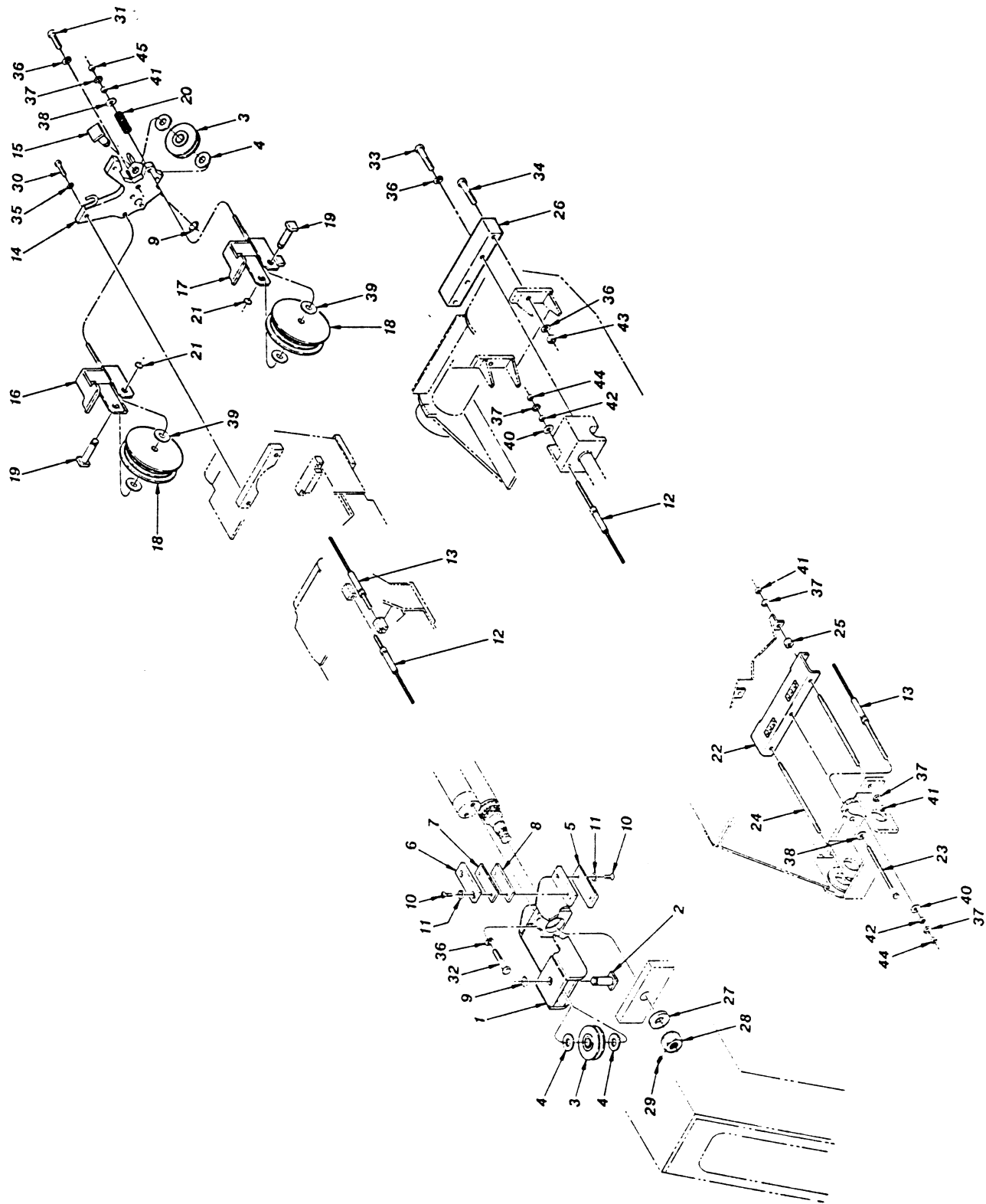
ITEM	PART NUMBER	QTY.	DESCRIPTION	ITEM	PART NUMBER	QTY.	DESCRIPTION
1	23601R	1	Inner Boom	39	P17676	16	Screw, Slotted Flat Hd., Brass
2	23637R	1	Center Boom	40	P03116	8	Screw, Socket Flat Hd., 1/2"-13 x 1 1/2"
3	25377R	1	Outer Boom	41	P00202	4	Bolt, Hx., 3/8"-16 x 3/4"
4	25379B	1	Shaft, Boom Pivot	42	P00400	2	Bolt, Hx., 1/2"-13 x 3/4"
5	P27762	A/R	Shim, Boom Pivot, 12 GA.	43	P00403	8	Bolt, Hx., 1/2"-13 x 1 1/4"
6	P27912	A/R	Shim, Boom Pivot, 16 GA.	44	P00406	1	Bolt, Hx., 1/2"-13 x 2"
7	P27578	2	Bushing, Boom Pivot	45	P00618	1	Bolt, Hx., 5/8"-11 x 7"
8	P18830	2	Bushing, Hoist Cylinder	46	P01310	4	Lockwasher, 3/8"
9	P19106	4	Bushing, Carriage Tilt Cylinder	47	P01312	11	Lockwasher, 1/2"
10	P28790	2	Bushing, Quick Attach Pivot	48	P01314	18	Lockwasher, 5/8"
11	P26493	8	Bushing, Roller	49	P01512	2	Nut, Hx., 5/8"-11
12	P24735	8	Roller, Boom	50	P01560	2	Jam Nut, Hx., 1/2"-13
13	P20431	A/R	Spacer Washer				
14	P18638	2	Snap Ring, Tilt Cylinder Pin				
15	P19477	1	Snap Ring, Quick Attach Pin				
16	P26779	2	Pin, Quick Attach Cylinder				
17	23038B	1	Pin, Quick Attach Pivot				
18	23033B	1	Pin, Tilt Cylinder - Upper				
19	23039B	1	Pin, Tilt Cylinder - Lower				
20	17188B	4	Pin, Front Roller				
21	23655B	1	Pin, Center Roller				
22	23752A	1	Pin, Inner Roller				
23	P27929	2	Pin, Hoist Cylinder				
24	25381A	2	Lock Pin, Hoist Cylinder				
25	22800D	1	Quick Attach				
26	25120A	1	Cover, Leveling Valve				
27	16361A	A/R	Shim, 1/16" Center & Outer Boom - Front				
28	16362A	A/R	Shim, 1/8" Center & Outer Boom - Front				
29	23720A	1	Base, Slide Plate, Outer Boom - Front				
30	P27598	1	Slide Plate, Outer Boom - Front				
31	23749A	1	Base, Slide Plate, Center Boom - Front				
32	P27599	1	Slide Plate, Center Boom - Front				
33	17962A	A/R	Shim, 16 GA., Inner Boom - Rear				
34	15764A	A/R	Shim, 12 GA., Inner Boom - Rear				
35	P26296	2	Slide Plate, Inner Boom - Rear				
36	23719A	A/R	Shim, 12 GA., Center Boom - Rear				
37	26209A	A/R	Shim, 16 GA., Center Boom - Rear				
38	P27597	2	Slide Plate, Center Boom - Rear				
	P16611	15	Grease Zerk				
	P02753	2	Setscrew, Square Hd., 1/2"-13 x 1"				

24616-1

1044 S/N 114 THRU

6/89

TELESCOPIC BOOM ASSEMBLY



ITEM	PART NUMBER	QTY.	DESCRIPTION	ITEM	PART NUMBER	QTY.	DESCRIPTION
1	23976C	1	Cable Sheave Support	41	P01512	6	Nut, Hx., 5/8"-11
2	25239A	1	Pin, Front Cable Sheave	42	P01585	2	Jam Nut, Hx., 5/8"-18
3	A)P26309	2	Cable Sheave	43	P01513	2	Nut, Hx., 3/4"-10
4	P26329	4	Thrust Washer	44	P01685	2	Locknut, Hx., 5/8"-18
5	P27595	2	Slide Plate, Lower	45	P01562	2	Jam Nut, Hx., 5/8"-11
6	P27596	2	Slide Plate, Upper	46*	26090A	4	Spacer, V-Block
7	25112A	A/R	Shim, 16 GA.	47*	26088A	2	Spacer, Hose Reel Yoke
8	25111A	A/R	Shim, 12 GA.				
9	P20447	2	Snap Ring, Cable Sheave				
10	P17676	8	Screw, Slotted Flat Hd., Brass				
11	P21477	8	Starwasher, Special				
12	B)P27767	1	Cable - Retract, Upper				
13	P26486	1	Cable - Extend, Lower				
14	25255C	1	Rear Extension Cylinder Mount (V-Block)				
15	23983B	1	Pin, Rear Cable Sheave				
16	25225C	1	Yoke, R.H. Hose Reel				
17	25147C	1	Yoke, L.H. Hose Reel				
18	C)24800C	2	Hose Reel				
19	25151A	1	Pin, Hose Reel				
20	P27561	2	Spring, Hose Reel Yoke				
21	P26236	2	Snap Ring, Hose Reel				
22	25161B	1	Bulkhead Mount				
23	25162A	1	Screw, Bulkhead Take Up				
24	23751B	2	Guide Rod				
25	P27603	2	Collar, Clamp				
26	23714B	1	Base Support				
27	25256A	1	Boss, Extension Cylinder Rod				
28	16369A	1	Nut, Extension Cylinder Rod				
29	P02612	1	Setscrew, Cup Pt., 3/8"-16 x 3/8"				
30	D)P00634	4	Bolt, Hx., 5/8"-11 x 2 1/4" GR 8				
31	P00779	2	Bolt, Hx., 3/4"-16 x 2 1/2" GR 8				
32	P01927	2	Bolt, Socket Hd., 3/4"-16 x 4 1/2" GR 8				
33	P00786	2	Bolt, Hx., 3/4"-16 x 5" GR 8				
34	P00737	2	Lockwasher, 5/8"				
35	P01314	4	Lockwasher, 3/4"				
36	P01315	8	Starwasher, 5/8"				
37	P01363	8	Flatwasher, 5/8"				
38	P01408	3	Flatwasher, 1"				
39	P01411	4	Flatwasher, 5/8" SAE				
40	P01439	2	Flatwasher, 5/8" SAE				

NOTES:

- A) For Machines with Rear Sheave Tapered on One Side, use 25114A.
- B) For S/N 101 - 105, 107 - 115, use P26487.
- C) For S/N 102, use 23660C - 3/8" Hose or 23769C - 1/2" Hose.
- D) For Machines with V-Block Spacer, use P00637. (3" Long)

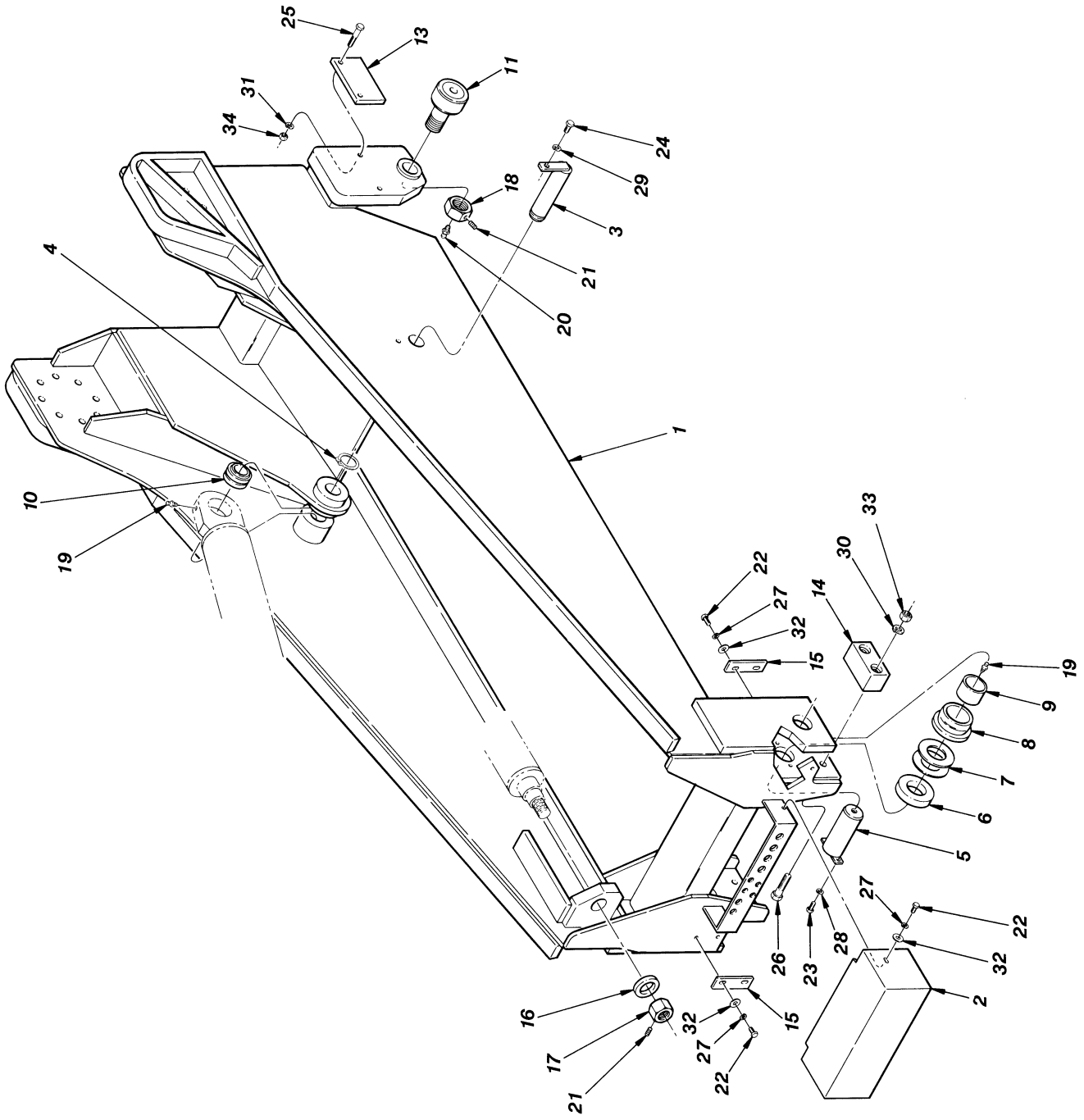
* Not Illustrated

24617

1044 S/N 101 THRU

HOSE REEL AND CABLE ASSEMBLY

6/89



ITEM PART NUMBER QTY. DESCRIPTION ITEM PART NUMBER QTY. DESCRIPTION

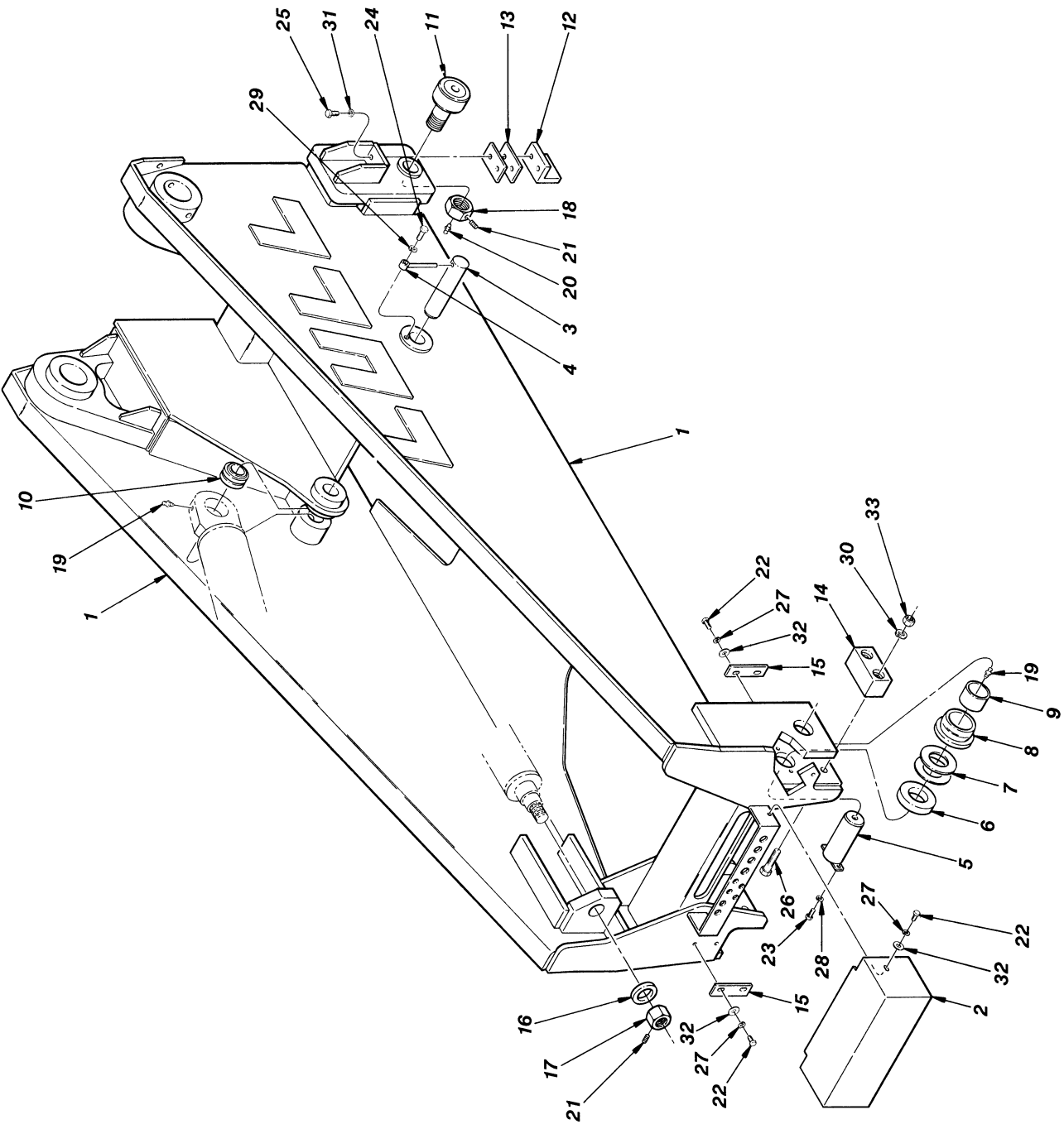
1	23604R	1	Transfer Carriage				
2	25073B	1	Cover, Bulkhead Junction				
3	23079B	2	Pin, Hoist Cylinder, Lower				
4	P18838	2	Snap Ring, Hoist Cyl. Pin				
5	24430A	2	Roller Shaft				
6	17180A	2	Spacer, Roller				
7	P20431	A/R	Spacer Washer				
8	P24735	2	Roller, Transfer				
9	P26493	2	Bushing, Roller				
10	P18830	2	Bushing, Self-Aligning				
11	P18831	2	Cam Roller				
13	23120B	2	Side Thrust Bearing, Rear				
14	15972A	2	Slide Shoe, Front				
15	16146A	4	Scrapper Plate				
16	15976A	1	Spacer, Cylinder Rod End				
17	16369A	1	Nut, Special				
18	19920A	2	Nut, Special				
19	P16611	4	Grease Zerk				
20	P15272	2	Grease Zerk				
21	P02614	3	Set Screw, Socket, 3/8"-16 x 1/2"				
22	P00102	10	Bolt, Hx., 5/16"-18 x 3/4"				
23	P00202	4	Bolt, Hx., 3/8"-16 x 3/4"				
24	P00402	2	Bolt, Hx., 1/2"-13 x 1"				
25	P00607	4	Bolt, Hx., 5/8"-11 x 2 3/4"				
26	P00708	4	Bolt, Hx., 3/4"-10 x 3 1/2"				
27	P01309	10	Lockwasher, 5/16"				
28	P01310	4	Lockwasher, 3/8"				
29	P01312	2	Lockwasher, 1/2"				
30	P01315	4	Lockwasher, 3/4"				
31	P01314	4	Lockwasher, 5/8"				
32	P01403	10	Flatwasher, 5/16"				
33	P01513	4	Nut, Hx., 3/4"-10				
34	P01512	4	Nut, Hx., 5/8"-11				

24618

1044 S/N 101 - 113

6/89

TRANSFER CARRIAGE ASSEMBLY



ITEM	PART NUMBER	QTY.	DESCRIPTION	ITEM	PART NUMBER	QTY.	DESCRIPTION
1	25349R	1	Transfer Carriage				
2	25073B	1	Cover, Bulkhead Junction				
3	P27929	2	Pin, Hoist Cylinder, Lower				
4	25381A	2	Lock Pin				
5	24430A	2	Roller Shaft				
6	A)17180A	2	Spacer, Roller				
7	P20431	A/R	Spacer Washer				
8	P24735	2	Roller, Transfer				
9	P26493	2	Bushing, Roller				
10	P18830	2	Bushing, Self-Aligning				
11	P18831	2	Cam Roller				
12	P20151	2	Slide Shoe, Rear				
13	16342A	A/R	Shim, Rear Slide Shoe				
14	15972A	2	Slide Shoe, Front				
15	16146A	4	Scraper Plate				
16	15976A	1	Spacer, Cylinder Rod End				
17	16369A	1	Nut, Special				
18	19920A	2	Nut, Special				
19	P16611	4	Grease Zerk				
20	P15272	2	Grease Zerk				
21	P02614	3	Set Screw, Socket, 3/8"-16 x 1/2"				
22	P00102	10	Bolt, Hx., 5/16"-18 x 3/4"				
23	P00202	4	Bolt, Hx., 3/8"-16 x 3/4"				
24	P00403	2	Bolt, Hx., 1/2"-13 x 1 1/4"				
25	P00600	4	Bolt, Hx., 5/8"-11 x 1"				
26	P00708	4	Bolt, Hx., 3/4"-10 x 3 1/2"				
27	P01309	10	Lockwasher, 5/16"				
28	P01310	4	Lockwasher, 3/8"				
29	P01312	2	Lockwasher, 1/2"				
30	P01315	4	Lockwasher, 3/4"				
31	P01363	4	Starwasher, 5/8"				
32	P01403	10	Flatwasher, 5/16"				
33	P01513	4	Nut, Hx., 3/4"-10				

NOTES:

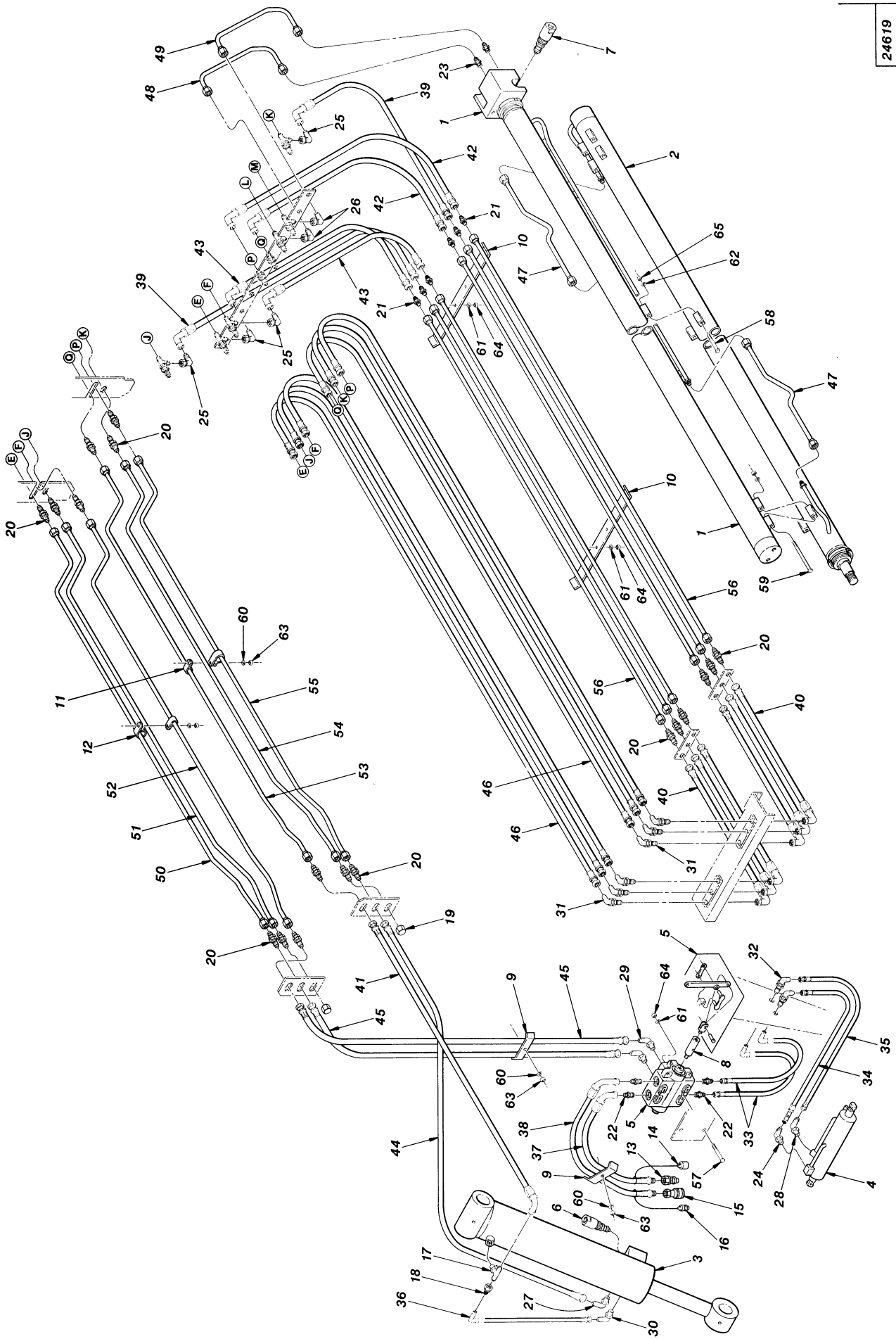
A) Used Early Production.

1044 S/N 114 THRU

TRANSFER CARRIAGE ASSEMBLY

24618-1

6/89



ITEM	PART NUMBER	DESCRIPTION	QTY.	ITEM	PART NUMBER	DESCRIPTION	QTY.
REF	P27766	Cylinder, Boom Extension - Piggyback (Includes Items 1, 2, 47, 58 & 59)	1	39	P24739	Hyd. Hose .38" x 26"	2
1	P26347	Cylinder, Boom Extension - Upper (Rear)	REF	40	P27674	Hyd. Hose .38" x 26"	6
2	P26348	Cylinder, Boom Extension - Lower (Front)	REF	41	P21335	Hyd. Hose .38" x 28"	1
3	P26055	Cylinder, Carriage Tilt	1	42	P27440	Hyd. Hose .38" x 33"	2
4	P25903	Cylinder, Quick Attach	1	43	P27441	Hyd. Hose .38" x 34"	2
5	P25382	Selector Valve w/Handle	1	44	P23860	Hyd. Hose .38" x 45"	1
6	P26335	Counterbalance Valve	1	45	P27656	Hyd. Hose .38" x 59"	2
7	P19064	Counterbalance Valve	2	46	P27431	Hyd. Hose .38" x 176"	6
8	25096A	Shaft Extension, Valve Handle	1	47	B)P27250	Hyd. Tube .50" O.D.	REF
9	18273A	Clamp, Hose	2	48	P27474	Hyd. Tube .75" O.D.	1
10	25227A	Clamp, Tube	2	49	P27475	Hyd. Tube .75" O.D.	1
11	P17554	Hose Clamp, Small	2	50	P27481	Hyd. Tube .38" O.D.	1
12	P17809	Hose Clamp, Large	2	51	P27482	Hyd. Tube .38" O.D.	1
13	P10324	Quick Coupler, Male	1	52	P27483	Hyd. Tube .38" O.D.	1
14	P10325	Dust Cap	1	53	P27484	Hyd. Tube .38" O.D.	1
15	P11354	Quick Coupler, Female	1	54	P27485	Hyd. Tube .38" O.D.	1
16	P10326	Dust Plug	1	55	P27486	Hyd. Tube .38" O.D.	1
17	P25687	Tee, O-Ring	1	56	P27487	Hyd. Tube .38" O.D.	6
18	P26607	Reducer, Swivel	1	57	P00214	Bolt, Hx., 3/8"-16 x 3 1/2"	2
19	P18929	Cap, Hex	2	58	P00343	Bolt, Hx., 7/16"-14 x 5" GR 8	REF
20	P18948	Connector, Bulkhead	18	59	P00347	Bolt, Hx., 7/16"-14 x 7" GR 8	REF
21	P18953	Connector, Union	6	60	P01309	Lockwasher, 5/16"	4
22	P21906	Connector, O-Ring	4	61	P01310	Lockwasher, 3/8"	6
23	P23901	Connector, O-Ring	2	62	P01311	Lockwasher, 7/16"	6
24	P21619	45° Elbow, O-Ring	1	63	P01507	Nut, Hx., 5/16"-18	4
25	P21579	90° Elbow, Swivel	4	64	P01508	Nut, Hx., 3/8"-16	6
26	P21632	90° Elbow, Swivel	2	65	P01509	Nut, Hx., 7/16"-14	6
27	P18956	90° Elbow, O-Ring	1				
28	P19248	90° Elbow, O-Ring	1				
29	P19810	90° Elbow, O-Ring	2				
30	P24609	90° Elbow, O-Ring	1				
31	P18931	90° Elbow, Bulkhead	6				
32	P24608	90° Elbow, Bulkhead	2				
33	A)P25852	Hyd. Hose .25" x 19"	2				
34	A)P27718	Hyd. Hose .25" x 23"	1				
35	A)P27719	Hyd. Hose .25" x 23"	1				
36	P27181	Hyd. Hose .25" x 30"	1				
37	P27447	Hyd. Hose .38" x 13.5"	1				
38	P27737	Hyd. Hose .38" x 16"	1				

NOTES:

- A) For Repair of Quick Attach Hoses on Early Production Machines, use 25601B Repair Kit.
- B) Supersedes Hyd. Hose, used Early Production.

24619

1044 S/N 101 THRU

6/89

BOOM HYDRAULIC ASSEMBLY

PART NUMBER QTY. DESCRIPTION

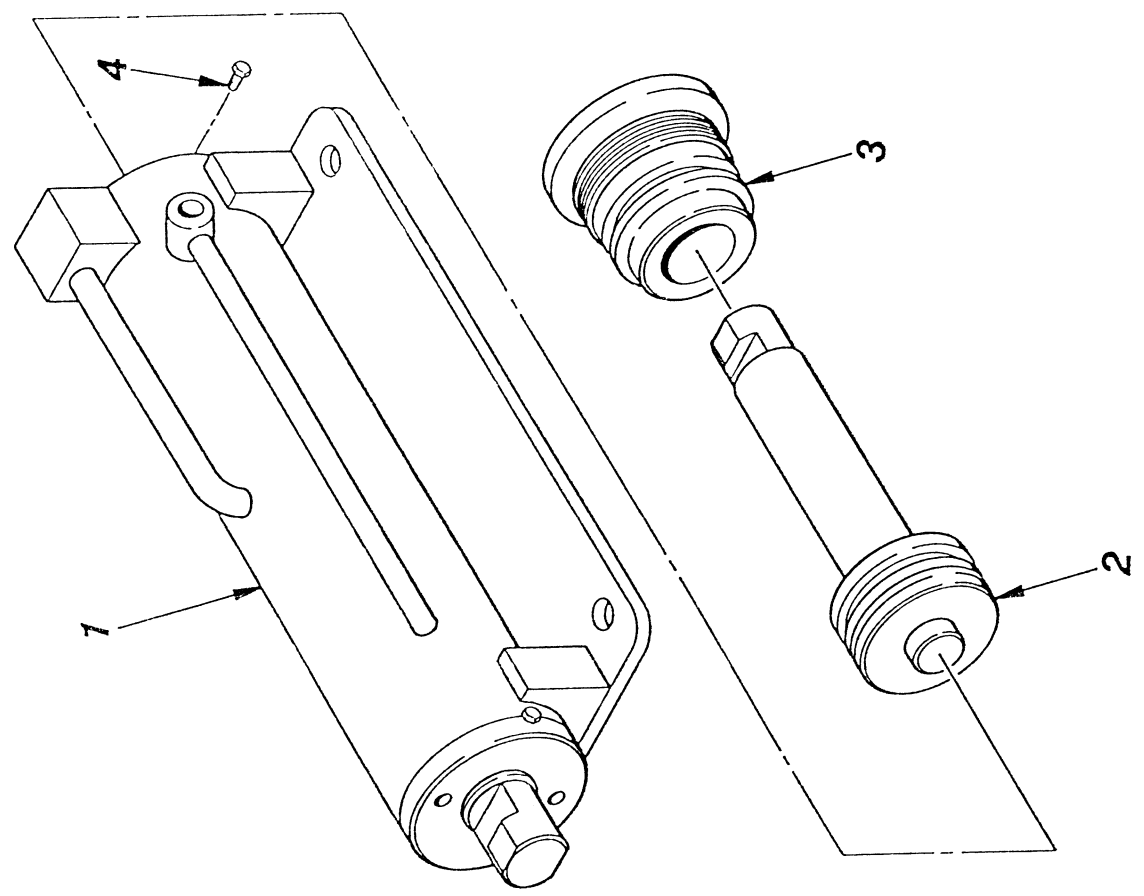
ITEM	PART NUMBER	QTY.	DESCRIPTION
REF	P25903	-	Quick Attach Cylinder
1	P26354	1	Barrel Weldment
2	P26365	2	Rod Weldment
3	P26384	2	Rod Bearing
4	P24889	2	Cap Screw
REF	P26398	1	Seal Kit

24620

6/89

1044 S/N 101 THRU

QUICK ATTACH CYLINDER ASSEMBLY



PART NUMBER QTY. DESCRIPTION

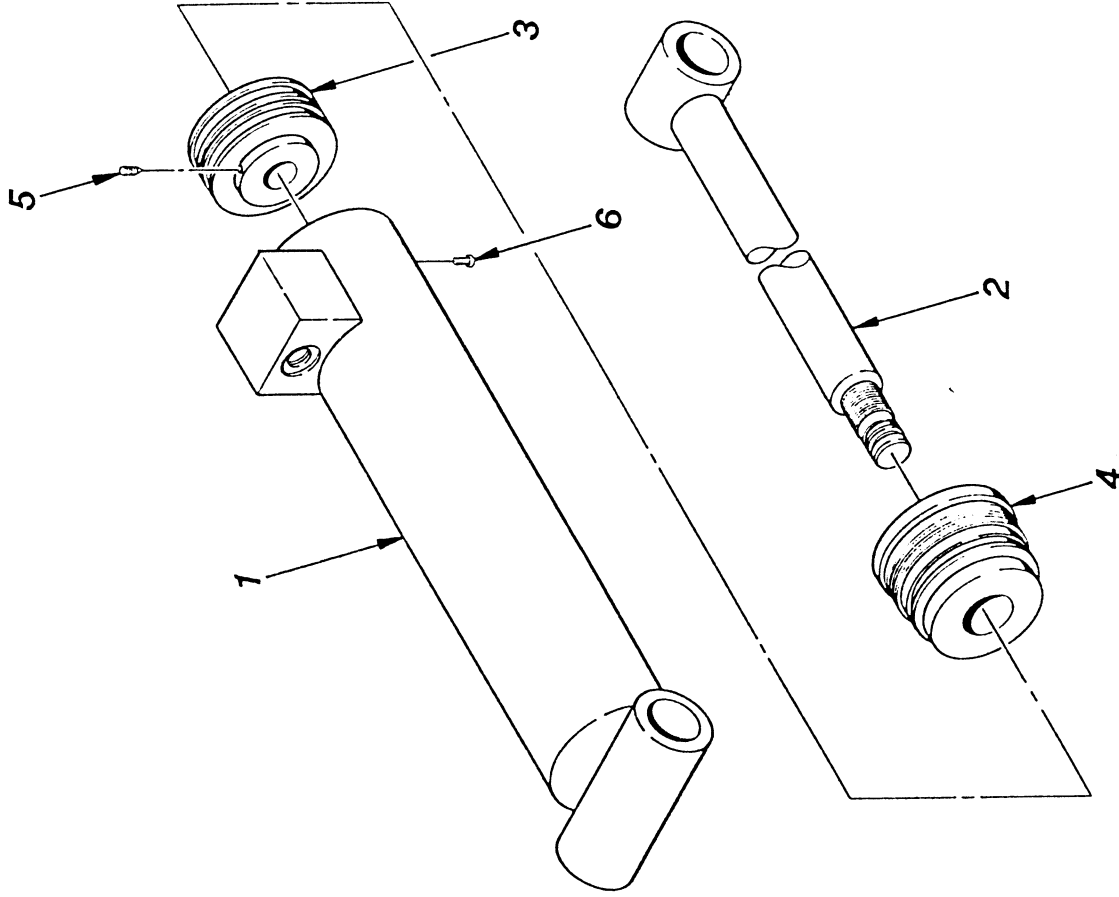
ITEM	PART NUMBER	QTY.	DESCRIPTION
REF	P26055	-	Carriage Tilt Cylinder
1	P27218	1	Barrel Weldment
2	P27236	1	Rod Weldment
3	P24384	1	Piston
4	P26382	1	Rod Bearing
5	P24434	1	Set Screw
6	P24889	1	Cap Screw
REF	P26396	1	Seal Kit

24621

1044 S/N 101 THRU

6/89

CARRIAGE TILT CYLINDER ASSEMBLY



PART NUMBER QTY. DESCRIPTION

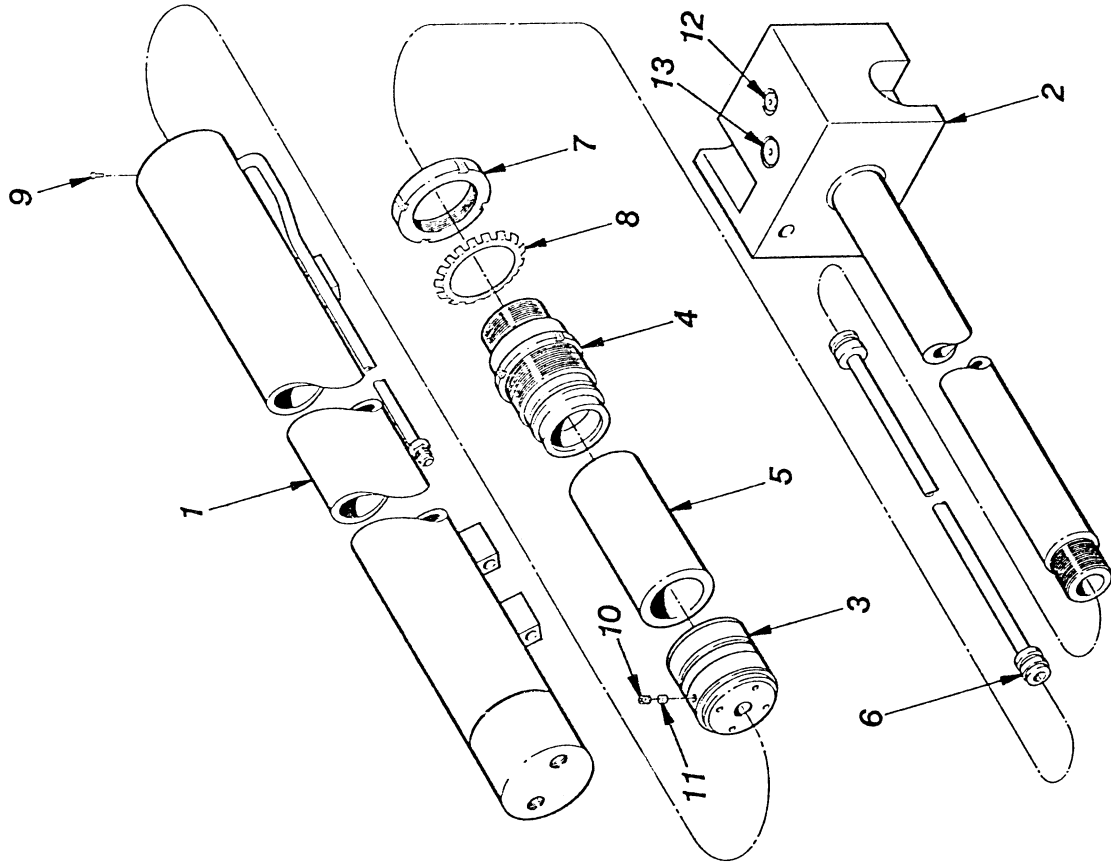
ITEM	PART NUMBER	QTY.	DESCRIPTION
REF	P26347	-	Upper Boom Extension Cylinder (Rear)
1	P27214	1	Barrel Weldment
2	P27234	1	Rod Weldment
3	P27266	1	Piston
4	P27273	1	Rod Bearing
5	P27255	1	Stroke Limiter
6	P27253	1	Transfer Tube
7	P27281	1	Nut
8	P27850	1	Starwasher
9	P24889	1	Capscrew
10	P26393	2	Setscrew
11	P27284	2	Plug, Nylon
12	P27934	2	Plug, O-Ring
13	P27936	1	Plug, O-Ring
REF	P27286	1	Seal Kit

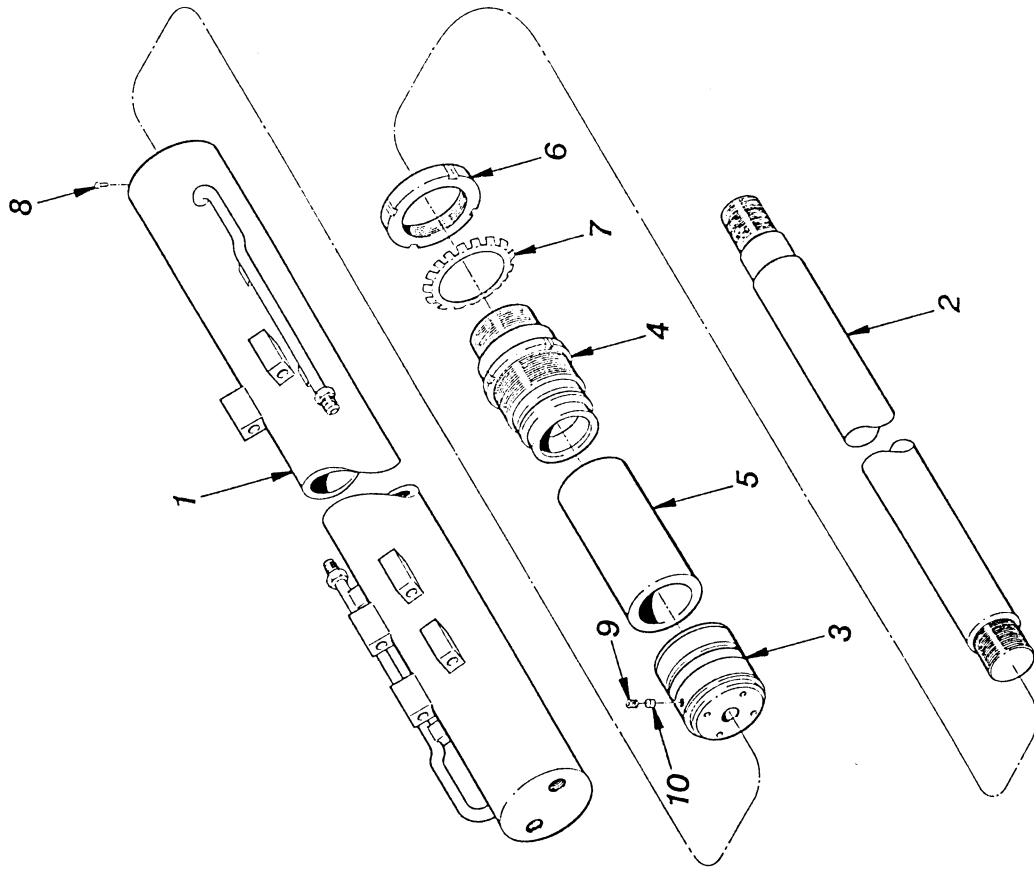
24622

6/89

1044 S/N 101 THRU

UPPER BOOM EXTENSION CYLINDER ASSEMBLY





ITEM PART NUMBER QTY. DESCRIPTION

REF P26348 - Lower Boom Extension Cylinder (Front)

1 P27215 1 Barrel Weldment

2 P27246 1 Rod

3 P27266 1 Piston

4 P27273 1 Rod Bearing

5 P27256 1 Stroke Limiter

6 P27281 1 Nut

7 P27850 1 Starwasher

8 P24889 1 Capscrew

9 P26393 2 Setscrew

10 P27284 2 Plug, Nylon

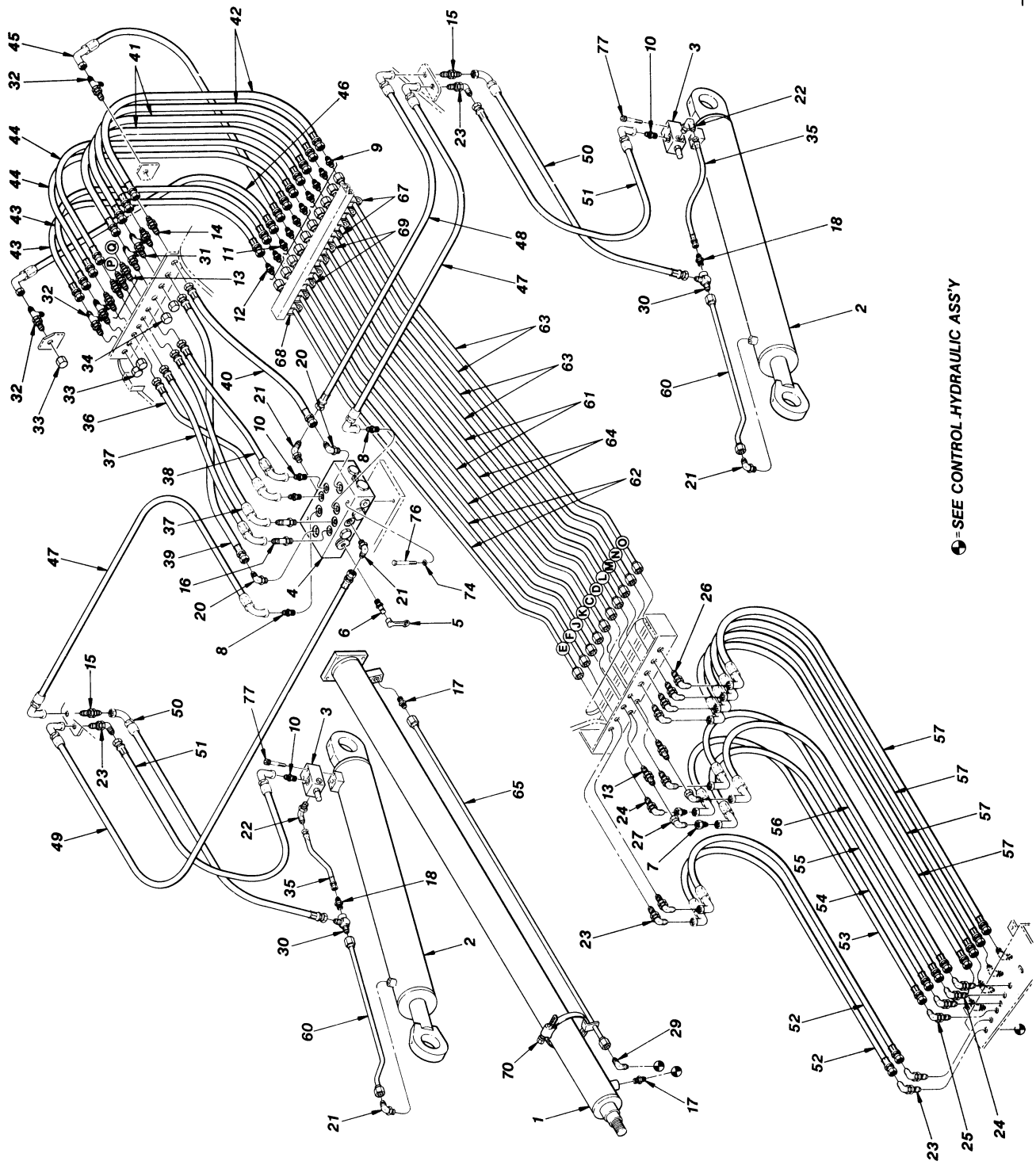
REF P27287 1 Seal Kit

24623

6/89

1044 S/N 101 THRU

LOWER BOOM EXTENSION CYLINDER ASSEMBLY



SEE CONTROL HYDRAULIC ASS'Y

ITEM	PART NUMBER	QTY.	DESCRIPTION	ITEM	PART NUMBER	QTY.	DESCRIPTION
1	P24742	1	Cylinder, Transfer	41	P27434	2	Hyd. Hose .75" x 59"
2	P26056	2	Cylinder, Hoist	42	P27435	2	Hyd. Hose .75" x 61"
3	P26324	2	Valve, Counterbalance	43	P27659	2	Hyd. Hose .50" x 61"
4	P27607	1	Valve, Self Leveling	44	P27658	2	Hyd. Hose .38" x 62"
4A*	A)P27983	-	Sealing Nut	45	P27443	1	Hyd. Hose .38" x 51"
4B*	A)P27984	-	Adjusting Screw	46	P27442	1	Hyd. Hose .38" x 49"
5	P27805	1	Dust Cap	47	P27697	2	Hyd. Hose .50" x 16"
6	P27378	1	Nipple, Pressure Check	48	P27680	1	Hyd. Hose .50" x 17"
7	P26605	2	Reducer, Swivel	49	P27681	1	Hyd. Hose .50" x 22"
8	P18964	2	Connector, O-Ring	50	P27682	2	Hyd. Hose .50" x 44"
9	P18954	4	Connector, Union	51	P27683	2	Hyd. Hose .50" x 48"
10	P18944	4	Connector, O-Ring	52	P27684	2	Hyd. Hose .50" x 67"
11	P21585	4	Connector, Union	53	P27437	1	Hyd. Hose .38" x 60"
12	P27389	2	Connector, Union	54	P27438	1	Hyd. Hose .38" x 62"
13	P21578	6	Connector, Bulkhead	55	P27690	1	Hyd. Hose .50" x 65"
14	P18951	2	Connector, Bulkhead	56	P27691	1	Hyd. Hose .50" x 67"
15	P18949	2	Connector, Bulkhead	57	P27436	4	Hyd. Hose .62" x 67"
16	P18937	2	Connector, O-Ring (Long)	60	P27479	2	Hyd. Tube .62" O.D.
17	P15123	2	Connector, O-Ring	61	P27470	2	Hyd. Tube .50" O.D.
18	P19246	2	Connector, JIC-Pipe	62	P27471	2	Hyd. Tube .62" O.D.
20	P17802	2	90° Elbow, O-Ring	63	P27472	4	Hyd. Tube .75" O.D.
21	P18924	4	90° Elbow, O-Ring	64	P27476	2	Hyd. Tube .50" O.D.
22	P19248	2	90° Elbow, O-Ring	65	P27480	1	Hyd. Tube .50" O.D.
23	P27394	6	90° Elbow, Bulkhead	67	P20465	4	Clamp, Hyd. Tube .75" O.D.
24	P18930	4	90° Elbow, Bulkhead	68	P20466	2	Clamp, Hyd. Tube .62" O.D.
25	P18931	2	90° Elbow, Bulkhead	69	P20467	4	Clamp, Hyd. Tube .50" O.D.
26	P21916	4	90° Elbow, Bulkhead	70	P19267	1	Clamp, Transmission Cyl. Tube
27	P21579	2	90° Elbow, Swivel	74	P01310	2	Lockwasher, 5/16"
29	P17907	1	90° Elbow, Union	76	P00111	2	Bolt, Hx., 5/16"-18 x 2 3/4"
30	P18925	2	Tee, Female Run	77	P01791	8	Bolt, Socket Hd., 5/16"-18 x 2 1/4"
31	P25696	2	Tee, Bulkhead				
32	P27390	4	Tee, Bulkhead				
33	P21627	4	Cap, Hex				
34	P17785	2	Cap, Hex				
35	P27651	2	Hyd. Hose .25" x 8.5"				
36	P27672	1	Hyd. Hose .38" x 21"				
37	P27673	2	Hyd. Hose .38" x 23"				
38	P27671	1	Hyd. Hose .38" x 20"				
39	P27433	1	Hyd. Hose .75" x 22"				
40	P27422	1	Hyd. Hose .75" x 20"				

NOTES:

A) Supersedes Internal Type Adjustment.
2 required per Valve for replacement.

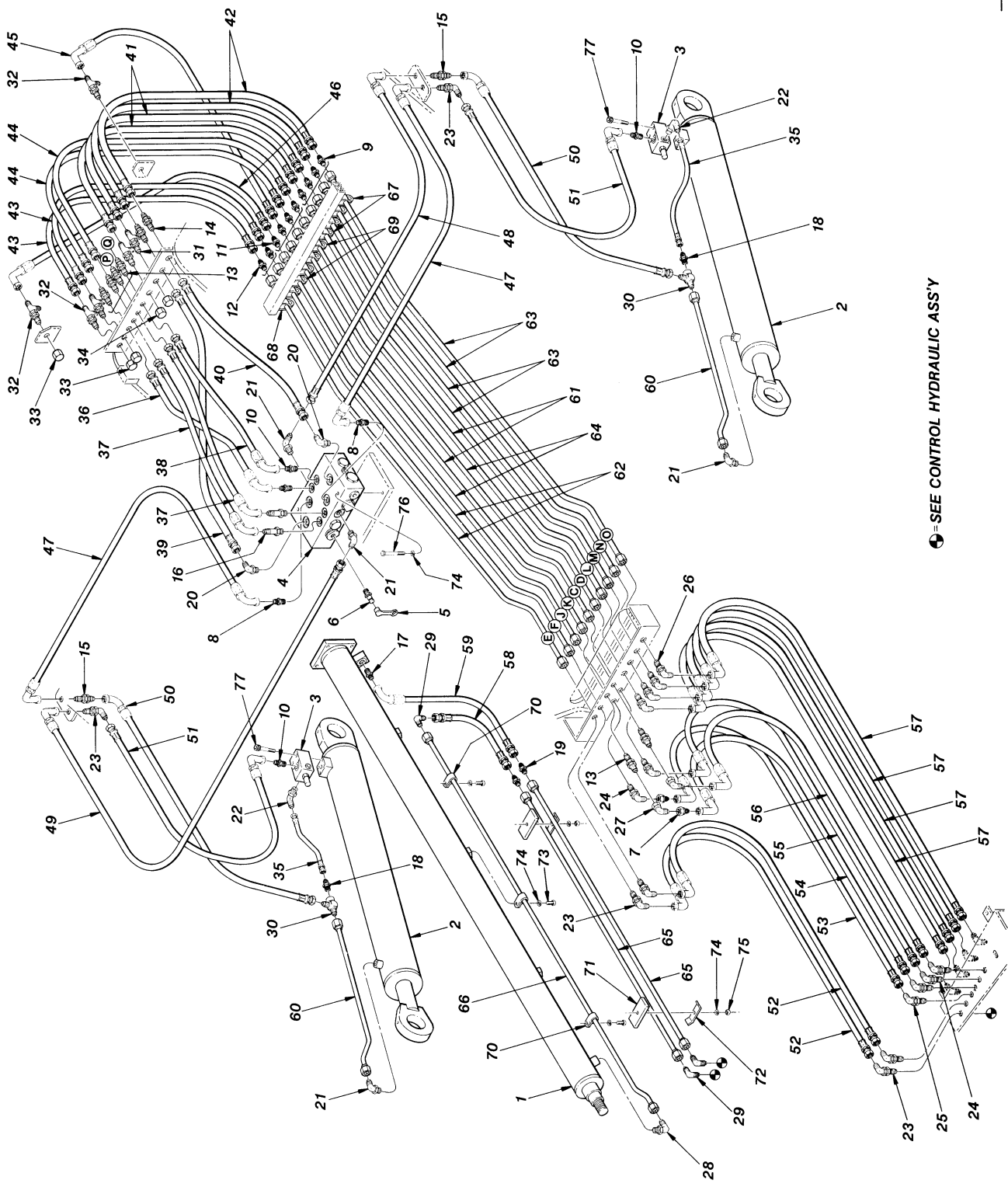
* Not Illustrated

24624

1044 S/N 101 - 113

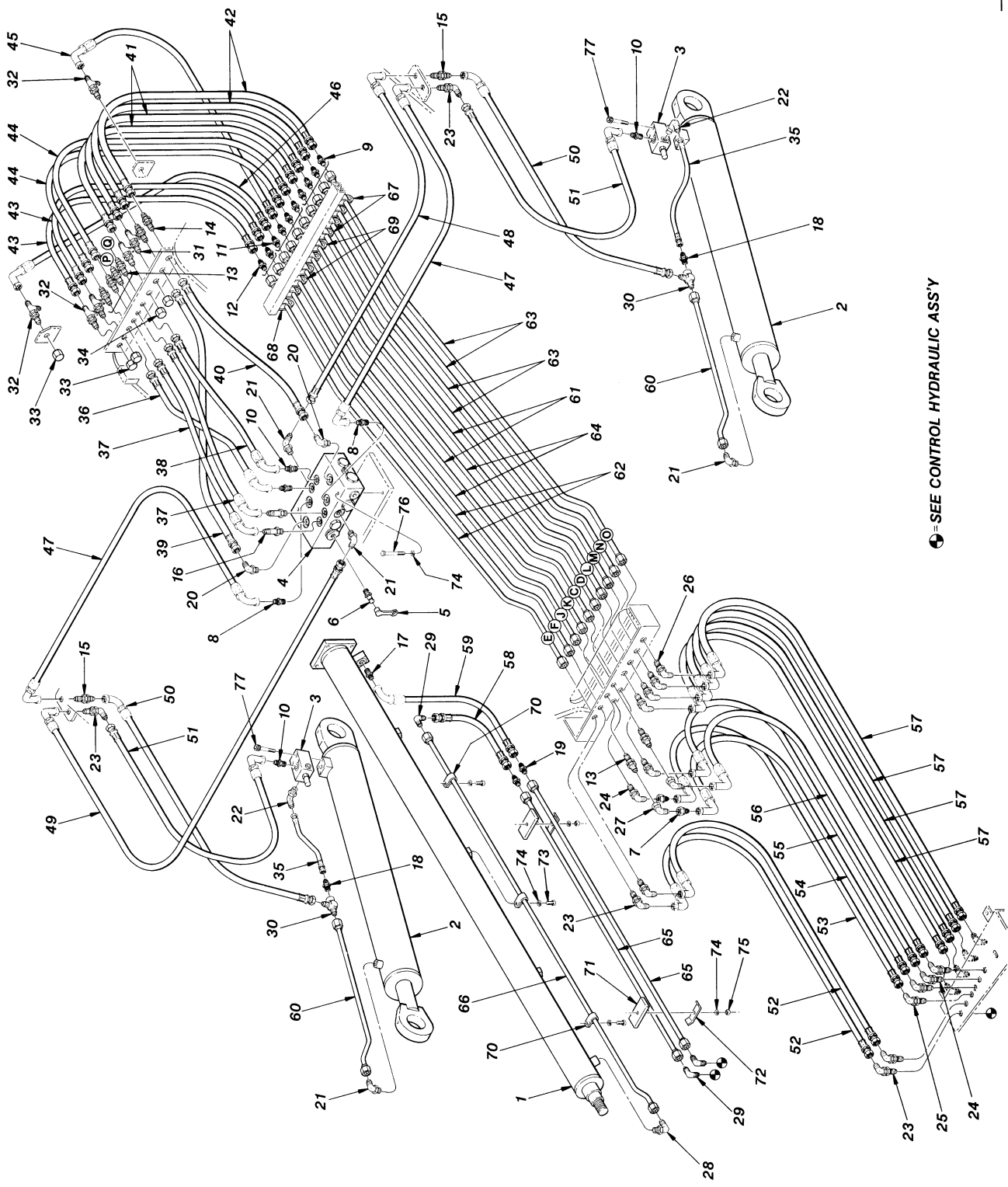
6/89

HOIST - TRANSFER HYDRAULIC ASSEMBLY



⊕ = SEE CONTROL HYDRAULIC ASS'Y

ITEM	PART NUMBER	DESCRIPTION	QTY.	DESCRIPTION	ITEM	PART NUMBER	QTY.	DESCRIPTION
1	P2742	Cylinder, Transfer	1	Cylinder, Transfer	39	P27433	1	Hyd. Hose .75" x 22"
2	P26056	Cylinder, Hoist	2	Cylinder, Hoist	40	P27422	1	Hyd. Hose .75" x 20"
3	P26324	Valve, Counterbalance	2	Valve, Counterbalance	41	P27434	2	Hyd. Hose .75" x 59"
4	P27607	Valve, Self Leveling	1	Valve, Self Leveling	42	P27435	2	Hyd. Hose .75" x 61"
4A*	A)P27983	Sealing Nut	-	Sealing Nut	43	P27659	2	Hyd. Hose .50" x 61"
4B*	A)P27984	Adjusting Screw	-	Adjusting Screw	44	P27658	2	Hyd. Hose .38" x 62"
5	P27805	Dust Cap	1	Dust Cap	45	P27443	1	Hyd. Hose .38" x 51"
6	P27378	Nipple, Pressure Check	1	Nipple, Pressure Check	46	P27442	1	Hyd. Hose .38" x 49"
7	P26605	Reducer, Swivel	2	Reducer, Swivel	47	P27697	2	Hyd. Hose .50" x 16"
8	P18964	Connector, O-Ring	2	Connector, O-Ring	48	P27680	1	Hyd. Hose .50" x 17"
9	P18954	Connector, Union	4	Connector, Union	49	P27681	1	Hyd. Hose .50" x 22"
10	P18944	Connector, O-Ring	4	Connector, O-Ring	50	P27682	2	Hyd. Hose .50" x 44"
11	P21585	Connector, Union	4	Connector, Union	51	P27683	2	Hyd. Hose .50" x 48"
12	P27389	Connector, Union	2	Connector, Union	52	P27684	2	Hyd. Hose .50" x 67"
13	P21578	Connector, Bulkhead	6	Connector, Bulkhead	53	P27437	1	Hyd. Hose .38" x 60"
14	P18951	Connector, Bulkhead	2	Connector, Bulkhead	54	P27438	1	Hyd. Hose .38" x 62"
15	P18949	Connector, Bulkhead	2	Connector, Bulkhead	55	P27690	1	Hyd. Hose .50" x 65"
16	P18937	Connector, O-Ring (Long)	2	Connector, O-Ring (Long)	56	P27691	1	Hyd. Hose .50" x 67"
17	P15123	Connector, O-Ring	2	Connector, O-Ring	57	P27436	4	Hyd. Hose .62" x 67"
18	P19246	Connector, JIC-Pipe	2	Connector, JIC-Pipe	58	P27687	1	Hyd. Hose .50" x 14"
19	P21585	Connector, Union	2	Connector, Union	59	P27193	1	Hyd. Hose .50" x 16"
20	P17802	90° Elbow, O-Ring	2	90° Elbow, O-Ring	60	P27479	1	Hyd. Tube .62" O.D.
21	P18924	90° Elbow, O-Ring	4	90° Elbow, O-Ring	61	P27488	2	Hyd. Tube .50" O.D.
22	P19248	90° Elbow, O-Ring	2	90° Elbow, O-Ring	62	P27489	2	Hyd. Tube .62" O.D.
23	P27394	90° Elbow, Bulkhead	6	90° Elbow, Bulkhead	63	P27490	4	Hyd. Tube .75" O.D.
24	P18930	90° Elbow, Bulkhead	4	90° Elbow, Bulkhead	64	P27491	2	Hyd. Tube .50" O.D.
25	P18931	90° Elbow, Bulkhead	2	90° Elbow, Bulkhead	65	P27492	2	Hyd. Tube .50" O.D.
26	P21916	90° Elbow, Bulkhead	4	90° Elbow, Bulkhead	66	P27493	1	Hyd. Tube .50" O.D.
27	P21579	90° Elbow, Swivel	2	90° Elbow, Swivel	67	P20465	4	Clamp, Hyd. Tube .75" O.D.
28	P21173	90° Elbow, O-Ring	1	90° Elbow, O-Ring	68	P20466	2	Clamp, Hyd. Tube .62" O.D.
29	P17907	90° Elbow, Union	1	90° Elbow, Union	69	P20467	4	Clamp, Hyd. Tube .50" O.D.
30	P18925	Tee, Female Run	2	Tee, Female Run	70	P17553	1	Clamp, Transmission Cyl. Tube
31	P25696	Tee, Bulkhead	2	Tee, Bulkhead	71	16122A	2	Wedge Block
32	P27390	Tee, Bulkhead	4	Tee, Bulkhead	72	18273A	2	Tube Clamp
33	P21627	Cap, Hex	4	Cap, Hex				
34	P17785	Cap, Hex	2	Cap, Hex				
35	P27651	Hyd. Hose .25" x 8.5'	2	Hyd. Hose .25" x 8.5'				
36	P27672	Hyd. Hose .38" x 21"	1	Hyd. Hose .38" x 21"				
37	P27673	Hyd. Hose .38" x 23"	2	Hyd. Hose .38" x 23"				
38	P27671	Hyd. Hose .38" x 20"	1	Hyd. Hose .38" x 20"				
Continued on next page								
24624-1								
1044 S/N 114 THRU						6/89		
HOIST - TRANSFER HYDRAULIC ASSEMBLY								PAGE 1 OF 2



☉ = SEE CONTROL HYDRAULIC ASS'Y

ITEM	PART NUMBER	QTY.	DESCRIPTION	ITEM	PART NUMBER	QTY.	DESCRIPTION
73	P00100	3	Bolt, Hx., 5/16"-18 x 1/2"				
74	P01310	2	Lockwasher, 5/16"				
75	P01507	2	Nut, Hx., 5/16"-18				
76	P00111	2	Bolt, Hx., 5/16"-18 x 2 3/4"				
77	P01791	8	Bolt, Socket Hd., 5/16"-18 x 2 1/4"				

NOTES:

A) Supersedes Internal Type Adjustment.
2 required per Valve for replacement.

* Not Illustrated

24624-1

1044 S/N 114 THRU

6/89

ITEM PART NUMBER QTY. DESCRIPTION

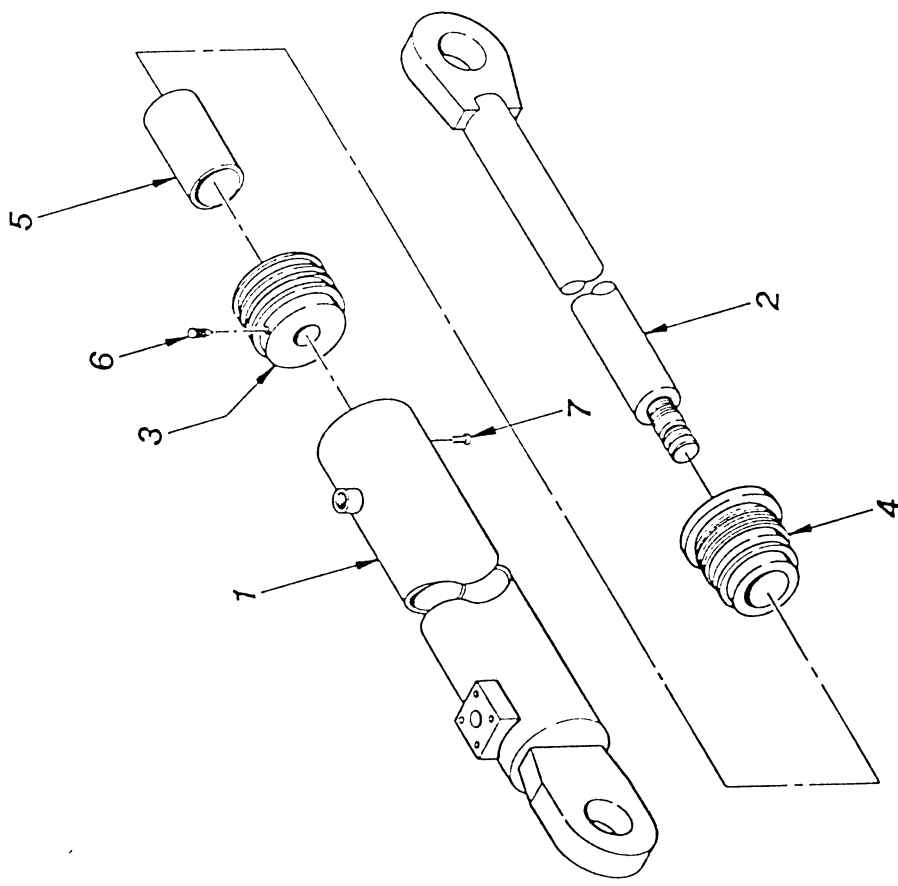
REF	P26056	-	Hoist Cylinder
1	P27219	1	Barrel Weldment
2	P27235	1	Rod Weldment
3	P24388	1	Piston
4	P24396	1	Rod Bearing
5	P26386	1	Stroke Limiter
6	P24435	1	Set Screw
7	P24889	1	Cap Screw
REF	P24437	1	Seal Kit

24625

6/89

1044 S/N 101 THRU

HOIST CYLINDER ASSEMBLY



ITEM PART NUMBER QTY. DESCRIPTION

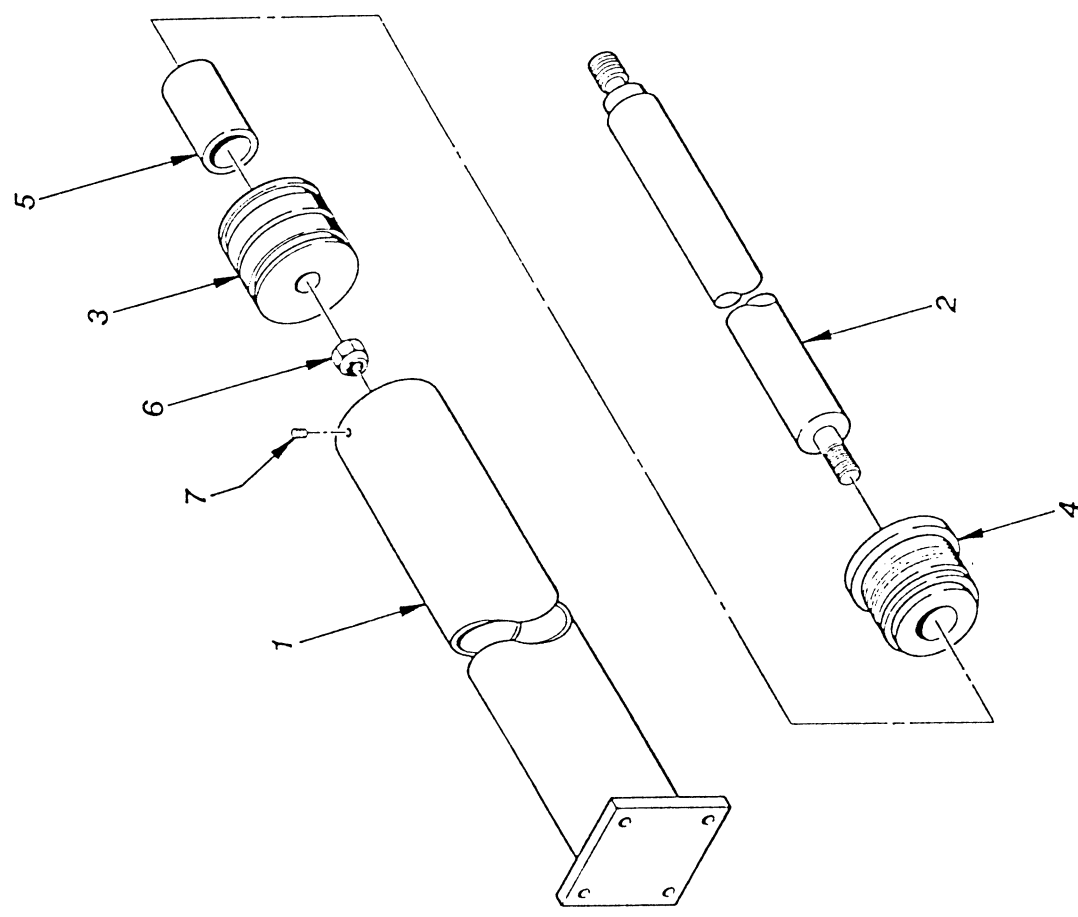
REF	P24742	-	Transfer Cylinder
1	P24892	1	Barrel Weldment
2	P24902	2	Rod
3	P24378	1	Piston
4	P24401	1	Rod Bearing
5	P24408	1	Stroke Limiter
6	P24428	1	Nut
7	P24433	1	Set Screw
REF	P24441	1	Seal Kit

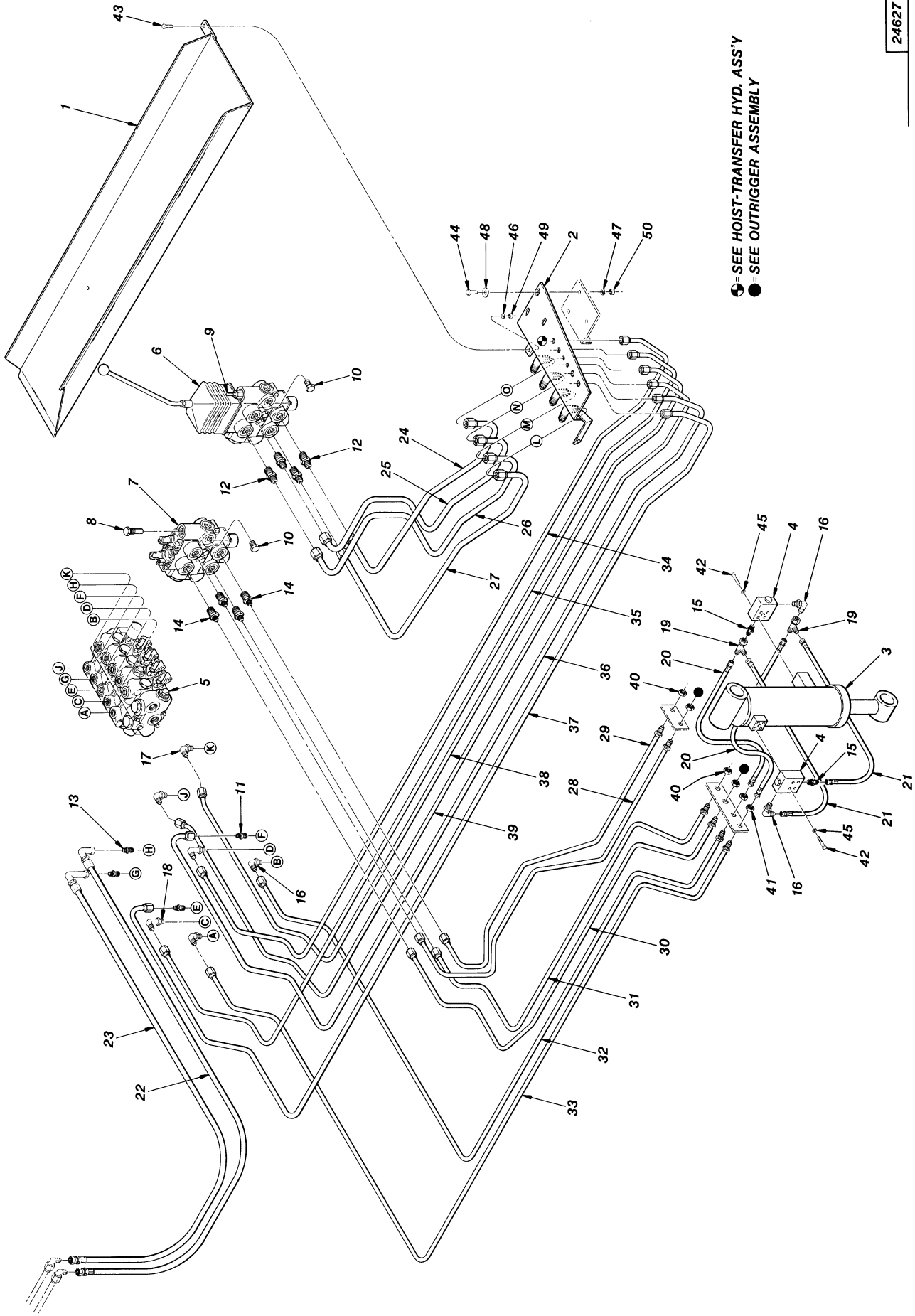
24626

6/89

1044 S/N 101 THRU

TRANSFER CYLINDER ASSEMBLY





○ = SEE HOIST-TRANSFER HYD. ASS'Y
 ● = SEE OUTRIGGER ASSEMBLY

ITEM	PART NUMBER	DESCRIPTION	QTY.	DESCRIPTION	ITEM	PART NUMBER	QTY.	DESCRIPTION
1	25160B	Hose Tray	1		41	P26683	2	Nut, Bulkhead - 3/8" Tube
2	25116C	Tube Junction Bracket	1		42	P00109	8	Bolt, Hx., 5/16"-18 x 2 1/4"
3	P24741	Cylinder, Frame Tilt	1		43	P00204	4	Bolt, Hx., 3/8"-16 x 1"
4	P17686	Counterbalance Valve	1		44	P00404	3	Bolt, Hx., 1/2"-13 x 1 1/2"
5	P27331	5 Spool Valve, Controls	1		45	P01309	8	Lockwasher, 5/16"
6	A)P27368	2 Spool Valve, Boom Control	1		46	P01310	4	Lockwasher, 3/8"
7	B)P27362	2 Spool Valve, Outrigger	1		47	P01312	3	Lockwasher, 1/2"
8	C)P27367	Plug, No Relief	1		48	P01406	3	Flatwasher, 1/2"
9	P27369	Relief Cartridge	REF		49	P01508	4	Nut, Hx., 3/8"-16
10	P27386	Plug, O-Ring	1		50	P01510	3	Nut, Hx., 1/2"-13
11	P12522	Connector, O-Ring	2					
12	P17805	Connector, O-Ring	4					
13	P18944	Connector, O-Ring	2					
14	D)P18997	Connector, O-Ring	4		REF	P21758	-	Seal Kit - 5 Spool Valve - Main Controls
15	P19478	Connector, O-Ring	2			P21759	-	Valve Section (1 Req. per section)
16	P18935	90° Elbow, O-Ring	4					Main Relief
17	P19724	90° Elbow, O-Ring	2		REF			
18	P27392	90° Elbow, O-Ring (Long)	2					
19	P19412	Tee, Swivel	2					
20	P27427	Hyd. Hose .25" x 21"	2					
21	P27428	Hyd. Hose .25" x 23"	2					
22	P27429	Hyd. Hose .50" x 60"	1					
23	P27430	Hyd. Hose .50" x 60"	1					
24	E)P27494	Hyd. Tube .75" O.D.	1					
25	F)P27495	Hyd. Tube .75" O.D.	1					
26	P27453	Hyd. Tube .75" O.D.	1					
27	P27454	Hyd. Tube .75" O.D.	1					
28	P27455	Hyd. Tube .50" O.D.	1					
29	P27456	Hyd. Tube .50" O.D.	1					
30	P27457	Hyd. Tube .50" O.D.	1					
31	P27458	Hyd. Tube .50" O.D.	1					
32	P27459	Hyd. Tube .38" O.D.	1					
33	P27460	Hyd. Tube .38" O.D.	1					
34	P27461	Hyd. Tube .50" O.D.	1					
35	P27462	Hyd. Tube .50" O.D.	1					
36	P27463	Hyd. Tube .62" O.D.	1					
37	P27464	Hyd. Tube .62" O.D.	1					
38	P27477	Hyd. Tube .38" O.D. (Not used S/N 103)	1					
39	P27478	Hyd. Tube .38" O.D. (Not used S/N 103)	1					
40	P26684	Nut, Bulkhead - 1/2" Tube	4					

NOTES:

- A) For S/N 103 - 126, use P26238.
- B) For S/N 103 - 126, use 25921A.
- C) For S/N 103 - 126, use P27613.
- D) For S/N 103 - 126, use P19805. (JIC-Pipe)
- E) For S/N 103 - 126, use P27451.
- F) For S/N 103 - 126, use P27452.

24627

1044 S/N 103 THRU

CONTROL HYDRAULIC ASSEMBLY

PART NUMBER QTY. DESCRIPTION

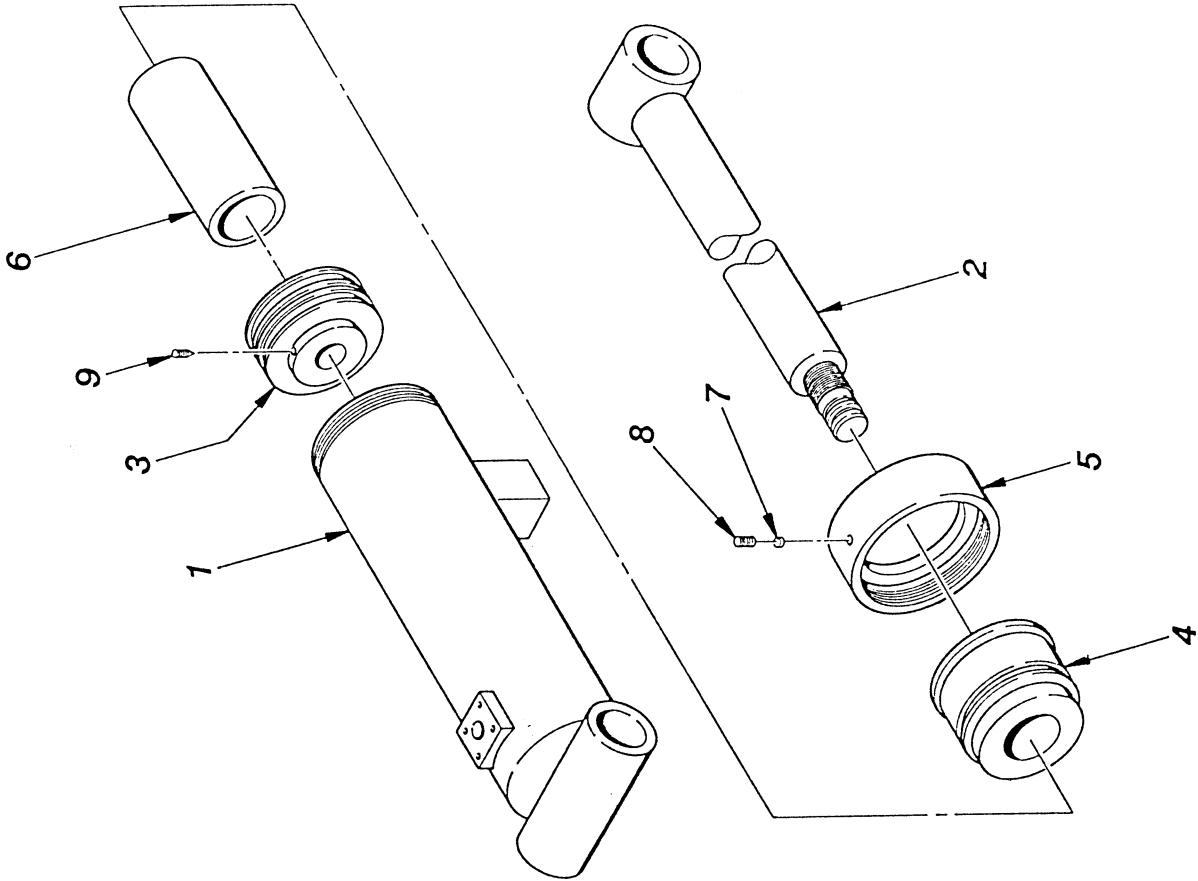
REF	P24741	-	Frame Tilt Cylinder
1	P24894	1	Barrel Weldment
2	P24904	1	Rod Weldment
3	P24381	1	Piston
4	P24911	1	Rod Bearing Retainer
5	P24403	1	Rod Bearing Retainer
6	P24916	1	Stroke Limiter
7	P24431	1	Nylon Plug
8	P24434	1	Set Screw
9	P24435	1	Set Screw
REF	P24442	1	Seal Kit

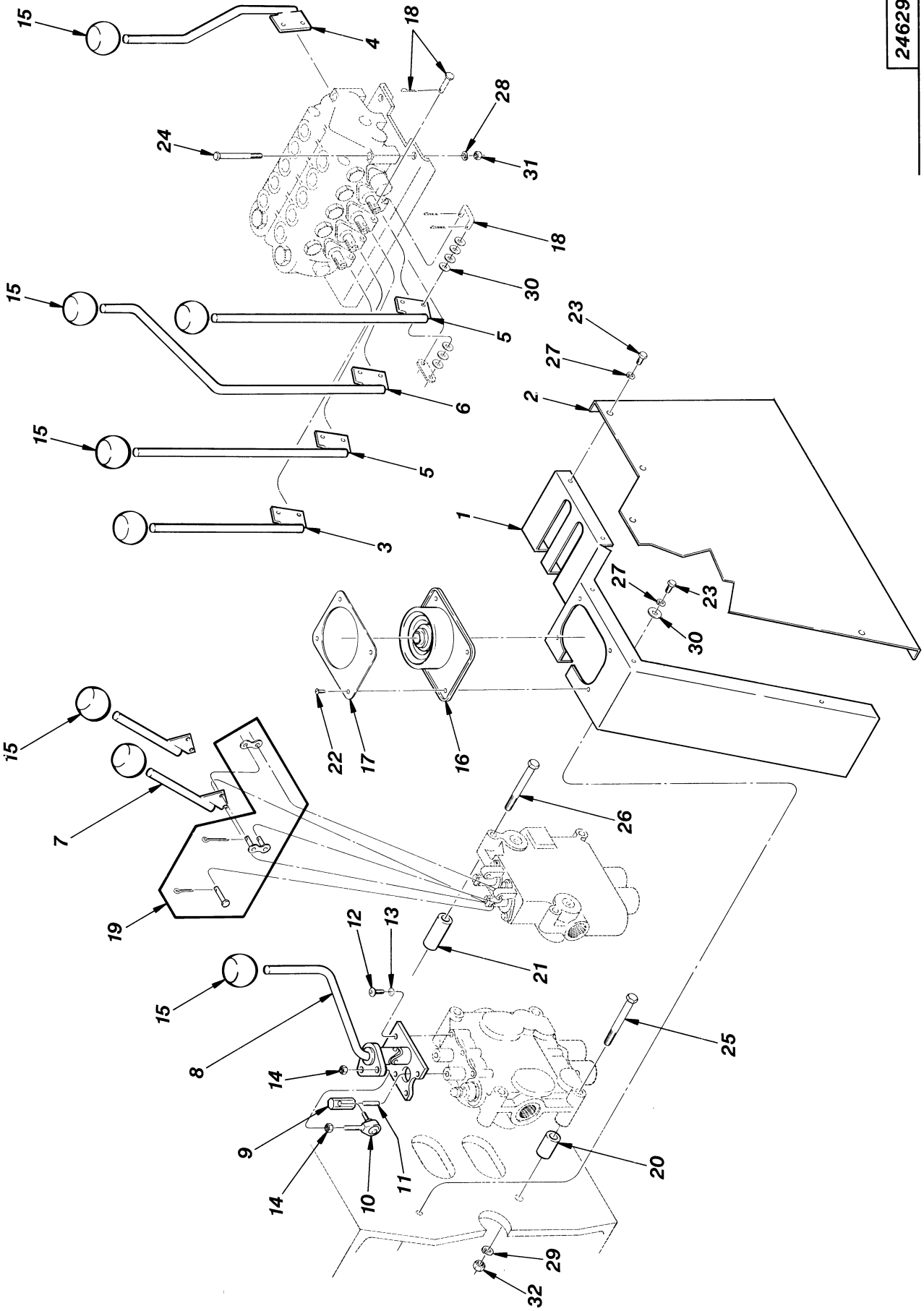
24628

6/89

1044 S/N 101 THRU

FRAME TILT CYLINDER ASSEMBLY





ITEM	PART NUMBER	QTY.	DESCRIPTION	ITEM	PART NUMBER	QTY.	DESCRIPTION
1	25739C	1	Cover, 2 Spool Valves				
2	23086C	1	Side Panel				
3	25023A	1	Handle, Frame Tilt				
4	25021A	1	Handle, Quick Attach				
5	16295B	2	Handle, Carriage Tilt & Transfer				
6	16294A	1	Handle, Auxiliary				
7	24368A	2	Handle, Outriggers				
8	A)25549C	1	Handle, Boom Control				
9	B)25606B	2	Mount Block, Valve Spool				
10	P27628	2	Ball Joint				
11	P27645	2	Slot. Setscrew, Ft. Pt. 1/4"-20 x 1 1/4" GR 8				
11A	C)P27962	REF	Slot. Setscrew, Ft. Pt. 3/8"-16 x 1 1/4" GR 8				
12	P03196	5	Button Hd. Capscrew, 1/4"-20 x 3/4"				
13	P01357	5	Starwasher, 1/4" - External				
14	P01530	4	Nut, Hx., 5/16"-24				
15	P18721	8	Knob Handle				
16	P27648	1	Molded Bellows				
17	P27649	1	Hold Down Plate				
18	P27957	REF	"U" Clevis Kit				
19	P19880	2	Link Kit				
20	23569A	3	Spacer, Boom Control Valve				
21	N10712	3	Spacer, Outrigger Valve				
22	P03528	4	Self Tapping Screw, Slotted, #10-24 x 1/2"				
23	P03651	9	Self Tapping Screw, Hx. Hd., 1/4"-20 x 1/2"				
24	P00111	3	Bolt, Hx., 5/16"-18 x 2 3/4"				
25	P00219	3	Bolt, Hx., 3/8"-16 x 5 1/2"				
26	P00225	3	Bolt, Hx., 3/8"-16 x 4 1/4"				
27	P01308	9	Lockwasher, 1/4"				
28	P01309	3	Lockwasher, 5/16"				
29	P01310	6	Lockwasher, 3/8"				
30	P01402	39	Flatwasher, 1/4"				
31	P01507	3	Nut, Hx., 5/16"-18				
32	P01508	6	Nut, Hx., 3/8"-16				

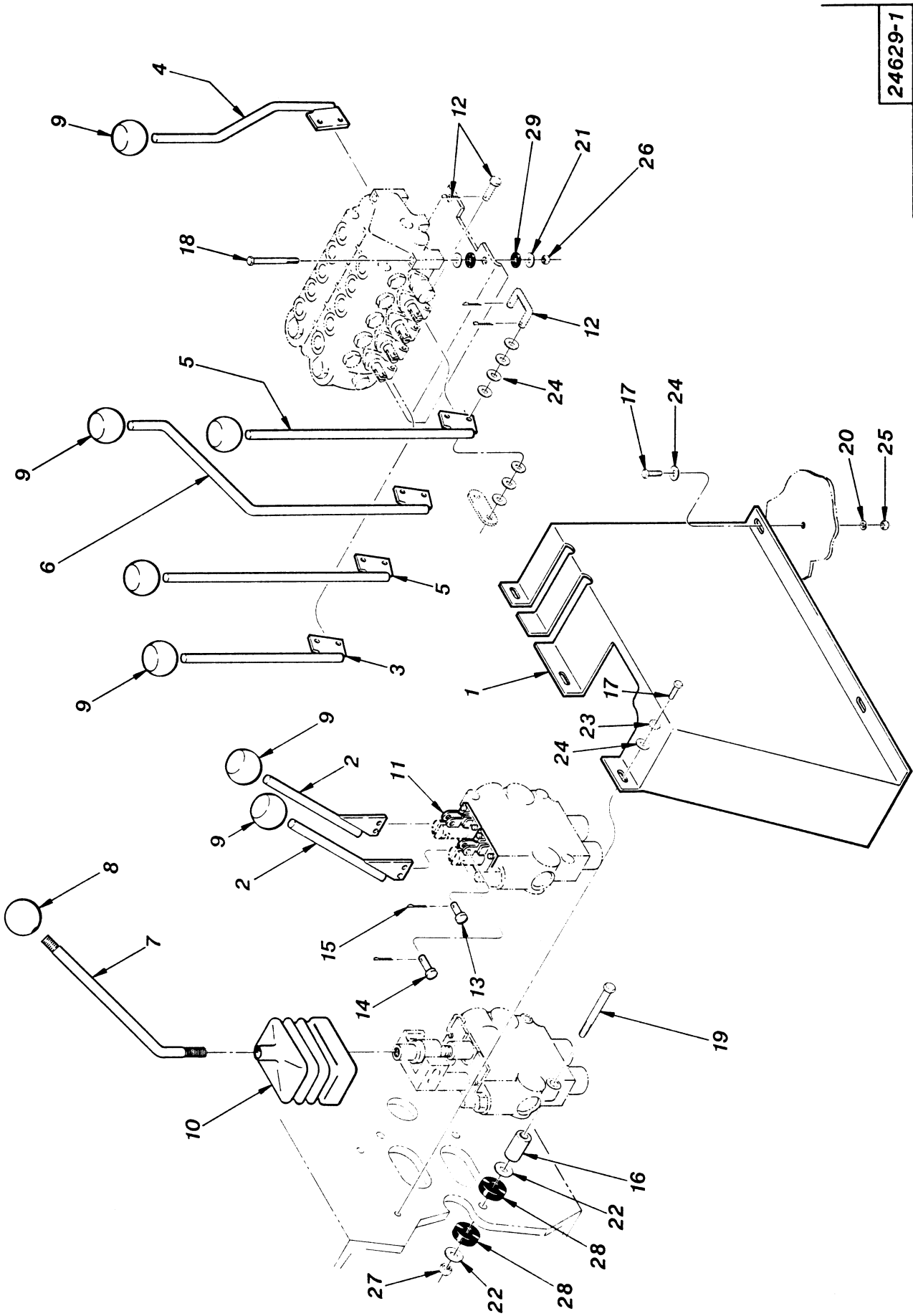
NOTES:

- A) For S/N 101 - 118, use 25681C. (Includes Items 8 - 14)
- B) Replacement Mount Blocks are Tapped 3/8"-16. Must also order 3/8" Setscrew (item 11A) for repair. To Rework Valve Spools, Drill 5/16" Dia. x 1" Deep, Tap 3/8"-16.
- C) Supersedes 1/4"-20 Setscrew when replacing Mount Block. See note "B".

24629

1044 S/N 101 - 126 6/89

HYDRAULIC CONTROL HANDLE ASSEMBLY



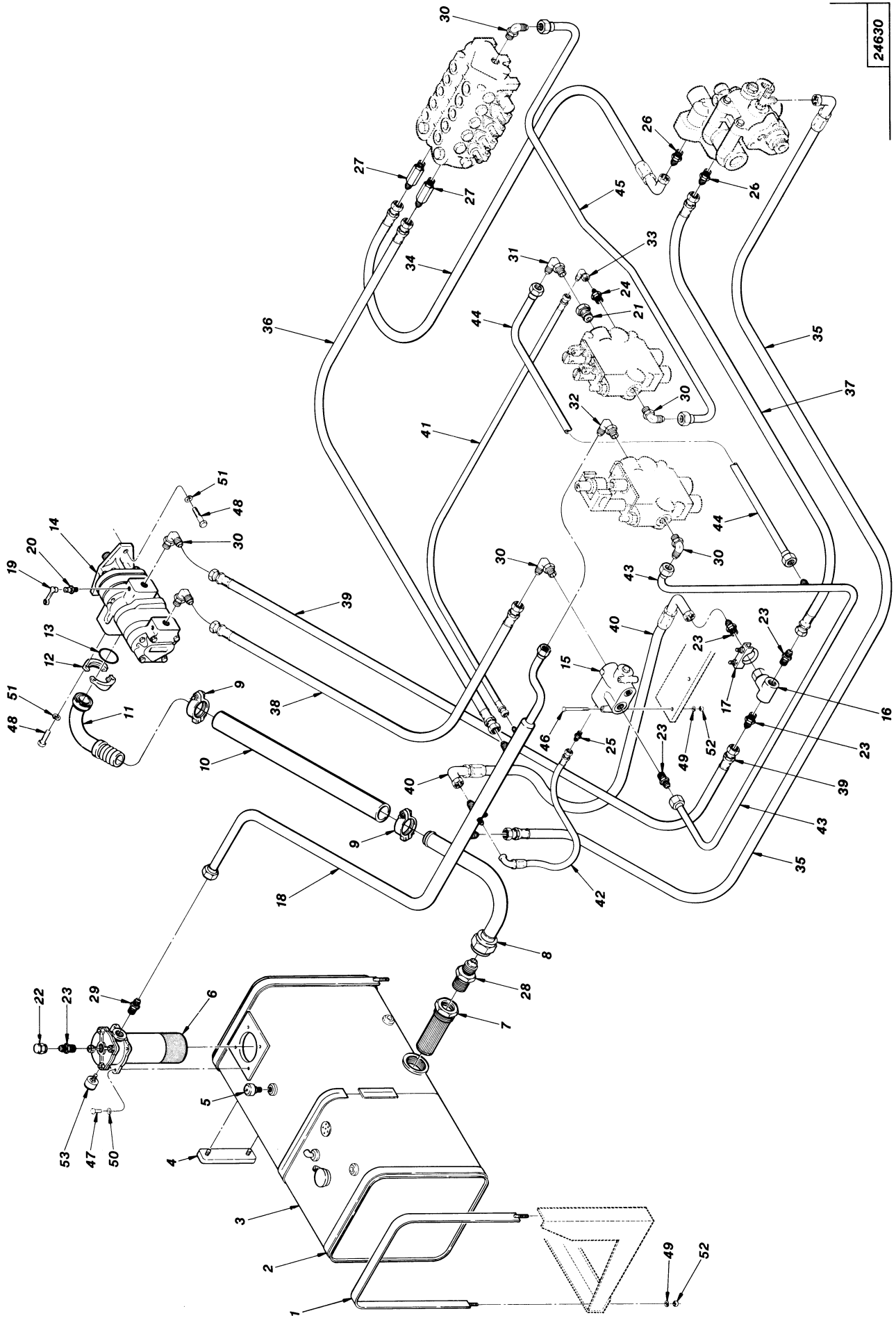
ITEM	PART NUMBER	DESCRIPTION	QTY.	DESCRIPTION	ITEM	PART NUMBER	QTY.	DESCRIPTION
1	25875C	Cover, 2 Spool Valves	1					
2	25876A	Handle, Outriggers	2					
3	25023A	Handle, Frame Tilt	1					
4	25021A	Handle, Auxillary - 2nd	1					
5	16295B	Handle, Carriage Tilt & Transfer	2					
6	16294A	Handle, Auxillary & Quick Attach	1					
7	P27372	Handle, Boom Control	REF					
8	P27373	Knob, Threaded	REF					
9	P18721	Knob Handle	7					
10	P27371	Molded Bellows	REF					
11	P27366	Clevis, Handle Bracket	2					
12	P27957	"U" Clevis Kit	REF					
13	P10509	Clevis Pin, 1/4" x 3/4"	2					
14	P10512	Clevis Pin, 1/4" x 1"	2					
15	P03822	Cotter Pin, 1/16" x 1/2"	4					
16	A)N11956	Spacer, Valve (1.56" Long)	6					
17	N10712	Spacer, Valve (2.00" Long)	-					
18	P00001	Bolt, Hx., 1/4"-20 x 1/2"	5					
19	P00117	Bolt, Hx., 5/16"-18 x 4 1/2"	3					
20	P00218	Bolt, Hx., 3/8"-16 x 5"	6					
21	P01308	Lockwasher, 1/4"	2					
22	P01403	Flatwasher, 5/16"	6					
23	P01404	Flatwasher, 3/8"	12					
24	P01357	Starwasher, 1/4" - External	3					
25	P01402	Flatwasher, 1/4"	35					
26	P01506	Nut, Hx., 1/4"-20	2					
27	P01657	Locknut, Hx., 5/16"-18	3					
28	P01658	Locknut, Hx., 3/8"-16	6					
29	A)P28500	Mounting Pad, 2 Spool Valve	12					
	A)P28501	Mounting Pad, 5 Spool Valve	6					
REF	P27965	Joystick Handle Assembly (Includes complete Linkage, Bellows, Handle, Knob, and Mounting Hardware.)	-					

24629-1

1044 S/N 127 THRU 6/89

HYDRAULIC CONTROL HANDLE ASSEMBLY

NOTES:
A) Production Initiated S/N 164.



ITEM	PART NUMBER	DESCRIPTION	QTY.	DESCRIPTION	ITEM	PART NUMBER	QTY.	DESCRIPTION
1	A)15781B	Strap, Tank Hold-Down	2		36	P27422	1	Hyd. Hose .75" x 20"
2	B)P20284	Belting, Chemprene	2		37	P27423	1	Hyd. Hose .75" x 21"
3	C)P20403	Tank, Fuel/Hydraulic	1		38	P27424	1	Hyd. Hose .75" x 31"
4	D)P21482	Sight Gauge, Hyd. Oil (Includes Hardware)	1		39	P27425	1	Hyd. Hose .75" x 38"
5	P21674	Breather, Hydraulic Tank	1		40	P27426	1	Hyd. Hose .75" x 15"
6	P27808	Return Filter, Hyd. Oil (Includes Item 53)	1		41	P27177	1	Hyd. Hose .50" x 16"
6A*	P27810	Filter Element, Hydraulic Oil	-		42	P27419	1	Hyd. Hose .25" x 10.5"
6B*	P26040	Gasket, Tank	-		43	P27465	1	Hyd. Tube .75" O.D.
6C*	P26041	O-Ring, Element	-		44	P27466	1	Hyd. Tube .75" O.D.
6D*	P26042	O-Ring, Head	-		45	F)P27473	1	Hyd. Tube .75" O.D.
6E*	P26043	O-Ring, Cover	-		46	P00114	2	Bolt, Hx., 5/16"-18 x 3 1/2"
7	P19878	Strainer, Hyd. Oil	1		47	P00204	4	Bolt, Hx., 3/8"-16 x 1"
8	P27469	Elbow, Suction Tube	1		48	P00403	6	Bolt, Hx., 1/2"-13 x 1 1/4"
9	P26026	Hose Clamp, Bolt Type	2		49	P01309	6	Lockwasher, 5/16"
10	N11812	Hose, Suction - 2" I.D.	1		50	P01310	4	Lockwasher, 3/8"
11	P20892	Flange Hd. Connector, 90° Elbow	1		51	P01312	6	Lockwasher, 1/2"
12	P17672	Flange Half	2		52	P01507	6	Nut, Hx., 5/16"-18
13	P12971	O-Ring	1		53	G)P24981	REF	Gauge, Pressure
14	P21423	Pump, Gear	1					
15	P19292	Priority Valve	1					
16	P26016	Tee Relief Valve	1					
17	P13605	U-Clamp	1					
18	P27468	Return Manifold	1					
19	G)P27805	Dust Cap	2					
20	G)P27378	Nipple, Pressure Check	2					
21	E)P27363	Power Beyond Sleeve	1					
22	P17785	Cap, Hex	1					
23	P17805	Connector, O-Ring	5					
24	P18997	Connector, O-Ring	1					
25	P19478	Connector, O-Ring	1					
26	P19765	Connector, O-Ring	2					
27	P24614	Connector, O-Ring (Long)	2					
28	P26606	Connector, JIC-Pipe	1					
29	P27397	Connector, JIC-Pipe	1					
30	P17802	90° Elbow, O-Ring	6					
31	P19055	90° Elbow, O-Ring	1					
32	P21228	90° Elbow, O-Ring	1					
33	P21579	90° Elbow, Swivel	1					
34	P27420	Hyd. Hose .75" x 41"	1					
35	P27421	Hyd. Hose .75" x 46"	1					

NOTES:

- A) For S/N 127, 151 THRU, use 25600B.
- B) For S/N 127, 151 THRU, use P26049.
- C) For S/N 127, 151 THRU, use P27768.
- D) For S/N 127, 151 THRU, use P27809.
- E) For S/N 103 - 126, use P19872.
- F) For S/N 103, use P27467.
- G) Not used in Early Production.

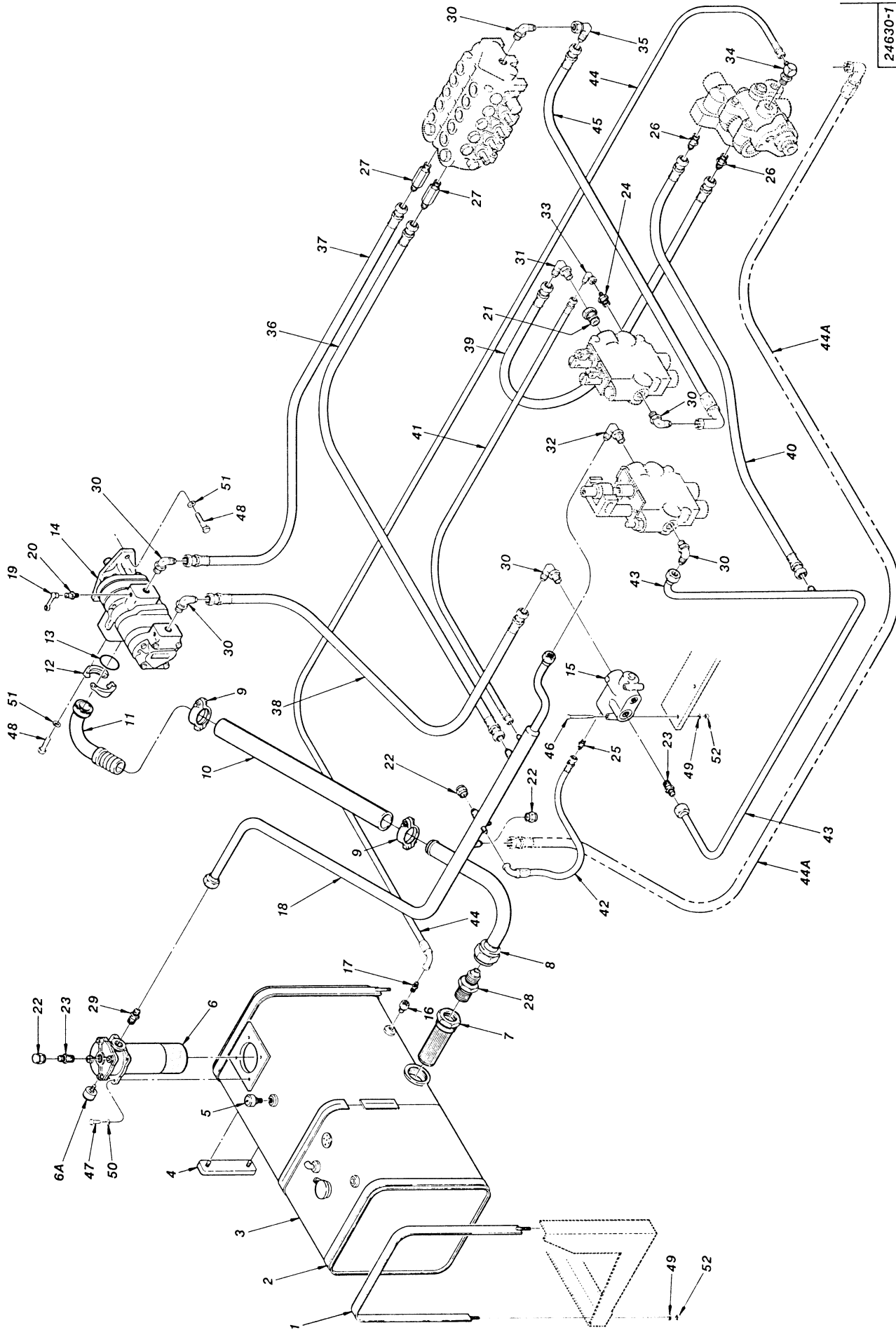
* Not Illustrated

24630

1044 S/N 103 - 161

6/89

PUMP, SUCTION - RETURN HYDRAULIC ASSEMBLY



24630-1

ITEM	PART NUMBER	QTY.	DESCRIPTION	ITEM	PART NUMBER	QTY.	DESCRIPTION
1	25600B	2	Strap, Tank Hold-Down	35	B)P21632	1	90° Elbow, Swivel
2	P26049	2	Belting, Chemprene	36	P27422	1	Hyd. Hose .75" x 20"
3	P27768	1	Tank, Fuel/Hydraulic	37	P28600	1	Hyd. Hose .62" x 26"
4	P27809	1	Sight Gauge, Hyd. Oil (Includes Hardware)	38	P28608	1	Hyd. Hose .62" x 31"
5	P21674	1	Breather, Hydraulic Tank	39	P28601	1	Hyd. Hose .62" x 38"
6	P27808	1	Return Filter, Hyd. Oil	40	P28607	1	Hyd. Hose .62" x 42"
6A	P24981	-	Gauge, Pressure	41	P27177	1	Hyd. Hose .50" x 16"
6B*	P27810	-	Filter Element, Hydraulic Oil	42	P27419	1	Hyd. Hose .25" x 10.5"
6C*	P26040	-	Gasket, Tank	43	P27465	1	Hyd. Tube .75" O.D.
6D*	P26041	-	O-Ring, Element	44	P25342	1	Hyd. Hose .50" x 72"
6E*	P26042	-	O-Ring, Head	44A	P28625	1	Hyd. Hose .62" x 48" (S/N 101 - 210)
6F*	P26043	-	O-Ring, Cover	45	C)P28644	1	Hyd. Hose .75" x 30"
7	P19878	1	Strainer, Hyd. Oil	46	P00114	2	Bolt, Hx., 5/16"-18 x 3 1/2"
8	P27469	1	Elbow, Suction Tube	47	P00204	4	Bolt, Hx., 3/8"-16 x 1"
9	P26026	2	Hose Clamp, Bolt Type	48	P00403	6	Bolt, Hx., 1/2"-14 x 1 1/4"
10	N11812	1	Hose, Suction - 2" I.D.	49	P01309	6	Lockwasher, 5/16"
11	P20892	1	Flange Hd. Connector, 90° Elbow	50	P01310	4	Lockwasher, 3/8"
12	P17672	2	Flange Half	51	P01312	6	Lockwasher, 1/2"
13	P12971	1	O-Ring	52	P01507	6	Nut, Hx., 5/16"-18
14	P21423	1	Pump, Gear				
15	P19292	1	Priority Valve				
16	P28391	1	Adaptor, O-Ring - Pipe				
17	P23848	1	Check Valve				
18	P27468	1	Return Manifold				
19	P27805	2	Dust Cap				
20	P27378	2	Nipple, Pressure Check				
21	P27363	1	Power Beyond Sleeve				
22	P17785	3	Cap, Hex				
23	P17805	2	Connector, O-Ring				
24	P18997	1	Connector, O-Ring				
25	P19478	1	Connector, O-Ring				
26	P19765	2	Connector, O-Ring				
27	P24614	2	Connector, O-Ring (Long)				
28	P26606	1	Connector, JIC-Pipe				
29	P27397	1	Connector, JIC-Pipe				
30	P17802	6	90° Elbow, O-Ring				
31	P19055	1	90° Elbow, O-Ring				
32	P21228	1	90° Elbow, O-Ring				
33	P21579	1	90° Elbow, Swivel				
34	A)P19810	1	90° Elbow, O-Ring				

NOTES:

- A) For S/N 162 - 210, use P17802.
- B) Production Initiated S/N 203.
- C) Supersedes Hyd. Tube. When replacing Tube with Hose, P21632 (item 35) must be ordered to complete repair.

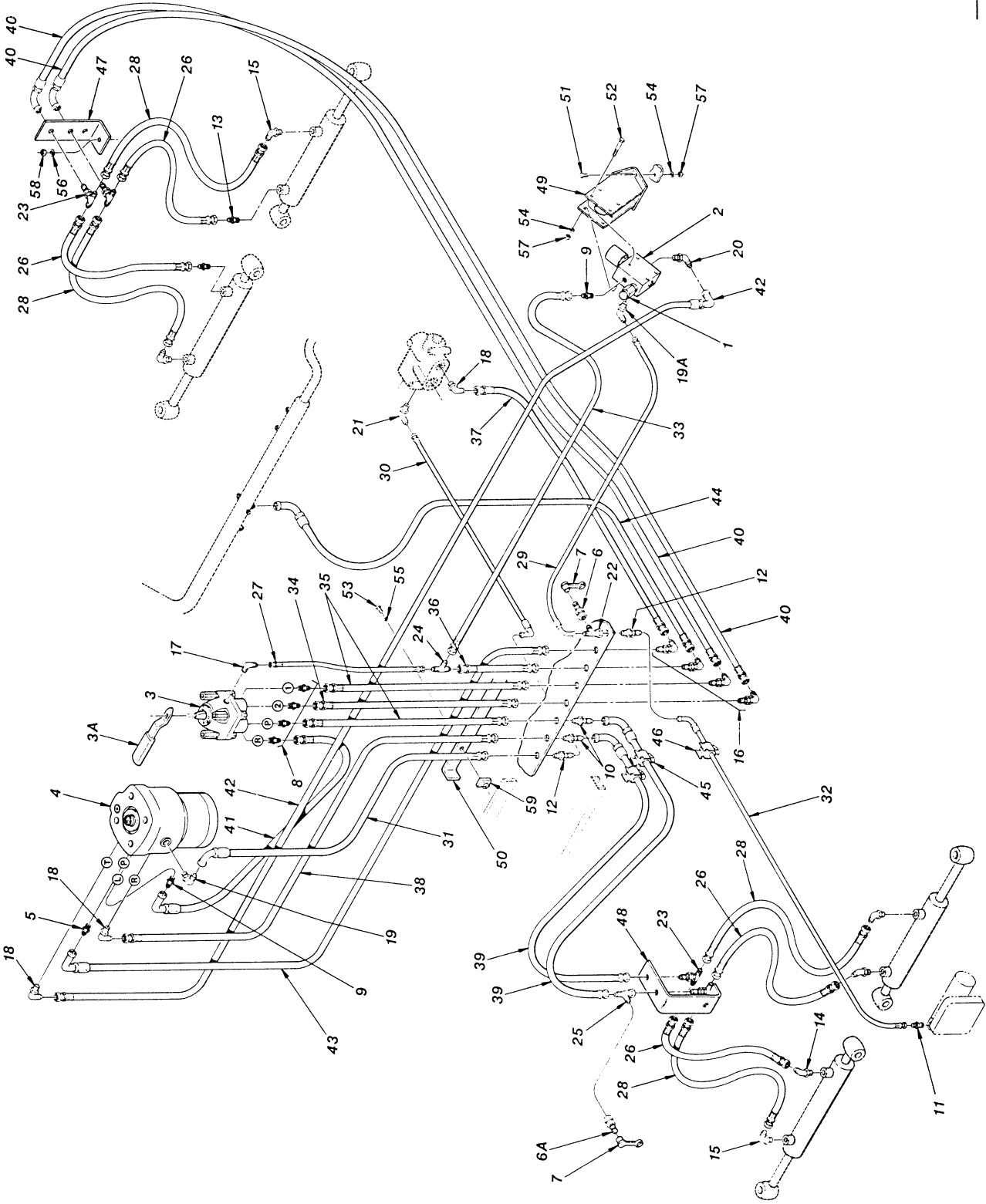
* Not Illustrated

24630-1

1044 S/N 162 THRU

6/89

PUMP, SUCTION - RETURN HYDRAULIC ASSEMBLY



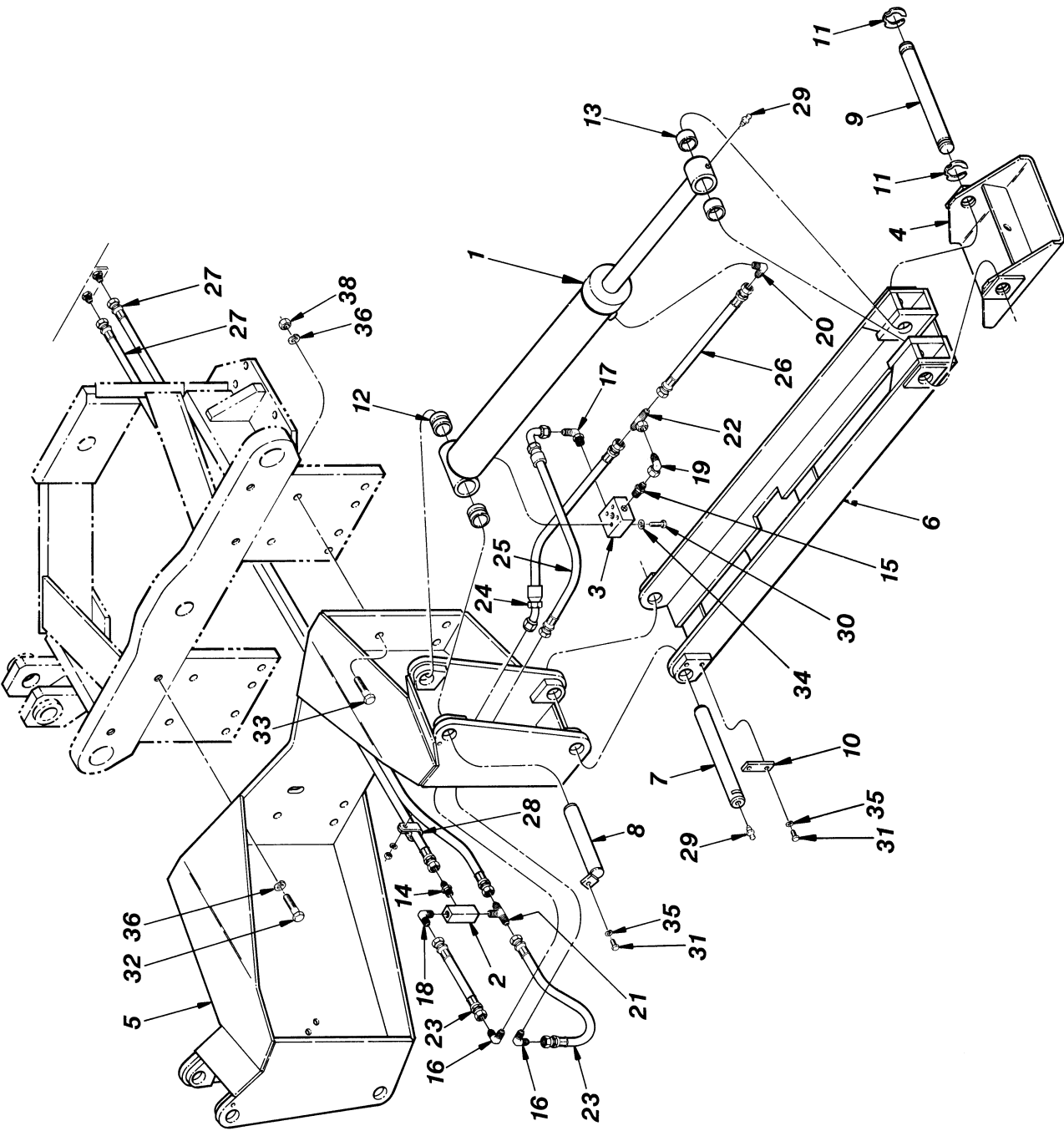
ITEM	PART NUMBER	QTY.	DESCRIPTION	ITEM	PART NUMBER	QTY.	DESCRIPTION
1	P25473	REF	Relief Valve, Differential Lock	37	P27654	1	Hyd. Hose .38" x 33"
2	P25455	1	Valve, Differential Lock	38	P27655	1	Hyd. Hose .38" x 37"
3	P13714	1	Valve, Steering Selector	39	P27668	1	Hyd. Hose .38" x 45"
3A	P18085	REF	Handle, Selector	40	P27669	2	Hyd. Hose .38" x 99"
4	P19293	1	Steer Motor	41	P27670	1	Hyd. Hose .38" x 15"
REF	P19432	-	Seal Kit, Steer Motor	42	P27677	1	Hyd. Hose .38" x 32"
5	P19414	1	Check Valve	43	P27678	1	Hyd. Hose .38" x 33"
6	A)P27374	1	Nipple, Pressure Check (-4)	44	P27723	1	Hyd. Hose .38" x 51"
6A	B)P27379	1	Nipple, Pressure Check (-6)	45	P20465	2	Clamp, Hyd. Hose
7	B)P27805	2	Dust Cap	46	P20467	1	Clamp, Hyd. Hose
8	P18938	4	Connector, JIC-Pipe	47	21508A	1	Bulkhead Mount, Rear
9	P18944	2	Connector, O-Ring	48	24186A	1	Bulkhead Mount, Front
10	P18948	2	Connector, Bulkhead	49	22013C	1	Mount, Diff. Lock Valve
11	P18960	1	Connector, O-Ring	50	25071A	1	Hose Strap
12	P24656	2	Connector, Bulkhead	51	P00001	2	Bolt, Hx., 1/4"-20 x 1/2"
13	C)P18936	2	Connector, O-Ring	52	P00009	4	Bolt, Hx., 1/4"-20 x 2"
14	D)P19815	2	45° Elbow, O-Ring	53	P00102	2	Bolt, Hx., 5/16"-18 x 3/4"
15	E)P18935	4	90° Elbow, O-Ring	54	P01308	6	Lockwasher, 1/4"
16	P18931	4	90° Elbow, Bulkhead	55	P01309	2	Lockwasher, 5/16"
17	P18945	1	90° Elbow, JIC-Pipe	56	P01310	2	Lockwasher, 3/8"
18	P18956	3	90° Elbow, O-Ring	57	P01506	6	Nut, Hx., 1/4"-20
19	P19248	1	90° Elbow, O-Ring	58	P01508	2	Nut, Hx., 3/8"-16
19A	F)P19248	1	90° Elbow, O-Ring	59	P24308	2	Spring Nut, 5/16"-18
20	P19724	1	90° Elbow, O-Ring	<p>NOTES:</p> <p>A) Production Initiated S/N 218.</p> <p>B) Production Initiated S/N 156.</p> <p>C) For S/N 101 - 152, use P18938. (JIC-Pipe)</p> <p>D) For S/N 101 - 152, use P18943. (JIC-Pipe)</p> <p>E) For S/N 101 - 152, use P18941. (JIC-Pipe)</p> <p>F) For S/N 101 - 217, use P21619. (45° Elbow)</p> <p>G) For S/N 101 - 217, use P27660. (.25" x 7")</p>			
21	P21919	1	90° Elbow, O-Ring				
22	A)P27399	1	Tee, Swivel				
23	P18942	4	Tee, Bulkhead				
24	P18995	1	Tee, Union				
25	P19412	1	Tee, Swivel				
26	P27161	4	Hyd. Hose .25" x 15"				
27	P27162	1	Hyd. Hose .25" x 16"				
28	P27650	4	Hyd. Hose .25" x 20"				
29	G)P28628	1	Hyd. Hose .25" x 17"				
30	P27662	1	Hyd. Hose .25" x 36"				
31	P27663	1	Hyd. Hose .25" x 38"				
32	P27665	1	Hyd. Hose .25" x 58"				
33	P27166	1	Hyd. Hose .38" x 15"				
34	P27172	1	Hyd. Hose .38" x 31"				
35	P27173	2	Hyd. Hose .38" x 35"				
36	P27653	1	Hyd. Hose .38" x 17"				

24631

6/89

1044 S/N 101 THRU

HYDRAULIC STEERING AND DIFF. LOCK ASSEMBLY



ITEM	PART NUMBER	DESCRIPTION	QTY.	ITEM	DESCRIPTION	ITEM	PART NUMBER	QTY.	DESCRIPTION
1	P19839	Cylinder, Outrigger Extension	2						
2	P13711	Anti-Drift Valve	2						
3	P17686	Counterbalance Valve	2						
4	P25527	Foot Pad	2						
5	P25528	Frame, Outrigger	1						
6	P25529	Leg Extension	2						
7	16139B	Pin, Leg Pivot	2						
8	16140A	Pin, Cylinder Pivot	2						
9	16141A	Pin, Foot Pad Pivot	2						
10	17137A	Lock Plate	2						
11	P18838	Snap Ring	4						
12	P25192	Bushing, Cylinder - Base End	4						
13	P25192	Bushing, Cylinder - Rod End	4						
14	P18938	Connector, JIC-Pipe	2						
15	P19478	Connector, O-Ring	2						
16	P18931	90° Elbow, Bulkhead	4						
17	P18935	90° Elbow, O-Ring	2						
18	P18941	90° Elbow, JIC-Pipe	2						
19	P18957	90° Elbow, Swivel	2						
20	P20374	90° Elbow, JIC-Pipe	2						
21	P19053	Tee, JIC-Pipe	2						
22	P19845	Tee, Swivel	2						
23	P19473	Hyd. Hose .38" x 12"	4						
24	P19078	Hyd. Hose .38" x 21"	2						
25	P20479	Hyd. Hose .38" x 21"	2						
26	P18926	Hyd. Hose .38" x 26"	2						
27	P27730	Hyd. Hose .38" x 47"	4						
28	P17553	Hose Clamp	2						
29	P16611	Grease Zerk	8						
30	P00109	Bolt, Hx., 5/16"-18 x 2 1/4"	8						
31	P00202	Bolt, Hx., 3/8"-16 x 3/4"	6						
32	P00909	Bolt, Hx., 1"-8 x 3 3/4"	4						
33	P00910	Bolt, Hx., 1"-8 x 4"	12						
34	P01309	Lockwasher, 5/16"	10						
35	P01310	Lockwasher, 3/8"	6						
36	P10317	Lockwasher, 1"	16						
37	P01507	Nut, Hx., 5/16"-18	2						
38	P01515	Nut, Hx., 1"-8	12						
39*	21624B	Extension Spacer	2						

24632

* Not Illustrated

1044 S/N 101 THRU

6/89

HYDRAULIC OUTRIGGER ASSEMBLY

PART NUMBER QTY. DESCRIPTION

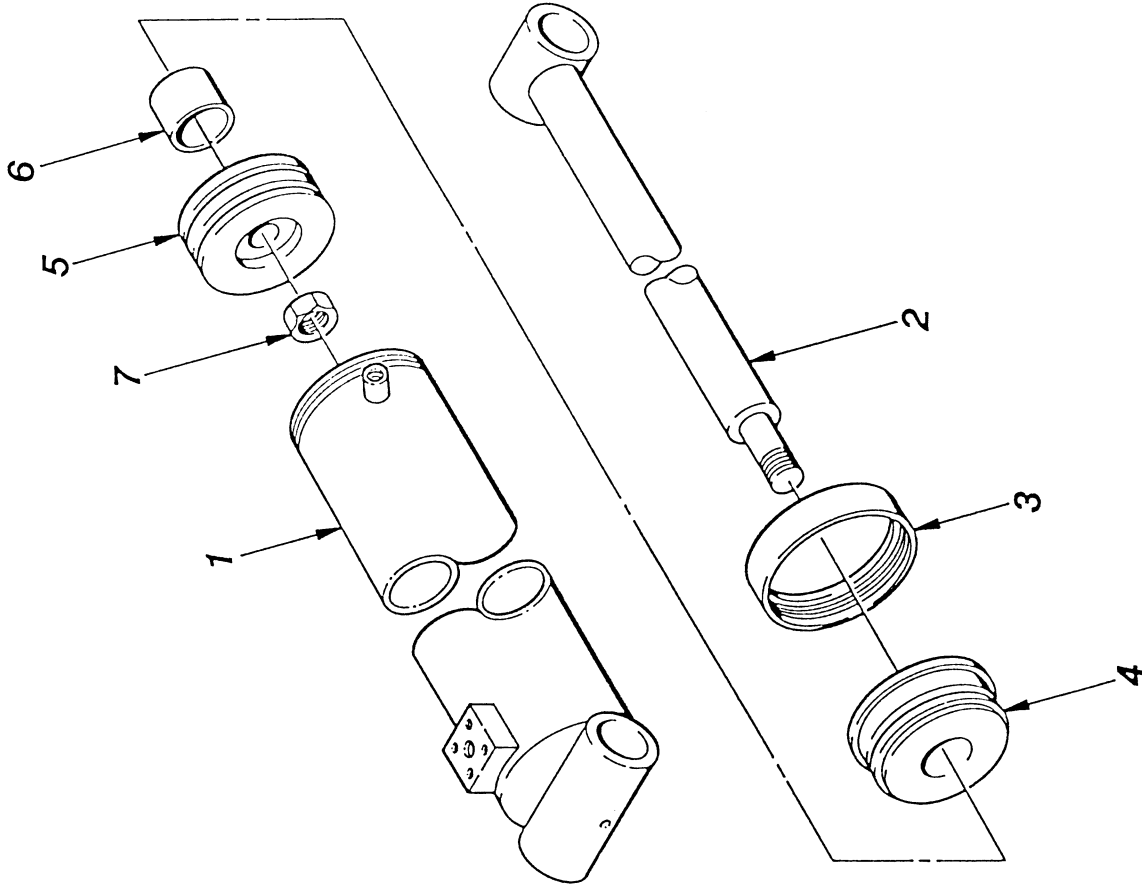
ITEM	PART NUMBER	QTY.	DESCRIPTION
REF	P19839	-	Outrigger Extension Cylinder
1	P25294	1	Barrel Weldment
2	P25298	1	Rod Weldment
3	P19207	1	Rod Bearing Retainer
4	P20840	1	Rod Bearing
5	P19216	1	Piston
6	P25289	1	Stroke Limiter
7	P19217	1	Locknut
REF	P19523	1	Seal Kit

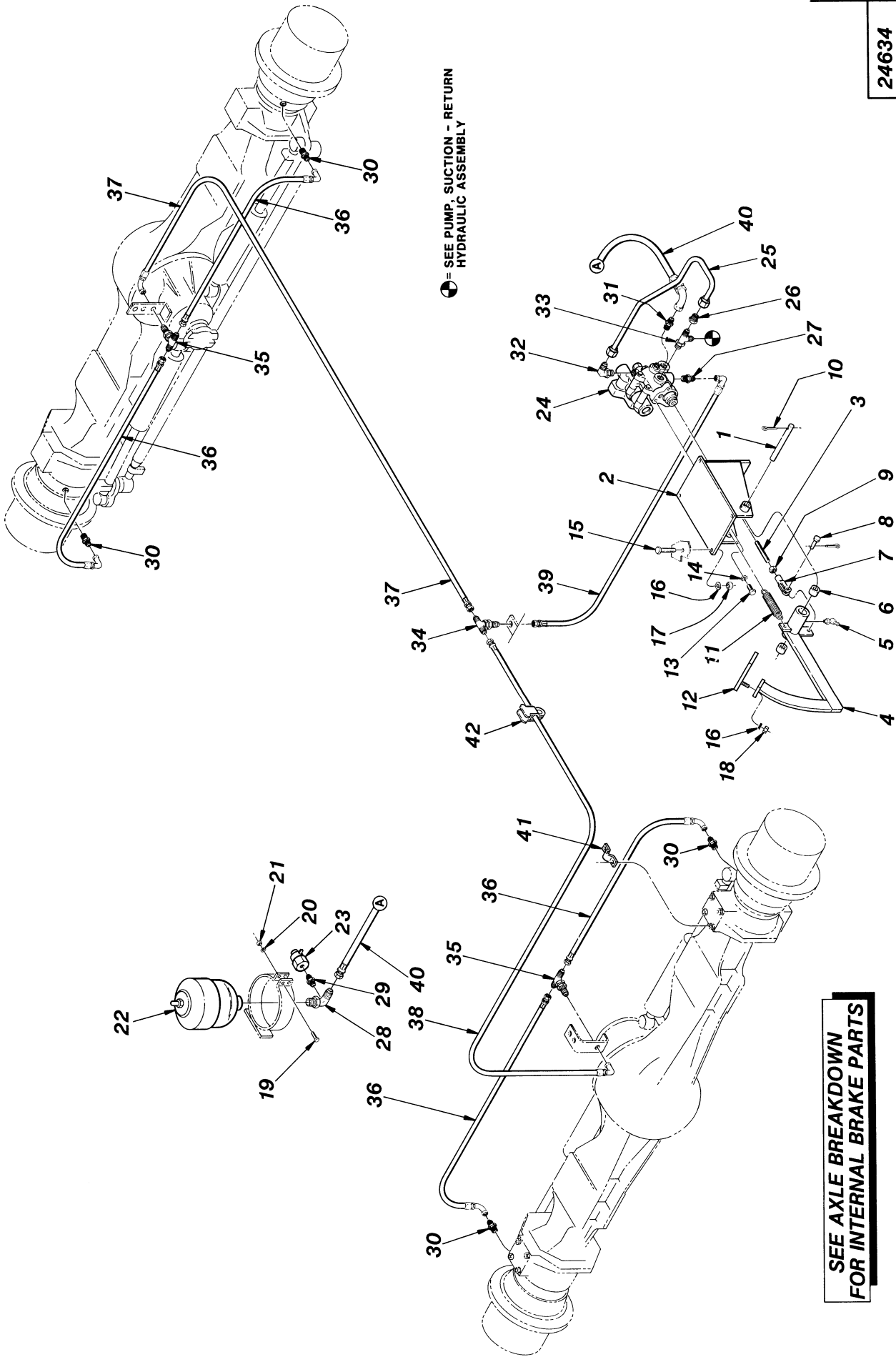
24633

1044 S/N 101 THRU

6/89

OUTRIGGER EXTENSION CYLINDER ASSEMBLY





SEE AXLE BREAKDOWN FOR INTERNAL BRAKE PARTS

ITEM	PART NUMBER	DESCRIPTION	QTY.	DESCRIPTION	ITEM	PART NUMBER	QTY.	DESCRIPTION
1	17712A	Pivot Pin	1		40	P27679	1	Hyd. Hose .50" x 85"
2	20829C	Mounting Bracket	1		41	P26480	4	Clamp, Hyd. Hose
3	20834A	Rod Link	1		42	P20467	1	Clamp, Hyd. Hose
4	24428C	Brake Pedal	1		43*	D)P27379	1	Nipple Pressure Check
5	P15367	Grease Zerk, 45°	1		44*	D)P27805	1	Dust Cap
6	P20391	Bushing, Pedal	2		45*	D)P19845	1	Tee, Swivel
7	P19081	Clevis	1					
8	P10053	Clevis Pin, 7/16" x 1 1/4"	1					
9	P01582	Jam Nut, Hx., 7/16"-20	1					
10	P03865	Cotter Pin, 3/16" x 1 1/2"	2					
11	P10581	Spring, Pedal	1					
12	P17733	Foot Pad, Brake Pedal	1					
13	P00352	Bolt, Hx., 7/16"-20 x 1"	3					
14	P01360	Starwasher, 7/16" - External	3					
15	P00207	Bolt, Hx., 3/8" x 1 3/4"	4					
16	P01310	Lockwasher, 3/8"	5					
17	P01508	Nut, Hx., 3/8"-16	4					
18	P01531	Nut, Hx., 3/8"-24	1					
19	P00007	Bolt, Hx., 1/4"-20 x 1 1/2"	2					
20	P01308	Lockwasher, 1/4"	2					
21	P01506	Nut, Hx., 1/4"-20	2					
22	P26017	Accumulator	1					
23	P27308	Pressure Switch	1					
24	A)P27608	Power Brake Valve	1					
REF	B)P27977	Repair Kit, Power Brake Valve	-					
25	P27450	Tube, Valve	1					
26	P24650	Reducer, Swivel	1					
27	P21906	Connector, O-Ring	1					
28	25267A	90° Elbow, Special	1					
29	P27355	Connector, Nipple	1					
30	P24991	Connector, Special	REF					
31	P18997	Connector, O-Ring	1					
32	P18935	90° Elbow, O-Ring	1					
33	P26603	Tee, O-Ring	1					
34	P18942	Tee, Bulkhead	1					
35	P26099	Tee, Bulkhead	2					
36	P26617	Hyd. Hose .25" x 45"	4					
37	P27664	Hyd. Hose .25" x 57"	1					
38	P27666	Hyd. Hose .25" x 63"	1					
39	C)P27676	Hyd. Hose .38" x 29"	1					

NOTES:
A) For S/N 101 - 113, 115 - 127, use 25305B.
B) For S/N 101 - 113, 115 - 127, use P27976.
C) For S/N 150 - 161, use P19958.
D) Production Initiated S/N 150.

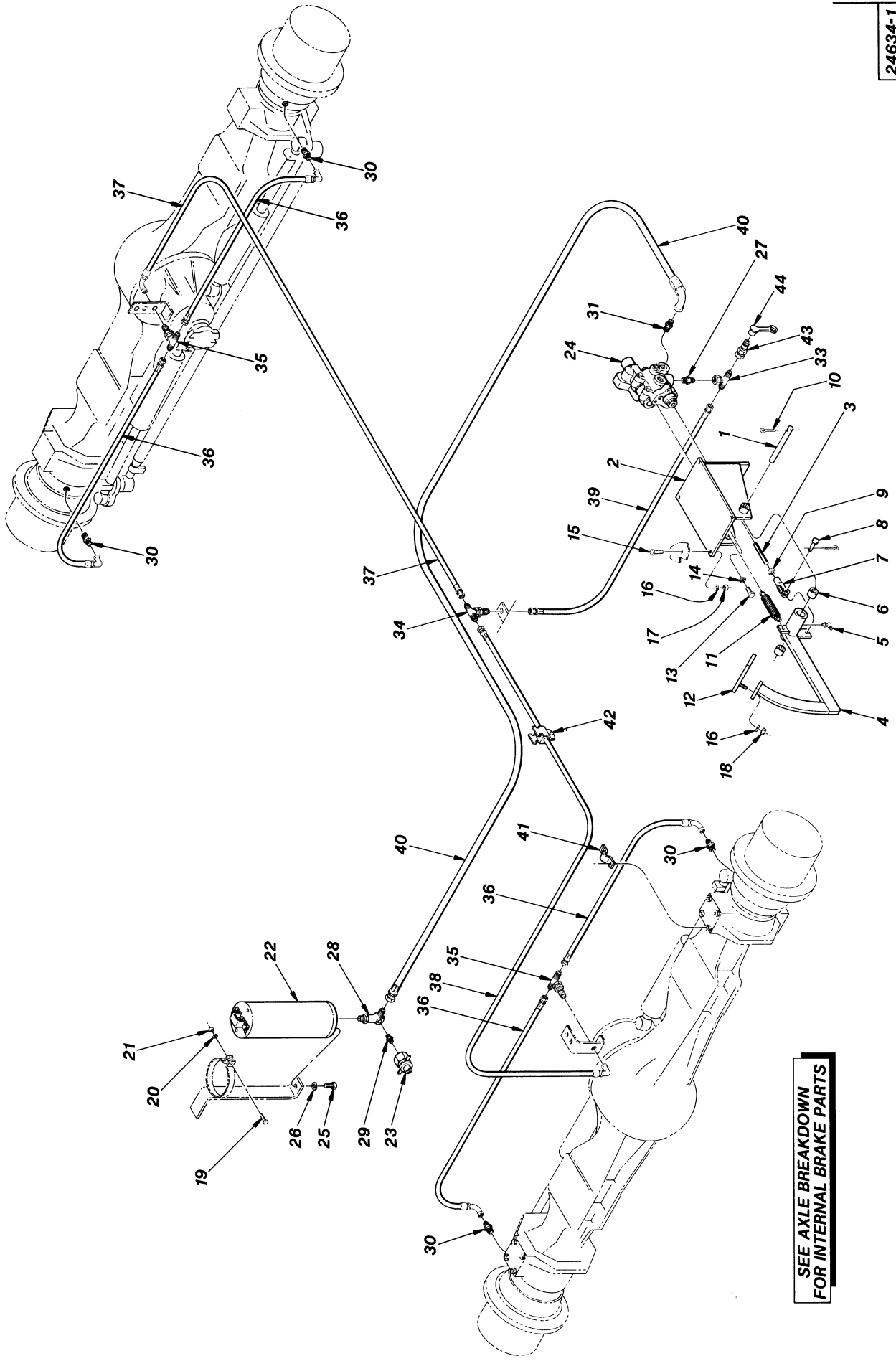
* Not Illustrated

24634

1044 S/N 101 - 161

6/89

HYDRAULIC SERVICE BRAKE ASSEMBLY



**SEE AXLE BREAKDOWN
FOR INTERNAL BRAKE PARTS**

ITEM	PART NUMBER	DESCRIPTION	QTY.	ITEM	DESCRIPTION	ITEM	PART NUMBER	QTY.	DESCRIPTION
1	17712A	Pivot Pin	1	40		P27679	1	Hyd. Hose .50' x 85"	
2	20829C	Mounting Bracket	1	41		P26480	4	Clamp, Hyd. Hose	
3	20834A	Rod Link	1	42		P20467	1	Clamp, Hyd. Hose	
4	24428C	Brake Pedal	1	43		P27379	1	Nipple, Pressure Check	
5	P15367	Grease Zerk, 45°	1	44		P27805	1	Dust Cap	
6	P20391	Bushing, Pedal	2						
7	P19081	Clevis	1						
8	P10053	Clevis Pin, 7/16" x 1 1/4"	1						
9	P01582	Jam Nut, Hx., 7/16"-20	1						
10	P03865	Cotter Pin, 3/16" x 1 1/2"	2						
11	P10581	Spring, Pedal	1						
12	P17733	Foot Pad, Brake Pedal	1						
13	P00352	Bolt, Hx., 7/16" x 1"	3						
14	P01360	Starwasher, 7/16" - External	3						
15	P00207	Bolt, Hx., 3/8"-16 x 1 3/4"	4						
16	P01310	Lockwasher, 3/8"	5						
17	P01508	Nut, Hx., 3/8"-16	4						
18	P01531	Nut, Hx., 3/8"-24	1						
19	P00005	Bolt, Hx., 1/4"-20 x 1"	1						
20	P01308	Lockwasher, 1/4"	1						
21	P01506	Nut, Hx., 1/4"-20	1						
22	P27830	Accumulator	1						
REF	P29122	Seal Kit, Accumulator	-						
23	P27308	Pressure Switch	1						
24	P26018	Power Brake Valve	1						
REF	P27976	Repair Kit, Power Brake Valve	-						
25	P00400	Bolt, Hx., 1/2"-20 x 3/4"	1						
26	P01312	Lockwasher, 1/2"	1						
27	P21906	Connector, O-Ring	1						
28	26002A	90° Elbow, Special	1						
29	P27355	Connector, Nipple	1						
30	P24991	Connector, Special	REF						
31	P18997	Connector, O-Ring	1						
33	P19845	Tee, Swivel	1						
34	P18942	Tee, Bulkhead	1						
35	P26099	Tee, Bulkhead	2						
36	P26617	Hyd. Hose .25" x 45"	4						
37	P27664	Hyd. Hose .25" x 57"	1						
38	P27666	Hyd. Hose .25" x 63"	1						
39	P19958	Hyd. Hose .25" x 29"	1						
							24634-1		
							1044 S/N 162 THRU		6/89
HYDRAULIC SERVICE BRAKE ASSEMBLY									

ITEM	PART NUMBER	QTY.	DESCRIPTION
1	21065A	1	Spring Retainer
2	21071A	1	Spring Base Mount
3	P24302	1	Spring
4	P10193	1	Clevis
5	P10040	1	Clevis Pin
6	P03838	1	Cotter Pin, 1/8" x 1"
7	P17595	1	Clamp, Cable
8	P17596	1	Shim, Clamp
9	P17592	1	Cable, Parking Brake
10	A)P28457	1	Hand Brake, Parking
10A*	P28714	REF	Switch, Parking Brake
11	P00104	4	Bolt, Hx., 5/16"-18 x 1"
12	P00204	2	Bolt, Hx., 3/8"-16 x 1"
13	P01309	4	Lockwasher, 5/16"
14	P01310	2	Lockwasher, 3/8"
15	P01507	4	Nut, Hx., 5/16"-18
16	P01508	2	Nut, Hx., 3/8"-16
17	P01531	1	Nut, Hx., 3/8"-24

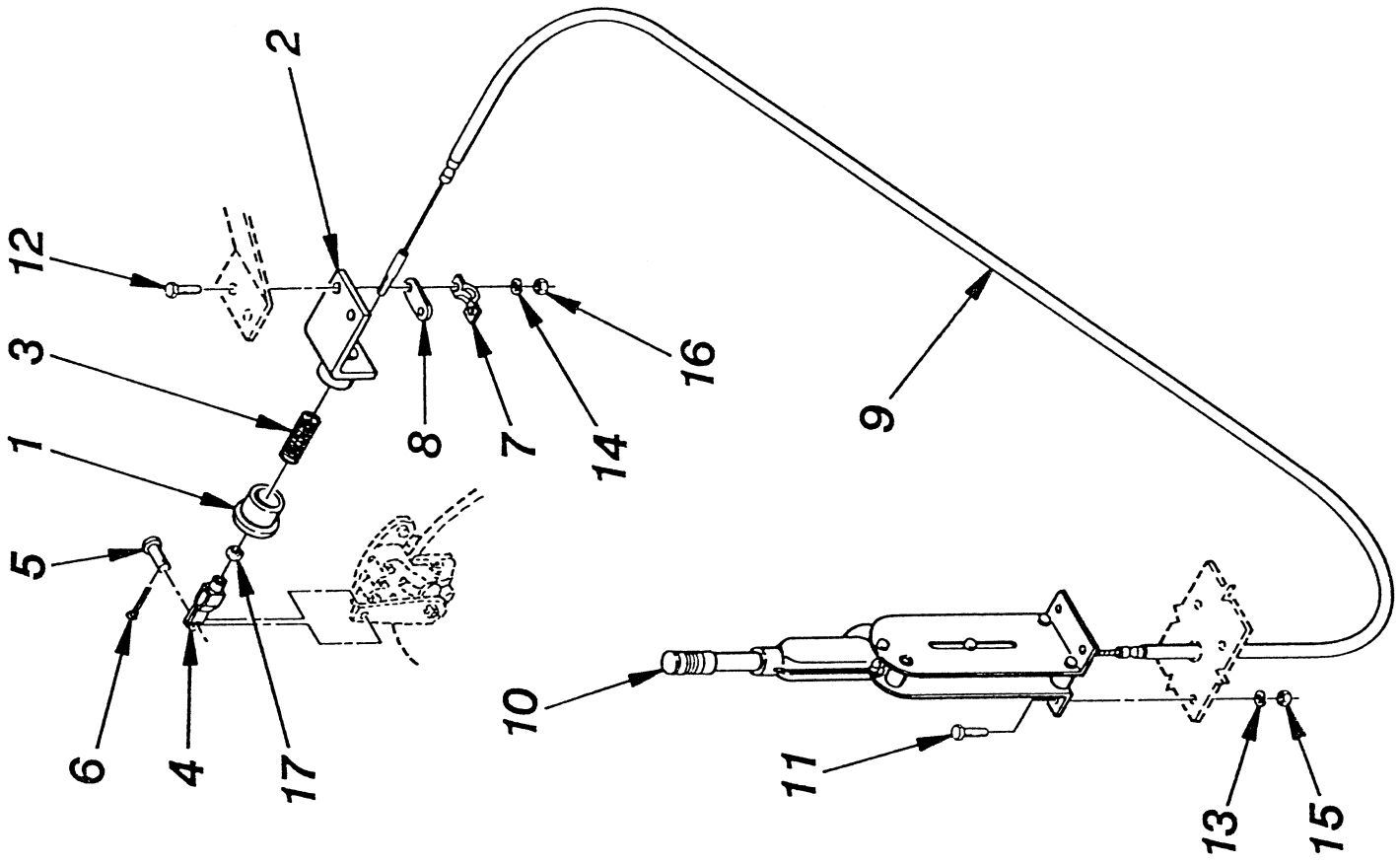
NOTES:
 A) For S/N 101 - 209, use 26316C for complete retrofit Parking Brake Buzzer/Light Kit.

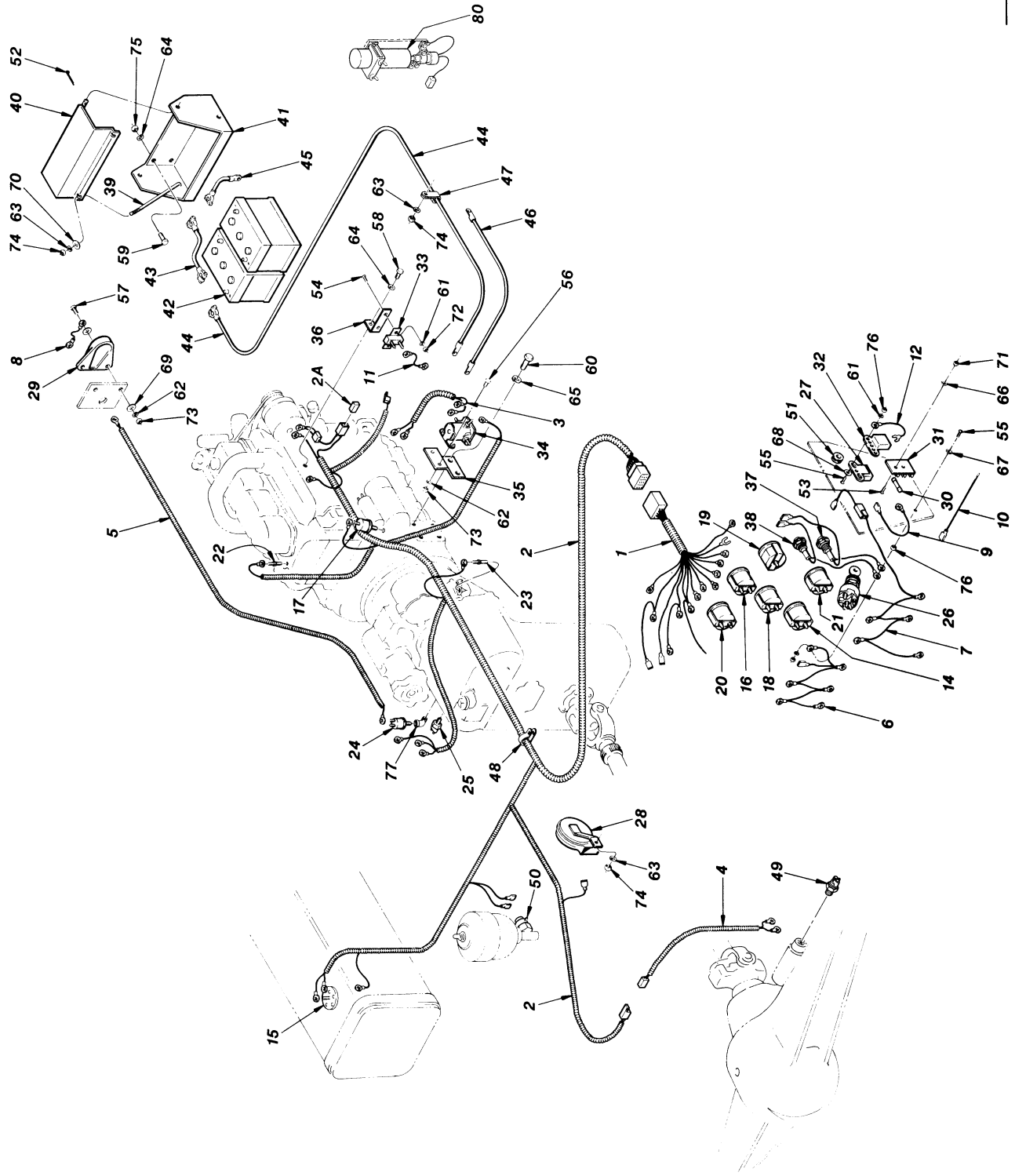
* Not Illustrated

24635

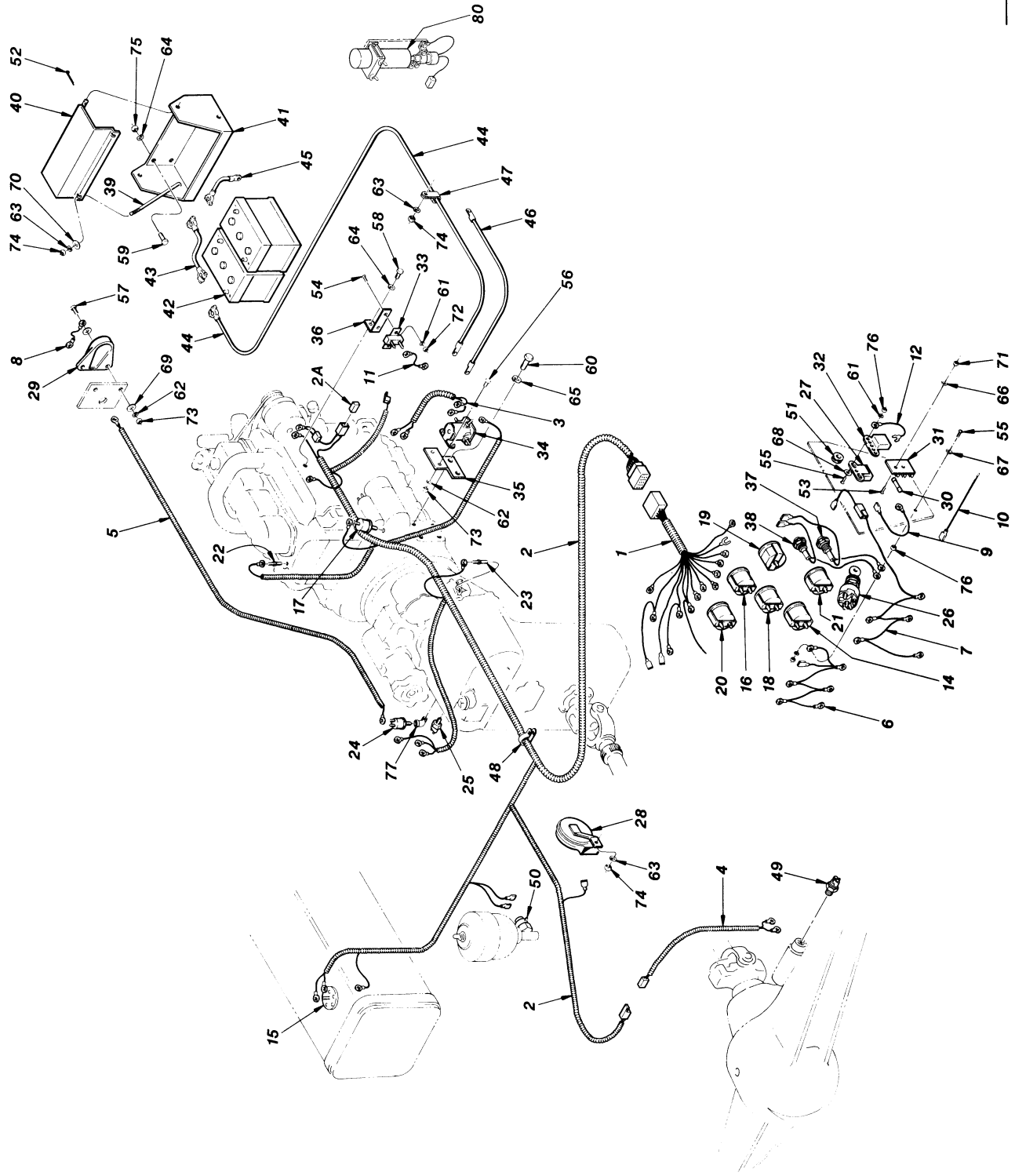
1044 101 THRU 6/89

PARKING BRAKE ASSEMBLY





ITEM	PART NUMBER	DESCRIPTION	QTY.	DESCRIPTION	ITEM	PART NUMBER	QTY.	DESCRIPTION
1	P19099	Wire Harness, Upper	1	Wire Harness, Upper	40	21976B	1	Cover, Battery Box
2	P27550	Wire Harness, Lower	1	Wire Harness, Lower	41	21977C	1	Battery Box
2A	P21787	Diode Module	REF	Diode Module	42	P25385	(B)	Battery, 6 Volt
3	A)P27779	Wire Harness, Solenoid - Starter	1	Wire Harness, Solenoid - Starter	43	P18122	1	Battery Cable, Negative to Positive
4	P26483	Wire Harness, Diff. Lock Switch	1	Wire Harness, Diff. Lock Switch	44	P19833	1	Battery Cable, Positive
5	P19102	Wire Harness, Back-Up Alarm	1	Wire Harness, Back-Up Alarm	45	P19834	1	Battery Cable, Negative
6	P19284	Wires, Gauges - Ground (Black - 14)	1	Wires, Gauges - Ground (Black - 14)	46	P19835	1	Battery Cable, Ground
7	P26072	Wires, Gauges - Power (Red - 14)	1	Wires, Gauges - Power (Red - 14)	47	P17554	4	Clamp, Battery Cable
8	P27504	Wire, Alarm to Ground (Black - 16)	1	Wire, Alarm to Ground (Black - 16)	48	P17553	1	Clamp, Wire Harness
9	P27506	Wire, Fuse Block to Relay (Red - 14)	1	Wire, Fuse Block to Relay (Red - 14)	49	P26180	REF	Switch, Differential Lock
10	P27508	Wire, Horn Button to Relay (Black - 16)	1	Wire, Horn Button to Relay (Black - 16)	50	P27308	REF	Switch, Brake Pressure
11	P27512	Wire, Breaker to Solenoid (Violet - 12)	1	Wire, Breaker to Solenoid (Violet - 12)	51	P24347	1	Rubber Grommet
12	P27514	Wire, Brake Buzzer to Ground(Black - 14)	1	Wire, Brake Buzzer to Ground(Black - 14)	52	P03823	4	Cotter Pin, 3/32" x 3/4"
13*	P27530	Wire, Fuse Block to Ignition(Red - 12)	1	Wire, Fuse Block to Ignition(Red - 12)	53	P02016	2	Screw, Slotted Rd. Hd., #6-32 x 1/2"
14	P23214	Gauge, Fuel	1	Gauge, Fuel	54	P02054	2	Screw, Slotted Rd. Hd., #10-24 x 1/2"
15	P29317	Sender, Fuel	REF	Sender, Fuel	55	P02079	3	Screw, Slotted Rd. Hd., #10-32 x 1/2"
16	P23216	Gauge, Oil Pressure	1	Gauge, Oil Pressure	56	P00001	2	Bolt, Hx., 1/4"-20 x 1/2"
17	P23217	Sender, Oil Pressure	1	Sender, Oil Pressure	57	P00003	2	Bolt, Hx., 1/4"-20 x 3/4"
18	P23218	Gauge, Ammeter	1	Gauge, Ammeter	58	P00200	1	Bolt, Hx., 3/8"-16 x 1/2"
19	P23219	Gauge, Hour Meter	1	Gauge, Hour Meter	59	P00205	4	Bolt, Hx., 3/8"-16 x 1 1/4"
20	P23220	Gauge, Transmission Oil Temperature	1	Gauge, Transmission Oil Temperature	60	P00402	2	Bolt, Hx., 1/2"-13 x 1"
21	P23221	Gauge, Water Temperature	1	Gauge, Water Temperature	61	P01306	5	Lockwasher, #10
22	P23222	Sender, Water Temperature	1	Sender, Water Temperature	62	P01308	4	Lockwasher, 1/4"
23	P19472	Sender, Transmission Oil Temperature	1	Sender, Transmission Oil Temperature	63	P01309	7	Lockwasher, 5/16"
24	P19105	Switch, Back-Up Alarm	1	Switch, Back-Up Alarm	64	P01310	5	Lockwasher, 3/8"
25	P18673	Switch, Neutral Start	REF	Switch, Neutral Start	65	P01312	2	Lockwasher, 1/2"
26	P11092	Switch, Ignition	1	Switch, Ignition	66	P01353	2	Starwasher, #6
27	P13709	Horn Relay	1	Horn Relay	67	P01355	1	Starwasher, #10
28	P13707	Horn	1	Horn	68	P01400	2	Flatwasher, #10
29	P13774	Back-Up Alarm	1	Back-Up Alarm	69	P01402	4	Flatwasher, 1/4"
30	P19203	Fuse, AGC-30 AMP	2	Fuse, AGC-30 AMP	70	P01403	2	Flatwasher, 5/16"
31	P24349	Fuse Block	1	Fuse Block	71	P01502	2	Nut, Hx., #6-32
32	P27307	Buzzer, Brake Pressure Warning	1	Buzzer, Brake Pressure Warning	72	P01504	2	Nut, Hx., #10-24
33	P27315	Circuit Breaker	1	Circuit Breaker	73	P01506	4	Nut, Hx., 1/4"-20
34	P21777	Starter Relay	1	Starter Relay	74	P01507	7	Nut, Hx., 5/16"-18
35	24749B	Mounting Bracket, Relay	1	Mounting Bracket, Relay	Continued on next page			
36	24880A	Bracket, Circuit Breaker	1	Bracket, Circuit Breaker	1044 S/N 101 - 164			
37	25824A	Indicator Light, Amber (Diff. Lock)	1	Indicator Light, Amber (Diff. Lock)	ELECTRICAL ASSEMBLY (Deere)			
38	25825A	Indicator Light, Red (Brake Pressure)	1	Indicator Light, Red (Brake Pressure)	24636			
39	16357A	Hold Down Rod	2	Hold Down Rod	6/89			



ITEM	PART NUMBER	QTY.	DESCRIPTION	ITEM	PART NUMBER	QTY.	DESCRIPTION
75	P01508	4	Nut, Hx., 3/8"-16				
76	P01528	4	Nut, Hx., #10-32				
77	P10201	1	90° Street Elbow				
78*	P27803	6	Terminal Adapter Tap, Male Push-On				
79*	P27507	1	Wire, Quick Start Switch to Fuse Block (Blue - 14)				
80	P21422	1	Quick Start (Cylinder not included)				
80A	N.L.A.	(B)	Starting Fluid Cylinder				
80B*	P26323	-	Switch, Quick Start				
REF	20844B	-	Engine Block Heater Kit (1000 Watts)				

NOTES:

- A) Engines equipped with Nippon Denso Starters, use P27551.
- B) Procure Locally.

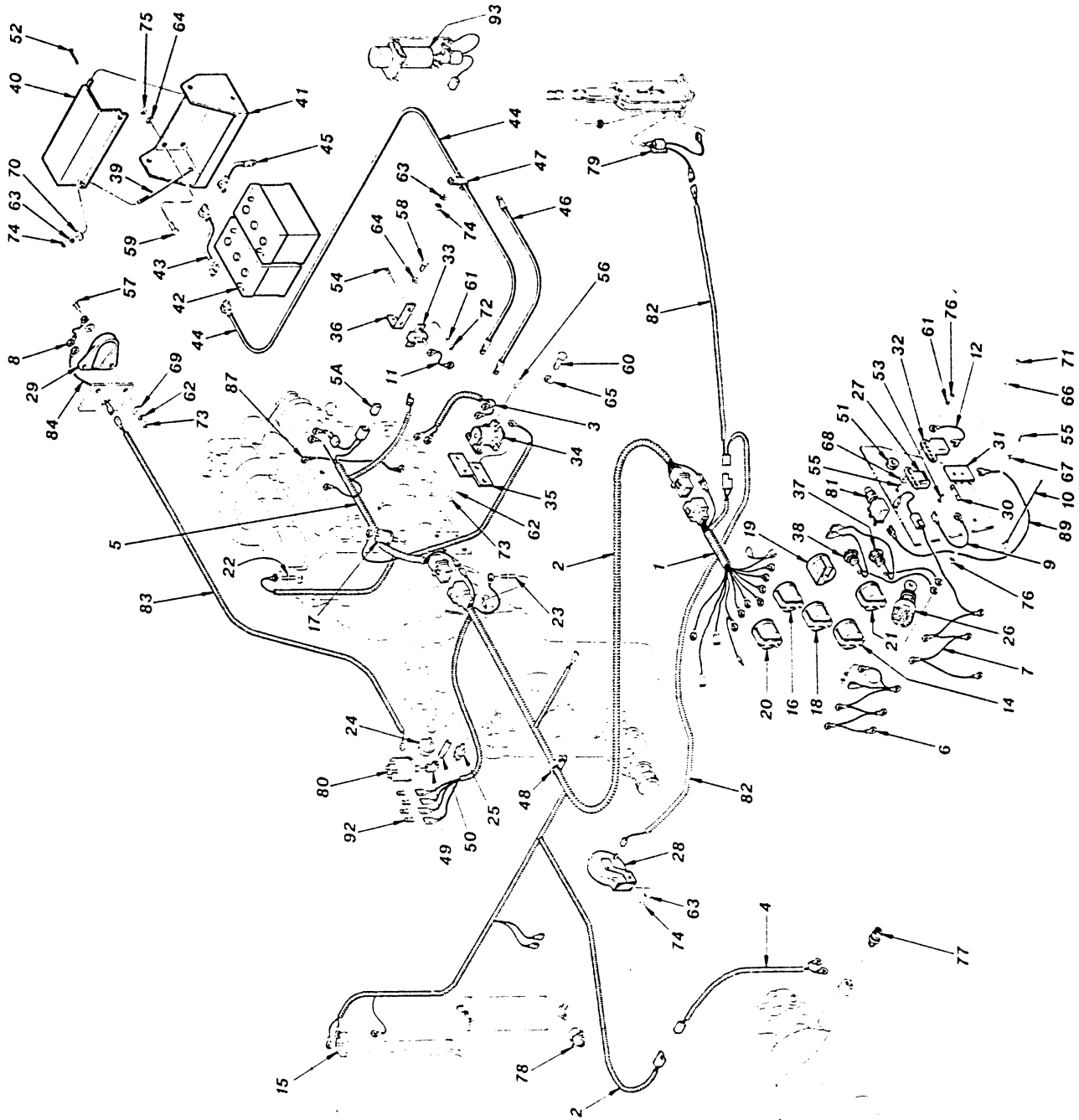
24636

1044 S/N 101 - 164

6/89

ELECTRICAL ASSEMBLY (Deere)

PAGE 2 OF 2



ITEM	PART NUMBER	QTY.	DESCRIPTION	ITEM	PART NUMBER	QTY.	DESCRIPTION
1	P27913	1	Wire Harness, Upper	40	21976B	1	Cover, Battery Box
2	P27785	1	Wire Harness, Intermediate	41	21977C	1	Battery Box
3	P27779	1	Wire Harness, Solenoid - Starter	42	P25385	(A)	Battery, 6 Volt
4	P26483	1	Wire Harness, Diff. Lock Switch	43	P18122	1	Battery Cable, Negative to Positive
5	P27786	1	Wire Harness, Lower	44	P19833	1	Battery Cable, Positive
5A	P21787	REF	Diode Module	45	P19834	1	Battery Cable, Negative
6	P19284	1	Wires, Gauges - Ground (Black - 14)	46	P19835	1	Battery Cable, Ground
7	P27919	1	Wires, Gauges - Power (Red - 14)	47	P17554	4	Clamp, Battery Cable
8	P27504	1	Wire, Alarm to Ground (Black - 16)	48	P17553	1	Clamp, Wire Harness
9	P27506	1	Wire, Fuse Block to Relay (Red - 14)	49	D)P10223	1	90° Elbow, Pipe
10	P27508	1	Wire, Horn Button to Relay (Black - 16)	50	C)P10889	1	Nipple, Pipe
11	P27512	1	Wire, Breaker to Solenoid (Violet - 12)	51	P24347	1	Rubber Grommet
12	P27514	1	Wire, Brake Buzzer to Ground (Black - 14)	52	P03823	4	Cotter Pin, 3/32" x 3/4"
13*	P27530	1	Wire, Fuse Block to Ignition (Red - 12)	53	P02016	2	Screw, Slotted Rd. Hd., #6-32 x 1/2"
14	P23214	1	Gauge, Fuel	54	P02054	2	Screw, Slotted Rd. Hd., #10-24 x 1/2"
15	P29317	REF	Sender, Fuel	55	P02079	3	Screw, Slotted Rd. Hd., #10-32 x 1/2"
16	P23216	1	Gauge, Oil Pressure	56	P00001	2	Bolt, Hx., 1/4"-20 x 1/2"
17	P23217	1	Sender, Oil Pressure	57	P00003	2	Bolt, Hx., 1/4"-20 x 3/4"
18	P27820	1	Gauge, Voltmeter	58	P00200	1	Bolt, Hx., 3/8"-16 x 1/2"
19	P23219	1	Gauge, Hour Meter	59	P00205	4	Bolt, Hx., 3/8"-16 x 1 1/4"
20	P23220	1	Gauge, Transmission Oil Temperature	60	P00402	2	Bolt, Hx., 1/2"-13 x 1"
21	P23221	1	Gauge, Water Temperature	61	P01306	5	Lockwasher, #10
22	P23222	1	Sender, Water Temperature	62	P01308	4	Lockwasher, 1/4"
23	P19472	1	Sender, Transmission Oil Temperature	63	P01309	7	Lockwasher, 5/16"
24	P19105	1	Switch, Pressure - S.P.S.T.	64	P01310	5	Lockwasher, 3/8"
25	P18673	REF	Switch, Neutral Start	65	P01312	2	Lockwasher, 1/2"
26	P11092	1	Switch, Ignition	66	P01353	2	Starwasher, #6
27	P13709	1	Horn Relay	67	P01355	1	Starwasher, #10
28	P13707	1	Horn	68	P01400	2	Flatwasher, #10
29	P13774	1	Back-Up Alarm	69	P01402	4	Flatwasher, 1/4"
30	P19203	3	Fuse, AGC-30 AMP	70	P01403	2	Flatwasher, 5/16"
31	P24349	1	Fuse Block	71	P01502	2	Nut, Hx., #6-32
32	P27307	1	Buzzer, Brake Pressure Warning	72	P01504	2	Nut, Hx., #10-24
33	P27315	1	Circuit Breaker	73	P01506	4	Nut, Hx., 1/4"-20
34	P21777	1	Starter Relay	74	P01507	7	Nut, Hx., 5/16"-18
35	24749B	1	Mounting Bracket	Continued on next page			
36	24880A	1	Bracket, Circuit Breaker				
37	25824A	1	Indicator Light, Amber (Diff. Lock)				
38	25825A	1	Indicator Light, Red (Brake Pressure)				
39	16357A	2	Hold Down Rod				

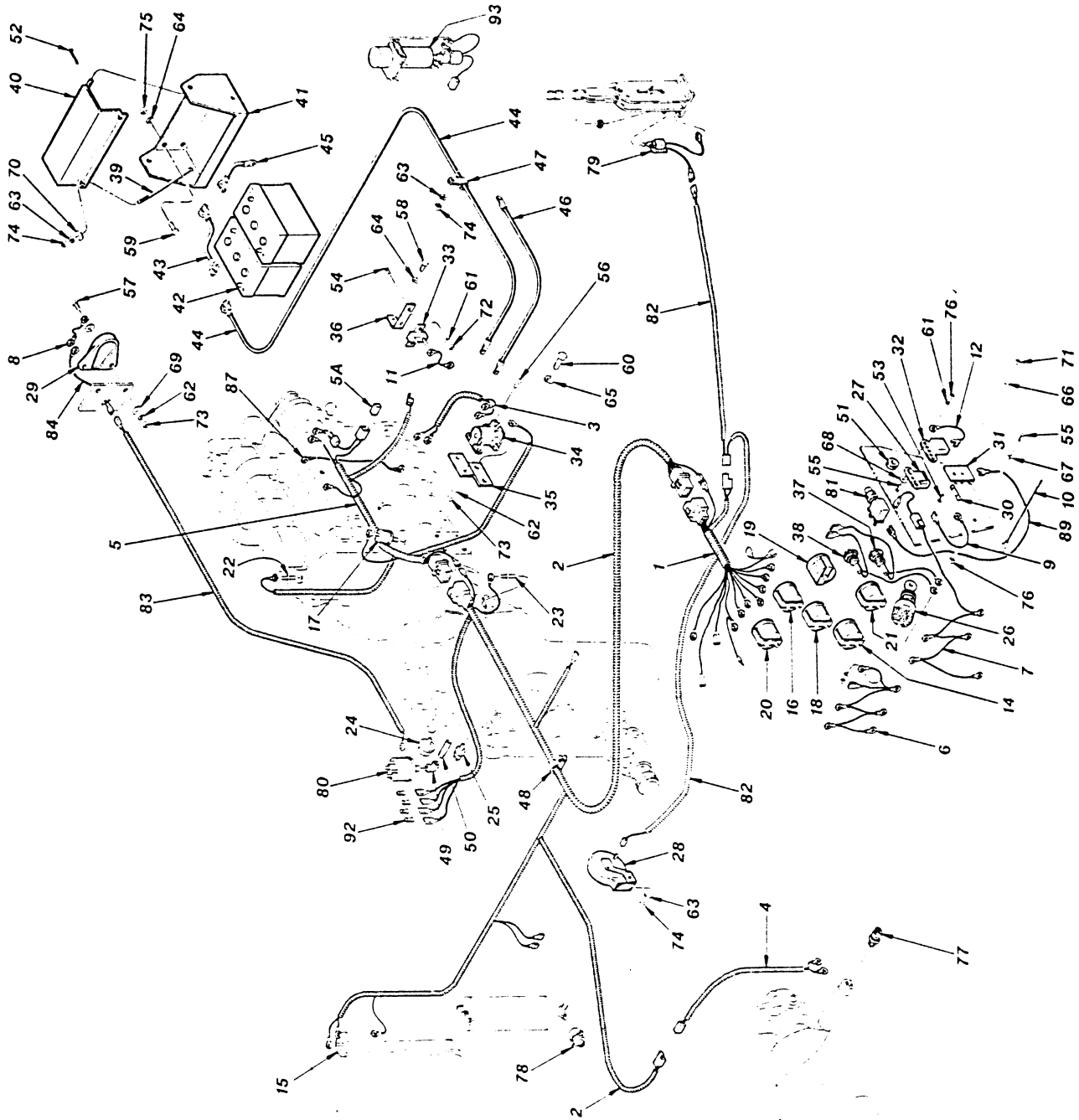
24636-1

1044 S/N 165 THRU

6/89

ELECTRICAL ASSEMBLY (Deere)

PAGE 1 OF 2



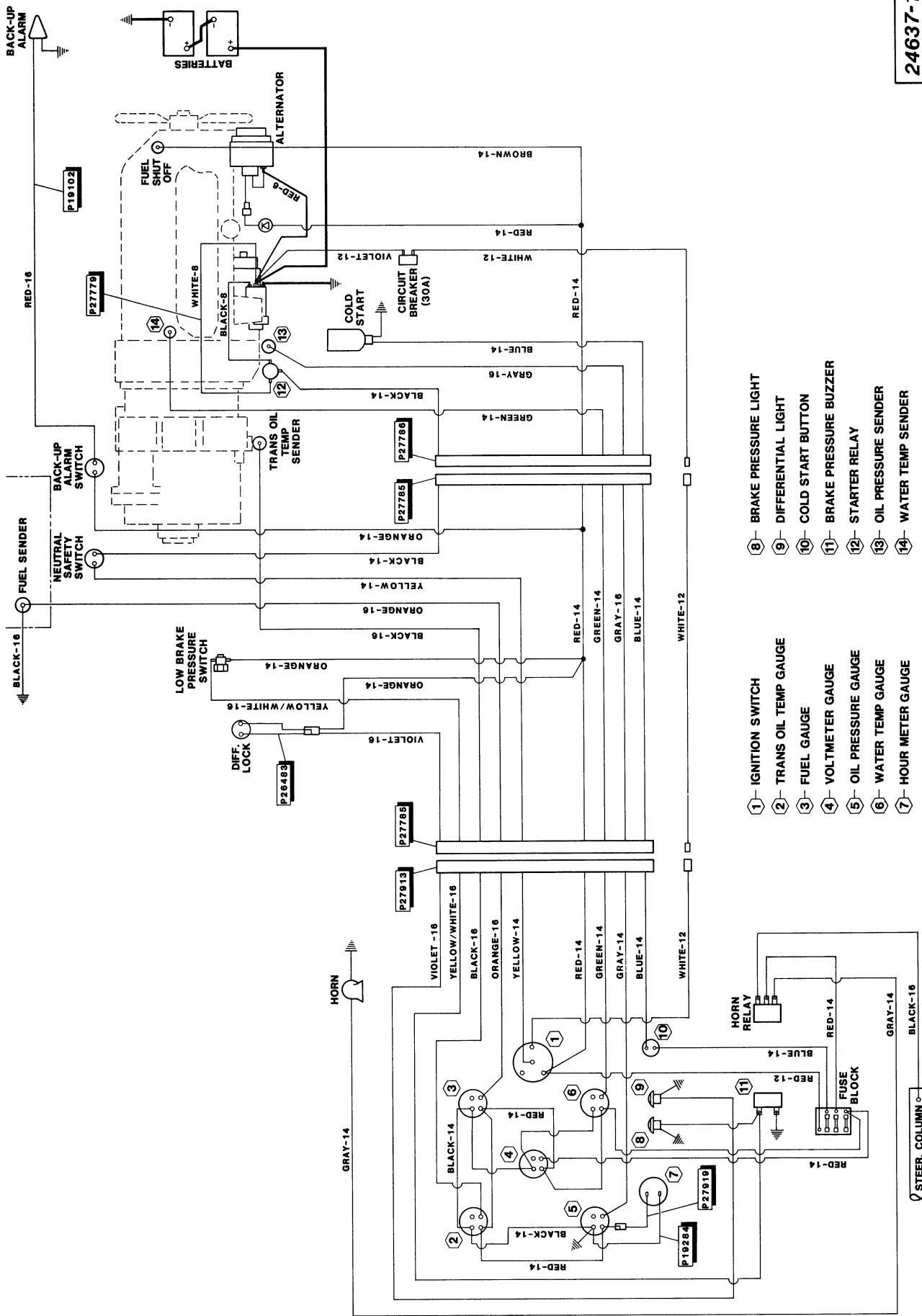
ITEM	PART NUMBER	QTY.	DESCRIPTION	ITEM	PART NUMBER	QTY.	DESCRIPTION
75	P01508	4	Nut, Hx., 3/8"-16				
76	P01528	4	Nut, Hx., #10-32				
77	P26180	REF	Switch, Differential Lock				
78	P27308	REF	Switch, Brake Pressure				
79	B)P28714	REF	Switch, Parking Brake				
80	C)P28721	1	Switch, Pressure - D.P.S.T.				
81	B)P28456	1	Buzzer/Light, Parking Brake				
82	B)P28698	1	Wire Harness, Parking Brake/Horn				
83	P19102	1	Wire Harness, Back-Up Alarm				
84	P27505	1	Wire, Jumper/Back-Up Alarm (Red - 14)				
85*	P27507	1	Wire, Quick Start Switch to Fuse Block (Blue - 14 GA.)				
86*	P27509	1	Wire, Alternator to Voltage Regulator (White - 14 GA.)				
87	P27526	1	Wire, Alternator to Starter Solenoid (Red - 6 GA.)				
88*	P27541	1	Wire, Voltmeter to Fuse Block (Red - 14 GA.)				
89	B)P28554	1	Wire, Buzzer/Light to Fuse Block (Red - 14 GA.)				
90*	C)P28555	2	Wire, Pressure Switch to Pressure Switch (White - 14 GA.)				
91*	C)P28556	1	Wire, Pressure Switch to Ground (White - 14 GA.)				
92	P27803	6	Terminal Adapter Tab, Male Push-On				
93	P21422	1	Quick Start (Cylinder not included)				
93A	N.L.A.	(A)	Starting Fluid Cylinder				
93B*	P26323	-	Switch, Quick Start				
REF	20844B	-	Engine Block Heater Kit (1000 Watts)				

NOTES:

- A) Procure Locally.
- B) Production Initiated S/N 210.
- C) Production Initiated S/N 221.
- D) For S/N 101 - 220, use P10201.

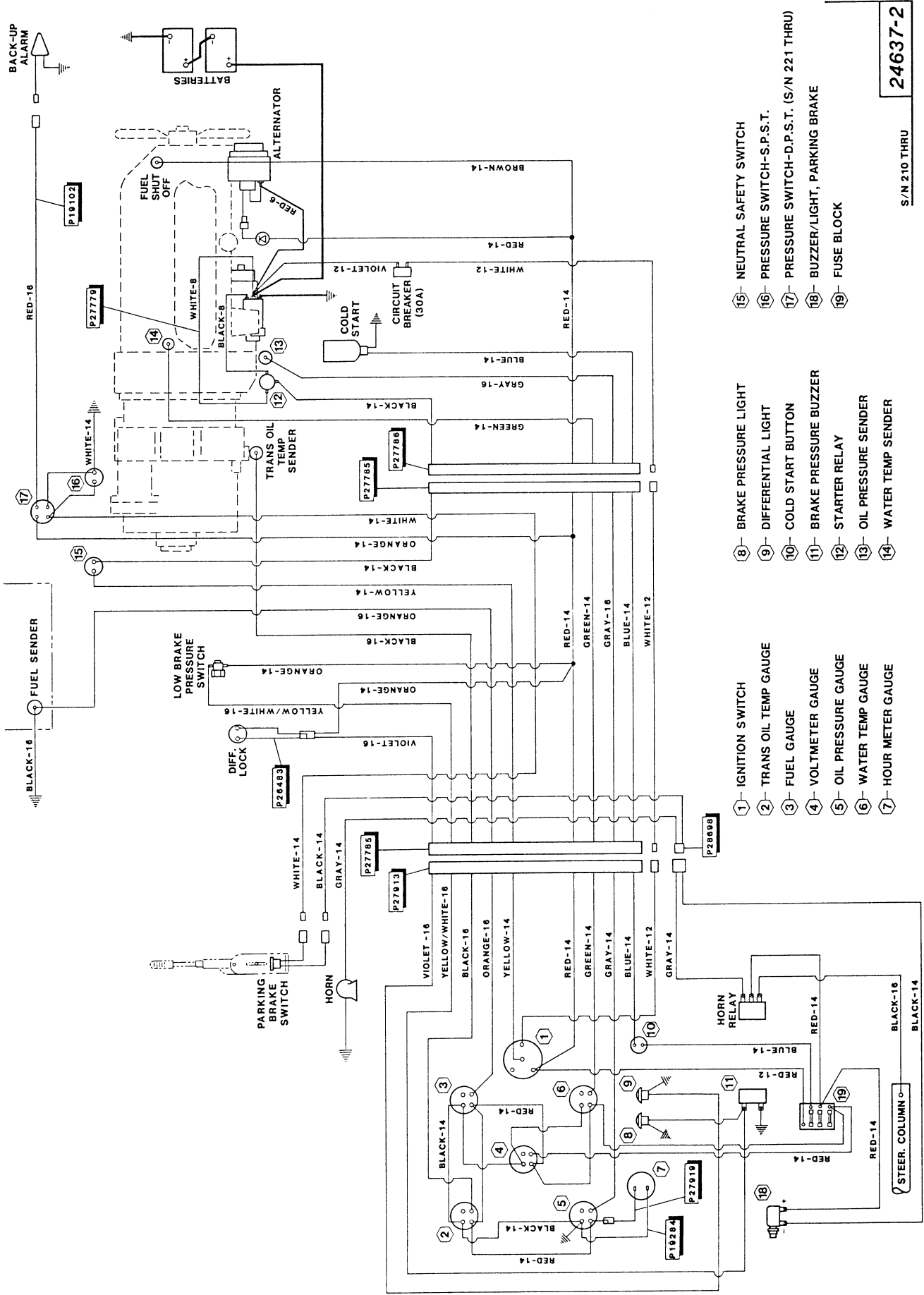
* Not Illustrated

24636-1



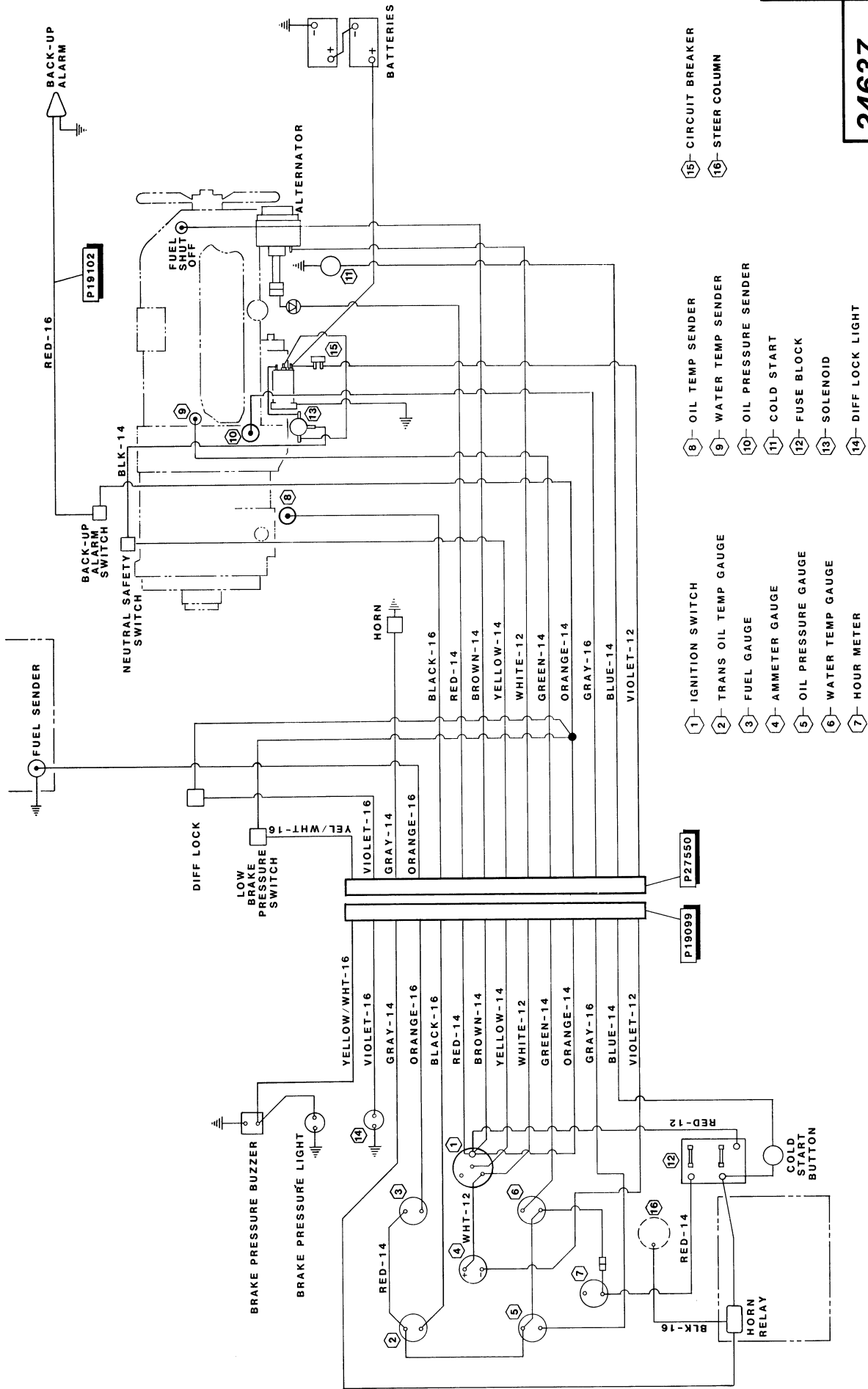
- ① IGNITION SWITCH
- ② TRANS OIL TEMP GAUGE
- ③ FUEL GAUGE
- ④ VOLTMETER GAUGE
- ⑤ OIL PRESSURE GAUGE
- ⑥ WATER TEMP GAUGE
- ⑦ HOUR METER GAUGE
- ⑧ BRAKE PRESSURE LIGHT
- ⑨ DIFFERENTIAL LIGHT
- ⑩ COLD START BUTTON
- ⑪ BRAKE PRESSURE BUZZER
- ⑫ STARTER RELAY
- ⑬ OIL PRESSURE SENDER
- ⑭ WATER TEMP SENDER

24637-1

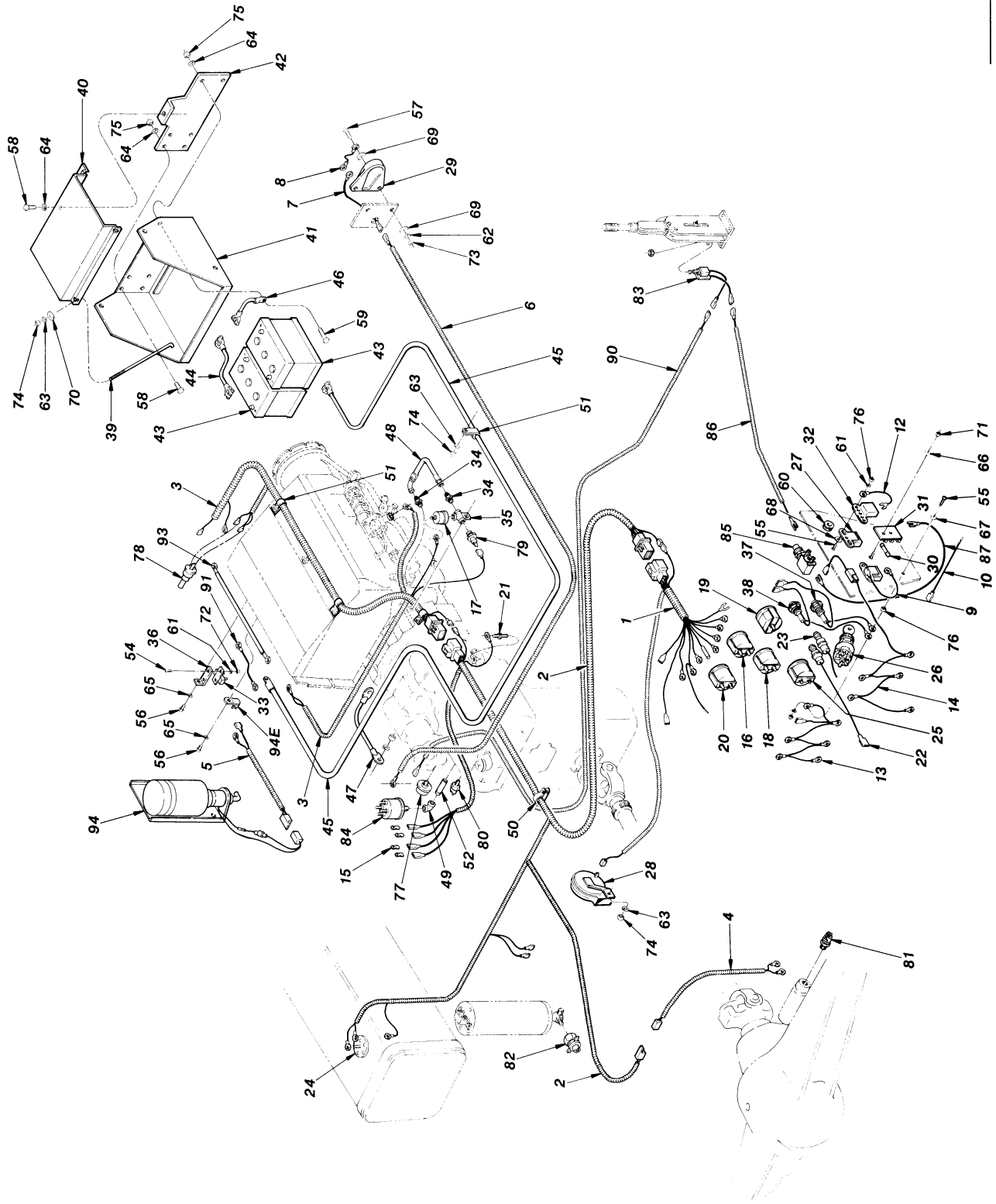


- ① IGNITION SWITCH
- ② TRANS OIL TEMP GAUGE
- ③ FUEL GAUGE
- ④ VOLTMETER GAUGE
- ⑤ OIL PRESSURE GAUGE
- ⑥ WATER TEMP GAUGE
- ⑦ HOUR METER GAUGE
- ⑧ BRAKE PRESSURE LIGHT
- ⑨ DIFFERENTIAL LIGHT
- ⑩ COLD START BUTTON
- ⑪ BRAKE PRESSURE BUZZER
- ⑫ STARTER RELAY
- ⑬ OIL PRESSURE SENDER
- ⑭ WATER TEMP SENDER
- ⑮ NEUTRAL SAFETY SWITCH
- ⑯ PRESSURE SWITCH-S.P.S.T.
- ⑰ PRESSURE SWITCH-D.P.S.T. (S/N 221 THRU)
- ⑱ BUZZER/LIGHT, PARKING BRAKE
- ⑳ FUSE BLOCK

S/N 210 THRU
24637-2



24637

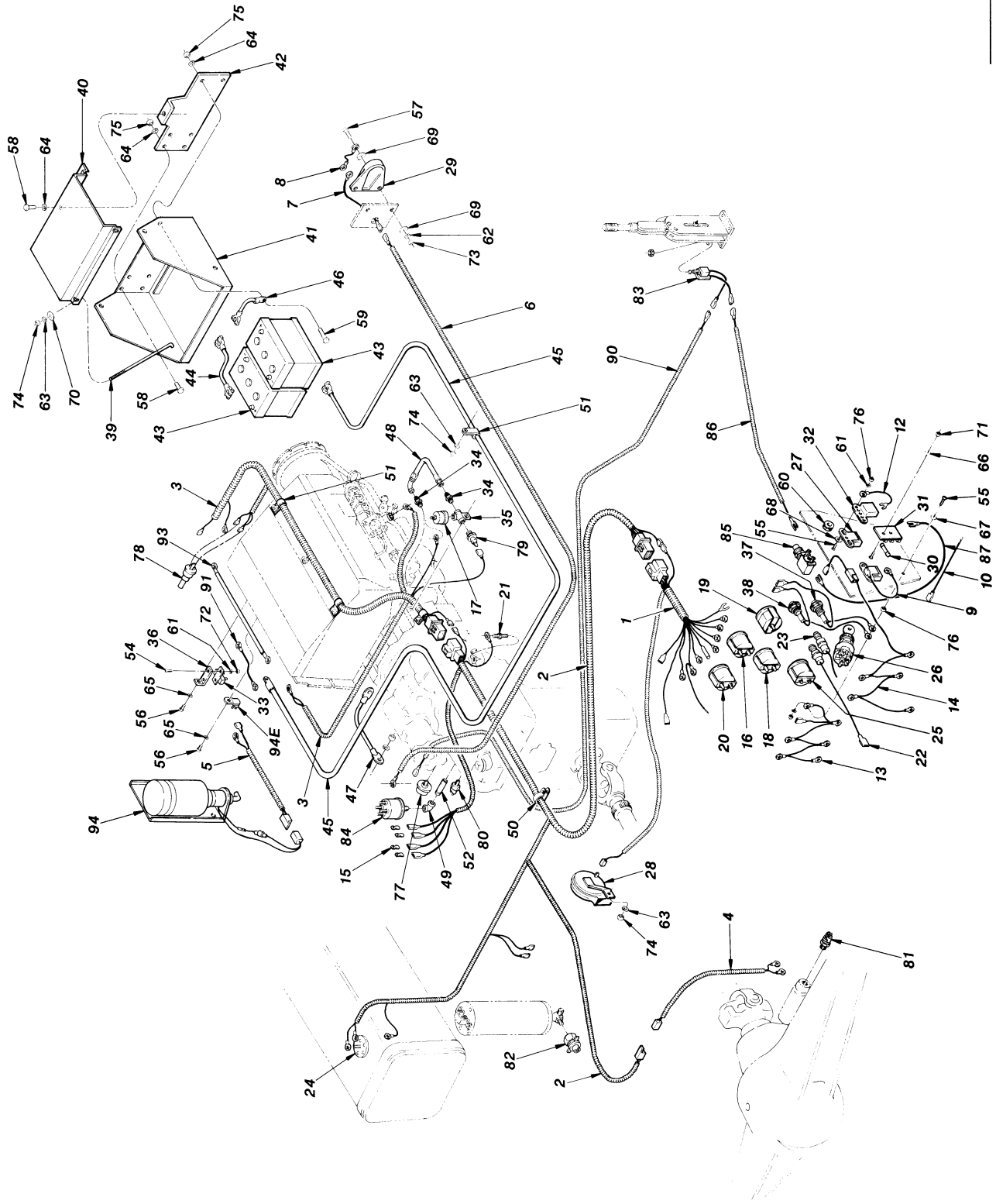


ITEM	PART NUMBER	DESCRIPTION	QTY.	ITEM	PART NUMBER	DESCRIPTION	QTY.
1	P27781	Wire Harness, Upper	1	41	21977C	Battery Box	1
2	P27782	Wire Harness, Intermediate	1	42	25810B	Battery Mount Bracket	1
3	P27783	Wire Harness, Lower	1	43	P25385	Battery, 6 Volt	(A)
4	P26483	Wire Harness, Diff. Lock Switch	1	44	P18122	Battery Cable, Negative to Positive	1
5	P27911	Wire Harness, Cold Start	1	45	P19833	Battery, Positive	1
6	P27524	Wire Harness, Back-Up Alarm	1	46	P19834	Battery, Negative	1
7	P27505	Wire, Jumper/Back-Up Alarm (Red - 14)	1	47	P19835	Battery, Ground	1
8	P27504	Wire, Ground, Back-Up Alarm (Black - 16)	1	48	P20408	Oil Line	1
9	P27506	Wire, Fuse Block to Relay (Red - 14)	1	49	D)P10223	90° Elbow, Pipe	1
10	P27508	Wire, Horn Button to Relay (Black - 16)	1	50	P17553	Clamp, Harness	1
11*	P27509	Wire, Jumper - Alternator (White - 14)	1	51	P17554	Clamp, Harness & Battery Cable	7
12	P27514	Wire, Brake Buzzer to Ground (Black - 14)	1	52	C)P10889	Nipple, Pipe	1
13	P27778	Wires, Gauges - Ground (Black - 14)	1	53	P02016	Screw, Slotted Rd. Hd., #6-32 x 1/2"	2
14	P26072	Wires, Gauges - Power (Red - 14)	1	54	P02054	Screw, Slotted Rd. Hd., #10-24 x 1/2"	2
15	P27803	Terminal Adapter Tab, Male Push-On	6	55	P02079	Screw, Slotted Rd. Hd., #10-32 x 1/2"	5
16	P23216	Gauge, Oil Pressure	1	56	P04102	Bolt, Hx., M8-1.25 x 16mm	2
17	P23217	Sender, Oil Pressure	1	57	P00003	Bolt, Hx., 1/4"-20 x 3/4"	2
18	P27820	Gauge, Voltmeter	1	58	P00204	Bolt, Hx., 3/8"-16 x 1"	2
19	P23219	Gauge, Hourmeter	1	59	P00206	Bolt, Hx., 3/8"-16 x 1 1/2"	4
20	P23220	Gauge, Transmission Oil Temperature	1	60	P24347	Rubber Grommet	1
21	P19472	Sender, Transmission Oil Temperature	1	61	P01306	Lockwasher, #10	7
22	25917A	Light, Oil Warning Indicator	1	62	P01308	Lockwasher, 1/4"	2
23	P20970	Light, Fan Belt Warning Indicator	1	63	P01309	Lockwasher, 5/16"	4
24	P29317	Sender, Fuel	REF	64	P01310	Lockwasher, 3/8"	8
25	P23214	Gauge, Fuel	1	65	P04607	Lockwasher, M8	2
26	P11092	Switch, Ignition	1	66	P01352	Starwasher, #6	2
27	P13709	Relay, Horn & Oil Light	2	67	P01355	Starwasher, #10	1
28	P13707	Horn	1	68	P01400	Flatwasher, #10	4
29	P13774	Back-Up Alarm	1	69	P01402	Flatwasher, 1/4"	4
30	P19203	Fuse, AGC-30 AMP	3	70	P01403	Flatwasher, 5/16"	2
31	P24349	Fuse Block	1	71	P01502	Nut, Hx., #6-32	2
32	P27307	Buzzer, Brake Pressure Warning	1	72	P01504	Nut, Hx., #10-24	2
33	P27315	Circuit Breaker	1	73	P01506	Nut, Hx., 1/4"-20	2
34	P20866	Connector, JIC-Pipe	2	74	P01507	Nut, Hx., 5/16"-18	5
35	17914A	Tee, Special	1	75	P01508	Nut, Hx., 3/8"-16	6
36	24880A	Bracket, Circuit Breaker	1	Continued on next page			
37	25824A	Indicator Light, Amber (Diff. Lock)	1				
38	25825A	Indicator Light, Red (Brake Pressure)	1	1044 S/N 101 THRU			
39	16357A	Hold Down Rod	2				
40	25811C	Cover, Battery Box	1	ELECTRICAL ASSEMBLY (Deutz)			

24638

6/89

PAGE 1 OF 2

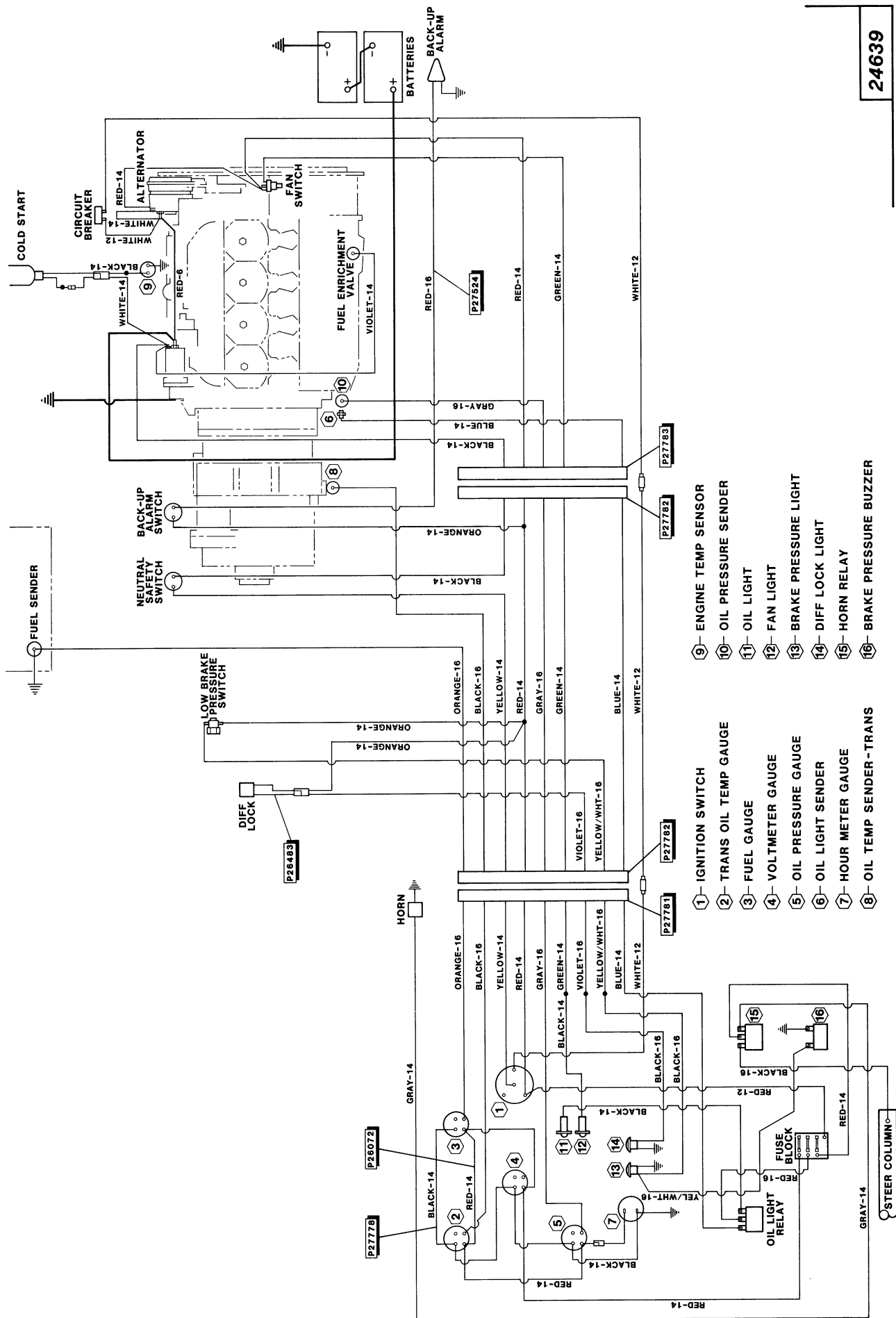


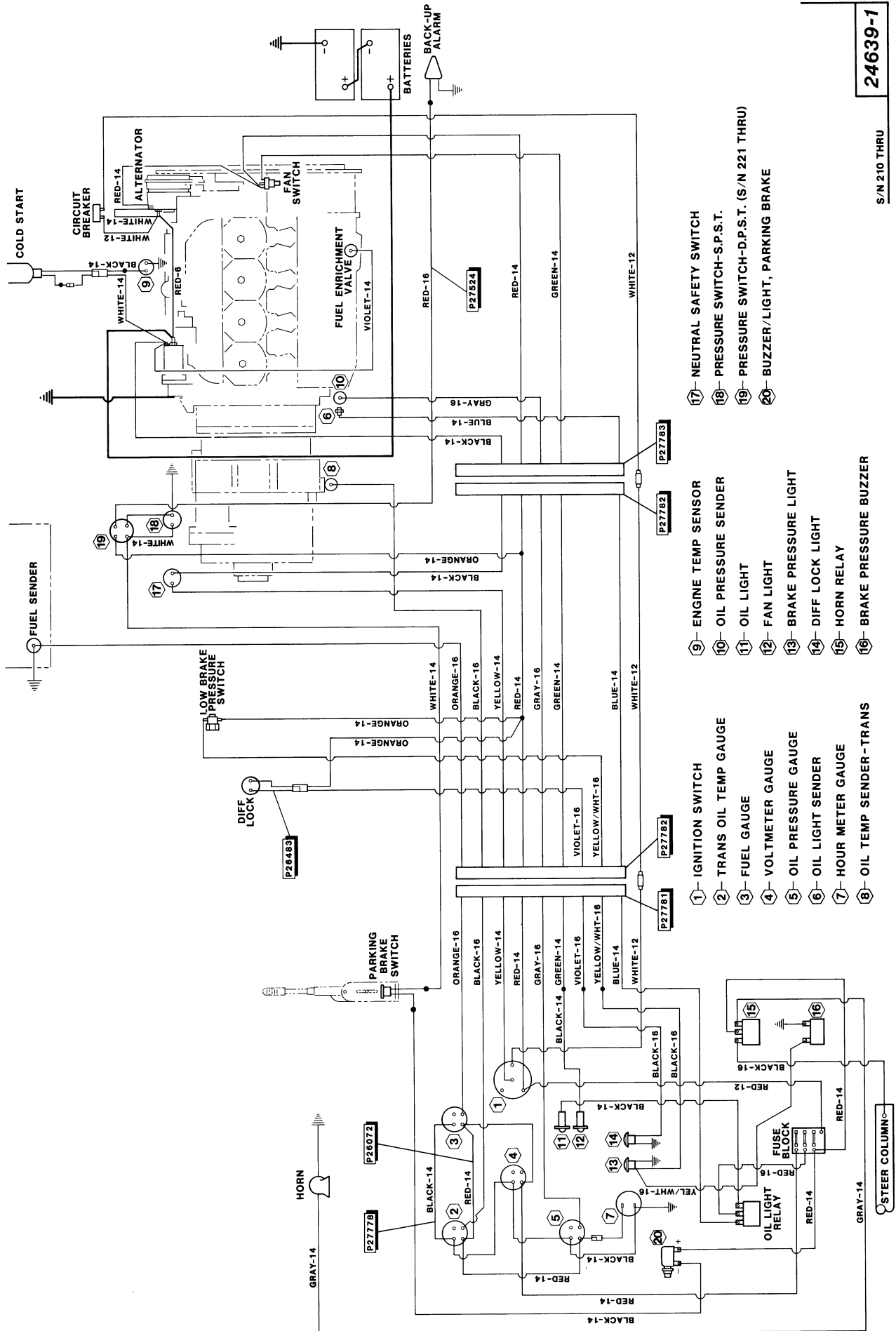
ITEM	PART NUMBER	QTY.	DESCRIPTION	ITEM	PART NUMBER	QTY.	DESCRIPTION
76	P01528	5	Nut, Hx., #10-32				
77	P19105	1	Switch, Pressure - S.P.S.T.				
78	P20954	1	Switch, Fan Belt Light				
79	P20953	1	Switch, Oil Light				
80	P18673	REF	Switch, Neutral Start				
81	P26180	REF	Switch, Differential Lock				
82	P27308	REF	Switch, Brake Pressure				
83	B)P28714	REF	Switch, Parking Brake				
84	C)P28721	1	Switch, Pressure - D.P.S.T.				
85	B)P28456	1	Buzzer/Light, Parking Brake				
86	B)P28552	1	Wire, Buzzer/Light to Park Brake Switch (Black - 14 GA.)				
87	B)P28554	1	Wire, Buzzer/Light to Fuse Block (Red - 14 GA.)				
88*	C)P28555	2	Wire, Pressure Switch to Pressure Switch (White - 14 GA.)				
89*	C)P28556	1	Wire, Pressure Switch to Group (White - 14 GA.)				
90	C)P28557	1	Wire, Pressure Switch to Park Brake Switch (White - 14 GA.)				
91	P27528	1	Wire, Circuit Breaker to Alternator (White - 12 GA.)				
92*	P27527	1	Wire, Fuse Block to Relay - Oil Light (Red - 16 GA.)				
93	P27526	1	Wire, Starter to Alternator (Red - 6 GA.)				
94	26092B	1	Quick Cold Start (Cylinder not included)				
94A*	P28747	-	Fuse, AGC-15 AMP				
94B*	P27303	-	Valve Gasket				
94C*	P27304	-	Filter, O-Ring				
94D*	P27305	-	Coupling, Dirt Eliminator				
94E	P27306	-	Sensor, Engine Temp. (40° Surface)				
94F	N.L.A.	(A)	Starting Fluid Cylinder				
NOTES: A) Procure Locally. B) Production Initiated S/N 210. C) Production Initiated S/N 221. D) For S/N 101 - 220, use P10201.							
* Not Illustrated							

24638

1044 S/N 101 THRU 6/89

ELECTRICAL ASSEMBLY (Deutz) PAGE 2 OF 2

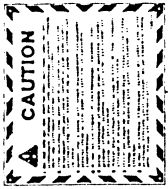
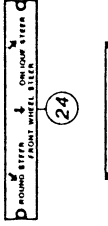
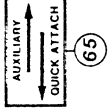
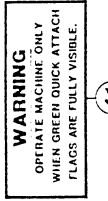
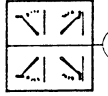
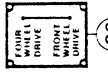
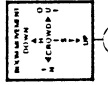




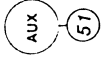
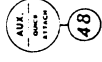
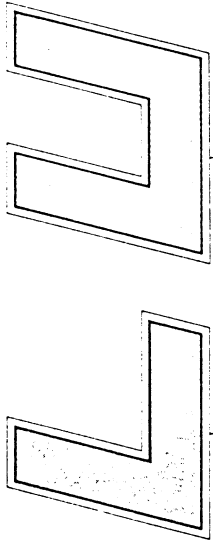
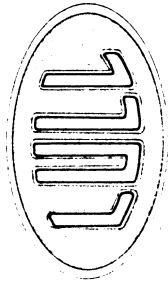
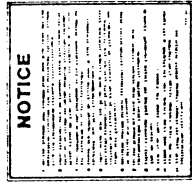
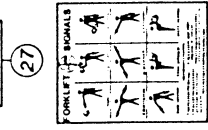
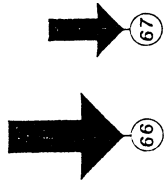
- ①- IGNITION SWITCH
- ②- TRANS OIL TEMP GAUGE
- ③- FUEL GAUGE
- ④- VOLTMETER GAUGE
- ⑤- OIL PRESSURE GAUGE
- ⑥- OIL LIGHT SENDER
- ⑦- HOUR METER GAUGE
- ⑧- OIL TEMP SENDER - TRANS
- ⑨- ENGINE TEMP SENSOR
- ⑩- OIL PRESSURE SENDER
- ⑪- OIL LIGHT
- ⑫- FAN LIGHT
- ⑬- BRAKE PRESSURE LIGHT
- ⑭- DIFF LOCK LIGHT
- ⑮- HORN RELAY
- ⑯- BRAKE PRESSURE BUZZER
- ⑰- NEUTRAL SAFETY SWITCH
- ⑱- PRESSURE SWITCH-S.P.S.T.
- ⑲- PRESSURE SWITCH-D.P.S.T. (S/N 221 THRU)
- ⑳- BUZZER/LIGHT, PARKING BRAKE

24639-1

S/N 210 THRU



HIGHLANDER



31

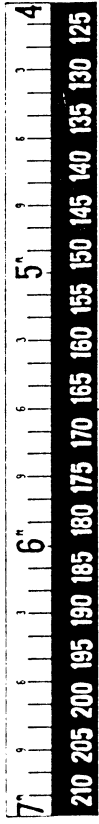
32

33

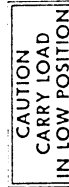
34



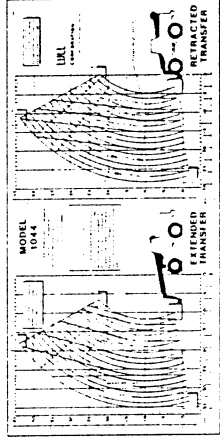
35



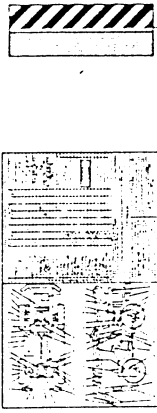
36



42



54



56

DO NOT OPERATE MACHINE WHEN LOW BRAKE PRESSURE LIGHT IS ON

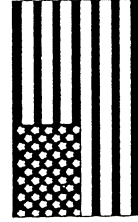
52

LOW BRAKE PRESSURE

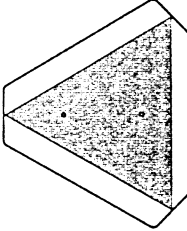
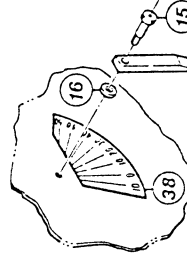
53

A B C D M N O P

37



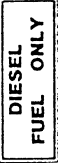
68



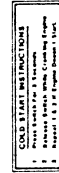
21



58



57



60



61



63



62

24640

ITEM	PART NUMBER	DESCRIPTION	QTY.	DESCRIPTION	ITEM	PART NUMBER	DESCRIPTION	QTY.	DESCRIPTION
1	P16950-7	(A)	Orange Enamel Spray Paint	47	P18189	Decal, Transfer Control	1	Decal, Transfer Control	
2	N.L.A.	(B)	Orange Enamel Paint	48	P27900	Decal, Auxiliary - Quick Attach Control	1	Decal, Auxiliary - Quick Attach Control	
3	N.L.A.	(B)	Primer, Paint	49	P18188	Decal, Carriage Tilt Control	1	Decal, Carriage Tilt Control	
4	N.L.A.	(B)	Thinner, Paint	50	P18818	Decal, Vehicle Tilt Control	1	Decal, Vehicle Tilt Control	
11	P18991	2	Reflector, Red	51	P18190	Decal, Auxiliary Control	1	Decal, Auxiliary Control	
12	P18992	2	Reflector, Yellow	52	P26787	Decal, Brake Pressure Warning	1	Decal, Brake Pressure Warning	
13	N11599	5	No-Slip Surfacing (2" x 20" LG. Strips)	53	P26784	Decal, Low Brake Pressure - Light	1	Decal, Low Brake Pressure - Light	
14	P26295	1	Angle Indicator Pointer	54	P26490	Decal, Load Chart	1	Decal, Load Chart	
15	P27814	1	Shoulder Bolt, 3/8" Dia. x 3/4"	55	P26489	Decal, Lubrication Schedule	1	Decal, Lubrication Schedule	
16	P27816	1	Spacer Washer, Hardened	56	P27553	Decal, Quick Attach Indicator Flag	REF	Decal, Quick Attach Indicator Flag	
17*	P01306	2	Lockwasher, #10	57	P25546	Decal, Diesel Fuel Only	1	Decal, Diesel Fuel Only	
18*	P01504	2	Nut, Hx., #10-24	58	P25545	Decal, Hydraulic Oil Only	1	Decal, Hydraulic Oil Only	
19*	P27610	2	Screw, Hx. Washer Hd., #10-24 x 1/2"	59	P26085	Decal, Cold Start Instructions	1	Decal, Cold Start Instructions	
20*	P15355	16	Drive Screw, Rd. Hd., #4 x 1/4"	60	P27558	Decal, Calcuim Chloride Required	1	Decal, Calcuim Chloride Required	
21	P19841	1	Slow Moving Vehicle Sign	61	P25548	Decal, Diff. Lock - Foot Control	1	Decal, Diff. Lock - Foot Control	
22	P16634	1	Plate, Serial Number	62	P26488	Decal, Diff. Lock - Light	1	Decal, Diff. Lock - Light	
23	P16633	1	Plate, Four Wheel Disconnect	63	P28522	Decal, Parking Brake	1	Decal, Parking Brake	
24	P16629	1	Plate, Steer Selector	64	P27585	Decal, Carriage Safety	2	Decal, Carriage Safety	
25	P19792	1	Plate, U.S. Patent No.	65	P27556	Decal, Boom Mounted Selector Valve	1	Decal, Boom Mounted Selector Valve	
26	P26474	2	Plate, Caution	66	P19071	Decal, Large Arrow	1	Decal, Large Arrow	
27	C)P17720	1	Plate, Engine Shut Off	67	P19070	Decal, Small Arrow	2	Decal, Small Arrow	
28	C)P19944	1	Decal, Oil-Fan Belt Warning	68	P28781	Decal, American Flag	1	Decal, American Flag	
29	P17607	1	Decal, Manufacture	REF	18798A	Decal Replacement Package (Includes Items 29 - 68.)	1	Decal Replacement Package (Includes Items 29 - 68.)	
30	P18184	2	Decal, Highlander						
31	P17586	2	Decal, Lull Logo						
32	P18185	9	Decal, Letter "L"						
33	P18186	3	Decal, Letter "U"						
34	P26491	1	Decal, Model 1044						
35	P19073	1	Decal, Transfer Extension Indicator						
36	P19072	1	Decal, Transfer Extension Indicator						
37	P26768	1	Decal, Boom Extension Indicator - 2 Pieces						
38	P18003	1	Decal, Boom Angle Indicator						
39	P18836	1	Decal, Boom Movement (Joystick)						
40	P20432	1	Decal, Outrigger Movement						
41	P27557	1	Decal, Warning - Flags Visible						
42	P24704	1	Decal, Caution, Carry Load Low						
43	P24705	2	Decal, Don't Be Careless						
44	P21406	1	Decal, Fork Lift Signals						
45	P26473	1	Decal, Notice						
46	D)P28523	REF	Decal, Carriage Side Tilt Control						

NOTES:

- A) Available Only in Case of (25) 12.5 oz. Spray Cans.
- B) Procure all Chemical and Paint Supplies Locally.
- C) For Machines with Deutz Engines only.
- D) Production Initiated S/N 245. Supersedes Item 51 for Machines with Optional Tilting Carriages.

* Not Illustrated

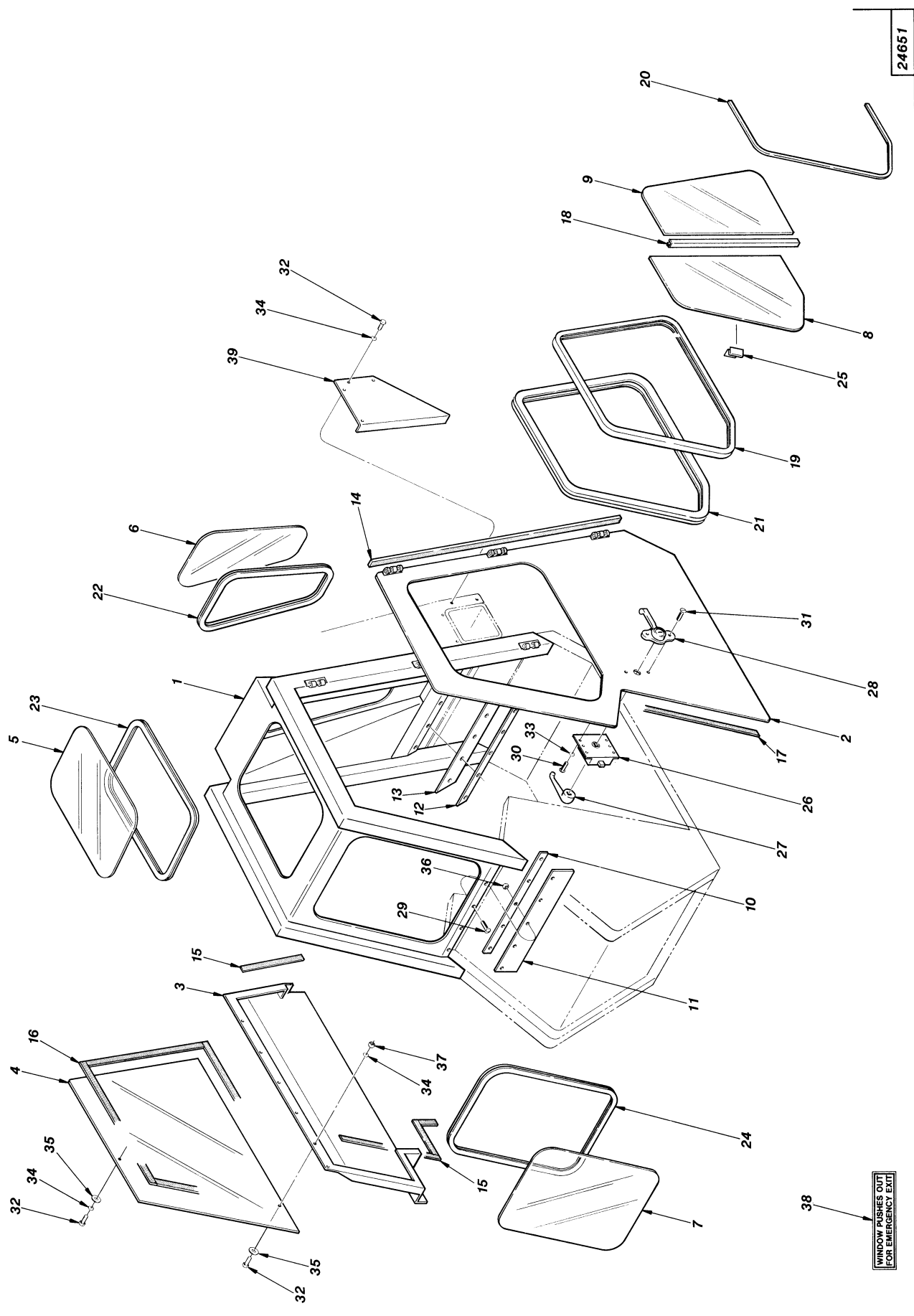
Items 17 - 19, mount Slow Moving Vehicle Sign.

24640

1044 S/N 101 THRU

6/89

DECAL GROUP ASSEMBLY



WINDOW PUSHES OUT FOR EMERGENCY EXIT

ITEM	PART NUMBER	DESCRIPTION	QTY.	DESCRIPTION	ITEM	PART NUMBER	QTY.	DESCRIPTION
1	25177D	Frame Enclosure	1					
2	25186D	Door Frame	1					
3	A)25196C	Side Panel	1					
4	25303C	Window, Side	1					
5	25212B	Window, Top	1					
6	25213B	Window, Rear	1					
7	P27592	Window, Front	1					
8	P27593	Window, Door - Sliding	1					
9	P27594	Window, Door - Stationary	1					
10	25207A	Trim Strip, Front	1					
11	25208A	Sealer Strip, Front	1					
12	25209A	Trim Strip, Rear	1					
13	25210A	Sealer Strip, Rear	1					
14	N11423	Sponge Gasket, Self-Stick, 1/2" x 1" x 51"	1					
15	N11810	Sponge Gasket, Self-Stick, 1/4" x 1" x 43"	1					
16	N11804	Sponge Gasket, Self-Stick, 1/4" x 1" x 115"	1					
17	N11805	Sponge Gasket, Self-Stick, 1/4" x 1" x 148"	2					
18	N11806	Rigid Channel, Window	1					
19	N11807	Flex Channel, Window	1					
20	N11808	Rubber Spacer, Window	1					
21	N11809	Weather Stripping, Door Window	1					
22	N11801	Weather Stripping, Rear Window	1					
23	N11802	Weather Stripping, Top Window	1					
24	N11803	Weather Stripping, Front Window	1					
25	P24268	Finger Pull, Window	2					
26	P24342	Door Lock	1					
27	P24343	Door Handle, Inside	1					
28	P24344	Door Handle, Outside	1					
29	P02057	Screw, Rd. Hd., #10-24 x 3/4"	10					
30	P02079	Screw, Rd. Hd., #10-32 x 1/2"	6					
31	P02332	Screw, Slotted Ft. Hd., #10-32 x 3/4"	2					
32	P00003	Bolt, Hx., 1/4"-20 x 3/4"	19					
33	P01355	Starwasher, #10	6					
34	P01357	Starwasher, 1/4"	19					
35	P01402	Flatwasher, 1/4"	15					
36	P01504	Nut, Hx., #10-24	10					
37	P01506	Nut, Hx., 1/4"-20	8					
38	P27559	Decal, Emergency Exit, Windshield	1					
39	A)25302B	End Cover	1					

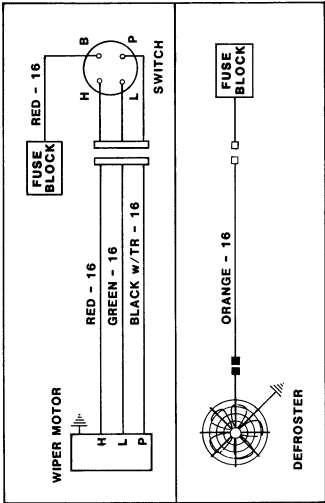
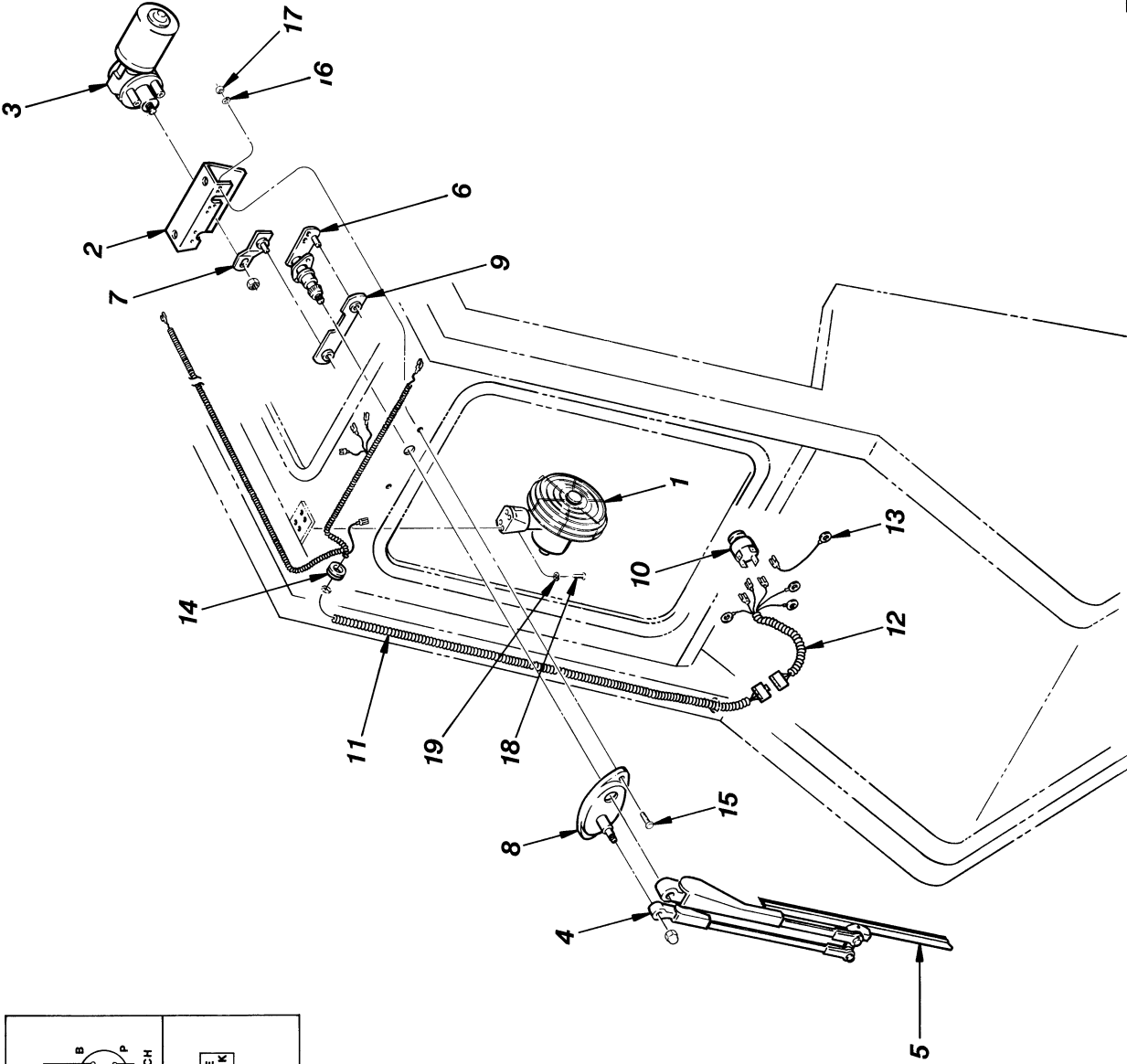
NOTES:
A) Replaces Standard Equipment.

24651

1044 OPTION

CAB ASSEMBLY

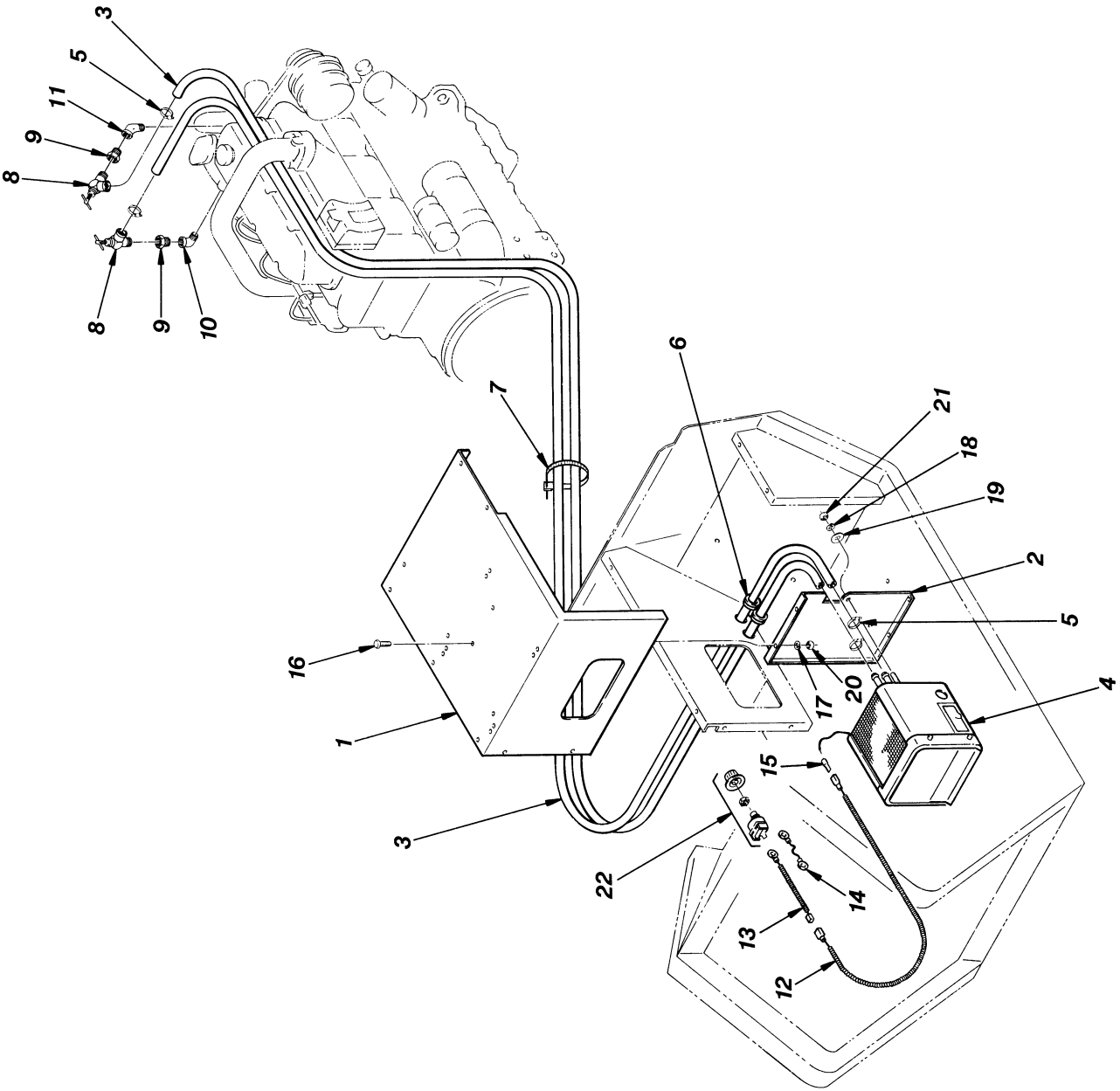
6/89



ITEM	PART NUMBER	QTY.	DESCRIPTION	ITEM	PART NUMBER	QTY.	DESCRIPTION
1	P14059	1	Defroster				
2	N.S.S.	1	Bracket, Motor				
3	P25353	1	Wiper Motor (Includes Items 2 & 9)				
4	P25354	1	Wiper Arm				
5	P25355	1	Wiper Blade				
6	P25356	1	Pivot Shaft				
7	P25357	1	Crank Arm				
8	P25358	1	Pantograph Adapter				
9	P25359	1	Connecting Link				
10	P25371	1	Switch, Wiper - 2 Speed				
11	P26485	1	Wire Harness, Upper				
12	P26770	1	Wire Harness, Lower				
13	P27544	1	Wire, Jumper				
14	P24347	1	Grommet, Wire				
15	P00003	2	Bolt, Hx., 1/4"-20 x 3/4"				
16	P01308	2	Lockwasher, 1/4"				
17	P01506	2	Nut, Hx., 1/4"-20				
18	P02054	4	Screw, Slotted Rd. Hd., #10-24 x 1/2"				
19	P01306	4	Lockwasher, #10				

24652

1044 OPTION
 WIPER AND DEFROSTER ASSEMBLY
 6/89



ITEM	PART NUMBER	QTY.	DESCRIPTION	ITEM	PART NUMBER	QTY.	DESCRIPTION
1	A)25204C	1	Seat Box, Heater				
2	25203C	2	Mounting Panel, Heater				
3	N11406	2	Heater Hose, 5/8" x 120"				
4	P12390	1	Heater, Hot Water (Includes Item 22)				
5	P10186	4	Hose Clamp				
6	P24763	2	Grommet, Hose				
7	P17989	3	Ty-Rap				
8	P23266	2	Shut-Off Valve				
9	P10120	2	Reducer Bushing				
10	P10110	1	90° Elbow, Pipe				
11	P10191	1	45° Elbow, Pipe				
12	P26484	1	Wire, Lower				
13	P26771	1	Wire, Upper				
14	P27545	1	Wire, Jumper				
15	P13510	1	Terminal, Male				
16	P00001	4	Bolt, Hx., 1/4"-20 x 1/2"				
17	P01308	4	Lockwasher, 1/4"				
18	P01309	2	Lockwasher, 5/16"				
19	P01403	3	Flatwasher, 5/16"				
20	P01506	4	Nut, Hx., 1/4"-20				
21	P01507	3	Nut, Hx., 5/16"-18				
22	P25987	REF	Switch, Heater				

24653

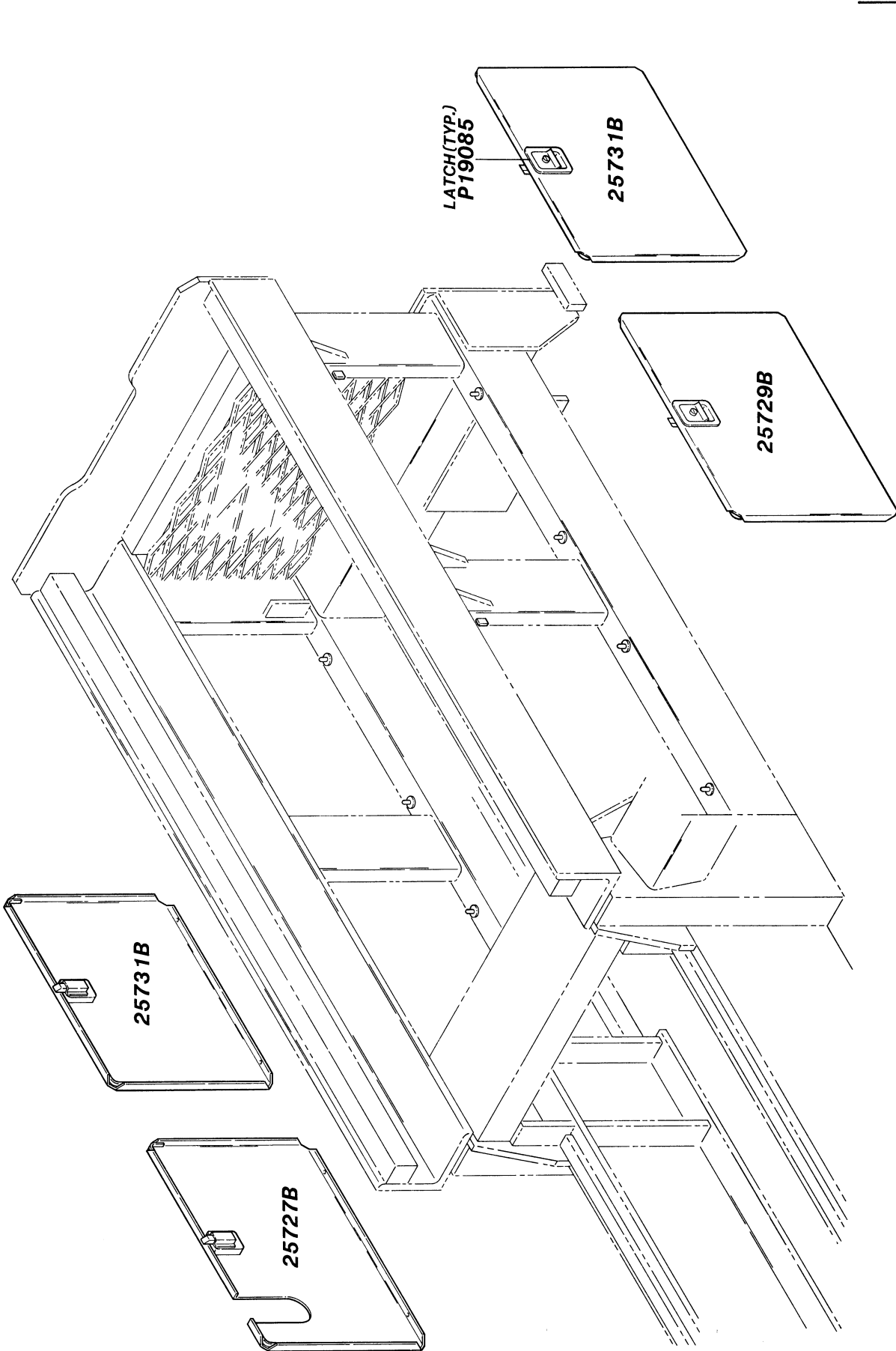
1044 OPTION

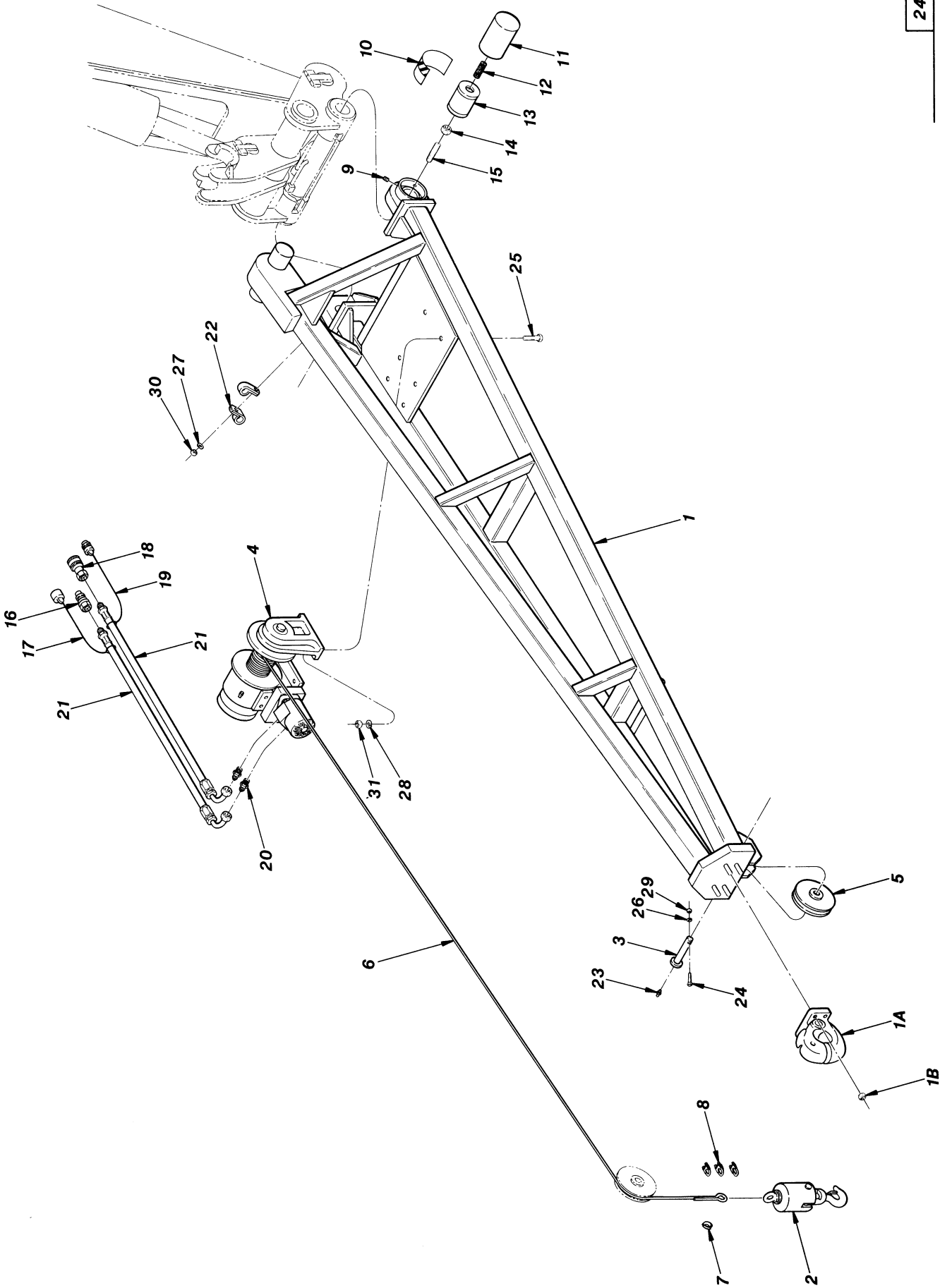
6/89

CAB HEATER ASSEMBLY (HOT WATER)

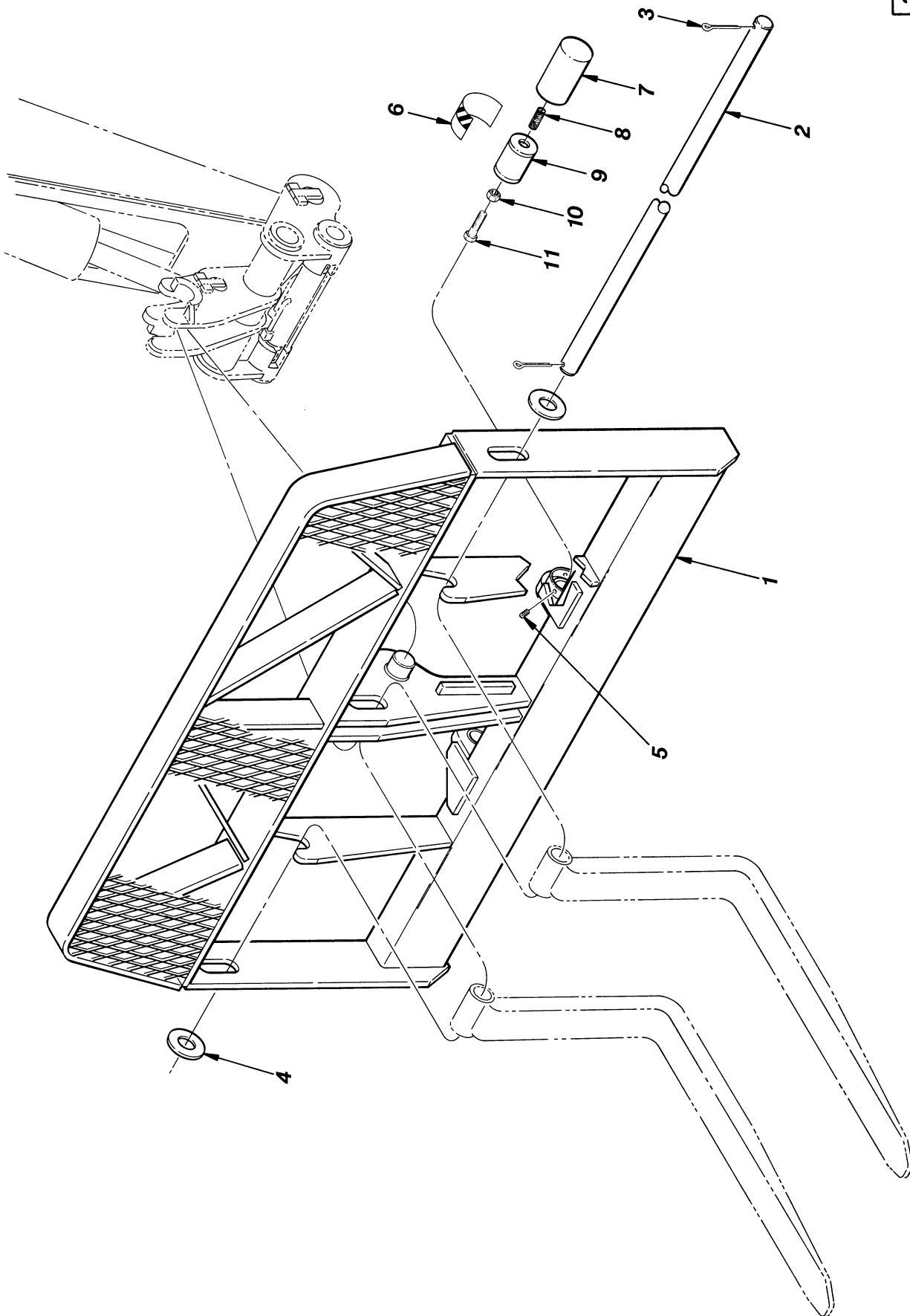
NOTES:

A) Replaces Standard Equipment.





ITEM	PART NUMBER	DESCRIPTION	QTY.	DESCRIPTION	ITEM	PART NUMBER	QTY.	DESCRIPTION
1	25078D	Truss Boom	1					
1A	P20906	Pintle Hook	REF					
1B	P01683	Locknut, Hx., 1/2"-20	REF					
2	17955B	Hook	1					
3	25085A	Pin, Sheave	1					
4	P27770	Hydraulic Winch	1					
5	P27327	Sheave, Wire Rope	1					
6	N11410	Wire Rope, 3/8"	1					
7	P21556	Thimble	1					
8	P21557	Clip, Wire Rope	1					
9	P02612	Setscrew, Cup Pt., 3/8"-16 x 3/8"	6					
10	P28786	Decal, Quick Attach Indicator Flag	2					
11	30221B	Cover, Flag Indicator (5.38" LG.)	2					
12	A)25125B	Cover, Flag Indicator (6.44" LG.)	-					
13	P28713	Spring, Compression (Used w/5.38" Cover)	2					
14	A)P27334	Spring, Compression (Used w/6.44" Cover)	-					
15	30224B	Slide Block (3.50" LG.)	2					
16	A)25107B	Slide Block (4.00" LG.)	-					
17	P01563	Jam Nut, Hx., 3/4"-10	2					
18	N12041	Stud, Adjustment	2					
19	P10324	Quick Coupler, Male	1					
20	P10325	Dust Cap	1					
21	P11354	Quick Coupler, Female	1					
22	P10326	Dust Plug	1					
23	P18933	Connector, JIC-Pipe	2					
24	P27743	Hyd. Hose .50" x 40"	2					
25	P17553	Clamp, Hose	2					
26	P16611	Grease Zerk	1					
27	P00008	Bolt, Hx., 1/4"-20 x 1 3/4"	1					
28	P00407	Bolt, Hx., 1/2"-13 x 2 1/4" GR 8	6					
29	P01308	Lockwasher, 1/4"	1					
30	P01309	Lockwasher, 5/16"	1					
31	P01312	Lockwasher, 1/2"	6					
REF	P01506	Nut, Hx., 1/4"-20	1					
	P01507	Nut, Hx., 5/16"-18	1					
	P01510	Nut, Hx., 1/2"-13	6					
	30220C	Quick Attach Indicator Assembly (Includes Items 9 - 15)	2					
								NOTES: A) Used Early Production.
								24669
								1044 OPTION
								TRUSS BOOM w/WINCH ASSEMBLY
								6/89



24661

ITEM	PART NUMBER	QTY.	DESCRIPTION	ITEM	PART NUMBER	QTY.	DESCRIPTION
1	24484D	1	Carriage, Framers (Non-Tilt)				
2	24495A	1	Fork Shaft				
3	P03906	2	Cotter Pin, 3/8" x 3"				
4	P01419	2	Flatwasher, 2"				
5	P02612	6	Setscrew, Cup Pt., 3/8"-16 x 3/8"				
6	P28786	2	Decal, Quick Attach Indicator Flag				
7	30221B	2	Cover, Flag Indicator (5.38" LG.)				
8	A)25125B	-	Cover, Flag Indicator (6.44" LG.)				
	P28713	2	Spring, Compression (Used w/5.38" Cover)				
	A)P27334	-	Spring, Compression (Used w/6.44" Cover)				
9	30224B	2	Slide Block (3.50" LG.)				
	A)25107B	-	Slide Block (4.00" LG.)				
10	P01563	2	Jam Nut, Hx., 3/4"-10				
11	N12041	2	Stud, Adjustment				
REF	30220C	2	Quick Attach Indicator Assembly (Includes Items 5 - 11)				
REF	P25919	-	Pallet Fork, 42" x 4" x 2 1/2"				
REF	P26762	-	Pallet Fork, 48" x 4" x 2 1/2"				
REF	P26794	-	Cubing Fork, 48" x 2" x 2"				
REF	P26793	-	Lumber Fork, 48" x 7" x 1 3/4"				
REF	P26795	-	Lumber Fork, 60" x 7" x 1 3/4"				
<p>NOTES: A) Used Early Production.</p>							
							24661
					1044 OPTION		6/89
74" FRAMERS (NON-TILT) CARRIAGE ASSEMBLY							

ITEM	PART NUMBER	DESCRIPTION	QTY.	DESCRIPTION	ITEM	PART NUMBER	QTY.	DESCRIPTION
1	A)P20139	Cylinder, Tilting Carriage	1	Cylinder, Tilting Carriage	REF	P25919	-	Pallet Fork, 42" x 4" x 2 1/2"
2	24823D	Inner Carriage	1	Inner Carriage	REF	P26762	-	Pallet Fork, 48" x 4" x 2 1/2"
2A	30389D	Pivot Shaft (Field Repair)	REF	Pivot Shaft (Field Repair)	REF	P26794	-	Cubing Fork, 48" x 2" x 2"
3	24824D	Carriage, Standard Tilting	1	Carriage, Standard Tilting	REF	P26793	-	Lumber Fork, 48" x 7" x 1 3/4"
4	23049B	Fork Shaft	1	Fork Shaft	REF	P26795	-	Lumber Fork, 60" x 7" x 1 3/4"
5	P03906	Cotter Pin, 3/8" x 3"	3	Cotter Pin, 3/8" x 3"				
6	P01419	Flatwasher, 2"	2	Flatwasher, 2"				
7	B)P02612	Setscrew, Cup Pt., 3/8"-16 x 3/8"	6	Setscrew, Cup Pt., 3/8"-16 x 3/8"				
8	P16611	Grease Zerk	3	Grease Zerk				
9	16224A	Nut, Pivot Shaft	1	Nut, Pivot Shaft				
10	16223A	Thrust Washer	1	Thrust Washer				
11	16229A	Pin, Tilt Cylinder	1	Pin, Tilt Cylinder				
12	16323A	Washer, Special	1	Washer, Special				
13	P25199	Bushing, Cylinder - Upper	1	Bushing, Cylinder - Upper				
14	P19106	Bushing, Cylinder - Lower	1	Bushing, Cylinder - Lower				
15	P20890	Bushing, Pivot Shaft	1	Bushing, Pivot Shaft				
16	P18943	45° Elbow, JIC-Pipe	2	45° Elbow, JIC-Pipe				
17	P27444	Hyd. Hose .38" x 38"	1	Hyd. Hose .38" x 38"				
18	P27445	Hyd. Hose .38" x 30"	1	Hyd. Hose .38" x 30"				
19	P10325	Cap, Dust	1	Cap, Dust				
20	P11353	Quick Coupler, Male	1	Quick Coupler, Male				
31	P11354	Quick Coupler, Female	1	Quick Coupler, Female				
22	P01326	Plug, Dust	1	Plug, Dust				
23	P28786	Decal, Quick Attach Indicator Flag	2	Decal, Quick Attach Indicator Flag				
24	30221B	Cover, Flag Indicator (5.38" LG.)	2	Cover, Flag Indicator (5.38" LG.)				
25	C)25125B	Cover, Flag Indicator (6.44" LG.)	-	Cover, Flag Indicator (6.44" LG.)				
26	P28713	Spring, Compression (Used w/5.38" Cover)	2	Spring, Compression (Used w/5.38" Cover)				
27	C)P27334	Spring, Compression (Used w/6.44" Cover)	-	Spring, Compression (Used w/6.44" Cover)				
28	30224B	Slide Block (3.50" LG.)	2	Slide Block (3.50" LG.)				
29	C)25107B	Slide Block (4.00" LG.)	-	Slide Block (4.00" LG.)				
30	P01563	Jam Nut, Hx., 3/4"-10	2	Jam Nut, Hx., 3/4"-10				
31	N12041	Stud, Adjustment	2	Stud, Adjustment				
32	P00108	Bolt, Hx., 5/16"-18 x 2"	1	Bolt, Hx., 5/16"-18 x 2"				
33	P01309	Lockwasher, 5/16"	1	Lockwasher, 5/16"				
34	P01507	Nut, Hx., 5/16"-18	1	Nut, Hx., 5/16"-18				
REF	30220C	Quick Attach Indicator Assembly (Includes Items 7, 23 - 28.)	2	Quick Attach Indicator Assembly (Includes Items 7, 23 - 28.)				

NOTES:

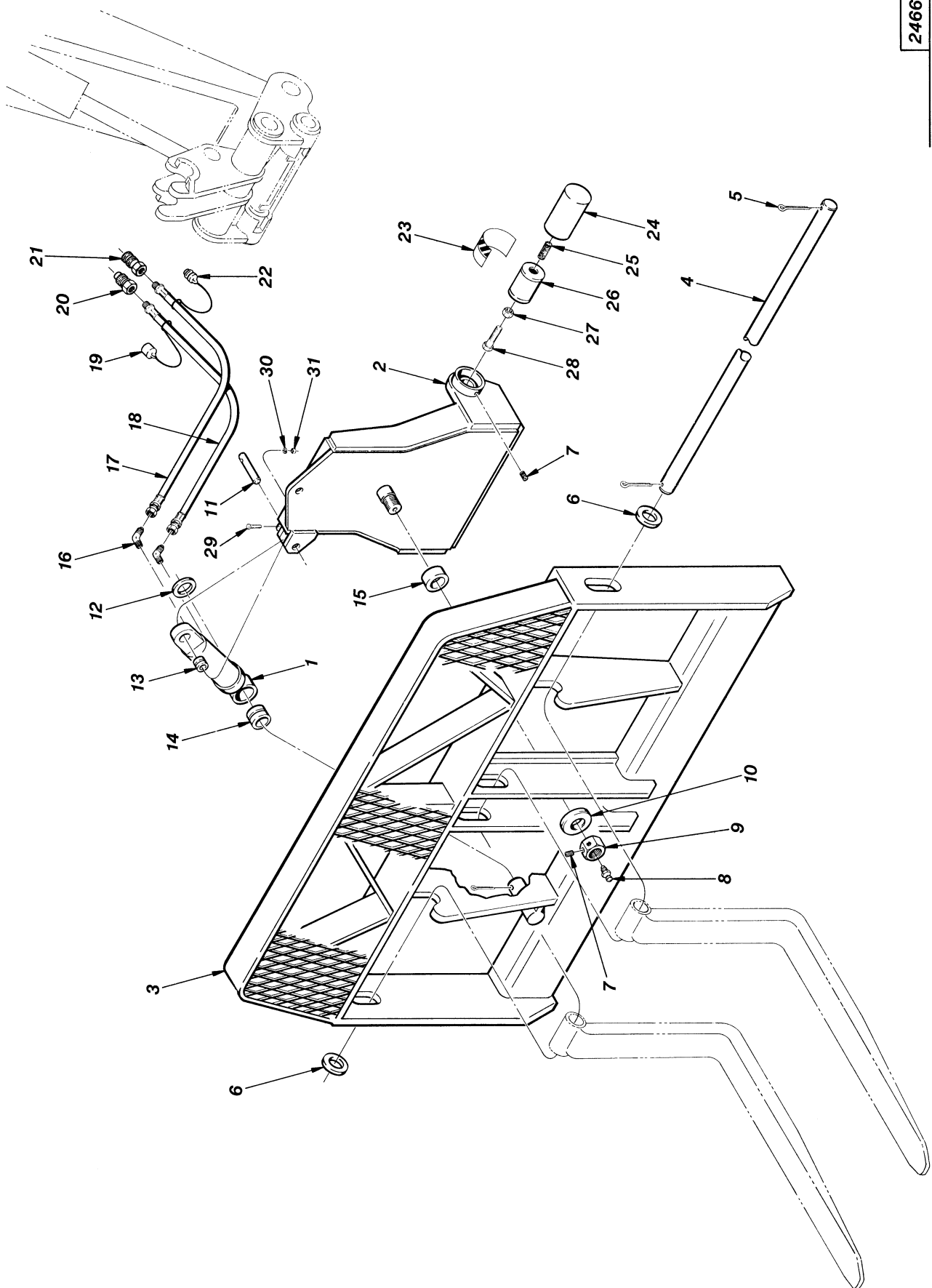
- A) For Parts Breakdown, see Tilting Carriage Cylinder Assembly.
- B) Early Production used (8) 1/4"-20 x 5/16" Setscrews. Part Number P02563.
- C) Used Early Production.

24663

1044 OPTION

6/89

50" STANDARD TILTING CARRIAGE ASSEMBLY



ITEM	PART NUMBER	DESCRIPTION	QTY.	DESCRIPTION	ITEM	PART NUMBER	DESCRIPTION	QTY.
1	A)P20139	Cylinder, Tilting Carriage	1		REF	P25919	Pallet Fork, 42" x 4" x 2 1/2"	-
2	24823D	Inner Carriage	1		REF	P26762	Pallet Fork, 48" x 4" x 2 1/2"	-
2A	30389D	Pivot Shaft (Field Repair)	REF		REF	P26794	Cubing Fork, 48" x 2" x 2"	-
3	24985D	Carriage, Framers Tilting	1		REF	P26793	Lumber Fork, 48" x 7" x 1 3/4"	-
4	24495A	Fork Shaft	1		REF	P26795	Lumber Fork, 60" x 7" x 1 3/4"	-
5	P03906	Cotter Pin, 3/8" x 3"	3					
6	P01419	Flatwasher, 2"	2					
7	P02612	Setscrew, Cup Pt., 3/8"-18 x 3/8"	6					
8	P16611	Grease Zerk	3					
9	16224A	Nut, Pivot Shaft	1					
10	16223A	Thrust Washer	1					
11	16229A	Pin, Tilt Cylinder	1					
12	16323A	Washer, Special	1					
13	P25199	Bushing, Cylinder - Upper	1					
14	P19106	Bushing, Cylinder - Lower	1					
15	P20890	Bushing, Pivot Shaft	1					
16	P18943	45° Elbow, JIC-Pipe	2					
17	P27444	Hyd. Hose .38" x 38"	1					
18	P27445	Hyd. Hose .38" x 30"	1					
19	P10325	Cap, Dust	1					
20	P11353	Quick Coupler, Male	1					
21	P11354	Quick Coupler, Female	1					
22	P10326	Plug, Dust	1					
23	P28786	Decal, Quick Attach Indicator Flag	2					
24	30221B	Cover, Flag Indicator (5.38" LG.)	2					
25	B)25125B	Cover, Flag Indicator (6.44" LG.)	-					
26	P28713	Spring, Compression (Used w/5.38" Cover)	2					
27	B)P27334	Spring, Compression (Used w/6.44" Cover)	-					
28	30224B	Slide Block (3.50" LG.)	2					
29	B)25107B	Slide Block (4.00" LG.)	-					
30	P01563	Jam Nut, Hx., 3/4"-10	2					
31	N12041	Stud, Adjustment	2					
REF	P00108	Bolt, Hx., 5/16"-18 x 2"	1					
	P01309	Lockwasher, 5/16"	1					
	P01507	Nut, Hx., 5/16"-18	1					
REF	30220C	Quick Attach Indicator Assembly (Includes Items 7, 23 - 28.)	2					

NOTES:
A) For Parts Breakdown, see Tilting Carriage
Cylinder Assembly.
B) Used Early Production.

24664

1044 OPTION

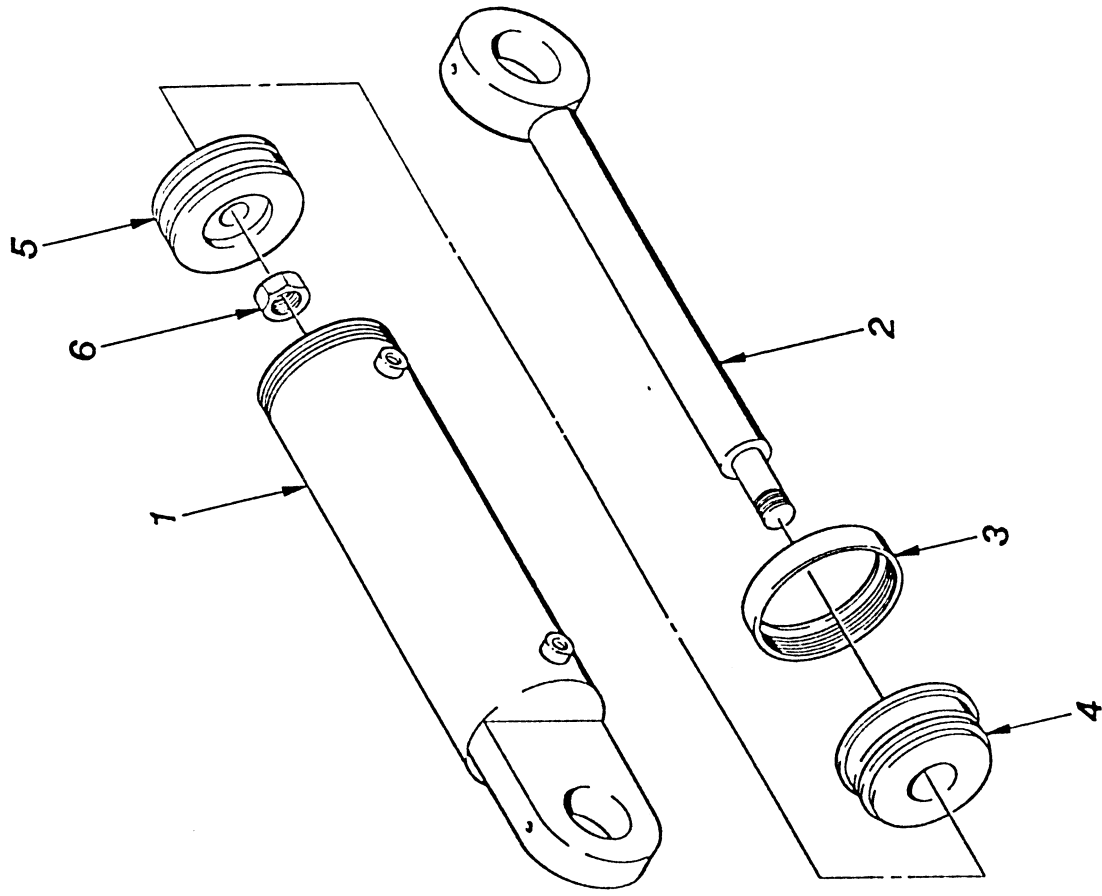
6/89

74" FRAMERS TILTING CARRIAGE ASSEMBLY

ITEM	PART NUMBER	QTY.	DESCRIPTION
REF	P20139	-	Tilting Carriage Cylinder
1	P25293	1	Barrel Weldment
2	P25297	1	Rod Weldment
3	P23778	1	Rod Bearing Retainer
4	P23788	1	Rod Bearing
5	P19224	1	Piston
6	P19217	1	Locknut
REF	P20119	1	Seal Kit

24665

1044 OPTION
 6/89
 TILTING CARRIAGE CYLINDER ASSEMBLY



The parts information in this publication is based on data available at the time it was printed. Because of continual improvement and advancing product design, your vehicle may not be identical to the parts information shown. Whenever there is a question, obtain the latest parts information available from your local dealer. JLG Industries, Inc. continually updates these publications electronically within our *OnLine Services*.



Benefits

- Available 24 hours a day, 7 days a week for your convenience.
- Prices and parts manuals are always current - reduces errors and saves time.
- Improves service to your customers with quick access to valuable information.
- Reduces time required to gather information.
- Reduces processing time for warranty claims.

Program Features

- In a few easy steps you can:
- Look-up prices and availability.
- Identify parts using graphical parts manuals.
- Enter orders using part numbers, or order by selecting from graphical parts manuals.
- Review order status.
- Review invoices and credits.
- Review shipping information.
- Submit warranty claims

Visit Us at

<http://www.jlg.com>

Model No. _____

Serial No. _____



**CORPORATE OFFICE
JLG INDUSTRIES, INC.**

1 JLG Drive
McConnellsburg, PA. USA
17233-9533
Phone: (717) 485-5161
Toll Free: (877) 554-5438
Fax: (717) 485-6417

Service Direct: (717) 485-6657 Service Fax: (717) 485-6488 or (717) 485-6815
Parts Direct: (717) 485-6472 Parts Fax: (800) 733-8939 or (717) 485-6441

JLG Industries (Australia)
P.O. Box 5119
11 Bolwarra Road
Port Macquarie
N.S.W. 2444
Australia
Phone: (61) 2 65 811111
Fax: (61) 2 65 810122

JLG Industries (UK)
Unit 12, Southside
Bredbury Park Industrial
Estate
Bredbury
Stockport
SK6 2sP
England
Phone: (44) 870 200 7700
Fax: (44) 870 200 7711

JLG Deutschland GmbH
Max Planck Strasse 21
D-27721 Ritterhude/Ihlpohl
Bei Bremen
Germany
Phone: (49) 421 693 500
Fax: (49) 421 693 5035

JLG Industries (Italia)
Via Po, 22
20010 Pregnana Milanese-MI
Italy
Phone: (39) 02 9359 5210
Fax: (39) 02 9359 5845

JLG Latino Americana Ltda.
Rua Eng. Carlos Stevenson,
80-Suite71
13092-310 Campinas-SP
Brazil
Phone: (55) 19 3295 0407
Fax: (55) 19 3295 1025

JLG Europe B.V.
Jupiterstraat 234
2132 HJ Hoofddorp
The Netherlands
Phone: (31) 23 565 5665
Fax: (31) 23 557 2493

JLG Industries (Norge AS)
Sofeimyrveien 12
N-1412 Sofienyr
Norway
Phone: (47) 6682 2000
Fax: (47) 6682 2001

JLG Polska
Ul. Krolewska
00-060 Warszawa
Poland
Phone: (48) 91 4320 245
Fax: (48) 91 4358 200

JLG Industries (Europe)
Kilmartin Place,
Tannochside Park
Uddingston G71 5PH
Scotland
Phone: (44) 1 698 811005
Fax: (44) 1 698 811055

JLG Industries (Pty) Ltd.
Unit 1, 24 Industrial Complex
Herman Street
Meadowdale
Germiston
South Africa
Phone: (27) 11 453 1334
Fax: (27) 11 453 1342

Plataformas Elevadoras
JLG Iberica, S.L.
Trapadella, 2
P.I. Castellbisbal Sur
08755Castellbisbal
Spain
Phone: (34) 93 77 24700
Fax: (34) 93 77 11762

JLG Industries (Sweden)
Enkopingsvagen 150
Box 704
SE - 175 27 Jarfalla
Sweden
Phone: (46) 8 506 59500
Fax: (46) 8 506 59534

Visit our Web Site at: <http://www.jlg.com>