

JLG[®]

GRADALL[®]

PART MANUAL

GRADALL[®]

534A

9020-5897

July 2003

CORPORATE OFFICE

JLG INDUSTRIES, INC.
1 JLG DRIVE
McConnellsburg, PA
17233-9533
USA
Telephone: (717) 485-5161
Fax: (717) 485-6417

GRADALL DIVISION

JLG INDUSTRIES, INC.
406 Mill Avenue S.W.
New Philadelphia, OH
44663
USA
Telephone: (330) 339-2211
Fax: (330) 339-8458

CONTENTS

GENERAL

Contents.	1-2
Warranty.	1-6
Ordering Information.	1-7
How to Use the Parts Book	1-8

CHASSIS and ATTACHING PARTS

Frame and Attaching Parts	2-2
Steering Axle (s/n 237 and after)	2-4
Steering Axle (before s/n 237).	2-6

BOOMS

1st section	3-2
2nd section	3-4
3rd section	3-6

ATTACHMENTS

Carriages - Forks	4-1
-----------------------------	-----

ENGINES and ATTACHING PARTS

Chrysler Engine W/LOED Mounted Parts.	5-2
Ford Engine W/LOED Mounted Parts.	5-2.2
Cummins Diesel Engine W/LOED Mounted Parts.	5-4
Fuel Tank and Lines for Gas Engine.	5-6
Fuel Tank and Lines for Cummins Diesel Engine	5-7
Radiators	
• Chrysler.	5-8
• Ford.	5-9
• Cummins	5-10
Radiator Shrouding.	5-12
Air Piping to Engine	
• Chrysler.	5-13
• Ford.	5-14
• Cummins	5-15
Oil Filter Lines for Cummins Diesel Engine.	5-16
Lubricating Oil Bypass for Cummins Diesel Engine.	5-17
Air Cleaners.	5-18

DRIVE TRAIN (less engine)

Transmission.	6-1
Differentials	6-2
Wheels.	6-4

CONTROLS

Main Valve Control Linkage (lift and crowd)	7-1
Auxiliary Valve Linkage	7-2
Spin Limiting Control	7-3
"C" Shift Control	7-4
Forward-Reverse Linkage	7-6
Transmission Shift Control.	7-8
Accelerator and Choke Control	7-9
Accelerator Linkage for Cummins Diesel Engine	7-10
Ether Start and Controls Cummins Diesel	7-11
Steering Column	7-12

CONTENTS

BRAKES

Brake Lines	
Disc Brake Hydraulic Control	8-1
Disc Brake Hydraulic Control (s/n 237 and after)	8-2
Brake Control	8-3
Parking Brake	8-4
Parking Brake Control and Brake Pocket	8-5
Service Brake Caliper (before s/n 237)	8-6
Service Brake Caliper (s/n 237 and after)	8-7
Brake Master Cylinder (before s/n 237)	8-8
Brake Master Cylinder (s/n 237 and after)	8-10
Brake Control Valve	8-11
Parking Brake Caliper	8-12

HYDRAULIC CIRCUITS

Reservoir to Pump Hydraulics	9-2
Pump to Valve Hydraulics	9-4
Valves to Hydraulics	9-5.2
Return to Reservoir (before s/n 901)	9-6
Return to Reservoir (s/n 901 and after)	9-6.2
Front Drive (before s/n 1031)	9-8
Front Drive (s/n 1031 and after)	9-9
Front Drive Motor Drain and Brake (before s/n 237)	9-10
Rear Drive Hydraulics	9-12
Rear Drive Motor Drain and Pilot (before s/n 237)	9-14
Rear Drive Motor Drain and Pilot (s/n 237 thru 1033)	9-15.2
Rear Drive Motor Drain and Pilot (s/n 1035 and after)	9-15.3
Flow Limiting and Cross-over Relief	9-16
Boom Lift and Crowd	9-18
Tilt and Compensating (before s/n 793)	9-20
Tilt and Compensating (s/n 793 and after)	9-20.2
Sway Cylinder	9-22
Steering Cylinder	9-23

HYDRAULIC COMPONENTS

Cylinders	
Lift	10-1
Crowd	10-2
Sway (all units) and Tilt (6000# Units)	10-3
Steering and Compensating (6000# Units)	10-4
Tilt (8000# Units)	10-4.1
Compensating (8000# Units)	10-4.2
Steering (s/n 237 and after)	10-5
Hydraulic Pump	10-6
Front Hydraulic Drive Motor	10-8
Rear Hydraulic Drive Motor	10-10
Proportional Flow Divider	10-12
Priority Flow Divider	10-13
Line Relief Valve	10-14
Directional Control Valve	10-15
Cross-over Relief Valve	10-16
Hi-Flow/Lo-Flow Valve	10-17
Series Parallel Valve	10-18
Torque Proportioning Valve	10-19
Main Control Valve	10-20
Main Control Valve Relief Cartridge	10-21
Auxiliary Control Valve	10-22
Hydraulic Oil Filter	10-23

CONTENTS

ELECTRIC

Engine Wiring

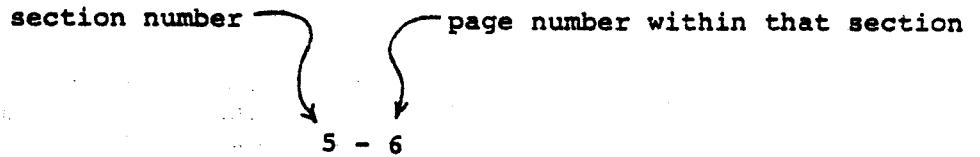
Chrysler	11-2
Ford	11-4
Cummins.	11-6
Dash Wiring.	11-8

MISCELLANEOUS

Decals	12-1.2
------------------	--------

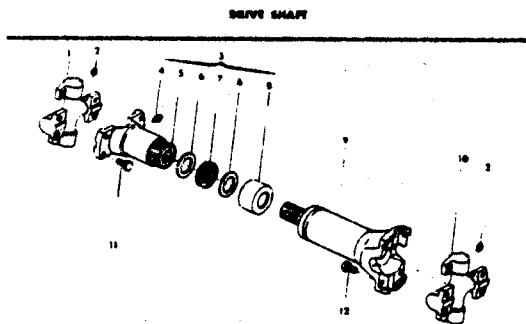
HOW TO USE THE PARTS BOOK

Refer to contents to find specific items that you are looking for. The parts book is broken down into eleven (11) sections, in sequential order with each section having sequentially numbered pages, ie



ON KEYED PAGES

Be sure to select parts you require from the proper key column, ie



If parts are required for this particular item and unit

Select your parts from this column

KEYS:

- 1 - 800-174 DRIVE SHAFT, front, Model 534 before N.C. 415
- 2 - 800-497 DRIVE SHAFT, front, Model 534 S/N 415 and after
- 3 - 800-172 DRIVE SHAFT, rear, Model 534
- 4 - 800-254 DRIVE SHAFT, Model 532 before N.C. 415
- 5 - 800-497 DRIVE SHAFT, Model 532 S/N 415 and after

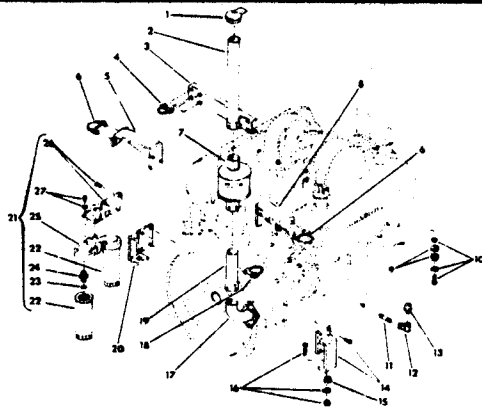
NO.	DESCRIPTION	KEYS
		A C D E
1	FRAME and SPIDER ASSEMBLY (includes 1 of 2)	1 1 1 1 1
2	Drive Shaft	2 2 2 2 2
3	Drive Shaft	1 1 1 1 1
4	Drive Shaft	1 1 1 1 1
5	Drive Shaft	1 1 1 1 1
6	Drive Shaft	1 1 1 1 1
7	Drive Shaft	1 1 1 1 1
8	Drive Shaft	1 1 1 1 1
9	Drive Shaft	1 1 1 1 1
10	Drive Shaft	1 1 1 1 1
11	Drive Shaft	1 1 1 1 1
12	Drive Shaft	1 1 1 1 1

HOW TO USE THE PARTS BOOK — CONT'D

On Pages With Assemblies

If the whole assembly is required order the assembly, if parts of assembly are required order only those parts, ie

GRIMMERS DIESEL ENGINE WITH LOAD MOUNTED PARTS

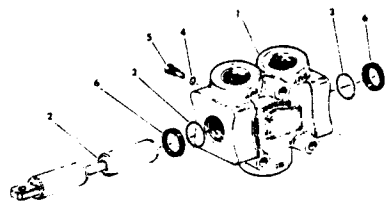


203-402 Filter Assembly

P/N 201-812 to 816 and bolts are parts of

REF.	PART NO.	DESCRIPTION	REQ'D
19	601-609	PIPE, exhaust	1
20	401-894	BRACKET, left side engine mount	1
21	203-402	FILTER, fuel (double)	1
22	201-816	* ELBOW	2
23	201-815	* O" RING	2
24	201-814	* CONNECTOR	2
25	201-813	* HEAD	1
26	201-812	* BRACKET	1
26	026-018	* BOLT, 3/8" dia x 1/2" - Gr. 5 (bracket to frame)	3
27	026-018	* BOLT, 3/8" dia x 1/2" - Gr. 5 (filters to bracket)	4
27	021-465	* WASHER, 3/8"	4

IN FLOW - LO FLOW VALVE



When NSS is listed under Part Number it means that that particular item is "NOT SERVICED SEPARATELY". If it is required, the complete assembly would have to be ordered, ie

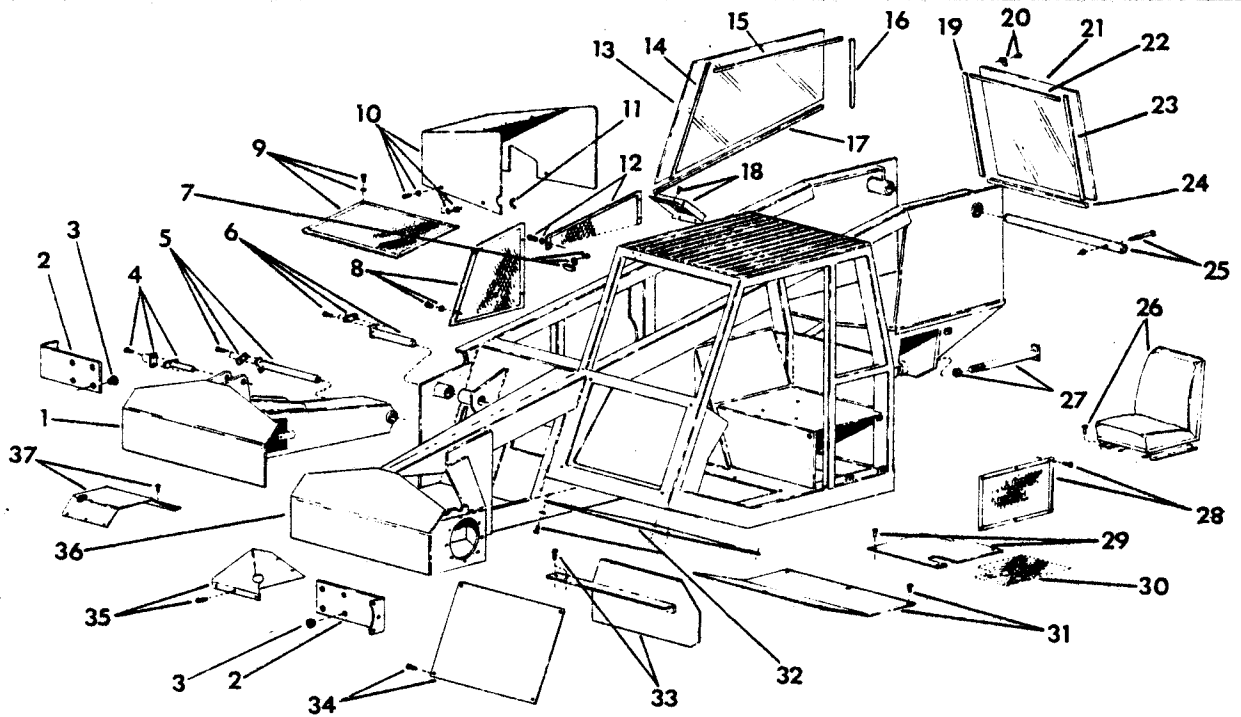
REF.	PART NO.	DESCRIPTION	REQ'D
1	602-012	VALVE, diverting (High-Lowflow)	1
1	NSS	HOUSING, valve	1
2	NSS	PLUNGER	1
3	202-701	* O" RING	2
4	202-702	* O" RING	1
5	202-703	PLUG, stop	1
6	202-704	RING, wiper	1

NSS - NOT SERVICED SEPARATELY

If an "AR" is listed under number required, the meaning is "AS REQUIRED".

If any questions arise please call LOED Corporation PARTS DEPARTMENT.

FRAME & ATTACHING PARTS



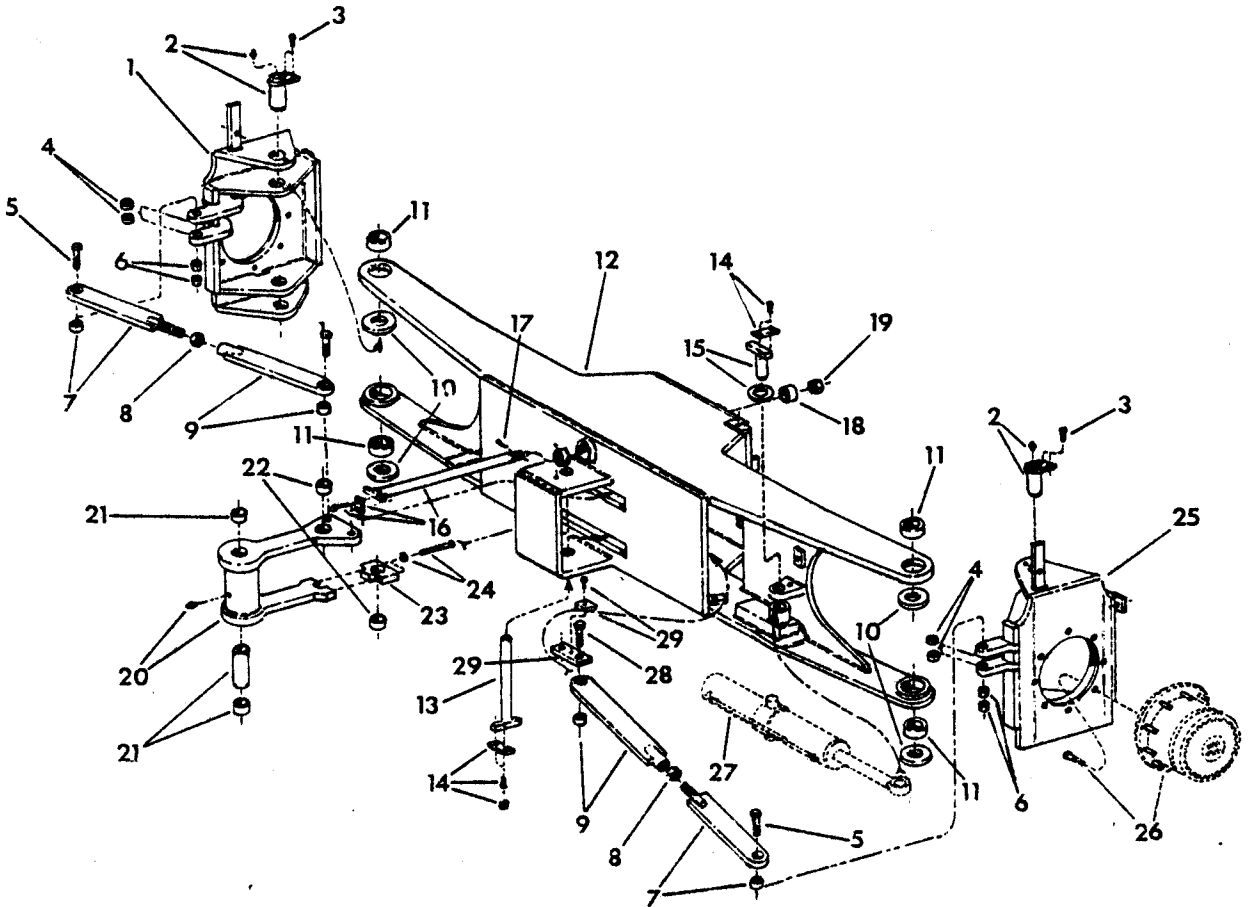
REF.	PART NO.	DESCRIPTION	REQ'D
1	802-192	ARM, sway	1
	027-527	BUSHING	4
2	402-402	BRACKET, transmission mounting (SN 237 thru 1029)	2
	403-087	BRACKET, transmission mounting (SN 1031 and after)	2
3	600-096	GROMMET, rubber (4 per bracket)	8
	020-039	BOLT, 1/2" nc x 2" - Gr. 5 (4 per bracket to transmission)	8
	200-340	WASHER, special	8
4	402-150	PIN, sway cylinder (rod end)	1
	201-436	RETAINER, pin	1
	020-131	BOLT, 1/2" nc x 1 3/4" - Gr. 5	2
5	402-152	PIN, sway arm to frame	1
	201-436	RETAINER, pin	1
	020-031	BOLT, 1/2" nc x 1 3/4" - Gr. 5	2
6	402-153	PIN, sway cylinder (base end)	1
	201-436	RETAINER, pin	1
	020-131	BOLT, 1/2" nc x 1 3/4" - Gr. 5	2
7	202-948	INDICATOR, level	1
	020-003	BOLT, 1/4" nc x 1" - Gr. 5	3
	021-454	WASHER	3
	021-093	NUT, 1/4" nc	3
	202-877	CLIP, retainer	3
8	602-458	GUARD, right side (hydraulics)	1
	026-019	BOLT, 3/8" nc x 3/4" - Gr. 5	4
	021-456	WASHER, 3/8"	4
9	601-603	GUARD, top (hydraulics)	1
	026-019	BOLT, 3/8" nc x 3/4" - Gr. 5	4
	021-456	WASHER, 3/8"	4
10	800-910	COVER, engine and hydraulic pump	1
	026-019	BOLT, 3/8" nc x 3/4" - Gr. 5	AR
	021-465	WASHER 3/8" lock	AR
	021-456	WASHER 3/8" flat	AR
	021-097	NUT 3/8" nc	AR
11	203-121	STRIP, rubber channel	1

FRAME & ATTACHING PARTS(continued)

REF.	PART NO.	DESCRIPTION	REQ'D
12	401-912	GUARD, right side above engine cover.	1
	026-019	BOLT, 3/8" nc x 3/4" - Gr. 5.	3
	021-456	WASHER, 3/8".	3
13	203-124	WINDOW, right side (plexiglass)	1
14	200-255	SEAL AND CUSHION, window (front).	1
15	200-755	SEAL AND CUSHION, window (top).	1
16	200-755	SEAL AND CUSHION, window (rear)	1
17	203-148	CHANNEL, window bottom.	1
18	602-492	COVER, auxiliary valve.	1
	027-319	BOLT	4
19	200-755	SEAL AND CUSHION, rear window (right)	1
20	202-877	CLIP, window retainer (use on right side and rear windows).	AR
	020-001	BOLT, 1/4" nc x 3/4" - Gr. 5.	AR
21	402-273	WINDOW, rear (plexiglass)	1
22	200-755	SEAL AND CUSHION, rear window (top)	1
23	200-755	SEAL AND CUSHION, rear window (left).	1
24	200-755	SEAL AND CUSHION, rear window (bottom).	1
25	402-195	PIN, boom to frame.	1
	020-219	BOLT, 5/8" nc x 5".	1
	021-101	NUT, 5/8" nc.	1
26	802-119	SEAT.	1
	021-095	NUT, 5/16" nc	4
27	202-174	PIN, axle to frame.	1
	029-926	NUT	1
	027-263	PIN, cotter	
28	602-464	SCREEN, seat base	1
	026-019	BOLT, 3/8" nc x 3/4" - Gr. 5.	6
	021-456	WASHER, 3/8".	6
29	402-466	GUARD (under seat base for lines and linkage)	1
	021-456	WASHER, 3/8".	3
	020-007	BOLT, 3/8" nc x 1" - Gr. 5.	3
	021-097	NUT, 3/8" nc.	3
30	402-467	GUARD, screen (under seat base)	1
31	802-131	PLATE, floor.	1
	020-015	BOLT, 1/2" x 1-1/4" nc	6
32	402-347	GUARD (under floor for lines and linkage)	1
	026-019	BOLT, 3/8" nc x 3/4" - Gr. 5.	4
	021-465	WASHER, 3/8".	4
33	402-283	FENDER, left front wheel.	1
	020-015	BOLT, 1/2" nc x 1 1/4" - Gr. 5.	2
	021-099	NUT, 1/2" nc.	2
34	402-257	PLATE, guard (cab front).	1
	027-319	BOLT	
35	802-203	GUARD, left front brake	1
	020-001	BOLT, 1/4" nc x 3/4" - Gr. 5.	5
36	902-050	FRAME, 534 handler (6,000# Unit)	1
	900-046	FRAME, 534 handler (8,000# Unit).	1
37	802-204	GUARD, right front brake.	1
	020-001	BOLT, 1/4" nc x 3/4" - Gr. 5.	5
38	203-092	PLATE, floor (under hydraulic pump, not shown).	1
	020-007	BOLT, 3/8" x 1" nc	
39	401-934	FILLER (used on gas only, not shown).	

STEERING AXLE

MODEL 534 WITH S/N 237 AND AFTER



KEY:

- A - Model 534 with S/N 237 thru 1005
- B - Model 534 with S/N 1007 and after

REF.	PART NO.	DESCRIPTION	REQ'D	
			A	B
1	602-517	BRACKET, hub mounting (left hand)	1	-
	602-743	BRACKET, hub mounting (left hand)	-	1
2	401-846	KINGPIN	4	-
	403-051	KINGPIN	-	4
	022-217	GREASE FITTING	4	4
3	203-167	BOLT, special	8	8
	203-168	LOCK WIRE, 8" lg.	8	8
4	205-653	WASHER, special hardened	8	8
5	030-244	BOLT, 1" nc x 6 - Gr. 5 (tie rod end)	2	2
6	021-203	NUT, 1" nc	4	4
7	402-413	LINK, drag (outside)	2	2
	205-701	BEARING	2	2
8	021-206	NUT, jam.	2	2
9	402-411	LINK, drag (inside)	2	2
	205-701	BEARING	2	2
10	202-959	BEARING, thrust	4	4
	203-039	SHIM, .030 thick	AR	AR
	203-040	SHIM, .120 thick	AR	AR
11	205-351	BUSHING	4	-
	022-078	BUSHING	-	4
12	802-185	FRAME, axle	1	-
	801-248	FRAME, axle	-	1

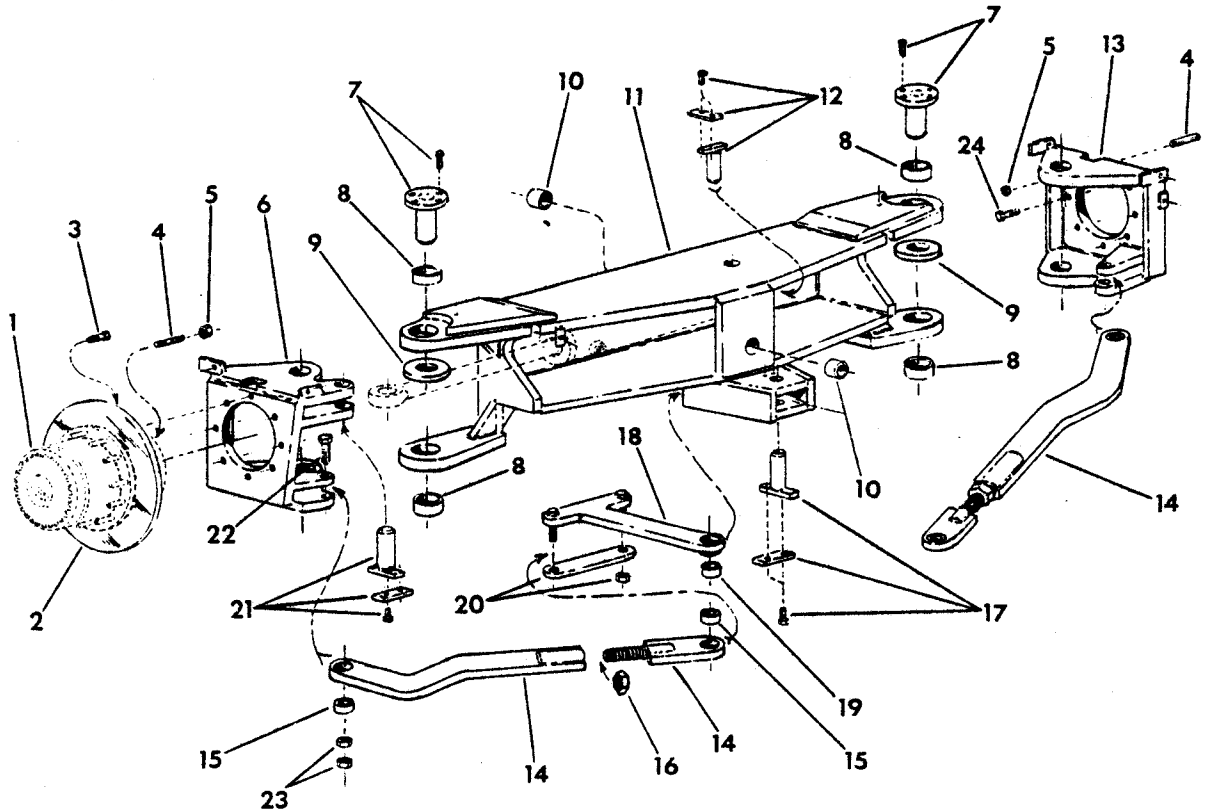
STEERING AXLE (continued)

MODEL 534 WITH S/N 237 AND AFTER

REF.	PART NO.	DESCRIPTION	REQ'D	
13	402-164	PIN, pitman arm	1	-
	027-625	PIN, pitman arm	-	1
14	202-064	KEEPER.	2	2
	020-013	BOLT, 3/8" x 1 1/4" nc - Gr. 5.	4	4
	027-777	CLIP.	2	2
15	402-161	PIN, cylinder rod end	1	1
	203-139	SHIM, .030 thick.	AR	AR
	201-918	SHIM, .120 thick.	AR	AR
16	202-174	PIN, axle to frame.	1	1
	201-436	KEEPER.	1	1
	020-031	BOLT, 1/2" nc x 1 3/4" - Gr. 5.	2	2
17	027-263	COTTER PIN, 3/8" x 4"	1	1
18	402-554	BUSHING, shouldered greasable (S/N 237 thru 399)	2	-
	205-931	BUSHING, greasable (S/N 401 and after).	4	4
19	027-929	NUT, heavy, slotted - 1 1/2" unf.	1	1
20	801-247	ARM, pitman	1	1
	022-217	GREASE FITTING.	1	1
21	205-337	BUSHING	2	-
9002-2064	██████████	BUSHING	-	2
	205-929	SPACER.	1	1
22	203-463	BUSHING	2	2
23	402-364	CAP, pitman arm	1	1
24	020-087	BOLT, 1/2" nc x 3 1/2" - Gr. 5.	2	2
	021-466	WASHER, lock - 1/2"	2	2
25	602-518	BRACKET, hub mounting (right hand).	1	-
	602-744	BRACKET, hub mounting (right hand).	-	1
26	602-176	PLANETARY	2	2
	020-123	BOLT, 5/8" nc x 1 3/4" - Gr. 5.	14	14
	202-332	STUD, 5/8" nc x 2" long	2	2
	021-101	NUT, 5/8" nc.	2	2
27	801-061	CYLINDER, steering (for breakdown see page 10-5).	1	1
28	203-046	BOLT, special	2	2
29	202-978	LINK, drag.	1	1
	205-028	LOCKING, plate.	1	1
	026-019	BOLT, 3/8" x 3/4" nc - Gr. 5.	1	1

STEERING AXLE

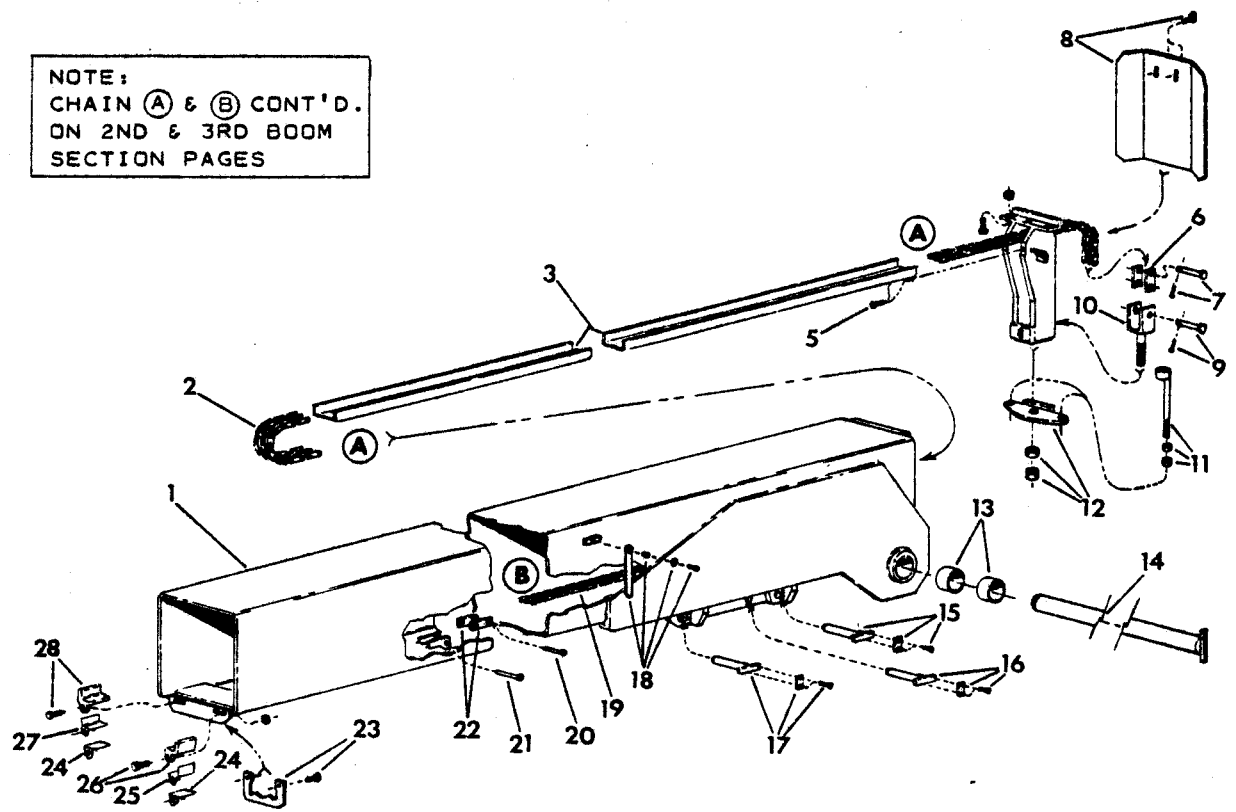
MODEL 534 BEFORE S/N 237



REF.	PART NO.	DESCRIPTION	REQ'D
1	201-804	PLANETARY - (see Planetary Wheel End page)	4
2	202-888	DISC, brake (front wheel only)	2
3	020-023	BOLT, 1/2" nc x 1 1/2" - Gr 5 (disc to planetary)	12
4	202-332	STUD, 5/8" nc.	2
5	021-101	NUT.	2
6	602-002	MOUNT, left hand wheel	1
7	203-070	KINGPIN.	4
	020-023	BOLT	16
8	202-973	BUSHING.	4
9	202-959	WASHER, thrust	2
10	027-527	BUSHING.	2
11	802-130	FRAME, steering axle	1
12	402-161	PIN, steering cylinder base.	1
	202-064	BAR, retaining	1
	020-013	BOLT, 3/8" nc x 1 1/4" Gr 5.	2
13	602-001	MOUNT, righthand wheel	1
14	203-049	ROD, tie	2
15	205-701	• BUSHING.	4
16	021-206	• NUT, jam - 1 1/4" nf	2
17	402-253	PIN, idler arm to frame.	1
	201-436	BAR, retaining	1
	020-031	BOLT, 1/2" nc x 1 3/4" - Gr 5.	2
18	203-050	ARM, idler	1
19	200-825	BUSHING.	1
20	202-175	PLATE, link.	1
	021-187	NUT, 1" nc	2
21	402-160	PIN, steering cylinder rod	1
22	020-215	BOLT, 7/8" nf x.	1
23	021-202	NUT, 7/8" nc.	2
24	020-121	BOLT - 5/8" nc x 1 1/2" Gr. 5.	14

BOOM 1st SECTION

NOTE:
CHAIN (A) & (B) CONT'D.
ON 2ND & 3RD BOOM
SECTION PAGES

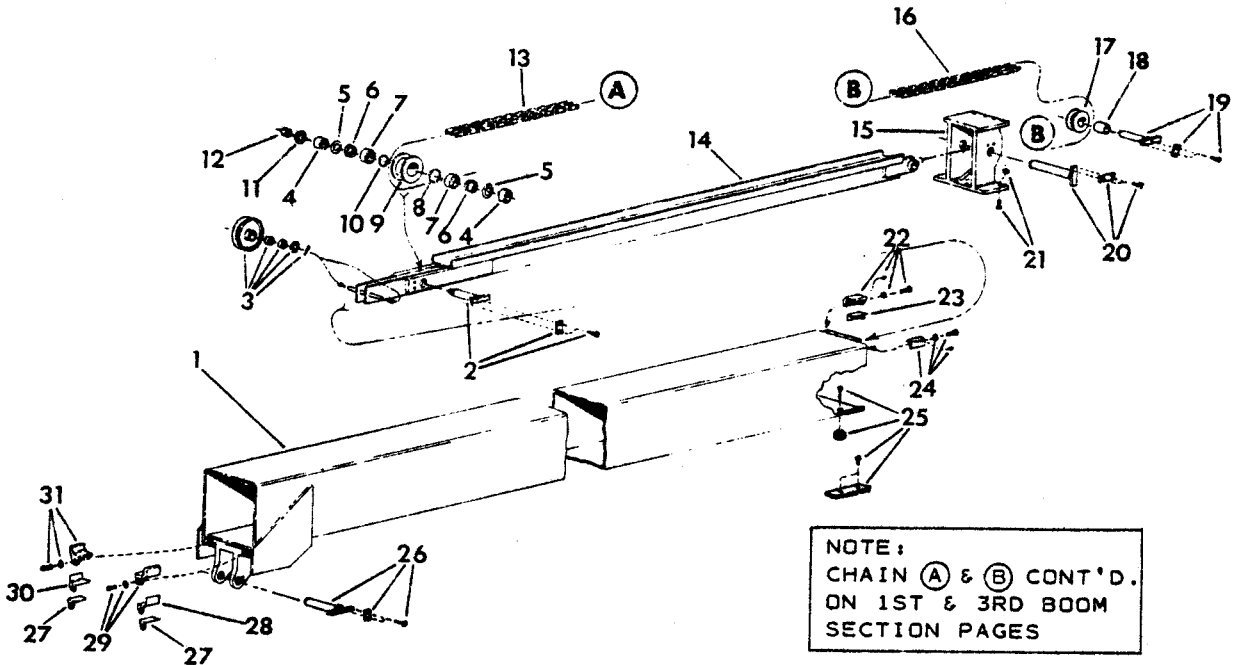


REF.	PART NO.	DESCRIPTION	REQ'D
1	802-064	BOOM STRUCTURE, 1st section (6,000# Unit)	1
	801-027	BOOM STRUCTURE, 1st section (8,000# Unit)	1
2	202-040	CHAIN, extension - 259" long (see note)	1
3	602-095	LINER, extension beam	1
4	802-052	BRACKET, extension chain (strong back)	1
	020-121	BOLT, 5/8" x 1 1/2" nc.	3
	029-959	BOLT, 5/8" x 1 1/4" nc.	1
	021-101	NUT, 5/8" nc.	3
5	020-007	BOLT, 3/8" x 1" nc.	2
	021-456	WASHER, plain 3/8"	2
6	402-796	LINK, extension chain	2
7	204-267	PIN	1
	021-440	COTTER.	2
8	602-490	COVER, boom	1
	203-959	THUMB SCREWS.	2
9	202-021	PIN	1
	021-443	COTTER.	1
10	602-101	TIGHTENER, extension chain.	1
11	402-224	TIGHTENER, hose takeup.	2
	021-099	NUT	4
12	402-225	PLATE, hose take up	1
	021-190	NUT, 1 1/4" nf.	1
	021-206	NUT, jam 1 1/4" nf.	1
13	027-528	BUSHING	4
14	402-195	PIN, boom pivot	1
15	402-160	PIN, comp cylinder (6,000# Unit)	1
	202-064	BAR, retaining.	1
	020-013	BOLT, 3/8" nc x 1 1/4"	2
	027-655	PIN, comp cylinder (8,000# Unit)	1
	201-436	BAR, retaining.	1
	020-023	BOLT, 1/2" nc x 1 1/2" - Gr. 5.	2
16	402-141	PIN, lift cylinder.	1

BOOM 1st SECTION (continued)

REF.	PART NO.	DESCRIPTION	REQ'D
	200-977	BAR, retaining.	1
	020-127	BOLT, 5/8" nc x 2".	2
17	402-150	PIN, crowd cylinder	1
	201-436	BAR, retaining.	1
	020-023	BOLT, 1/2" nc x 1 1/2" - Gr. 5.	2
18	200-445	BOOM ANGLE INDICATOR.	1
	200-688	BEARING	1
	021-454	WASHER, 5/16" flat.	1
	026-491	BOLT, shoulder.	1
19	202-039	CHAIN, retraction	1
20	204-266	PIN	1
	021-440	COTTER.	
21	203-151	PIN	1
	021-443	COTTER.	
22	200-827	LINK, retraction chain.	2
23	602-087	"U" BRACKET (crowd cylinder).	1
	020-121	BOLT, 5/8" nc x 1 1/2" - Gr. 5.	2
	021-101	NUT, 5/8" nc.	2
24	202-018	SHIM, front	AR
25	402-004	SHIM, left front.	AR
26	602-067	BEARING, left front	1
	020-039	BOLT, 1/2" nc x 2" - Gr. 5.	1
	021-099	NUT, 1/2" nc.	1
27	402-003	SHIM, right	AR
28	602-068	BEARING, right front.	1
	020-039	BOLT, 1/2" nc x 2" - Gr. 5.	1
	021-099	NUT, 1/2" nc.	1

BOOM 2nd SECTION

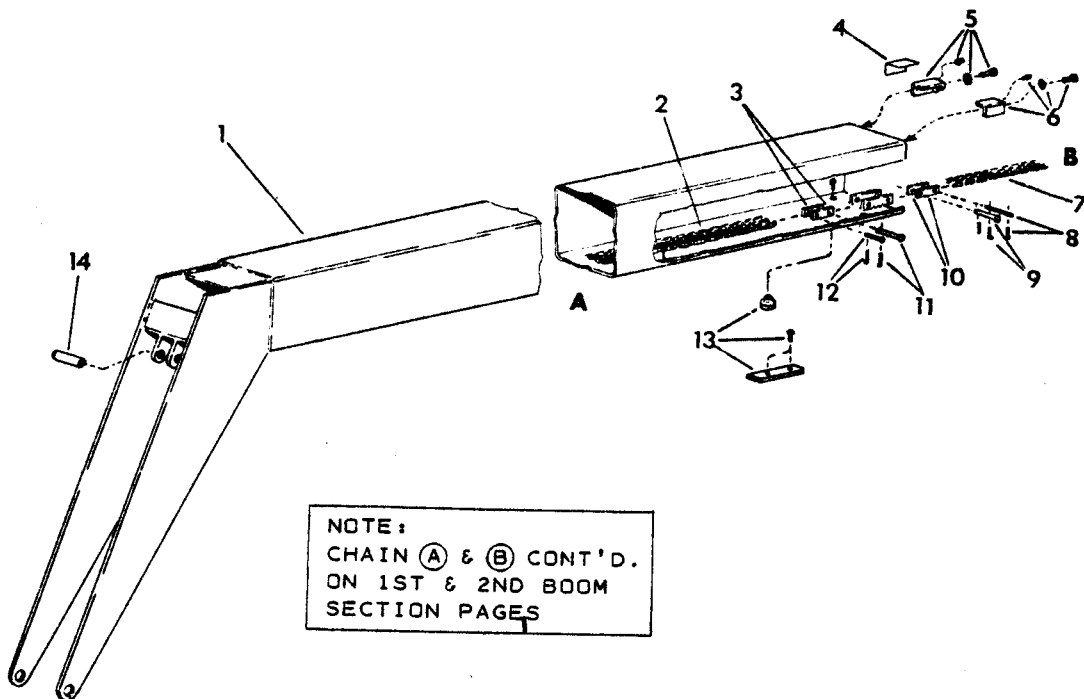


REF.	PART NO.	DESCRIPTION	REQ'D
1	802-072	BOOM STRUCTURE, 2nd section (6,000# & 8,000# Units)	1
2	402-090	PIN	1
	200-977	BAR, retaining.	1
	020-127	BOLT, 1/2" x 2" nc - Gr. 5.	2
3	402-037	SHEAVE, hose take up.	2
	200-314	BUSHING, BRONZE	4
	021-458	WASHER.	2
	021-443	PIN, cotter	2
4	402-091	SPACER.	2
5	201-979	RING, grease retaining.	2
6	202-068	CONE, bearing	2
7	202-067	CUP, bearing.	2
8	202-066	SPACER, notched	1
9	402-089	SHEAVE, extension chain	1
10	202-065	SPACER.	1
11	402-092	WASHER, pin	1
12	021-187	NUT, 1" nc.	1
13	202-040	CHAIN, extension 259" long (see note)	1
14	802-074	BEAM, extension	1
15	802-060	BRACKET, retraction chain	1
16	202-039	CHAIN, retraction (see note).	1
17	400-730	SHEAVE, retraction chain.	1
18	200-825	BUSHING	1
19	402-055	PIN, retraction sheave.	1
	201-436	BAR, retaining.	1
	020-023	BOLT, 1/2" nc x 1 1/2" - Gr. 5.	2
20	402-153	PIN, extension beam	1
	201-436	BAR, retaining.	1
	020-023	BOLT, 1/2" nc x 1 1/2" - Gr. 5.	2
21	028-613	NUT, 5/8" nc (special).	10
	020-121	BOLT, 5/8" x 1 1/2" nc - Gr. 5.	4
	029-959	BOLT, 5/8" x 1 1/4" nc - Gr. 5 (Use on units thru S/N 1103)	6
	020-123	BOLT, 5/8" x 1 1/2" nc - Gr. 5 (Use on units S/N 1105 and after)	6

BOOM 2nd SECTION (continued)

REF.	PART NO.	DESCRIPTION	REQ'D
22	602-064	BEARING, right rear	1
	022-217	FITTING, grease	1
	204-131	WASHER, special	1
	020-123	BOLT, 5/8" x 1 3/4" nc - Gr. 5.	1
23	401-707	SHIM.	AR
24	602-065	BEARING, left rear.	1
	022-217	FITTING, grease	1
	204-131	WASHER, special	1
	020-123	BOLT, 5/8" x 1 3/4" nc - Gr. 5.	1
25	201-648	BEARING, puck (Use on units thru S/N 1085).	2
	020-015	BOLT, 1/2" x 1 1/4" nc - Gr. 5.	2
	029-959	BOLT, 5/8" x 1 1/4" nc - Gr. 5.	2
	206-238	PLATE, wear (Use on units S/N 1087 and after)	2
	028-676	BOLT, aluminum.	4
26	402-151	PIN, crowd cylinder	1
	201-436	BAR, retaining.	1
	020-023	BOLT, 1/2" x 1 1/2" nc - Gr. 5.	2
27	202-018	SHIM, front	AR
28	402-004	SHIM, left front.	AR
29	602-067	BEARING, left front	1
	020-039	BOLT, 1/2" x 2" nc - Gr. 5.	1
	027-471	WASHER, 1/2".	1
30	402-003	SHIM, right front	AR
31	602-068	BEARING, right front.	1
	020-039	BOLT, 1/2" x 2" nc - Gr. 5.	1
	027-471	WASHER, 1/2".	1

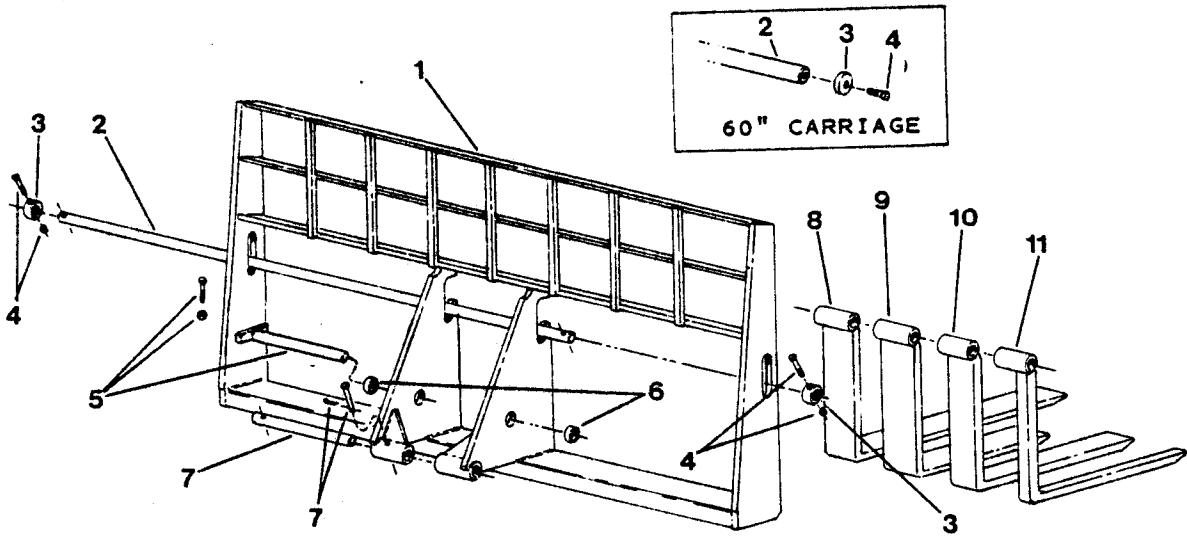
BOOM 3rd SECTION



NOTE:
 CHAIN (A) & (B) CONT'D.
 ON 1ST & 2ND BOOM
 SECTION PAGES

REF.	PART NO.	DESCRIPTION	REQ'D
	1	802-076 BOOM STRUCTURE, 3rd section (6,000# Units)	1
		801-034 BOOM STRUCTURE, 3rd section (8,000# Units)	1
	2	202-040 CHAIN, extension 259" long (see note)	1
	3	402-796 LINK, extension chain	2
	4	401-707 SHIM, right and left	AR
	5	602-064 BEARING, right	1
		022-217 FITTING, grease	1
204-131	402-131	WASHER, special	1
		020-123 BOLT, 5/8" x 1 3/4" nc - Gr. 5	1
	6	602-065 BEARING, left	1
		022-217 FITTING, grease	1
204-131	402-131	WASHER, special	1
		020-123 BOLT, 5/8" x 1 3/4" nc - Gr. 5	1
	7	202-039 CHAIN, retraction (see note)	1
	8	204-266 PIN, retraction chain connection	1
		021-437 PIN, cotter	2
	9	203-151 PIN, retraction chain link connection	1
		021-443 PIN, cotter	2
	10	200-827 LINK, retraction chain	2
	11	202-021 PIN, extension chain link connection	1
		021-443 PIN, cotter	1
	12	204-267 PIN, extension chain connection	1
		021-437 PIN, cotter	2
	13	201-648 BEARING, puck (Use on units thru 5N 1085)	2
		020-015 BOLT, 1/2" x 1 1/4" nc - Gr. 5	2
		029-959 BOLT, 5/8" x 1 1/4" nc - Gr. 5	2
		206-238 PLATE, wear (Use on units S/N 1087 and after)	2
		028-676 BOLT, aluminum	4
14	402-150	PIN, tilt cylinder (6,000# units)	1
	202-064	BAR, retaining	1
	020-013	BOLT, 3/8" x 1 1/4" nc - Gr. 5	2
	027-631	PIN, tilt cylinder (8,000# units)	1
	200-977	BAR, retaining	1
	020-127	BOLT, 5/8" x 2" nc - Gr. 5	2

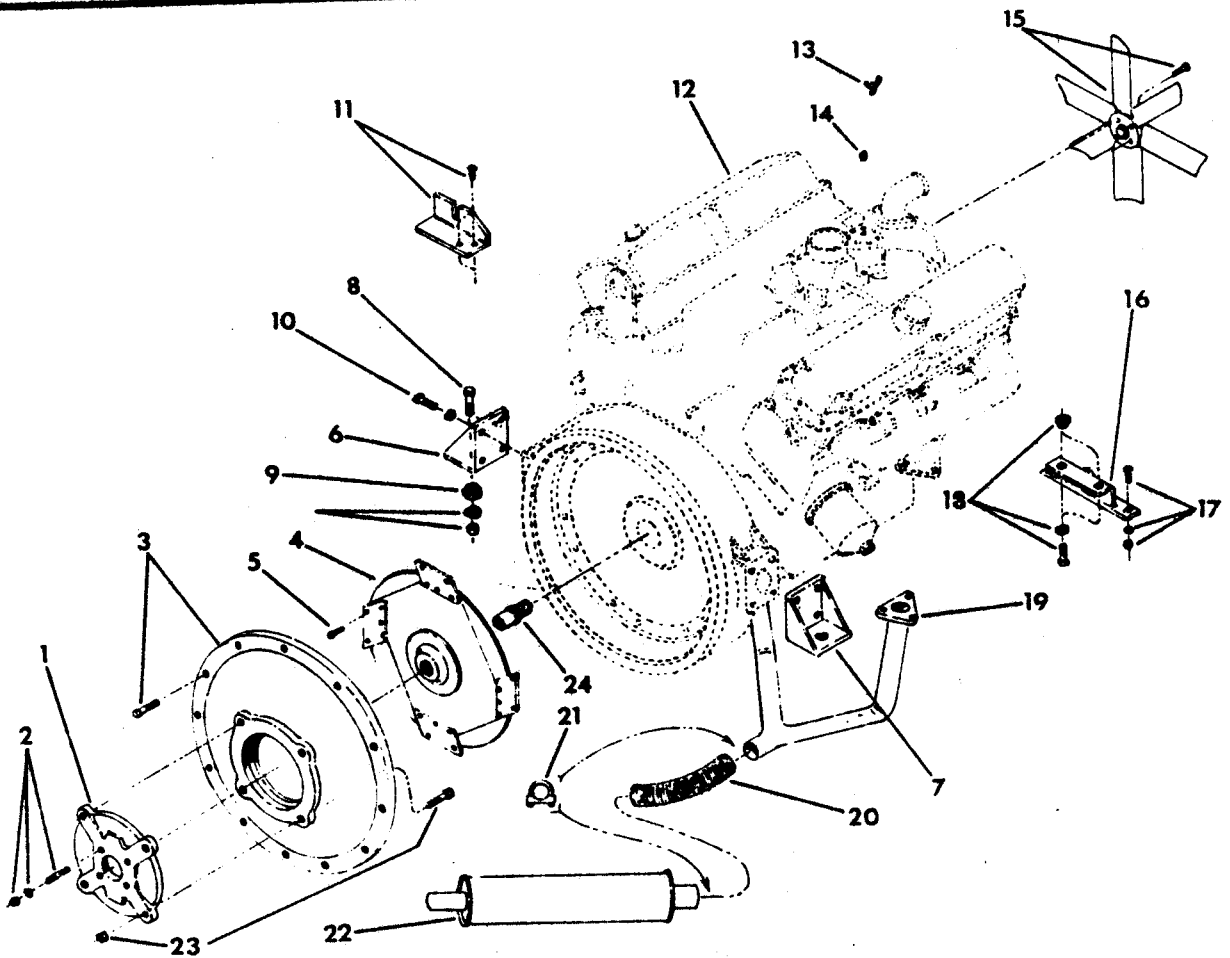
FORKS and CARRIAGES



- KEY:**
- A - 48" CARRIAGE 6,000# unit
 - B - 60" CARRIAGE 6,000# unit
 - C - 66" CARRIAGE 6,000# unit
 - D - 48" CARRIAGE 8,000# unit
 - E - 66" CARRIAGE 8,000# unit

REF.	PART NO.	DESCRIPTION	REQ'D				
			A	B	C	D	E
1	802-082	CARRIAGE, 48" (6,000# unit)	1	-	-	-	-
	---	CARRIAGE, 60" (no longer used)	-	1	-	-	-
	802-083	CARRIAGE, 66" (6,000# unit)	-	-	1	-	-
	801-035	CARRIAGE, 48" (8,000# unit)	-	-	-	1	-
	801-036	CARRIAGE, 66" (8,000# unit)	-	-	-	-	1
2	402-475	PIN, fork (52.5" long)	1	-	-	1	-
	402-265	PIN, fork	-	1	-	-	-
	402-476	PIN, fork (69" long)	-	-	1	-	1
3	200-003	COLLAR (each end of fork pin)	2	-	2	2	2
	202-277	COLLAR (each end of fork pin)	-	2	-	-	-
4	020-189	BOLT, 5/8" x 3 3/4" nc - Gr. 5.	2	-	2	2	2
	020-147	BOLT, 1" x 2 1/2" nc - Gr. 5.	-	2	-	-	-
5	402-570	PIN, carriage to boom	1	1	1	1	1
	030-102	BOLT, 1/2" x 4" nc - Gr. 5.	1	1	1	1	1
	022-226	NUT, 1/2" nc.	1	1	1	1	1
6	202-973	BUSHINGS.	2	2	2	2	2
7	402-171	PIN, tilt cylinder.	1	1	1	-	-
	022-020	PIN, tilt cylinder.	-	-	-	1	1
	021-633	PIN, clevis	1	1	1	1	1
	021-442	PIN, cotter	1	1	1	1	1
FORK OPTIONS							
8	802-164	FORK, 1 3/4" x 5" x 60" (6,000# cap./pair)	2	2	2	-	-
	601-818	FORK, 2" x 6" x 60" (8,000# cap./pair)	-	-	-	2	2
9	802-221	FORK, 2" x 4" x 48" (6,000# cap./pair)	2	2	2	-	-
	601-819	FORK, 1 3/4" x 6" x 48" (8,000# cap./pair)	-	-	-	2	2
10	802-132	FORK, 1 3/4" x 5" x 42" (6,000# cap./pair)	2	2	2	-	-
11	600-390	FORK, 2" x 2" x 48" (2,500# cap./pair)	2	2	2	2	2

CHRYSLER ENGINE with LOED MOUNTED PARTS



KEY:

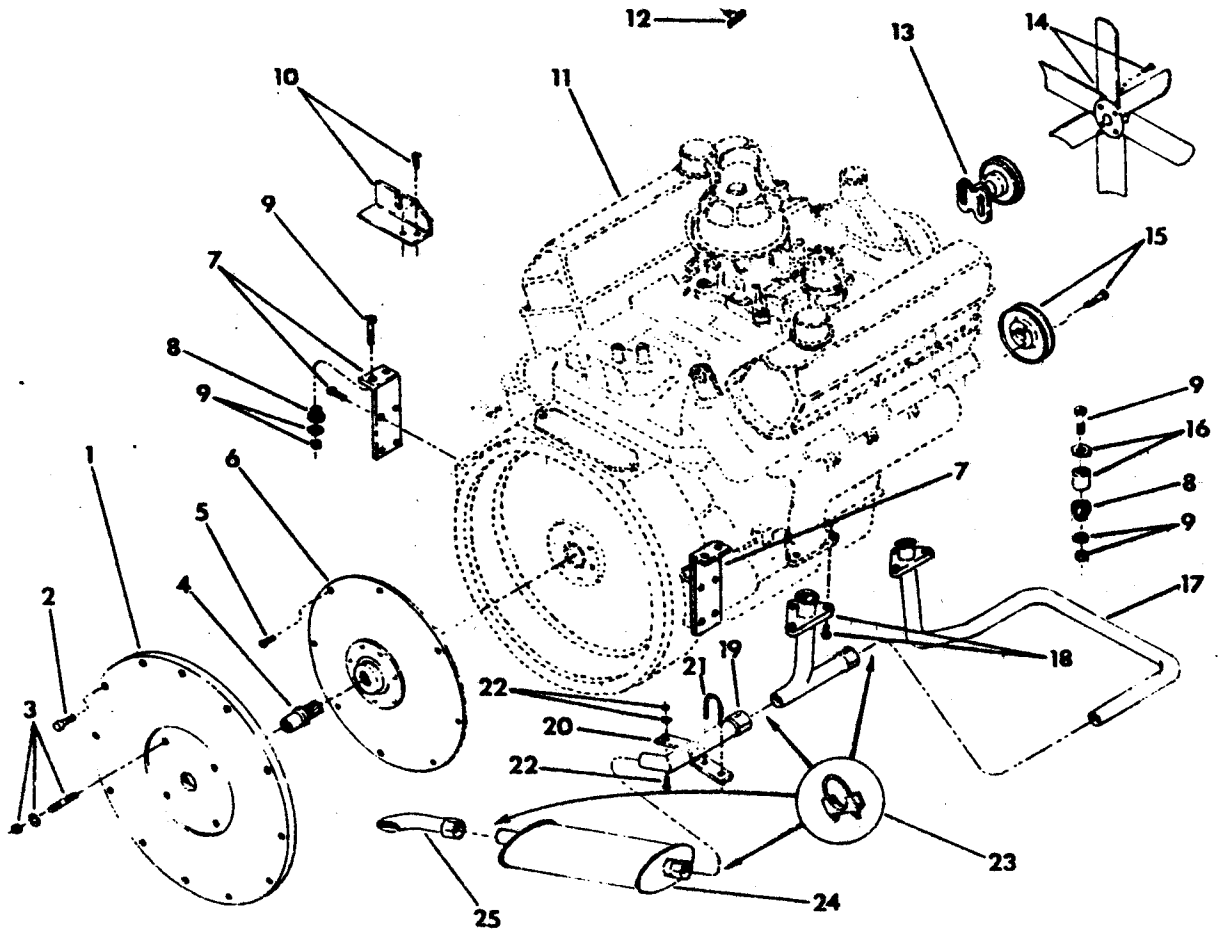
- A - CHRYSLER 318 ENGINE
- B - CHRYSLER 360 ENGINE

REF.	PART NO.	DESCRIPTION	REQ'D	
			A	B
1	602-006	PLATE, hydraulic pump mounting	1	1
2	202-327	STUD, pump to plate - 1/2" nc x 2"	4	4
2	027-471	WASHER	4	4
2	021-099	NUT - 1/2" nc.	4	4
3	602-005	COVER, flywheel housing.	1	-
3	602-485	COVER, flywheel housing.	-	1
3	020-013	BOLT - 3/8" nc x 1 1/4" - Gr. 5 (cover to housing)	12	12
4	602-003	PLATE, drive	1	-
4		PLATE, drive	-	1
5	026-019	BOLT - 5/16" nc x 1 1/2" - Gr. 5 (drive plate to flywheel).	8	8
6	401-753	BRACKET, engine left rear mounting	1	-
6	402-343	BRACKET, engine left rear mounting	-	1
7	401-754	BRACKET, engine right rear mounting.	1	-
7	402-343	BRACKET, engine right rear mounting.	-	1
8	201-091	BOLT - 3/4" nc x 3 3/4" (bracket to frame)	2	2
8	200-341	WASHER	2	2
8	021-113	NUT - 3/4" nc.	2	2
9	600-097	MOUNT, rubber compression.	2	2
10	020-031	BOLT - 1/2" nc x 1 3/4" - Gr. 5 (bracket to engine).	8	-
10	020-023	BOLT - 1/2" nc x 1 1/2" - Gr. 5 (bracket to engine).	-	8

CHRYSLER ENGINE with LOED MOUNTED PARTS (continued)

REF.	PART NO.	DESCRIPTION	REQ'D	
			A	B
11	402-035	BRACKET, accelerator cable mounting.	1	1
11	020-005	BOLT - 5/16" nc x 1" - Gr. 5	2	2
12	602-061	ENGINE - Chrysler 318 - V8	1	-
12	802-172	ENGINE - Chrysler 360 - V8	-	1
13	200-557	DRAINCOCK.	2	2
14	027-264	PLUG, pipe - 1/8" NPT (top front of engine block).	1	1
15	401-765	FAN.	1	1
15		BOLT	4	4
16	401-760	BRACKET, front engine mount.	1	1
17		BOLT, bracket to frame	2	2
17		WASHER	2	2
17		NUT.	2	2
18		BOLT (bracket to engine).	2	2
18		WASHER	2	2
18	600-096	MOUNT, rubber compression.	2	2
19	802-157	PIPE, exhaust crossover.	1	1
20	202-283	PIPE, exhaust, intermediate.	1	1
21	200-395	CLAMP, exhaust pipe.	3	3
22	600-098	MUFFLER.	1	1
23	020-125	BOLT - 3/4" nc x 1 3/4" - Gr. 5 (pump adapter plate to flywheel cover)	4	4
23	021-183	NUT - 3/4" nc.	4	4
24	602-004	ADAPTER.	1	1

FORD ENGINE with LOED MOUNTED PARTS

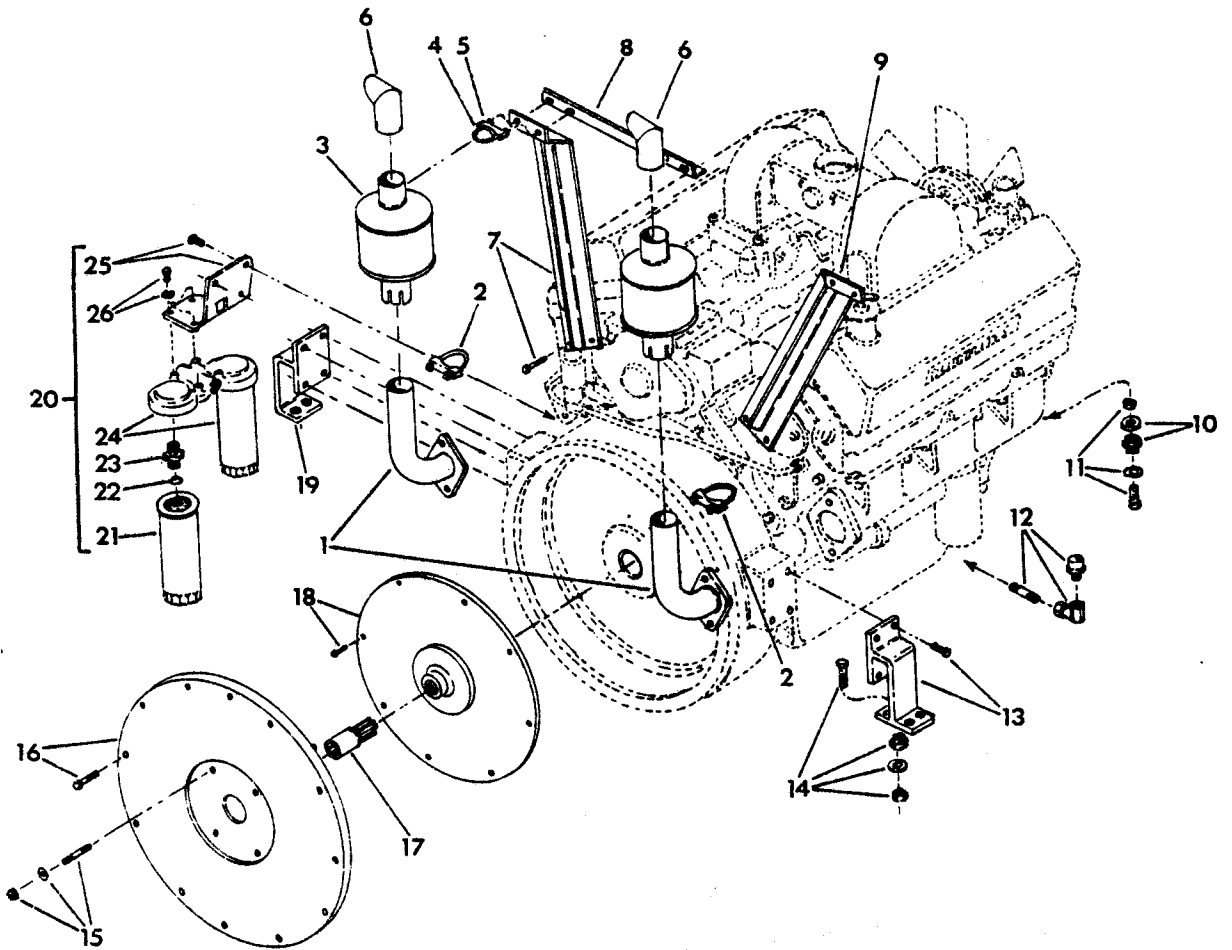


REF.	PART NO.	DESCRIPTION	REQ'D
1	602-649	COVER, flywheel housing	1
2	020-013	BOLT - 3/8" nc x 1 1/4" - Gr. 5	12
3	202-327	STUD, pump to cover plate	4
3	027-471	WASHER - 1/2"	4
3	021-099	NUT - 1/2" nc	4
4	602-646	ADAPTER, splined.	1
5	026-019	BOLT - 3/8" nc x 3/4" - Gr. 5 (drive plate to flywheel)	8
6	602-650	PLATE, drive.	1
7	402-432	BRACKET, rear engine mounting (left and right).	2
7	020-023	BOLT - 1/2" nc x 1 1/2" - Gr. 5 (bracket to engine mounting)	8
8	602-684	MOUNT, rubber compression	3
9	022-055	BOLT - 1/2" nc x 2 1/2" - Gr. 5	4
9	200-340	WASHER, flat.	4
9	021-099	NUT - 1/2" nc	4
10	402-435	BRACKET, accelerator linkage.	1
10	026-343	BOLT - 5/16" nc x 3/4" - Gr. 5.	2
11	802-193	ENGINE, ford.	1
12	203-067	DRAINCOCK	2
13	402-469	BRACKET, fan (Loed rework).	1
14	402-432	FAN	1
14	020-027	BOLT - 5/16" nc x 1 3/4" - Gr. 5 (fan to bracket)	4
15	602-695	PULLEY, lower	1
15	020-007-	BOLT - 3/8" nc x 1" - Gr. 5	3
16	200-340	WASHER.	2
16	203-073	SPACER, front engine mounting	2

FORD ENGINE with LOED MOUNTED PARTS (continued)

REF.	PART NO.	DESCRIPTION	
17	602-674	PIPE, exhaust (left bank)	1
18	602-675	PIPE, exhaust (right bank).	1
19	027-285	BOLT - 7/16" nc x 1 3/4" (3 per exhaust pipe to manifold)	6
	602-678	PIPE, exhaust (intermediate).	1
20	402-437	BRACKET, exhaust mounting	1
21		"U" BOLT, exhaust	1
22	020-023	BOLT - 1/2" nc x 1 1/2" - Gr. 5 (bracket mounting).	1
	021-457	WASHER.	1
	021-099	NUT - 1/2" nc	1
23	203-080	CLAMP, exhaust pipe	4
24	602-685	MUFFLER	1
25	602-710	PIPE, exhaust tail.	1

CUMMINS DIESEL ENGINE with LOED MOUNTED PARTS

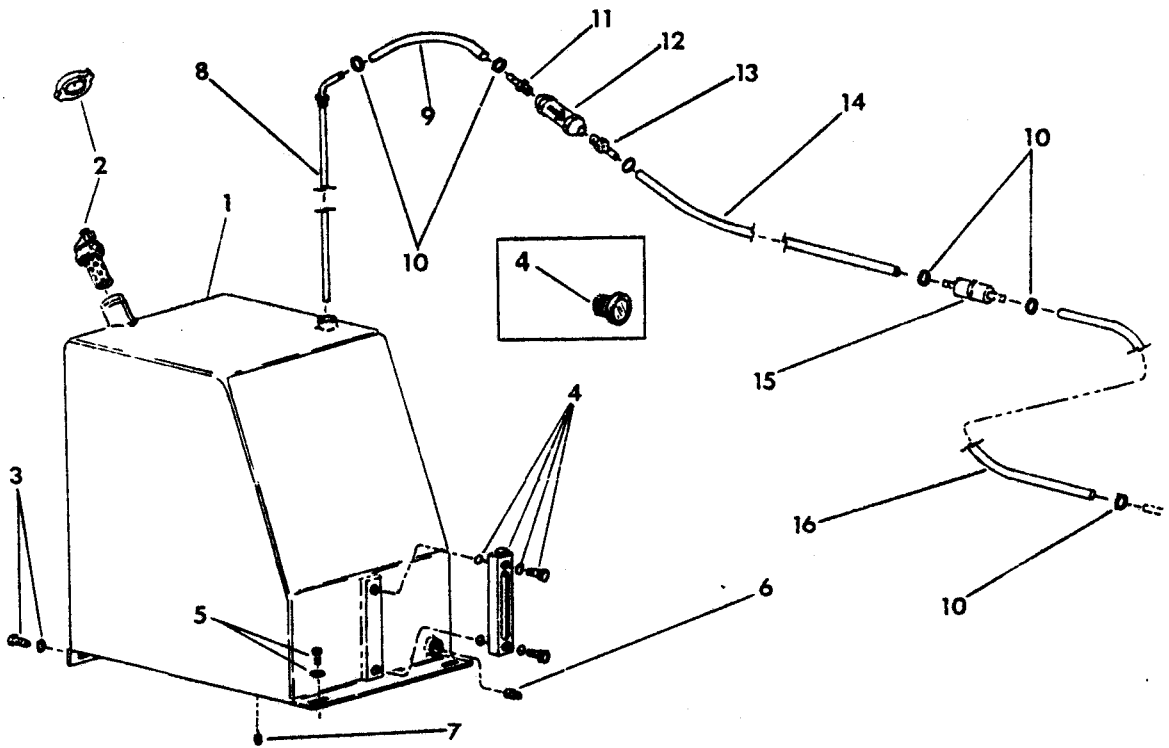


REF.	PART NO.	DESCRIPTION	REQ'D
1	205-810	ELBOW, exhaust manifold	2
2	203-080	CLAMP	2
3	205-815	MUFFLER	2
4	200-812	CLAMP (discard bracket)	2
5	203-080	CLAMP (discard "U")	2
6	206-135	CAP, stack.	2
7	205-809	BRACKET, muffler left	1
	020-013	BOLT.	2
8	206-136	BRACKET, tie bracket.	1
9	205-812	BRACKET, muffler right.	1
	020-013	BOLT.	2
10	600-097	MOUNT, rubber compression	1
	203-277	SPACER.	1
11	020-211	BOLT, 3/4" x 4 1/2" nc - Gr. 5 (front engine mount)	1
	200-341	WASHER.	1
	021-183	NUT, 3/4" nc.	1
12	026-221	NIPPLE.	1
	026-353	ELBOW	1
	202-030	SENDER, oil pressure.	1
13	402-512	BRACKET, right side engine mount.	1
	020-013	BOLT, 1/2" x 1 1/4" nc - Gr. 5.	2
	020-023	BOLT, 1/2" x 1 1/2" nc - Gr. 5.	2

CUMMINS DIESEL ENGINE with LOED MOUNTED PARTS (continued)

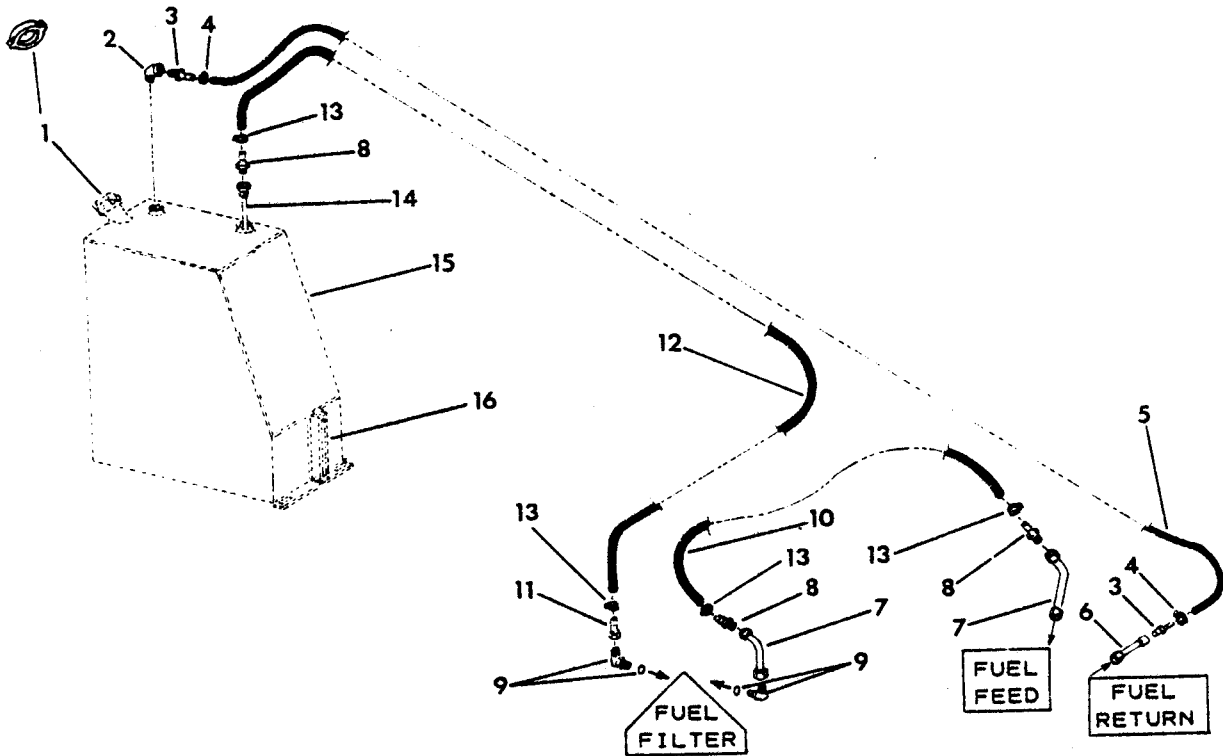
REF.	PART NO.	DESCRIPTION	REQ'D
14	600-096	MOUNT, rubber compression	6
	020-055	BOLT, 1/2" x 2 1/2" nc - Gr. 5.	6
	200-340	WASHER, 1/2".	6
	021-099	NUT, 1/2" nc.	6
15	202-327	STUD.	4
	027-471	WASHER.	4
	021-099	NUT	4
16	602-649	COVER, flywheel housing	1
	020-021	BOLT.	12
17	602-646	ADAPTER, splined.	1
18	601-576	PLATE, drive.	1
	026-019	BOLT.	8
19	401-894	BRACKET, left side engine mount	1
	020-015	BOLT, 1/2" x 1 1/4" nc - Gr. 5.	2
	020-023	BOLT, 1/2" x 1 1/2" nc - Gr. 5.	2
20	203-402	FILTER, fuel (double)	1
21	201-816	• ELEMENT	2
22	201-815	• "O" RING.	2
23	201-814	• CONNECTOR	1
24	201-813	• HEAD.	1
25	201-812	• BRACKET	1
26	026-018	• BOLT, 3/8" nc x 1/2" - Gr. 5 (bracket to frame) .	3
27	026-018	• BOLT, 3/8" nc x 1/2" - Gr. 5 (filters to bracket)	4
28	021-465	• WASHER, 3/8".	4

FUEL TANK & LINES for GAS ENGINE



REF.	PART NO.	DESCRIPTION	REQ'D
1	802-141	TANK, fuel.	1
2	200-377	CAP, fuel tank.	1
	203-343	CAP, fuel tank (S/N 439 and after).	1
3	027-379	BOLT, 1/2" nc x 3/4" - Gr. 5.	1
	027-471	WASHER.	1
4	202-073	GAUGE, sight (used on earlier models).	2
	200-404	GAUGE, sight.	1
5	026-019	BOLT, 3/8" nc x 3/4" - Gr. 5.	2
	021-456	WASHER.	2
6	026-202	PLUG, 2" NPT.	1
7	026-195	PLUG, 1/4" NPT.	1
8	402-409	PIPE, stand	1
9	026-327	HOSE, fuel line (Bulk) - 3/8" x 5" long	1
10	021-679	CLAMP	6
11	030-271	INSERT, hose.	1
12	030-268	VALVE, check.	1
13	030-270	INSERT, hose.	1
14	026-327	HOSE, fuel line (Bulk) 3/8" x 77" long	1
15	204-217	FILTER, fuel line	1
16	026-327	HOSE, fuel line (Bulk) 3/8" x 18" long	1

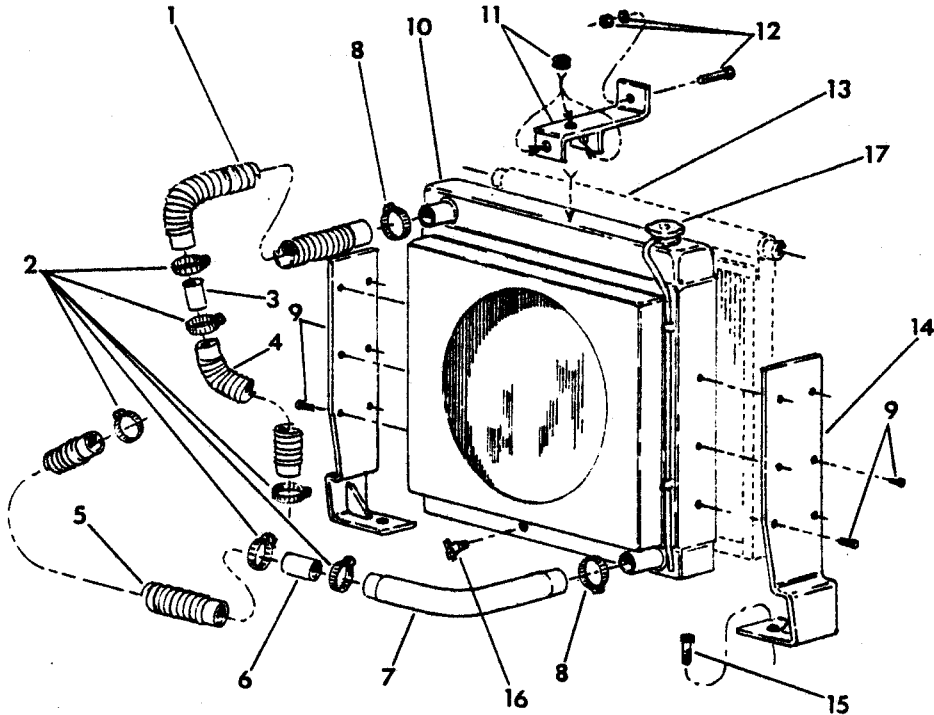
FUEL TANK & LINES for CUMMINS DIESEL ENGINE



REF.	PART NO.	DESCRIPTION	REQ'D
1	200-733	CAP, fuel tank.	1
	203-343	CAP, fuel tank (S/N 439 and after).	1
2	027-484	ELBOW	1
3	027-331	INSERT, hose.	2
4	021-679	CLAMP	1
5	203-289	HOSE (bulk)	1
6	601-587	LINE, tube.	2
7	601-586	LINE, tube.	3
8	027-451	INSERT, hose.	2
9	027-381	ELBOW, 90° - ("O" ring)	1
10	203-284	HOSE (bulk)	1
11	601-581	INSERT, hose.	1
12	203-283	HOSE (bulk)	2
13	021-679	CLAMP	1
14	401-898	PIPE, stand	1
15	802-141	TANK, fuel.	1
16	203-823	GAUGE, sight.	1

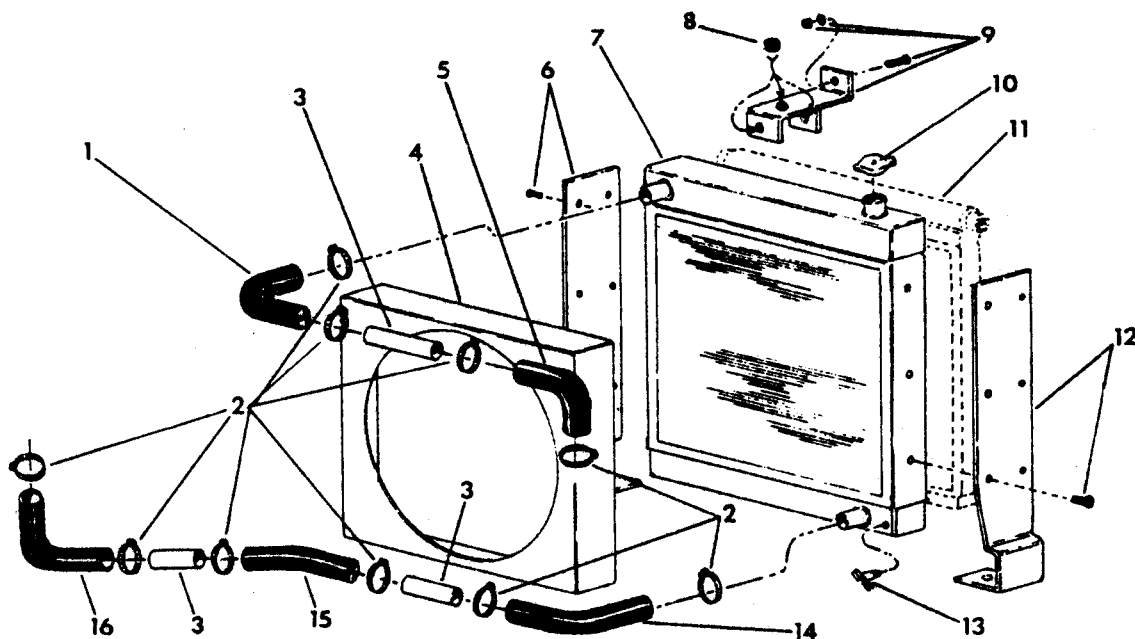
RADIATOR & ATTACHING PARTS

FOR CHRYSLER ENGINE



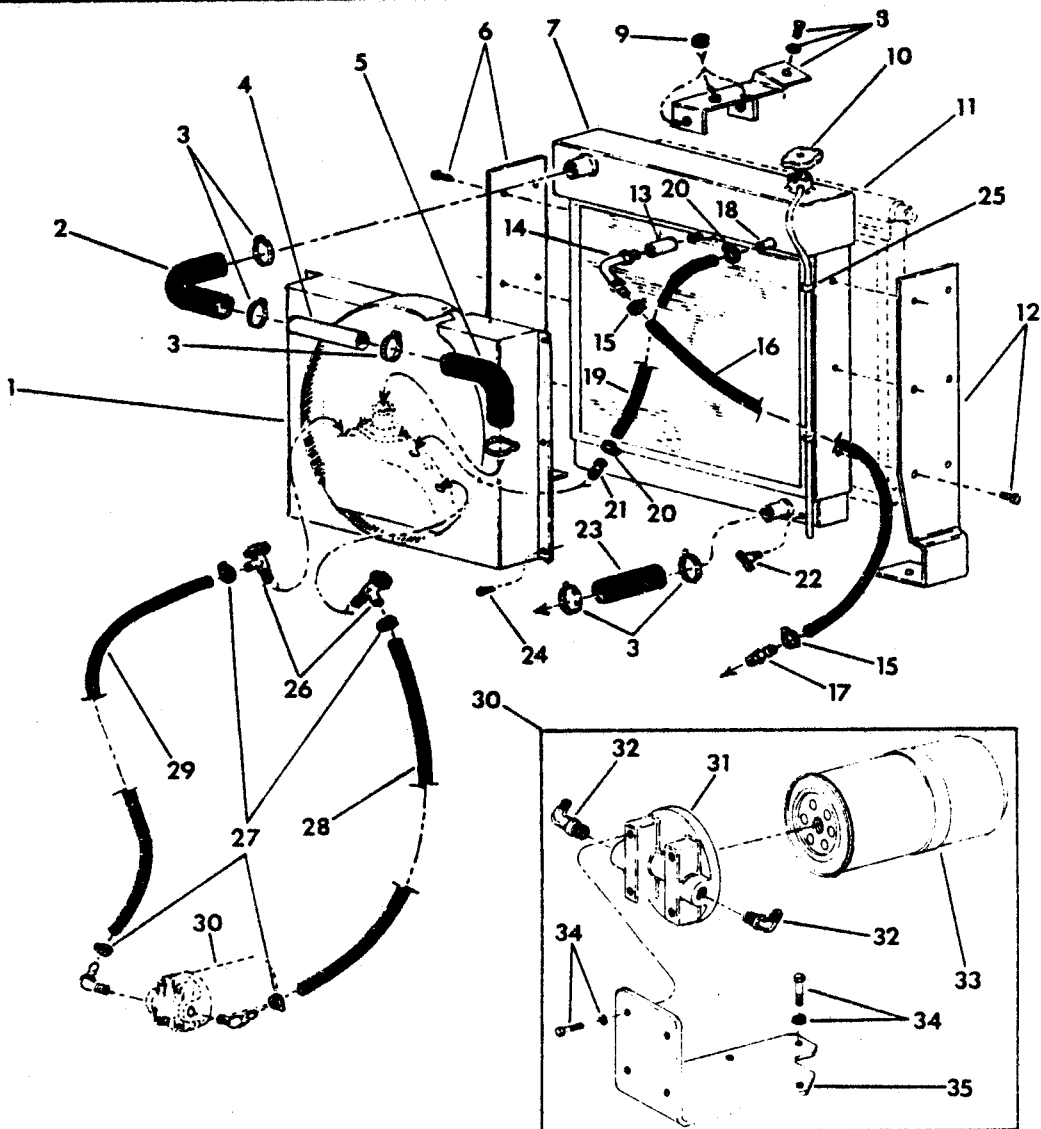
REF.	PART NO.	DESCRIPTION	REQ'D
1	029-929	HOSE, upper (to radiator)	1
2	021-686	CLAMP	6
3	202-334	INSERT, hose union	1
4	029-928	HOSE, upper (to engine)	1
5	029-923	HOSE, lower (to engine)	1
6	202-343	INSERT, hose union	1
7	202-956	HOSE, lower (to radiator)	1
8	021-687	CLAMP	2
9	402-444	BRACKET, radiator - left side (rear)	1
	026-018	BOLT - 3/8" nc x 1/2" Gr. 5 - (3 per bracket to radiator)	6
	026-343	BOLT - 5/16" nc x 3/4" Gr. 5 - (3 per bracket to oil cooler)	6
10	602-043	RADIATOR	1
11	402-450	BRACKET, radiator top	1
	202-303	GROMMET, rubber	3
12	020-023	BOLT - 1/2" nc x 1 1/2" - Gr. 5 (mounts item 11)	1
	200-340	WASHER, flat 1/2"	1
	021-099	NUT - 1/2" nc	1
13	---	COOLER, oil	1
14	402-443	BRACKET, radiator right side (front)	1
15	020-023	BOLT - 1/2" nc x 1 1/2" Gr. 5 - (mounts items 9 and 14)	2
	021-457	WASHER	4
	021-099	NUT - 1/2" nc	2
16	200-557	DRAINCOCK	1
17	200-401	CAP, radiator	1

RADIATOR & ATTACHING PARTS for FORD ENGINE



REF.	PART NO.	DESCRIPTION	REQ'D
1	203-062	HOSE, formed (upper to radiator)	1
2	021-687	CLAMP	9
3	602-687	PIPE, hose insert	3
4	602-702	SHROUD, radiator fan	1
5	200-859	HOSE, formed (upper to engine block)	1
6	402-444	BRACKET, radiator and oil cooler mounting (left side)	1
6	026-018	BOLT, 3/8" nc x 1/2" - Gr. 5	AR
7	602-043	RADIATOR	1
8	202-303	GROMMET, rubber cushion	3
9	402-450	BRACKET, radiator hold	1
10	200-401	CAP, radiator	1
11	602-141	COOLER, oil	1
12	402-443	BRACKET, radiator and oil cooler mounting (right side)	1
12	026-018	BOLT, 3/8" nc x 1/2" - Gr. 5	AR
13	200-557	DRAINCOCK	1
14	203-063	HOSE, formed (lower to radiator)	1
15	203-065	HOSE (lower center)	1
16	203-066	HOSE, formed (lower to engine block)	1

RADIATOR & ATTACHING PARTS for CUMMINS DIESEL ENGINE

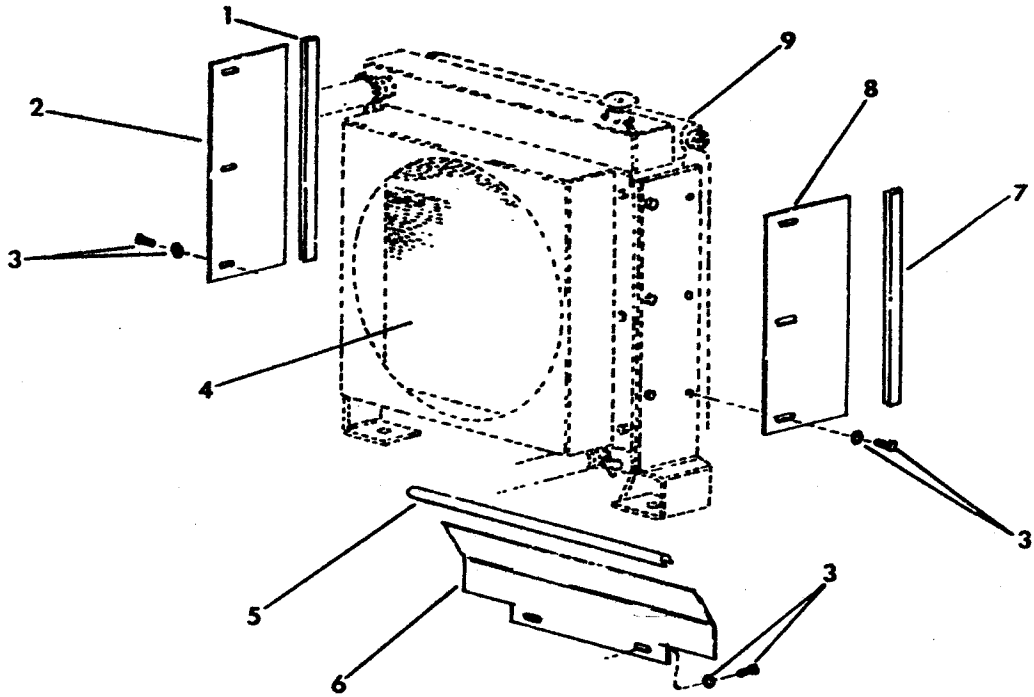


REF.	PART NO.	DESCRIPTION	REQ'D
1	800-909	SHROUD, fan	1
2	203-062	HOSE, formed (to radiator top).	1
3	027-687	CLAMP	6
4	203-320	PIPE, hose insert	1
5	203-290	HOSE, formed (to engine block).	1
6	402-444	BRACKET, radiator and oil cooler (left side).	1
6	026-018	BOLT, bracket to radiator	
7	800-908	RADIATOR.	1
8	401-916	BRACKET, radiator hold.	1
8	027-285	BOLT, 7/16" nc x 1 3/4" - Gr. 5	1
8	021-457	WASHER, 7/16"	1
8	027-284	NUT, 7/16" nc	1
9	202-303	GROMMET, radiator cushion	3
10	200-401	CAP, radiator # pressure.	1
11	602-141	COOLER, oil	1
12	402-443	BRACKET, radiator and oil cooler (right side)	1
13	027-665	COUPLING (top).	1
14	9C-018852	PIPE, formed.	1
15	021-684	CLAMP	2

RADIATOR & ATTACHING PARTS for CUMMINS DIESEL ENGINE (continued)

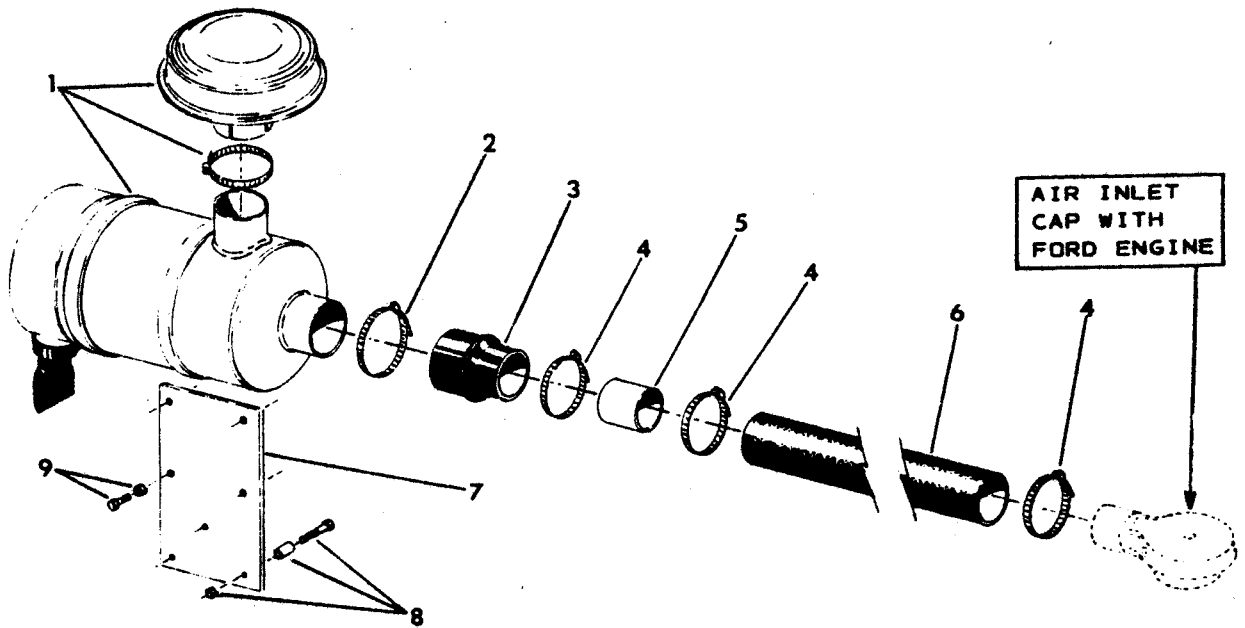
REF.	PART NO.	DESCRIPTION	REQ'D
16	203-280	HOSE (bulk)	1
17	027-455	INSERT, hose (bottom)	1
18	027-330	INSERT, hose (top)	1
19	203-282	HOSE (bulk)	1
20	021-679	CLAMP	2
21	026-221	NIPPLE, 1/8" NPT x 2" long.	1
22	200-557	DRAINCOCK	1
23	027-953	HOSE, lower	1
24	NSS	BOLT, shroud to radiator.	6
25	021-705	CLAMP, overflow hose.	AR
26	---	VALVE, shutoff (furnished with engine).	2
27	021-681	CLAMP	4
28	203-324	HOSE (bulk)	1
29	203-325	HOSE (bulk)	1
30	203-403	FILTER, corrosion resistor (see inset).	1
31	201-818	HEAD, filter.	1
32	201-820	CONNECTOR	2
33	201-819	ELEMENT, spin on.	1
34	020-013	BOLT, 3/8" nc x 1 1/4" - Gr. 5.	7
34	021-465	WASHER, 3/8".	7
35	201-817	BRACKET, filter	1

SHROUDING for RADIATOR and OIL COOLER



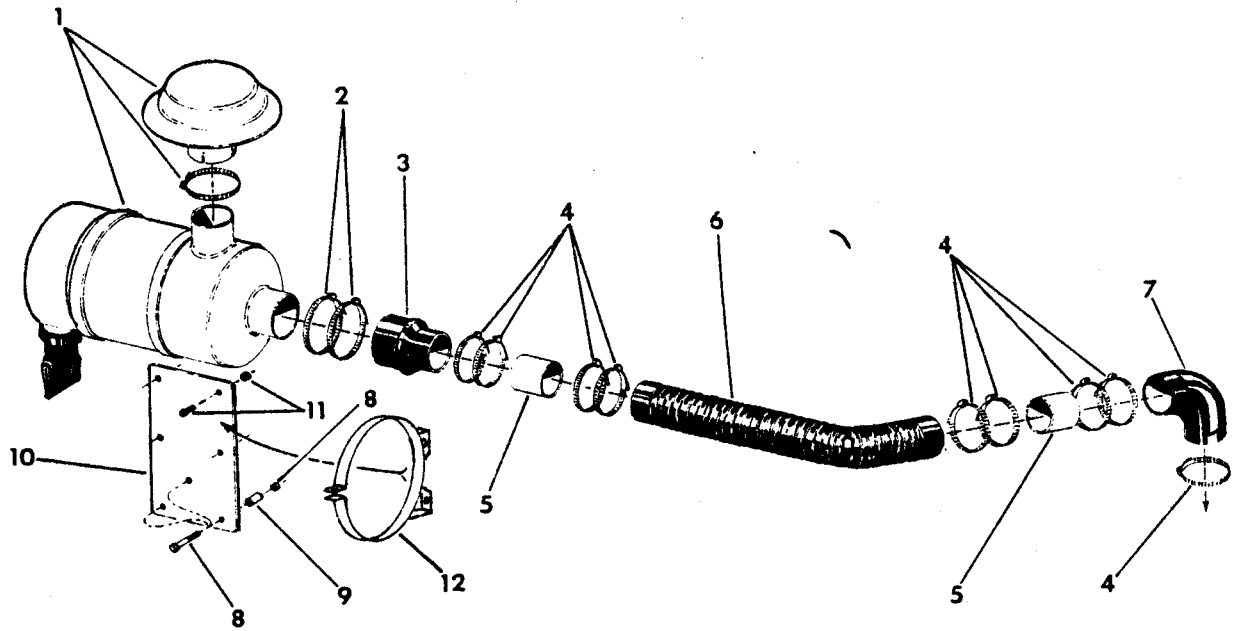
REF.	PART NO.	DESCRIPTION	REQ'D
1	203-123	SEAL, left side shroud.	
2	402-472	SHROUD, left side	1
3	026-018	BOLT 3/8 nc x 1/2" GR 5	AR
3	021-456	WASHER 3/8"	AR
4	---	RADIATOR.	1
5	203-114	SEAL, lower shroud.	
6	402-468	SHROUD, lower	1
7	203-122	SEAL, right side shroud	1
8	402-473	SHROUD, right side.	1
9	---	COOLER, oil	1

AIR CLEANER PIPING for FORD ENGINE



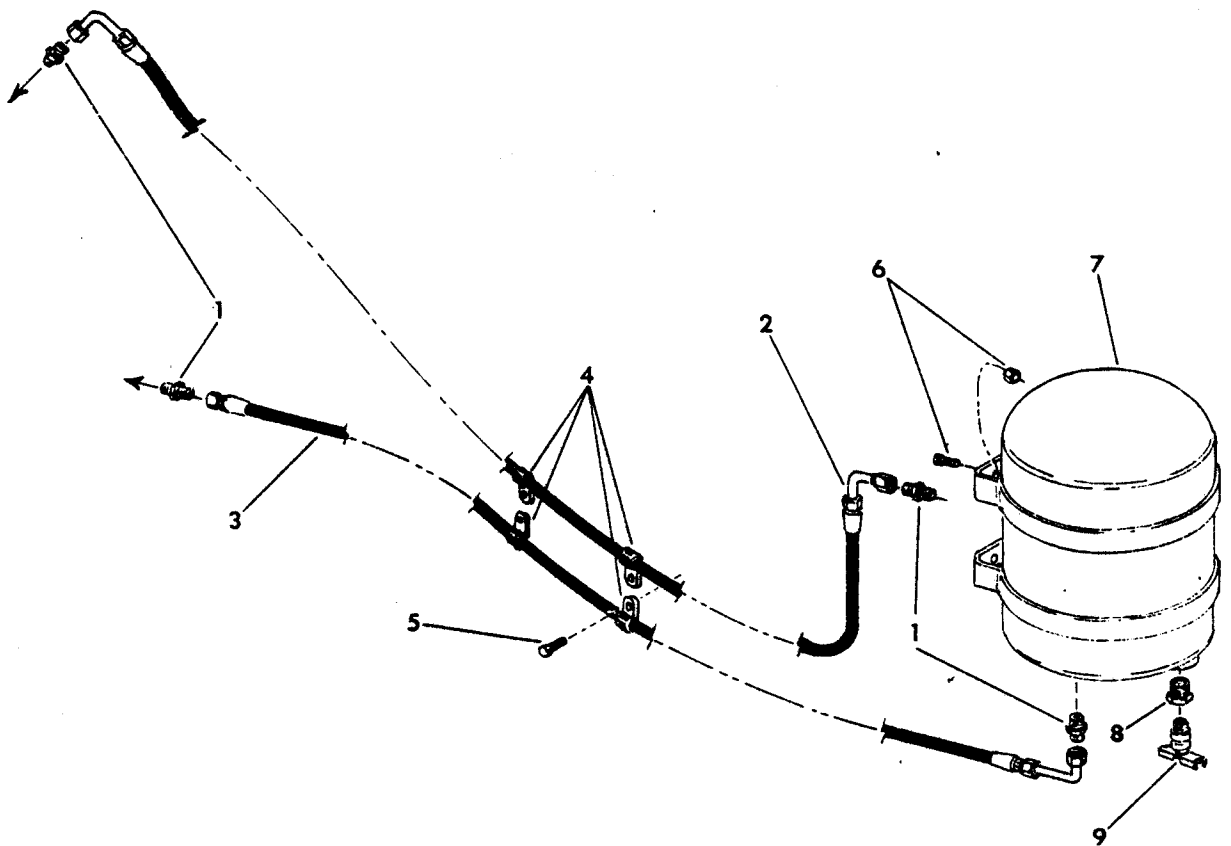
REF.	PART NO.	DESCRIPTION	REQ'D
1	---	CLEANER, air.	1
2	027-759	CLAMP	1
3	203-081	BOOT, adapter (rubber).	1
4	021-690	CLAMP	3
5	602-677	PIPE, hose insert	1
6	402-442	HOSE.	1
7	402-441	PLATE, air cleaner mounting	1
8	020-037	BOLT, 3/8" nc x 2" - Gr. 5 (plate mounting to cab).	3
8	203-082	SPACER.	3
8	021-097	NUT, 3/8" nc.	3
9	020-007	BOLT, 3/8" nc x 1" - Gr. 5 (mounts air cleaner to plate).	4
9	021-097	NUT, 3/8" nc.	4

AIR CLEANER PIPING for CUMMINS DIESEL ENGINE



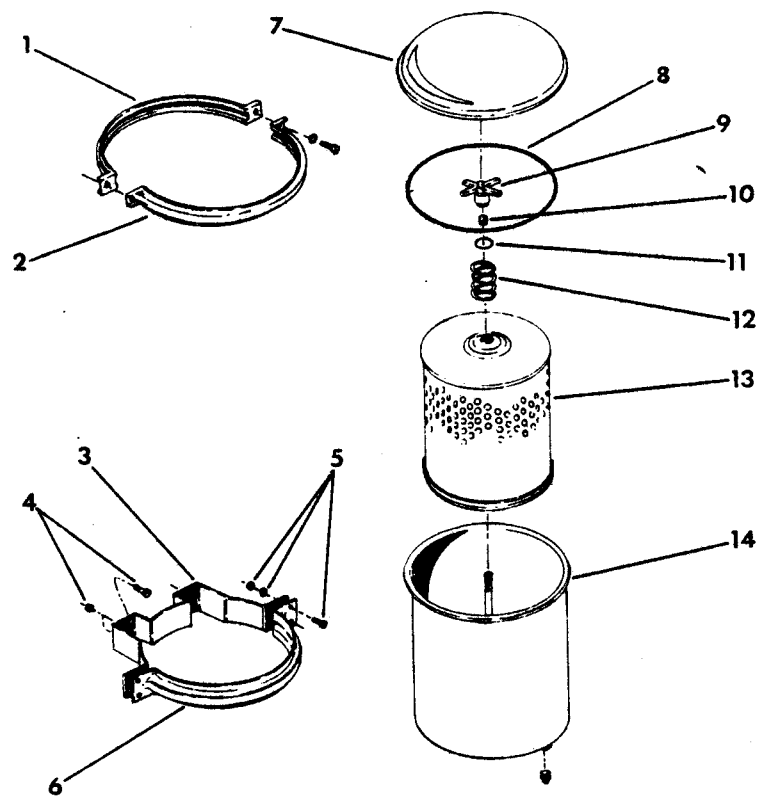
REF.	PART NO.	DESCRIPTION	REQ'D
1	---	CLEANER, air.	1
2	027-326	CLAMP	2
3	200-518	BOOT, adapter (rubber).	1
4	027-759	CLAMP	9
5	203-333	PIPE, hose insert	2
6	203-332	HOSE.	1
7	203-367	ELBOW, 90° (rubber)	1
8	020-037	BOLT, 3/8" nc x 2" - Gr. 5 (mounting plate to cab).	3
	021-097	NUT, 3/8" nc.	3
9	203-082	SPACER.	3
10	402-441	PLATE, air cleaner mounting	1
11	020-007	BOLT, 3/8" nc x 1" - Gr. 5 (air cleaner to mounting plate).	4
	021-097	NUT, 3/8" nc.	4
12	602-027	BAND, mounting.	2

OIL FILTER LINES for CUMMINS DIESEL ENGINE



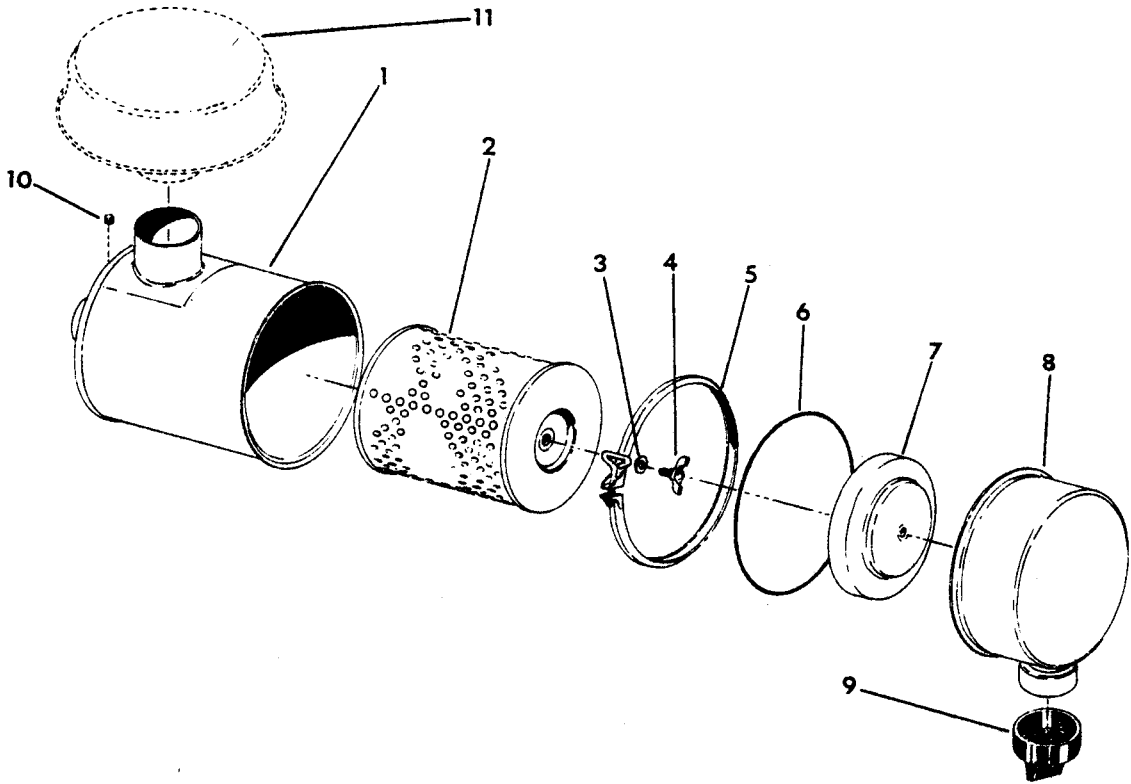
REF.	PART NO.	DESCRIPTION	REQ'D
1	029-915	ADAPTER, hose to engine and filter.	4
2	203-321	HOSE, high pressure (upper)	1
3	203-322	HOSE, high pressure (lower)	1
4	021-709	CLAMP	4
5	020-003	BOLT, 1/4" nc x 1" - Gr. 5.	4
6	020-007	BOLT, 3/8" nc x 1" - Gr. 5 (filter to frame).	4
	021-097	NUT, 3/8" nc.	4
7	203-401	FILTER.	1
8	026-410	BUSHING	1
9	200-557	PETCOCK	1

LUBRICATING OIL BYPASS FILTER for CUMMINS DIESEL ENGINE



REF.	PART NO.	DESCRIPTION	REQ'D
-	203-401	FILTER, engine oil bypass	1
1	203-399	COUPLING, half.	1
2	203-400	COUPLING, half (with nuts).	1
	020-011	BOLT, 5/16" nc x 1 1/4"	2
3	203-389	BRACKET, filter	2
4	020-007	BOLT, 3/8" nc x 1" - Gr. 5.	4
	021-097	NUT, 3/8" nc.	4
5	020-001	BOLT, 1/4" nc x 3/4" - Gr. 5.	8
	021-467	WASHER.	8
	021-093	NUT, 1/4" nc.	8
6	203-390	STRAP, mounting	2
7	203-398	COVER	1
8	203-397	"O" RING, cover	1
9	203-396	SUPPORT, upper.	1
10	203-395	ORIFICE, plug	1
11	203-394	"O" RING, support	1
12	203-393	SPRING, holddown.	1
13	203-392	CARTRIDGE	1
14	203-391	SHELL, filter	1

AIR CLEANER

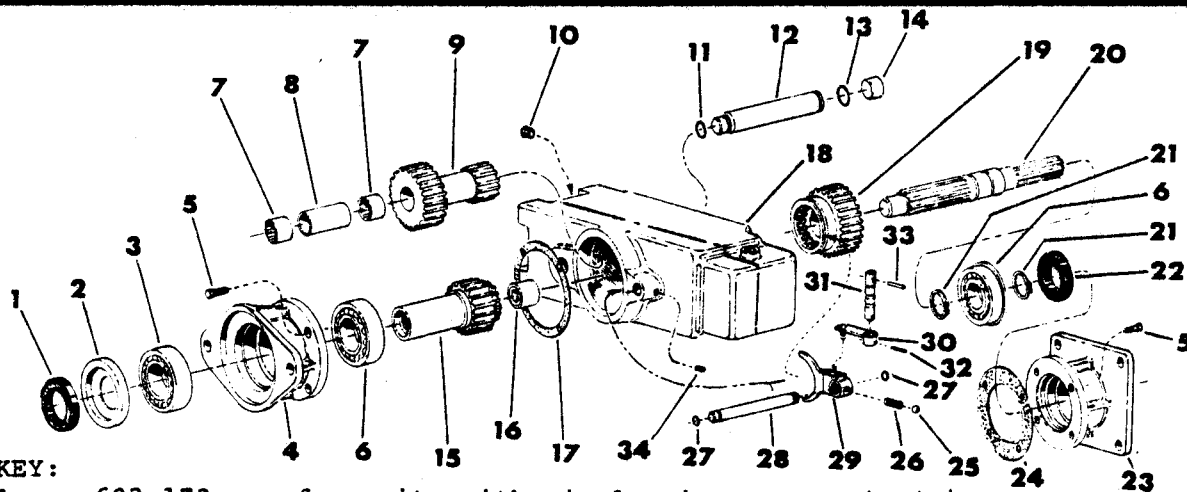


KEY:

A - CHRYSLER - 200-230
 B - FORD - 602-025
 C - CUMMINS DIESEL - 200-517

REF.	PART NO.	DESCRIPTION	REQ'D		
			A	B	C
1	NSS	BODY, air cleaner.	1	1	1
2	201-000	ELEMENT.	1	-	-
	203-426	ELEMENT.	-	1	-
	206-864	ELEMENT.	-	-	1
3	201-001	WASHER	1	-	-
4	201-002	SCREW, thumb	1	-	-
	203-427	SCREW, thumb	-	1	-
	206-865	SCREW, thumb	-	-	1
5	201-003	CLAMP ASSEMBLY	1	-	-
	203-428	CLAMP ASSEMBLY	-	1	1
6	206-866	"O" RING	-	1	1
7	201-004	BAFFLE	1	-	-
	206-867	BAFFLE ASSEMBLY	-	1	1
8	201-005	CUP ASSEMBLY	1	-	-
	206-882	CUP ASSEMBLY	-	1	-
	206-868	CUP ASSEMBLY	-	-	1
9	206-884	VALVE, vacuator.	1	-	-
	206-883	VALVE, vacuator.	-	1	-
	200-807	VALVE, vacuator.	-	-	1
10	206-869	CAP, seal.	-	-	1
11		CAP, air intake (not furnished with air cleaner)	1	-	-
	203-080	CAP, air intake (not furnished with air cleaner)	-	1	-
	200-849	CAP, air intake (not furnished with air cleaner)	-	-	1

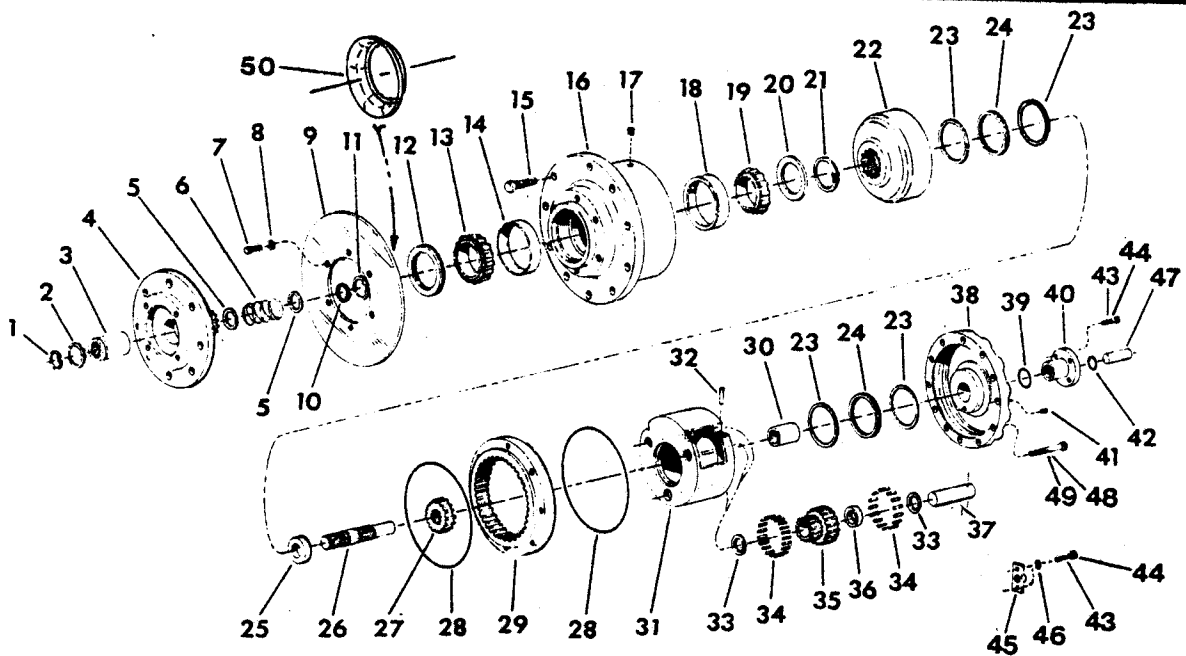
FRONT DRIVE TRANSMISSIONS



KEY:
 A - 602-173 - for units with single piece transmission case
 B - 602-534 - for units with split transmission case

REF.	PART NO.	DESCRIPTION	REQ'D	
			A	B
1	202-470	SEAL.	1	-
	203-993	SEAL.	-	1
2	202-469	SLEEVE, seal.	1	0
3	202-467	BEARING, ball (outer)	1	1
4	202-454	HOUSING, flanged.	1	1
5	020-007	BOLT, 3/8" x 1" nc - Gr. 5.	8	8
6	202-468	BEARING, ball (inner)	2	2
7	202-465	BEARING, needle	2	2
8	202-492	BUSHING	1	1
9	202-456	GEAR, cluster	1	1
10	202-480	PLUG, drain 3/8".	3	3
11	202-472	"O" RING.	1	1
12	202-461	SHAFT, cluster gear	1	-
	205-044	SHAFT, cluster gear	-	1
13	202-473	"O" RING.	1	1
14	202-493	PLUG, soft.	1	1
15	202-458	GEAR, clutch, and sleeve.	1	1
16	202-466	BEARING, needle	1	1
17	202-478	GASKET.	1	-
18	202-453	CASE (one piece).	1	1
	205-041	CASE, half (with shifter shaft hole).	-	1
	205-042	CASE, half.	-	1
	205-043	GASKET, case.	-	1
19	202-457	GEAR, sliding	1	1
20	202-459	SHAFT, gear	1	1
21	202-475	RING, snap.	2	2
22	202-471	SEAL.	1	1
23	202-455	CAP, flanged end.	1	1
24	202-479	GASKET.	1	1
25	202-484	BALL.	1	1
26	202-483	SPRING, puppet.	1	1
27	202-474	"O" RING.	3	3
28	202-462	SHAFT, shifter fork	1	-
	205-045	SHAFT, shifter fork	-	1
29	202-463	FORK, shifter	1	1
30	202-464	LINK, fork trigger.	1	-
	205-040	LINK, fork trigger.	-	1
31	202-360	SHAFT, shifter.	1	-
	205-039	SHAFT, shifter.	-	1
32	202-488	PIN, spring	1	-
33	202-494	PIN, spring	1	-
34	202-485	SETSCREW, allen	1	-

PLANETARY HUB



KEY:

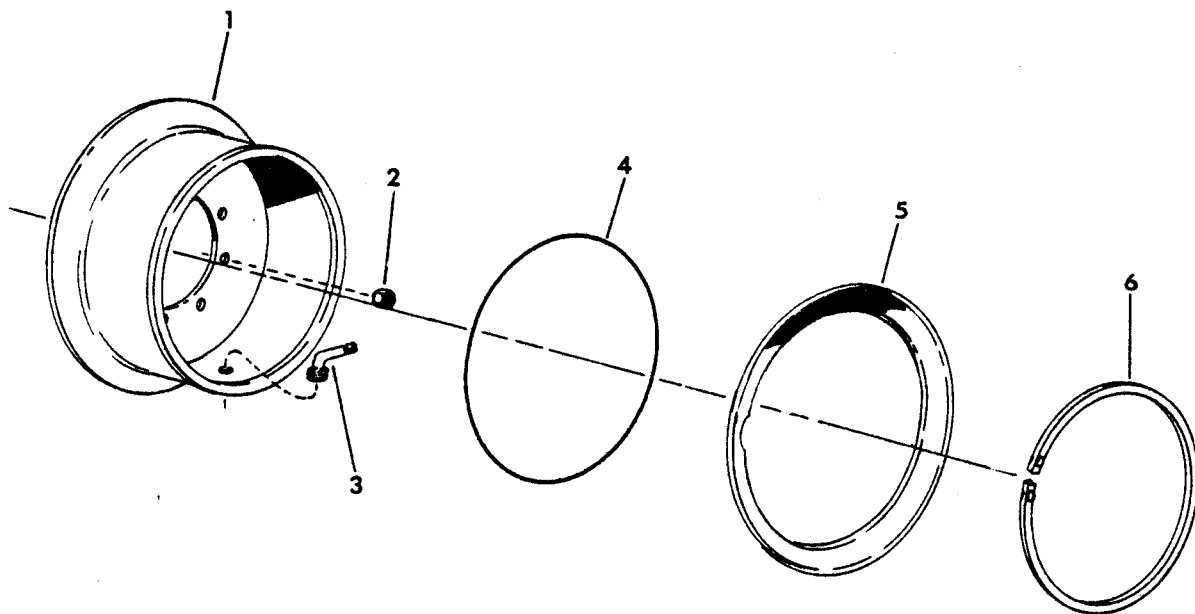
- A - 602-497 Front planetary hub, model 534 before S/N 237
- B - 602-124 Front planetary hub, model 534 with S/N 237 and after
- C - 602-176 Rear planetary hub
- D - 602-124A Front planetary hub with model # W3C35Z424
- E - 602-176A Rear planetary hub with model # W3CL5Z435

REF.	PART NO.	DESCRIPTION	REQ'D				
			A	B	C	D	E
--	---	HUB, spindle sub assembly.	1	1	1	1	1
1	202-547	RING, shaft retainer	1	1	1	1	1
2	202-548	RING, coupling retainer.	1	1	1	1	1
3	202-546	COUPLING	1	1	1	1	1
4	202-498	SPINDLE.	1	1	1	1	1
5	202-531	WASHER, spring retainer.	1	1	1	1	1
6	202-532	SPRING	2	2	2	2	2
7	020-023	BOLT, 1/2" nc x 1 1/2" - Gr. 5	1	1	1	1	1
8	021-457	WASHER, 1/2"	6	-	-	-	-
9	202-909	DISC, brake.	1	-	-	-	-
10	202-534	RING, retainer	1	1	1	1	1
11	202-533	RING, retainer	1	1	1	1	1
12	202-499	SEAL	1	1	1	1	1
13	202-501	CONE, bearing.	1	1	1	1	1
14	202-500	CUP, bearing	1	1	1	1	1
15	202-508	STUD, wheel.	1	1	1	1	1
15	202-504	HOUSING.	10	10	10	10	10
	206-760	HOUSING.	1	1	1	-	-
17	202-507	PLUG, pipe	-	-	-	1	1
18	202-502	CUP, bearing	1	1	1	1	1
19	202-503	CONE, bearing.	1	1	1	1	1
20	202-505	SPACER	1	1	1	1	1
21	202-506	RING, bearing retaining.	1	1	1	1	1
22	202-509	GEAR, internal	1	1	1	1	1
23	202-542	WASHER, thrust	1	1	1	1	1
24	202-543	BEARING, thrust.	4	4	4	4	4
25	202-537	SPACER, thrust	2	2	2	2	2
	202-538	SPACER, thrust	-	-	-	1	-
26	202-536	SHAFT, input	1	1	-	1	-
	202-535	SHAFT, input	-	-	1	-	1
			1	1	-	1	-

PLANETARY HUB (continued)

REF.	PART NO.	DESCRIPTION	REQ'D				
			A	B	C	D	E
27	202-539	GEAR, input.	-	-	1	-	1
	202-540	GEAR, input.	1	1	-	1	-
28	202-519	"O" RING	2	2	2	2	2
29	202-518	GEAR, ring	1	1	1	1	1
30	202-541	SPACER, thrust	1	1	-	1	-
--	202-510	CARRIER ASSEMBLY	1	1	1	1	1
31	202-511	• HOUSING, carrier	1	1	1	1	1
32	202-517	• PIN, roll.	3	3	3	3	3
33	202-512	• WASHER, thrust	6	6	6	6	6
34	202-513	• ROLLER, needle	84	84	84	84	84
35	202-516	• GEAR, cluster.	3	3	3	3	3
36	202-514	• SPACER	3	3	3	3	3
37	202-515	• SHAFT, planetary	3	3	3	3	3
38	202-521	COVER.	1	1	1	1	1
39	202-527	"O" RING	1	1	1	1	1
40	202-522	CAP, cover	1	1	1	1	1
41	202-528	PLUG, pipe	1	1	1	1	1
42	202-526	"O" RING	1	1	1	1	1
43	202-523	BOLT	4	4	2	4	2
44	203-079	SCREW, thumb	-	-	2	4	2
45	202-524	CAP, hub disconnect.	1	1	1	1	1
46	021-471	WASHER, lock	-	-	2	-	2
47	202-525	ROD, disconnect.	1	1	1	1	1
48	202-544	BOLT	8	8	8	8	8
49	202-545	BOLT, shoulder	4	4	4	4	4
50	206-761	SEAL, boot	-	-	-	1	1

WHEELS

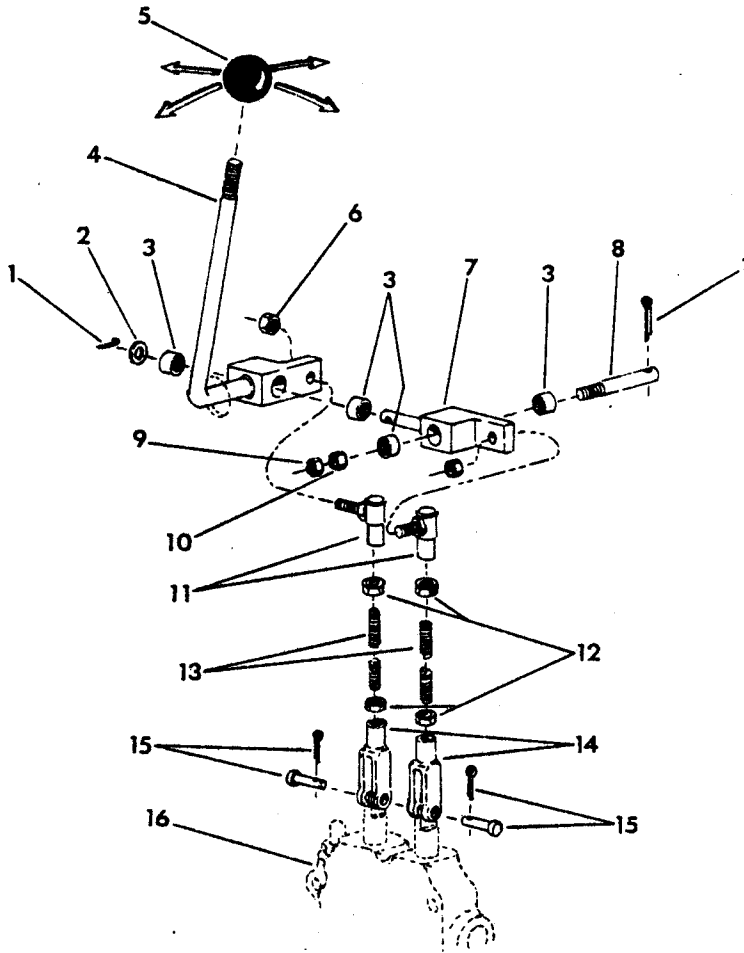


KEY:

- A - WHEEL, MODEL 534 BEFORE S/N 237
- B - WHEEL, MODEL 534 WITH S/N 237 AND AFTER.

REF.	PART NO.	DESCRIPTION	REQ'D	
			A	B
1	602-074	WHEEL.	1	-
	602-638	WHEEL.	-	1
2	202-141	NUT.	10	10
3	200-339	VALVE, air/liquid.	1	1
4	200-561	"O" RING	1	1
5	200-772	RING, gutter	1	1
6	201-615	LOCK RING.	1	1

MAIN VALVE CONTROL LINKAGE (LIFT & CROWD)

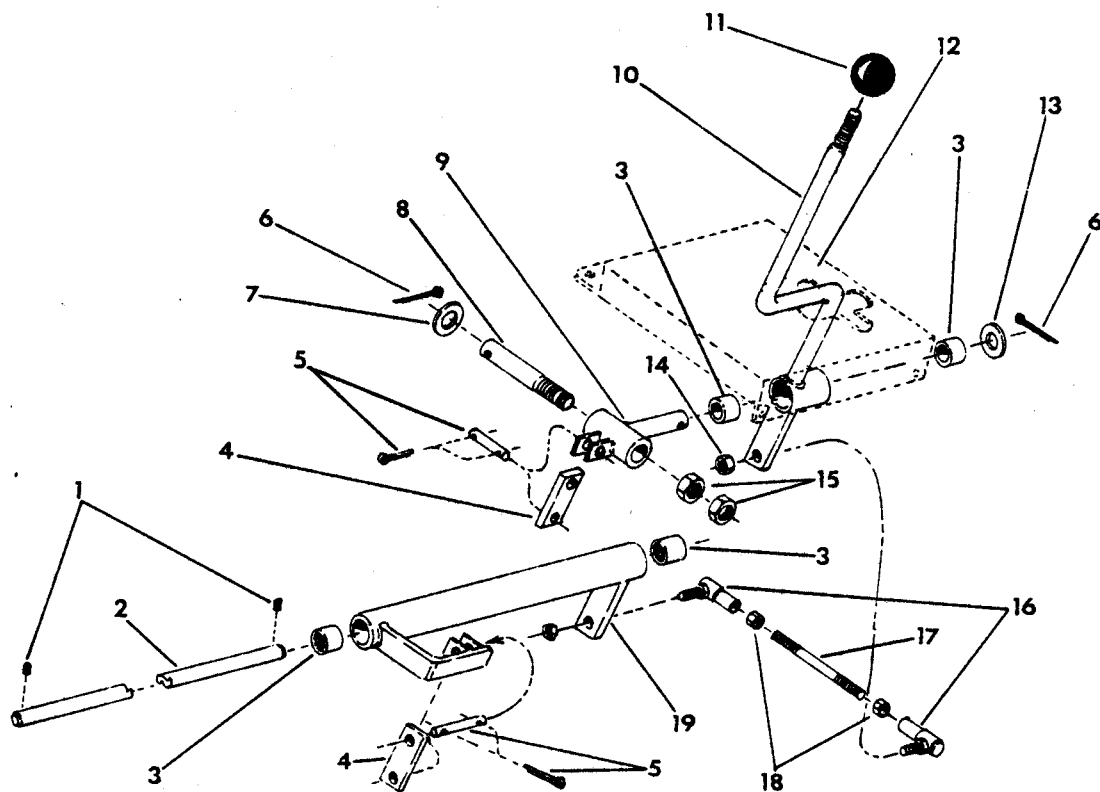


KEY:

- A - All Model 534 LOED Handlers thru SN 715
- B - All Model 534 LOED Handlers SN 717 and after

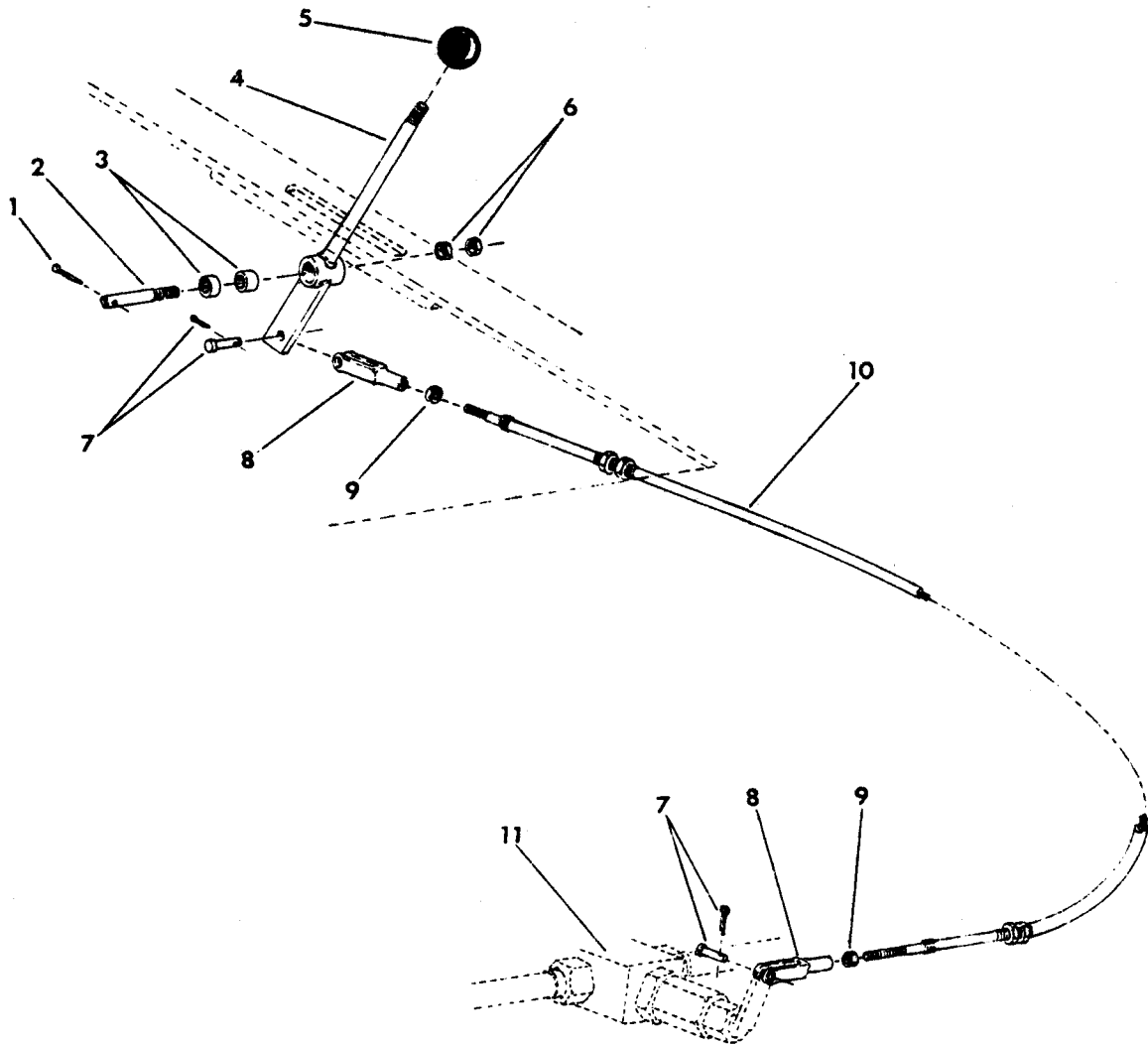
REF.	PART NO.	DESCRIPTION	REQ'D	
			A	B
1	021-442	PIN, cotter	2	2
2	027-471	WASHER.	1	1
3	200-290	BEARING, needle	4	4
4	602-156	LEVER	1	1
5	200-299	KNOB.	1	1
6	021-098	NUT, 3/8" nc.	2	2
7	402-184	BELLCRANK	1	1
8	202-177	PIN, joystick	1	1
9	027-930	NUT, cap, 1/2" nc	1	1
10	021-099	NUT, 1/2" nc.	1	1
11	200-406	BALLJOINT	2	2
12	021-118	NUT, jam, 3/8" nc	4	4
13	400-543	ROD, linkage, 3/8" nc	2	2
14	027-718	YOKE.	2	-
	028-473	YOKE.	-	2
15	027-719	PIN, clevis and cotter.	2	-
	021-557	PIN, clevis	-	2
	026-021	PIN, cotter	-	2
16	602-135	VALVE, main (for breakdown see page 10-20a).	1	-
	601-799	VALVE, main (for breakdown see page 10-20a).	-	1

AUXILIARY VALVE LINKAGE



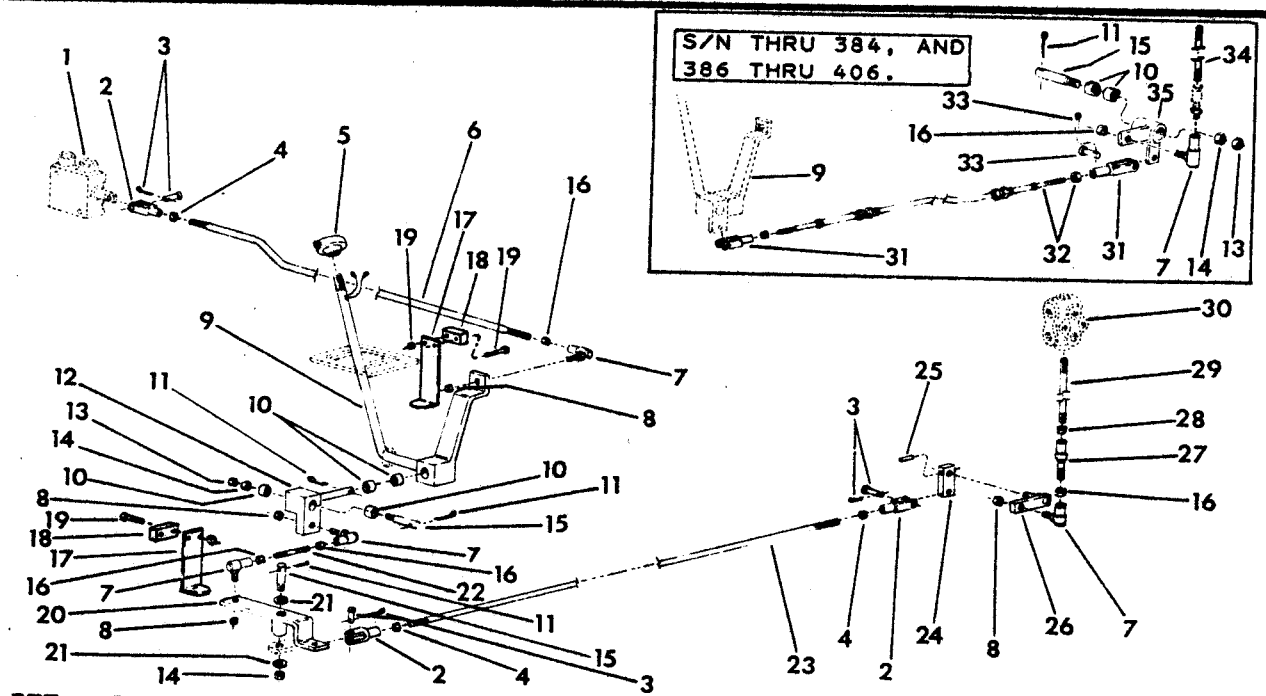
REF.	PART NO.	DESCRIPTION	REQ'D
1	021-013	SCREW, set.	2
2	200-282	SHAFT	1
3	200-290	BEARING, needle	4
4	202-061	LINK, valve	2
5	202-331	PIN, link to bellcrank.	2
	021-435	PIN, cotter	4
6	021-443	PIN, cotter	2
7	027-471	WASHER.	1
8	202-177	PIN, joystick	1
9	402-314	BELLCRANK	1
10	402-313	LEVER, auxiliary valve control.	1
11	200-299	KNOB.	1
12	---	PLATE, lever guide (see frame parts).	1
13	021-458	WASHER.	1
14	021-098	NUT - 3/8" nf	2
15	021-119	NUT, jam - 1/2" nc.	2
16	200-406	BALLJOINT	2
17	400-543	ROD - 3/8" nc x 2 1/4" long	1
18	021-118	NUT, jam - 3/8"	2
19	400-315	BELLCRANK	1

SPIN LIMITING CONTROL



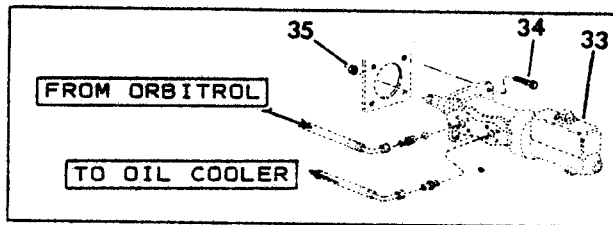
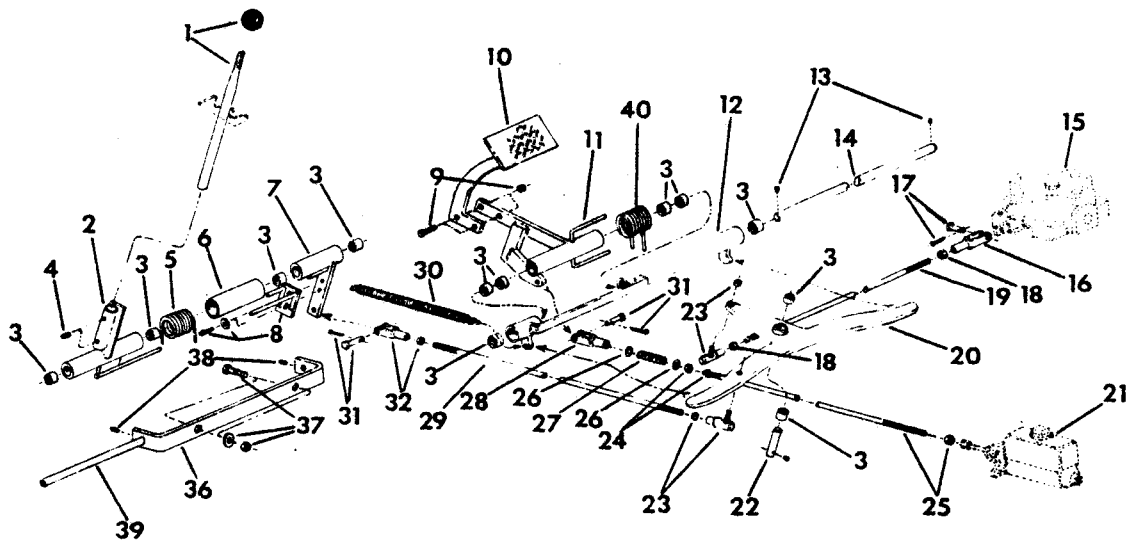
REF.	PART NO.	DESCRIPTION	REQ'D
1	021-442	PIN, cotter	1
2	202-177	PIN	1
3	200-290	BEARING, needle	2
4	402-297	LEVER	1
5	200-299	KNOB, lever	1
6	021-119	NUT	2
7	027-685	PIN, clevis and cotter.	2
8	027-684	YOKE.	2
9	NSS	NUT, jam.	2
10	202-280	CABLE	1
11	---	VALVE, torque proportioning	1

"C" SHIFT CONTROL



REF.	PART NO.	DESCRIPTION	REQ'D
1	---	VALVE, diverting (hi-low flow)(See page 10-17)	1
2	027-682	YOKE.	3
3	027-683	PIN, clevis and cotter.	3
4	021-120	NUT, 1/2" nf.	1
5	202-314	KNOB, shifter	1
	203-342	SWITCH, toggle.	1
6	402-325	ROD, linkage.	1
7	200-406	BALLJOINT	AR
8	021-098	NUT, 3/8" nf.	1
9	602-473	LEVER, shifter.	1
10	200-290	BEARING	AR
11	021-442	PIN, cotter	AR
12	402-311	BLOCK, bellcrank.	1
13	021-119	NUT, jam - 1/2" nc.	AR
14	021-099	NUT, 1/2" nc.	AR
15	202-177	PIN	AR
16	021-118	NUT, jam - 3/8" nf.	AR
17	402-488	DETENT.	2
18	203-150	BLOCK, spacer	2
19	020-009	BOLT, 1/4" nc x 1 1/4" - Gr. 5 (2 per block).	4
	021-093	NUT, 1/4" nc.	4
20	601-633	LEVER, shift.	1
	200-290	BEARING (used in shift lever, but not shown)	2
21	021-458	WASHER 5/8" flat	2
22	401-942	ROD, linkage.	1
23	203-270	ROD, linkage.	1
24	203-269	BLOCK	1
25	021-510	PIN, roll	1
26	401-883	BELLCRANK	1
27	200-410	ADAPTER	1
28	021-117	NUT, jam - 3/8" nc.	1
29	202-885	ROD, linkage.	1
30	---	VALVE, series-parallel(See page 10-18).	1
31	027-684	YOKE.	2
32	202-279	CABLE (includes nuts)	1
33	027-685	PIN, clevis and cotter.	1
34	202-885	ROD, linkage.	1
35	402-316	BELLCRANK	1

FORWARD-REVERSE LINKAGE

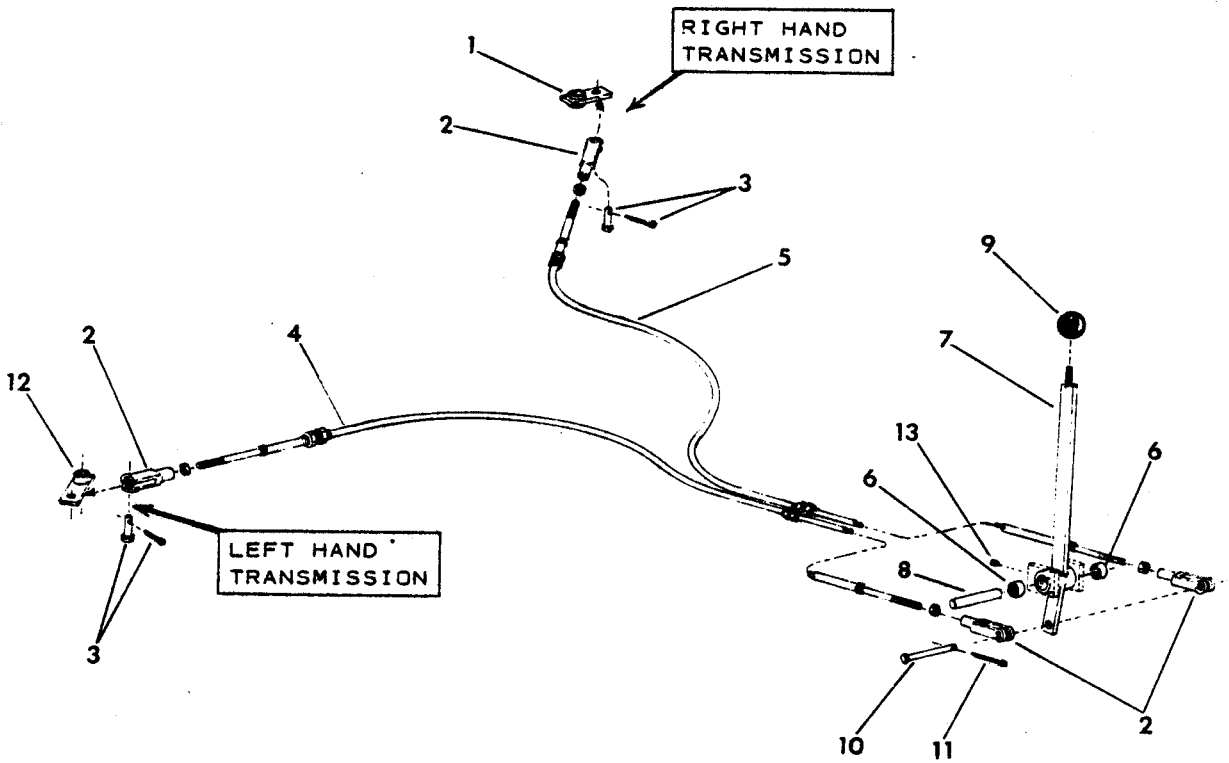


REF.	PART NO.	DESCRIPTION	REQ'D
1	402-192	LEVER, shifter.	1
	200-299	KNOB.	1
2	402-562	WELDMENT, bellcrank	1
3	200-290	BEARING, needle	11
4	021-029	SCREW, set.	2
5	402-556	SPRING.	1
6	402-309	SLEEVE.	1
7	402-560	WELDMENT, bellcrank	1
8	402-557	WELDMENT, bellcrank arm	1
	020-007	BOLT.	2
	021-456	WASHER.	2
9	020-015	BOLT, 1/2" nc x 1 1/4" - Gr. 5.	2
	020-099	NUT, 1/2" nc.	2
10	402-189	PEDAL	1
11	402-341	BELLCRANK, pedal.	1
12	602-483	BELLCRANK	1
13	021-013	SCREW, set.	3
14	402-298	SHAFT	1
15	602-637	VALVE, forward-reverse.	1
16	027-682	YOKE.	1
17	027-683	PIN, clevis and cotter.	1
18	021-120	NUT, 1/2" nc.	1
19	202-085	ROD	1
20	602-314	LEVER, spool shift.	1
21	602-651	CYLINDER, brake (model 534 with s/n 237 and after).	1
22	200-277	PIN	1
23	200-406	BALLJOINT	2
	021-118	NUT, 3/8" nc.	2
24	021-120	NUT, 1/2" nc.	2
25	203-037	ROD	1
	027-335	NUT, jam 7/16".	1
26	021-457	WASHER.	2

FORWARD-REVERSE LINKAGE (continued)

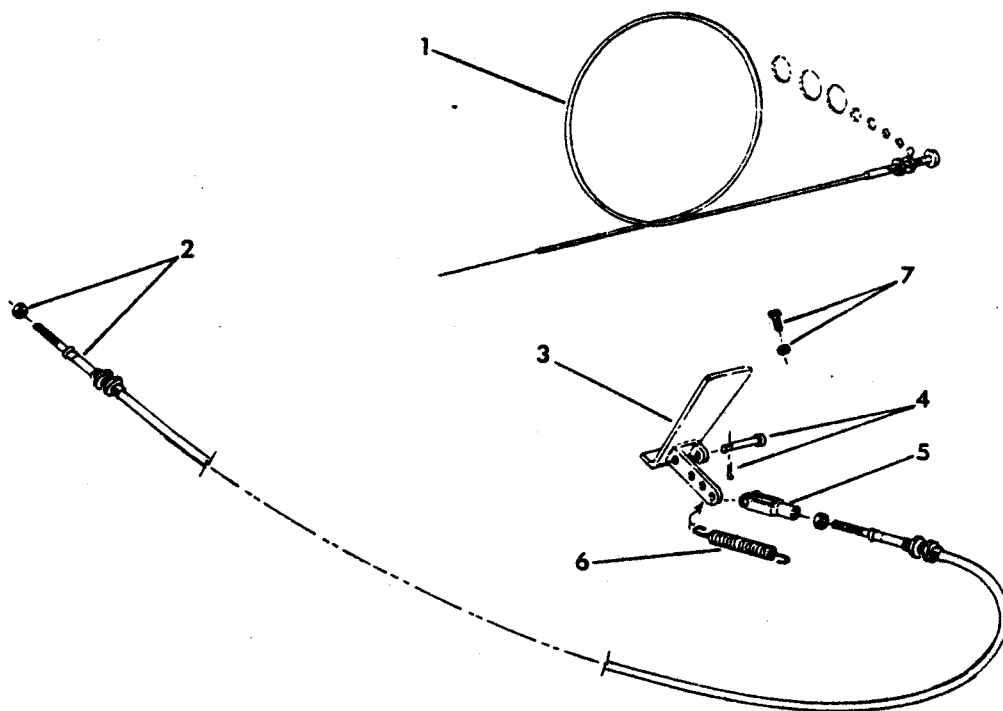
REF.	PART NO.	DESCRIPTION	REQ'D
27	203-093	SPRING.	1
28	203-347	YOKE.	1
29	202-361	ROD	1
30	200-559	SPRING.	1
31	027-719	PIN, clevis and cotter.	2
32	027-118	YOKE.	1
33	602-477	CYLINDER, brake (Model 534 before s/n 237).	1
34	---	BOLT, cylinder mounting	4
35	027-718	YOKE.	1
36	402-193	BRACKET	1
37	020-013	BOLT, 3/8" nc x 1 1/4" - Gr. 5.	2
	021-456	WASHER.	2
	021-097	NUT, 3/8" nc.	2
38	021-013	SCREW, set.	2
39	200-282	SHAFT, bellcrank.	1
40	402-506	SPRING.	1

TRANSMISSION SHIFT CONTROL



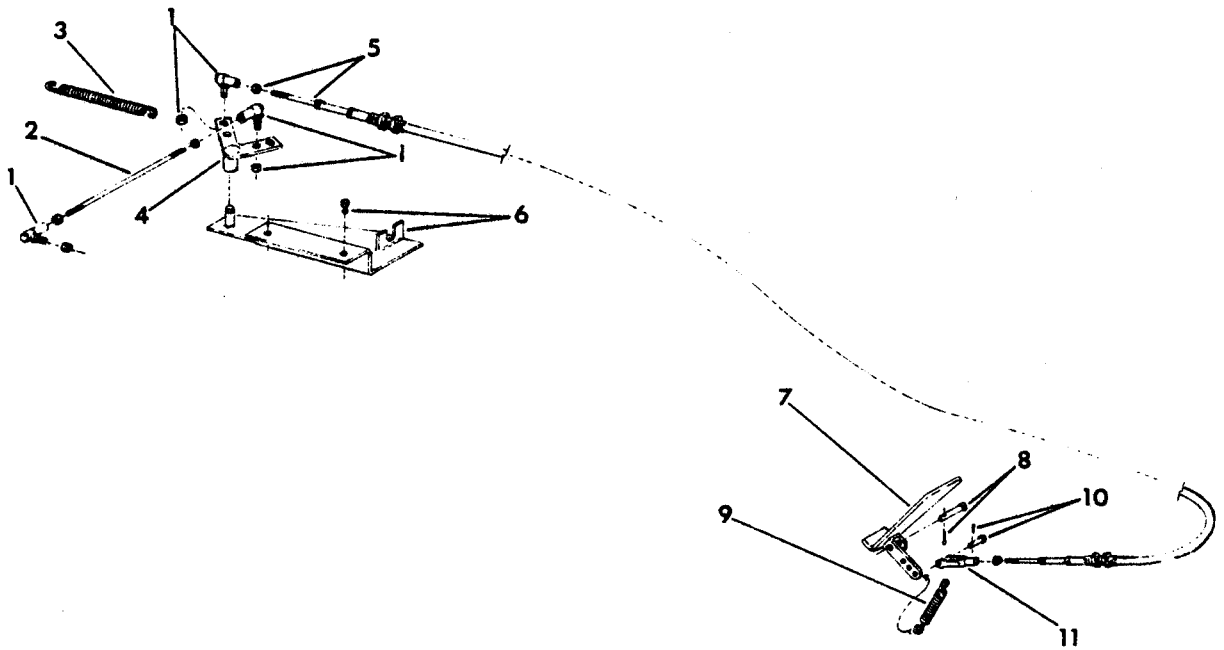
REF.	PART NO.	DESCRIPTION	REQ'D
1	402-329	LEVER, shift (for right hand transmission)	1
2	027-684	YOKE	4
3	027-685	PIN, clevis and cotter	2
4	202-281	CABLE, left side	1
5	202-279	CABLE, right side	1
6	200-290	BEARING, needle	2
7	602-471	LEVER, shift	1
8	200-277	PIN	1
9	200-299	KNOB, shift lever	1
10	021-567	PIN, clevis	1
11	021-437	PIN, cotter	1
12	402-330	LEVER, shift (for left hand transmission)	1
13	021-013	SCREW, set	1

ENGINE CONTROLS for GAS UNITS



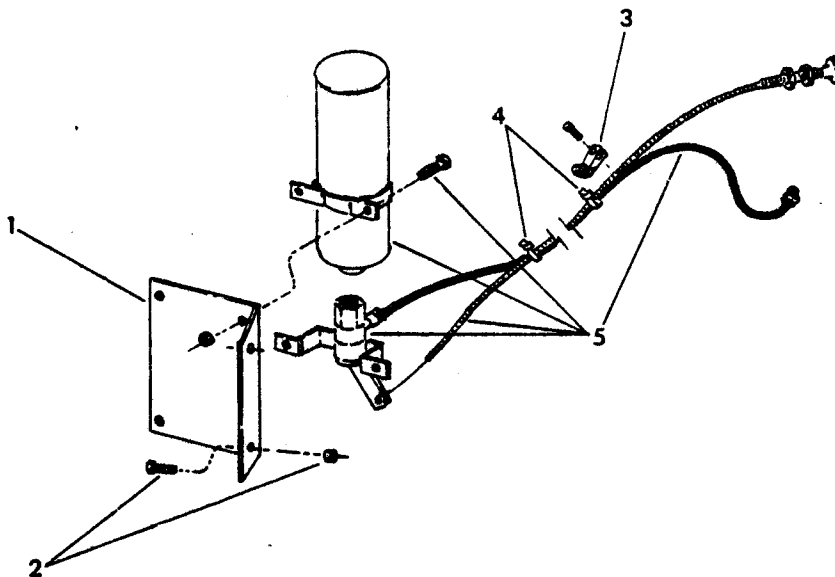
REF.	PART NO.	DESCRIPTION	REQ'D
1	200-308	CABLE, choke.	1
2	200-795	CABLE, accelerator.	1
3	200-289	PEDAL	1
4	026-685	PIN, clevis and cotter.	1
5	026-682	YOKE.	1
6	200-559	SPRING.	1
7	020-388	BOLT.	AR
	021-093	NUT	AR

ACCELERATOR LINKAGE for CUMMINS DIESEL ENGINE



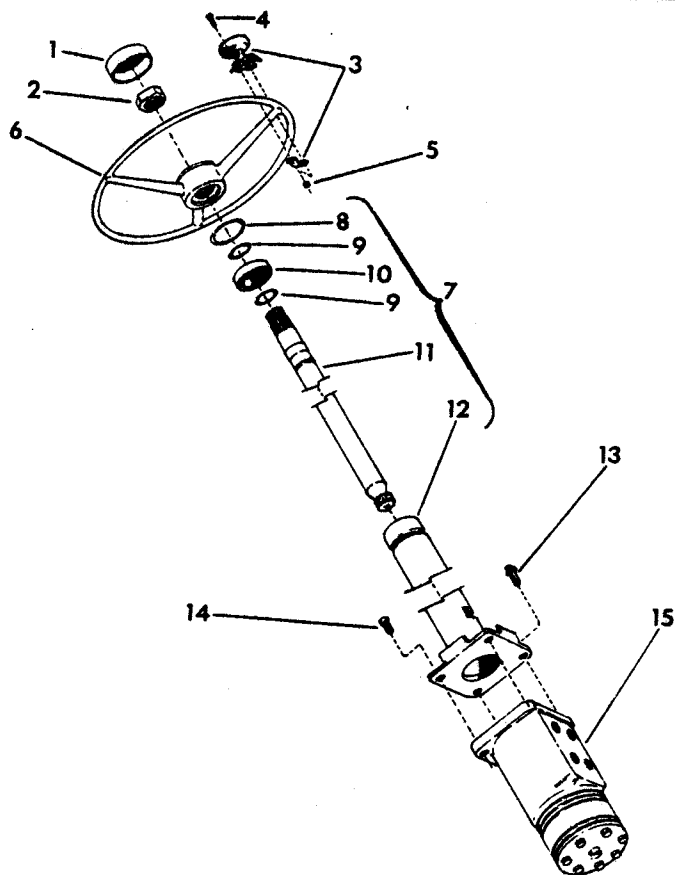
REF.	PART NO.	DESCRIPTION	REQ'D
1	027-908	BALLJOINT (includes nut)	3
2	203-275	ROD	1
3	200-559	SPRING	1
4	401-880	BELLCRANK	1
5	200-307	CABLE (includes jam nuts)	1
6	601-585	BRACKET, linkage mounting	1
	NSS	BOLT, (bracket to engine)	2
7	200-289	PEDAL, accelerator	1
8	021-600	PIN, clevis	1
	021-436	PIN, cotter	1
9	200-559	SPRING	1
10	026-685	PIN, clevis and cotter	1
11	026-682	YOKE	1

COLD START for CUMMINS DIESEL



REF.	PART NO.	DESCRIPTION	REQ'D
1	401-923	BRACKET, mounting	1
2	020-001	BOLT - 1/4" nc x 3/4" - Gr. 5	2
	021-093	NUT - 1/4" nc	2
3	021-705	CLAMP, insulated.	AR
4	027-187	TIE, cable.	AR
5	601-611	KIT, cold weather starting (includes all operating parts).	AR

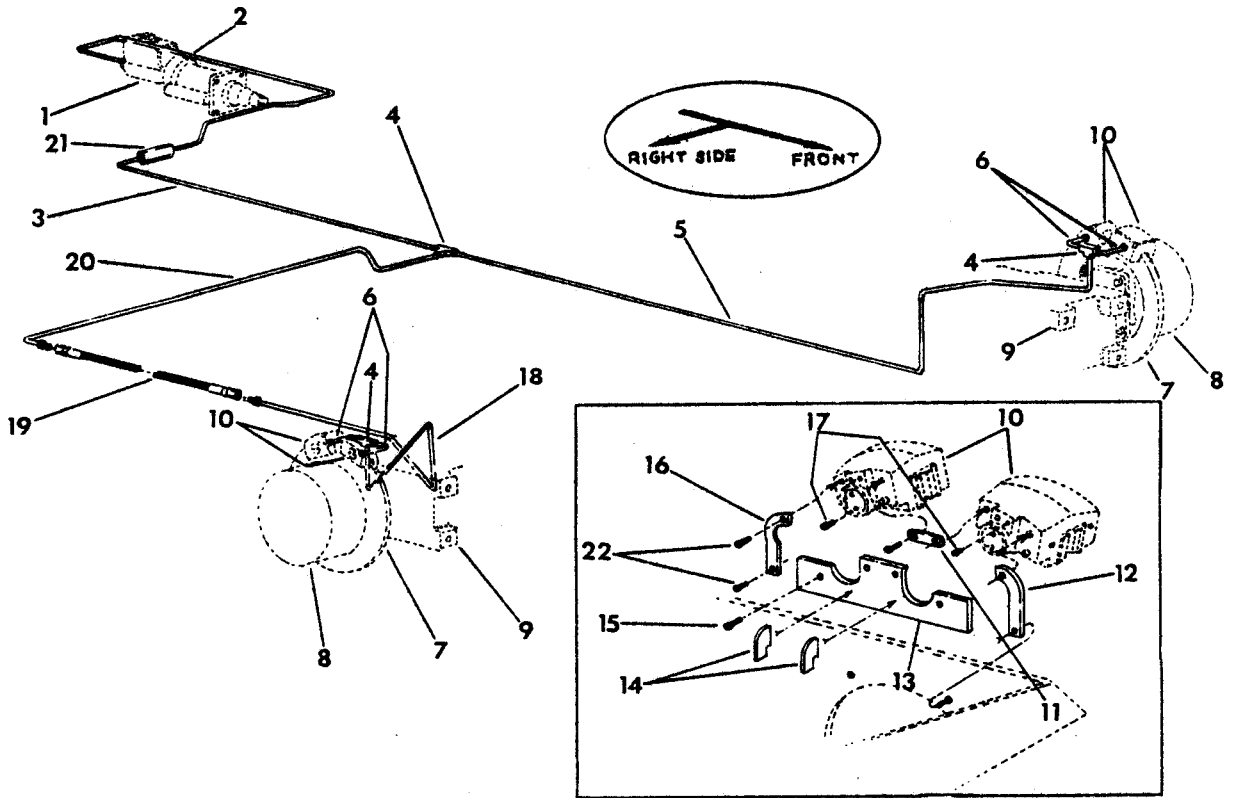
STEERING COLUMN



REF.	PART NO.	DESCRIPTION	REQ'D
1	600-274	CAP, steering	1
2	200-266	NUT, steering wheel	1
3	202-230	KNOB, spinner	1
4	020-397	• SCREW, flathead, 1/4" nc x 1"	2
5	021-093	• NUT, 1/4"	2
6	600-273	WHEEL, steering	1
7	600-267	COLUMN, orbitrol.	1
8	201-347	• RING, retaining	1
9	201-346	• RING, retaining	2
10	201-348	• BEARING	1
11	201-349	• SHAFT	1
12	201-350	• TUBE and FLANGE	1
13	026-015	• BOLT, 12 pt	2
14	020-013	BOLT, 3/8" nc x 1 1/4" - Gr. 5.	2
15	202-957	ORBITROL.	1
--	201-409	KIT, orbitrol seal.	1

DISC BRAKE HYDRAULIC CONTROL

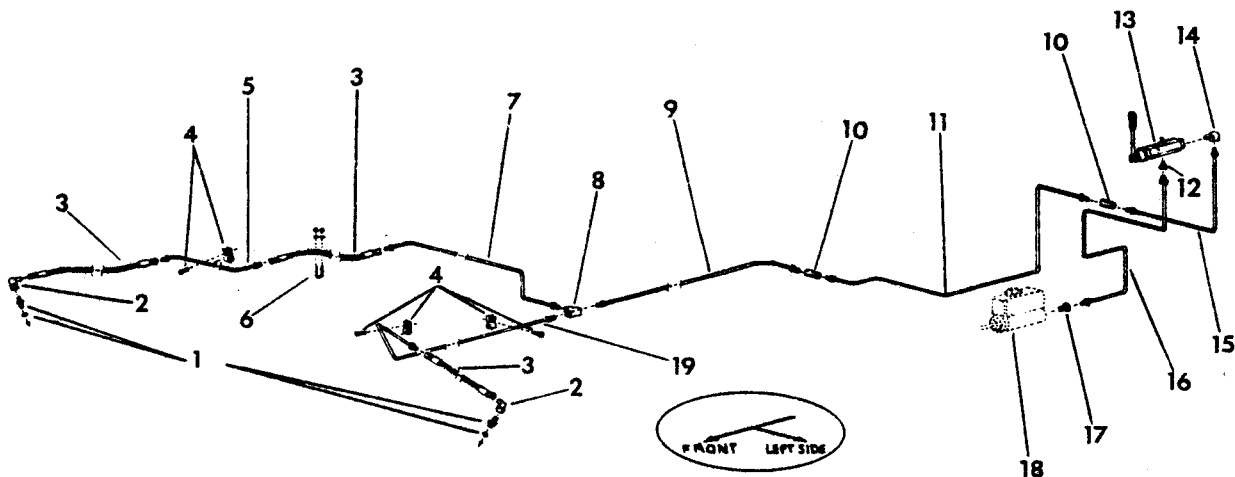
MODEL 534 BEFORE S/N 237



REF.	PART NO.	DESCRIPTION	REQ'D
1	602-477	CYLINDER, master.	1
2	202-896	LINE, hydraulic	1
3	202-894	LINE, hydraulic	1
4	200-437	TEE	3
5	202-895	LINE, hydraulic	1
6	202-891	LINE, hydraulic	4
7	202-909	DISC, brake	2
8	602-497	PLANETARY, front drive.	2
9	602-173	TRANSMISSION, front drive	2
10	203-105	CALIPER, front brake.	4
11	203-104	LINK, caliper connecting.	2
12	402-461	BRACKET, front caliper anchor	2
13	602-480	BRACKET, caliper mounting (weld on)	2
14	202-906	BRACE (weld to frame, and item 13).	4
15	029-944	BOLT	4
16	402-462	BRACKET, rear caliper anchor.	2
17	027-209	ADAPTER	4
18	202-892	LINE, hydraulic	1
19	400-453	HOSE, high pressure	1
20	202-893	LINE, hydraulic	1
21	026-453	UNION	1
22	020-007	BOLT - 3/8" nc x 1" - Gr. 5	AR

BRAKE HYDRAULICS

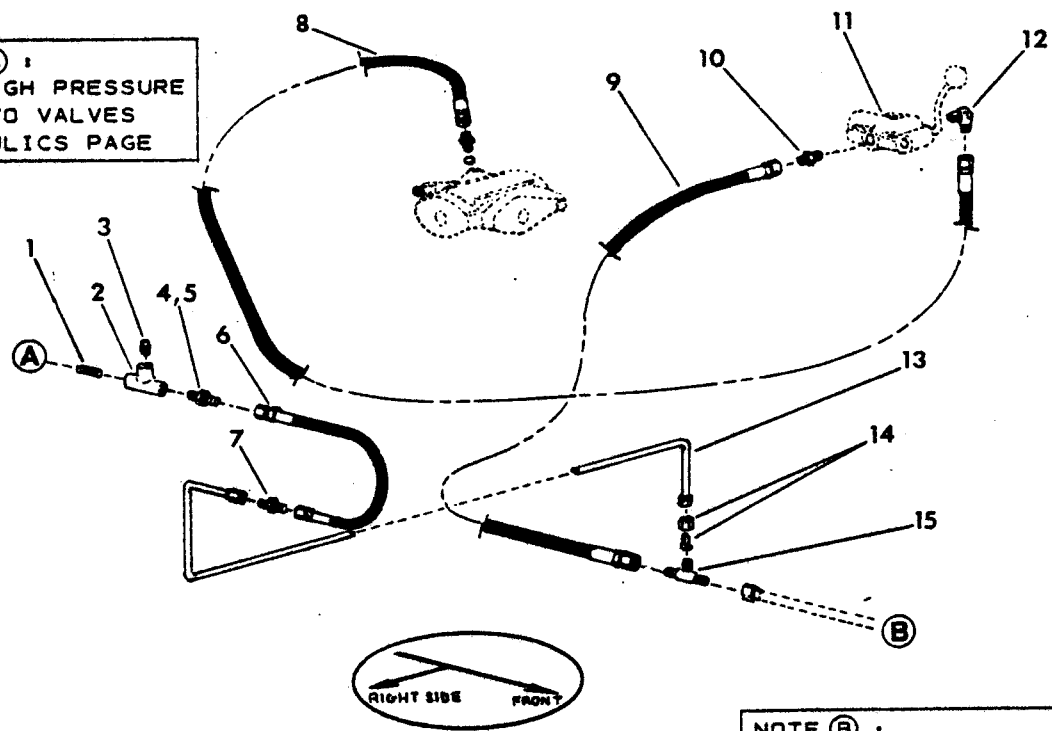
MODEL 534 WITH S/N 237 AND AFTER



REF.	PART NO.	DESCRIPTION	REQ'D
1	027-924	CONNECTOR, "O" ring	2
2	027-925	ELBOW, 90° swivel	2
3	027-485	HOSE, high pressure	2
4	021-705	CLAMP	3
	026-475	BOLT - 1/4" nc x 1/2" - Gr. 5	3
5	602-662	LINE, hydraulic	1
6	200-668	"U" BOLT CLAMP.	1
7	602-598	LINE, hydraulic	1
8	200-437	TEE	1
9	602-617	LINE, hydraulic	1
10	026-453	UNION	2
11	602-666	LINE, hydraulic	1
12	027-769	CONNECTOR (w/Mico lock)	1
13	400-835	VALVE, brake.	1
14	027-958	ELBOW, 90° (w/Mico lock)	1
15	602-667	LINE, hydraulic	1
16	602-668	LINE, hydraulic	1
17	200-539	CONNECTOR	1
18	602-651	CYLINDER, brake master.	1
19	602-665	LINE, hydraulic	1

1
BRAKE CONTROL HYDRAULICS
 (MODEL 534 BEFORE SN 237)

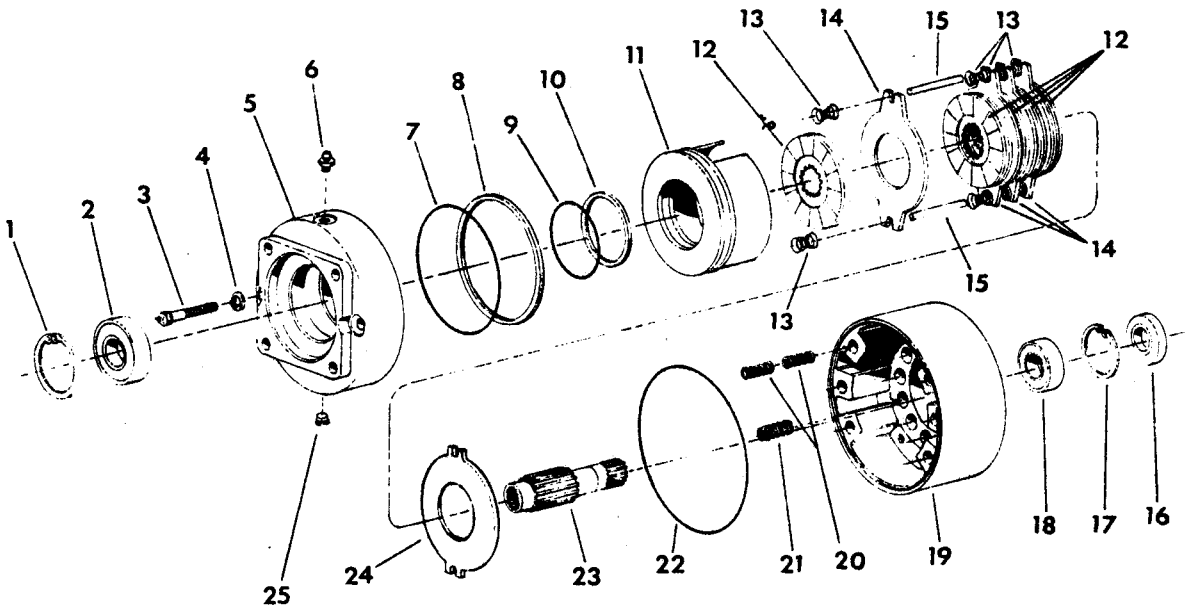
NOTE (A) :
 SEE HIGH PRESSURE
 PUMP TO VALVES
 HYDRAULICS PAGE



NOTE (B) :
 SEE FRONT DRIVE
 MOTOR DRAIN & BRAKE
 HYDRAULICS PAGE

REF.	PART NO.	DESCRIPTION	REQ'D
1	026-205	NIPPLE	1
2	026-457	TEE.	1
3	026-195	PLUG	1
4	202-925	CONNECTOR.	1
5	202-924	ORIFICE.	1
6	027-485	HOSE, high pressure.	1
7	027-502	CONNECTOR.	1
8	202-913	HOSE, high pressure.	1
9	202-912	HOSE, high pressure.	1
10	027-365	ADAPTER.	1
11	602-310	VALVE, brake control	1
12	029-931	ELBOW, 90°	1
13	602-422	LINE, hydraulic.	1
14	029-954	REDUCER.	1
	026-376	NUT.	1
15	026-914	TEE.	1

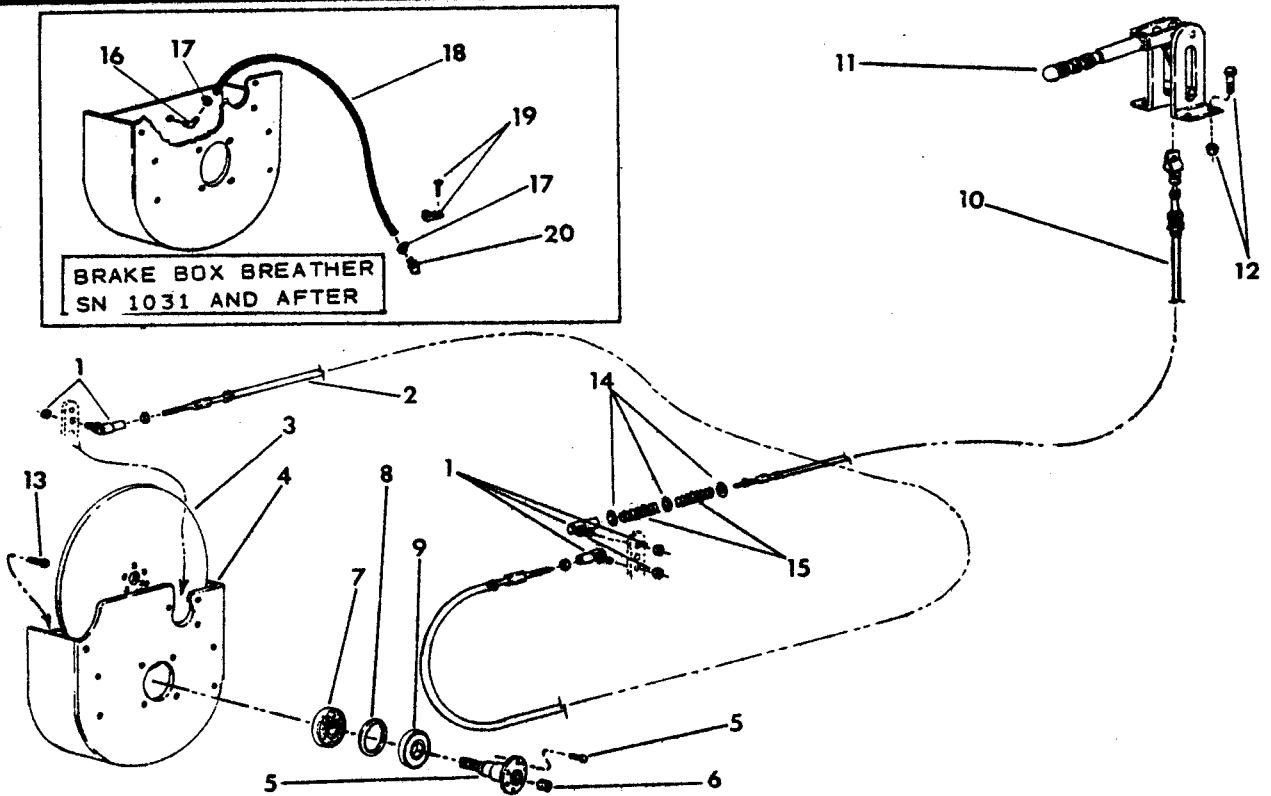
PARKING BRAKE
MODEL 534 BEFORE S/N 237



REF.	PART NO.	DESCRIPTION	REQ'D
--	202-270	BRAKE, service.	-
1	202-574	RING, retaining	1
2	202-575	BEARING	1
3	202-576	BOLT	2
4	202-577	WASHER, lock	2
5	202-572	PLATE, power	1
6	202-578	SCREW, bleeder	1
7	202-571	"O" RING	1
8	202-570	RING, back up	1
9	202-569	"O" RING	1
10	202-568	RING, back up	1
11	202-567	PISTON	1
12	202-564	DISC, rotating	5
13	202-566	SPRING, compression	10
14	202-565	DISC, stationary	4
15	202-562	PIN, torque	2
16	202-555	SEAL	1
17	202-556	RING, retaining	1
18	202-557	BEARING	1
19	202-558	HOUSING	1
20	202-560	SPRING, compression (small)	12
21	202-580	SPRING, compression (large)	12
22	202-559	"O" RING	1
23	202-561	SHAFT, splined	1
24	202-563	DISC, primary	1
25	202-573	PLUG, protective	1

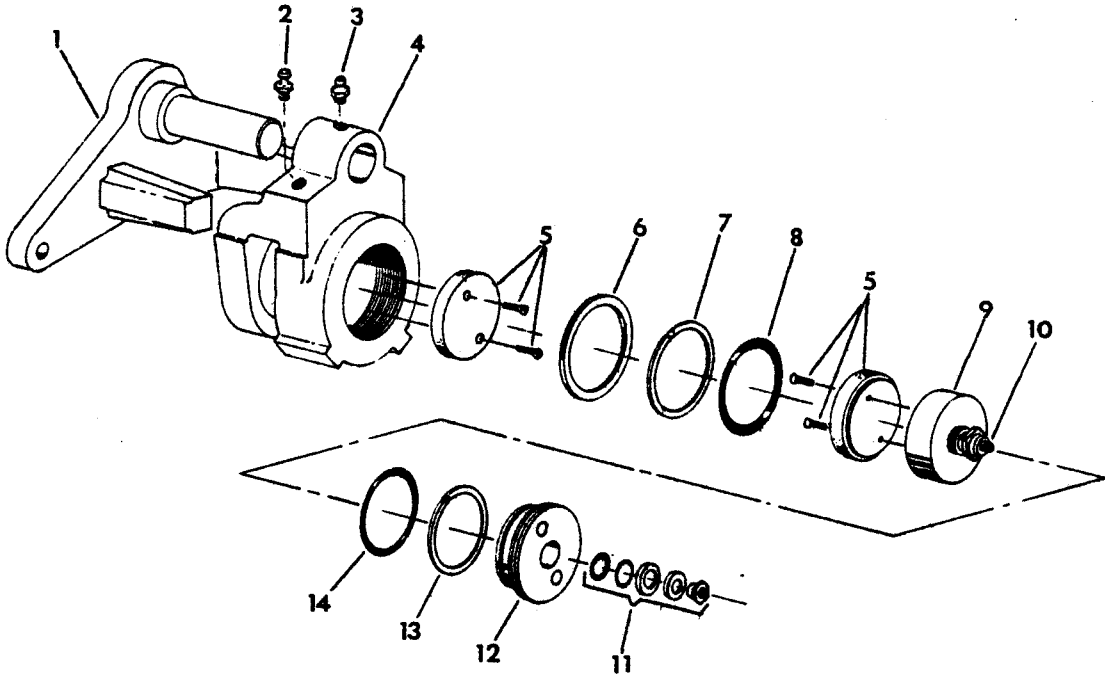
PARKING BRAKE CONTROL & BRAKE POCKET

(MODEL 534 S/N 237 AND AFTER)



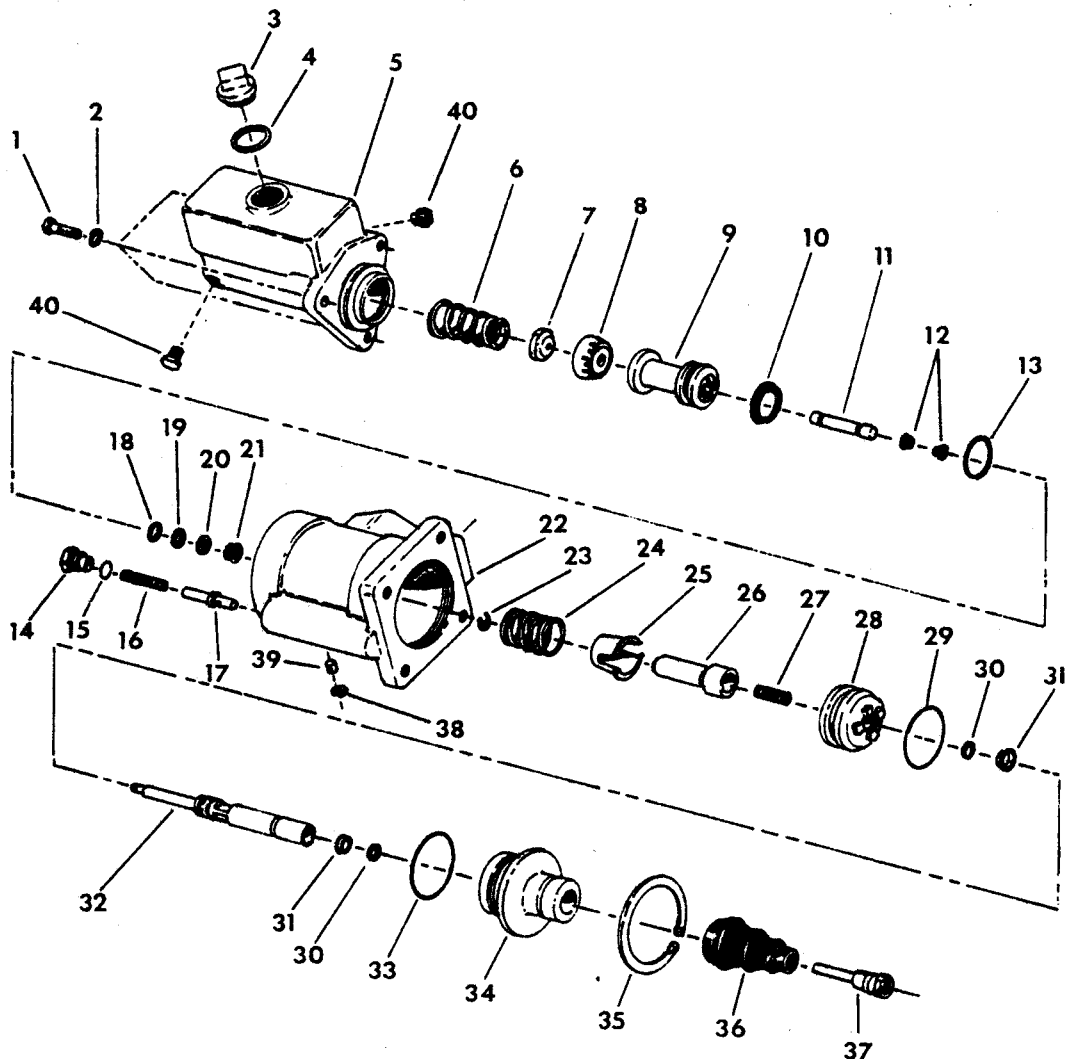
REF.	PART NO.	DESCRIPTION	REQ'D
1	200-406	BALLJOINT	3
	021-098	NUT, jam - 3/8" nf.	3
2	203-044	CABLE, crossover (push-pull).	1
3	402-369	DISC, parking brake (left and right side)	2
4	801-200	POCKET, brake disc (righthand shown).	1
	801-201	POCKET, brake disc (lefthand not shown)	1
5	602-528	SHAFT, brake disc	2
	020-015	BOLT, 1/2" nc x 1 1/4" - Gr. 5 (6 per shaft to disc).	12
6	203-043	CUSHION, spacer	2
7	202-981	BEARING	2
8	204-692	SPACER.	2
9	205-226	SEAL.	2
10	602-664	CABLE, push-pull.	1
	021-118	NUT, jam (cable ends)	2
11	600-118	HANDLE, parking brake (adjustable tension).	1
12	020-005	BOLT, 5/16" nc x 1" - Gr. 5	4
	021-095	NUT, 5/16" nc	4
13	020-023	BOLT, 1/2" nc x 1 1/2" - Gr. 5 (4 per brake pocket to hub).	8
14	021-456	WASHER.	3
15	201-831	SPRING.	2
16	026-399	ELBOW, 90°.	2
17	021-679	CLAMP, hose	4
18	206-212	HOSE.	2
19	021-708	CLIP.	2
	020-001	BOLT, 1/4" nc x 3/4" - Gr. 5.	2
20	203-447	FILTER, vent.	2

SERVICE BRAKE CALIPER
(MODEL 534 WITH S/N 237 AND AFTER)



REF.	PART NO.	DESCRIPTION	REQ'D
--	600-806	CALIPER, brake.	2
1	202-693	ARM ASSEMBLY (1 per caliper).	1
2	202-688	SCREW, bleeder.	1
3	202-687	FITTING, grease	1
4	202-692	HOUSING	1
5	NSS	LINING, brake (w/2 mtg. screws)	2
6	NSS	WIPER	1
7	202-691	BACK-UP RING.	1
8	202-690	"O" RING.	1
9	206-769	PISTON.	1
10	NSS	COMPENSATOR ASSEMBLY.	1
11	NSS	MOUNTING PARTS, compensator	1
12	207-079	PLUG, end	1
13	NSS	BACK-UP RING.	1
14	NSS	"O" RING.	1
15	201-742	LINING KIT (includes items 5 and 6)	AR
16	202-689	SEAL KIT (includes items 6, 7, 8, 10, 11, 13 & 14).	AR

BRAKE MASTER CYLINDER
MODEL 534 BEFORE S/N 237



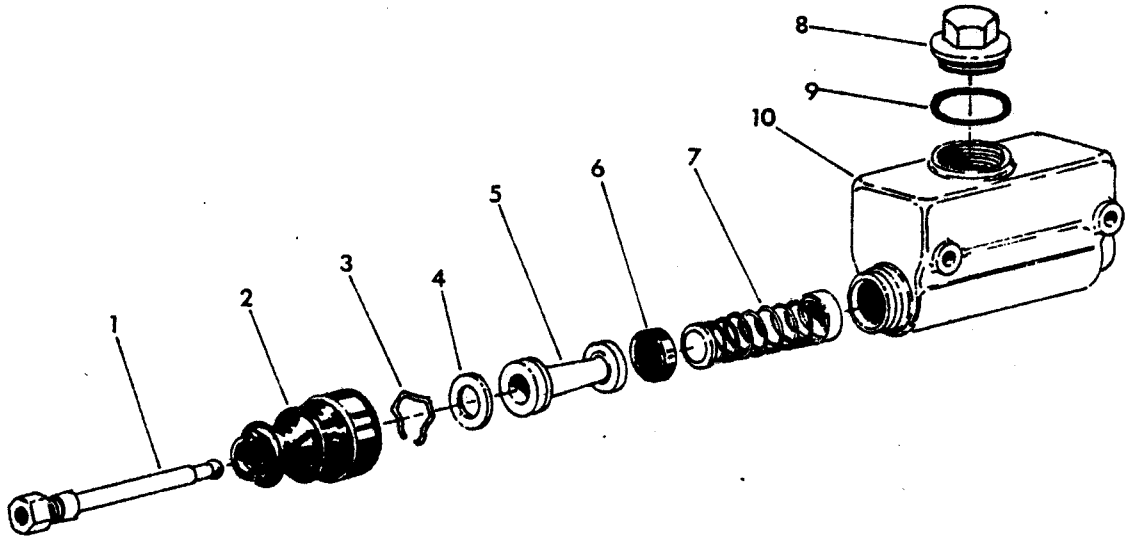
REF.	PART NO.	DESCRIPTION	REQ'D
--	602-477	BRAKE MASTER CYLINDER	-
1	202-603	BOLT.	3
2	202-604	WASHER.	3
3	202-612	HOUSING, cylinder reservoir section	1
4	202-614	CAP, filler	1
5	202-613	GASKET.	1
6	202-600	SPRING.	1
7	202-601	RETAINER.	1
8	202-615	SEAL.	1
9	202-602	PISTON.	1
10	202-605	SEAL.	1
11	202-616	PISTON.	1
12	202-617	SEAL.	2
13	202-606	RING, piston retainer	1
14	202-618	PLUG.	1
15	202-619	"O" RING.	1
16	202-621	SPRING.	1
17	202-624	STEM, valve	1
18	202-608	RETAINER.	1

BRAKE MASTER CYLINDER (continued)

MODEL 534 BEFORE S/N 237

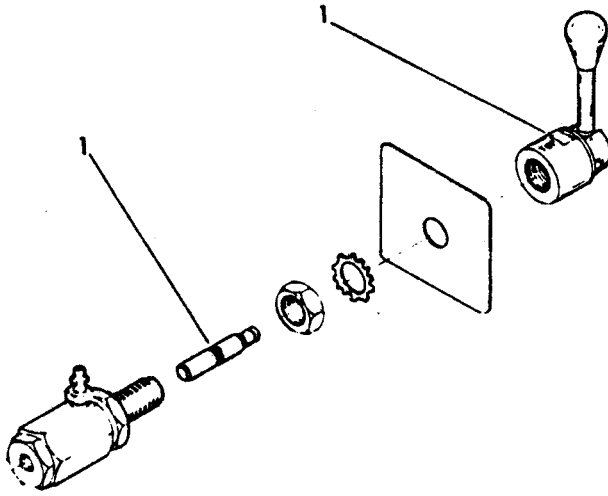
REF.	PART NO.	DESCRIPTION	REQ'D
19	202-609	WASHER.	1
20	202-610	RING, backup.	1
21	202-611	SEAL.	1
22	NSS	HOUSING, power assist section	1
23	202-607	RING, retainer.	1
24	202-625	SPRING.	1
25	202-623	RETAINER.	1
26	202-620	PISTON.	1
27	202-622	SPRING.	1
28	202-627	PISTON.	1
29	202-626	"O" RING.	1
30	202-632	RING, backup.	2
31	202-631	SEAL.	2
32	202-633	PISTON.	1
33	202-628	"O" RING.	1
34	202-630	PLUG, end	1
35	202-629	RING, end plug retainer	1
36	202-634	BOOT.	1
37	202-635	ROD, push	1
38	202-599	RING, snubber retaining	1
39	202-598	SNUBBER	1
40		PLUG.	2
--	202-595	KIT, seal, cylinder reservoir section (consists of items 5, and 7, 8, 9, 10, 11, 12 (2 each), and 13). .	-
--	202-596	KIT, seal, power assist section (consists of items 16, 18, 19, 20, 21, 23, 29, 30 (2 each), 31 (2 each), 33 and 36).	-

BRAKE MASTER CYLINDER
(MODEL 534 S/N 237 AND AFTER)



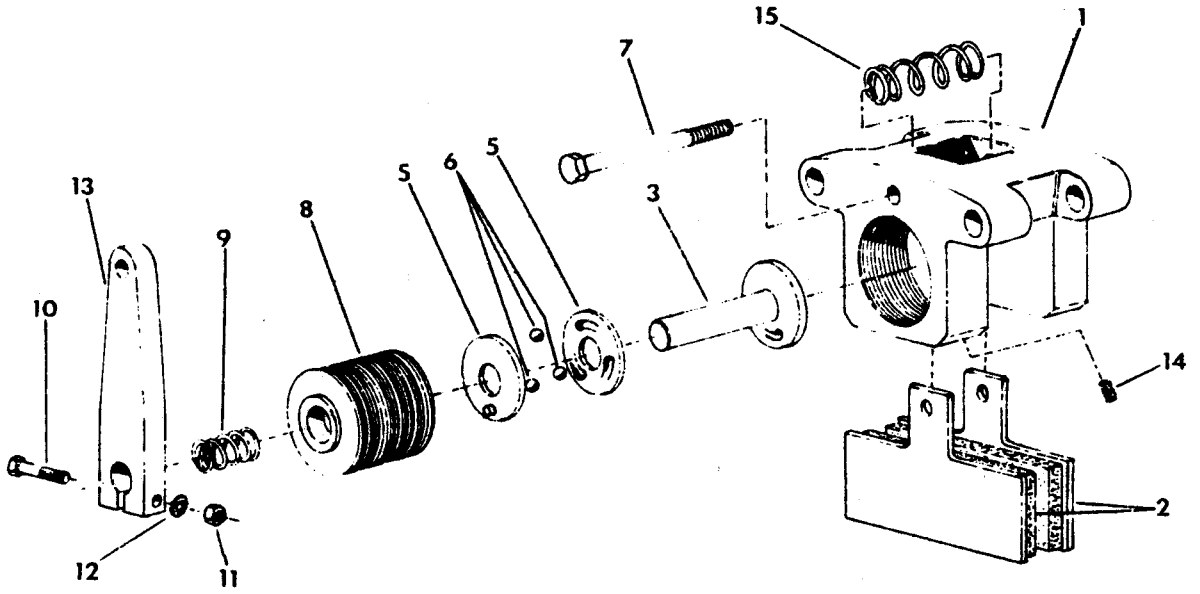
REF.	PART NO.	DESCRIPTION	REQ'D
--	602-651	CYLINDER, master.	-
1	401-331	ROD, push	1
2	401-333	BOOT.	1
3	401-334	LOCKWIRE.	1
4	401-335	PLATE, stop	1
5	401-336	PISTON.	1
6	401-337	CUP, cylinder	1
7	401-338	SPRING.	1
8	401-339	CAP	1
9	401-340	GASKET.	1
10	401-332	TANK.	1
--	201-478	KIT, cylinder repair (consists of items 2, 3, 5, 6)	AR

BRAKE CONTROL VALVE
 (MODEL 534 S/N 237 AND AFTER)



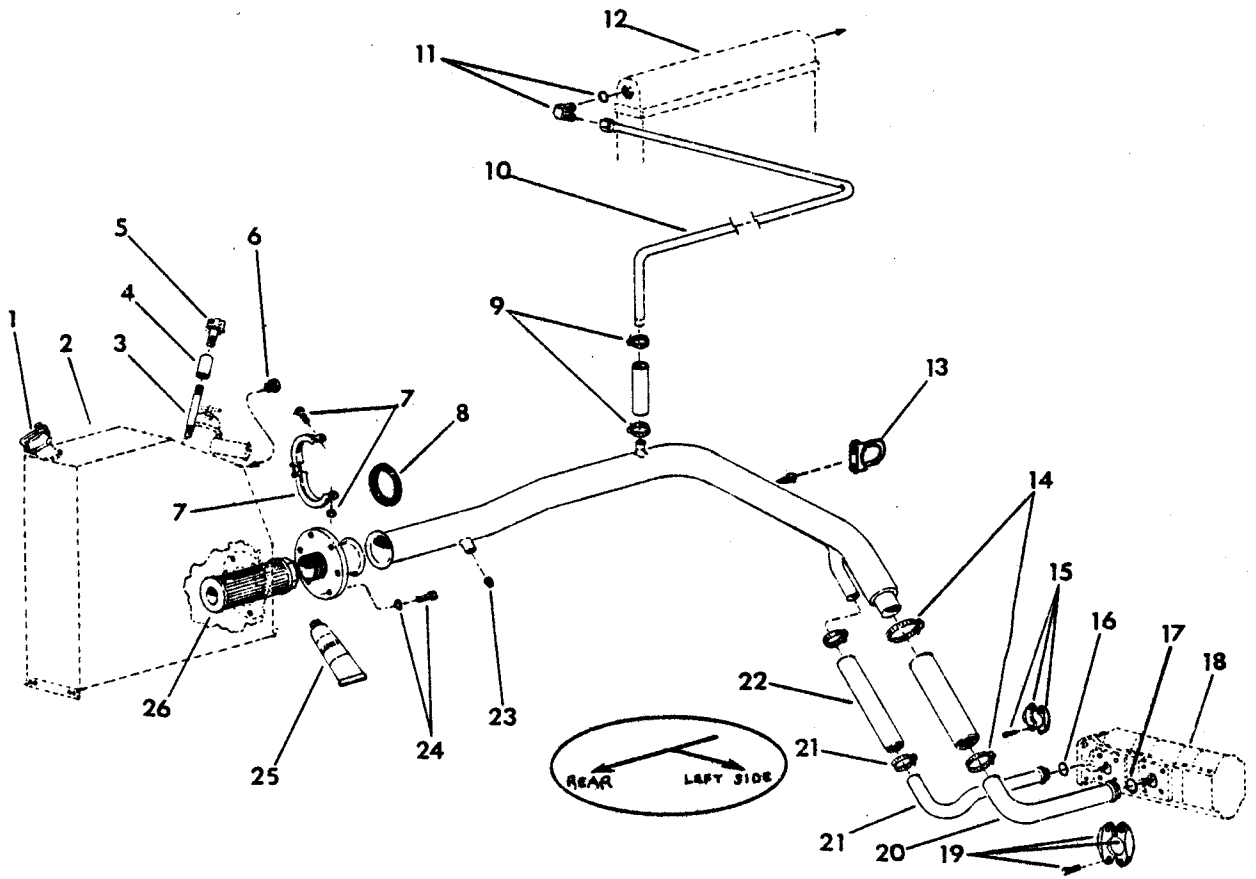
REF.	PART NO.	DESCRIPTION	REQ'D
-	400-835	VALVE, brake control (mico-lock)	1
1	203-341	KIT, repair.	-

PARKING BRAKE CALIPER
(MODEL 534 S/N 237 AND AFTER)



REF.	PART NO.	DESCRIPTION	REQ'D
--	401-570	CALIPER, parking brake.	-
1	NSS	HOUSING, caliper.	1
2	201-927	LINING.	2
3	401-466	PISTON.	1
4	401-463	KIT, repair.	-
5	401-465	• PLATE, cam.	2
6	401-464	• BALL.	3
7	410-011	BOLT.	1
8	NSS	BODY.	1
9	401-462	SPRING.	1
10	410-012	BOLT.	1
11	410-013	NUT.	1
12	410-014	WASHER.	1
13	401-461	LEVER.	1
14	401-460	SETSCREW.	1
15	401-459	SPRING.	1

RESERVOIR TO PUMP HYDRAULICS



KEY:

- A - Reservoir to Pump - Model 534 before s/n 237
- B - Reservoir and cooler to Pump - Model 534 with s/n 237 and after

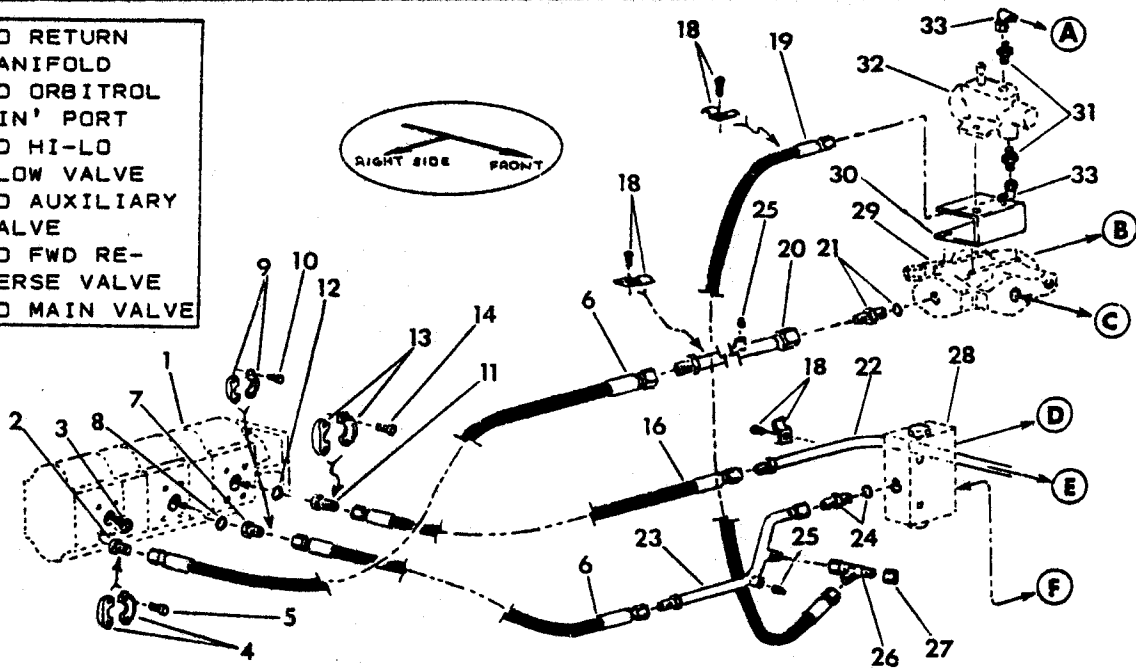
REF.	PART NO.	DESCRIPTION	REQ'D	
			A	B
1	200-377	CAP, hydraulic reservoir (flip top)	1	-
	203-344	CAP, hydraulic reservoir (1/2 turn on)	-	1
2	802-140	RESERVOIR	1	1
3	026-280	NIPPLE, pipe	1	1
4	027-655	COUPLING	1	1
	027-664	BUSHING	1	1
5	202-304	BREATHER	1	-
	203-126	BREATHER	-	1
6	202-073	GAUGE, oil sight (NPT)	1	1
	203-823	GAUGE, oil sight (2-hole mount)	-	1
7	202-135	RETAINER	1	1
	--	BOLT	1	1
	--	NUT	1	1
8	202-136	GASKET, retainer	1	1
9	023-001	HOSE, low pressure (bulk) 1" ID x 6" long	-	1
	021-686	CLAMP	-	2
10	602-676	LINE, hydraulic	-	1
	601-580	LINE, hydraulic (units 5N and after)	-	1
11	027-698	ELBOW, 90° - "O" ring	-	1
12	602-141	COOLER, oil	-	1
13	200-812	CLAMP	1	1
14	203-364	HOSE	1	1
	021-687	CLAMP	2	2

RESERVOIR TO PUMP HYDRAULICS

REF.	PART NO.	DESCRIPTION	REQ'D	
15	026-610	FLANGE, half.	2	2
	020-023	BOLT, 1/2" x 1 1/2" nc - Gr. 5.	4	4
16	028-225	"O" RING.	1	1
17	023-228	"O" RING.	1	1
18	602-333	PUMP, hydraulic	1	1
19	026-611	FLANGE, half.	2	2
	020-023	BOLT, 1/2" x 1 1/2" nc - Gr. 5.	4	4
20	602-409	LINE, hydraulic	1	1
21	602-408	LINE, hydraulic	1	1
22	203-363	HOSE.	1	1
	021-687	CLAMP	2	2
23	602-407	LINE, suction	1	-
	602-671	LINE, suction	-	1
	800-906	LINE, suction (units sn 333, sn 389 and after).	-	1
24	402-204	FLANGE.	1	1
	026-019	BOLT, 3/8" x 3/4" nc - Gr. 5.	6	6
	021-456	WASHER, 3/8" flat	6	6
25	--	GASKET, loctite plastic	AR	AR
26	602-037	SCREEN, magnetic.	1	1
	402-204	FLANGE.	1	1

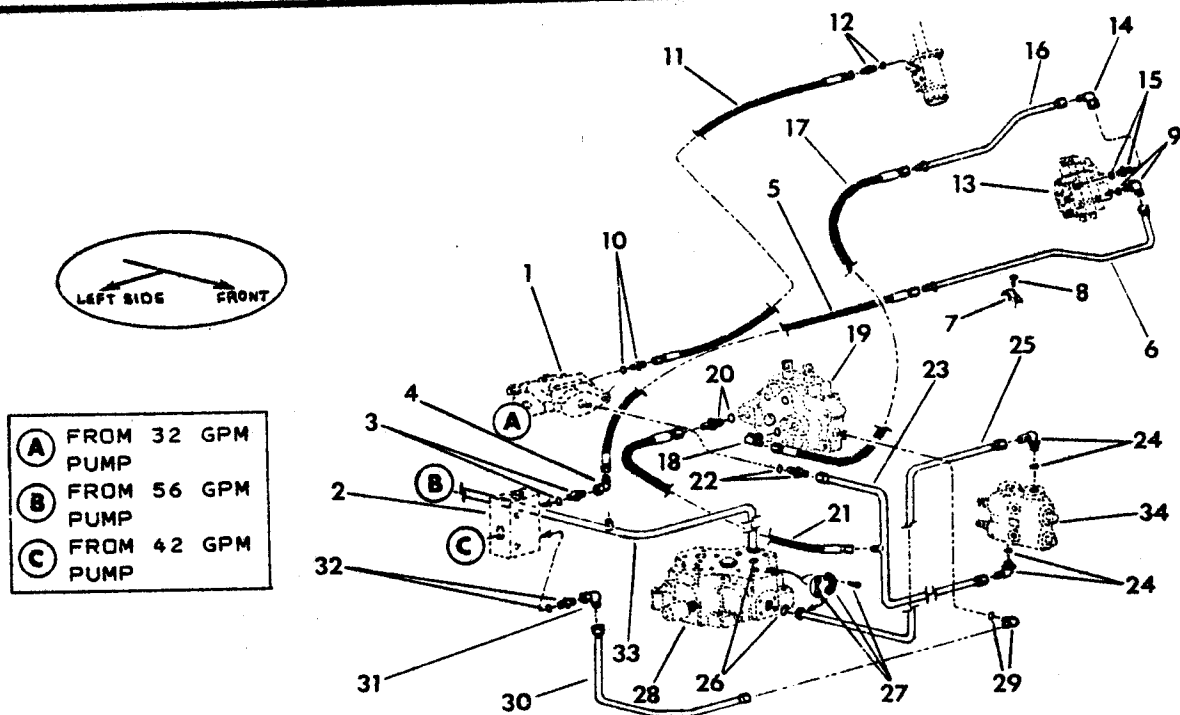
PUMP TO VALVES HYDRAULICS

- | | |
|-----|---------------------------|
| (A) | TO RETURN
MANIFOLD |
| (B) | TO ORBITROL
'IN' PORT |
| (C) | TO HI-LO
FLOW VALVE |
| (D) | TO AUXILIARY
VALVE |
| (E) | TO FWD RE-
VERSE VALVE |
| (F) | TO MAIN VALVE |



REF.	PART NO.	DESCRIPTION	REQ'D
1	602-333	PUMP, main hydraulic.	1
2	027-710	ADAPTER, straight flanged (from 32 GPM pump section).	1
3	028-214	"O" RING.	1
4	026-607	FLANGE, half.	2
5	020-013	BOLT, 3/8" nc x 1 1/4" - Gr. 5.	4
6	022-045	HOSE, high pressure	1
7	027-709	ADAPTER, straight flanged (from 42 GPM pump section).	1
8	028-219	"O" RING.	1
9	026-608	FLANGE, half.	2
10	020-013	BOLT, 3/8" nc x 1 1/4" - Gr. 5.	4
11	027-747	ADAPTER, flanged (from 56 GPM pump section)	1
12	028-222	"O" RING.	1
13	026-609	FLANGE, half.	2
14	027-351	BOLT, 7/16" nc x 1 1/4" - Gr. 5	4
15	022-044	HOSE, high pressure	1
16	027-745	HOSE, high pressure	1
17	402-373	BRACKET, tube mounting (not illustrated).	1
18	200-481	CLAMP, tube - 1".	AR
	202-343	CLAMP, tube - 1".	AR
	020-007	BOLT, 3/8" nc x 1 1/2" - Gr. 5.	AP
	020-013	BOLT, 3/8" nc x 1 1/4" - Gr. 5.	AR
	021-097	NUT, 3/8" nc.	2
	021-456	WASHER, plain	2
19	022-042	HOSE, high pressure	1
20	602-670	LINE, hydraulic	1
21	027-711	ADAPTER, straight	1
22	602-673	LINE, hydraulic	1
23	602-672	LINE, hydraulic	1
24	027-917	ADAPTER, straight - 1" NPT to 30° flare	1
25	026-195	PLUG - 1/4" NPT	2
26	027-273	TEE	1
27	026-698	CAP	1
28	602-522	VALVE, proportional flow divider.	1
29	602-640	VALVE, priority flow divider.	1
30	602-703	BRACKET	1
31	027-641	ADAPTER	2
32	602-711	VALVE, relief	1
33	027-673	ELBOW, 90°.	2

VALVES TO HYDRAULICS



KEY:

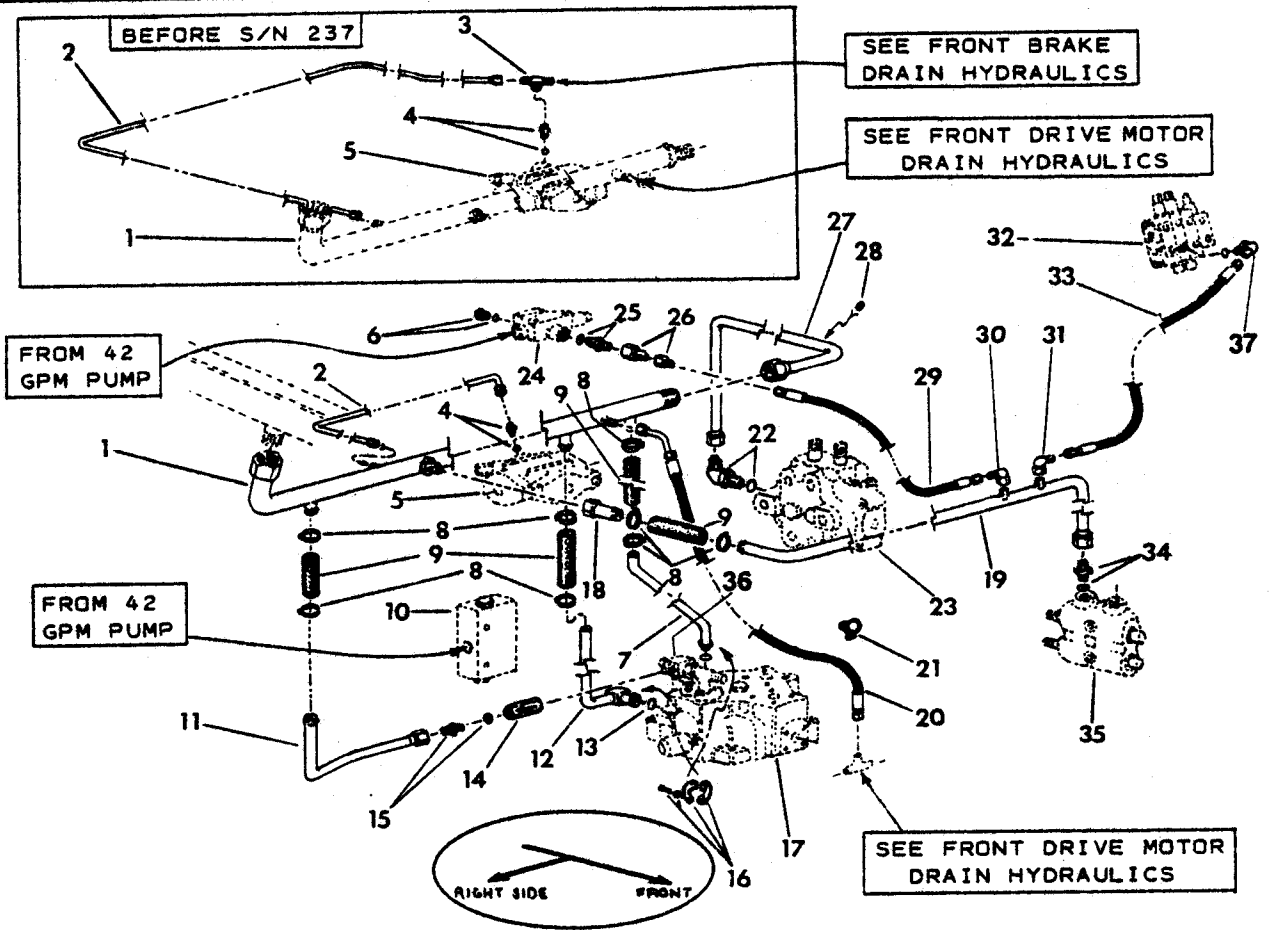
- A - Model 534 thru SN 1121
- B - Model 534 SN 1123 and after

REF.	PART NO.	DESCRIPTION	REQ'D	
			A	B
1	602-640	VALVE, priority flow divider.	1	1
2	602-522	VALVE, proportional flow divider.	1	1
3	029-995	ADAPTER, straight 3/4" NPT x 1/16" flare (includes "O" ring)	1	1
4	027-698	ELBOW, 90° swivel	1	1
5	022-044	HOSE, high pressure	1	1
6	602-557	LINE, hydraulic	1	1
7	200-483	CLAMP, tube	1	1
8	020-007	BOLT, 3/8" nc x 1" - Gr. 5.	1	1
9	029-986	ELBOW, 90° adjustable (includes "O" ring)	1	1
10	026-705	ADAPTER, straight (includes "O" ring)	1	1
11	202-256	HOSE, high pressure	1	1
12	026-600	ADAPTER, straight (includes "O" ring)	1	1
13	600-167	VALVE, auxiliary.	1	1
14	027-901	ELBOW, 90° swivel	1	1
15	026-601	ADAPTER, straight (includes "O" ring)	1	1
16	602-556	LINE, hydraulic	1	1
17	022-044	HOSE, high pressure	1	1
18	026-947	ELBOW, 90° adjustable (includes "O" ring)	1	1
19	601-799	VALVE, main	1	1
20	026-602	ADAPTER, straight (includes "O" ring)	1	1
21	022-045	HOSE, high pressure	1	1
22	026-603	ADAPTER, straight (includes "O" ring)	1	1
23	602-357	LINE, hydraulic	1	-
	206-622	LINE, hydraulic	-	1
24	027-512	ELBOW, 90° adjustable (includes "O" ring)	2	-
	028-732	ADAPTER, straight	-	2
	029-991	ELBOW, 90° swivel	-	2

VALVES TO HYDRAULICS

REF.	PART NO.	DESCRIPTION	REQ'D	
			A	B
25	602-237	LINE, hydraulic	1	-
	206-623	LINE, hydraulic	-	1
26	028-222	"O" RING.	4	2
27	026-609	FLANGE, half.	8	4
	027-351	BOLT, 7/16" nc x 1 1/4" - Gr. 5	4	8
28	602-637	VALVE, forward-reverse.	1	1
29	026-943	ELBOW, 90° adjustable (includes "O" ring)	1	1
30	602-573	LINE, hydraulic	1	1
31	027-355	ELBOW, 90° swivel	1	1
32	029-994	ADAPTER, straight, 3/4" NPT x 1 5/16" (includes "O" ring)	1	1
33	602-673	LINE, hydraulic	1	1
34	--	VALVE, diverting (hi-low flow) (See page 10-17)	1	1

RETURN TO RESERVOIR HYDRAULICS



KEY:

- A - MODEL 534 BEFORE S/N 237
- B - MODEL 534 WITH S/N 237 THRU 899

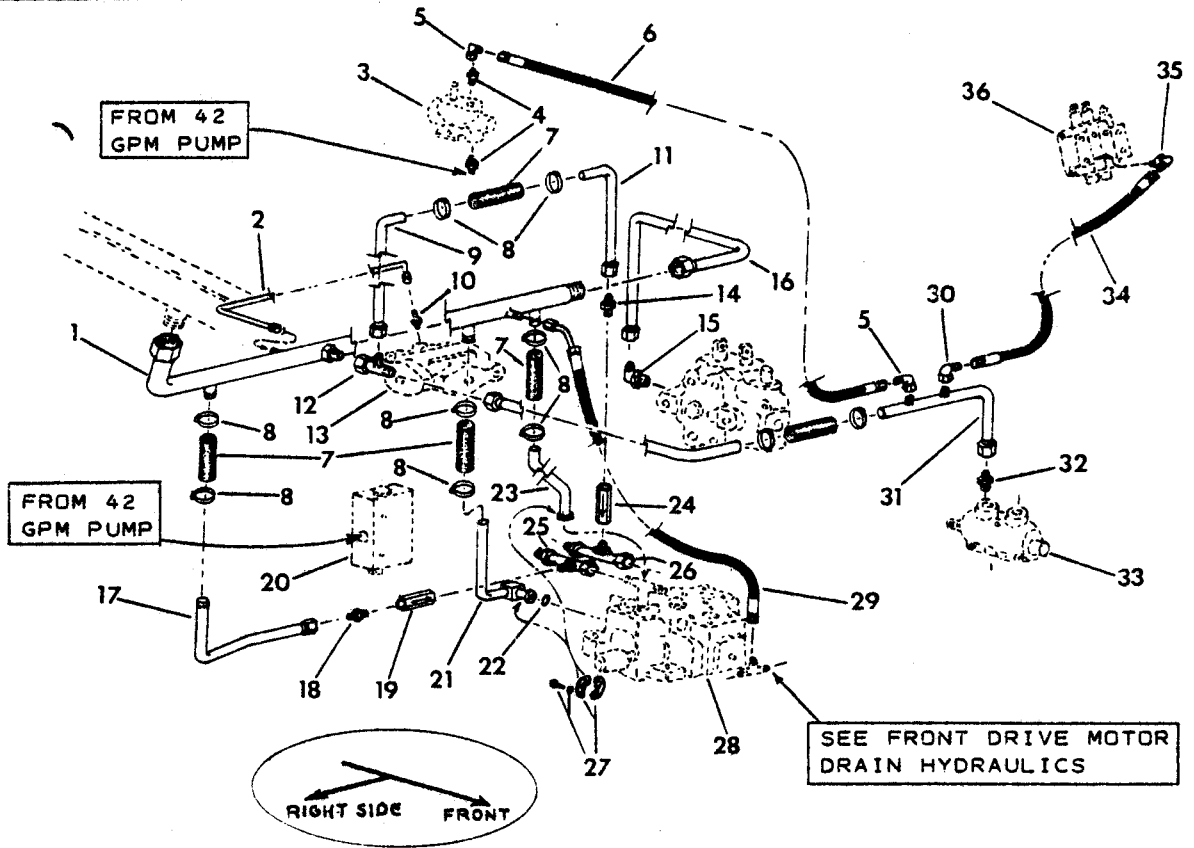
REF.	PART NO.	DESCRIPTION	REQ'D	
			A	B
1	602-372	LINE, hydraulic manifold.	1	-
	602-663	LINE, hydraulic manifold.	-	1
2	602-427	LINE, hydraulic	1	-
	602-568	LINE, hydraulic	-	1
3	029-922	TEE	1	-
4	026-705	ADAPTER, "O" ring	1	1
5	602-640	VALVE, priority flow divider.	1	1
6	026-037	PLUG.	-	1
7	602-377	LINE, hydraulic	1	1
8	021-686	CLAMP	6	8
9	026-010	HOSE, low pressure (Bulk)	3	-
	203-000	HOSE, low pressure (Bulk) 1 1/4" ID x 4" long	-	4
10	602-522	VALVE, proportional flow divider.	-	1
11	602-657	LINE, hydraulic	-	1
12	602-376	LINE, hydraulic	1	1
13	023-225	"O" RING.	1	1
14	602-639	VALVE, check (anti-cavitation).	-	1
15	029-990	ADAPTER	-	1
	023-214	"O" RING.	-	1
16	026-610	FLANGE, half.	4	4
	020-015	BOLT, 1/2" nc x 1 1/4" - Gr. 5.	8	8
17	602-637	VALVE, forward-reverse.	1	1

RETURN TO RESERVOIR HYDRAULICS

REF.	PART NO.	DESCRIPTION	REQ'D	
18	602-373	LINE, hydraulic	1	-
18	602-508	LINE, hydraulic	-	1
19	602-373	LINE, hydraulic	1	-
19	602-507	LINE, hydraulic	-	1
20	202-999	HOSE, high pressure	-	1
21	200-668	"U" CLAMP	-	1
22	027-512	ELBOW, 90° - "O" ring	1	1
23	601-799	VALVE, main (for boom lift and crowd)	1	1
24	203-142	VALVE, relief (3100 PSI)	-	1
25	027-358	ADAPTER, "O" ring	-	1
26	NA	ADAPTER, reducing	-	1
27	602-371	LINE, hydraulic	1	1
28	027-269	PLUG, pipe - 1" NPT	1	1
29	022-042	HOSE, high pressure	-	1
30	027-673	ELBOW, 90° swivel	-	1
31	027-695	ELBOW, 90° swivel	1	1
32	600-167	VALVE, auxiliary	1	1
33	022-043	HOSE, high pressure	1	1
34	026-603	ADAPTER, "O" ring	1	1
35	602-012	VALVE, diverting (hi-low flow)	-	1
36	402-414	TEE, block	1	1
37	029-986	ELBOW, 90° adjustable (includes "O" ring)	1	1

RETURN TO RESERVOIR HYDRAULICS

(534 UNITS SN 901 AND AFTER)



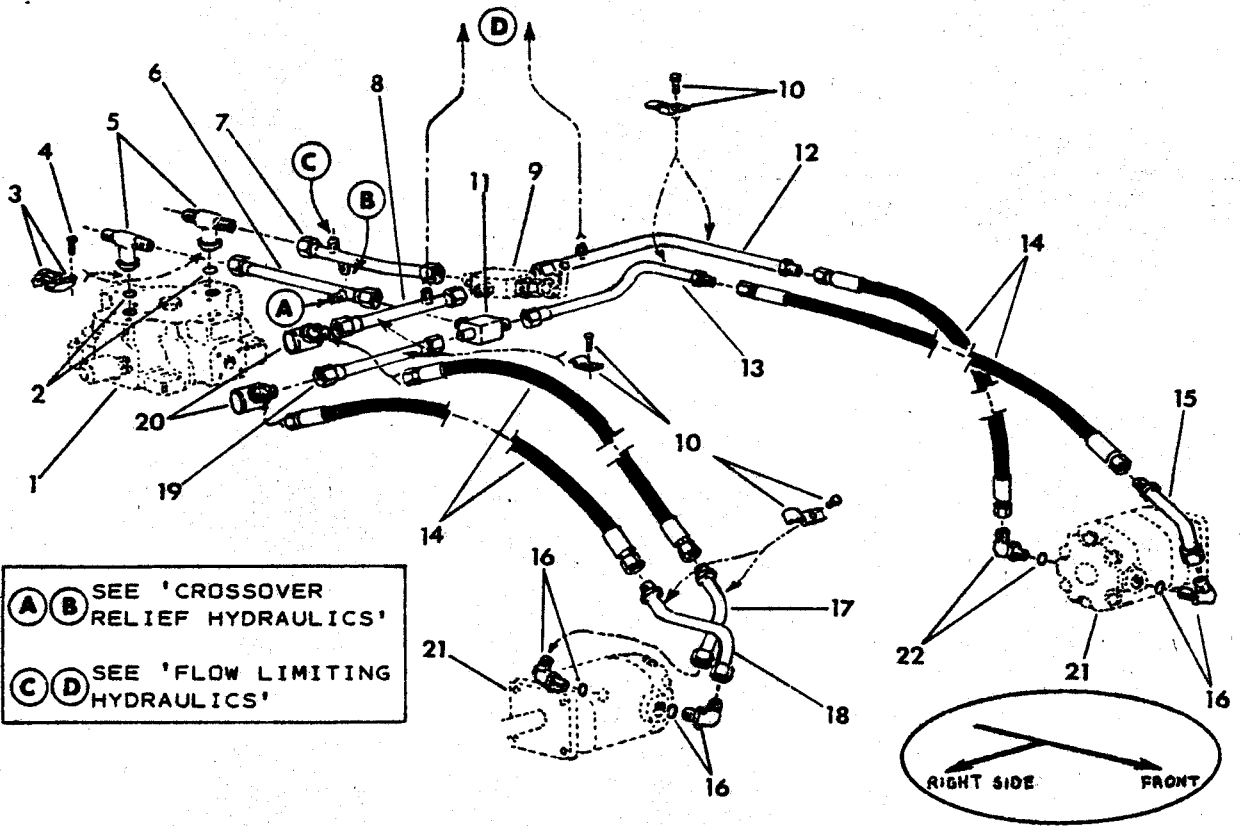
REF.	PART NO.	DESCRIPTION	REQ'D
1	602-663	LINE, hydraulic manifold.	1
2	602-568	LINE, hydraulic	1
3	601-711	VALVE, line relief.	1
4	027-641	ADAPTER, straight	2
5	027-673	ELBOW, 90°.	2
6	022-042	HOSE, high pressure	1
7	203-000	HOSE, low pressure 1 1/4" ID x 4" long.	5
8	021-686	CLAMP, hose	10
9	601-920	LINE, hydraulic	1
10	026-705	ADAPTER, straight	1
11	601-921	LINE, hydraulic	1
12	027-276	TEE, swivel	1
13	602-640	VALVE, priority flow divider.	1
14	029-990	ADAPTER, straight	1
15	027-512	ELBOW, 90°.	1
16	602-371	LINE, hydraulic	1
17	602-657	LINE, hydraulic	1
18	026-603	ADAPTER, straight	1
19	601-934	VALVE, check (anti-cavitation).	1
20	602-522	VALVE, proportional flow divider.	1
21	602-378	LINE, hydraulic	1
22	028-214	"O" RING.	1
23	602-377	LINE, hydraulic	1
24	602-639	VALVE, check (anti-cavitation).	1
25	601-924	LINE, hydraulic	1
26	601-923	LINE, hydraulic	1
27	026-610	FLANGE, half.	4
	020-015	BOLT, 1/2" nc x 1 1/4" - Gr. 5.	8

RETURN TO RESERVOIR HYDRAULICS

(534 UNITS SN 901 AND AFTER)

REF.	PART NO.	DESCRIPTION	REQ'D
28	602-637	VALVE, forward-reverse.	1
29	202-999	HOSE, high pressure	1
30	027-695	ELBOW, 90°.	1
31	601-919	LINE, hydraulic	1
32	028-732	ADAPTER, straight	1
33	602-112	VALVE, diverting (hi-low flow) (see breakdown) .	1
34	022-043	HOSE, high pressure	1
35	027-381	ELBOW, 90°.	1
36	600-167	VALVE, auxiliary.	1

FRONT DRIVE HYDRAULICS



(A) (B) SEE 'CROSSOVER
RELIEF HYDRAULICS'
(C) (D) SEE 'FLOW LIMITING
HYDRAULICS'

KEY:

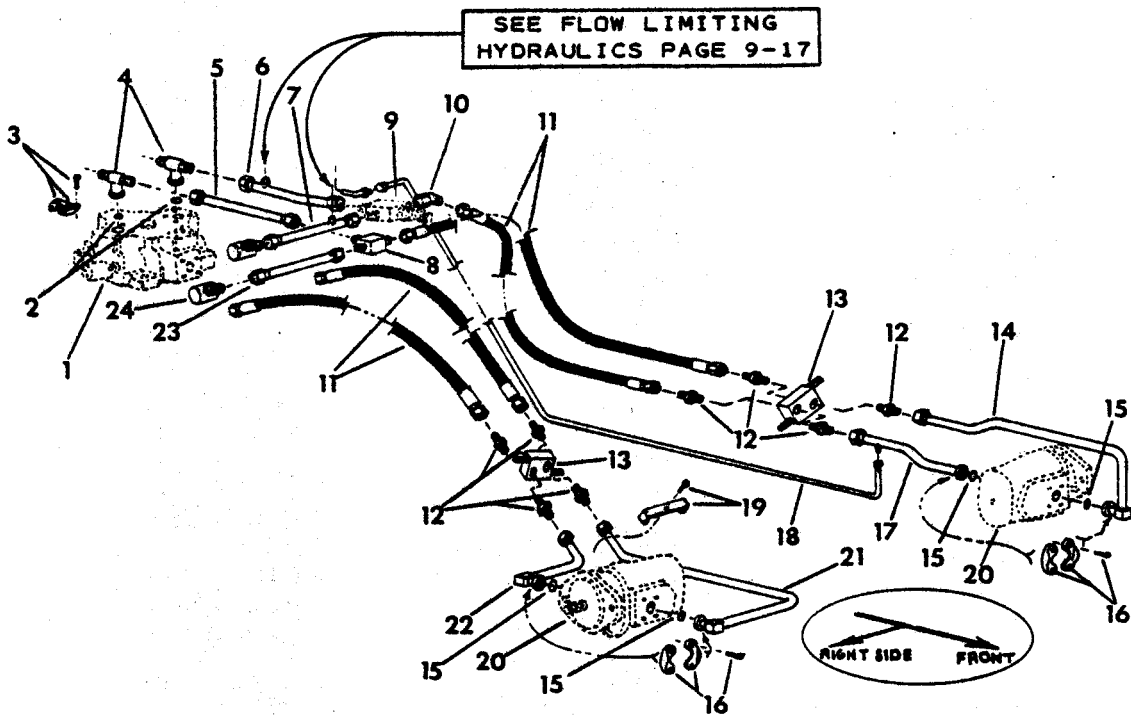
- A - MODEL 534 before S/N 237
- B - MODEL 534 with S/N 237 thru S/N 1029

REF.	PART NO.	DESCRIPTION	REQ'D	
			A	B
1	602-637	VALVE, forward-reverse	1	1
2	023-222	"O" RING	2	2
3	026-609	FLANGE, half	4	4
4	027-351	BOLT, 7/16" nc x 1 1/4" - Gr. 5.	8	8
5	202-990	TEE.	2	2
6	602-359	LINE, hydraulic.	1	-
	602-570	LINE, hydraulic.	-	1
7	602-360	LINE, hydraulic.	1	-
	602-569	LINE, hydraulic.	-	1
8	602-370	LINE, hydraulic.	1	-
	602-560	LINE, hydraulic.	-	1
9	602-644	TEE.	1	-
	601-887	VALVE, spin limiting control	-	1
10	200-481	CLAMP.	AR	AR
	020-013	BOLT, 3/8" nc x 1" - Gr. 5	AR	AR
	021-456	WASHER	AR	AR
	021-097	NUT, 3/8" nc	AR	AR
11	602-153	VALVE, spin limiting control	1	-
	402-396	TEE, block	-	1
12	602-363	LINE, hydraulic.	1	-
	602-558	LINE, hydraulic.	-	1
13	602-364	LINE, hydraulic.	1	-
	602-655	LINE, hydraulic.	-	1

FRONT DRIVE HYDRAULICS

REF.	PART NO.	DESCRIPTION	REQ'D	
			A	B
14	027-745	HOSE, high pressure	4	-
	027-745	HOSE, high pressure	-	4
15	602-366	LINE, hydraulic	1	-
	602-652	LINE, hydraulic	-	1
16	026-608	FLANGE, half.	6	-
	023-219	"O" RING.	3	-
	020-013	BOLT - 3/8" nc x 1 1/4" - Gr. 5	12	-
	027-512	ELBOW, "O" ring	-	3
17	602-368	LINE, hydraulic	1	-
	602-654	LINE, hydraulic	-	1
18	602-367	LINE, hydraulic	1	-
	602-653	LINE, hydraulic	-	1
19	602-369	LINE, hydraulic	1	-
	602-561	LINE, hydraulic	-	1
20	027-494	SWIVEL, hydraulic	2	2
	207-068	* KIT, swivel repair.	AR	AR
21	---	MOTOR, front drive (See page 10-8 & 10-9).	2	2
22	602-365	LINE, hydraulic	1	-
	026-608	FLANGE, half.	2	-
	023-219	"O" RING.	1	-
	020-013	BOLT.	4	-
	027-512	ELBOW, "O" ring	-	1
23	401-851	BRACKET (not illustrated) mounts hydraulic lines 602-654 and 602-653	-	1
24	401-852	BRACKET (not illustrated) mounts hydraulic lines 602-558 and 602-655	-	1

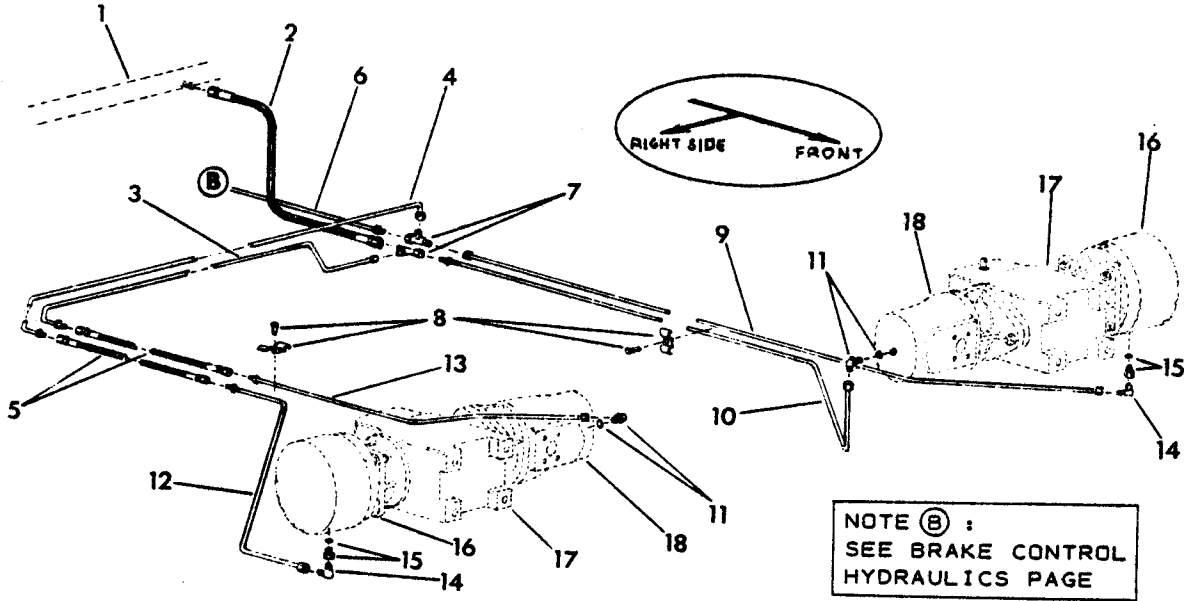
FRONT DRIVE HYDRAULICS
(534 UNITS SN 1031 AND AFTER)



REF.	PART NO.	DESCRIPTION	REQ'D
1	602-637	VALVE, forward-reverse.	1
2	023-222	"O" RING.	2
3	026-609	FLANGE, half.	4
	027-351	BOLT, 7/16" x 1 1/4" nc - Gr. 5	8
4	202-990	TEE	2
5	601-925	LINE, hydraulic	1
6	601-926	LINE, hydraulic	1
7	602-560	LINE, hydraulic	1
8	402-396	TEE, block.	1
9	601-887	VALVE, spin limiting control.	1
10	028-699	ELBOW, 45° swivel	1
11	027-745	HOSE, high pressure	4
12	028-990	ADAPTER	8
13	602-706	VALVE, crossover relief	2
14	206-162	LINE, hydraulic	1
15	023-219	"O" RING.	4
16	026-608	FLANGE, half.	8
	020-013	BOLT, 3/8" x 1 1/4" nc - Gr. 5.	16
17	206-163	LINE, hydraulic	1
18	206-164	LINE, hydraulic	1
19	206-175	CLAMP	1
	020-061	BOLT, 3/8" x 2 3/4" nc - Gr. 5.	1
20	602-335	MOTOR, drive.	2
21	206-160	LINE, hydraulic	1
22	206-161	LINE, hydraulic	1
23	602-561	LINE, hydraulic	1
24	027-494	SWIVEL, hydraulic	2
	207-068	• KIT, swivel repair.	AR

FRONT DRIVE MOTOR DRAIN and BRAKE HYDRAULICS

MODEL 534 BEFORE S/N 237

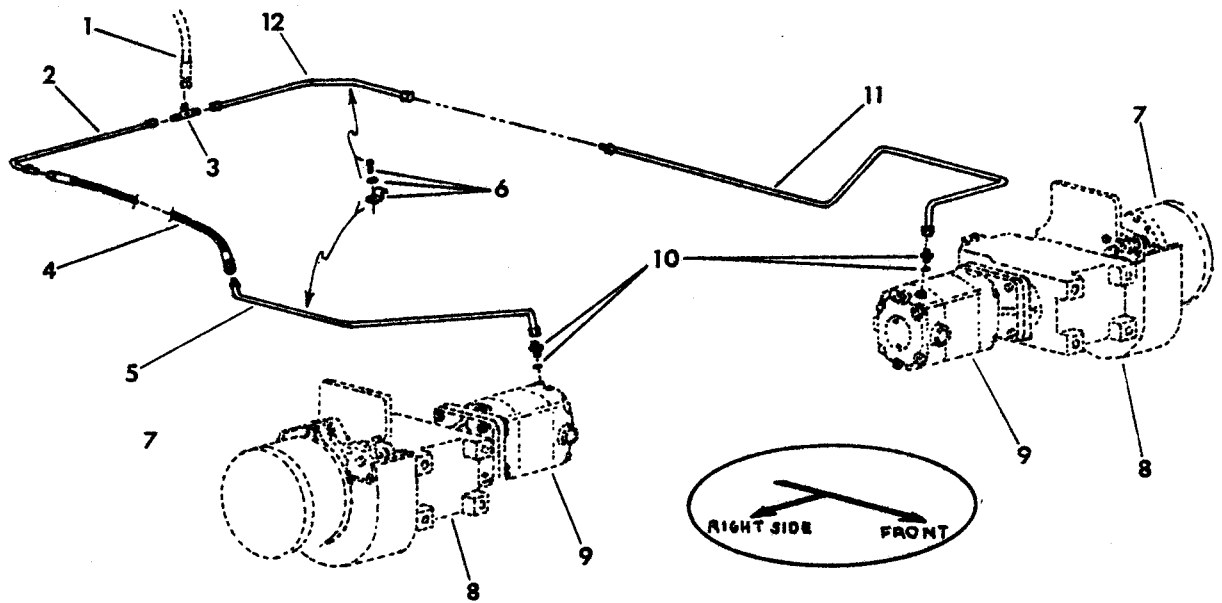


NOTE (B) :
SEE BRAKE CONTROL
HYDRAULICS PAGE

REF.	PART NO.	DESCRIPTION	REQ'D
1	602-372	LINE, hydraulic manifold.	1
2	202-348	HOSE, high pressure	1
3	602-420	LINE, hydraulic	1
4	602-419	LINE, hydraulic	1
5	202-319	HOSE, high pressure	1
6	602-415	LINE, hydraulic	2
7	027-272	TEE	1
8	202-285	CLAMP	2
	020-007	BOLT.	2
9	602-424	LINE, hydraulic	2
10	602-421	LINE, hydraulic	1
11	026-643	ELBOW, 90° "O" ring	1
12	602-417	LINE, hydraulic	2
13	602-418	LINE, hydraulic	1
14	026-402	ELBOW, 90°	1
15	027-733	ADAPTER, "O" ring	2
16	---	BRAKE	2
17	---	TRANSMISSION.	2
18	---	MOTOR, front drive.	2

FRONT MOTOR DRAIN HYDRAULICS

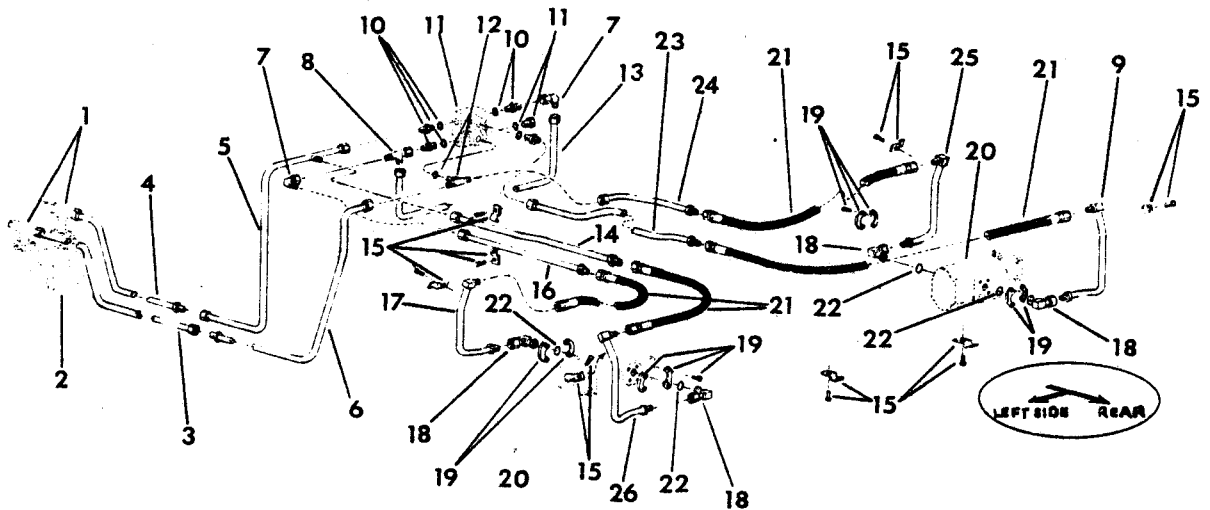
MODEL 534 WITH S/N 237 AND AFTER



REF.	PART NO.	DESCRIPTION	REQ'D
1	202-999	HOSE, high pressure	1
2	602-592	LINE, hydraulic	1
3	027-272	TEE	1
4	202-997	HOSE, high pressure	1
5	602-661	LINE, hydraulic	1
6	021-705	CLAMP	2
	026-475	BOLT, 1/4" nc x 1/2" - Gr. 5.	2
	021-454	WASHER, plain	4
7	---	PLANETARY, front.	2
8	---	TRANSMISSION.	2
9	---	MOTOR, front drive (See page 10-8 & 10-9).	2
10	026-599	ADAPTER, "O" ring	2
	026-643	ELBOW, 90° - "O" ring (sn 1031 and after)	2
11	602-660	LINE, hydraulic	1
12	602-593	LINE, hydraulic	1

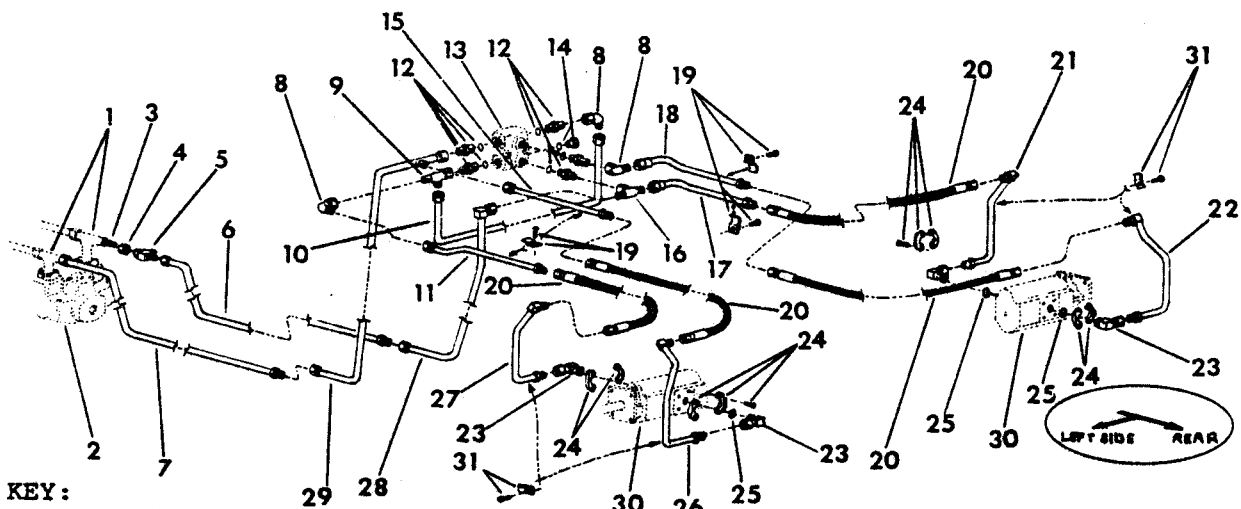
REAR DRIVE HYDRAULICS

MODEL 534 S/N TO 237



REF.	PART NO.	DESCRIPTION	REQ'D
1	202-990	TEE	2
2	602-637	VALVE, forward-reverse.	1
3	602-358	LINE, hydraulic	1
4	602-378	LINE, hydraulic	1
5	602-379	LINE, hydraulic	1
6	602-378	LINE, hydraulic	1
7	029-991	ELBOW, 90° swivel	2
8	027-276	TEE, swivel	1
9	602-520	LINE, hydraulic	1
10	029-990	ADAPTER, "O" ring	1
11	---	VALVE, series parallel (See page 10-18).	4
	026-638	PLUG, "O" ring (into 'F' port of SP valve).	1
12	026-923	TEE	1
13	602-380	LINE, hydraulic	1
14	602-501	LINE, hydraulic	1
15	200-481	CLAMP	AR
	026-019	BOLT, 3/8" nc x 3/4" - Gr. 5.	AR
	020-007	BOLT, 3/8" nc x 1" - Gr. 5.	AR
16	692-382	LINE, hydraulic	1
17	602-389	LINE, hydraulic	1
18	602-578	LINE, hydraulic	4
19	026-610	FLANGE, half.	8
	020-023	BOLT, 1/2" nc x 1 1/2" - Gr. 5.	16
20	602-334	MOTOR, rear hydraulic drive	2
21	029-966	HOSE, high pressure (w/spring guard).	2
22	023-225	"O" RING.	4
23	602-503	LINE, hydraulic	1
24	602-384	LINE, hydraulic	1
25	602-341	LINE, hydraulic	1
26	602-520	LINE, hydraulic	1

REAR DRIVE HYDRAULICS



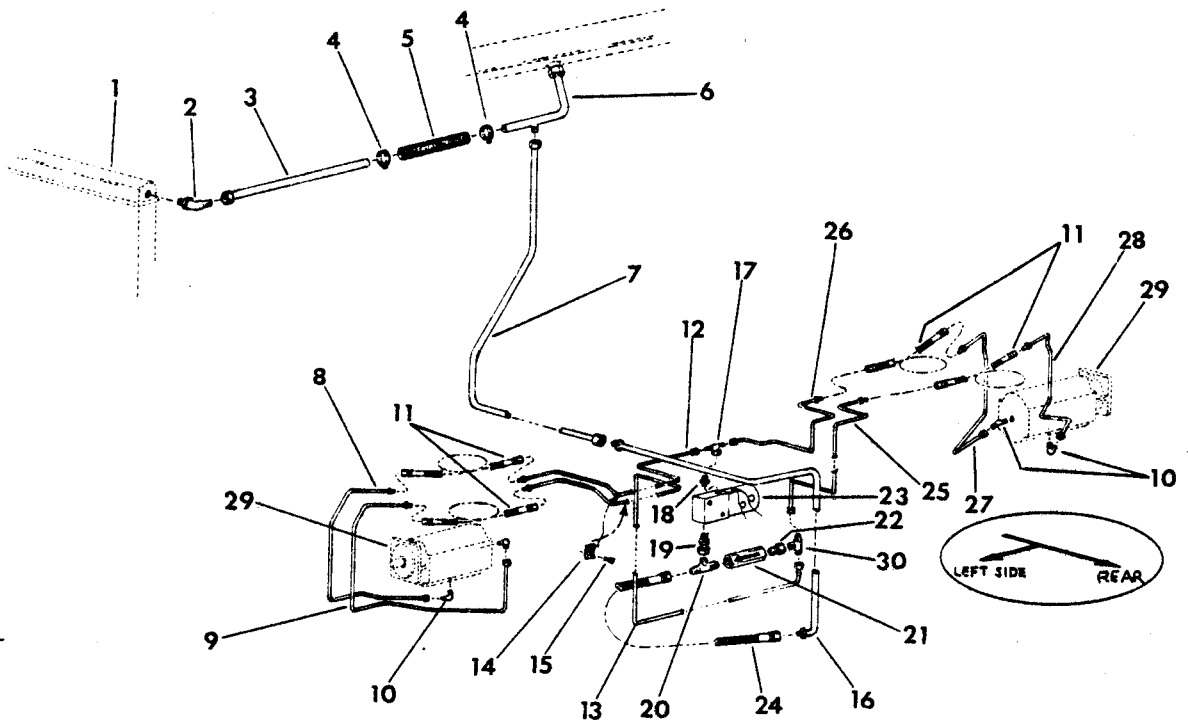
KEY:

- A - Model 534 with SN 237 thru 601
- B - Model 534 with SN 603 and after

REF.	PART NO.	DESCRIPTION	REQ'D	
			A	B
1	202-990	TEE	2	2
2	602-637	VALVE, forward-reverse.	1	1
3	027-516	REDUCER, tube - 1 1/2" to 1 1/4" tube	1	1
4	026-383	NUT, tube reducer	1	1
5	402-414	BLOCK, tee.	1	1
6	602-656	LINE, hydraulic	1	1
7	602-358	LINE, hydraulic	1	1
8	029-991	ELBOW, 90° swivel	3	3
9	027-276	TEE, swivel	1	1
10	602-580	LINE, hydraulic	1	1
11	602-585	LINE, hydraulic	1	1
12	029-990	ADAPTER, "O" ring	5	5
13	---	VALVE, series - parallel (See page 10-18).	1	1
14	026-638	PLUG, "O" ring (into port "F" of SP valve).	1	1
15	602-586	LINE, hydraulic	1	1
16	029-996	TEE, swivel branch.	1	1
17	602-581	LINE, hydraulic	1	1
18	602-582	LINE, hydraulic	1	1
19	200-481	CLAMP, tube	4	4
	026-019	BOLT, 3/8" nc x 3/4" - Gr. 5.	2	2
20	029-966	HOSE, high pressure	4	4
21	602-584	LINE, hydraulic	1	-
	601-741	LINE, hydraulic	-	1
22	602-583	LINE, hydraulic	1	-
	601-740	LINE, hydraulic	-	1
23	602-578	LINE, hydraulic	4	-
	601-748	LINE, hydraulic	-	4
24	602-578	LINE, hydraulic	4	4
25	026-610	FLANGE, half.	8	8
	020-023	BOLT, 1/2" nc x 1 1/2" - Gr. 5.	16	16
26	602-587	LINE, hydraulic	1	-
	601-738	LINE, hydraulic	-	1
27	602-588	LINE, hydraulic	1	-
	601-739	LINE, hydraulic	-	1
28	602-588	LINE, hydraulic	1	1
29	602-575	LINE, hydraulic	1	1
30	602-523	MOTOR, rear hydraulic drive	1	1
31	200-481	CLAMP, tube	4	4
	020-007	BOLT, 3/8" nc x 1" - Gr. 5.	4	4

REAR DRIVE MOTOR DRAIN and PILOT

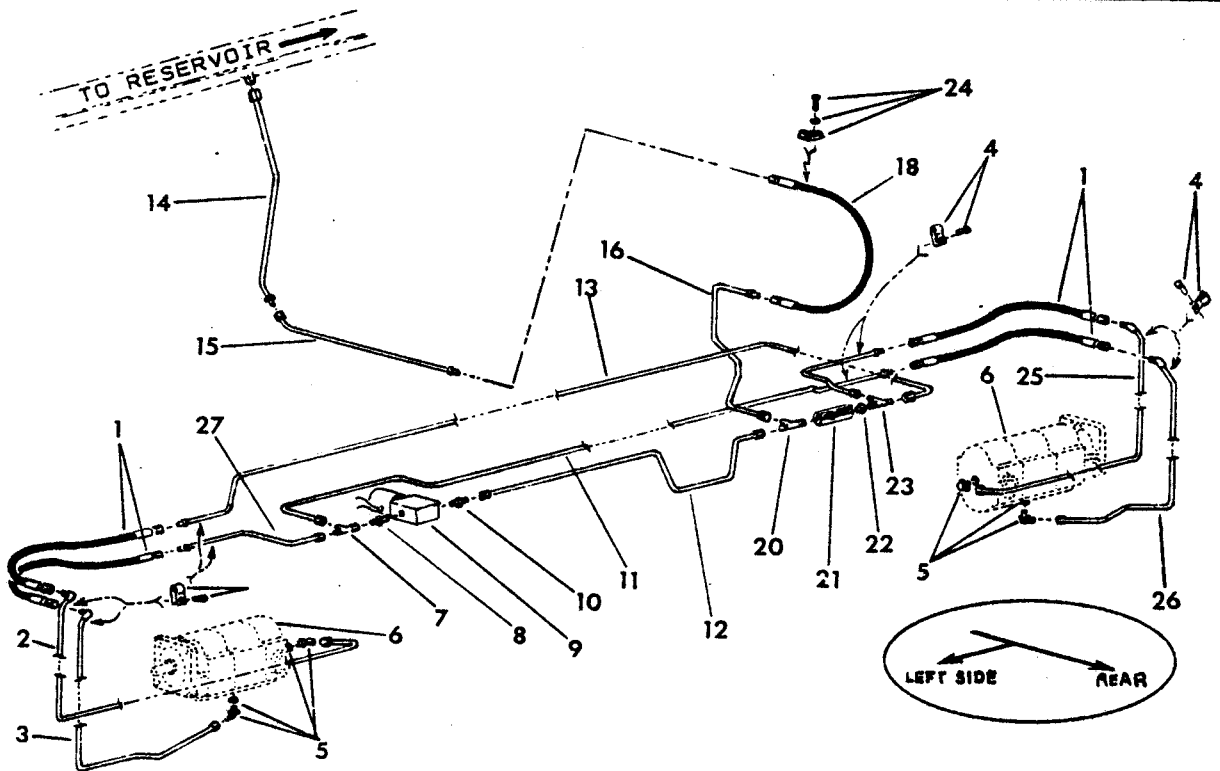
MODEL 534 BEFORE S/N 237



REF.	PART NO.	DESCRIPTION	REQ'D
1	602-141	COOLER, oil	1
2	027-698	ELBOW, 90° - "O" ring	1
3	602-374	LINE, hydraulic	1
4	021-686	CLAMP	2
5	026-010	HOSE, 1½" ID (Bulk)	AR
6	602-375	LINE, hydraulic	1
7	602-428	LINE, hydraulic	1
8	602-391	LINE, hydraulic	1
9	602-392	LINE, hydraulic	1
10	026-643	ELBOW, 90°	4
11	027-485	HOSE, high pressure	4
12	604-394	LINE, hydraulic	1
13	604-393	LINE, hydraulic	1
14	021-705	CLAMP	AR
15	020-001	BOLT, ½" nc x ¾" - Gr. 5	AR
16	602-429	LINE, hydraulic	1
17	029-917	TEE	1
18	029-915	ADAPTER	1
19	602-451	LINE, hydraulic	1
20	026-684	TEE	1
21	202-926	VALVE, check	1
22	029-919	ADAPTER, "O" ring	1
23	202-147	VALVE, solenoid	1
24	022-042	HOSE, high pressure	1
25	602-395	LINE, hydraulic	1
26	602-347	LINE, hydraulic	1
27	602-396	LINE, hydraulic	1
28	602-397	LINE, hydraulic	1
29	---	MOTOR, rear drive	2

REAR DRIVE MOTOR DRAIN and PILOT HYDRAULICS

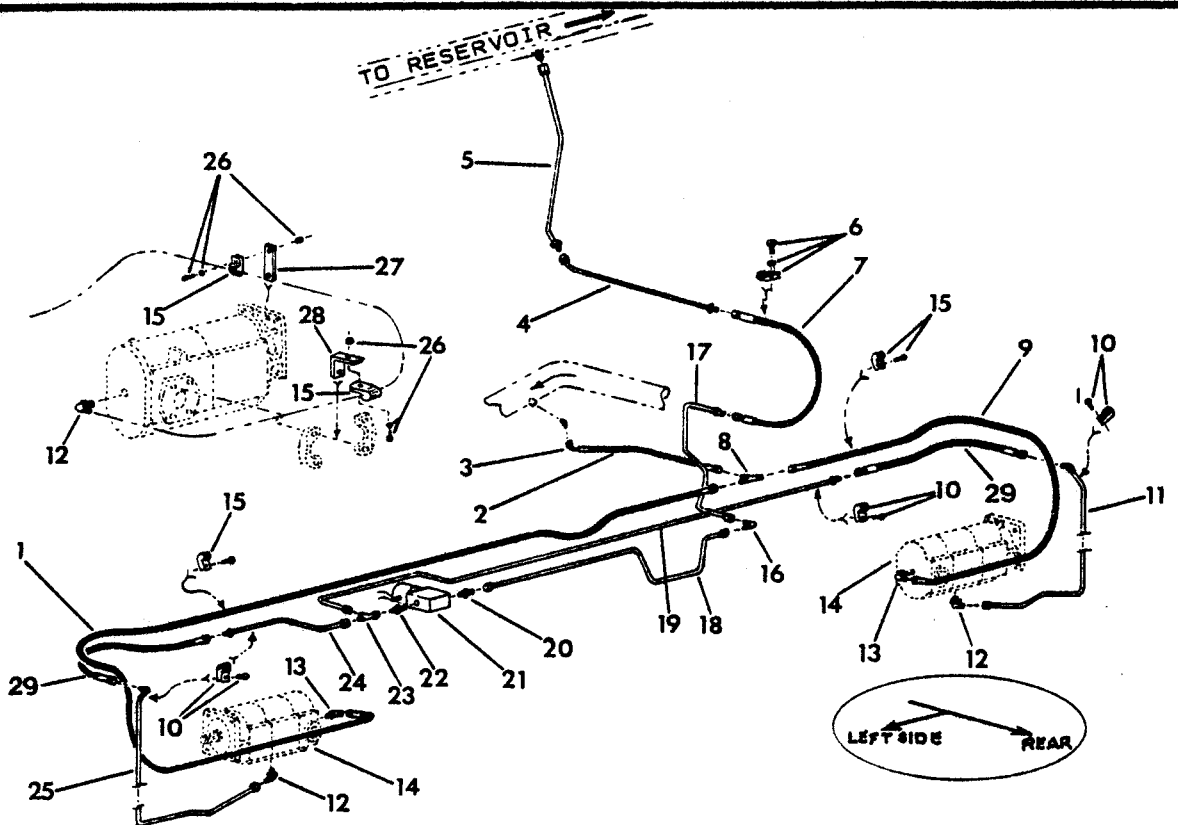
(MODEL 534 SN 237 THRU SN 1033)



REF.	PART NO.	DESCRIPTION	REQ'D
1	027-485	HOSE, high pressure.	4
2	602-605	LINE, hydraulic.	1
3	602-606	LINE, hydraulic.	1
4	021-705	CLAMP, insulated.	6
5	026-475	BOLT, 1/4" nc x 1/2" - Gr. 5	6
6	026-643	ELBOW, 90° - "O" ring.	4
7	027-272	TEE, swivel.	1
8	029-915	ADAPTER.	1
9	202-147	VALVE, solenoid.	1
10	029-916	ADAPTER.	1
11	602-608	LINE, hydraulic.	1
12	602-613	LINE, hydraulic.	1
13	602-609	LINE, hydraulic.	1
14	602-659	LINE, hydraulic.	1
15	602-658	LINE, hydraulic.	1
16	602-614	LINE, hydraulic.	1
17	202-360	CLAMP.	1
	026-019	BOLT, 3/8" nc x 3/4" - Gr. 5	1
	021-456	WASHER, plain.	1
18	022-042	HOSE, high pressure.	1
19	602-612	LINE, hydraulic.	1
20	026-684	TEE.	1
21	202-926	VALVE, check	1
22	029-919	ADAPTER, "O" ring.	1
23	027-347	TEE.	1
24	201-763	CLAMP.	AR
	026-019	BOLT, 3/8" nc x 3/4" - Gr. 5	AR
	021-456	WASHER, plain.	AR
25	602-610	LINE, hydraulic.	1
26	602-611	LINE, hydraulic.	1
27	602-607	LINE, hydraulic.	1

REAR DRIVE MOTOR DRAIN and PILOT HYDRAULICS

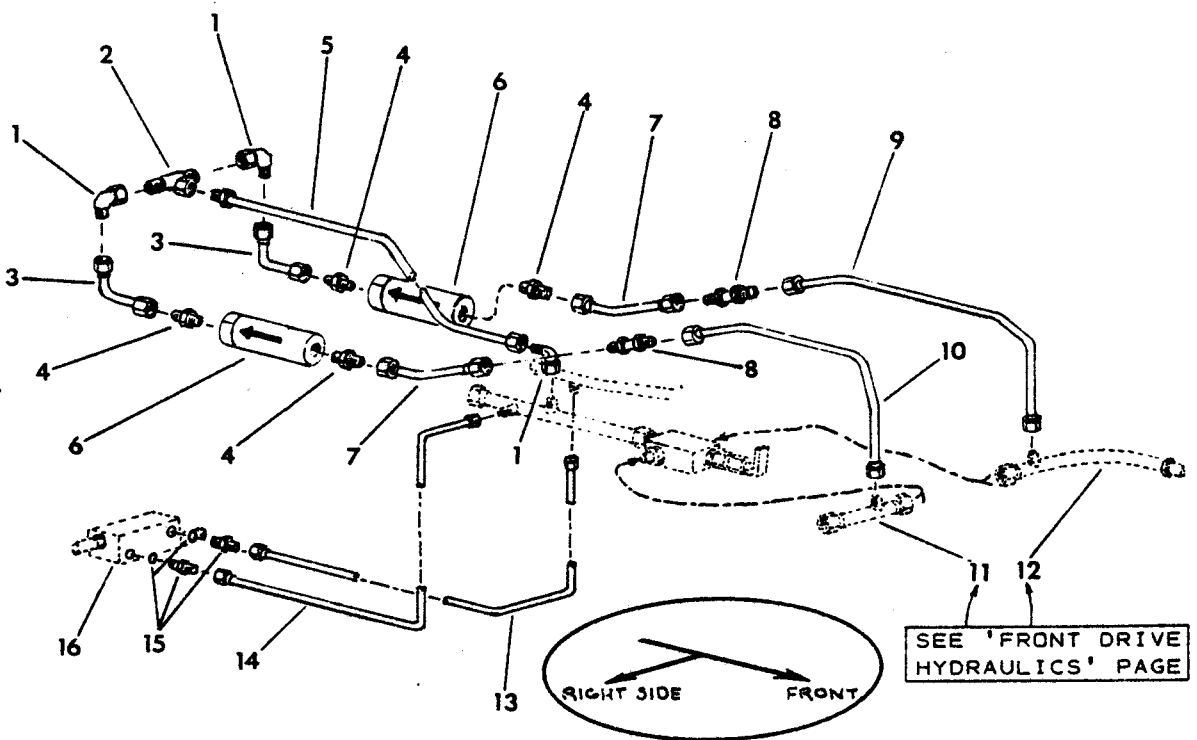
(MODEL 534 SN 1035 AND AFTER)



REF.	PART NO.	DESCRIPTION	REQ'D
1	206-231	HOSE, high pressure	1
2	206-232	HOSE, high pressure	1
3	026-404	ELBOW, 45° swivel	1
4	602-658	LINE, hydraulic	1
5	602-659	LINE, hydraulic	1
6	201-763	CLAMP	1
	026-019	BOLT, 3/8" x 3/4" nc - Gr. 5.	1
	021-456	WASHER, 3/8" plain.	1
7	022-042	HOSE, high pressure	1
8	026-634	TEE	1
9	206-233	HOSE, high pressure	1
10	021-705	CLAMP, insulated.	4
	026-475	BOLT, 1/4" x 1/2" nc - Gr. 5.	4
11	602-611	LINE, hydraulic	1
12	026-643	ELBOW, 90° - "O" ring	2
13	029-932	ELBOW, 90° - "O" ring	2
14	602-523	MOTOR, rear drive	2
15	021-707	CLAMP	6
16	029-920	ELBOW, 90°.	1
17	602-614	LINE, hydraulic	1
18	602-613	LINE, hydraulic	1
19	602-608	LINE, hydraulic	1
20	029-916	ADAPTER	1
21	202-147	VALVE, solenoid	1
22	029-915	ADAPTER	1
23	027-272	TEE, swivel	1
24	602-607	LINE, hydraulic	1
25	602-606	LINE, hydraulic	1
26	026-475	BOLT.	4
	021-454	WASHER.	4
	021-093	NUT	4
27	206-234	BRACKET, flat	2
28	206-235	BRACKET, angle.	2

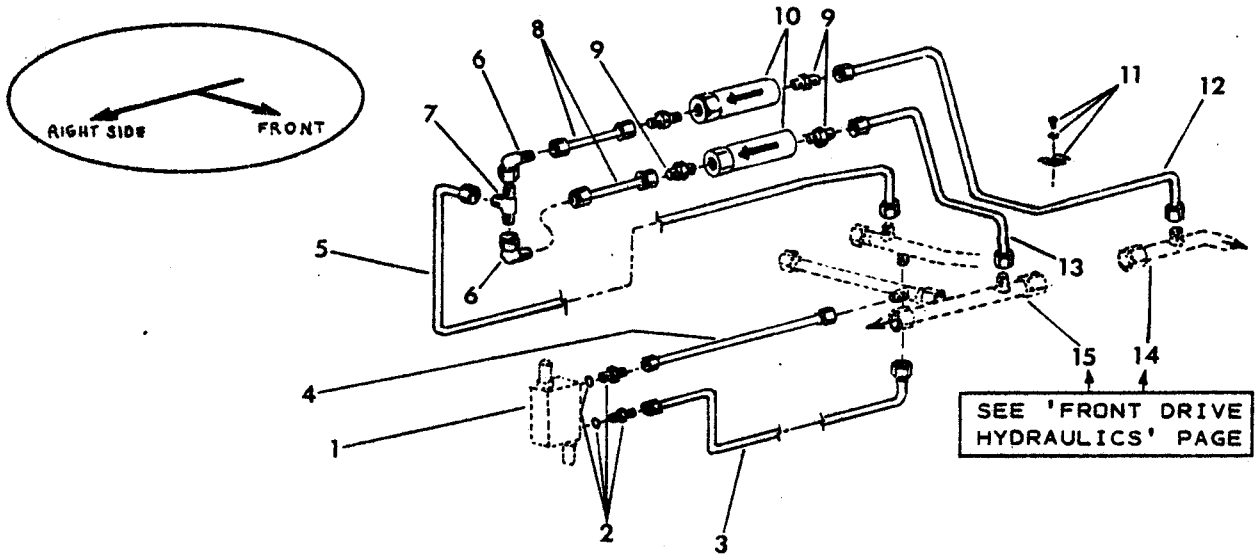
FLOW LIMITING and CROSSOVER RELIEF HYDRAULICS

MODEL 534 BEFORE S/N 237



REF.	PART NO.	DESCRIPTION	REQ'D
1	027-673	ELBOW, 90° swivel.	3
2	029-922	TEE.	1
3	602-431	LINE, hydraulic.	2
4	027-758	ADAPTER, straight.	4
5	602-432	LINE, hydraulic.	1
6	202-330	VALVE, flow control.	2
7	602-430	LINE, hydraulic.	2
8	027-176	FITTING, bulkhead.	2
9	602-434	LINE, hydraulic.	1
10	602-433	LINE, hydraulic.	1
11	602-369	LINE, hydraulic.	1
12	602-364	LINE, hydraulic.	1
13	602-361	LINE, hydraulic.	1
14	602-362	LINE, hydraulic.	1
15	029-914	ADAPTER.	2
16	602-706	VALVE, crossover relief.	1

FLOW LIMITING and CROSSOVER RELIEF HYDRAULICS

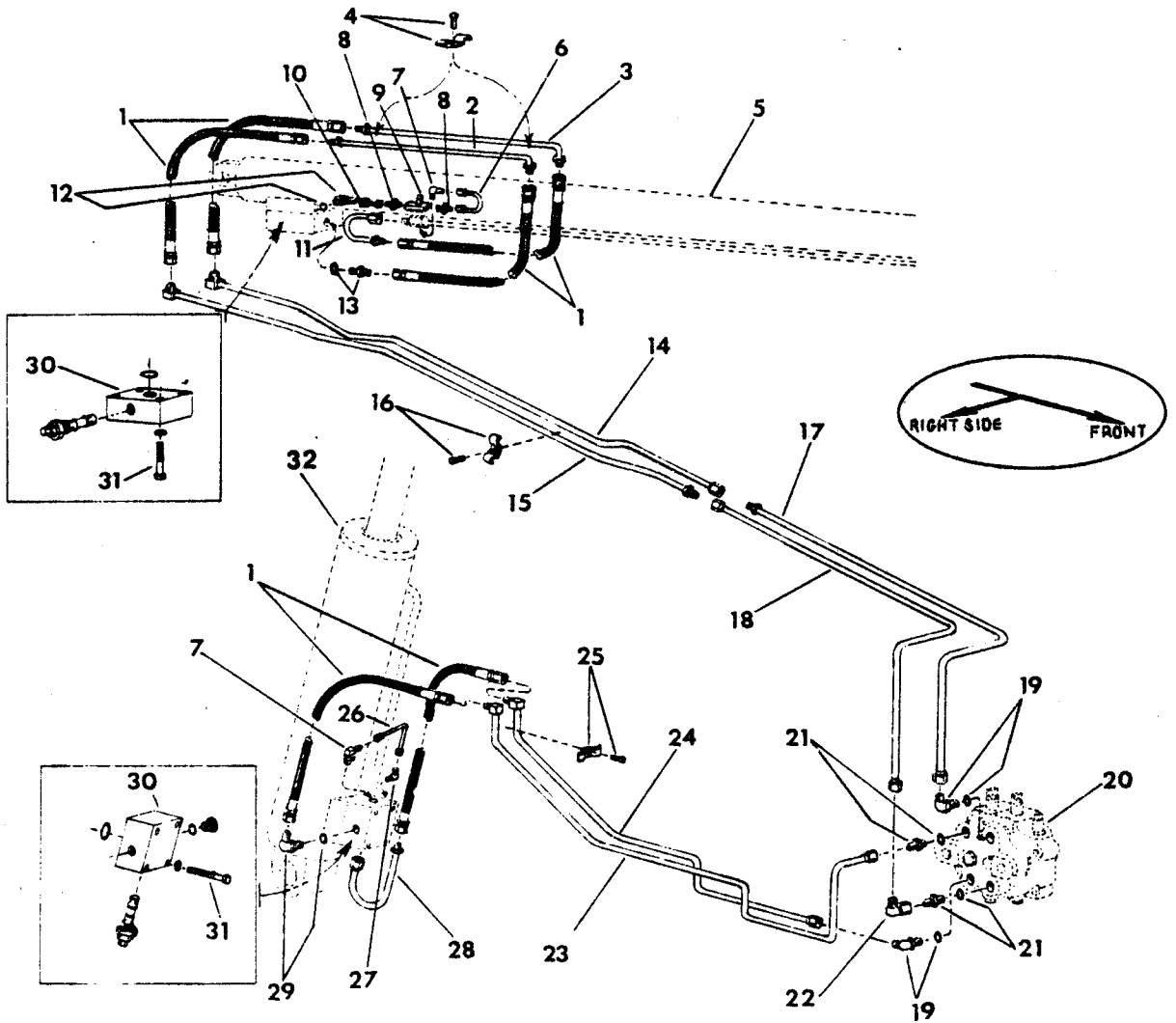


KEY:

- A - Model 534 with SN 237 thru 1029
- B - Model 534 with SN 1031 and after

REF.	PART NO.	DESCRIPTION	REQ'D	
			A	B
1	602-706	VALVE, crossover relief	1	-
2	029-914	ADAPTER	2	-
3	602-572	LINE, hydraulic	1	-
4	602-571	LINE, hydraulic	1	-
5	602-567	LINE, hydraulic	1	1
6	027-673	ELBOW, 90° swivel	2	2
7	029-922	TEE	1	1
8	602-566	LINE, hydraulic	2	2
9	027-758	ADAPTER	4	4
10	202-330	VALVE, flow regulator	2	2
11	202-360	CLAMP	2	2
		BOLT.	2	2
12	602-564	LINE, hydraulic	1	-
	206-165	LINE, hydraulic	-	1
13	602-565	LINE, hydraulic	1	1
14	602-558	LINE, hydraulic	1	-
	206-164	LINE, hydraulic	-	1
15	602-560	LINE, hydraulic	1	1

BOOM LIFT and CROWD HYDRAULICS



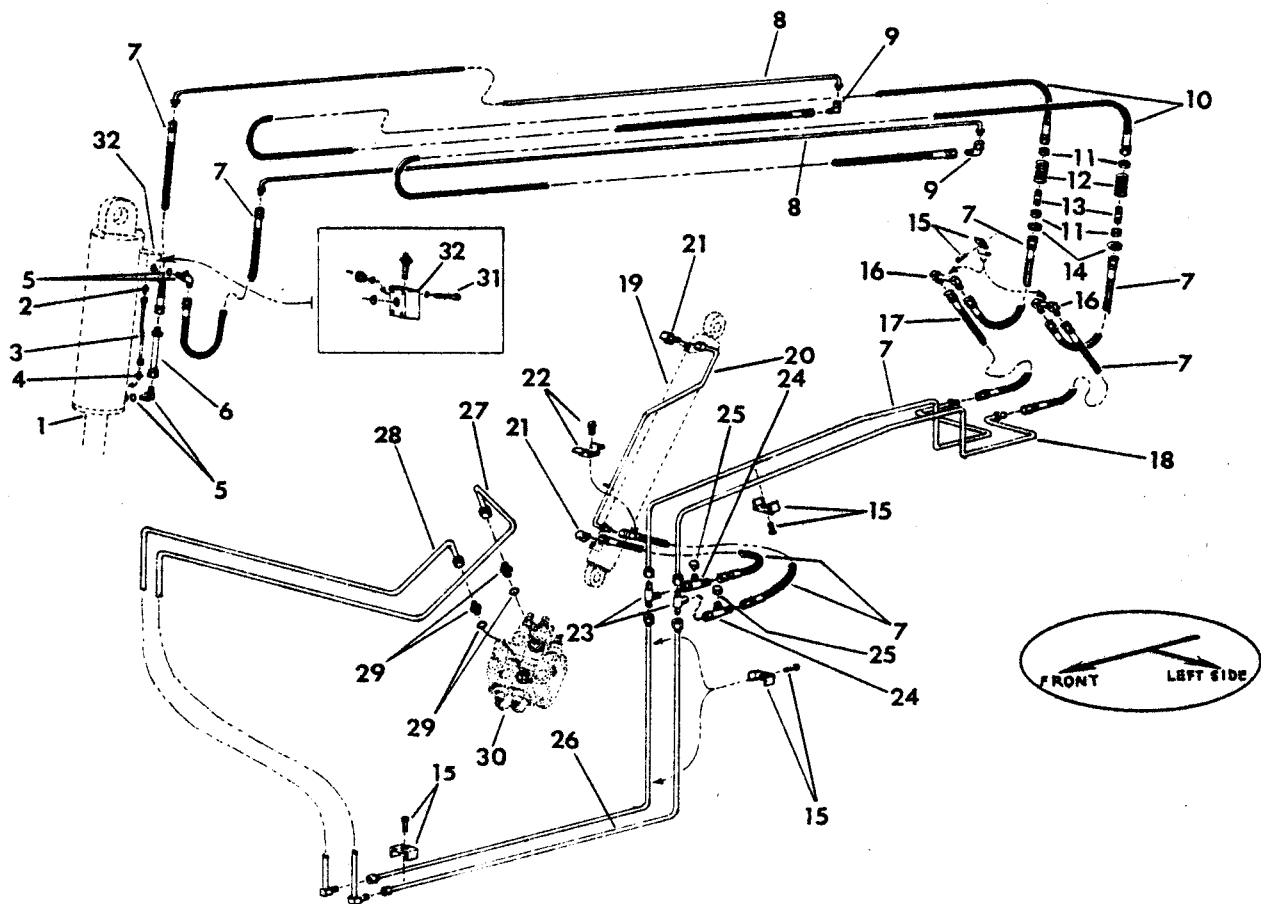
REF.	PART NO.	DESCRIPTION	REQ'D
1	022-044	HOSE, high pressure	6
2	602-446	LINE, hydraulic	1
3	602-445	LINE, hydraulic	1
4	200-482	CLAMP	2
	020-021	BOLT, 3/8" nc x 1 1/2" - Gr. 5.	2
5	802-040	CYLINDER, crowd	1
6	402-591	LINE, hydraulic	1
7	027-906	ELBOW, 90° - "O" ring	2
8	027-364	ADAPTER	2
9	601-728	REGULATOR, adjustable flow.	1
10	203-477	LINE, hydraulic	1
11	602-245	LINE, hydraulic	1
12	026-400	ELBOW, 90°	1
13	026-693	ADAPTER, "O" ring	1
14	602-442	LINE, hydraulic	1
15	602-444	LINE, hydraulic	1
16	200-482	CLAMP	2
	020-013	BOLT, 3/8" nc x 1 1/4" - Gr. 5.	2
17	602-441	LINE, hydraulic	1

BOOM LIFT and CROWD HYDRAULICS (continued)

REF.	PART NO.	DESCRIPTION	REQ'D
18	602-443	LINE, hydraulic	1
19	026-943	ELBOW, 90° - "O" ring	2
20	601-799	VALVE, main hydraulic	1
	202-206	SPACER (valve mounting)	4
	027-607	BOLT, 1/2" nc x 5 1/2" - Gr. 5.	4
	021-457	WASHER, 1/2".	4
21	026-602	ADAPTER, "O" ring	2
22	027-698	ELBOW, 90° - swivel	1
23	602-388	LINE, hydraulic	1
24	602-387	LINE, hydraulic	1
25	200-483	CLAMP	2
	020-029	BOLT, 3/8" nc x 1 1/4" - Gr. 5.	2
	021-097	NUT, 3/8" nc.	2
26	602-381	LINE, hydraulic	1
27	026-400	ELBOW, 90°.	1
28	602-273	LINE, hydraulic	1
29	026-630	ELBOW, 90° - "O" ring	1
30	601-379	VALVE, counterbalance	2
31	020-055	BOLT, 1/2" nc x 2 1/2" - Gr. 5 (2 per valve).	4
32	802-042	CYLINDER, lift.	1

TILT and COMPENSATING HYDRAULICS

(MODEL 534 THRU SN 791)



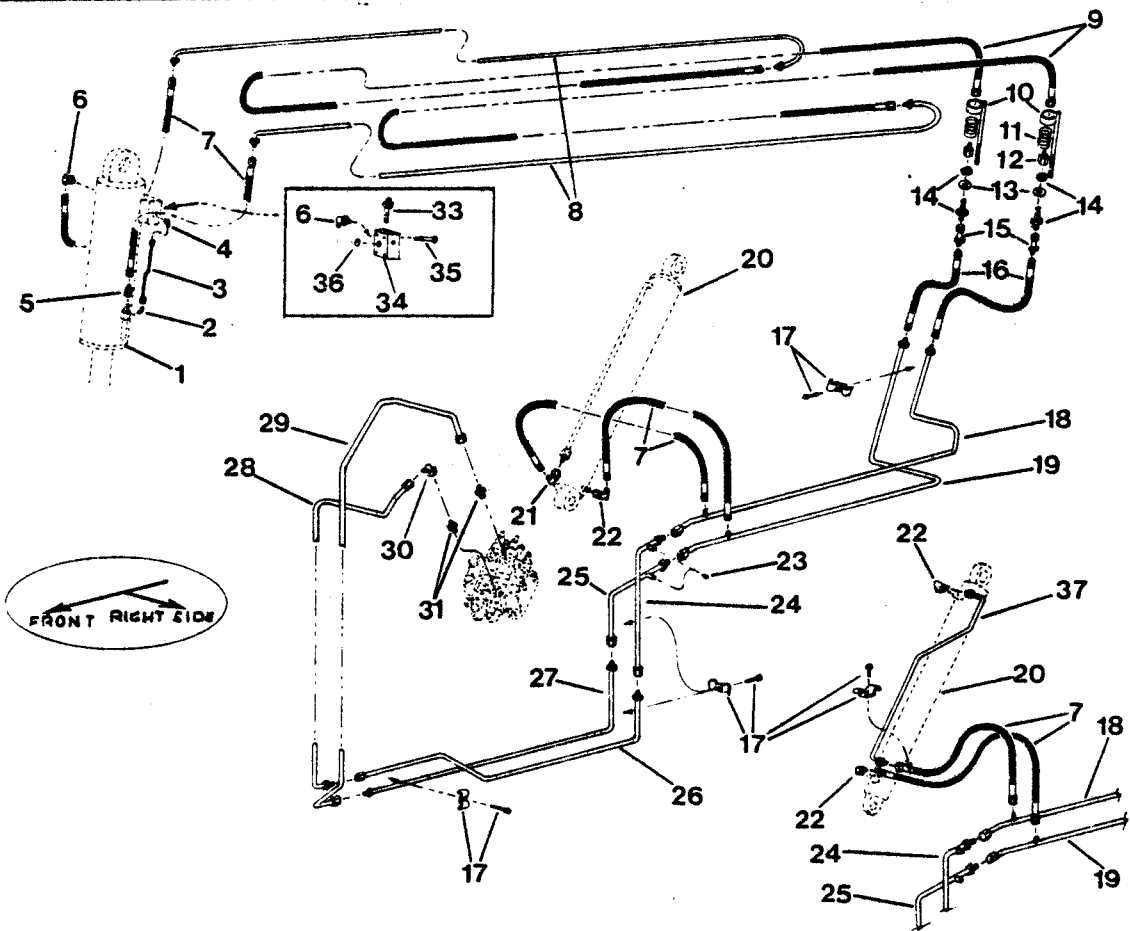
REF.	PART NO.	DESCRIPTION	REQ'D
1	802-137	CYLINDER, tilt.	1
	602-052	VALVE, counterbalance	1
	020-035	BOLT, 5/16" nc x 2" - Gr. 5	1
2	027-906	ADAPTER	1
3	601-759	LINE, hydraulic	1
4	027-364	ADAPTER	1
5	026-629	ELBOW, 90° "O" ring	2
6	602-452	LINE, hydraulic	1
7	022-042	HOSE, high pressure	8
8	202-939	LINE, hydraulic	2
9	027-673	ELBOW, 90° swivel	2
10	202-250	HOSE, high pressure	2
11	027-176	NUT	4
12	200-313	SPRING.	2
13	027-176	FITTING, bulkhead	2
14	021-459	WASHER.	2
15	202-285	CLAMP	AR
	020-007	BOLT.	AR
16	602-435	LINE, hydraulic	2
17	602-416	LINE, hydraulic	1
18	602-415	LINE, hydraulic	1
19	802-003	CYLINDER, tilt compensating	1
20	602-414	LINE, hydraulic	1
21	026-942	ELBOW, 90°	2

TILT and COMPENSATING HYDRAULICS

(MODEL 534 THRU SN 791)

REF.	PART NO.	DESCRIPTION	REQ'D
22	200-483	CLAMP	1
	020-021	BOLT, 3/8" nc x 1 1/2" - Gr. 5	1
	021-097	NUT, 3/8" nc.	1
23	026-634	TEE	2
24	027-273	TEE	2
25	026-698	CAP	2
26	602-275	LINE, hydraulic	2
27	602-401	LINE, hydraulic	1
28	602-400	LINE, hydraulic	1
29	026-600	ADAPTER, "O" ring	2
30	600-167	VALVE, auxiliary.	1
31	020-051	BOLT, 5/16" x 2 1/2" nc - Gr. 5	4
32	601-752	CARTRIDGE, valve	1
	601-753	BLOCK, valve	1
	028-016	"O" RING	1

TILT and COMPENSATING HYDRAULICS
 (6000# AND 8000# UNITS SN 793 AND AFTER)



KEY:

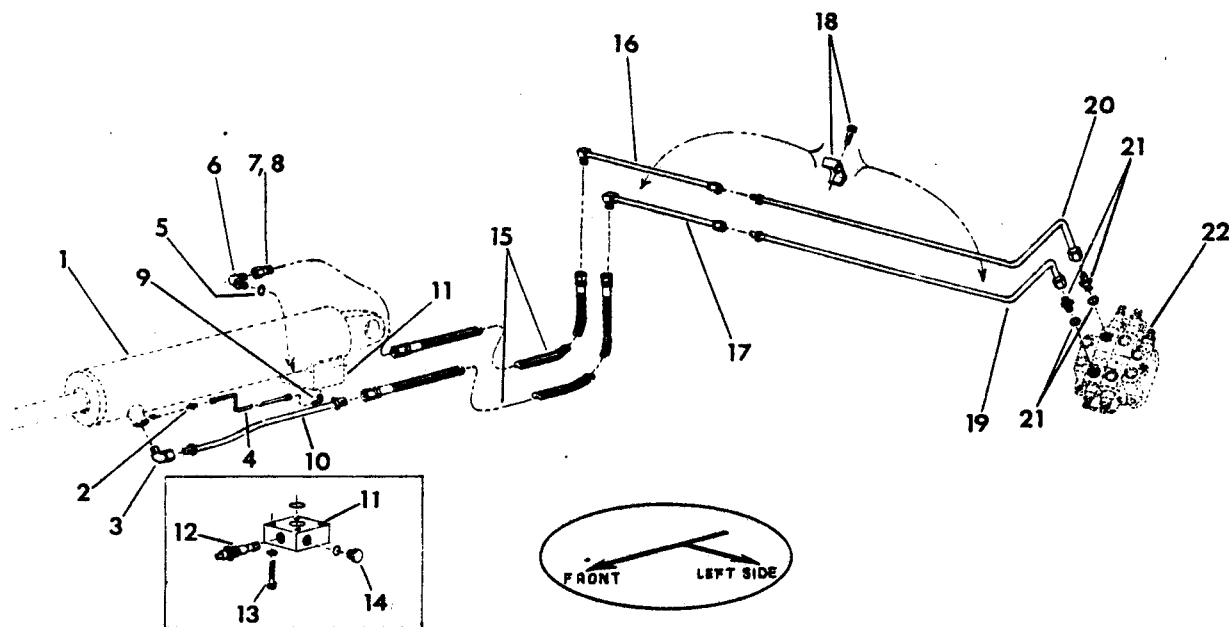
- A - Model 534 6000# units with SN 795 and after
- B - Model 534 8000# units with SN 793 and after

REF.	PART NO.	DESCRIPTION	REQ'D	
			A	B
1	802-137	CYLINDER, tilt.	1	-
	800-992	CYLINDER, tilt.	-	1
2	027-364	ADAPTER	1	-
	026-400	ELBOW, 90°.	-	1
3	601-759	LINE, pilot	1	-
	601-838	LINE, pilot	-	1
4	027-906	ELBOW, 90°.	1	1
5	026-629	ELBOW, 90°.	1	-
	026-645	REDUCER	-	1
	026-379	NUT	-	1
6	026-629	ELBOW, 90°.	1	1
7	022-042	HOSE, high pressure	4	4
8	601-837	LINE, hydraulic	2	2
9	202-250	HOSE, high pressure	2	2
10	402-224	TIGHTENER, hose	2	2
	021-099	NUT, 1/2" nc (not shown).	4	4
11	200-313	SPRING.	2	2
12	029-935	REDUCER	2	2
13	027-475	WASHER.	2	2
14	029-939	FITTING, bulkhead	2	2
15	601-935	LINE, hydraulic	2	2
16	022-043	HOSE, high pressure	2	2

TILT and COMPENSATING HYDRAULICS
 (6000# AND 8000# UNITS SN 793 AND AFTER)

REF.	PART NO.	DESCRIPTION	REQ'D	
			A	B
17	200-483	CLAMP	6	4
	020-007	BOLT.	5	4
18	601-834	LINE, hydraulic	1	1
19	601-835	LINE, hydraulic	1	1
20	802-003	CYLINDER, compensating.	1	-
	801-012	CYLINDER, compensating.	-	1
21	027-673	ELBOW, 90° swivel	-	1
22	026-942	ELBOW, 90°.	-	1
23	026-195	PLUG, 1/4" npt.	2	2
24	601-938	LINE, hydraulic	1	1
25	601-939	LINE, hydraulic	1	1
26	601-936	LINE, hydraulic	1	1
27	601-937	LINE, hydraulic	1	1
28	601-830	LINE, hydraulic	1	1
29	601-831	LINE, hydraulic	1	1
30	027-901	ELBOW, 90° swivel	1	1
31	027-671	ADAPTER	2	2
32	600-167	VALVE, auxiliary.	1	1
33	601-752	CARTRIDGE, hydraulic.	1	1
34	601-753	BLOCK, valve.	1	-
	601-826	BLOCK, valve.	-	1
35	020-051	BOLT, 5/16" x 2 1/2" nc - Gr. 5	4	-
	020-055	BOLT, 1/2" x 2 1/2" nc - Gr. 5.	-	4
36	028-016	"O" RING.	1	-
	028-214	"O" RING.	-	1
37	602-414	LINE, hydraulic	1	-

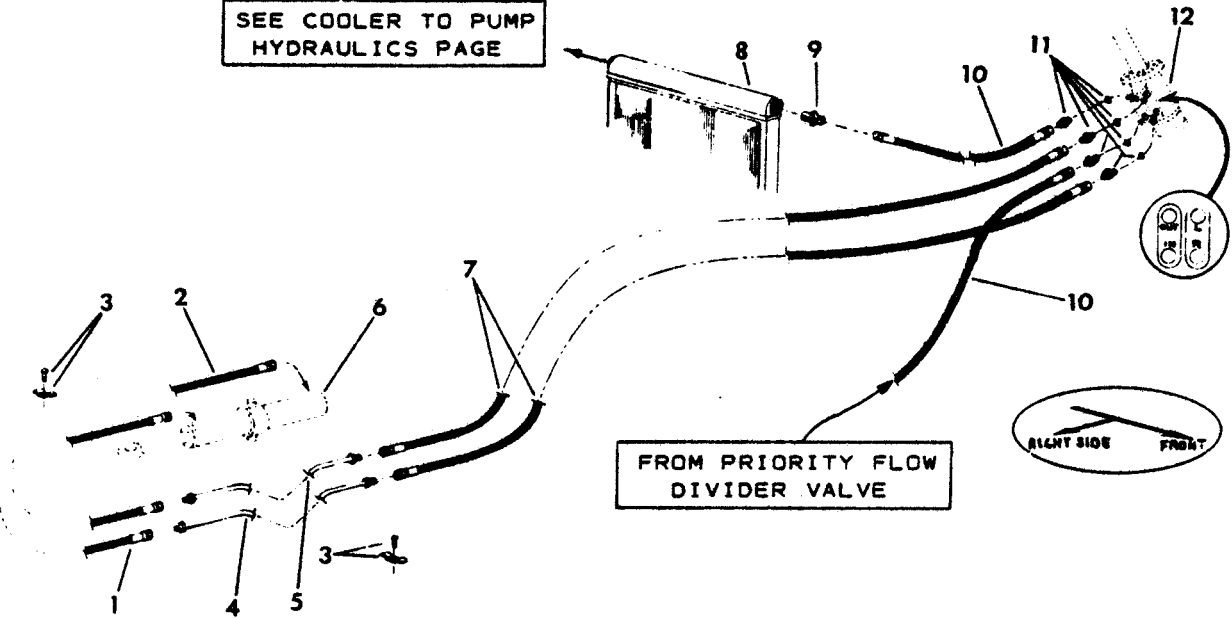
SWAY CYLINDER HYDRAULICS



REF.	PART NO.	DESCRIPTION	REQ'D
1	802-043	CYLINDER, sway.	1
2	027-364	ADAPTER	1
3	026-629	ELBOW, swivel	1
4	602-413	LINE, hydraulic	1
5	023-217	"O" RING	1
6	026-630	ELBOW, 90°	1
7	026-646	NUT	1
8	026-645	REDUCER, tube	1
9	026-400	ELBOW, 90°	1
10	602-450	LINE, hydraulic	1
11	400-066	VALVE, counterbalance	1
12	600-727	VALVE, relief	1
13	020-061	BOLT, 3/8" nc x 2 3/4" - Gr. 5.	4
14	026-637	PLUG, "O" ring	1
15	022-042	HOSE, high pressure	2
16	602-449	LINE, hydraulic	1
17	602-448	LINE, hydraulic	1
18	202-285	CLAMP	2
	020-007	BOLT, 3/8" nc x 1" - Gr. 5.	1
19	602-402	LINE, hydraulic	1
20	602-406	LINE, hydraulic	1
21	026-600	ADAPTER, "O" ring	1
22	600-167	VALVE, auxiliary.	1

STEERING HYDRAULICS

SEE COOLER TO PUMP
HYDRAULICS PAGE



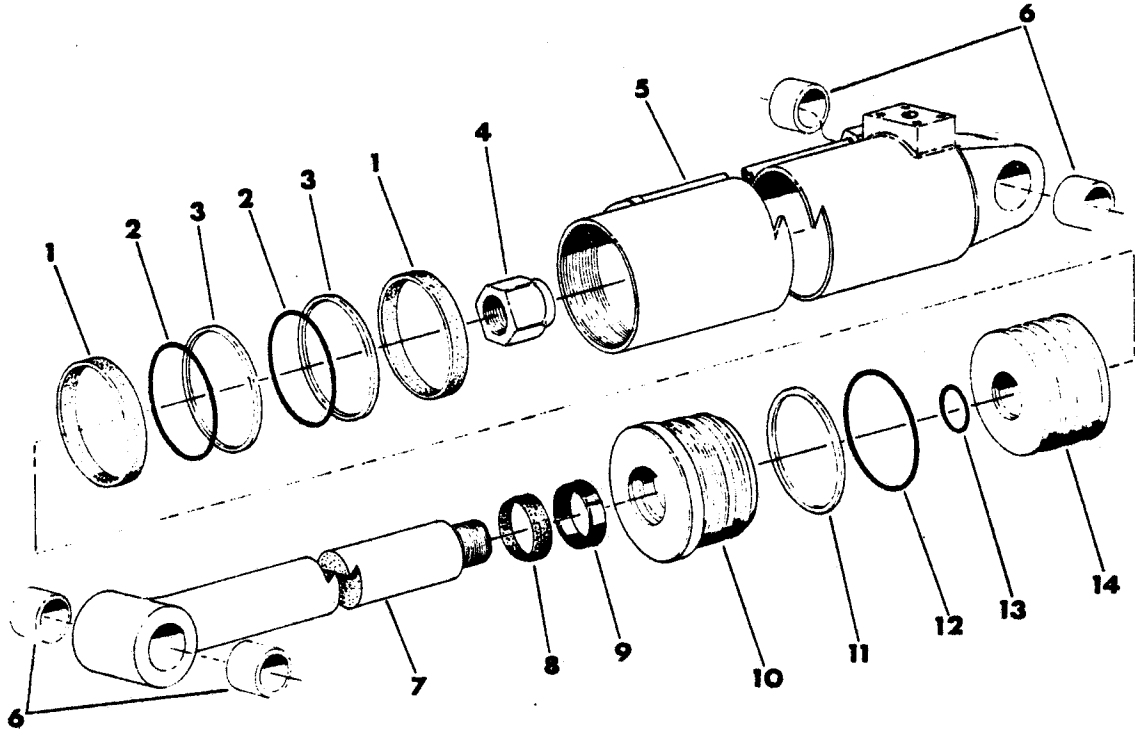
FROM PRIORITY FLOW
DIVIDER VALVE

KEY:

- A - Model 534 before S/N 237
- B - Model 534 with S/N 237 and after

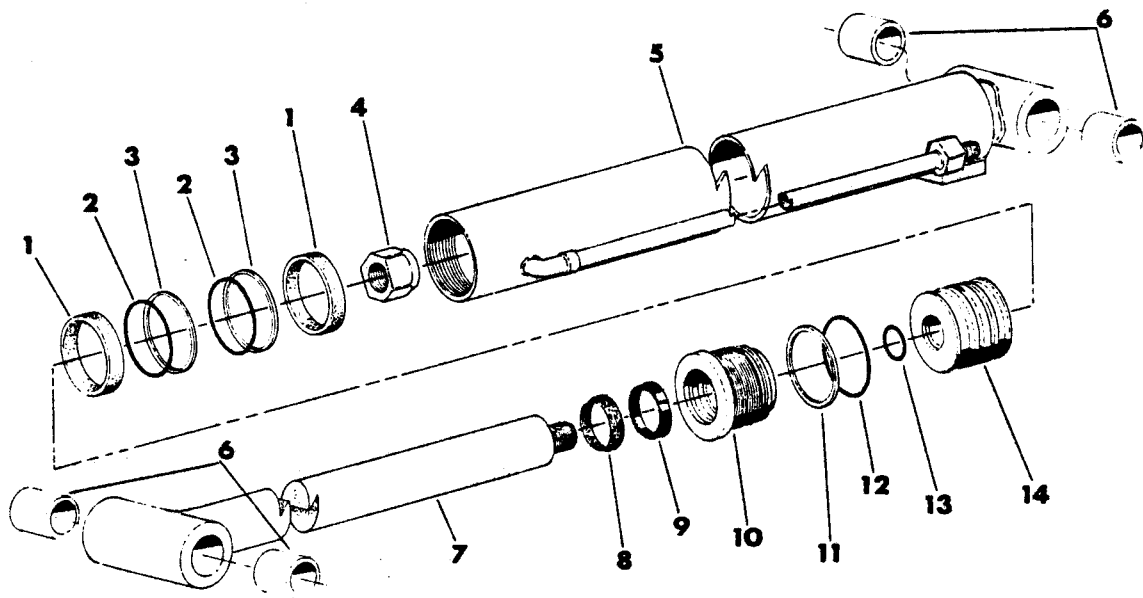
REF.	PART NO.	DESCRIPTION	REQ'D	
			A	B
1	202-321	HOSE, high pressure (Orbitrol "R" port to cyl. rod end)	1	-
1	202-998	HOSE, high pressure (Line 602-619 to cyl. rod end)	-	1
2	202-320	HOSE, high pressure (Orbitrol "L" port to cyl. base end)	1	-
2	202-998	HOSE, high pressure (Line 602-618 to cyl. base end)	-	1
3	203-172	CLAMP	AR	AR
	020-007	BOLT, 3/8" nc x 1" - Gr. 5	AR	AR
4	602-619	LINE, hydraulic	-	1
5	602-618	LINE, hydraulic	-	1
6	---	CYLINDER, steering	1	-
6	---	CYLINDER, steering	-	1
7	202-321	HOSE, high pressure	2	-
	203-133	HOSE, high pressure	-	2
8	602-141	COOLER, hydraulic oil	1	1
	026-343	BOLT - 5/16" nc x 3/4" - Gr. 5 (cooler mounting)	6	6
9	202-879	ADAPTER	1	1
10	202-256	HOSE, high pressure	2	-
10	202-256	HOSE, high pressure	-	2
11	026-600	ADAPTER, "O" ring	4	4
12	---	ORBITROL, steering	1	1

LIFT CYLINDER



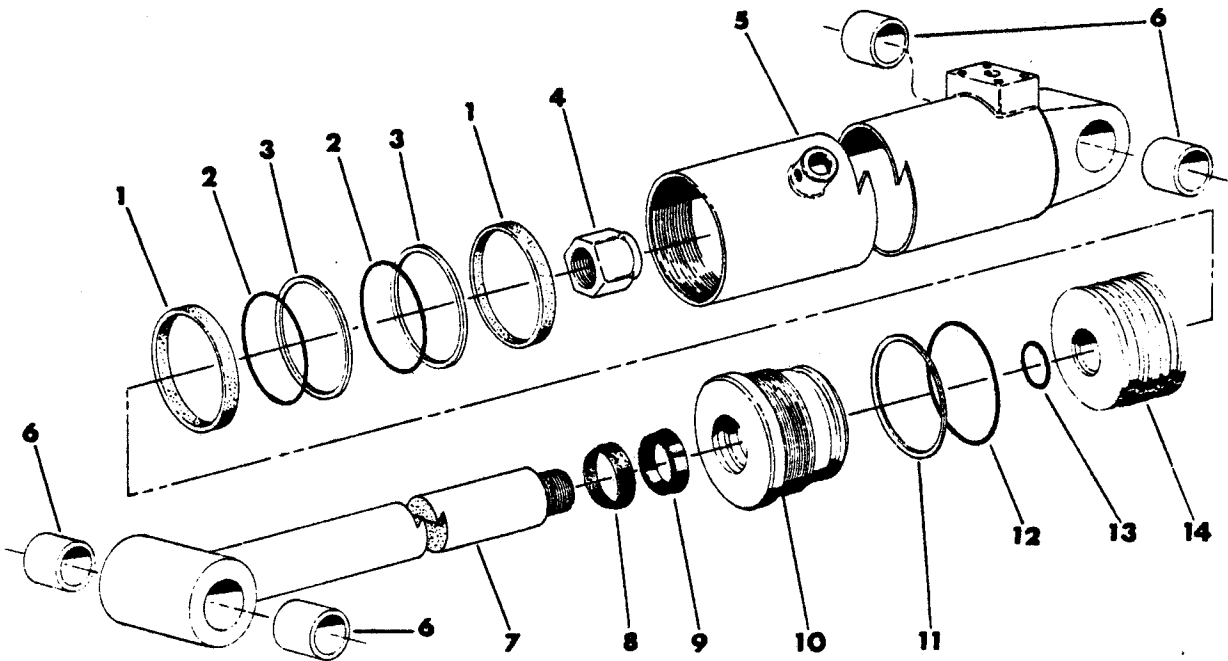
REF.	PART NO.	DESCRIPTION	REQ'D
--	802-042	CYLINDER, lift - 7" bore, 32" stroke - (consists of items 1 thru 5 and 7 thru 14).	-
1	022-262	RING, wear	2
2	023-361	"O" RING, piston	2
3	022-242	SEAL, piston	2
4	022-234	NUT, self locking.	1
601-485	022-438	BARREL, cylinder	1
6	027-528	BUSHING.	4
7	402-206	ROD, piston.	1
8	022-282	RING, wiper.	1
9	022-252	SEAL, rod.	1
10	400-059	BEARING, rod	1
11	025-438	RING, backup	1
12	023-438	"O" RING, rod bearing.	1
023-226	022-438	"O" RING, piston rod	1
14	400-064	PISTON	1
--	200-844	KIT, seal - (consists of items 1, 2, 3, 8, 9, 11, 12 and 13).	AR

CROWD CYLINDER



REF.	PART NO.	DESCRIPTION	REQ'D
--	802-040	CYLINDER, crowd - 4" bore, 110" stroke - (consists of items 1 thru 5 and 7 thru 14)	-
1	022-259	RING, wear	2
2	023-153	"O" RING, piston	2
3	022-235	SEAL, piston	2
4	022-232	NUT, self locking	1
5	602-161	BARREL, cylinder	1
6	027-527	BUSHING	4
7	402-121	ROD, piston	1
8	022-280	RING, wiper	1
9	023-342	SEAL, rod	1
10	402-122	BEARING, rod	1
11	024-342	RING, backup	1
12	023-342	"O" RING, rod bearing	1
13	023-128	"O" RING, piston rod	1
14	402-123	PISTON	1
9020-3222 --	 	KIT, seal - (consists of items 1, 2, 3, 8, 9, 11, 12 and 13)	-

SWAY CYLINDER and TILT CYLINDER



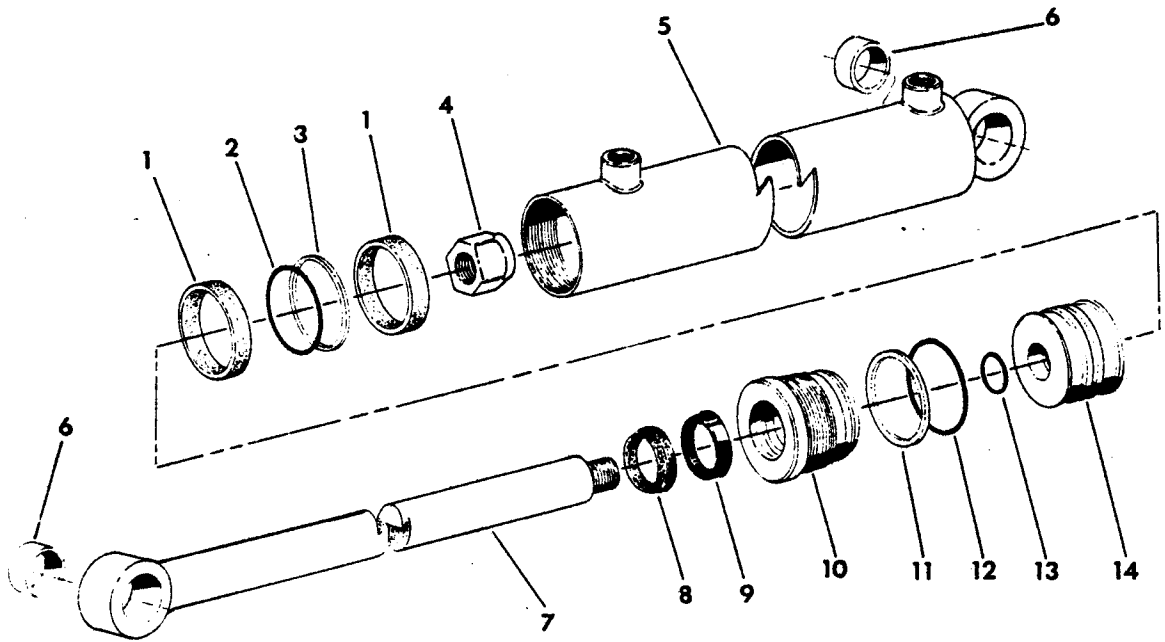
KEY:

- A - 802-043 SWAY CYLINDER - 5" bore, 10" stroke
- B - 802-137 TILT CYLINDER - 5" bore, 12" stroke (6000# units)

REF.	PART NO.	DESCRIPTION	REQ'D	
			A	B
1	022-260	RING, wear	2	2
2	023-157	"O" RING, piston	2	2
3	022-240	SEAL, piston	2	2
4	022-232	NUT, self locking.	1	1
5	202-553	BARREL, cylinder	1	-
	802-142	BARREL, cylinder	-	1
6	027-527	BUSHING.	4	4
7	202-554	ROD, piston.	1	-
	402-205	ROD, piston.	-	1
8	022-280	RING, wiper.	1	1
9	022-250	SEAL, rod.	1	1
10	400-074	BEARING, rod	1	1
11	025-349	RING, backup	1	1
12	023-349	"O" RING, rod bearing.	1	1
13	023-218	"O" RING, piston rod	1	1
14	400-393	PISTON	1	1
--	200-845	KIT, seal - (consists of items 1, 2, 3, 8, 9, 11, 12 and 13).	AR	AR

)

STEERING CYLINDER and TILT COMPENSATING CYLINDER



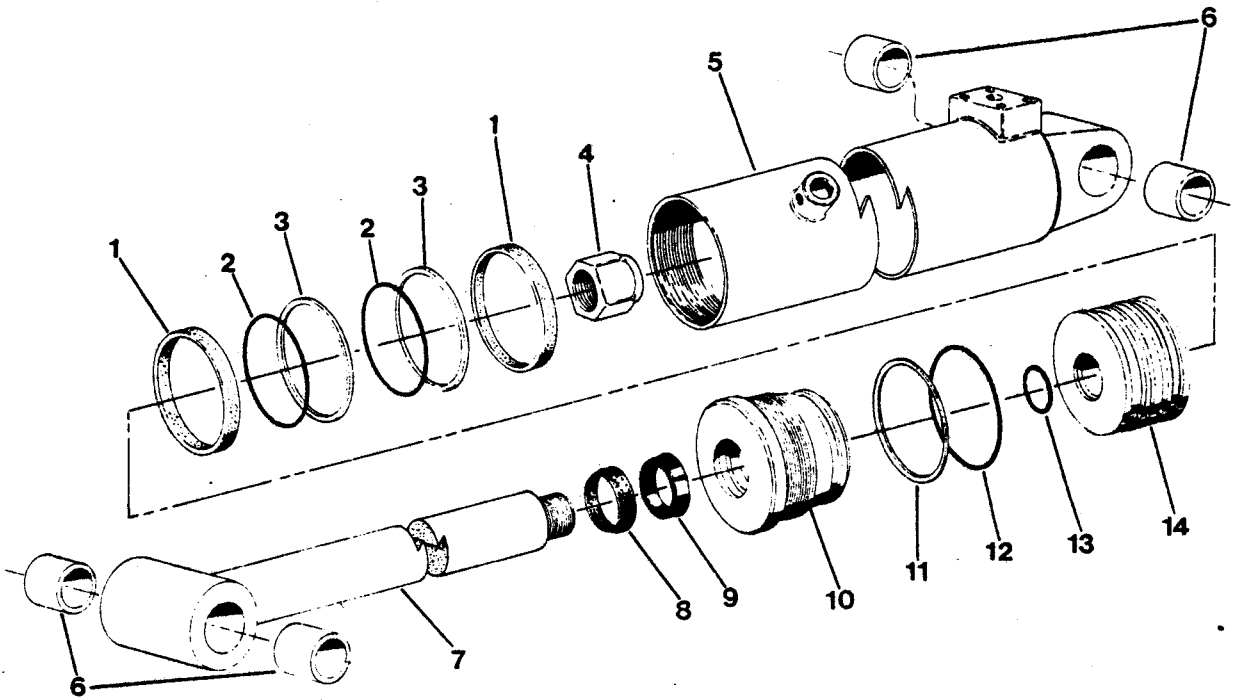
KEY:

- A - 802-001 STEERING CYLINDER - 3" bore, 15" stroke-before s/n 237
 - B - 802-003 TILT COMPENSATING CYLINDER - 3" bore, 27" stroke-
- (6000# units)

REF.	PART NO.	DESCRIPTION	REQ'D	
			A	B
1	022-257	RING, wear	2	2
2	023-145	"O" RING, piston	1	1
3	022-237	SEAL, piston	1	1
4	022-230	NUT, self locking.	1	1
5	602-162	BARREL, cylinder	1	-
	602-164	BARREL, cylinder	-	1
6	027-526	BUSHING.	2	-
	027-529	BUSHING.	-	4
7	402-009	ROD, piston.	1	-
	402-111	ROD, piston.	-	1
8	022-277	RING, wiper.	1	1
9	022-247	SEAL, rod.	1	1
10	402-099	BEARING, rod	1	1
11	024-232	RING, back up.	1	1
12	023-232	"O" RING, rod bearing.	1	1
13	023-117	"O" RING, piston rod	1	1
14	402-098	PISTON	1	1
--	202-551	KIT, seal - (consists of items 1, 2, 3, 8, 9, 11, 12 and 13).	AR	AR

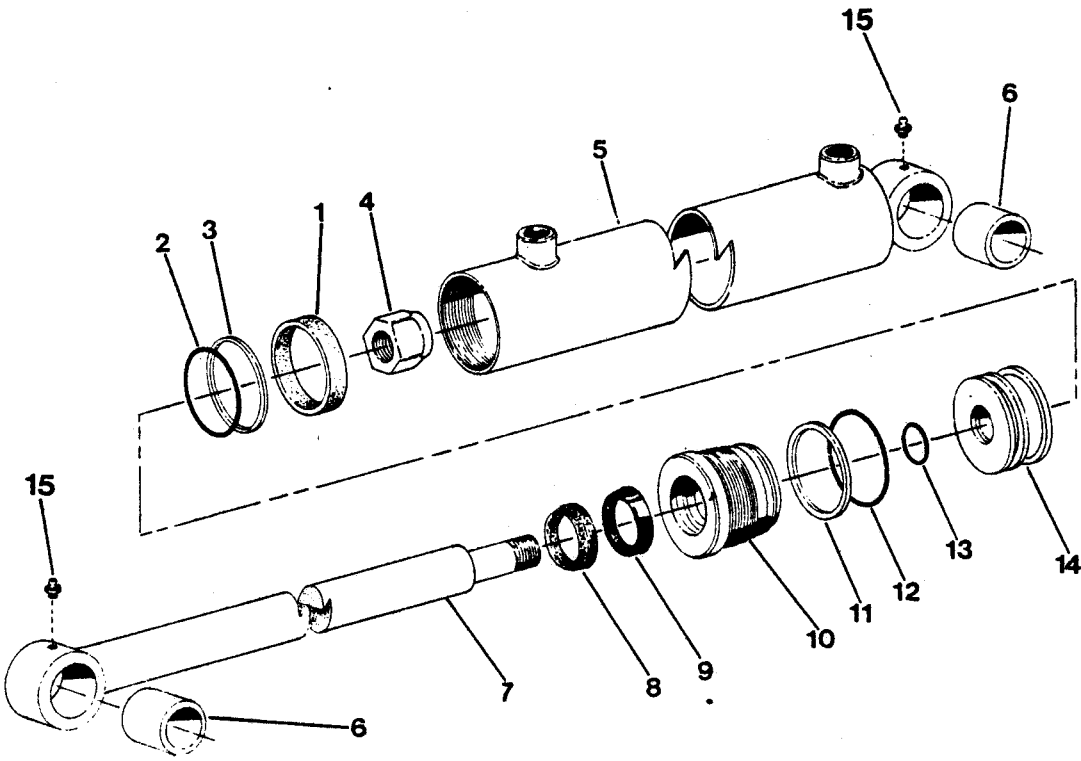
TILT CYLINDER

(8000# UNITS)



REF.	PART NO.	DESCRIPTION	REQ'D
--	800-992	CYLINDER, tilt - 6" bore, 12" stroke.	1
1	022-261	RING, wear.	2
2	023-253	"O" RING, piston.	2
3	022-241	SEAL, piston.	2
4	022-233	NUT, self locking	1
5	402-652	BARREL, cylinder.	1
6	022-150	BUSHING	4
7	402-662	ROD, piston	1
8	022-281	RING, wiper	1
9	022-251	SEAL, rod	1
10	400-060	BEARING, rod.	1
11	024-433	RING, backup.	1
12	023-433	"O" RING, rod bearing	1
13	023-224	"O" RING, piston rod.	1
14	400-087	PISTON.	1
--	200-842	KIT, seal (consists of items 1, 2, 3, 8, 9, 11, 12 and 13)	AR

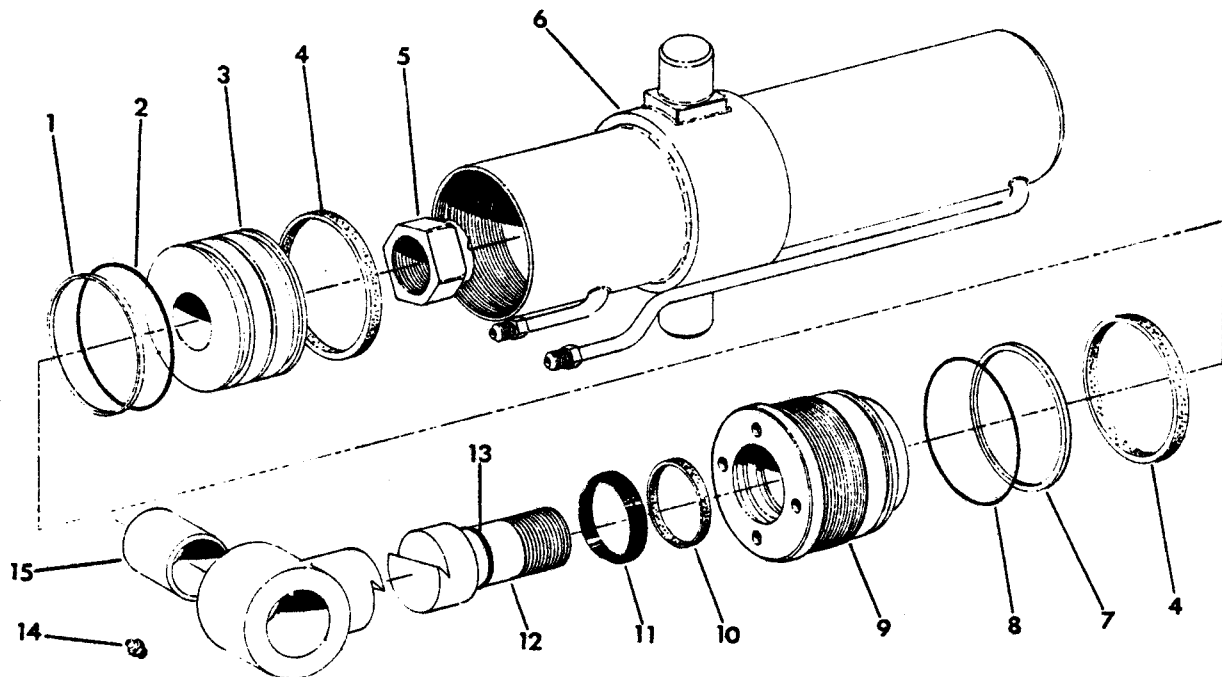
TILT COMPENSATING CYLINDER
(8000# UNITS)



REF.	PART NO.	DESCRIPTION	REQ'D
--	801-012	CYLINDER, tilt compensating - 4" bore, 21" stroke .	1
1	022-295	RING, wear.	1
2	023-153	"O" RING, piston.	2
3	022-239	SEAL, piston.	2
4	022-232	NUT, self locking	1
5	801-022	BARREL, cylinder.	1
6	022-200	BUSHING	2
7	402-697	ROD, piston	1
8	022-279	RING, wiper	1
9	022-249	SEAL, rod	1
10	400-062	BEARING, rod.	1
11	025-342	RING, backup.	1
12	023-342	"O" RING, rod bearing	1
13	023-128	"O" RING, piston rod.	1
14	402-123	PISTON.	1
15	022-217	FITTING, lube	2
16	201-553	KIT, seal (consists of items 1, 2, 3, 8, 9, 11, 12 and 13)	AR

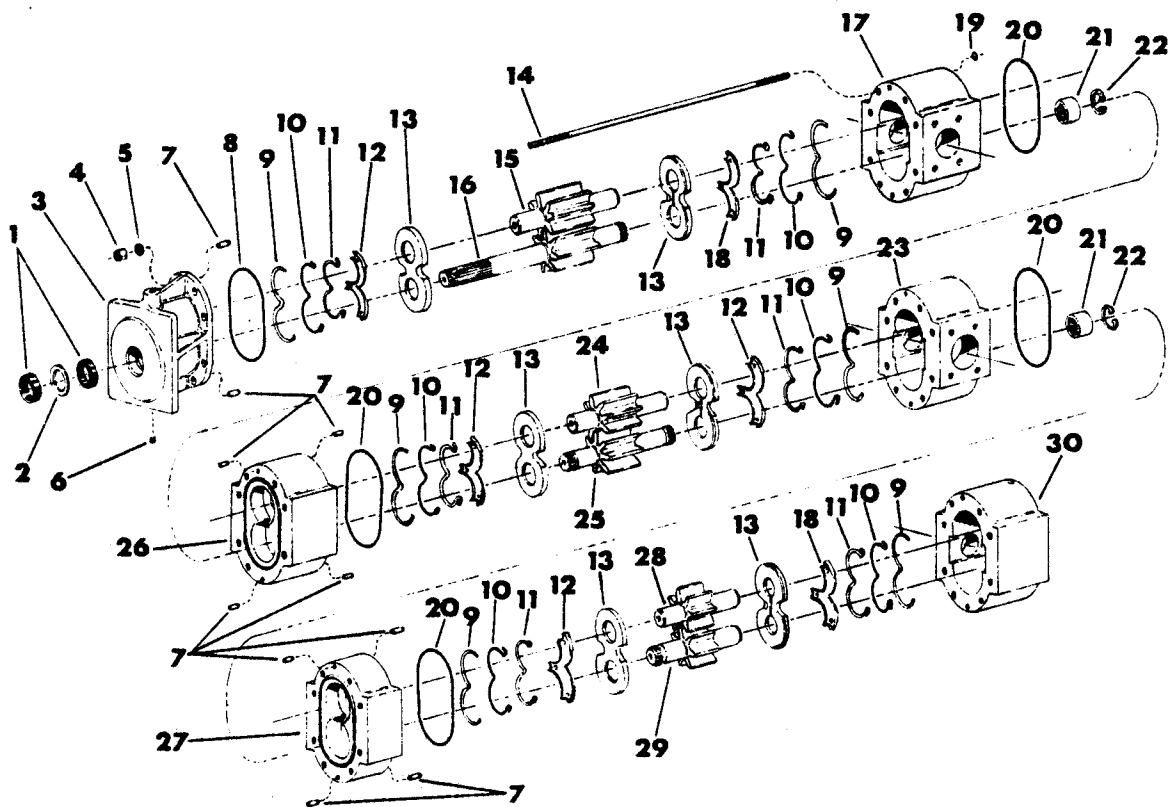
STEERING CYLINDER

MODEL 534 WITH S/N 237 AND AFTER



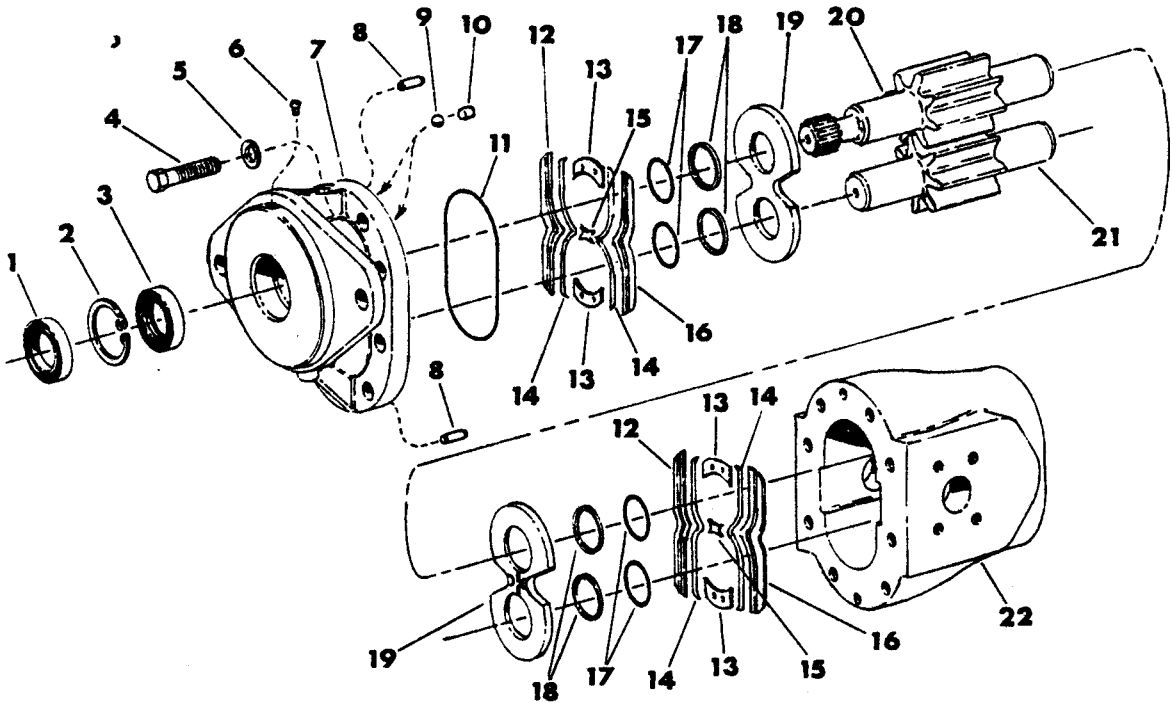
REF.	PART NO.	DESCRIPTION	REQ'D
--	801-061	CYLINDER, steering - 3" bore x 15" stroke	1
1	022-237	SEAL, piston.	1
2	023-145	"O" RING.	1
3	402-098	PISTON.	1
4	022-257	RING, wear.	2
5	022-230	NUT	1
6	601-555	BARREL.	1
7	024-232	RING, back up	1
8	023-232	"O" RING.	1
9	402-099	BEARING, rod.	1
10	022-247	SEAL, rod	1
11	022-277	RING, wiper	1
12	402-754	ROD, piston	1
13	023-117	"O" RING, rod	1
14	022-217	FITTING, grease	1
15	205-450	BUSHING	1
16	202-551	KIT, seal	-
17	205-011	SPACER, rod (not shown)	1

HYDRAULIC PUMP



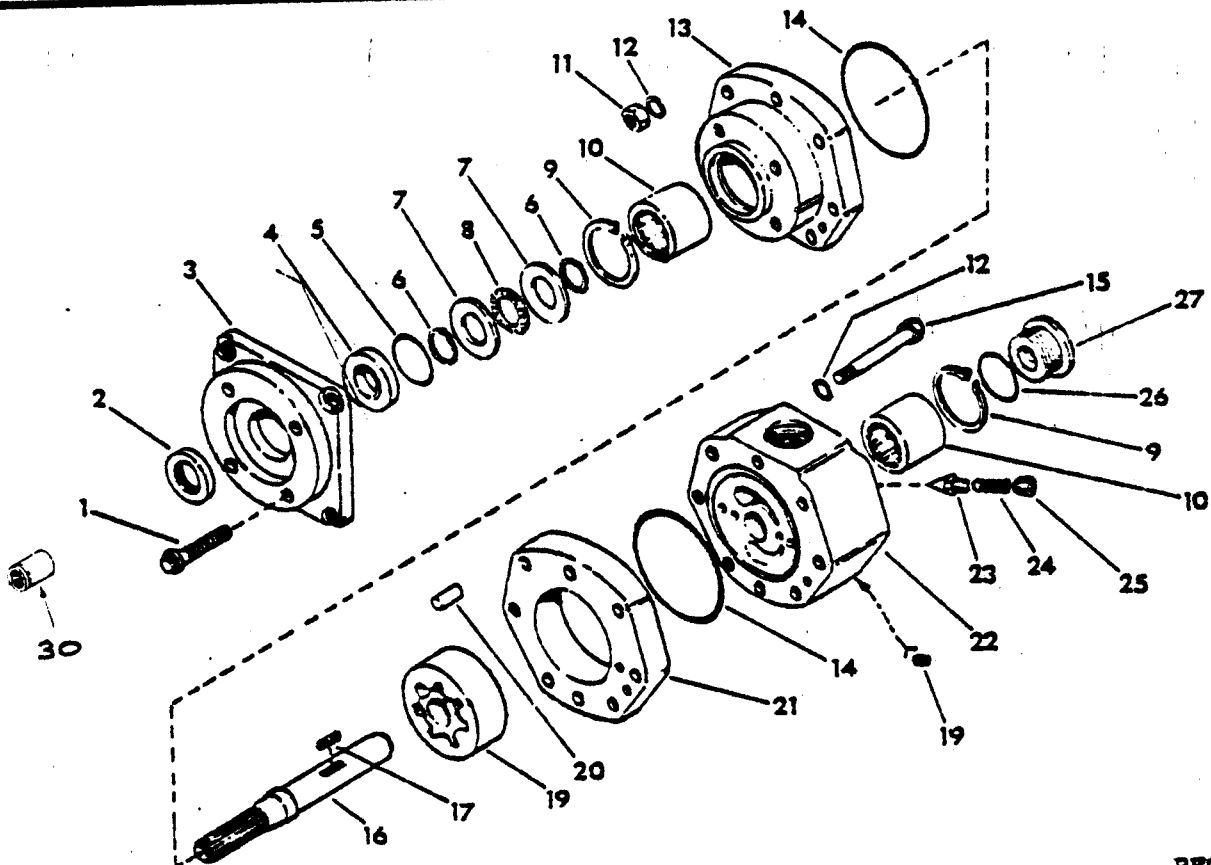
REF.	PART NO.	DESCRIPTION	REQ'D
--	602-333	PUMP, hydraulic	-
1	202-394	SEAL, shaft	2
2	202-395	RING, spacer.	1
3	202-408	FLANGE - w/bushings	1
4	202-398	NUT - 1/2" nf - (heat treated).	8
5	202-375	WASHER.	8
6	202-420	PLUG.	1
7	202-376	DOWEL	10
8	202-379	"O" RING.	1
9	202-405	RING RETAINER	6
10	202-403	"O" RING.	6
11	202-404	RING, back-up	6
12	202-406	PLATE, top isolation.	3
13	202-399	PLATE, pressure	6
14	202-397	STUD.	8
15	202-409	GEAR, front idler	1
16	202-410	GEAR, front driven.	1
17	202-411	BODY - w/bushings	1
18	202-407	PLATE, bottom isolation	3
19	202-400	"O" RING - (stud stabilizer).	8
20	202-396	"O" RING.	4
21	202-401	COUPLING, spline.	2
22	202-402	RING, snap.	2
23	202-414	BODY - w/bushings	1
24	202-412	GEAR, center idler.	1
25	202-413	GEAR, center driven	1
26	202-418	PLATE, bearing.	1
27	202-419	PLATE, bearing.	1
28	202-415	GEAR, rear idler.	1
29	202-416	GEAR, rear driven	1
30	202-417	BODY - w/bushings	1

FRONT HYDRAULIC DRIVE MOTOR
 (MODEL 534 PRIOR TO SN 237 AND AFTER SN 1033)



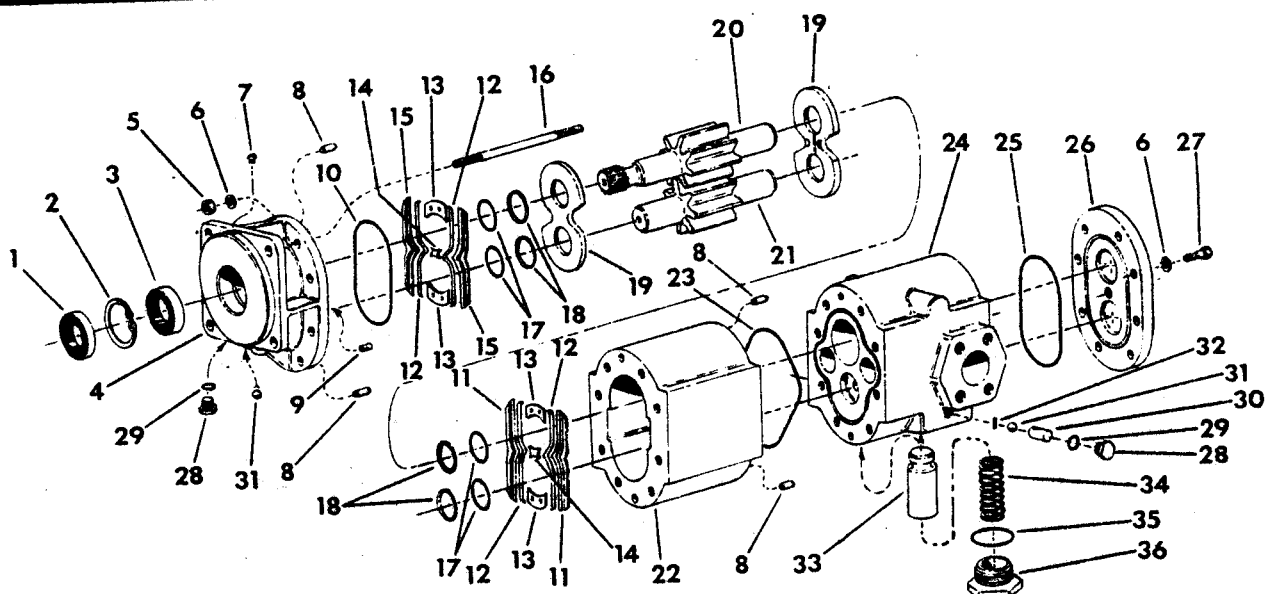
REF.	PART NO.	DESCRIPTION	REQ'D
--	602-335	MOTOR, hydraulic front drive.	-
1	202-371	SEAL, shaft (outer)	1
2	202-372	RING, snap.	1
3	202-373	SEAL, shaft (inner)	1
4	027-736	BOLT - 1/2" nc x 1 1/4" - Gr 8.	8
5	202-375	WASHER, flat - 1/2"	8
6	202-420	PLUG.	1
7	202-388	FLANGE - w/bushings	1
8	202-376	DOWEL	2
9	202-377	BALL, check	2
10	202-378	RETAINER, check ball.	2
11	202-379	"O" RING.	1
12	202-390	PLATE, top isolation.	2
13	202-391	SEPARATOR, end.	4
14	202-393	STRIP, sealing.	4
15	202-392	SEPARATOR, center	2
16	202-389	PLATE, bottom isolation	2
17	202-380	"O" RING.	4
18	202-381	RING, back up	4
19	202-382	PLATE, pressure	2
20	202-386	GEAR, idler	1
21	202-387	GEAR, drive	1
22	202-385	BODY - w/bushings	1

FRONT HYDRAULIC DRIVE MOTOR
(MODEL 534 SN 237 THRU SN 1031)



REF.	PART NO.	DESCRIPTION	REQ'D
--	602-712	HYDRAULIC MOTOR, front.	2
1	202-660	BOLT.	4
2	202-659	SEAL, shaft (outer)	1
3	202-653	FLANGE, mounting.	1
4	202-658	SEAL, shaft (inner)	1
5	202-661	"O" RING.	1
6	202-666	RETAINER, thrust bearing.	2
7	202-667	WASHER.	2
8	202-664	BEARING, thrust	1
9	202-665	RETAINER, shaft bearing	1
10	202-663	BEARING, shaft.	1
11	021-099	NUT, 1/2" nc.	6
12	021-466	WASHER, lock 1/2"	12
13	202-662	HOUSING, bearing.	1
14	202-668	"O" RING.	2
15	026-172	BOLT, 1/2" nc x 6" - Gr. 5.	6
16	202-652	SHAFT, drive.	1
17	202-671	KEY, drive.	1
18	202-676	PLUG.	1
19	202-672	ROTOR SET	1
20	202-669	DOWEL, locating	4
21	202-670	HOUSING, rotor.	1
22	202-674	BODY.	1
23	202-673	POPPET, check valve	2
24	202-675	SPRING, check valve	2
25	202-677	PLUG, check valve	2
26	202-678	"O" RING.	1
27	202-679	PLUG.	1
28	207-054	VALVE, relief (not shown)	1
29	NSS	• CARTRIDGE, valve (not shown).	2
30	201-148	COUPLING	1

REAR HYDRAULIC DRIVE MOTOR



KEY:
 A - 602-334 REAR HYDRAULIC DRIVE MOTOR - MODEL 534 BEFORE S/N 237
 B - 602-523 REAR HYDRAULIC DRIVE MOTOR - MODEL 534 S/N 237 and AFTER

REF.	PART NO.	DESCRIPTION	REQ'D	
			A	B
--	602-334	MOTOR, hydraulic rear drive.	1	1
1	202-371	SEAL, shaft - (outer).	1	1
2	202-372	RING, snap	1	1
3	205-716	SEAL, shaft (inner).	1	1
	205-717	WASHER, seal (not shown)	1	1
4	202-549	FLANGE, w/bushings (FOR SERVICE ALSO ORDER #9)	8	8
5	021-100	NUT, 1/2" nf	16	16
6	202-375	WASHER, 1/2"	1	1
7	202-420	PLUG	4	4
8	202-376	DOWEL.	2	2
9	202-550	PLUG	1	1
10	202-422	"O" RING	2	2
11	202-390	PLATE, bottom isolation.	4	4
12	202-393	STRIP, sealing	4	4
13	202-391	SEPARATOR, end	2	2
14	202-392	SEPARATOR, center.	2	2
15	202-389	PLATE, top isolation	8	-
16	202-421	STUD, 1/2"	-	8
	202-694	STUD, 1/2"	4	4
17	202-380	"O" RING	4	4
18	202-381	RING, backup	2	2
19	202-382	PLATE, pressure.	1	-
20	202-426	GEAR, driven	-	1
	202-695	GEAR, driven	1	-
21	202-425	GEAR, idler.	-	1
	202-696	GEAR, idler.	1	-
22	202-427	BODY, w/bushings	-	1
	202-697	BODY, w/bushings	1	1
23	202-423	"O" RING	1	1
24	202-428	BODY, valve.	1	1
25	202-424	"O" RING	1	1
26	202-429	PLATE, cover	8	8
27	027-736	BOLT, 1/2" nc x 1 1/4" - Gr. 8	3	3
28	202-384	PLUG	3	3
29	202-383	"O" RING	3	3

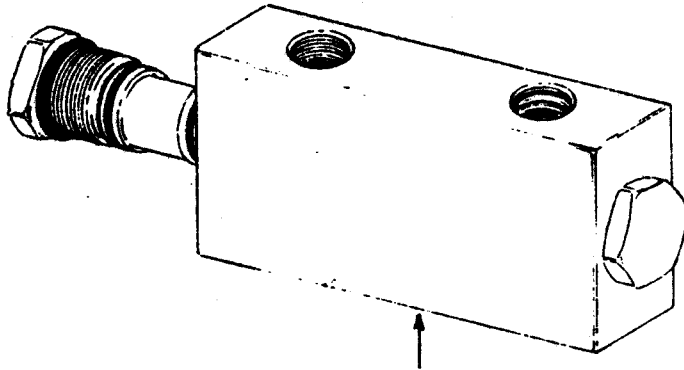
9085-0161 SEAL KIT (includes 1,2,3,10)

MODEL 534 LOED HANDLER

REAR HYDRAULIC DRIVE MOTOR (continued)

REF.	PART NO.	DESCRIPTION	REQ'D	
			A	B
30	202-434	SEAT	2	2
31	202-435	BALL	3	3
32	202-436	PIN, roll.	2	2
33	202-433	PISTON	2	2
34	202-432	SPRING	2	2
35	202-431	"O" RING	2	2
36	202-430	PLUG	2	2

FLOW DIVIDER VALVE



REF.	PART NO.	DESCRIPTION	REQ'D
1	602-522	VALVE, proportional flow divider	

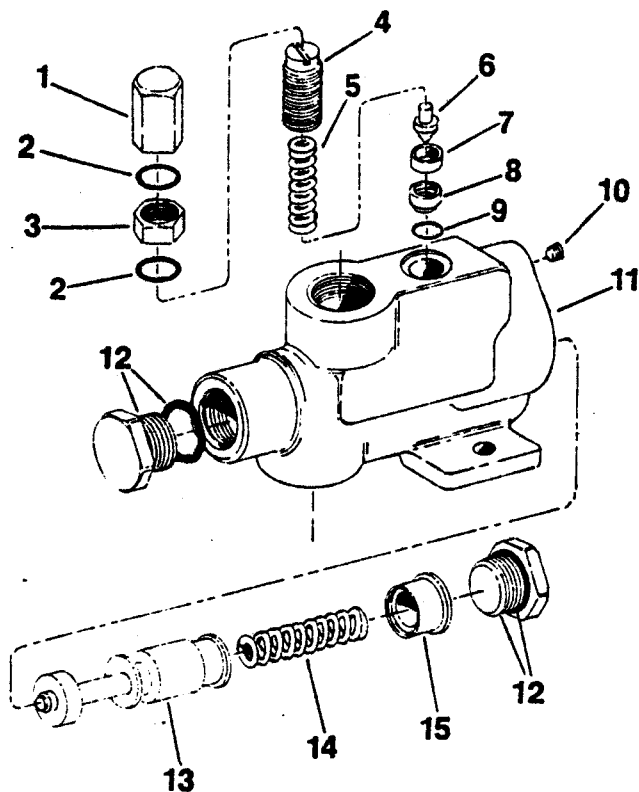
NOTE:
NO PARTS ARE RECOMMENDED FOR FIELD
SERVICE. REPLACE COMPLETE VALVE.

PRIORITY FLOW DIVIDER

602-640 VALVE, priority flow divider. 1

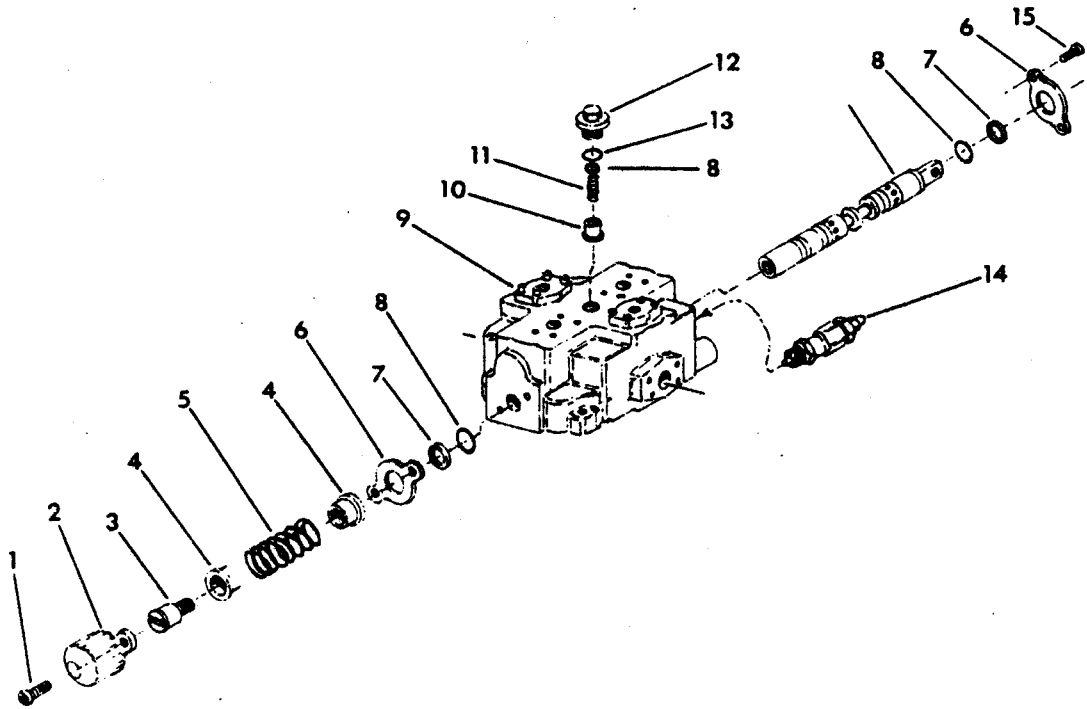
For replacement parts information
contact
LOED Corporation - Parts Department

LINE RELIEF VALVE



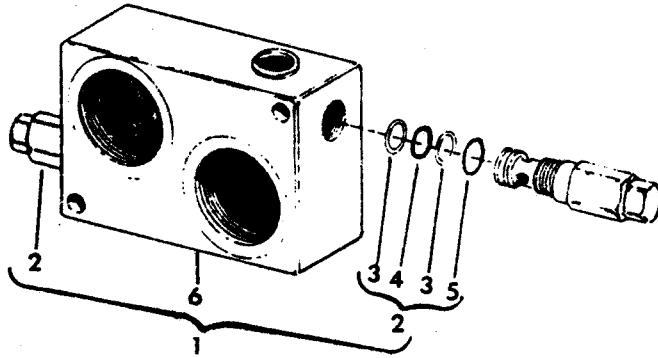
REF.	PART NO.	DESCRIPTION	REQ'D
--	601-711	VALVE, relief	1
1	206-839	• NUT, cap.	1
2	206-841	• "O" RING.	2
3	206-840	• NUT, jam.	1
4	206-842	• SCREW, adjusting.	1
5	206-833	• SPRING.	1
6	206-834	• POPPET.	1
7	206-835	• RETAINER.	1
8	206-836	• SEAT.	1
9	206-837	• "O" RING.	1
10	206-838	• PLUG.	1
11	206-831	• BODY.	1
12	206-827	• CAP	2
	206-828	• "O" RING.	2
13	206-832	• SPOOL	1
14	206-830	• SPRING.	1
15	206-829	• ORIFICE	1

FORWARD - REVERSE VALVE



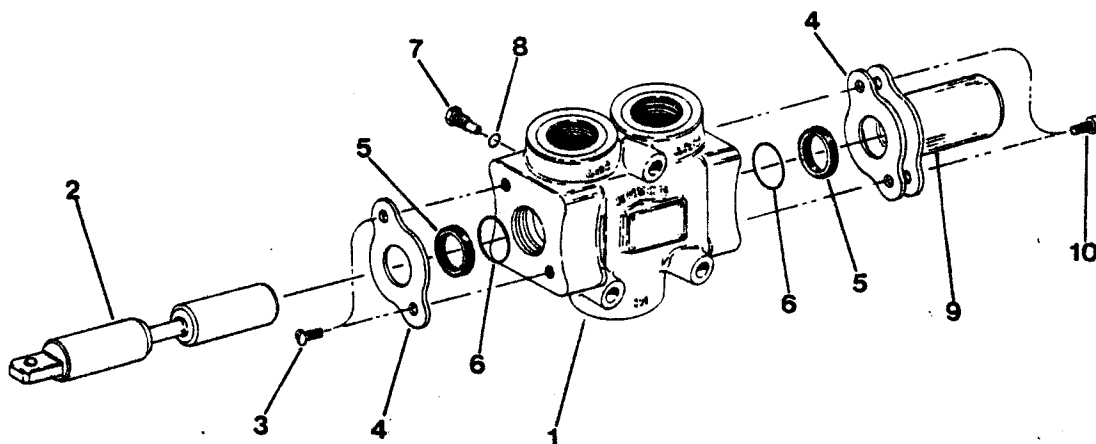
REF.	PART NO.	DESCRIPTION	REQ'D
-	602-637	VALVE, directional control.	-
1	203-448	BOLT.	2
2	203-449	CAP, plunger.	1
3	203-450	BOLT, shoulder.	1
4	203-451	SEAT, spring.	2
5	202-919	SPRING.	1
6	203-452	PLATE, seal	2
7	203-453	RING, wiper	2
8	203-454	"O" RING.	3
9	NSS	HOUSING	1
10	203-455	POPPET.	1
11	203-456	SPRING.	1
12	203-457	PLUG.	1
13	203-458	RING, backup.	1
14	203-460	CARTRIDGE, relief	1
15	203-459	SCREW	1

CROSSOVER RELIEF VALVE



REF.	PART NO.	DESCRIPTION	REQ'D
1	602-706	VALVE, crossover, relief.	1
2	203-440	• CARTRIDGE, relief (with seals).	2
3	203-437	• RING, backup (2 per cartridge).	4
4	203-438	• "O" RING (1 per cartridge).	2
5	203-439	• "O" RING (1 per cartridge).	2
6	NSS	BODY.	1

HI FLOW - LO FLOW VALVE



KEY:

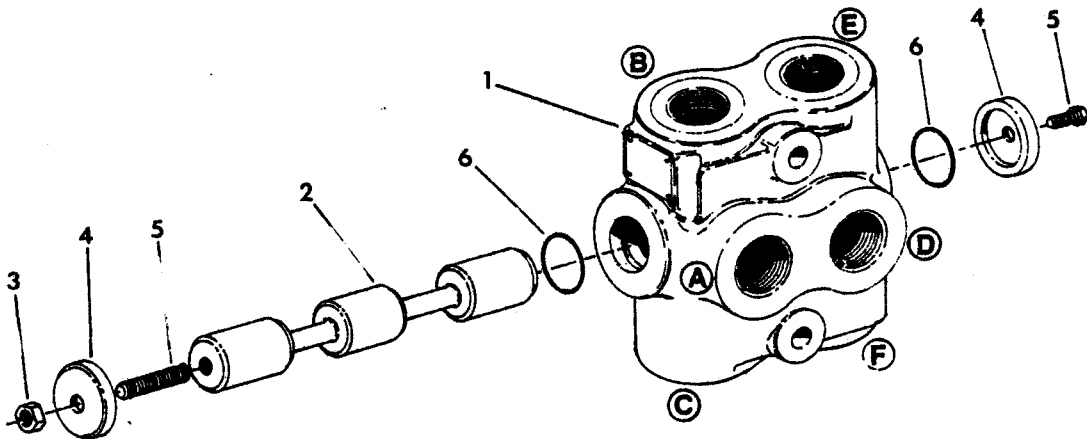
- A - Model 534 before SN 459 and with SN 489 thru 1121
- B - Model 534 SN 1123 and after

REF.	PART NO.	DESCRIPTION	REQ'D	
			A	B
--	602-012	VALVE, diverting (hi-flow, low-flow)	1	-
--	206-624	VALVE, diverting (hi-flow, low-flow)	-	1
1	NSS	HOUSING, valve	1	1
2	NSS	PLUNGER	1	1
3	207-048	SCREW, machine	-	2
4	207-049	PLATE, seal	-	2
5	202-704	RING, wiper	1	-
	207-050	SEAL	-	1
6	202-701	"O" RING	2	-
	207-051	"O" RING	-	2
7	202-703	PLUG, stop	1	-
8	202-702	"O" RING	1	-
9	207-052	CAP, valve	-	1
10	207-053	SCREW, cap	-	2

NOTE: FOR VALVE PARTS OR REPLACEMENT
ON MODEL 534'S SN 459 THRU 487 CONTACT
LOED CORPORATION PARTS DEPARTMENT.
THESE UNITS HAVE VALVE #601-717.

SERIES - PARALLEL VALVE

VALVE PORTS (A)
THRU (F) SHOWN

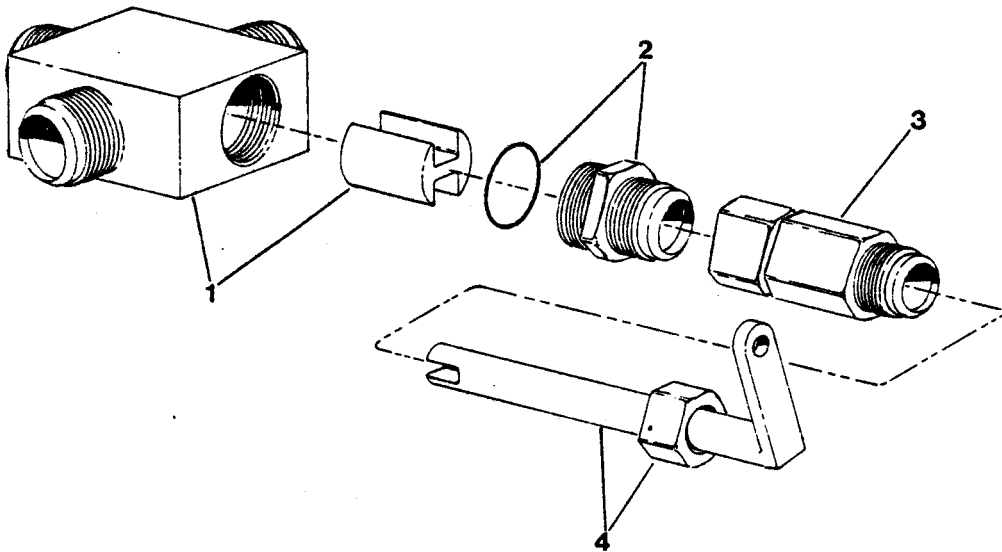


KEY:

- A 602-330 VALVE for Model 534 before s/n 237
- B 602-521 VALVE for Model 534 s/n 237 and after

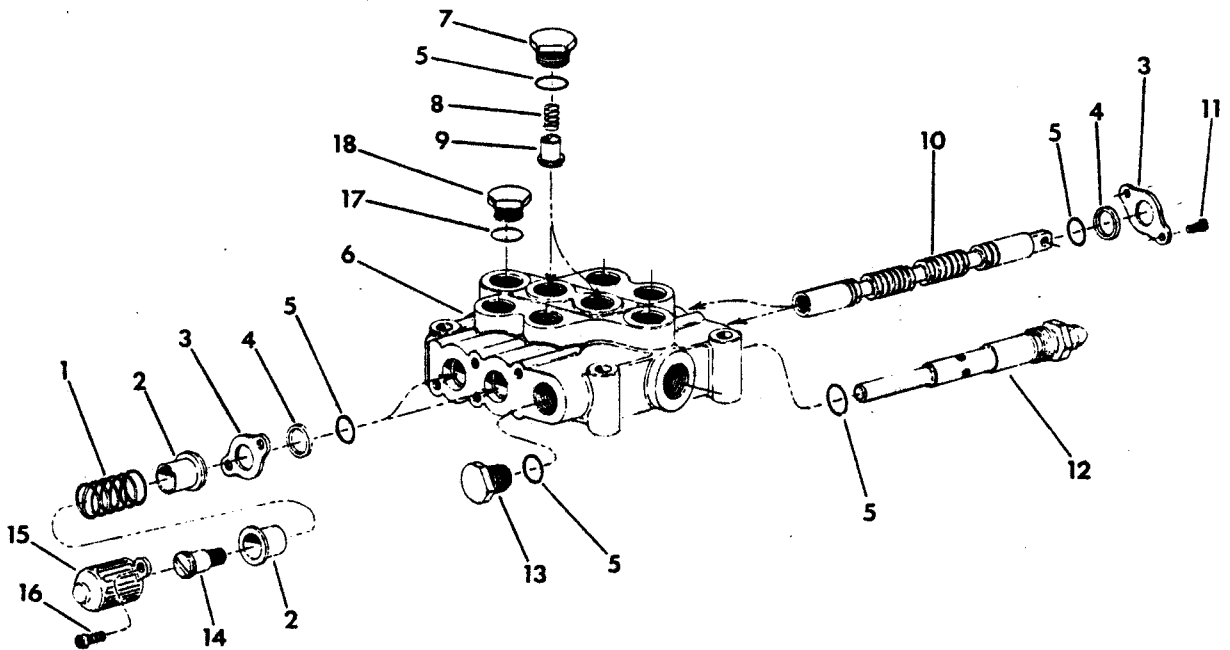
REF.	PART NO.	DESCRIPTION	REQ'D	
			A	B
1	---	HOUSING, valve.	NSS	-
	---	HOUSING, valve.	-	NSS
2	---	PLUNGER	NSS	NSS
3	021-117	NUT, jam.	1	1
4	202-699	WASHER, stop.	2	2
5	202-885	SCREW, set.	1	1
6	202-698	"O" RING.	2	2
7	020-007	SCREW, cap.	1	1

TORQUE PROPORTIONING VALVE
(SPIN LIMITING CONTROL)



REF.	PART NO.	DESCRIPTION	REQ'D
--		VALVE, torque proportioning	1
1	601-887	BLOCK w/ spool.	1
	NSS	• SPOOL	1
2	027-711	ADAPTER	1
3	027-728	SWIVEL	1
	205-280	• SEAL KIT.	AR
4	402-181	ACTUATOR.	1

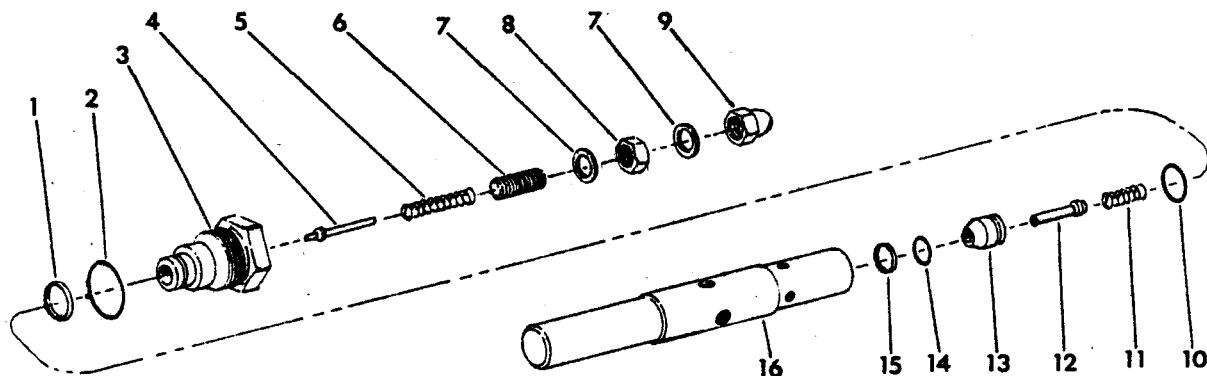
MAIN CONTROL VALVE



REF.	PART NO.	DESCRIPTION	REQ'D
--	601-799	VALVE, 2-spool main control	1
1	201-311	SPRING.	2
2	201-315	SEAT, spring.	2
3	201-303	PLATE, seal	2
4	201-312	WIPER	4
5	201-302	"O" RING.	8
6	NSS	HOUSING	1
7	201-305	PLUG.	2
8	201-306	SPRING.	2
9	201-307	POPPET.	2
10	NSS	PLUNGER	2
11	201-314	BOLT.	4
12	201-317	VALVE, main relief.	1
13	201-304	PLUG.	1
14	201-316	BOLT.	4
15	201-313	CAP, plunger.	2
16	201-308	BOLT, 3/8" nc x 1" - Gr. 8.	4
17	201-309	"O" RING.	2
18	201-310	PLUG.	2

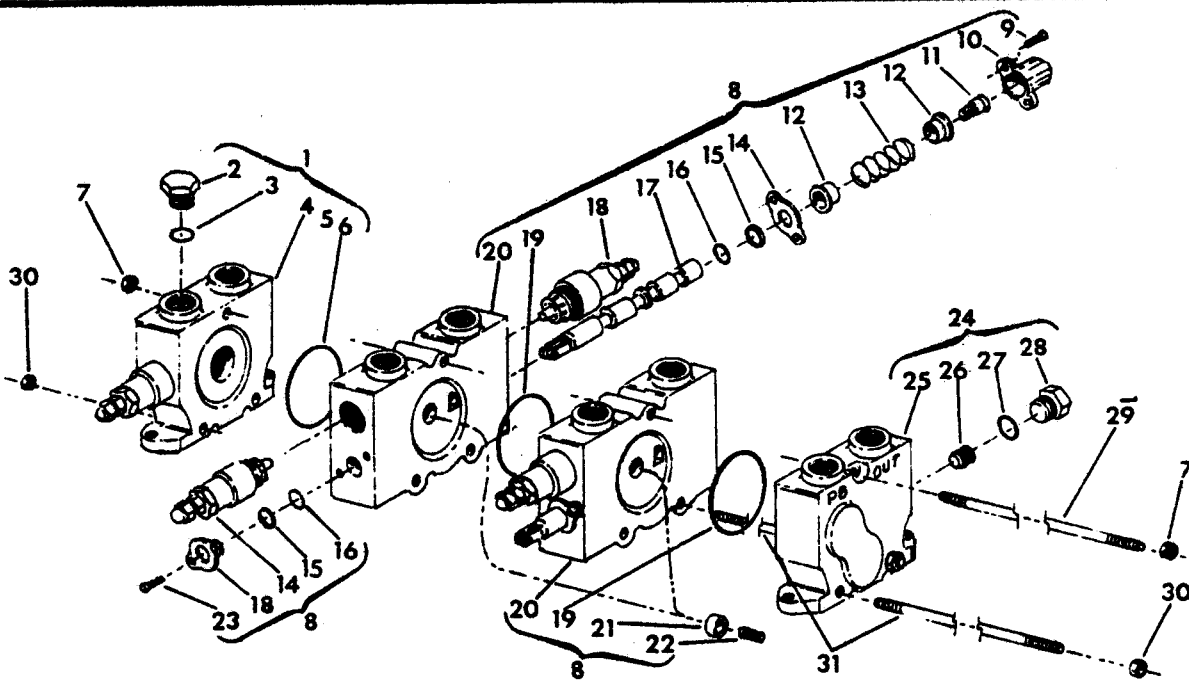
NSS - NOT SERVICED SEPARATELY

MAIN CONTROL VALVE RELIEF CARTRIDGE



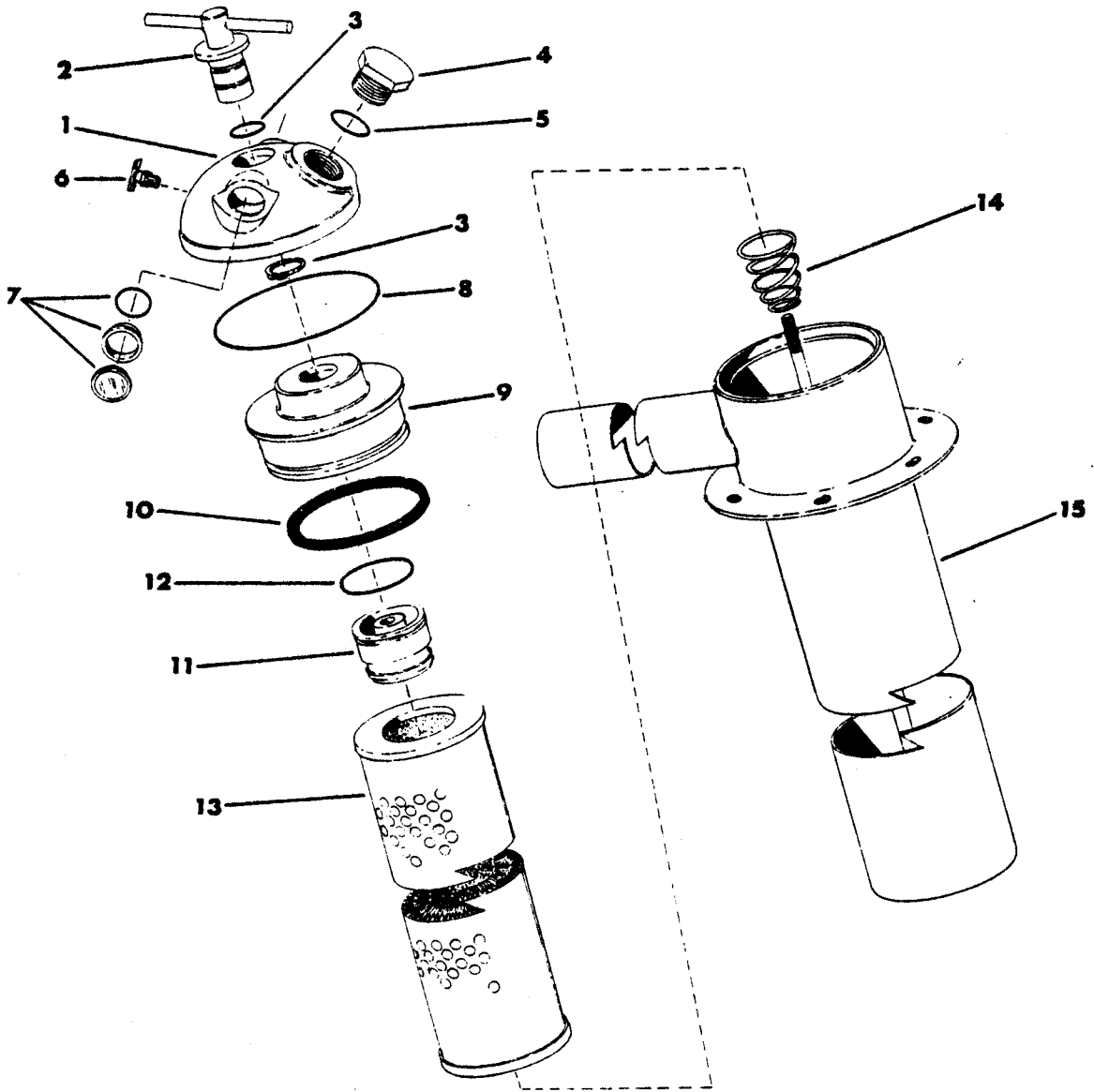
REF.	PART NO.	DESCRIPTION	REQ'D
--	201-317	CARTRIDGE, main relief.	-
1	401-412	RING, back up	1
2	401-411	"O" RING.	1
3	NSS	PLUG.	1
4	NSS	POPPET.	1
5	401-406	SPRING.	1
6	401-407	SCREW, adjustment	1
7	401-408	WASHER, copper.	2
8	021-118	NUT, jam - 3/8" nf.	1
9	401-410	NUT, acorn.	1
10	201-302	"O" RING.	1
11	401-409	SPRING.	1
12	NSS	PISTON.	1
13	NSS	POPPET.	1
14	401-401	"O" RING.	1
15	401-405	RING, back up	1
16	NSS	SLEEVE.	1

AUXILIARY VALVE



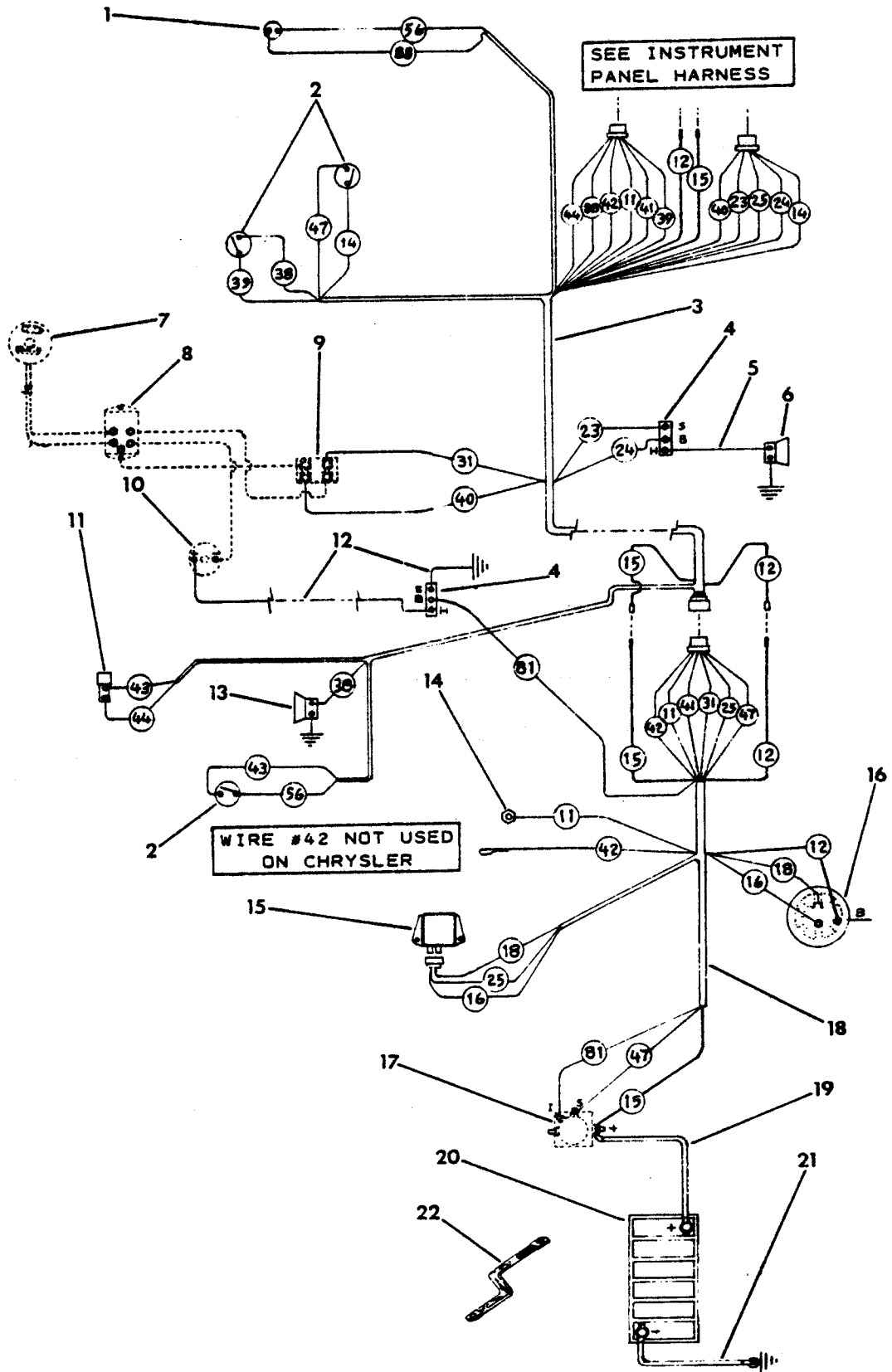
REF.	PART NO.	DESCRIPTION	REQ'D
--	600-167	VALVE, auxiliary (sway and fork control)	1
PARTS LISTED BELOW ARE FOR ONE COMPLETE VALVE			
1	201-318	SECTION, inlet	1
2	201-376	• PLUG	1
3	201-375	• "O" RING, plug	1
4	201-377	• HOUSING	1
5	201-379	• CARTRIDGE, relief	1
6	201-378	• "O" RING (between housings)	1
7	201-321	NUT - 3/8" nc	2
8	601-006	SECTION, working (parallel)	2
9	201-388	• BOLT, cap	2
10	201-386	• CAP	1
11	201-385	• BOLT, shoulder	1
12	201-383	• SPRING, seat	2
13	201-384	• SPRING	1
14	201-382	• PLATE, seal	2
15	201-387	• RING, wiper	2
16	201-389	• "O" RING	2
17	201-380	• SPOOL	1
18	201-379	• CARTRIDGE, relief	2
19	201-378	• "O" RING	1
20	NSS	• HOUSING	1
21	201-381	• POPPET	1
22	201-391	• SPRING	1
23	201-390	• SCREW, round head - machine	2
24	201-319	SECTION, outlet	1
25	201-373	• HOUSING	1
26	201-374	• PLUG, pipe - 3/8"	1
27	201-375	• "O" RING	1
28	201-376	• PLUG	1
29	201-324	ROD, tie (upper)	1
30	201-322	NUT - 5/16" nc	4
31	201-323	ROD, tie (lower)	2

HYDRAULIC OIL FILTER



REF.	PART NO.	DESCRIPTION	REQ'D
--	800-972	FILTER, hydraulic oil.	-
1	202-437	HEAD, filter	1
2	202-438	• NUT.	1
3	202-439	• • KIT - "O" ring and Retaining ring - (1 each)	1
4	202-444	• PLUG	1
5	202-445	• • "O" RING	1
6	202-443	• VALVE, bleed	1
7	202-440	• WINDOW ASSEMBLY.	1
8	202-442	• "O" RING	1
9	202-446	BAFFLE ASSEMBLY.	1
10	202-447	• SEAL, cup.	1
11	202-448	INDICATOR ASSEMBLY	1
12	202-449	• "O" RING	1
13	202-212	ELEMENT.	1
14	202-451	SPRING - (25 PSI).	1
15	202-452	BODY	1

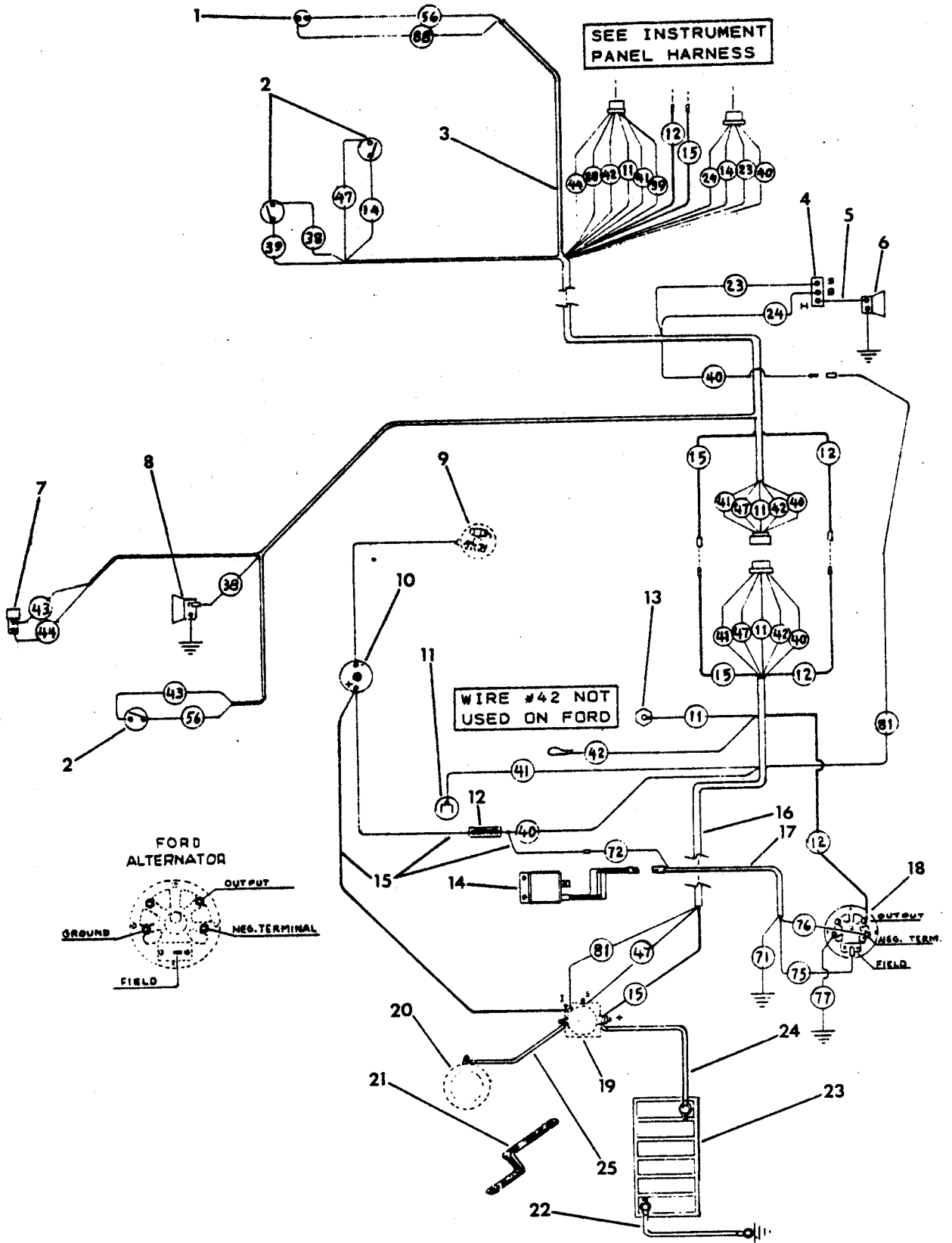
WIRING for CHRYSLER UNITS



WIRING for CHRYSLER UNITS (continued)

REF.	PART NO.	DESCRIPTION	REQ'D
1	200-171	SWITCH, shift	1
2	200-616	SWITCH, micro (used as backup alarm, neutral start and series parallel switch)	3
3	802-174	HARNES, frame wire	1
4	600-153	RELAY (1 for horn, 1 for coil)	2
5	202-886	WIRE, jump (horn relay to horn)	1
6	600-152	HORN.	1
7	---	DISTRIBUTOR (comes with Chrysler engine)	1
8	---	DISTRIBUTOR (comes with Chrysler engine)	1
9	---	RESISTOR (comes with Chrysler engine)	1
10	---	COIL (comes with Chrysler engine)	1
11	200-147	VALVE, solenoid	1
12	200-352	WIRE, jump (coil to relay, and relay to ground)	2
13	202-047	ALARM, backup	1
14	200-186	SENDING UNIT, engine temperature.	1
15	200-992	REGULATOR	1
16	---	ALTERNATOR (comes with Chrysler engine)	1
17	---	SOLENOID, starter (comes with Chrysler engine)	1
18	802-173	HARNES, engine wire.	1
19	200-357	CABLE, "+" battery terminal to "B" solenoid terminal.	1
20	---	BATTERY, 12V (purchase locally)	1
21	200-356	CABLE, negative battery terminal to ground.	1
22	200-789	CABLE, engine to ground	1

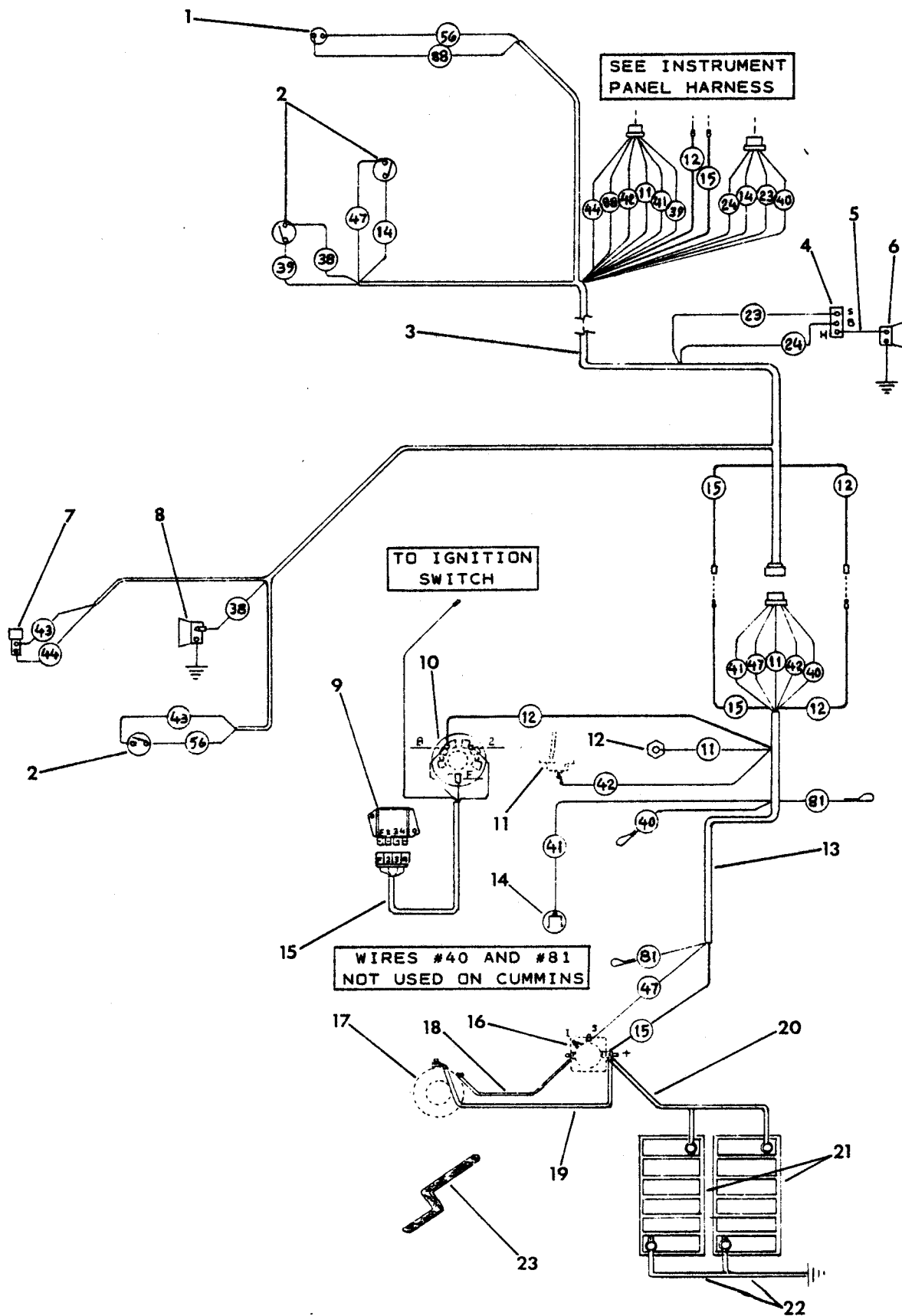
WIRING for FORD UNITS



WIRING for FORD UNITS

REF.	PART NO.	DESCRIPTION	REQ'D
1	200-171	SWITCH, shift	1
2	200-616	SWITCH, micro (used as backup alarm, neutral start, and series parallel valve switches)	3
3	802-212	HARNESS, frame wire	1
4	600-153	RELAY, horn	1
5	202-886	WIRE, jump (horn relay to horn)	1
6	600-152	HORN.	1
7	202-147	VALVE, solenoid	1
8	202-047	ALARM, backup	1
9	---	DISTRIBUTOR (comes with Ford engine).	1
10	---	COIL (comes with Ford engine)	1
11	202-030	SENDING UNIT, oil pressure.	1
12	---	RESISTOR (comes with Ford engine)	1
13	200-186	SENDING UNIT, engine temperature.	1
14	402-426	REGULATOR	1
15	402-433	HARNESS, resistor and coil wire (replaces electronic ignition)	1
16	802-211	HARNESS, engine wire.	1
17	402-446	HARNESS, regulator - alternator wire.	1
18	---	ALTERNATOR (comes with Ford engine)	1
19	---	SOLENOID, starting (comes with Ford engine)	1
20	---	STARTER (comes with Ford engine).	1
21	203-130	CABLE, engine to frame.	1
22	200-357	CABLE, negative battery terminal to ground.	1
23	401-922	BATTERY, 12V.	1
24	203-074	CABLE, "+" battery terminal to "+" solenoid terminal.	1
25	200-341	CABLE, solenoid to starter.	1

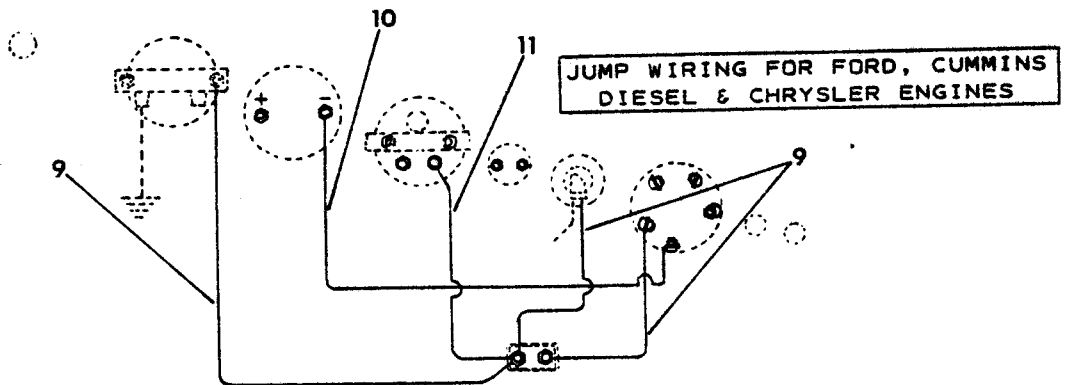
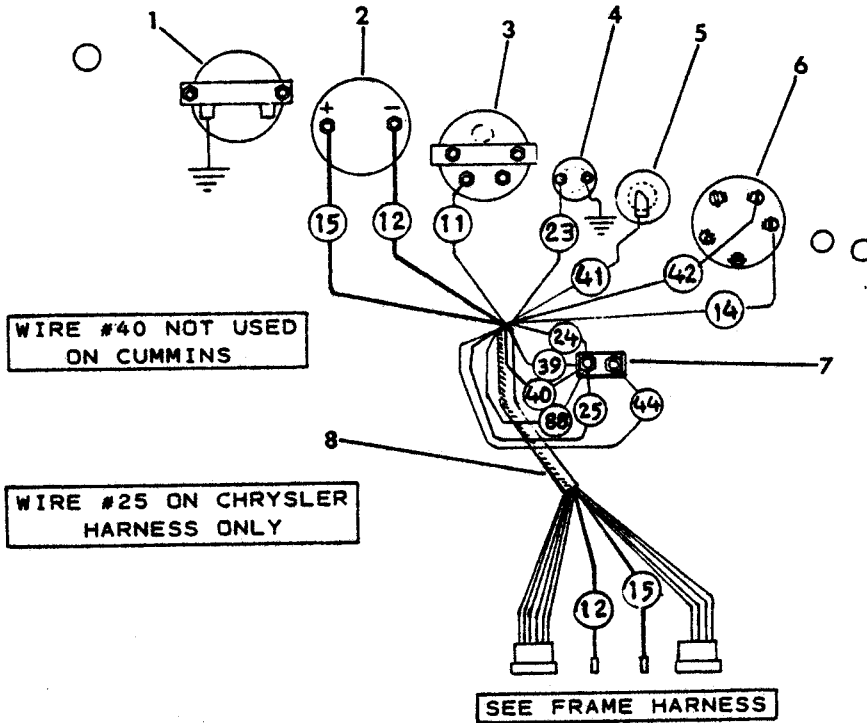
WIRING for CUMMINS DIESEL UNITS



WIRING for CUMMINS DIESEL UNITS

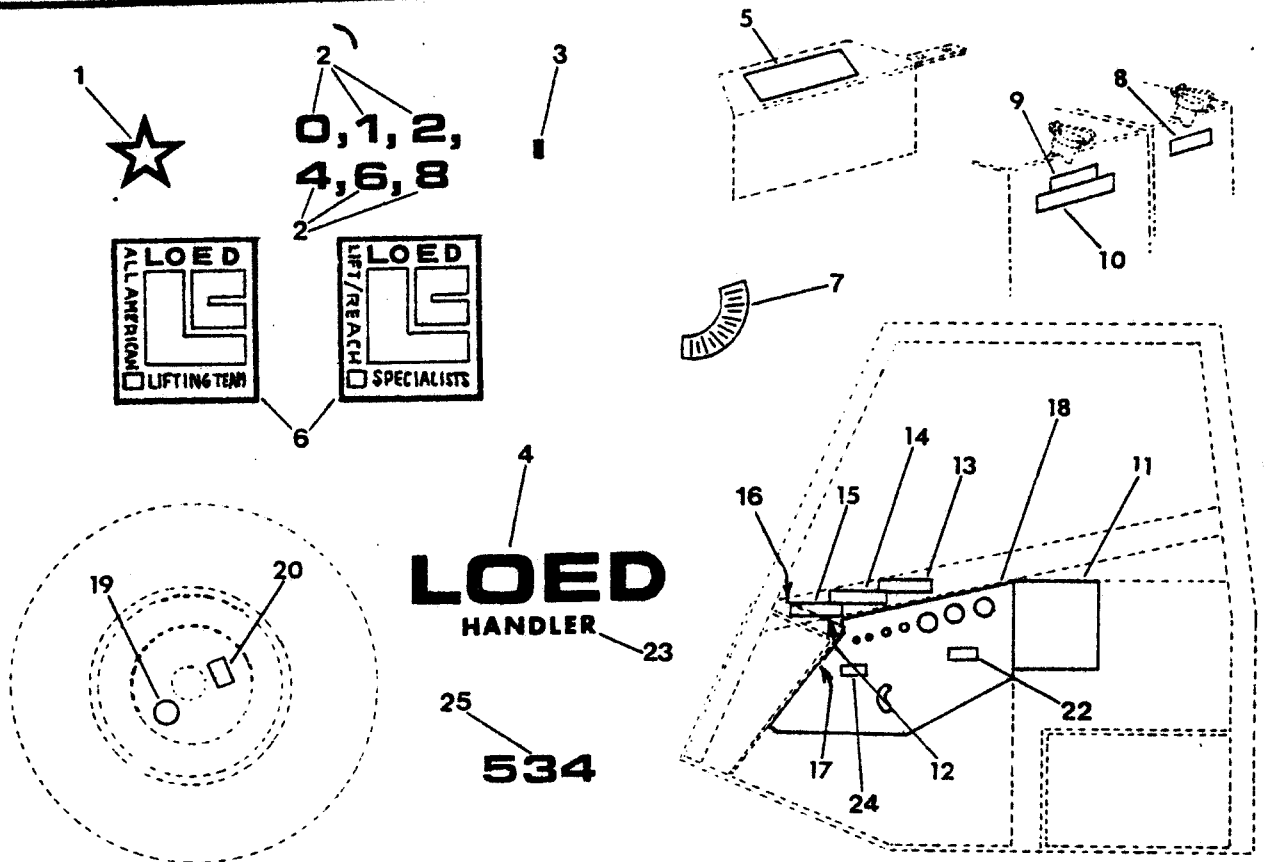
REF.	PART NO.	DESCRIPTION	REQ'D
1	200-171	SWITCH, shift	1
2	200-616	SWITCH, micro (used as backup alarm, neutral start, and series parallel valve switches)	3
3	802-212	HARNESS, frame wire	1
4	600-153	RELAY, horn	1
5	600-152	HORN.	1
6	202-886	WIRE, jump (horn relay to horn)	1
7	202-147	VALVE, solenoid	1
8	200-960	ALARM, backup	1
9	---	REGULATOR (comes with diesel engine).	1
10	---	ALTERNATOR (comes with diesel engine)	1
11	---	SHUTOFF, fuel (comes with diesel engine).	1
12	202-918	SENDING UNIT, engine temperature.	1
13	802-211	HARNESS, engine wire.	1
14	202-030	SENDING UNIT, oil pressure.	1
15	401-913	HARNESS, regulator - alternatore wire	1
16	---	SOLENOID, starting (comes with diesel engine)	1
17	---	STARTER (comes with diesel engine).	1
18	203-303	CABLE - "I" terminal on solenoid to starter	1
19	203-334	CABLE - "+" terminal on solenoid to starter	1
20	203-331	CABLE - "+" battery terminal to "+" solenoid terminal	1
21	401-922	BATTERY - 12V	2
22	203-330	CABLE - "-" battery terminal to ground.	2
23	203-334	CABLE, ground - engine to frame	1

INSTRUMENT PANEL WIRING



REF.	PART NO.	DESCRIPTION	REQ'D
1	200-348	HOURMETER	1
2	200-190	AMMETER	1
3	200-185	GAUGE, engine temperature	1
4	200-434	SWITCH, horn.	1
5	202-029	GAUGE, oil pressure (light)	1
6	200-170	SWITCH, ignition.	1
7	200-506	BREAKER, circuit.	1
8	802-213	HARNESS, wire (for FORD and CUMMINS diesel instrument panel).	1
8	802-175	HARNESS, wire (for CHRYSLER instrument panel)	1
9	202-886	WIRE, jump (hourmeter, oil pressure light, and ignition switch to circuit breaker)	3
10	200-351	WIRE, jump (ammeter, negative side, to ignition).	1
11	200-352	WIRE, jump (temperature gauge to circuit breaker)	1

DECALS



KEY:

- A - Model 534 before SN 921 (blue decals)
- B - Model 534 SN 921 and after (red decals)

REF.	PART NO.	DESCRIPTION	REQ'D	
			A	B
1	600-767	STAR, blue.	19	-
		BOOM EXTENSION NUMBERS.	1	-
2	200-562	"0"	-	1
	205-622	"0"	1	-
	200-563	"1"	-	1
	205-623	"1"	1	-
	200-564	"2"	-	1
	205-624	"2"	1	-
	200-565	"4"	-	1
	205-625	"4"	1	-
	200-566	"6"	-	1
	205-626	"6"	1	-
	200-567	"8"	-	1
	205-627	"8"	5	-
3	200-568	MARK, boom extension.	-	5
	205-628	MARK, boom extension.	2	-
4	200-358	"LOED".	-	2
	801-219	"LOED".	1	1
5	402-470	WARNING (electric high lines) on fender	2	-
6	600-764	ALL AMERICAN LIFTING TEAM	1	-
	601-984	LIFT REACH SPECIALISTS.	-	2
7	600-278	INDICATOR, boom angle	1	-
	601-983	INDICATOR, boom angle	-	1
8	202-935	HYDRAULIC OIL (for reservoir)	1	-
	205-633	HYDRAULIC OIL (for reservoir)	-	1
	402-914	LEVEL, hydraulic oil.	-	1

DECALS

REF.	PART NO.	DESCRIPTION	REQ'D	
			A	B
9	202-933	GAS (for fuel tank)	1	-
	402-920	GAS (for fuel tank)	-	1
	202-934	DIESEL FUEL (for fuel tank)	1	-
	402-919	DIESEL FUEL (for fuel tank)	-	1
10	401-595	WARNING FOR FLAME OR FIRE (on tank)	1	-
	402-919	WARNING FOR FLAME OR FIRE (on tank)	-	1
11	602-493	UNIT CAPACITY	1	-
	601-973	UNIT CAPACITY (6,000# unit)	-	1
	601-974	UNIT CAPACITY (8,000# unit)	-	1
12	602-701	SHIFT PATTERN	1	-
	601-971	SHIFT PATTERN	-	1
13	401-829	DANGER TO RIDERS.	1	-
	402-922	DANGER TO RIDERS.	-	1
14	401-594	WARNING (hard hat reminder)	1	-
	402-923	WARNING (hard hat reminder)	-	1
15	401-592	ENGINE SHUT OFF	1	-
	402-924	ENGINE SHUT OFF	-	1
16	602-459	SWAY ARM AND FORK CONTROL PATTERN	1	-
	601-972	SWAY ARM AND FORK CONTROL PATTERN	-	1
17	402-489	BRAKE ADJUSTMENT.	1	-
	402-916	BRAKE ADJUSTMENT.	-	1
18	802-179	INSTRUMENT PANEL.	1	-
	801-216	INSTRUMENT PANEL.	-	1
19	200-923	WHEEL STUD TORQUE	4	-
	205-613	WHEEL STUD TORQUE	-	4
20	200-595	PLANETARY LUBE SPEC	4	-
21	200-577	RADIATOR COOLANT (on radiator, not shown)	1	-
	205-630	RADIATOR COOLANT (on radiator, not shown)	-	1
22	205-926	DIESEL - PUSH BUTTON START.	1	1
23	203-340	"HANDLER"	1	-
	205-631	"HANDLER"	-	1
24	205-617	ETHER START PROCEDURE	1	1
25	601-987	"534"	-	2
26	802-156	SERVICE INSTRUCTIONS (not shown).	1	-
	801-218	SERVICE INSTRUCTIONS (not shown).	-	1
27	802-180	DECAL INSTALLATION LOCATION DRAWING	AR	AR