



Illustrated Parts Manual

Model G5-18A

PVC
1911
2005

P/N
31211364

March 26, 2021 - Rev D



EFFECTIVITY PAGE

October 25, 2019 - A - Original Issue of Manual

June 15, 2020 - B - Revised Manual (Manual Edited to 1001234000 Revision L)

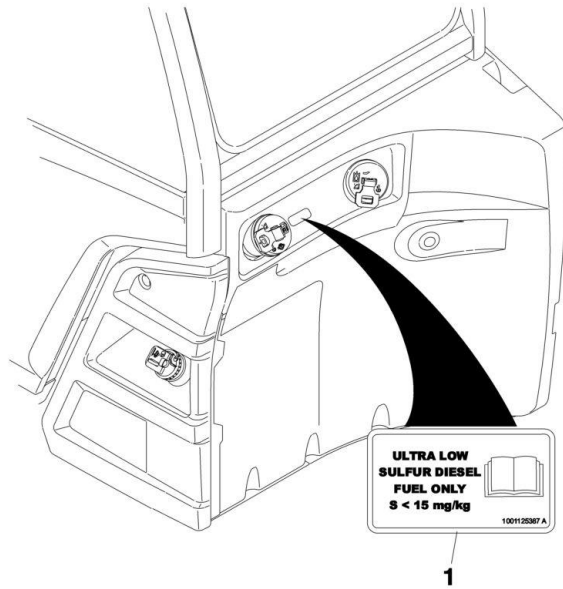
November 15, 2020 - C - Revised Manual (Manual Edited to 1001234000 Revision M)

March 26, 2021 - D - Revised Manual (Manual Edited to 1001234000 Revision M)

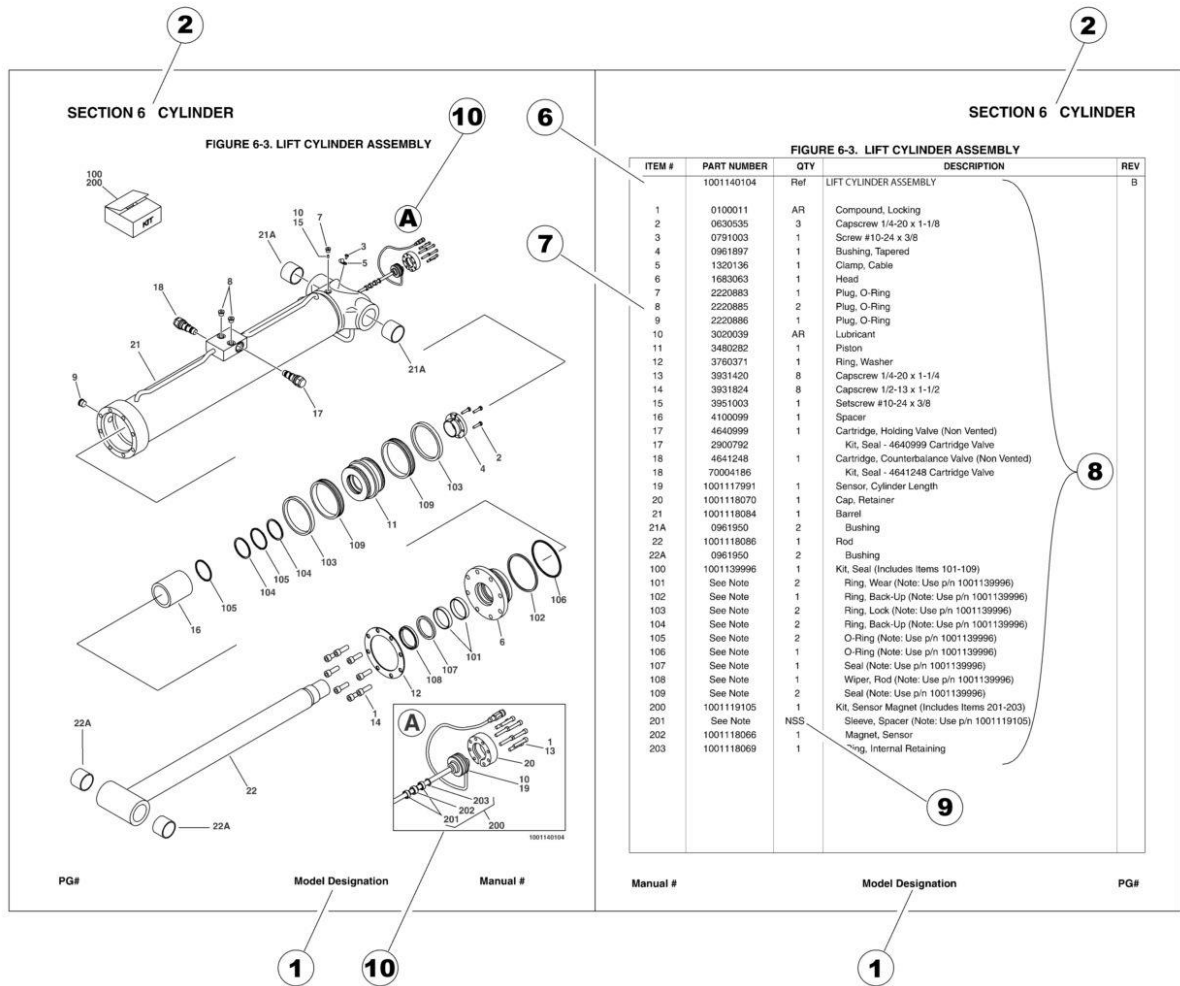
Machine Configuration

Two configurations of each machine are included in this manual. Determine if machine is equipped with Ultra Sulfur Fuel Decal (1) as indicated below.

- If equipped with the Ultra Low Sulfur decal, all specific references to this machine configuration will be referred to as Ultra Low Sulfur (ULS) from this point forward.
- If not equipped with the Ultra Low Sulfur decal, all specific references to this machine configuration will be referred to as Low Sulfur (LS) from this point forward.



GENERAL INFORMATION



1) MACHINE IDENTIFICATION

Machines are identified by model and in some cases a combination of models, serial number (SN) or regional standard (i.e ANSI, CE, CSA). Components may also be identified by SN or manufacturer. Common components that may be identified by these characteristics are engines and hydraulic components.

2) PARTS MANUAL ORGANIZATION

Product information in this manual is organized under section titles. Frame, Cylinder, Hydraulic and Electrical are a few examples. Each section is organized by figure and page number. The information within the Figure is then organized by item number, part number, description and corresponding illustration (s).

3) TABLE OF CONTENTS (NOT SHOWN)

A table of contents is found toward the beginning of the manual. Figure number, description and page number are provided for quick reference to the page containing the related information.

4) RECOMMENDED SPARE PARTS (NOT SHOWN)

The Recommended Spare Parts List, located near the end of the manual, reference most frequently used maintenance parts.

5) PART NUMBER INDEX (NOT SHOWN)

A numerical index listing all part numbers and the corresponding page number(s) appears at the back of the manual.

GENERAL INFORMATION

6) NON-SERVICED PARTS

In some instances, it is necessary to display non-serviced parts, assemblies or installations. In the case of assemblies and installations there will be a Ref in the Qty. column. In case of parts that are not available for service within assemblies or components, there will be a NSS (Not Sold Separately) or NLA (No Longer Available) listed in the Qty. column of the manual.

7) PARTS LIST ITEM NUMBERS

Numbers shown in the item# column correspond to numbers used in the associated illustration (s). Item numbers which are missing from the sequence in the parts list are not used on that page.

8) INDENTED PARTS DESCRIPTION

An indented part description is included in the item under which it is indented.

9) ABBREVIATION AND SYMBOLS

AC.....	Alternating Current	L.....	Liter
ADE.....	Advanced Design Electronics	LB(LBS).....	Pounds
AG.....	Agricultural	LCD.....	Liquid Crystal Display
ANSI.....	American National Standards Institute	LED.....	Light Emitting Diodes
AR.....	As Required	LH.....	Left Hand
ASSY.....	Assembly	LRC.....	Low Rated Countries
AUS.....	Australia	LSS.....	Load Sensing System
AUX.....	Auxiliary	M(m).....	Metric/Meter
AWG.....	American Wire Gauge	MM(mm).....	Milimeter
B/M.....	Bill of Material	mA.....	Miliamps
CAC.....	Charge Air Cooler	NLA.....	No Longer Available
CE.....	European Conformity	NPT.....	National Pipe Threads
CCW.....	Counter Clockwise	NSS.....	Not Sold Separately
CM.....	Centimeter	OD.....	Outside Diameter
CW.....	Clockwise	ORB.....	O-Ring Boss
CSA.....	Canadian Standards Association	ORFS.....	O-Ring Face Seal
CYL.....	Cylinder	OZ (oz).....	Ounces
DIA.....	Diameter	PG.....	Page
DC.....	Direct Current	PN.....	Part Number
DEF.....	Diesel Exhaust Fluid	QT(qt.).....	Quarts
EMS.....	Emergency Stop	QTY.....	Quantity
ENG.....	Engine	REF.....	Reference
FT(ft).....	Feet	REV.....	Revision Level
GA(Ga).....	Gauge	RH.....	Right Hand
HRC.....	High Rated Countries	SAE.....	Society of Automotive Engineers
HVAC.....	Heating, Ventilating, and Air Conditioning	SN.....	Serial Number
HYD.....	Hydraulic	SPEC(S).....	Specifications
Hz.....	Hertz	T/T.....	Turntable
ID.....	Inside Diameter	UGM.....	Universal Ground Module
IN.....	inches	V.....	Volts
ISO.....	International Organization for Standards	W.....	Watts
JIC.....	Joint Industry Council	#.....	Number
KG.....	Kilogram		

10) ILLUSTRATION REFERENCE LETTERS

When necessary, illustrations may contain reference letters that are intended to track information (i. e. hoses, harnesses) from one point to another or to track visual enlargement of components to show details that may be located in another area on the illustration.

Note: Due to continuous product improvements, JLG Industries, Inc. reserves the right to make specification changes without prior notification. Contact JLG Industries, Inc. for updated information.

TABLE OF CONTENTS

SECTION 1 - FRAME AND ATTACHING PARTS.....	13
FIGURE 1-1. HOODS INSTALLATION	14
FIGURE 1-2. HOOD ASSEMBLY	16
FIGURE 1-3. PAD LOCK.....	18
FIGURE 1-4. TANK INSTALLATION.....	20
FIGURE 1-5. OIL TANK.....	22
FIGURE 1-6. FUEL TANK ASSEMBLY.....	24
FIGURE 1-7. FUEL CAP INSTALLATION.....	26
FIGURE 1-8. MIRROR INSTALLATION.....	28
FIGURE 1-9. REAR CONVEX MIRROR INSTALLATION.....	30
FIGURE 1-10. MIRROR ASSEMBLY (CONVEX).....	32
FIGURE 1-11. WHEEL CHOCKS.....	34
FIGURE 1-12. BATTERY COVER INSTALLATION.....	36
FIGURE 1-13. REAR COVER PLATE INSTALLATION, (NO HITCH).....	38
FIGURE 1-14. HITCH INSTALLATION, MECHANICAL.....	40
FIGURE 1-15. HITCH INSTALLATION, MECHANICAL, AUTOMATIC.....	42
FIGURE 1-16. HITCH INSTALLATION.....	44
FIGURE 1-17. HITCH INSTALLATION - EEC.....	46
FIGURE 1-18. HITCH ASSEMBLY (FIXED).....	48
FIGURE 1-19. HITCH INSTALLATION - CUNA-C.....	50
FIGURE 1-20. HITCH ASSEMBLY (CUNA-C).....	52
FIGURE 1-21. LICENSE HOLDER INSTALLATION, SMALL.....	54
FIGURE 1-22. LICENSE HOLDER INSTALLATION, LARGE.....	56
FIGURE 1-23. LIFT CYLINDER PROP SUPPORT.....	58
SECTION 2 - BOOM.....	61
FIGURE 2-1. BOOM ASSEMBLY INSTALLATION, STD W/AUX.....	62
FIGURE 2-2. BOOM ASSEMBLY INSTALLATION, W/AUX FOR QS.....	64
FIGURE 2-3. BOOM INSTALLATION, W/O AUXILIARY HYDRAULICS (PVC 1911).....	66
FIGURE 2-4. BOOM INSTALLATION, W/O AUXILIARY HYDRAULICS (PVC 2005).....	68
FIGURE 2-5. BOOM W/O AUXILIARY HYDRAULIC INSTALLATION (PVC 1911).....	70
FIGURE 2-6. BOOM W/O AUXILIARY HYDRAULIC INSTALLATION (PVC 2005).....	74
FIGURE 2-7. COUPLER INSTALLATION (MANUAL).....	78
FIGURE 2-8. COUPLER INSTALLATION (HYDRAULIC).....	80
FIGURE 2-9. FORK LOCKING CYLINDER KIT.....	82
FIGURE 2-10. QUICK COUPLER INSTALLATION - MANUAL.....	84
FIGURE 2-11. COUPLER INSTALLATION, UNIVERSAL (MANUAL).....	86
FIGURE 2-12. UNIVERSAL QUICK COUPLER ASSEMBLY.....	88
FIGURE 2-13. BOOM SIDE COVER INSTALLATION.....	90
FIGURE 2-14. BOOM BRUSHES INSTALLATION.....	92
SECTION 3 - ATTACHMENTS.....	95
FIGURE 3-1. AUGER BIT (6INX4IN).....	96
FIGURE 3-2. AUGER BIT (9INX4IN).....	98
FIGURE 3-3. AUGER BIT (12INX4IN).....	100
FIGURE 3-4. AUGER BIT (15INX4IN).....	102
FIGURE 3-5. AUGER BIT (18INX4IN).....	104
FIGURE 3-6. AUGER DRIVE ASSEMBLY, STANDARD.....	106
FIGURE 3-7. AUGER DRIVE ASSEMBLY, UNIVERSAL.....	108
FIGURE 3-8. BALE SPEAR ASSEMBLY, STANDARD.....	110
FIGURE 3-9. BALE SPEAR ASSEMBLY, UNIVERSAL.....	112
FIGURE 3-10. CARRIAGE ASSEMBLY, (50INCH/1270MM).....	114
FIGURE 3-11. CARRIAGE ASSEMBLY, UNIVERSAL QUICK ATTACH, (48IN/1219.2MM).....	116
FIGURE 3-12. CARRIAGE, SIDE TILT, (48IN).....	118
FIGURE 3-13. CARRIAGE, SIDE TILT, UNIVERSAL QUICK ATTACH, (48IN).....	120
FIGURE 3-14. CARRIAGE, SIDE SHIFT (48IN).....	122
FIGURE 3-15. CARRIAGE, SIDE SHIFT, UNIVERSAL QUICK ATTACH, (48IN).....	124
FIGURE 3-16. CARRIAGE ASSEMBLY - FORK POSITIONING STANDARD (48IN).....	126
FIGURE 3-17. CARRIAGE ASSEMBLY - FORK POSITIONING UNIVERSAL, (48IN).....	128
FIGURE 3-18. LIGHT MATERIAL BUCKET, (72INCH) (1.0 YD ³ /0.76 M ³).....	130
FIGURE 3-19. LIGHT MATERIAL BUCKET, (72INCH) (1.7 YD ³ /1.29 M ³).....	132
FIGURE 3-20. MULTI-PURPOSE GRAPPLE BUCKET (1850MM) (ANSI - JLG).....	134
FIGURE 3-21. UNIVERSAL HITCH ATTACHMENT.....	136

TABLE OF CONTENTS

FIGURE 3-22. BLOCKING FORK (50X50X1220)	138
FIGURE 3-23. PALLET FORK (2X4X48)	140
FIGURE 3-24. LUMBER FORK (40X150X1540).....	142
FIGURE 3-25. FORK MOUNTED HOOK (4 TON)	144
FIGURE 3-26. LIFTING HOOK ASSEMBLY, STANDARD	146
FIGURE 3-27. LIFTING HOOK ASSEMBLY, UNIVERSAL.....	148
FIGURE 3-28. BOLT-ON EDGE ASSEMBLY, 72"	150
FIGURE 3-29. HYDRAULIC QUICK SWITCH INSTALLATION	152
FIGURE 3-30. QUICK SWITCH ASSEMBLY	154
FIGURE 3-31. BLOCK VALVE ASSEMBLY.....	156
FIGURE 3-32. FORK MOUNTED BUCKET (1.0 M ³).....	158
FIGURE 3-33. BASKET, PERSONNEL (1.2MX2.4M) (DOMESTIC)	160
FIGURE 3-34. BASKET, PERSONNEL (1.2MX2.4M) (ISO)	162
FIGURE 3-35. BASKET, PERSONNEL (1.2MX2.4M) (FRENCH)	164
FIGURE 3-36. FORK MOUNTED PLATFORM	166
FIGURE 3-37. TRASH HOPPER INSTALLATION.....	168
SECTION 4 - ENGINE AND ATTACHING PARTS.....	171
FIGURE 4-1. ENGINE INSTALLATION	172
FIGURE 4-2. ENGINE INSTALLATION (PVC 1911).....	174
FIGURE 4-3. ENGINE INSTALLATION (PVC 2005).....	176
FIGURE 4-4. ENGINE MOUNT INSTALLATION	178
FIGURE 4-5. ENGINE MOUNT INSTALLATION, (HEATER)	180
FIGURE 4-6. ENGINE MOUNT INSTALLATION, (HEATER & A/C)	182
FIGURE 4-7. ENGINE (55.4KW - ULS).....	184
FIGURE 4-8. ENGINE (55.4KW - LS)	186
FIGURE 4-9. FAN INSTALLATION.....	188
FIGURE 4-10. FAN INSTALLATION, REVERSING	190
FIGURE 4-11. RADIATOR INSTALLATION.....	192
FIGURE 4-12. RADIATOR LOWER HOSE ASSEMBLY.....	194
FIGURE 4-13. AIR CLEANER INSTALLATION	196
FIGURE 4-14. AIR CLEANER ASSEMBLY	198
FIGURE 4-15. RAIN CAP.....	200
FIGURE 4-16. PRECLEANER	202
FIGURE 4-17. EXHAUST INSTALLATION (ULS).....	204
FIGURE 4-18. EXHAUST INSTALLATION (LS)	206
FIGURE 4-19. HYDROSTATIC DRIVE PUMP ASSEMBLY	208
FIGURE 4-20. HEATER LINES INSTALLATION	210
FIGURE 4-21. LUBRICITY DOSER INSTALLATION (MIRROR).....	212
FIGURE 4-22. LUBRICITY DOSER INSTALLATION (LIGHT & MIRROR)	214
FIGURE 4-23. AIR SHUT OFF VALVE INSTALLATION.....	216
SECTION 5 - DRIVE TRAIN	219
FIGURE 5-1. DRIVETRAIN INSTALLATION	220
FIGURE 5-2. FRONT AXLE ASSEMBLY.....	222
FIGURE 5-3. FRONT AXLE	224
FIGURE 5-4. FRONT AXLE, CENTRAL HOUSING.....	226
FIGURE 5-5. FRONT AXLE, DIFFERENTIAL.....	228
FIGURE 5-6. FRONT AXLE, HUB REDUCTION	232
FIGURE 5-7. FRONT AXLE, BRAKES.....	236
FIGURE 5-8. FRONT AXLE, STEERING.....	238
FIGURE 5-9. REAR AXLE ASSEMBLY	240
FIGURE 5-10. REAR AXLE	242
FIGURE 5-11. REAR AXLE, CENTRAL HOUSING	244
FIGURE 5-12. REAR AXLE, DIFFERENTIAL	246
FIGURE 5-13. REAR AXLE, HUB REDUCTION.....	248
FIGURE 5-14. REAR AXLE, STEERING	252
FIGURE 5-15. REAR AXLE, TRUNION	254
FIGURE 5-16. DIFFERENTIAL KIT.....	256
FIGURE 5-17. STEERING CASE KIT (LF/RR)	258
FIGURE 5-18. STEERING CASE KIT (RF/LR)	260
FIGURE 5-19. RING GEAR SUPPORT KIT.....	262
FIGURE 5-20. PLANET GEAR CARRIER KIT	264
FIGURE 5-21. TIRE/WHEEL SET, CAMSO (AIR 12-16.5 - 12 PLY)	266
FIGURE 5-22. RIGHT TIRE/WHEEL ASSEMBLY, CAMSO (AIR 12-16.5 - 12 PLY).....	268

TABLE OF CONTENTS

FIGURE 5-23. LEFT TIRE/WHEEL ASSEMBLY, CAMSO (AIR 12-16.5 - 12 PLY).....	270
FIGURE 5-24. TIRE/WHEEL SET, FIRESTONE (AIR 12-16.5 - 12 PLY)	272
FIGURE 5-25. RIGHT TIRE/WHEEL ASSEMBLY, FIRESTONE (AIR 12-16.5 - 12 PLY).....	274
FIGURE 5-26. LEFT TIRE/WHEEL ASSEMBLY, FIRESTONE (AIR 12-16.5 - 12 PLY)	276
FIGURE 5-27. TIRE/WHEEL SET (AIR 14-17.5 - 12 PLY).....	278
FIGURE 5-28. RIGHT TIRE/WHEEL ASSEMBLY (AIR 12-16.5 - 12 PLY)	280
FIGURE 5-29. LEFT TIRE/WHEEL ASSEMBLY (AIR 12-16.5 - 12 PLY).....	282
FIGURE 5-30. TIRE/WHEEL SET, CAMSO (FOAM 12-16.5 - 12 PLY)	284
FIGURE 5-31. TIRE/WHEEL SET, FIRESTONE (FOAM 12-16.5 - 12 PLY).....	286
FIGURE 5-32. TIRE/WHEEL SET (FOAM 12-16.5 - 14 PLY)	288
FIGURE 5-33. TIRE/WHEEL SET (SOLID 33X12-20 - NM).....	290
FIGURE 5-34. TIRE/WHEEL SET, AG (AIR 10.5-18 - 16 PR)	292
FIGURE 5-35. RIGHT TIRE/WHEEL ASSEMBLY, AG (AIR 10.5-18 - 16 PR)	294
FIGURE 5-36. LEFT TIRE/WHEEL ASSEMBLY, AG (AIR 10.5-18 - 16 PR)	296
FIGURE 5-37. FENDER INSTALLATION.....	298
FIGURE 5-38. FENDER ASSEMBLY	300
FIGURE 5-39. TIRE/WHEEL SET 33X16LL19.5 TURF/SAND	302
FIGURE 5-40. ASSEMBLY, TIRE/WHEEL 33X16LL19.5 TURF/SAND	304
SECTION 6 - CAB.....	307
FIGURE 6-1. CAB INSTALLATION	308
FIGURE 6-2. OPEN CAB INSTALLATION (ANSI - FIXED STEERING)	310
FIGURE 6-3. OPEN CAB INSTALLATION (ANSI - TILT STEERING).....	312
FIGURE 6-4. ENCLOSED CAB INSTALLATION (ANSI - TILT STEERING) (HEAT)	314
FIGURE 6-5. ENCLOSED CAB INSTALLATION (ANSI - TILT STEERING) (HEAT & A/C).....	316
FIGURE 6-6. ENCLOSED CAB INSTALLATION (LSI - TILT STEERING) (HEAT)	318
FIGURE 6-7. ENCLOSED CAB INSTALLATION (LSI - TILT STEERING) (HEAT & A/C).....	320
FIGURE 6-8. CAB COMMON INSTALLATION (PVC 1911).....	322
FIGURE 6-9. CAB COMMON INSTALLATION (PVC 2005).....	326
FIGURE 6-10. CAB COMMON COMPONENTS, ENCLOSED.....	330
FIGURE 6-11. CAB GLASS INSTALLATION, OPEN	332
FIGURE 6-12. CAB GLASS INSTALLATION, ENCLOSED.....	334
FIGURE 6-13. REAR WINDOW ASSEMBLY	336
FIGURE 6-14. DOOR ASSEMBLY INSTALLATION.....	338
FIGURE 6-15. JLG COMMON INSTALLATION	340
FIGURE 6-16. SEAT RISER COVER INSTALLATION.....	342
FIGURE 6-17. SEAT RISER COVER INSTALLATION, HVAC.....	344
FIGURE 6-18. OPEN CAB COMMON COMPONENTS INSTALLATION.....	346
FIGURE 6-19. DASH INSTALLATION, OPEN CAB	348
FIGURE 6-20. DASH INSTALLATION, ENCLOSED CAB.....	350
FIGURE 6-21. RIGHT SIDE CONSOLE	352
FIGURE 6-22. NA COMMON INSTALLATION.....	354
FIGURE 6-23. NA COMMON COMPONENTS INSTALLATION (LSI).....	356
FIGURE 6-24. FRONT WIPER ASSEMBLY	358
FIGURE 6-25. WASHER TANK W/PUMP INSTALLATION.....	360
FIGURE 6-26. ROOF/REAR WIPER INSTALLATION.....	362
FIGURE 6-27. AUX WIPER ASSEMBLY.....	364
FIGURE 6-28. SEAT.....	366
FIGURE 6-29. SEAT, LSI	368
FIGURE 6-30. SEAT BELT INSTALLATION (3 INCH) (PVC 1911).....	370
FIGURE 6-31. SEAT BELT INSTALLATION (3 INCH) (PVC 2005).....	372
FIGURE 6-32. SEAT BELT INSTALLATION, LSI (3 INCH)	374
FIGURE 6-33. CONTROL COVER INSTALLATION	376
FIGURE 6-34. HEATER INSTALLATION (CAB PARTS)	378
FIGURE 6-35. HEATER AND A/C INSTALLATION (CAB PARTS)	380
FIGURE 6-36. HEATER ASSEMBLY, 3 SPEED	382
FIGURE 6-37. HEATER AND A/C ASSEMBLY, 3 SPEED.....	384
FIGURE 6-38. HEATER	386
FIGURE 6-39. HEATER AND A/C	388
FIGURE 6-40. A/C KIT	390
FIGURE 6-41. A/C CONDENSER INSTALLATION.....	392
FIGURE 6-42. CONDENSER	394
FIGURE 6-43. OVERHEAD CONSOLE INSTALLATION	396
FIGURE 6-44. OVERHEAD CONSOLE INSTALLATION (OPEN).....	398
FIGURE 6-45. FRONT FOPS INSTALLATION	400
FIGURE 6-46. OVERHEAD CONSOLE INSTALLATION (LSI)	402

TABLE OF CONTENTS

FIGURE 6-47. RADIO READY PACKAGE INSTALLATION	404
FIGURE 6-48. FLOOR MAT INSTALLATION	406
FIGURE 6-49. CAB FENDER INSTALLATION	408
FIGURE 6-50. CAB GUARD INSTALLATION (TOP)	410
FIGURE 6-51. CAB GUARD INSTALLATION (FRONT)	412
FIGURE 6-52. REAR WINDOW ENTRY KIT INSTALLATION (ANSI)	414
FIGURE 6-53. REAR WINDOW ENTRY KIT INSTALLATION (ENGLISH/FRENCH)	416
FIGURE 6-54. REAR WINDOW ENTRY KIT INSTALLATION (ISO)	418
FIGURE 6-55. FIRE EXTINGUISHER INSTALLATION	420
FIGURE 6-56. WASHER FLUID TANK ASSEMBLY	422
FIGURE 6-57. EMERGENCY ENTRY/EXIT WINDOW	424
SECTION 7 - CONTROLS	427
FIGURE 7-1. ACCELERATOR PEDAL ASSEMBLY (PVC 1911)	428
FIGURE 7-2. ACCELERATOR PEDAL ASSEMBLY (PVC 2005)	430
FIGURE 7-3. ACCELERATOR PEDAL (PVC 1911)	432
FIGURE 7-4. ACCELERATOR PEDAL (PVC 2005)	434
FIGURE 7-5. BRAKE PEDAL INSTALLATION	436
FIGURE 7-6. MASTER CYLINDER VALVE ASSEMBLY	438
FIGURE 7-7. PARK BRAKE VALVE INSTALLATION	440
FIGURE 7-8. PARK BRAKE VALVE INSTALLATION (EURO)	442
FIGURE 7-9. PARK BRAKE VALVE ASSEMBLY	444
FIGURE 7-10. PARK BRAKE VALVE ASSEMBLY (EURO)	446
FIGURE 7-11. FIXED STEERING COLUMN INSTALLATION	448
FIGURE 7-12. FIXED STEERING COLUMN	450
FIGURE 7-13. TILT STEERING COLUMN INSTALLATION	452
FIGURE 7-14. TILT STEERING COLUMN	454
FIGURE 7-15. HYDRAULIC CONTROLLER ASSEMBLY	456
FIGURE 7-16. HEATER CONTROL SWITCH	458
FIGURE 7-17. HVAC CONTROL SWITCH	460
FIGURE 7-18. BOOM JOYSTICK	462
SECTION 8 - HYDRAULIC CIRCUITS	465
FIGURE 8-1. VALVE INSTALLATION (ANSI)	466
FIGURE 8-2. VALVE INSTALLATION (CE)	468
FIGURE 8-3. PILOT SELECT VALVE ASSEMBLY (ANSI)	470
FIGURE 8-4. PILOT SELECT VALVE ASSEMBLY (CE)	472
FIGURE 8-5. PILOT SELECT VALVE (ANSI)	474
FIGURE 8-6. PILOT SELECT VALVE (CE)	476
FIGURE 8-7. HYDRAULIC VALVE INSTALLATION	478
FIGURE 8-8. STEERING SELECT VALVE ASSEMBLY	480
FIGURE 8-9. MAIN CONTROL VALVE ASSEMBLY	482
FIGURE 8-10. PRIORITY VALVE ASSEMBLY	484
FIGURE 8-11. BRAKE VALVE ASSEMBLY	486
FIGURE 8-12. BOOM HYDRAULIC INSTALLATION (PVC 1911)	488
FIGURE 8-13. BOOM HYDRAULIC INSTALLATION (PVC 2005)	490
FIGURE 8-14. BOOM HYDRAULIC INSTALLATION, W/QS	492
FIGURE 8-15. REMOTE GREASE INSTALLATION	494
FIGURE 8-16. FRAME HYDRAULIC HOSE INSTALLATION	496
FIGURE 8-17. HYDRAULIC HOSE INSTALLATION (ANSI)	498
FIGURE 8-18. HYDRAULIC HOSE INSTALLATION (CE)	500
FIGURE 8-19. STEERING VALVE ASSEMBLY	502
FIGURE 8-20. CAB HYDRAULICS INSTALLATION, (ANSI)	504
FIGURE 8-21. CAB HYDRAULICS INSTALLATION (LSI)	506
FIGURE 8-22. IMPLEMENT PUMP FILTER ASSEMBLY	508
FIGURE 8-23. HYDRAULIC FILTER ASSEMBLY	510
FIGURE 8-24. HYDRAULIC TANK BREATHER INSTALLATION	512
FIGURE 8-25. HYDRAULIC TANK BREATHER INSTALLTION (A/C)	514
FIGURE 8-26. REAR HYDRAULIC OUTLET INSTALLATION	516
FIGURE 8-27. REAR DIVERTER VALVE ASSEMBLY	518
FIGURE 8-28. DIVERTOR VALVE	520
FIGURE 8-29. BOOM AUX HOSE INSTALLATION	522
SECTION 9 - HYDRAULIC COMPONENTS	525

TABLE OF CONTENTS

FIGURE 9-1. BOOM CYLINDER INSTALLATION, ANSI	526
FIGURE 9-2. BOOM CYLINDER INSTALLATION, CE	528
FIGURE 9-3. LIFT CYLINDER, ANSI	530
FIGURE 9-4. LIFT CYLINDER ASSEMBLY, CE	532
FIGURE 9-5. LIFT CYLINDER, CE	534
FIGURE 9-6. COMPENSATION CYLINDER	536
FIGURE 9-7. EXTEND/RETRACT CYLINDER	538
FIGURE 9-8. FORK POSITIONING CYLINDER	540
FIGURE 9-9. UNIVERSAL SIDE SHIFT CYLINDER	542
FIGURE 9-10. TILT CYLINDER	544
FIGURE 9-11. HYDROSTATIC MOTOR	546
FIGURE 9-12. HYDROSTATIC PUMP	548
FIGURE 9-13. GEAR PUMP	550
FIGURE 9-14. FAN MOTOR	552
FIGURE 9-15. FAN MOTOR, REVERSING	554
FIGURE 9-16. PARK BRAKE RELEASE VALVE	556
FIGURE 9-17. HYDRAULIC PARK BRAKE RELEASE VALVE	558
FIGURE 9-18. STEERING SELECT VALVE	560
FIGURE 9-19. MAIN CONTROL VALVE (W/AUX)	562
FIGURE 9-20. BRAKE MASTER CYLINDER VALVE	564
FIGURE 9-21. DIVERTOR VALVE	566
FIGURE 9-22. SIDE TILT CARRIAGE CYLINDER	568
FIGURE 9-23. FORK LOCKING CYLINDER	570
FIGURE 9-24. AIR SHUT OFF VALVE	572
SECTION 10 - ELECTRICAL	575
FIGURE 10-1. MAIN ELECTRICAL INSTALLATION	576
FIGURE 10-2. FRAME OPTIONS HARNESS INSTALLATION	578
FIGURE 10-3. FRAME OPTIONS HARNESS INSTALLATION (ANSI)	580
FIGURE 10-4. FRAME OPTIONS HARNESS INSTALLATION (CE)	582
FIGURE 10-5. BLOCK HEATER INSTALLATION (ANSI)	584
FIGURE 10-6. BLOCK HEATER INSTALLATION (CE)	586
FIGURE 10-7. BLOCK HEATER INSTALLATION (115V) (LS)	588
FIGURE 10-8. SPEED SENSOR JUMPER HARNESS	590
FIGURE 10-9. BATTERY INSTALLATION	592
FIGURE 10-10. BATTERY DISCONNECT SWITCH INSTALLATION	594
FIGURE 10-11. START SWITCH JUMPER HARNESS	596
FIGURE 10-12. JUMPER HARNESS	598
FIGURE 10-13. ROAD LIGHT INSTALLATION (ANSI)	600
FIGURE 10-14. ROAD LIGHT INSTALLATION (LSI)	602
FIGURE 10-15. ROAD LIGHT INSTALLATION (LH DIP)	604
FIGURE 10-16. WORK LIGHT INSTALLATION	606
FIGURE 10-17. WORK LIGHT INSTALLATION (OPEN CAB)	608
FIGURE 10-18. WORK LIGHT LED INSTALLATION	610
FIGURE 10-19. WORK LIGHT LED INSTALLATION (OPEN CAB)	612
FIGURE 10-20. BOOM WORK LIGHT	614
FIGURE 10-21. BOOM WORK LIGHT LED INSTALLATION	616
FIGURE 10-22. BEACON INSTALLATION	618
FIGURE 10-23. BEACON INSTALLATION (OPEN CAB)	620
FIGURE 10-24. REVERSE SENSING SYSTEM INSTALLATION	622
FIGURE 10-25. CLEARSKY INSTALLATION	624
FIGURE 10-26. BOOM SENSOR INSTALLATION	626
FIGURE 10-27. BOOM SENSOR ASSEMBLY INSTALLATION	628
FIGURE 10-28. ENGINE HARNESS (PVC 1911)	630
FIGURE 10-29. ENGINE HARNESS (PVC 2005)	634
FIGURE 10-30. BOOM AUX HARNESS	638
FIGURE 10-31. CAB HARNESS (PVC 1911)	640
FIGURE 10-32. CAB HARNESS (PVC 2005)	646
FIGURE 10-33. CAB ROOF HARNESS	652
FIGURE 10-34. FRAME HARNESS	654
FIGURE 10-35. FRAME BASE JUMPER HARNESS	658
FIGURE 10-36. FUNCTION JUMPER HARNESS	660
FIGURE 10-37. FRAME OPTION HARNESS	662
FIGURE 10-38. REVERSE SENSOR HARNESS	666
FIGURE 10-39. TELEMATICS READY HARNESS	668
FIGURE 10-40. CLEARSKY HARNESS	670

TABLE OF CONTENTS

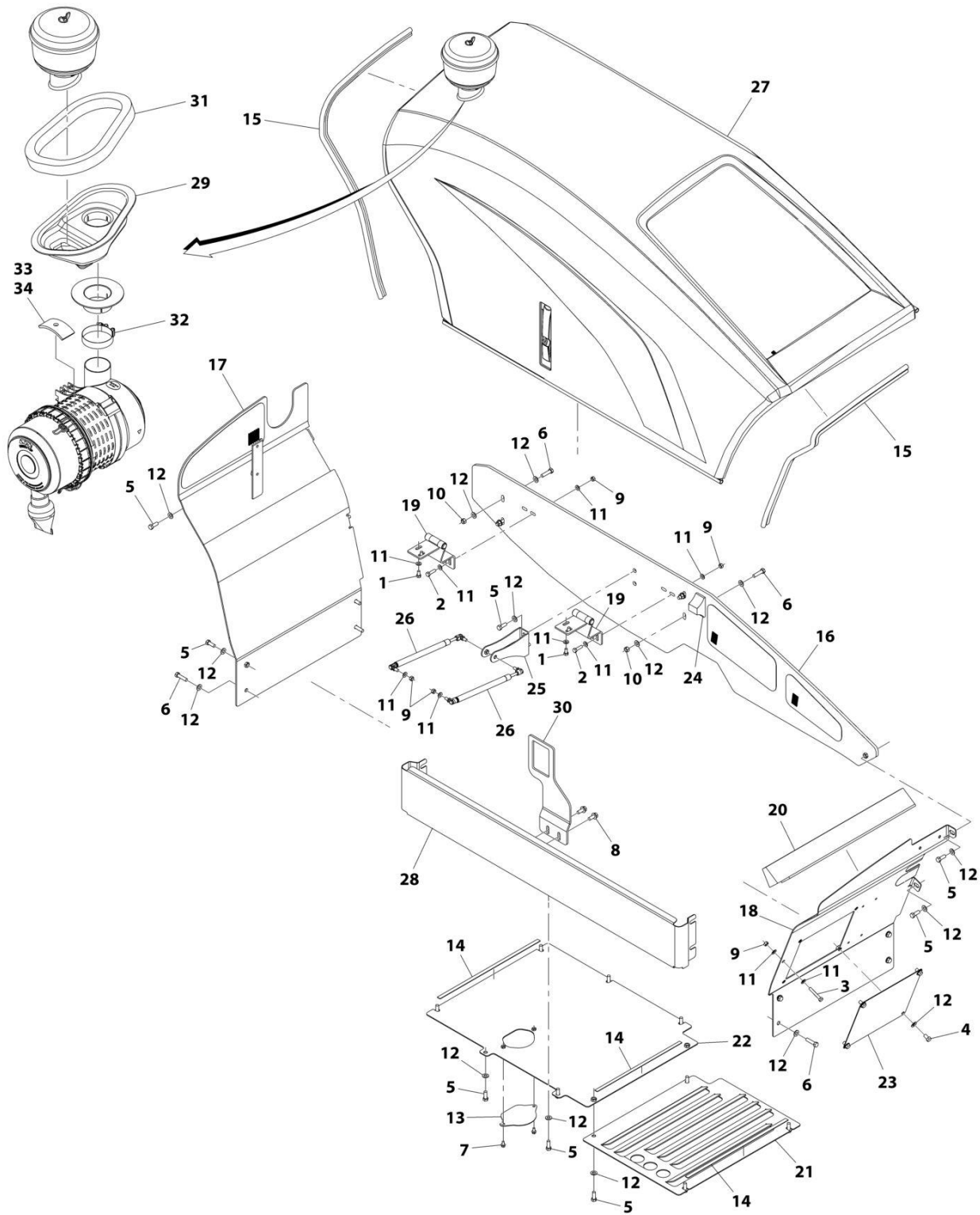
FIGURE 10-41. CLEARSKY INSTALLATION 3-WIRE (ANSI).....	672
FIGURE 10-42. BOOM SENSOR HARNESS	674
FIGURE 10-43. OPEN CAB WORKLIGHT HARNESS	676
FIGURE 10-44. CAB WORKLIGHT HARNESS	678
FIGURE 10-45. BOOM WORKLIGHT JUMPER HARNESS (LONG).....	680
FIGURE 10-46. PROXIMITY SENSOR HARNESS.....	682
FIGURE 10-47. BOOM WORKLIGHT JUMPER HARNESS (SHORT)	684
FIGURE 10-48. BOOM WORKLIGHTS HARNESS	686
FIGURE 10-49. CONDENSOR FAN HARNESS.....	688
FIGURE 10-50. MODE SELECT HARNESS.....	690
FIGURE 10-51. TRAILER PLUG INSTALLATION (7 PIN)	692
FIGURE 10-52. ELECTRICAL HARNESS CAPS INSTALLATION	694
FIGURE 10-53. TELEMATICS HARNESS.....	696
FIGURE 10-54. RH TAIL LIGHT INSTALLATION.....	698
FIGURE 10-55. LH TAIL LIGHT INSTALLATION	700
FIGURE 10-56. LH DRIVE LIGHT INSTALLATION	702
FIGURE 10-57. JUMPER HARNESS.....	704
FIGURE 10-58. GATEWAY CONTROLLER	706
FIGURE 10-59. HARNESS, POSI AIR SHUT OFF, SC CAB.....	708
FIGURE 10-60. HARNESS, POSI AIR SHUTOFF, SC FRAME	710
FIGURE 10-61. VALVE JUMPER HARNESS.....	714
FIGURE 10-62. INSTALLATION, BACK-UP CAMERA.....	716
FIGURE 10-63. REAR CAMERA OPTION HARNESS	718
SECTION 11 - DECALS	721
FIGURE 11-1. DECAL INSTALLATION	722
FIGURE 11-2. DECAL INSTALLATION, (ANSI)	724
FIGURE 11-3. DECAL INSTALLATION, (ISO).....	728
FIGURE 11-4. DECAL INSTALLATION (ENGLISH/FRENCH)	732
FIGURE 11-5. LOAD CHART MOUNT	736
FIGURE 11-6. CAPACITY CHART	738
FIGURE 11-7. CAPACITY CHART (UNIVERSAL QUICK SWITCH)	740
FIGURE 11-8. CAPACITY CHART - METRIC	742
FIGURE 11-9. CAPACITY CHART (UNIVERSAL QUICK SWITCH - METRIC)	744
FIGURE 11-10. MACHINE DECAL (ULS - ANSI)	746
FIGURE 11-11. MACHINE DECAL (ULS - ISO)	748
FIGURE 11-12. MACHINE DECAL (ULS - ENGLISH/FRENCH)	750
FIGURE 11-13. MACHINE DECAL (LS)	752
FIGURE 11-14. REVERSE SENSOR SYSTEM DECAL (ENGLISH).....	754
FIGURE 11-15. REVERSE SENSING SYSTEM DECAL, (ENGLISH/FRENCH).....	756
FIGURE 11-16. REVERSE SENSING SYSTEM DECAL (ISO)	758
FIGURE 11-17. CLEARSKY DECAL INSTALLATION	760
SECTION 12 - RECOMMENDED SERVICE PARTS STOCK.....	763
FIGURE 12-1. RECOMMENDED SERVICE PARTS STOCK.....	764
SECTION 13 - SPECIAL OPTIONS	767
FIGURE 13-1. SPECIAL OPTIONS	768
PART NUMBER INDEX.....	769

SECTION 1 - FRAME AND ATTACHING PARTS

SECTION 1 - FRAME AND ATTACHING PARTS

SECTION 1 - FRAME AND ATTACHING PARTS

FIGURE 1-1. HOODS INSTALLATION



ART_1001190762-C

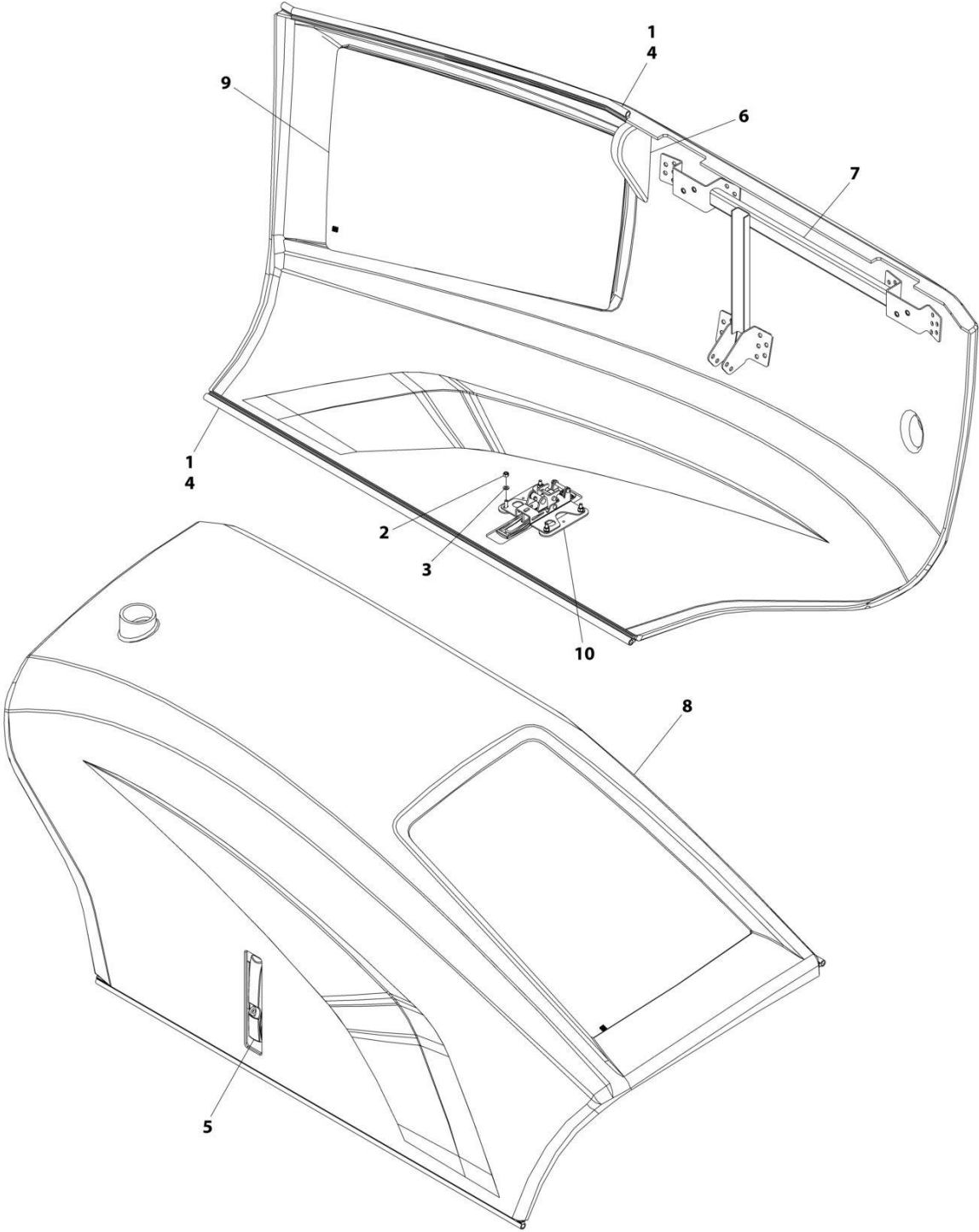
SECTION 1 - FRAME AND ATTACHING PARTS

FIGURE 1-1. HOODS INSTALLATION

ITEM	PART NUMBER	QTY	DESCRIPTION	REV
	1001190762	Ref	HOODS INSTALLATION	C
1	0641505	4	Bolt 5/16 x 5/8	
2	0641509	4	Bolt 5/16 x 1-1/8	
3	0641516	1	Bolt 5/16 x 2	
4	0641605	4	Bolt 3/8 x 5/8	
5	0641608	21	Bolt 3/8 x 1	
6	0641612	8	Bolt 3/8 x 1-1/2	
7	0791404	2	Screw 1/4 x 1/2	
8	0791607	2	Screw 3/8 x 7/8	
9	3271501	7	Nut 5/16	
10	3271601	4	Nut 3/8	
11	4711500	16	Washer 5/16	
12	4711600	37	Washer 3/8	
13	1001081299K	1	Fuel Filter Access Panel	
14	1001090344	1320 mm	Neoprene Tape, 1/16X1/2	
15	1001097160	1980 mm	Self-Gripping Bulb Seal	
16	1001142265	1	Hood Hinge Mount Weldment Plate	
17	1001197401	1	Rear Fender Weldment Panel	
18	1001142267	1	Front Fender Weldment Panel	
19	1001143142	2	Hood Hinge	
20	1001144369	1	Foam Gasket Seal	
21	1001149810	1	Belly Pan Plate	
22	1001149811	1	Belly Pan Weldment Plate	
23	1001156315	1	Cover Plate	
24	1001158318	1	Foam Gasket Seal	
25	1001158428	1	Gas Spring Weldment Mount	
26	1001160078	2	Gas Spring	
27	1001190743	1	Hood Assembly (See Separate Breakdown in this Section)	
28	1001190788	1	Side Skirt Panel	
29	1001191640	1	Air Intake Channel	
30	1001191820	1	Latch Catch Bracket	
31	1001192255	1	Air Intake Seal	
32	90028488	1	T-Bolt Clamp	
33	0100081	AR	Adhesive	
34	3340943	1	Pad, Rubber	

SECTION 1 - FRAME AND ATTACHING PARTS

FIGURE 1-2. HOOD ASSEMBLY



ART_1001190743-E

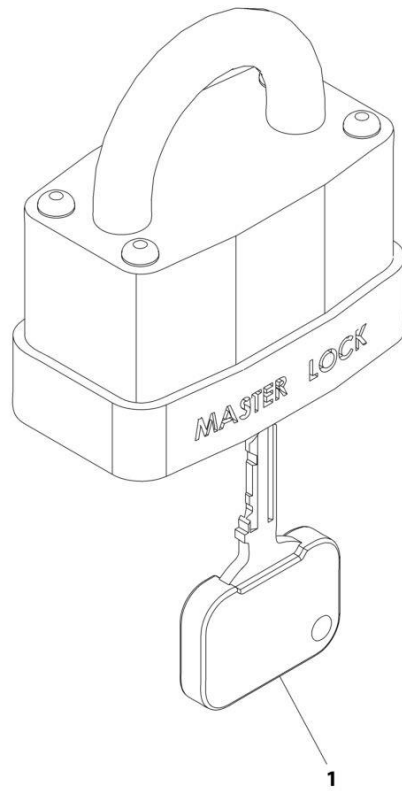
SECTION 1 - FRAME AND ATTACHING PARTS

FIGURE 1-2. HOOD ASSEMBLY

ITEM	PART NUMBER	QTY	DESCRIPTION	REV
	1001190743	Ref	Hood Assembly	E
1	0100090	AR	Adhesive	
2	3290605	4	Hex Locknut, M6X1	
3	4811700	4	Washer, M6	
4	1001097159	2110 mm	Self-Gripping Bulb Seal	
5	1001132168	1	Compression Latch	
6	1001193423	1	Air Dam Seal	
7	1001190728	1	Hinge And Gas Spring Mount	
8	1001190754	1	Hood	
9	1001191643	1	Cooler Vent	
10	1001192022	2	Support, Latch	

SECTION 1 - FRAME AND ATTACHING PARTS

FIGURE 1-3. PAD LOCK



ART_1001102157-A

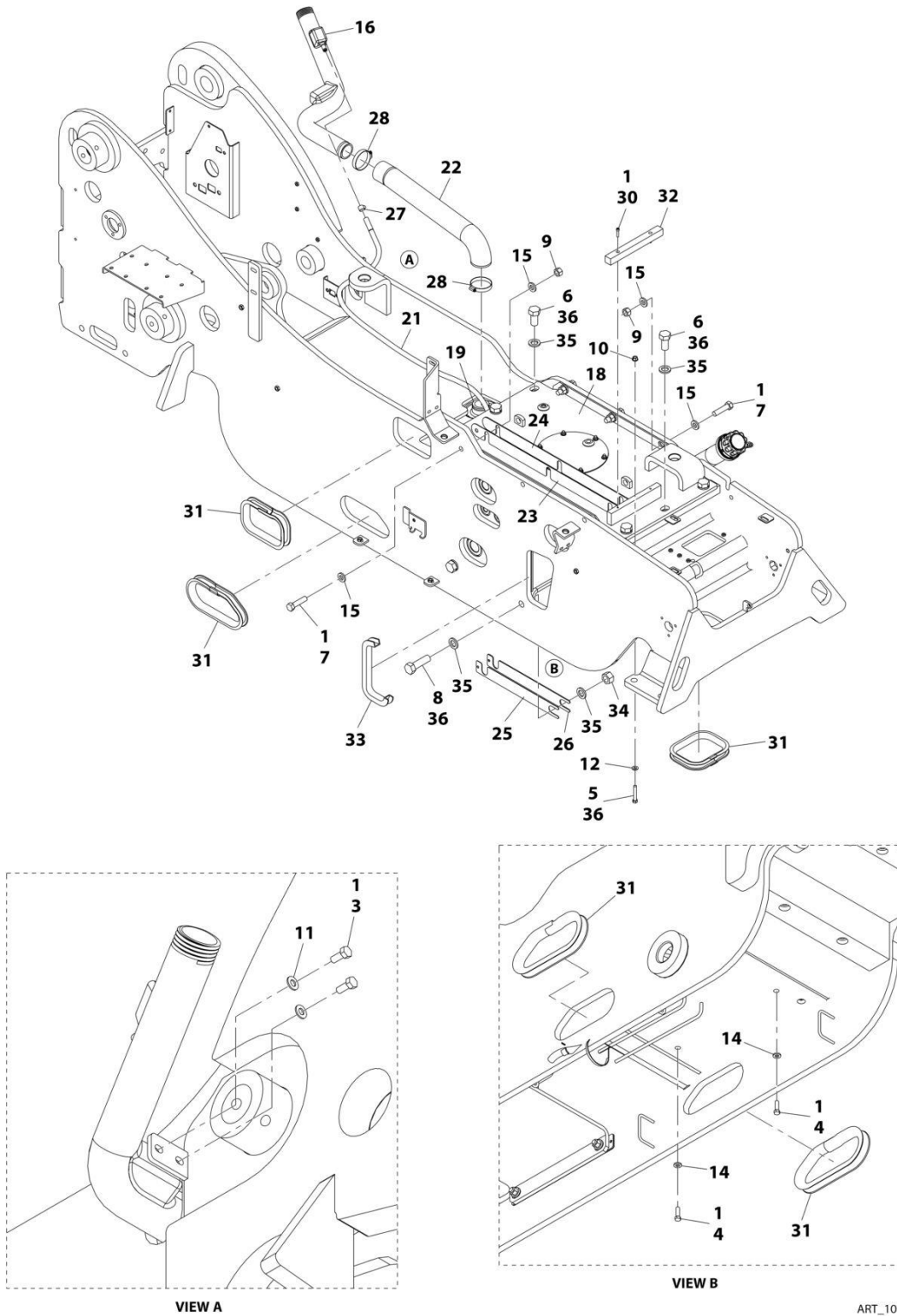
SECTION 1 - FRAME AND ATTACHING PARTS

FIGURE 1-3. PAD LOCK

ITEM	PART NUMBER	QTY	DESCRIPTION	REV
1	1001102157 8342813	Ref 1	Pad Lock Key	A

SECTION 1 - FRAME AND ATTACHING PARTS

FIGURE 1-4. TANK INSTALLATION



ART_1001193316-H

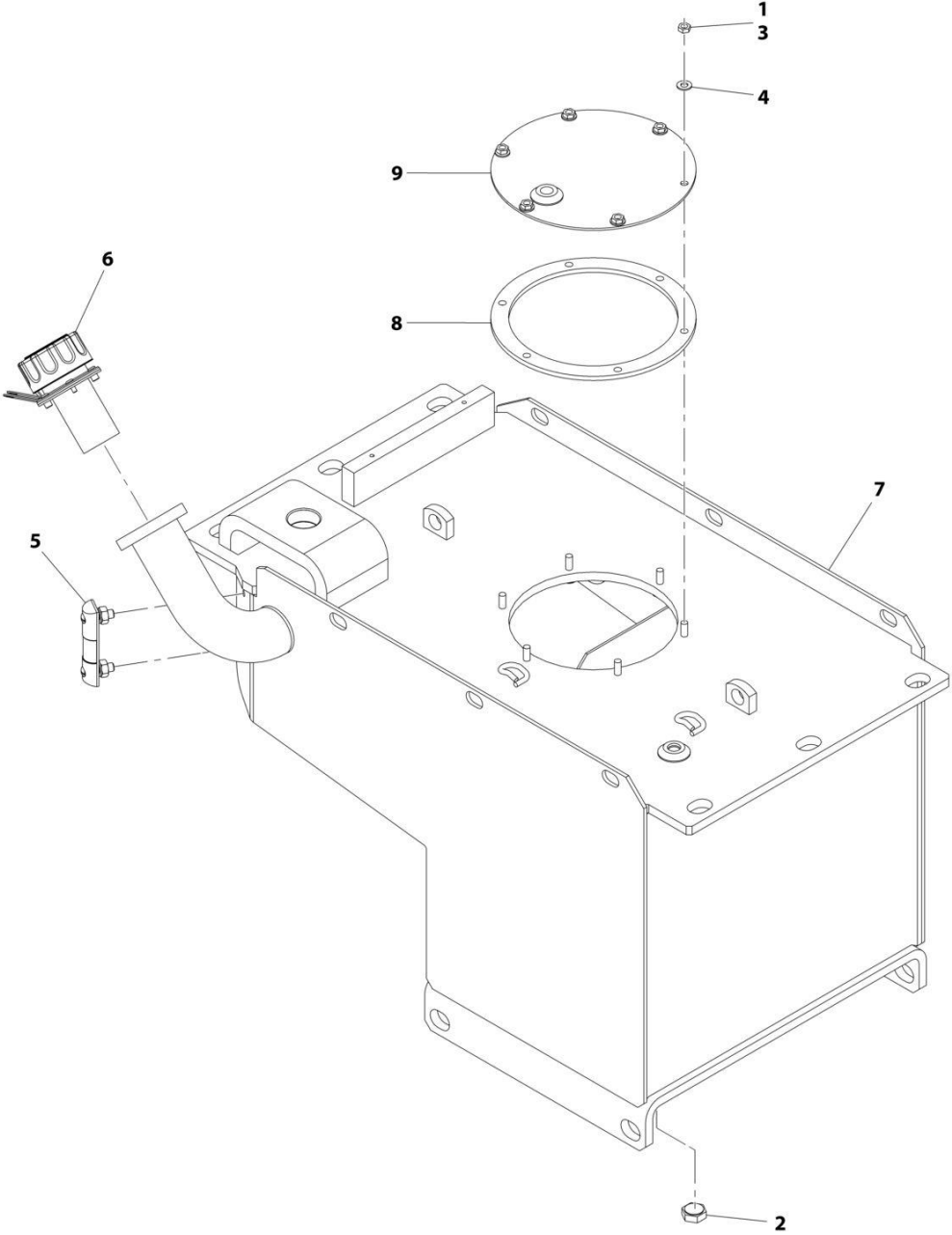
SECTION 1 - FRAME AND ATTACHING PARTS

FIGURE 1-4. TANK INSTALLATION

ITEM	PART NUMBER	QTY	DESCRIPTION	REV
	1001193316	Ref	TANK INSTALLATION	H
1	0100011	AR	Compound, Locking	
3	0641506	2	Bolt 5/16 x 3/4	
4	0641610	3	Bolt 3/8 x 1-1/4	
5	0630399	1	Tap Bolt	
6	0682414	6	Bolt 7/8 x 1-3/4	
7	0692020	6	Bolt 3/8 x 2-1/2	
8	0682424	4	Bolt 7/8 x 3	
9	3282001	6	Nut 5/8	
10	3311608	1	Nut 3/8	
11	4711500	2	Washer 5/16	
12	4711600	1	Washer 3/8	
14	4891600	3	Washer 3/8	
15	4892000	12	Washer 5/8	
16	1001080573	1	Fuel Nozzle Tube	
18	1001193351	1	Oil Tank (See Separate Breakdown in this Section)	
19	1001194100	1	Fuel Tank (See Separate Breakdown in this Section)	
21	1001148483	1	Fuel Tank Vent	
22	1001198730	1	Fuel Fill Pipe	
23	1001200682	AR	Shim, 1.5mm	
24	1001200683	AR	Shim, 3mm	
25	1001200684	AR	Shim, 1.5mm	
26	1001200685	AR	Shim, 3mm	
27	8405006	2	Gear Clamp	
28	86883327	2	Clamp, Hose	
30	3931416	2	Screw 1/4 x 1	
31	1001142680	2100 mm	Conduit	
32	1001200925	1	Pad	
33	1001081364	2	Grommet	
34	3272401	4	Nut 7/8	
35	4892400	14	Washer 7/8	
36	0100019	AR	Adhesive	

SECTION 1 - FRAME AND ATTACHING PARTS

FIGURE 1-5. OIL TANK



ART_1001193351-E

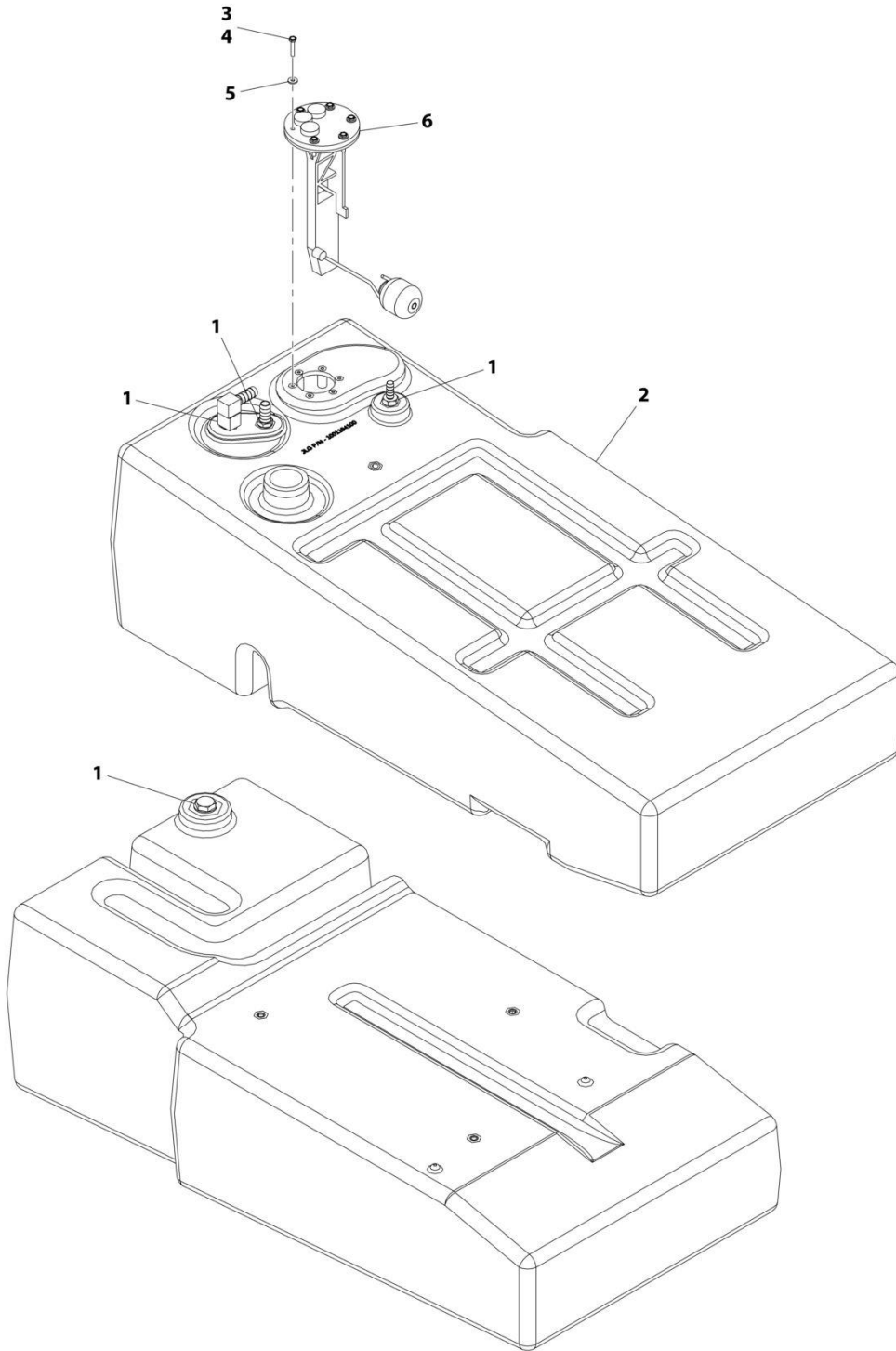
SECTION 1 - FRAME AND ATTACHING PARTS

FIGURE 1-5. OIL TANK

ITEM	PART NUMBER	QTY	DESCRIPTION	REV
	1001193351	Ref	Oil Tank	E
1	0100011	AR	Compound, Locking	
2	2220239	1	Adapter, Plug	
3	3311502	6	Nut 5/8	
4	4711500	6	Washer 5/16	
5	91563136	1	Oil Level Indicator	
6	1001187150	1	Lockable Hydraulic Filler Cap	
7	1001193470	1	Oil Tank Weldment	
8	1001193473	1	Gasket	
9	1001195884	1	Tank Access Cover	

SECTION 1 - FRAME AND ATTACHING PARTS

FIGURE 1-6. FUEL TANK ASSEMBLY



ART_1001194100-E

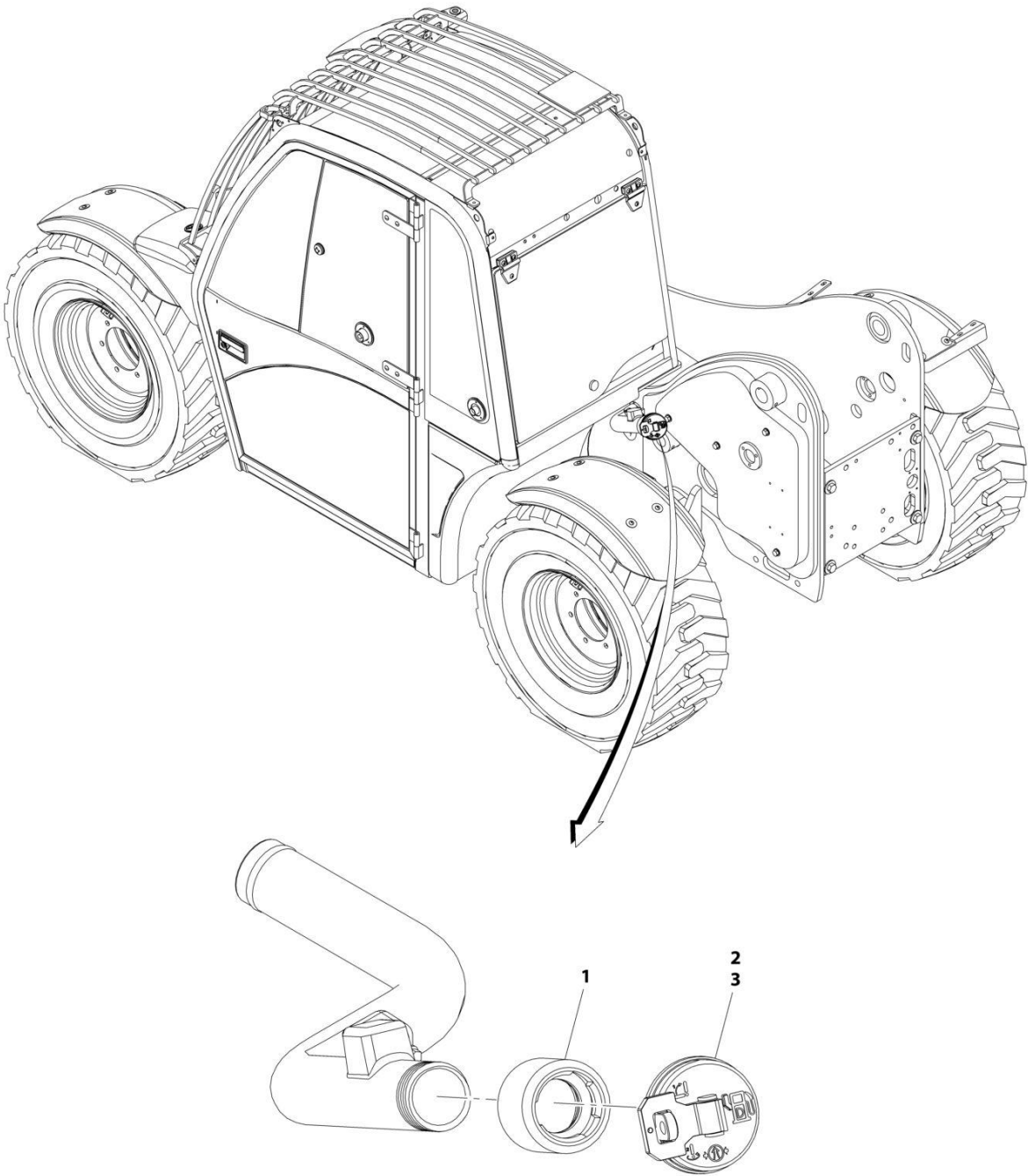
SECTION 1 - FRAME AND ATTACHING PARTS

FIGURE 1-6. FUEL TANK ASSEMBLY

ITEM	PART NUMBER	QTY	DESCRIPTION	REV
	1001194100	Ref	Fuel Tank Assembly	E
1	0100020	AR	Compound, Locking	
2	1001194099	1	Fuel Tank	
3	0100035	AR	Compound, Locking	
4	0720606	6	Hex HD Bolt	
5	4750600	6	Washer M6	
6	1001197965	1	Fuel Level Sensor	

SECTION 1 - FRAME AND ATTACHING PARTS

FIGURE 1-7. FUEL CAP INSTALLATION



ART_1001080571-B

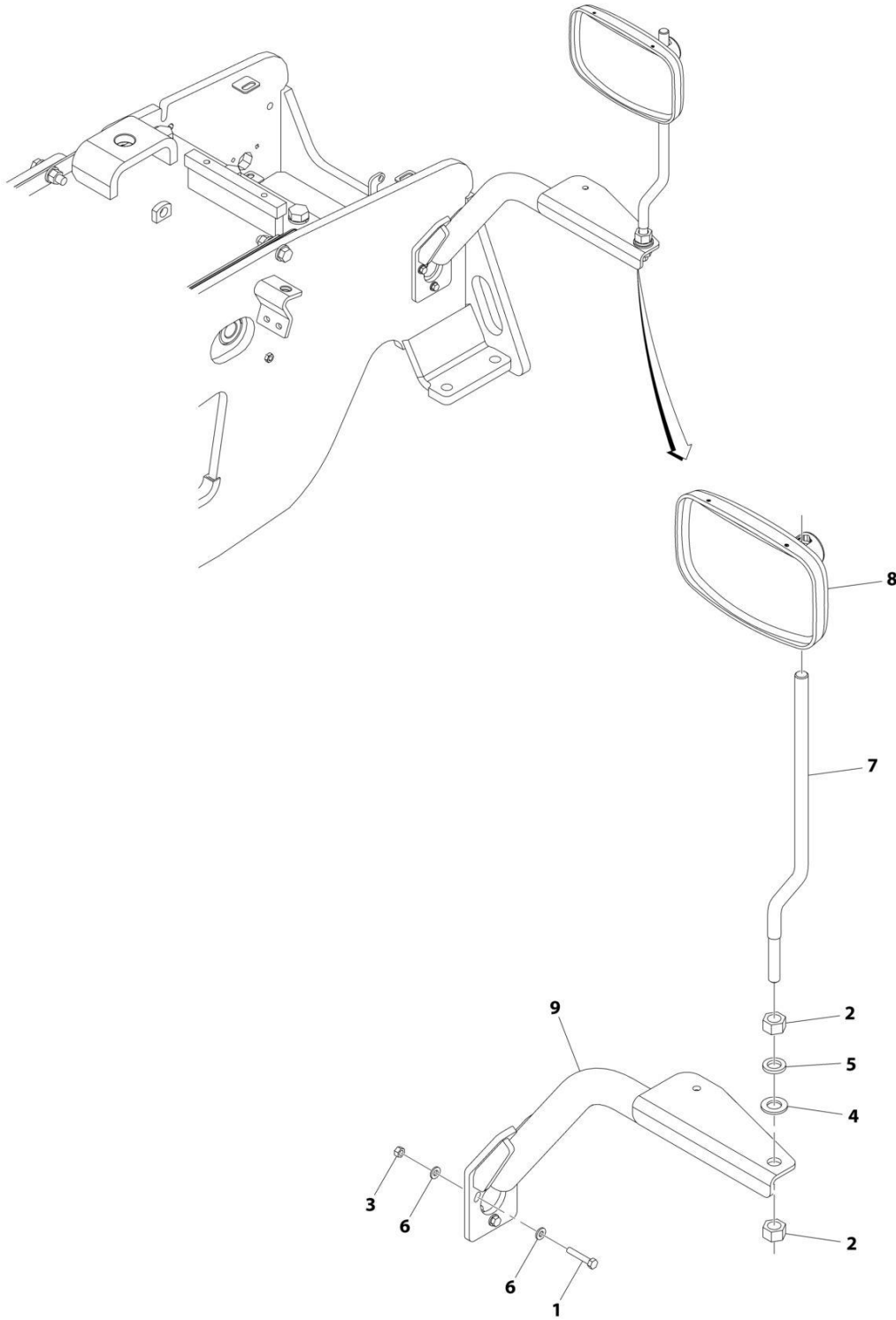
SECTION 1 - FRAME AND ATTACHING PARTS

FIGURE 1-7. FUEL CAP INSTALLATION

ITEM	PART NUMBER	QTY	DESCRIPTION	REV
	1001080571	Ref	FUEL CAP INSTALLATION	B
1	1001001422	1	Filler Neck Tank Adapter	
2	1001080707	1	Diesel Fuel Locking Cap	
3	0100093	AR	Compound, Locking	

SECTION 1 - FRAME AND ATTACHING PARTS

FIGURE 1-8. MIRROR INSTALLATION



ART_1001200928-B

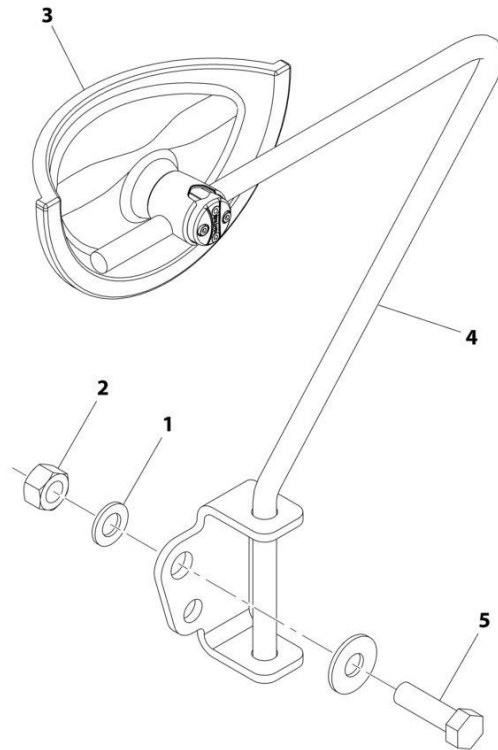
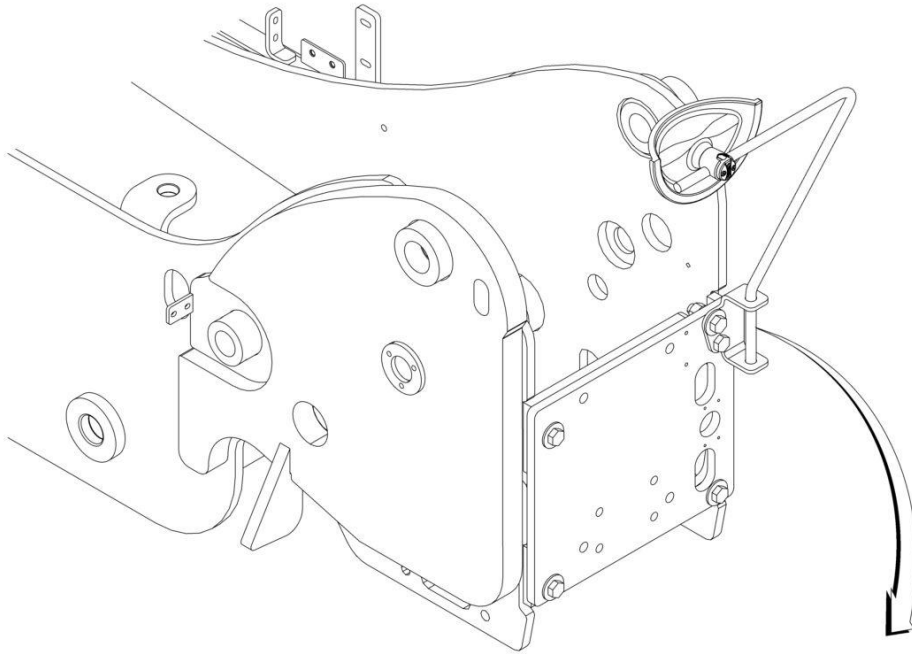
SECTION 1 - FRAME AND ATTACHING PARTS

FIGURE 1-8. MIRROR INSTALLATION

ITEM	PART NUMBER	QTY	DESCRIPTION	REV
	1001200928	Ref	Mirror Installaton	B
1	0641514	3	Hex HD Capscrew, 5/16-18X1-3/4, GR5	
2	3272201	2	Hex Nut, 3/4-10, GR8	
3	3311505	3	Locknut, 5/16-18	
4	4712200	1	Washer, 3/4	
5	4762200	1	Lockwasher, 3/4	
6	4891500	6	Washer, 5/16	
7	1001144474	1	Mirror Bracket	
8	1001191635	1	Mirror Assembly	
9	1001190639	1	Headlight Bracket	

SECTION 1 - FRAME AND ATTACHING PARTS

FIGURE 1-9. REAR CONVEX MIRROR INSTALLATION



ART_1001200851-C

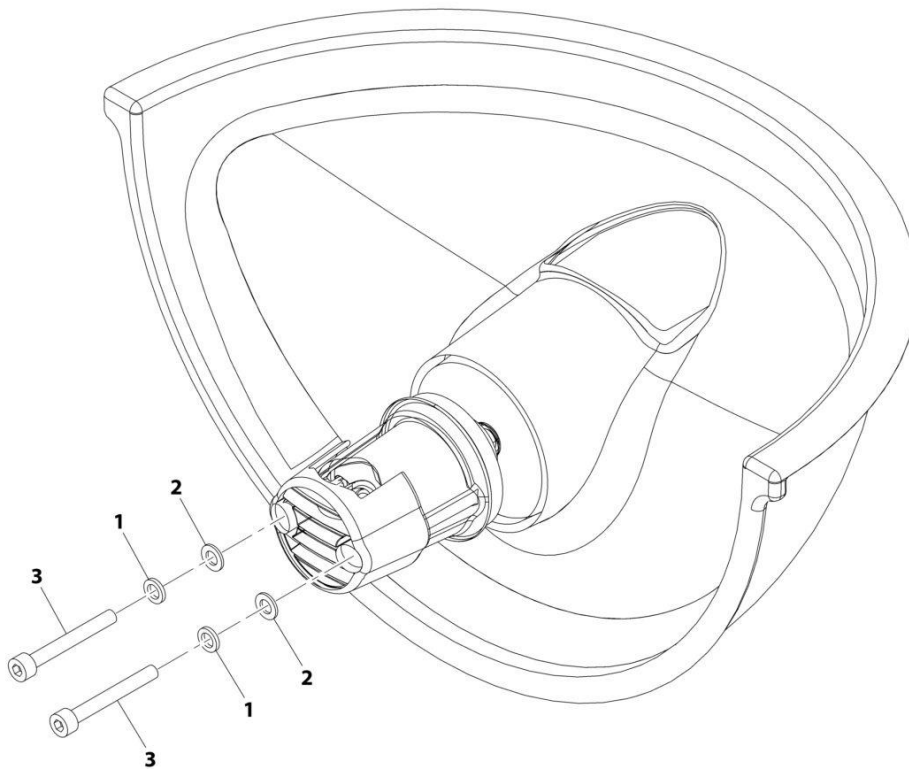
SECTION 1 - FRAME AND ATTACHING PARTS

FIGURE 1-9. REAR CONVEX MIRROR INSTALLATION

ITEM	PART NUMBER	QTY	DESCRIPTION	REV
	1001200851	Ref	Rear Convex Mirror Installation	C
1	4712200	1	Washer, 3/4	
2	88501012	1	Hex Nut, 3/4-10	
3	1001008436	1	Mirror Assembly (See Separate Breakdown in this Section)	
4	1001208759	1	Rear Mount Mirror Bar	
5	0682220	1	Hex HD Capscrew, 3/4-10X2-1/2, GR8	

SECTION 1 - FRAME AND ATTACHING PARTS

FIGURE 1-10. MIRROR ASSEMBLY (CONVEX)



ART_1001008436-D

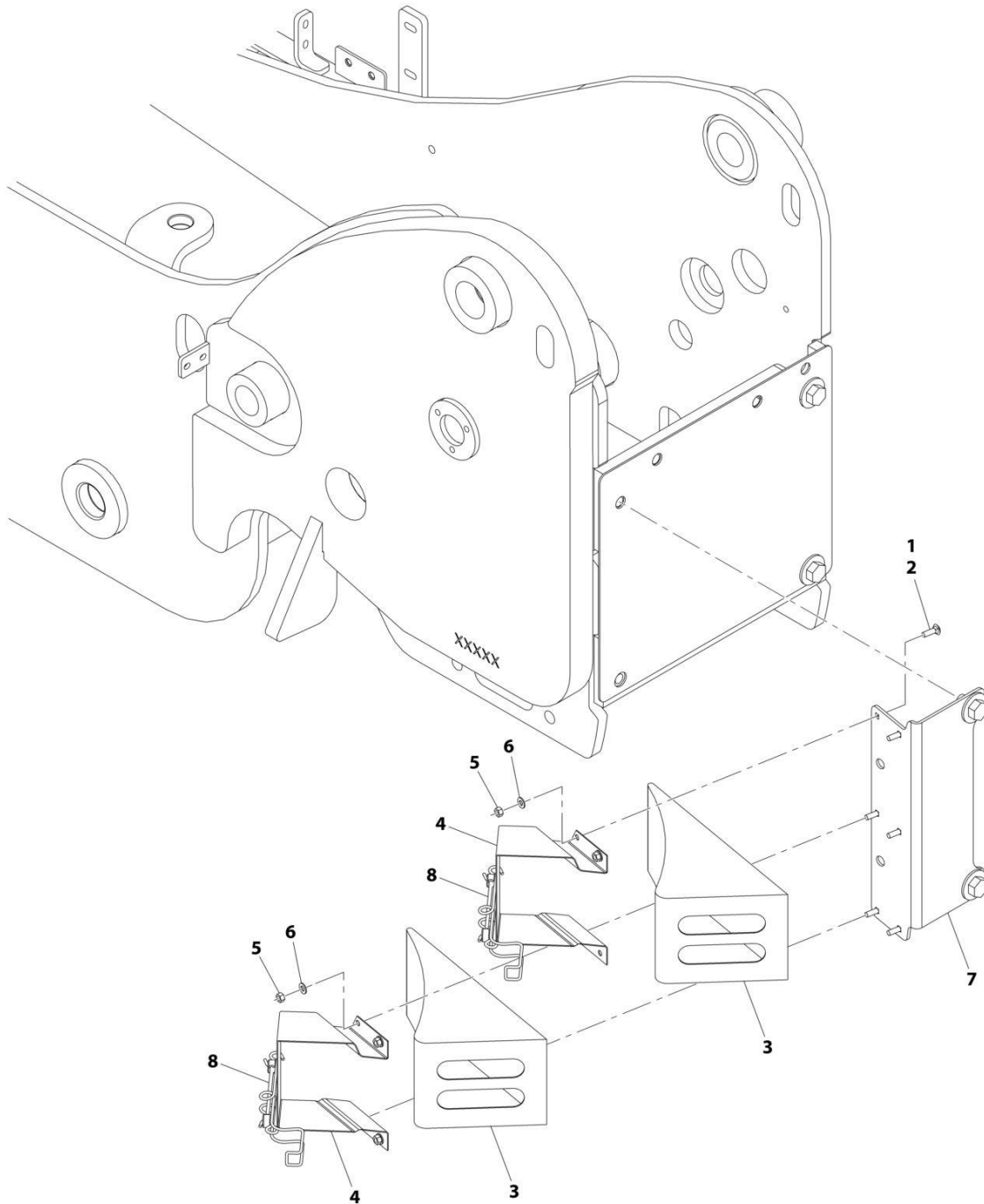
SECTION 1 - FRAME AND ATTACHING PARTS

FIGURE 1-10. MIRROR ASSEMBLY (CONVEX)

ITEM	PART NUMBER	QTY	DESCRIPTION	REV
	1001008436	Ref	Mirror Assembly (Convex)	D
1	1001008475	2	Washer, Lock	
2	1001009062	2	Washer	
3	1001010838	2	Bolt	

SECTION 1 - FRAME AND ATTACHING PARTS

FIGURE 1-11. WHEEL CHOCKS



ART_1001201527-B

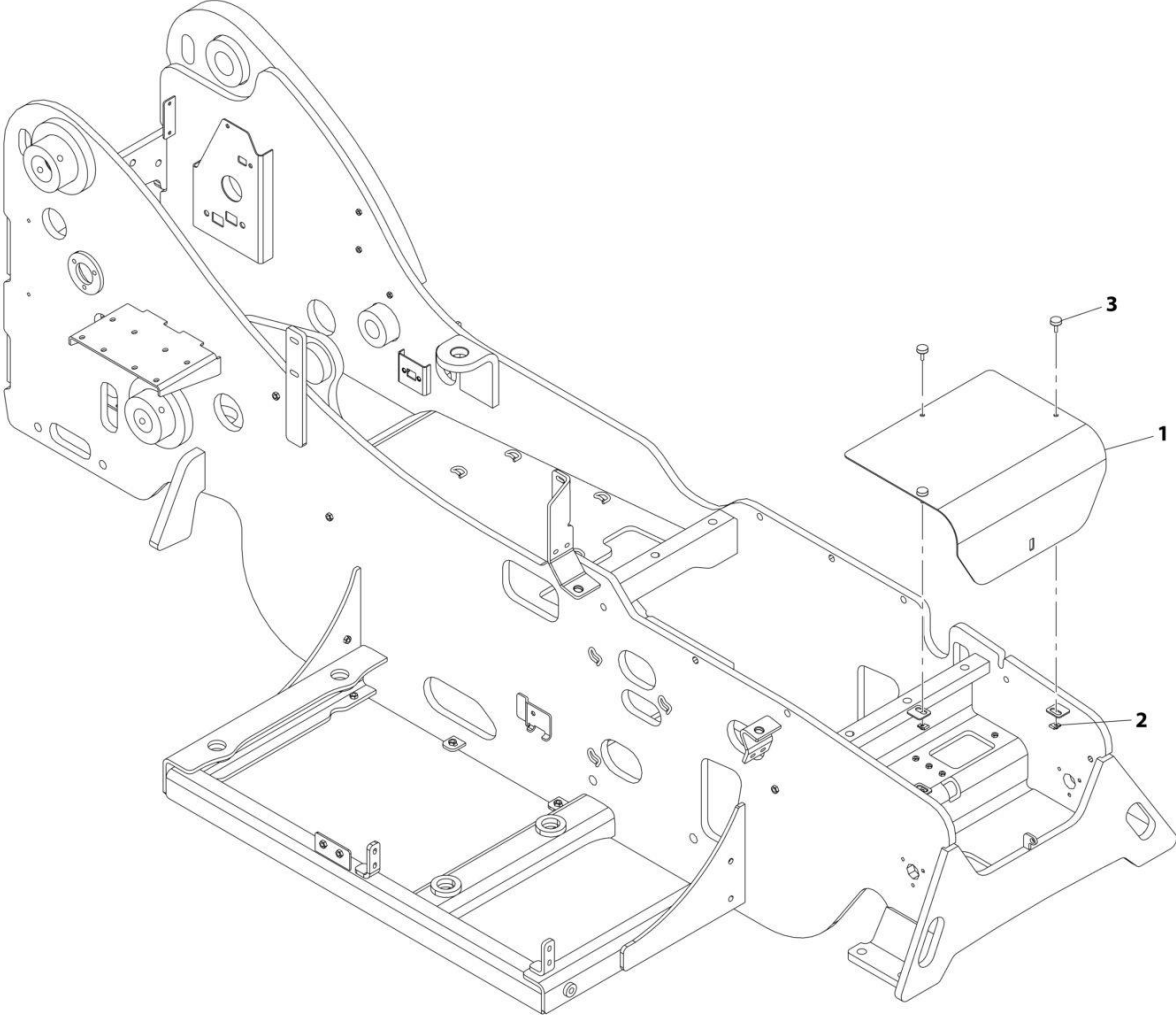
SECTION 1 - FRAME AND ATTACHING PARTS

FIGURE 1-11. WHEEL CHOCKS

ITEM	PART NUMBER	QTY	DESCRIPTION	REV
	1001201527	Ref	WHEEL CHOCKS	B
1	0100011	AR	Compound, Locking	
2	0630383	6	Bolt, Carriage	
3	806253	2	Wedge Assembly	
4	806264	2	Wedge Holder	
5	3311501	6	Nut 5/16	
6	4711500	6	Washer 5/16	
7	1001201526	1	Wheel Chock Mounting	
8	1060628	2	Tie Down Cable	

SECTION 1 - FRAME AND ATTACHING PARTS

FIGURE 1-12. BATTERY COVER INSTALLATION



ART_1001200247-B

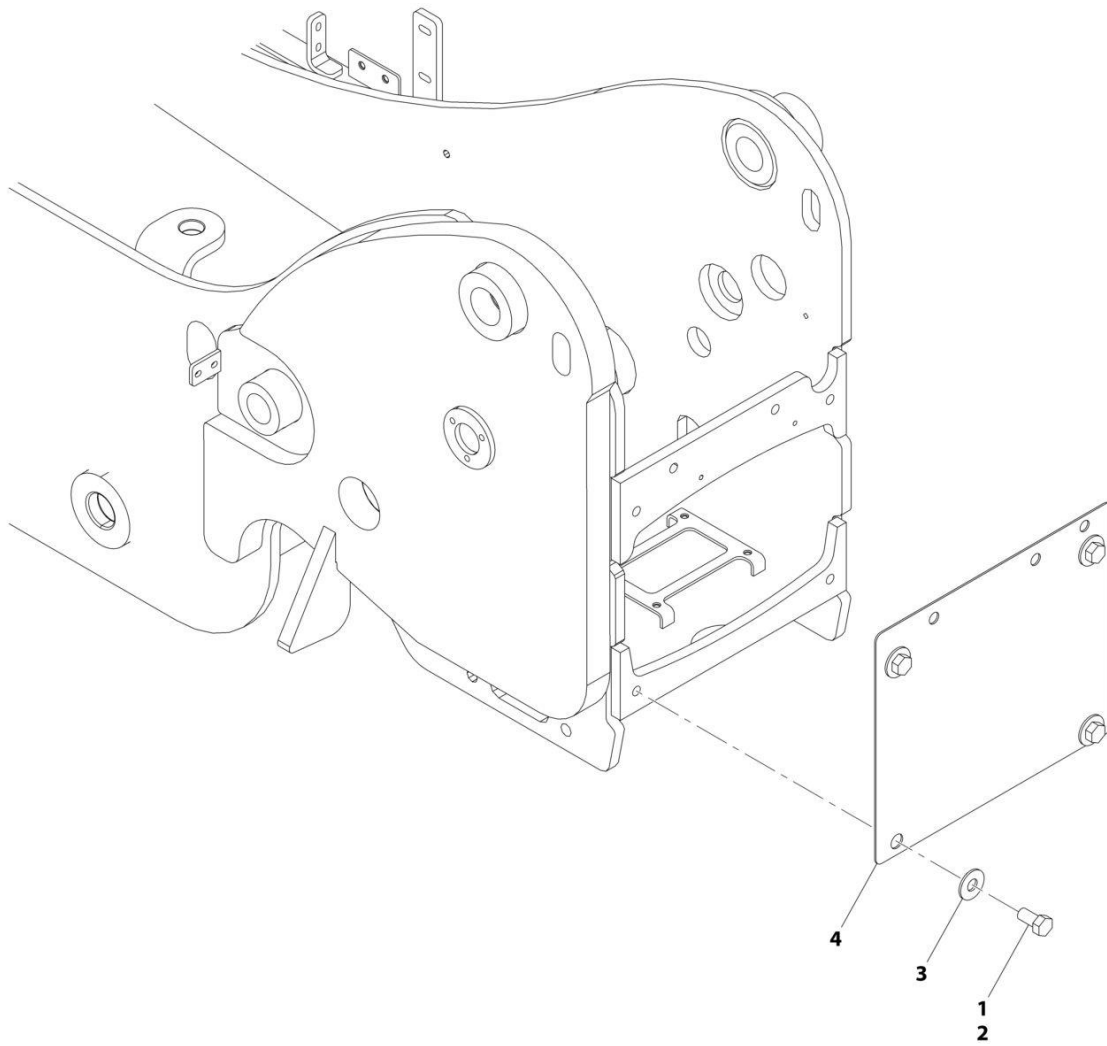
SECTION 1 - FRAME AND ATTACHING PARTS

FIGURE 1-12. BATTERY COVER INSTALLATION

ITEM	PART NUMBER	QTY	DESCRIPTION	REV
	1001200247	Ref	Battery Cover Installation	B
1	1001198349	1	Battery Cover	
2	1001130220	3	Tinnerman Nut, M6	
3	1001151183	3	Thumb Screw, M6-1X25.4	

SECTION 1 - FRAME AND ATTACHING PARTS

FIGURE 1-13. REAR COVER PLATE INSTALLATION, (NO HITCH)



ART_1001200598-D

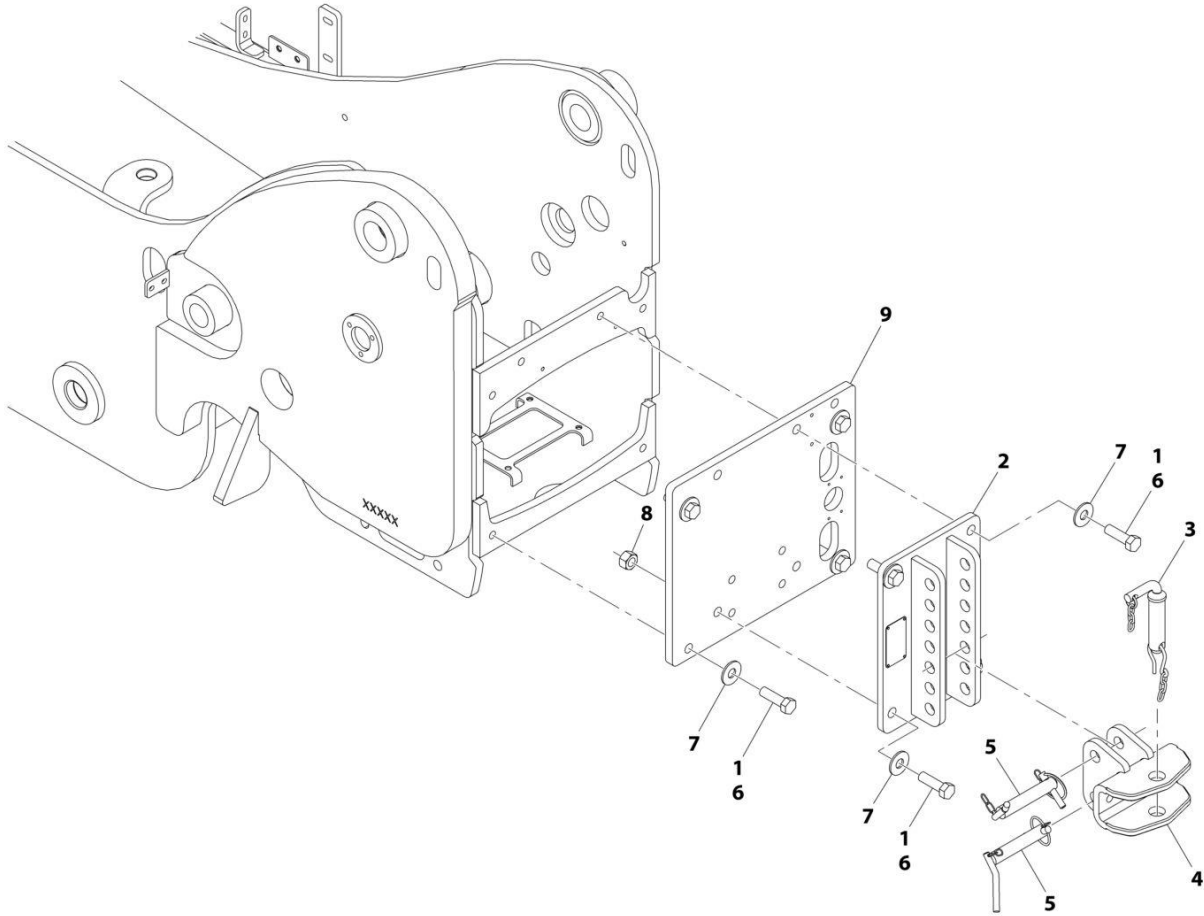
SECTION 1 - FRAME AND ATTACHING PARTS

FIGURE 1-13. REAR COVER PLATE INSTALLATION, (NO HITCH)

ITEM	PART NUMBER	QTY	DESCRIPTION	REV
	1001200598	Ref	Rear Cover Plate Installation, (No Hitch)	D
1	0100011	AR	Compound, Locking	
2	0642212	4	Capscrew 3/4 x 1-1/2	
3	4752200	4	Washer 3/4	
4	1001197490	1	Plate, Rear	

SECTION 1 - FRAME AND ATTACHING PARTS

FIGURE 1-14. HITCH INSTALLATION, MECHANICAL



ART_1001200599-B

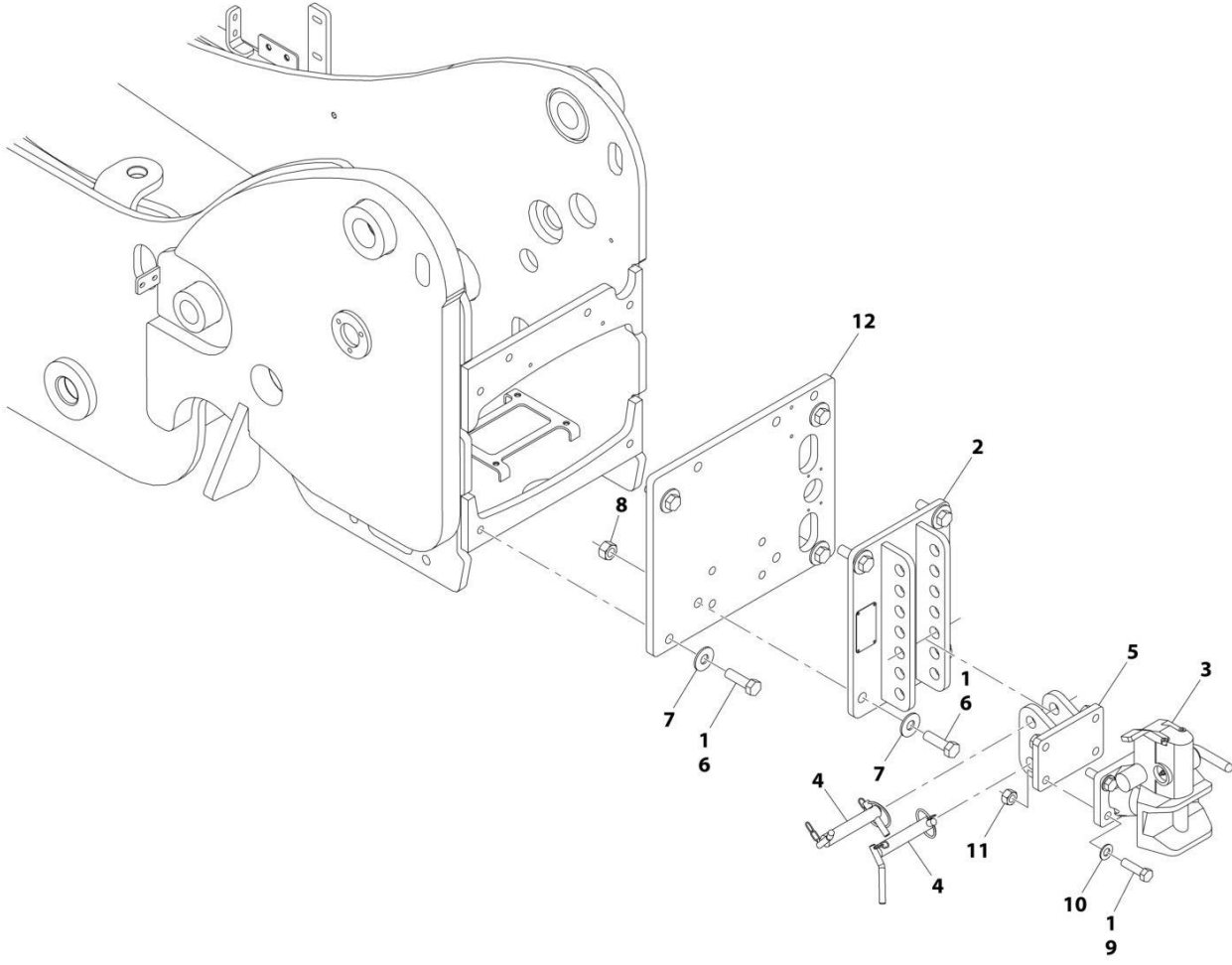
SECTION 1 - FRAME AND ATTACHING PARTS

FIGURE 1-14. HITCH INSTALLATION, MECHANICAL

ITEM	PART NUMBER	QTY	DESCRIPTION	REV
	1001200599	Ref	Hitch Installation, Mechanical	B
1	0100011	AR	Compound, Locking	
2	0903083	1	Hitch Mounting Bracket	
3	3944574	1	Hitch Pin	
4	8010200	1	Hitch	
5	8010204	2	Hitch Mounting Pin	
6	0682220	8	Capscrew 3/4 x 2-1/2	
7	4752200	8	Washer 3/4	
8	88501012	2	Nut 3/4	
9	1001200378	1	Plate, Rear Hitch Mount	

SECTION 1 - FRAME AND ATTACHING PARTS

FIGURE 1-15. HITCH INSTALLATION, MECHANICAL, AUTOMATIC



ART_1001200600-B

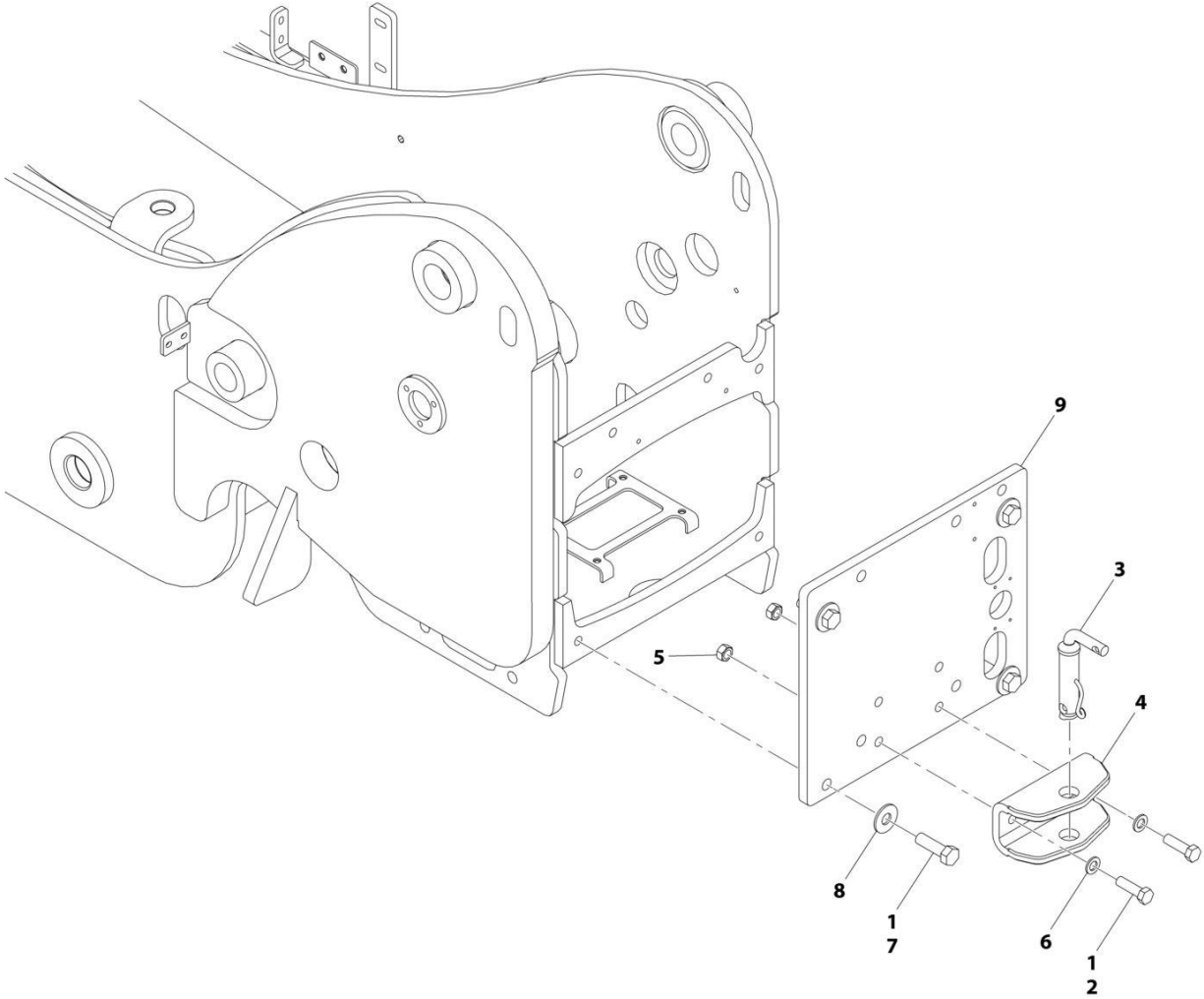
SECTION 1 - FRAME AND ATTACHING PARTS

FIGURE 1-15. HITCH INSTALLATION, MECHANICAL, AUTOMATIC

ITEM	PART NUMBER	QTY	DESCRIPTION	REV
	1001200600	Ref	Hitch Install, Mechanical, Automatic	B
1	0100011	AR	Compound, Locking	
2	0903083	1	Hitch Mounting Bracket	
3	8002789	1	Automatic Hitch	
4	8010204	2	Hitch Mounting Pin	
5	8010234	1	Hitch Adapter	
6	0682220	8	Capscrew 3/4 x 2-1/2	
7	4752200	8	Washer 3/4	
8	88501012	2	Nut 3/4	
9	0682018	4	Capscrew 5/8 x 2-1/4	
10	4712000	4	Washer 5/8	
11	88501010	4	Nut 5/8	
12	1001200378	1	Plate, Rear Hitch Mount	

SECTION 1 - FRAME AND ATTACHING PARTS

FIGURE 1-16. HITCH INSTALLATION



ART_1001200601-B

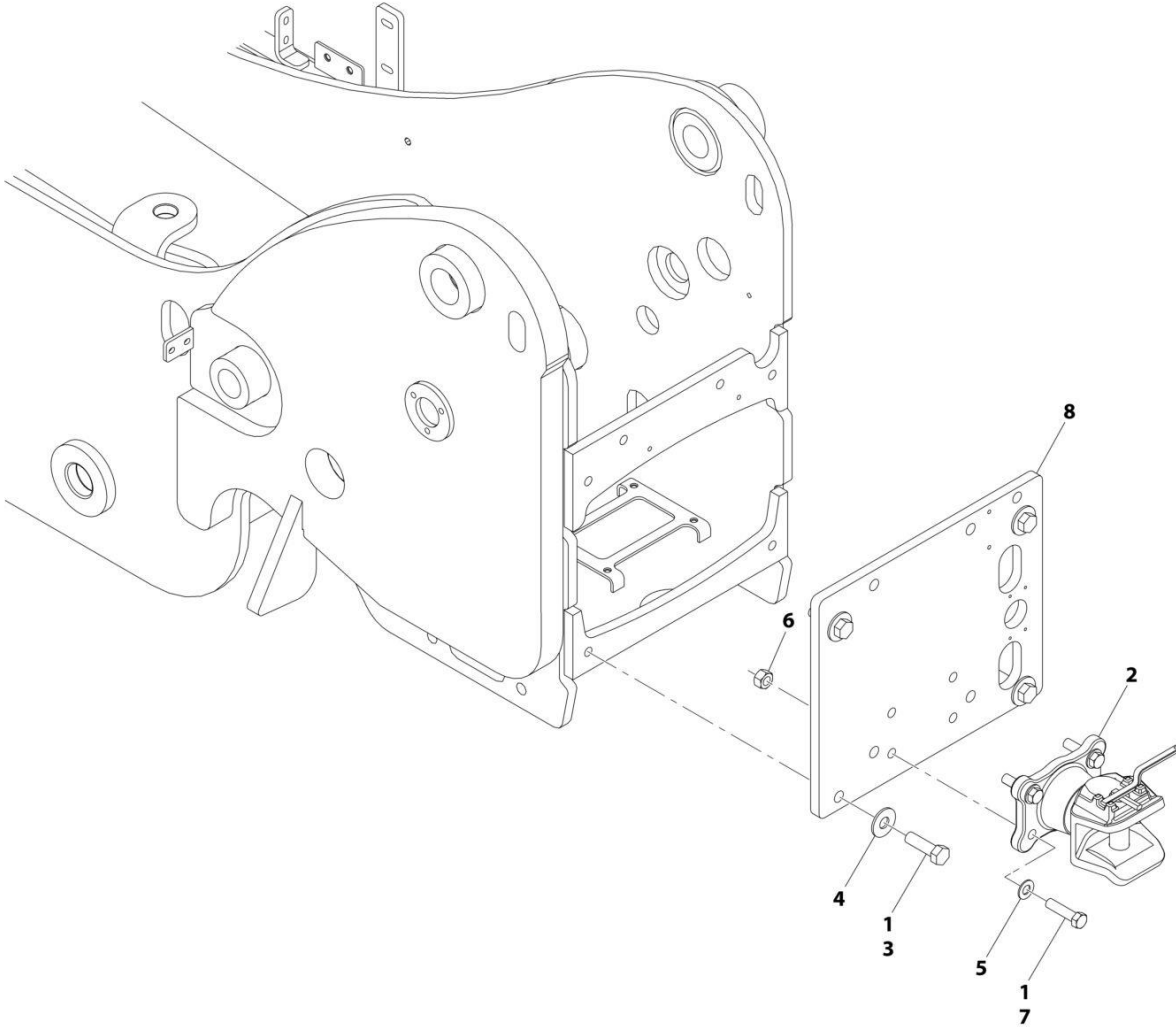
SECTION 1 - FRAME AND ATTACHING PARTS

FIGURE 1-16. HITCH INSTALLATION

ITEM	PART NUMBER	QTY	DESCRIPTION	REV
	1001200601	Ref	HITCH INSTALLATION	B
1	0100011	AR	Compound, Locking	
2	0771619	2	Capscrew M16 x 55	
3	3944574	1	Hitch Pin	
4	4804533	1	Hitch	
5	4805921	2	Nut M16	
6	4812300	2	Washer M16	
7	0682220	4	Capscrew 3/4 x 2-1/2	
8	4752200	4	Washer 3/4	
9	1001200378	1	Plate, Rear Hitch Mount	

SECTION 1 - FRAME AND ATTACHING PARTS

FIGURE 1-17. HITCH INSTALLATION - EEC



ART_1001200602-B

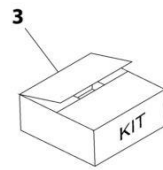
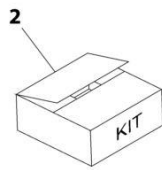
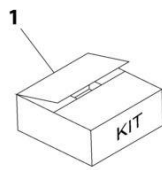
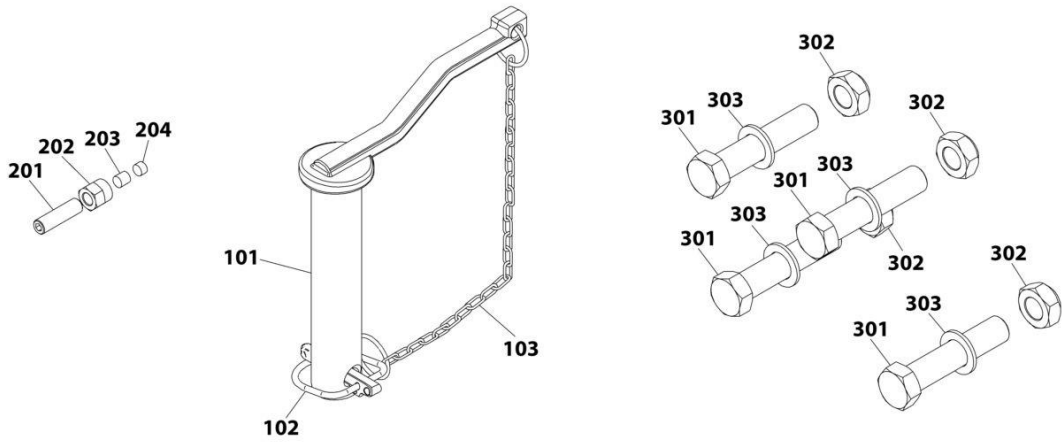
SECTION 1 - FRAME AND ATTACHING PARTS

FIGURE 1-17. HITCH INSTALLATION - EEC

ITEM	PART NUMBER	QTY	DESCRIPTION	REV
	1001200602	Ref	Hitch Installation - EEC	B
1	0100011	AR	Compound, Locking	
2	1001110849	1	Hitch Assembly, (EEC) (See Separate Breakdown in this Section)	
3	0682220	4	Capscrew 3/4 x 2-1/2	
4	4752200	4	Washer 3/4	
5	4712000	4	Washer 5/8	
6	88501010	4	Nut 5/8	
7	83201102	4	Capscrew 5/8 x 2-1/2	
8	1001200378	1	Plate, Rear Hitch Mount	

SECTION 1 - FRAME AND ATTACHING PARTS

FIGURE 1-18. HITCH ASSEMBLY (FIXED)



ART_1001110849-B

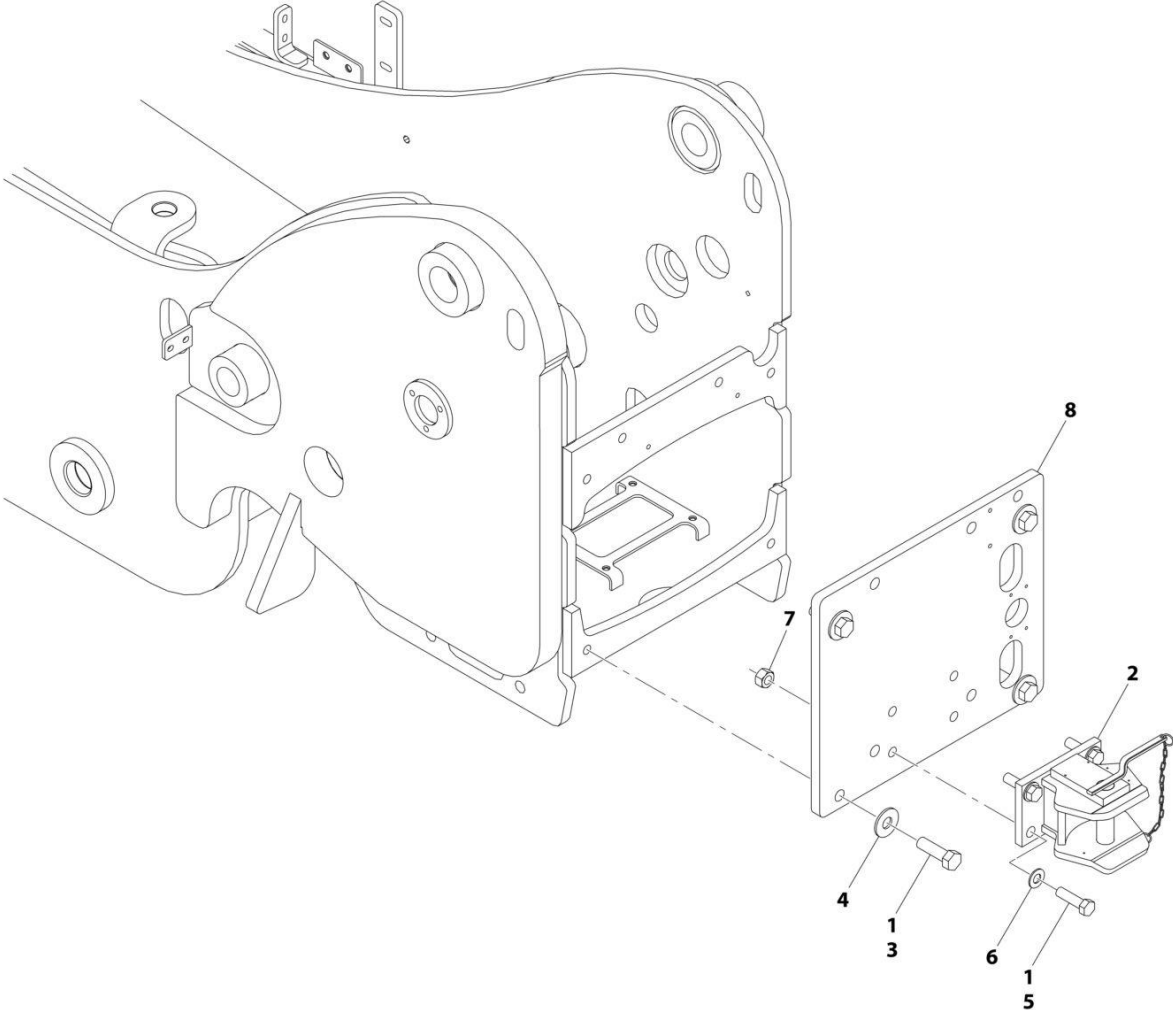
SECTION 1 - FRAME AND ATTACHING PARTS

FIGURE 1-18. HITCH ASSEMBLY (FIXED)

ITEM	PART NUMBER	QTY	DESCRIPTION	REV
	1001110849	Ref	Hitch Assembly (Fixed)	B
1	70027178	1	Kit, Towing Pin (includes items 101 thru 103)	
2	70027176	1	Kit, Friction (includes items 201 thru 204)	
3	70027177	1	Kit, Screws (includes items 301 thru 303)	
101	Kit	1	Pin	
102	Kit	1	Chain, Safety	
103	Kit	1	Pin, Safety	
201	Kit	1	Screw, M16X80	
202	Kit	1	Nut, M10	
203	Kit	1	Insert	
204	Kit	1	Insert	
301	Kit	4	Screw, M16X80	
302	Kit	4	Nut, M16	
303	Kit	4	Washer	

SECTION 1 - FRAME AND ATTACHING PARTS

FIGURE 1-19. HITCH INSTALLATION - CUNA-C



ART_1001200603-B

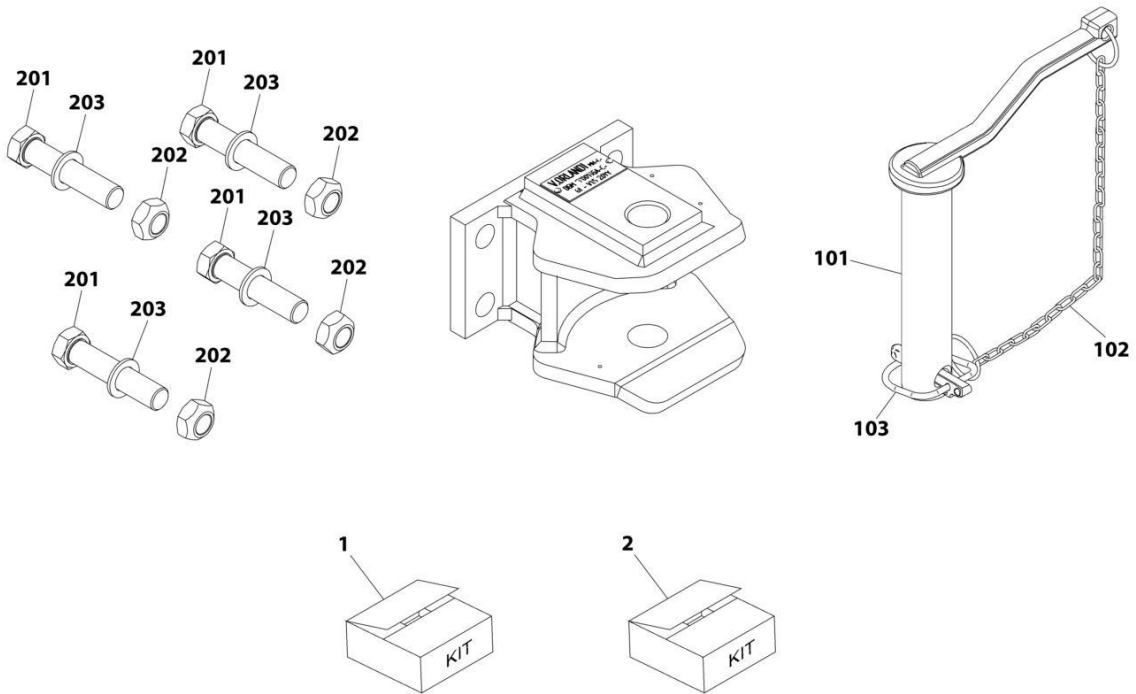
SECTION 1 - FRAME AND ATTACHING PARTS

FIGURE 1-19. HITCH INSTALLATION - CUNA-C

ITEM	PART NUMBER	QTY	DESCRIPTION	REV
	1001200603	Ref	Hitch Installation - Cuna-C	B
1	0100011	1	Compound, Locking	
2	2620052	1	Hitch, 6M TON, (CUNA-C), (See Separate Breakdown in this Section)	
3	0682220	1	Capscrew 3/4 x 2-1/2	
4	4752200	1	Washer 3/4	
5	0682018	1	Capscrew 5/8 x 2-1/4	
6	4712000	1	Washer 5/8	
7	88501010	1	Nut 5/8	
8	1001200378	1	Plate, Rear Hitch Mount	

SECTION 1 - FRAME AND ATTACHING PARTS

FIGURE 1-20. HITCH ASSEMBLY (CUNA-C)



ART_2620052-A

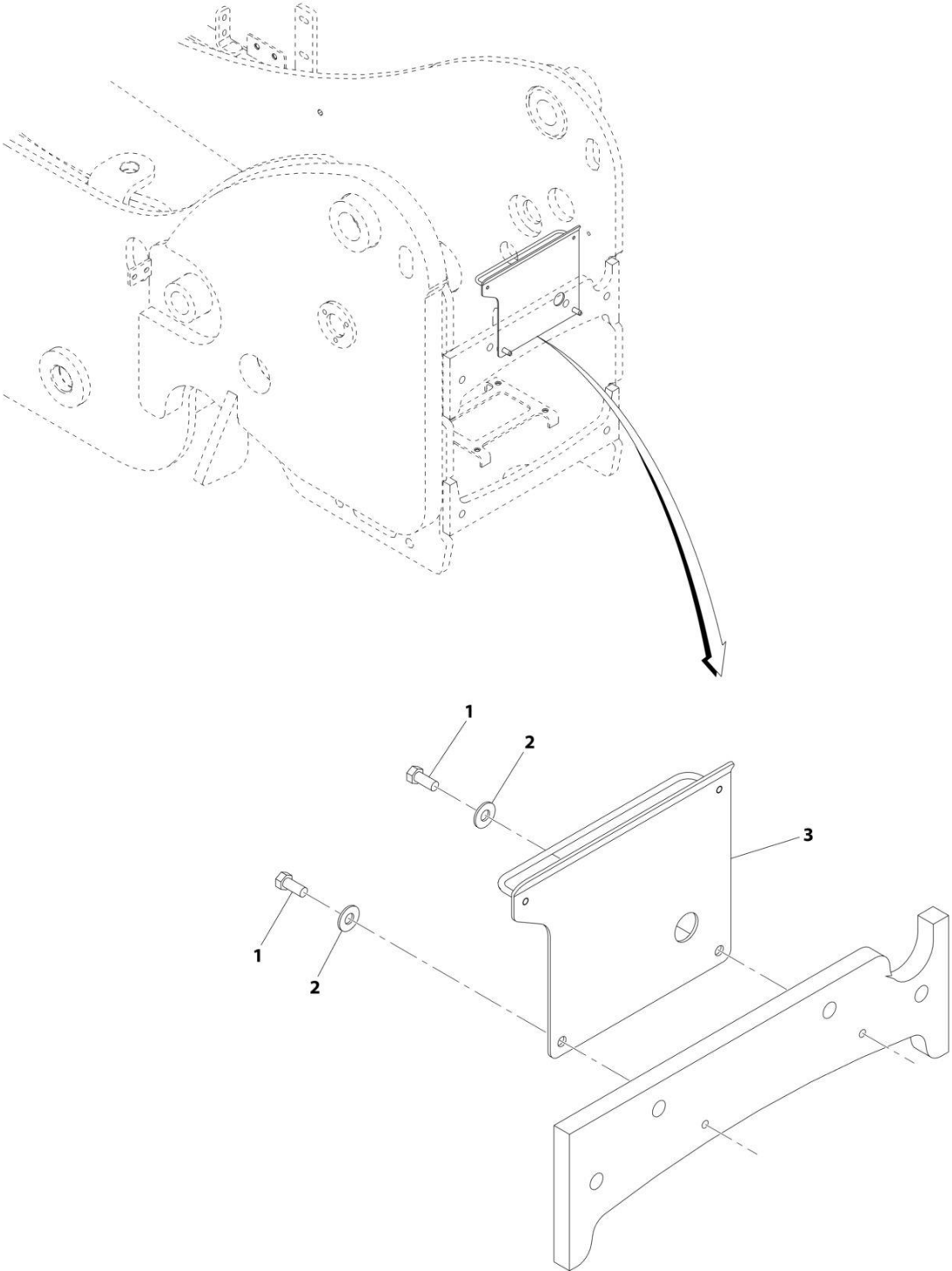
SECTION 1 - FRAME AND ATTACHING PARTS

FIGURE 1-20. HITCH ASSEMBLY (CUNA-C)

ITEM	PART NUMBER	QTY	DESCRIPTION	REV
	2620052	1	Hitch Assembly, (CUNA-C)	A
1	70022818	1	Towing Pin Kit, (Includes Items 101 thru 103)	
101	Kit	1	Pin	
102	Kit	1	Safety Chain	
103	Kit	1	Safety Pin	
2	70027176	1	Screw Kit, (Includes Items 201 thru 203)	
201	Kit	4	Screw, M16X80	
202	Kit	4	Nut, M16	
203	Kit	4	Washer	

SECTION 1 - FRAME AND ATTACHING PARTS

FIGURE 1-21. LICENSE HOLDER INSTALLATION, SMALL



ART_1001233572-B

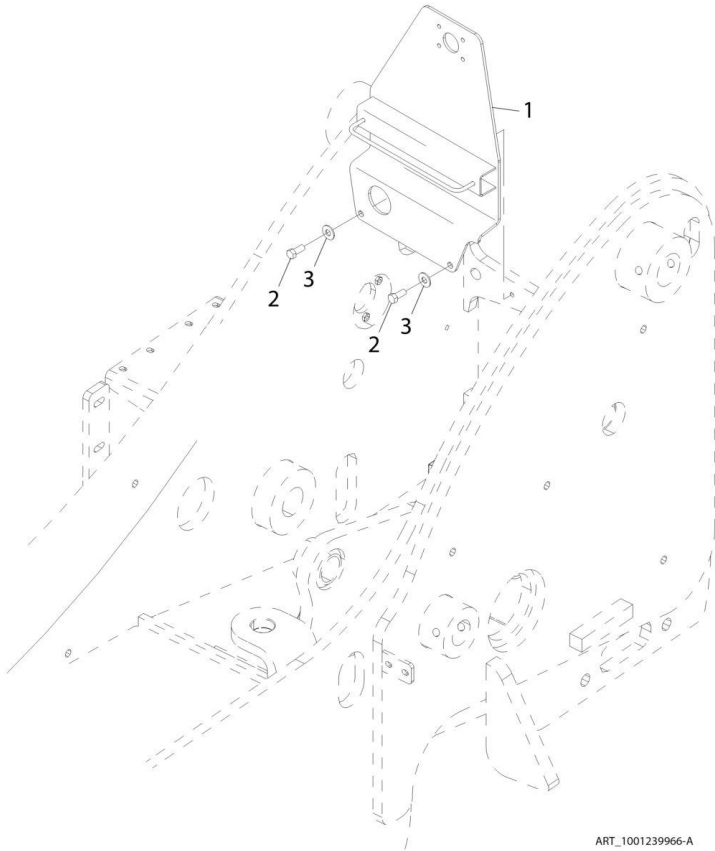
SECTION 1 - FRAME AND ATTACHING PARTS

FIGURE 1-21. LICENSE HOLDER INSTALLATION, SMALL

ITEM	PART NUMBER	QTY	DESCRIPTION	REV
	1001233572	Ref	License Holder Installation, Small	B
1	0641607	2	Hex HD Capscrew, 3/8-16X7/8, GR5	
2	4751600	2	Washer, 3/8	
3	1001232719	1	Support, Boom Hose Guide	

SECTION 1 - FRAME AND ATTACHING PARTS

FIGURE 1-22. LICENSE HOLDER INSTALLATION, LARGE



ART_1001239966-A

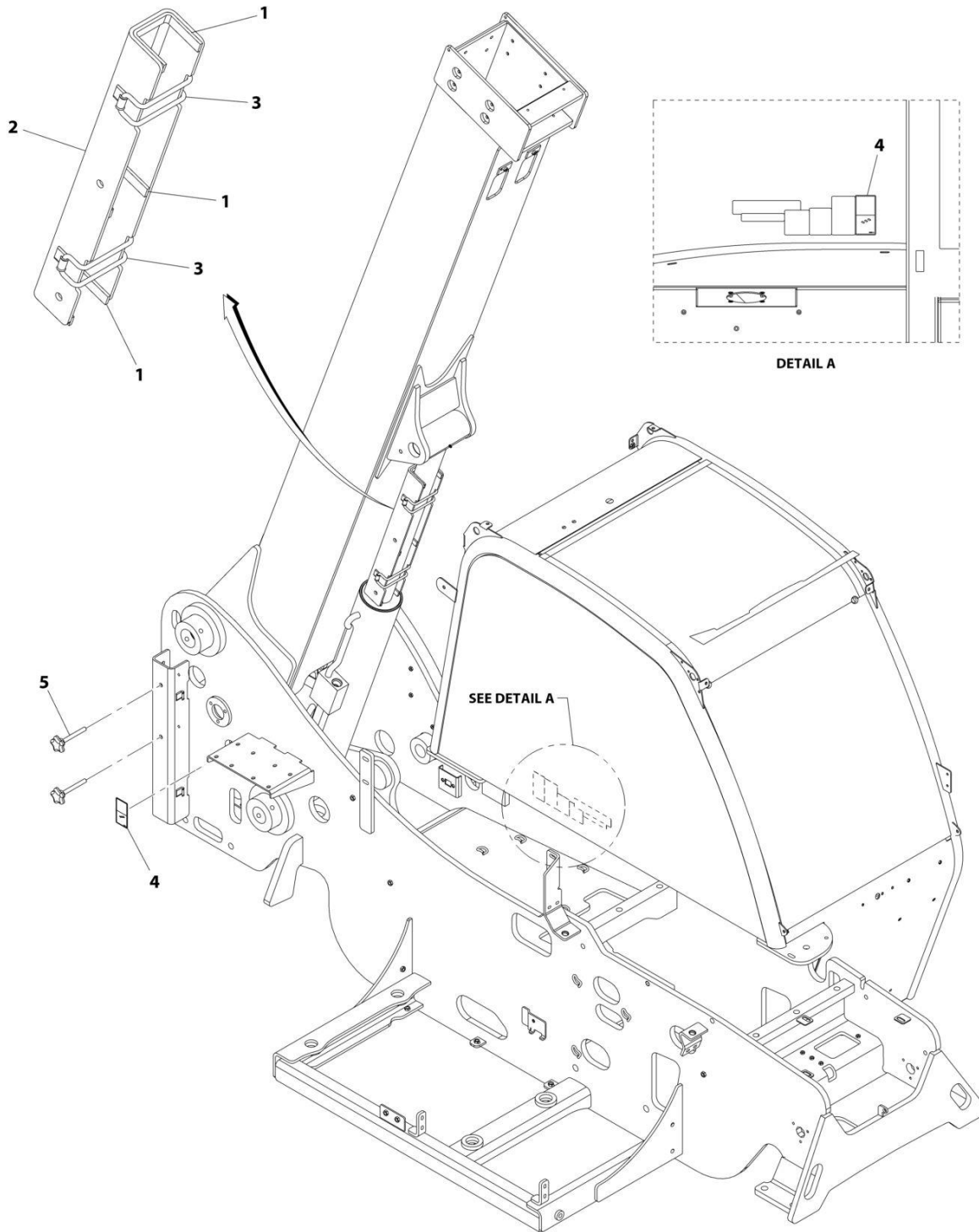
SECTION 1 - FRAME AND ATTACHING PARTS

FIGURE 1-22. LICENSE HOLDER INSTALLATION, LARGE

ITEM	PART NUMBER	QTY	DESCRIPTION	REV
	1001239966	Ref	License Holder Installation	A
1	1001239965	1	Hose Clamp Support	
2	0641607	2	Bolt, 3/8-16X7/8	
3	4751600	2	Washer, 3/8	

SECTION 1 - FRAME AND ATTACHING PARTS

FIGURE 1-23. LIFT CYLINDER PROP SUPPORT



ART_1001201659-A

SECTION 1 - FRAME AND ATTACHING PARTS

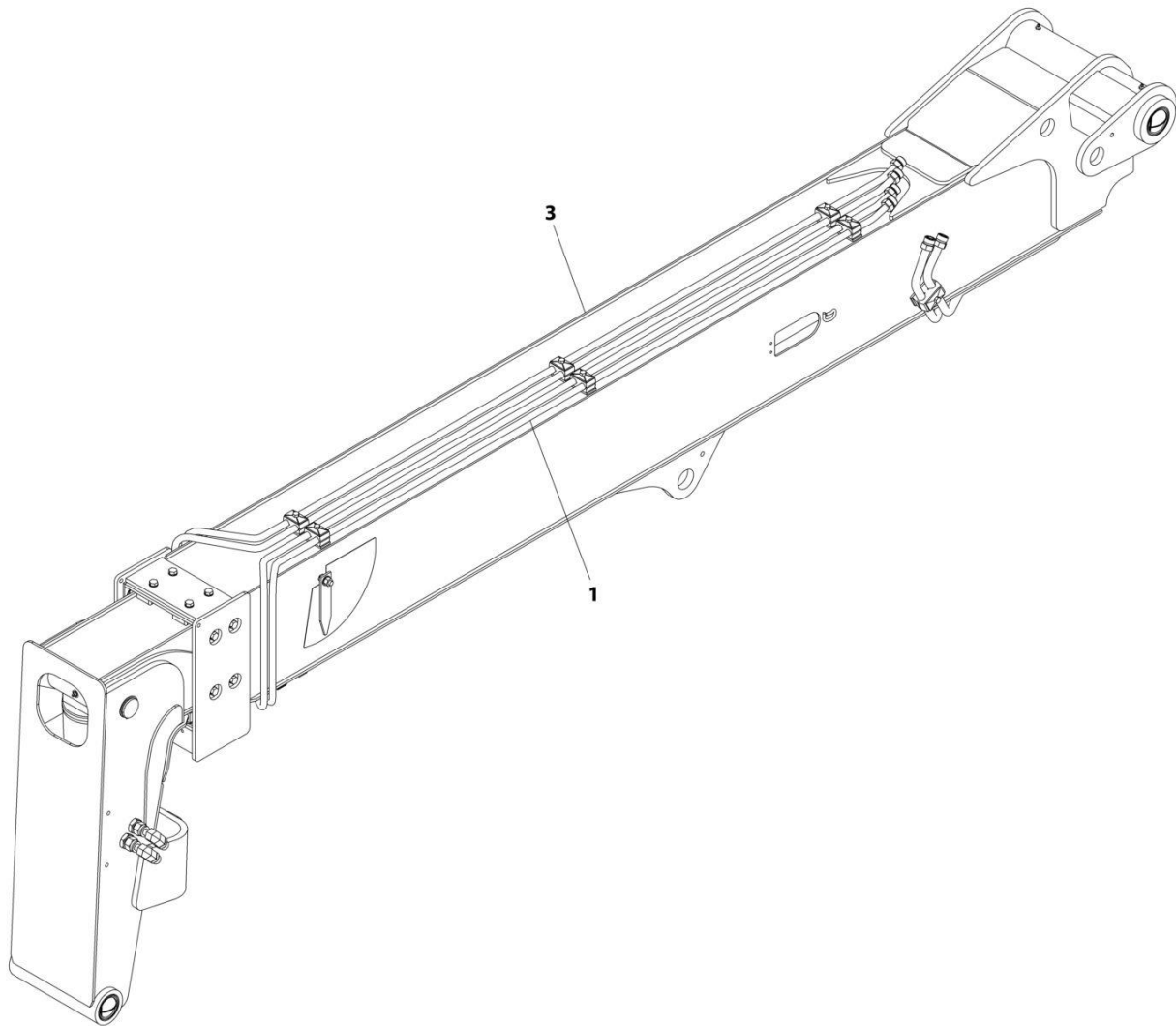
FIGURE 1-23. LIFT CYLINDER PROP SUPPORT

ITEM	PART NUMBER	QTY	DESCRIPTION	REV
	1001201659	Ref	Lift Cylinder Lock Installation	A
1	909304	640 mm	Rubber Profile, 18X5mm	
2	1271599	1	Lift Cylinder Lock Weldment	
3	1784861	2	O-Ring	
4	8005671	2	Cylinder Lock Warning Decal	
5	1001099887	2	Handle Screw, 12X103mm	

SECTION 2 - BOOM

SECTION 2 - BOOM

FIGURE 2-1. BOOM ASSEMBLY INSTALLATION, STD W/AUX



ART_1001233661-B

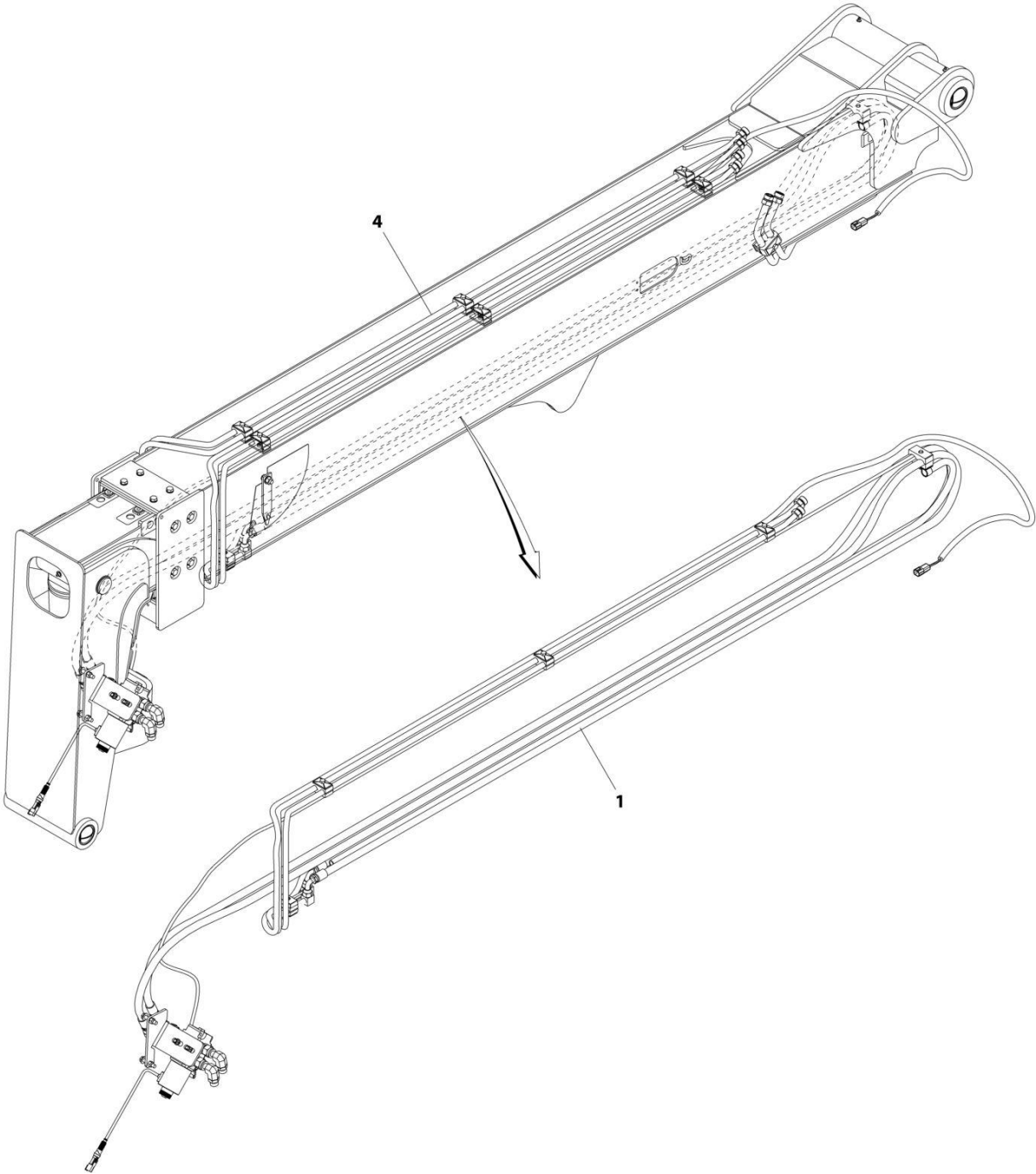
SECTION 2 - BOOM

FIGURE 2-1. BOOM ASSEMBLY INSTALLATION, STD W/AUX

ITEM	PART NUMBER	QTY	DESCRIPTION	REV
1	1001233661	Ref	Boom Assembly Installation, STD W/AUX	B
	1001237192	Ref	Installation, Standard Auxiliary Hydraulics (See Separate Breakdown in HYDRAULIC CIRCUITS Section)	
3	1001233660	Ref	Installation, Boom W/O Auxiliary (See Separate Breakdown in this Section)	

SECTION 2 - BOOM

FIGURE 2-2. BOOM ASSEMBLY INSTALLATION, W/AUX FOR QS



ART_1001233662-B

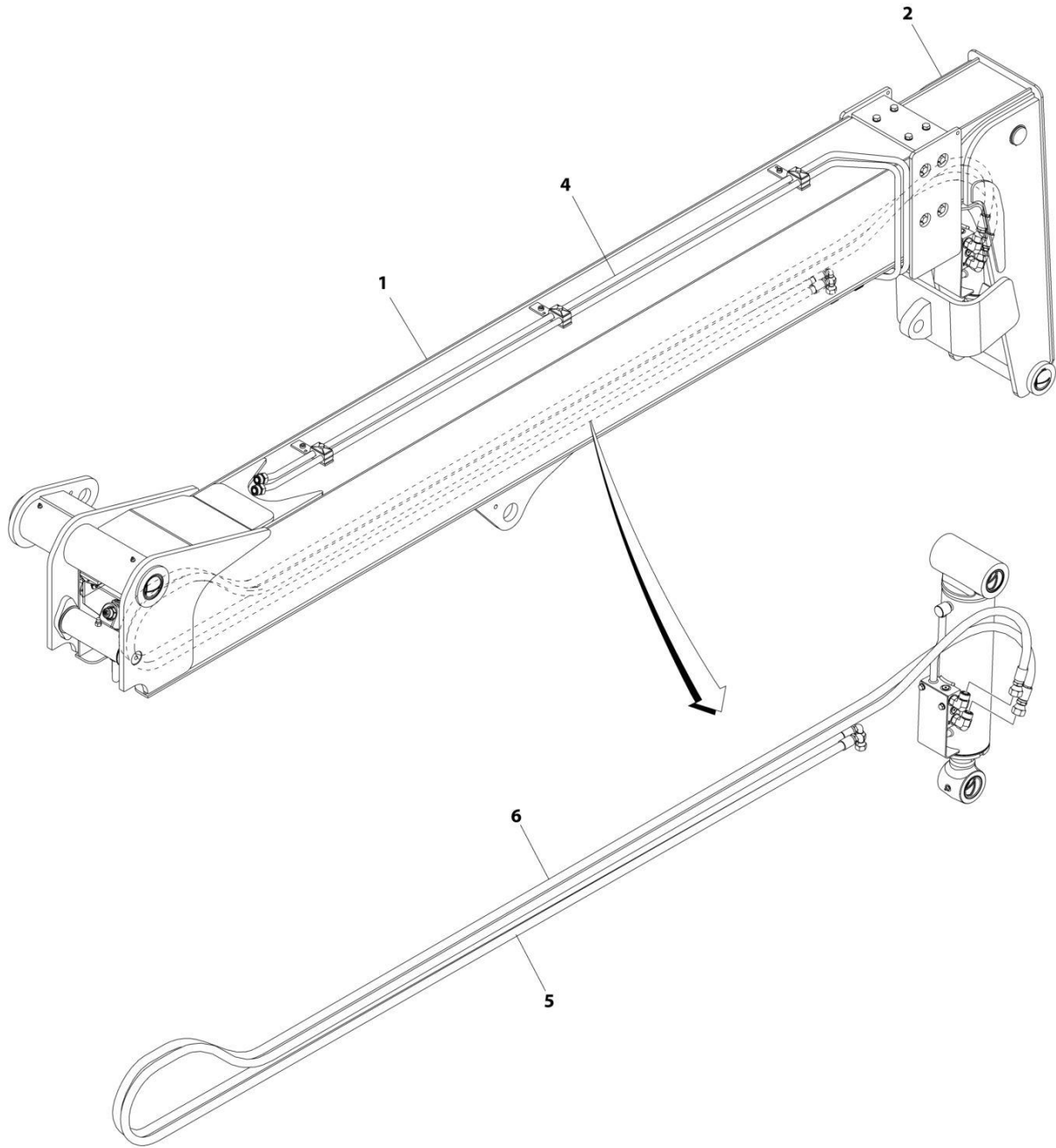
SECTION 2 - BOOM

FIGURE 2-2. BOOM ASSEMBLY INSTALLATION, W/AUX FOR QS

ITEM	PART NUMBER	QTY	DESCRIPTION	REV
1	1001233662	Ref	Boom Assembly Installation, W/AUX for QS	B
	1001237214	Ref	Installation, Auxiliary Hydraulics W/Quick Switch (See Separate Breakdown in HYDRAULIC CIRCUITS Section)	
4	1001233660	Ref	Installation, Boom W/O Auxiliary Assembly (See Separate Breakdown in this Section)	

SECTION 2 - BOOM

FIGURE 2-3. BOOM INSTALLATION, W/O AUXILIARY HYDRAULICS (PVC 1911)



ART_1001233660-B

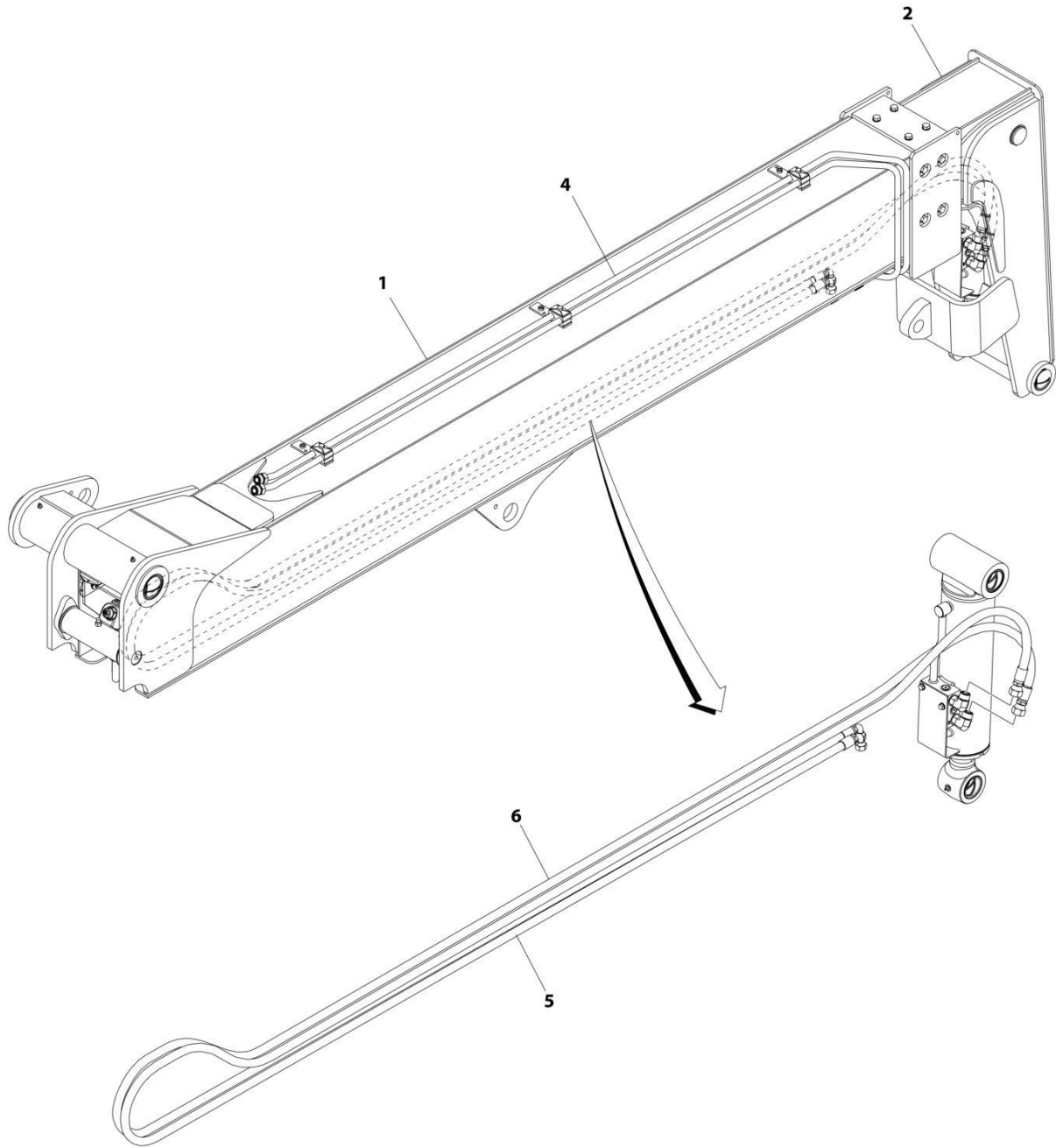
SECTION 2 - BOOM

FIGURE 2-3. BOOM INSTALLATION, W/O AUXILIARY HYDRAULICS (PVC 1911)

ITEM	PART NUMBER	QTY	DESCRIPTION	REV
	1001233660	Ref	Boom Assembly Installation, W/O Auxiliary	B
1	1001130338	1	First Boom Section	
2	1001228447	1	Second Boom Section	
4	1001233720	Ref	Installation, Boom Assembly (See Separate Breakdown in this Section)	
5	1001236782	1	Hose	
6	1001236783	1	Hose	

SECTION 2 - BOOM

FIGURE 2-4. BOOM INSTALLATION, W/O AUXILIARY HYDRAULICS (PVC 2005)



ART_1001233660-C

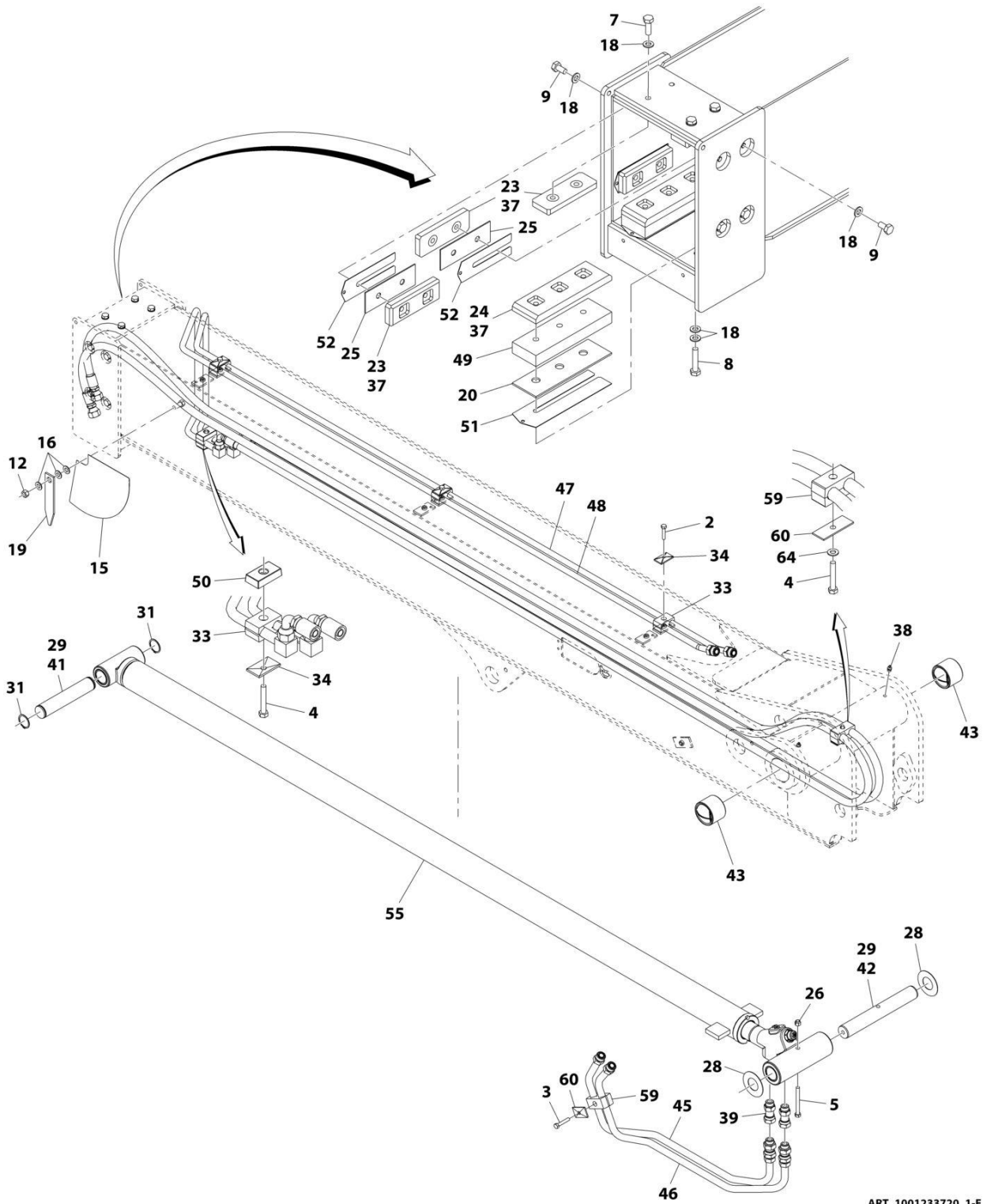
SECTION 2 - BOOM

FIGURE 2-4. BOOM INSTALLATION, W/O AUXILIARY HYDRAULICS (PVC 2005)

ITEM	PART NUMBER	QTY	DESCRIPTION	REV
	1001233660	Ref	Boom Assembly Installation, W/O Auxiliary	C
1	1001247326	1	First Boom Section	
2	1001228447	1	Second Boom Section	
4	1001233720	Ref	Installation, Boom Assembly (See Separate Breakdown in this Section)	
5	1001247194	1	Hose	
6	1001247195	1	Hose	

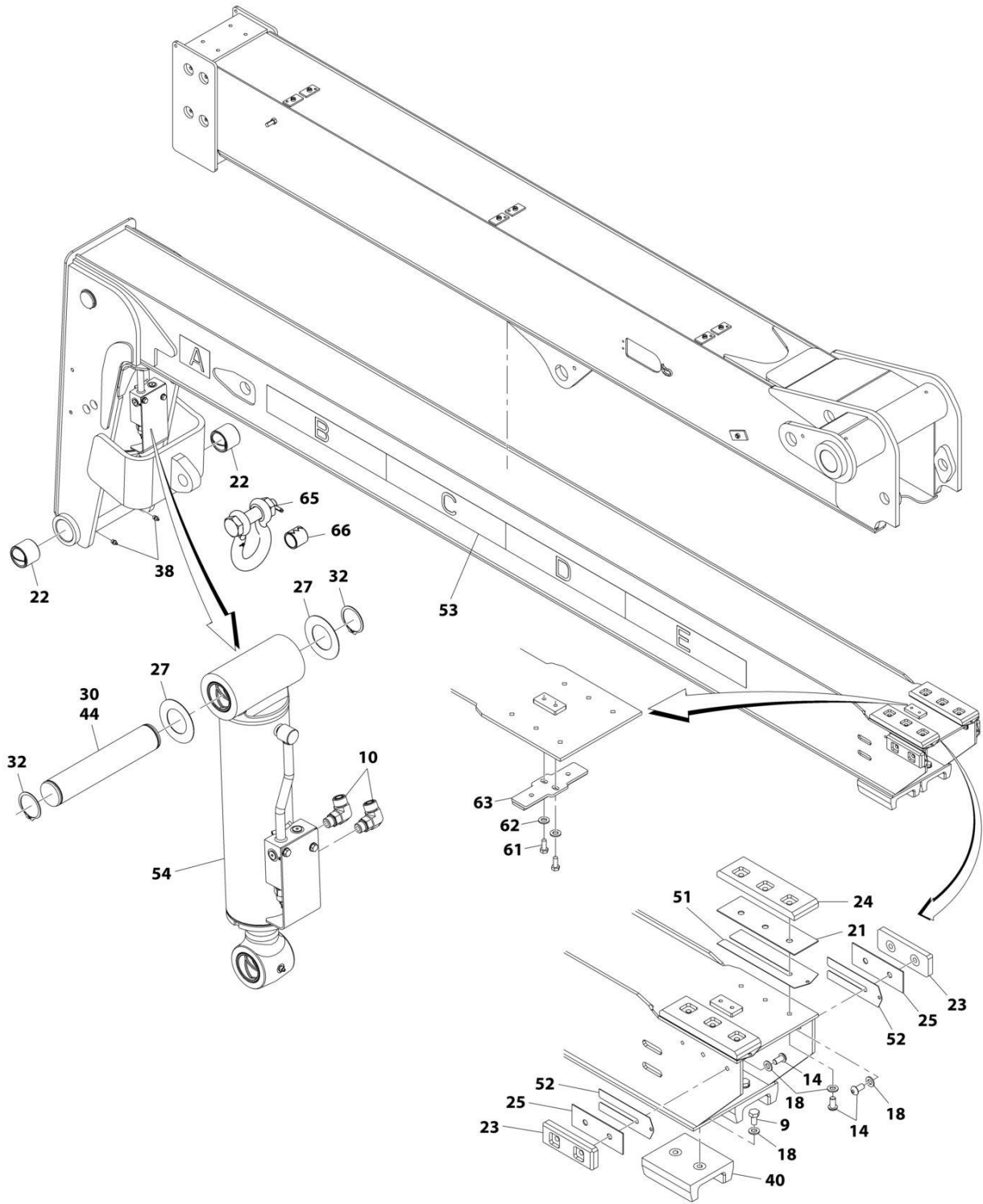
SECTION 2 - BOOM

FIGURE 2-5. BOOM W/O AUXILIARY HYDRAULIC INSTALLATION (PVC 1911)



ART_1001233720_1-E

SECTION 2 - BOOM



ART_1001233720_2-E

SECTION 2 - BOOM

FIGURE 2-5. BOOM W/O AUXILIARY HYDRAULIC INSTALLATION (PVC 1911)

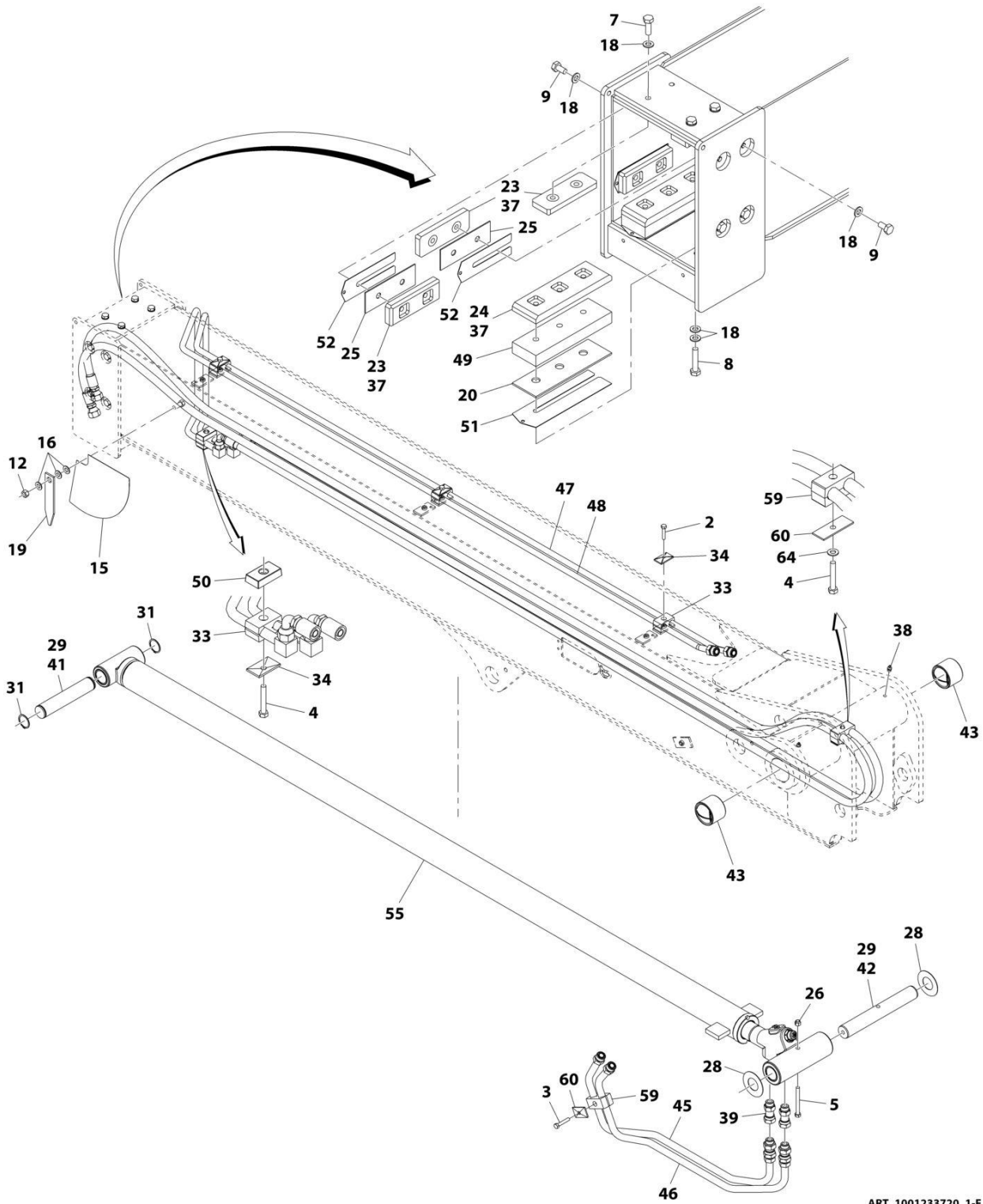
ITEM	PART NUMBER	QTY	DESCRIPTION	REV
	1001233720	Ref	Boom W/O Auxiliary Hydraulic Installation	E
2	0641512	3	Hex HD Capscrew, 5/16-18X1-1/2, GR5	
3	0641514	1	Hex HD Capscrew, 5/16-18X1-3/4, GR5	
4	0641516	2	Hex HD Capscrew, 5/16-18X2, GR5	
5	0641628	1	Hex HD Capscrew, 3/8-16X3-1/2, GR5	
7	0701014	4	Bolt, M10X30	
8	0701018	6	Hex HD Capscrew, M10X50, GR8.8	
9	0761010	12	Hex HD Capscrew, M10X20, GR8.8	
10	2131008	2	Fitting, 90 ORFS	
12	3311705	1	Locknut, 7/16-14	
14	3900393	10	Button HD Capscrew, M10-1.5X20	
15	4105262	1	Boom Angle Decal	
16	4711700	3	Flat Washer, 7/16	
18	4812000	38	Washer, M10	
19	7075611	1	Boom Angle Indicator	
20	7082362	AR	Spacer	
21	7126182	AR	Spacer	
22	7126662	2	Chain Sheave Bushing	
23	7300032	8	Wear Pad	
24	7300034	4	Wear Pad	
25	7300518	AR	Spacer, 1.90mm	
26	8305645	1	Hex Locknut, 3/8-16	
27	8307904	AR	Shim Washer, 2X0.048X3	
28	8310160	AR	Shim Washer, 1.50X0.048X3.00	
29	8522012	AR	Anti-Seize Lube	
30	8522031	AR	Multi-Purpose Grease	
31	8642207	2	Retaining Ring, 1.50	
32	8642224	2	Retaining Ring, 2.00	
33	8769122	4	Clamp Set, 5/8 Dia	
34	8769123	4	Twin Cover Plate	
37	14404793	AR	Mystik Tetrimoly Grease	
38	88671001	4	Straight Lube Fitting, 1/8	
39	1001001556	2	Fitting, Straight ORFS	
40	1001080050	2	Wear Pad Channel Assy	
41	1001080116	1	Base Pin	
42	1001080117	1	Rod Pin	
43	1001080124	2	Bushing	
44	1001080152	1	Base Pin	
45	1001080203	1	Tube Assy	
46	1001080204	1	Tube Assy	
47	1001080205	1	Tube Assy	
48	1001080206	1	Tube Assy	
49	1001080391	2	Wear Pad Spacer	
50	1001080394	1	Twin Line Clamp Spacer	
51	1001096584	AR	Shim	
52	1001096585	AR	Shim	
53	1001099783	1	Boom Extend Decal	
54	1001200581	1	Cylinder, Tilt (See Separate Breakdown in Hydraulic Components Section)	
55	1001201668	1	Cylinder, Extend/Retract (See Separate Breakdown in	

SECTION 2 - BOOM

ITEM	PART NUMBER	QTY	DESCRIPTION	REV
			HYDRAULIC COMPONENT Section)	
59	77133136	2	Set Clamp	
60	77133137	2	Cover Plate	
61	0760810	2	Hex HD Capscrew, M8X20, GR8.8	
62	4811900	2	Washer, M8	
63	1001238317	1	Bracket	
64	4711500	1	Washer, 5/16	
65	1001204045	1	Clevis	
66	1001204047	1	Sleeve	

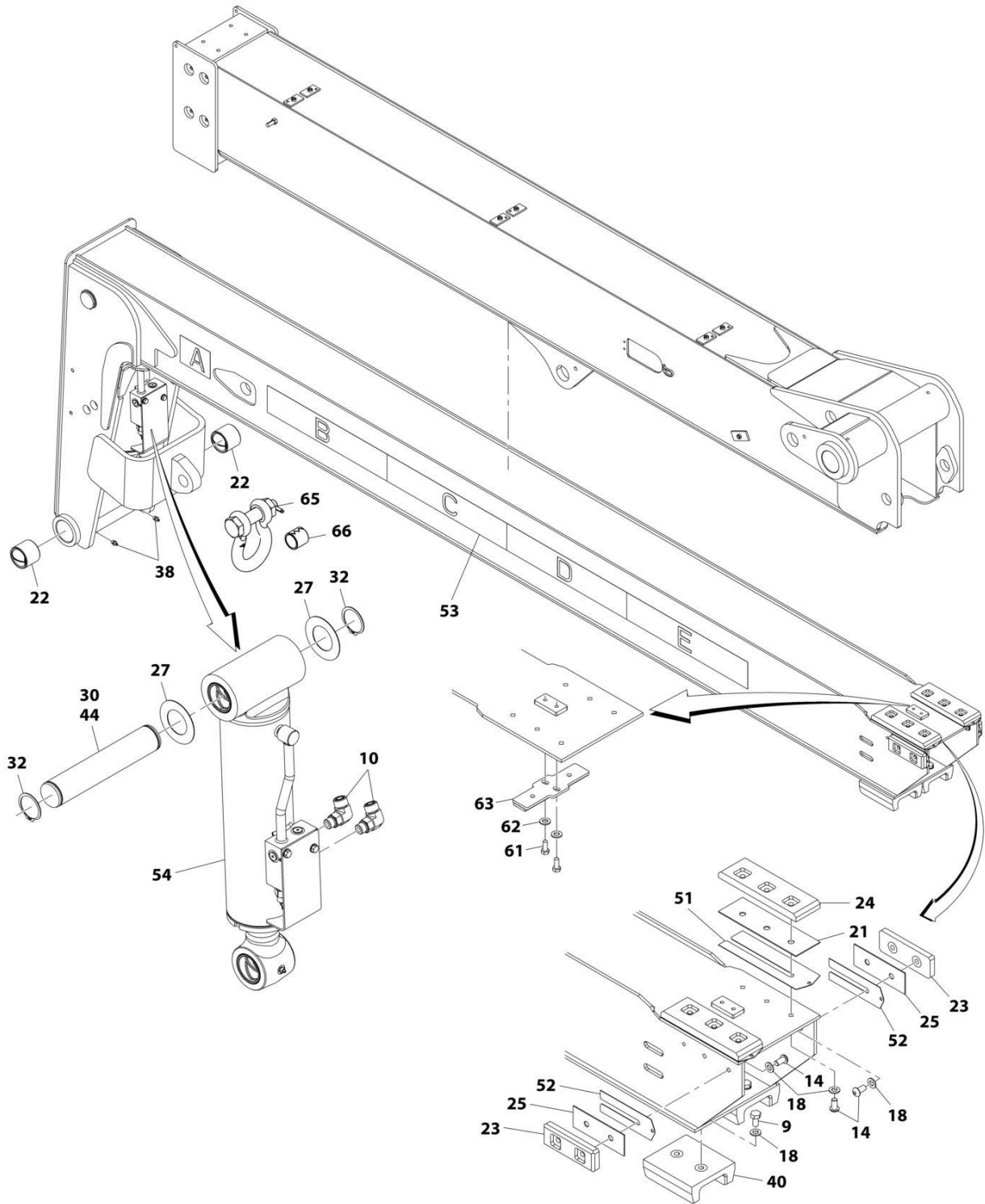
SECTION 2 - BOOM

FIGURE 2-6. BOOM W/O AUXILIARY HYDRAULIC INSTALLATION (PVC 2005)



ART_1001233720_1-F

SECTION 2 - BOOM



ART_1001233720_2-F

SECTION 2 - BOOM

FIGURE 2-6. BOOM W/O AUXILIARY HYDRAULIC INSTALLATION (PVC 2005)

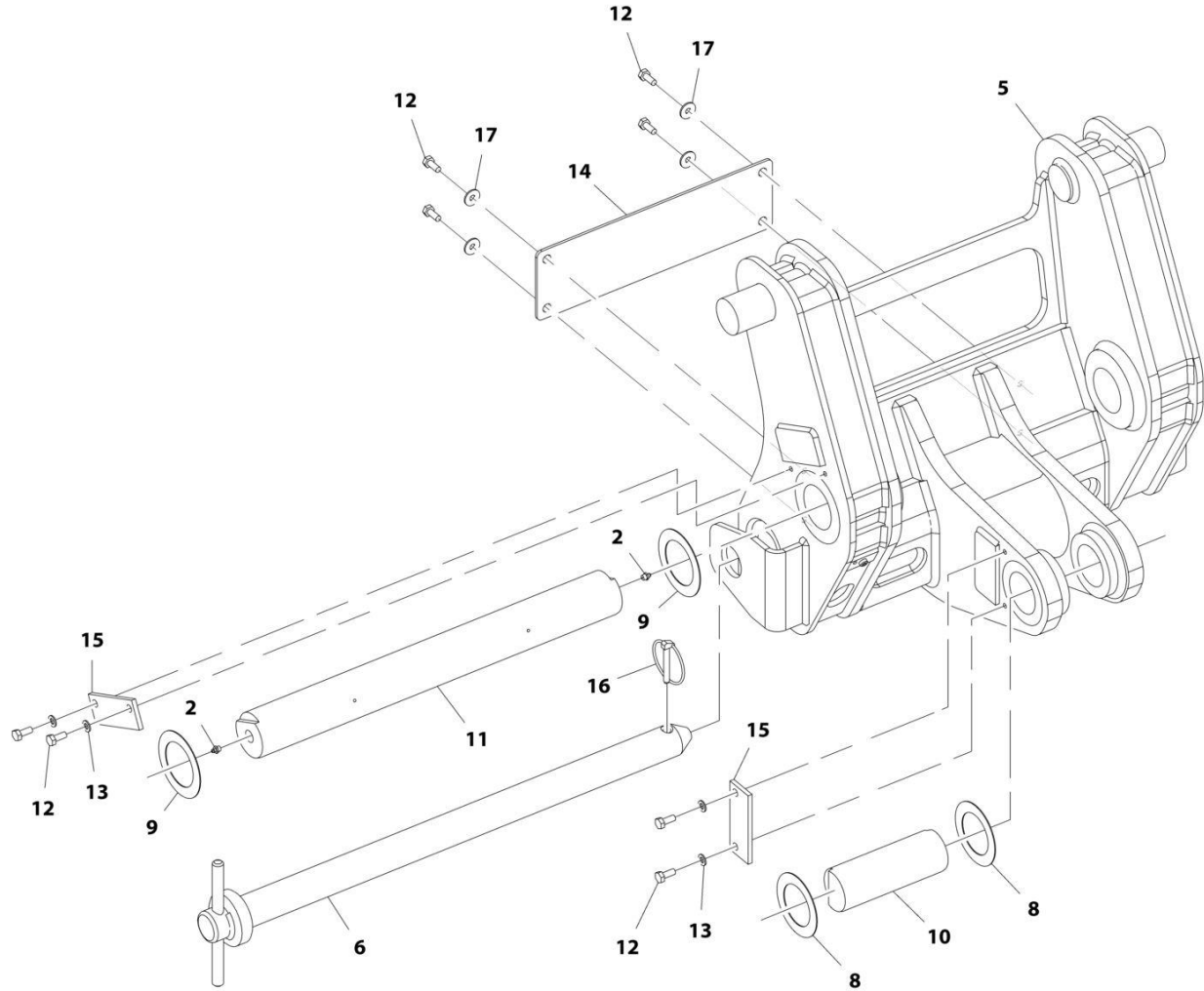
ITEM	PART NUMBER	QTY	DESCRIPTION	REV
	1001233720	Ref	Boom W/O Auxiliary Hydraulic Installation	F
2	0641512	3	Hex HD Capscrew, 5/16 x 1-1/2, GR5	
3	0641514	1	Hex HD Capscrew, 5/16 x 1-3/4, GR5	
4	0641516	2	Hex HD Capscrew, 5/16 x 2, GR5	
5	0641628	1	Hex HD Capscrew, 3/8 x 3-1/2, GR5	
7	0701014	4	Bolt, M10X30	
8	0701018	6	Hex HD Capscrew, M10 x 50, GR8.8	
9	0761010	12	Hex HD Capscrew, M10 x 20, GR8.8	
10	2131008	2	Fitting, 90 ORFS	
12	3311705	1	Locknut, 7/16-14	
14	3900393	10	Button HD Capscrew, M10 X 20	
15	4105262	1	Boom Angle Decal	
16	4711700	3	Flat Washer, 7/16	
18	4812000	38	Washer, M10	
19	7075611	1	Boom Angle Indicator	
20	7082362	AR	Spacer	
21	7126182	AR	Spacer	
22	7126662	2	Chain Sheave Bushing	
23	7300032	8	Wear Pad	
24	7300034	4	Wear Pad	
25	7300518	AR	Spacer, 1.90mm	
26	8305645	1	Hex Locknut, 3/8-16	
27	8307904	AR	Shim Washer, 2X0.048X3	
28	8310160	AR	Shim Washer, 1.50X0.048X3.00	
29	8522012	AR	Anti-Seize Lube	
30	8522031	AR	Multi-Purpose Grease	
31	8642207	2	Retaining Ring, 1.50	
32	8642224	2	Retaining Ring, 2.00	
33	8769122	4	Clamp Set, 5/8 Dia	
34	8769123	4	Twin Cover Plate	
37	14404793	AR	Mystik Tetrimoly Grease	
38	88671001	4	Straight Lube Fitting, 1/8	
39	1001001556	2	Fitting, Straight ORFS	
40	1001080050	2	Wear Pad Channel Assy	
41	1001080116	1	Base Pin	
42	1001080117	1	Rod Pin	
43	1001080124	2	Bushing	
44	1001080152	1	Base Pin	
45	1001080203	1	Tube Assy	
46	1001080204	1	Tube Assy	
47	1001247191	1	Tube Assy	
48	1001247190	1	Tube Assy	
49	1001080391	2	Wear Pad Spacer	
50	1001080394	1	Twin Line Clamp Spacer	
51	1001096584	AR	Shim	
52	1001096585	AR	Shim	
53	1001099783	1	Boom Extend Decal	
54	1001200581	1	Cylinder, Tilt (See Separate Breakdown in Hydraulic Components Section)	
55	1001201668	1	Cylinder, Extend/Retract (See Separate Breakdown in	

SECTION 2 - BOOM

ITEM	PART NUMBER	QTY	DESCRIPTION	REV
			HYDRAULIC COMPONENT Section)	
59	77133136	2	Set Clamp	
60	77133137	2	Cover Plate	
61	0760810	2	Hex HD Capscrew, M8X20, GR8.8	
62	4811900	2	Washer, M8	
63	1001238317	1	Bracket	
64	4711500	1	Washer, 5/16	
65	1001204045	1	Clevis	
66	1001204047	1	Sleeve	

SECTION 2 - BOOM

FIGURE 2-7. COUPLER INSTALLATION (MANUAL)



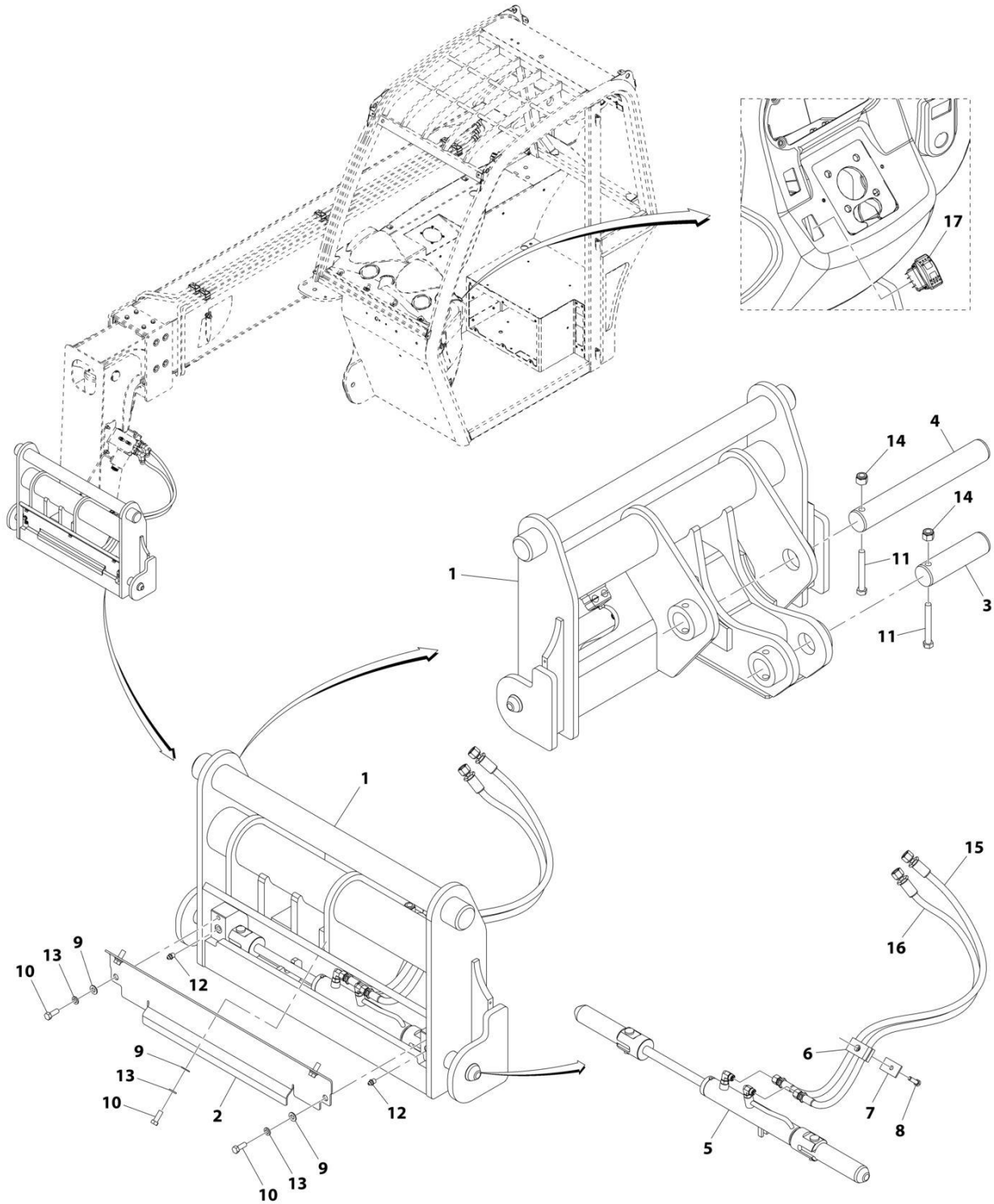
ART_1001174104-G

FIGURE 2-7. COUPLER INSTALLATION (MANUAL)

ITEM	PART NUMBER	QTY	DESCRIPTION	REV
	1001174104	Ref	Coupler Installation (Manual)	G
2	2160016	2	Fitting, Grease	
5	1001187820	1	Coupling, Manual	
6	1001187821	1	Pin	
8	1001187847	AR	Shim	
9	1001187848	AR	Shim	
10	1001190250	1	Pin, Tilt	
11	1001190264	1	Pin	
12	0761012	8	Bolt, M10X25	
13	4812000	4	Washer, M10	
14	1001200393	1	Plate, Front Cover	
15	1001210326	2	Plate	
16	1001003803	1	Pin	
17	4812002	4	Washer, M10	

SECTION 2 - BOOM

FIGURE 2-8. COUPLER INSTALLATION (HYDRAULIC)



ART_1001097255-G

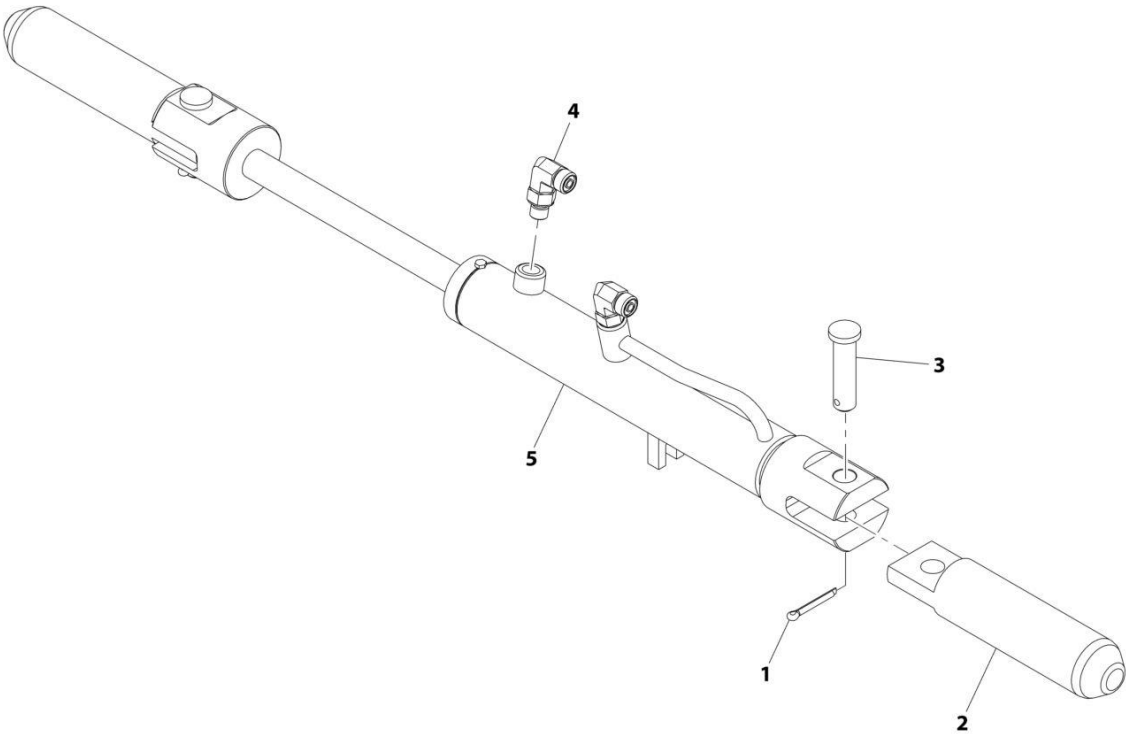
SECTION 2 - BOOM

FIGURE 2-8. COUPLER INSTALLATION (HYDRAULIC)

ITEM	PART NUMBER	QTY	DESCRIPTION	REV
	1001097255	Ref	Coupler Installation (Hydraulic)	G
1	1001097252	1	Hydraulic Quick Coupler Weldment	
2	1001097628	1	Cover Plate	
3	1001097728	1	Fork Cylinder Rod Pin	
4	1001097729	1	Quick Coupler Pivot Pin	
5	1001080333	Ref	Fork Locking Cylinder Kit, (See Separate Breakdown in this Section)	
6	8769122	1	Twin Clamp Set	
7	8769123	1	Twin Cover Plate	
8	8303739	1	Hex HD Capscrew, 5/16-18X1-1/4	
9	4711600	5	Flat Washer, 3/8	
10	0641608	5	Hex HD Capscrew, 3/8-16X1, GR5	
11	0681832	2	Hex HD Capscrew, 1/2-13X4, GR8	
12	2160002	2	Grease Fitting	
13	4761600	5	Lockwasher, 3/8	
14	88521208	2	Locknut, 1/2-13	
15	1001080565	1	Hose Assy	
16	1001096730	1	Hose Assy	
17	1001080375	Ref	Quick Coupler Switch	

SECTION 2 - BOOM

FIGURE 2-9. FORK LOCKING CYLINDER KIT



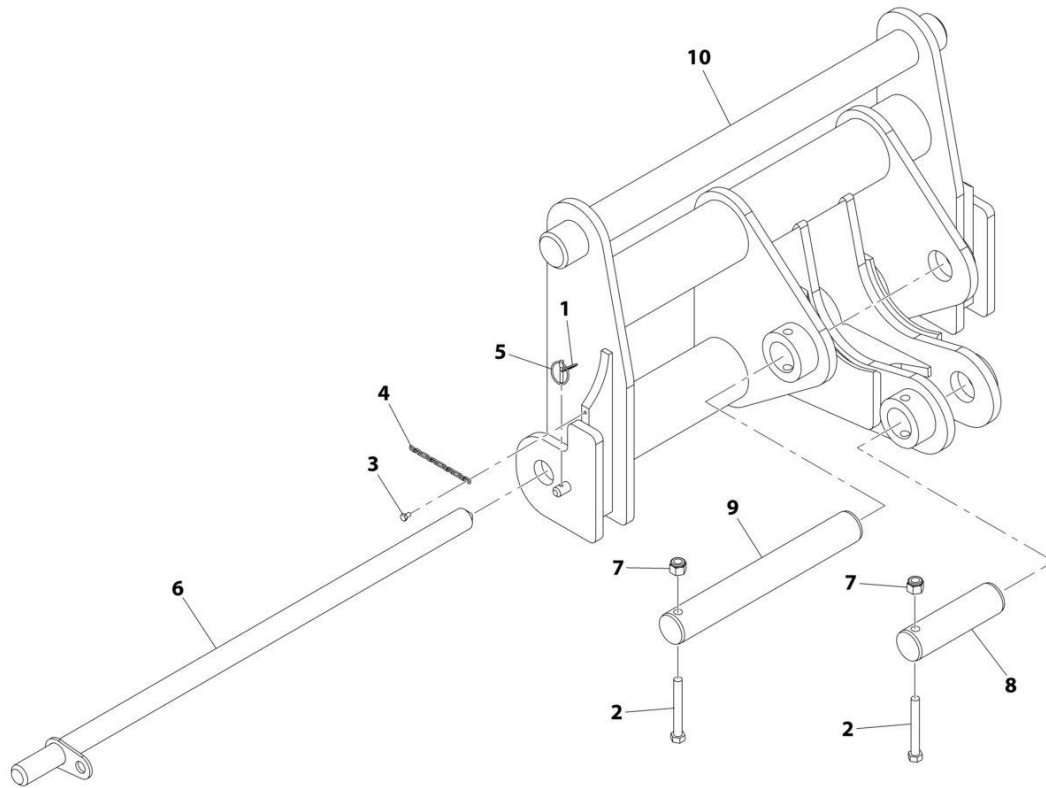
ART_1001080333-C

FIGURE 2-9. FORK LOCKING CYLINDER KIT

ITEM	PART NUMBER	QTY	DESCRIPTION	REV
	1001080333	Ref	Fork Locking Cylinder Kit	C
1	3391410	2	Split Pin	
2	8001888	2	Pin	
3	8002110	2	Clevis Pin	
4	2130404	2	Elbow, 90	
5	1001080334	Ref	Hydraulic Quick Coupler Cylinder, (See Separate Breakdown in HYDRAULIC COMPONENTS Section)	

SECTION 2 - BOOM

FIGURE 2-10. QUICK COUPLER INSTALLATION - MANUAL



ART_1001098472-C

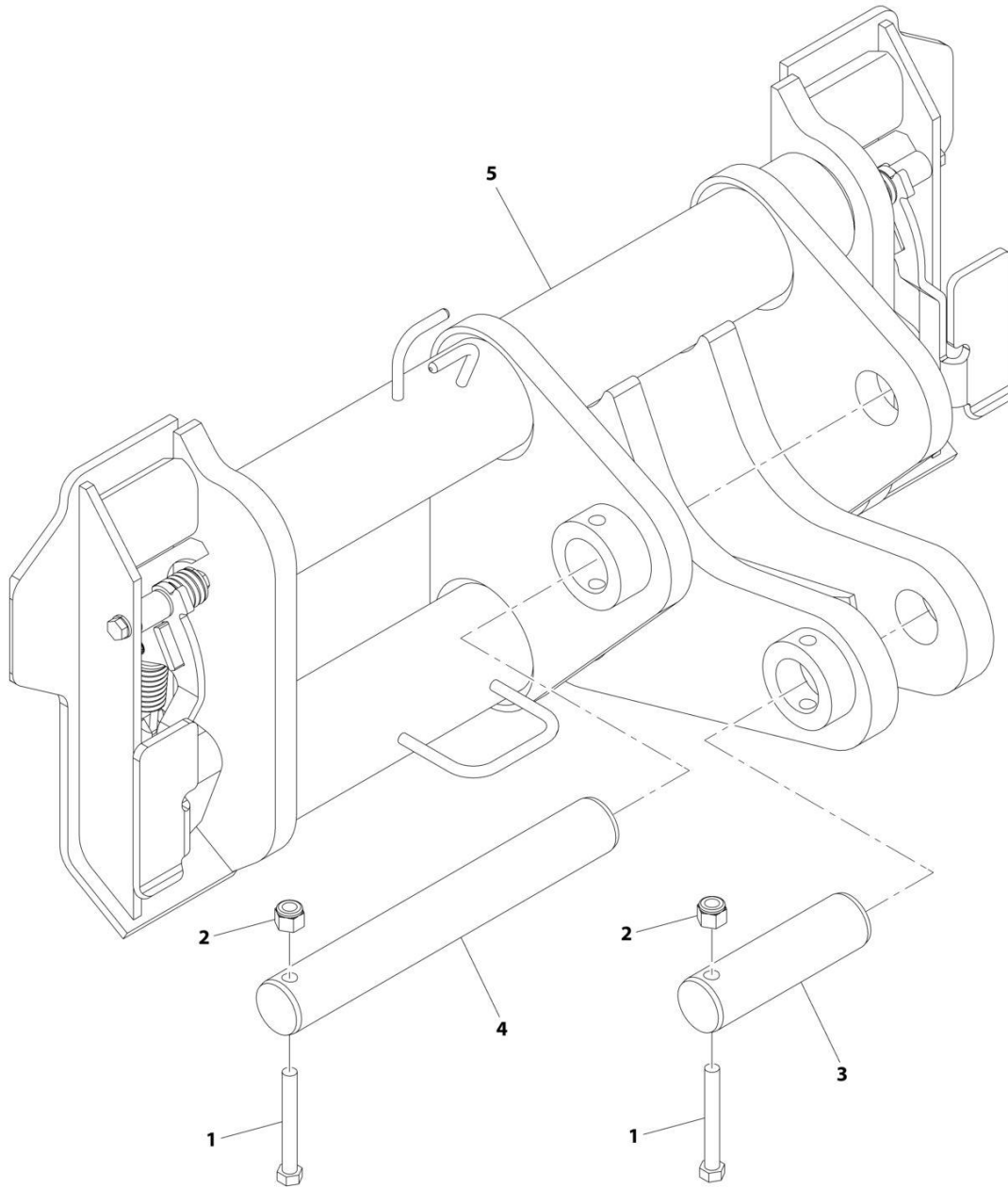
SECTION 2 - BOOM

FIGURE 2-10. QUICK COUPLER INSTALLATION - MANUAL

ITEM	PART NUMBER	QTY	DESCRIPTION	REV
	1001098472	Ref	COUPLER INSTALLATION - MANUAL	C
1	463929	1	Ring	
2	0681832	2	Bolt 1/2 x 4	
3	0760605	1	Bolt M6 x 10	
4	933940	1	Chain	
5	3964987	1	Split Pin	
6	8002027	1	Rod	
7	88521208	2	Nut 1/2	
8	1001097728	1	Fork Cylinder Rod Pin	
9	1001097729	1	Quick Coupler Pivot Pin	
10	1001098171	1	Quick Coupler Weldment	

SECTION 2 - BOOM

FIGURE 2-11. COUPLER INSTALLATION, UNIVERSAL (MANUAL)



ART_1001101185-C

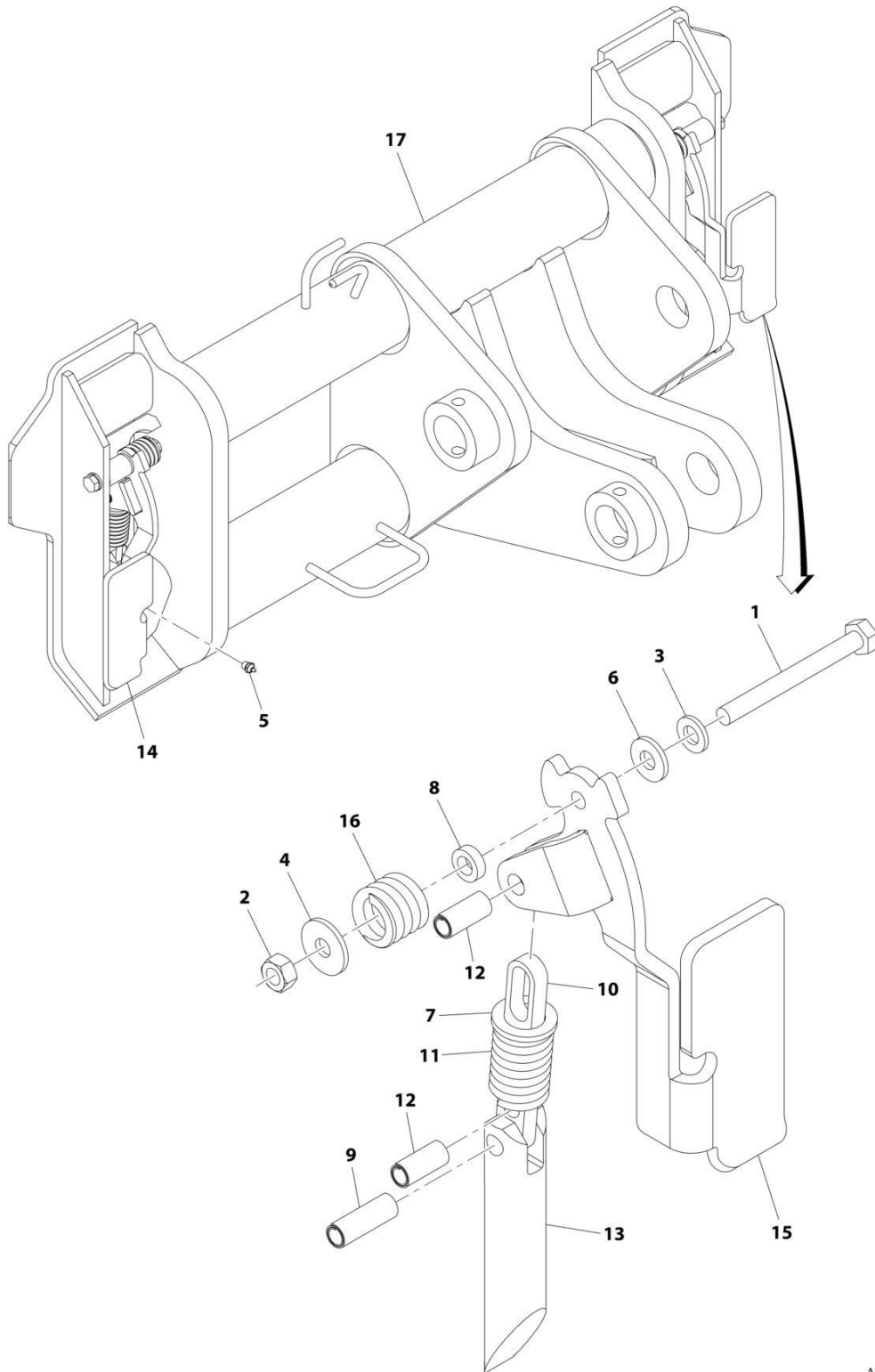
SECTION 2 - BOOM

FIGURE 2-11. COUPLER INSTALLATION, UNIVERSAL (MANUAL)

ITEM	PART NUMBER	QTY	DESCRIPTION	REV
	1001101185	Ref	Coupler Installation, Universal (Manual)	C
1	0681832	2	Hex HD Capscrew, 1/2-13X4, GR8	
2	88521208	2	Locknut, 1/2-13	
3	1001097728	1	Fork Cylinder Rod Pin	
4	1001097729	1	Universal Quick Coupler Pivot Pin	
5	1001117498	Ref	Universal Quick Coupler Assembly (See Separate Breakdown in this Section)	

SECTION 2 - BOOM

FIGURE 2-12. UNIVERSAL QUICK COUPLER ASSEMBLY



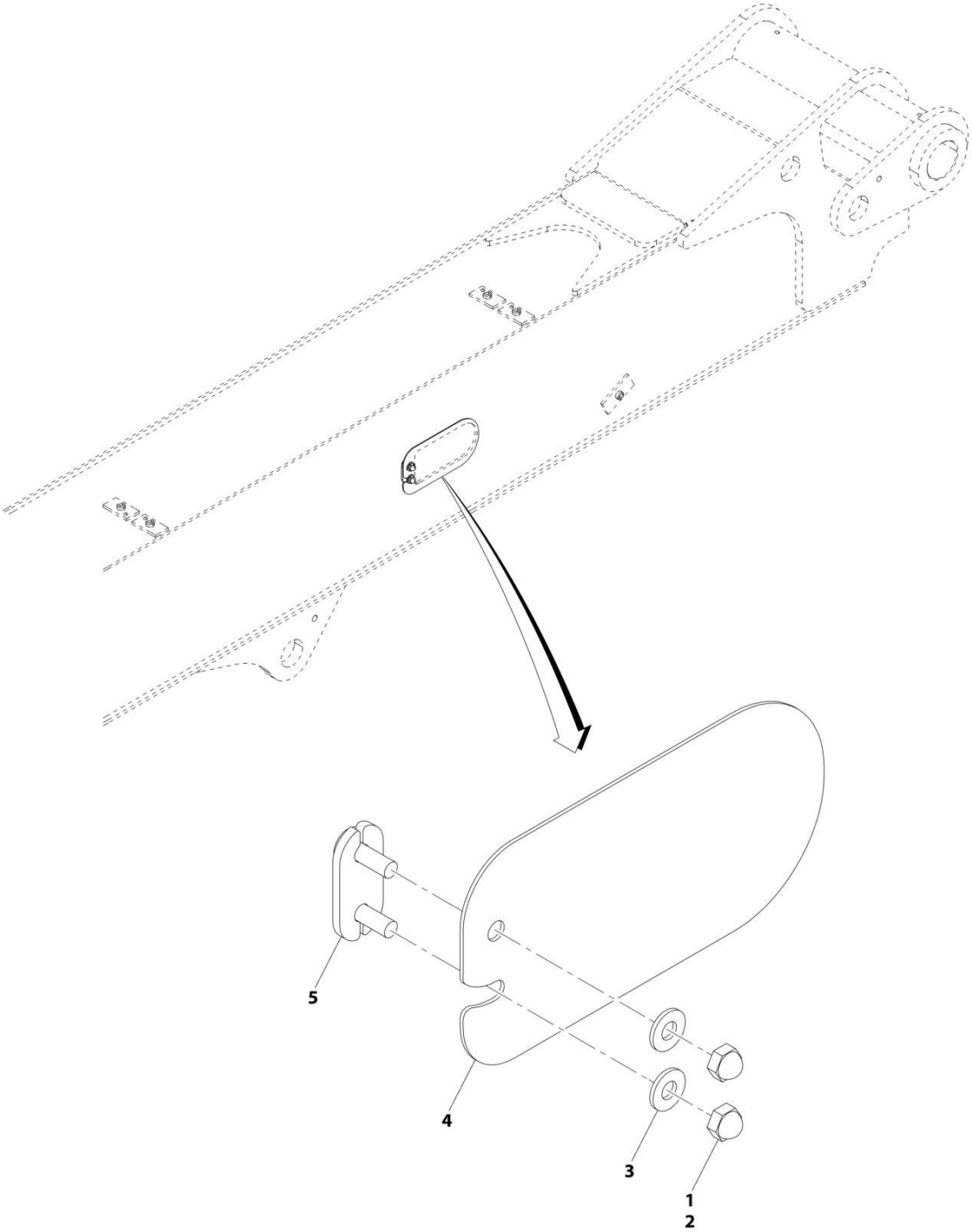
ART_1001117498-C

FIGURE 2-12. UNIVERSAL QUICK COUPLER ASSEMBLY

ITEM	PART NUMBER	QTY	DESCRIPTION	REV
	1001117498	Ref	Universal Quick Coupler Assembly, (if ordering for the first time, refer to Decals Section for the appropriate capacity chart)	C
1	0701027	2	Hex HD Capscrew	
2	3291007	2	Hex Locknut, M10X1.5, Gr8	
3	5241000	2	Washer, 10mm	
4	1001003299	2	Washer	
5	1001008479	2	Grease Fitting	
6	1001008979	2	Washer	
7	1001009094	2	Washer	
8	1001055652	2	Washer	
9	1001061633	2	Spring Pin	
10	1001061659	2	Plate	
11	1001061660	2	Spring	
12	1001061662	4	Spring Pin	
13	1001061891	2	Pin	
14	1001061892	1	LH Handle	
15	1001061893	1	RH Handle	
16	1001062117	2	Spring	
17	N.S.S.	1	Universal Quick Coupler Weldment	

SECTION 2 - BOOM

FIGURE 2-13. BOOM SIDE COVER INSTALLATION



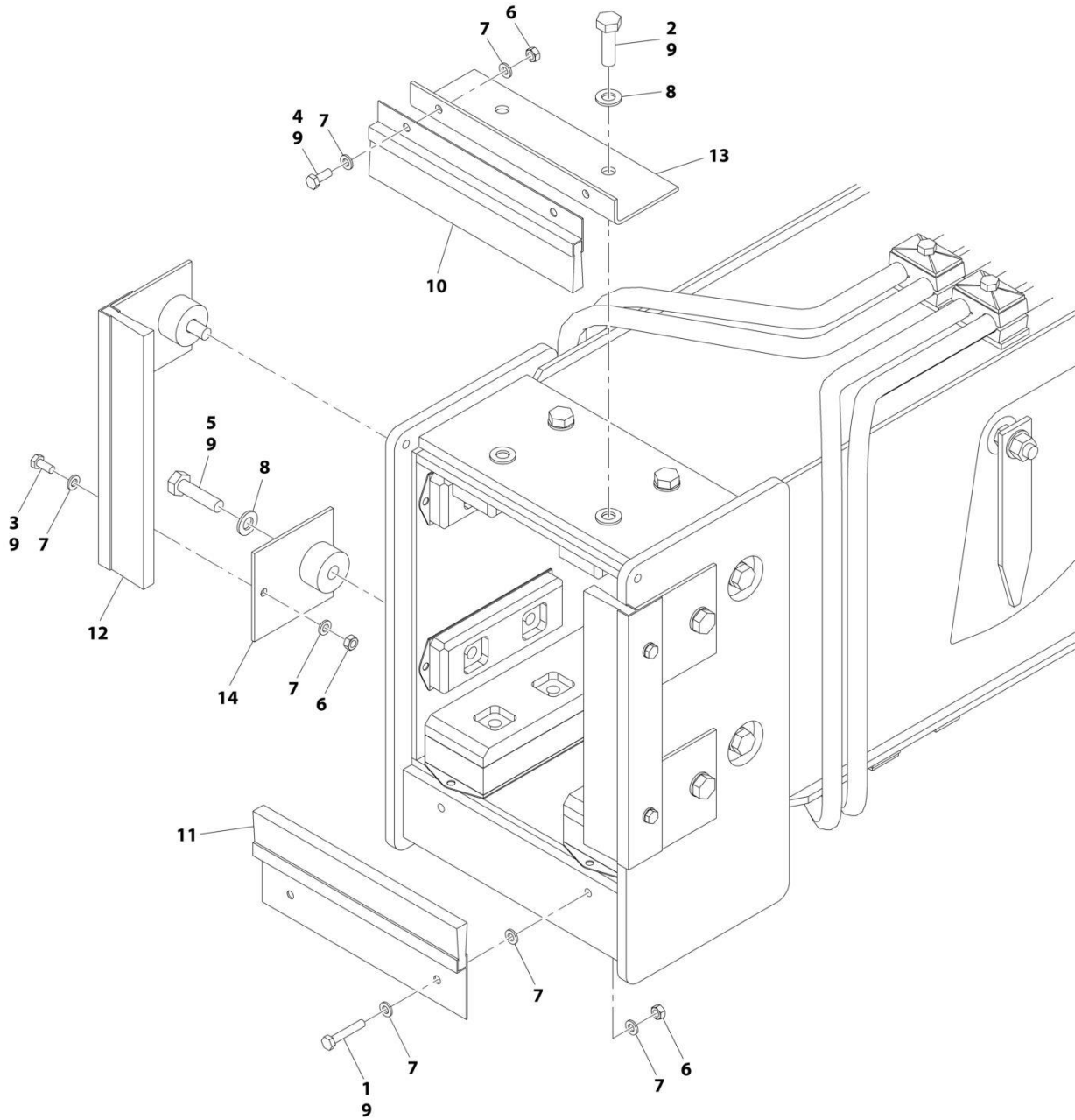
ART_1001139177-C

FIGURE 2-13. BOOM SIDE COVER INSTALLATION

ITEM	PART NUMBER	QTY	DESCRIPTION	REV
	1001139177	Ref	Boom Side Cover Installation	C
1	0100011	AR	Compound, Locking	
2	3300430	2	Acorn Nut, 1/4-20	
3	4711400	2	Washer, 1/4	
4	1001139042	1	Boom Side Cover Panel	
5	1001139043	1	Cover Retainer Screw	

SECTION 2 - BOOM

FIGURE 2-14. BOOM BRUSHES INSTALLATION



ART_1001146888-B

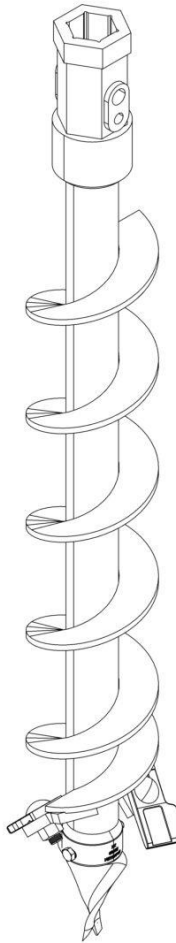
FIGURE 2-14. BOOM BRUSHES INSTALLATION

ITEM	PART NUMBER	QTY	DESCRIPTION	REV
	1001146888	Ref	Boom Brushes Installation	B
1	0700615	2	Hex HD Capscrew, M6X35, GR8.8	
2	0701015	2	Hex HD Capscrew, M10X35, GR8.8	
3	0760607	4	Hex HD Capscrew, M6X14, GR8.8	
4	0760608	2	Hex HD Capscrew, M6X16, GR8.8	
5	0761016	4	Hex HD Capscrew, M10X40, GR8.	
6	3290601	8	Hex Nut, M6X1	
7	4811700	18	Washer, M6	
8	4812000	6	Washer, M10	
9	1001095650	AR	Compound, Locking	
10	1001146830	1	Brush Seal, Boom Top	
11	1001146831	1	Brush Seal, Boom Bottom	
12	1001146832	2	Brush Seal, Boom Side	
13	1001146887	1	Stiffener Bar	
14	1001153277	4	Side Boom Brush Plate	

SECTION 3 - ATTACHMENTS

SECTION 3 - ATTACHMENTS

FIGURE 3-1. AUGER BIT (6INX4IN)



ART_1001204128-B

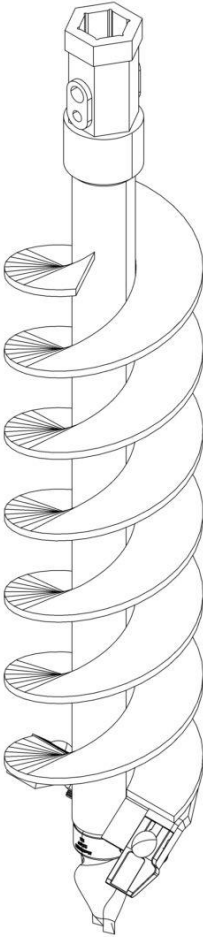
SECTION 3 - ATTACHMENTS

FIGURE 3-1. AUGER BIT (6INX4IN)

ITEM	PART NUMBER	QTY	DESCRIPTION	REV
	1001204128	Ref	Auger Bit (6INX4IN)	B

SECTION 3 - ATTACHMENTS

FIGURE 3-2. AUGER BIT (9INX4IN)



ART_1001204129-B

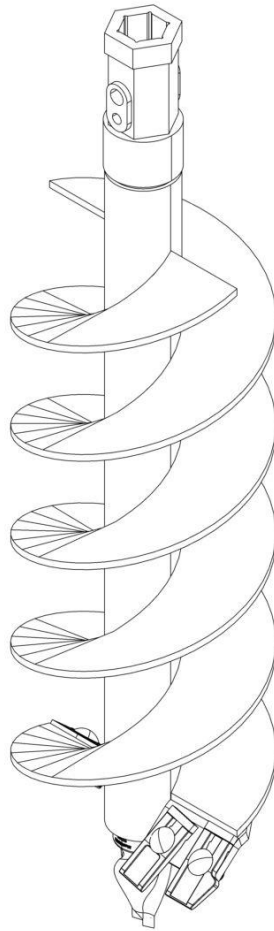
SECTION 3 - ATTACHMENTS

FIGURE 3-2. AUGER BIT (9INX4IN)

ITEM	PART NUMBER	QTY	DESCRIPTION	REV
	1001204129	Ref	Auger Bit (9INX4IN)	B

SECTION 3 - ATTACHMENTS

FIGURE 3-3. AUGER BIT (12INX4IN)



ART_1001204130-B

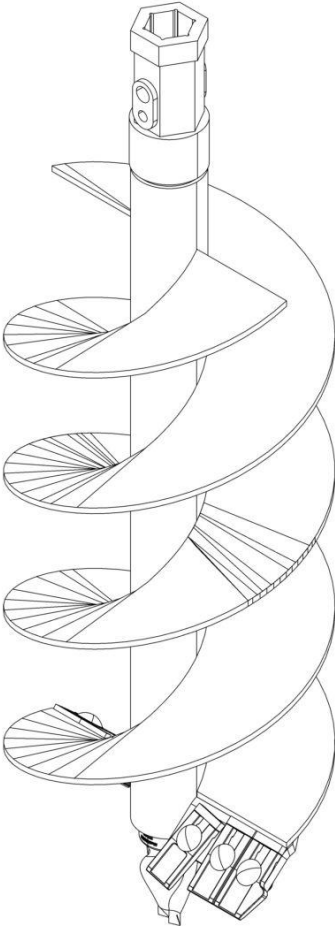
SECTION 3 - ATTACHMENTS

FIGURE 3-3. AUGER BIT (12INX4IN)

ITEM	PART NUMBER	QTY	DESCRIPTION	REV
	1001204130	Ref	Auger Bit (12INX4IN)	B

SECTION 3 - ATTACHMENTS

FIGURE 3-4. AUGER BIT (15INX4IN)



ART_1001204131-B

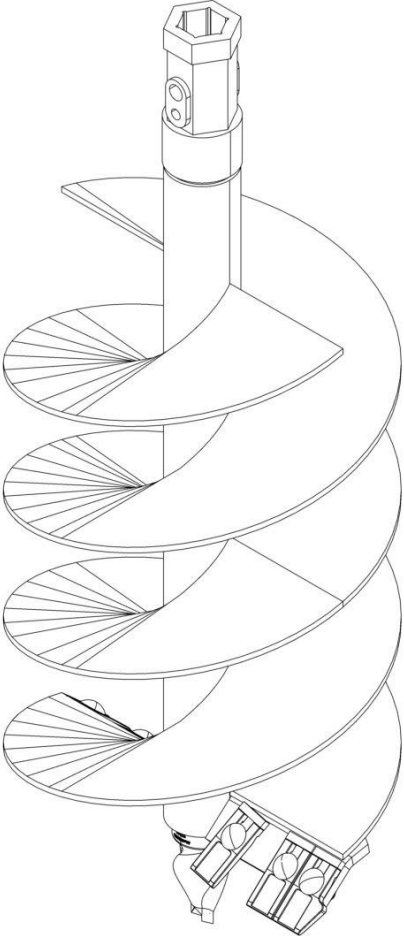
SECTION 3 - ATTACHMENTS

FIGURE 3-4. AUGER BIT (15INX4IN)

ITEM	PART NUMBER	QTY	DESCRIPTION	REV
	1001204131	Ref	Auger Bit (15INX4IN)	B

SECTION 3 - ATTACHMENTS

FIGURE 3-5. AUGER BIT (18INX4IN)



ART_1001204132-B

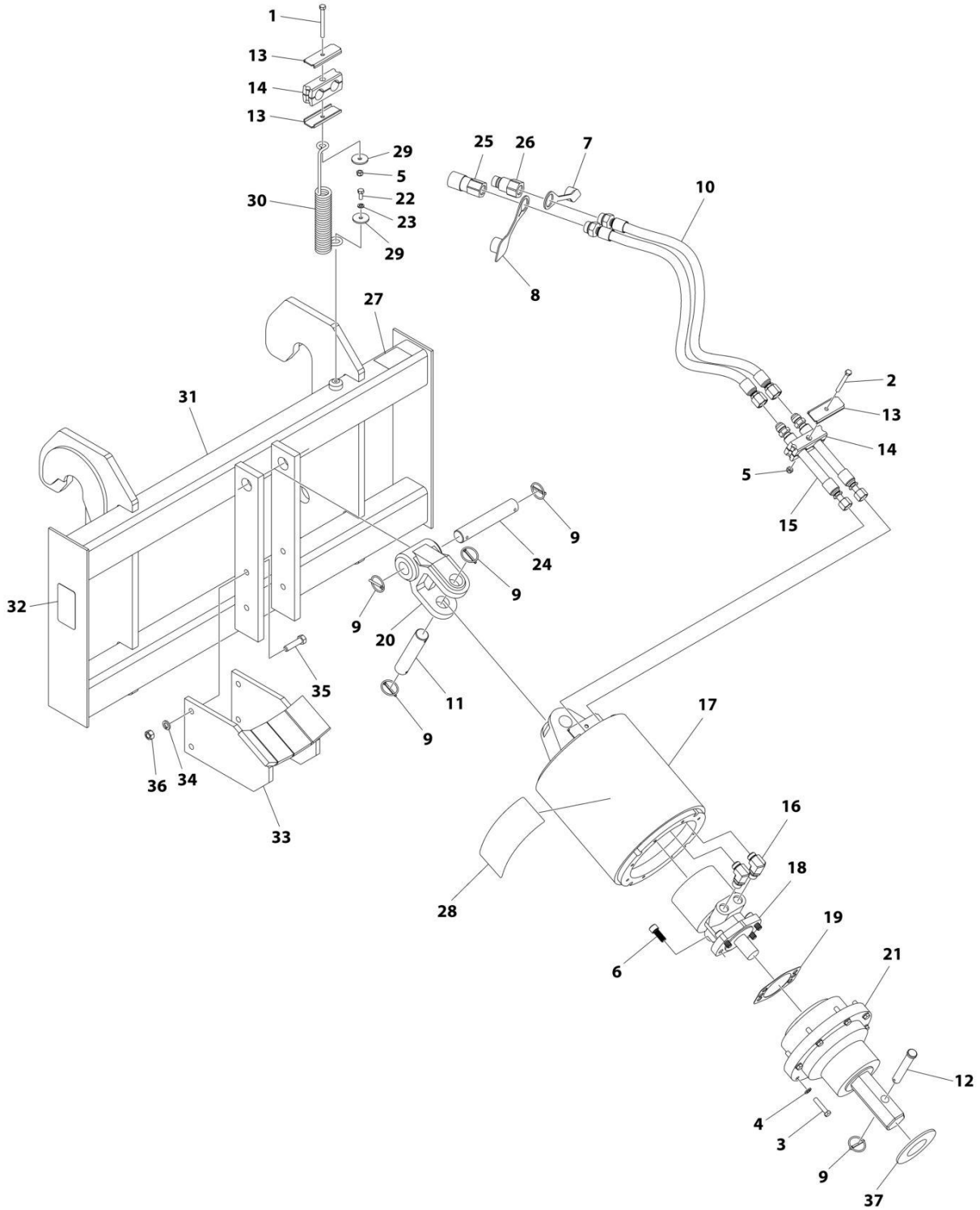
SECTION 3 - ATTACHMENTS

FIGURE 3-5. AUGER BIT (18INX4IN)

ITEM	PART NUMBER	QTY	DESCRIPTION	REV
	1001204132	Ref	Auger Bit (18INX4IN)	B

SECTION 3 - ATTACHMENTS

FIGURE 3-6. AUGER DRIVE ASSEMBLY, STANDARD



ART_1001242617

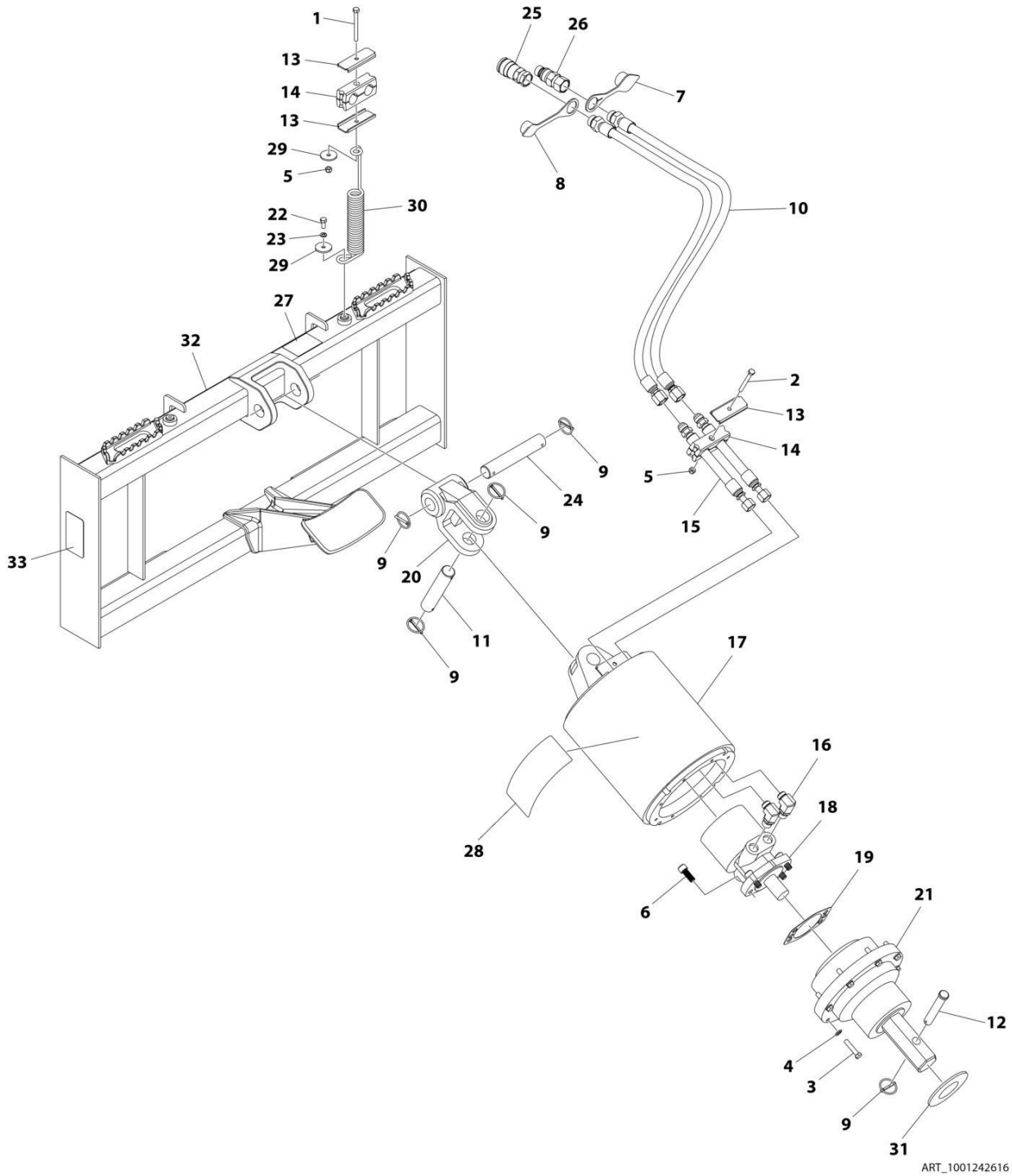
SECTION 3 - ATTACHMENTS

FIGURE 3-6. AUGER DRIVE ASSEMBLY, STANDARD

ITEM	PART NUMBER	QTY	DESCRIPTION	REV
	1001242617	Ref	AUGER DRIVE ASSEMBLY, STANDARD	C
1	90554074	1	Bolt	
2	90554070	1	Bolt	
3	70027774	8	Bolt	
4	90554042	8	Washer	
5	70027775	2	Nut	
6	70027776	4	Bolt	
7	1001093826	1	Dust Cap, Male	
8	1001093827	1	Dust Cap, Female	
9	70027777	5	Pin	
10	70027794	2	Hose	
11	70027781	1	Pin	
12	70027782	1	Pin	
13	70027783	3	Plate	
14	70027784	2	Block	
15	70027789	2	Hose	
16	70027788	2	Fitting	
17	70029696	1	Planetary Housing	
18	70029697	1	Motor	
19	70029314	1	Gasket	
20	70027779	1	Cast Swivel	
21	70027793	1	Planetary, Gearbox Assembly	
22	70027773	1	Bolt	
23	90554067	1	Washer	
24	70027780	1	Pin	
25	1001101042	1	Hydraulic Coupler, Female	
26	1001101041	1	Hydraulic Coupler, Male	
27	70027786	1	Decal, Warning	
28	70037787	2	Decal - Danger	
29	70029698	2	Washer	
30	70029699	1	Spring	
31	See Note	NSS	Weldment (Note: Not Available for Purchase)	
32	See Note	NSS	Serial Tag (Note: Not Available for Purchase)	
33	70027778	1	Bracket	
34	90554020	4	Washer	
35	90554019	4	Bolt	
36	90554054	4	Nut	
37	70029700	1	Seal	

SECTION 3 - ATTACHMENTS

FIGURE 3-7. AUGER DRIVE ASSEMBLY, UNIVERSAL



ART_1001242616

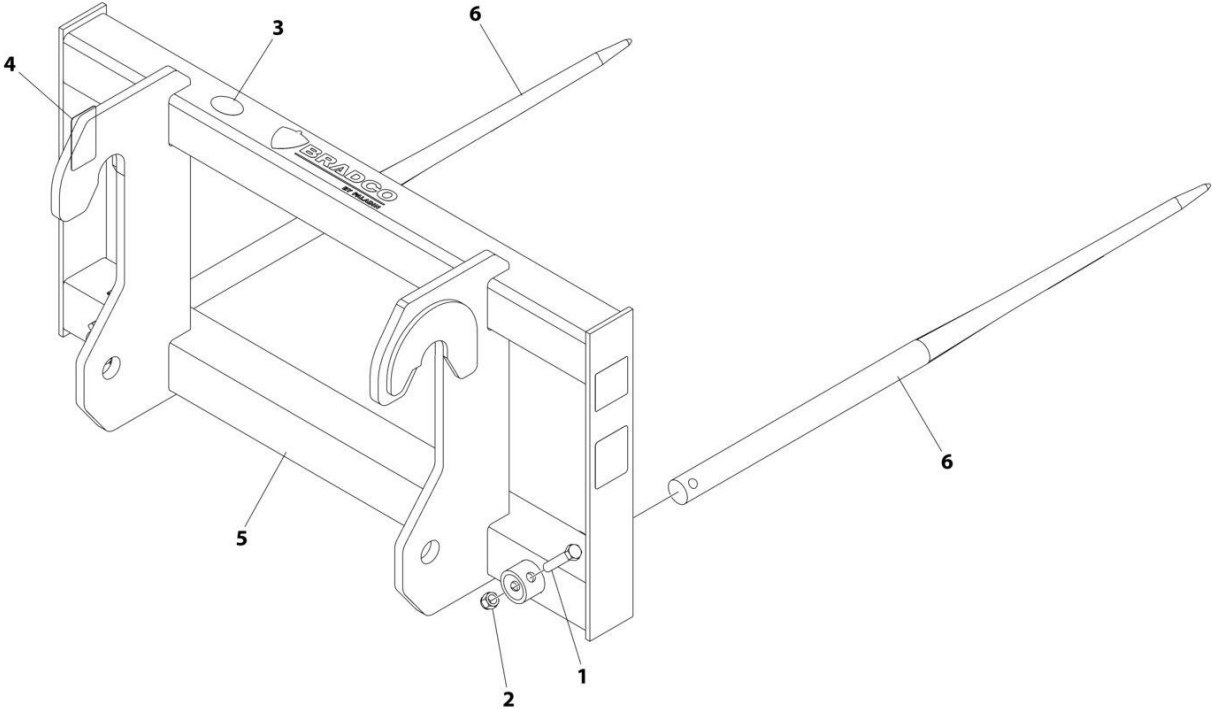
SECTION 3 - ATTACHMENTS

FIGURE 3-7. AUGER DRIVE ASSEMBLY, UNIVERSAL

ITEM	PART NUMBER	QTY	DESCRIPTION	REV
	1001242616	Ref	AUGER DRIVE ASSEMBLY, UNIVERSAL	C
1	90554074	1	Bolt	
2	90554070	1	Bolt	
3	70027774	8	Bolt	
4	90554042	8	Washer	
5	70027775	2	Nut	
6	70027776	4	Bolt	
7	1001093826	1	Dust Cap, Male	
8	1001093827	1	Dust Cap, Female	
9	70027777	5	Pin	
10	70029315	2	Hose	
11	70027781	1	Pin	
12	70027782	1	Pin	
13	70027783	3	Plate	
14	70027784	2	Block	
15	70027789	2	Hose	
16	70027788	2	Fitting	
17	70029696	1	Planetary Housing	
18	70029697	1	Motor	
19	70029314	1	Gasket	
20	70027779	1	Cast Swivel	
21	70027793	1	Planetary, Gearbox Assembly	
22	70027773	1	Bolt	
23	90554067	1	Washer	
24	70027780	1	Pin	
25	1001101042	1	Hydraulic Coupler, Female	
26	1001101041	1	Hydraulic Coupler, Male	
27	70027786	1	Decal, Warning	
28	70037787	2	Decal - Danger	
29	70029698	2	Washer	
30	70029699	1	Spring	
31	70029700	1	Seal	
32	See Note	NSS	Weldment (Note: Not Available for Purchase)	
33	See Note	NSS	Serial Tag (Note: Not Available for Purchase)	

SECTION 3 - ATTACHMENTS

FIGURE 3-8. BALE SPEAR ASSEMBLY, STANDARD



ART_1001242517

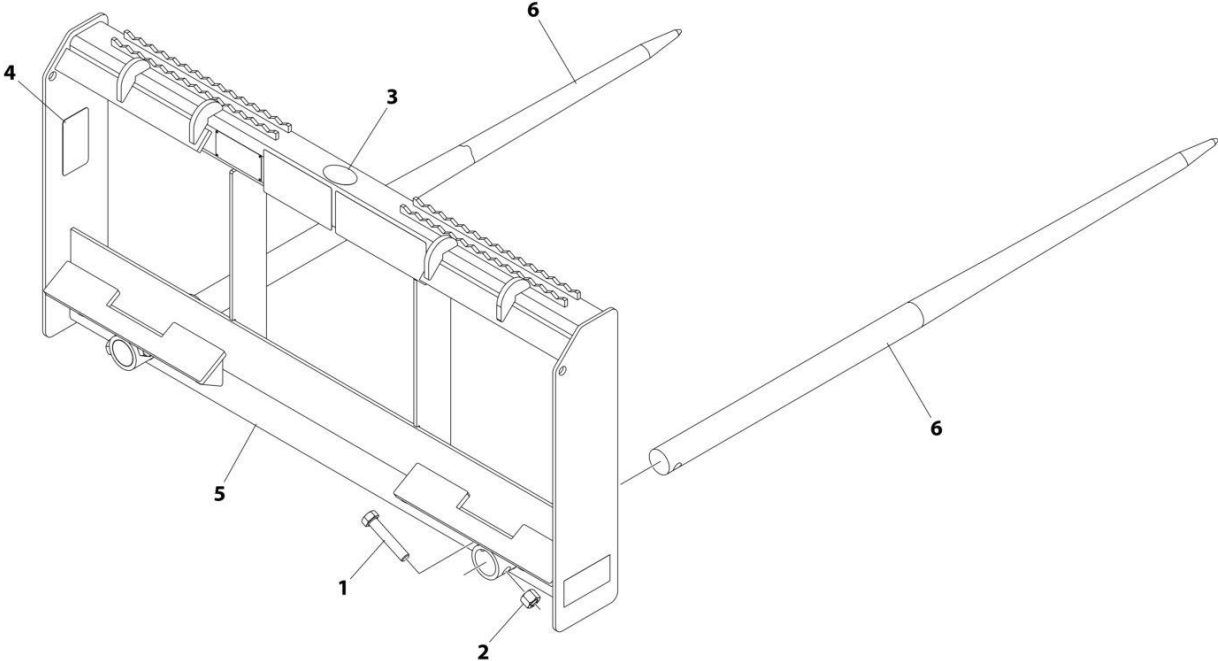
SECTION 3 - ATTACHMENTS

FIGURE 3-8. BALE SPEAR ASSEMBLY, STANDARD

ITEM	PART NUMBER	QTY	DESCRIPTION	REV
	1001242517	Ref	BALE SPEAR ASSEMBLY, STANDARD	C
1	70029309	2	Bolt	
2	70029310	2	Nut	
3	90554016	1	Decal - USA	
4	See Note	NSS	Serial Tag (Note: Not Available for Purchase)	
5	See Note	NSS	Weldment (Note: Not Available for Purchase)	
6	70029313	2	Spear, Bale	

SECTION 3 - ATTACHMENTS

FIGURE 3-9. BALE SPEAR ASSEMBLY, UNIVERSAL



ART_1001242511

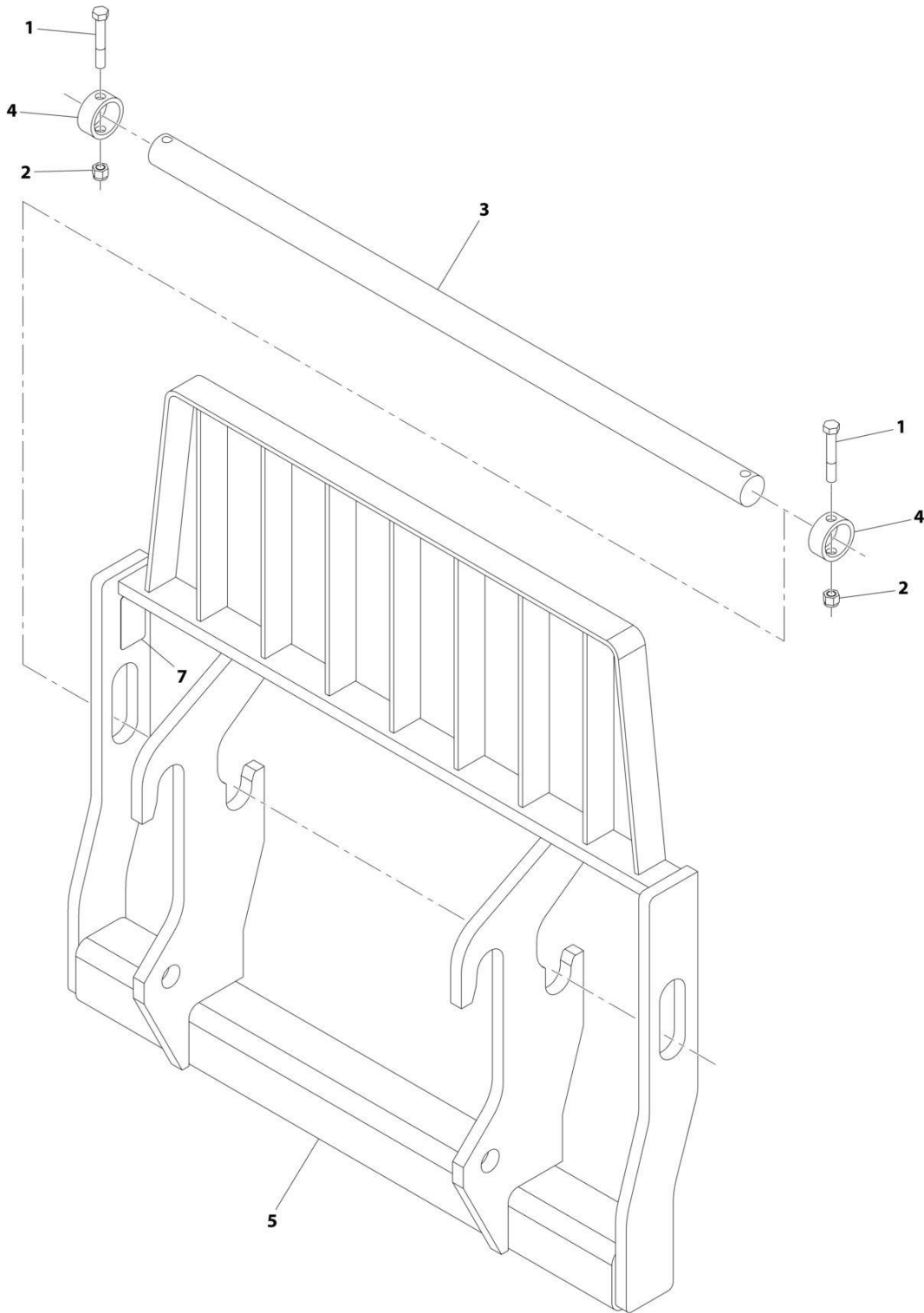
SECTION 3 - ATTACHMENTS

FIGURE 3-9. BALE SPEAR ASSEMBLY, UNIVERSAL

ITEM	PART NUMBER	QTY	DESCRIPTION	REV
	1001242511	Ref	BALE SPEAR ASSEMBLY, UNIVERSAL	C
1	70029309	2	Bolt	
2	70029310	2	Nut	
3	90554016	1	Decal - USA	
4	See Note	NSS	Serial Tag (Note: Not Available for Purchase)	
5	See Note	NSS	Weldment (Note: Not Available for Purchase)	
6	70029313	2	Spear, Bale	

SECTION 3 - ATTACHMENTS

FIGURE 3-10. CARRIAGE ASSEMBLY, (50INCH/1270MM)



ART_1001104435-E

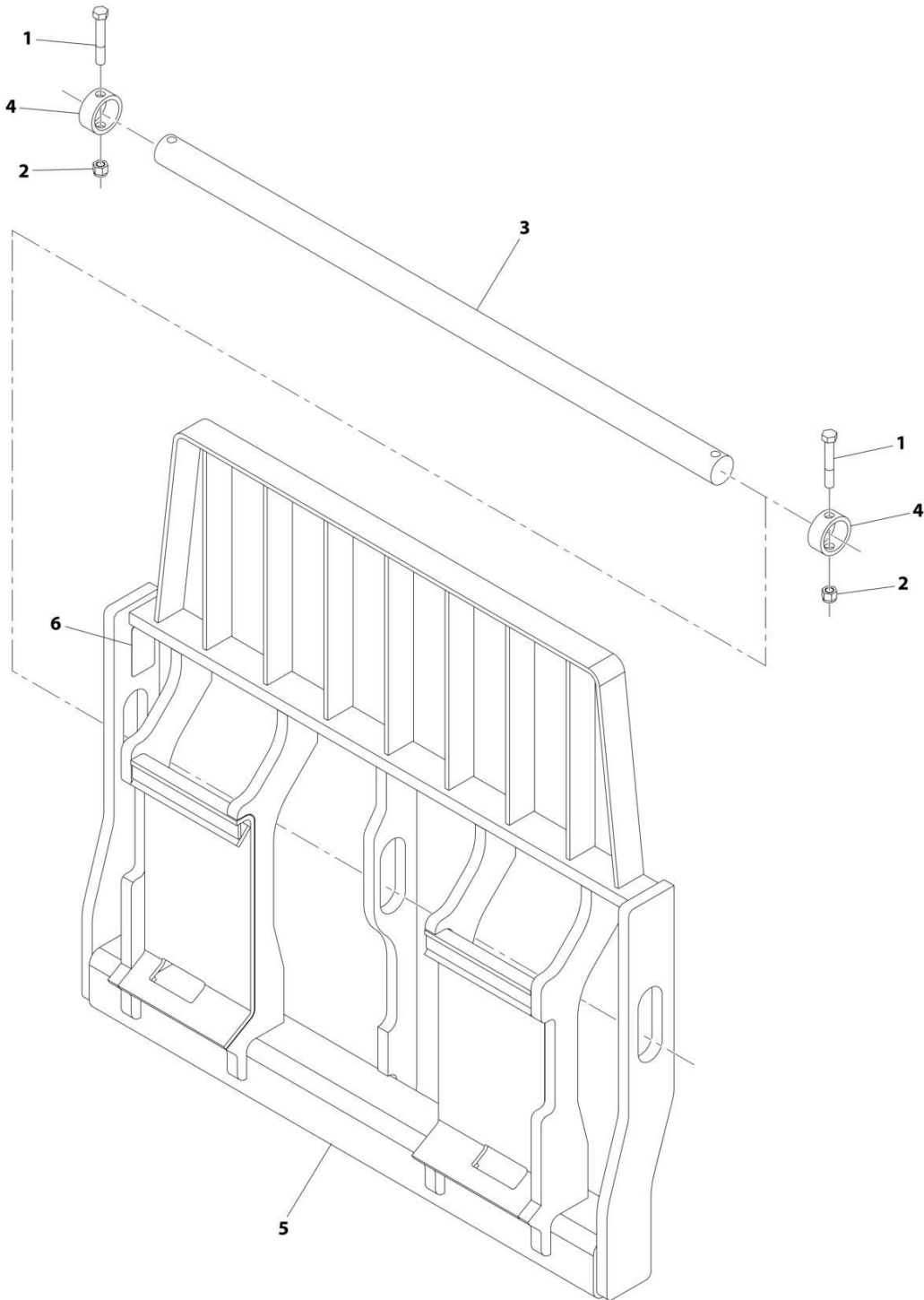
SECTION 3 - ATTACHMENTS

FIGURE 3-10. CARRIAGE ASSEMBLY, (50INCH/1270MM)

ITEM	PART NUMBER	QTY	DESCRIPTION	REV
	1001104435	Ref	Carriage Assembly, (50Inch/1270mm)	H
1	0642032	2	Hex HD Capscrew, 5/8-11X4	
2	3300240	2	Locknut, 5/8-11	
3	3423275	1	Fork Pin	
4	90200003	2	Collar	
5	N.S.S.	1	Carriage Weldment	
7	N.S.S.	1	S/N Plate	

SECTION 3 - ATTACHMENTS

FIGURE 3-11. CARRIAGE ASSEMBLY, UNIVERSAL QUICK ATTACH, (48IN/1219.2MM)



ART_1001113038-D

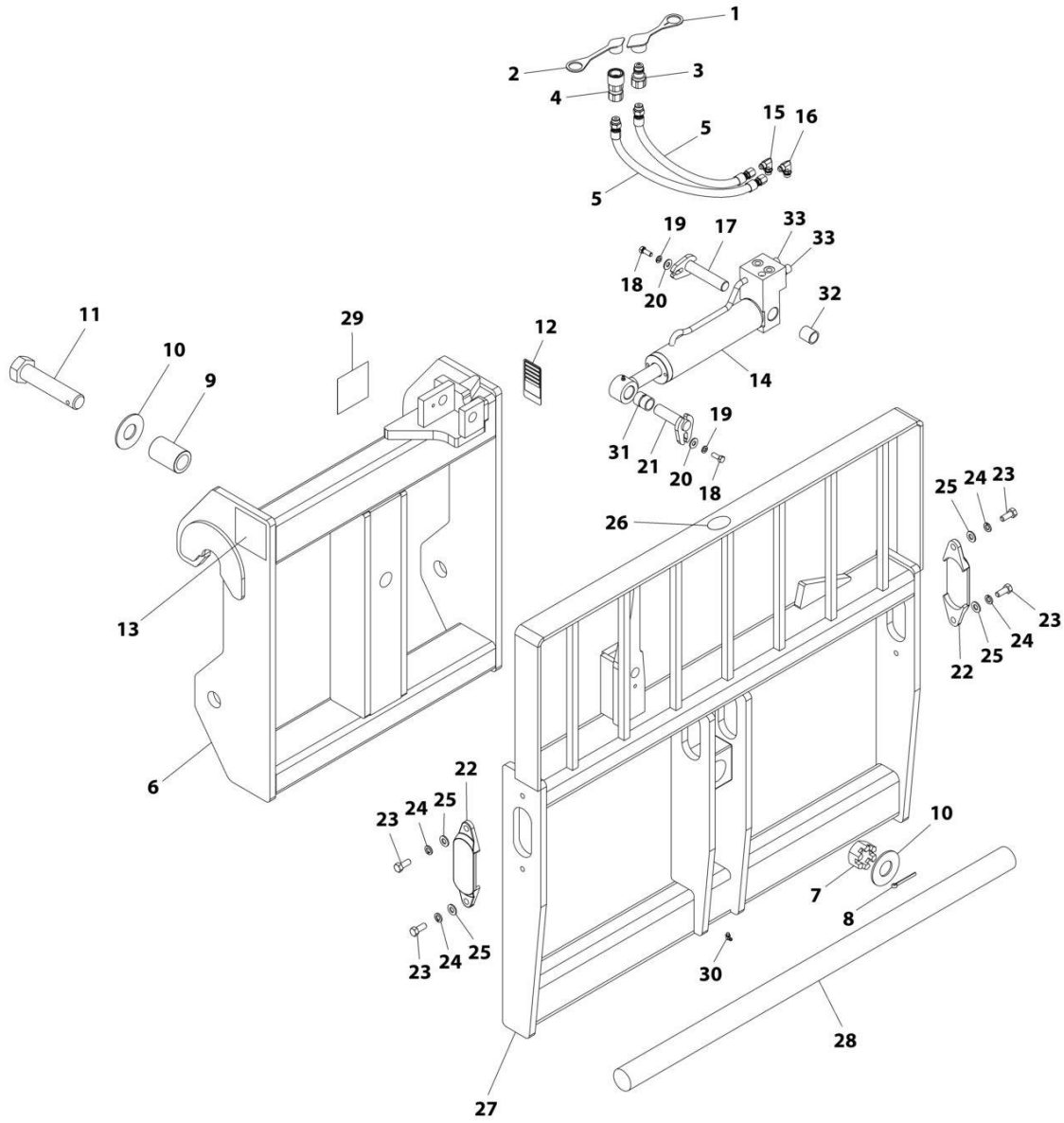
SECTION 3 - ATTACHMENTS

FIGURE 3-11. CARRIAGE ASSEMBLY, UNIVERSAL QUICK ATTACH, (48IN/1219.2MM)

ITEM	PART NUMBER	QTY	DESCRIPTION	REV
	1001113038	Ref	Carriage Assembly, Universal Quick Attach, (48Inch/1219.2mm)	D
1	0642032	2	Hex HD Capscrew, 5/8-11X4, GR5	
2	3300240	2	Locknut, 5/8-11	
3	3423275	1	Fork Pin	
4	90200003	2	Collar	
5	N.S.S.	1	Carriage Weldment	
6	N.S.S.	1	S/N Plate	

SECTION 3 - ATTACHMENTS

FIGURE 3-12. CARRIAGE, SIDE TILT, (48IN)



ART_1001102331-G

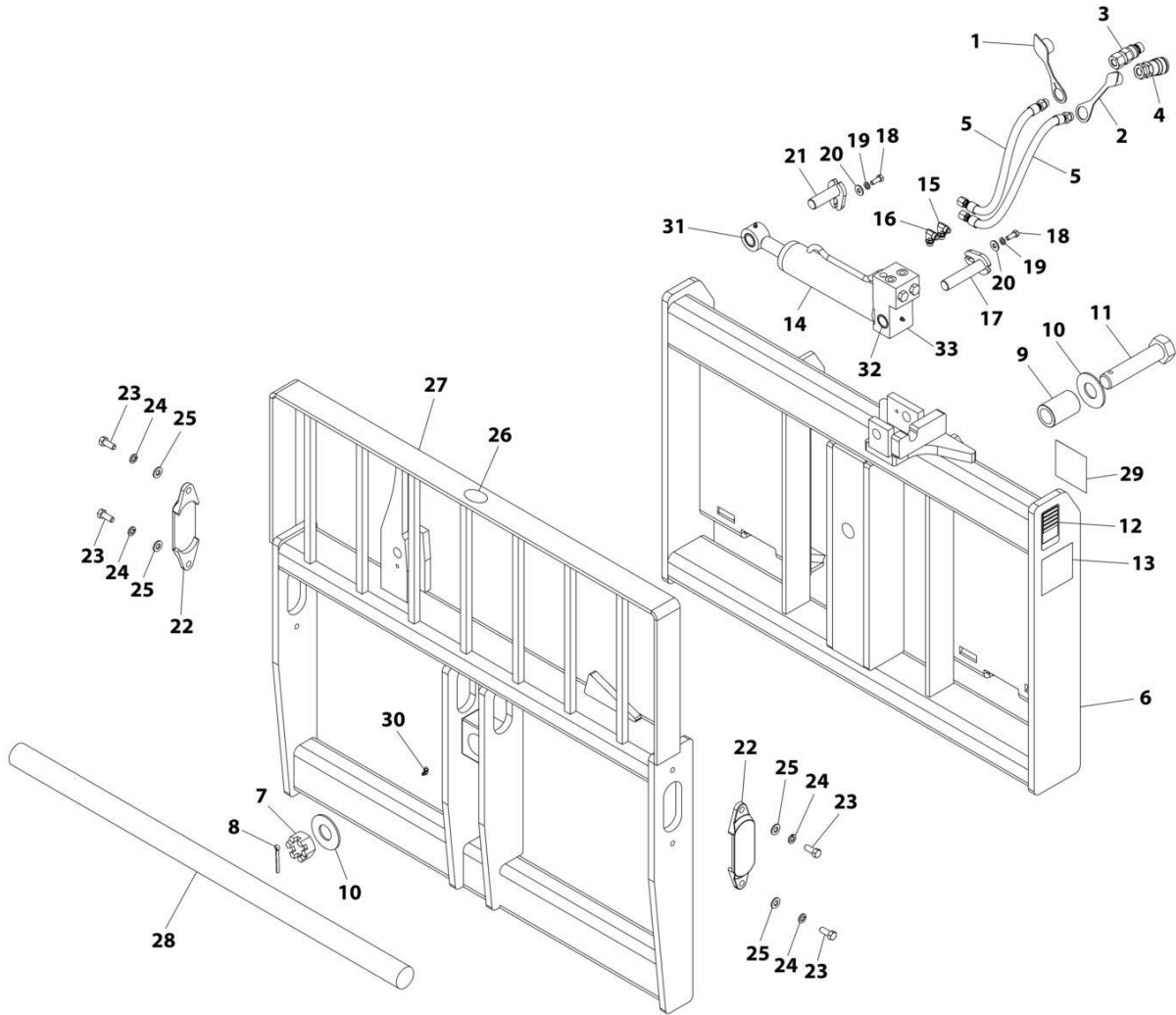
SECTION 3 - ATTACHMENTS

FIGURE 3-12. CARRIAGE, SIDE TILT, (48IN)

ITEM	PART NUMBER	QTY	DESCRIPTION	REV
	1001102331	Ref	Carriage, Side Tilt (48in)	I
1	1001003475	1	Dust Cap, Male	
2	1001003474	1	Plug, Dust, Female	
3	7029692	1	Hydraulic Couplier, Male	
4	70021342	1	Hydraulic Couplier, Female	
5	70021343	2	Hose	
6	N.S.S.	1	Rear Frame Weldment	
7	7029713	1	Nut	
8	7029700	1	Pin, Cotter	
9	70021345	1	Spacer	
10	70021346	2	Washer	
11	70021347	1	Bolt	
12	N.S.S.	1	Serial Tag	
13	90554017	1	Decal	
14	70021363	1	Cylinder Assembly (See Separate Breakdown in HYDRAULIC COMPONENTS Section)	
15	90554065	1	Hydraulic Fitting	
16	7029705	1	Hydraulic Fitting	
17	70021348	1	Pin	
18	70021349	2	Bolt	
19	90554042	2	Washer, Lock	
20	70021350	2	Washer	
21	70021351	1	Pin	
22	7029690	2	Fork Pin Retainer	
23	7029691	4	Bolt	
24	90554020	4	Washer, Lock	
25	70021338	4	Washer	
26	90554016	1	Decal	
27	N.S.S.	1	Front Frame	
28	70022105	1	Fork Pin	
29	7029711	1	Decal	
30	70022106	1	Zerk, Grease	
31	70021447	1	Bushing	
32	70021448	2	Bushing	
33	70021464	2	Valve	

SECTION 3 - ATTACHMENTS

FIGURE 3-13. CARRIAGE, SIDE TILT, UNIVERSAL QUICK ATTACH, (48IN)



ART_1001104009-G

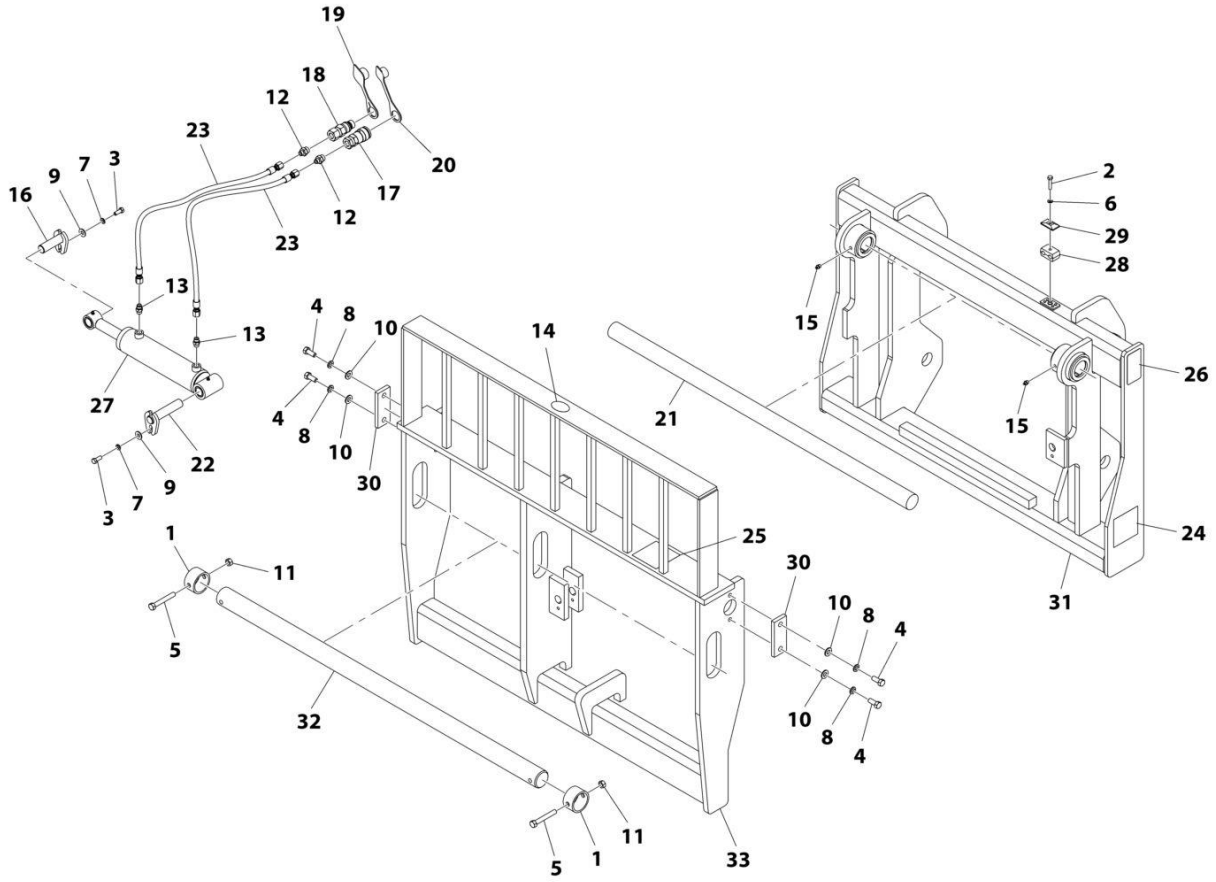
SECTION 3 - ATTACHMENTS

FIGURE 3-13. CARRIAGE, SIDE TILT, UNIVERSAL QUICK ATTACH, (48IN)

ITEM	PART NUMBER	QTY	DESCRIPTION	REV
	1001104009	Ref	Carriage, Side Tilt, Universal Quick Attach (48in)	I
1	70022097	1	Dust Cap, Male	
2	70022102	1	Plug, Dust, Female	
3	70022103	1	Hydraulic Couplier, Male	
4	70022104	1	Hydraulic Couplier, Female	
5	70021343	2	Hose	
6	N.S.S.	1	Rear Frame Weldment	
7	7029713	1	Nut	
8	7029700	1	Pin, Cotter	
9	70021345	1	Spacer	
10	70021346	2	Washer	
11	70021347	1	Bolt	
12	N.S.S.	1	Serial Tag	
13	90554017	1	Decal	
14	70021363	1	Cylinder Assembly (See Separate Breakdown in HYDRAULIC COMPONENTS Section)	
15	90554065	1	Hydraulic Fitting	
16	7029705	1	Hydraulic Fitting	
17	70021348	1	Pin	
18	70021349	2	Bolt	
19	90554042	2	Washer, Lock	
20	70021350	2	Washer	
21	70021351	1	Pin	
22	7029690	2	Fork Pin Retainer	
23	7029691	4	Bolt	
24	90554020	4	Washer, Lock	
25	70021338	4	Washer	
26	90554016	1	Decal	
27	N.S.S.	1	Front Frame	
28	70022105	1	Fork Pin	
29	7029711	1	Decal	
30	70022106	1	Zerk, Grease	
31	70021447	1	Bushing	
32	70021448	2	Bushing	
33	70021464	2	Valve	

SECTION 3 - ATTACHMENTS

FIGURE 3-14. CARRIAGE, SIDE SHIFT (48IN)



ART_1001242501-B

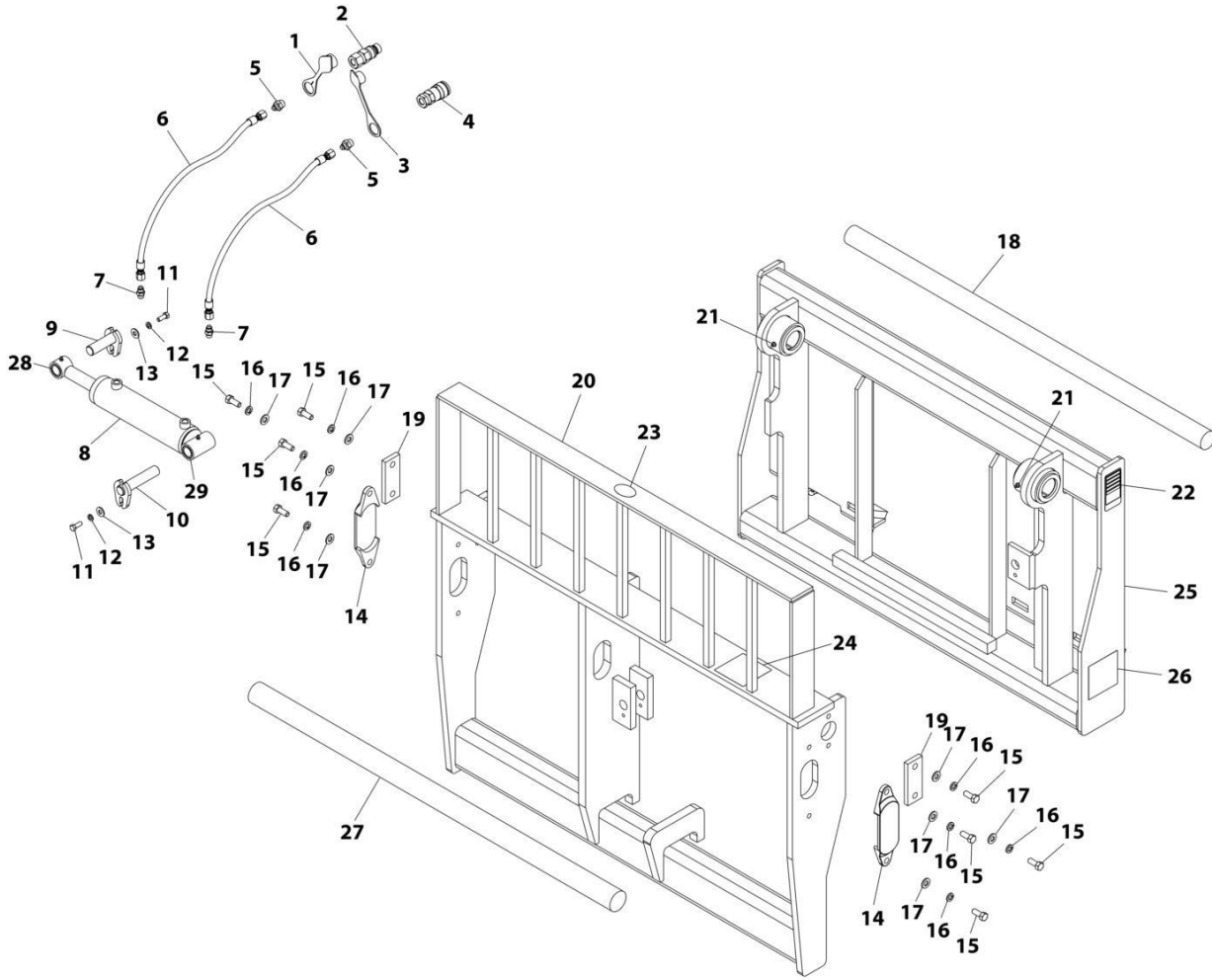
SECTION 3 - ATTACHMENTS

FIGURE 3-14. CARRIAGE, SIDE SHIFT (48IN)

ITEM	PART NUMBER	QTY	DESCRIPTION	REV
	1001242501	Ref	CARRIAGE, SIDE SHIFT (48IN)	C
1	70020028	2	Fork Pin Retainer	
2	70029502	1	Bolt	
3	70021349	2	Bolt	
4	70027989	4	Bolt	
5	70020002	2	Bolt	
6	90554067	1	Washer	
7	90554042	2	Washer	
8	90554020	4	Washer	
9	70021350	2	Washer	
10	70021338	4	Washer	
11	70027642	2	Nut	
12	70021397	2	Fitting	
13	70021415	2	Fitting	
14	90554016	1	Decal	
15	7029714	2	Fitting, Grease	
16	70021351	1	Pin	
17	1001001240	1	Hydraulic Coupler, Female	
18	1001001241	1	Hydraulic Coupler, Male	
19	1001003475	1	Dust Cap, Male	
20	1001003474	1	Plug, Dust, Female	
21	70022111	1	Fork Pin	
22	70022110	1	Pin	
23	70022107	1	Hose	
24	90554017	2	Decal	
25	7029711	1	Decal	
26	See Note	NSS	Serial Tag (Note: Not Available for Purchase)	
27	70022108	1	Cylinder Assembly (See Separate Breakdown in HYDRAULIC COMPONENTS Section)	
28	70029503	1	Clamp	
29	70029505	1	Clamp	
30	70022112	2	Plate, Retainer	
31	See Note	NSS	Rear Frame (Note: Not Available for Purchase)	
32	70029504	1	Fork Pin	
33	See Note	NSS	Main Frame (Note: Not Available for Purchase)	

SECTION 3 - ATTACHMENTS

FIGURE 3-15. CARRIAGE, SIDE SHIFT, UNIVERSAL QUICK ATTACH, (48IN)



ART_1001104025-G

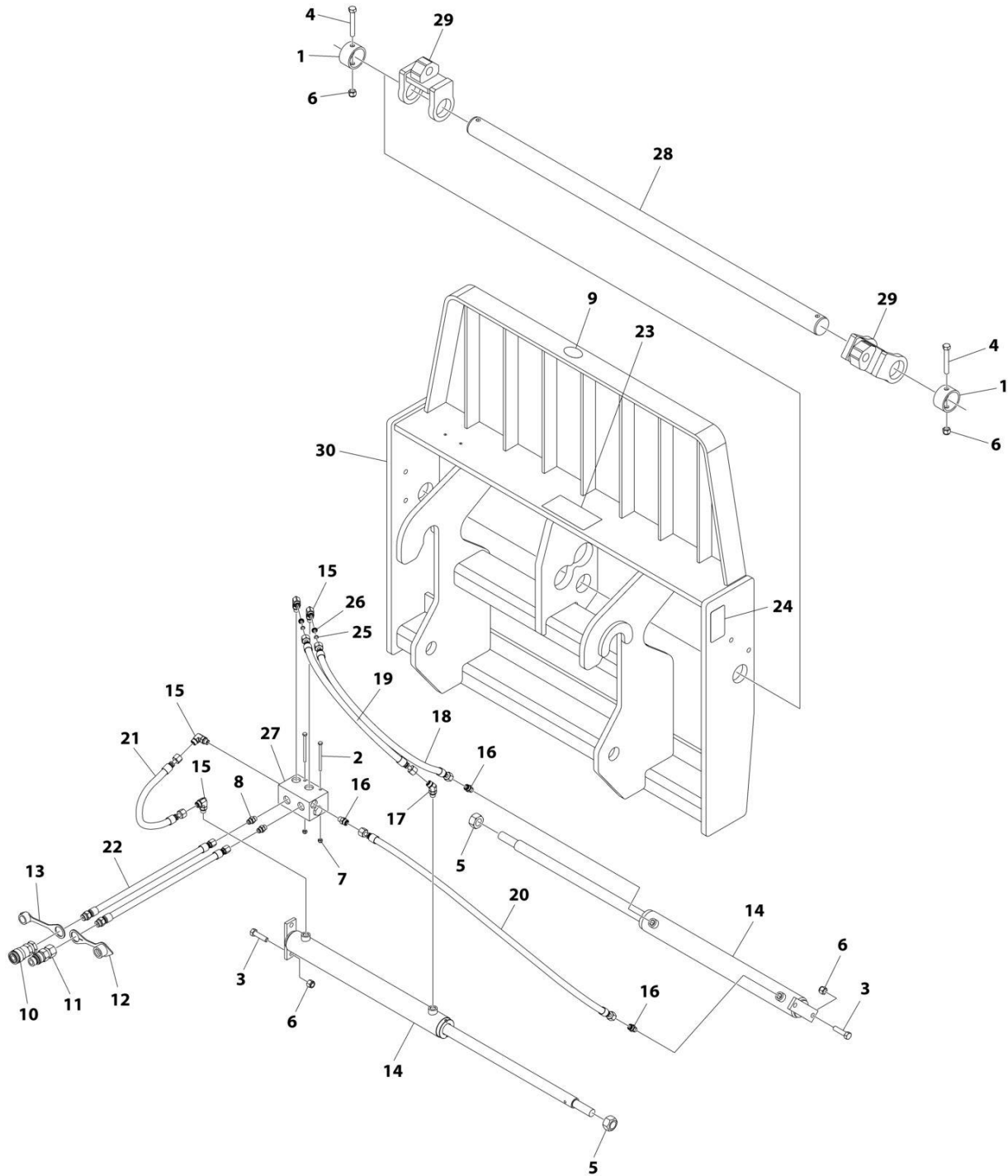
SECTION 3 - ATTACHMENTS

FIGURE 3-15. CARRIAGE, SIDE SHIFT, UNIVERSAL QUICK ATTACH, (48IN)

ITEM	PART NUMBER	QTY	DESCRIPTION	REV
	1001104025	Ref	Carriage, Side Shift, Universal Quick Attach (48in)	I
1	70022097	1	Dust Cap, Male	
2	70022103	1	Hydraulic Couplier, Male	
3	70022102	1	Plug, Dust, Female	
4	70022104	1	Hydraulic Couplier, Female	
5	70021397	2	Hydraulic Fitting	
6	70022107	2	Hose	
7	70021415	2	Hydraulic Fitting	
8	70022108	1	Cylinder Assembly (See Separate Breakdown in HYDRAULIC COMPONENTS Section)	
9	70021351	1	Pin	
10	70022110	1	Pin	
11	70021349	2	Bolt	
12	90554042	2	Washer, Lock	
13	70021350	2	Washer	
14	7029690	2	Fork Pin Retainer	
15	70027989	8	Bolt	
16	90554020	8	Washer, Lock	
17	70021338	4	Washer	
18	70022111	1	Fork Pin	
19	70022112	2	Pin Retainer Bar	
20	N.S.S.	1	Front Frame	
21	7029714	2	Zerk, Grease	
22	N.S.S.	1	Serial Tag	
23	70050641	1	Decal	
24	7029711	1	Decal	
25	N.S.S.	1	Rear Frame	
26	90554017	2	Decal	
27	70022105	1	Fork Pin	
28	70021447	1	Bushing	
29	70021448	2	Bushing	

SECTION 3 - ATTACHMENTS

FIGURE 3-16. CARRIAGE ASSEMBLY - FORK POSITIONING STANDARD (48IN)



ART_1001242506

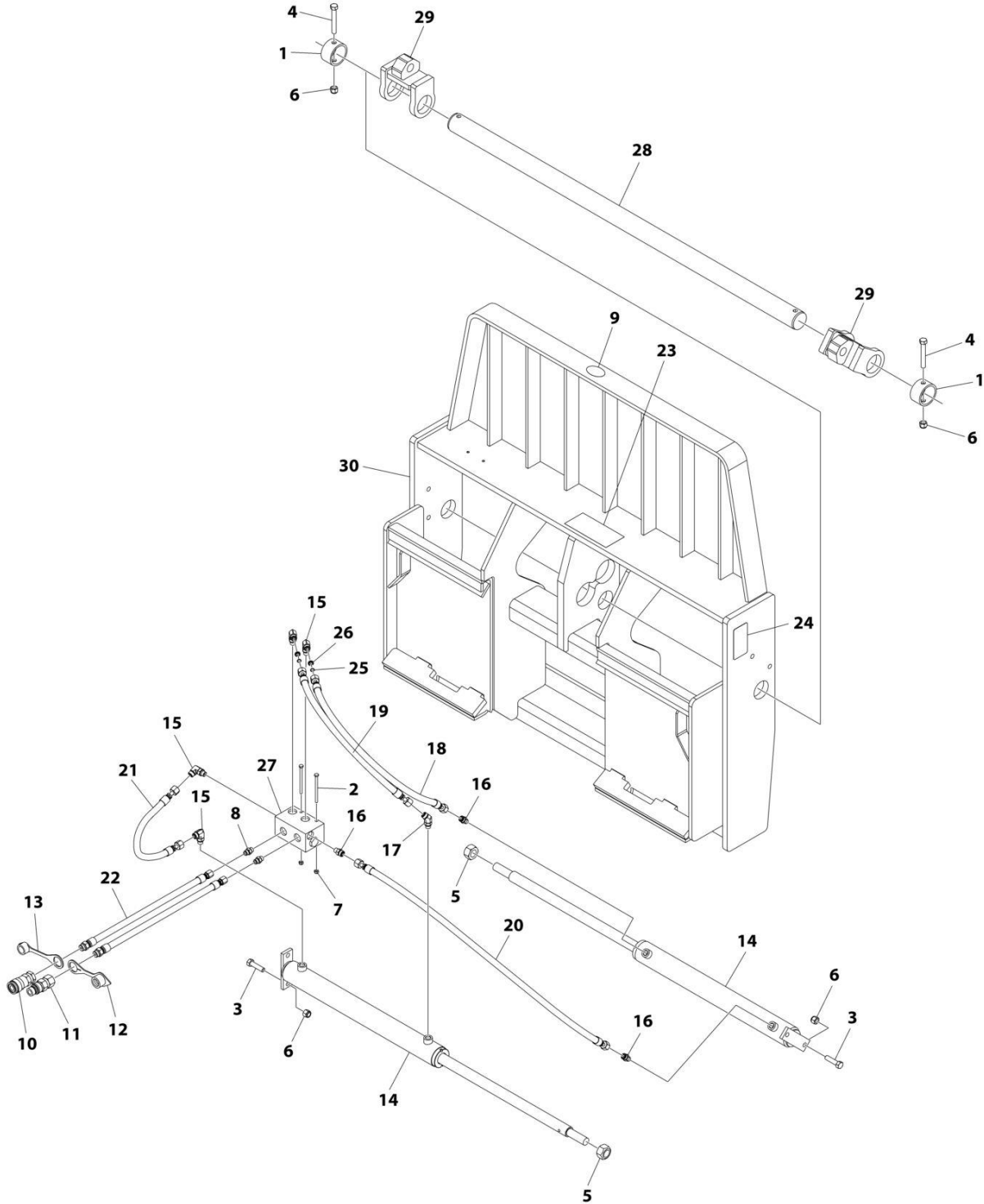
SECTION 3 - ATTACHMENTS

FIGURE 3-16. CARRIAGE ASSEMBLY - FORK POSITIONING STANDARD (48IN)

ITEM	PART NUMBER	QTY	DESCRIPTION	REV
	1001242506	Ref	CARRIAGE ASSEMBLY - FORK POSITIONING STANDARD (48IN)	C
1	70020028	2	Retainer, Pin	
2	70028519	2	Bolt	
3	90554019	4	Bolt	
4	70020002	2	Bolt	
5	70021440	2	Nut	
6	70028523	6	Nut	
7	70028524	2	Nut	
8	70021415	2	Hydraulic Fitting	
9	90554016	1	Decal	
10	1001001240	1	Hydraulic Coupler, Female	
11	1001001241	1	Hydraulic Coupler, Male	
12	1001003475	1	Dust Cap, Male	
13	1001003474	1	Plug, Dust, Female	
14	2717283	2	Cylinder Assembly (See Separate Breakdown in HYDRAULIC COMPONENTS Section)	
15	70028525	4	Hydraulic Fitting	
16	70028486	3	Hydraulic Fitting	
17	70029495	1	Hydraulic Fitting	
18	70029052	1	Hose	
19	70029046	2	Hose	
20	70029496	1	Hose	
21	70029492	1	Hose	
22	70026702	2	Hose	
23	70028530	1	Decal	
24	See Note	NSS	Serial Tag (Note: Not Available for Purchase)	
25	70028531	2	O-Ring	
26	70028520	2	Orifice	
27	70028521	1	Valve	
28	70027283	1	Pin Fork	
29	70029497	2	Clevis	
30	See Note	NSS	Weldment (Note: Not Available for Purchase)	

SECTION 3 - ATTACHMENTS

FIGURE 3-17. CARRIAGE ASSEMBLY - FORK POSITIONING UNIVERSAL, (48IN)



ART_1001242508

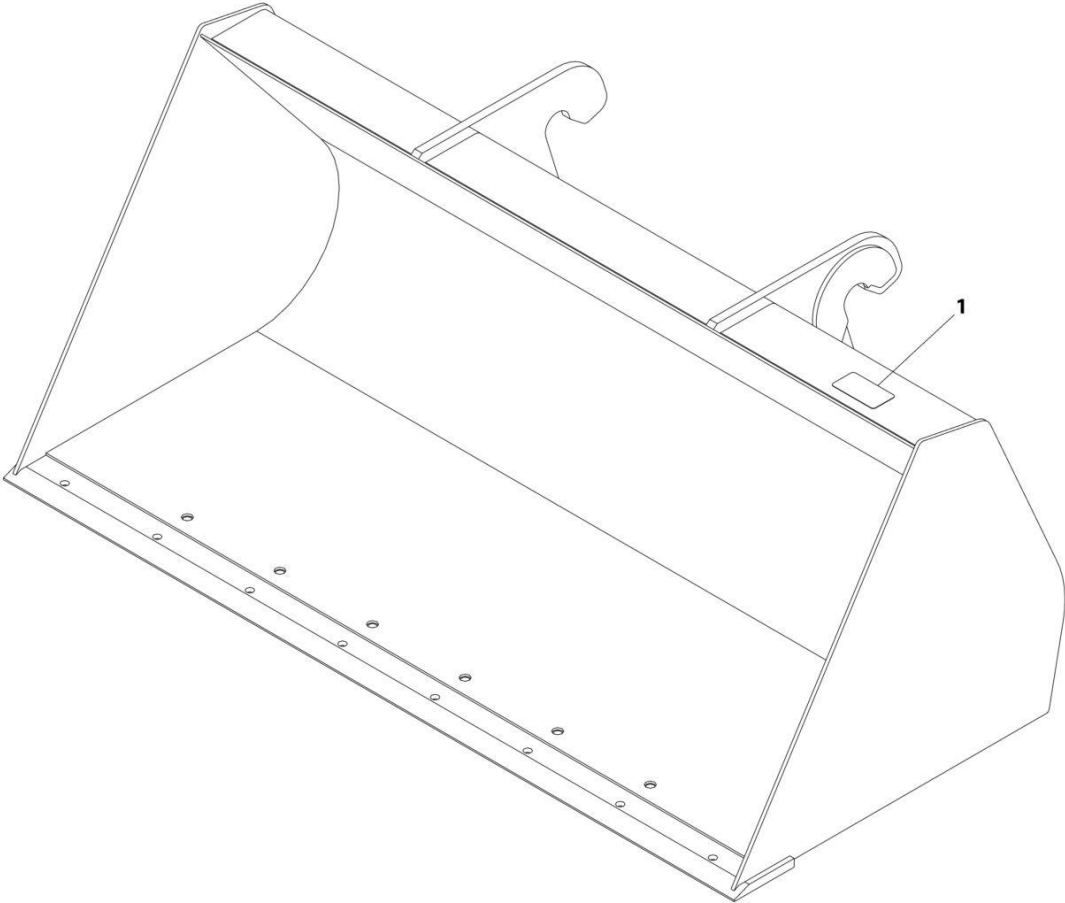
SECTION 3 - ATTACHMENTS

FIGURE 3-17. CARRIAGE ASSEMBLY - FORK POSITIONING UNIVERSAL, (48IN)

ITEM	PART NUMBER	QTY	DESCRIPTION	REV
	1001242508	Ref	CARRIAGE ASSEMBLY - FORK POSITIONING UNIVERSAL, (48IN)	C
1	70020028	2	Retainer, Pin	
2	70028519	2	Bolt	
3	90554019	4	Bolt	
4	70020002	2	Bolt	
5	70021440	2	Nut	
6	70028523	6	Nut	
7	70028524	2	Nut	
8	70021415	2	Hydraulic Fitting	
9	90554016	1	Decal	
10	1001001240	1	Hydraulic Coupler, Female	
11	1001001241	1	Hydraulic Coupler, Male	
12	1001003475	1	Dust Cap, Male	
13	1001003474	1	Plug, Dust, Female	
14	2717283	2	Cylinder Assembly (See Separate Breakdown in HYDRAULIC COMPONENTS Section)	
15	70028525	4	Hydraulic Fitting	
16	70028486	3	Hydraulic Fitting	
17	70029495	1	Hydraulic Fitting	
18	70029052	1	Hose	
19	70029046	2	Hose	
20	70029496	1	Hose	
21	70029492	1	Hose	
22	70026702	2	Hose	
23	70028530	1	Decal	
24	See Note	NSS	Serial Tag (Note: Not Available for Purchase)	
25	70028531	2	O-Ring	
26	70028520	2	Orifice	
27	70028521	1	Valve	
28	70027283	1	Pin Fork	
29	70029497	2	Clevis	
30	See Note	NSS	Weldment (Note: Not Available for Purchase)	

SECTION 3 - ATTACHMENTS

FIGURE 3-18. LIGHT MATERIAL BUCKET, (72INCH) (1.0 YD³/0.76 M³)



ART_1001102324-F

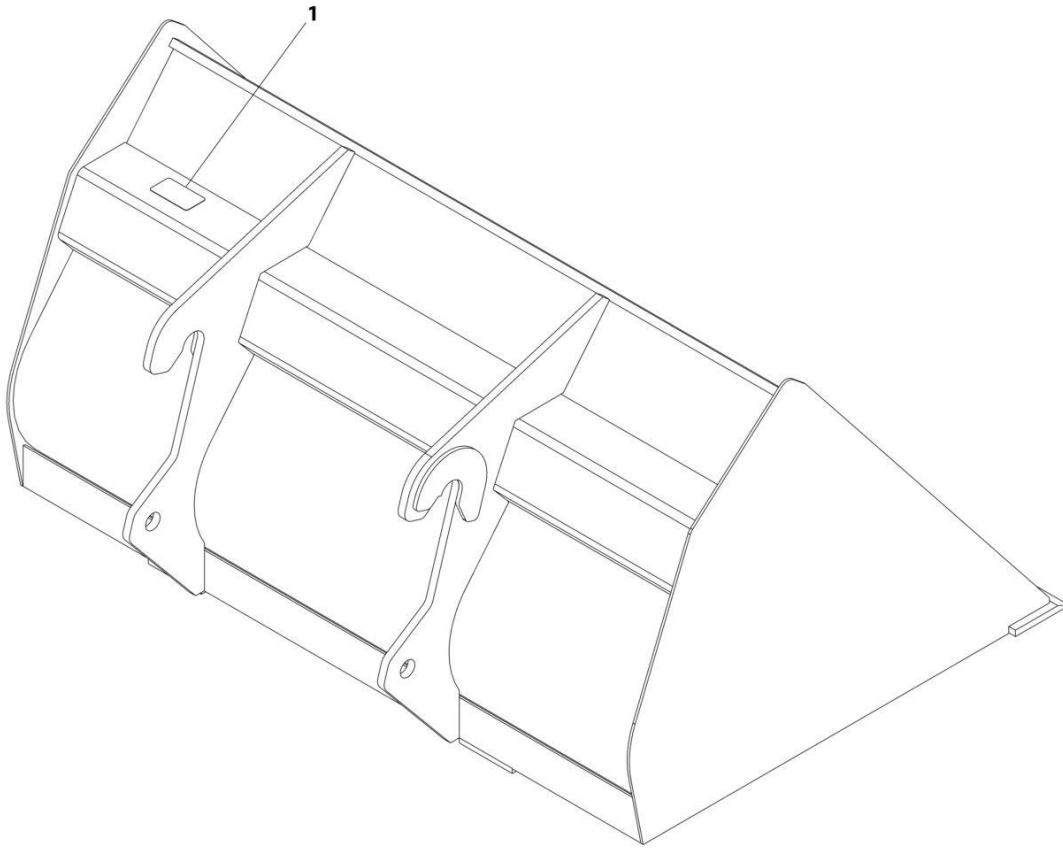
SECTION 3 - ATTACHMENTS

FIGURE 3-18. LIGHT MATERIAL BUCKET, (72INCH) (1.0 YD³/0.76 M³)

ITEM	PART NUMBER	QTY	DESCRIPTION	REV
	1001102324	Ref	Light Material Bucket (72Inch) (1.0 yd ³ /0.76 m ³)	I
	N.S.S.	1	S/N Plate	

SECTION 3 - ATTACHMENTS

FIGURE 3-19. LIGHT MATERIAL BUCKET, (72INCH) (1.7 YD³/1.29 M³)



ART_1001102323-F

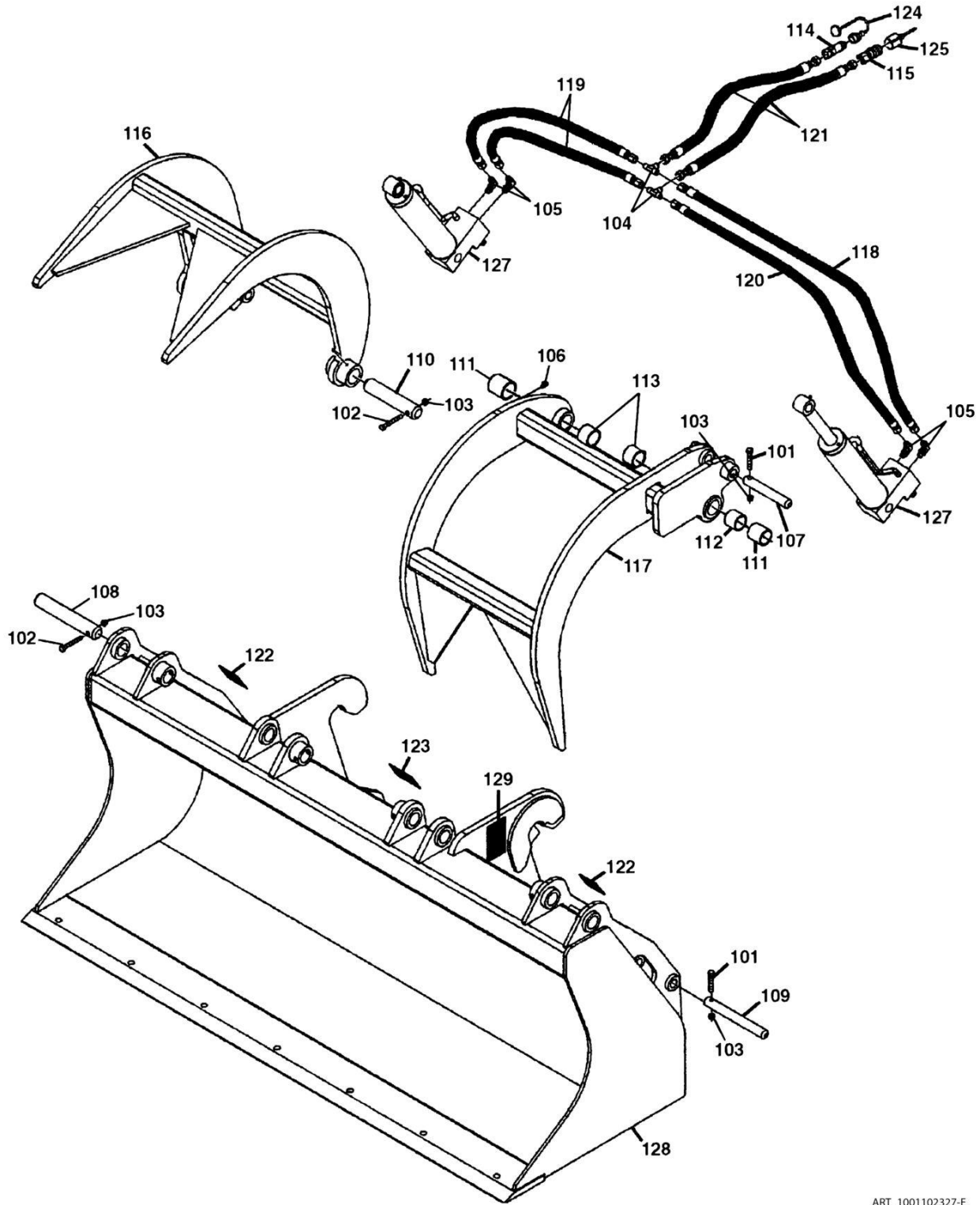
SECTION 3 - ATTACHMENTS

FIGURE 3-19. LIGHT MATERIAL BUCKET, (72INCH) (1.7 YD³/1.29 M³)

ITEM	PART NUMBER	QTY	DESCRIPTION	REV
1	1001102323 N.S.S.	Ref 1	Light Material Bucket (72Inch) (1.7 yd ³ /1.29 m ³) S/N Plate	I

SECTION 3 - ATTACHMENTS

FIGURE 3-20. MULTI-PURPOSE GRAPPLE BUCKET (1850MM) (ANSI - JLG)



ART_1001102327-E

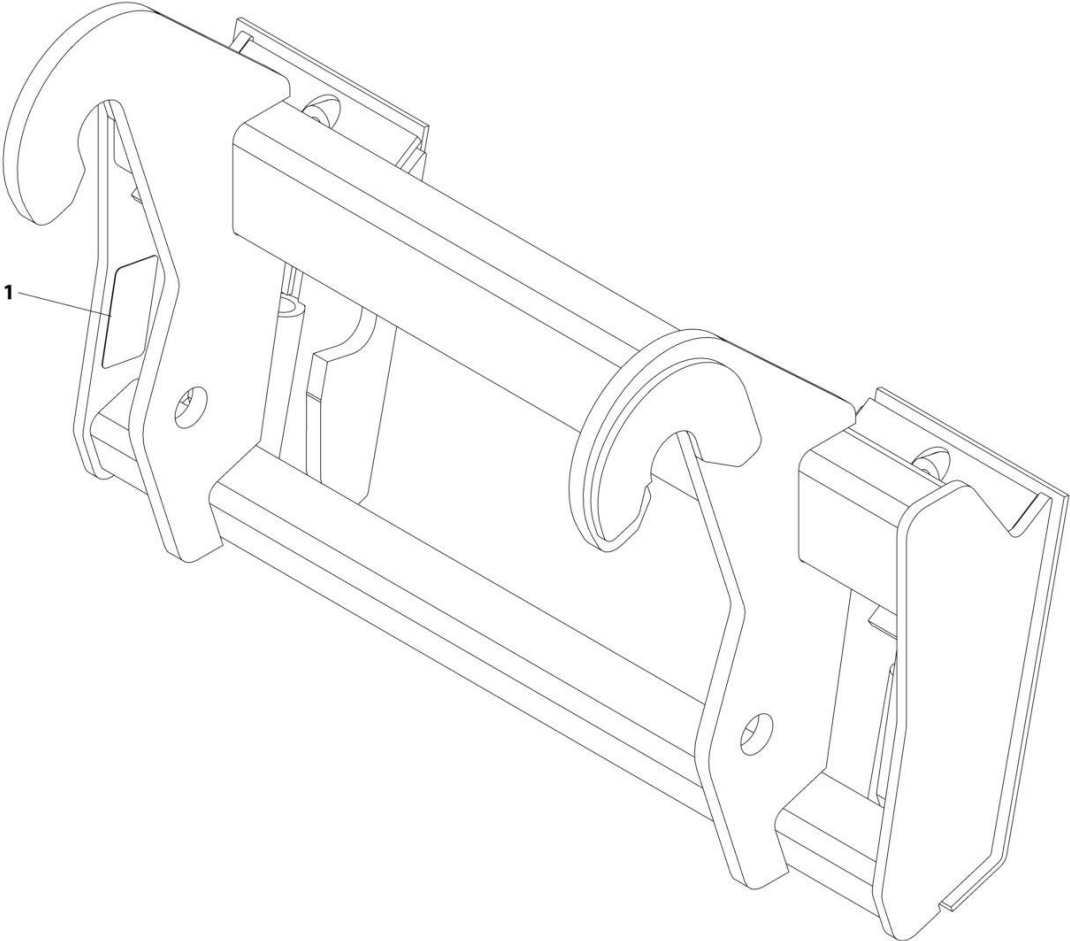
SECTION 3 - ATTACHMENTS

FIGURE 3-20. MULTI-PURPOSE GRAPPLE BUCKET (1850MM) (ANSI - JLG)

ITEM	PART NUMBER	QTY	DESCRIPTION	REV
	1001102327	1	Multi-Purpose Grapple Bucket (1850mm) (ANSI - JLG)	G
101	70021399	4	Screw	
102	70021366	4	Screw	
103	70021367	8	Nut	
104	70020562	2	Fitting, Tee	
105	90554065	4	Fitting, 90	
106	7029714	4	Fitting, Grease	
107	70021364	2	Pin	
108	70021361	2	Pin	
109	70021365	2	Pin	
110	70021362	2	Pin	
111	70021360	4	Bushing	
112	70021359	2	Spacer	
113	70021358	4	Bushing	
114	7029692	1	Fitting, Straight	
115	70021342	1	Fitting, Straight	
116	70021356	1	Grapple Hook, RH	
117	70021357	1	Grapple Hook, LH	
118	70020560	1	Hose	
119	70021368	2	Hose	
120	70021370	1	Hose	
121	70021369	2	Hose	
122	90554017	2	Decal, Pinch Point	
123	7029711	1	Decal, High Pressure	
124	90554062	1	Cap, Dust	
125	90554076	1	Plug, Dust	
126	70021387	4	Clamp (not shown)	
127	70021363	2	Cylinder, Multi-Purpose Grapple Bucket (1850mm) (See Separate Breakdown in Hydraulic Components Section)	
128	N.S.S.	1	Bucket, Grapple	
129	N.S.S.	1	Plate, Serial Number	

SECTION 3 - ATTACHMENTS

FIGURE 3-21. UNIVERSAL HITCH ATTACHMENT



ART_1001102332-E

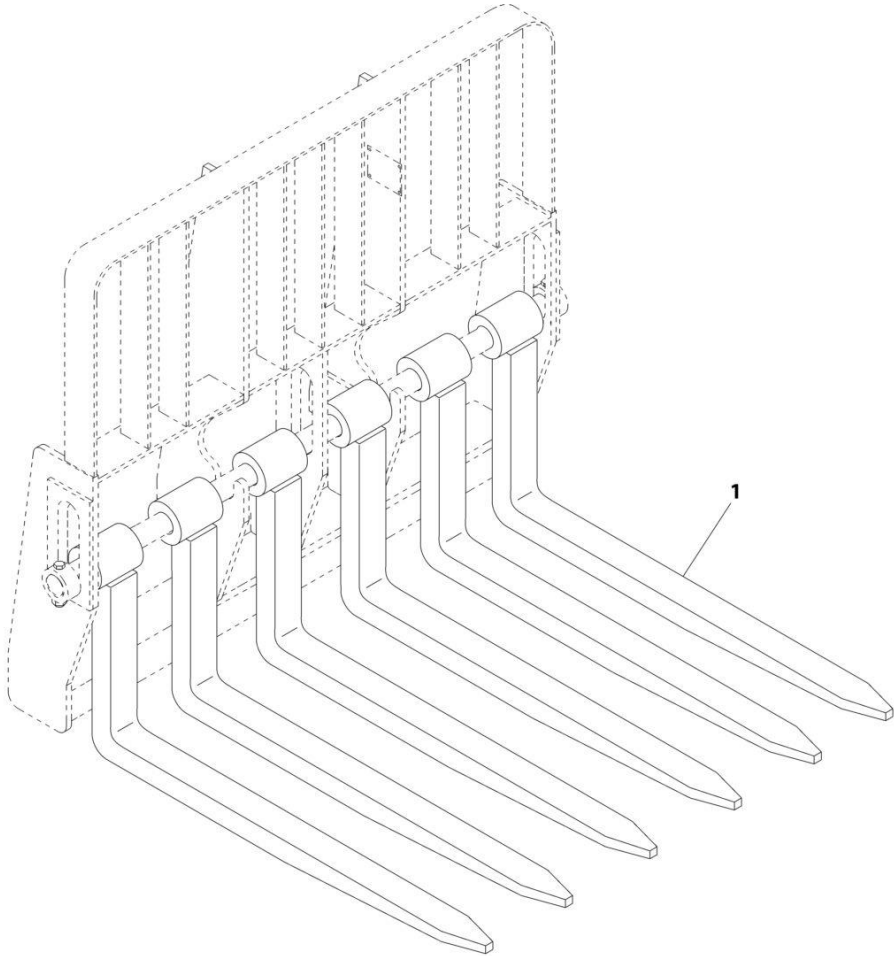
SECTION 3 - ATTACHMENTS

FIGURE 3-21. UNIVERSAL HITCH ATTACHMENT

ITEM	PART NUMBER	QTY	DESCRIPTION	REV
1	1001102332 N.S.S.	Ref 1	Universal Hitch Attachment S/N Plate	E

SECTION 3 - ATTACHMENTS

FIGURE 3-22. BLOCKING FORK (50X50X1220)



ART_2340037

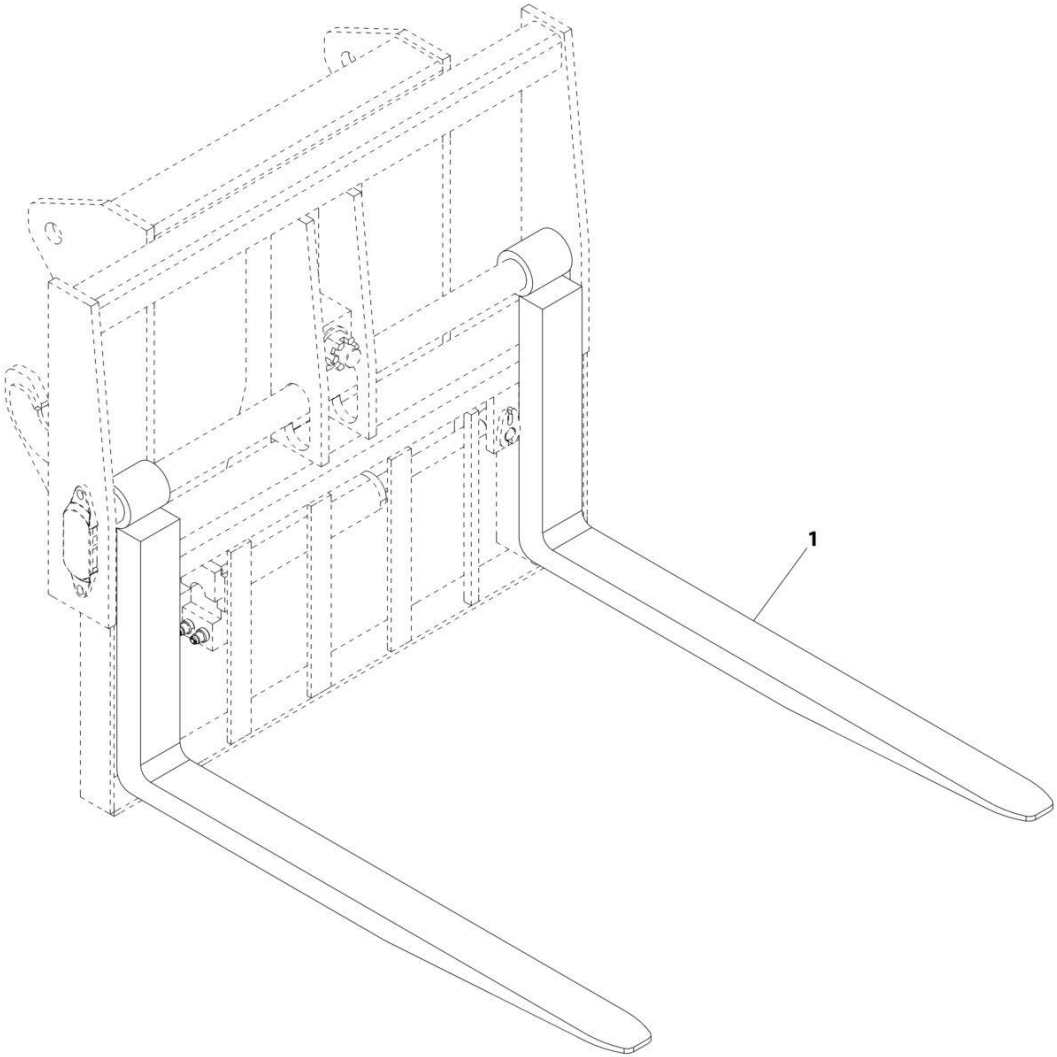
SECTION 3 - ATTACHMENTS

FIGURE 3-22. BLOCKING FORK (50X50X1220)

ITEM	PART NUMBER	QTY	DESCRIPTION	REV
1	2340037	1	Cubing Fork (2.00X2X48)	A
	Note	Ref	FORKS RATED LESS THAN THE ATTACHMENT OR MACHINE'S CAPACITY DECREASES CAPACITY OF THE ATTACHMENT OR MACHINE TO THAT OF THE FORKS. FORKS RATED MORE THAN THE ATTACHMENT OR MACHINE'S CAPACITY DO NOT INCREASE ATTACHMENT OR MACHINE'S CAPACITY.	
	Note	Ref	PLEASE CONSULT JLG PARTS DEPARTMENT TO DETERMINE THE CORRECT FORKS APPLICABLE TO YOUR SPECIFIC CARRIAGE ASSEMBLY AND APPLICATION.	

SECTION 3 - ATTACHMENTS

FIGURE 3-23. PALLET FORK (2X4X48)



ART_1001099458-C

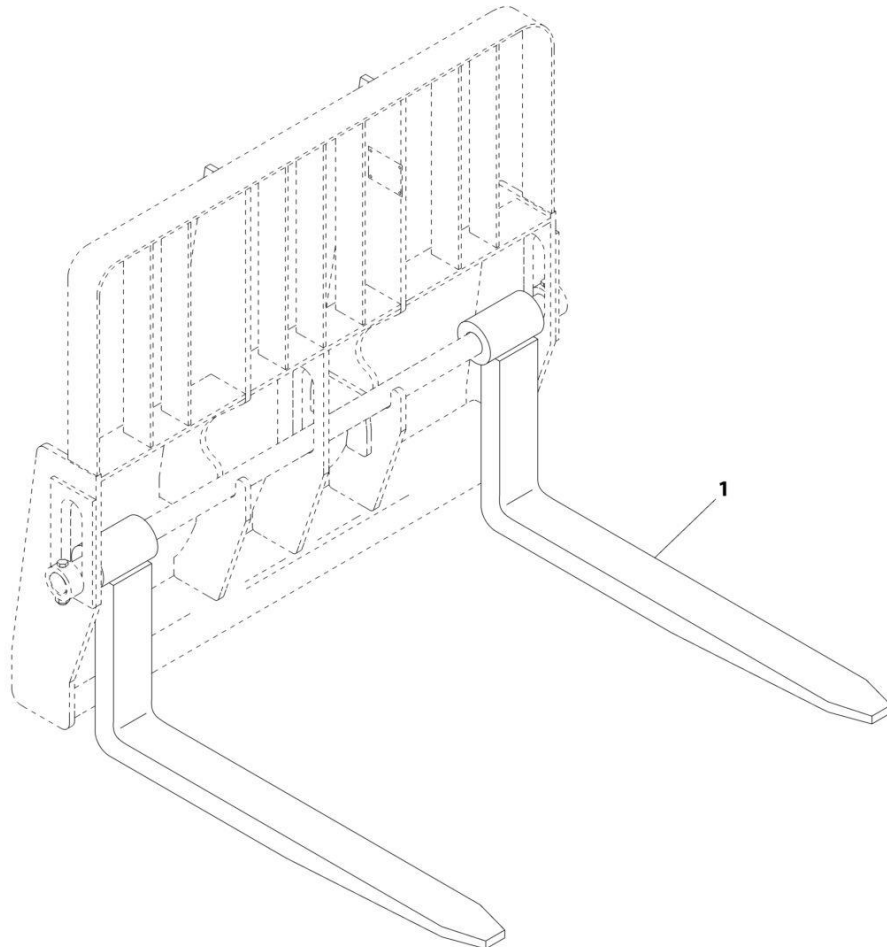
SECTION 3 - ATTACHMENTS

FIGURE 3-23. PALLET FORK (2X4X48)

ITEM	PART NUMBER	QTY	DESCRIPTION	REV
1	1001099458	Ref	Pallet Fork (2X4X48)	C
	Note	Ref	FORKS RATED LESS THAN THE ATTACHMENT OR MACHINE'S CAPACITY DECREASES CAPACITY OF THE ATTACHMENT OR MACHINE TO THAT OF THE FORKS. FORKS RATED MORE THAN THE ATTACHMENT OR MACHINE'S CAPACITY DO NOT INCREASE ATTACHMENT OR MACHINE'S CAPACITY.	
	Note	Ref	PLEASE CONSULT JLG PARTS DEPARTMENT TO DETERMINE THE CORRECT FORKS APPLICABLE TO YOUR SPECIFIC CARRIAGE ASSEMBLY AND APPLICATION.	

SECTION 3 - ATTACHMENTS

FIGURE 3-24. LUMBER FORK (40X150X1540)



ART_1001099457-C

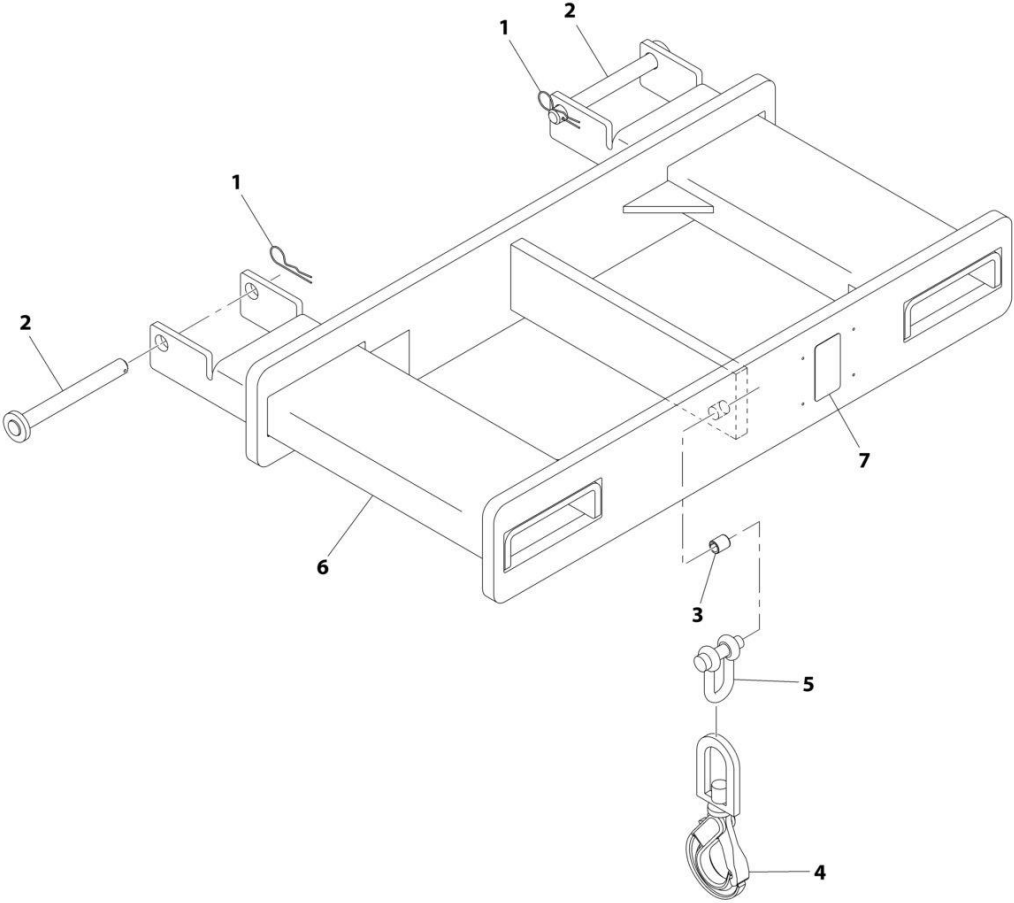
SECTION 3 - ATTACHMENTS

FIGURE 3-24. LUMBER FORK (40X150X1540)

ITEM	PART NUMBER	QTY	DESCRIPTION	REV
1	1001099457	2	Lumber Fork (1.5X6X60)	C
	Note	Ref	FORKS RATED LESS THAN THE ATTACHMENT OR MACHINE'S CAPACITY DECREASES CAPACITY OF THE ATTACHMENT OR MACHINE TO THAT OF THE FORKS. FORKS RATED MORE THAN THE ATTACHMENT OR MACHINE'S CAPACITY DO NOT INCREASE ATTACHMENT OR MACHINE'S CAPACITY.	
	Note	Ref	PLEASE CONSULT JLG PARTS DEPARTMENT TO DETERMINE THE CORRECT FORKS APPLICABLE TO YOUR SPECIFIC CARRIAGE ASSEMBLY AND APPLICATION.	

SECTION 3 - ATTACHMENTS

FIGURE 3-25. FORK MOUNTED HOOK (4 TON)



ART_1001097205-I

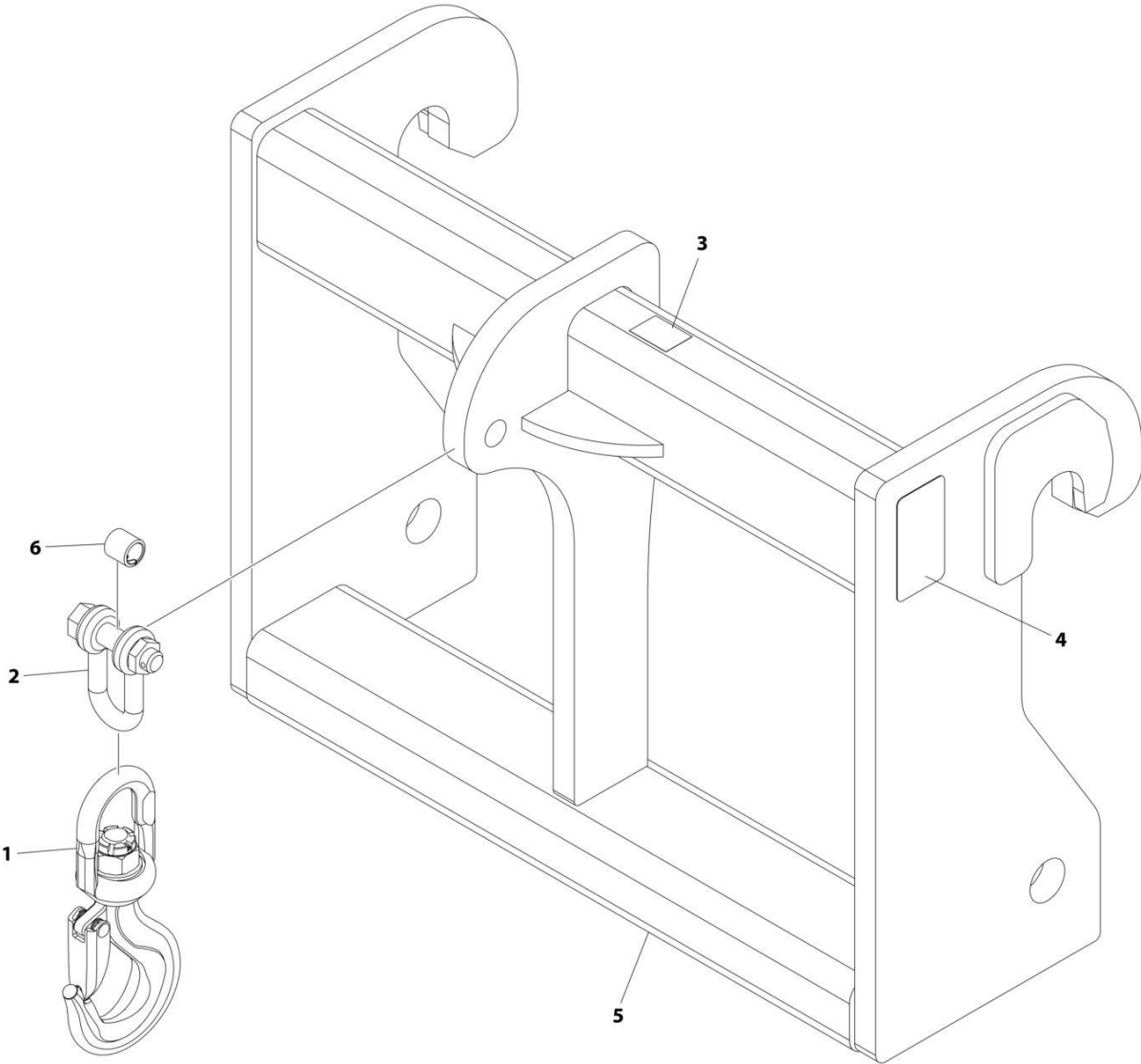
SECTION 3 - ATTACHMENTS

FIGURE 3-25. FORK MOUNTED HOOK (4 TON)

ITEM	PART NUMBER	QTY	DESCRIPTION	REV
	1001097205	Ref	Fork Mounted Hook (4 Ton)	J
1	7029520	2	Pin, Cotter	
2	1001093171	2	Pin	
3	70020555	1	Bushing	
4	90554080	1	Hook	
5	7029521	1	Shackle	
6	See Note	NSS	Frame, Hook (Note: Purchase Complete Assembly)	
7	See Note	NSS	S/N Plate (Note: Stamped Part - Not Available for Purchase)	

SECTION 3 - ATTACHMENTS

FIGURE 3-26. LIFTING HOOK ASSEMBLY, STANDARD



ART_1001242509

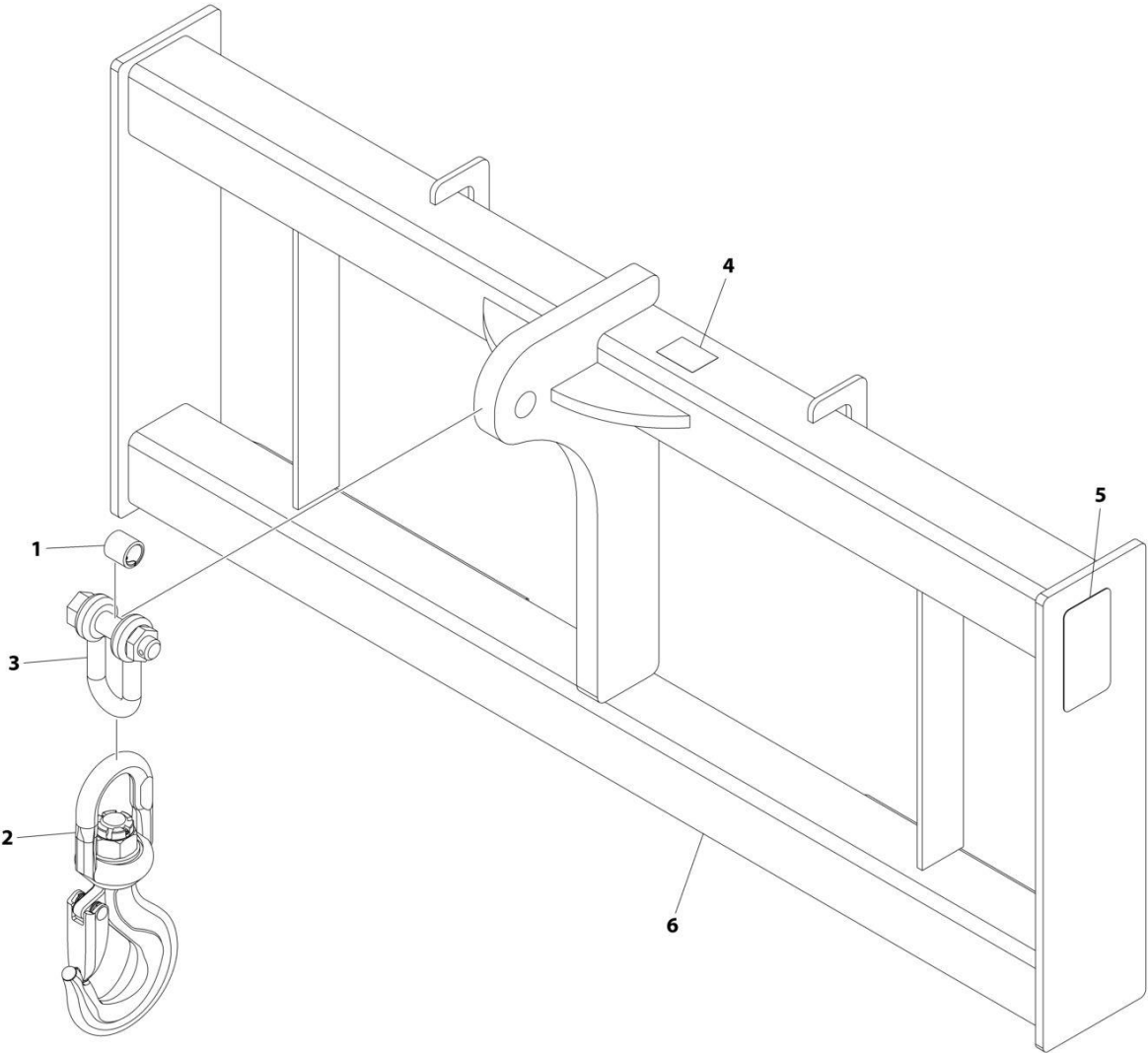
SECTION 3 - ATTACHMENTS

FIGURE 3-26. LIFTING HOOK ASSEMBLY, STANDARD

ITEM	PART NUMBER	QTY	DESCRIPTION	REV
	1001242509	Ref	LIFTING HOOK ASSEMBLY, STANDARD	C
1	90554080	1	Hook, Swivel	
2	7029521	1	Chain, Shackle	
3	90554016	1	Decal - USA	
4	See Note	NSS	Serial Tag (Note: Not Available for Purchase)	
5	See Note	NSS	Weldment (Note: Not Available for Purchase)	
6	70029498	1	Bushing	

SECTION 3 - ATTACHMENTS

FIGURE 3-27. LIFTING HOOK ASSEMBLY, UNIVERSAL



ART_1001242510

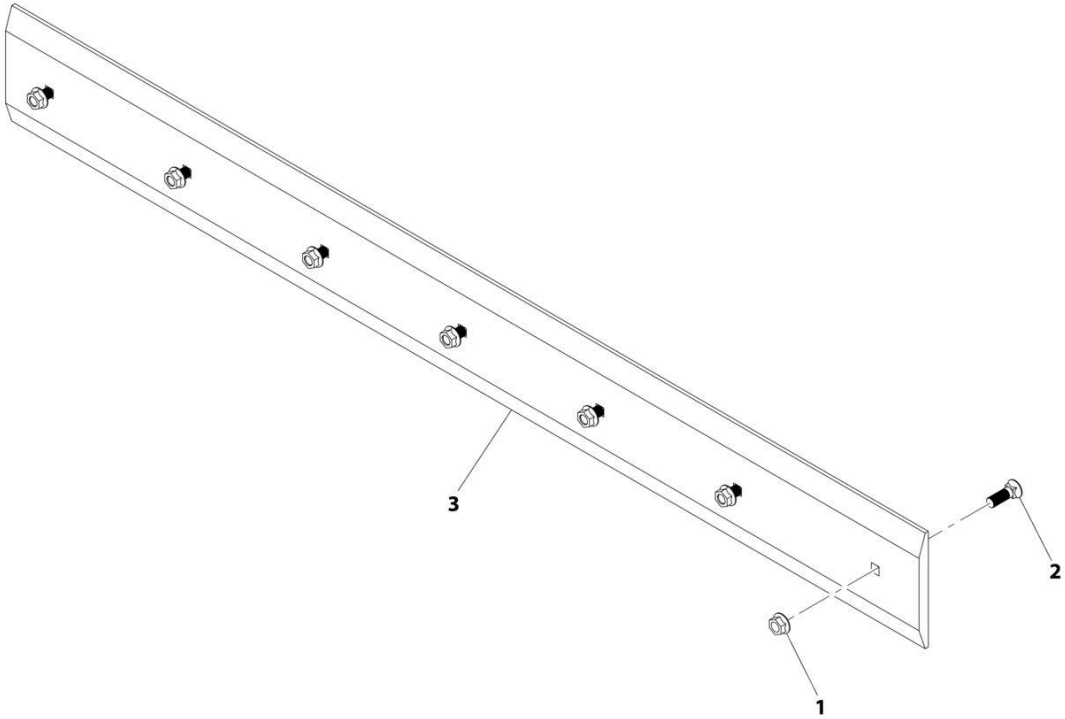
SECTION 3 - ATTACHMENTS

FIGURE 3-27. LIFTING HOOK ASSEMBLY, UNIVERSAL

ITEM	PART NUMBER	QTY	DESCRIPTION	REV
	1001242510	Ref	LIFTING HOOK ASSEMBLY, UNIVERSAL	C
1	70029498	1	Bushing	
2	90554080	1	Hook, Swivel	
3	7029521	1	Chain, Shackle	
4	90554016	1	Decal - USA	
5	See Note	NSS	Serial Tag (Note: Not Available for Purchase)	
6	See Note	NSS	Weldment (Note: Not Available for Purchase)	

SECTION 3 - ATTACHMENTS

FIGURE 3-28. BOLT-ON EDGE ASSEMBLY, 72"



ART_1001162898 -A

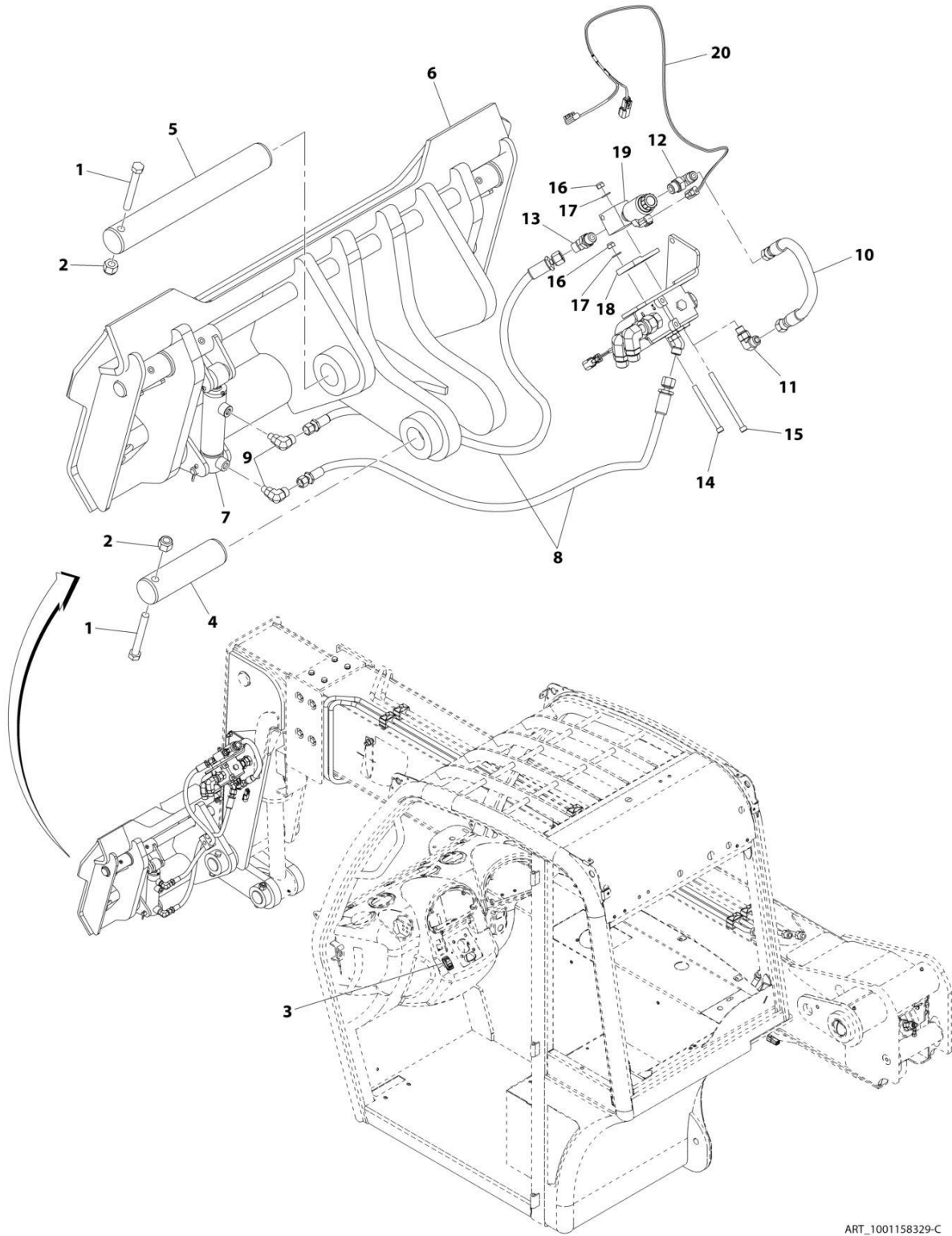
SECTION 3 - ATTACHMENTS

FIGURE 3-28. BOLT-ON EDGE ASSEMBLY, 72"

ITEM	PART NUMBER	QTY	DESCRIPTION	REV
1	1001162898	1	Bolt-On Edge Assembly, 72"	A

SECTION 3 - ATTACHMENTS

FIGURE 3-29. HYDRAULIC QUICK SWITCH INSTALLATION



ART_1001158329-C

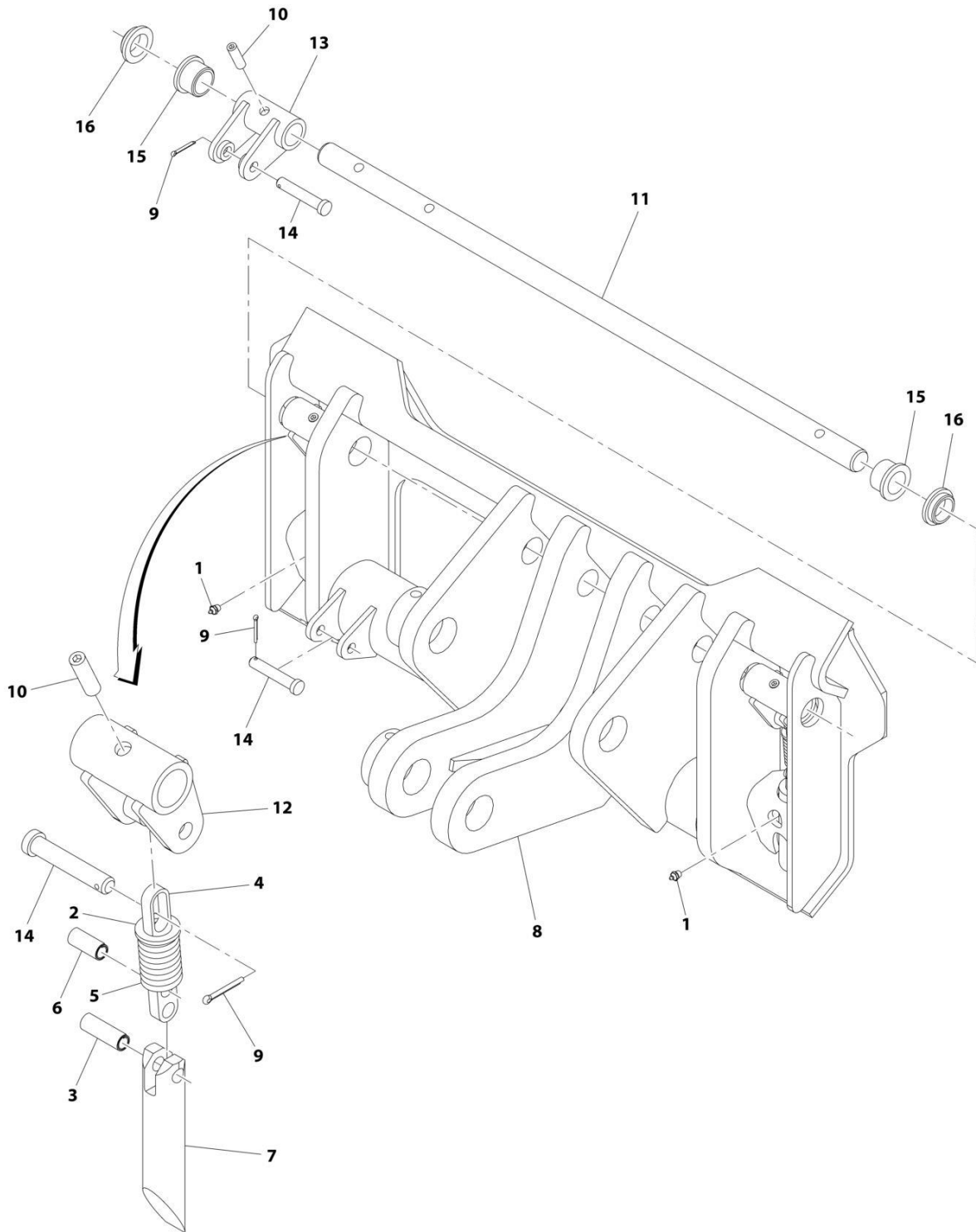
SECTION 3 - ATTACHMENTS

FIGURE 3-29. HYDRAULIC QUICK SWITCH INSTALLATION

ITEM	PART NUMBER	QTY	DESCRIPTION	REV
	1001158329	Ref	Installation, Hydraulic Quick Switch	C
1	0641832	2	Bolt, 1/2-13X4	
2	88521208	2	Nut, Lock 1/2-13	
3	1001080375	1	Switch	
4	1001097728	1	Pin, Fork	
5	1001097729	1	Pin, Pivot	
6	1001158352	1	Assembly, Quick Switch (See Separate Breakdown in this Section)	
7	1001160926	1	Cylinder, Fork Locking	
8	1001161759	2 in	Hose	
9	2130604	2	Fitting, 90	
10	1001137106	1	Hose	
11	2130606	1	Fitting, 90	
12	2130608	1	Fitting, 90	
13	2150608	1	Fitting	
14	3931556	1	Socket Screw, 5-16-18X3-1/2	
15	3931572	1	Socket Screw, 5-16X4.50	
16	8305626	2	Nut, Lock .312-18	
17	8307106	2	Washer, .312	
18	1001207768	1	Bracket, Valve	
19	1001207926	1	Assembly, Valve Block (See Separate Breakdown in Hydraulic Components Section)	
20	1001209009	1	Harness, Valve Jumper (See Separate Breakdown in Electrical Components Section)	

SECTION 3 - ATTACHMENTS

FIGURE 3-30. QUICK SWITCH ASSEMBLY



ART_1001158352-D

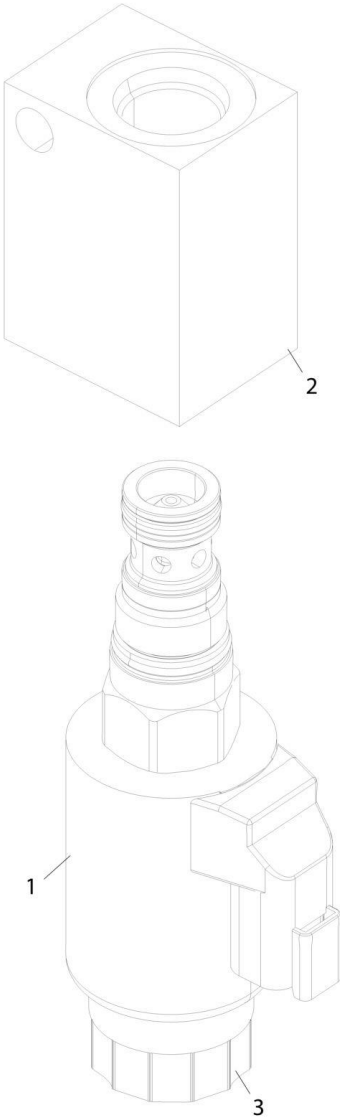
SECTION 3 - ATTACHMENTS

FIGURE 3-30. QUICK SWITCH ASSEMBLY

ITEM	PART NUMBER	QTY	DESCRIPTION	REV
	1001158352	Ref	Quick Switch Assembly	D
1	1001008479	2	Grease Fitting	
2	1001009094	2	Washer	
3	1001061633	2	Spring Pin	
4	1001178059	2	Plate, Quick Switch	
5	1001061660	2	Spring	
6	1001061662	2	Spring Pin	
7	1001061891	2	Pin	
8	N.S.S.	1	Weldment, Quick Switch	
9	3391410	4	Split Pin	
10	3951814	3	Setscrew .50-13X1.75	
11	1001158330	1	Rod, Quick Switch	
12	1001158331	2	Support, Quick Switch Link	
13	1001158336	1	Support, Quick Switch Cylinder	
14	1001161604	4	Lock Pin	
15	1001161606	2	Bushing	
16	1001161607	2	Bushing	

SECTION 3 - ATTACHMENTS

FIGURE 3-31. BLOCK VALVE ASSEMBLY



ART_1001207926-A

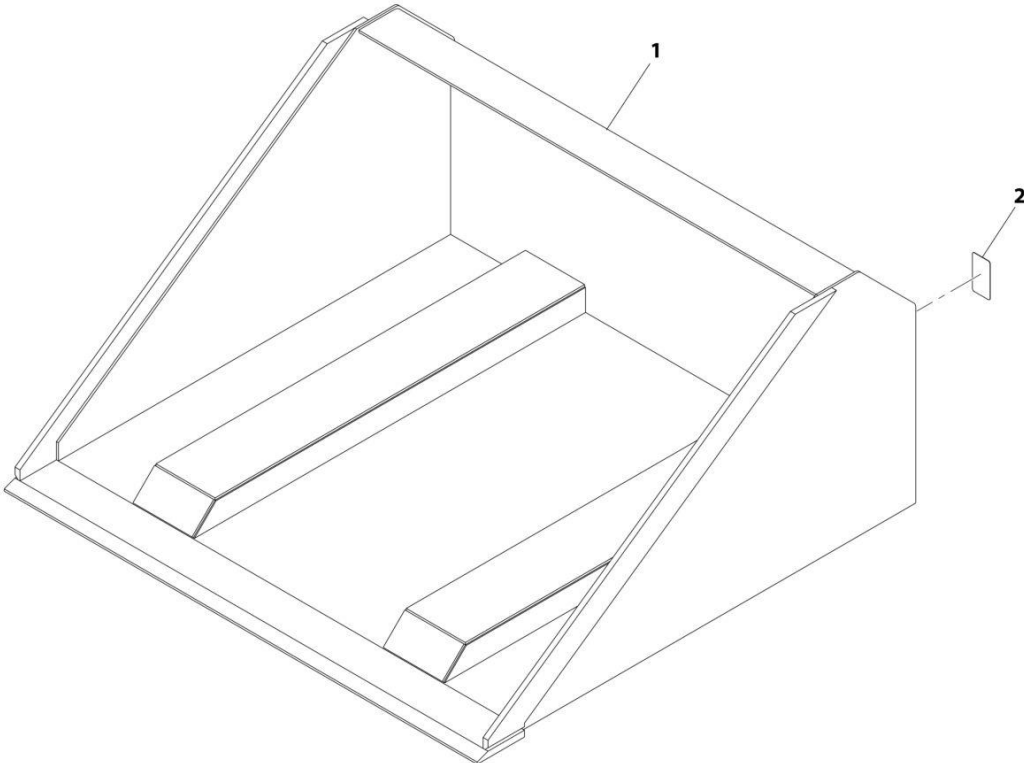
SECTION 3 - ATTACHMENTS

FIGURE 3-31. BLOCK VALVE ASSEMBLY

ITEM	PART NUMBER	QTY	DESCRIPTION	REV
	1001207926	Ref	Valve Block Assembly	A
1	1001207923	1	Coil	
2	1001207924	1	Manifold	
3	1001207925	1	Vale, Poppet	

SECTION 3 - ATTACHMENTS

FIGURE 3-32. FORK MOUNTED BUCKET (1.0 M³)



ART_1001195970-D

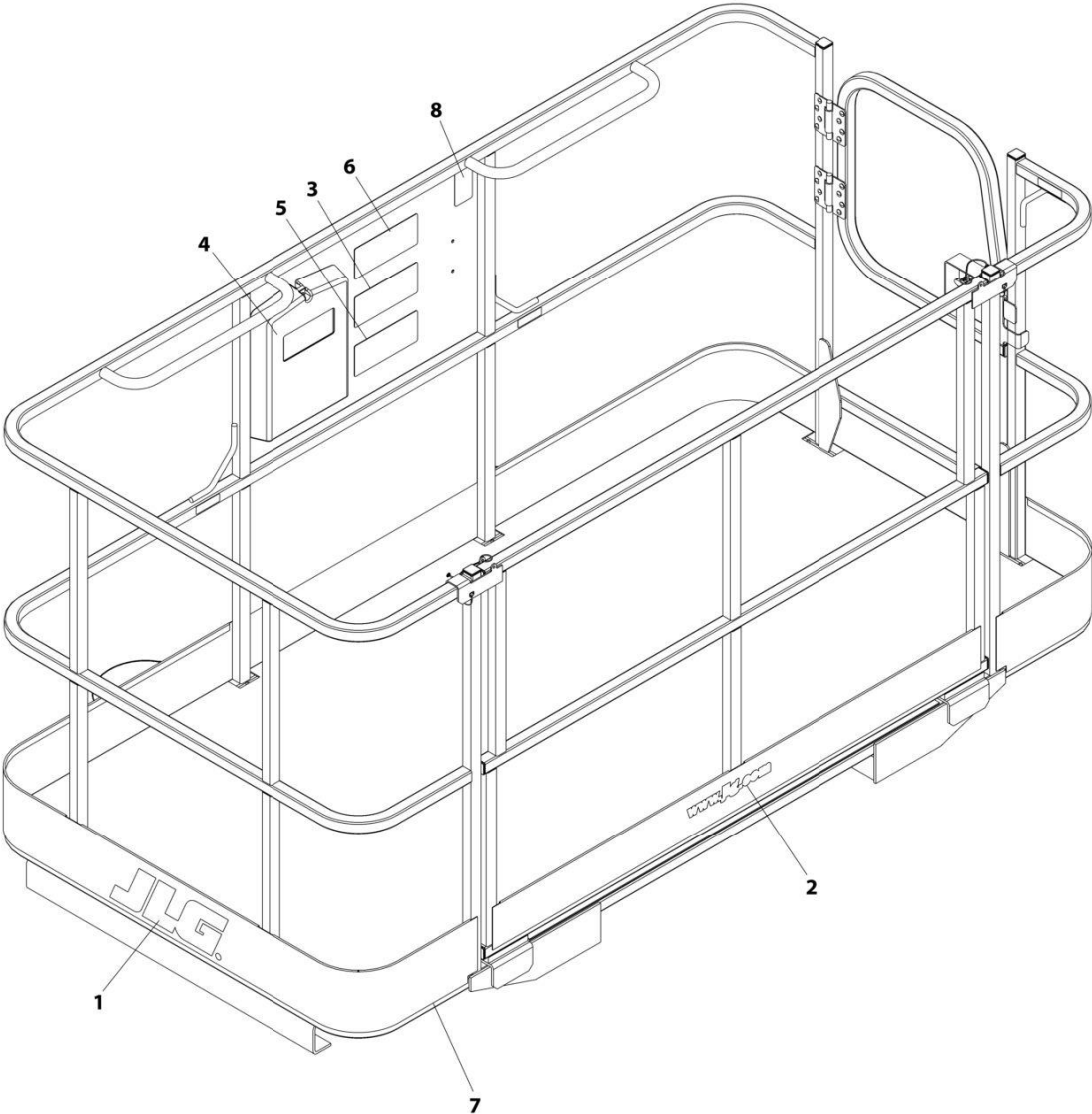
SECTION 3 - ATTACHMENTS

FIGURE 3-32. FORK MOUNTED BUCKET (1.0 M³)

ITEM	PART NUMBER	QTY	DESCRIPTION	REV
1	1001195970	Ref	Bucket 1.0 m ³ (Fork Mounted)	E
2	See Note	NSS	S/N Plate (Note: Stamped Part - Not Available for Purchase)	

SECTION 3 - ATTACHMENTS

FIGURE 3-33. BASKET, PERSONNEL (1.2MX2.4M) (DOMESTIC)



ART_1001238653-A

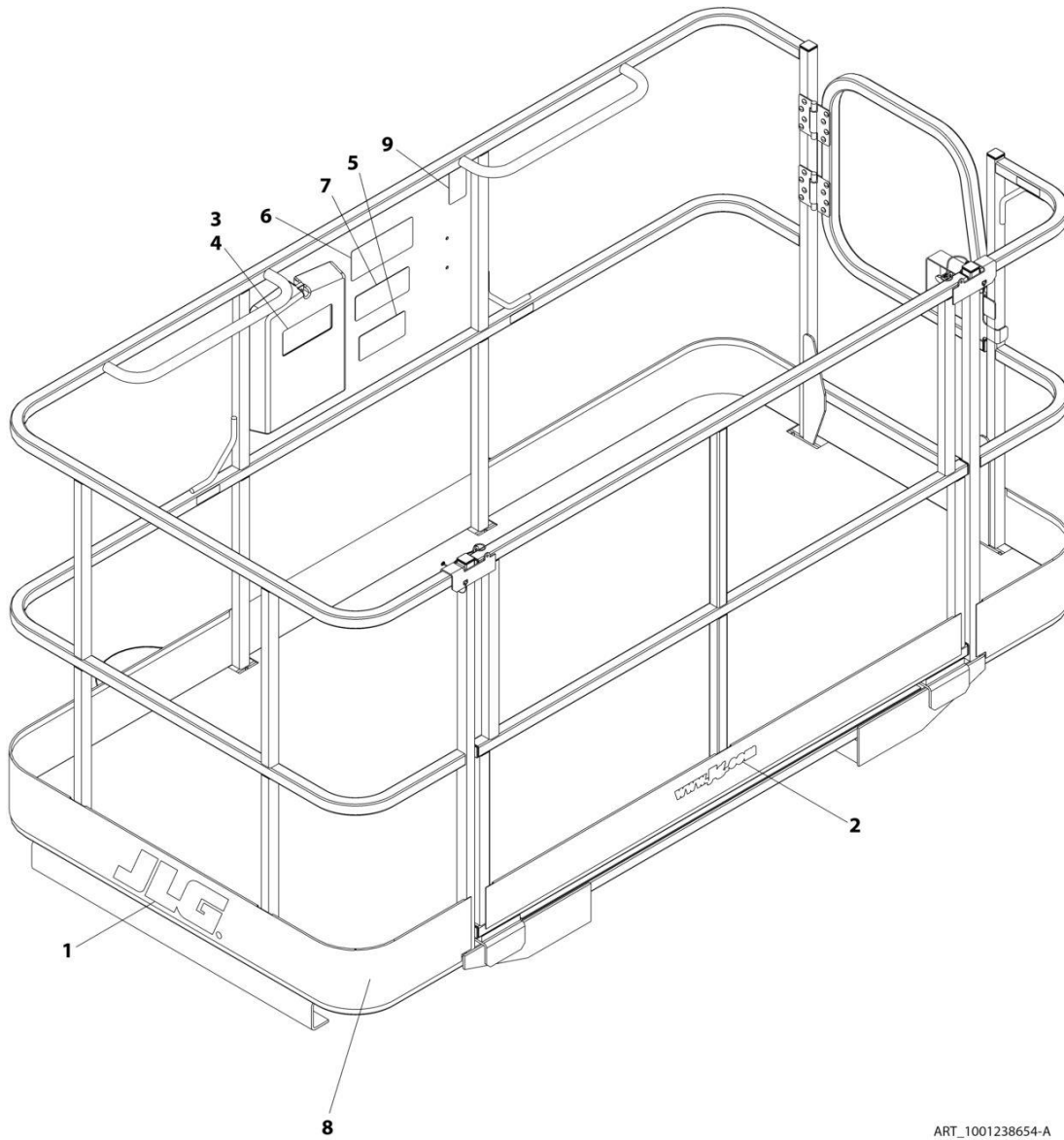
SECTION 3 - ATTACHMENTS

FIGURE 3-33. BASKET, PERSONNEL (1.2MX2.4M) (DOMESTIC)

ITEM	PART NUMBER	QTY	DESCRIPTION	REV
	1001238653	Ref	FORK MOUNTED PLATFORM	B
1	1702773	2	Decal, JLG	
2	1704885	1	Decal, Website	
3	1706892	1	Decal, Platform Warning	
4	31200160	1	Manual, Personnel Work Platform Operation and Safety	
5	1001092481	1	Decal, Warning Attachment	
6	1001092482	1	Decal, Platform Capacity	
7	1001238565	1	Platform, Fork Mounted (See Separate Breakdown in this Section)	
8	See Note	NSS	SN Plate (Note: Stamped Part - Not Available for Purchase)	

SECTION 3 - ATTACHMENTS

FIGURE 3-34. BASKET, PERSONNEL (1.2MX2.4M) (ISO)



ART_1001238654-A

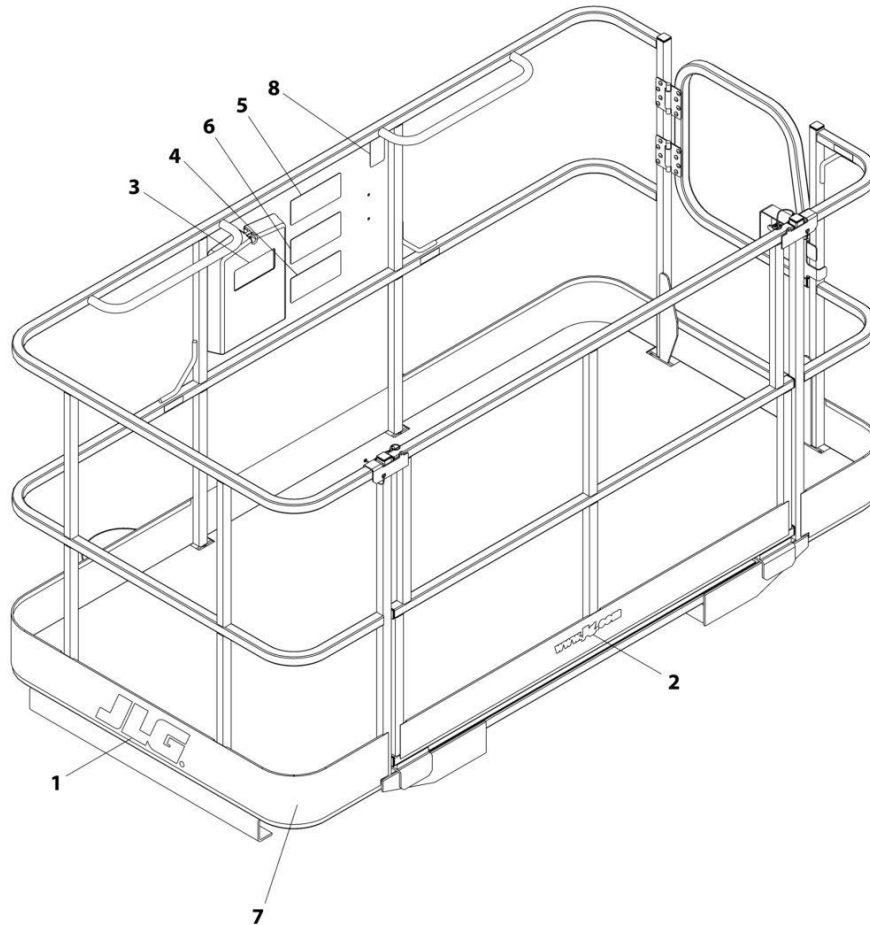
SECTION 3 - ATTACHMENTS

FIGURE 3-34. BASKET, PERSONNEL (1.2MX2.4M) (ISO)

ITEM	PART NUMBER	QTY	DESCRIPTION	REV
	1001238654	Ref	BASKET, PERSONNEL	B
1	1702773	2	Decal, JLG	
2	1704885	1	Decal, Website	
3	31200387	1	Manual, Operation and Safety, Spanish	
4	31200388	1	Manual, Operation and Safety, Portuguese	
5	1001096021	1	Decal, Warning Attachment	
6	1001096023	1	Decal, Platform Capacity	
7	1001096025	1	Decal, Platform Warning	
8	1001238565	1	Platform, Fork Mounted (ANSI) (See Separate Breakdown in this Section)	
9	See Note	NSS	SN Plate (Note: Stamped Part - Not Available for Purchase)	

SECTION 3 - ATTACHMENTS

FIGURE 3-35. BASKET, PERSONNEL (1.2MX2.4M) (FRENCH)



ART_1001238655-A

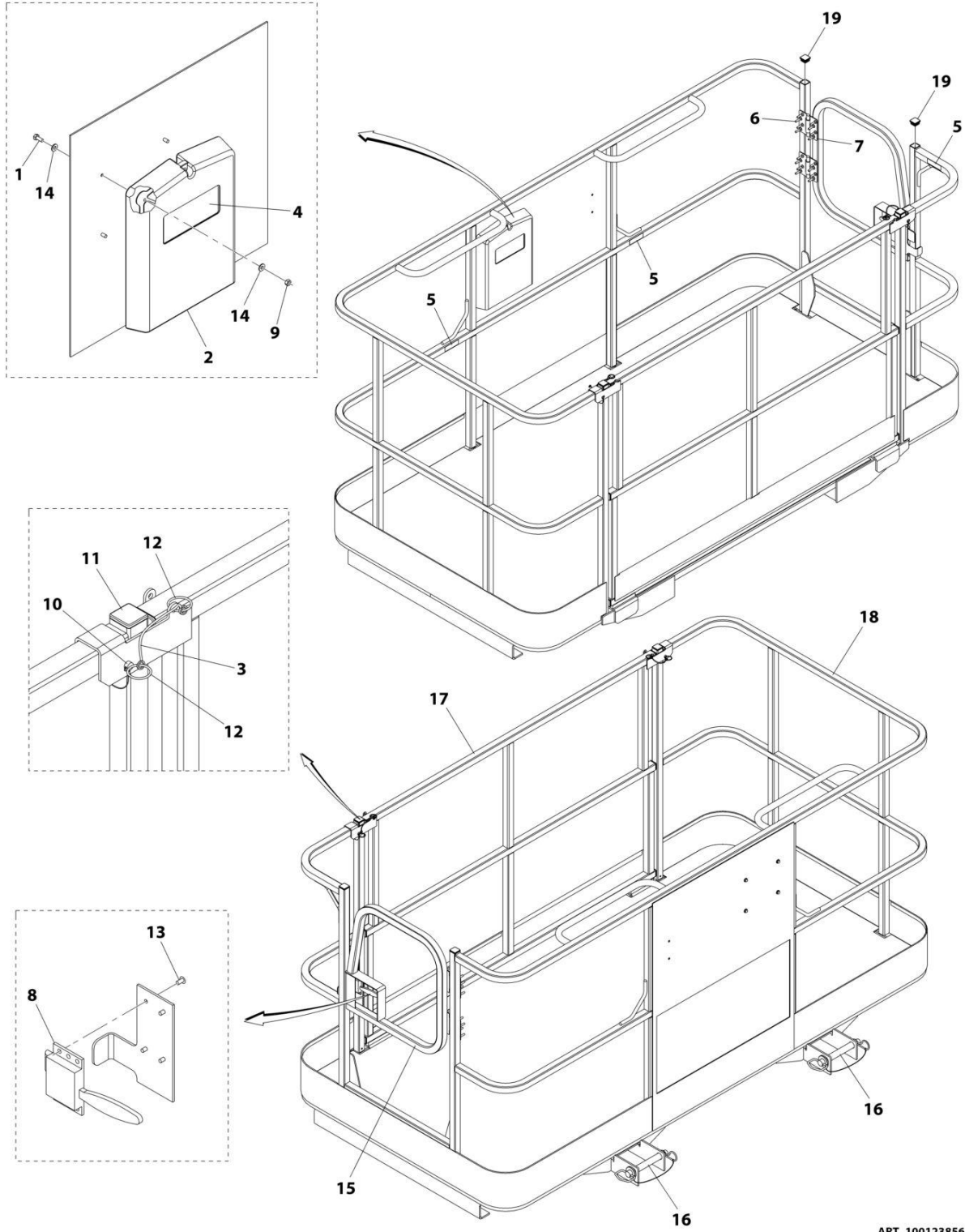
SECTION 3 - ATTACHMENTS

FIGURE 3-35. BASKET, PERSONNEL (1.2MX2.4M) (FRENCH)

ITEM	PART NUMBER	QTY	DESCRIPTION	REV
	1001238655	Ref	BASKET, PERSONNEL	B
1	1702773	2	Decal, JLG	
2	1704885	1	Decal, Website	
3	31200386	1	Manual, Operation and Safety (French)	
4	1001096019	1	Decal, Warning Attachment (French)	
5	1001096020	1	Decal, Platform Capacity (French)	
6	1001096024	1	Decal, Platform Warning (French)	
7	1001238565	1	Platform, Fork Mounted (ANSI) (See Separate Breakdown in this Section)	
8	See Note	NSS	SN Plate (Note: Stamped Part - Not Available for Purchase)	

SECTION 3 - ATTACHMENTS

FIGURE 3-36. FORK MOUNTED PLATFORM



ART_1001238565

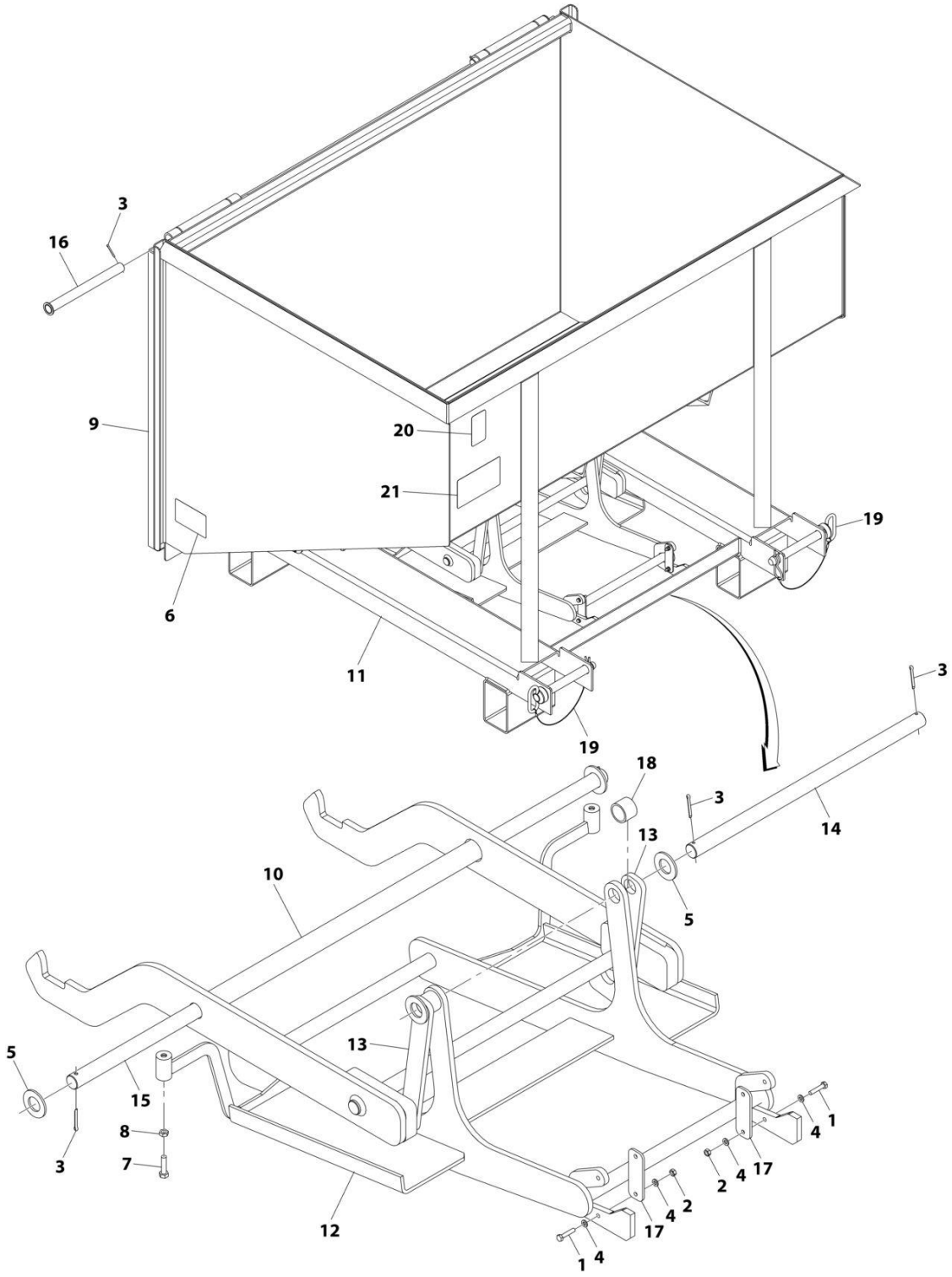
SECTION 3 - ATTACHMENTS

FIGURE 3-36. FORK MOUNTED PLATFORM

ITEM	PART NUMBER	QTY	DESCRIPTION	REV
	1001238565	Ref	FORK MOUNTED PLATFORM ASSEMBLY	F
1	0641405	4	Bolt 1/4 x 5/8	
2	0860520	1	Box, Manual Storage	
3	1060379	2	Cable, Lanyard	
4	1701509	1	Decal, Manual	
5	1704277	3	Decal, Lanyard Attach	
6	2080040	16	Fastener	
7	2600281	2	Hinge	
8	2940074	1	Latch	
9	3311405	4	Nut 1/4	
10	3421453	2	Pin	
11	3520072	7	Plug	
12	3760170	4	Ring	
13	3820020	4	Rivet	
14	4711400	8	Washer 1/4	
15	1001144629J	1	Gate	
16	1001238560	2	Pin, Hitch	
17	1001095810	1	Gate	
18	See Note	NSS	Platform, Fork Mounted	
19	3520198	4	Plug	

SECTION 3 - ATTACHMENTS

FIGURE 3-37. TRASH HOPPER INSTALLATION



ART_1001238566-B

SECTION 3 - ATTACHMENTS

FIGURE 3-37. TRASH HOPPER INSTALLATION

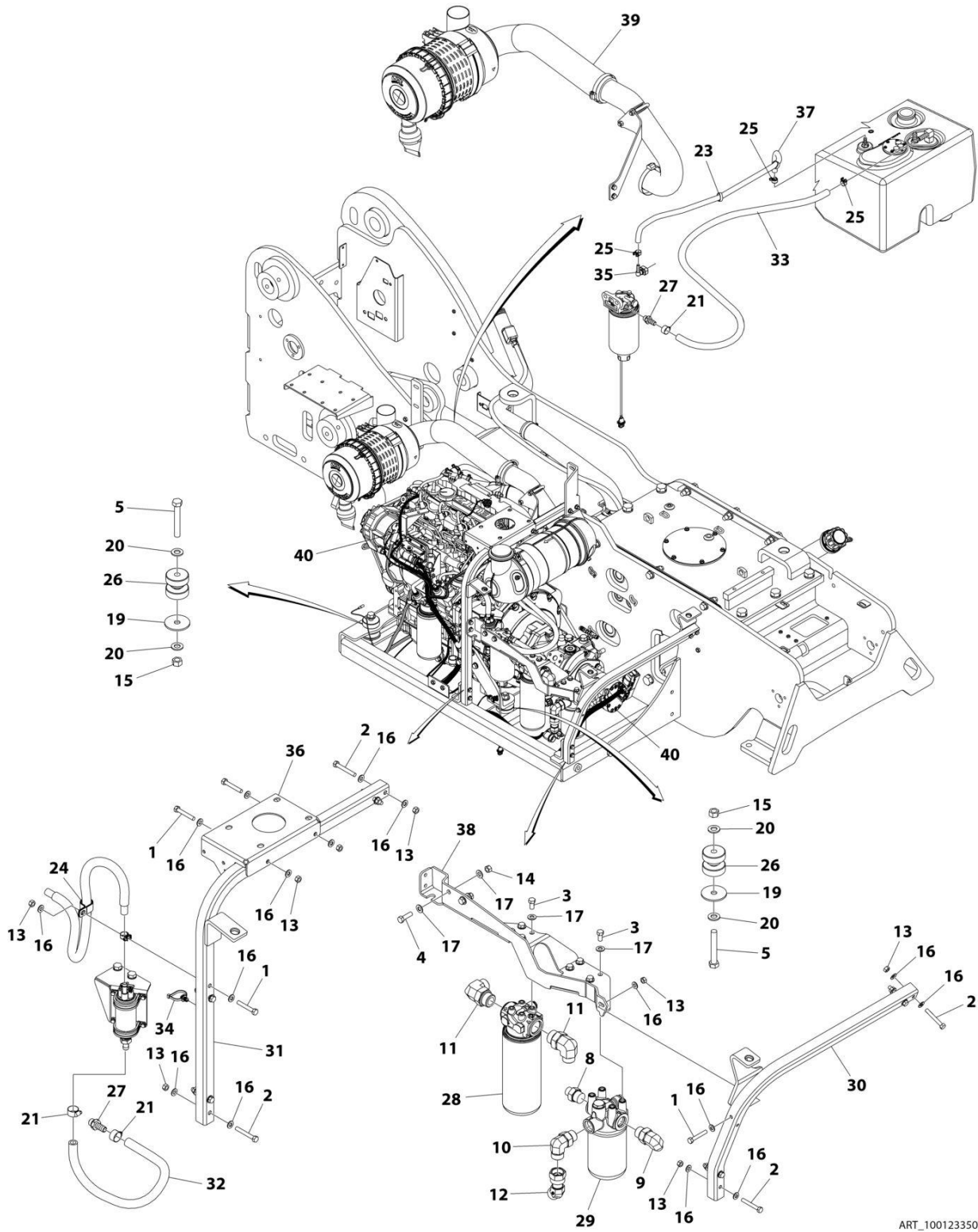
ITEM	PART NUMBER	QTY	DESCRIPTION	REV
	1001238566	Ref	FORK MOUNTED TRASH HOPPER	C
1	0700614	4	Bolt M6 x 30	
2	3290601	4	Nut M6 x 1	
3	3391410	6	Pin	
4	4811700	8	Washer M6	
5	5242400	4	Washer M24	
6	1706302	2	Decal, Pinch Point	
7	0641510	2	Bolt 5/16 x 1-1/4	
8	3311502	2	Nut 5/16	
9	1001192711	1	Door Assembly	
10	1001192720	1	Hook Assembly	
11	See Note	NSS	Hopper, Trash (Note: Purchase Complete Assembly)	
12	1001192875	1	Tray Assembly	
13	1001192876	2	Arm, Swing	
14	1001192877	1	Rod, Swing	
15	1001238570	1	Bar	
16	1001193540	2	Pin	
17	1001193729	2	Plate	
18	1001198355	2	Spacer	
19	1001238560	2	Pin	
20	See Note	NSS	SN Plate (Note: Stamped Part - Not Available for Purchase)	
21	1001203503	1	Decal, Trash Hopper Operation	

SECTION 4 - ENGINE AND ATTACHING PARTS

SECTION 4 - ENGINE AND ATTACHING PARTS

SECTION 4 - ENGINE AND ATTACHING PARTS

FIGURE 4-1. ENGINE INSTALLATION



ART_1001233502

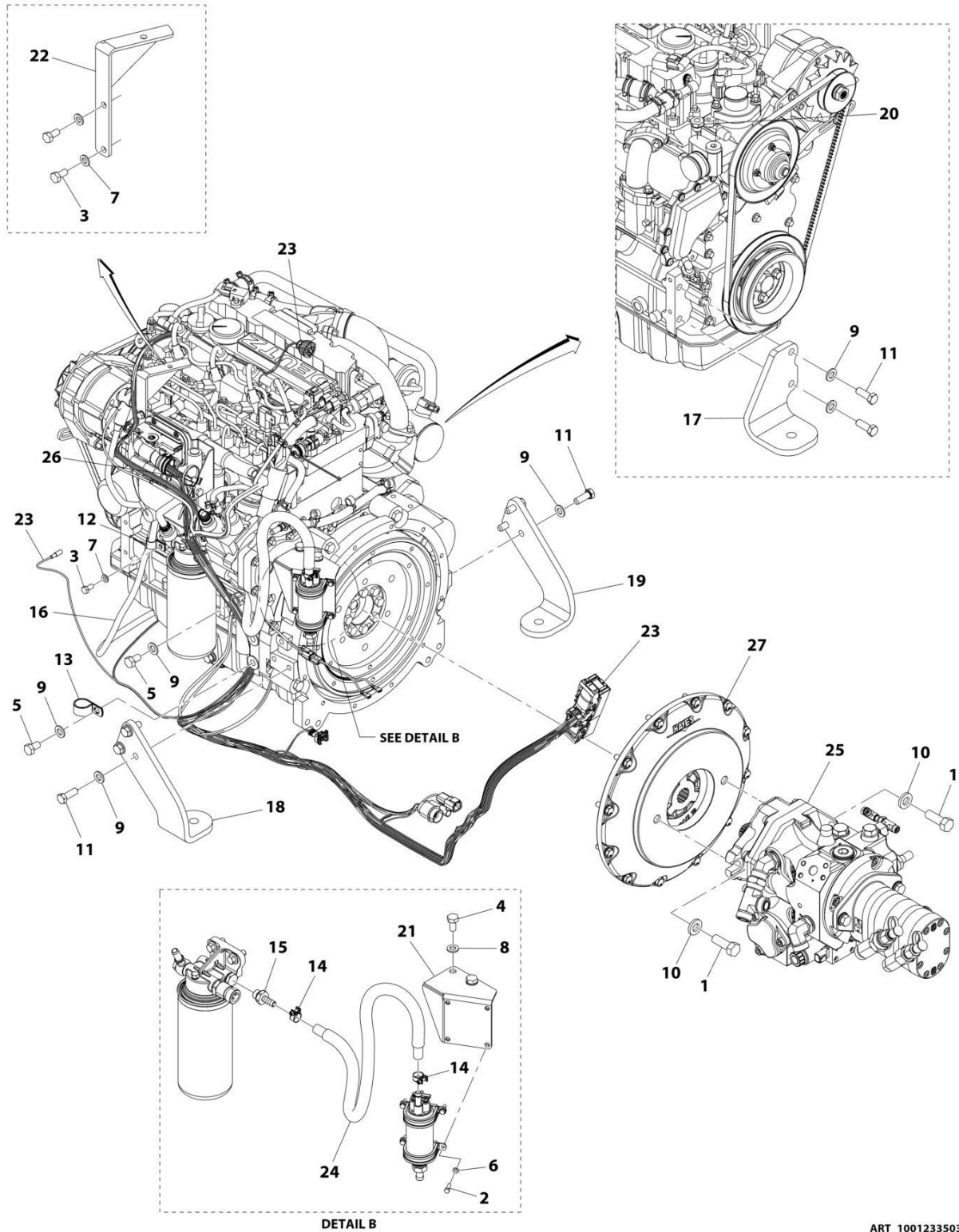
SECTION 4 - ENGINE AND ATTACHING PARTS

FIGURE 4-1. ENGINE INSTALLATION

ITEM	PART NUMBER	QTY	DESCRIPTION	REV
	1001233502	Ref	Engine Installation	D
1	0681516	5	Bolt 5/16 x 2	
2	0681518	8	Bolt 5/16 x 2-1/4	
3	0681606	8	Bolt 3/8 x 3/4	
4	0681610	2	Bolt 3/8 x 1-1/4	
5	0682034	4	Bolt 5/8 x 4-1/4	
8	2110812	1	Fitting, Straight ORFS/ORB	
9	2130812	1	Fitting, 90 ORFS/ORB	
10	2131212	1	Fitting, 90 ORFS/ORB	
11	2131216	2	Fitting, 90 ORFS/ORB	
12	2172112	1	Fitting, 90 ORFS/FSORFS	
13	3271501	13	Nut 5/16	
14	3271601	2	Nut 3/8	
15	3272001	4	Nut 5/8	
16	4711500	26	Washer 5/16	
17	4711600	12	Washer 3/8	
19	7300435	4	Washer, Rebound	
20	8310058	8	Washer	
21	8405006	3	Clamp	
23	8881800	2	Tie Strap	
24	85941017	1	Clamp	
25	1001136975	3	Clamp	
26	1001141027	4	Mount, Isolator	
27	1001141718	2	Tube	
28	1001141975	Ref	Hydraulic Filter Assembly (See Separate Breakdown in HYDRAULIC CIRCUITS Section)	
29	1001141976	Ref	Charge Pump Filter Assembly (See Separate Breakdown in HYDRAULIC CIRCUITS Section)	
30	1001143879	1	Support	
31	1001143880	1	Support	
32	1001144106	1	Hose	
33	1001144133	1	Hose	
34	1001146588	1	Tie Strap	
35	1001155823	1	Coupling, 90 Quick Connect	
36	1001156243	1	Plate	
37	1001158561	1	Hose	
38	1001189305	1	Bracket	
39	1001193752	Ref	Air Cleaner Installation (See Separate Breakdown in this Section)	
40	1001233503	Ref	Engine Installation (See Separate Breakdown in this Section)	

SECTION 4 - ENGINE AND ATTACHING PARTS

FIGURE 4-2. ENGINE INSTALLATION (PVC 1911)



ART_1001233503-D

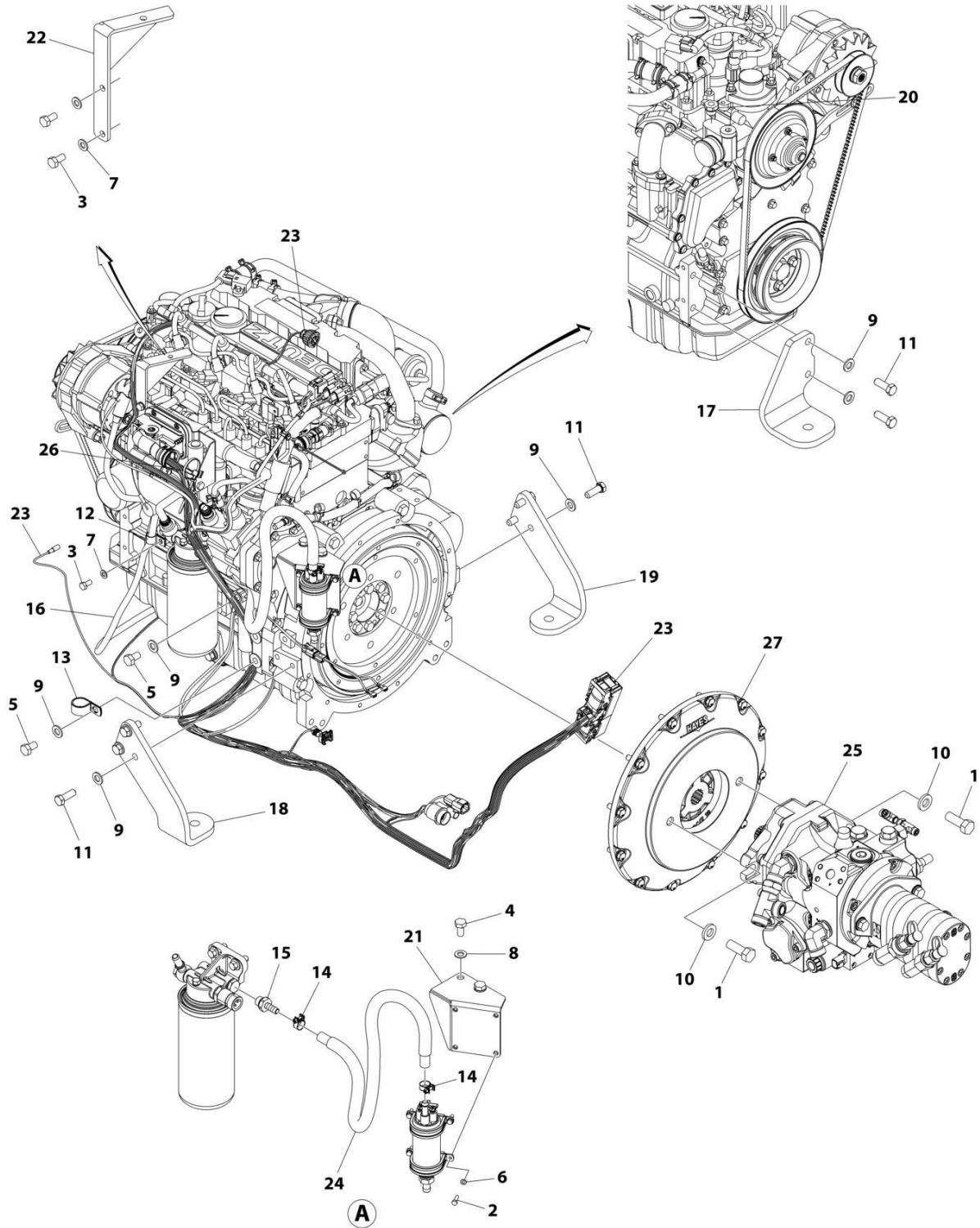
SECTION 4 - ENGINE AND ATTACHING PARTS

FIGURE 4-2. ENGINE INSTALLATION (PVC 1911)

ITEM	PART NUMBER	QTY	DESCRIPTION	REV
	1001233503	Ref	Engine Installation	E
1	0642014	2	Hex HD Capscrew, 5/8-11X1-3/4, GR5	
2	0760508	4	Hex HD Capscrew, M5X16, GR8.8	
3	0760808	3	Hex HD Capscrew, M8X16, GR8.8	
4	0761010	2	Hex HD Capscrew, M10X20, GR8.8	
5	0761210	2	Hex HD Capscrew, M12X20, GR8.8	
6	4811600	4	Washer, M5	
7	4811900	3	Washer, M8	
8	4812000	2	Washer, M10	
9	4812100	10	Washer, M12	
10	4892000	2	Washer, 5/8	
11	8310297	8	Hex HD Capscrew, M12X35, GR10.9	
12	8406112	1	Clip	
13	80673023	1	Clip	
14	1001136975	2	Fuel Hose Clamp	
15	1001141717	1	Hose Barb Fitting	
16	1001142242	1	150 AMP Link Harness	
17	1001143641	1	Engine Support	
18	1001143642	1	Engine Support	
19	1001143643	1	Engine Support	
20	1001143801	1	Plug, M16X1.5	
21	1001143839	1	Pump Bracket	
22	1001149828	1	Hose Support Plate	
23	1001156229	1	Engine Harness (See Separate Breakdown in ELECTRICAL Section)	
24	1001165200	1	Fuel Supply Engine Hose	
25	1001190821	1	Pump, (See Separate Breakdown in this Section)	
26	1001228975	1	Clip, Tie Strap	
27	1001233451	1	Coupling Assembly	

SECTION 4 - ENGINE AND ATTACHING PARTS

FIGURE 4-3. ENGINE INSTALLATION (PVC 2005)



ART_1001233503_F

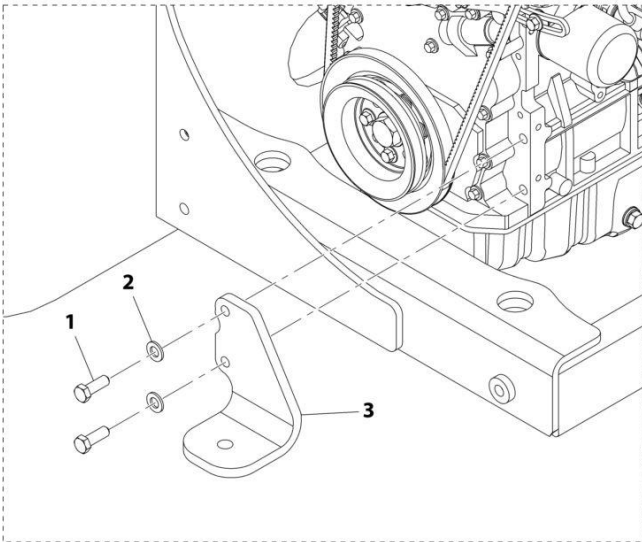
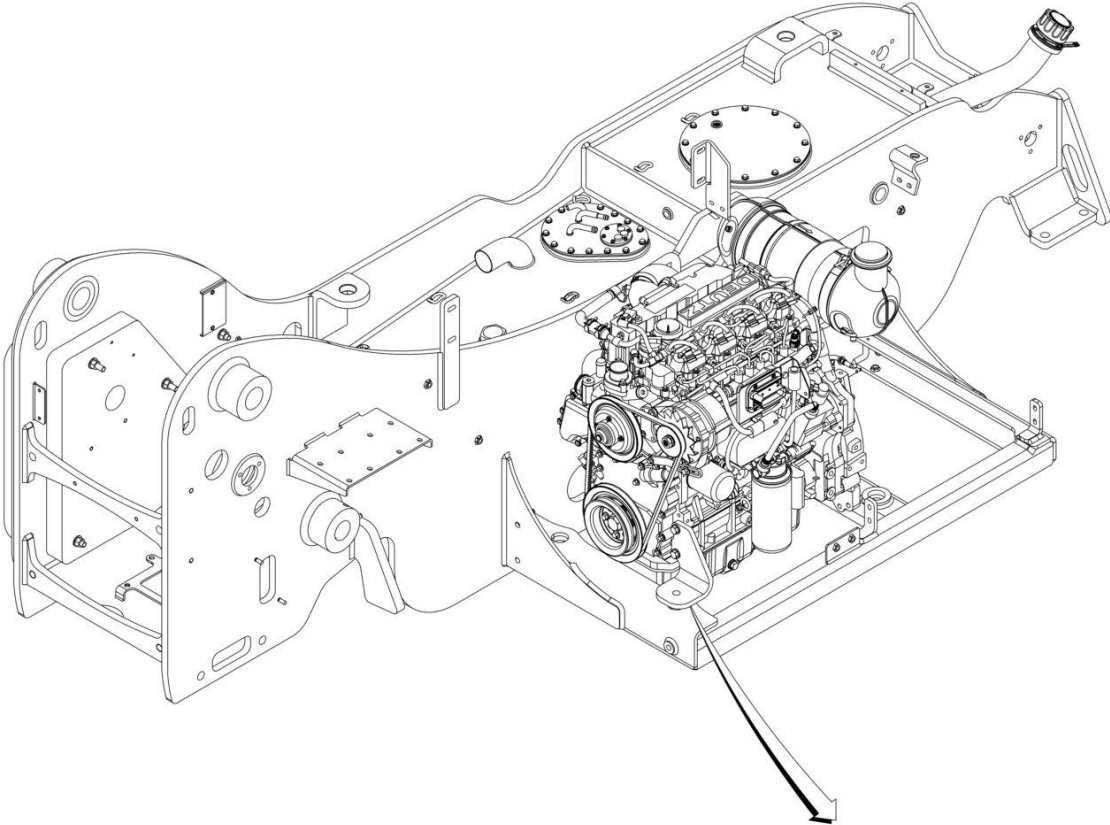
SECTION 4 - ENGINE AND ATTACHING PARTS

FIGURE 4-3. ENGINE INSTALLATION (PVC 2005)

ITEM	PART NUMBER	QTY	DESCRIPTION	REV
	1001233503	Ref	Engine Installation	F
1	0642014	2	Screw 5/8 x1-3/4	
2	0760508	4	Bolt M5 x 16	
3	0760808	3	Bolt M8 x 16	
4	0761010	2	Bolt M10 x 20	
5	0761210	2	Bolt M12 x 20	
6	4811600	4	Washer M5	
7	4811900	3	Washer M8	
8	4812000	2	Washer M10	
9	4812100	10	Washer M12	
10	4892000	2	Washer 5/8	
11	8310297	8	Bolt M12 x 35	
12	8406112	1	Clip	
13	80673023	1	Clip	
14	1001136975	2	Fuel Hose Clamp	
15	1001141717	1	Hose Barb Fitting	
16	1001142242	1	150 AMP Link Harness	
17	1001143641	1	Engine Support	
18	1001143642	1	Engine Support	
19	1001143643	1	Engine Support	
20	1001143801	1	Plug, M16 x 1.5	
21	1001143839	1	Pump Bracket	
22	1001149828	1	Hose Support Plate	
23	1001258097	1	Engine Harness (See Separate Breakdown in ELECTRICAL Section)	
24	1001165200	1	Fuel Supply Engine Hose	
25	1001190821	1	Pump (See Separate Breakdown in this Section)	
26	1001228975	1	Clip, Tie Strap	
27	1001233451	1	Coupling Assembly	

SECTION 4 - ENGINE AND ATTACHING PARTS

FIGURE 4-4. ENGINE MOUNT INSTALLATION



ART_1001143678-C

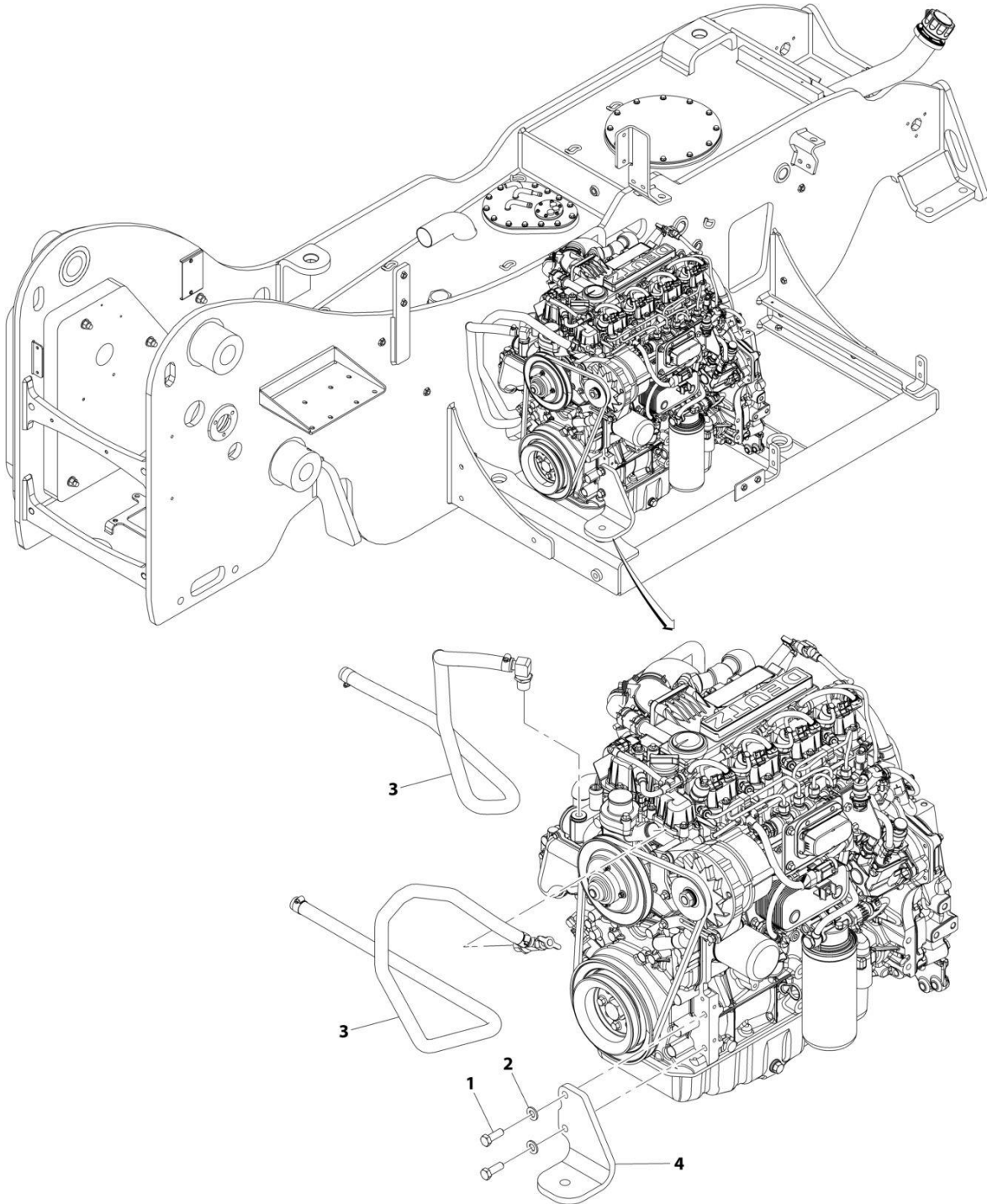
SECTION 4 - ENGINE AND ATTACHING PARTS

FIGURE 4-4. ENGINE MOUNT INSTALLATION

ITEM	PART NUMBER	QTY	DESCRIPTION	REV
	1001143678	Ref	Engine Mount Installation	C
1	8310297	2	Hex HD Capscrew, M12X35, GR10.9	
2	4812100	2	Washer, M12	
3	1001143640	1	Engine Support	

SECTION 4 - ENGINE AND ATTACHING PARTS

FIGURE 4-5. ENGINE MOUNT INSTALLATION, (HEATER)



ART_1001143677-C

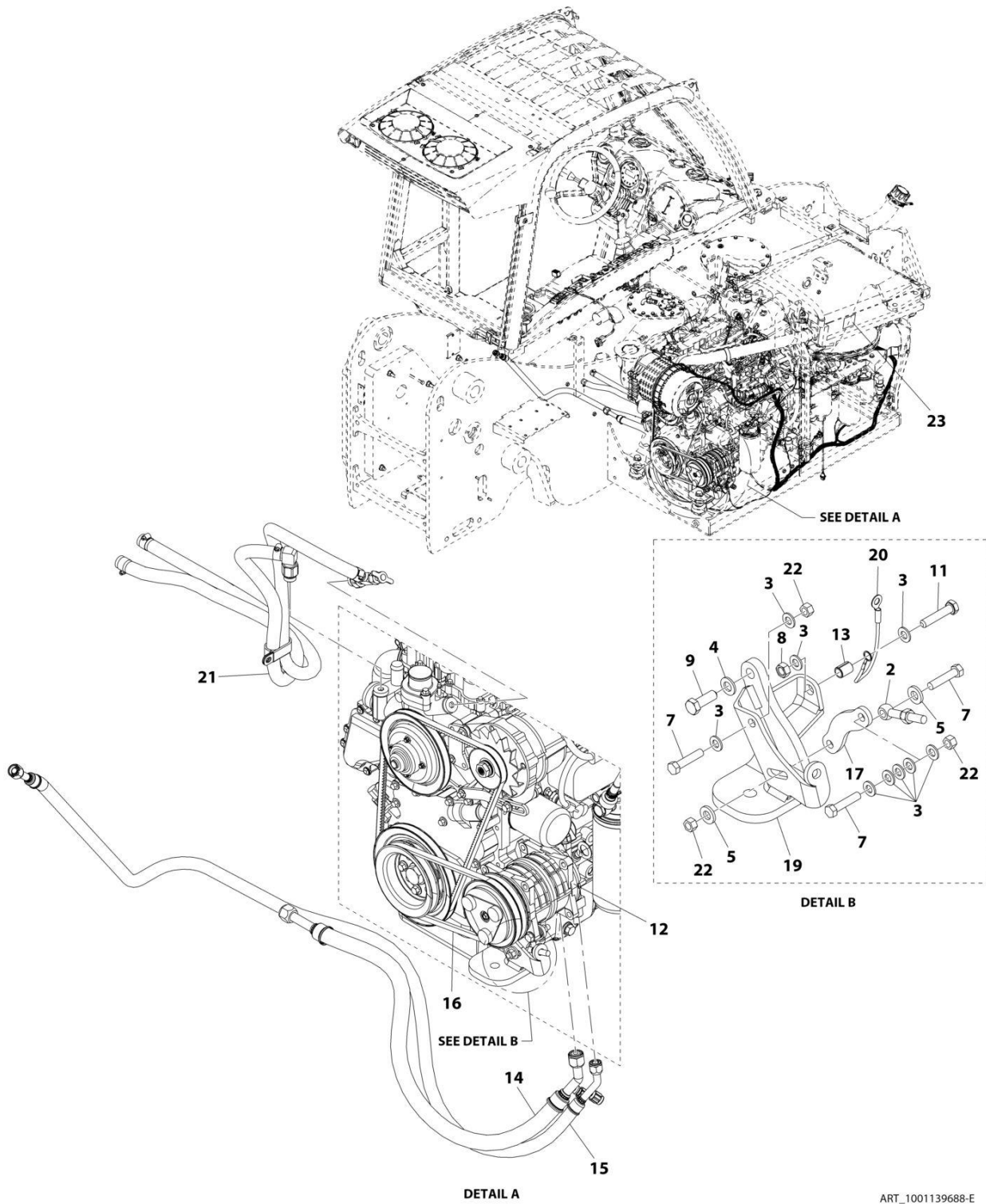
SECTION 4 - ENGINE AND ATTACHING PARTS

FIGURE 4-5. ENGINE MOUNT INSTALLATION, (HEATER)

ITEM	PART NUMBER	QTY	DESCRIPTION	REV
	1001143677	Ref	Engine Mount Installation, (Heater)	C
1	8310297	2	Hex HD Capscrew, M12X35, GR10.9	
2	4812100	2	Washer, M12	
3	1001139684	1	Heater Lines Installation (See Separate Breakdown in this Section)	
4	1001143640	1	Engine Support	

SECTION 4 - ENGINE AND ATTACHING PARTS

FIGURE 4-6. ENGINE MOUNT INSTALLATION, (HEATER & A/C)



ART_1001139688-E

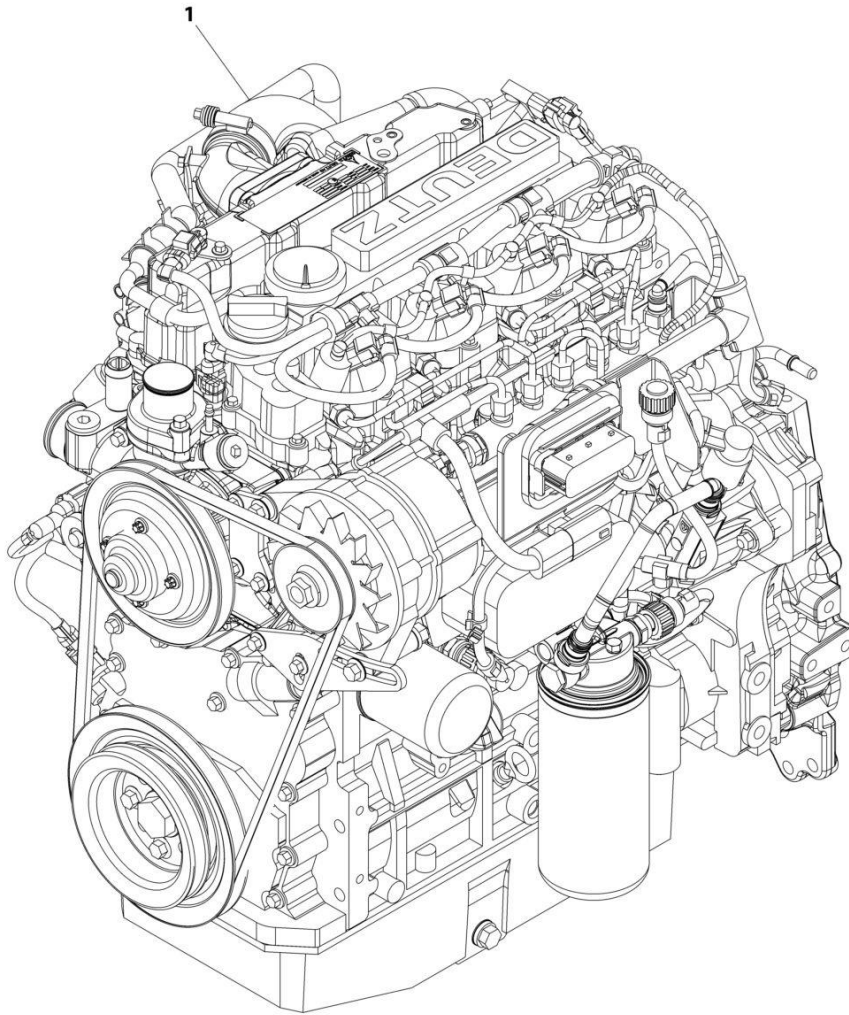
SECTION 4 - ENGINE AND ATTACHING PARTS

FIGURE 4-6. ENGINE MOUNT INSTALLATION, (HEATER & A/C)

ITEM	PART NUMBER	QTY	DESCRIPTION	REV
	1001139688	Ref	Engine Mount Installation, (Heater & A/C)	E
2	1001156849	1	Rod Assembly W/Locknut	
3	4812000	9	Washer, M10	
4	4812100	2	Washer, M12	
5	4891700	2	Washer, 7/16	
7	0681614	3	Hex HD Capscrew, 3/8-16X1-3/4	
8	8305038	1	Hex Nut, M10X1.5	
9	8310297	2	Hex HD Capscrew, M12X35, GR10.9	
11	8310748	1	Hex HD Capscrew, M10X50, GR8.8	
12	1001080789	1	A/C Compressor Pump	
13	1001131818	1	Sleeve, Split Bushing	
14	1001143815	1	Hose Assembly, Compressor To Evaporator	
15	1001143816	1	Hose Assembly, Compressor To Condenser	
16	1001144359	1	Belt	
17	1001144373	1	Tension Arm Plate	
19	1001144378	1	Engine/AC Mount Support	
20	1001147071	1	A/C Ground Harness	
21	1001139684	1	Heater Lines Installation (See Separate Breakdown in this Section)	
22	3271601	3	Hex Nut, 3/8-16, GR8	
23	1001227091	1	Decal, A/C Installation	

SECTION 4 - ENGINE AND ATTACHING PARTS

FIGURE 4-7. ENGINE (55.4KW - ULS)



ART_1001136095_H

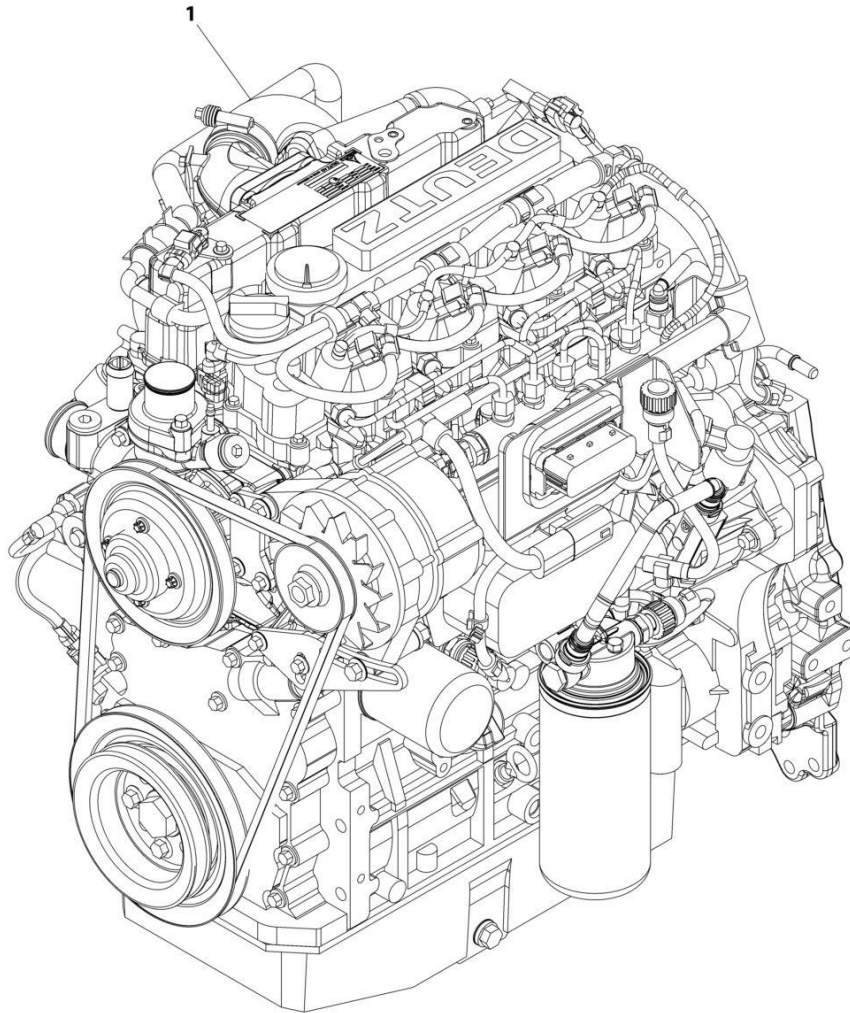
SECTION 4 - ENGINE AND ATTACHING PARTS

FIGURE 4-7. ENGINE (55.4KW - ULS)

ITEM	PART NUMBER	QTY	DESCRIPTION	REV
1	1001136095	Ref	ENGINE (55.4KW - ULS)	H
	70029015	1	Fan	
	3580158	1	Pulley	
	70025150	1	V-Grooved Pulley	
	1001225430	1	Filter, Fuel Primary	
	70029451	1	Fuel Filter	
	70025162	1	Oil Pan (Includes Items #2 & 3)	
	70028929	1	V-Grooved Pulley	
	70028540	1	Sender, Temperature	
	7016331	2	Filter, Oil	
	7020465	3	Cap, Filler	
	70025187	1	Fuel Injector	
	70024913	2	Narrow V-Belt	
	70006652	2	Alternator	
	70024915	2	Starter (Not Shown - Located on Left Side)	
	70024904	2	Dipstick (Includes Item #2)	
	70024911	2	Turbocharger	
	70005941	2	Plug, Oil	

SECTION 4 - ENGINE AND ATTACHING PARTS

FIGURE 4-8. ENGINE (55.4KW - LS)



ART_1001139668_H

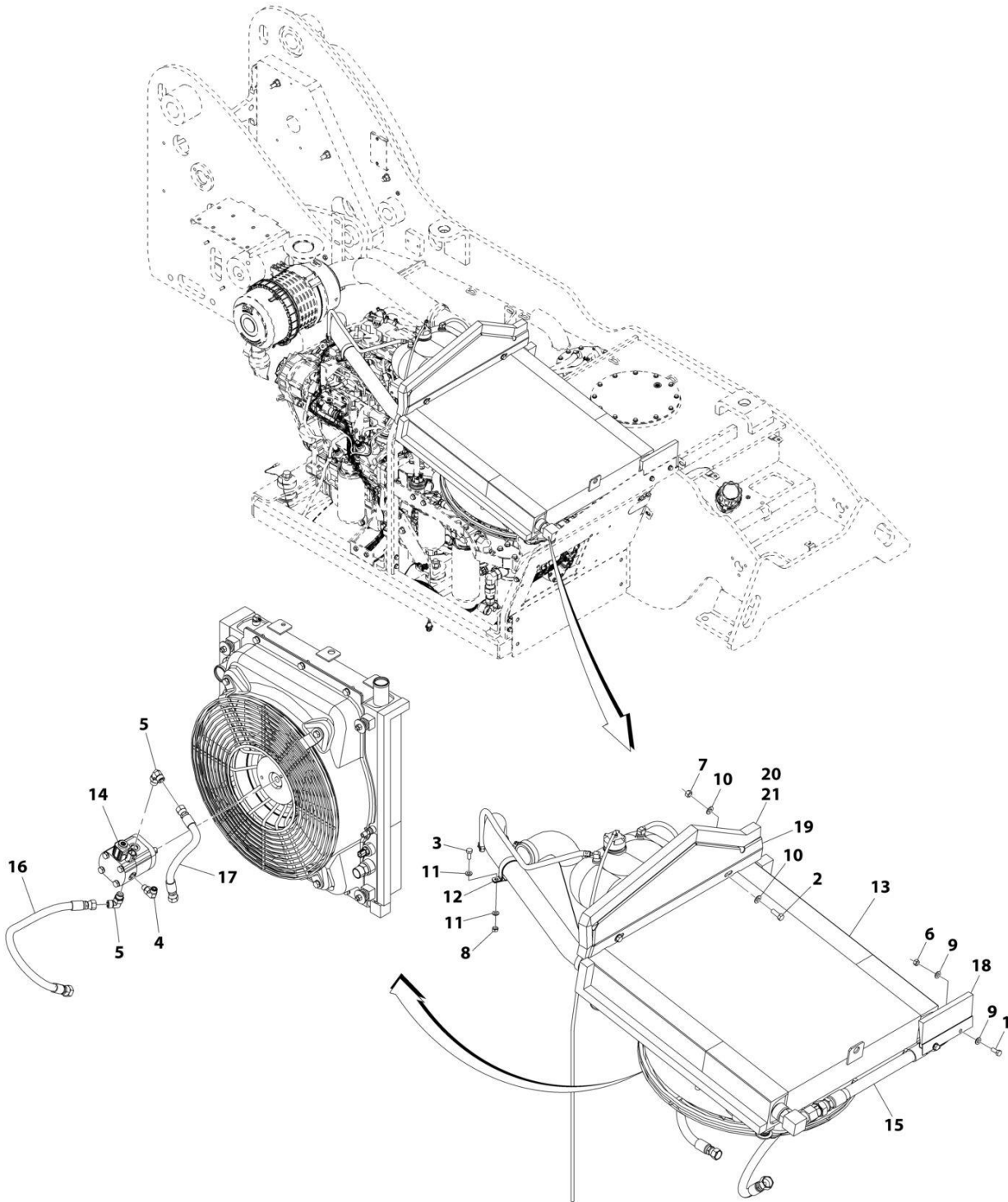
SECTION 4 - ENGINE AND ATTACHING PARTS

FIGURE 4-8. ENGINE (55.4KW - LS)

ITEM	PART NUMBER	QTY	DESCRIPTION	REV
1	1001139668	Ref	ENGINE (55.4KW - LS)	H
	70029015	1	Fan	
	3580158	1	Pulley	
	70025150	1	V-Grooved Pulley	
	1001225430	1	Filter, Fuel Primary	
	1001225432	1	Fuel Filter, Element	
	70025162	1	Oil Pan, (Includes Item 2 & 3)	
	70028929	1	V-Grooved Pulley	
	70028540	1	Sender, Temperature	
	7016331	1	Filter, Oil	
	7020465	2	Cap, Filler	
	70025181	1	Injector, Fuel	
	70024913	1	Narrow V-Belt	
	70006652	1	Alternator	
	70024915	1	Starter (Not Shown - Located on Left Side)	
	70024904	1	Dipstick, (Includes Item 2)	
	70024911	1	Turbocharger	
	70005941	1	Plug, Oil	

SECTION 4 - ENGINE AND ATTACHING PARTS

FIGURE 4-9. FAN INSTALLATION



ART_1001192128-D

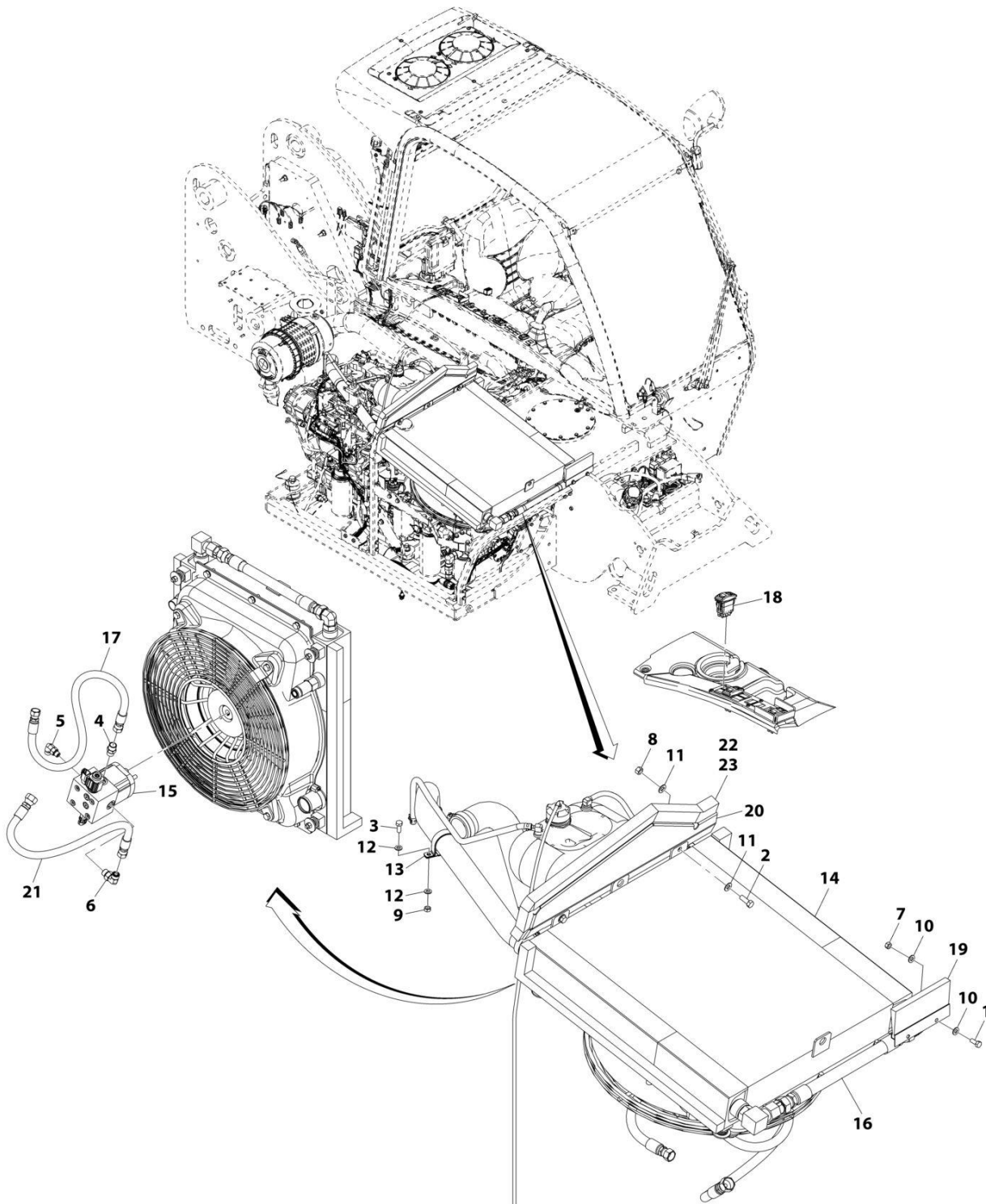
SECTION 4 - ENGINE AND ATTACHING PARTS

FIGURE 4-9. FAN INSTALLATION

ITEM	PART NUMBER	QTY	DESCRIPTION	REV
	1001192128	Ref	FAN INSTALLATION	D
1	0681506	2	Bolt 5/16 x 3/4	
2	0681608	2	Bolt 3/8 x 1 Grade 8	
3	0760810	1	Bolt M8 x 20	
4	2130606	1	Adapter, 90	
5	2130808	2	Adapter, 90	
6	3271501	2	Nut 5/16	
7	3271601	2	Nut 3/8	
8	3290801	1	Nut M8 x 1.25	
9	4711500	4	Washer 5/16	
10	4711600	4	Washer 3/8	
11	4811900	2	Washer M8	
12	8410001	1	Hose Clamp	
13	1001138877	1	Radiator Installation (See Separate Breakdown in this Section)	
14	1001141779	1	Fan Motor, Variable (See Separate Breakdown in HYDRAULIC COMPONENTS Section)	
15	1001143041	1	Hose Assembly	
16	1001144692	1	Hose Assembly	
17	1001144693	1	Hose Assembly	
18	1001145710	1	Brush Seal	
19	1001191830	1	Air Dam Plate	
20	1001192256	1	Seal	
21	0100081	AR	Adhesive	

SECTION 4 - ENGINE AND ATTACHING PARTS

FIGURE 4-10. FAN INSTALLATION, REVERSING



ART_1001192129-D

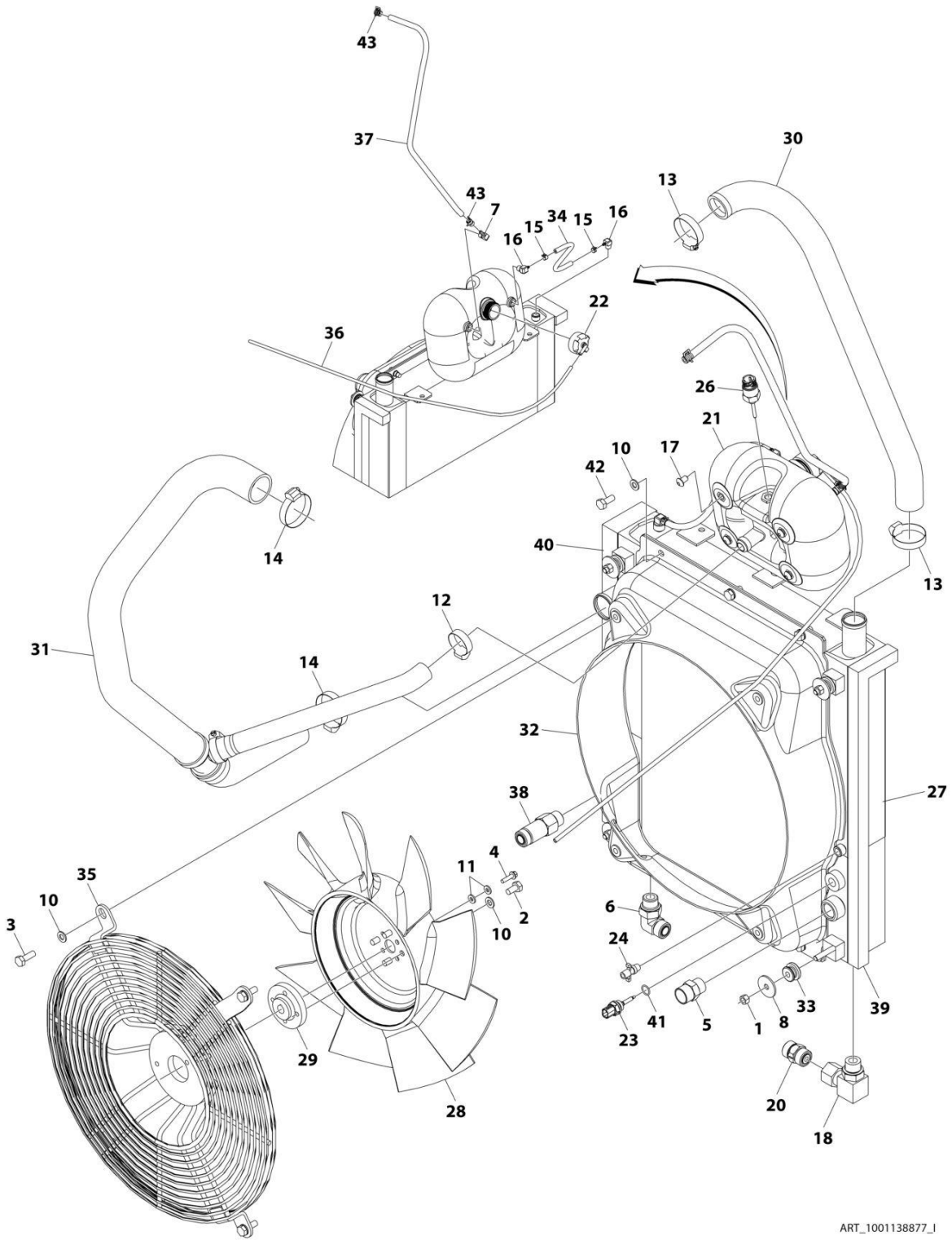
SECTION 4 - ENGINE AND ATTACHING PARTS

FIGURE 4-10. FAN INSTALLATION, REVERSING

ITEM	PART NUMBER	QTY	DESCRIPTION	REV
	1001192129	Ref	FAN INSTALLATION, REVERSING	D
1	0681506	2	Bolt 5/16 x 3/4	
2	0681608	2	Bolt 3/8 x 1 Grade 8	
3	0760810	1	Bolt M8 x 20	
4	2110808	1	Adapter, Straight	
5	2130606	1	Adapter 90	
6	2130808	1	Adapter 90	
7	3271501	2	Nut 5/16-18	
8	3271601	2	Nut 3/8	
9	3290801	1	Nut M8	
10	4711500	4	Washer 5/6	
11	4711600	4	Washer 3/8	
12	4811900	2	Washer M8	
13	8410001	1	Hose Clamp	
14	1001138877	1	Radiator Installation (See Separate Breakdown in this Section)	
15	1001141780	1	Fan Motor, Variable, Reversing (See Separate Breakdown in HYDRAULIC COMPONENTS Section)	
16	1001143041	1	Hose Assembly	
17	1001144695	1	Hose Assembly	
18	1001145204	1	Reverse Fan Switch	
19	1001145710	1	Brush Seal	
20	1001191830	1	Air Dam Plate	
21	1001144694	1	Hose Assembly	
22	1001192256	1	Seal	
23	0100081	AR	Adhesive	

SECTION 4 - ENGINE AND ATTACHING PARTS

FIGURE 4-11. RADIATOR INSTALLATION



ART_1001138877_I

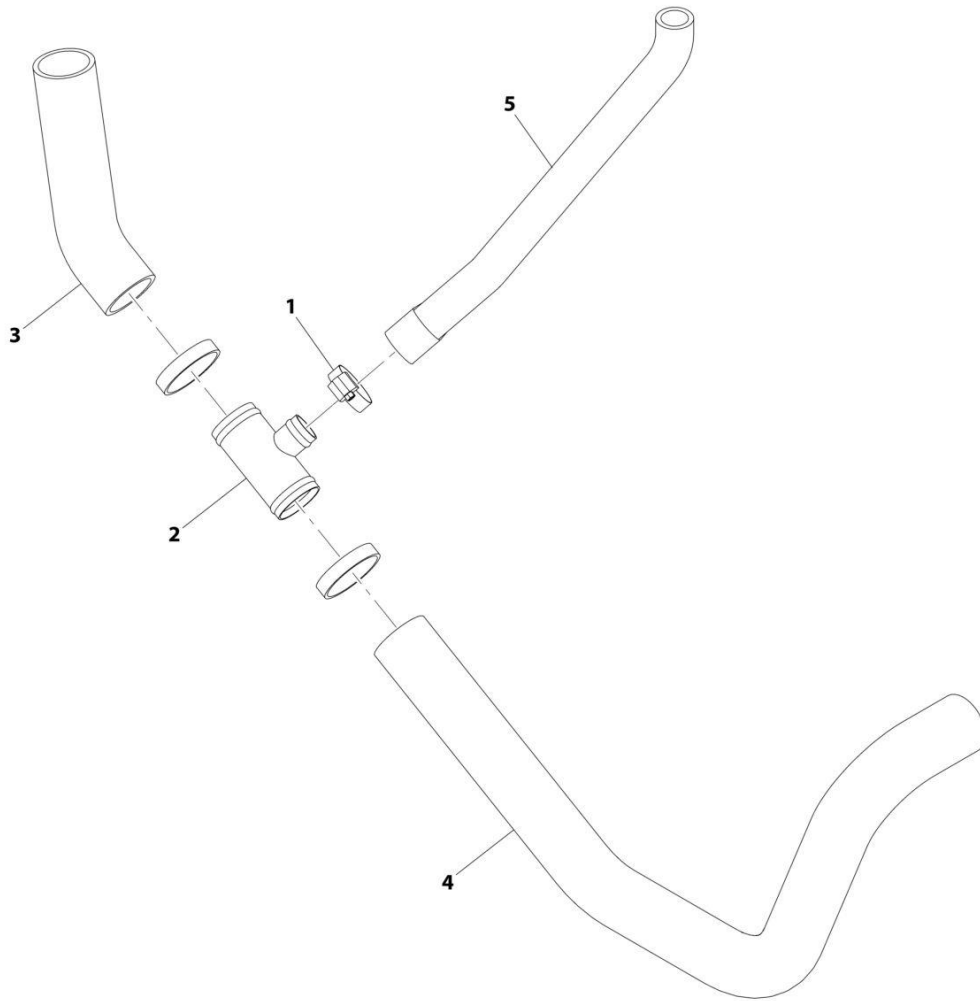
SECTION 4 - ENGINE AND ATTACHING PARTS

FIGURE 4-11. RADIATOR INSTALLATION

ITEM	PART NUMBER	QTY	DESCRIPTION	REV
	1001138877	Ref	RADIATOR INSTALLATION	I
1	3271601	4	Nut 3/8	
2	0761010	4	Bolt M10 x 20, GR8.8	
3	0761014	4	Bolt M10 x 30, GR8.8	
4	0811408	1	Screw 1/4 x 1	
5	2111212	1	Adapter, Straight	
6	2131212	1	Adapter, 90	
7	8420227	1	Hose Barb Elbow, 90	
8	4740281	4	Special Washer	
10	4812000	14	Washer M10	
11	4891400	2	Washer 1/4	
12	8405102	1	Gear Clamp, 1.75	
13	8405104	2	Gear Clamp, 2.25	
14	8405201	2	Gear Clamp, 2.50	
15	1001157075	2	Hose Clamp	
16	8420236	2	Hose Barb Elbow, 90	
17	88261026	4	Capscrew 3/8 x 5/8	
18	1001003680	1	Adapter, 90	
20	1001127967	1	Check Valve	
21	1001128144	1	Coolant Tank	
22	1001136834	1	Deaeration Tank Cap	
23	1001128478	1	Temperature Sensor	
24	8904001	1	External Seal, Drain Cock	
26	1001138827	1	Coolant Level Sensor	
27	1001252481	1	Water/Oil Radiator	
28	1001148423	1	Fan, 20in, 9 Blade	
29	1001145871	1	Adapter, Fan	
30	1001141786	1	Radiator Inlet Hose	
31	1001141787	1	Lower Radiator Hose Assembly (See Separate Breakdown in this Section)	
32	1001141796	1	Fan Shroud	
33	1001141801	4	Mounting Pad	
34	1001141834	1	Radiator Vent Hose, 3/16	
35	1001141881	1	Fan Guard Grill	
36	1001141896	1	Coolant Overflow Hose	
37	1001141944	1	Engine Vent Hose	
38	2170112	1	Adapter, Straight	
39	1001252482	1	Foam Gasket Seal	
40	1001252483	1	Foam Gasket Seal	
41	1001009163	1	Seal	
42	0761012	6	Bolt M10 x 25, GR8.8	
43	1001156087	2	Hose Clamp	

SECTION 4 - ENGINE AND ATTACHING PARTS

FIGURE 4-12. RADIATOR LOWER HOSE ASSEMBLY



ART_1001141787-D

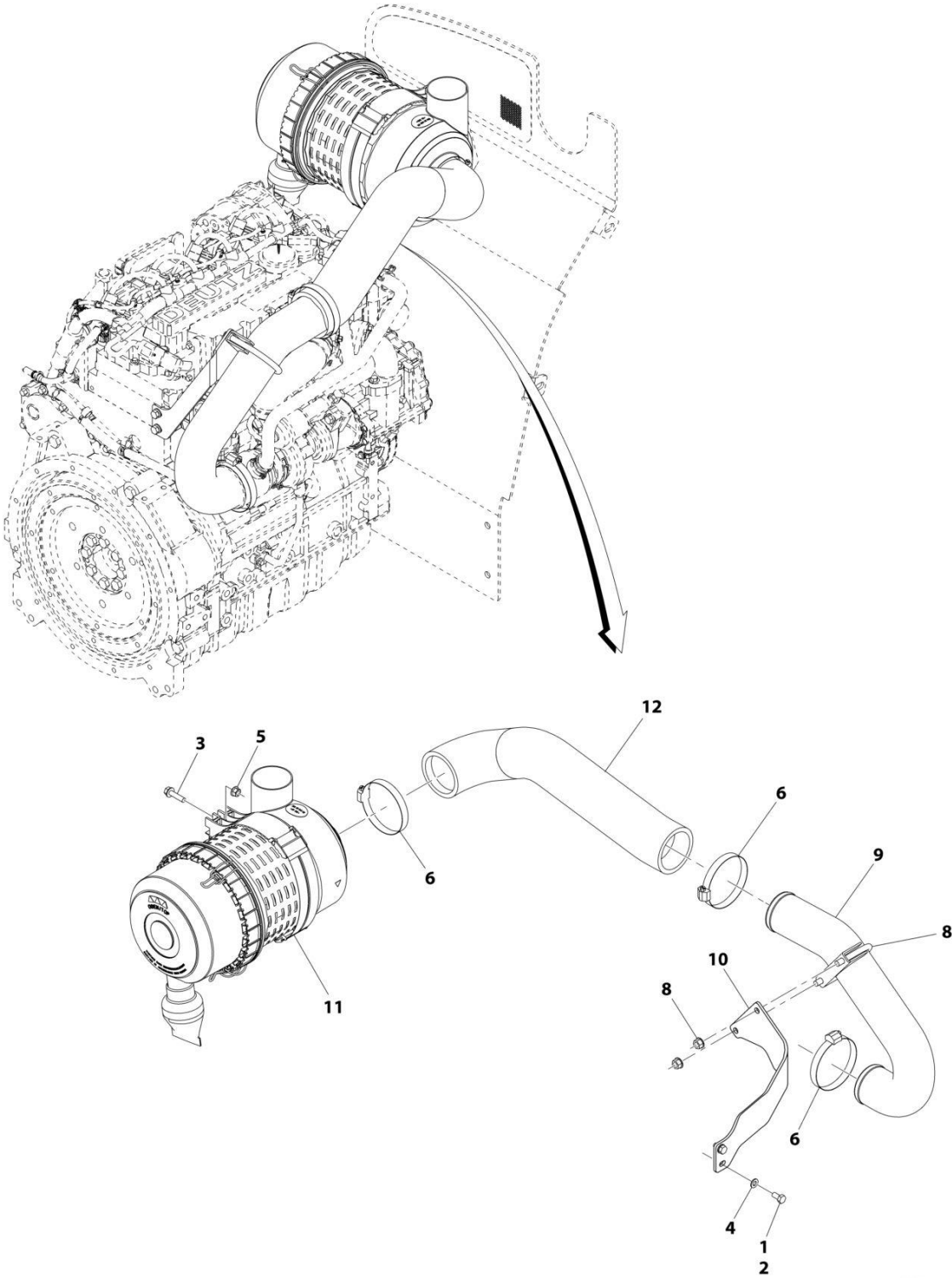
SECTION 4 - ENGINE AND ATTACHING PARTS

FIGURE 4-12. RADIATOR LOWER HOSE ASSEMBLY

ITEM	PART NUMBER	QTY	DESCRIPTION	REV
	1001141787	Ref	Radiator Lower Hose Assembly	D
1	8405102	1	Gear Clamp, 1.75	
2	1001121514	1	Tee Pipe	
3	1001141788	1	Water Inlet Hose	
4	1001141789	1	Radiator Outlet Hose	
5	1001141791	1	Surge Tank Return Hose	

SECTION 4 - ENGINE AND ATTACHING PARTS

FIGURE 4-13. AIR CLEANER INSTALLATION



ART_1001193752-C

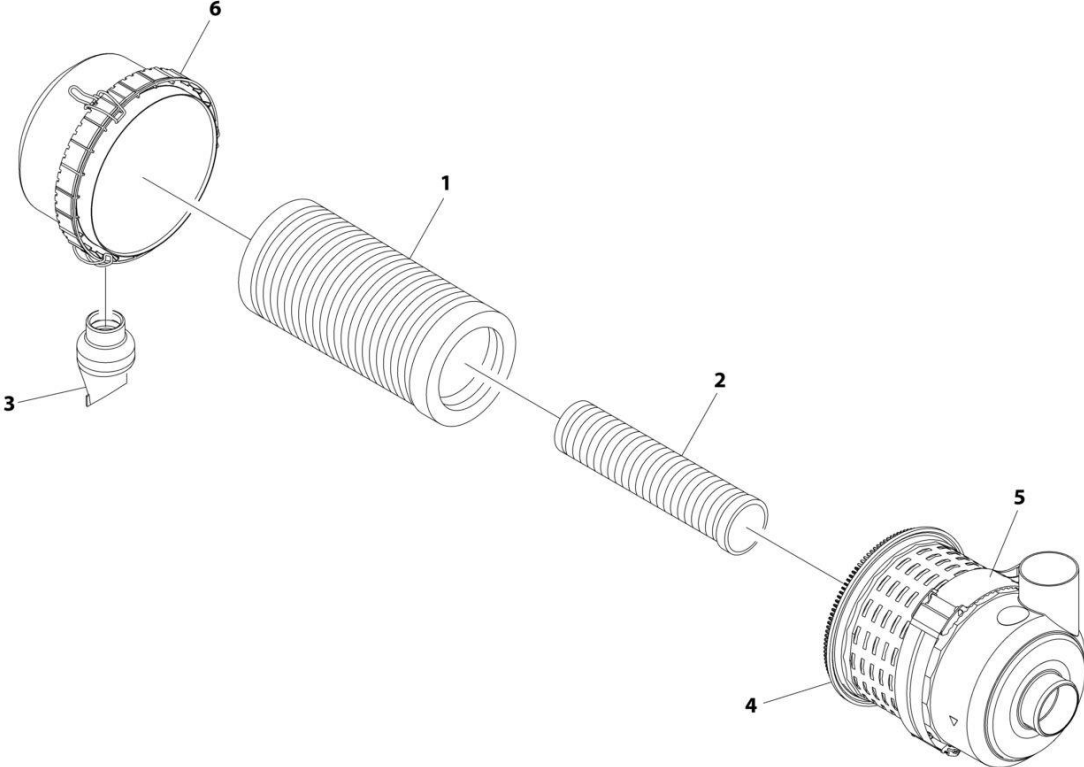
SECTION 4 - ENGINE AND ATTACHING PARTS

FIGURE 4-13. AIR CLEANER INSTALLATION

ITEM	PART NUMBER	QTY	DESCRIPTION	REV
	1001193752	Ref	Air Cleaner Installation	C
1	0100011	AR	Compound, Locking	
2	0760808	2	Bolt M8 x 16	
3	0811510	2	Screw 5/16 x 1-1/4	
4	4811900	2	Washer M8	
5	8310420	2	Nut 5/16	
6	8410011	3	Gear Clamp, 3.25	
8	1001101451	1	Muffler Clamp	
9	1001139155	1	Air Intake Tube	
10	1001241661	1	Tube Bracket	
11	1001142259	1	Air Cleaner Assembly (See Separate Breakdown in this Section)	
12	1001143201	1	Air Intake Hose	

SECTION 4 - ENGINE AND ATTACHING PARTS

FIGURE 4-14. AIR CLEANER ASSEMBLY



ART_1001142259_D

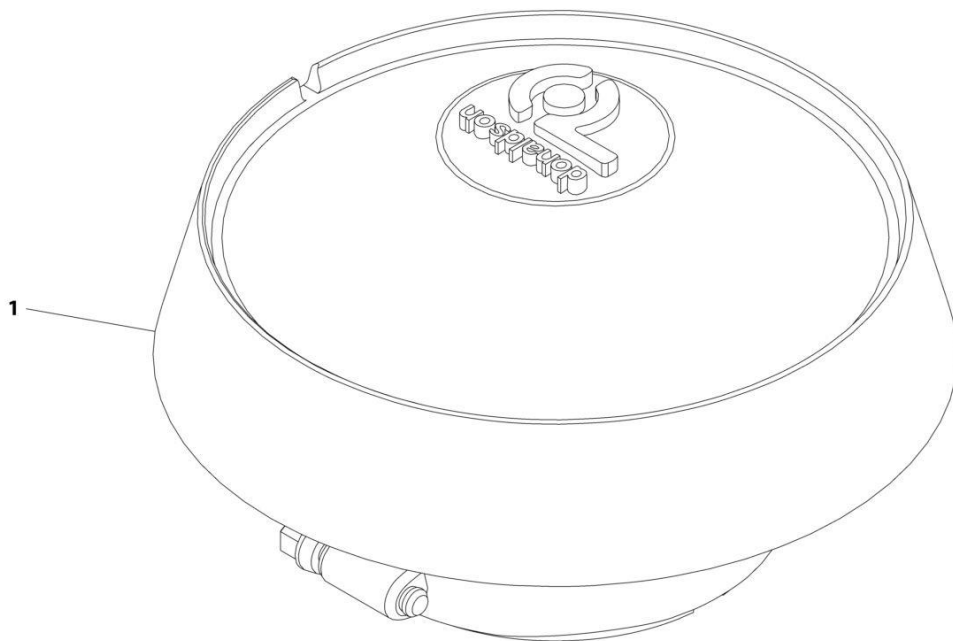
SECTION 4 - ENGINE AND ATTACHING PARTS

FIGURE 4-14. AIR CLEANER ASSEMBLY

ITEM	PART NUMBER	QTY	DESCRIPTION	REV
	1001142259	Ref	AIR CLEANER ASSEMBLY	D
1	70024190	1	Main Air Element	
2	70024191	1	Secondary Air Element	
3	70025249	1	Dust Valve	
4	70030962	1	Filter Housing (Includes Item 6)	
5	70030963	1	Bracket	
6	See Note	NSS	Cover with Clips (Note: Purchase Item 4)	

SECTION 4 - ENGINE AND ATTACHING PARTS

FIGURE 4-15. RAIN CAP



ART_1001144015-A

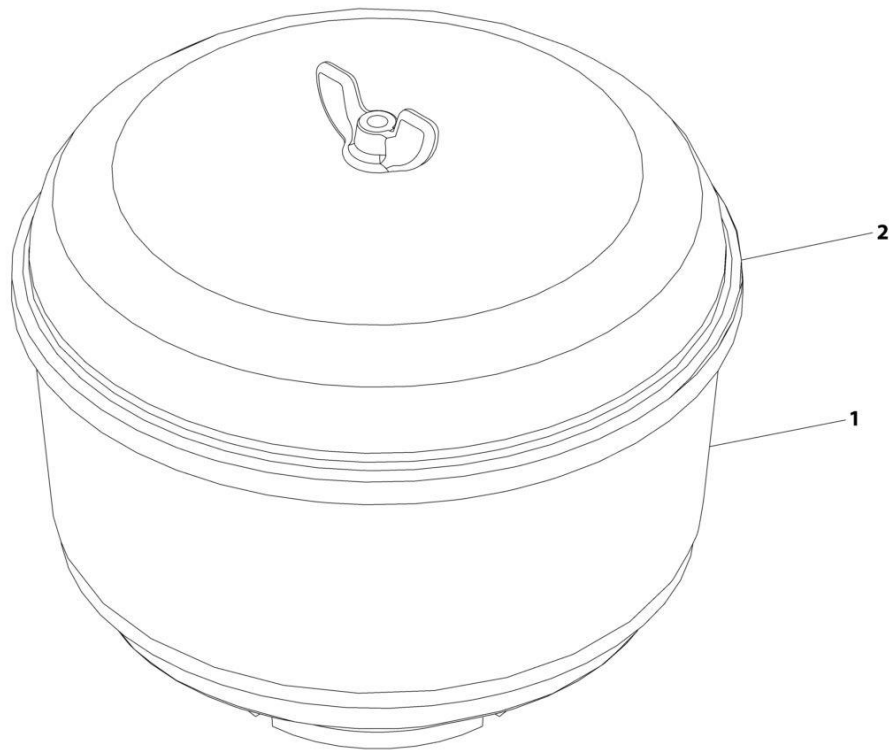
SECTION 4 - ENGINE AND ATTACHING PARTS

FIGURE 4-15. RAIN CAP

ITEM	PART NUMBER	QTY	DESCRIPTION	REV
1	1001144015	Ref	Rain Cap	A

SECTION 4 - ENGINE AND ATTACHING PARTS

FIGURE 4-16. PRECLEANER



ART_1001062773-B

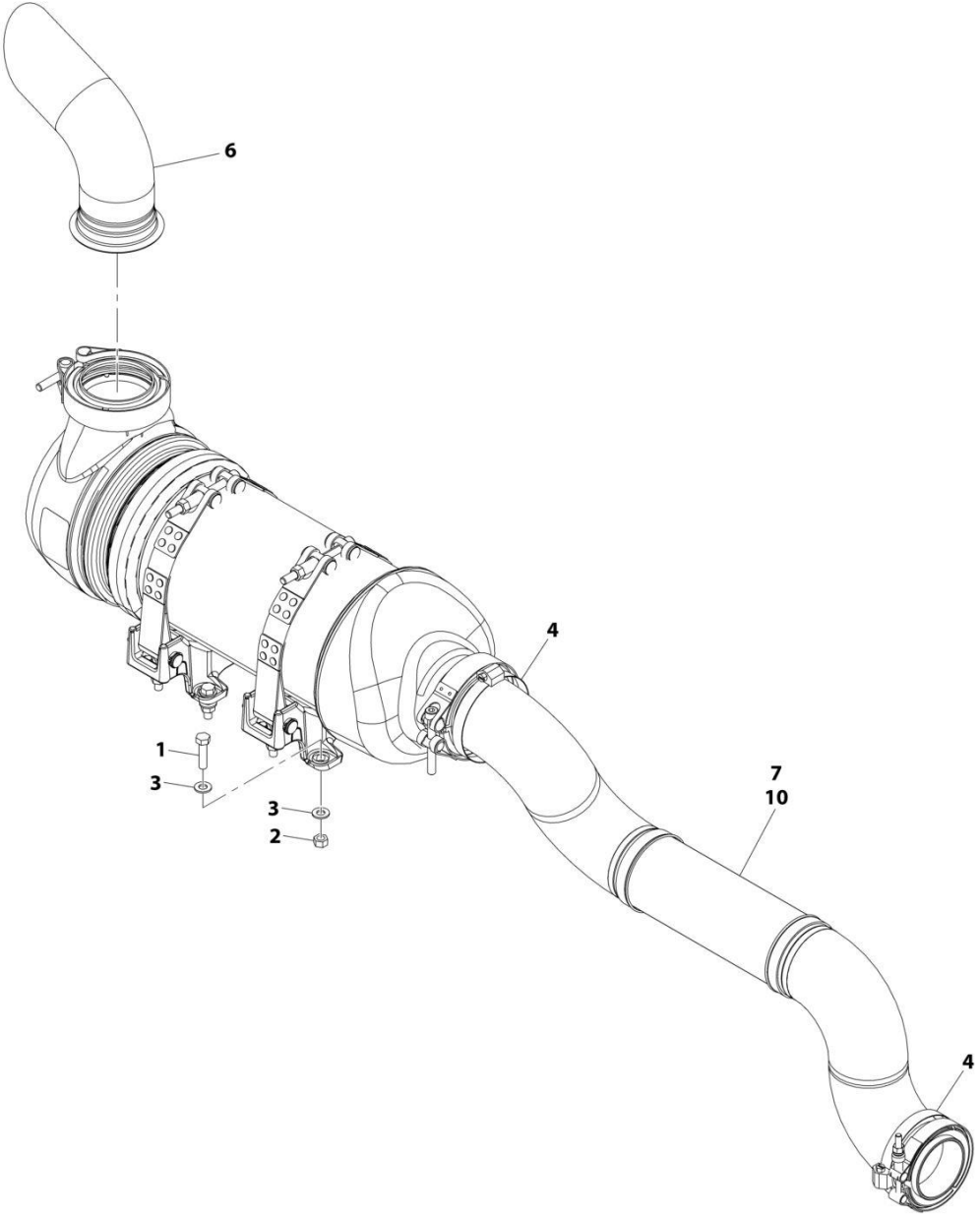
SECTION 4 - ENGINE AND ATTACHING PARTS

FIGURE 4-16. PRECLEANER

ITEM	PART NUMBER	QTY	DESCRIPTION	REV
	1001062773	Ref	Precleaner	B
1	70027591	1	Bowl	
2	70027592	1	Cover	

SECTION 4 - ENGINE AND ATTACHING PARTS

FIGURE 4-17. EXHAUST INSTALLATION (ULS)



ART_1001139681-D

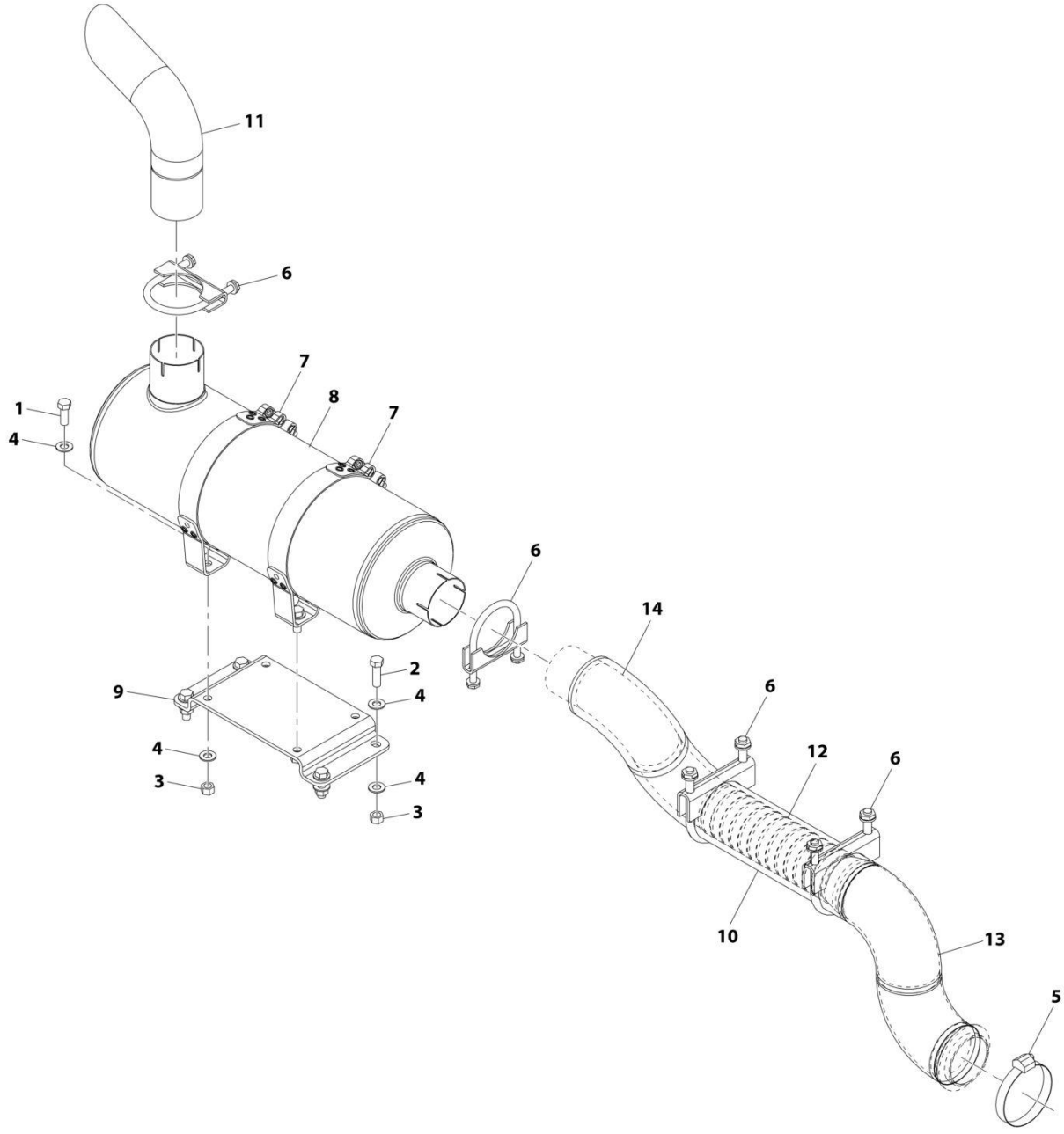
SECTION 4 - ENGINE AND ATTACHING PARTS

FIGURE 4-17. EXHAUST INSTALLATION (ULS)

ITEM	PART NUMBER	QTY	DESCRIPTION	REV
	1001139681	Ref	Exhaust Installation (ULS)	D
1	0681510	8	Hex HD Capscrew, 5/16-18X1 1/4 LG	
2	3271501	8	Hex Nut, 5/16-18	
3	4711500	16	Washer, 5/16	
4	8410011	2	Gear Clamp, 3.25	
6	1001141551	1	Exhaust Elbow Pipe	
7	1001143216	1	Exhaust Pipe	
10	1001143304	1	Thermal Sock Insulate	

SECTION 4 - ENGINE AND ATTACHING PARTS

FIGURE 4-18. EXHAUST INSTALLATION (LS)



ART_1001139682-C

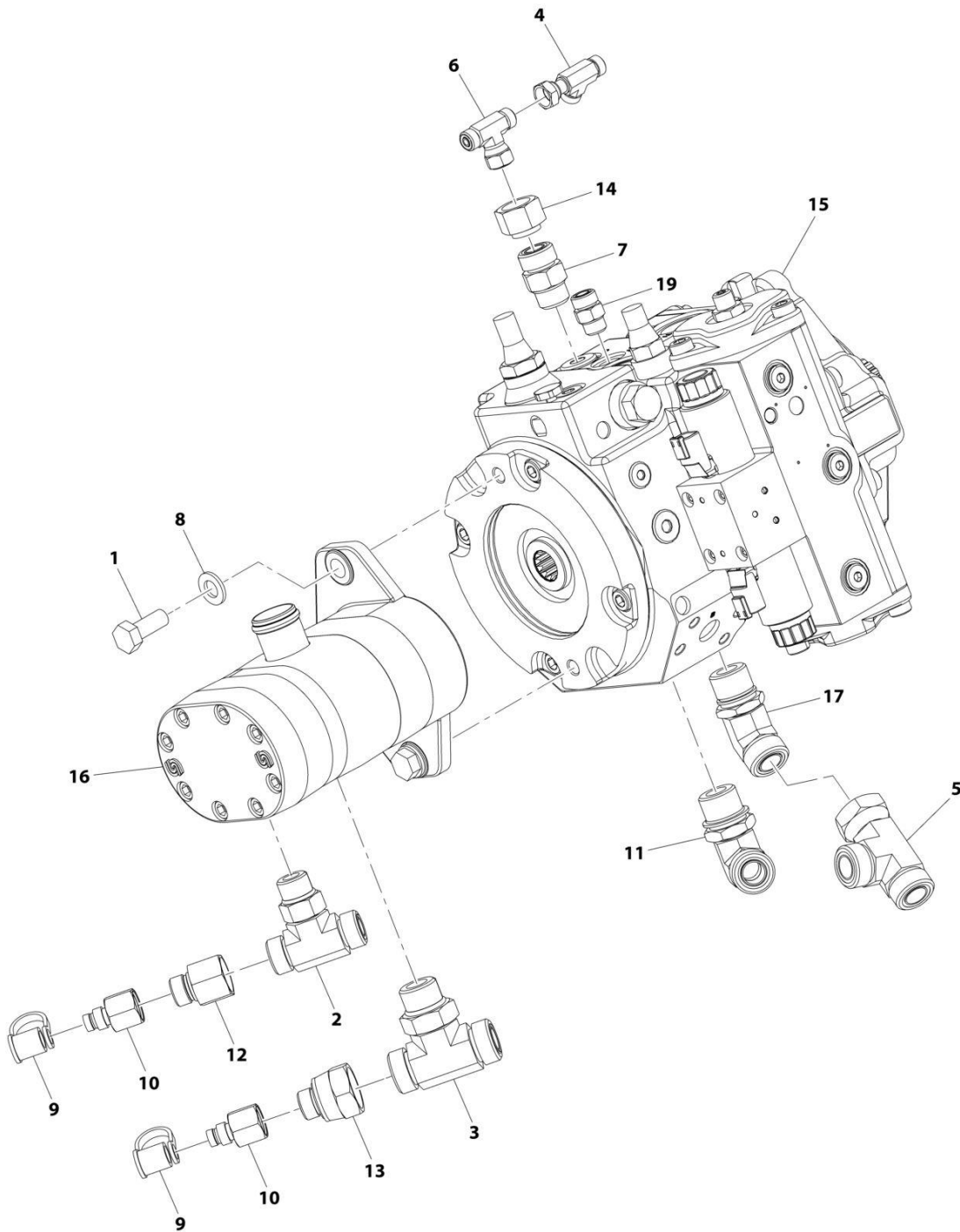
SECTION 4 - ENGINE AND ATTACHING PARTS

FIGURE 4-18. EXHAUST INSTALLATION (LS)

ITEM	PART NUMBER	QTY	DESCRIPTION	REV
	1001139682	Ref	Exhaust Installation (LS)	C
1	0681608	4	Hex HD Capscrew, 3/8-16X1	
2	0681610	4	Hex HD Capscrew, 3/8-16X1-1/4	
3	3271601	8	Hex Nut, 3/8-16, GR8	
4	4711600	16	Washer, 3/8	
5	8405204	1	Gear Clamp, 3.25	
6	8275212	4	Muffler Clamp	
7	1001119727	2	Muffler Clamp	
8	1001140671	1	Muffler	
9	1001141019	1	Support Plate	
10	1001143304	1	Thermal Sock Insulate	
11	1001153410	1	Exhaust Elbow Pipe	
12	1001153411	1	Flex Tube	
13	1001153412	1	Exhaust Pipe	
14	1001153413	1	Exhaust Pipe	

SECTION 4 - ENGINE AND ATTACHING PARTS

FIGURE 4-19. HYDROSTATIC DRIVE PUMP ASSEMBLY



ART_1001190821-C

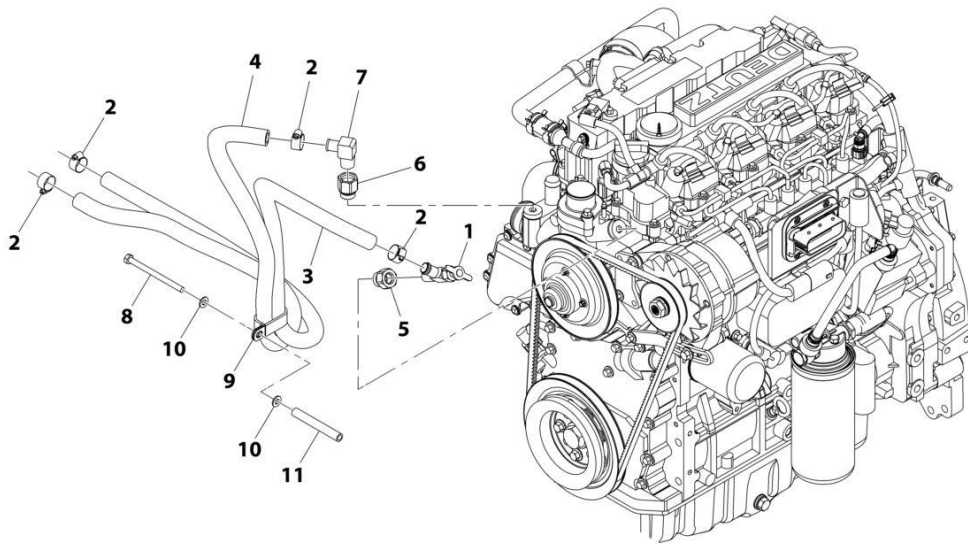
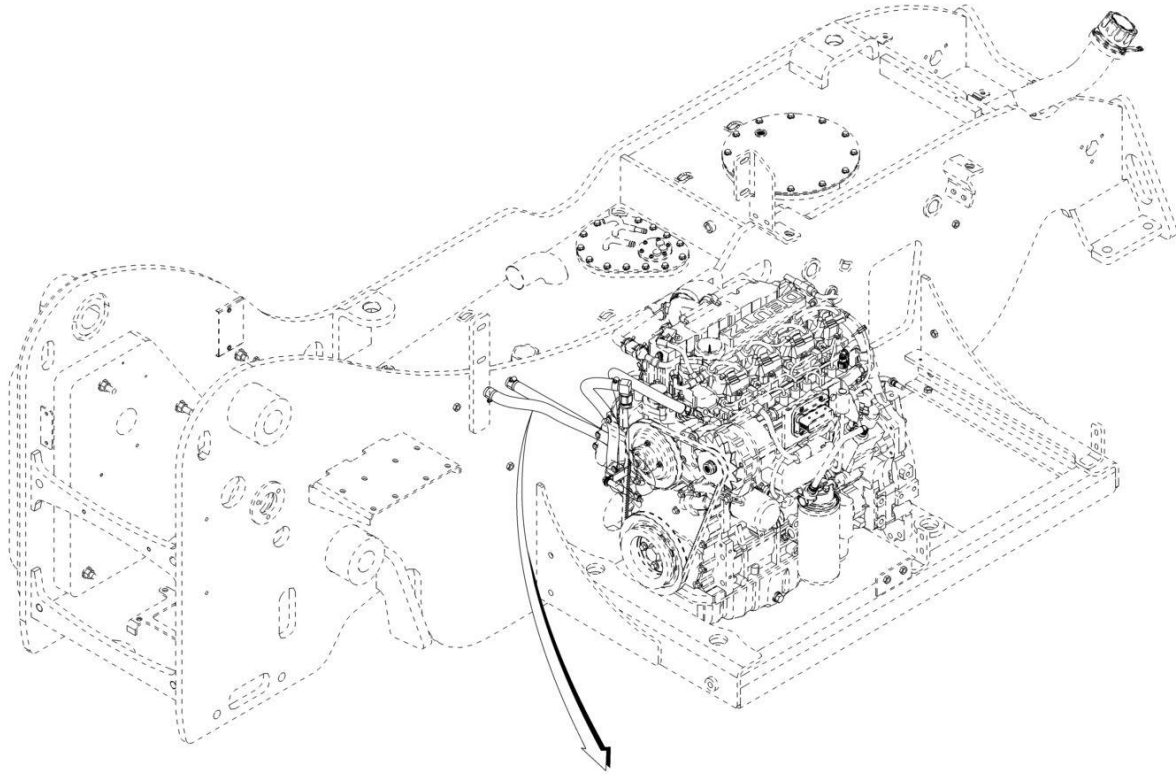
SECTION 4 - ENGINE AND ATTACHING PARTS

FIGURE 4-19. HYDROSTATIC DRIVE PUMP ASSEMBLY

ITEM	PART NUMBER	QTY	DESCRIPTION	REV
	1001190821	Ref	Hydrostatic Drive Pump Assembly	C
1	0761214	2	Bolt M12X30	
2	2170410	1	Fitting, Tee	
3	2170412	1	Fitting, Tee ORFS/ORF/ORB	
4	2170704	1	Fitting, Tee	
5	2170712	1	Fitting, Tee ORFS/ORFS/ORFS	
6	2170804	1	Fitting, Tee	
7	2221257	1	Fitting, Straight FSORFS/ORFS	
8	4812100	2	Washer M12	
9	8430032	2	Dust Cap	
10	8430082	2	Fitting, Diagnostic	
11	8770248	1	Fitting, 90	
12	8770296	1	Fitting, Straight FSORFS/ORFS	
13	88662480	1	Fitting	
14	1001119721	1	Fitting, Straight FSORFS/ORFS	
15	1001138887	1	Pump Assembly - Hydrostatic Drive (See Separate Breakdown in HYDRAULIC COMPONENTS Section)	
16	1001139997	1	Pump Assembly - Gear (See Separate Breakdown in HYDRAULIC COMPONENTS Section)	
17	1001151264	1	Fitting, 45 ORFS/MST	
19	2144611	1	Fitting, Straight ORFS	

SECTION 4 - ENGINE AND ATTACHING PARTS

FIGURE 4-20. HEATER LINES INSTALLATION



ART_1001139684-C

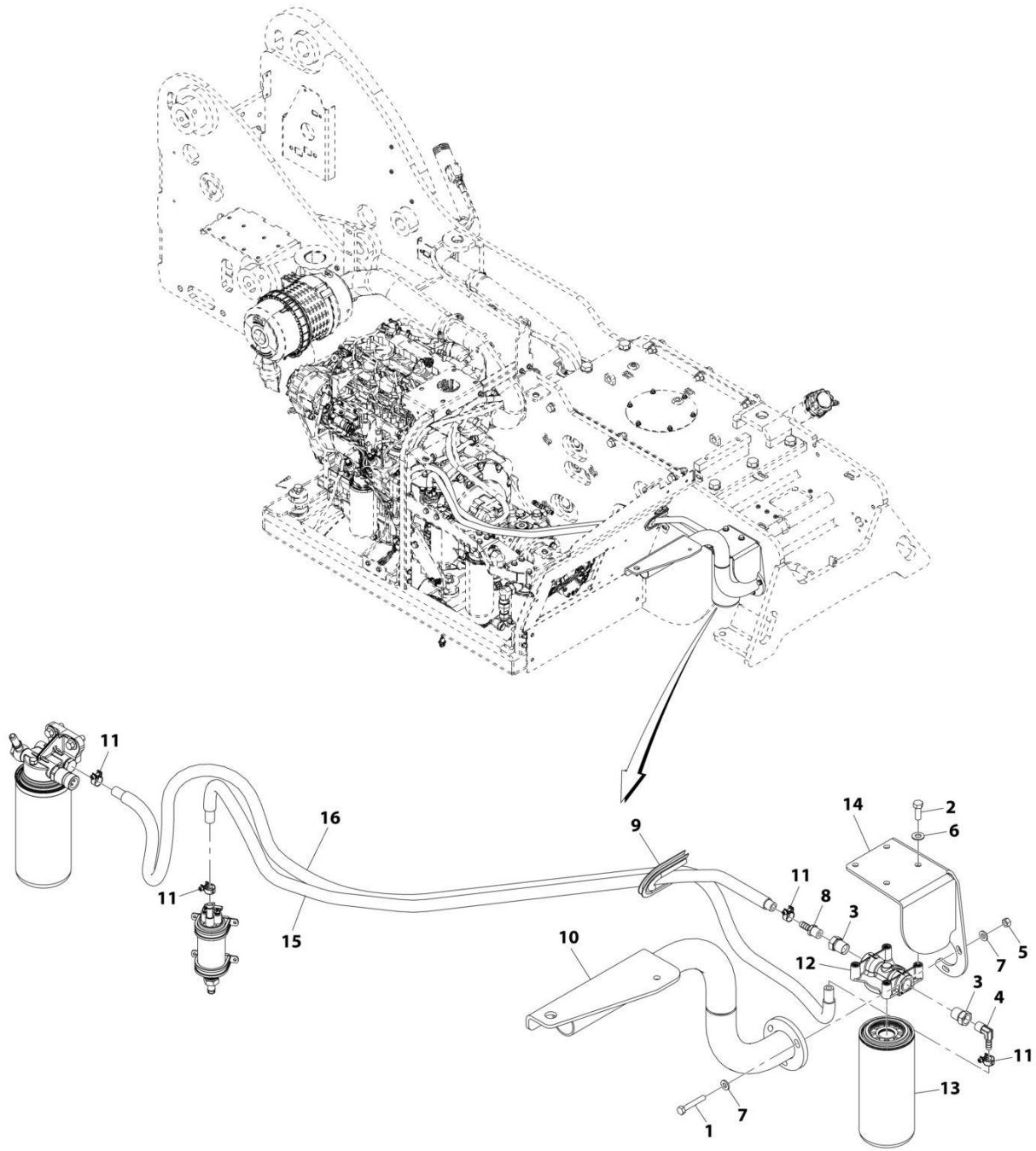
SECTION 4 - ENGINE AND ATTACHING PARTS

FIGURE 4-20. HEATER LINES INSTALLATION

ITEM	PART NUMBER	QTY	DESCRIPTION	REV
	1001139684	Ref	Heater Lines Installation	C
1	8360005	1	Shut-Off Valve	
2	8410009	4	Gear Clamp	
3	1001143254	1	Cab Heater Hose	
4	1001143255	1	Cab Heater Hose	
5	1001143467	1	Straight Adapter	
6	1001143468	1	Straight Adapter	
7	84712749	1	Brass Elbow	
8	0760828	1	Hex HD Capscrew, M8X110, GR8.8	
9	1321716	1	Clamp	
10	8307222	2	Plain Washer, M8	
11	1001157088	1	Sleeve	

SECTION 4 - ENGINE AND ATTACHING PARTS

FIGURE 4-21. LUBRICITY DOSER INSTALLATION (MIRROR)



ART_1001201538-A

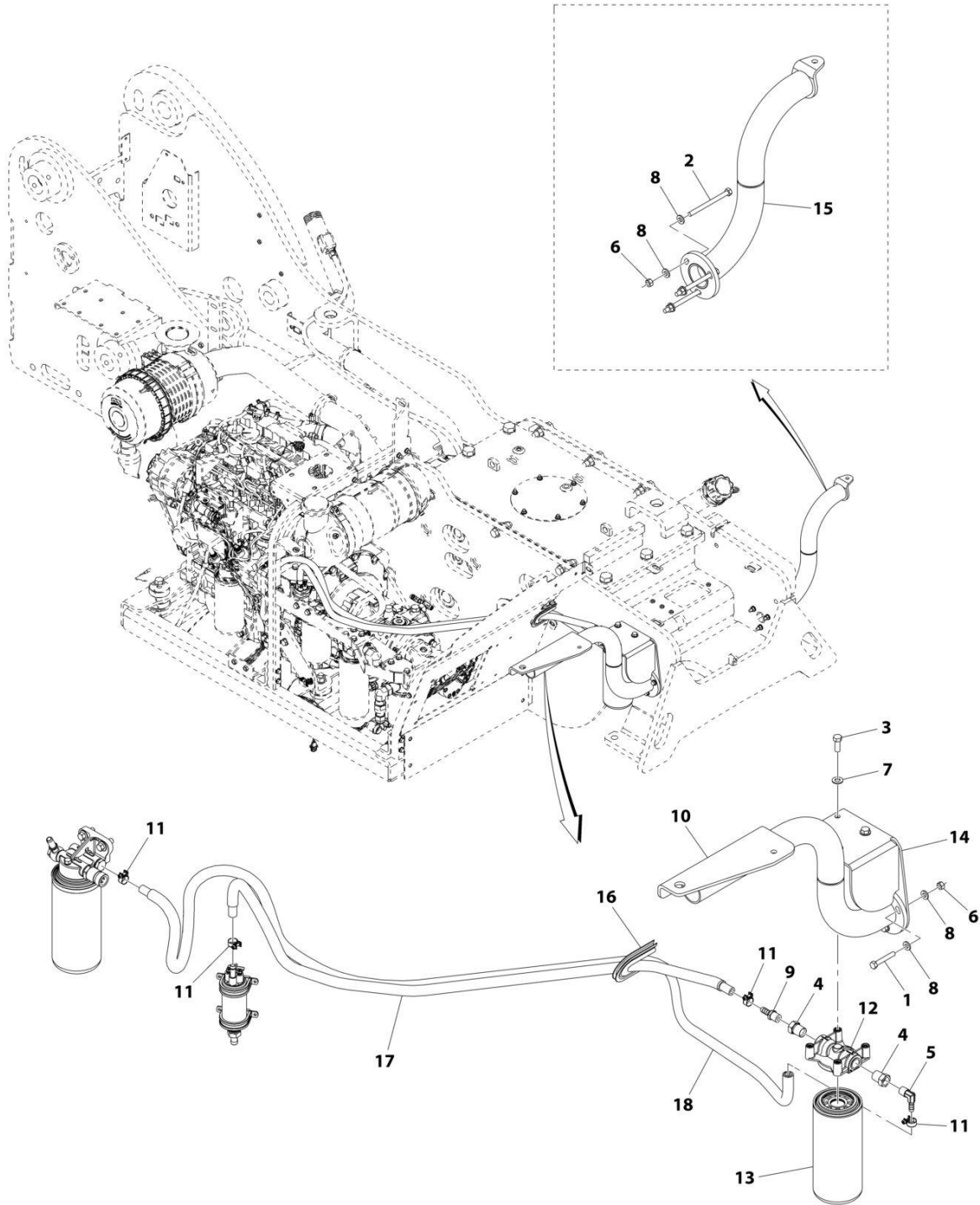
SECTION 4 - ENGINE AND ATTACHING PARTS

FIGURE 4-21. LUBRICITY DOSER INSTALLATION (MIRROR)

ITEM	PART NUMBER	QTY	DESCRIPTION	REV
	1001201538	Ref	LUBRICITY DOSER INSTALLATION (MIRROR)	A
1	0641516	3	Bolt 5/16 x 2	
2	0681608	4	Bolt 3/8 x 1	
3	2220251	2	Adapter, Straight	
4	2220313	1	Barb Fitting, 90	
5	3311505	3	Nut 5/16	
6	4711600	4	Washer 3/8	
7	4891500	6	Washer 5/16	
8	8430068	1	Hose Barb Coupling	
9	1001097160	6 in	Self-Gripping Bulb Seal	
10	1001133822	1	Bracket Headlight	
11	1001136975	4	Fuel Hose Clamp	
12	1001141287	1	Lubricity Doser Mount	
13	1001141591	1	Lubricity Doser Element Filter	
14	1001146575	1	Doser Bracket	
15	1001165202	1	Engine Fuel Supply Hose	
16	1001165203	1	Engine Fuel Supply Hose	

SECTION 4 - ENGINE AND ATTACHING PARTS

FIGURE 4-22. LUBRICITY DOSER INSTALLATION (LIGHT & MIRROR)



ART_1001213994-A

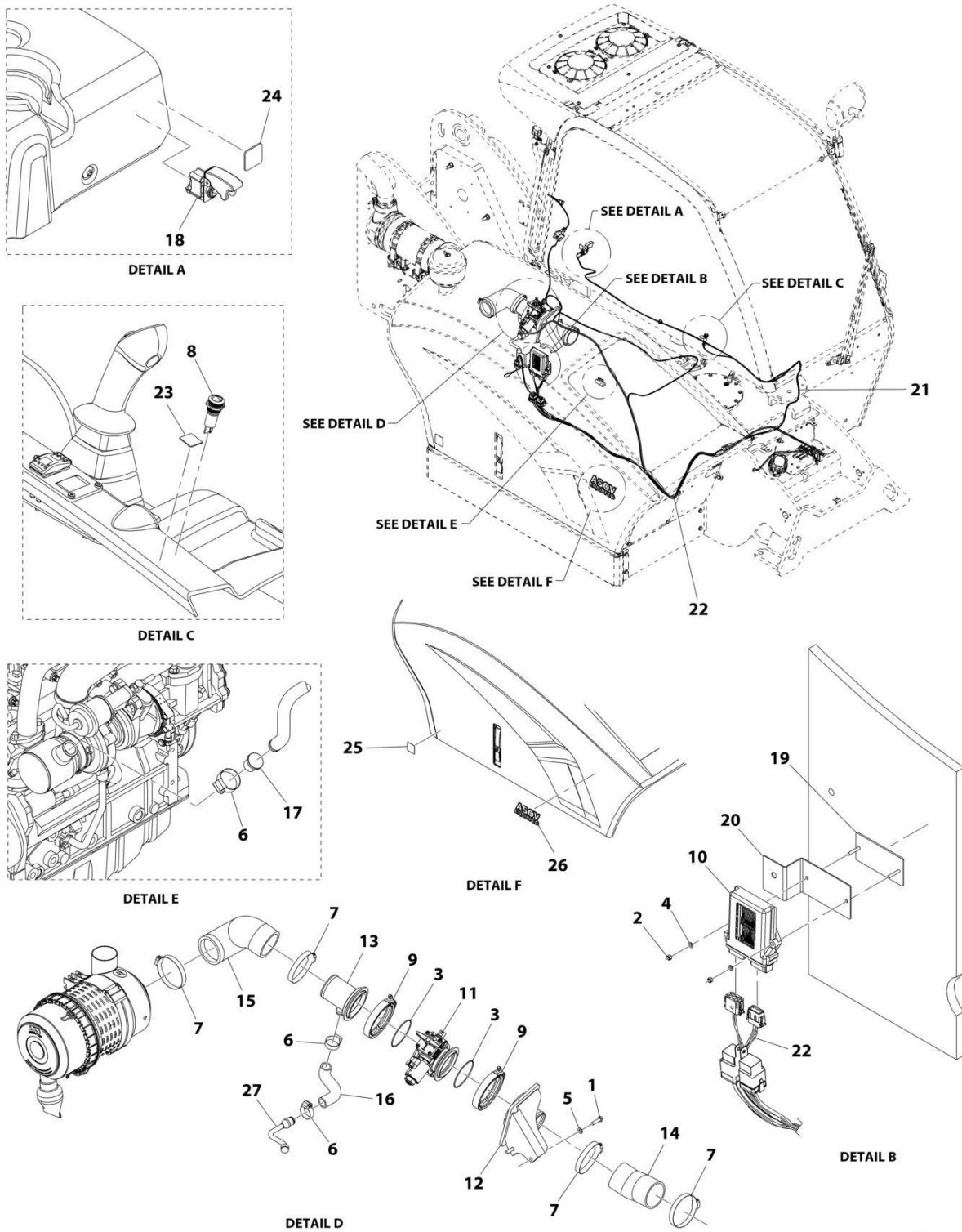
SECTION 4 - ENGINE AND ATTACHING PARTS

FIGURE 4-22. LUBRICITY DOSER INSTALLATION (LIGHT & MIRROR)

ITEM	PART NUMBER	QTY	DESCRIPTION	REV
	1001213994	Ref	Lubricity Doser Installation (Light & Mirror)	A
1	0641516	3	Hex HD Capscrew, 5/16-18X2	
2	0641532	3	Hex HD Capscrew, 5/16-18X4	
3	0681608	4	Hex HD Capscrew, 3/8-16X1	
4	2220251	2	Adapter, Straight	
5	2220313	1	Barb Fitting, 90	
6	3311505	6	Hex Locknut, 5/16-18, GR2	
7	4711600	4	Plain Washer, 3/8	
8	4891500	12	Hardened Washer, 5/16	
9	8430068	1	Hose Barb Coupling	
10	1001133822	1	Bracket Headlight	
11	1001136975	4	Fuel Hose Clamp	
12	1001141287	1	Lubricity Doser Mount	
13	1001141591	1	Lubricity Doser Element Filter	
14	1001146575	1	Doser Bracket	
15	1001213955	1	Bracket Headlight Mount	
16	1001097160	6 in	Self-Gripping Bulb Seal	
17	1001165202	1	Engine Fuel Supply Hose	
18	1001165203	1	Engine Fuel Supply Hose	

SECTION 4 - ENGINE AND ATTACHING PARTS

FIGURE 4-23. AIR SHUT OFF VALVE INSTALLATION



SECTION 4 - ENGINE AND ATTACHING PARTS

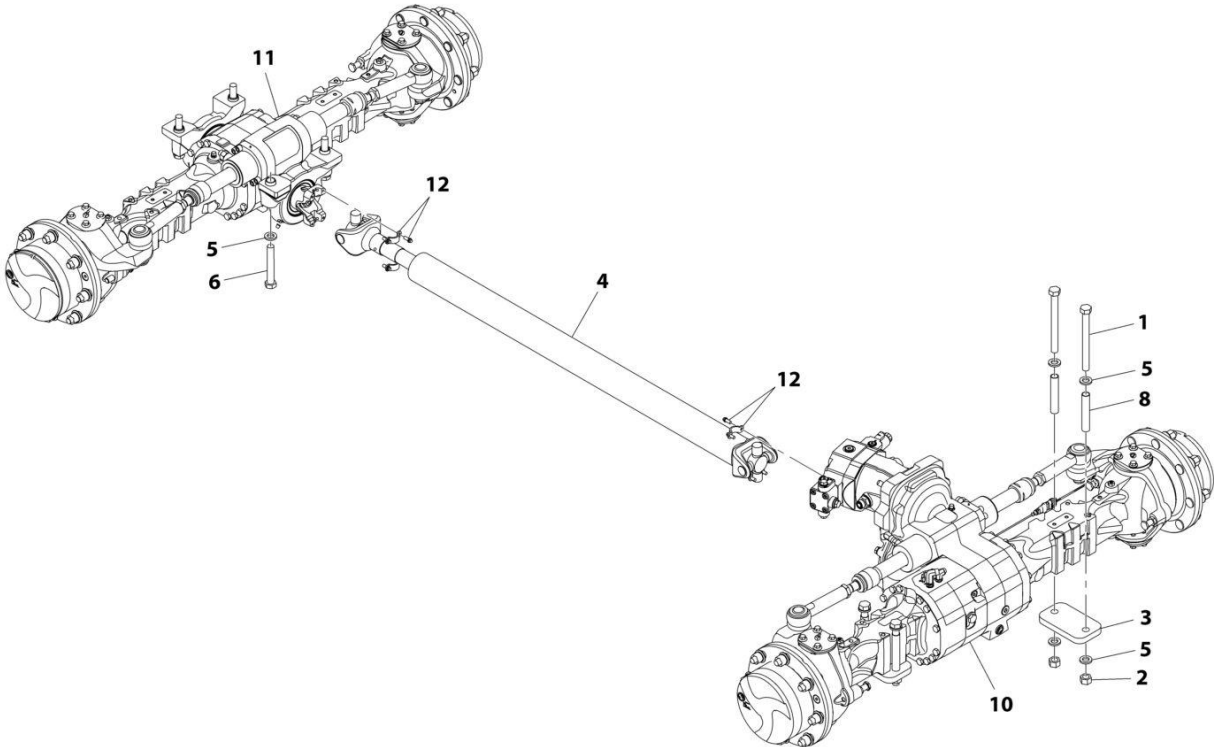
FIGURE 4-23. AIR SHUT OFF VALVE INSTALLATION

ITEM	PART NUMBER	QTY	DESCRIPTION	REV
	1001204679	Ref	AIR SHUT OFF VALVE INSTALLATION	C
1	0760814	2	Bolt M8 x 30	
2	3290505	2	Nut M5	
3	3790152	2	O-Ring	
4	4811600	2	Washer M5	
5	4811900	2	Washer M8	
6	8405101	3	Clamp	
7	8410011	4	Clamp	
8	1001239539	1	Lamp, LED Indicator	
9	1001202247	2	Clamp	
10	1001203181	1	Control Accessory	
11	1001204032	1	Valve, Air Shut Off (See Separate Breakdown in Hydraulic Components Section)	
12	1001204674	1	Bracket	
13	1001204676	1	Adapter	
14	1001204677	1	Hose	
15	1001204678	1	Hose	
16	1001205397	1	Hose	
17	1001206603	1	Plug	
18	1001215941	1	Switch	
19	1001219082	1	Bracket	
20	1001230503	1	Plate	
21	1001233213	1	Harness, Posi Air Shut Off Valve (See Separate Breakdown in Electrical Section)	
22	1001233235	1	Harness, Posi Air Shut Off Valve Frame (See Separate Breakdown in Electrical Section)	
23	1001227077	1	Decal	
24	1001227964	1	Decal	
25	1001228273	1	Decal	
26	1001228643	1	Decal	
27	1001233784	1	Pipe	

SECTION 5 - DRIVE TRAIN

SECTION 5 - DRIVE TRAIN

FIGURE 5-1. DRIVETRAIN INSTALLATION



ART_1001233725-C

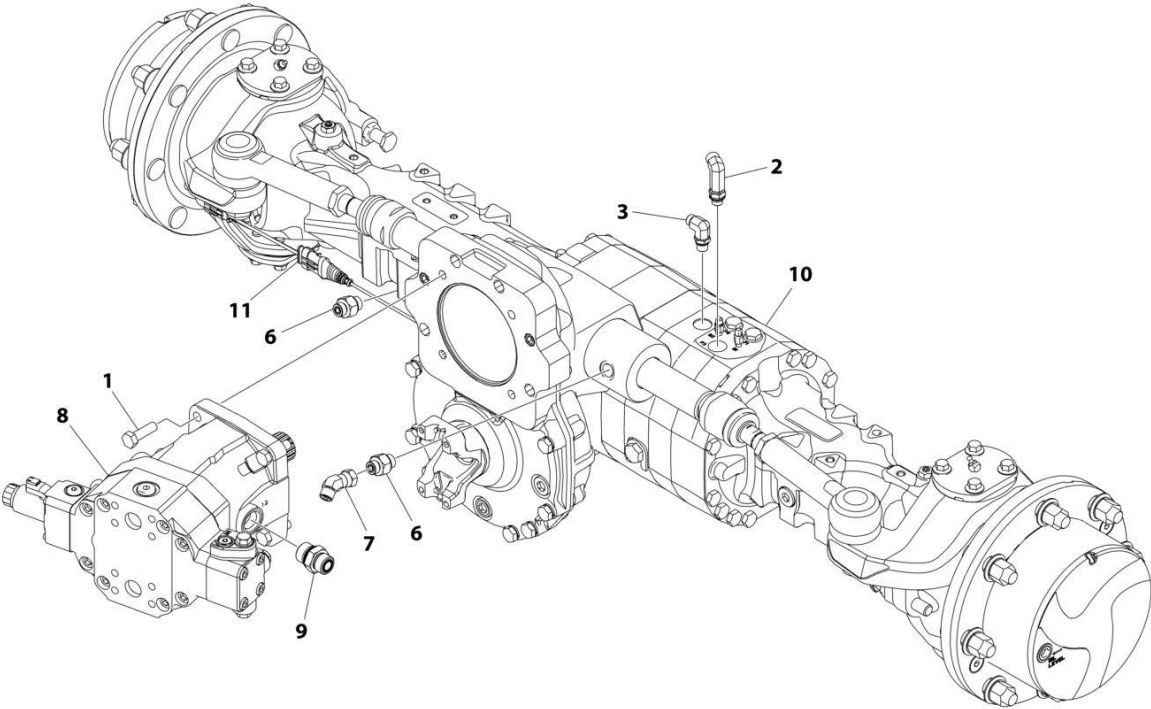
SECTION 5 - DRIVE TRAIN

FIGURE 5-1. DRIVETRAIN INSTALLATION

ITEM	PART NUMBER	QTY	DESCRIPTION	REV
	1001233725	Ref	Drive Train Installation	C
1	0682264	4	Hex HD Capscrew, 3/4-10X8, GR8	
2	3272201	4	Hex Nut, 3/4-10, GR8	
3	3576766	2	Mounting Plate	
4	4040291	1	Drive Shaft	
5	4892200	12	Washer, 3/4	
6	91403412	4	Hex HD Capscrew, 3/4-10X5, GR8	
8	1001081071	4	Front Axle Mount Sleeve	
10	1001233723	1	Front Axle Assembly (See Separate Breakdown in this Section)	
11	1001233724	1	Rear Axle Assembly (See Separate Breakdown in this Section)	
12	8880219-OM	2	Strap Kit	
12	8880221	4	Screw	
12	8880220	2	Strap	

SECTION 5 - DRIVE TRAIN

FIGURE 5-2. FRONT AXLE ASSEMBLY



ART_1001233723

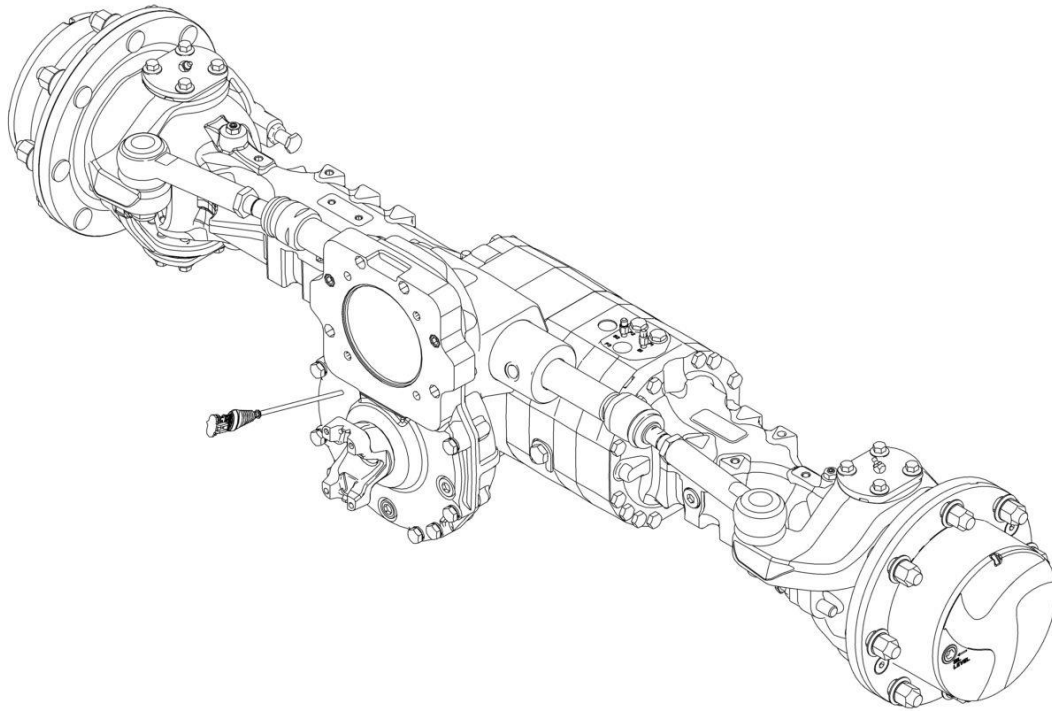
SECTION 5 - DRIVE TRAIN

FIGURE 5-2. FRONT AXLE ASSEMBLY

ITEM	PART NUMBER	QTY	DESCRIPTION	REV
	1001233723	Ref	FRONT AXLE ASSEMBLY	F
1	0761216	4	Bolt M12 x 40	
2	2221285	1	Elbow, 90	
3	8770241	1	Elbow, 90	
6	1001081333	2	Fitting, Straight	
7	1001105990	1	Fitting, 45	
8	1001138823	1	Hydrostatic Motor (See Separate Breakdown in HYDRAULIC COMPONENTS Section)	
9	1001144255	1	Fitting, Straight	
10	1007367100	1	Front Axle (See Separate Breakdown in this Section)	
11	1001234992	1	Speed Sensor Jumper Harness (See Separate Breakdown in ELECTRICAL Section)	

SECTION 5 - DRIVE TRAIN

FIGURE 5-3. FRONT AXLE



ART_1007367100

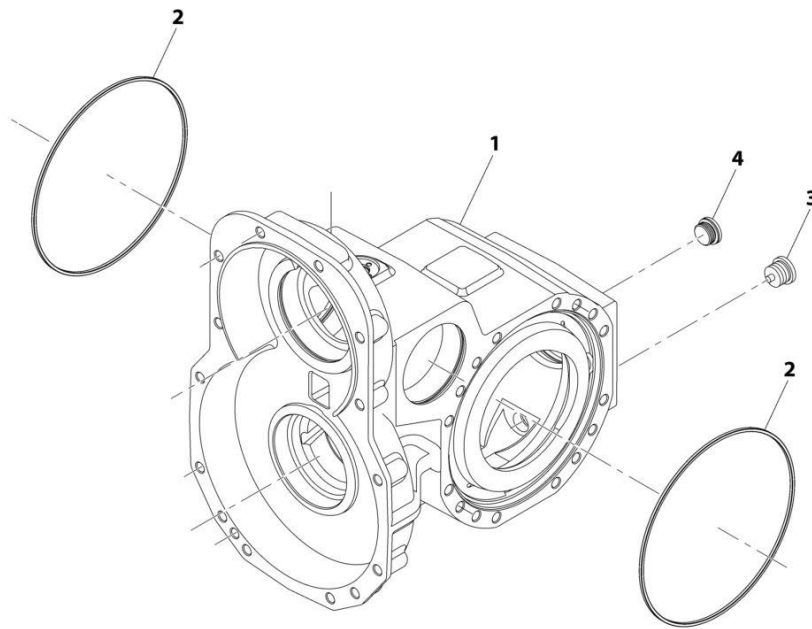
SECTION 5 - DRIVE TRAIN

FIGURE 5-3. FRONT AXLE

ITEM	PART NUMBER	QTY	DESCRIPTION	REV
	1007367100	Ref	Front Axle	G
		Ref	Front Axle, Central Housing (See Separate Breakdown in this Section)	
		Ref	Front Axle, Differential (See Separate Breakdown in this Section)	
		Ref	Front Axle, Hub Reduction (See Separate Breakdown in this Section)	
		Ref	Front Axle, Brakes (See Separate Breakdown in this Section)	
		Ref	Front Axle, Steering (See Separate Breakdown in this Section)	

SECTION 5 - DRIVE TRAIN

FIGURE 5-4. FRONT AXLE, CENTRAL HOUSING



ART_1007367100_1-F

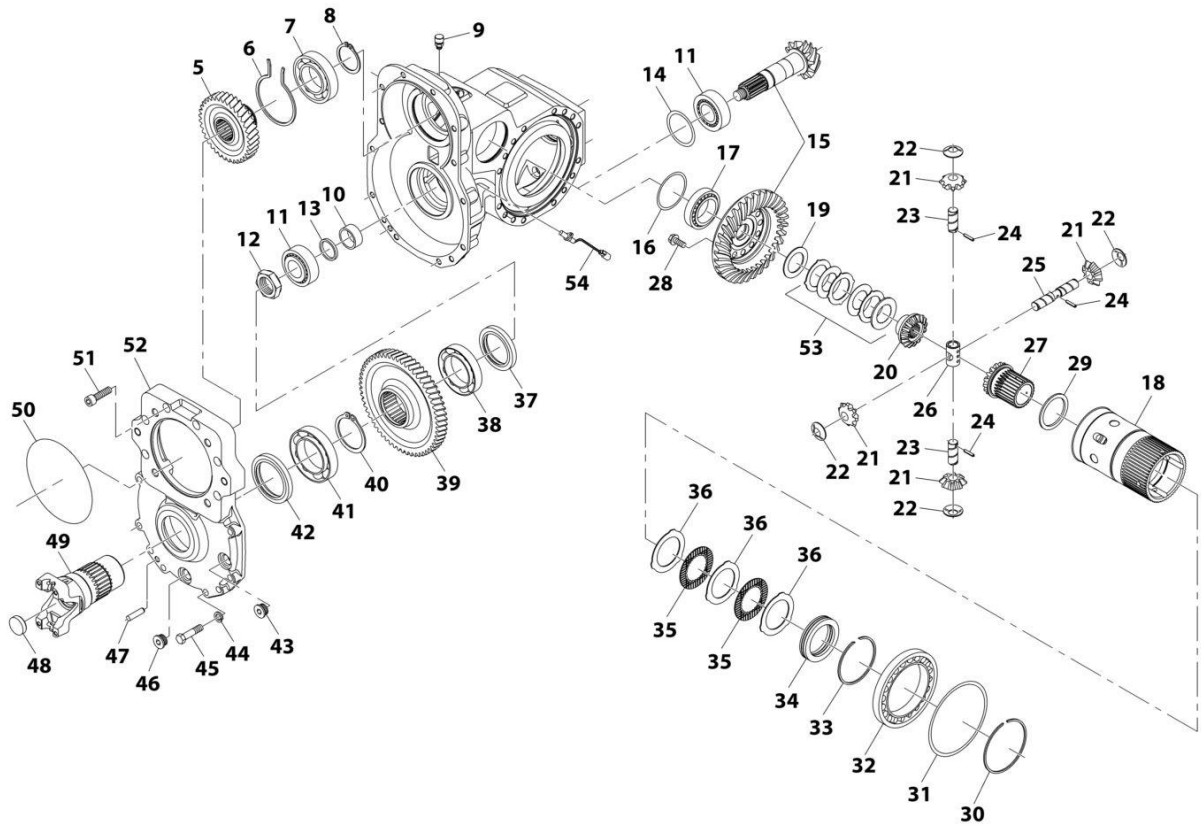
SECTION 5 - DRIVE TRAIN

FIGURE 5-4. FRONT AXLE, CENTRAL HOUSING

ITEM	PART NUMBER	QTY	DESCRIPTION	REV
	1007367100	Ref	FRONT AXLE, CENTRAL HOUSING	G
1	70029265	1	Housing	
2	70021147	2	O-Ring	
3	7028706	1	Magnetic Plug	
4	91514188	1	Plug With Seal Washer	

SECTION 5 - DRIVE TRAIN

FIGURE 5-5. FRONT AXLE, DIFFERENTIAL



ART_1007367100_2-F

SECTION 5 - DRIVE TRAIN

FIGURE 5-5. FRONT AXLE, DIFFERENTIAL

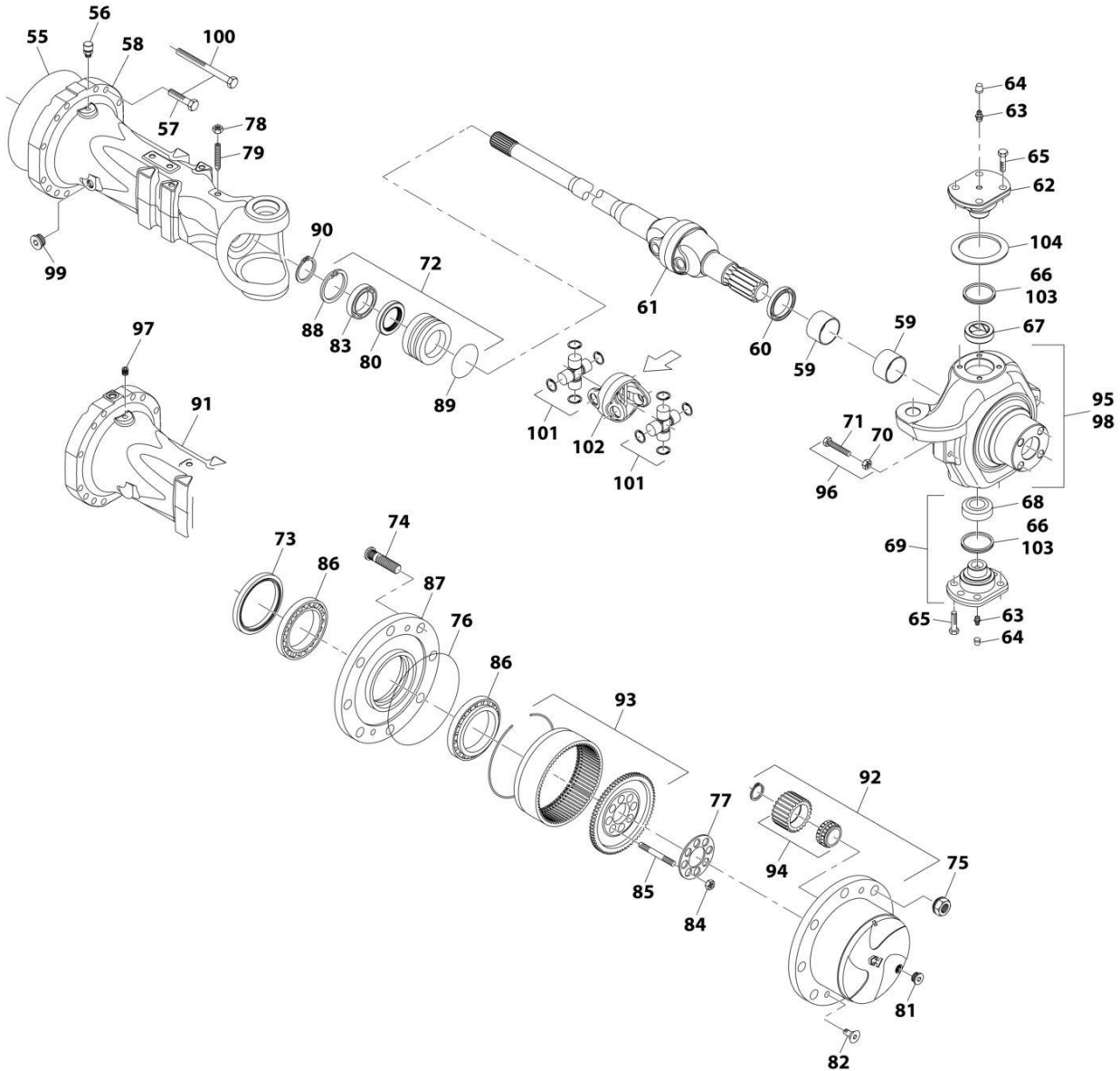
ITEM	PART NUMBER	QTY	DESCRIPTION	REV
	1007367100	Ref	FRONT AXLE, DIFFERENTIAL	G
5	70024863	1	Gear	
6	70020230	1	Circlip	
7	70020231	1	Ball Bearing	
8	70020232	1	Circlip	
9	91474512	1	Plug	
10	70024864	1	Spacer	
11	70020234	2	Bearing	
12	70020235	1	Ring Nut	
13	70024927	1	Shim Kit	
14	70024866	1	Shim Kit	
15	70029266	1	Bevel Gear Set	
16	70024929	1	Shim Kit	
17	70020240	1	Tapered Roller Bearing	
18	70021939	1	Differential Carrier	
19	70029267	1	Friction Washer	
20	70020243	1	Differential Side Gear	
21	70020244	4	Differential Pinion	
22	70020245	4	Friction Washer	
23	70021929	2	Pin	
24	70020247	3	Dowel	
25	70021928	1	Pin	
26	70020249	1	Shaft Retainer	
27	70020250	1	Differential Side Gear	
28	70020251	12	Bolt	
29	70020252	1	Friction Washer	
30	70020253	1	Circlip	
31	70027859	1	Shim Kit	
32	3984301	1	Bearing	
33	70020255	1	Circlip	
34	70020256	1	Bearing	
35	70020257	7	Clutch Disc	
36	70020258	8	Intermediate Clutch	
37	70020259	1	Seal	
38	70020260	1	Ball Bearing	
39	70020261	1	Gear	
40	70020262	1	Circlip	
41	80204178	1	Ball Bearing	
42	70020263	1	Seal	
43	70028389	1	Plug	
44	80204147	8	Spring Washer	
45	70024873	8	Bolt	
46	70028388	1	Plug	
47	70020265	1	Dowel	
48	70020266	1	Plug	
49	70020267	1	Flange	
50	70024874	1	O-Ring	
51	70020269	6	Cylinder Bolt	
52	70024875	1	Cover	
53	70020271	1	Clutch Disc	

SECTION 5 - DRIVE TRAIN

ITEM	PART NUMBER	QTY	DESCRIPTION	REV
54	70029268	1	Speed Sensor	

SECTION 5 - DRIVE TRAIN

FIGURE 5-6. FRONT AXLE, HUB REDUCTION



ART_1007367100_3-F

SECTION 5 - DRIVE TRAIN

FIGURE 5-6. FRONT AXLE, HUB REDUCTION

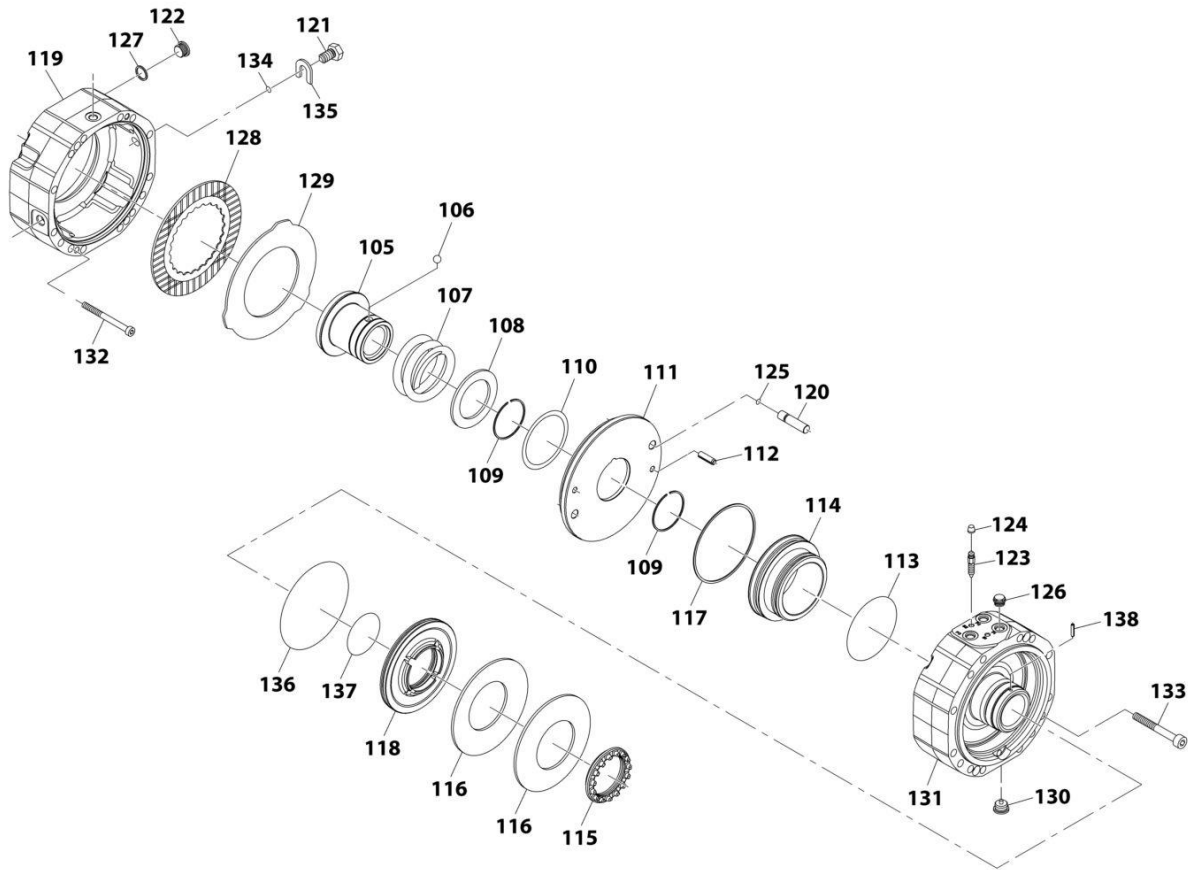
ITEM	PART NUMBER	QTY	DESCRIPTION	REV
	1007367100	Ref	FRONT AXLE, HUB REDUCTION	G
55	70021147	2	O-Ring	
56	91474512	1	Vent	
57	70024878	14	Bolt	
58	70029269	1	Axle Case	
59	70021150	2	Thrust Bushing	
60	70021151	2	Seal	
61	70029270	2	Universal Joint & Shaft	
62	70029271	2	Pivot Pin	
63	70024881	4	Grease Fitting	
64	80204117	4	Plug	
65	70025562	20	Bolt	
66	70021155	2	Seal	
67	70029272	2	Reduction Bushing	
68	70029273	2	Articulation	
69	70029274	2	Pivot Pin	
70	80204065	4	Nut	
71	91514117	4	Bolt	
72	70029275	2	Reduction Bushing	
73	70029276	2	Seal	
74	70024883	16	Wheel Stud	
75	70026875	NLA	Nut (No Longer Available, Use Item 70030769)	
75	70030769	16	Nut	
76	91474507	2	O-Ring	
77	3983731	2	Locking Plate	
78	80204172	2	Nut	
79	70029277	2	Bolt	
80	70029278	2	Seal	
81	7028706	2	Magnetic Plug	
82	91514189	4	Countersunk Bolt	
83	70029279	2	Bearing	
84	91474584	8	Nut	
85	70027315	8	Stud	
86	3984301	4	Bearing	
87	70029280	2	Wheel Hub	
88	70029281	2	Circlip	
89	70029282	2	O-Ring	
90	70029283	2	Circlip	
91	70029284	1	Axle Case	
92	70029285	2	Planet Gear Carrier Kit (See Separate Breakdown in this Section)	
93	7029432	2	Ring Gear Support Kit (See Separate Breakdown in this Section)	
94	70027114	6	Planet Gear Kit	
95	70029286	1	Steering Case Kit (LF, RR) (See Separate Breakdown in this Section)	
96	7028733	4	Steering Adjust Bolt Kit	
97	80204012	1	Plug	
98	70029287	1	Steering Case Kit (RF, LR) (See Separate Breakdown in this Section)	
99	91514188	1	Plug W/ Sealing Washer	
100	70029288	14	Hex Bolt	

SECTION 5 - DRIVE TRAIN

ITEM	PART NUMBER	QTY	DESCRIPTION	REV
101	70029289	2	Joint Cross	
102	70029290	1	Joint Center Section	
103	70029291	2	Dust Excluder	
104	70029292	4	Spring	

SECTION 5 - DRIVE TRAIN

FIGURE 5-7. FRONT AXLE, BRAKES



ART_1007367100_4-F

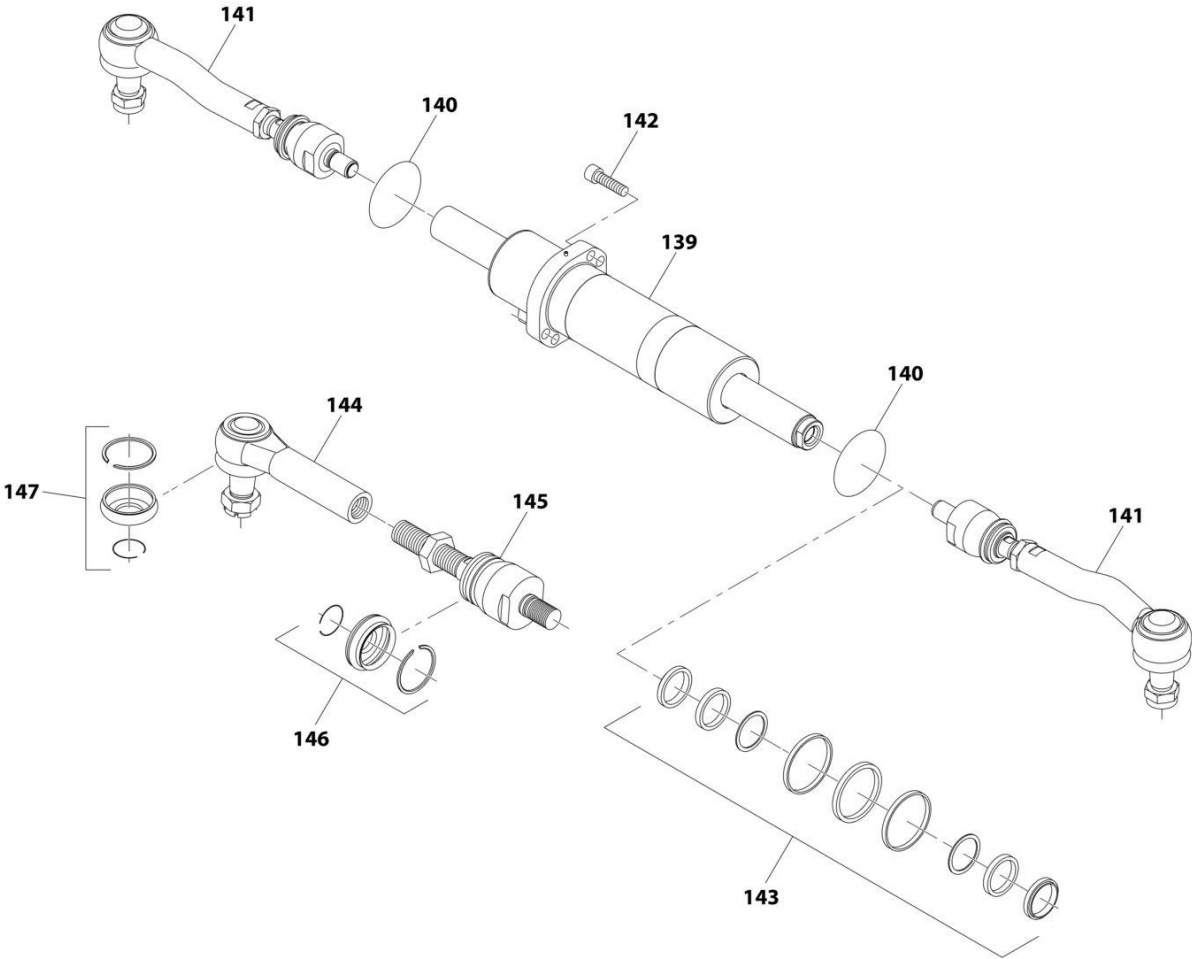
SECTION 5 - DRIVE TRAIN

FIGURE 5-7. FRONT AXLE, BRAKES

ITEM	PART NUMBER	QTY	DESCRIPTION	REV
	1007367100	Ref	FRONT AXLE, BRAKES	G
105	70021942	1	Reduction Bushing	
106	70020276	2	Detend Ball	
107	70020285	1	Spring	
108	70021941	1	Spacer	
109	70020284	2	Circlip	
110	70027862	1	Shim Kit	
111	70021940	1	Intermediate Brake Disc	
112	70029293	2	Roll Pin	
113	70028884	1	O-Ring, Anti-Twist	
114	70020280	1	Piston	
115	70020296	1	Ring Nut	
116	70020295	2	Spring	
117	70026263	1	Seal	
118	70024897	1	Piston	
119	70029294	1	Steering Axle Housing	
120	70020291	3	Pin	
121	70020297	2	Bolt	
122	70029295	1	Plug	
123	80204281	2	Bleeding Bolt	
124	80204117	2	Plug	
125	70020290	3	O-Ring	
126	70020282	1	Plug	
127	70029296	1	Washer	
128	70020273	6	Brake Disc	
129	70024528	6	Disc, Intermediate Brake	
130	7028706	1	Magnetic Plug	
131	70029297	1	Steering Axle Housing	
132	70029298	2	Cylinder Bolt	
133	70029299	3	Cylinder Bolt	
134	80204111	2	O-Ring	
135	70020298	2	Spacer	
136	70020292	1	O-Ring	
137	70020293	1	O-Ring	
138	70020247	1	Dowel	

SECTION 5 - DRIVE TRAIN

FIGURE 5-8. FRONT AXLE, STEERING



ART_1007367100_5-F

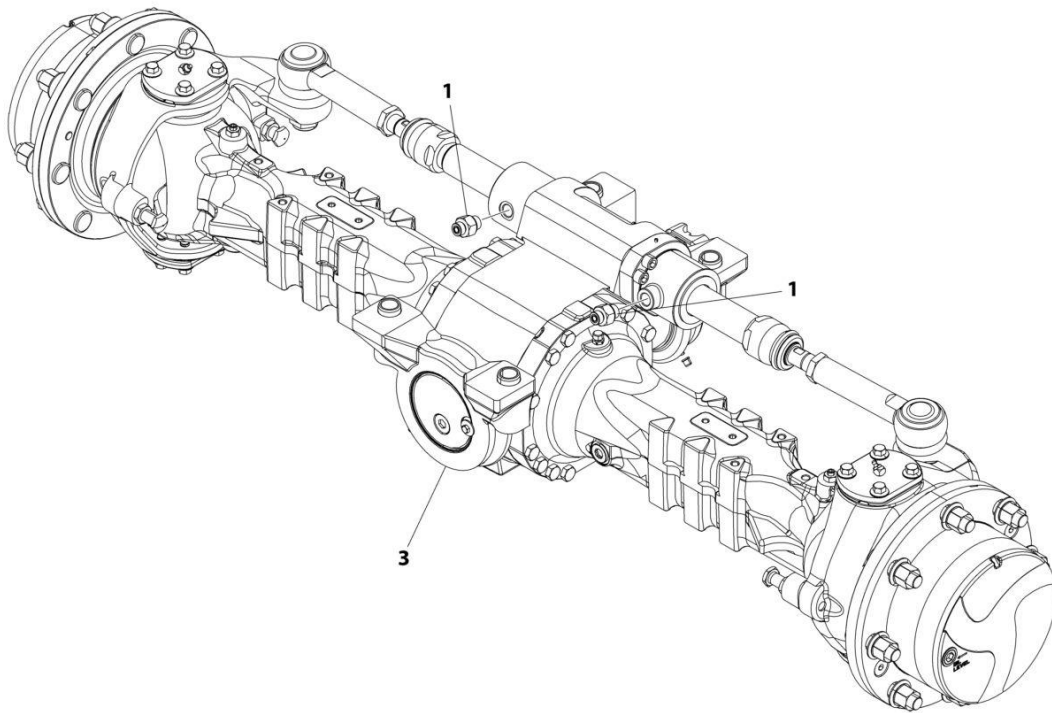
SECTION 5 - DRIVE TRAIN

FIGURE 5-8. FRONT AXLE, STEERING

ITEM	PART NUMBER	QTY	DESCRIPTION	REV
	1007367100	Ref	FRONT AXLE, STEERING	G
139	70023035	1	Steer Cylinder	
140	70020301	2	O-Ring	
141	70020302	2	Tie Rod	
142	70020269	4	Cylinder Bolt	
143	70023036	1	Seal Kit, Steer Cylinder	
144	70029300	1	Joint, 90 Degree	
145	70029301	1	Axle Joint	
146	70027866	1	Rubber Boot and Locking Ring Kit	
147	70027865	1	Rubber Boot and Locking Ring Kit	

SECTION 5 - DRIVE TRAIN

FIGURE 5-9. REAR AXLE ASSEMBLY



ART_1001233724

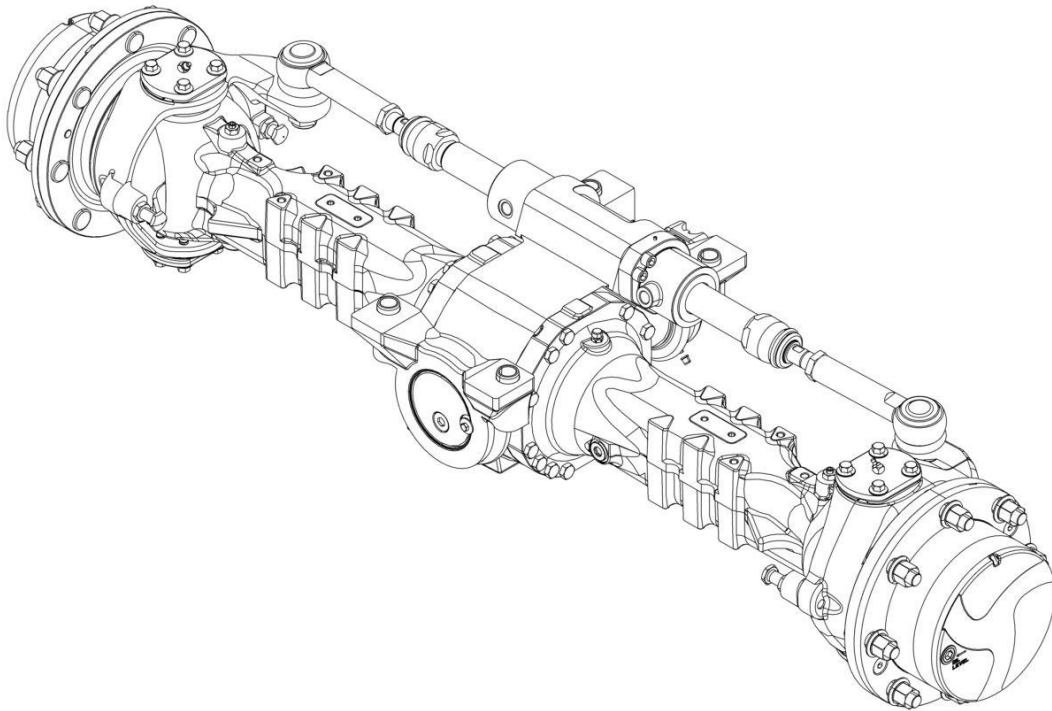
SECTION 5 - DRIVE TRAIN

FIGURE 5-9. REAR AXLE ASSEMBLY

ITEM	PART NUMBER	QTY	DESCRIPTION	REV
1	1001233724	Ref	Rear Axle Assembly	C
	1001081333	2	Fitting	
	1007367300	1	Rear Axle (See Separate Breakdown in this Section)	

SECTION 5 - DRIVE TRAIN

FIGURE 5-10. REAR AXLE



ART_1007367300

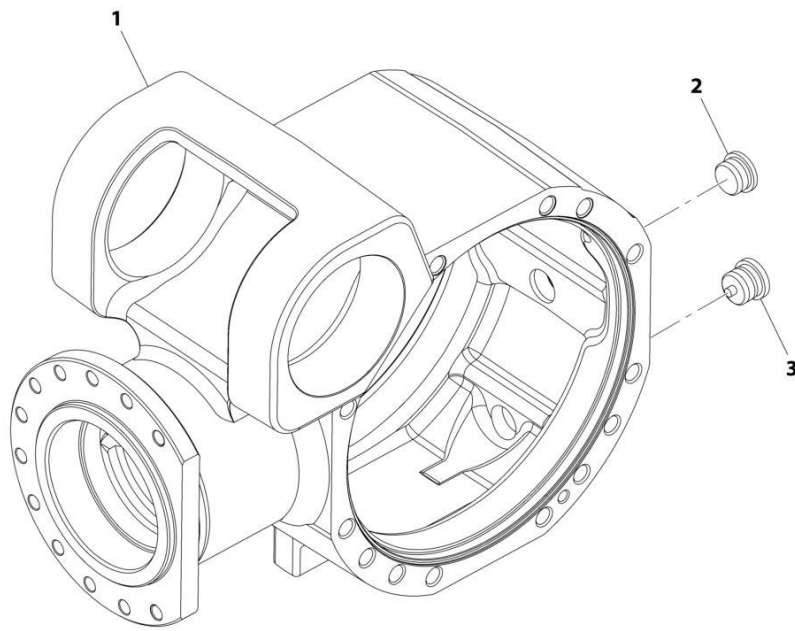
SECTION 5 - DRIVE TRAIN

FIGURE 5-10. REAR AXLE

ITEM	PART NUMBER	QTY	DESCRIPTION	REV
	1007367300	Ref	Rear Axle	F
		Ref	Rear Axle, Central Housing (See Separate Breakdown in this Section)	
		Ref	Rear Axle, Differential (See Separate Breakdown in this Section)	
		Ref	Rear Axle, Hub Reduction (See Separate Breakdown in this Section)	
		Ref	Rear Axle, Steering (See Separate Breakdown in this Section)	
		Ref	Rear Axle, Trunion (See Separate Breakdown in this Section)	

SECTION 5 - DRIVE TRAIN

FIGURE 5-11. REAR AXLE, CENTRAL HOUSING



ART_1007367300_1-E

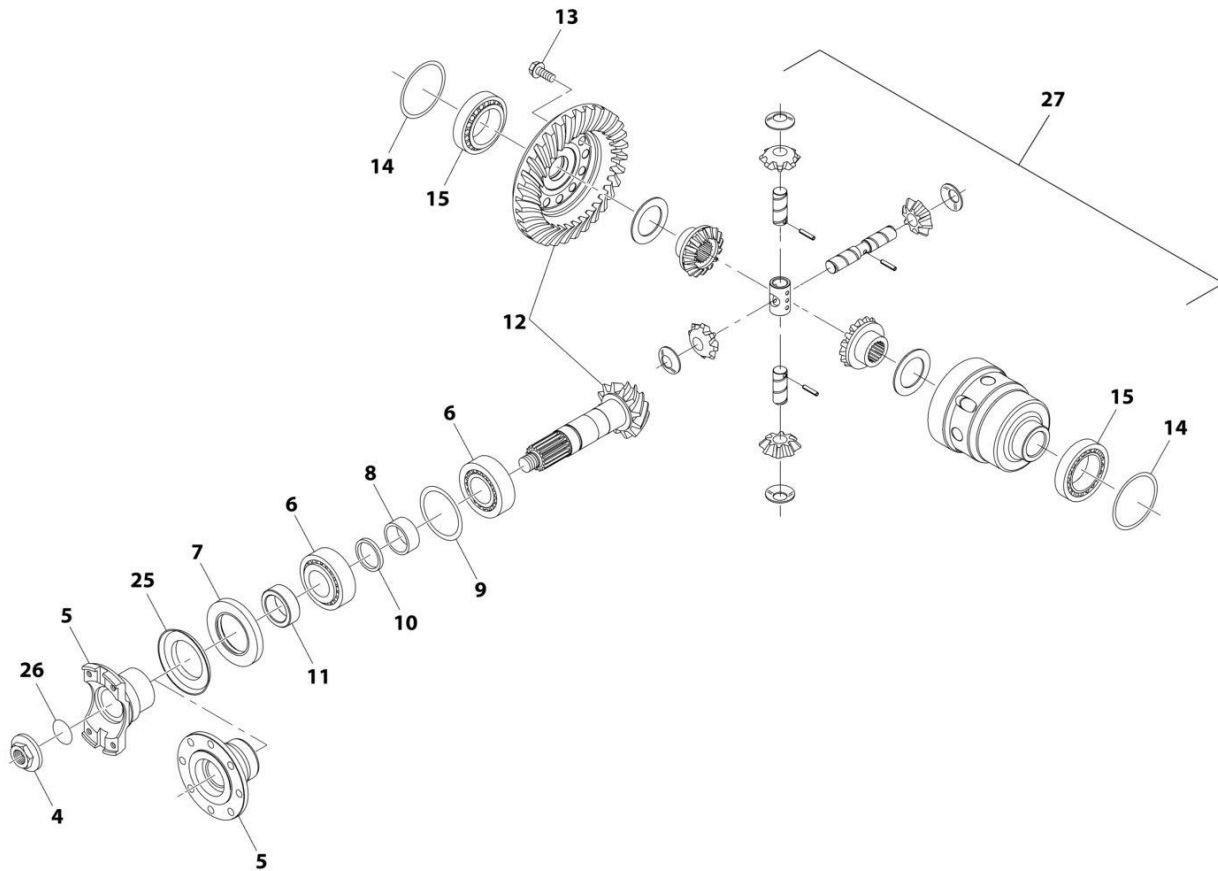
SECTION 5 - DRIVE TRAIN

FIGURE 5-11. REAR AXLE, CENTRAL HOUSING

ITEM	PART NUMBER	QTY	DESCRIPTION	REV
	1007367300	Ref	REAR AXLE, CENTRAL HOUSING	F
1	70029265	1	Housing	
2	91514188	1	Plug	
3	7028706	1	Magnetic Plug	

SECTION 5 - DRIVE TRAIN

FIGURE 5-12. REAR AXLE, DIFFERENTIAL



ART_1007367300_2-E

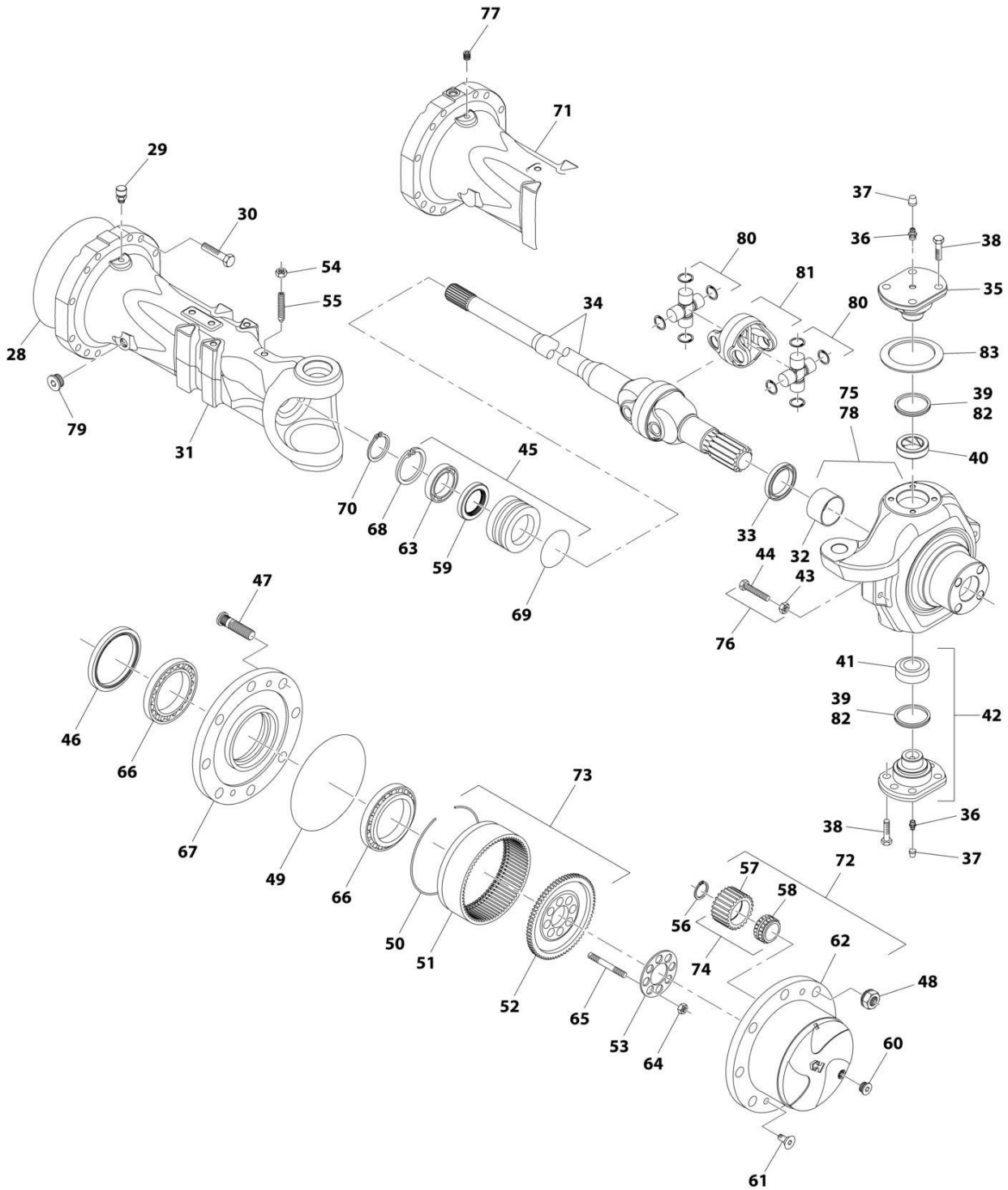
SECTION 5 - DRIVE TRAIN

FIGURE 5-12. REAR AXLE, DIFFERENTIAL

ITEM	PART NUMBER	QTY	DESCRIPTION	REV
	1007367300	Ref	REAR AXLE, DIFFERENTIAL	F
4	80204213	1	Nut	
5	70020288	1	Flange	
6	70020234	2	Bearing	
7	91474532	1	Seal	
8	70020233	1	Spacer	
9	70024866	1	Shim Kit	
10	70024927	1	Shim Kit	
11	70020303	1	Spacer	
12	70029302	1	Bevel Gear Set	
13	70020251	12	Bolt	
14	70024929	1	Shim Kit	
15	70020240	2	Tapered Roller Bearing	
25	70021076	1	Cover Plate	
26	70021196	1	O-Ring	
27	70029303	1	Differential Kit (See Separate Breakdown in this Section)	

SECTION 5 - DRIVE TRAIN

FIGURE 5-13. REAR AXLE, HUB REDUCTION



ART_1007367300_3-E

SECTION 5 - DRIVE TRAIN

FIGURE 5-13. REAR AXLE, HUB REDUCTION

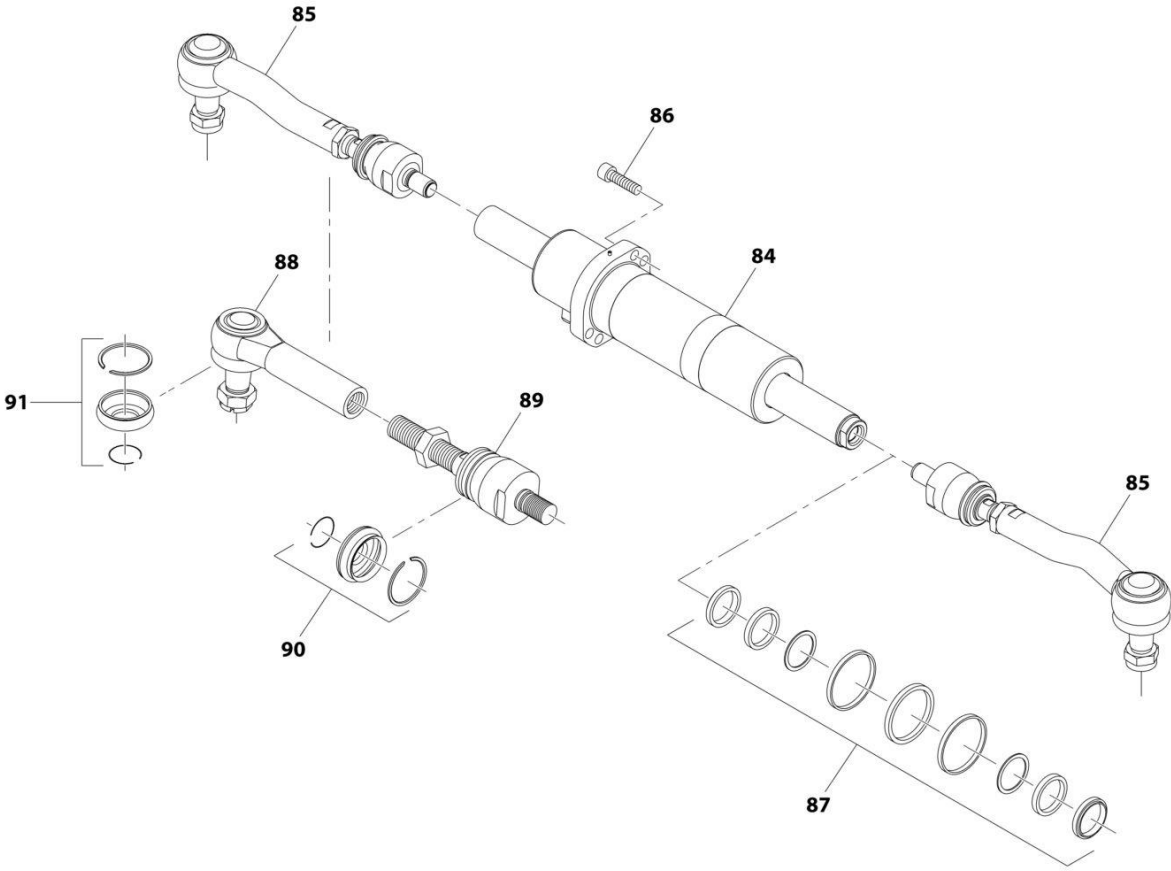
ITEM	PART NUMBER	QTY	DESCRIPTION	REV
	1007367300	Ref	REAR AXLE, HUB REDUCTION	F
28	70021147	2	O-Ring	
29	91474512	1	Breather	
30	70024878	28	Bolt	
31	70029304	1	Axle Case	
32	70021150	2	Bushing	
33	70021151	2	Seal	
34	70029270	2	Universal Joint and Shaft	
35	70029271	2	Pivot Pin	
36	70024881	4	Grease Fitting	
37	80204117	4	Plug	
38	70025562	20	Bolt	
39	70021155	2	Seal	
40	70029272	2	Reduction Bushing	
41	70029273	2	Articulation	
42	70029274	2	Pivot Pin	
43	80204065	4	Nut	
44	91514117	4	Bolt	
45	70029275	2	Reduction Bushing	
46	70029276	2	Seal	
47	70024883	16	Wheel Stud	
48	70026875	NLA	Nut (No Longer Available, Use Item 70030769)	
48	70030769	16	Nut	
49	91474507	2	O-Ring	
50	91474579	2	Circlip	
51	91474580	2	Ring Gear	
52	3983720	2	Ring Gear Support	
53	3983731	2	Locking Plate	
54	80204172	2	Nut	
55	70029277	2	Bolt	
56	91474585	3	Circlip	
57	70028473	6	Planet Gear	
58	70028474	6	Bearing	
59	70029278	2	Seal	
60	7028706	2	Magnetic Plug	
61	91514189	4	Bolt, Countersunk	
62	70024888	1	Plant Gear Carrier	
63	70029279	2	Bearing	
64	91474584	8	Nut	
65	70027315	8	Stud	
66	70030251	4	Bearing	
67	70029280	2	Wheel Hub	
68	70029281	2	Circlip	
69	70029282	2	O-Ring	
70	70029283	2	Circlip	
71	70029284	1	Axle Case	
72	70029285	2	Planet Gear Carrier Kit (See Separate Breakdown in this Section)	
73	7029432	2	Ring Gear Support Assembly (See Separate Breakdown in this Section)	
74	70027114	6	Kit, Planet Gear	

SECTION 5 - DRIVE TRAIN

ITEM	PART NUMBER	QTY	DESCRIPTION	REV
75	70029286	1	Steering Case Kit (LF, RR) (See Separate Breakdown in this Section)	
76	7028733	4	Steering Adjust Bolt Kit	
77	80204012	1	Plug	
78	70029287	1	Steering Case Kit (RF, LR) (See Separate Breakdown in this Section)	
79	70028389	1	Plug	
80	70029289	2	Joint Cross	
81	70029290	1	Joint Center Section	
82	70029291	2	Dust Excluder	
83	70029292	4	Spring	

SECTION 5 - DRIVE TRAIN

FIGURE 5-14. REAR AXLE, STEERING



ART_1007367300_4-E

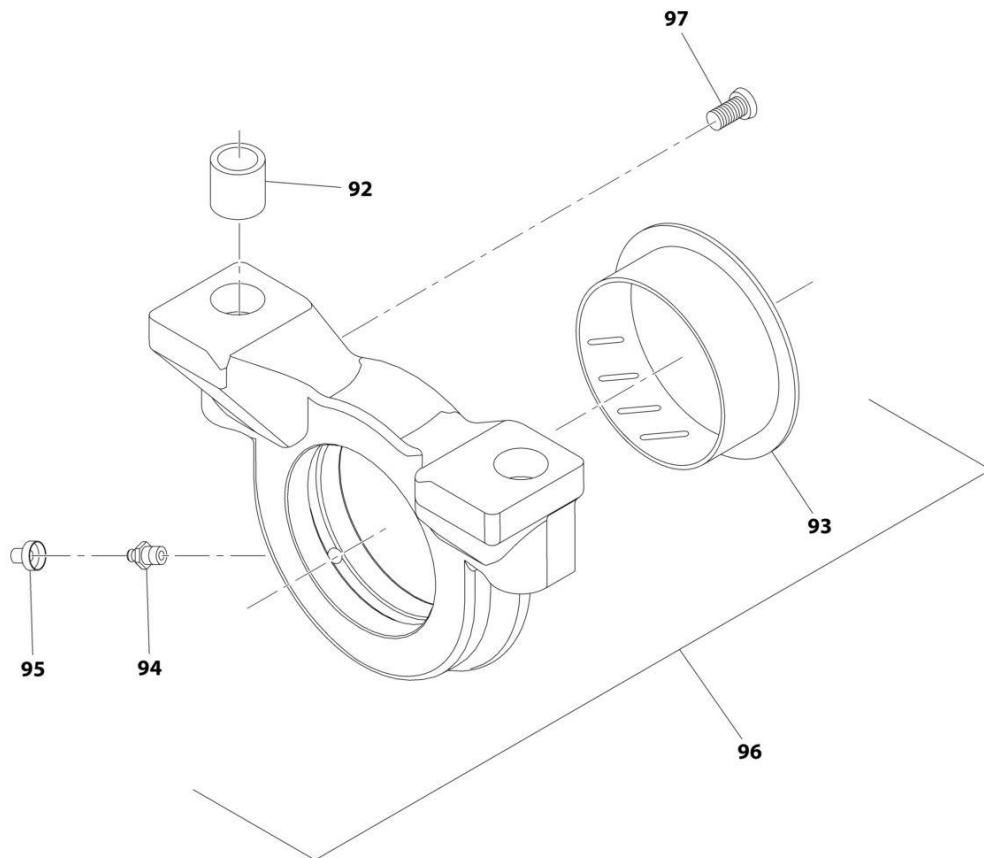
SECTION 5 - DRIVE TRAIN

FIGURE 5-14. REAR AXLE, STEERING

ITEM	PART NUMBER	QTY	DESCRIPTION	REV
	1007367300	Ref	REAR AXLE, STEERING	F
84	70023035	1	Steer Cylinder	
85	70020302	2	Tie Rod	
86	70020269	4	Cylinder Bolt	
87	70023036	1	Seal Kit, Steer Cylinder	
88	70029300	1	Joint, 90 Degree	
89	70029301	1	Axle Joint	
90	70027866	1	Rubber Boot and Locking Ring Kit	
91	70027865	1	Rubber Boot and Locking Ring Kit	

SECTION 5 - DRIVE TRAIN

FIGURE 5-15. REAR AXLE, TRUNION



ART_1007367300_5-E

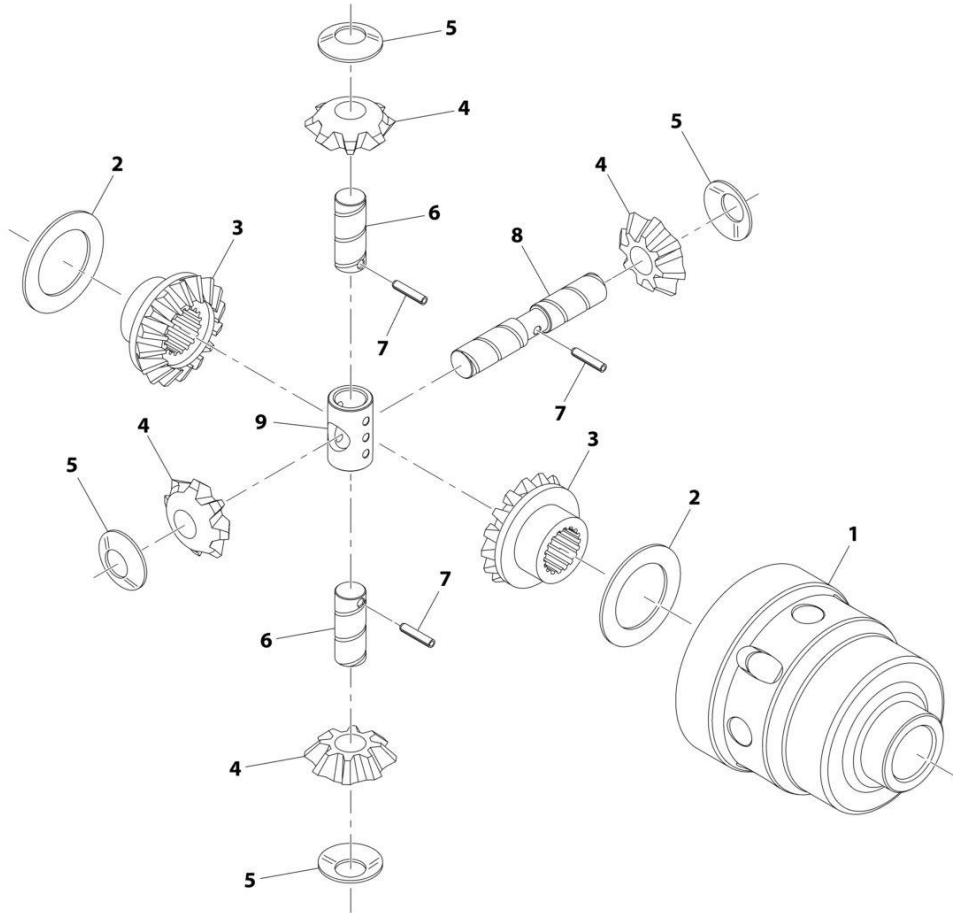
SECTION 5 - DRIVE TRAIN

FIGURE 5-15. REAR AXLE, TRUNION

ITEM	PART NUMBER	QTY	DESCRIPTION	REV
	1007367300	Ref	REAR AXLE, TRUNION	F
92	91474516	4	Reduction Bushing	
93	70021198	2	Thrust Bushing	
94	70024881	2	Fitting, Grease	
95	80204117	2	Plug	
96	70021200	2	Support Assembly	
97	70028535	2	Bolt	

SECTION 5 - DRIVE TRAIN

FIGURE 5-16. DIFFERENTIAL KIT



ART_70029303

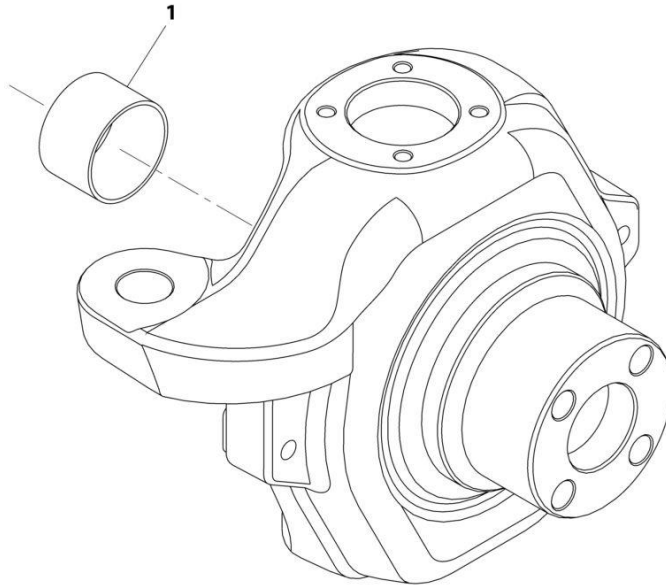
SECTION 5 - DRIVE TRAIN

FIGURE 5-16. DIFFERENTIAL KIT

ITEM	PART NUMBER	QTY	DESCRIPTION	REV
	70029303	Ref	Differential Kit	
1	70020346	1	Differential Carrier	
2	70029267	2	Friction Washer	
3	70021221	2	Differential Side Gear	
4	70020244	4	Differential Pinion	
5	70020245	4	Friction Washer	
6	70021929	2	Pin	
7	70020247	3	Dowel	
8	70021928	1	Pin	
9	70020249	1	Shaft Retainer	

SECTION 5 - DRIVE TRAIN

FIGURE 5-17. STEERING CASE KIT (LF/RR)



ART_70029286

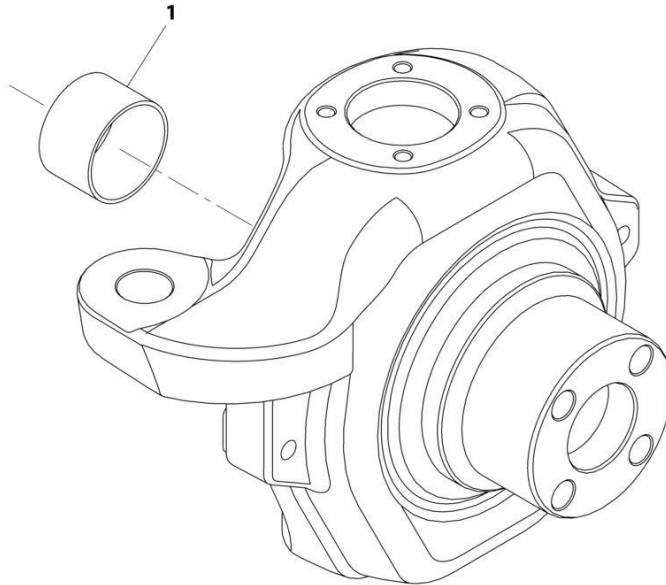
SECTION 5 - DRIVE TRAIN

FIGURE 5-17. STEERING CASE KIT (LF/RR)

ITEM	PART NUMBER	QTY	DESCRIPTION	REV
1	70029286	Ref	Steering Case Kit (LF, RR)	
	70021150	2	Thrust Bushing	

SECTION 5 - DRIVE TRAIN

FIGURE 5-18. STEERING CASE KIT (RF/LR)



ART_70029287

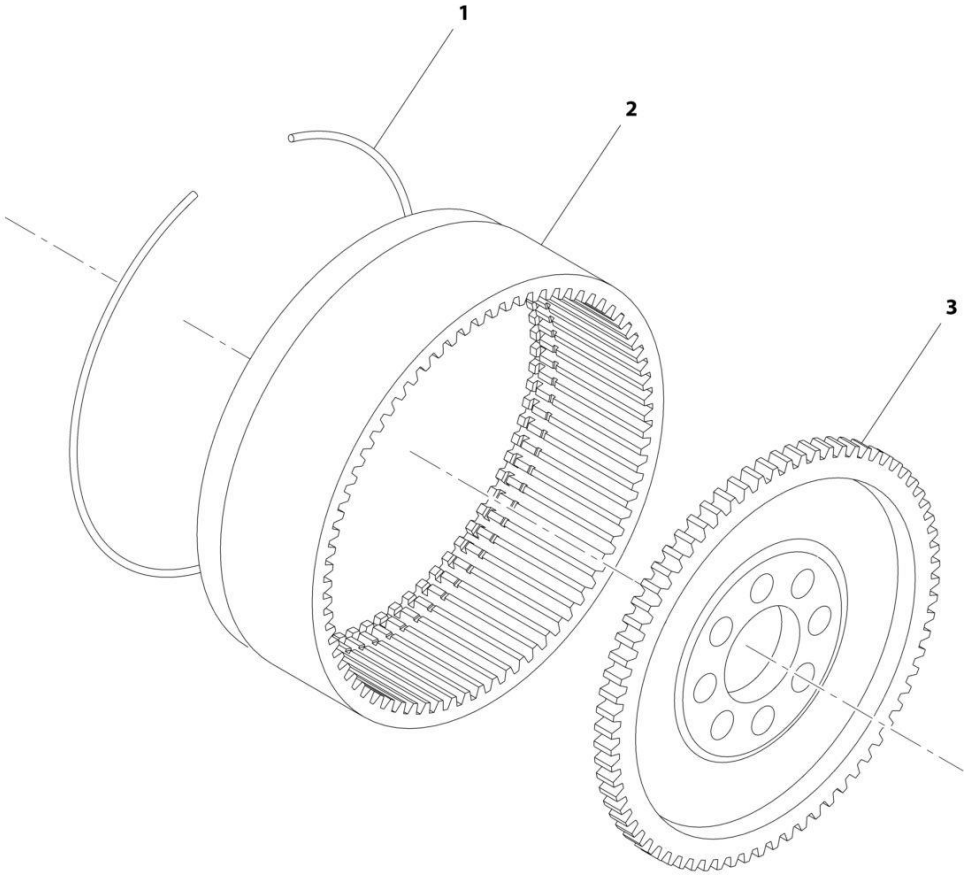
SECTION 5 - DRIVE TRAIN

FIGURE 5-18. STEERING CASE KIT (RF/LR)

ITEM	PART NUMBER	QTY	DESCRIPTION	REV
1	70029287	Ref	Steering Case Kit (RF, LR)	
	70021150	2	Thrust Bushing	

SECTION 5 - DRIVE TRAIN

FIGURE 5-19. RING GEAR SUPPORT KIT



ART_7029432

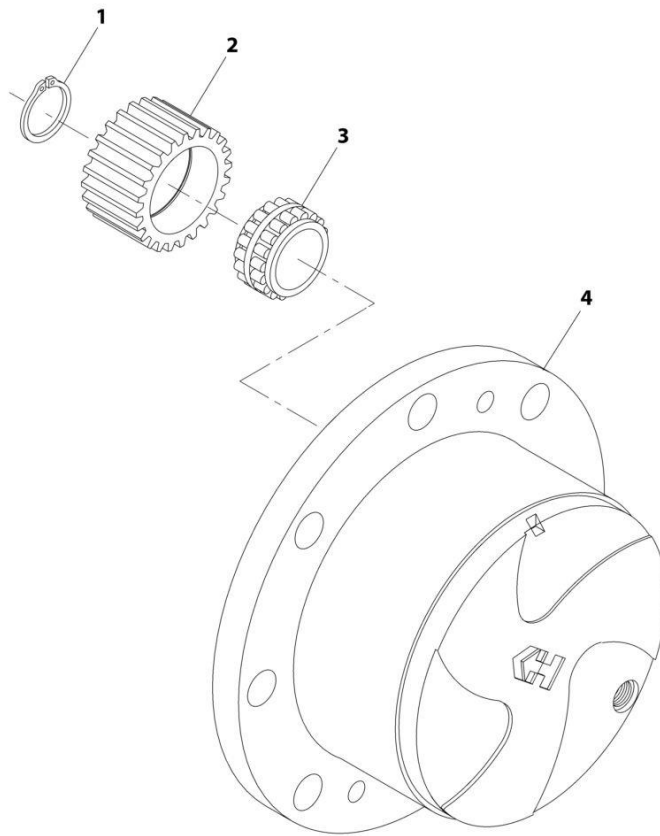
SECTION 5 - DRIVE TRAIN

FIGURE 5-19. RING GEAR SUPPORT KIT

ITEM	PART NUMBER	QTY	DESCRIPTION	REV
	7029432	Ref	Ring Gear Support Kit	
1	91474579	1	Circlip	
2	91474580	1	Ring Gear	
3	3983720	1	Ring Gear Support	

SECTION 5 - DRIVE TRAIN

FIGURE 5-20. PLANET GEAR CARRIER KIT



ART_70029285

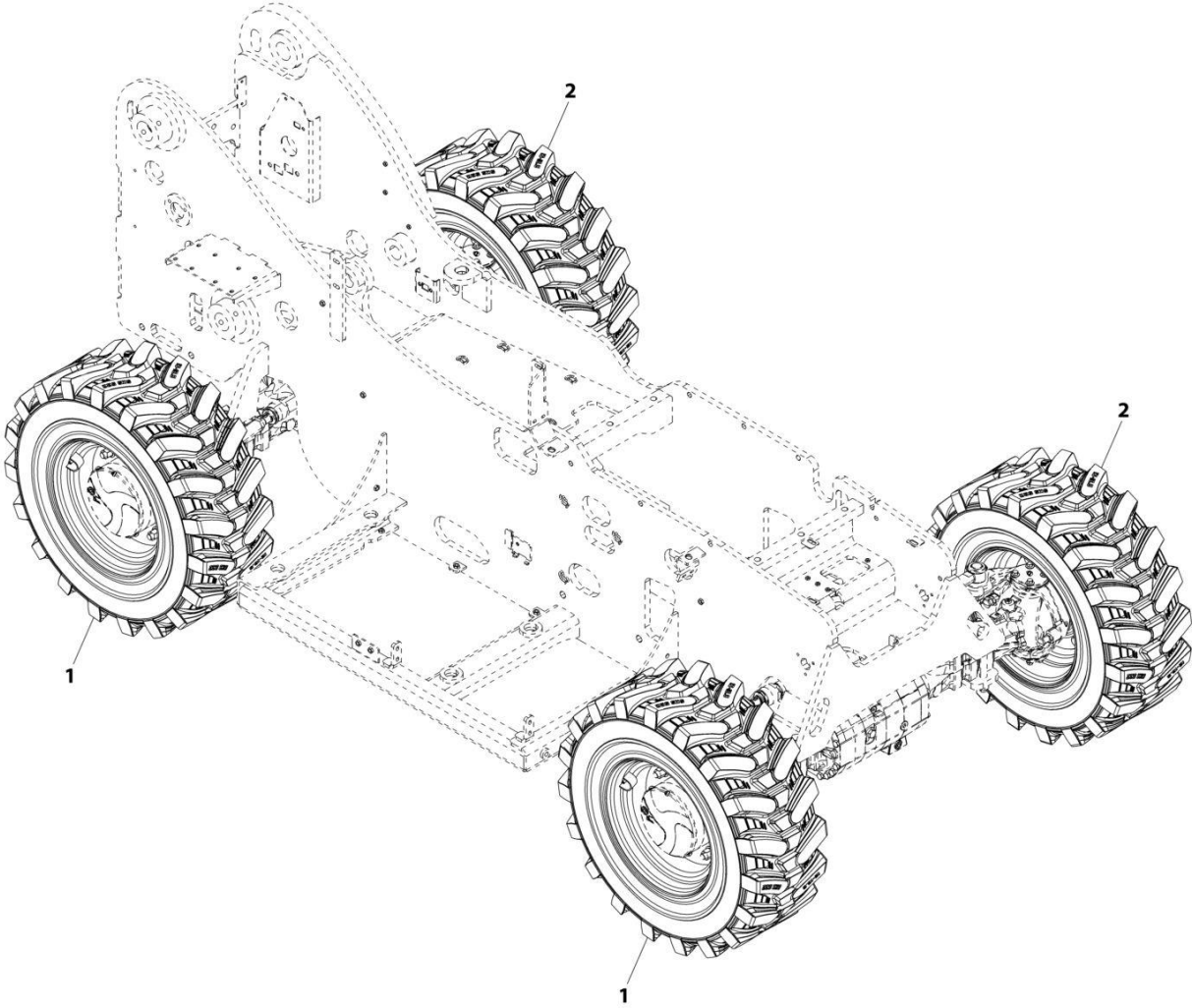
SECTION 5 - DRIVE TRAIN

FIGURE 5-20. PLANET GEAR CARRIER KIT

ITEM	PART NUMBER	QTY	DESCRIPTION	REV
	70029285	Ref	Planet Gear Carrier Kit	
1	91474585	3	Circlip	
2	70028473	6	Planet Gear	
3	70028474	6	Bearing	
4	70024888	1	Planet Gear Carrier	

SECTION 5 - DRIVE TRAIN

FIGURE 5-21. TIRE/WHEEL SET, CAMSO (AIR 12-16.5 - 12 PLY)



ART_1001236316-A

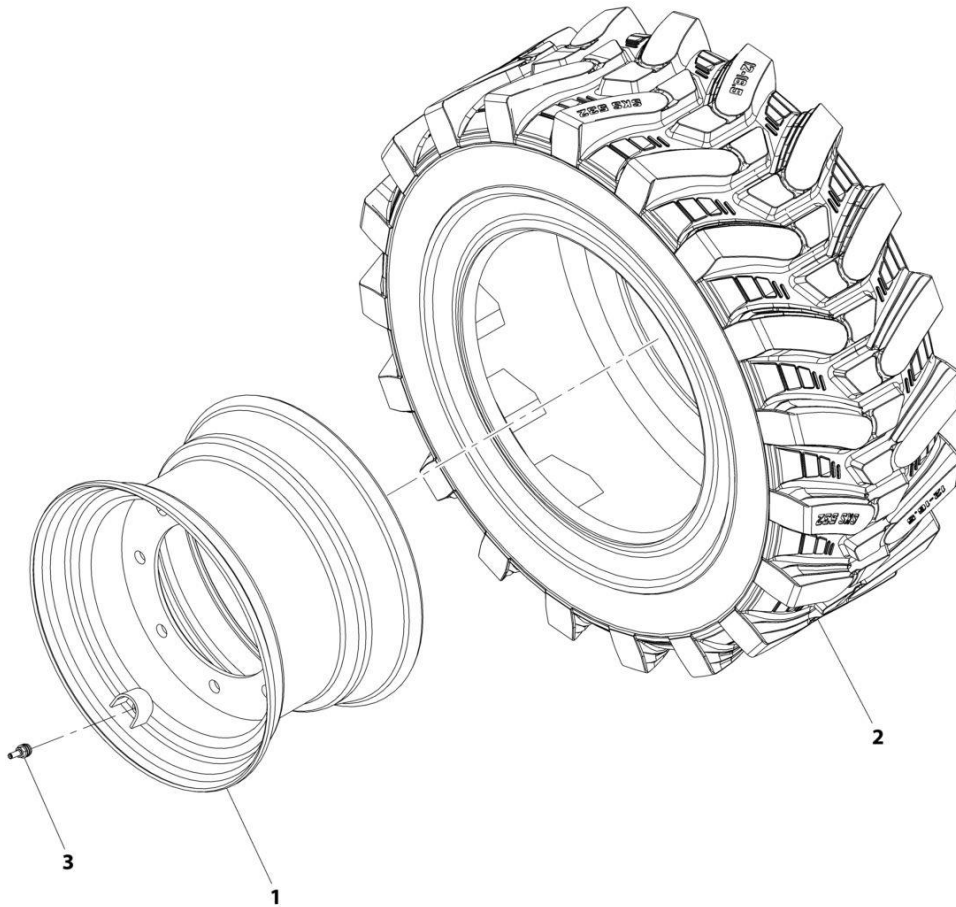
SECTION 5 - DRIVE TRAIN

FIGURE 5-21. TIRE/WHEEL SET, CAMSO (AIR 12-16.5 - 12 PLY)

ITEM	PART NUMBER	QTY	DESCRIPTION	REV
1	1001236316	Ref	Tire/Wheel Set, Camso (Air 12-16.5 - 12 PLY)	A
	1001236666	2	Right Tire/Wheel Assembly, Camso (Air 12-16.5 - 12 Ply) (See Separate Breakdown in this Section)	
2	1001236667	2	Left Tire/Wheel Assembly, Camso (Air 12-16.5 - 12 Ply) (See Separate Breakdown in this Section)	

SECTION 5 - DRIVE TRAIN

FIGURE 5-22. RIGHT TIRE/WHEEL ASSEMBLY, CAMSO (AIR 12-16.5 - 12 PLY)



ART_1001236666-A

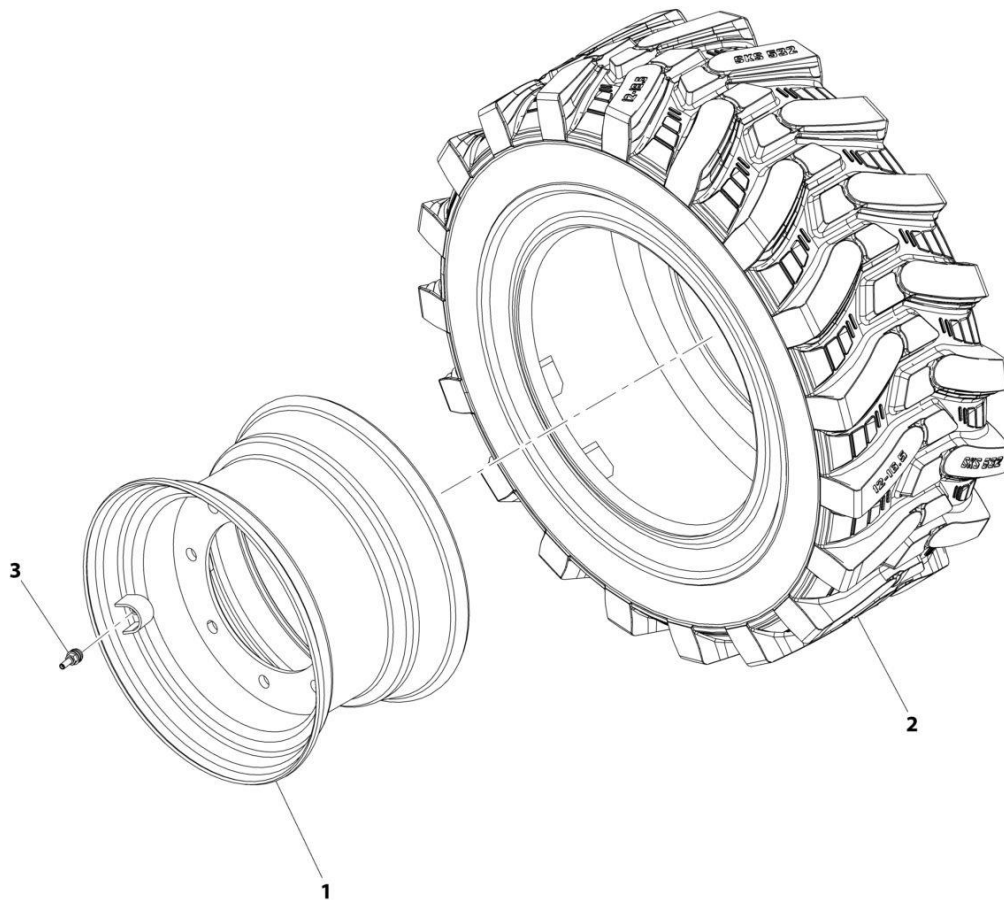
SECTION 5 - DRIVE TRAIN

FIGURE 5-22. RIGHT TIRE/WHEEL ASSEMBLY, CAMSO (AIR 12-16.5 - 12 PLY)

ITEM	PART NUMBER	QTY	DESCRIPTION	REV
	1001236666	Ref	Right Tire/Wheel Assembly, Camso (Air 12-16.5 - 12 PLY)	A
1	1001139975	1	Wheel, 16.5X9.75	
2	1001232351	1	Tire, 12-16.5 - 12 Ply	
3	4640163	1	Tire Valve	

SECTION 5 - DRIVE TRAIN

FIGURE 5-23. LEFT TIRE/WHEEL ASSEMBLY, CAMSO (AIR 12-16.5 - 12 PLY)



ART_1001236667-A

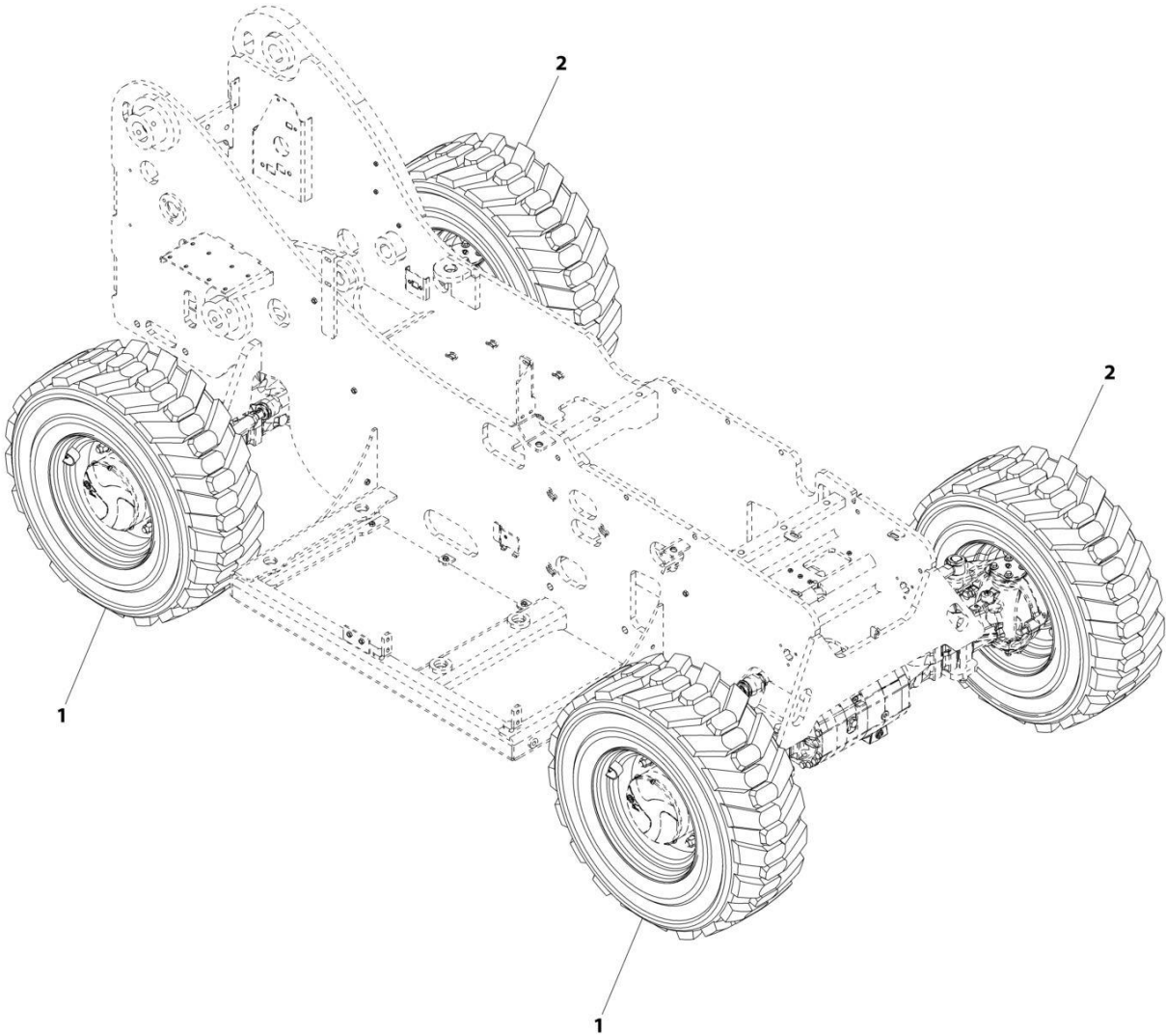
SECTION 5 - DRIVE TRAIN

FIGURE 5-23. LEFT TIRE/WHEEL ASSEMBLY, CAMSO (AIR 12-16.5 - 12 PLY)

ITEM	PART NUMBER	QTY	DESCRIPTION	REV
	1001236667	Ref	Left Tire/Wheel Assembly, Camso (Air 12-16.5 - 12 PLY)	A
1	1001139975	1	Wheel, 16.5X9.75	
2	1001232351	1	Tire, 12-16.5 - 12 Ply	
3	4640163	1	Tire Valve	

SECTION 5 - DRIVE TRAIN

FIGURE 5-24. TIRE/WHEEL SET, FIRESTONE (AIR 12-16.5 - 12 PLY)



ART_1001236320-A

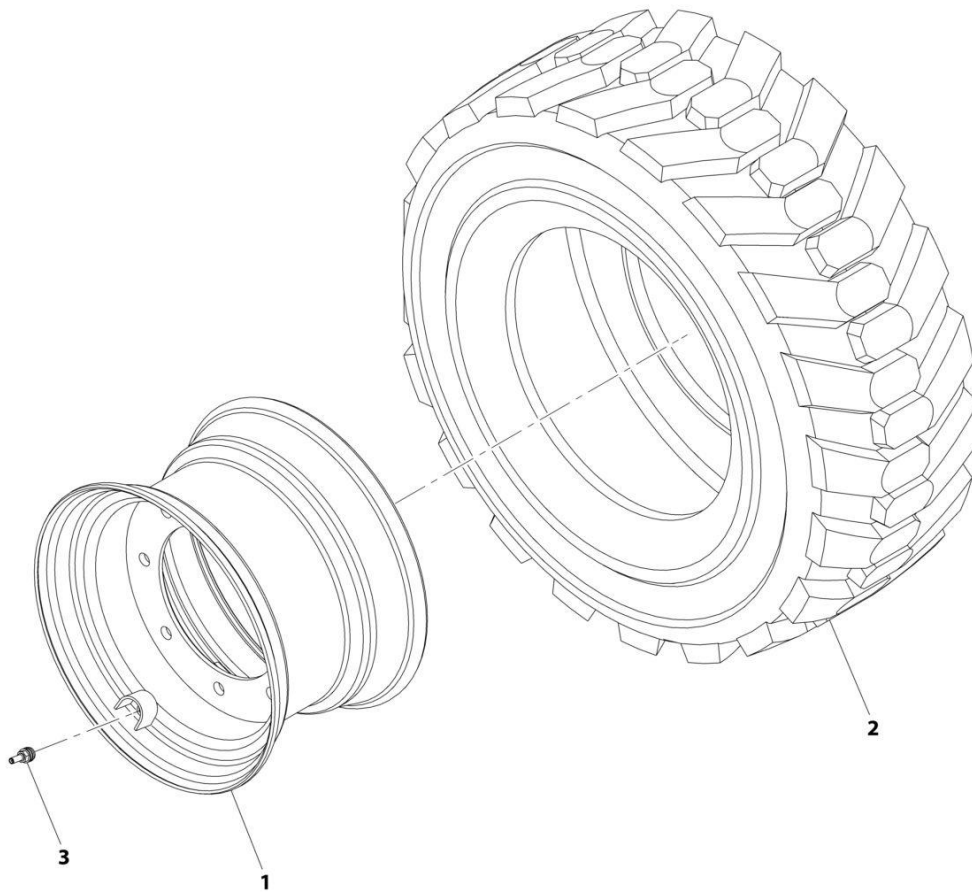
SECTION 5 - DRIVE TRAIN

FIGURE 5-24. TIRE/WHEEL SET, FIRESTONE (AIR 12-16.5 - 12 PLY)

ITEM	PART NUMBER	QTY	DESCRIPTION	REV
1	1001236320	Ref	Tire/Wheel Set, Firestone (Air 12-16.5 - 12 PLY)	A
	1001140684	2	Right Tire/Wheel Assembly, Firestone (Air 12-16.5 - 12 Ply) (See Separate Breakdown in this Section)	
2	1001140698	2	Left Tire/Wheel Assembly, Firestone (Air 12-16.5 - 12 Ply) (See Separate Breakdown in this Section)	

SECTION 5 - DRIVE TRAIN

FIGURE 5-25. RIGHT TIRE/WHEEL ASSEMBLY, FIRESTONE (AIR 12-16.5 - 12 PLY)



ART_1001140684-E

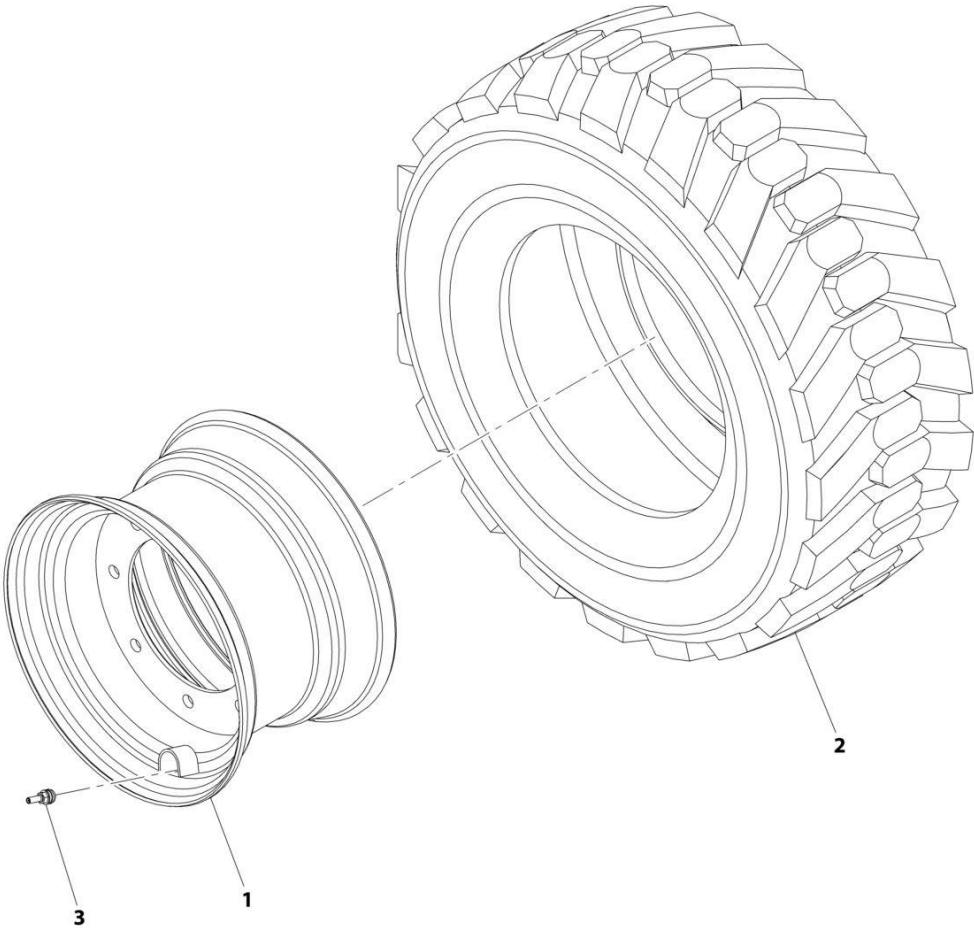
SECTION 5 - DRIVE TRAIN

FIGURE 5-25. RIGHT TIRE/WHEEL ASSEMBLY, FIRESTONE (AIR 12-16.5 - 12 PLY)

ITEM	PART NUMBER	QTY	DESCRIPTION	REV
	1001140684	Ref	Right Tire/Wheel Assembly, Firestone (Air 12-16.5 - 12 PLY)	E
1	1001139975	1	Wheel, 16.5X9.75	
2	1001081222	1	Tire, 12-16.5 NHS	
3	4640163	1	Tire Valve	

SECTION 5 - DRIVE TRAIN

FIGURE 5-26. LEFT TIRE/WHEEL ASSEMBLY, FIRESTONE (AIR 12-16.5 - 12 PLY)



ART_1001140698-F

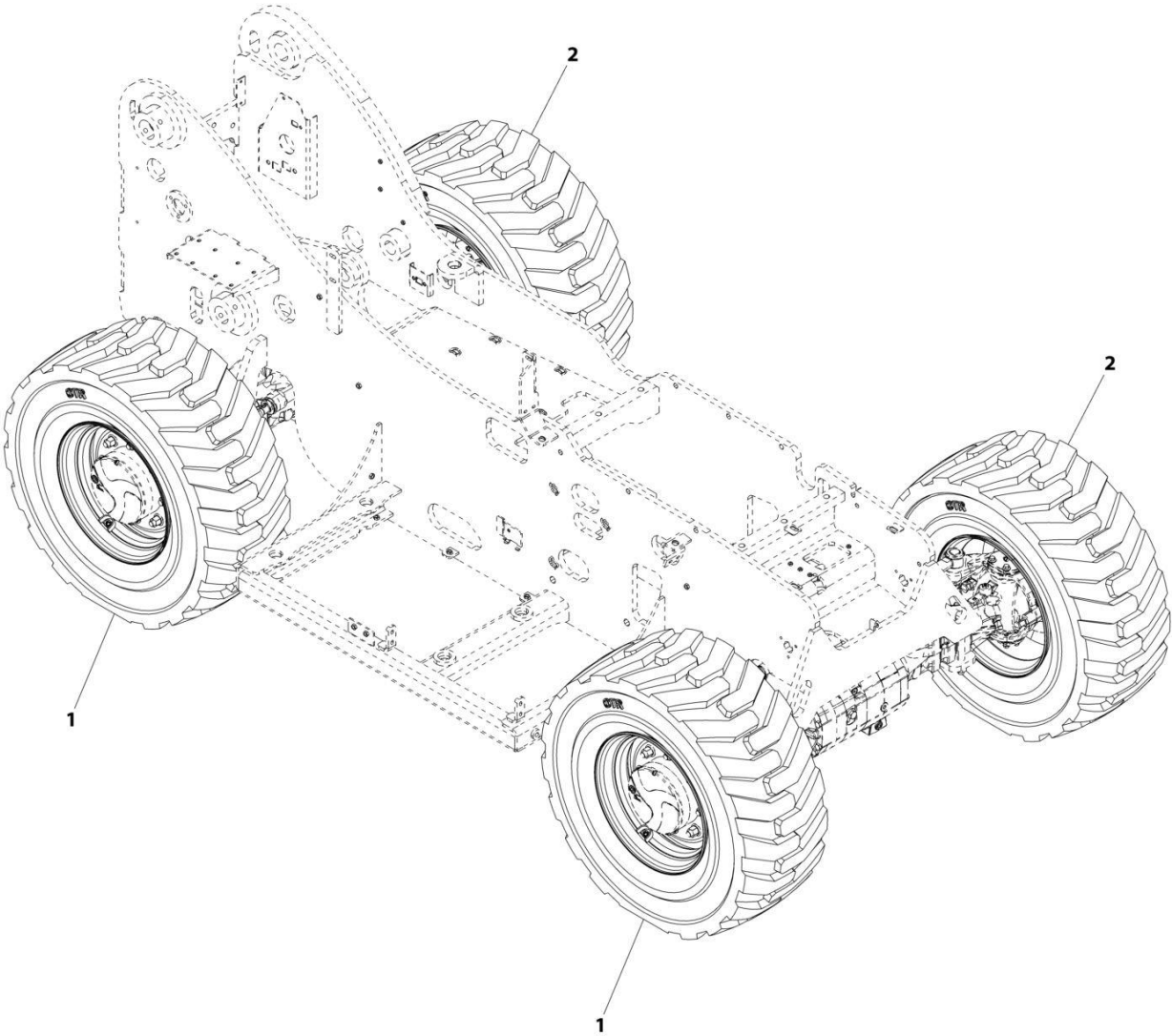
SECTION 5 - DRIVE TRAIN

FIGURE 5-26. LEFT TIRE/WHEEL ASSEMBLY, FIRESTONE (AIR 12-16.5 - 12 PLY)

ITEM	PART NUMBER	QTY	DESCRIPTION	REV
	1001140698	Ref	Left Tire/Wheel Assembly, Firestone (Air 12-16.5 - 12 PLY)	F
1	1001139975	1	Wheel, 16.5X9.75	
2	1001081222	1	Tire, 12-16.5 NHS	
3	4640163	1	Tire Valve	

SECTION 5 - DRIVE TRAIN

FIGURE 5-27. TIRE/WHEEL SET (AIR 14-17.5 - 12 PLY)



ART_1001236317-A

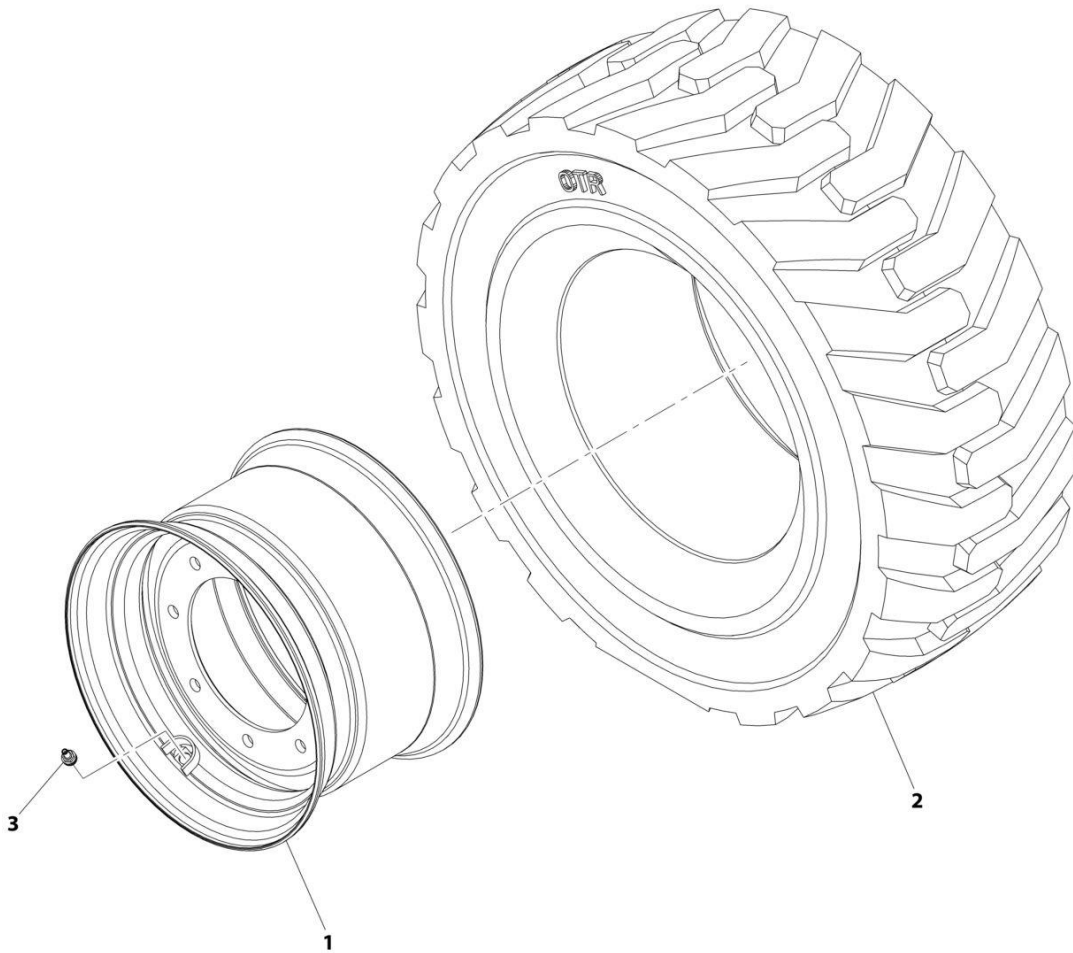
SECTION 5 - DRIVE TRAIN

FIGURE 5-27. TIRE/WHEEL SET (AIR 14-17.5 - 12 PLY)

ITEM	PART NUMBER	QTY	DESCRIPTION	REV
1	1001236317	Ref	Tire/Wheel Set (Air 14-17.5 - 12 PLY)	A
	1001140686	2	Right Tire/Wheel Assembly (Air 12-16.5 - 12 Ply) (See Separate Breakdown in this Section)	
2	1001140700	2	Left Tire/Wheel Assembly (Air 12-16.5 - 12 Ply) (See Separate Breakdown in this Section)	

SECTION 5 - DRIVE TRAIN

FIGURE 5-28. RIGHT TIRE/WHEEL ASSEMBLY (AIR 12-16.5 - 12 PLY)



ART_1001140686-F

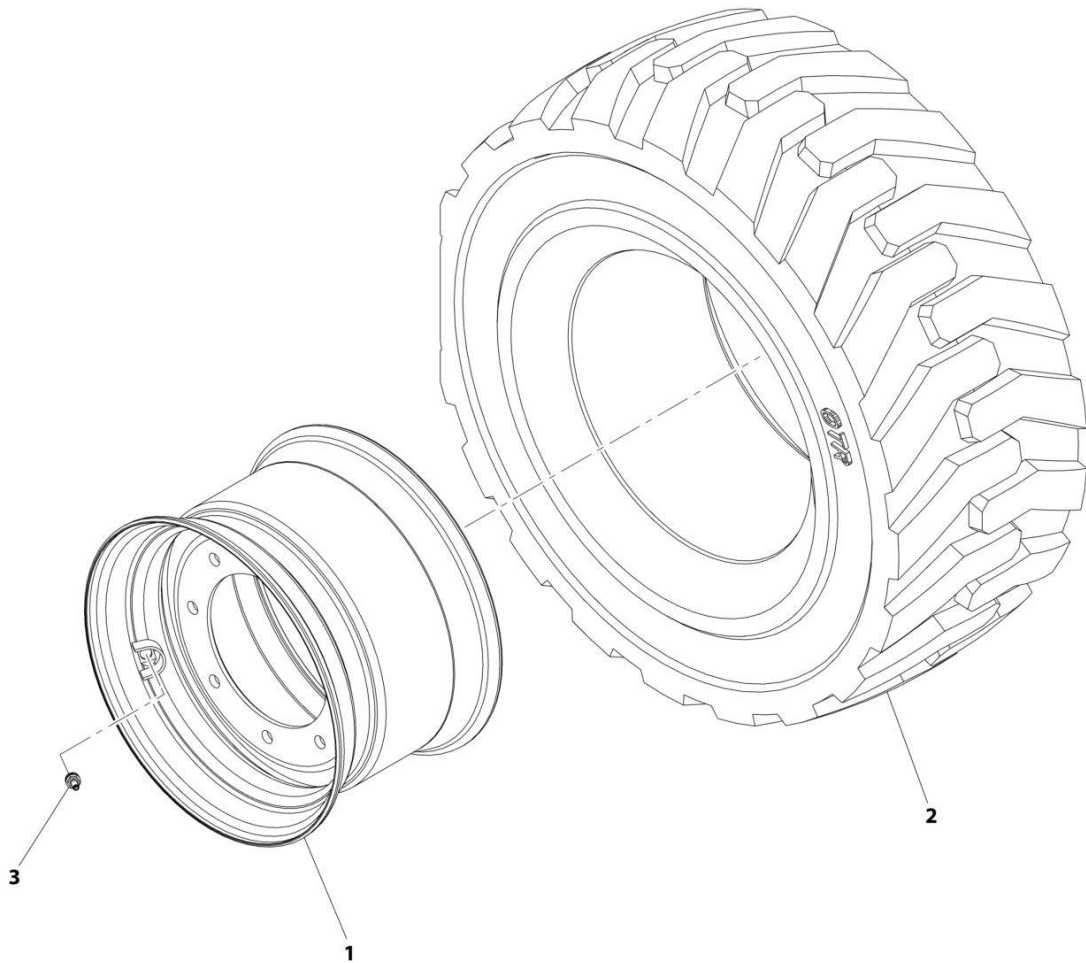
SECTION 5 - DRIVE TRAIN

FIGURE 5-28. RIGHT TIRE/WHEEL ASSEMBLY (AIR 12-16.5 - 12 PLY)

ITEM	PART NUMBER	QTY	DESCRIPTION	REV
	1001140686	Ref	Right Tire/Wheel Assembly (Air 12-16.5 - 12 PLY)	F
1	1001139974	1	Wheel, 17.5X10.5	
2	4520259	1	Tire, 14X17.5	
3	4640163	1	Tire Valve	

SECTION 5 - DRIVE TRAIN

FIGURE 5-29. LEFT TIRE/WHEEL ASSEMBLY (AIR 12-16.5 - 12 PLY)



ART_1001140700-F

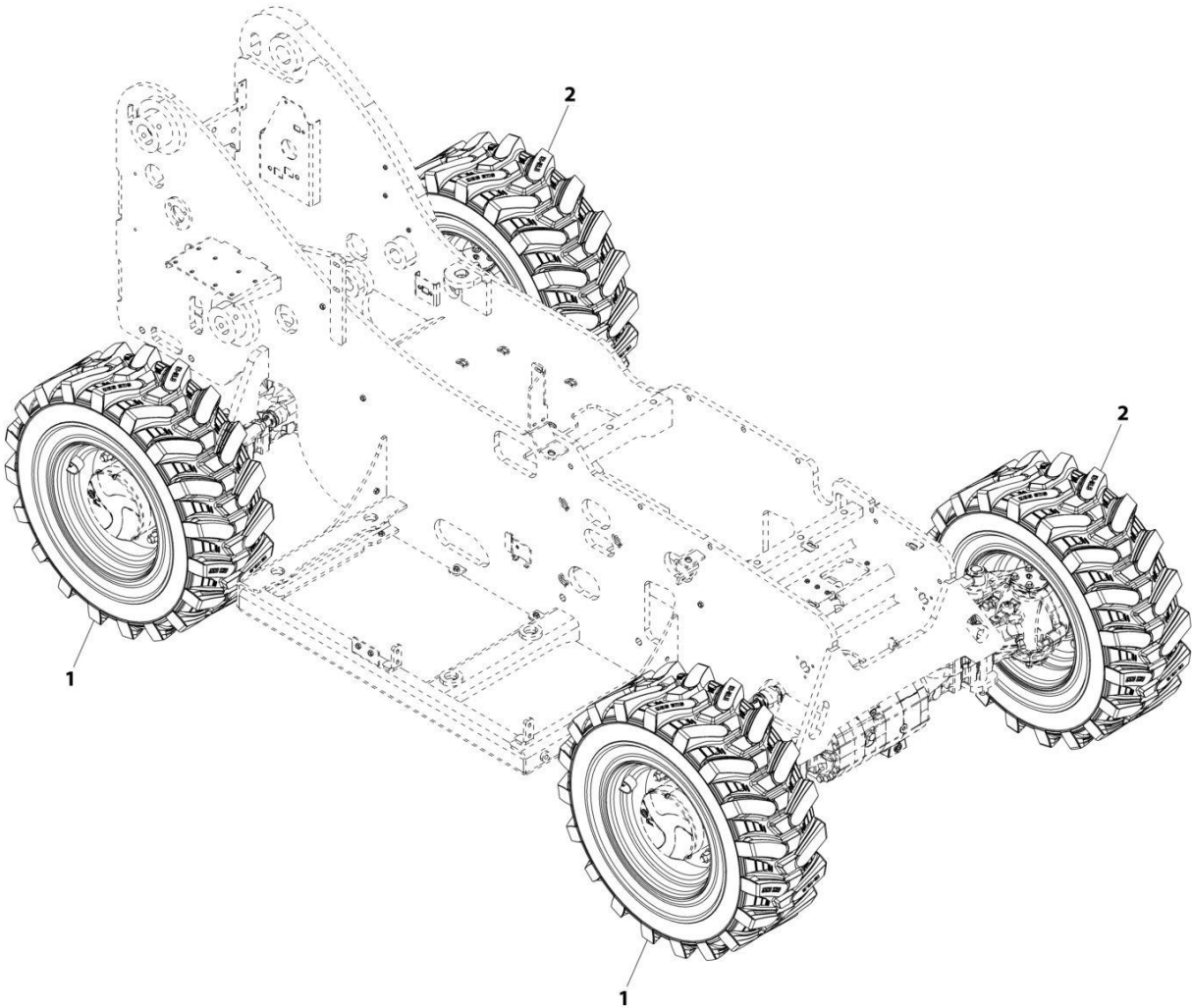
SECTION 5 - DRIVE TRAIN

FIGURE 5-29. LEFT TIRE/WHEEL ASSEMBLY (AIR 12-16.5 - 12 PLY)

ITEM	PART NUMBER	QTY	DESCRIPTION	REV
	1001140700	Ref	Left Tire/Wheel Assembly (Air 12-16.5 - 12 PLY)	F
1	1001139974	1	Wheel, 16.5X9.75	
2	4520259	1	Tire, 14X17.5	
3	4640163	1	Tire Valve	

SECTION 5 - DRIVE TRAIN

FIGURE 5-30. TIRE/WHEEL SET, CAMSO (FOAM 12-16.5 - 12 PLY)



ART_1001236319-A

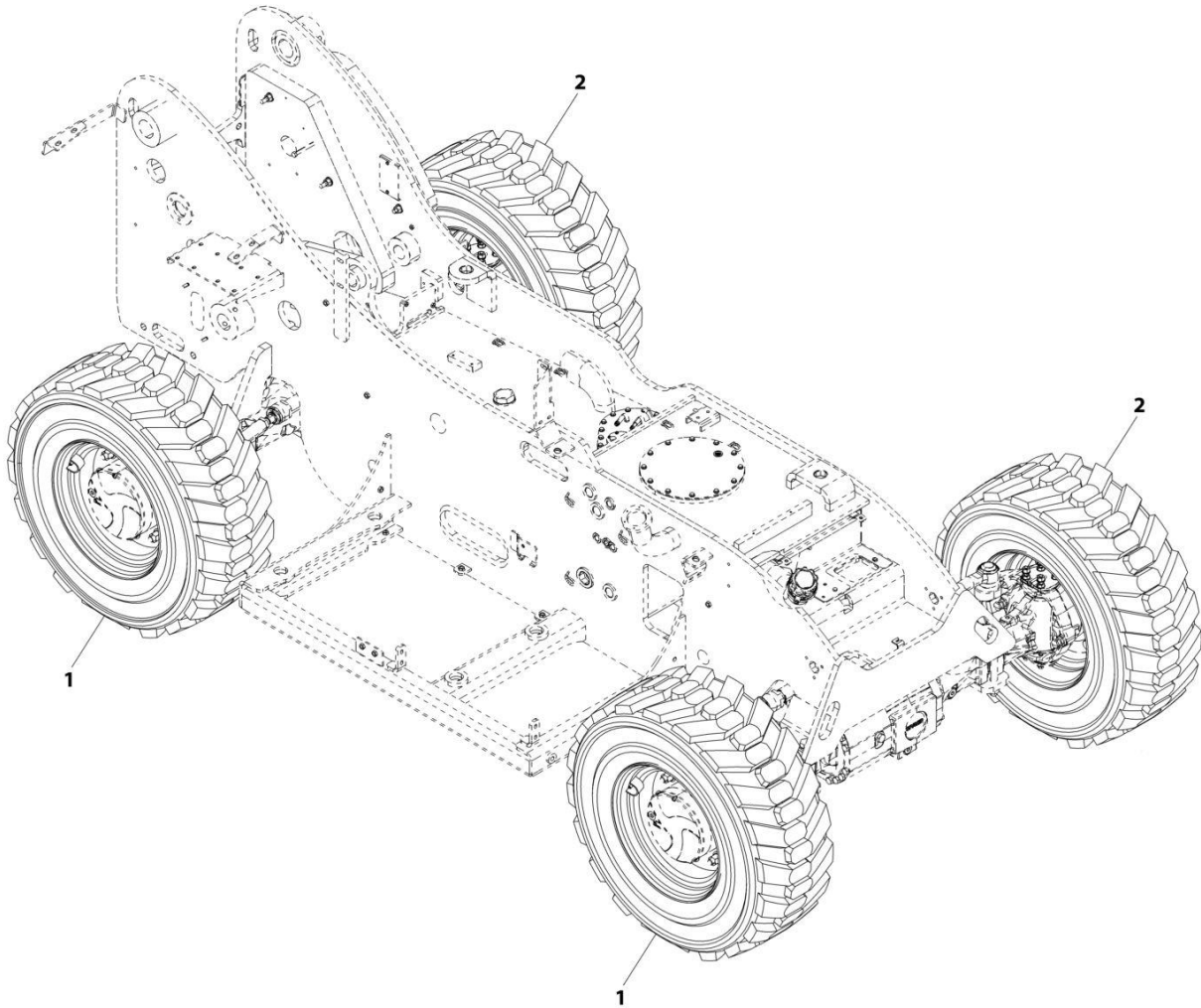
SECTION 5 - DRIVE TRAIN

FIGURE 5-30. TIRE/WHEEL SET, CAMSO (FOAM 12-16.5 - 12 PLY)

ITEM	PART NUMBER	QTY	DESCRIPTION	REV
	1001236319	Ref	Tire/Wheel Set, Camso (Foam 12-16.5 - 12 PLY)	A
1	1001236668	2	Wheel and Tire Assembly, Right, 12-16.5, Foam	
2	1001236669	2	Wheel and Tire Assembly, Left, 12-16.5, Foam	

SECTION 5 - DRIVE TRAIN

FIGURE 5-31. TIRE/WHEEL SET, FIRESTONE (FOAM 12-16.5 - 12 PLY)



ART_1001141323-A

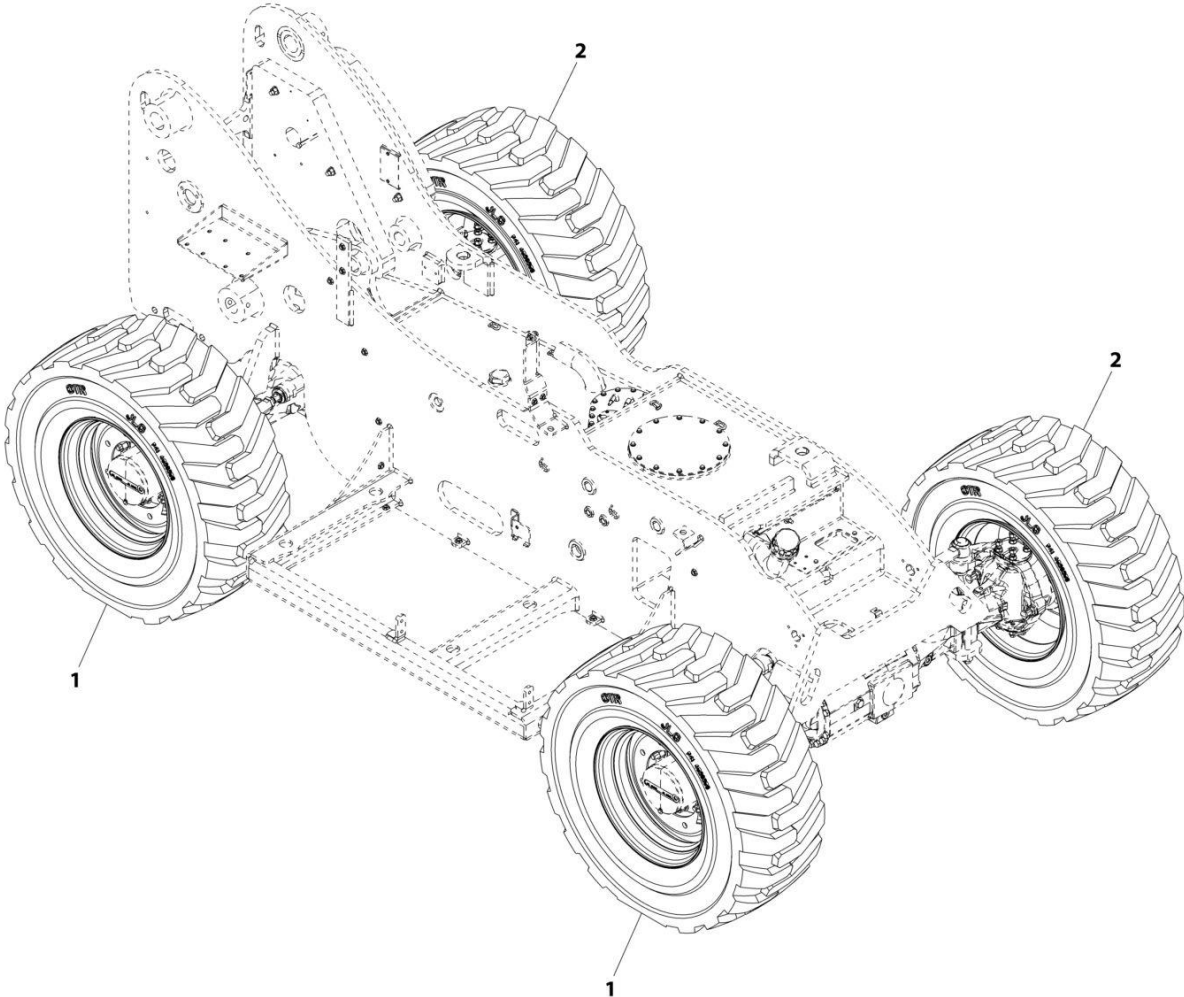
SECTION 5 - DRIVE TRAIN

FIGURE 5-31. TIRE/WHEEL SET, FIRESTONE (FOAM 12-16.5 - 12 PLY)

ITEM	PART NUMBER	QTY	DESCRIPTION	REV
	1001141323	Ref	Tire/Wheel Set, Firestone (Foam 12-16.5 - 12 PLY)	A
1	1001140701	2	Wheel and Tire Assembly, Right, 12-16.5, Foam	
2	1001140702	2	Wheel and Tire Assembly, Left, 12-16.5, Foam	

SECTION 5 - DRIVE TRAIN

FIGURE 5-32. TIRE/WHEEL SET (FOAM 12-16.5 - 14 PLY)



ART_1001141324-A

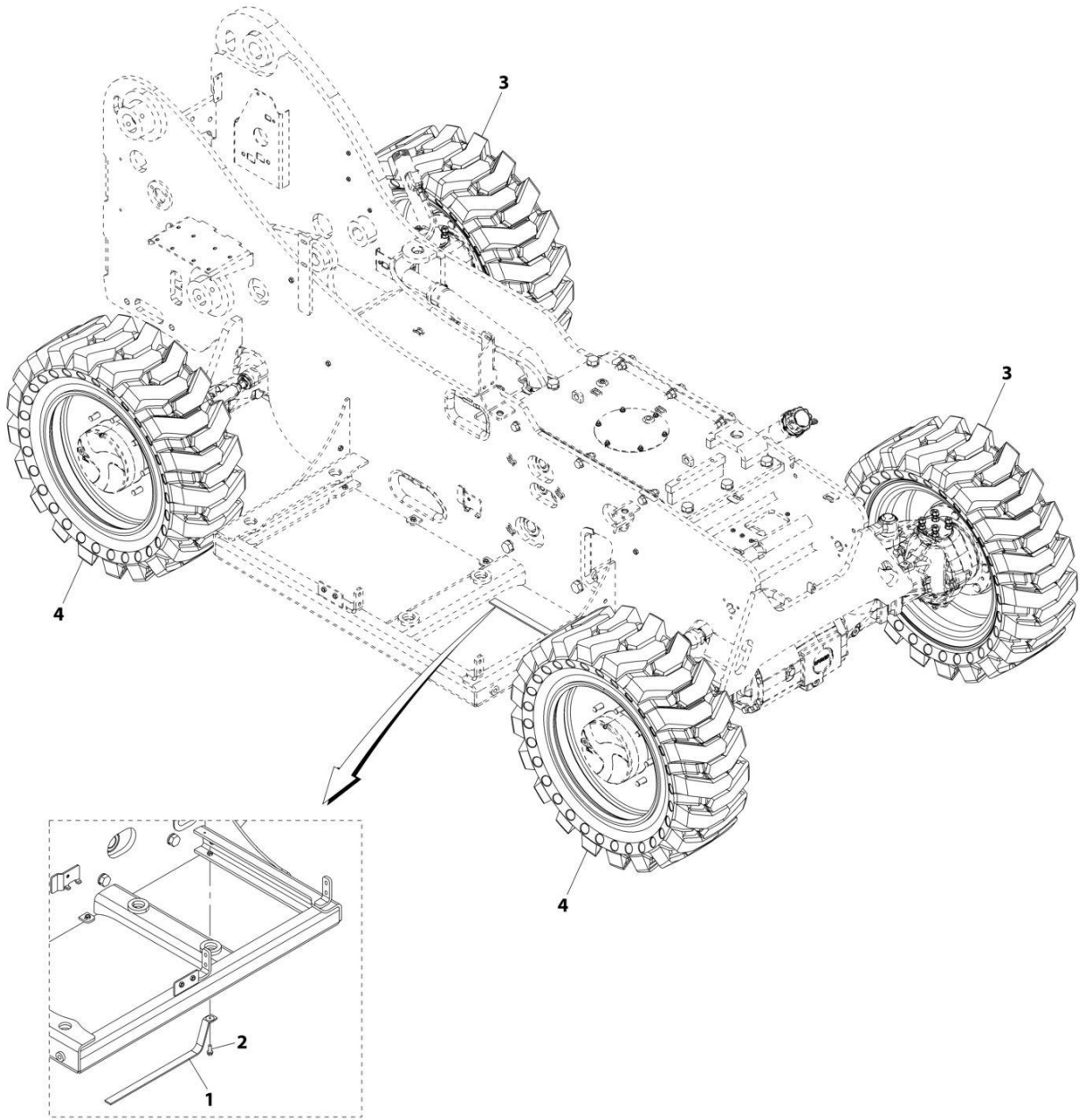
SECTION 5 - DRIVE TRAIN

FIGURE 5-32. TIRE/WHEEL SET (FOAM 12-16.5 - 14 PLY)

ITEM	PART NUMBER	QTY	DESCRIPTION	REV
	1001141324	Ref	Tire/Wheel Set (Foam 12-16.5 - 14 PLY)	A
1	1001140703	2	Wheel and Tire Assembly, Right, 14-17.5, Foam	
2	1001140704	2	Wheel and Tire Assembly, Left, 14-17.5, Foam	

SECTION 5 - DRIVE TRAIN

FIGURE 5-33. TIRE/WHEEL SET (SOLID 33X12-20 - NM)



ART_1001200945-A

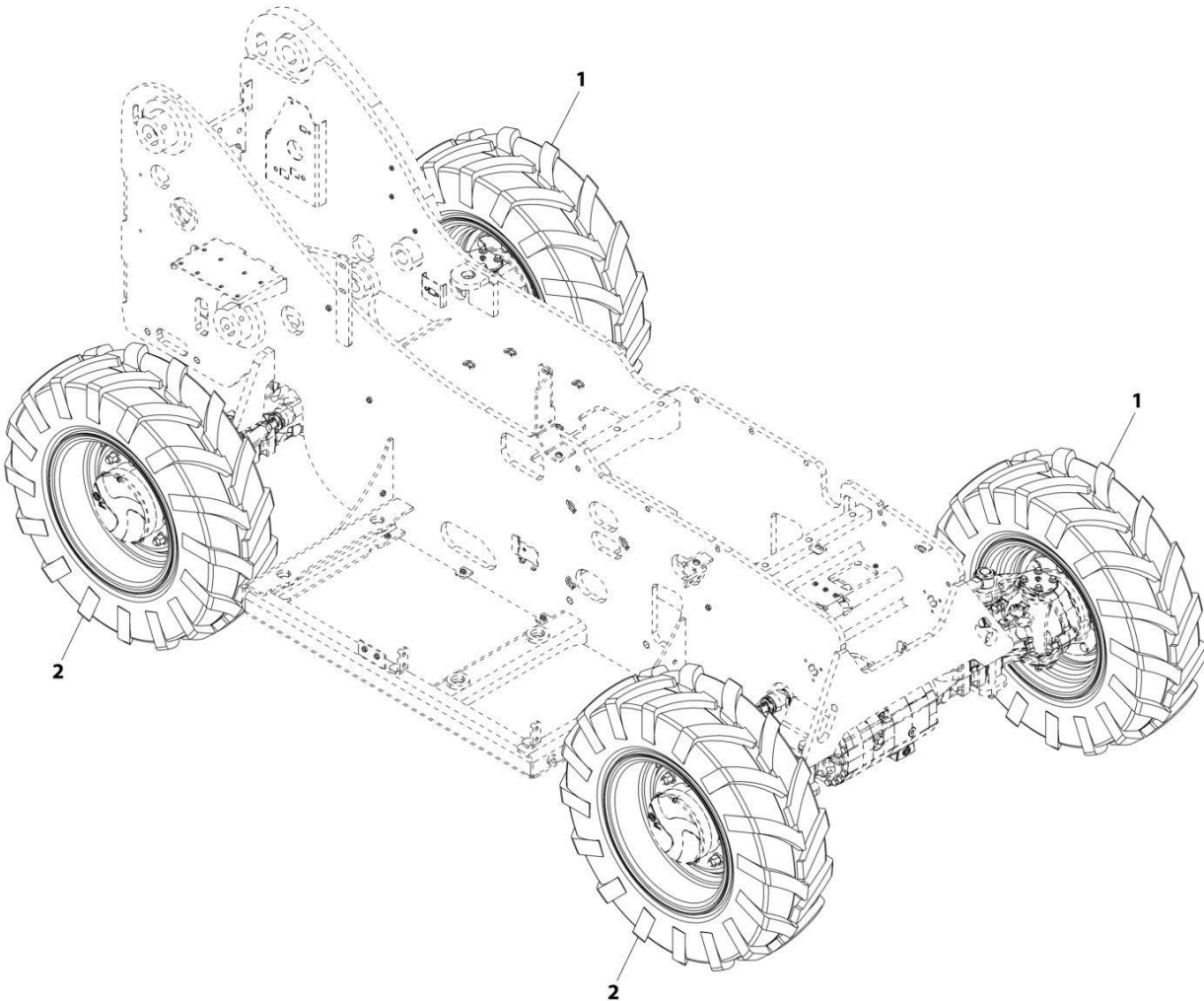
SECTION 5 - DRIVE TRAIN

FIGURE 5-33. TIRE/WHEEL SET (SOLID 33X12-20 - NM)

ITEM	PART NUMBER	QTY	DESCRIPTION	REV
	1001200945	Ref	Tire/Wheel Set (Solid 33X12-20 - NM)	A
1	4240084	1	Anti-Static Strap	
2	1001115871	1	Bolt, 1X0.375-16	
3	1001200796	2	Wheel and Tire Assembly, Left, Non-Marking	
4	1001200797	2	Wheel and Tire Assembly, Right, Non-Marking	

SECTION 5 - DRIVE TRAIN

FIGURE 5-34. TIRE/WHEEL SET, AG (AIR 10.5-18 - 16 PR)



ART_1001236321-A

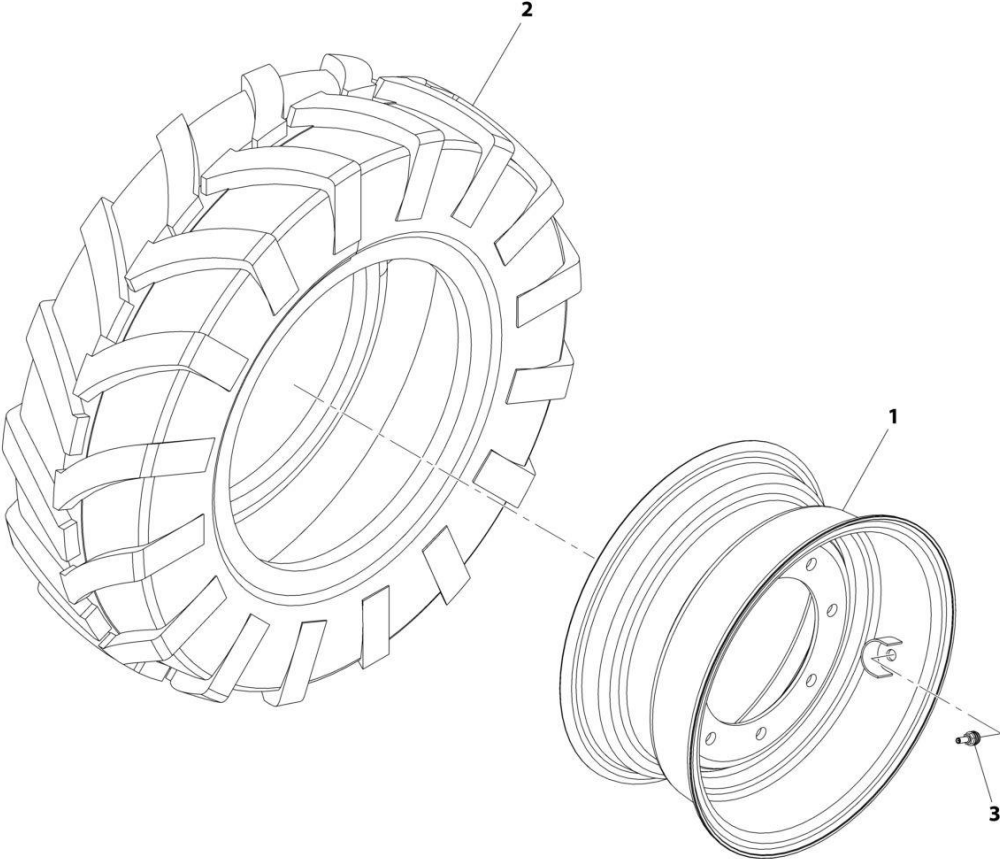
SECTION 5 - DRIVE TRAIN

FIGURE 5-34. TIRE/WHEEL SET, AG (AIR 10.5-18 - 16 PR)

ITEM	PART NUMBER	QTY	DESCRIPTION	REV
1	1001236321	Ref	Tire/Wheel Set, AG (Air 10.5-18 - 16 PR)	A
	1001143671	2	Right Tire/Wheel Assembly, AG (Air 10.5-18 - 16 PR) (See Separate Breakdown in this Section)	
2	1001143689	2	Left Tire/Wheel Assembly, AG (Air 10.5-18 - 16 PR) (See Separate Breakdown in this Section)	

SECTION 5 - DRIVE TRAIN

FIGURE 5-35. RIGHT TIRE/WHEEL ASSEMBLY, AG (AIR 10.5-18 - 16 PR)



ART_1001143671-E

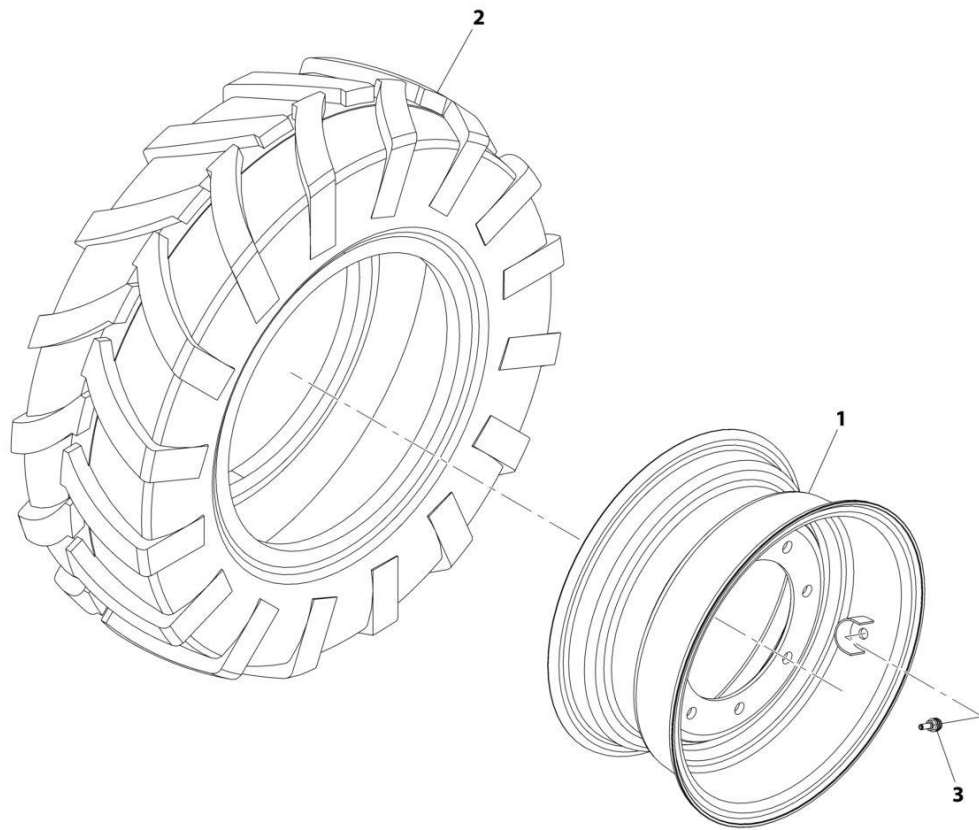
SECTION 5 - DRIVE TRAIN

FIGURE 5-35. RIGHT TIRE/WHEEL ASSEMBLY, AG (AIR 10.5-18 - 16 PR)

ITEM	PART NUMBER	QTY	DESCRIPTION	REV
	1001143671	Ref	Right Tire/Wheel Assembly, AG (Air 10.5-18 - 16 PR)	E
1	1001142101	1	Wheel, 18X9	
2	1001154229	1	Tire, 10.5X18	
3	4640163	1	Tire Valve	

SECTION 5 - DRIVE TRAIN

FIGURE 5-36. LEFT TIRE/WHEEL ASSEMBLY, AG (AIR 10.5-18 - 16 PR)



ART_1001143689-E

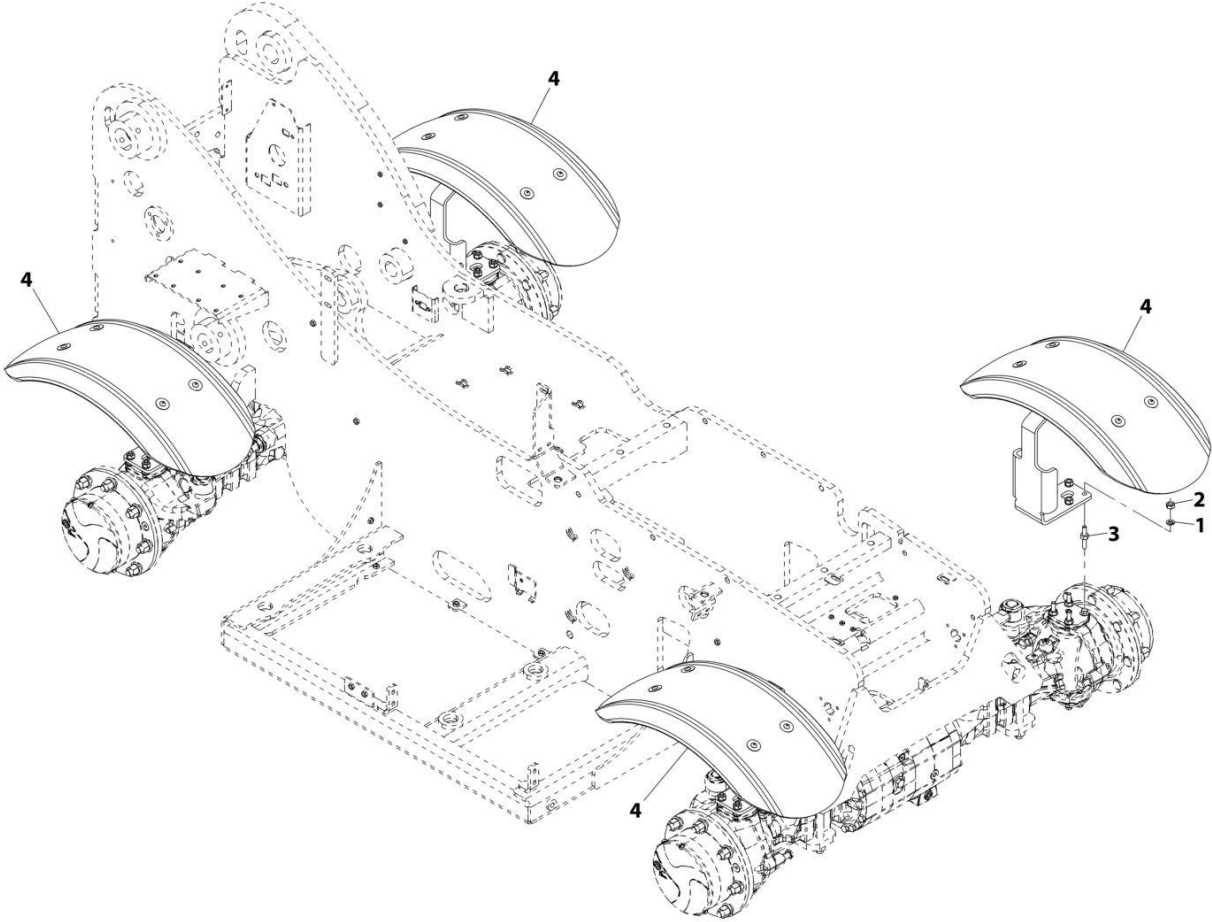
SECTION 5 - DRIVE TRAIN

FIGURE 5-36. LEFT TIRE/WHEEL ASSEMBLY, AG (AIR 10.5-18 - 16 PR)

ITEM	PART NUMBER	QTY	DESCRIPTION	REV
	1001143689	Ref	Left Tire/Wheel Assembly, AG (Air 10.5-18 - 16 PR)	E
1	1001142101	1	Wheel, 18X9	
2	1001154229	1	Tire, 10.5X18	
3	4640163	1	Tire Valve	

SECTION 5 - DRIVE TRAIN

FIGURE 5-37. FENDER INSTALLATION



ART_1001235015-A

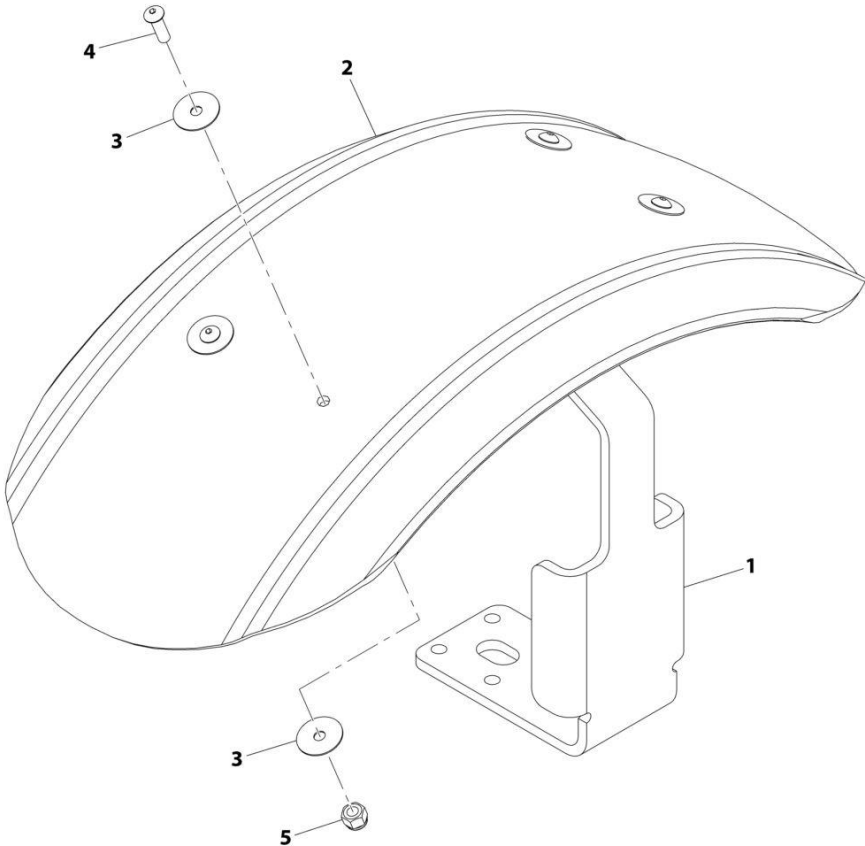
SECTION 5 - DRIVE TRAIN

FIGURE 5-37. FENDER INSTALLATION

ITEM	PART NUMBER	QTY	DESCRIPTION	REV
	1001235015	Ref	Fender Installation	A
1	83191010	16	Lockwasher, M12	
2	91513266	16	Nut, M12X1-1/4	
3	91514118	16	Stud	
4	1001235014	4	Fender Assembly (See Separate Breakdown in this Section)	

SECTION 5 - DRIVE TRAIN

FIGURE 5-38. FENDER ASSEMBLY



ART_1001235014-A

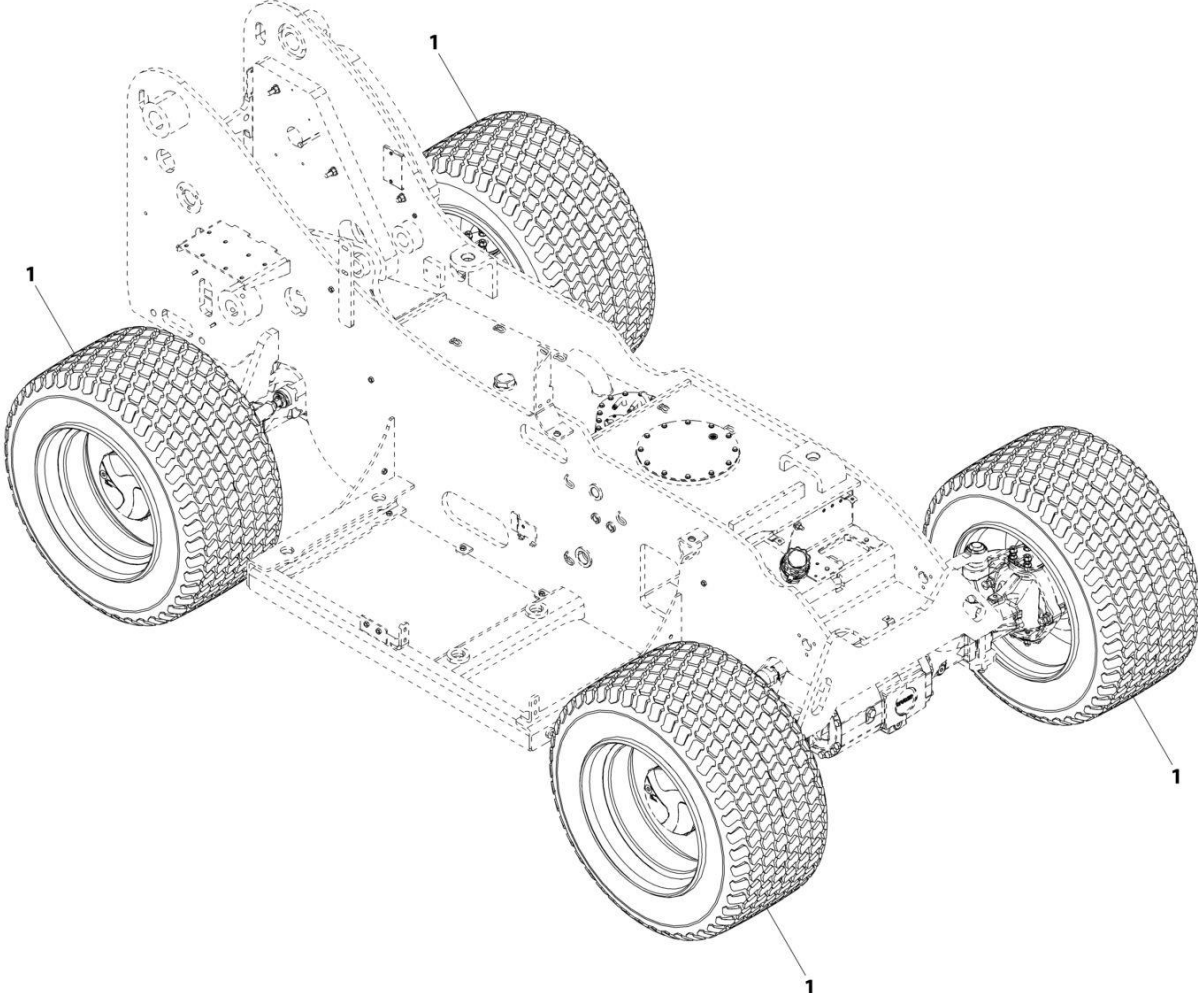
SECTION 5 - DRIVE TRAIN

FIGURE 5-38. FENDER ASSEMBLY

ITEM	PART NUMBER	QTY	DESCRIPTION	REV
	1001235014	Ref	Fender Assembly	A
1	1001234973	1	Fender Mount	
2	1001080212	1	Wheel Fender	
3	8310246	8	Fender Washer, 3/8X0.048X1-1/2	
4	88261030	4	Socket HD Capscrew, 3/8-16X1-1/4	
5	88521206	4	Locknut, 3/8-16	

SECTION 5 - DRIVE TRAIN

FIGURE 5-39. TIRE/WHEEL SET 33X16LL19.5 TURF/SAND



ART_1001234507-A

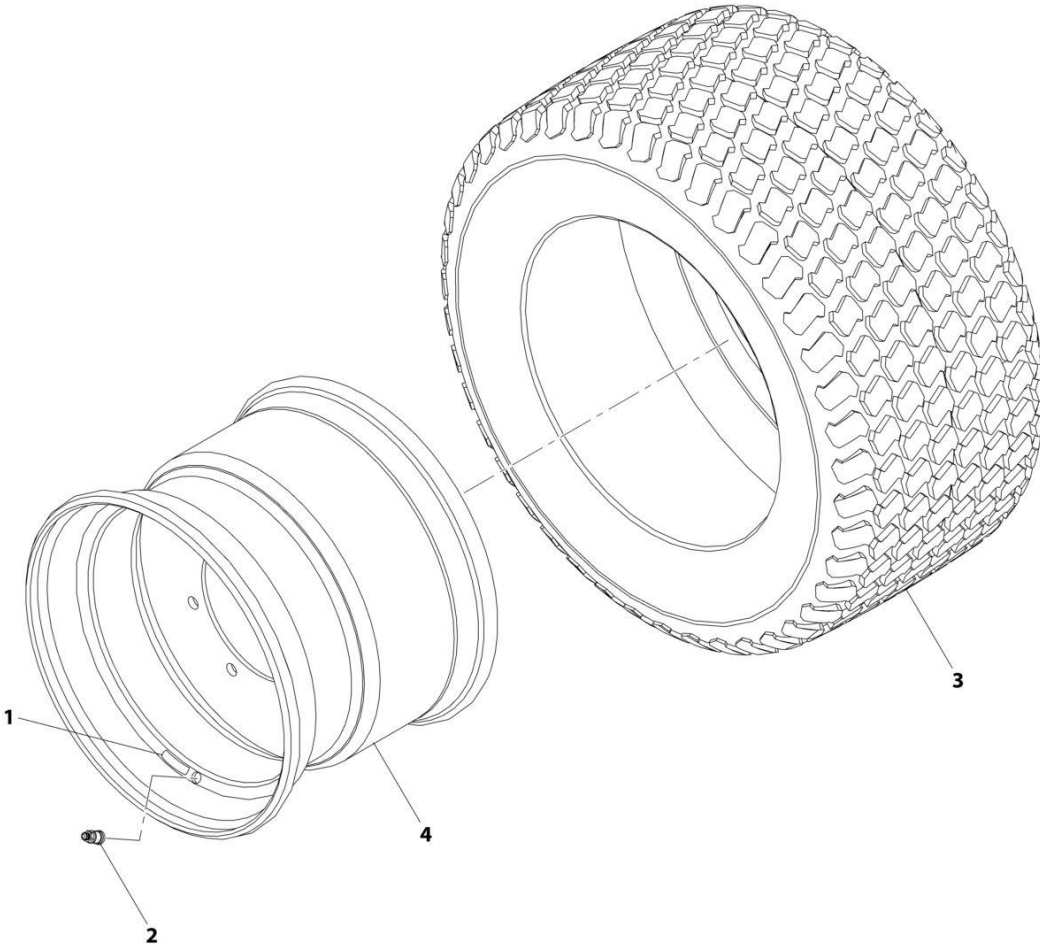
SECTION 5 - DRIVE TRAIN

FIGURE 5-39. TIRE/WHEEL SET 33X16LL19.5 TURF/SAND

ITEM	PART NUMBER	QTY	DESCRIPTION	REV
1	1001234507 1001233304	1 4	Tire/Wheel Set 33X16LL 19.5 - Turf/Sand Assembly, Tire/Wheel 33X16LL 19.5 - Turf/Sand (See TIRE/WHEEL ASSEMBLY 33X16LL 19.5 TURF/SAND for Breakdown)	A

SECTION 5 - DRIVE TRAIN

FIGURE 5-40. ASSEMBLY, TIRE/WHEEL 33X16LL19.5 TURF/SAND



ART_1001233304-C

SECTION 5 - DRIVE TRAIN

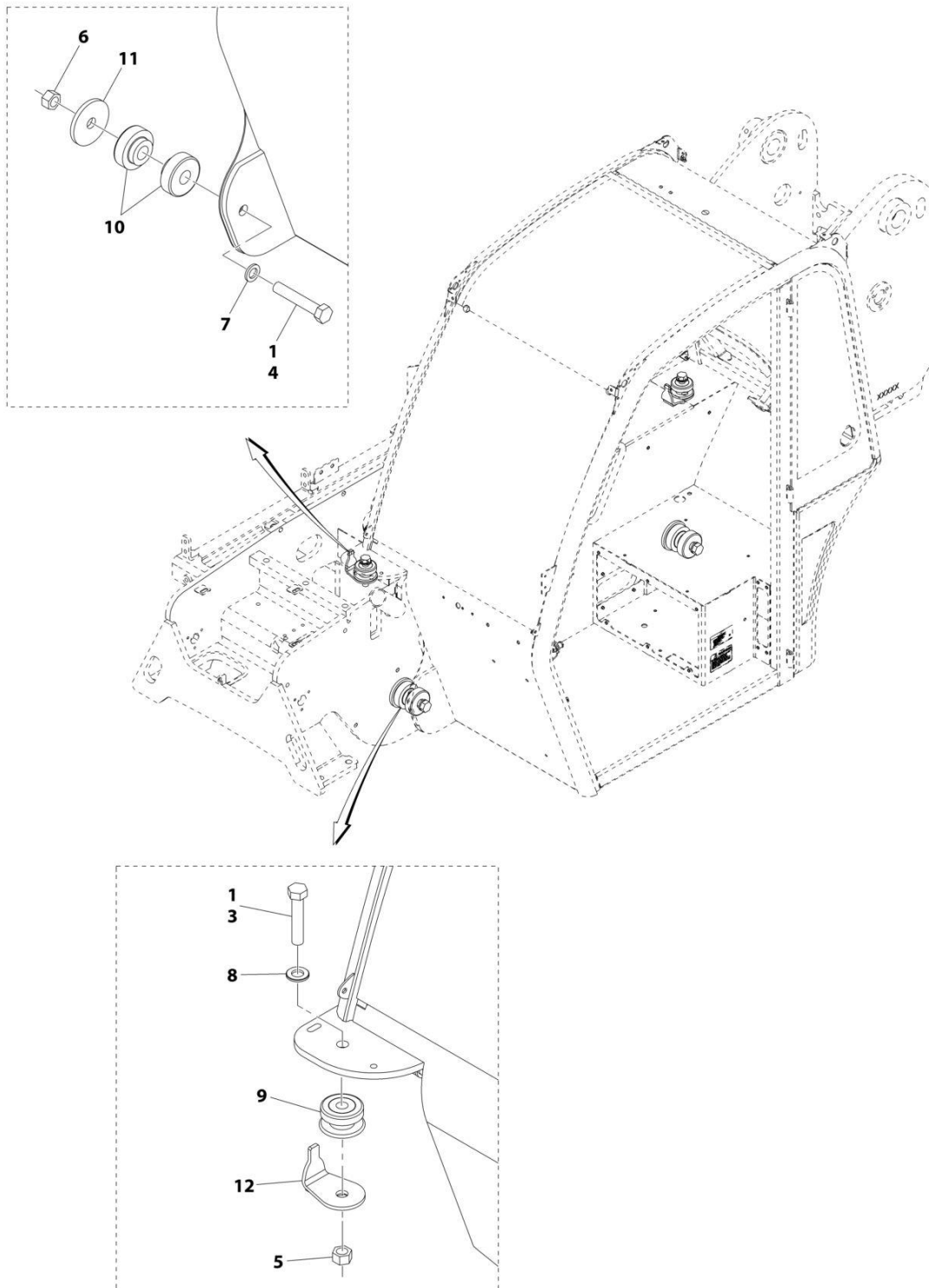
FIGURE 5-40. ASSEMBLY, TIRE/WHEEL 33X16LL19.5 TURF/SAND

ITEM	PART NUMBER	QTY	DESCRIPTION	REV
	1001233304	Ref	Tire/Wheel Assembly 33X16LL 19.5 - Turf/Sand	C
1	1706846	1	Decal, Tire Pressure	
2	4640113	1	Valve, Stem	
3	1001233303	1	Tire, 33X16LL 19.5 - Turf/Sand	
4	1001233305	1	Wheel, 33X16	

SECTION 6 - CAB

SECTION 6 - CAB

FIGURE 6-1. CAB INSTALLATION



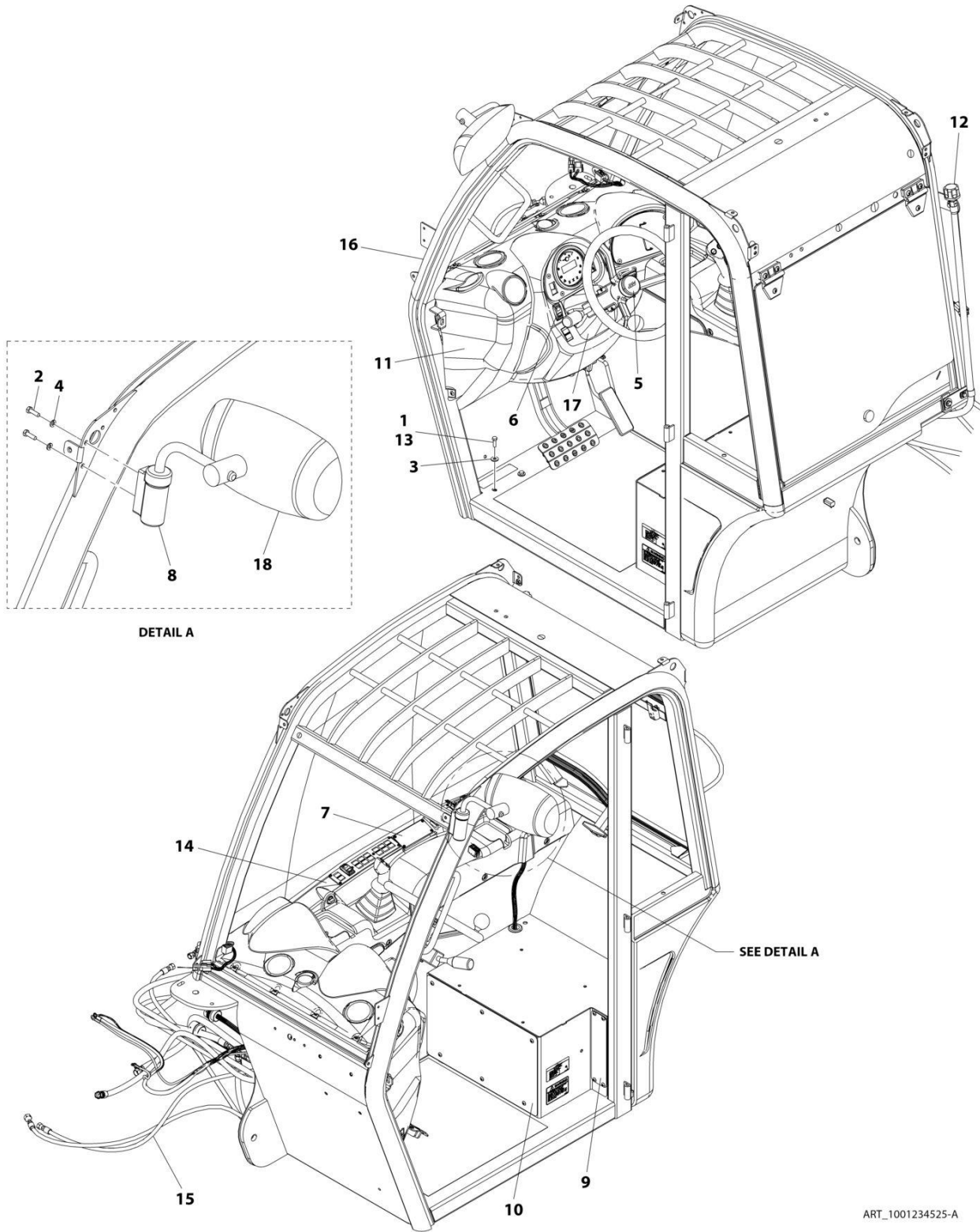
ART_1001210402-B

FIGURE 6-1. CAB INSTALLATION

ITEM	PART NUMBER	QTY	DESCRIPTION	REV
	1001210402	Ref	Cab Installation	B
1	0100019	AR	Compound, Locking	
3	0682230	2	Hex HD Capscrew, 3/4-10X3-3/4, GR8	
4	0682440	2	Hex HD Capscrew, 7/8-9X5, GR8	
5	3272201	2	Hex Nut, 3/4-10, GR8	
6	3272401	2	Hex Nut, 7/8-9, GR8	
7	4892400	2	Washer, 7/8	
8	90027473	2	Washer, 3/4	
9	91403097	2	Center Bonded Mount	
10	91403153	4	Shock Mount	
11	91403217	2	Rebound Washer	
12	1001080992	2	Washer	

SECTION 6 - CAB

FIGURE 6-2. OPEN CAB INSTALLATION (ANSI - FIXED STEERING)



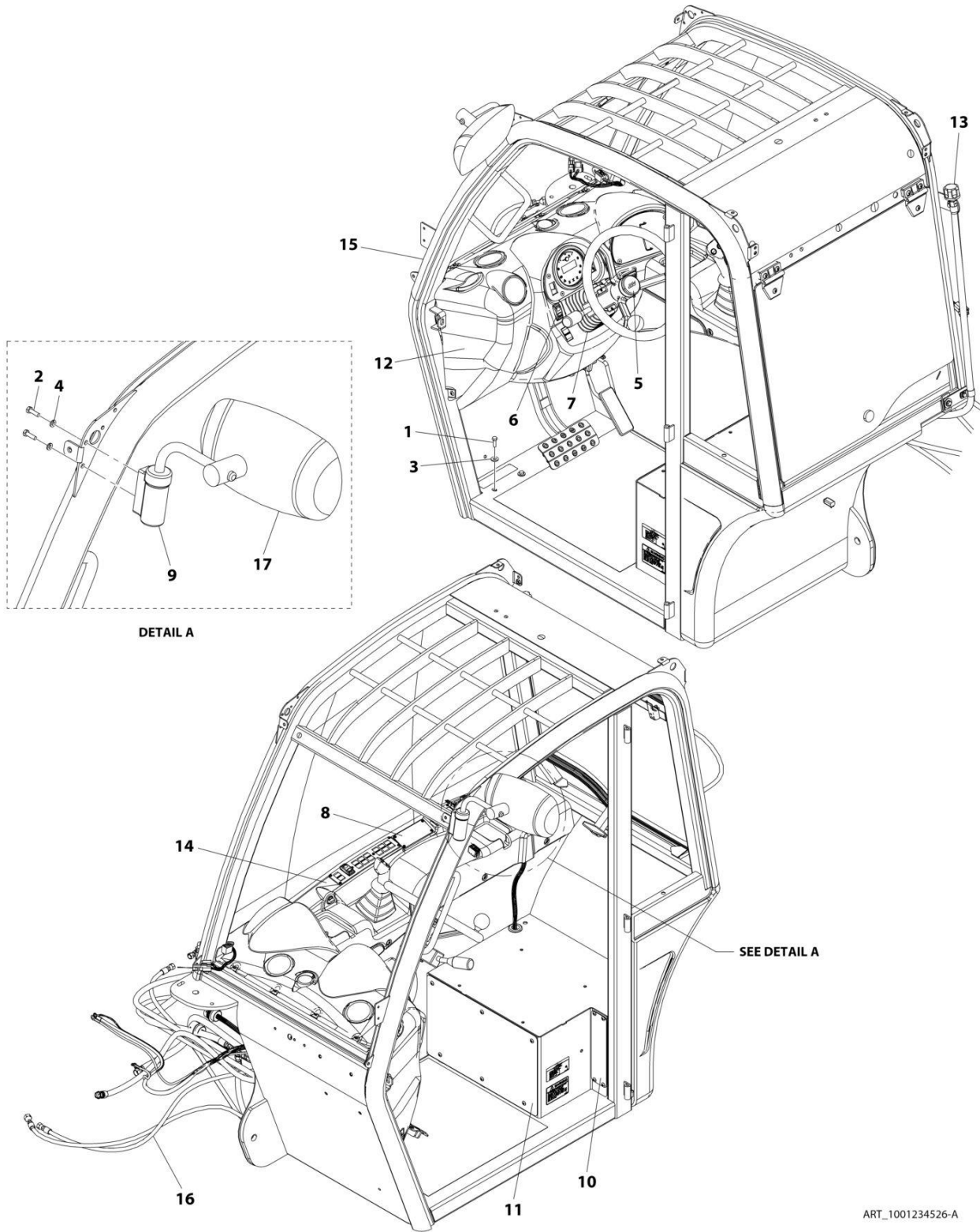
ART_1001234525-A

FIGURE 6-2. OPEN CAB INSTALLATION (ANSI - FIXED STEERING)

ITEM	PART NUMBER	QTY	DESCRIPTION	REV
	1001234525	Ref	Open Cab Installation (ANSI - Fixed Steering)	A
1	0641508	4	Hex HD Capscrew, 5/16-18X1, GR5	
2	0700610	2	Hex HD Capscrew, M6X20, GR8.8	
3	4751500	4	Washer, 5/16	
4	8307024	2	Washer, M6	
5	1001080742	Ref	Installation, JLG Common (See Separate Breakdown in this Section)	
6	1001080744	Ref	Installation, NA Common (See Separate Breakdown in this Section)	
7	1001080876	Ref	Installation, Control Cover (See Separate Breakdown in this Section)	
8	1001114675	1	Mirror Arm	
9	1001137600	Ref	Installation, Park Brake Valve (See Separate Breakdown in Control Section)	
10	1001137623	Ref	Installation, Seat Riser Cover (See Separate Breakdown in this Section)	
11	1001138582	Ref	Installation, Open Cab Common Components (See Separate Breakdown in this Section)	
12	1001182755	Ref	Installation, Hydraulic Tank Breather (See Separate Breakdown in Hydraulic Circuits Section)	
13	0100011	AR	Compound, Locking	
14	1001202007	Ref	Installation, Cab Common (See Separate Breakdown in this Section)	
15	1001235716	Ref	Installation, Cab Hydraulics (ANSI) (See Separate Breakdown in Hydraulic Circuits Section)	
16	1001208616	Ref	Installation, Open Cab Glass (See Separate Breakdown in this Section)	
17	1001221303	Ref	Installation, Fixed Steering Column (See Separate Breakdown in Control Section)	
18	8866514	1	Convex Mirror	

SECTION 6 - CAB

FIGURE 6-3. OPEN CAB INSTALLATION (ANSI - TILT STEERING)



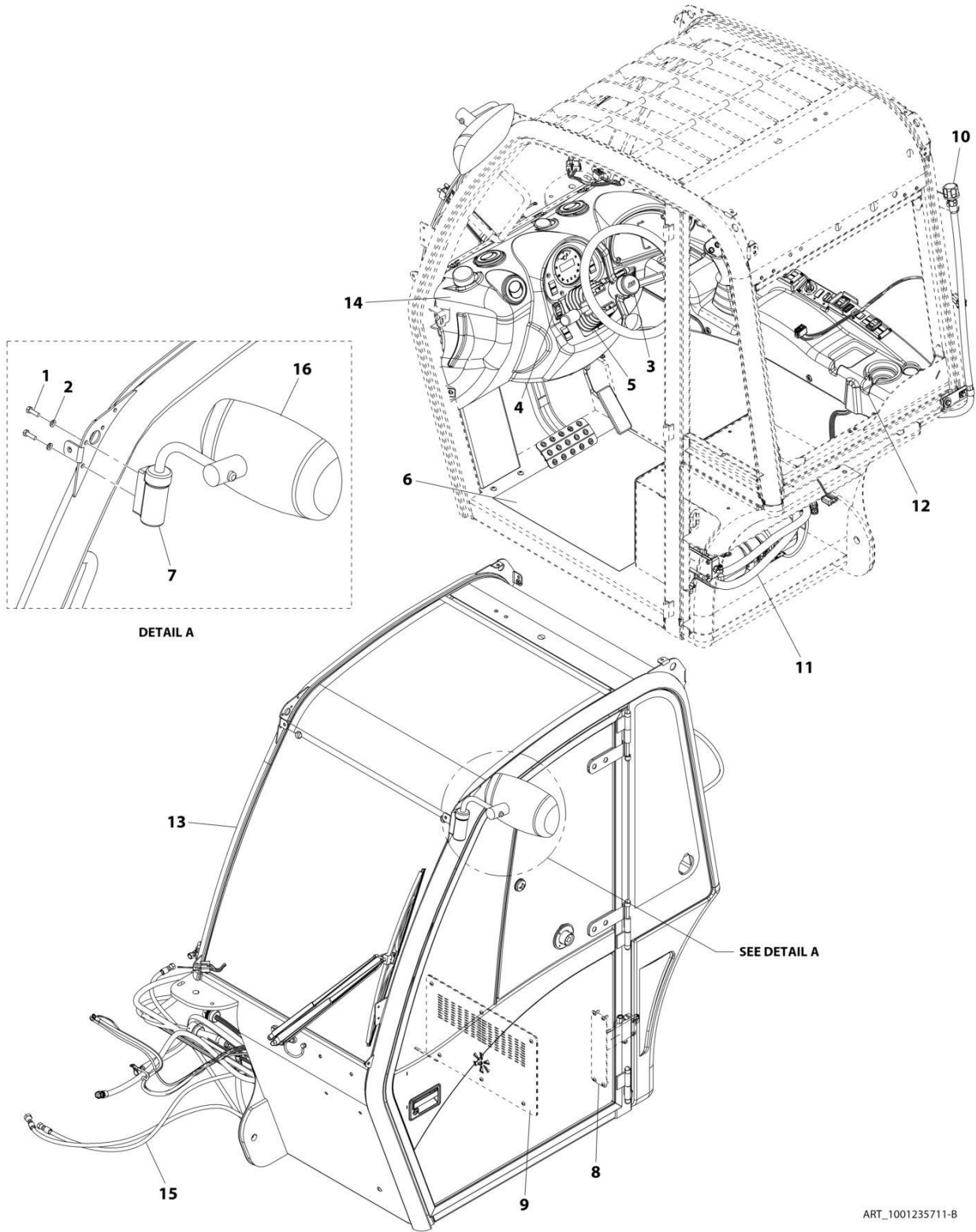
ART_1001234526-A

FIGURE 6-3. OPEN CAB INSTALLATION (ANSI - TILT STEERING)

ITEM	PART NUMBER	QTY	DESCRIPTION	REV
	1001234526	Ref	Open Cab Installation (ANSI - Tilt Steering)	A
1	0641508	4	Hex HD Capscrew, 5/16-18X1, GR5	
2	0700610	2	Hex HD Capscrew, M6X20, GR8.8	
3	4751500	4	Washer, 5/16	
4	8307024	2	Washer, M6	
5	1001080742	Ref	Installation, JLG Common (See Separate Breakdown in this Section)	
6	1001080744	Ref	Installation, NA Common (See Separate Breakdown in this Section)	
7	1001080809	Ref	Installation, Tilt Steering Column (See Separate Breakdown in Control Section)	
8	1001080876	Ref	Installation, Control Cover (See Separate Breakdown in this Section)	
9	1001114675	1	Mirror Arm	
10	1001137600	Ref	Installation, Park Brake Valve (See Separate Breakdown in Control Section)	
11	1001137623	Ref	Installation, Seat Riser Cover (See Separate Breakdown in this Section)	
12	1001138582	Ref	Installation, Open Cab Common Components (See Separate Breakdown in this Section)	
13	1001182755	Ref	Installation, Hydraulic Tank Breather (See Separate Breakdown in Hydraulic Circuits Section)	
14	1001202007	Ref	Installation, Cab Common (See Separate Breakdown in this Section)	
15	1001208616	Ref	Installation, Open Cab Glass (See Separate Breakdown in this Section)	
16	1001235716	Ref	Installation, Cab Hydraulics (ANSI) (See Separate Breakdown in Hydraulic Circuits Section)	
17	8866514	1	Convex Mirror	

SECTION 6 - CAB

FIGURE 6-4. ENCLOSED CAB INSTALLATION (ANSI - TILT STEERING) (HEAT)



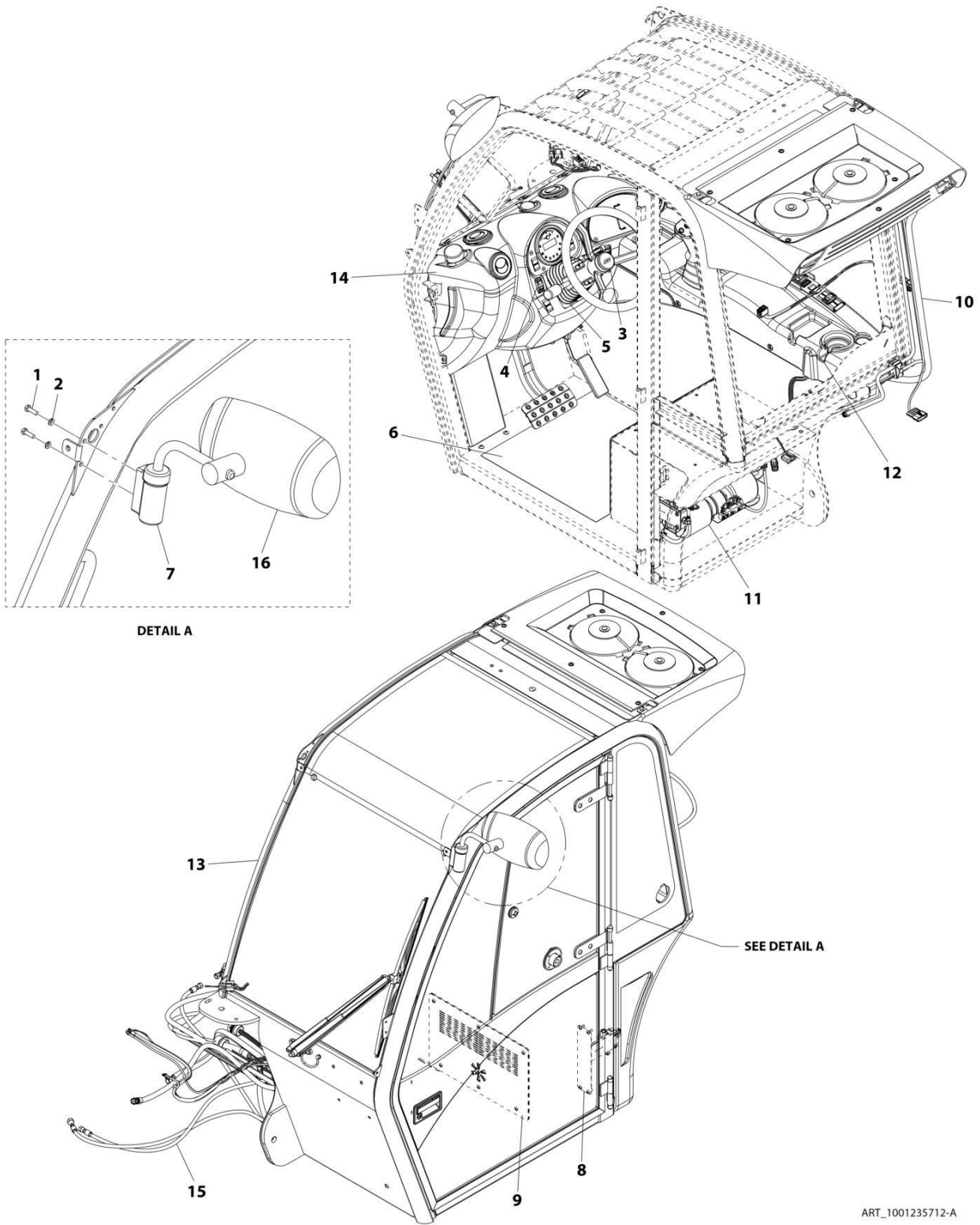
ART_1001235711-B

FIGURE 6-4. ENCLOSED CAB INSTALLATION (ANSI - TILT STEERING) (HEAT)

ITEM	PART NUMBER	QTY	DESCRIPTION	REV
	1001235711	Ref	Enclosed Cab Installation (ANSI - Tilt Steering) (Heat)	B
1	0700610	2	Hex HD Capscrew, M6X20, GR8.8	
2	8307024	2	Washer, M6	
3	1001080742	Ref	Installation, JLG Common (See Separate Breakdown in this Section)	
4	1001080744	Ref	Installation, NA Common (See Separate Breakdown in this Section)	
5	1001080809	Ref	Installation, Tilt Steering Column (See Separate Breakdown in Control Section)	
6	1001080847	1	Floor Skid Strip	
7	1001114675	1	Mirror Arm	
8	1001137600	Ref	Installation, Park Brake Valve (See Separate Breakdown in Control Section)	
9	1001137621	Ref	Installation, Seat Riser Cover HVAC (See Separate Breakdown in this Section)	
10	1001182755	Ref	Installation, Hydraulic Tank Breather (See Separate Breakdown in Hydraulic Circuits Section)	
11	1001193943	Ref	Installation, Heater (cab parts) (See Separate Breakdown in this Section)	
12	1001202007	Ref	Installation, Cab Common (See Separate Breakdown in this Section)	
13	1001208617	Ref	Installation, Enclosed Cab Glass (See Separate Breakdown in this Section)	
14	1001213757	Ref	Installation, Enclosed Cab Common Components (See Separate Breakdown in this Section)	
15	1001235716	Ref	Installation, Cab Hydraulics (ANSI) (See Separate Breakdown in Hydraulic Circuits Section)	
16	8866514	1	Mirror Head, Convex	

SECTION 6 - CAB

FIGURE 6-5. ENCLOSED CAB INSTALLATION (ANSI - TILT STEERING) (HEAT & A/C)



ART_1001235712-A

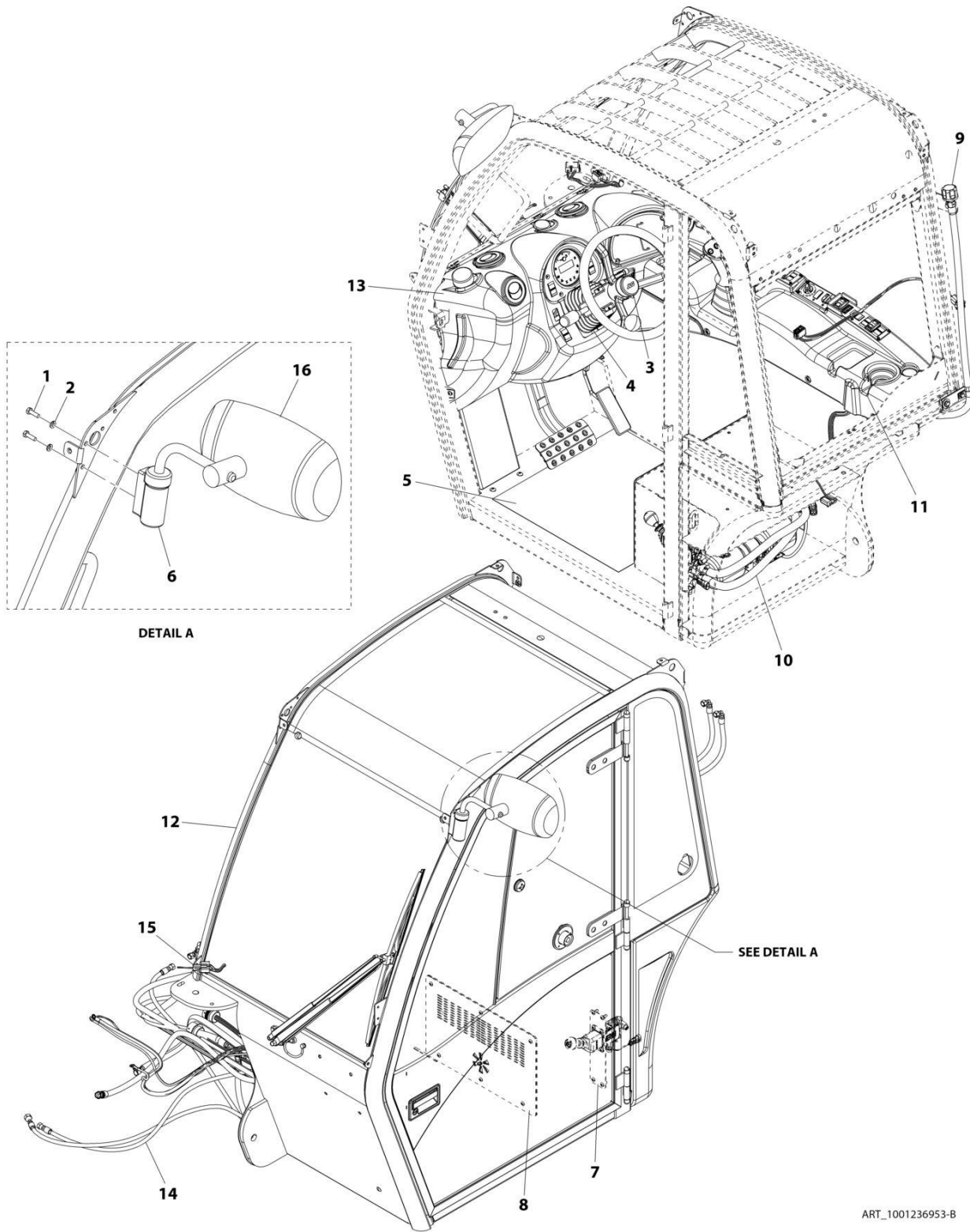
SECTION 6 - CAB

FIGURE 6-5. ENCLOSED CAB INSTALLATION (ANSI - TILT STEERING) (HEAT & A/C)

ITEM	PART NUMBER	QTY	DESCRIPTION	REV
	1001235712	Ref	Enclosed Cab Installation (ANSI - Tilt Steering) (Heat & A/C)	A
1	0700610	2	Hex HD Capscrew, M6X20, GR8.8	
2	8307024	2	Washer, M6	
3	1001080742	Ref	Installation, JLG Common (See Separate Breakdown in this Section)	
4	1001080744	Ref	Installation, NA Common (See Separate Breakdown in this Section)	
5	1001080809	Ref	Installation, Tilt Steering Column (See Separate Breakdown in Control Section)	
6	1001080847	1	Floor Skid Strip	
7	1001114675	1	Mirror Arm	
8	1001137600	Ref	Installation, Park Brake Valve (See Separate Breakdown in Control Section)	
9	1001137621	Ref	Installation, Seat Riser Cover HVAC (See Separate Breakdown in this Section)	
10	1001186376	Ref	Installation, Hydraulic Tank Breather (See Separate Breakdown in Hydraulic Circuits Section)	
11	1001193443	Ref	Installation, Heater and A/C (Cab Parts) (See Separate Breakdown in this Section)	
12	1001202007	Ref	Installation, Cab Common (See Separate Breakdown in this Section)	
13	1001208617	Ref	Installation, Enclosed Cab Glass (See Separate Breakdown in this Section)	
14	1001213757	Ref	Installation, Enclosed Cab Common Components (See Separate Breakdown in this Section)	
15	1001235716	Ref	Installation, Cab Hydraulics (ANSI) (See Separate Breakdown in Hydraulic Circuits Section)	
16	8866514	1	Convex Mirror	

SECTION 6 - CAB

FIGURE 6-6. ENCLOSED CAB INSTALLATION (LSI - TILT STEERING) (HEAT)



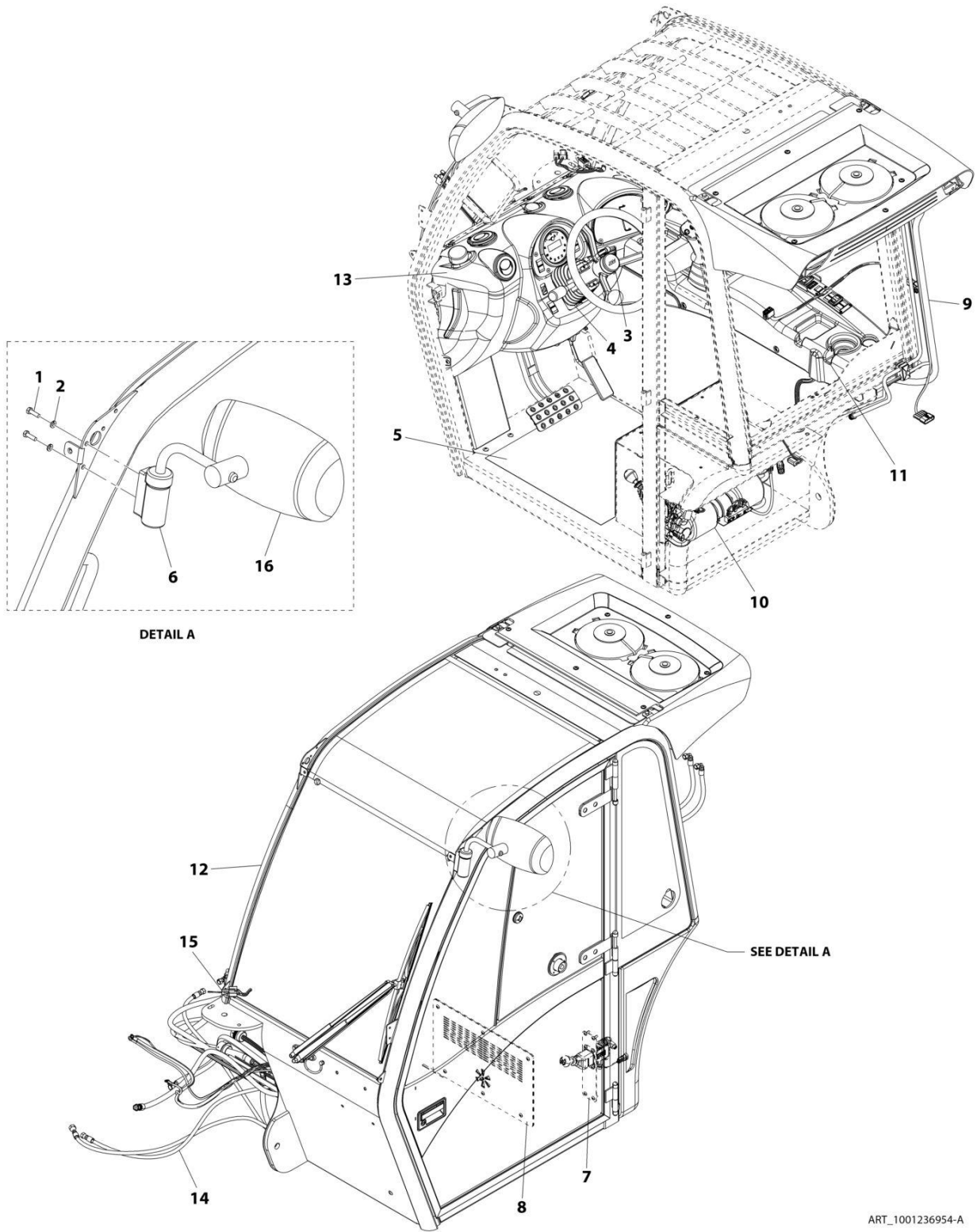
SECTION 6 - CAB

FIGURE 6-6. ENCLOSED CAB INSTALLATION (LSI - TILT STEERING) (HEAT)

ITEM	PART NUMBER	QTY	DESCRIPTION	REV
	1001236953	Ref	Enclosed Cab Installation (LSI - Tilt Steering) (Heat)	B
1	0700610	2	Hex HD Capscrew, M6X20, GR8.8	
2	8307024	2	Washer, M6	
3	1001080742	Ref	Installation, JLG Common (See Separate Breakdown in this Section)	
4	1001080809	Ref	Installation, Tilt Steering Column (See Separate Breakdown in Control Section)	
5	1001080847	1	Floor Skid Strip	
6	1001114675	1	Mirror Arm	
7	1001137602	Ref	Installation, Park Brake Valve (Euro) (See Separate Breakdown in Control Section)	
8	1001137621	Ref	Installation, Seat Riser Cover HVAC (See Separate Breakdown in this Section)	
9	1001182755	Ref	Installation, Hydraulic Tank Breather (See Separate Breakdown in Hydraulic Circuits Section)	
10	1001193943	Ref	Installation, Heater (cab parts) (See Separate Breakdown in this Section)	
11	1001202007	Ref	Installation, Cab Common (See Separate Breakdown in this Section)	
12	1001208617	Ref	Installation, Enclosed Cab Glass (See Separate Breakdown in this Section)	
13	1001213757	Ref	Installation, Enclosed Cab Common Components (See Separate Breakdown in this Section)	
14	1001236957	Ref	Installation, Cab Hydraulics (LSI) (See Separate Breakdown in Hydraulic Circuits Section)	
15	1001236959	Ref	Installation, NA Common Components (LSI) (See Separate Breakdown in this Section)	
16	8866514	1	Mirror Head, Convex	

SECTION 6 - CAB

FIGURE 6-7. ENCLOSED CAB INSTALLATION (LSI - TILT STEERING) (HEAT & A/C)



ART_1001236954-A

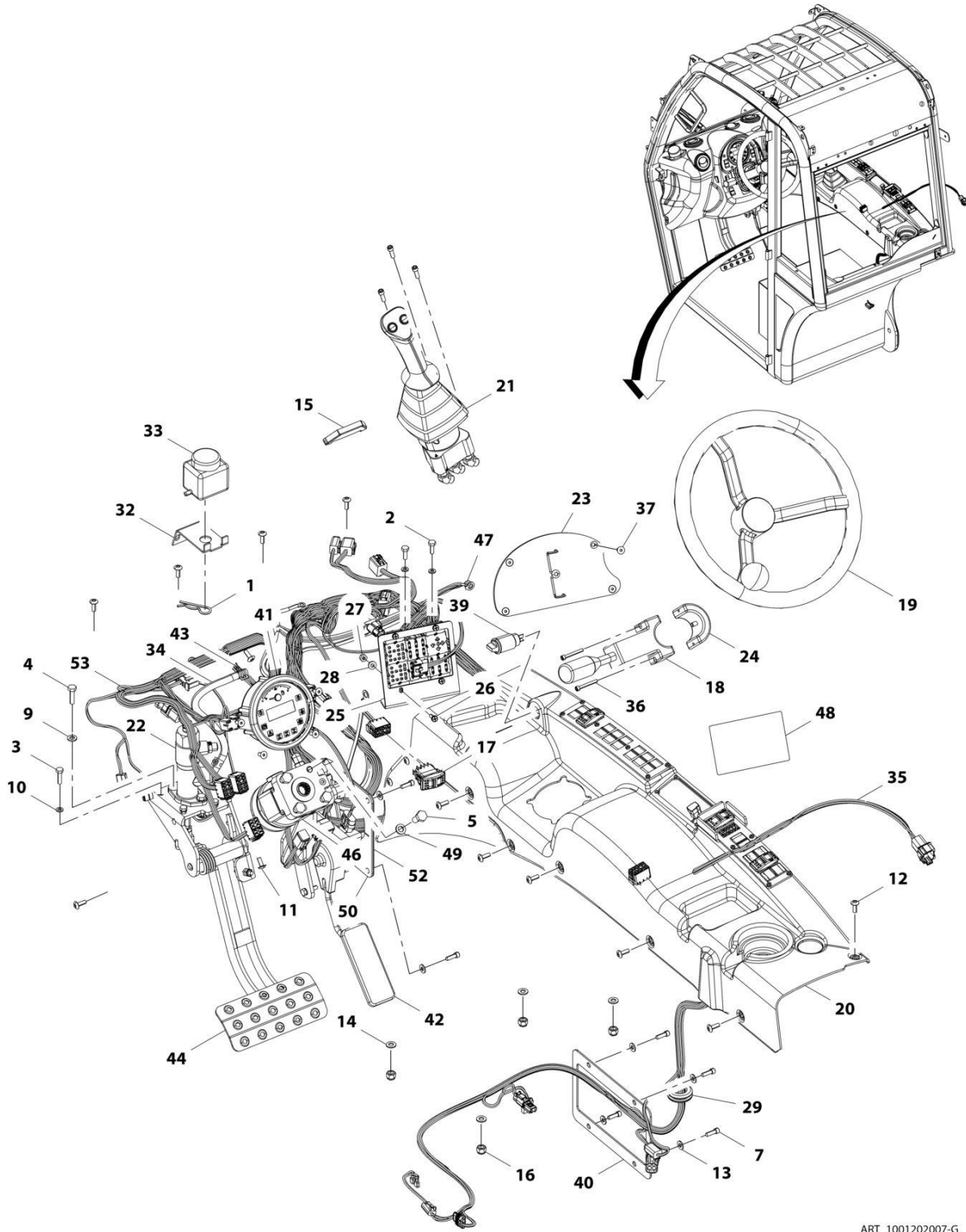
SECTION 6 - CAB

FIGURE 6-7. ENCLOSED CAB INSTALLATION (LSI - TILT STEERING) (HEAT & A/C)

ITEM	PART NUMBER	QTY	DESCRIPTION	REV
	1001236954	Ref	Enclosed Cab Installation (LSI - Tilt Steering) (Heat & A/C)	A
1	0700610	2	Hex HD Capscrew, M6X20, GR8.8	
2	8307024	2	Washer, M6	
3	1001080742	Ref	Installation, JLG Common (See Separate Breakdown in this Section)	
4	1001080809	Ref	Installation, Tilt Steering Column (See Separate Breakdown in Control Section)	
5	1001080847	1	Floor Skid Strip	
6	1001114675	1	Mirror Arm	
7	1001137602	Ref	Installation, Park Brake Valve (Euro) (See Separate Breakdown in Control Section)	
8	1001137621	Ref	Installation, Seat Riser Cover HVAC (See Separate Breakdown in this Section)	
9	1001186376	Ref	Installation, Hydraulic Tank Breather (See Separate Breakdown in Hydraulic Circuits Section)	
10	1001193443	Ref	Installation, Heater and A/C (Cab Parts) (See Separate Breakdown in this Section)	
11	1001202007	Ref	Installation, Cab Common (See Separate Breakdown in this Section)	
12	1001208617	Ref	Installation, Enclosed Cab Glass (See Separate Breakdown in this Section)	
13	1001213757	Ref	Installation, Enclosed Cab Common Components (See Separate Breakdown in this Section)	
14	1001236957	Ref	Installation, Cab Hydraulics (LSI) (See Separate Breakdown in Hydraulic Circuits Section)	
15	1001236959	Ref	Installation, NA Common Components (LSI) (See Separate Breakdown in this Section)	
16	8866514	1	Convex Mirror	

SECTION 6 - CAB

FIGURE 6-8. CAB COMMON INSTALLATION (PVC 1911)



ART_1001202007-G

SECTION 6 - CAB

FIGURE 6-8. CAB COMMON INSTALLATION (PVC 1911)

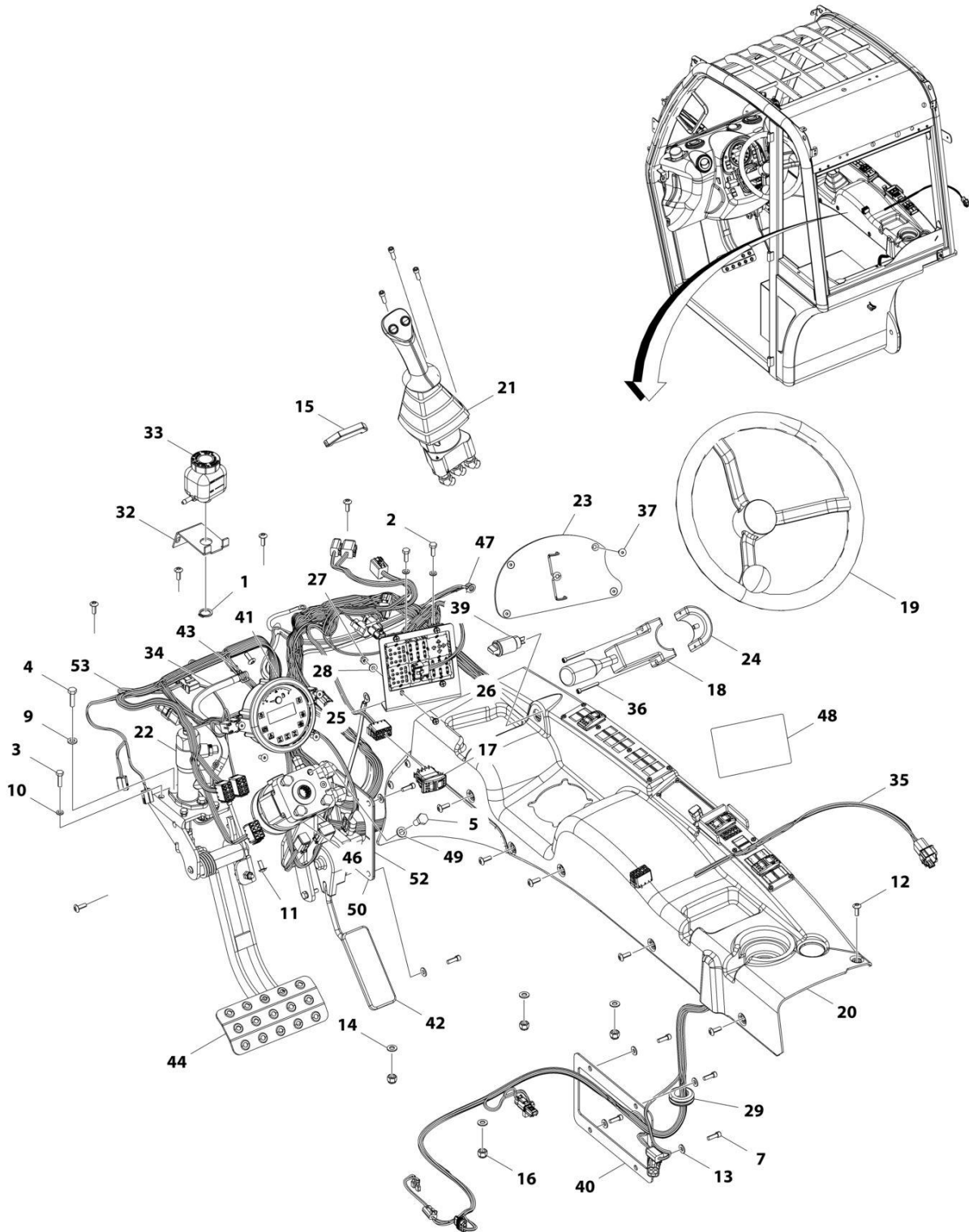
ITEM	PART NUMBER	QTY	DESCRIPTION	REV
	1001202007	Ref	Cab Common Installation	G
1	80325	1	Pin	
2	0641406	2	Bolt, 1/4-20X3/4	
3	0641408	7	Bolt, 1/4-20X1	
4	0641508	2	Bolt, 5/16-18X1	
5	0761012	4	Bolt, M10X25	
7	3931412	12	Screw	
9	4711500	2	Washer, 5/16	
10	4761400	9	Washer, Lock 1/4	
11	8035487	1	Screw	
12	8303034	15	Screw	
13	8307109	8	Washer	
14	8310053	4	Washer	
15	8466306	1	Gage, Tilt Angle	
16	88521205	4	Nut, Lock	
17	1001080371	1	Switch	
18	1001080380	1	Switch	
19	1001080462	1	Wheel, Steering	
20	1001080493	1	Console	
21	1001080500	1	Assembly, Hydraulic Controller (See Separate Breakdown in Controls Section)	
22	1001080559	1	Assembly, Master Cylinder Valve (See Separate Breakdown in Controls Section)	
23	1001239184	1	Chart, Load	
24	1001080900	1	Clamp	
25	1001080983	1	Bracket	
26	1001080986	4	Screw	
27	1001080987	4	Nut	
28	1001080988	4	Washer	
29	1001081049	1	Grommet	
32	1001081151	1	Bracket	
33	1001081152	1	Reservoir, Brake	
34	1001081153	1	Hose	
35	1001098235	1	Harness, Mode Select (See Separate Breakdown in Electrical Section)	
36	1001108079	2	Screw	
37	1001108194	8	Screw	
39	1001114867	1	Screw	
40	1001117158	1	Plate	
41	1001137657	1	Guage	
42	1001138639	1	Assembly, Accelerator Pedal (See Separate Breakdown in Controls Section)	
43	1001156087	2	Clamp	
44	1001189734	1	Installation, Brake Pedal (See Separate Breakdown in Controls Section)	
46	1001202006	1	Assembly, Steering Valve (See Separate Breakdown in Hydraulic Components Section)	
47	1001080418	1	Harness	
48	1001156577	1	Decal, Fuse	
49	4832000	1	Washer, Lock M10	
50	1001207837	1	Panel	

SECTION 6 - CAB

ITEM	PART NUMBER	QTY	DESCRIPTION	REV
52	1001208119	1	Plate	
53	1001208593	1	Harness, Cab (See Separate Breakdown in Electrical Section)	

SECTION 6 - CAB

FIGURE 6-9. CAB COMMON INSTALLATION (PVC 2005)



ART_1001202007_J

FIGURE 6-9. CAB COMMON INSTALLATION (PVC 2005)

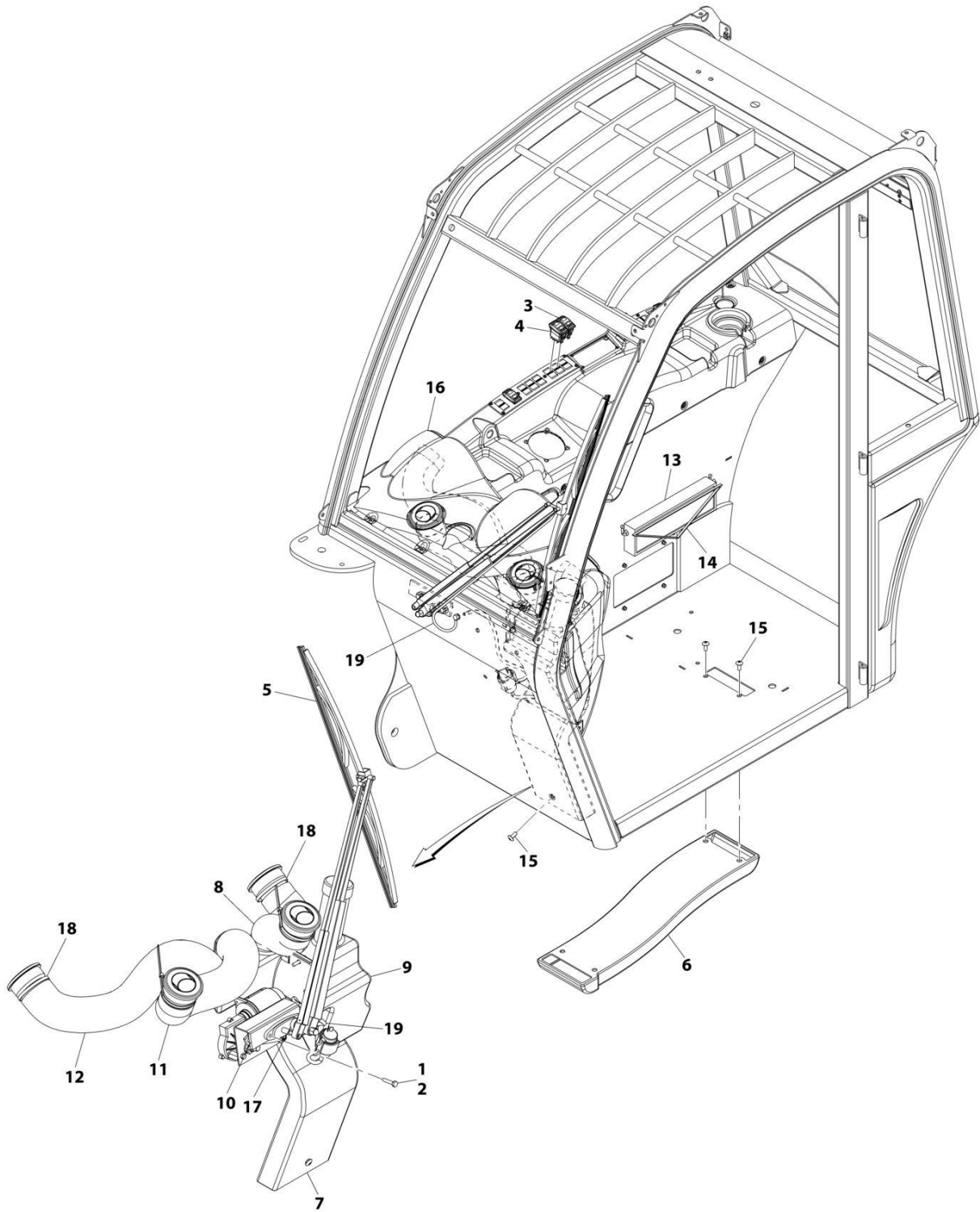
ITEM	PART NUMBER	QTY	DESCRIPTION	REV
	1001202007	Ref	CAB COMMON INSTALLATION	J
1	3760348	1	Ring, Retaining	
2	0641406	2	Bolt 1/4 x 3/4	
3	0641408	7	Bolt 1/4 x 1	
4	0641508	2	Bolt 5/16 x 1	
5	0761012	4	Bolt M10 x 25	
7	3931412	12	Screw	
9	4711500	2	Washer 5/16	
10	4761400	9	Washer 1/4	
11	8035487	1	Screw	
12	8303034	15	Screw	
13	8307109	8	Washer	
14	8310053	4	Washer	
15	8466306	1	Gage, Tilt Angle	
16	88521205	4	Nut 5/16	
17	1001080371	1	Switch	
18	1001080380	1	Switch	
19	1001080462	1	Wheel, Steering	
20	1001080493	1	Console (See Separate Breakdown in this Section)	
21	1001080500	1	Assembly, Hydraulic Controller (See Separate Breakdown in CONTROLS Section)	
22	1001080559	1	Assembly, Master Cylinder Valve (See Separate Breakdown in CONTROLS Section)	
23	1001239184	1	Chart, Load (See Separate Breakdown in DECALS Section)	
24	1001080900	1	Clamp	
25	1001080983	1	Bracket	
26	1001080986	4	Screw	
27	1001080987	4	Nut	
28	1001080988	4	Washer	
29	1001081049	1	Grommet	
32	1001081151	1	Bracket	
33	1001214220	1	Reservoir, Brake	
34	1001081153	1	Hose	
35	1001098235	1	Harness, Mode Select (See Separate Breakdown in ELECTRICAL Section)	
36	1001108079	2	Screw	
37	1001108194	8	Screw	
39	1001114867	1	Screw	
40	1001117158	1	Plate	
41	1001137657	1	Guage	
42	1001258791	1	Assembly, Accelerator Pedal (See Separate Breakdown in CONTROLS Section)	
43	1001156087	2	Clamp	
44	1001189734	1	Installation, Brake Pedal (See Separate Breakdown in CONTROLS Section)	
46	1001202006	1	Assembly, Steering Valve (See Separate Breakdown in HYDRAULIC COMPONENTS Section)	
47	1001080418	1	Harness	
48	1001156577	1	Decal, Fuse	
49	4832000	1	Washer M10	
50	1001207837	1	Panel	

SECTION 6 - CAB

ITEM	PART NUMBER	QTY	DESCRIPTION	REV
52	1001208119	1	Plate	
53	1001257907	1	Harness, Cab (See Separate Breakdown in ELECTRICAL Section)	

SECTION 6 - CAB

FIGURE 6-10. CAB COMMON COMPONENTS, ENCLOSED



ART_1001213757-B

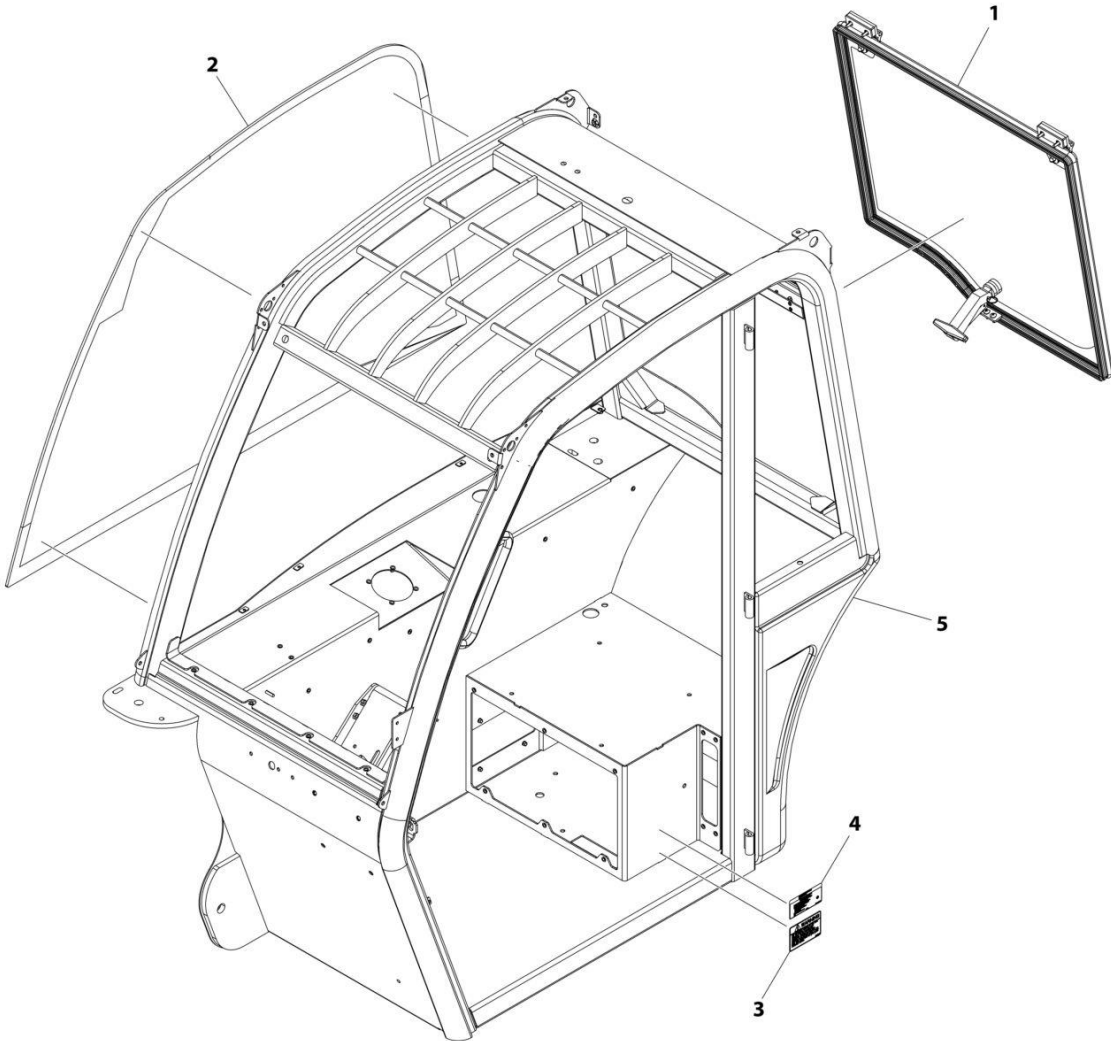
SECTION 6 - CAB

FIGURE 6-10. CAB COMMON COMPONENTS, ENCLOSED

ITEM	PART NUMBER	QTY	DESCRIPTION	REV
	1001213757	Ref	Cab Common Components, Enclosed	B
1	0100011	AR	Compound, Locking	
2	0651410	2	Hex HD Capscrew, 1/4-28X1-1/4	
3	1001080367	1	Front Windshield Washer Switch	
4	1001080368	1	Front Wiper Switch	
5	1001080499	1	Assembly, Front Wiper (See Separate Breakdown in this Section)	
6	1001080862	1	Lower Duct	
7	1001080863	1	Front Duct	
8	1001080931	2	Duct Hose	
9	1001080933	1	Installation, Washer Tank W/Pump (See Separate Breakdown in this Section)	
10	1001081306	1	Front Wiper Spacer	
11	1001081331	1	Duct Hose	
12	1001081332	1	Duct Hose	
13	1001081375	1	Cab Air Filter	
14	1001081376	1	Cab Air Filter Seal Ring	
15	1001108196	6	Screw	
16	1001137943	1	Installation, Dash Enclosed Cab (See Separate Breakdown in this Section)	
17	1001189653	1	Spacer	
18	01043892	8	Tie wrap	
19	82033997	408 mm	Window Washer Hose	

SECTION 6 - CAB

FIGURE 6-11. CAB GLASS INSTALLATION, OPEN



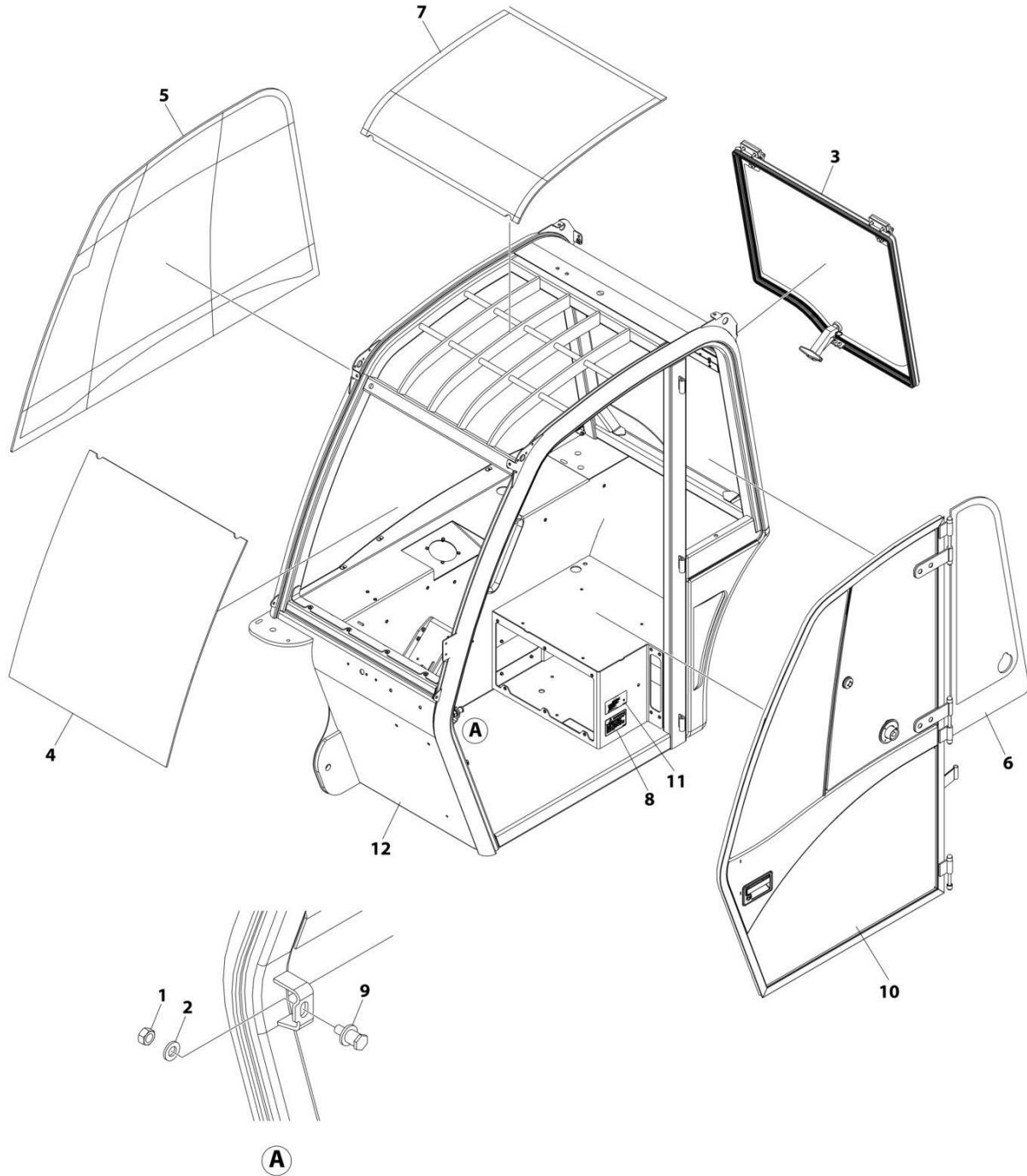
ART_1001208616_G

FIGURE 6-11. CAB GLASS INSTALLATION, OPEN

ITEM	PART NUMBER	QTY	DESCRIPTION	REV
	1001208616	Ref	Cab Glass Installation, Open	G
1	1001080796	1	Assembly, Rear Window (See Separate Breakdown in this Section)	
2	1001080798	1	Window, Right Side	
3	1001109365	1	Decal, ROPS Warning	
4	N.S.S.	1	SN Plate	
5	N.S.S.	1	Cab Weldment	

SECTION 6 - CAB

FIGURE 6-12. CAB GLASS INSTALLATION, ENCLOSED



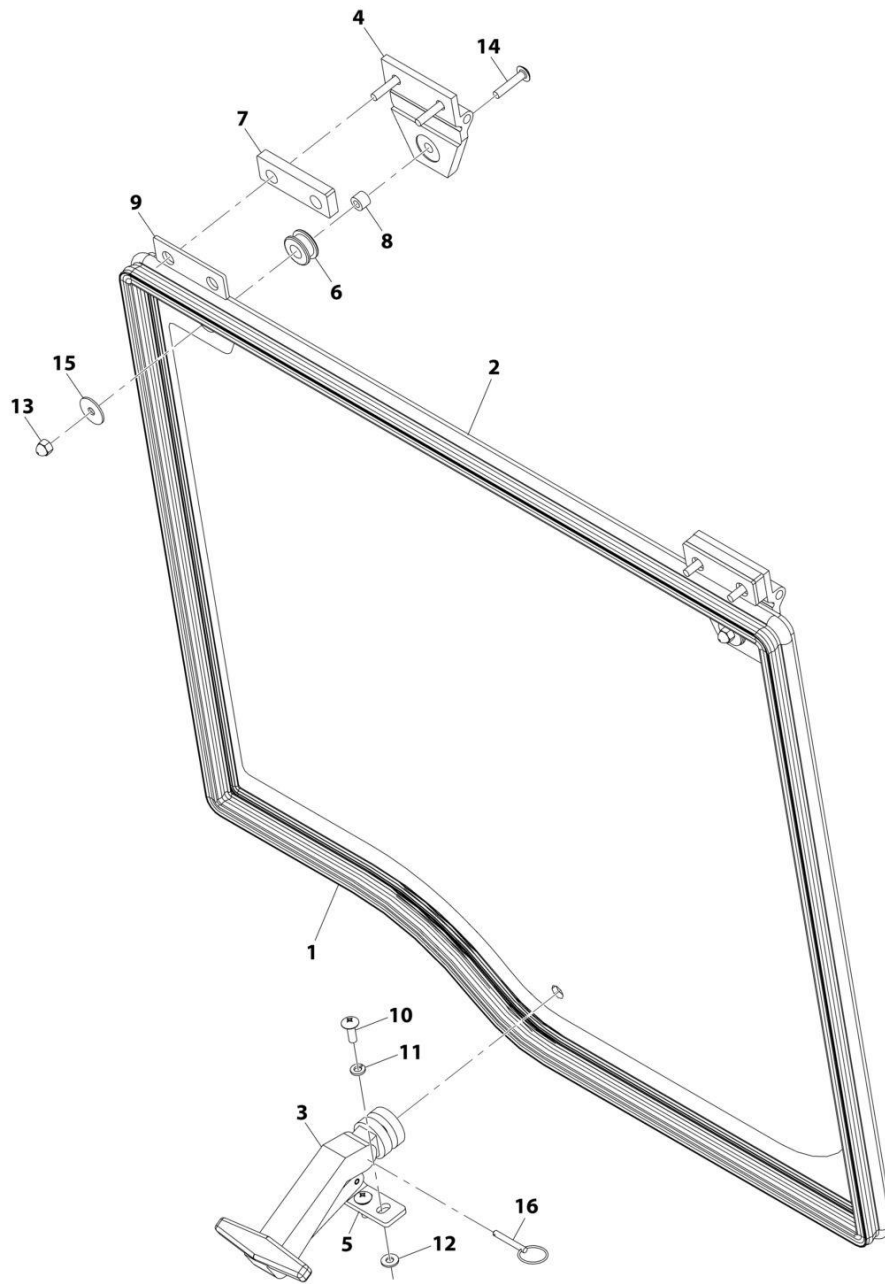
ART_1001208617_G

FIGURE 6-12. CAB GLASS INSTALLATION, ENCLOSED

ITEM	PART NUMBER	QTY	DESCRIPTION	REV
	1001208617	Ref	CAB GLASS INSTALLATION, ENCLOSED	G
1	3291201	1	Nut M12	
2	1001009126	1	Washer	
3	1001080796	1	Rear Window Assembly (See Separate Breakdown in this Section)	
4	1001080797	1	Front Glass	
5	1001080798	1	Right Side Glass	
6	1001080801	1	Left Rear Glass	
7	1001080821	1	Skylight Glass	
8	1001109365	1	ROPS Warning Decal	
9	1001109478	1	Striker Latch	
10	1001150596	1	Installation, Door Assembly (See Separate Breakdown in this Section)	
11	N.S.S.	1	SN Plate	
12	N.S.S.	1	Cab Weldment	

SECTION 6 - CAB

FIGURE 6-13. REAR WINDOW ASSEMBLY



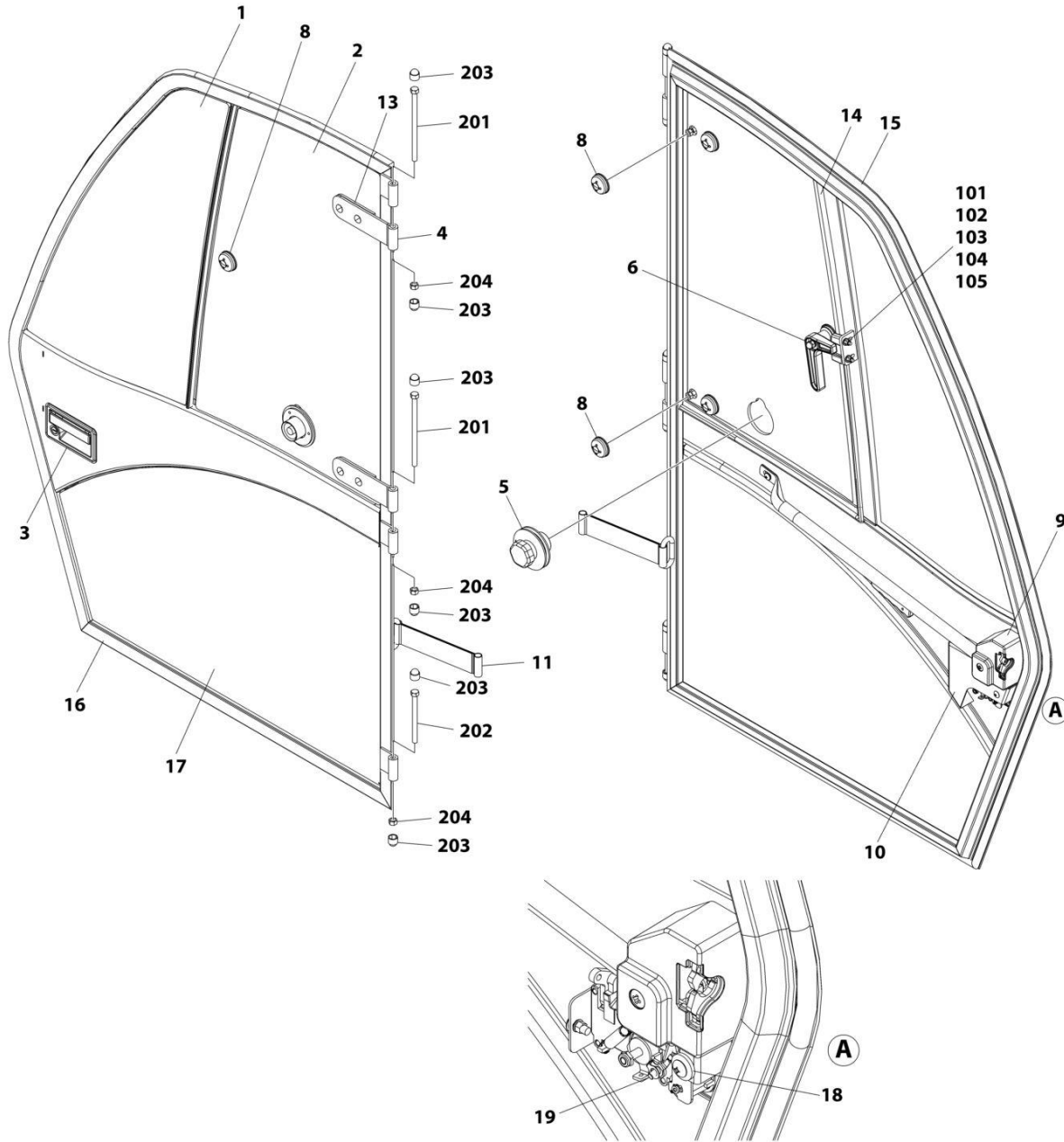
ART_1001080796-G

FIGURE 6-13. REAR WINDOW ASSEMBLY

ITEM	PART NUMBER	QTY	DESCRIPTION	REV
	1001080796	Ref	Rear Window Assembly	G
1	1001107997	1	Window Rear Seal	
2	1001080926	1	Rear Hinged Glass	
3	1001081280	1	T-Style Hold Open	
4	1001081281	2	Plastic Hinge	
5	1001081282	1	Rear Window Latch Bracket	
6	1001081283	2	Grommet	
7	1001081284	2	Hinge Seal	
8	1001081285	2	Bushing	
9	1001081289	2	Hinge Mounting Pad	
10	1001108161	2	Truss HD Screw, 1/4-20X3/4	
11	1001108547	2	Lockwasher, 1/4	
12	1001108548	2	Washer, 1/4	
13	1001108549	2	Nut, 1/4-20	
14	1001110067	6	Torx Screw, 1/4-20X1-1/4	
15	1001108552	2	Flat Washer, 1/4	
16	1001109417	1	Detent Ring Pin	

SECTION 6 - CAB

FIGURE 6-14. DOOR ASSEMBLY INSTALLATION



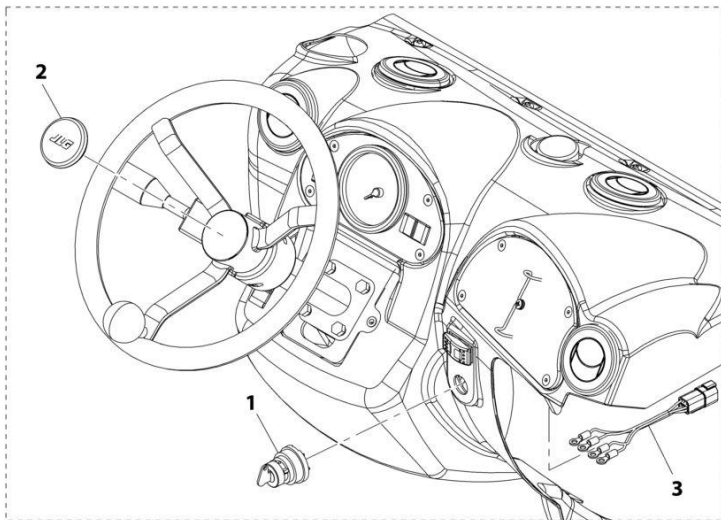
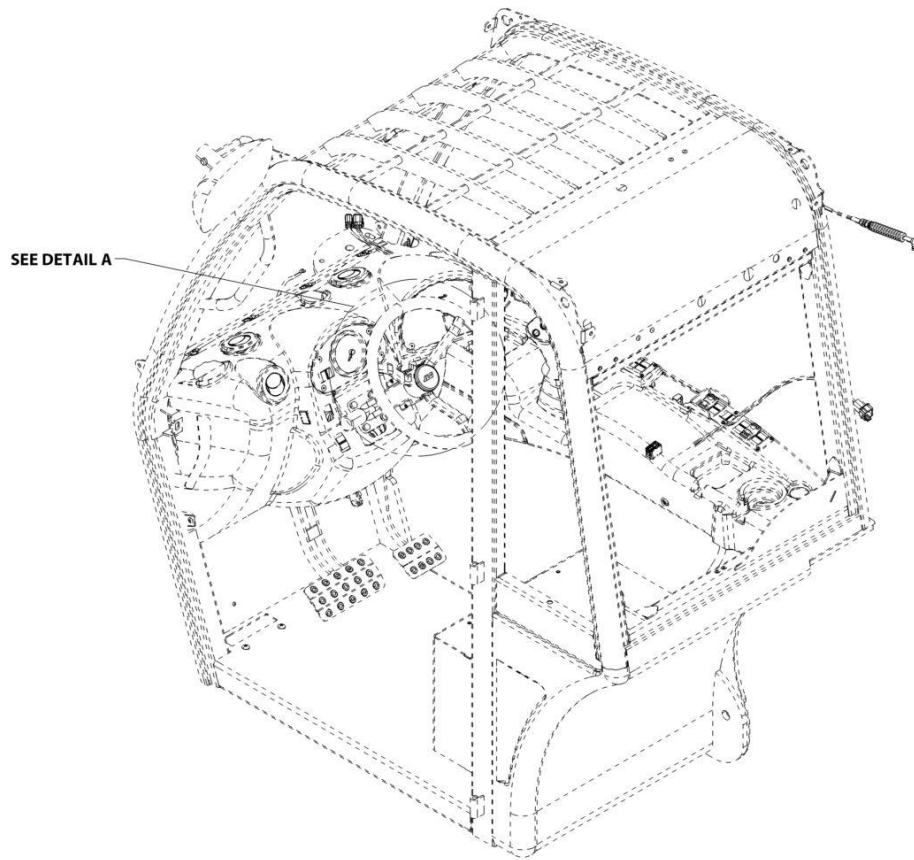
ART_1001150596

FIGURE 6-14. DOOR ASSEMBLY INSTALLATION

ITEM	PART NUMBER	QTY	DESCRIPTION	REV
	1001150596	Ref	DOOR ASSEMBLY INSTALLATION	E
1	1001081235	1	Fixed Door Glass	
2	1001081236	1	Hinged Door Glass	
3	1001081241	1	Latch, Paddle W/Key	
3	8342813	1	Key, (Set of Two)	
4	1001081242	2	Hinge	
5	1001081243	1	Window Lock Latch	
6	1001081244	1	Window Latch (Use with Hardware 101-105)	
8	1001081246	5	Window Cap	
9	1001081247	1	Door Handle	
10	1001081248	1	Door Latch Cover	
11	1001081249	1	Door Restraint Strap	
13	1001081266	2	Spacer	
14	1001081268	1	Hinged Glass Seal	
15	1001081314	1	Door Seal	
16	1001080867JO	1	Door Frame	
17	1001081239	1	Cab Door Panel	
18	1001165585	1	Flat Washer	
19	91404309	1	Connecting Rod	
101	70021079	2	Bolt M6	
102	70021082	2	Nut M6	
103	80364037	1	Washer	
104	70021090	1	Seal	
105	70021095	1	Bolt M8 x 65	
201	8036064	2	Bolt 3/8 x 6-1/2	
202	80364005	1	Bolt 3/8 x 5	
203	1001182663	6	Cap	
204	8035632	3	Nut 3/8	

SECTION 6 - CAB

FIGURE 6-15. JLG COMMON INSTALLATION



DETAIL A

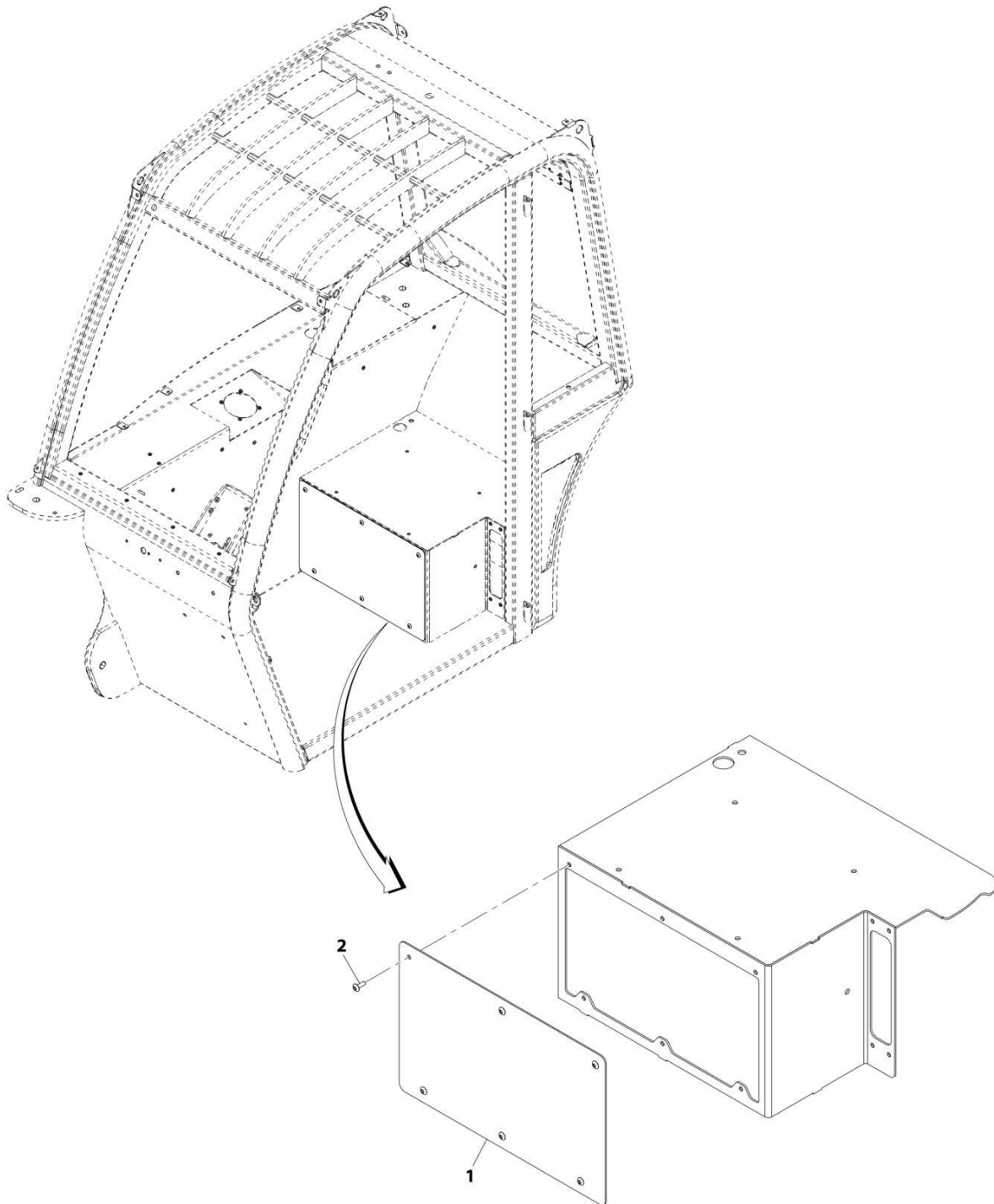
ART_1001080742-B

FIGURE 6-15. JLG COMMON INSTALLATION

ITEM	PART NUMBER	QTY	DESCRIPTION	REV
	1001080742	Ref	JLG COMMON INSTALLATION	C
1	1001080379	1	Ignition Switch	
1	70020621	1	Key, Ignition	
2	1001080463	1	Center Cap	
3	1001100053	1	Start Switch Jumper Harness (See Separate Breakdown in ELECTRICAL Section)	
4	1001285715	1	Beacon Switch	

SECTION 6 - CAB

FIGURE 6-16. SEAT RISER COVER INSTALLATION



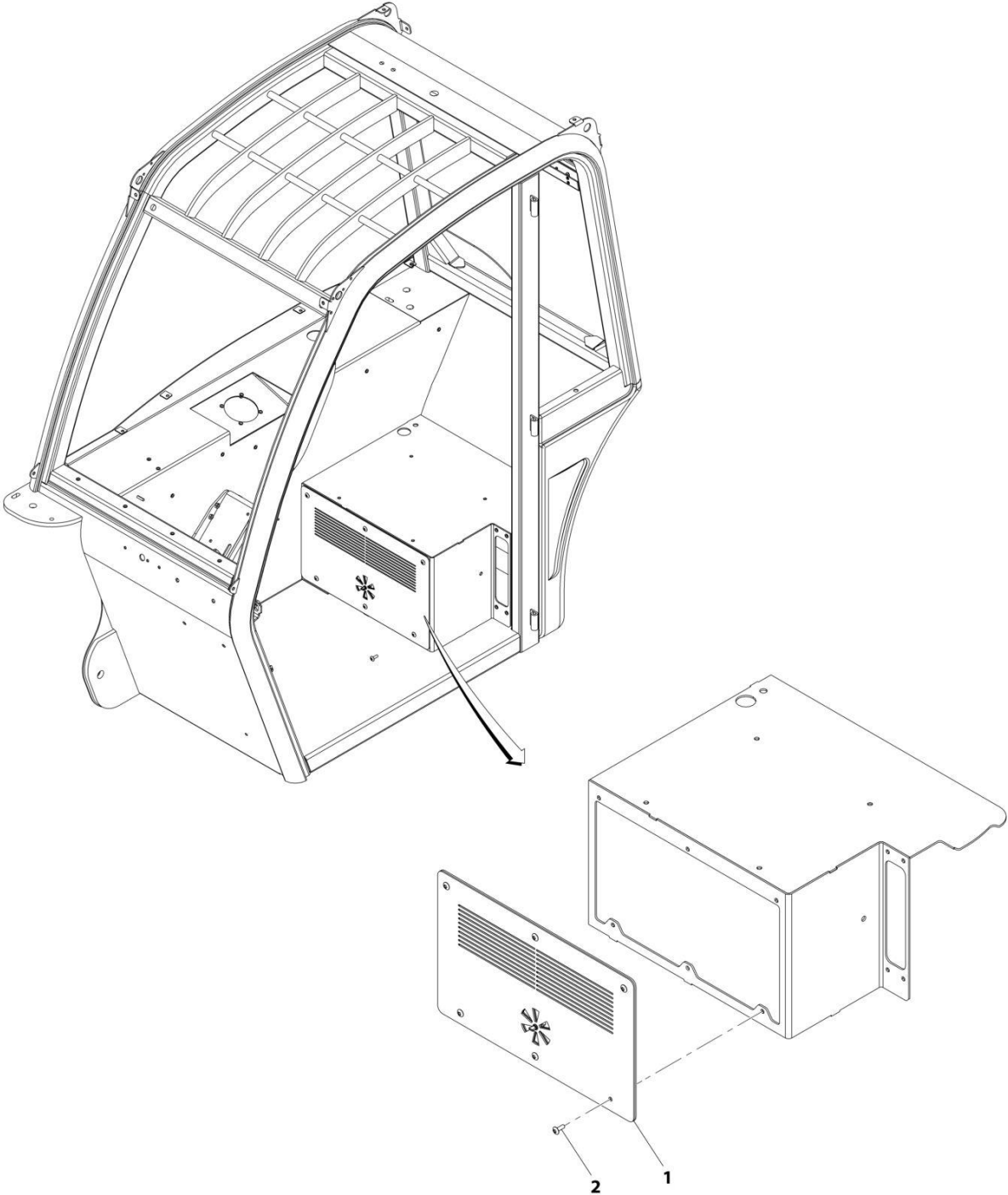
ART_1001137623-B

FIGURE 6-16. SEAT RISER COVER INSTALLATION

ITEM	PART NUMBER	QTY	DESCRIPTION	REV
	1001137623	Ref	Seat Riser Cover Installation	B
1	1001137574	1	Panel	
2	8303034	6	Screw	

SECTION 6 - CAB

FIGURE 6-17. SEAT RISER COVER INSTALLATION, HVAC



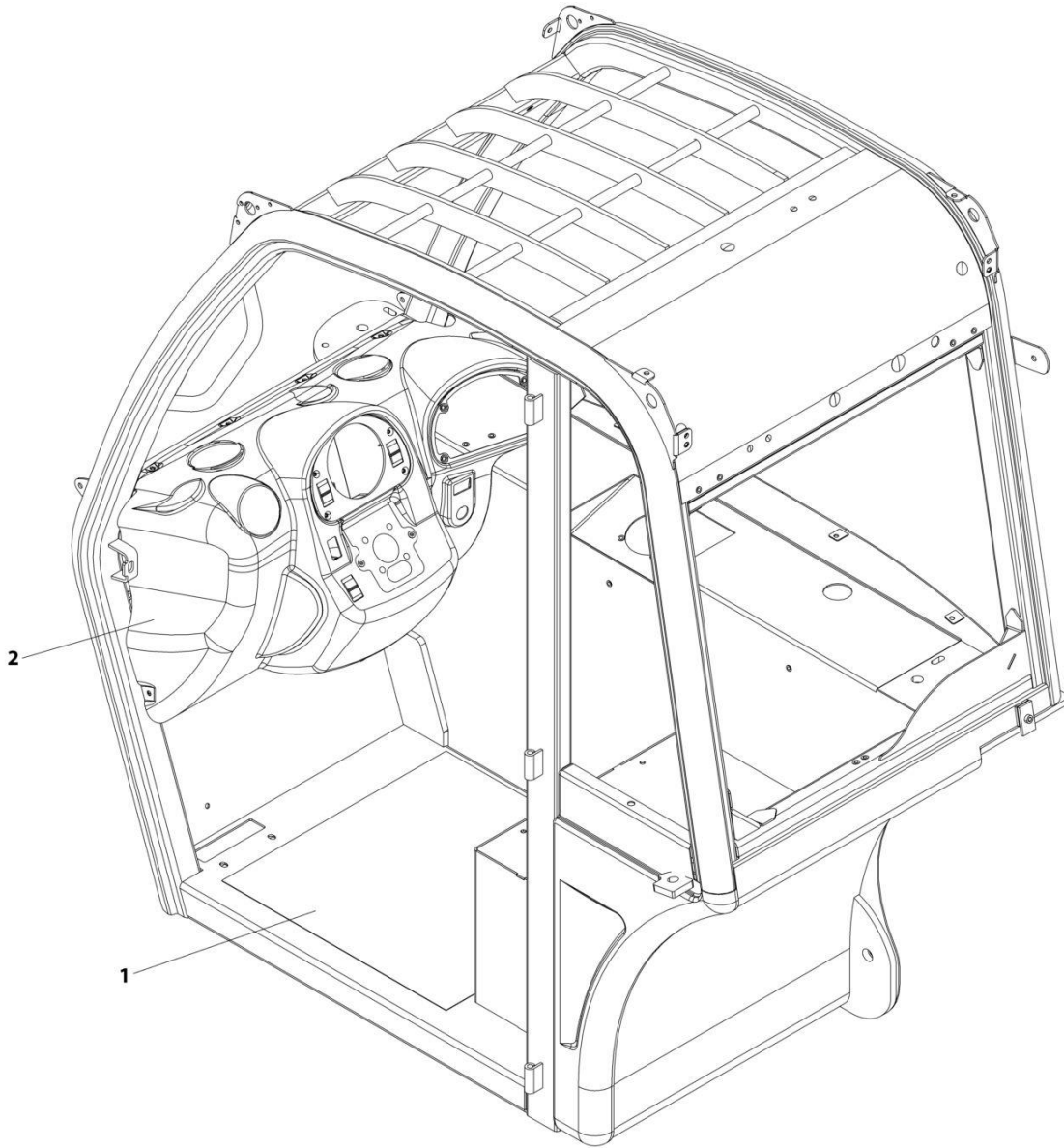
ART_1001137621-C

FIGURE 6-17. SEAT RISER COVER INSTALLATION, HVAC

ITEM	PART NUMBER	QTY	DESCRIPTION	REV
	1001137621	Ref	Seat Riser Cover Installation, HVAC	C
1	1001189948	1	HAVC Cover Panel	
2	8303034	6	Screw, 1/4-20X3/4	

SECTION 6 - CAB

FIGURE 6-18. OPEN CAB COMMON COMPONENTS INSTALLATION



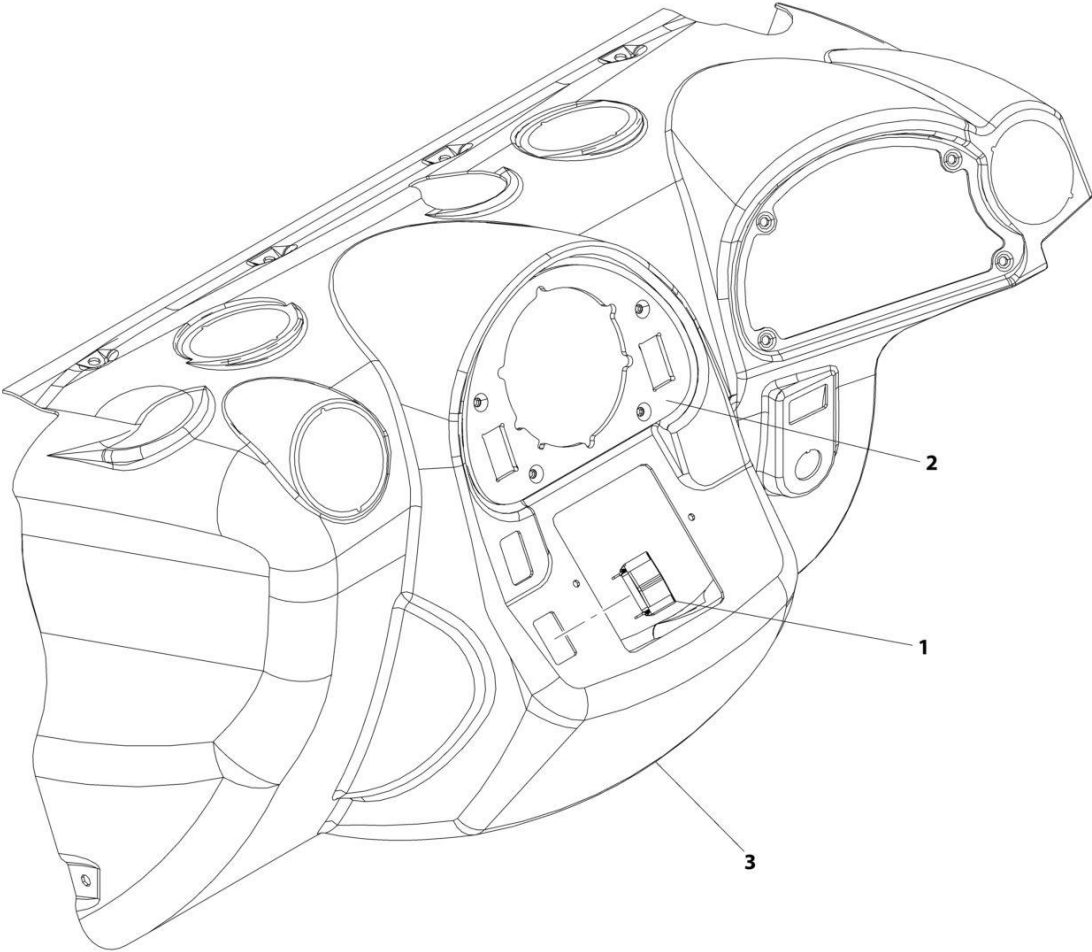
ART_1001138582-A

FIGURE 6-18. OPEN CAB COMMON COMPONENTS INSTALLATION

ITEM	PART NUMBER	QTY	DESCRIPTION	REV
	1001138582	Ref	Open Cab Common Components Installation	A
1	1001080847	1	Skid, Floor	
2	1001139481	1	Installation, Open Cab Dash (See Separate Breakdown in this Section)	

SECTION 6 - CAB

FIGURE 6-19. DASH INSTALLATION, OPEN CAB



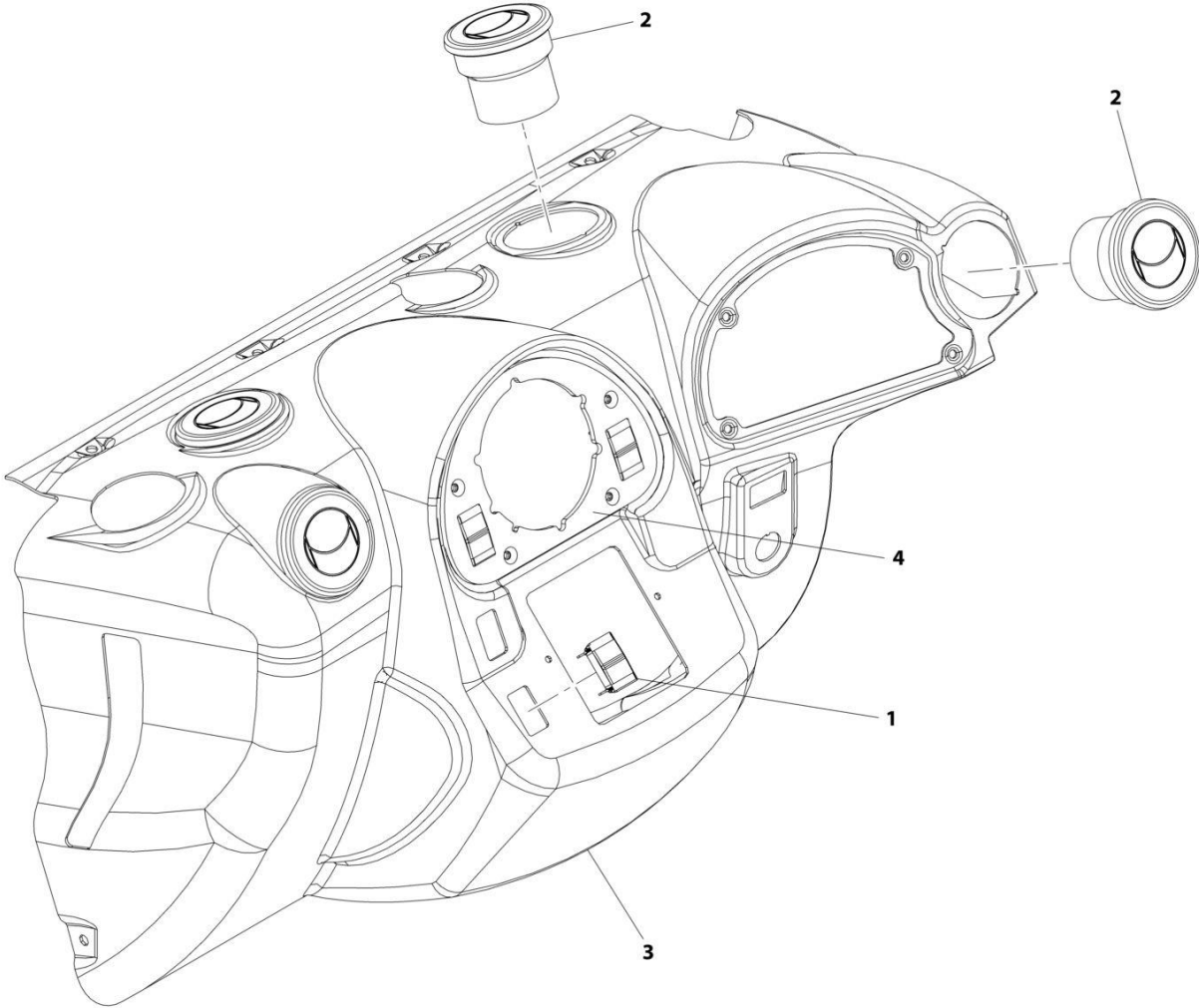
ART_1001139481-C

FIGURE 6-19. DASH INSTALLATION, OPEN CAB

ITEM	PART NUMBER	QTY	DESCRIPTION	REV
	1001139481	Ref	Dash Installation, Open Cab	C
1	1001080494	1	Switch Cover	
2	1001137985	1	Dash Mount	
3	1001153624	1	Cab Dash Cover	

SECTION 6 - CAB

FIGURE 6-20. DASH INSTALLATION, ENCLOSED CAB



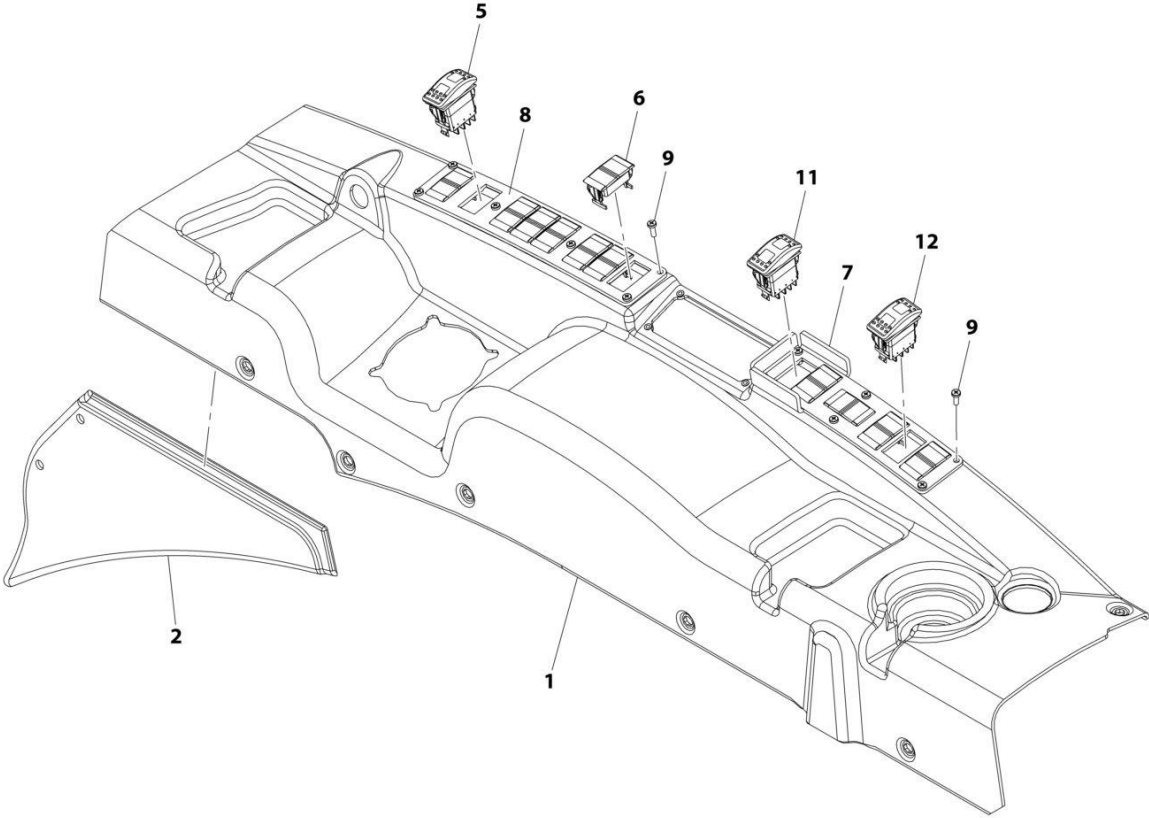
ART_1001137943-C

FIGURE 6-20. DASH INSTALLATION, ENCLOSED CAB

ITEM	PART NUMBER	QTY	DESCRIPTION	REV
	1001137943	Ref	Dash Installation, Enclosed Cab	C
1	1001080494	3	Cover Switch	
2	1001080848	4	Directional Vent	
3	1001153625	1	Cab Dash	
4	1001137985	1	Dash Mount	

SECTION 6 - CAB

FIGURE 6-21. RIGHT SIDE CONSOLE



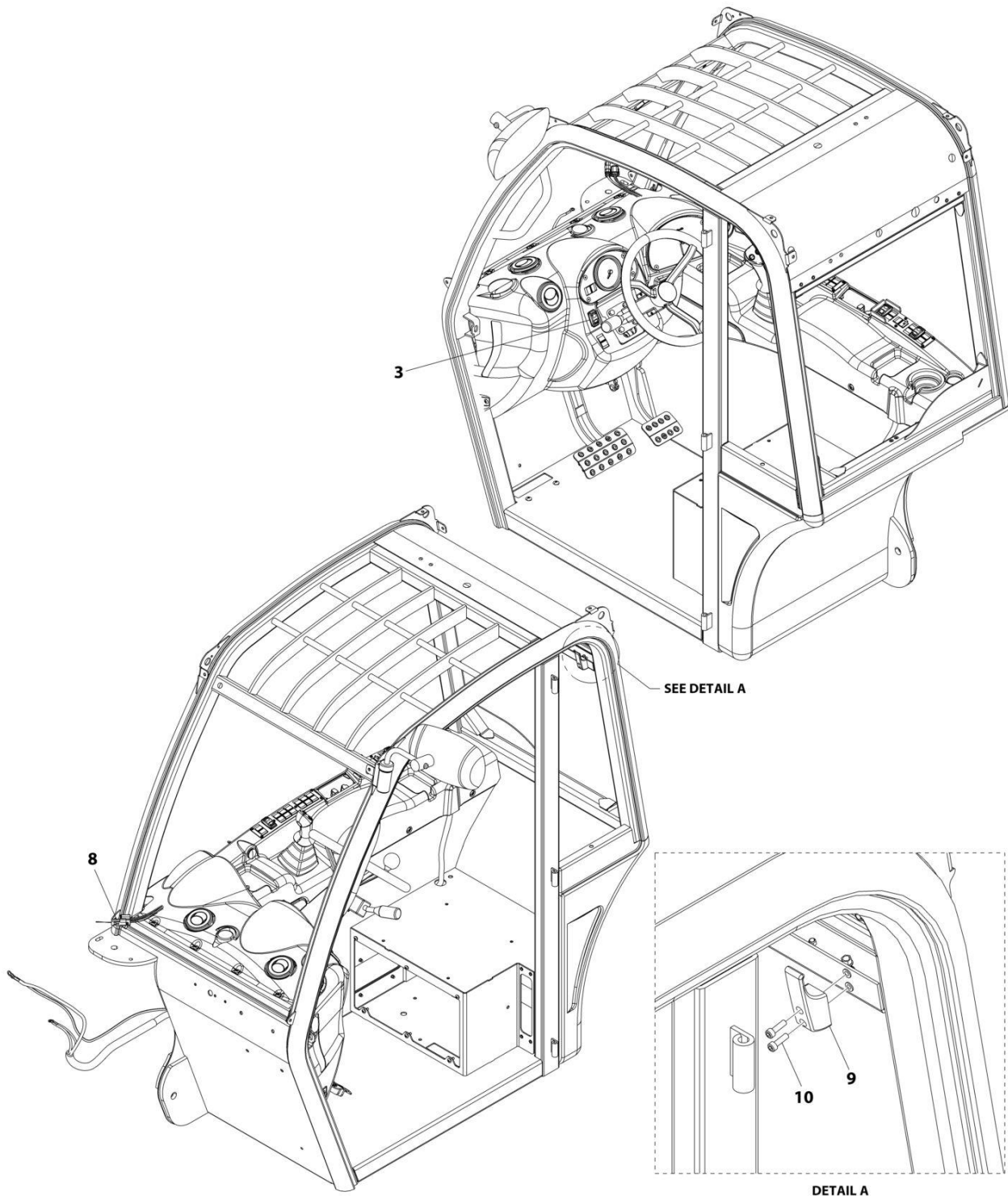
ART_1001080493-J

FIGURE 6-21. RIGHT SIDE CONSOLE

ITEM	PART NUMBER	QTY	DESCRIPTION	REV
	1001080493	Ref	Right Side Console	J
1	1001153627	1	Console	
2	1001153626	1	Lower Plastic Console	
5	1001080378	1	Steer Select Switch	
6	1001080494	11	Switch Cover	
7	1001080969	1	Switch Mount Panel, Six Gang	
8	1001080970	1	Switch Mount Panel, Eight Gang	
9	1001139011	12	Pan HD Screw, #8-32	
11	1001080978	1	Lift/Loader Joystick Pattern Switch	
12	1001104654	1	Auxiliary Hydraulics Pressure Relief Switch	

SECTION 6 - CAB

FIGURE 6-22. NA COMMON INSTALLATION



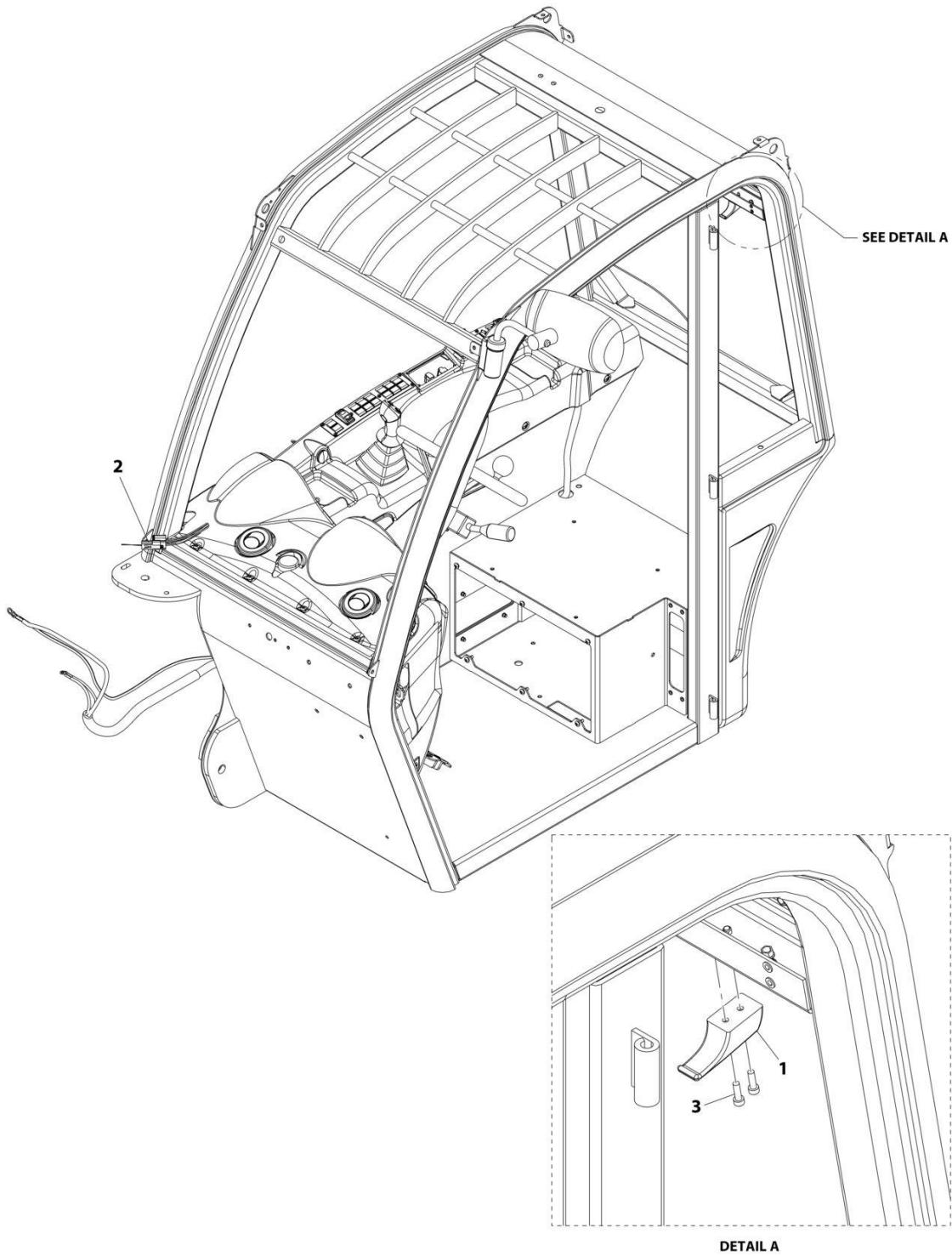
ART_1001080744-G

FIGURE 6-22. NA COMMON INSTALLATION

ITEM	PART NUMBER	QTY	DESCRIPTION	REV
	1001080744	Ref	NA COMMON INSTALLATION	G
3	1001080374	1	Switch	
8	1001100966	1	Jumper Harness (See Separate Breakdown in ELECTRICAL Section)	
9	1001080953	1	Hook	
10	3931010	2	Screw	

SECTION 6 - CAB

FIGURE 6-23. NA COMMON COMPONENTS INSTALLATION (LSI)



ART_1001236959-A

FIGURE 6-23. NA COMMON COMPONENTS INSTALLATION (LSI)

ITEM	PART NUMBER	QTY	DESCRIPTION	REV
	1001236959	Ref	NA COMMON COMPONENTS INSTALLATION (LSI)	A
1	1001080953	1	Hook	
2	1001100966	1	Jumper Harness (See Separate Breakdown in ELECTRICAL Section)	
3	1001108155	2	Bolt 10 x 5/8	

SECTION 6 - CAB

FIGURE 6-24. FRONT WIPER ASSEMBLY

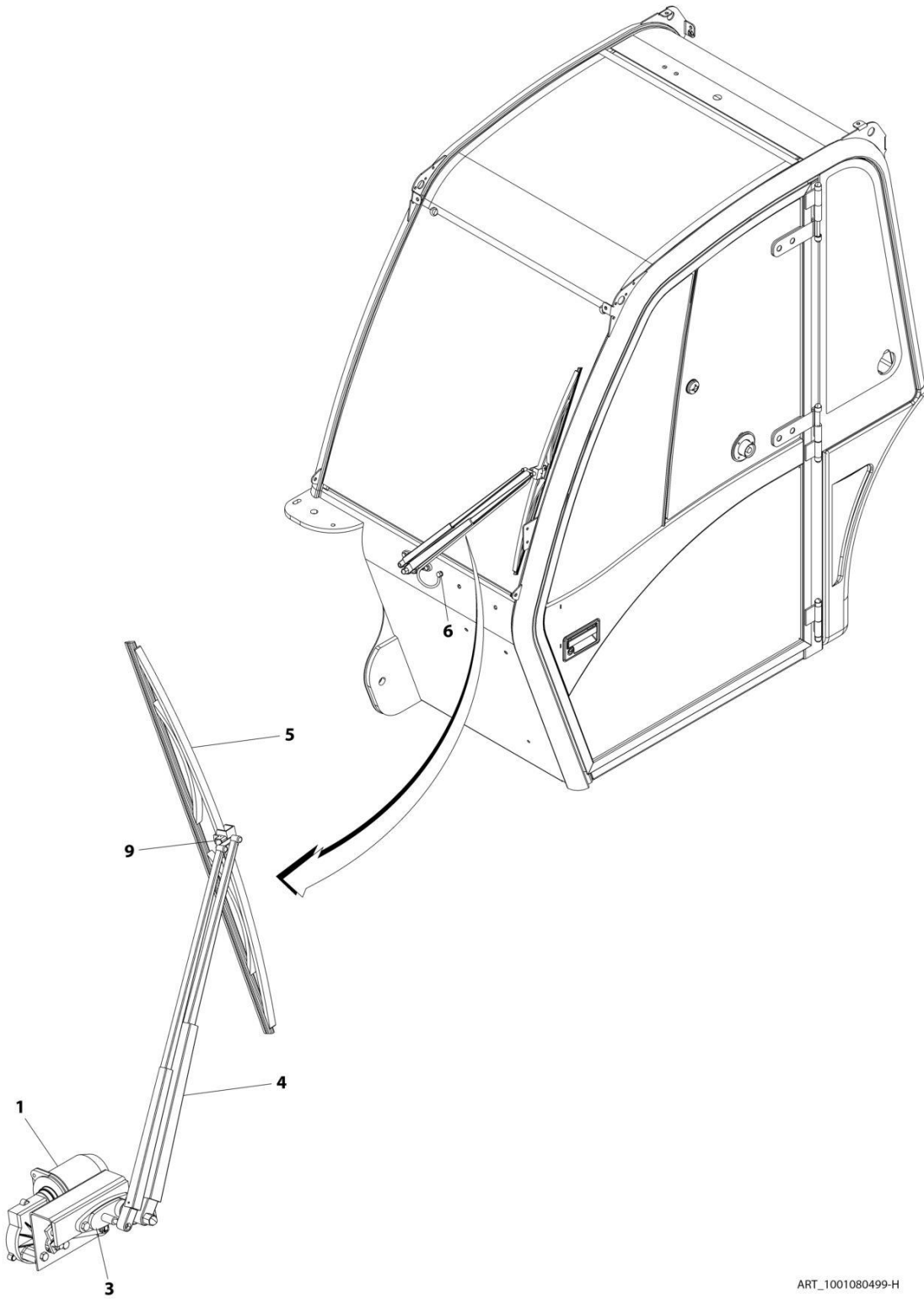
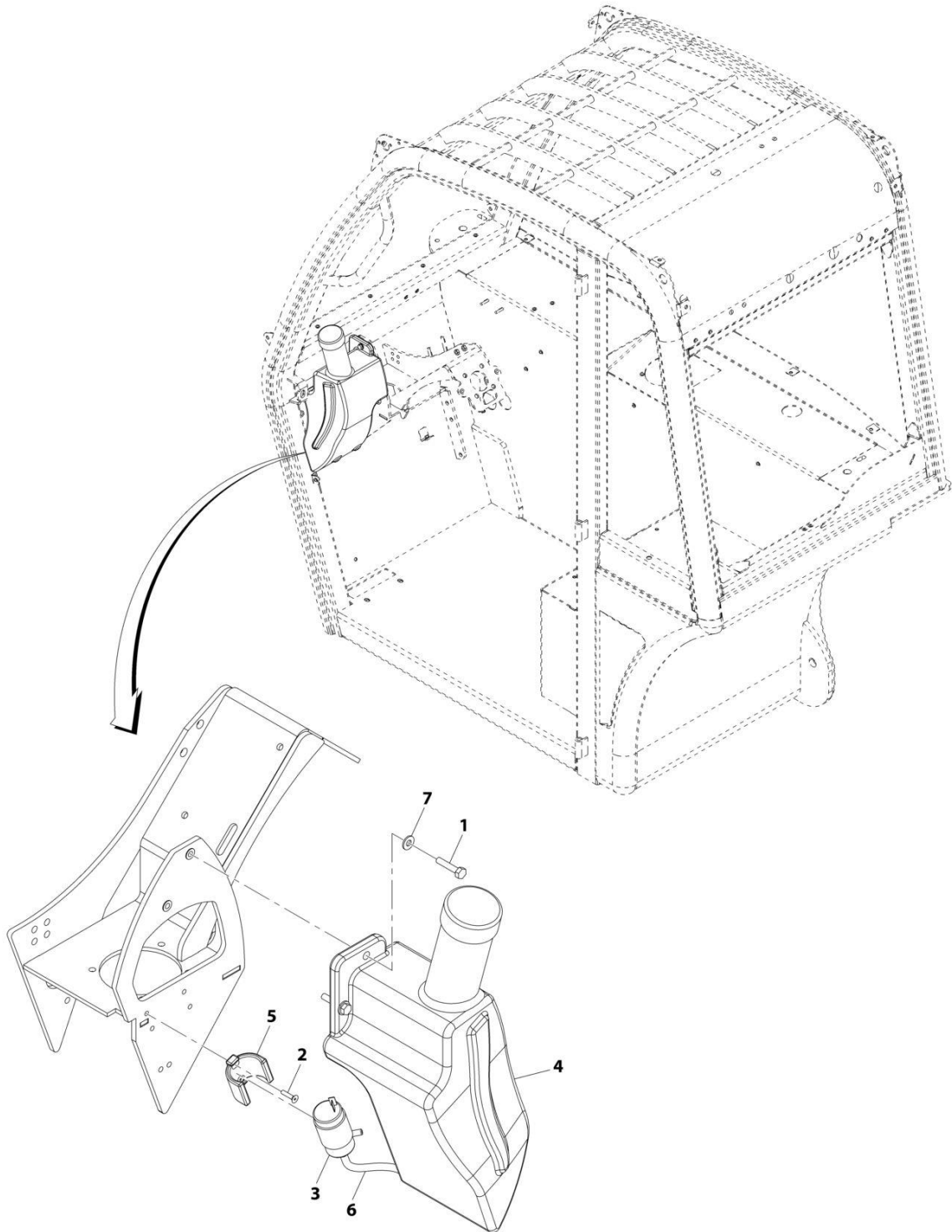


FIGURE 6-24. FRONT WIPER ASSEMBLY

ITEM	PART NUMBER	QTY	DESCRIPTION	REV
	1001080499	Ref	Front Wiper Asssembly	H
1	1001080383	1	Front Wiper Motor	
3	1001081307	1	Adapter Kit	
4	1001081308	1	Wiper Arm	
5	1001081309	1	Wiper Blade	
6	1001081310	1	Wet Arm Adaptor	
9	1001081311	1	Wet Arm Kit	

SECTION 6 - CAB

FIGURE 6-25. WASHER TANK W/PUMP INSTALLATION



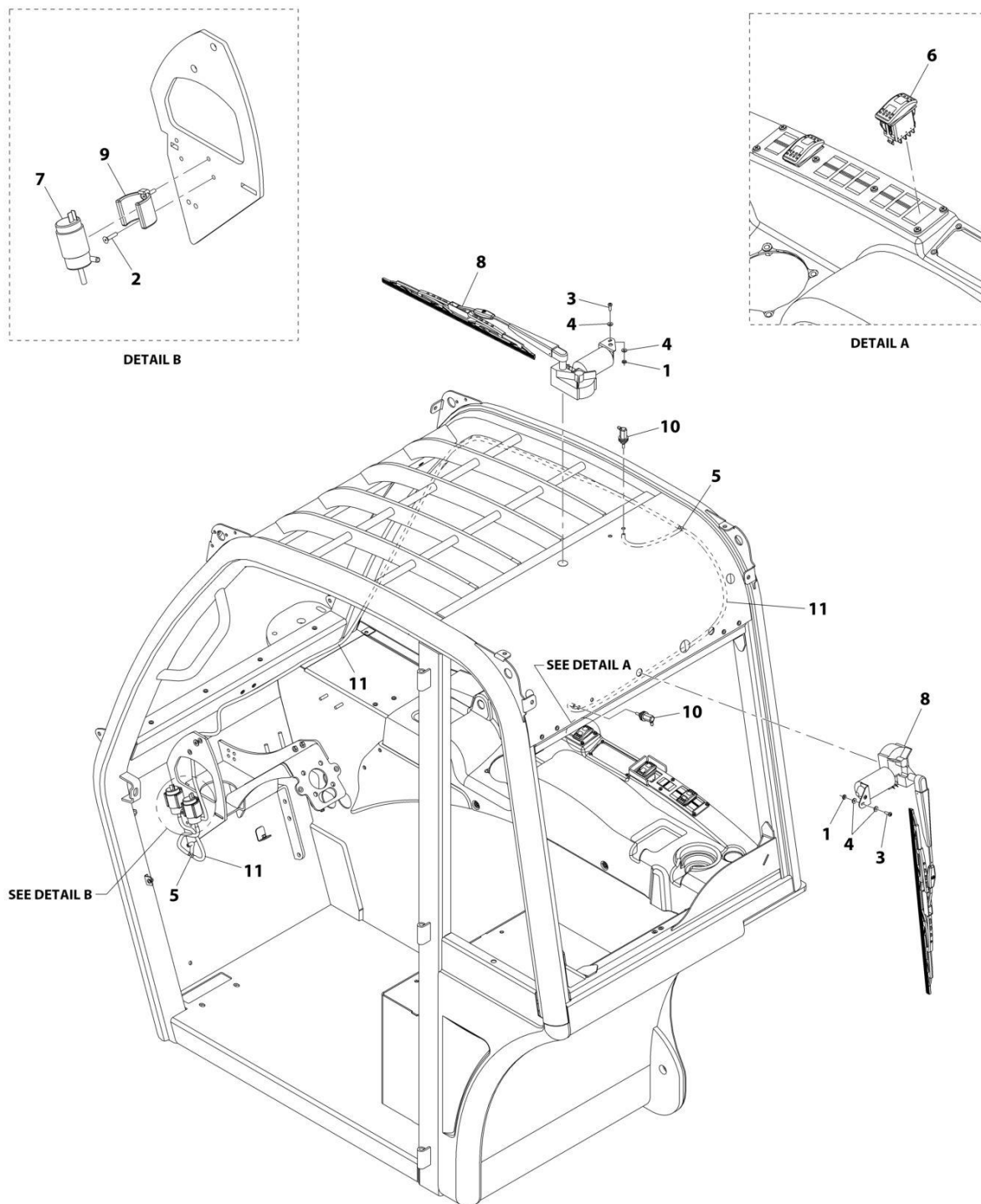
ART_1001080933-E

FIGURE 6-25. WASHER TANK W/PUMP INSTALLATION

ITEM	PART NUMBER	QTY	DESCRIPTION	REV
	1001080933	Ref	Washer Tank W/Pump Installation	E
1	0641410	2	Hex HD Capscrew, 1/4-20X1-1/4	
2	3900302	2	Stainless Steel Screw, #8	
3	1001080382	1	Washer Pump	
4	1001080824	1	Washer Fluid Tank Assembly (See Separate Breakdown in this Section)	
5	1001080932	1	Washer Pump Clamp	
6	82033997	5 in	Window Washer Hose	
7	4711400	2	Washer, 1/4	

SECTION 6 - CAB

FIGURE 6-26. ROOF/REAR WIPER INSTALLATION



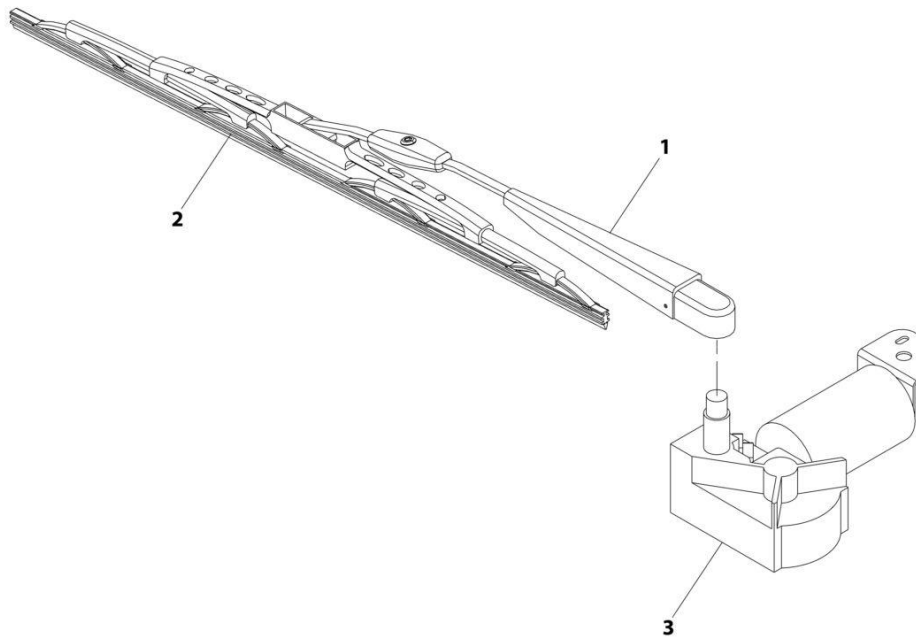
ART_1001080877-H

FIGURE 6-26. ROOF/REAR WIPER INSTALLATION

ITEM	PART NUMBER	QTY	DESCRIPTION	REV
	1001080877	Ref	Roof/Rear Wiper Installation	H
1	8305002	2	Nut, M10	
2	3900302	2	Socket HD Capscrew, GR8	
3	1001197099	2	Screw	
4	4740120	4	Nylon Washer	
5	1001008742	2	Tee Coupling	
6	1001080377	1	Rear/Roof Wiper Switch	
7	1001080382	1	Windshield Washer Pump	
8	1001179547	2	AUX Wiper Assembly (See Separate Breakdown in this Section)	
9	1001080932	1	Washer Pump Clamp	
10	1001080985	2	Spray Nozzle	
11	82033997	157 in	Hose	

SECTION 6 - CAB

FIGURE 6-27. AUX WIPER ASSEMBLY



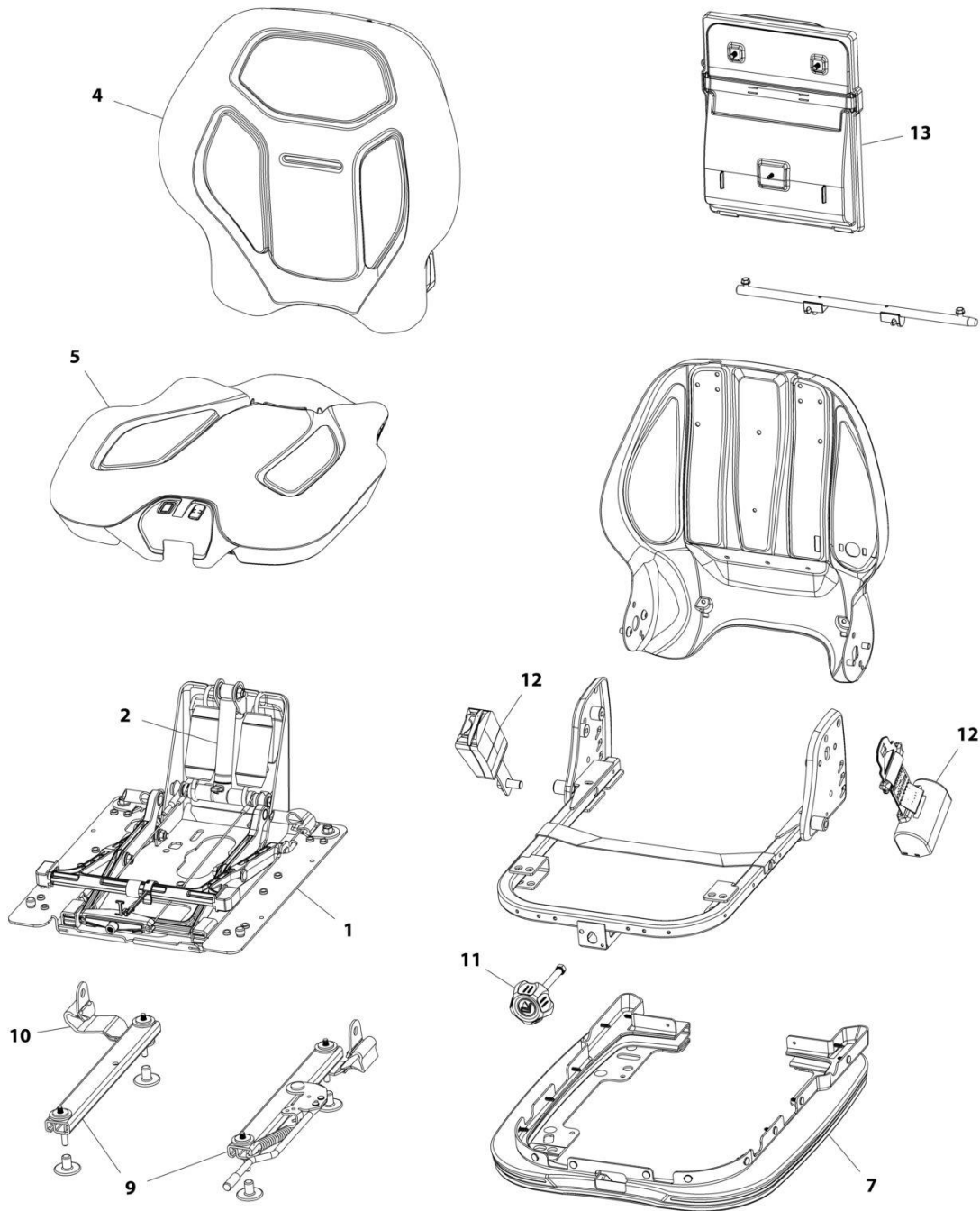
ART_1001179547-A

FIGURE 6-27. AUX WIPER ASSEMBLY

ITEM	PART NUMBER	QTY	DESCRIPTION	REV
	1001179547	Ref	AUX Wiper Assembly	A
1	1001179495	1	Wiper Link Assembly	
2	1001179496	1	Wiper	
3	1001179832	1	Motor	

SECTION 6 - CAB

FIGURE 6-28. SEAT



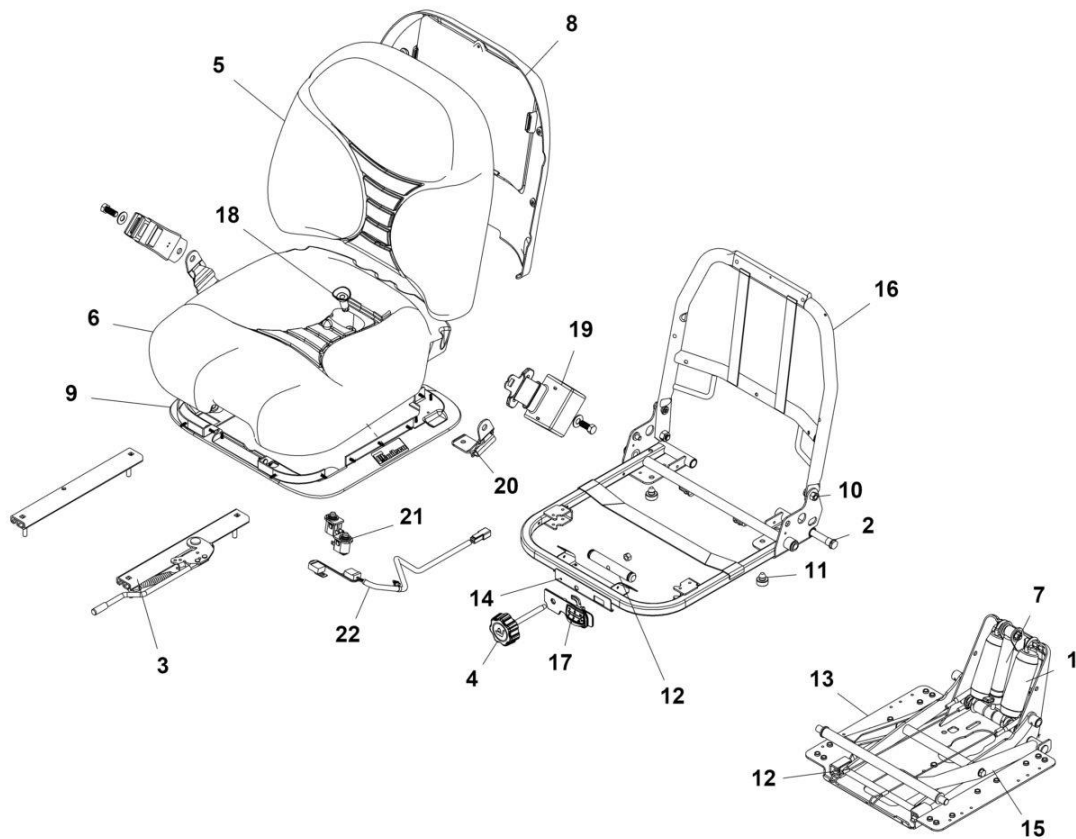
ART_1001197027-D

FIGURE 6-28. SEAT

ITEM	PART NUMBER	QTY	DESCRIPTION	REV
	1001197027	Ref	Seat	E
1	70027024	1	Suspension Assembly Kit	
2	70027025	1	Spring Saddle Assembly Kit	
4	70027026	1	Back Cushion Kit	
5	70027028	1	Seat Cushion Assembly Kit	
7	70027030	1	Boot Kit	
9	7026798	1	Adjuster Kit	
10	70027032	1	Tether Strap	
11	70027033	1	Weight Adjust Knob Kit	
12	70027034	2	Seat Belt Kit	
13	70027035	1	Document Box Kit	

SECTION 6 - CAB

FIGURE 6-29. SEAT, LSI



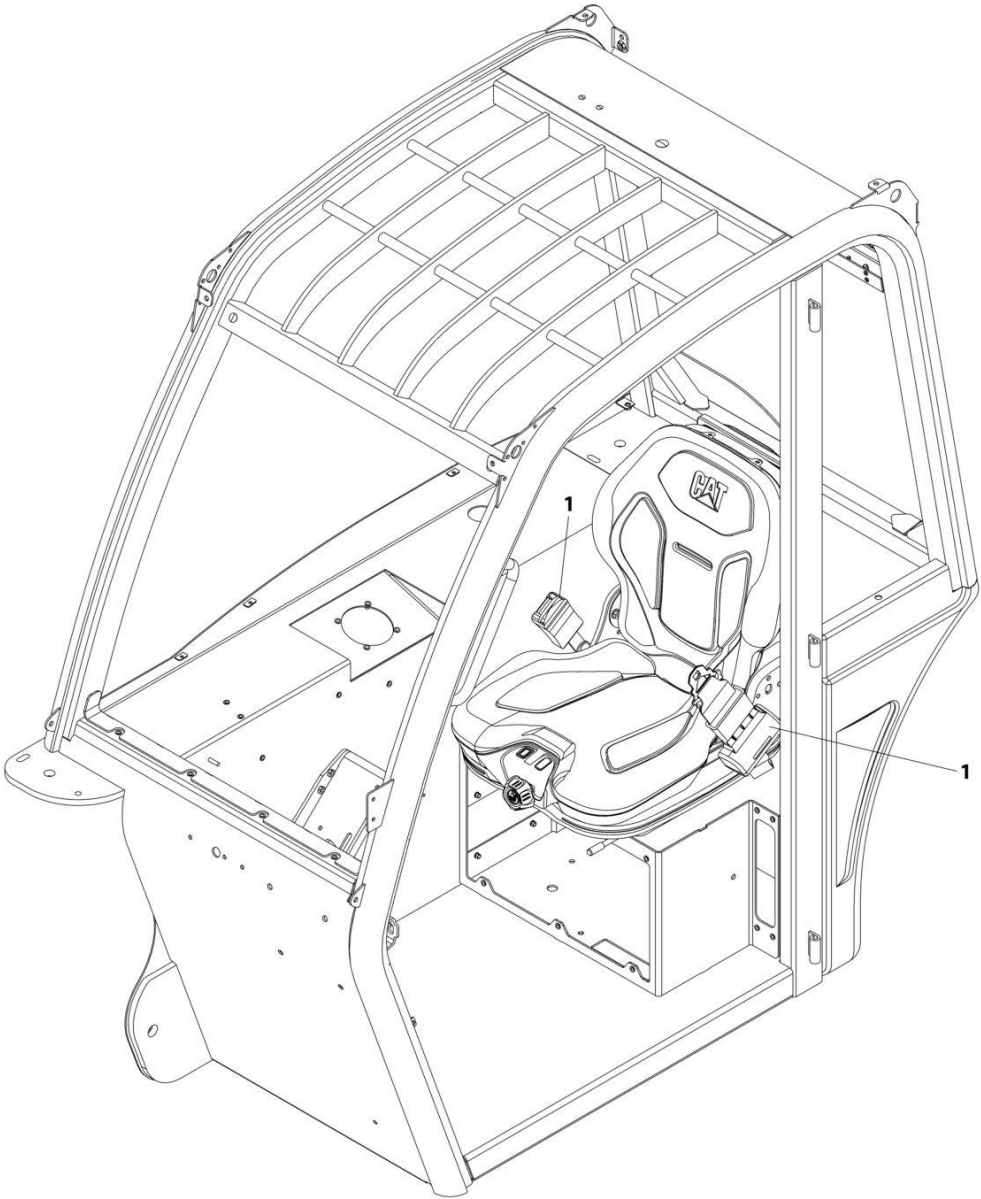
ART_1001142055

FIGURE 6-29. SEAT, LSI

ITEM	PART NUMBER	QTY	DESCRIPTION	REV
	1001142055	Ref	Seat, LSI	D
1	7026798	1	Slide Kit	
2	7026799	1	Knob Kit	
3	7026900	1	Back Cushion Kit	
4	7026901	1	Seat Cushion Kit	
5	7026905	1	Seat Belt Kit	
6	7026906	1	Tether Kit	
7	7026902	1	Back Panel Kit	
8	70023040	1	Shock Absorber Kit, (Not Shown), (Includes One Shock Absorber, Two Shock Pins And Two Hex Nuts)	
9	70023041	1	Spring and Saddle Kit, (Not Shown)	

SECTION 6 - CAB

FIGURE 6-30. SEAT BELT INSTALLATION (3 INCH) (PVC 1911)



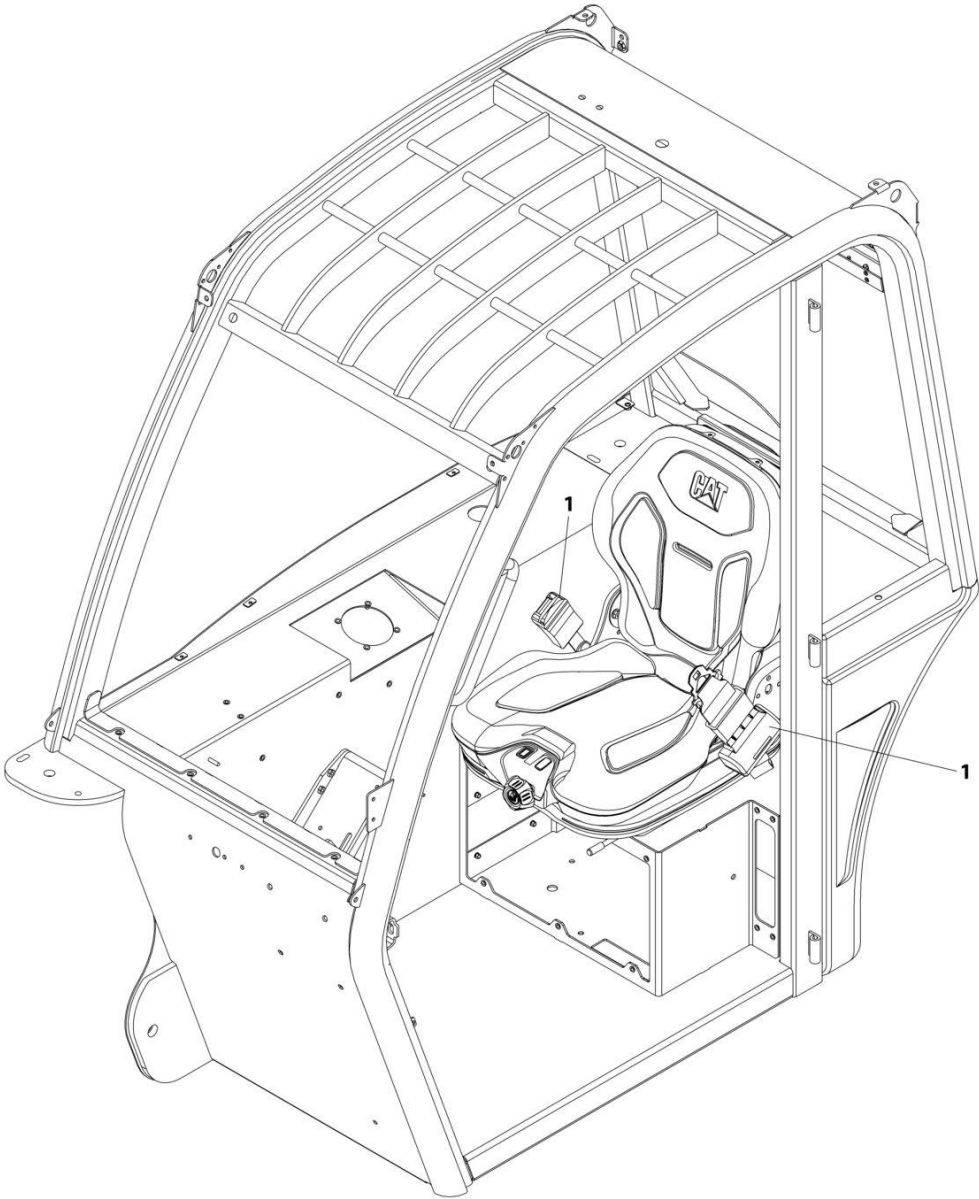
ART_1001233666-A

FIGURE 6-30. SEAT BELT INSTALLATION (3 INCH) (PVC 1911)

ITEM	PART NUMBER	QTY	DESCRIPTION	REV
1	1001233666 1001215778	Ref 1	Seat Belt Installation (3 Inch) Seat Belt	A

SECTION 6 - CAB

FIGURE 6-31. SEAT BELT INSTALLATION (3 INCH) (PVC 2005)



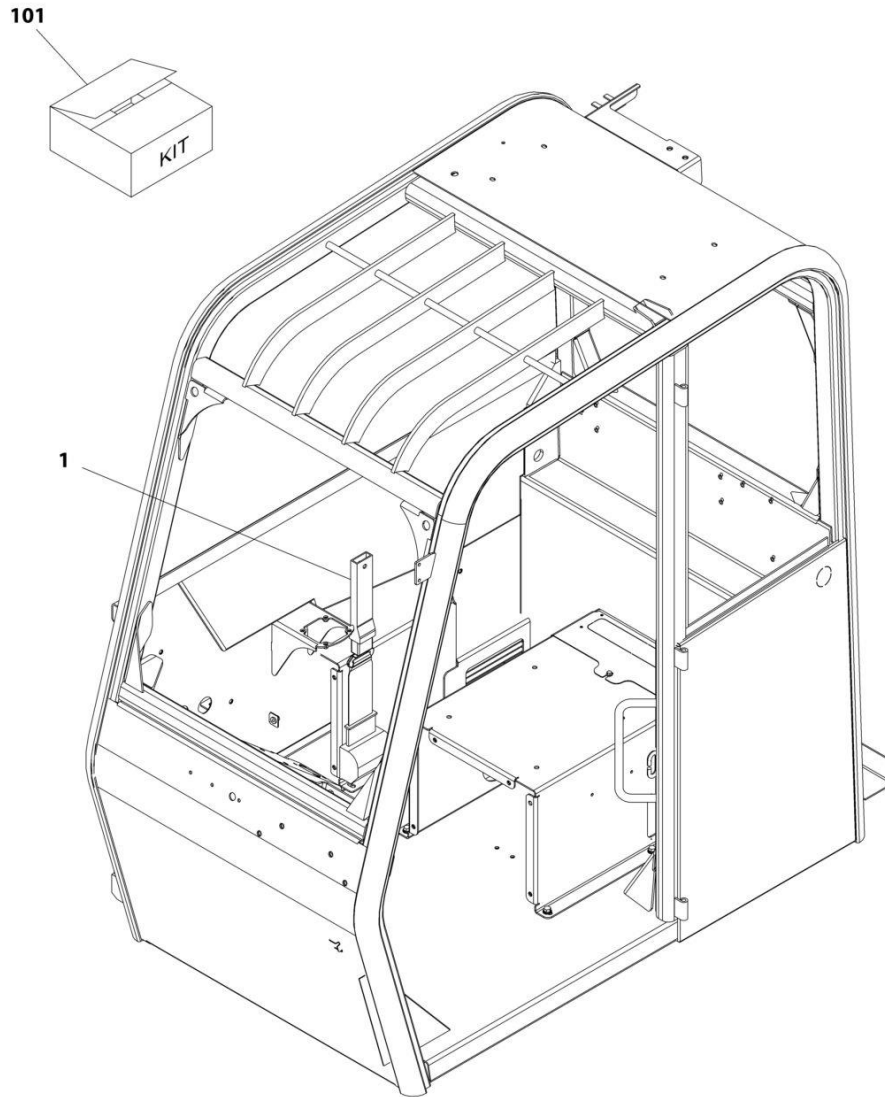
ART_1001233666_C

FIGURE 6-31. SEAT BELT INSTALLATION (3 INCH) (PVC 2005)

ITEM	PART NUMBER	QTY	DESCRIPTION	REV
	1001233666	Ref	Seat Belt Installation (3 Inch)	C
1	1001258244	1	Seat Belt (3in) (Black Strap)	
1	1001275933	1	Seat Belt (3in) (Orange Strap)	

SECTION 6 - CAB

FIGURE 6-32. SEAT BELT INSTALLATION, LSI (3 INCH)



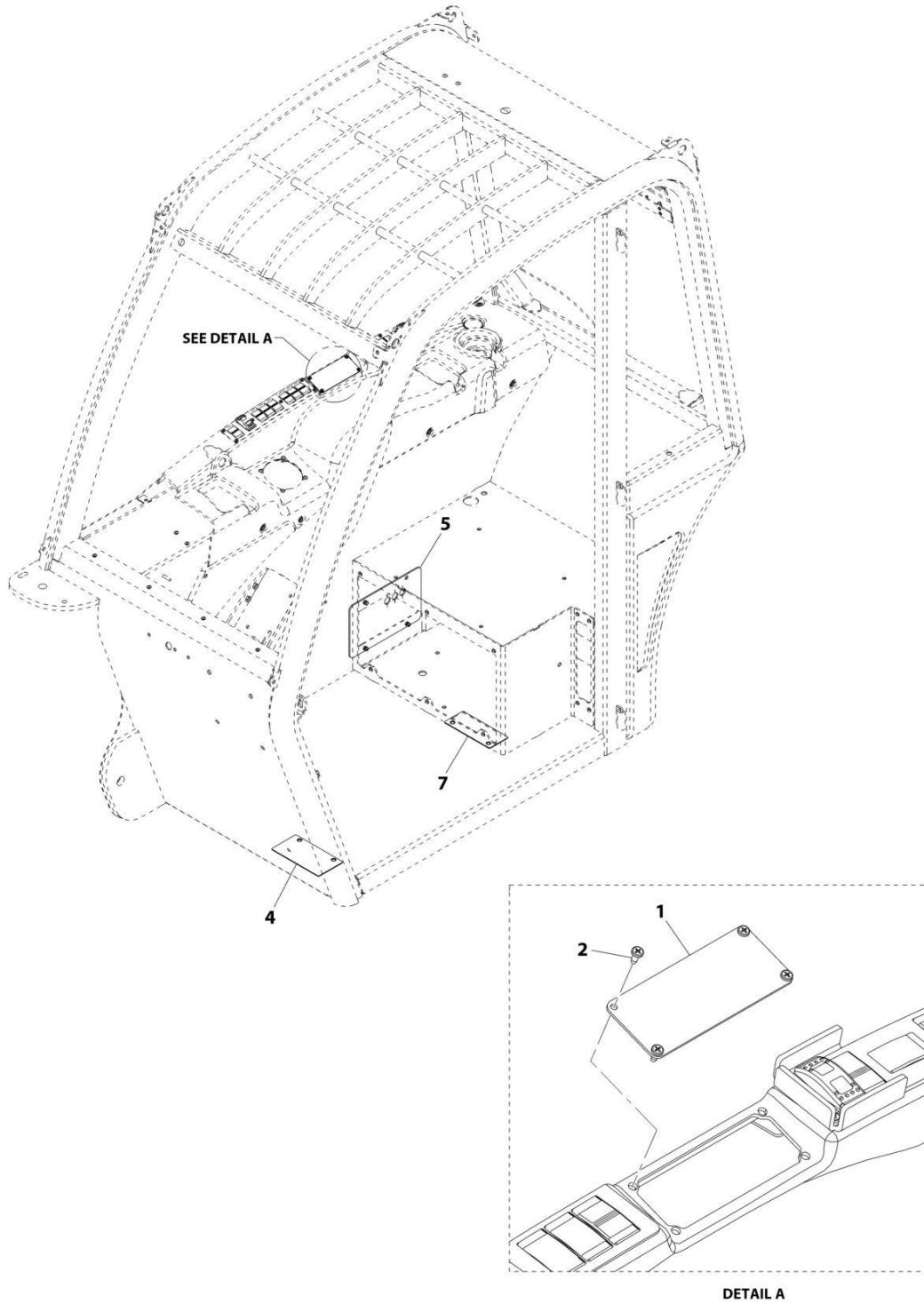
ART_91565064-A

FIGURE 6-32. SEAT BELT INSTALLATION, LSI (3 INCH)

ITEM	PART NUMBER	QTY	DESCRIPTION	REV
	91565064	Ref	Seat Belt Installation, LSI (3 Inch)	A
1	91563164	NLA	Seat Belt (no longer available, use 70023139 for replacement)	
101	70023139	1	Kit, 3 Inch Seat Belt (includes female and retractor ends)	

SECTION 6 - CAB

FIGURE 6-33. CONTROL COVER INSTALLATION



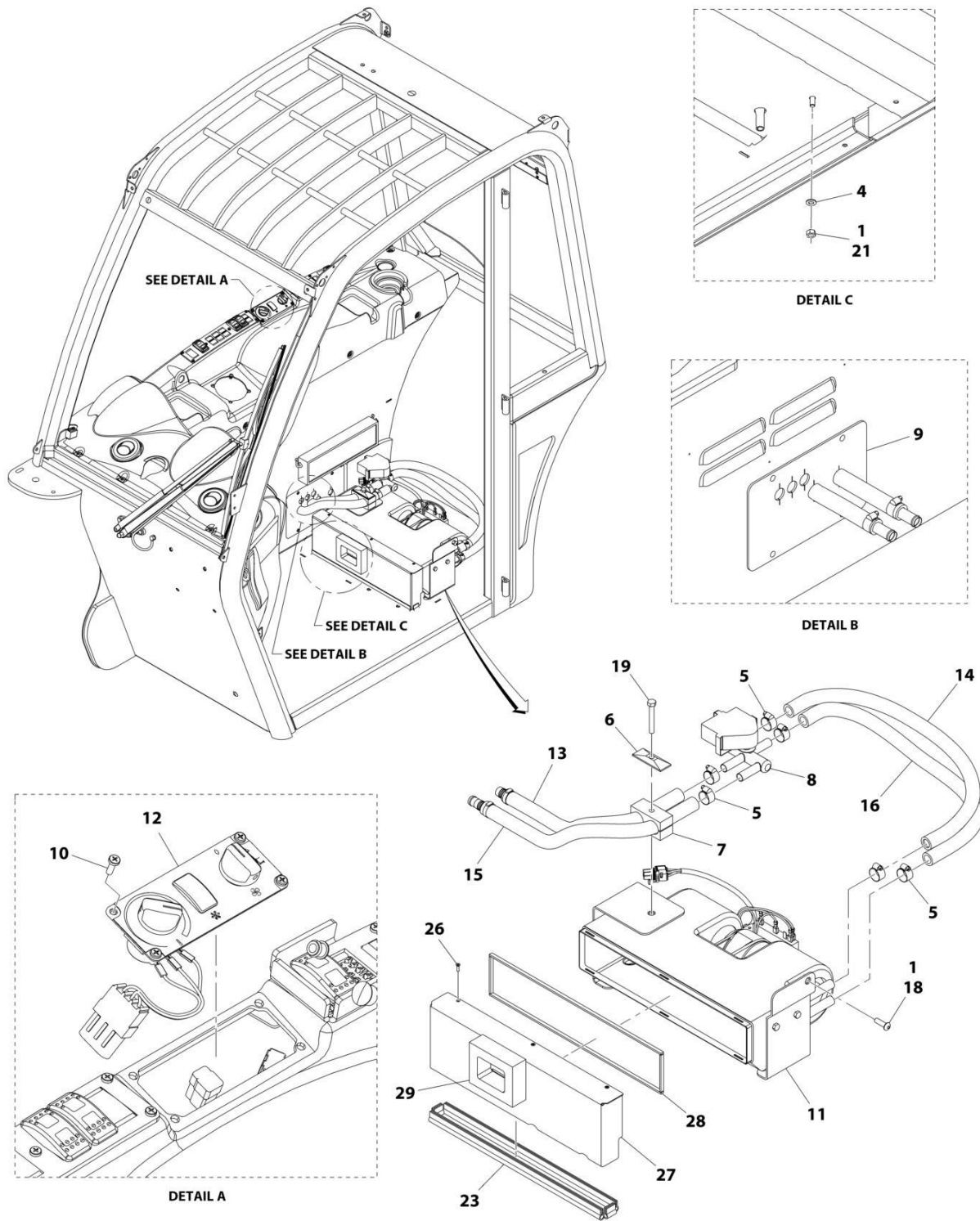
ART_1001080876-H

FIGURE 6-33. CONTROL COVER INSTALLATION

ITEM	PART NUMBER	QTY	DESCRIPTION	REV
	1001080876	Ref	Control Cover Installation	H
1	1001080852	1	Heater Control Cover	
2	1001137454	4	Pan HD Screw	
4	1001080974	1	Ductwork Panel	
5	1001080975	1	Parking Brake Release Valve Only Panel	
7	1001081023	1	Ductwork Panel	

SECTION 6 - CAB

FIGURE 6-34. HEATER INSTALLATION (CAB PARTS)



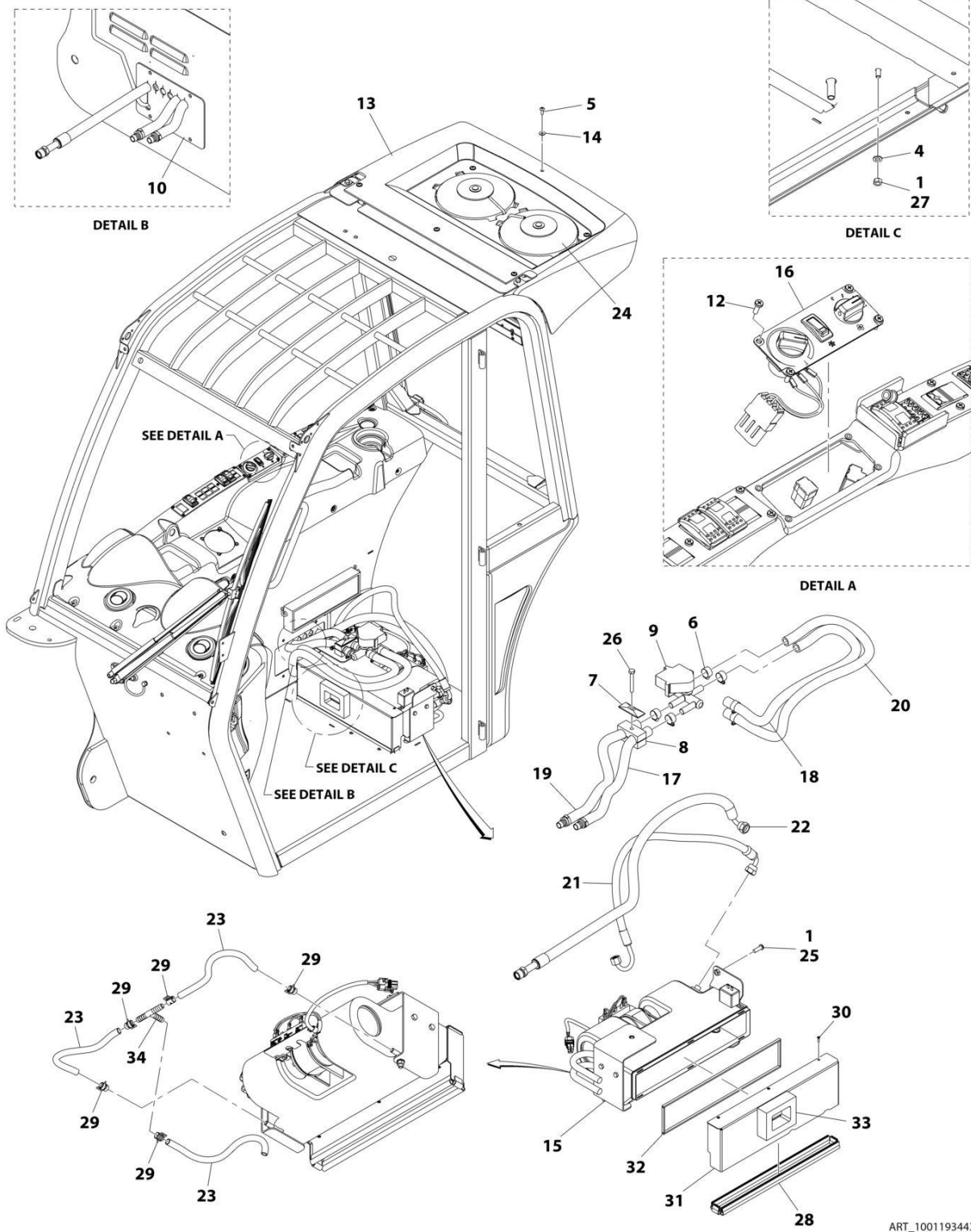
ART_1001193943-E

FIGURE 6-34. HEATER INSTALLATION (CAB PARTS)

ITEM	PART NUMBER	QTY	DESCRIPTION	REV
	1001193943	Ref	Heater Installation (cab parts)	E
1	0100011	AR	Compound, Locking	
4	4811900	1	Washer, M8	
5	8410009	6	Gear Clamp	
6	77133137	1	Cover Plate	
7	77133279	1	Clamp	
8	80383231	1	Water Heater Valve	
9	1001080976	1	Parking Brake Release Valve And Heater Panel	
10	1001137454	4	Pan HD Screw	
11	1001193805	1	Assembly, Heater 3 Speed (See Separate Breakdown in this Section)	
12	1001193945	1	Heater Control Switch (See Separate Breakdown in Control Section)	
13	1001193973	1	Hose	
14	1001193974	1	Hose	
15	1001193975	1	Hose	
16	1001193976	1	Hose	
18	0630468	1	Hex HD Capscrew, 5/16-18X2, GR5	
19	0641518	1	Hex HD Capscrew, 5/16-18X2-1/4, GR5	
21	3311501	1	Hex Nut, 5/16-18, GR2	
23	1001110433	856 mm	Seal	
26	91413036	1	Screw, M6X12	
27	1001202939	1	Duct	
28	1001113047	970 mm	Adhesive Seal	
29	1001209966	1	Seal, Duct	

SECTION 6 - CAB

FIGURE 6-35. HEATER AND A/C INSTALLATION (CAB PARTS)



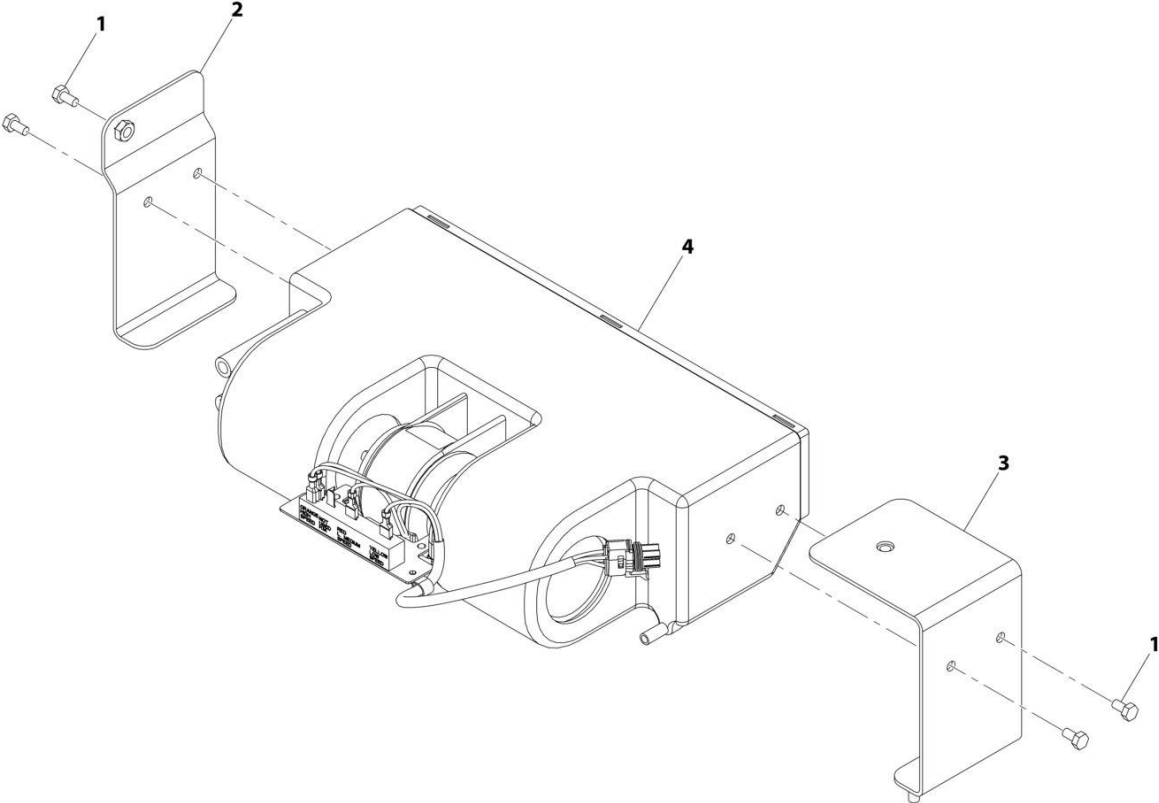
ART_1001193443-E

FIGURE 6-35. HEATER AND A/C INSTALLATION (CAB PARTS)

ITEM	PART NUMBER	QTY	DESCRIPTION	REV
	1001193443	Ref	Heater and A/C Installation (cab parts)	E
1	0100011	AR	Compound, Locking	
4	4811900	1	Washer M8	
5	8303034	6	Screw 1/4 x 3/4	
6	8410009	6	Gear Clamp	
7	77133137	1	Cover Plate	
8	77133279	1	Clamp	
9	80383231	1	Water Heater Valve	
10	1001220705	1	Parking Brake Release Valve, Heater and AC Panel	
12	1001139011	4	Pan HD Screw	
13	1001139801	1	Cover	
14	1001150509	6	Washer	
15	1001193432	1	Assembly, Heater and A/C, 3 Speed (See Separate Breakdown in This Section)	
16	1001193501	1	HVAC Control Switch (See Separate Breakdown in Control Section)	
17	1001193720	1	Hose	
18	1001193721	1	Hose	
19	1001193723	1	Hose	
20	1001193725	1	Hose	
21	1001193761	1	Hose	
22	1001193762	1	Hose	
23	1001195447	809 mm	Hose	
24	1001202352	1	AC Condenser Installation (See Separate Breakdown in this Section)	
25	0630468	1	Capscrew 5/16 x 1	
26	0641518	1	Capscrew 5/16 x 2-1/4	
27	3311501	1	Nut 5/16	
28	1001110433	856 mm	Seal	
29	1001156087	5	Gear Clamp	
30	91413036	6	Screw M6 x 12	
31	1001202939	1	Duct	
32	1001113047	970 mm	Adhesive Seal	
33	1001209966	1	Seal, Duct	
34	1001172953	1	Union Tee	

SECTION 6 - CAB

FIGURE 6-36. HEATER ASSEMBLY, 3 SPEED



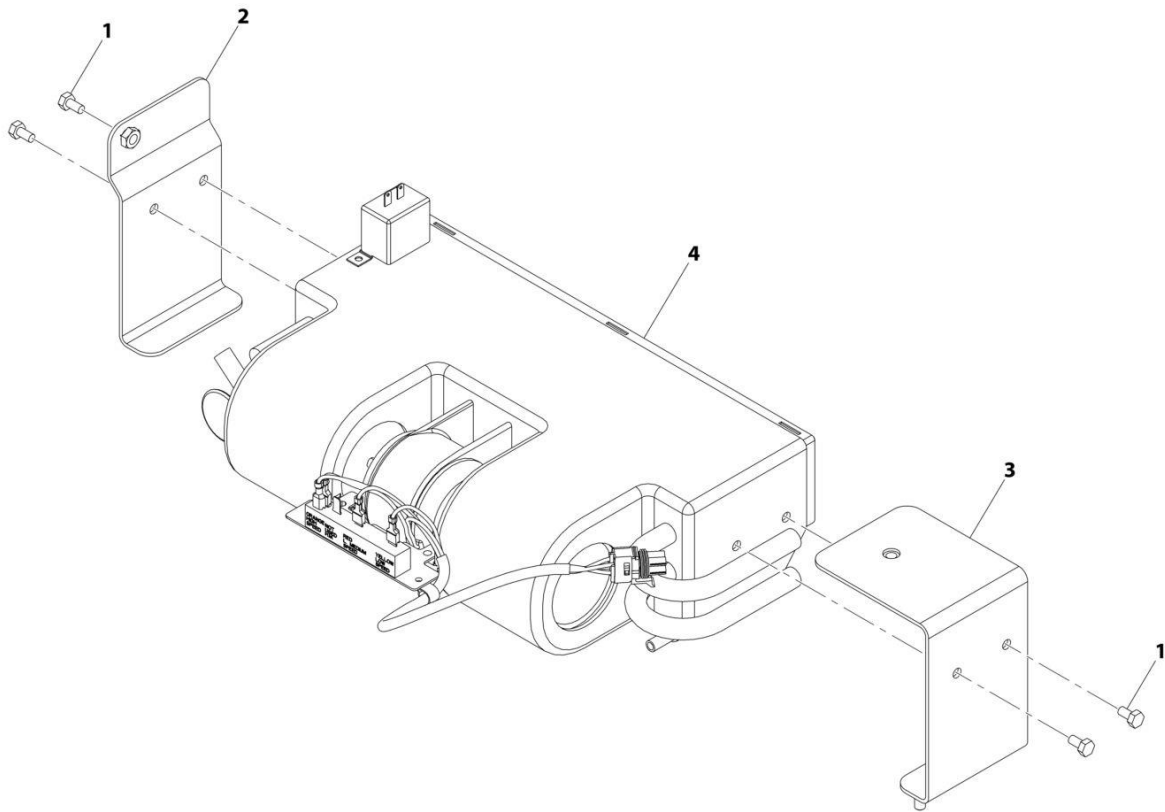
ART_1001193805-C

FIGURE 6-36. HEATER ASSEMBLY, 3 SPEED

ITEM	PART NUMBER	QTY	DESCRIPTION	REV
	1001193805	Ref	Heater Assembly, 3 Speed	C
1	0641404	4	Hex HD Capscrew, 1/4-20X1/2, GR5	
2	1001193528	1	Bracket	
3	1001193529	1	Bracket	
4	1001195348	1	Heater Assembly (See Separate breakdown in this Section)	

SECTION 6 - CAB

FIGURE 6-37. HEATER AND A/C ASSEMBLY, 3 SPEED



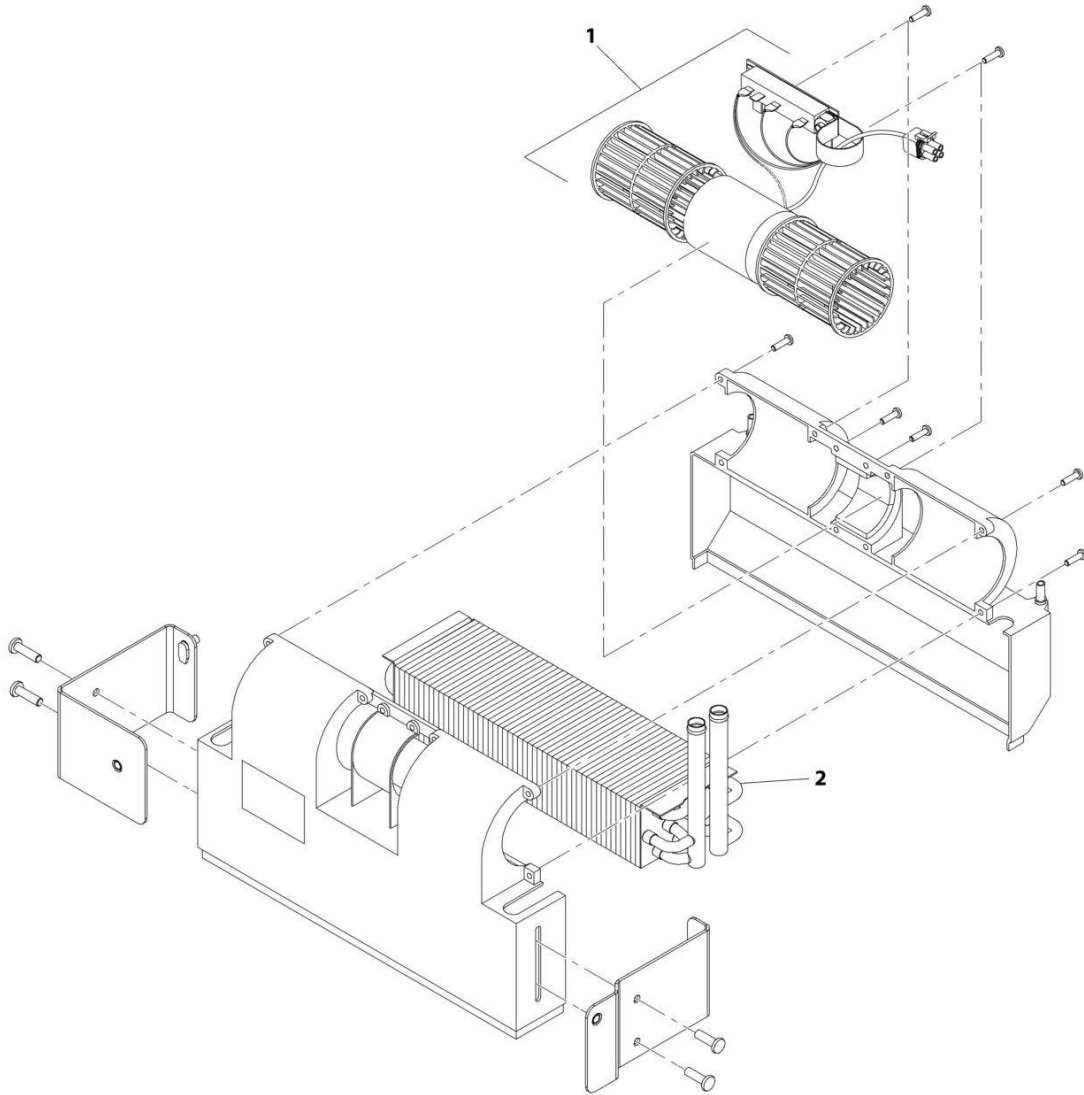
ART_1001193432-C

FIGURE 6-37. HEATER AND A/C ASSEMBLY, 3 SPEED

ITEM	PART NUMBER	QTY	DESCRIPTION	REV
	1001193432	Ref	Heater and A/C Assembly, 3 Speed	C
1	0641404	4	Hex HD Capscrew, 1/4-20X1/2, GR5	
2	1001193528	1	Bracket	
3	1001193529	1	Bracket	
4	1001195347	1	Assembly, Heater and A/C (See Separate breakdown in this Section)	

SECTION 6 - CAB

FIGURE 6-38. HEATER



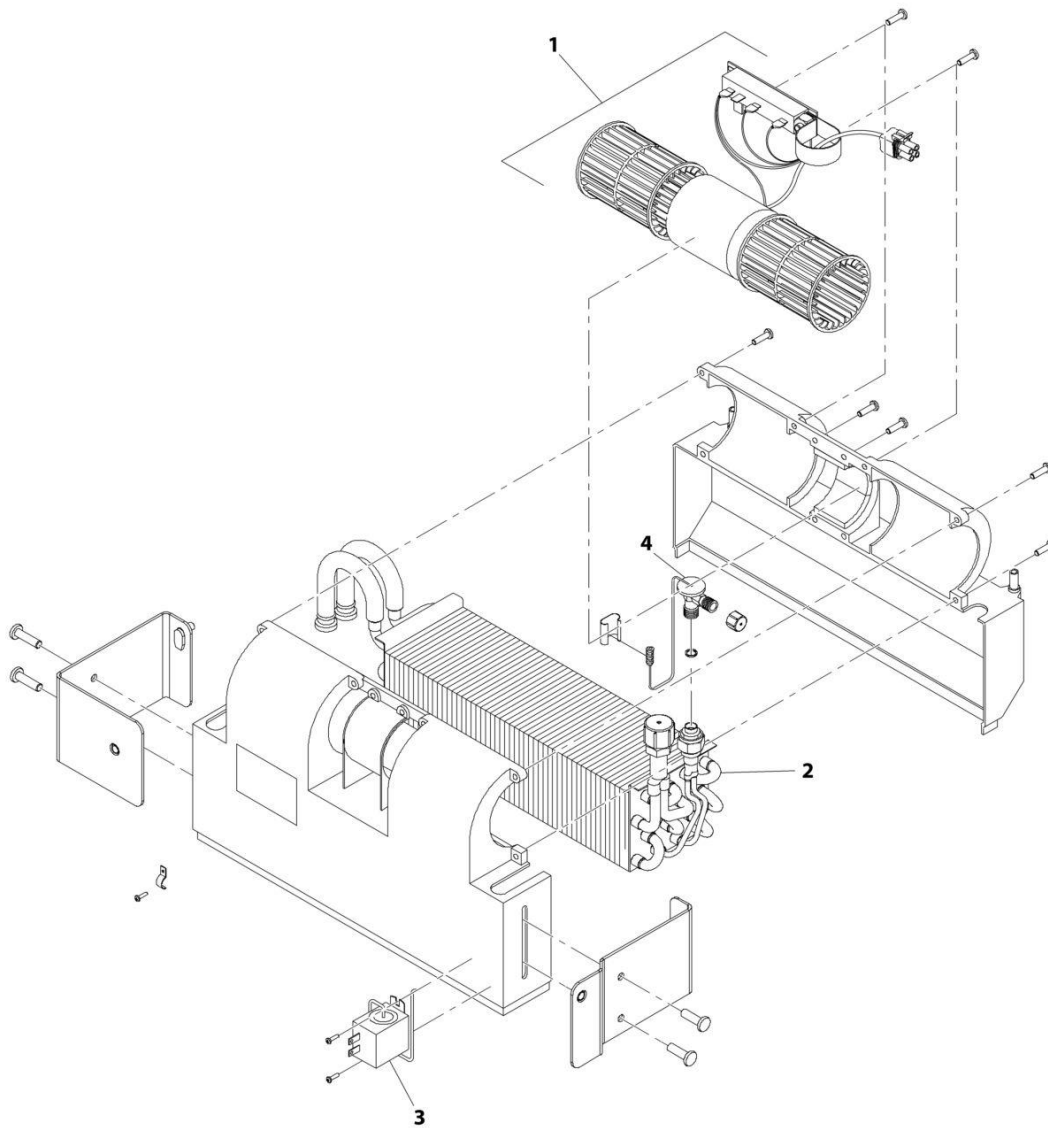
ART_1001195348-C

FIGURE 6-38. HEATER

ITEM	PART NUMBER	QTY	DESCRIPTION	REV
	1001195348	Ref	Heater	C
1	70022805	1	Blower Motor	
2	70025925	1	Heater Coil	

SECTION 6 - CAB

FIGURE 6-39. HEATER AND A/C



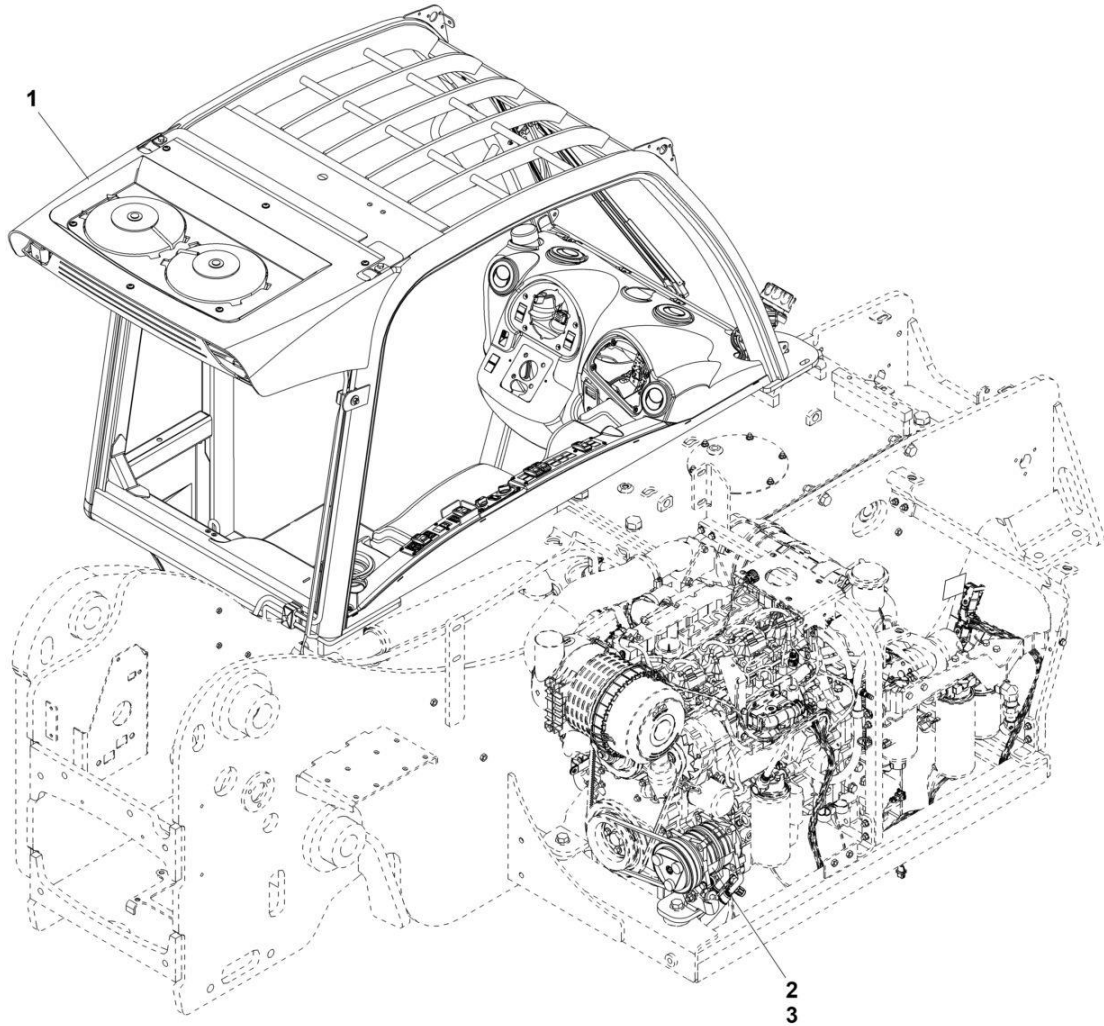
ART_1001195347-C

FIGURE 6-39. HEATER AND A/C

ITEM	PART NUMBER	QTY	DESCRIPTION	REV
	1001195347	Ref	Heater and A/C	C
1	70022805	1	Blower Motor	
2	70027632	1	Coil	
3	70024386	1	Thermostat	
4	91514272	1	Expansion Valve	

SECTION 6 - CAB

FIGURE 6-40. A/C KIT



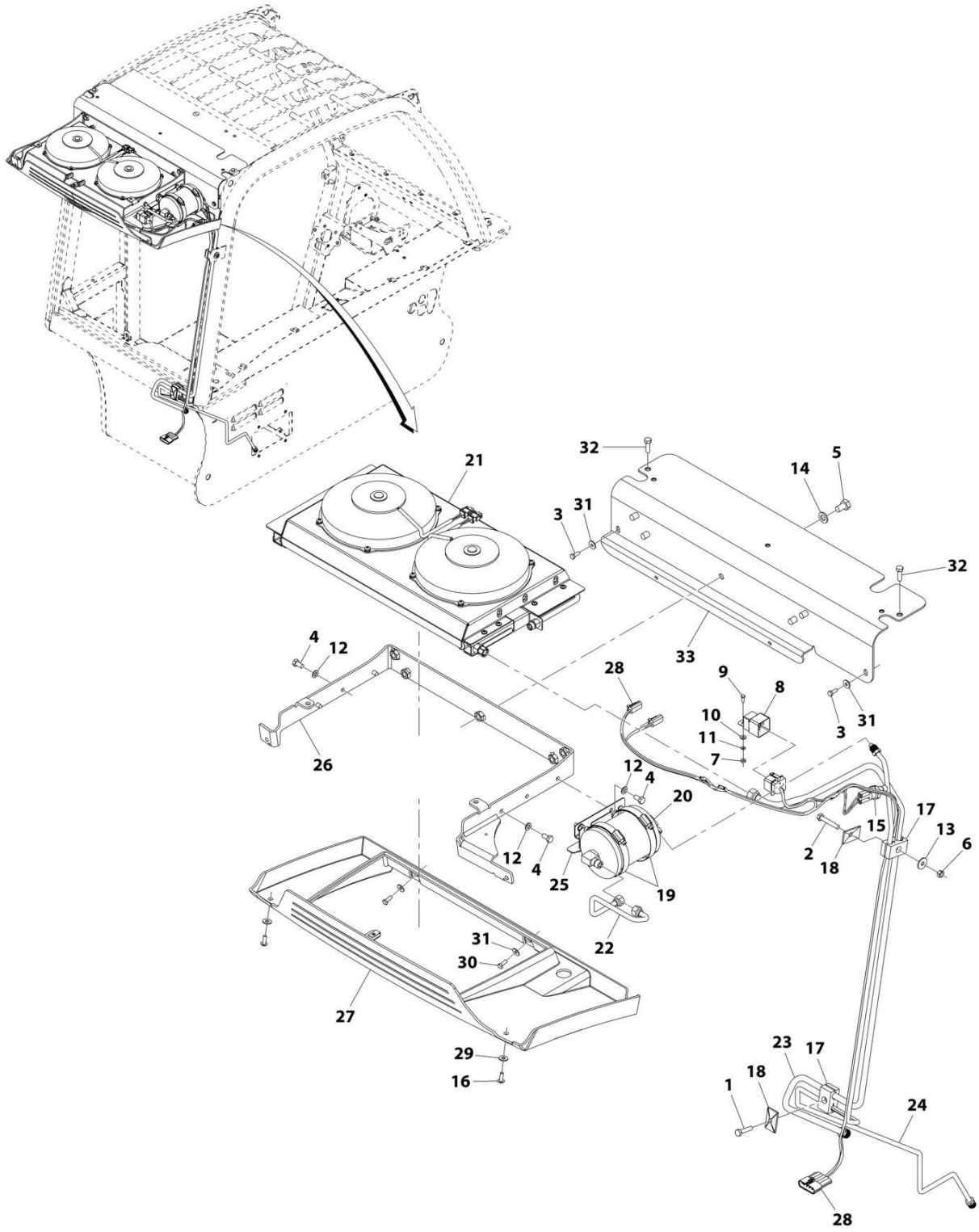
ART_1001202502

FIGURE 6-40. A/C KIT

ITEM	PART NUMBER	QTY	DESCRIPTION	REV
1	1001202502 1001193443	Ref 1	A/C KIT Installation, Heater and A/C (cab parts) (See Separate Breakdown in this Section)	B
2	1001139688	1	Installation, A/C System (See Separate Breakdown in ENGINE AND ATTACHING PARTS Section)	
3	2300037	AR	Fluid, Refrigerant R-134a	

SECTION 6 - CAB

FIGURE 6-41. A/C CONDENSER INSTALLATION



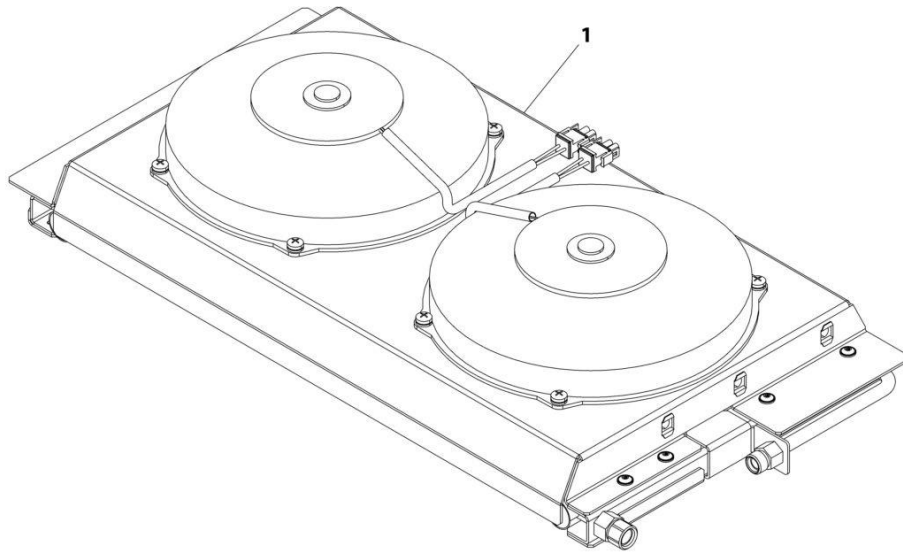
ART_1001202352-A

FIGURE 6-41. A/C CONDENSER INSTALLATION

ITEM	PART NUMBER	QTY	DESCRIPTION	REV
	1001202352	Ref	A/C Condenser Installation	A
1	0700815	1	Hex HD Capscrew, M8X35, GR8.8	
2	0700818	1	Hex HD Capscrew, M8X50, GR8.8	
3	0760608	2	Hex HD Capscrew, M6X16, GR8.8	
4	0760808	6	Hex HD Capscrew, M8X16, GR8.8	
5	0761210	5	Hex HD Capscrew, M12x20, GR8.8	
6	3290801	1	Hex Nut, M8X1.25	
7	3311001	1	Hex Nut	
8	3740080	1	Weather Proof Relay	
9	3900306	1	Hex HD Screw	
10	4711000	1	Washer	
11	4771000	1	Star Washer	
12	4811900	6	Washer, M8	
13	4811902	1	Washer, M8	
14	4812100	5	Washer, M12	
15	8223531	1	A/C Pressure Switch	
16	8303034	2	Truss HD Screw, 1/4-20X0.75	
17	8750042	2	Clamp Set	
18	8769123	2	Cover Plate	
19	10719267	2	Clamp	
20	1001126841	1	A/C Receiver Drier	
21	1001138262	1	A/C Condenser (See Separate Breakdown in this Section)	
22	1001138264	1	Condenser Outlet Tube	
23	1001138265	1	Condenser Supply Tube	
24	1001138266	1	Drier Outlet Tube	
25	1001138269	1	Drier Mount Bracket	
26	1001138345	1	Condenser Mount Bracket	
27	1001139803	1	Condenser Bottom Cover	
28	1001142236	1	Harness, Condenser Fan (See Separate Breakdown in Electrical Section)	
29	1001150479	2	Washer	
30	1001150508	2	Bolt, M6x18, GR8.8	
31	1001150509	4	Washer	
32	1001151088	2	Bolt, 5/16-18X1, GR5	
33	1001138263K	1	A/C Mount Bracket	

SECTION 6 - CAB

FIGURE 6-42. CONDENSER



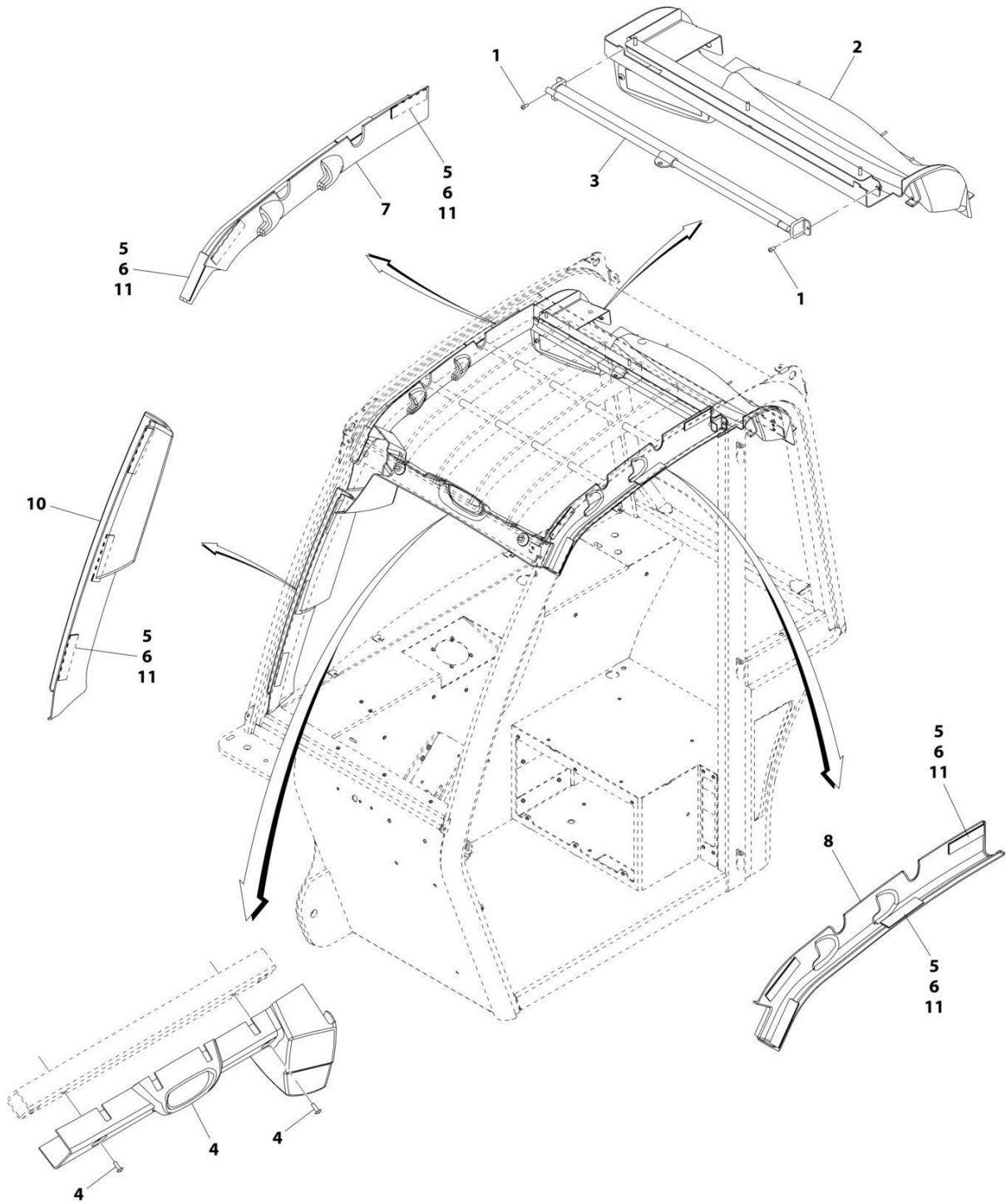
ART_1001138262-B

FIGURE 6-42. CONDENSER

ITEM	PART NUMBER	QTY	DESCRIPTION	REV
	1001138262	Ref	Condenser	B

SECTION 6 - CAB

FIGURE 6-43. OVERHEAD CONSOLE INSTALLATION



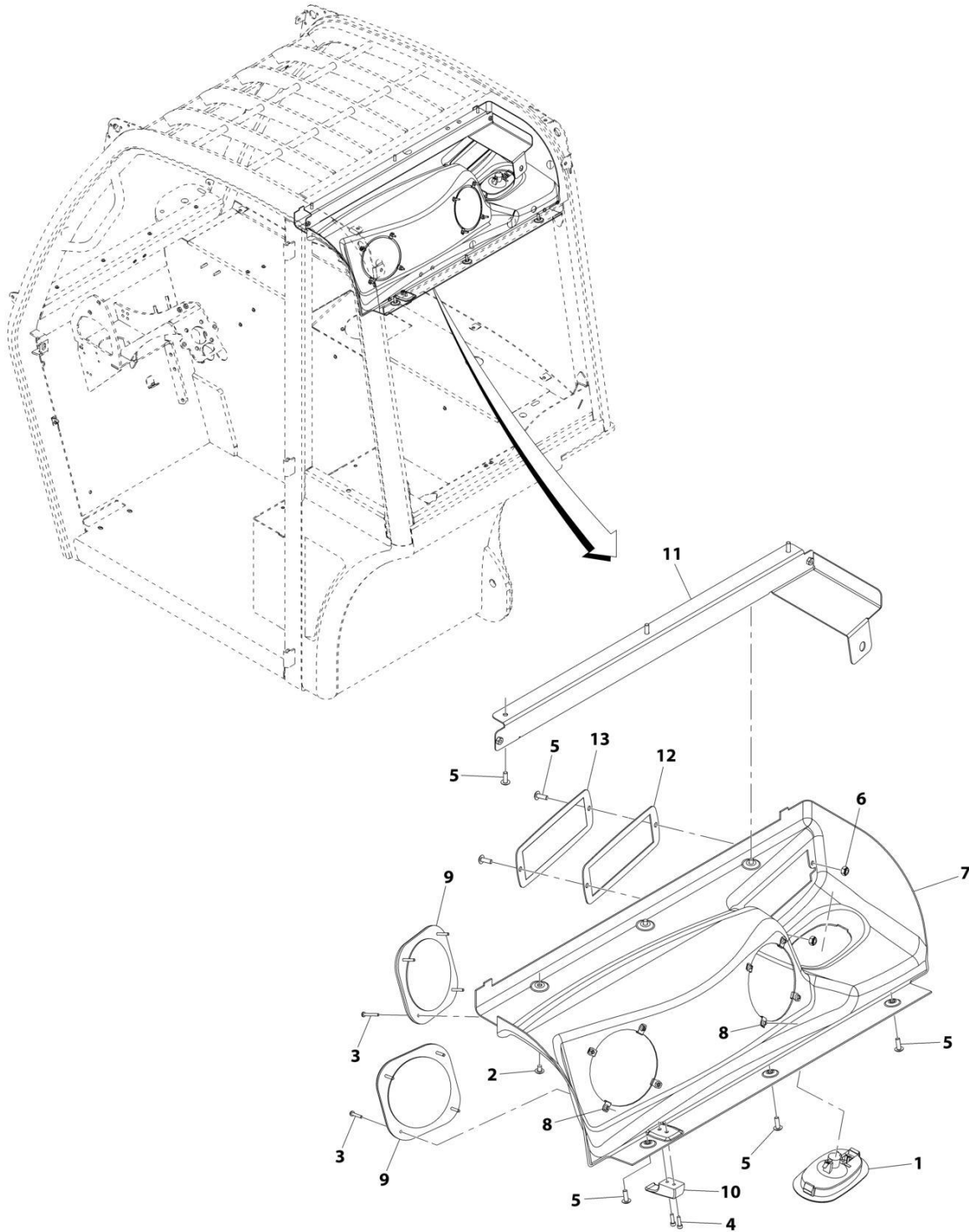
ART_1001081187-G

FIGURE 6-43. OVERHEAD CONSOLE INSTALLATION

ITEM	PART NUMBER	QTY	DESCRIPTION	REV
	1001081187	Ref	Overhead Console Installation	G
1	0630464	2	Button HD Screw, #10 x 1/2	
2	1001080945	1	Installation, Overhead Console (Open) (See Separate Breakdown in this Section)	
3	1001080952	1	Visor	
4	1001080957	1	Installation, Front FOPS (See Separate Breakdown in this Section)	
5	1001081161	11	Hook 1in Wide Tape	
6	1001081163	11	Loop 1in Wide Tape	
7	1001153634	1	In-Board ROPS Bar Cover	
8	1001153635	1	Out-Board ROPS Bar Cover	
10	1001153631	1	A-Pillar Cover	
11	1001112058	AR	Adhesive Strip	

SECTION 6 - CAB

FIGURE 6-44. OVERHEAD CONSOLE INSTALLATION (OPEN)



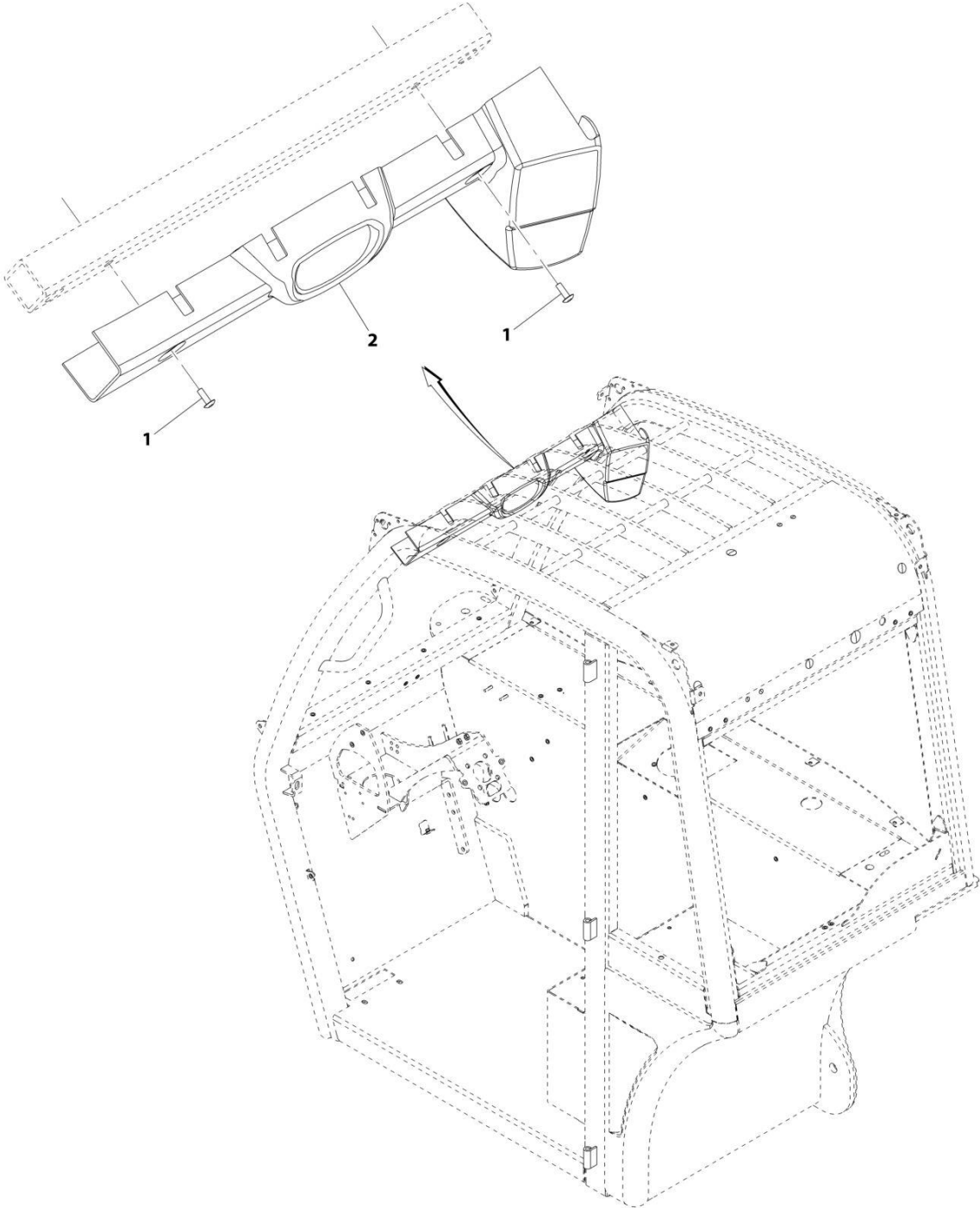
ART_1001080945-H

FIGURE 6-44. OVERHEAD CONSOLE INSTALLATION (OPEN)

ITEM	PART NUMBER	QTY	DESCRIPTION	REV
	1001080945	Ref	Overhead Console Installation (Open)	H
1	2920209	1	Dome Light Lamp	
1	70020795	1	Light Bulb	
2	1001108078	3	Truss HD Screw, 1/4-20X3/8	
3	1001108152	8	Screw, M4X30	
4	1001108155	2	Socket HD Capscrew, 10-24X5/8	
5	8303034	8	Truss HD Screw, 1/4-20X3/4	
6	88521304	2	Hex Locknut, 1/4-20	
7	1001080866	1	Overhead Console Cover	
8	1001080947	8	Nut, M4	
9	1001080951	2	Speaker Cover	
10	1001080953	1	Hook	
11	1001080954	1	Visor Mount Bracket	
12	1001080955	1	Radio Mount Plate	
13	1001080960	1	Radio Mount Outer Plate	

SECTION 6 - CAB

FIGURE 6-45. FRONT FOPS INSTALLATION



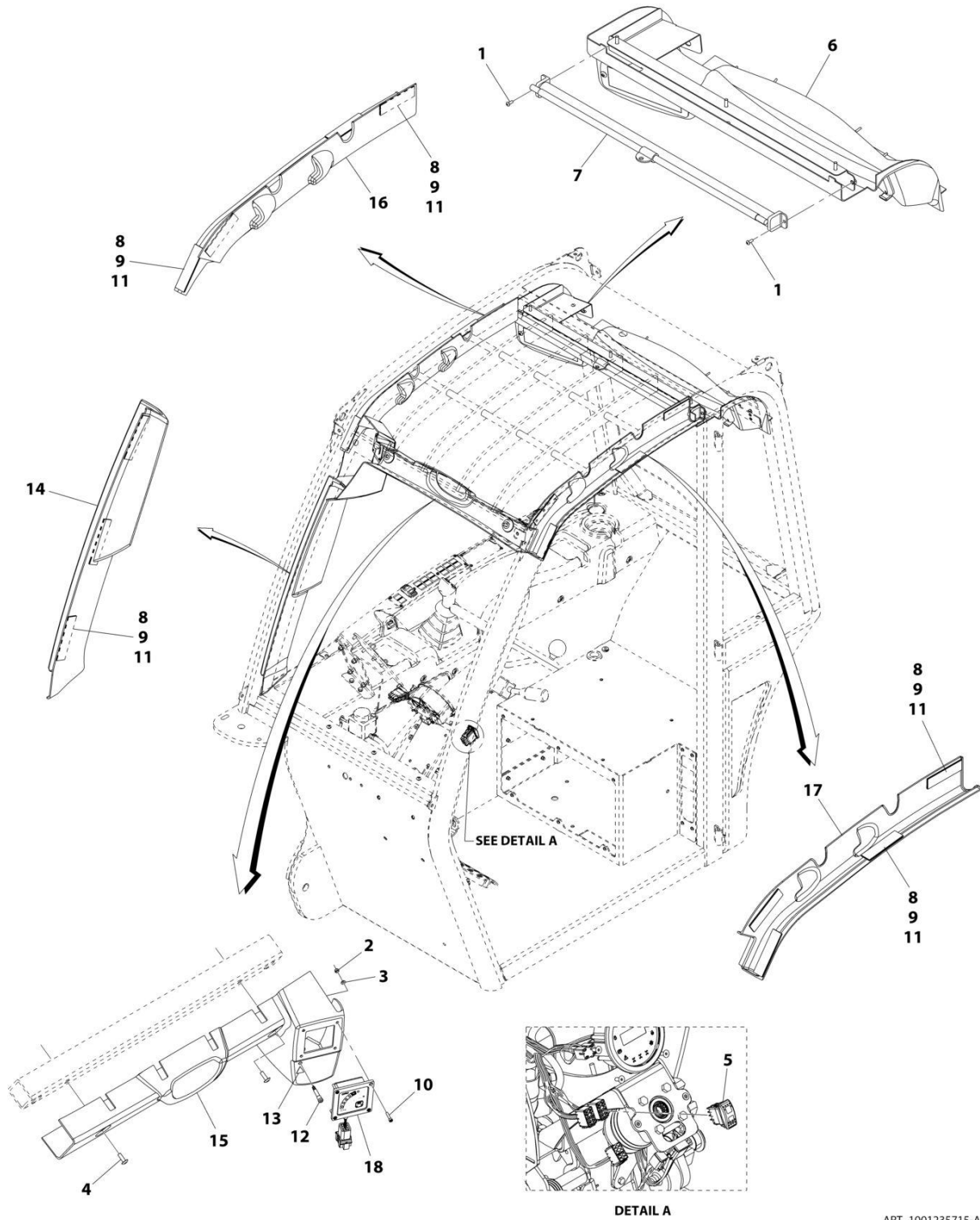
ART_1001080957-F

FIGURE 6-45. FRONT FOPS INSTALLATION

ITEM	PART NUMBER	QTY	DESCRIPTION	REV
	1001080957	Ref	Front FOPS Installation	F
1	8303034	2	Truss HD Screw, 1/4-20X3/4	
2	1001153630	1	Front FOPS Bar Cover	

SECTION 6 - CAB

FIGURE 6-46. OVERHEAD CONSOLE INSTALLATION (LSI)



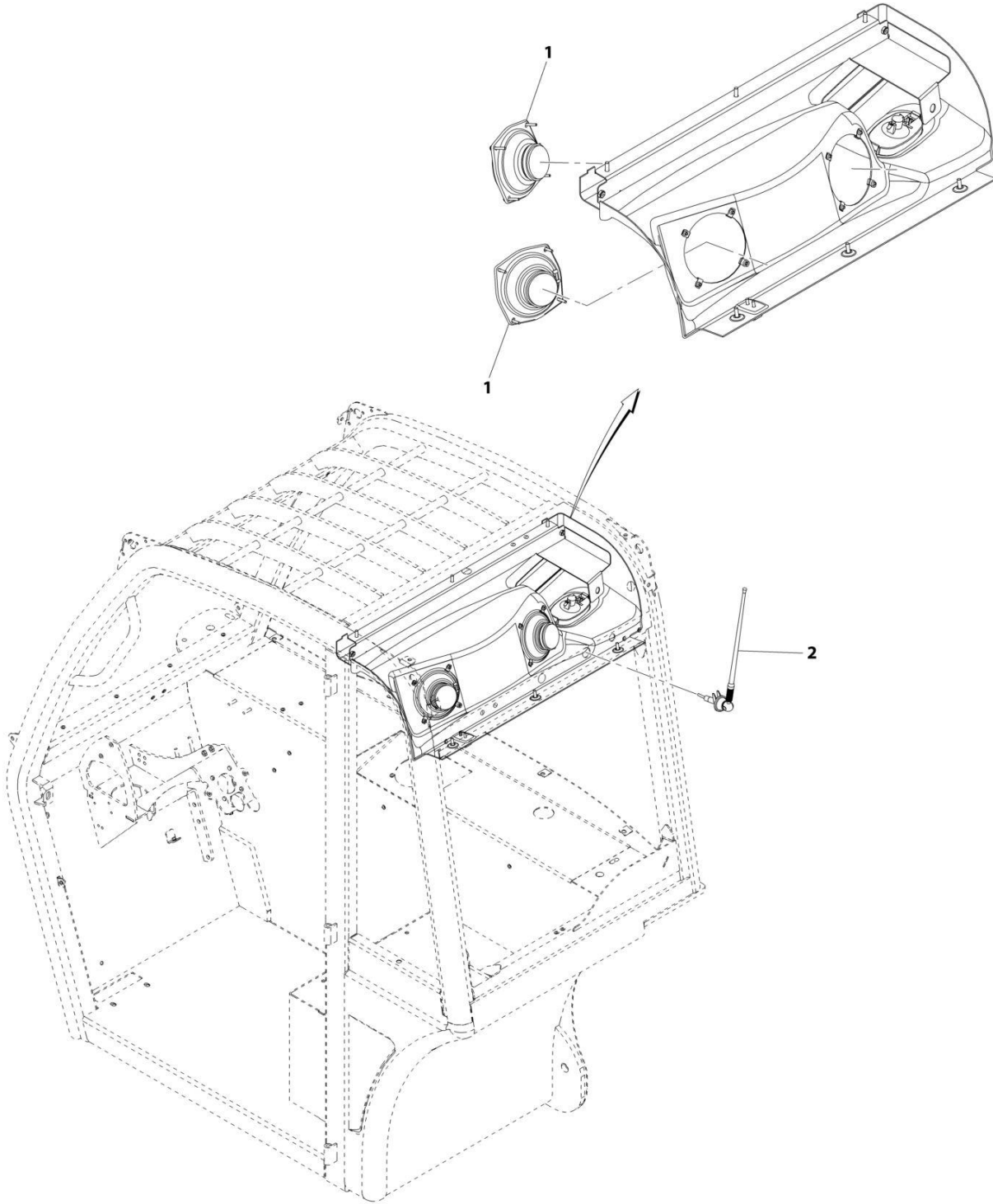
ART_1001235715-A

FIGURE 6-46. OVERHEAD CONSOLE INSTALLATION (LSI)

ITEM	PART NUMBER	QTY	DESCRIPTION	REV
	1001235715	Ref	Overhead Console Installation (LSI)	A
1	0630464	2	Button HD Screw, #10 x 1/2	
2	3290405	4	Hex Locknut, M4	
3	4811400	4	Washer, M4	
4	8303034	2	Screw, 1/4 x 3/4	
5	1001080373	1	LMI Override Switch	
6	1001080945	1	Installation, Overhead Console (See Separate Breakdown in this Section)	
7	1001080952	1	Visor	
8	1001081161	11	Hook 1in Wide Tape	
9	1001081163	11	Loop 1in Wide Tape	
10	1001110269	4	Screw, M4X20	
11	1001112058	AR	Adhesive Strip	
12	1001127397	1	LSI Light	
13	1001127546	1	LSI Decal	
14	1001153631	1	A-Pillar Cover	
15	1001153633	1	Front ROPS Bar Cover	
16	1001153634	1	In-Board ROPS Bar Cover	
17	1001153635	1	Out-Board ROPS Bar Cover	
18	1001192979	1	LSI Display	

SECTION 6 - CAB

FIGURE 6-47. RADIO READY PACKAGE INSTALLATION



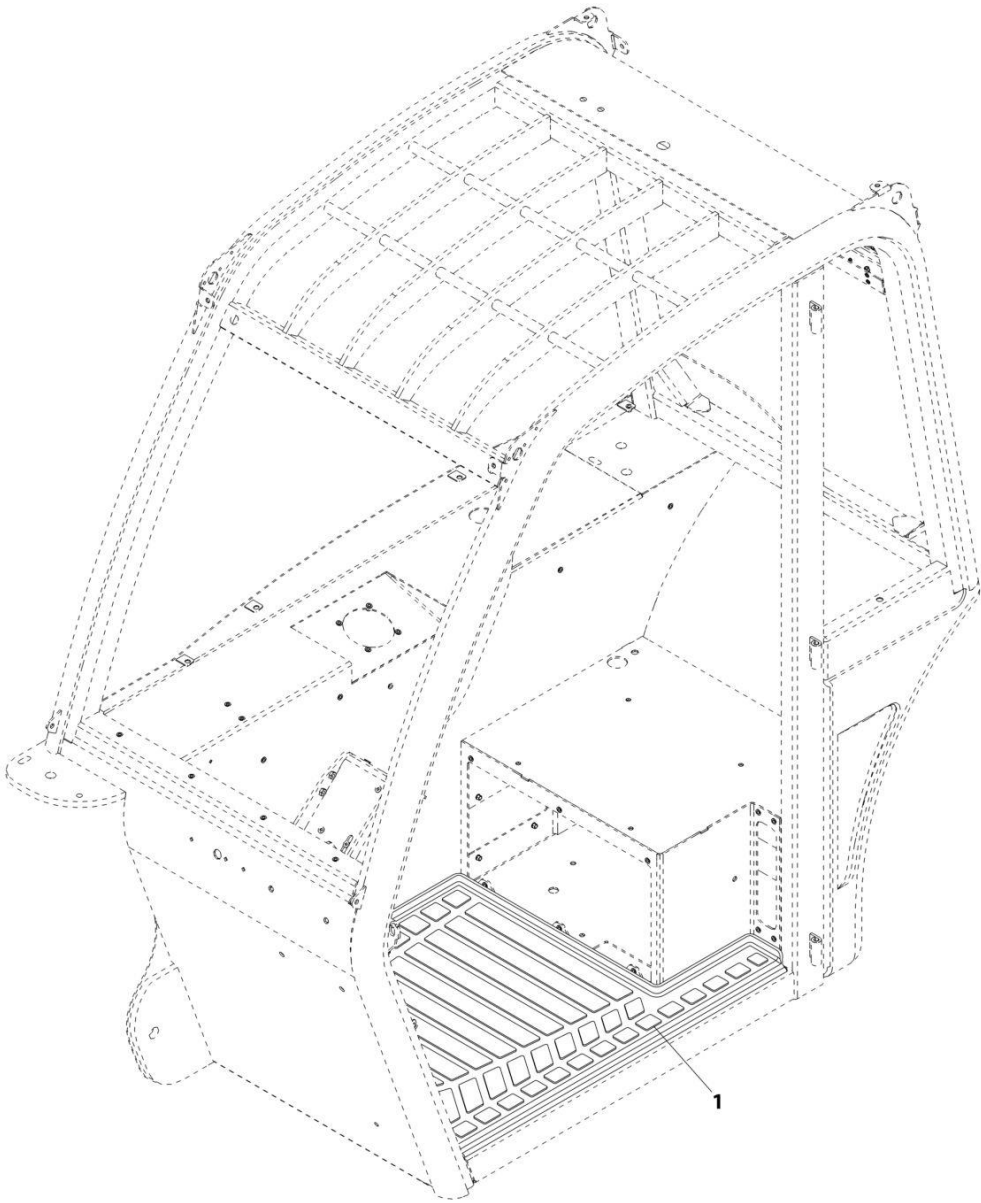
ART_1001080844-B

FIGURE 6-47. RADIO READY PACKAGE INSTALLATION

ITEM	PART NUMBER	QTY	DESCRIPTION	REV
	1001080844	Ref	Radio Ready Package Installation	B
1	1001080956	2	Speaker	
2	1001080959	1	Antenna	

SECTION 6 - CAB

FIGURE 6-48. FLOOR MAT INSTALLATION



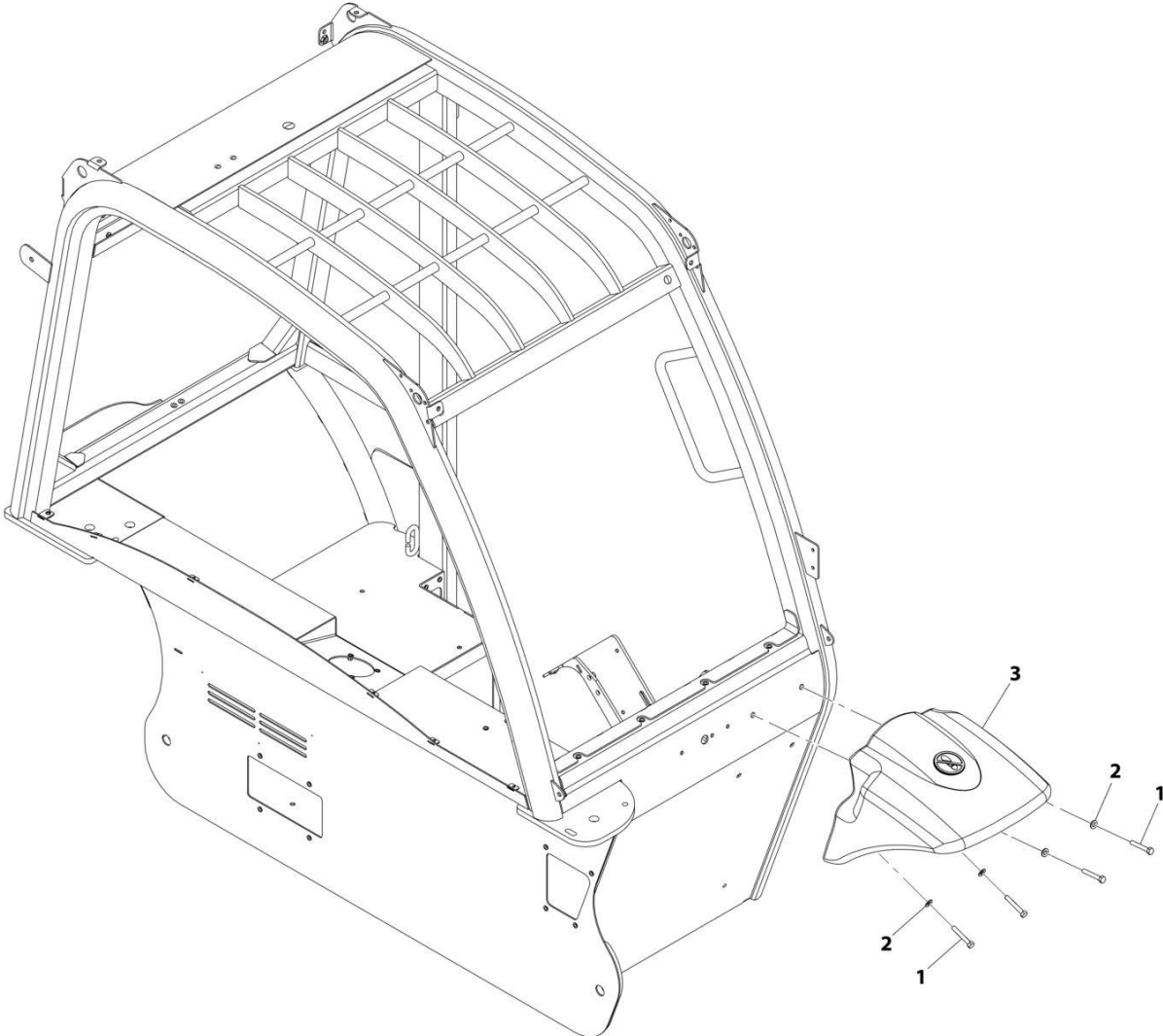
ART_1001080893-B

FIGURE 6-48. FLOOR MAT INSTALLATION

ITEM	PART NUMBER	QTY	DESCRIPTION	REV
1	1001080893 1001080822	Ref 1	Floor Mat Installation Floor, Cover	B

SECTION 6 - CAB

FIGURE 6-49. CAB FENDER INSTALLATION



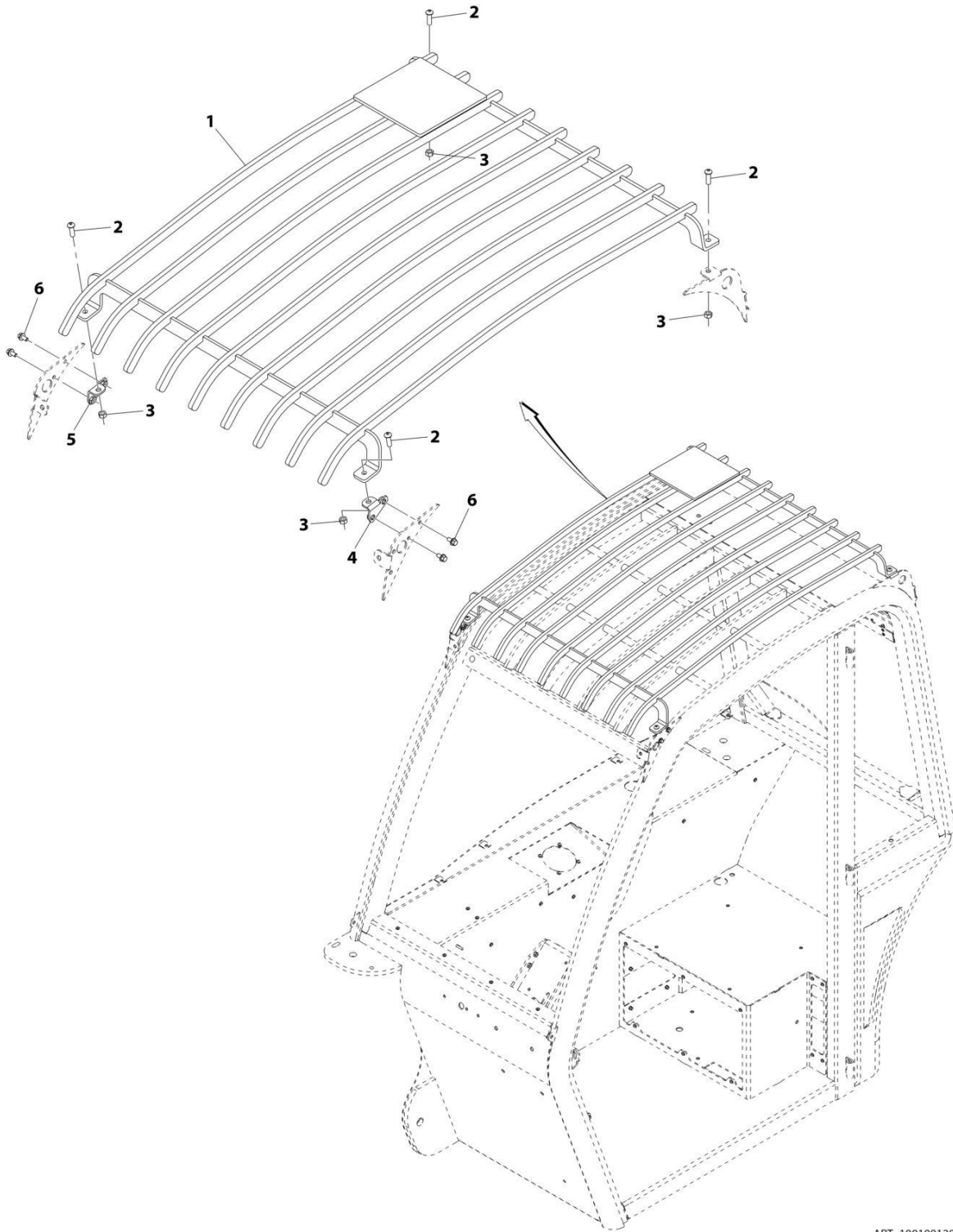
ART_1001097640-C

FIGURE 6-49. CAB FENDER INSTALLATION

ITEM	PART NUMBER	QTY	DESCRIPTION	REV
	1001097640	Ref	Cab Fender Installation	C
1	0641516	4	Hex HD Capscrew, 5/16-18X2	
2	4711500	4	Washer, 5/16	
3	1001080891	1	Front Fender	

SECTION 6 - CAB

FIGURE 6-50. CAB GUARD INSTALLATION (TOP)



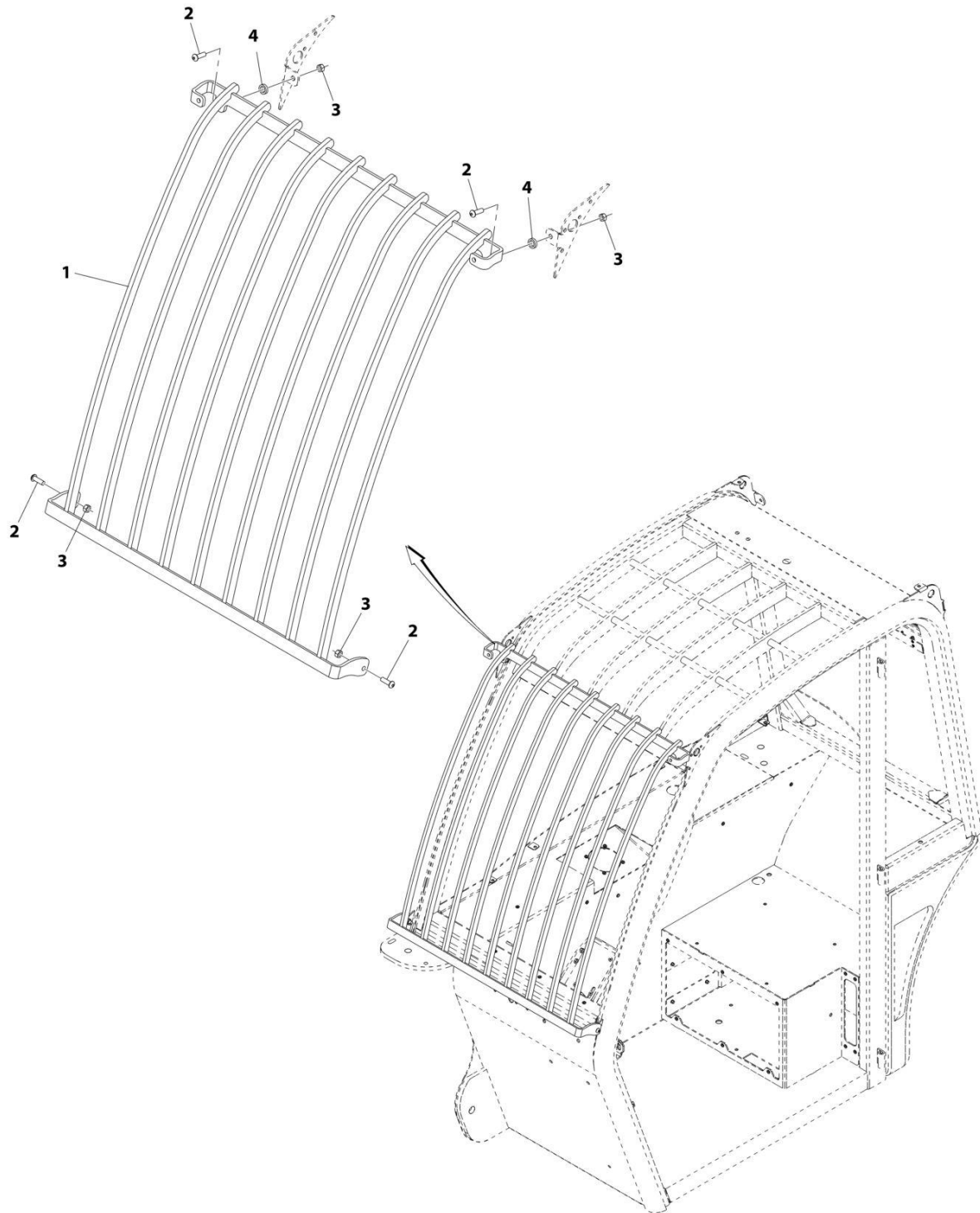
ART_1001081286-F

FIGURE 6-50. CAB GUARD INSTALLATION (TOP)

ITEM	PART NUMBER	QTY	DESCRIPTION	REV
	1001081286	Ref	Cab Guard Installation (Top)	F
1	1001189739	1	Upper Brick Guard	
2	0630468	4	Button HD Capscrew, 5/16-18X1	
3	1001108115	4	Hex Locknut, 5/16, GR8	
4	1001081296	1	Left Brick Guard Weldment	
5	1001081298	1	Right Brick Guard Weldment	
6	1001108242	4	Screw, 1/4-20X1/2, GR5	

SECTION 6 - CAB

FIGURE 6-51. CAB GUARD INSTALLATION (FRONT)



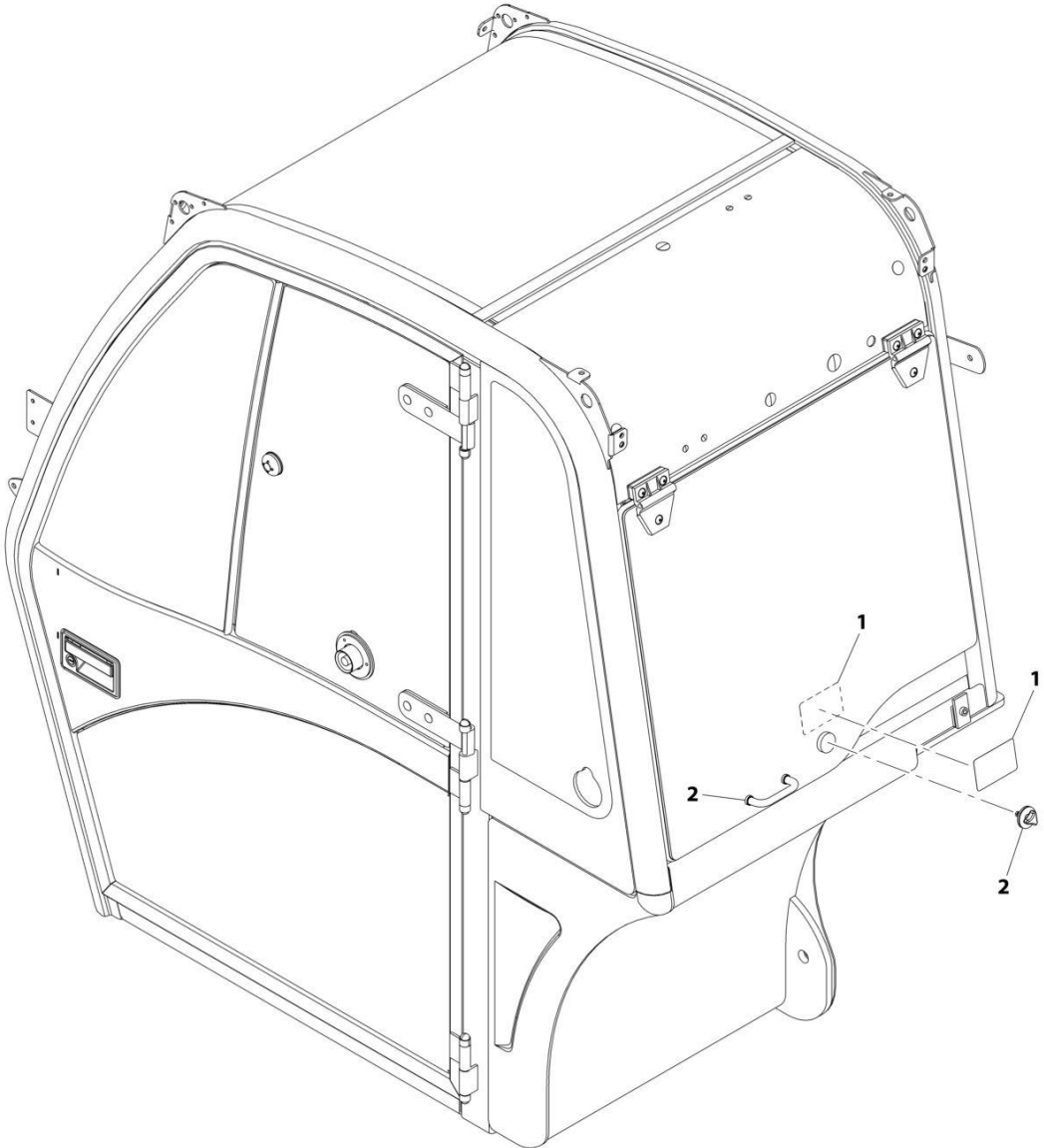
ART_1001081287-E

FIGURE 6-51. CAB GUARD INSTALLATION (FRONT)

ITEM	PART NUMBER	QTY	DESCRIPTION	REV
	1001081287	Ref	Cab Guard Installation (Front)	E
1	1001189753	1	Lower Brick Guard Shield	
2	0630468	4	Button HD Capscrew, 5/16-18X1	
3	1001108115	4	Hex Locknut, 5/16, GR8	
4	1001138703	2	Brick Guard Spacer	

SECTION 6 - CAB

FIGURE 6-52. REAR WINDOW ENTRY KIT INSTALLATION (ANSI)



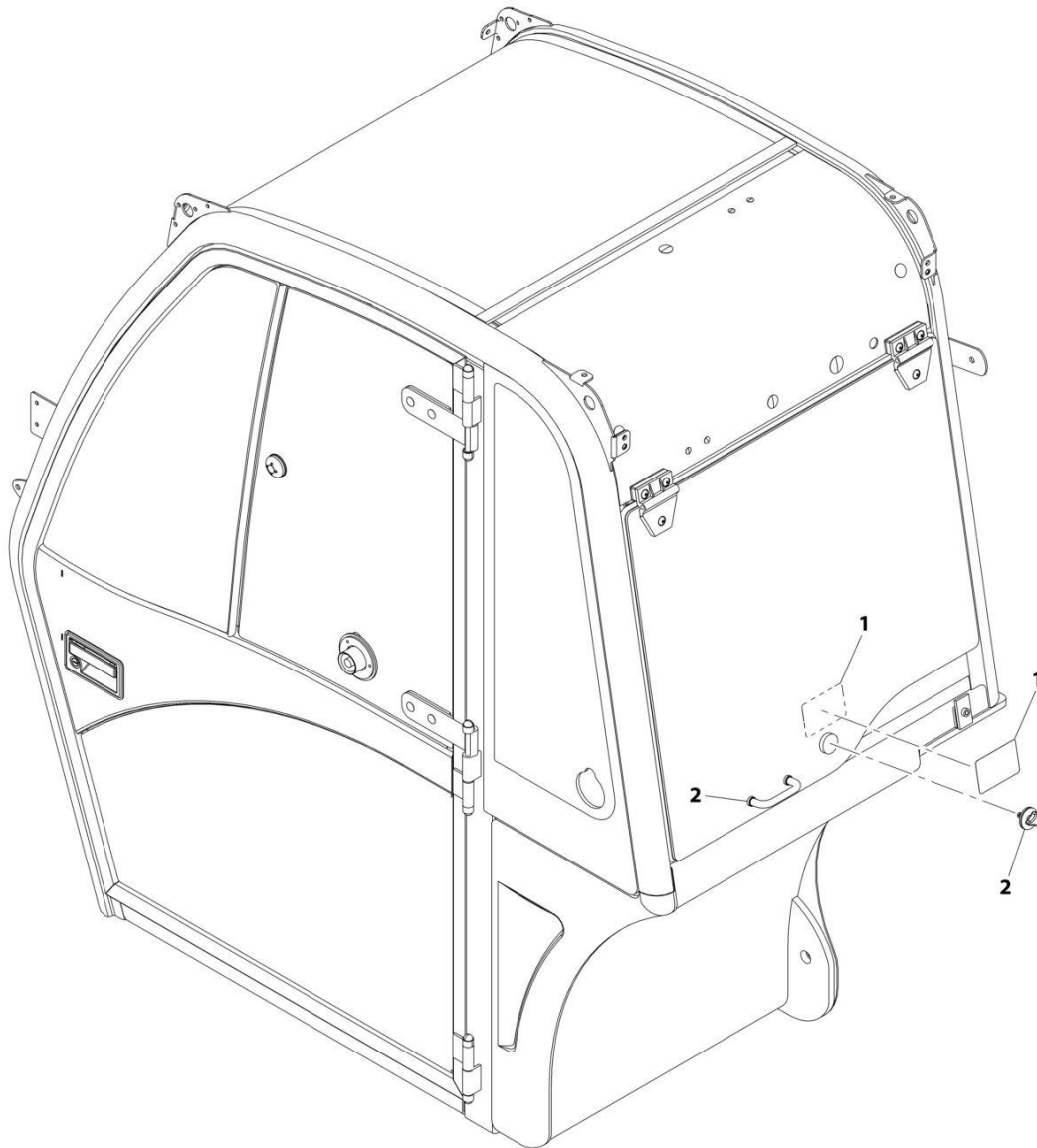
ART_1001162813-A

FIGURE 6-52. REAR WINDOW ENTRY KIT INSTALLATION (ANSI)

ITEM	PART NUMBER	QTY	DESCRIPTION	REV
	1001162813	Ref	Rear Window Entry Kit Installation (ANSI)	A
1	1001162814	2	Rear Window Exit Decal	
2	1001177469	1	Emergency Entry/Exit Window (See Separate Breakdown in this Section)	

SECTION 6 - CAB

FIGURE 6-53. REAR WINDOW ENTRY KIT INSTALLATION (ENGLISH/FRENCH)



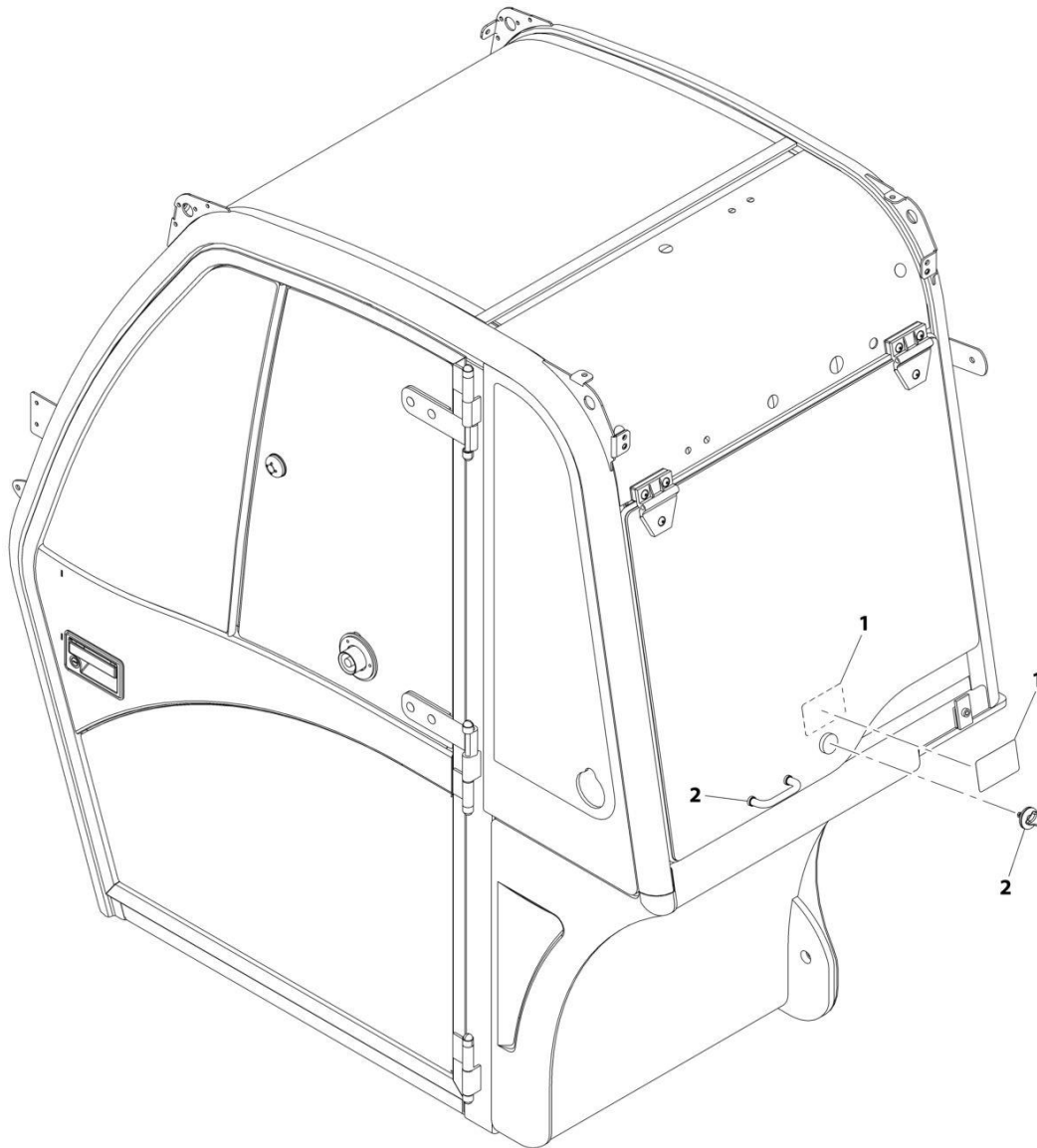
ART_1001177470-A

FIGURE 6-53. REAR WINDOW ENTRY KIT INSTALLATION (ENGLISH/FRENCH)

ITEM	PART NUMBER	QTY	DESCRIPTION	REV
	1001177470	Ref	Rear Window Entry Kit Installation (English/French)	A
1	1001162815	2	Rear Window Exit Decal	
2	1001177469	1	Emergency Entry/Exit Window (See Separate Breakdown in This Section)	

SECTION 6 - CAB

FIGURE 6-54. REAR WINDOW ENTRY KIT INSTALLATION (ISO)



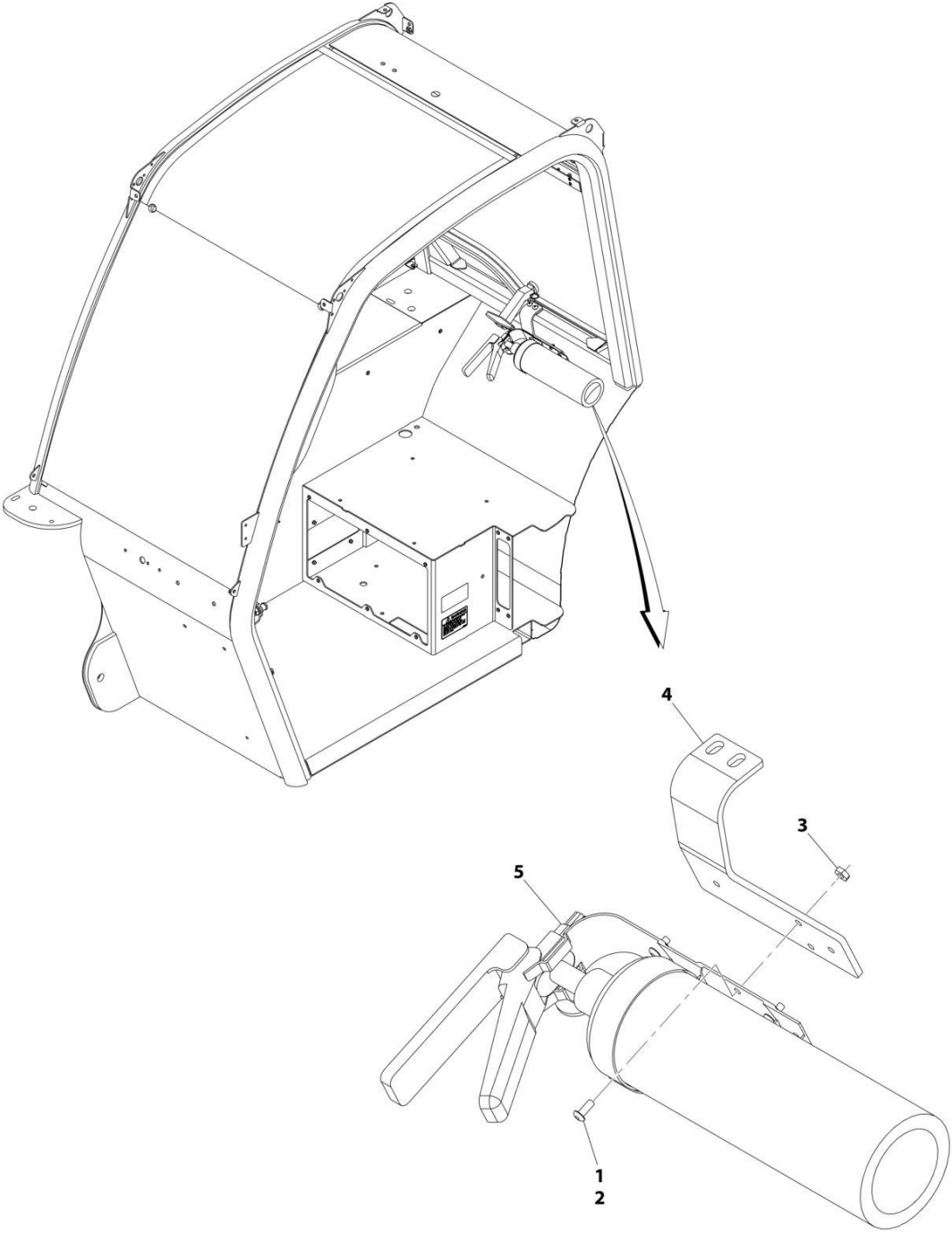
ART_1001177471-A

FIGURE 6-54. REAR WINDOW ENTRY KIT INSTALLATION (ISO)

ITEM	PART NUMBER	QTY	DESCRIPTION	REV
	1001177471	Ref	Rear Window Entry Kit Installation (ISO)	A
1	1001162816	2	Rear Window Exit Decal	
2	1001177469	1	Emergency Entry/Exit Window (See Separate Breakdown in This Section)	

SECTION 6 - CAB

FIGURE 6-55. FIRE EXTINGUISHER INSTALLATION



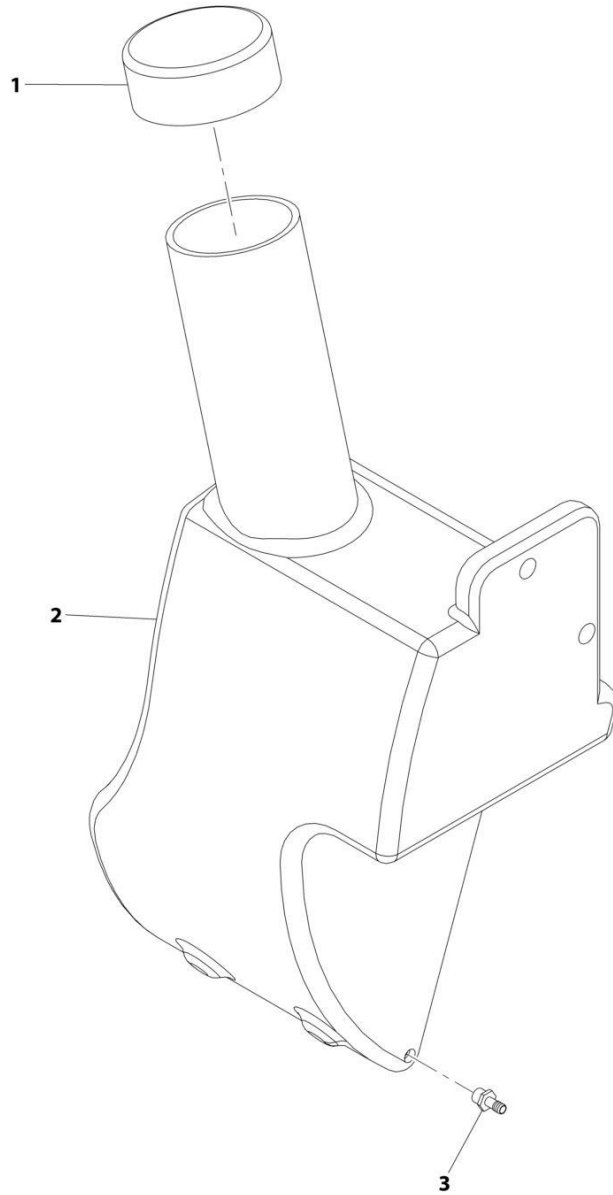
ART_1001162487-A

FIGURE 6-55. FIRE EXTINGUISHER INSTALLATION

ITEM	PART NUMBER	QTY	DESCRIPTION	REV
	1001162487	Ref	Fire Extinguisher Installation	A
1	0100011	AR	Compound, Locking	
2	0630464	4	Screw 10 x 1/2	
3	3311005	4	Nut 10	
4	1001162486	1	Bracket	
5	1001099699	1	Fire Extinguisher	

SECTION 6 - CAB

FIGURE 6-56. WASHER FLUID TANK ASSEMBLY



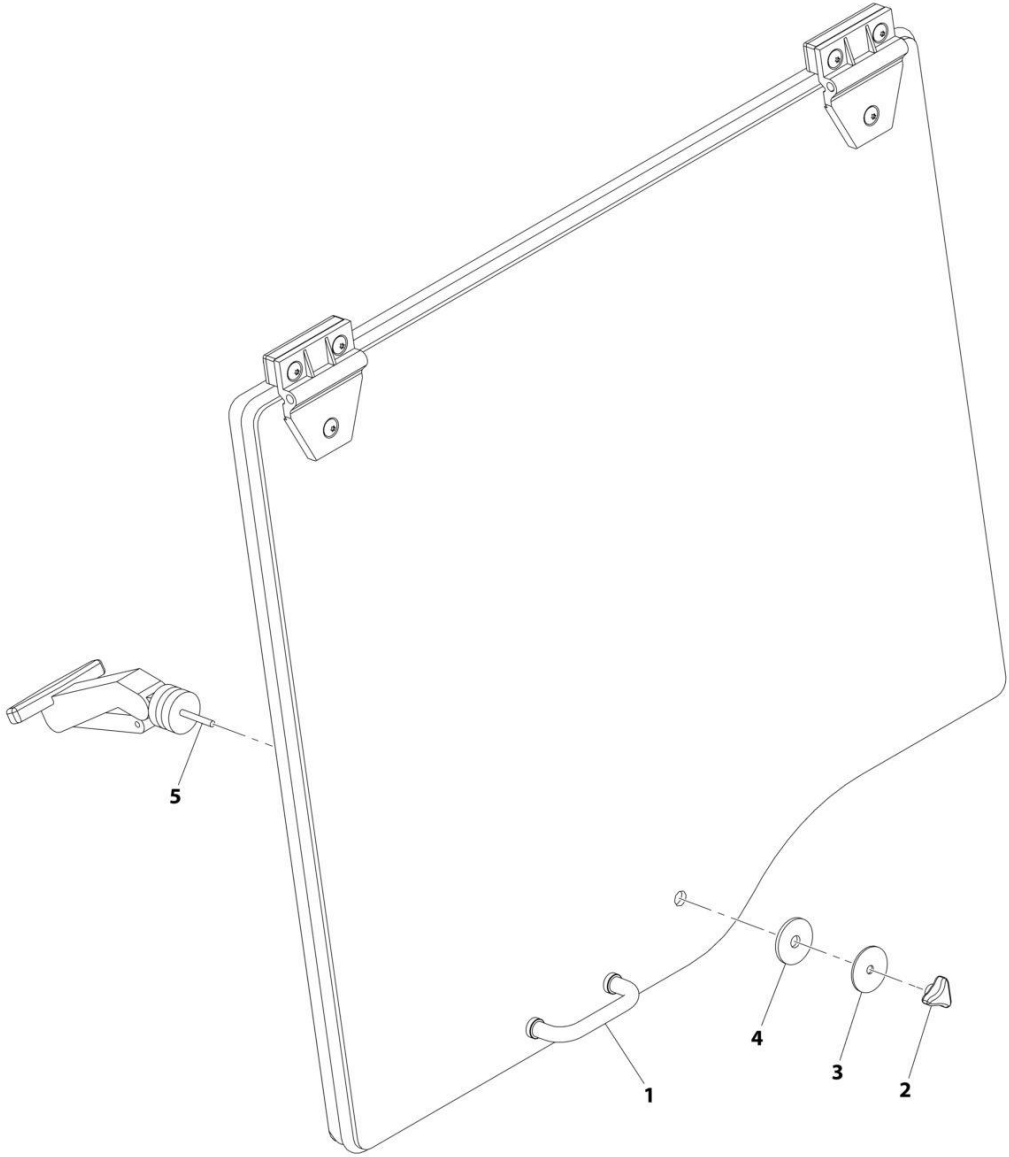
ART_1001080824-C

FIGURE 6-56. WASHER FLUID TANK ASSEMBLY

ITEM	PART NUMBER	QTY	DESCRIPTION	REV
	1001080824	Ref	Washer Fluid Tank Assembly	C
1	1001080872	1	Cap	
2	1001097319	1	Washer Fluid Tank	
3	1001081234	1	Fitting	

SECTION 6 - CAB

FIGURE 6-57. EMERGENCY ENTRY/EXIT WINDOW



ART_1001177469-A

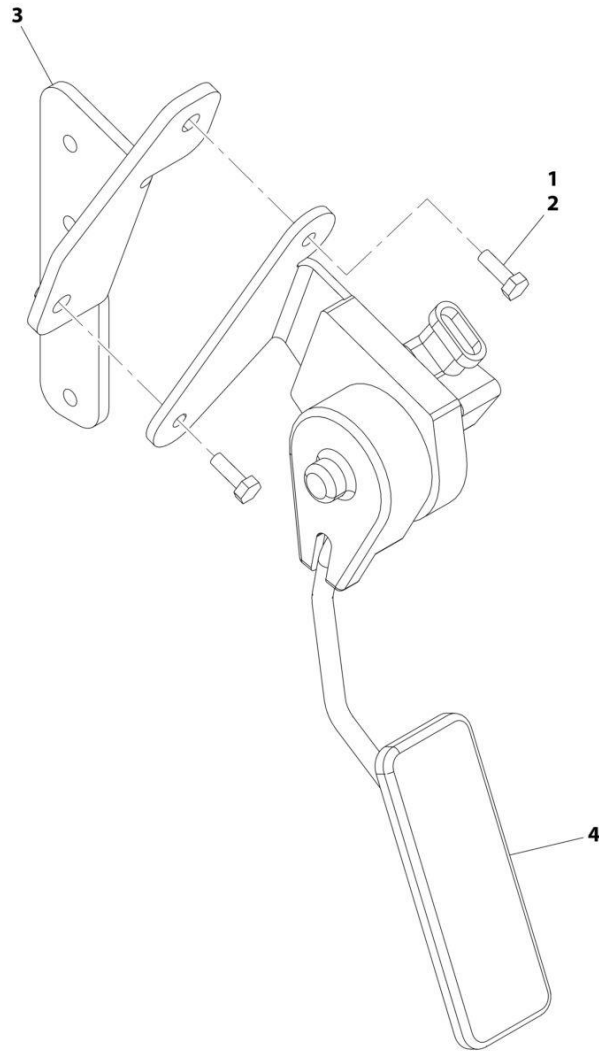
FIGURE 6-57. EMERGENCY ENTRY/EXIT WINDOW

ITEM	PART NUMBER	QTY	DESCRIPTION	REV
	1001177469	Ref	Emergency Entry/Exit Window	A
1	1001162829	1	Rear Window Entry Handle	
2	1001162830	1	Rear Window Entry Knob	
3	1001177636	1	Flat Washer	
4	1001177640	1	Washer, M10	
5	1001178811	1	Bolt	

SECTION 7 - CONTROLS

SECTION 7 - CONTROLS

FIGURE 7-1. ACCELERATOR PEDAL ASSEMBLY (PVC 1911)



ART_1001138639-D

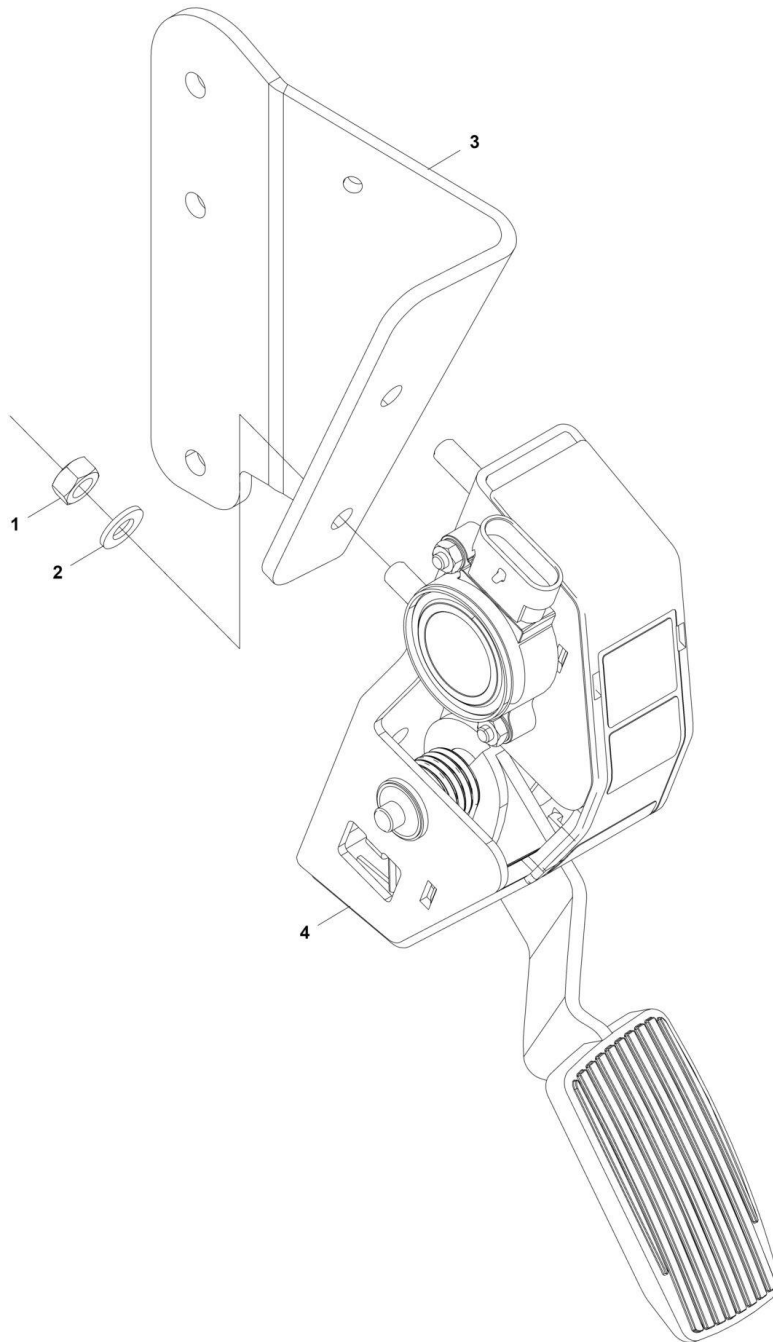
SECTION 7 - CONTROLS

FIGURE 7-1. ACCELERATOR PEDAL ASSEMBLY (PVC 1911)

ITEM	PART NUMBER	QTY	DESCRIPTION	REV
	1001138639	Ref	Accelerator Pedal Assembly	D
1	0100011	AR	Compound, Locking	
2	0641406	2	Bolt, 1/4-20X3/4	
3	1001138003	1	Bracket	
4	80383410	1	Accelerator Pedal (See Separate Breakdown this Section)	

SECTION 7 - CONTROLS

FIGURE 7-2. ACCELERATOR PEDAL ASSEMBLY (PVC 2005)



ART_1001258791

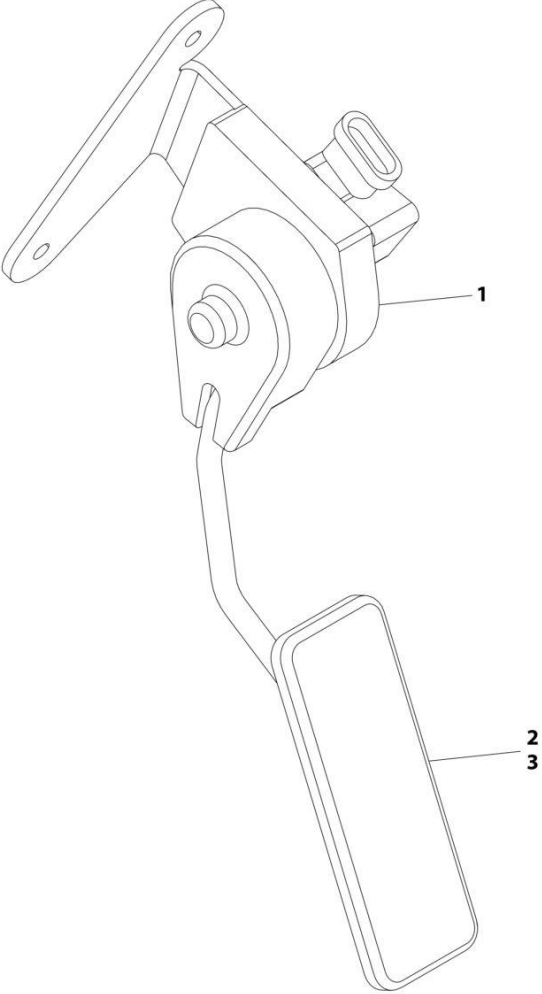
SECTION 7 - CONTROLS

FIGURE 7-2. ACCELERATOR PEDAL ASSEMBLY (PVC 2005)

ITEM	PART NUMBER	QTY	DESCRIPTION	REV
	1001258791	Reff	Accelerator Pedal Assembly	A
1	3290801	2	Nut, M8X1.25	
2	4811900	2	Washer, 8mm	
3	1001257106	1	Bracket	
4	1001258560	1	Accelerator Pedal (See Separate Breakdown this Section)	

SECTION 7 - CONTROLS

FIGURE 7-3. ACCELERATOR PEDAL (PVC 1911)



ART_80383410-B

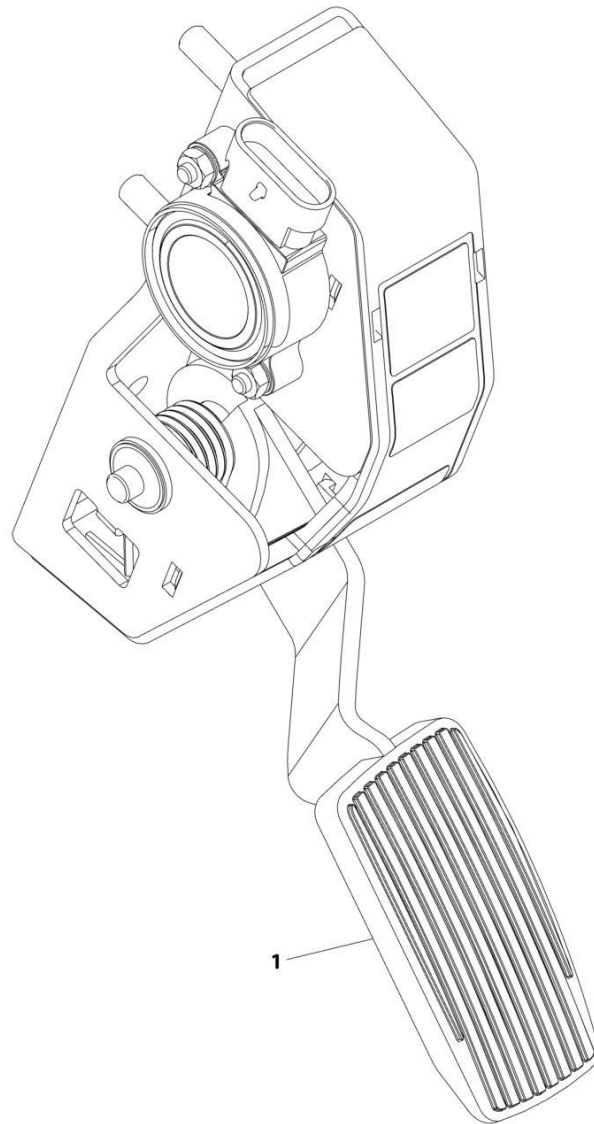
SECTION 7 - CONTROLS

FIGURE 7-3. ACCELERATOR PEDAL (PVC 1911)

ITEM	PART NUMBER	QTY	DESCRIPTION	REV
	80383410	Ref	Accelerator Pedal	B
1	70020551	1	Sensor Kit	
2	70023325	1	Pedal Kit	
3	7026481	1	Arm, Pedal	

SECTION 7 - CONTROLS

FIGURE 7-4. ACCELERATOR PEDAL (PVC 2005)



ART_1001258560

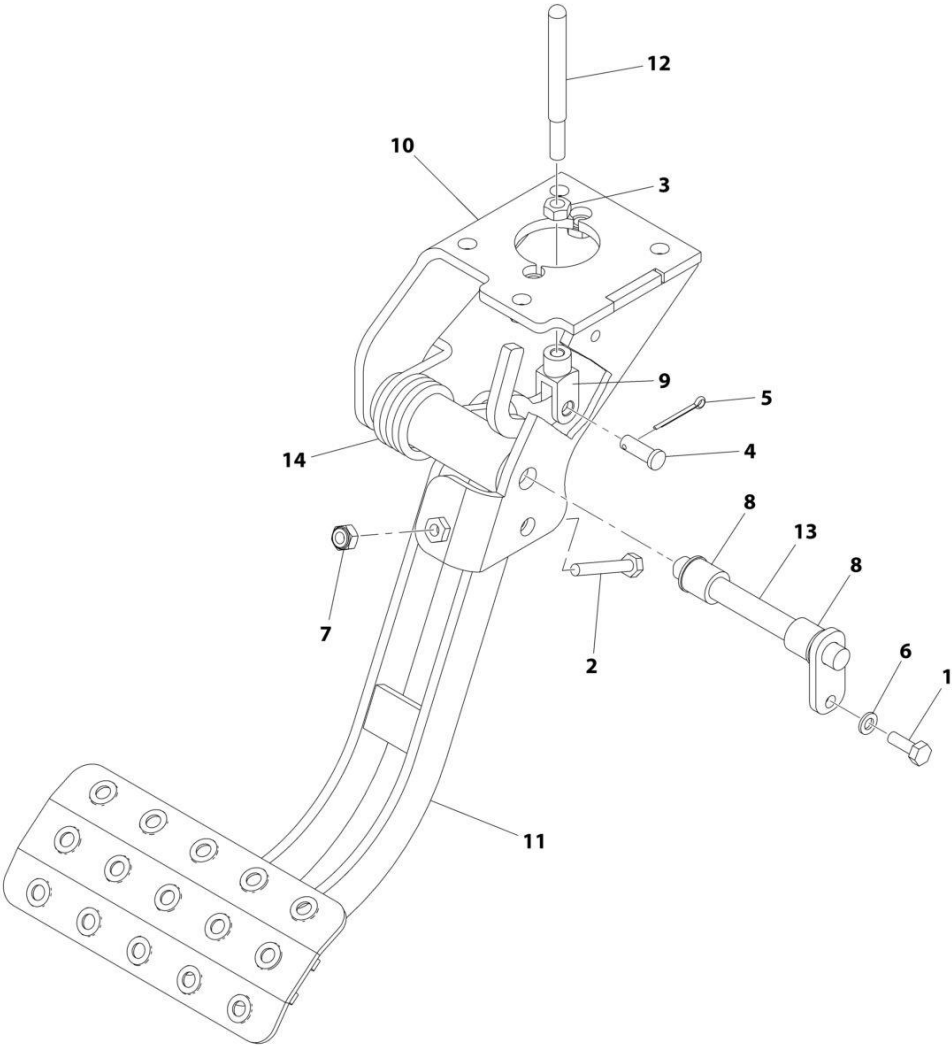
SECTION 7 - CONTROLS

FIGURE 7-4. ACCELERATOR PEDAL (PVC 2005)

ITEM	PART NUMBER	QTY	DESCRIPTION	REV
1	1001258560 70025816	Ref 1	ACCELERATOR PEDAL Pad, Rubber	A

SECTION 7 - CONTROLS

FIGURE 7-5. BRAKE PEDAL INSTALLATION



ART_1001189734-C

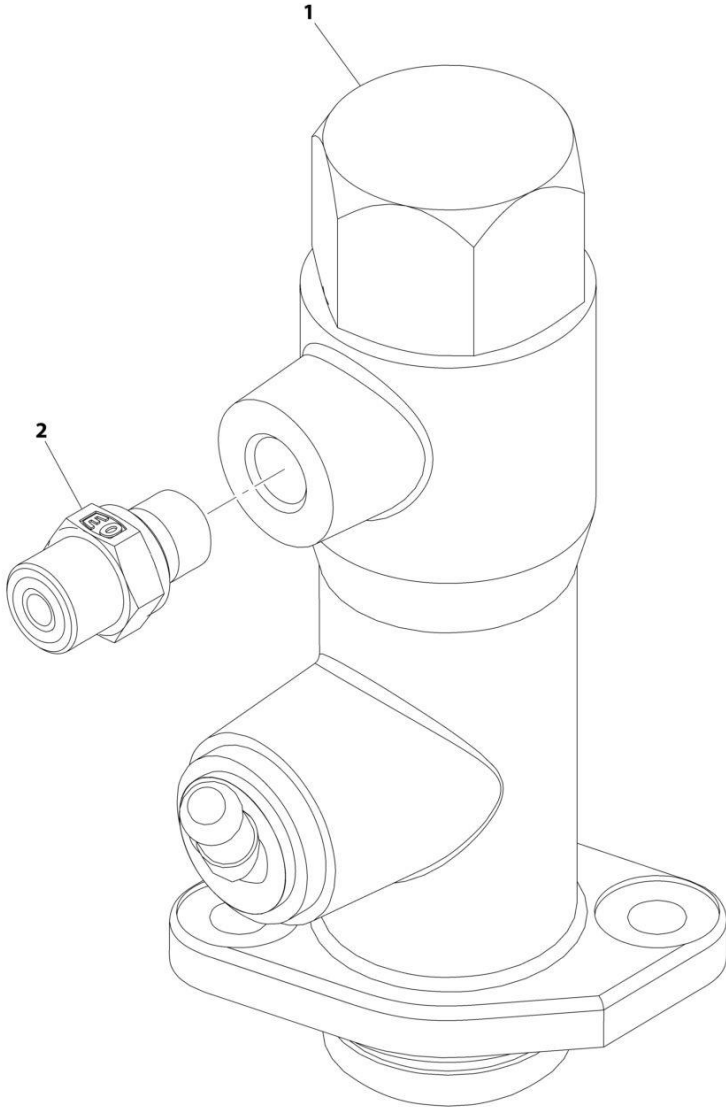
SECTION 7 - CONTROLS

FIGURE 7-5. BRAKE PEDAL INSTALLATION

ITEM	PART NUMBER	QTY	DESCRIPTION	REV
	1001189734	Ref	Brake Pedal Installation	C
1	0641406	1	Hex HD Capscrew, 1/4-20X3/4, GR5	
2	0681414	1	Hex HD Cap Screw, 1/4-20X1 3/4, GR8	
3	3290801	1	Nut, M8X1.25	
4	3430507	1	Clevis Pin	
5	3450304	1	Cotter Pin	
6	4761400	1	Lockwasher, 1/4	
7	88521304	1	Hex Locknut, 1/4-20	
8	1001189738	2	Bearing	
9	1001189743	1	Universal Clevis Yoke	
10	1001189745	1	Brake Support Mount	
11	1001189803	1	Brake Weldment Lever	
12	1001189839	1	Brake Push Rod	
13	1001189850	1	Brake Shaft Pin	
14	1001189733	1	Brake Spring	

SECTION 7 - CONTROLS

FIGURE 7-6. MASTER CYLINDER VALVE ASSEMBLY



ART_1001080559-C

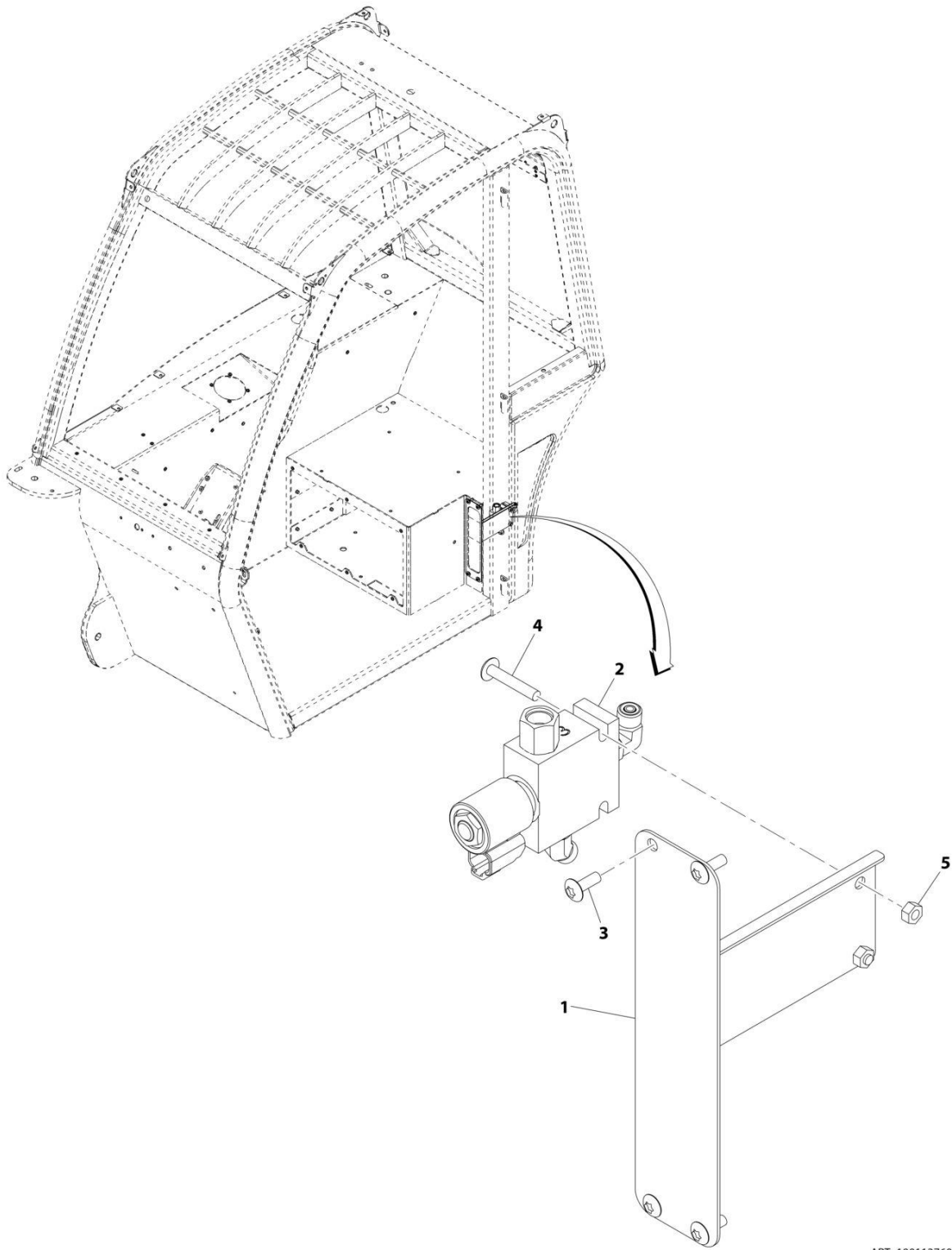
SECTION 7 - CONTROLS

FIGURE 7-6. MASTER CYLINDER VALVE ASSEMBLY

ITEM	PART NUMBER	QTY	DESCRIPTION	REV
1	1001080559	Ref	Master Cylinder Valve Assembly	C
	1001080262	1	Brake Master Cylinder Valve, (See Separate Breakdown in Hydraulic Components Section)	
2	2145004	1	Straight Fitting	

SECTION 7 - CONTROLS

FIGURE 7-7. PARK BRAKE VALVE INSTALLATION



ART_1001137600-C

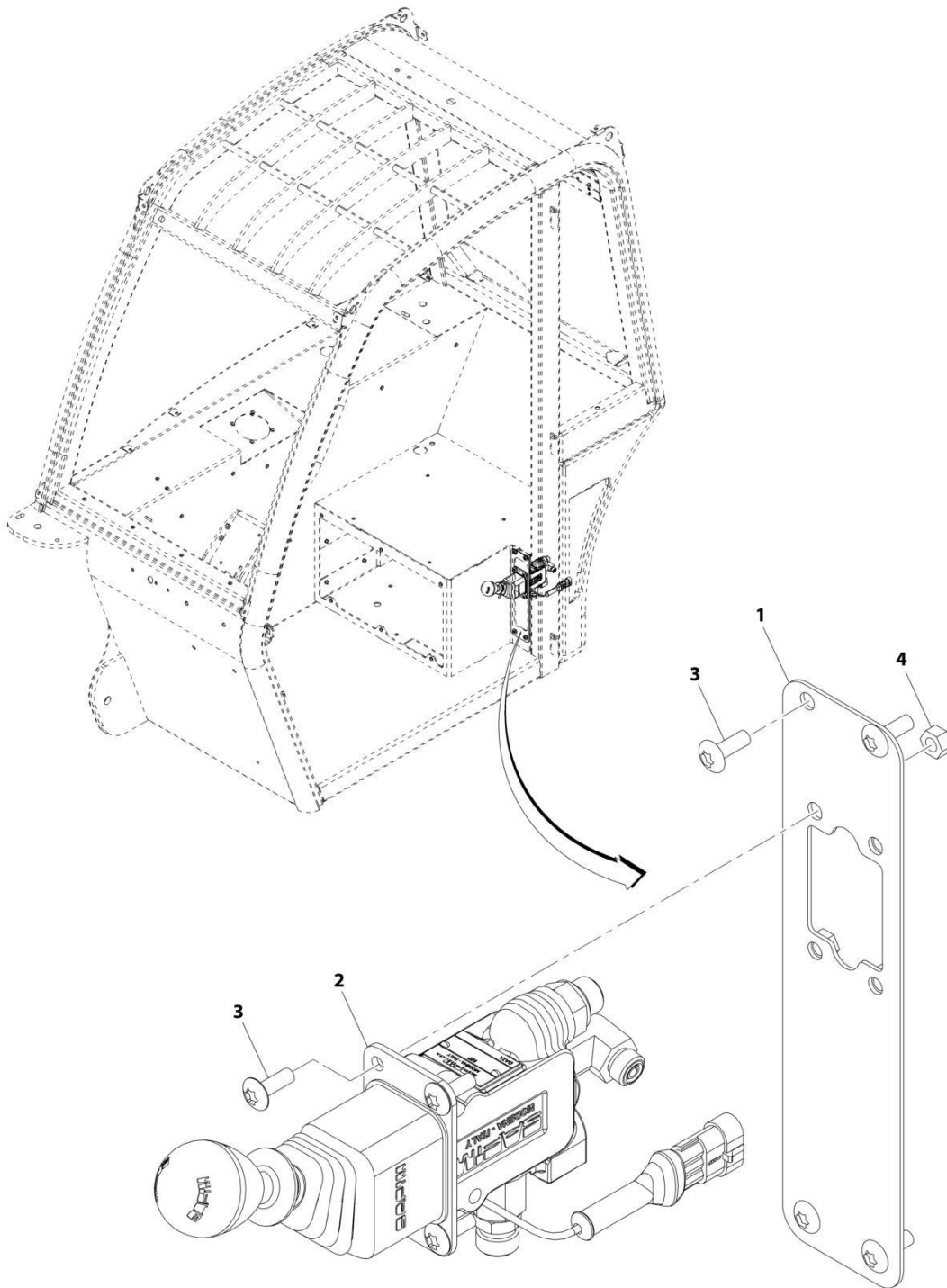
SECTION 7 - CONTROLS

FIGURE 7-7. PARK BRAKE VALVE INSTALLATION

ITEM	PART NUMBER	QTY	DESCRIPTION	REV
	1001137600	Ref	Park Brake Valve Installation	D
1	1001188496	1	Bracket	
2	1001080567	1	Assembly, Park Brake Valve (See Separate Breakdown in Hydraulic Circuits Section)	
3	8303034	4	Screw	
4	101977201	2	Screw	
5	3311405	2	Nut, Lock 1/4-20	

SECTION 7 - CONTROLS

FIGURE 7-8. PARK BRAKE VALVE INSTALLATION (EURO)



ART_1001137602-B

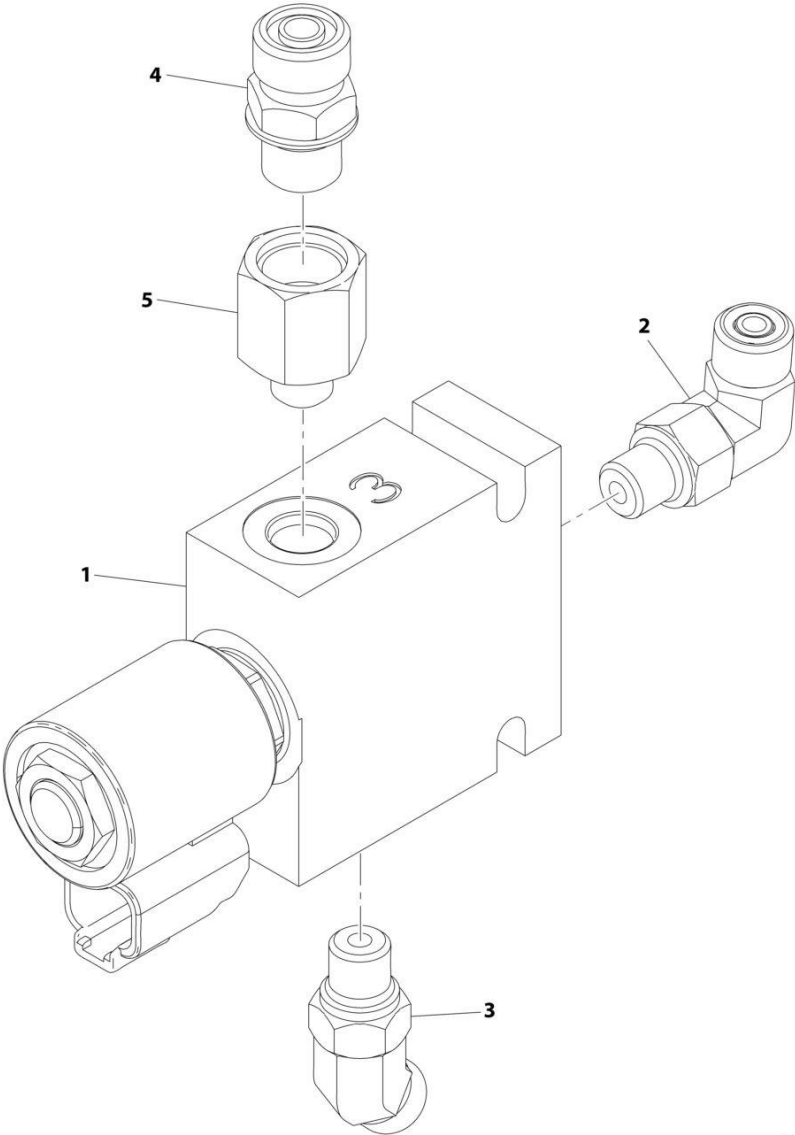
SECTION 7 - CONTROLS

FIGURE 7-8. PARK BRAKE VALVE INSTALLATION (EURO)

ITEM	PART NUMBER	QTY	DESCRIPTION	REV
	1001137602	Ref	Park Brake Valve Installation (Euro)	B
1	1001137998	1	Park Brake Valve Bracket	
2	1001080968	1	Park Brake Valve Assembly (Euro) (See Separate Breakdown this Section)	
3	8303034	8	Screw, 1/4-20X0.75	
4	3271405	4	Hex Locknut, 1/4-20, GR8	

SECTION 7 - CONTROLS

FIGURE 7-9. PARK BRAKE VALVE ASSEMBLY



ART_1001080567-A

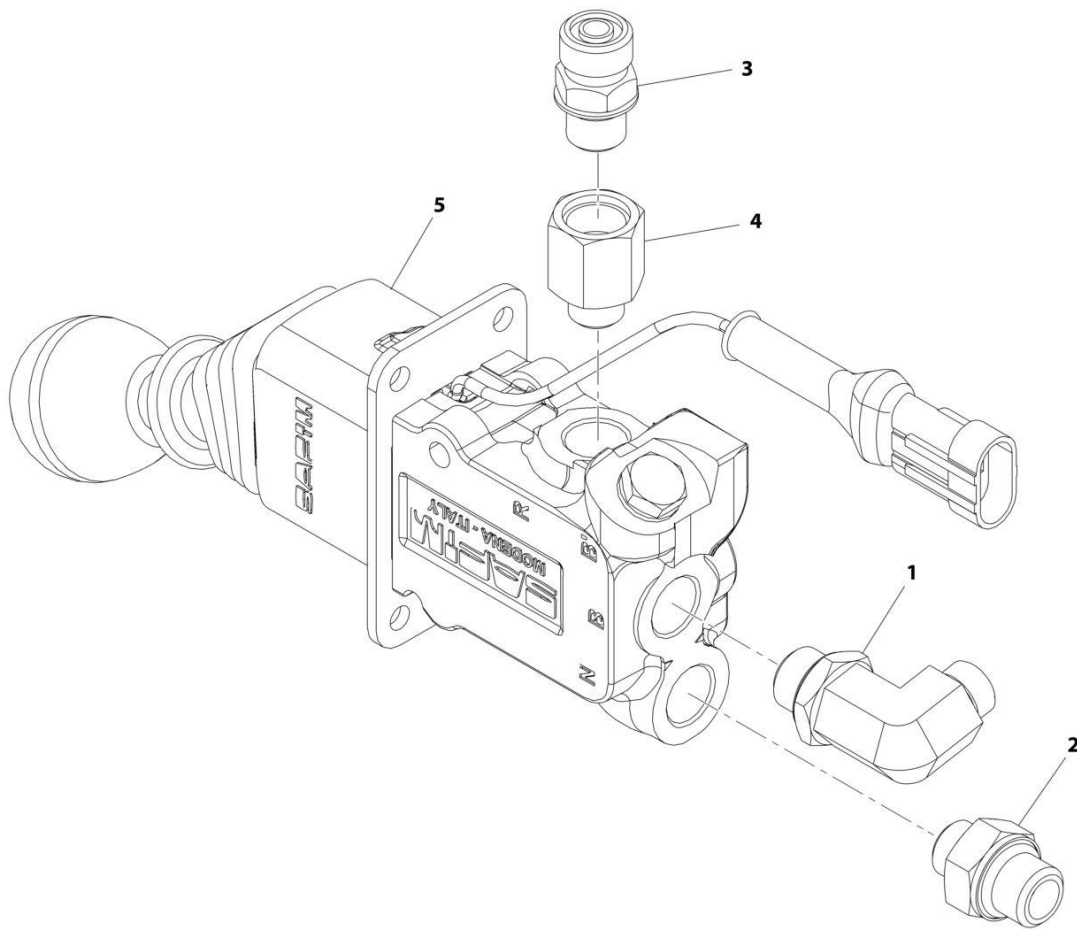
SECTION 7 - CONTROLS

FIGURE 7-9. PARK BRAKE VALVE ASSEMBLY

ITEM	PART NUMBER	QTY	DESCRIPTION	REV
1	1001080567	Ref	Park Brake Valve Assembly	B
	1001292174	1	Valve, Park Brake Release (See Separate Breakdown in Hydraulic Components Section)	
2	2130406	1	Fitting, 90 ORFS	
3	2150406	1	Fitting, 90 ORFS	
4	80333184	1	Fitting, Straight	

SECTION 7 - CONTROLS

FIGURE 7-10. PARK BRAKE VALVE ASSEMBLY (EURO)



ART_1001080968-B

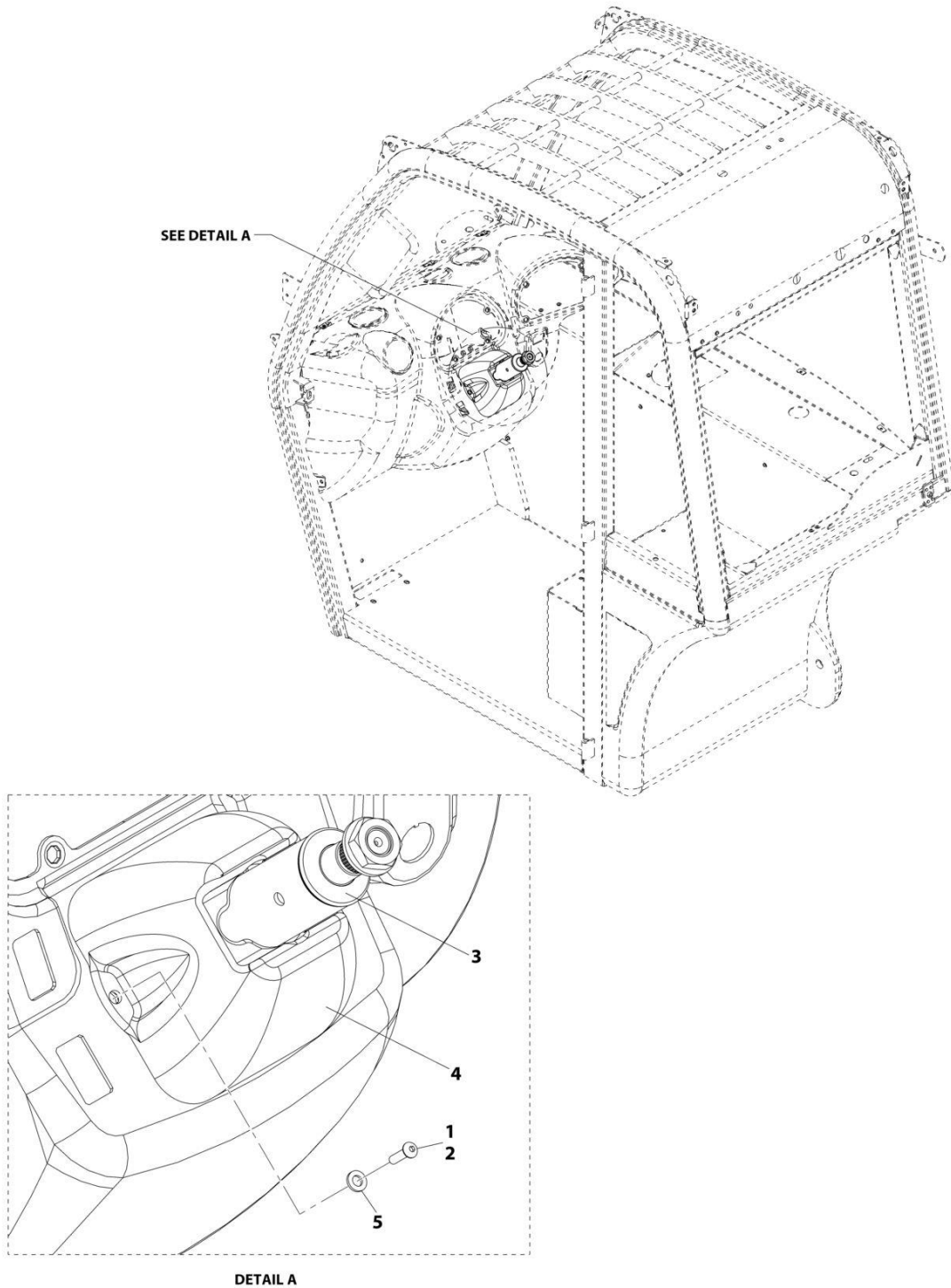
SECTION 7 - CONTROLS

FIGURE 7-10. PARK BRAKE VALVE ASSEMBLY (EURO)

ITEM	PART NUMBER	QTY	DESCRIPTION	REV
	1001080968	Ref	Park Brake Valve Assembly (Euro)	B
1	80233256	1	Elbow, 90	
2	80233257	1	Adapter, Connector	
3	80333184	1	Check Fitting	
4	1001098069	1	Fitting	
5	1001098153	1	Valve, Park Brake Release (Euro) (See Separate Breakdown in Hydraulic Components Section)	

SECTION 7 - CONTROLS

FIGURE 7-11. FIXED STEERING COLUMN INSTALLATION



ART_1001221303-A

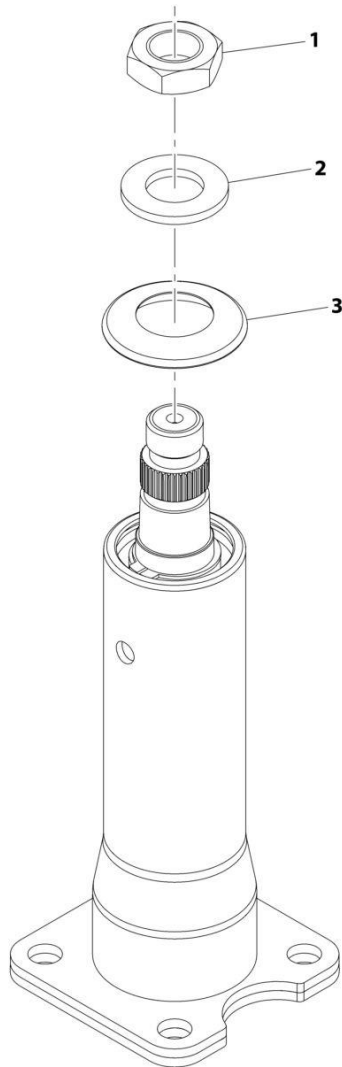
SECTION 7 - CONTROLS

FIGURE 7-11. FIXED STEERING COLUMN INSTALLATION

ITEM	PART NUMBER	QTY	DESCRIPTION	REV
	1001221303	Ref	Fixed Steering Column Installation	A
1	0100035	AR	Compound, Locking	
2	0630518	2	Screw	
3	1001081223	1	Fixed Steering Column (See Separate Breakdown in this Section)	
4	1001153629	1	Steering Column Boot	
5	4811700001	2	Washer M6	

SECTION 7 - CONTROLS

FIGURE 7-12. FIXED STEERING COLUMN



ART_1001081223-D

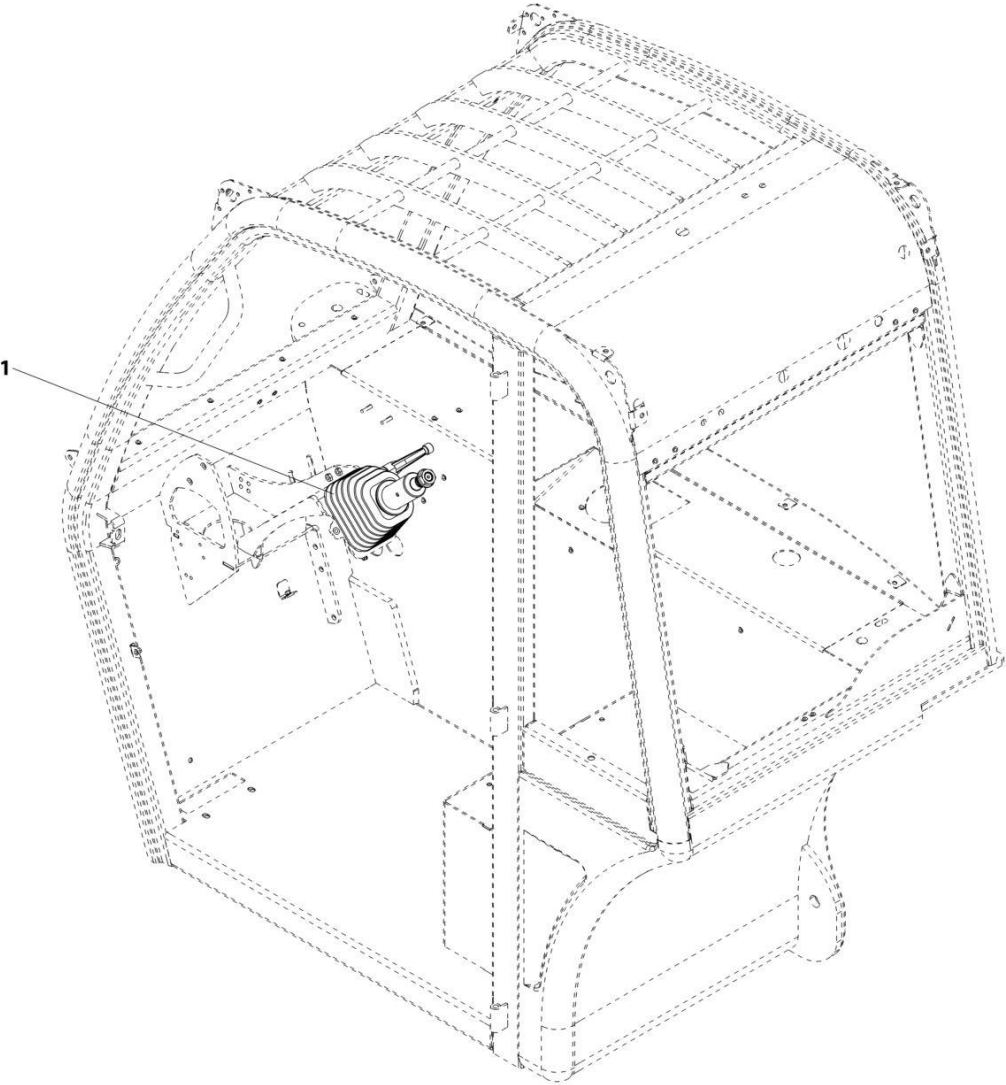
SECTION 7 - CONTROLS

FIGURE 7-12. FIXED STEERING COLUMN

ITEM	PART NUMBER	QTY	DESCRIPTION	REV
	1001081223	Ref	Fixed Steering Column	E
1	70020923	1	Nut, M18X.5	
2	70020924	1	Washer	
3	70020925	1	Rubber Cap	

SECTION 7 - CONTROLS

FIGURE 7-13. TILT STEERING COLUMN INSTALLATION



ART_1001080809-A

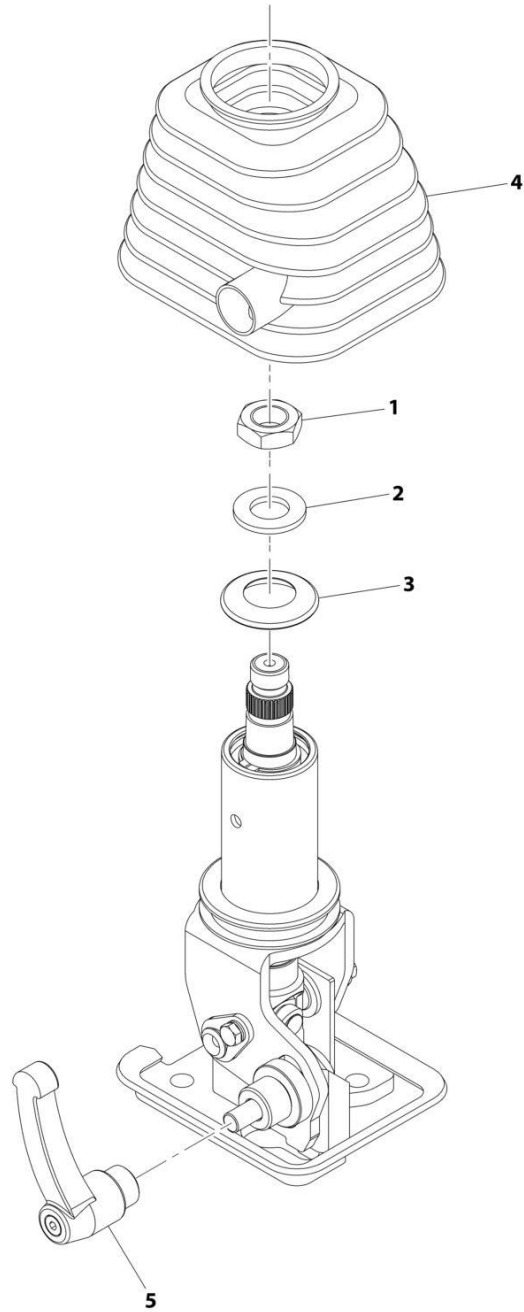
SECTION 7 - CONTROLS

FIGURE 7-13. TILT STEERING COLUMN INSTALLATION

ITEM	PART NUMBER	QTY	DESCRIPTION	REV
1	1001080809	Ref	Tilt Steering Column Installation	A
	1001080826	1	Tilt Steering Column (See Separate Breakdown in this Section)	

SECTION 7 - CONTROLS

FIGURE 7-14. TILT STEERING COLUMN



ART_1001080826-F

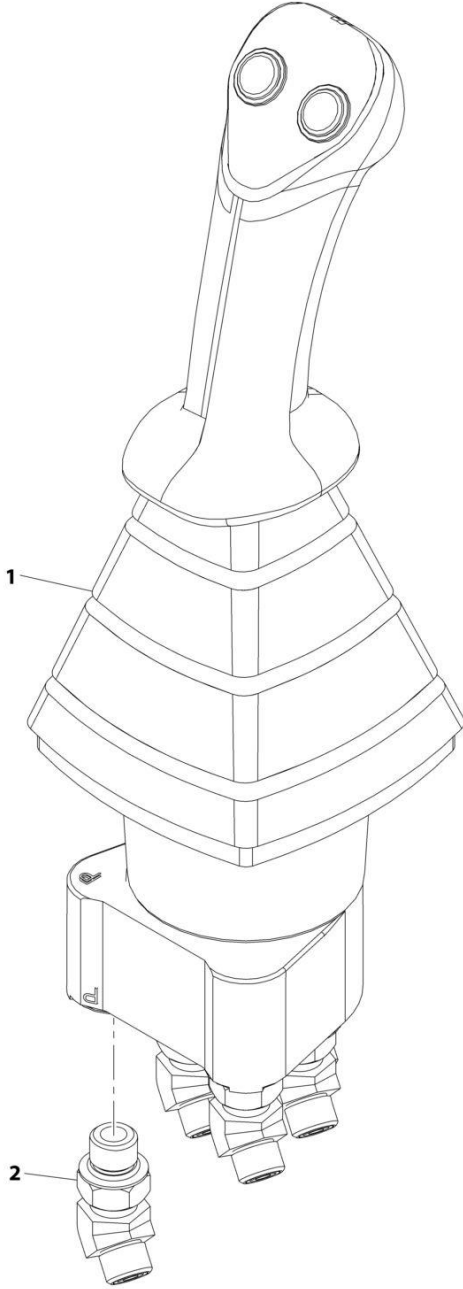
SECTION 7 - CONTROLS

FIGURE 7-14. TILT STEERING COLUMN

ITEM	PART NUMBER	QTY	DESCRIPTION	REV
	1001080826	Ref	Tilt Steering Column	F
1	70020923	1	Nut, M18-1-1/2	
2	70020924	1	Washer	
3	70020925	1	Rubber Cap	
4	70020926	1	Bellows	
5	70020927	1	Locking Handle	

SECTION 7 - CONTROLS

FIGURE 7-15. HYDRAULIC CONTROLLER ASSEMBLY



ART_1001080500-D

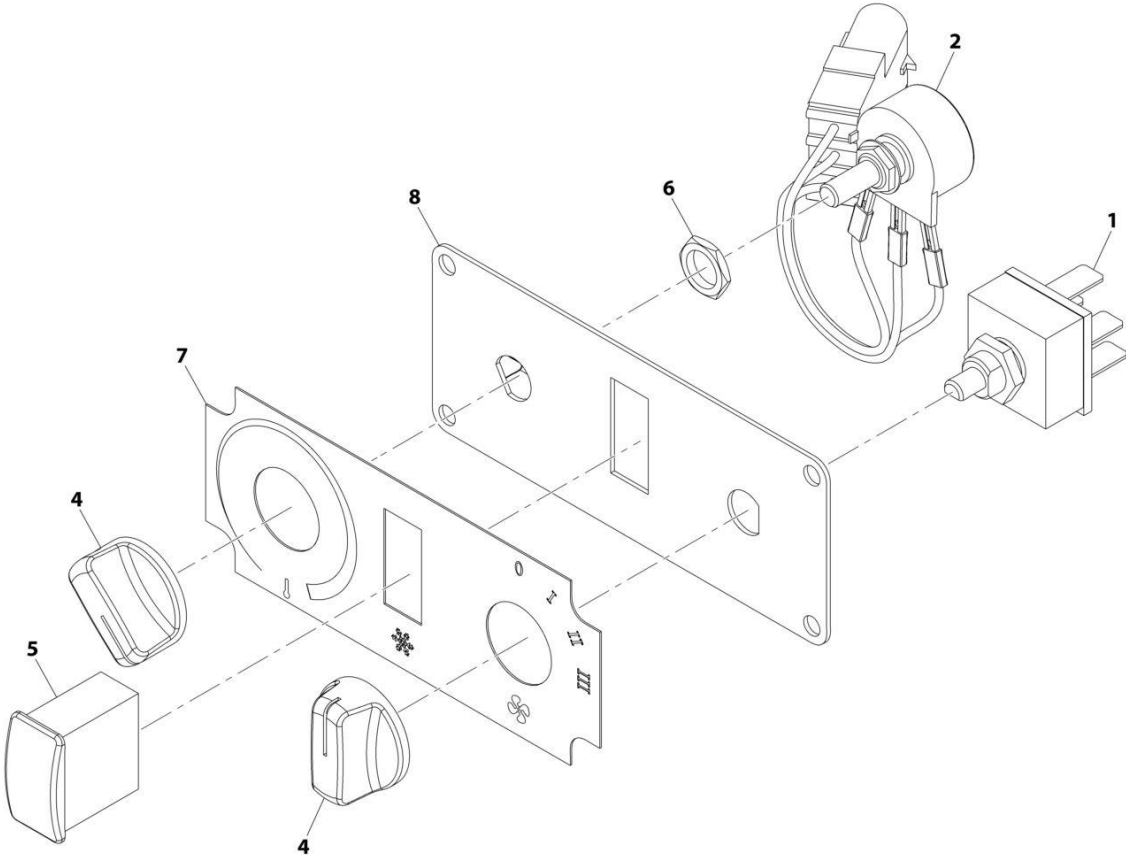
SECTION 7 - CONTROLS

FIGURE 7-15. HYDRAULIC CONTROLLER ASSEMBLY

ITEM	PART NUMBER	QTY	DESCRIPTION	REV
	1001080500	1	Hydraulic Controller Assembly	D
1	1001080256	1	Joystick (See Separate Breakdown in this Section)	
2	2150406	1	Fitting, 45 ORFS	

SECTION 7 - CONTROLS

FIGURE 7-16. HEATER CONTROL SWITCH



ART_1001193945-D

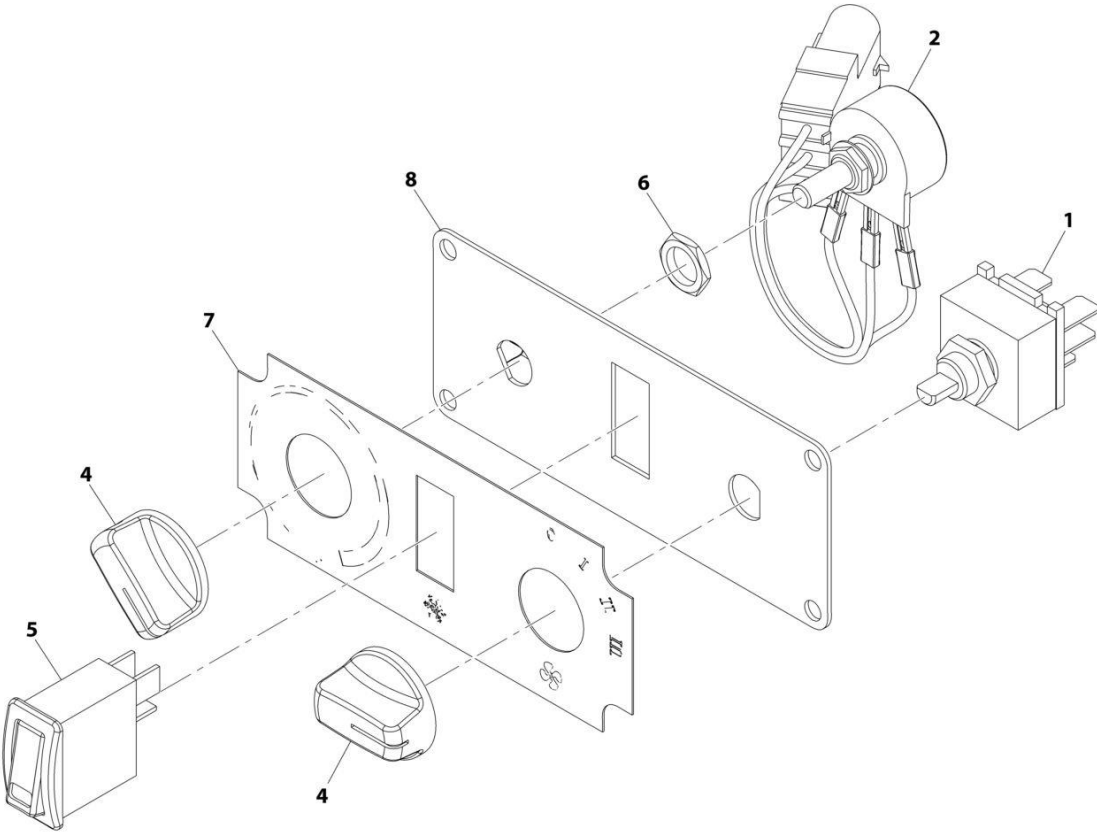
SECTION 7 - CONTROLS

FIGURE 7-16. HEATER CONTROL SWITCH

ITEM	PART NUMBER	QTY	DESCRIPTION	REV
	1001193945	Ref	Heater Control Switch	D
1	1001204362	1	Switch, Blower	
2	1001151643	1	Potentiometer	
4	1001204360	2	Positioning Knob	
5	1001204363	1	Rocker Switch	
6	1001204464	1	Jam Nut	
7	1001204469	1	Decal, Switch Panel	
8	1001204470	1	Plate, Switch Panel	

SECTION 7 - CONTROLS

FIGURE 7-17. HVAC CONTROL SWITCH



ART_1001193501-D

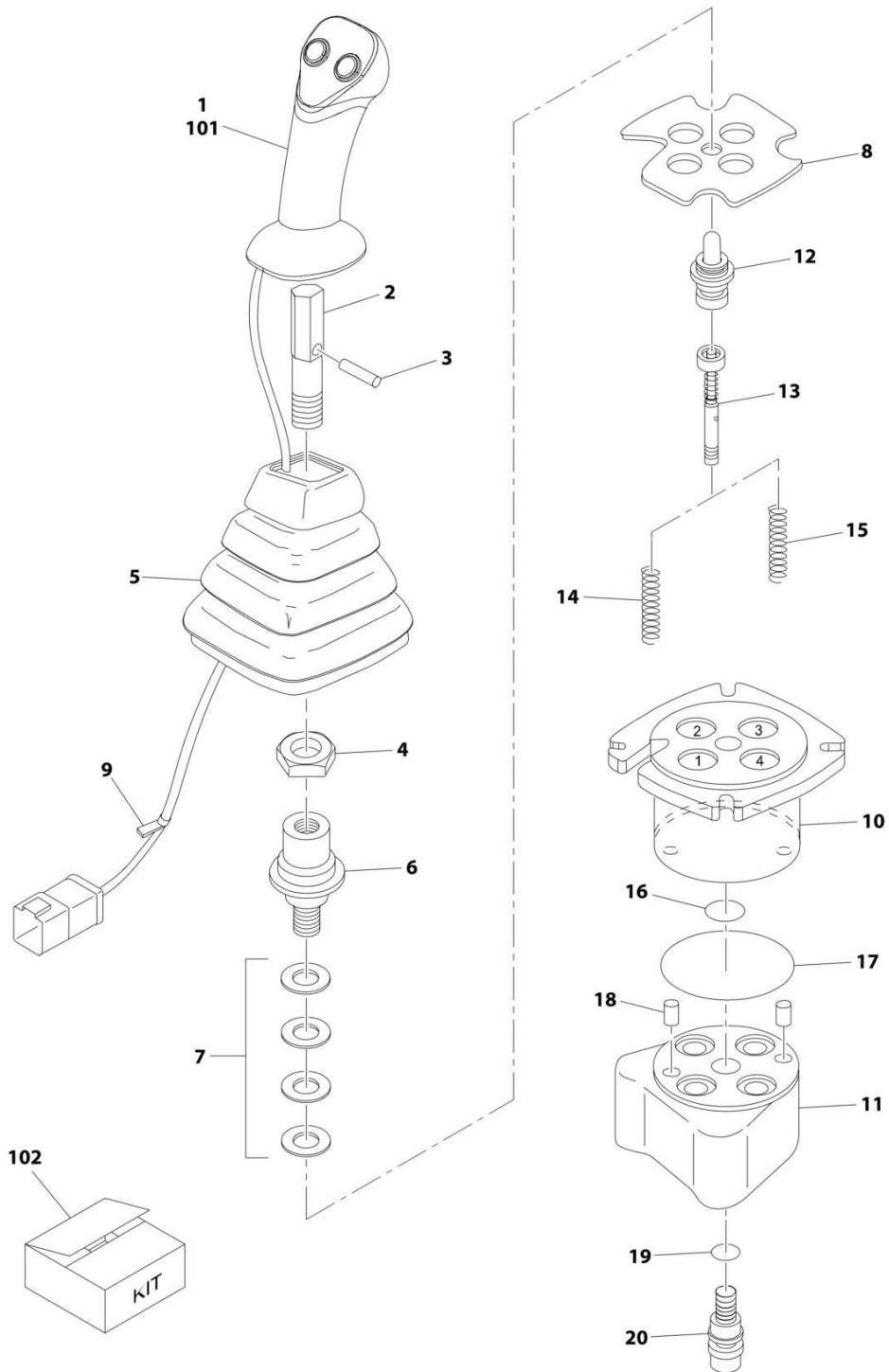
SECTION 7 - CONTROLS

FIGURE 7-17. HVAC CONTROL SWITCH

ITEM	PART NUMBER	QTY	DESCRIPTION	REV
	1001193501	Ref	HVAC Control Switch	D
1	1001204362	1	Switch, Blower	
2	1001151643	1	Potentiometer	
4	1001204360	2	Positioning Knob	
5	1001204385	1	Rocker Switch	
6	1001204464	1	Jam Nut	
7	1001204469	1	Decal, Switch Panel	
8	1001204470	1	Plate, Switch Panel	

SECTION 7 - CONTROLS

FIGURE 7-18. BOOM JOYSTICK



ART_1001080256-D

SECTION 7 - CONTROLS

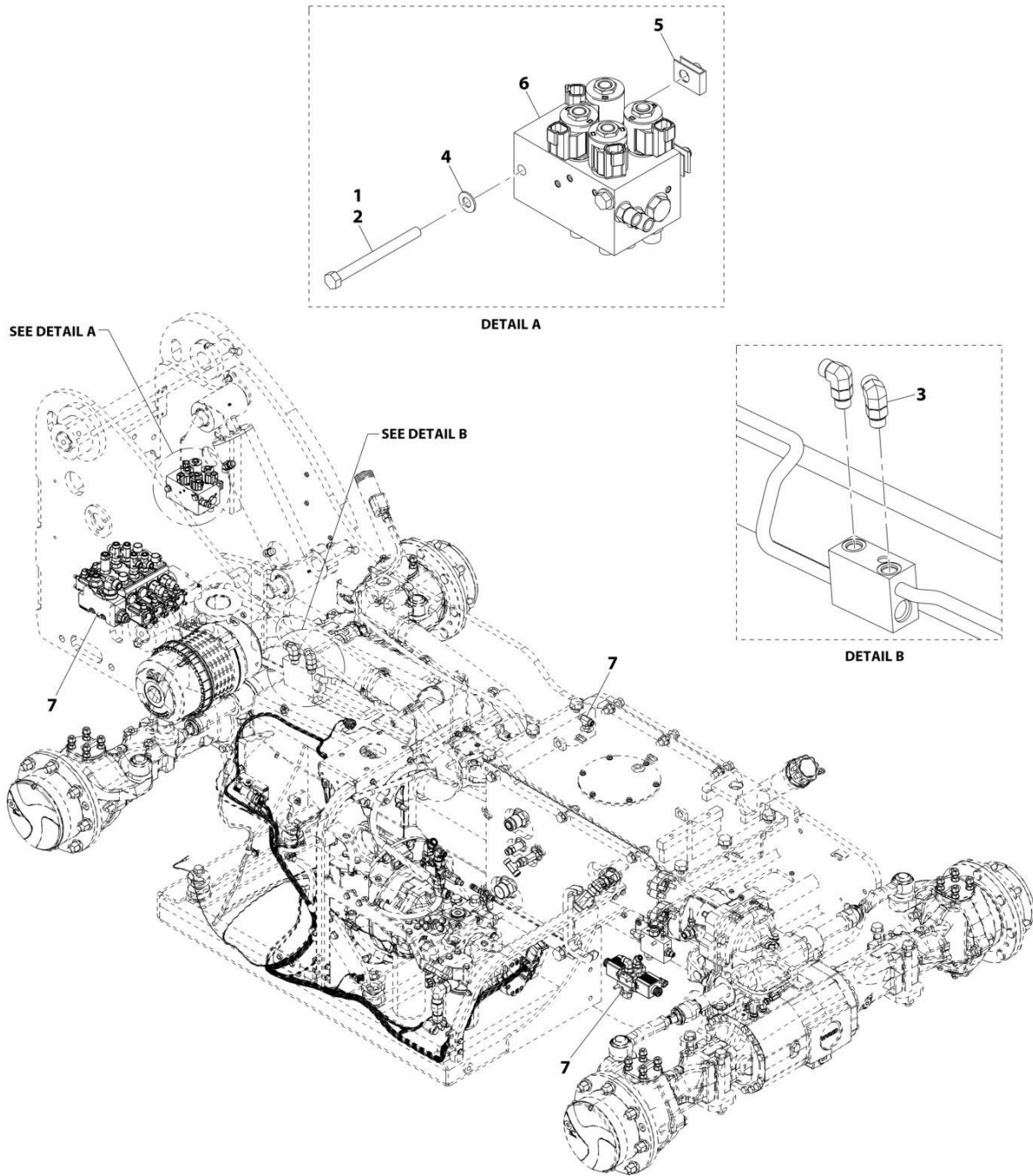
FIGURE 7-18. BOOM JOYSTICK

ITEM	PART NUMBER	QTY	DESCRIPTION	REV
	1001080256	Ref	Boom Joystick	D
1	70020769	1	Handle Assembly	
2	70020770	1	Straight Lever Kit	
3	N.S.S.	1	Straight Lever	
4	N.S.S.	1	Hex Nut	
5	70020771	1	Rubber Boot	
6	80264138	1	Cardan Kit	
7	N.S.S.	AR	Shim	
8	91404013	1	Retaining Plate	
9	80264139	1	Grommet Kit	
10	91404016	1	Upper Body	
11	N.S.S.	1	Lower Body	
12	91304025	2	Plunger And Guide Kit	
13	91514224	4	Regulating Unit	
14	91504028	1	Return Spring	
15	91504029	1	Return Spring	
16	Kit	1	O-Ring	
17	Kit	1	O-Ring	
18	Kit	2	Dowel Pin	
19	Kit	1	O-Ring	
20	Kit	1	Screw Assembly	
101	3931412	4	Socket HD Screw, 1/4-20X3/4	
102	91404326	1	Seal Kit, (Includes Items 16 Thru 20)	

SECTION 8 - HYDRAULIC CIRCUITS

SECTION 8 - HYDRAULIC CIRCUITS

FIGURE 8-1. VALVE INSTALLATION (ANSI)



ART_1001190784-D

SECTION 8 - HYDRAULIC CIRCUITS

FIGURE 8-1. VALVE INSTALLATION (ANSI)

ITEM	PART NUMBER	QTY	DESCRIPTION	REV
	1001190784	Ref	Valve Installation (ANSI)	D
1	0100011	AR	Compound, Locking	
2	0641634	2	Capscrew 3/8 x 4-1/4	
3	2131010	2	Elbow, 90	
4	4711600	2	Washer 3/8	
5	88662523	2	Tinnerman Nut	
6	1001131099	1	Assembly, Pilot Select Valve (ANSI) (See Separate Breakdown in this Section)	
7	1001190692	1	Installation, Hydraulic Valve (See Separate Breakdown in this Section)	

SECTION 8 - HYDRAULIC CIRCUITS

FIGURE 8-2. VALVE INSTALLATION (CE)



ART_1001190694-D

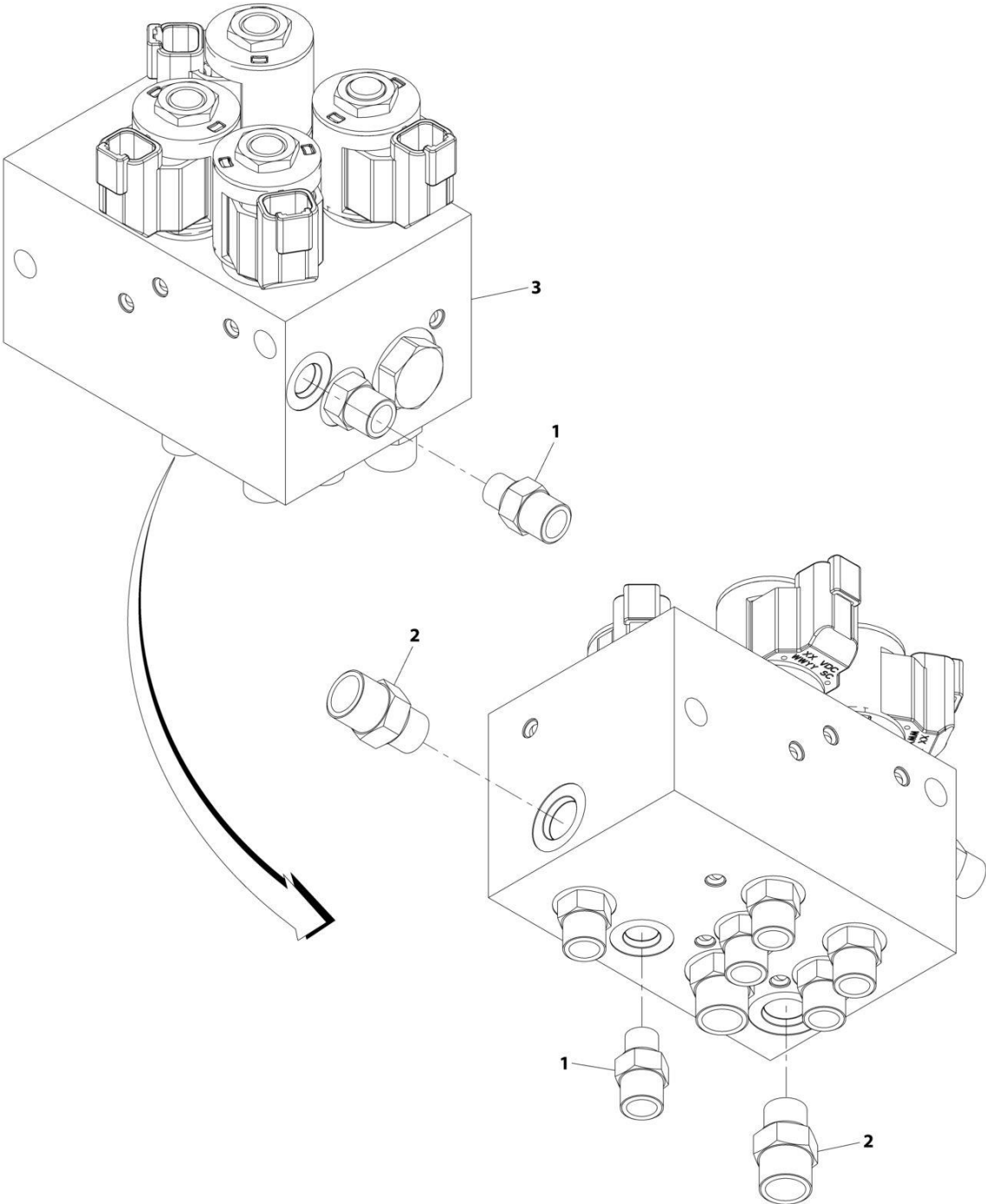
SECTION 8 - HYDRAULIC CIRCUITS

FIGURE 8-2. VALVE INSTALLATION (CE)

ITEM	PART NUMBER	QTY	DESCRIPTION	REV
	1001190694	Ref	Valve Installation (CE)	D
1	0100011	AR	Compound, Locking	
2	0641634	2	Capscrew 3/8 x 4-1/4	
3	2111010	2	Adapter	
4	4711600	2	Washer 3/8	
5	88662523	2	Tinnerman Nut	
6	1001131098	1	Assembly, Pilot Select Valve (CE) (See Separate Breakdown in this Section)	
7	1001190692	1	Installation, Hydraulic Valve (See Separate Breakdown in this Section)	

SECTION 8 - HYDRAULIC CIRCUITS

FIGURE 8-3. PILOT SELECT VALVE ASSEMBLY (ANSI)



ART_1001131099-A

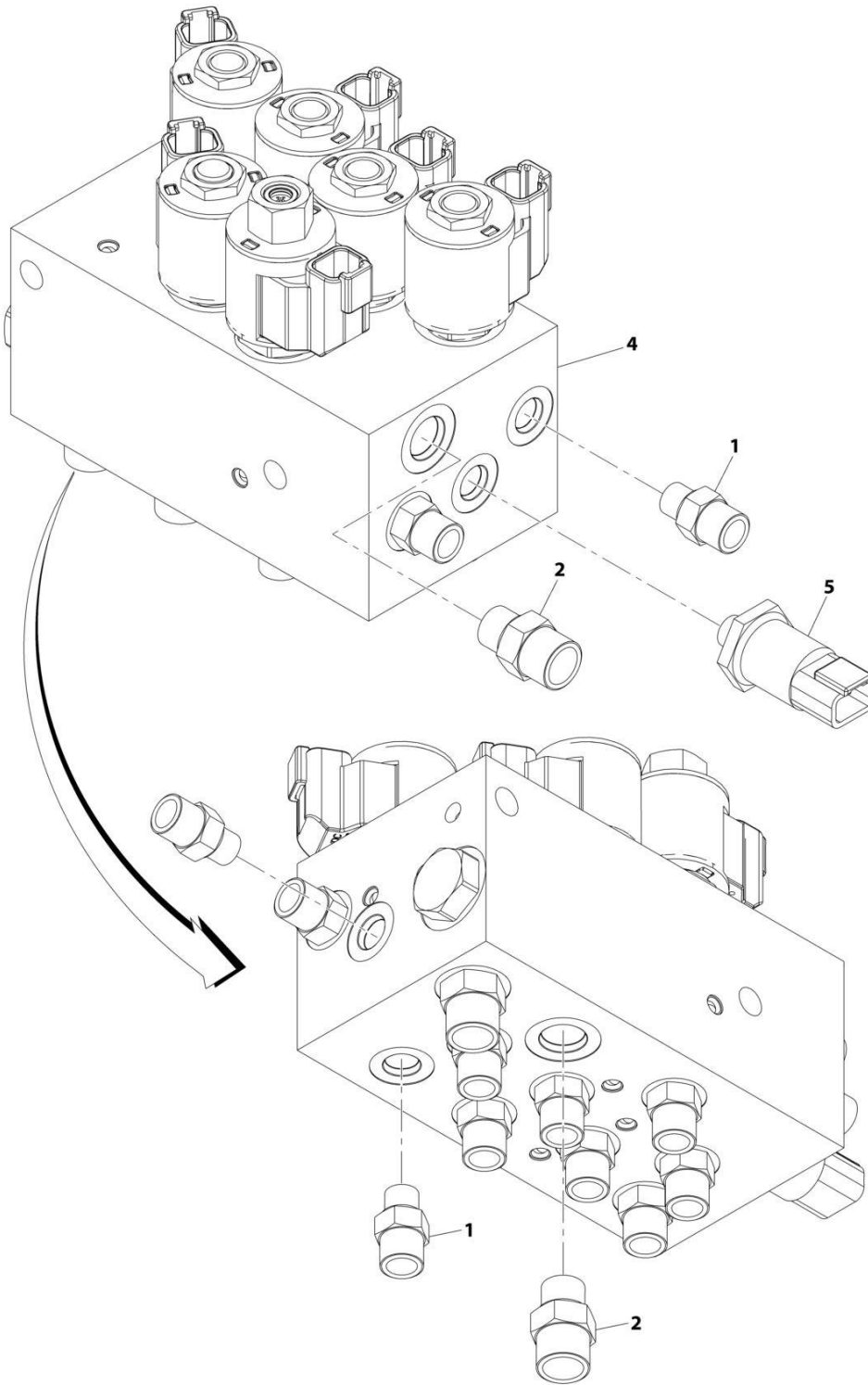
SECTION 8 - HYDRAULIC CIRCUITS

FIGURE 8-3. PILOT SELECT VALVE ASSEMBLY (ANSI)

ITEM	PART NUMBER	QTY	DESCRIPTION	REV
	1001131099	Ref	Pilot Select Valve Assembly (ANSI)	A
1	2110404	8	Adapter, Connector	
2	2110606	3	Adapter, Connector	
3	1001130178	1	Pilot Select Valve (ANSI) (See Separate Breakdown in this Section)	

SECTION 8 - HYDRAULIC CIRCUITS

FIGURE 8-4. PILOT SELECT VALVE ASSEMBLY (CE)



ART_1001131098-B

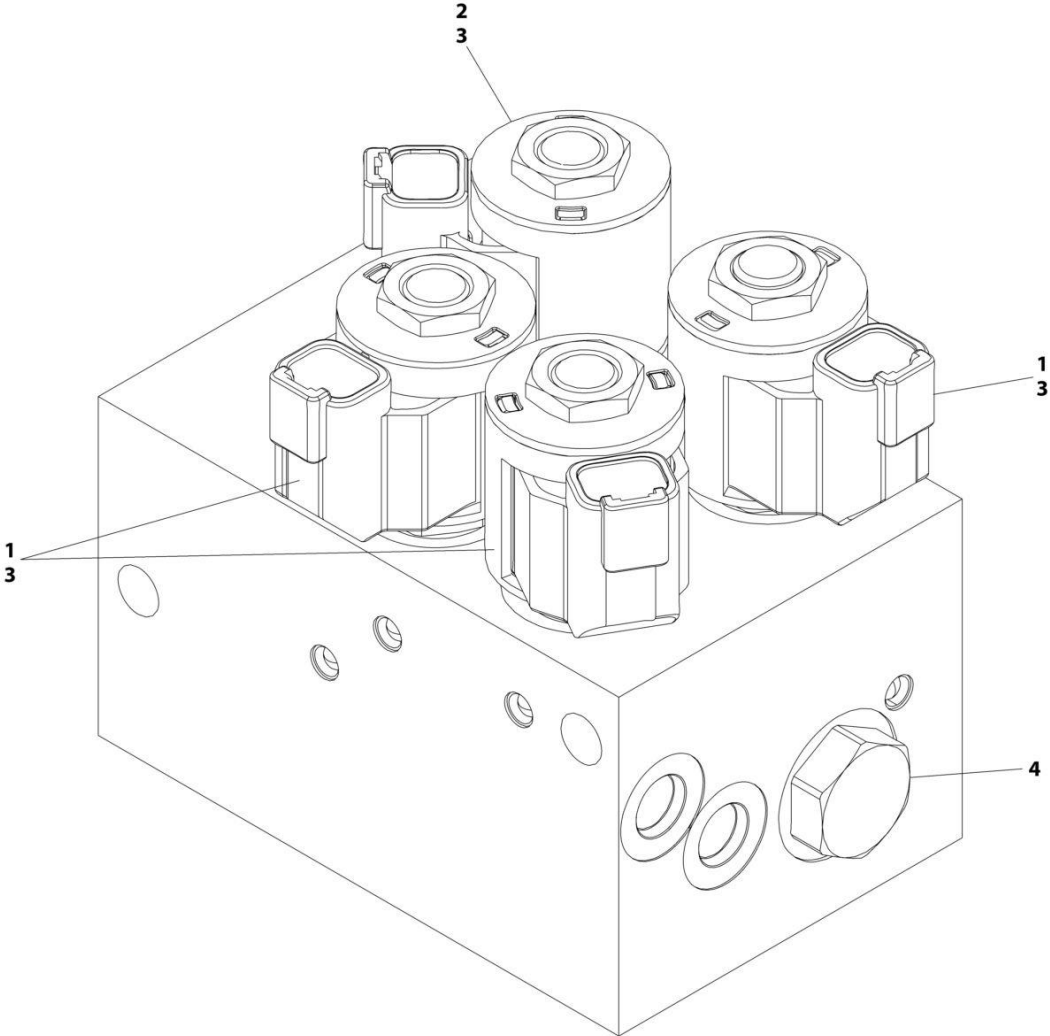
SECTION 8 - HYDRAULIC CIRCUITS

FIGURE 8-4. PILOT SELECT VALVE ASSEMBLY (CE)

ITEM	PART NUMBER	QTY	DESCRIPTION	REV
	1001131098	Ref	Pilot Select Valve Assembly (CE)	B
1	2110404	12	Straight Fitting	
2	2110606	3	Straight Fitting	
4	1001132342	1	Valve, Pilot Select (CE) (See Separate Breakdown in this Section)	
5	1001132795	1	Pressure Sensor	

SECTION 8 - HYDRAULIC CIRCUITS

FIGURE 8-5. PILOT SELECT VALVE (ANSI)



ART_1001130178-A

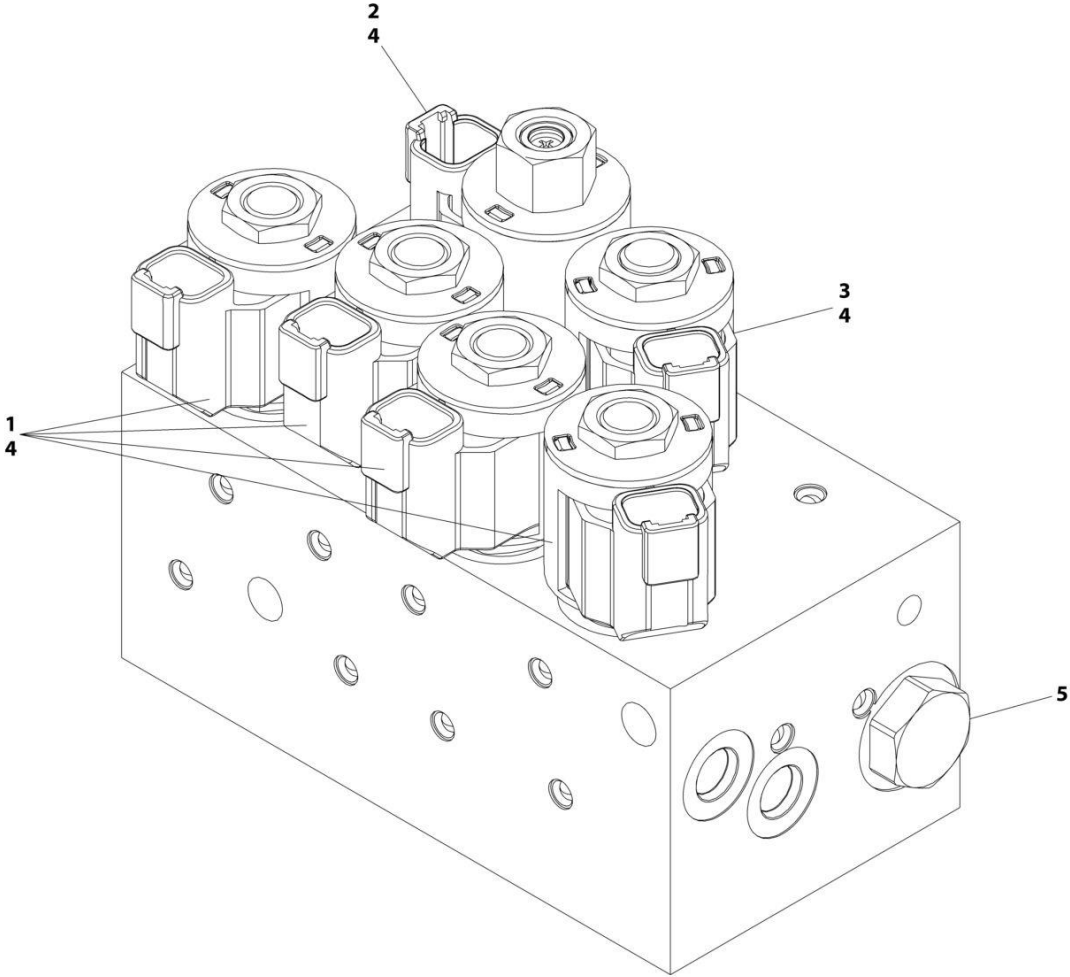
SECTION 8 - HYDRAULIC CIRCUITS

FIGURE 8-5. PILOT SELECT VALVE (ANSI)

ITEM	PART NUMBER	QTY	DESCRIPTION	REV
	1001130178	Ref	Pilot Select Valve (ANSI)	A
1	1101244	3	Directional Valve	
1	8033761	3	Seal Kit	
2	70023946	1	Directional Valve	
3	70002386	4	Coil	
4	10837580	1	Load Sense Check Valve	
4	7010543	1	Seal Kit	

SECTION 8 - HYDRAULIC CIRCUITS

FIGURE 8-6. PILOT SELECT VALVE (CE)



ART_1001132342-A

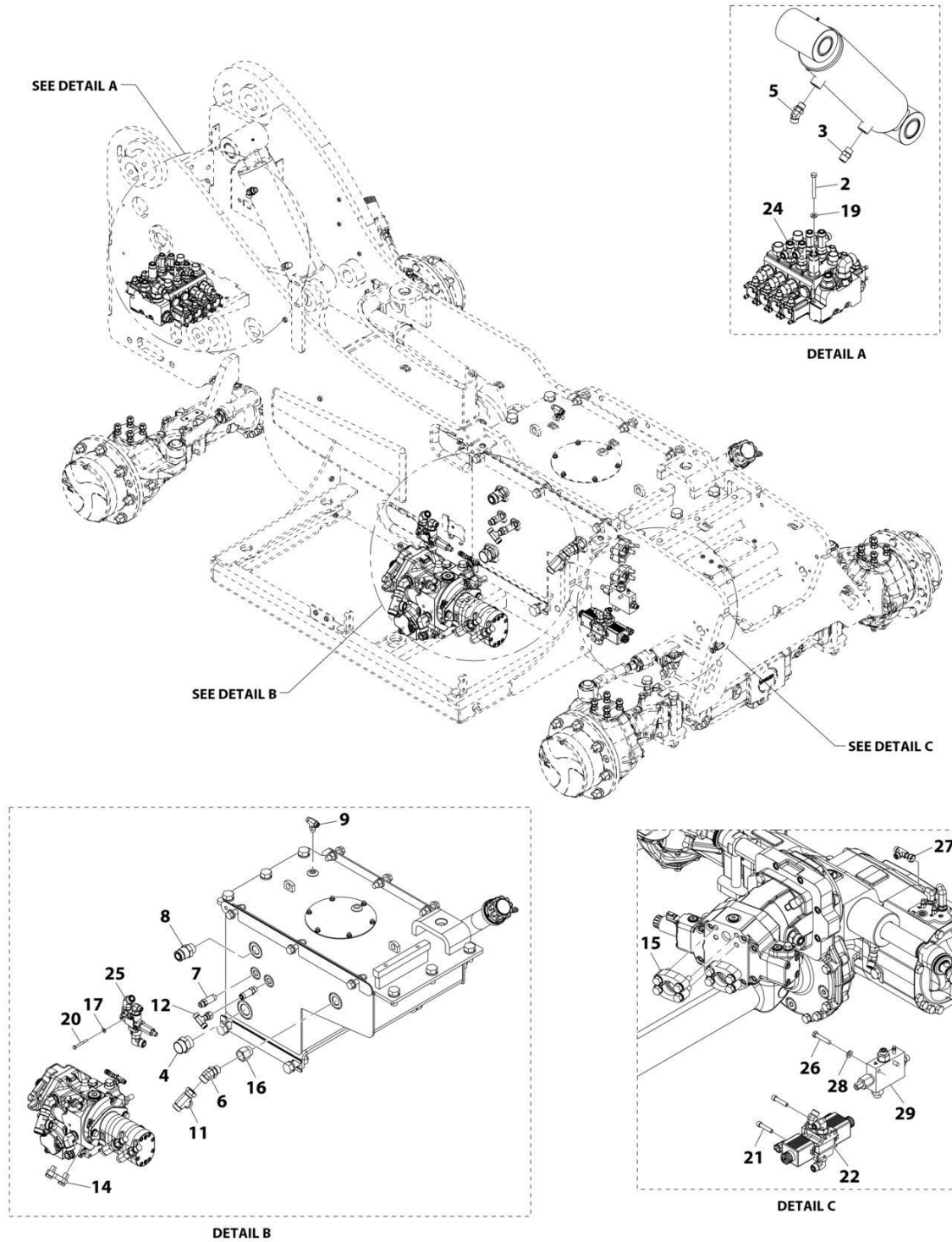
SECTION 8 - HYDRAULIC CIRCUITS

FIGURE 8-6. PILOT SELECT VALVE (CE)

ITEM	PART NUMBER	QTY	DESCRIPTION	REV
	1001132342	Ref	Pilot Select Valve (CE)	A
1	1101244	4	Directional Valve	
1	8033761	4	Seal Kit	
2	70023945	1	Proportional Valve	
3	70023946	1	Directional Valve	
4	70002386	6	Coil	
5	10837580	1	Load Sense Check Valve	
5	7010543	1	Seal Kit	
6	70002064	1	Orifice, 0.047 In	

SECTION 8 - HYDRAULIC CIRCUITS

FIGURE 8-7. HYDRAULIC VALVE INSTALLATION



ART_1001190692-D

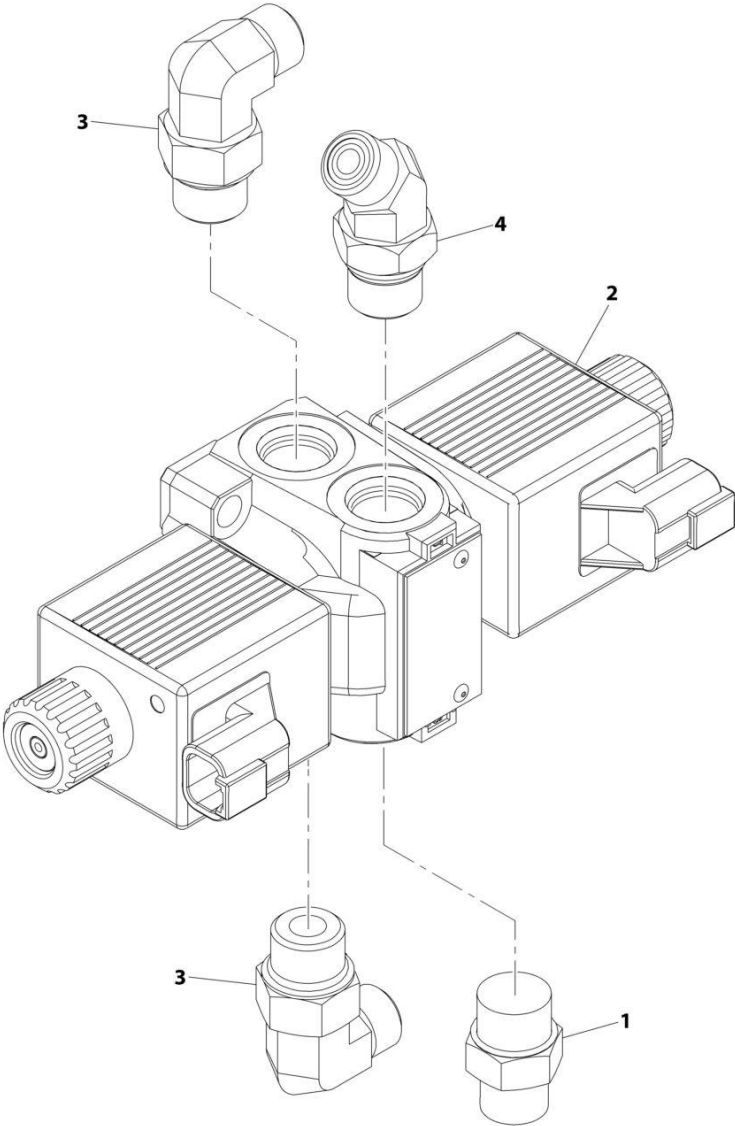
SECTION 8 - HYDRAULIC CIRCUITS

FIGURE 8-7. HYDRAULIC VALVE INSTALLATION

ITEM	PART NUMBER	QTY	DESCRIPTION	REV
	1001190692	Ref	Hydraulic Valve Installation	D
2	0641522	3	Hex HD Capscrew, 5/16-18X2-3/4, GR5	
3	2110808	1	Adapter	
4	2112020	1	Adapter	
5	2150808	1	Adapter	
6	2151212	1	Adapter, 45	
7	2170108	2	Adapter, Connector	
8	1001208854	1	Adapter, Connector	
9	2170406	1	Adapter, Run Tee	
11	2170712	1	Adapter, Run Tee	
12	2170808	1	Adapter, Branch Tee	
14	2171712	2	Flange Kit	
15	2171716	2	Flange Kit	
16	2220550	1	Adapter, Connector	
17	4711400	1	Washer, 1/4	
19	4891500	3	Washer, 5/16	
20	8303114	1	Hex HD Capscrew, 0.250-20X2.250, GR5	
21	88212229	2	Socket Hd Capscrew, 5/16-18X1-1/2	
22	1001080243	1	Assembly, Steering Select Valve (See Separate Breakdown in this Section)	
24	1001132338	1	Assembly, Main Control Valve (See Separate Breakdown in this Section)	
25	1001142155	1	Assembly, Priority Valve (See Separate Breakdown in this Section)	
26	0641514	2	Hex HD Capscrew, 5/16-18X1-3/4, GR5	
27	2170704	1	Swivel Tee	
28	4711500	2	Washer, 5/16	
29	1001080399	1	Assembly, Brake Valve (See Separate Breakdown in this Section)	

SECTION 8 - HYDRAULIC CIRCUITS

FIGURE 8-8. STEERING SELECT VALVE ASSEMBLY



ART_1001080243-F

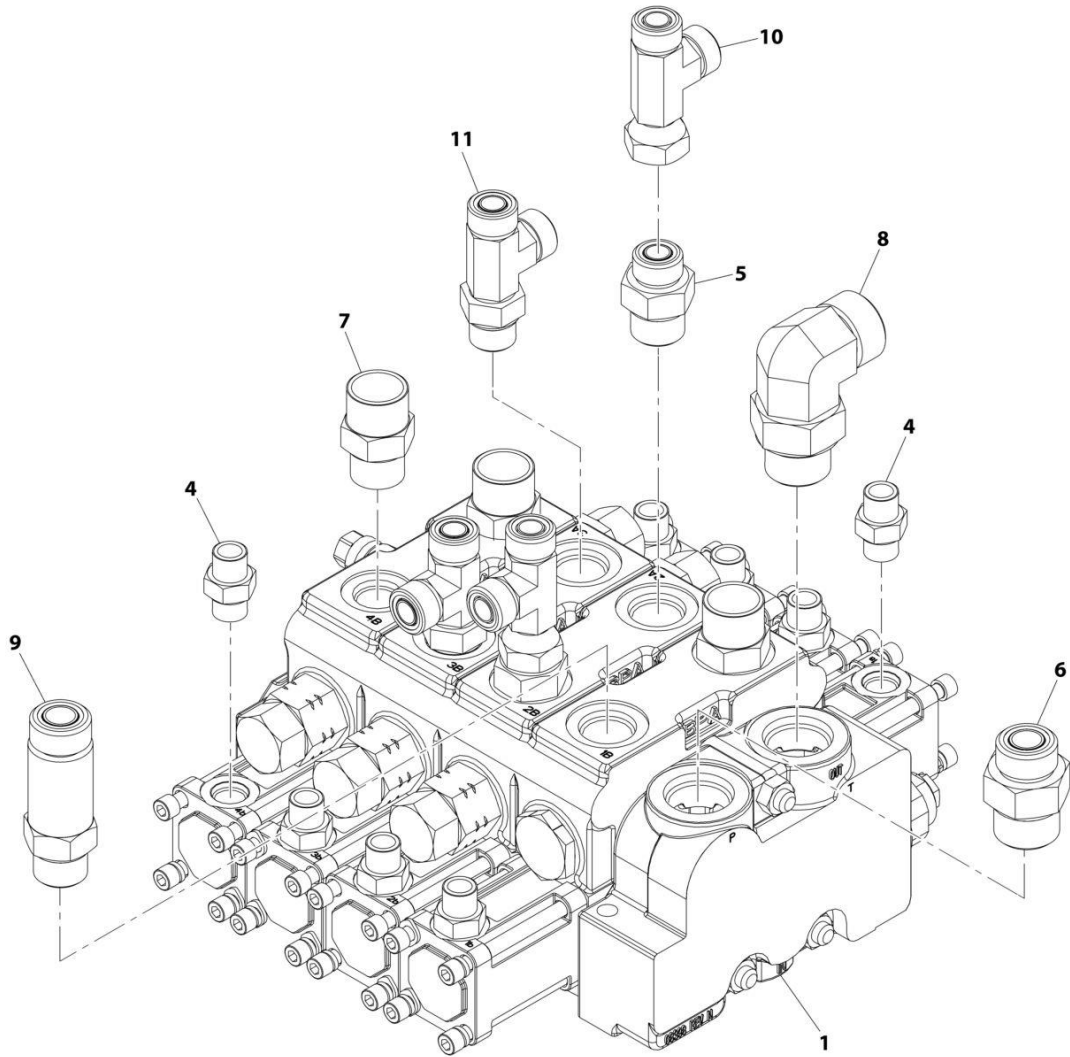
SECTION 8 - HYDRAULIC CIRCUITS

FIGURE 8-8. STEERING SELECT VALVE ASSEMBLY

ITEM	PART NUMBER	QTY	DESCRIPTION	REV
	1001080243	Ref	Steering Select Valve Assembly	F
1	2110608	1	Adapter	
2	1001153748	1	Steering Select Valve (See Separate Breakdown in Hydraulic Component Section)	
3	2130608	2	Adapter, 90	
4	2150608	1	Adapter, 45	

SECTION 8 - HYDRAULIC CIRCUITS

FIGURE 8-9. MAIN CONTROL VALVE ASSEMBLY



ART_1001132338-D

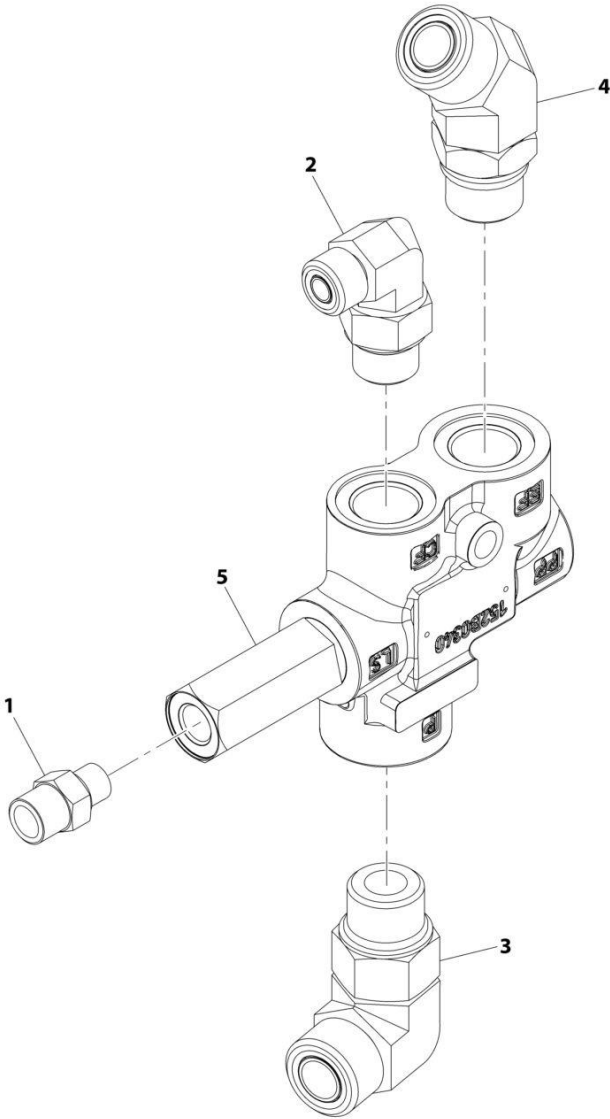
SECTION 8 - HYDRAULIC CIRCUITS

FIGURE 8-9. MAIN CONTROL VALVE ASSEMBLY

ITEM	PART NUMBER	QTY	DESCRIPTION	REV
	1001132338	Ref	Main Control Valve Assembly	D
1	1001080176	1	Valve, Main Control (W/Aux) (See Separate Breakdown in Hydraulic Component Section)	
4	2110406	8	Straight Fitting	
5	2110810	2	Adapter	
6	2111012	1	Adapter, Connector	
7	2111010	3	Adapter	
8	2131212	1	Adapter, 90	
9	2170110	1	Straight Fitting	
10	2170708	2	Swivel Tee	
11	2170308	2	Tee Fitting	

SECTION 8 - HYDRAULIC CIRCUITS

FIGURE 8-10. PRIORITY VALVE ASSEMBLY



ART_1001142155-A

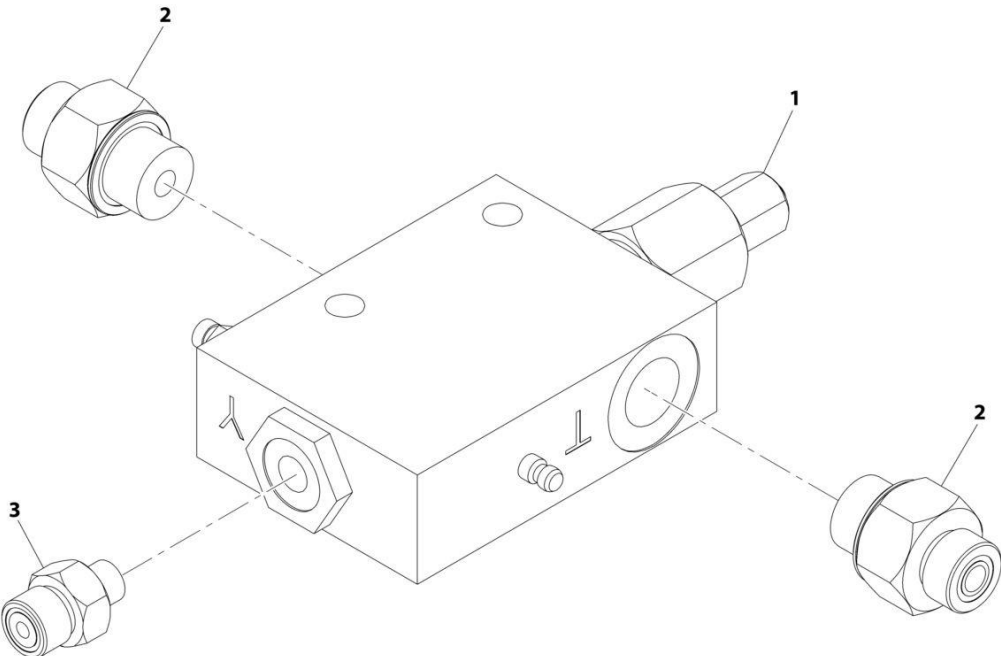
SECTION 8 - HYDRAULIC CIRCUITS

FIGURE 8-10. PRIORITY VALVE ASSEMBLY

ITEM	PART NUMBER	QTY	DESCRIPTION	REV
	1001142155	Ref	Priority Valve Assembly	A
1	2110404	1	Adapter, Connector	
2	2130608	1	Adapter, 90	
3	2131010	1	Adapter, 90	
4	2151010	1	Adapter, 45	
5	1001080143	1	Priority Valve	

SECTION 8 - HYDRAULIC CIRCUITS

FIGURE 8-11. BRAKE VALVE ASSEMBLY



ART_1001080399-D

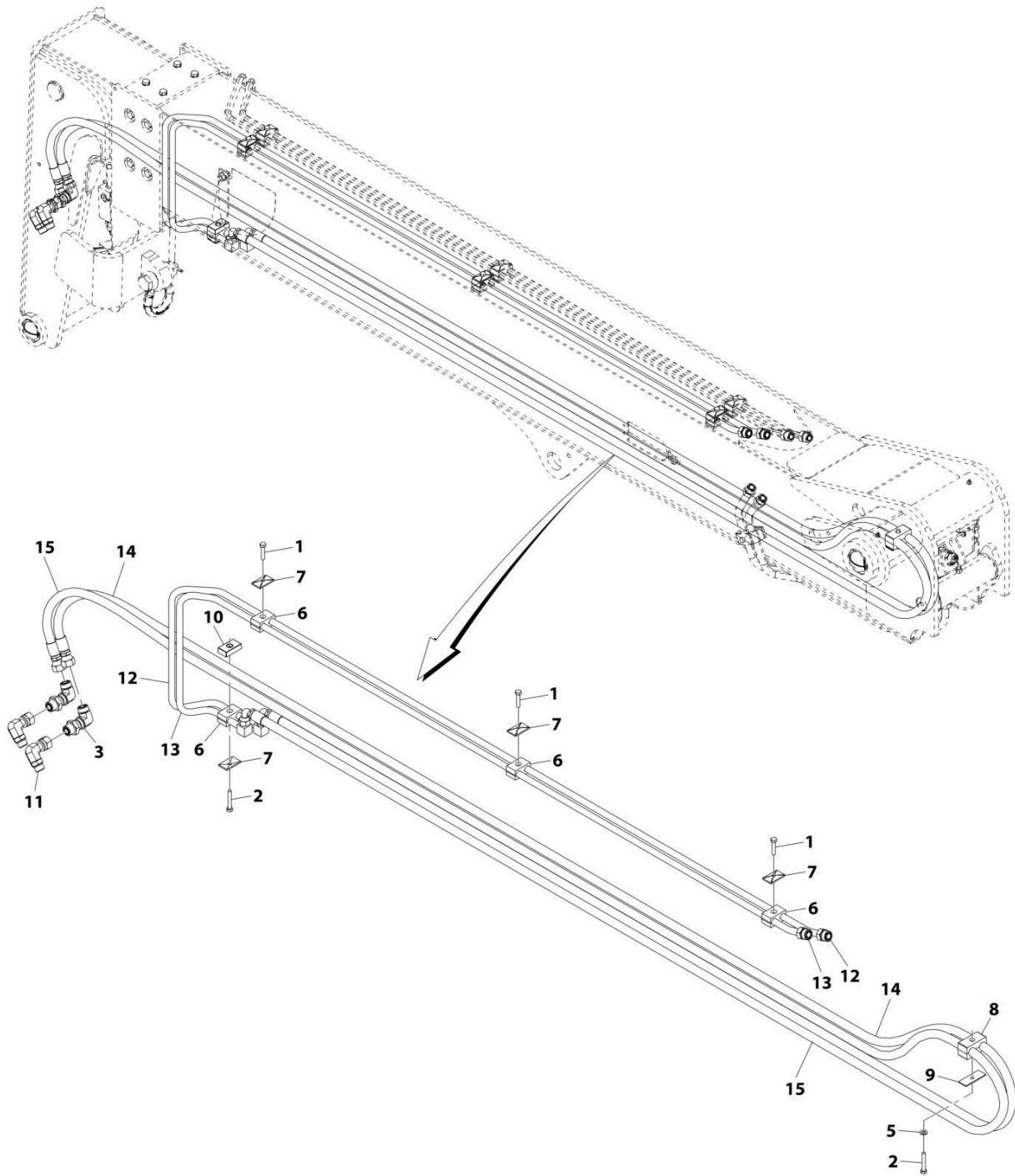
SECTION 8 - HYDRAULIC CIRCUITS

FIGURE 8-11. BRAKE VALVE ASSEMBLY

ITEM	PART NUMBER	QTY	DESCRIPTION	REV
	1001080399	Ref	Brake Valve Assembly	D
1	4641474	1	Brake Valve	
2	1001081333	2	Fitting	
3	1001081334	1	Fitting	

SECTION 8 - HYDRAULIC CIRCUITS

FIGURE 8-12. BOOM HYDRAULIC INSTALLATION (PVC 1911)



ART_1001237192-B

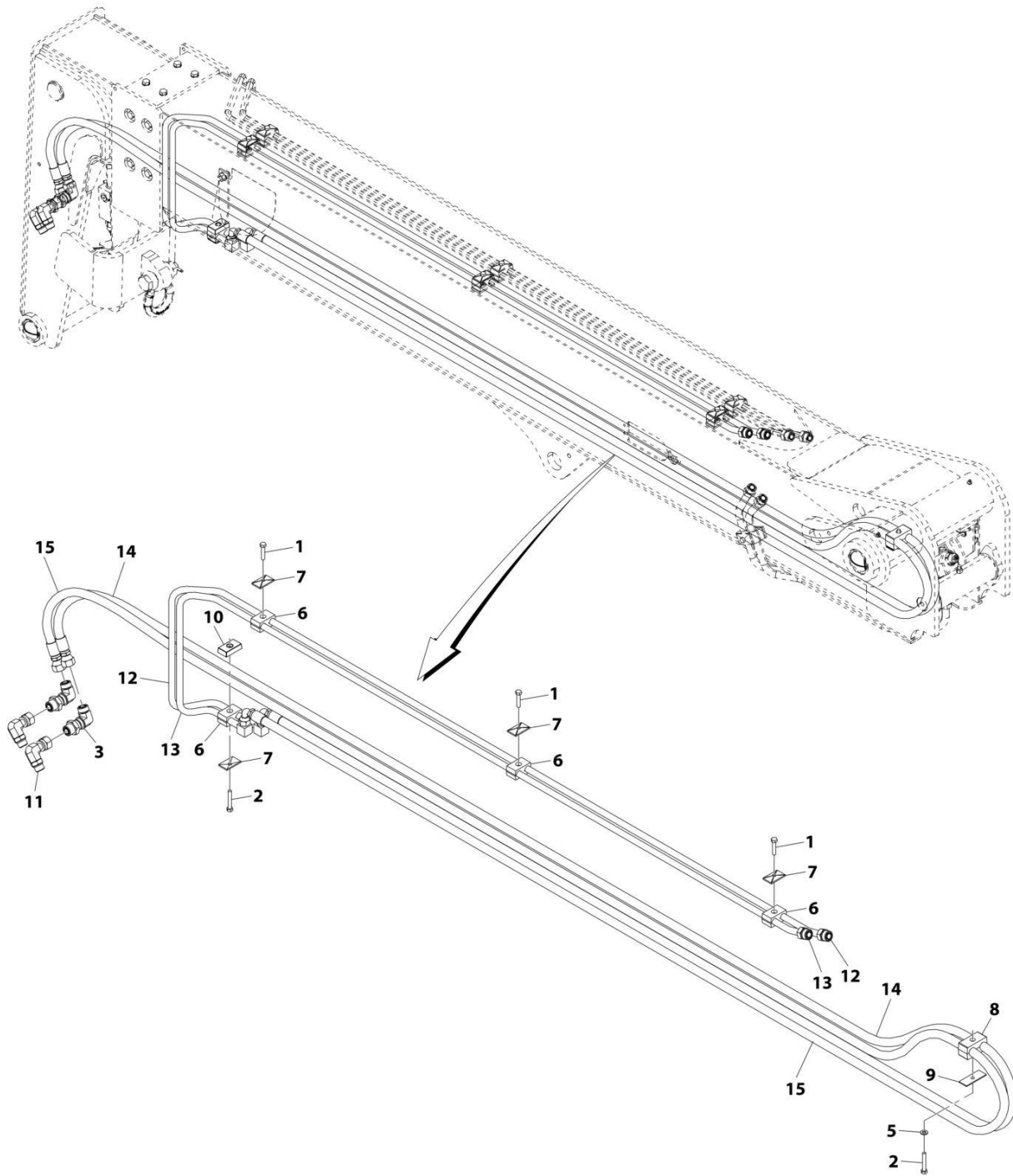
SECTION 8 - HYDRAULIC CIRCUITS

FIGURE 8-12. BOOM HYDRAULIC INSTALLATION (PVC 1911)

ITEM	PART NUMBER	QTY	DESCRIPTION	REV
	1001237192	Ref	Boom Hydraulic Installation	B
1	0641512	3	Hex HD Capscrew, 5/16-18X1-1/2, GR5	
2	0641516	2	Hex HD Capscrew, 5/16-18X2, GR5	
3	2221290	2	Elbow, 90	
5	4711500	1	Washer, 5/16	
6	8769122	4	Twin Clamp Set	
7	8769123	4	Twin Cover Plate	
8	77133136	1	Clamp	
9	77133137	1	Cover Plate	
10	1001080394	1	Twin Spacer	
11	1001090103	2	Fitting	
12	1001080207	1	Tube Assembly	
13	1001080208	1	Tube Assembly	
14	1001236782	1	Hose	
15	1001236783	1	Hose	

SECTION 8 - HYDRAULIC CIRCUITS

FIGURE 8-13. BOOM HYDRAULIC INSTALLATION (PVC 2005)



ART_1001237192-C

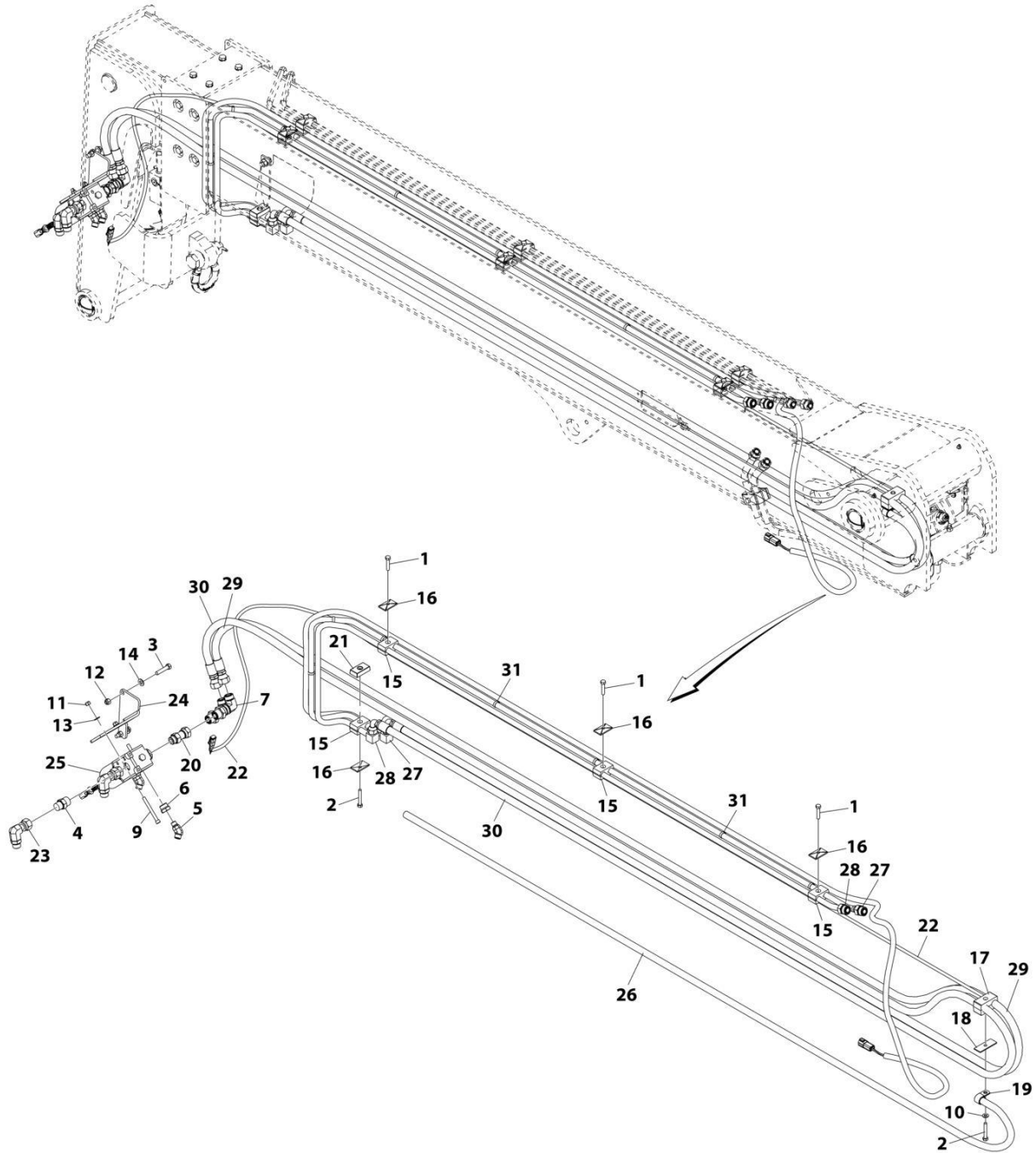
SECTION 8 - HYDRAULIC CIRCUITS

FIGURE 8-13. BOOM HYDRAULIC INSTALLATION (PVC 2005)

ITEM	PART NUMBER	QTY	DESCRIPTION	REV
	1001237192	Ref	Boom Hydraulic Installation	C
1	0641512	3	Hex HD Capscrew, 5/16-18X1-1/2, GR5	
2	0641516	2	Hex HD Capscrew, 5/16-18X2, GR5	
3	2221290	2	Elbow, 90	
5	4711500	1	Washer, 5/16	
6	8769122	4	Twin Clamp Set	
7	8769123	4	Twin Cover Plate	
8	77133136	1	Clamp	
9	77133137	1	Cover Plate	
10	1001080394	1	Twin Spacer	
11	1001090103	2	Fitting	
12	1001247193	1	Tube Assembly	
13	1001247192	1	Tube Assembly	
14	1001247194	1	Hose	
15	1001247195	1	Hose	

SECTION 8 - HYDRAULIC CIRCUITS

FIGURE 8-14. BOOM HYDRAULIC INSTALLATION, W/QS



ART_1001237214-B

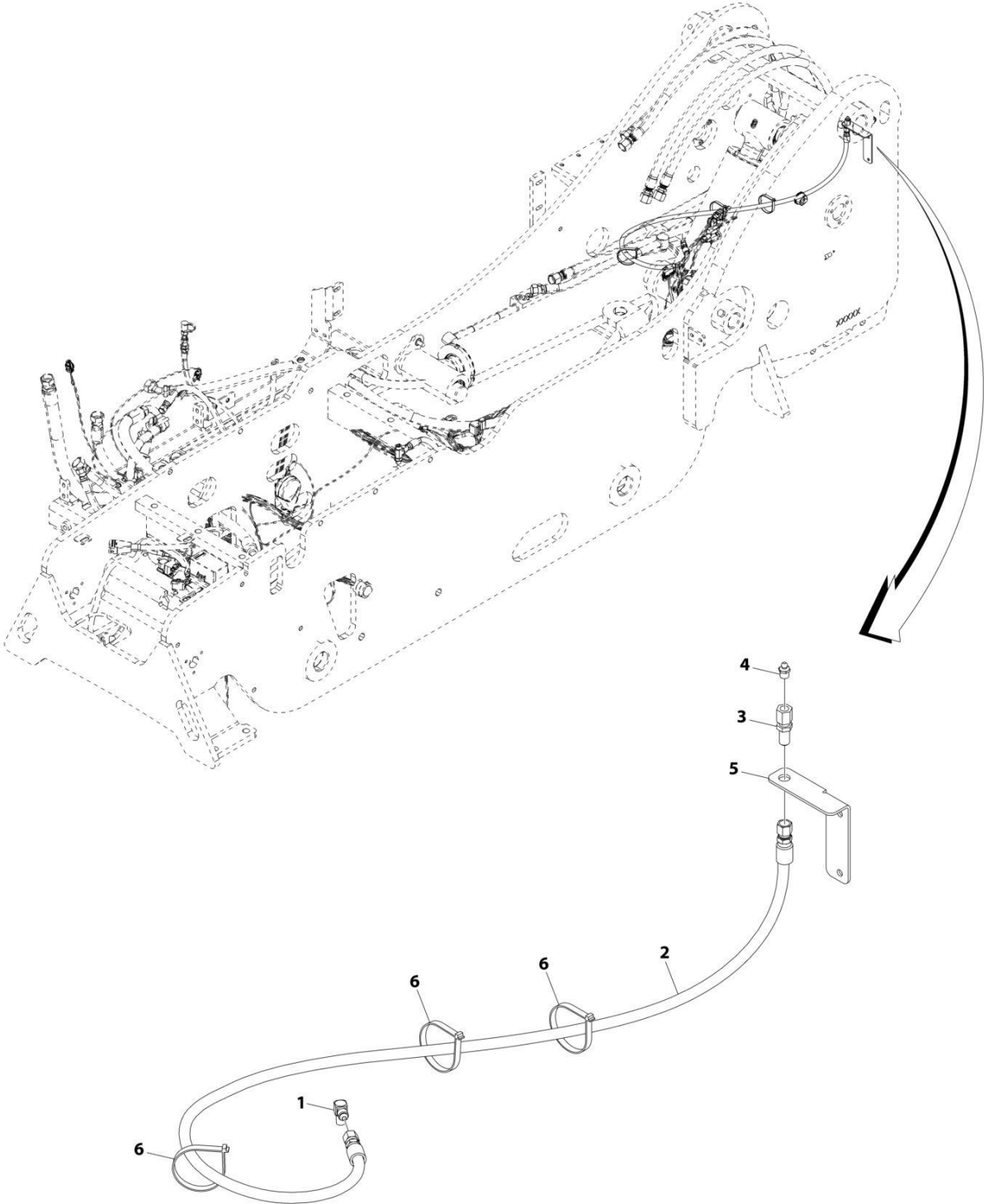
SECTION 8 - HYDRAULIC CIRCUITS

FIGURE 8-14. BOOM HYDRAULIC INSTALLATION, W/QS

ITEM	PART NUMBER	QTY	DESCRIPTION	REV
	1001237214	Ref	Boom Hydraulic Installation, W/QS	B
1	0641512	3	Hex HD Capscrew, 5/16-18X1-1/2, GR5	
2	0641516	2	Hex HD Capscrew, 5/16-18X2, GR5	
3	0641614	2	Hex HD Capscrew, 3/8-16X1-3/4, GR5	
4	2111010	2	Adapter	
5	2150606	2	Elbow, 45	
6	2220218	2	Adapter	
7	2221290	2	Elbow, 90	
9	3931548	2	Socket HD Capscrew, 5/16-18X3	
10	4711500	1	Washer, 5/16	
11	8305626	2	Hex Locknut, 5/16	
12	8305645	2	Hex Locknut, 3/8-16	
13	8307106	2	Plain Washer, 5/16	
14	8307110	2	Washer, 3/8	
15	8769122	4	Clamp Set	
16	8769123	4	Cover Plate	
17	77133136	1	Clamp Set	
18	77133137	1	Cover Plate	
19	91043147	1	Clamp	
20	1001001556	2	Adapter	
21	1001080394	1	Twin Line Clamp Spacer	
22	1001080397	1	Boom Aux Harness (See Separate Breakdown in Electrical Section)	
23	1001090103	2	Fitting	
24	1001100916	1	Bracket	
25	1001104477	1	Valve Divertor (See Separate Breakdown in this Section)	
26	1001232722	1	Hose	
27	1001080207	1	Tube Assembly	
28	1001080208	1	Tube Assembly	
29	1001236782	1	Hose	
30	1001236783	1	Hose	
31	90027187	AR	Cable Tie Strap	

SECTION 8 - HYDRAULIC CIRCUITS

FIGURE 8-15. REMOTE GREASE INSTALLATION



ART_1001236788-B

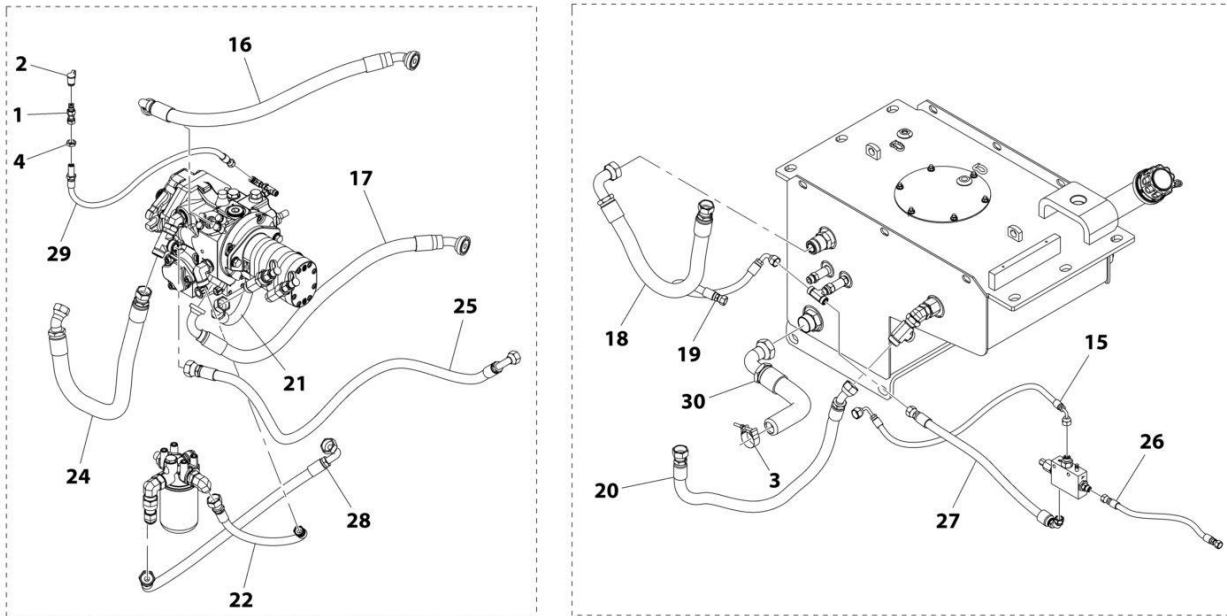
SECTION 8 - HYDRAULIC CIRCUITS

FIGURE 8-15. REMOTE GREASE INSTALLATION

ITEM	PART NUMBER	QTY	DESCRIPTION	REV
	1001236788	Ref	Remote Grease Installation	B
1	2220612	1	Elbow, 90	
2	1001081413	1	Hose Assembly	
3	80623016	1	Adapter	
4	8520001	1	Fitting	
5	1001236787	1	Bracket	
6	8584003	3	Cable Tie	

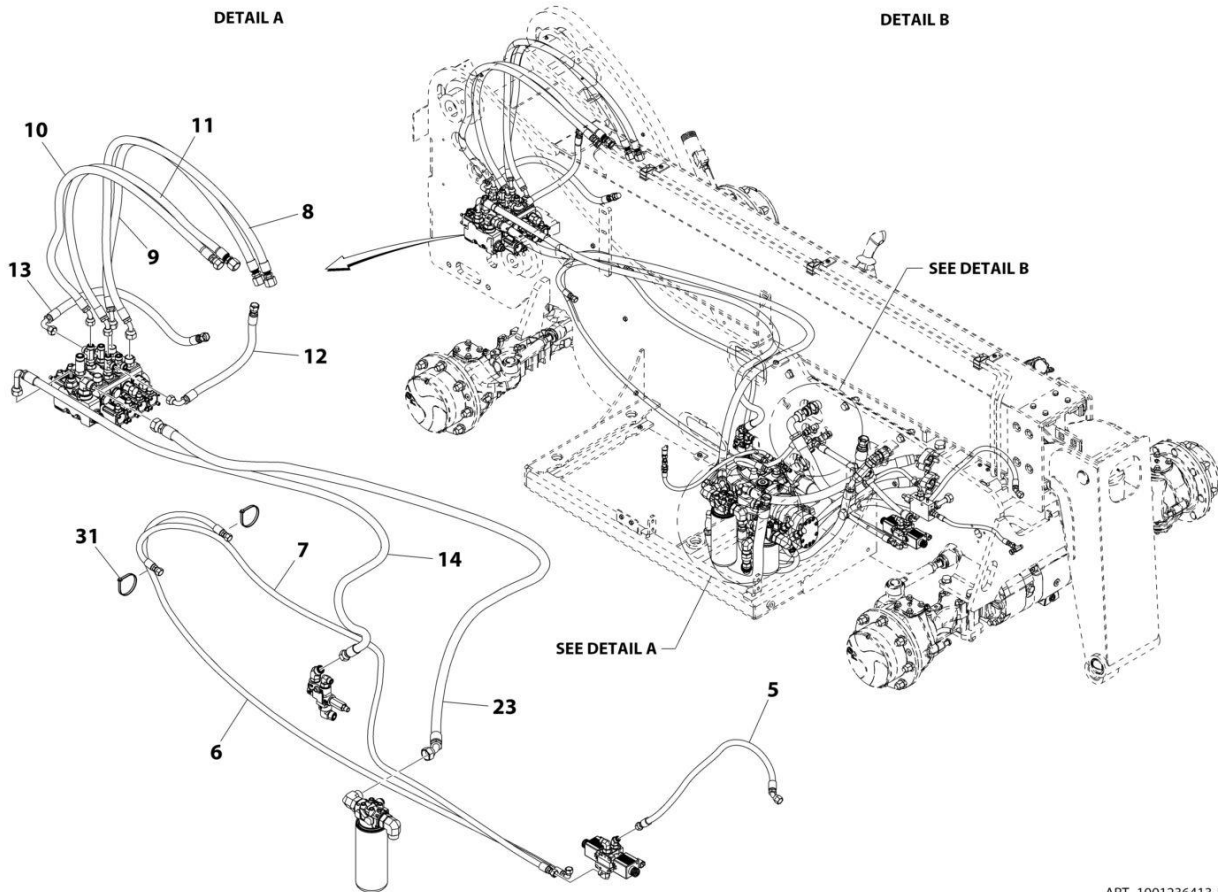
SECTION 8 - HYDRAULIC CIRCUITS

FIGURE 8-16. FRAME HYDRAULIC HOSE INSTALLATION



DETAIL A

DETAIL B



ART_1001236413-B

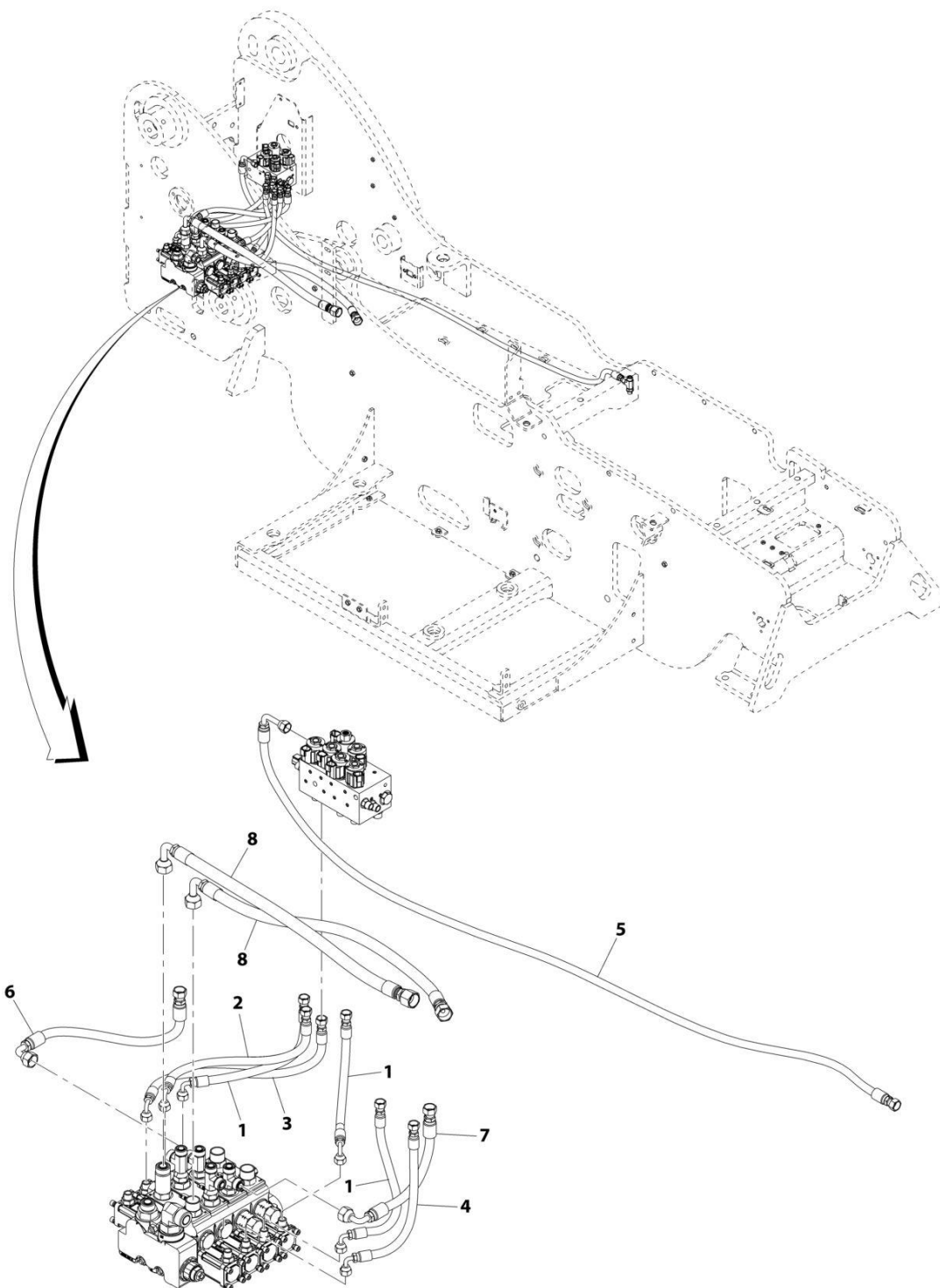
SECTION 8 - HYDRAULIC CIRCUITS

FIGURE 8-16. FRAME HYDRAULIC HOSE INSTALLATION

ITEM	PART NUMBER	QTY	DESCRIPTION	REV
	1001236413	Ref	Frame Hydraulic Hose Installation	B
1	2221229	1	Adapter, Diagnostic Nipple	
2	8430032	1	Dust Cap	
3	80633030	1	Clamp	
4	88662482	1	Locknut	
5	1001236418	1	Hose Assembly	
6	1001236419	1	Hose Assembly	
7	1001236420	1	Hose Assembly	
8	1001080293	1	Hose Assembly	
9	1001080309	1	Hose Assembly	
10	1001080437	1 in	Hose Assembly	
11	1001080438	1 in	Hose Assembly	
12	1001081347	1	Hose Assembly	
13	1001081348	1	Hose Assembly	
14	1001144697	1	Hose Assembly	
15	1001144763	1	Hose Assembly	
16	1001144749	1	Hose Assembly	
17	1001144750	1	Hose Assembly	
18	1001144751	1	Hose Assembly	
19	1001144753	1	Hose Assembly	
20	1001144754	1	Hose Assembly	
21	1001144755	1	Hose Assembly	
22	1001144757	1	Hose Assembly	
23	1001144759	1	Hose Assembly	
24	1001144760	1	Hose Assembly	
25	1001144761	1	Hose Assembly	
26	1001144764	1	Hose Assembly	
27	1001144737	1	Hose Assembly	
28	1001151288	1	Hose Assembly	
29	1001152967	1	Hose Assembly	
30	1001202141	1	Hose Assembly	
31	4240099	2	Strap, Tie	

SECTION 8 - HYDRAULIC CIRCUITS

FIGURE 8-17. HYDRAULIC HOSE INSTALLATION (ANSI)



ART_1001200567-B

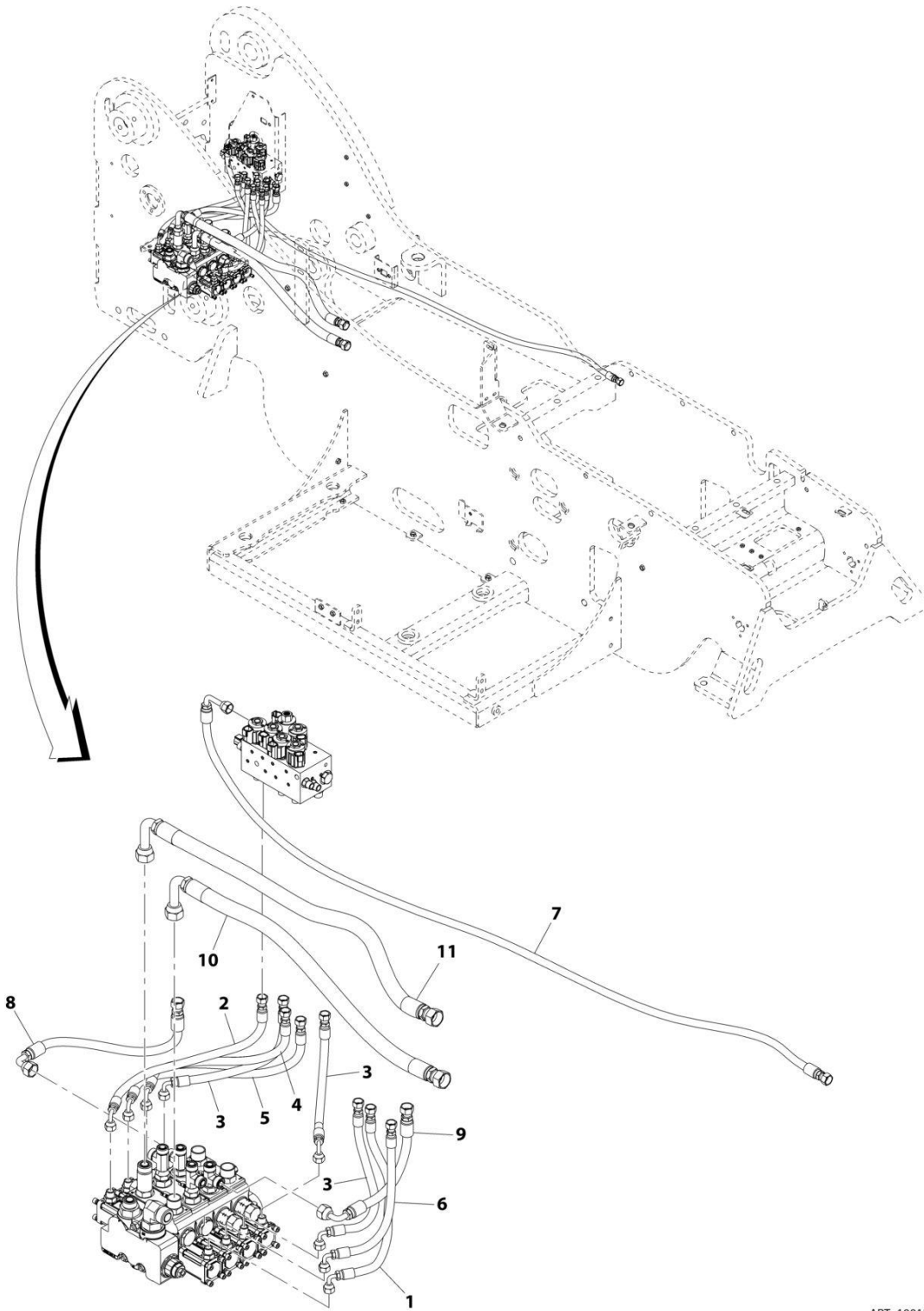
SECTION 8 - HYDRAULIC CIRCUITS

FIGURE 8-17. HYDRAULIC HOSE INSTALLATION (ANSI)

ITEM	PART NUMBER	QTY	DESCRIPTION	REV
	1001200567	Ref	Hydraulic Hose Installation (ANSI)	B
1	1001129889	3	Hose Assembly	
2	1001129891	1	Hose Assembly	
3	1001129893	1	Hose Assembly	
4	1001129894	1	Hose Assembly	
5	1001209089	1	Hose Assembly	
6	1001129925	1	Hose Assembly	
7	1001129926	1	Hose Assembly	
8	1001080279	2	Hose Assembly	

SECTION 8 - HYDRAULIC CIRCUITS

FIGURE 8-18. HYDRAULIC HOSE INSTALLATION (CE)



ART_1001201117-B

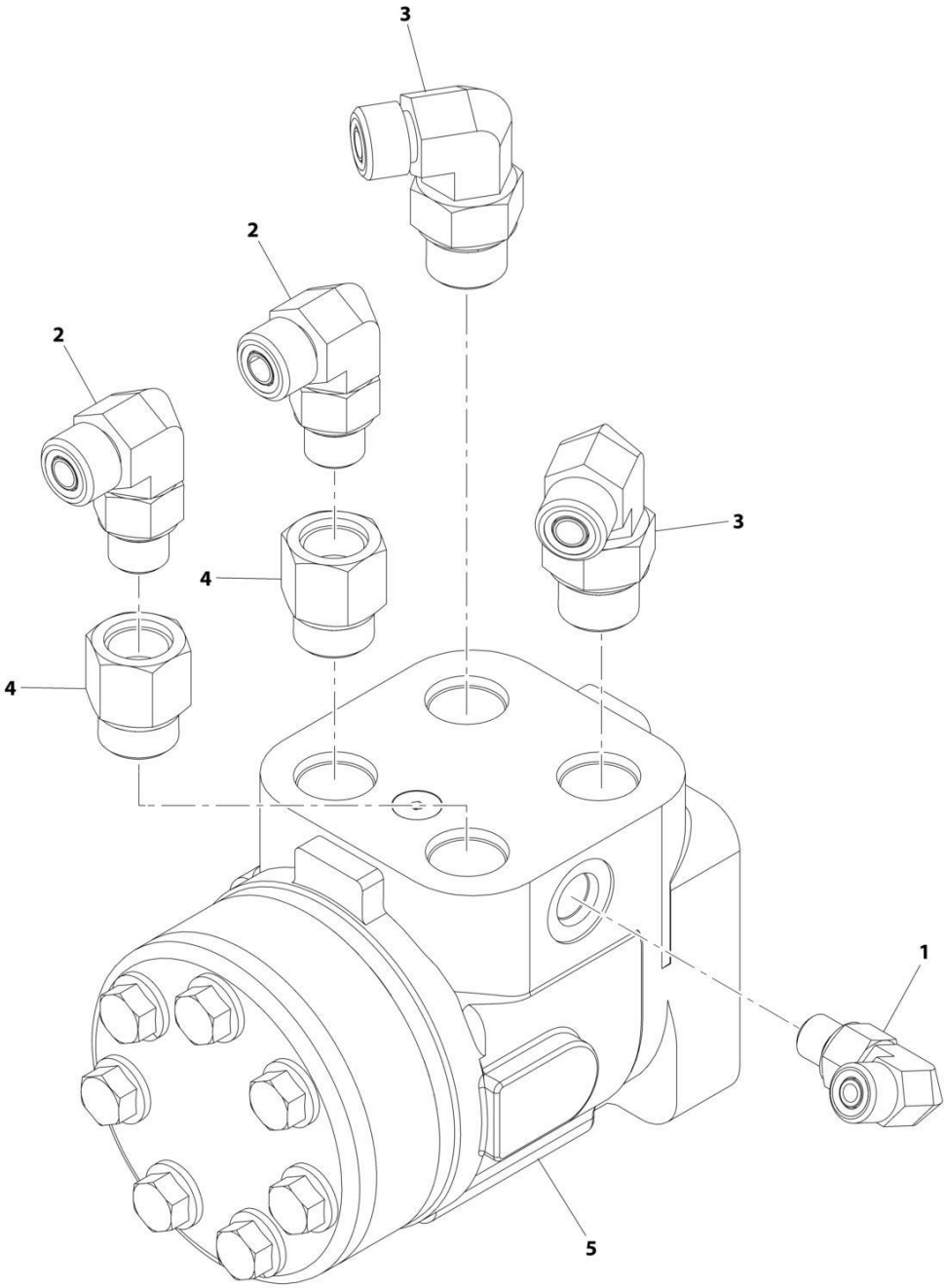
SECTION 8 - HYDRAULIC CIRCUITS

FIGURE 8-18. HYDRAULIC HOSE INSTALLATION (CE)

ITEM	PART NUMBER	QTY	DESCRIPTION	REV
	1001201117	Ref	Hydraulic Hose Installation (CE)	B
1	1001129887	1	Hose Assembly	
2	1001129888	1	Hose Assembly	
3	1001129889	3	Hose Assembly	
4	1001129891	1	Hose Assembly	
5	1001129893	1	Hose Assembly	
6	1001129894	1	Hose Assembly	
7	1001209089	1	Hose Assembly	
8	1001129925	1	Hose Assembly	
9	1001129926	1	Hose Assembly	
10	1001132411	1	Hose Assembly	
11	1001132412	1	Hose Assembly	

SECTION 8 - HYDRAULIC CIRCUITS

FIGURE 8-19. STEERING VALVE ASSEMBLY



ART_1001202006-A

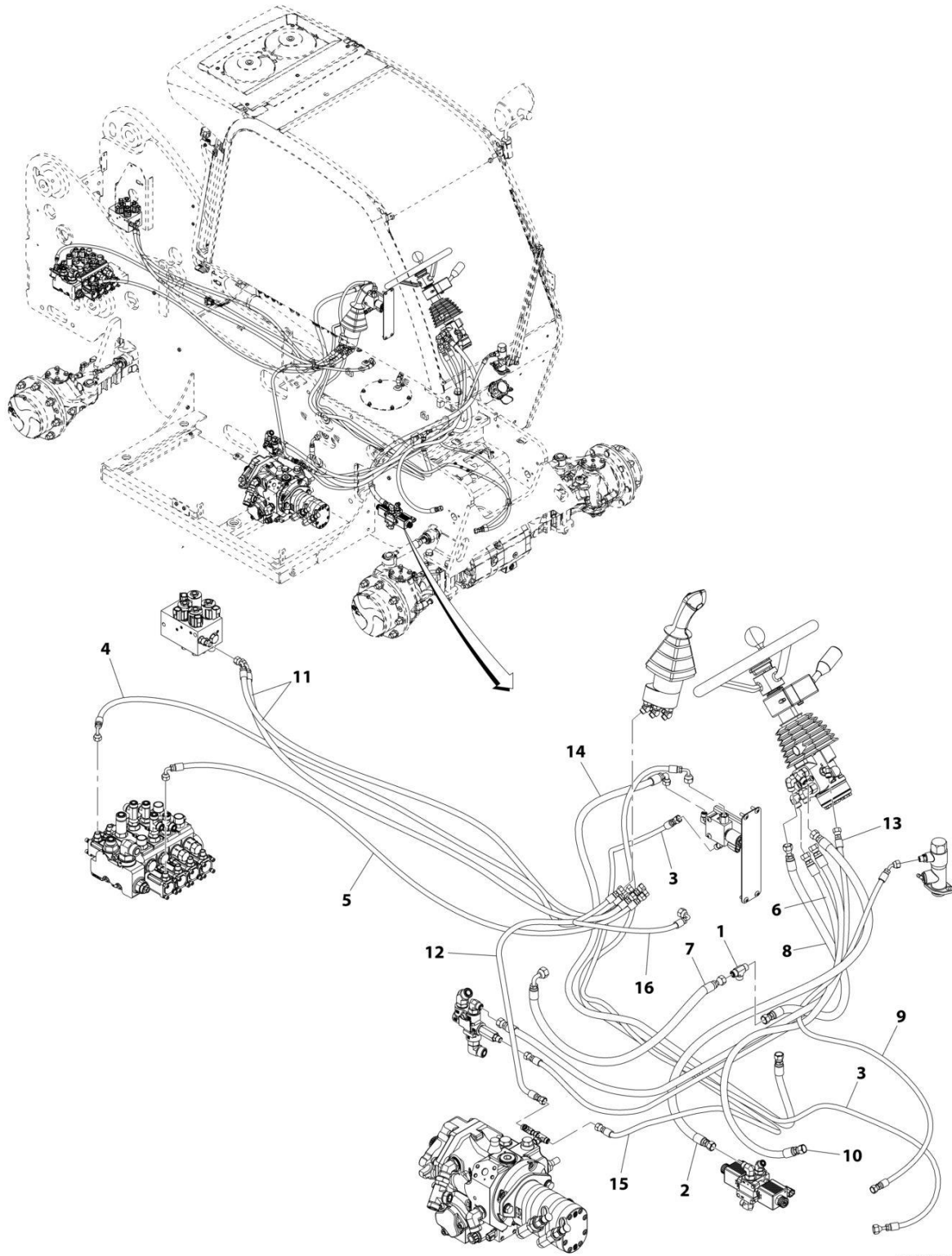
SECTION 8 - HYDRAULIC CIRCUITS

FIGURE 8-19. STEERING VALVE ASSEMBLY

ITEM	PART NUMBER	QTY	DESCRIPTION	REV
	1001202006	Ref	Steering Valve Assembly	A
1	2130404	1	Adapter, 90	
2	2130606	2	Adapter, 90	
3	2130608	2	Adapter, 90	
4	2220591	2	Adapter, Connector	
5	1001194017	1	Orbital Steering Valve	

SECTION 8 - HYDRAULIC CIRCUITS

FIGURE 8-20. CAB HYDRAULICS INSTALLATION, (ANSI)



ART_1001235716-A

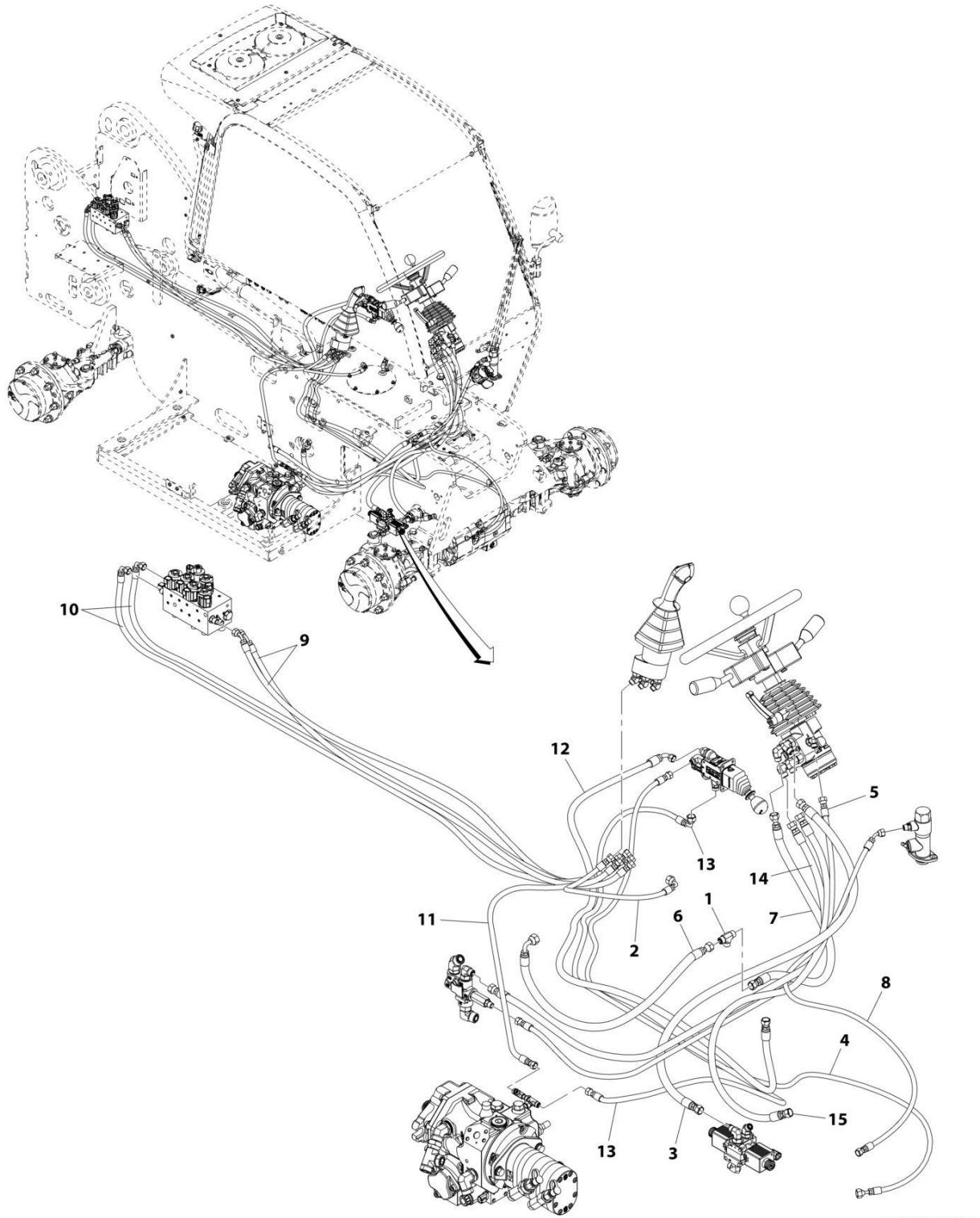
SECTION 8 - HYDRAULIC CIRCUITS

FIGURE 8-20. CAB HYDRAULICS INSTALLATION, (ANSI)

ITEM	PART NUMBER	QTY	DESCRIPTION	REV
	1001235716	Ref	Cab Hydraulics Installation, (ANSI)	A
1	2170506	1	Adapter, Run Tee	
2	1001080250	1	Hose Assembly	
3	1001080251	1	Hose Assembly	
4	1001080265	1	Hose Assembly	
5	1001080266	1	Hose Assembly	
6	1001209063	1	Hose Assembly	
7	1001080585	1	Hose Assembly	
8	1001080586	1	Hose Assembly	
9	1001106622	1	Hose Assembly	
10	1001236417	1	Hose Assembly	
11	1001129895	2	Hose Assembly	
12	1001144756	1	Hose Assembly	
13	1001080356	1	Hose Assembly	
14	1001145224	1	Hose Assembly	
15	1001145225	1	Hose Assembly	
16	1001202297	1	Hose Assembly	

SECTION 8 - HYDRAULIC CIRCUITS

FIGURE 8-21. CAB HYDRAULICS INSTALLATION (LSI)



ART_1001236957-B

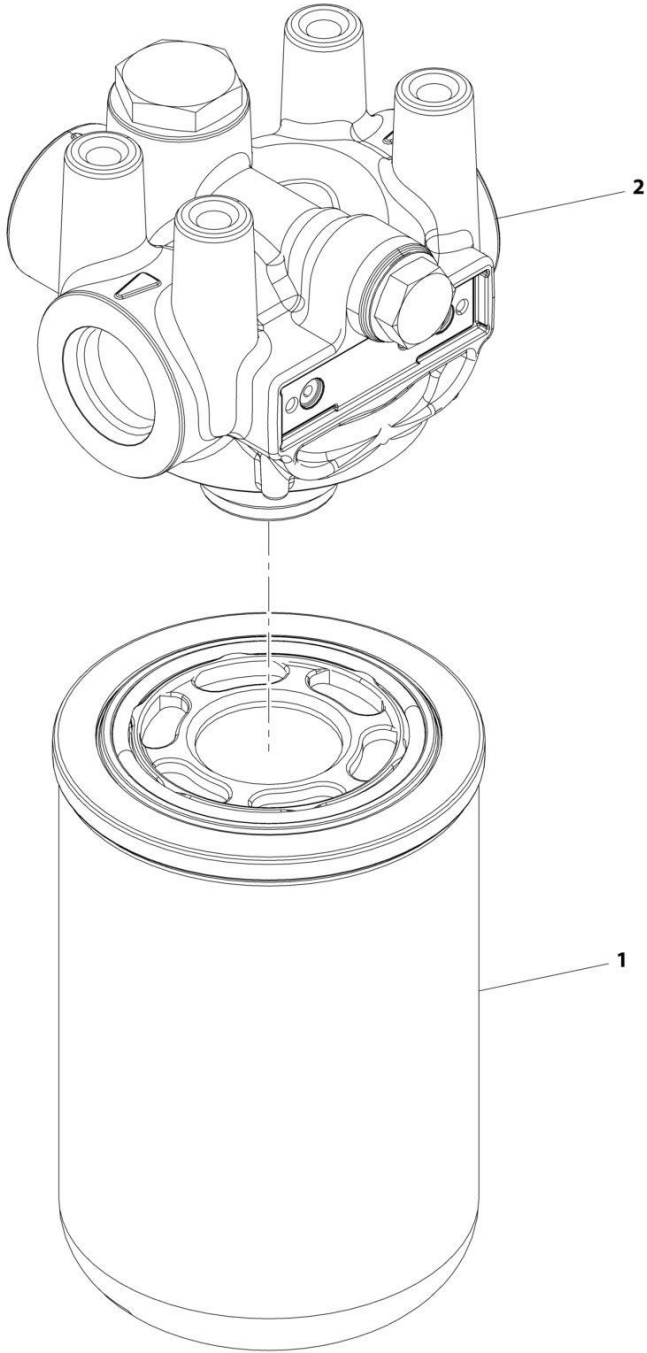
SECTION 8 - HYDRAULIC CIRCUITS

FIGURE 8-21. CAB HYDRAULICS INSTALLATION (LSI)

ITEM	PART NUMBER	QTY	DESCRIPTION	REV
	1001236957	Ref	Cab Hydraulics Installation (LSI)	B
1	2170506	1	Adapter, Run Tee	
2	1001202297	1	Hose Assembly	
3	1001080250	1	Hose Assembly	
4	1001080251	1	Hose Assembly	
5	1001080356	1	Hose Assembly	
6	1001080585	1	Hose Assembly	
7	1001080586	1	Hose Assembly	
8	1001106622	1	Hose Assembly	
9	1001129895	2	Hose Assembly	
10	1001129898	2	Hose Assembly	
11	1001144756	1	Hose Assembly	
12	1001145224	1	Hose Assembly	
13	1001145225	1	Hose Assembly	
14	1001209063	1	Hose Assembly	
15	1001236417	1	Hose Assembly	

SECTION 8 - HYDRAULIC CIRCUITS

FIGURE 8-22. IMPLEMENT PUMP FILTER ASSEMBLY



ART_1001141976-A

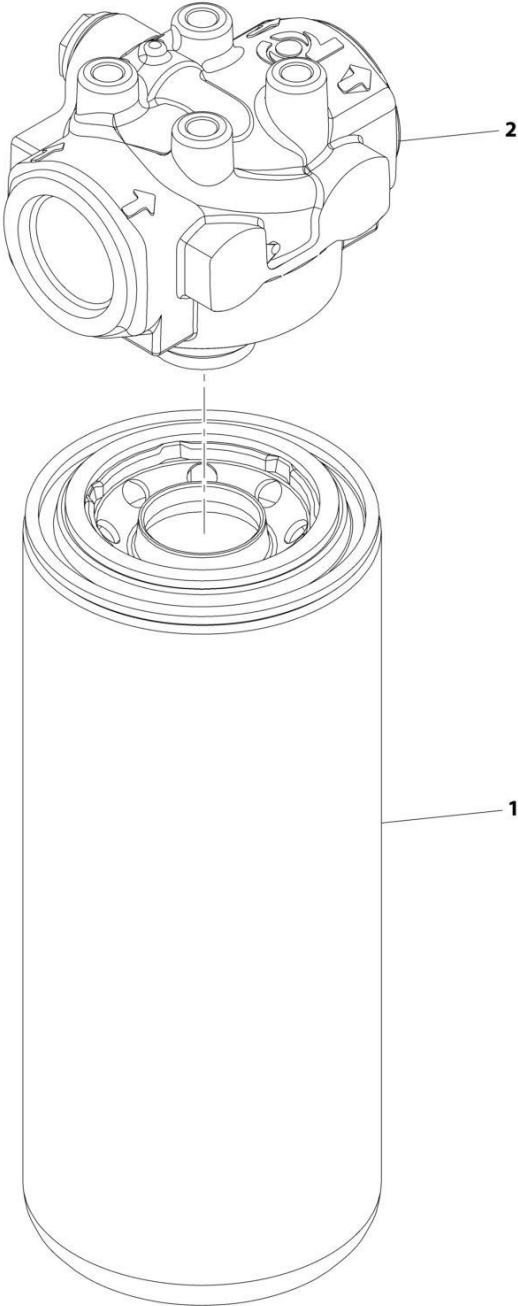
SECTION 8 - HYDRAULIC CIRCUITS

FIGURE 8-22. IMPLEMENT PUMP FILTER ASSEMBLY

ITEM	PART NUMBER	QTY	DESCRIPTION	REV
	1001141976	Ref	Implement Pump Filter Assembly	A
1	1001141461	1	Filter	
2	1001141462	1	Pump, Filter	

SECTION 8 - HYDRAULIC CIRCUITS

FIGURE 8-23. HYDRAULIC FILTER ASSEMBLY



ART_1001141975-A

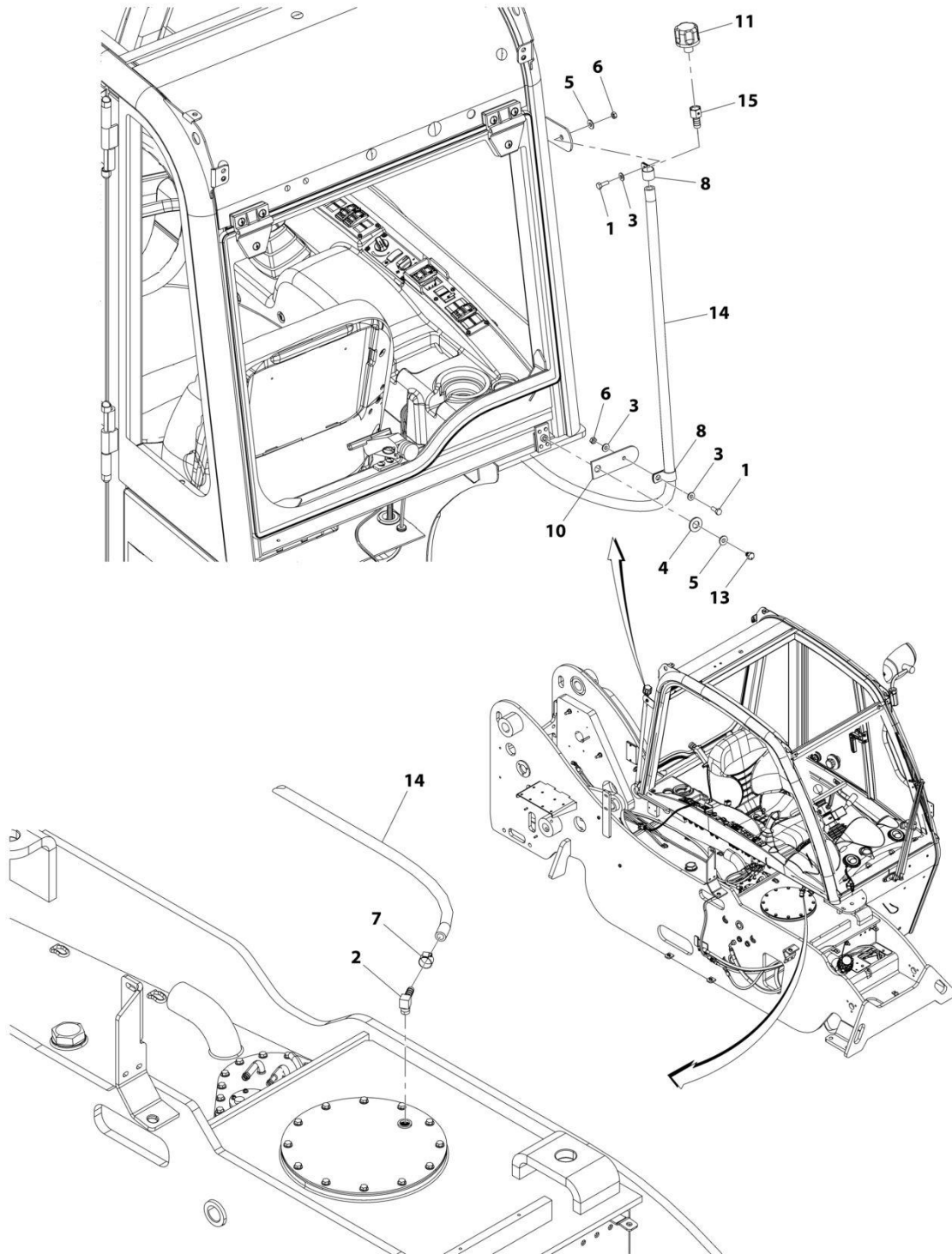
SECTION 8 - HYDRAULIC CIRCUITS

FIGURE 8-23. HYDRAULIC FILTER ASSEMBLY

ITEM	PART NUMBER	QTY	DESCRIPTION	REV
	1001141975	Ref	Hydraulic Filter Assembly	A
1	1001141459	1	Hydraulic Oil Filter Element	
2	1001141460	1	Head Filter	

SECTION 8 - HYDRAULIC CIRCUITS

FIGURE 8-24. HYDRAULIC TANK BREATHER INSTALLATION



ART_1001182755-C

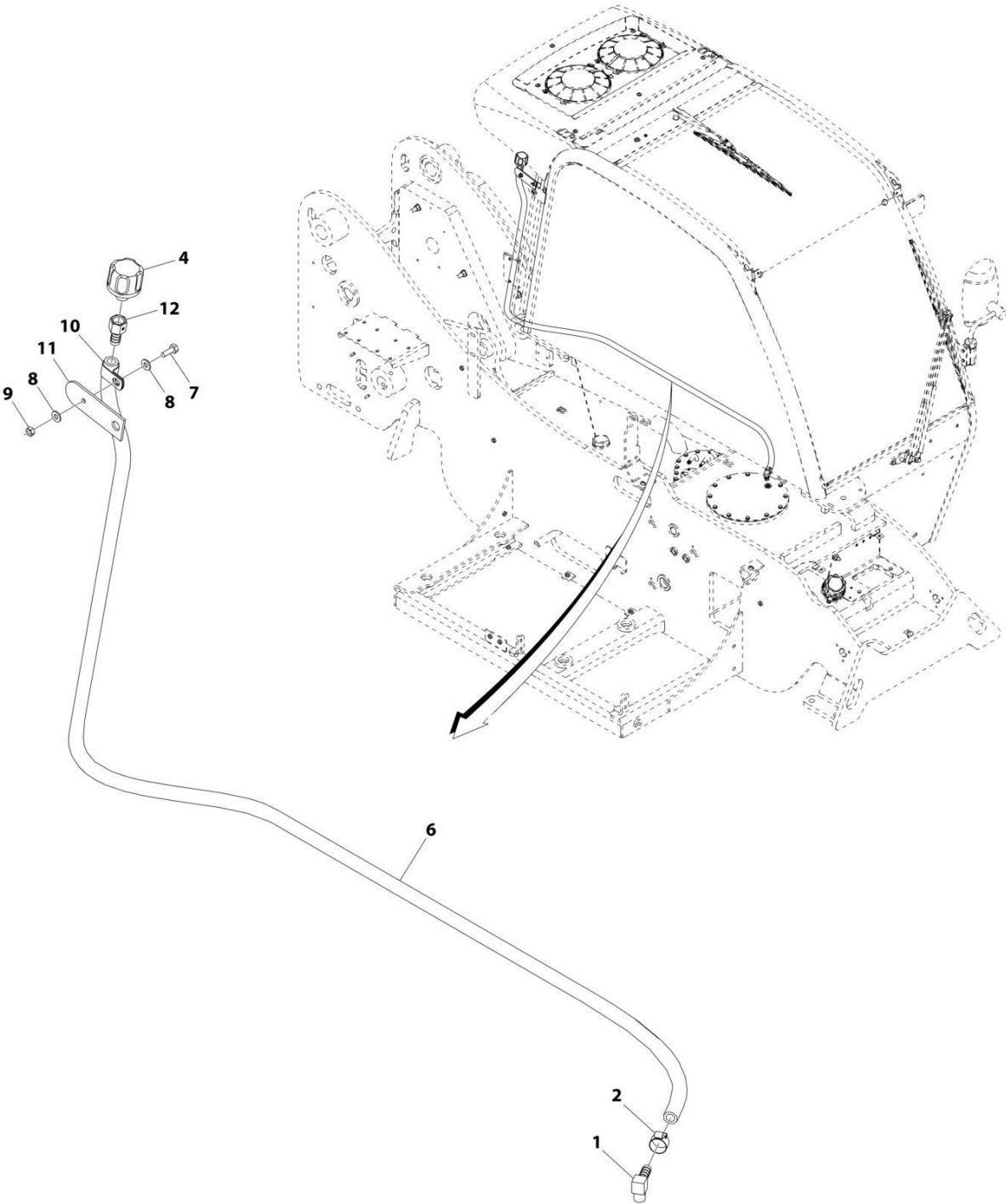
SECTION 8 - HYDRAULIC CIRCUITS

FIGURE 8-24. HYDRAULIC TANK BREATHER INSTALLATION

ITEM	PART NUMBER	QTY	DESCRIPTION	REV
	1001182755	Ref	Hydraulic Tank Breather Installation	C
1	0641406	2	Bolt, 1/4-20X3/4	
2	2221198	1	Fitting, 90	
3	4711400	3	Washer, 1/4	
4	4711900	1	Washer, 9/16	
5	4751400	2	Washer, 1/4	
6	8305004	2	Nut	
7	8405006	1	Clamp, Gear	
8	8406102	2	Clip	
10	1001182224	1	Bracket	
11	1001185024	1	Filter, Hydraulic Breather	
13	1001196601	1	Bolt	
14	1001154405	7	Hose	
15	1001232888	1	Fitting, Straight	

SECTION 8 - HYDRAULIC CIRCUITS

FIGURE 8-25. HYDRAULIC TANK BREATHER INSTALLTION (A/C)



ART_1001186376-B

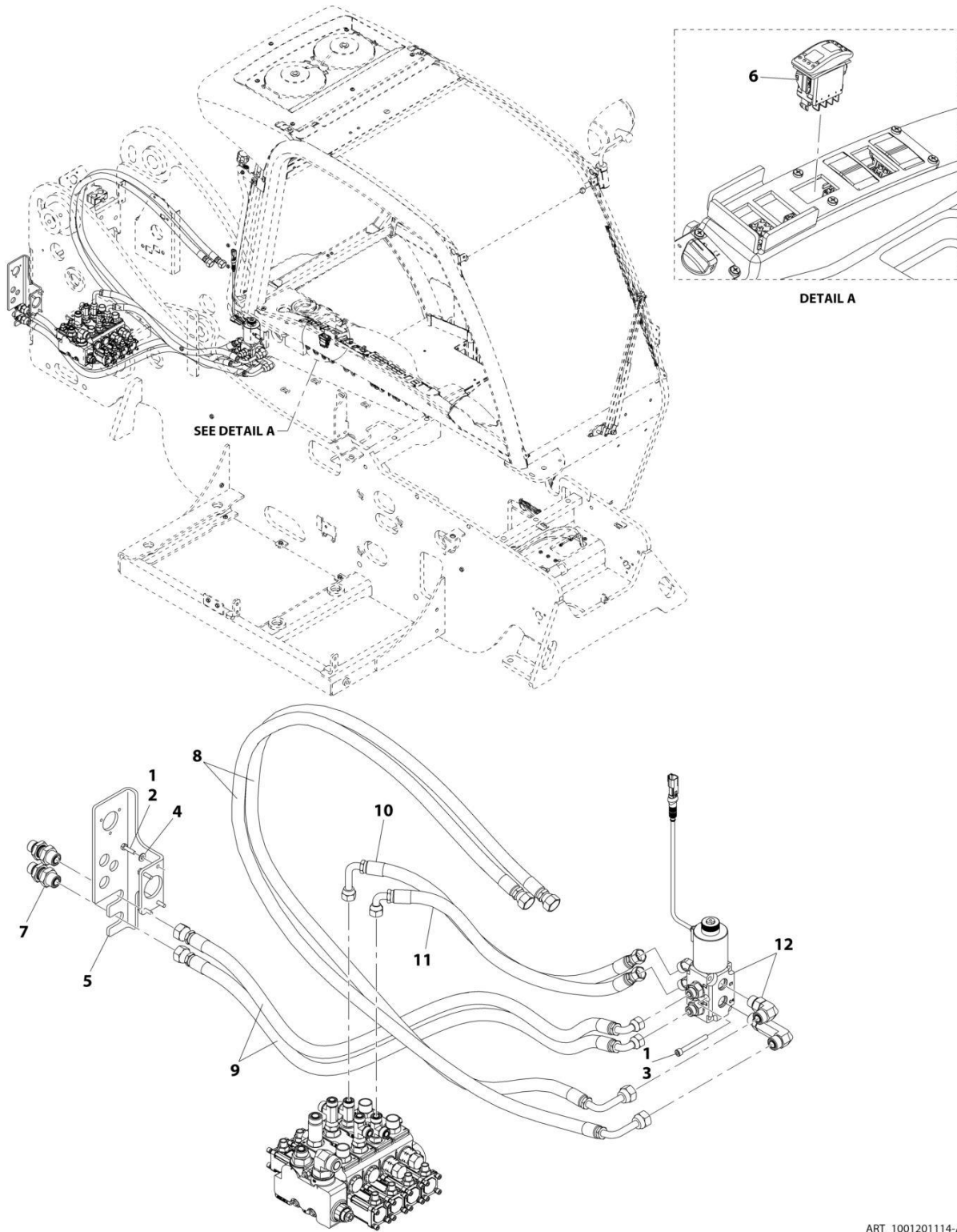
SECTION 8 - HYDRAULIC CIRCUITS

FIGURE 8-25. HYDRAULIC TANK BREATHER INSTALLTION (A/C)

ITEM	PART NUMBER	QTY	DESCRIPTION	REV
	1001186376	Ref	Hydraulic Tank Breather installtion (A/C)	B
1	2221198	1	Barbed Fitting, 90	
2	8405006	1	Gear Clamp	
4	1001185024	1	Air Breather	
6	1001154405	7	Fuel Line Hose, 1/2 In	
7	0641406	1	Hex HD Cap Screw, 1/4-20X3/4	
8	4711400	2	Narrow Washer, 1/4	
9	8305004	1	Hex Nut	
10	8406102	1	Wire Clip	
11	1001182224	1	Tank Breather Hose Bracket	
12	1001232888	1	Fitting	

SECTION 8 - HYDRAULIC CIRCUITS

FIGURE 8-26. REAR HYDRAULIC OUTLET INSTALLATION



ART_1001201114-A

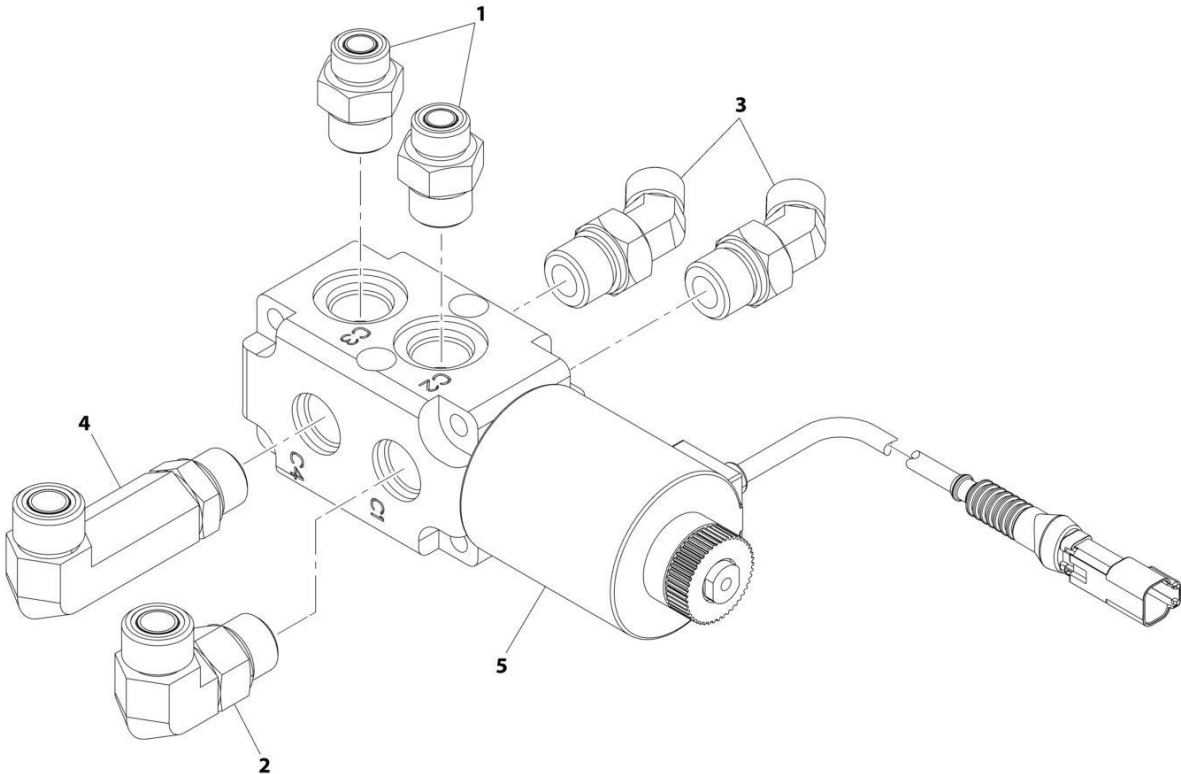
SECTION 8 - HYDRAULIC CIRCUITS

FIGURE 8-26. REAR HYDRAULIC OUTLET INSTALLATION

ITEM	PART NUMBER	QTY	DESCRIPTION	REV
	1001201114	Ref	REAR HYDRAULIC OUTLET INSTALLATION	A
1	0100011	AR	Compound, Locking	
2	0641408	4	Capscrew 1/4 x 1	
3	4031918	2	Bolt M8 x 70	
4	4711400	4	Washer 1/4	
5	1001080240	1	Trailer Hitch Bracket	
6	1001080364	1	Front/Rear Auxiliary Hydraulic Switch	
7	1001101235	2	Adapter	
8	1001135799	2	Hose Assembly	
9	1001135801	2	Hose Assembly	
10	1001135803	1	Hose Assembly	
11	1001135805	1	Hose Assembly	
12	1001135807	1	Assembly, Rear Diverter Valve (See Separate Breakdown in this Section)	

SECTION 8 - HYDRAULIC CIRCUITS

FIGURE 8-27. REAR DIVERTER VALVE ASSEMBLY



ART_1001135807-A

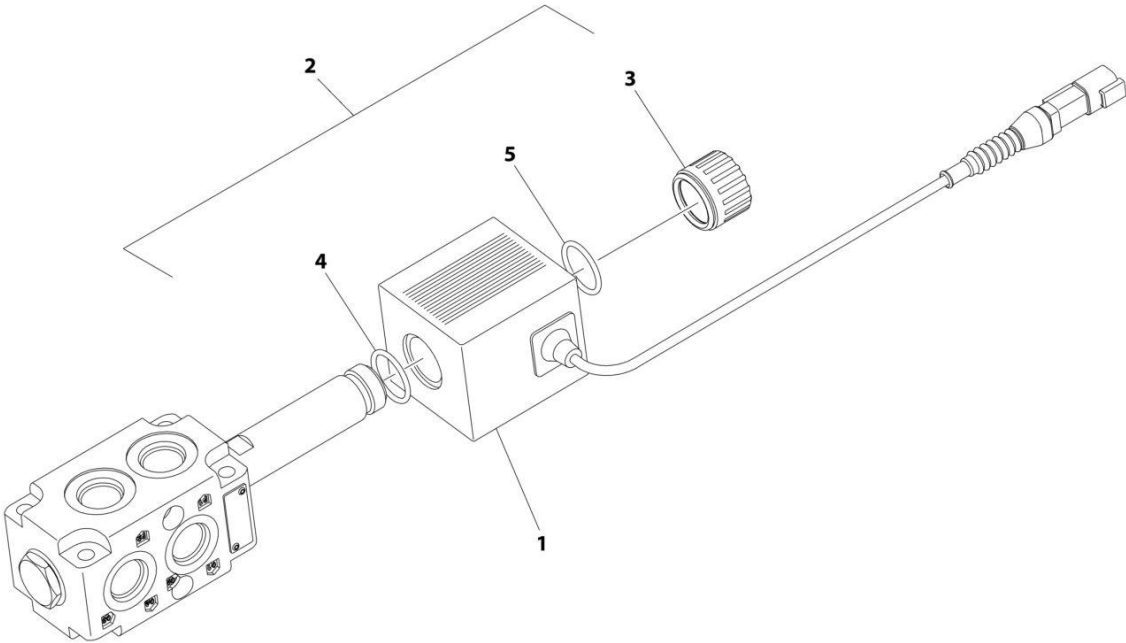
SECTION 8 - HYDRAULIC CIRCUITS

FIGURE 8-27. REAR DIVERTER VALVE ASSEMBLY

ITEM	PART NUMBER	QTY	DESCRIPTION	REV
	1001135807	Ref	Rear Diverter Valve Assembly	A
1	2110810	2	Adapter	
2	2131010	1	Adapter, 90	
3	2150810	2	Adapter, 45	
4	2170210	1	Adapter, 90	
5	1001104477	1	Diverter Valve (See Separate Breakdown in this Section)	

SECTION 8 - HYDRAULIC CIRCUITS

FIGURE 8-28. DIVERTOR VALVE



ART_1001104477

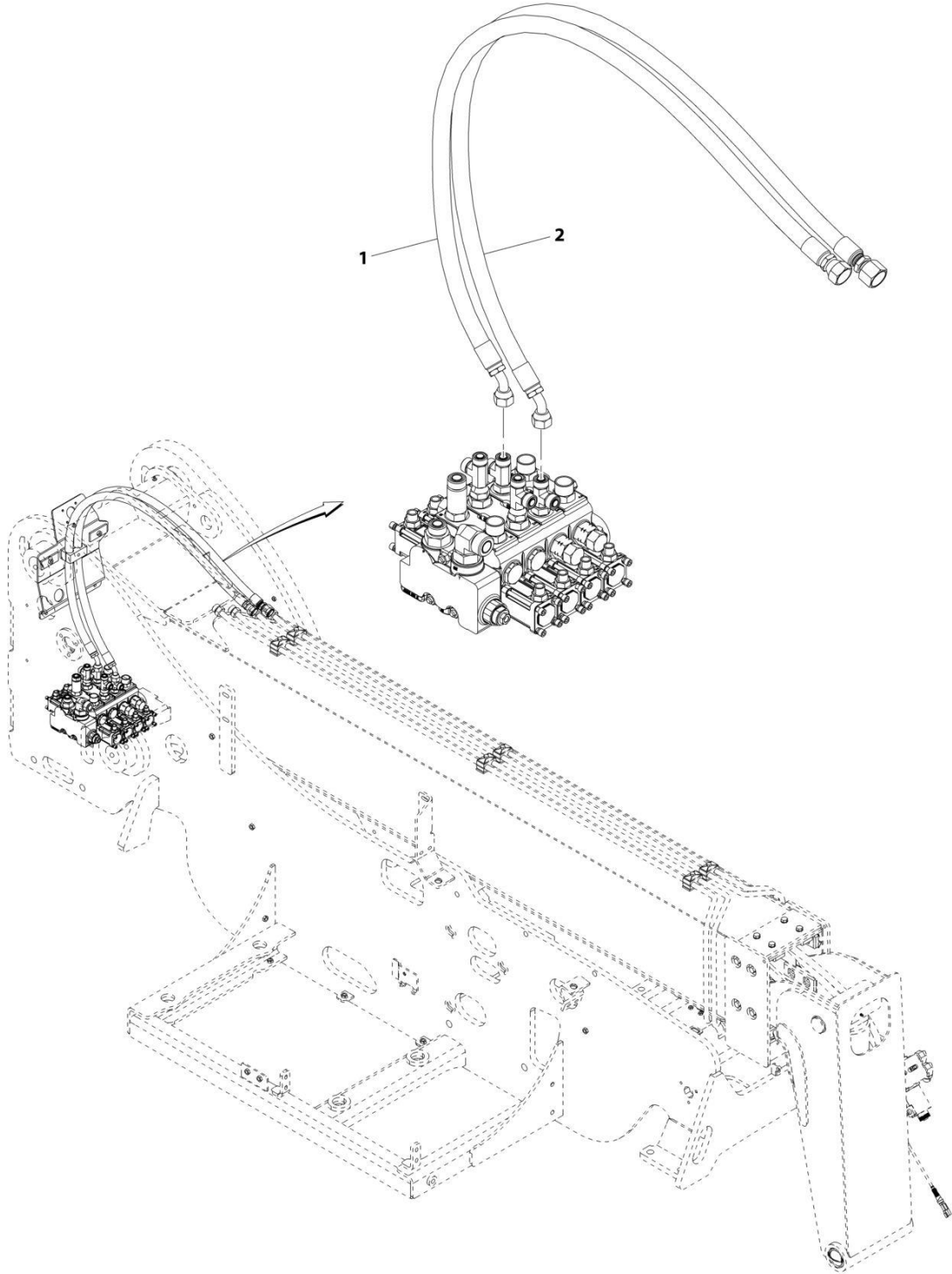
SECTION 8 - HYDRAULIC CIRCUITS

FIGURE 8-28. DIVERTOR VALVE

ITEM	PART NUMBER	QTY	DESCRIPTION	REV
	1001104477	Ref	DIVERTOR VALVE	D
1	70020764	1	Coil	
2	70021531	1	Retainer Kit (Includes Items 3-5)	
3	Kit	1	Nut	
4	Kit	1	O-Ring	
5	Kit	1	O-Ring	

SECTION 8 - HYDRAULIC CIRCUITS

FIGURE 8-29. BOOM AUX HOSE INSTALLATION



ART_1001201115-A

SECTION 8 - HYDRAULIC CIRCUITS

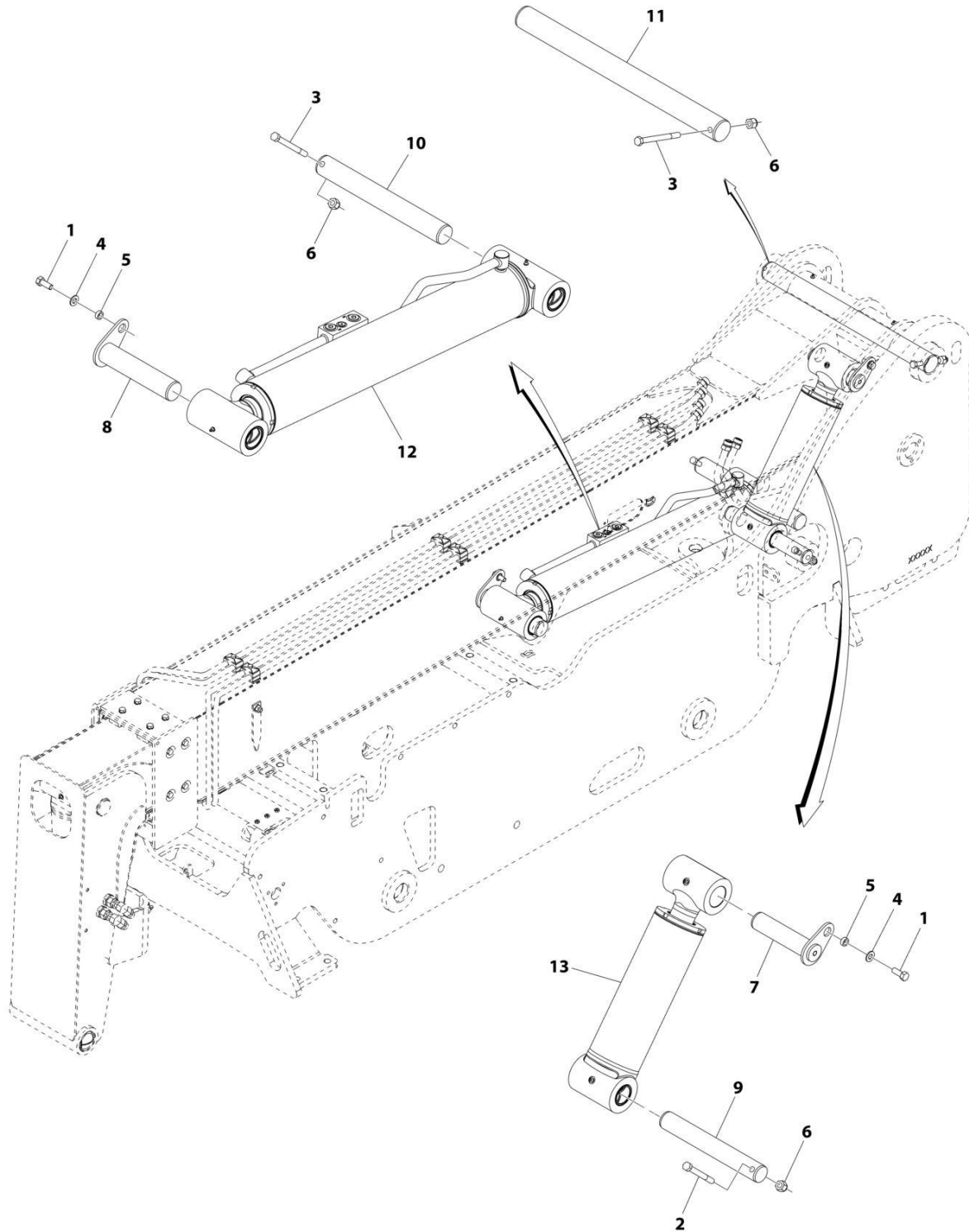
FIGURE 8-29. BOOM AUX HOSE INSTALLATION

ITEM	PART NUMBER	QTY	DESCRIPTION	REV
	1001201115	Ref	Boom Aux Hose Installation	A
1	1001080294	1	Hose Assembly	
2	1001080308	1	Hose Assembly	

SECTION 9 - HYDRAULIC COMPONENTS

SECTION 9 - HYDRAULIC COMPONENTS

FIGURE 9-1. BOOM CYLINDER INSTALLATION, ANSI



ART_1001204854-B

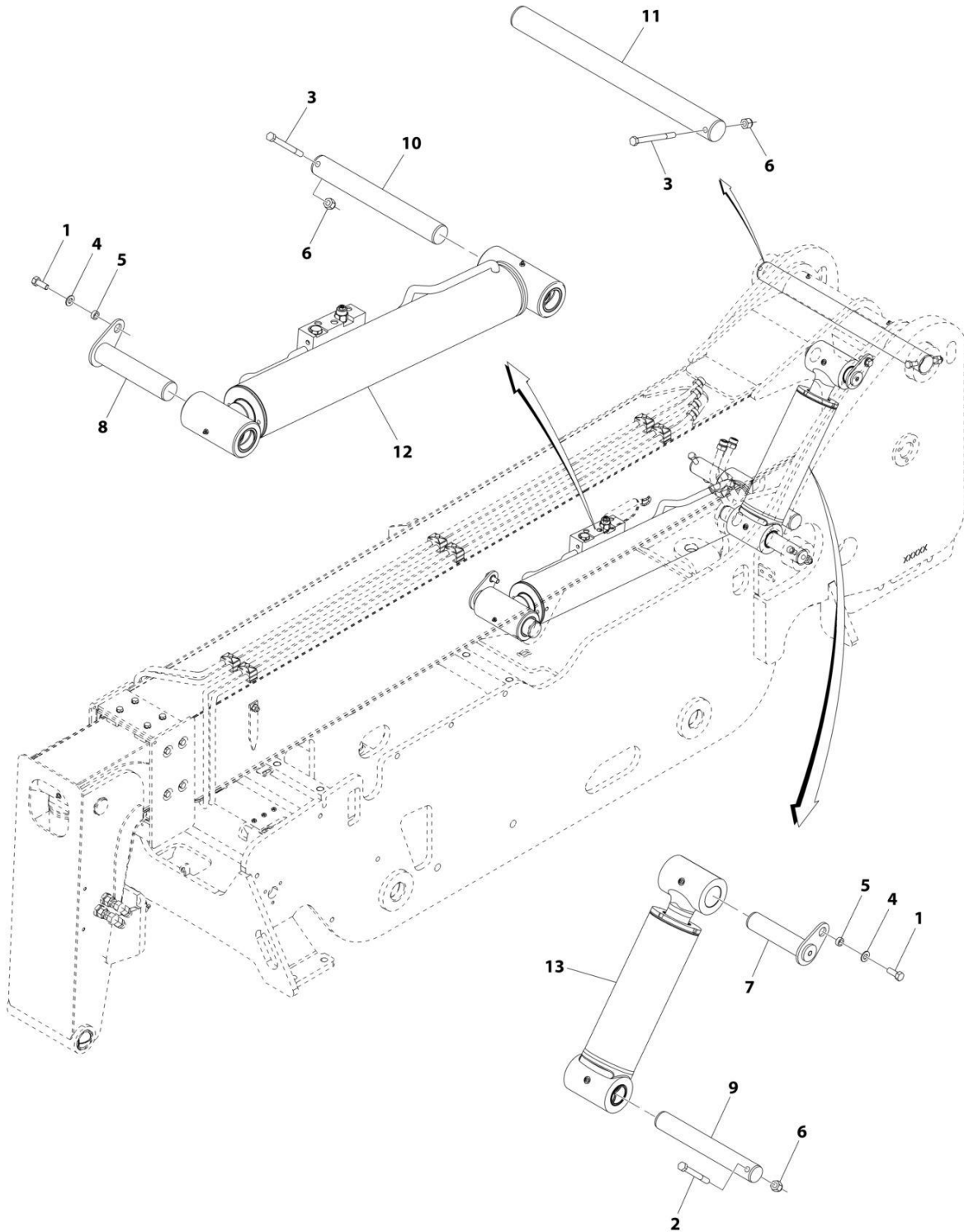
SECTION 9 - HYDRAULIC COMPONENTS

FIGURE 9-1. BOOM CYLINDER INSTALLATION, ANSI

ITEM	PART NUMBER	QTY	DESCRIPTION	REV
	1001204854	Ref	Boom Cylinder Installation (ANSI)	B
1	0641810	2	Hex HD Capscrew, 1/2-13X5/4	
2	0681836	1	Hex HD Capscrew, 1/2-13X9/2	
3	0681844	2	Hex HD Capscrew, 1/2-13X11/2	
4	4711800	2	Plain Washer, 1/2	
5	7139886	2	Pin Retention Spacer	
6	88521208	3	Locknut, 1/2-13	
7	1001080154	1	Cylinder Rod Pin	
8	1001080155	1	Cylinder Rod Pin	
9	1001080312	1	Cylinder Base Pin	
10	1001080313	1	Cylinder Base Pin	
11	1001080314	1	Boom Pivot Pin	
12	1001225578	1	Lift Cylinder (See Separate Breakdown in this Section)	
13	1001200580	1	Compensation Cylinder (See Separate Breakdown in this Section)	

SECTION 9 - HYDRAULIC COMPONENTS

FIGURE 9-2. BOOM CYLINDER INSTALLATION, CE



ART_1001204856-A

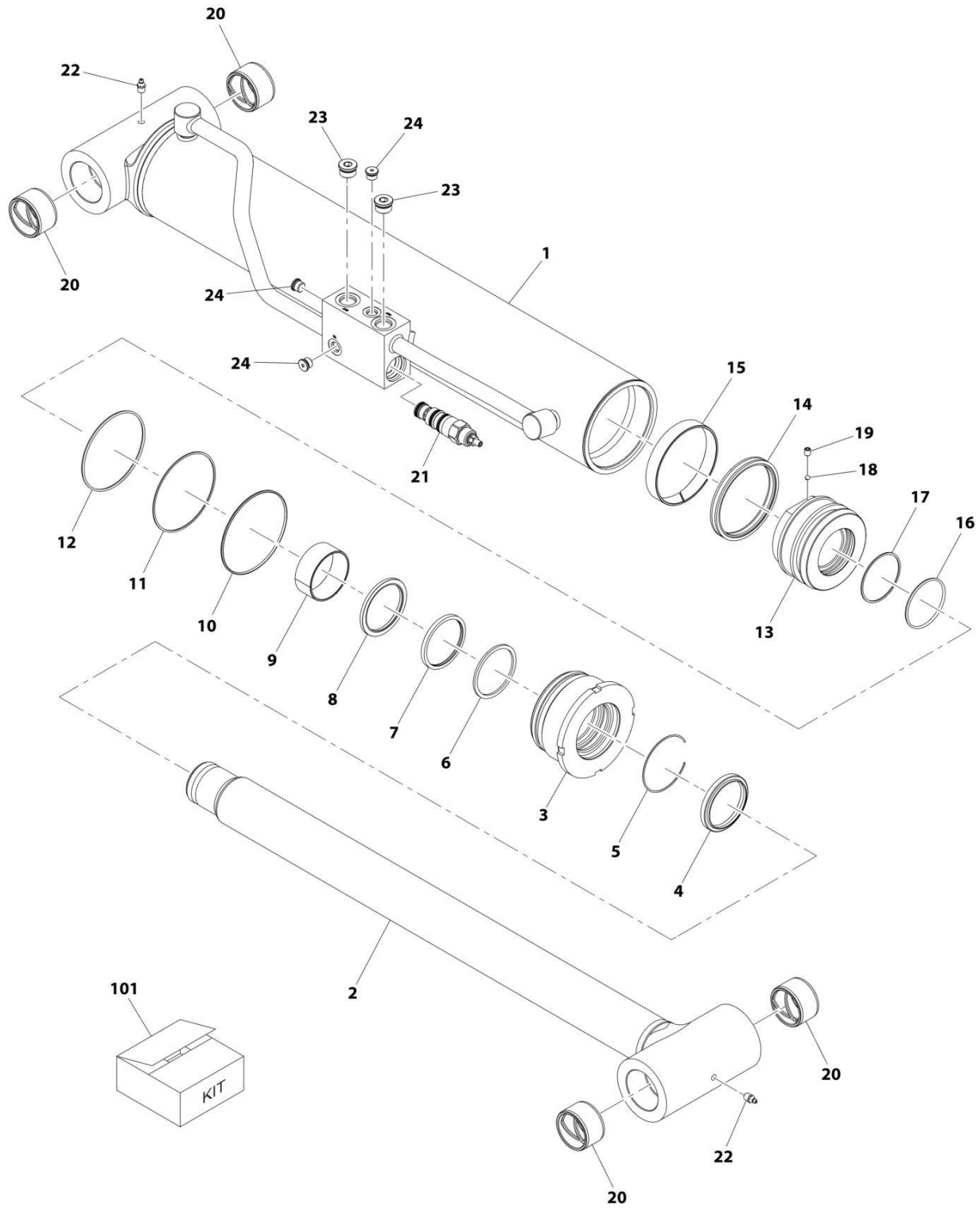
SECTION 9 - HYDRAULIC COMPONENTS

FIGURE 9-2. BOOM CYLINDER INSTALLATION, CE

ITEM	PART NUMBER	QTY	DESCRIPTION	REV
	1001204856	Ref	Boom Cylinder Installation (CE)	A
1	0641810	2	Hex HD Capscrew, 1/2-13X5/4	
2	0681836	1	Hex HD Capscrew, 1/2-13X9/2	
3	0681844	2	Hex HD Capscrew, 1/2-13X11/2	
4	4711800	2	Plain Washer, 1/2	
5	7139886	2	Pin Retention Spacer	
6	88521208	3	Locknut, 1/2-13	
7	1001080154	1	Cylinder Rod Pin	
8	1001080155	1	Cylinder Rod Pin	
9	1001080312	1	Cylinder Base Pin	
10	1001080313	1	Cylinder Base Pin	
11	1001080314	1	Boom Pivot Pin	
12	1001132210	1	Lift Cylinder Assembly (See Separate Breakdown in this Section)	
13	1001200580	1	Compensation Cylinder (See Separate Breakdown in this Section)	

SECTION 9 - HYDRAULIC COMPONENTS

FIGURE 9-3. LIFT CYLINDER, ANSI



ART_1001225578-B

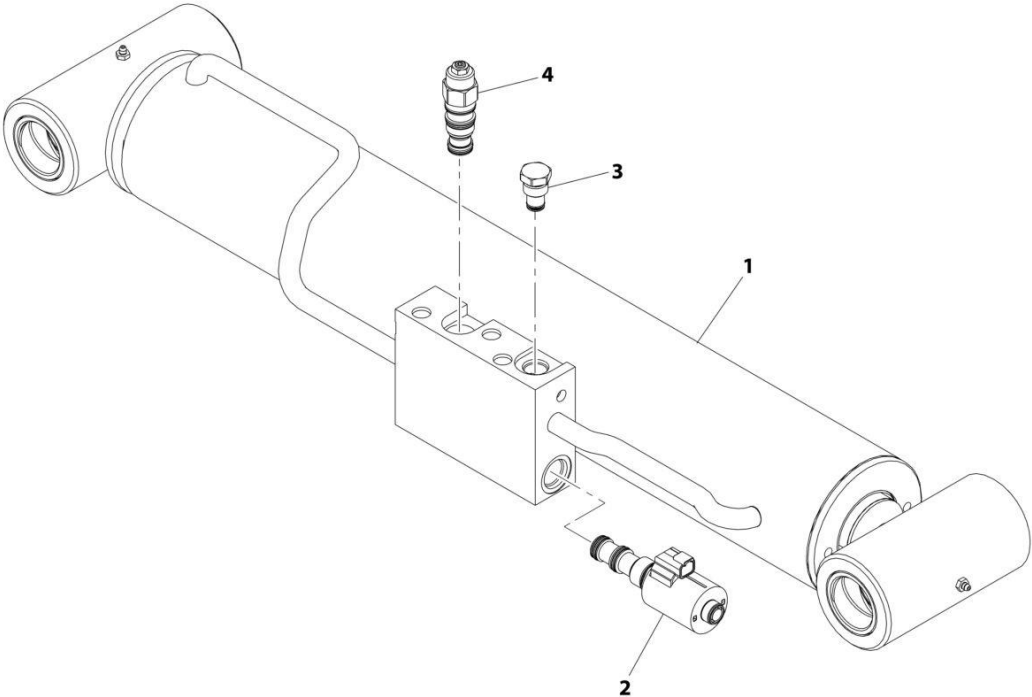
SECTION 9 - HYDRAULIC COMPONENTS

FIGURE 9-3. LIFT CYLINDER, ANSI

ITEM	PART NUMBER	QTY	DESCRIPTION	REV
	1001225578	Ref	Lift Cylinder, ANSI	B
		Ref	Note: Original Cylinder May Have Been Replaced with Service Replacement. Identify PN Stamped on Cylinder Before Ordering Parts.	
1	70027260	1	Tube Assembly	
2	70027261	1	Rod Assembly	
3	70027256	1	Gland	
4	Kit	1	Dust Wiper	
5	70027259	1	Retain Ring	
6	Kit	1	Rod Seal	
7	Kit	1	Back-Up Ring	
8	Kit	1	Buffer Ring	
9	Kit	1	Dry Bearing	
10	Kit	1	O-Ring	
11	Kit	1	Back-Up Ring	
12	Kit	1	O-Ring	
13	70027257	1	Piston	
14	Kit	1	Piston Seal	
15	Kit	1	Wear Ring	
16	Kit	1	O-Ring	
17	Kit	1	Back-Up Ring	
18	70022564	1	Steel Ball	
19	70023369	1	Set Screw	
20	70027251	4	Bushing	
21	70028856	1	Counterbalance Valve	
22	70026308	2	Grease Nipple	
23	70005433	2	Hex Plug	
24	2220885	3	Hex Plug	
101	70027262	1	Seal Kit (includes items 4, 6 thru 12, 14 thru 17)	

SECTION 9 - HYDRAULIC COMPONENTS

FIGURE 9-4. LIFT CYLINDER ASSEMBLY, CE



ART_1001132210-A

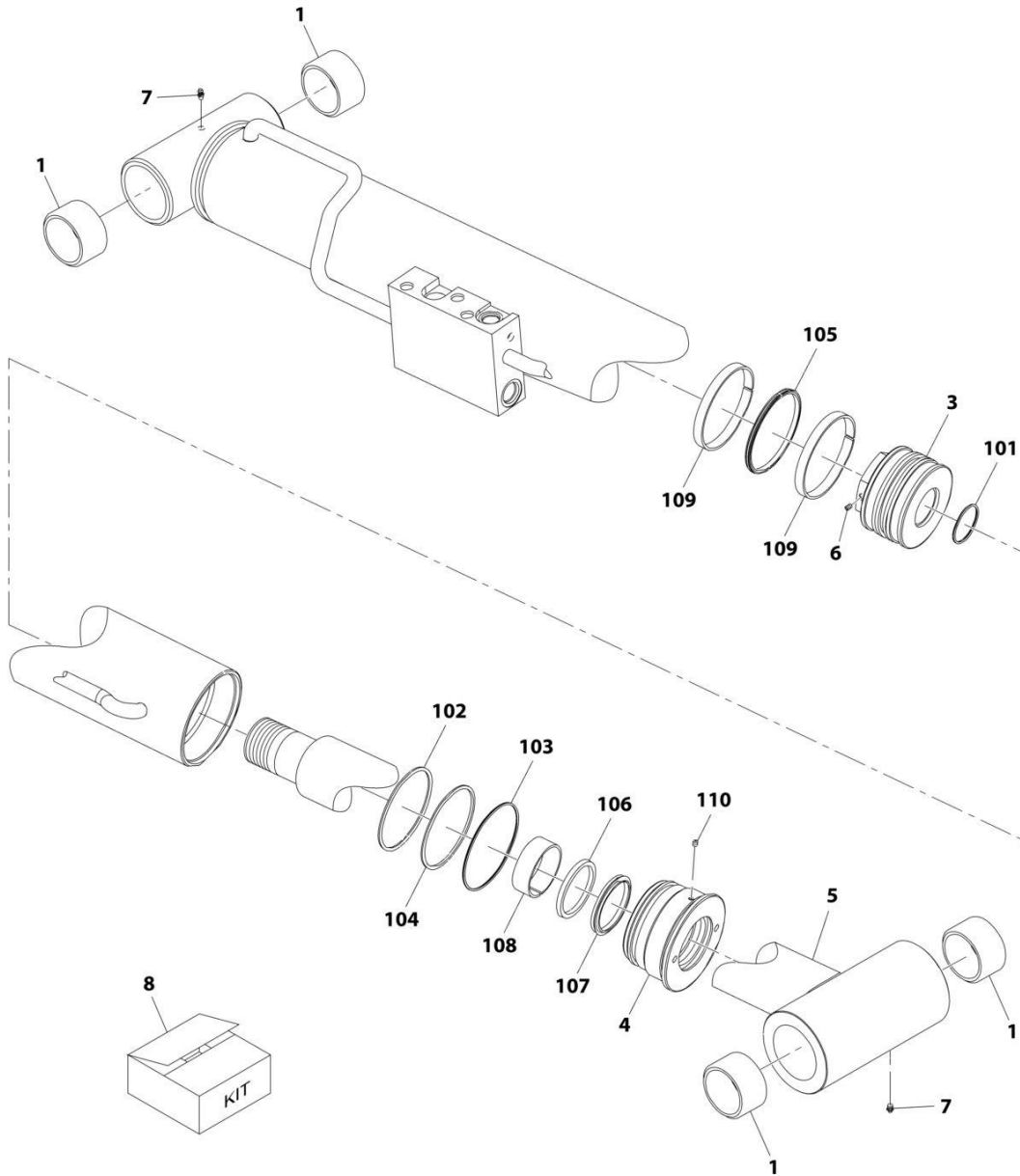
SECTION 9 - HYDRAULIC COMPONENTS

FIGURE 9-4. LIFT CYLINDER ASSEMBLY, CE

ITEM	PART NUMBER	QTY	DESCRIPTION	REV
	1001132210	Ref	Lift Cylinder Assembly, CE	A
1	1001132161	1	Lift Cylinder, CE (See Separate Breakdown in this Section)	
2	1001132207	1	Flow Control Valve	
3	1001132208	1	Check Valve	
4	1001132209	1	Counterbalance Valve	

SECTION 9 - HYDRAULIC COMPONENTS

FIGURE 9-5. LIFT CYLINDER, CE



ART_1001132161-A

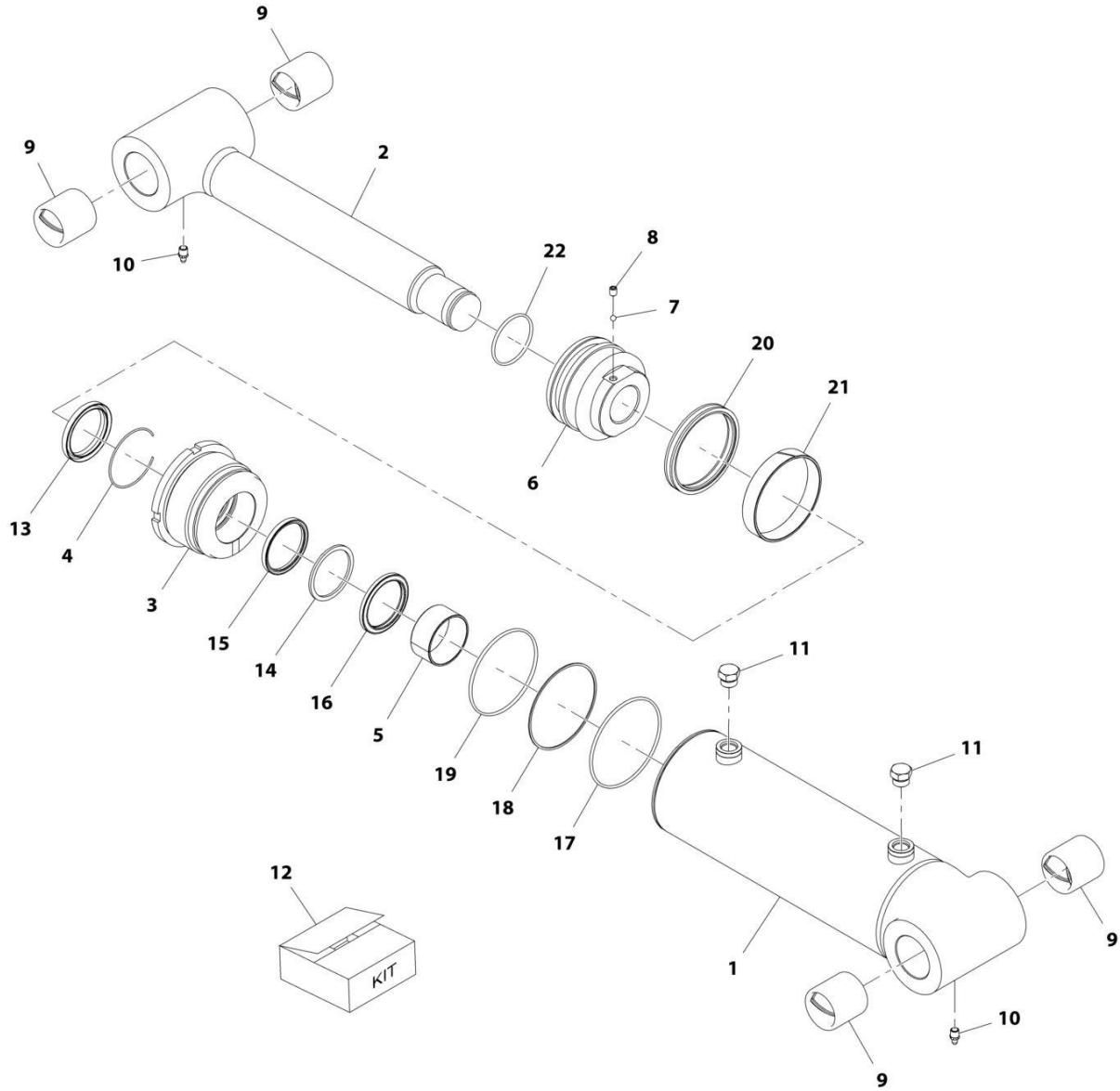
SECTION 9 - HYDRAULIC COMPONENTS

FIGURE 9-5. LIFT CYLINDER, CE

ITEM	PART NUMBER	QTY	DESCRIPTION	REV
	1001132161	Ref	Lift Cylinder, CE	A
		Ref	Note: Original Cylinder May Have Been Replaced with Service Replacement. Identify PN Stamped on Cylinder Before Ordering Parts.	
1	70020370	4	Bushing	
3	70020372	1	Piston	
4	70020373	1	Head Gland	
5	70023974	1	Cylinder Rod	
6	8036629	3	Set Screw	
7	70020375	2	Grease Fitting	
8	70020377	1	Seal Kit	
101	Kit	1	O-Ring	
102	Kit	1	O-Ring	
103	Kit	1	O-Ring	
104	Kit	1	Backup Ring	
105	Kit	1	Piston Seal	
106	Kit	1	Rod Seal	
107	Kit	1	Rod Wiper	
108	Kit	1	Wearband	
109	Kit	2	Wearband	
110	Kit	2	Locking Insert	

SECTION 9 - HYDRAULIC COMPONENTS

FIGURE 9-6. COMPENSATION CYLINDER



ART_1001200580-B

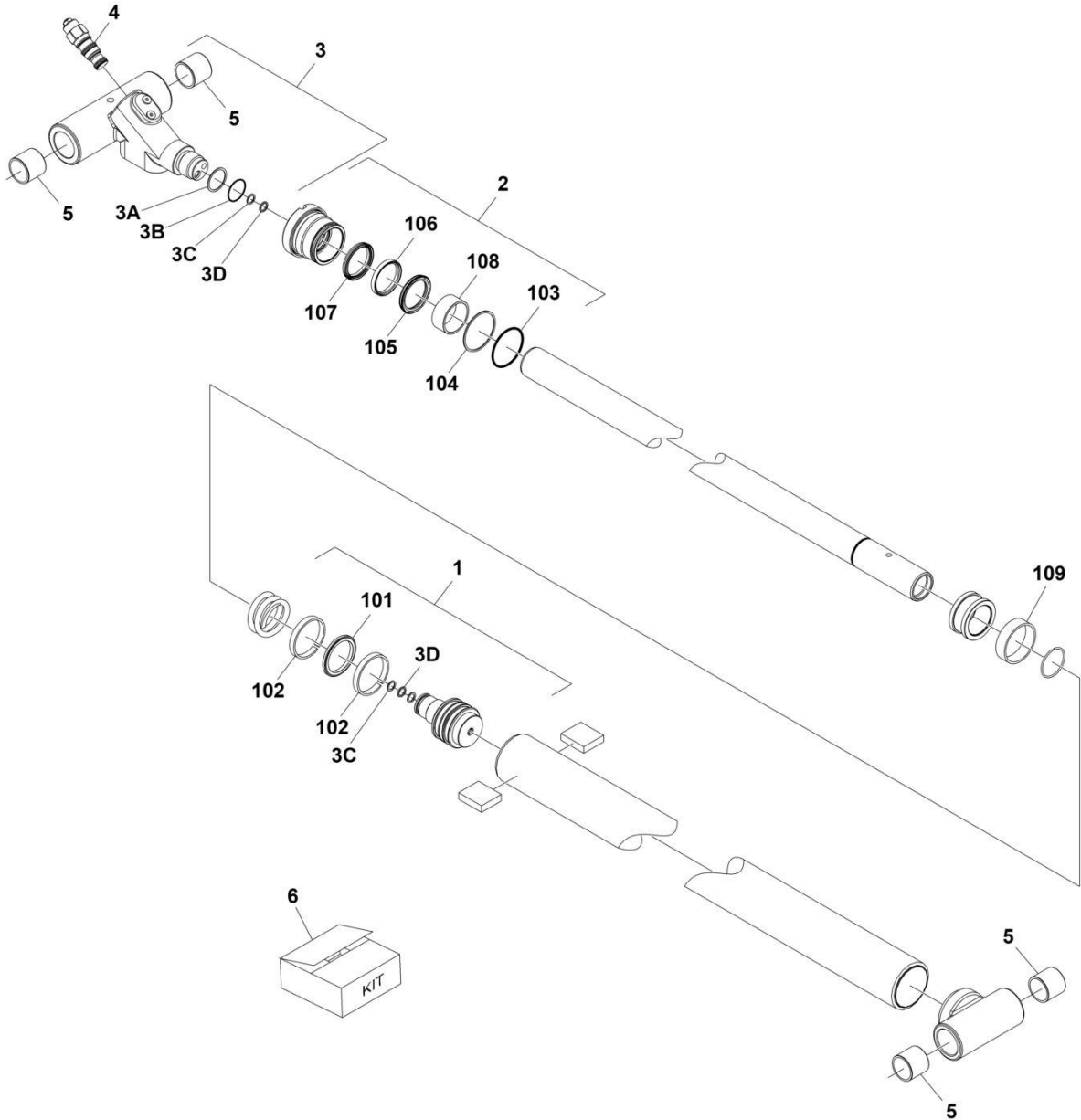
SECTION 9 - HYDRAULIC COMPONENTS

FIGURE 9-6. COMPENSATION CYLINDER

ITEM	PART NUMBER	QTY	DESCRIPTION	REV
	1001200580	Ref	Compensation Cylinder	B
		Ref	Note: Original Cylinder May Have Been Replaced with Service Replacement. Identify PN Stamped on Cylinder Before Ordering Parts.	
1	70027246	1	Barrel Assembly	
2	70027247	1	Rod Assembly	
3	70027242	1	Gland	
4	70027244	1	Retain Ring	
5	70004637	1	Dry Bearing	
6	70027243	1	Piston	
7	70022564	1	Steel Ball	
8	70023369	1	Set Screw	
9	70027245	4	Bush	
10	70026308	2	Grease Nipple	
11	70023372	2	Hex Plug	
12	70027248	1	Seal Kit, (includes items 13 thru 22)	
13	Kit	1	Dust Wiper	
14	Kit	1	Rod Seal	
15	Kit	1	Back Up Ring	
16	Kit	1	Buffer Ring	
17	Kit	1	O-Ring	
18	Kit	1	Back Up Ring	
19	Kit	1	O-Ring	
20	Kit	1	Piston Seal	
21	Kit	1	Wear Ring	
22	Kit	1	O-Ring	

SECTION 9 - HYDRAULIC COMPONENTS

FIGURE 9-7. EXTEND/RETRACT CYLINDER



ART_1001201668

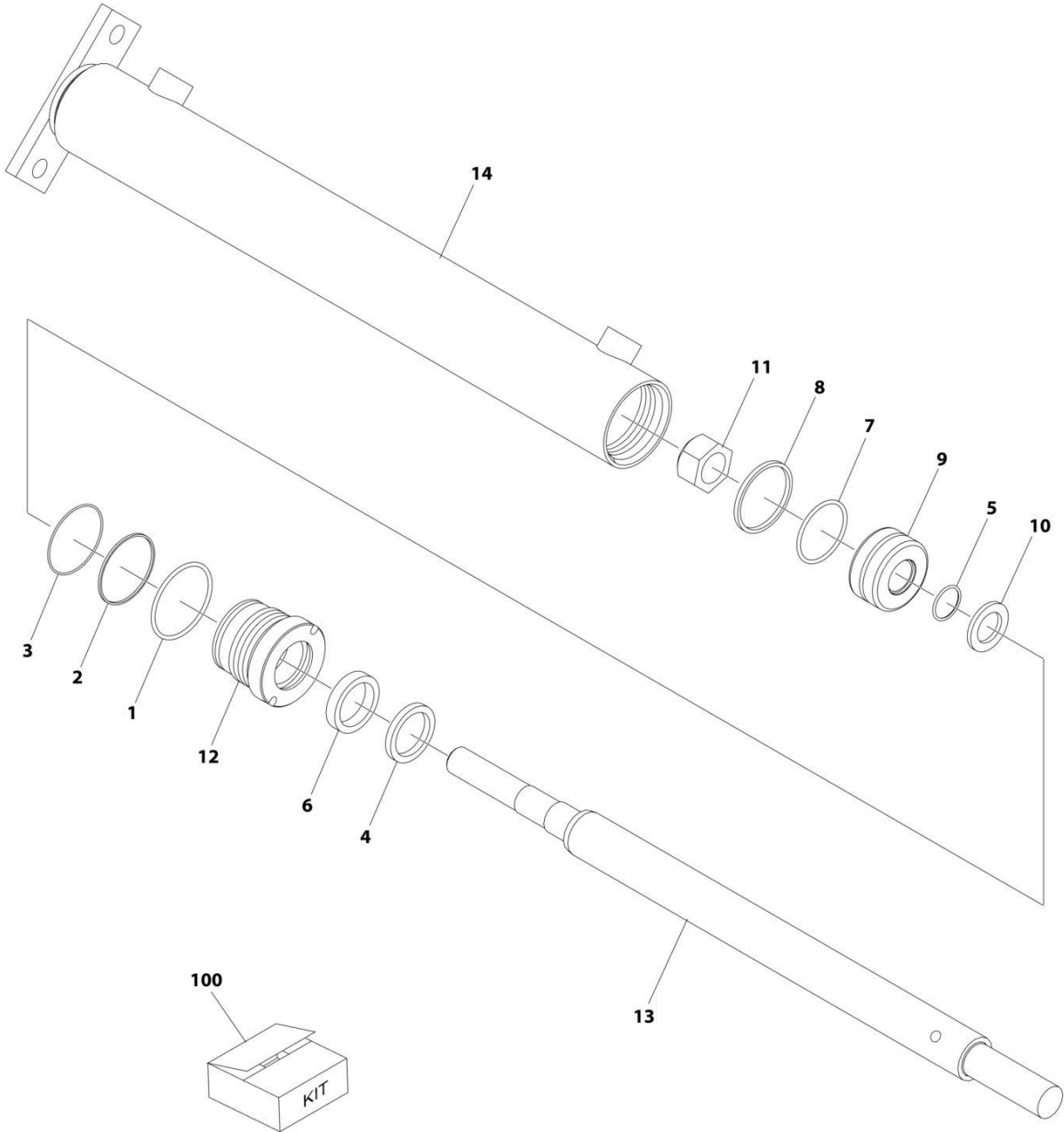
SECTION 9 - HYDRAULIC COMPONENTS

FIGURE 9-7. EXTEND/RETRACT CYLINDER

ITEM	PART NUMBER	QTY	DESCRIPTION	REV
	1001201668	Ref	Extend/Retract Cylinder	C
		Ref	Note: Original Cylinder May Have Been Replaced with Service Replacement. Identify PN Stamped on Cylinder Before Ordering Parts.	
1	70027610	1	Piston Assembly, (Includes Items 101 & 102)	
2	70027611	1	Retainer Assembly, (Includes Items 103-108)	
3	70027612	1	Rod Assembly	
3A	70030368	1	Ring, Back up	
3B	70030369	1	O-Ring	
3C	70030370	1	O-Ring	
3D	70030371	1	Ring, Back up	
4	70020376	1	Counter Balance Valve	
5	70029975	4	Bearing	
6	70027638	1	Seal Kit, (Includes Items 101-109)	
101	Kit	1	Piston Seal	
102	Kit	2	Wear Ring	
103	Kit	1	O-Ring	
104	Kit	1	Back Up Ring	
105	Kit	1	Buffer Ring	
106	Kit	1	Rod Seal	
107	Kit	1	Wiper	
108	Kit	1	Bushing	
109	Kit	1	Wear Ring	

SECTION 9 - HYDRAULIC COMPONENTS

FIGURE 9-8. FORK POSITIONING CYLINDER



ART_2717283

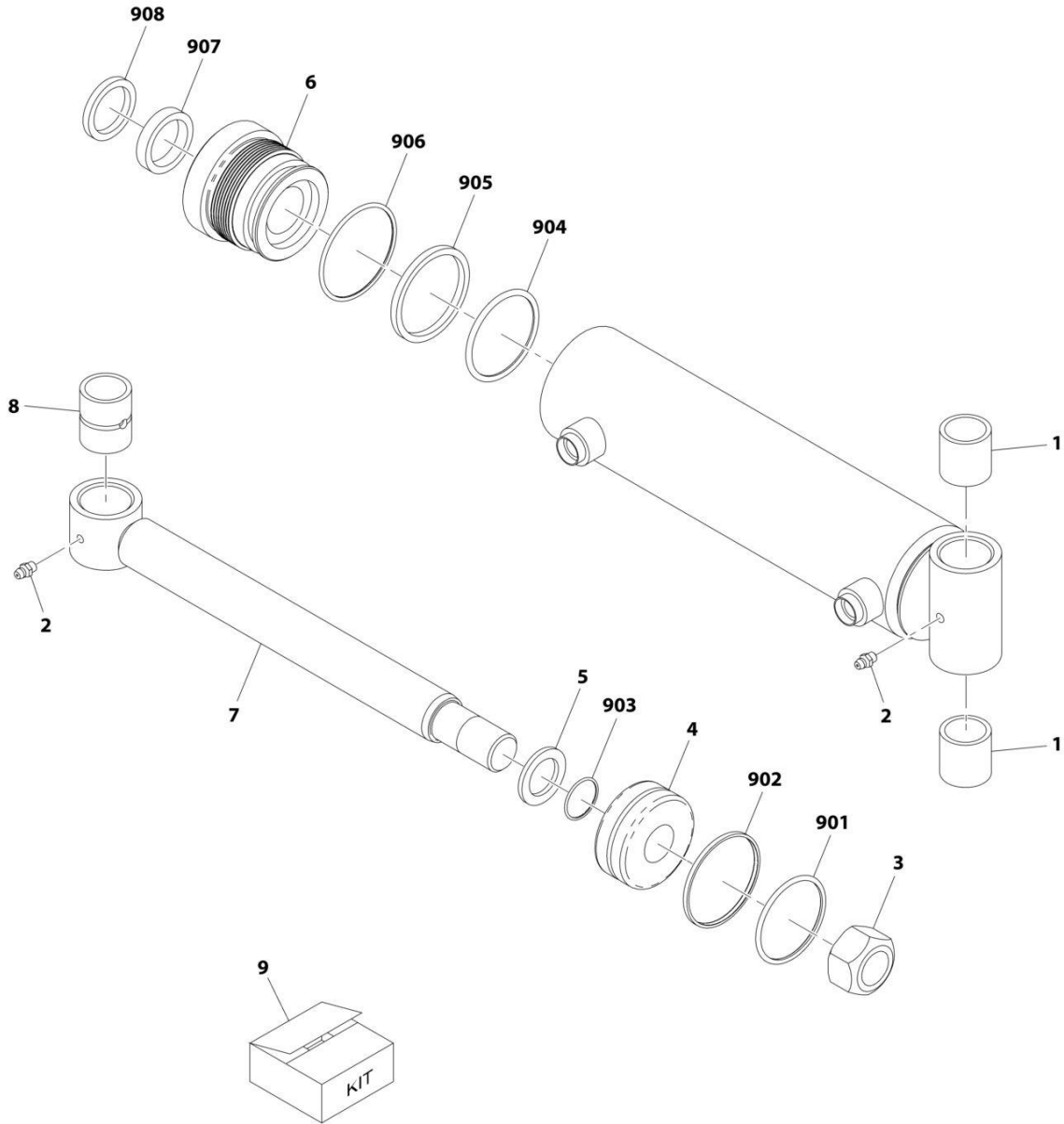
SECTION 9 - HYDRAULIC COMPONENTS

FIGURE 9-8. FORK POSITIONING CYLINDER

ITEM	PART NUMBER	QTY	DESCRIPTION	REV
	2717283	Ref	FORK POSITIONING CYLINDER	B
		Ref	Note: Original Cylinder May Have Been Replaced with Service Replacement. Identify PN Stamped on Cylinder Before Ordering Parts.	
1	See Note	NSS	O-Ring (Use Item 100)	
2	See Note	NSS	Ring, Back-up (Use Item 100)	
3	See Note	NSS	O-Ring (Use Item 100)	
4	See Note	NSS	Seal (Use Item 100)	
5	See Note	NSS	O-Ring (Use Item 100)	
6	See Note	NSS	Seal (Use Item 100)	
7	See Note	NSS	O-Ring (Use Item 100)	
8	See Note	NSS	Seal (Use Item 100)	
9	70026771	1	Piston	
10	70026775	1	Washer	
11	70026770	1	Nut	
12	70026774	1	Head	
13	70026773	1	Rod	
14	See Note	NSS	Barrel (Note: Use PN 2717283)	
100	8036733	1	Seal Kit (includes items 1 thru 8)	

SECTION 9 - HYDRAULIC COMPONENTS

FIGURE 9-9. UNIVERSAL SIDE SHIFT CYLINDER



ART_70022108-A

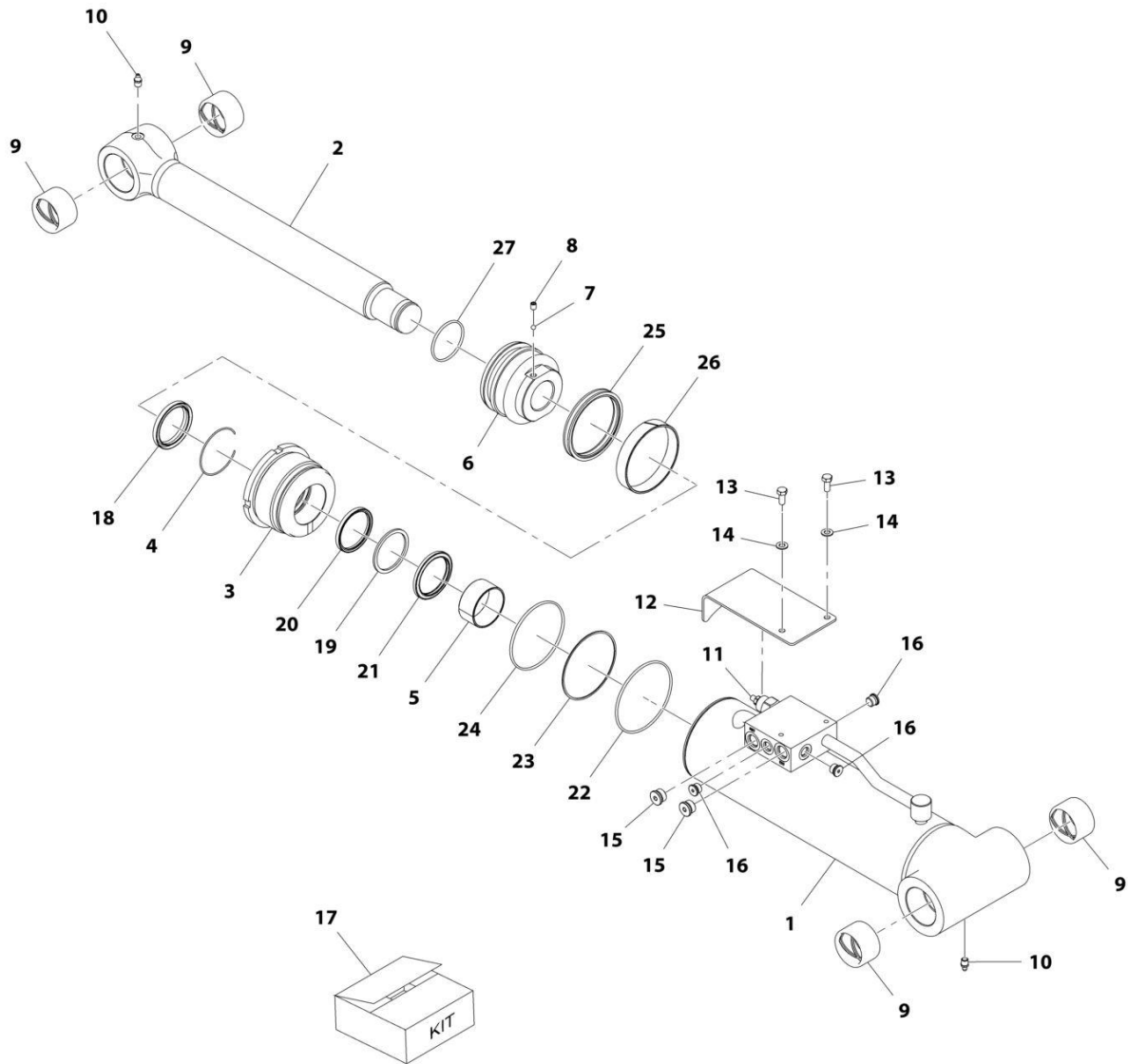
SECTION 9 - HYDRAULIC COMPONENTS

FIGURE 9-9. UNIVERSAL SIDE SHIFT CYLINDER

ITEM	PART NUMBER	QTY	DESCRIPTION	REV
	70022108	Ref	Universal Side Shift Cylinder	A
		Ref	Note: Original Cylinder May Have Been Replaced with Service Replacement. Identify PN Stamped on Cylinder Before Ordering Parts.	
1	70021448	2	Bushing	
2	90554045	2	Grease Fitting	
3	70021440	1	Nut	
4	70021451	1	Piston	
5	70021444	1	Washer	
6	70021446	1	Gland	
7	70021462	1	Rod	
8	70021447	1	Bushing	
9	70021452	1	Seal Kit, (includes items 901 thru 908)	
901	Kit	1	O-Ring	
902	Kit	1	Back-up O-Ring	
903	Kit	1	O-Ring	
904	Kit	1	O-Ring	
905	Kit	1	O-Ring	
906	Kit	1	Seal	
907	Kit	1	O-Ring	
908	Kit	1	Seal	

SECTION 9 - HYDRAULIC COMPONENTS

FIGURE 9-10. TILT CYLINDER



ART_1001200581-B

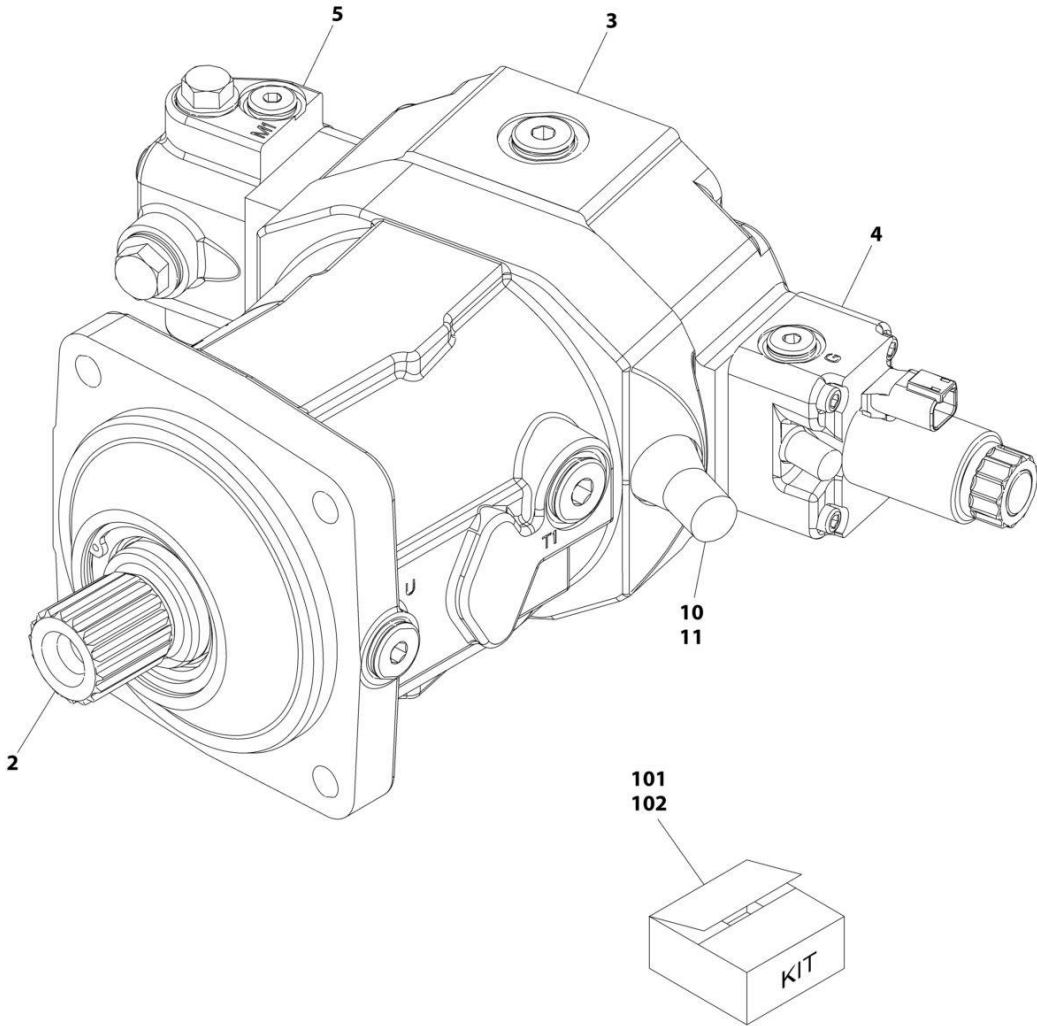
SECTION 9 - HYDRAULIC COMPONENTS

FIGURE 9-10. TILT CYLINDER

ITEM	PART NUMBER	QTY	DESCRIPTION	REV
	1001200581	Ref	Tilt Cylinder	B
		Ref	Note: Original Cylinder May Have Been Replaced with Service Replacement. Identify PN Stamped on Cylinder Before Ordering Parts.	
1	70027252	1	Barrel Assembly	
2	70027253	1	Rod Assembly	
3	70027242	1	Gland	
4	70027244	1	Retain Ring	
5	70004637	1	Dry Bearing	
6	70027243	1	Piston	
7	70022564	1	Steel Ball	
8	70023369	1	Set Screw	
9	70027251	4	Bush	
10	70026308	2	Grease Nipple	
11	1001189888	1	Counter Balance Valve	
12	70027254	1	Cover	
13	70027249	2	Hex Bolt	
14	70027250	2	Washer	
15	70023373	2	Hex Socket Plug	
16	70023371	3	Hex Socket Plug	
17	70027255	1	Seal Kit	
18	Kit	1	Dust Wiper	
19	Kit	1	Rod Seal	
20	Kit	1	Back Up Ring	
21	Kit	1	Buffer Ring	
22	Kit	1	O-Ring	
23	Kit	1	Back Up Ring	
24	Kit	1	O-Ring	
25	Kit	1	Piston Seal	
26	Kit	1	Wear Ring	
27	Kit	1	O-Ring	

SECTION 9 - HYDRAULIC COMPONENTS

FIGURE 9-11. HYDROSTATIC MOTOR



ART_1001138823

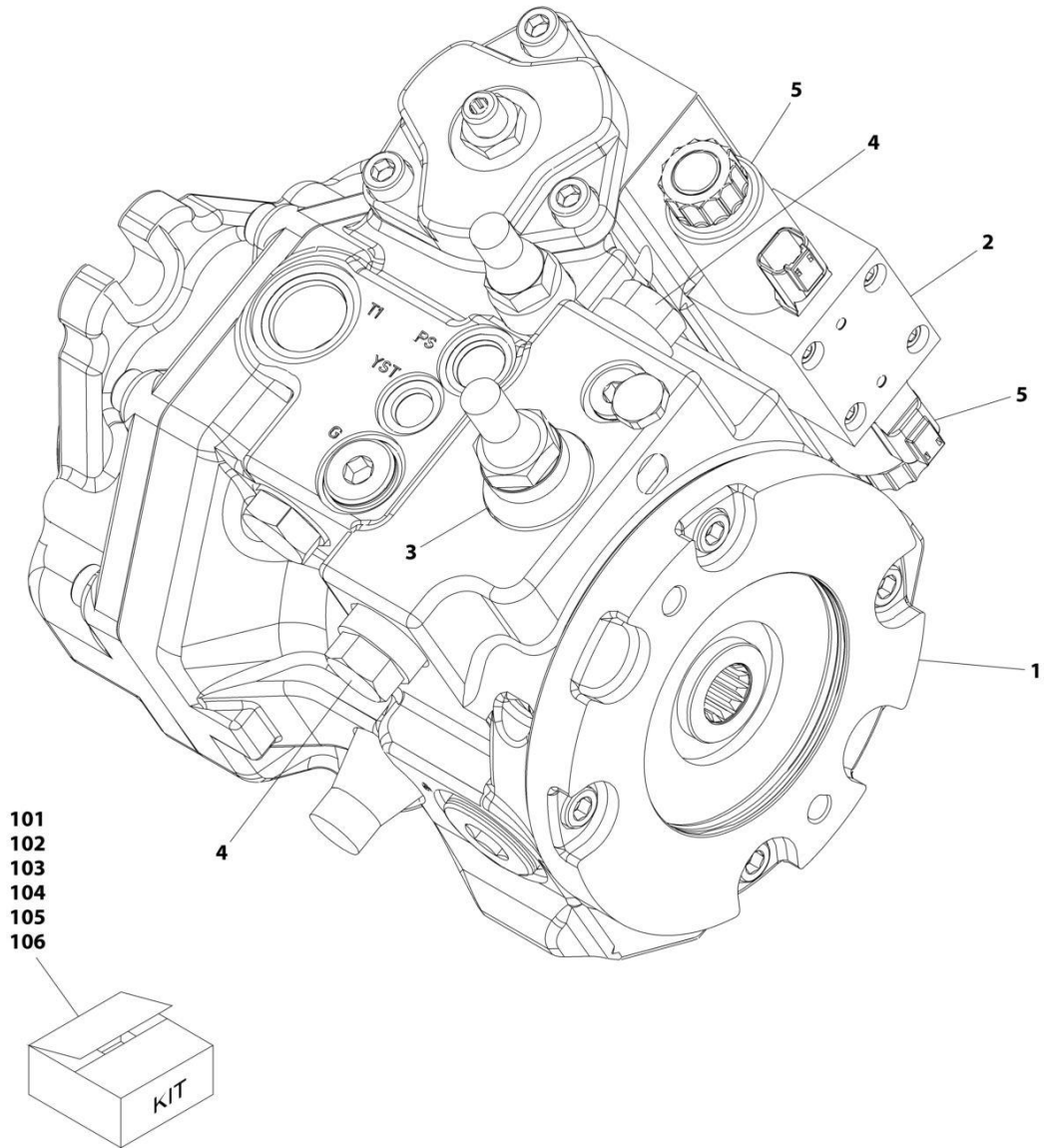
SECTION 9 - HYDRAULIC COMPONENTS

FIGURE 9-11. HYDROSTATIC MOTOR

ITEM	PART NUMBER	QTY	DESCRIPTION	REV
	1001138823	Ref	HYDROSTATIC MOTOR	C
2	70024933	1	Rotary Group	
3	70024934	1	Port Plate W/Accessories	
4	70024935	1	Control Part	
5	70024936	1	Flushing Valve W/Orifice	
10	70024938	1	Threaded Pin	
11	80334492	1	Sealing Nut	
101	70024939	1	Seal Kit	
102	70024937	1	Seal Kit, Rotary Group	

SECTION 9 - HYDRAULIC COMPONENTS

FIGURE 9-12. HYDROSTATIC PUMP



ART_1001138887-C

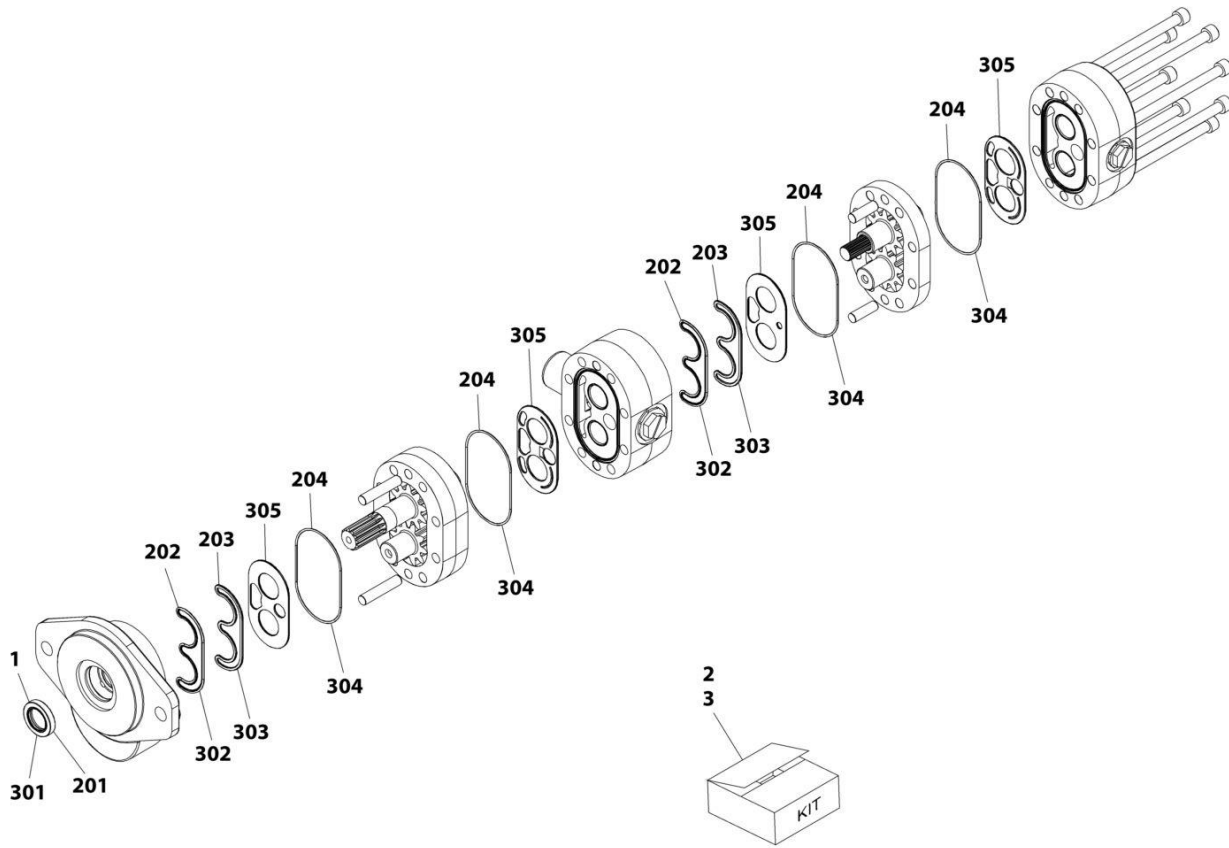
SECTION 9 - HYDRAULIC COMPONENTS

FIGURE 9-12. HYDROSTATIC PUMP

ITEM	PART NUMBER	QTY	DESCRIPTION	REV
	1001138887	Ref	Hydrostatic Pump	C
1	70024940	1	Charge Pump	
2	70024941	1	Control Module	
3	70024942	1	Control Cartridge W/Orifice	
4	70024945	2	Pressure Relief Valve	
5	70022726	2	Control Solenoid	
101	70024943	1	Seal Kit, (Includes Items 103 Thru 106)	
102	70024944	1	Seal Kit, Rotary Group, (Shaft Seal And Retaining Ring)	
103	70024947	1	Shaft Seal Kit	
104	70024948	1	Pump Seal Kit	
105	70024949	1	Charge Pump Seal Kit	
106	70024950	1	Control Seal Kit	

SECTION 9 - HYDRAULIC COMPONENTS

FIGURE 9-13. GEAR PUMP



ART_1001139997-B

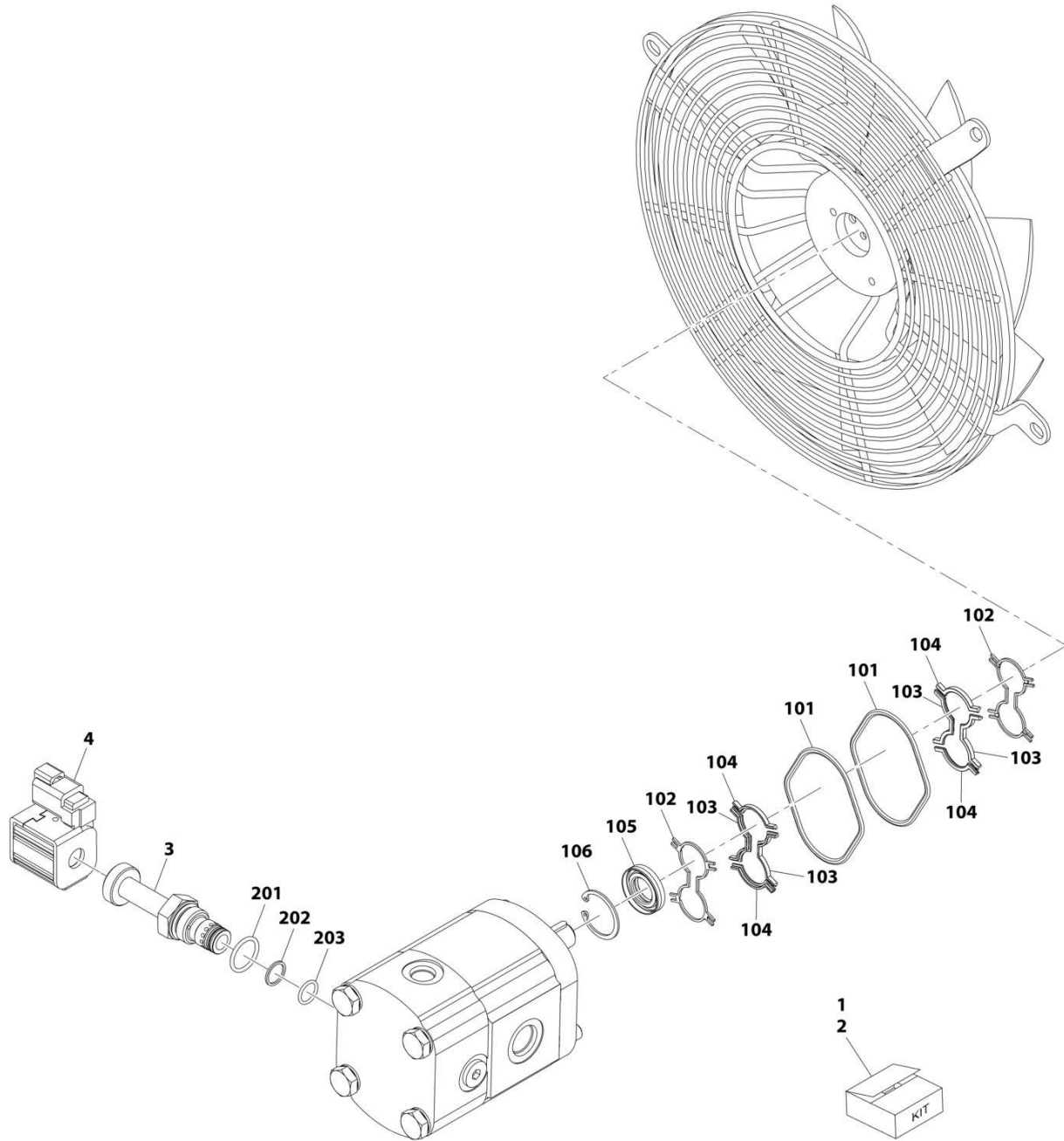
SECTION 9 - HYDRAULIC COMPONENTS

FIGURE 9-13. GEAR PUMP

ITEM	PART NUMBER	QTY	DESCRIPTION	REV
	1001139997	Ref	Gear Pump	B
1	70024951	1	Shaft Seal Kit	
2	70024952	1	Unit Seal Kit, (includes items 201 thru 204)	
201	Kit	1	Shaft Seal	
202	Kit	2	Pre-Load Seal	
203	Kit	2	Load Seal	
204	Kit	4	Sealing Ring	
3	70024953	1	Minor Repair Kit, (includes items 301 thru 305)	
301	Kit	1	Shaft Seal	
302	Kit	2	Pre-Load Seal	
303	Kit	2	Load Seal	
304	Kit	4	Sealing Ring	
305	Kit	4	Wear Plates	

SECTION 9 - HYDRAULIC COMPONENTS

FIGURE 9-14. FAN MOTOR



ART_1001141779-C

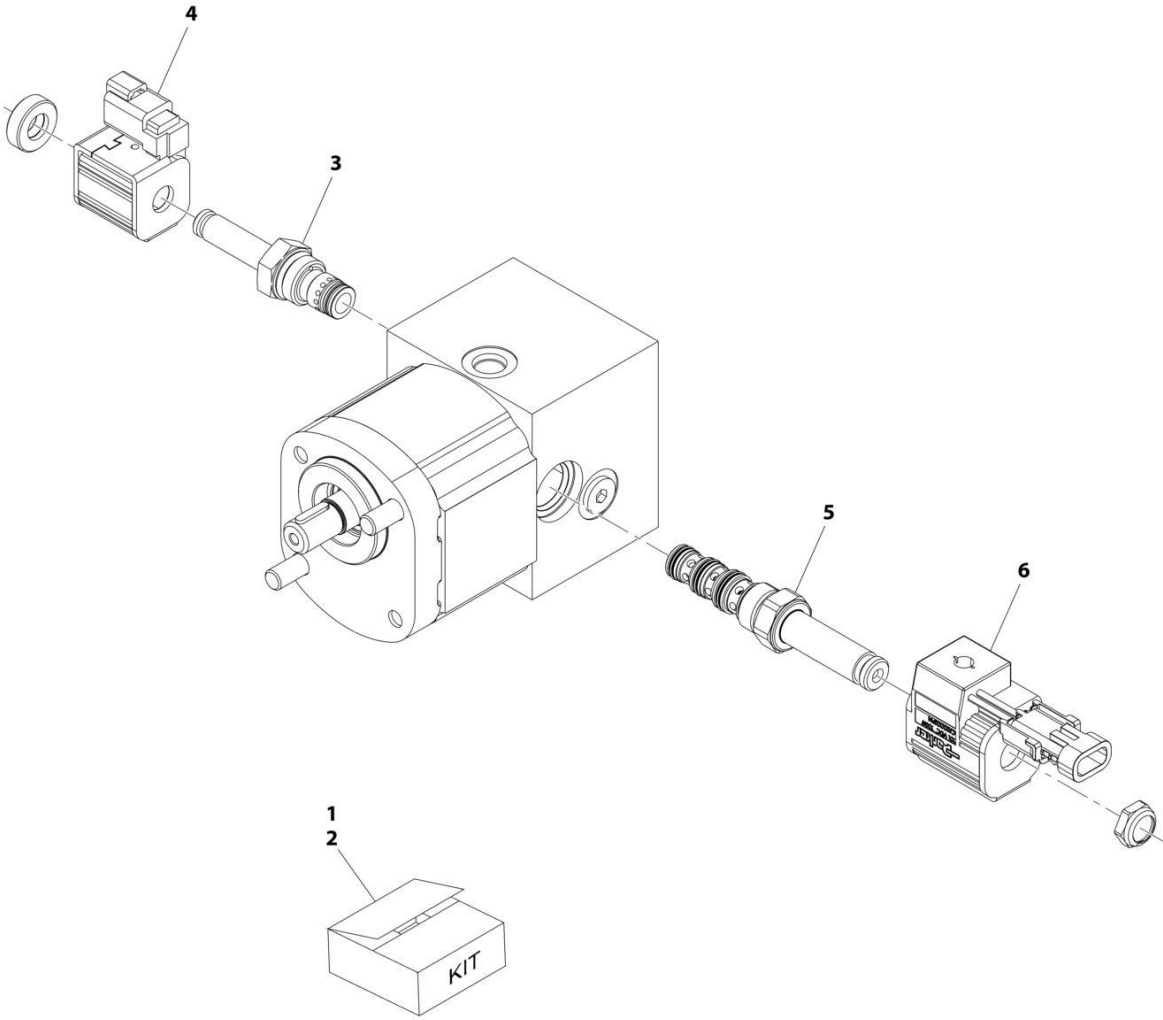
SECTION 9 - HYDRAULIC COMPONENTS

FIGURE 9-14. FAN MOTOR

ITEM	PART NUMBER	QTY	DESCRIPTION	REV
	1001141779	Ref	Fan Motor	C
1	70027400	1	Motor Seal Kit	
101	Kit	2	Seal	
102	Kit	2	Seal	
103	Kit	4	Seal	
104	Kit	4	Seal	
105	Kit	1	Seal	
106	Kit	1	Snap Ring	
2	70027401	1	Valve Seal Kit	
201	Kit	1	Seal	
202	Kit	1	Back-Up Ring	
203	Kit	1	Seal	
3	70027556	1	Proportional Valve	
4	70027557	1	Valve Coil	

SECTION 9 - HYDRAULIC COMPONENTS

FIGURE 9-15. FAN MOTOR, REVERSING



ART_1001141780-C

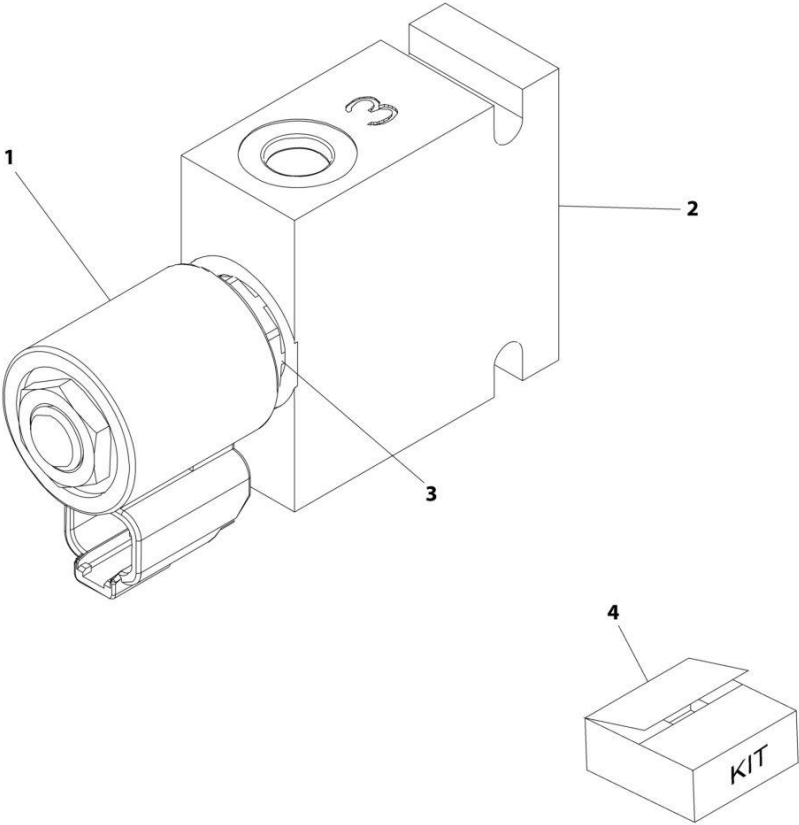
SECTION 9 - HYDRAULIC COMPONENTS

FIGURE 9-15. FAN MOTOR, REVERSING

ITEM	PART NUMBER	QTY	DESCRIPTION	REV
1	1001141780	Ref	Fan Motor	C
	70027400	1	Seal Kit, Motor	
	Kit	2	Seal	
	Kit	2	Seal	
	Kit	4	Seal	
	Kit	4	Seal	
	Kit	1	Seal	
	Kit	1	Snap Ring	
	2	70028239	1	
Kit		1	Seal, O-R	
Kit		1	Seal, O-R	
Kit		1	Seal, O-R	
Kit		1	Seal, O-R	
Kit		2	Seal, Bk-Up	
Kit		2	Seal, Bk-Up	
Kit		2	Seal, Bk-Up	
3	70027556	1	Proportional Valve	
4	70027557	1	Valve Coil	
5	70028240	1	Reversing Valve	
6	70028241	1	Valve Coil	

SECTION 9 - HYDRAULIC COMPONENTS

FIGURE 9-16. PARK BRAKE RELEASE VALVE



ART_1001080359-B

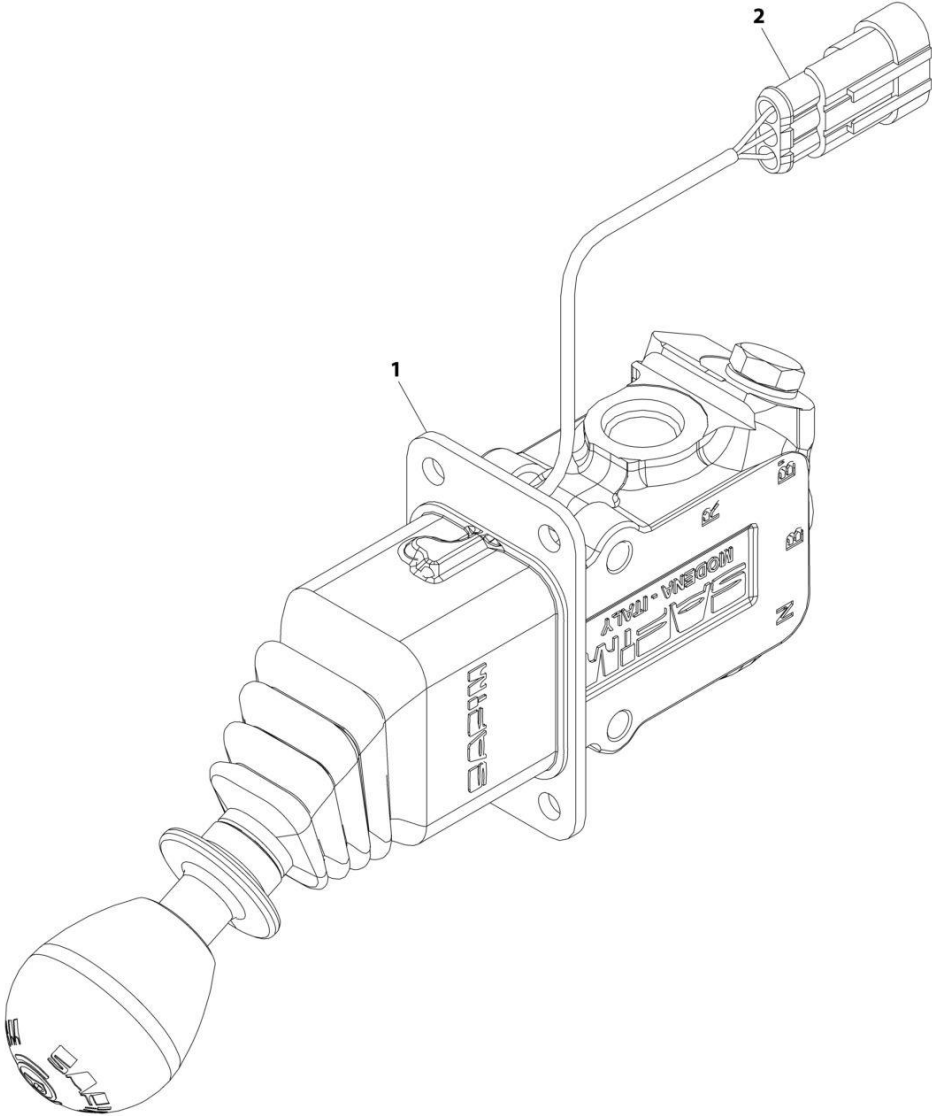
SECTION 9 - HYDRAULIC COMPONENTS

FIGURE 9-16. PARK BRAKE RELEASE VALVE

ITEM	PART NUMBER	QTY	DESCRIPTION	REV
	1001080359	Ref	Park Brake Release Valve	B
1	7012941	1	Cartridge	
2	70020871	1	Body	
3	7024872	1	Coil	
4	7010543	1	Seal Kit	

SECTION 9 - HYDRAULIC COMPONENTS

FIGURE 9-17. HYDRAULIC PARK BRAKE RELEASE VALVE



ART_1001098153-D

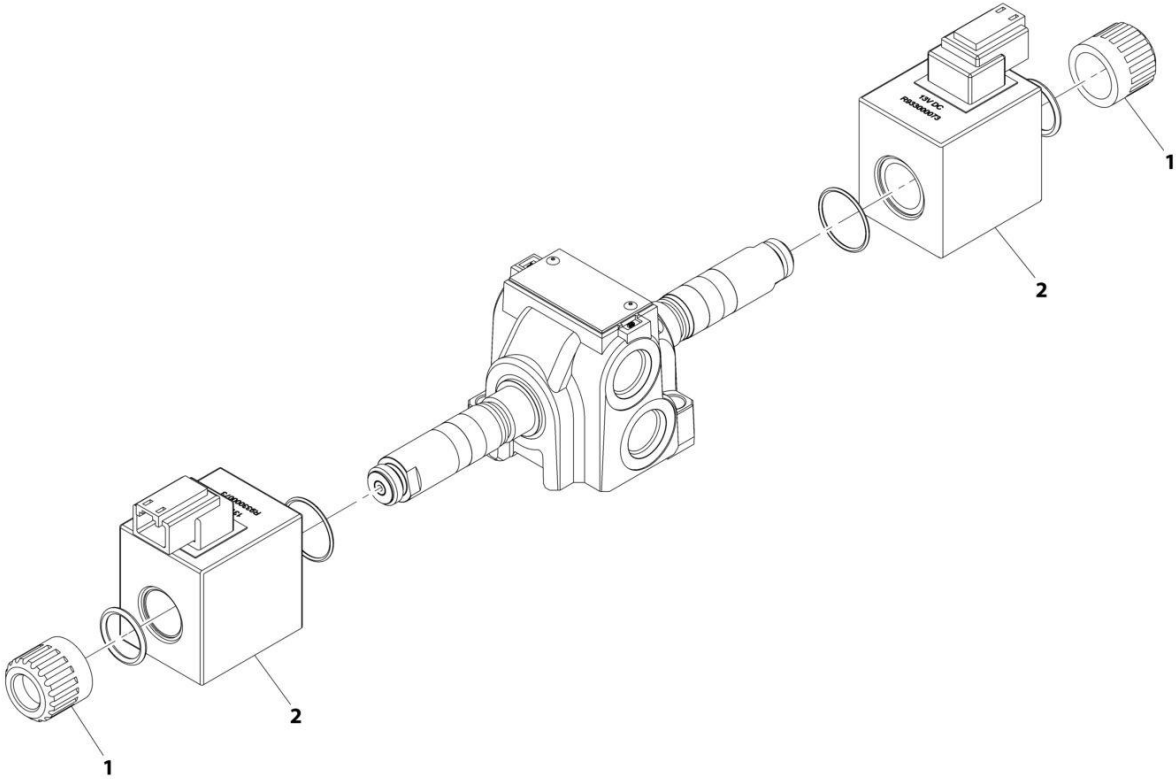
SECTION 9 - HYDRAULIC COMPONENTS

FIGURE 9-17. HYDRAULIC PARK BRAKE RELEASE VALVE

ITEM	PART NUMBER	QTY	DESCRIPTION	REV
	1001098153	Ref	Hydraulic Park Brake Release Valve	D
1	70020922	1	Kit, Seal	
2	70022847	1	Kit, Microswitch	

SECTION 9 - HYDRAULIC COMPONENTS

FIGURE 9-18. STEERING SELECT VALVE



ART_1001153748-C

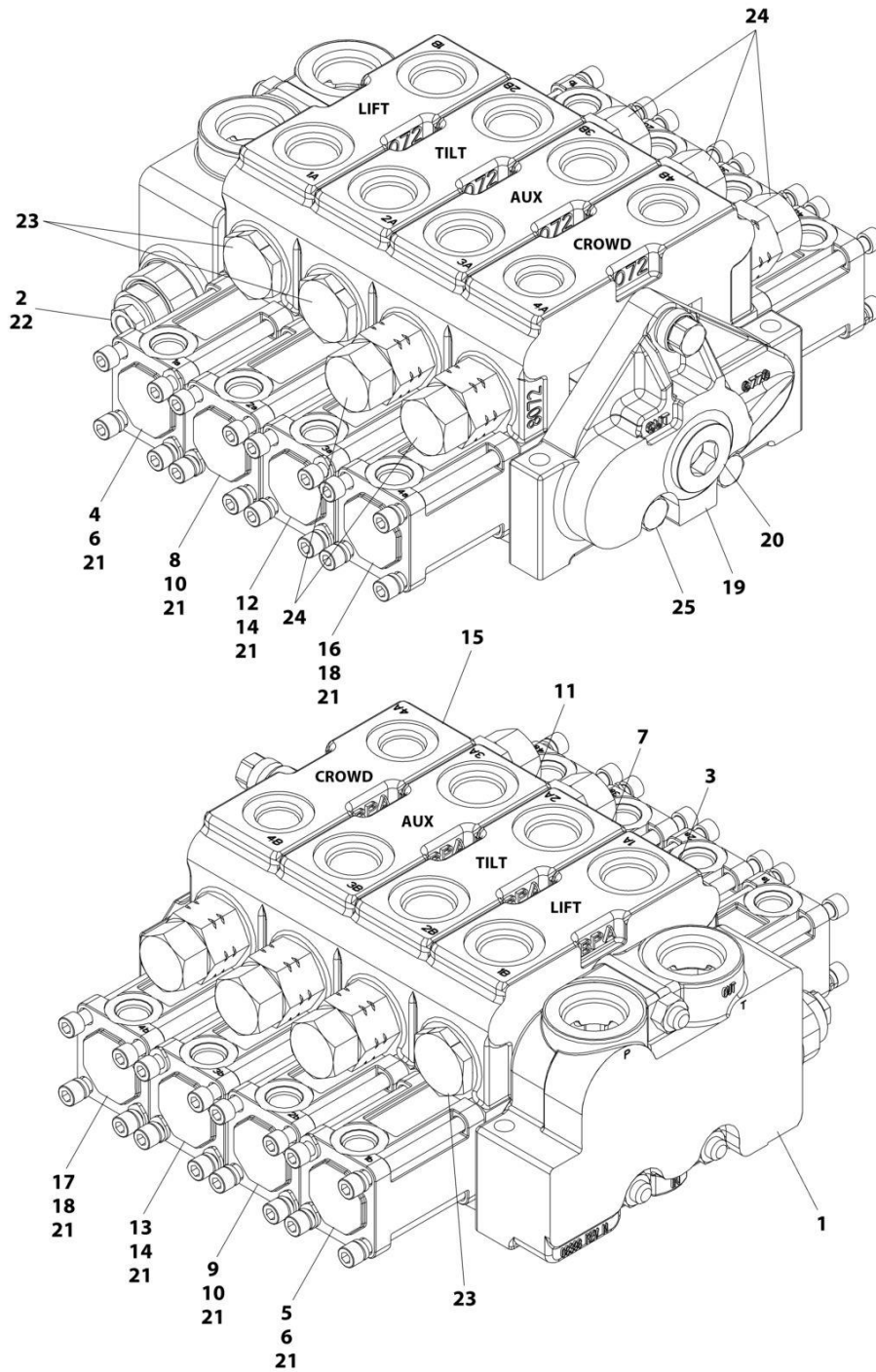
SECTION 9 - HYDRAULIC COMPONENTS

FIGURE 9-18. STEERING SELECT VALVE

ITEM	PART NUMBER	QTY	DESCRIPTION	REV
	1001153748	Ref	Steering Select Valve	C
1	70020867	2	Nut, Coil	
2	70026582	2	Coil	

SECTION 9 - HYDRAULIC COMPONENTS

FIGURE 9-19. MAIN CONTROL VALVE (W/AUX)



ART_1001080176

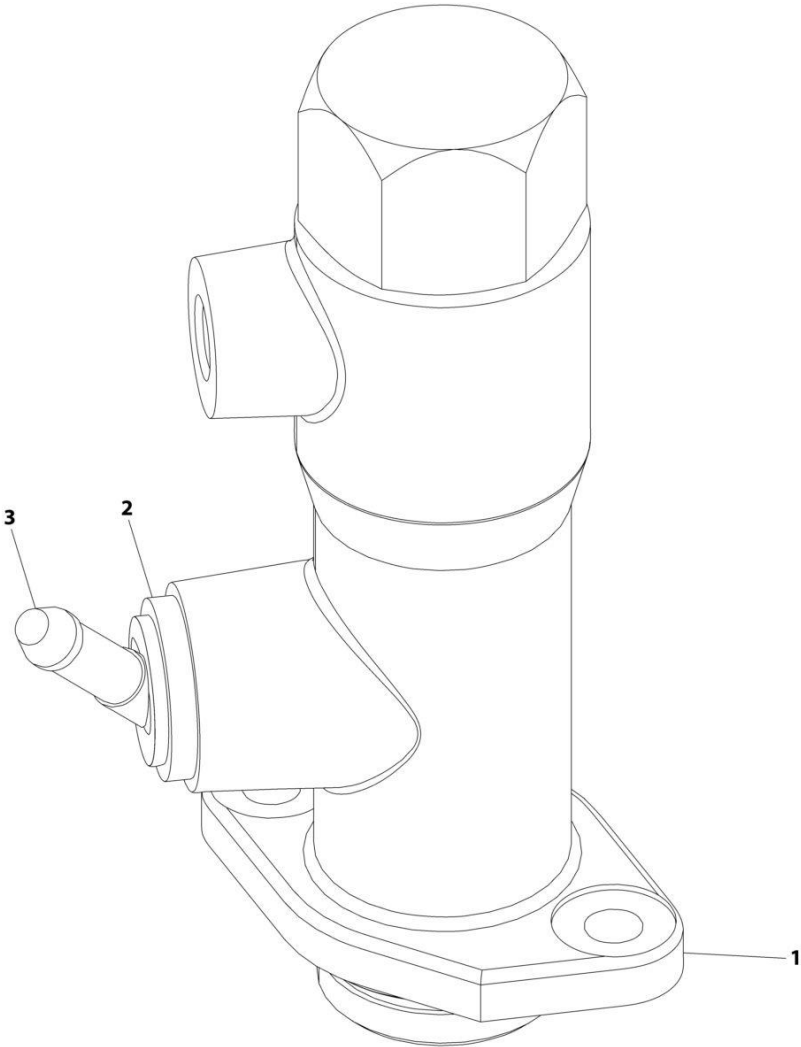
SECTION 9 - HYDRAULIC COMPONENTS

FIGURE 9-19. MAIN CONTROL VALVE (W/AUX)

ITEM	PART NUMBER	QTY	DESCRIPTION	REV
	1001080176	Ref	MAIN CONTROL VALVE (W/AUX)	D
1	91084008	1	Inlet Assembly	
2	91084009	1	Main Relief Valve, 3000PSI	
3	91404182	1	Lift Valve Section	
4	91094023	1	Hydraulic Remote Positioner, A End	
5	91094024	1	Hydraulic Remote Positioner, B End	
6	91084010	2	Load Check Plug	
7	70020718	1	Tilt Valve Section Assembly	
8	91094023	1	Hydraulic Remote Positioner, A End	
9	91094024	1	Hydraulic Remote Positioner, B End	
10	70021352	2	Relief Cartridge, 3800PSI 10GPM	
11	70020719	1	Auxiliary Valve Section Assembly	
12	91094023	1	Hydraulic Remote Positioner, A End	
13	91094024	1	Hydraulic Remote Positioner, B End	
14	70021352	2	Relief Cartridge, 3800PSI 10GPM	
15	91404186	1	Crowd Valve Section Assembly	
16	91094023	1	Hydraulic Remote Positioner, A End	
17	91094024	1	Hydraulic Remote Positioner, B End	
18	91404189	1	Relief Valve	
19	91084278	1	Outlet Assembly	
20	91084279	1	Plug	
21	91084233	8	Seal, Positioner	
22	70020716	1	Seal Kit - Main Relief	
23	7029865	3	Seal Kit - Transition Check	
24	70020717	5	Seal Kit - RC Relief	
25	91084019	1	Bolt Assembly	

SECTION 9 - HYDRAULIC COMPONENTS

FIGURE 9-20. BRAKE MASTER CYLINDER VALVE



ART_1001080262-C

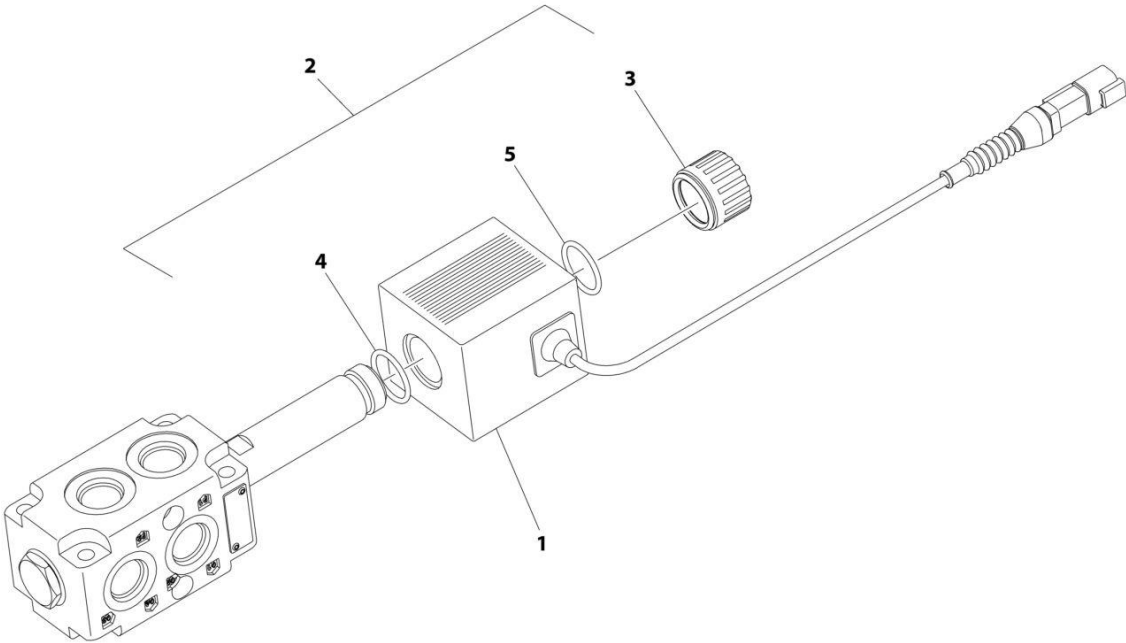
SECTION 9 - HYDRAULIC COMPONENTS

FIGURE 9-20. BRAKE MASTER CYLINDER VALVE

ITEM	PART NUMBER	QTY	DESCRIPTION	REV
	1001080262	Ref	Brake Master Cylinder Valve	C
1	70020919	1	Seal Kit	
2	70020920	1	Rubber Boot	
3	70021475	1	Fitting	

SECTION 9 - HYDRAULIC COMPONENTS

FIGURE 9-21. DIVERTOR VALVE



ART_1001104477

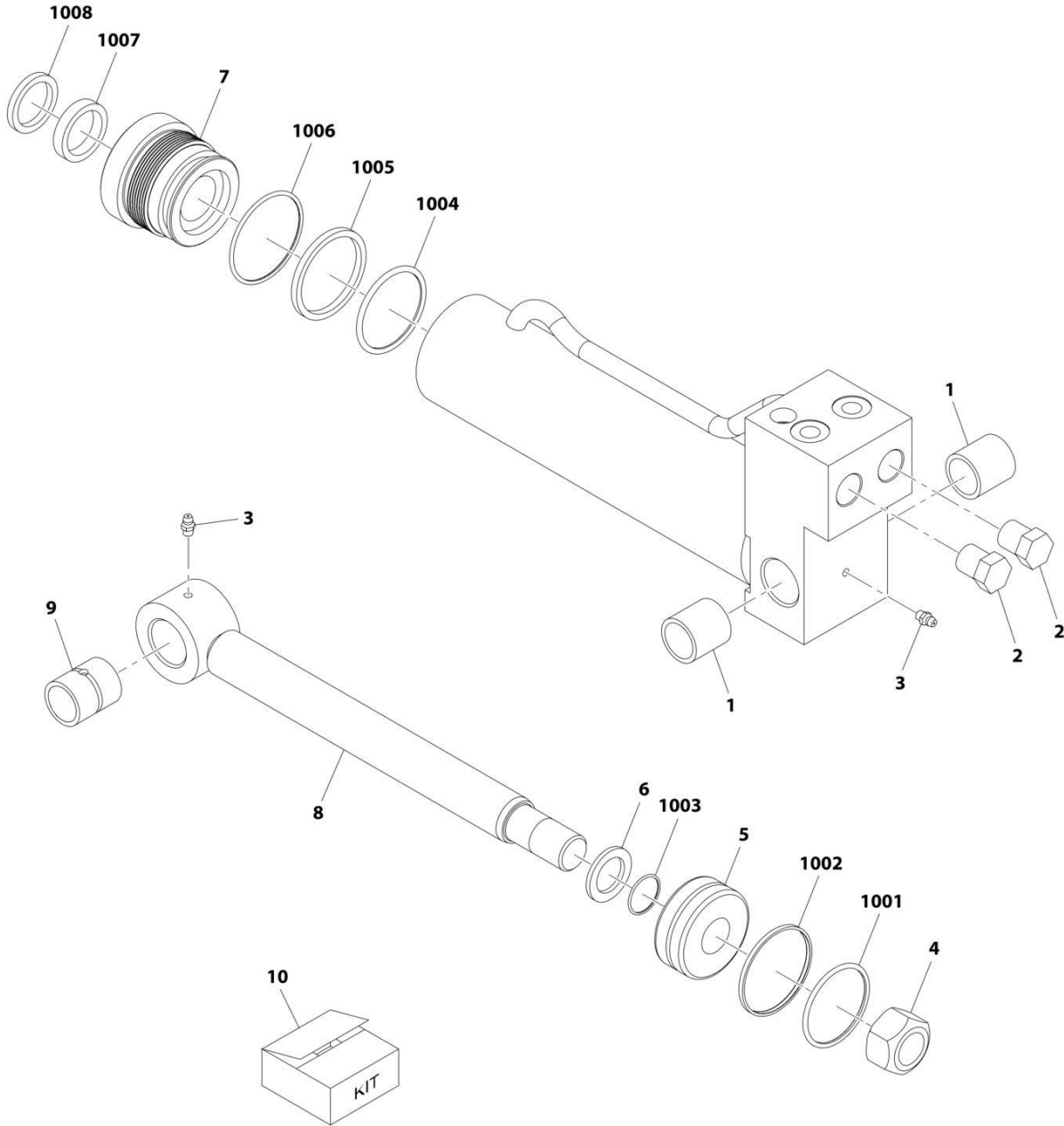
SECTION 9 - HYDRAULIC COMPONENTS

FIGURE 9-21. DIVERTOR VALVE

ITEM	PART NUMBER	QTY	DESCRIPTION	REV
	1001104477	Ref	DIVERTOR VALVE	D
1	70020764	1	Coil	
2	70021531	1	Retainer Kit (Includes Items 3-5)	
3	Kit	1	Nut	
4	Kit	1	O-Ring	
5	Kit	1	O-Ring	

SECTION 9 - HYDRAULIC COMPONENTS

FIGURE 9-22. SIDE TILT CARRIAGE CYLINDER



ART_70021363-A

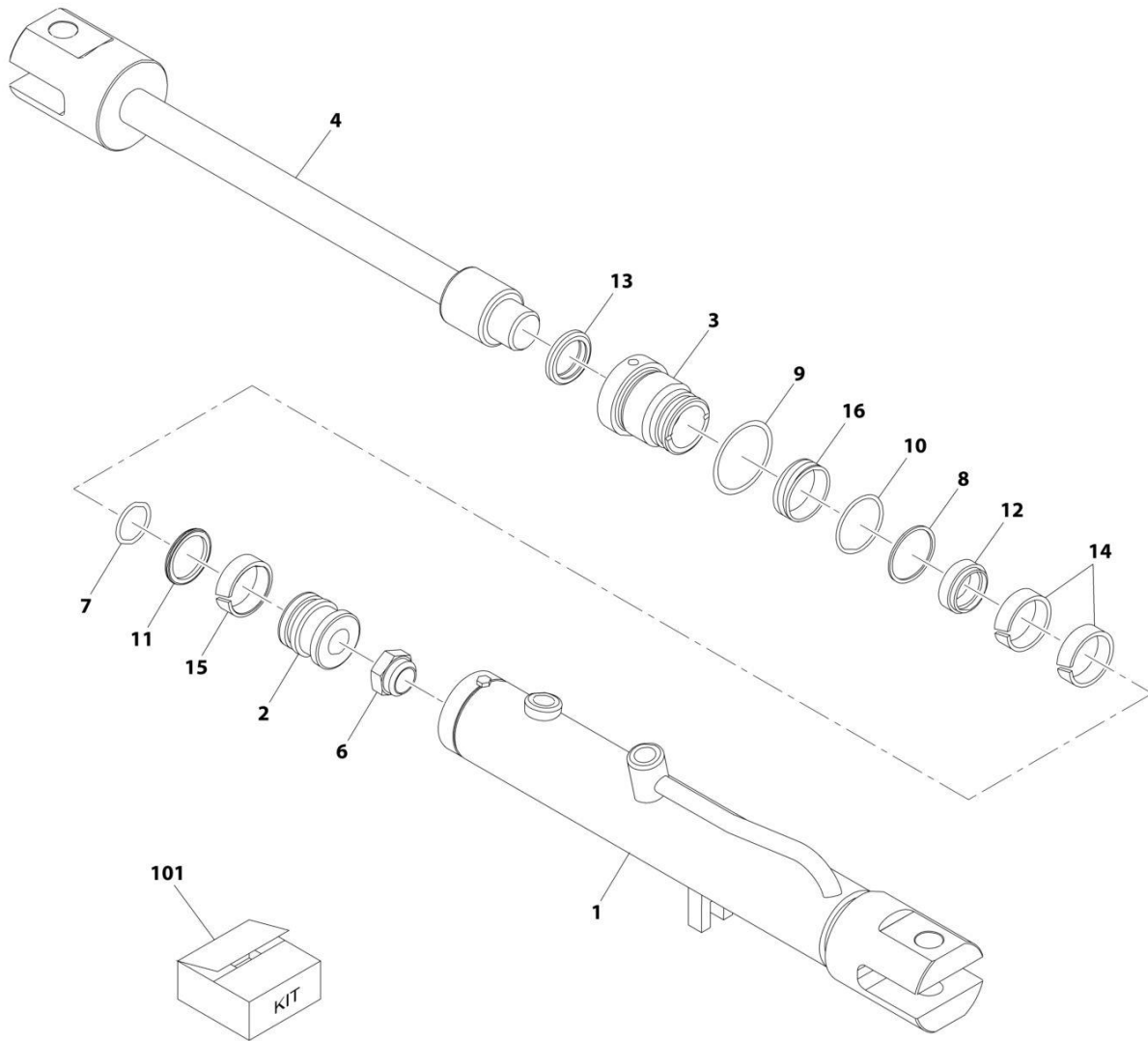
SECTION 9 - HYDRAULIC COMPONENTS

FIGURE 9-22. SIDE TILT CARRIAGE CYLINDER

ITEM	PART NUMBER	QTY	DESCRIPTION	REV
	70021363	Ref	Side Tilt Carriage Cylinder	A
		Ref	Note: Original Cylinder May Have Been Replaced with Service Replacement. Identify PN Stamped on Cylinder Before Ordering Parts.	
1	70021448	2	Bushing	
2	70021464	2	Valve Cartridge	
3	90554045	2	Grease Fitting	
4	70021440	1	Nut	
5	70021451	1	Piston	
6	70021444	1	Washer	
7	70021446	1	Gland	
8	70029441	1	Rod	
9	70021447	1	Bushing	
10	70021452	1	Seal Kit, (includes items 1001 thru 1008)	
1001	Kit	1	Piston Ring	
1002	Kit	1	O-Ring	
1003	Kit	1	O-Ring	
1004	Kit	1	O-Ring	
1005	Kit	1	Back-Up Ring	
1006	Kit	1	O-Ring	
1007	Kit	1	Polypak, Type B	
1008	Kit	1	Rod Wiper	

SECTION 9 - HYDRAULIC COMPONENTS

FIGURE 9-23. FORK LOCKING CYLINDER



ART_1001080334-D

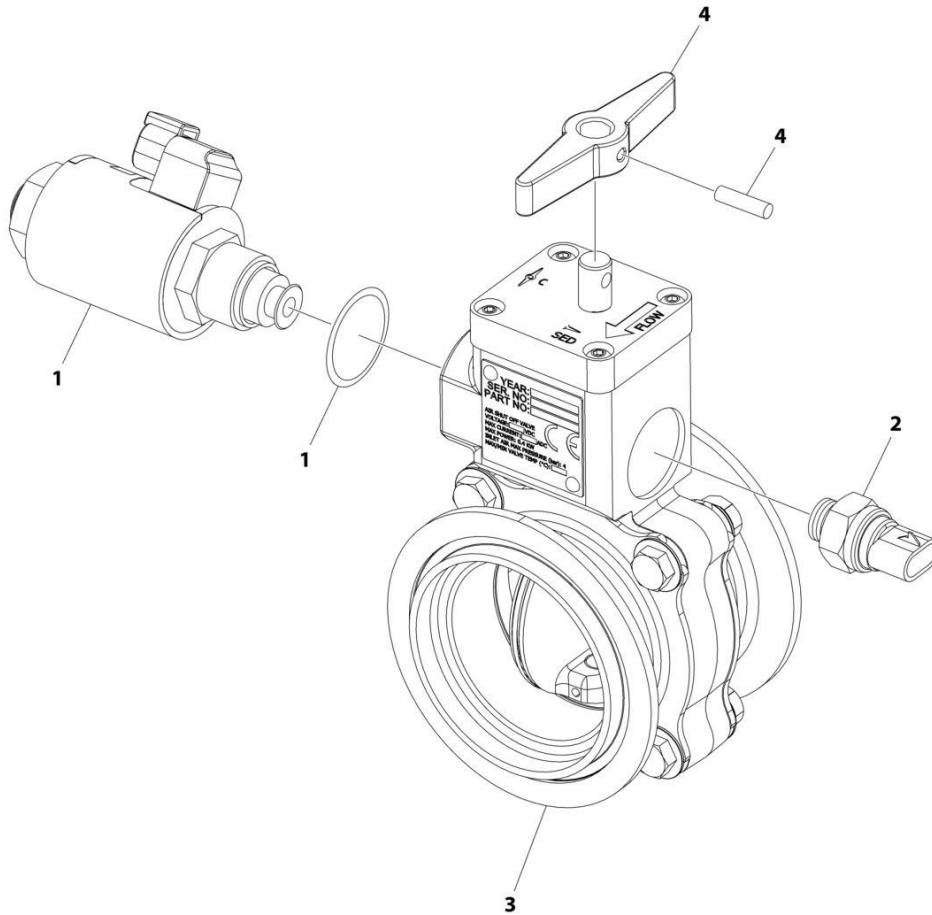
SECTION 9 - HYDRAULIC COMPONENTS

FIGURE 9-23. FORK LOCKING CYLINDER

ITEM	PART NUMBER	QTY	DESCRIPTION	REV
	1001080334	Ref	Fork Locking Cylinder	D
		Ref	Note: Original Cylinder May Have Been Replaced with Service Replacement. Identify PN Stamped on Cylinder Before Ordering Parts.	
1	70021270	1	Case Assembly	
2	70021271	1	Piston	
3	70021272	1	Head Gland	
4	70021273	1	Rod	
6	70021275	1	Locknut	
7	Kit	1	O-Ring	
8	Kit	1	O-Ring	
9	Kit	1	O-Ring	
10	Kit	1	Back-Up Ring	
11	Kit	1	Diso-Pac	
12	Kit	1	Deep Z-Seal	
13	Kit	1	Rod Wiper	
14	Kit	2	Precision Wearband	
15	Kit	1	Precision Wearband	
16	Kit	1	Locking Insert	
101	70021276	1	Seal Kit, (includes items 7 thru 16)	

SECTION 9 - HYDRAULIC COMPONENTS

FIGURE 9-24. AIR SHUT OFF VALVE



ART_1001204032_C

SECTION 9 - HYDRAULIC COMPONENTS

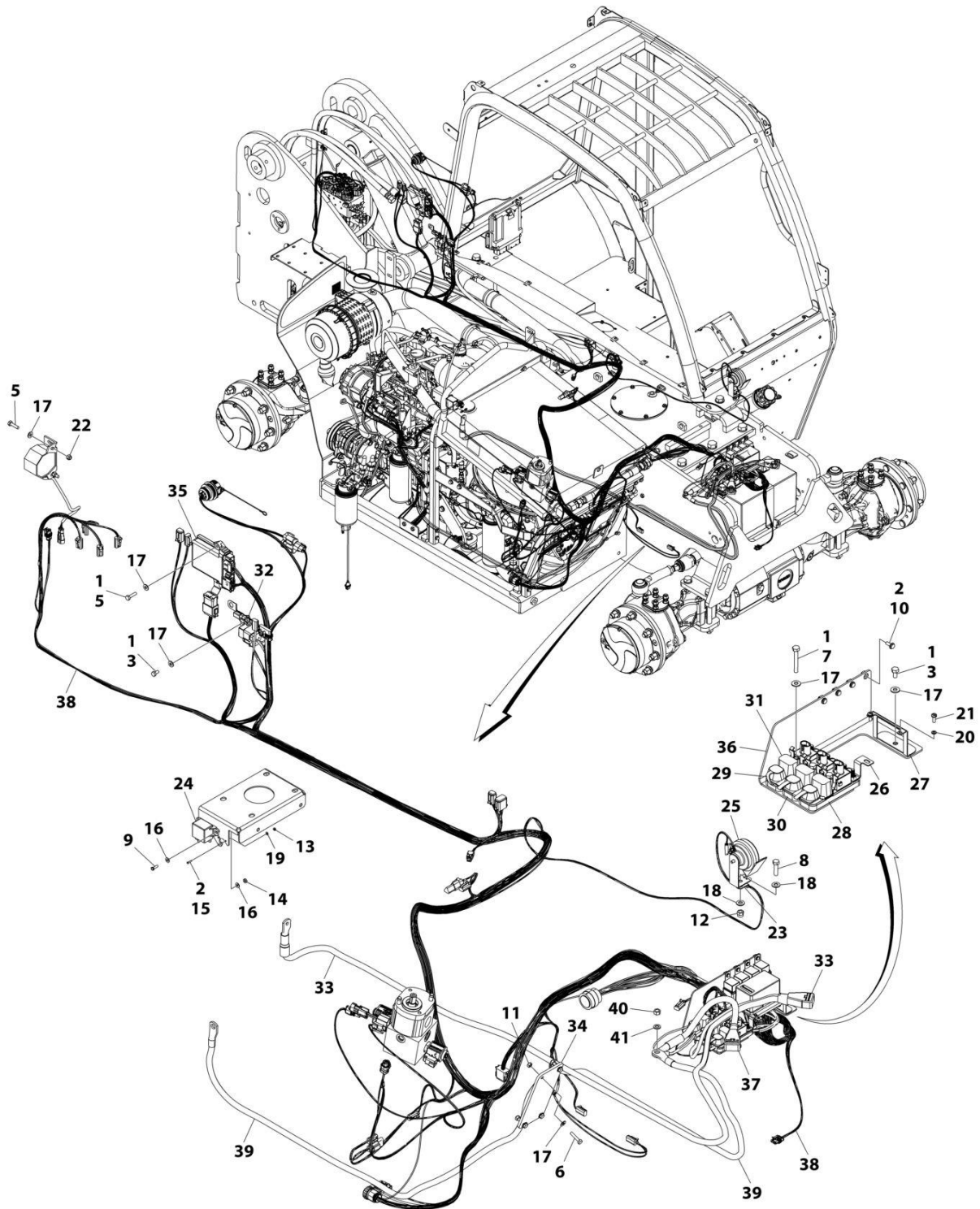
FIGURE 9-24. AIR SHUT OFF VALVE

ITEM	PART NUMBER	QTY	DESCRIPTION	REV
	1001204032	Ref	Air Shut Off Valve	C
1	70028514	1	Kit, Solenoid 12V (Includes Solenoid, Coil, O-Ring)	
2	70028515	1	Kit, Switch (Includes Ball Switch & O-Ring)	
3	70028516	1	Kit, Flange and Hardware (Includes Flanges (Male & Female) & Mounting Hardware)	
4	70028517	1	Kit, Handle (Includes Handle & Pin)	

SECTION 10 - ELECTRICAL

SECTION 10 - ELECTRICAL

FIGURE 10-1. MAIN ELECTRICAL INSTALLATION



ART_1001200612

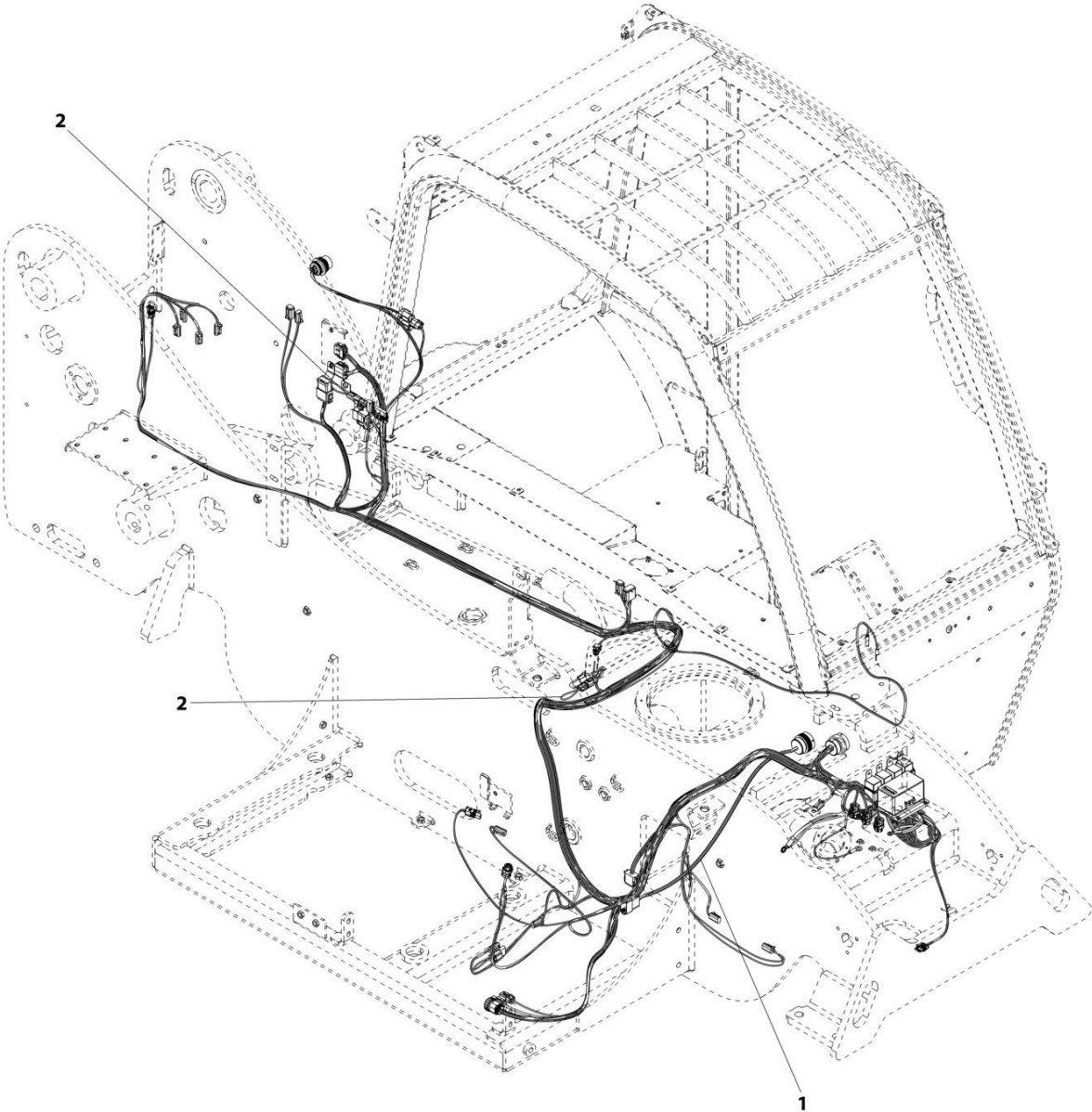
SECTION 10 - ELECTRICAL

FIGURE 10-1. MAIN ELECTRICAL INSTALLATION

ITEM	PART NUMBER	QTY	DESCRIPTION	REV
	1001200612	Ref	MAIN ELECTRICAL INSTALLATION	G
1	0100011	AR	Compound, Locking	
2	0100035	AR	Compound, Locking	
3	0641404	2	Bolt 1/4 x 1/2	
5	0641408	4	Bolt 1/4 x 1	
6	0641410	4	Bolt 1/4 x 1-1/4	
7	0641415	3	Bolt 1/4 x 1-7/8	
8	0641611	1	Bolt 3/8 x 1-3/8	
9	0721005	2	Screw	
10	0791004	4	Screw	
11	3271405	4	Nut 1/4	
12	3300143	1	Nut 3/8	
13	3310401	3	Nut 4	
14	3311001	2	Nut 10	
15	3910408	3	Screw 4 x 1/2	
16	4711000	4	Washer	
17	4711400	13	Washer 1/4	
18	4711600	2	Washer 3/8	
19	4750400	3	Washer #4	
20	4761000	2	Washer	
21	8303839	2	Screw #10 x 1/2	
22	8305624	2	Nut	
23	8406003	1	Clip	
24	77383377	1	Starter Relay	
25	91143357	1	Horn	
26	1001080409	1	Bus Bar	
27	1001080410	1	Bracket	
28	1001080424	1	Yellow Power Module Relay	
29	1001092585	1	Bus Bar Insulator	
30	1001127589	1	Red Power Module Relay	
31	1001141066	1	Green Power Module Relay	
32	1001141581	1	Connector Mount	
33	1001149466	1	Positive Battery Cable	
34	1001156314	1	Plate	
35	1001196254	1	Control Module	
36	1001201252	1	Mount, Electrical Components	
37	1001080619	1	Negative Battery Cable	
38	1001275270	1	Frame Harness, (See Separate Breakdown in this Section)	
39	1001209102	1	Ground Cable	
40	3271601	1	Nut 3/8	
41	4761600	1	Washer 3/8	

SECTION 10 - ELECTRICAL

FIGURE 10-2. FRAME OPTIONS HARNESS INSTALLATION



ART_1001143556-C

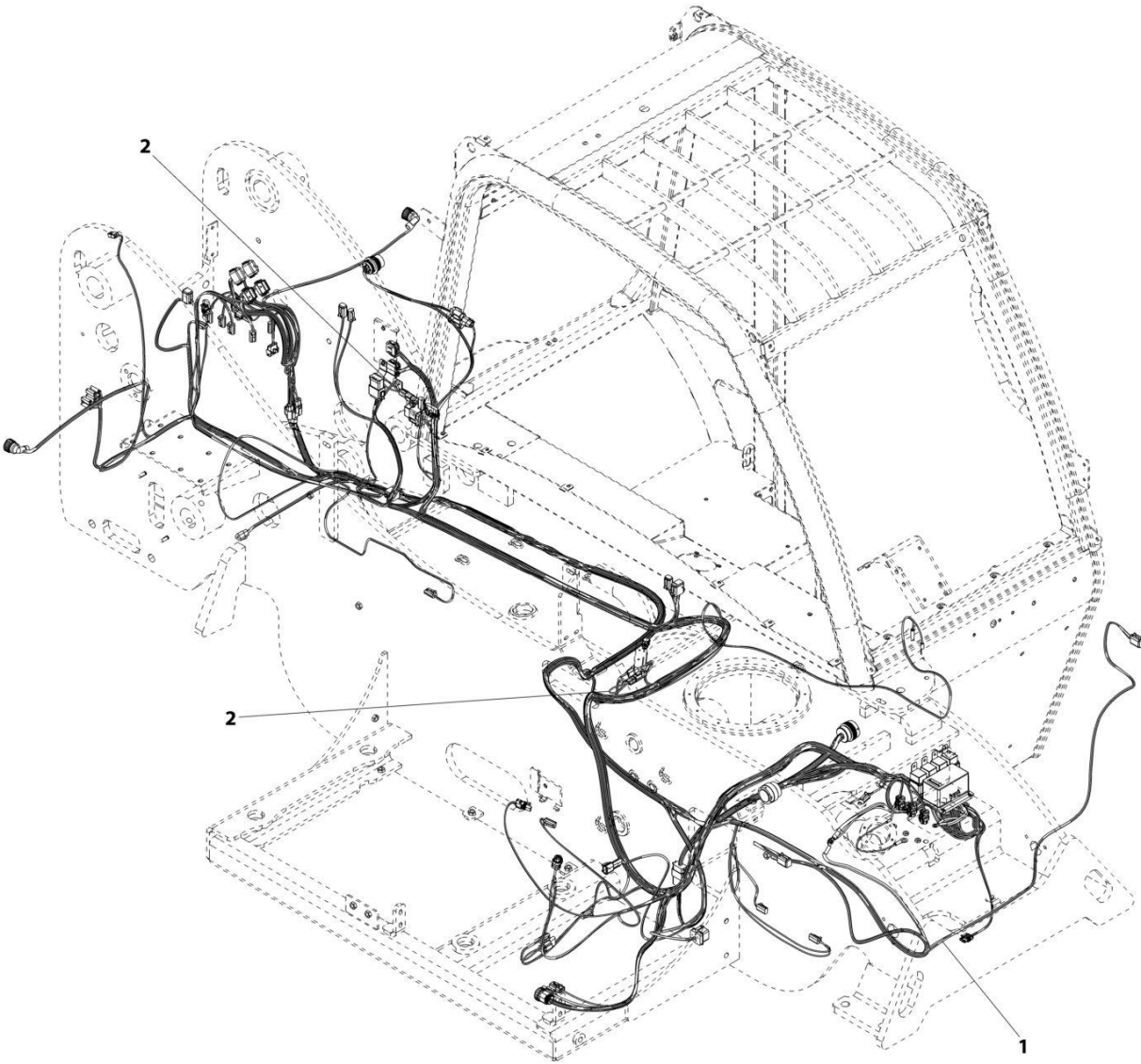
SECTION 10 - ELECTRICAL

FIGURE 10-2. FRAME OPTIONS HARNESS INSTALLATION

ITEM	PART NUMBER	QTY	DESCRIPTION	REV
1	1001143556	Ref	Frame Options Harness Installation	C
	1001142011	1	Frame Base Jumper Harness (See Separate Breakdown in this Section)	
2	1001122280	2	Function Jumper Harness (See Separate Breakdown in this Section)	

SECTION 10 - ELECTRICAL

FIGURE 10-3. FRAME OPTIONS HARNESS INSTALLATION (ANSI)



ART_1001143552-C

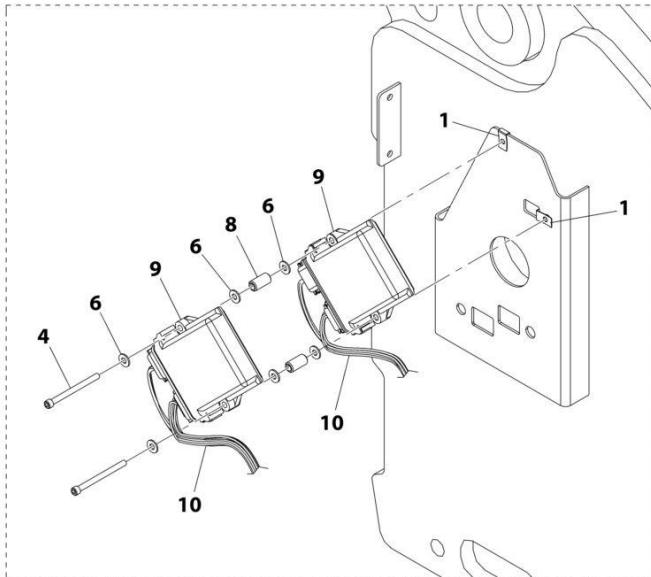
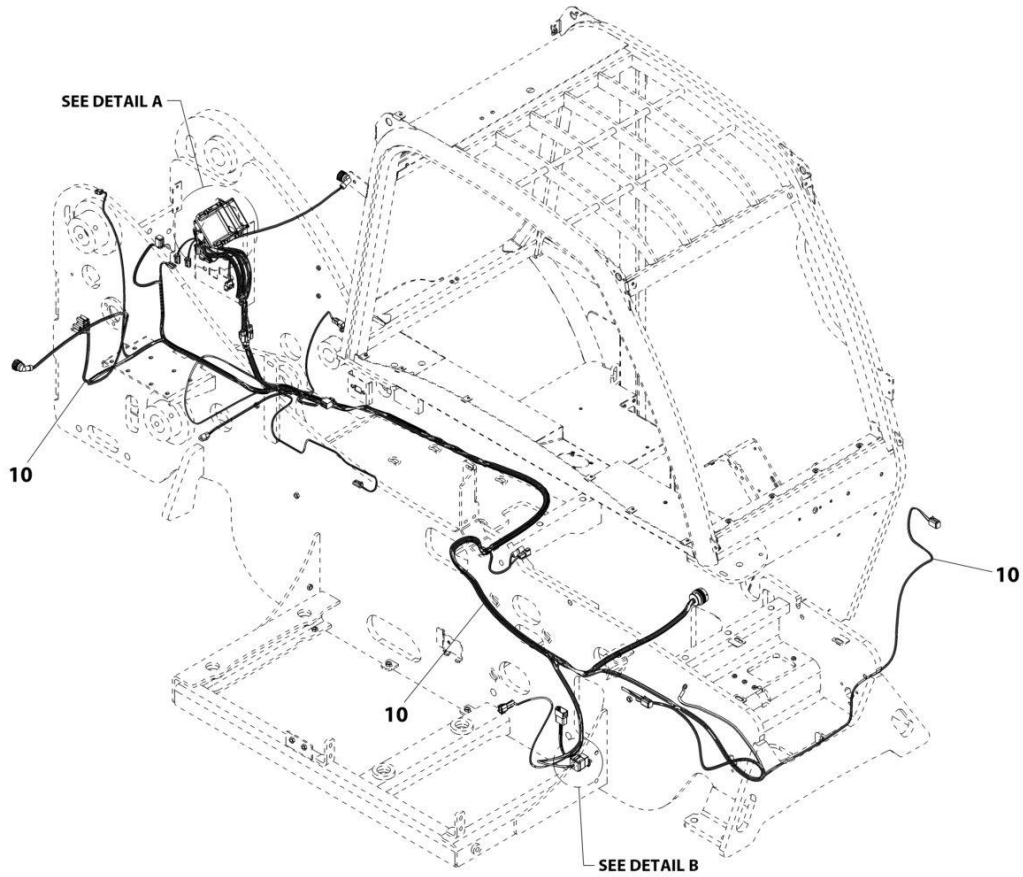
SECTION 10 - ELECTRICAL

FIGURE 10-3. FRAME OPTIONS HARNESS INSTALLATION (ANSI)

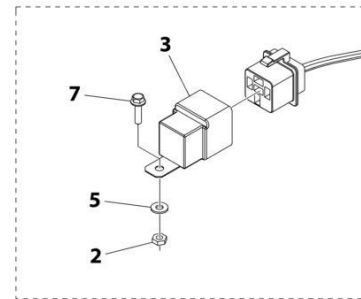
ITEM	PART NUMBER	QTY	DESCRIPTION	REV
	1001143552	Ref	FRAME OPTIONS HARNESS INSTALLATION	C
1	1001140635	1	Frame Option Harness (See Separate Breakdown in this Section)	
2	1001122280	2	Function Jumper Harness (See Separate Breakdown in this Section)	

SECTION 10 - ELECTRICAL

FIGURE 10-4. FRAME OPTIONS HARNESS INSTALLATION (CE)



DETAIL A



DETAIL B

ART_1001209103-B

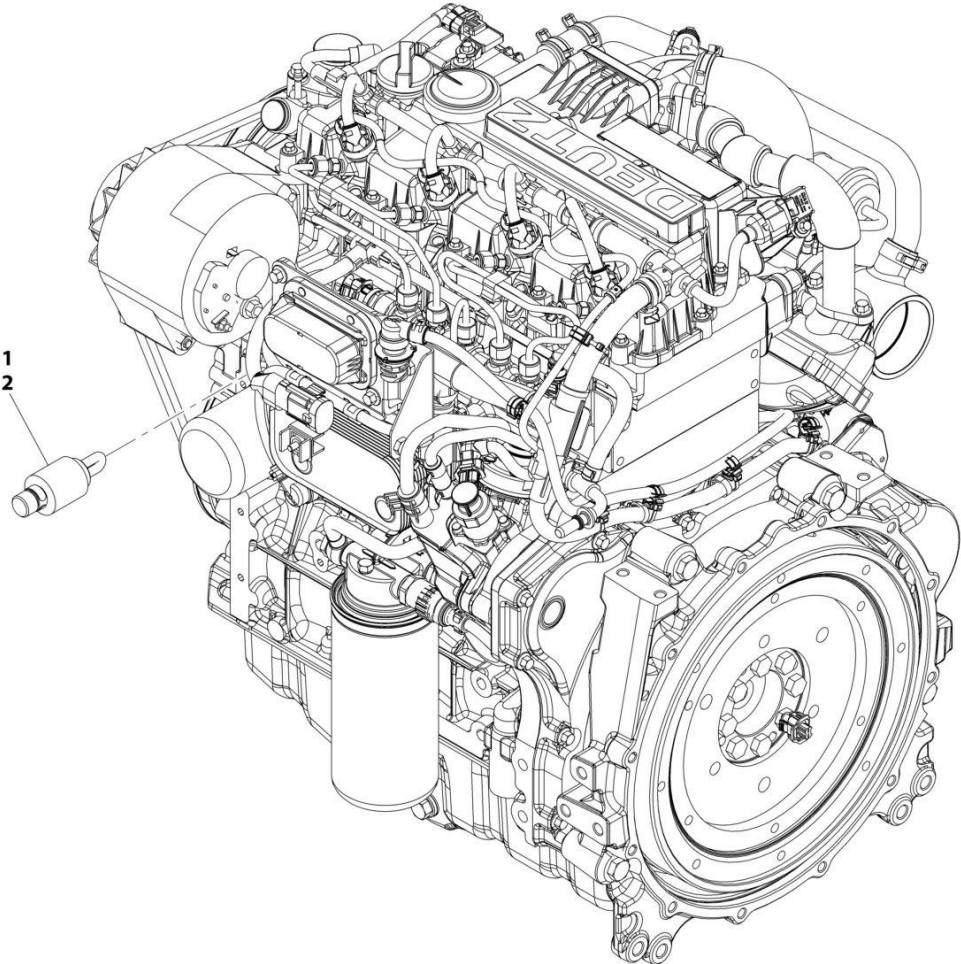
SECTION 10 - ELECTRICAL

FIGURE 10-4. FRAME OPTIONS HARNESS INSTALLATION (CE)

ITEM	PART NUMBER	QTY	DESCRIPTION	REV
	1001209103	Ref	Frame Options Harness Installation (CE)	B
1	3300454	2	Special Nut	
2	3311001	1	Hex Nut, 10-24, GR2	
3	3740080	1	Weather Proof Relay	
4	3931448	2	Socket HD Capscrew, 1/4-20X3	
5	4711000	1	Washer, #10	
6	4711400	6	Washer, 1/4	
7	77143016	1	Screw, #10-24X3/4	
8	88631566	2	Roll Pin	
9	1001226247	2	LSI Module	
10	1001140635	1	Frame Option Harness (See Separate Breakdown in this Section)	

SECTION 10 - ELECTRICAL

FIGURE 10-5. BLOCK HEATER INSTALLATION (ANSI)



ART_1001139683-B

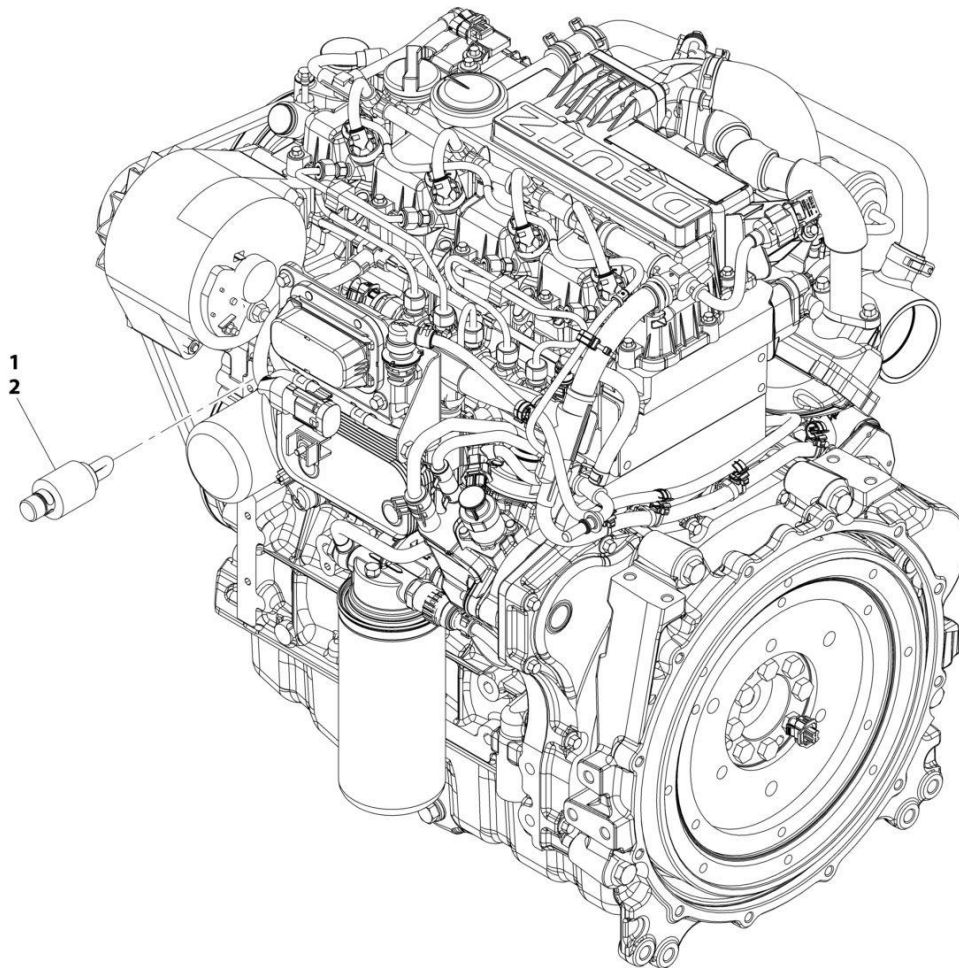
SECTION 10 - ELECTRICAL

FIGURE 10-5. BLOCK HEATER INSTALLATION (ANSI)

ITEM	PART NUMBER	QTY	DESCRIPTION	REV
1	1001139683	Ref	LOCK HEATER INSTALLATION	B
	1001095650	AR	Compound, Locking	
	1001140312	1	Block Heater	

SECTION 10 - ELECTRICAL

FIGURE 10-6. BLOCK HEATER INSTALLATION (CE)



ART_1001159207-A

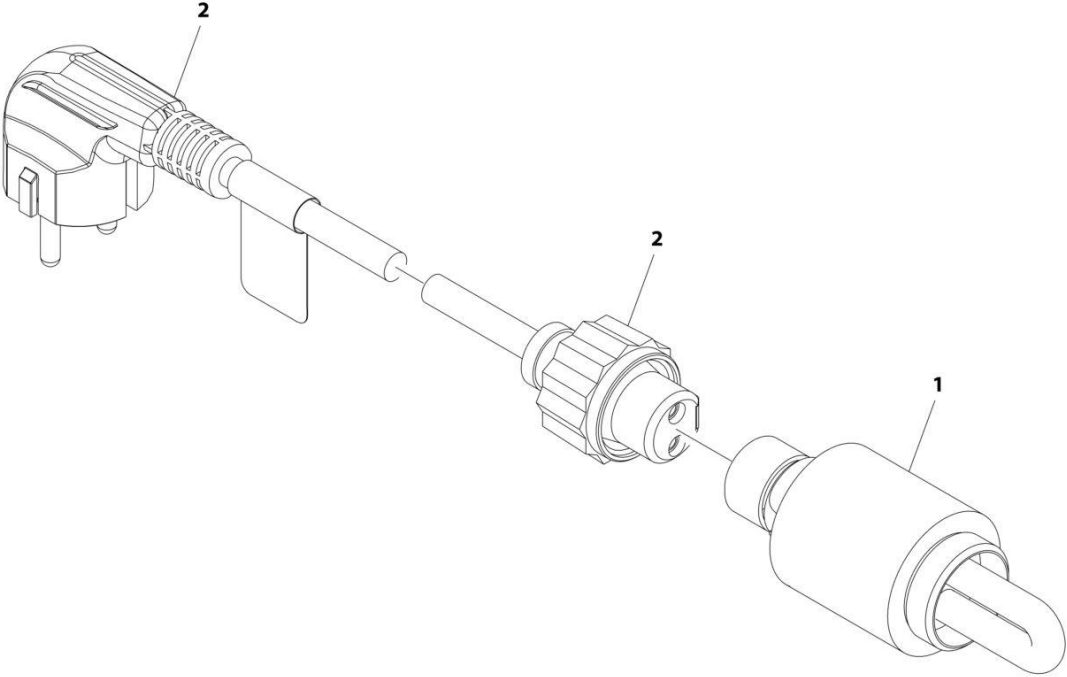
SECTION 10 - ELECTRICAL

FIGURE 10-6. BLOCK HEATER INSTALLATION (CE)

ITEM	PART NUMBER	QTY	DESCRIPTION	REV
1	1001159207	Ref	Block Heater Installation (CE)	A
	1001095650	AR	Locking Compound	
2	1001159206	1	Block Heater (See Separate Breakdown in this Section)	

SECTION 10 - ELECTRICAL

FIGURE 10-7. BLOCK HEATER INSTALLATION (115V) (LS)



ART_1001159206

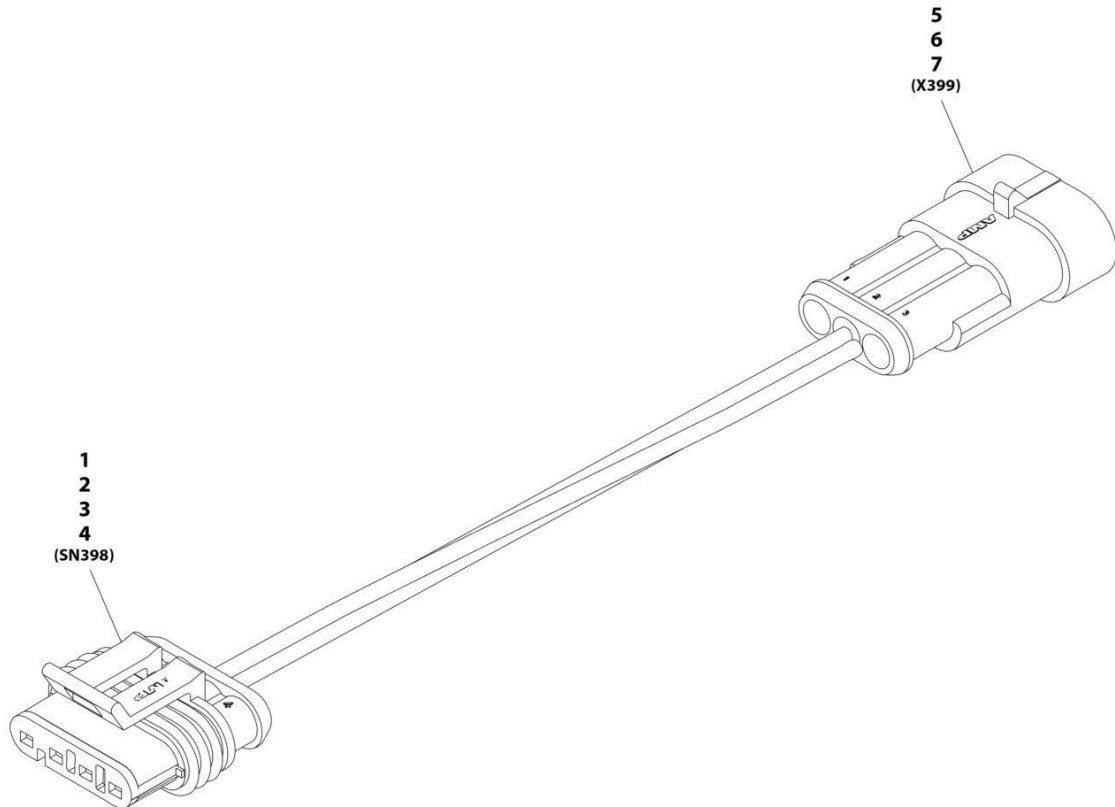
SECTION 10 - ELECTRICAL

FIGURE 10-7. BLOCK HEATER INSTALLATION (115V) (LS)

ITEM	PART NUMBER	QTY	DESCRIPTION	REV
	1001159206	Ref	Block Heater Installation (115V) (LS)	B
1	1001159204	1	Block Heater	
2	1001159205	1	Cable	

SECTION 10 - ELECTRICAL

FIGURE 10-8. SPEED SENSOR JUMPER HARNESS



ART_1001234992-B

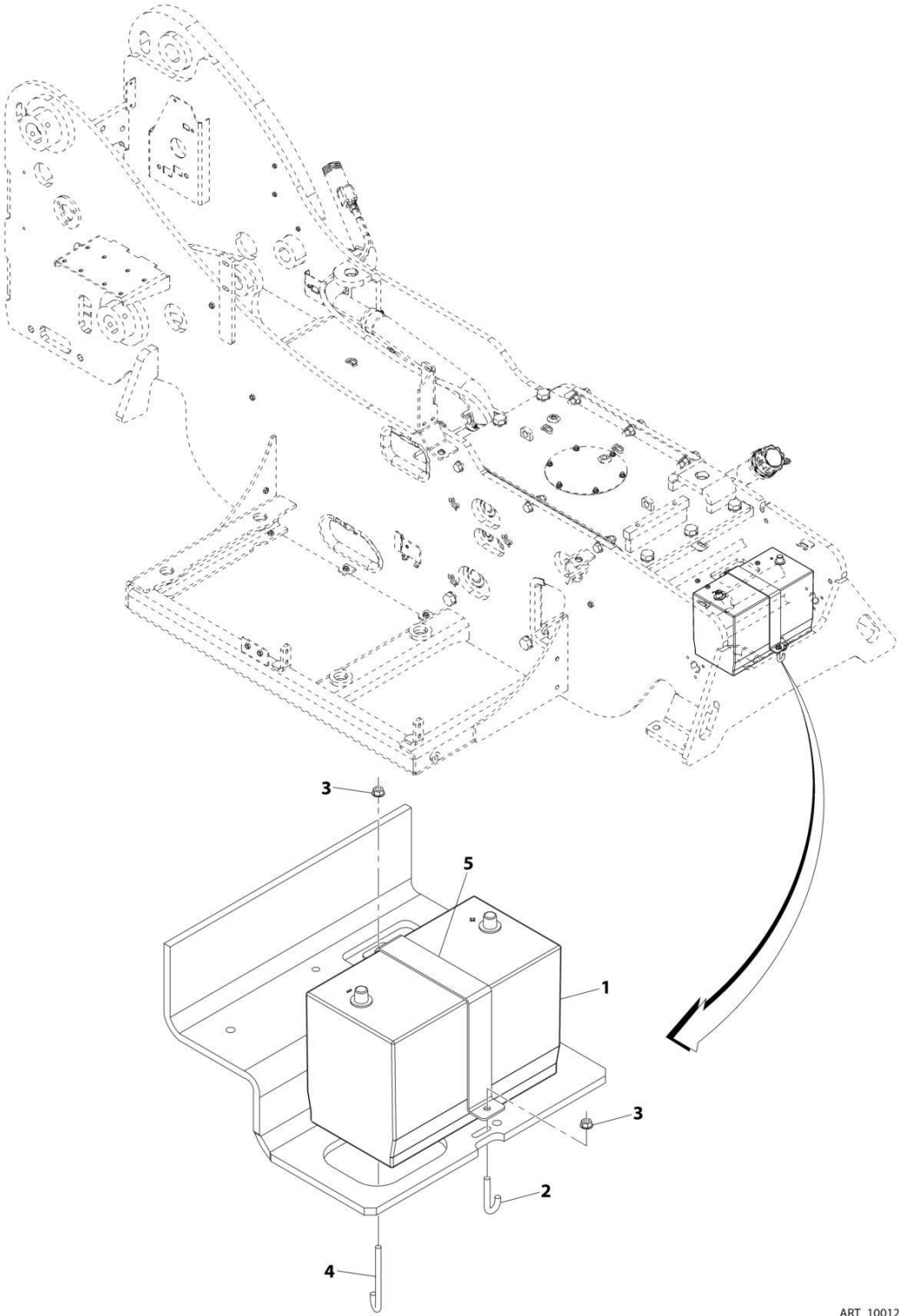
SECTION 10 - ELECTRICAL

FIGURE 10-8. SPEED SENSOR JUMPER HARNESS

ITEM	PART NUMBER	QTY	DESCRIPTION	REV
	1001234992	Ref	Speed Sensor Jumper Harness	B
1	1001103012	1	Connector	
2	1001107854	3	Terminal	
3	1001116698	1	Plug	
4	1001104498	3	Seal	
5	4461119	1	Connector	
6	1001104497	3	Terminal	
7	1001104498	3	Seal	

SECTION 10 - ELECTRICAL

FIGURE 10-9. BATTERY INSTALLATION



ART_1001200613-A

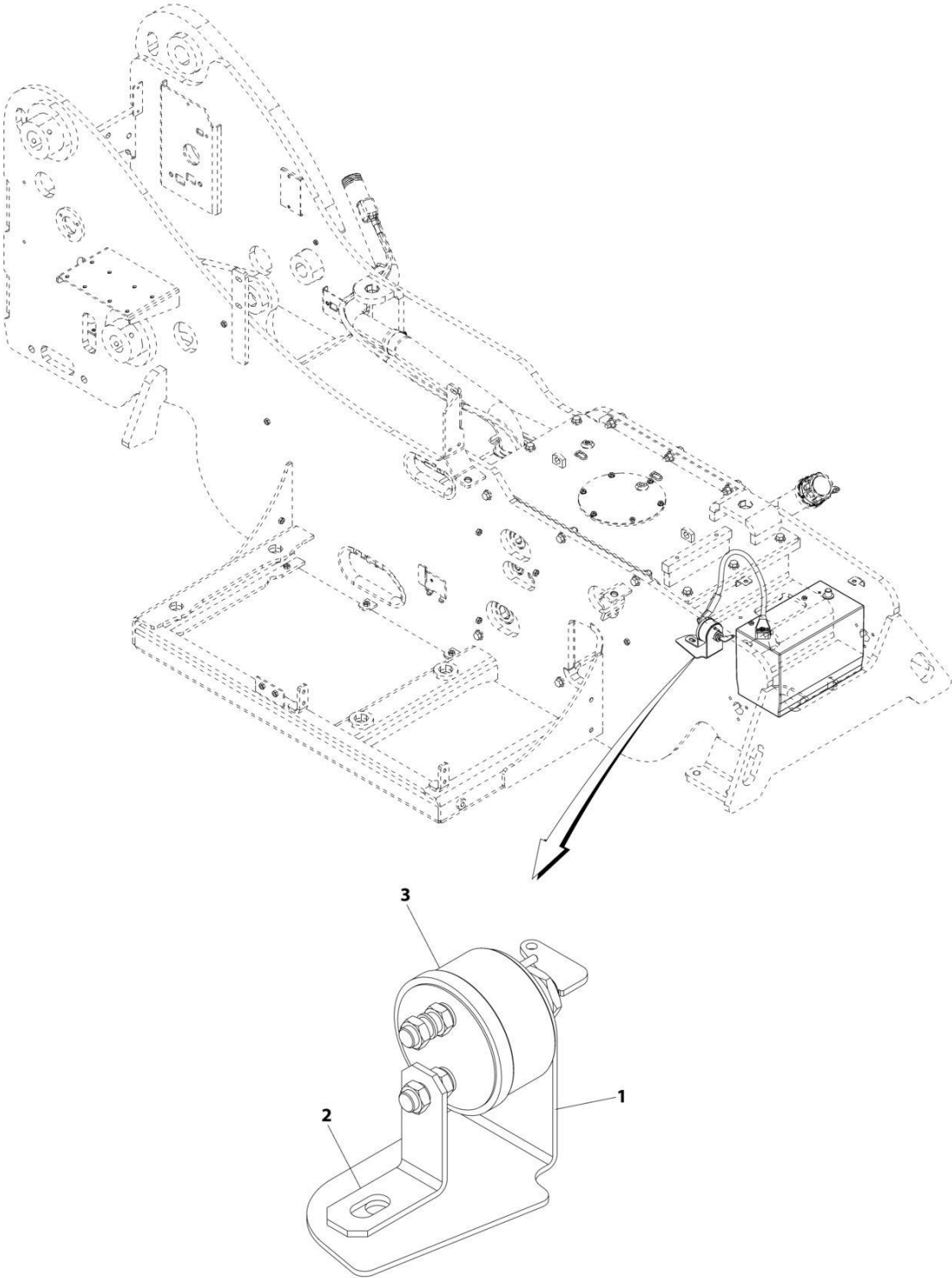
SECTION 10 - ELECTRICAL

FIGURE 10-9. BATTERY INSTALLATION

ITEM	PART NUMBER	QTY	DESCRIPTION	REV
	1001200613	Ref	Battery Installation	A
1	0400075	1	12V Battery	
2	0630455	1	J-Bolt	
3	3311508	2	Hex Nut, 5/16-18	
4	1001081123	1	J-Bolt	
5	1001112697	1	Plate	

SECTION 10 - ELECTRICAL

FIGURE 10-10. BATTERY DISCONNECT SWITCH INSTALLATION



ART_1001201826-A

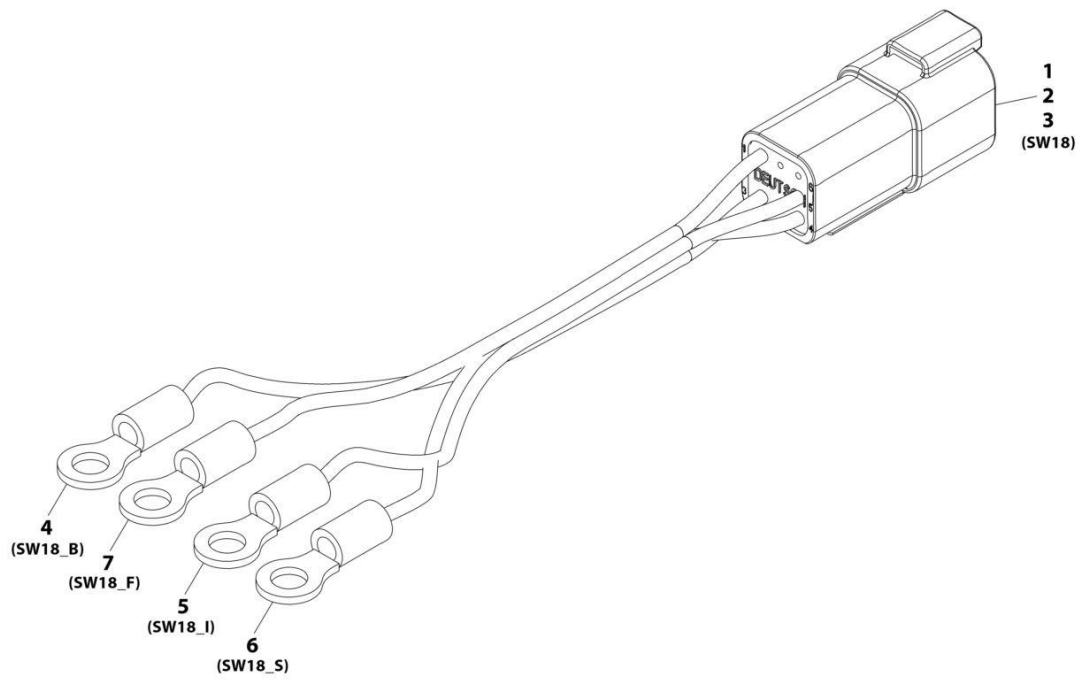
SECTION 10 - ELECTRICAL

FIGURE 10-10. BATTERY DISCONNECT SWITCH INSTALLATION

ITEM	PART NUMBER	QTY	DESCRIPTION	REV
	1001201826	Ref	Battery Disconnect Switch Installation	A
1	1001135845	1	Bracket	
2	1001135846	1	Bar	
3	1001192142	1	Switch	

SECTION 10 - ELECTRICAL

FIGURE 10-11. START SWITCH JUMPER HARNESS



ART_1001100053-B

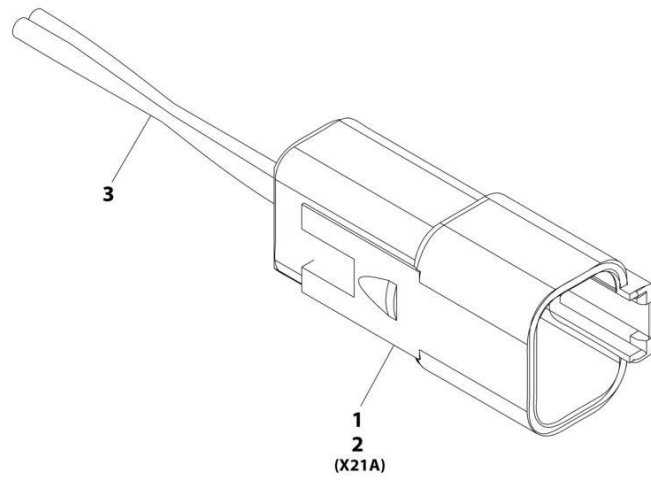
SECTION 10 - ELECTRICAL

FIGURE 10-11. START SWITCH JUMPER HARNESS

ITEM	PART NUMBER	QTY	DESCRIPTION	REV
	1001100053	Ref	Start Switch Jumper Harness	B
1	4460899	1	Connector	
2	4460464	4	Terminal	
3	4460466	2	Terminal	
4	4460042	1	Terminal Ring	
5	4460042	1	Terminal Ring	
6	4460042	1	Terminal Ring	
7	4460042	1	Terminal Ring	

SECTION 10 - ELECTRICAL

FIGURE 10-12. JUMPER HARNESS



ART_1001100966-B

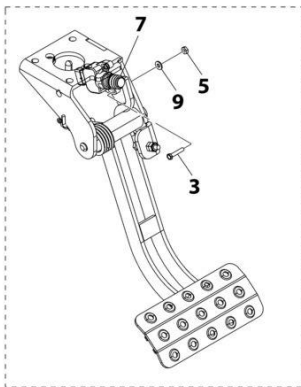
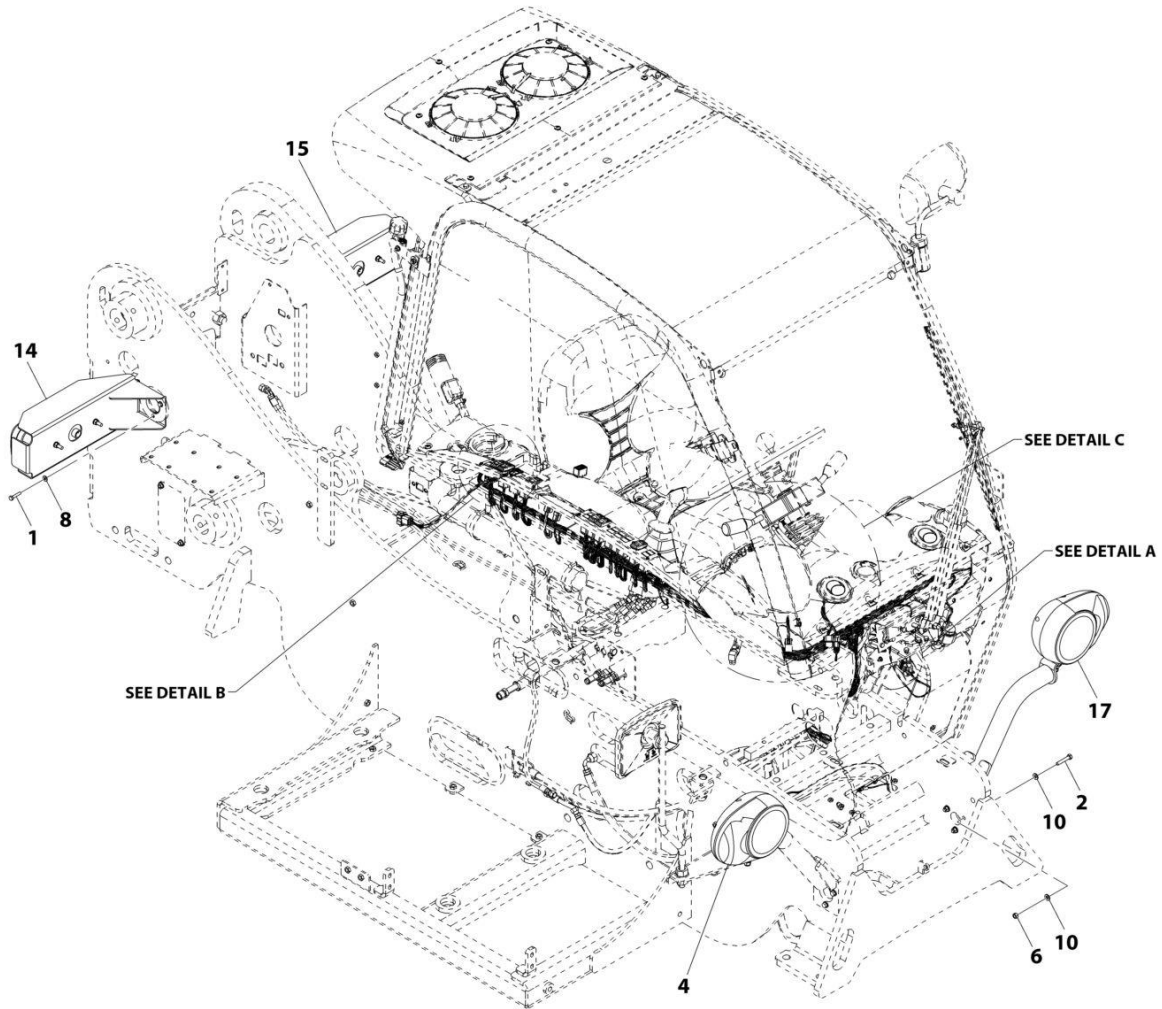
SECTION 10 - ELECTRICAL

FIGURE 10-12. JUMPER HARNESS

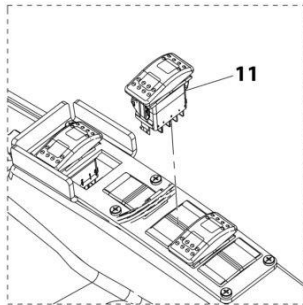
ITEM	PART NUMBER	QTY	DESCRIPTION	REV
	1001100966	Ref	Jumper Harness	B
1	4460464	4	Terminal	
2	4460932	1	Connector	
3	4920017	0.5 ft	Wire	

SECTION 10 - ELECTRICAL

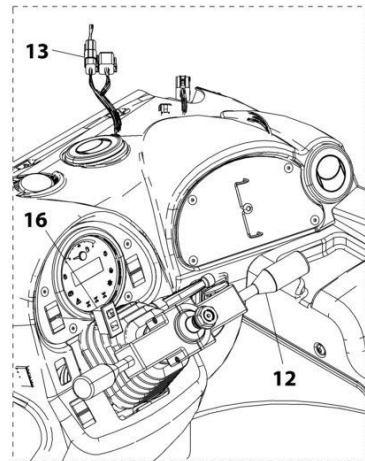
FIGURE 10-13. ROAD LIGHT INSTALLATION (ANSI)



DETAIL A



DETAIL B



DETAIL C

ART_1001233633-B

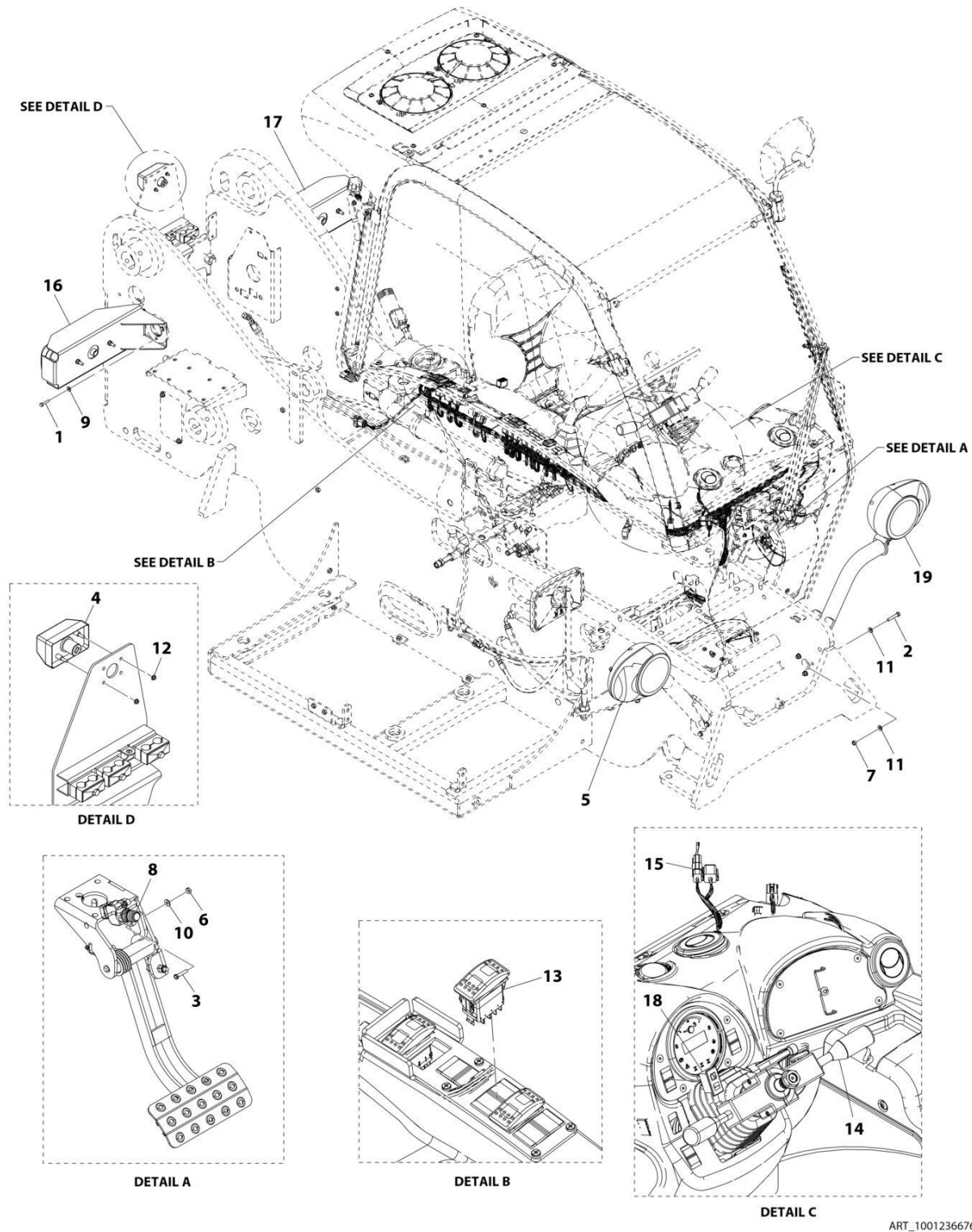
SECTION 10 - ELECTRICAL

FIGURE 10-13. ROAD LIGHT INSTALLATION (ANSI)

ITEM	PART NUMBER	QTY	DESCRIPTION	REV
	1001233633	Ref	Road Light Installation (ANSI)	B
1	0641410	6	Hex HD Capscrew, 1/4-20X1-1/4, GR5	
2	0641514	3	Hex HD Capscrew, 5/16-18X1-3/4, GR5	
3	0721008	2	Screw, 10-24X1	
4	2920208	1	RH Drive Light	
5	3311005	2	Hex Locknut	
6	3311505	3	Hex Locknut, 5/16-18, GR2	
7	4360658	1	Brake Light Switch	
8	4711400	6	Washer, 1/4	
9	4751000	2	Washer, M10	
10	4891500	6	Washer, 5/16	
11	1001080370	1	Hazard Light Switch	
12	1001080381	1	Turn Signal-Headlight Switch	
13	1001100965	1	Jumper Harness (See Separate Breakdown in this Section)	
14	1001101533	1	RH Tail Light Installation (See Separate Breakdown in this Section)	
15	1001101534	1	LH Tail Light Installation (See Separate Breakdown in this Section)	
16	1001139937	1	Turn/High Beam Indicator	
17	1001190709	1	LH Drive Light Installation (See Separate Breakdown in this Section)	

SECTION 10 - ELECTRICAL

FIGURE 10-14. ROAD LIGHT INSTALLATION (LSI)



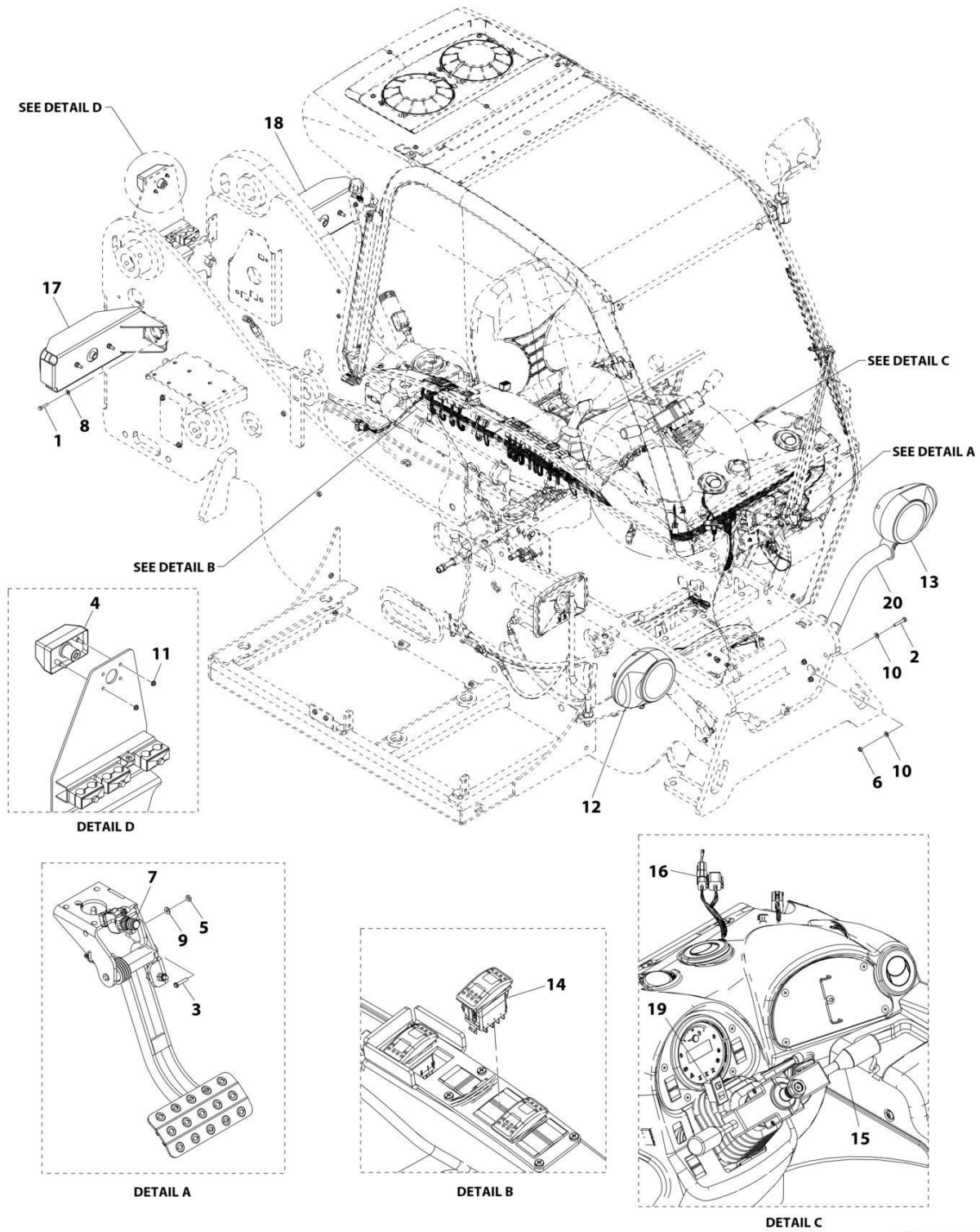
SECTION 10 - ELECTRICAL

FIGURE 10-14. ROAD LIGHT INSTALLATION (LSI)

ITEM	PART NUMBER	QTY	DESCRIPTION	REV
	1001236676	Ref	Road Light Installation (LSI)	A
1	0641410	6	Hex HD Capscrew, 1/4-20X1-1/4, GR5	
2	0641514	3	Hex HD Capscrew, 5/16-18X1-3/4, GR5	
3	0721008	2	Screw, #10-24X1	
4	2920204	1	License Plate Light	
5	2920208	1	RH Drive Light	
6	3311005	2	Hex Locknut	
7	3311505	3	Hex Locknut, 5/16-18, GR2	
8	4360658	1	Brake Light Switch	
9	4711400	6	Washer, 1/4	
10	4751000	2	Washer, M10	
11	4891500	6	Washer, 5/16	
12	5220500	2	Ripp Nut, M5	
13	1001080370	1	Hazard Light Switch	
14	1001080381	1	Turn Signal-Headlight Switch	
15	1001100965	1	Jumper Harness (See Separate Breakdown in this Section)	
16	1001101533	1	RH Tail Light Installation (See Separate Breakdown in this Section)	
17	1001101534	1	LH Tail Light Installation (See Separate Breakdown in this Section)	
18	1001139937	1	Turn/High Beam Indicator	
19	1001190709	1	LH Drive Light Installation (See Separate Breakdown in this Section)	

SECTION 10 - ELECTRICAL

FIGURE 10-15. ROAD LIGHT INSTALLATION (LH DIP)



ART_1001236678-A

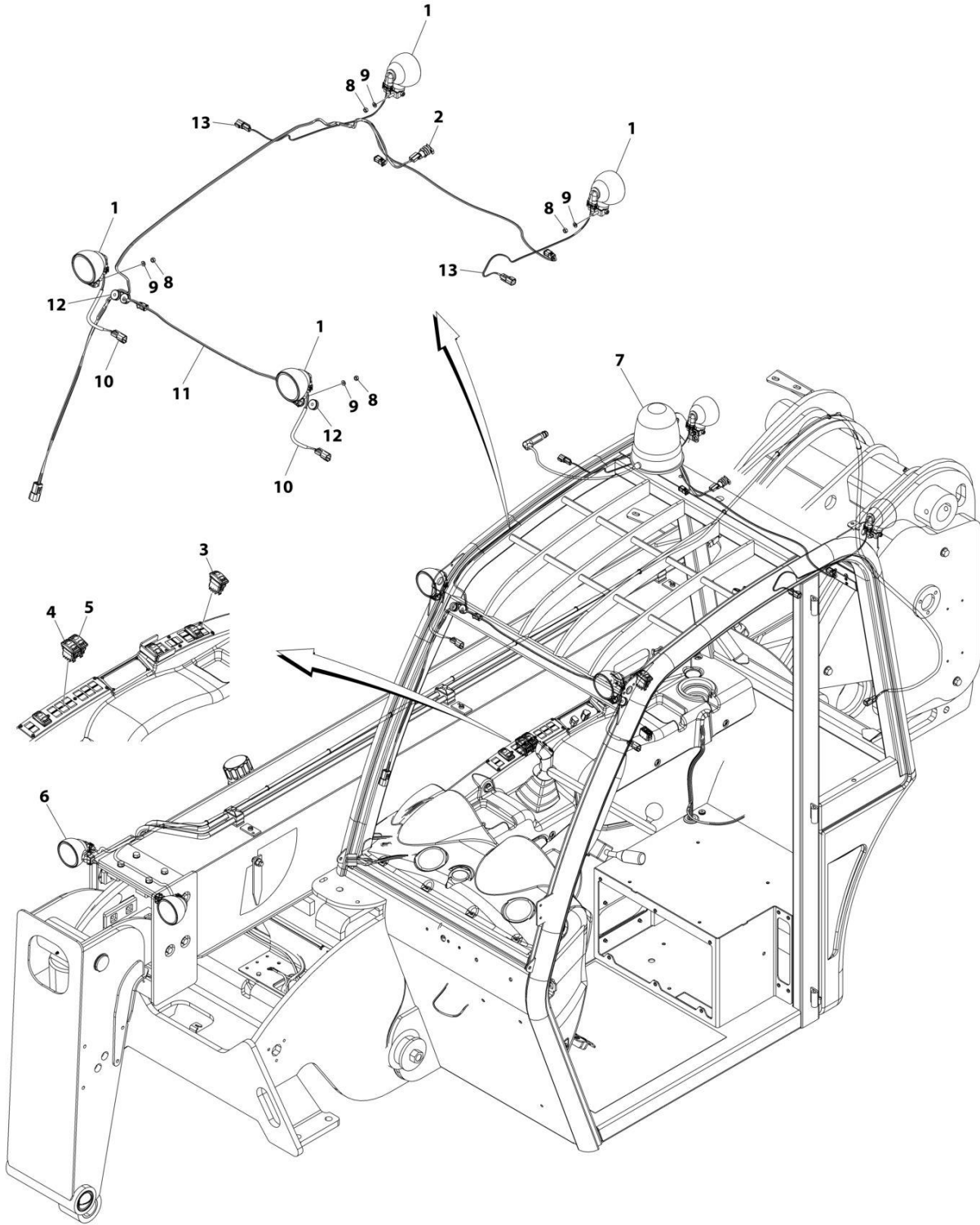
SECTION 10 - ELECTRICAL

FIGURE 10-15. ROAD LIGHT INSTALLATION (LH DIP)

ITEM	PART NUMBER	QTY	DESCRIPTION	REV
	1001236678	Ref	Road Light Installation (LH Dip)	A
1	0641410	6	Hex HD Capscrew, 1/4-20X1-1/4, GR5	
2	0641514	3	Hex HD Capscrew, 5/16-18X1-3/4, GR5,	
3	0721008	2	Screw, #10-24X1	
4	2920204	1	License Plate Light	
5	3311005	2	Hex Locknut	
6	3311505	3	Hex Locknut, 5/16-18, GR2	
7	4360658	1	Brake Light Switch	
8	4711400	6	Washer, 1/4	
9	4751000	2	Washer, M10	
10	4891500	6	Washer, 5/16	
11	5220500	2	Ripp Nut, M5	
12	1001002778	1	RH Drive Light	
13	1001002779	1	LH Drive Light	
14	1001080370	1	Hazard Light Switch	
15	1001080381	1	Turn Signal-Headlight Switch	
16	1001100965	1	Jumper Harness (See Separate Breakdown in this Section)	
17	1001101533	1	RH Tail Light Installation (See Separate Breakdown in this Section)	
18	1001101534	1	LH Tail Light Installation (See Separate Breakdown in this Section)	
19	1001139937	1	Turn/High Beam Indicator	
20	1001190640	1	Bracket	

SECTION 10 - ELECTRICAL

FIGURE 10-16. WORK LIGHT INSTALLATION



ART_1001143558

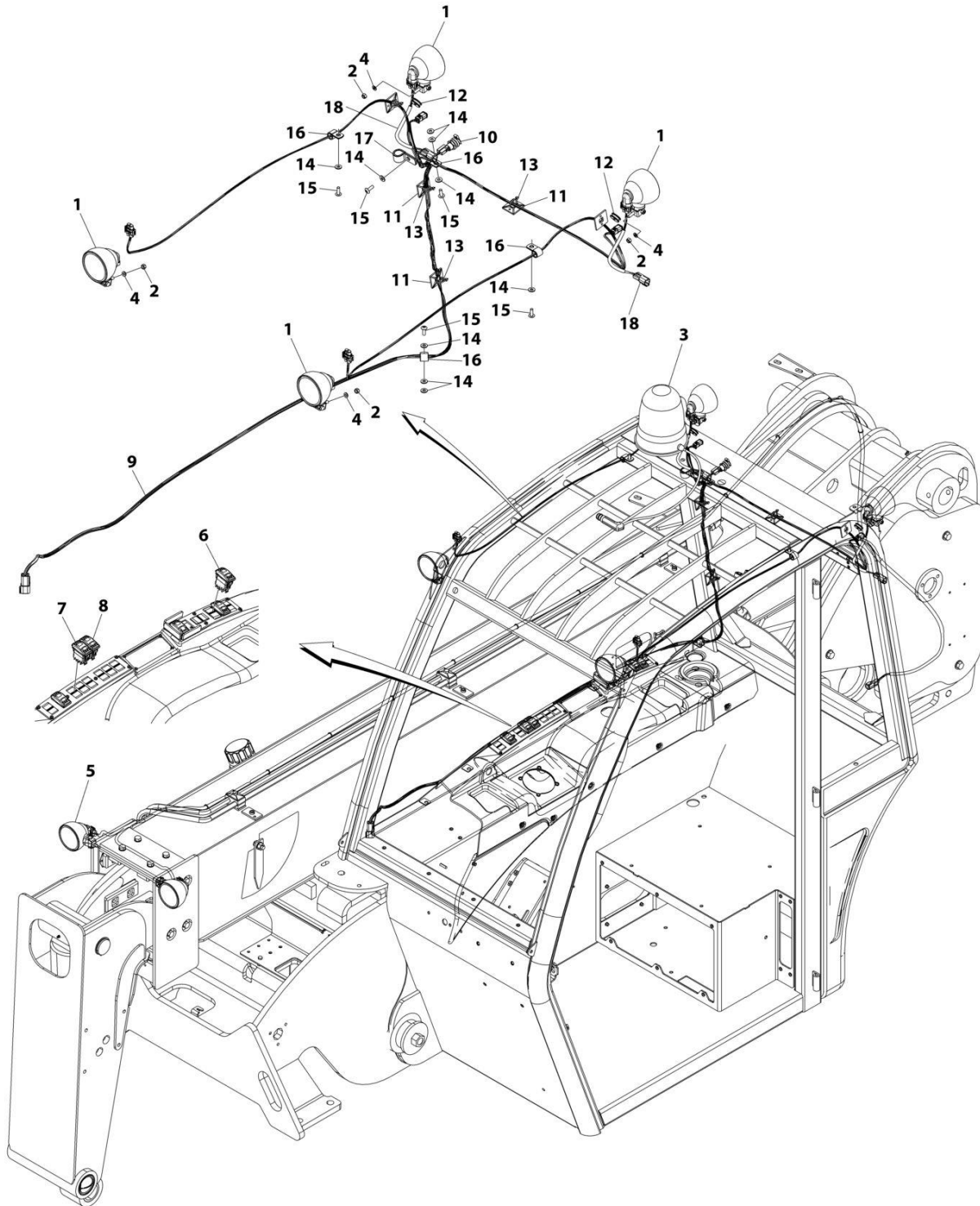
SECTION 10 - ELECTRICAL

FIGURE 10-16. WORK LIGHT INSTALLATION

ITEM	PART NUMBER	QTY	DESCRIPTION	REV
	1001143558	Ref	WORK LIGHT INSTALLATION	B
1	2920206	4	Worklight	
2	4461174	1	12V Terminal	
3	1001080365	1	Beacon Light Switch	
4	1001080369	1	Front Work Light Switch	
5	1001080376	1	Rear Work Light Switch	
6	1001080669	1	Boom Work Light, (See Separate Breakdown in this Section)	
7	1001217623	1	Beacon Light	
8	1001108127	4	Nut M6 x 1	
9	1001108129	4	Washer M6	
10	1001109565	2	Boom Worklight Jumper Harness (Short) (See Separate Breakdown in ELECTRICAL Section)	
11	1001109566	1	Proximity Sensor Harness (See Separate Breakdown in ELECTRICAL Section)	
12	1001111341	4	Grommet	
13	1001142981	2	Boom Worklight Jumper Harness (Long) (See Separate Breakdown in ELECTRICAL Section)	

SECTION 10 - ELECTRICAL

FIGURE 10-17. WORK LIGHT INSTALLATION (OPEN CAB)



ART_1001113154

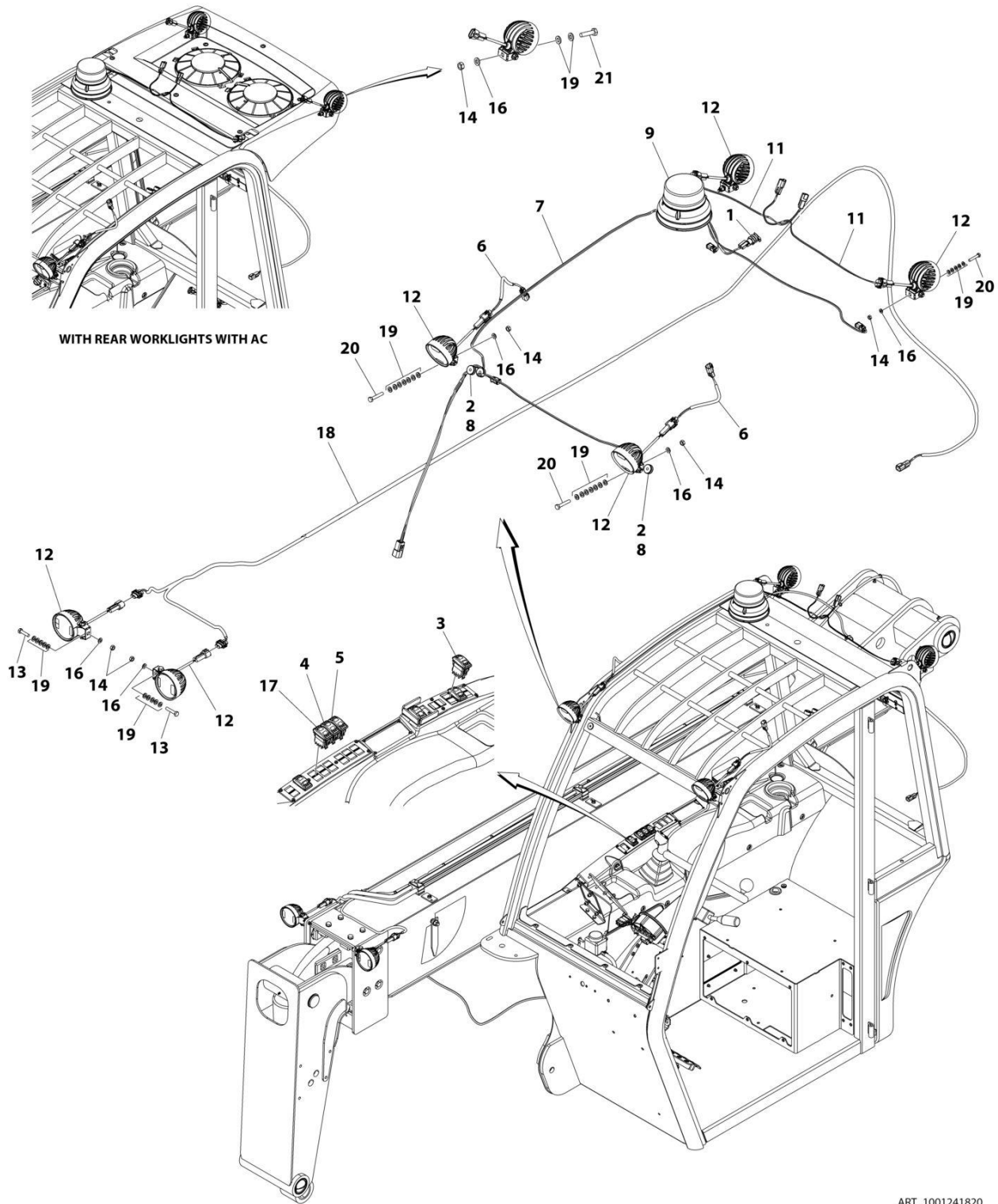
SECTION 10 - ELECTRICAL

FIGURE 10-17. WORK LIGHT INSTALLATION (OPEN CAB)

ITEM	PART NUMBER	QTY	DESCRIPTION	REV
	1001113154	Ref	WORK LIGHT INSTALLATION (OPEN CAB)	C
1	2920206	4	Worklight	
2	3290605	4	Nut M6 x 1	
3	1001217623	1	Beacon Light	
4	4811700	4	Washer	
5	1001080669	1	Boom Work Light (See Separate Breakdown in this Section)	
6	1001080365	1	Beacon Light Switch	
7	1001080369	1	Front Work Light Switch	
8	1001080376	1	Rear Work Light Switch	
9	1001111156	1	Cab Worklight Harness (See Separate Breakdown in this Section)	
10	4461174	1	12V Terminal	
11	4460488	5	Mounting Base	
12	1001111341	2	Grommet	
13	8881802	9	Tie Strap	
14	4711400	9	Washer 1/4	
15	8303034	5	Screw 1/4 x 3/4	
16	85941016	4	1/2In Clamp	
17	85941017	1	P-Clamp	
18	1001109565	2	Boom Worklight Jumper Harness (Short) (See Separate Breakdown in ELECTRICAL Section)	

SECTION 10 - ELECTRICAL

FIGURE 10-18. WORK LIGHT LED INSTALLATION



ART_1001241820

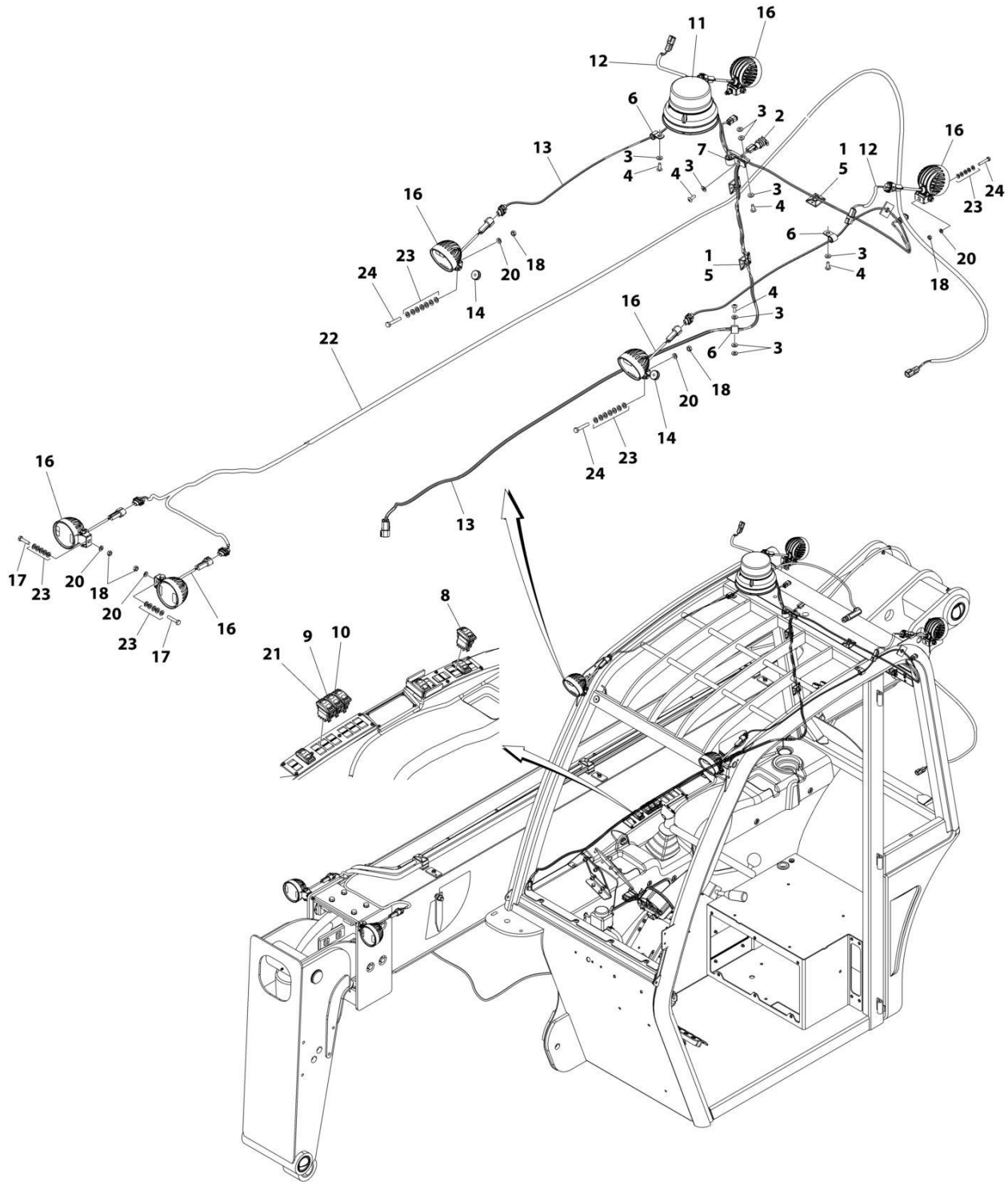
SECTION 10 - ELECTRICAL

FIGURE 10-18. WORK LIGHT LED INSTALLATION

ITEM	PART NUMBER	QTY	DESCRIPTION	REV
	1001241820	Ref	WORK LIGHT LED INSTALLATION	C
1	4461174	1	12V Terminal	
2	8882320	AR	Sealer, Seam	
3	1001080365	1	Beacon Light Switch	
4	1001080369	1	Front Work Light Switch	
5	1001080376	1	Rear Work Light Switch	
6	1001109565	2	Boom Worklight Jumper Harness (Short) (See Separate Breakdown in this Section)	
7	1001109566	1	Proximity Sensor Harness (See Separate Breakdown in this Section)	
8	1001111341	4	Grommet	
9	1001198893	1	Beacon Light	
11	1001142981	2	Boom Worklight Jumper Harness (Long) (See Separate Breakdown in this Section)	
12	1001203640	6	Light, LED	
13	0760612	AR	Bolt M6 x 25	
14	3290601	AR	Nut M6	
15	4240032	AR	Tie-Strap (Not Shown)	
16	4831700	AR	Washer M6	
17	1001080366	1	Switch	
18	1001080656	1	Boom Worklight Harness (See Separate Breakdown in this Section)	
19	4811700	AR	Washer M6	
20	0760615	AR	Bolt M6 x 35	
21	0760610	AR	Bolt M6 x 20	

SECTION 10 - ELECTRICAL

FIGURE 10-19. WORK LIGHT LED INSTALLATION (OPEN CAB)



ART_1001241821

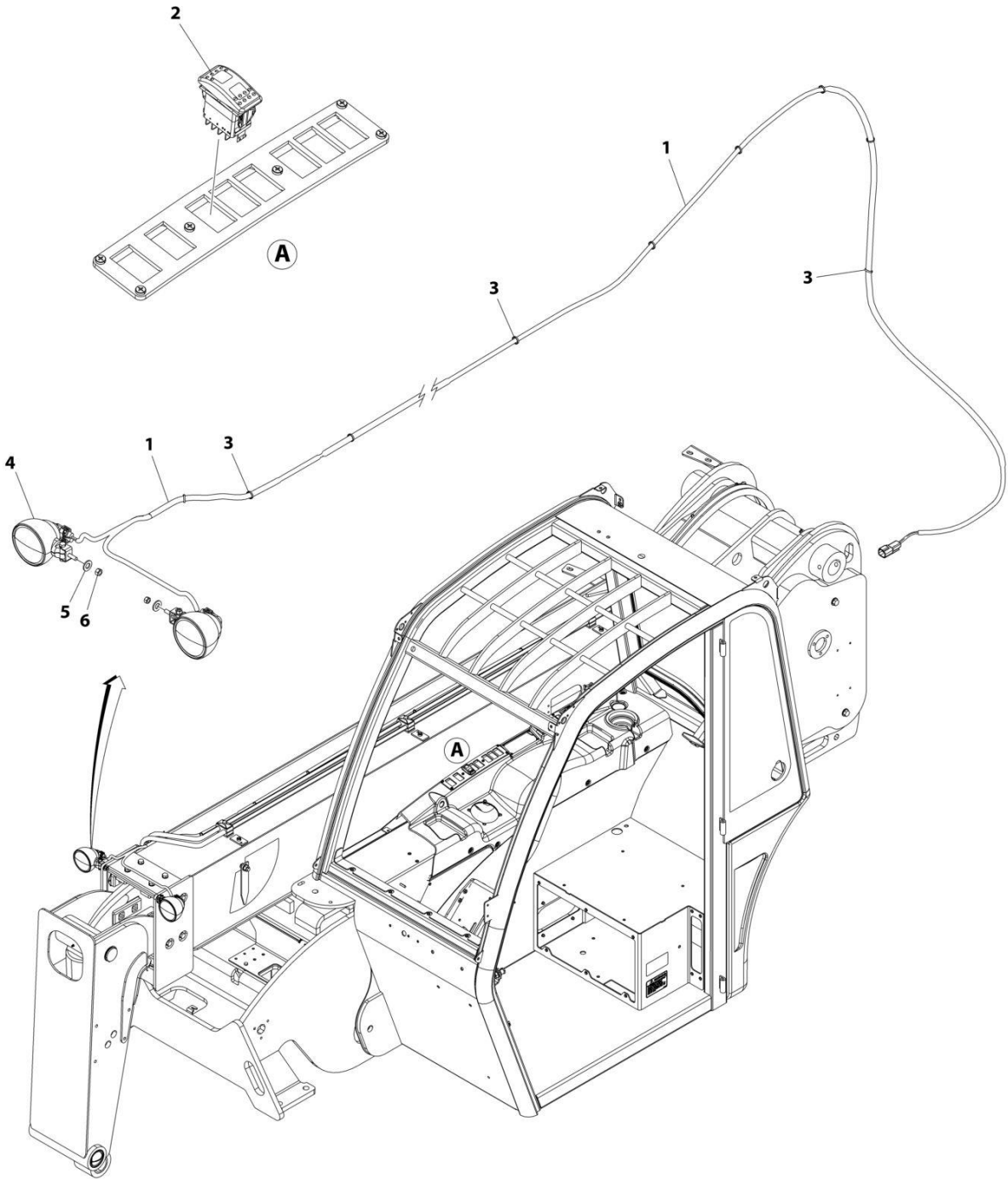
SECTION 10 - ELECTRICAL

FIGURE 10-19. WORK LIGHT LED INSTALLATION (OPEN CAB)

ITEM	PART NUMBER	QTY	DESCRIPTION	REV
	1001241821	Ref	WORK LIGHT LED INSTALLATION (OPEN CAB)	C
1	4460488	5	Mounting Base	
2	4461174	1	12V Terminal	
3	4711400	9	Washer 1/4	
4	8303034	5	Screw 1/4 x 3/4	
5	8881802	9	Tie-Strap	
6	85941016	4	Clamp, 1/2	
7	85941017	1	P-Clamp	
8	1001080365	1	Beacon Light Switch	
9	1001080369	1	Front Work Light Switch	
10	1001080376	1	Rear Work Light Switch	
11	1001198893	1	Beacon Light	
12	1001109565	2	Boom Worklight Jumper Harness (Short) (See Separate Breakdown in this Section)	
13	1001111156	1	Cab Worklight Harness (See Separate Breakdown in this Section)	
14	1001111341	2	Grommet	
16	1001203640	6	Light, LED	
17	0760612	AR	Bolt M6 x 25	
18	3290601	AR	Nut M6	
19	4240032	AR	Tie-Strap (Not Shown)	
20	4831700	AR	Washer M6	
21	1001080366	1	Switch	
22	1001080656	1	Boom Worklight Harness (See Separate Breakdown in this Section)	
23	4811700	AR	Washer M6	
24	0760615	AR	Bolt M6 x 35	

SECTION 10 - ELECTRICAL

FIGURE 10-20. BOOM WORK LIGHT



ART_1001080669

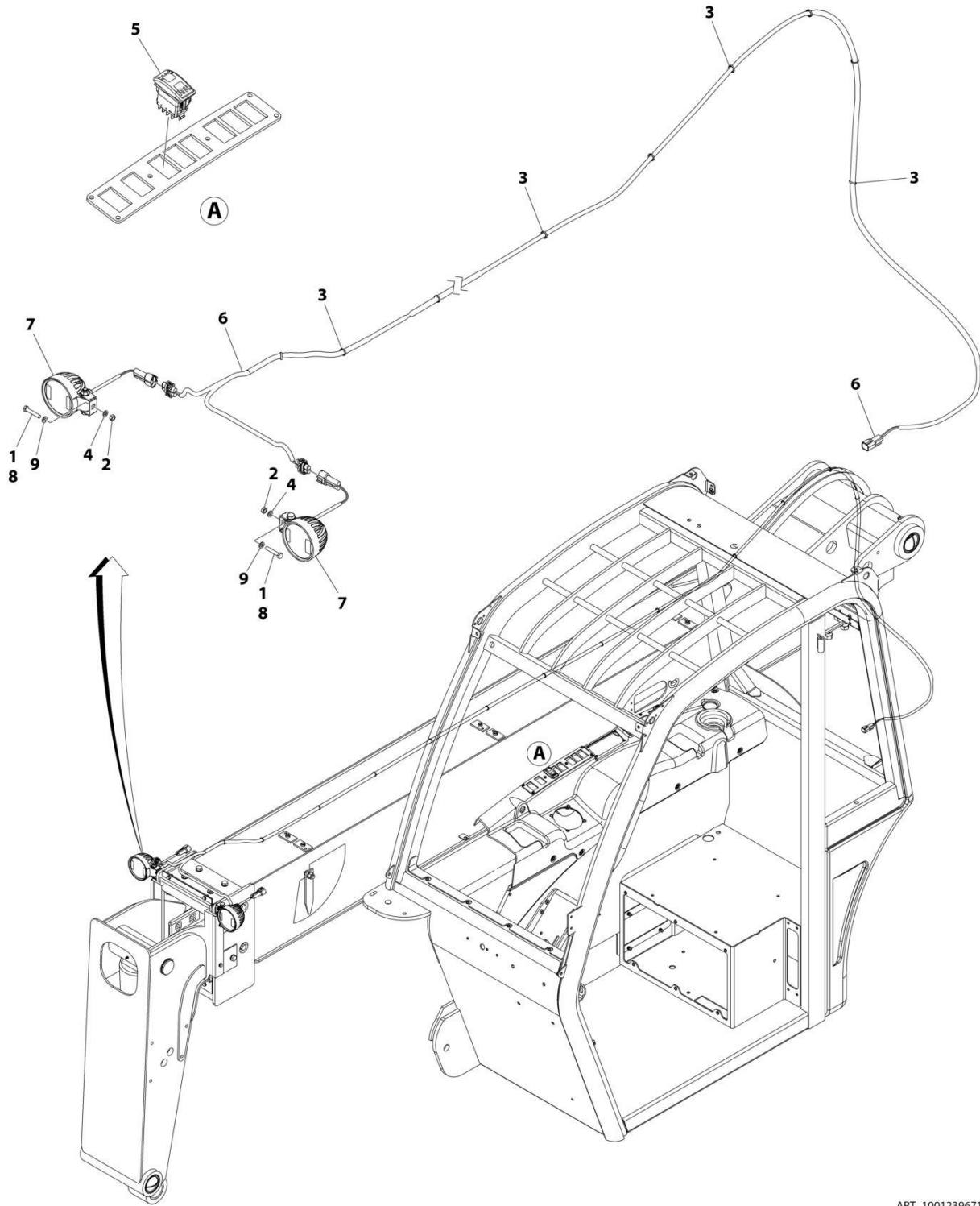
SECTION 10 - ELECTRICAL

FIGURE 10-20. BOOM WORK LIGHT

ITEM	PART NUMBER	QTY	DESCRIPTION	REV
	1001080669	Ref	BOOM WORK LIGHT	D
1	1001080656	1	Boom Worklights Harness (See Separate Breakdown in this Section)	
2	1001080366	1	Boom Work Light Switch	
3	4240032	14	Tie Strap	
4	2920206	2	Worklight	
5	4831700	2	Washer	
6	3290601	2	Nut M6 x 1	

SECTION 10 - ELECTRICAL

FIGURE 10-21. BOOM WORK LIGHT LED INSTALLATION



ART_1001239671

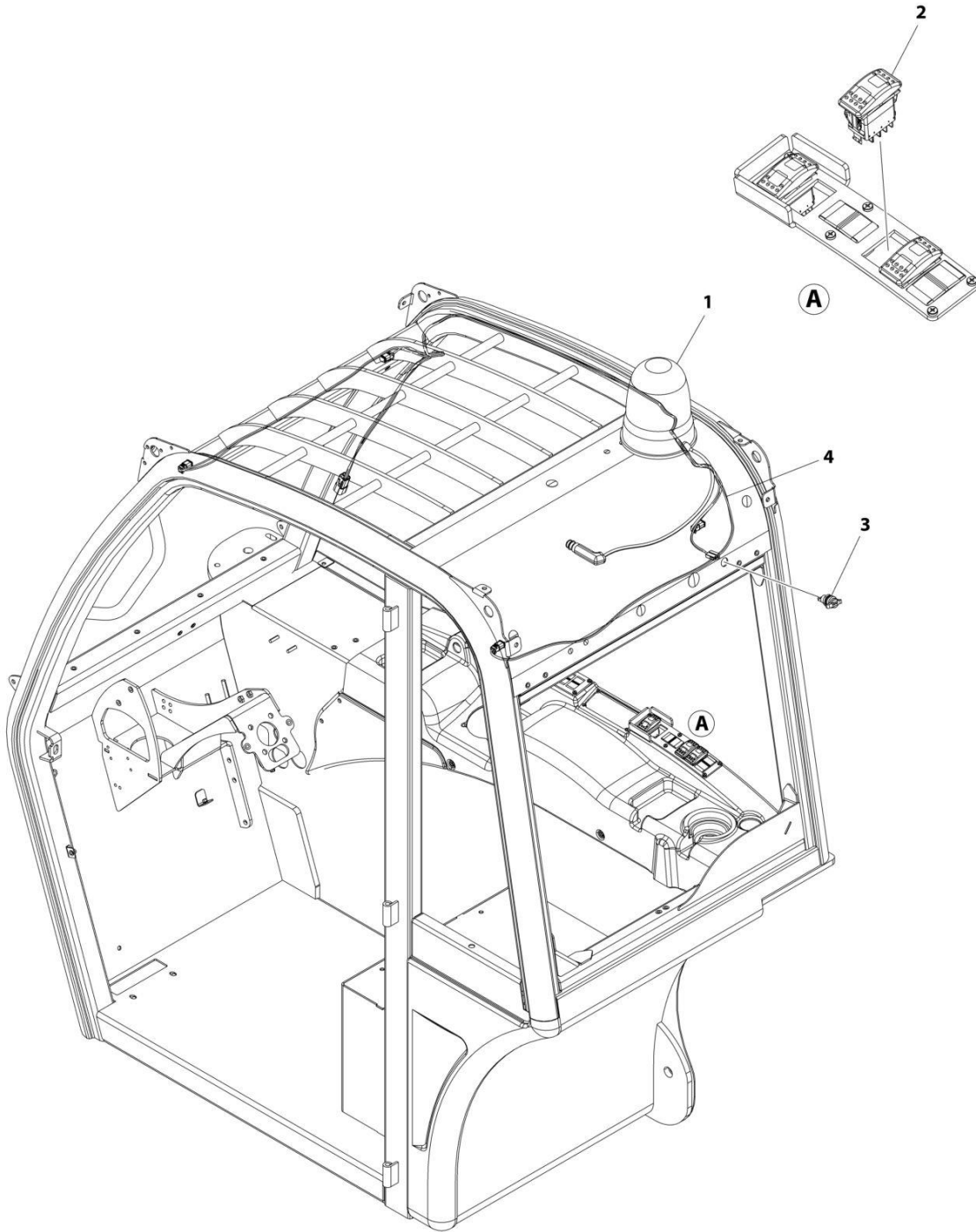
SECTION 10 - ELECTRICAL

FIGURE 10-21. BOOM WORK LIGHT LED INSTALLATION

ITEM	PART NUMBER	QTY	DESCRIPTION	REV
	1001239671	Ref	BOOM WORK LIGHT LED INSTALLATION	B
1	0760612	AR	Bolt M6 x 25	
2	3290601	2	Nut M6	
3	4240032	14	Tie-Strap	
4	4831700	2	Washer M6	
5	1001080366	1	Boom Work Light Switch	
6	1001080656	1	Boom Worklights Harness (See Separate Breakdown in this Section)	
7	1001203640	1	Light, LED	
8	0760615	AR	Bolt M6 x 35	
9	4811700	AR	Washer M6	

SECTION 10 - ELECTRICAL

FIGURE 10-22. BEACON INSTALLATION



ART_1001103139

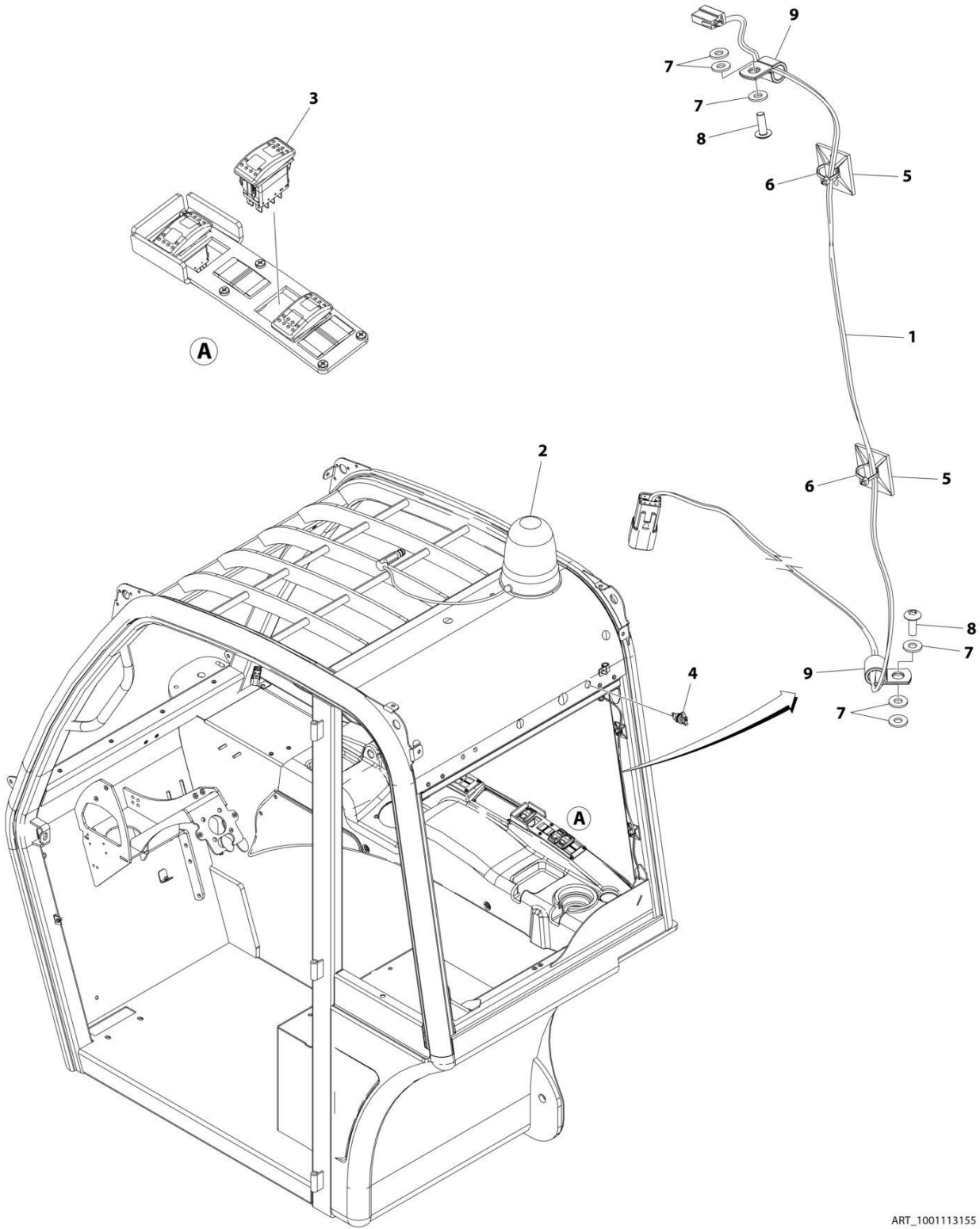
SECTION 10 - ELECTRICAL

FIGURE 10-22. BEACON INSTALLATION

ITEM	PART NUMBER	QTY	DESCRIPTION	REV
	1001103139	Ref	BEACON INSTALLATION	D
1	1001217623	1	Beacon Light	
2	1001080365	1	Beacon Light Switch	
3	4461174	1	12V Terminal	
4	1001109566	1	Proximity Sensor Harness (See Separate Breakdown in ELECTRICAL Section)	

SECTION 10 - ELECTRICAL

FIGURE 10-23. BEACON INSTALLATION (OPEN CAB)



ART_1001113155

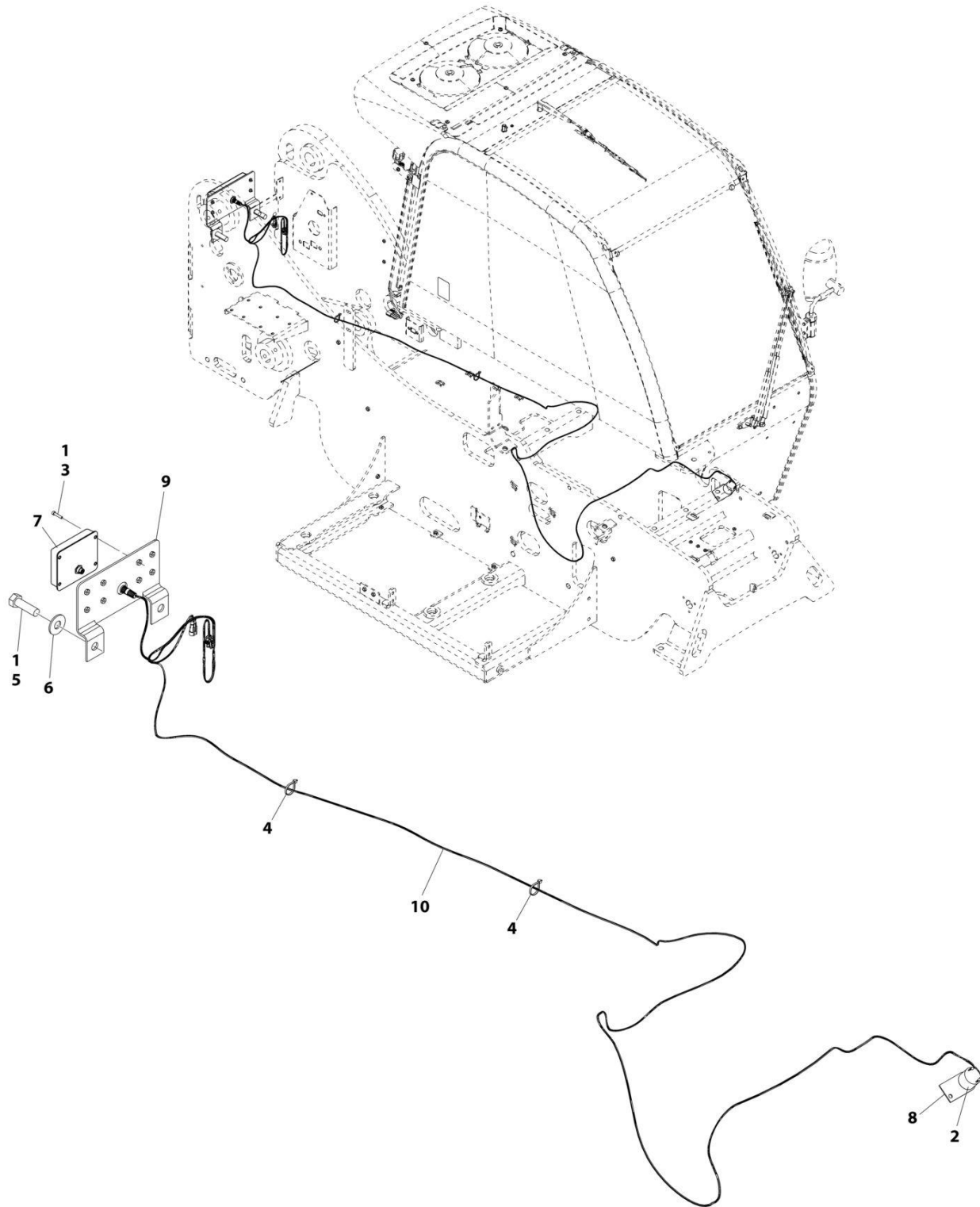
SECTION 10 - ELECTRICAL

FIGURE 10-23. BEACON INSTALLATION (OPEN CAB)

ITEM	PART NUMBER	QTY	DESCRIPTION	REV
	1001113155	Ref	BEACON INSTALLATION (OPEN CAB)	B
1	1001110723	1	Open Cab Worklight Harness (See Separate Breakdown in this Section)	
2	1001217623	1	Beacon Light	
3	1001080365	1	Beacon Light Switch	
4	4461174	1	12V Terminal	
5	4460488	2	Mounting Base	
6	8881802	AR	Tie Strap	
7	4711400	7	Washer 1/4	
8	8303034	3	Screw 1/4 x 3/4	
9	85941016	3	Clamp	

SECTION 10 - ELECTRICAL

FIGURE 10-24. REVERSE SENSING SYSTEM INSTALLATION



ART_1001201151-E

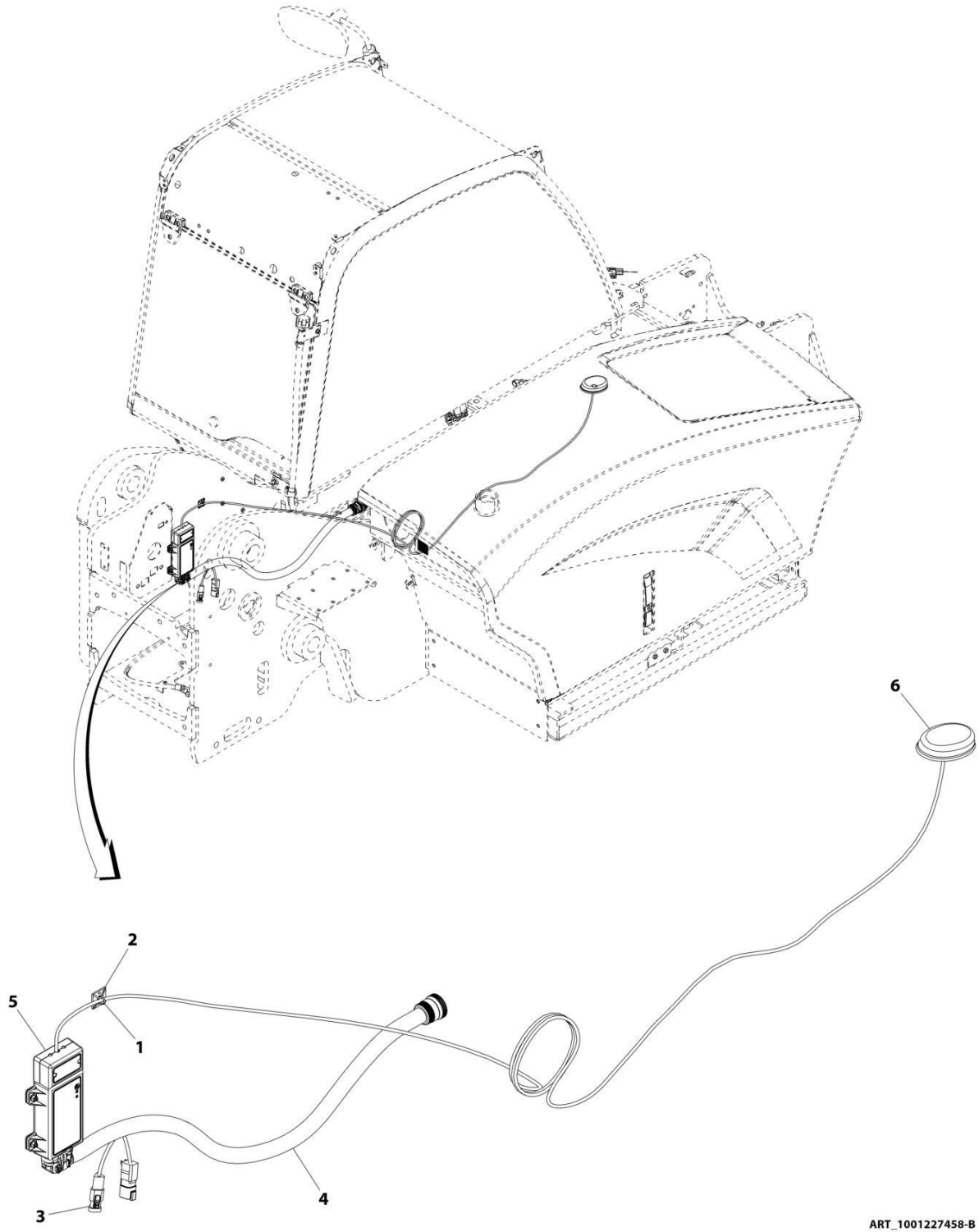
SECTION 10 - ELECTRICAL

FIGURE 10-24. REVERSE SENSING SYSTEM INSTALLATION

ITEM	PART NUMBER	QTY	DESCRIPTION	REV
	1001201151	Ref	REVERSE SENSING SYSTEM INSTALLATION	E
1	0100011	AR	Compound, Locking	
2	0140011	1	Audible Signal Device	
3	3931012	4	Capscrew #10 x 3/4	
4	4240033	AR	Cable Tie Strap	
5	0682220	2	Capscrew 3/4 x 2-1/2	
6	4752200	2	Washer 3/4	
7	1001189997	Ref	Reverse Sensor Object, (no longer available, use 1001247421 for replacement)	
7	1001247421	1	Reverse Sensor Object	
8	1001182662	1	Audible Alarm Bracket	
9	1001184685	1	Backup Sensor Mounting Bracket	
10	1001190914	1	Reverse Sensor Harness (See Separate Breakdown in this Section)	

SECTION 10 - ELECTRICAL

FIGURE 10-25. CLEARSKY INSTALLATION



ART_1001227458-B

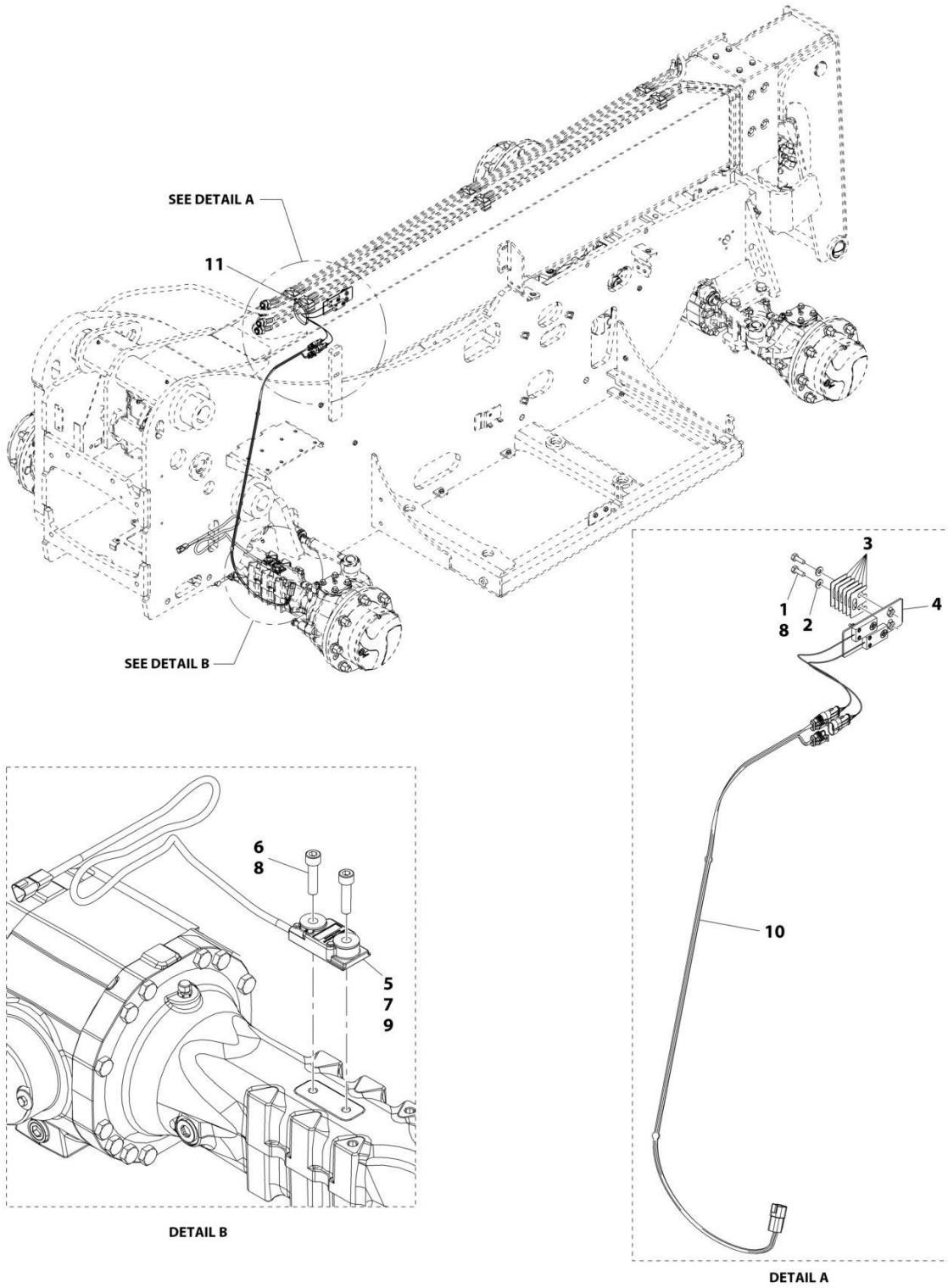
SECTION 10 - ELECTRICAL

FIGURE 10-25. CLEARSKY INSTALLATION

ITEM	PART NUMBER	QTY	DESCRIPTION	REV
	1001227458	Ref	Clearsky Installation	B
1	4240032	AR	Tie Strap	
2	4460234	AR	Terminal, Mount Cable Tie	
3	1001116815	1	Connector, Plug 3-Pin (3G)	
3	1001129408	1	Connector, Plug 3-Pin (4G)	
4	1001226739	1	Clearsky Harness (See Separate Breakdown in this Section)	
5	1001226796	1	Module (3G)	
5	1001262322	1	Module (4G)	
6	1001226799	1	Antenna (3G)	
6	1001262326	1	Antenna (4G)	

SECTION 10 - ELECTRICAL

FIGURE 10-26. BOOM SENSOR INSTALLATION



ART_T001236302-A

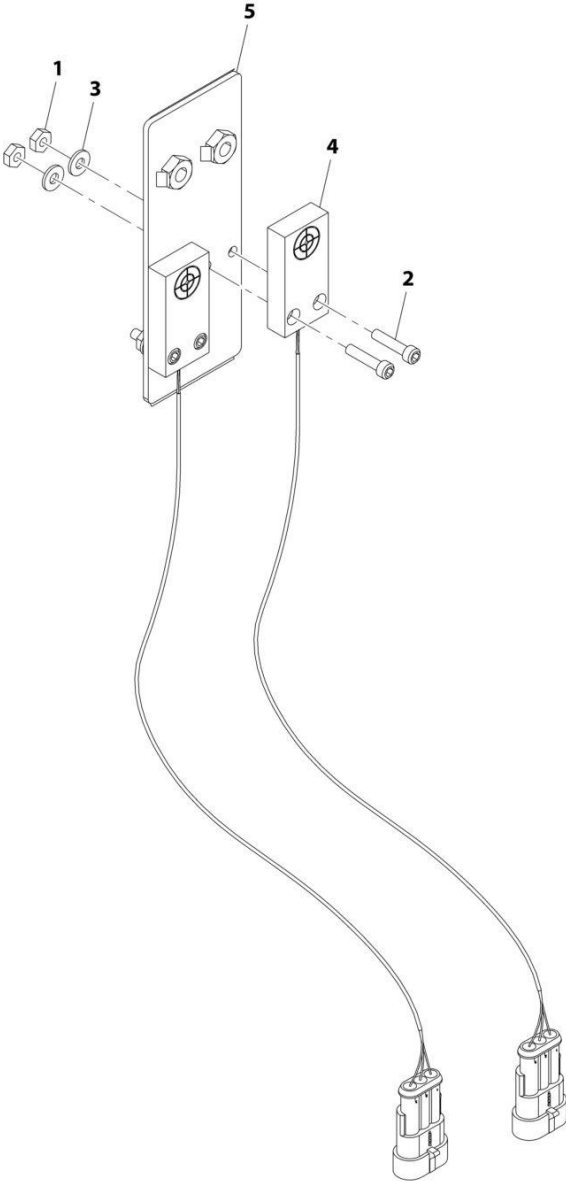
SECTION 10 - ELECTRICAL

FIGURE 10-26. BOOM SENSOR INSTALLATION

ITEM	PART NUMBER	QTY	DESCRIPTION	REV
	1001236302	Ref	Boom Sensor Installation	B
1	0641406	2	Bolt 1/4 x 3/4	
2	4711400	2	Washer 1/4	
3	1001121953	6	Shim	
4	1001236272	1	Installation, Boom Sensor Assembly (See Separate Breakdown in this Section)	
5	1001289105	1	Rear Axle LSI Sensor	
6	5272012	2	Bolt M10 x 40	
7	1001125465	AR	Adhesive	
8	1001289296	AR	Adhesive	
9	1001116128	AR	Seal	
10	1001129801	1	Boom Sensor Harness (See Separate Breakdown in this Section)	
11	8584003	AR	Tie Wrap	

SECTION 10 - ELECTRICAL

FIGURE 10-27. BOOM SENSOR ASSEMBLY INSTALLATION



ART_1001236272-A

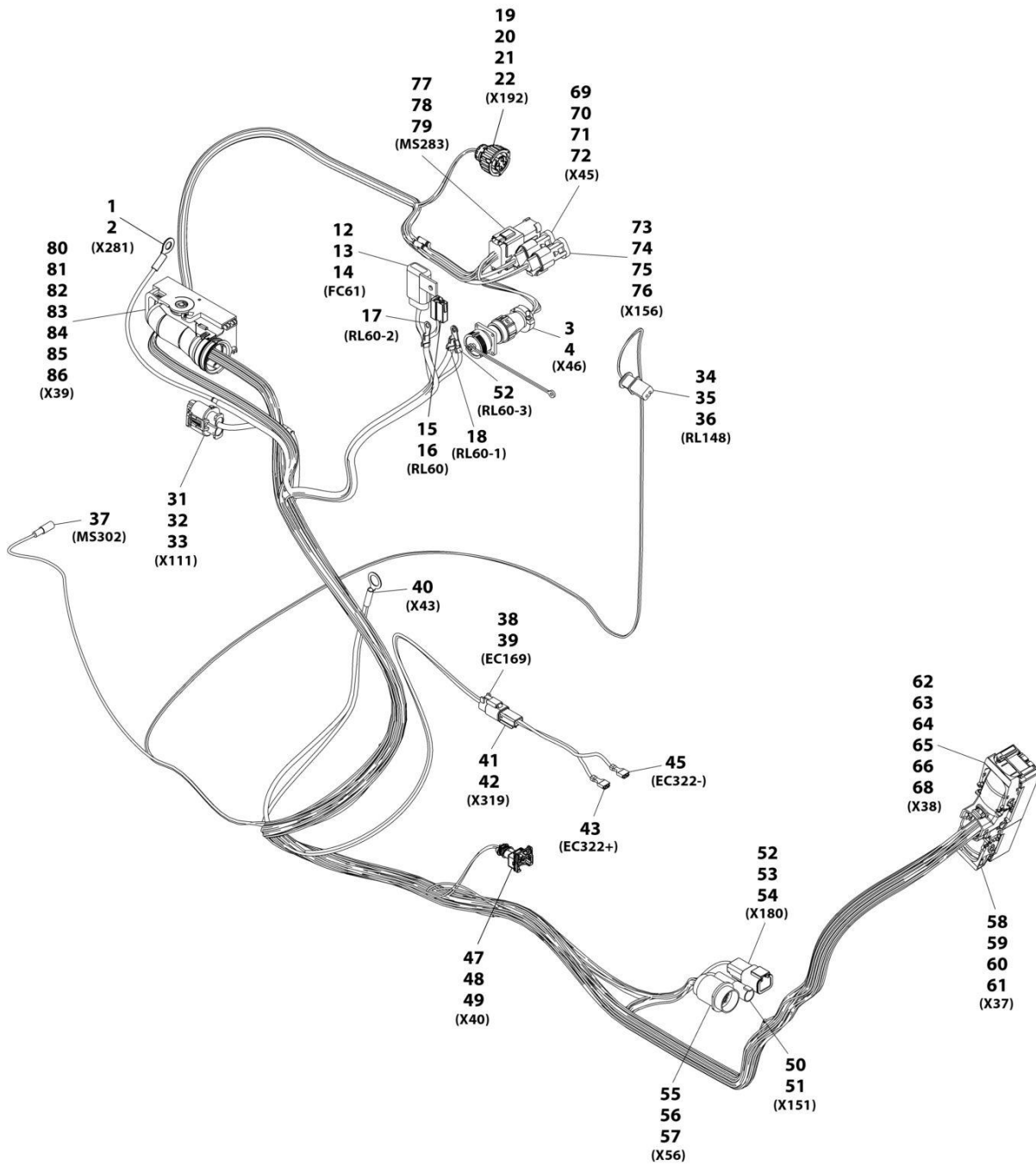
SECTION 10 - ELECTRICAL

FIGURE 10-27. BOOM SENSOR ASSEMBLY INSTALLATION

ITEM	PART NUMBER	QTY	DESCRIPTION	REV
	1001236272	Ref	Boom Sensor Assembly Installation	A
1	3310805	4	Hex Locknut, 8-32, GR2	
2	3930812	4	Socket HD Capscrew, 8-32X3/4	
3	4750800	4	Washer, M8	
4	1001121021	2	Proximity Sensor	
5	1001236337	1	Bracket	

SECTION 10 - ELECTRICAL

FIGURE 10-28. ENGINE HARNESS (PVC 1911)



ART_1001156229-G

SECTION 10 - ELECTRICAL

FIGURE 10-28. ENGINE HARNESS (PVC 1911)

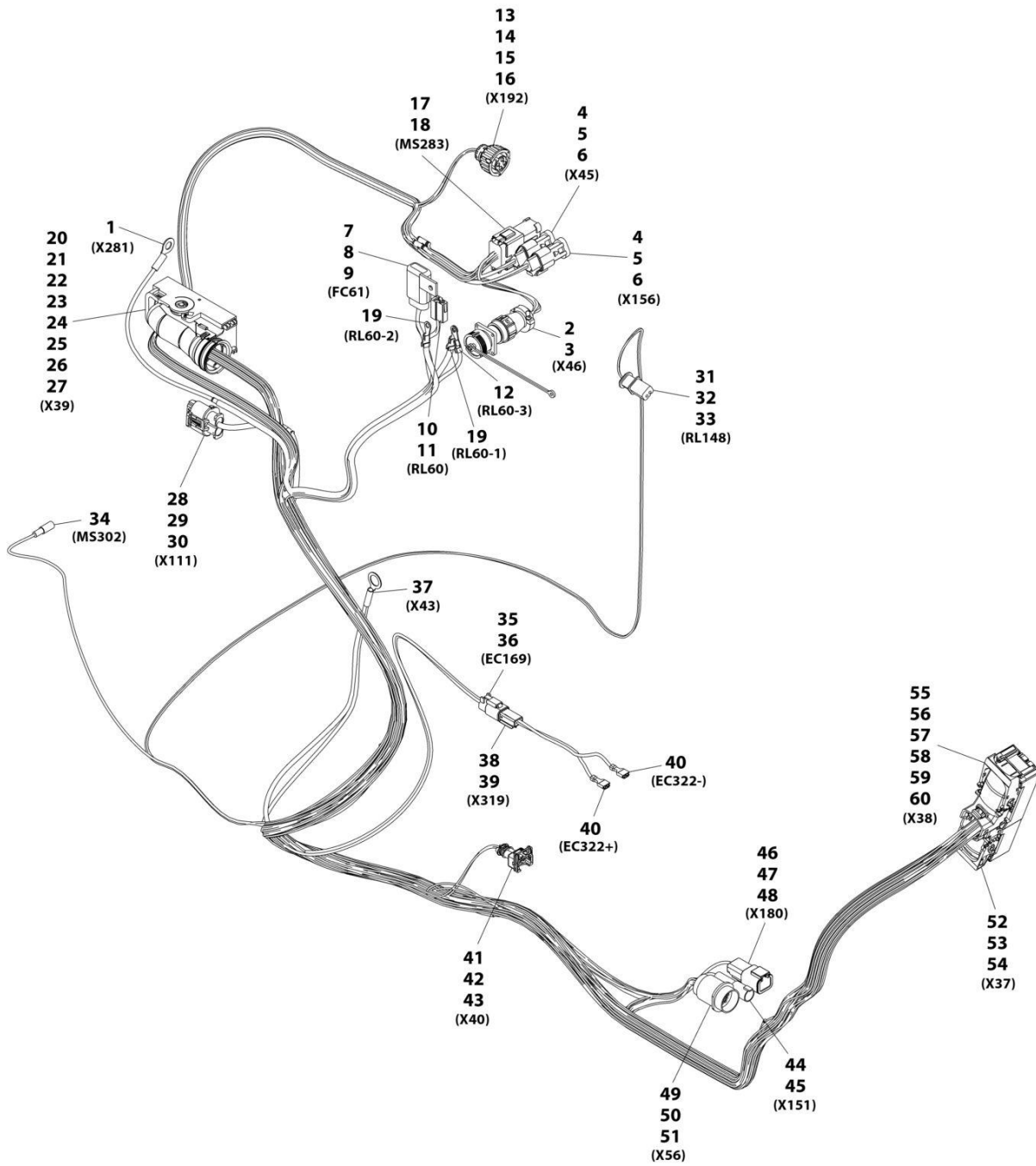
ITEM	PART NUMBER	QTY	DESCRIPTION	REV
	1001156229	1	Engine Harness	G
1	8220045	1	Terminal Ring	
2	4923287	1	Fuse	
3	2902443	1	Connector	
4	4461071	6	Terminal	
12	1001117022	1	Connector	
13	1001116734	1	Terminal	
14	1001116733	1	Terminal	
15	4460994	1	Connector	
16	1001116720	2	Terminal	
17	1001254187	1	Terminal Ring	
18	1001254187	1	Terminal Ring	
19	1001133714	1	Connector	
20	1001133715	3	Terminal	
21	1001135650	3	Seal	
22	1001135651	1	Plug	
31	1001142938	1	Connector	
32	1001142940	2	Terminal	
33	1001142941	2	Seal	
34	1001138110	1	Connector	
35	1001138111	2	Terminal	
36	1001138113	2	Seal	
37	1001117125	1	Connector	
38	4460891	1	Connector	
39	4460942	2	Terminal	
40	1001130900	1	Terminal Ring	
41	4460897	1	Connector	
42	4460941	2	Terminal	
43	8220051	1	Connector	
45	8220051	1	Connector	
47	1001116983	1	Connector	
48	1001116706	2	Terminal	
49	1001137578	2	Seal	
50	1001116967	1	Connector	
51	91143339	1	Terminal	
52	1001254186	1	Ring Terminal	
55	1001116990	1	Connector	
56	1001118380	14	Terminal	
57	1001118391	2	Plug	
58	1001133957	1	Connector	
59	1001126351	13	Terminal	
60	1001230934	15	Terminal	
61	1001230935	2	Plug	
62	1001133956	1	Connector	
63	1001182361	6	Terminal	
64	1001230934	22	Terminal	
65	1001126351	2	Terminal	
66	1001230935	6	Plug	
68	1001182365	6	Seal	
69	4461095	1	Connector	

SECTION 10 - ELECTRICAL

ITEM	PART NUMBER	QTY	DESCRIPTION	REV
70	4460465	2	Terminal	
71	4460466	1	Plug	
72	4461070	1	Cap	
73	4461095	1	Connector	
74	4460465	2	Terminal	
75	4460466	1	Plug	
76	4461070	1	Cap	
77	4460933	1	Connector	
78	4460465	12	Terminal	
79	1001119020	1	Buss Bar	
80	1001126362	1	Connector	
81	1001126363	28	Terminal	
82	1001126365	2	Terminal	
83	4461008	4	Plug	
84	1001126364	28	Seal	
85	4461054	2	Seal	
86	1001126391	1	Plug	

SECTION 10 - ELECTRICAL

FIGURE 10-29. ENGINE HARNESS (PVC 2005)



ART_1001258097

SECTION 10 - ELECTRICAL

FIGURE 10-29. ENGINE HARNESS (PVC 2005)

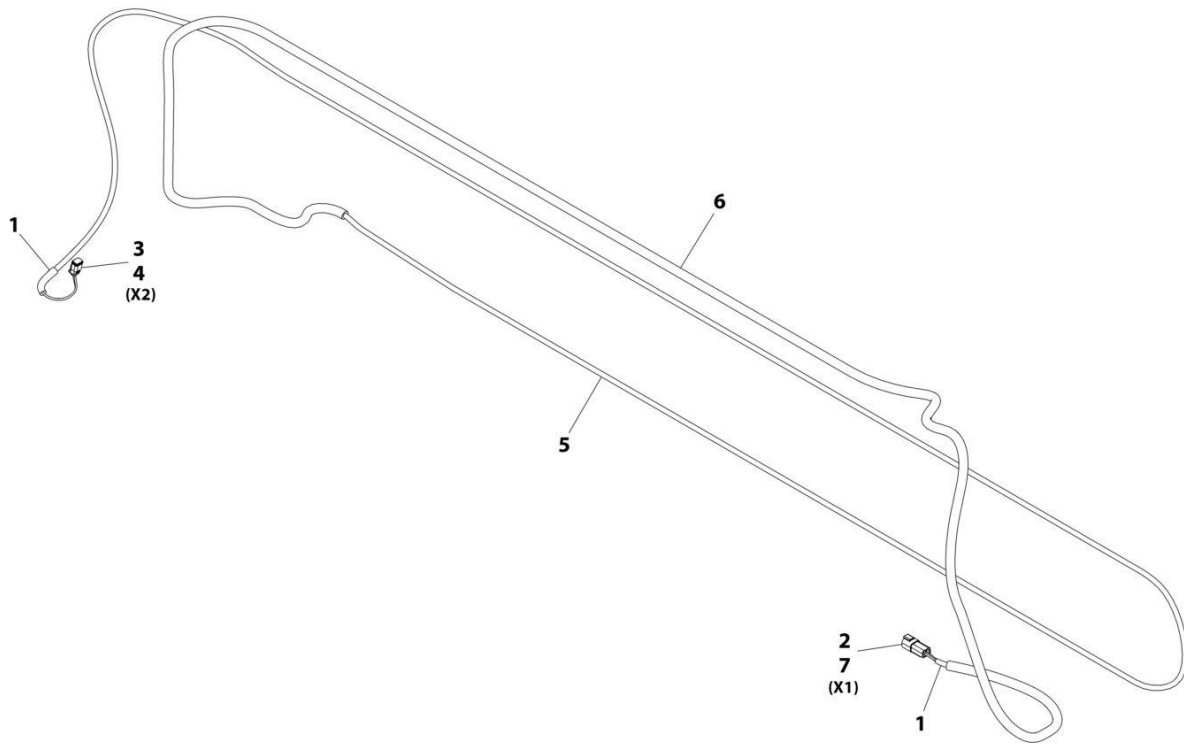
ITEM	PART NUMBER	QTY	DESCRIPTION	REV
	1001258097	1	ENGINE HARNESS	C
1	8220045	1	Terminal Ring	
2	2902443	1	Connector	
3	4461071	6	Terminal	
4	4461095	2	Connector	
5	4460465	4	Terminal	
6	4460466	2	Plug	
7	1001117022	1	Connector	
8	1001116734	1	Terminal	
9	1001116733	1	Terminal	
10	4460994	1	Connector	
11	1001116720	2	Terminal	
12	1001254186	1	Connector	
13	1001133714	1	Connector	
14	1001133715	3	Terminal	
15	1001135650	3	Seal	
16	1001135651	1	Plug	
17	4460933	1	Connector	
18	4460465	12	Terminal	
19	1001254187	2	Connector	
20	1001126362	1	Connector	
21	1001126363	18	Terminal	
22	1001126364	18	Seal	
23	1001126392	10	Terminal	
24	1001223459	10	Seal	
25	4461008	4	Plug	
26	1001126365	2	Terminal	
27	4461054	2	Seal	
28	1001142938	1	Connector	
29	1001142940	2	Terminal	
30	1001142941	2	Seal	
31	1001138110	1	Connector	
32	1001138111	2	Terminal	
33	1001138113	2	Seal	
34	1001117125	1	Connector	
35	4460891	1	Connector	
36	4460942	2	Terminal	
37	1001130900	1	Terminal Ring	
38	4460897	1	Connector	
39	4460941	2	Terminal	
40	8220051	2	Connector	
41	1001116983	1	Connector	
42	1001116706	2	Terminal	
43	1001137578	2	Seal	
44	1001116967	1	Connector	
45	91143339	1	Terminal	
46	4461017	1	Connector	
47	4460508	1	Terminal	
48	4460466	1	Plug	
49	1001116990	1	Connector	

SECTION 10 - ELECTRICAL

ITEM	PART NUMBER	QTY	DESCRIPTION	REV
50	1001118380	14	Terminal	
51	1001118391	2	Plug	
52	1001133957	1	Connector	
53	1001126351	14	Terminal	
54	1001230934	15	Terminal	
55	1001133956	1	Connector	
56	1001182361	6	Terminal	
57	1001182365	6	Seal	
58	1001230934	22	Terminal	
59	1001126351	2	Terminal	
60	1001230935	6	Plug	

SECTION 10 - ELECTRICAL

FIGURE 10-30. BOOM AUX HARNESS



ART_1001080397-B

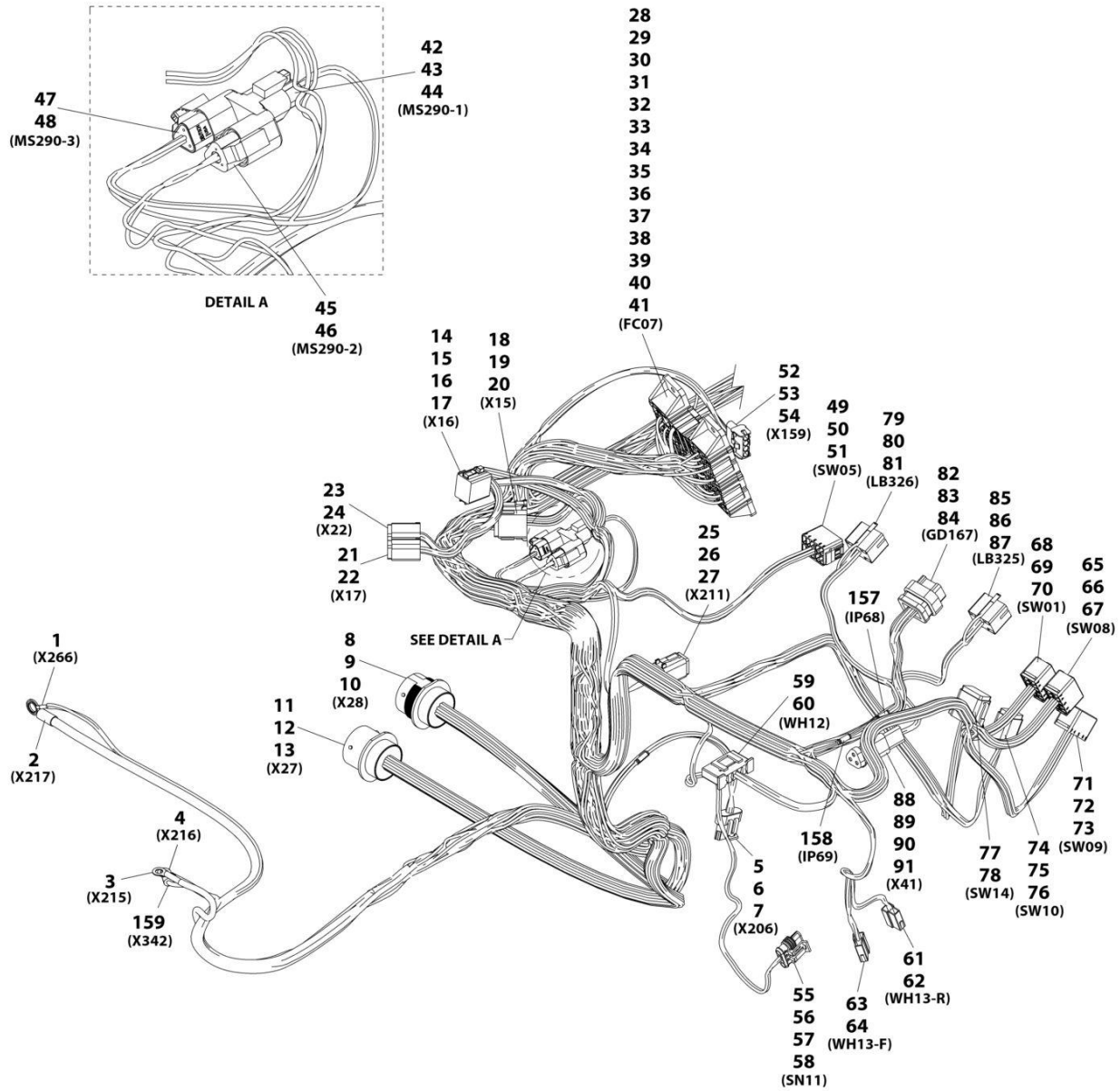
SECTION 10 - ELECTRICAL

FIGURE 10-30. BOOM AUX HARNESS

ITEM	PART NUMBER	QTY	DESCRIPTION	REV
	1001080397	Ref	Boom Aux Harness	B
1	2820171	0.25 ft	Heat Shrink, Insulate	
2	4460464	4	Terminal	
3	4460465	2	Terminal	
4	4460891	1	Connector	
5	4923141	34.83 ft	Wire, 4 Conductor 16 Ga Cable	
6	1001220853	14 ft	Loom, 3/8	
7	4460932	1	Connector	

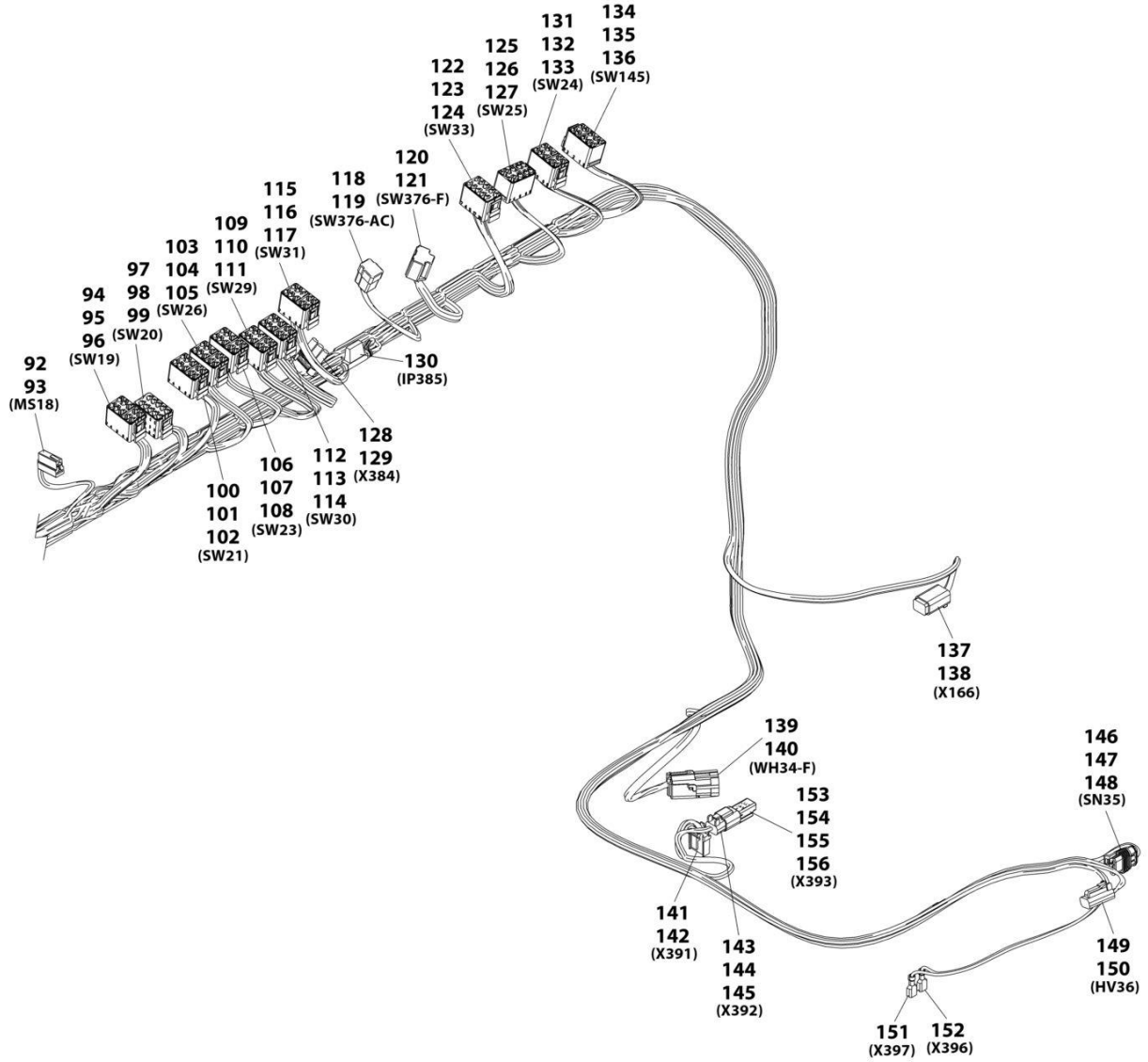
SECTION 10 - ELECTRICAL

FIGURE 10-31. CAB HARNESS (PVC 1911)



ART_1001208593_1-H

SECTION 10 - ELECTRICAL



ART_1001208593_2-H

SECTION 10 - ELECTRICAL

FIGURE 10-31. CAB HARNESS (PVC 1911)

ITEM	PART NUMBER	QTY	DESCRIPTION	REV
	1001208593	Ref	Cab Harness	H
1	4460019	1	Terminal Ring	
2	8220115	1	Terminal Ring	
3	1001117106	1	Terminal Ring	
4	4460043	1	Terminal Ring	
5	1001117064	NLA	Connector, (no longer available, use 1001230931 for replacement)	
5	1001230931	1	Connector	
6	91554014	NLA	Terminal, (no longer available, use 1001116748 for replacement)	
6	1001116748	5	Terminal	
7	1001128128	1	Plug	
8	1001111961	1	Connector	
9	4460465	28	Terminal	
10	4460466	3	Plug	
11	1001116920	1	Connector	
12	4460464	29	Terminal	
13	4460466	2	Plug	
14	4460851	1	Connector	
15	4460465	4	Terminal	
16	4460942	2	Terminal	
17	4460466	2	Plug	
18	4460933	1	Connector	
19	4460465	11	Terminal	
20	4460466	1	Plug	
21	4460884	1	Connector	
22	4460465	4	Terminal	
23	4460894	1	Connector	
24	4460465	6	Terminal	
25	4460894	1	Connector	
26	4460465	3	Terminal	
27	4460466	3	Plug	
28	1001080763	1	Connector	
29	1001116710	30	Terminal	
30	1001116712	16	Terminal	
31	1001116711	4	Terminal	
32	1001116735	5	Terminal	
33	4460419	1	Terminal	
34	80983191	3	Fuse, 10 AMP	
35	8229242	2	Fuse, 5 AMP	
36	8229244	4	Fuse, 15 AMP	
37	8229246	2	Fuse, 20 AMP	
38	8229245	1	Fuse, 30 AMP	
39	8229243	6	Fuse, 7.5 AMP	
40	1001095704	2	Relay, 35 AMP	
41	1001100781	1	Relay, 10 AMP	
42	1001116812	1	Connector	
43	4460945	1	Terminal, 3 Way "T" Receptacle	
44	4460465	3	Terminal	
45	4460539	1	Connector	
46	4460465	3	Terminal	
47	1001116812	1	Connector	

SECTION 10 - ELECTRICAL

ITEM	PART NUMBER	QTY	DESCRIPTION	REV
48	4460465	3	Terminal	
49	1001117081	1	Connector	
50	1001118385	2	Terminal	
51	1001116723	4	Terminal	
52	4460761	1	Connector	
53	4460267	3	Terminal	
54	4460705	2	Terminal	
55	1001103012	1	Connector	
56	1001107854	2	Terminal	
57	1001116698	2	Plug	
58	1001104498	2	Seal	
59	1001127066	1	Connector	
60	1001118385	4	Terminal	
61	4460994	1	Connector	
62	1001118385	2	Terminal	
63	4460994	1	Connector	
64	1001118385	3	Terminal	
65	1001117081	1	Connector	
66	1001118385	3	Terminal	
67	1001116723	8	Terminal	
68	1001117081	1	Connector	
69	1001116723	6	Terminal	
70	1001118385	1	Terminal	
71	1001117081	1	Connector	
72	1001118385	4	Terminal	
73	1001116723	4	Terminal	
74	4460894	1	Connector	
75	4460465	5	Terminal	
76	4460466	1	Plug	
77	4460930	1	Connector	
78	4460465	8	Terminal	
79	1001117119	1	Connector	
80	1001118385	2	Terminal	
81	1001116723	4	Terminal	
82	4460872	1	Connector	
83	4460871	13	Terminal	
84	4460905	2	Plug	
85	1001117119	1	Connector	
86	1001116723	6	Terminal	
87	1001118385	1	Terminal	
88	4460536	1	Connector	
89	1001116815	1	Terminal	
90	4460464	2	Terminal	
91	4460466	1	Terminal	
92	4460994	1	Connector	
93	1001118385	2	Terminal	
94	1001117081	1	Connector	
95	1001118385	4	Terminal	
96	1001116723	6	Terminal	
97	1001117082	1	Connector	
98	1001118385	3	Terminal	

SECTION 10 - ELECTRICAL

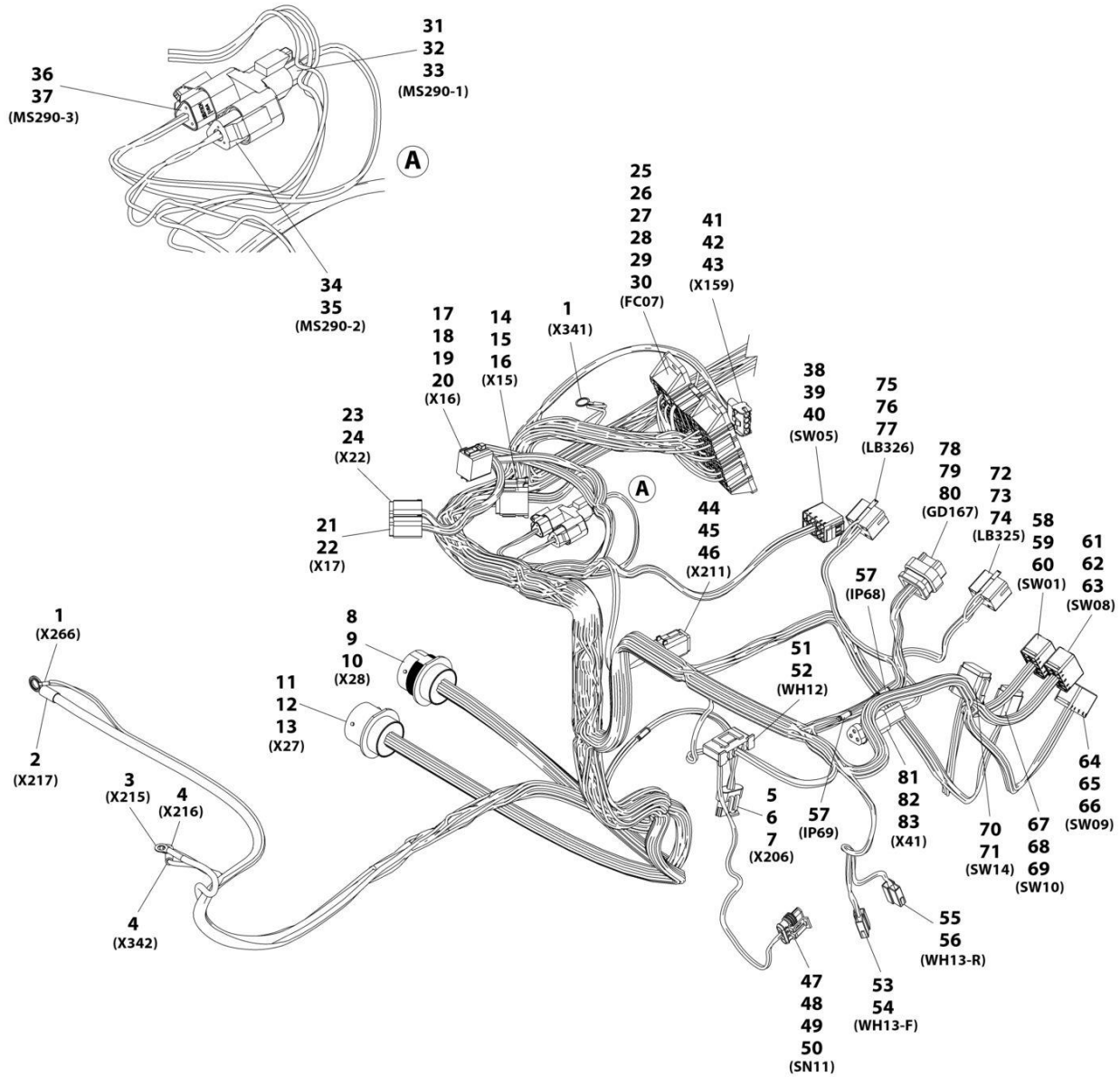
ITEM	PART NUMBER	QTY	DESCRIPTION	REV
99	1001116723	8	Terminal	
100	1001117081	1	Connector	
101	1001118385	2	Terminal	
102	1001116723	4	Terminal	
103	1001117081	1	Connector	
104	1001118385	2	Terminal	
105	1001116723	4	Terminal	
106	1001117081	1	Connector	
107	1001118385	2	Terminal	
108	1001116723	4	Terminal	
109	1001117081	1	Connector	
110	1001118385	5	Terminal	
111	1001116723	6	Terminal	
112	1001117081	1	Connector	
113	1001118385	4	Terminal	
114	1001116723	6	Terminal	
115	1001117081	1	Connector	
116	1001118385	6	Terminal	
117	1001116723	2	Terminal	
118	1001117059	1	Connector	
119	1001116736	3	Terminal	
120	1001117080	1	Connector	
121	1001116723	5	Terminal	
122	1001117079	1	Connector	
123	1001118385	4	Terminal	
124	1001116723	8	Terminal	
125	1001117081	1	Connector	
126	1001116723	4	Terminal	
127	1001118385	1	Terminal	
128	4460459	1	Connector	
129	4460457	3	Terminal	
130	2400060	1	Fuse Holder	
131	1001117081	1	Connector	
132	1001118385	3	Terminal	
133	1001116723	2	Terminal	
134	1001117081	1	Connector	
135	1001118385	3	Terminal	
136	1001116723	6	Terminal	
137	4460884	1	Connector	
138	4460465	4	Terminal	
139	80963062	1	Connector	
140	4460475	4	Terminal	
141	1001197624	1	Connector	
142	1001197714	3	Terminal	
143	4460891	1	Connector	
144	4460897	1	Terminal	
145	4460465	2	Terminal	
146	4461262	1	Connector	
147	1001107854	3	Terminal	
148	1001104498	3	Seal	
149	4460891	1	Connector	

SECTION 10 - ELECTRICAL

ITEM	PART NUMBER	QTY	DESCRIPTION	REV
150	4460465	2	Terminal	
151	8220051	1	Connector	
152	8220051	1	Connector	
153	4460897	1	Connector	
154	1001218381	1	Resistor	
155	1001135350	1	Cap	
156	4460464	2	Plug	
157	3990013	1	Diode, 4 AMP	
158	3990013	1	Diode, 4 AMP	
159	4460043	1	Terminal Ring	

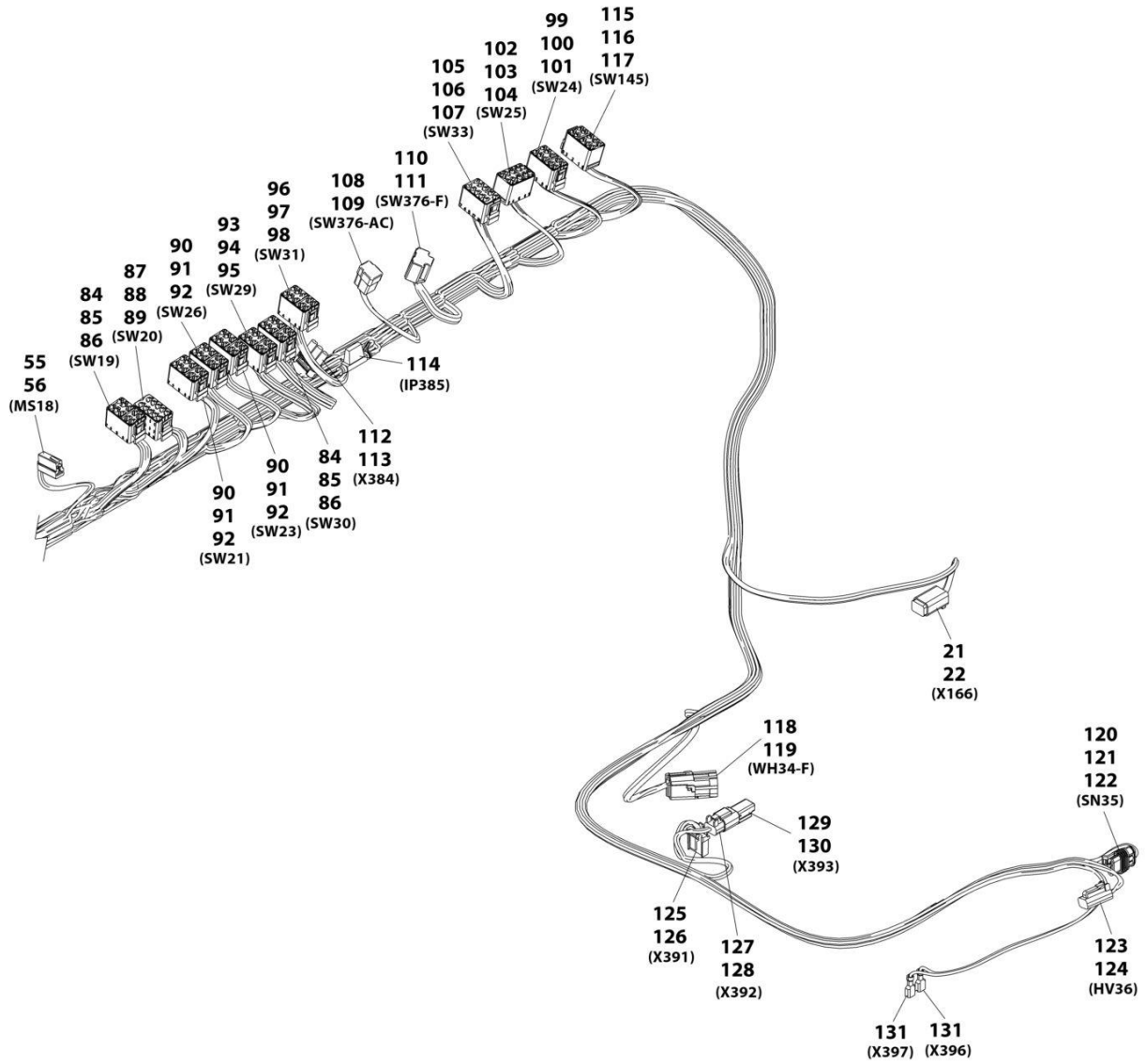
SECTION 10 - ELECTRICAL

FIGURE 10-32. CAB HARNESS (PVC 2005)



ART_1001257907_1

SECTION 10 - ELECTRICAL



ART_1001257907_2

SECTION 10 - ELECTRICAL

FIGURE 10-32. CAB HARNESS (PVC 2005)

ITEM	PART NUMBER	QTY	DESCRIPTION	REV
	1001257907	Ref	CAB HARNESS	B
1	4460019	1	Ring Terminal	
2	8220115	1	Ring Terminal	
3	1001117106	1	Ring Terminal	
4	4460043	1	Ring Terminal	
5	1001230931	1	Connector	
6	1001116748	5	Terminal	
7	1001116751	1	Plug	
8	1001121961	1	Connector	
9	4460465	28	Terminal	
10	4460466	3	Plug	
11	1001116920	1	Connector	
12	4460464	29	Terminal	
13	4460466	2	Plug	
14	4460933	1	Connector	
15	4460465	11	Terminal	
16	4460466	1	Plug	
17	4460851	1	Connector	
18	4460465	4	Terminal	
19	4460942	2	Terminal	
20	4460466	2	Plug	
21	4460884	1	Connector	
22	4460465	4	Terminal	
23	4460894	1	Connector	
24	4460465	6	Terminal	
25	1001080763	1	Fuse Holder	
26	1001116710	37	Terminal	
27	1001116711	4	Terminal	
28	1001116712	17	Terminal	
29	1001116735	5	Terminal	
30	4460419	1	Terminal	
31	1001116812	1	Connector	
32	4460945	1	Connector, 3 Pin	
33	4460465	3	Terminal	
34	4460539	1	Connector	
35	4460465	3	Terminal	
36	1001116812	1	Connector	
37	4460465	3	Terminal	
38	1001117081	1	Connector	
39	1001116723	4	Terminal	
40	1001118385	2	Terminal	
41	4460761	1	Connector	
42	4460267	3	Terminal	
43	4460705	1	Terminal	
44	4460894	1	Connector	
45	4460465	3	Terminal	
46	4460466	3	Plug	
47	1001103012	1	Connector	
48	1001116698	2	Plug	
49	1001107854	2	Terminal	

SECTION 10 - ELECTRICAL

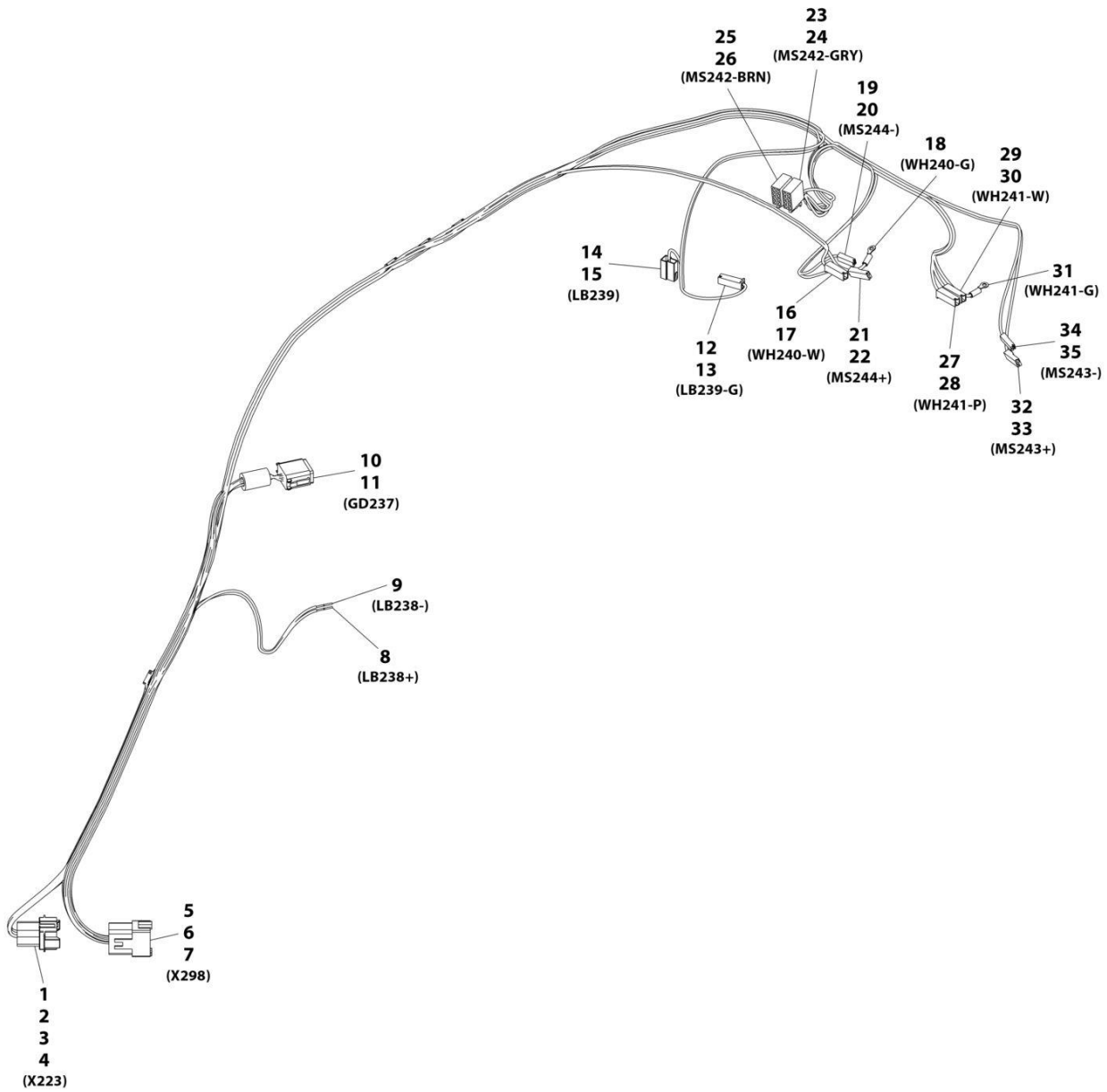
ITEM	PART NUMBER	QTY	DESCRIPTION	REV
50	1001104498	2	Seal	
51	1001127066	1	Connector	
52	1001118385	4	Terminal	
53	4460994	1	Connector	
54	1001118385	3	Terminal	
55	4460994	1	Connector	
56	1001118385	2	Terminal	
57	3990013	1	Diode	
58	1001117081	1	Connector	
59	1001116723	6	Terminal	
60	1001118385	1	Terminal	
61	1001117081	1	Connector	
62	1001116723	8	Terminal	
63	1001118385	3	Terminal	
64	1001117081	1	Connector	
65	1001116723	4	Terminal	
66	1001118385	4	Terminal	
67	4460894	1	Connector	
68	4460465	5	Terminal	
69	4460466	1	Plug	
70	4460930	1	Connector	
71	4460465	8	Terminal	
72	1001117119	1	Connector	
73	1001116723	6	Terminal	
74	1001118385	1	Terminal	
75	1001117119	1	Connector	
76	1001116723	4	Terminal	
77	1001118385	2	Terminal	
78	4460872	1	Connector	
79	4460871	13	Terminal	
80	4460905	2	Plug	
81	4460536	1	Connector	
82	4460464	2	Terminal	
83	4460466	1	Plug	
84	1001117081	1	Connector	
85	1001118385	4	Terminal	
86	1001116723	6	Terminal	
87	1001117082	1	Connector	
88	1001118385	3	Terminal	
89	1001116723	8	Terminal	
90	1001117081	1	Connector	
91	1001118385	2	Terminal	
92	1001116723	4	Terminal	
93	1001117081	1	Connector	
94	1001118385	5	Terminal	
95	1001116723	6	Terminal	
96	1001117081	1	Connector	
97	1001118385	6	Terminal	
98	1001116723	2	Terminal	
99	1001117081	1	Connector	
100	1001118385	3	Terminal	

SECTION 10 - ELECTRICAL

ITEM	PART NUMBER	QTY	DESCRIPTION	REV
101	1001116723	2	Terminal	
102	1001117081	1	Connector	
103	1001116723	4	Terminal	
104	1001118385	1	Terminal	
105	1001117079	1	Connector	
106	1001118385	4	Terminal	
107	1001116723	8	Terminal	
108	1001117059	1	Connector	
109	1001116736	3	Terminal	
110	1001117080	1	Connector	
111	1001116723	5	Terminal	
112	4460459	1	Connector	
113	4460457	3	Terminal	
114	2400060	1	Fuse Holder	
115	1001117081	1	Connector	
116	1001118385	3	Terminal	
117	1001116723	6	Terminal	
118	80963062	1	Connector	
119	4460475	4	Terminal	
120	4461262	1	Connector	
121	1001107854	3	Terminal	
122	1001104498	3	Seal	
123	4460891	1	Connector	
124	4460465	2	Terminal	
125	1001197624	1	Connector	
126	1001197714	3	Terminal	
127	4460891	1	Connector	
128	4460465	2	Terminal	
129	4460897	1	Connector	
130	4460464	2	Pin	
131	8220051	1	Blade Terminal	

SECTION 10 - ELECTRICAL

FIGURE 10-33. CAB ROOF HARNESS



ART_1001142010-C

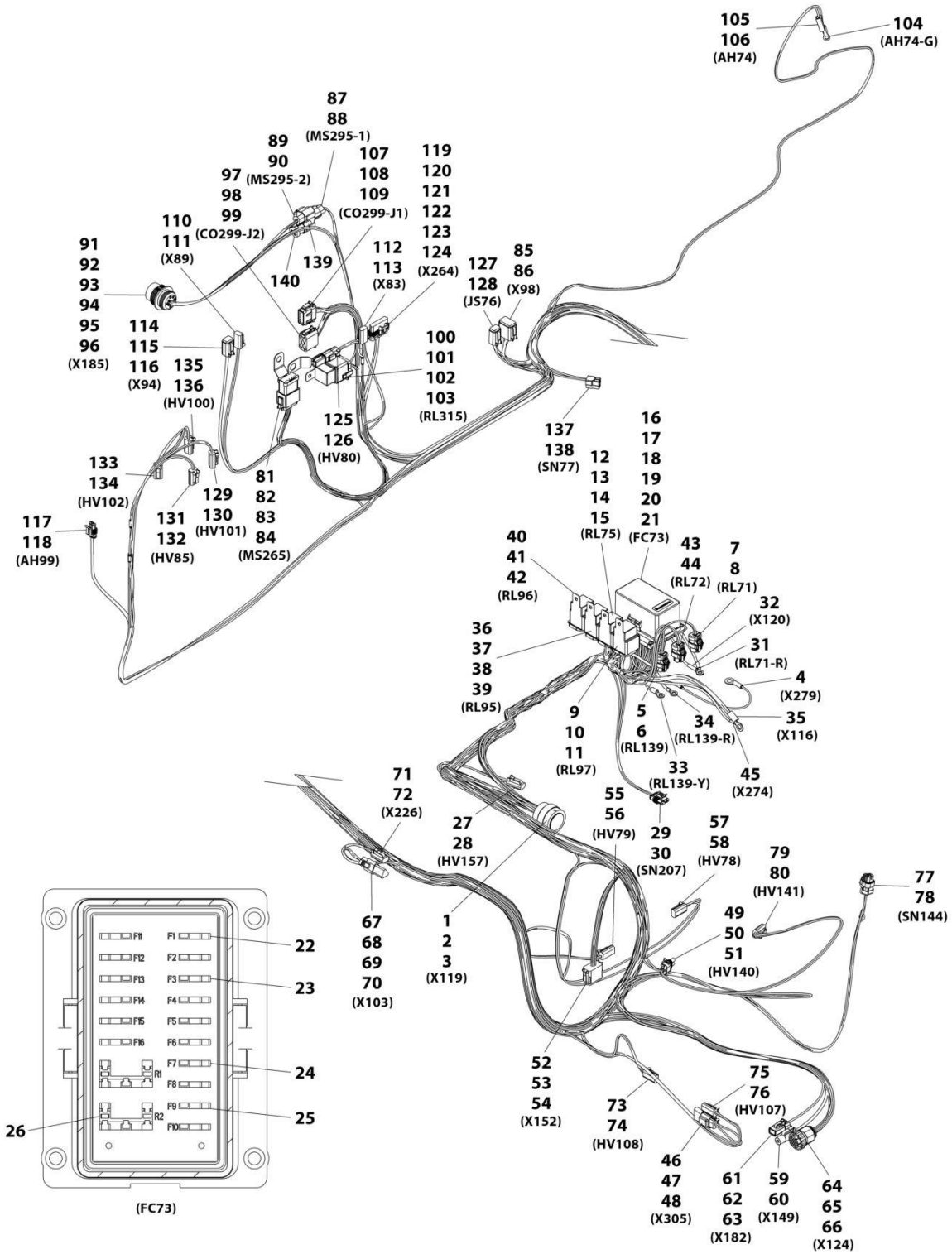
SECTION 10 - ELECTRICAL

FIGURE 10-33. CAB ROOF HARNESS

ITEM	PART NUMBER	QTY	DESCRIPTION	REV
	1001142010	Ref	Cab Roof Harness	C
1	1001116813	1	Connector	
2	4460464	3	Terminal	
3	4460941	3	Terminal	
4	4460466	2	Plug	
5	4460970	1	Connector	
6	4460464	11	Terminal	
7	4460466	1	Plug	
8	1001118387	1	Terminal, Ring	
9	1001118387	1	Terminal, Ring	
10	4460930	1	Connector	
11	4460465	9	Terminal	
12	4460260	1	Connector	
13	4460259	1	Terminal	
14	4460994	1	Connector	
15	1001118385	1	Terminal	
16	4460260	1	Connector	
17	4460259	1	Terminal	
18	8220007	1	Terminal, Ring	
19	1001117002	1	Connector	
20	1001116705	1	Terminal	
21	1001116982	1	Connector	
22	1001118379	1	Terminal	
23	1001116985	1	Connector	
24	1001116710	3	Terminal	
25	1001116984	1	Connector	
26	1001116710	4	Terminal	
27	4460260	1	Connector	
28	4460259	1	Terminal	
29	4460260	1	Connector	
30	4460259	1	Terminal	
31	8220007	1	Terminal, Ring	
32	1001116982	1	Connector	
33	1001118379	1	Terminal	
34	1001117002	1	Connector	
35	1001116705	1	Terminal	

SECTION 10 - ELECTRICAL

FIGURE 10-34. FRAME HARNESS



ART_1001140634-F

SECTION 10 - ELECTRICAL

FIGURE 10-34. FRAME HARNESS

ITEM	PART NUMBER	QTY	DESCRIPTION	REV
	1001140634	Ref	Frame Harness	F
1	1001116921	1	Connector	
2	4460465	29	Terminal	
3	4460466	2	Plug	
4	8220045	1	Terminal, Ring	
5	1001116953	1	Connector	
6	4460465	2	Terminal	
7	1001116952	1	Connector	
8	4460465	2	Terminal	
9	4460374	1	Connector	
10	1001116733	5	Terminal	
11	3740080	1	Relay	
12	4460374	1	Connector	
13	1001116733	4	Terminal	
14	1001128128	1	Plug	
15	3740080	1	Relay	
16	1001080361	1	Connector	
17	1001116726	22	Terminal	
18	1001116725	8	Terminal	
19	1001116727	2	Plug	
20	8220081	22	Seal	
21	8220089	8	Seal	
22	8229244	5	Fuse, 15 AMP	
23	8229242	4	Fuse, 5 AMP	
24	80983191	1	Fuse, 10 AMP	
25	80983191	6	Fuse, 10 AMP	
26	1001095704	2	Relay, 35 AMP	
27	4460891	1	Connector	
28	4460465	2	Terminal	
29	4461262	1	Connector	
30	1001107854	3	Terminal	
31	1001117106	1	Terminal, Ring	
32	1001117106	1	Terminal, Ring	
33	4460043	1	Terminal, Ring	
34	4460312	1	Terminal, Ring	
35	8220115	1	Terminal, Ring	
36	4460374	1	Connector	
37	1001116733	4	Terminal	
38	1001128128	1	Plug	
39	3740080	1	Relay	
40	4460374	1	Connector	
41	1001116733	5	Terminal	
42	3740080	1	Relay	
43	1001116950	1	Connector	
44	4460465	2	Terminal	
45	4460019	1	Terminal, Ring	
46	4460891	1	Connector	
47	1001116816	1	Connector, DT 2 Pin Receptacle With Diode	
48	4460465	2	Terminal	
49	4460742	1	Connector	

SECTION 10 - ELECTRICAL

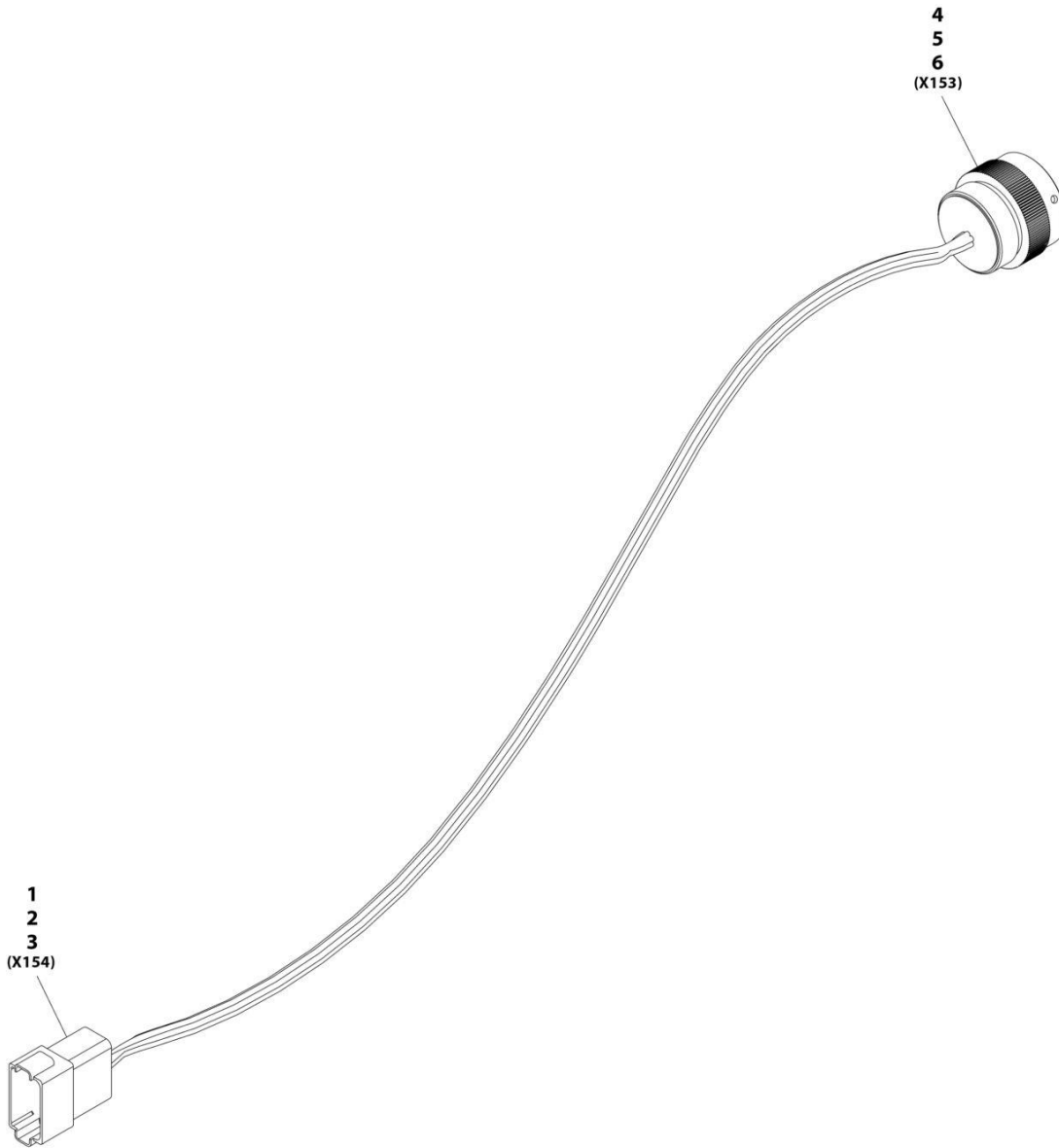
ITEM	PART NUMBER	QTY	DESCRIPTION	REV
50	4460457	2	Terminal	
51	8220081	2	Seal	
52	4460933	1	Connector	
53	4460465	9	Terminal	
54	4460466	3	Plug	
55	4460891	1	Connector	
56	4460465	2	Terminal	
57	4460891	1	Connector	
58	4460465	2	Terminal	
59	1001116966	1	Connector	
60	91143340	1	Terminal	
61	4461018	1	Connector	
62	4460509	1	Terminal	
63	4460466	1	Plug	
64	1001116977	1	Connector	
65	1001118381	14	Terminal	
66	1001118391	2	Plug	
67	4460539	1	Connector	
68	4460536	1	Terminal	
69	4460466	4	Plug	
70	4460465	2	Terminal	
71	4460891	1	Connector	
72	4460465	2	Terminal	
73	4460891	1	Connector	
74	4460465	2	Terminal	
75	4460891	1	Connector	
76	4460465	2	Terminal	
77	1001116950	1	Connector	
78	4460465	2	Terminal	
79	4460891	1	Connector	
80	4460465	2	Terminal	
81	4460933	1	Connector	
82	1001119020	1	Connector, 3X4 Bussbar	
83	1001120328	1	Mount	
84	4460465	12	Terminal	
85	4460930	1	Connector	
86	4460465	8	Terminal	
87	1001116812	1	Connector	
88	4460465	3	Terminal	
89	4460539	1	Connector	
90	4460465	3	Terminal	
91	1001112612	1	Connector	
92	1001106736	1	Dust, Cap	
93	4460497	1	Nut	
94	4460496	1	Lock Washer	
95	4460464	6	Terminal	
96	4460466	3	Plug	
97	1001116774	1	Connector	
98	1001126008	10	Terminal	
99	4460518	3	Plug	
100	4460374	1	Connector	

SECTION 10 - ELECTRICAL

ITEM	PART NUMBER	QTY	DESCRIPTION	REV
101	3740080	1	Relay	
102	1001116733	4	Terminal	
103	1001128128	1	Plug	
104	4460043	1	Terminal, Ring	
105	4460260	1	Connector	
106	4460259	1	Terminal	
107	1001116808	1	Connector	
108	1001126008	9	Terminal	
109	4460518	3	Plug	
110	4460891	1	Connector	
111	4460465	2	Terminal	
112	4460891	1	Connector	
113	4460465	2	Terminal	
114	4460884	1	Connector	
115	4460465	2	Terminal	
116	4460466	2	Plug	
117	4461118	1	Connector	
118	1001107854	2	Terminal	
119	1001121726	1	Connector	
120	8220125	2	Terminal	
121	1001116747	2	Terminal	
122	4460748	1	Plug	
123	8220089	2	Seal	
124	4460458	2	Seal	
125	4460891	1	Connector	
126	4460465	2	Terminal	
127	4460884	1	Connector	
128	4460465	4	Terminal	
129	4460891	1	Connector	
130	4460465	2	Terminal	
131	4460891	1	Connector	
132	4460465	2	Terminal	
133	4460891	1	Connector	
134	4460465	2	Terminal	
135	4460891	1	Connector	
136	4460465	2	Terminal	
137	1001116948	1	Connector	
138	1001118385	2	Terminal	
139	4460945	1	Terminal, 3 Way "T" Receptacle	
140	1001116815	1	Connector, 3 Pin	

SECTION 10 - ELECTRICAL

FIGURE 10-35. FRAME BASE JUMPER HARNESS



ART_1001142011-A

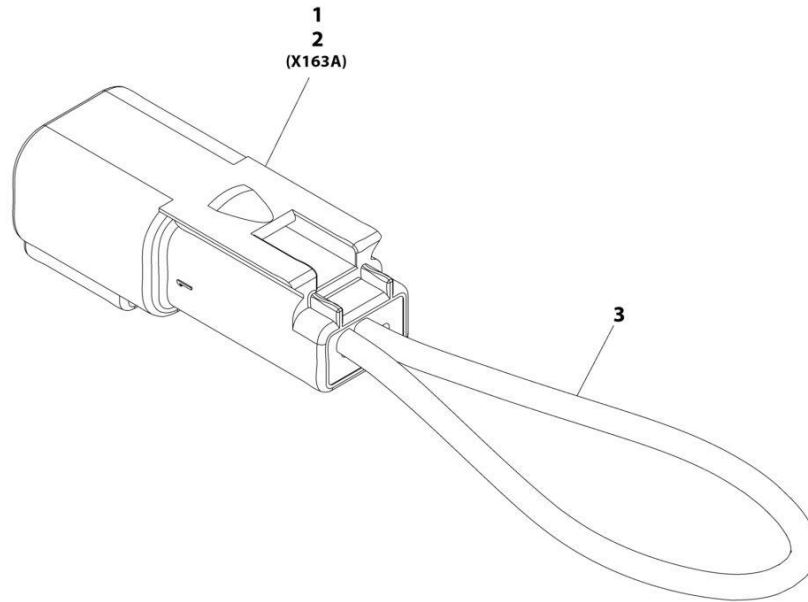
SECTION 10 - ELECTRICAL

FIGURE 10-35. FRAME BASE JUMPER HARNESS

ITEM	PART NUMBER	QTY	DESCRIPTION	REV
	1001142011	Ref	Frame Base Jumper Harness	A
1	4460970	1	Connector	
2	4460464	6	Terminal	
3	4460466	6	Plug	
4	1001121960	1	Connector	
5	4460464	6	Terminal	
6	4460466	25	Plug	

SECTION 10 - ELECTRICAL

FIGURE 10-36. FUNCTION JUMPER HARNESS



ART_1001122280-B

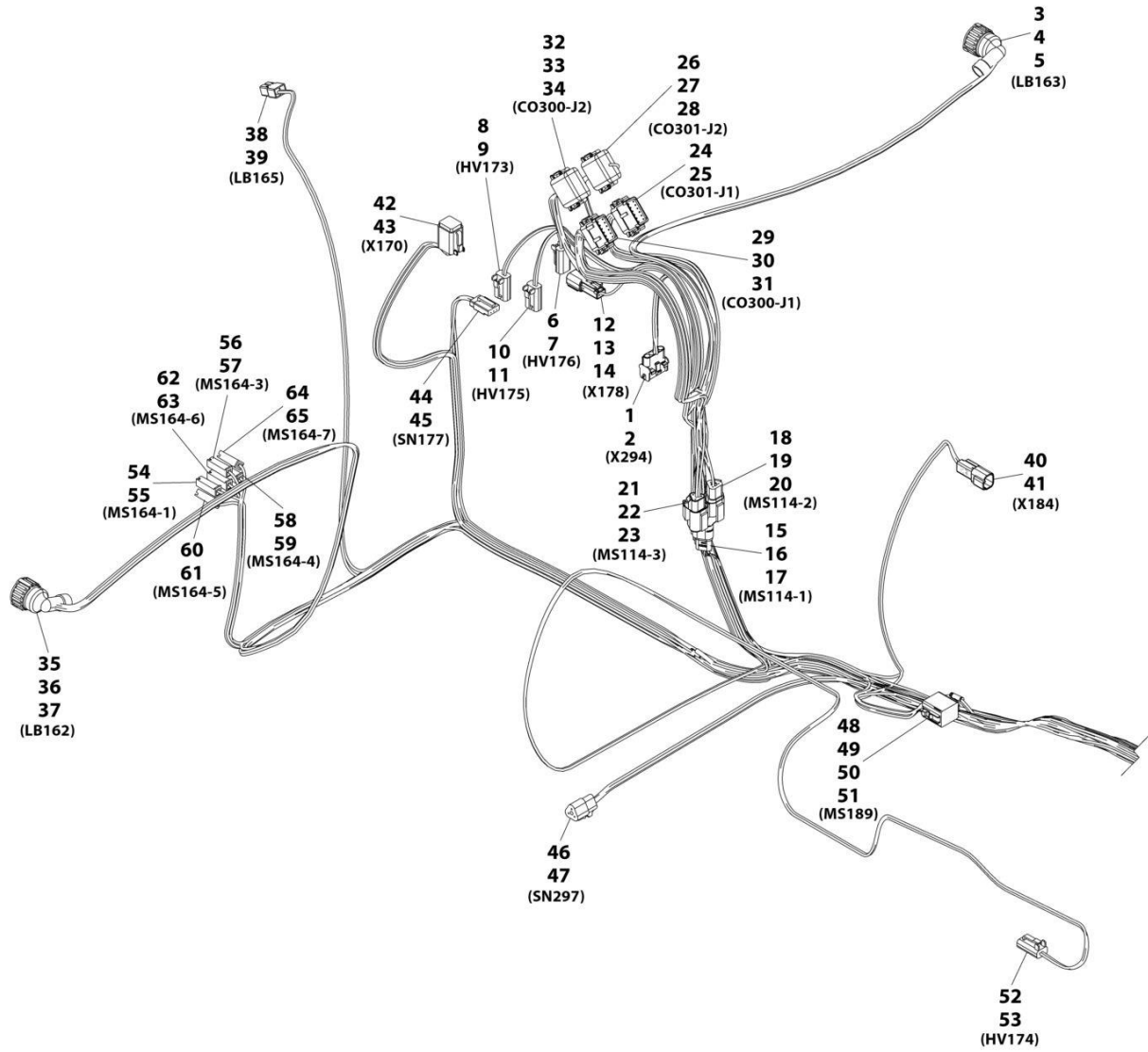
SECTION 10 - ELECTRICAL

FIGURE 10-36. FUNCTION JUMPER HARNESS

ITEM	PART NUMBER	QTY	DESCRIPTION	REV
	1001122280	Ref	Function Jumper Harness	B
1	4460464	2	Terminal	
2	4460897	1	Connector	
3	4920017	118 mm	Wire, 16 GA	

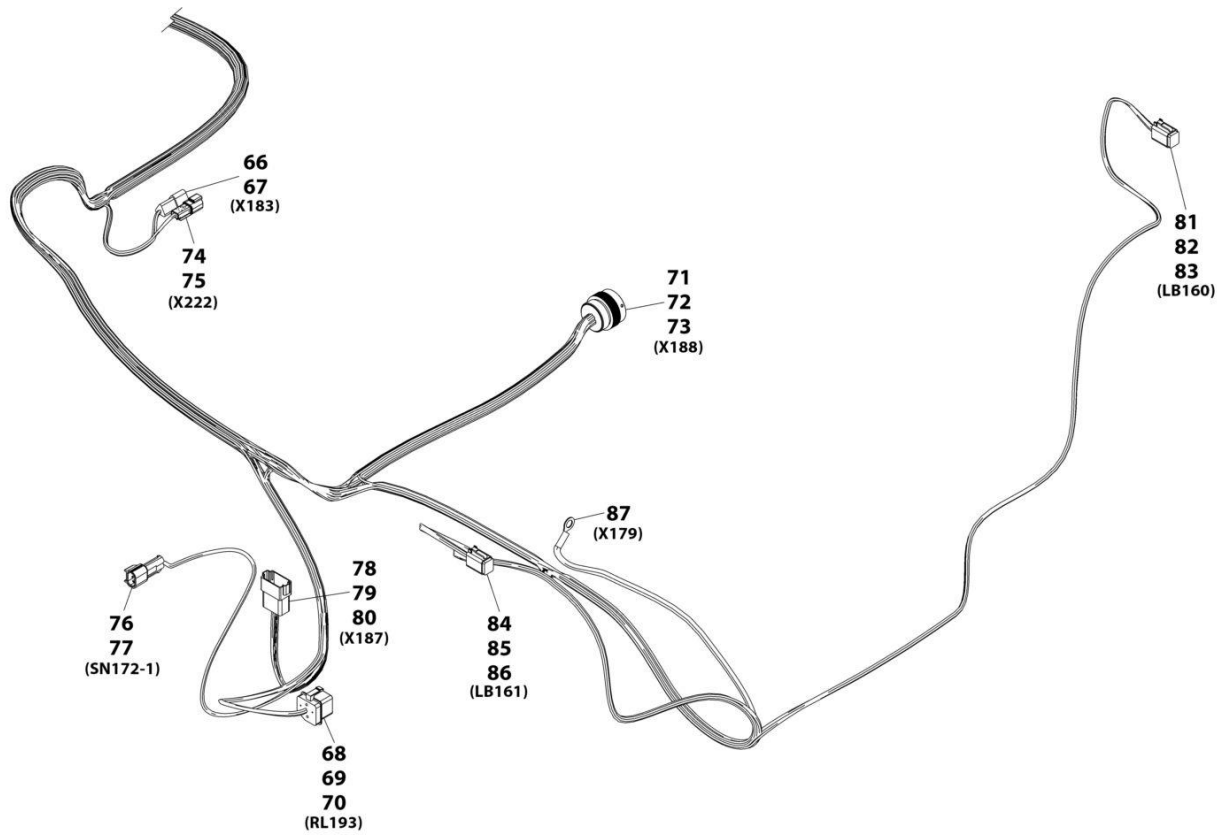
SECTION 10 - ELECTRICAL

FIGURE 10-37. FRAME OPTION HARNESS



ART_1001140635_1-D

SECTION 10 - ELECTRICAL



ART_1001140635_2-D

SECTION 10 - ELECTRICAL

FIGURE 10-37. FRAME OPTION HARNESS

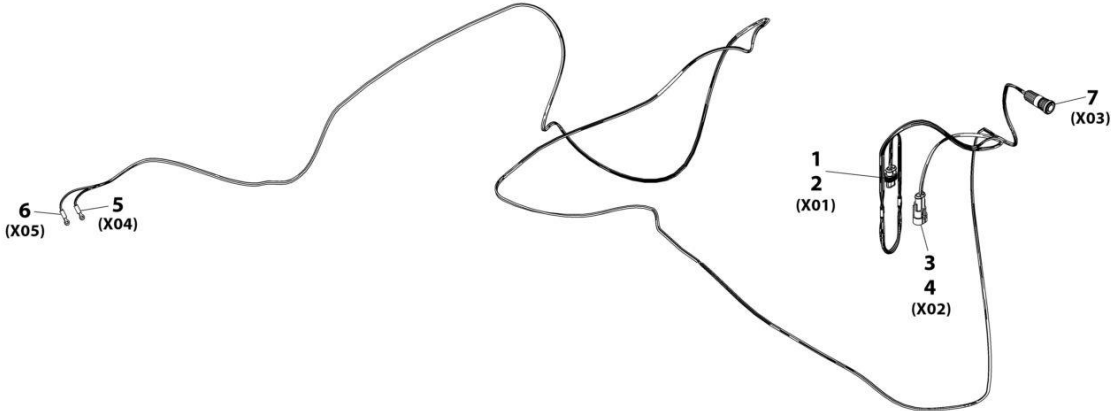
ITEM	PART NUMBER	QTY	DESCRIPTION	REV
	1001140635	Ref	Frame Option Harness	D
1	4460761	1	Connector	
2	4460227	4	Terminal	
3	1001116996	1	Connector	
4	1001118392	5	Terminal	
5	4461008	2	Plug	
6	4460891	1	Connector	
7	4460465	2	Terminal	
8	4460891	1	Connector	
9	4460465	2	Terminal	
10	4460891	1	Connector	
11	4460465	2	Terminal	
12	4460897	1	Connector	
13	4460464	1	Terminal	
14	4460466	1	Plug	
15	1001116812	1	Connector	
16	4460945	1	Terminal, 3 Way "T" Receptacle	
17	4460465	3	Terminal	
18	4460539	1	Connector	
19	4460465	2	Terminal	
20	4460466	1	Plug	
21	1001116812	1	Connector	
22	4460465	2	Terminal	
23	4460466	1	Plug	
24	1001116808	1	Connector	
25	1001126008	12	Terminal	
26	1001116774	1	Connector	
27	1001126008	8	Terminal	
28	4460518	4	Plug	
29	1001116808	1	Connector	
30	1001126008	7	Terminal	
31	4460518	5	Plug	
32	1001116774	1	Connector	
33	1001126008	5	Terminal	
34	4460518	7	Plug	
35	1001116996	1	Connector	
36	1001118392	5	Terminal	
37	4461008	2	Plug	
38	1001117133	1	Connector	
39	1001118385	2	Terminal	
40	4460897	1	Connector	
41	4460464	2	Terminal	
42	4460894	1	Connector	
43	4460465	6	Terminal	
44	4460911	1	Connector	
45	1001126008	3	Terminal	
46	4460539	1	Connector	
47	4460465	4	Terminal	
48	4460851	1	Connector	
49	4460852	1	Connector, 8 Pin	

SECTION 10 - ELECTRICAL

ITEM	PART NUMBER	QTY	DESCRIPTION	REV
50	4460465	7	Terminal	
51	4460466	1	Plug	
52	4460891	1	Connector	
53	4460465	2	Terminal	
54	4460260	1	Connector	
55	4460259	1	Terminal	
56	4460260	1	Connector	
57	4460259	1	Terminal	
58	4460260	1	Connector	
59	4460259	1	Terminal	
60	4460260	1	Connector	
61	4460259	1	Terminal	
62	4460260	1	Connector	
63	4460259	1	Terminal	
64	4460260	1	Connector	
65	4460259	1	Terminal	
66	4460536	1	Connector	
67	4460464	3	Terminal	
68	4460374	1	Connector	
69	1001116733	4	Terminal	
70	1001128128	1	Plug	
71	1001121960	1	Connector	
72	4460464	28	Terminal	
73	4460466	3	Plug	
74	4460897	1	Connector	
75	4460464	2	Terminal	
76	1001117026	1	Connector	
77	1001116729	2	Terminal	
78	4460970	1	Connector	
79	4460464	9	Terminal	
80	4460466	3	Plug	
81	4460894	1	Connector	
82	4460465	5	Terminal	
83	4460466	1	Plug	
84	4460894	1	Connector	
85	4460465	5	Terminal	
86	4460466	1	Plug	
87	8220164	1	Terminal, Ring	

SECTION 10 - ELECTRICAL

FIGURE 10-38. REVERSE SENSOR HARNESS



ART_1001190914-B

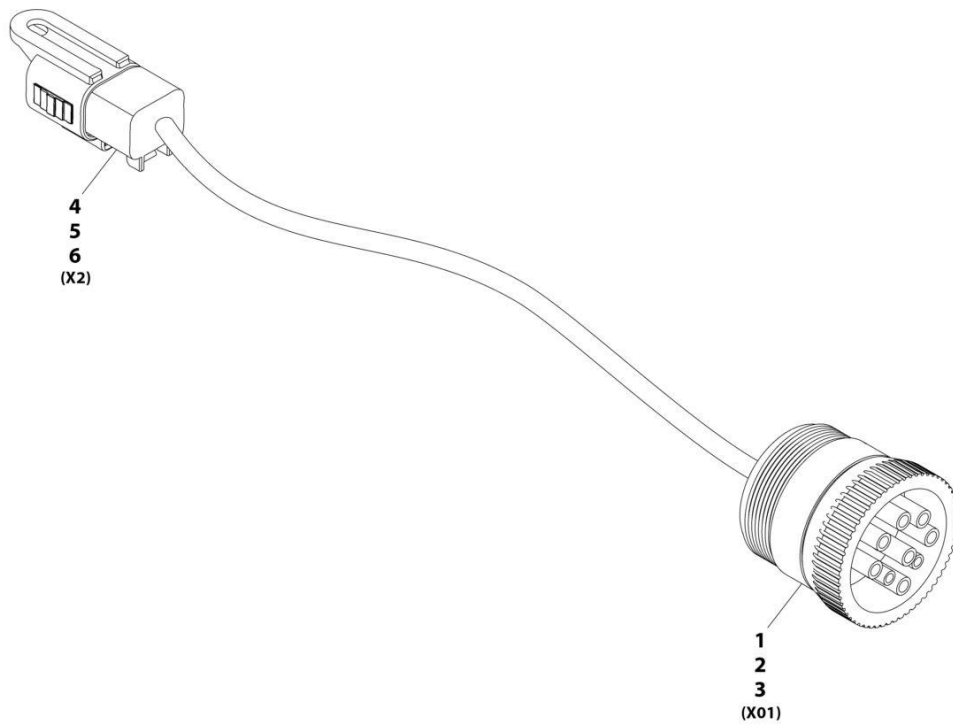
SECTION 10 - ELECTRICAL

FIGURE 10-38. REVERSE SENSOR HARNESS

ITEM	PART NUMBER	QTY	DESCRIPTION	REV
	1001190914	Ref	Reverse Sensor Harness	B
1	4461118	1	Connector	
2	1001107854	2	Terminal	
3	4461227	1	Connector	
4	1001104497	2	Terminal	
5	1001098122	1	Terminal, Ring	
6	1001098122	1	Terminal, Ring	
7	1001175733	1	Connector	

SECTION 10 - ELECTRICAL

FIGURE 10-39. TELEMATICS READY HARNESS



ART_1001196461-A

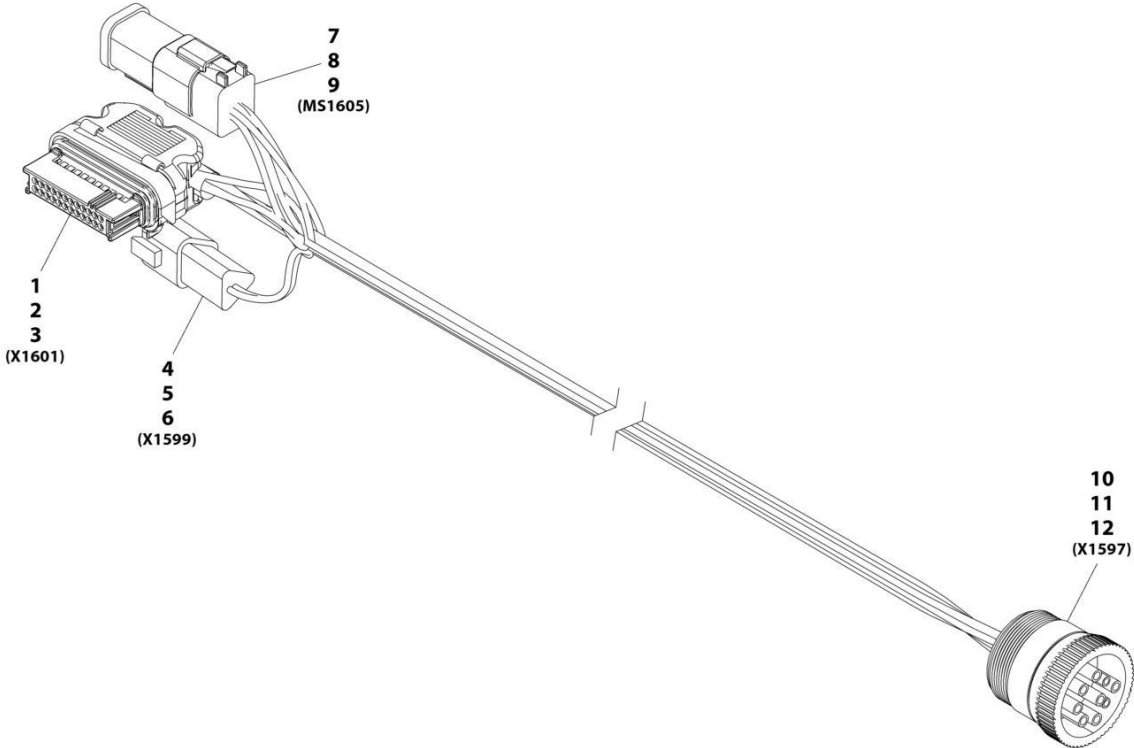
SECTION 10 - ELECTRICAL

FIGURE 10-39. TELEMATICS READY HARNESS

ITEM	PART NUMBER	QTY	DESCRIPTION	REV
	1001196461	Ref	Telematics Ready Harness	A
1	1001112796	1	Connector	
2	4460465	3	Terminal	
3	4460466	6	Plug	
4	4460884	1	Connector	
5	4460465	3	Terminal	
6	4460466	1	Plug	

SECTION 10 - ELECTRICAL

FIGURE 10-40. CLEARSKY HARNESS



ART_1001226739-A

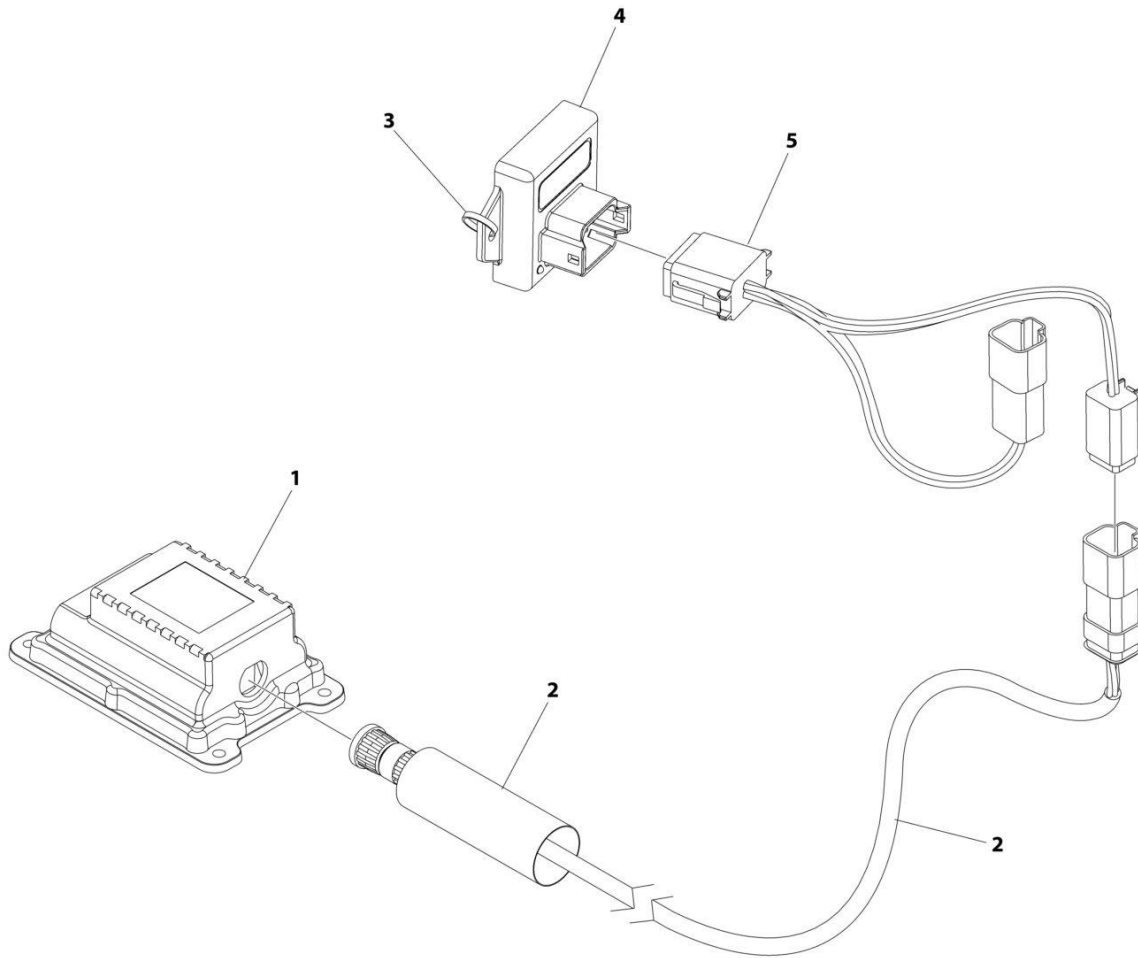
SECTION 10 - ELECTRICAL

FIGURE 10-40. CLEARSKY HARNESS

ITEM	PART NUMBER	QTY	DESCRIPTION	REV
	1001226739	Ref	Clearsky Harness	A
1	1001226636	1	Connector	
2	1001116731	16	Plug, Terminal	
3	1001226637	8	Terminal	
4	1001144147	1	Connector	
5	4460464	2	Terminal	
6	4460466	1	Plug, Terminal	
7	4460894	1	Connector	
8	4460465	6	Terminal	
9	1001226541	1	Connector- 6 Pin Bussbar	
10	1001112796	1	Connector	
11	4460465	8	Terminal	
12	4460466	1	Plug, Terminal	

SECTION 10 - ELECTRICAL

FIGURE 10-41. CLEARSKY INSTALLATION 3-WIRE (ANSI)



ART_1001229107

SECTION 10 - ELECTRICAL

FIGURE 10-41. CLEARSKY INSTALLATION 3-WIRE (ANSI)

ITEM	PART NUMBER	QTY	DESCRIPTION	REV
	1001229107	Ref	CLEARSKY INSTALLATION 3-WIRE	D
1	1001226328	1	Module, 3W TCU	
2	1001227066	1	Telematics ClearSky Harness (See Separate Breakdown in this Section)	
3	4240032	AR	Tie-Strap	
4	1001262960	1	Voltage Regulator	
5	1001262963	1	Harness, Xirgo Jumper	

SECTION 10 - ELECTRICAL

FIGURE 10-42. BOOM SENSOR HARNESS



ART_1001129801-A

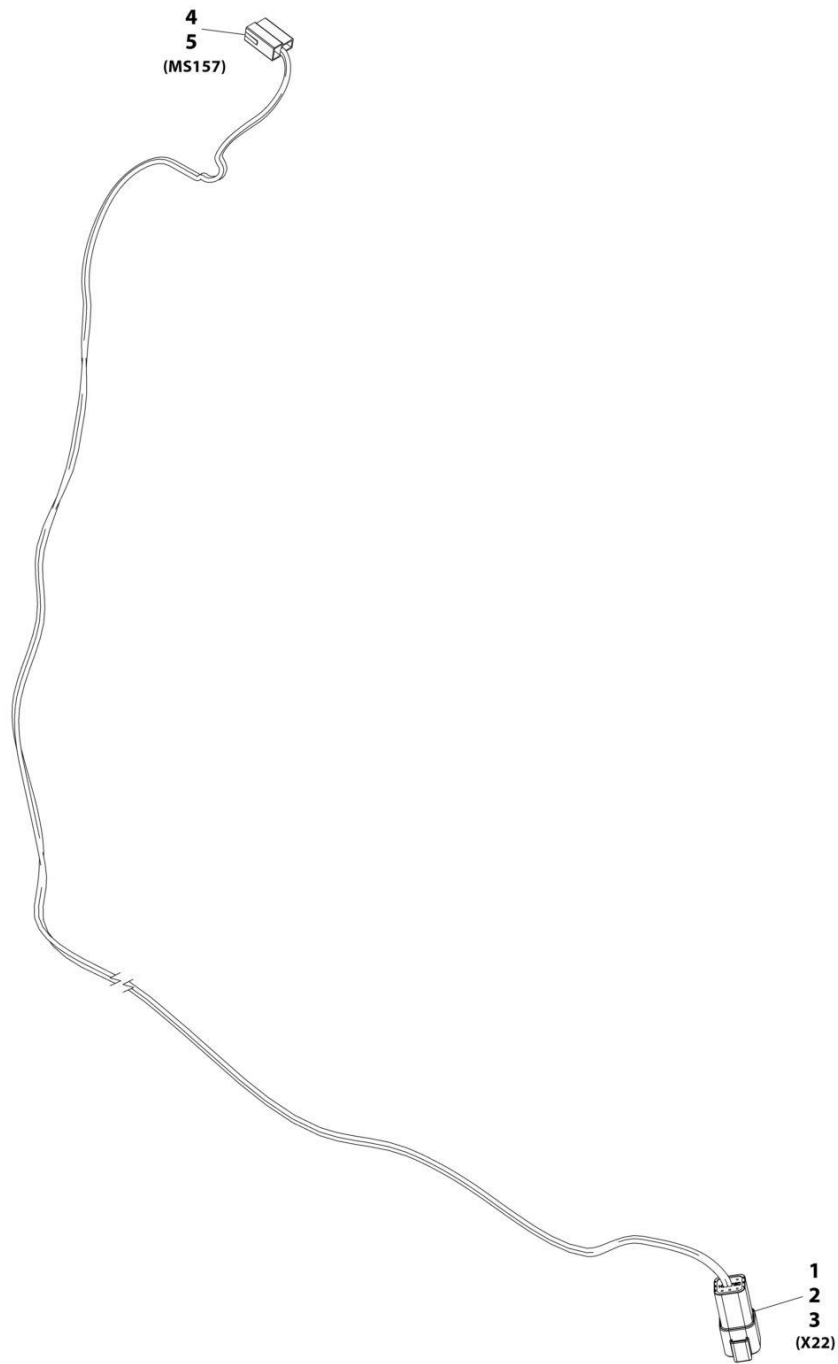
SECTION 10 - ELECTRICAL

FIGURE 10-42. BOOM SENSOR HARNESS

ITEM	PART NUMBER	QTY	DESCRIPTION	REV
	1001129801	Ref	Boom Sensor Harness	A
1	4460899	1	Connector	
2	4460464	6	Terminal	
3	4461262	1	Connector	
4	1001107854	3	Terminal	
5	4461262	1	Connector	
6	1001107854	3	Terminal	

SECTION 10 - ELECTRICAL

FIGURE 10-43. OPEN CAB WORKLIGHT HARNESS



ART_1001110723-B

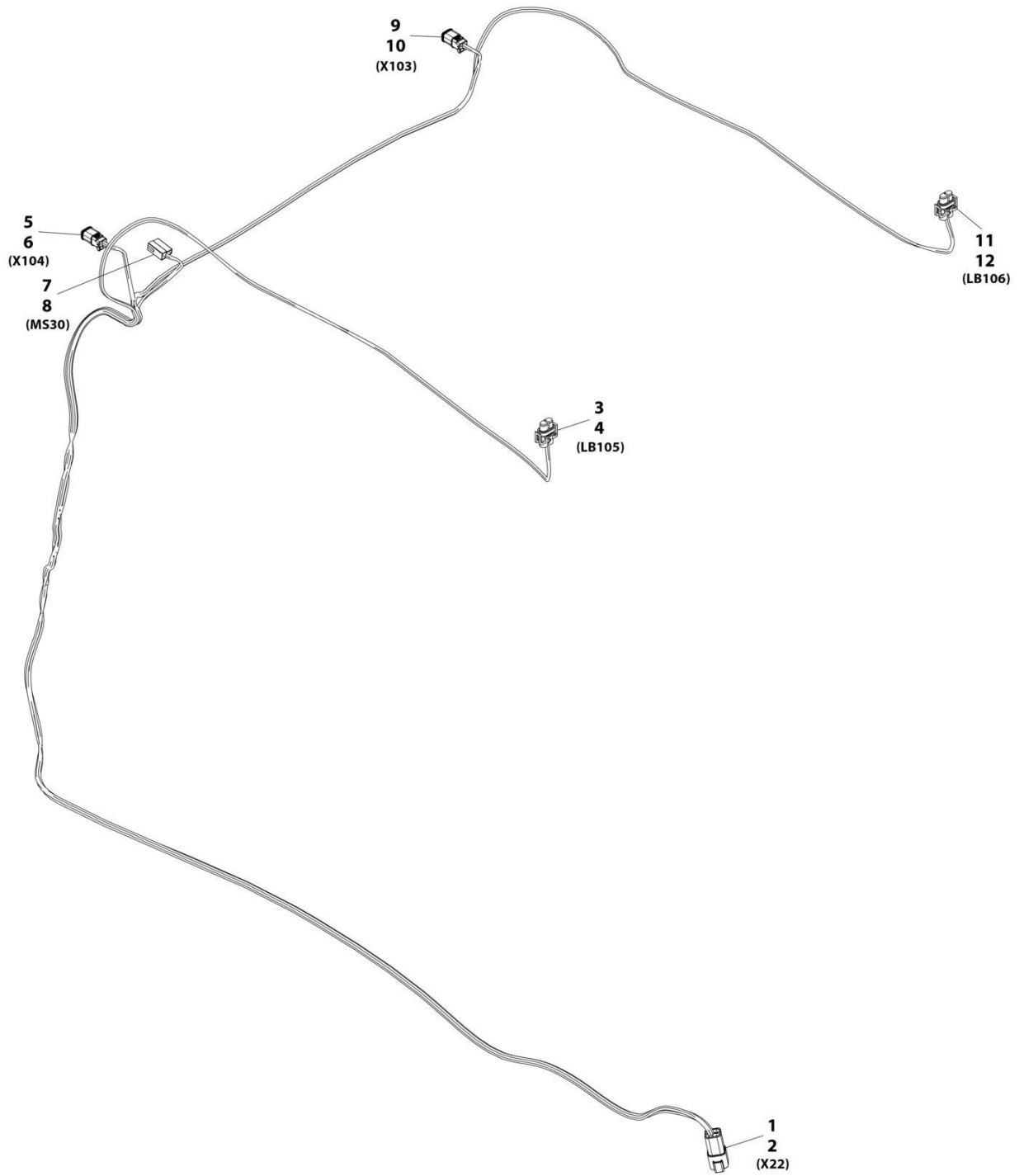
SECTION 10 - ELECTRICAL

FIGURE 10-43. OPEN CAB WORKLIGHT HARNESS

ITEM	PART NUMBER	QTY	DESCRIPTION	REV
	1001110723	Ref	Open Cab Worklight Harness	B
1	4460899	1	Connector	
2	4460466	4	Plug	
3	4460464	2	Terminal	
4	4460994	1	Connector	
5	1001104519	2	Terminal	

SECTION 10 - ELECTRICAL

FIGURE 10-44. CAB WORKLIGHT HARNESS



ART_1001111156-C

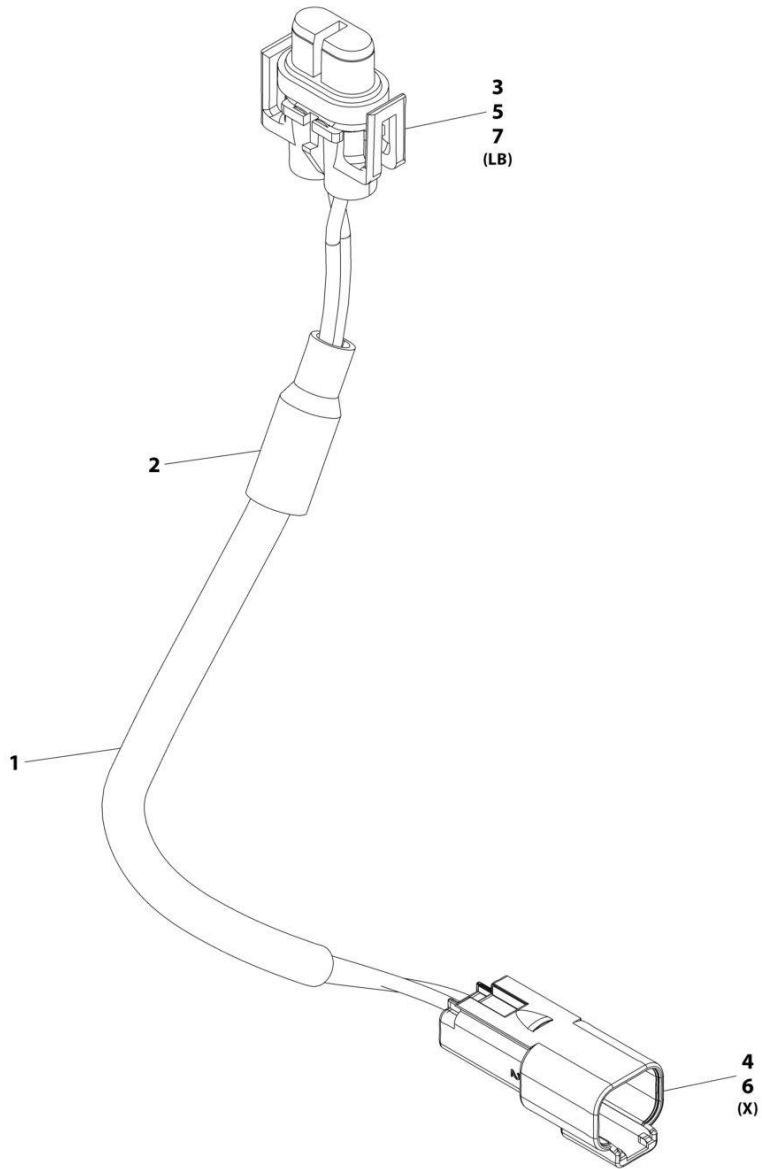
SECTION 10 - ELECTRICAL

FIGURE 10-44. CAB WORKLIGHT HARNESS

ITEM	PART NUMBER	QTY	DESCRIPTION	REV
	1001111156	Ref	Cab Worklight Harness	C
1	4460899	1	Connector	
2	4460464	6	Terminal	
3	4461115	1	Connector	
4	4460746	2	Terminal	
5	4460891	1	Connector	
6	4460465	2	Terminal	
7	4460994	1	Connector	
8	1001104519	2	Terminal	
9	4460891	1	Connector	
10	4460465	2	Terminal	
11	4461115	1	Connector	
12	4460746	2	Terminal	

SECTION 10 - ELECTRICAL

FIGURE 10-45. BOOM WORKLIGHT JUMPER HARNESS (LONG)



ART_1001142981-B

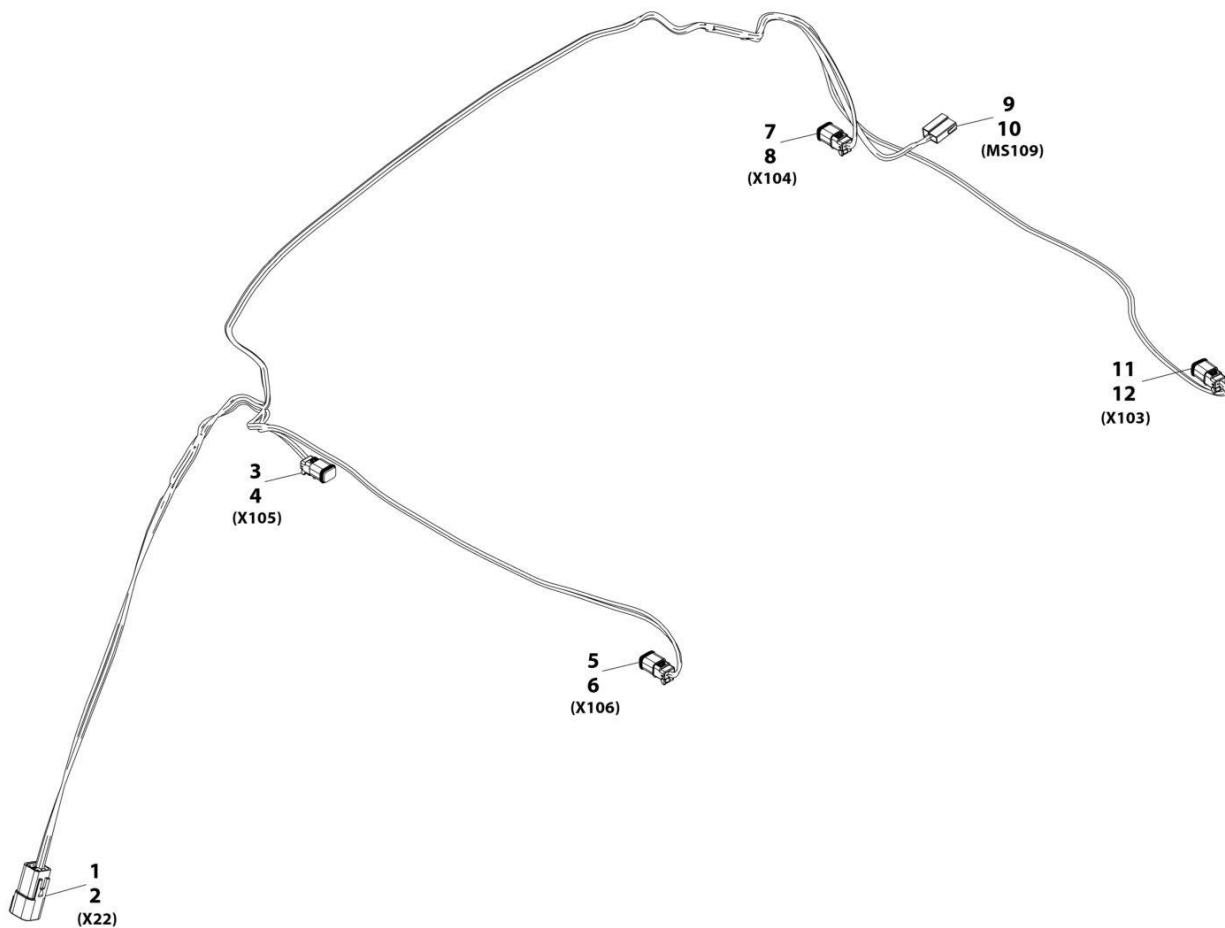
SECTION 10 - ELECTRICAL

FIGURE 10-45. BOOM WORKLIGHT JUMPER HARNESS (LONG)

ITEM	PART NUMBER	QTY	DESCRIPTION	REV
	1001142981	Ref	Boom Worklight Jumper Harness (Long)	B
1	1060680	2 ft	Cable	
2	2820019	0.12 ft	Insulate, Tubing Shrink	
3	4460458	2	Seal	
4	4460464	2	Terminal	
5	4460746	2	Terminal	
6	4460897	1	Connector	
7	4461115	1	Connector	

SECTION 10 - ELECTRICAL

FIGURE 10-46. PROXIMITY SENSOR HARNESS



ART_1001109566-B

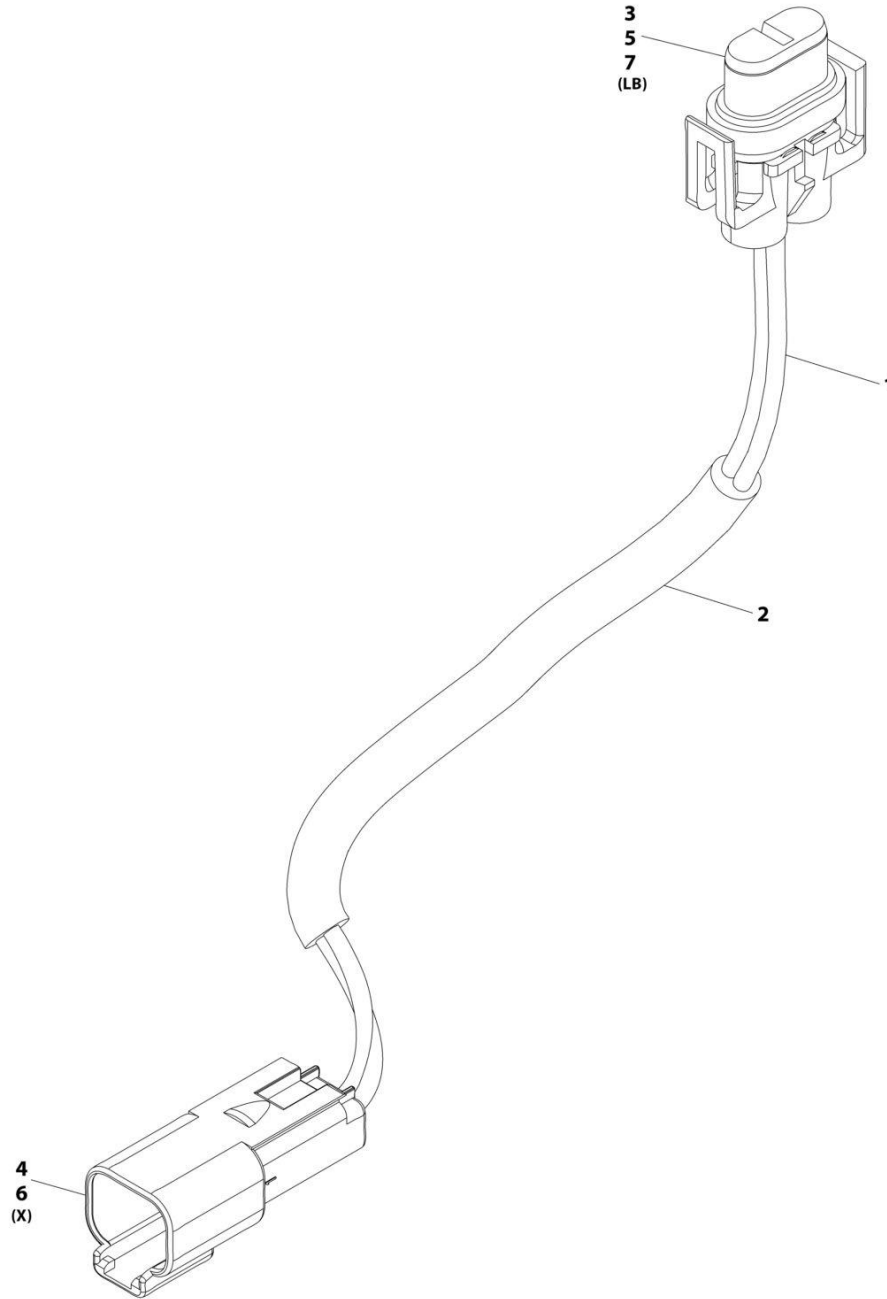
SECTION 10 - ELECTRICAL

FIGURE 10-46. PROXIMITY SENSOR HARNESS

ITEM	PART NUMBER	QTY	DESCRIPTION	REV
	1001109566	Ref	Proximity Sensor Harness	B
1	4460899	1	Connector	
2	4460464	6	Terminal	
3	4460891	1	Connector	
4	4460465	2	Terminal	
5	4460891	1	Connector	
6	4460465	2	Terminal	
7	4460891	1	Connector	
8	4460465	2	Terminal	
9	4460994	1	Connector	
10	1001104519	2	Terminal	
11	4460891	1	Connector	
12	4460465	2	Terminal	

SECTION 10 - ELECTRICAL

FIGURE 10-47. BOOM WORKLIGHT JUMPER HARNESS (SHORT)



ART_1001109565

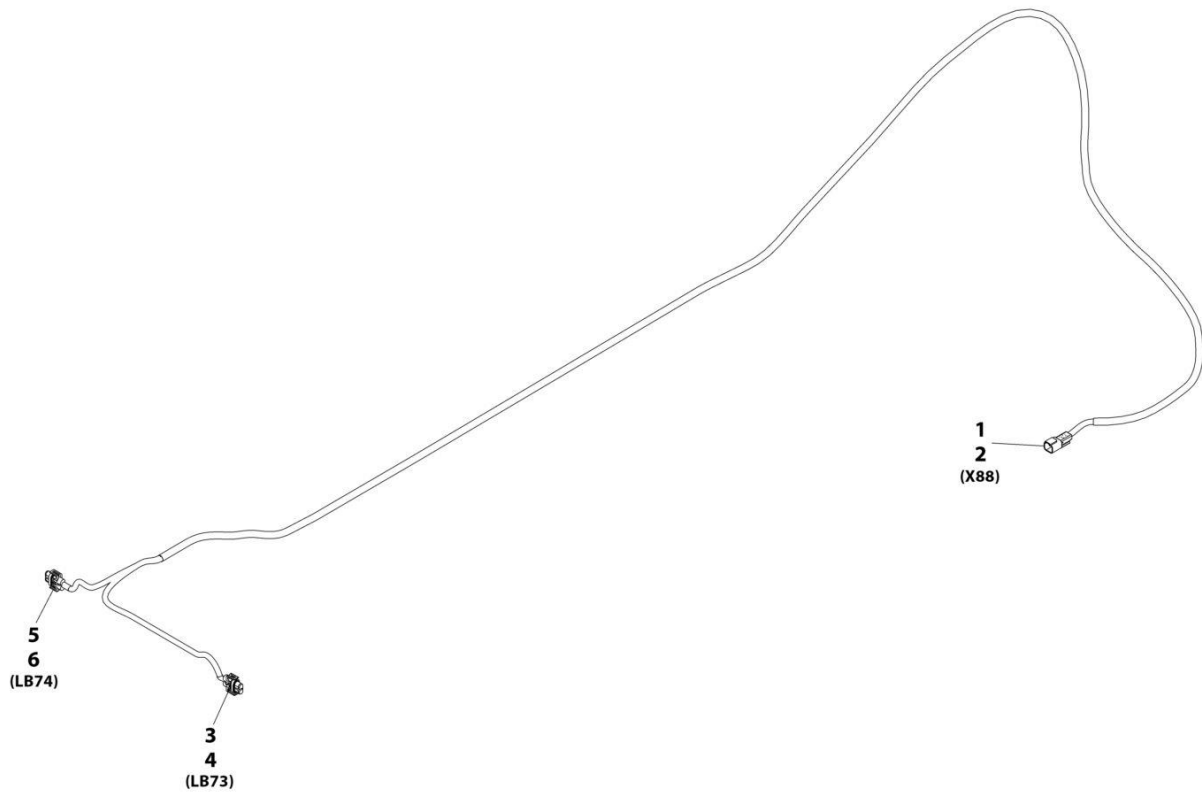
SECTION 10 - ELECTRICAL

FIGURE 10-47. BOOM WORKLIGHT JUMPER HARNESS (SHORT)

ITEM	PART NUMBER	QTY	DESCRIPTION	REV
	1001109565	Ref	BOOM WORKLIGHT JUMPER HARNESS (SHORT)	F
1	1060680	1	Cable, 18-2	
2	2820019	AR	Insulate, Tubing shrink 3/8	
3	4460458	2	Terminal, Seal	
4	4460464	2	Terminal	
5	4460746	2	Terminal	
6	4460897	1	Connector	
7	4461115	1	Connector	

SECTION 10 - ELECTRICAL

FIGURE 10-48. BOOM WORKLIGHTS HARNESS



ART_1001080656-C

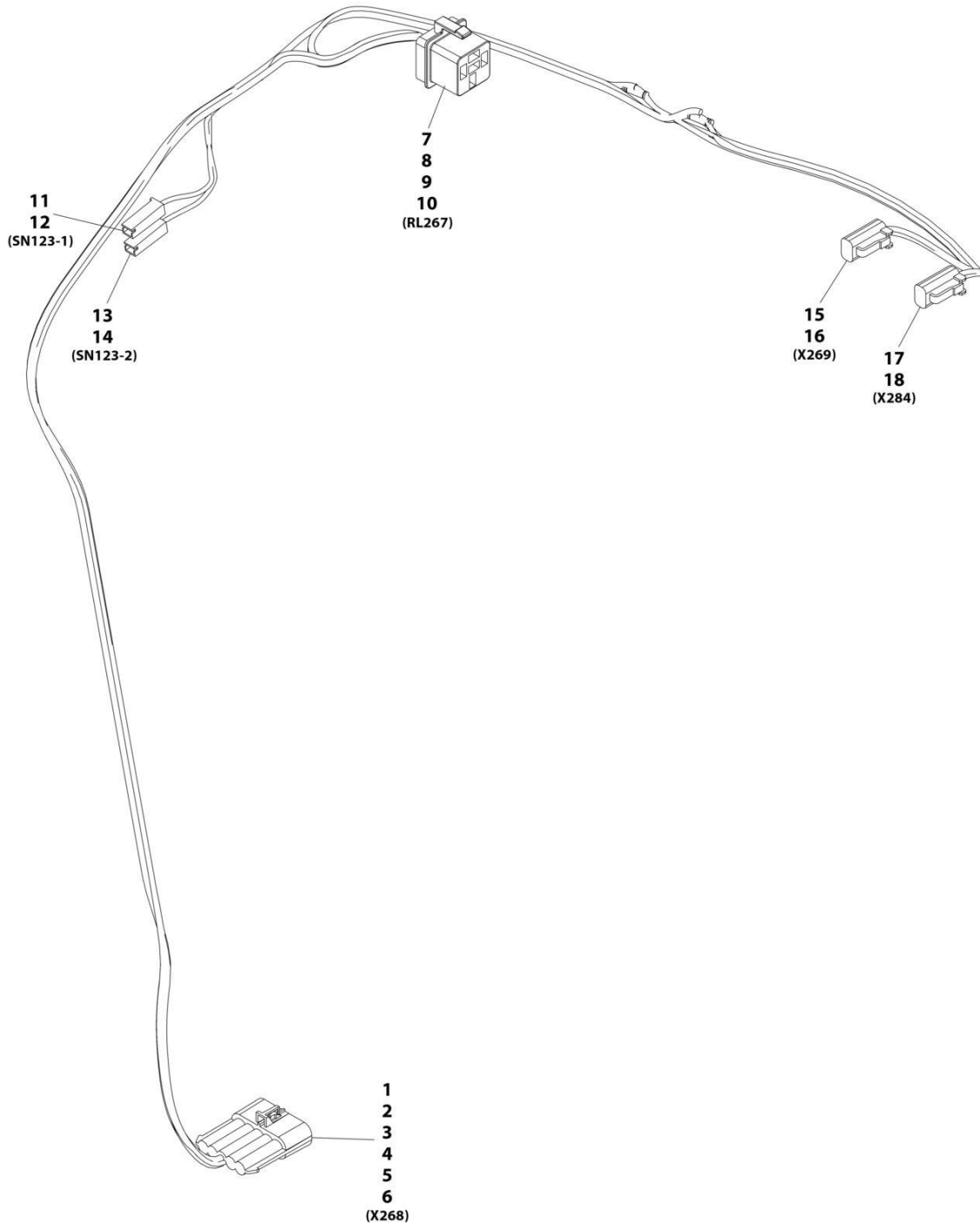
SECTION 10 - ELECTRICAL

FIGURE 10-48. BOOM WORKLIGHTS HARNESS

ITEM	PART NUMBER	QTY	DESCRIPTION	REV
	1001080656	Ref	Boom Worklights Harness	C
1	4460897	1	Connector	
2	4460464	2	Terminal	
3	4461115	1	Connector	
4	4460746	2	Terminal	
5	4461115	1	Connector	
6	4460746	2	Terminal	

SECTION 10 - ELECTRICAL

FIGURE 10-49. CONDENSOR FAN HARNESS



ART_1001142236-B

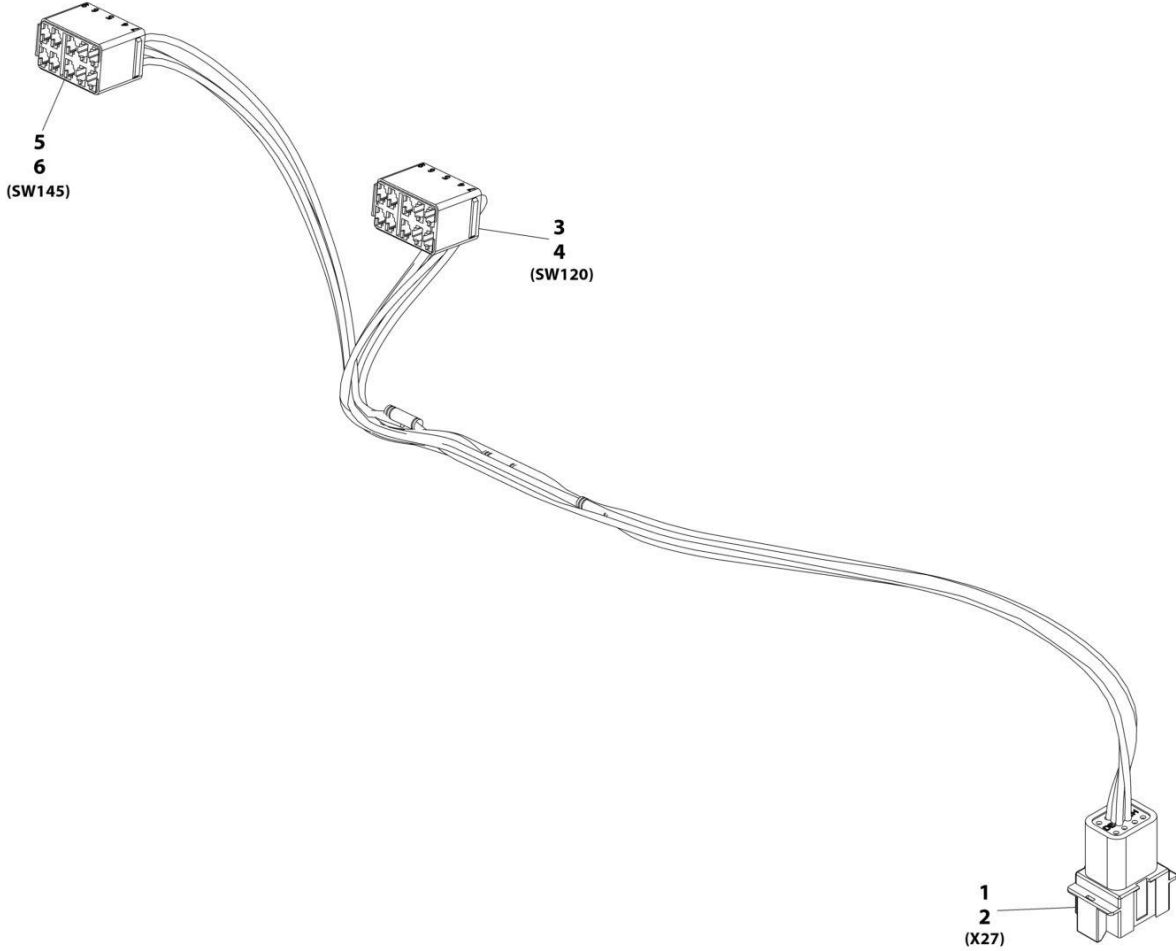
SECTION 10 - ELECTRICAL

FIGURE 10-49. CONDENSOR FAN HARNESS

ITEM	PART NUMBER	QTY	DESCRIPTION	REV
	1001142236	Ref	Condensor Fan Harness	B
1	1001121727	1	Connector	
2	8220162	2	Terminal	
3	1001116729	2	Terminal	
4	1001116727	1	Plug	
5	8220089	2	Seal	
6	4460458	2	Seal	
7	4460374	1	Connector	
8	1001116734	2	Terminal	
9	1001116733	2	Terminal	
10	1001128128	1	Plug	
11	4460260	1	Connector	
12	4460259	1	Terminal	
13	4460260	1	Connector	
14	4460259	1	Terminal	
15	4460891	1	Connector	
16	4460942	2	Terminal	
17	4460891	1	Connector	
18	4460942	2	Terminal	

SECTION 10 - ELECTRICAL

FIGURE 10-50. MODE SELECT HARNESS



ART_1001098235-D

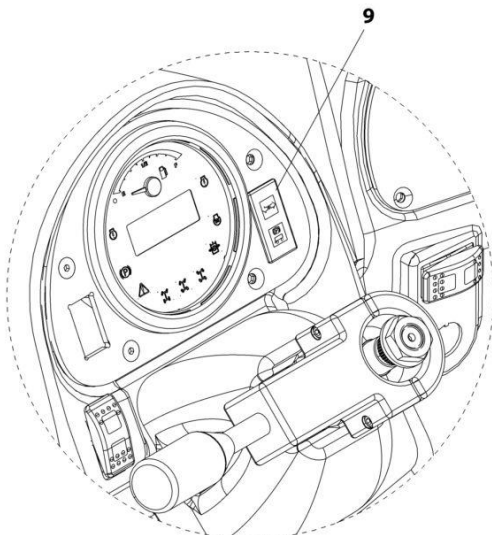
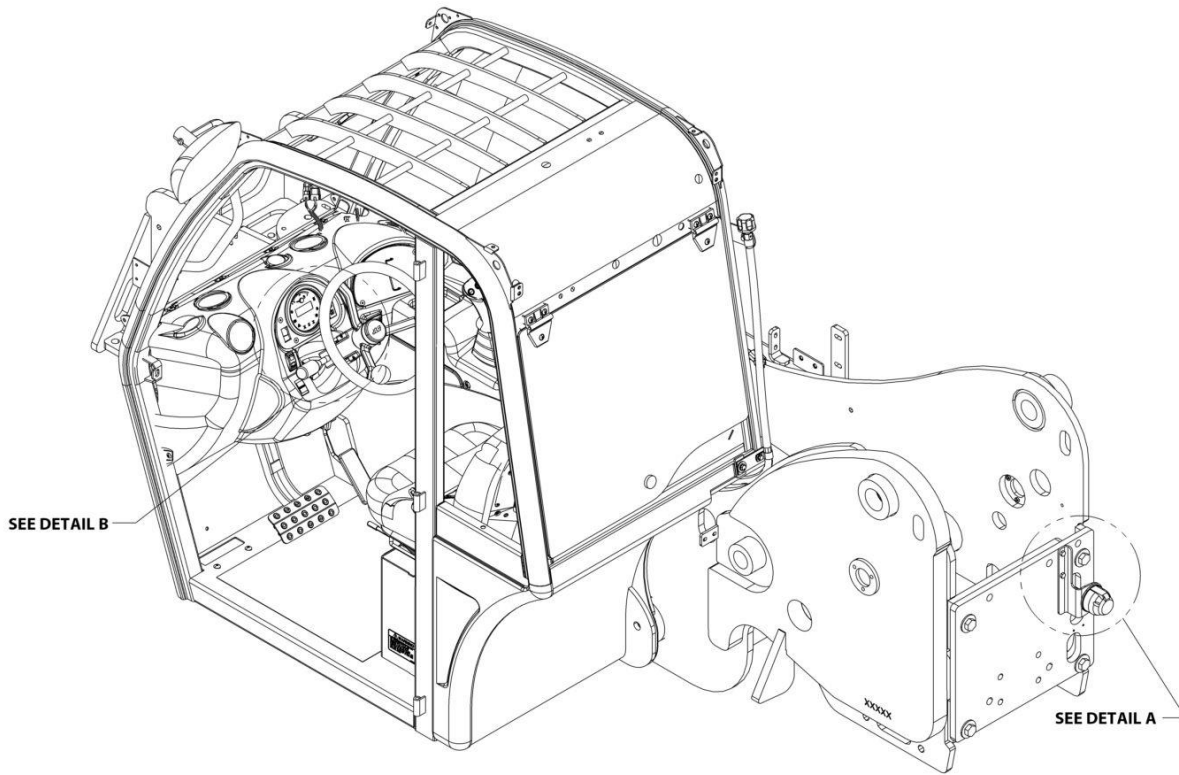
SECTION 10 - ELECTRICAL

FIGURE 10-50. MODE SELECT HARNESS

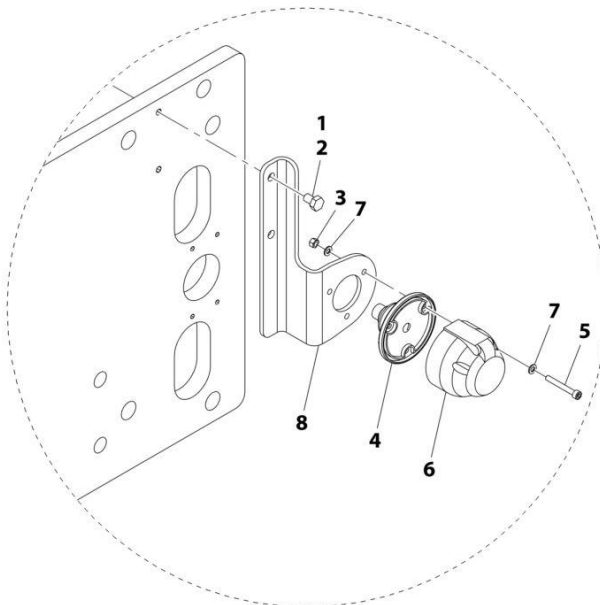
ITEM	PART NUMBER	QTY	DESCRIPTION	REV
	1001098235	Ref	Mode Select Harness	D
1	4460931	1	Connector	
2	4460464	8	Terminal	
3	1001117081	1	Connector	
4	1001104519	7	Terminal	
5	1001117081	1	Connector	
6	1001104519	4	Terminal	

SECTION 10 - ELECTRICAL

FIGURE 10-51. TRAILER PLUG INSTALLATION (7 PIN)



DETAIL B



DETAIL A

ART_1001200850-A

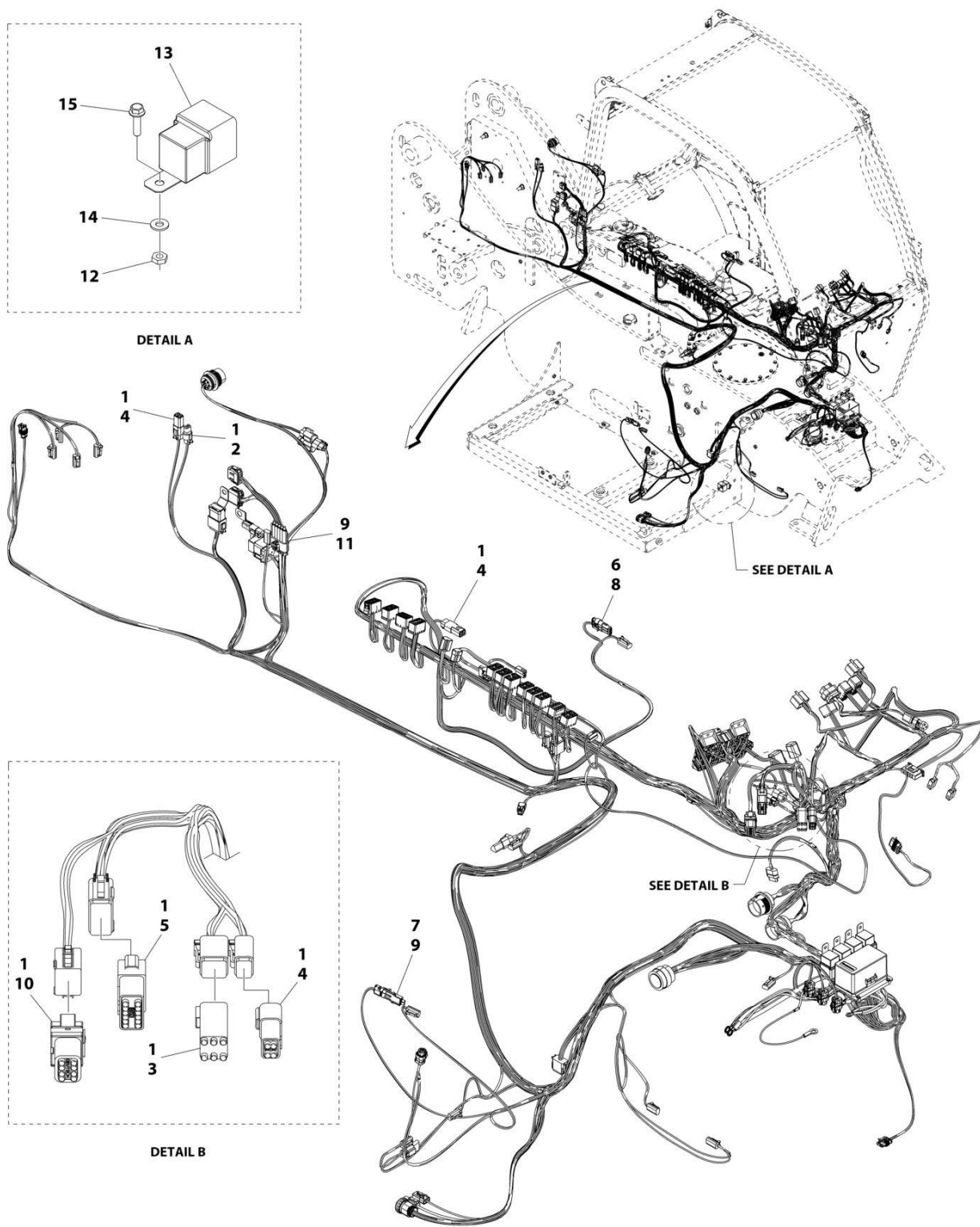
SECTION 10 - ELECTRICAL

FIGURE 10-51. TRAILER PLUG INSTALLATION (7 PIN)

ITEM	PART NUMBER	QTY	DESCRIPTION	REV
	1001200850	Ref	TRAILER PLUG INSTALLATION (7 PIN)	A
1	0100011	AR	Compound, Locking	
2	0760806	2	Capscrew M8 x 12	
3	3290507	3	Nut M5	
4	3960600	1	Trailer Plug Gasket	
5	4031612	3	Capscrew M5 x 40	
6	4461021	1	Trailer Plug	
7	4811600	6	Washr M5	
8	1001080686	1	Trailer Plug Bracket	
9	1001139938	1	Trailer Indicator	

SECTION 10 - ELECTRICAL

FIGURE 10-52. ELECTRICAL HARNESS CAPS INSTALLATION



ART_1001150705-C

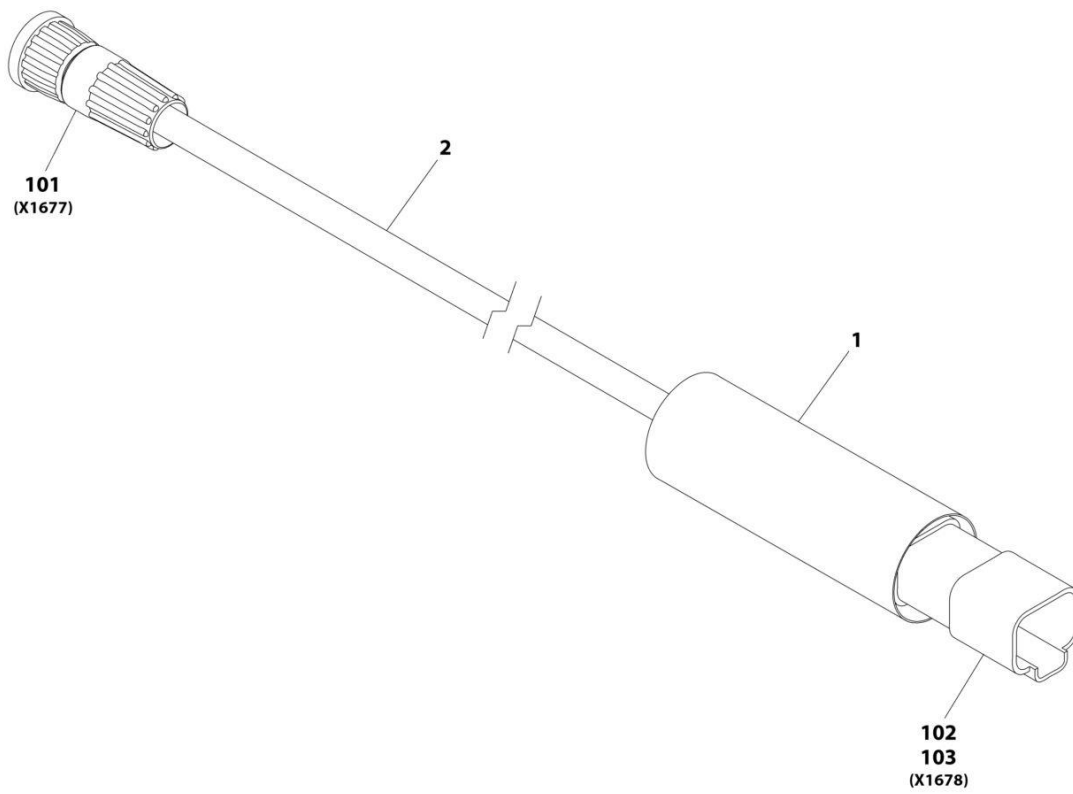
SECTION 10 - ELECTRICAL

FIGURE 10-52. ELECTRICAL HARNESS CAPS INSTALLATION

ITEM	PART NUMBER	QTY	DESCRIPTION	REV
	1001150705	Ref	Electrical Harness Caps Installation	C
1	4460466	40	Terminal Plug	
2	4460897	1	Terminal, 2 Position Receptacle	
3	4460899	1	Connector	
4	4460932	3	Connector	
5	4460970	1	Connector	
6	4461119	1	Connector	
7	80963058	1	Connector	
8	1001116698	3	Plug	
9	1001116727	7	Plug	
10	1001116813	1	Connector	
11	1001121727	1	Connector	
12	3311001	1	Hex Nut, 10-24, Gr2	
13	3740080	1	Relay	
14	4711000	1	Washer, M10	
15	77143016	1	Screw, 10-24X3/4	

SECTION 10 - ELECTRICAL

FIGURE 10-53. TELEMATICS HARNESS



ART_1001227066-A

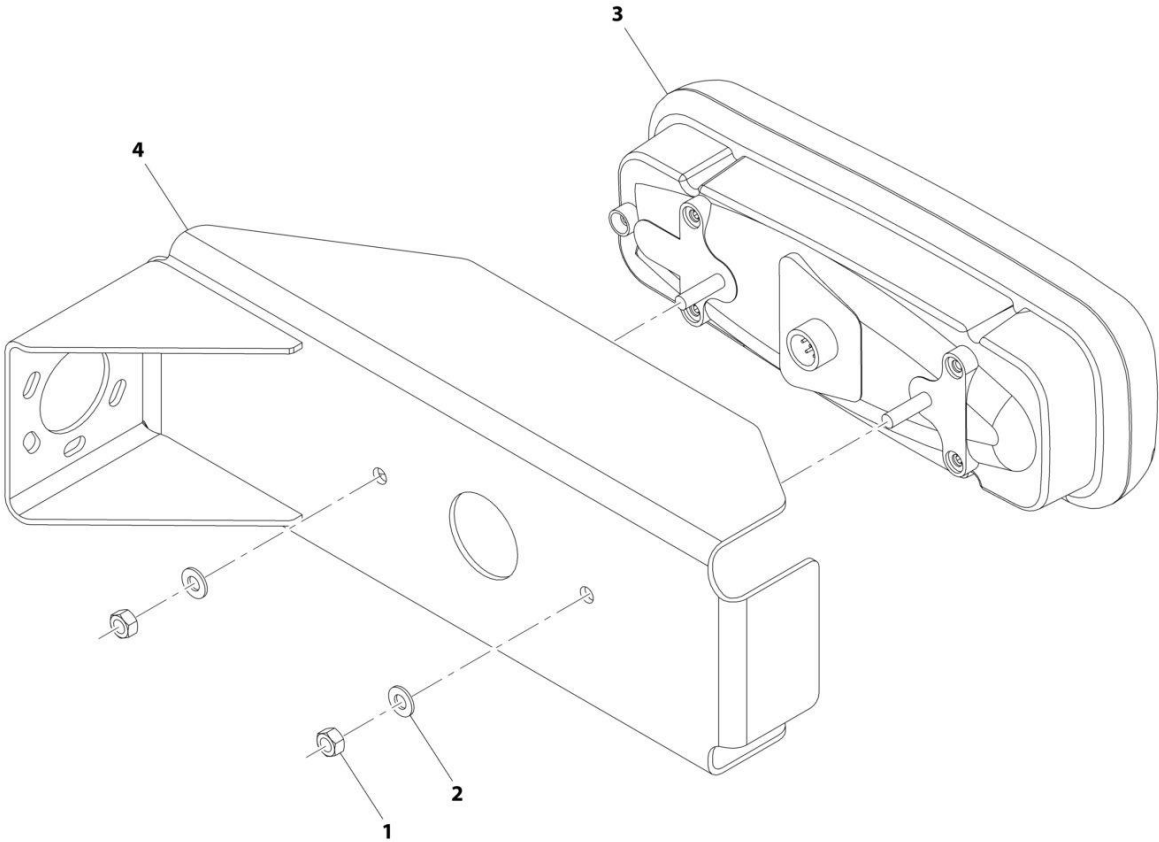
SECTION 10 - ELECTRICAL

FIGURE 10-53. TELEMATICS HARNESS

ITEM	PART NUMBER	QTY	DESCRIPTION	REV
	1001227066	Ref	CLEARSKY TELEMATICS HARNESS	A
1	1001226400	0.33 ft	Insulate, Heat Shrink	
2	1001227068	3.3 ft	Cable	
101	1001227266	1	Connector	
102	1001129407	1	Connector	
103	4460464	4	Terminal	

SECTION 10 - ELECTRICAL

FIGURE 10-54. RH TAIL LIGHT INSTALLATION



ART_1001101533-D

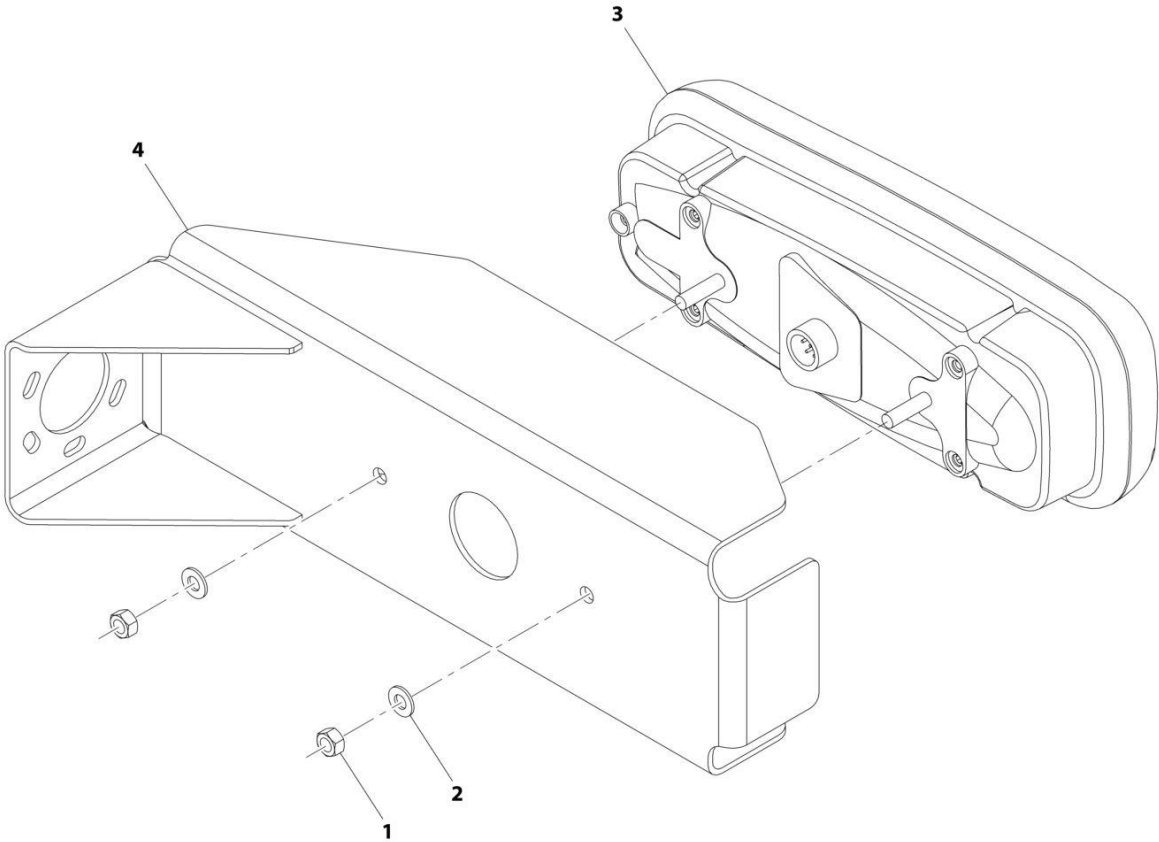
SECTION 10 - ELECTRICAL

FIGURE 10-54. RH TAIL LIGHT INSTALLATION

ITEM	PART NUMBER	QTY	DESCRIPTION	REV
	1001101533	Ref	RH Tail Light Installation	D
1	3290807	2	Hex Locknut, M8X1.25	
2	4811900	2	Washer, M8	
3	8001989	1	RH Tail Light	
4	1001081322	1	Bracket	

SECTION 10 - ELECTRICAL

FIGURE 10-55. LH TAIL LIGHT INSTALLATION



ART_1001101534-C

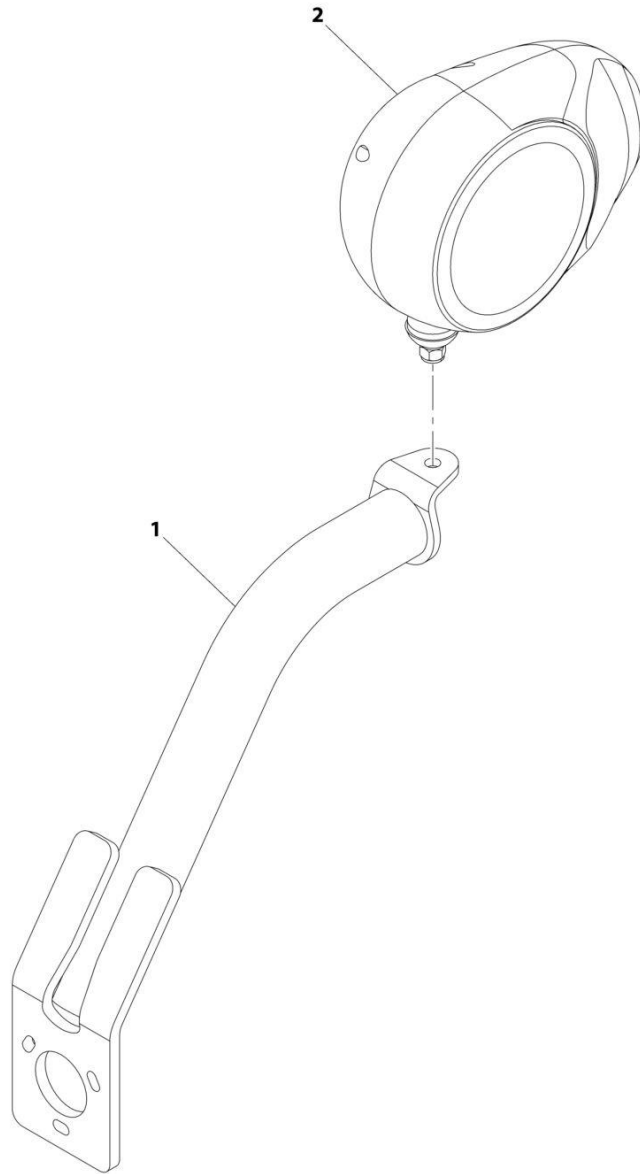
SECTION 10 - ELECTRICAL

FIGURE 10-55. LH TAIL LIGHT INSTALLATION

ITEM	PART NUMBER	QTY	DESCRIPTION	REV
	1001101534	Ref	LH Tail Light Installation	C
1	3290807	2	Hex Locknut, M8X1.25	
2	4811900	2	Washer, M8	
3	8001991	1	LH Tail Light	
4	1001081322	1	Bracket	

SECTION 10 - ELECTRICAL

FIGURE 10-56. LH DRIVE LIGHT INSTALLATION



ART_1001190709-A

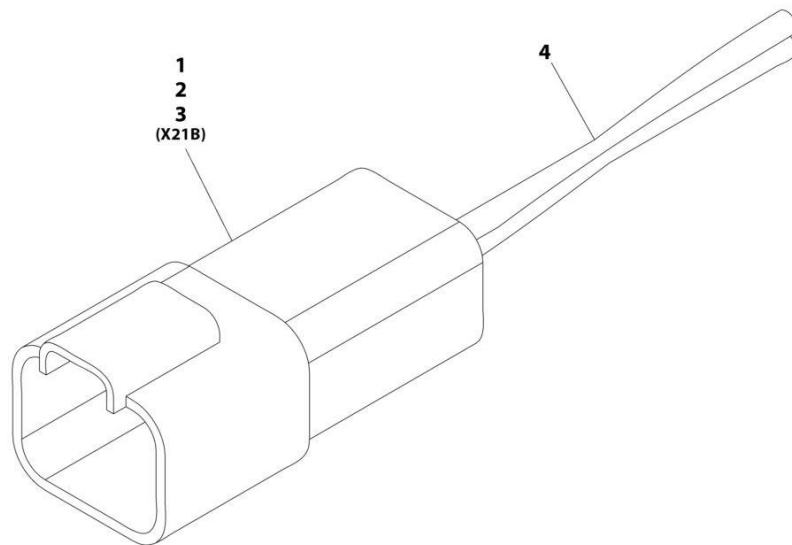
SECTION 10 - ELECTRICAL

FIGURE 10-56. LH DRIVE LIGHT INSTALLATION

ITEM	PART NUMBER	QTY	DESCRIPTION	REV
	1001190709	Ref	LH Drive Light Installation	A
1	1001190640	1	Bracket	
2	2920207	1	LH Drive Light	

SECTION 10 - ELECTRICAL

FIGURE 10-57. JUMPER HARNESS



ART_1001100965-B

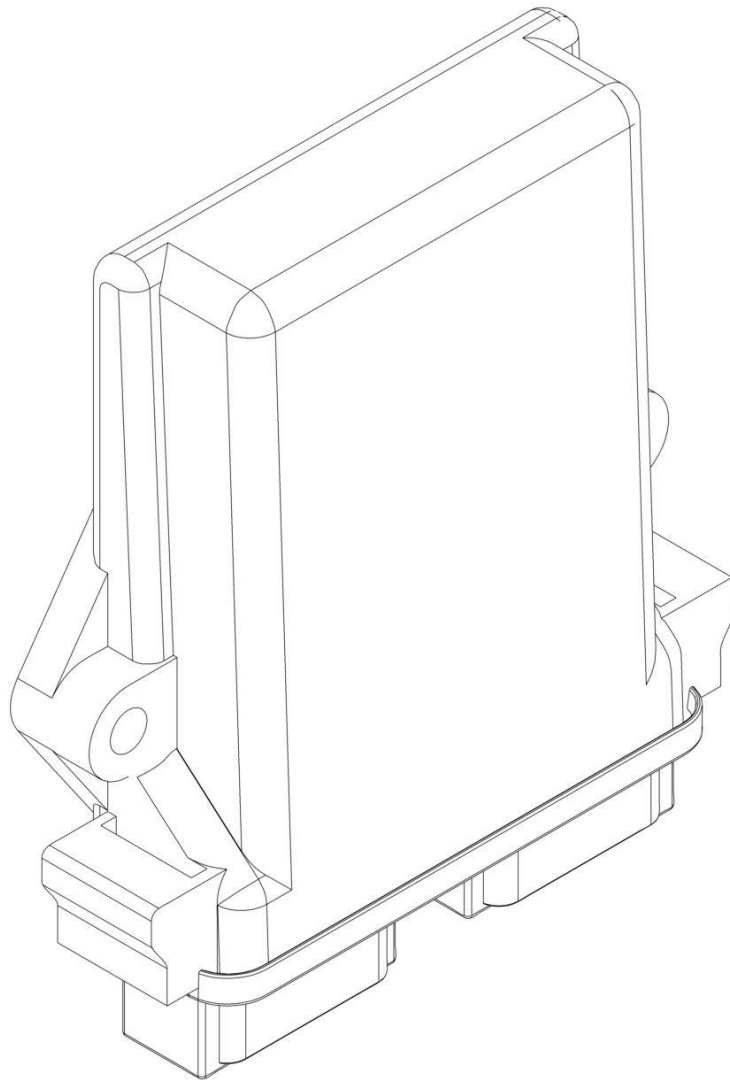
SECTION 10 - ELECTRICAL

FIGURE 10-57. JUMPER HARNESS

ITEM	PART NUMBER	QTY	DESCRIPTION	REV
	1001100965	Ref	Jumper Harness	B
1	4460464	2	Terminal	
2	4460466	2	Terminal	
3	4460932	1	Connector	
4	4920017	0.25 ft	Wire, 16 GA	

SECTION 10 - ELECTRICAL

FIGURE 10-58. GATEWAY CONTROLLER



ART_1001229458

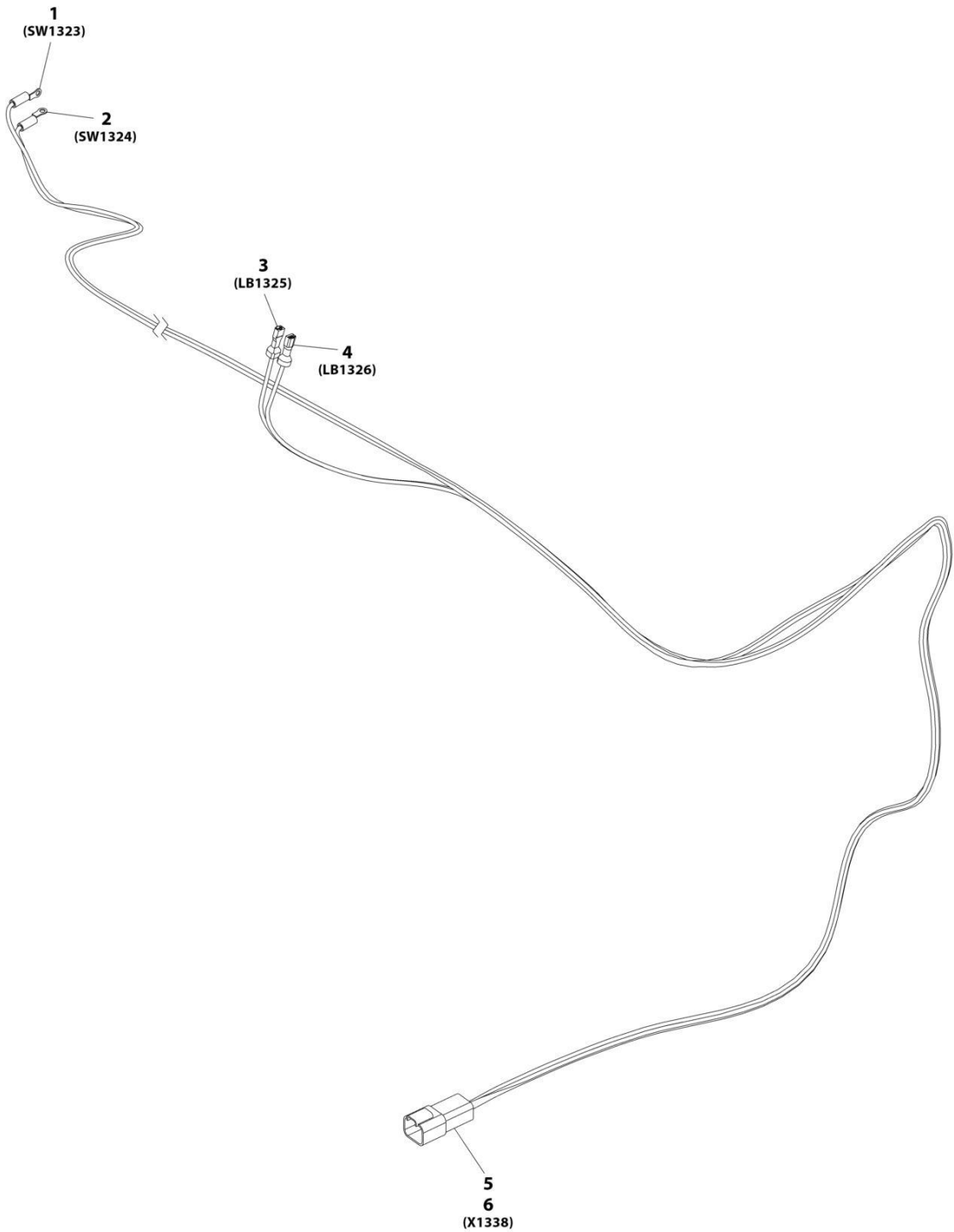
SECTION 10 - ELECTRICAL

FIGURE 10-58. GATEWAY CONTROLLER

ITEM	PART NUMBER	QTY	DESCRIPTION	REV
1	1001229458	Ref	Gateway Controller (SOLD AS ASSEMBLY ONLY)	B

SECTION 10 - ELECTRICAL

FIGURE 10-59. HARNESS, POSI AIR SHUT OFF, SC CAB



ART_1001233213-B

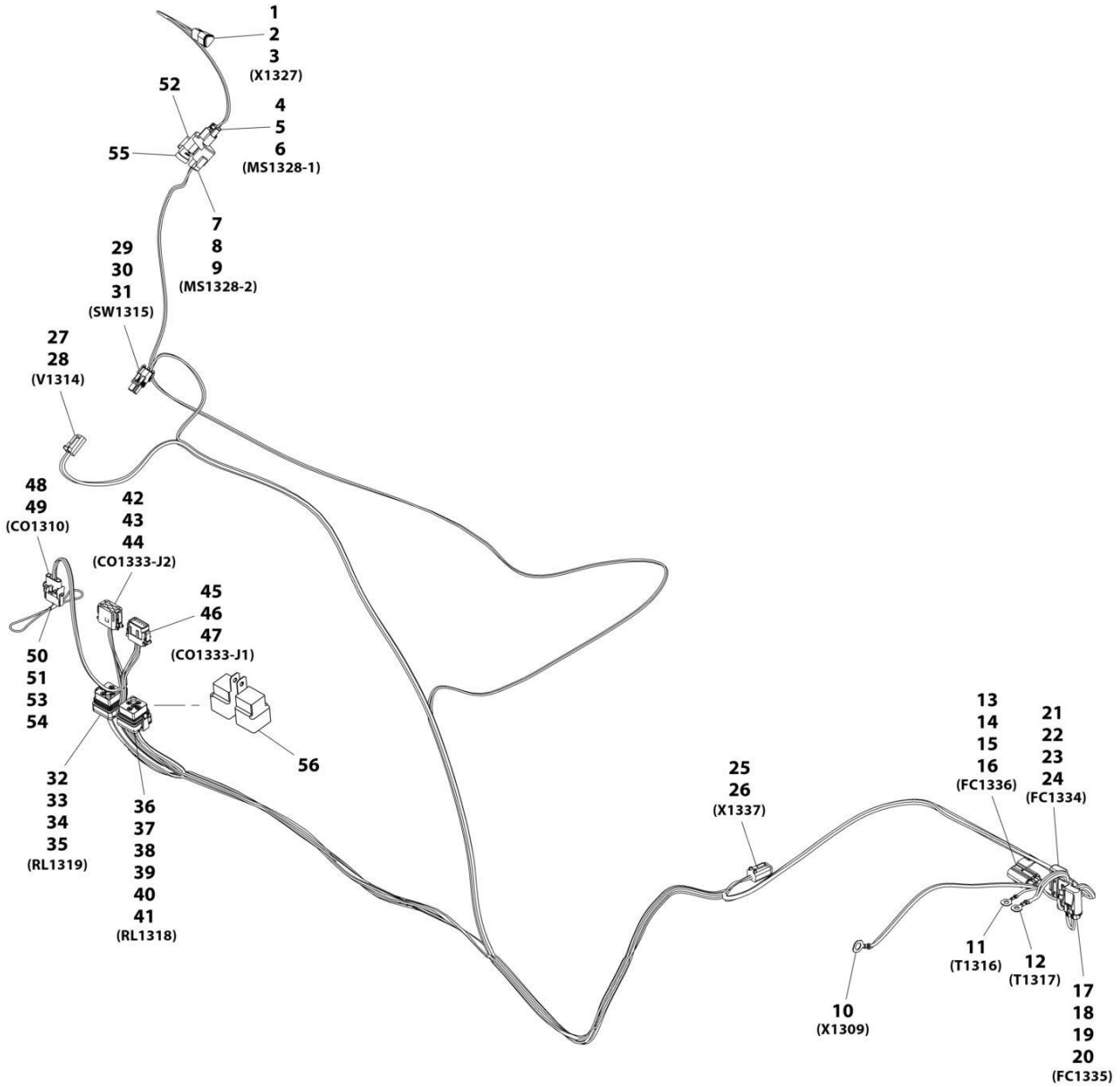
SECTION 10 - ELECTRICAL

FIGURE 10-59. HARNESS, POSI AIR SHUT OFF, SC CAB

ITEM	PART NUMBER	QTY	DESCRIPTION	REV
	1001233213	Ref	Harness, POSI Air Shut Off Valve	B
1	8220035	1	Terminal, Ring	
2	8220035	1	Terminal, Ring	
3	8220108	1	Connector, Female	
4	8220108	1	Connector, Female	
5	4460932	1	Connector	
6	4460464	1	Pin	

SECTION 10 - ELECTRICAL

FIGURE 10-60. HARNESS, POSI AIR SHUTOFF, SC FRAME



ART_1001233235-C

SECTION 10 - ELECTRICAL

FIGURE 10-60. HARNESS, POSI AIR SHUTOFF, SC FRAME

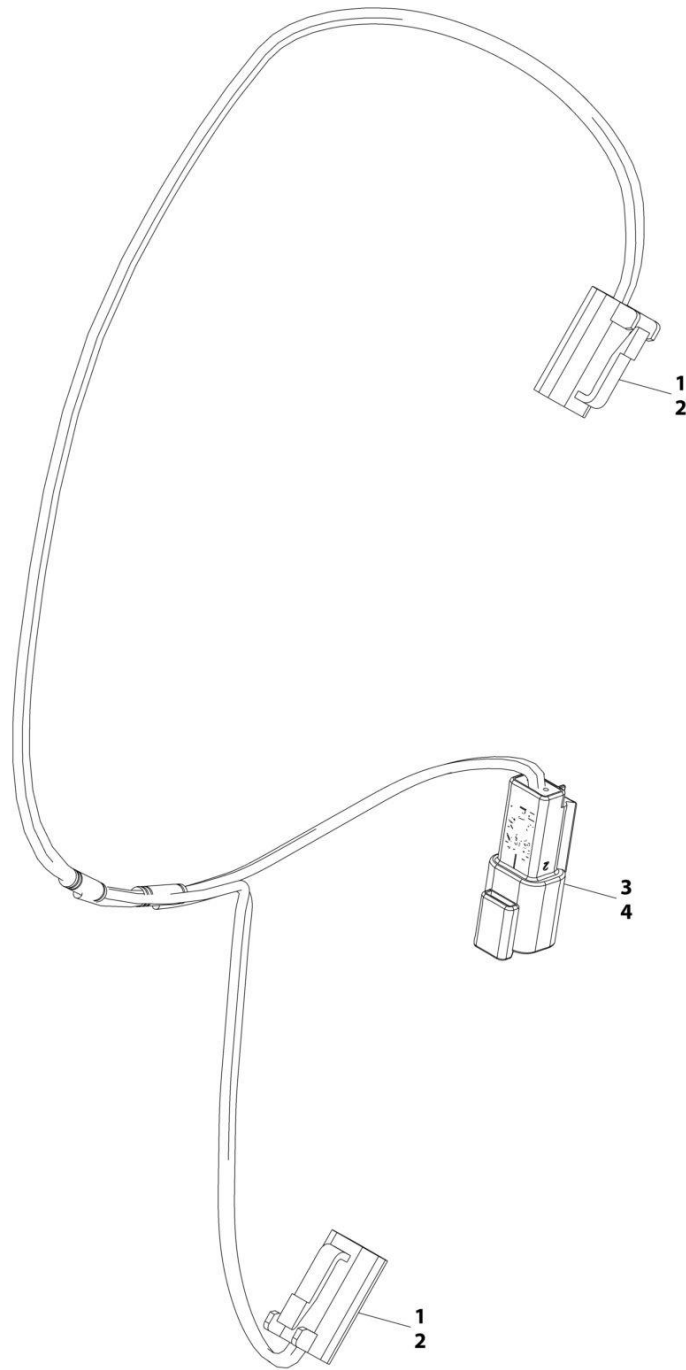
ITEM	PART NUMBER	QTY	DESCRIPTION	REV
	1001233235	Ref	AIR SHUT OFF VALVE FRAME HARNESS	C
1	1001116812	1	CONNECTOR	
2	4460465	2	TERMINAL	
3	4460466	1	PLUG	
4	1001116812	1	CONNECTOR	
5	4460465	2	TERMINAL	
6	4460466	1	PLUG	
7	4460539	1	CONNECTOR	
8	4460465	1	TERMINAL	
9	4460466	1	PLUG	
10	1001187079	1	TERMINAL RING	
11	1001207171	1	TERMINAL RING	
12	1001189077	1	TERMINAL RING	
13	1001231397	1	CONNECTOR	
14	8229261	1	FUSE	
15	1001231400	2	TERMINAL	
16	1001231403	2	SEAL	
17	1001231397	1	CONNECTOR	
18	8229234	1	FUSE	
19	1001231400	2	TERMINAL	
20	1001231403	2	SEAL	
21	1001231397	1	CONNECTOR	
22	8229235	1	FUSE	
23	1001231401	2	TERMINAL	
24	1001231402	2	SEAL	
25	4460884	1	CONNECTOR	
26	4460465	4	TERMINAL	
27	4460891	1	CONNECTOR	
28	1001157890	2	TERMINAL	
29	4460742	1	CONNECTOR	
30	4460475	2	TERMINAL	
31	4460458	2	SEAL	
32	1001231398	1	CONNECTOR	
33	1001231400	4	TERMINAL	
34	1001231406	1	PLUG	
35	1001231404	4	SEAL	
36	1001231398	1	CONNECTOR	
37	1001231401	2	TERMINAL	
38	1001231400	2	TERMINAL	
39	1001231401	1	PLUG	
40	1001231402	2	SEAL	
41	1001231404	2	SEAL	
42	1001116774	1	CONNECTOR	
43	1001126008	4	TERMINAL	
44	4460518	8	PLUG	
45	1001116808	1	CONNECTOR	
46	1001126008	9	TERMINAL	
47	4460518	3	PLUG	
48	4460761	1	CONNECTOR	
49	1001118378	4	TERMINAL	

SECTION 10 - ELECTRICAL

ITEM	PART NUMBER	QTY	DESCRIPTION	REV
50	4460321	1	PLUG	
51	4460809	4	TERMINAL	
52	4460945	1	TERMINAL	
53	1001143551	1	SEAL	
54	1001218358	1	LANYARD, ROPE	
55	1001116815	1	PLUG	
56	3740080	2	RELAY	

SECTION 10 - ELECTRICAL

FIGURE 10-61. VALVE JUMPER HARNESS



ART_1001209009-B

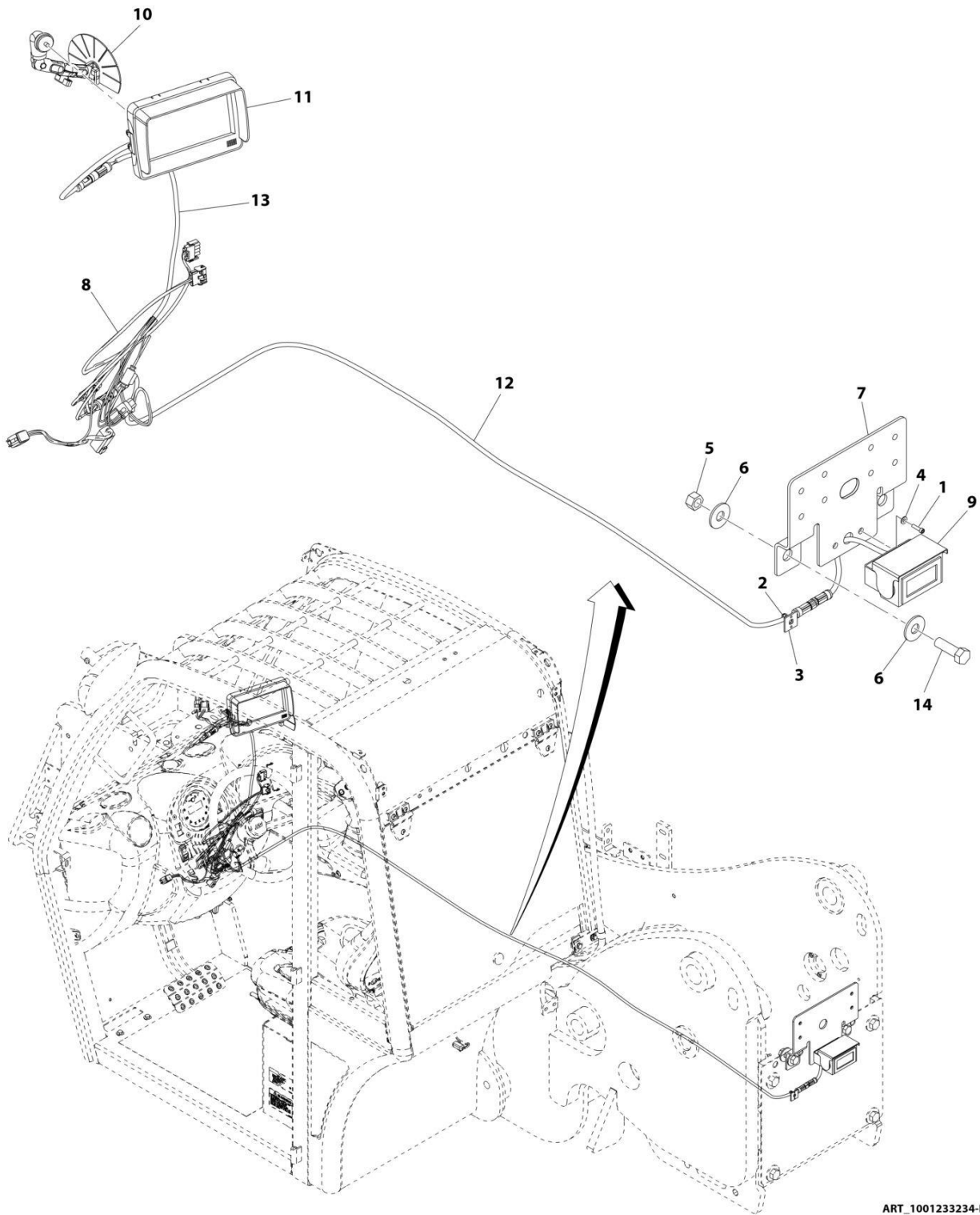
SECTION 10 - ELECTRICAL

FIGURE 10-61. VALVE JUMPER HARNESS

ITEM	PART NUMBER	QTY	DESCRIPTION	REV
	1001209009	Ref	Valve Jumper Harness	B
1	4460891	1	Connector, (includes rear seal)	
2	4460465	2	Terminal	
3	4460891	1	Connector, (includes rear seal)	
4	4460465	2	Terminal	
5	4460897	1	Connector, (includes rear seal)	
6	4460464	2	Terminal	

SECTION 10 - ELECTRICAL

FIGURE 10-62. INSTALLATION, BACK-UP CAMERA



ART_1001233234-B

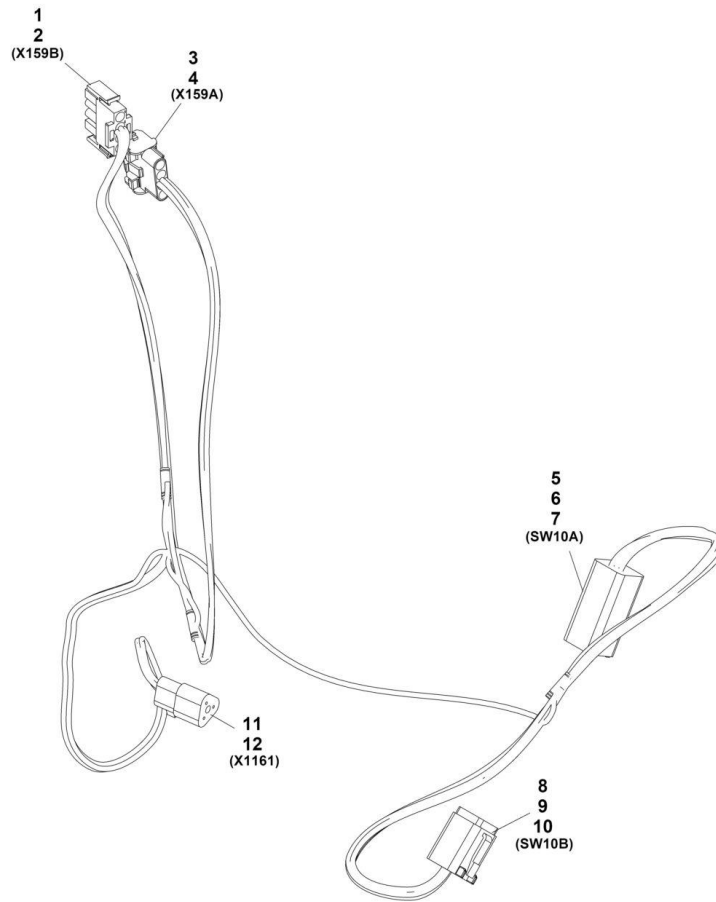
SECTION 10 - ELECTRICAL

FIGURE 10-62. INSTALLATION, BACK-UP CAMERA

ITEM	PART NUMBER	QTY	DESCRIPTION	REV
	1001233234	Ref	Back-Up Camera Installation	B
1	3931012	2	Bolt, #10-24X3/4	
2	4240032	15	Strap, Tie	
3	4460234	1	Terminal	
4	4711000	2	Washer, #10	
5	3312005	2	Nut, Lock 5/8-11	
6	4752000	4	Washer, 5/8	
7	1001233831	1	Bracket, Camera Mount	
8	1001243201	1	Harness, Rear Camera (See Separate Breakdown in Electrical Section)	
9	1001233174	1	Camera, Rear View	
10	1001233199	1	Bracket, Monitor Mount	
11	1001233202	1	Montior	
12	1001233434	1	Camera Harness, Extension Cable	
13	1001233435	1	Harness, Back-Up Camera	
14	0642016	2	Bolt, 5/8-11X2	

SECTION 10 - ELECTRICAL

FIGURE 10-63. REAR CAMERA OPTION HARNESS



ART_1001243201

SECTION 10 - ELECTRICAL

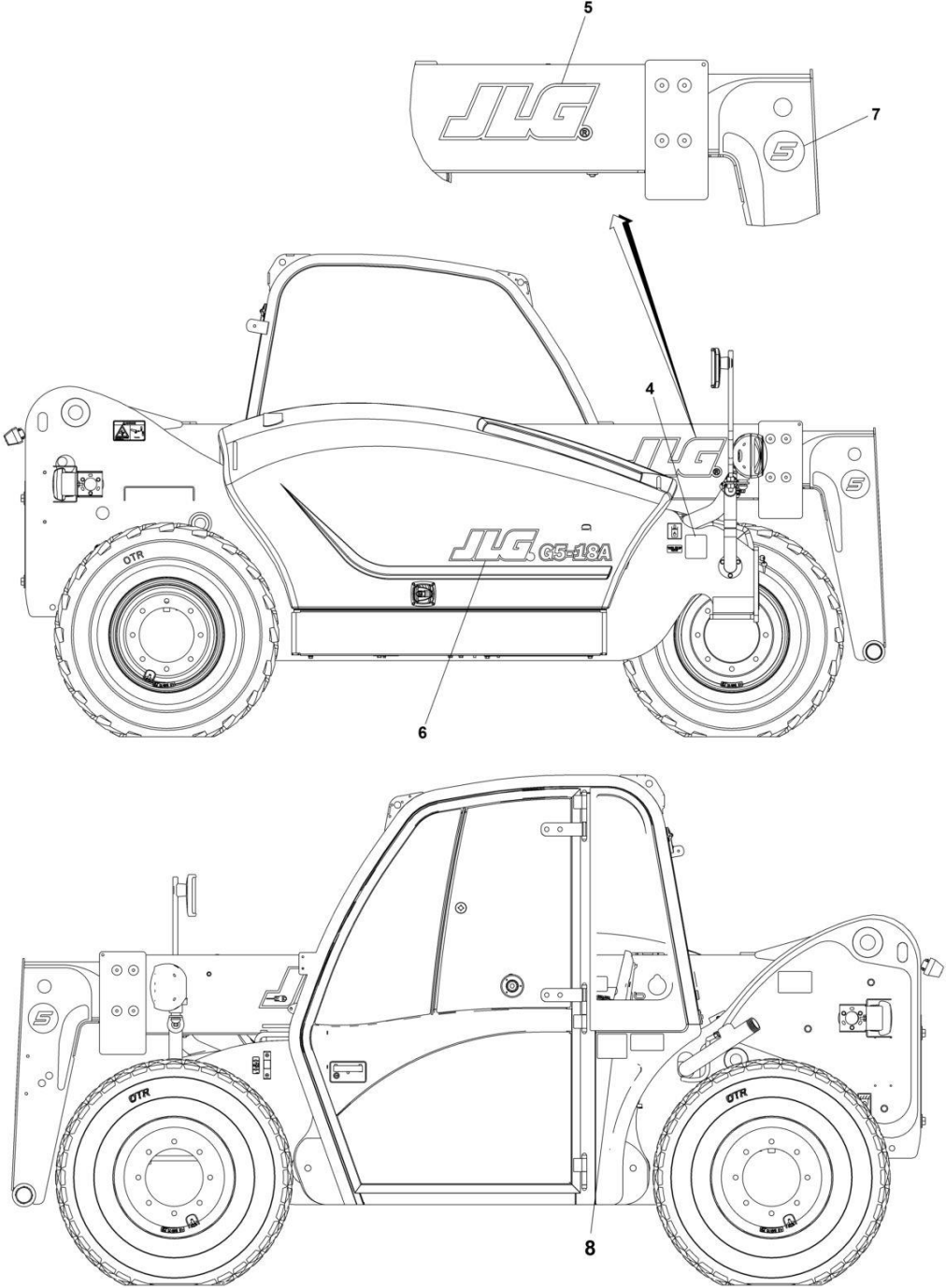
FIGURE 10-63. REAR CAMERA OPTION HARNESS

ITEM	PART NUMBER	QTY	DESCRIPTION	REV
	1001243201	1	Rear Camera Option Harness	A
1	1001119031	1	Connector	
2	4460268	4	Terminal	
3	4460761	1	Connector	
4	4460267	4	Terminal	
5	4460899	1	Connector	
6	4460464	5	Terminal	
7	4460466	1	Plug	
8	4460894	1	Connector	
9	4460465	5	Terminal	
10	4460466	1	Plug	
11	4460539	1	Connector	
12	4460465	3	Terminal	

SECTION 11 - DECALS

SECTION 11 - DECALS

FIGURE 11-1. DECAL INSTALLATION



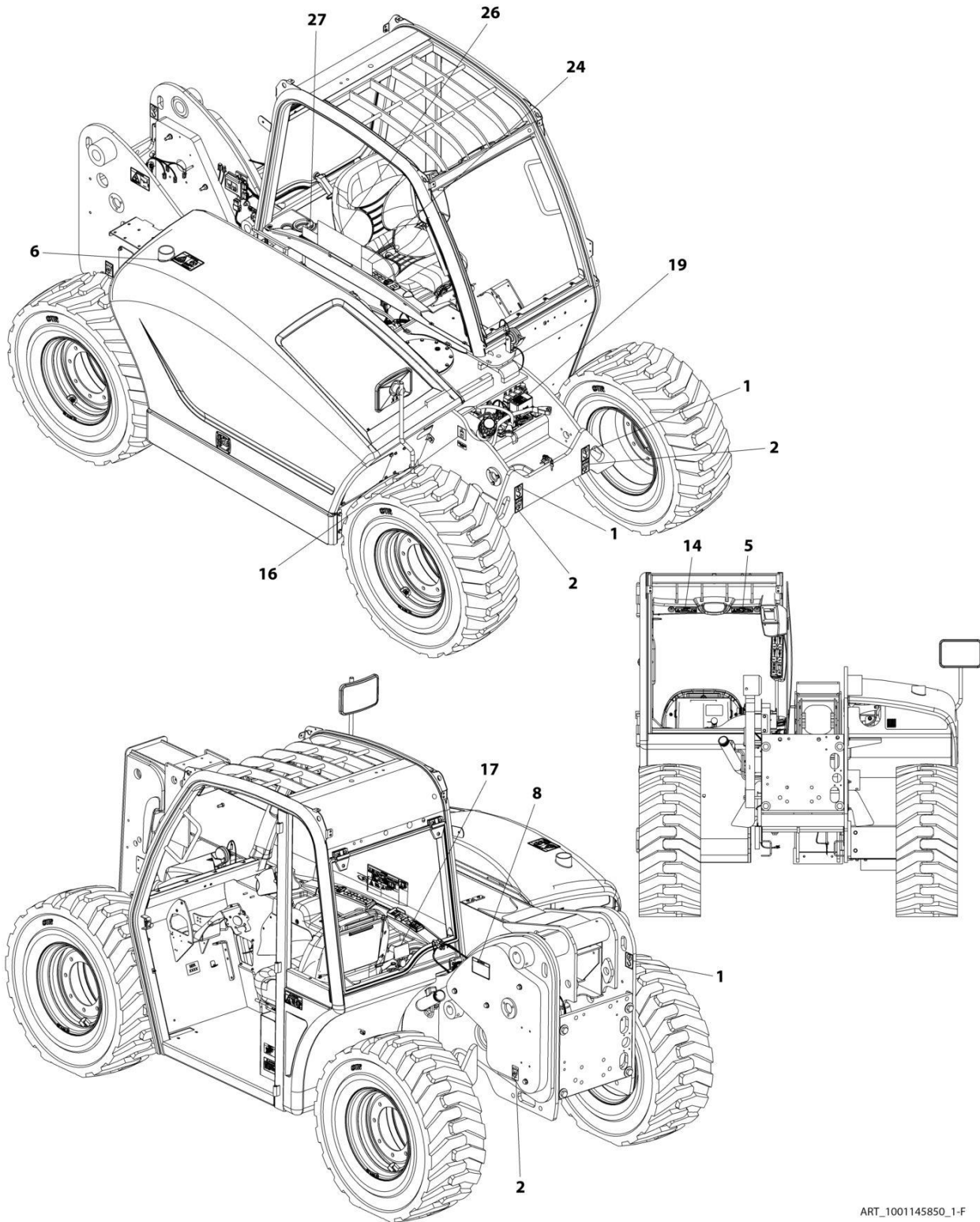
ART_1001148091_I

FIGURE 11-1. DECAL INSTALLATION

ITEM	PART NUMBER	QTY	DESCRIPTION	REV
	1001148091	Ref	DECAL INSTALLATION	I
4	1001131271	1	Decal, Patent Telehandlers	
5	1001151781	2	Decal, JLG	
6	1001151782	1	Decal, JLG	
7	1001279175	2	Decal, Boom Head 5K	
8	3251813	1	Decal, USA	

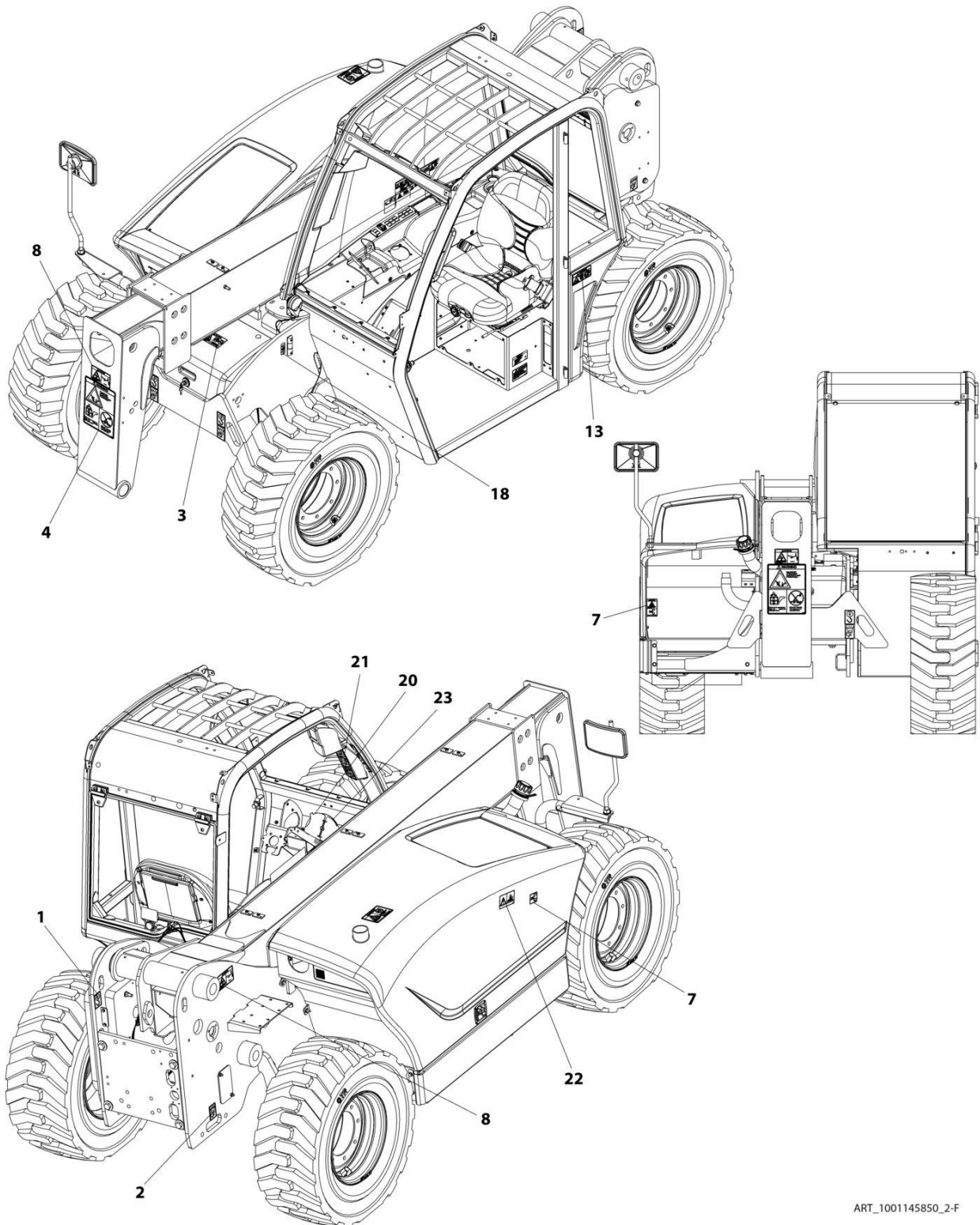
SECTION 11 - DECALS

FIGURE 11-2. DECAL INSTALLATION, (ANSI)



ART_1001145850_1-F

SECTION 11 - DECALS



ART_1001145850_2-F

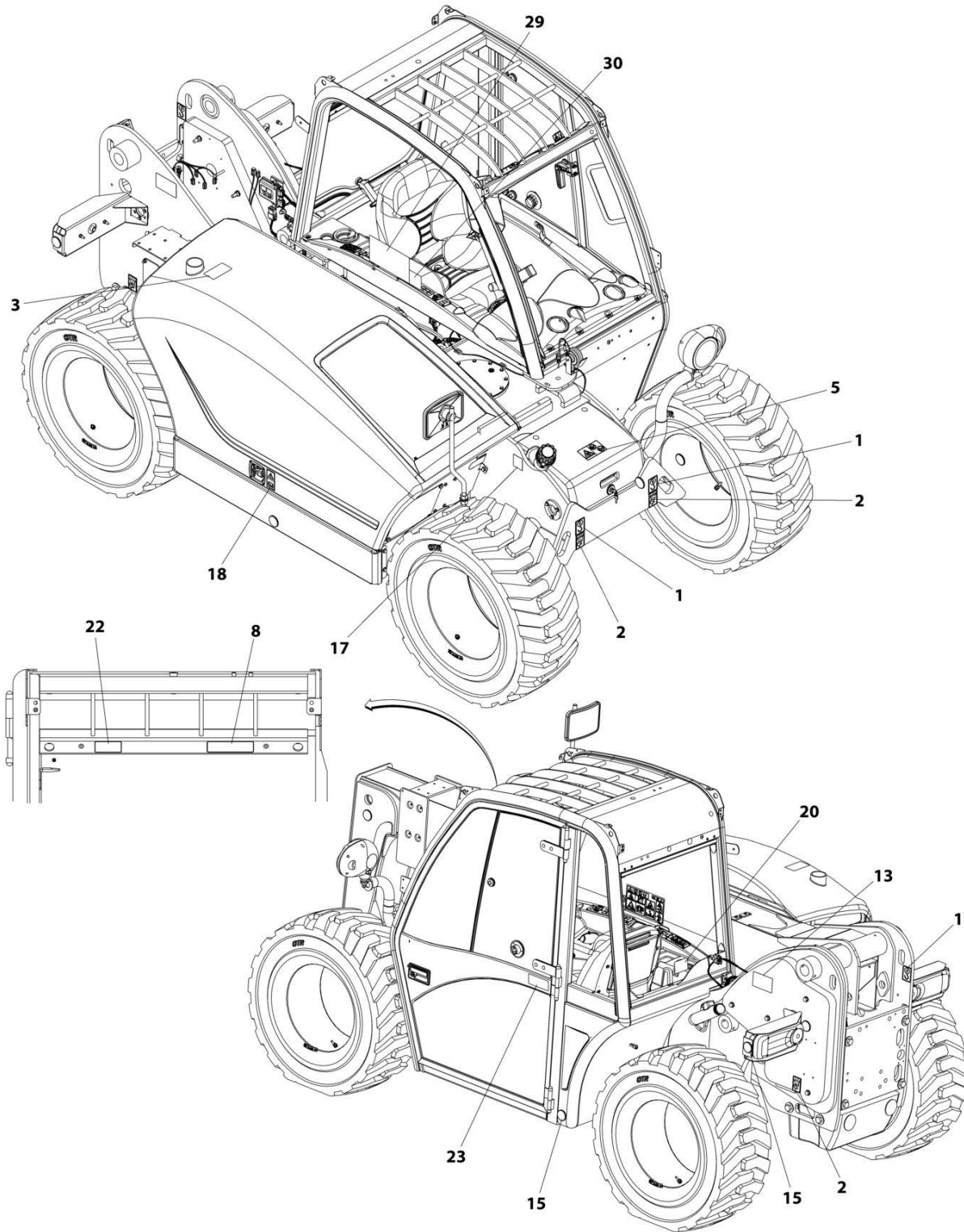
SECTION 11 - DECALS

FIGURE 11-2. DECAL INSTALLATION, (ANSI)

ITEM	PART NUMBER	QTY	DESCRIPTION	REV
	1001145850	Ref	Decal Installation	F
1	1701500	4	Decal, Lift	
2	1702300	4	Decal, Tie Down	
3	1706296	1	Decal, Battery Warning	
4	1706298	1	Decal, Attachment Falling Off Warning	
5	1706299	1	Decal, Contacting Power Lines Warning	
6	1706300	1	Decal, Ether Warning	
7	1706301	2	Decal, Keep Clear of Rotating Parts Warning	
8	1706302	3	Decal, Pinch Point Boom Holes	
13	1706768	1	Decal, Vehicle Roll Away	
14	1706850	1	Decal, Crush Hazard Warning	
16	4100181	1	Decal, Hydraulic Oil Fill	
17	8005870	1	Decal, Emergency Exit	
18	91563220	1	Decal, Oil Level	
19	1001156576	1	Decal, Fuse Cover	
20	1001100107	1	Decal, Lube Chart	
21	1001101071	1	Decal, Instructional Joystick	
22	1001139578	1	Decal, Hot Fluid Warning	
23	1001146038	1	Decal, Maintenance Chart	
24	1001200101	1	Decal, Manual	
25	1001223453	1	Decal, ICES	
26	1707078	1	Decal, Warning	
27	1001231801	1	Decal, Warning Prop 65 Diesel	

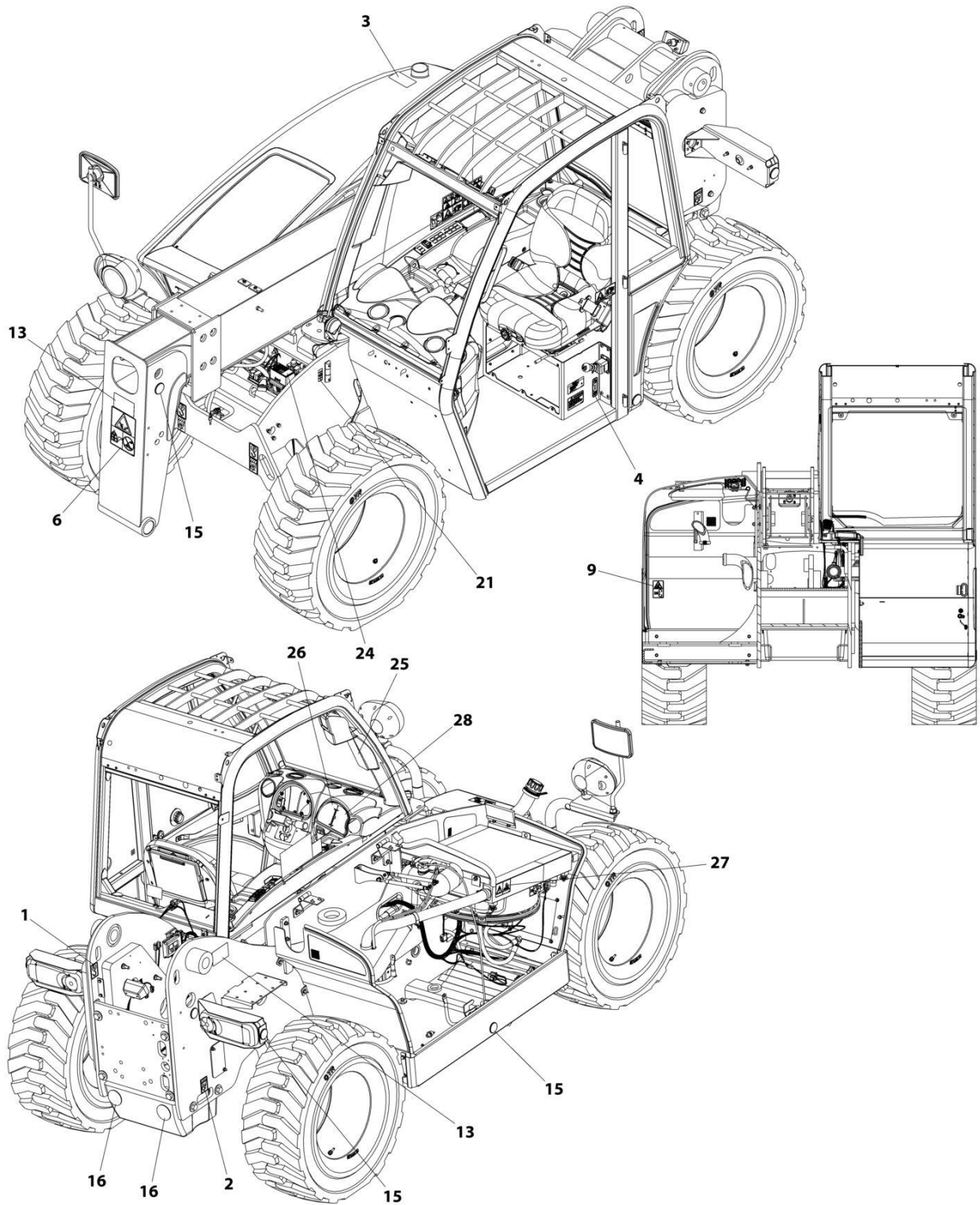
SECTION 11 - DECALS

FIGURE 11-3. DECAL INSTALLATION, (ISO)



ART_1001147650_1-D

SECTION 11 - DECALS



ART_1001147650_2-D

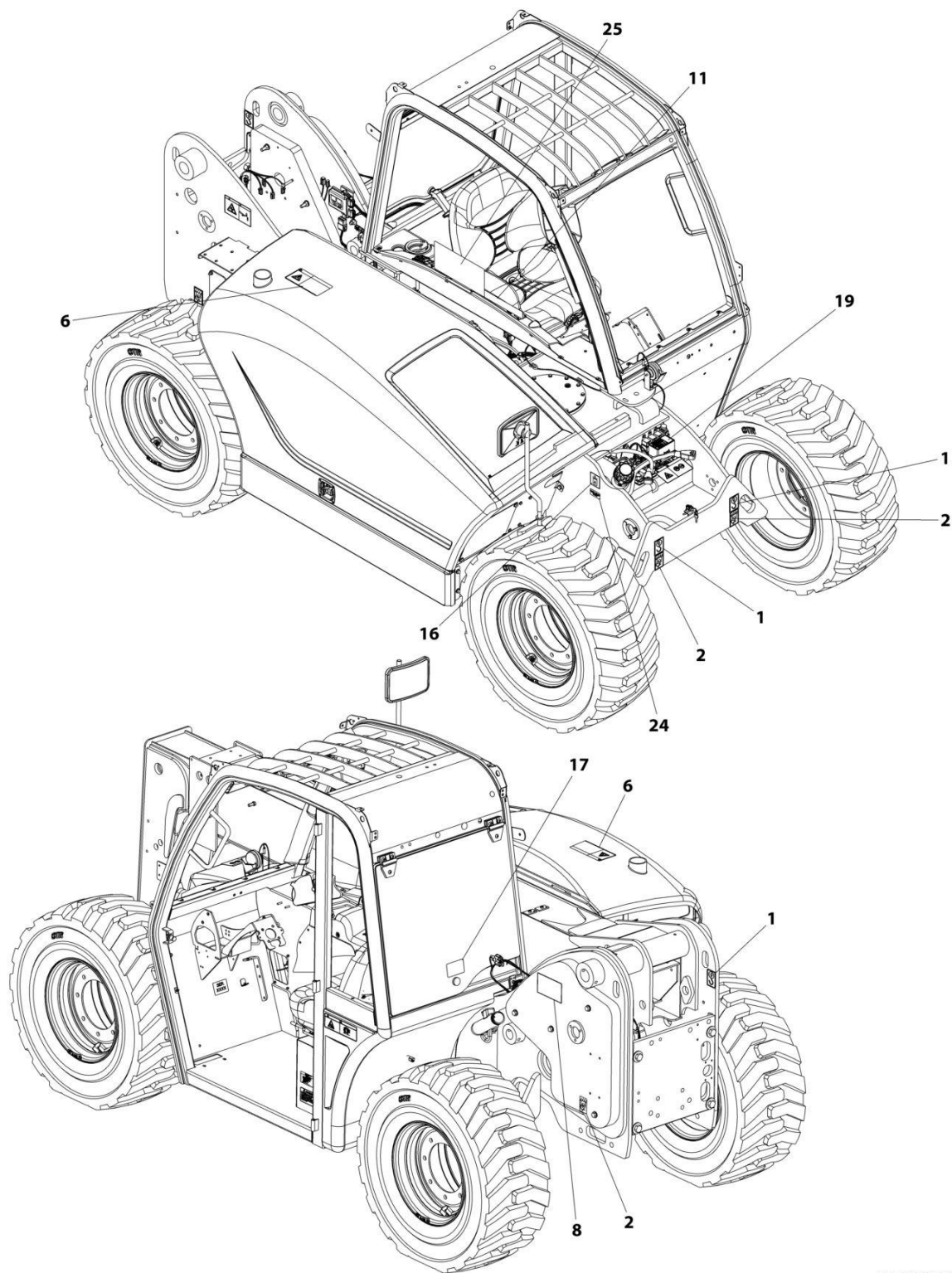
SECTION 11 - DECALS

FIGURE 11-3. DECAL INSTALLATION, (ISO)

ITEM	PART NUMBER	QTY	DESCRIPTION	REV
	1001147650	Ref	Decal Installation, (ISO)	D
1	1701500	4	Decal, Lift	
2	1702300	4	Decal, Tie Down	
3	1706098	1	Decal, Ether Start Warning	
4	1706209	1	Decal, Park Brake	
5	1706281	1	Decal, Battery Warning	
6	1706282	1	Decal, Carry Personnel	
8	1706284	1	Decal, Electrocution Hazard	
9	1706285	2	Decal, Moving Parts	
13	1706292	3	Decal, Pinch Point	
15	3700016	6	Reflector	
16	3931579	2	Reflector	
17	4100181	1	Decal, Hydraulic Oil Fill	
18	8005670	1	Decal, Read Operators Manual	
20	8005870	1	Decal, Emergency Exit	
21	91563220	1	Decal, Oil Level	
22	1001092877	1	Decal, Crush Hazard Warning	
23	1001092878	1	Decal, No Riders	
24	1001156576	1	Decal, Fuse Cover	
25	1001100107	1	Lube Chart	
26	1001101071	1	Decal, Joystick	
27	1001139942	1	Decal, Hot Fluid Warning	
28	1001150347	1	Decal, Maintenance Chart	
29	1001101895	1	Decal, Warning	
30	1001200101	1	Decal, Manual Location	

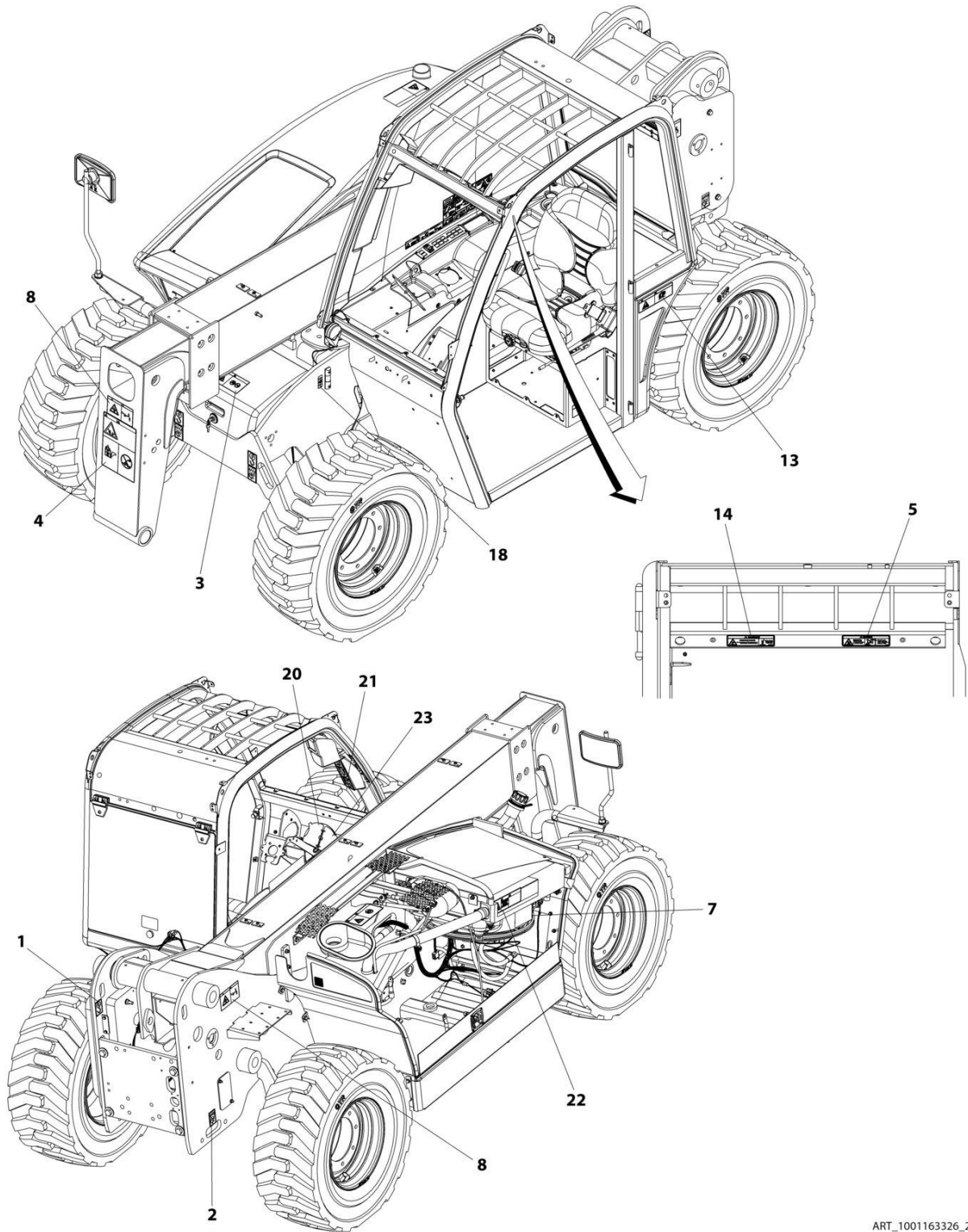
SECTION 11 - DECALS

FIGURE 11-4. DECAL INSTALLATION (ENGLISH/FRENCH)



ART_1001163326_1-C

SECTION 11 - DECALS



ART_1001163326_2-C

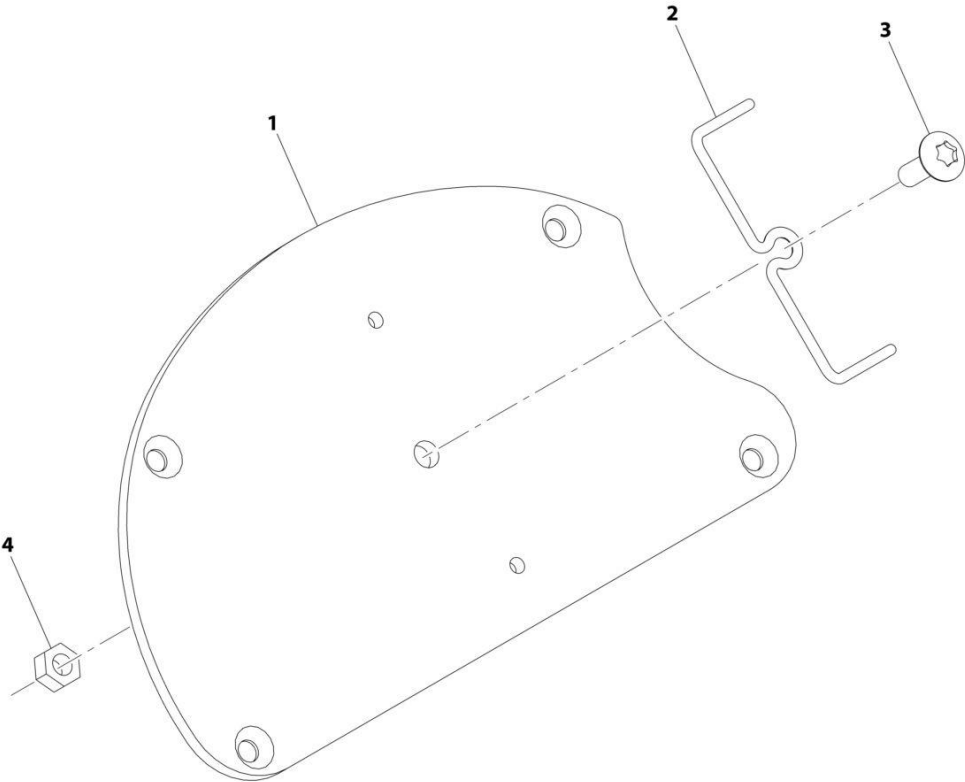
SECTION 11 - DECALS

FIGURE 11-4. DECAL INSTALLATION (ENGLISH/FRENCH)

ITEM	PART NUMBER	QTY	DESCRIPTION	REV
	1001163326	Ref	Decal Installation (ENGLISH/FRENCH)	C
1	1701500	4	Decal, Lift	
2	1702300	4	Decal, Tie Down	
3	1001163174	1	Decal, Battery Warning	
4	1001163206	1	Decal, Carry Personnel	
5	1001163210	1	Decal, Electrocutation Hazard	
6	1001163212	1	Decal, Warning No Either	
7	1001163222	2	Decal, Moving Parts	
8	1001163223	3	Decal, Pinch Point	
11	1001163285	1	Decal, Warning Tip Over	
13	1001163300	1	Decal, No Riders	
14	1001163304	1	Decal, Warning Crushing Hazard	
16	4100181	1	Decal, Hydraulic Oil Fill	
17	8005870	1	Decal, Emergency Exit	
18	91563220	1	Decal, Oil Level	
19	1001156576	1	Decal, Fuse Cover	
20	1001100107	1	Decal, Lube Chart	
21	1001101071	1	Decal, Instructional Joystick	
22	1001163323	1	Decal, Warning Hot Fluid	
23	1001146038	1	Decal, Maintenance Chart	
24	1001223453	1	Decal, ICES	
25	1001233558	1	Decal, Warning/Danger	

SECTION 11 - DECALS

FIGURE 11-5. LOAD CHART MOUNT



ART_1001239184-A

FIGURE 11-5. LOAD CHART MOUNT

ITEM	PART NUMBER	QTY	DESCRIPTION	REV
	1001239184	Ref	Load Chart Mount	A
1	1001081301	1	Panel, Load Chart	
2	1001081302	1	Holder, Wire	
3	8303034	1	Truss HD Screw, 1/4-20X0.75	
4	3311405	1	Nut, 1/4-20	

SECTION 11 - DECALS

FIGURE 11-6. CAPACITY CHART



ART_1001102000-I

FIGURE 11-6. CAPACITY CHART

ITEM	PART NUMBER	QTY	DESCRIPTION	REV
1	1001102000	Ref	Capacity Chart	I

SECTION 11 - DECALS

FIGURE 11-7. CAPACITY CHART (UNIVERSAL QUICK SWITCH)



ART_1001126677-G

SECTION 11 - DECALS

FIGURE 11-7. CAPACITY CHART (UNIVERSAL QUICK SWITCH)

ITEM	PART NUMBER	QTY	DESCRIPTION	REV
1	1001126677	Ref	Capacity Chart (Universal Quick Switch)	G

SECTION 11 - DECALS

FIGURE 11-8. CAPACITY CHART - METRIC



ART_100117326-H

SECTION 11 - DECALS

FIGURE 11-8. CAPACITY CHART - METRIC

ITEM	PART NUMBER	QTY	DESCRIPTION	REV
1	1001117326	Ref	Capacity Chart - Metric	H

SECTION 11 - DECALS

FIGURE 11-9. CAPACITY CHART (UNIVERSAL QUICK SWITCH - METRIC)



ART_1001126685-F

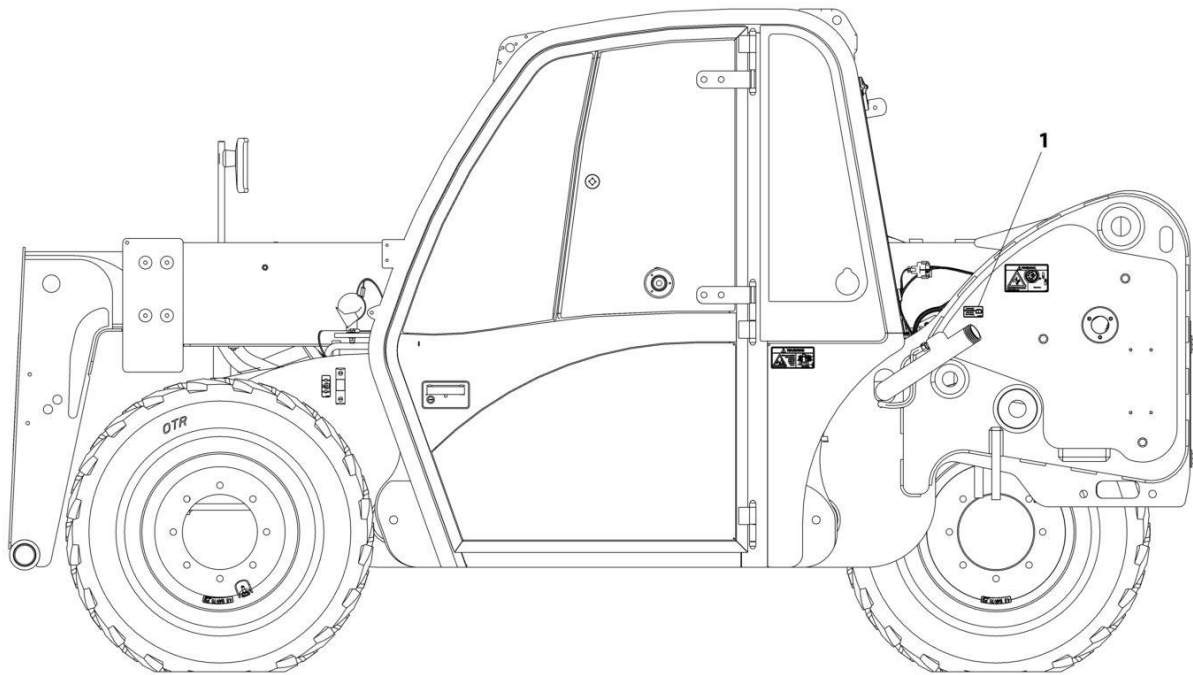
SECTION 11 - DECALS

FIGURE 11-9. CAPACITY CHART (UNIVERSAL QUICK SWITCH - METRIC)

ITEM	PART NUMBER	QTY	DESCRIPTION	REV
1	1001126685	Ref	Capacity Chart (Universal Quick Switch - Metric)	F

SECTION 11 - DECALS

FIGURE 11-10. MACHINE DECAL (ULS - ANSI)



ART_1001150461-A

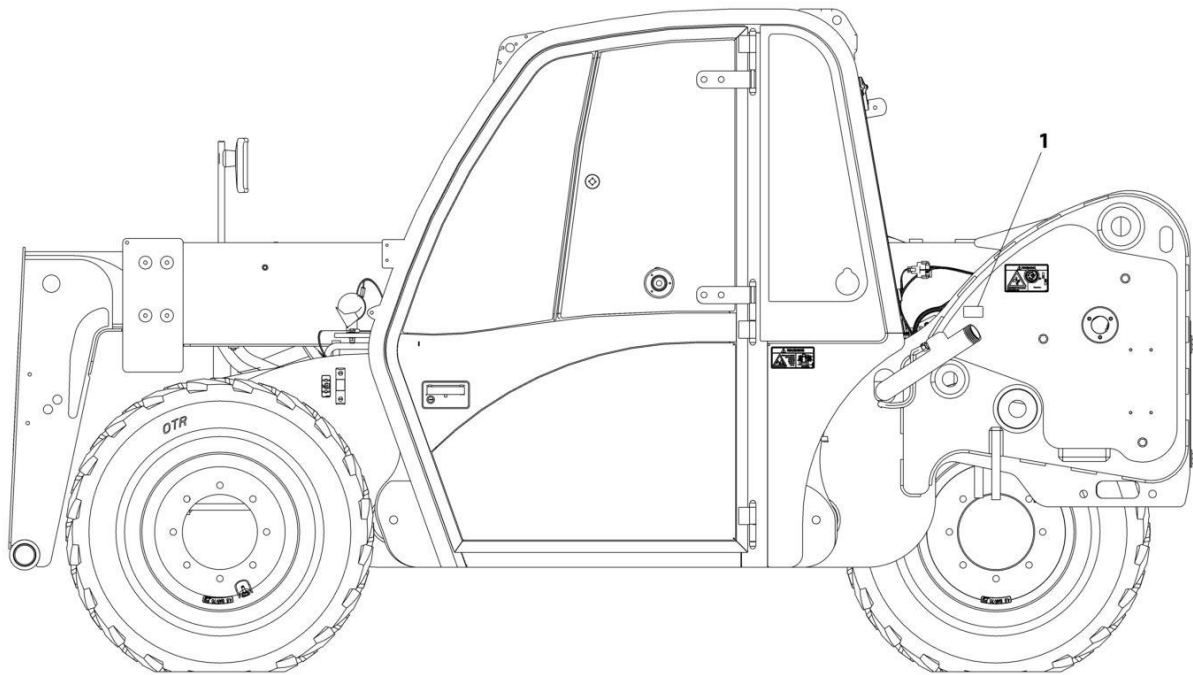
SECTION 11 - DECALS

FIGURE 11-10. MACHINE DECAL (ULS - ANSI)

ITEM	PART NUMBER	QTY	DESCRIPTION	REV
1	1001150461 1001125387	Ref 1	Machine Decal (ULS - ANSI) Decal, Ultra Low Sulfur Fuel	A

SECTION 11 - DECALS

FIGURE 11-11. MACHINE DECAL (ULS - ISO)



ART_1001150462-A

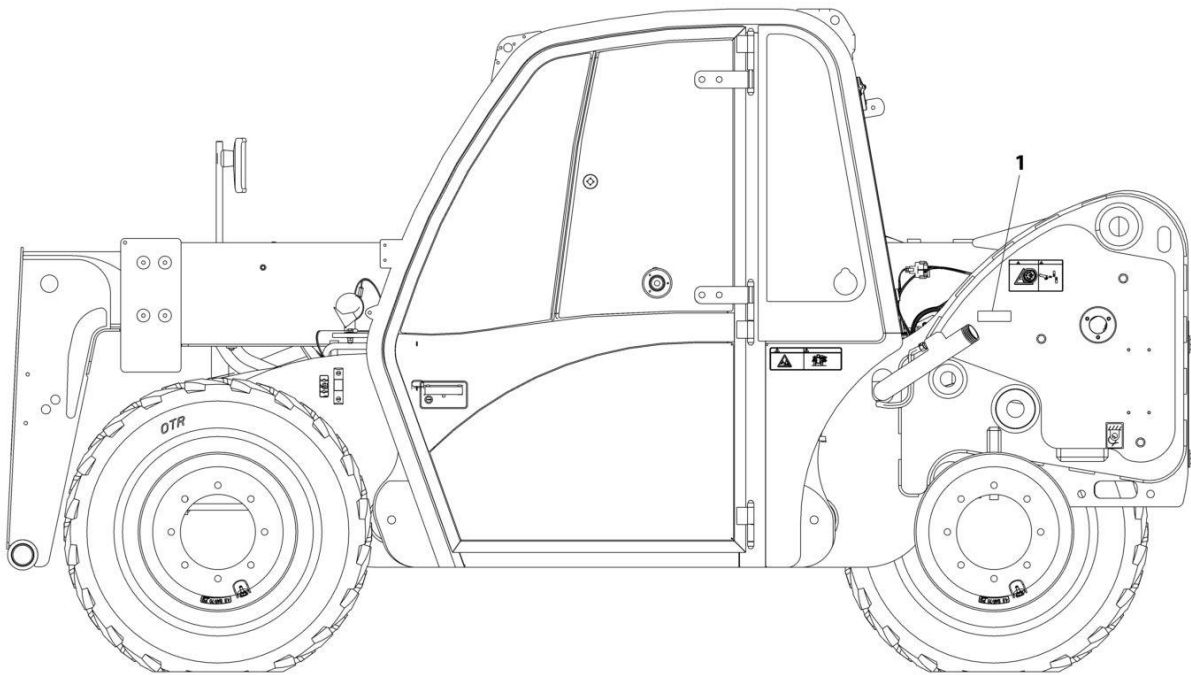
SECTION 11 - DECALS

FIGURE 11-11. MACHINE DECAL (ULS - ISO)

ITEM	PART NUMBER	QTY	DESCRIPTION	REV
1	1001150462 1001139654	Ref 1	Machine Decal (ULS - ISO) Decal, Ultra Low Sulfur Fuel	A

SECTION 11 - DECALS

FIGURE 11-12. MACHINE DECAL (ULS - ENGLISH/FRENCH)



ART_1001163751-A

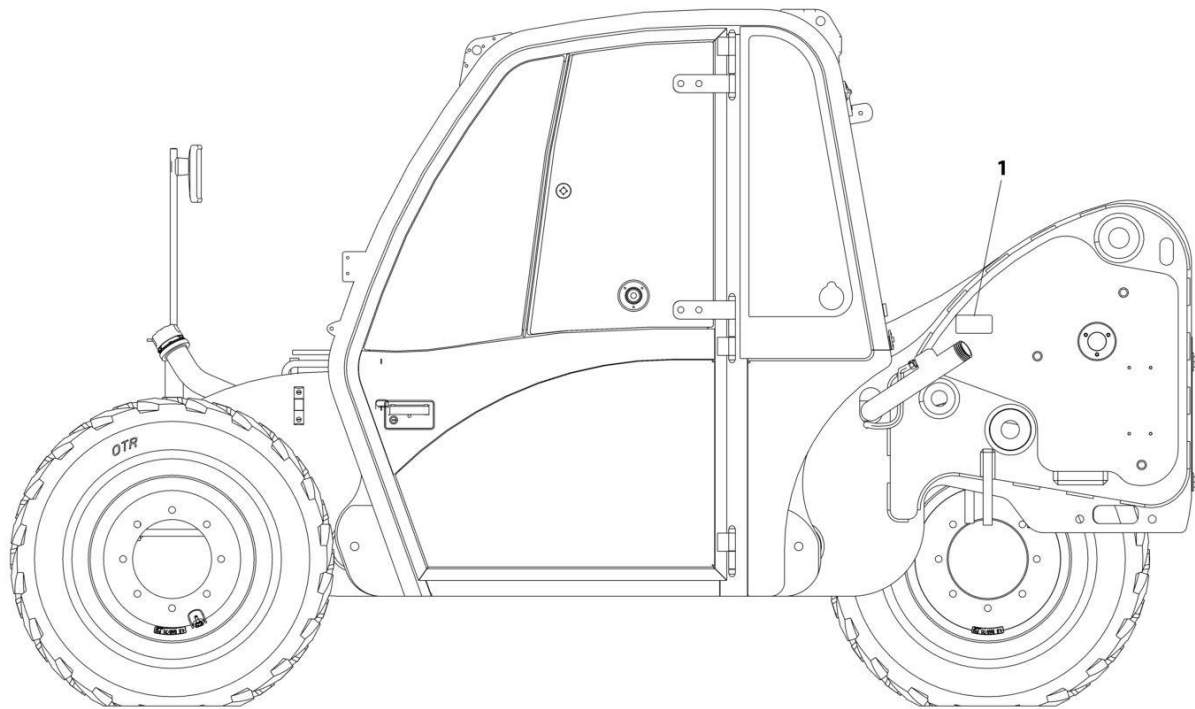
SECTION 11 - DECALS

FIGURE 11-12. MACHINE DECAL (ULS - ENGLISH/FRENCH)

ITEM	PART NUMBER	QTY	DESCRIPTION	REV
1	1001163751 1001163355	Ref 1	Machine Decal (ULS - English/French) Decal, Ultra Low Sulfur Fuel	A

SECTION 11 - DECALS

FIGURE 11-13. MACHINE DECAL (LS)



ART_1001150642-A

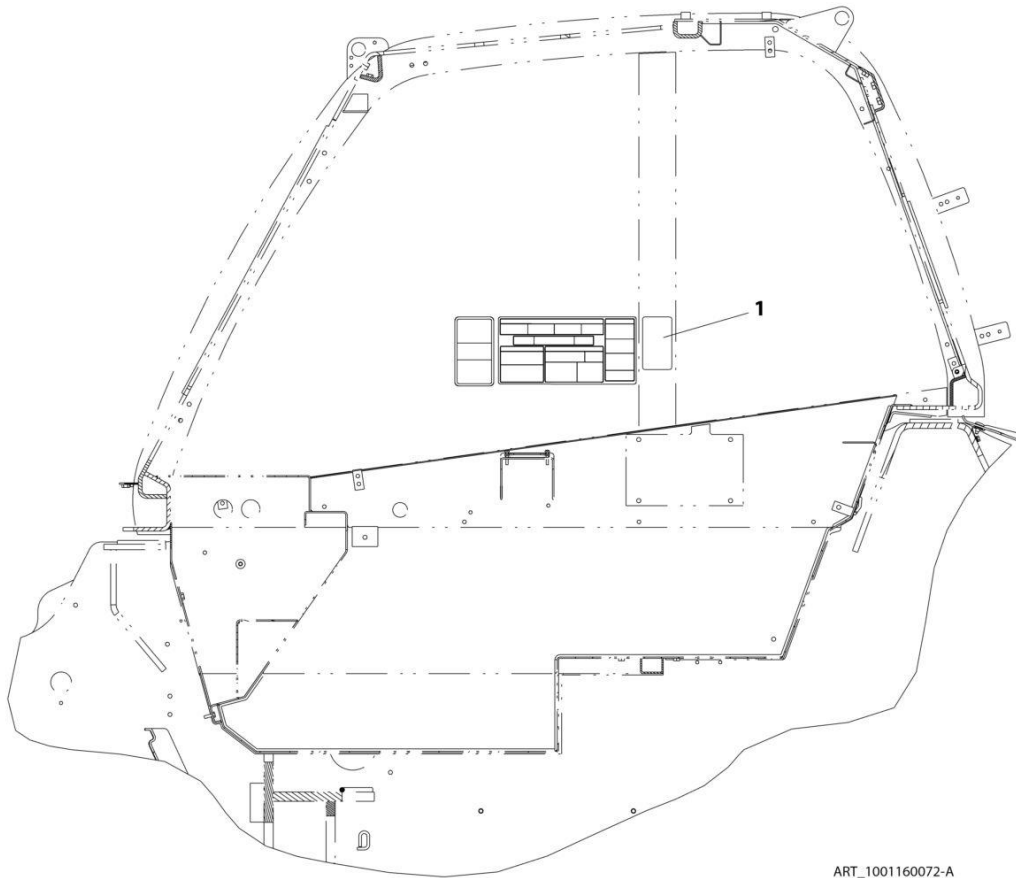
SECTION 11 - DECALS

FIGURE 11-13. MACHINE DECAL (LS)

ITEM	PART NUMBER	QTY	DESCRIPTION	REV
1	1001150642 1001143852	Ref 1	Machine Decal (LS) Decal, Export	A

SECTION 11 - DECALS

FIGURE 11-14. REVERSE SENSOR SYSTEM DECAL (ENGLISH)



ART_1001160072-A

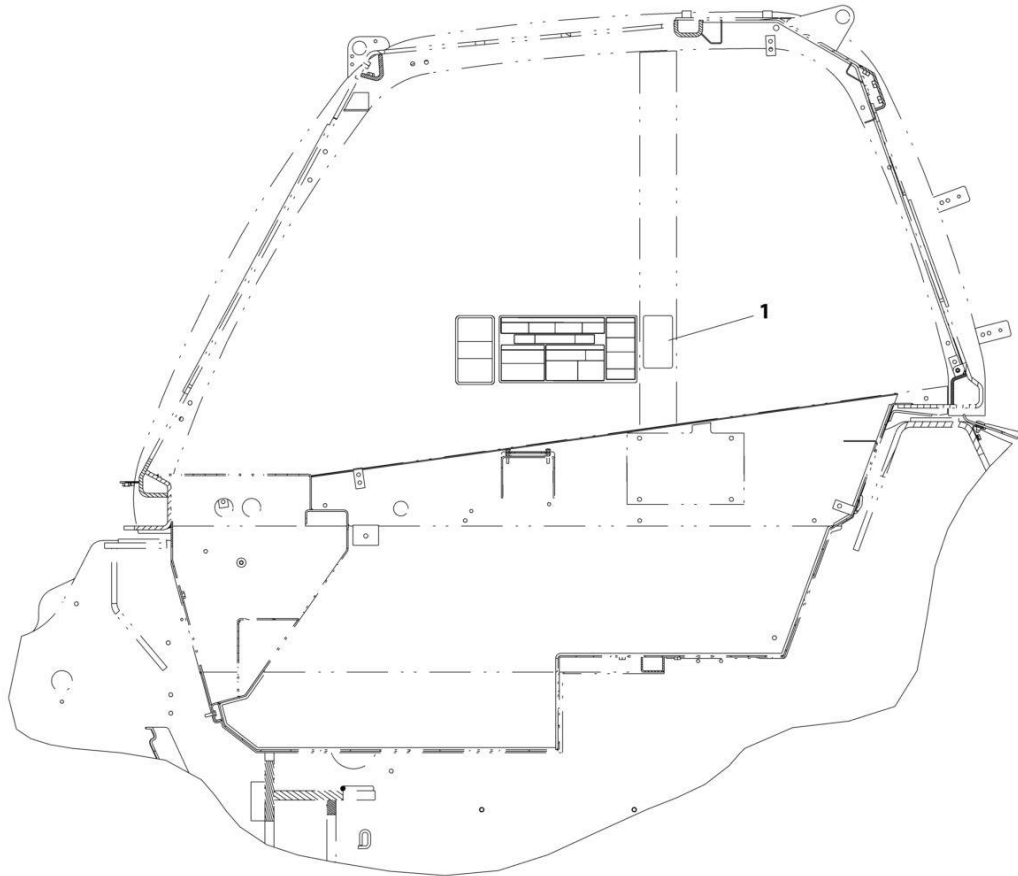
SECTION 11 - DECALS

FIGURE 11-14. REVERSE SENSOR SYSTEM DECAL (ENGLISH)

ITEM	PART NUMBER	QTY	DESCRIPTION	REV
1	1001160072	1	Reverse Sensor System Decal (English)	A

SECTION 11 - DECALS

FIGURE 11-15. REVERSE SENSING SYSTEM DECAL, (ENGLISH/FRENCH)



ART_1001160945-A

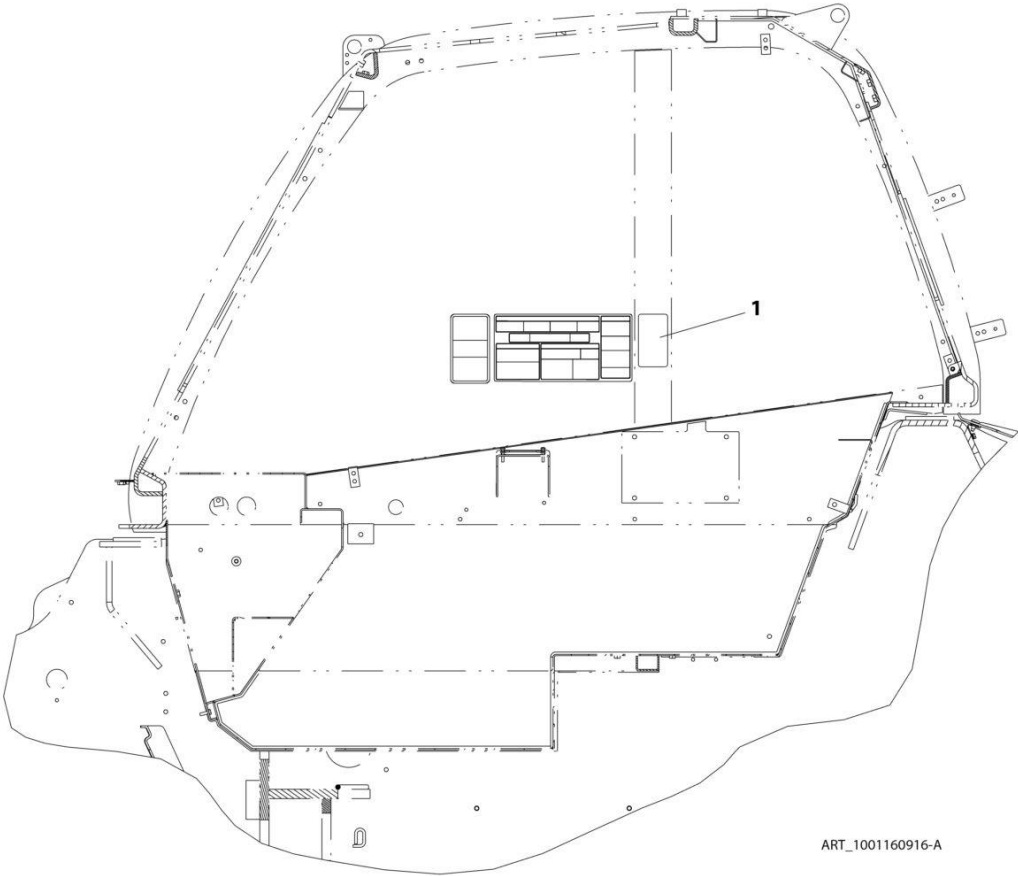
SECTION 11 - DECALS

FIGURE 11-15. REVERSE SENSING SYSTEM DECAL, (ENGLISH/FRENCH)

ITEM	PART NUMBER	QTY	DESCRIPTION	REV
1	1001160945	1	Reverse Sensor System Decal (ENGLISH/FRENCH)	A

SECTION 11 - DECALS

FIGURE 11-16. REVERSE SENSING SYSTEM DECAL (ISO)



ART_1001160916-A

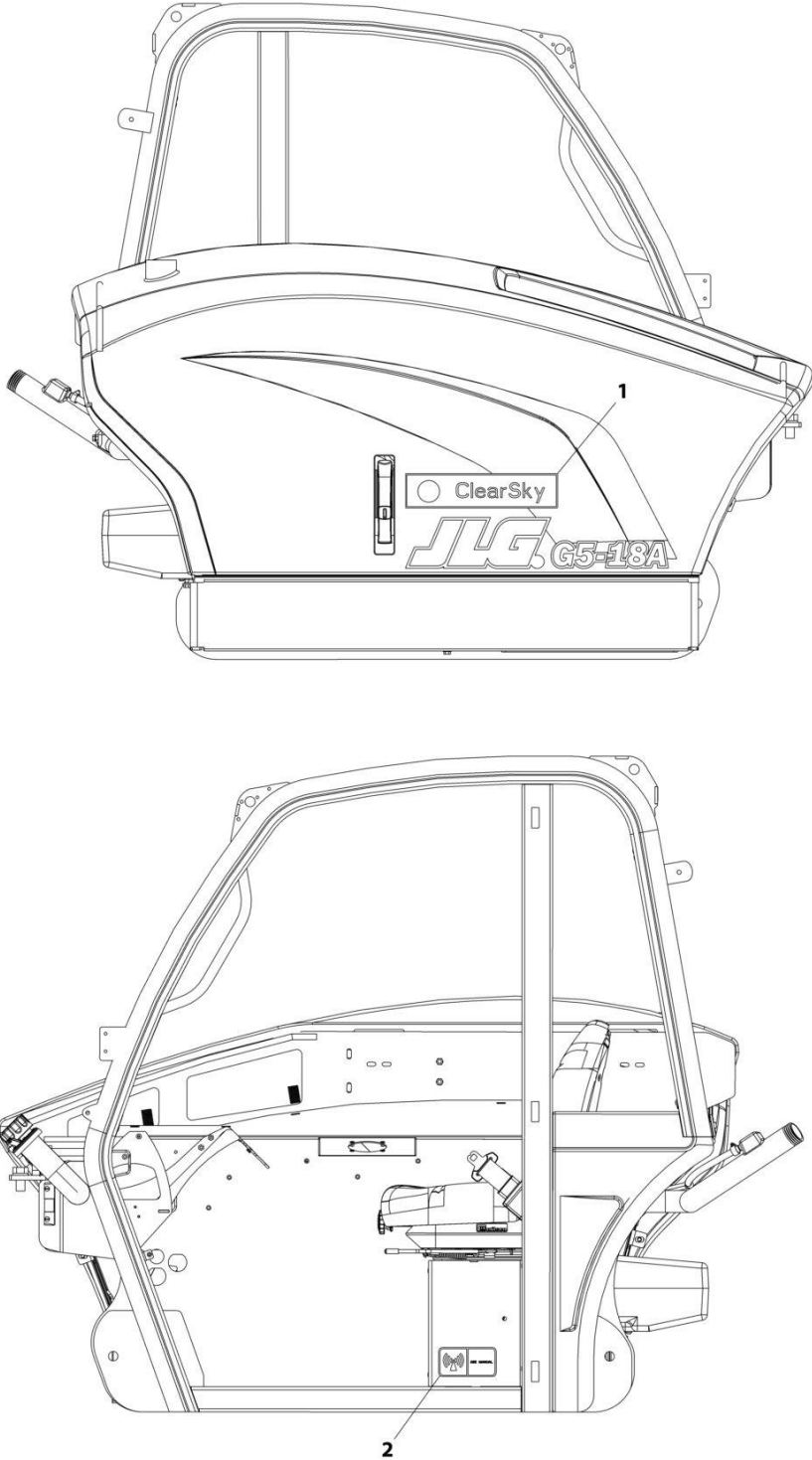
SECTION 11 - DECALS

FIGURE 11-16. REVERSE SENSING SYSTEM DECAL (ISO)

ITEM	PART NUMBER	QTY	DESCRIPTION	REV
1	1001160916	1	Reverse Sensor System Decal (ISO)	A

SECTION 11 - DECALS

FIGURE 11-17. CLEARSKY DECAL INSTALLATION



ART_1001229461-A

SECTION 11 - DECALS

FIGURE 11-17. CLEARSKY DECAL INSTALLATION

ITEM	PART NUMBER	QTY	DESCRIPTION	REV
	1001229461	Ref	Clearsky Decal Installation	B
1	1001294815	1	Decal, Clearsky	
2	1001120989	1	Decal, Radio Frequency	

SECTION 12 - RECOMMENDED SERVICE PARTS STOCK

SECTION 12 - RECOMMENDED SERVICE PARTS STOCK

SECTION 12 - RECOMMENDED SERVICE PARTS STOCK

FIGURE 12-1. RECOMMENDED SERVICE PARTS STOCK

ITEM	PART NUMBER	QTY	DESCRIPTION	REV
		Ref	Note: The following list will service one machine (built to current production per date on the front cover) with emergency repair parts which can be installed in the field. Parts from the list should be replaced when inventory is depleted to keep service parts stock supplied. For further information, contact your JLG dealer or the JLG Industries Parts Department.	
		Ref	STANDARD PARTS	
	1001142259	1	Air Filter	
	1001104654	1	Auxiliary Hydraulics Pressure Relief Switch	
	1001264879	1	Coil	
	70002386	1	Coil	
	70020764	1	Coil	
	70026582	1	Coil	
	3990013	2	Diode, 4 AMP	
	1001141461	1	Filter	
	7002951	1	Filter, Fuel Element - ULS Engines	
	1001225432	1	Filter, Fuel Element - UL Engines	
	1001185024	1	Filter, Hydraulic Breather	
	7016331	1	Filter, Oil	
	1001080364	1	Front/Rear Auxiliary Hydraulic Switch	
	8229242	2	Fuse, 5 AMP	
	80983191	2	Fuse, 10 AMP	
	8229244	2	Fuse, 15 AMP	
	4923287	2	Fuse	
	1001141066	1	Green Power Module Relay	
	1001141459	1	Hydraulic Oil Filter Element	
	1001080379	1	Ignition Switch	
	1001080978	1	Lift/Loader Joystick Pattern Switch	
	1001141591	1	Lubricity Doser Element Filter	
	1001127589	1	Red Power Module Relay	
	1001095704	1	Relay, 35 AMP	
	77383377	1	Starter Relay	
	1001080378	1	Steer Select Switch	
	1001080371	1	Switch	
	1001080380	1	Switch	
	70027557	1	Valve Coil	
	70028241	1	Valve Coil	
	3740080	1	Weather Proof Relay	
	1001080424	1	Yellow Power Module Relay	
		Ref	VARIABLE PARTS	
	1001080365	1	Beacon Light Switch (Worklights)	
	1001080366	1	Boom Work Light Switch	
	4360658	1	Brake Light Switch (Roadlights)	
	1001203181	1	Control Accessory (ASOV)	
	1001196254	1	Control Module (Main Electrical)	
	1001138827	1	Coolant Level Sensor	
	1001080367	1	Front Windshield Washer Switch (Enclosed Cab)	
	1001080368	1	Front Wiper Switch (Enclosed Cab)	
	1001080369	1	Front Work Light Switch (Worklights)	

SECTION 12 - RECOMMENDED SERVICE PARTS STOCK

ITEM	PART NUMBER	QTY	DESCRIPTION	REV
	1001197965	1	Fuel Level Sensor	
	8229261	2	Fuse (Posi Air Shutoff)	
	8229234	2	Fuse (Posi Air Shutoff)	
	8229235	2	Fuse (Posi Air Shutoff)	
	70020769	1	Handle Assembly	
	1001080370	1	Hazard Light Switch (Roadlights)	
	1001098153	1	Hydraulic Park Brake Release Valve	
	70028514	1	Kit, Solenoid 12V (ASOV)	
	2940074	1	Latch (Fork Mounted Platform)	
	1001080373	1	LMI Override Switch (LSI)	
	1001226247	1	LSI Module	
	1001226796	1	Module - 3G (ClearSky)	
	1001262322	1	Module - 4G (ClearSky)	
	1001226328	1	Module, 3W TCU (ClearSky)	
	1001151643	1	Potentiometer (Heater & AC)	
	1001132795	1	Pressure Sensor (Pilot Select Valve (CE)	
	1001121021	1	Proximity Sensor (Boom)	
	1001160730	1	Rear Axle LSI Sensor	
	1001080376	1	Rear Work Light Switch (Worklights)	
	1001080377	1	Rear/Roof Wiper Switch (Enclosed Cab)	
	1001145204	1	Reverse Fan Switch (Reversing Fan)	
	1001247421	1	Reverse Sensor Object	
	1001204385	1	Rocker Switch (Heater & AC)	
	1001204363	1	Rocker Switch (Heater only)	
	70029268	1	Speed Sensor (Front Axle Differential)	
	1001215941	1	Switch (ASOV)	
	1001192142	1	Switch (Battery Disconnect)	
	1001080375	1	Switch (Hydraulic Quick Switch)	
	1001080374	1	Switch (N.A.)	
	1001204362	1	Switch, Blower (Heater & AC)	
	1001128478	1	Temperature Sensor (Radiator)	
	1001080381	1	Turn Signal-Headlight Switch (Roadlights)	

SECTION 13 - SPECIAL OPTIONS

SECTION 13 - SPECIAL OPTIONS

FIGURE 13-1. SPECIAL OPTIONS

ITEM	PART NUMBER	QTY	DESCRIPTION	REV
	See Note	Ref	Note: This list is to accommodate machines ordered with special equipment. Options may not be applicable to all models. For more specific parts information contact JLG Parts Department.	
		Ref	MISCELLANEOUS SPECIAL OPTIONS	
	1001243576	Ref	Access Control Kit	
	1001133543	Ref	Ansi Decals Kit	
	1001099810	Ref	Back Up Alarm	
	1001245709	Ref	Backup Camera Kit	
	1001136150	Ref	Battery Disconnect Kit	
	1001119788	Ref	Boom Wear Pad Kit	
	1001081287	Ref	Brick Guard Kit, Front	
	1001081286	Ref	Brick Guard Kit, Top	
	1001113294	Ref	Cab Mounting Kit	
	1001243184	Ref	ClearSky Telematics Kit - Canbus (CE)	
	1001243183	Ref	ClearSky Telematics Kit - Canbus (North America)	
	1001262959	Ref	ClearSky Voltage Regulator Locate Kit	
	1001222921	Ref	Deutz Fuel Pump Terminal Kit	
	1001239672	Ref	Enclosed Cab LED Worklights Kit	
	1001112683	Ref	Engine Cover Replacement Kit	
	1001112684	Ref	Engine Cover Replacement Kit	
	1001110116	Ref	Filter Kit, 500 Hour	
	1001161229	Ref	Filter Kit, 500 Hour, LS and ULS Engines only	
	1001161228	Ref	Filter Kit, 500 Hour, ULS Engine only	
	1001110120	Ref	KIT(SERVICE),G5-18A 1000 HR. FILTER	
	1001161230	Ref	Filter Kit, 1000 Hour	
	1001239673	Ref	Open Cab LED Worklights Kit	
	1001202500	Ref	Open to Enclosed Cab W/Heat	
	1001202501	Ref	Open to Enclosed Cab W/Heat and AC	
	1001101039	Ref	Quick Disconnect Kit (Flat Faced)	
	1001101040	Ref	Quick Disconnect Kit (AG Style)	
	31211321	Ref	Operation and Safety manual	
	1001212156	Ref	Rear Mirror Mount Kit	
	31211325	Ref	Service Manual	
	1001186492	Ref	Super Compact Hydraulic Breather Kit	
	1001253828	Ref	Super Compact Reverse Sensing System	
	1001265371	Ref	Super Compact Telematics Harness Kit	
	1001258137	Ref	Top & Front Cab Guard Kit	

PART NUMBER INDEX

SECTION 13 - SPECIAL OPTIONS

0100011.....21, 23, 35, 39, 41, 43, 45, 47, 51, 91, 197, 311, 331, 379, 381, 421, 429, 467, 469, 517, 577, 623, 693	0681606..... 173	1001001556 .. 72, 76, 493	1001080361..... 655
0100019.....21, 309	0681608... 189, 191, 207, 213, 215	1001002778 605	1001080364..... 517, 764
0100020.....25	0681610..... 173, 207	1001002779 605	1001080365..... 607, 609, 611, 613, 619, 621, 764
0100035.....25, 449, 577	0681614..... 183	1001003299 89	1001080366..... 611, 613, 615, 617, 764
0100081.....15, 189, 191	0681832..... 81, 85, 87	1001003474 119, 123, 127, 129	1001080367..... 331, 764
0100090.....17	0681836 527, 529	1001003475 119, 123, 127, 129	1001080368..... 331, 764
0100093.....27	0681844 527, 529	1001003680 193	1001080369..... 607, 609, 611, 613, 764
01043892.....331	0682018 43, 51	1001003803 79	1001080370..... 601, 603, 605, 765
0140011.....623	0682034..... 173	1001008436 31, 33	1001080371..... 323, 327, 764
0400075.....593	0682220... 31, 41, 43, 45, 47, 51, 623	1001008475 33	1001080373..... 403, 765
0630383.....35	0682230 309	1001008479 89, 155	1001080374..... 355, 765
0630399.....21	0682264 221	1001008742 363	1001080375.81, 153, 765
0630455.....593	0682414 21	1001008979 89	1001080376..... 607, 609, 611, 613, 765
0630464.....397, 403, 421	0682424 21	1001009062 33	1001080377..... 363, 765
0630468.....379, 381, 411, 413	0682440 309	1001009094 89, 155	1001080378..... 353, 764
0630518.....449	0692020 21	1001009126 335	1001080379..... 341, 764
0641404.....383, 385, 577	0700610... 311, 313, 315, 317, 319, 321	1001009163 193	1001080380..... 323, 327, 764
0641405.....167	0700614 169	1001010838 33	1001080381..... 601, 603, 605, 765
0641406.....323, 327, 429, 437, 513, 515, 627	0700615 93	1001055652 89	1001080382..... 361, 363
0641408.....323, 327, 517, 577	0700815 393	1001061633 89, 155	1001080383..... 359
0641410.....361, 577, 601, 603, 605	0700818 393	1001061659 89	1001080391.. 72, 76, 489, 491, 493
0641415.....577	0700818 393	1001061660 89, 155	1001080397..... 493, 639
0641505.....15	0701014 72, 76	1001061662 89, 155	1001080399..... 479, 487
0641506.....21	0701015 93	1001061891 89, 155	1001080409..... 577
0641508.....311, 313, 323, 327	0701018 72, 76	1001061892 89	1001080410..... 577
0641509.....15	0701027 89	1001061893 89	1001080418..... 323, 327
0641510.....169	0701027 89	1001062117 89	1001080424..... 577, 764
064151272, 76, 489, 491, 493	0720606 25	1001062773 203	1001080437..... 497
0641514..29, 72, 76, 479, 601, 603, 605	0721005 577	1001080050 72, 76	1001080438..... 497
0641516..15, 72, 76, 213, 215, 409, 489, 491, 493	0721008... 601, 603, 605	1001080116 72, 76	1001080462..... 323, 327
0641518.....379, 381	0760508 175, 177	1001080117 72, 76	1001080463..... 341
0641522.....479	0760605 85	1001080124 72, 76	1001080493..... 323, 327, 353
0641532.....215	0760607 93	1001080143 485	1001080494..... 349, 351, 353
0641605.....15	0760608 93, 393	1001080152 72, 76	1001080499..... 331, 359
0641607.....55, 57	0760610 611	1001080154 527, 529	1001080500..... 323, 327, 457
0641608.....15, 81	0760612 ... 611, 613, 617	1001080155 527, 529	1001080559..... 323, 327, 439
0641610.....21	0760615 ... 611, 613, 617	1001080176 483, 563	1001080565..... 81
0641611.....577	0760806 693	1001080203 72, 76	1001080567..... 441, 445
0641612.....15	0760808... 175, 177, 197, 393	1001080204 72, 76	1001080571..... 27
0641614.....493	0760810.73, 77, 189, 191	1001080205 72	1001080573..... 21
0641628.....72, 76	0760814 217	1001080206 72	1001080585..... 505, 507
0641634.....467, 469	0760828 211	1001080207 489, 493	1001080586..... 505, 507
0641810.....527, 529	076101072, 76, 175, 177, 193	1001080208 489, 493	1001080619..... 577
0641832.....153	0761012 79, 193, 323, 327	1001080212 301	1001080656..... 611, 613, 615, 617, 687
0642014.....175, 177	0761014 193	1001080240 517	1001080669..... 607, 609, 615
0642016.....717	0761016 93	1001080243 479, 481	1001080686..... 693
0642032.....115, 117	0761016 93	1001080250 505, 507	1001080707..... 27
0642212.....39	0761210 ... 175, 177, 393	1001080251 505, 507	1001080742..... 311, 313, 315, 317, 319, 321, 341
0651410.....331	0761214 209	1001080256 457, 463	
0681414.....437	0761216 223	1001080262 439, 565	
0681506.....189, 191	0771619 45	1001080265 505	
0681510.....205	0791004 577	1001080266 505	
0681516.....173	0791404 15	1001080279 499	
0681518.....173	0791607 15	1001080293 497	
	0811408 193	1001080294 523	
	0811510 197	1001080308 523	
	0860520 167	1001080309 497	
	0903083 41, 43	1001080312 527, 529	
	1001001240 123, 127, 129	1001080313 527, 529	
	1001001241 123, 127, 129	1001080314 527, 529	
	1001001422 27	1001080333 81, 83	
		1001080334 83, 571	
		1001080356 505, 507	
		1001080359 557	

SECTION 13 - SPECIAL OPTIONS

1001080744 311, 313, 315, 317, 355	1001081153..... 323, 327	1001095810.....167	1001103012 591, 643, 648
1001080763 642, 648	1001081161..... 397, 403	1001096019.....165	1001103139 619
1001080789 183	1001081163..... 397, 403	1001096020.....165	1001104009 121
1001080796 333, 335, 337	1001081187..... 397	1001096021.....163	1001104025 125
1001080797 335	1001081222..... 275, 277	1001096023.....163	1001104435 115
1001080798 333, 335	1001081223..... 449, 451	1001096024.....165	1001104477 493, 519, 521, 567
1001080801 335	1001081234..... 423	1001096025.....163	1001104497 591, 667
1001080809 313, 315, 317, 319, 321, 453	1001081235..... 339	1001096584..... 72, 76	1001104498 591, 643, 644, 649, 650
1001080821 335	1001081236..... 339	1001096585..... 72, 76	1001104519 677, 679, 683, 691
1001080822 407	1001081239..... 339	1001096730..... 81	1001104654 353, 764
1001080824 361, 423	1001081241..... 339	1001097159..... 17	1001105990 223
1001080826 453, 455	1001081242..... 339	1001097160.15, 213, 215	1001106622 505, 507
1001080844 405	1001081243..... 339	1001097205..... 145	1001106736 656
1001080847 315, 317, 319, 321, 347	1001081244..... 339	1001097252..... 81	1001107854 591, 643, 644, 648, 650, 655, 657, 667, 675
1001080848 351	1001081246..... 339	1001097255..... 81	1001107997 337
1001080852 377	1001081247..... 339	1001097319..... 423	1001108078 399
1001080862 331	1001081248..... 339	1001097628..... 81	1001108079 323, 327
1001080863 331	1001081249..... 339	1001097640..... 409	1001108115 411, 413
1001080866 399	1001081266..... 339	1001097728..... 81, 85, 87, 153	1001108127 607
1001080867JO..... 339	1001081268..... 339	1001097729..... 81, 85, 87, 153	1001108129 607
1001080872 423	1001081280..... 337	1001098069..... 447	1001108152 399
1001080876 311, 313, 377	1001081281..... 337	1001098122..... 667	1001108155 357, 399
1001080877 363	1001081282..... 337	1001098153..... 447, 559, 765	1001108161 337
1001080891 409	1001081284..... 337	1001098171 85	1001108194 323, 327
1001080893 407	1001081285..... 337	1001098235..... 323, 327, 691	1001108196 331
1001080900 323, 327	1001081286..... 411, 768	1001098472..... 85	1001108242 411
1001080926 337	1001081287..... 413, 768	1001098457 143	1001108547 337
1001080931 331	1001081289..... 337	1001099458 141	1001108548 337
1001080932 361, 363	1001081296..... 411	1001099699..... 421	1001108549 337
1001080933 331, 361	1001081298..... 411	1001099783..... 72, 76	1001108552 337
1001080945 397, 399, 403	1001081299K..... 15	1001099810..... 768	1001109365 333, 335
1001080947 399	1001081301..... 737	1001099887..... 59	1001109417 337
1001080951 399	1001081302..... 737	1001100053..... 341, 597	1001109478 335
1001080952 397, 403	1001081306..... 331	1001100107..... 726, 730, 734	1001109565 607, 609, 611, 613, 685
1001080953 355, 357, 399	1001081307..... 359	1001100781 642	1001109566 607, 611, 619, 683
1001080954 399	1001081308..... 359	1001100916 493	1001110067 337
1001080955 399	1001081309..... 359	1001100965..... 601, 603, 605, 705	1001110116 768
1001080956 405	1001081310..... 359	1001100966..... 355, 357, 599	1001110120 768
1001080957 397, 401	1001081311..... 359	1001101039..... 768	1001110269 403
1001080959 405	1001081314..... 339	1001101040 768	1001110433 379, 381
1001080960 399	1001081322..... 699, 701	1001101041 107, 109	1001110723 621, 677
1001080968 443, 447	1001081331..... 331	1001101042 107, 109	1001110849 47, 49
1001080969 353	1001081332..... 331	1001101071 726, 730, 734	1001111156 609, 613, 679
1001080970 353	1001081333..... 223, 241, 487	1001101185..... 87	1001111341 607, 609, 611, 613
1001080974 377	1001081334..... 487	1001101235..... 517	1001111961 642
1001080975 377	1001081347..... 497	1001101451 197	1001112058 397, 403
1001080976 379	1001081348..... 497	1001101533..... 601, 603, 605, 699	1001112612 656
1001080978 353, 764	1001081364..... 21	1001101534..... 601, 603, 605, 701	1001112683 768
1001080983 323, 327	1001081375..... 331	1001101895..... 730	1001112684 768
1001080985 363	1001081376..... 331	1001102000..... 739	1001112697 593
1001080986 323, 327	1001081413..... 495	1001102157 19	1001112796 669, 671
1001080987 323, 327	1001090103..... 489, 491, 493	1001102323..... 133	1001113038 117
1001080988 323, 327	1001090344..... 15	1001102324 131	1001113047 379, 381
1001080992 309	1001092481..... 161	1001102327 135	1001113154 609
1001081023 377	1001092482..... 161	1001102331 119	1001113155 621
1001081049 323, 327	1001092585..... 577	1001102332 137	1001113294 768
1001081071 221	1001092877..... 730		
1001081123 593	1001092878..... 730		
1001081151 323, 327	1001093171..... 145		
1001081152 323	1001093826..... 107, 109		
	1001093827..... 107, 109		
	1001095650.93, 585, 587		
	1001095704..... 642, 655, 764		

SECTION 13 - SPECIAL OPTIONS

1001114675.....311, 313, 315, 317, 319, 321	1001117106..... 642, 648, 655	1001129895..... 505, 507	1001138265.....393
1001114867.....323, 327	1001117119..... 643, 649	1001129898..... 507	1001138266.....393
1001115871.....291	1001117125..... 631, 635	1001129925..... 499, 501	1001138269.....393
1001116128.....627	1001117133..... 664	1001129926..... 499, 501	1001138345.....393
1001116698.....591, 643, 648, 695	1001117158..... 323, 327	1001130178..... 471, 475	1001138582.....311, 313, 347
1001116705.....653	1001117326..... 743	1001130220..... 37	1001138639.....323, 429
1001116706.....631, 635	1001117498..... 87, 89	1001130338..... 67	1001138703.....413
1001116710.....642, 648, 653	1001118378..... 711	1001130900..... 631, 635	1001138823.....223, 547
1001116711.....642, 648	1001118379..... 653	1001131098..... 469, 473	1001138827..... 193, 764
1001116712.....642, 648	1001118380..... 631, 636	1001131099..... 467, 471	1001138877..... 189, 191, 193
1001116720.....631, 635	1001118381..... 656	1001131271..... 723	1001138887.....209, 549
1001116723.....643, 644, 648, 649, 650	1001118385..... 643, 644, 648, 649, 650, 653, 657, 664	1001131818..... 183	1001139011.....353, 381
1001116725.....655	1001118387..... 653	1001132161..... 533, 535	1001139042..... 91
1001116726.....655	1001118391..... 631, 636, 656	1001132168..... 17	1001139043..... 91
1001116727.....655, 689, 695	1001118392..... 664	1001132207..... 533	1001139155.....197
1001116729.....665, 689	1001119020..... 632, 656	1001132208..... 533	1001139177..... 91
1001116731.....671	1001119031..... 719	1001132209..... 533	1001139481.....347, 349
1001116733.....631, 635, 655, 657, 665, 689	1001119721..... 209	1001132210..... 529, 533	1001139578.....726
1001116734.....631, 635, 689	1001119727..... 207	1001132338..... 479, 483	1001139654.....749
1001116735.....642, 648	1001119788..... 768	1001132342..... 473, 477	1001139668.....187
1001116736.....644, 650	1001120328..... 656	1001132411..... 501	1001139681.....205
1001116747.....657	1001120989..... 761	1001132412..... 501	1001139682.....207
1001116748.....642, 648	1001121021..... 629, 765	1001132795..... 473, 765	1001139683.....585
1001116751.....648	1001121514..... 195	1001133543..... 768	1001139684..... 181, 183, 211
1001116774.....656, 664, 711	1001121726..... 657	1001133714..... 631, 635	1001139688..... 183, 391
1001116808.....657, 664, 711	1001121727..... 689, 695	1001133715..... 631, 635	1001139801.....381
1001116812.....642, 648, 656, 664, 711	1001121953..... 627	1001133822..... 213, 215	1001139803.....393
1001116813.....653, 695	1001121960..... 659, 665	1001133956..... 631, 636	1001139837.....601, 603, 605
1001116815.....625, 643, 657, 712	1001121961..... 648	1001133957..... 631, 636	1001139937.....601, 603, 605
1001116816.....655	1001122280..... 579, 581, 661	1001135350..... 645	1001139938.....693
1001116920.....642, 648	1001125387..... 747	1001135650..... 631, 635	1001139942.....730
1001116921.....655	1001125465..... 627	1001135651..... 631, 635	1001139974.....281, 283
1001116948.....657	1001126008..... 656, 657, 664, 711	1001135799..... 517	1001139975.....269, 271, 275, 277
1001116950.....655, 656	1001126351..... 631, 636	1001135801..... 517	1001139997.....209, 551
1001116952.....655	1001126362..... 632, 635	1001135803..... 517	1001140312.....585
1001116953.....655	1001126363..... 632, 635	1001135805..... 517	1001140634.....655
1001116966.....656	1001126364..... 632, 635	1001135807..... 517, 519	1001140635..... 581, 583, 664
1001116967.....631, 635	1001126365..... 632, 635	1001135845..... 595	1001140671.....207
1001116977.....656	1001126391..... 632	1001135846..... 595	1001140684.....273, 275
1001116982.....653	1001126392..... 635	1001136095..... 185	1001140686.....279, 281
1001116983.....631, 635	1001126677..... 741	1001136150..... 768	1001140698.....273, 277
1001116984.....653	1001126685..... 745	1001136834..... 193	1001140700.....279, 283
1001116985.....653	1001126685..... 745	1001136975..... 173, 175, 177, 213, 215	1001140701.....287
1001116990.....631, 635	1001126841..... 393	1001137106..... 153	1001140702.....287
1001116996.....664	1001127066..... 643, 649	1001137454..... 377, 379	1001140703.....289
1001117002.....653	1001127397..... 403	1001137574..... 343	1001140704.....289
1001117022.....631, 635	1001127546..... 403	1001137578..... 631, 635	1001140709.....207
1001117026.....665	1001127589..... 577, 764	1001137600..... 311, 313, 315, 317, 441	1001141019.....207
1001117059.....644, 650	1001127967..... 193	1001137602..... 319, 321, 443	1001141027.....173
1001117064.....642	1001128128..... 642, 655, 657, 665, 689	1001137621..... 315, 317, 319, 321, 345	1001141066.....577, 764
1001117079.....644, 650	1001128144..... 193	1001137623..... 311, 313, 343	1001141287.....213, 215
1001117080.....644, 650	1001128478..... 193, 765	1001137657..... 323, 327	1001141323.....287
1001117081.....643, 644, 648, 649, 650, 691	1001129407..... 697	1001137943..... 331, 351	1001141324.....289
1001117082.....643, 649	1001129408..... 625	1001137985..... 349, 351	1001141459.....511, 764
	1001129801..... 627, 675	1001137998..... 443	1001141460.....511
	1001129887..... 501	1001138003..... 429	1001141461.....509, 764
	1001129888..... 501	1001138110..... 631, 635	1001141462.....509
	1001129889..... 499, 501	1001138111..... 631, 635	1001141551.....205
	1001129891..... 499, 501	1001138113..... 631, 635	1001141581.....577
	1001129893..... 499, 501	1001138262..... 393, 395	1001141591.....213, 215, 764
	1001129894..... 499, 501	1001138263K..... 393	1001141717..... 175, 177
		1001138264..... 393	1001141718.....173

SECTION 13 - SPECIAL OPTIONS

1001141779 189, 553	1001144373..... 183	1001153412.....207	1001163222 734
1001141780 191, 555	1001144378..... 183	1001153413.....207	1001163223 734
1001141786 193	1001144474..... 29	1001153624.....349	1001163285 734
1001141787 193, 195	1001144629J..... 167	1001153625.....351	1001163300 734
1001141788 195	1001144692..... 189	1001153626.....353	1001163304 734
1001141789 195	1001144693..... 189	1001153627.....353	1001163323 734
1001141791 195	1001144694..... 191	1001153629.....449	1001163326 734
1001141796 193	1001144695..... 191	1001153630.....401	1001163355 751
1001141801 193	1001144697..... 497	1001153631.....397, 403	1001163751 751
1001141834 193	1001144737..... 497	1001153633.....403	1001165200 175, 177
1001141881 193	1001144749..... 497	1001153634.....397, 403	1001165202 213, 215
1001141896 193	1001144750..... 497	1001153635.....397, 403	1001165203 213, 215
1001141944 193	1001144751..... 497	1001153748.....481, 561	1001165585 339
1001141975 173, 511	1001144753..... 497	1001154229.....295, 297	1001172953 381
1001141976 173, 509	1001144754..... 497	1001154405.....513, 515	1001174104 79
1001142010 653	1001144755..... 497	1001155823 173	1001175733 667
1001142011 579, 659	1001144756..... 505, 507	1001156087 193, 323, 327, 381	1001177469 415, 417, 419, 425
1001142055 369	1001144757..... 497	1001156229 175, 631	1001177470 417
1001142101 295, 297	1001144759..... 497	1001156243.....173	1001177471 419
1001142155 479, 485	1001144760..... 497	1001156314.....577	1001177636 425
1001142236 393, 689	1001144761..... 497	1001156315.....15	1001177640 425
1001142242 175, 177	1001144763..... 497	1001156576.....726, 730, 734	1001178059 155
1001142259 197, 199, 764	1001144764..... 497	1001156577 323, 327	1001178811 425
1001142265 15	1001145204..... 191, 765	1001156849.....183	1001179495 365
1001142267 15	1001145224..... 505, 507	1001157075.....193	1001179496 365
1001142680 21	1001145225..... 505, 507	1001157075.....193	1001179547 363, 365
1001142938 631, 635	1001145710..... 189, 191	1001157088.....211	1001179832 365
1001142940 631, 635	1001145850..... 726	1001157890.....711	1001182224 513, 515
1001142941 631, 635	1001145871..... 193	1001158318.....15	1001182361 631, 636
1001142981 607, 611, 681	1001146038..... 726, 734	1001158329.....153	1001182365 631, 636
1001143041 189, 191	1001146575..... 213, 215	1001158330.....155	1001182662 623
1001143142 15	1001146588..... 173	1001158331.....155	1001182663 339
1001143201 197	1001146830..... 93	1001158336.....155	1001182755 311, 313, 315, 319, 513
1001143216 205	1001146831..... 93	1001158352.....153, 155	1001184685 623
1001143254 211	1001146832..... 93	1001158428.....15	1001185024 513, 515, 764
1001143255 211	1001146887..... 93	1001158561.....173	1001186376 317, 321, 515
1001143304 205, 207	1001146888..... 93	1001159204.....589	1001186492 768
1001143467 211	1001147071..... 183	1001159205.....589	1001187079 711
1001143468 211	1001147650..... 730	1001159206.....587, 589	1001187150 23
1001143551 712	1001148091..... 723	1001159207.....587	1001187820 79
1001143552 581	1001148423..... 193	1001160072.....755	1001187821 79
1001143556 579	1001148483..... 21	1001160078.....15	1001187847 79
1001143558 607	1001149466..... 577	1001160730.....765	1001187848 79
1001143640 179, 181	1001149810..... 15	1001160916.....759	1001188496 441
1001143641 175, 177	1001149811..... 15	1001160926.....153	1001189077 711
1001143642 175, 177	1001149828..... 175, 177	1001160945.....757	1001189305 173
1001143643 175, 177	1001150347..... 730	1001161228.....768	1001189653 331
1001143671 293, 295	1001150461..... 747	1001161229.....768	1001189733 437
1001143677 181	1001150462..... 749	1001161230.....768	1001189734 323, 327, 437
1001143678 179	1001150479..... 393	1001161604.....155	1001189738 437
1001143689 293, 297	1001150508..... 393	1001161606.....155	1001189739 411
1001143801 175, 177	1001150509..... 381, 393	1001161607.....155	1001189743 437
1001143815 183	1001150596..... 335, 339	1001161759.....153	1001189745 437
1001143816 183	1001150642..... 753	1001162486.....421	1001189753 413
1001143839 175, 177	1001150705..... 695	1001162487.....421	1001189803 437
1001143852 753	1001151088..... 393	1001162813.....415	1001189839 437
1001143879 173	1001151183..... 37	1001162814.....415	1001189850 437
1001143880 173	1001151264..... 209	1001162815.....417	1001189888 545
1001144015 201	1001151288..... 497	1001162816.....419	1001189948 345
1001144106 173	1001151643..... 459, 461, 765	1001162829.....425	1001189997 623
1001144133 173	1001151781..... 723	1001162830.....425	1001190250 79
1001144147 671	1001151782..... 723	1001162898.....151	1001190264 79
1001144255 223	1001152967..... 497	1001163174.....734	
1001144359 183	1001153277..... 93	1001163206.....734	
1001144369 15	1001153410..... 207	1001163210.....734	
	1001153411..... 207	1001163212.....734	

SECTION 13 - SPECIAL OPTIONS

1001190639.....29	1001195884..... 23	1001202939 379, 381	1001220853..... 639
1001190640.....605, 703	1001195970 159	1001203181 217, 764	1001221303.....311, 449
1001190692.....467, 469, 479	1001196254 577, 764	1001203503 169	1001222921.....768
1001190694.....469	1001196461 669	1001203640 611, 613, 617	1001223453..... 726, 734
1001190709.....601, 603, 703	1001196601 513	1001204032 217, 573	1001223459..... 635
1001190728.....17	1001197027 367	1001204045 73, 77	1001225430..... 185, 187
1001190743.....15, 17	1001197099 363	1001204047 73, 77	1001225432..... 187, 764
1001190754.....17	1001197401 15	1001204128 97	1001225578.....527, 531
1001190762.....15	1001197490 39	1001204129 99	1001226247.....583, 765
1001190784.....467	1001197624 644, 650	1001204130 101	1001226328.....673, 765
1001190788.....15	1001197714 644, 650	1001204131 103	1001226400.....697
1001190821.....175, 177, 209	1001197965 25, 765	1001204132 105	1001226541.....671
1001190914.....623, 667	1001198349 37	1001204360 459, 461	1001226636.....671
1001191635.....29	1001198355 169	1001204362 459, 461, 765	1001226637.....671
1001191640.....15	1001198730 21	1001204363 459, 765	1001226796.....625, 765
1001191643.....17	1001198893 611, 613	1001204385 461, 765	1001226799.....625
1001191820.....15	1001200101 726, 730	1001204464 459, 461	1001227066.....673, 697
1001191830.....189, 191	1001200247 37	1001204469 459, 461	1001227068.....697
1001192022.....17	1001200378 ... 41, 43, 45, 47, 51	1001204470 459, 461	1001227077.....217
1001192128.....189	1001200393 79	1001204674 217	1001227091.....183
1001192129.....191	1001200567 499	1001204676 217	1001227266.....697
1001192142.....595, 765	1001200580 527, 529, 537	1001204677 217	1001227458.....625
1001192255.....15	1001200581 .. 72, 76, 545	1001204678 217	1001227964.....217
1001192256.....189, 191	1001200598 39	1001204679 217	1001228273.....217
1001192711.....169	1001200599 41	1001204854 527	1001228447.....67, 69
1001192720.....169	1001200600 43	1001204856 529	1001228643.....217
1001192875.....169	1001200601 45	1001205397 217	1001228975.....175, 177
1001192876.....169	1001200602 47	1001206603 217	1001229107.....673
1001192877.....169	1001200603 51	1001207171 711	1001229458.....707
1001192979.....403	1001200612 577	1001207768 153	1001229461.....761
1001193316.....21	1001200613 593	1001207837 323, 327	1001230503.....217
1001193351.....21, 23	1001200682 21	1001207923 157	1001230931.....642, 648
1001193423.....17	1001200683 21	1001207924 157	1001230934.....631, 636
1001193432.....381, 385	1001200684 21	1001207925 157	1001230935.....631, 636
1001193443.....317, 321, 381, 391	1001200685 21	1001207926 153, 157	1001231397.....711
1001193470.....23	1001200796 291	1001208119 324, 328	1001231398.....711
1001193473.....23	1001200797 291	1001208593 324, 642	1001231400.....711
1001193501.....381, 461	1001200850 693	1001208616 311, 313, 333	1001231401.....711
1001193528.....383, 385	1001200851 31	1001208617 315, 317, 319, 321, 335	1001231402.....711
1001193529.....383, 385	1001200925 21	1001208759 31	1001231403.....711
1001193540.....169	1001200928 29	1001208854 479	1001231404.....711
1001193720.....381	1001200945 291	1001209009 153, 715	1001231406.....711
1001193721.....381	1001201114 517	1001209063 505, 507	1001231801.....726
1001193723.....381	1001201115 523	1001209089 499, 501	1001232351.....269, 271
1001193725.....381	1001201117 501	1001209102 577	1001232719.....55
1001193729.....169	1001201151 623	1001209103 583	1001232722.....493
1001193752.....173, 197	1001201252 577	1001209966 379, 381	1001232888.....513, 515
1001193761.....381	1001201526 35	1001210326 79	1001233174.....717
1001193762.....381	1001201527 35	1001210402 309	1001233199.....717
1001193805.....379, 383	1001201538 213	1001212156 768	1001233202.....717
1001193943.....315, 319, 379	1001201659 59	1001213757 315, 317, 319, 321, 331	1001233213.....217, 709
1001193945.....379, 459	1001201668 .. 72, 76, 539	1001213955 215	1001233234.....717
1001193973.....379	1001201826 595	1001213994 215	1001233235.....217, 711
1001193974.....379	1001202006 323, 327, 503	1001214220 327	1001233303.....305
1001193975.....379	1001202007 311, 313, 315, 317, 319, 321, 323, 327	1001215778 371	1001233304.....303, 305
1001193976.....379	1001202141 497	1001215941 217, 765	1001233305.....305
1001194017.....503	1001202247 217	1001217623 607, 609, 619, 621	1001233434.....717
1001194099.....25	1001202297 505, 507	1001218358 712	1001233435.....717
1001194100.....21, 25	1001202352 381, 393	1001218381 645	1001233451.....175, 177
1001195347.....385, 389	1001202500 768	1001219082 217	1001233502.....173
1001195348.....383, 387	1001202501 768	1001220705 381	1001233503.....173, 175, 177
1001195447.....381	1001202502 391		1001233558.....734

SECTION 13 - SPECIAL OPTIONS

1001233660 ... 63, 65, 67, 69	1001239671.....617	10837580.....475, 477	2170110..... 483
1001233661 63	1001239672.....768	1101244.....475, 477	2170112 193
1001233662 65	1001239673.....768	1271599.....59	2170210 519
1001233666 371, 373	1001239965.....57	1321716.....211	2170308 483
1001233720 ... 67, 69, 72, 76	1001239966.....57	14404793.....72, 76	2170406 479
1001233723 221, 223	1001241661.....197	1701500.....726, 730, 734	2170410 209
1001233724 221, 241	1001241820.....611	1701509.....167	2170412 209
1001233725 221	1001241821.....613	1702300.....726, 730, 734	2170506 505, 507
1001233784 217	1001242501.....123	1702773.....161, 163, 165	2170704 209, 479
1001233831 717	1001242506.....127	1704277.....167	2170708 483
1001234507 303	1001242508.....129	1704885.....161, 163, 165	2170712 209, 479
1001234525 311	1001242509.....147	1706098.....730	2170804 209
1001234526 313	1001242510.....149	1706209.....730	2170808 479
1001234973 301	1001242511.....113	1706281.....730	2171712 479
1001234992 223, 591	1001242517.....111	1706282.....730	2171716 479
1001235014 299, 301	1001242616.....109	1706284.....730	2172112 173
1001235015 299	1001242617.....107	1706285.....730	2220218 493
1001235711 315	1001243183.....768	1706292.....730	2220239 23
1001235712 317	1001243184.....768	1706296.....726	2220251 213, 215
1001235715 403	1001243201.....717, 719	1706298.....726	2220313 213, 215
1001235716 311, 313, 315, 317, 505	1001243576.....768	1706299.....726	2220550 479
1001236272 627, 629	1001245709.....768	1706300.....726	2220591 503
1001236302 627	1001247190.....76	1706301.....726	2220612 495
1001236316 267	1001247191.....76	1706302.....169, 726	2220885 531
1001236317 279	1001247192.....491	1706768.....726	2221198 513, 515
1001236319 285	1001247193.....491	1706846.....305	2221229 497
1001236320 273	1001247194.....69, 491	1706850.....726	2221257 209
1001236321 293	1001247195.....69, 491	1706892.....161	2221285 223
1001236337 629	1001247326.....69	1707078.....726	2221290 489, 491, 493
1001236413 497	1001247421.....623, 765	1784861.....59	2300037 391
1001236417 505, 507	1001252481.....193	2080040.....167	2340037 139
1001236418 497	1001252482.....193	2110404.....471, 473, 485	2400060 644, 650
1001236419 497	1001252483.....193	2110406.....483	2600281 167
1001236420 497	1001253828.....768	2110606.....471, 473	2620052 51, 53
1001236666 267, 269	1001254186.....631, 635	2110608.....481	2717283 127, 129, 541
1001236667 267, 271	1001254187.....631, 635	2110808.....191, 479	2820019 681, 685
1001236668 285	1001257106.....431	2110810.....483, 519	2820171 639
1001236669 285	1001257907.....328, 648	2110812.....173	2902443 631, 635
1001236676 603	1001258097.....177, 635	2111010.....469, 483, 493	2920204 603, 605
1001236678 605	1001258137.....768	2111012.....483	2920206 607, 609, 615
1001236782 67, 489, 493	1001258244.....373	2111212.....193	2920207 703
1001236783 67, 489, 493	1001258560.....431, 435	2112020.....479	2920208 601, 603
1001236787 495	1001258791.....327, 431	2130404.....83, 503	2920209 399
1001236788 495	1001262322.....625, 765	2130406.....445	2940074 167, 765
1001236953 319	1001262326.....625	2130604.....153	31200160 161
1001236954 321	1001262959.....768	2130606....153, 189, 191, 503	31200386 165
1001236957 319, 321, 507	1001262960.....673	2130608....153, 481, 485, 503	31200387 163
1001236959 319, 321, 357	1001262963.....673	2130808.....189, 191	31200388 163
1001237192 63, 489, 491	1001264879.....764	2130812.....173	31211321 768
1001237214 65, 493	1001265371.....768	2130812.....173	31211325 768
1001238317 73, 77	1001275270.....577	2131008.....72, 76	3251813 723
1001238560 167, 169	1001275933.....373	2131010....467, 485, 519	3271405 443, 577
1001238565 161, 163, 165, 167	1001279175.....723	2131010....467, 485, 519	3271501 15, 173, 189, 191, 205
1001238566 169	1001285715.....341	2131212....173, 193, 483	3271601 15, 173, 183, 189, 191, 193, 207, 577
1001238570 169	1001289105.....627	2131216.....173	3272001 173
1001238653 161	1001289296.....627	2144611.....209	3272201 29, 221, 309
1001238654 163	1001292174.....445	2145004.....439	3272401 21, 309
1001238655 165	1001294815.....761	2150406.....445, 457	3282001 21
1001239184 323, 327, 737	1007367100....223, 225, 227, 229, 233, 237, 239	2150606.....493	3290405 403
1001239539 217	1007367300....241, 243, 245, 247, 249, 253, 255	2150608.....153, 481	3290505 217
	101977201.....441	2150808.....479	3290507 693
	1060379 167	2150810.....519	3290601 93, 169, 611, 613, 615, 617
	1060628 35	2151010.....485	3290605 17, 609
	1060680 681, 685	2151212.....479	
	10719267 393	2160002.....81	
		2160016.....79	
		2170108.....479	

SECTION 13 - SPECIAL OPTIONS

3290801 189, 191, 393, 431, 437	4105262 72, 76	4460761 ... 643, 648, 664, 711, 719	577, 583, 601, 603, 605, 609, 613, 621, 627
3290807 699, 701	4240032 ... 611, 613, 615, 617, 625, 673, 717	4460809 712	4711500 15, 21, 23, 35, 73, 77, 173, 189, 191, 205, 323, 327, 409, 479, 489, 491, 493
3291007 89	4240033 623	4460851 642, 648, 664	4711600 .. 15, 21, 81, 173, 189, 191, 207, 213, 215, 467, 469, 577
3291201 335	4240084 291	4460852 664	4711700 72, 76
3300143 577	4240099 497	4460871 643, 649	4711800 527, 529
3300240 115, 117	4360658 ... 601, 603, 605, 764	4460872 643, 649	4711900 513
3300430 91	4460019 642, 648, 655	4460884 ... 642, 644, 648, 657, 669, 711	4712000 43, 47, 51
3300454 583	4460042 597	4460891 ... 631, 635, 639, 644, 650, 655, 656, 657, 664, 665, 679, 683, 689, 711, 715	4712200 29, 31
3310401 577	4460043 ... 642, 645, 648, 655, 657	4460894 ... 642, 643, 648, 649, 664, 665, 671, 719	4740120 363
3310805 629	4460227 664	4460897 ... 631, 635, 644, 645, 650, 661, 664, 665, 681, 685, 687, 695, 715	4740281 193
3311001 393, 577, 583, 695	4460234 625, 717	4460905 643, 649	4750400 577
3311005 421, 601, 603, 605	4460259 ... 653, 657, 665, 689	4460909 ... 597, 675, 677, 679, 683, 695, 719	4750600 25
3311405 167, 441, 737	4460260 ... 653, 657, 665, 689	4460931 691	4750800 629
3311501 35, 379, 381	4460267 ... 643, 648, 719	4460932 ... 599, 639, 695, 705, 709	4751000 601, 603, 605
3311502 23, 169	4460268 719	4460933 ... 632, 635, 642, 648, 656	4751400 513
3311505 29, 213, 215, 601, 603, 605	4460312 655	4460941 631, 635, 653	4751500 311, 313
3311508 593	4460321 712	4460942 ... 631, 635, 642, 648, 689	4751600 55, 57
3311608 21	4460374 ... 655, 656, 665, 689	4460945 ... 642, 648, 657, 664, 712	4752000 717
3311705 72, 76	4460419 642, 648	4460970 ... 653, 659, 665, 695	4752200 39, 41, 43, 45, 47, 51, 623
3312005 717	4460457 ... 644, 650, 656	4460994 ... 631, 635, 643, 649, 653, 677, 679, 683	4761000 577
3340943 15	4460458 ... 657, 681, 685, 689, 711	4461008 632, 635, 664	4761400 323, 327, 437
3391410 83, 155, 169	4460459 644, 650	4461017 635	4761600 81, 577
3421453 167	4460464 ... 597, 599, 639, 642, 643, 645, 648, 649, 650, 653, 656, 659, 661, 664, 665, 671, 675, 677, 679, 681, 683, 685, 687, 691, 697, 705, 709, 715, 719	4461018 656	4762200 29
3423275 115, 117	4460465 ... 632, 635, 639, 642, 643, 644, 645, 648, 649, 650, 653, 655, 656, 657, 664, 665, 669, 671, 679, 683, 711, 715, 719	4461021 693	4771000 393
3430507 437	4460466 ... 597, 632, 635, 642, 643, 648, 649, 653, 655, 656, 657, 659, 664, 665, 669, 671, 677, 695, 705, 711, 719	4461054 632, 635	4804533 45
3450304 437	4460475 644, 650, 711	4461070 632	4805921 45
3520072 167	4460488 ... 609, 613, 621	4461071 631, 635	4811400 403
3520198 167	4460496 656	4461095 631, 632, 635	4811600 175, 177, 217, 693
3576766 221	4460497 656	4461115 ... 679, 681, 685, 687	4811700 17, 93, 169, 609, 611, 613, 617
3580158 185, 187	4460508 635	4461118 657, 667	4811700001 449
3700016 730	4460509 656	4461119 591, 695	4811900 73, 77, 175, 177, 189, 191, 197, 217, 379, 381, 393, 431, 699, 701
3740080 393, 583, 655, 657, 695, 712, 764	4460518 ... 656, 657, 664, 711	4461174 ... 607, 609, 611, 613, 619, 621	4811902 393
3760170 167	4460536 ... 643, 649, 656, 665	4461227 667	4812000 72, 76, 79, 93, 175, 177, 183, 193
3760348 327	4460539 ... 642, 648, 656, 664, 711, 719	4461262 ... 644, 650, 655, 675	4812002 79
3790152 217	4460705 643, 648	4520259 281, 283	4812100 175, 177, 179, 181, 183, 209, 393
3820020 167	4460742 655, 711	463929 85	4812300 45
3900302 361, 363	4460746 ... 679, 681, 685, 687	4640113 305	4831700 611, 613, 615, 617
3900306 393	4460748 657	4640163 ... 269, 271, 275, 277, 281, 283, 295, 297	4832000 323, 327
3900393 72, 76		4641474 487	4891400 193
3910408 577		4711000 ... 393, 577, 583, 695, 717	4891500 29, 213, 215, 479, 601, 603, 605
3930812 629		4711400 91, 167, 361, 479, 513, 515, 517,	4891600 21
3931010 355			4891700 183
3931012 623, 717			4892000 21, 175, 177
3931412 323, 327, 463			4892200 221
3931416 21			4892400 21, 309
3931448 583			4920017 599, 661, 705
3931548 493			4923141 639
3931556 153			4923287 631, 764
3931572 153			5220500 603, 605
3931579 730			5241000 89
3944574 41, 45			5242400 169
3951814 155			
3960600 693			
3964987 85			
3983720 249, 263			
3983731 233, 249			
3984301 229, 233			
3990013 645, 649, 764			
4031612 693			
4031918 517			
4040291 221			
4100181 726, 730, 734			

SECTION 13 - SPECIAL OPTIONS

5272012	627	70020562	135	70021366	135	70024874	229
70002064	477	70020621	341	70021367	135	70024875	229
70002386 ..	475, 477, 764	70020716	563	70021368	135	70024878	233, 249
70004637	537, 545	70020717	563	70021369	135	70024881 ..	233, 249, 255
70005433	531	70020718	563	70021370	135	70024883	233, 249
70005941	185, 187	70020719	563	70021387	135	70024888	249, 265
70006652	185, 187	70020764 ..	521, 567, 764	70021397	123, 125	70024897	237
70020002 ..	123, 127, 129	70020769	463, 765	70021399	135	70024904	185, 187
70020028 ..	123, 127, 129	70020770	463	70021415 ..	123, 125, 127, 129	70024911	185, 187
70020230	229	70020771	463	70021440 ..	127, 129, 543, 569	70024913	185, 187
70020231	229	70020795	399	70021444	543, 569	70024915	185, 187
70020232	229	70020867	561	70021446	543, 569	70024927	229, 247
70020233	247	70020871	557	70021447 ..	119, 121, 125, 543, 569	70024929	229, 247
70020234	229, 247	70020919	565	70021448 ..	119, 121, 125, 543, 569	70024933	547
70020235	229	70020920	565	70021451	543, 569	70024934	547
70020240	229, 247	70020922	559	70021452	543, 569	70024935	547
70020243	229	70020923	451, 455	70021462	543	70024936	547
70020244	229, 257	70020924	451, 455	70021464 ...	119, 121, 569	70024937	547
70020245	229, 257	70020925	451, 455	70021475	565	70024938	547
70020247 ..	229, 237, 257	70020926	455	70021531	521, 567	70024939	547
70020249	229, 257	70020927	455	70021928	229, 257	70024940	549
70020250	229	70021076	247	70021929	229, 257	70024941	549
70020251	229, 247	70021079	339	70021939	229	70024942	549
70020252	229	70021082	339	70021940	237	70024943	549
70020253	229	70021090	339	70021941	237	70024944	549
70020255	229	70021095	339	70021942	237	70024945	549
70020256	229	70021147 ..	227, 233, 249	70022097	121, 125	70024947	549
70020257	229	70021150 .	233, 249, 259, 261	70022102	121, 125	70024948	549
70020258	229	70021151	233, 249	70022103	121, 125	70024949	549
70020259	229	70021155	233, 249	70022104	121, 125	70024950	549
70020260	229	70021196	247	70022105 ...	119, 121, 125	70024951	551
70020261	229	70021198	255	70022106	119, 121	70024952	551
70020262	229	70021200	255	70022107	123, 125	70024953	551
70020263	229	70021221	257	70022108 ...	123, 125, 543	70025150	185, 187
70020265	229	70021270	571	70022110	123, 125	70025162	185, 187
70020266	229	70021271	571	70022111	123, 125	70025181	187
70020267	229	70021272	571	70022112	123, 125	70025187	185
70020269 ..	229, 239, 253	70021273	571	70022564 ...	531, 537, 545	70025249	199
70020271	229	70021275	571	70022726	549	70025562	233, 249
70020273	237	70021276	571	70022805	387, 389	70025816	435
70020276	237	70021338 .	119, 121, 123, 125	70022818	53	70025925	387
70020280	237	70021342	119, 135	70022847	559	70026263	237
70020282	237	70021343	119, 121	70023035	239, 253	70026308 ..	531, 537, 545
70020284	237	70021345	119, 121	70023036	239, 253	70026582	561, 764
70020285	237	70021346	119, 121	70023040	369	70026702	127, 129
70020288	247	70021347	119, 121	70023041	369	70026770	541
70020290	237	70021348	119, 121	70023139	375	70026771	541
70020291	237	70021349 .	119, 121, 123, 125	70023325	433	70026773	541
70020292	237	70021350 .	119, 121, 123, 125	70023369 ...	531, 537, 545	70026774	541
70020293	237	70021351 .	119, 121, 123, 125	70023371	545	70026775	541
70020295	237	70021352	563	70023372	537	70026875	233, 249
70020296	237	70021355	135	70023373	545	70027024	367
70020297	237	70021356	135	70023945	477	70027025	367
70020298	237	70021357	135	70023946	475, 477	70027026	367
70020301	239	70021358	135	70023974	535	70027028	367
70020302	239, 253	70021359	135	70024190	199	70027030	367
70020303	247	70021360	135	70024191	199	70027032	367
70020346	257	70021361	135	70024386	389	70027033	367
70020370	535	70021362	135	70024528	237	70027034	367
70020372	535	70021363 .	119, 121, 135, 569	70024863	229	70027035	367
70020373	535	70021364	135	70024864	229	70027114	233, 249
70020375	535	70021365	135	70024866	229, 247	70027176	49, 53
70020376	539			70024873	229	70027177	49
70020377	535					70027178	49
70020551	433					70027242	537, 545
70020555	145					70027243	537, 545
70020560	135					70027244	537, 545

SECTION 13 - SPECIAL OPTIONS

70027245.....	537	70028521.....	127, 129	70029503.....	123	8001991.....	701
70027246.....	537	70028523.....	127, 129	70029504.....	123	8002027.....	85
70027247.....	537	70028524.....	127, 129	70029505.....	123	8002110.....	83
70027248.....	537	70028525.....	127, 129	7002951.....	764	8002789.....	43
70027249.....	545	70028530.....	127, 129	70029696.....	107, 109	8005670.....	730
70027250.....	545	70028531.....	127, 129	70029697.....	107, 109	8005671.....	59
70027251.....	531, 545	70028535.....	255	70029698.....	107, 109	8005870.....	726, 730, 734
70027252.....	545	70028540.....	185, 187	70029699.....	107, 109	8010200.....	41
70027253.....	545	70028856.....	531	70029700.....	107, 109	8010204.....	41, 43
70027254.....	545	70028884.....	237	70029975.....	539	8010234.....	43
70027255.....	545	70028929.....	185, 187	70030251.....	249	80204012.....	233, 250
70027256.....	531	70029015.....	185, 187	70030368.....	539	80204065.....	233, 249
70027257.....	531	70029046.....	127, 129	70030369.....	539	80204111.....	237
70027259.....	531	70029052.....	127, 129	70030370.....	539	80204117.....	233, 237, 249, 255
70027260.....	531	70029265.....	227, 245	70030371.....	539	80204147.....	229
70027261.....	531	70029266.....	229	70030769.....	233, 249	80204172.....	233, 249
70027262.....	531	70029267.....	229, 257	70030962.....	199	80204178.....	229
70027283.....	127, 129	70029268.....	230, 765	70030963.....	199	80204213.....	247
70027315.....	233, 249	70029269.....	233	70037787.....	107, 109	80204281.....	237
70027400.....	553, 555	70029270.....	233, 249	70050641.....	125	80233256.....	447
70027401.....	553	70029271.....	233, 249	7010543.....	475, 477, 557	80233257.....	447
70027556.....	553, 555	70029272.....	233, 249	7012941.....	557	80264138.....	463
70027557.....	553, 555, 764	70029273.....	233, 249	7016331.....	185, 187, 764	80264139.....	463
70027591.....	203	70029274.....	233, 249	7020465.....	185, 187	80325.....	323
70027592.....	203	70029275.....	233, 249	7024872.....	557	80333184.....	445, 447
70027610.....	539	70029276.....	233, 249	7026481.....	433	80334492.....	547
70027611.....	539	70029277.....	233, 249	7026798.....	367, 369	8033761.....	475, 477
70027612.....	539	70029278.....	233, 249	7026799.....	369	8035487.....	323, 327
70027632.....	389	70029279.....	233, 249	7026900.....	369	8035632.....	339
70027638.....	539	70029280.....	233, 249	7026901.....	369	8036064.....	339
70027642.....	123	70029281.....	233, 249	7026902.....	369	80364005.....	339
70027773.....	107, 109	70029282.....	233, 249	7026905.....	369	80364037.....	339
70027774.....	107, 109	70029283.....	233, 249	7026906.....	369	8036629.....	535
70027775.....	107, 109	70029284.....	233, 249	7028706.....	227, 233, 237, 245, 249	8036733.....	541
70027776.....	107, 109	70029285.....	233, 249, 265	7028733.....	233, 250	80383231.....	379, 381
70027777.....	107, 109	70029286.....	233, 250, 259	7029432.....	233, 249, 263	80383410.....	429, 433
70027778.....	107	70029287.....	233, 250, 261	7029520.....	145	80623016.....	495
70027779.....	107, 109	70029288.....	233	7029521.....	145, 147, 149	806253.....	35
70027780.....	107, 109	70029289.....	234, 250	7029690.....	119, 121, 125	806264.....	35
70027781.....	107, 109	70029290.....	234, 250	7029691.....	119, 121	80633030.....	497
70027782.....	107, 109	70029291.....	234, 250	7029692.....	119, 135	80673023.....	175, 177
70027783.....	107, 109	70029292.....	234, 250	7029700.....	119, 121	80963058.....	695
70027784.....	107, 109	70029293.....	237	7029705.....	119, 121	80963062.....	644, 650
70027786.....	107, 109	70029294.....	237	7029711.....	119, 121, 123, 125, 135	80983191.....	642, 655, 764
70027788.....	107, 109	70029295.....	237	7029713.....	119, 121	82033997.....	331, 361, 363
70027789.....	107, 109	70029296.....	237	7029714.....	123, 125, 135	8220007.....	653
70027793.....	107, 109	70029297.....	237	7029865.....	563	8220035.....	709
70027794.....	107	70029298.....	237	7075611.....	72, 76	8220045.....	631, 635, 655
70027859.....	229	70029299.....	237	7082362.....	72, 76	8220051.....	631, 635, 645, 650
70027862.....	237	70029300.....	239, 253	7126182.....	72, 76	8220081.....	655, 656
70027865.....	239, 253	70029301.....	239, 253	7126662.....	72, 76	8220089.....	655, 657, 689
70027866.....	239, 253	70029302.....	247	7139886.....	527, 529	8220108.....	709
70027989.....	123, 125	70029303.....	247, 257	7300032.....	72, 76	8220115.....	642, 648, 655
70028239.....	555	70029304.....	249	7300034.....	72, 76	8220125.....	657
70028240.....	555	70029309.....	111, 113	7300435.....	173	8220162.....	689
70028241.....	555, 764	70029310.....	111, 113	7300518.....	72, 76	8220164.....	665
70028388.....	229	70029313.....	111, 113	77133136.....	73, 77, 489, 491, 493	8223531.....	393
70028389.....	229, 250	70029314.....	107, 109	77133137.....	73, 77, 379, 381, 489, 491, 493	8229234.....	711, 765
70028473.....	249, 265	70029315.....	109	77133279.....	379, 381	8229235.....	711, 765
70028474.....	249, 265	70029441.....	569	77143016.....	583, 695	8229242.....	642, 655, 764
70028486.....	127, 129	70029451.....	185	77383377.....	577, 764	8229243.....	642
70028514.....	573, 765	70029492.....	127, 129	8001888.....	83	8229244.....	642, 655, 764
70028515.....	573	70029495.....	127, 129	8001989.....	699	8229245.....	642
70028516.....	573	70029496.....	127, 129			8229246.....	642
70028517.....	573	70029497.....	127, 129			8229261.....	711, 765
70028519.....	127, 129	70029498.....	147, 149				
70028520.....	127, 129	70029502.....	123				

SECTION 13 - SPECIAL OPTIONS

8275212 207	8406112 175, 177	8866514....311, 313, 315, 317, 319, 321	91094023 563
8303034 ... 323, 327, 343, 345, 381, 393, 399, 401, 403, 441, 443, 609, 613, 621, 737	8410001 189, 191	88671001.....72, 76	91094024 563
8303114 479	8410009 211, 379, 381	8880219-OM.....221	91143339 631, 635
8303739 81	8410011 197, 205, 217	8880220.....221	91143340 656
8303839 577	8420227 193	8880221.....221	91143357 577
8305002 363	8420236 193	8881800.....173	91304025 463
8305004 513, 515	8430032 209, 497	8881802....609, 613, 621	91403097 309
8305038 183	8430068 213, 215	8882320.....611	91403153 309
8305624 577	8430082 209	8904001.....193	91403217 309
8305626 153, 493	8466306 323, 327	90027187.....493	91403412 221
8305645 72, 76, 493	84712749 211	90027473.....309	91404013 463
8307024 ... 311, 313, 315, 317, 319, 321	8520001 495	90028488.....15	91404016 463
8307106 153, 493	8522012 72, 76	90200003.....115, 117	91404182 563
8307109 323, 327	8522031 72, 76	90554016..111, 113, 119, 121, 123, 127, 129, 147, 149	91404186 563
8307110 493	8584003 495, 627	90554017..119, 121, 123, 125, 135	91404189 563
8307222 211	85941016 .. 609, 613, 621	90554019...107, 127, 129	91404309 339
8307904 72, 76	85941017 .. 173, 609, 613	90554020..107, 119, 121, 123, 125	91404326 463
8310053 323, 327	8642207 72, 76	90554021...107, 109, 119, 121, 123, 125	91413036 379, 381
8310058 173	8642224 72, 76	90554042..107, 109, 119, 121, 123, 125	91474507 233, 249
8310160 72, 76	86883327 21	90554045.....543, 569	91474512 .. 229, 233, 249
8310246 301	8750042 393	90554054.....107	91474516 255
8310297 ... 175, 177, 179, 181, 183	8769122 .72, 76, 81, 489, 491, 493	90554062.....135	91474532 247
8310420 197	8769123 .72, 76, 81, 393, 489, 491, 493	90554065...119, 121, 135	91474579 249, 263
8310748 183	8770241 223	90554070...107, 109, 123	91474580 249, 263
83191010 299	8770248 209	90554074.....107, 109	91474584 233, 249
83201102 47	8770296 209	90554076.....135	91474585 249, 265
8342813 19, 339	88212229 479	90554080...145, 147, 149	91504028 463
8360005 211	88261026 193	909304.....59	91504029 463
8405006 21, 173, 513, 515	88261030 301	91043147.....493	91513266 299
8405101 217	88501010 43, 47, 51	91084008.....563	91514117 233, 249
8405102 193, 195	88501012 31, 41, 43	91084009.....563	91514118 299
8405104 193	88521205 323, 327	91084010.....563	91514188 .. 227, 233, 245
8405201 193	88521206 301	91084019.....563	91514189 233, 249
8405204 207	8852120881, 85, 87, 153, 527, 529	91084233.....563	91514224 463
8406003 577	88521304 399, 437	91084278.....563	91514272 389
8406102 513, 515	88631566 583	91084279.....563	91554014 642
	88662480 209		91563136 23
	88662482 497		91563164 375
	88662523 467, 469		91563220 .. 726, 730, 734
			91565064 375
			933940 85



Corporate Office
JLG Industries, Inc.
1 JLG Drive
McConnellsburg, PA 17233-9533 USA
☎ **(717) 485-5161 (Corporate)**
☎ **(877) 554-5438 (Customer Support)**
📠 **(717) 485-6417**

Visit our website for JLG Worldwide Locations.
www.jlg.com



OSHKOSH™