

# ***SKYTRAK***<sup>®</sup>

---

## ***Illustrated Parts Manual***

***Models***  
***6036***  
***6042***

**PVC**  
**2011**

**P/N**  
**31211527**

**November 1, 2023 - Rev C**

---

***JLG***<sup>®</sup>  
An Oshkosh Corporation Company



## **EFFECTIVITY PAGE**

November 6, 2020 - A - Original Issue of Manual (Edited to 1001169968 Revision AR & 1001169969 Revision AR)

May 10, 2021 - B - Manual Revised (Edited to 1001169968 Revision AS & 1001169969 Rev AS)

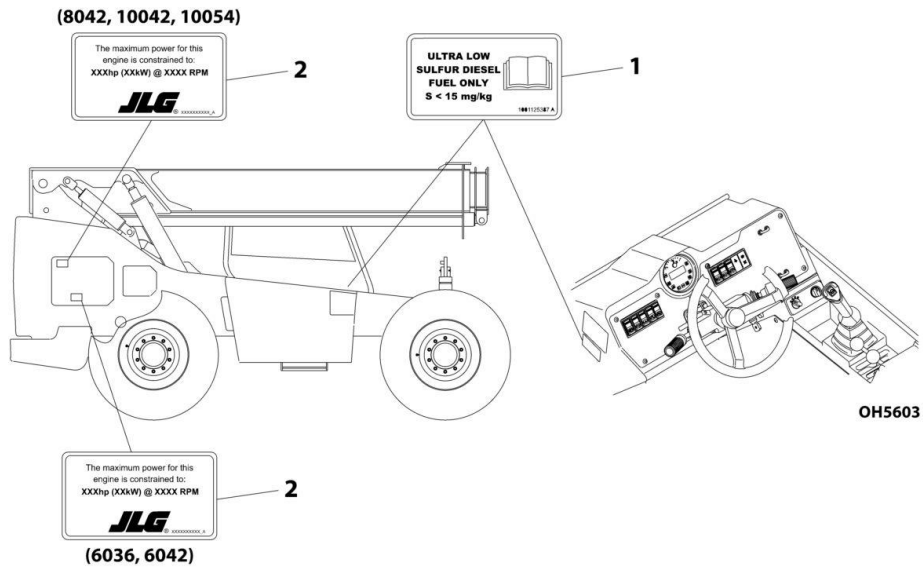
November 1, 2023 - C - Manual Revised (Edited to 1001169968 Revision AS & 1001169969 Rev AS)

## Machine Configuration

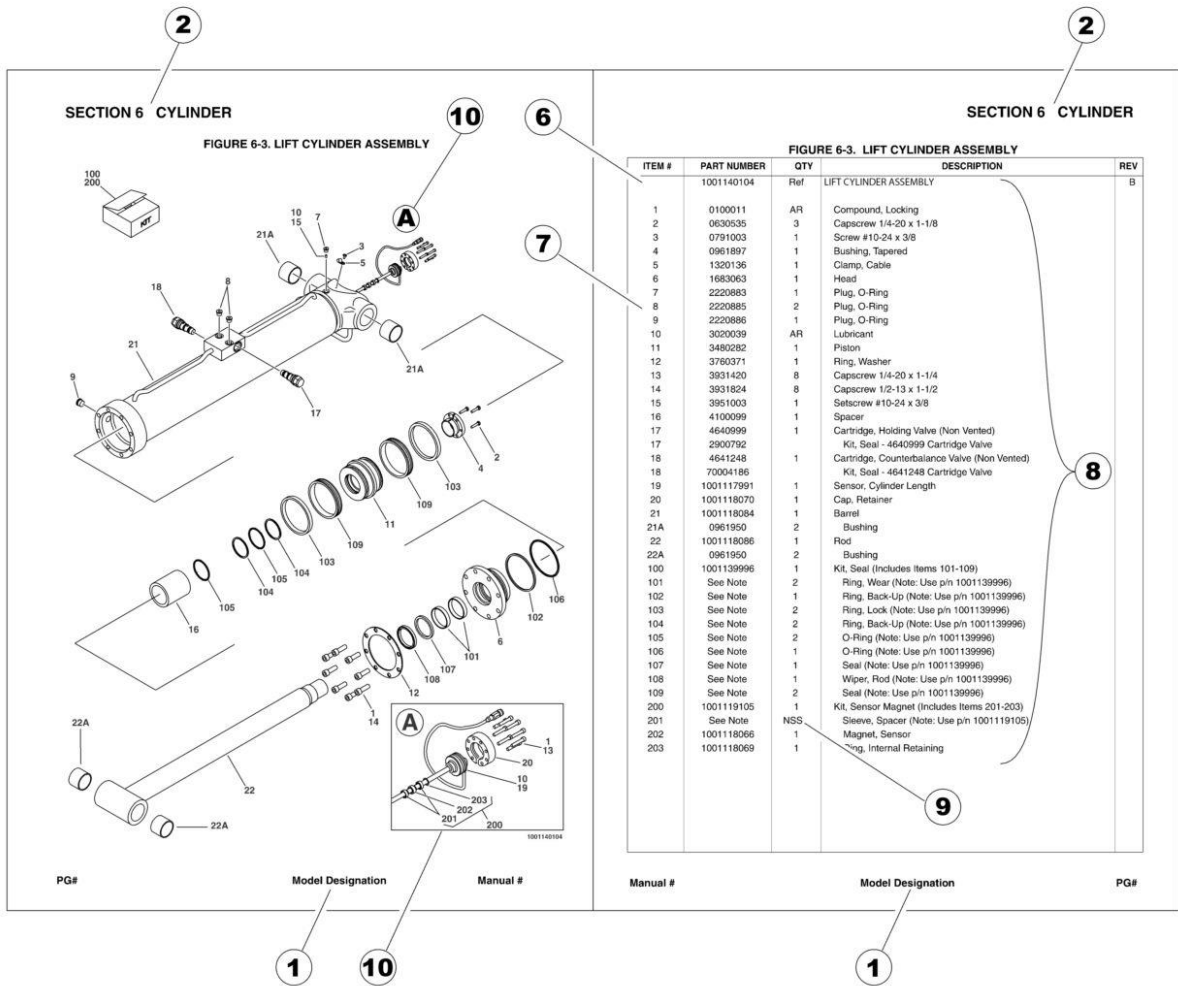
Two configurations of each machine are included in this manual. Determine if machine is equipped with Ultra Sulfur Fuel Decal (1) as indicated below.

- If equipped with the Ultra Low Sulfur decal, all specific references to this machine configuration will be referred to as Ultra Low Sulfur (ULS) from this point forward.
- If not equipped with the Ultra Low Sulfur decal, all specific references to this machine configuration will be referred to as Low Sulfur (LS) from this point forward.

Engine horsepower can be found on the decals (2) located inside the engine compartment doors.



# GENERAL INFORMATION



## 1) MACHINE IDENTIFICATION

Machines are identified by model and in some cases a combination of models, serial number (SN) or regional standard (i.e ANSI, CE, CSA). Components may also be identified by SN or manufacturer. Common components that may be identified by these characteristics are engines and hydraulic components.

## 2) PARTS MANUAL ORGANIZATION

Product information in this manual is organized under section titles. Frame, Cylinder, Hydraulic and Electrical are a few examples. Each section is organized by figure and page number. The information within the Figure is then organized by item number, part number, description and corresponding illustration (s).

## 3) TABLE OF CONTENTS (NOT SHOWN)

A table of contents is found toward the beginning of the manual. Figure number, description and page number are provided for quick reference to the page containing the related information.

## 4) RECOMMENDED SPARE PARTS (NOT SHOWN)

The Recommended Spare Parts List, located near the end of the manual, reference most frequently used maintenance parts.

## 5) PART NUMBER INDEX (NOT SHOWN)

A numerical index listing all part numbers and the corresponding page number(s) appears at the back of the manual.

## GENERAL INFORMATION

### 6) NON-SERVICED PARTS

In some instances, it is necessary to display non-serviced parts, assemblies or installations. In the case of assemblies and installations there will be a Ref in the Qty. column. In case of parts that are not available for service within assemblies or components, there will be a NSS (Not Sold Separately) or NLA (No Longer Available) listed in the Qty. column of the manual.

### 7) PARTS LIST ITEM NUMBERS

Numbers shown in the item# column correspond to numbers used in the associated illustration (s). Item numbers which are missing from the sequence in the parts list are not used on that page.

### 8) INDENTED PARTS DESCRIPTION

An indented part description is included in the item under which it is indented.

### 9) ABBREVIATION AND SYMBOLS

|             |  |              |                                 |
|-------------|--|--------------|---------------------------------|
| AC.....     | Alternating Current                        | L.....       | Liter                           |
| ADE.....    | Advanced Design Electronics                | LB(LBS)..... | Pounds                          |
| AG.....     | Agricultural                               | LCD.....     | Liquid Crystal Display          |
| ANSI.....   | American National Standards Institute      | LED.....     | Light Emitting Diodes           |
| AR.....     | As Required                                | LH.....      | Left Hand                       |
| ASSY.....   | Assembly                                   | LRC.....     | Low Rated Countries             |
| AUS.....    | Australia                                  | LSS.....     | Load Sensing System             |
| AUX.....    | Auxiliary                                  | M(m).....    | Metric/Meter                    |
| AWG.....    | American Wire Gauge                        | MM(mm).....  | Milimeter                       |
| B/M.....    | Bill of Material                           | mA.....      | Miliamps                        |
| CAC.....    | Charge Air Cooler                          | NLA.....     | No Longer Available             |
| CE.....     | European Conformity                        | NPT.....     | National Pipe Threads           |
| CCW.....    | Counter Clockwise                          | NSS.....     | Not Sold Separately             |
| CM.....     | Centimeter                                 | OD.....      | Outside Diameter                |
| CW.....     | Clockwise                                  | ORB.....     | O-Ring Boss                     |
| CSA.....    | Canadian Standards Association             | ORFS.....    | O-Ring Face Seal                |
| CYL.....    | Cylinder                                   | OZ (oz)..... | Ounces                          |
| DIA.....    | Diameter                                   | PG.....      | Page                            |
| DC.....     | Direct Current                             | PN.....      | Part Number                     |
| DEF.....    | Diesel Exhaust Fluid                       | QT(qt.)..... | Quarts                          |
| EMS.....    | Emergency Stop                             | QTY.....     | Quantity                        |
| ENG.....    | Engine                                     | REF.....     | Reference                       |
| FT(ft)..... | Feet                                       | REV.....     | Revision Level                  |
| GA(Ga)..... | Gauge                                      | RH.....      | Right Hand                      |
| HRC.....    | High Rated Countries                       | SAE.....     | Society of Automotive Engineers |
| HVAC.....   | Heating, Ventilating, and Air Conditioning | SN.....      | Serial Number                   |
| HYD.....    | Hydraulic                                  | SPEC(S)..... | Specifications                  |
| Hz.....     | Hertz                                      | T/T.....     | Turntable                       |
| ID.....     | Inside Diameter                            | UGM.....     | Universal Ground Module         |
| IN.....     | inches                                     | V.....       | Volts                           |
| ISO.....    | International Organization for Standards   | W.....       | Watts                           |
| JIC.....    | Joint Industry Council                     | #.....       | Number                          |
| KG.....     | Kilogram                                   |              |                                 |

### 10) ILLUSTRATION REFERENCE LETTERS

When necessary, illustrations may contain reference letters that are intended to track information (i. e. hoses, harnesses) from one point to another or to track visual enlargement of components to show details that may be located in another area on the illustration.

*Note: Due to continuous product improvements, JLG Industries, Inc. reserves the right to make specification changes without prior notification. Contact JLG Industries, Inc. for updated information.*

# TABLE OF CONTENTS

|  |     |
|--|-----|
| SECTION 1 - FRAME AND ATTACHING PARTS.....                             | 15  |
| FIGURE 1-1. FRAME COMPONENTS INSTALLATION - 74HP (ULS) (6036).....     | 16  |
| FIGURE 1-2. FRAME COMPONENTS INSTALLATION - 85HP (LS) (6036) .....     | 18  |
| FIGURE 1-3. FRAME COMPONENTS INSTALLATION - 74HP (ULS) (6042).....     | 20  |
| FIGURE 1-4. FRAME COMPONENTS INSTALLATION - 85HP (LS) (6042) .....     | 22  |
| FIGURE 1-5. HYDRAULIC/FUEL TANK ASSEMBLY (ULS) .....                   | 24  |
| FIGURE 1-6. HYDRAULIC/FUEL/DEF TANK ASSEMBLY (LS) .....                | 26  |
| FIGURE 1-7. FRAME COVERS INSTALLATION, 74HP (ULS).....                 | 28  |
| FIGURE 1-8. FRAME COVERS INSTALLATION, 85HP (LS) .....                 | 30  |
| FIGURE 1-9. FRAME COVERS INSTALLATION, 74HP (AIR SHUT OFF VALVE) ..... | 32  |
| SECTION 2 - BOOM .....   | 35  |
| FIGURE 2-1. BOOM INSTALLATION (6036) .....                             | 36  |
| FIGURE 2-2. BOOM INSTALLATION (6042) .....                             | 42  |
| FIGURE 2-3. HOSE PULLEY ASSEMBLY (6036).....                           | 48  |
| FIGURE 2-4. HOSE PULLEY ASSEMBLY (6042).....                           | 50  |
| FIGURE 2-5. RETRACT CHAIN ASSEMBLY (6036) .....                        | 52  |
| FIGURE 2-6. RETRACT CHAIN ASSEMBLY (6042) .....                        | 54  |
| FIGURE 2-7. EXTEND CHAIN ASSEMBLY (6036).....                          | 56  |
| FIGURE 2-8. EXTEND CHAIN ASSEMBLY (6042).....                          | 58  |
| FIGURE 2-9. LOCK PIN ASSEMBLY .....                                    | 60  |
| FIGURE 2-10. QUICK COUPLER ASSEMBLY .....                              | 62  |
| SECTION 3 - ATTACHMENTS .....  | 65  |
| FIGURE 3-1. BASKET, PERSONNEL (1.2MX2.4M) (DOMESTIC).....              | 66  |
| FIGURE 3-2. BASKET, PERSONNEL (1.2MX2.4M) (ISO).....                   | 68  |
| FIGURE 3-3. BASKET, PERSONNEL (1.2MX2.4M) (FRENCH LANGUAGE) .....      | 70  |
| FIGURE 3-4. BASKET, PERSONNEL ASSEMBLY.....                            | 72  |
| FIGURE 3-5. BOOM - ADJUSTABLE .....                                    | 74  |
| FIGURE 3-6. BOOM - ADJUSTABLE (FORK MOUNTED) .....                     | 76  |
| FIGURE 3-7. BOOM (3 FOOT WITH WINCH) .....                             | 78  |
| FIGURE 3-8. BOOM (12 FOOT WITHOUT WINCH).....                          | 80  |
| FIGURE 3-9. BOOM (12 FOOT WITH WINCH).....                             | 82  |
| FIGURE 3-10. BOOM (15 FOOT WITHOUT WINCH) .....                        | 84  |
| FIGURE 3-11. BUCKET (60 INCH) .....                                    | 86  |
| FIGURE 3-12. BUCKET (72 INCH) .....                                    | 88  |
| FIGURE 3-13. BUCKET (96 INCH) .....                                    | 90  |
| FIGURE 3-14. BUCKET - GRAPPLE (96 INCH) .....                          | 92  |
| FIGURE 3-15. BUCKET (102 INCH) .....                                   | 94  |
| FIGURE 3-16. CARRIAGE ASSEMBLY - 48IN SIDE SHIFT.....                  | 96  |
| FIGURE 3-17. CARRIAGE ASSEMBLY - 50IN .....                            | 98  |
| FIGURE 3-18. CARRIAGE ASSEMBLY - 50IN DUAL FORK POSITIONING .....      | 100 |
| FIGURE 3-19. CARRIAGE ASSEMBLY - 50IN SIDE TILT.....                   | 102 |
| FIGURE 3-20. CARRIAGE ASSEMBLY - 60IN .....                            | 104 |
| FIGURE 3-21. CARRIAGE ASSEMBLY - 60IN SIDE TILT.....                   | 106 |

# TABLE OF CONTENTS

|   |     |
|---|-----|
| FIGURE 3-22. CARRIAGE ASSEMBLY - 72IN.....                          | 108 |
| FIGURE 3-23. CARRIAGE ASSEMBLY - 72IN SIDE TILT .....               | 110 |
| FIGURE 3-24. CARRIAGE ASSEMBLY - 72IN SWING.....                    | 112 |
| FIGURE 3-25. FORK 1.75X7X60 - DUAL TAPERED 5400# .....              | 114 |
| FIGURE 3-26. FORK 2X2X48 - CUBING/BLOCKING 1940# .....              | 116 |
| FIGURE 3-27. FORK 2X6X72 - DUAL TAPERED 6613# .....                 | 118 |
| FIGURE 3-28. FORK 2.36X4X48 PALLET 5000#.....                       | 120 |
| FIGURE 3-29. FORK 2.36X4X48 PALLET 5475#.....                       | 122 |
| FIGURE 3-30. FORK 2.36X4X60 PALLET 5000#.....                       | 124 |
| FIGURE 3-31. FORK 2.36X5X48 PALLET 6850#.....                       | 126 |
| FIGURE 3-32. FORK 2.36X5X60 PALLET 6850#.....                       | 128 |
| FIGURE 3-33. FORK 2.36X5X72 PALLET 6850#.....                       | 130 |
| FIGURE 3-34. FORK 2.36X6X60 PALLET 6850#.....                       | 132 |
| FIGURE 3-35. FORK EXTENSION (90 INCH).....                          | 134 |
| FIGURE 3-36. FORK PIN LOCK INSTALLATION .....                       | 136 |
| FIGURE 3-37. HOOK - COUPLER MOUNTED .....                           | 138 |
| FIGURE 3-38. HOOK - FORK MOUNTED.....                               | 140 |
| FIGURE 3-39. MAST (8 FOOT) .....                                    | 142 |
| FIGURE 3-40. SHEET MATERIAL HANDLER INSTALLATION .....              | 146 |
| FIGURE 3-41. SHEET MATERIAL HANDLE FORK SUPPORT ASSEMBLY (LH).....  | 148 |
| FIGURE 3-42. SHEET MATERIAL HANDLE FORK SUPPORT ASSEMBLY (RH) ..... | 150 |
| FIGURE 3-43. SWEEPER ASSEMBLY .....                                 | 152 |
| FIGURE 3-44. SWEEPER - HOPPER ASSEMBLY .....                        | 154 |
| FIGURE 3-45. SWEEPER - BODY ASSEMBLY .....                          | 156 |
| FIGURE 3-46. SWEEPER - MOTOR ASSEMBLY .....                         | 158 |
| FIGURE 3-47. SWEEPER - IDLER ASSEMBLY.....                          | 160 |
| FIGURE 3-48. SWEEPER - CORE ASSEMBLY.....                           | 162 |
| FIGURE 3-49. SWEEPER - HYDRAULIC SINGLE MOTOR ASSEMBLY .....        | 164 |
| FIGURE 3-50. TRASH HOPPER - FORK MOUNTED .....                      | 166 |
| SECTION 4 - ENGINE AND ATTACHING PARTS.....                         | 169 |
| FIGURE 4-1. ENGINE COMPONENT INSTALLATION, 74HP (ULS).....          | 170 |
| FIGURE 4-2. ENGINE COMPONENT INSTALLATION, 85HP (LS) .....          | 172 |
| FIGURE 4-3. ENGINE INSTALLATION, 74HP (ULS) .....                   | 174 |
| FIGURE 4-4. ENGINE INSTALLATION, 85HP (LS).....                     | 176 |
| FIGURE 4-5. ENGINE, 74HP (ULS).....                                 | 178 |
| FIGURE 4-6. ENGINE, 85HP (LS) .....                                 | 180 |
| FIGURE 4-7. ENGINE, 85HP (ULS).....                                 | 182 |
| FIGURE 4-8. EXHAUST INSTALLATION, 74HP (ULS).....                   | 184 |
| FIGURE 4-9. EXHAUST INSTALLATION, 85HP (LS).....                    | 186 |
| FIGURE 4-10. FAN INSTALLATION, 74HP .....                           | 188 |
| FIGURE 4-11. FAN INSTALLATION, 85HP .....                           | 190 |
| FIGURE 4-12. AIR CLEANER INSTALLATION (ULS).....                    | 192 |
| FIGURE 4-13. AIR CLEANER INSTALLATION (LS).....                     | 194 |
| FIGURE 4-14. AIR CLEANER ASSEMBLY (ULS).....                        | 196 |
| FIGURE 4-15. AIR CLEANER ASSEMBLY (LS).....                         | 198 |



# TABLE OF CONTENTS

|   |     |
|---|-----|
| FIGURE 4-16. AIR INTAKE SHUT OFF VALVE INSTALLATION .....       | 200 |
| FIGURE 4-17. COOLING INSTALLATION, 74HP .....                   | 202 |
| FIGURE 4-18. COOLING INSTALLATION, 85HP .....                   | 204 |
| FIGURE 4-19. DEAERATION TANK ASSEMBLY .....                     | 206 |
| FIGURE 4-20. RADIATOR ASSEMBLY, 74HP .....                      | 208 |
| FIGURE 4-21. RADIATOR ASSEMBLY, 85HP .....                      | 210 |
| FIGURE 4-22. FUEL PLUMBING INSTALLATION (ULS) .....             | 212 |
| FIGURE 4-23. FUEL PLUMBING INSTALLATION (LS) .....              | 214 |
| FIGURE 4-24. PLUMBING COOLING INSTALLATION (ULS) .....          | 216 |
| FIGURE 4-25. PLUMBING COOLING INSTALLATION (LS).....            | 218 |
| FIGURE 4-26. ISOLATION COUPLER INSTALLATION .....               | 220 |
| FIGURE 4-27. A/C COMPONENTS INSTALLATION, 85HP .....            | 222 |
| FIGURE 4-28. A/C COMPONENTS INSTALLATION, 74HP .....            | 224 |
| FIGURE 4-29. HEATER BREATHER .....                              | 226 |
| SECTION 5 - DRIVE TRAIN .....                                   | 229 |
| FIGURE 5-1. TRANSMISSION INSTALLATION .....                     | 230 |
| FIGURE 5-2. TRANSMISSION ASSEMBLY .....                         | 232 |
| FIGURE 5-3. TRANSMISSION, ENGINE CONNECTION AND CONVERTER ..... | 234 |
| FIGURE 5-4. TRANSMISSION, INPUT SHAFTS .....                    | 236 |
| FIGURE 5-5. TRANSMISSION, GEARBOX HOUSING .....                 | 238 |
| FIGURE 5-6. TRANSMISSION, COUPLING GROUP 1 .....                | 240 |
| FIGURE 5-7. TRANSMISSION, COUPLING GROUP 2 .....                | 242 |
| FIGURE 5-8. TRANSMISSION, COUPLING GROUP 3 .....                | 244 |
| FIGURE 5-9. TRANSMISSION, COUPLING GROUP 4 .....                | 246 |
| FIGURE 5-10. TRANSMISSION, REVERSING GEAR GROUP 1 .....         | 248 |
| FIGURE 5-11. TRANSMISSION, REVERSING GEAR GROUP 2 .....         | 250 |
| FIGURE 5-12. TRANSMISSION, OUTPUT .....                         | 252 |
| FIGURE 5-13. TRANSMISSION, CONTROL UNIT .....                   | 254 |
| FIGURE 5-14. TRANSMISSION, VALVE HOUSING ASSEMBLY .....         | 256 |
| FIGURE 5-15. TRANSMISSION, VALVE BLOCK ASSEMBLY .....           | 260 |
| FIGURE 5-16. TRANSMISSION, OIL PUMP AND FILTER.....             | 262 |
| FIGURE 5-17. DRIVE SHAFT INSTALLATION.....                      | 264 |
| FIGURE 5-18. FRONT DRIVE SHAFT ASSEMBLY.....                    | 266 |
| FIGURE 5-19. REAR DRIVE SHAFT ASSEMBLY .....                    | 268 |
| FIGURE 5-20. DRIVE SHAFT INPUT.....                             | 270 |
| FIGURE 5-21. AXLES INSTALLATION (6036).....                     | 272 |
| FIGURE 5-22. AXLES INSTALLATION (6042).....                     | 274 |
| FIGURE 5-23. FRONT AXLE SUB-ASSEMBLY.....                       | 276 |
| FIGURE 5-24. FRONT AXLE ASSEMBLY .....                          | 278 |
| FIGURE 5-25. FRONT AXLE, CENTRAL HOUSING .....                  | 280 |
| FIGURE 5-26. FRONT AXLE, DIFFERENTIAL .....                     | 282 |
| FIGURE 5-27. FRONT AXLE, HUB REDUCTION.....                     | 284 |
| FIGURE 5-28. FRONT AXLE, BRAKES .....                           | 288 |
| FIGURE 5-29. FRONT AXLE, STEERING .....                         | 290 |
| FIGURE 5-30. FRONT AXLE, TRUNION .....                          | 292 |

# TABLE OF CONTENTS

|  |            |
|--|------------|
| FIGURE 5-31. REAR AXLE SUB-ASSEMBLY (6042) .....   | 294        |
| FIGURE 5-32. REAR AXLE ASSEMBLY .....  | 296        |
| FIGURE 5-33. REAR AXLE, CENTRAL HOUSING .....  | 298        |
| FIGURE 5-34. REAR AXLE, DIFFERENTIAL .....   | 300        |
| FIGURE 5-35. REAR AXLE, HUB REDUCTION.....   | 302        |
| FIGURE 5-36. REAR AXLE, BRAKES .....   | 306        |
| FIGURE 5-37. REAR AXLE, STEERING .....   | 308        |
| FIGURE 5-38. REAR AXLE, TRUNION .....  | 310        |
| FIGURE 5-39. TIRE SET, 13.00-24 PNEUMATIC .....  | 312        |
| FIGURE 5-40. TIRE SET, 13.00-24 FOAM FILLED.....   | 314        |
| FIGURE 5-41. TIRE SET, 13.00-24 ROCK FOAM (6042) .....   | 316        |
| FIGURE 5-42. TIRE SET, 13.00-24 FOAM FILLED (E-3) (SUNSTATE ONLY).....   | 318        |
| FIGURE 5-43. TIRE SET, 370/75-28 PNEUMATIC .....   | 320        |
| FIGURE 5-44. TIRE SET, 370/75-28 FOAM FILLED.....  | 322        |
| FIGURE 5-45. TIRE SET, 315/95-28/8.5 SOLID.....  | 324        |
| FIGURE 5-46. TIRE SET, 370/75-28 PNEUMATIC NON-MARKING.....  | 326        |
| FIGURE 5-47. TIRE SET, 370/75-28 FOAM FILLED NON-MARKING .....   | 328        |
| FIGURE 5-48. TIRE SET 18 X 625 PNEUMATIC TURF/SAND.....  | 330        |
| FIGURE 5-49. FENDER INSTALLATION .....   | 332        |
| <b>SECTION 6 - CAB .....</b>   | <b>335</b> |
| FIGURE 6-1. CAB INSTALLATION.....  | 336        |
| FIGURE 6-2. CAB INSTALLATION - OPEN (SN 0160106198 through 0160107741, SN 0160107861 through 0160107863) ....                        | 338        |
| FIGURE 6-3. CAB INSTALLATION - OPEN (SN 0160105660 through 0160106072) .....   | 342        |
| FIGURE 6-4. CAB ASSEMBLY - OPEN CAB .....  | 346        |
| FIGURE 6-5. CAB INSTALLATION - ENCLOSED CAB WITH HEATER (SN 0160106198 through 0160107741, SN 0160107861 through 0160107863).....    | 348        |
| FIGURE 6-6. CAB INSTALLATION - ENCLOSED CAB WITH HEATER (SN 0160105660 through 0160106072).....                                      | 352        |
| FIGURE 6-7. CAB ASSEMBLY - ENCLOSED CAB WITH HEATER .....  | 356        |
| FIGURE 6-8. CAB INSTALLATION - ENCLOSED CAB WITH HEATER/AC (SN 0160106198 through 0160107741, SN 0160107861 through 0160107863)..... | 358        |
| FIGURE 6-9. CAB INSTALLATION - ENCLOSED CAB WITH HEATER/AC (SN 0160105660 through 0160106072).....                                   | 362        |
| FIGURE 6-10. CAB ASSEMBLY - ENCLOSED CAB WITH HEATER/AC .....  | 366        |
| FIGURE 6-11. CAB ENCLOSURE INSTALLATION .....  | 368        |
| FIGURE 6-12. CAB ENCLOSURE INSTALLATION - WITH HVAC .....  | 370        |
| FIGURE 6-13. CAB HEATER LINES INSTALLATION .....   | 372        |
| FIGURE 6-14. CAB HEATER/AC LINES INSTALLATION .....  | 374        |
| FIGURE 6-15. FLOOR HEATER.....   | 376        |
| FIGURE 6-16. CAB DOOR .....  | 378        |
| FIGURE 6-17. RH SLIDER WINDOW.....   | 380        |
| FIGURE 6-18. FRONT WIPER ASSEMBLY .....  | 382        |
| FIGURE 6-19. SKYLIGHT WIPER ASSEMBLY.....  | 384        |
| FIGURE 6-20. CAB SEAT .....  | 386        |
| FIGURE 6-21. SEAT BELT INSTALLATION (3IN WIDTH) .....  | 388        |
| FIGURE 6-22. REAR DROPOUT WINDOW INSTALLATION (ANSI).....  | 390        |
| FIGURE 6-23. REAR DROPOUT WINDOW INSTALLATION (ENGLISH/FRENCH).....  | 392        |

# TABLE OF CONTENTS

|  |     |
|--|-----|
| FIGURE 6-24. REAR DROPOUT WINDOW INSTALLATION (ISO).....                     | 394 |
| FIGURE 6-25. INSTALLTION, REAR WINDOW EXIT (ENG/SP).....                     | 396 |
| FIGURE 6-26. ROOF HEATER BOX.....  | 398 |
| FIGURE 6-27. ROOF BOX HVAC .....   | 400 |
| FIGURE 6-28. HEATER VALVE .....  | 404 |
| FIGURE 6-29. FIRE EXTINGUISHER INSTALLATION.....                             | 406 |
| SECTION 7 - CONTROLS .....   | 409 |
| FIGURE 7-1. ACCELERATOR (SN 0160105660 through 0160106072) .....             | 410 |
| FIGURE 7-2. BRAKE ASSEMBLY.....  | 412 |
| FIGURE 7-3. PILOT JOYSTICK CONTROL.....                                      | 414 |
| FIGURE 7-4. SECONDARY CONTROLS INSTALLATION .....                            | 416 |
| FIGURE 7-5. SECONDARY SHORT CONTROL .....                                    | 418 |
| FIGURE 7-6. SECONDARY TALL CONTROL .....                                     | 420 |
| SECTION 8 - HYDRAULIC CIRCUITS.....  | 423 |
| FIGURE 8-1. HYDRAULIC INSTALLATION (6036).....                               | 424 |
| FIGURE 8-2. HYDRAULIC INSTALLATION (6042).....                               | 426 |
| FIGURE 8-3. AXLE (FRONT) HYDRAULICS INSTALLATION.....                        | 428 |
| FIGURE 8-4. AXLE (FRONT) HYDRAULICS ASSEMBLY .....                           | 430 |
| FIGURE 8-5. AXLE (REAR) HYDRAULICS INSTALLATION .....                        | 432 |
| FIGURE 8-6. AXLE (REAR) HYDRAULICS ASSEMBLY .....                            | 434 |
| FIGURE 8-7. BOOM AUXILIARY HYDRAULICS (6036) .....                           | 436 |
| FIGURE 8-8. BOOM AUXILIARY HYDRAULICS (6042) .....                           | 438 |
| FIGURE 8-9. BOOM EXTEND/RETRACT HYDRAULICS (MAIN VALVE TO BOOM) .....        | 440 |
| FIGURE 8-10. BRAKE & FITTINGS ASSEMBLY .....                                 | 442 |
| FIGURE 8-11. BRAKE HYDRAULICS.....   | 444 |
| FIGURE 8-12. CAB HYDRAULICS INSTALLATION .....                               | 446 |
| FIGURE 8-13. DEF LINES INSTALLATION .....                                    | 448 |
| FIGURE 8-14. FRAME AUXILIARY HYDRAULICS.....                                 | 450 |
| FIGURE 8-15. FRAME TILT HYDRAULICS (6036).....                               | 452 |
| FIGURE 8-16. FRAME TILT HYDRAULICS (6042).....                               | 454 |
| FIGURE 8-17. FORK HYDRAULICS (MAIN VALVE TO BOOM) .....                      | 456 |
| FIGURE 8-18. HYDRAULIC OIL COOLER HYDRAULICS .....                           | 458 |
| FIGURE 8-19. HYDRAULIC PUMP INSTALLATION.....                                | 460 |
| FIGURE 8-20. LIFT CYLINDER HYDRAULICS (6036) .....                           | 462 |
| FIGURE 8-21. LIFT CYLINDER HYDRAULICS (6042) .....                           | 464 |
| FIGURE 8-22. MAIN CONTROL & FITTINGS ASSEMBLY.....                           | 466 |
| FIGURE 8-23. MAIN CONTROL VALVE INSTALLATION.....                            | 468 |
| FIGURE 8-24. PILOT CONTROL VALVE AND FITTINGS ASSEMBLY.....                  | 470 |
| FIGURE 8-25. PILOT CONTROL VALVE HYDRAULICS.....                             | 472 |
| FIGURE 8-26. PISTON PUMP AND FITTINGS ASSEMBLY .....                         | 474 |
| FIGURE 8-27. REAR BULKHEAD TO COMPENSATION CYLINDERS HYDRAULICS (6036) ..... | 476 |
| FIGURE 8-28. REAR BULKHEAD TO COMPENSATION CYLINDERS HYDRAULICS (6042) ..... | 478 |
| FIGURE 8-29. SECONDARY VALVE & FITTINGS ASSEMBLY (6036).....                 | 480 |
| FIGURE 8-30. SECONDARY VALVE & FITTINGS ASSEMBLY (6042).....                 | 482 |

# TABLE OF CONTENTS

|  |     |
|--|-----|
| FIGURE 8-31. STEER VALVE & FITTINGS ASSEMBLY .....                   | 484 |
| FIGURE 8-32. STEER/SECONDARY VALVES HYDRAULICS (6036).....           | 486 |
| FIGURE 8-33. STEER/SECONDARY VALVES HYDRAULICS (6042).....           | 488 |
| FIGURE 8-34. STEERING HYDRAULICS .....                               | 490 |
| FIGURE 8-35. STEERING VALVE AND FITTINGS ASSEMBLY.....               | 492 |
| FIGURE 8-36. TRANSMISSION COOLER HYDRAULICS .....                    | 494 |
| SECTION 9 - HYDRAULIC COMPONENTS .....                               | 497 |
| FIGURE 9-1. CYLINDER INSTALLATION (6036).....                        | 498 |
| FIGURE 9-2. CYLINDER INSTALLATION (6042).....                        | 500 |
| FIGURE 9-3. CYLINDER - CARRIAGE SIDE SHIFT .....                     | 502 |
| FIGURE 9-4. CYLINDER - CARRIAGE SIDE TILT .....                      | 504 |
| FIGURE 9-5. CYLINDER - CARRIAGE SIDE TILT .....                      | 506 |
| FIGURE 9-6. CYLINDER - CARRIAGE SWING .....                          | 508 |
| FIGURE 9-7. CYLINDER - COMPENSATION .....                            | 510 |
| FIGURE 9-8. CYLINDER - EXTEND/RETRACT (6036).....                    | 512 |
| FIGURE 9-9. CYLINDER - EXTEND/RETRACT (6042).....                    | 514 |
| FIGURE 9-10. CYLINDER - FORK POSITIONING .....                       | 516 |
| FIGURE 9-11. CYLINDER - FORK TILT .....                              | 518 |
| FIGURE 9-12. CYLINDER - FRAME LEVEL (6036) .....                     | 520 |
| FIGURE 9-13. CYLINDER - FRAME LEVEL (6042) .....                     | 522 |
| FIGURE 9-14. CYLINDER - GRAPPLE BUCKET .....                         | 524 |
| FIGURE 9-15. CYLINDER - LIFT (6036) (Prior to SN 0160110258).....    | 526 |
| FIGURE 9-16. CYLINDER - LIFT (6036) (SN 0160110258 to Present) ..... | 528 |
| FIGURE 9-17. CYLINDER - LIFT (6042).....                             | 530 |
| FIGURE 9-18. CYLINDER - STABLI-TRAK .....                            | 532 |
| FIGURE 9-19. PUMP - PISTON.....                                      | 534 |
| FIGURE 9-20. VALVE - AIR SHUT OFF .....                              | 536 |
| FIGURE 9-21. VALVE - BRAKE.....                                      | 538 |
| FIGURE 9-22. VALVE - CARRIAGE .....                                  | 540 |
| FIGURE 9-23. VALVE - FLOW DIVIDER .....                              | 542 |
| FIGURE 9-24. VALVE - MAIN CONTROL .....                              | 544 |
| FIGURE 9-25. VALVE - SECONDARY CONTROL.....                          | 546 |
| FIGURE 9-26. VALVE - STEERING SELECT.....                            | 548 |
| SECTION 10 - ELECTRICAL.....   | 551 |
| FIGURE 10-1. ELECTRICAL INSTALLATION - 74HP ULS (6036).....          | 552 |
| FIGURE 10-2. ELECTRICAL INSTALLATION - 85HP LS (6036) .....          | 556 |
| FIGURE 10-3. ELECTRICAL INSTALLATION - 74HP ULS (6042).....          | 560 |
| FIGURE 10-4. ELECTRICAL INSTALLATION - 85HP LS (6042) .....          | 564 |
| FIGURE 10-5. AIR SHUT OFF VALVE HARNESS - T4F .....                  | 568 |
| FIGURE 10-6. AIR SHUT OFF VALVE HARNESS - CAB .....                  | 570 |
| FIGURE 10-7. ALARM INSTALLATION - BACK UP .....                      | 572 |
| FIGURE 10-8. ALARM INSTALLATION - WHITE NOSE.....                    | 574 |
| FIGURE 10-9. BATTERY INSTALLATION.....                               | 576 |
| FIGURE 10-10. BATTERY BLANKET INSTALLATION .....                     | 578 |

# TABLE OF CONTENTS

|   |     |
|---|-----|
| FIGURE 10-11. BEACON INSTALLATION (OPEN CAB).....                     | 580 |
| FIGURE 10-12. BEACON INSTALLATION (ENCLOSED CAB) .....                | 582 |
| FIGURE 10-13. BEACON OPTION HARNESS.....                              | 584 |
| FIGURE 10-14. CAB POWER DISTRIBUTION HARNESS.....                     | 586 |
| FIGURE 10-15. CAMERA INSTALLATION - REVERSE MULTI-VIEW.....           | 592 |
| FIGURE 10-16. CAMERA OPTION HARNESS - REVERSE .....                   | 594 |
| FIGURE 10-17. CLEARSKY INSTALLATION CANBUS (ANSI).....                | 596 |
| FIGURE 10-18. CLEARSKY INSTALLATION CANBUS (CE) .....                 | 598 |
| FIGURE 10-19. CLEARSKY INSTALLATION 3-WIRE (ANSI) .....               | 600 |
| FIGURE 10-20. CLEARSKY INSTALLATION 3-WIRE (CE).....                  | 602 |
| FIGURE 10-21. CLEARSKY TELEMATICS HARNESS (CANBUS).....               | 604 |
| FIGURE 10-22. CLEARSKY TELEMATICS HARNESS (3-WIRE) .....              | 606 |
| FIGURE 10-23. COLD WEATHER PACKAGE INSTALLATION .....                 | 608 |
| FIGURE 10-24. COLD WEATHER PACKAGE INSTALLATION .....                 | 610 |
| FIGURE 10-25. ENGINE HARNESS - 74HP (ULS).....                        | 612 |
| FIGURE 10-26. ENGINE HARNESS - 85HP (ULS).....                        | 618 |
| FIGURE 10-27. HVAC HARNESS.....                                       | 622 |
| FIGURE 10-28. LIGHTS - ROADLIGHT PACKAGE INSTALLATION (6036).....     | 624 |
| FIGURE 10-29. LIGHTS - ROADLIGHT PACKAGE INSTALLATION (6042).....     | 626 |
| FIGURE 10-30. LIGHTS - ROADLIGHT ASSEMBLY (LH).....                   | 628 |
| FIGURE 10-31. LIGHTS - ROADLIGHT ASSEMBLY (RH) .....                  | 630 |
| FIGURE 10-32. LIGHTS - ROADLIGHT BRACKET ASSEMBLY (LH) .....          | 632 |
| FIGURE 10-33. LIGHTS - ROADLIGHT BRACKET ASSEMBLY (RH) .....          | 634 |
| FIGURE 10-34. LIGHTS - ROADLIGHT OPTION HARNESS .....                 | 636 |
| FIGURE 10-35. LIGHTS - ROADLIGHT/WORKLIGHT OPTION HARNESS .....       | 638 |
| FIGURE 10-36. LIGHTS - WORKLIGHT OPTION HARNESS (BOOM).....           | 640 |
| FIGURE 10-37. LIGHTS - WORKLIGHT PACKAGE INSTALLATION.....            | 642 |
| FIGURE 10-38. LIGHTS - WORKLIGHT ASSEMBLY (RH) (LED) .....            | 644 |
| FIGURE 10-39. LIGHTS - WORKLIGHT ASSEMBLY (RH) (LED) .....            | 646 |
| FIGURE 10-40. LIGHTS - WORKLIGHT OPTION HARNESS .....                 | 648 |
| FIGURE 10-41. RELAY PANEL INSTALLATION .....                          | 650 |
| FIGURE 10-42. RELAY PANEL COVER ASSEMBLY.....                         | 652 |
| FIGURE 10-43. REVERSE SENSOR INSTALLATION .....                       | 654 |
| FIGURE 10-44. REVERSE SENSOR HARNESS.....                             | 656 |
| FIGURE 10-45. TANK (HYDRAULIC) HEATER INSTALLATION .....              | 658 |
| FIGURE 10-46. TBAP HARNESS .....                                      | 660 |
| FIGURE 10-47. WIPER HARNESS.....                                      | 662 |
| SECTION 11 - DECALS.....  | 665 |
| FIGURE 11-1. DECAL INSTALLATION - 74HP (ANSI) (6036) .....            | 666 |
| FIGURE 11-2. DECAL INSTALLATION - 74HP (ENGLISH/FRENCH) (6036) .....  | 670 |
| FIGURE 11-3. DECAL INSTALLATION - 74HP (ENGLISH/SPANISH) (6036) ..... | 674 |
| FIGURE 11-4. DECAL INSTALLATION - 74HP (ANSI) (6042) .....            | 678 |
| FIGURE 11-5. DECAL INSTALLATION - 74HP (ENGLISH/FRENCH) (6042) .....  | 682 |
| FIGURE 11-6. DECAL INSTALLATION - 74HP (ENGLISH/SPANISH) (6042) ..... | 686 |
| FIGURE 11-7. DECAL INSTALLATION (ISO) (6036).....                     | 690 |

# TABLE OF CONTENTS

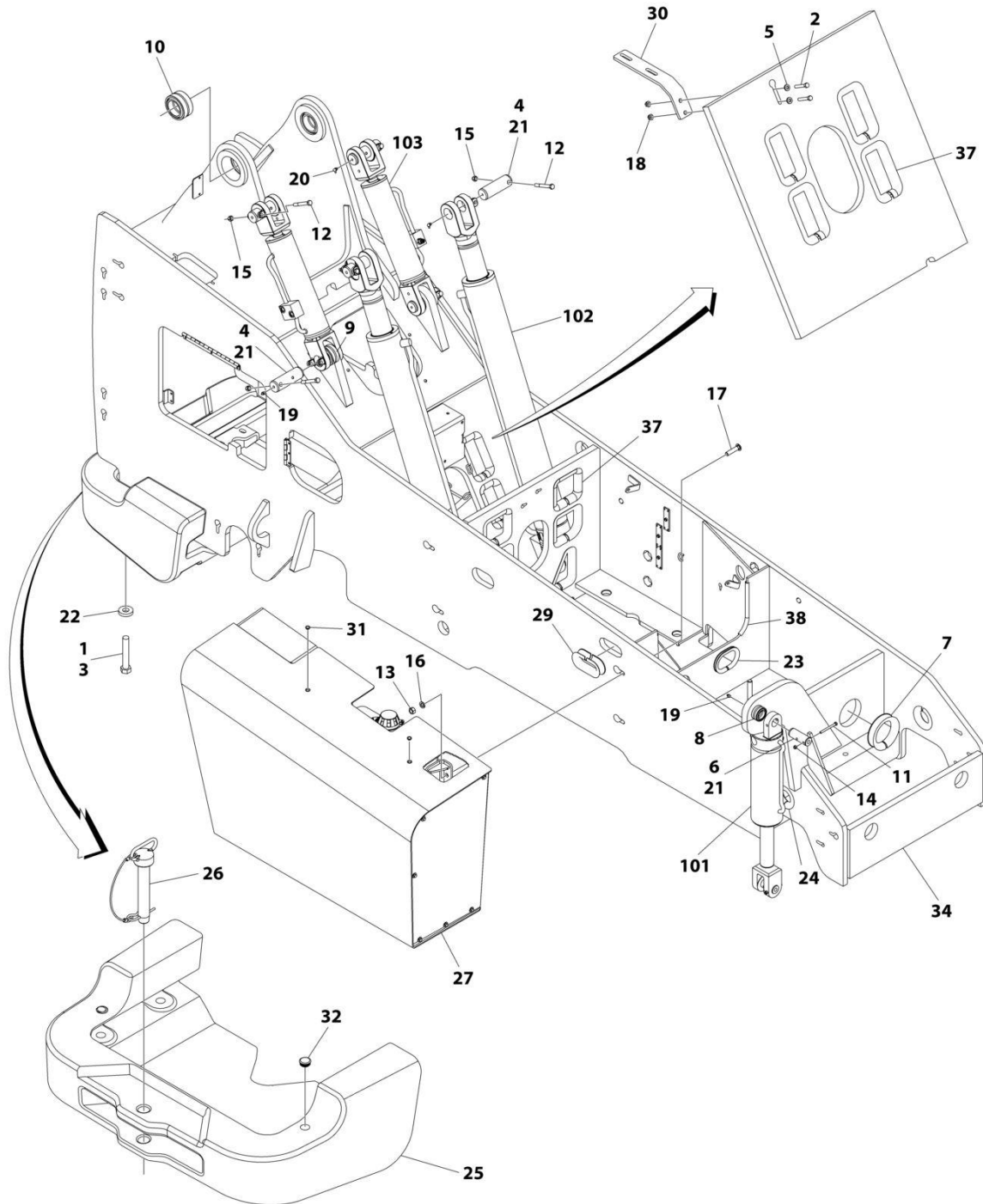
|   |     |
|---|-----|
| FIGURE 11-8. DECAL INSTALLATION (ISO) (6042) .....                | 694 |
| FIGURE 11-9. CLEARSKY DECAL INSTALLATION .....                    | 698 |
| FIGURE 11-10. BOOM DECALS INSTALLATION (6036).....                | 700 |
| FIGURE 11-11. BOOM DECALS INSTALLATION (6042).....                | 702 |
| FIGURE 11-12. CAPACITY CHART (ANSI) (6036) .....                  | 704 |
| FIGURE 11-13. CAPACITY CHART (ANSI) (6042) .....                  | 706 |
| FIGURE 11-14. SUPPLEMENTAL CAPACITY CHART (ISO) (6036).....       | 708 |
| FIGURE 11-15. SUPPLEMENTAL CAPACITY CHART (ISO) (6042).....       | 710 |
| FIGURE 11-16. REVERSE SENSOR SYSTEM DECAL (ENGLISH).....          | 712 |
| FIGURE 11-17. REVERSE SENSOR SYSTEM DECAL (ISO) .....             | 714 |
| FIGURE 11-18. REVERSE SENSOR SYSTEM DECAL (ENGLISH/FRENCH).....   | 716 |
| FIGURE 11-19. REVERSE SENSOR SYSTEM DECAL (ENGLISH/SPANISH) ..... | 718 |
| SECTION 12 - RECOMMENDED SERVICE PARTS STOCK .....                | 721 |
| FIGURE 12-1. RECOMMENDED SERVICE PARTS STOCK.....                 | 722 |
| SECTION 13 - SPECIAL OPTIONS/ACCESSORIES/KITS.....                | 725 |
| FIGURE 13-1. SPECIAL OPTIONS/ACCESSORIES/KITS.....                | 726 |
| PART NUMBER INDEX.....  | 729 |

## **SECTION 1 - FRAME AND ATTACHING PARTS**

## **SECTION 1 - FRAME AND ATTACHING PARTS**

# SECTION 1 - FRAME AND ATTACHING PARTS

FIGURE 1-1. FRAME COMPONENTS INSTALLATION - 74HP (ULS) (6036)



ART\_1001205684



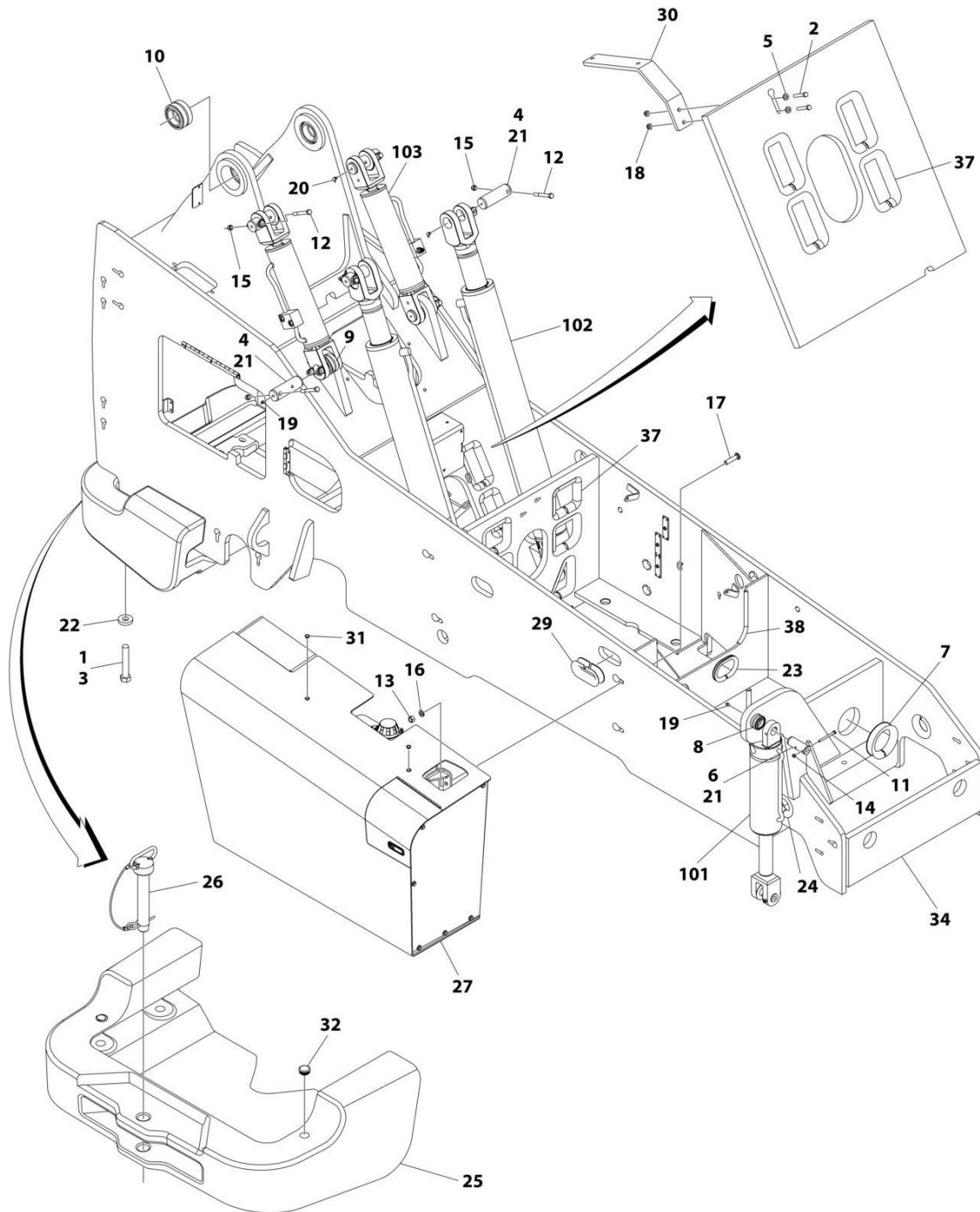
# SECTION 1 - FRAME AND ATTACHING PARTS

**FIGURE 1-1. FRAME COMPONENTS INSTALLATION - 74HP (ULS) (6036)**

| ITEM | PART NUMBER | QTY | DESCRIPTION   | REV |
|------|-------------|-----|---|-----|
|      | 1001205684  | Ref | FRAME COMPONENTS INSTALLATION, 74HP   | H   |
| 1    | 0100019     | AR  | Compound, Locking   |     |
| 2    | 0641618     | 2   | Bolt 3/8 x 2-1/4  |     |
| 3    | 0682648     | 4   | Bolt 1 x 6  |     |
| 4    | 3423227     | 8   | Pin, Cylinder   |     |
| 5    | 4891600     | 2   | Washer 3/8  |     |
| 6    | 7137142     | 2   | Pin, Cylinder   |     |
| 7    | 7139613     | 1   | Conduit 1 x 18  |     |
| 8    | 8050001     | 1   | Bearing, Self-Align   |     |
| 9    | 8065640     | 4   | Bearing, Self-Align   |     |
| 10   | 8065641     | 2   | Bearing, Self-Align   |     |
| 11   | 8303752     | 2   | Bolt 5/16 x 3-1/2   |     |
| 12   | 8303782     | 8   | Bolt 1/2 x 4  |     |
| 13   | 8305014     | 4   | Nut 5/8   |     |
| 14   | 8305626     | 2   | Nut 5/16  |     |
| 15   | 8305644     | 8   | Nut 1/2   |     |
| 16   | 8307009     | 4   | Washer 5/8  |     |
| 17   | 88411148    | 4   | Bolt 5/8 x 2-1/2  |     |
| 18   | 8310522     | 2   | Nut 3/8   |     |
| 19   | 8520001     | 6   | Fitting, Straight Lube 1/8  |     |
| 20   | 8520003     | 4   | Fitting, 90 Lube 1/8  |     |
| 21   | 8522012     | AR  | Lube, Anti-Seize  |     |
| 22   | 80241137    | 4   | Washer, Special   |     |
| 23   | 7124301     | 1   | Conduit 1/2 x 15-1/2  |     |
| 24   | 7124471     | 3   | Conduit 1 x 12-1/2  |     |
| 25   | 1001208662  | 1   | Counterweight, Rear   |     |
| 26   | 1001160250  | 1   | Pin, Hitch  |     |
| 27   | 1001227211  | 1   | Fuel/Hydraulic Tank Assembly (See Separate Breakdown in this Section)                                     |     |
| 29   | 1001174229  | 1   | Conduit 1 x 13-1/2  |     |
| 30   | 1001166237  | 1   | Bracket, Air Filter   |     |
| 31   | 1001195826  | 2   | Plug  |     |
| 32   | 1001195952  | 2   | Plug, Tube  |     |
| 34   | 1001201561  | 1   | Weldment, Frame   |     |
| 37   | 1001174227  | 10  | Conduit 1 x 21-1/2  |     |
| 38   | 1001201923  | 2   | Conduit 1 x 10-1/2  |     |
| 101  | 1001091901  | 1   | Cylinder, Frame Level (See Separate Breakdown in HYDRAULIC COMPONENTS Section)                            |     |
| 102  | 1001156164  | 2   | Cylinder, Lift (See Separate Breakdown in HYDRAULIC COMPONENTS Section) <b>(Prior to SN 0160110258)</b>   |     |
| 102  | 1001267967  | 2   | Cylinder, Lift (See Separate Breakdown in HYDRAULIC COMPONENTS Section) <b>(SN 0160110258 to Present)</b> |     |
| 103  | 1001196110  | 2   | Cylinder, Compensation (See Separate Breakdown in HYDRAULIC COMPONENTS Section)                           |     |

# SECTION 1 - FRAME AND ATTACHING PARTS

FIGURE 1-2. FRAME COMPONENTS INSTALLATION - 85HP (LS) (6036)



ART\_1001201559

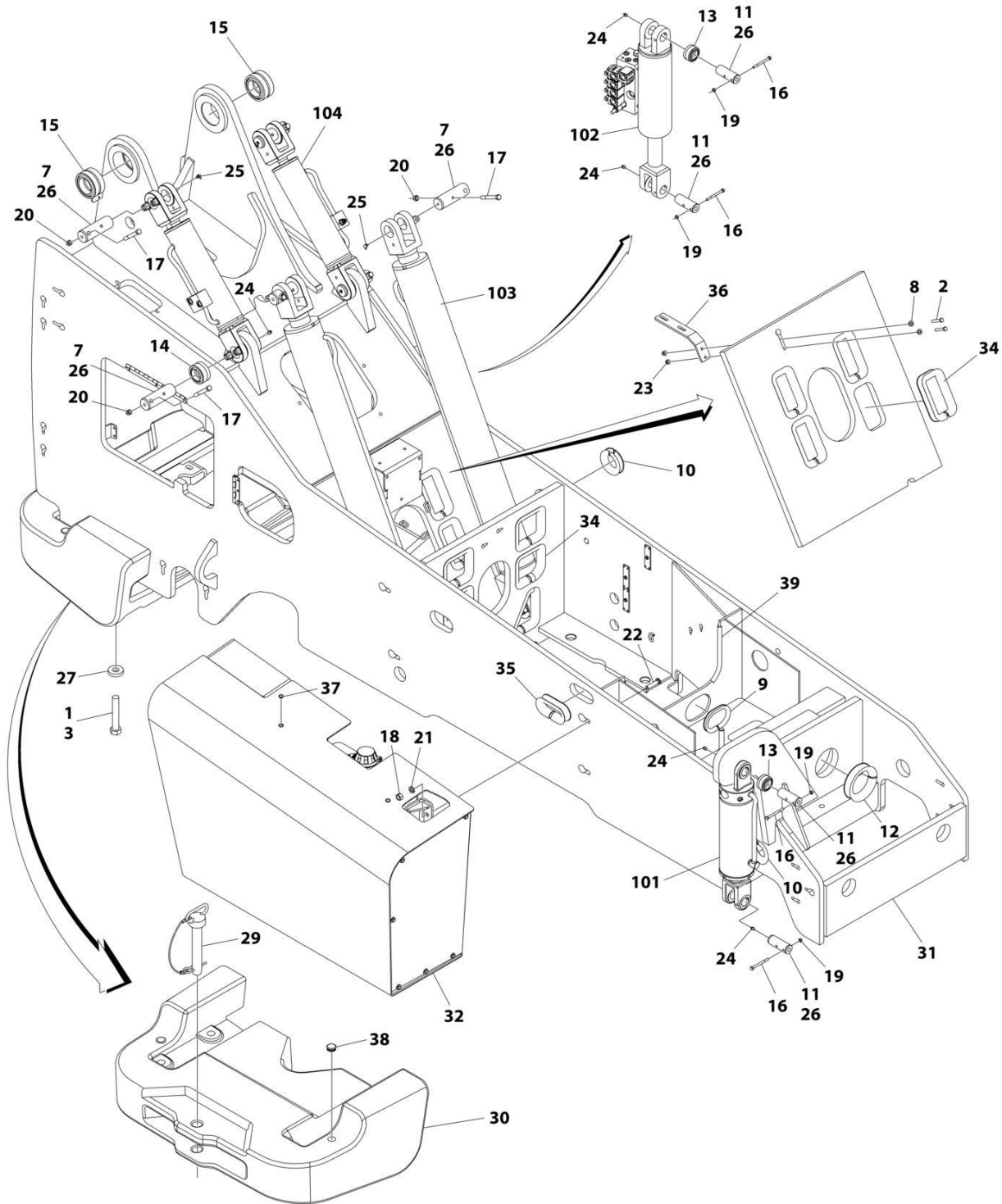
## SECTION 1 - FRAME AND ATTACHING PARTS

**FIGURE 1-2. FRAME COMPONENTS INSTALLATION - 85HP (LS) (6036)**

| ITEM | PART NUMBER | QTY | DESCRIPTION   | REV |
|------|-------------|-----|---|-----|
|      | 1001201559  | Ref | FRAME COMPONENTS INSTALLATION, 85HP (IF EQUIPPED FOR LS)  | G   |
| 1    | 0100019     | AR  | Compound, Locking   |     |
| 2    | 0641618     | 2   | Bolt 3/8 x 2-1/4  |     |
| 3    | 0682648     | 4   | Bolt 1 x 6  |     |
| 4    | 3423227     | 8   | Pin, Cylinder   |     |
| 5    | 4891600     | 2   | Washer 3/8  |     |
| 6    | 7137142     | 2   | Pin, Cylinder   |     |
| 7    | 7139613     | 1   | Conduit 1 x 18  |     |
| 8    | 8050001     | 1   | Bearing, Self-Align   |     |
| 9    | 8065640     | 4   | Bearing, Self-Align   |     |
| 10   | 8065641     | 2   | Bearing, Self-Align   |     |
| 11   | 8303752     | 2   | Bolt 5/16 x 3-1/2   |     |
| 12   | 8303782     | 8   | Bolt 1/2 x 4  |     |
| 13   | 8305014     | 4   | Nut 5/8   |     |
| 14   | 8305626     | 2   | Nut 5/16  |     |
| 15   | 8305644     | 8   | Nut 1/2   |     |
| 16   | 8307009     | 4   | Washer 5/8  |     |
| 17   | 88411148    | 4   | Bolt 5/8 x 2-1/2  |     |
| 18   | 8310522     | 2   | Nut 3/8   |     |
| 19   | 8520001     | 6   | Fitting, Straight Lube 1/8  |     |
| 20   | 8520003     | 4   | Fitting, 90 Degree Lube 1/8   |     |
| 21   | 8522012     | AR  | Lube, Anti-Seize  |     |
| 22   | 80241137    | 4   | Washer, Special   |     |
| 23   | 7124301     | 1   | Conduit 1/2 x 15-1/2  |     |
| 24   | 7124471     | 2   | Conduit 1 x 12-1/2  |     |
| 25   | 1001208662  | 1   | Counterweight, Rear   |     |
| 26   | 1001160250  | 1   | Pin, Hitch  |     |
| 27   | 1001169466  | 1   | Weldment, Fuel/Hydraulic/DEF Tank (See Separate Breakdown in this Section)                                |     |
| 29   | 1001174229  | 1   | Conduit 1 x 13-1/2  |     |
| 30   | 1001190306  | 1   | Bracket, Air Filter   |     |
| 31   | 1001195826  | 2   | Plug  |     |
| 32   | 1001195952  | 2   | Plug, Tube  |     |
| 34   | 1001201561  | 1   | Weldment, Frame   |     |
| 37   | 1001174227  | 10  | Conduit 1 x 21-1/2  |     |
| 38   | 1001201923  | 2   | Conduit 1 x 10-1/2  |     |
| 101  | 1001091901  | 1   | Cylinder, Frame Level (See Separate Breakdown in HYDRAULIC COMPONENTS Section)                            |     |
| 102  | 1001156164  | 2   | Cylinder, Lift (See Separate Breakdown in HYDRAULIC COMPONENTS Section) <b>(Prior to SN 0160110258)</b>   |     |
| 102  | 1001267967  | 2   | Cylinder, Lift (See Separate Breakdown in HYDRAULIC COMPONENTS Section) <b>(SN 0160110258 to Present)</b> |     |
| 103  | 1001196110  | 2   | Cylinder, Compensation (See Separate Breakdown in HYDRAULIC COMPONENTS Section)                           |     |

# SECTION 1 - FRAME AND ATTACHING PARTS

## FIGURE 1-3. FRAME COMPONENTS INSTALLATION - 74HP (ULS) (6042)



ART\_1001205685

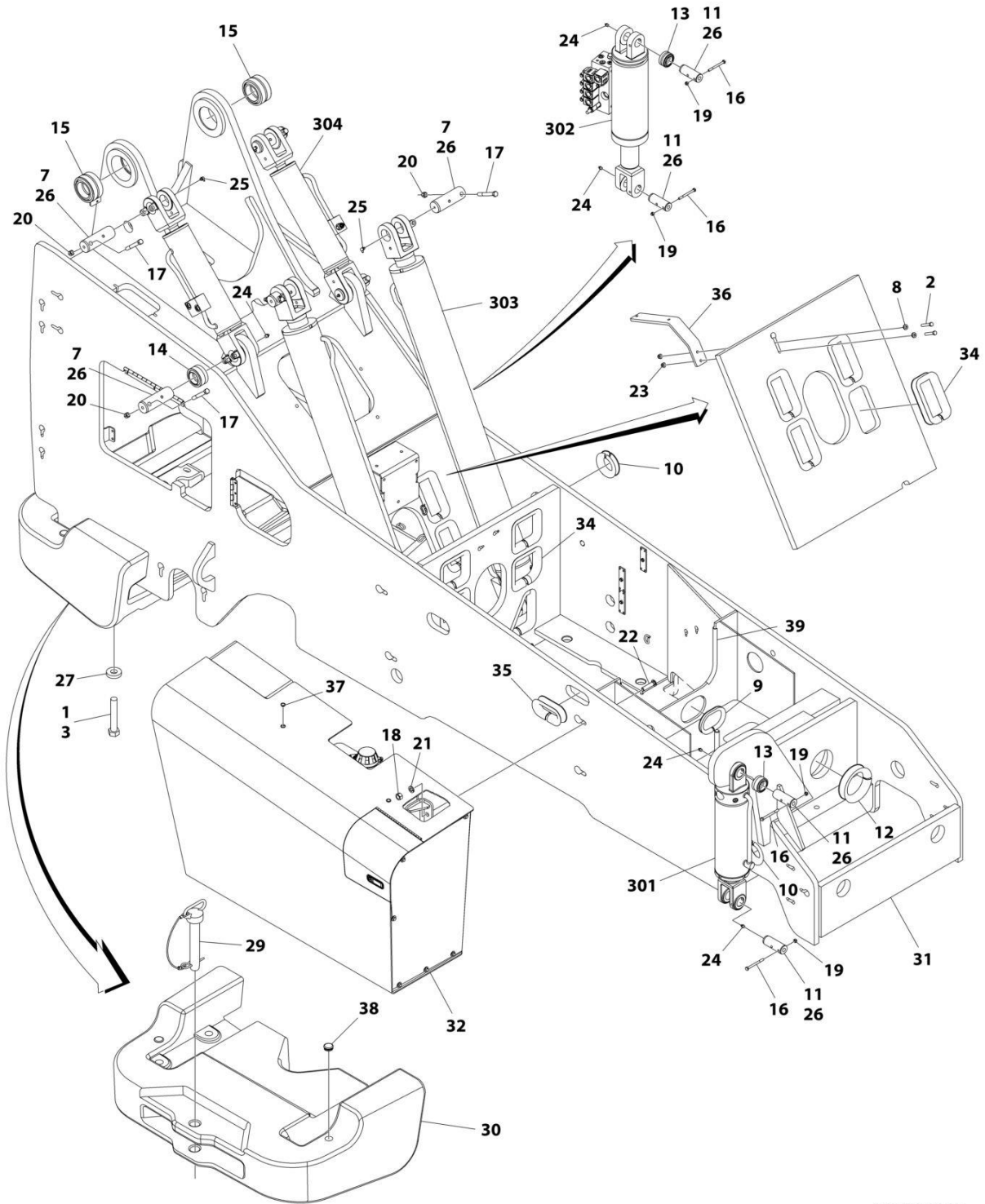
## SECTION 1 - FRAME AND ATTACHING PARTS

**FIGURE 1-3. FRAME COMPONENTS INSTALLATION - 74HP (ULS) (6042)**

| ITEM | PART NUMBER | QTY | DESCRIPTION   | REV |
|------|-------------|-----|---|-----|
|      | 1001205685  | Ref | FRAME COMPONENTS INSTALLATION, 74HP (IF EQUIPPED FOR ULS)                       | I   |
| 1    | 0100019     | AR  | Compound, Locking   |     |
| 2    | 0641618     | 2   | Bolt 3/8 x 2-1/4  |     |
| 3    | 0682648     | 4   | Bolt 1 x 6  |     |
| 7    | 3423227     | 8   | Pin, Cylinder   |     |
| 8    | 4891600     | 2   | Washer 3/8  |     |
| 9    | 7124301     | 1   | Conduit 1/2 x 15-1/2  |     |
| 10   | 7124471     | 4   | Conduit 1 x 12-1/2  |     |
| 11   | 7137142     | 4   | Pin, Cylinder   |     |
| 12   | 7139613     | 1   | Conduit 1 x 18  |     |
| 13   | 8050001     | 2   | Bearing, Self-Align   |     |
| 14   | 8065640     | 4   | Bearing, Self-Align   |     |
| 15   | 8065641     | 2   | Bearing, Self-Align   |     |
| 16   | 8303752     | 4   | Bolt 5/16 x 3-1/2   |     |
| 17   | 8303782     | 8   | Bolt 1/2 x 4  |     |
| 18   | 8305014     | 4   | Nut 5/8   |     |
| 19   | 8305626     | 4   | Nut 5/16  |     |
| 20   | 8305644     | 8   | Nut 1/2   |     |
| 21   | 8307009     | 4   | Washer 5/8  |     |
| 22   | 88411148    | 4   | Bolt 5/8 x 2-1/2  |     |
| 23   | 8310522     | 2   | Nut 3/8   |     |
| 24   | 8520001     | 8   | Fitting, Straight Lube 1/8  |     |
| 25   | 8520003     | 4   | Fitting, 90 Lube 1/8  |     |
| 26   | 8522012     | AR  | Lube, Anti-Seize  |     |
| 27   | 80241137    | 4   | Washer, Special   |     |
| 29   | 1001160250  | 1   | Pin, Hitch  |     |
| 30   | 1001208663  | 1   | Counterweight, Rear   |     |
| 31   | 1001201568  | 1   | Weldment, Frame   |     |
| 32   | 1001227211  | 1   | Fuel/Hydraulic Tank Assembly (See Separate Breakdown in this Section)           |     |
| 34   | 1001174227  | 10  | Conduit 1 x 21-1/2  |     |
| 35   | 1001174229  | 1   | Conduit 1 x 13-1/2  |     |
| 36   | 1001166237  | 1   | Bracket, Air Filter   |     |
| 37   | 1001195826  | 2   | Plug, 1/2 Push In   |     |
| 38   | 1001195952  | 2   | Plug, Tube  |     |
| 39   | 1001201923  | 2   | Conduit 1 x 10-1/2  |     |
| 101  | 1001180762  | 1   | Cylinder, Frame Level (See Separate Breakdown in HYDRAULIC COMPONENTS Section)  |     |
| 102  | 2717198     | 1   | Cylinder, Stabil-Trak (See Separate Breakdown in HYDRAULIC COMPONENTS Section)  |     |
| 103  | 1001180760  | 2   | Cylinder, Lift (See Separate Breakdown in HYDRAULIC COMPONENTS Section)         |     |
| 104  | 1001196110  | 2   | Cylinder, Compensation (See Separate Breakdown in HYDRAULIC COMPONENTS Section) |     |

# SECTION 1 - FRAME AND ATTACHING PARTS

## FIGURE 1-4. FRAME COMPONENTS INSTALLATION - 85HP (LS) (6042)



ART\_1001201567

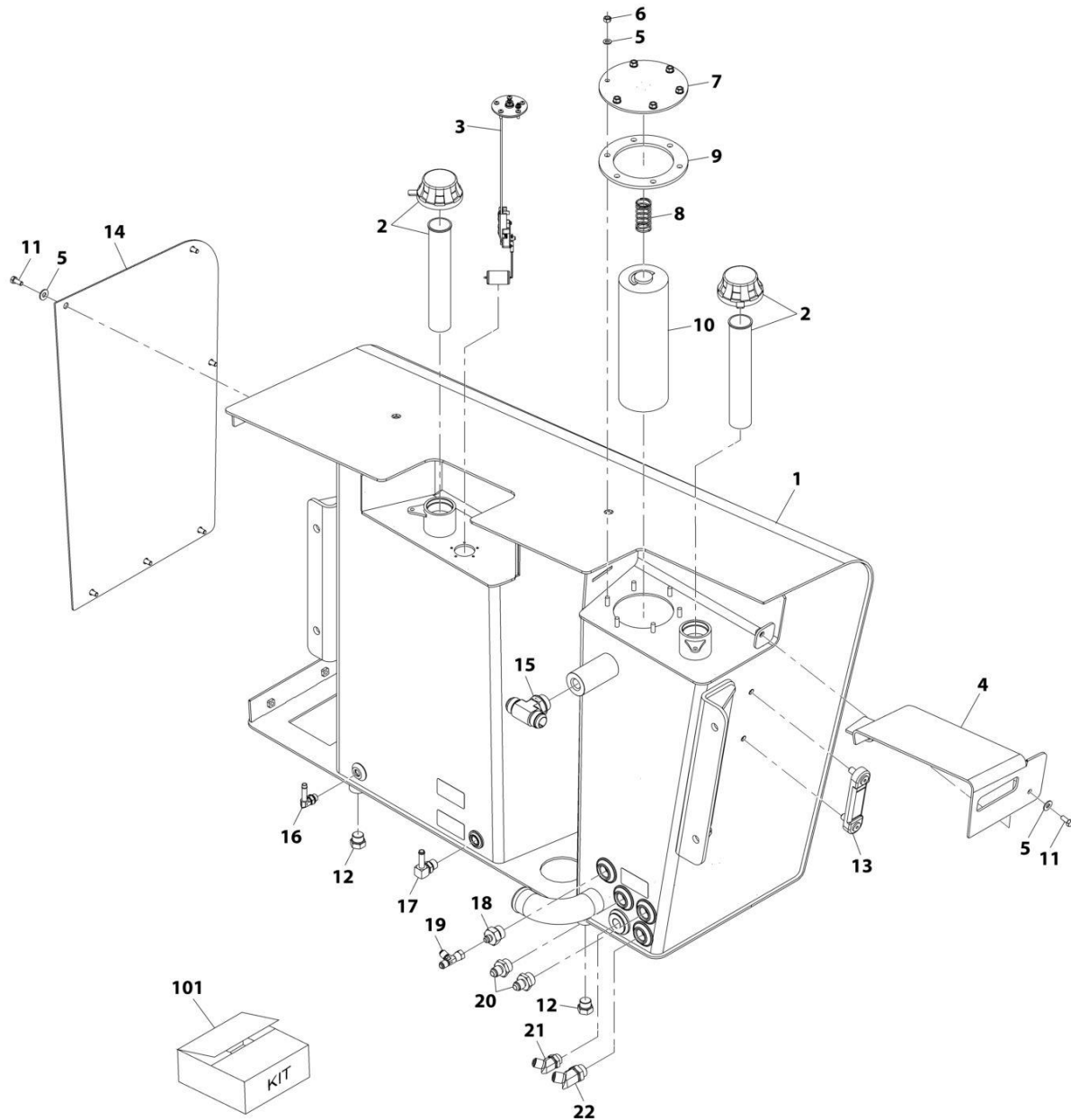
## SECTION 1 - FRAME AND ATTACHING PARTS

**FIGURE 1-4. FRAME COMPONENTS INSTALLATION - 85HP (LS) (6042)**

| ITEM | PART NUMBER | QTY | DESCRIPTION  | REV |
|------|-------------|-----|--|-----|
|      | 1001201567  | Ref | FRAME COMPONENTS INSTALLATION, 85HP (IF EQUIPPED FOR LS)                       | H   |
| 1    | 0100019     | AR  | Compound, Locking  |     |
| 2    | 0641618     | 2   | Bolt 3/8 x 2-1/4   |     |
| 3    | 0682648     | 4   | Bolt 1 x 6   |     |
| 7    | 3423227     | 8   | Pin, Cylinder  |     |
| 8    | 4891600     | 2   | Washer 3/8   |     |
| 9    | 7124301     | 1   | Conduit 1/2 x 15-1/2   |     |
| 10   | 7124471     | 3   | Conduit 1 x 12-1/2   |     |
| 11   | 7137142     | 4   | Pin, Cylinder  |     |
| 12   | 7139613     | 1   | Conduit 1 x 18   |     |
| 13   | 8050001     | 2   | Bearing, Self-Align  |     |
| 14   | 8065640     | 4   | Bearing, Self-Align  |     |
| 15   | 8065641     | 2   | Bearing, Self-Align  |     |
| 16   | 8303752     | 4   | Bolt 5/16 x 3-1/2  |     |
| 17   | 8303782     | 8   | Bolt 1/2 x 4   |     |
| 18   | 8305014     | 4   | Nut 5/8  |     |
| 19   | 8305626     | 4   | Nut 5/16   |     |
| 20   | 8305644     | 8   | Nut 1/2  |     |
| 21   | 8307009     | 4   | Washer 5/8   |     |
| 22   | 88411148    | 4   | Bolt 5/8 x 2.75  |     |
| 23   | 8310522     | 2   | Nut 3/8  |     |
| 24   | 8520001     | 8   | Fitting, Straight Lube 1/8   |     |
| 25   | 8520003     | 4   | Fitting, 90 Lube 1/8   |     |
| 26   | 8522012     | AR  | Lube, Anti-Seize   |     |
| 27   | 80241137    | 4   | Washer, Special  |     |
| 29   | 1001160250  | 1   | Pin, Hitch   |     |
| 30   | 1001208663  | 1   | Counterweight, Rear  |     |
| 31   | 1001201568  | 1   | Weldment, Frame  |     |
| 32   | 1001169466  | 1   | Installation, Hydraulic/Fuel/DEF Tank (See Separate Breakdown in this Section) |     |
| 34   | 1001174227  | 10  | Conduit 1 x 21-1/2   |     |
| 35   | 1001174229  | 1   | Conduit 1 x 13-1/2   |     |
| 36   | 1001190306  | 1   | Bracket, Air Filter  |     |
| 37   | 1001195826  | 2   | Plug, 1/2 Push In  |     |
| 38   | 1001195952  | 2   | Plug, Tube   |     |
| 39   | 1001201923  | 2   | Conduit 1 x 10-1/2   |     |
| 301  | 1001180762  | 1   | Cylinder, Frame Level (See Separate Breakdown in HYDRAULIC COMPONENTS Section) |     |
| 302  | 2717198     | 1   | Cylinder, Stabil-Trak (See Separate Breakdown in HYDRAULIC COMPONENTS Section) |     |
| 303  | 1001180760  | 2   | Cylinder, Lift (See Separate Breakdown in HYDRAULIC COMPONENTS Section)        |     |
| 304  | 1001196110  | 2   | Compensating Cylinder (See Separate Breakdown in HYDRAULIC COMPONENTS Section) |     |

# SECTION 1 - FRAME AND ATTACHING PARTS

## FIGURE 1-5. HYDRAULIC/FUEL TANK ASSEMBLY (ULS)



ART\_1001227211



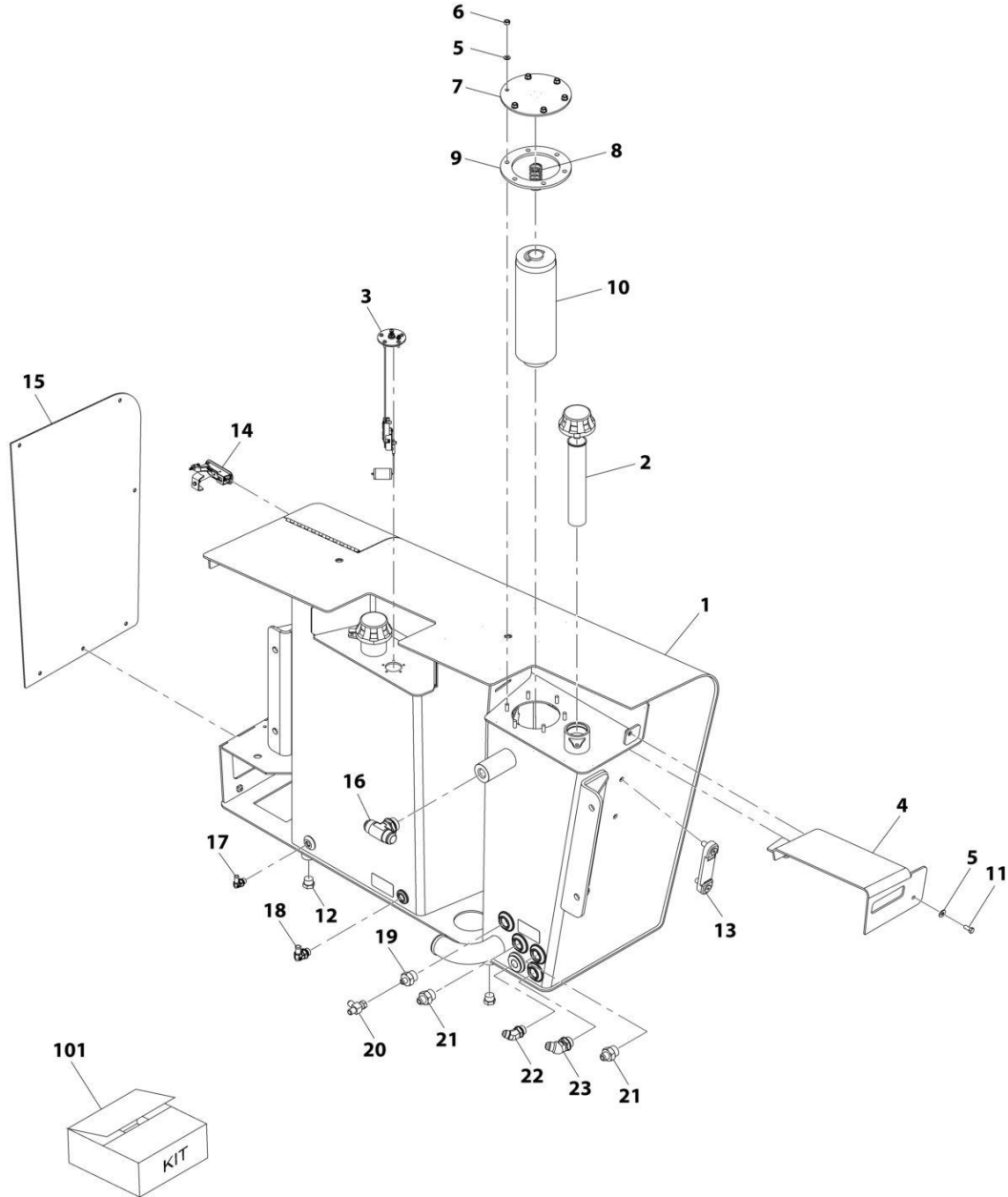
## SECTION 1 - FRAME AND ATTACHING PARTS

**FIGURE 1-5. HYDRAULIC/FUEL TANK ASSEMBLY (ULS)**

| ITEM | PART NUMBER | QTY | DESCRIPTION                         | REV |
|------|-------------|-----|-------------------------------------|-----|
|      | 1001227211  | Ref | Hydraulic/Fuel Tank Assembly (ULS)  | B   |
| 1    | N.S.S.      | 1   | Tank, Hydraulic/Fuel                |     |
| 2    | 7139077     | 2   | Filler/Breather                     |     |
| 3    | 1001145026  | 1   | Sensor, Fuel                        |     |
| 4    | 1001199116  | 1   | Panel, Hydraulic Fill Cover         |     |
| 5    | 1001170329  | 13  | Washer, Flat M8                     |     |
| 6    | 3300429     | 6   | Nut 5/16                            |     |
| 7    | 1001199135  | 1   | Assembly, Cover                     |     |
| 8    | 1001199136  | 1   | Spring                              |     |
| 9    | 1001199177  | 1   | Seal                                |     |
| 10   | 1001199205  | 1   | Element, Filter                     |     |
| 11   | 8303697     | 7   | Bolt 5/16 X 3/4                     |     |
| 12   | 2220239     | 2   | Plug                                |     |
| 13   | 7024441     | 1   | Gauge, Sight                        |     |
| 14   | 1001199181  | 1   | Cover, DEF Tank                     |     |
| 15   | 8760552     | 1   | Tee, Branch                         |     |
| 16   | 1001178776  | 1   | Elbow, 90                           |     |
| 17   | 1001199210  | 1   | Elbow, 90                           |     |
| 18   | 2220577     | 1   | Adapter                             |     |
| 19   | 2220635     | 1   | Tee, Run                            |     |
| 20   | 2220375     | 2   | Adapter                             |     |
| 21   | 2220499     | 1   | Elbow, 45                           |     |
| 22   | 8770048     | 1   | Elbow, 45                           |     |
| 101  | 70024152    | 1   | Kit, Filter (Includes Items 9 & 10) |     |

# SECTION 1 - FRAME AND ATTACHING PARTS

## FIGURE 1-6. HYDRAULIC/FUEL/DEF TANK ASSEMBLY (LS)



ART\_1001169466

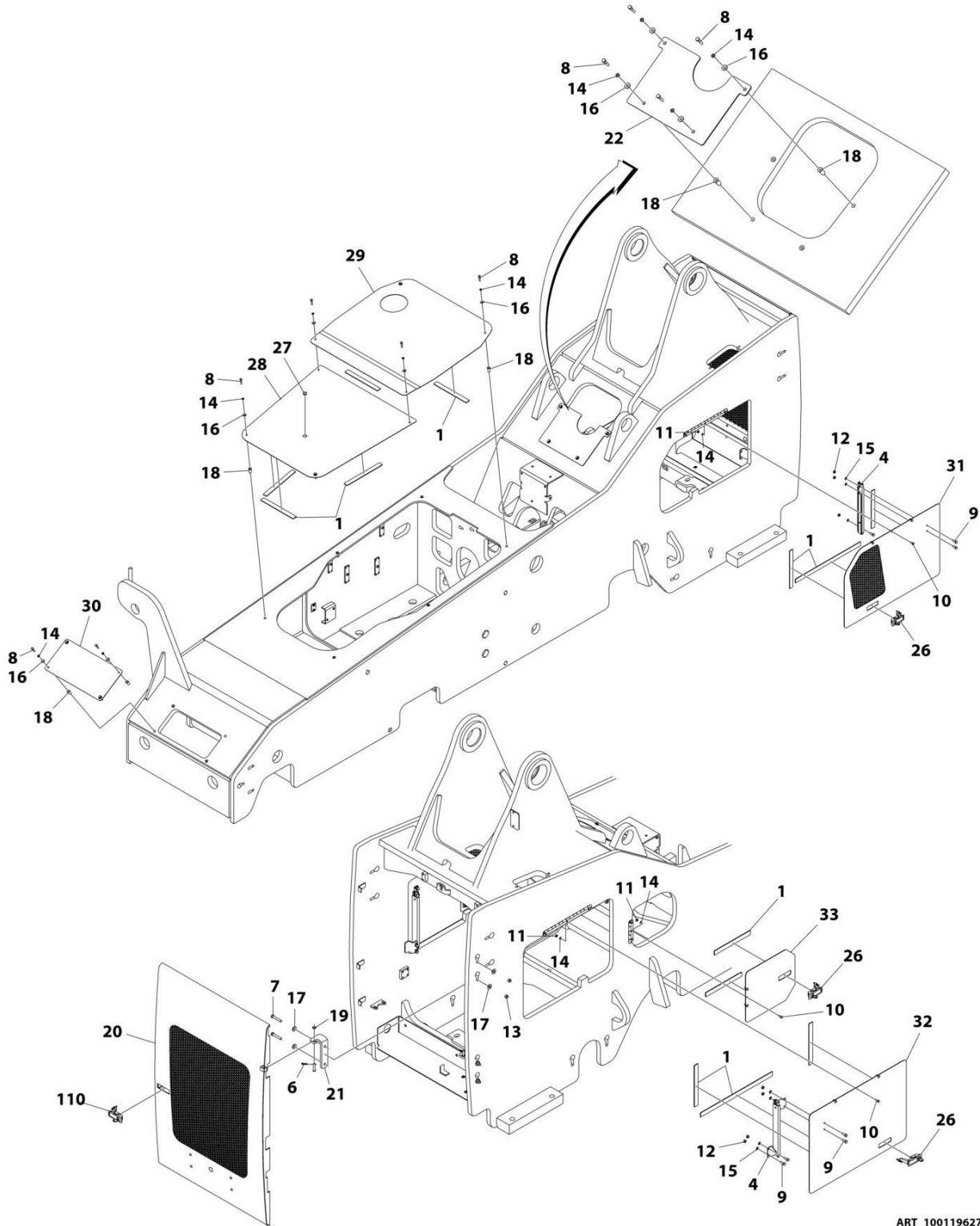
# SECTION 1 - FRAME AND ATTACHING PARTS

## FIGURE 1-6. HYDRAULIC/FUEL/DEF TANK ASSEMBLY (LS)

| ITEM | PART NUMBER | QTY | DESCRIPTION                           | REV |
|------|-------------|-----|---------------------------------------|-----|
|      | 1001169466  | Ref | Hydraulic/Fuel/DEF Tank Assembly (LS) | M   |
| 1    | N.S.S.      | 1   | Weldment, Hydraulic/Fuel Tank         |     |
| 2    | 7139077     | 2   | Filler/Breather                       |     |
| 3    | 1001145026  | 1   | Sensor, Fuel                          |     |
| 4    | 1001199116  | 1   | Panel, Hydraulic Fill Cover           |     |
| 5    | 1001170329  | 7   | Washer, Flat M8                       |     |
| 6    | 3300429     | 6   | Nut, Hex 31-18                        |     |
| 7    | 1001199135  | 1   | Assembly, Cover                       |     |
| 8    | 1001199136  | 1   | Spring                                |     |
| 9    | 1001199177  | 1   | Seal                                  |     |
| 10   | 1001199205  | 1   | Element, Filter                       |     |
| 11   | 8303697     | 1   | Bolt, Hex Hd 5/16-18X3/4              |     |
| 12   | 2220239     | 2   | Plug                                  |     |
| 13   | 7024441     | 1   | Gauge, Sight                          |     |
| 14   | 1001199199  | 1   | Latch                                 |     |
| 15   | 1001199181  | 1   | Cover, DEF Tank                       |     |
| 16   | 8760552     | 1   | Tee, Branch                           |     |
| 17   | 1001178776  | 1   | Elbow, 90                             |     |
| 18   | 1001199210  | 1   | Elbow, 90                             |     |
| 19   | 2220577     | 1   | Adapter                               |     |
| 20   | 2220635     | 1   | Tee, Run                              |     |
| 21   | 2220375     | 2   | Adapter                               |     |
| 22   | 2220499     | 1   | Elbow, 45                             |     |
| 23   | 8770048     | 1   | Elbow, 45                             |     |
| 101  | 70024152    | 1   | Kit, Filter (Includes Items 9 & 10)   |     |

# SECTION 1 - FRAME AND ATTACHING PARTS

## FIGURE 1-7. FRAME COVERS INSTALLATION, 74HP (ULS)



ART\_1001196279

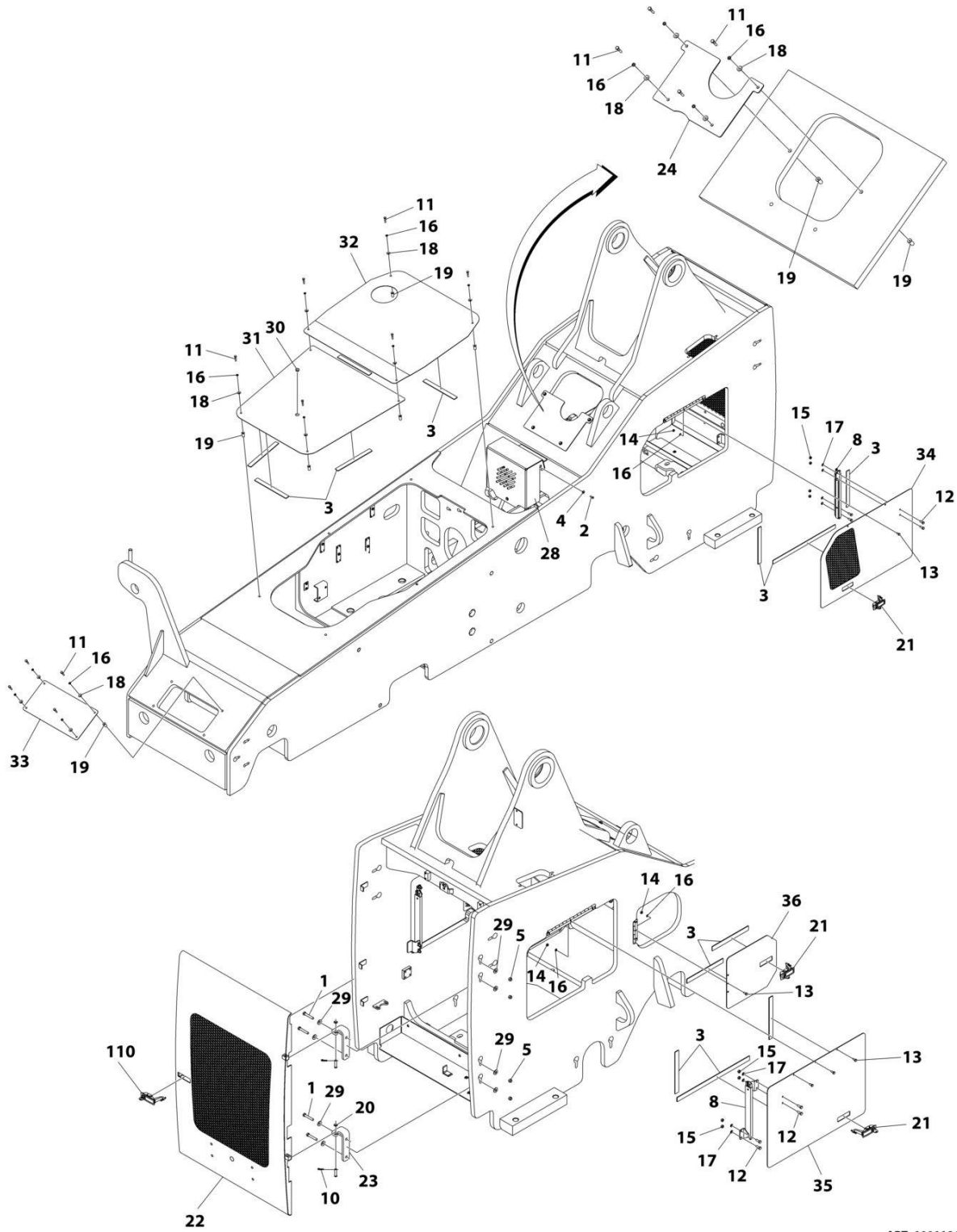
## SECTION 1 - FRAME AND ATTACHING PARTS

**FIGURE 1-7. FRAME COVERS INSTALLATION, 74HP (ULS)**

| ITEM | PART NUMBER | QTY    | DESCRIPTION                     | REV |
|------|-------------|--------|---------------------------------|-----|
|      | 1001196279  | Ref    | FRAME COVERS INSTALLATION       | F   |
| 1    | 4420037     | 150 in | Tape, Insulation                |     |
| 4    | 7139714     | 2      | Side Door                       |     |
| 6    | 8302470     | 2      | Pin, Cotter                     |     |
| 7    | 0641618     | 4      | Bolt 3/8 x 2-1/4                |     |
| 8    | 8303615     | 14     | Bolt 1/4 x 1-1/4                |     |
| 9    | 8303656     | 8      | Bolt 5/16 x 7/8                 |     |
| 10   | 8303729     | 9      | Bolt 1/4 x 5/8                  |     |
| 11   | 8305004     | 9      | Nut 1/4                         |     |
| 12   | 8305006     | 8      | Nut 5/16                        |     |
| 13   | 8305645     | 4      | Nut 3/8                         |     |
| 14   | 8307002     | 23     | Washer 1/4                      |     |
| 15   | 8307004     | 8      | Washer 5/16                     |     |
| 16   | 8307202     | 14     | Washer 1/4                      |     |
| 17   | 8307204     | 8      | Washer 3/8                      |     |
| 18   | 8580420     | 14     | Nut, Well                       |     |
| 19   | 10732150    | 2      | Washer M10                      |     |
| 20   | 1001156283  | 1      | Door, Rear (Includes item 110)  | O   |
| 21   | 1001159319  | 2      | Mount, Rear Door                |     |
| 22   | 1001167793  | 1      | Plate, Air Intake Baffle        |     |
| 26   | 1001190341  | 3      | Latch, Adjustable Trigger       |     |
| 27   | 3520030     | 1      | Plug                            |     |
| 28   | 7139406     | 1      | Lower Cover, Transmission       |     |
| 29   | 7139455     | 1      | Upper Cover, Transmission       |     |
| 30   | 7150608     | 1      | Cover, Front                    |     |
| 31   | 1001168930  | 1      | Panel, Left Side Access         |     |
| 32   | 1001171383  | 1      | Panel, Engine Access Right Side |     |
| 33   | 1001171385  | 1      | Panel, Air Cleaner Access       |     |
| 110  | 1001190341  | 1      | Latch, Adjustable Trigger       |     |

# SECTION 1 - FRAME AND ATTACHING PARTS

## FIGURE 1-8. FRAME COVERS INSTALLATION, 85HP (LS)



ART\_1001186535

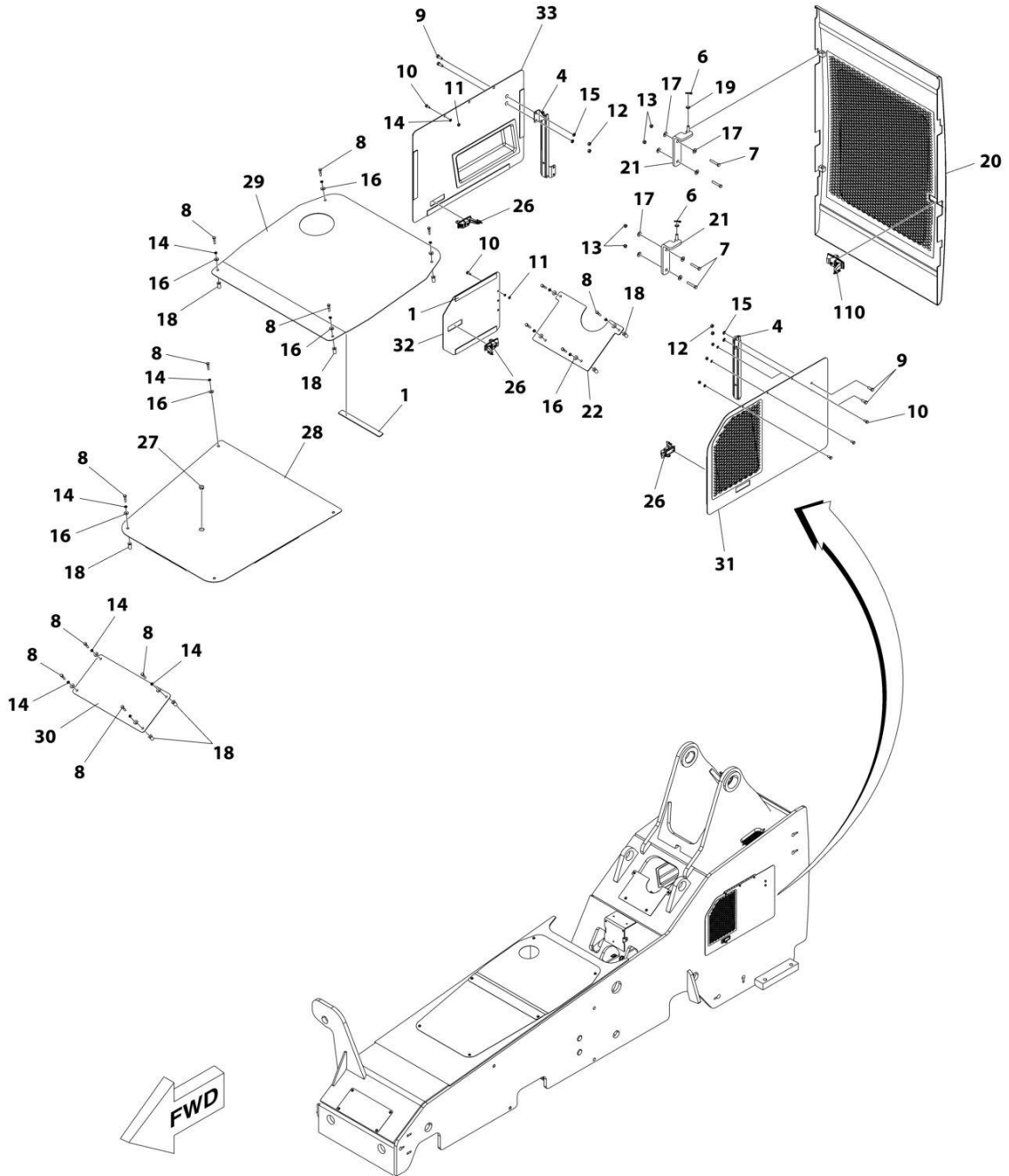
# SECTION 1 - FRAME AND ATTACHING PARTS

## FIGURE 1-8. FRAME COVERS INSTALLATION, 85HP (LS)

| ITEM | PART NUMBER | QTY    | DESCRIPTION                     | REV |
|------|-------------|--------|---------------------------------|-----|
|      | 1001186535  | Ref    | FRAME COVERS INSTALLATION, 85HP | I   |
| 1    | 0641618     | 4      | Bolt 3/8 x 2-1/4                |     |
| 2    | 0760610     | 3      | Bolt M6 x 20                    |     |
| 3    | 4420037     | 150 in | Tape, Insulation                |     |
| 4    | 4811702     | 3      | Washer M6                       |     |
| 5    | 8305645     | 4      | Nut 3/8                         |     |
| 8    | 7139714     | 2      | Prop, Side Door                 |     |
| 10   | 8302470     | 2      | Pin, Hair                       |     |
| 11   | 8303615     | 14     | Bolt 1/4 x 1-1/4                |     |
| 12   | 8303656     | 8      | Bolt 5/16 x 7/8                 |     |
| 13   | 8303729     | 9      | Bolt 1/4 x 5/8                  |     |
| 14   | 8305004     | 9      | Nut 1/4                         |     |
| 15   | 8305006     | 8      | Nut 5/16                        |     |
| 16   | 8307002     | 23     | Washer 1/4                      |     |
| 17   | 8307004     | 8      | Washer 5/16                     |     |
| 18   | 8307202     | 14     | Washer 1/4                      |     |
| 19   | 8580420     | 14     | Nut, Well                       |     |
| 20   | 10732150    | 2      | Washer M10                      |     |
| 21   | 1001190341  | 3      | Latch, Adjustable Trigger       |     |
| 22   | 1001156283  | 1      | Door, Rear (Includes item 110)  | O   |
| 23   | 1001159319  | 2      | Mount, Rear Door                |     |
| 24   | 1001208280  | 1      | Plate, Air Intake Baffle        |     |
| 28   | 1001211690  | 1      | Bracket, ECM Cover              |     |
| 29   | 8307204     | 8      | Washer                          |     |
| 30   | 3520030     | 1      | Plug                            |     |
| 31   | 7139406     | 1      | Cover, Lower Transmission       |     |
| 32   | 7139455     | 1      | Cover, Upper Transmission       |     |
| 33   | 7150608     | 1      | Cover, Front                    |     |
| 34   | 1001168930  | 1      | Panel, Left Side Access         |     |
| 35   | 1001171383  | 1      | Panel, Engine Access Right Side |     |
| 36   | 1001171385  | 1      | Panel, Air Cleaner Access       |     |
| 110  | 1001190341  | 1      | Latch, Adjustable Trigger       |     |

# SECTION 1 - FRAME AND ATTACHING PARTS

FIGURE 1-9. FRAME COVERS INSTALLATION, 74HP (AIR SHUT OFF VALVE)



ART\_1001228508



## SECTION 1 - FRAME AND ATTACHING PARTS

**FIGURE 1-9. FRAME COVERS INSTALLATION, 74HP (AIR SHUT OFF VALVE)**

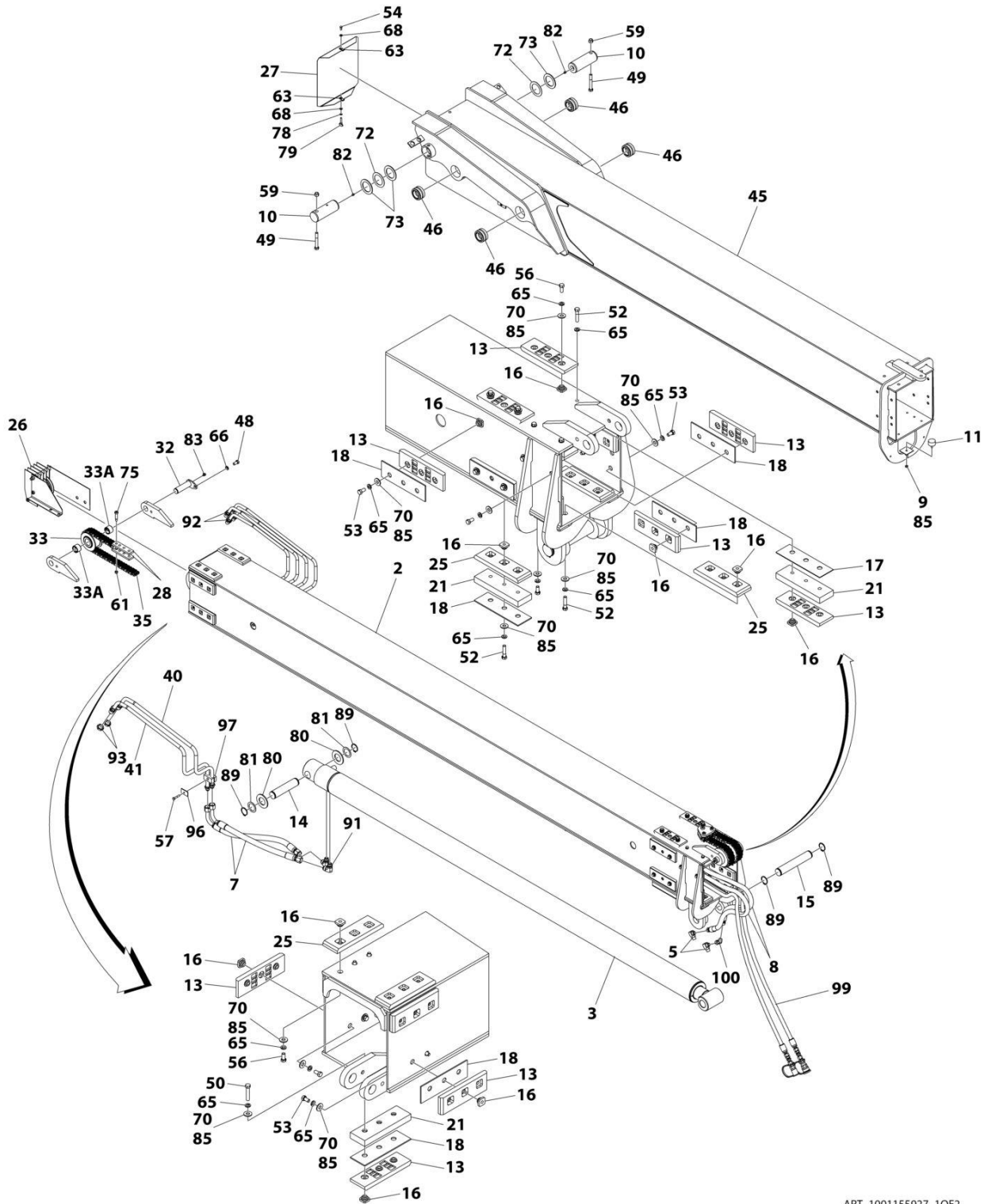
| ITEM | PART NUMBER | QTY    | DESCRIPTION  | REV |
|------|-------------|--------|--|-----|
|      | 1001228508  | Ref    | FRAME COVERS INSTALLATION, 74HP (AIR SHUT OFF VALVE) | E   |
| 1    | 4420037     | 150 in | Tape, Insulation                                     |     |
| 4    | 7139714     | 2      | Prop, Side Door                                      |     |
| 6    | 8302470     | 2      | Pin, Cotter  |     |
| 7    | 0641618     | 4      | Bolt 3/8 x 2-1/4                                     |     |
| 8    | 8303615     | 14     | Bolt 1/4 x 1-1/4                                     |     |
| 9    | 8303656     | 8      | Bolt 5/16 x 7/8                                      |     |
| 10   | 8303729     | 9      | Bolt 1/4 x 5/8                                       |     |
| 11   | 8305004     | 9      | Nut 1/4  |     |
| 12   | 8305006     | 8      | Nut 5/16   |     |
| 13   | 8305645     | 4      | Nut 3/8  |     |
| 14   | 8307002     | 23     | Washer 1/4   |     |
| 15   | 8307004     | 8      | Washer 5/16  |     |
| 16   | 8307202     | 14     | Washer 1/4   |     |
| 17   | 8307204     | 8      | Washer 3/8   |     |
| 18   | 8580420     | 14     | Nut, Well  |     |
| 19   | 10732150    | 2      | Washer M10   |     |
| 20   | 1001156283  | 1      | Door, Rear (Includes item 110)                       | O   |
| 21   | 1001159319  | 2      | Mount, Rear Door                                     |     |
| 22   | 1001167793  | 1      | Plate, Air Intake Baffle                             |     |
| 26   | 1001190341  | 3      | Latch, Adjustable Trigger                            |     |
| 27   | 3520030     | 1      | Plug   |     |
| 28   | 7139406     | 1      | Lower Cover, Transmission                            |     |
| 29   | 7139455     | 1      | Upper Cover, Transmission                            |     |
| 30   | 7150608     | 1      | Cover, Front   |     |
| 31   | 1001168930  | 1      | Panel, Left Side Access                              |     |
| 32   | 1001216589  | 1      | Panel, Engine Access Right Side                      |     |
| 33   | 1001171385  | 1      | Panel, Air Cleaner Access                            |     |
| 110  | 1001190341  | 1      | Latch, Adjustable Trigger                            |     |



**SECTION 2 - BOOM**

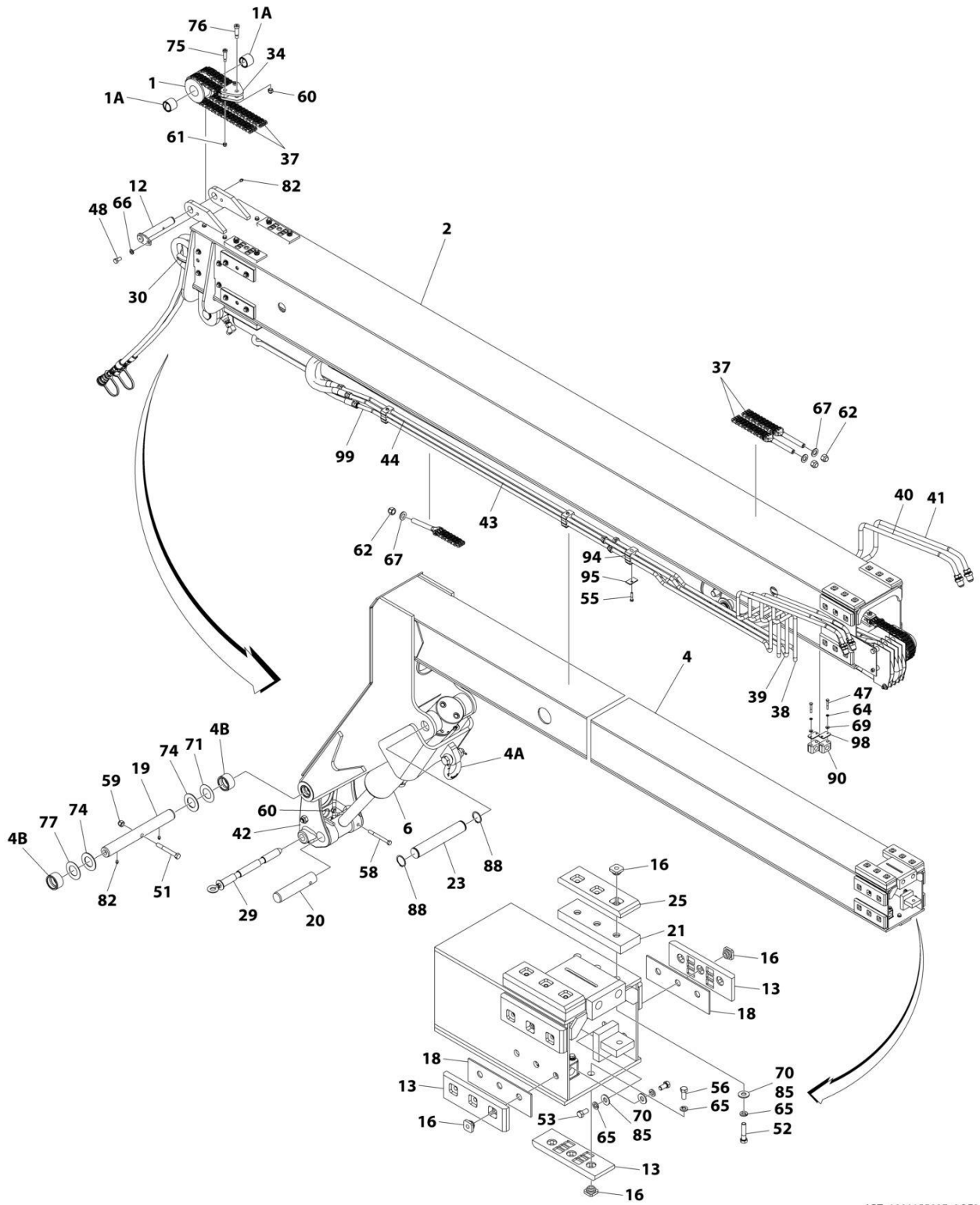
# SECTION 2 - BOOM

## FIGURE 2-1. BOOM INSTALLATION (6036)



ART\_1001155927\_1OF2

# SECTION 2 - BOOM



ART\_1001155927\_2OF2

## SECTION 2 - BOOM

**FIGURE 2-1. BOOM INSTALLATION (6036)**

| ITEM | PART NUMBER | QTY | DESCRIPTION   | REV |
|------|-------------|-----|---|-----|
|      | 1001155927  | Ref | BOOM INSTALLATION   | H   |
| 1    | 1001101861  | 1   | Sheave Assembly - Retract (6036)  |     |
| 1A   | 5906392     | 2   | Bushing   |     |
| 2    | 1001155928  | 1   | Boom, Second Section  |     |
| 3    | 1001156013  | 1   | Cylinder, Extend/Retract (See Separate Breakdown in HYDRAULIC COMPONENTS Section)         |     |
| 4    | 1001210818  | 1   | Boom, Fly   |     |
| 4A   | 1001204045  | 1   | Clevis  |     |
| 4B   | 7085542     | 2   | Bushing   |     |
| 5    | 2220596     | 2   | Adapter, 90 (6036)  |     |
| 6    | 2716614     | 1   | Cylinder, Fork Tilt (See Separate Breakdown in HYDRAULIC COMPONENTS Section)              |     |
| 7    | 2716760     | 2   | Hose  |     |
| 8    | 2716788     | 2   | Hose  |     |
| 9    | 3311601     | 1   | Nut 3/8   |     |
| 10   | 3423226     | 2   | Pin, Boom Pivot   |     |
| 11   | 5724622     | 1   | Bumper, Rubber  |     |
| 12   | 7063432     | 1   | Pin   |     |
| 13   | 7079572     | 22  | Pad, Wear   |     |
| 14   | 7081621     | 1   | Pin, Base End   |     |
| 15   | 7081631     | 1   | Pin, Rod End  |     |
| 16   | 7082311     | 68  | Insert, Wear Pad  |     |
| 17   | 7082342     | AR  | Shim, Wear Pad  |     |
| 18   | 7082362     | AR  | Shim, Wear Pad  |     |
| 19   | 7083922     | 1   | Pin, Carriage Pivot   |     |
| 20   | 7083992     | 1   | Pin, Rod End  |     |
| 21   | 7085442     | 7   | Spacer, Wear Pad  |     |
| 23   | 7095522     | 1   | Pin   |     |
| 24   | 7096491     | 6   | Spacer  |     |
| 25   | 7111572     | 8   | Pad, Wear   |     |
| 26   | 7116773     | 1   | Assembly, Hose Pulley (See Separate Breakdown in this Section) (6036)                     |     |
| 27   | 7116822     | 1   | Cover   |     |
| 28   | 7117031     | 2   | Link  |     |
| 29   | 7118892     | 1   | Assembly, Lock Pin (See Separate Breakdown in this Section)                               |     |
| 30   | 7125811     | 2   | Conduit   |     |
| 32   | 7138977     | 1   | Pin, Retract Chain Sheave   |     |
| 33   | 7138986     | 1   | Sheave Assembly - Retract Chain   |     |
| 33A  | 7138979     | 2   | Bushing   |     |
| 34   | 7139180     | 2   | Yoke, Extend Chain  |     |
| 35   | 7139689     | 1   | Assembly, Retract Chain (See Separate Breakdown in this Section) (6036)                   |     |
| 37   | 7139692     | 2   | Assembly, Extend Chain (See Separate Breakdown in this Section) (6036)                    |     |
| 38   | 7139726     | 1   | Tube  |     |
| 39   | 7139727     | 1   | Tube  |     |
| 40   | 7139730     | 1   | Tube  |     |
| 41   | 7139731     | 1   | Tube  |     |
| 42   | 7139864     | 1   | Assembly, Quick Coupler (See Separate Breakdown in this Section) (Prior to SN 0160101449) |     |

## SECTION 2 - BOOM

| ITEM | PART NUMBER | QTY | DESCRIPTION  | REV |
|------|-------------|-----|--|-----|
| 42   | 1001242996  | 1   | Assembly, Quick Coupler (See Separate Breakdown in this Section) <b>(SN 0160101449 to Present)</b> |     |
| 43   | 7150837     | 1   | Tube   |     |
| 44   | 7150838     | 1   | Tube   |     |
| 45   | 7302056     | 1   | Boom, First Section  |     |
| 46   | 8065640     | 4   | Bearing, Self-Align  |     |
| 47   | 8303090     | 4   | Bolt 1/4 x 1-3/4   |     |
| 48   | 8303624     | 2   | Bolt 1/2 x 1   |     |
| 49   | 8303655     | 2   | Bolt 5/8 x 4-1/2   |     |
| 50   | 8303657     | 2   | Bolt 3/8 x 2   |     |
| 51   | 8303666     | 1   | Bolt 5/8 x 5   |     |
| 52   | 8303679     | 20  | Bolt 3/8 x 1-3/4   |     |
| 53   | 8303681     | 32  | Bolt 3/8 x 3/4   |     |
| 54   | 8303697     | 1   | Bolt 5/16 x 3/4  |     |
| 55   | 8303715     | 3   | Bolt 5/16 x 1-1/2  |     |
| 56   | 8303738     | 14  | Bolt 3/8 x 7/8   |     |
| 57   | 8303746     | 1   | Bolt 5/16 x 1-3/4  |     |
| 58   | 8303772     | 1   | Bolt 1/2 x 5   |     |
| 59   | 8305643     | 3   | Nut 5/8  |     |
| 60   | 8305644     | 2   | Nut 1/2  |     |
| 61   | 8305645     | 4   | Nut 3/8  |     |
| 62   | 8305646     | 3   | Nut 3/4  |     |
| 63   | 8305906     | 2   | Nut 5/16   |     |
| 64   | 8307002     | 4   | Washer 1/4   |     |
| 65   | 8307005     | 68  | Washer 3/8   |     |
| 66   | 8307007     | 2   | Washer 1/2   |     |
| 67   | 8307104     | 3   | Washer 3/4   |     |
| 68   | 8307106     | 2   | Washer 5/16  |     |
| 69   | 8307109     | 8   | Washer 1/4   |     |
| 70   | 8307204     | 64  | Washer 3/8   |     |
| 71   | 8307904     | AR  | Washer, Shim   |     |
| 72   | 8307910     | AR  | Washer, Shim   |     |
| 73   | 8307911     | AR  | Washer, Shim   |     |
| 74   | 8307918     | 2   | Washer, Shim   |     |
| 75   | 8310019     | 4   | Screw, Shoulder 1/2 x 3/8  |     |
| 76   | 8310020     | 1   | Screw, Shoulder 5/8 x 1/2  |     |
| 77   | 8310093     | AR  | Washer, Shim   |     |
| 78   | 8310431     | 1   | Washer 5/16  |     |
| 79   | 8310497     | 1   | Screw 5/16 x 1-1/2   |     |
| 80   | 8310708     | 2   | Washer 1   |     |
| 81   | 8310712     | 2   | Washer, Shim   |     |
| 82   | 8520001     | 5   | Fitting, Straight Lube   |     |
| 83   | 8520003     | 1   | Fitting, 90 Lube   |     |
| 84   | 8522012     | AR  | Lube, Anti-Seize (not shown)   |     |
| 85   | 8526007     | AR  | Compound, Thread Locking   |     |
| 86   | 8526048     | AR  | Sealant, Compound (not shown)  |     |
| 87   | 8526406     | AR  | Sealant, Varnish (not shown)   |     |
| 88   | 8642224     | 2   | Ring, Retaining  |     |
| 89   | 8642234     | 4   | Ring, Retaining  |     |
| 90   | 8750029     | 2   | Clamp Set, 3/4   |     |
| 91   | 2220567     | 2   | Adapter, 90  |     |
| 92   | 8760465     | 2   | Adapter, Bulkhead Nut  |     |

## SECTION 2 - BOOM

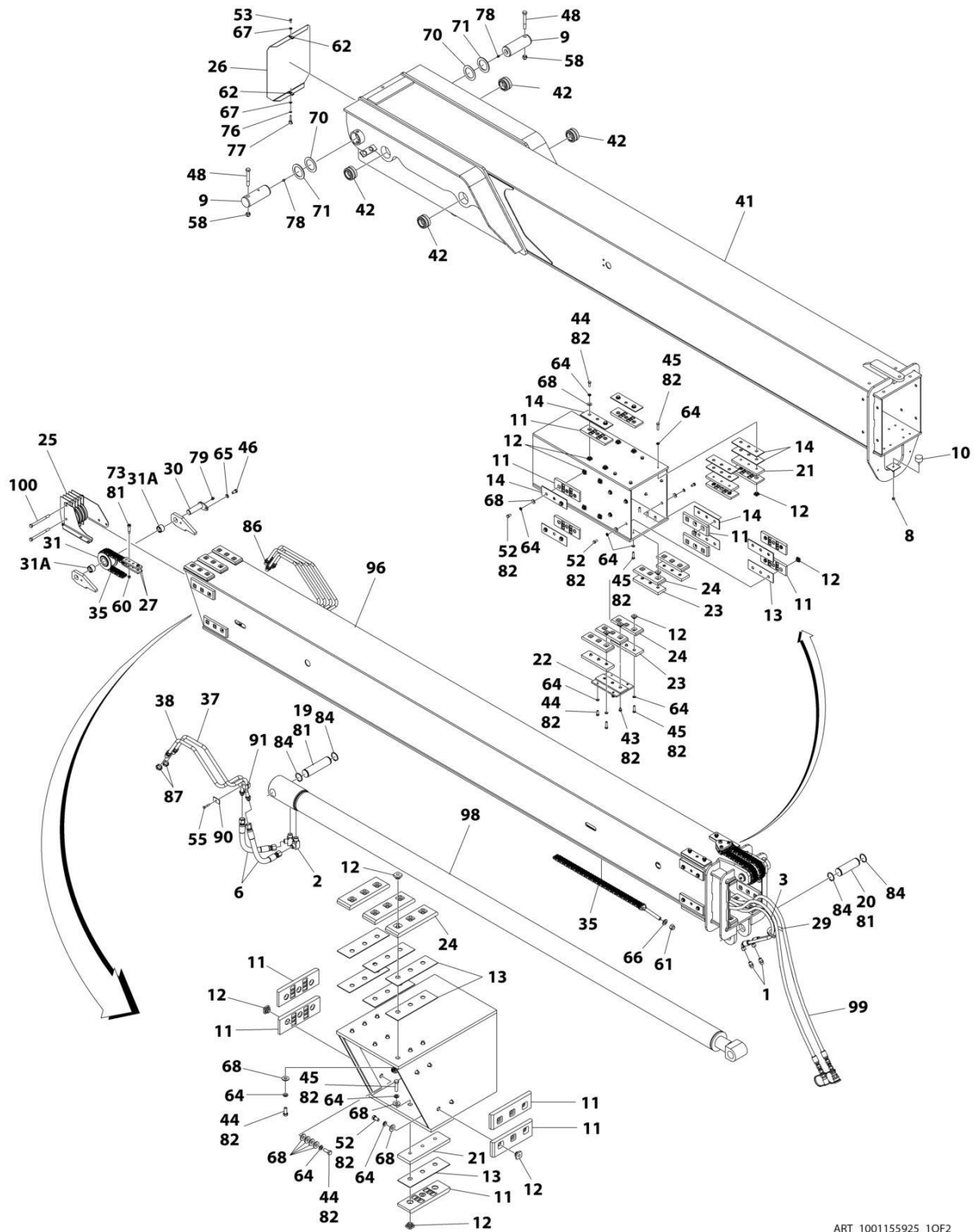
| ITEM | PART NUMBER | QTY | DESCRIPTION  | REV |
|------|-------------|-----|--|-----|
| 93   | 8760468     | 2   | Adapter, Bulkhead Nut  |     |
| 94   | 8769122     | 3   | Clamp Set, Twin 5/8  |     |
| 95   | 8769123     | 3   | Cover Plate, Twin  |     |
| 96   | 8769128     | 1   | Cover Plate, Twin  |     |
| 97   | 8769139     | 1   | Clamp Set, Twin 3/4  |     |
| 98   | 8769153     | 2   | Cover Plate, Single  |     |
| 99   | 7139968     | 1   | Assembly, Boom Auxiliary Hydraulics (See Separate Breakdown in this Section) |     |
| 100  | 2220683     | 1   | Adapter  |     |





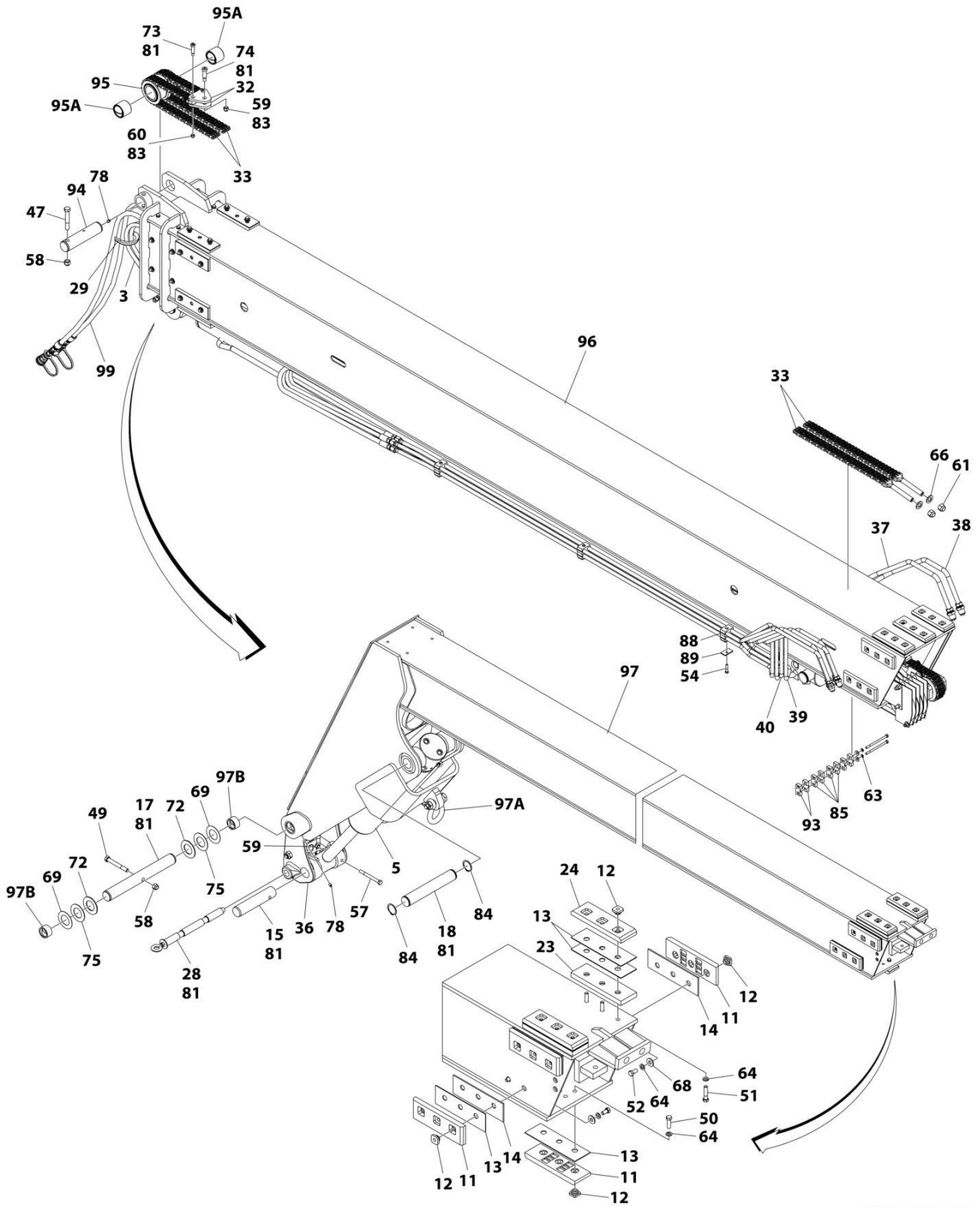
# SECTION 2 - BOOM

## FIGURE 2-2. BOOM INSTALLATION (6042)



ART\_1001155925\_10F2

# SECTION 2 - BOOM



ART\_1001155925\_2OF2

## SECTION 2 - BOOM

FIGURE 2-2. BOOM INSTALLATION (6042)

| ITEM | PART NUMBER | QTY | DESCRIPTION  | REV |
|------|-------------|-----|--|-----|
|      | 1001155925  | Ref | BOOM INSTALLATION  | J   |
| 1    | 2220373     | 2   | Adapter, Straight  |     |
| 2    | 2220578     | 2   | Adapter, 90  |     |
| 3    | 2713452     | 2   | Hose   |     |
| 5    | 2716614     | 1   | Cylinder, Fork Tilt (See Separate Breakdown in HYDRAULIC COMPONENTS Section)                         |     |
| 6    | 2717018     | 2   | Hose   |     |
| 8    | 3311601     | 1   | Nut 3/8  |     |
| 9    | 3423226     | 2   | Pin, Boom Pivot  |     |
| 10   | 5724622     | 1   | Bumper, Rubber   |     |
| 11   | 7079572     | 22  | Pad, Wear  |     |
| 12   | 7082311     | 73  | Insert, Wear Pad   |     |
| 13   | 7082342     | AR  | Shim, Wear Pad   |     |
| 14   | 7082362     | AR  | Shim, Wear Pad   |     |
| 15   | 7083992     | 1   | Pin, Rod End   |     |
| 17   | 7095352     | 1   | Pin, Carriage Pivot  |     |
| 18   | 7095522     | 1   | Pin  |     |
| 19   | 7096552     | 1   | Pin, Base End  |     |
| 20   | 7096562     | 1   | Pin, Rod End   |     |
| 21   | 7096702     | 4   | Spacer, Wear Pad   |     |
| 22   | 7096772     | 1   | Spacer, Wear Pad   |     |
| 23   | 7096882     | 6   | Spacer, Wear Pad   |     |
| 24   | 7111572     | 30  | Pad, Wear  |     |
| 25   | 7116733     | 1   | Assembly, Hose Pulley (See Separate Breakdown in this Section) (6042)                                |     |
| 26   | 7116792     | 1   | Cover  |     |
| 27   | 7117031     | 2   | Link   |     |
| 28   | 7118892     | 1   | Assembly, Lock Pin (See Separate Breakdown in this Section)  |     |
| 29   | 7125811     | 1   | Conduit 3/4 x 8  |     |
| 30   | 7138977     | 1   | Pin, Retract Chain Sheave  |     |
| 31   | 7138986     | 1   | Sheave Assembly - Retract Chain  |     |
| 31A  | 7138979     | 2   | Bushing  |     |
| 32   | 7139180     | 2   | Yoke, Extend Chain   |     |
| 33   | 7139690     | 2   | Assembly, Extend Chain (See Separate Breakdown in this Section) (6042)                               |     |
| 35   | 7139692     | 1   | Assembly, Retract Chain (See Separate Breakdown in this Section) (6042)                              |     |
| 36   | 7139864     | 1   | Assembly, Quick Coupler (See Separate Breakdown in this Section) ( <b>Prior to SN 0160101449</b> )   |     |
| 36   | 1001242996  | 1   | Assembly, Quick Coupler (See Separate Breakdown in this Section) ( <b>SN 0160101449 to Present</b> ) |     |
| 37   | 7300670     | 1   | Tube   |     |
| 38   | 7300671     | 1   | Tube   |     |
| 39   | 7300672     | 1   | Tube   |     |
| 40   | 7300673     | 1   | Tube   |     |
| 41   | 7302052     | 1   | Boom, First Section  |     |
| 42   | 8065640     | 4   | Bearing, Self-Align  |     |
| 43   | 8303041     | 3   | Bolt 3/8 x 1/2   |     |
| 44   | 8303620     | 18  | Bolt 3/8 x 1   |     |
| 45   | 8303621     | 18  | Bolt 3/8 x 1-1/2   |     |
| 46   | 8303624     | 1   | Bolt 1/2 x 1   |     |

## SECTION 2 - BOOM

| ITEM | PART NUMBER | QTY | DESCRIPTION                     | REV |
|------|-------------|-----|---------------------------------|-----|
| 47   | 8303634     | 1   | Bolt 5/8 x 4                    |     |
| 48   | 8303655     | 2   | Bolt 5/8 x 4-1/2                |     |
| 49   | 8303666     | 1   | Bolt 5/8 x 5                    |     |
| 50   | 8303675     | 2   | Bolt 3/8 x 1-1/4                |     |
| 51   | 8303679     | 6   | Bolt 3/8 x 1-3/4                |     |
| 52   | 8303681     | 30  | Bolt 3/8 x 3/4                  |     |
| 53   | 8303697     | 1   | Bolt 5/16 x 3/4                 |     |
| 54   | 8303715     | 3   | Bolt 5/16 x 1-1/2               |     |
| 55   | 8303746     | 1   | Bolt 5/16 x 1-3/4               |     |
| 57   | 8303772     | 1   | Bolt 1/2 x 5                    |     |
| 58   | 8305643     | 4   | Nut 5/8                         |     |
| 59   | 8305644     | 2   | Nut 1/2                         |     |
| 60   | 8305645     | 4   | Nut 3/8                         |     |
| 61   | 8305646     | 3   | Nut 3/4                         |     |
| 62   | 8305906     | 2   | Nut 5/16                        |     |
| 63   | 8307004     | 2   | Washer 5/16                     |     |
| 64   | 8307005     | 74  | Washer 3/8                      |     |
| 65   | 8307007     | 1   | Washer 1/2                      |     |
| 66   | 8307104     | 3   | Washer 3/4                      |     |
| 67   | 8307106     | 2   | Washer 5/16                     |     |
| 68   | 8307204     | 52  | Washer 3/8                      |     |
| 69   | 8307904     | AR  | Washer Shim                     |     |
| 70   | 8307910     | AR  | Washer Shim                     |     |
| 71   | 8307911     | AR  | Washer Shim                     |     |
| 72   | 8307918     | 2   | Washer Shim                     |     |
| 73   | 8310019     | 4   | Screw 1/2 x 3/8-16              |     |
| 74   | 8310020     | 1   | Screw 5/8 x 1/2-13              |     |
| 75   | 8310093     | AR  | Washer Shim                     |     |
| 76   | 8310431     | 1   | Washer 5/16                     |     |
| 77   | 8310497     | 1   | Screw 5/16 x 1-1/2              |     |
| 78   | 8520001     | 5   | Fitting, Straight Lube 1/8      |     |
| 79   | 8520003     | 1   | Fitting, 90 Lube 1/8            |     |
| 81   | 8522012     | AR  | Lube, Anti-Seize                |     |
| 82   | 8526007     | AR  | Compound, Thread Locking        |     |
| 83   | 8526406     | AR  | Sealant, Varnish                |     |
| 84   | 8642224     | 6   | Ring, Retaining                 |     |
| 85   | 8750003     | 4   | Clamp, Half 5/8                 |     |
| 86   | 8760465     | 2   | Adapter, Bulkhead Nut           |     |
| 87   | 8760468     | 2   | Adapter, Bulkhead Nut           |     |
| 88   | 8769122     | 3   | Clamp Set, Twin 5/8             |     |
| 89   | 8769123     | 3   | Cover Plate, Twin               |     |
| 90   | 8769128     | 1   | Cover Plate, Twin               |     |
| 91   | 8769139     | 1   | Clamp Set, Twin 3/4             |     |
| 93   | 8769161     | 2   | Clamp, Half 3/4                 |     |
| 94   | 1001097735  | 1   | Pin, Extend Chain Sheave        |     |
| 95   | 1001101845  | 1   | Sheave Assembly - Extend (6042) |     |
| 95A  | 7126662     | 2   | Bushing                         |     |
| 96   | 1001155921  | 1   | Boom, Second Section            |     |
| 97   | 1001210819  | 1   | Boom, Fly (6042)                |     |
| 97A  | 1001204045  | 1   | Clevis                          |     |
| 97B  | 7095312     | 2   | Bushing                         |     |

## SECTION 2 - BOOM

| ITEM | PART NUMBER | QTY | DESCRIPTION   | REV |
|------|-------------|-----|---|-----|
| 98   | 1001180764  | 1   | Cylinder, Extend/Retract (See Separate Breakdown in HYDRAULIC COMPONENTS Section)   |     |
| 99   | 7300678     | 1   | Assembly, Boom Auxiliary Hydraulics (See Separate Breakdown in this Section) (6042) |     |
| 100  | 8310209     | 2   | Bolt 1/2 x 6  |     |



# SECTION 2 - BOOM

## FIGURE 2-3. HOSE PULLEY ASSEMBLY (6036)

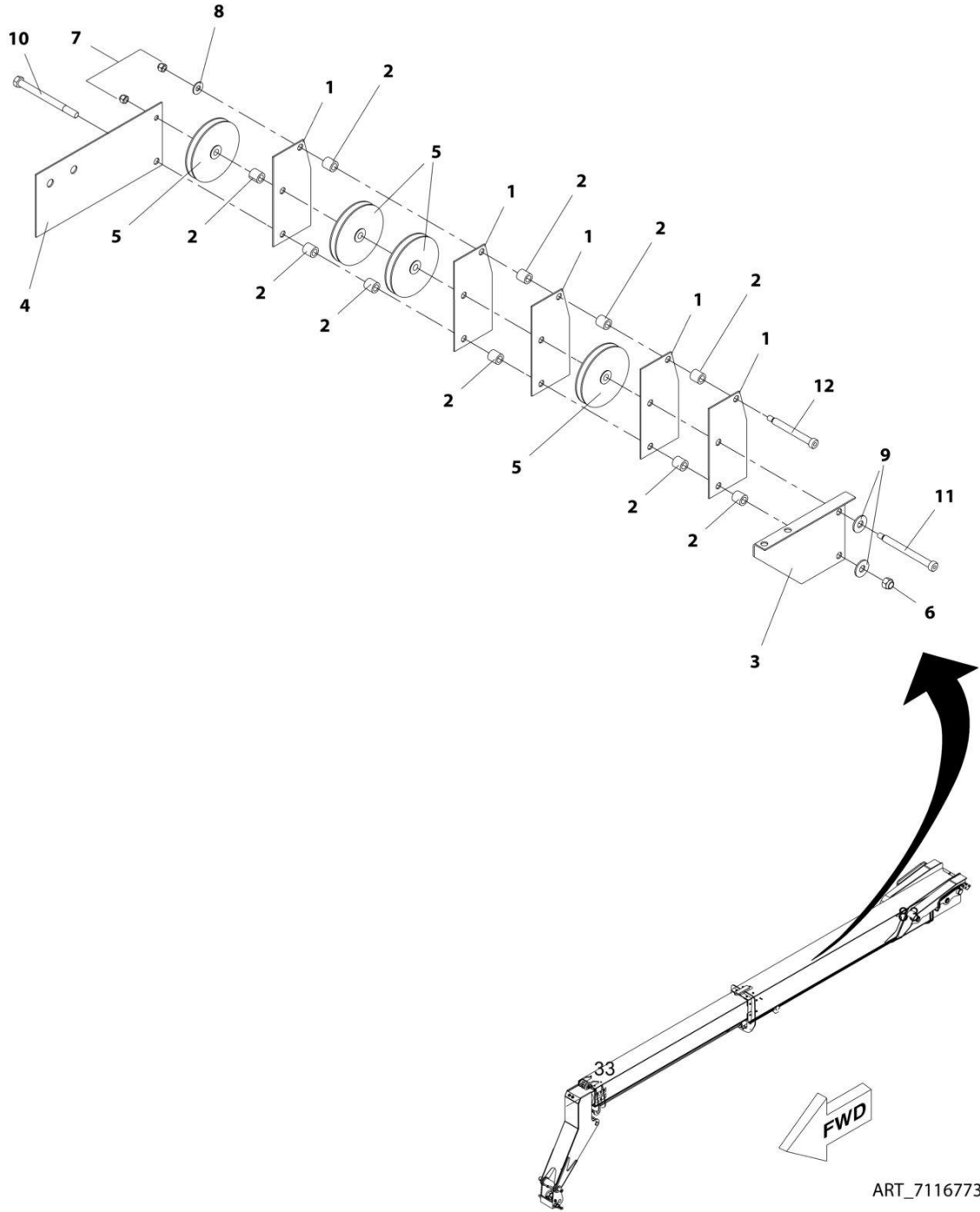


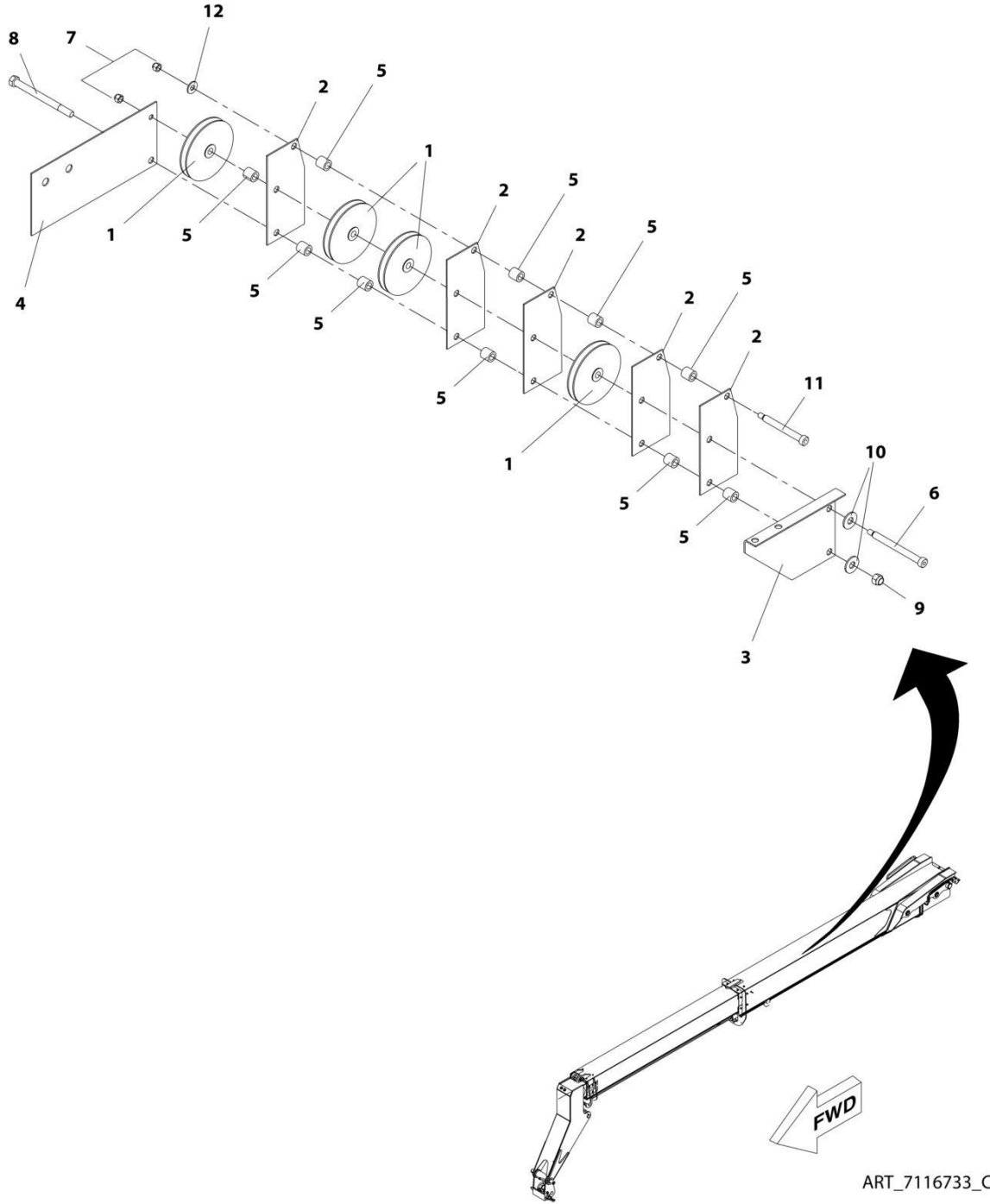


FIGURE 2-3. HOSE PULLEY ASSEMBLY (6036)

| ITEM | PART NUMBER | QTY | DESCRIPTION           | REV |
|------|-------------|-----|-----------------------|-----|
|      | 7116773     | Ref | Hose Pulley Assembly  | E   |
| 1    | 7116642     | 5   | Divider               |     |
| 2    | 7116691     | 10  | Spacer                |     |
| 3    | 7116742     | 1   | Bracket, RH           |     |
| 4    | 7116752     | 1   | Bracket, LH           |     |
| 5    | 7116812     | 4   | Wheel, Roller         |     |
| 6    | 8305644     | 1   | Nut, Lock 1/2-13      |     |
| 7    | 8305645     | 2   | Nut, Lock 3/8-16      |     |
| 8    | 8307204     | 1   | Washer, Plain 3/8     |     |
| 9    | 8307206     | 2   | Washer, Plain 1/2     |     |
| 10   | 8310209     | 1   | Bolt, 1/2-13X6        |     |
| 11   | 8310235     | 1   | Screw, Shoulder 1/2X5 |     |
| 12   | 8310245     | 1   | Screw, Shoulder 1/2X4 |     |

# SECTION 2 - BOOM

## FIGURE 2-4. HOSE PULLEY ASSEMBLY (6042)



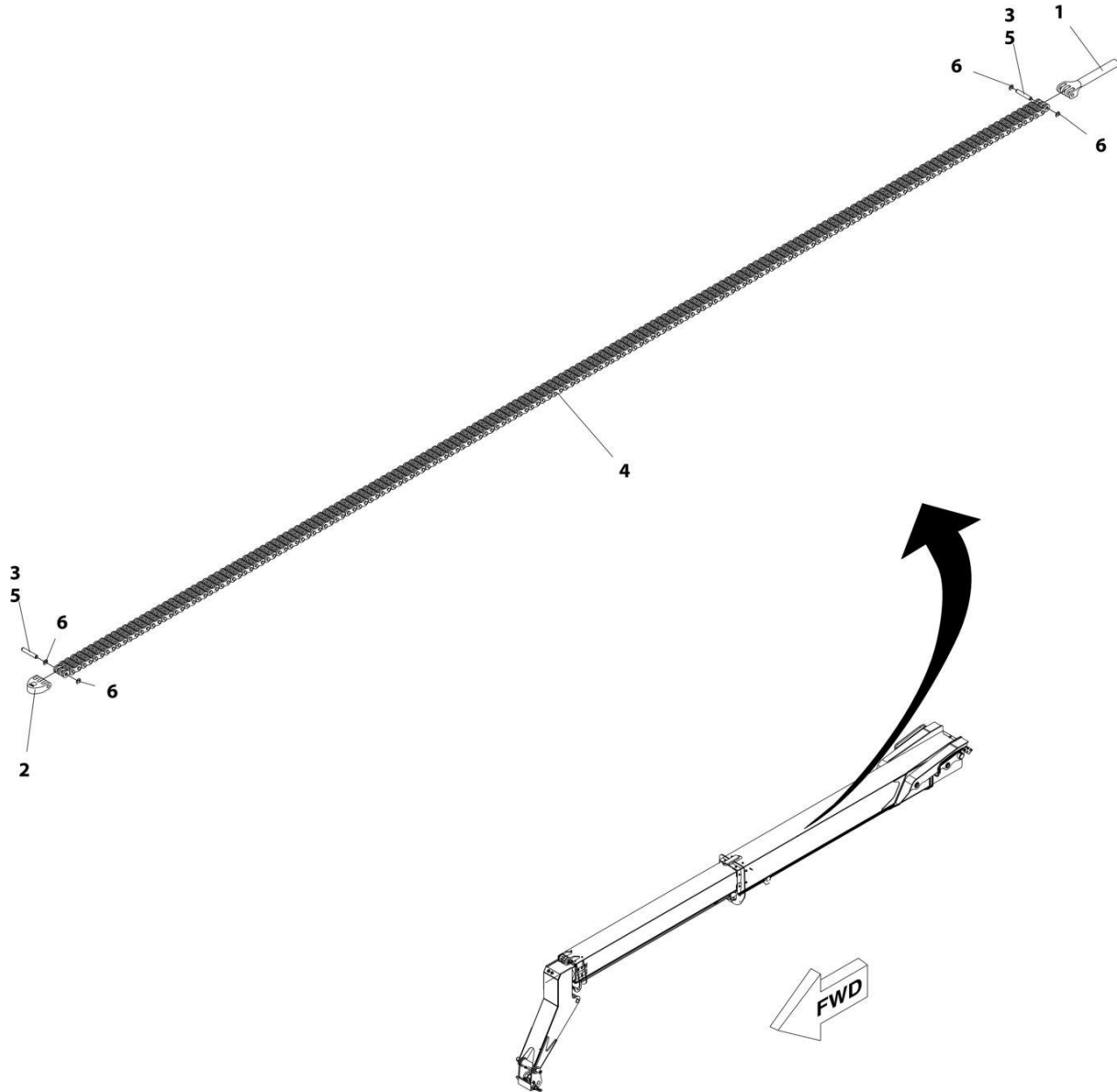
ART\_7116733\_C

FIGURE 2-4. HOSE PULLEY ASSEMBLY (6042)

| ITEM | PART NUMBER | QTY | DESCRIPTION           | REV |
|------|-------------|-----|-----------------------|-----|
|      | 7116733     | Ref | Hose Pulley Assembly  | C   |
| 1    | 7116812     | 4   | Wheel, Roller         |     |
| 2    | 7116642     | 5   | Divider               |     |
| 3    | 7116652     | 1   | Bracket, RH           |     |
| 4    | 7116662     | 1   | Bracket, LH           |     |
| 5    | 7116691     | 10  | Spacer                |     |
| 6    | 8310235     | 1   | Screw, Shoulder 1/2X5 |     |
| 7    | 8305645     | 2   | Nut, Lock 3/8-16      |     |
| 8    | 8310209     | 1   | Bolt, 1/2-13X6        |     |
| 9    | 8305644     | 1   | Nut, Lock 1/2-13      |     |
| 10   | 8307206     | 2   | Washer, Plain 1/2     |     |
| 11   | 8310245     | 1   | Screw, Shoulder 1/2X4 |     |
| 12   | 8307204     | 1   | Washer, Plain 3/8     |     |

# SECTION 2 - BOOM

## FIGURE 2-5. RETRACT CHAIN ASSEMBLY (6036)



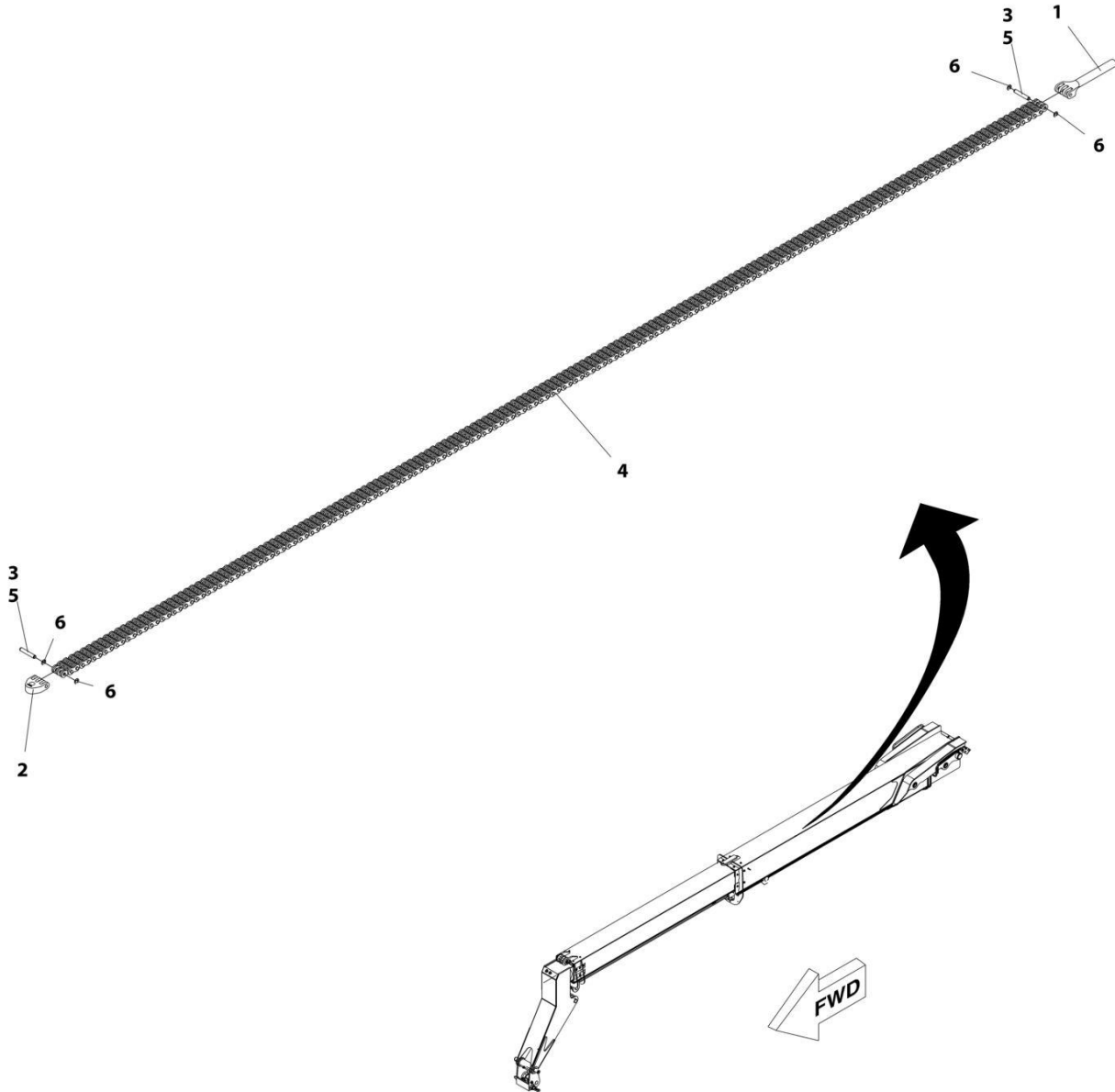
ART\_7139689\_B

**FIGURE 2-5. RETRACT CHAIN ASSEMBLY (6036)**

| ITEM | PART NUMBER | QTY | DESCRIPTION                       | REV |
|------|-------------|-----|-----------------------------------|-----|
|      | 7139689     | Ref | Retract Chain and Clevis Assembly | B   |
| 1    | 7139032     | 1   | Clevis, Female Anchor             |     |
| 2    | 7139416     | 1   | Clevis, Female Anchor             |     |
| 3    | 8124138     | 2   | Pin, Chain Clevis                 |     |
| 4    | 8127021     | 1   | Chain, Leaf                       |     |
| 5    | 8522012     | AR  | Lube, Anti-Seize                  |     |
| 6    | 8642237     | 4   | Ring, Retaining                   |     |

# SECTION 2 - BOOM

## FIGURE 2-6. RETRACT CHAIN ASSEMBLY (6042)



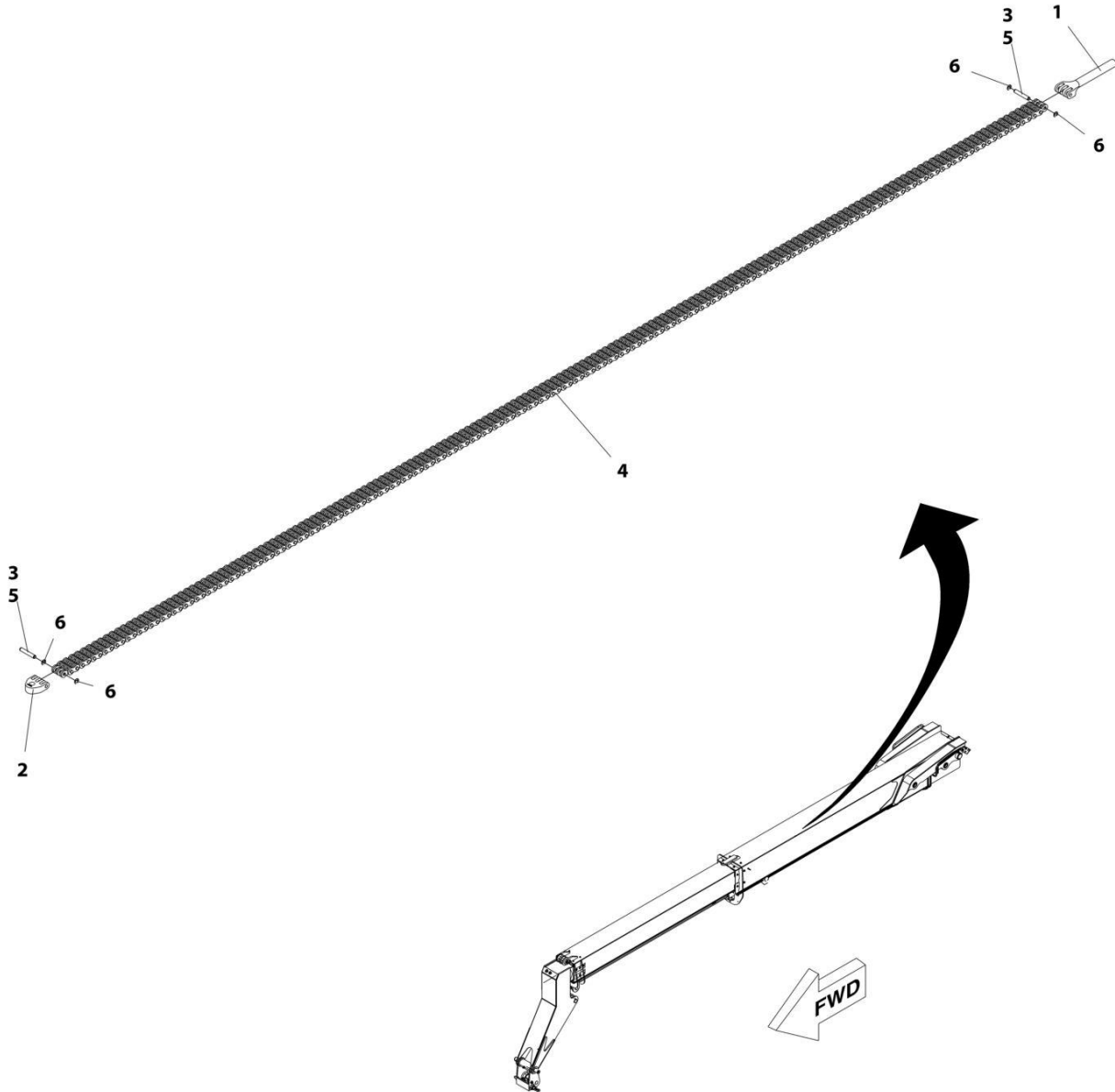
ART\_7139692\_B

FIGURE 2-6. RETRACT CHAIN ASSEMBLY (6042)

| ITEM | PART NUMBER | QTY | DESCRIPTION               | REV |
|------|-------------|-----|---------------------------|-----|
|      | 7139692     | Ref | Chain and Clevis Assembly | B   |
| 1    | 7139032     | 1   | Clevis, Female Anchor     |     |
| 2    | 7139416     | 1   | Clevis, Female Anchor     |     |
| 3    | 8124138     | 2   | Pin, Chain Clevis         |     |
| 4    | 8127024     | 1   | Chain, Leaf               |     |
| 5    | 8522012     | AR  | Lube, Anti-Seize          |     |
| 6    | 8642237     | 4   | Ring, Retaining           |     |

# SECTION 2 - BOOM

FIGURE 2-7. EXTEND CHAIN ASSEMBLY (6036)



ART\_7139692\_B

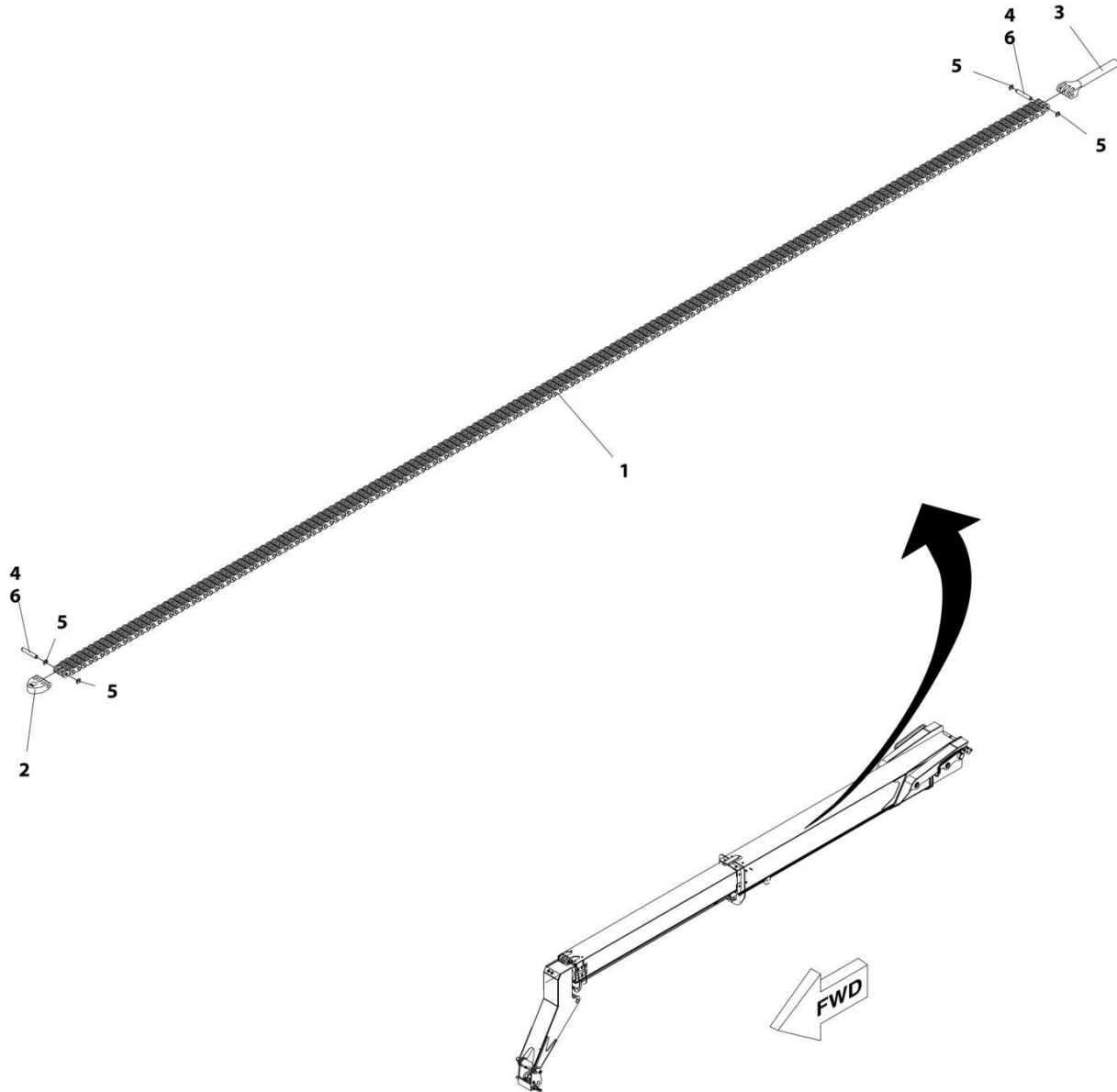


FIGURE 2-7. EXTEND CHAIN ASSEMBLY (6036)

| ITEM | PART NUMBER | QTY | DESCRIPTION               | REV |
|------|-------------|-----|---------------------------|-----|
|      | 7139692     | Ref | Chain and Clevis Assembly | B   |
| 1    | 7139032     | 1   | Clevis, Female Anchor     |     |
| 2    | 7139416     | 1   | Clevis, Female Anchor     |     |
| 3    | 8124138     | 2   | Pin, Chain Clevis         |     |
| 4    | 8127024     | 1   | Chain, Leaf               |     |
| 5    | 8522012     | AR  | Lube, Anti-Seize          |     |
| 6    | 8642237     | 4   | Ring, Retaining           |     |

# SECTION 2 - BOOM

FIGURE 2-8. EXTEND CHAIN ASSEMBLY (6042)



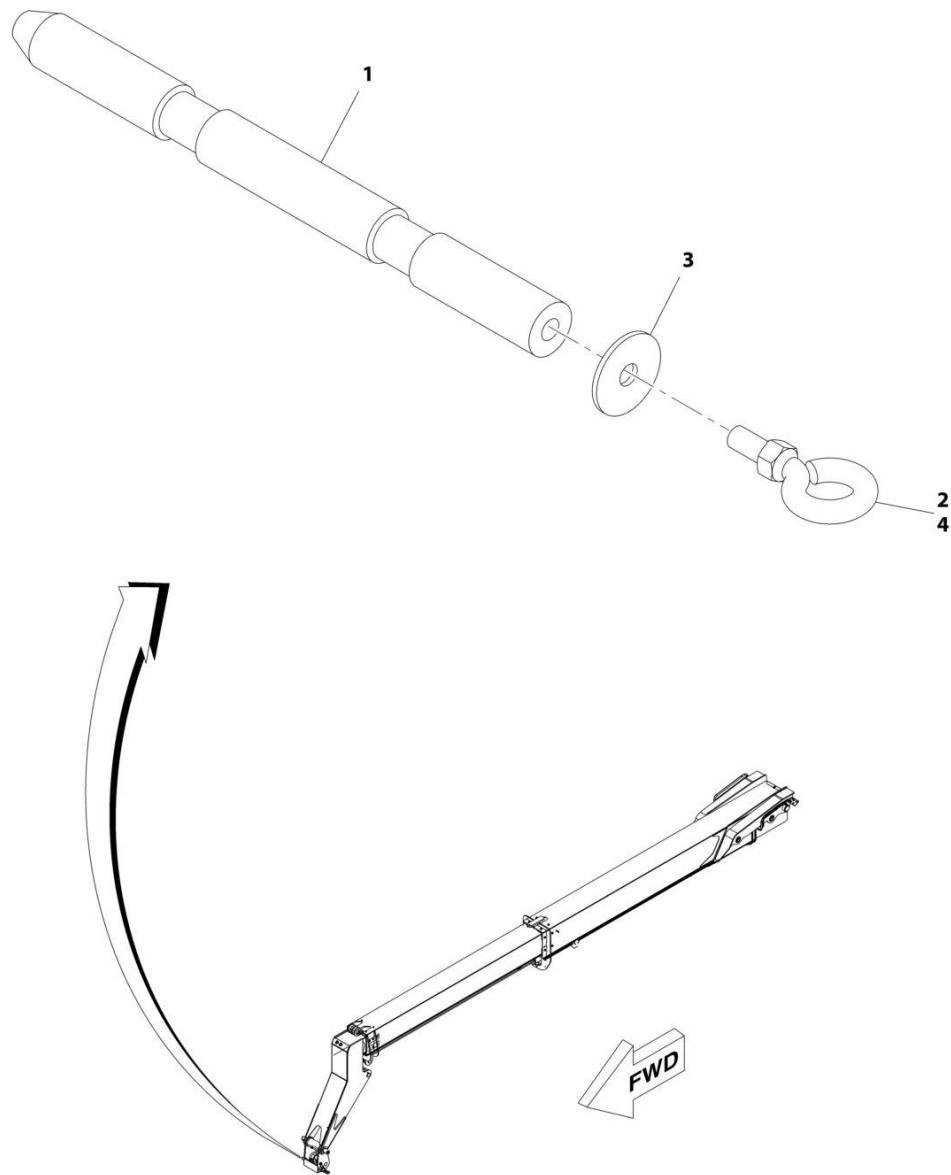
ART\_7139690\_B

FIGURE 2-8. EXTEND CHAIN ASSEMBLY (6042)

| ITEM | PART NUMBER | QTY | DESCRIPTION           | REV |
|------|-------------|-----|-----------------------|-----|
|      | 7139690     | Ref | Extend Chain Assembly | B   |
| 1    | 8127022     | 1   | Chain, Leaf           |     |
| 2    | 7139416     | 1   | Clevis, Female Anchor |     |
| 3    | 7139032     | 1   | Clevis, Female Anchor |     |
| 4    | 8124138     | 2   | Pin, Chain Clevis     |     |
| 5    | 8642237     | 4   | Ring, Retaining       |     |
| 6    | 8522012     | AR  | Lube, Anti-Seize      |     |

# SECTION 2 - BOOM

## FIGURE 2-9. LOCK PIN ASSEMBLY



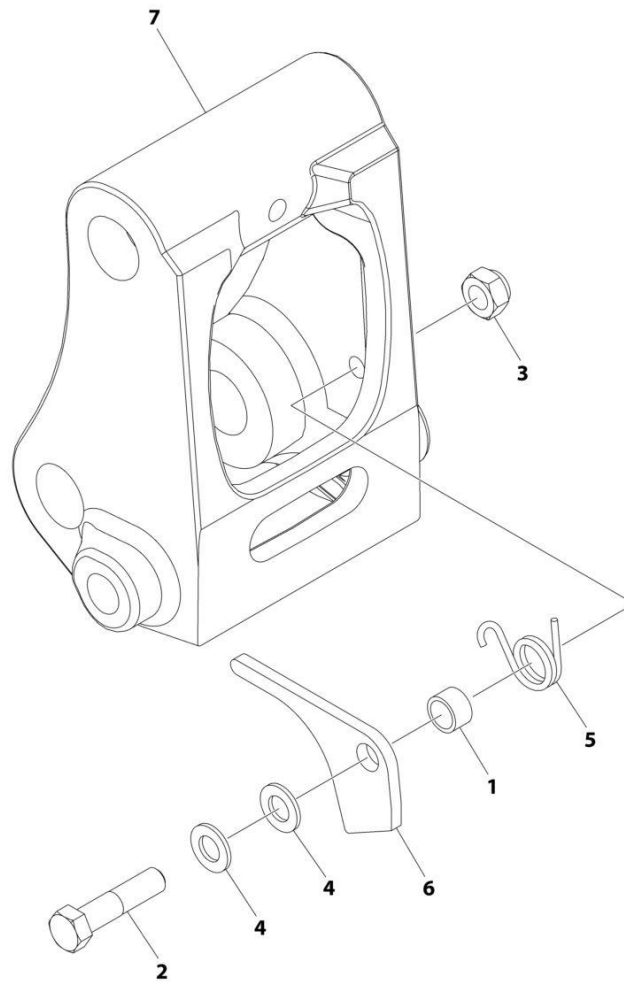
ART\_7118892-B

FIGURE 2-9. LOCK PIN ASSEMBLY

| ITEM | PART NUMBER | QTY | DESCRIPTION        | REV |
|------|-------------|-----|--------------------|-----|
|      | 7118892     | Ref | Lock Pin Assembly  | B   |
| 1    | 7118882     | 1   | Pin                |     |
| 2    | 8310266     | 2   | Bolt, Eye 1/2-13X2 |     |
| 3    | 8310276     | 3   | Washer             |     |
| 4    | 8526007     | AR  | Compound, Locking  |     |

## SECTION 2 - BOOM

FIGURE 2-10. QUICK COUPLER ASSEMBLY



ART\_1001242996\_C

FIGURE 2-10. QUICK COUPLER ASSEMBLY

| ITEM | PART NUMBER | QTY | DESCRIPTION      | REV |
|------|-------------|-----|------------------|-----|
|      | 1001242996  | Ref | COUPLER ASSEMBLY | C   |
| 1    | 7085571     | 1   | Spacer           |     |
| 2    | 8303640     | 1   | Bolt             |     |
| 3    | 8305619     | 1   | Nut 3/4          |     |
| 4    | 8307104     | 2   | Washer 3/4       |     |
| 5    | 1001243025  | 1   | Spring, Torsion  |     |
| 6    | 1001243026  | 1   | Plate, Pin Latch |     |
| 7    | 1001243219  | 1   | Coupler, Link    |     |

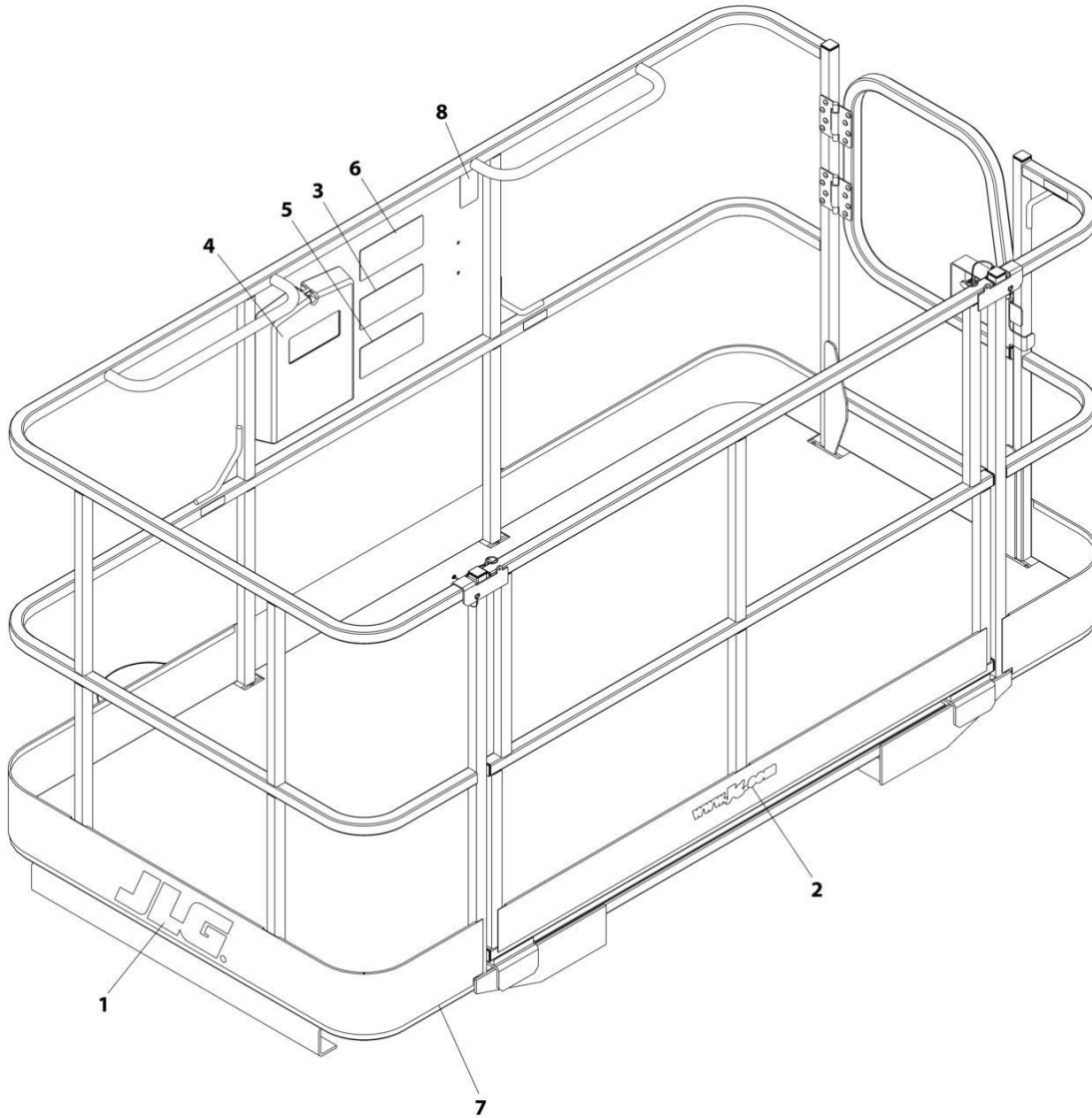




**SECTION 3 - ATTACHMENTS**

# SECTION 3 - ATTACHMENTS

FIGURE 3-1. BASKET, PERSONNEL (1.2MX2.4M) (DOMESTIC)



ART\_1001238653-A

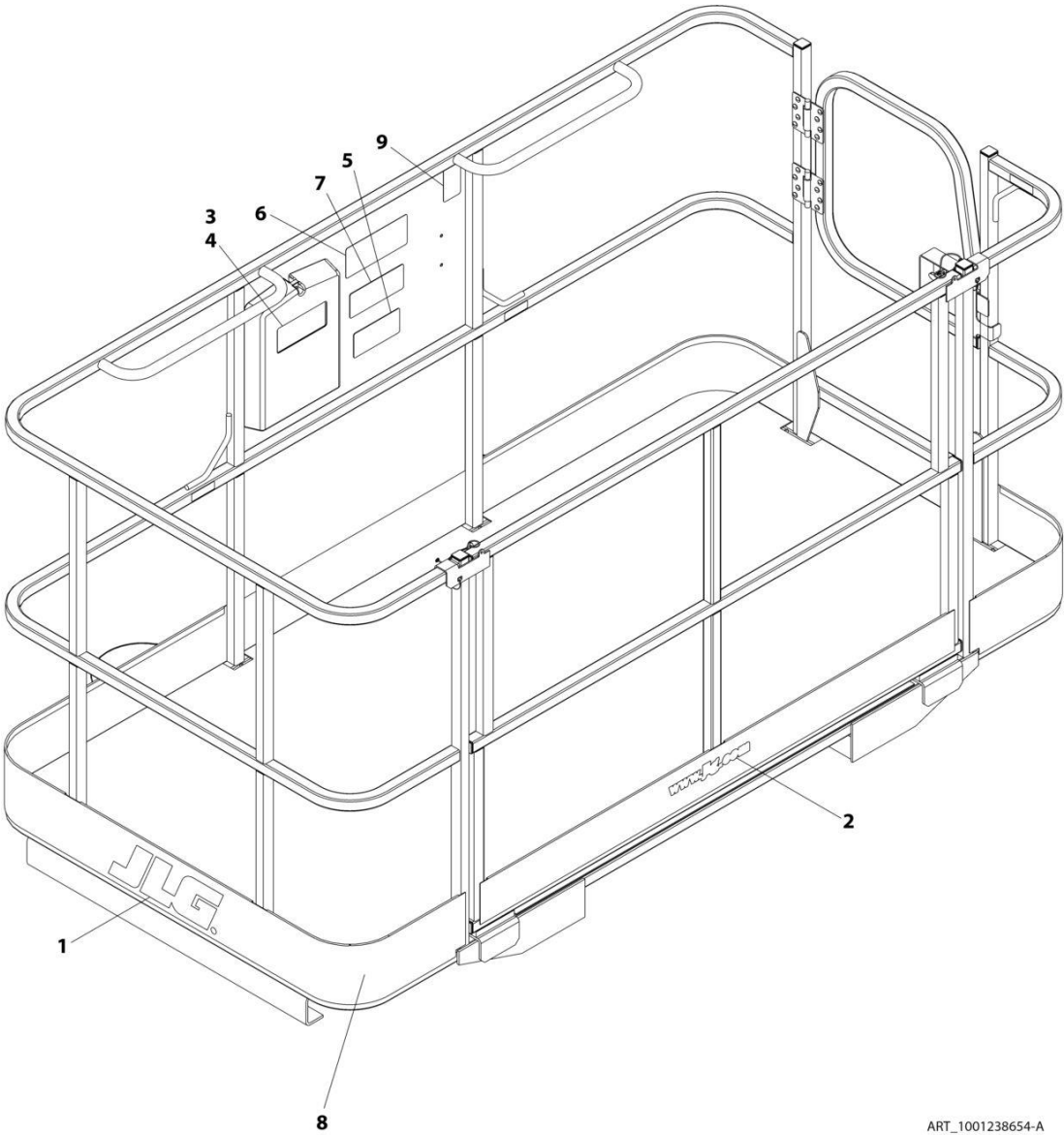
## SECTION 3 - ATTACHMENTS

**FIGURE 3-1. BASKET, PERSONNEL (1.2MX2.4M) (DOMESTIC)**

| ITEM | PART NUMBER | QTY | DESCRIPTION   | REV |
|------|-------------|-----|---|-----|
|      | 1001238653  | Ref | FORK MOUNTED PLATFORM   | B   |
| 1    | 1702773     | 2   | Decal, JLG  |     |
| 2    | 1704885     | 1   | Decal, Website  |     |
| 3    | 1706892     | 1   | Decal, Platform Warning   |     |
| 4    | 31200160    | 1   | Manual, Personnel Work Platform Operation and Safety            |     |
| 5    | 1001092481  | 1   | Decal, Warning Attachment                                       |     |
| 6    | 1001092482  | 1   | Decal, Platform Capacity  |     |
| 7    | 1001238565  | 1   | Platform, Fork Mounted (See Separate Breakdown in this Section) |     |
| 8    | See Note    | NSS | SN Plate (Note: Stamped Part - Not Available for Purchase)      |     |

**SECTION 3 - ATTACHMENTS**

**FIGURE 3-2. BASKET, PERSONNEL (1.2MX2.4M) (ISO)**



ART\_1001238654-A

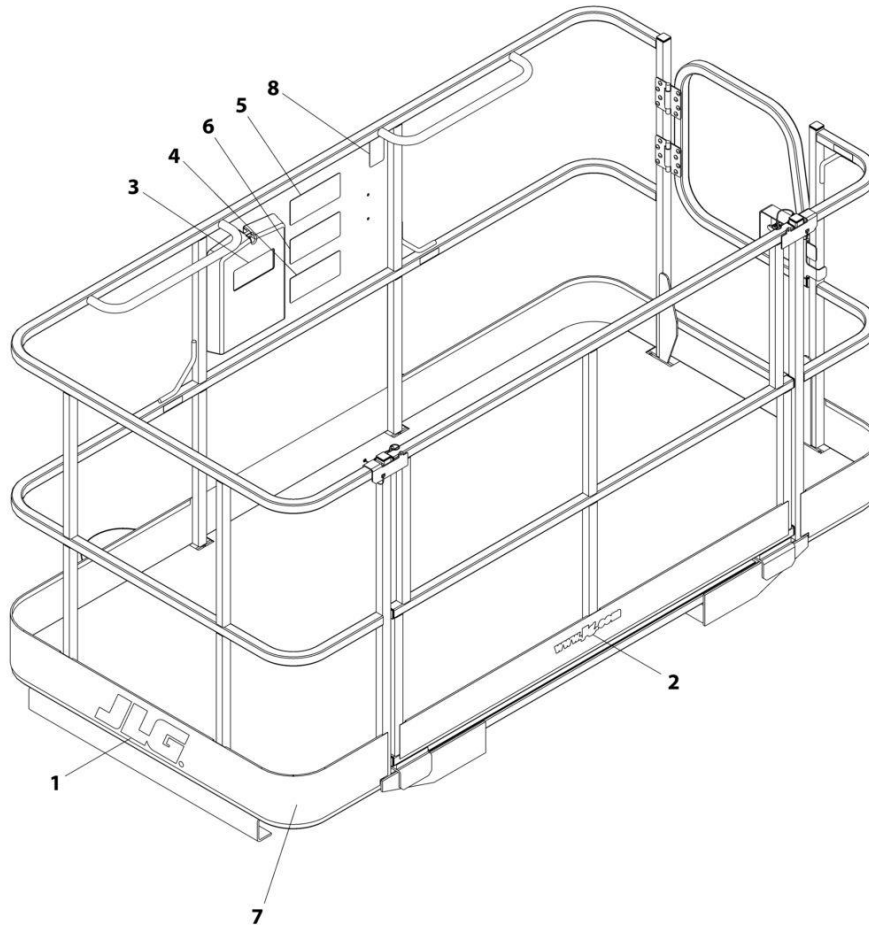
## SECTION 3 - ATTACHMENTS

**FIGURE 3-2. BASKET, PERSONNEL (1.2MX2.4M) (ISO)**

| ITEM | PART NUMBER | QTY | DESCRIPTION  | REV |
|------|-------------|-----|--|-----|
|      | 1001238654  | Ref | BASKET, PERSONNEL  | B   |
| 1    | 1702773     | 2   | Decal, JLG   |     |
| 2    | 1704885     | 1   | Decal, Website   |     |
| 3    | 31200387    | 1   | Manual, Operation and Safety, Spanish                                  |     |
| 4    | 31200388    | 1   | Manual, Operation and Safety, Portuguese                               |     |
| 5    | 1001096021  | 1   | Decal, Warning Attachment  |     |
| 6    | 1001096023  | 1   | Decal, Platform Capacity   |     |
| 7    | 1001096025  | 1   | Decal, Platform Warning  |     |
| 8    | 1001238565  | 1   | Platform, Fork Mounted (ANSI) (See Separate Breakdown in this Section) |     |
| 9    | See Note    | NSS | SN Plate (Note: Stamped Part - Not Available for Purchase)             |     |

# SECTION 3 - ATTACHMENTS

FIGURE 3-3. BASKET, PERSONNEL (1.2MX2.4M) (FRENCH LANGUAGE)



ART\_1001238655-A

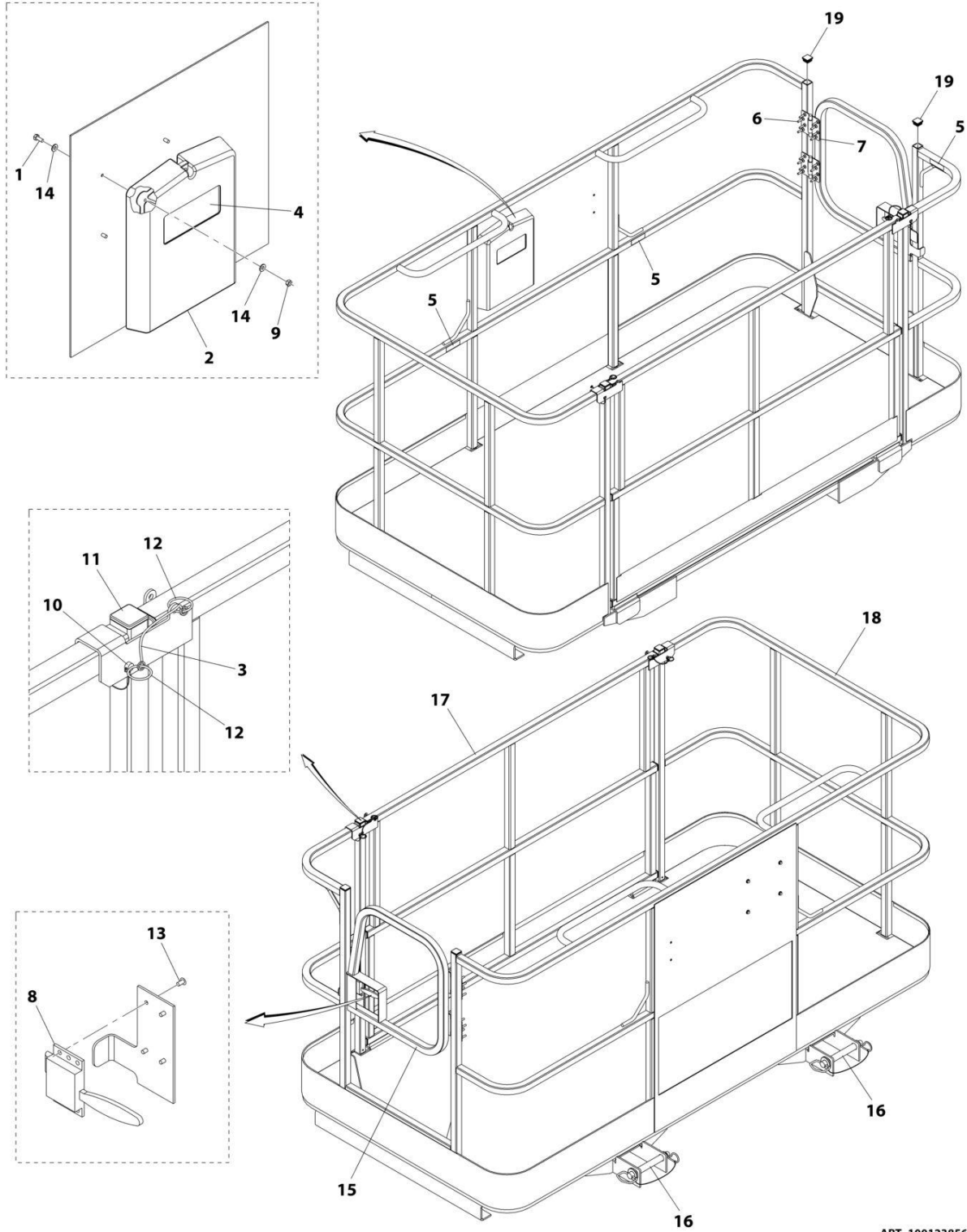
## SECTION 3 - ATTACHMENTS

**FIGURE 3-3. BASKET, PERSONNEL (1.2MX2.4M) (FRENCH LANGUAGE)**

| ITEM | PART NUMBER | QTY | DESCRIPTION  | REV |
|------|-------------|-----|--|-----|
|      | 1001238655  | Ref | BASKET, PERSONNEL  | B   |
| 1    | 1702773     | 2   | Decal, JLG   |     |
| 2    | 1704885     | 1   | Decal, Website   |     |
| 3    | 31200386    | 1   | Manual, Operation and Safety (French)                                  |     |
| 4    | 1001096019  | 1   | Decal, Warning Attachment (French)                                     |     |
| 5    | 1001096020  | 1   | Decal, Platform Capacity (French)                                      |     |
| 6    | 1001096024  | 1   | Decal, Platform Warning (French)                                       |     |
| 7    | 1001238565  | 1   | Platform, Fork Mounted (ANSI) (See Separate Breakdown in this Section) |     |
| 8    | See Note    | NSS | SN Plate (Note: Stamped Part - Not Available for Purchase)             |     |

# SECTION 3 - ATTACHMENTS

## FIGURE 3-4. BASKET, PERSONNEL ASSEMBLY



ART\_1001238565



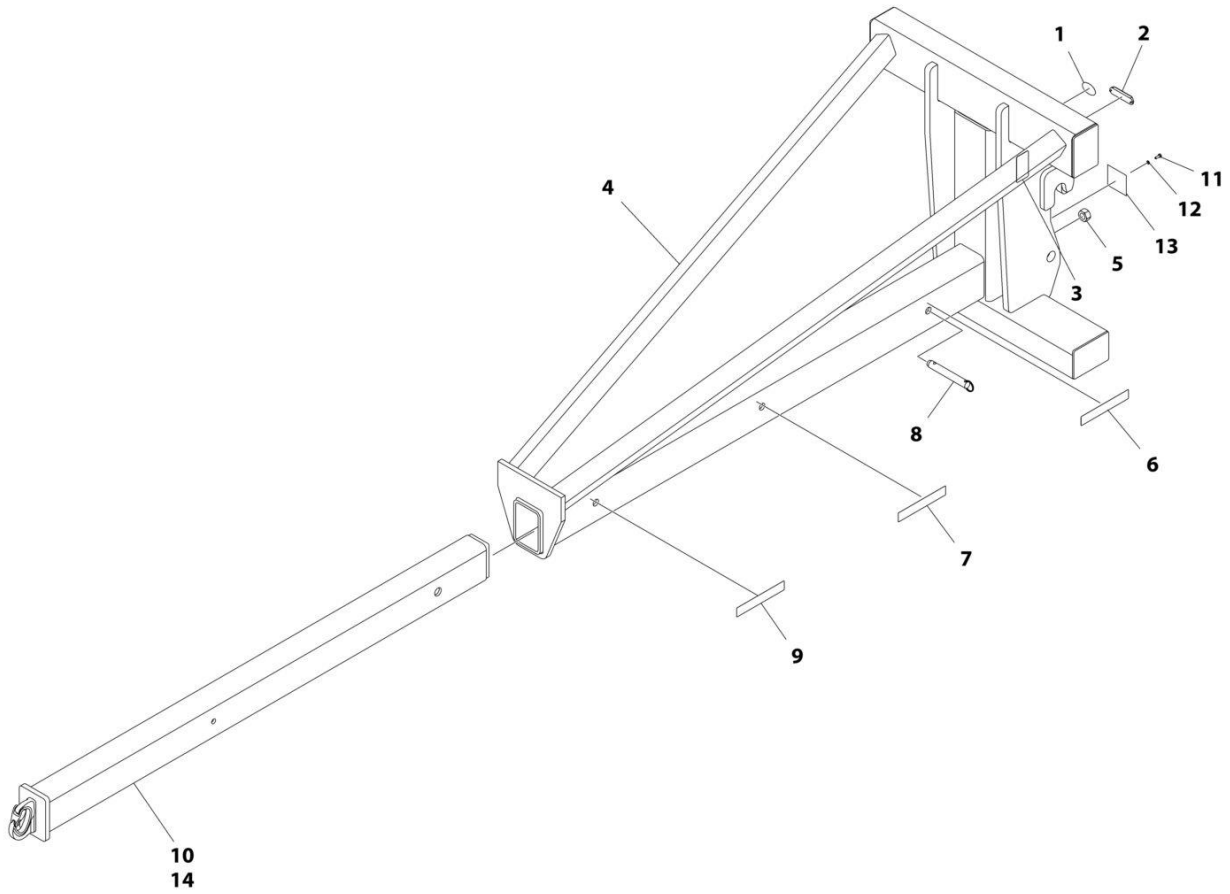
## SECTION 3 - ATTACHMENTS

**FIGURE 3-4. BASKET, PERSONNEL ASSEMBLY**

| ITEM | PART NUMBER | QTY | DESCRIPTION                    | REV |
|------|-------------|-----|--------------------------------|-----|
|      | 1001238565  | Ref | FORK MOUNTED PLATFORM ASSEMBLY | F   |
| 1    | 0641405     | 4   | Bolt 1/4 x 5/8                 |     |
| 2    | 0860520     | 1   | Box, Manual Storage            |     |
| 3    | 1060379     | 2   | Cable, Lanyard                 |     |
| 4    | 1701509     | 1   | Decal, Manual                  |     |
| 5    | 1704277     | 3   | Decal, Lanyard Attach          |     |
| 6    | 2080040     | 16  | Fastener                       |     |
| 7    | 2600281     | 2   | Hinge                          |     |
| 8    | 2940074     | 1   | Latch                          |     |
| 9    | 3311405     | 4   | Nut 1/4                        |     |
| 10   | 3421453     | 2   | Pin                            |     |
| 11   | 3520072     | 7   | Plug                           |     |
| 12   | 3760170     | 4   | Ring                           |     |
| 13   | 3820020     | 4   | Rivet                          |     |
| 14   | 4711400     | 8   | Washer 1/4                     |     |
| 15   | 1001144629J | 1   | Gate                           |     |
| 16   | 1001238560  | 2   | Pin, Hitch                     |     |
| 17   | 1001095810  | 1   | Gate                           |     |
| 18   | See Note    | NSS | Platform, Fork Mounted         |     |
| 19   | 3520198     | 4   | Plug                           |     |

# SECTION 3 - ATTACHMENTS

## FIGURE 3-5. BOOM - ADJUSTABLE



ART\_1001176515\_D

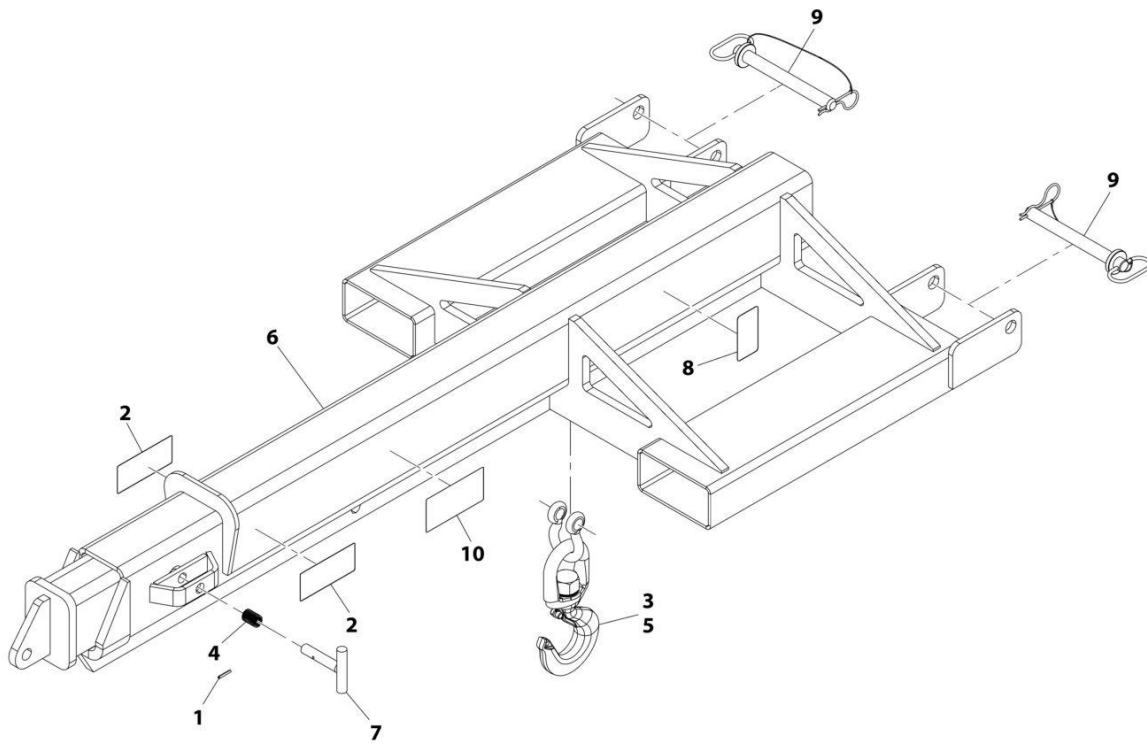
## SECTION 3 - ATTACHMENTS

### FIGURE 3-5. BOOM - ADJUSTABLE

| ITEM | PART NUMBER | QTY | DESCRIPTION  | REV |
|------|-------------|-----|--|-----|
|      | 1001176515  | Ref | ADJUSTABLE TRUSS BOOM                                      | E   |
| 1    | 90554016    | 1   | Decal, Made in USA   |     |
| 2    | 1001227670  | 1   | Tag, RFID  |     |
| 3    | See Note    | NSS | SN Plate (Note: Stamped Part - Not Available for Purchase) |     |
| 4    | See Note    | NSS | Truss Boom, Adjustable (Note: Purchase Complete Assembly)  |     |
| 5    | 70021440    | 1   | Nut, Lock  |     |
| 6    | 70024062    | 2   | Decal, 4000 lbs cap  |     |
| 7    | 70026944    | 2   | Decal, 3000 lbs cap  |     |
| 8    | 70026946    | 1   | Pin  |     |
| 9    | 70026699    | 2   | Decal, 2000 lbs cap  |     |
| 10   | 70026747    | 1   | Seal   |     |
| 11   | 90554033    | 1   | Bolt 3/4 x 1/4   |     |
| 12   | 90554034    | 1   | Washer 1/4   |     |
| 13   | 70026948    | 1   | Plate, Stop  |     |
| 14   | 70026949    | 1   | Boom, Telescopic   |     |

# SECTION 3 - ATTACHMENTS

## FIGURE 3-6. BOOM - ADJUSTABLE (FORK MOUNTED)



ART\_1001230241-H

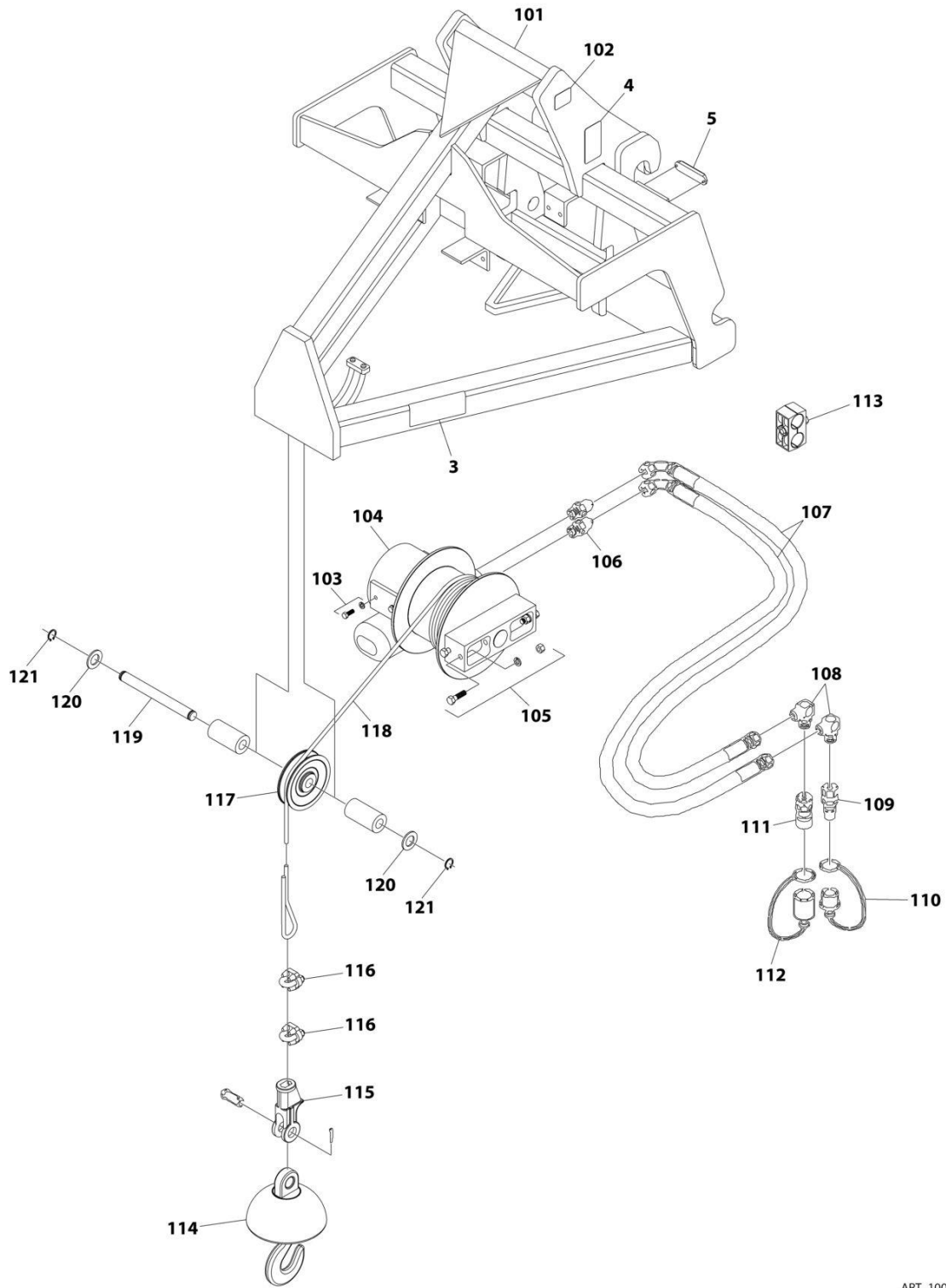
## SECTION 3 - ATTACHMENTS

**FIGURE 3-6. BOOM - ADJUSTABLE (FORK MOUNTED)**

| ITEM | PART NUMBER | QTY | DESCRIPTION   | REV |
|------|-------------|-----|---|-----|
|      | 1001230241  | Ref | Adjustable Truss Boom Installation (Fork Mounted)           | J   |
| 1    | 3440620     | 1   | Pin   |     |
| 2    | 4110422     | 2   | Decal, Danger Swinging Loads                                |     |
| 3    | 91403448    | 1   | Hook, Swivel  |     |
| 4    | 1001128890  | 1   | Spring  |     |
| 5    | 1001146160  | 1   | Shackle   |     |
| 6    | See Note    | NSS | Boom, Truss - Adjustable (Note: Purchase Complete Assembly) |     |
| 7    | 1001230239  | 1   | Pin   |     |
| 8    | See Note    | NSS | SN Plate (Note:Stamped Part - Not Available for Purchase)   |     |
| 9    | 1001231692  | 2   | Pin   |     |
| 10   | 1001232500  | 1   | Decal, Load Capacities                                      |     |

# SECTION 3 - ATTACHMENTS

## FIGURE 3-7. BOOM (3 FOOT WITH WINCH)



ART\_1001100967\_H

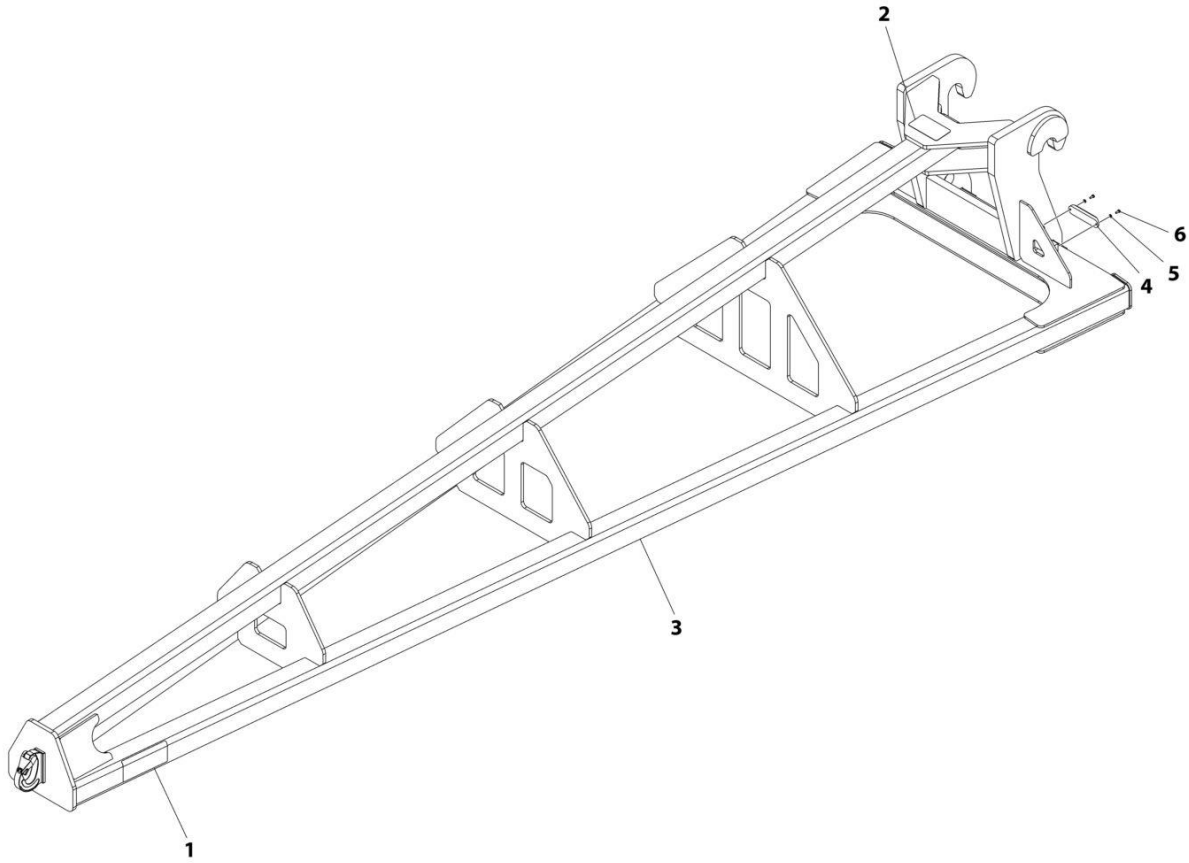
## SECTION 3 - ATTACHMENTS

**FIGURE 3-7. BOOM (3 FOOT WITH WINCH)**

| ITEM | PART NUMBER | QTY | DESCRIPTION   | REV |
|------|-------------|-----|---|-----|
|      | 1001100967  | Ref | TRUSS BOOM ASSEMBLY (3 FOOT WITH WINCH) (INCLUDES ITEMS 3, 4, 5 & 101 THRU 121) | H   |
| 3    | 4110422     | 2   | Decal, Danger, Swinging Loads   |     |
| 4    | See Note    | NSS | S/N Plate (Note: Stamped Part - Not Available for Purchase)                     |     |
| 5    | 1001227670  | 1   | Tag, RFID   |     |
| 101  | See Note    | NSS | Truss Boom Frame (Note: Purchase Complete Assembly)                             |     |
| 102  | 90554016    | 1   | Decal   |     |
| 103  | 70021349    | 4   | Bolt  |     |
| 103  | 90554042    | 4   | Washer  |     |
| 104  | 70021921    | 1   | Winch, Truss Boom   |     |
| 105  | 70024059    | 4   | Bolt  |     |
| 105  | 90554054    | 4   | Nut   |     |
| 105  | 90554020    | 4   | Washer  |     |
| 106  | 70021415    | 2   | Fitting   |     |
| 107  | 70021977    | 2   | Hose 32in (Boom Front Disconnect)   |     |
| 107  | 70031445    | 2   | Hose 48in (Boom Side Disconnect)  |     |
| 108  | 70022527    | 2   | Fitting, 90   |     |
| 109  | 91403414    | 1   | Fitting, Straight   |     |
| 110  | 8420053     | 1   | Cap   |     |
| 111  | 91403413    | 1   | Fitting, Straight   |     |
| 112  | 8420055     | 1   | Plug  |     |
| 113  | 70021387    | 1   | Clamp   |     |
| 114  | 70021978    | 1   | Ball Swivel Safety Hook   |     |
| 115  | 70021979    | 1   | Assembly, Socket  |     |
| 116  | 70022528    | 2   | Clamp   |     |
| 117  | 70021935    | 1   | Pulley  |     |
| 118  | 70022028    | 1   | Cable   |     |
| 119  | 70022529    | 1   | Pin   |     |
| 120  | 70027009    | 2   | Washer  |     |
| 121  | 70026698    | 2   | Ring, Snap  |     |

# SECTION 3 - ATTACHMENTS

## FIGURE 3-8. BOOM (12 FOOT WITHOUT WINCH)



ART\_1001099902\_H



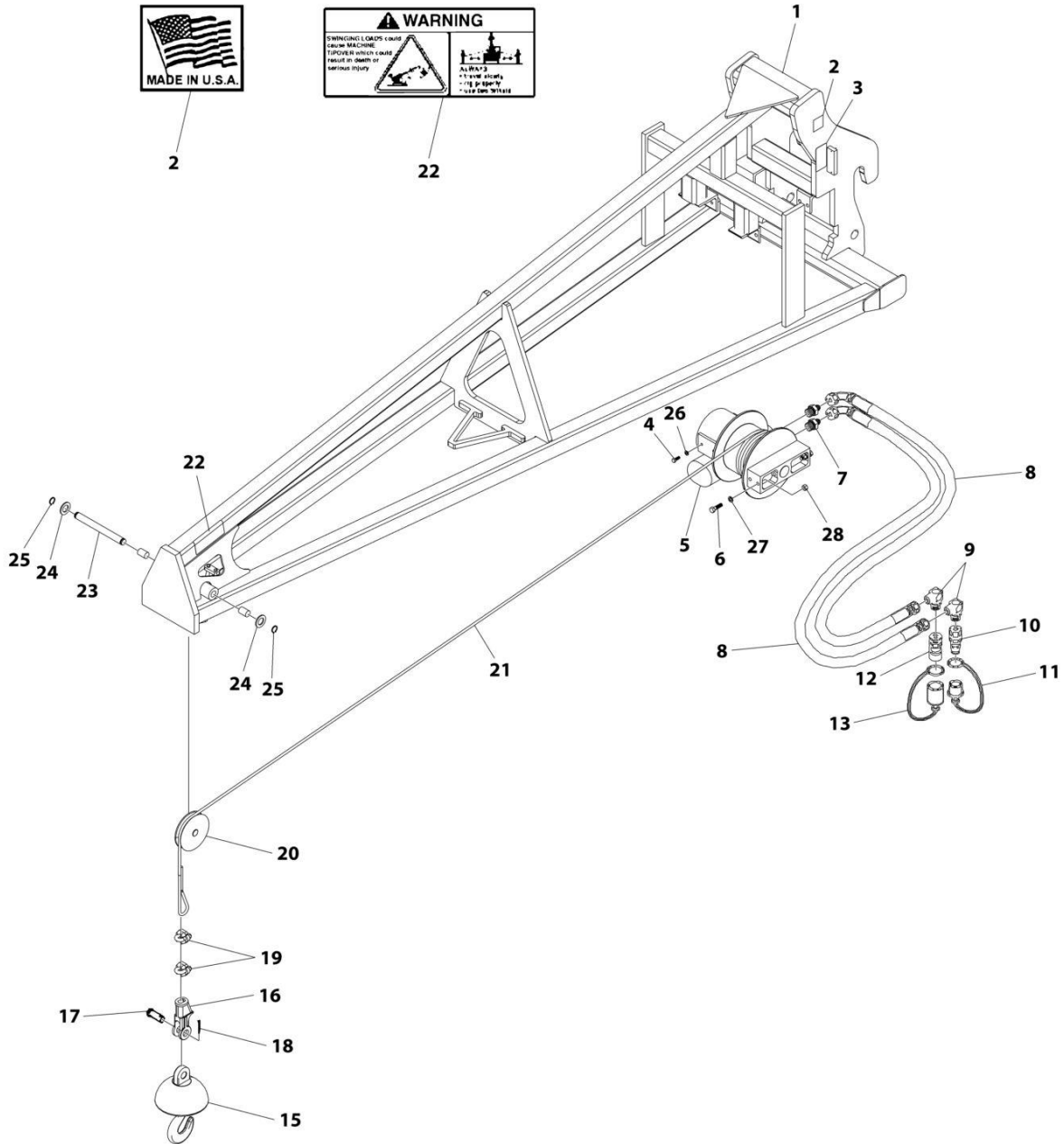
## SECTION 3 - ATTACHMENTS

**FIGURE 3-8. BOOM (12 FOOT WITHOUT WINCH)**

| ITEM | PART NUMBER | QTY | DESCRIPTION   | REV |
|------|-------------|-----|---|-----|
|      | 1001099902  | Ref | TRUSS BOOM (0.9 TON - 3.7M)                               | H   |
| 1    | 4110422     | 2   | Decal, Danger Swinging Loads                              |     |
| 2    | See Note    | NSS | SN Plate (Note:Stamped Part - Not Available for Purchase) |     |
| 3    | See Note    | NSS | Boom, Truss (Note: Purchase Complete Assembly)            |     |
| 4    | 1001227670  | 1   | Tag, RFID   |     |
| 5    | 4811400     | 2   | Washer M4   |     |
| 6    | 0760405     | 2   | Bolt M4 x 10  |     |

# SECTION 3 - ATTACHMENTS

## FIGURE 3-9. BOOM (12 FOOT WITH WINCH)



ART\_1001099351

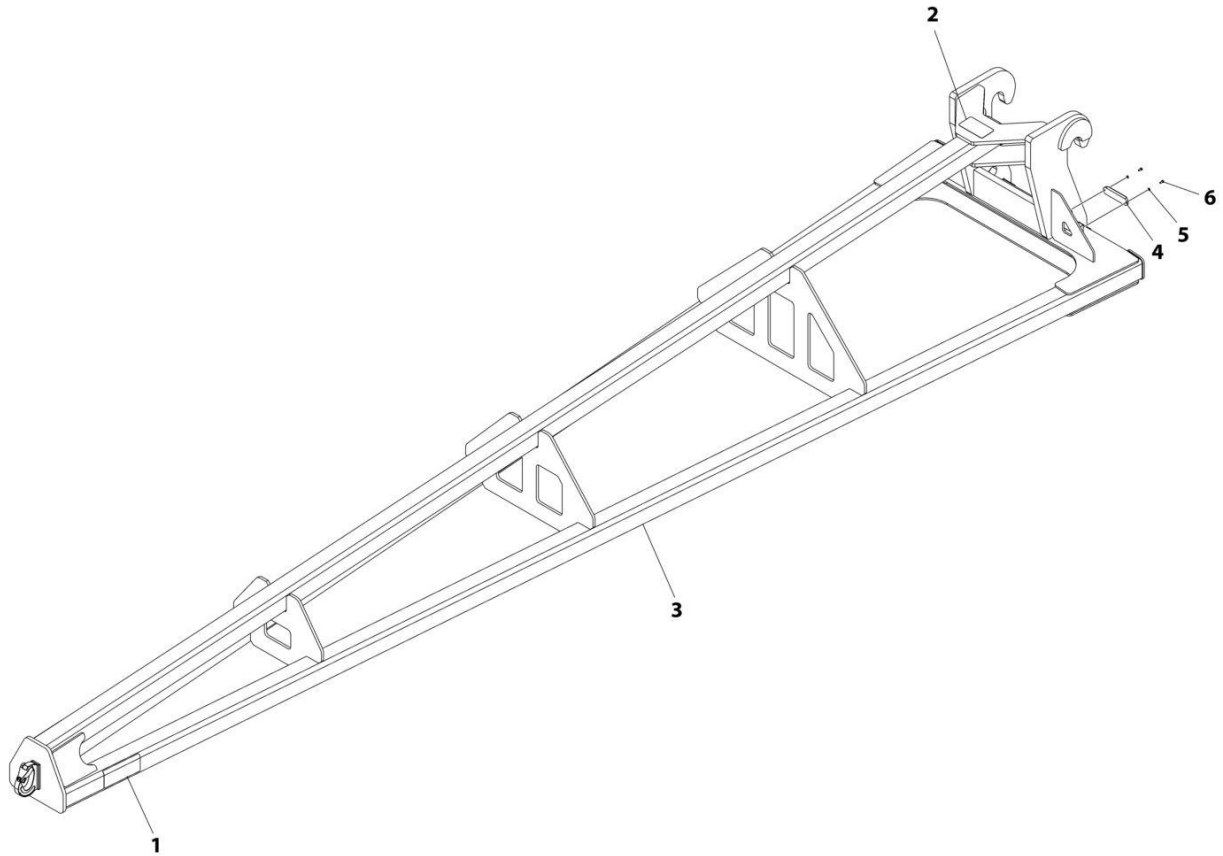
## SECTION 3 - ATTACHMENTS

**FIGURE 3-9. BOOM (12 FOOT WITH WINCH)**

| ITEM | PART NUMBER | QTY | DESCRIPTION   | REV |
|------|-------------|-----|---|-----|
|      | 1001099351  | Ref | TRUSS BOOM (0.9 TON - 3.7M WITH WINCH)                      | L   |
| 1    | See Note    | NSS | Frame, Truss Boom (Note: Purchase Complete Assembly)        |     |
| 2    | 90554016    | 1   | Decal, Made in USA  |     |
|      | See Note    | NSS | S/N Plate (Note: Stamped Part - Not Available for Purchase) |     |
| 4    | 70021349    | 4   | Bolt 3/8 x 1  |     |
| 5    | 70021921    | 1   | Motor, Truss Boom Winch                                     |     |
| 6    | 70024059    | 2   | Bolt 1/2 x 1-3/4  |     |
| 7    | 70021415    | 2   | Connector   |     |
| 8    | 70021977    | 2   | Hose 32in (Boom Front Disconnect)                           |     |
| 8    | 70031445    | 2   | Hose 48in (Boom Side Disconnect)                            |     |
| 9    | 70022527    | 2   | Fitting, 90   |     |
| 10   | 7029692     | 1   | Fitting, Straight   |     |
| 11   | 90554062    | 1   | Cap, Dust   |     |
| 12   | 70021342    | 1   | Fitting, Straight   |     |
| 13   | 90554076    | 1   | Cap, Dust   |     |
| 15   | 70021978    | 1   | Ball Swivel with Safety Hook                                |     |
| 16   | 70021979    | 1   | Assembly, Socket (includes items 17 thru 18)                |     |
| 17   | See Note    | NSS | Pin (Note: Use Item 16)                                     |     |
| 18   | See Note    | NSS | Pin, Cotter (Note: Use Item 16)                             |     |
| 19   | 70022528    | 2   | Clamp   |     |
| 20   | 70021935    | 1   | Pulley  |     |
| 21   | 70022028    | 1   | Cable   |     |
| 22   | 4110422     | 2   | Decal, Warning Swinging Loads                               |     |
| 23   | 70022529    | 1   | Pin   |     |
| 24   | 70024060    | 2   | Washer  |     |
| 25   | 70026698    | 2   | Ring, Snap  |     |
| 26   | 90554042    | 4   | Washer 3/8  |     |
| 27   | 90554020    | 2   | Washer 1/2  |     |
| 28   | 90554054    | 2   | Nut 1/2   |     |

# SECTION 3 - ATTACHMENTS

FIGURE 3-10. BOOM (15 FOOT WITHOUT WINCH)



ART\_1001099901\_H

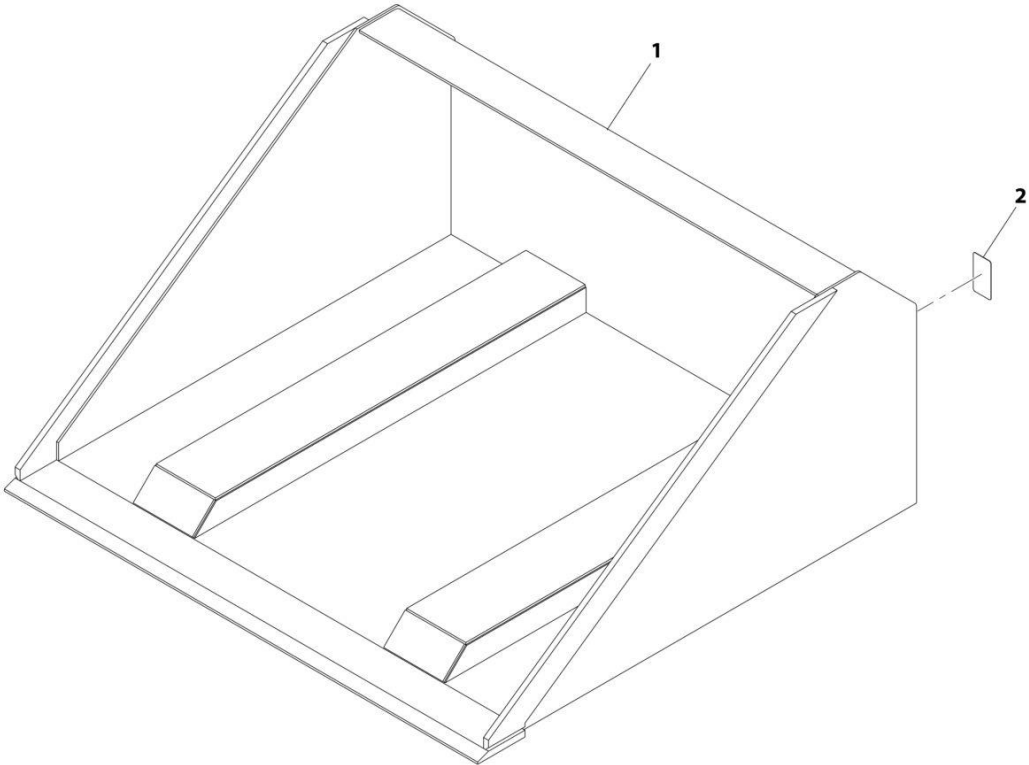
## SECTION 3 - ATTACHMENTS

### FIGURE 3-10. BOOM (15 FOOT WITHOUT WINCH)

| ITEM | PART NUMBER | QTY | DESCRIPTION   | REV |
|------|-------------|-----|---|-----|
|      | 1001099901  | Ref | TRUSS BOOM (15 FOOT)                                      | H   |
| 1    | 4110422     | 2   | Decal, Danger Swinging Loads                              |     |
| 2    | See Note    | NSS | SN Plate (Note:Stamped Part - Not Available for Purchase) |     |
| 3    | See Note    | NSS | Boom, Truss (Note: Purchase Complete Assembly)            |     |
| 4    | 1001227670  | 1   | Tag, RFID   |     |
| 5    | 4811400     | 2   | Washer M4   |     |
| 6    | 0760405     | 2   | Bolt M4 x 10  |     |

**SECTION 3 - ATTACHMENTS**

**FIGURE 3-11. BUCKET (60 INCH)**



ART\_1001195970-D

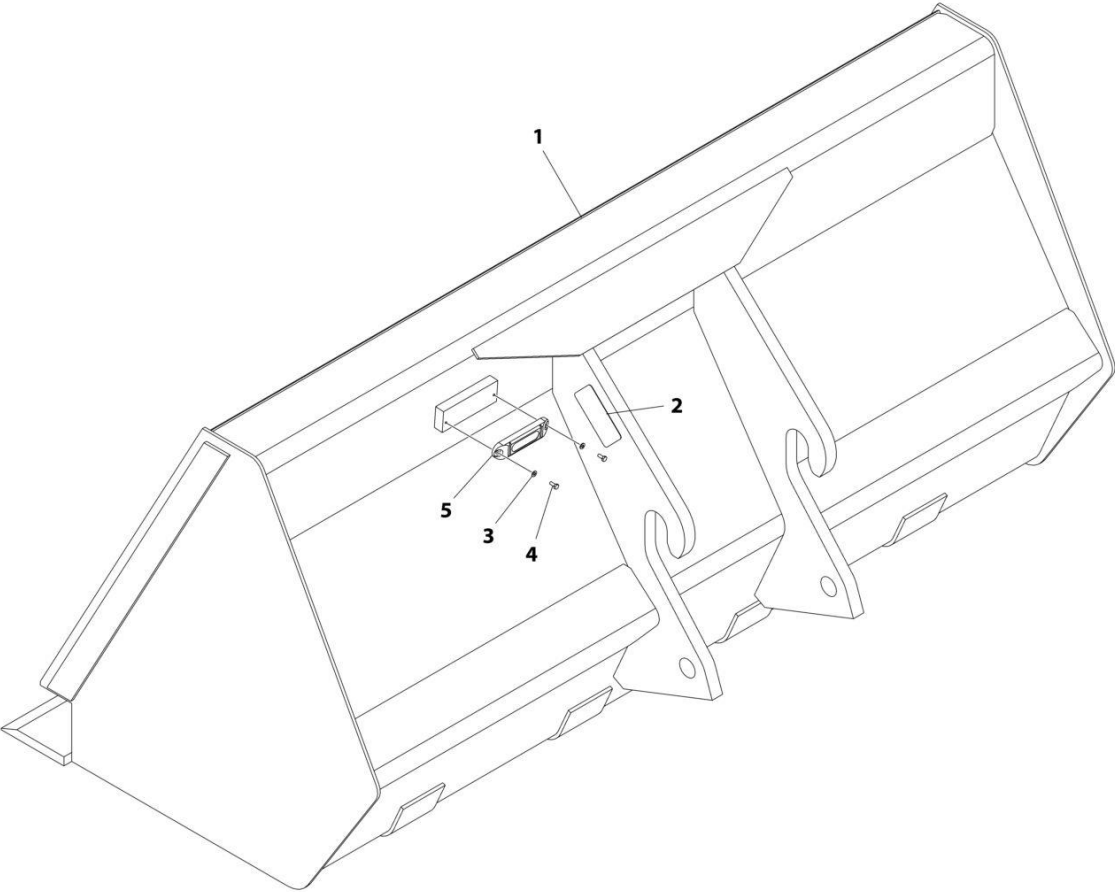
## SECTION 3 - ATTACHMENTS

**FIGURE 3-11. BUCKET (60 INCH)**

| ITEM | PART NUMBER | QTY | DESCRIPTION   | REV |
|------|-------------|-----|---|-----|
| 1    | 1001195970  | Ref | Bucket 1.0 m <sup>3</sup> (Fork Mounted)                    | E   |
| 2    | See Note    | NSS | S/N Plate (Note: Stamped Part - Not Available for Purchase) |     |

**SECTION 3 - ATTACHMENTS**

**FIGURE 3-12. BUCKET (72 INCH)**



ART\_1001100822\_I



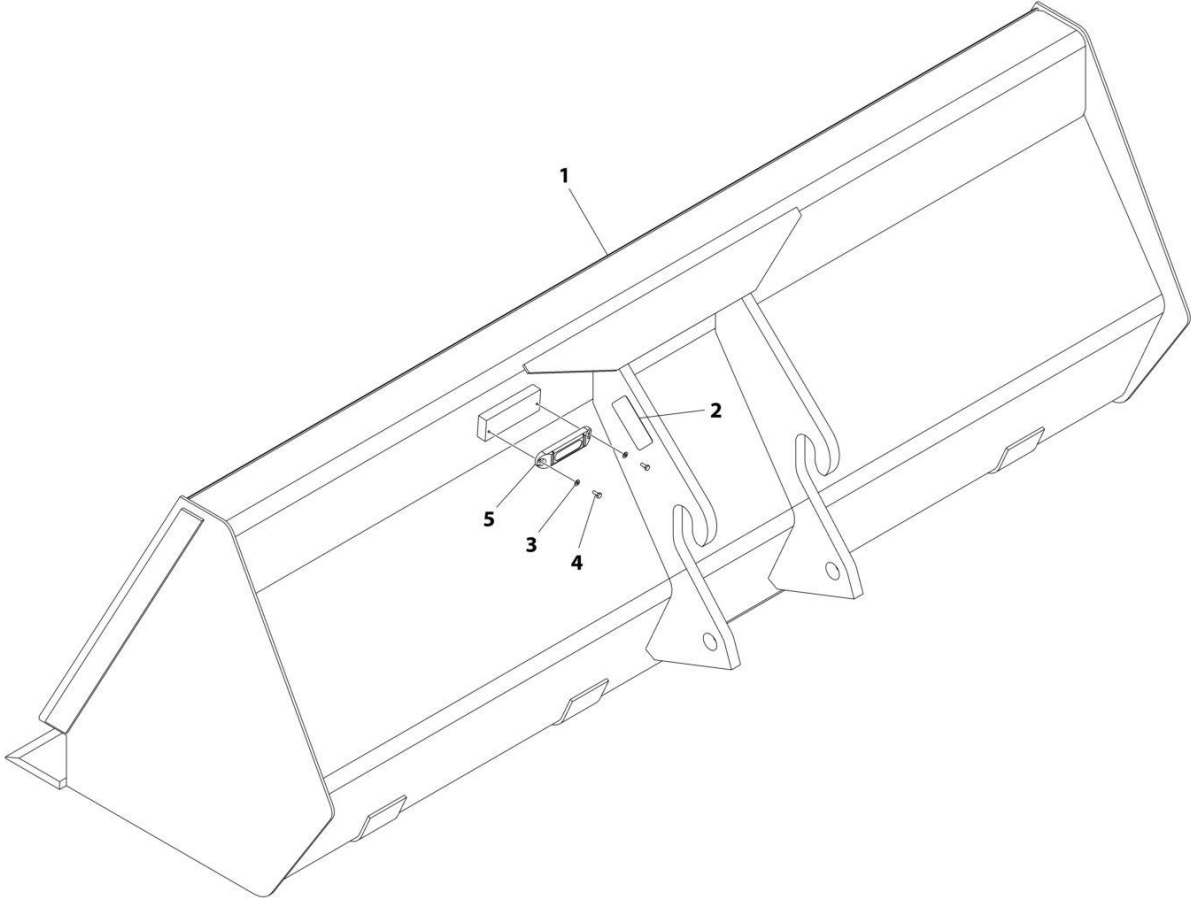
## SECTION 3 - ATTACHMENTS

### FIGURE 3-12. BUCKET (72 INCH)

| ITEM | PART NUMBER | QTY | DESCRIPTION   | REV |
|------|-------------|-----|---|-----|
|      | 1001100822  | Ref | BUCKET 1.0 YD <sup>3</sup> (ANSI - JLG)                   | I   |
| 1    | 1001100265  | 1   | Bucket Weldment   |     |
| 2    | See Note    | NSS | SN Plate (Note:Stamped Part - Not Available for Purchase) |     |
| 3    | 4811400     | 2   | Washer M4   |     |
| 4    | 0760405     | 2   | Bolt M4 x 10  |     |
| 5    | 1001227670  | 1   | Tag, RFID   |     |

**SECTION 3 - ATTACHMENTS**

**FIGURE 3-13. BUCKET (96 INCH)**



ART\_1001100823\_I

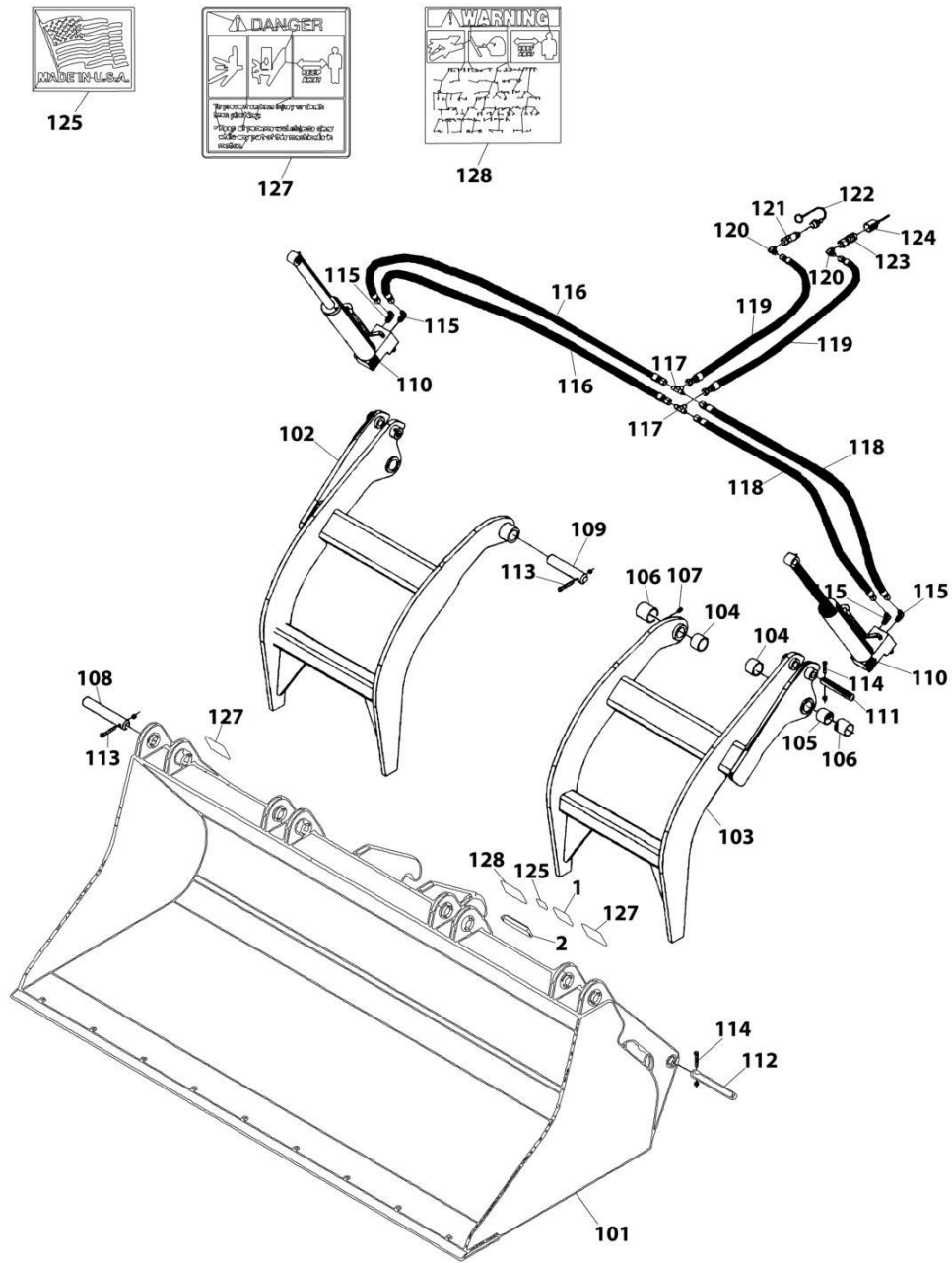
## SECTION 3 - ATTACHMENTS

### FIGURE 3-13. BUCKET (96 INCH)

| ITEM | PART NUMBER | QTY | DESCRIPTION   | REV |
|------|-------------|-----|---|-----|
|      | 1001100823  | Ref | BUCKET (1.15 M <sup>3</sup> )                             | I   |
| 1    | 1001100266  | 1   | Bucket  |     |
| 2    | See Note    | NSS | SN Plate (Note:Stamped Part - Not Available for Purchase) |     |
| 3    | 4811400     | 2   | Washer M4   |     |
| 4    | 0760405     | 2   | Bolt M4 x 10  |     |
| 5    | 1001227670  | 1   | Tag, RFID   |     |

# SECTION 3 - ATTACHMENTS

## FIGURE 3-14. BUCKET - GRAPPLE (96 INCH)



ART\_0930020

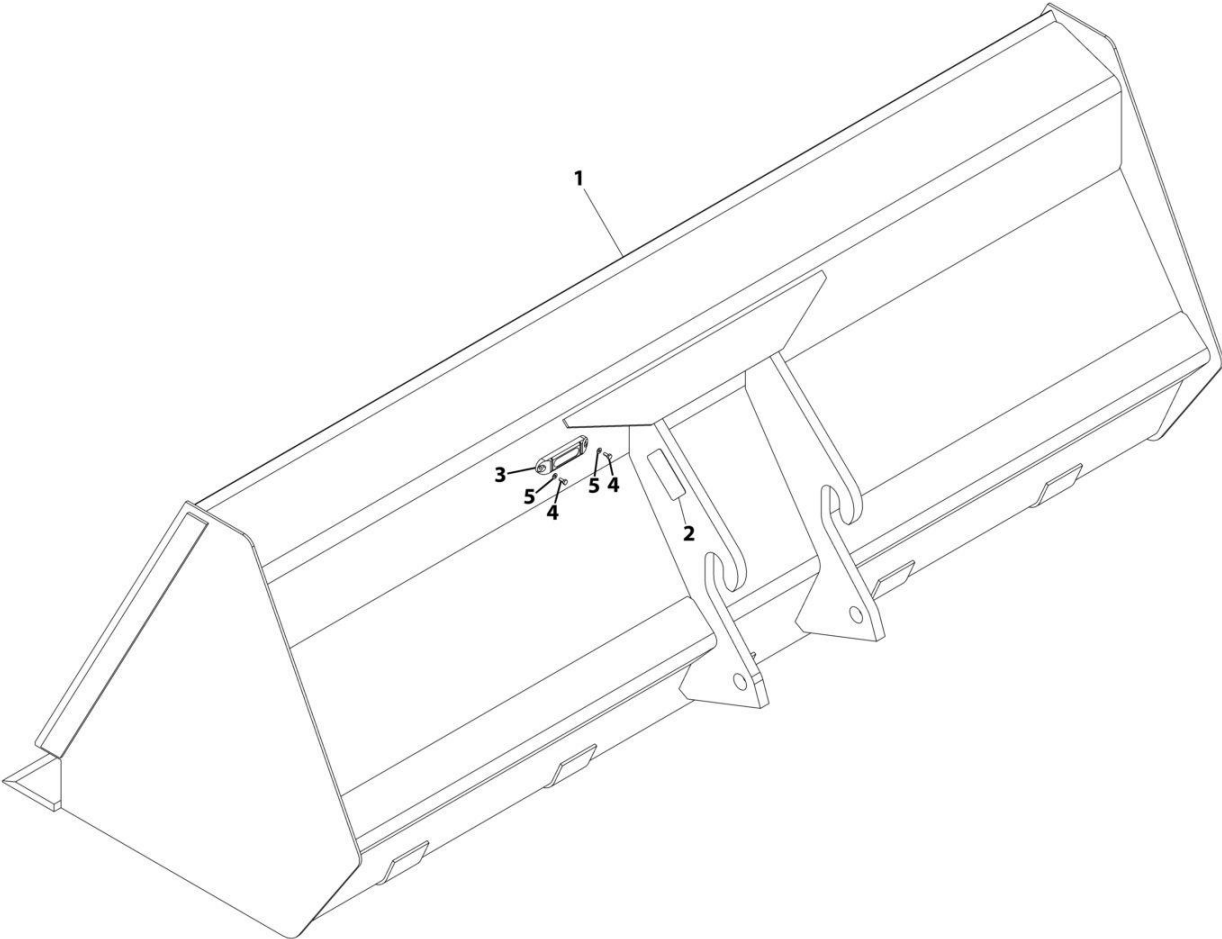
## SECTION 3 - ATTACHMENTS

**FIGURE 3-14. BUCKET - GRAPPLE (96 INCH)**

| ITEM | PART NUMBER | QTY | DESCRIPTION   | REV |
|------|-------------|-----|---|-----|
|      | 0930020     | Ref | Multi-Purpose Grapple Bucket (2450 MM)  | L   |
| 1    | See Note    | NSS | S/N Plate (Note: Stamped Part - Not Available for Purchase)                       |     |
| 2    | 1001227670  | 1   | Tag, RFID   |     |
| 101  | N.S.S.      | 1   | Bucket  |     |
| 101  | 70021387    | 4   | Clamp, Hose   |     |
| 102  | 70021391    | 1   | Hook, RH Grapple  |     |
| 103  | 70021392    | 1   | Hook, LH Grapple  |     |
| 104  | 70021358    | 4   | Bushing   |     |
| 105  | 70021359    | 2   | Spacer  |     |
| 106  | 70021360    | 4   | Bushing   |     |
| 107  | 7029714     | 4   | Fitting, Grease   |     |
| 108  | 70021361    | 2   | Pin   |     |
| 109  | 70021362    | 2   | Pin   |     |
| 110  | 70021393    | 2   | Cylinder, Grapple Bucket (See Separate Breakdown in HYDRAULIC COMPONENTS Section) |     |
| 111  | 70021364    | 2   | Pin   |     |
| 112  | 70021365    | 2   | Pin   |     |
| 113  | 70021366    | 4   | Bolt, 3/8X2-3/4   |     |
| 113  | 70021367    | 4   | Nut 3/8   |     |
| 114  | 70021399    | 4   | Bolt, 3/8X2-1/4   |     |
| 114  | 70021367    | 4   | Nut, Lock 3/8   |     |
| 115  | 90554065    | 4   | Fitting, 90   |     |
| 116  | 70021980    | 2   | Hose  |     |
| 117  | 70020562    | 2   | Fitting, Tee  |     |
| 118  | 70021981    | 2   | Hose  |     |
| 119  | 70021982    | 2   | Hose 34in (Boom Front Disconnect)   |     |
| 119  | 70031446    | 2   | Hose 45in (Boom Side Disconnect)  |     |
| 120  | 70022527    | 2   | Fitting, 90   |     |
| 121  | 7029692     | 1   | Coupler   |     |
| 122  | 90554062    | 1   | Cover   |     |
| 123  | 70021342    | 1   | Coupler   |     |
| 124  | 90554076    | 1   | Cover   |     |
| 125  | 90554016    | 1   | Decal, Made in USA  |     |
| 127  | 90554017    | 2   | Decal, Danger Pinch Point   |     |
| 128  | 90554018    | 1   | Decal, Warning High Pressure  |     |

**SECTION 3 - ATTACHMENTS**

**FIGURE 3-15. BUCKET (102 INCH)**



ART\_1001100824

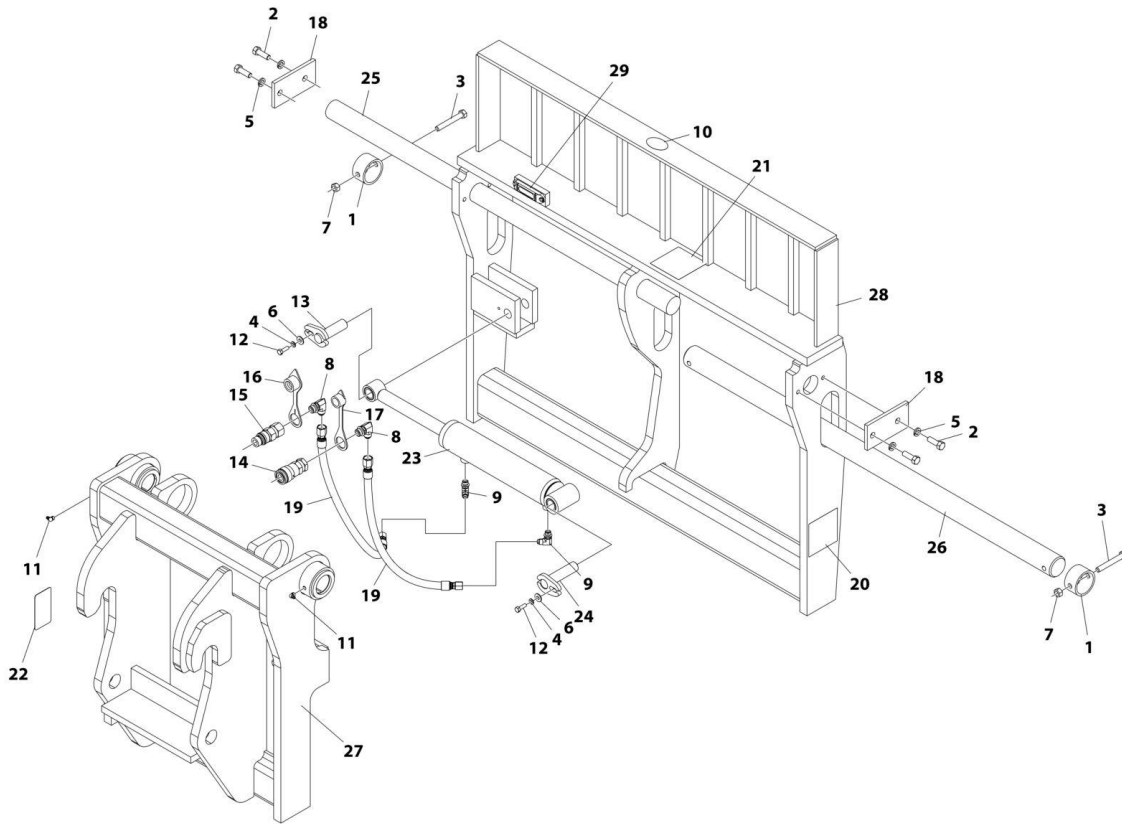
## SECTION 3 - ATTACHMENTS

### FIGURE 3-15. BUCKET (102 INCH)

| ITEM | PART NUMBER | QTY | DESCRIPTION   | REV |
|------|-------------|-----|---|-----|
|      | 1001100824  | Ref | Bucket (102 Inch)   | H   |
| 1    | 1001100267  | NLA | Bucket (Note: Purchase PN 1001100824)                       |     |
| 2    | See Note    | NSS | S/N Plate (Note: Stamped Part - Not Available for Purchase) |     |
| 3    | 1001227670  | 1   | Tag, RFID   |     |
| 4    | 0760405     | 2   | Bolt M4 x 10  |     |
| 5    | 4811400     | 2   | Washer M4   |     |

# SECTION 3 - ATTACHMENTS

## FIGURE 3-16. CARRIAGE ASSEMBLY - 48IN SIDE SHIFT



ART\_1001242644\_C



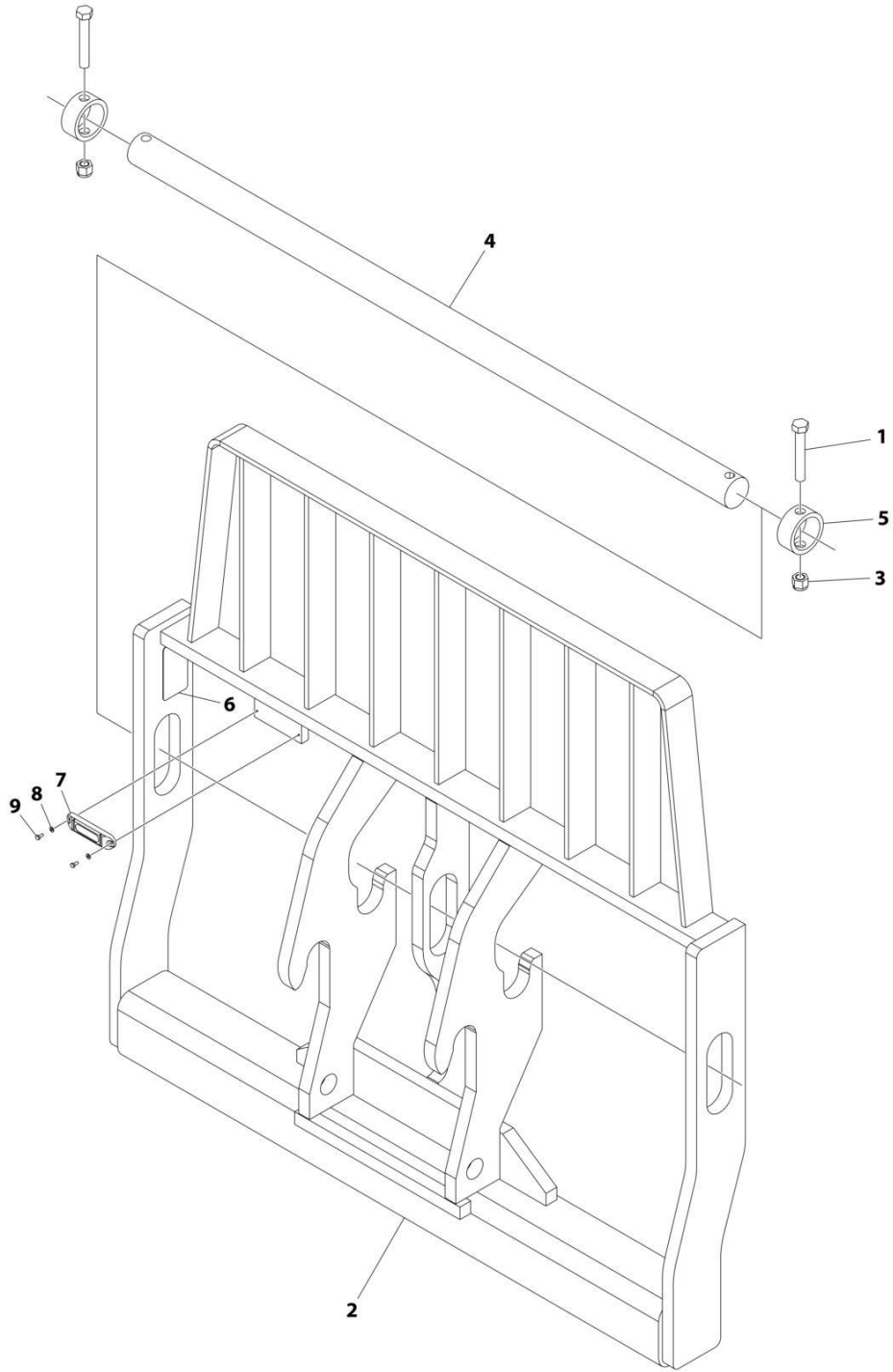
## SECTION 3 - ATTACHMENTS

**FIGURE 3-16. CARRIAGE ASSEMBLY - 48IN SIDE SHIFT**

| ITEM | PART NUMBER | QTY | DESCRIPTION  | REV |
|------|-------------|-----|--|-----|
|      | 1001242644  | Ref | SIDE SHIFT CARRIAGE ASSEMBLY (48 INCH)                                     | C   |
| 1    | 70020028    | 2   | Bushing  |     |
| 2    | 70021382    | 4   | Bolt 1/2 x 1-1/2   |     |
| 3    | 70020002    | 2   | Bolt 1/2 x 4   |     |
| 4    | 90554067    | 2   | Washer 5/16  |     |
| 5    | 90554020    | 4   | Washer 1/2   |     |
| 6    | 70021379    | 2   | Washer   |     |
| 7    | 70027642    | 2   | Washer   |     |
| 8    | 70030141    | 2   | Elbow  |     |
| 9    | 90554065    | 2   | Elbow 90   |     |
| 10   | 90554016    | 1   | Decal - Made in USA  |     |
| 11   | 70021389    | 2   | Fitting 90   |     |
| 12   | 70021378    | 2   | Capscrew   |     |
| 13   | 70021351    | 1   | Pin  |     |
| 14   | 91403413    | 1   | Adapter  |     |
| 15   | 91403414    | 1   | Adapter  |     |
| 16   | 8420053     | 1   | Cap, Dust  |     |
| 17   | 8420055     | 1   | Plug, Dust   |     |
| 18   | 70030142    | 2   | Plate  |     |
| 19   | 70030143    | 2   | Hose 30in (Boom Front Disconnect)  |     |
| 19   | 70031444    | 2   | Hose 55in (Boom Side Disconnect)   |     |
| 20   | 90554017    | 2   | Decal - Danger Pinch Point   |     |
| 21   | 7029711     | 1   | Decal - High Pressure  |     |
| 22   | See Note    | NSS | SN Plate (Note: Stamped Part - Not Available for Purchase)                 |     |
| 23   | 70021376    | 1   | Cylinder Assembly (See Separate Breakdown in HYDRAULIC COMPONENTS Section) |     |
| 24   | 70021377    | 1   | Pin  |     |
| 25   | 70030144    | 1   | Pin  |     |
| 26   | 70030145    | 1   | Pin  |     |
| 27   | See Note    | NSS | Frame - Rear (Note: Purchase Complete Assembly)                            |     |
| 28   | See Note    | NSS | Frame - Front (Note: Purchase Complete Assembly)                           |     |
| 29   | 1001227670  | 1   | Tag, RFID  |     |

# SECTION 3 - ATTACHMENTS

## FIGURE 3-17. CARRIAGE ASSEMBLY - 50IN



ART\_1170021\_I

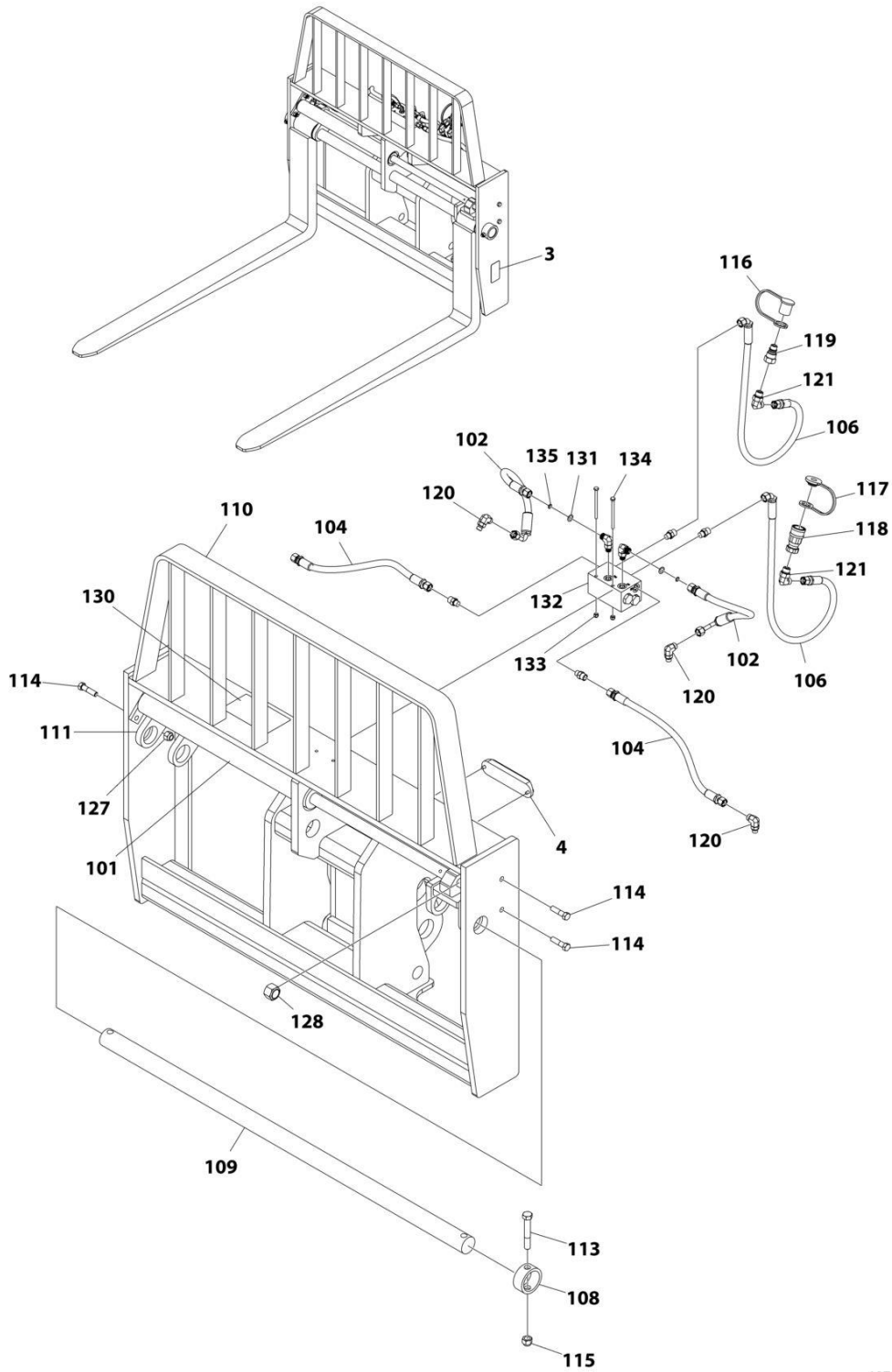
## SECTION 3 - ATTACHMENTS

**FIGURE 3-17. CARRIAGE ASSEMBLY - 50IN**

| ITEM | PART NUMBER | QTY | DESCRIPTION  | REV |
|------|-------------|-----|--|-----|
|      | 1170021     | Ref | CARRIAGE ASSEMBLY (50 INCH)                                | 1   |
| 1    | 0642032     | 2   | Bolt 5/8-11 x 4  |     |
| 2    | See Note    | NSS | Carriage (Note: Purchase Complete Assembly)                |     |
| 3    | 3300240     | 2   | Nut 5/8-11   |     |
| 4    | 3423275     | 1   | Pin, Fork  |     |
| 5    | 90200003    | 2   | Collar, Fork Pin   |     |
| 6    | See Note    | NSS | SN Plate (Note: Stamped Part - Not Available for Purchase) |     |
| 7    | 1001227670  | 1   | Tag, RFID  |     |
| 8    | 4811400     | 2   | Washer M4  |     |
| 9    | 0760405     | 2   | Bolt M4 x 10   |     |

# SECTION 3 - ATTACHMENTS

## FIGURE 3-18. CARRIAGE ASSEMBLY - 50IN DUAL FORK POSITIONING



ART\_7301295\_L

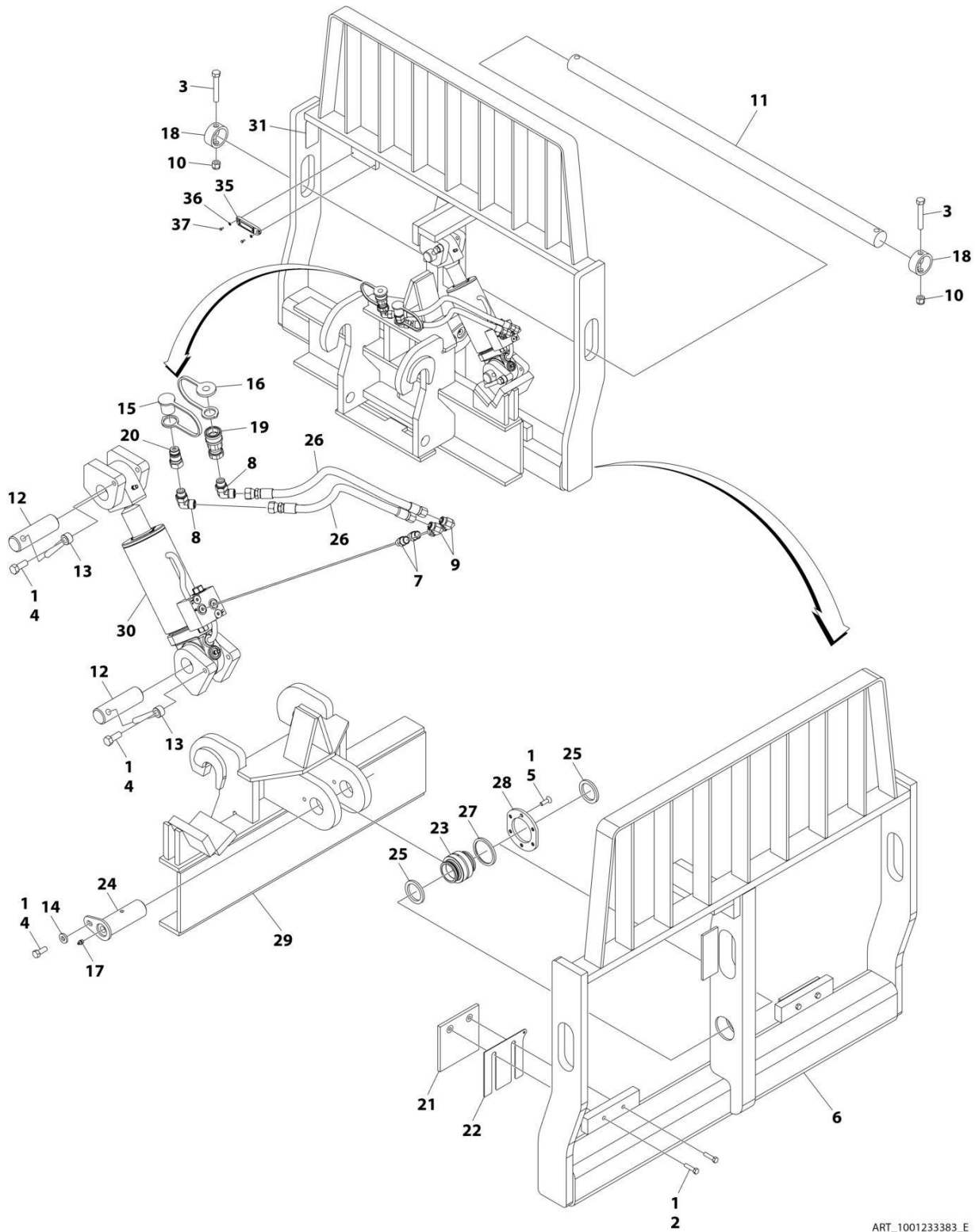
## SECTION 3 - ATTACHMENTS

**FIGURE 3-18. CARRIAGE ASSEMBLY - 50IN DUAL FORK POSITIONING**

| ITEM | PART NUMBER | QTY | DESCRIPTION   | REV |
|------|-------------|-----|---|-----|
|      | 7301295     | Ref | FORK POSITIONING CARRIAGE WITH FORKS (4.5 TON)  | L   |
| 3    | N.S.S.      | 1   | S/N Plate   |     |
| 4    | 1001227670  | 1   | Tag, RFID   |     |
| 101  | 2717283     | 2   | Cylinder, Fork Positioning (See Separate Breakdown in HYDRAULIC COMPONENTS Section)         |     |
| 102  | 2717160     | 2   | Hose  |     |
| 104  | 2717161     | 2   | Hose  |     |
| 106  | 2717162     | 2   | Hose 36in (Boom Front Disconnect)   |     |
| 106  | 70031443    | 2   | Hose 44in (Boom Side Disconnect)  |     |
| 108  | 90200003    | 2   | Collar, Fork Pin  |     |
| 109  | 90451058    | 1   | Shaft, Fork   |     |
| 110  | N.S.S.      | 1   | Weldment, Carriage  |     |
| 111  | N.S.S.      | 1   | Weldment, Fork Adapter  |     |
| 113  | 8303634     | 2   | Bolt 5/8 x 4  |     |
| 114  | 8303658     | 4   | Bolt 1/2 x 2  |     |
| 115  | 8305643     | 2   | Nut 5/8   |     |
| 116  | 8420053     | 1   | Cap, Dust   |     |
| 117  | 8420055     | 1   | Plug, Dust  |     |
| 118  | 91403413    | 1   | Adapter, Quick Disconnect   |     |
| 119  | 91403414    | 1   | Adapter, Quick Disconnect   |     |
| 120  | 2130606     | 4   | Adapter, 90 Straight  |     |
| 121  | 2130608     | 2   | Adapter, 90 Straight  |     |
| 127  | 8310302     | 4   | Nut 1/2   |     |
| 128  | 10705034    | 2   | Nut 1   |     |
| 130  | 4110473     | 1   | Decal, Warning Route Hoses  |     |
| 131  | 7139918     | 2   | Disk, Orifice   |     |
| 132  | 4641502     | 1   | Assembly, Dual Fork Carriage Valve (See Separate Breakdown in HYDRAULIC COMPONENTS Section) |     |
| 133  | 8305624     | 2   | Nut 1/4   |     |
| 134  | 8310435     | 2   | Bolt 1/4 x 3-3/4  |     |
| 135  | 8630003     | 2   | O-Ring  |     |

# SECTION 3 - ATTACHMENTS

## FIGURE 3-19. CARRIAGE ASSEMBLY - 50IN SIDE TILT



ART\_1001233383\_E

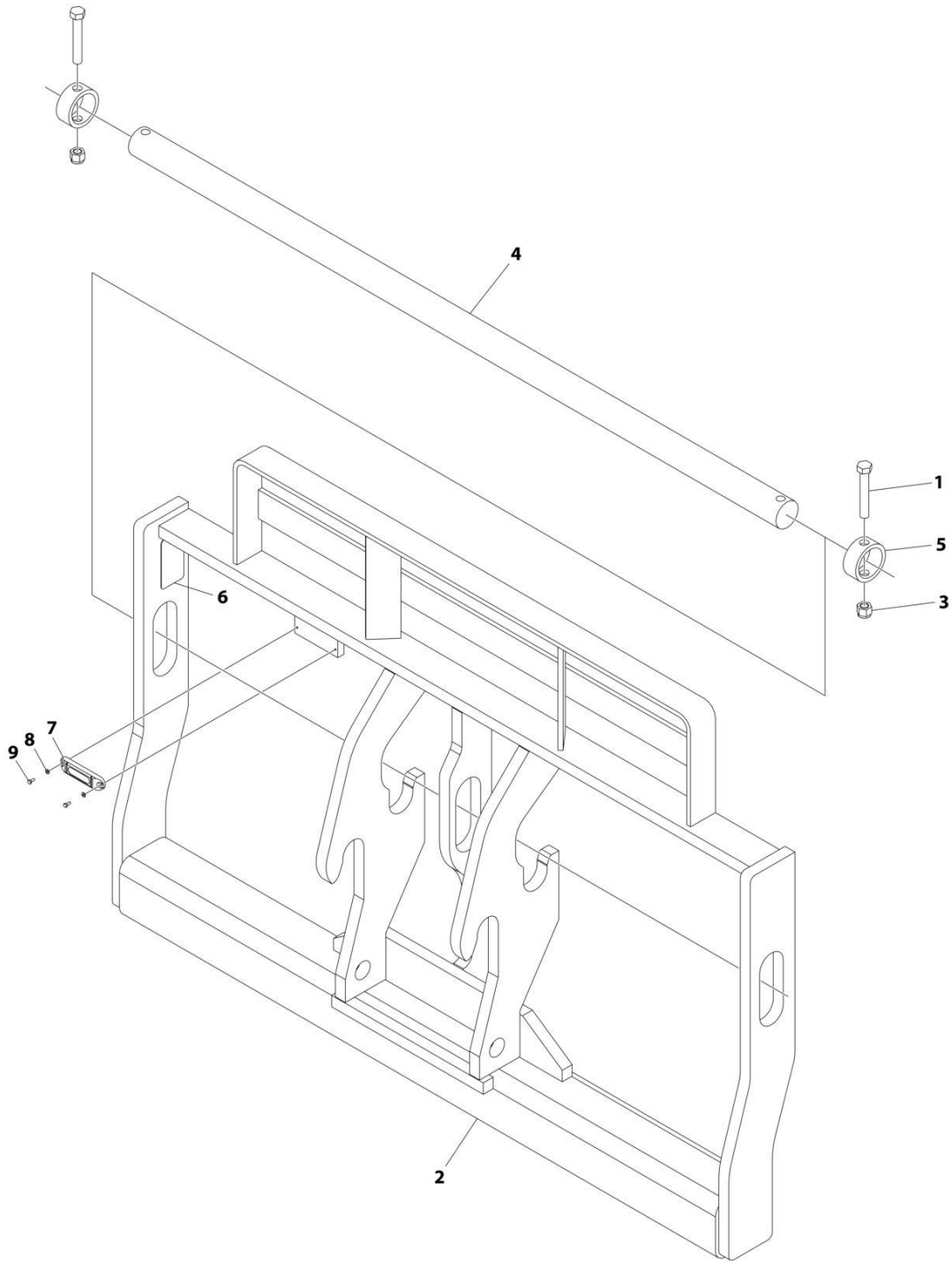
## SECTION 3 - ATTACHMENTS

**FIGURE 3-19. CARRIAGE ASSEMBLY - 50IN SIDE TILT**

| ITEM | PART NUMBER | QTY | DESCRIPTION   | REV |
|------|-------------|-----|---|-----|
|      | 1001233383  | NLA | SIDE TILT CARRIAGE ASSEMBLY (50 INCH) (No longer available, use item 1 to 37 for service or 1001277290 for replacement) | E   |
| 1    | 0100011     | AR  | Compound, Locking   |     |
| 2    | 0641612     | 4   | Bolt 3/8 x 1-1/2  |     |
| 3    | 0642032     | 2   | Bolt 5/8 x 4  |     |
| 4    | 0681810     | 3   | Bolt 1/2 x 1-1/4  |     |
| 5    | 0741610     | 6   | Screw 3/8 x 1.25  |     |
| 6    | See Note    | NSS | Carriage (Note: Purchase Complete Assembly)   |     |
| 7    | 2110606     | 2   | Fitting, Straight ORFS  |     |
| 8    | 2130808     | 2   | Adapter, 90   |     |
| 9    | 2172106     | 2   | Fitting, 90 ORFS  |     |
| 10   | 3300240     | 2   | Nut 5/8   |     |
| 11   | 3423275     | 1   | Pin   |     |
| 12   | 3423307     | 2   | Pin   |     |
| 13   | 3841203     | 2   | Keeper  |     |
| 14   | 4891800     | 1   | Flatwasher  |     |
| 15   | 8420053     | 1   | Cap   |     |
| 16   | 8420055     | 1   | Plug  |     |
| 17   | 88671001    | 1   | Fitting, Grease   |     |
| 18   | 90200003    | 2   | Collar  |     |
| 19   | 91403413    | 1   | Fitting, Straight   |     |
| 20   | 91403414    | 1   | Fitting, Straight   |     |
| 21   | 1001090063  | 2   | Pad   |     |
| 22   | 1001090064  | AR  | Shim  |     |
| 23   | 1001090140  | 1   | Bearing   |     |
| 24   | 1001099113  | 1   | Pin   |     |
| 25   | 1001099115  | 2   | Sleeve  |     |
| 26   | 1001239734  | 2   | Hose  |     |
| 27   | 1001120914  | 1   | Shim  |     |
| 28   | 1001120915  | 1   | Plate   |     |
| 29   | See Note    | NSS | Carriage, Base Plate (Note: Purchase Complete Assembly)   |     |
| 30   | 1001163414  | 1   | Cylinder, Side Tilt (See Separate Breakdown in HYDRAULIC COMPONENTS Section)  |     |
| 31   | See Note    | NSS | SN Plate (Note: Stamped Part - Not Available for Purchase)  |     |
| 35   | 1001227670  | 1   | Tag, RFID   |     |
| 36   | 4811400     | 2   | Washer M4   |     |
| 37   | 0760405     | 2   | Bolt M4 x 10  |     |

# SECTION 3 - ATTACHMENTS

## FIGURE 3-20. CARRIAGE ASSEMBLY - 60IN



ART\_1170024\_I



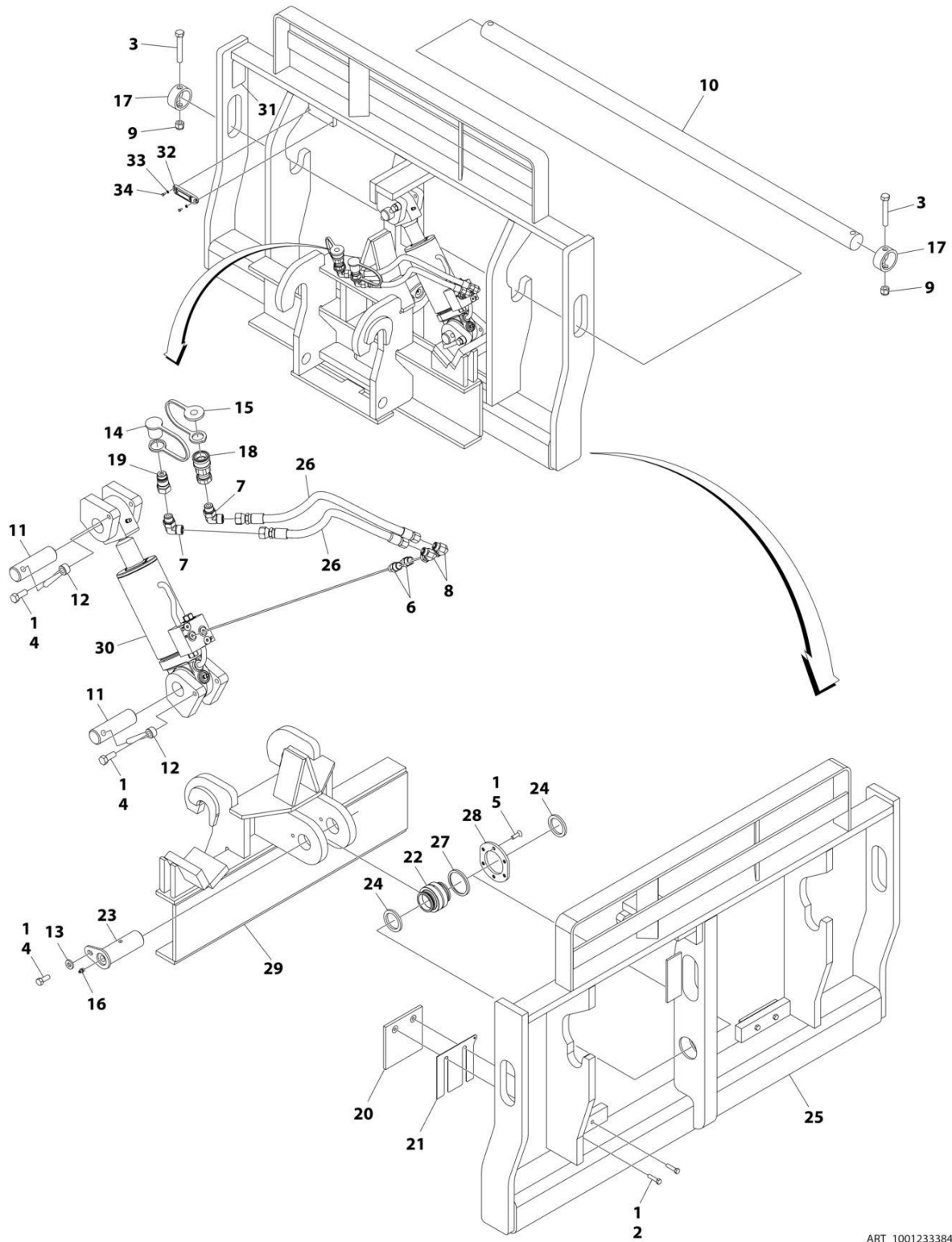
## SECTION 3 - ATTACHMENTS

### FIGURE 3-20. CARRIAGE ASSEMBLY - 60IN

| ITEM | PART NUMBER | QTY | DESCRIPTION   | REV |
|------|-------------|-----|---|-----|
|      | 1170024     | Ref | CARRIAGE ASSEMBLY (1524 MM)                               | I   |
| 1    | 0642032     | 2   | Bolt 5/8 x 4  |     |
| 2    | See Note    | NSS | Carriage (Note: Purchase Complete Assembly)               |     |
| 3    | 3300240     | 2   | Nut 5/8   |     |
| 4    | 3423242     | 1   | Pin   |     |
| 5    | 90200003    | 2   | Sleeve  |     |
| 6    | See Note    | NSS | SN Plate (Note:Stamped Part - Not Available for Purchase) |     |
| 7    | 1001227670  | 1   | Tag, RFID   |     |
| 8    | 4811400     | 2   | Washer M4   |     |
| 9    | 0760405     | 2   | Bolt M4 x 10  |     |

# SECTION 3 - ATTACHMENTS

## FIGURE 3-21. CARRIAGE ASSEMBLY - 60IN SIDE TILT



ART\_1001233384\_F

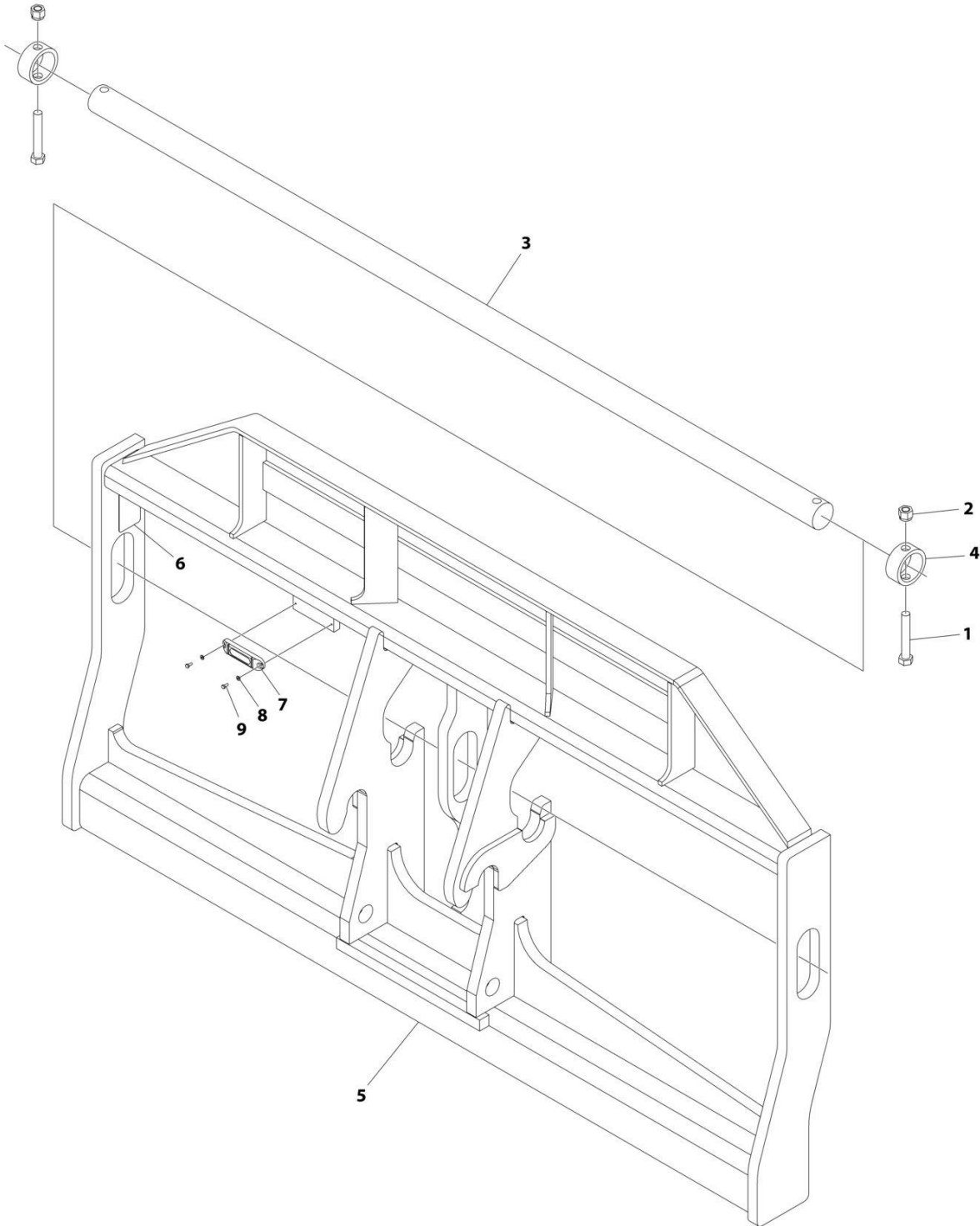
## SECTION 3 - ATTACHMENTS

**FIGURE 3-21. CARRIAGE ASSEMBLY - 60IN SIDE TILT**

| ITEM | PART NUMBER | QTY | DESCRIPTION  | REV |
|------|-------------|-----|--|-----|
|      | 1001233384  | Ref | SIDE TILT CARRIAGE ASSEMBLY (60 INCH)  | F   |
| 1    | 0100011     | AR  | Compound, Locking  |     |
| 2    | 0641612     | 4   | Bolt 3/8 x 1-1/2   |     |
| 3    | 0642032     | 2   | Bolt 5/8 x 4   |     |
| 4    | 0681810     | 3   | Bolt 1/2 x 1-1/4   |     |
| 5    | 0741610     | 6   | Screw 3/8 x 1-1/4  |     |
| 6    | 2110606     | 2   | Fitting, Straight  |     |
| 7    | 2130808     | 2   | Adapter, 90  |     |
| 8    | 2172106     | 2   | Fitting, 90  |     |
| 9    | 3300240     | 2   | Nut 5/8  |     |
| 10   | 3423242     | 1   | Pin  |     |
| 11   | 3423307     | 2   | Pin  |     |
| 12   | 3841203     | 2   | Keeper   |     |
| 13   | 4891800     | 1   | Washer   |     |
| 14   | 8420053     | 1   | Cap  |     |
| 15   | 8420055     | 1   | Plug   |     |
| 16   | 88671001    | 1   | Fitting, Grease  |     |
| 17   | 90200003    | 2   | Collar   |     |
| 18   | 91403413    | 1   | Fitting, Straight  |     |
| 19   | 91403414    | 1   | Fitting, Straight  |     |
| 20   | 1001090063  | 2   | Pad  |     |
| 21   | 1001090064  | AR  | Shim   |     |
| 22   | 1001090140  | 1   | Bearing  |     |
| 23   | 1001099113  | 1   | Pin  |     |
| 24   | 1001099115  | 2   | Sleeve   |     |
| 25   | See Note    | NSS | Carriage, Side Tilt (Note: Purchase Complete Assembly)                       |     |
| 26   | 1001239734  | 2   | Hose   |     |
| 27   | 1001120914  | 1   | Shim   |     |
| 28   | 1001120915  | 1   | Plate  |     |
| 29   | 1001133072  | 1   | Carriage, Base Pivot   |     |
| 30   | 1001163414  | 1   | Cylinder, Side Tilt (See Separate Breakdown in HYDRAULIC COMPONENTS Section) |     |
| 31   | See Note    | NSS | SN Plate (Note: Stamped Part - Not Available for Purchase)                   |     |
| 32   | 1001227670  | 1   | Tag, RFID  |     |
| 33   | 4811400     | 2   | Washer M4  |     |
| 34   | 0760405     | 2   | Bolt M4 x 10   |     |

**SECTION 3 - ATTACHMENTS**

**FIGURE 3-22. CARRIAGE ASSEMBLY - 72IN**



ART\_1001211516\_E

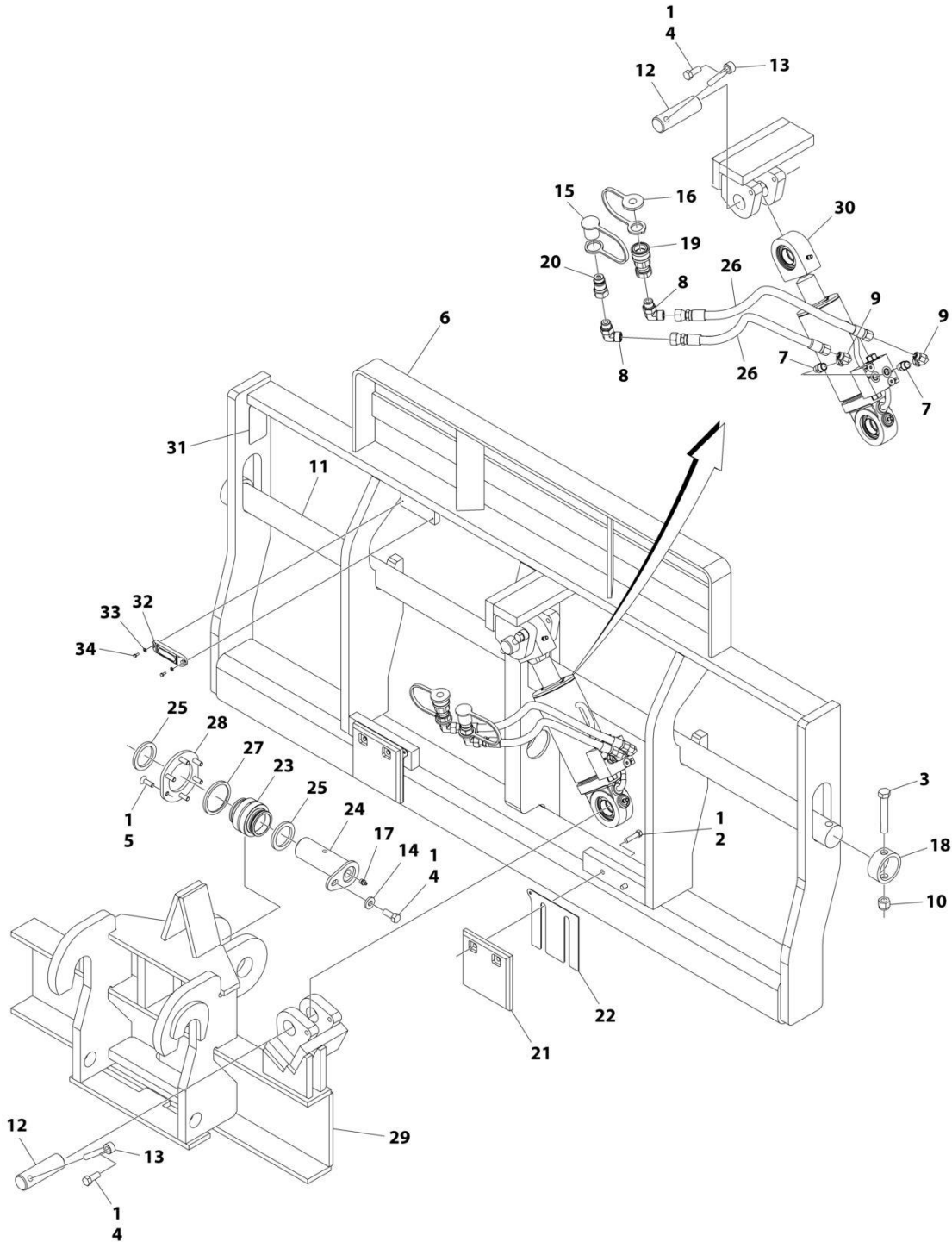
## SECTION 3 - ATTACHMENTS

**FIGURE 3-22. CARRIAGE ASSEMBLY - 72IN**

| ITEM | PART NUMBER | QTY | DESCRIPTION   | REV |
|------|-------------|-----|---|-----|
|      | 1001211516  | Ref | CARRIAGE ASSEMBLY (72 INCH)                               | F   |
| 1    | 0642032     | 2   | Bolt 5/8 x 4  |     |
| 2    | 3300240     | 2   | Nut 5/8   |     |
| 3    | 3423276     | 1   | Pin   |     |
| 4    | 90200003    | 2   | Sleeve  |     |
| 5    | See Note    | NSS | Carriage (Note: Purchase Complete Assembly)               |     |
| 6    | See Note    | NSS | SN Plate (Note:Stamped Part - Not Available for Purchase) |     |
| 7    | 1001227670  | 1   | Tag, RFID   |     |
| 8    | 4811400     | 2   | Washer M4   |     |
| 9    | 0760405     | 2   | Bolt M4 x 10  |     |

# SECTION 3 - ATTACHMENTS

## FIGURE 3-23. CARRIAGE ASSEMBLY - 72IN SIDE TILT



ART\_1001233385\_E

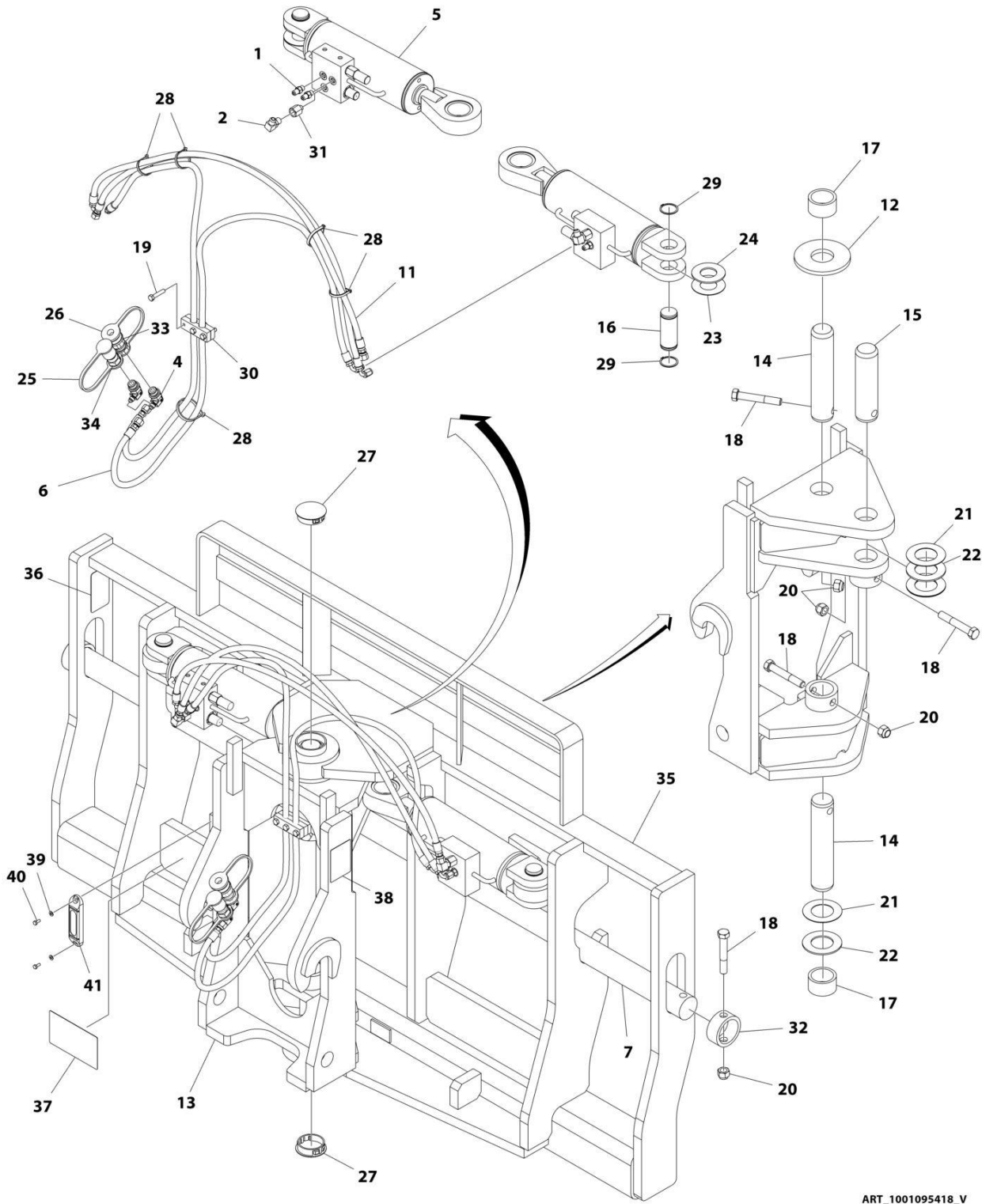
## SECTION 3 - ATTACHMENTS

**FIGURE 3-23. CARRIAGE ASSEMBLY - 72IN SIDE TILT**

| ITEM | PART NUMBER | QTY | DESCRIPTION   | REV |
|------|-------------|-----|---|-----|
|      | 1001233385  | NLA | SIDE TILT CARRIAGE ASSEMBLY (72 INCH) (No longer available, use item 1 to 34 for service or 1001276666 for replacement) | E   |
| 1    | 0100011     | AR  | Compound, Locking   |     |
| 2    | 0641612     | 4   | Bolt 3/8 x 1-1/2  |     |
| 3    | 0642032     | 2   | Bolt 5/8 x 4  |     |
| 4    | 0681810     | 3   | Bolt 1/2 x 1-1/4  |     |
| 5    | 0741610     | 6   | Screw 3/8 x 1-1/4   |     |
| 5    | See Note    | NSS | Carriage, Side Tilt (Note: Purchase Complete Assembly)  |     |
| 7    | 2110606     | 2   | Adapter, Straight   |     |
| 8    | 2130808     | 2   | Adapter, 90   |     |
| 9    | 2172106     | 2   | Adapter, 90   |     |
| 10   | 3300240     | 2   | Nut 5/8   |     |
| 11   | 3423276     | 1   | Pin, Fork   |     |
| 12   | 3423307     | 2   | Pin, Side Tilt Cylinder   |     |
| 13   | 3841203     | 2   | Keeper, Rod   |     |
| 14   | 4891800     | 1   | Washer 1/2  |     |
| 15   | 8420053     | 1   | Cap, Dust   |     |
| 16   | 8420055     | 1   | Plug, Dust  |     |
| 17   | 88671001    | 1   | Fitting, Grease   |     |
| 18   | 90200003    | 2   | Collar, Fork Pin  |     |
| 19   | 91403413    | 1   | Adapter   |     |
| 20   | 91403414    | 1   | Adapter   |     |
| 21   | 1001090063  | 2   | Pad, Wear   |     |
| 22   | 1001090064  | AR  | Shim, Wear Pad  |     |
| 23   | 1001090140  | 1   | Bearing, Side Tilt Spherical  |     |
| 24   | 1001099113  | 1   | Pin, Side Tilt Frame Pivot  |     |
| 25   | 1001099115  | 2   | Sleeve, Tilt Bearing Spacer   |     |
| 26   | 1001239734  | 2   | Hose  |     |
| 27   | 1001120914  | 1   | Shim, Bearing Retainer  |     |
| 28   | 1001120915  | 1   | Plate, Bearing Retainer   |     |
| 29   | 1001133072  | 1   | Carriage, Base Pivot  |     |
| 30   | 1001163414  | 1   | Cylinder, Side Tilt (See Separate Breakdown in HYDRAULIC COMPONENTS Section)  |     |
| 31   | See Note    | NSS | SN Plate (Note: Stamped Part - Not Available for Purchase)  |     |
| 32   | 1001227670  | 1   | Tag, RFID   |     |
| 33   | 4811400     | 2   | Washer M4   |     |
| 34   | 0760405     | 2   | Bolt M4 x 10  |     |

# SECTION 3 - ATTACHMENTS

## FIGURE 3-24. CARRIAGE ASSEMBLY - 72IN SWING



ART\_1001095418\_V



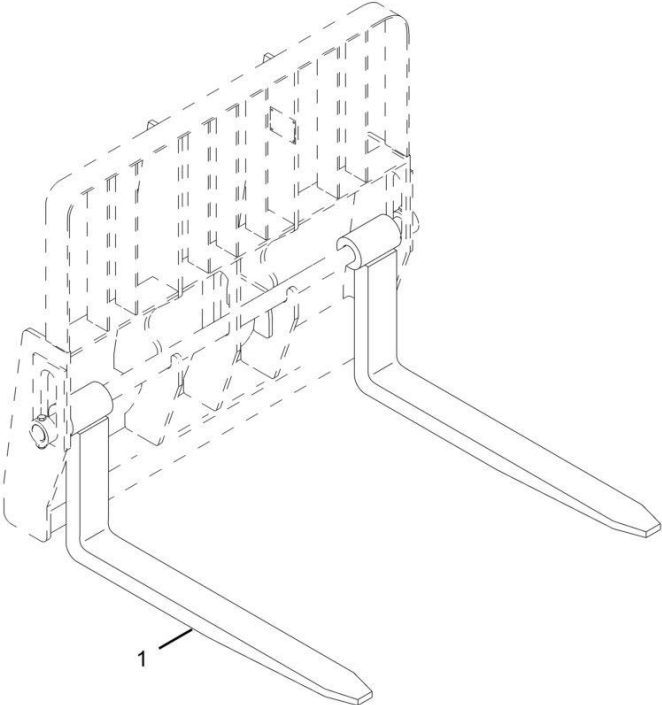
## SECTION 3 - ATTACHMENTS

**FIGURE 3-24. CARRIAGE ASSEMBLY - 72IN SWING**

| ITEM | PART NUMBER | QTY | DESCRIPTION  | REV |
|------|-------------|-----|--|-----|
|      | 1001095418  | Ref | CARRIAGE ASSEMBLY - SWING (72 INCH)  | V   |
| 1    | 2220415     | 4   | Fitting, Straight ORFS   |     |
| 2    | 2220473     | 2   | Fitting, 90 ORFS   |     |
| 4    | 1001211139  | 2   | Adapter, 90  |     |
| 5    | 1001103182  | 1   | Swing Carriage Cylinder (See Separate Breakdown in HYDRAULIC COMPONENTS Section) |     |
| 6    | 2717287     | 2   | Hose 58IN (Boom Front Disconnect)  |     |
| 6    | 1001301599  | 1   | Hose 66IN (Boom Side Disconnect)   |     |
| 6    | 1001301600  | 1   | Hose 46IN (Boom Side Disconnect)   |     |
| 7    | 3423276     | 1   | Pin  |     |
| 11   | 6604662     | 2   | Hose   |     |
| 12   | 7062922     | 1   | Washer   |     |
| 13   | See Note    | NSS | Pivot (Note: Purchase Complete Assembly)   |     |
| 14   | 7110702     | 2   | Pin  |     |
| 15   | 7110712     | 1   | Pin  |     |
| 16   | 7110722     | 2   | Pin  |     |
| 17   | 8065062     | 2   | Bushing  |     |
| 18   | 8303634     | 5   | Bolt 5/8 x 4   |     |
| 19   | 8303715     | 3   | Bolt 5/16 x 1-1/2  |     |
| 20   | 8305643     | 5   | Nut 5/8  |     |
| 21   | 8307904     | AR  | Washer   |     |
| 22   | 8307918     | AR  | Washer   |     |
| 23   | 8310160     | AR  | Washer   |     |
| 24   | 8310161     | AR  | Washer   |     |
| 25   | 8420053     | 1   | Cap  |     |
| 26   | 8420055     | 1   | Plug   |     |
| 27   | 8580315     | 2   | Plug   |     |
| 28   | 8584001     | 5   | Tie Wrap   |     |
| 29   | 8642207     | 4   | Ring, Retaining  |     |
| 30   | 8769132     | 2   | Clamp  |     |
| 31   | 8770016     | 2   | Fitting, Straight ORFS   |     |
| 32   | 90200003    | 2   | Collar   |     |
| 33   | 91403413    | 1   | Fitting, Straight ORFS   |     |
| 34   | 91403414    | 1   | Fitting, Straight  |     |
| 35   | See Note    | NSS | Carriage (Note: Purchase Complete Assembly)                                      |     |
| 36   | See Note    | NSS | SN Plate (Note: Stamped Part - Not Available for Purchase)                       |     |
| 37   | 1001110704  | 1   | Decal, Warning Crushing Hazard   |     |
| 38   | 1001111190  | 2   | Decal, Warning   |     |
| 39   | 4811400     | 2   | Washer M4  |     |
| 40   | 0760405     | 2   | Bolt M4 x 10   |     |
| 41   | 1001227670  | 1   | Tag - RFID   |     |

**SECTION 3 - ATTACHMENTS**

**FIGURE 3-25. FORK 1.75X7X60 - DUAL TAPERED 5400#**



ART\_2340046

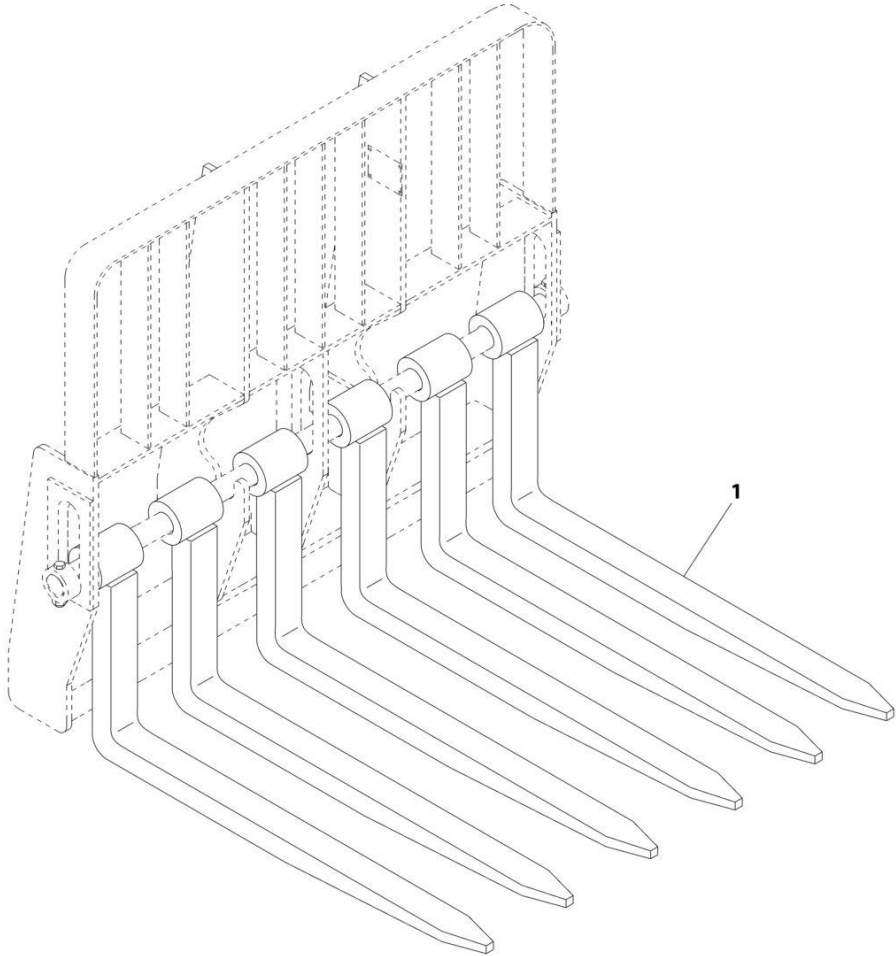
## SECTION 3 - ATTACHMENTS

**FIGURE 3-25. FORK 1.75X7X60 - DUAL TAPERED 5400#**

| ITEM | PART NUMBER | QTY | DESCRIPTION  | REV |
|------|-------------|-----|--|-----|
| 1    | 2340046     | 2   | Dual Taper Fork (60X7X1.75)  |     |
| N1   | Note        | Ref | <b>FORKS RATED LESS THAN THE ATTACHMENT OR MACHINE'S CAPACITY DECREASES CAPACITY OF THE ATTACHMENT OR MACHINE TO THAT OF THE FORKS. FORKS RATED MORE THAN THE ATTACHMENT OR MACHINE'S CAPACITY DO NOT INCREASE ATTACHMENT OR MACHINE'S CAPACITY.</b> |     |
| N2   | Note        | Ref | <b>PLEASE CONSULT JLG PARTS DEPARTMENT TO DETERMINE THE CORRECT FORKS APPLICABLE TO YOUR SPECIFIC CARRIASE ASSEMBLY AND APPLICATION.</b>   |     |

**SECTION 3 - ATTACHMENTS**

**FIGURE 3-26. FORK 2X2X48 - CUBING/BLOCKING 1940#**



ART\_2340037

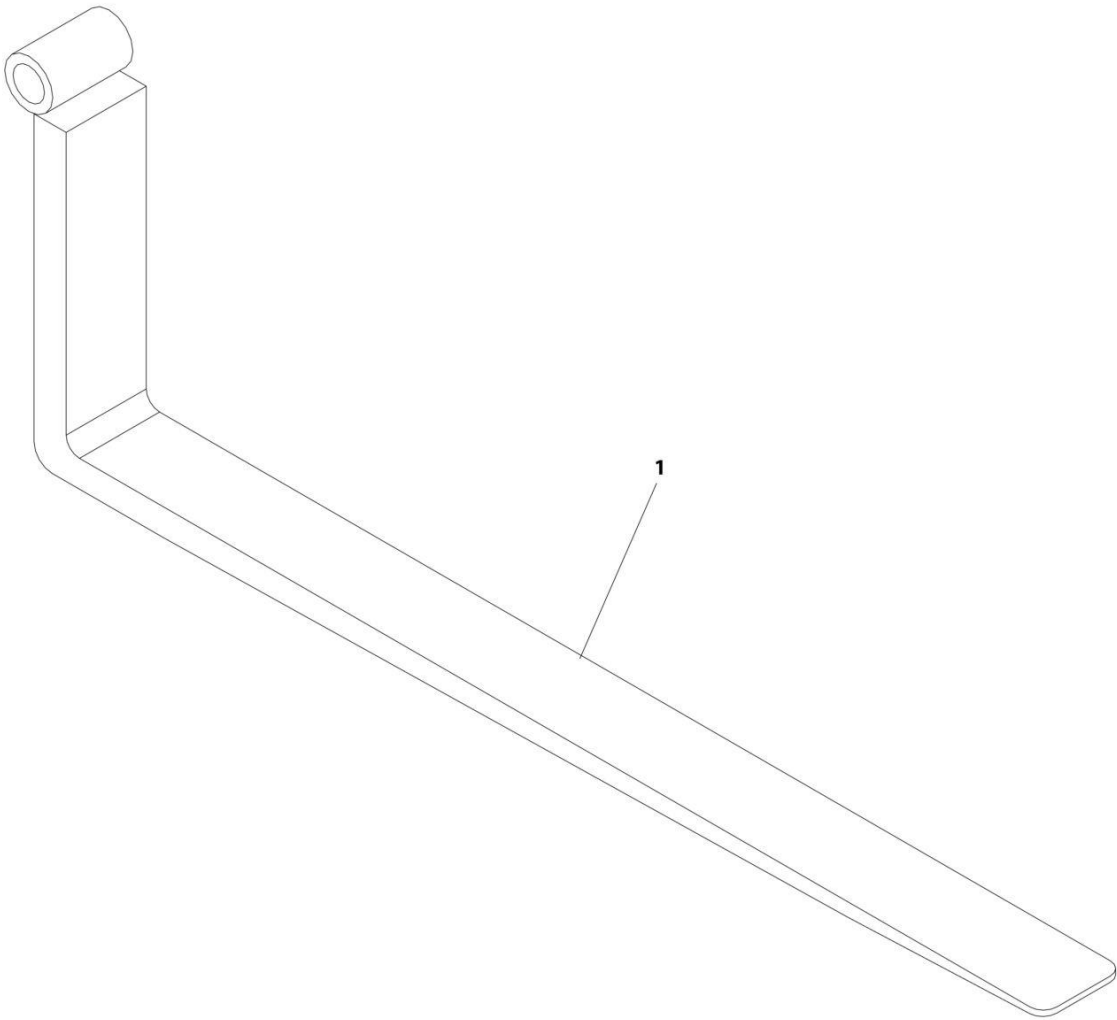
## SECTION 3 - ATTACHMENTS

**FIGURE 3-26. FORK 2X2X48 - CUBING/BLOCKING 1940#**

| ITEM | PART NUMBER | QTY | DESCRIPTION  | REV |
|------|-------------|-----|--|-----|
| 1    | 2340037     | 1   | Cubing Fork (2.00X2X48)  | A   |
|      | Note        | Ref | <b>FORKS RATED LESS THAN THE ATTACHMENT OR MACHINE'S CAPACITY DECREASES CAPACITY OF THE ATTACHMENT OR MACHINE TO THAT OF THE FORKS. FORKS RATED MORE THAN THE ATTACHMENT OR MACHINE'S CAPACITY DO NOT INCREASE ATTACHMENT OR MACHINE'S CAPACITY.</b> |     |
|      | Note        | Ref | <b>PLEASE CONSULT JLG PARTS DEPARTMENT TO DETERMINE THE CORRECT FORKS APPLICABLE TO YOUR SPECIFIC CARRIAGE ASSEMBLY AND APPLICATION.</b>   |     |

**SECTION 3 - ATTACHMENTS**

**FIGURE 3-27. FORK 2X6X72 - DUAL TAPERED 6613#**



ART\_1001259206

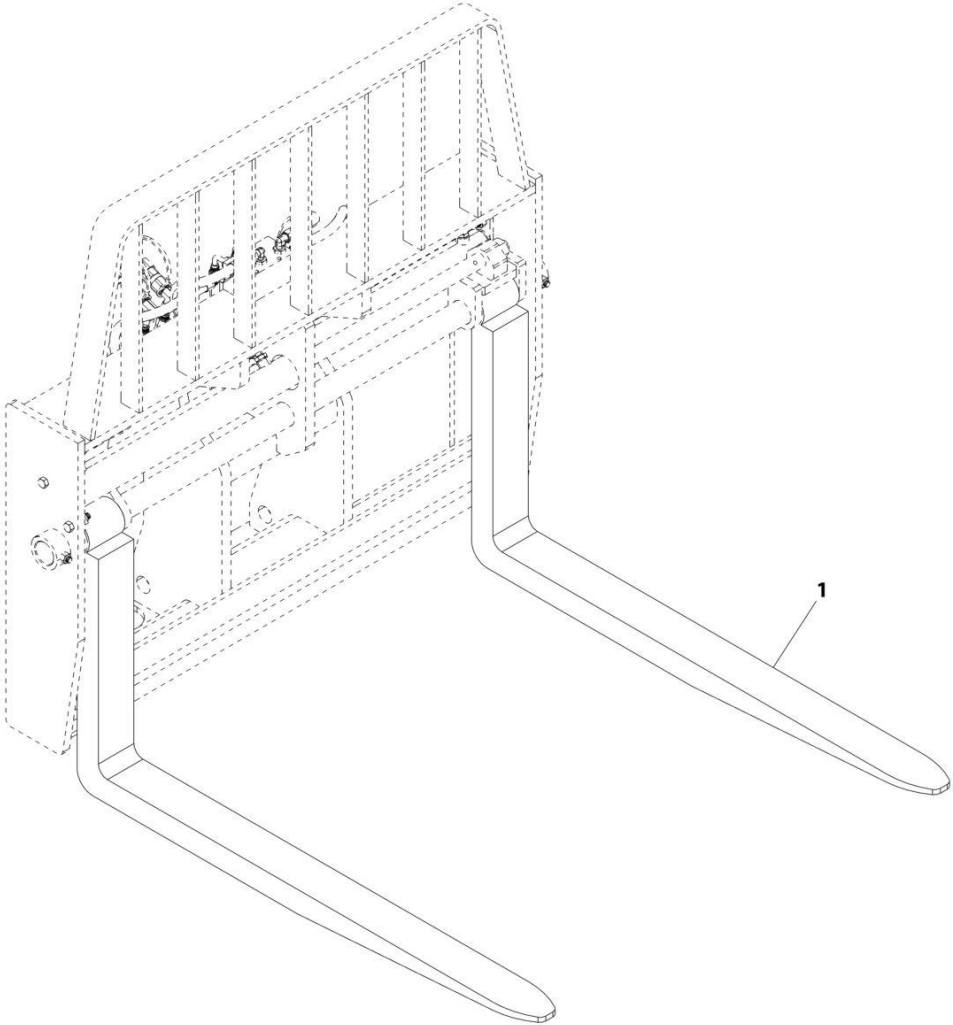
## SECTION 3 - ATTACHMENTS

**FIGURE 3-27. FORK 2X6X72 - DUAL TAPERED 6613#**

| ITEM | PART NUMBER | QTY | DESCRIPTION   | REV |
|------|-------------|-----|---|-----|
| 1    | 1001259206  | 2   | Dual Taper Fork (2.00X6X72)   | A   |
|      | Note        | Ref | FORKS RATED LESS THAN THE ATTACHMENT OR MACHINE'S CAPACITY DECREASES CAPACITY OF THE ATTACHMENT OR MACHINE TO THAT OF THE FORKS. FORKS RATED MORE THAN THE ATTACHMENT OR MACHINE'S CAPACITY DO NOT INCREASE ATTACHMENT OR MACHINE'S CAPACITY. |     |
|      | Note        | Ref | PLEASE CONSULT JLG PARTS DEPARTMENT TO DETERMINE THE CORRECT FORKS APPLICABLE TO YOUR SPECIFIC CARRIAGE ASSEMBLY AND APPLICATION.   |     |

**SECTION 3 - ATTACHMENTS**

**FIGURE 3-28. FORK 2.36X4X48 PALLET 5000#**



ART\_7301408



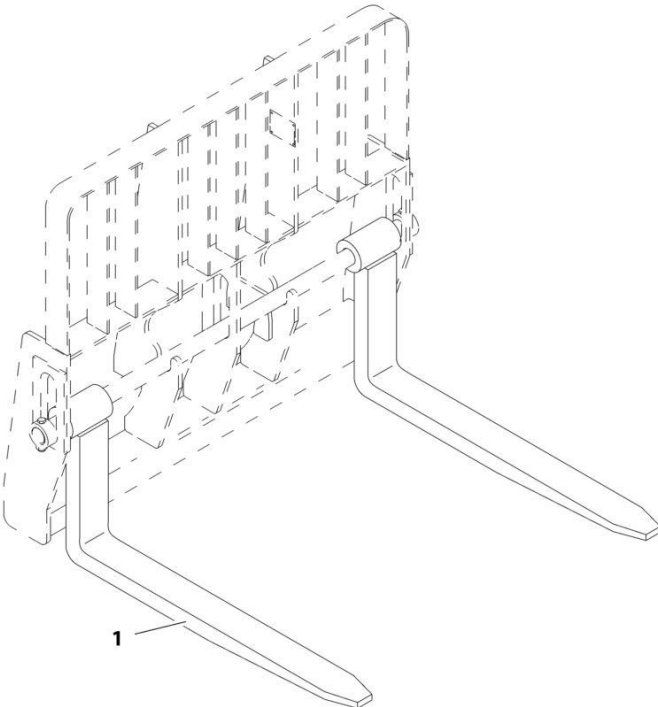
## SECTION 3 - ATTACHMENTS

**FIGURE 3-28. FORK 2.36X4X48 PALLET 5000#**

| ITEM | PART NUMBER | QTY | DESCRIPTION  | REV |
|------|-------------|-----|--|-----|
| 1    | 7301408     | 2   | Pallet Fork (2.36X4X48)  | D   |
| N1   | Note        | Ref | <b>FORKS RATED LESS THAN THE ATTACHMENT OR MACHINE'S CAPACITY DECREASES CAPACITY OF THE ATTACHMENT OR MACHINE TO THAT OF THE FORKS. FORKS RATED MORE THAN THE ATTACHMENT OR MACHINE'S CAPACITY DO NOT INCREASE ATTACHMENT OR MACHINE'S CAPACITY.</b> |     |
| N2   | Note        | Ref | <b>PLEASE CONSULT JLG PARTS DEPARTMENT TO DETERMINE THE CORRECT FORKS APPLICABLE TO YOUR SPECIFIC CARRIAGE ASSEMBLY AND APPLICATION.</b>   |     |

**SECTION 3 - ATTACHMENTS**

**FIGURE 3-29. FORK 2.36X4X48 PALLET 5475#**



ART\_2340045

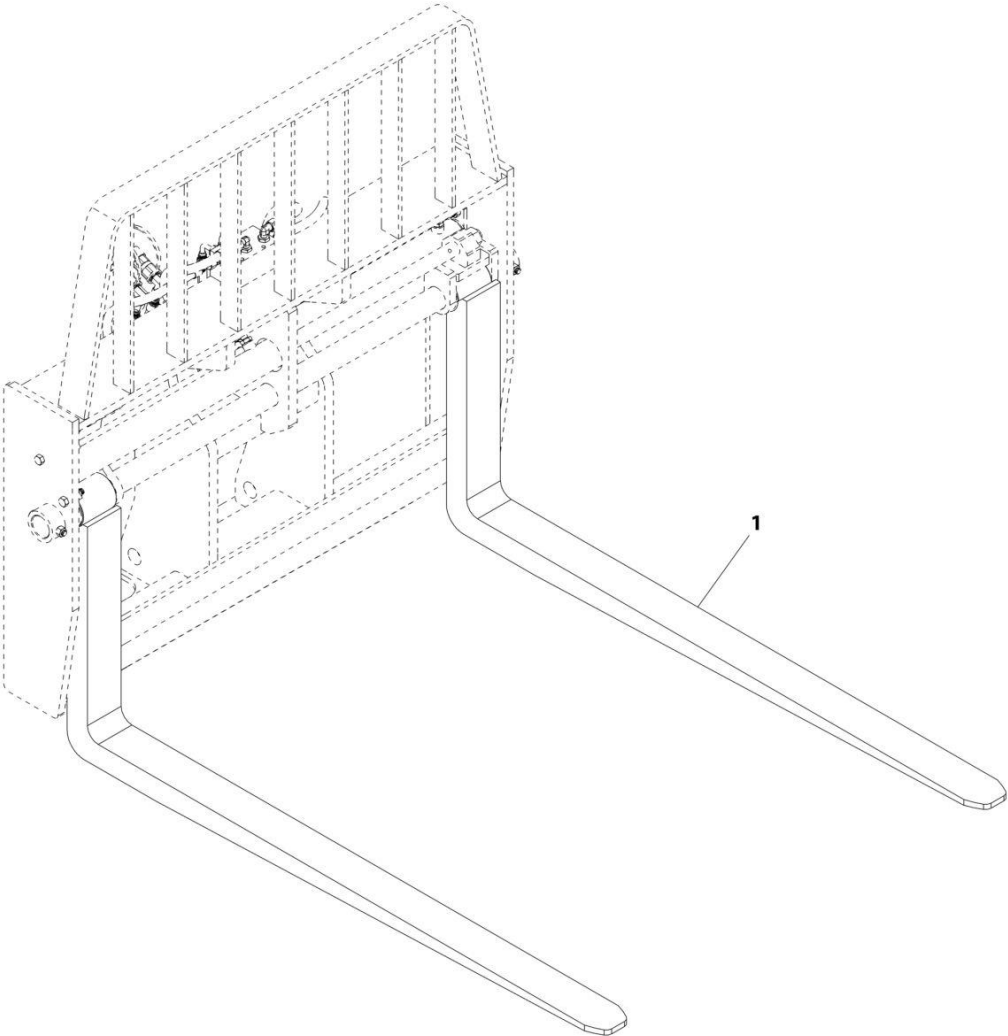
## SECTION 3 - ATTACHMENTS

**FIGURE 3-29. FORK 2.36X4X48 PALLET 5475#**

| ITEM | PART NUMBER | QTY | DESCRIPTION  | REV |
|------|-------------|-----|--|-----|
| 1    | 2340045     | 2   | Pallet Fork (2.36X4X48)  |     |
|      | Note        | Ref | <b>FORKS RATED LESS THAN THE ATTACHMENT OR MACHINE'S CAPACITY DECREASES CAPACITY OF THE ATTACHMENT OR MACHINE TO THAT OF THE FORKS. FORKS RATED MORE THAN THE ATTACHMENT OR MACHINE'S CAPACITY DO NOT INCREASE ATTACHMENT OR MACHINE'S CAPACITY.</b> |     |
|      | Note        | Ref | <b>PLEASE CONSULT JLG PARTS DEPARTMENT TO DETERMINE THE CORRECT FORKS APPLICABLE TO YOUR SPECIFIC CARRIAGE ASSEMBLY AND APPLICATION.</b>   |     |

**SECTION 3 - ATTACHMENTS**

**FIGURE 3-30. FORK 2.36X4X60 PALLET 5000#**



ART\_1001227379

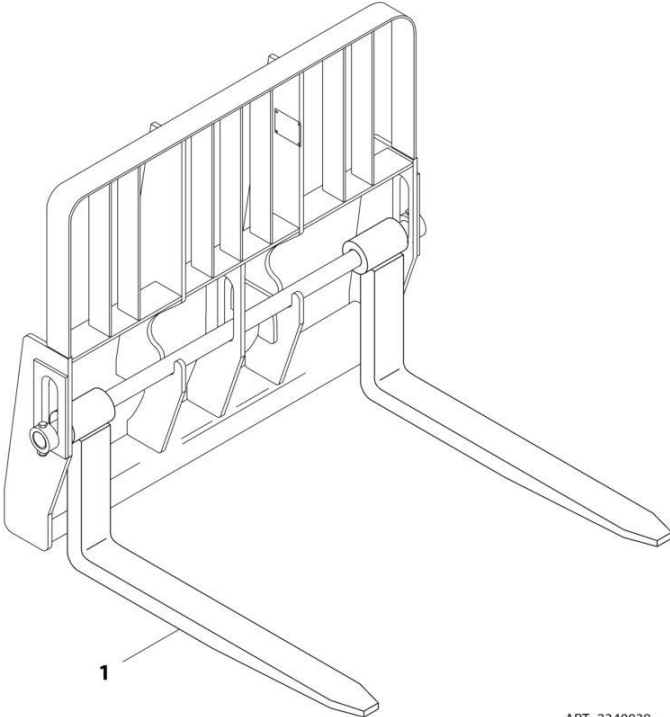
## SECTION 3 - ATTACHMENTS

**FIGURE 3-30. FORK 2.36X4X60 PALLET 5000#**

| ITEM | PART NUMBER | QTY | DESCRIPTION  | REV |
|------|-------------|-----|--|-----|
| 1    | 1001227379  | 2   | Pallet Fork (2.36X4X60)  | A   |
| N1   | Note        | Ref | <b>FORKS RATED LESS THAN THE ATTACHMENT OR MACHINE'S CAPACITY DECREASES CAPACITY OF THE ATTACHMENT OR MACHINE TO THAT OF THE FORKS. FORKS RATED MORE THAN THE ATTACHMENT OR MACHINE'S CAPACITY DO NOT INCREASE ATTACHMENT OR MACHINE'S CAPACITY.</b> |     |
| N2   | Note        | Ref | <b>PLEASE CONSULT JLG PARTS DEPARTMENT TO DETERMINE THE CORRECT FORKS APPLICABLE TO YOUR SPECIFIC CARRIAGE ASSEMBLY AND APPLICATION.</b>   |     |

**SECTION 3 - ATTACHMENTS**

**FIGURE 3-31. FORK 2.36X5X48 PALLET 6850#**



ART\_2340038

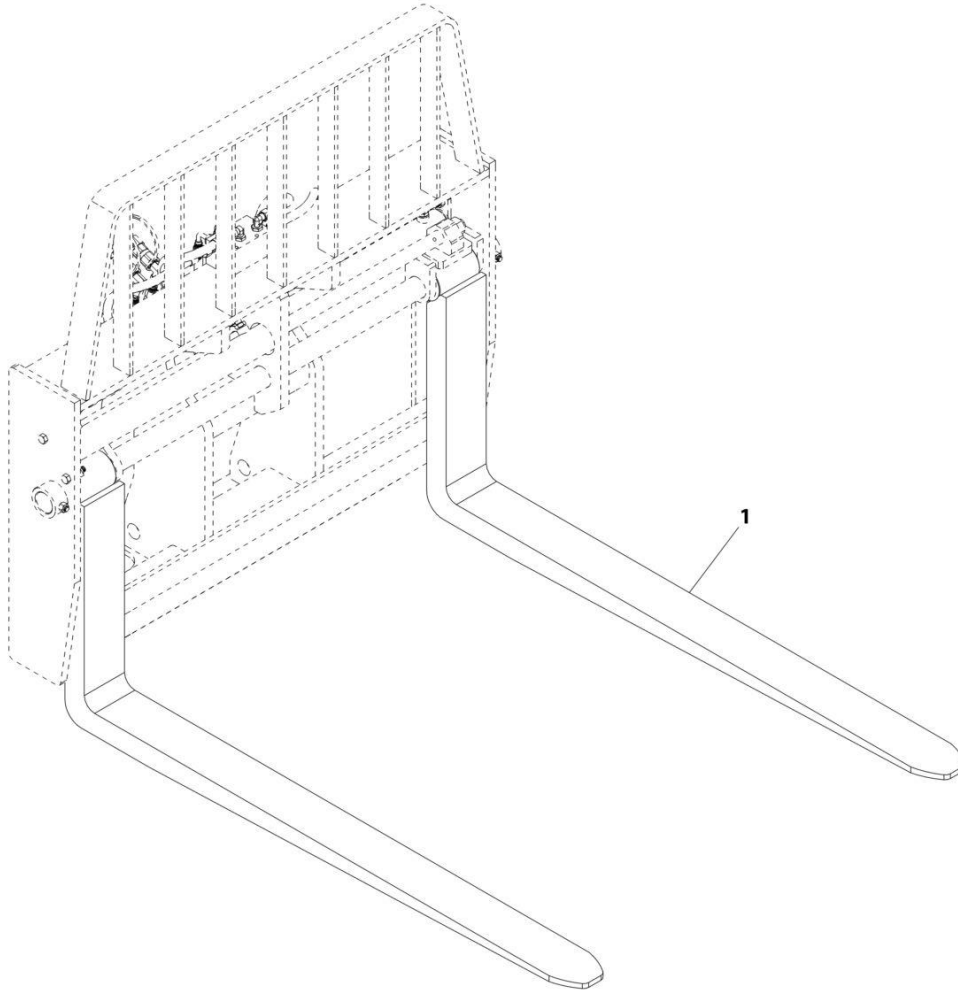
## SECTION 3 - ATTACHMENTS

**FIGURE 3-31. FORK 2.36X5X48 PALLET 6850#**

| ITEM | PART NUMBER | QTY | DESCRIPTION  | REV |
|------|-------------|-----|--|-----|
| 1    | 2340038     | 2   | Pallet Fork (2.36X5X48)  | B   |
|      | Note        | Ref | <b>FORKS RATED LESS THAN THE ATTACHMENT OR MACHINE'S CAPACITY DECREASES CAPACITY OF THE ATTACHMENT OR MACHINE TO THAT OF THE FORKS. FORKS RATED MORE THAN THE ATTACHMENT OR MACHINE'S CAPACITY DO NOT INCREASE ATTACHMENT OR MACHINE'S CAPACITY.</b> |     |
|      | Note        | Ref | <b>PLEASE CONSULT JLG PARTS DEPARTMENT TO DETERMINE THE CORRECT FORKS APPLICABLE TO YOUR SPECIFIC CARRIAGE ASSEMBLY AND APPLICATION.</b>   |     |

# SECTION 3 - ATTACHMENTS

FIGURE 3-32. FORK 2.36X5X60 PALLET 6850#



ART\_1001227382



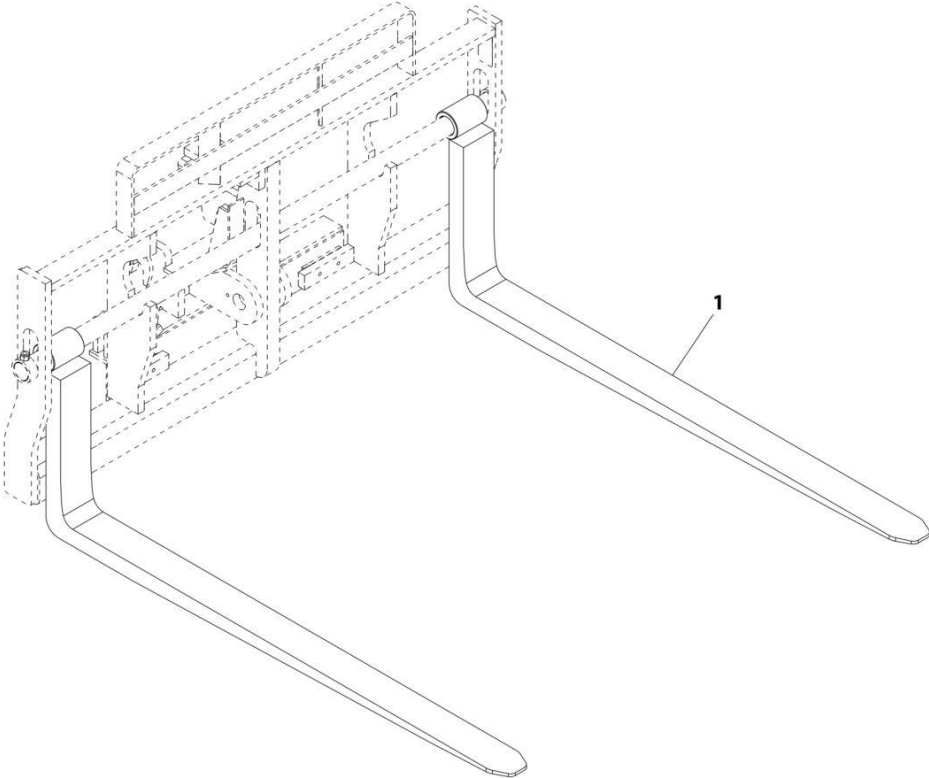
## SECTION 3 - ATTACHMENTS

**FIGURE 3-32. FORK 2.36X5X60 PALLET 6850#**

| ITEM | PART NUMBER | QTY | DESCRIPTION  | REV |
|------|-------------|-----|--|-----|
| 1    | 1001227382  | 1   | Pallet Fork (2.36X5X60)  | A   |
| N1   | Note        | Ref | <b>FORKS RATED LESS THAN THE ATTACHMENT OR MACHINE'S CAPACITY DECREASES CAPACITY OF THE ATTACHMENT OR MACHINE TO THAT OF THE FORKS. FORKS RATED MORE THAN THE ATTACHMENT OR MACHINE'S CAPACITY DO NOT INCREASE ATTACHMENT OR MACHINE'S CAPACITY.</b> |     |
| N2   | Note        | Ref | <b>PLEASE CONSULT JLG PARTS DEPARTMENT TO DETERMINE THE CORRECT FORKS APPLICABLE TO YOUR SPECIFIC CARRIASE ASSEMBLY AND APPLICATION.</b>   |     |

**SECTION 3 - ATTACHMENTS**

**FIGURE 3-33. FORK 2.36X5X72 PALLET 6850#**



ART\_1001232355

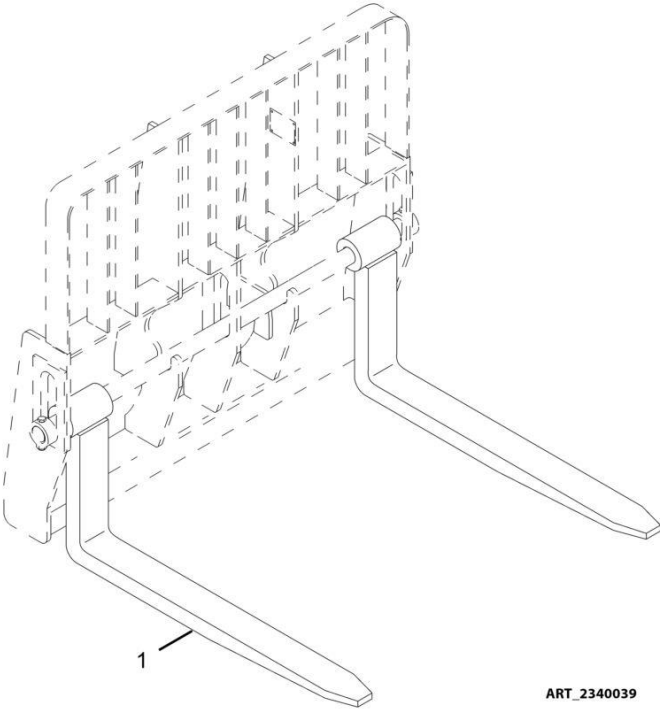
## SECTION 3 - ATTACHMENTS

**FIGURE 3-33. FORK 2.36X5X72 PALLET 6850#**

| ITEM | PART NUMBER | QTY  | DESCRIPTION  | REV |
|------|-------------|------|--|-----|
|      | 1001232355  | 1 pr | Pallet Fork (2.36X5X72)  | A   |
|      | Note        | Ref  | <b>FORKS RATED LESS THAN THE ATTACHMENT OR MACHINE'S CAPACITY DECREASES CAPACITY OF THE ATTACHMENT OR MACHINE TO THAT OF THE FORKS. FORKS RATED MORE THAN THE ATTACHMENT OR MACHINE'S CAPACITY DO NOT INCREASE ATTACHMENT OR MACHINE'S CAPACITY.</b> |     |
|      | Note        | Ref  | <b>PLEASE CONSULT JLG PARTS DEPARTMENT TO DETERMINE THE CORRECT FORKS APPLICABLE TO YOUR SPECIFIC CARRIAGE ASSEMBLY AND APPLICATION.</b>   |     |

**SECTION 3 - ATTACHMENTS**

**FIGURE 3-34. FORK 2.36X6X60 PALLET 6850#**



ART\_2340039

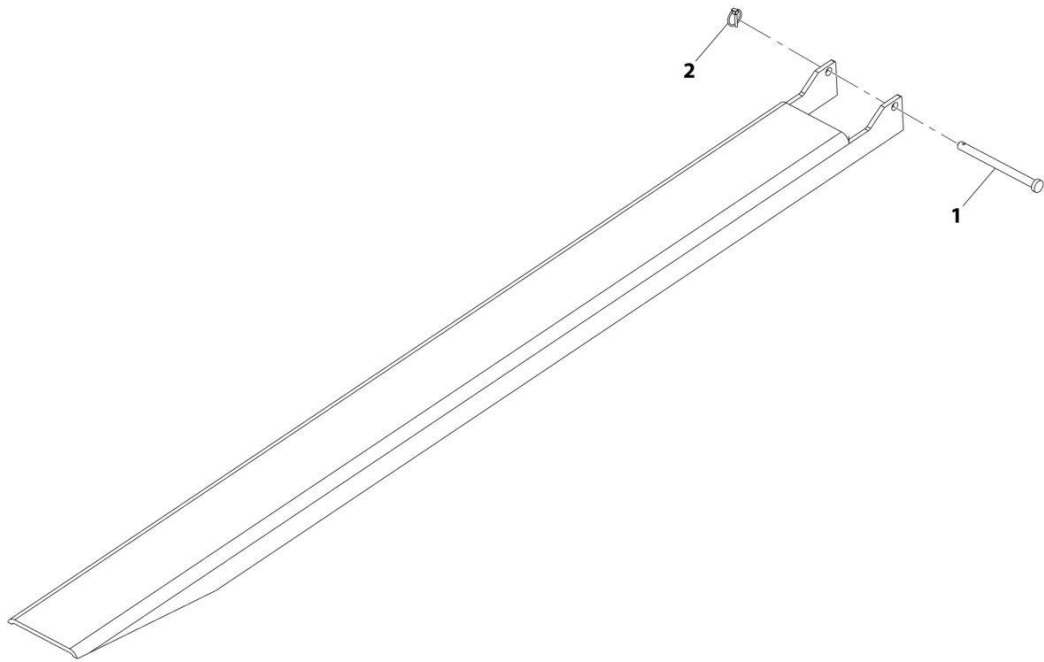
## SECTION 3 - ATTACHMENTS

**FIGURE 3-34. FORK 2.36X6X60 PALLET 6850#**

| ITEM | PART NUMBER | QTY | DESCRIPTION  | REV |
|------|-------------|-----|--|-----|
| 1    | 2340039     | 2   | Lumber Fork (60X150X1524)  |     |
|      | Note        | Ref | <b>FORKS RATED LESS THAN THE ATTACHMENT OR MACHINE'S CAPACITY DECREASES CAPACITY OF THE ATTACHMENT OR MACHINE TO THAT OF THE FORKS. FORKS RATED MORE THAN THE ATTACHMENT OR MACHINE'S CAPACITY DO NOT INCREASE ATTACHMENT OR MACHINE'S CAPACITY.</b> |     |
|      | Note        | Ref | <b>PLEASE CONSULT JLG PARTS DEPARTMENT TO DETERMINE THE CORRECT FORKS APPLICABLE TO YOUR SPECIFIC CARRIAGE ASSEMBLY AND APPLICATION.</b>   |     |

# SECTION 3 - ATTACHMENTS

## FIGURE 3-35. FORK EXTENSION (90 INCH)



ART\_1001137512-D

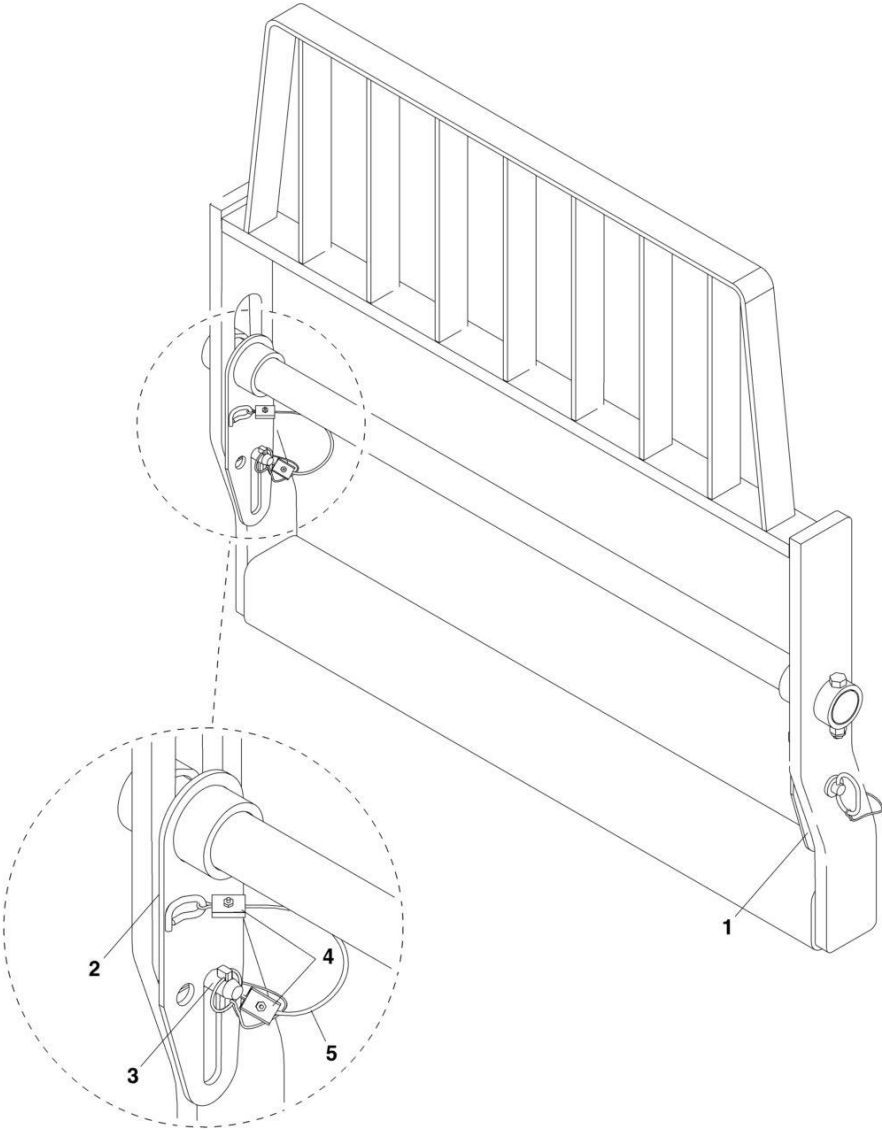
## SECTION 3 - ATTACHMENTS

### FIGURE 3-35. FORK EXTENSION (90 INCH)

| ITEM | PART NUMBER | QTY  | DESCRIPTION                   | REV |
|------|-------------|------|-------------------------------|-----|
|      | 1001137512  | 2 pr | Fork Extensions (62X163X2286) | D   |
| 1    | 70024306    | 1    | Pin                           |     |
| 2    | 70024307    | 1    | Clip                          |     |

**SECTION 3 - ATTACHMENTS**

**FIGURE 3-36. FORK PIN LOCK INSTALLATION**



ART\_1001093465\_B



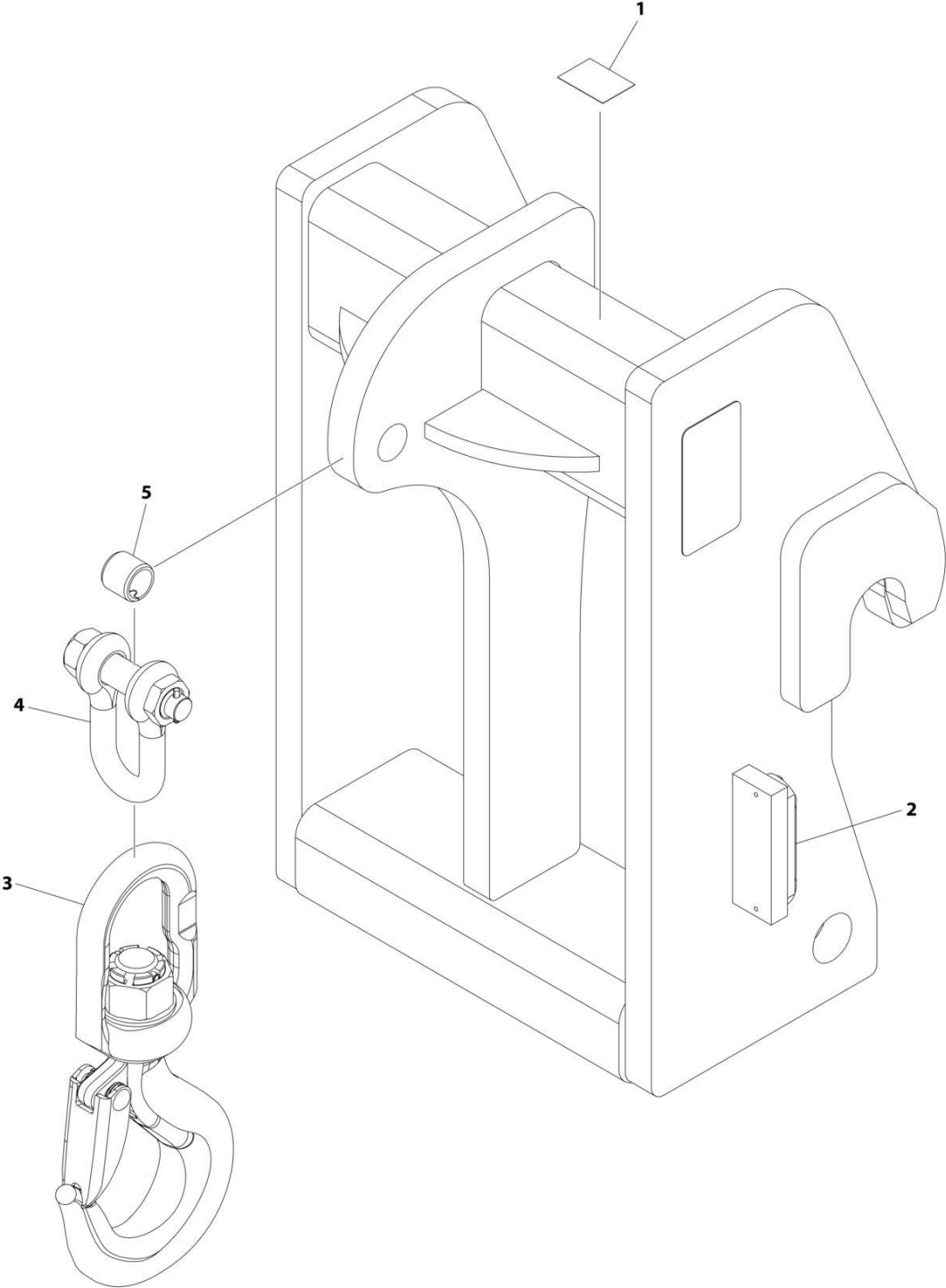
## SECTION 3 - ATTACHMENTS

### FIGURE 3-36. FORK PIN LOCK INSTALLATION

| ITEM | PART NUMBER | QTY | DESCRIPTION                | REV |
|------|-------------|-----|----------------------------|-----|
|      | 1001093465  | Ref | Fork Pin Lock Installation | B   |
| 1    | 0240156     | 1   | Lock, LH Fork Pin          |     |
| 2    | 1001093273  | 1   | Lock, RH Fork Pin          |     |
| 3    | 1001093377  | 2   | Pin, Hitch                 |     |
| 4    | 1001094830  | 4   | Clamp                      |     |
| 5    | 1001094330  | 2   | Lanyard                    |     |

**SECTION 3 - ATTACHMENTS**

**FIGURE 3-37. HOOK - COUPLER MOUNTED**



ART\_1001207606\_D

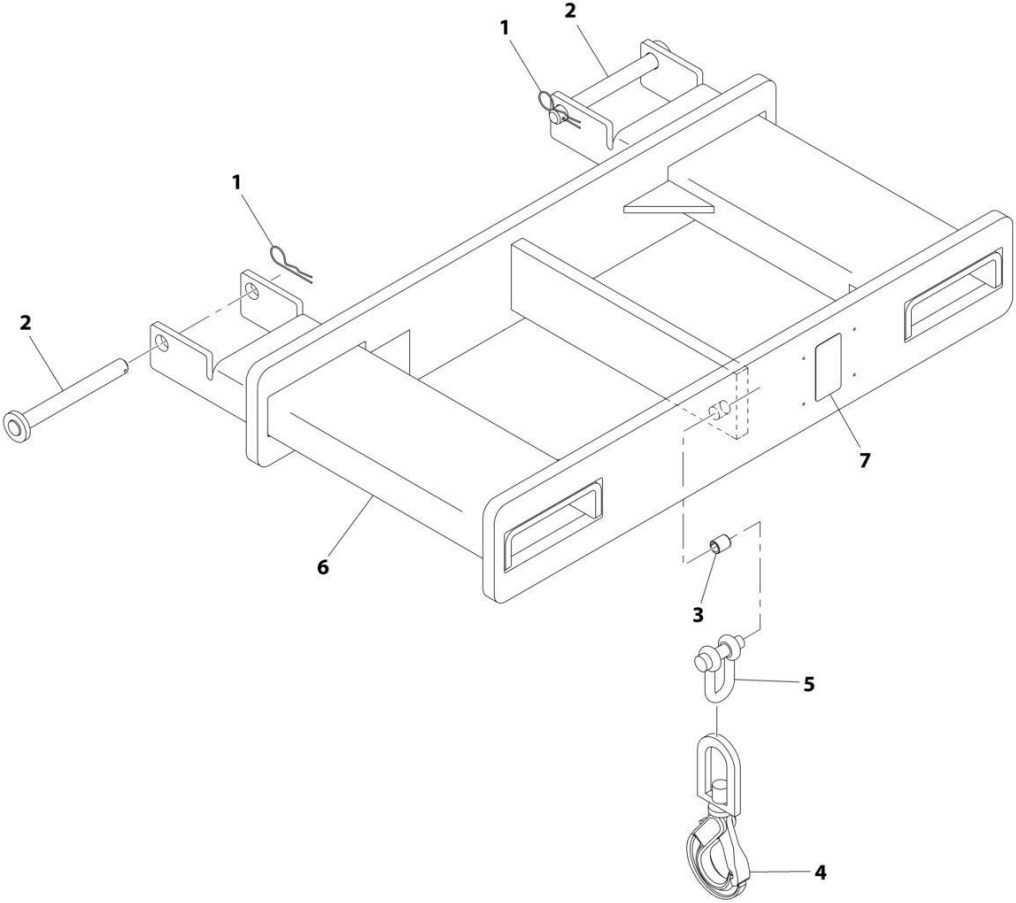
## SECTION 3 - ATTACHMENTS

### FIGURE 3-37. HOOK - COUPLER MOUNTED

| ITEM | PART NUMBER | QTY | DESCRIPTION          | REV |
|------|-------------|-----|----------------------|-----|
|      | 1001207606  | Ref | COUPLER MOUNTED HOOK | E   |
| 1    | 90554016    | 1   | Decal                |     |
| 2    | 1001227670  | 1   | Tag, RFID            |     |
| 3    | 70026745    | 1   | Hook Swivel          |     |
| 4    | 70026746    | 1   | Shackle Chain        |     |
| 5    | 70020555    | 1   | Bushing              |     |

**SECTION 3 - ATTACHMENTS**

**FIGURE 3-38. HOOK - FORK MOUNTED**



ART\_1001097205-I

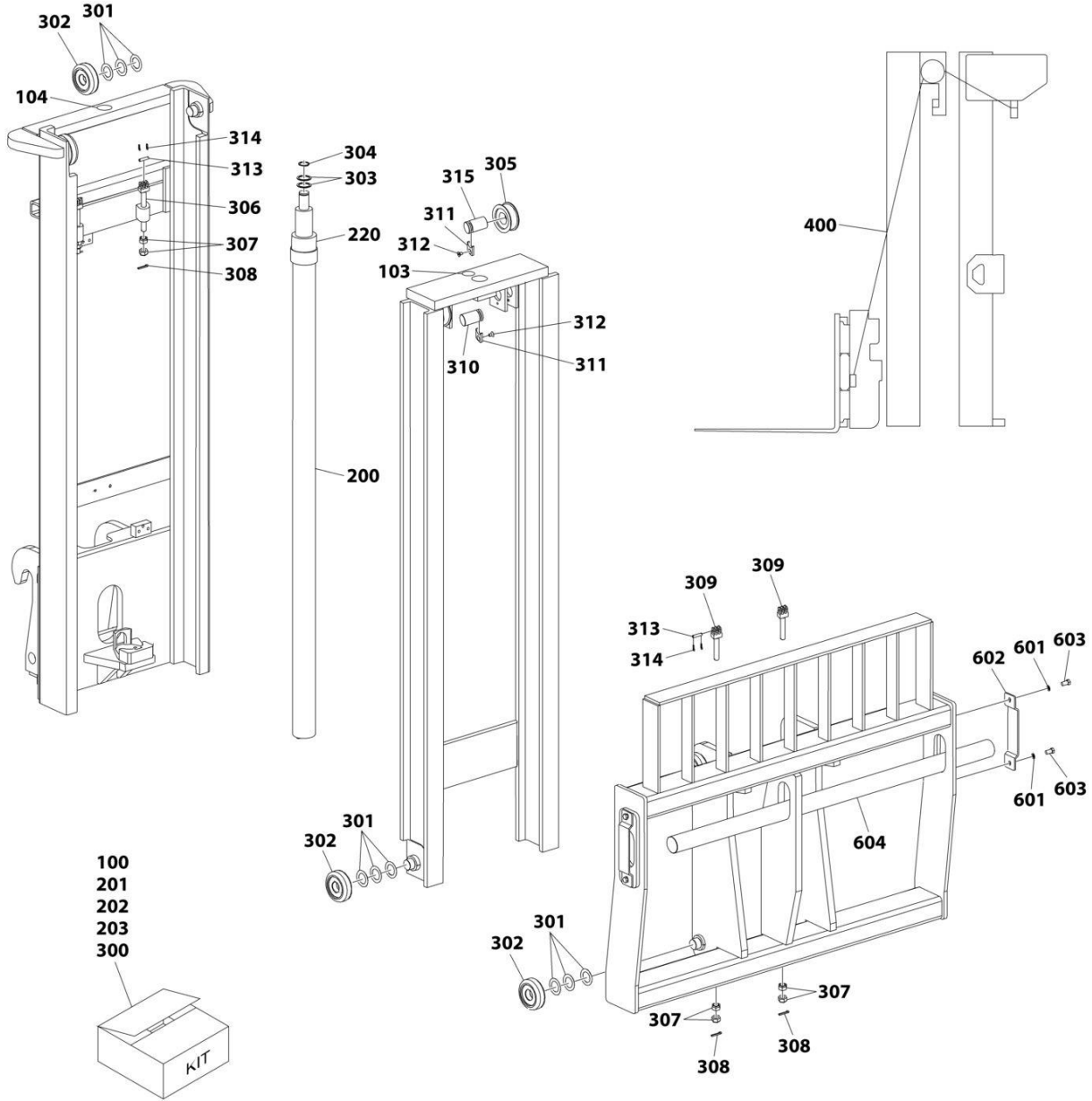
## SECTION 3 - ATTACHMENTS

### FIGURE 3-38. HOOK - FORK MOUNTED

| ITEM | PART NUMBER | QTY | DESCRIPTION   | REV |
|------|-------------|-----|---|-----|
|      | 1001097205  | Ref | Fork Mounted Hook (4 Ton)                                   | J   |
| 1    | 7029520     | 2   | Pin, Cotter   |     |
| 2    | 1001093171  | 2   | Pin   |     |
| 3    | 70020555    | 1   | Bushing   |     |
| 4    | 90554080    | 1   | Hook  |     |
| 5    | 7029521     | 1   | Shackle   |     |
| 6    | See Note    | NSS | Frame, Hook (Note: Purchase Complete Assembly)              |     |
| 7    | See Note    | NSS | S/N Plate (Note: Stamped Part - Not Available for Purchase) |     |

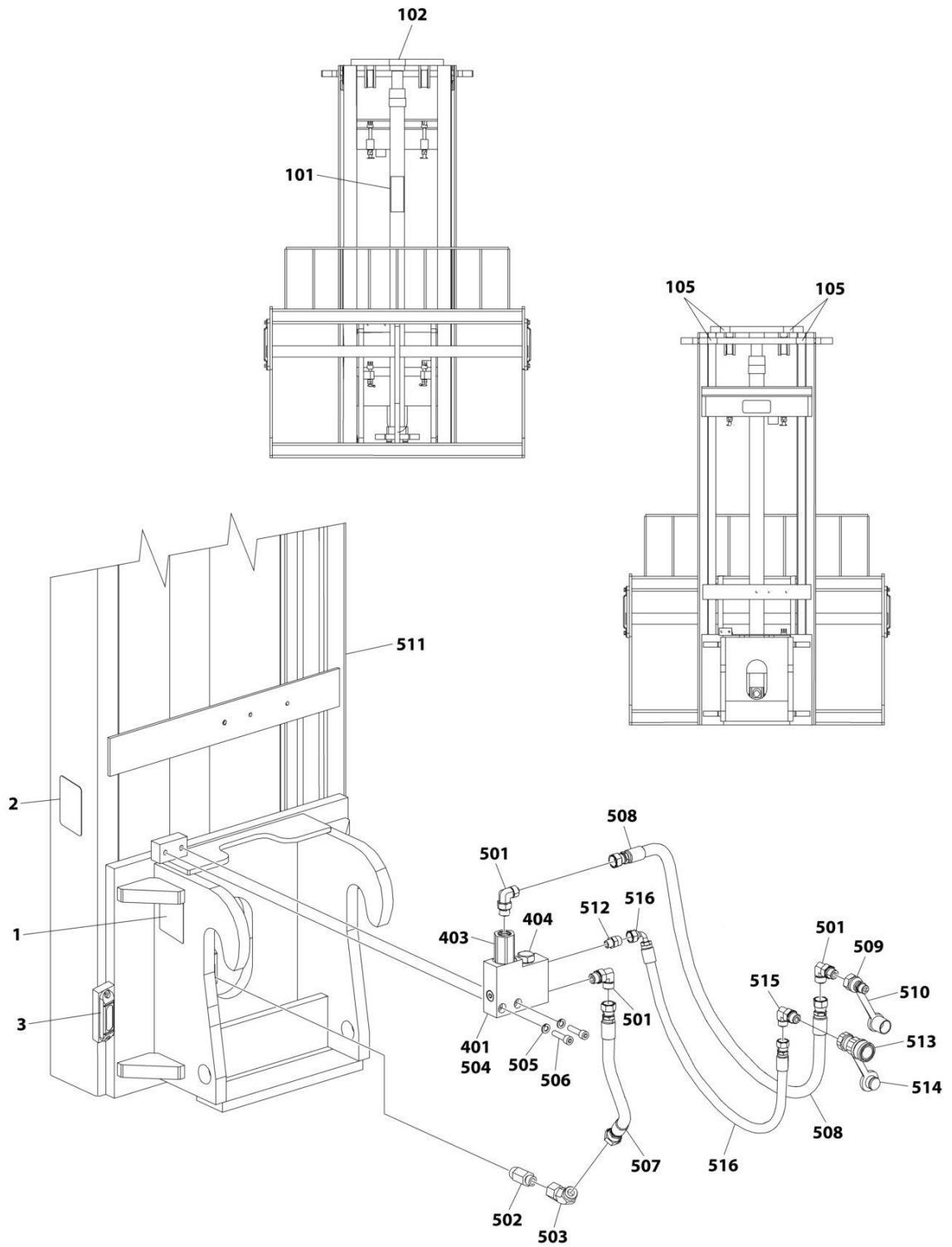
# SECTION 3 - ATTACHMENTS

## FIGURE 3-39. MAST (8 FOOT)



ART\_1001108668\_1OF2

# SECTION 3 - ATTACHMENTS



ART\_1001108668\_20F2

## SECTION 3 - ATTACHMENTS

### FIGURE 3-39. MAST (8 FOOT)

| ITEM | PART NUMBER | QTY | DESCRIPTION   | REV |
|------|-------------|-----|---|-----|
|      | 1001108668  | Ref | MAST ASSEMBLY - 8FT   | G   |
| 1    | See Note    | NSS | Nameplate, Serial Number (Note: Not Available for Purchase)                               |     |
| 2    | 1001111190  | 2   | Decal - Warning   |     |
| 3    | 1001227670  | 1   | RFID Tag  |     |
| 100  | 70023925    | 1   | Decal Kit (includes items 1, Warning, No Step & Hose Routing Decals)                      |     |
| 101  | See Note    | NSS | Decal, Warning (Use Item 100)   |     |
| 102  | See Note    | NSS | Decal, Warning (Use Item 100)   |     |
| 103  | See Note    | NSS | Decal, No Step (Use Item 100)   |     |
| 104  | See Note    | NSS | Decal, No Step (Use Item 100)   |     |
| 105  | See Note    | NSS | Decal, Hands Off (Use Item 100)   |     |
| 200  | 70023008    | 1   | Cylinder Assembly - Lift (includes items 201-203 & 220. No Other Service Parts Available) |     |
| 201  | 70023005    | 1   | Seal Kit - 70023008 Cylinder (includes Seals & Seal Retaining Hardware)                   |     |
| 202  | 70023006    | 1   | Check Valve Kit (includes Mounting O-Rings & Hardware)                                    |     |
| 203  | 70023007    | 1   | Shim Kit (Includes items 303)   |     |
| 220  | 70023004    | 1   | Head/Retainer   |     |
| 300  | 70023015    | 1   | Mast Kit (includes items 100 & 301-315)   |     |
| 301  | 70023014    | 24  | Shim  |     |
| 302  | 70022987    | 8   | Bearing, Ball   |     |
| 303  | See Note    | NLA | Shim (Note: Use item 203)   |     |
| 304  | 70023016    | 1   | Ring, Retaining   |     |
| 305  | 70022969    | 2   | Sheave  |     |
| 306  | 70022960    | 2   | Anchor, Chain   |     |
| 307  | 70022957    | 8   | Nut 5/8   |     |
| 308  | 70022993    | 4   | Pin, Cotter   |     |
| 309  | 70022995    | 2   | Anchor, Chain   |     |
| 310  | 70022984    | 1   | Shaft, Sheave   |     |
| 311  | 70022970    | 2   | Bar   |     |
| 312  | 70023003    | 2   | Screw   |     |
| 313  | 70022994    | 4   | Pin   |     |
| 314  | 70022992    | 8   | Pin, Cotter   |     |
| 315  | 70022985    | 1   | Shaft, Sheave   |     |
| 400  | 70023009    | 2   | Chain, Hoist  |     |
| 401  | 70022932    | 1   | Valve Assembly - Lowering Control   |     |
| 403  | 70022931    | 1   | Cartridge, Valve  |     |
| 404  | 70023010    | 1   | Cartridge, Valve  |     |
| 501  | 70022934    | 3   | Fitting, 90   |     |
| 502  | 70022936    | 1   | Fitting, Flow Limiter   |     |
| 503  | 70022937    | 1   | Fitting, 45   |     |
| 504  | 70022932    | 1   | Valve Assembly - Lowering Control (Note: Duplicate of Item 401 - Only Qty 1 Used)         |     |
| 505  | 70022949    | 2   | Washer, M10   |     |
| 506  | 70022950    | 2   | Bolt M10  |     |
| 507  | 70022942    | 1   | Hose  |     |
| 508  | 70022952    | 1   | Hose  |     |
| 509  | 91403414    | 1   | Fitting, Quick Disconnect Coupling (Male)   |     |
| 510  | 91043126    | 1   | Cap, Dust   |     |
| 511  | 70023015    | 1   | Mast Kit (Note: Duplicate of Item 300 - Only Qty 1 Used)                                  |     |

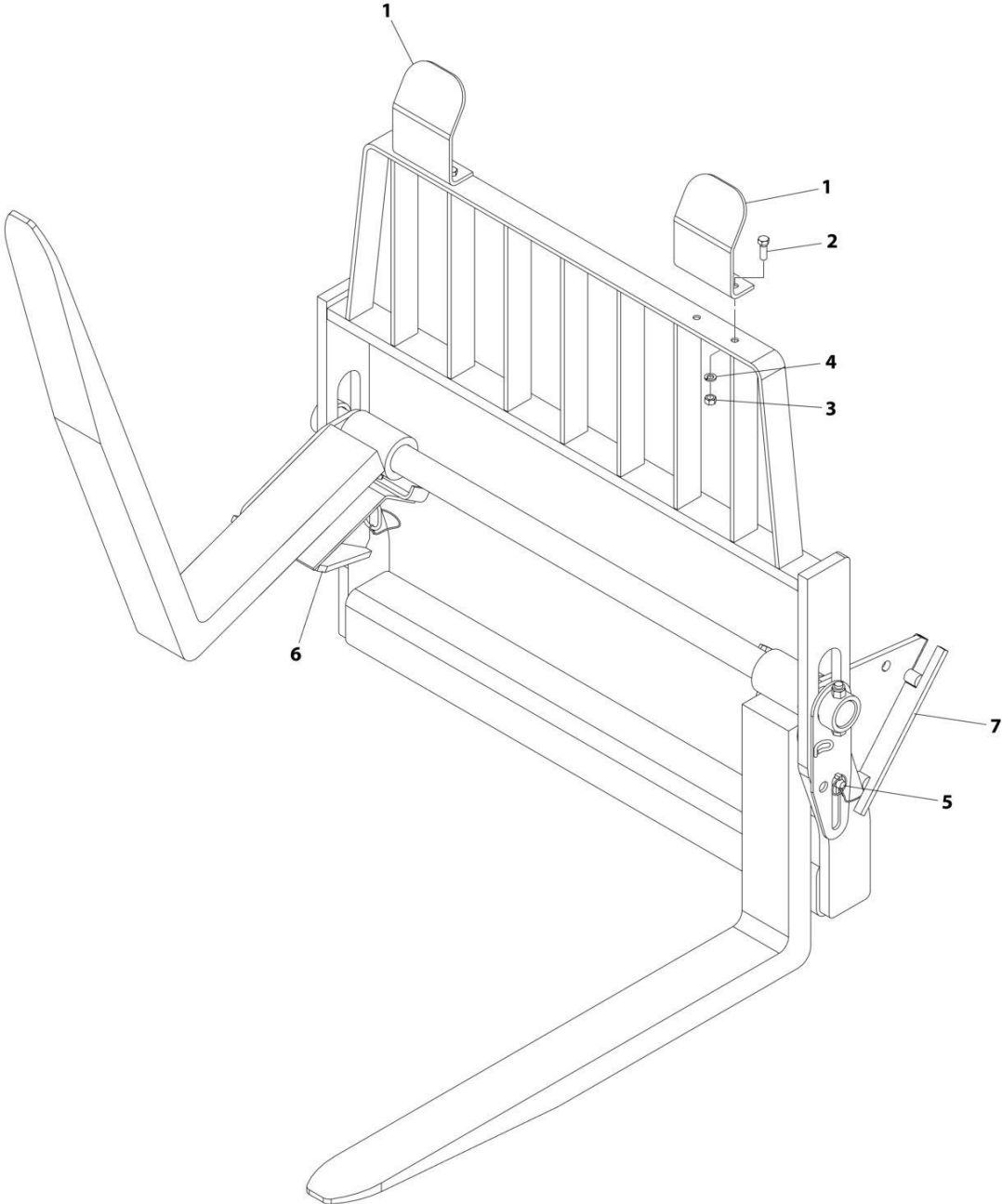


## SECTION 3 - ATTACHMENTS

| ITEM | PART NUMBER | QTY | DESCRIPTION                                 | REV |
|------|-------------|-----|---|-----|
| 512  | 70022939    | 1   | Fitting, Straight                           |     |
| 513  | 91403413    | 1   | Fitting, Quick Disconnect Coupling (Female) |     |
| 514  | 91043125    | 1   | Cap, Dust                                   |     |
| 515  | 70022935    | 1   | Fitting, 90                                 |     |
| 516  | 70022946    | 1   | Hose  |     |
| 601  | 70022949    | 4   | Washer M10                                  |     |
| 602  | 70022980    | 2   | Keeper, Pin                                 |     |
| 603  | 70022998    | 4   | Bolt M10 x 20                               |     |
| 604  | 70022990    | 1   | Pin, Fork                                   |     |

**SECTION 3 - ATTACHMENTS**

**FIGURE 3-40. SHEET MATERIAL HANDLER INSTALLATION**



ART\_1001100227-B

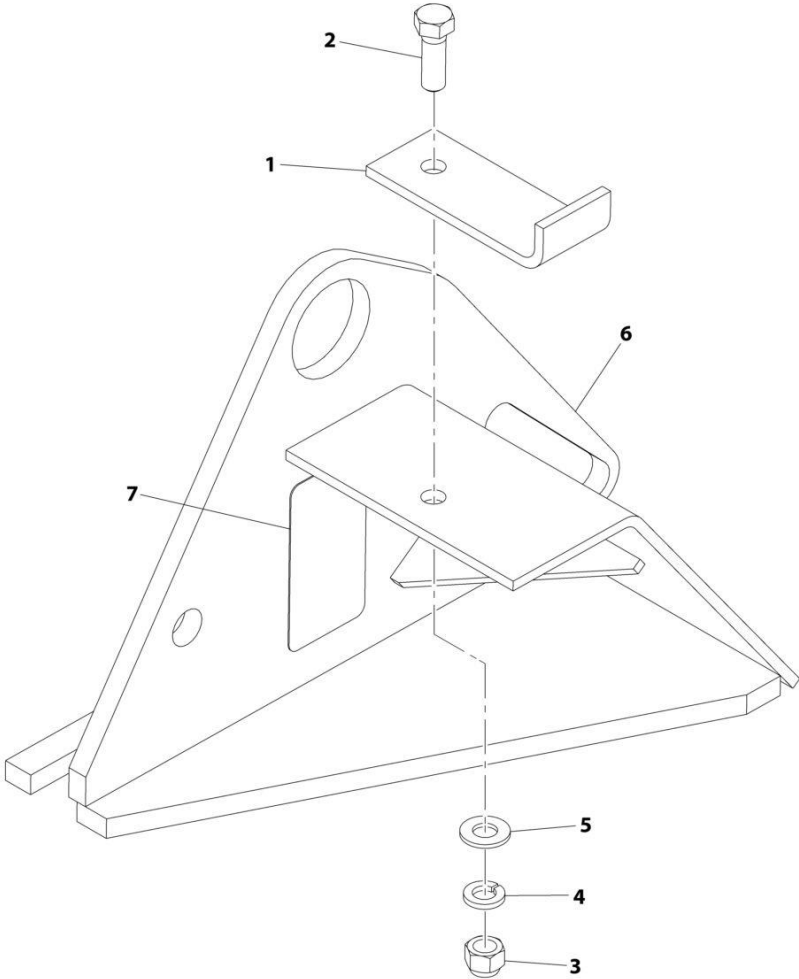
## SECTION 3 - ATTACHMENTS

**FIGURE 3-40. SHEET MATERIAL HANDLER INSTALLATION**

| ITEM | PART NUMBER | QTY | DESCRIPTION  | REV |
|------|-------------|-----|--|-----|
|      | 1001100227  | Ref | Sheet Material Handler Installation                                | B   |
| 1    | 7112642     | 2   | Extension, Backrest  |     |
| 2    | 8303626     | 4   | Bolt, 1/2-13X1-1/2   |     |
| 3    | 8305012     | 4   | Nut, 1/2-13  |     |
| 4    | 8307007     | 4   | Washer, Lock 1/2   |     |
| 5    | 1001093377  | 2   | Pin, Hitch   |     |
| 6    | 1001101115  | 1   | Assembly, RH Fork Support (See Separate Breakdown in this Section) |     |
| 7    | 1001101116  | 1   | Assembly, LH Fork Support (See Separate Breakdown in this Section) |     |

**SECTION 3 - ATTACHMENTS**

**FIGURE 3-41. SHEET MATERIAL HANDLE FORK SUPPORT ASSEMBLY (LH)**



ART\_1001101116-E

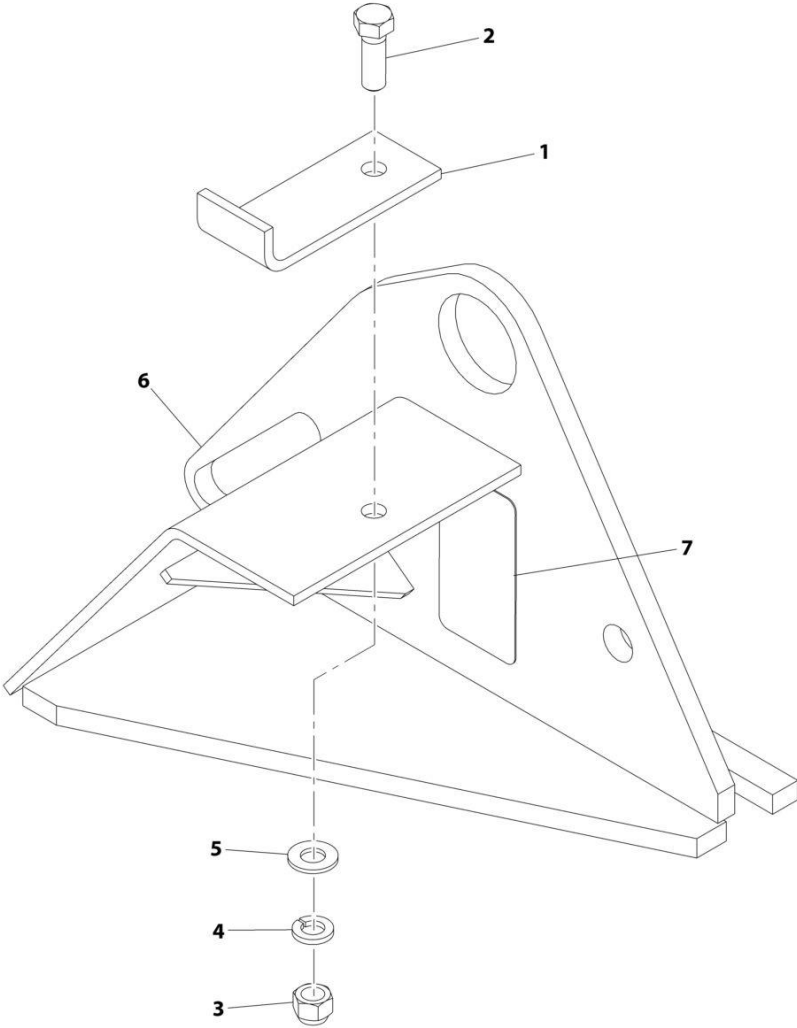
## SECTION 3 - ATTACHMENTS

**FIGURE 3-41. SHEET MATERIAL HANDLE FORK SUPPORT ASSEMBLY (LH)**

| ITEM | PART NUMBER | QTY | DESCRIPTION              | REV |
|------|-------------|-----|--------------------------|-----|
|      | 1001101116  | Ref | LH Fork Support Assembly | E   |
| 1    | 7114941     | 1   | Bar, Lock                |     |
| 2    | 8303626     | 1   | Bolt, 1/2-13X1-1/2       |     |
| 3    | 8305644     | 1   | Nut, Lock 1/2-13         |     |
| 4    | 8307007     | 1   | Washer, Lock 1/2         |     |
| 5    | 8307112     | 1   | Washer, 1/2              |     |
| 6    | 1001100229  | 1   | Support, LH Fork         |     |
| 7    | N.S.S.      | 1   | S/N Plate                |     |

**SECTION 3 - ATTACHMENTS**

**FIGURE 3-42. SHEET MATERIAL HANDLE FORK SUPPORT ASSEMBLY (RH)**



ART\_1001101115-D

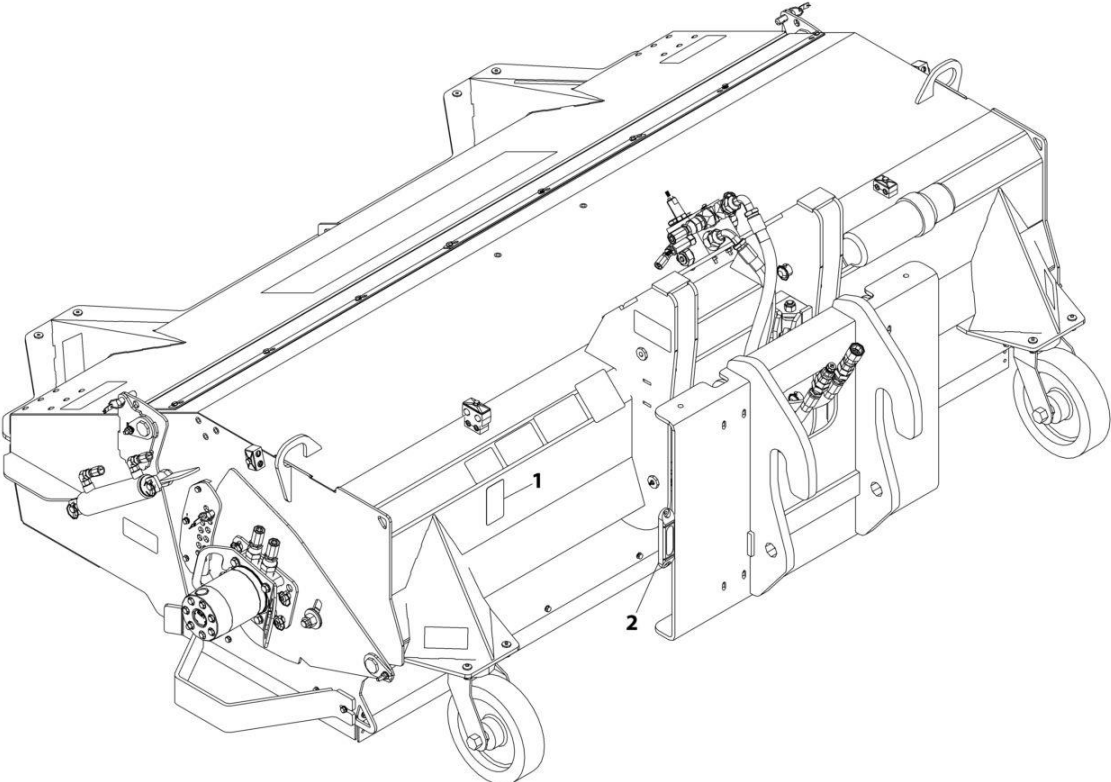
## SECTION 3 - ATTACHMENTS

**FIGURE 3-42. SHEET MATERIAL HANDLE FORK SUPPORT ASSEMBLY (RH)**

| ITEM | PART NUMBER | QTY | DESCRIPTION              | REV |
|------|-------------|-----|--------------------------|-----|
|      | 1001101115  | Ref | RH Fork Support Assembly | D   |
| 1    | 7114941     | 1   | Bar, Lock                |     |
| 2    | 8303626     | 1   | Bolt, 1/2-13X1-1/2       |     |
| 3    | 8305644     | 1   | Nut, Lock 1/2-13         |     |
| 4    | 8307007     | 1   | Washer, Lock 1/2         |     |
| 5    | 8307112     | 1   | Washer, 1/2              |     |
| 6    | 1001100228  | 1   | Support, RH Fork         |     |
| 7    | N.S.S.      | 1   | S/N Plate                |     |

**SECTION 3 - ATTACHMENTS**

**FIGURE 3-43. SWEEPER ASSEMBLY**



ART\_1001202904



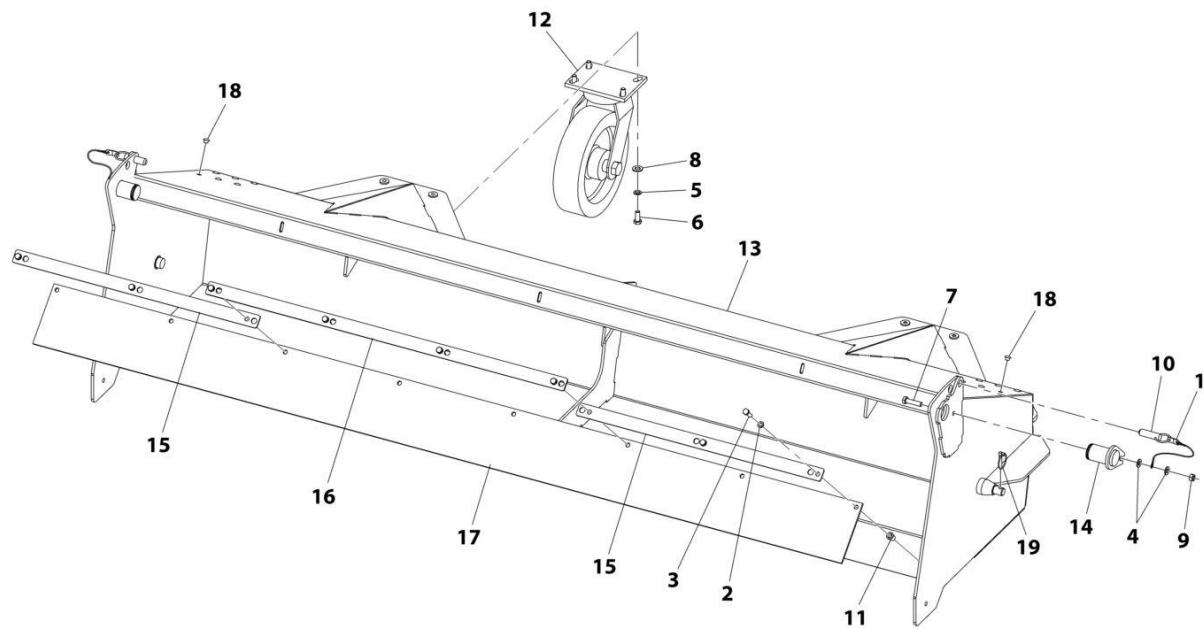
## SECTION 3 - ATTACHMENTS

**FIGURE 3-43. SWEEPER ASSEMBLY**

| ITEM | PART NUMBER | QTY | DESCRIPTION  | REV |
|------|-------------|-----|--|-----|
|      | 1001202904  | Ref | Sweeper Assembly   | D   |
| 1    | See Note    | NSS | S/N Plate (Note: Stamped Part - Not Available for Purchase)                        |     |
| 2    | 1001227670  | 1   | Tag, RFID  |     |
|      |             | Ref | Sweeper Assembly- Hopper (See Separate Breakdown in this Section)                  |     |
|      |             | Ref | Sweeper Assembly - Body (See Separate Breakdown in this Section)                   |     |
|      |             | Ref | Sweeper Assembly - Motor (See Separate Breakdown in this Section)                  |     |
|      |             | Ref | Sweeper Assembly - Idler (See Separate Breakdown in this Section)                  |     |
|      |             | Ref | Sweeper Assembly - Core (See Separate Breakdown in this Section)                   |     |
|      |             | Ref | Sweeper Assembly - Hydraulic Single Motor (See Separate Breakdown in this Section) |     |

# SECTION 3 - ATTACHMENTS

## FIGURE 3-44. SWEEPER - HOPPER ASSEMBLY



ART\_1001202904\_1-B

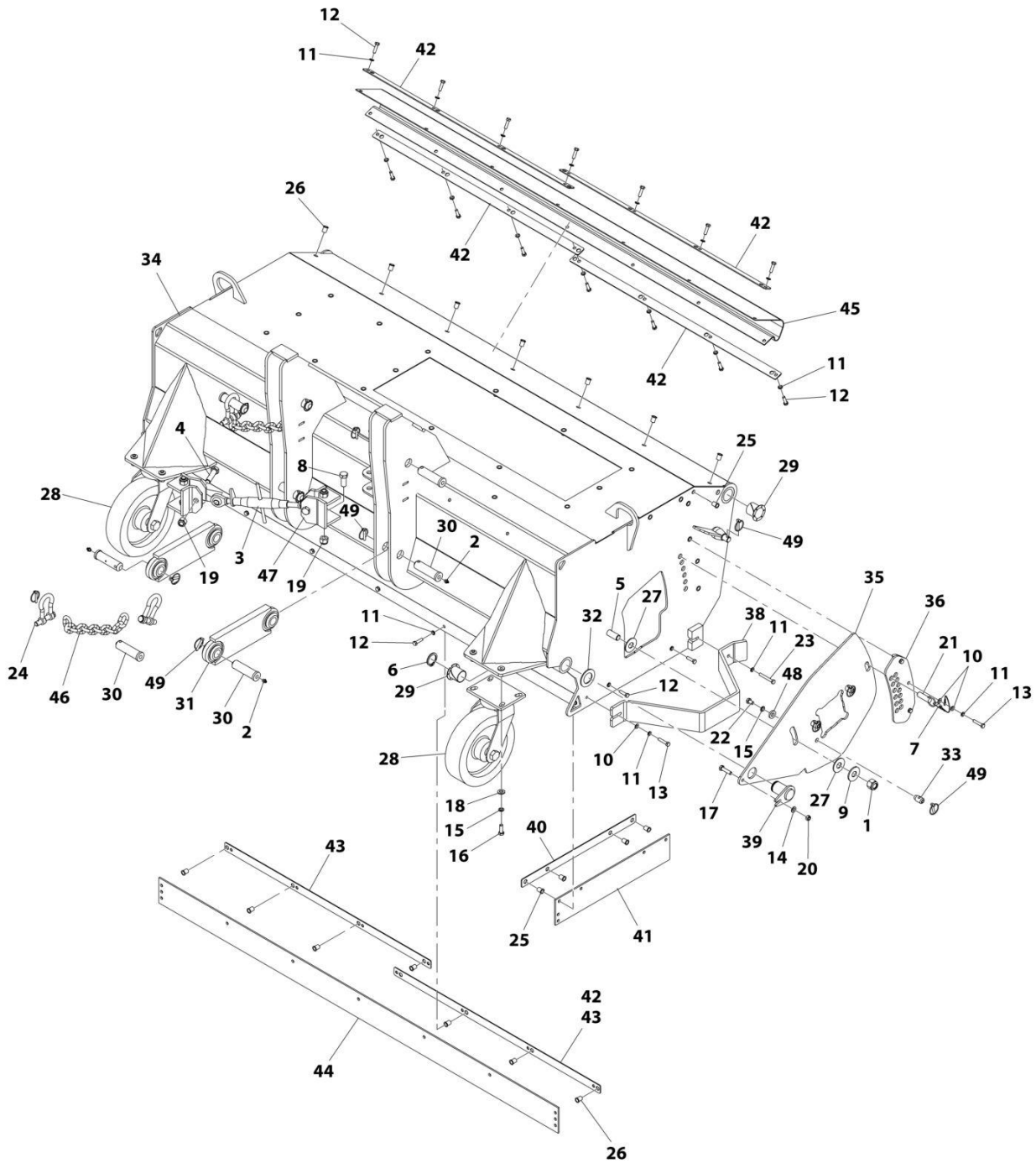
## SECTION 3 - ATTACHMENTS

**FIGURE 3-44. SWEEPER - HOPPER ASSEMBLY**

| ITEM | PART NUMBER | QTY | DESCRIPTION                               | REV |
|------|-------------|-----|---|-----|
|      | 1001202904  | Ref | SWEEPER ASSEMBLY - HOPPER                 |     |
| 1    | 70029725    | 2   | Lanyard                                   |     |
| 2    | 70029734    | 8   | Washer                                    |     |
| 3    | 70029735    | 8   | Screw                                     |     |
| 4    | 70029738    | 4   | Washer                                    |     |
| 5    | 70029739    | 8   | Washer                                    |     |
| 6    | 70029740    | 8   | Screw                                     |     |
| 7    | 70029742    | 2   | Screw                                     |     |
| 8    | 70029743    | 8   | Washer                                    |     |
| 9    | 70029747    | 2   | Nut                                       |     |
| 10   | 70029750    | 2   | Pin                                       |     |
| 11   | 70029756    | 8   | Nut                                       |     |
| 12   | 70029762    | 2   | Assembly, Caster                          |     |
| 13   | See Note    | NSS | Hopper (Note: Purchase Complete Assembly) |     |
| 14   | 70029777    | 2   | Pin                                       |     |
| 15   | 70029780    | 2   | Plate                                     |     |
| 16   | 70029781    | 1   | Plate                                     |     |
| 17   | 70029785    | 1   | Flap                                      |     |
| 18   | 70029792    | 12  | Plug                                      |     |
| 19   | 70029794    | 2   | Pin, Lynch                                |     |

# SECTION 3 - ATTACHMENTS

## FIGURE 3-45. SWEEPER - BODY ASSEMBLY



ART\_1001202904\_2-B

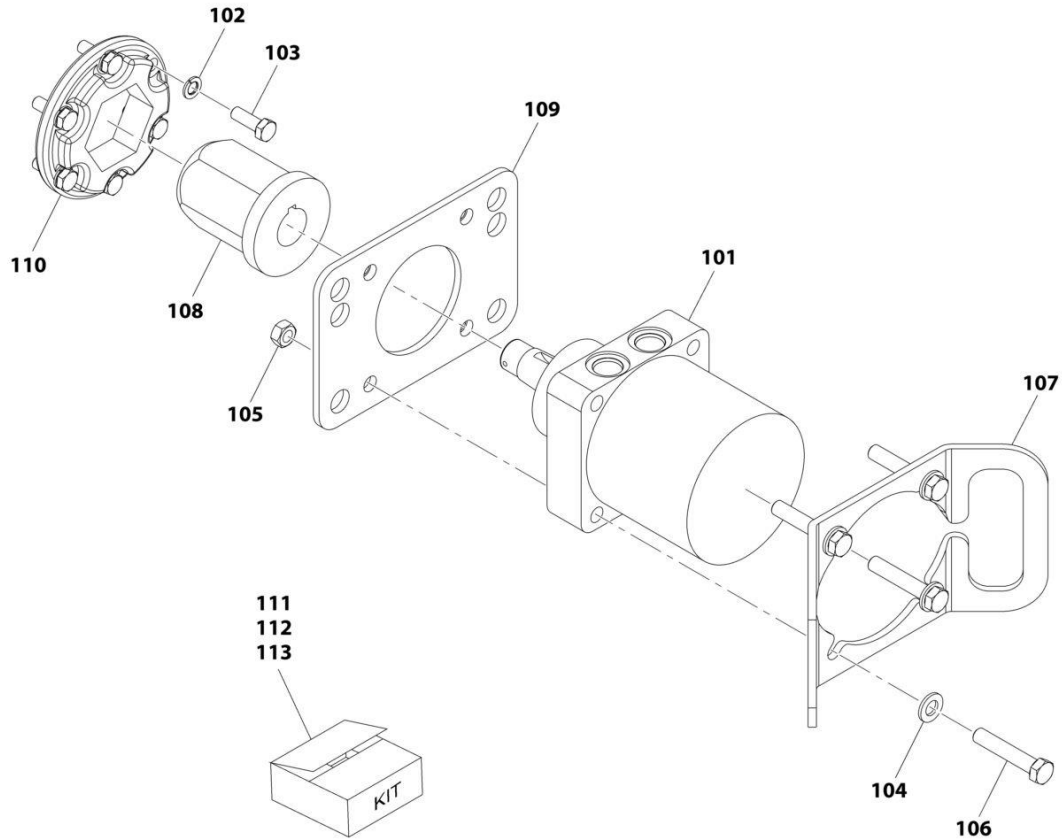
## SECTION 3 - ATTACHMENTS

### FIGURE 3-45. SWEEPER - BODY ASSEMBLY

| ITEM | PART NUMBER | QTY | DESCRIPTION                                      | REV |
|------|-------------|-----|--|-----|
|      | 1001202904  | Ref | SWEEPER ASSEMBLY - BODY                          |     |
| 1    | 70029720    | 2   | Nut  |     |
| 2    | 70029721    | 4   | Fitting, Grease                                  |     |
| 3    | 70029722    | 1   | Toplink  |     |
| 4    | 70029723    | 2   | Screw  |     |
| 5    | 70020004    | 2   | Screw  |     |
| 6    | 70029724    | 2   | Ring, Snap                                       |     |
| 7    | 70029725    | 2   | Lanyard  |     |
| 8    | 70029726    | 4   | Screw  |     |
| 9    | 70029728    | 2   | Washer   |     |
| 10   | 70029732    | 6   | Washer   |     |
| 11   | 70029734    | 38  | Washer   |     |
| 12   | 70029735    | 32  | Screw  |     |
| 13   | 70029736    | 4   | Screw  |     |
| 14   | 70029738    | 2   | Washer   |     |
| 15   | 70029739    | 14  | Washer   |     |
| 16   | 70029741    | 8   | Screw  |     |
| 17   | 70029742    | 2   | Screw  |     |
| 18   | 70029743    | 8   | Washer   |     |
| 19   | 70029745    | 6   | Nut  |     |
| 20   | 70029747    | 2   | Nut  |     |
| 21   | 70029729    | 2   | Pin  |     |
| 22   | 70029751    | 6   | Screw  |     |
| 23   | 70029752    | 2   | Screw  |     |
| 24   | 70029755    | 4   | Shackle  |     |
| 25   | 70029756    | 45  | Nut  |     |
| 26   | 70029757    | 25  | Nut  |     |
| 27   | 70029760    | 4   | Washer   |     |
| 28   | 70029762    | 2   | Assembly, Caster                                 |     |
| 29   | 70029764    | 4   | Bearing  |     |
| 30   | 70029765    | 8   | Pin  |     |
| 31   | 70029766    | 2   | Link   |     |
| 32   | 70029767    | 2   | Washer   |     |
| 33   | 70029768    | 6   | Stud   |     |
| 34   | See Note    | NSS | Body, Sweeper (Note: Purchase Complete Assembly) |     |
| 35   | 70029773    | 2   | Plate  |     |
| 36   | 70029774    | 2   | Plate  |     |
| 37   | 70029775    | 2   | Plate  |     |
| 38   | 70029776    | 2   | Plate  |     |
| 39   | 70029777    | 2   | Pin  |     |
| 40   | 70029778    | 2   | Plate  |     |
| 41   | 70029779    | 2   | Flap   |     |
| 42   | 70029780    | 6   | Plate  |     |
| 43   | 70029781    | 3   | Plate  |     |
| 44   | 70029784    | 1   | Flap   |     |
| 45   | 70029786    | 1   | Flap   |     |
| 46   | 70029788    | 2   | Chain  |     |
| 47   | 70029790    | 2   | Toplink  |     |
| 48   | 70029793    | 6   | Washer   |     |
| 49   | 70029794    | 16  | Pin, Lynch                                       |     |

# SECTION 3 - ATTACHMENTS

## FIGURE 3-46. SWEEPER - MOTOR ASSEMBLY



ART\_1001202904\_3-B

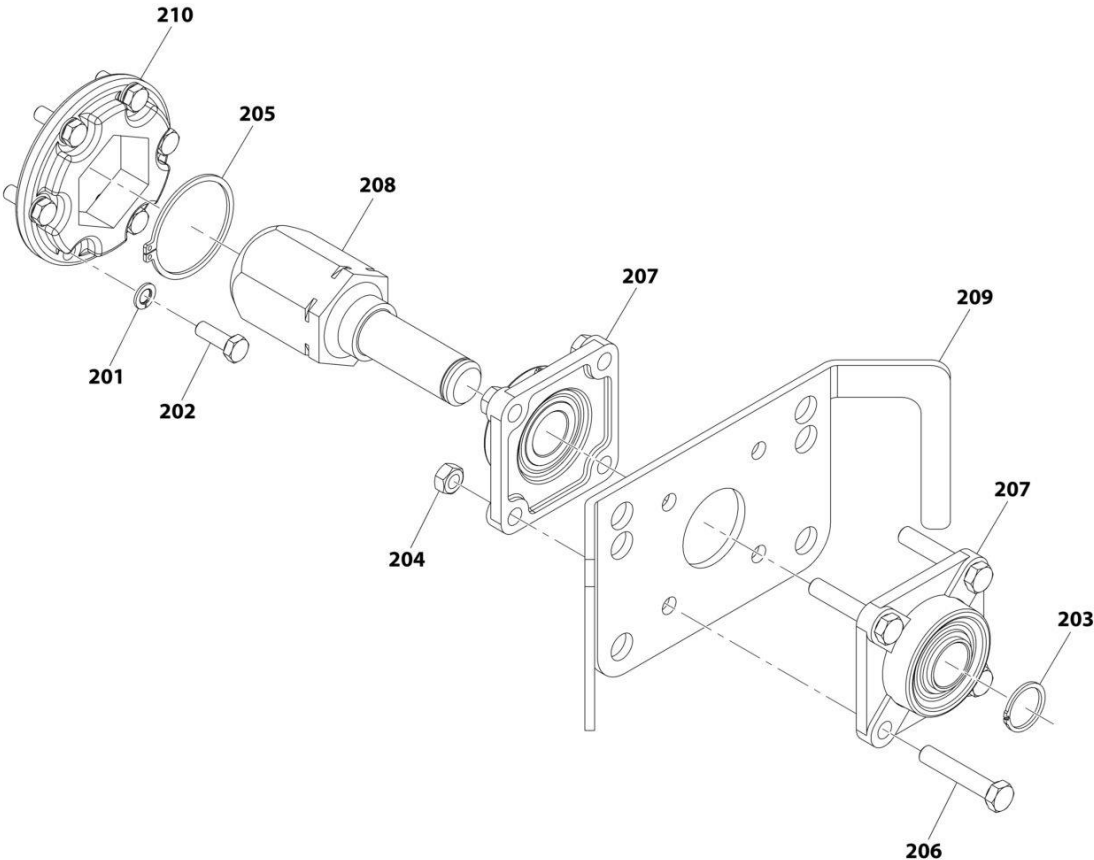
## SECTION 3 - ATTACHMENTS

**FIGURE 3-46. SWEEPER - MOTOR ASSEMBLY**

| ITEM | PART NUMBER | QTY | DESCRIPTION              | REV |
|------|-------------|-----|--------------------------|-----|
|      | 1001202904  | Ref | SWEEPER ASSEMBLY - MOTOR |     |
| 101  | 70029717    | 1   | Motor                    |     |
| 102  | 70029739    | 6   | Washer                   |     |
| 103  | 70029741    | 6   | Screw                    |     |
| 104  | 70029743    | 4   | Washer                   |     |
| 105  | 70029746    | 4   | Nut                      |     |
| 106  | 70029749    | 4   | Screw                    |     |
| 107  | 70029769    | 1   | Plate                    |     |
| 108  | 70029771    | 1   | Hub                      |     |
| 109  | 70029772    | 1   | Plate                    |     |
| 110  | 70029789    | 1   | Plate                    |     |
| 111  | 70029719    | 1   | Nut, Motor Shaft Lock    |     |
| 112  | 70029718    | 1   | Kit, Seal                |     |
| 113  | 70029761    | 1   | Key                      |     |

**SECTION 3 - ATTACHMENTS**

**FIGURE 3-47. SWEEPER - IDLER ASSEMBLY**



ART\_1001202904\_4-B



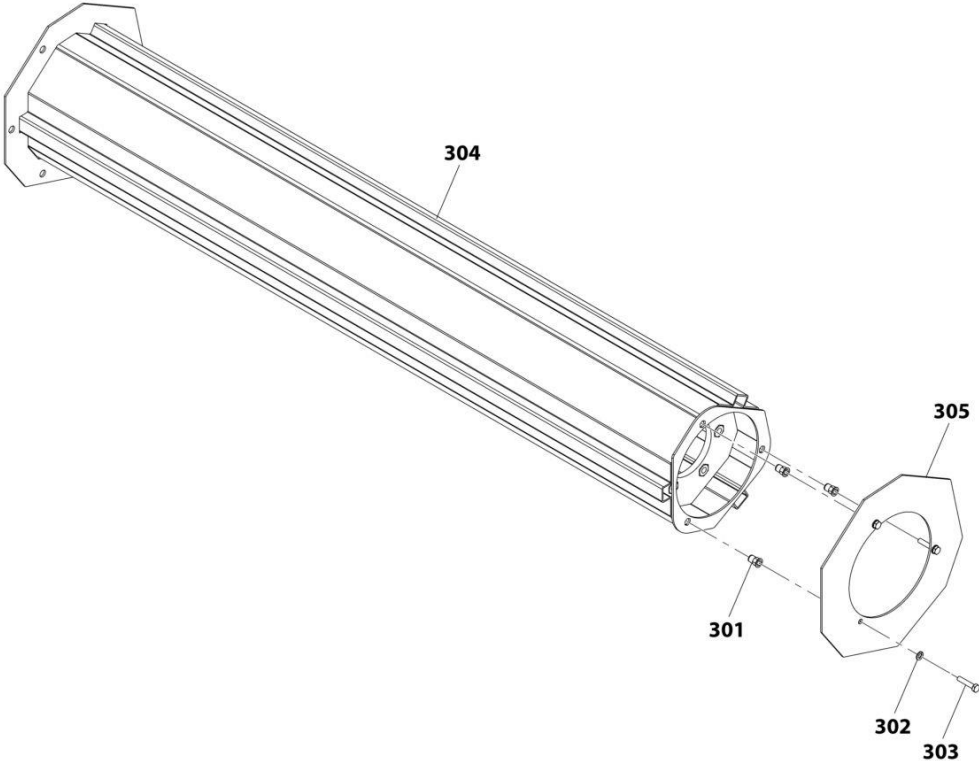
# SECTION 3 - ATTACHMENTS

## FIGURE 3-47. SWEEPER - IDLER ASSEMBLY

| ITEM | PART NUMBER | QTY | DESCRIPTION              | REV |
|------|-------------|-----|--------------------------|-----|
|      | 1001202904  | Ref | SWEEPER ASSEMBLY - IDLER |     |
| 201  | 70029739    | 6   | Washer                   |     |
| 202  | 70029741    | 6   | Screw                    |     |
| 203  | 70029744    | 1   | Ring, Snap               |     |
| 204  | 70029746    | 4   | Nut                      |     |
| 205  | 70029748    | 1   | Ring, Snap               |     |
| 206  | 70029749    | 4   | Screw                    |     |
| 207  | 70029763    | 2   | Bearing                  |     |
| 208  | 70029770    | 1   | Hub                      |     |
| 209  | 70029787    | 1   | Plate                    |     |
| 210  | 70029789    | 1   | Plate                    |     |

**SECTION 3 - ATTACHMENTS**

**FIGURE 3-48. SWEEPER - CORE ASSEMBLY**



ART\_1001202904\_5-B

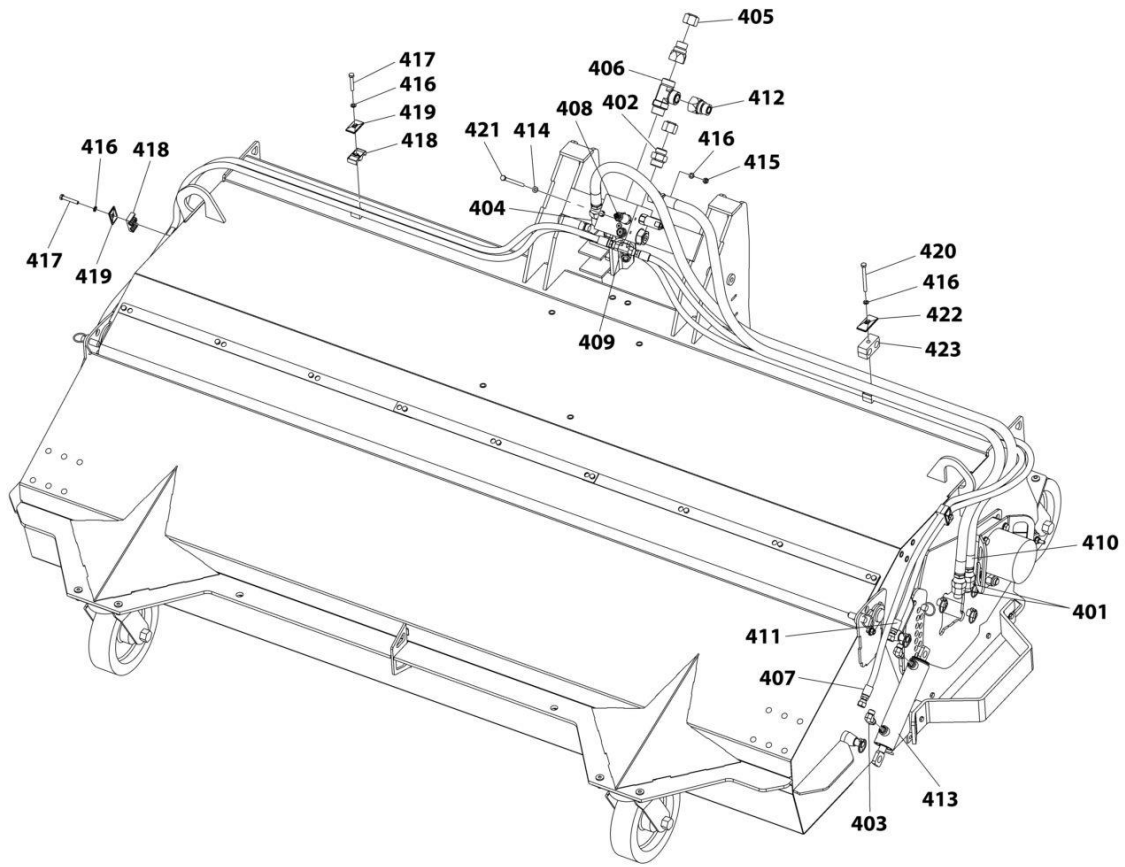
## SECTION 3 - ATTACHMENTS

### FIGURE 3-48. SWEEPER - CORE ASSEMBLY

| ITEM | PART NUMBER | QTY | DESCRIPTION             | REV |
|------|-------------|-----|-------------------------|-----|
|      | 1001202904  | 1   | SWEEPER ASSEMBLY - CORE |     |
| 301  | 70029727    | 3   | Nut                     |     |
| 302  | 70029730    | 3   | Washer                  |     |
| 303  | 70029731    | 3   | Screw                   |     |
| 304  | 70029782    | 1   | Core                    |     |
| 305  | 70029783    | 1   | Plate                   |     |

# SECTION 3 - ATTACHMENTS

## FIGURE 3-49. SWEEPER - HYDRAULIC SINGLE MOTOR ASSEMBLY



ART\_1001202904\_6-B

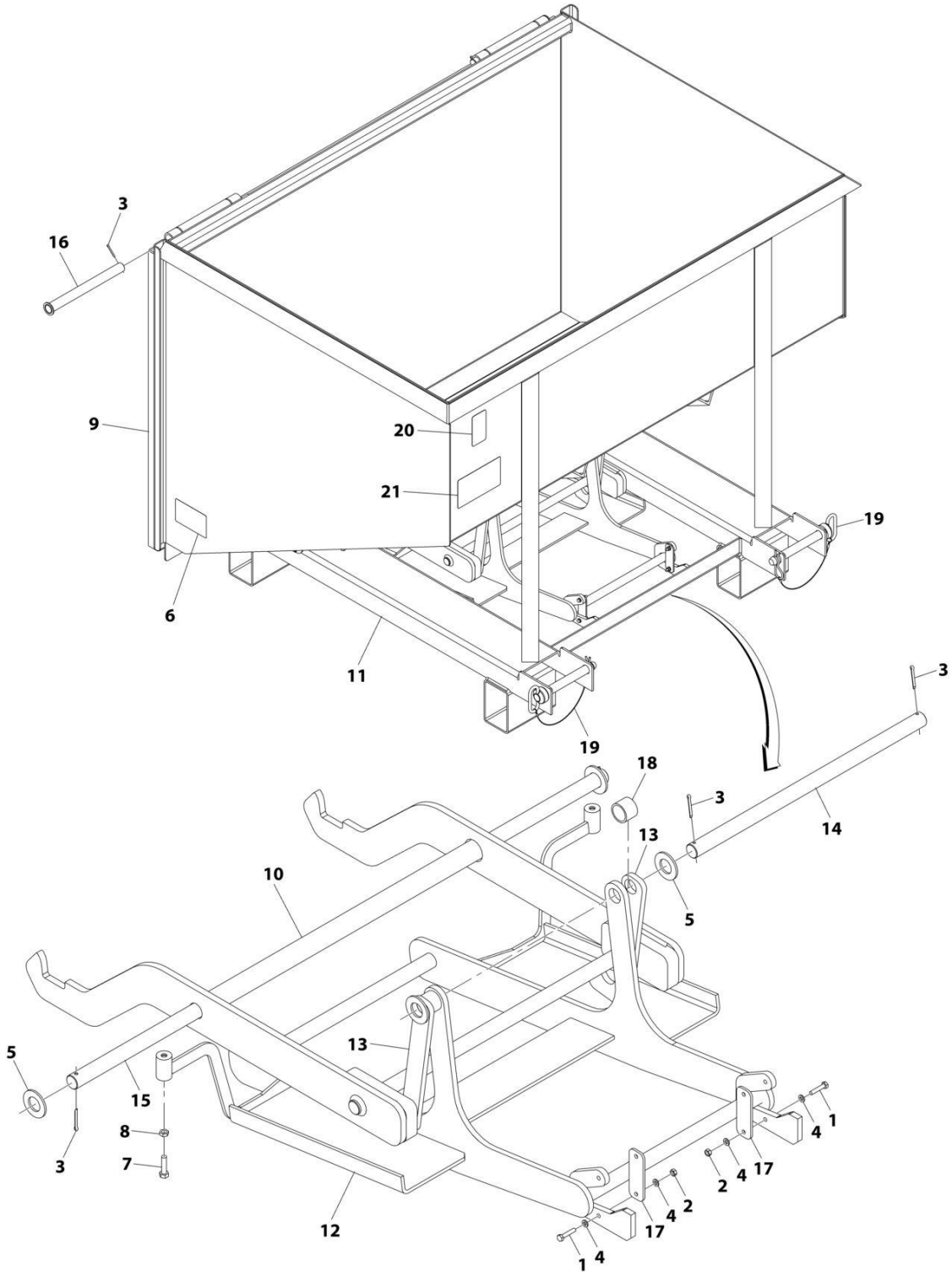
## SECTION 3 - ATTACHMENTS

**FIGURE 3-49. SWEEPER - HYDRAULIC SINGLE MOTOR ASSEMBLY**

| ITEM | PART NUMBER | QTY | DESCRIPTION                   | REV |
|------|-------------|-----|-------------------------------|-----|
|      | 1001202904  | Ref | SWEEPER ASSEMBLY - HYDRAULICS |     |
| 401  | 70029704    | 2   | Fitting                       |     |
| 402  | 70029705    | 1   | Fitting                       |     |
| 403  | 70029706    | 4   | Fitting, 90                   |     |
| 404  | 70029707    | 1   | Fitting, 90                   |     |
| 405  | 70029708    | 2   | Cap                           |     |
| 406  | 70029709    | 1   | Fitting, Tee                  |     |
| 407  | 70029710    | 2   | Hose                          |     |
| 408  | 70029711    | 1   | Manifold                      |     |
| 409  | 70029712    | 2   | Fitting, Tee                  |     |
| 410  | 70029713    | 2   | Hose                          |     |
| 411  | 70029714    | 2   | Hose                          |     |
| 412  | 70029715    | 2   | Fitting                       |     |
| 413  | 70029716    | 2   | Cylinder                      |     |
| 413  | 70029791    | 1   | Kit, Seal                     |     |
| 414  | 70029732    | 2   | Washer                        |     |
| 415  | 70029733    | 2   | Nut                           |     |
| 416  | 70029734    | 6   | Washer                        |     |
| 417  | 70029737    | 3   | Screw                         |     |
| 418  | 70029753    | 8   | Hose                          |     |
| 419  | 70029754    | 3   | Cover                         |     |
| 420  | 70029758    | 1   | Screw                         |     |
| 421  | 70029759    | 2   | Screw                         |     |
| 422  | 70029795    | 1   | Cover                         |     |
| 423  | 70029796    | 1   | Cradle, Hose                  |     |

# SECTION 3 - ATTACHMENTS

## FIGURE 3-50. TRASH HOPPER - FORK MOUNTED



ART\_1001238566-B

## SECTION 3 - ATTACHMENTS

### FIGURE 3-50. TRASH HOPPER - FORK MOUNTED

| ITEM | PART NUMBER | QTY | DESCRIPTION  | REV |
|------|-------------|-----|--|-----|
|      | 1001238566  | Ref | FORK MOUNTED TRASH HOPPER                                  | C   |
| 1    | 0700614     | 4   | Bolt M6 x 30   |     |
| 2    | 3290601     | 4   | Nut M6 x 1   |     |
| 3    | 3391410     | 6   | Pin  |     |
| 4    | 4811700     | 8   | Washer M6  |     |
| 5    | 5242400     | 4   | Washer M24   |     |
| 6    | 1706302     | 2   | Decal, Pinch Point   |     |
| 7    | 0641510     | 2   | Bolt 5/16 x 1-1/4  |     |
| 8    | 3311502     | 2   | Nut 5/16   |     |
| 9    | 1001192711  | 1   | Door Assembly  |     |
| 10   | 1001192720  | 1   | Hook Assembly  |     |
| 11   | See Note    | NSS | Hopper, Trash (Note: Purchase Complete Assembly)           |     |
| 12   | 1001192875  | 1   | Tray Assembly  |     |
| 13   | 1001192876  | 2   | Arm, Swing   |     |
| 14   | 1001192877  | 1   | Rod, Swing   |     |
| 15   | 1001238570  | 1   | Bar  |     |
| 16   | 1001193540  | 2   | Pin  |     |
| 17   | 1001193729  | 2   | Plate  |     |
| 18   | 1001198355  | 2   | Spacer   |     |
| 19   | 1001238560  | 2   | Pin  |     |
| 20   | See Note    | NSS | SN Plate (Note: Stamped Part - Not Available for Purchase) |     |
| 21   | 1001203503  | 1   | Decal, Trash Hopper Operation                              |     |



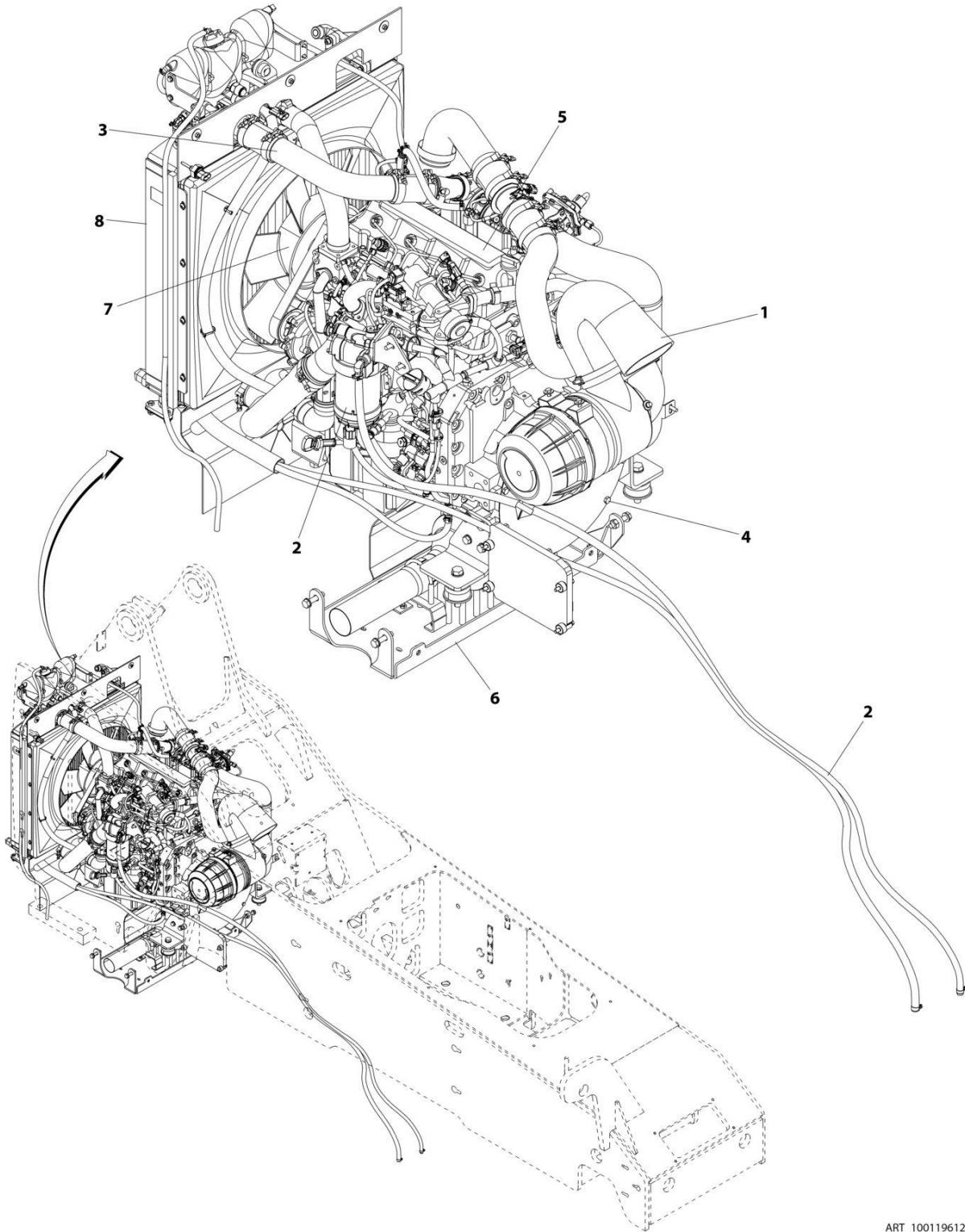


## **SECTION 4 - ENGINE AND ATTACHING PARTS**

## **SECTION 4 - ENGINE AND ATTACHING PARTS**

# SECTION 4 - ENGINE AND ATTACHING PARTS

## FIGURE 4-1. ENGINE COMPONENT INSTALLATION, 74HP (ULS)



ART\_1001196127-A

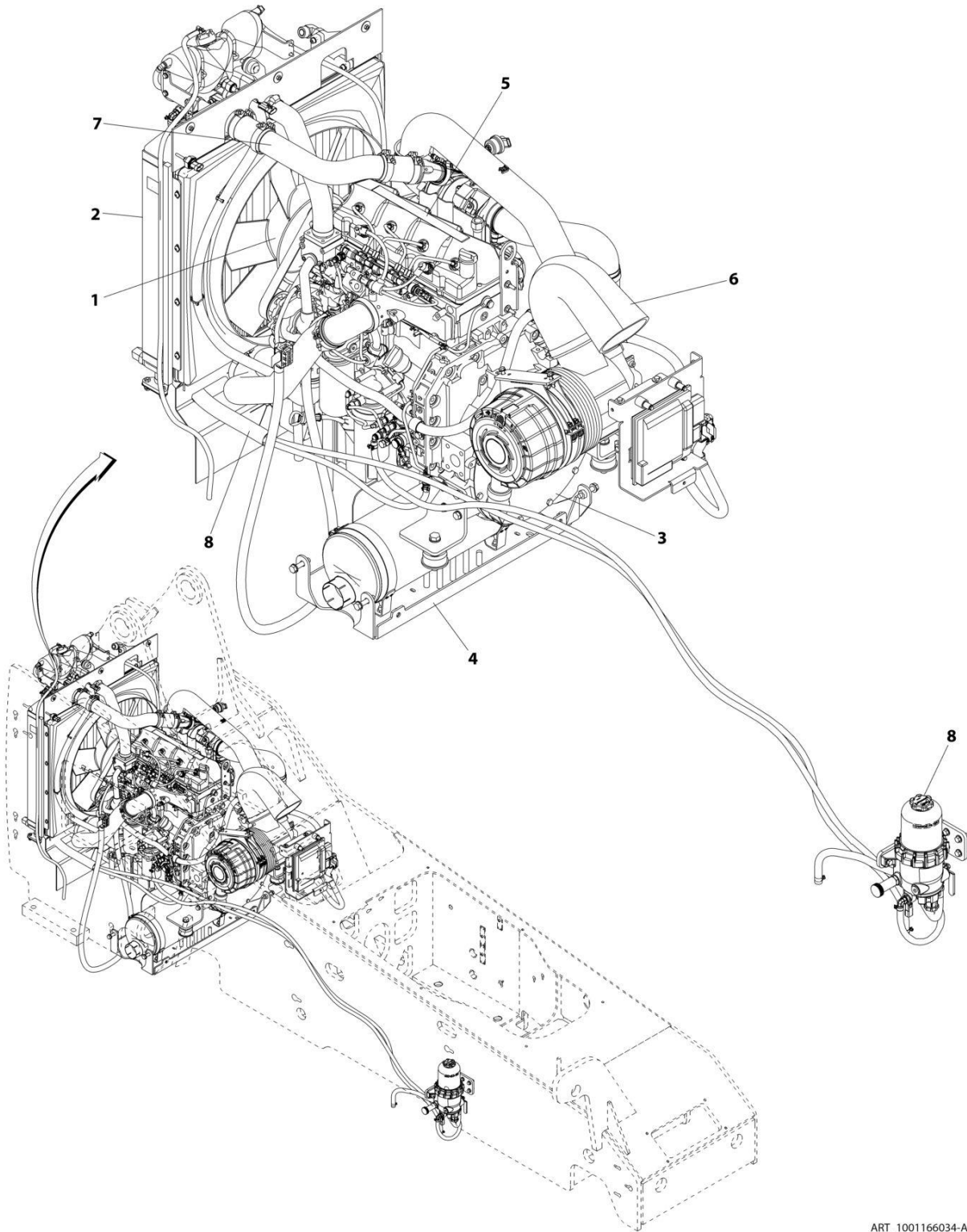
## SECTION 4 - ENGINE AND ATTACHING PARTS

**FIGURE 4-1. ENGINE COMPONENT INSTALLATION, 74HP (ULS)**

| ITEM | PART NUMBER | QTY | DESCRIPTION  | REV |
|------|-------------|-----|--|-----|
|      | 1001196127  | Ref | Engine Component Installation, 74HP (ULS)                                | A   |
| 1    | 1001165669  | Ref | Installation, Air Cleaner (See Separate Breakdown in this Section)       |     |
| 2    | 1001165672  | Ref | Installation, Fuel Plumbing (See Separate Breakdown in this Section)     |     |
| 3    | 1001165673  | Ref | Installation, Plumbing Cooling (See Separate Breakdown in this Section)  |     |
| 4    | 1001166229  | Ref | Installation, Isolation Coupler (See Separate Breakdown in this Section) |     |
| 5    | 1001196124  | Ref | Installation, Engine (74HP) (See Separate Breakdown in this Section)     |     |
| 6    | 1001196125  | Ref | Installation, Exhaust (See Separate Breakdown in this Section)           |     |
| 7    | 1001196736  | Ref | Installation, Fan (See Separate Breakdown in this Section)               |     |
| 8    | 1001196737  | Ref | Installation, Cooling (See Separate Breakdown in this Section)           |     |

# SECTION 4 - ENGINE AND ATTACHING PARTS

FIGURE 4-2. ENGINE COMPONENT INSTALLATION, 85HP (LS)



ART\_1001166034-A

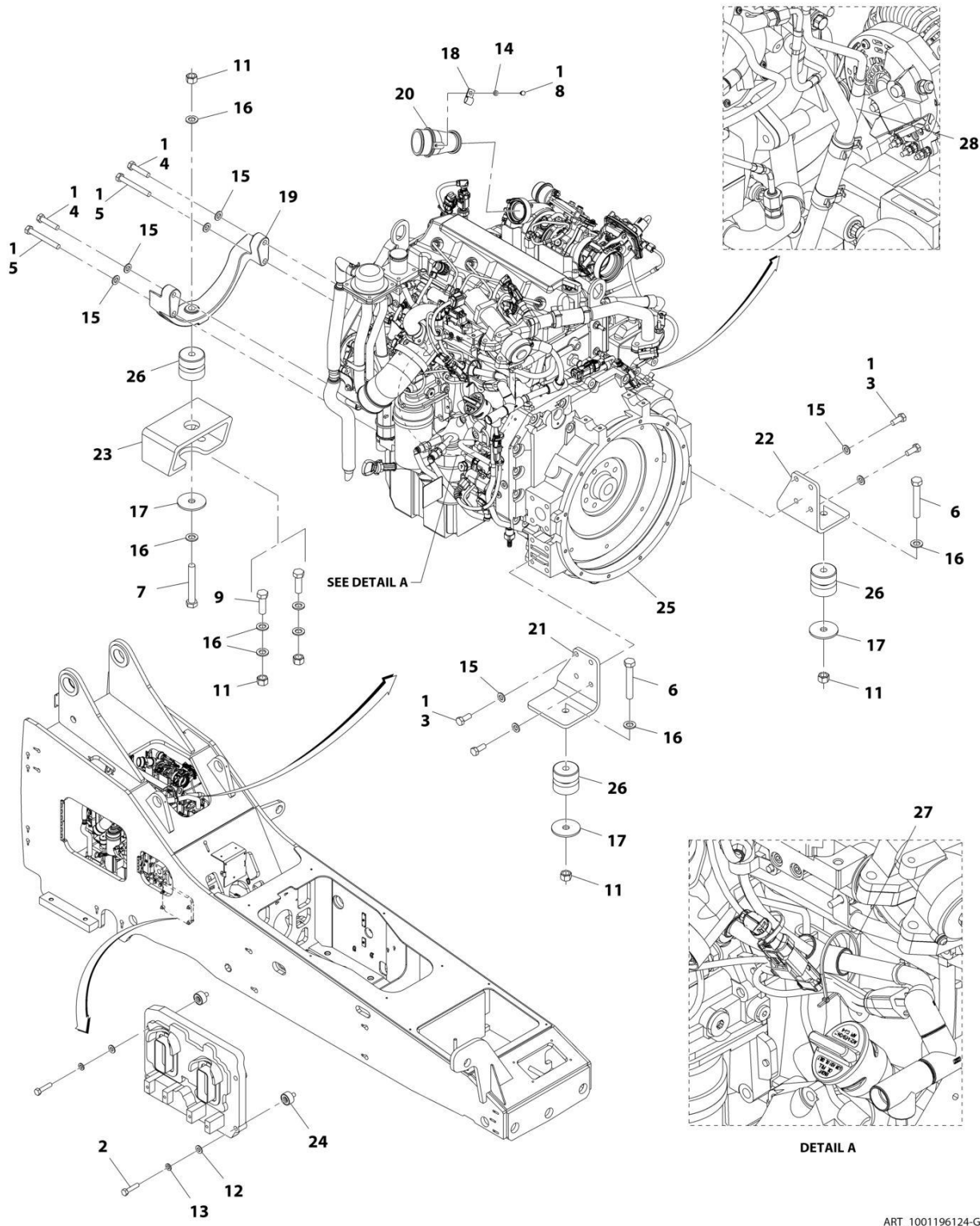
## SECTION 4 - ENGINE AND ATTACHING PARTS

FIGURE 4-2. ENGINE COMPONENT INSTALLATION, 85HP (LS)

| ITEM | PART NUMBER | QTY | DESCRIPTION  | REV |
|------|-------------|-----|--|-----|
|      | 1001166034  | Ref | Engine Component Installation, 85HP (LS)                                 | A   |
| 1    | 1001165668  | Ref | Installation, Fan (See Separate Breakdown in this Section)               |     |
| 2    | 1001165670  | Ref | Installation, Cooling (See Separate Breakdown in this Section)           |     |
| 3    | 1001166229  | Ref | Installation, Isolation Coupler (See Separate Breakdown in this Section) |     |
| 4    | 1001185649  | Ref | Installation, Exhaust (See Separate Breakdown in this Section)           |     |
| 5    | 1001185650  | Ref | Installation, Engine (See Separate Breakdown in this Section)            |     |
| 6    | 1001185651  | Ref | Installation, Air Cleaner (See Separate Breakdown in this Section)       |     |
| 7    | 1001185652  | Ref | Installation, Plumbing Cooling (See Separate Breakdown in this Section)  |     |
| 8    | 1001186490  | Ref | Installation, Fuel Plumbing (See Separate Breakdown in this Section)     |     |

# SECTION 4 - ENGINE AND ATTACHING PARTS

## FIGURE 4-3. ENGINE INSTALLATION, 74HP (ULS)



ART\_1001196124-G

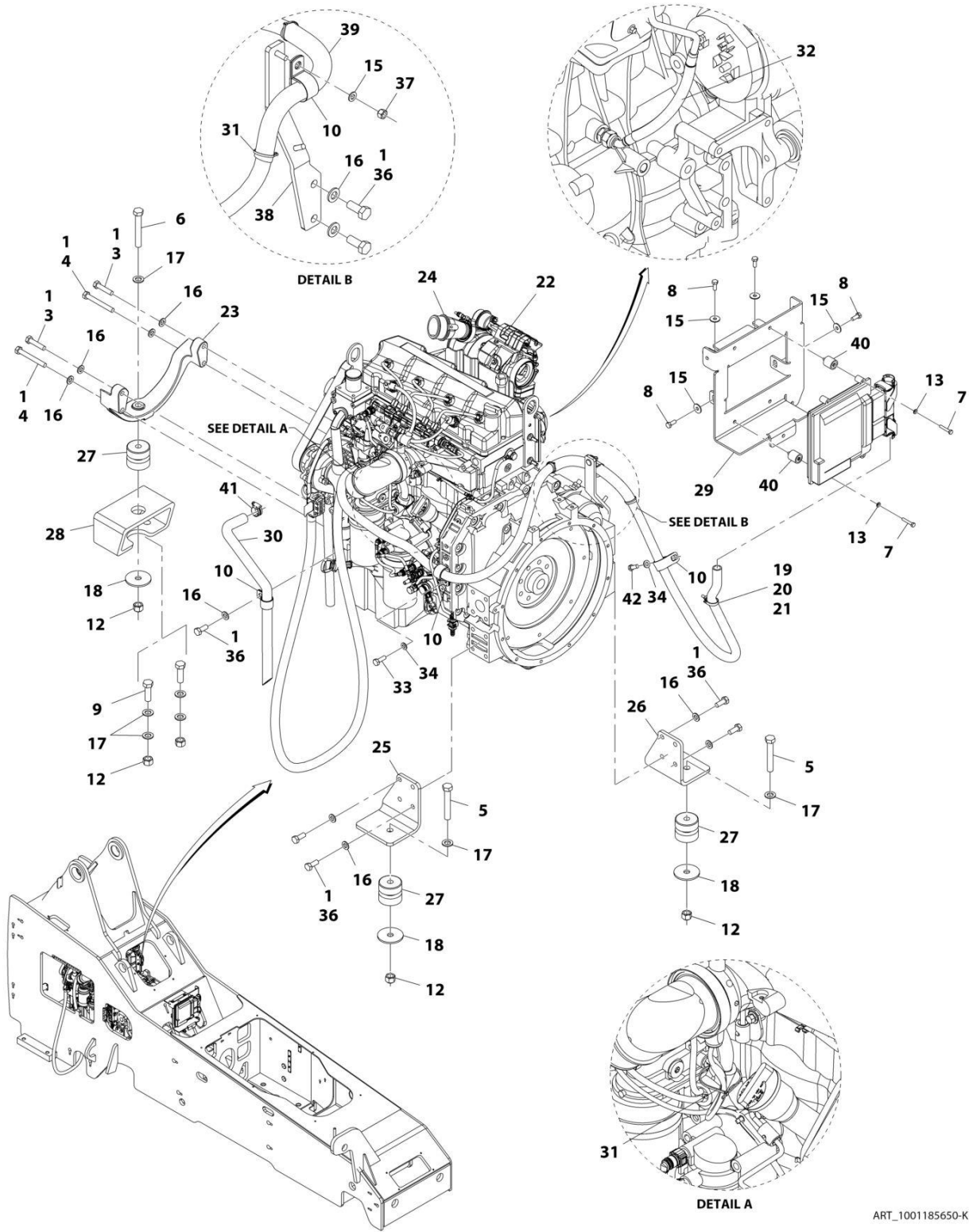
## SECTION 4 - ENGINE AND ATTACHING PARTS

**FIGURE 4-3. ENGINE INSTALLATION, 74HP (ULS)**

| ITEM | PART NUMBER | QTY | DESCRIPTION                                     | REV |
|------|-------------|-----|---|-----|
|      | 1001196124  | Ref | Engine Installation, 74HP (if equipped for ULS) | G   |
| 1    | 0100011     | AR  | Compound, Locking                               |     |
| 2    | 0641511     | 4   | Bolt, 5/16-18X1-3/8                             |     |
| 3    | 0711214     | 8   | Bolt, M12X30                                    |     |
| 4    | 0711219     | 2   | Bolt, M12X55                                    |     |
| 5    | 0711227     | 2   | Bolt, M12X100                                   |     |
| 6    | 0711627     | 2   | Bolt, M16X100                                   |     |
| 7    | 0711628     | 1   | Bolt, M16X110                                   |     |
| 8    | 0760605     | 1   | Bolt, M6X10                                     |     |
| 9    | 0771618     | 2   | Bolt, M16X50                                    |     |
| 11   | 3331615     | 5   | Nut, Lock M16X12                                |     |
| 12   | 4711500     | 4   | Washer, 5/16                                    |     |
| 13   | 4761500     | 4   | Washer, Lock 5/16                               |     |
| 14   | 4811700     | 1   | Washer, M6                                      |     |
| 15   | 4812100     | 12  | Washer, M12                                     |     |
| 16   | 4812300     | 8   | Washer, M16                                     |     |
| 17   | 7300435     | 3   | Washer, Rebound                                 |     |
| 18   | 8406112     | 1   | Clip, Tube 5/8                                  |     |
| 19   | 1001160116  | 1   | Bracket, Engine Mount Casting                   |     |
| 20   | 1001161920  | 1   | Adapter   |     |
| 21   | 1001165517  | 1   | Bracket, Engine Mount                           |     |
| 22   | 1001165518  | 1   | Bracket, Engine Mount                           |     |
| 23   | 1001180473  | 1   | Bracket, Rear Engine Mount                      |     |
| 24   | 1001186373  | 4   | Mount, Isolator ECM                             |     |
| 25   | 1001196665  | 1   | Engine (See Separate Breakdown in this Section) |     |
| 26   | 1001165660  | 3   | Mount, Isolator Engine                          |     |
| 27   | 4240099     | 1   | Strap, Tie                                      |     |
| 28   | 7125871     | 1   | Conduit 0.5X8                                   |     |

# SECTION 4 - ENGINE AND ATTACHING PARTS

## FIGURE 4-4. ENGINE INSTALLATION, 85HP (LS)



ART\_1001185650-K



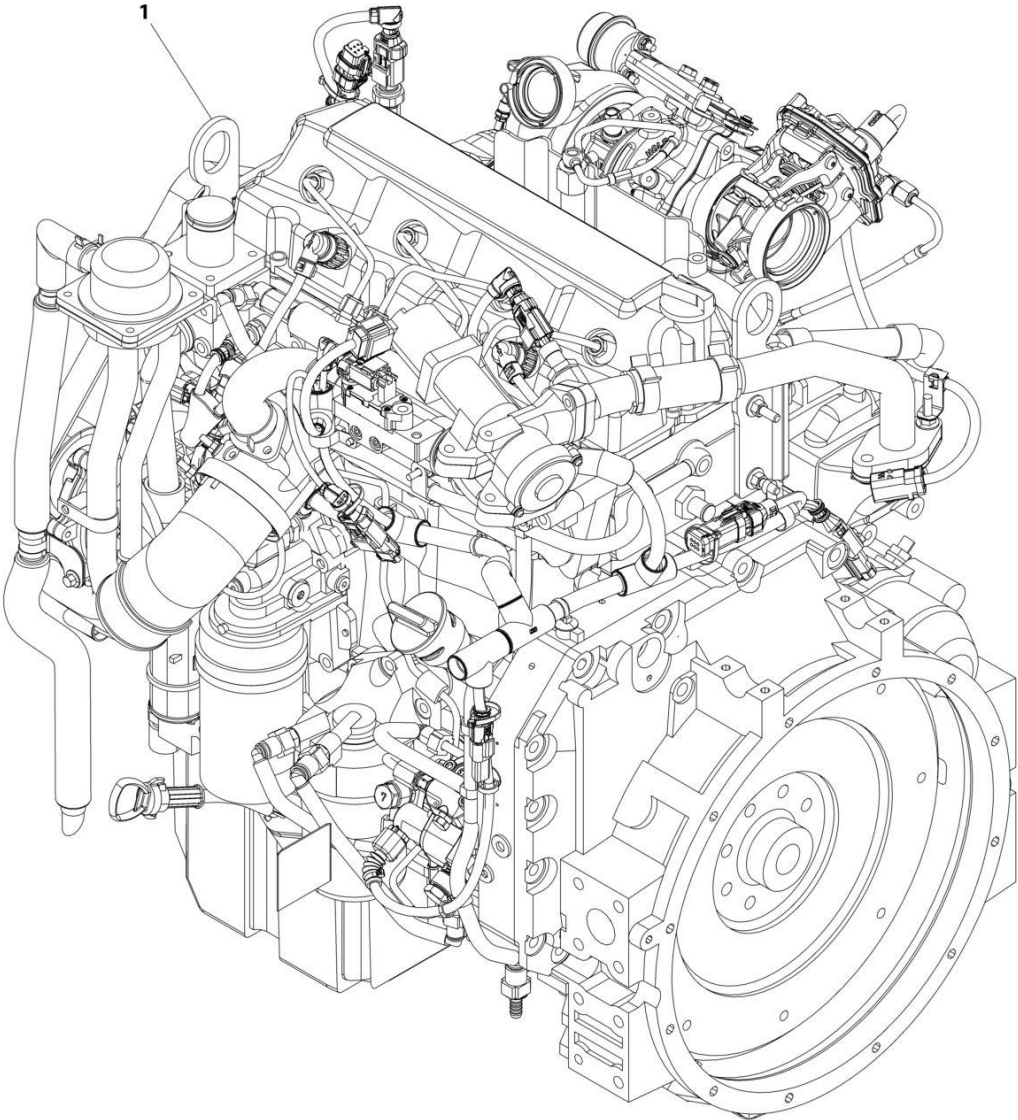
## SECTION 4 - ENGINE AND ATTACHING PARTS

**FIGURE 4-4. ENGINE INSTALLATION, 85HP (LS)**

| ITEM | PART NUMBER | QTY | DESCRIPTION                                     | REV |
|------|-------------|-----|---|-----|
|      | 1001185650  | Ref | Engine Installation (if equipped for LS)        | K   |
| 1    | 0100011     | AR  | Compound, Locking                               |     |
| 3    | 0711219     | 2   | Bolt, M12X55                                    |     |
| 4    | 0711227     | 2   | Bolt, M12X100                                   |     |
| 5    | 0711627     | 2   | Bolt, M16X100                                   |     |
| 6    | 0711628     | 1   | Bolt, M16X110                                   |     |
| 7    | 0760614     | 4   | Bolt, M6X30                                     |     |
| 8    | 0760810     | 4   | Bolt, M8X20                                     |     |
| 9    | 0771618     | 2   | Bolt, M16X50                                    |     |
| 10   | 8406303     | 4   | Clip, Tube 1-3/16                               |     |
| 12   | 3331615     | 5   | Nut, Lock M16X2                                 |     |
| 13   | 4811700     | 4   | Washer, M6                                      |     |
| 15   | 4811902     | 5   | Washer, M8                                      |     |
| 16   | 4812100     | 15  | Washer, M12                                     |     |
| 17   | 4812300     | 7   | Washer, M16                                     |     |
| 18   | 7300435     | 3   | Washer, Rebound                                 |     |
| 19   | 8881800     | 1   | Strap, Cable                                    |     |
| 20   | 88261015    | 1   | Bolt, 1/4-20X5/8                                |     |
| 21   | 1001138645  | 1   | Mount, Cable Tie                                |     |
| 22   | 1001154790  | 1   | Engine (See Separate Breakdown in this Section) |     |
| 23   | 1001160116  | 1   | Bracket, Engine Mount Casting                   |     |
| 24   | 1001161920  | 1   | Adapter   |     |
| 25   | 1001165517  | 1   | Bracket, Engine Mount                           |     |
| 26   | 1001165518  | 1   | Bracket, Engine Mount                           |     |
| 27   | 1001165660  | 3   | Mount, Isolator Engine                          |     |
| 28   | 1001180473  | 1   | Bracket, Rear Engine Mount                      |     |
| 29   | 1001211688  | 1   | Bracket, ECM Mount                              |     |
| 30   | 1001192134  | 1   | Hose  |     |
| 31   | 4240099     | 3   | Strap, Tie                                      |     |
| 32   | 7125871     | 1   | Conduit   |     |
| 33   | 0761014     | 1   | Capscrew, 10X30                                 |     |
| 34   | 4812000     | 2   | Washer, M10                                     |     |
| 36   | 0711214     | 11  | Bolt, M12X30                                    |     |
| 37   | 3290805     | 1   | Nut, Lock M8X1-1/4                              |     |
| 38   | 1001197233  | 1   | Bracket   |     |
| 39   | 1001186718  | 1   | Insulate, Heat Shield Tube                      |     |
| 40   | 1001211697  | 4   | Mount, Isolator ECM                             |     |
| 41   | 1001173535  | 1   | Clamp   |     |
| 42   | 0641608     | 1   | Bolt, 3/8-16X1                                  |     |

**SECTION 4 - ENGINE AND ATTACHING PARTS**

**FIGURE 4-5. ENGINE, 74HP (ULS)**



ART\_1001196665

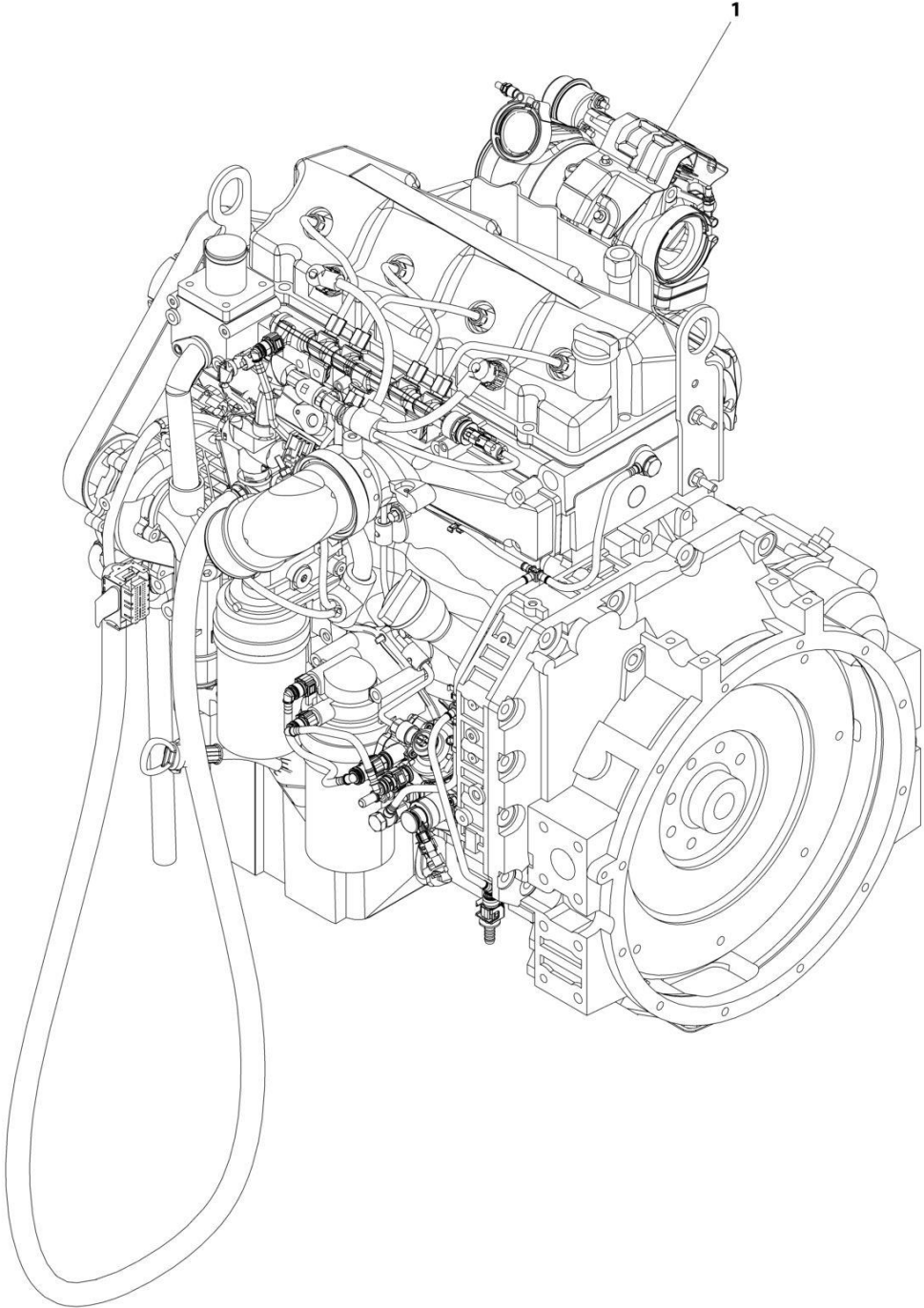
## SECTION 4 - ENGINE AND ATTACHING PARTS

**FIGURE 4-5. ENGINE, 74HP (ULS)**

| ITEM | PART NUMBER | QTY | DESCRIPTION  | REV |
|------|-------------|-----|--|-----|
| 1    | 1001196665  | Ref | Engine, 74HP (if equipped for ULS)                                       | O   |
|      | 70026220    | 1   | Assembly, Secondary Fuel Filter (includes filter head, seal and element) |     |
|      | 70026453    | 1   | Element, Fuel Filter   |     |
|      | 70026221    | 1   | Head, Fuel Filter  |     |
|      | 70026222    | 1   | Assembly, Flywheel Housing   |     |
|      | 70027281    | 1   | Pan, Oil   |     |
|      | 70026224    | 1   | Seal, Oil Pan  |     |
|      | 70026225    | 1   | Plug, Oil Pan  |     |
|      | 70026226    | 1   | Seal, Oil Pan Plug   |     |
|      | 1001128594  | 1   | Starter  |     |
|      | 70026228    | 1   | Filler Cap, Valve Cover  |     |
|      | 70026229    | 1   | Fan Belt, V-Ribbed   |     |
|      | 70026230    | 1   | Support, Fan   |     |
|      | 70026231    | 1   | Pulley, Fan  |     |
|      | 70026232    | 1   | Alternator   |     |
|      | 70028450    | 1   | Assembly, Primary Fuel Filter  |     |
|      | 70026234    | 1   | Element, Fuel Filter   |     |
|      | 70026235    | 1   | Assembly, Dipstick Oil Level   |     |
|      | 70026241    | 1   | Assembly, Fuel Filter Plug   |     |
|      | 70026237    | 1   | Filter, Oil  |     |
|      | 70023933    | 1   | O-Ring, Oil Pressure Switch  |     |
|      | 70041620    | 2   | Ring, Retaining  |     |
|      | 70041616    | 1   | Bolt   |     |
|      | 70041617    | 1   | Bearing, Ball  |     |
|      | 70041619    | 1   | Retainer, Fan Hub  |     |
|      | 1322039     | 1   | Spacer, Fan Pilot  |     |
|      | 1321094     | 19  | Screw  |     |
|      | 70024016    | 1   | Cap, Side Oil Fill   |     |
|      | 70022634    | 1   | Flywheel w/Ring Gear   |     |
|      | 70023736    | 1   | Ring Gear, Flywheel  |     |
|      | 1322040     | 1   | Plug, Flywheel   |     |
|      | 70031148    | 1   | Sensor, Speed  |     |

**SECTION 4 - ENGINE AND ATTACHING PARTS**

**FIGURE 4-6. ENGINE, 85HP (LS)**



ART\_1001154790

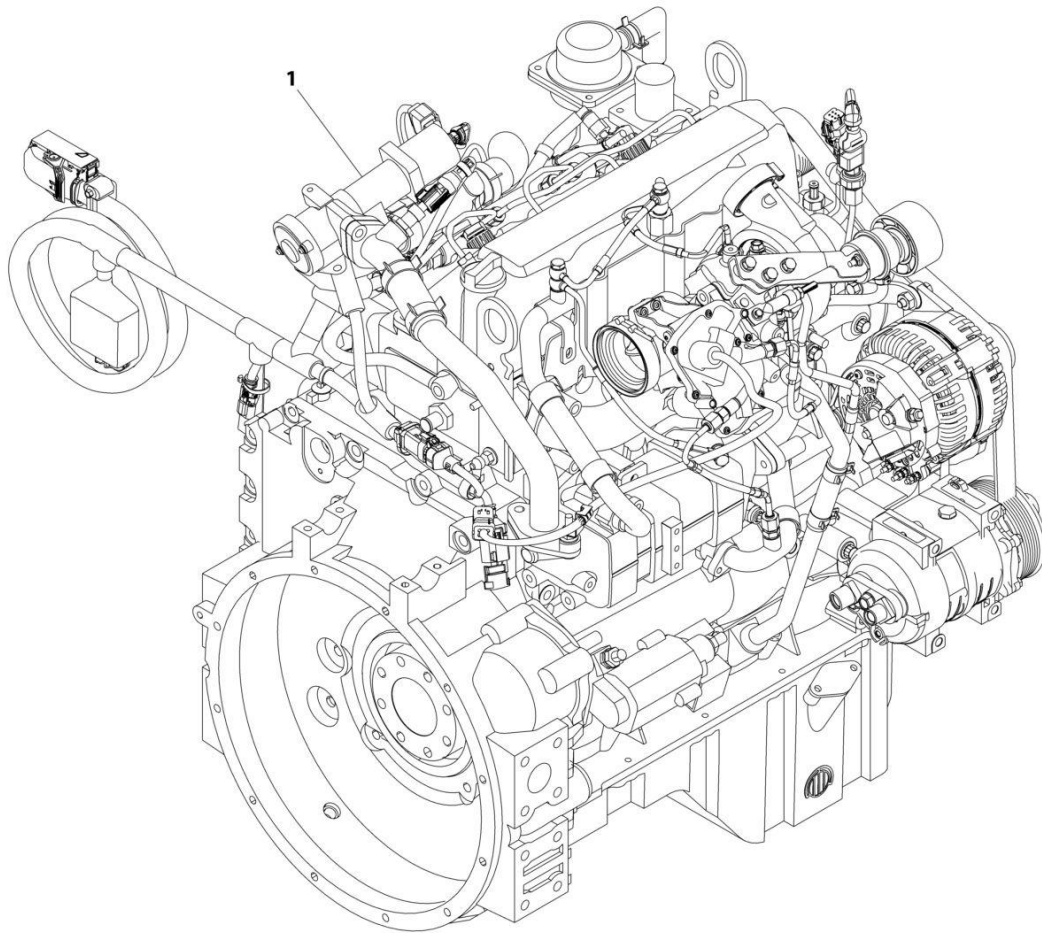
## SECTION 4 - ENGINE AND ATTACHING PARTS

**FIGURE 4-6. ENGINE, 85HP (LS)**

| ITEM | PART NUMBER | QTY | DESCRIPTION                   | REV |
|------|-------------|-----|-------------------------------|-----|
| 1    | 1001154790  | Ref | 3.8L Engine (LS)              | L   |
|      | 70026800    | 1   | Fuel Filter Assembly          |     |
|      | 70026801    | 1   | Fuel Filter Element           |     |
|      | 70026222    | 1   | Assembly, Flywheel Housing    |     |
|      | 70027281    | 1   | Pan, Oil                      |     |
|      | 70026224    | 1   | Seal, Oil Pan                 |     |
|      | 70026225    | 1   | Plug, Oil Pan                 |     |
|      | 70026226    | 1   | Seal, Oil Pan Plug            |     |
|      | 1001128594  | 1   | Starter                       |     |
|      | 70026228    | 1   | Filler Cap, Valve Cover       |     |
|      | 70026229    | 1   | Fan Belt, V-Ribbed            |     |
|      | 70026230    | 1   | Support, Fan                  |     |
|      | 70026231    | 1   | Pulley, Fan                   |     |
|      | 70026232    | 1   | Alternator                    |     |
|      | 70026233    | 1   | Assembly, Primary Fuel Filter |     |
|      | 70026234    | 1   | Element, Fuel Filter          |     |
|      | 70026235    | 1   | Assembly, Dipstick Oil Level  |     |
|      | 70026241    | 1   | Assembly, Fuel Filter Plug    |     |
|      | 70026237    | 1   | Filter, Oil                   |     |
|      | 70041620    | 2   | Ring, Retaining               |     |
|      | 70041616    | 1   | Bolt                          |     |
|      | 70041617    | 1   | Bearing, Ball                 |     |
|      | 70041619    | 1   | Retainer, Fan Hub             |     |
|      | 1322039     | 1   | Spacer, Fan Pilot             |     |
|      | 1321094     | 17  | Screw                         |     |
|      | 70024016    | 1   | Cap, Side Oil Fill            |     |
|      | 70022634    | 1   | Flywheel w/Ring Gear          |     |
|      | 70023736    | 1   | Ring Gear, Flywheel           |     |
|      | 1322040     | 1   | Plug, Flywheel                |     |

## SECTION 4 - ENGINE AND ATTACHING PARTS

FIGURE 4-7. ENGINE, 85HP (ULS)



ART\_1001154511

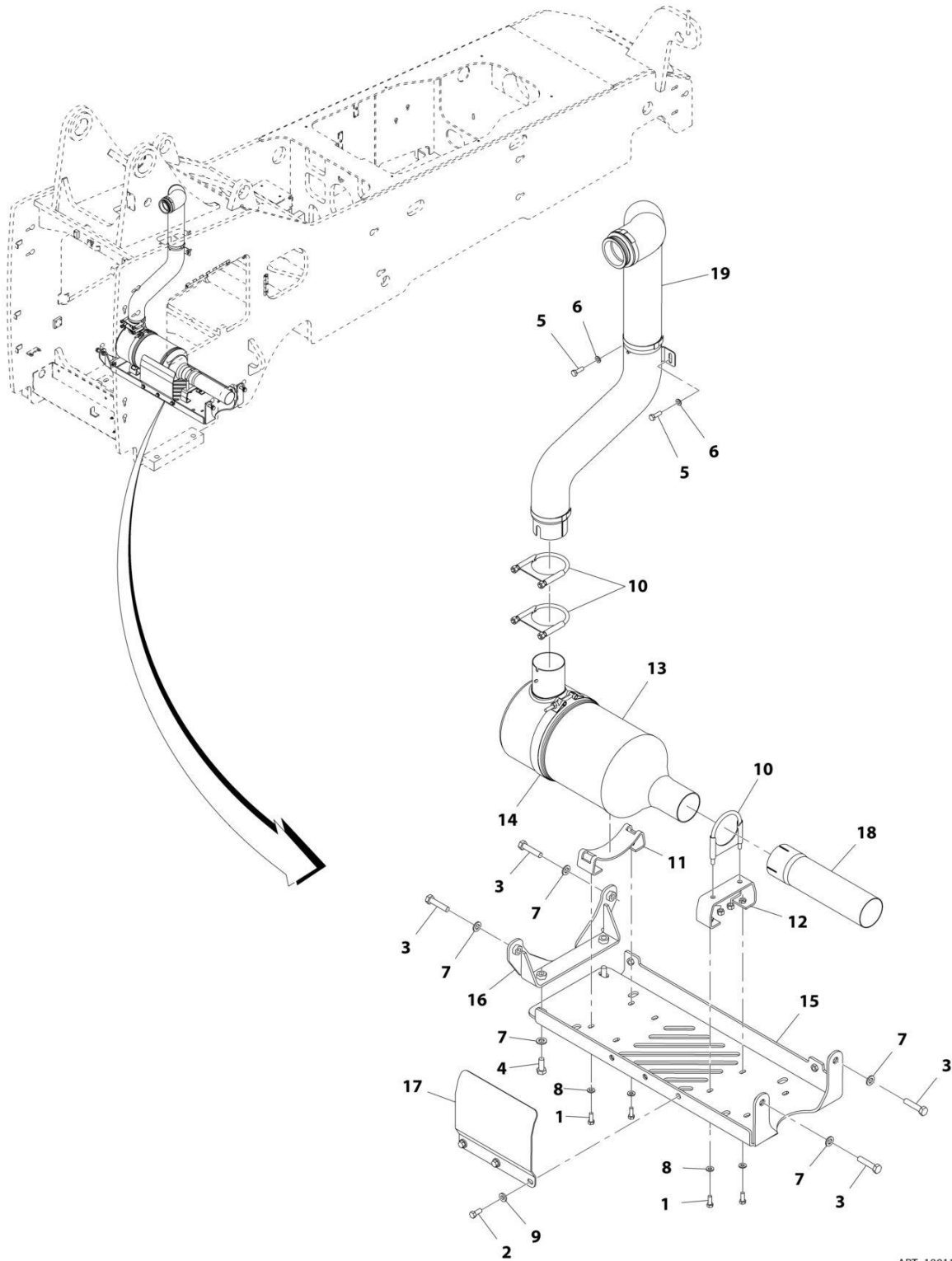
## SECTION 4 - ENGINE AND ATTACHING PARTS

**FIGURE 4-7. ENGINE, 85HP (ULS)**

| ITEM | PART NUMBER | QTY | DESCRIPTION   | REV |
|------|-------------|-----|---|-----|
| 1    | 1001154511  | Ref | Engine, QSF 3.8L (if equipped for ULS)                                  | W   |
|      | 70026220    | 1   | Assembly, Secondary Fuel Filter (includes shell, seal and cartridge)    |     |
|      | 70026453    | 1   | Cartridge, Fuel Filter  |     |
|      | 70031350    | 1   | Rail, Fuel  |     |
|      | 70031351    | 1   | Sensor, Fuel Pressure   |     |
|      | 70031352    | 1   | Valve, Fuel Pressure Relief Valve                                       |     |
|      | 70026223    | 1   | Pan, Oil  |     |
|      | 70026224    | 1   | Seal, Oil Pan   |     |
|      | 70026225    | 1   | Plug, Oil Pan   |     |
|      | 70026226    | 1   | Seal, Oil Pan Plug  |     |
|      | 1001128594  | 1   | Starter   |     |
|      | 70026228    | 1   | Filler Cap, Valve Cover   |     |
|      | 70026229    | 1   | Fan Belt, V-Ribbed  |     |
|      | 70026230    | 1   | Support, Fan  |     |
|      | 70026231    | 1   | Pulley, Fan   |     |
|      | 70026232    | 1   | Alternator  |     |
|      | 70028450    | 1   | Assembly, Primary Fuel Filter, (includes filter head, seal and element) |     |
|      | 70026235    | 1   | Assembly, Dipstick Oil Level  |     |
|      | 70026236    | 1   | Assembly, Block Heater  |     |
|      | 70026241    | 1   | Assembly, Fuel Filter Plug  |     |
|      | 70026237    | 1   | Filter, Oil   |     |
|      | 70023933    | 1   | O-Ring, Oil Pressure Switch   |     |
|      | 70041620    | 2   | Ring, Retaining   |     |
|      | 70041616    | 1   | Bolt, Fan Drive   |     |
|      | 70041617    | 1   | Bearing, Ball   |     |
|      | 70041619    | 1   | Retainer, Fan Hub   |     |
|      | 1322039     | 1   | Spacer, Fan Pilot   |     |
|      | 1321094     | 16  | Bolt, Oil Pan   |     |
|      | 70024016    | 1   | Cap, Side Oil Fill  |     |
|      | 70022634    | 1   | Flywheel w/Ring Gear  |     |
|      | 70023736    | 1   | Ring Gear, Flywheel   |     |
|      | 1322040     | 1   | Plug, Flywheel  |     |
|      | 70030317    | 1   | Connection, Fuel Actuator   |     |
|      | 70030347    | 1   | Valve, Exhaust Throttle   |     |
|      | 70031380    | 1   | Harness, ECM  |     |

# SECTION 4 - ENGINE AND ATTACHING PARTS

## FIGURE 4-8. EXHAUST INSTALLATION, 74HP (ULS)



ART\_1001196125-B



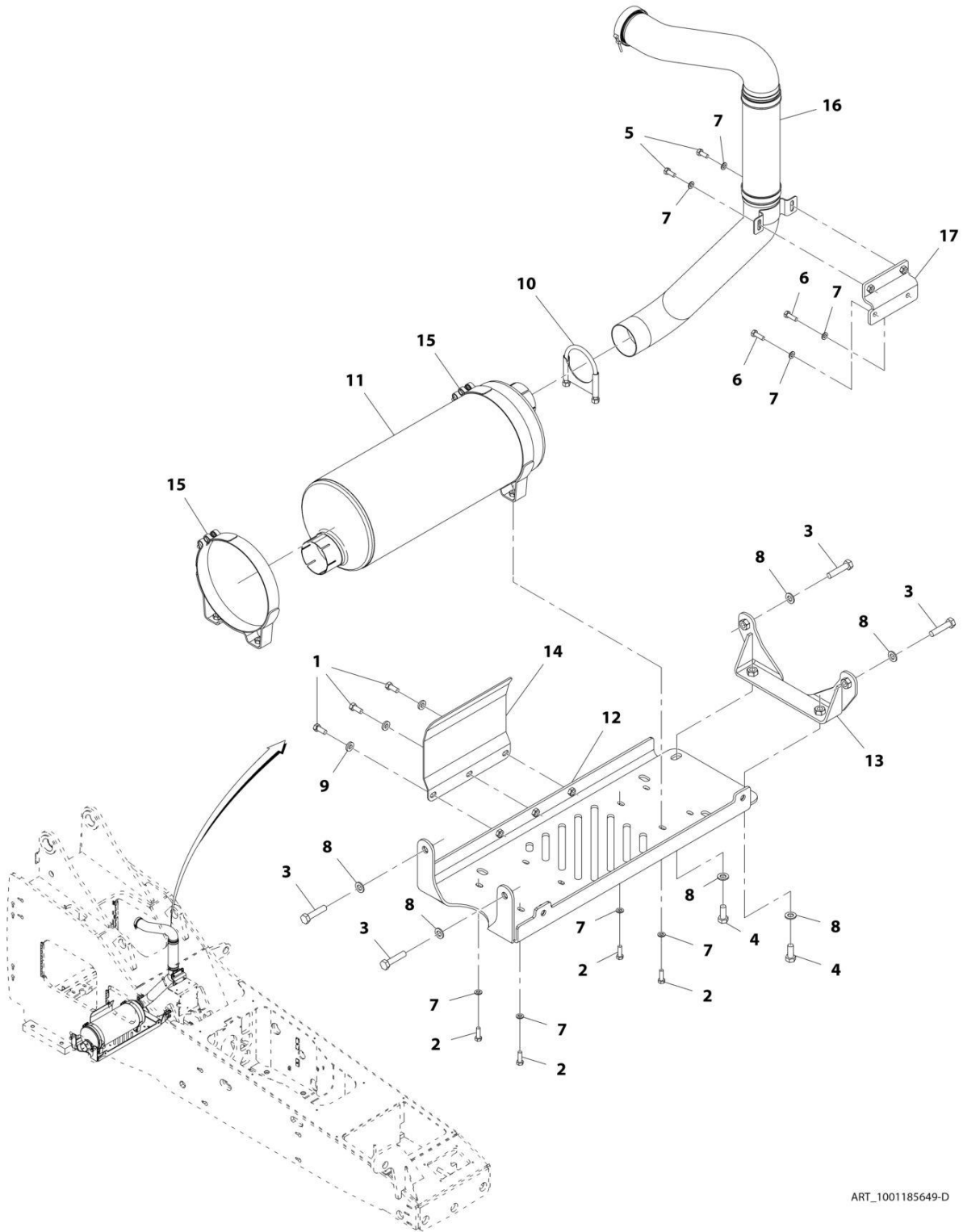
## SECTION 4 - ENGINE AND ATTACHING PARTS

**FIGURE 4-8. EXHAUST INSTALLATION, 74HP (ULS)**

| ITEM | PART NUMBER | QTY | DESCRIPTION                                      | REV |
|------|-------------|-----|--|-----|
|      | 1001196125  | Ref | Exhaust Installation, 74HP (if equipped for ULS) | B   |
| 1    | 0641507     | 4   | Bolt, 5/16-18X7/8                                |     |
| 2    | 0641607     | 3   | Bolt, 3/8-16X7/8                                 |     |
| 3    | 0701219     | 4   | Bolt, M12X55                                     |     |
| 4    | 0711214     | 2   | Bolt, M12X30                                     |     |
| 5    | 0760812     | 2   | Bolt, M8X25                                      |     |
| 6    | 4811900     | 2   | Washer, M8                                       |     |
| 7    | 4812100     | 6   | Washer, M12                                      |     |
| 8    | 4891500     | 4   | Washer, 5/16                                     |     |
| 9    | 4891600     | 3   | Washer, 3/8                                      |     |
| 10   | 24921332    | 3   | Clamp  |     |
| 11   | 1001128363  | 1   | Bracket  |     |
| 12   | 1001128364  | 1   | Bracket  |     |
| 13   | 1001128714  | 1   | Muffler  |     |
| 14   | 1001128901  | 1   | Strap  |     |
| 15   | 1001166935  | 1   | Bracket  |     |
| 16   | 1001169057  | 1   | Bracket  |     |
| 17   | 1001174327  | 1   | Shield   |     |
| 18   | 1001196396  | 1   | Pipe, Exhaust                                    |     |
| 19   | 1001196397  | 1   | Pipe, Exhaust                                    |     |

# SECTION 4 - ENGINE AND ATTACHING PARTS

## FIGURE 4-9. EXHAUST INSTALLATION, 85HP (LS)



ART\_1001185649-D

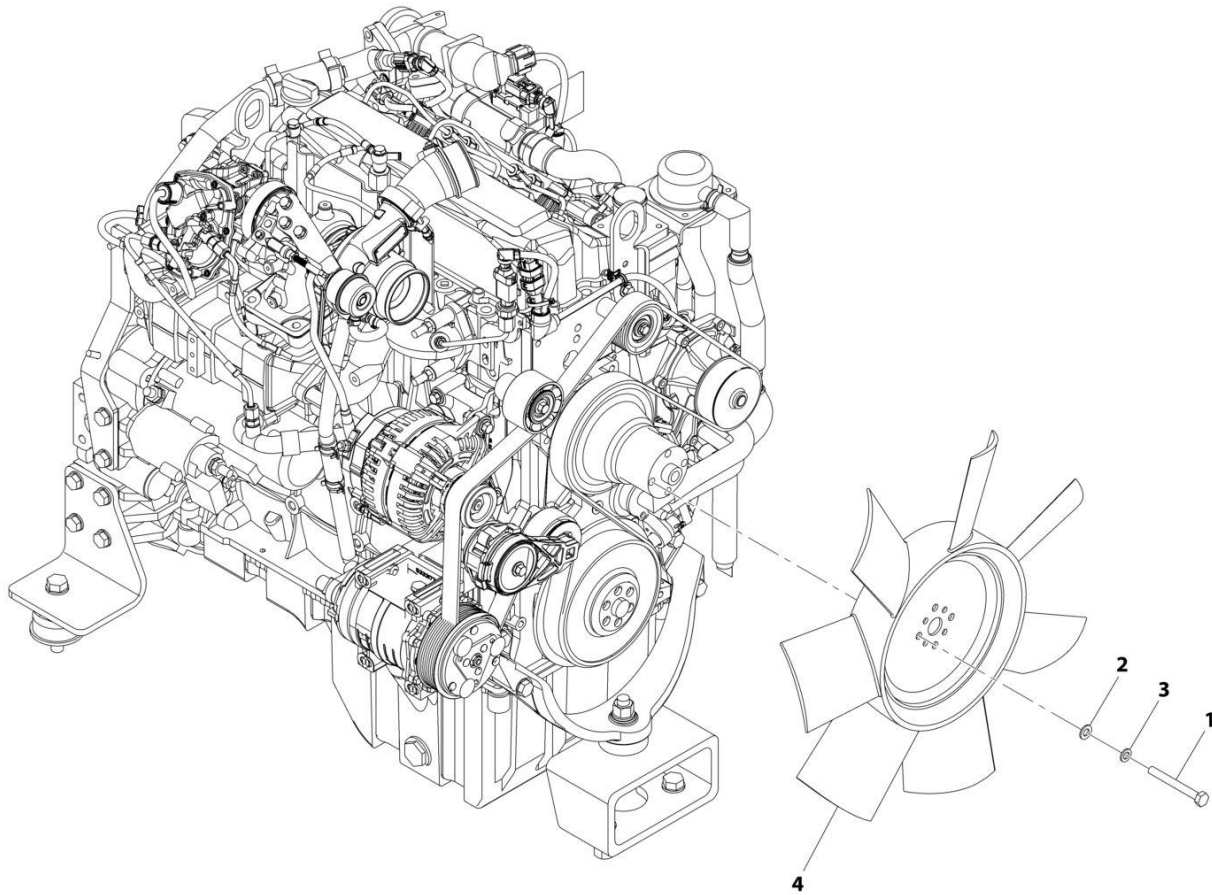
## SECTION 4 - ENGINE AND ATTACHING PARTS

**FIGURE 4-9. EXHAUST INSTALLATION, 85HP (LS)**

| ITEM | PART NUMBER | QTY | DESCRIPTION                                     | REV |
|------|-------------|-----|---|-----|
|      | 1001185649  | Ref | Exhaust Installation, 85HP (if equipped for LS) | D   |
| 1    | 0641607     | 3   | Bolt, 3/8-16X7/8                                |     |
| 2    | 0700812     | 4   | Bolt, M8X25                                     |     |
| 3    | 0701219     | 4   | Bolt, M12X55                                    |     |
| 4    | 0711214     | 2   | Bolt, M12X30, Grade 10.9                        |     |
| 5    | 0760810     | 2   | Bolt, M8X20                                     |     |
| 6    | 0760812     | 2   | Bolt, M8X25                                     |     |
| 7    | 4811900     | 8   | Washer, M8                                      |     |
| 8    | 4812100     | 6   | Washer, M12                                     |     |
| 9    | 4891600     | 3   | Washer, 3/8                                     |     |
| 10   | 24921332    | 1   | Clamp   |     |
| 11   | 91163035    | 1   | Muffler   |     |
| 12   | 1001166935  | 1   | Bracket   |     |
| 13   | 1001169057  | 1   | Bracket   |     |
| 14   | 1001174327  | 1   | Shield  |     |
| 15   | 1001180227  | 2   | Muffler, Band Clamp                             |     |
| 16   | 1001190962  | 1   | Pipe, Exhaust                                   |     |
| 17   | 1001190990  | 1   | Bracket, Exhaust Support                        |     |

# SECTION 4 - ENGINE AND ATTACHING PARTS

## FIGURE 4-10. FAN INSTALLATION, 74HP



ART\_1001196736-C

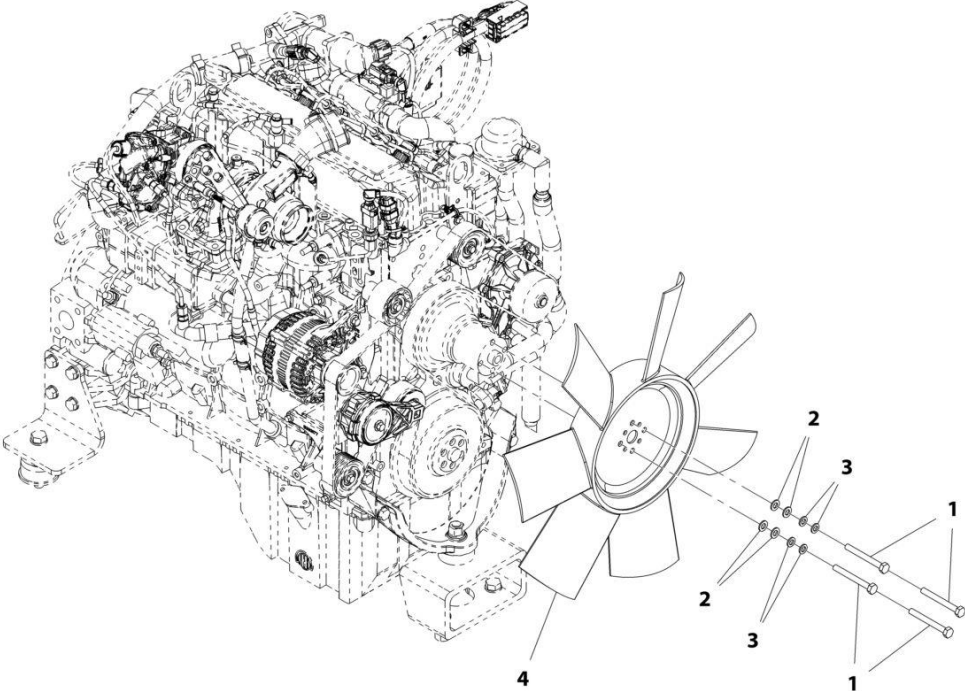
## SECTION 4 - ENGINE AND ATTACHING PARTS

FIGURE 4-10. FAN INSTALLATION, 74HP

| ITEM | PART NUMBER | QTY | DESCRIPTION            | REV |
|------|-------------|-----|------------------------|-----|
|      | 1001196736  | Ref | Fan Installation, 74HP | C   |
| 1    | 0701026     | 4   | Bolt, M10X90           |     |
| 2    | 4812000     | 4   | Washer, M10            |     |
| 3    | 4832000     | 4   | Washer, Lock M10       |     |
| 4    | 1001210351  | 1   | Fan                    |     |

**SECTION 4 - ENGINE AND ATTACHING PARTS**

**FIGURE 4-11. FAN INSTALLATION, 85HP**



ART\_1001165668-B

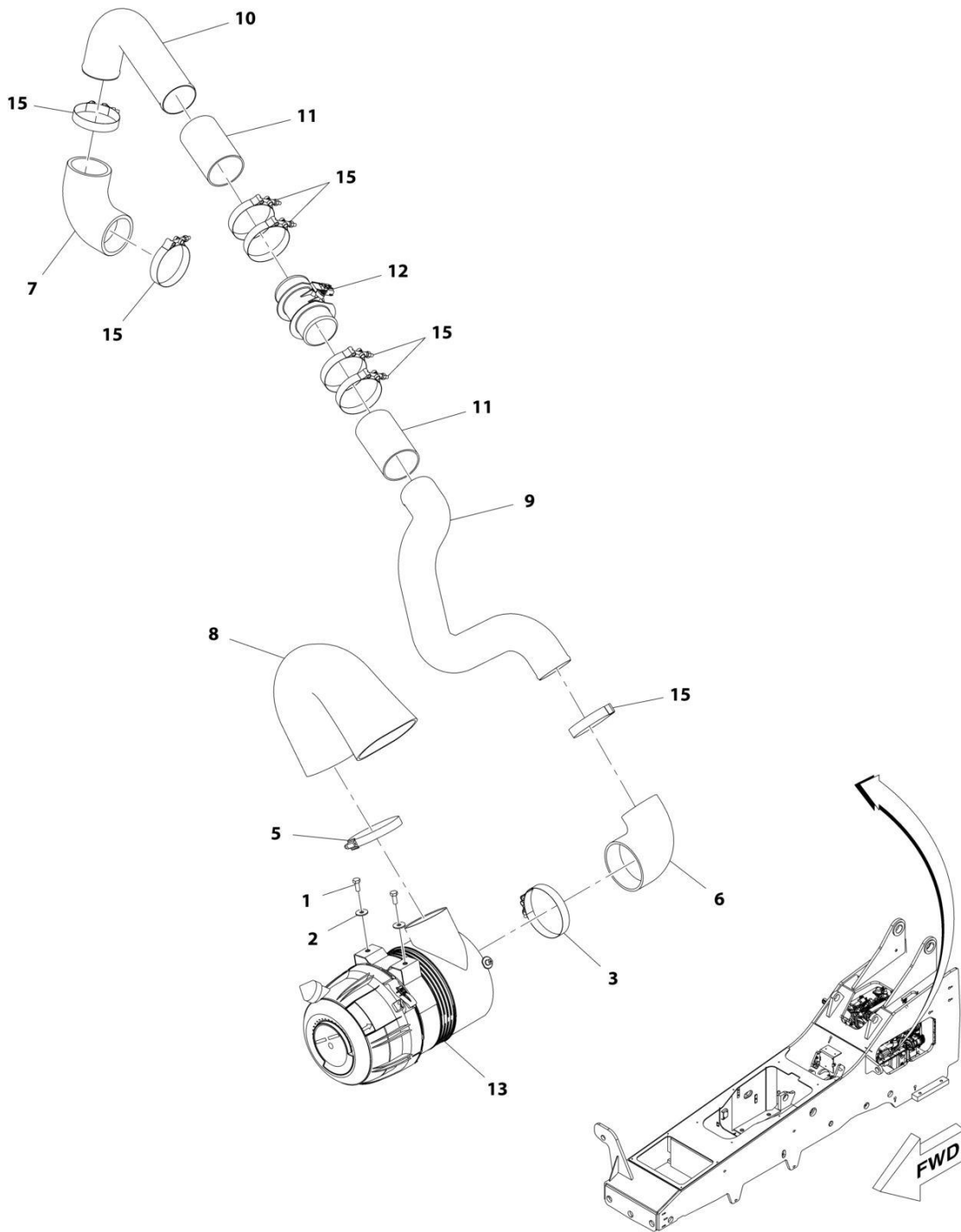
## SECTION 4 - ENGINE AND ATTACHING PARTS

FIGURE 4-11. FAN INSTALLATION, 85HP

| ITEM | PART NUMBER | QTY | DESCRIPTION            | REV |
|------|-------------|-----|------------------------|-----|
|      | 1001165668  | Ref | Fan Installation, 85HP | B   |
| 1    | 0701026     | 4   | Bolt, M10X90           |     |
| 2    | 4812000     | 4   | Washer, M10            |     |
| 3    | 4832000     | 4   | Washer, Lock M10       |     |
| 4    | 1001174822  | 1   | Fan                    |     |

# SECTION 4 - ENGINE AND ATTACHING PARTS

## FIGURE 4-12. AIR CLEANER INSTALLATION (ULS)



ART\_1001165669-D



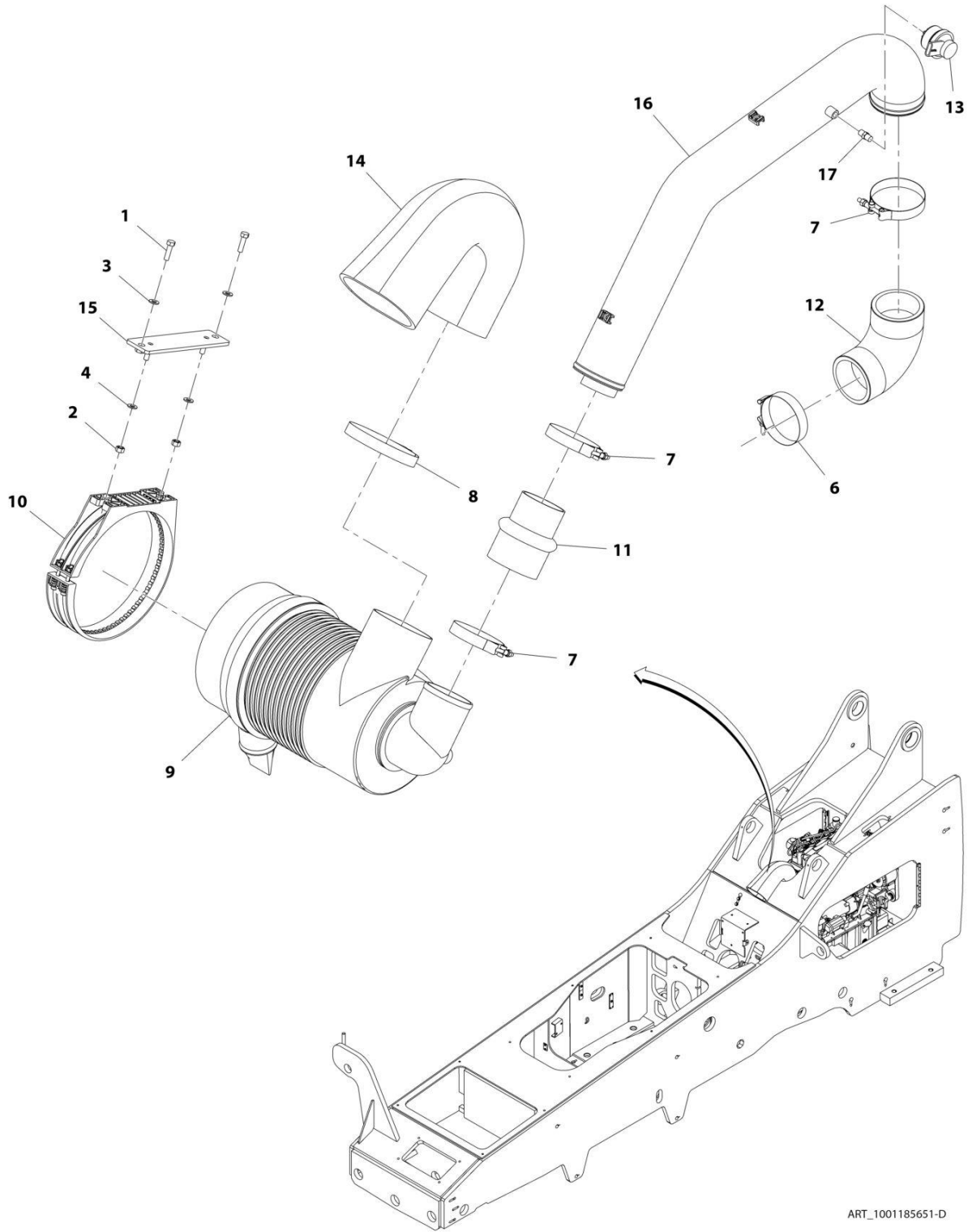
## SECTION 4 - ENGINE AND ATTACHING PARTS

**FIGURE 4-12. AIR CLEANER INSTALLATION (ULS)**

| ITEM | PART NUMBER | QTY | DESCRIPTION  | REV |
|------|-------------|-----|--|-----|
|      | 1001165669  | Ref | Air Cleaner Installation (if equipped for ULS)                 | D   |
| 1    | 0760810     | 2   | Bolt, M8X20  |     |
| 2    | 4811902     | 2   | Washer, M8   |     |
| 3    | 8405404     | 1   | Clamp, T-Bolt  |     |
| 5    | 10719267    | 1   | Clamp, Hose  |     |
| 6    | 1001201831  | 1   | Hose, Air Intake   |     |
| 7    | 1001120083  | 1   | Hose, Air Intake   |     |
| 8    | 1001165818  | 1   | Hose, Air Intake   |     |
| 9    | 1001168051  | 1   | Pipe, Air Intake   |     |
| 10   | 1001168052  | 1   | Pipe, Air Intake   |     |
| 11   | 1001168053  | 2   | Hose, Sleeve   |     |
| 12   | 1001169077  | 1   | Sensor, PRS Temperature  |     |
| 13   | 1001166566  | 1   | Assembly, Air Cleaner (See Separate Breakdown in this Section) |     |
| 15   | 8410007     | 7   | Clamp, T-Bolt  |     |

# SECTION 4 - ENGINE AND ATTACHING PARTS

## FIGURE 4-13. AIR CLEANER INSTALLATION (LS)



ART\_1001185651-D

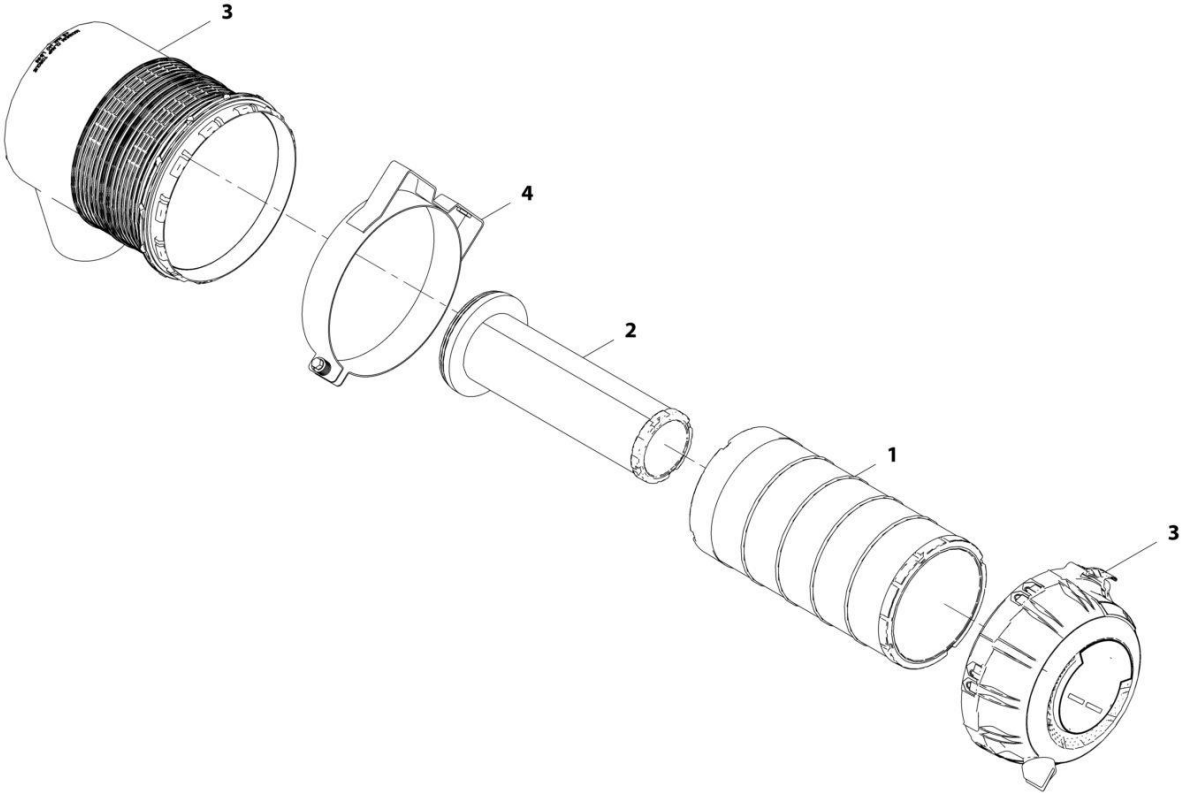
## SECTION 4 - ENGINE AND ATTACHING PARTS

**FIGURE 4-13. AIR CLEANER INSTALLATION (LS)**

| ITEM | PART NUMBER | QTY | DESCRIPTION  | REV |
|------|-------------|-----|--|-----|
|      | 1001185651  | Ref | Air Cleaner Installation (if equipped for LS)                  | D   |
| 1    | 0760815     | 2   | Bolt, M8X35  |     |
| 2    | 8305043     | 2   | Nut, M8X1.25   |     |
| 3    | 8307106     | 2   | Washer, Plain 5/16   |     |
| 4    | 8307222     | 2   | Washer, Plain M8   |     |
| 6    | 90028631    | 1   | Clamp, T-Bolt  |     |
| 7    | 8405307     | 3   | Clamp, T-Bolt  |     |
| 8    | 8410021     | 1   | Clamp, T-Bolt  |     |
| 9    | 10268515    | 1   | Assembly, Air Cleaner (See Separate Breakdown in this Section) |     |
| 10   | 10268516    | 1   | Band, Mounting   |     |
| 11   | 91293003    | 1   | Hose, Hump Reducer   |     |
| 12   | 91083129    | 1   | Elbow, Reducer   |     |
| 13   | 1001166715  | 1   | Restriction, Indicator   |     |
| 14   | 1001190005  | 1   | Hose, Air Intake   |     |
| 15   | 1001190183  | 1   | Bracket, Air Filter Band Mount                                 |     |
| 16   | 1001212670  | 1   | Pipe, Air Intake   |     |
| 17   | 2180798     | 1   | Fitting  |     |

**SECTION 4 - ENGINE AND ATTACHING PARTS**

**FIGURE 4-14. AIR CLEANER ASSEMBLY (ULS)**



ART\_1001166566-G

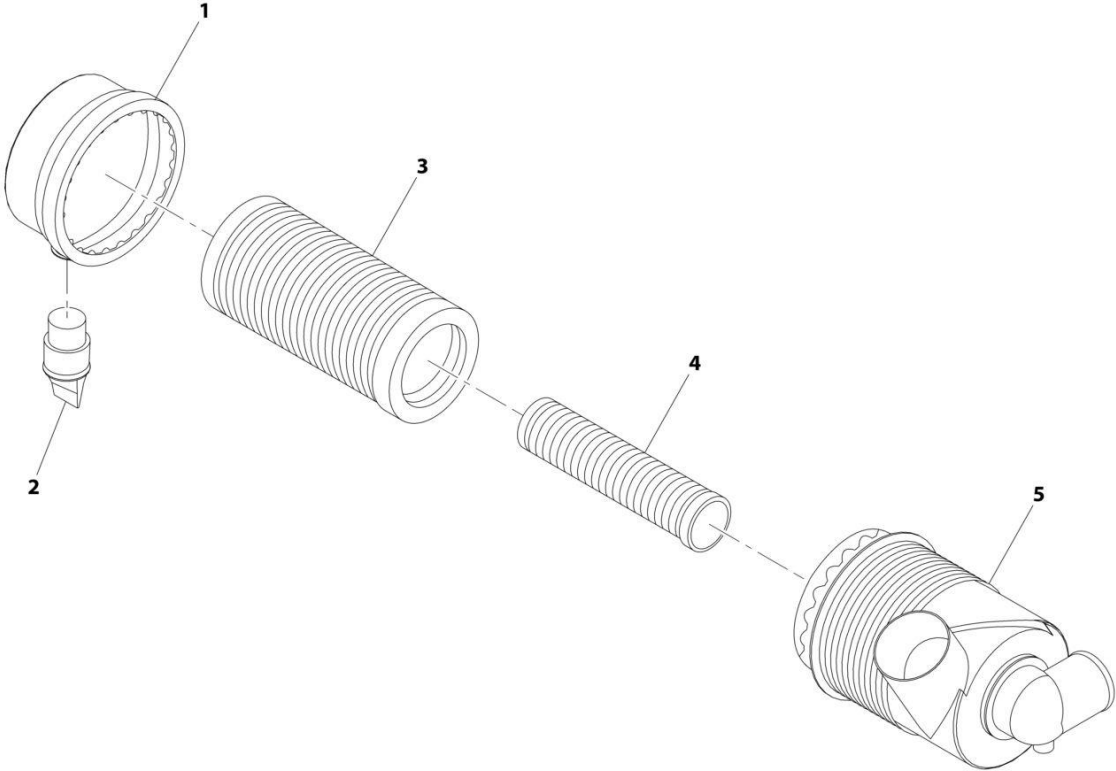
## SECTION 4 - ENGINE AND ATTACHING PARTS

FIGURE 4-14. AIR CLEANER ASSEMBLY (ULS)

| ITEM | PART NUMBER | QTY | DESCRIPTION                       | REV |
|------|-------------|-----|-----------------------------------|-----|
|      | 1001166566  | Ref | Air Cleaner Assembly (74.4KW)     | G   |
| 1    | 70025852    | 1   | Filter, Air Cylindrical Primary   |     |
| 2    | 70025853    | 1   | Filter, Air Cylindrical Secondary |     |
| 3    | 70026393    | 1   | Cover, Air Cleaner                |     |
| 4    | 70026394    | 1   | Bracket, Mounting Band            |     |

**SECTION 4 - ENGINE AND ATTACHING PARTS**

**FIGURE 4-15. AIR CLEANER ASSEMBLY (LS)**



ART\_10268515-D

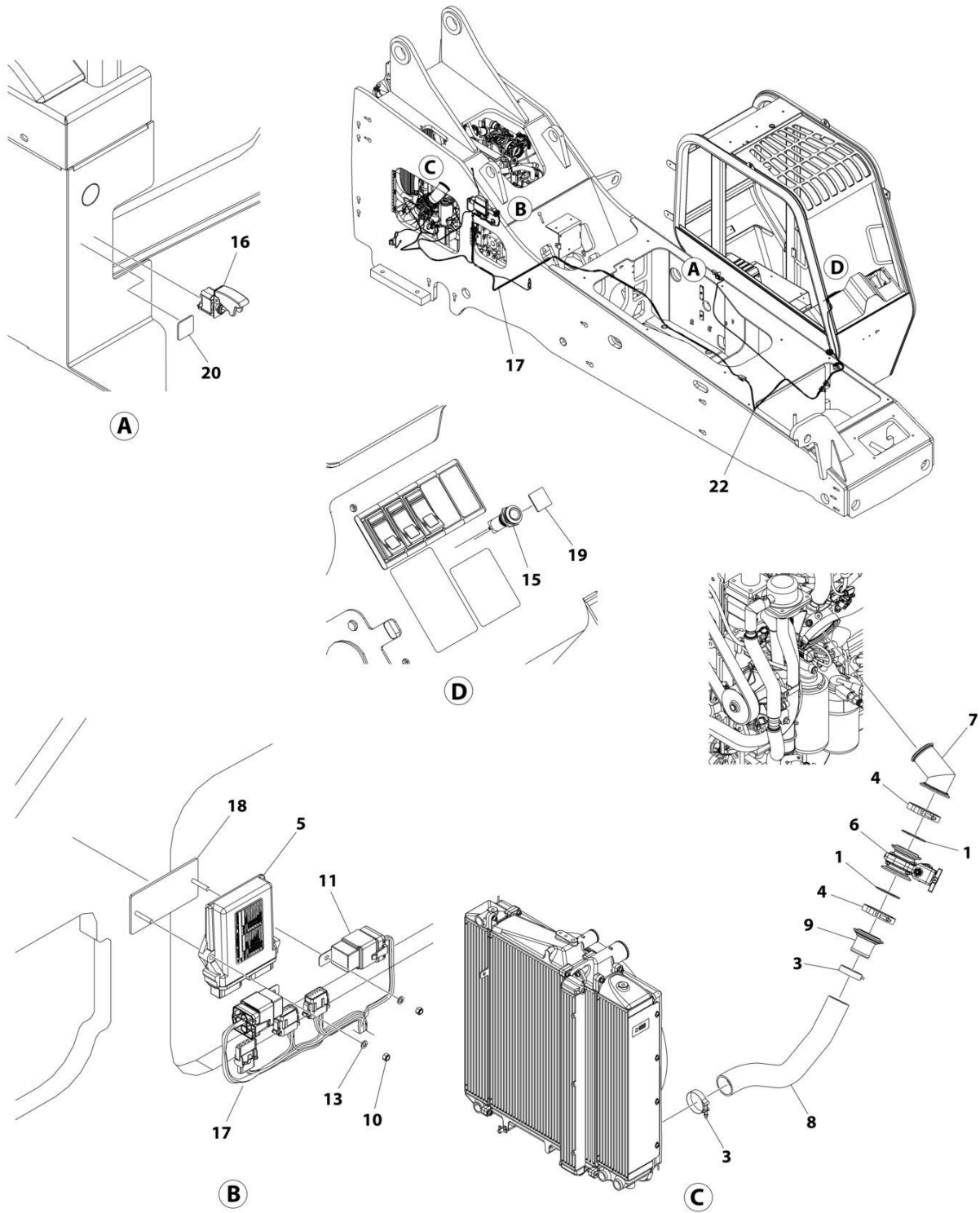
## SECTION 4 - ENGINE AND ATTACHING PARTS

FIGURE 4-15. AIR CLEANER ASSEMBLY (LS)

| ITEM | PART NUMBER | QTY | DESCRIPTION   | REV |
|------|-------------|-----|---|-----|
|      | 10268515    | Ref | Air Cleaner Assembly (if equipped for LS)           | D   |
| 1    | 91364023    | 1   | Cover Assembly                                      |     |
| 2    | 80373094    | 1   | Vacuator Valve                                      |     |
| 3    | 1101312     | 1   | Primary Filter Element                              |     |
| 4    | 1101313     | 1   | Secondary Filter Element                            |     |
| 5    | See Note    | NSS | Air Cleaner Body (Note; Purchase Complete Assembly) |     |

# SECTION 4 - ENGINE AND ATTACHING PARTS

## FIGURE 4-16. AIR INTAKE SHUT OFF VALVE INSTALLATION



ART\_1001202304\_F



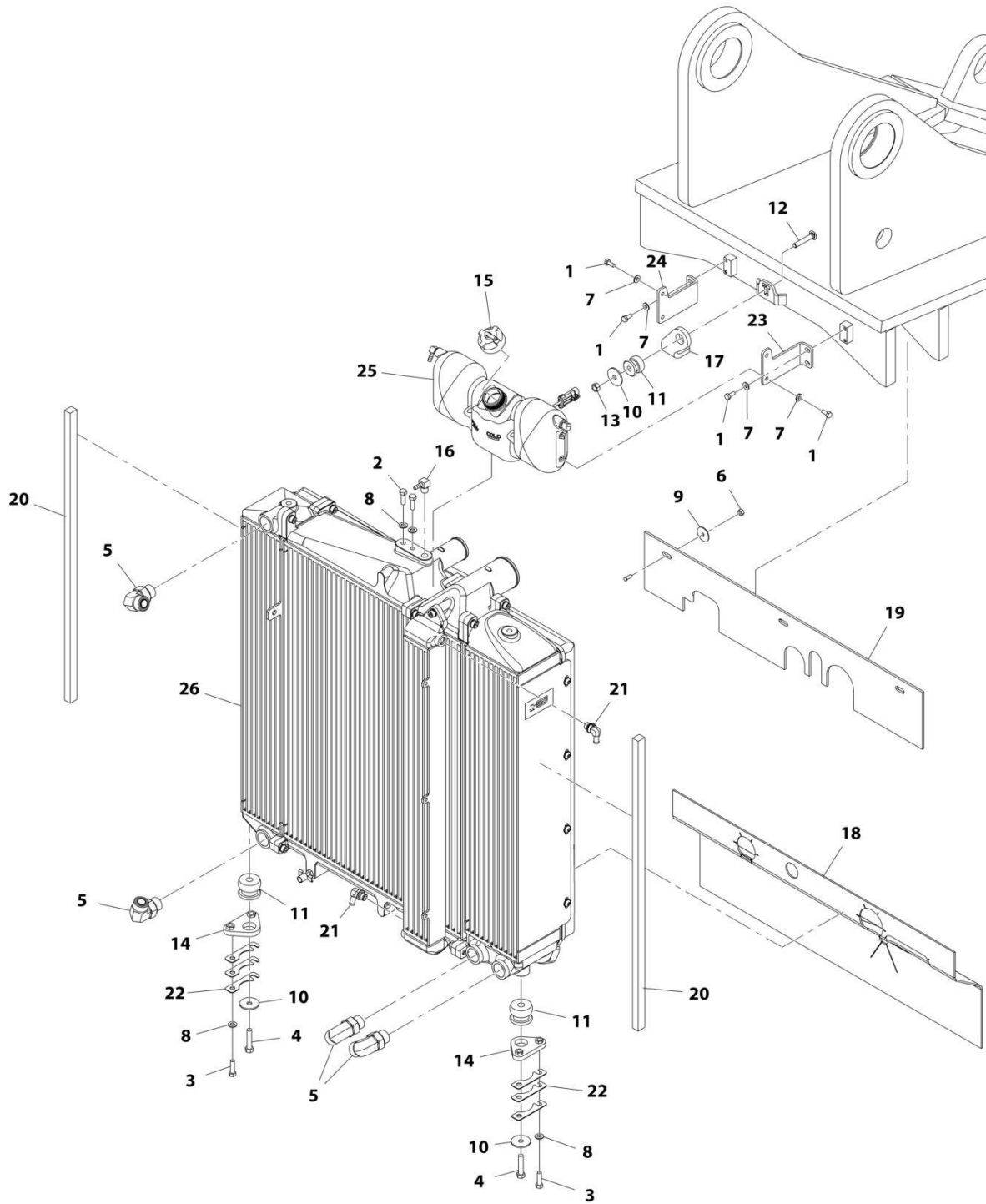
## SECTION 4 - ENGINE AND ATTACHING PARTS

**FIGURE 4-16. AIR INTAKE SHUT OFF VALVE INSTALLATION**

| ITEM | PART NUMBER | QTY | DESCRIPTION   | REV |
|------|-------------|-----|---|-----|
|      | 1001202304  | Ref | Air Intake Shut Off Valve Installation  | F   |
| 1    | 3790152     | 2   | Ring  |     |
| 3    | 8405212     | 2   | Clamp   |     |
| 4    | 1001202247  | 2   | Clamp   |     |
| 5    | 1001203181  | 1   | Accessory, Control  |     |
| 6    | 1001204032  | 1   | Valve, Air Shut Off (See Separate Breakdown in HYDRAULIC COMPONENTS Section)        |     |
| 7    | 1001206956  | 1   | Pipe  |     |
| 8    | 1001206983  | 1   | Hose  |     |
| 9    | 1001206985  | 1   | Adapter   |     |
| 10   | 3290505     | 2   | Nut M5 Grade 8  |     |
| 11   | 3740080     | 2   | Relay   |     |
| 13   | 4811600     | 2   | Washer, M5  |     |
| 14   | 91053419    | AR  | Strap, Cable (not shown)  |     |
| 15   | 1001239539  | 1   | Lamp  |     |
| 16   | 1001215941  | 1   | Switch  |     |
| 17   | 1001216455  | 1   | Harness, POSI Air Shut Off Valve T4F (See Separate Breakdown in ELECTRICAL Section) |     |
| 18   | 1001219082  | 1   | Bracket   |     |
| 19   | 1001227077  | 1   | Decal, Air Shut Off   |     |
| 20   | 1001227964  | 1   | Decal, ASOV Test  |     |
| 22   | 1001231560  | 1   | Harness, POSI Air Shut Off Valve Cab (See Separate Breakdown in ELECTRICAL Section) |     |

# SECTION 4 - ENGINE AND ATTACHING PARTS

## FIGURE 4-17. COOLING INSTALLATION, 74HP



ART\_1001196737-E

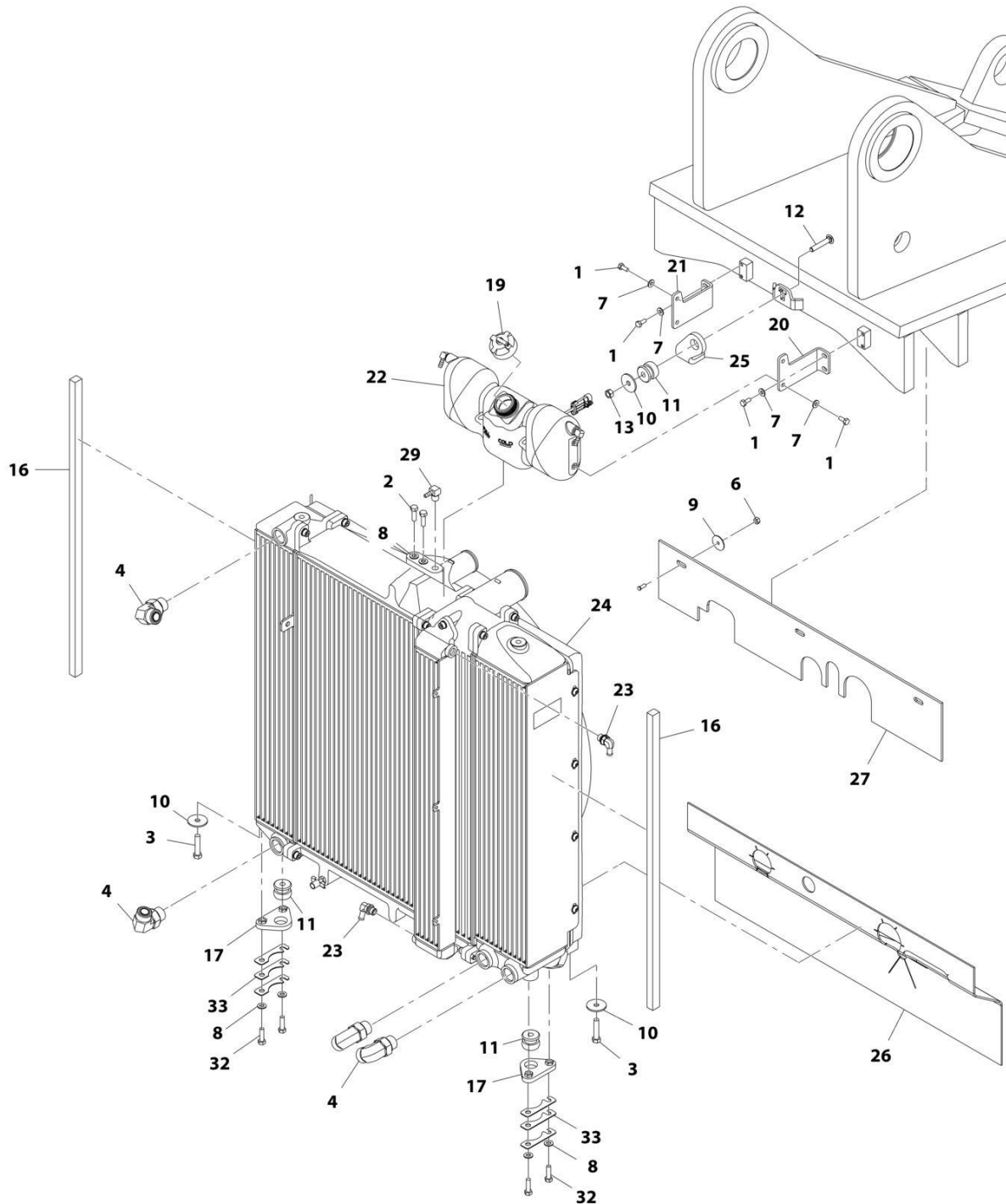
## SECTION 4 - ENGINE AND ATTACHING PARTS

**FIGURE 4-17. COOLING INSTALLATION, 74HP**

| ITEM | PART NUMBER | QTY | DESCRIPTION  | REV |
|------|-------------|-----|--|-----|
|      | 1001196737  | Ref | Cooling Installation, 74HP   | E   |
| 1    | 0641405     | 8   | Bolt, 1/4-20X5/8   |     |
| 2    | 0641508     | 2   | Bolt, 5/16-18X1  |     |
| 3    | 0641509     | 4   | Bolt, 5/16-18X1-1/8  |     |
| 4    | 0641614     | 2   | Bolt, 3/8-16X1-3/4   |     |
| 5    | 2131212     | 4   | Adapter, 90  |     |
| 6    | 3311401     | 3   | Nut, 1/4-20  |     |
| 7    | 4711400     | 8   | Washer, 1/4  |     |
| 8    | 4711500     | 6   | Washer, 5/16   |     |
| 9    | 4740362     | 3   | Washer, Fender, 1/4  |     |
| 10   | 7057141     | 3   | Washer, Flat   |     |
| 11   | 8278020     | 3   | Mount, Rubber Isolator   |     |
| 12   | 8310281     | 1   | Bolt, Carriage 3/8-16X2-1/4  |     |
| 13   | 8305008     | 1   | Nut, 3/8-16  |     |
| 14   | 1001120869  | 2   | Bracket, Cooler Mount Lower  |     |
| 15   | 1001128341  | 1   | Cap, Deaeration Tank   |     |
| 16   | 1001134488  | 1   | Fitting, Barbed 90   |     |
| 17   | 1001169059  | 1   | Mount, Cooler Bracket  |     |
| 18   | 1001170117  | 1   | Panel, Air Dam   |     |
| 19   | 1001170186  | 1   | Panel, Air Dam Upper   |     |
| 20   | 1001178582  | 2   | Seal, Foam Gasket  |     |
| 21   | 1001178776  | 2   | Fitting, Hose Barb 90  |     |
| 22   | 1001179845  | 6   | Shim   |     |
| 23   | 1001181584  | 1   | Bracket, LH Tank   |     |
| 24   | 1001181585  | 1   | Bracket, RH Tank   |     |
| 25   | 1001182255  | 1   | Assembly, Deaeration Tank (See Separate Breakdown in this Section) |     |
| 26   | 1001197475  | 1   | Assembly, Radiator (See Separate Breakdown in this Section)        |     |

# SECTION 4 - ENGINE AND ATTACHING PARTS

## FIGURE 4-18. COOLING INSTALLATION, 85HP



ART\_1001165670-K

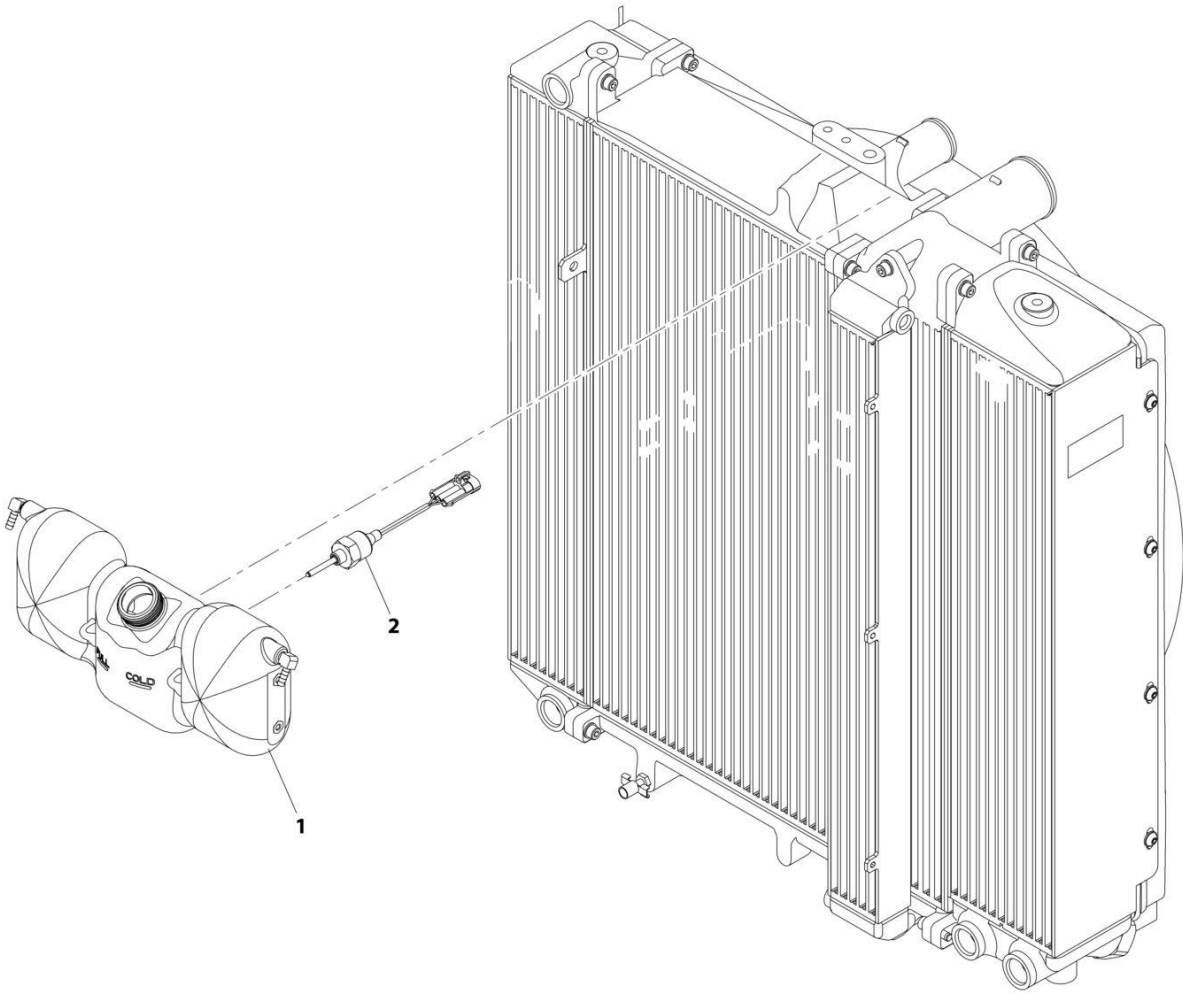
## SECTION 4 - ENGINE AND ATTACHING PARTS

**FIGURE 4-18. COOLING INSTALLATION, 85HP**

| ITEM | PART NUMBER | QTY | DESCRIPTION  | REV |
|------|-------------|-----|--|-----|
|      | 1001165670  | Ref | Cooling Installation, 85HP   | K   |
| 1    | 0641405     | 8   | Bolt, 1/4-20X5/8   |     |
| 2    | 0641508     | 2   | Bolt, 5/16-18X1  |     |
| 3    | 0641614     | 2   | Bolt, 3/8-16X1-3/4   |     |
| 4    | 2131212     | 4   | Adapter, 90  |     |
| 6    | 3311401     | 3   | Nut, 1/4-20  |     |
| 7    | 4711400     | 8   | Washer, 1/4  |     |
| 8    | 4711500     | 6   | Washer, 5/16   |     |
| 9    | 4740362     | 3   | Washer, Fender 1/4   |     |
| 10   | 7057141     | 3   | Washer, Flat   |     |
| 11   | 8278020     | 3   | Mount, Rubber Isolator   |     |
| 12   | 8310281     | 1   | Bolt, Carriage 3/8-16X2-1/4  |     |
| 13   | 8305008     | 1   | Nut, 3/8-16  |     |
| 16   | 1001178582  | 2   | Seal, Foam Gasket  |     |
| 17   | 1001120869  | 2   | Bracket, Cooler Mount Lower  |     |
| 19   | 1001128341  | 1   | Cap, Deaeration Tank   |     |
| 20   | 1001181584  | 1   | Bracket, LH Tank   |     |
| 21   | 1001181585  | 1   | Bracket, RH Tank   |     |
| 22   | 1001182255  | 1   | Assembly, Deaeration Tank (See Separate Breakdown in this Section) |     |
| 23   | 1001178776  | 2   | Fitting, Hose Barb 90  |     |
| 24   | 1001168478  | 1   | Assembly, Radiator (See Separate Breakdown in this Section)        |     |
| 25   | 1001169059  | 1   | Mount, Cooler Bracket  |     |
| 26   | 1001170117  | 1   | Panel, Air Dam   |     |
| 27   | 1001170186  | 1   | Panel, Air Dam Upper   |     |
| 29   | 1001134488  | 1   | Fitting, Barbed 90   |     |
| 32   | 0641509     | 4   | Bolt, 5/16-18X1-1/8  |     |
| 33   | 1001179845  | 6   | Shim   |     |

**SECTION 4 - ENGINE AND ATTACHING PARTS**

**FIGURE 4-19. DEAERATION TANK ASSEMBLY**



ART\_1001182255-K

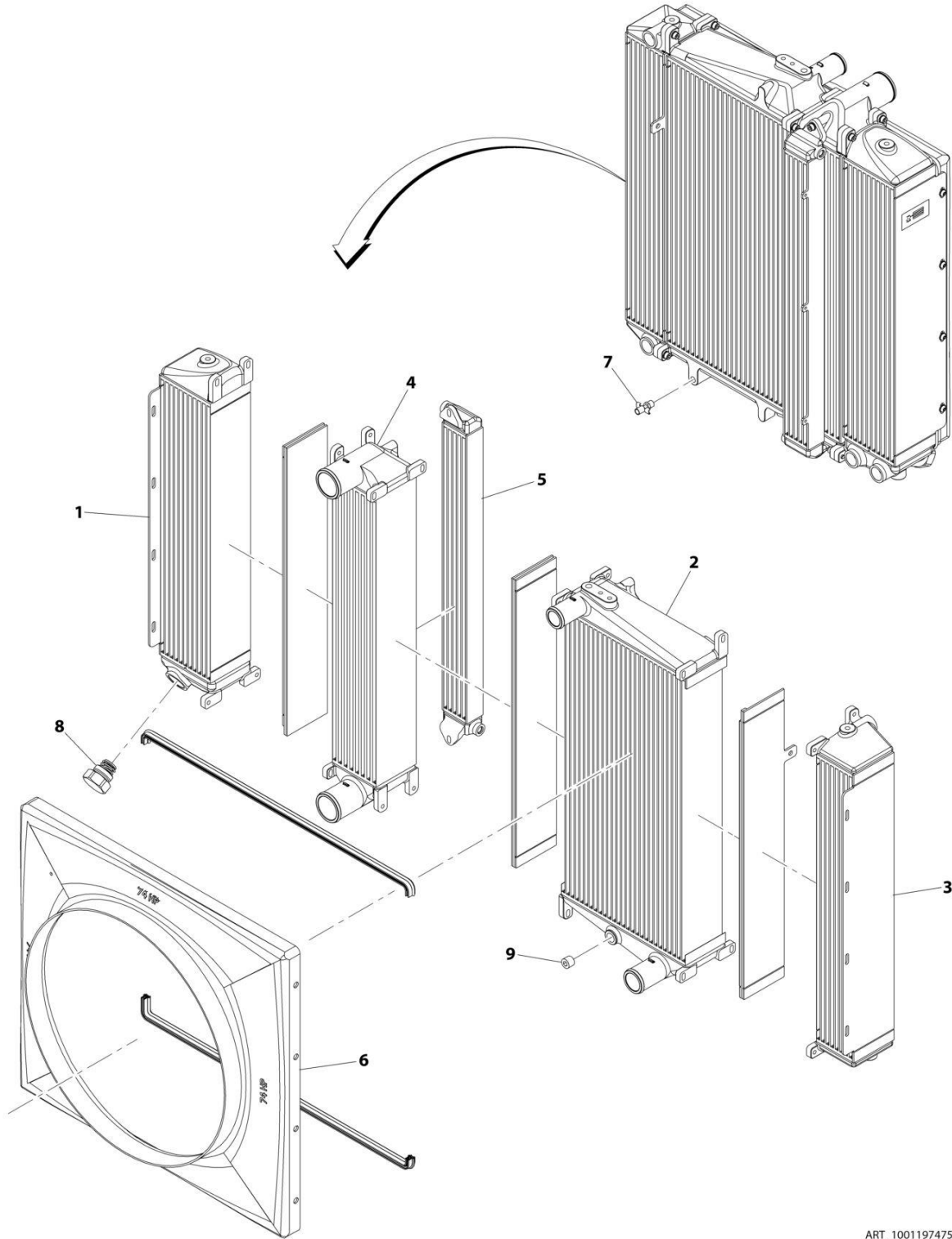
## SECTION 4 - ENGINE AND ATTACHING PARTS

FIGURE 4-19. DEAERATION TANK ASSEMBLY

| ITEM | PART NUMBER | QTY | DESCRIPTION              | REV |
|------|-------------|-----|--------------------------|-----|
|      | 1001182255  | Ref | Deaeration Tank Assembly | K   |
| 1    | 1001153912  | 1   | Tank, Deaeration         |     |
| 2    | 1001245478  | 1   | Sensor, Coolant Level    |     |

# SECTION 4 - ENGINE AND ATTACHING PARTS

## FIGURE 4-20. RADIATOR ASSEMBLY, 74HP



ART\_1001197475-D



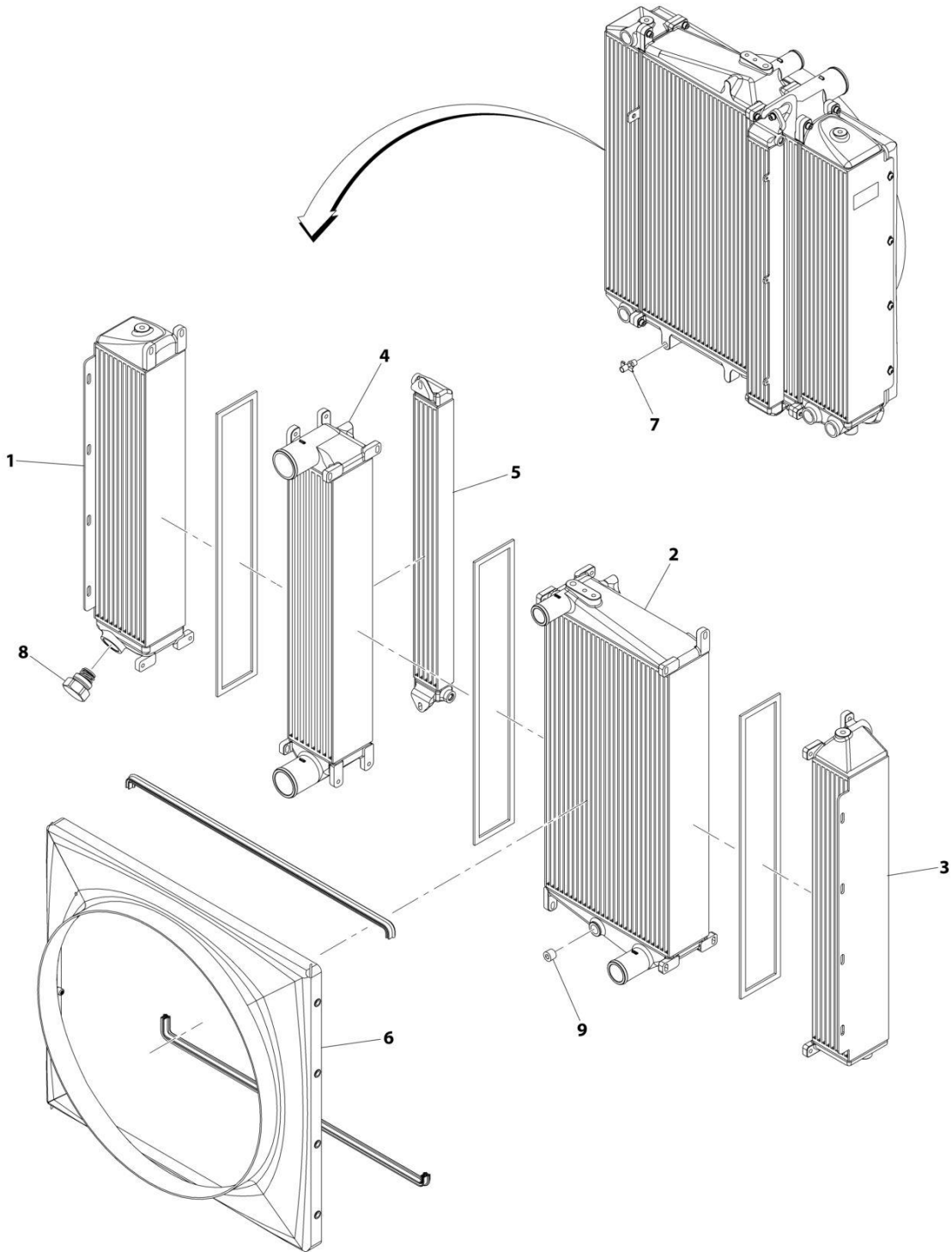
## SECTION 4 - ENGINE AND ATTACHING PARTS

FIGURE 4-20. RADIATOR ASSEMBLY, 74HP

| ITEM | PART NUMBER | QTY | DESCRIPTION              | REV |
|------|-------------|-----|--------------------------|-----|
|      | 1001197475  | Ref | Radiator Assembly (74HP) | D   |
| 1    | 70026075    | 1   | Transmission Oil Cooler  |     |
| 2    | 70026076    | 1   | Radiator                 |     |
| 3    | 70026077    | 1   | Hydraulic Oil Cooler     |     |
| 4    | 70026078    | 1   | Charge Air Cooler        |     |
| 5    | 70026079    | 1   | Fuel Cooler              |     |
| 6    | 70027094    | 1   | Fan Shroud               |     |
| 7    | 70026081    | 1   | Petcock                  |     |
| 8    | 70026082    | 1   | Valve, Bypass            |     |
| 9    | 70026083    | 1   | Plug, Hex                |     |

# SECTION 4 - ENGINE AND ATTACHING PARTS

## FIGURE 4-21. RADIATOR ASSEMBLY, 85HP



ART\_1001168478

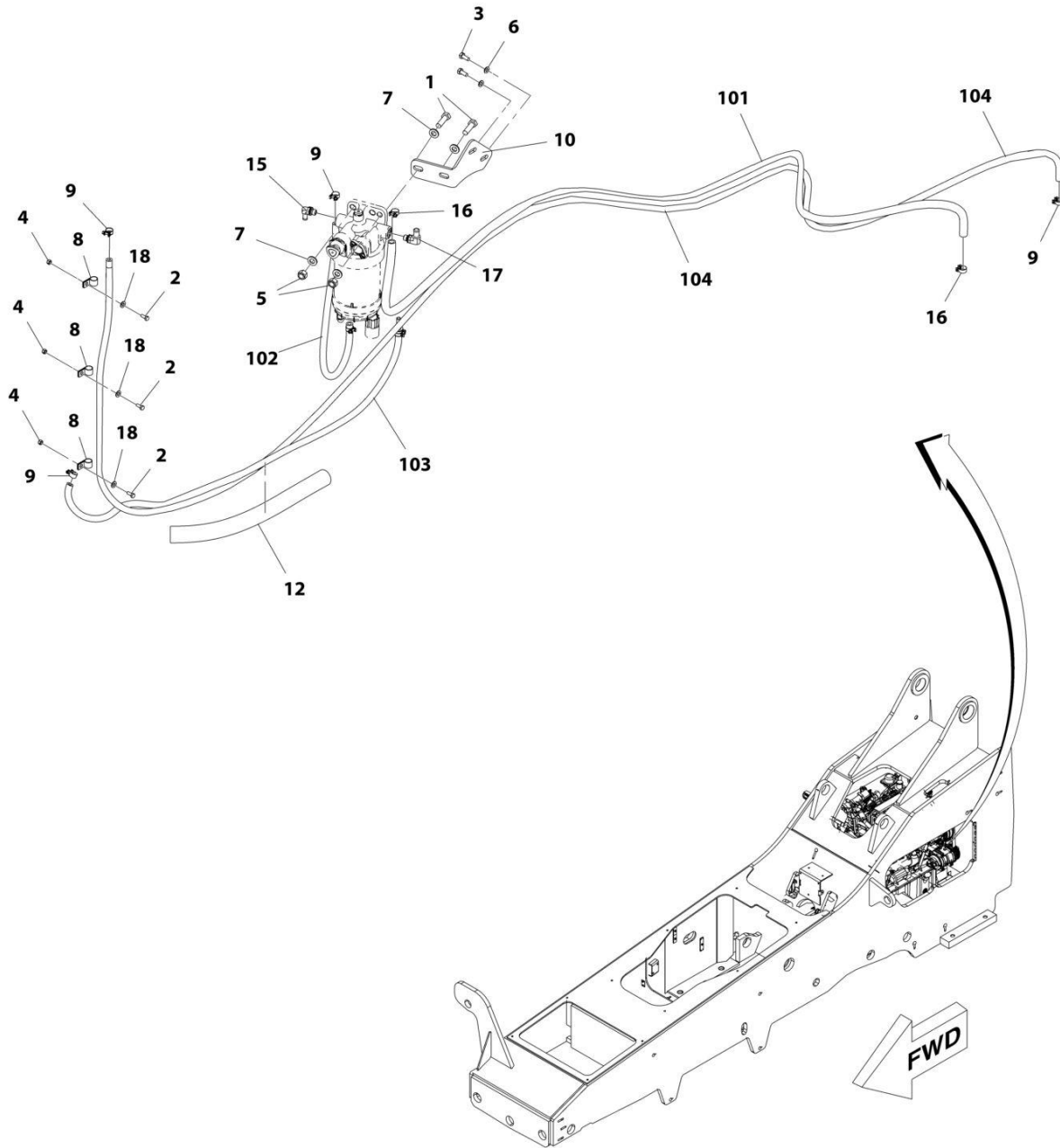
## SECTION 4 - ENGINE AND ATTACHING PARTS

FIGURE 4-21. RADIATOR ASSEMBLY, 85HP

| ITEM | PART NUMBER | QTY | DESCRIPTION             | REV |
|------|-------------|-----|-------------------------|-----|
|      | 1001168478  | Ref | Radiator Assembly       | F   |
| 1    | 70026075    | 1   | Transmission Oil Cooler |     |
| 2    | 70026076    | 1   | Radiator                |     |
| 3    | 70026077    | 1   | Hydraulic Oil Cooler    |     |
| 4    | 70026078    | 1   | Charge Air Cooler       |     |
| 5    | 70026079    | 1   | Fuel Cooler             |     |
| 6    | 70026080    | 1   | Shroud, Fan             |     |
| 7    | 70026081    | 1   | Petcock                 |     |
| 8    | 70026082    | 1   | Valve, Bypass           |     |
| 9    | 70026083    | 1   | Plug, Hex               |     |

# SECTION 4 - ENGINE AND ATTACHING PARTS

## FIGURE 4-22. FUEL PLUMBING INSTALLATION (ULS)



ART\_1001165672-H

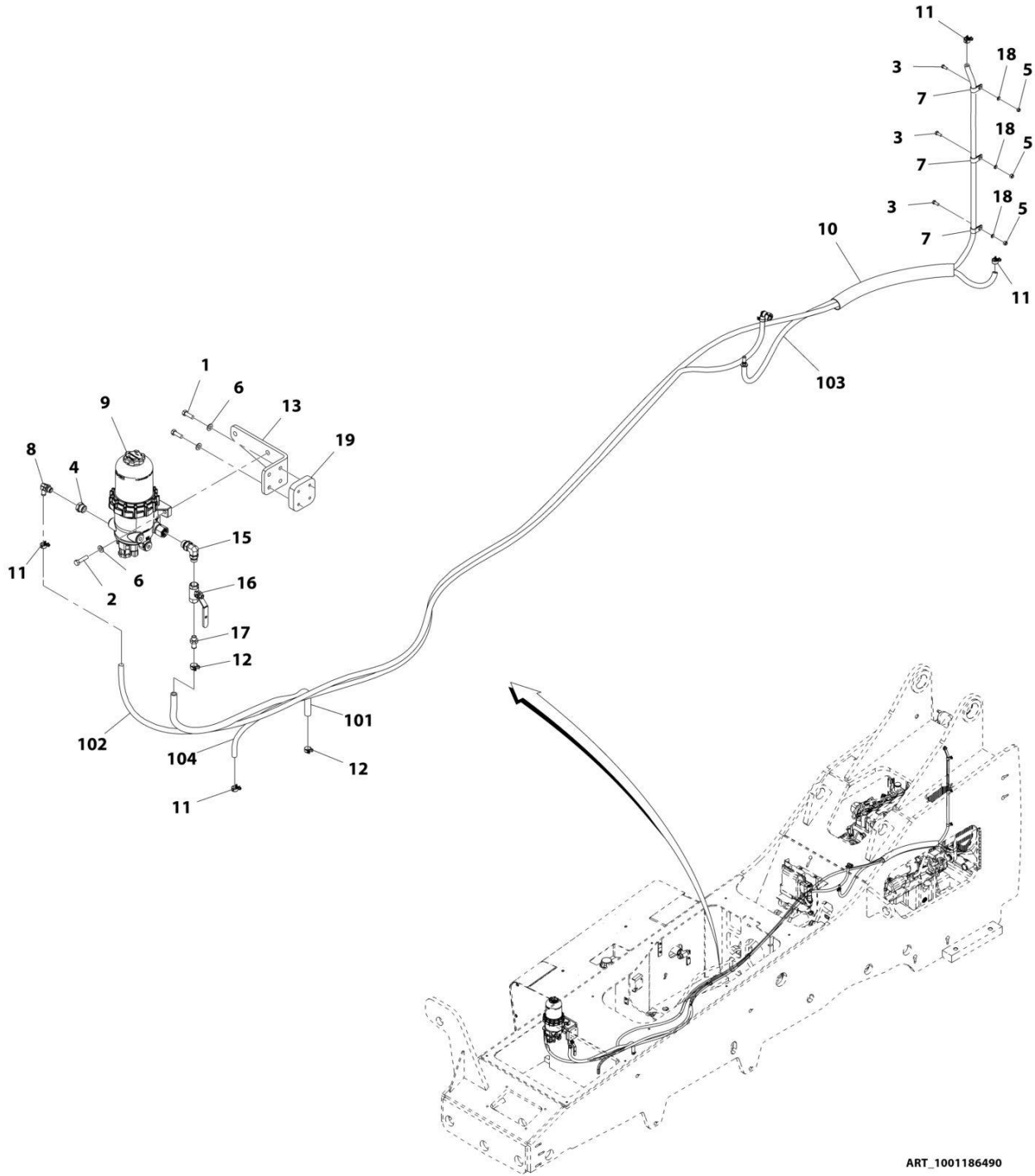
## SECTION 4 - ENGINE AND ATTACHING PARTS

**FIGURE 4-22. FUEL PLUMBING INSTALLATION (ULS)**

| ITEM | PART NUMBER | QTY | DESCRIPTION                                      | REV |
|------|-------------|-----|--|-----|
|      | 1001165672  | Ref | Fuel Plumbing Installation (if equipped for ULS) | H   |
| 1    | 0701216     | 2   | Bolt, M12X40                                     |     |
| 2    | 0760608     | 3   | Bolt, M6X16                                      |     |
| 3    | 0761012     | 2   | Bolt, M10X25                                     |     |
| 4    | 3290605     | 3   | Nut, Lock M6X1                                   |     |
| 5    | 3291205     | 2   | Nut, Lock M12X1-3/4                              |     |
| 6    | 4812000     | 2   | Washer, M10                                      |     |
| 7    | 4812100     | 4   | Washer, M12                                      |     |
| 8    | 8406112     | 3   | Clip, Tube 5/8                                   |     |
| 9    | 1001136975  | 5   | Clamp, Fuel Hose                                 |     |
| 10   | 1001182603  | 1   | Bracket, Filter Mount                            |     |
| 12   | 1001136358  | 1   | Sleeve, Abrasion                                 |     |
| 15   | 1001182094  | 1   | Adapter, Banjo M14X3/8                           |     |
| 16   | 1001175568  | 2   | Clip, Hose                                       |     |
| 17   | 1001179375  | 1   | Adapter, Banjo M14X1/2                           |     |
| 18   | 4811700     | 3   | Washer, M6                                       |     |
| 101  | 1001171802  | 1   | Hose   |     |
| 102  | 1001171803  | 1   | Hose   |     |
| 103  | 1001201111  | 1   | Hose   |     |
| 104  | 1001171805  | 1   | Hose   |     |

# SECTION 4 - ENGINE AND ATTACHING PARTS

## FIGURE 4-23. FUEL PLUMBING INSTALLATION (LS)



ART\_1001186490

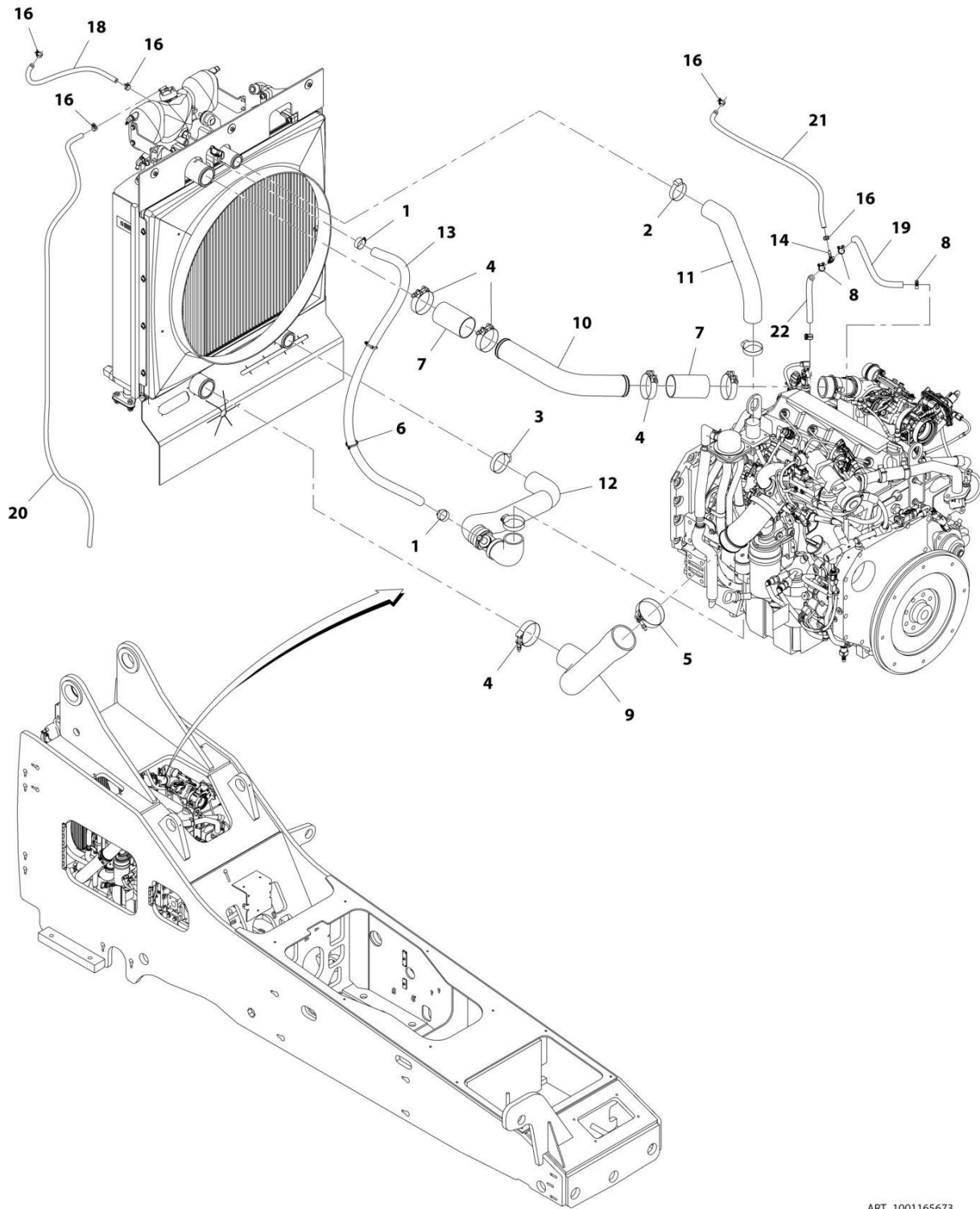
## SECTION 4 - ENGINE AND ATTACHING PARTS

**FIGURE 4-23. FUEL PLUMBING INSTALLATION (LS)**

| ITEM | PART NUMBER | QTY | DESCRIPTION                                     | REV |
|------|-------------|-----|---|-----|
|      | 1001186490  | Ref | Fuel Plumbing Installation (if equipped for LS) | J   |
| 1    | 0641609     | 4   | Bolt, 3/8-16X1-1/8                              |     |
| 2    | 0641612     | 2   | Bolt, 3/8-16X1-1/2                              |     |
| 3    | 0760608     | 3   | Bolt, M6X16                                     |     |
| 4    | 2220218     | 1   | Adapter, Straight                               |     |
| 5    | 3290605     | 3   | Nut, Lock M6X1                                  |     |
| 6    | 4711600     | 6   | Washer, 3/8                                     |     |
| 7    | 8406112     | 3   | Clip, Tube 5/8                                  |     |
| 8    | 1001178776  | 1   | Elbow, 90                                       |     |
| 9    | 1001133534  | 1   | Filter, Fuel                                    |     |
| 10   | 1001136358  | 1   | Sleeve, Abrasion                                |     |
| 11   | 1001136975  | 4   | Clamp, Fuel Hose                                |     |
| 12   | 1001175568  | 2   | Clip, Hose                                      |     |
| 13   | 1001190349  | 1   | Bracket, Support                                |     |
| 15   | 1001190629  | 1   | Adapter, 90                                     |     |
| 16   | 1001190630  | 1   | Valve Shutoff, Female                           |     |
| 17   | 1001190631  | 1   | Fitting, Hose Barb                              |     |
| 18   | 4811600     | 3   | Washer, M6                                      |     |
| 19   | 1001190344  | 1   | Bracket   |     |
| 100  | 1001190372  | 1   | Hose Kit (Not Shown)                            |     |
| 101  | 1001190370  | 1   | Hose  |     |
| 102  | 1001190371  | 1   | Hose  |     |
| 103  | 1001201111  | 1   | Hose  |     |
| 104  | 1001171805  | 1   | Hose  |     |

# SECTION 4 - ENGINE AND ATTACHING PARTS

## FIGURE 4-24. PLUMBING COOLING INSTALLATION (ULS)



ART\_1001165673



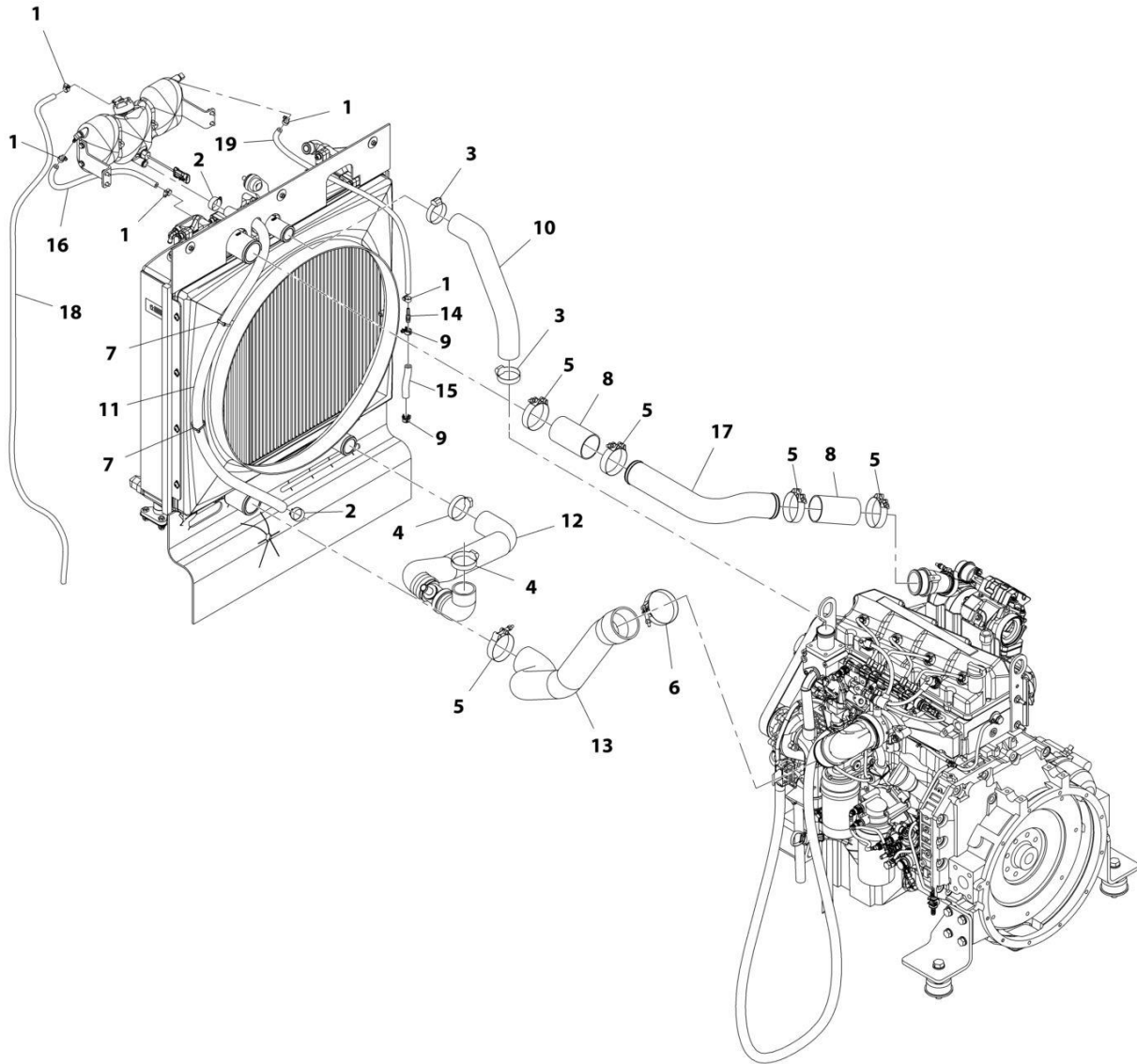
## SECTION 4 - ENGINE AND ATTACHING PARTS

**FIGURE 4-24. PLUMBING COOLING INSTALLATION (ULS)**

| ITEM | PART NUMBER | QTY | DESCRIPTION   | REV |
|------|-------------|-----|---|-----|
|      | 1001165673  | Ref | Plumbing Cooling Installation (if equipped for ULS) | 1   |
| 1    | 8405007     | 2   | Clamp, Gear 1-1/4                                   |     |
| 2    | 8405104     | 2   | Clamp, Gear 2-1/4                                   |     |
| 3    | 8405201     | 2   | Clamp, Gear 2-1/2                                   |     |
| 4    | 8405212     | 5   | Clamp, T-Bolt                                       |     |
| 5    | 8405305     | 1   | Clamp, T-Bolt                                       |     |
| 6    | 1001004720  | 2   | Strap, Cable  |     |
| 7    | 1001114495  | 2   | Hose, CAC Straight                                  |     |
| 8    | 1001136975  | 4   | Clamp, Fuel Hose                                    |     |
| 9    | 1001201983  | 1   | Hose, CAC Outlet                                    |     |
| 10   | 1001169271  | 1   | Pipe, CAC Inlet                                     |     |
| 11   | 1001169272  | 1   | Hose, Upper Radiator                                |     |
| 12   | 1001201945  | 1   | Hose, Lower Radiator                                |     |
| 13   | 1001169274  | 1   | Hose, Draw Down                                     |     |
| 14   | 1001235725  | 1   | Fitting, Union Tee                                  |     |
| 16   | 1001213938  | 5   | Clamp, Fuel Line                                    |     |
| 18   | 1001203969  | 1   | Hose, Vent Line                                     |     |
| 19   | 1001203970  | 1   | Hose, Vent Line                                     |     |
| 20   | 1001204097  | 1   | Hose, Vent Line                                     |     |
| 21   | 1001204098  | 1   | Hose, Vent Line                                     |     |
| 22   | 1001204099  | 1   | Hose, Vent Line                                     |     |

# SECTION 4 - ENGINE AND ATTACHING PARTS

## FIGURE 4-25. PLUMBING COOLING INSTALLATION (LS)



ART\_1001185652-D

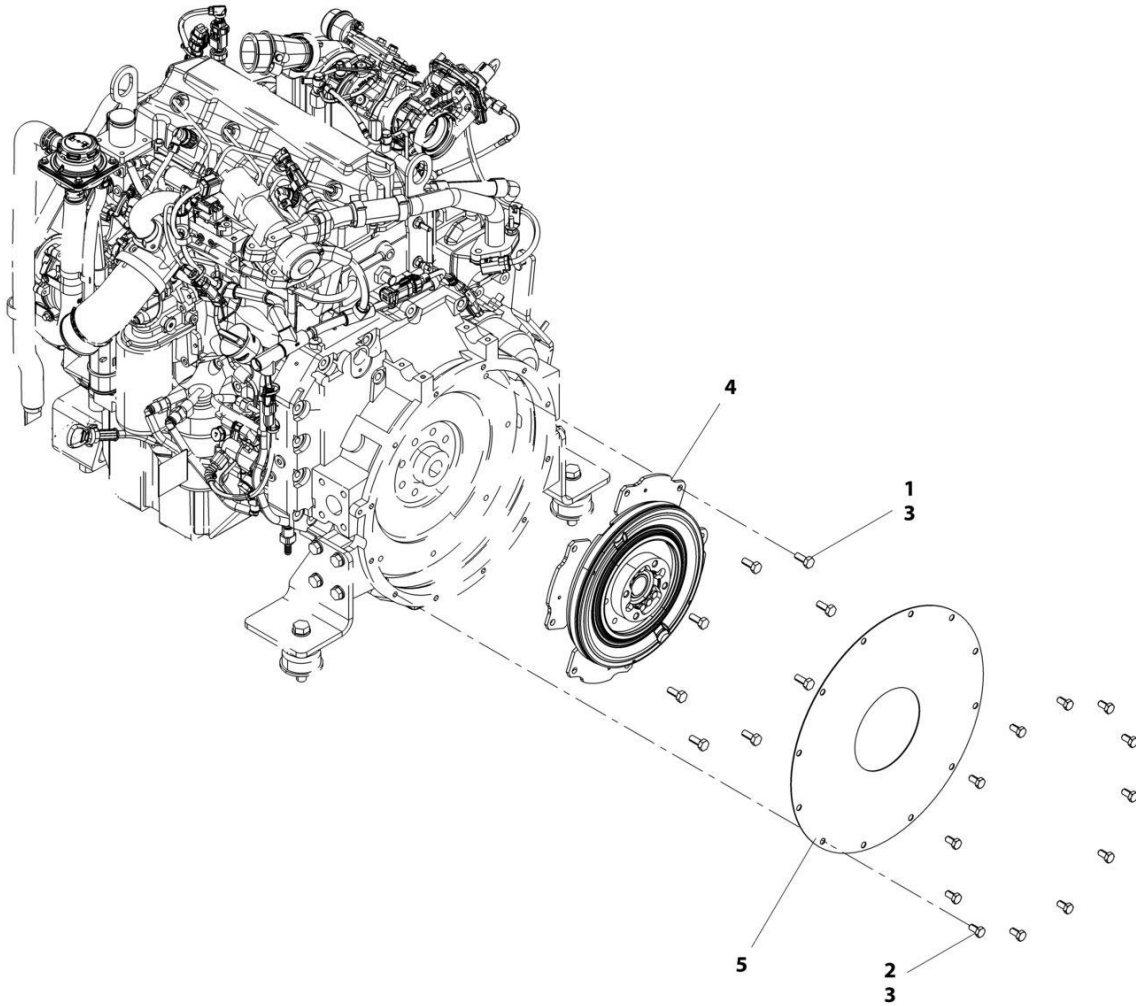
## SECTION 4 - ENGINE AND ATTACHING PARTS

**FIGURE 4-25. PLUMBING COOLING INSTALLATION (LS)**

| ITEM | PART NUMBER | QTY | DESCRIPTION  | REV |
|------|-------------|-----|--|-----|
|      | 1001185652  | Ref | Plumbing Cooling Installation (if equipped for LS) | D   |
| 1    | 1320022     | 5   | Clamp, Fuel Line                                   |     |
| 2    | 8405007     | 2   | Clamp, Gear 1-1/4                                  |     |
| 3    | 8405104     | 2   | Clamp, Gear 2-1/4                                  |     |
| 4    | 8405201     | 2   | Clamp, Gear 2-1/2                                  |     |
| 5    | 8405212     | 5   | Clamp, T-Bolt                                      |     |
| 6    | 8405305     | 1   | Clamp, T-Bolt                                      |     |
| 7    | 1001004720  | 2   | Strap, Cable                                       |     |
| 8    | 1001114495  | 2   | Hose, CAC Straight                                 |     |
| 9    | 1001136975  | 2   | Clamp, Fuel Hose                                   |     |
| 10   | 1001169272  | 1   | Hose, Upper Radiator                               |     |
| 11   | 1001169274  | 1   | Hose, Draw Down                                    |     |
| 12   | 1001201945  | 1   | Hose, Lower Radiator                               |     |
| 13   | 1001189318  | 1   | Hose, CAC Outlet                                   |     |
| 14   | 1001189602  | 1   | Fitting, Union Tee                                 |     |
| 15   | 1001189712  | 1   | Hose, Vent Line 3/8                                |     |
| 16   | 1001203969  | 1   | Hose, Vent 1/4                                     |     |
| 17   | 1001189715  | 1   | Pipe, CAC Inlet                                    |     |
| 18   | 1001204097  | 1   | Hose, Vent 1/4                                     |     |
| 19   | 1001204098  | 1   | Hose, Vent 1/4                                     |     |

# SECTION 4 - ENGINE AND ATTACHING PARTS

## FIGURE 4-26. ISOLATION COUPLER INSTALLATION



ART\_1001166229\_B

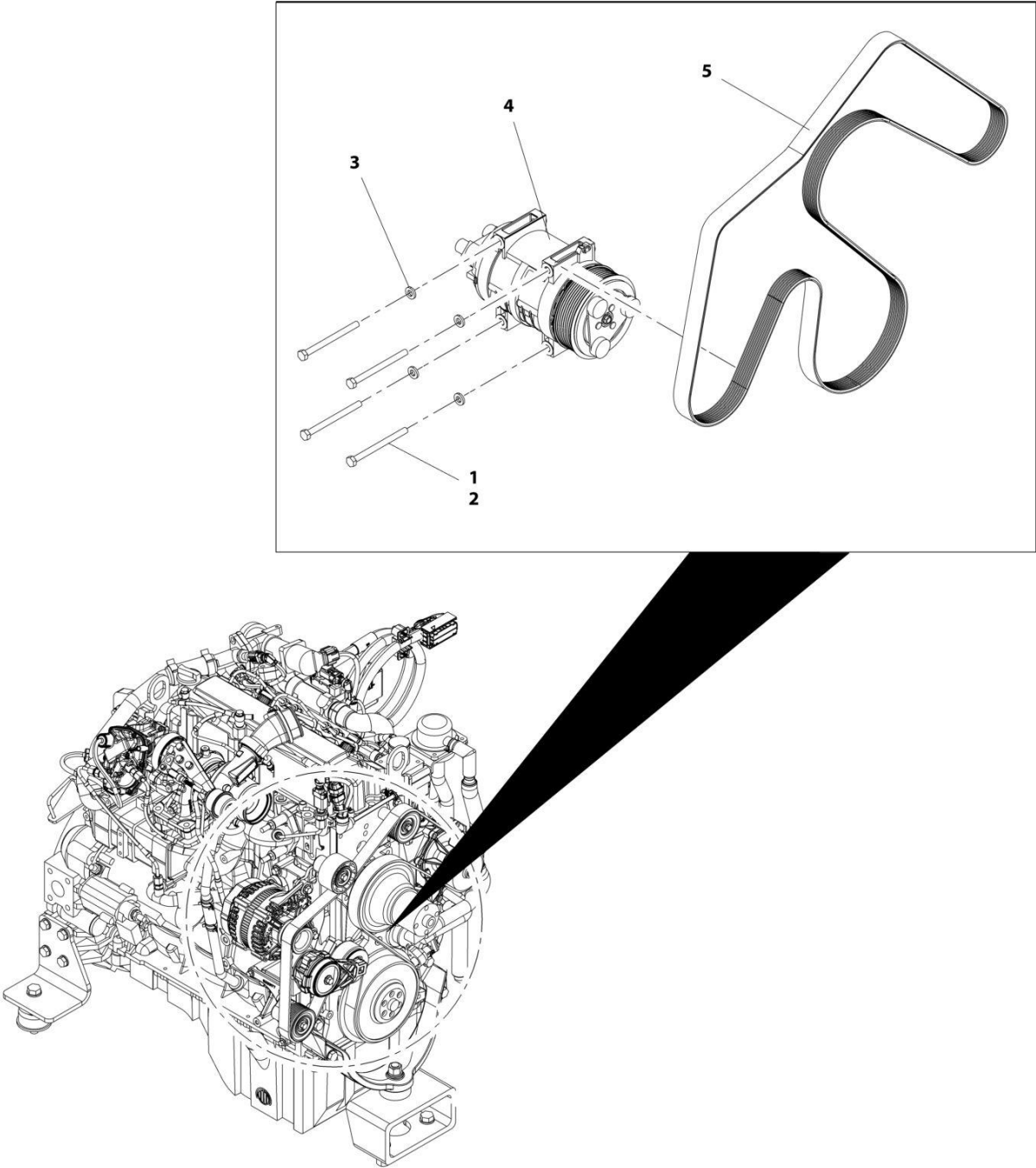
## SECTION 4 - ENGINE AND ATTACHING PARTS

FIGURE 4-26. ISOLATION COUPLER INSTALLATION

| ITEM | PART NUMBER | QTY | DESCRIPTION                    | REV |
|------|-------------|-----|--------------------------------|-----|
|      | 1001166229  | Ref | Isolation Coupler Installation | B   |
| 1    | 0761012     | 8   | Bolt, M10X25                   |     |
| 2    | 8303784     | 12  | Bolt, M10X20                   |     |
| 3    | 8526007     | AR  | Compound, Locking              |     |
| 4    | 1001180244  | 1   | Coupling, Torsion Damper       |     |
| 5    | 1001185071  | 1   | Panel, Isolation Coupler       |     |

**SECTION 4 - ENGINE AND ATTACHING PARTS**

**FIGURE 4-27. A/C COMPONENTS INSTALLATION, 85HP**



ART\_1001166008\_A

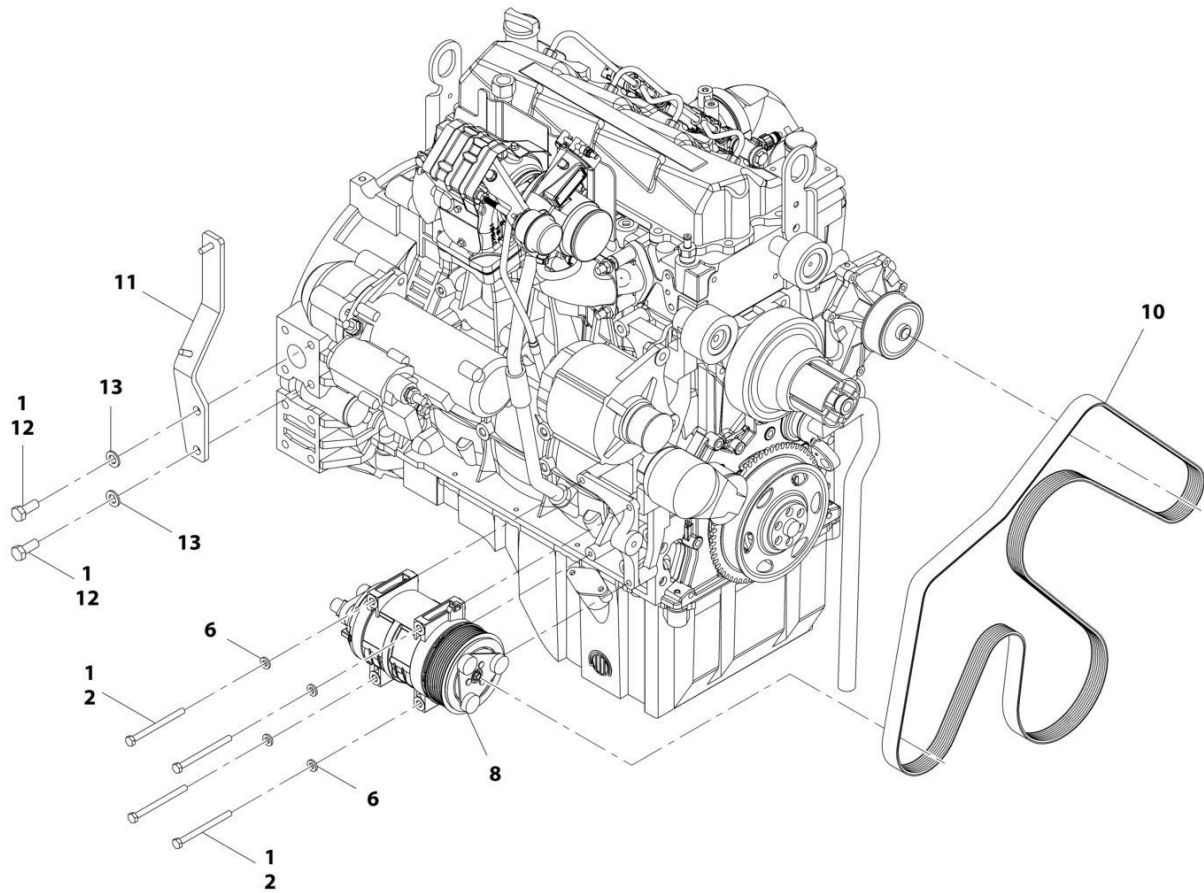
## SECTION 4 - ENGINE AND ATTACHING PARTS

FIGURE 4-27. A/C COMPONENTS INSTALLATION, 85HP

| ITEM | PART NUMBER | QTY | DESCRIPTION                 | REV |
|------|-------------|-----|-----------------------------|-----|
|      | 1001166008  | Ref | A/C Components Installation | A   |
| 1    | 0100011     | AR  | Compound, Locking           |     |
| 2    | 0700827     | 4   | Bolt, M8X100                |     |
| 3    | 5240800     | 4   | Washer, M8                  |     |
| 4    | 1001157663  | 1   | Compressor, A/C             |     |
| 5    | 1001167357  | 1   | Belt                        |     |

# SECTION 4 - ENGINE AND ATTACHING PARTS

## FIGURE 4-28. A/C COMPONENTS INSTALLATION, 74HP



ART\_1001190295-B



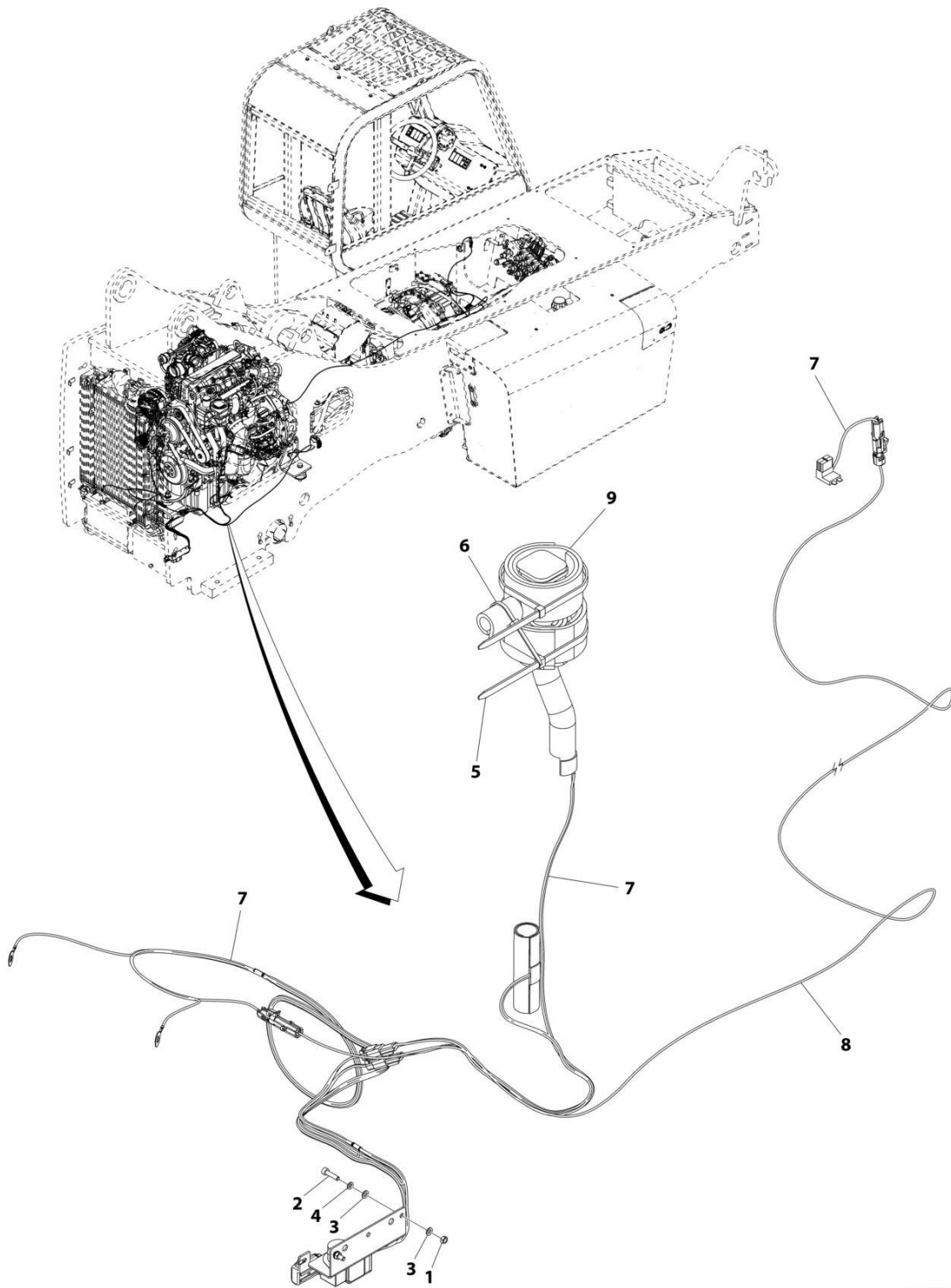
## SECTION 4 - ENGINE AND ATTACHING PARTS

FIGURE 4-28. A/C COMPONENTS INSTALLATION, 74HP

| ITEM | PART NUMBER | QTY | DESCRIPTION                                      | REV |
|------|-------------|-----|--|-----|
|      | 1001190295  | Ref | A/C Components Installation (if equipped for LS) | B   |
| 1    | 0100011     | AR  | Compound, Locking                                |     |
| 2    | 0700827     | 4   | Bolt, M8X100                                     |     |
| 6    | 5240800     | 4   | Washer, M8                                       |     |
| 8    | 1001157663  | 1   | Compressor, A/C                                  |     |
| 10   | 1001167357  | 1   | Belt   |     |
| 11   | 1001197233  | 1   | Bracket, AC Hose Support                         |     |
| 12   | 0711214     | 2   | Bolt, M12X30                                     |     |
| 13   | 4812100     | 2   | Washer, M12                                      |     |

# SECTION 4 - ENGINE AND ATTACHING PARTS

## FIGURE 4-29. HEATER BREATHER



ART\_1001232750-A

## SECTION 4 - ENGINE AND ATTACHING PARTS

### FIGURE 4-29. HEATER BREATHER

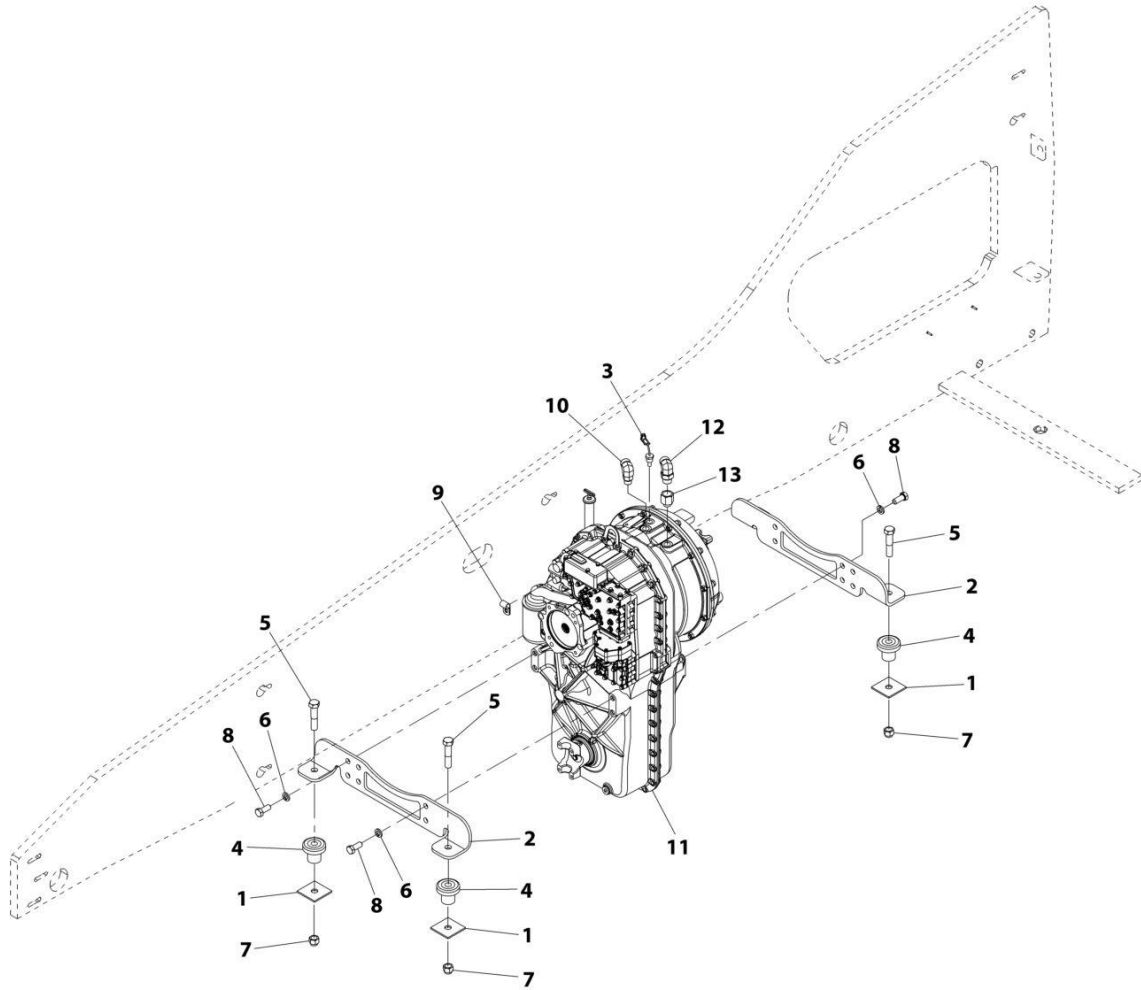
| ITEM | PART NUMBER | QTY | DESCRIPTION                      | REV |
|------|-------------|-----|----------------------------------|-----|
|      | 1001232750  | Ref | Heater Breather - 74 HP          | A   |
| 1    | 3290501     | 2   | Nut, M5X0.8                      |     |
| 2    | 4031608     | 2   | Screw, M5X20                     |     |
| 3    | 4811600     | 4   | Washer, M5                       |     |
| 4    | 4831600     | 2   | Washer, Lock M5                  |     |
| 5    | 01043892    | 2   | Strap, Tie                       |     |
| 6    | 86683122    | 1   | Strap, Tie                       |     |
| 7    | 1001232439  | 1   | Engine, Cummins Breather Kit     |     |
| 8    | 1001232599  | 1   | Harness, Cummins Breather Heater |     |
| 9    | 1001232624  | 1   | Insulate, Cummins Insulation     |     |



**SECTION 5 - DRIVE TRAIN**

# SECTION 5 - DRIVE TRAIN

## FIGURE 5-1. TRANSMISSION INSTALLATION



ART\_1001108524-B

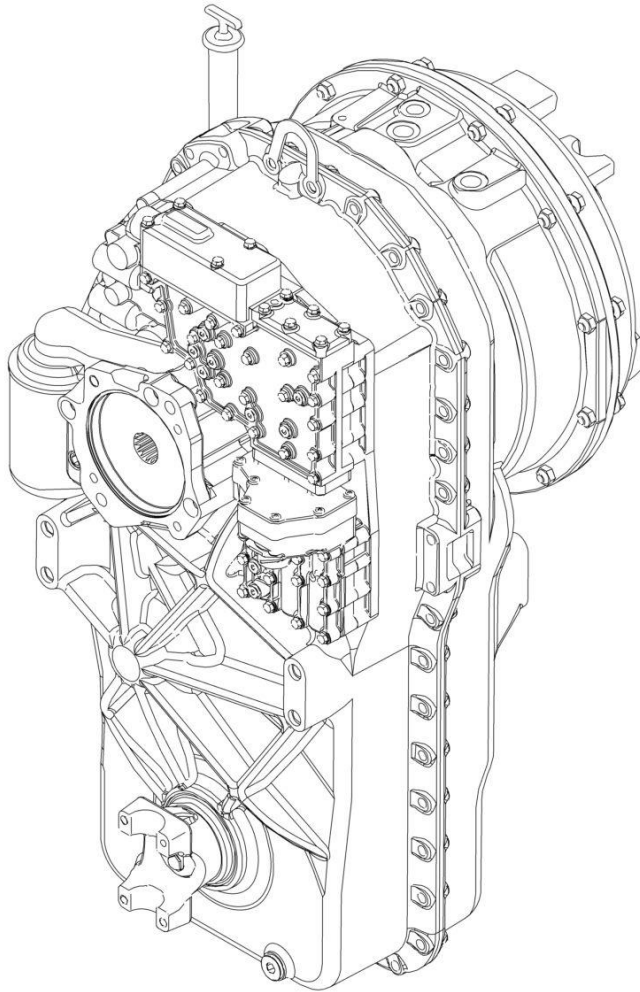
## SECTION 5 - DRIVE TRAIN

**FIGURE 5-1. TRANSMISSION INSTALLATION**

| ITEM | PART NUMBER | QTY | DESCRIPTION  | REV |
|------|-------------|-----|--|-----|
|      | 1001108524  | Ref | Transmission Installation                                      | B   |
| 1    | 7054351     | 4   | Washer, Rebound  |     |
| 2    | 7138634     | 2   | Bracket, Transmission Mount                                    |     |
| 3    | 8223232     | 1   | Switch, Transmission Temperature                               |     |
| 4    | 91403097    | 4   | Mount, Rubber  |     |
| 5    | 8303724     | 4   | Bolt, 3/4-10X3-1/2   |     |
| 6    | 8307049     | 8   | Washer, Lock M16   |     |
| 7    | 8310067     | 4   | Nut, Lock 3/4-10   |     |
| 8    | 8310215     | 8   | Bolt, M16X40   |     |
| 9    | 8406105     | 1   | Clip, Tube   |     |
| 10   | 2131210     | 1   | Adapter, 90  |     |
| 11   | 8841036     | 1   | Transmission, 4-Speed (See Separate Breakdown in this Section) |     |
| 12   | 2131212     | 1   | Adapter, 90  |     |
| 13   | 8760548     | 1   | Adapter, Straight  |     |

## SECTION 5 - DRIVE TRAIN

FIGURE 5-2. TRANSMISSION ASSEMBLY



ART\_8841036\_1-C



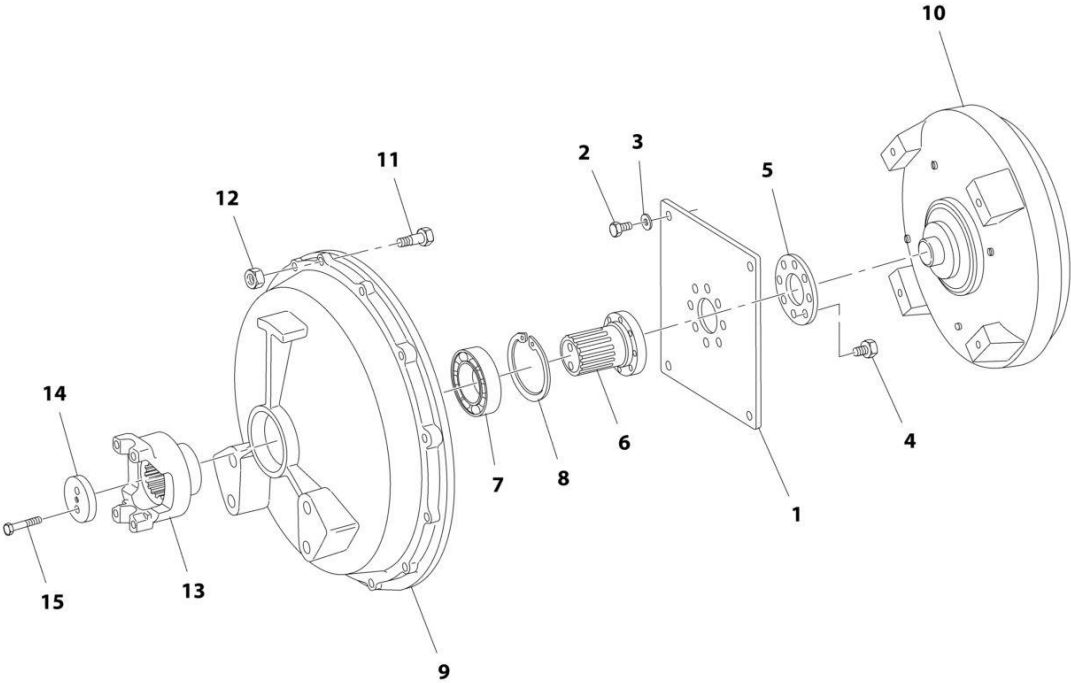
## SECTION 5 - DRIVE TRAIN

**FIGURE 5-2. TRANSMISSION ASSEMBLY**

| ITEM | PART NUMBER | QTY | DESCRIPTION   | REV |
|------|-------------|-----|---|-----|
|      | 8841036     | Ref | TRANSMISSION ASSEMBLY   | C   |
|      |             | Ref | Transmission - Engine Connection and Converter (See Separate Breakdown in this Section) |     |
|      |             | Ref | Transmission - Input Shafts (See Separate Breakdown in this Section)                    |     |
|      |             | Ref | Transmission - Gearbox Housing (See Separate Breakdown in this Section)                 |     |
|      |             | Ref | Transmission - Coupling Group 1 (See Separate Breakdown in this Section)                |     |
|      |             | Ref | Transmission - Coupling Group 2 (See Separate Breakdown in this Section)                |     |
|      |             | Ref | Transmission - Coupling Group 3 (See Separate Breakdown in this Section)                |     |
|      |             | Ref | Transmission - Coupling Group 4 (See Separate Breakdown in this Section)                |     |
|      |             | Ref | Transmission - Reversing Gear Group 1 (See Separate Breakdown in this Section)          |     |
|      |             | Ref | Transmission - Reversing Gear Group 2 (See Separate Breakdown in this Section)          |     |
|      |             | Ref | Transmission - Output (See Separate Breakdown in this Section)                          |     |
|      |             | Ref | Transmission - Control Unit (See Separate Breakdown in this Section)                    |     |
|      |             | Ref | Transmission - Valve Housing Assembly (See Separate Breakdown in this Section)          |     |
|      |             | Ref | Transmission - Valve Block Assembly (See Separate Breakdown in this Section)            |     |
|      |             | Ref | Transmission - Oil Pump and Filter (See Separate Breakdown in this Section)             |     |

**SECTION 5 - DRIVE TRAIN**

**FIGURE 5-3. TRANSMISSION, ENGINE CONNECTION AND CONVERTER**



ART\_8841036\_2-C

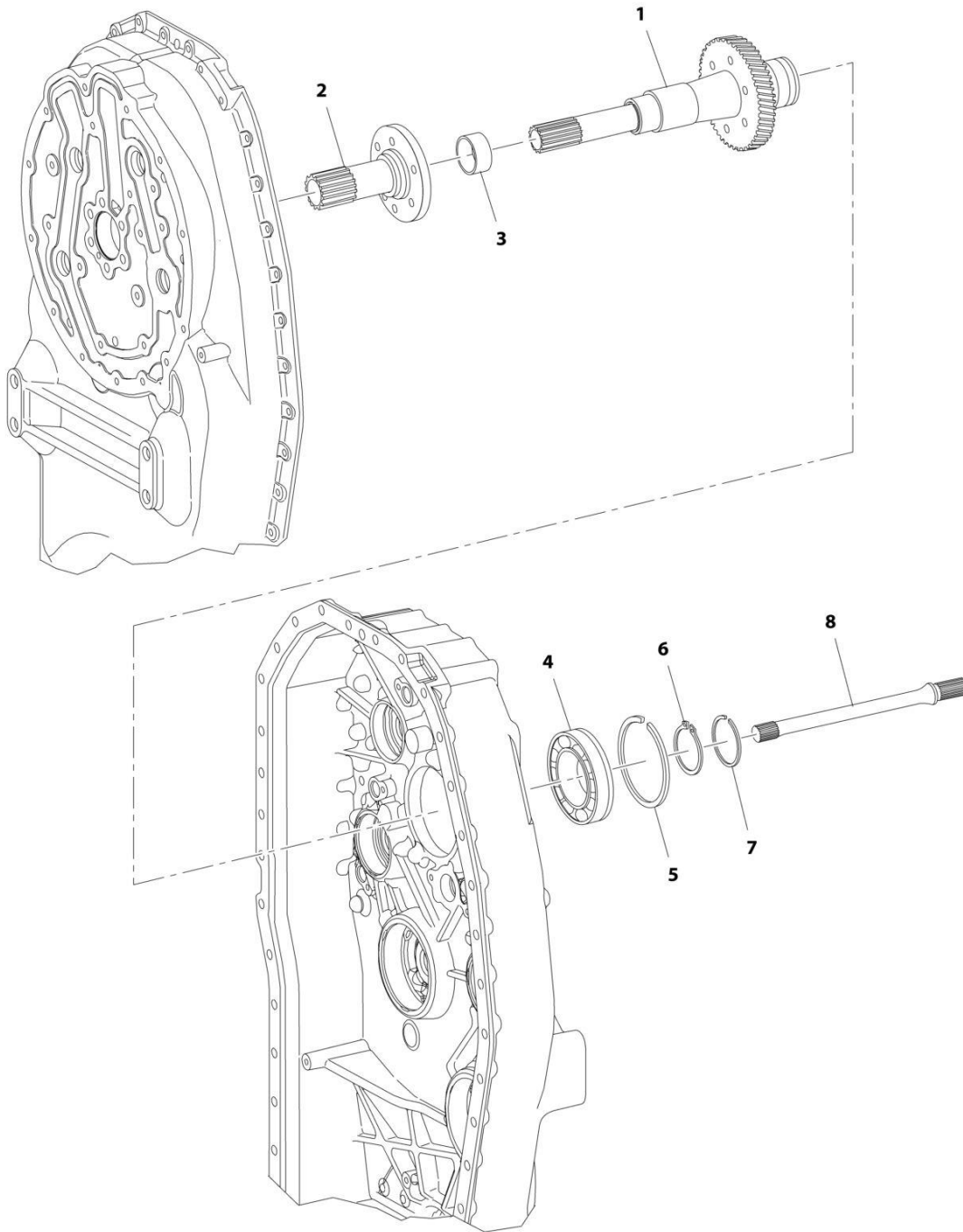
## SECTION 5 - DRIVE TRAIN

**FIGURE 5-3. TRANSMISSION, ENGINE CONNECTION AND CONVERTER**

| ITEM | PART NUMBER | QTY | DESCRIPTION                                    | REV |
|------|-------------|-----|--|-----|
|      | 8841036     | Ref | TRANSMISSION - ENGINE CONNECTION AND CONVERTER |     |
| 1    | 1319203     | 1   | Diaphragm                                      |     |
| 2    | 1319204     | 4   | Bolt, M10X18                                   |     |
| 3    | 10732095    | 4   | Washer   |     |
| 4    | 10731702    | 8   | Bolt, M10X16                                   |     |
| 5    | 1319213     | 1   | Washer   |     |
| 6    | 70023482    | 1   | Shaft, Input                                   |     |
| 7    | 1319209     | 1   | Bearing, Ball                                  |     |
| 8    | 1319210     | 1   | Ring, Retaining                                |     |
| 9    | 8036021     | 1   | Cover  |     |
| 10   | 8036022     | 1   | Converter                                      |     |
| 11   | 10731748    | 12  | Bolt, M10X45                                   |     |
| 12   | 10731751    | 12  | Nut, M10                                       |     |
| 13   | 1319211     | 1   | Yoke, End                                      |     |
| 14   | 1319205     | 1   | Washer   |     |
| 15   | 70023483    | 2   | Bolt   |     |

# SECTION 5 - DRIVE TRAIN

## FIGURE 5-4. TRANSMISSION, INPUT SHAFTS



ART\_8841036\_3-C

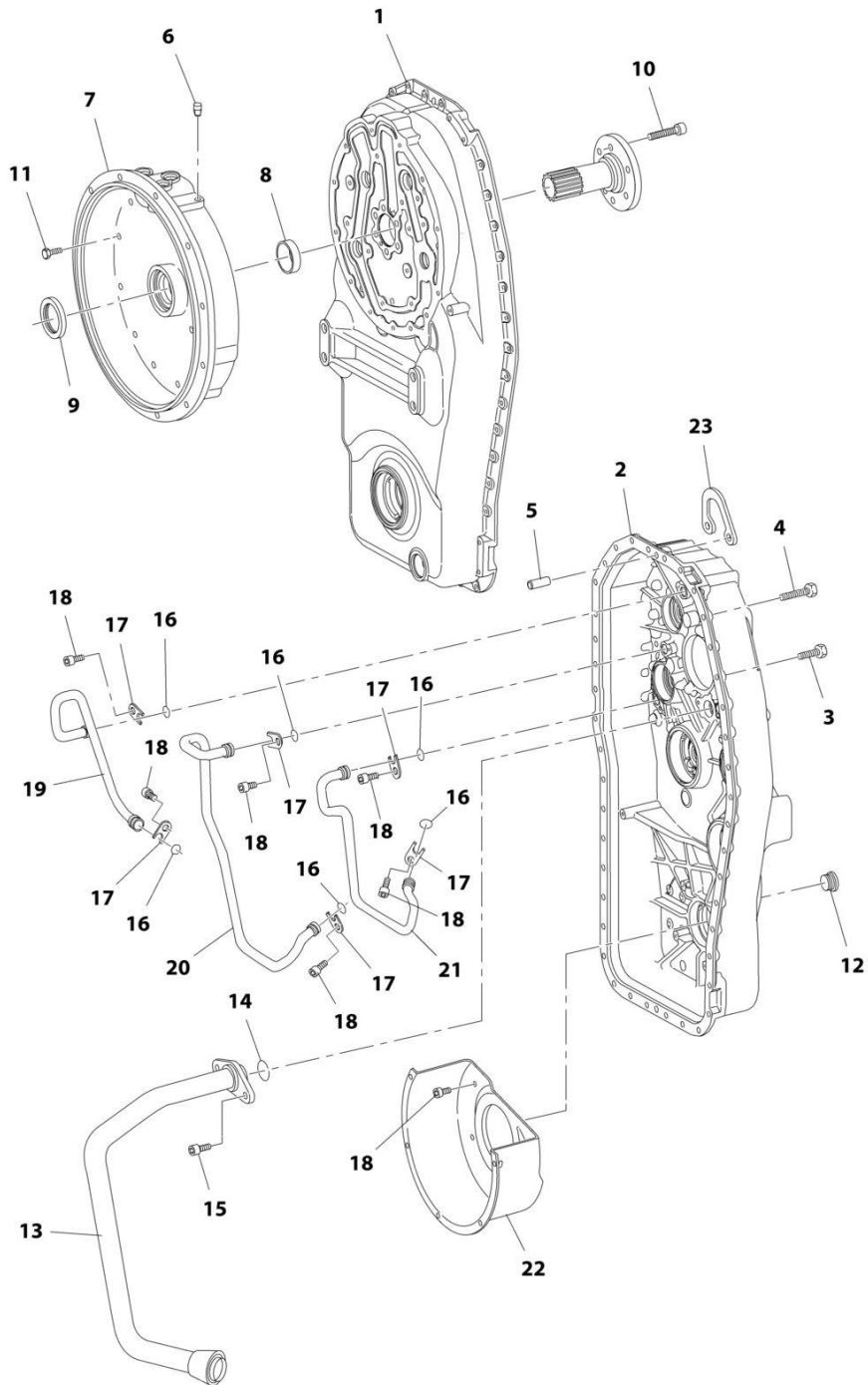
## SECTION 5 - DRIVE TRAIN

### FIGURE 5-4. TRANSMISSION, INPUT SHAFTS

| ITEM | PART NUMBER | QTY | DESCRIPTION                 | REV |
|------|-------------|-----|-----------------------------|-----|
|      | 8841036     | Ref | TRANSMISSION - INPUT SHAFTS |     |
| 1    | 8036023     | 1   | Shaft, Turbine              |     |
| 2    | 1319557     | 1   | Shaft, Stator               |     |
| 3    | 1319558     | 1   | Bushing, Bearing            |     |
| 4    | 1319563     | 1   | Bearing, Ball               |     |
| 5    | 10731913    | 1   | Ring, Snap                  |     |
| 6    | 80304405    | 1   | Ring, Retaining             |     |
| 7    | 1319565     | 1   | Ring, Piston                |     |
| 8    | 1319566     | 1   | Shaft, Central              |     |

# SECTION 5 - DRIVE TRAIN

## FIGURE 5-5. TRANSMISSION, GEARBOX HOUSING



ART\_8841036\_4-C

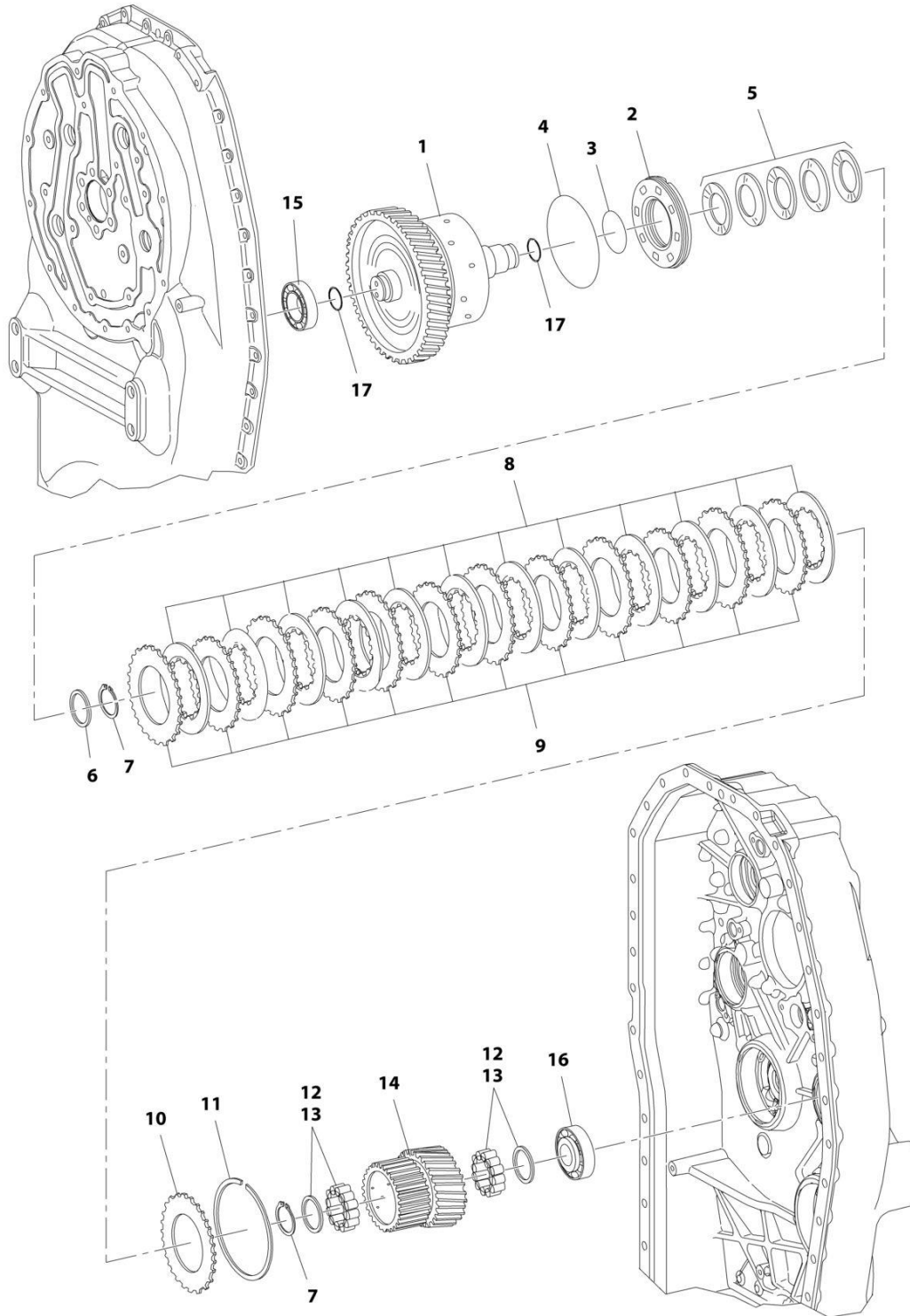
## SECTION 5 - DRIVE TRAIN

**FIGURE 5-5. TRANSMISSION, GEARBOX HOUSING**

| ITEM | PART NUMBER | QTY | DESCRIPTION                    | REV |
|------|-------------|-----|--------------------------------|-----|
|      | 8841036     | Ref | TRANSMISSION - GEARBOX HOUSING |     |
| 1    | 8036024     | 1   | Housing I                      |     |
| 2    | 8036025     | 1   | Housing II                     |     |
| 3    | 1319569     | 36  | Bolt, M10X30                   |     |
| 4    | 1319570     | 6   | Bolt, M10X50                   |     |
| 5    | 1319571     | 2   | Pin, Cylindrical M6X24         |     |
| 6    | 10731744    | 1   | Breather                       |     |
| 7    | 1319574     | 1   | Bell, Converter                |     |
| 8    | 1319575     | 1   | Bushing, Bearing               |     |
| 9    | 1319576     | 1   | Seal, Shaft                    |     |
| 10   | 1319577     | 6   | Screw, M10X50                  |     |
| 11   | 1319569     | 23  | Bolt, M10X30                   |     |
| 12   | 70023404    | 1   | Plug, Screw                    |     |
| 13   | 8036026     | 1   | Pipe, Oil Suction              |     |
| 14   | 70023885    | 1   | O-Ring                         |     |
| 15   | 1319582     | 2   | Screw, M8X20                   |     |
| 16   | 1319583     | 6   | O-Ring                         |     |
| 17   | 1319584     | 6   | Plate, Fixing                  |     |
| 18   | 1319585     | 11  | Screw, M8X16                   |     |
| 19   | 1319586     | 1   | Pipe                           |     |
| 20   | 1319587     | 1   | Pipe                           |     |
| 21   | 8036027     | 1   | Pipe                           |     |
| 22   | 8036028     | 1   | Sheet, Screen                  |     |
| 23   | 1319590     | 1   | Bracket                        |     |

# SECTION 5 - DRIVE TRAIN

## FIGURE 5-6. TRANSMISSION, COUPLING GROUP 1



ART\_8841036\_5-C



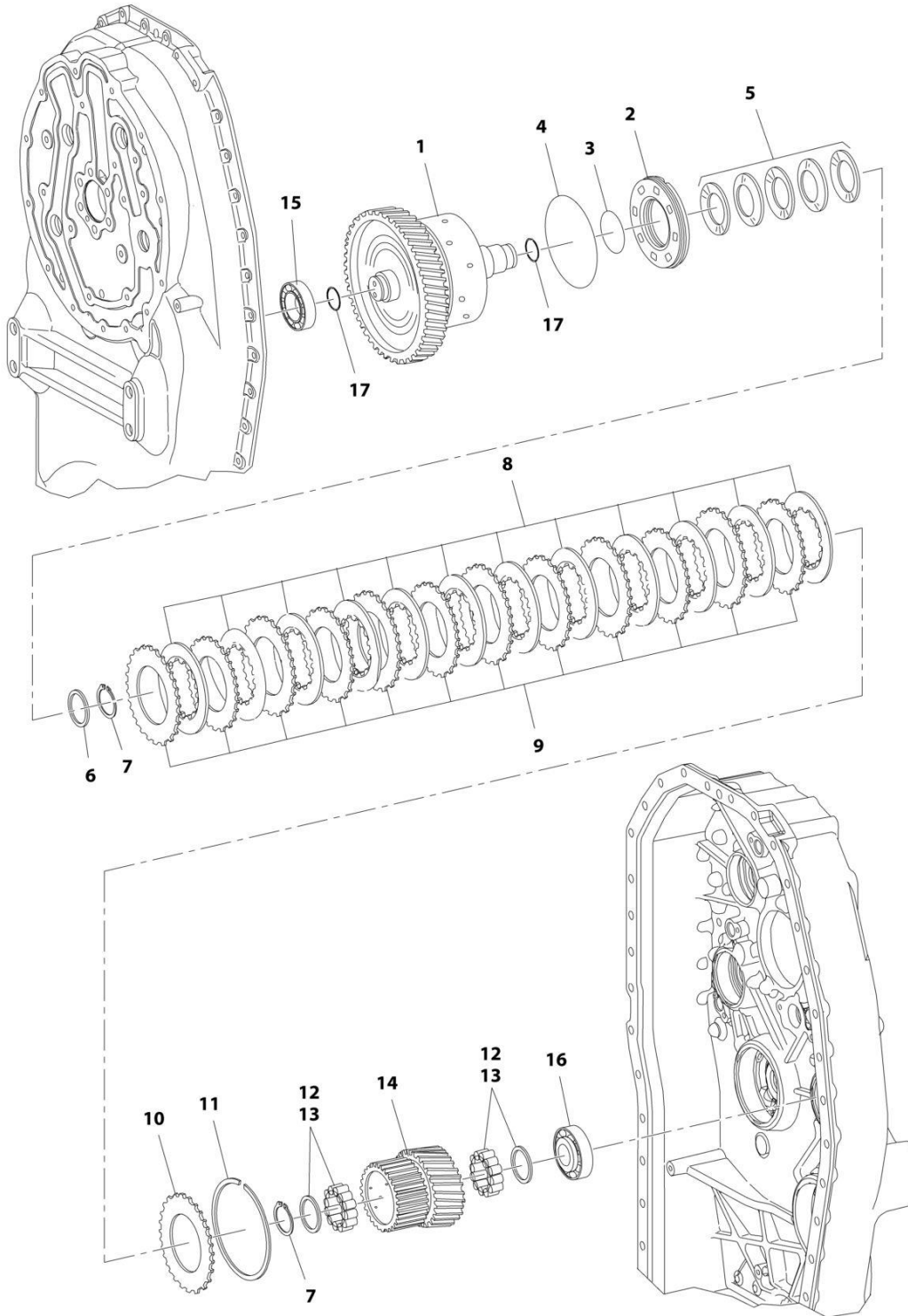
## SECTION 5 - DRIVE TRAIN

**FIGURE 5-6. TRANSMISSION, COUPLING GROUP 1**

| ITEM | PART NUMBER | QTY | DESCRIPTION                     | REV |
|------|-------------|-----|---------------------------------|-----|
|      | 8841036     | Ref | TRANSMISSION - COUPLING GROUP 1 |     |
| 1    | 1319591     | 1   | Coupling                        |     |
| 2    | 1319592     | 1   | Piston                          |     |
| 3    | 1319593     | 1   | O-Ring, 52X3                    |     |
| 4    | 1319594     | 1   | O-Ring, 115X3                   |     |
| 5    | 1319595     | 5   | Spring, Cup                     |     |
| 6    | 1319596     | 1   | Shim                            |     |
| 7    | 10731845    | 2   | Ring, Retaining                 |     |
| 8    | 7026758     | 12  | Disc, Inner Clutch              |     |
| 9    | 7026759     | 12  | Disc, Outer Clutch              |     |
| 10   | 7026760     | 1   | Shim, End                       |     |
| 11   | 1319600     | 1   | Ring, Snap 4                    |     |
| 11   | 1319601     | 1   | Ring, Snap 3-1/2                |     |
| 11   | 1319602     | 1   | Ring, Snap 3                    |     |
| 11   | 1319603     | 1   | Ring, Snap 2-1/2                |     |
| 11   | 1319604     | 1   | Ring, Snap 2                    |     |
| 12   | 1319605     | 2   | Cage, Roller                    |     |
| 13   | 1319606     | 2   | Cage, Roller                    |     |
| 14   | 1319607     | 1   | Carrier, Disc                   |     |
| 15   | 1319608     | 1   | Bearing, Roller                 |     |
| 16   | 1319609     | 1   | Bearing, Roller                 |     |
| 16   | 1319610     | 1   | Bearing, Roller                 |     |
| 16   | 1319611     | 1   | Bearing, Roller                 |     |
| 17   | 1319612     | 2   | Ring, Piston 30X2               |     |

# SECTION 5 - DRIVE TRAIN

## FIGURE 5-7. TRANSMISSION, COUPLING GROUP 2



ART\_8841036\_6-C

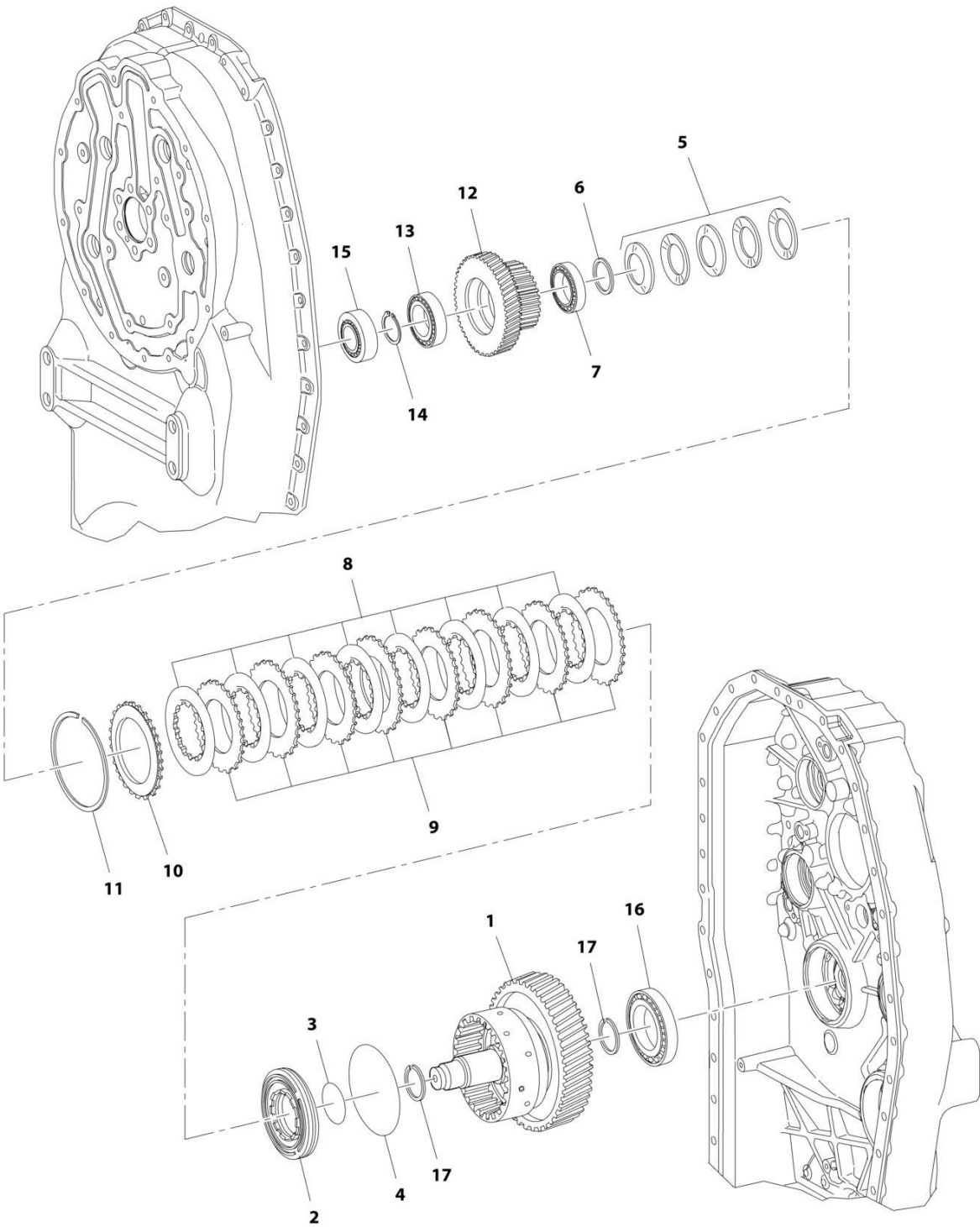
## SECTION 5 - DRIVE TRAIN

**FIGURE 5-7. TRANSMISSION, COUPLING GROUP 2**

| ITEM | PART NUMBER | QTY | DESCRIPTION                     | REV |
|------|-------------|-----|---------------------------------|-----|
|      | 8841036     | Ref | TRANSMISSION - COUPLING GROUP 2 |     |
| 1    | 1319613     | 1   | Coupling                        |     |
| 2    | 8036029     | 1   | Piston                          |     |
| 3    | 1319593     | 1   | O-Ring, 52X3                    |     |
| 4    | 1319594     | 1   | O-Ring, 115X3                   |     |
| 5    | 1319595     | 5   | Spring, Cup                     |     |
| 6    | 1319596     | 1   | Shim                            |     |
| 7    | 10731845    | 2   | Ring, Retaining                 |     |
| 8    | 7026758     | 8   | Disc, Inner Clutch              |     |
| 9    | 7026759     | 8   | Disc, Outer Clutch              |     |
| 10   | 7026760     | 1   | Shim, End                       |     |
| 11   | 1319600     | 1   | Ring, Snap 4                    |     |
| 11   | 1319601     | 1   | Ring, Snap 3-1/2                |     |
| 11   | 1319602     | 1   | Ring, Snap 3                    |     |
| 11   | 1319603     | 1   | Ring, Snap 2-1/2                |     |
| 11   | 1319604     | 1   | Ring, Snap 2                    |     |
| 12   | 1319605     | 2   | Cage, Roller                    |     |
| 13   | 1319606     | 2   | Cage, Roller                    |     |
| 14   | 1319614     | 1   | Carrier, Disc                   |     |
| 15   | 1319615     | 1   | Bearing, Roller                 |     |
| 16   | 8036190     | 1   | Assembly, Roller Bearing        |     |
| 16   | 7029532     | 1   | Ring, Outer                     |     |
| 16   | 7029533     | 1   | Ring, Inner                     |     |
| 17   | 1319612     | 2   | Ring, Piston 30X2               |     |

# SECTION 5 - DRIVE TRAIN

## FIGURE 5-8. TRANSMISSION, COUPLING GROUP 3



ART\_8841036\_7-C

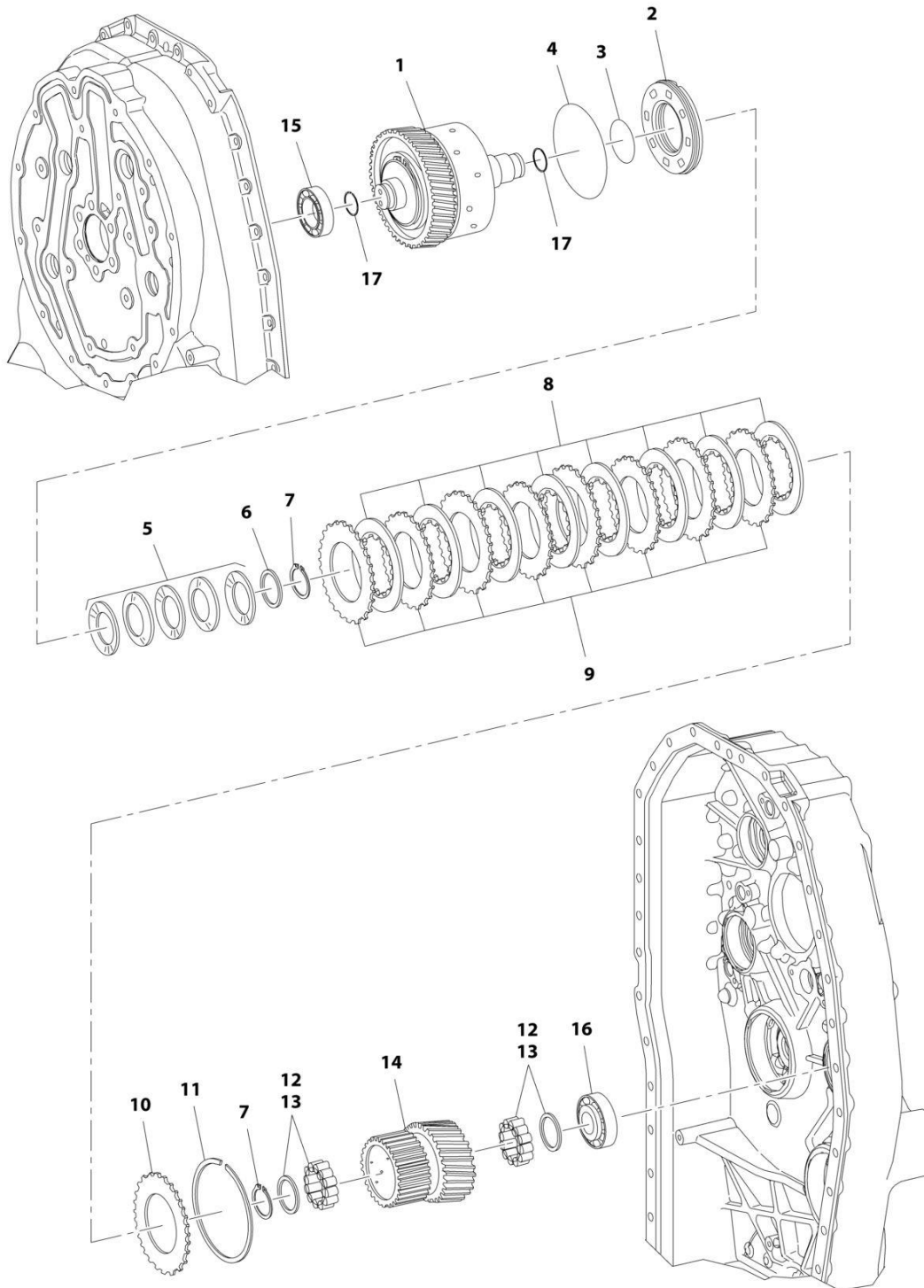
## SECTION 5 - DRIVE TRAIN

**FIGURE 5-8. TRANSMISSION, COUPLING GROUP 3**

| ITEM | PART NUMBER | QTY | DESCRIPTION                     | REV |
|------|-------------|-----|---------------------------------|-----|
|      | 8841036     | Ref | TRANSMISSION - COUPLING GROUP 3 |     |
| 1    | 1319616     | 1   | Coupling                        |     |
| 2    | 8036029     | 1   | Piston                          |     |
| 3    | 1319593     | 1   | O-Ring, 52X3                    |     |
| 4    | 1319594     | 1   | O-Ring, 115X3                   |     |
| 5    | 1319595     | 5   | Spring, Cup                     |     |
| 6    | 1319617     | 1   | Shim, Support                   |     |
| 7    | 1319618     | 1   | Bearing, Roller                 |     |
| 8    | 7026758     | 8   | Disc, Inner Clutch              |     |
| 9    | 7026759     | 8   | Disc, Outer Clutch              |     |
| 10   | 7026760     | 1   | Shim, End                       |     |
| 11   | 1319600     | 1   | Ring, Snap 4                    |     |
| 11   | 1319601     | 1   | Ring, Snap 3-1/2                |     |
| 11   | 1319602     | 1   | Ring, Snap 3                    |     |
| 11   | 1319603     | 1   | Ring, Snap 2-1/2                |     |
| 11   | 1319604     | 1   | Ring, Snap 2                    |     |
| 12   | 1319619     | 1   | Carrier, Disc                   |     |
| 13   | 1319620     | 1   | Bearing, Roller                 |     |
| 14   | 1319621     | 1   | Ring, Retaining 3.2             |     |
| 14   | 1319622     | 1   | Ring, Retaining 3.1             |     |
| 14   | 1319623     | 1   | Ring, Retaining 3               |     |
| 14   | 1319624     | 1   | Ring, Retaining 2.9             |     |
| 14   | 1319625     | 1   | Ring, Retaining 2.8             |     |
| 14   | 1319626     | 1   | Ring, Retaining 2.7             |     |
| 14   | 1319627     | 1   | Ring, Retaining 2.6             |     |
| 14   | 1319628     | 1   | Ring, Retaining 2.5             |     |
| 14   | 1319629     | 1   | Ring, Retaining 2.4             |     |
| 14   | 1319630     | 1   | Ring, Retaining 2.3             |     |
| 14   | 1319631     | 1   | Ring, Retaining 2.2             |     |
| 14   | 1319632     | 1   | Ring, Retaining 2.1             |     |
| 15   | 8036190     | 1   | Assembly, Roller Bearing        |     |
| 15   | 7029532     | 1   | Ring, Outer                     |     |
| 15   | 7029533     | 1   | Ring, Inner                     |     |
| 16   | 1319633     | 1   | Bearing, Roller                 |     |
| 17   | 1319612     | 2   | Ring, Piston 30X2               |     |

# SECTION 5 - DRIVE TRAIN

## FIGURE 5-9. TRANSMISSION, COUPLING GROUP 4



ART\_8841036\_8-C

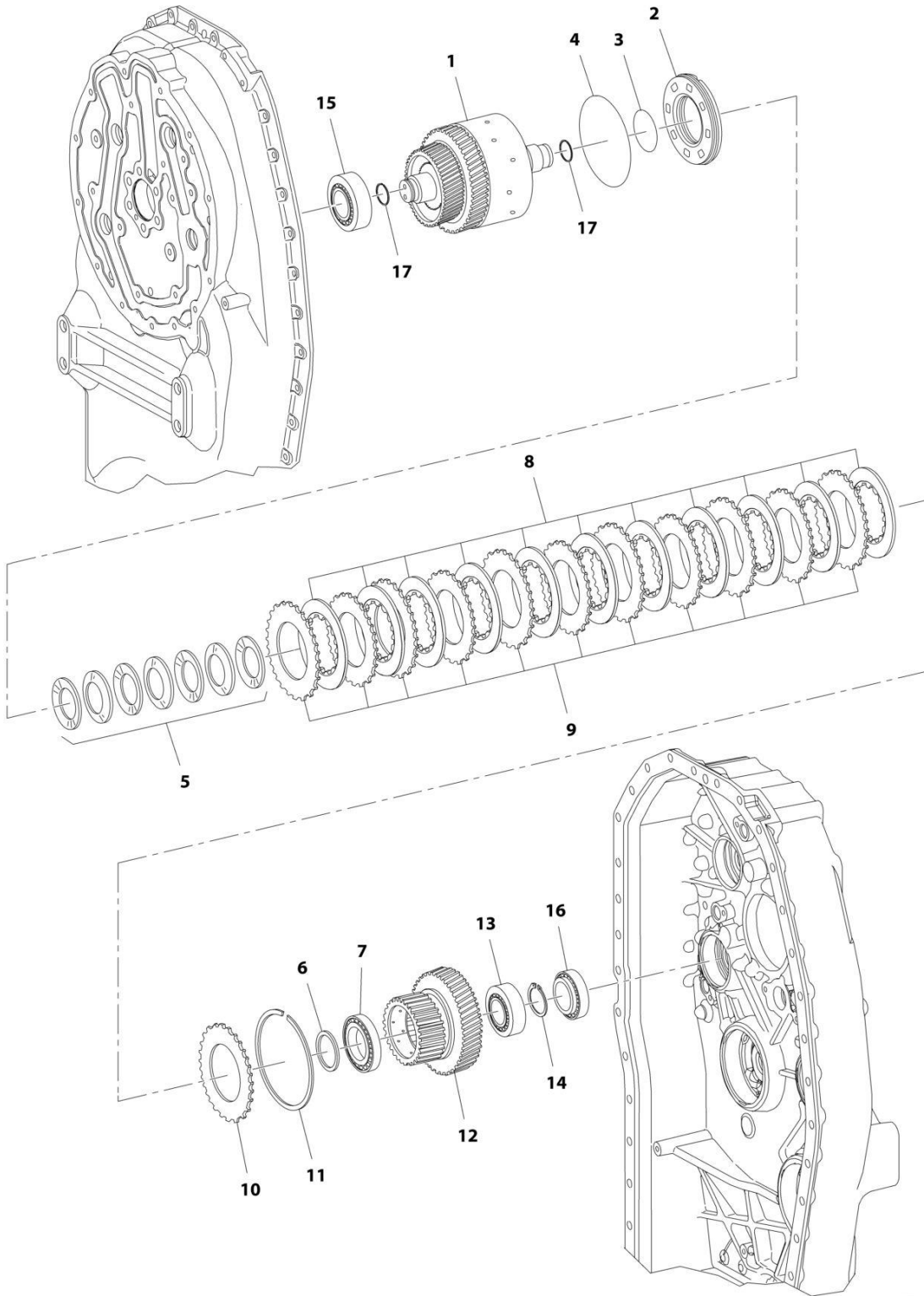
## SECTION 5 - DRIVE TRAIN

**FIGURE 5-9. TRANSMISSION, COUPLING GROUP 4**

| ITEM | PART NUMBER | QTY | DESCRIPTION                     | REV |
|------|-------------|-----|---------------------------------|-----|
|      | 8841036     | Ref | TRANSMISSION - COUPLING GROUP 4 |     |
| 1    | 1319634     | 1   | Coupling                        |     |
| 2    | 8036029     | 1   | Piston                          |     |
| 3    | 1319593     | 1   | O-Ring, 52X3                    |     |
| 4    | 1319594     | 1   | O-Ring, 115X3                   |     |
| 5    | 1319595     | 5   | Spring, Cup                     |     |
| 6    | 1319596     | 1   | Shim                            |     |
| 7    | 10731845    | 2   | Ring, Retaining                 |     |
| 8    | 7026758     | 8   | Disc, Inner Clutch              |     |
| 9    | 7026759     | 8   | Disc, Outer Clutch              |     |
| 10   | 7026760     | 1   | Shim, End                       |     |
| 11   | 1319600     | 1   | Ring, Snap 4                    |     |
| 11   | 1319601     | 1   | Ring, Snap 3-1/2                |     |
| 11   | 1319602     | 1   | Ring, Snap 3                    |     |
| 11   | 1319603     | 1   | Ring, Snap 2-1/2                |     |
| 11   | 1319604     | 1   | Ring, Snap 2                    |     |
| 12   | 1319605     | 2   | Cage, Roller                    |     |
| 13   | 1319606     | 2   | Cage, Roller                    |     |
| 14   | 1319635     | 1   | Carrier, Disc                   |     |
| 15   | 1319615     | 1   | Bearing, Roller                 |     |
| 16   | 1319636     | 1   | Bearing, Roller                 |     |
| 17   | 1319612     | 2   | Ring, Piston 30X2               |     |

# SECTION 5 - DRIVE TRAIN

## FIGURE 5-10. TRANSMISSION, REVERSING GEAR GROUP 1



ART\_8841036\_9-C



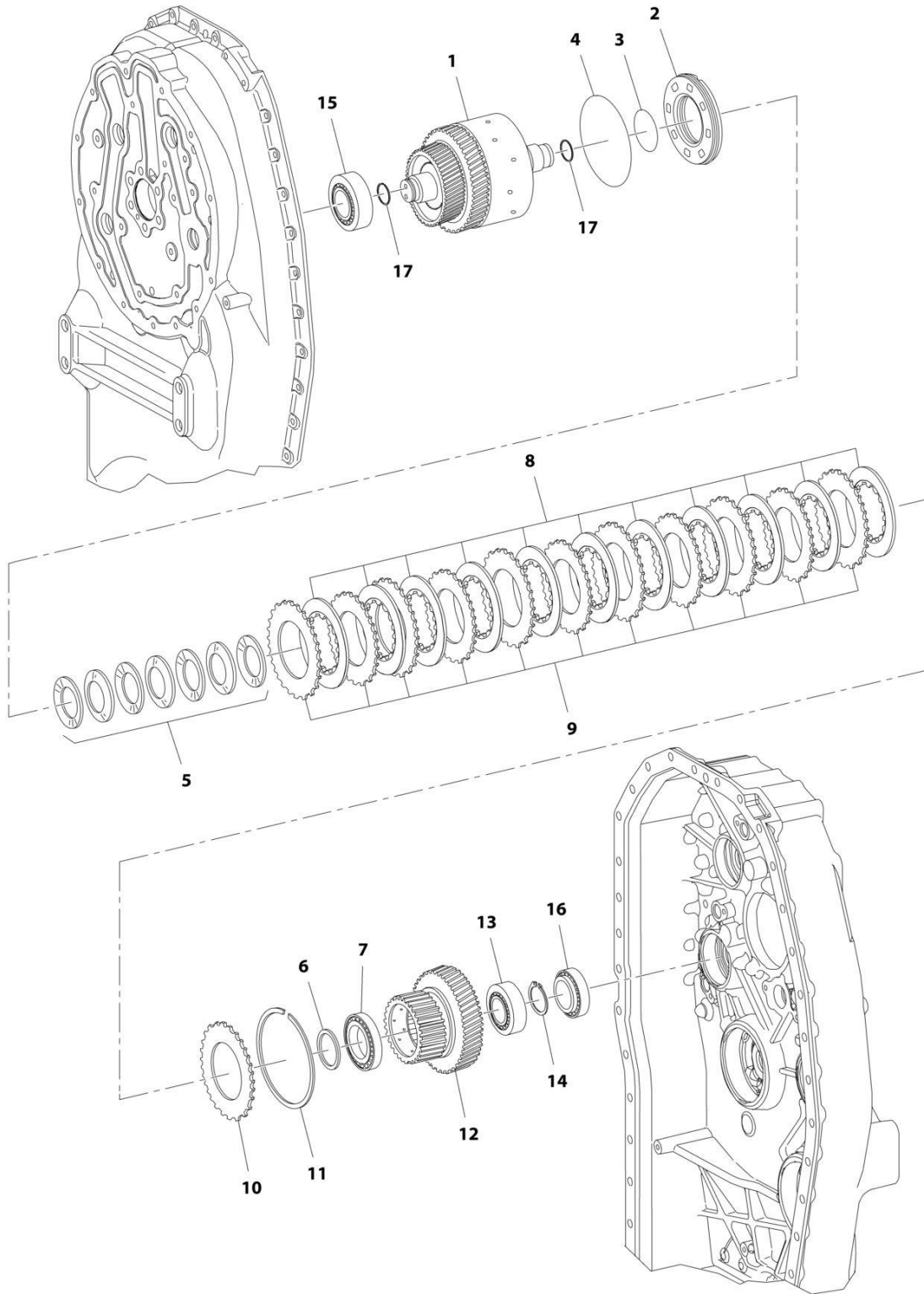
## SECTION 5 - DRIVE TRAIN

**FIGURE 5-10. TRANSMISSION, REVERSING GEAR GROUP 1**

| ITEM | PART NUMBER | QTY | DESCRIPTION                         | REV |
|------|-------------|-----|-------------------------------------|-----|
|      | 8841036     | Ref | TRANSMISSION - REVERSE GEAR GROUP 1 |     |
| 1    | 1319637     | 1   | Coupling                            |     |
| 2    | 8036029     | 1   | Piston                              |     |
| 3    | 1319593     | 1   | O-Ring, 52X3                        |     |
| 4    | 1319594     | 1   | O-Ring, 115X3                       |     |
| 5    | 1319595     | 7   | Spring, Cup                         |     |
| 6    | 1319617     | 1   | Shim, Support                       |     |
| 7    | 1319618     | 1   | Bearing, Roller                     |     |
| 8    | 7026758     | 11  | Disc, Inner Clutch                  |     |
| 9    | 7026759     | 11  | Disc, Outer Clutch                  |     |
| 10   | 7026760     | 1   | Shim, End                           |     |
| 11   | 1319600     | 1   | Ring, Snap 4                        |     |
| 11   | 1319601     | 1   | Ring, Snap 3-1/2                    |     |
| 11   | 1319602     | 1   | Ring, Snap 3                        |     |
| 11   | 1319603     | 1   | Ring, Snap 2-1/2                    |     |
| 11   | 1319604     | 1   | Ring, Snap 2                        |     |
| 12   | 1319638     | 1   | Disc, Carrier                       |     |
| 13   | 1319620     | 1   | Bearing, Roller                     |     |
| 14   | 1319621     | 1   | Ring, Retaining 3.2                 |     |
| 14   | 1319622     | 1   | Ring, Retaining 3.1                 |     |
| 14   | 1319623     | 1   | Ring, Retaining 3                   |     |
| 14   | 1319624     | 1   | Ring, Retaining 2.9                 |     |
| 14   | 1319625     | 1   | Ring, Retaining 2.8                 |     |
| 14   | 1319626     | 1   | Ring, Retaining 2.7                 |     |
| 14   | 1319627     | 1   | Ring, Retaining 2.6                 |     |
| 14   | 1319628     | 1   | Ring, Retaining 2.5                 |     |
| 14   | 1319629     | 1   | Ring, Retaining 2.4                 |     |
| 14   | 1319630     | 1   | Ring, Retaining 2.3                 |     |
| 14   | 1319631     | 1   | Ring, Retaining 2.2                 |     |
| 14   | 1319632     | 1   | Ring, Retaining 2.1                 |     |
| 15   | 1319615     | 1   | Bearing, Roller                     |     |
| 16   | 1319636     | 1   | Bearing, Roller                     |     |
| 17   | 1319612     | 2   | Ring, Piston 30X2                   |     |

# SECTION 5 - DRIVE TRAIN

## FIGURE 5-11. TRANSMISSION, REVERSING GEAR GROUP 2



ART\_8841036\_10-C

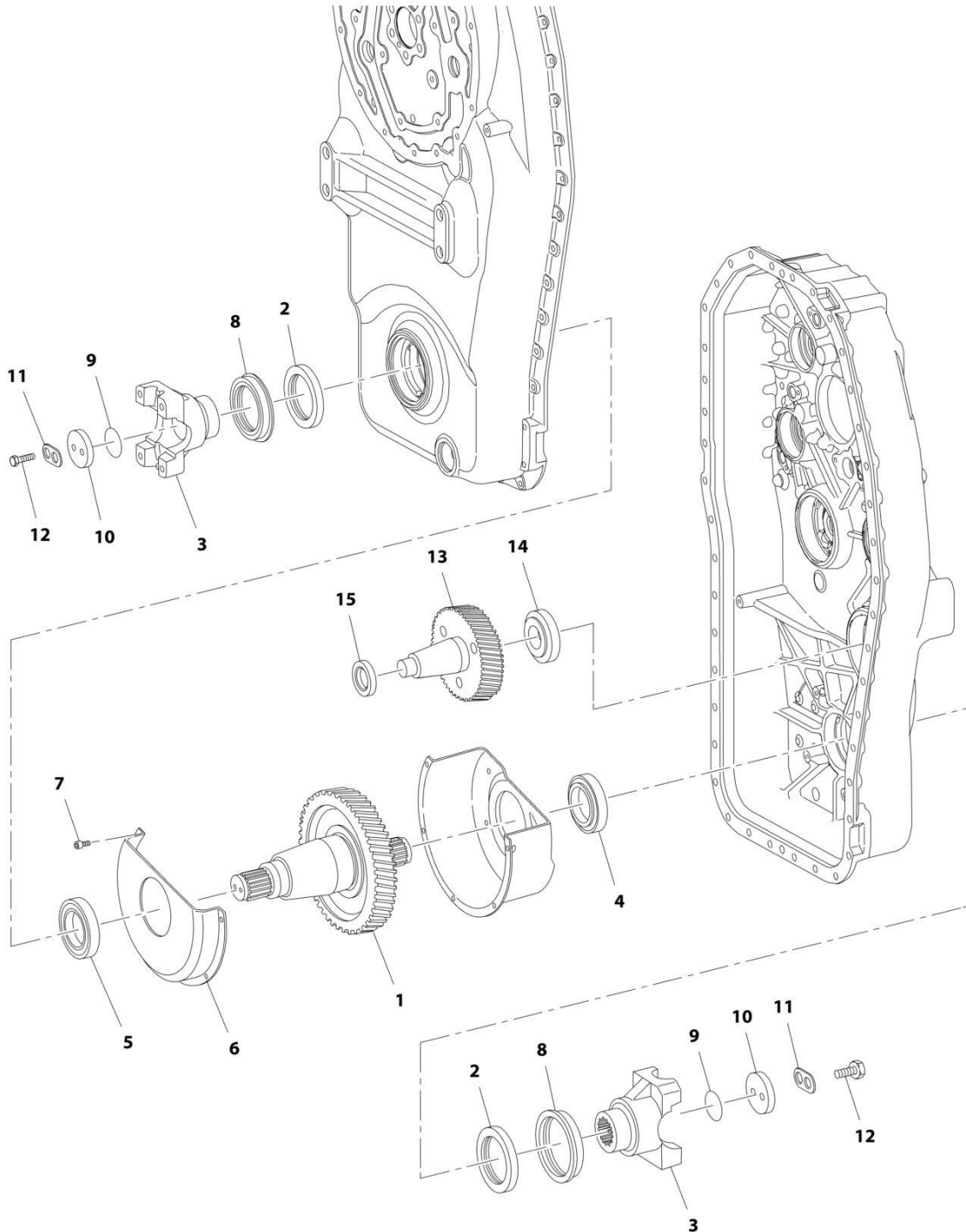
## SECTION 5 - DRIVE TRAIN

**FIGURE 5-11. TRANSMISSION, REVERSING GEAR GROUP 2**

| ITEM | PART NUMBER | QTY | DESCRIPTION                           | REV |
|------|-------------|-----|---------------------------------------|-----|
|      | 8841036     | Ref | TRANSMISSION - REVERSING GEAR GROUP 2 |     |
| 1    | 1319639     | 1   | Coupling                              |     |
| 2    | 8036029     | 1   | Piston                                |     |
| 3    | 1319593     | 1   | O-Ring, 52X3                          |     |
| 4    | 1319594     | 1   | O-Ring, 115X3                         |     |
| 5    | 1319595     | 7   | Spring, Cup                           |     |
| 6    | 1319617     | 1   | Shim, Support                         |     |
| 7    | 1319618     | 1   | Bearing, Roller                       |     |
| 8    | 7026758     | 11  | Disc, Inner Clutch                    |     |
| 9    | 7026759     | 11  | Disc, Outer Clutch                    |     |
| 10   | 7026760     | 1   | Shim, End                             |     |
| 11   | 1319600     | 1   | Ring, Snap 4                          |     |
| 11   | 1319601     | 1   | Ring, Snap 3-1/2                      |     |
| 11   | 1319602     | 1   | Ring, Snap 3                          |     |
| 11   | 1319603     | 1   | Ring, Snap 2-1/2                      |     |
| 11   | 1319604     | 1   | Ring, Snap 2                          |     |
| 12   | 1319638     | 1   | Disc, Carrier                         |     |
| 13   | 1319620     | 1   | Bearing, Roller                       |     |
| 14   | 1319621     | 1   | Ring, Retaining 3.2                   |     |
| 14   | 1319622     | 1   | Ring, Retaining 3.1                   |     |
| 14   | 1319623     | 1   | Ring, Retaining 3                     |     |
| 14   | 1319624     | 1   | Ring, Retaining 2.9                   |     |
| 14   | 1319625     | 1   | Ring, Retaining 2.8                   |     |
| 14   | 1319626     | 1   | Ring, Retaining 2.7                   |     |
| 14   | 1319627     | 1   | Ring, Retaining 2.6                   |     |
| 14   | 1319628     | 1   | Ring, Retaining 2.5                   |     |
| 14   | 1319629     | 1   | Ring, Retaining 2.4                   |     |
| 14   | 1319630     | 1   | Ring, Retaining 2.3                   |     |
| 14   | 1319631     | 1   | Ring, Retaining 2.2                   |     |
| 14   | 1319632     | 1   | Ring, Retaining 2.1                   |     |
| 15   | 1319608     | 1   | Bearing, Roller                       |     |
| 16   | 1319636     | 1   | Bearing, Roller                       |     |
| 17   | 1319612     | 2   | Ring, Piston 30X2                     |     |

# SECTION 5 - DRIVE TRAIN

## FIGURE 5-12. TRANSMISSION, OUTPUT



ART\_8841036\_11-C

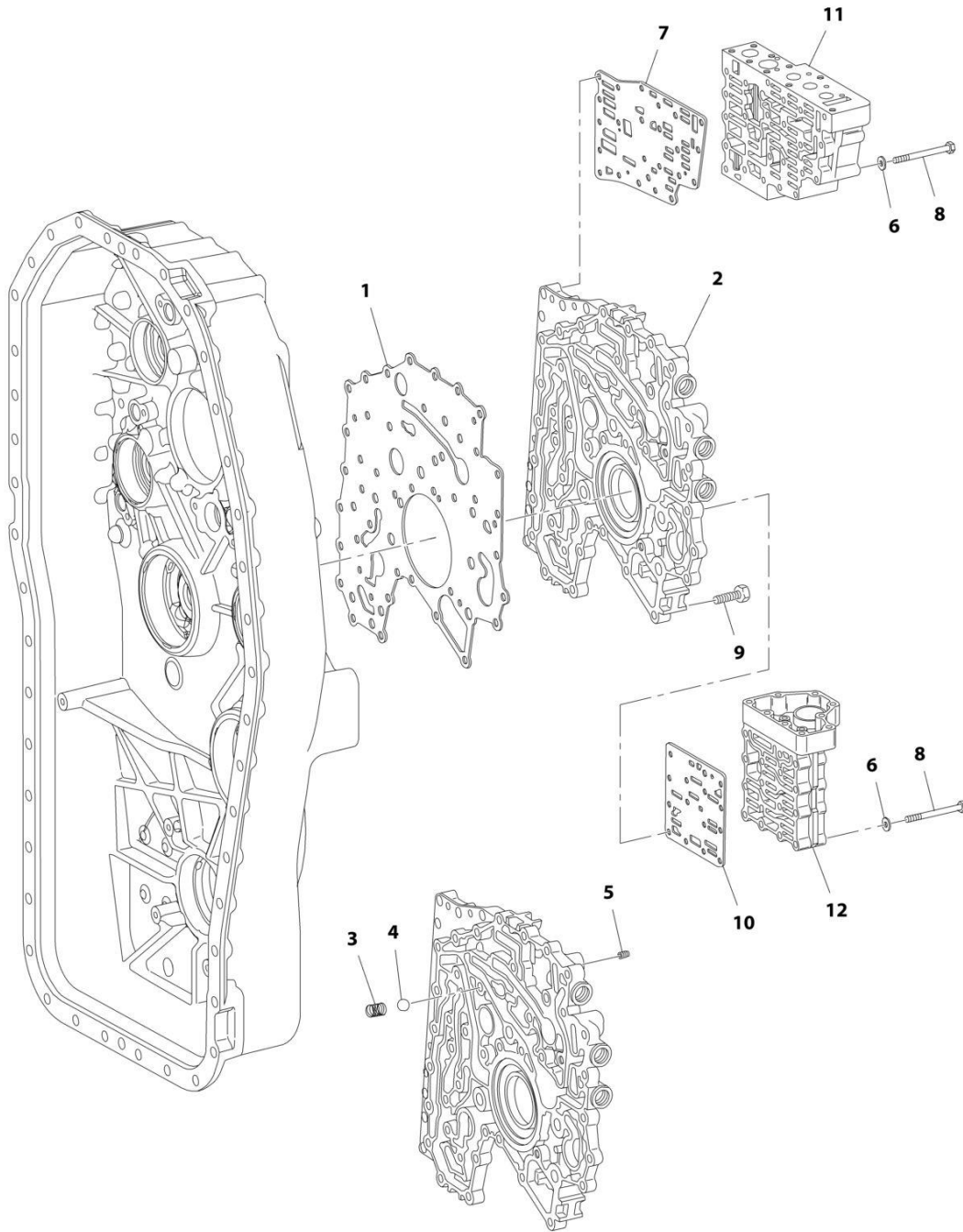
## SECTION 5 - DRIVE TRAIN

**FIGURE 5-12. TRANSMISSION, OUTPUT**

| ITEM | PART NUMBER | QTY | DESCRIPTION              | REV |
|------|-------------|-----|--------------------------|-----|
|      | 8841036     | Ref | TRANSMISSION - OUTPUT    |     |
| 1    | 8036030     | 1   | Shaft, Output            |     |
| 2    | 1319641     | 2   | Seal, Shaft              |     |
| 3    | 7027273     | 2   | Flange, Output           |     |
| 4    | N.S.S.      | 1   | Assembly, Roller Bearing |     |
| 4    | 70020430    | 1   | Cup, Bearing             |     |
| 4    | 70020431    | 1   | Cone, Bearing            |     |
| 5    | 1319643     | 1   | Bearing, Roller          |     |
| 6    | 8036031     | 1   | Sheet, Screen            |     |
| 7    | 1319646     | 5   | Bolt, M6X10              |     |
| 8    | 1319647     | 2   | Sheet, Screen            |     |
| 9    | 10839156    | 2   | O-Ring                   |     |
| 10   | 1319648     | 2   | Washer, M10              |     |
| 11   | 1319649     | 2   | Washer, Tab              |     |
| 12   | 10731959    | 4   | Bolt, M8X25              |     |
| 13   | 8036032     | 1   | Shaft, Intermediate      |     |
| 14   | 1319633     | 1   | Bearing, Roller          |     |
| 15   | 8036190     | 1   | Assembly, Roller Bearing |     |
| 15   | 7029532     | 1   | Ring, Outer              |     |
| 15   | 7029533     | 1   | Ring, Inner              |     |

# SECTION 5 - DRIVE TRAIN

## FIGURE 5-13. TRANSMISSION, CONTROL UNIT



ART\_8841036\_12-C

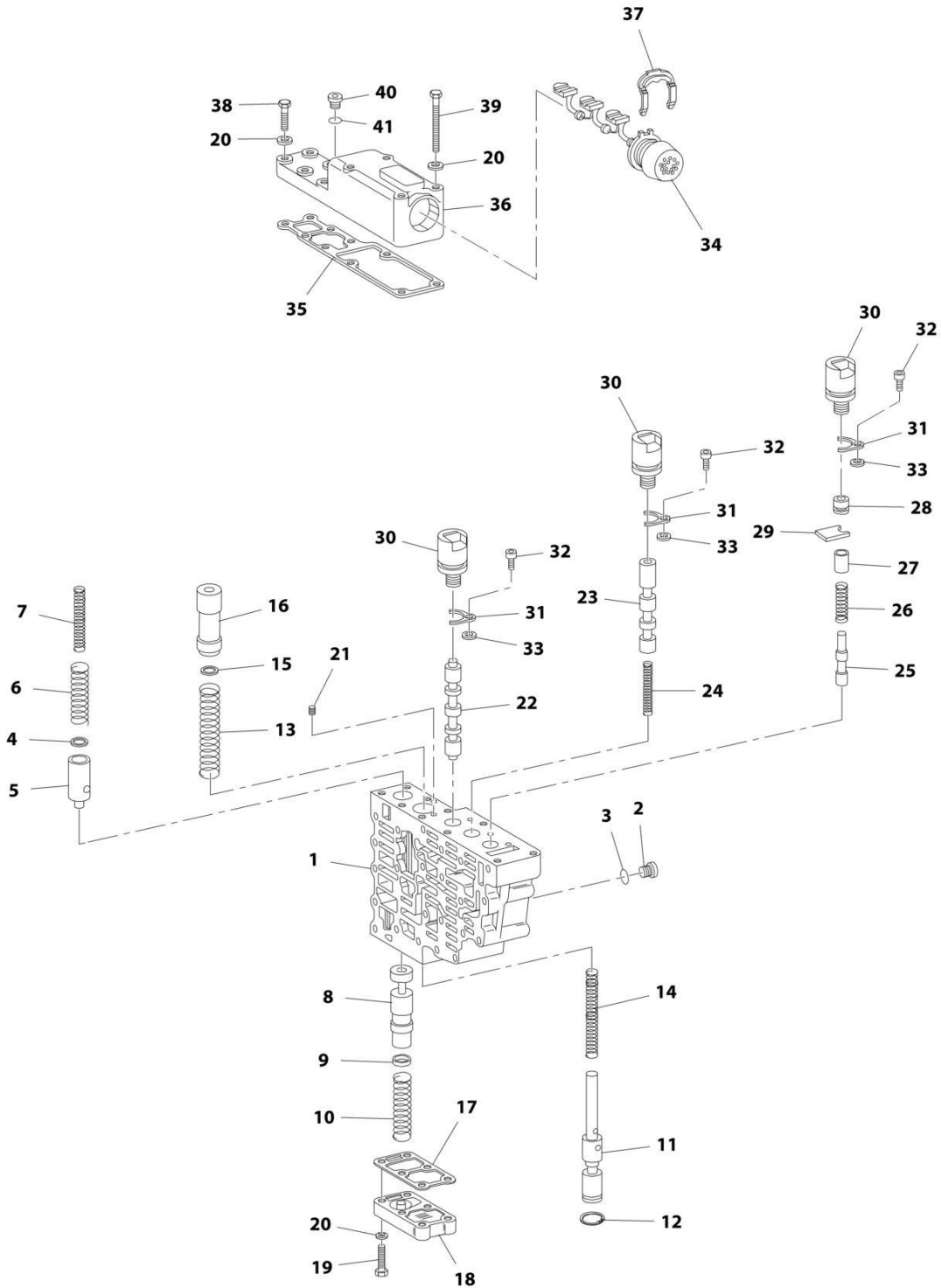
## SECTION 5 - DRIVE TRAIN

**FIGURE 5-13. TRANSMISSION, CONTROL UNIT**

| ITEM | PART NUMBER | QTY | DESCRIPTION   | REV |
|------|-------------|-----|---|-----|
|      | 8841036     | Ref | TRANSMISSION - CONTROL UNIT                             |     |
| 1    | 1319650     | 1   | Gasket  |     |
| 2    | 8036033     | 1   | Plate, Duct   |     |
| 3    | 10732072    | 1   | Spring, Compression                                     |     |
| 4    | 10732071    | 1   | Ball  |     |
| 5    | 1319652     | 1   | Orifice   |     |
| 6    | 1319661     | 19  | Washer, 6.4   |     |
| 7    | 70020425    | 1   | Plate, Intermediate                                     |     |
| 8    | 7029037     | 19  | Bolt, M6X60   |     |
| 9    | 1319659     | 43  | Screw, Torx M8X30                                       |     |
| 10   | 70020426    | 1   | Plate, Intermediate                                     |     |
| 11   |             | Ref | Housing, Valve (See Separate Breakdown in this Section) |     |
| 12   |             | Ref | Block, Valve (See Separate Breakdown in this Section)   |     |

# SECTION 5 - DRIVE TRAIN

## FIGURE 5-14. TRANSMISSION, VALVE HOUSING ASSEMBLY



ART\_8841036\_13-C



## SECTION 5 - DRIVE TRAIN

**FIGURE 5-14. TRANSMISSION, VALVE HOUSING ASSEMBLY**

| ITEM | PART NUMBER | QTY | DESCRIPTION                           | REV |
|------|-------------|-----|---------------------------------------|-----|
|      | 8841036     | Ref | TRANSMISSION - VALVE HOUSING ASSEMBLY |     |
|      | 8036040     | Ref | Valve Housing Assembly                |     |
| 1    | 1319671     | 1   | Housing, Valve                        |     |
| 2    | 1319670     | 7   | Plug, Screw M10X1                     |     |
| 3    | 10731709    | 7   | O-Ring                                |     |
| 4    | 8036036     | 1   | Washer, 1                             |     |
| 5    | 7029039     | 1   | Piston                                |     |
| 6    | 1319673     | 1   | Spring, Compression                   |     |
| 7    | 8036038     | 1   | Spring, Compression                   |     |
| 8    | 1319674     | 1   | Piston                                |     |
| 9    | 1319675     | 1   | Washer, 3.6                           |     |
| 9    | 1319676     | 1   | Washer, 3.2                           |     |
| 9    | 1319677     | 1   | Washer, 2.8                           |     |
| 9    | 1319678     | 1   | Washer, 2.4                           |     |
| 9    | 1319679     | 1   | Washer, 2                             |     |
| 10   | 1319680     | 1   | Spring, Compression                   |     |
| 11   | 1319681     | 1   | Control, Piston                       |     |
| 12   | 1319682     | 1   | Washer, Lock 12                       |     |
| 13   | 1319683     | 1   | Spring, Compression                   |     |
| 14   | 1319684     | 1   | Spring, Compression                   |     |
| 15   | 1319685     | 1   | Washer, 2                             |     |
| 15   | 1319686     | 1   | Washer, 1                             |     |
| 15   | 1319687     | 1   | Washer, 0.5                           |     |
| 15   | 1319688     | 1   | Washer, 0.3                           |     |
| 15   | 1319689     | 1   | Washer, 0.2                           |     |
| 16   | 1319690     | 1   | Piston                                |     |
| 17   | 1319691     | 1   | Seal                                  |     |
| 18   | 1319692     | 1   | Cover                                 |     |
| 19   | 1319693     | 6   | Bolt, M6X25                           |     |
| 20   | 1319661     | 16  | Washer, 6.4                           |     |
| 21   | 1319652     | 1   | Orifice                               |     |
| 22   | 1319694     | 1   | Valve                                 |     |
| 23   | 1319695     | 1   | Piston                                |     |
| 24   | 1319696     | 1   | Spring, Compression                   |     |
| 25   | 1319697     | 1   | Piston                                |     |
| 26   | 1319698     | 1   | Spring, Compression                   |     |
| 27   | 1319699     | 1   | Spacer, Sleeve                        |     |
| 28   | 1319700     | 1   | Plug                                  |     |
| 29   | 1319701     | 1   | Plate, Fixing                         |     |
| 30   | 1319702     | 3   | Valve, Solenoid                       |     |
| 31   | 10732063    | 3   | Plate, Fixing                         |     |
| 32   | 1319703     | 3   | Bolt, M5X12                           |     |
| 33   | 10732064    | 3   | Washer, 2                             |     |
| 34   | 1319704     | 1   | Harness, Wiring                       |     |
| 35   | 1319705     | 1   | Seal                                  |     |
| 36   | 8036039     | 1   | Cover                                 |     |
| 37   | 1319707     | 1   | Clamp, Retaining                      |     |
| 38   | 1319693     | 6   | Bolt, M6X25                           |     |
| 39   | 7029037     | 4   | Bolt, M6X60                           |     |
| 40   | 1319670     | 1   | Plug, Screw M10X1                     |     |

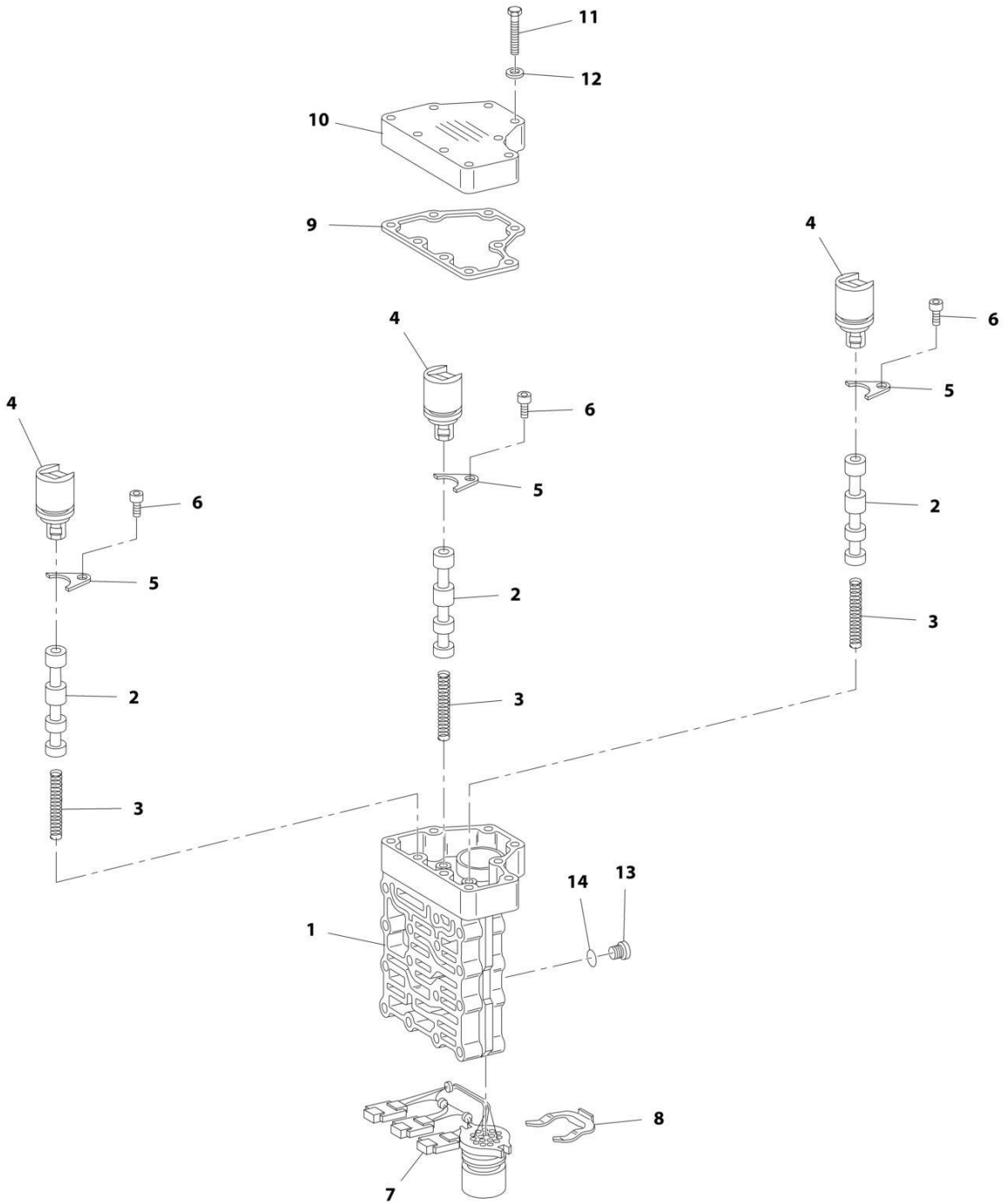
## SECTION 5 - DRIVE TRAIN

| ITEM | PART NUMBER | QTY | DESCRIPTION | REV |
|------|-------------|-----|-------------|-----|
| 41   | 10731709    | 1   | O-Ring      |     |



# SECTION 5 - DRIVE TRAIN

## FIGURE 5-15. TRANSMISSION, VALVE BLOCK ASSEMBLY



ART\_8841036\_14-C

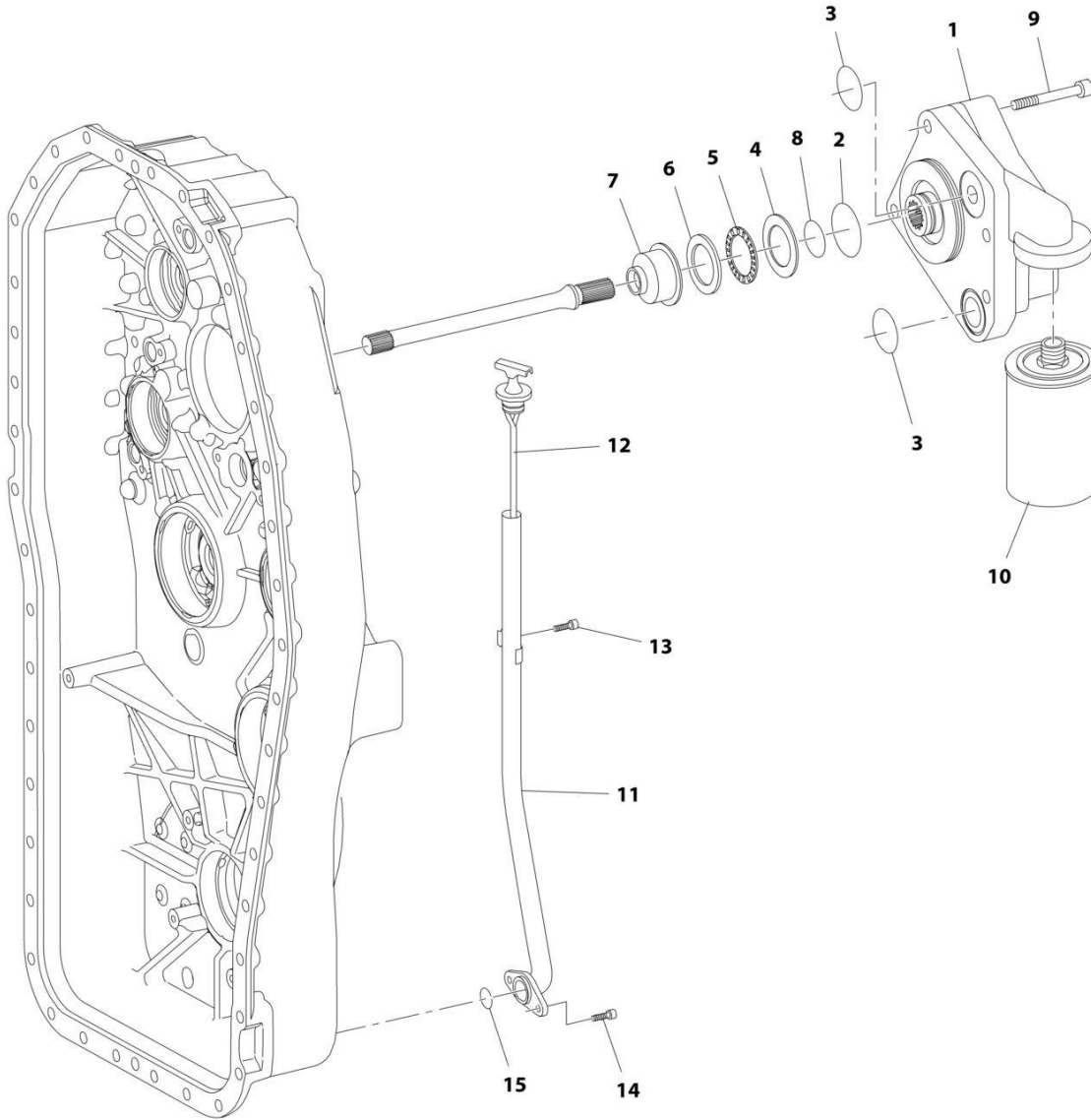
## SECTION 5 - DRIVE TRAIN

**FIGURE 5-15. TRANSMISSION, VALVE BLOCK ASSEMBLY**

| ITEM | PART NUMBER | QTY | DESCRIPTION                         | REV |
|------|-------------|-----|-------------------------------------|-----|
|      | 8841036     | Ref | TRANSMISSION - VALVE BLOCK ASSEMBLY |     |
|      | 1319717     | Ref | Valve Block Assembly                |     |
| 1    | 70020427    | 1   | Block, Valve                        |     |
| 2    | 1319710     | 3   | Piston                              |     |
| 3    | 1319696     | 3   | Spring, Compression                 |     |
| 4    | 1319702     | 3   | Valve, Solenoid                     |     |
| 5    | 10732063    | 3   | Plate, Fixing                       |     |
| 6    | 1319703     | 3   | Bolt, M5X12                         |     |
| 7    | 1319711     | 1   | Harness, Wiring                     |     |
| 8    | 1319707     | 1   | Clamp, Retaining                    |     |
| 9    | 1319712     | 1   | Gasket                              |     |
| 10   | 1319713     | 1   | Cover                               |     |
| 11   | 1319714     | 9   | Bolt, M5X32                         |     |
| 12   | 1319715     | 9   | Washer, 5.3                         |     |
| 13   | 1319670     | 3   | Plug, Screw M10X1                   |     |
| 14   | 10731709    | 3   | O-Ring                              |     |

# SECTION 5 - DRIVE TRAIN

## FIGURE 5-16. TRANSMISSION, OIL PUMP AND FILTER



ART\_8841036\_15-C

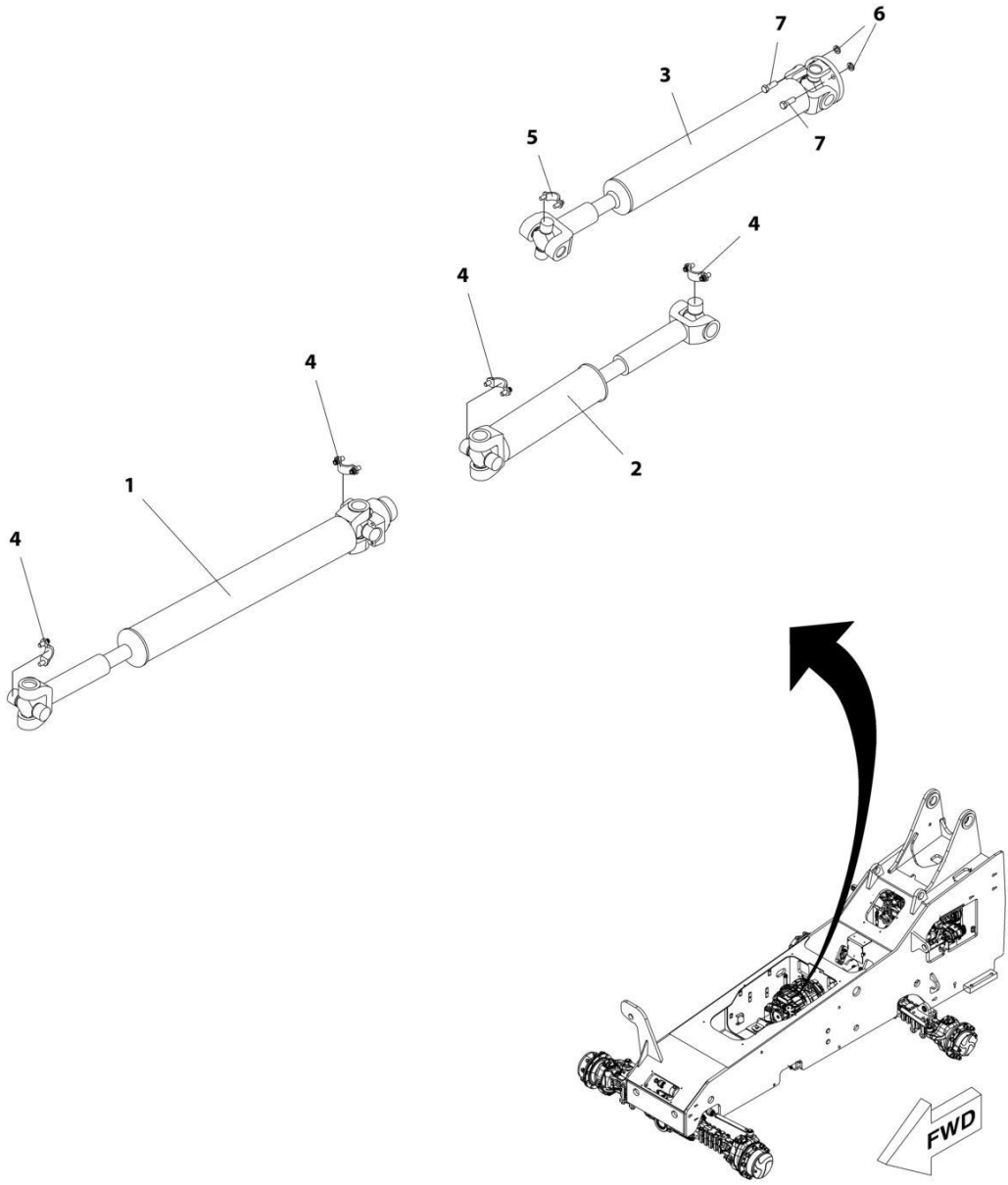
## SECTION 5 - DRIVE TRAIN

**FIGURE 5-16. TRANSMISSION, OIL PUMP AND FILTER**

| ITEM | PART NUMBER | QTY | DESCRIPTION                                | REV |
|------|-------------|-----|--|-----|
|      | 8841036     | Ref | TRANSMISSION - OIL PUMP AND FILTER         |     |
| 1    | 1319718     | 1   | Pump                                       |     |
| 1    | 7029417     | 1   | O-Ring, (between pump halves), (not shown) |     |
| 2    | 8036250     | 1   | O-Ring                                     |     |
| 3    | 1319719     | 2   | O-Ring                                     |     |
| 4    | 1319720     | 1   | Washer, Axial 40X60X1                      |     |
| 5    | 1319721     | 1   | Cage, Axial Needle                         |     |
| 6    | 1319722     | 1   | Disc, Angle                                |     |
| 7    | 1319723     | 1   | Sleeve, Stop                               |     |
| 8    | 1319724     | 1   | O-Ring                                     |     |
| 9    | 1319725     | 4   | Bolt, M12X115                              |     |
| 10   | 1319726     | 1   | Filter, Transmission Oil                   |     |
| 11   | 8036041     | 1   | Tube, Dipstick                             |     |
| 12   | 8036042     | 1   | Dipstick                                   |     |
| 13   | 1319585     | 1   | Screw, M8X16                               |     |
| 14   | 1319582     | 1   | Screw, M8X20                               |     |
| 15   | 70023885    | 1   | O-Ring                                     |     |

**SECTION 5 - DRIVE TRAIN**

**FIGURE 5-17. DRIVE SHAFT INSTALLATION**



ART\_1001166009\_B



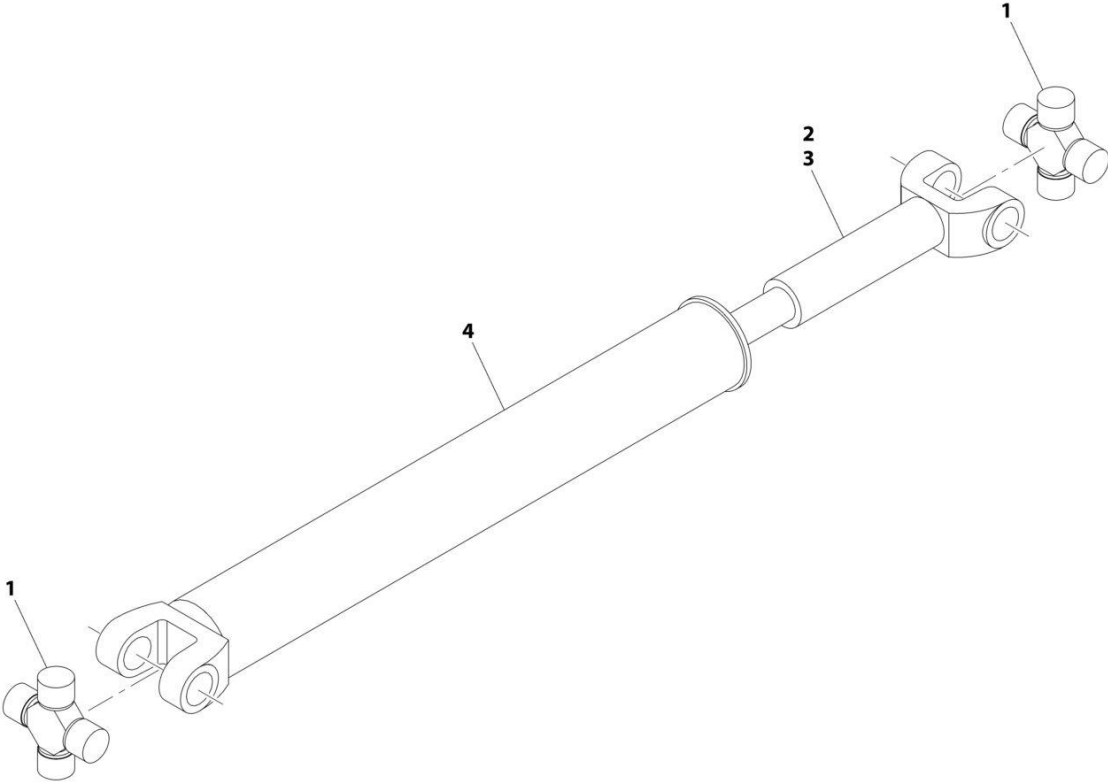
## SECTION 5 - DRIVE TRAIN

### FIGURE 5-17. DRIVE SHAFT INSTALLATION

| ITEM | PART NUMBER | QTY | DESCRIPTION  | REV |
|------|-------------|-----|--|-----|
|      | 1001166009  | Ref | Drive Shaft Installation   | B   |
| 1    | 7150579     | 1   | Assembly, Front Drive Shaft (See Separate Breakdown in this Section) |     |
| 2    | 7150580     | 1   | Assembly, Rear Drive Shaft (See Separate Breakdown in this Section)  |     |
| 3    | 7302028     | 1   | Input, Drive Shaft (See Separate Breakdown in this Section)          |     |
| 4    | 8880218-OM  | 4   | Kit, Strap   |     |
| 5    | 8880219-OM  | 1   | Kit, Strap   |     |
| 6    | 8307006     | 4   | Washer, Lock 7/16  |     |
| 7    | 8310425     | 4   | Bolt, 7/16-20X1-1/4, Grade 8   |     |

**SECTION 5 - DRIVE TRAIN**

**FIGURE 5-18. FRONT DRIVE SHAFT ASSEMBLY**



ART\_7150579-D

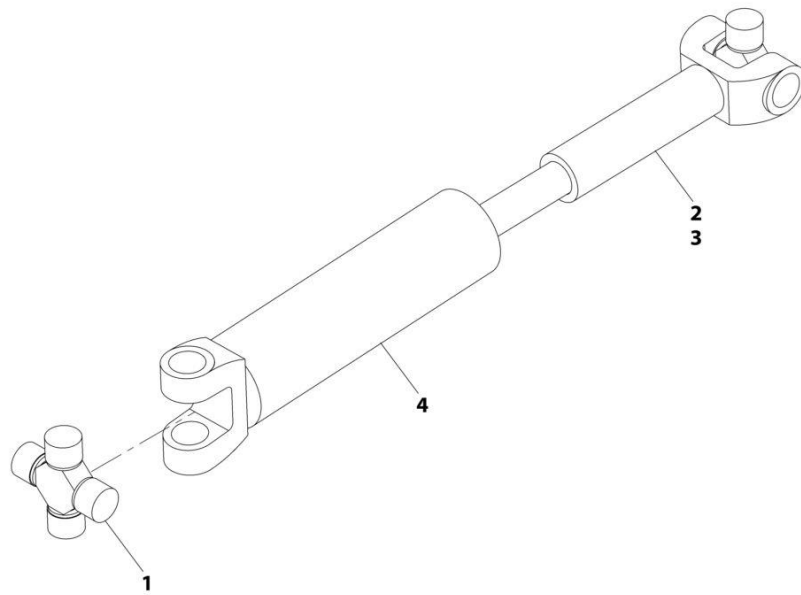
## SECTION 5 - DRIVE TRAIN

### FIGURE 5-18. FRONT DRIVE SHAFT ASSEMBLY

| ITEM | PART NUMBER | QTY | DESCRIPTION                | REV |
|------|-------------|-----|----------------------------|-----|
|      | 7150579     | Ref | Front Drive Shaft Assembly | D   |
| 1    | 8036433     | 4   | Kit, Cross and Bearing     |     |
| 2    | 8035779     | 2   | Kit, Dust Cap              |     |
| 3    | N.S.S.      | 1   | Joint, Slip                |     |
| 4    | N.S.S.      | 1   | Shaft, Yoke                |     |

# SECTION 5 - DRIVE TRAIN

## FIGURE 5-19. REAR DRIVE SHAFT ASSEMBLY



ART\_7150580-D

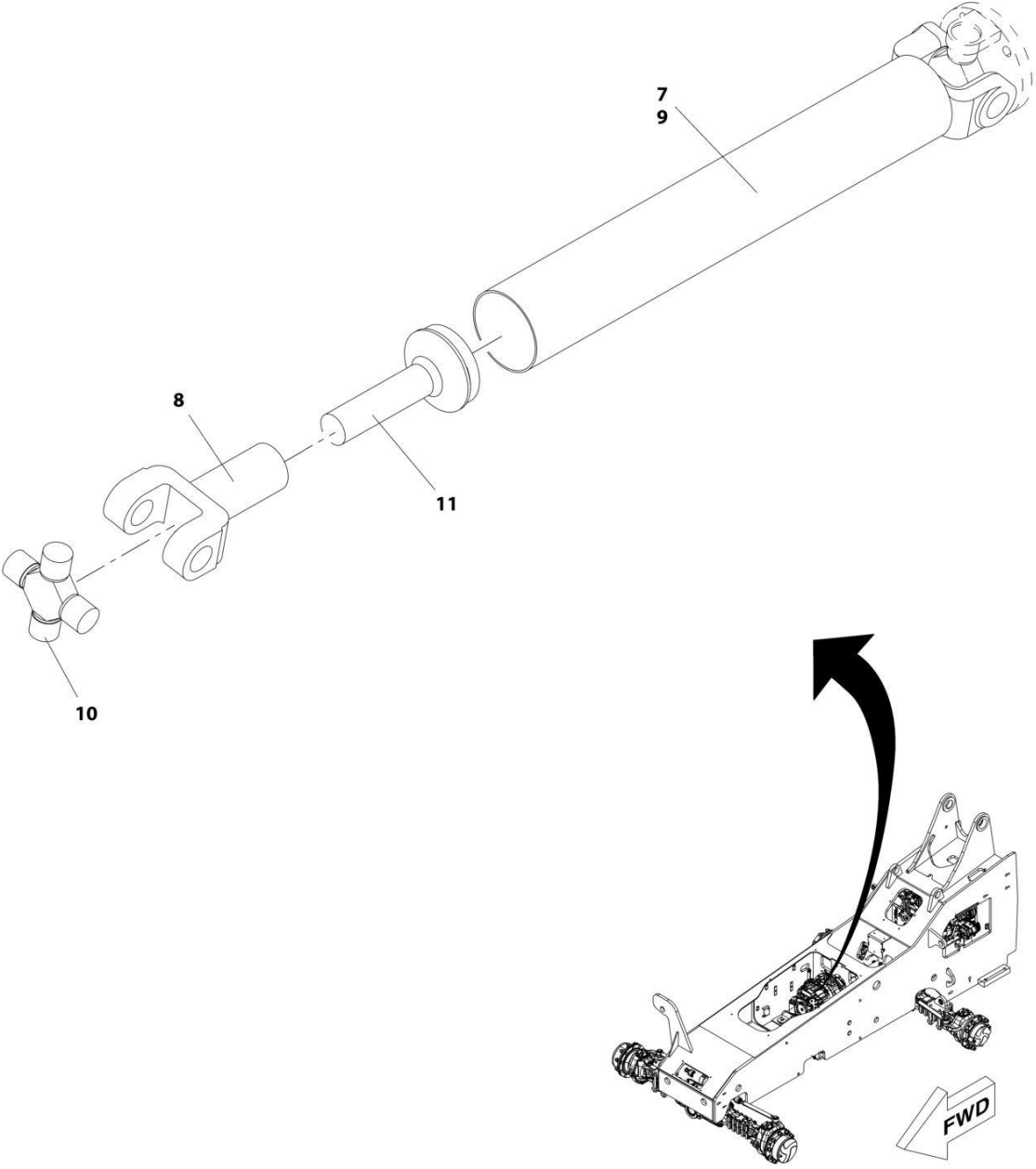
## SECTION 5 - DRIVE TRAIN

### FIGURE 5-19. REAR DRIVE SHAFT ASSEMBLY

| ITEM | PART NUMBER | QTY | DESCRIPTION            | REV |
|------|-------------|-----|------------------------|-----|
|      | 7150580     | Ref | DRIVE SHAFT ASSEMBLY   | D   |
| 1    | 8036433     | 4   | Kit, Cross and Bearing |     |
| 2    | 8035779     | 2   | Kit, Dust Cap          |     |
| 3    | N.S.S.      | 1   | Joint, Slip            |     |
| 4    | N.S.S.      | 1   | Shaft, Yoke            |     |

**SECTION 5 - DRIVE TRAIN**

**FIGURE 5-20. DRIVE SHAFT INPUT**



ART\_7302028\_D

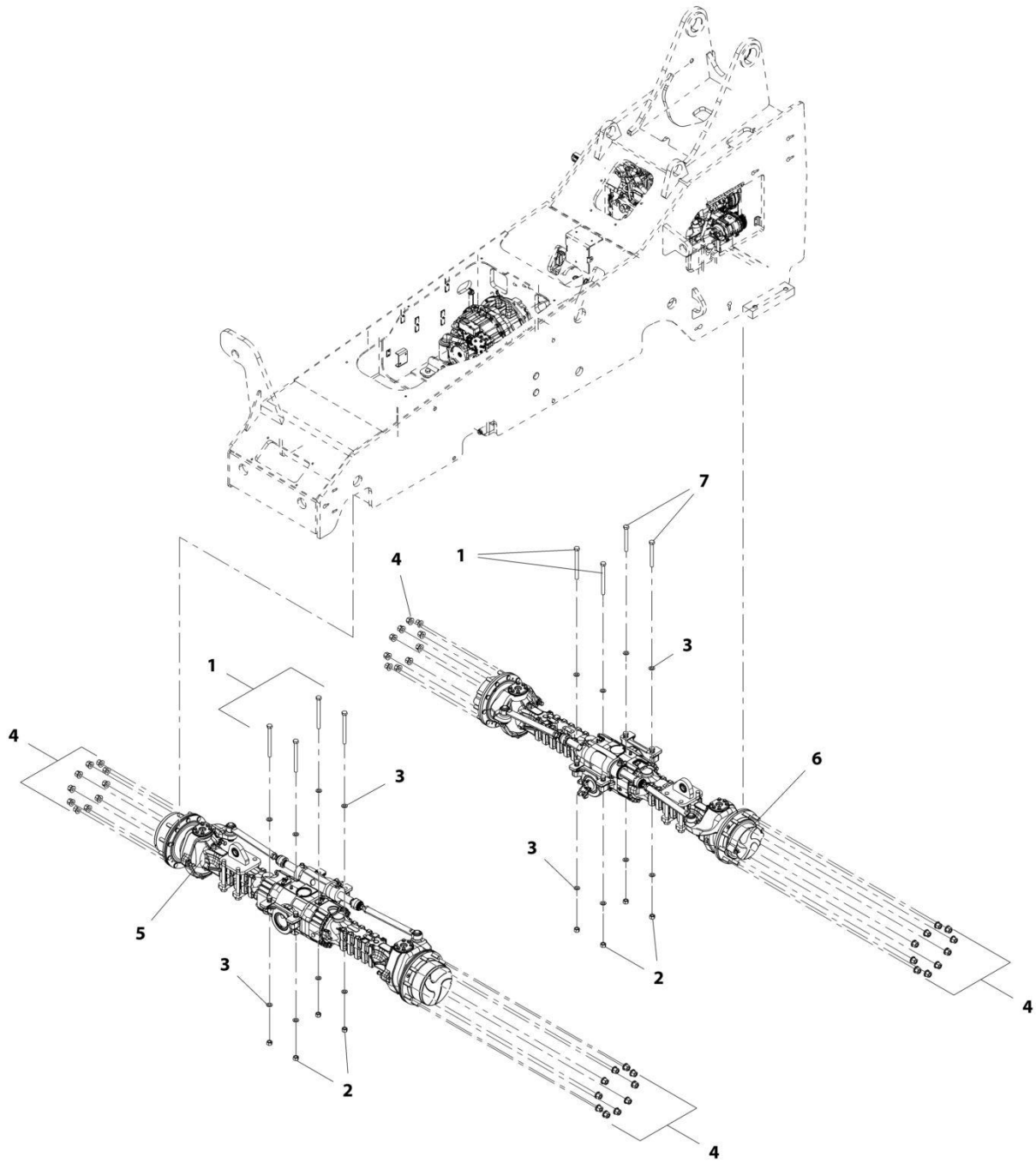
## SECTION 5 - DRIVE TRAIN

### FIGURE 5-20. DRIVE SHAFT INPUT

| ITEM | PART NUMBER | QTY | DESCRIPTION            | REV |
|------|-------------|-----|------------------------|-----|
|      | 7302028     | Ref | Drive Shaft Input      | D   |
| 1    | N.S.S.      | 1   | Joint, Slip            |     |
| 2    | N.S.S.      | 1   | Shaft, Yoke            |     |
| 3    | 7029271     | 2   | Kit, Cross and Bearing |     |
| 4    | 8033651     | 1   | Kit, Dust Cap          |     |

# SECTION 5 - DRIVE TRAIN

## FIGURE 5-21. AXLES INSTALLATION (6036)



ART\_1001147874-C



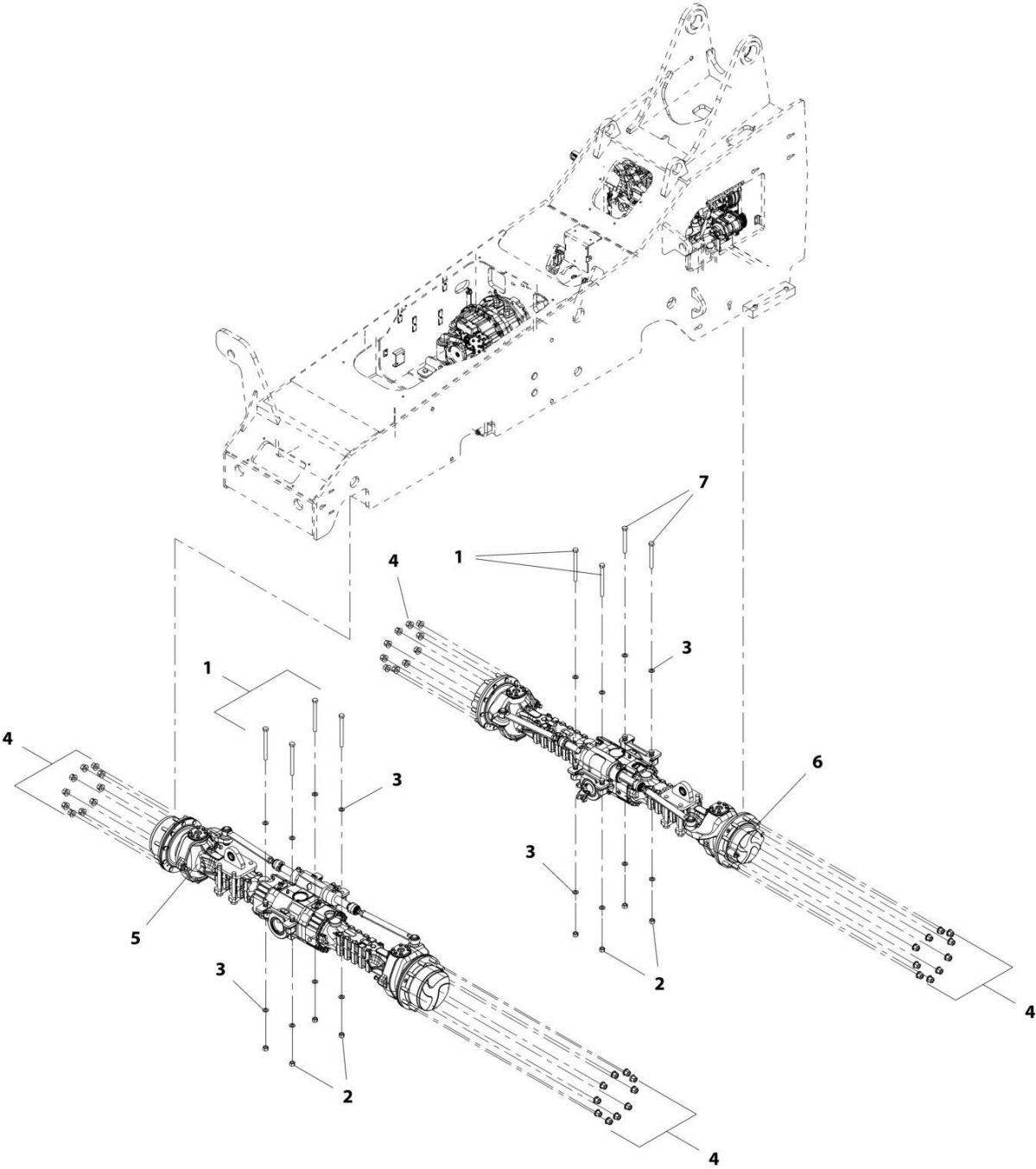
## SECTION 5 - DRIVE TRAIN

### FIGURE 5-21. AXLES INSTALLATION (6036)

| ITEM | PART NUMBER | QTY | DESCRIPTION  | REV |
|------|-------------|-----|--|-----|
|      | 1001147874  | Ref | AXLES INSTALLATION   | C   |
| 1    | 0712040     | 6   | Bolt, M20X230, Grade 10.9  |     |
| 2    | 3332017     | 8   | Nut, Lock M20X2-1/2  |     |
| 3    | 8310620     | 16  | Washer, M20  |     |
| 4    | 91403193    | 40  | Nut, Lug M22X1-1/2   |     |
| 5    | 1001147378  | 1   | Axle Sub-Assembly - Front (See Separate Breakdown in this Section) |     |
| 6    | 1001147379  | 1   | Axle Assembly - Rear (See Separate Breakdown in this Section)      |     |
| 7    | 1001150349  | 2   | Bolt, M20X180, Grade 10.9  |     |

**SECTION 5 - DRIVE TRAIN**

**FIGURE 5-22. AXLES INSTALLATION (6042)**



ART\_1001147875-C

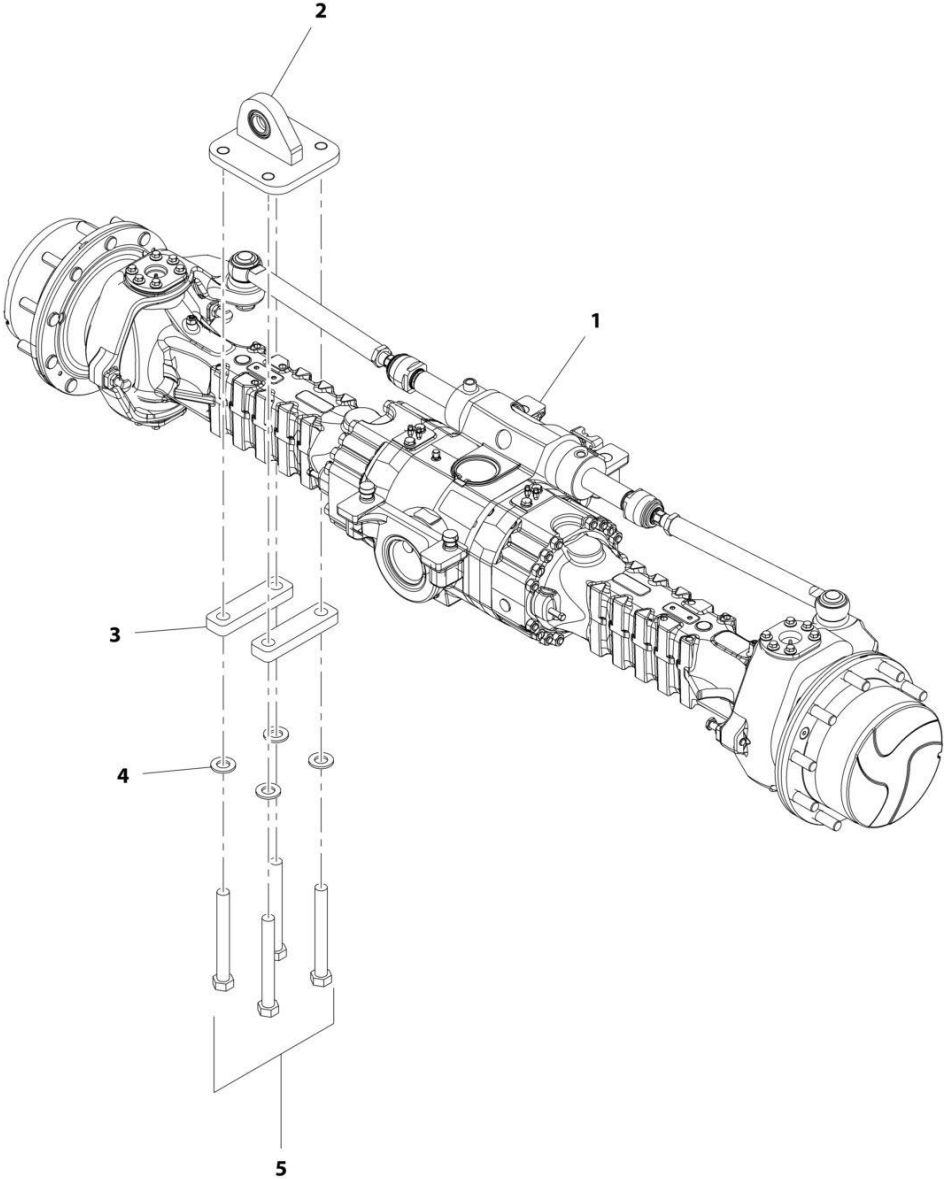
## SECTION 5 - DRIVE TRAIN

**FIGURE 5-22. AXLES INSTALLATION (6042)**

| ITEM | PART NUMBER | QTY | DESCRIPTION  | REV |
|------|-------------|-----|--|-----|
|      | 1001147875  | Ref | AXLES INSTALLATION   | C   |
| 1    | 0712040     | 6   | Bolt, M20X230, Grade 10.9  |     |
| 2    | 3332017     | 8   | Nut, Lock M20X2-1/2  |     |
| 3    | 8310620     | 16  | Washer, M20  |     |
| 4    | 91403193    | 40  | Nut, Lug M22X1-1/2   |     |
| 5    | 1001147378  | 1   | Assembly, Front Axle (See Separate Breakdown in this Section)            |     |
| 6    | 1001147380  | 1   | Axle Sub-Assembly - Rear (See Separate Breakdown in this Section) (6042) |     |
| 7    | 1001150349  | 2   | Bolt, M20X180, Grade 10.9  |     |

**SECTION 5 - DRIVE TRAIN**

**FIGURE 5-23. FRONT AXLE SUB-ASSEMBLY**



ART\_1001147378-A

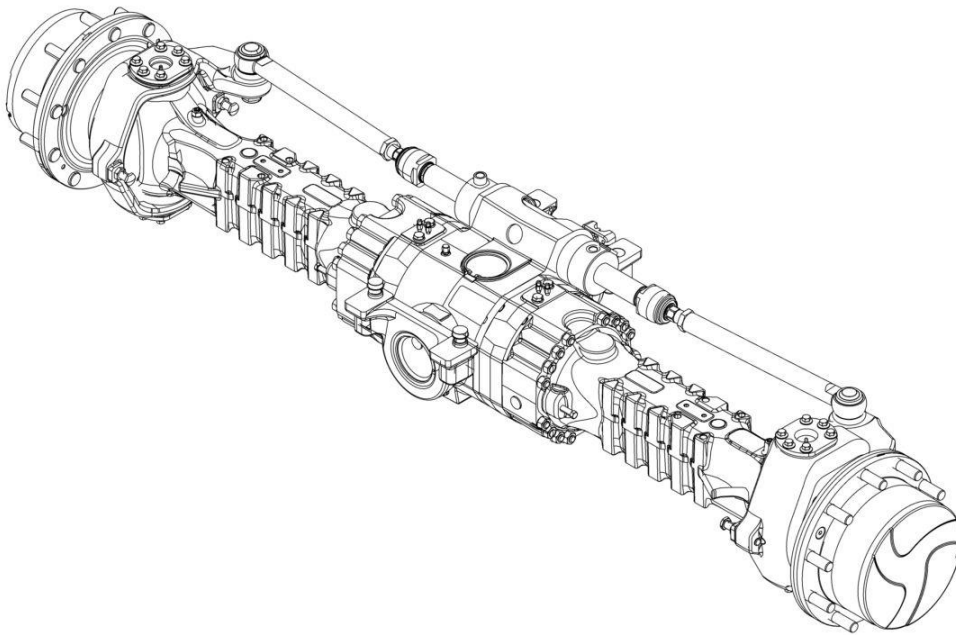
## SECTION 5 - DRIVE TRAIN

### FIGURE 5-23. FRONT AXLE SUB-ASSEMBLY

| ITEM | PART NUMBER | QTY | DESCRIPTION  | REV |
|------|-------------|-----|--|-----|
|      | 1001147378  | Ref | FRONT AXLE SUB-ASSEMBLY                                      | A   |
| 1    | 1001147377  | 1   | Front Axle Assembly (See Separate Breakdown in this Section) |     |
| 2    | 1001147265  | 1   | Bracket, Sway Pivot Assembly                                 |     |
| 3    | 91471213    | 2   | Plate, Retainer  |     |
| 4    | 90027475    | 4   | Washer   |     |
| 5    | 83201147    | 4   | Bolt, 1-8X8-1/2  |     |

## SECTION 5 - DRIVE TRAIN

FIGURE 5-24. FRONT AXLE ASSEMBLY



ART\_1001147377\_1-C

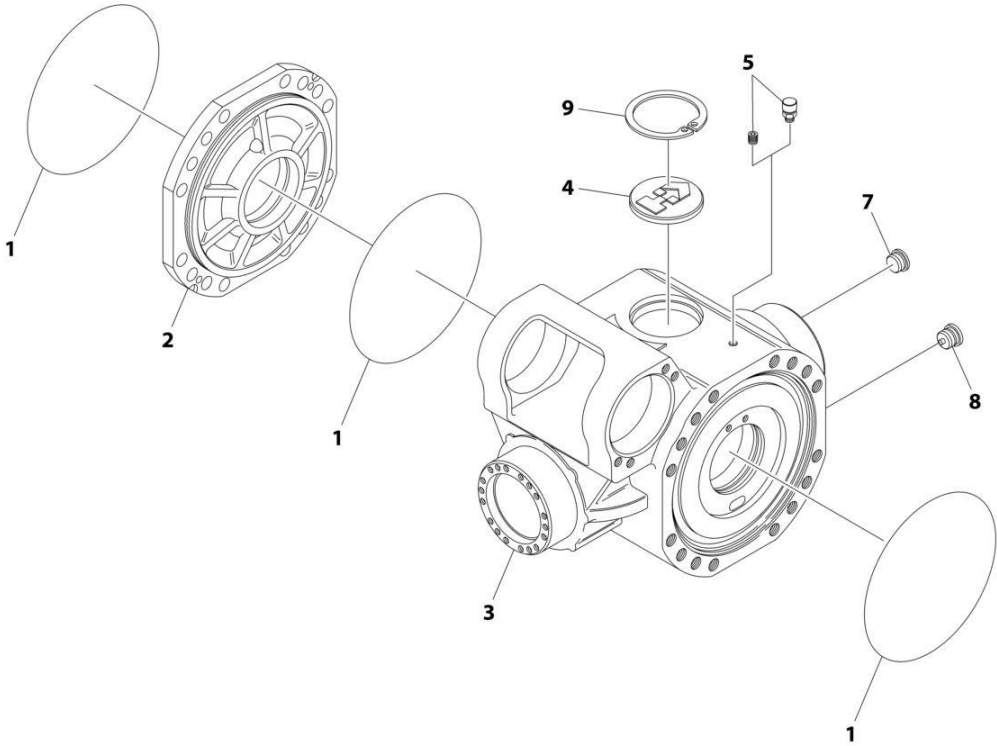
## SECTION 5 - DRIVE TRAIN

### FIGURE 5-24. FRONT AXLE ASSEMBLY

| ITEM | PART NUMBER | QTY | DESCRIPTION  | REV |
|------|-------------|-----|--|-----|
|      | 1001147377  | Ref | FRONT AXLE ASSEMBLY                                      | C   |
|      |             | Ref | Central Housing (See Separate Breakdown in this Section) |     |
|      |             | Ref | Differential (See Separate Breakdown in this Section)    |     |
|      |             | Ref | Hub Reduction (See Separate Breakdown in this Section)   |     |
|      |             | Ref | Brakes (See Separate Breakdown in this Section)          |     |
|      |             | Ref | Steering (See Separate Breakdown in this Section)        |     |
|      |             | Ref | Trunion (See Separate Breakdown in this Section)         |     |

**SECTION 5 - DRIVE TRAIN**

**FIGURE 5-25. FRONT AXLE, CENTRAL HOUSING**



ART\_1001147377\_2-C



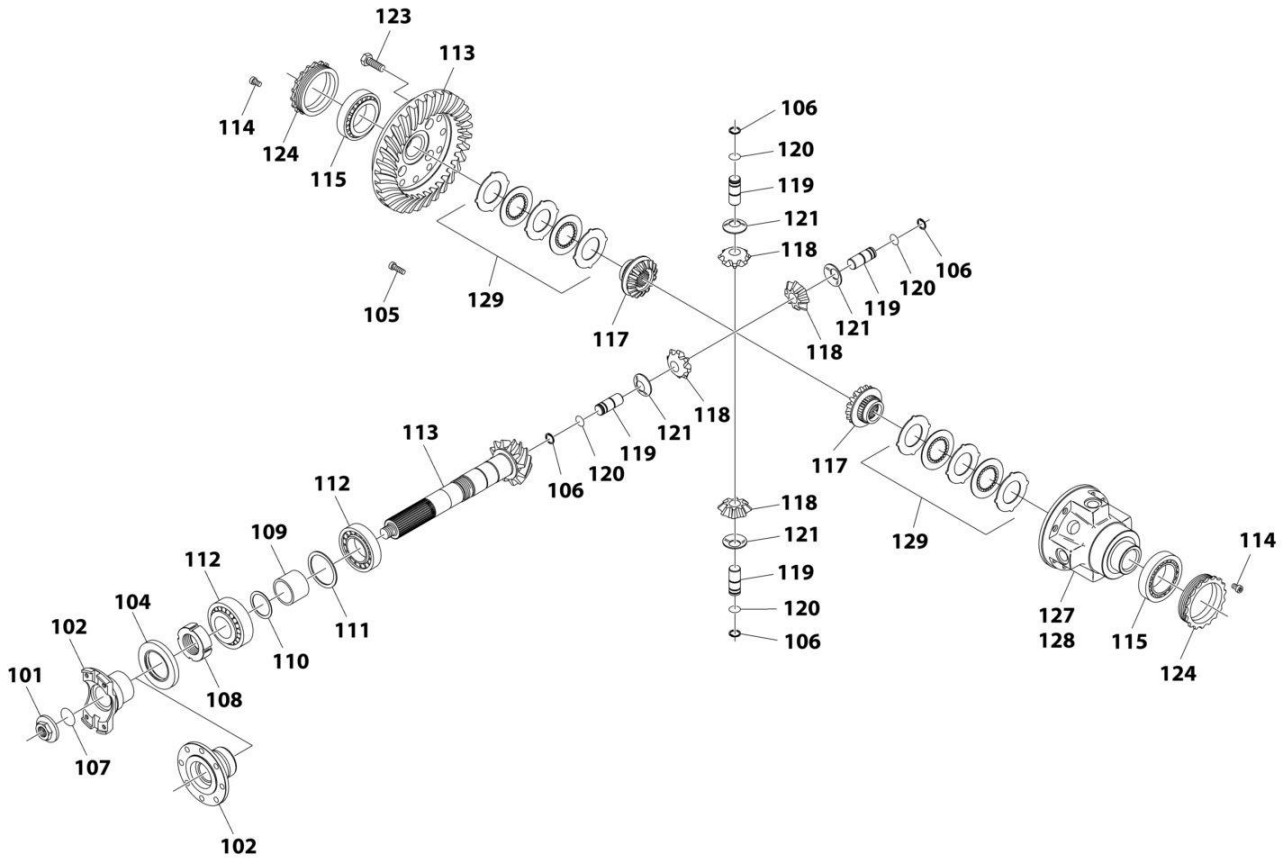
## SECTION 5 - DRIVE TRAIN

### FIGURE 5-25. FRONT AXLE, CENTRAL HOUSING

| ITEM | PART NUMBER | QTY | DESCRIPTION                  | REV |
|------|-------------|-----|------------------------------|-----|
|      | 1001147377  | Ref | FRONT AXLE - CENTRAL HOUSING | C   |
| 1    | 91474507    | 3   | O-Ring                       |     |
| 2    | 70024872    | 1   | Cover                        |     |
| 3    | 7029426     | 1   | Housing                      |     |
| 4    | 91514098    | 1   | Plug                         |     |
| 5    | 91474512    | 1   | Vent                         |     |
| 7    | 91514188    | 1   | Plug                         |     |
| 8    | 91474513    | 1   | Plug, Magnet                 |     |
| 9    | 80204005    | 1   | Circlip                      |     |

# SECTION 5 - DRIVE TRAIN

## FIGURE 5-26. FRONT AXLE, DIFFERENTIAL



ART\_1001147377\_3-C

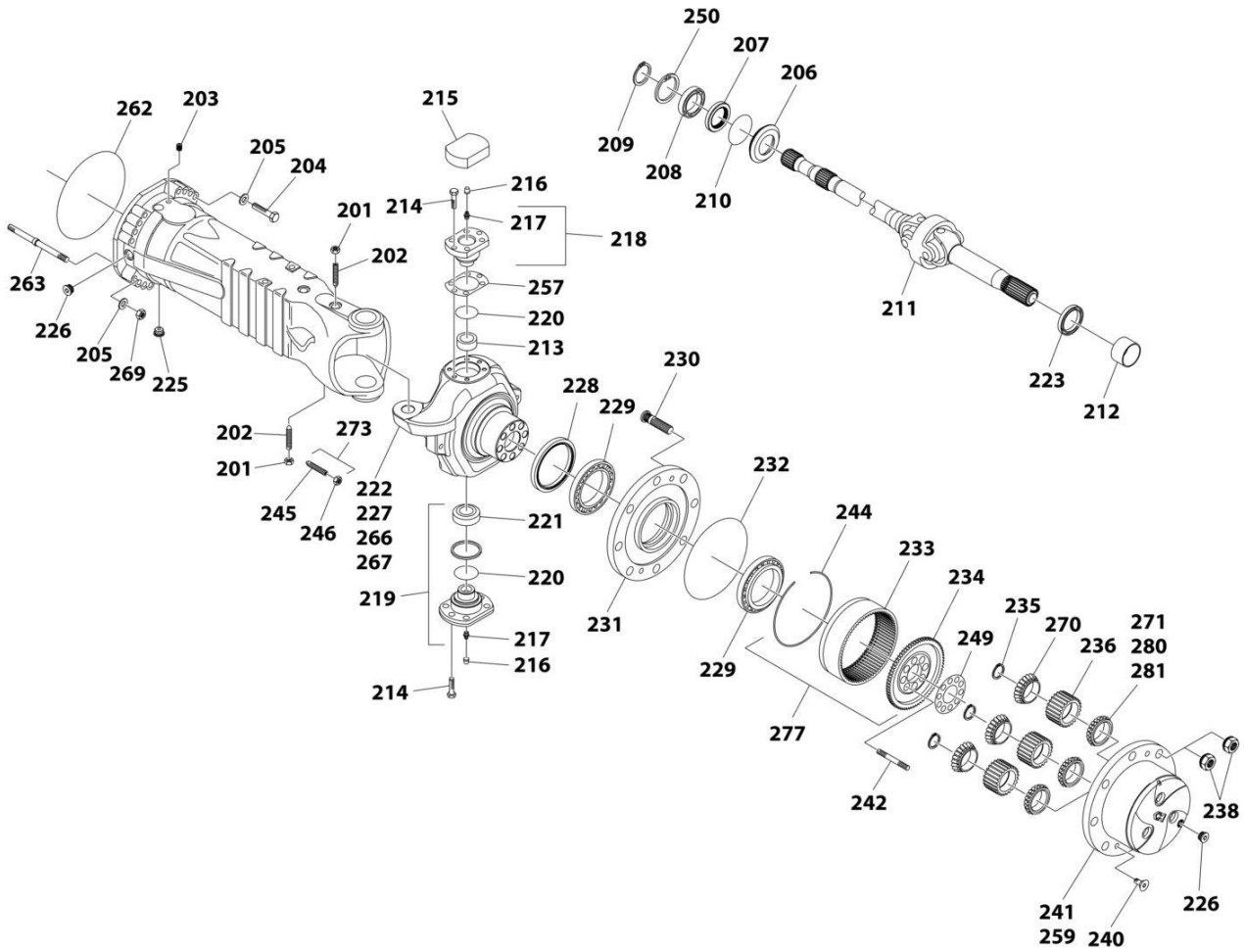
## SECTION 5 - DRIVE TRAIN

### FIGURE 5-26. FRONT AXLE, DIFFERENTIAL

| ITEM | PART NUMBER | QTY | DESCRIPTION               | REV |
|------|-------------|-----|---------------------------|-----|
|      | 1001147377  | Ref | FRONT AXLE - DIFFERENTIAL | C   |
| 101  | 91474528    | 1   | Nut                       |     |
| 102  | 70022797    | 1   | Flange                    |     |
| 104  | 91474532    | 1   | Seal                      |     |
| 105  | 91474591    | 4   | Bolt                      |     |
| 106  | 91474550    | 4   | Circlip                   |     |
| 107  | 91474529    | 1   | O-Ring                    |     |
| 108  | 91474533    | 1   | Ring Nut                  |     |
| 109  | 91474539    | 1   | Spacer                    |     |
| 110  | 91474537    | 1   | Shim                      |     |
| 111  | 91474542    | 1   | Shim                      |     |
| 112  | 3968141     | 2   | Bearing, Taper Roller     |     |
| 113  | 70026134    | 1   | Bevel Gear Set            |     |
| 114  | 91514134    | 2   | Bolt                      |     |
| 115  | 70026031    | 2   | Bearing, Taper Roller     |     |
| 117  | 91474549    | 2   | Differential Side Gear    |     |
| 118  | 7029129     | 4   | Differential Pinion       |     |
| 119  | 7029131     | 4   | Kit, Pin and Circlip      |     |
| 120  | 91474551    | 4   | Circlip                   |     |
| 121  | 91474553    | 4   | Washer, Friction          |     |
| 123  | 91514123    | 12  | Bolt                      |     |
| 124  | 91474547    | 2   | Ring Nut                  |     |
| 127  | 8007751     | 1   | Carrier, Differential     |     |
| 128  | 7028710     | 1   | Slip Differential         |     |
| 129  | 8007755     | 2   | Kit, Clutch Disc          |     |

# SECTION 5 - DRIVE TRAIN

## FIGURE 5-27. FRONT AXLE, HUB REDUCTION



ART\_1001147377\_4-C

## SECTION 5 - DRIVE TRAIN

### FIGURE 5-27. FRONT AXLE, HUB REDUCTION

| ITEM | PART NUMBER | QTY | DESCRIPTION                                  | REV |
|------|-------------|-----|--|-----|
|      | 1001147377  | Ref | FRONT AXLE - HUB REDUCTION                   | C   |
| 201  | 91514082    | 2   | Nut  |     |
| 202  | 91514081    | 2   | Bolt   |     |
| 203  | 70026135    | 2   | Case, Axle                                   |     |
| 204  | 70025548    | 24  | Stud   |     |
| 205  | 91514084    | 32  | Washer                                       |     |
| 206  | 91514149    | 2   | Bushing, Reduction                           |     |
| 207  | 91514147    | 2   | Seal   |     |
| 208  | 91514146    | 2   | Bearing, Ball                                |     |
| 209  | 80204071    | 2   | Circlip                                      |     |
| 210  | 91514148    | 2   | O-Ring                                       |     |
| 211  | 70026136    | 2   | Joint, Double Universal                      |     |
| 212  | 91514111    | 1   | Thrust Bushing                               |     |
| 213  | 7028714     | 2   | Bushing                                      |     |
| 214  | 91514123    | 24  | Bolt   |     |
| 215  | 91474524    | 2   | Cover  |     |
| 216  | 80204117    | 2   | Plug   |     |
| 217  | 91514099    | 2   | Grease Fitting                               |     |
| 218  | 91514112    | 2   | Pivot Pin                                    |     |
| 219  | 7028715     | 2   | Pivot Pin                                    |     |
| 220  | 7028716     | 2   | Dust Excluder                                |     |
| 221  | 91514095    | 2   | Bearing                                      |     |
| 222  | 7028717     | 1   | Case, Steering (RH)                          |     |
| 223  | 70025857    | 2   | Seal   |     |
| 225  | 91474513    | 2   | Magnet Plug                                  |     |
| 226  | 91514188    | 4   | Plug   |     |
| 227  | 7028720     | NLA | Case, Steering (LH) (Note: Use Item 7028730) |     |
| 228  | 7028721     | 2   | Seal   |     |
| 229  | 91474576    | 4   | Bearing                                      |     |
| 230  | 80214120    | 20  | Stud   |     |
| 231  | 7028722     | 2   | Hub  |     |
| 232  | 91514181    | 2   | O-Ring                                       |     |
| 233  | 70024147    | 2   | Ring Gear                                    |     |
| 234  | 7028723     | 2   | Support, Ring Gear                           |     |
| 235  | 7028724     | 6   | Circlip                                      |     |
| 236  | 7028725     | 6   | Pinion                                       |     |
| 238  | 91474584    | 20  | Nut  |     |
| 240  | 91514189    | 4   | Bolt   |     |
| 241  | 7026731     | 2   | Carrier, Planet Gear                         |     |
| 242  | 70027315    | 20  | Stud   |     |
| 244  | 91514175    | 2   | Circlip                                      |     |
| 245  | 91514117    | 4   | Bolt   |     |
| 246  | 80204065    | 4   | Nut  |     |
| 249  | 91474582    | 2   | Plate, Locking                               |     |
| 250  | 80204005    | 2   | Circlip                                      |     |
| 257  | 91514115    | 6   | Shim   |     |
| 259  | 70040710    | 2   | Carrier, Planet Gear                         |     |
| 262  | 91474507    | 2   | O-Ring                                       |     |
| 263  | 70025014    | 8   | Stud   |     |
| 266  | 7028729     | 1   | Case, Steering (RH)                          |     |

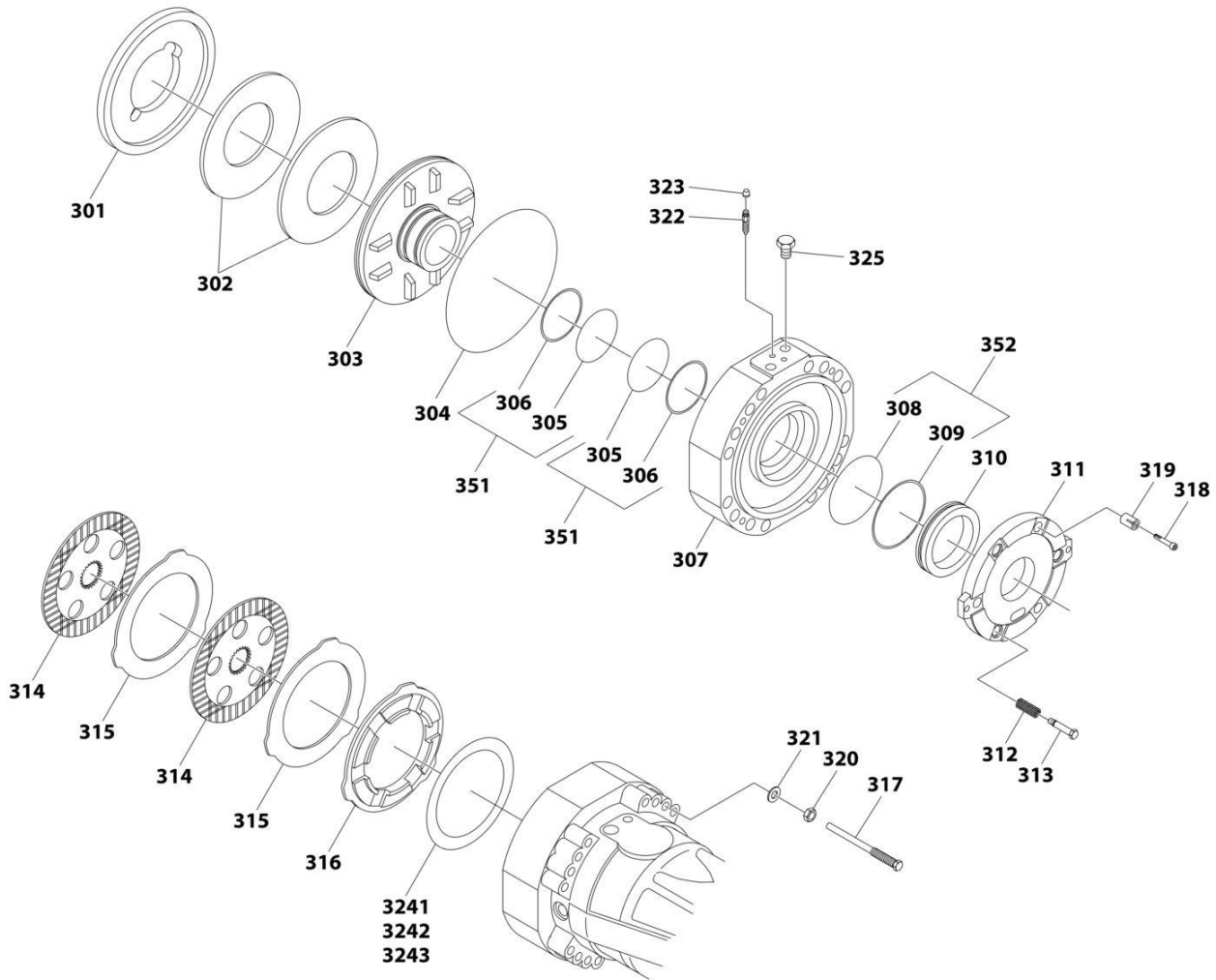
## SECTION 5 - DRIVE TRAIN

| ITEM | PART NUMBER | QTY | DESCRIPTION  | REV |
|------|-------------|-----|--|-----|
| 267  | 7028730     | 1   | Case, Steering (LH)                                      |     |
| 269  | 91514083    | 32  | Nut  |     |
| 270  | 7028731     | 6   | Bearing  |     |
| 271  | 7028732     | NLA | Bearing (Use Both PN 70031458 & 70031459 as Replacement) |     |
| 273  | 7028733     | 4   | Bolt   |     |
| 277  | 70025551    | 2   | Support, Ring Gear                                       |     |
| 280  | 70031458    | 6   | Bearing  |     |
| 281  | 70031459    | 6   | Bearing  |     |



# SECTION 5 - DRIVE TRAIN

## FIGURE 5-28. FRONT AXLE, BRAKES



ART\_1001147377\_5-C



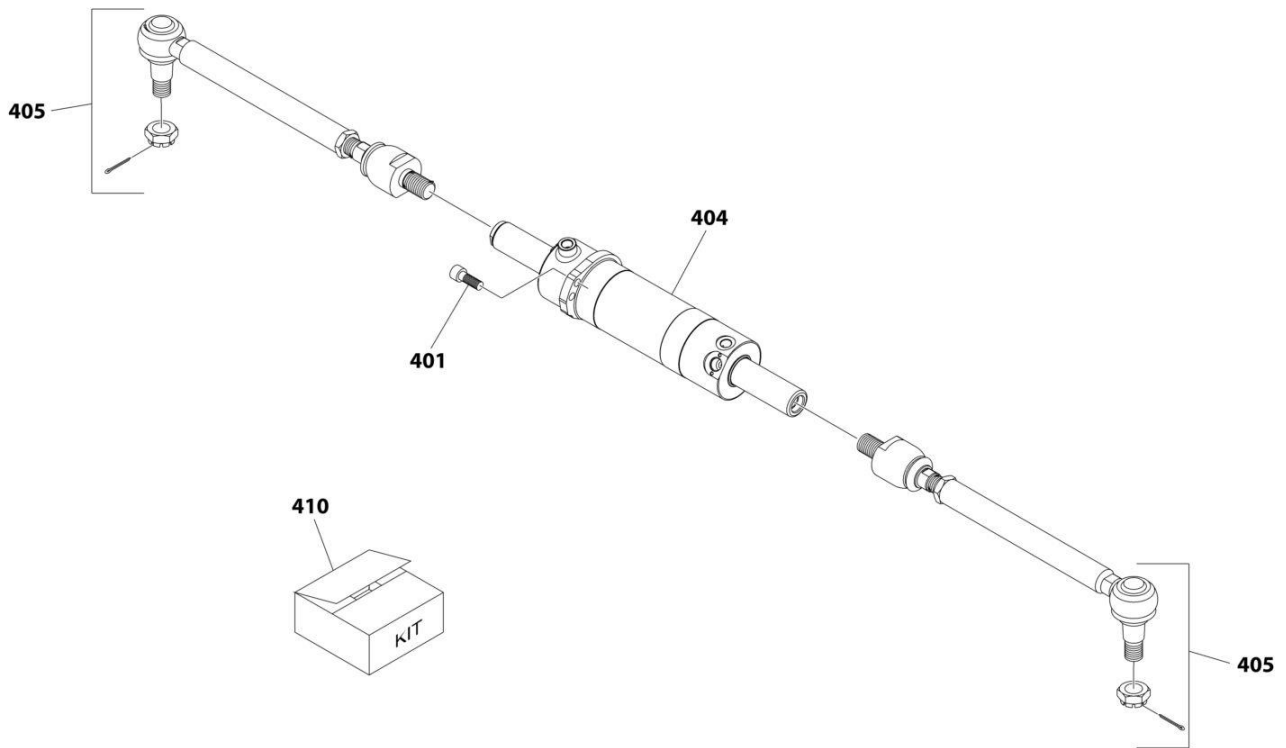
## SECTION 5 - DRIVE TRAIN

### FIGURE 5-28. FRONT AXLE, BRAKES

| ITEM | PART NUMBER | QTY | DESCRIPTION                             | REV |
|------|-------------|-----|---|-----|
|      | 1001147377  | Ref | FRONT AXLE - BRAKES                     | C   |
| 301  | 7028734     | 1   | Spacer                                  |     |
| 302  | 91474559    | 4   | Spring                                  |     |
| 303  | 91474560    | 2   | Piston                                  |     |
| 304  | 91474561    | 2   | O-Ring                                  |     |
| 305  | 91514167    | NLA | O-Ring (Use Item 351 PN 70026262)       |     |
| 306  | 91514153    | NLA | Ring, Backup (Use Item 351 PN 70026262) |     |
| 307  | 7028735     | 2   | Cover                                   |     |
| 308  | 91474562    | NLA | O-Ring (Use Item 352 PN 70026263)       |     |
| 309  | 91474563    | NLA | Ring, Backup (Use Item 352 PN 70026263) |     |
| 310  | 91474564    | 2   | Piston                                  |     |
| 311  | 91474565    | 2   | Disc, Brake                             |     |
| 312  | 91514159    | 6   | Spring                                  |     |
| 313  | 91514160    | 6   | Bolt, Adjusting                         |     |
| 314  | 91474568    | 8   | Disc                                    |     |
| 315  | 91474569    | 8   | Disc, Brake                             |     |
| 316  | 91474570    | 2   | Spacer                                  |     |
| 317  | 7028736     | 4   | Bolt                                    |     |
| 318  | 7029788     | 6   | Bolt, Adjusting                         |     |
| 319  | 91514165    | 6   | Spring                                  |     |
| 320  | 80204060    | 4   | Nut                                     |     |
| 321  | 80204108    | 4   | Washer                                  |     |
| 322  | 80204281    | 4   | Bolt, Bleeding                          |     |
| 323  | 80204117    | 4   | Plug                                    |     |
| 325  | 91514154    | 4   | Plug                                    |     |
| 351  | 70026262    | 4   | Kit, Seal (Includes Items 305 & 306)    |     |
| 352  | 70026263    | 2   | Kit, Seal (Includes Items 308 & 309)    |     |
| 3241 | 91474571    | 2   | Shim 0.20mm                             |     |
| 3242 | 91474572    | 2   | Shim 0.30mm                             |     |
| 3243 | 91474573    | 2   | Shim 0.50mm                             |     |

# SECTION 5 - DRIVE TRAIN

## FIGURE 5-29. FRONT AXLE, STEERING



ART\_1001147377\_6-C

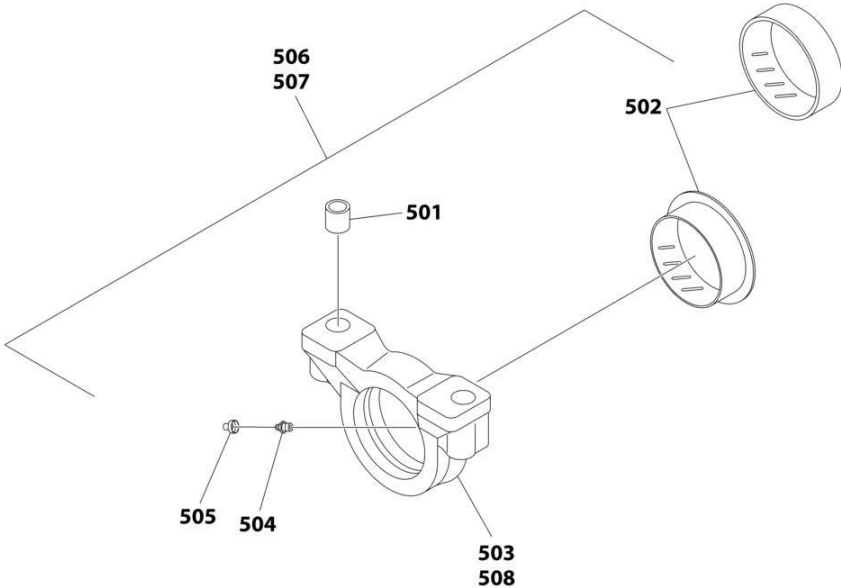
## SECTION 5 - DRIVE TRAIN

### FIGURE 5-29. FRONT AXLE, STEERING

| ITEM | PART NUMBER | QTY | DESCRIPTION                   | REV |
|------|-------------|-----|-------------------------------|-----|
|      | 1001147377  | Ref | FRONT AXLE - STEERING         | C   |
| 401  | 91474522    | 4   | Bolt                          |     |
| 404  | 70026137    | 1   | Cylinder (Includes Item 410)  |     |
| 405  | 70026138    | 2   | Bar                           |     |
| 410  | 70025842    | 1   | Kit, Seal - 70026137 Cylinder |     |

**SECTION 5 - DRIVE TRAIN**

**FIGURE 5-30. FRONT AXLE, TRUNION**



ART\_1001147377\_7-C

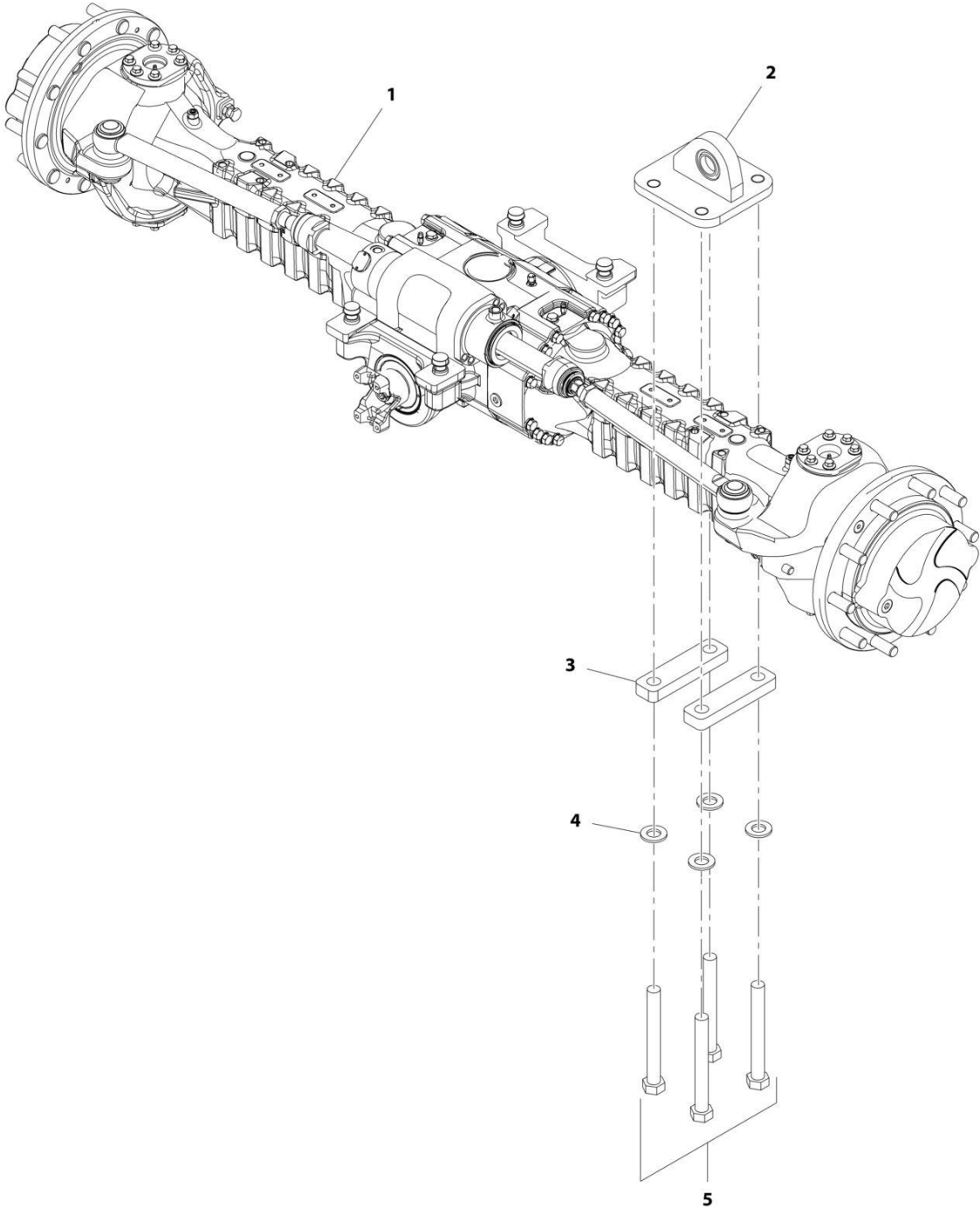
## SECTION 5 - DRIVE TRAIN

### FIGURE 5-30. FRONT AXLE, TRUNION

| ITEM | PART NUMBER | QTY | DESCRIPTION                    | REV |
|------|-------------|-----|--------------------------------|-----|
|      | 1001147377  | Ref | FRONT AXLE - TRUNION           | C   |
| 501  | 91474516    | 2   | Bushing, Reduction             |     |
| 502  | 91474515    | 1   | Bushing, Thrust                |     |
| 503  | See Note    | NSS | Support (Note: Use PN 7029282) |     |
| 504  | 91514099    | 1   | Fitting, Grease                |     |
| 505  | 80204117    | 1   | Plug                           |     |
| 506  | 7029282     | 1   | Support Assembly               |     |
| 507  | 7029283     | 1   | Support Assembly               |     |
| 508  | See Note    | NSS | Support (Note: Use PN 7029283) |     |

**SECTION 5 - DRIVE TRAIN**

**FIGURE 5-31. REAR AXLE SUB-ASSEMBLY (6042)**



ART\_1001147380-A

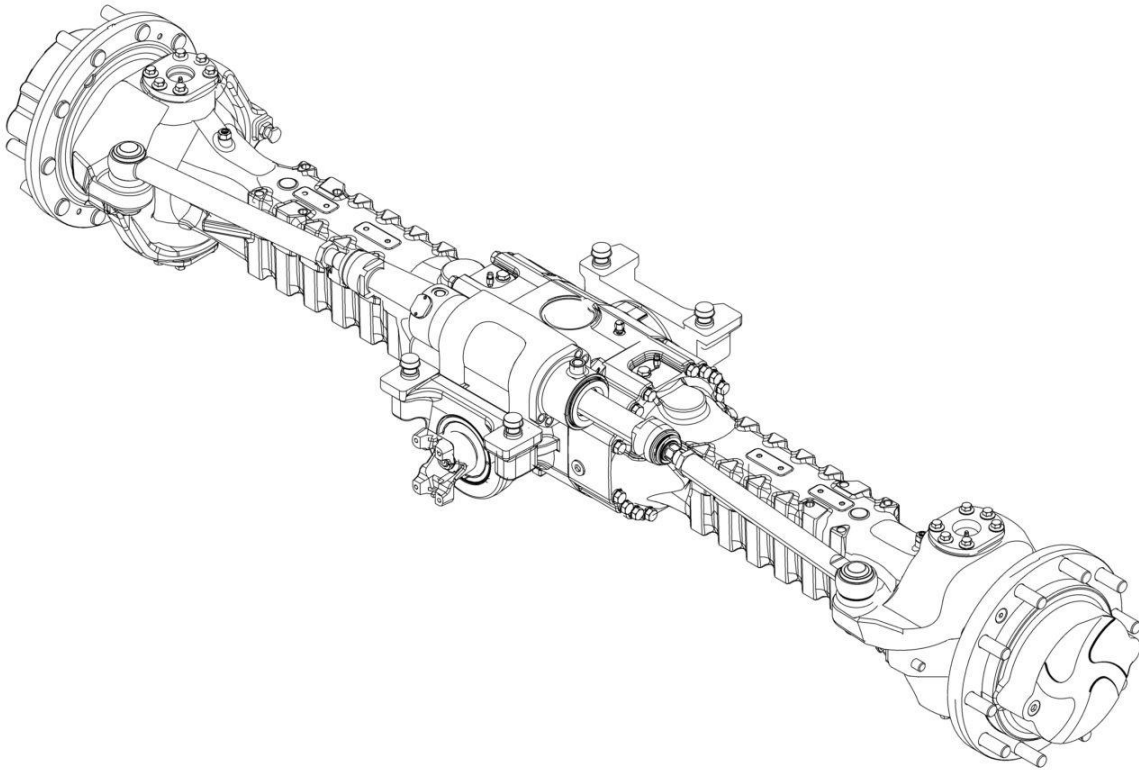
## SECTION 5 - DRIVE TRAIN

**FIGURE 5-31. REAR AXLE SUB-ASSEMBLY (6042)**

| ITEM | PART NUMBER | QTY | DESCRIPTION  | REV |
|------|-------------|-----|--|-----|
|      | 1001147380  | Ref | REAR AXLE SUB-ASSEMBLY                                       | A   |
| 1    | 1001147379  | 1   | Rear, Axle Assembly (See Separate Breakdown in this Section) |     |
| 2    | 1001147265  | 1   | Bracket, Sway Pivot Assembly                                 |     |
| 3    | 91471213    | 2   | Plate, Retainer  |     |
| 4    | 90027475    | 4   | Washer   |     |
| 5    | 83201147    | 4   | Bolt, 1-8X8-1/2  |     |

## SECTION 5 - DRIVE TRAIN

FIGURE 5-32. REAR AXLE ASSEMBLY



ART\_1001147379\_1-C



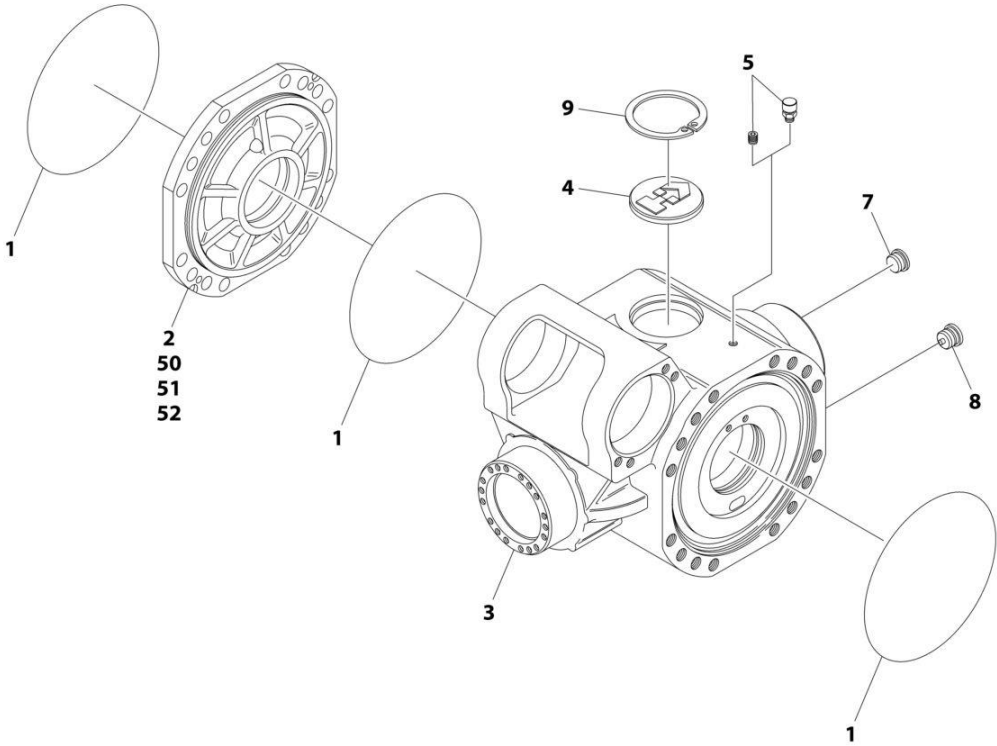
## SECTION 5 - DRIVE TRAIN

### FIGURE 5-32. REAR AXLE ASSEMBLY

| ITEM | PART NUMBER | QTY | DESCRIPTION  | REV |
|------|-------------|-----|--|-----|
|      | 1001147379  | Ref | REAR AXLE ASSEMBLY                                       | C   |
|      |             | Ref | Central Housing (See Separate Breakdown in this Section) |     |
|      |             | Ref | Differential (See Separate Breakdown in this Section)    |     |
|      |             | Ref | Hub Reduction (See Separate Breakdown in this Section)   |     |
|      |             | Ref | Brakes (See Separate Breakdown in this Section)          |     |
|      |             | Ref | Steering (See Separate Breakdown in this Section)        |     |
|      |             | Ref | Trunion (See Separate Breakdown in this Section)         |     |

**SECTION 5 - DRIVE TRAIN**

**FIGURE 5-33. REAR AXLE, CENTRAL HOUSING**



ART\_1001147379\_2-C

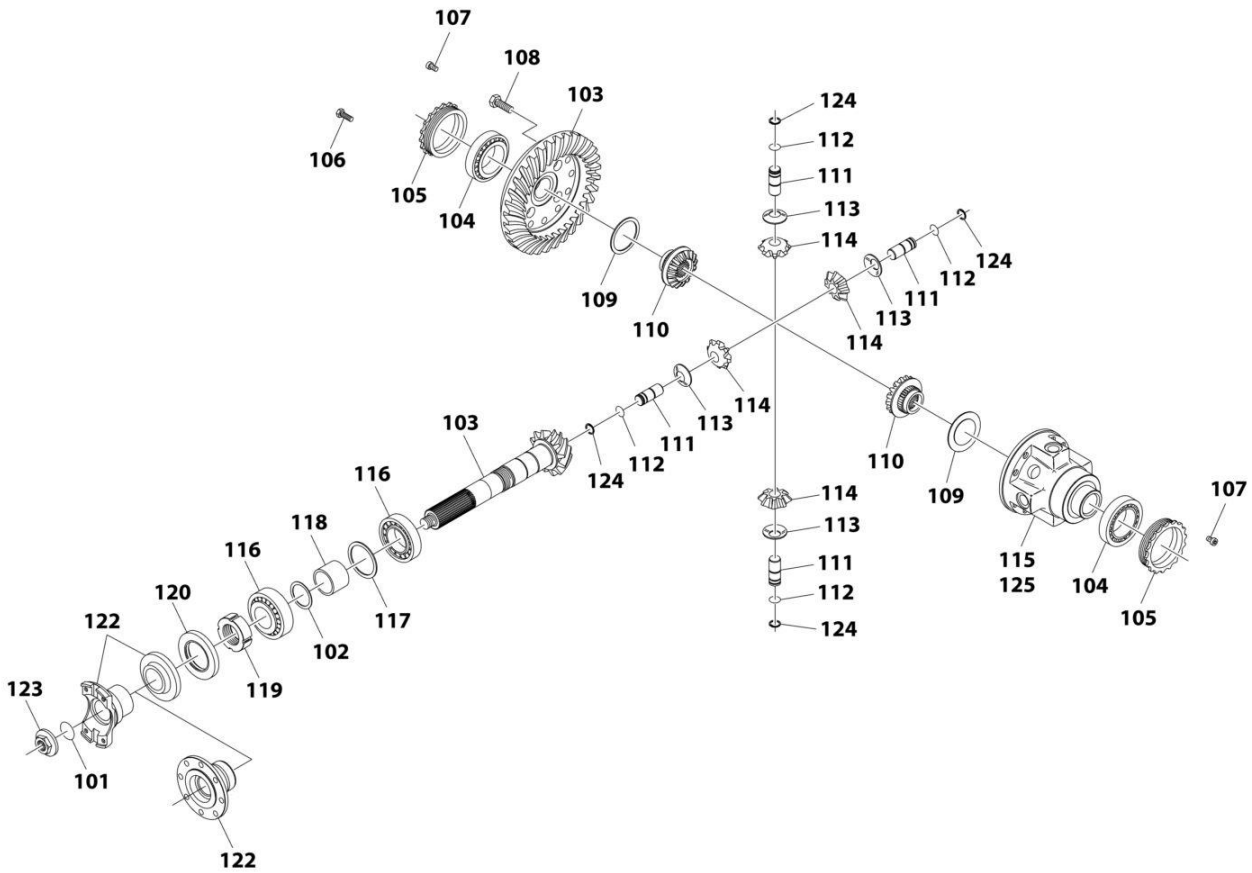
## SECTION 5 - DRIVE TRAIN

### FIGURE 5-33. REAR AXLE, CENTRAL HOUSING

| ITEM | PART NUMBER | QTY | DESCRIPTION                 | REV |
|------|-------------|-----|-----------------------------|-----|
|      | 1001147379  | Ref | REAR AXLE - CENTRAL HOUSING | C   |
| 1    | 91474507    | 3   | O-Ring                      |     |
| 2    | 70024519    | NLA | Cover (Use Items 50-52)     |     |
| 3    | 70026749    | 1   | Housing                     |     |
| 4    | 91514098    | 1   | Plug                        |     |
| 5    | 91474512    | 1   | Vent                        |     |
| 7    | 91514188    | 1   | Plug                        |     |
| 8    | 7028706     | 1   | Magnet Plug                 |     |
| 9    | 80204005    | 1   | Circlip                     |     |
| 50   | 70027107    | 1   | Cover                       |     |
| 51   | 70028906    | 2   | Case, Axle                  |     |
| 52   | 70021613    | 1   | Bolt                        |     |

# SECTION 5 - DRIVE TRAIN

## FIGURE 5-34. REAR AXLE, DIFFERENTIAL



ART\_1001147379\_3-C

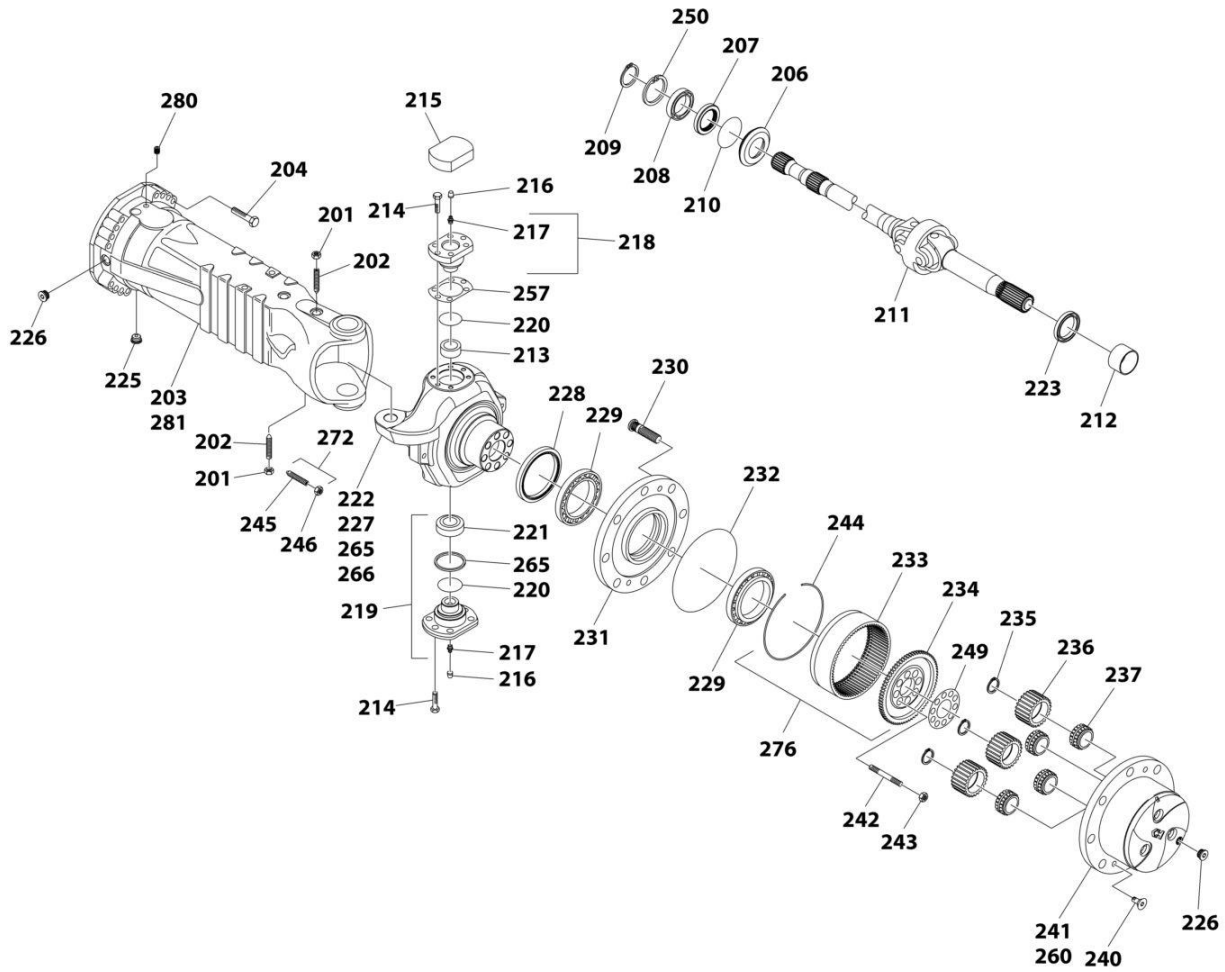
## SECTION 5 - DRIVE TRAIN

**FIGURE 5-34. REAR AXLE, DIFFERENTIAL**

| ITEM | PART NUMBER | QTY | DESCRIPTION              | REV |
|------|-------------|-----|--------------------------|-----|
|      | 1001147379  | Ref | REAR AXLE - DIFFERENTIAL | C   |
| 101  | 91474529    | 1   | O-Ring                   |     |
| 102  | 91474537    | 1   | Shim                     |     |
| 103  | 70026139    | 1   | Bevel Gear Set           |     |
| 104  | 70028471    | 2   | Bearing, Taper Roller    |     |
| 105  | 91474547    | 2   | Ring Nut                 |     |
| 106  | 91474591    | 4   | Bolt                     |     |
| 107  | 91514134    | 2   | Bolt                     |     |
| 108  | 70025562    | 12  | Bolt                     |     |
| 109  | 91474593    | 2   | Washer, Friction         |     |
| 110  | 91474594    | 2   | Gear, Differential Side  |     |
| 111  | 7029131     | 4   | Kit, Pin and Circlip     |     |
| 112  | 91474551    | 4   | Circlip                  |     |
| 113  | 91474553    | 4   | Washer, Friction         |     |
| 114  | 91474554    | 4   | Pinion, Differential     |     |
| 115  | 91474595    | 1   | Carrier, Differential    |     |
| 116  | 3968141     | 2   | Bearing, Taper Roller    |     |
| 117  | 91474542    | 1   | Shim                     |     |
| 118  | 91474539    | 1   | Spacer                   |     |
| 119  | 91474533    | 1   | Ring Nut                 |     |
| 120  | 91474532    | 1   | Seal                     |     |
| 122  | 70022797    | 1   | Kit, Flange and Cover    |     |
| 123  | 70026631    | 1   | Nut                      |     |
| 124  | 91474550    | 4   | Circlip                  |     |
| 125  | 70029453    | 1   | Kit, Differential        |     |

# SECTION 5 - DRIVE TRAIN

## FIGURE 5-35. REAR AXLE, HUB REDUCTION



ART\_1001147379\_4-C

## SECTION 5 - DRIVE TRAIN

### FIGURE 5-35. REAR AXLE, HUB REDUCTION

| ITEM | PART NUMBER | QTY | DESCRIPTION                              | REV |
|------|-------------|-----|--|-----|
|      | 1001147379  | Ref | REAR AXLE - HUB REDUCTION                | C   |
| 201  | 91514082    | 2   | Nut                                      |     |
| 202  | 91514081    | 2   | Bolt                                     |     |
| 203  | 70026140    | NLA | Case, Axle (Use PNs 70030150 & 70031523) |     |
| 204  | 70022799    | 32  | Bolt                                     |     |
| 206  | 70031449    | 2   | Bushing, Reduction                       |     |
| 207  | 91514147    | 2   | Seal                                     |     |
| 208  | 91514146    | 2   | Bearing, Ball                            |     |
| 209  | 80204071    | 2   | Circlip                                  |     |
| 210  | 91514148    | 2   | O-Ring                                   |     |
| 211  | 70026141    | 2   | Joint, Double Universal                  |     |
| 212  | 91514111    | 1   | Thrust Bushing                           |     |
| 213  | 7028714     | 2   | Bushing                                  |     |
| 214  | 70025562    | 24  | Bolt                                     |     |
| 215  | 70028392    | 2   | Cover                                    |     |
| 216  | 80204117    | 2   | Plug                                     |     |
| 217  | 70024881    | 2   | Fitting, Grease                          |     |
| 218  | 91514112    | 2   | Pin, Pivot                               |     |
| 219  | 7028715     | 2   | Pin, Pivot                               |     |
| 220  | 7028716     | 2   | Excluder, Dust                           |     |
| 221  | 91514095    | 2   | Bearing                                  |     |
| 222  | 7028717     | 1   | Case, Steering (RH)                      |     |
| 223  | 70025857    | 2   | Seal                                     |     |
| 225  | 7028706     | 2   | Plug                                     |     |
| 226  | 91514188    | 4   | Plug                                     |     |
| 227  | 7028730     | 1   | Case, Steering (LH)                      |     |
| 228  | 7028721     | 2   | Seal                                     |     |
| 229  | 91474576    | 4   | Bearing                                  |     |
| 230  | 80214120    | 20  | Stud, Wheel                              |     |
| 231  | 7029737     | 2   | Hub, Wheel                               |     |
| 232  | 91514181    | 2   | O-Ring                                   |     |
| 233  | 91474580    | 2   | Gear, Ring                               |     |
| 234  | 91474581    | 2   | Support, Ring Gear                       |     |
| 235  | 91474585    | 8   | Circlip                                  |     |
| 236  | 91474586    | 8   | Gear, Planet                             |     |
| 237  | 91474587    | 8   | Bearing                                  |     |
| 240  | 91514189    | 4   | Bolt                                     |     |
| 241  | 7029286     | 2   | Carrier, Planet Gear                     |     |
| 242  | 70027315    | 20  | Stud                                     |     |
| 243  | 91474584    | 20  | Nut                                      |     |
| 244  | 91474579    | 2   | Circlip                                  |     |
| 245  | 91514117    | NLA | Bolt (Item 272 PN 7028733 Kit)           |     |
| 246  | 80204065    | 4   | Nut                                      |     |
| 249  | 91474582    | 2   | Plate, Locking                           |     |
| 250  | 80204005    | 2   | Circlip                                  |     |
| 257  | 91514115    | 2   | Shim                                     |     |
| 260  | 7029431     | 2   | Carrier, Planet Gear                     |     |
| 265  | 7028729     | 1   | Case, Steering (RH)                      |     |
| 266  | 7028730     | 1   | Case, Steering (LH)                      |     |
| 272  | 7028733     | 4   | Kit, Steering Bolt                       |     |

## SECTION 5 - DRIVE TRAIN

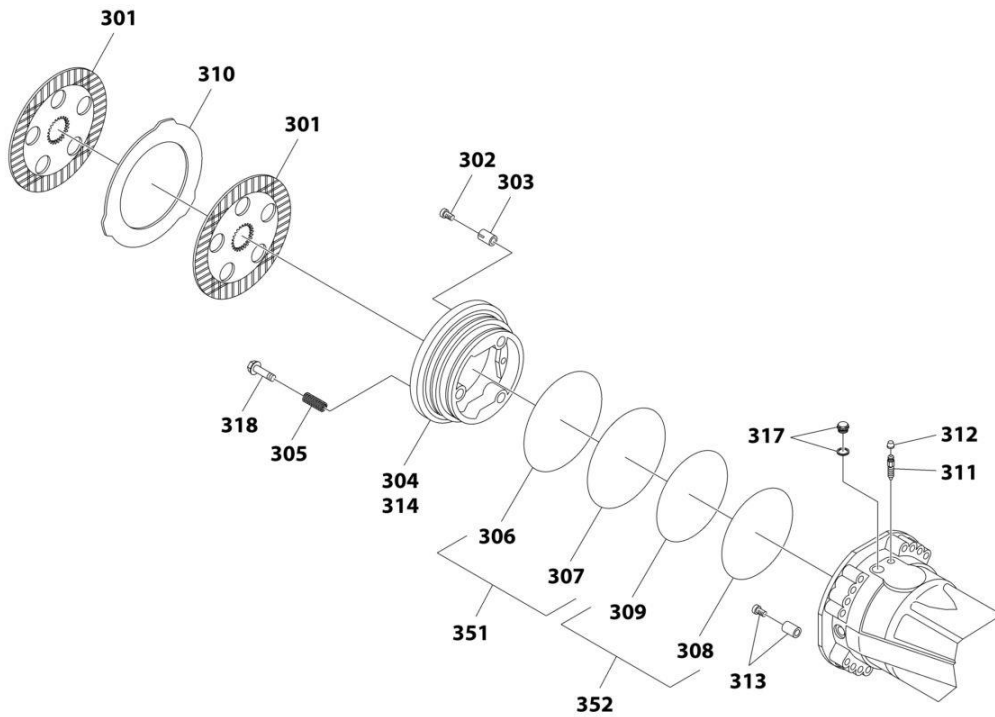
| ITEM | PART NUMBER | QTY | DESCRIPTION        | REV |
|------|-------------|-----|--------------------|-----|
| 276  | 7029736     | 2   | Support, Ring Gear |     |
| 280  | 70030150    | 2   | Bolt               |     |
| 281  | 70031523    | 2   | Case, Axle         |     |





# SECTION 5 - DRIVE TRAIN

## FIGURE 5-36. REAR AXLE, BRAKES



ART\_1001147379\_5-C

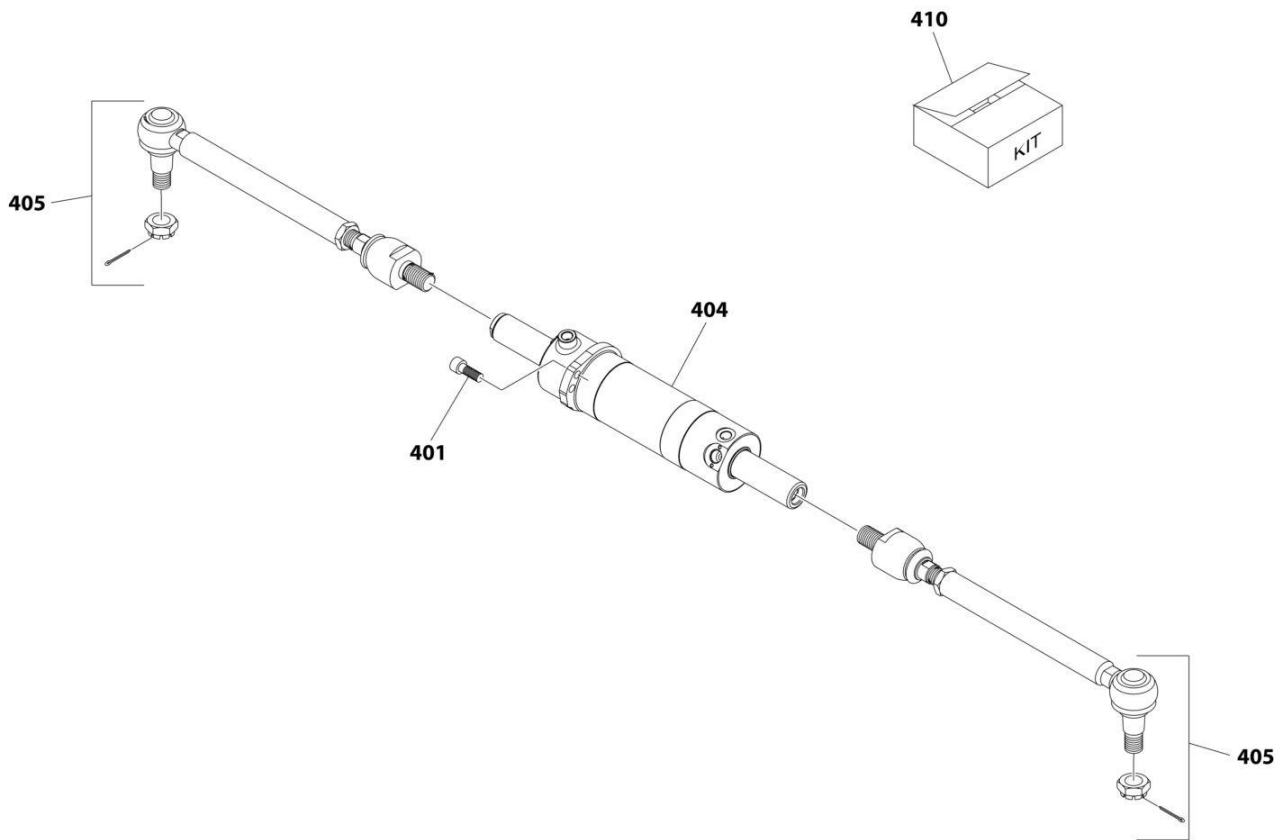
## SECTION 5 - DRIVE TRAIN

### FIGURE 5-36. REAR AXLE, BRAKES

| ITEM | PART NUMBER | QTY | DESCRIPTION                          | REV |
|------|-------------|-----|--------------------------------------|-----|
|      | 1001147379  | Ref | REAR AXLE - BRAKES                   | C   |
| 301  | 91474568    | 8   | Disc, Brake                          |     |
| 302  | 7029786     | 6   | Bolt, Adjusting                      |     |
| 303  | 70027317    | 6   | Spring                               |     |
| 304  | See Note    | NSS | Piston (Note: Use PN 70024525)       |     |
| 305  | 91514159    | 6   | Spring                               |     |
| 306  | 3984436     | NLA | Ring, Backup (Use PN 70025821)       |     |
| 307  | 3984458     | NLA | O-Ring (Use PN 70025821)             |     |
| 308  | 3984447     | NLA | Ring, Backup (Use PN 70025822)       |     |
| 309  | 3984469     | NLA | O-Ring (Use PN 70025822)             |     |
| 310  | 91474569    | 10  | Disc, Brake                          |     |
| 311  | 80204281    | 2   | Bolt, Bleeding                       |     |
| 312  | 80204117    | 2   | Plug                                 |     |
| 313  | 70021613    | 2   | Bolt, Pilot                          |     |
| 314  | 70028452    | 2   | Kit, Piston Position                 |     |
| 317  | 91514154    | 2   | Plug                                 |     |
| 318  | 91514160    | 6   | Bolt, Adjusting                      |     |
| 351  | 70025821    | 2   | Kit, Seal (Includes Items 306 & 307) |     |
| 352  | 70025822    | 2   | Kit, Seal (Includes Items 308 & 309) |     |

# SECTION 5 - DRIVE TRAIN

## FIGURE 5-37. REAR AXLE, STEERING



ART\_1001147379\_6-C

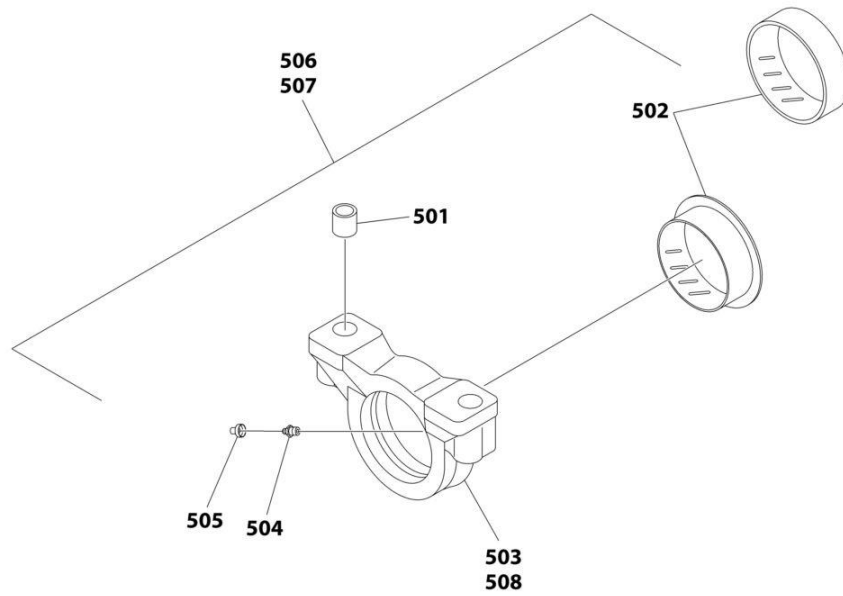
## SECTION 5 - DRIVE TRAIN

### FIGURE 5-37. REAR AXLE, STEERING

| ITEM | PART NUMBER | QTY | DESCRIPTION                   | REV |
|------|-------------|-----|-------------------------------|-----|
|      | 1001147379  | Ref | REAR AXLE - STEERING          | C   |
| 401  | 91474522    | 4   | Bolt                          |     |
| 404  | 70026137    | 1   | Cylinder                      |     |
| 405  | 70026138    | 2   | Bar                           |     |
| 410  | 70025842    | 1   | Kit, Seal - 70026137 Cylinder |     |

# SECTION 5 - DRIVE TRAIN

## FIGURE 5-38. REAR AXLE, TRUNION



ART\_1001147379\_7-C

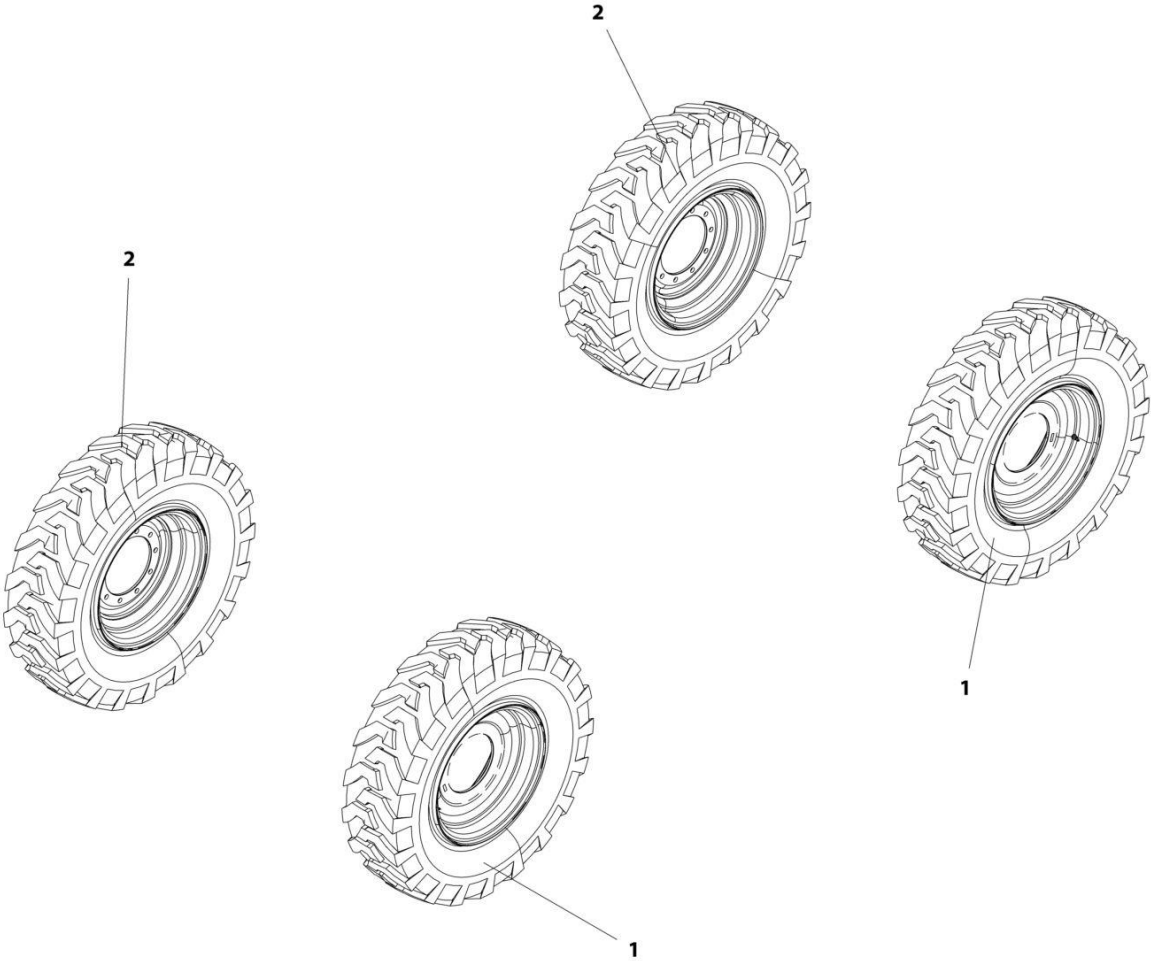
## SECTION 5 - DRIVE TRAIN

### FIGURE 5-38. REAR AXLE, TRUNION

| ITEM | PART NUMBER | QTY | DESCRIPTION                             | REV |
|------|-------------|-----|---|-----|
|      | 1001147379  | Ref | REAR AXLE - TRUNION                     | C   |
| 501  | 91474516    | 2   | Bushing, Reduction                      |     |
| 502  | 91474515    | 1   | Thrust Bushing                          |     |
| 503  | See Note    | NSS | Support Assembly (Note: Use PN 7029283) |     |
| 504  | 70024881    | 1   | Fitting, Grease                         |     |
| 505  | 80204117    | 1   | Plug                                    |     |
| 506  | 7029282     | 1   | Support Assembly                        |     |
| 507  | 7029283     | 1   | Support Assembly                        |     |
| 508  | See Note    | NSS | Support Assembly (Note: Use PN 7029282) |     |

**SECTION 5 - DRIVE TRAIN**

**FIGURE 5-39. TIRE SET, 13.00-24 PNEUMATIC**



ART\_4520368\_B



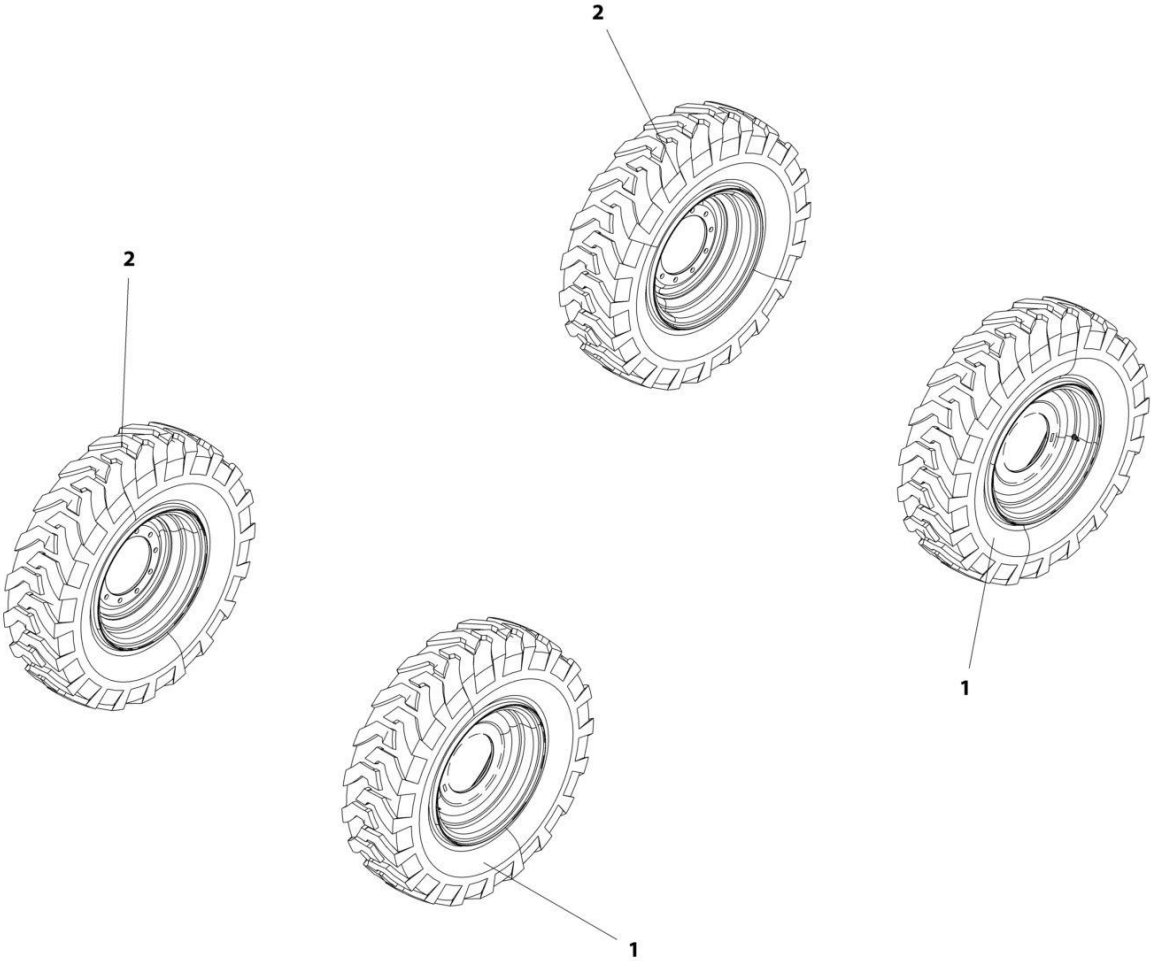
## SECTION 5 - DRIVE TRAIN

**FIGURE 5-39. TIRE SET, 13.00-24 PNEUMATIC**

| ITEM | PART NUMBER | QTY | DESCRIPTION   | REV |
|------|-------------|-----|---|-----|
|      | 4520368     | Ref | Tire Set, 13.00-24 Pneumatic                                  | B   |
| 1    | 91405035    | 2   | Assembly, RH Tire and Wheel (See Items 101-103 for Breakdown) |     |
| 1    | 8780031     | 2   | Tire, 13.00x24 (1 per Assembly)                               |     |
| 1    | 8786514     | 2   | Valve, Air (1 per Assembly)                                   |     |
| 1    | 91473206    | 2   | Wheel 24x9 (1 per Assembly)                                   |     |
| 2    | 91405036    | 2   | Assembly, LH Tire and Wheel (See Items 101-103 for Breakdown) |     |
| 2    | 8780031     | 2   | Tire, 13.00x24 (1 per Assembly)                               |     |
| 2    | 8786514     | 2   | Valve, Air (1 per Assembly)                                   |     |
| 2    | 91473206    | 2   | Wheel 24x9 (1 per Assembly)                                   |     |

**SECTION 5 - DRIVE TRAIN**

**FIGURE 5-40. TIRE SET, 13.00-24 FOAM FILLED**



ART\_4520370\_B

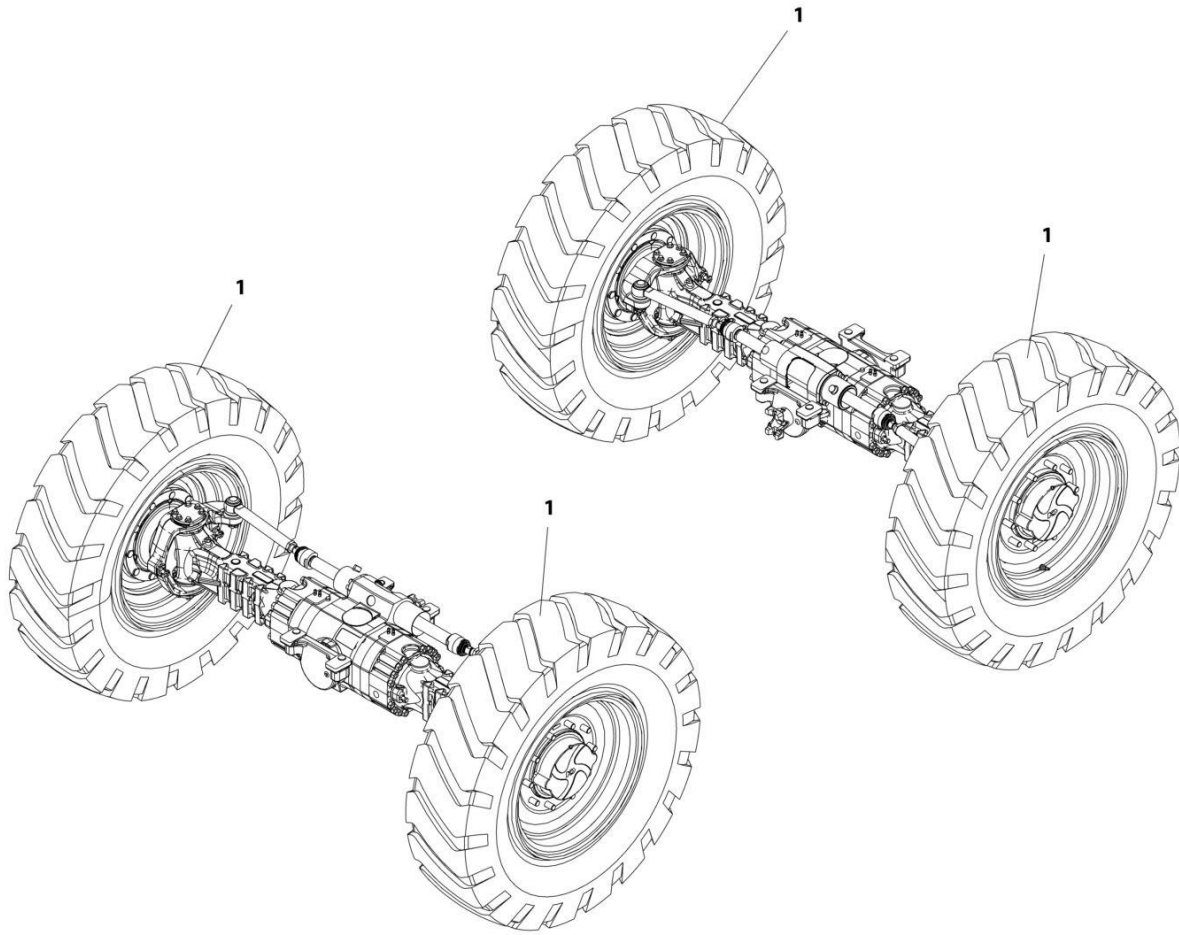
## SECTION 5 - DRIVE TRAIN

**FIGURE 5-40. TIRE SET, 13.00-24 FOAM FILLED**

| ITEM | PART NUMBER | QTY | DESCRIPTION   | REV |
|------|-------------|-----|---|-----|
|      | 4520370     | Ref | Tire/Wheel Set 13-24 12PR - Foam  | B   |
|      |             | Ref | Note: Assemblies require ballast/foam filling to manufacture's specifications prior to installing on machine. Refer to Operation & Safety or Service & Maintenance Manuals. |     |
|      |             | Ref | Purchase individual tire and/or wheel only if able to foam fill tire & wheel assembly, otherwise purchase complete assembly.  |     |
| 1    | 91475054    | 2   | Tire/Wheel Assembly - RH 13-24 G-2 - Foam   |     |
| 1    | 8780031     | 2   | Tire, 13.00x24 TG 16 PLY G2, BIAS (1 Per Assembly)  |     |
| 1    | 8786514     | 2   | Valve, Stem (1 Per Assembly)  |     |
| 1    | 91473206    | 2   | Wheel, 24x9.00 GR (1 Per Assembly)  |     |
| 2    | 91475055    | 2   | Tire/Wheel Assembly - LH 13-24 G-2 - Foam   |     |
| 2    | 8780031     | 2   | Tire, 13.00x24 TG 16 PLY G2, BIAS (1 Per Assembly)  |     |
| 2    | 8786514     | 2   | Valve, Stem (1 Per Assembly)  |     |
| 2    | 91473206    | 2   | Wheel, 24x9.00 GR (1 Per Assembly)  |     |

# SECTION 5 - DRIVE TRAIN

FIGURE 5-41. TIRE SET, 13.00-24 ROCK FOAM (6042)



ART\_4520371-A

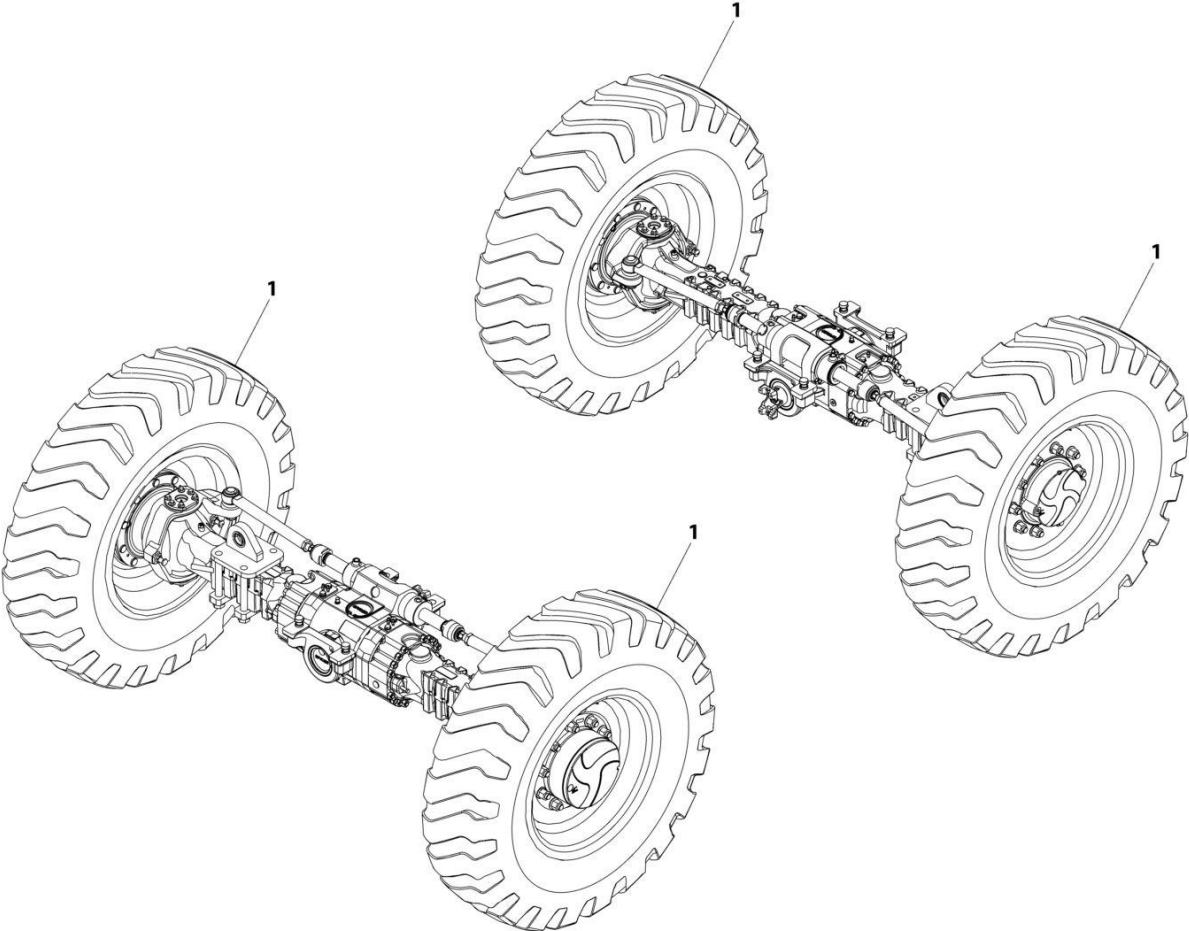
## SECTION 5 - DRIVE TRAIN

**FIGURE 5-41. TIRE SET, 13.00-24 ROCK FOAM (6042)**

| ITEM | PART NUMBER | QTY | DESCRIPTION  | REV |
|------|-------------|-----|--|-----|
|      | 4520371     | Ref | Tire Set, 13.00-24 Rock Foam   | A   |
|      |             | Ref | <b>Note: Assemblies require ballast/foam filling to manufacture's specifications prior to installing on machine. Refer to Operation &amp; Safety or Service &amp; Maintenance Manuals.</b> |     |
|      |             | Ref | <b>Purchase individual tire and/or wheel only if able to foam fill tire &amp; wheel assembly, otherwise purchase complete assembly.</b>  |     |
| 1    | 91535019    | 4   | Assembly, Tire and Wheel (See Items 102-104 for Breakdown) (6042)  |     |
| 1    | 8780045     | 4   | Tire, 13.00X24 (1 Per Assembly)  |     |
| 1    | 8786514     | 4   | Valve, Stem (1 Per Assembly)   |     |
| 1    | 91473206    | 4   | Wheel, 24x9.00 GR (1 Per Assembly)   |     |

**SECTION 5 - DRIVE TRAIN**

**FIGURE 5-42. TIRE SET, 13.00-24 FOAM FILLED (E-3) (SUNSTATE ONLY)**



ART\_1001264712

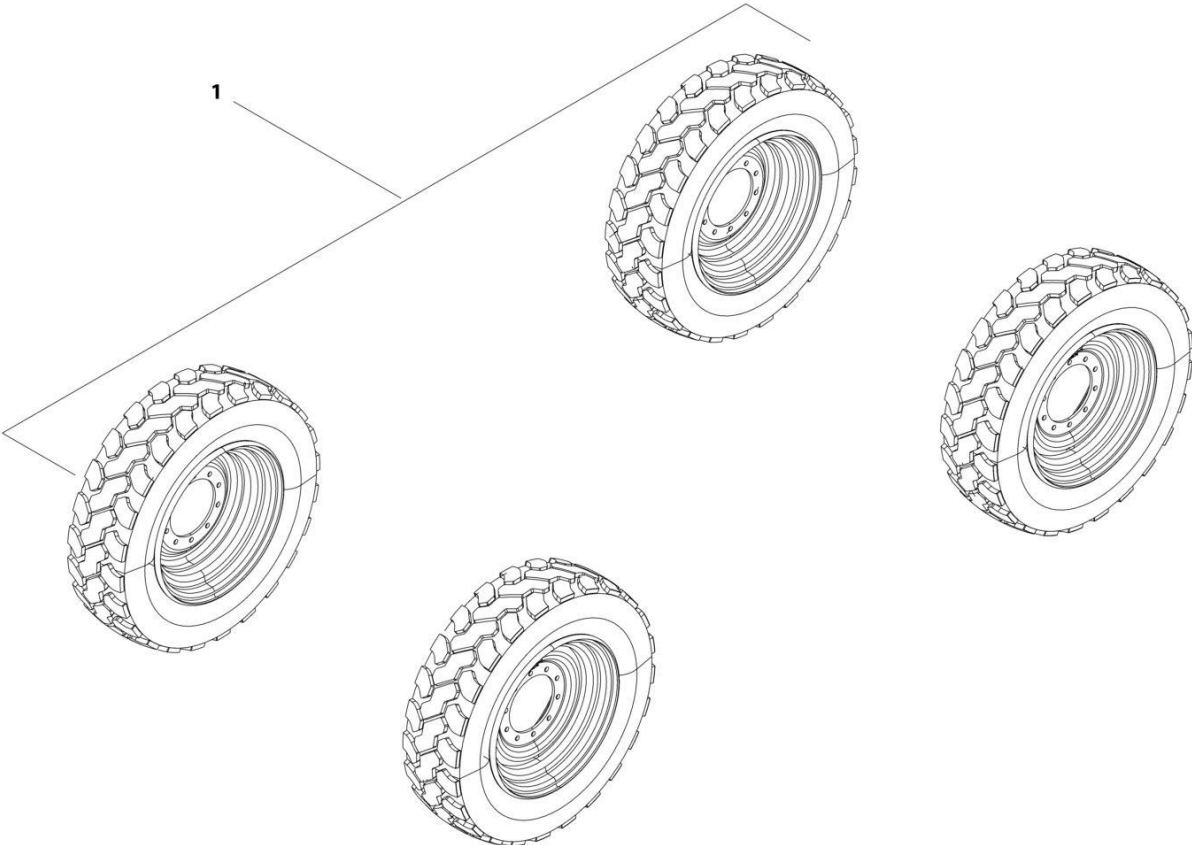
## SECTION 5 - DRIVE TRAIN

**FIGURE 5-42. TIRE SET, 13.00-24 FOAM FILLED (E-3) (SUNSTATE ONLY)**

| ITEM | PART NUMBER | QTY | DESCRIPTION   | REV |
|------|-------------|-----|---|-----|
|      | 1001264712  | Ref | TIRE SET, 13.00-24 FOAM Filled (E-3)  | A   |
|      |             | Ref | Note: Assemblies require ballast/foam filling to manufacture's specifications prior to installing on machine. Refer to Operation & Safety or Service & Maintenance Manuals. |     |
|      |             | Ref | Purchase individual tire and/or wheel only if able to foam fill tire & wheel assembly, otherwise purchase complete assembly.  |     |
| 1    | 1001264699  | 4   | Tire/Wheel Assembly 13-24 E-3 - Foam Filled   |     |
| 1    | 1001263010  | 4   | Tire, 13.00x24 E-3 12 PLY   |     |
| 1    | 8786514     | 4   | Valve, Stem   |     |
| 1    | 91473206    | 4   | Wheel, 24x9.00 GR   |     |

**SECTION 5 - DRIVE TRAIN**

**FIGURE 5-43. TIRE SET, 370/75-28 PNEUMATIC**



ART\_1001120963\_B



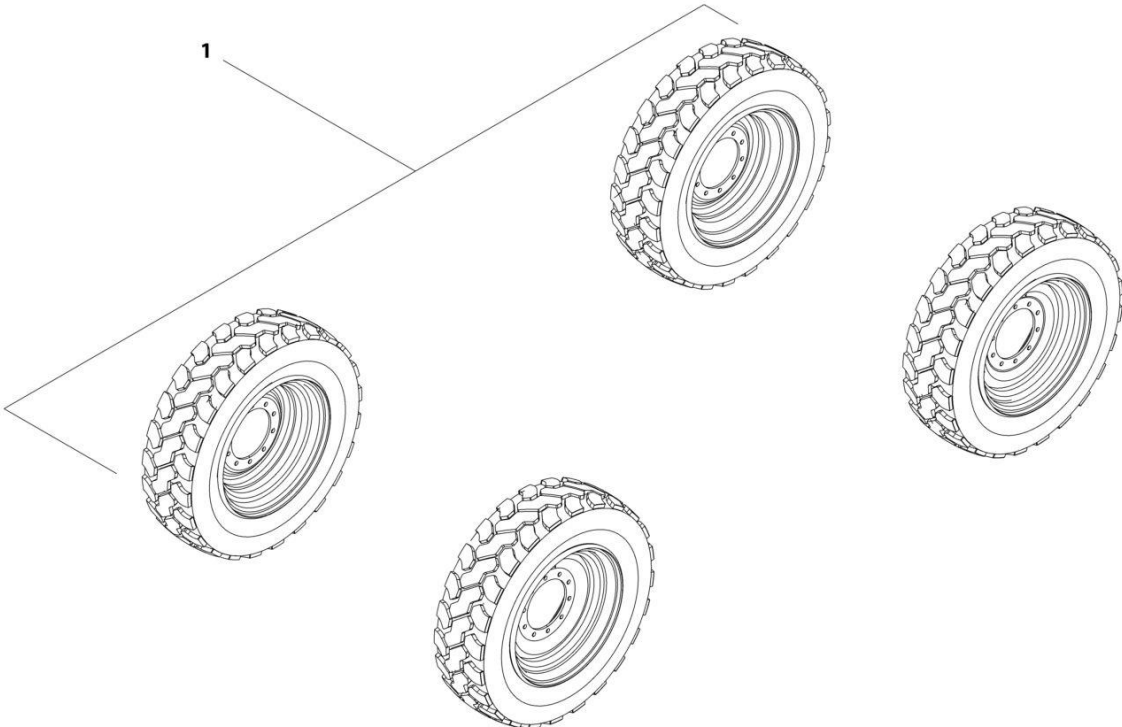
## SECTION 5 - DRIVE TRAIN

**FIGURE 5-43. TIRE SET, 370/75-28 PNEUMATIC**

| ITEM | PART NUMBER | QTY | DESCRIPTION                          | REV |
|------|-------------|-----|--------------------------------------|-----|
|      | 1001120963  | Ref | Tire/Wheel Set 370/75-28 - Air       | B   |
| 1    | 1001100323  | 4   | Assembly, Tire/Wheel 370/75-28 - Air |     |
| 1    | 8786514     | 4   | Valve, Air (1 per assembly)          |     |
| 1    | 1001099976  | 4   | Wheel (1 per assembly)               |     |
| 1    | 1001100284  | 4   | Tire (1 per assembly)                |     |

**SECTION 5 - DRIVE TRAIN**

**FIGURE 5-44. TIRE SET, 370/75-28 FOAM FILLED**



ART\_1001121519\_B

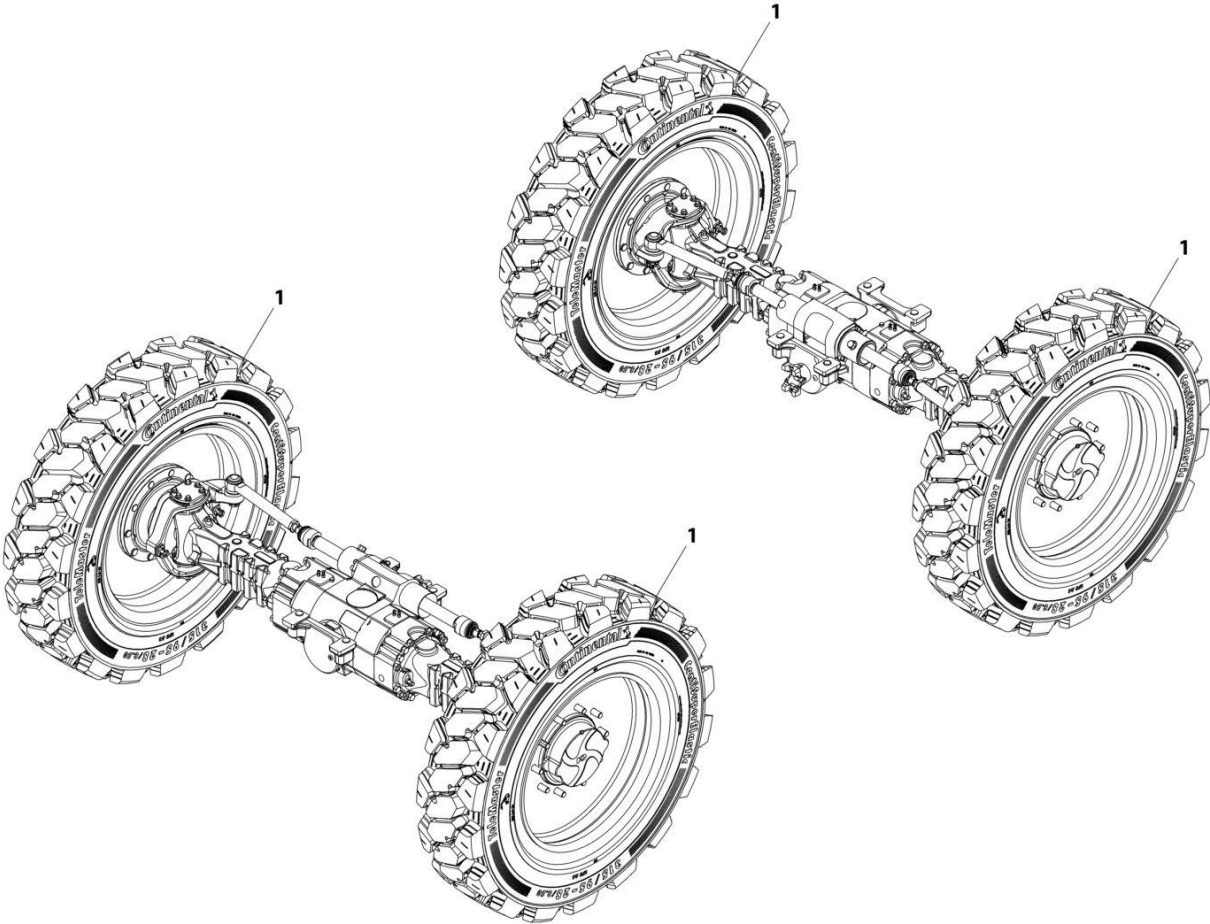
## SECTION 5 - DRIVE TRAIN

**FIGURE 5-44. TIRE SET, 370/75-28 FOAM FILLED**

| ITEM | PART NUMBER | QTY | DESCRIPTION   | REV |
|------|-------------|-----|---|-----|
|      | 1001121519  | Ref | Tire/Wheel Set 370/75-28 - Foam   | B   |
|      |             | Ref | Note: Assemblies require ballast/foam filling to manufacture's specifications prior to installing on machine. Refer to Operation & Safety or Service & Maintenance Manuals. |     |
|      |             | Ref | Purchase individual tire and/or wheel only if able to foam fill tire & wheel assembly, otherwise purchase complete assembly.  |     |
| 1    | 1001121101  | 4   | Tire/Wheel Assembly 370/75-28 Foam  |     |
| 1    | 8786514     | 4   | Valve, Air (1 per assembly)   |     |
| 1    | 1001099976  | 4   | Wheel (1 per assembly)  |     |
| 1    | 1001100284  | 4   | Tire 370/75-28 Non-Marking (1 per assembly)   |     |

**SECTION 5 - DRIVE TRAIN**

**FIGURE 5-45. TIRE SET, 315/95-28/8.5 SOLID**



ART\_1001221500-A

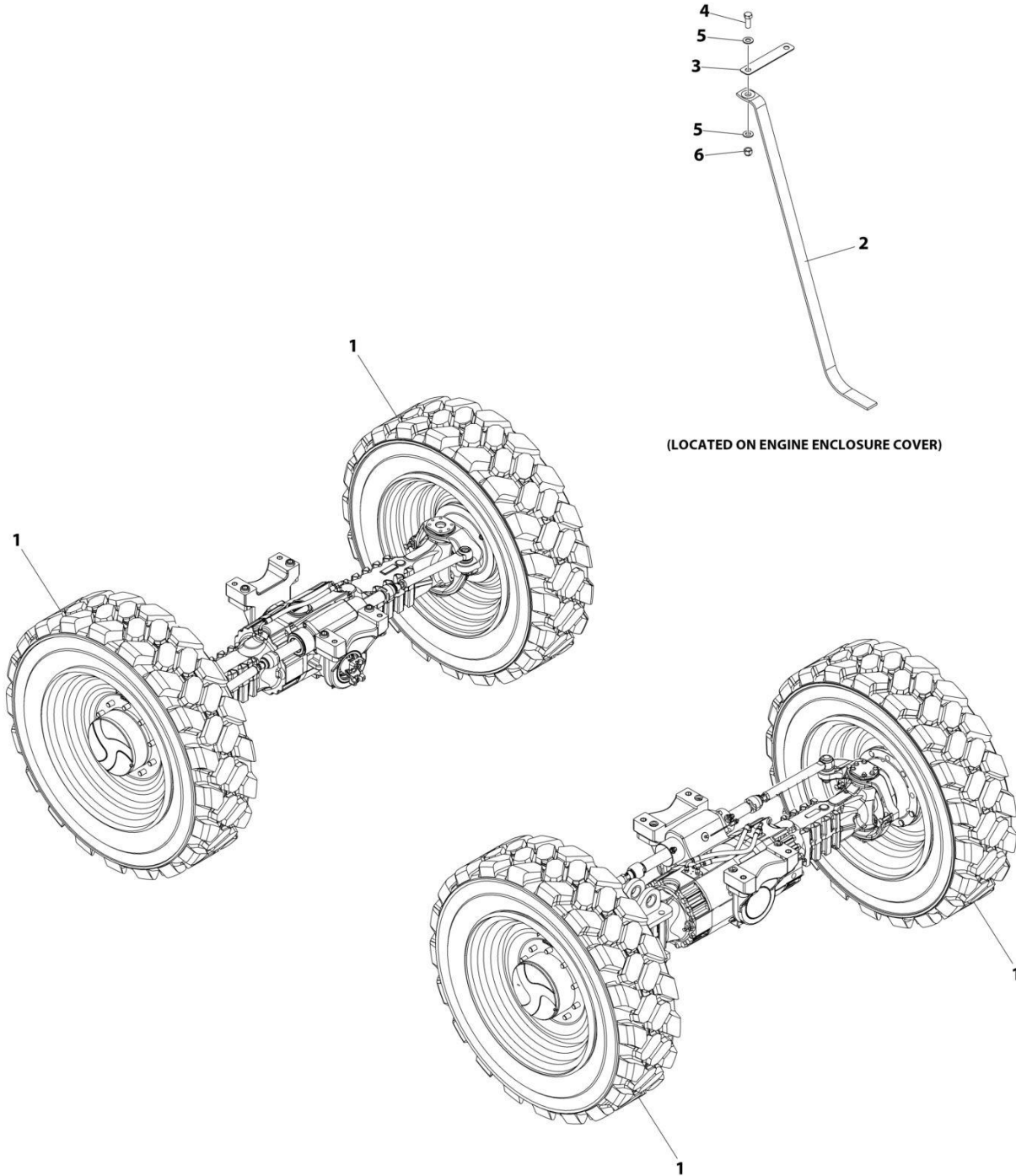
## SECTION 5 - DRIVE TRAIN

### FIGURE 5-45. TIRE SET, 315/95-28/8.5 SOLID

| ITEM | PART NUMBER               | QTY      | DESCRIPTION  | REV |
|------|---------------------------|----------|--|-----|
| 1    | 1001221500<br>1001213199J | Ref<br>4 | Tire Set, 315/95-28/8.5 Solid<br>Tire & and Wheel Assembly - 315/95-28/8.5 Solid (Sold as an<br>Assembly Only) | A   |

# SECTION 5 - DRIVE TRAIN

FIGURE 5-46. TIRE SET, 370/75-28 PNEUMATIC NON-MARKING



(LOCATED ON ENGINE ENCLOSURE COVER)

ART\_1001241846

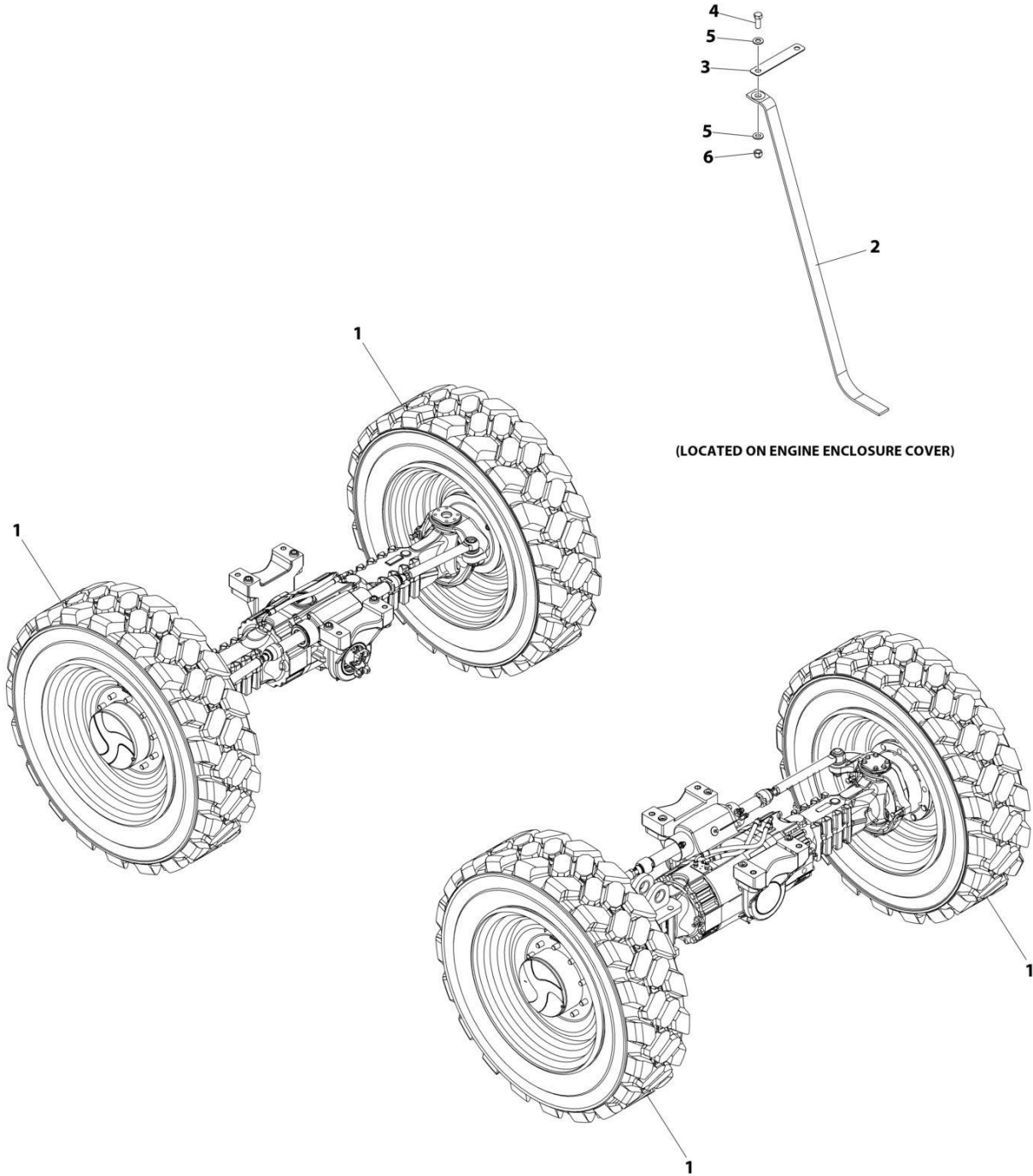
## SECTION 5 - DRIVE TRAIN

**FIGURE 5-46. TIRE SET, 370/75-28 PNEUMATIC NON-MARKING**

| ITEM | PART NUMBER | QTY | DESCRIPTION                                 | REV |
|------|-------------|-----|---|-----|
|      | 1001241846  | Ref | TIRE SET, 370/75-28 - PNEUMATIC NON-MARKING | B   |
| 1    | 1001241839  | 4   | Tire and Wheel Assembly                     |     |
| 1    | 8786514     | 4   | Valve, Air (1 per assembly)                 |     |
| 1    | 1001099976  | 4   | Wheel (1 per assembly)                      |     |
| 1    | 1001241838  | 4   | Tire 370/75-28 Non-Marking (1 per assembly) |     |
| 2    | 1001275637  | 1   | Strap, Anti-Static                          |     |
| 3    | 1001275638  | 1   | Bracket, Anti-Static Strap                  |     |
| 4    | 8303620     | 1   | Bolt 3/8 x 1                                |     |
| 5    | 8307110     | 2   | Washer 3/8                                  |     |
| 6    | 8305645     | 1   | Nut 3/8                                     |     |

**SECTION 5 - DRIVE TRAIN**

**FIGURE 5-47. TIRE SET, 370/75-28 FOAM FILLED NON-MARKING**



ART\_1001241847



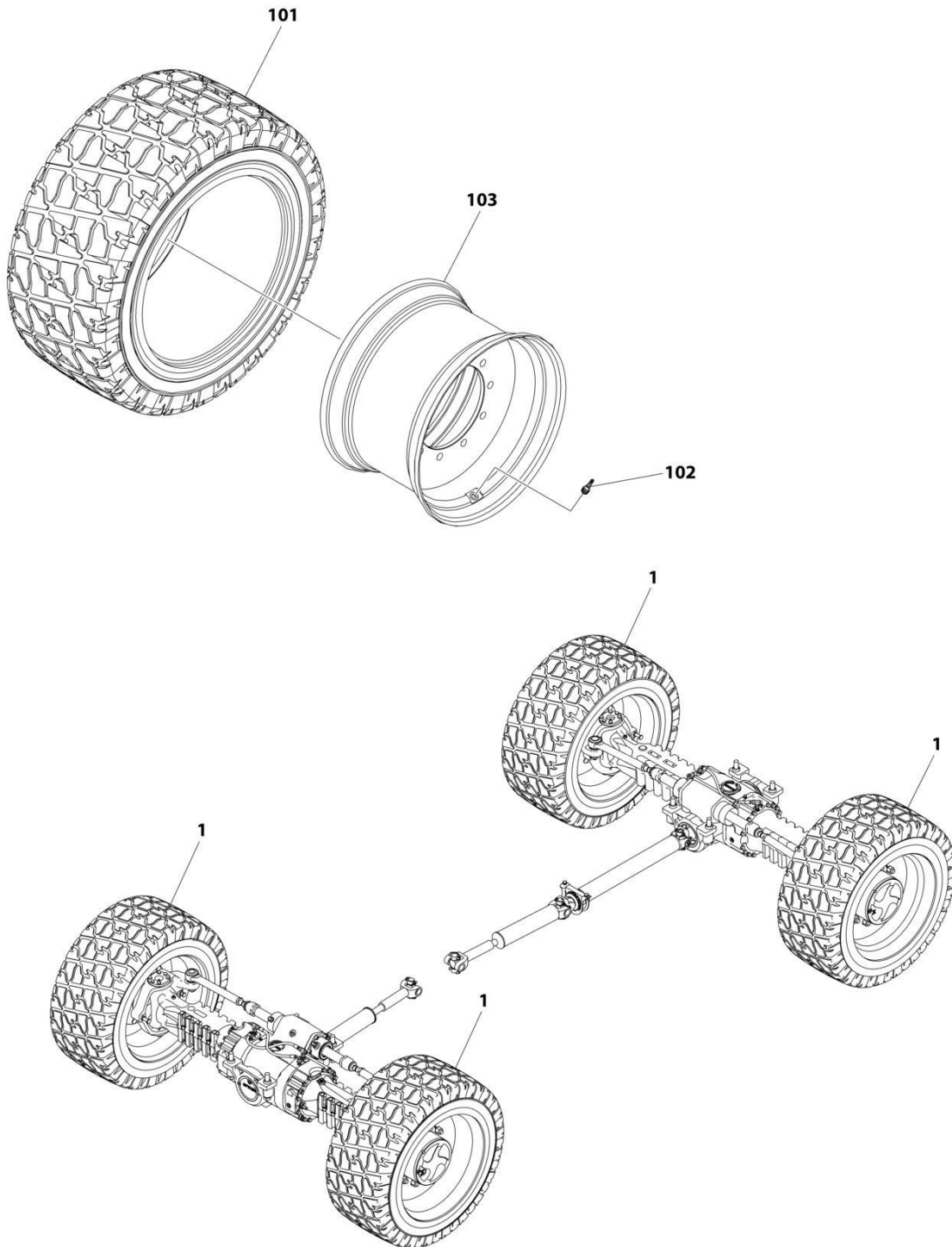
## SECTION 5 - DRIVE TRAIN

**FIGURE 5-47. TIRE SET, 370/75-28 FOAM FILLED NON-MARKING**

| ITEM | PART NUMBER | QTY | DESCRIPTION   | REV |
|------|-------------|-----|---|-----|
|      | 1001241847  | Ref | TIRE/WHEEL SET, 370/75-28 - FOAM NON-MARKING  | B   |
|      |             | Ref | Note: Assemblies require ballast/foam filling to manufacture's specifications prior to installing on machine. Refer to Operation & Safety or Service & Maintenance Manuals. |     |
|      |             | Ref | Purchase individual tire and/or wheel only if able to foam fill tire & wheel assembly, otherwise purchase complete assembly.  |     |
| 1    | 1001241840  | 4   | Tire and Wheel, 370/75-28 - Foam Non-Marking  |     |
| 1    | 8786514     | 4   | Valve, Air (1 per assembly)   |     |
| 1    | 1001099976  | 4   | Wheel (1 per assembly)  |     |
| 1    | 1001241838  | 4   | Tire 370/75-28 Non-Marking (1 per assembly)   |     |
| 2    | 1001275637  | 1   | Strap, Anti-Static  |     |
| 3    | 1001275638  | 1   | Bracket, Anti-Static Strap  |     |
| 4    | 8303620     | 1   | Bolt 3/8 x 1  |     |
| 5    | 8307110     | 2   | Washer 3/8  |     |
| 6    | 8305645     | 1   | Nut 3/8   |     |

# SECTION 5 - DRIVE TRAIN

FIGURE 5-48. TIRE SET 18 X 625 PNEUMATIC TURF/SAND



ART\_1001252986

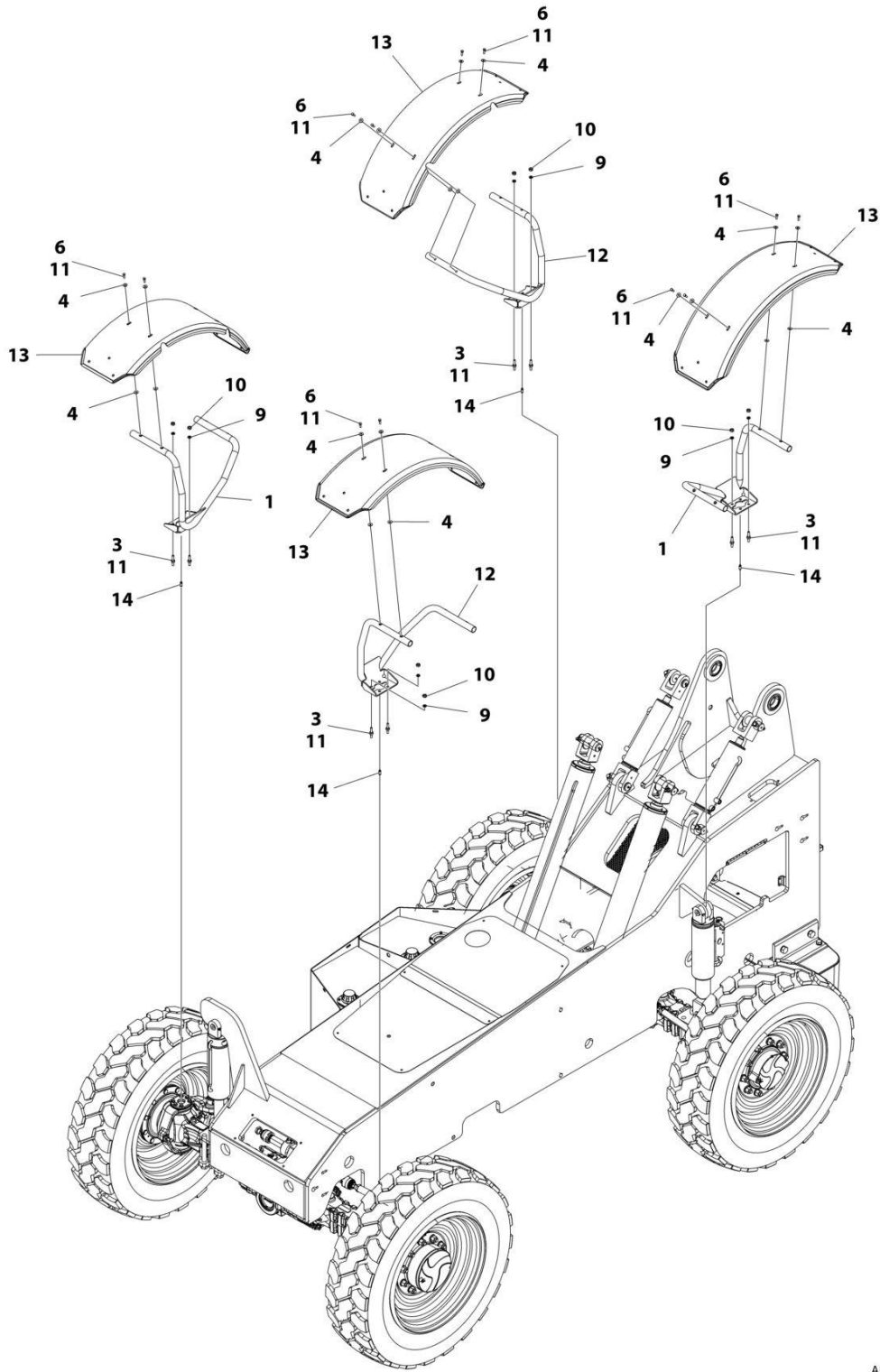
## SECTION 5 - DRIVE TRAIN

**FIGURE 5-48. TIRE SET 18 X 625 PNEUMATIC TURF/SAND**

| ITEM | PART NUMBER | QTY | DESCRIPTION                                | REV |
|------|-------------|-----|--|-----|
|      | 1001252986  | Ref | TIRE SET - 18 X 625 (TURF PNEUMATIC)       | B   |
| 1    | 1001259635  | 4   | Tire and Wheel Assembly                    |     |
| 101  | 4520356     | 4   | Tire - 18 x 625 Turf/Sand (1 per assembly) |     |
| 102  | 4641122     | 4   | Valve, Air (1 per assembly)                |     |
| 103  | 1001246001  | 4   | Wheel (1 per assembly)                     |     |

# SECTION 5 - DRIVE TRAIN

## FIGURE 5-49. FENDER INSTALLATION



ART\_1001150656

## SECTION 5 - DRIVE TRAIN

### FIGURE 5-49. FENDER INSTALLATION

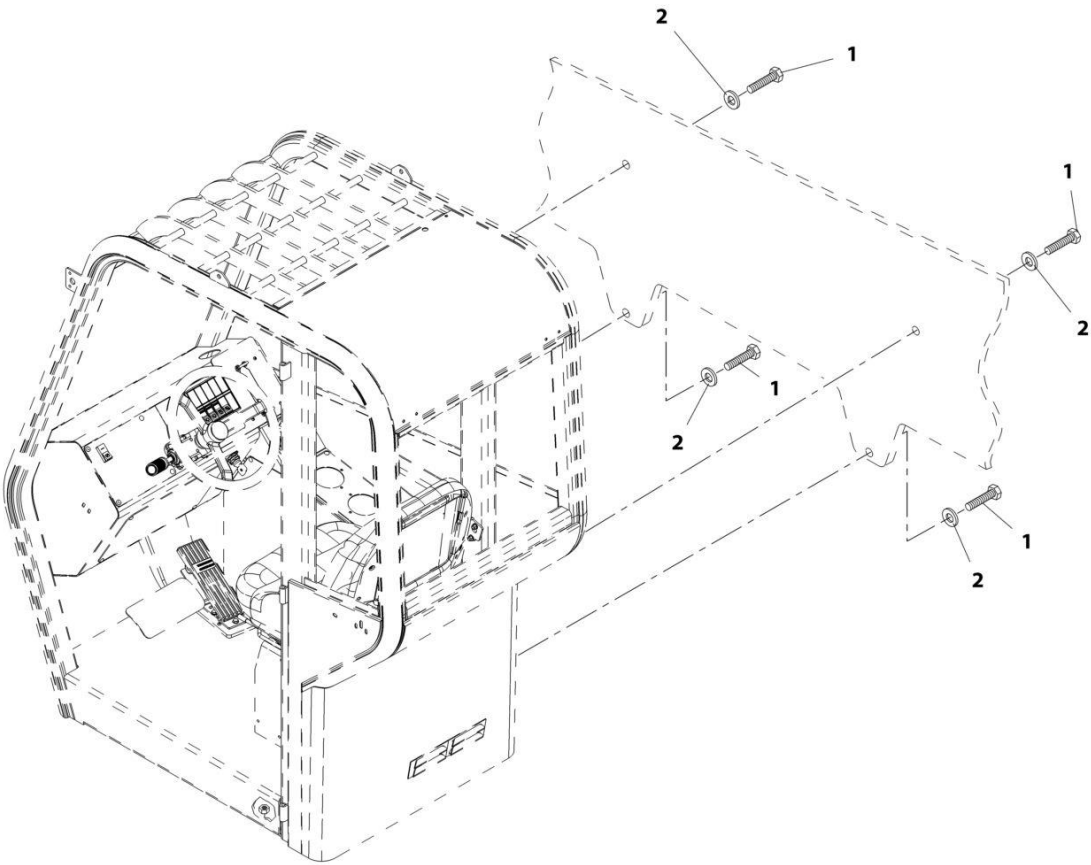
| ITEM | PART NUMBER | QTY | DESCRIPTION              | REV |
|------|-------------|-----|--------------------------|-----|
|      | 1001150656  | Ref | FENDER INSTALLATION      | C   |
| 1    | 1001150652  | 2   | Bracket, Fender Weldment |     |
| 14   | 1001225317  | 5   | Fitting                  |     |
| 3    | 91514118    | 16  | Stud, Fender             |     |
| 4    | 4811902     | 32  | Washer M8                |     |
| 6    | 0760812     | 16  | Bolt M8 x 25             |     |
| 9    | 83191010    | 16  | Washer M12               |     |
| 10   | 91513266    | 16  | Nut M12 x 1-1/4          |     |
| 11   | 1001095650  | AR  | Compound, Locking        |     |
| 12   | 1001150655  | 2   | Bracket, Fender Weldment |     |
| 13   | 1001154055  | 4   | Fender                   |     |



**SECTION 6 - CAB**

**SECTION 6 - CAB**

**FIGURE 6-1. CAB INSTALLATION**



ART\_713882\_AA

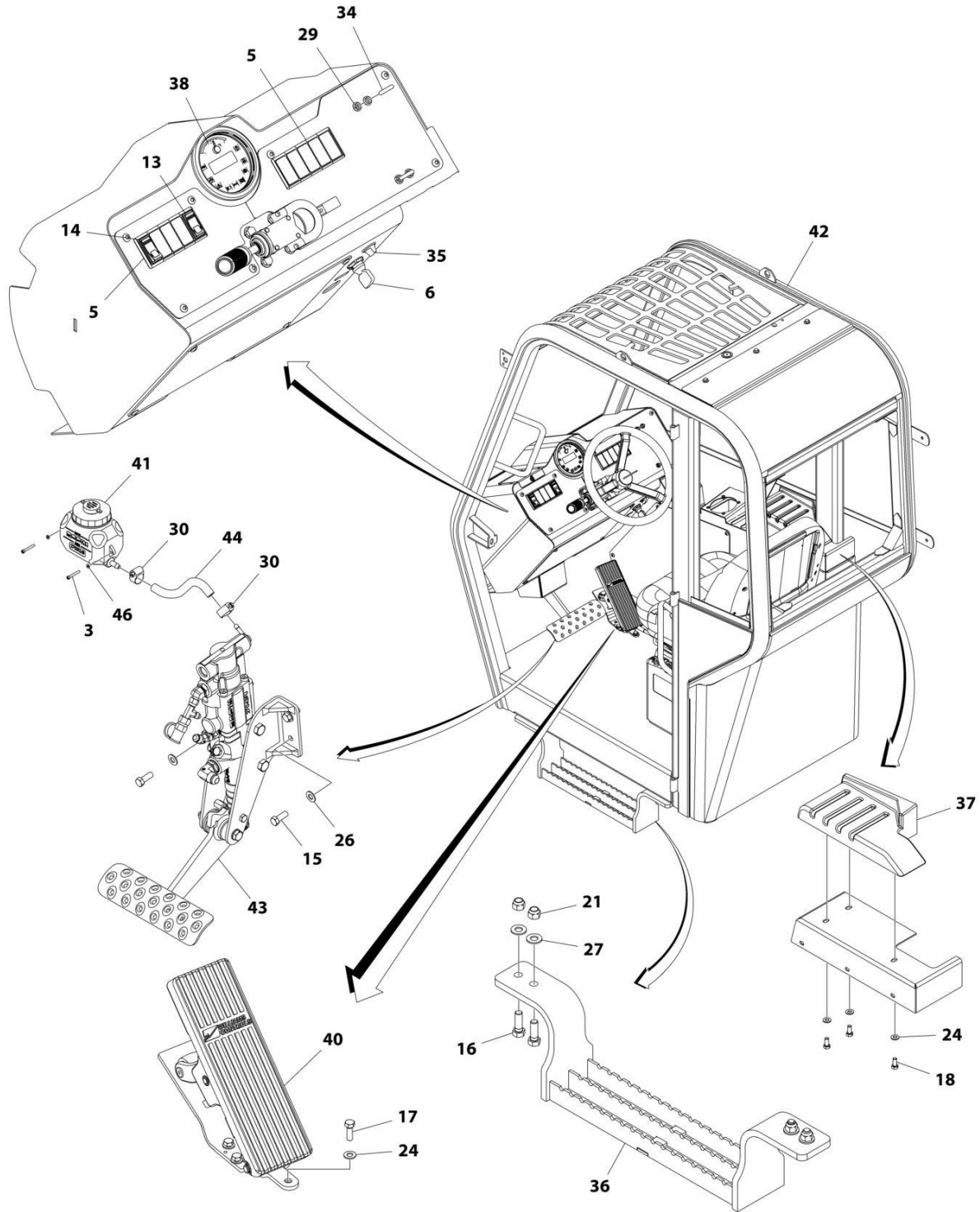


**FIGURE 6-1. CAB INSTALLATION**

| <b>ITEM</b> | <b>PART NUMBER</b> | <b>QTY</b> | <b>DESCRIPTION</b>         | <b>REV</b> |
|-------------|--------------------|------------|----------------------------|------------|
|             | 7138882            | Ref        | Cab Installation           | AA         |
| 1           | 8310493            | 4          | Bolt, 7/8-9X5-1/2, Grade 8 |            |
| 2           | 8307011            | 4          | Washer, Lock 7/8           |            |

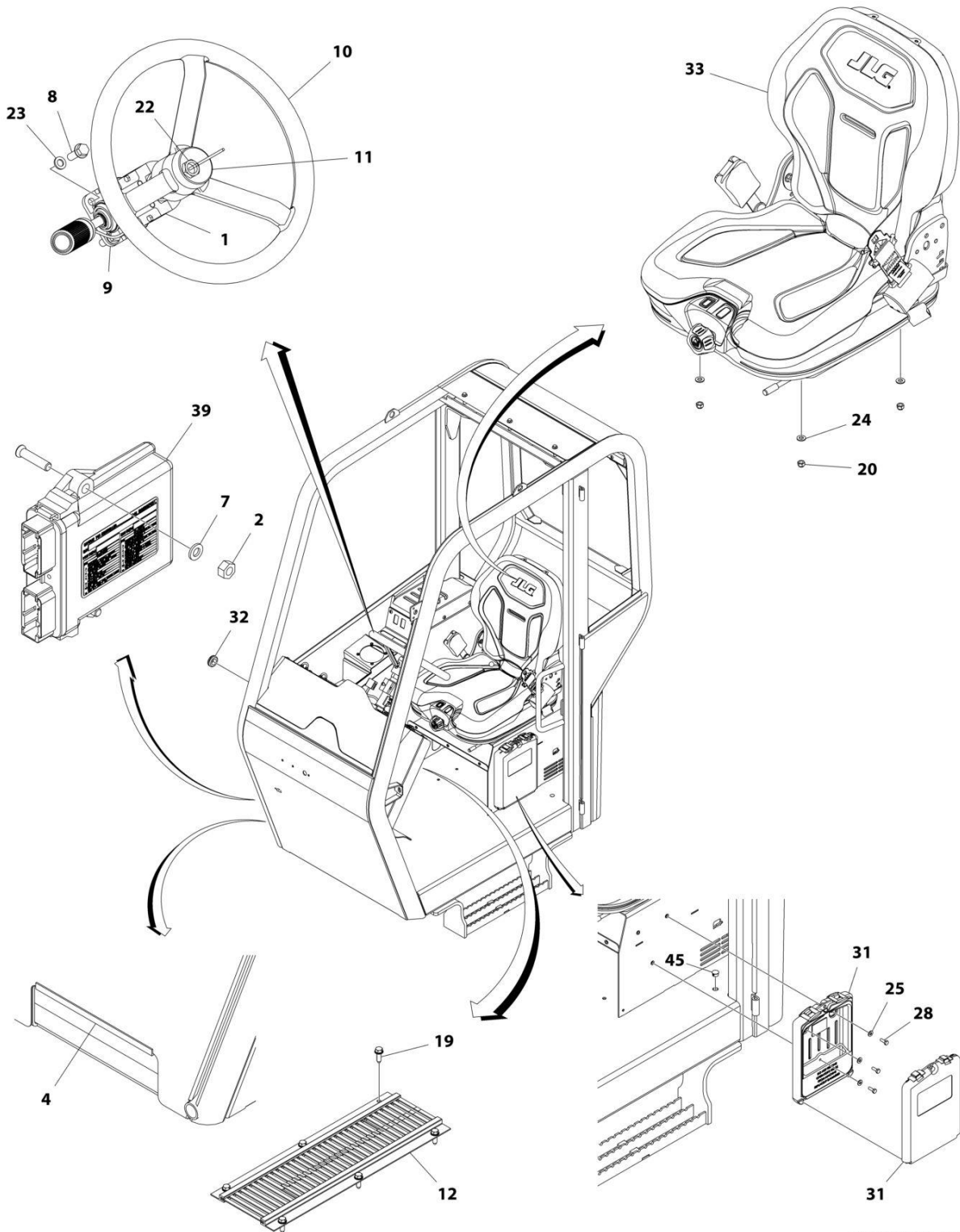
# SECTION 6 - CAB

FIGURE 6-2. CAB INSTALLATION - OPEN (SN 0160106198 through 0160107741, SN 0160107861 through 0160107863)



ART\_1001181956\_H\_10F2

# SECTION 6 - CAB



ART\_1001181956\_H\_2OF2

## SECTION 6 - CAB

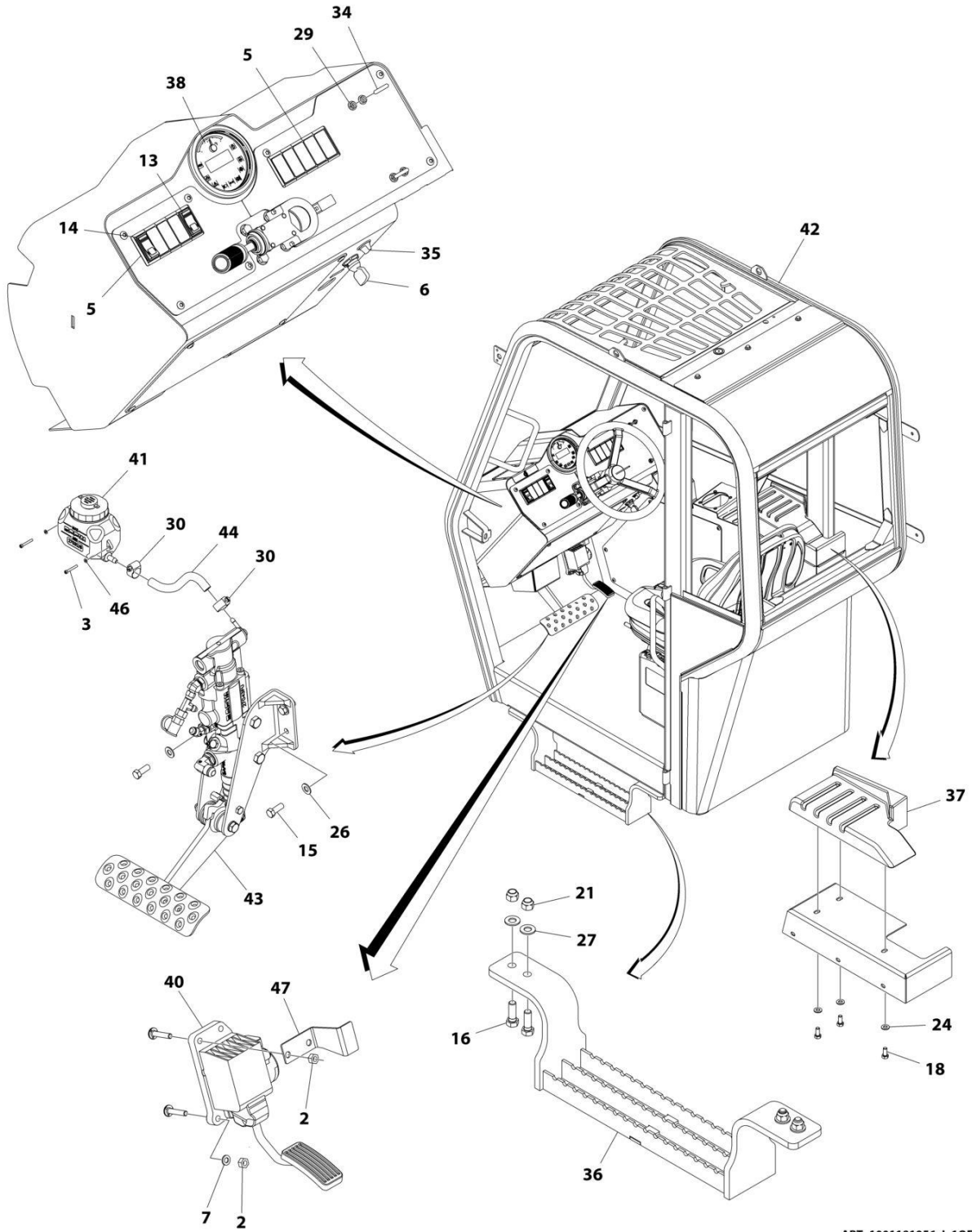
**FIGURE 6-2. CAB INSTALLATION - OPEN (SN 0160106198 through 0160107741, SN 0160107861 through 0160107863)**

| ITEM | PART NUMBER | QTY   | DESCRIPTION  | REV |
|------|-------------|-------|--|-----|
|      | 1001181956  | Ref   | Open Cab Installation  | H   |
| 1    | 1600429     | 1     | Selector, Transmission Control                               |     |
| 2    | 3311401     | 2     | Nut, 1/4   |     |
| 3    | 3930610     | 2     | Bolt, #6X5/8   |     |
| 4    | 4060806     | 11 in | Flex-Trim  |     |
| 5    | 4360569     | 2     | Switch, Bezel  |     |
| 6    | 4360690     | 1     | Switch, Ignition   |     |
| 6    | 8035807     | 1     | Key (with cover)   |     |
| 7    | 4761400     | 2     | Washer, Lock 1/4   |     |
| 8    | 5251014     | 4     | Bolt, M10X30   |     |
| 9    | 7138833     | 1     | Column, Steering   |     |
| 10   | 7138836     | 1     | Wheel, Steering  |     |
| 11   | 7138878     | 1     | Button, Horn   |     |
| 12   | 7138944     | 2     | Strips, Brush  |     |
| 13   | 8223037     | 1     | Switch, Steer Select   |     |
| 14   | 8223054     | 1     | Switch, Park Brake   |     |
| 15   | 8303620     | 4     | Bolt, 3/8X1  |     |
| 16   | 8303626     | 4     | Bolt, 1/2X1-1/2  |     |
| 17   | 8303670     | 4     | Bolt, 5/16X1   |     |
| 18   | 8303697     | 3     | Bolt, 5/16X3/4   |     |
| 19   | 8303982     | 6     | Screw 1/4X3/4  |     |
| 20   | 8305626     | 4     | Nut 5/16   |     |
| 21   | 8305644     | 4     | Nut, Lock 1/2-13   |     |
| 22   | 8305916     | 1     | Nut, Steering Column   |     |
| 23   | 8307023     | 4     | Washer, Lock M10   |     |
| 24   | 8307106     | 11    | Washer 5/16  |     |
| 25   | 8307109     | 3     | Washer 1/4   |     |
| 26   | 8307110     | 4     | Washer 3/8   |     |
| 27   | 8307112     | 4     | Washer 1/2   |     |
| 28   | 8310026     | 3     | Bolt, 1/4X3/4  |     |
| 29   | 8310382     | 8     | Nut 1/4  |     |
| 30   | 1320022     | 2     | Clamp, Fuel Line   |     |
| 31   | 8990147     | 1     | Holder, Manual   |     |
| 32   | 1001081049  | 1     | Grommet, Split   |     |
| 33   | 1001190229  | 1     | Seat, Cab (See Separate Breakdown in this Section)           |     |
| 34   | 1001102844  | 2     | Bolt, U 1/4-20X1-1/4   |     |
| 35   | 1001114867  | 1     | Socket, 12V Power Point                                      |     |
| 36   | 1001256519  | 1     | Mount, Cab Step  |     |
| 37   | 1001159878  | 1     | Support, Armrest   |     |
| 38   | 1001170738  | 1     | Gauge  |     |
| 39   | 1001210703  | 1     | Controller   |     |
| 40   | 1001180555  | 1     | Accelerator (See Separate Breakdown in CONTROLS Section)     |     |
| 41   | 1001183164  | 1     | Reservoir, Brake Valve                                       |     |
| 42   | 1001246736  | 1     | Cab, Open (See Separate Breakdown in this Section)           |     |
| 43   | 1001223052  | 1     | Assembly, Brake (See Separate Breakdown in CONTROLS Section) |     |
| 44   | 1001201658  | 1     | Hose   |     |
| 45   | 1001207963  | 1     | Plug, 5/8  |     |
| 46   | 4710600     | 2     | Washer   |     |



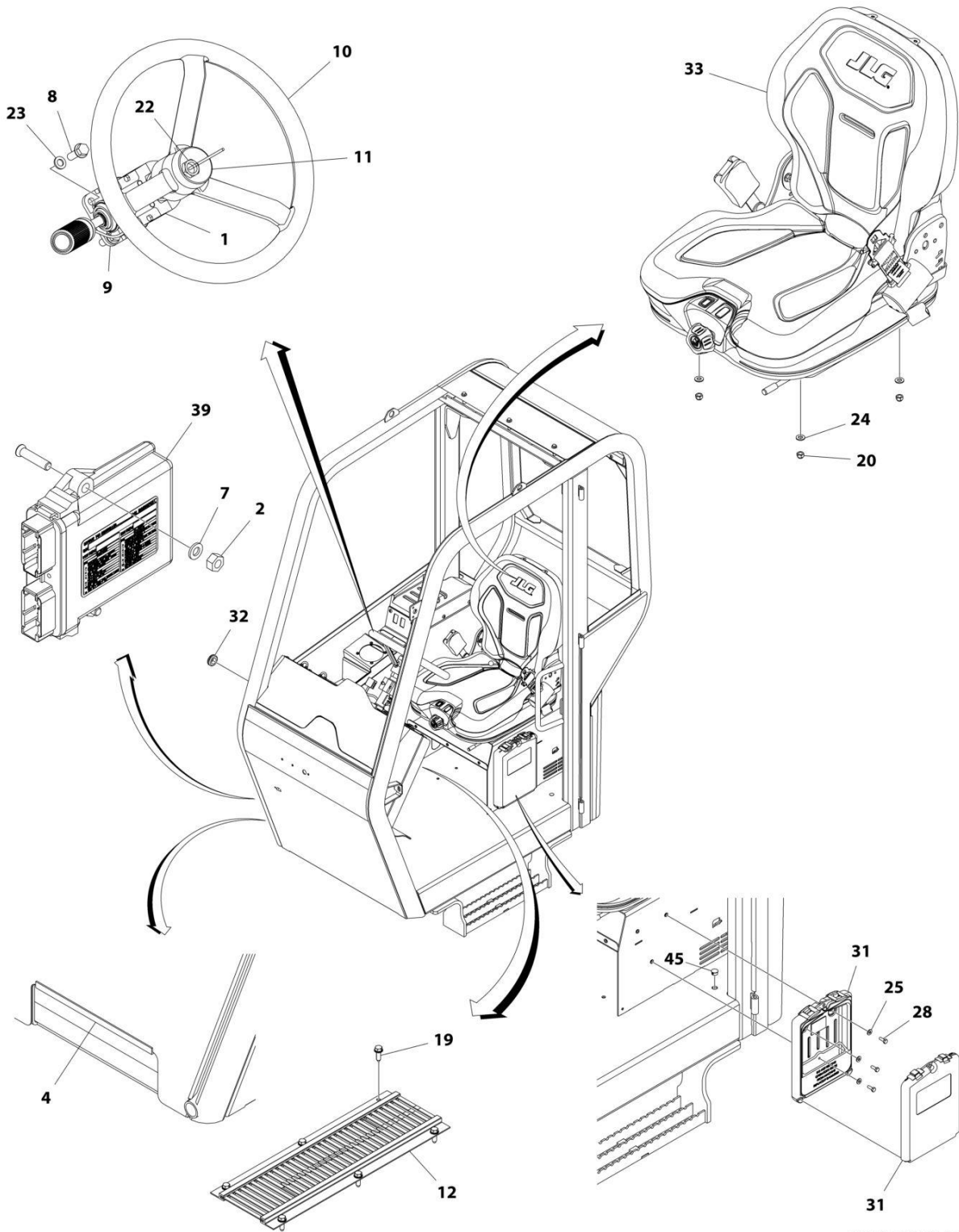
# SECTION 6 - CAB

## FIGURE 6-3. CAB INSTALLATION - OPEN (SN 0160105660 through 0160106072)



ART\_1001181956\_I\_10F2

# SECTION 6 - CAB



ART\_1001181956\_I\_20F2

## SECTION 6 - CAB

**FIGURE 6-3. CAB INSTALLATION - OPEN (SN 0160105660 through 0160106072)**

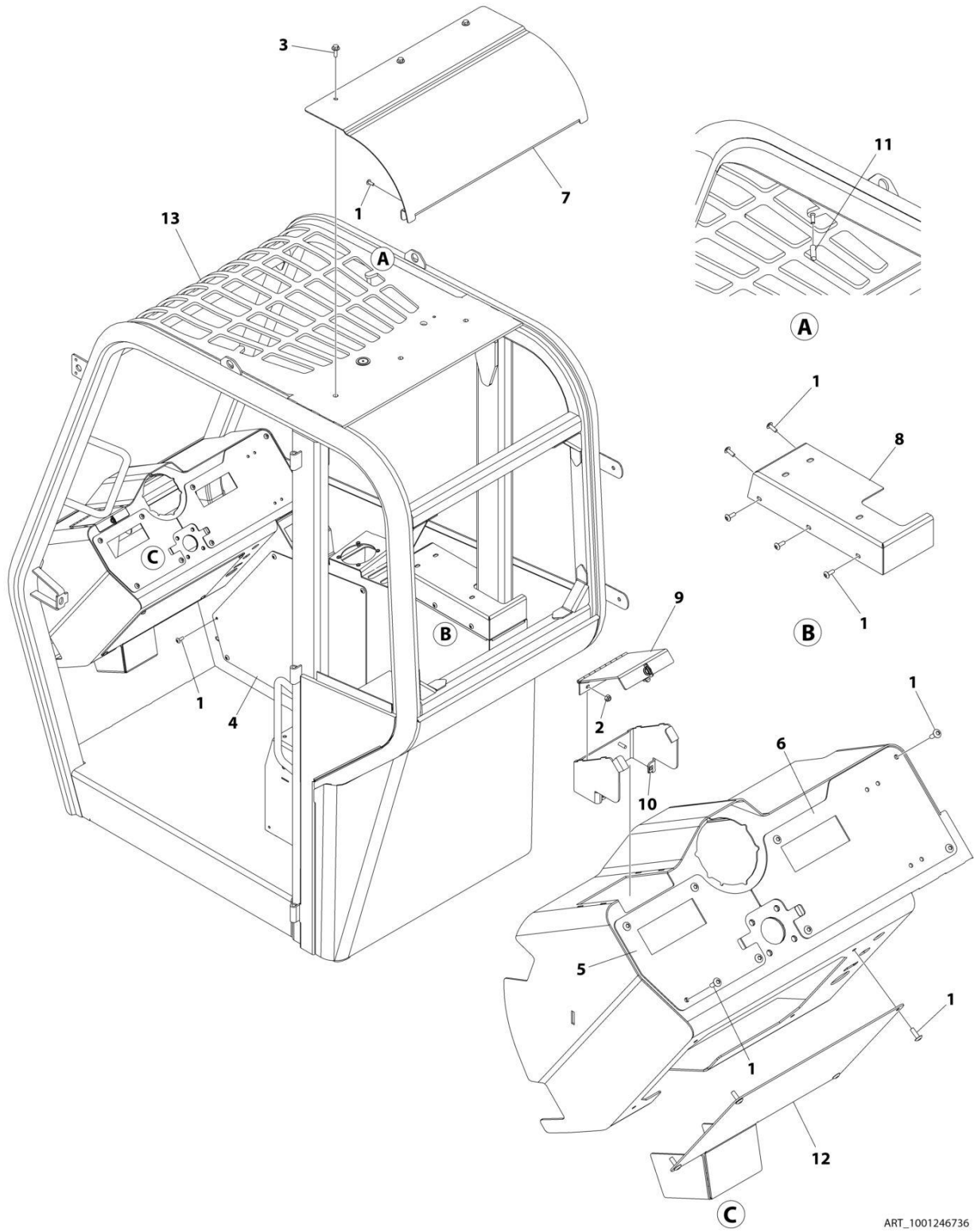
| ITEM | PART NUMBER | QTY   | DESCRIPTION   | REV |
|------|-------------|-------|---|-----|
|      | 1001181956  | Ref   | OPEN CAB INSTALLATION   | I   |
| 1    | 1600429     | 1     | Selector, Transmission Control  |     |
| 2    | 3311401     | 5     | Nut 1/4   |     |
| 3    | 3930610     | 2     | Bolt #6 x 5/8   |     |
| 4    | 4060806     | 11 in | Flex-Trim   |     |
| 5    | 4360569     | 2     | Switch, Bezel   |     |
| 6    | 4360690     | 1     | Switch, Ignition  |     |
| 6    | 8035807     | 1     | Key (with cover)  |     |
| 7    | 4761400     | 3     | Washer 1/4  |     |
| 8    | 5251014     | 4     | Bolt M10 x 30   |     |
| 9    | 7138833     | 1     | Column, Steering  |     |
| 10   | 7138836     | 1     | Wheel, Steering   |     |
| 11   | 7138878     | 1     | Button, Horn  |     |
| 12   | 7138944     | 2     | Strips, Brush   |     |
| 13   | 8223037     | 1     | Switch, Steer Select  |     |
| 14   | 8223054     | 1     | Switch, Park Brake  |     |
| 15   | 8303620     | 4     | Bolt 3/8 x 1  |     |
| 16   | 8303626     | 4     | Bolt 1/2 x 1-1/2  |     |
| 18   | 8303697     | 3     | Bolt 5/16 x 3/4   |     |
| 19   | 8303982     | 6     | Screw 1/4 x 3/4   |     |
| 20   | 8305626     | 4     | Nut 5/16  |     |
| 21   | 8305644     | 4     | Nut 1/2   |     |
| 22   | 8305916     | 1     | Nut, Steering Column  |     |
| 23   | 8307023     | 4     | Washer M10  |     |
| 24   | 8307106     | 7     | Washer 5/16   |     |
| 25   | 8307109     | 3     | Washer 1/4  |     |
| 26   | 8307110     | 4     | Washer 3/8  |     |
| 27   | 8307112     | 4     | Washer 1/2  |     |
| 28   | 8310026     | 3     | Bolt 1/4 x 3/4  |     |
| 29   | 8310382     | 8     | Nut 1/4   |     |
| 30   | 1320022     | 2     | Clamp, Fuel Line  |     |
| 31   | 8990147     | 1     | Holder, Manual  |     |
| 32   | 1001081049  | 1     | Grommet, Split  |     |
| 33   | 1001190229  | 1     | Seat, Cab (See Separate Breakdown in this Section)                    |     |
| 34   | 1001102844  | 2     | U-Bolt 1/4 x 1-1/4  |     |
| 35   | 1001114867  | 1     | Socket, 12V Power Point   |     |
| 36   | 1001256519  | 1     | Mount, Cab Step   |     |
| 37   | 1001159878  | 1     | Support, Armrest  |     |
| 38   | 1001170738  | 1     | Gauge   |     |
| 39   | 1001210703  | 1     | Controller  |     |
| 40   | 1001264554  | 1     | Accelerator (Note: No Serviceable Parts - Purchase Complete Assembly) |     |
| 41   | 1001183164  | 1     | Reservoir, Brake Valve  |     |
| 42   | 1001246736  | 1     | Cab, Open (See Separate Breakdown in this Section)                    |     |
| 43   | 1001223052  | 1     | Assembly, Brake (See Separate Breakdown in CONTROLS Section)          |     |
| 44   | 1001201658  | 1     | Hose  |     |
| 45   | 1001207963  | 1     | Plug, 5/8   |     |
| 46   | 4710600     | 2     | Washer  |     |
| 47   | 1001265914  | 1     | Cover, Pedal  |     |





# SECTION 6 - CAB

## FIGURE 6-4. CAB ASSEMBLY - OPEN CAB



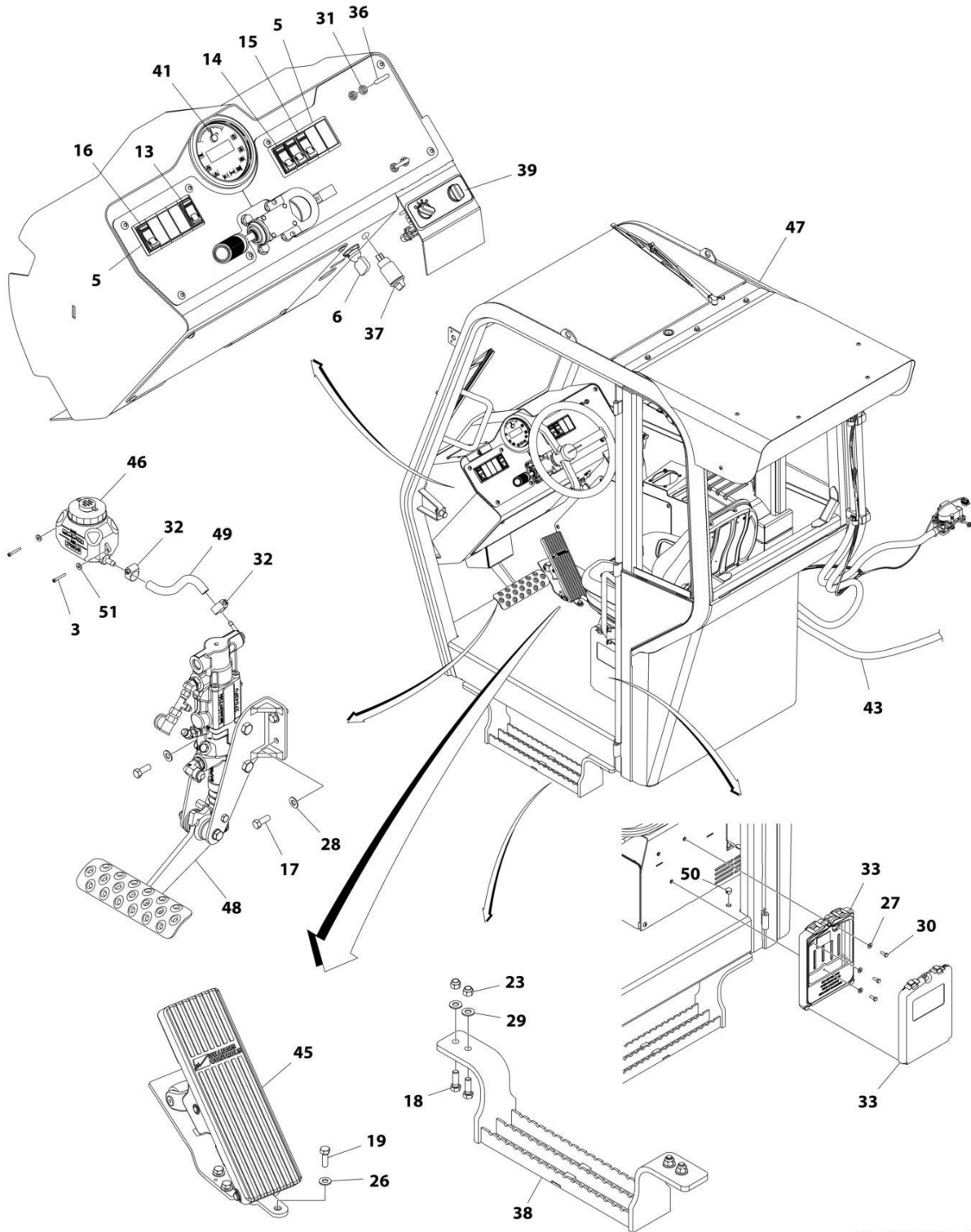
ART\_1001246736

FIGURE 6-4. CAB ASSEMBLY - OPEN CAB

| ITEM | PART NUMBER | QTY | DESCRIPTION                         | REV |
|------|-------------|-----|-------------------------------------|-----|
|      | 1001246736  | Ref | CAB OPEN                            | D   |
| 1    | 8303034     | 25  | Screw 1/4 x 3/4                     |     |
| 2    | 8310085     | 2   | Nut M10                             |     |
| 3    | 1001149227  | 3   | Screw 5/16 x 1                      |     |
| 4    | 1001160788  | 1   | Panel, RH Console Access Plate      |     |
| 5    | 1001160790  | 1   | Panel, LH Dash Cover                |     |
| 6    | 1001160791  | 1   | Panel, RH Dash Cover                |     |
| 7    | 1001160815  | 1   | Panel, Roof Cover                   |     |
| 8    | 1001165617  | 1   | Assembly, Side Console Access Panel |     |
| 9    | 1001202189  | 1   | Door, Brake Reservoir               |     |
| 10   | 1001202202  | 2   | Nut                                 |     |
| 11   | 1001202615  | 2   | Cap, Silicon Stud Cover             |     |
| 12   | 1001202746  | 1   | Panel, Brake Access Plate           |     |
| 13   | 1001246735  | 1   | Cab Weldment                        |     |

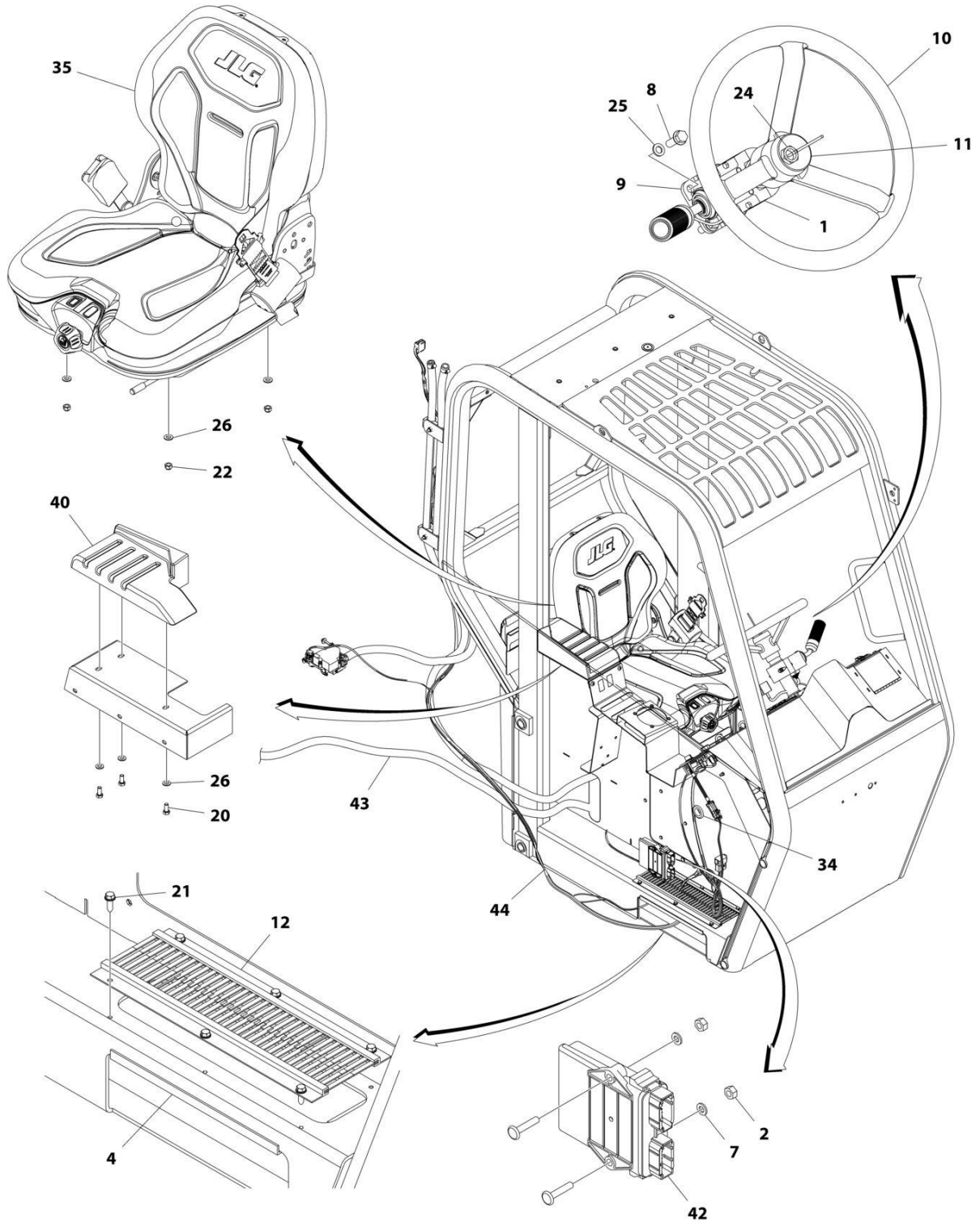
# SECTION 6 - CAB

FIGURE 6-5. CAB INSTALLATION - ENCLOSED CAB WITH HEATER (SN 0160106198 through 0160107741, SN 0160107861 through 0160107863)



ART\_1001185776\_H\_10F2

# SECTION 6 - CAB



ART\_1001185776\_H\_2OF2

## SECTION 6 - CAB

**FIGURE 6-5. CAB INSTALLATION - ENCLOSED CAB WITH HEATER (SN 0160106198 through 0160107741, SN 0160107861 through 0160107863)**

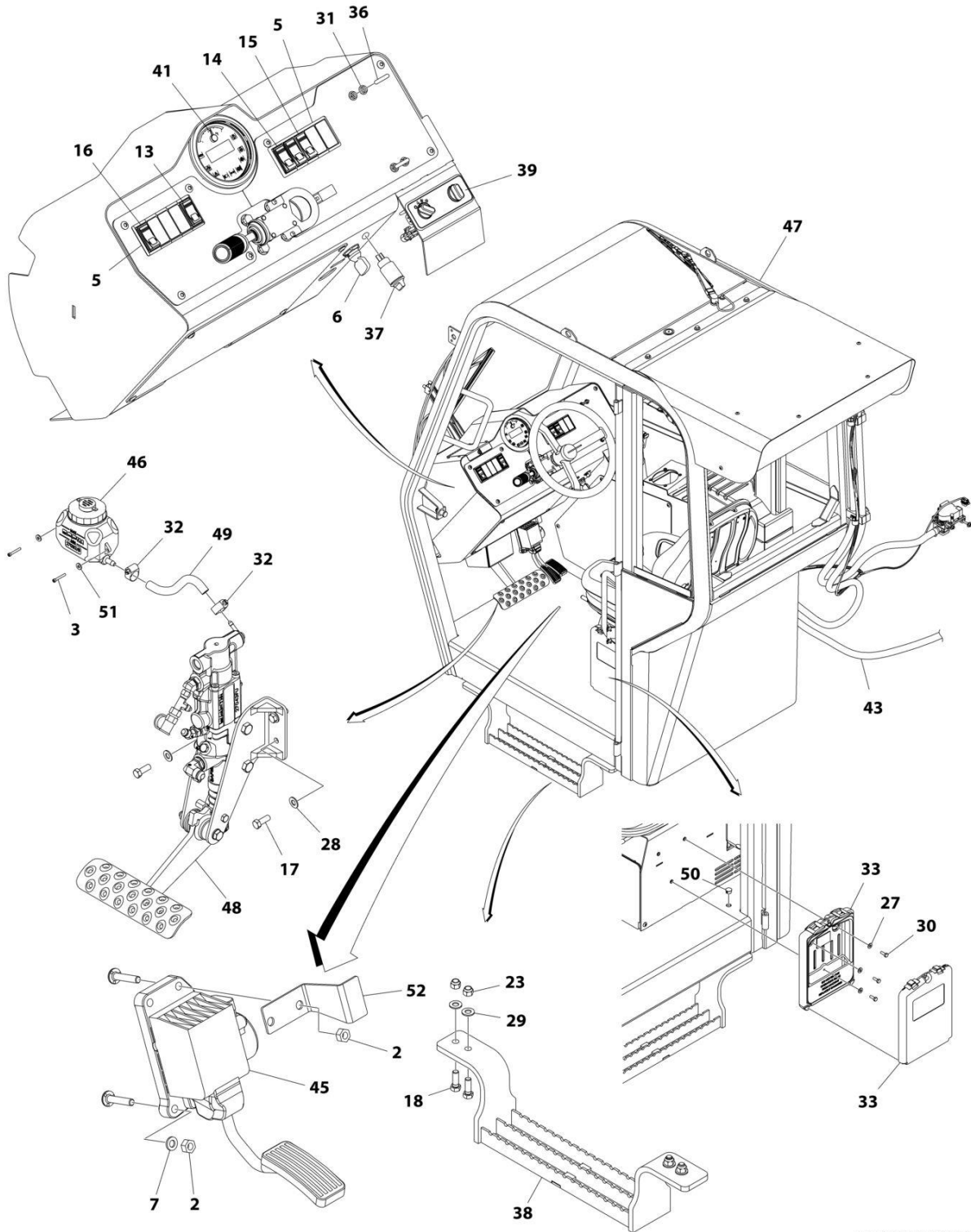
| ITEM | PART NUMBER | QTY   | DESCRIPTION   | REV |
|------|-------------|-------|---|-----|
|      | 1001185776  | Ref   | Enclosed Cab with Heater Installation                                   | H   |
| 1    | 1600429     | 1     | Selector, Transmission Control  |     |
| 2    | 3311401     | 2     | Nut, 1/4  |     |
| 3    | 3930610     | 2     | Bolt, 6X5/8   |     |
| 4    | 4060806     | 11 in | Shield, Flex Trim, 5/16   |     |
| 5    | 4360569     | 2     | Switch, Bezel   |     |
| 6    | 4360690     | 1     | Switch, Ignition  |     |
| 6    | 8035807     | 1     | Key (with cover)  |     |
| 7    | 4761400     | 2     | Washer, Lock 1/4  |     |
| 8    | 5251014     | 4     | Bolt, M10X30  |     |
| 9    | 7138833     | 1     | Column, Steering  |     |
| 10   | 7138836     | 1     | Wheel, Steering   |     |
| 11   | 7138878     | 1     | Button, Horn  |     |
| 12   | 7138944     | 2     | Strips, Brush   |     |
| 13   | 8223037     | 1     | Switch, Steer Select  |     |
| 14   | 8223043     | 2     | Switch, Windscreen Wiper  |     |
| 15   | 8223044     | 1     | Switch, Windscreen Washer   |     |
| 16   | 8223054     | 1     | Switch, Park Brake  |     |
| 17   | 8303620     | 4     | Bolt 3/8X1  |     |
| 18   | 8303626     | 4     | Bolt 1/2X1-1/2  |     |
| 19   | 8303670     | 4     | Bolt 5/16X1   |     |
| 20   | 8303697     | 3     | Bolt, 5/16-18X3/4   |     |
| 21   | 8303982     | 6     | Screw 1/4X3/4   |     |
| 22   | 8305626     | 4     | Nut 5/16  |     |
| 23   | 8305644     | 4     | Nut 1/2   |     |
| 24   | 8305916     | 1     | Nut, Steering Column  |     |
| 25   | 8307023     | 4     | Washer, Lock M10  |     |
| 26   | 8307106     | 11    | Washer 5/16   |     |
| 27   | 8307109     | 3     | Washer 1/4  |     |
| 28   | 8307110     | 4     | Washer 3/8  |     |
| 29   | 8307112     | 4     | Washer 1/2  |     |
| 30   | 8310026     | 3     | Bolt, 1/4X3/4   |     |
| 31   | 8310382     | 8     | Nut 1/4   |     |
| 32   | 1320022     | 2     | Clamp, Fuel Line  |     |
| 33   | 8990147     | 1     | Holder, Manual  |     |
| 34   | 1001081049  | 1     | Grommet, Split  |     |
| 35   | 1001190229  | 1     | Seat, Cab (See Separate Breakdown in this Section)                      |     |
| 36   | 1001102844  | 2     | Bolt, 1/4-20X1-1/4  |     |
| 37   | 1001114867  | 1     | Socket, 12V Power Point   |     |
| 38   | 1001256519  | 1     | Mount, Cab Step   |     |
| 39   | 1001159850  | 1     | Panel, Heater Control   |     |
| 40   | 1001159878  | 1     | Support, Armrest  |     |
| 41   | 1001170738  | 1     | Gauge   |     |
| 42   | 1001210703  | 1     | Controller  |     |
| 43   | 1001171807  | 1     | Installation, Cab Heater Lines (See Separate Breakdown in this Section) |     |
| 44   | 1001178347  | 1     | Harness, HVAC (See Separate Breakdown in ELECTRICAL Section)            |     |
| 45   | 1001180555  | 1     | Accelerator (See Separate Breakdown in CONTROLS Section)                |     |

## SECTION 6 - CAB

| ITEM | PART NUMBER | QTY | DESCRIPTION  | REV |
|------|-------------|-----|--|-----|
| 46   | 1001183164  | 1   | Reservoir, Brake Valve   |     |
| 47   | 1001246737  | 1   | Cab, Enclosed with Heater (See Separate Breakdown in this Section) |     |
| 48   | 1001223052  | 1   | Assembly, Brake (See Separate Breakdown in CONTROLS Section)       |     |
| 49   | 1001201658  | 1   | Hose   |     |
| 50   | 1001207963  | 1   | Plug, 5/8  |     |
| 51   | 4710600     | 2   | Washer #6  |     |

# SECTION 6 - CAB

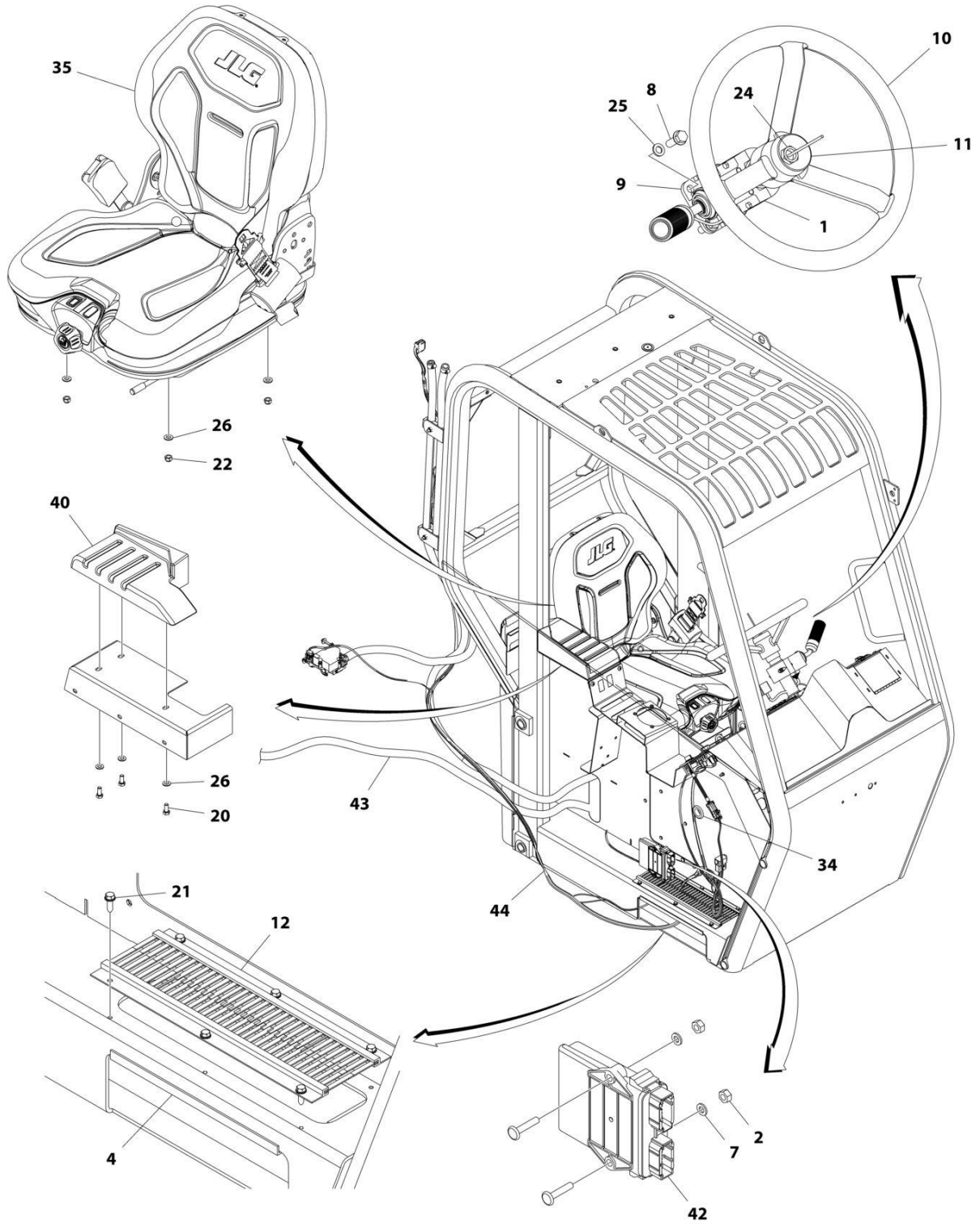
## FIGURE 6-6. CAB INSTALLATION - ENCLOSED CAB WITH HEATER (SN 0160105660 through 0160106072)



ART\_1001185776\_I\_10F2



# SECTION 6 - CAB



ART\_1001185776\_L\_20F2

## SECTION 6 - CAB

**FIGURE 6-6. CAB INSTALLATION - ENCLOSED CAB WITH HEATER (SN 0160105660 through 0160106072)**

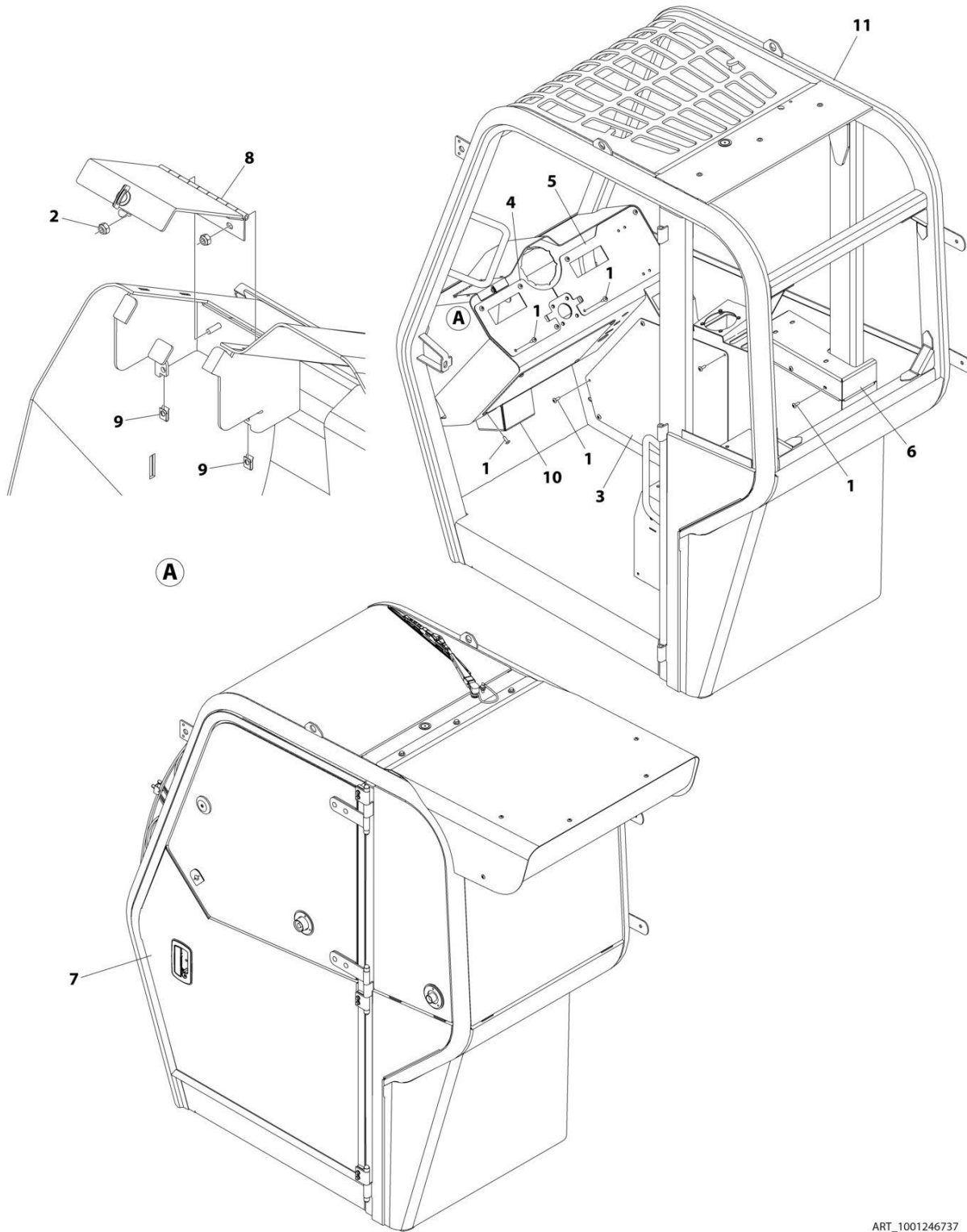
| ITEM | PART NUMBER | QTY   | DESCRIPTION   | REV |
|------|-------------|-------|---|-----|
|      | 1001185776  | Ref   | ENCLOSED CAB WITH HEATER INSTALLATION                                   | I   |
| 1    | 1600429     | 1     | Selector, Transmission Control  |     |
| 2    | 3311401     | 5     | Nut 1/4   |     |
| 3    | 3930610     | 2     | Bolt 6 x 5/8  |     |
| 4    | 4060806     | 11 in | Shield, Flex Trim, 5/16   |     |
| 5    | 4360569     | 2     | Switch, Bezel   |     |
| 6    | 4360690     | 1     | Switch, Ignition  |     |
| 6    | 8035807     | 1     | Key (with cover)  |     |
| 7    | 4761400     | 3     | Washer 1/4  |     |
| 8    | 5251014     | 4     | Bolt M10 x 30   |     |
| 9    | 7138833     | 1     | Column, Steering  |     |
| 10   | 7138836     | 1     | Wheel, Steering   |     |
| 11   | 7138878     | 1     | Button, Horn  |     |
| 12   | 7138944     | 2     | Strips, Brush   |     |
| 13   | 8223037     | 1     | Switch, Steer Select  |     |
| 14   | 8223043     | 2     | Switch, Windscreen Wiper  |     |
| 15   | 8223044     | 1     | Switch, Windscreen Washer   |     |
| 16   | 8223054     | 1     | Switch, Park Brake  |     |
| 17   | 8303620     | 4     | Bolt 3/8 x 1  |     |
| 18   | 8303626     | 4     | Bolt 1/2 x 1-1/2  |     |
| 20   | 8303697     | 3     | Bolt 5/16 x 3/4   |     |
| 21   | 8303982     | 6     | Screw 1/4 x 3/4   |     |
| 22   | 8305626     | 4     | Nut 5/16  |     |
| 23   | 8305644     | 4     | Nut 1/2   |     |
| 24   | 8305916     | 1     | Nut, Steering Column  |     |
| 25   | 8307023     | 4     | Washer M10  |     |
| 26   | 8307106     | 7     | Washer 5/16   |     |
| 27   | 8307109     | 3     | Washer 1/4  |     |
| 28   | 8307110     | 4     | Washer 3/8  |     |
| 29   | 8307112     | 4     | Washer 1/2  |     |
| 30   | 8310026     | 3     | Bolt 1/4 x 3/4  |     |
| 31   | 8310382     | 8     | Nut 1/4   |     |
| 32   | 1320022     | 2     | Clamp, Fuel Line  |     |
| 33   | 8990147     | 1     | Holder, Manual  |     |
| 34   | 1001081049  | 1     | Grommet, Split  |     |
| 35   | 1001190229  | 1     | Seat, Cab (See Separate Breakdown in this Section)                      |     |
| 36   | 1001102844  | 2     | Bolt 1/4 x 1-1/4  |     |
| 37   | 1001114867  | 1     | Socket, 12V Power Point   |     |
| 38   | 1001256519  | 1     | Mount, Cab Step   |     |
| 39   | 1001159850  | 1     | Panel, Heater Control   |     |
| 40   | 1001159878  | 1     | Support, Armrest  |     |
| 41   | 1001170738  | 1     | Gauge   |     |
| 42   | 1001210703  | 1     | Controller  |     |
| 43   | 1001171807  | 1     | Installation, Cab Heater Lines (See Separate Breakdown in this Section) |     |
| 44   | 1001178347  | 1     | Harness, HVAC (See Separate Breakdown in ELECTRICAL Section)            |     |
| 45   | 1001264554  | 1     | Accelerator (Note: No Serviceable Parts - Purchase Complete Assembly)   |     |

## SECTION 6 - CAB

| ITEM | PART NUMBER | QTY | DESCRIPTION  | REV |
|------|-------------|-----|--|-----|
| 46   | 1001183164  | 1   | Reservoir, Brake Valve   |     |
| 47   | 1001246737  | 1   | Cab, Enclosed with Heater (See Separate Breakdown in this Section) |     |
| 48   | 1001223052  | 1   | Assembly, Brake (See Separate Breakdown in CONTROLS Section)       |     |
| 49   | 1001201658  | 1   | Hose   |     |
| 50   | 1001207963  | 1   | Plug, 5/8  |     |
| 51   | 4710600     | 2   | Washer #6  |     |
| 52   | 1001265914  | 1   | Cover, Pedal   |     |

# SECTION 6 - CAB

## FIGURE 6-7. CAB ASSEMBLY - ENCLOSED CAB WITH HEATER



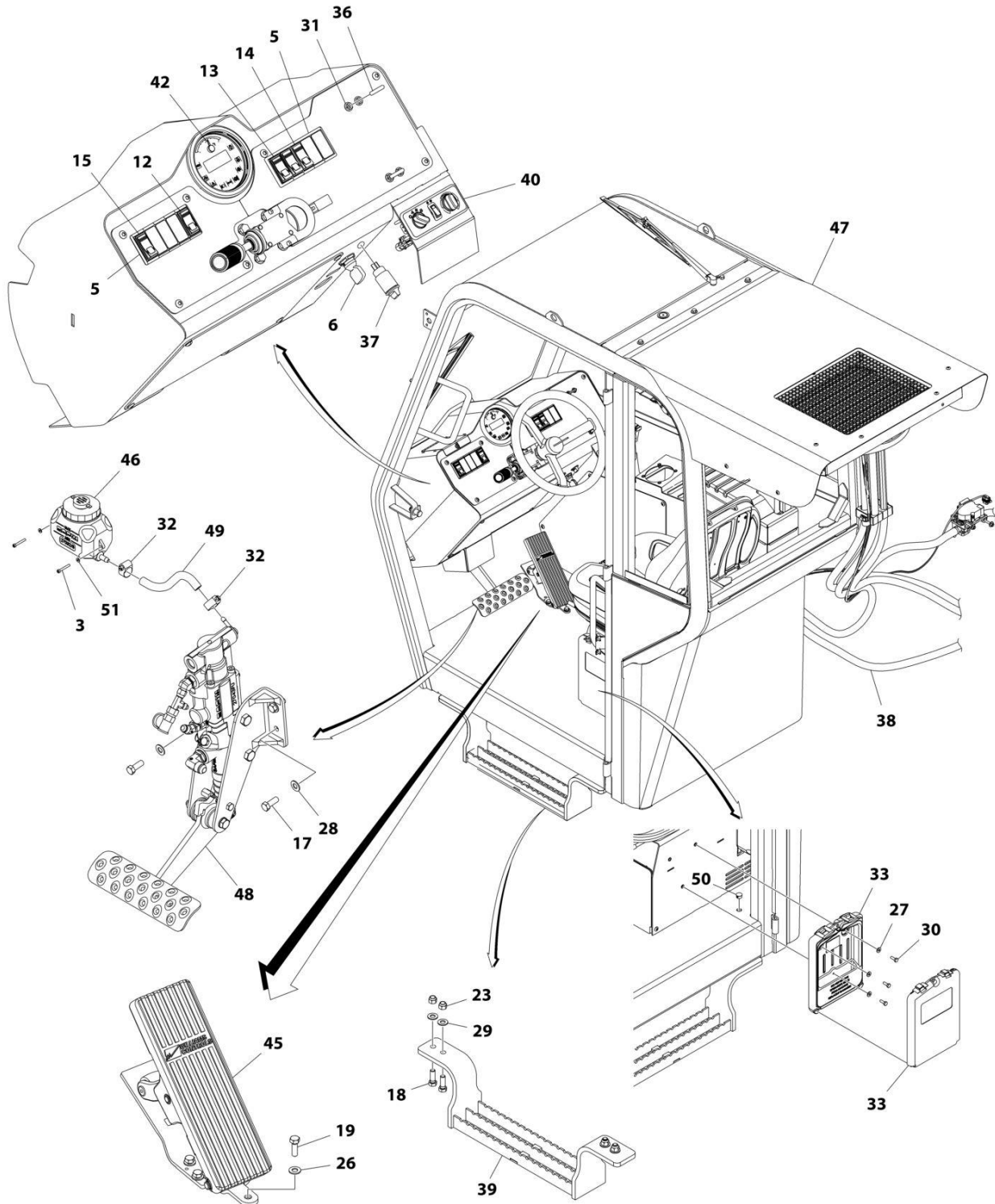
ART\_1001246737

**SECTION 6 - CAB****FIGURE 6-7. CAB ASSEMBLY - ENCLOSED CAB WITH HEATER**

| <b>ITEM</b> | <b>PART NUMBER</b> | <b>QTY</b> | <b>DESCRIPTION</b>                                      | <b>REV</b> |
|-------------|--------------------|------------|---|------------|
|             | 1001246737         | Ref        | CAB ENCLOSED WITH HEATER                                | G          |
| 1           | 8303034            | 22         | Screw 1/4 x 3/4   |            |
| 2           | 8310085            | 2          | Nut   |            |
| 3           | 1001160788         | 1          | Panel, RH Console Access Plate                          |            |
| 4           | 1001160790         | 1          | Panel, LH Dash Cover                                    |            |
| 5           | 1001160791         | 1          | Panel, RH Dash Cover                                    |            |
| 6           | 1001165617         | 1          | Assembly, Side Console Access Panel                     |            |
| 7           | 1001165823         | 1          | Enclosure, Cab (See Separate Breakdown in this Section) |            |
| 8           | 1001202189         | 1          | Door, Brake Reservoir                                   |            |
| 9           | 1001202202         | 2          | Nut   |            |
| 10          | 1001202746         | 1          | Panel, Brake Access Plate                               |            |
| 11          | See Note           | NSS        | Cab (Purchase Complete Assembly)                        |            |

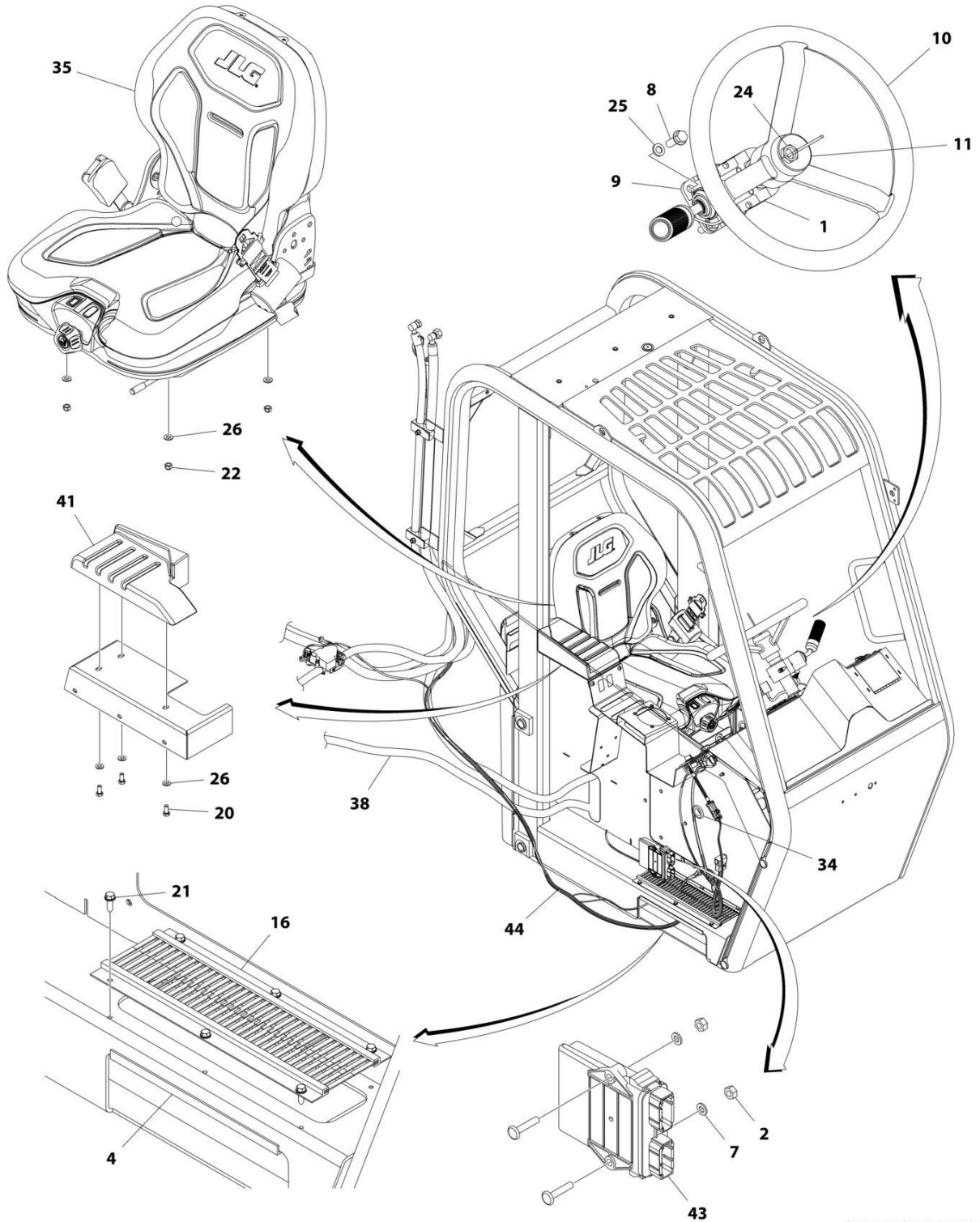
# SECTION 6 - CAB

FIGURE 6-8. CAB INSTALLATION - ENCLOSED CAB WITH HEATER/AC (SN 0160106198 through 0160107741, SN 0160107861 through 0160107863)



ART\_1001185777\_H\_10F2

# SECTION 6 - CAB



ART\_1001185777\_H\_20F2

## SECTION 6 - CAB

**FIGURE 6-8. CAB INSTALLATION - ENCLOSED CAB WITH HEATER/AC (SN 0160106198 through 0160107741, SN 0160107861 through 0160107863)**

| ITEM | PART NUMBER | QTY   | DESCRIPTION  | REV |
|------|-------------|-------|--|-----|
|      | 1001185777  | Ref   | Enclosed Cab with Heater/AC Installation                                   | H   |
| 1    | 1600429     | 1     | Selector, Transmission Control   |     |
| 2    | 3311401     | 2     | Nut, 1/4   |     |
| 3    | 3930610     | 2     | Bolt #6X5/8  |     |
| 4    | 4060806     | 11 in | Shield, Flex Trim 5/16   |     |
| 5    | 4360569     | 2     | Switch, Bezel  |     |
| 6    | 4360690     | 1     | Switch, Ignition   |     |
| 7    | 4761400     | 2     | Washer, Lock 1/4   |     |
| 8    | 5251014     | 4     | Bolt, M10X30   |     |
| 9    | 7138833     | 1     | Column, Steering   |     |
| 10   | 7138836     | 1     | Wheel, Steering  |     |
| 11   | 7138878     | 1     | Button, Horn   |     |
| 12   | 8223037     | 1     | Switch, Steer Select   |     |
| 13   | 8223043     | 2     | Switch, Windscreen Wiper   |     |
| 14   | 8223044     | 1     | Switch, Windscreen Washer  |     |
| 15   | 8223054     | 1     | Switch, Park Brake   |     |
| 16   | 7138944     | 2     | Strips, Brush  |     |
| 17   | 8303620     | 4     | Bolt, 3/8X1  |     |
| 18   | 8303626     | 4     | Bolt, 1/2X1-1/2  |     |
| 19   | 8303670     | 4     | Bolt, 5/16X1   |     |
| 20   | 8303697     | 3     | Bolt, 5/16X3/4   |     |
| 21   | 8303982     | 6     | Screw 1/4X3/4  |     |
| 22   | 8305626     | 4     | Nut 5/16   |     |
| 23   | 8305644     | 4     | Nut 1/2  |     |
| 24   | 8305916     | 1     | Nut, Steering Column   |     |
| 25   | 8307023     | 4     | Washer, Lock M10   |     |
| 26   | 8307106     | 11    | Washer 5/16  |     |
| 27   | 8307109     | 3     | Washer 1/4   |     |
| 28   | 8307110     | 4     | Washer 3/8   |     |
| 29   | 8307112     | 4     | Washer 1/2   |     |
| 30   | 8310026     | 3     | Bolt, 1/4X3/4  |     |
| 31   | 8310382     | 8     | Nut 1/4  |     |
| 32   | 1320022     | 2     | Clamp, Fuel Line   |     |
| 33   | 8990147     | 1     | Holder, Manual   |     |
| 34   | 1001081049  | 1     | Grommet  |     |
| 35   | 1001190229  | 1     | Seat, Cab (See Separate Breakdown in this Section)                         |     |
| 36   | 1001102844  | 2     | Bolt, U 1/4-20X1-1/4   |     |
| 37   | 1001114867  | 1     | Socket, 12V Power Point  |     |
| 38   | 1001171806  | 1     | Installation, Cab Heater/AC Lines (See Separate Breakdown in this Section) |     |
| 39   | 1001256519  | 1     | Mount, Cab Step  |     |
| 40   | 1001159851  | 1     | Panel, HVAC Control  |     |
| 40   | 1001204362  | 1     | Switch, Fan  |     |
| 40   | 7301265     | 1     | Switch, A/C  |     |
| 41   | 1001159878  | 1     | Support, Armrest   |     |
| 42   | 1001170738  | 1     | Gauge  |     |
| 43   | 1001210703  | 1     | Controller   |     |
| 44   | 1001178347  | 1     | Harness, HVAC (See Separate Breakdown in ELECTRICAL Section)               |     |

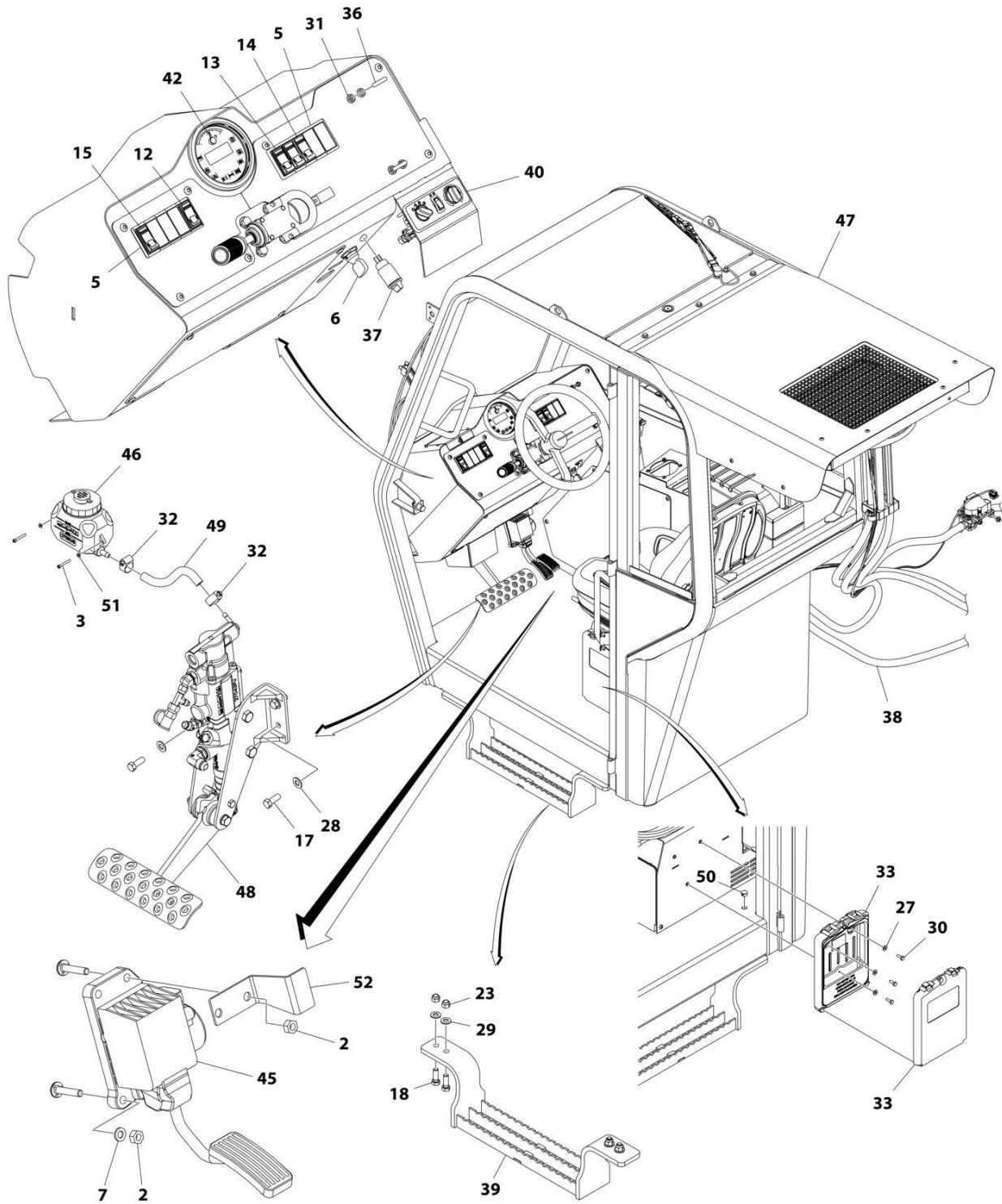


## SECTION 6 - CAB

| ITEM | PART NUMBER | QTY | DESCRIPTION   | REV |
|------|-------------|-----|---|-----|
| 45   | 1001180555  | 1   | Accelerator (See Separate Breakdown in CONTROLS Section)              |     |
| 46   | 1001183164  | 1   | Reservoir, Brake Valve  |     |
| 47   | 1001246738  | 1   | Cab, Enclosed with Heater/AC (See Separate Breakdown in this Section) |     |
| 48   | 1001223052  | 1   | Assembly, Brake (See Separate Breakdown in CONTROLS Section)          |     |
| 49   | 1001201658  | 1   | Hose  |     |
| 50   | 1001207963  | 1   | Plug, 5/8   |     |
| 51   | 4710600     | 2   | Washer #6   |     |

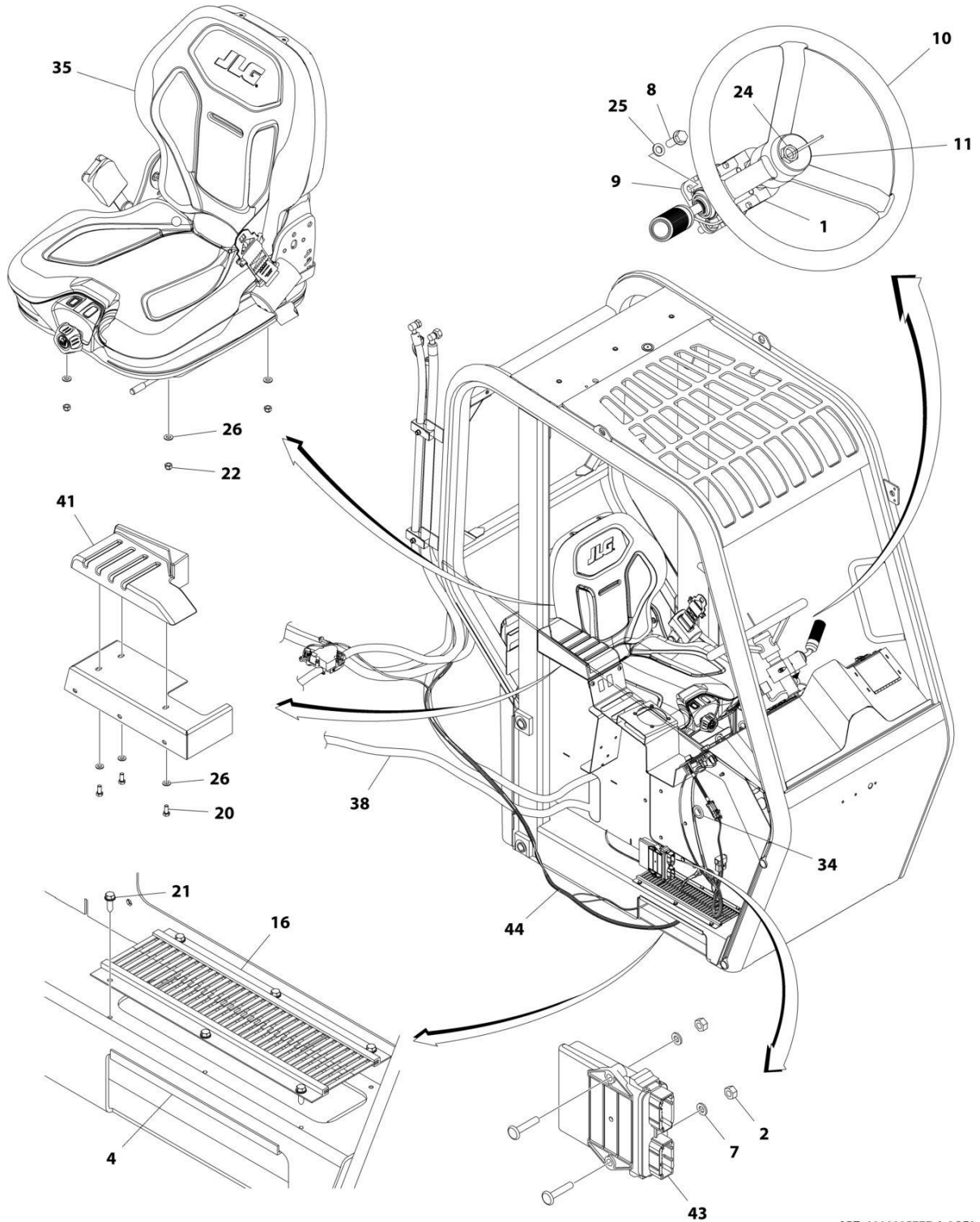
# SECTION 6 - CAB

## FIGURE 6-9. CAB INSTALLATION - ENCLOSED CAB WITH HEATER/AC (SN 0160105660 through 0160106072)



ART\_1001185777\_I\_10F2

# SECTION 6 - CAB



ART\_1001185777\_I\_20F2

## SECTION 6 - CAB

**FIGURE 6-9. CAB INSTALLATION - ENCLOSED CAB WITH HEATER/AC (SN 0160105660 through 0160106072)**

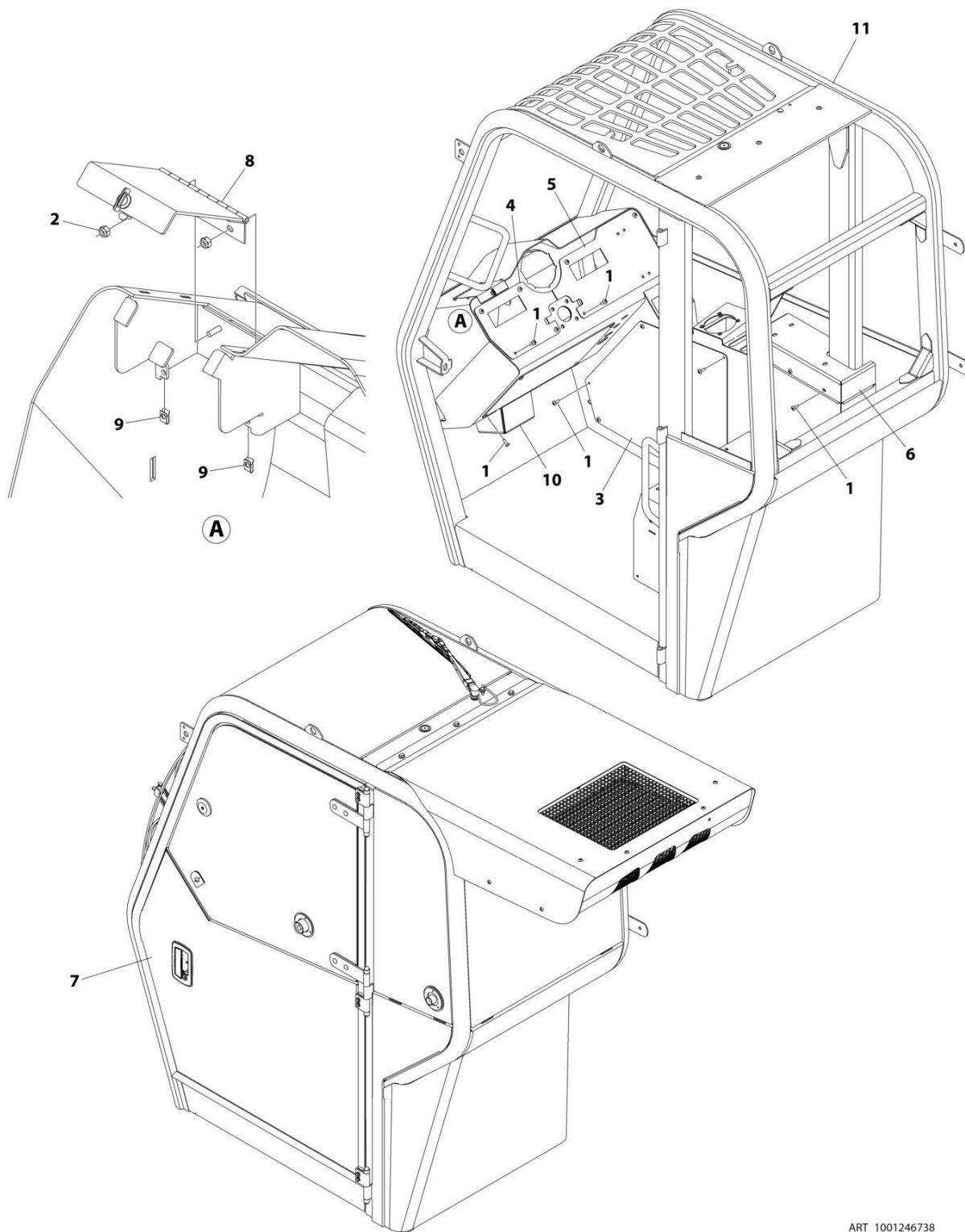
| ITEM | PART NUMBER | QTY   | DESCRIPTION  | REV |
|------|-------------|-------|--|-----|
|      | 1001185777  | Ref   | ENCLOSED CAB WITH HEATER/AC INSTALLATION                                   | I   |
| 1    | 1600429     | 1     | Selector, Transmission Control   |     |
| 2    | 3311401     | 5     | Nut 1/4  |     |
| 3    | 3930610     | 2     | Bolt #6 x 5/8  |     |
| 4    | 4060806     | 11 in | Shield, Flex Trim 5/16   |     |
| 5    | 4360569     | 2     | Switch, Bezel  |     |
| 6    | 4360690     | 1     | Switch, Ignition   |     |
| 7    | 4761400     | 3     | Washer 1/4   |     |
| 8    | 5251014     | 4     | Bolt M10 x 30  |     |
| 9    | 7138833     | 1     | Column, Steering   |     |
| 10   | 7138836     | 1     | Wheel, Steering  |     |
| 11   | 7138878     | 1     | Button, Horn   |     |
| 12   | 8223037     | 1     | Switch, Steer Select   |     |
| 13   | 8223043     | 2     | Switch, Windscreen Wiper   |     |
| 14   | 8223044     | 1     | Switch, Windscreen Washer  |     |
| 15   | 8223054     | 1     | Switch, Park Brake   |     |
| 16   | 7138944     | 2     | Strips, Brush  |     |
| 17   | 8303620     | 4     | Bolt 3/8 x 1   |     |
| 18   | 8303626     | 4     | Bolt 1/2 x 1-1/2   |     |
| 20   | 8303697     | 3     | Bolt 5/16 x 3/4  |     |
| 21   | 8303982     | 6     | Screw 1/4 x 3/4  |     |
| 22   | 8305626     | 4     | Nut 5/16   |     |
| 23   | 8305644     | 4     | Nut 1/2  |     |
| 24   | 8305916     | 1     | Nut, Steering Column   |     |
| 25   | 8307023     | 4     | Washer M10   |     |
| 26   | 8307106     | 7     | Washer 5/16  |     |
| 27   | 8307109     | 3     | Washer 1/4   |     |
| 28   | 8307110     | 4     | Washer 3/8   |     |
| 29   | 8307112     | 4     | Washer 1/2   |     |
| 30   | 8310026     | 3     | Bolt 1/4 x 3/4   |     |
| 31   | 8310382     | 8     | Nut 1/4  |     |
| 32   | 1320022     | 2     | Clamp, Fuel Line   |     |
| 33   | 8990147     | 1     | Holder, Manual   |     |
| 34   | 1001081049  | 1     | Grommet  |     |
| 35   | 1001190229  | 1     | Seat, Cab (See Separate Breakdown in this Section)                         |     |
| 36   | 1001102844  | 2     | U-Bolt 1/4 x 1-1/4   |     |
| 37   | 1001114867  | 1     | Socket, 12V Power Point  |     |
| 38   | 1001171806  | 1     | Installation, Cab Heater/AC Lines (See Separate Breakdown in this Section) |     |
| 39   | 1001256519  | 1     | Mount, Cab Step  |     |
| 40   | 1001159851  | 1     | Panel, HVAC Control  |     |
| 40   | 1001204362  | 1     | Switch, Fan  |     |
| 40   | 7301265     | 1     | Switch, A/C  |     |
| 41   | 1001159878  | 1     | Support, Armrest   |     |
| 42   | 1001170738  | 1     | Gauge  |     |
| 43   | 1001210703  | 1     | Controller   |     |
| 44   | 1001178347  | 1     | Harness, HVAC (See Separate Breakdown in ELECTRICAL Section)               |     |

## SECTION 6 - CAB

| ITEM | PART NUMBER | QTY | DESCRIPTION   | REV |
|------|-------------|-----|---|-----|
| 45   | 1001264554  | 1   | Accelerator (Note: No Serviceable Parts - Purchase Complete Assembly) |     |
| 46   | 1001183164  | 1   | Reservoir, Brake Valve  |     |
| 47   | 1001246738  | 1   | Cab, Enclosed with Heater/AC (See Separate Breakdown in this Section) |     |
| 48   | 1001223052  | 1   | Assembly, Brake (See Separate Breakdown in CONTROLS Section)          |     |
| 49   | 1001201658  | 1   | Hose  |     |
| 50   | 1001207963  | 1   | Plug, 5/8   |     |
| 51   | 4710600     | 2   | Washer #6   |     |
| 52   | 1001265914  | 1   | Cover, Pedal  |     |

# SECTION 6 - CAB

## FIGURE 6-10. CAB ASSEMBLY - ENCLOSED CAB WITH HEATER/AC



ART\_1001246738

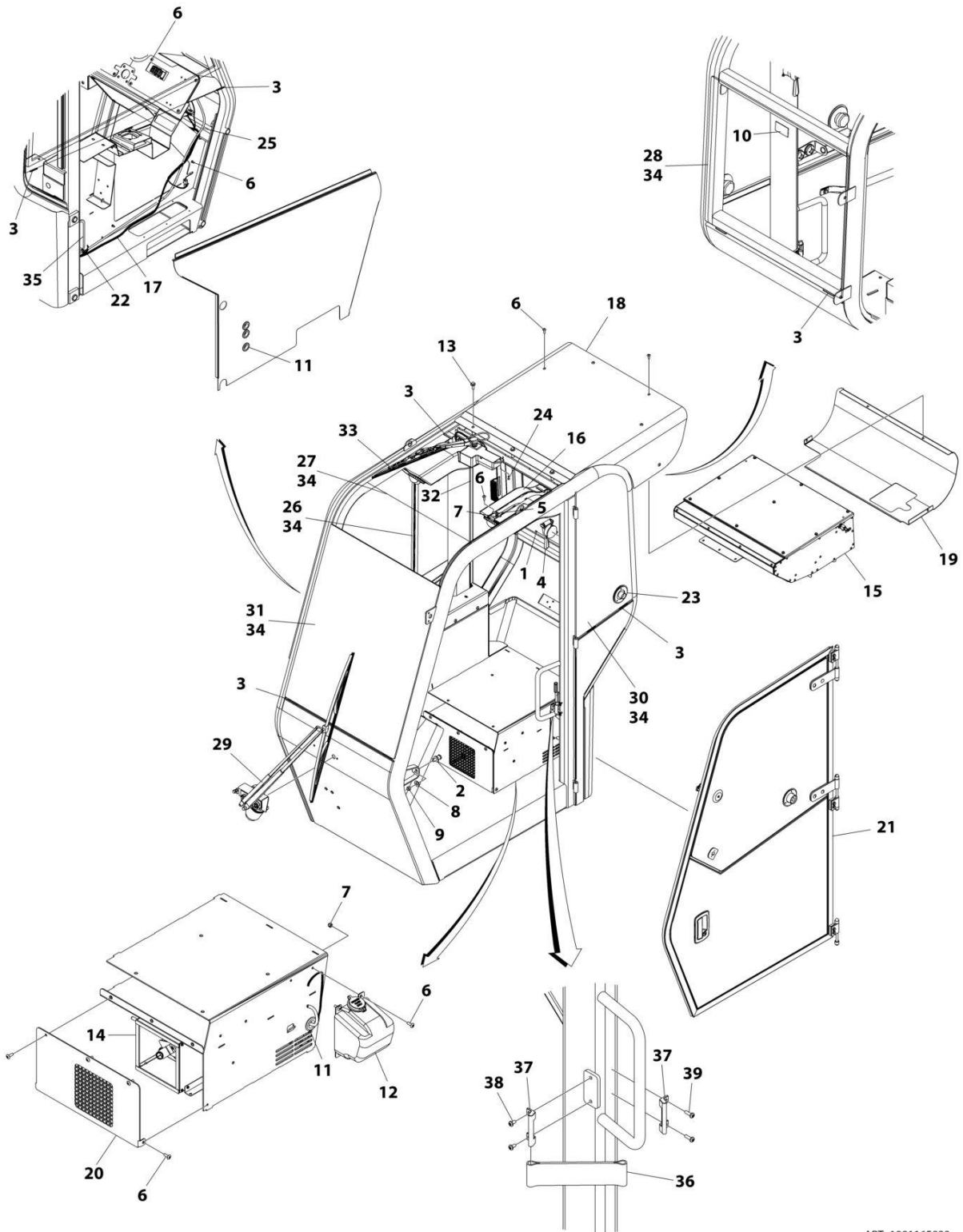
## SECTION 6 - CAB

**FIGURE 6-10. CAB ASSEMBLY - ENCLOSED CAB WITH HEATER/AC**

| ITEM | PART NUMBER | QTY | DESCRIPTION  | REV |
|------|-------------|-----|--|-----|
|      | 1001246738  | Ref | CAB ENCLOSED WITH HEATER/AC                                  | F   |
| 1    | 8303034     | 22  | Screw 1/4 x 3/4  |     |
| 2    | 8310085     | 2   | Nut  |     |
| 3    | 1001160788  | 1   | Panel, RH Console Access Plate                               |     |
| 4    | 1001160790  | 1   | Panel, LH Dash Cover   |     |
| 5    | 1001160791  | 1   | Panel, RH Dash Cover   |     |
| 6    | 1001165617  | 1   | Assembly, Side Console Access Panel                          |     |
| 7    | 1001168066  | 1   | Enclosure, Cab HVAC (See Separate Breakdown in this Section) |     |
| 8    | 1001202189  | 1   | Door, Brake Reservoir  |     |
| 9    | 1001202202  | 2   | Nut M6   |     |
| 10   | 1001202746  | 1   | Panel, Brake Access Plate                                    |     |
| 11   | 1001246735  | 1   | Cab Weldment   |     |

# SECTION 6 - CAB

## FIGURE 6-11. CAB ENCLOSURE INSTALLATION



ART\_1001165823

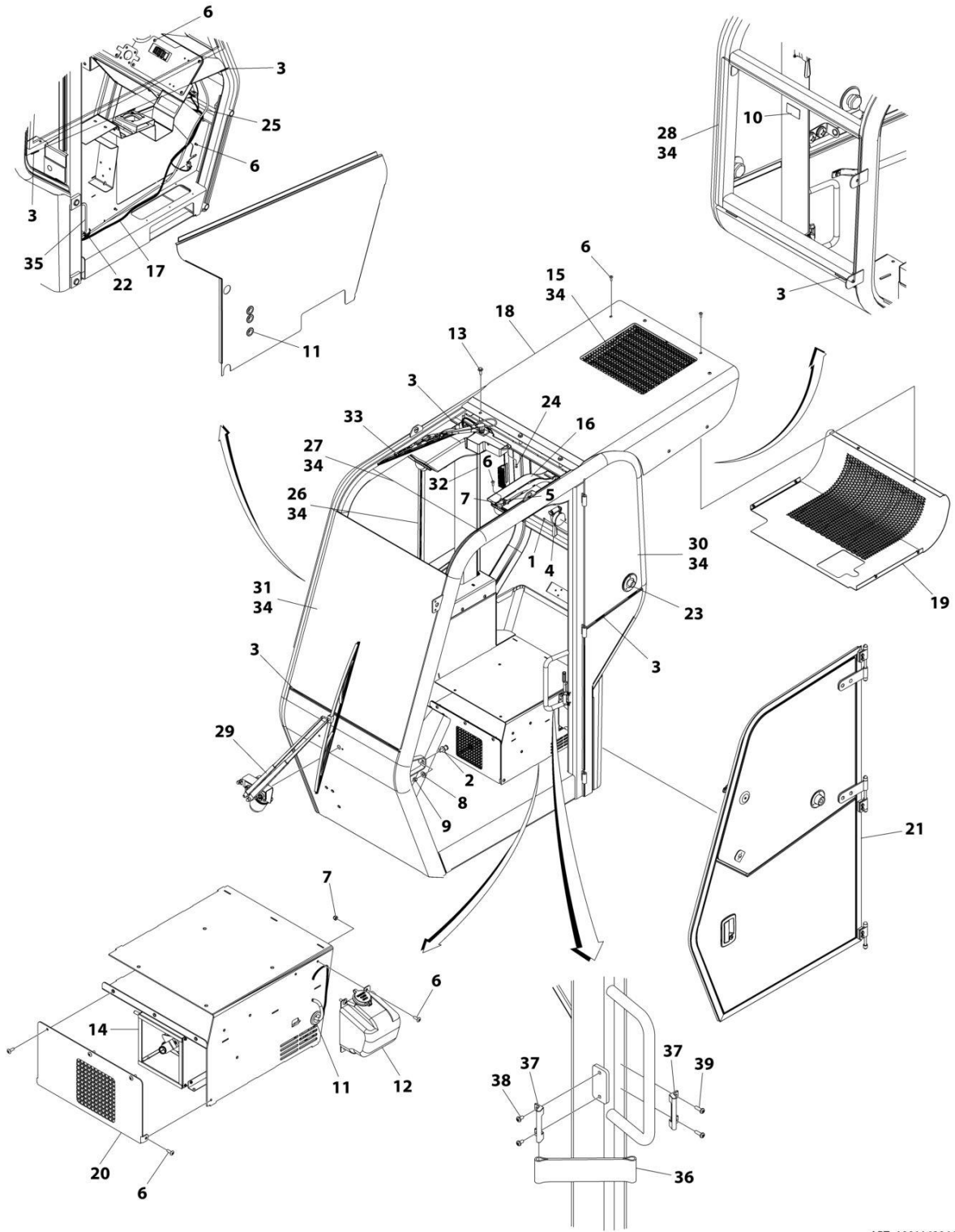


FIGURE 6-11. CAB ENCLOSURE INSTALLATION

| ITEM | PART NUMBER | QTY     | DESCRIPTION   | REV |
|------|-------------|---------|---|-----|
|      | 1001165823  | Ref     | CAB ENCLOSURE   | 0   |
| 1    | 91404298    | 3       | Rivet   |     |
| 2    | 1001109478  | 1       | Latch, Striker  |     |
| 3    | 1001181968  | 13      | Mould, Setting Block  |     |
| 4    | 91404301    | 1       | Hammer, Emergency   |     |
| 5    | 4711400     | 2       | Washer 1/4  |     |
| 6    | 8303034     | 33      | Screw 1/4 x 3/4   |     |
| 7    | 8305624     | 4       | Nut 1/4   |     |
| 8    | 8307112     | 1       | Washer 1/2  |     |
| 9    | 8310109     | 1       | Nut 7/164   |     |
| 10   | 91404299    | 1       | Decal, Escape   |     |
| 11   | 1001081049  | 4       | Grommet, Split  |     |
| 12   | 1001111112  | 1       | Tank, Window Washer Fluid   |     |
| 12   | 70025480    | 1       | Pump, Reservoir   |     |
| 13   | 1001149227  | 3       | Screw 5/16 x 1  |     |
| 14   | 1001159856  | 1       | Heater Assembly - Floor (See Separate Breakdown in this Section)  |     |
| 15   | 1001159860  | 1       | HVAC Assembly - Roof Top (See Separate Breakdown in this Section) |     |
| 16   | 1001160785  | 2       | Duct, HVAC  |     |
| 17   | 1001178349  | 1       | Harness, Wiper (See Separate Breakdown in ELECTRICAL Section)     |     |
| 18   | 1001164282  | 1       | Hood, Top   |     |
| 19   | 1001164284  | 1       | Hood, Bottom  |     |
| 20   | 1001164717  | 1       | Panel, Floor Heater Access  |     |
| 21   | 1001165806  | 1       | Door, Cab (See Separate Breakdown in this Section)                |     |
| 22   | 1001008742  | 1       | Coupling, Tee   |     |
| 23   | 1001081243  | 1       | Retainer, Door Window Hold  |     |
| 24   | 0630464     | 1       | Screw #10 x 1/2   |     |
| 25   | 82033997    | 168 in  | Hose, Washer Fluid  |     |
| 26   | 8036050     | 1       | Window, RH Slider (See Separate Breakdown in this Section)        |     |
| 27   | 7138958     | 1       | Glass, Skylight   |     |
| 28   | 1001181707  | 1       | Window, Rear  |     |
| 29   | 8036056     | 1       | Assembly, Front Wiper (See Separate Breakdown in this Section)    |     |
| 30   | 1001181893  | 1       | Window, LH Rear   |     |
| 31   | 1001181903  | 1       | Window, Windshield  |     |
| 32   | 1001182091  | 1       | Duct, Wire  |     |
| 33   | 1001182470  | 1       | Wiper, Skylight (See Separate Breakdown in this Section)          |     |
| 34   | 1001177746  | AR      | Compound, Locking   |     |
| 35   | 4060803     | 16.5 in | Flex-Trim   |     |
| 36   | 80384218    | 1       | Strap, Door   |     |
| 37   | 1001196128  | 2       | Bracket, Strap Holder   |     |
| 38   | 1001197098  | 2       | Screw #10 x 3/8   |     |
| 39   | 1001197099  | 2       | Screw #10 x 5/8   |     |

# SECTION 6 - CAB

## FIGURE 6-12. CAB ENCLOSURE INSTALLATION - WITH HVAC



ART\_1001168066

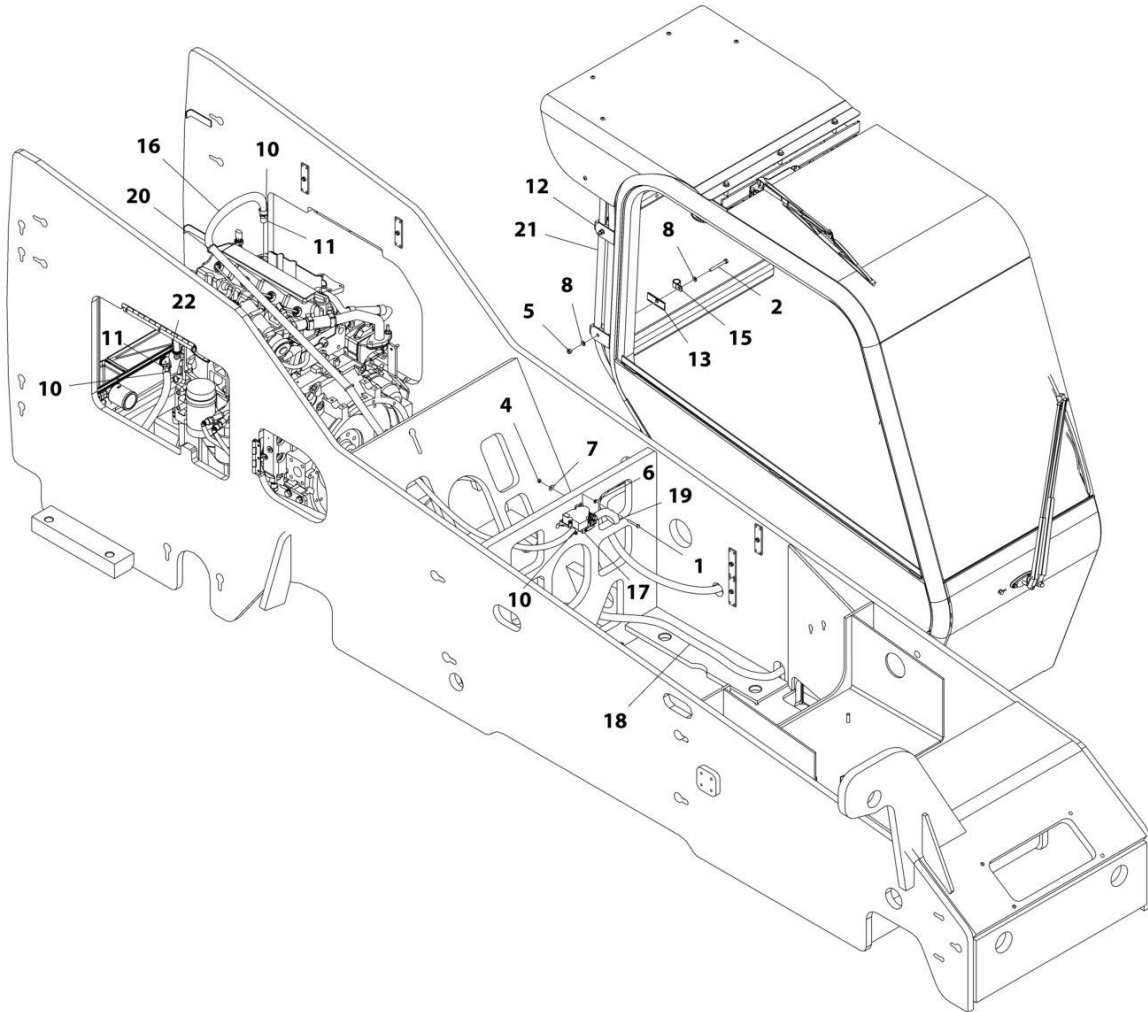
**SECTION 6 - CAB**

**FIGURE 6-12. CAB ENCLOSURE INSTALLATION - WITH HVAC**

| ITEM | PART NUMBER | QTY     | DESCRIPTION  | REV |
|------|-------------|---------|--|-----|
|      | 1001168066  | Ref     | CAB HVAC ENCLOSURE   | 0   |
| 1    | 91404298    | 3       | Rivet  |     |
| 2    | 1001109478  | 1       | Latch, Striker   |     |
| 3    | 1001181968  | 13      | Mould, Setting Block   |     |
| 4    | 91404301    | 1       | Hammer, Emergency  |     |
| 5    | 4711400     | 2       | Washer 1/4   |     |
| 6    | 8303034     | 35      | Screw 1/4 x 3/4  |     |
| 7    | 8305624     | 4       | Nut 1/4  |     |
| 8    | 8307112     | 1       | Washer 1/2   |     |
| 9    | 8310109     | 1       | Nut 7/16   |     |
| 10   | 91404299    | 1       | Decal, Escape  |     |
| 11   | 1001081049  | 4       | Grommet, Split   |     |
| 12   | 1001111112  | 1       | Tank, Window Washer Fluid                                      |     |
| 12   | 70025480    | 1       | Pump, Reservoir  |     |
| 13   | 1001149227  | 3       | Screw 5/16 x 1   |     |
| 14   | 1001159856  | 1       | Heater, Floor (See Separate Breakdown in this Section)         |     |
| 15   | 1001159861  | 1       | Box, Roof (See Separate Breakdown in this Section)             |     |
| 16   | 1001160785  | 2       | Duct, HVAC   |     |
| 17   | 1001178349  | 1       | Harness, Wiper (See Separate Breakdown in ELECTRICAL Section)  |     |
| 18   | 1001164096  | 1       | Hood, Top  |     |
| 19   | 1001164099  | 1       | Hood, Bottom   |     |
| 20   | 1001164717  | 1       | Panel, Floor Heater Access                                     |     |
| 21   | 1001165806  | 1       | Door, Cab (See Separate Breakdown in this Section)             |     |
| 22   | 1001008742  | 1       | Coupling, Tee  |     |
| 23   | 1001081243  | 1       | Retainer, Door Window Hold                                     |     |
| 24   | 0630464     | 1       | Screw #10 x 1/2  |     |
| 25   | 82033997    | 168 in  | Hose, Washer Fluid   |     |
| 26   | 8036050     | 1       | Window, RH Slider (See Separate Breakdown in this Section)     |     |
| 27   | 7138958     | 1       | Glass, Skylight  |     |
| 28   | 1001181707  | 1       | Window, Rear   |     |
| 29   | 8036056     | 1       | Assembly, Front Wiper (See Separate Breakdown in this Section) |     |
| 30   | 1001181893  | 1       | Window, LH Rear  |     |
| 31   | 1001181903  | 1       | Window, Windshield   |     |
| 32   | 1001182091  | 1       | Duct, Wire   |     |
| 33   | 1001182470  | 1       | Wiper, Skylight (See Separate Breakdown in this Section)       |     |
| 34   | 1001177746  | AR      | Compound, Locking  |     |
| 35   | 4060803     | 16.5 in | Flex-Trim  |     |
| 36   | 80384218    | 1       | Strap, Door  |     |
| 37   | 1001196128  | 2       | Bracket, strap Holder  |     |
| 38   | 1001197098  | 2       | Screw #10 x 3/8  |     |
| 39   | 1001197099  | 2       | Screw #10 x 5/8  |     |

# SECTION 6 - CAB

## FIGURE 6-13. CAB HEATER LINES INSTALLATION



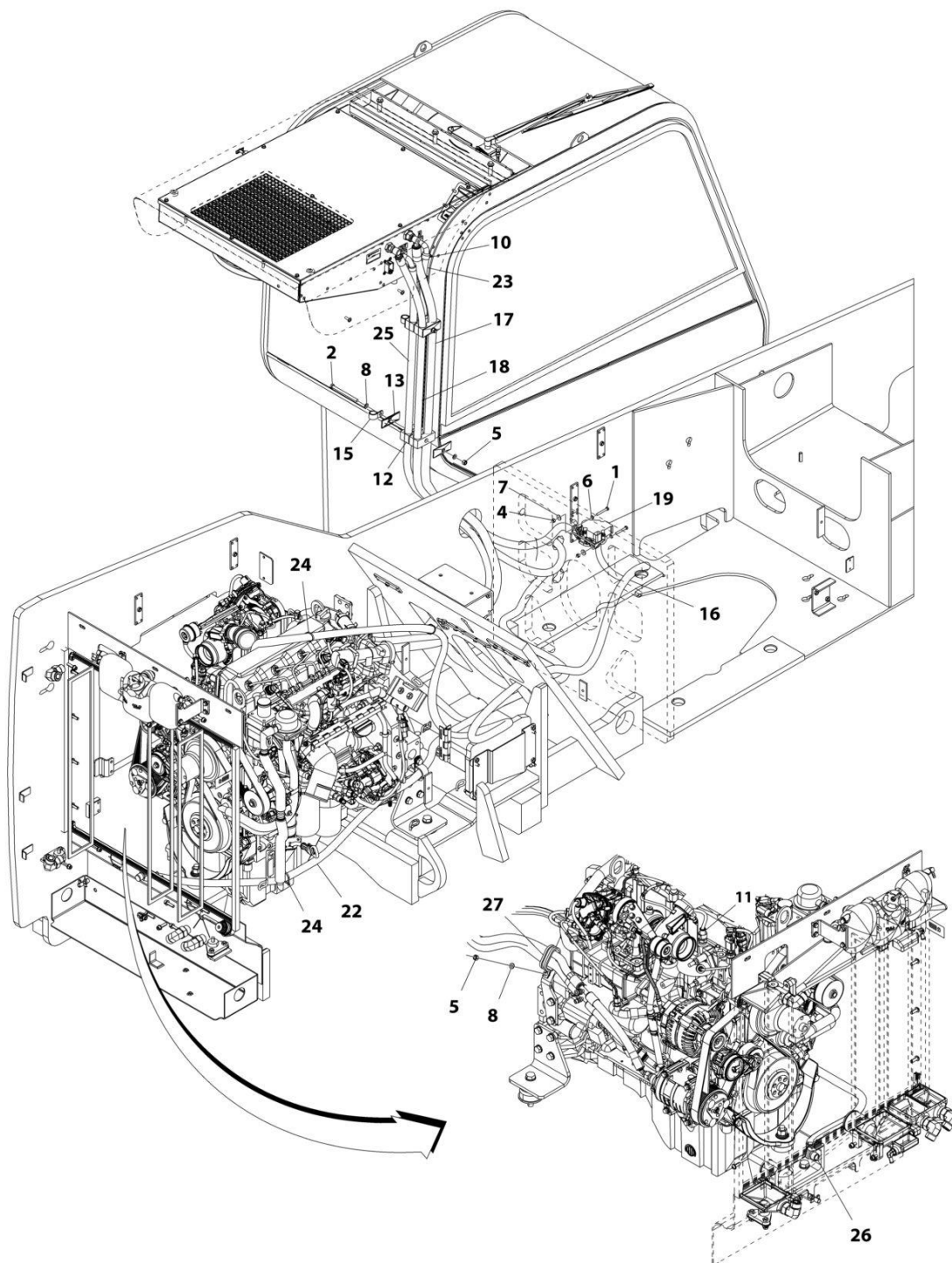
ART\_1001171807-D

FIGURE 6-13. CAB HEATER LINES INSTALLATION

| ITEM | PART NUMBER | QTY | DESCRIPTION  | REV |
|------|-------------|-----|--|-----|
|      | 1001171807  | Ref | Cab Heater Lines Installation                          | G   |
| 1    | 0700617     | 2   | Bolt, M6X45  |     |
| 2    | 0700822     | 2   | Bolt, M8X70  |     |
| 4    | 3290605     | 2   | Nut, Lock M6X1   |     |
| 5    | 3290805     | 2   | Nut, Lock M8X1-1/4                                     |     |
| 6    | 4811700     | 2   | Washer, M6   |     |
| 7    | 4811702     | 2   | Washer, M6   |     |
| 8    | 4811900     | 4   | Washer, M8   |     |
| 10   | 8405007     | 8   | Clamp, Gear  |     |
| 11   | 8430048     | 2   | Reducer, Hose Barb                                     |     |
| 12   | 77133133    | 2   | Clamp, Twin  |     |
| 13   | 77133134    | 2   | Clamp, Cover Plate                                     |     |
| 15   | 91043147    | 2   | Clamp, Support   |     |
| 16   | 1001158404  | 1   | Hose, Cab Heater                                       |     |
| 17   | 1001159844  | 1   | Valve, Heater (See Separate Breakdown in this section) |     |
| 18   | 1001172537  | 1   | Hose, Heater Return                                    |     |
| 19   | 1001172561  | 1   | Hose, Heater Send Valve to Roof                        |     |
| 20   | 8584001     | 4   | Wrap, Tie  |     |
| 21   | 1001173217  | 1   | Hose, Heater Roof to Floor                             |     |
| 22   | 1001179229  | 1   | Fitting, 45  |     |

# SECTION 6 - CAB

## FIGURE 6-14. CAB HEATER/AC LINES INSTALLATION



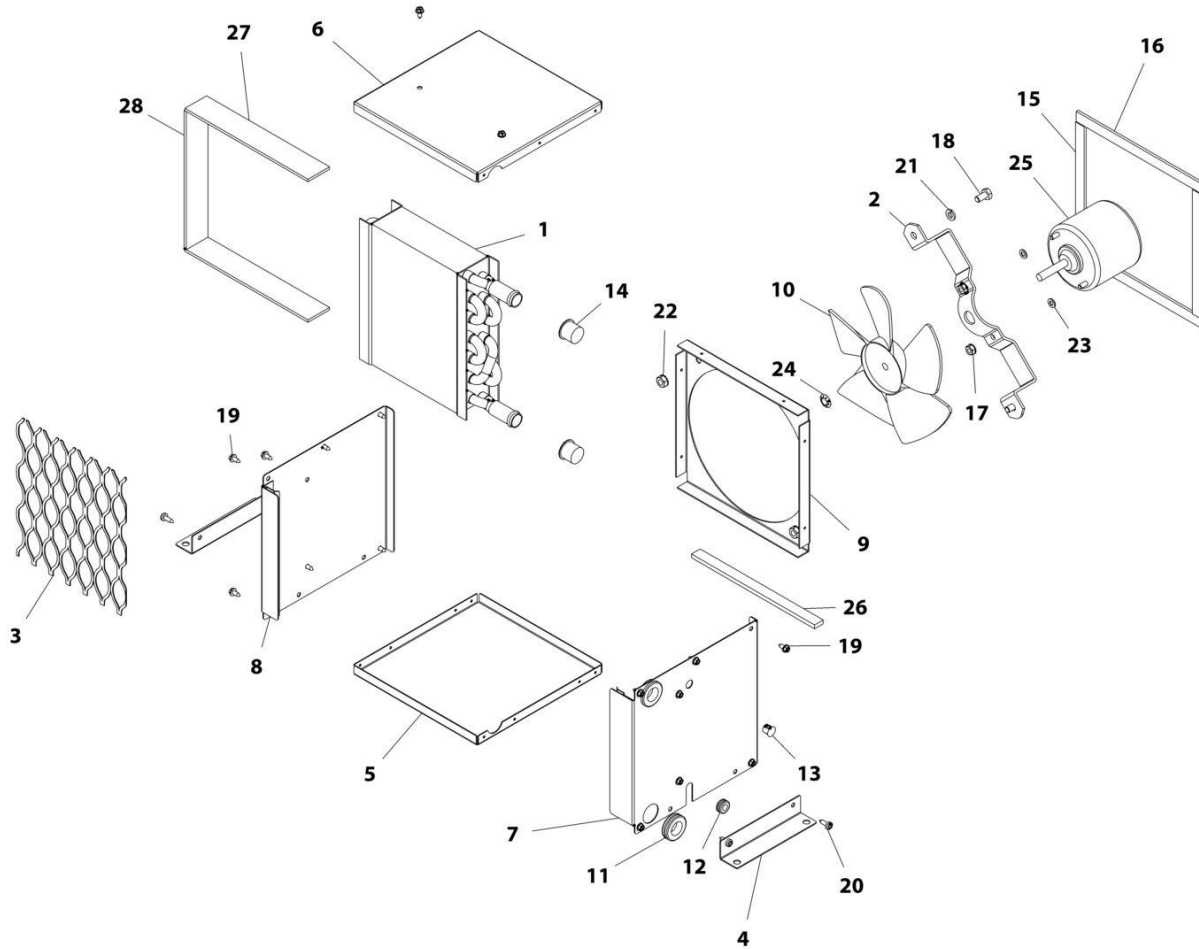
ART\_1001171806-J

FIGURE 6-14. CAB HEATER/AC LINES INSTALLATION

| ITEM | PART NUMBER | QTY | DESCRIPTION  | REV |
|------|-------------|-----|--|-----|
|      | 1001171806  | Ref | Cab Heater/AC Lines Installation                       | J   |
| 1    | 0700617     | 2   | Bolt, M6X45  |     |
| 2    | 0700828     | 2   | Bolt, M8X110   |     |
| 4    | 3290605     | 2   | Nut, Lock M6X1   |     |
| 5    | 3290805     | 3   | Nut, Lock M8X1-1/4                                     |     |
| 6    | 4811700     | 2   | Washer, M6   |     |
| 7    | 4811702     | 2   | Washer, M6   |     |
| 8    | 4811900     | 5   | Washer, M8   |     |
| 10   | 8405007     | 8   | Clamp, Gear  |     |
| 11   | 8430048     | 2   | Reducer, Hose Barb                                     |     |
| 12   | 77133133    | 4   | Clamp, Twin  |     |
| 13   | 77133134    | 4   | Clamp, Cover Plate                                     |     |
| 15   | 91043147    | 2   | Clamp, Support   |     |
| 16   | 1001158404  | 1   | Hose, Cab Heater                                       |     |
| 17   | 1001182798  | 1   | Hose, A/C Compressor Suction                           |     |
| 18   | 1001182723  | 1   | Hose, A/C Compressor Discharge                         |     |
| 19   | 1001159844  | 1   | Valve, Heater (See Separate Breakdown in this section) |     |
| 22   | 1001172537  | 1   | Hose, Heater Return                                    |     |
| 23   | 1001172561  | 1   | Hose, Heater Send Valve to Roof                        |     |
| 24   | 8584001     | 4   | Wrap, Tie  |     |
| 25   | 1001173217  | 1   | Hose, Heater Roof to Floor                             |     |
| 26   | 1001179229  | 1   | Fitting, 45  |     |
| 27   | 1001164196  | 1   | Clamp  |     |

# SECTION 6 - CAB

## FIGURE 6-15. FLOOR HEATER



ART\_1001159856-D

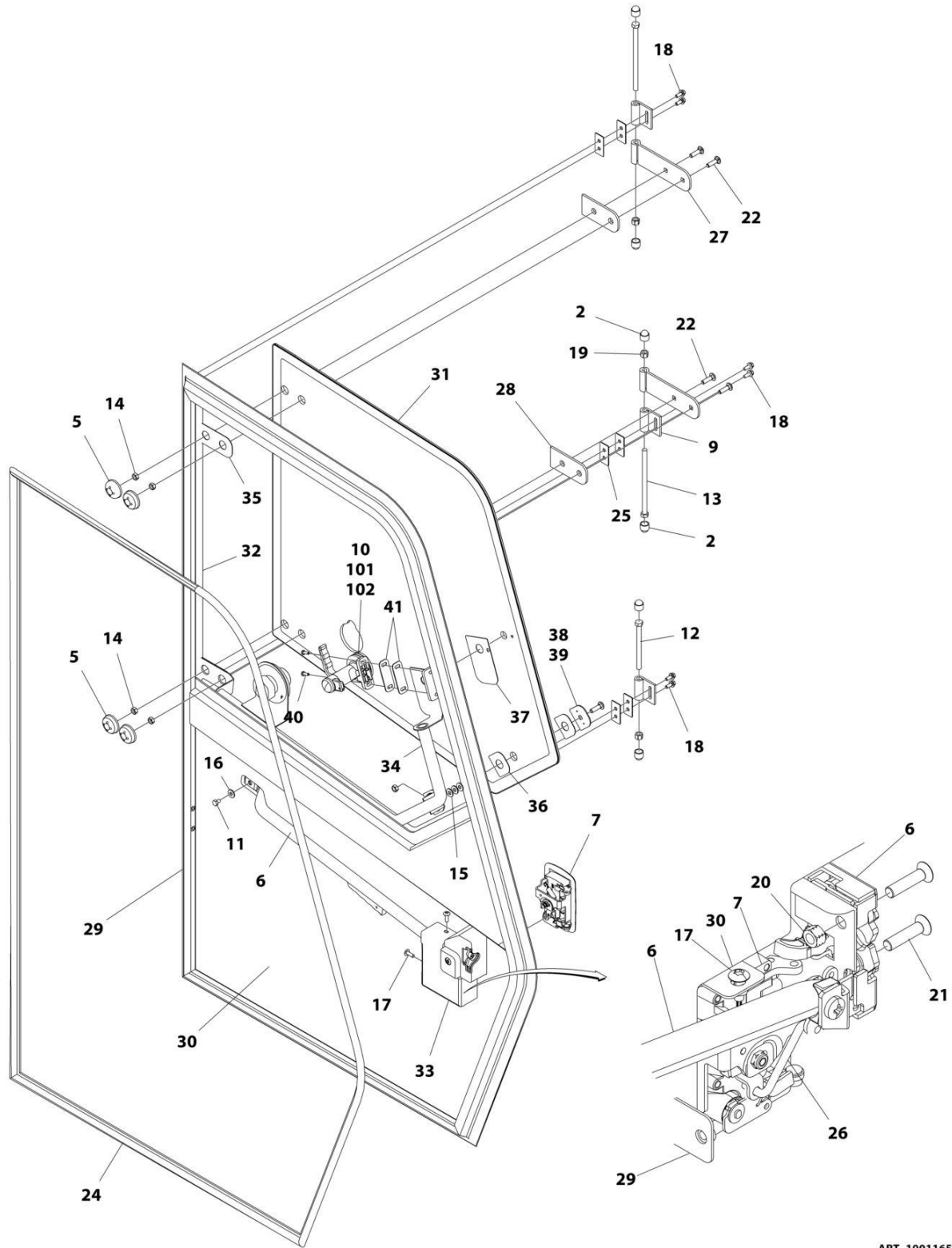


FIGURE 6-15. FLOOR HEATER

| ITEM | PART NUMBER | QTY | DESCRIPTION         | REV |
|------|-------------|-----|---------------------|-----|
|      | 1001159856  | Ref | Floor Heater        | D   |
| 1    | 70026100    | 1   | Coil, Heater        |     |
| 2    | 70026101    | 1   | Bracket, Motor      |     |
| 3    | 70026102    | 1   | Protector, Coil     |     |
| 4    | 70026103    | 2   | Bracket, Mounting   |     |
| 5    | 70026104    | 1   | Casing, Bottom      |     |
| 6    | 70026105    | 1   | Casing, Top         |     |
| 7    | 70026106    | 1   | Casing, RH Side     |     |
| 8    | 70026107    | 1   | Casing, LH Side     |     |
| 9    | 70026108    | 1   | Mount, Fan          |     |
| 10   | 70026109    | 1   | Fan                 |     |
| 11   | 70026110    | 2   | Grommet             |     |
| 12   | 70026111    | 1   | Grommet, 3/8        |     |
| 13   | 70026112    | 1   | Plug, Hole 3/8      |     |
| 14   | 70026113    | 2   | Plug, 3/8           |     |
| 15   | 70026114    | 2   | Foam, 1/4X158       |     |
| 16   | 70026114    | 2   | Foam, 1/4X184       |     |
| 17   | 70026115    | 2   | Nut, 10-32          |     |
| 18   | 70026116    | 2   | Screw, 1/4-20X1/2   |     |
| 19   | 70026117    | 16  | Screw, 8X3/8        |     |
| 20   | 70024855    | 4   | Screw, Tap 8X1/2    |     |
| 21   | 70026118    | 2   | Lockwasher, 1/4     |     |
| 22   | 70026119    | 2   | Nut, Kep 1/4-20     |     |
| 23   | 70026120    | 2   | Washer, M5          |     |
| 24   | 70026121    | 1   | Retainer            |     |
| 25   | 70026122    | 1   | Motor Assembly, 12V |     |
| 26   | 70026123    | 1   | Foam, 3/16X180      |     |
| 27   | 70026124    | 2   | Foam, 1/4X180       |     |
| 28   | 70026124    | 1   | Foam, 1/4X175       |     |

SECTION 6 - CAB

FIGURE 6-16. CAB DOOR



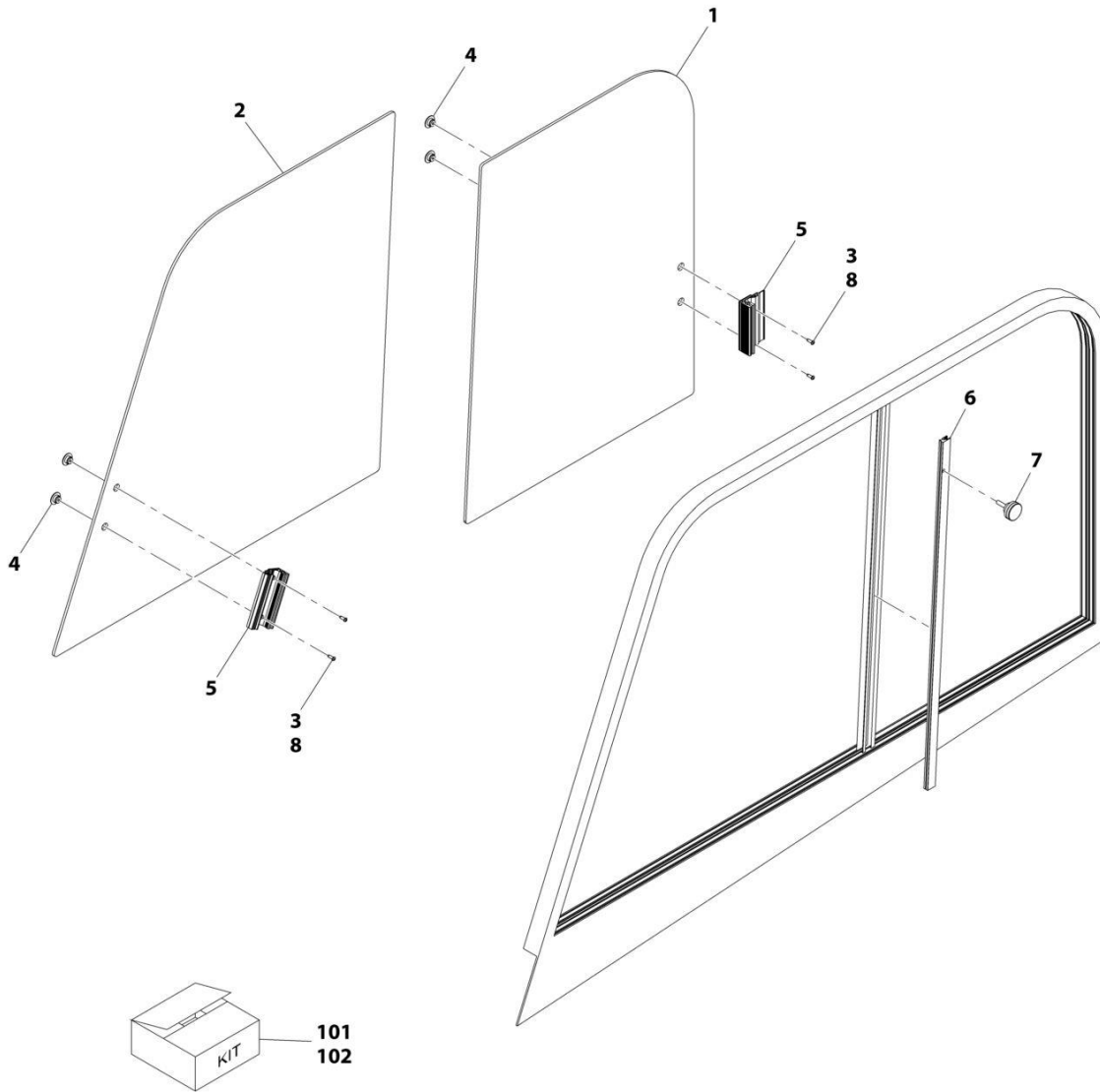
ART\_1001165806

FIGURE 6-16. CAB DOOR

| ITEM | PART NUMBER | QTY | DESCRIPTION   | REV |
|------|-------------|-----|---|-----|
|      | 1001165806  | Ref | CAB DOOR  | I   |
| 1    | 1001183104  | 2   | Fastener, Latch   |     |
| 2    | 1001182663  | 6   | Cap, Hex Dome   |     |
| 5    | 1001081246  | 5   | Cap, Nut M6   |     |
| 6    | 1001081247  | 1   | Handle, Interior Cab Door   |     |
| 7    | 1001081241  | 1   | Handle, Exterior Cab Door   |     |
| 7    | 70021948    | 1   | Key, Cab Door   |     |
| 9    | 1001183209  | 3   | Hinge, Slotted  |     |
| 10   | 1001220260  | 1   | Handle, Window  |     |
| 11   | 0641403     | 1   | Bolt 1/4 x 3/8  |     |
| 12   | 0641636     | 1   | Bolt 3/8 x 4-1/2  |     |
| 13   | 0641652     | 2   | Bolt 3/8 x 6-1/2  |     |
| 14   | 3290801     | 5   | Nut M8  |     |
| 15   | 4711500     | 3   | Washer 5/16   |     |
| 16   | 4751400     | 1   | Washer 1/4  |     |
| 17   | 8303034     | 2   | Screw 1/4 x 3/4   |     |
| 18   | 8303119     | 6   | Screw 1/4 x 5/8   |     |
| 19   | 8305603     | 3   | Nut 3/8   |     |
| 20   | 8305638     | 2   | Nut M8  |     |
| 21   | 1001094312  | 2   | Screw M8 x 30   |     |
| 22   | 1001108575  | 5   | Screw M8 x 30   |     |
| 24   | 1001182408  | 1   | Seal, Door  |     |
| 25   | 1001182135  | 6   | Shim, Door Hinge  |     |
| 26   | 1001182514  | 1   | Linkage, Exterior Latch   |     |
| 27   | 1001081242  | 2   | Hinge, Door   |     |
| 28   | 1001081266  | 2   | Spacer, Hinge   |     |
| 29   | 1001182842  | 1   | Weldment, Door  |     |
| 30   | 1001182800  | 1   | Foam, Door  |     |
| 31   | 1001182808  | 1   | Glass, Door   |     |
| 32   | 1001182810  | 1   | Seal, Glass   |     |
| 33   | 1001182865  | 1   | Cover, Latch  |     |
| 34   | 1001182871  | 1   | Handle, Door Glass  |     |
| 35   | 1001182882  | 2   | Shim, Hinge   |     |
| 36   | 1001182883  | 2   | Shim, Handle  |     |
| 37   | 1001182884  | 1   | Shim, Handle Latch  |     |
| 38   | 1001183084  | 1   | Plate, Window   |     |
| 39   | 1001177746  | 1   | Compound, Locking   |     |
| 40   | 1001197099  | 2   | Screw 1/4 x 5/8   |     |
| 41   | 1001265272  | AR  | Shim  |     |
| 101  | 1001165276  | 1   | Striker Plate   |     |
| 102  | 1001165275  | 1   | Window Latch  |     |
| 103  | 1001169787  | 1   | Latch Seal (not shown)  |     |
| 201  | 1001280231  | 1   | Door Window Kit (Includes Items 5, 10, 14, 15, 22, 27, 28, 31, 32, 34-41 & Window Lock) |     |

# SECTION 6 - CAB

## FIGURE 6-17. RH SLIDER WINDOW



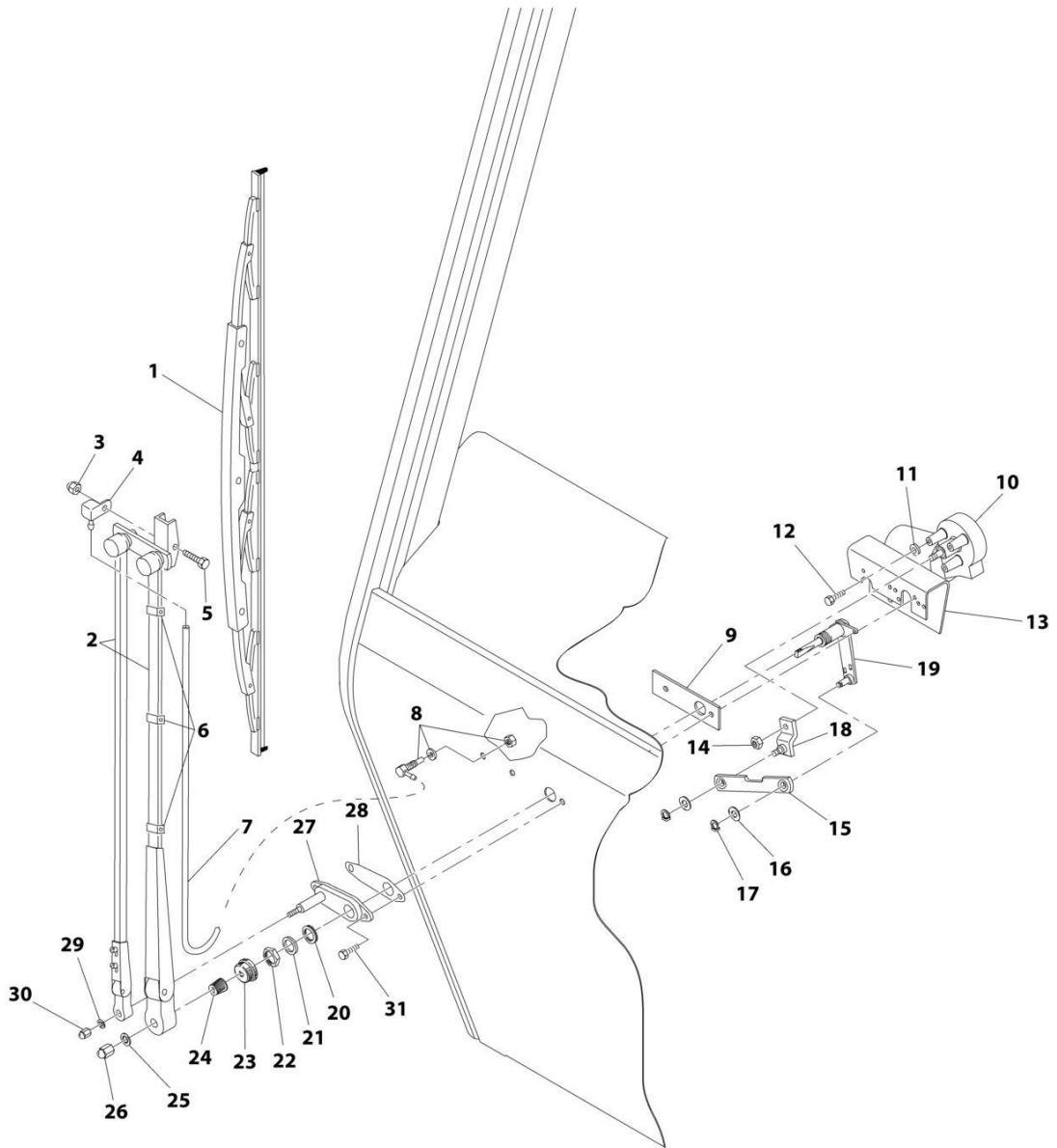
ART\_8036050-B

FIGURE 6-17. RH SLIDER WINDOW

| ITEM | PART NUMBER | QTY | DESCRIPTION   | REV |
|------|-------------|-----|---|-----|
|      | 8036050     | Ref | RH Slider Window  | B   |
| 1    | 8036197     | 1   | Glass, Rear Slide   |     |
| 2    | 8036196     | 1   | Glass, Front Slide  |     |
| 3    | Kit         | NSS | Capscrew (Use Item 101)   |     |
| 4    | Kit         | NSS | Spacer (Use Item 101)   |     |
| 5    | Kit         | NSS | Latch (Use Item 101)  |     |
| 6    | Kit         | NSS | Block, Lock (Use Item 102)  |     |
| 7    | Kit         | NSS | Assembly, Knob (Use Item 102)   |     |
| 8    | 8035523     | AR  | Compound, Locking   |     |
| 101  | 80384445    | 1   | Latch Assembly Kit (with Latch & Slider - Worthington Windows)<br>(includes items 3 thru 5) |     |
| 101  | 8036199     | 1   | Latch Assembly Kit (with Two Latches - Young Windows) (includes<br>items 3 thru 5)          |     |
| 102  | 8036198     | 1   | Friction Lock Assembly Kit (includes items 6 & 7)   |     |

# SECTION 6 - CAB

## FIGURE 6-18. FRONT WIPER ASSEMBLY



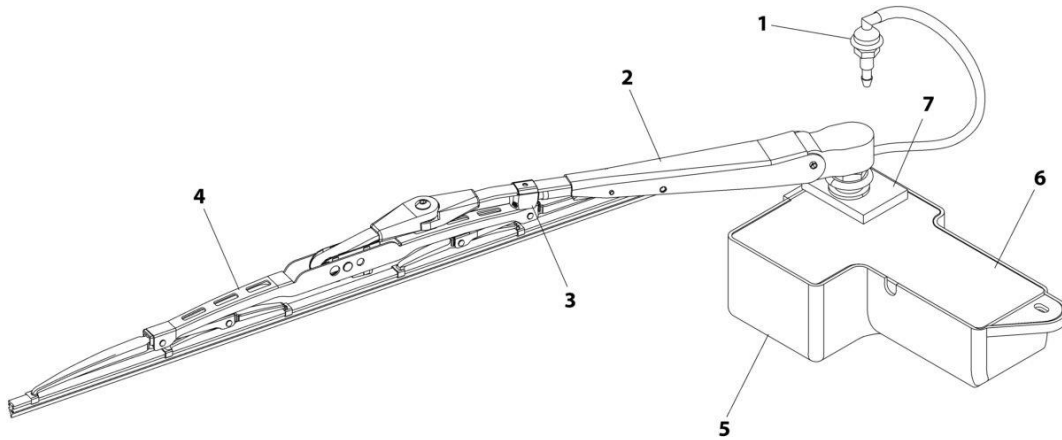
ART\_8036056-A

FIGURE 6-18. FRONT WIPER ASSEMBLY

| ITEM | PART NUMBER | QTY | DESCRIPTION                     | REV |
|------|-------------|-----|---------------------------------|-----|
|      | 8036056     | Ref | Front Wiper Assembly            | A   |
| 1    | 80384213    | 1   | Blade, Wiper                    |     |
| 2    | 8035393     | 1   | Assembly, Wiper Arm             |     |
| 3    | N.S.S.      | 1   | Nut, Lock                       |     |
| 4    | N.S.S.      | 1   | Nozzle, Sprayer                 |     |
| 5    | N.S.S.      | 1   | Bolt                            |     |
| 6    | N.S.S.      | 3   | Clip, Hose                      |     |
| 7    | N.S.S.      | 1   | Hose                            |     |
| 8    | 1001081310  | 1   | Adaptor, Wet Arm                |     |
| 9    | 8036100     | 1   | Spacer, Front Wiper Motor       |     |
| 10   | 7029860     | 1   | Motor, Wiper 12V                |     |
| 11   | N.S.S.      | 3   | Washer, 5/16                    |     |
| 12   | N.S.S.      | 3   | Bolt, 1/4-28X1                  |     |
| 13   | N.S.S.      | 1   | Bracket, Wiper Motor            |     |
| 14   | N.S.S.      | 1   | Nut                             |     |
| 15   | 8035409     | 1   | Link, Connecting                |     |
| 16   | N.S.S.      | 2   | Washer, 0.56X0.251X0.015        |     |
| 17   | N.S.S.      | 2   | Clip, Spring                    |     |
| 18   | 8035411     | 1   | Drive, Wiper Arm                |     |
| 19   | 8036099     | 1   | Assembly, Wiper Shaft and Pivot |     |
| 20   | N.S.S.      | 1   | Washer, Rubber                  |     |
| 21   | N.S.S.      | 1   | Washer, Metal                   |     |
| 22   | N.S.S.      | 1   | Nut, Jam 11/16-18               |     |
| 23   | N.S.S.      | 1   | Cap, Rubber                     |     |
| 24   | N.S.S.      | 1   | Driver, Knurled                 |     |
| 25   | N.S.S.      | 1   | Washer, Lock 3/8                |     |
| 26   | N.S.S.      | 1   | Nut, Acorn 1/4-28               |     |
| 27   | 8034815     | 1   | Assembly, Panto Adaptor         |     |
| 28   | N.S.S.      | 1   | Gasket                          |     |
| 29   | N.S.S.      | 1   | Washer, Lock 1/4                |     |
| 30   | N.S.S.      | 1   | Nut, Acorn 1/4-28               |     |
| 31   | 80384207    | 2   | Bolt, 1/4-28X3/4                |     |

# SECTION 6 - CAB

## FIGURE 6-19. SKYLIGHT WIPER ASSEMBLY



ART\_1001182470

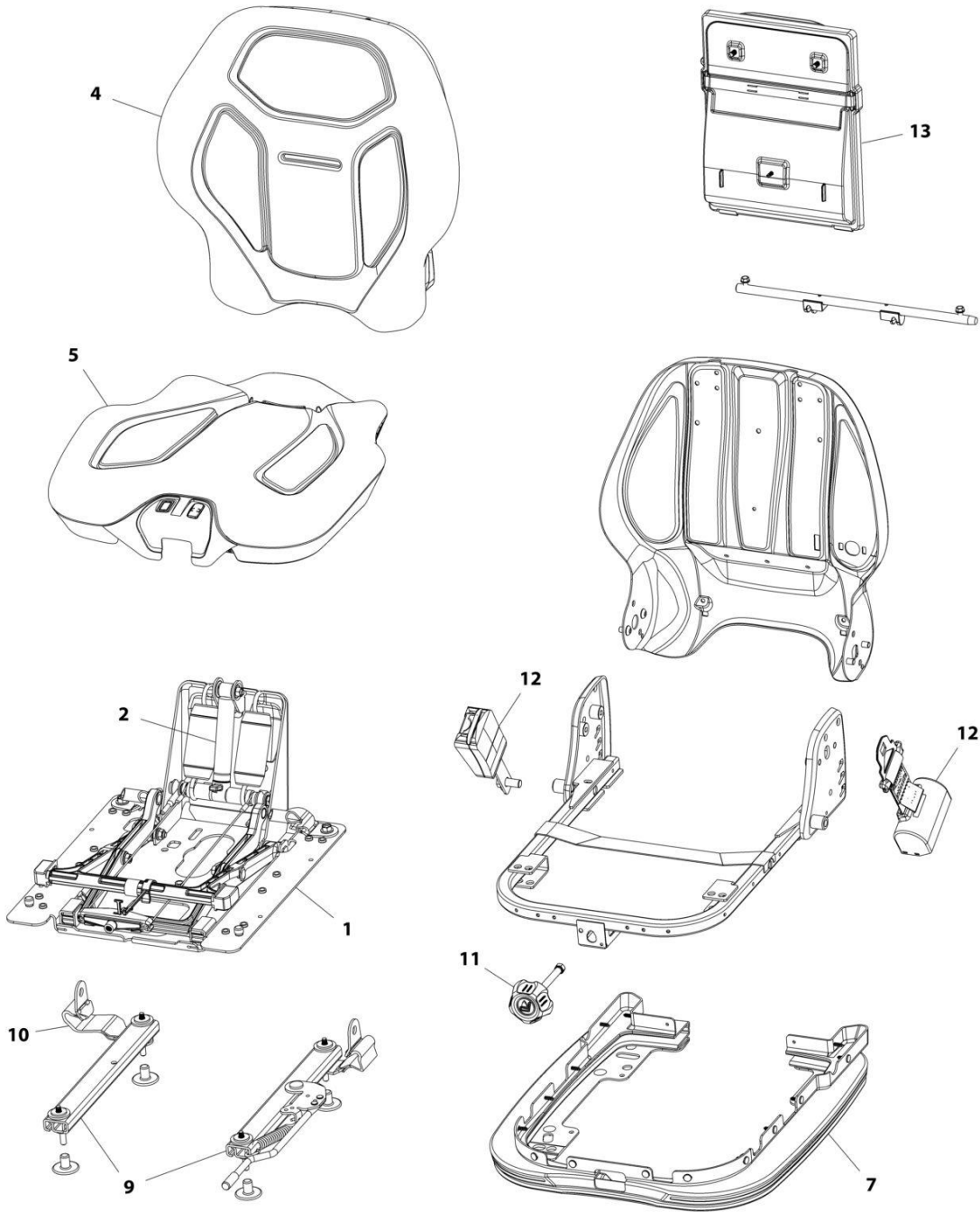


FIGURE 6-19. SKYLIGHT WIPER ASSEMBLY

| ITEM | PART NUMBER | QTY | DESCRIPTION                 | REV |
|------|-------------|-----|-----------------------------|-----|
|      | 1001182470  | Ref | SKYLIGHT WIPER ASSEMBLY     | B   |
| 1    | 1001081310  | 1   | Adaptor, Wet Arm            |     |
| 2    | 8035500     | 1   | Arm, Wiper                  |     |
| 3    | 8035499     | 1   | Arm, Wet Kit                |     |
| 4    | 8035498     | 1   | Blade, Wiper                |     |
| 5    | 70020652    | 1   | Motor, Wiper                |     |
| 6    | 8035493     | 1   | Cover, Wiper                |     |
| 7    | 70026352    | 1   | Block, Skylight Wiper Motor |     |

# SECTION 6 - CAB

## FIGURE 6-20. CAB SEAT



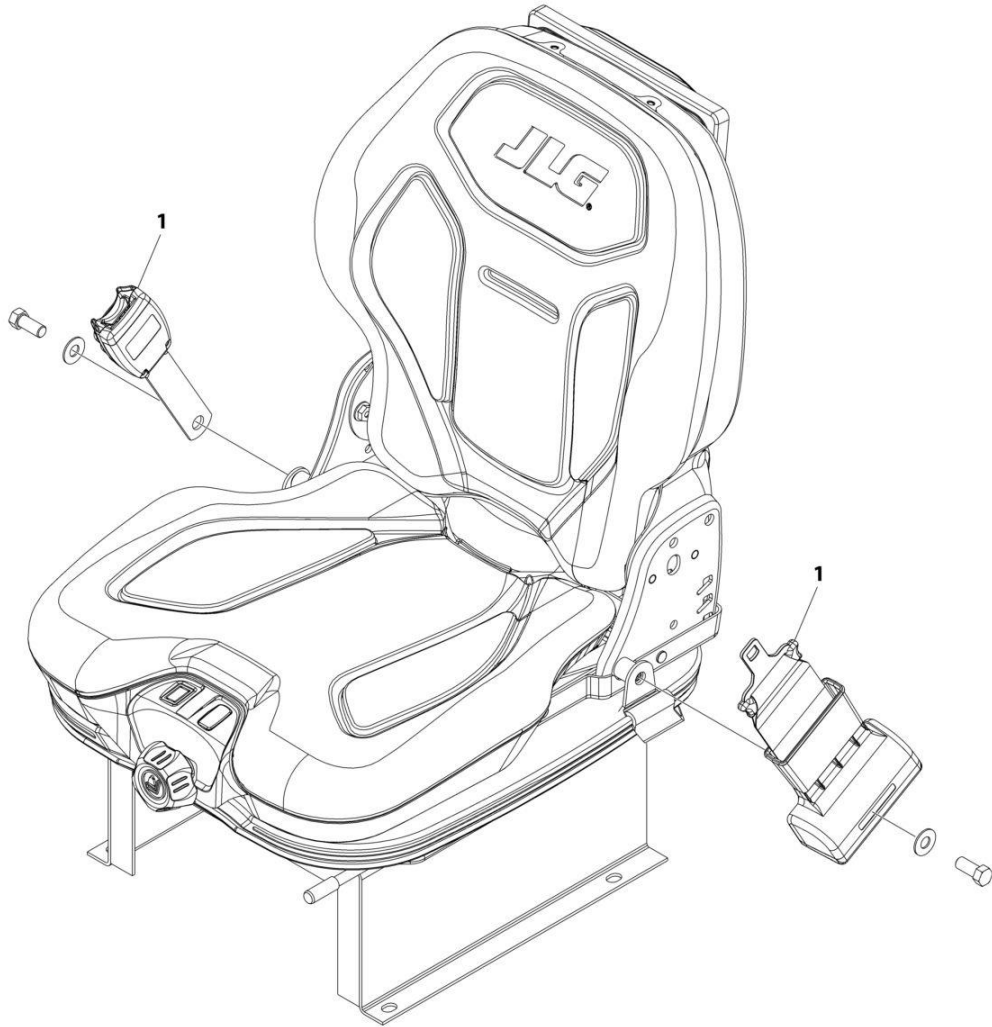
ART\_1001190229-E

FIGURE 6-20. CAB SEAT

| ITEM | PART NUMBER | QTY | DESCRIPTION                | REV |
|------|-------------|-----|----------------------------|-----|
|      | 1001190229  | Ref | Cab Seat                   | E   |
| 1    | 70027024    | 1   | Suspension Assembly Kit    |     |
| 2    | 70027025    | 1   | Spring Saddle Assembly Kit |     |
| 4    | 70027026    | 1   | Back Cushion Kit           |     |
| 5    | 70027028    | 1   | Seat Cushion Assembly Kit  |     |
| 7    | 70027030    | 1   | Boot Kit                   |     |
| 9    | 7026798     | 1   | Adjuster Kit               |     |
| 10   | 70027032    | 1   | Tether strap               |     |
| 11   | 70027033    | 1   | Weight adjust knob kit     |     |
| 12   | 70027034    | 2   | Seat belt kit              |     |
| 13   | 70027035    | 1   | Document box kit           |     |

# SECTION 6 - CAB

## FIGURE 6-21. SEAT BELT INSTALLATION (3IN WIDTH)



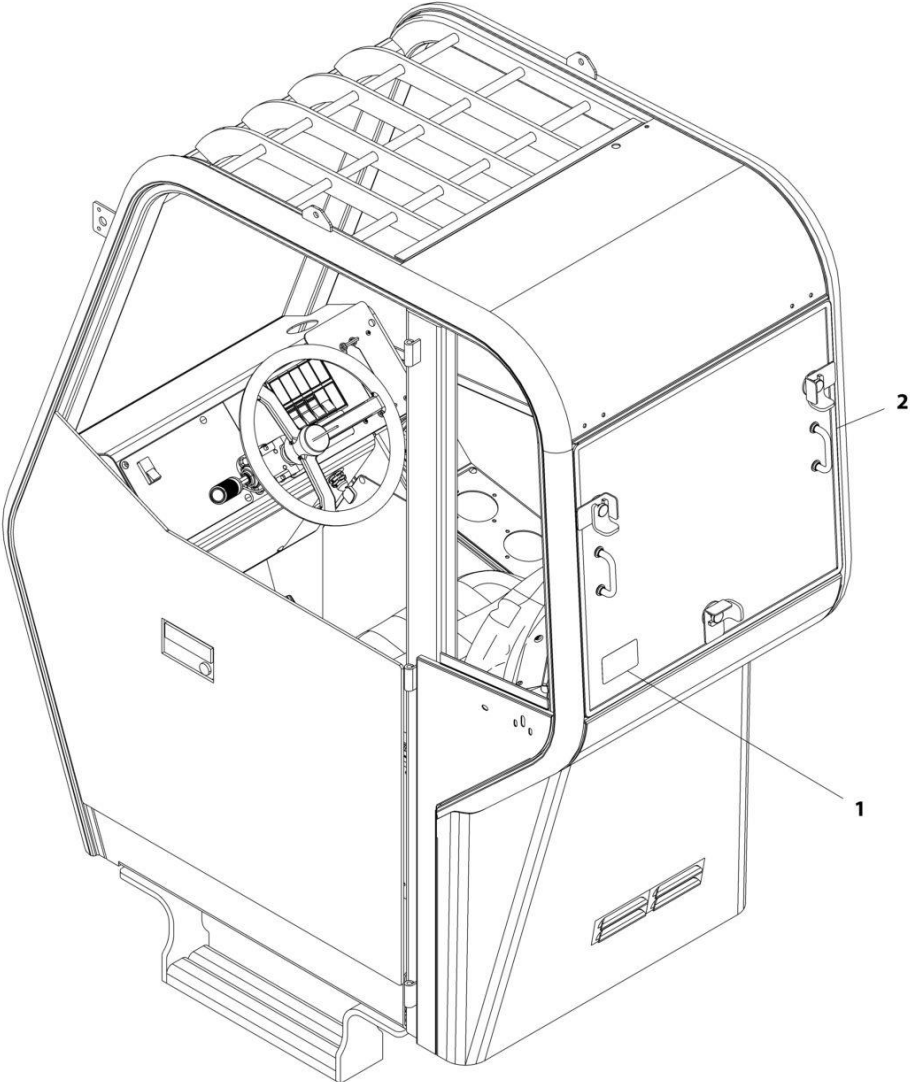
ART\_1001258245

**FIGURE 6-21. SEAT BELT INSTALLATION (3IN WIDTH)**

| <b>ITEM</b> | <b>PART NUMBER</b> | <b>QTY</b> | <b>DESCRIPTION</b>                 | <b>REV</b> |
|-------------|--------------------|------------|------------------------------------|------------|
|             | 1001258245         | Ref        | Seat Belt Installation (3in Width) | B          |
| 1           | 1001258244         | 1          | Seat Belt (3in) (Black Strap)      |            |
| 1           | 1001275933         | 1          | Seat Belt (3in) (Orange Strap)     |            |

**SECTION 6 - CAB**

**FIGURE 6-22. REAR DROPOUT WINDOW INSTALLATION (ANSI)**



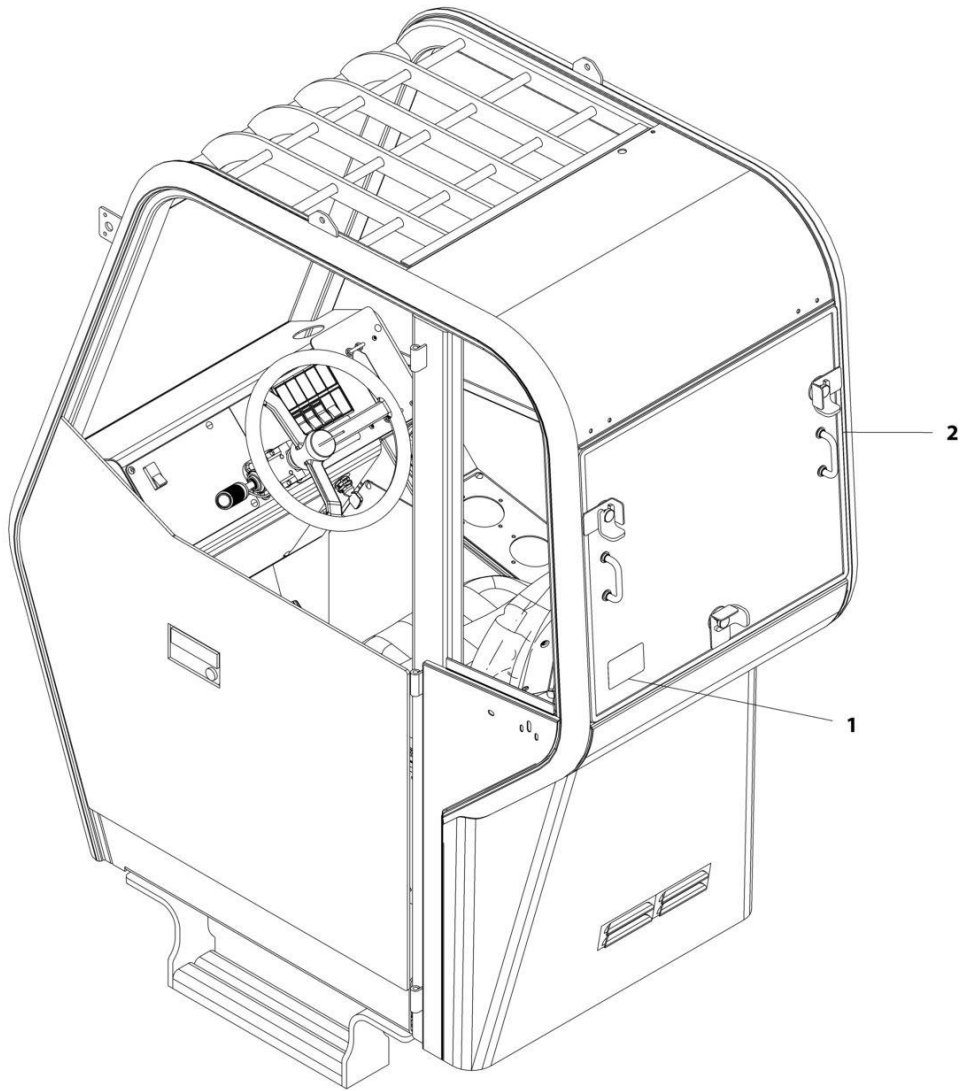
ART\_1001162806-A

**FIGURE 6-22. REAR DROPOUT WINDOW INSTALLATION (ANSI)**

| <b>ITEM</b> | <b>PART NUMBER</b> | <b>QTY</b> | <b>DESCRIPTION</b>                      | <b>REV</b> |
|-------------|--------------------|------------|---|------------|
|             | 1001162806         | Ref        | Rear Dropout Window Installation (ANSI) | A          |
| 1           | 1001160071         | 2          | Decal, Rear Emergency Exit              |            |
| 2           | 1001162804         | 1          | Window, Rear Dropout                    |            |

## SECTION 6 - CAB

FIGURE 6-23. REAR DROPOUT WINDOW INSTALLATION (ENGLISH/FRENCH)



ART\_1001167250-A

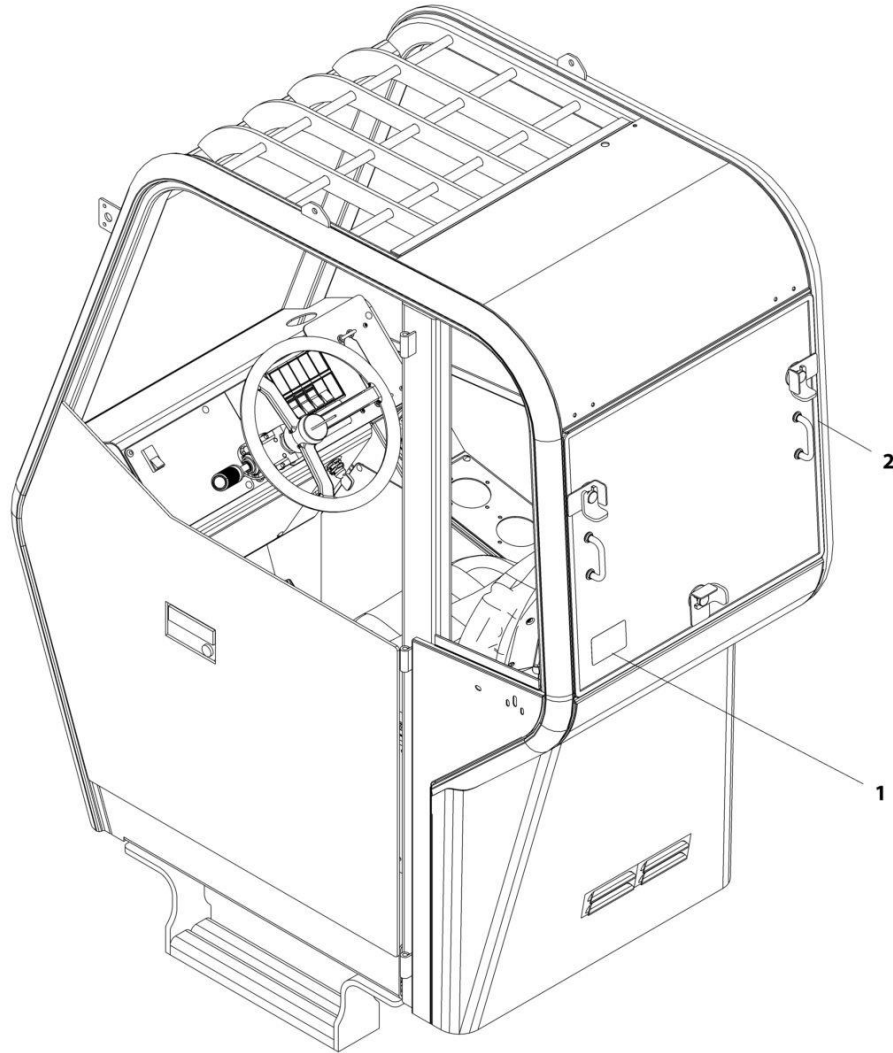


**FIGURE 6-23. REAR DROPOUT WINDOW INSTALLATION (ENGLISH/FRENCH)**

| <b>ITEM</b> | <b>PART NUMBER</b> | <b>QTY</b> | <b>DESCRIPTION</b>                                | <b>REV</b> |
|-------------|--------------------|------------|---|------------|
|             | 1001167250         | Ref        | Rear Dropout Window Installation (ENGLISH/FRENCH) | A          |
| 1           | 1001160787         | 2          | Decal, Rear Emergency Exit                        |            |
| 2           | 1001162804         | 1          | Window, Rear Dropout                              |            |

## SECTION 6 - CAB

FIGURE 6-24. REAR DROPOUT WINDOW INSTALLATION (ISO)



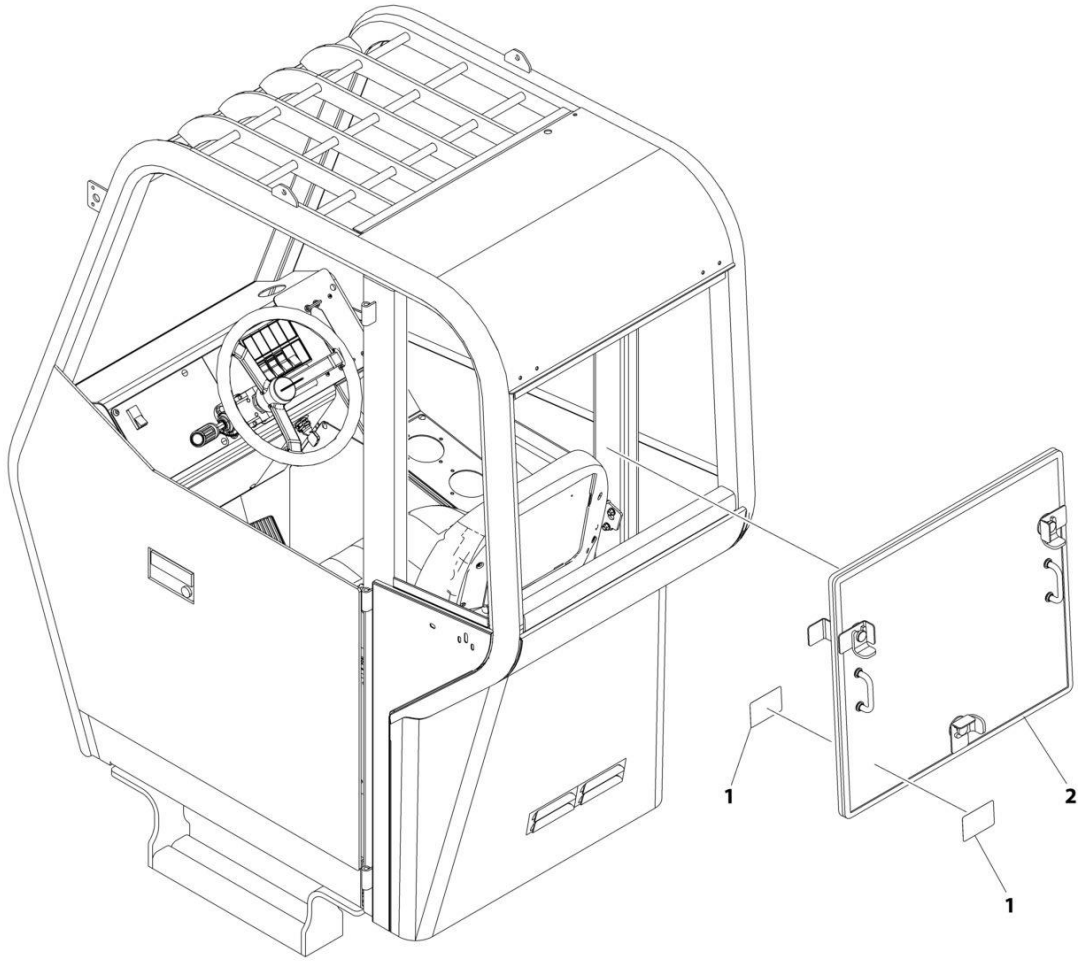
ART\_1001167251-A

**FIGURE 6-24. REAR DROPOUT WINDOW INSTALLATION (ISO)**

| <b>ITEM</b> | <b>PART NUMBER</b> | <b>QTY</b> | <b>DESCRIPTION</b>                     | <b>REV</b> |
|-------------|--------------------|------------|--|------------|
|             | 1001167251         | Ref        | Rear Dropout Window Installation (ISO) | A          |
| 1           | 1001160912         | 2          | Decal, Rear Emergency Exit             |            |
| 2           | 1001162804         | 1          | Window, Rear Dropout                   |            |

# SECTION 6 - CAB

## FIGURE 6-25. INSTALLTION, REAR WINDOW EXIT (ENG/SP)



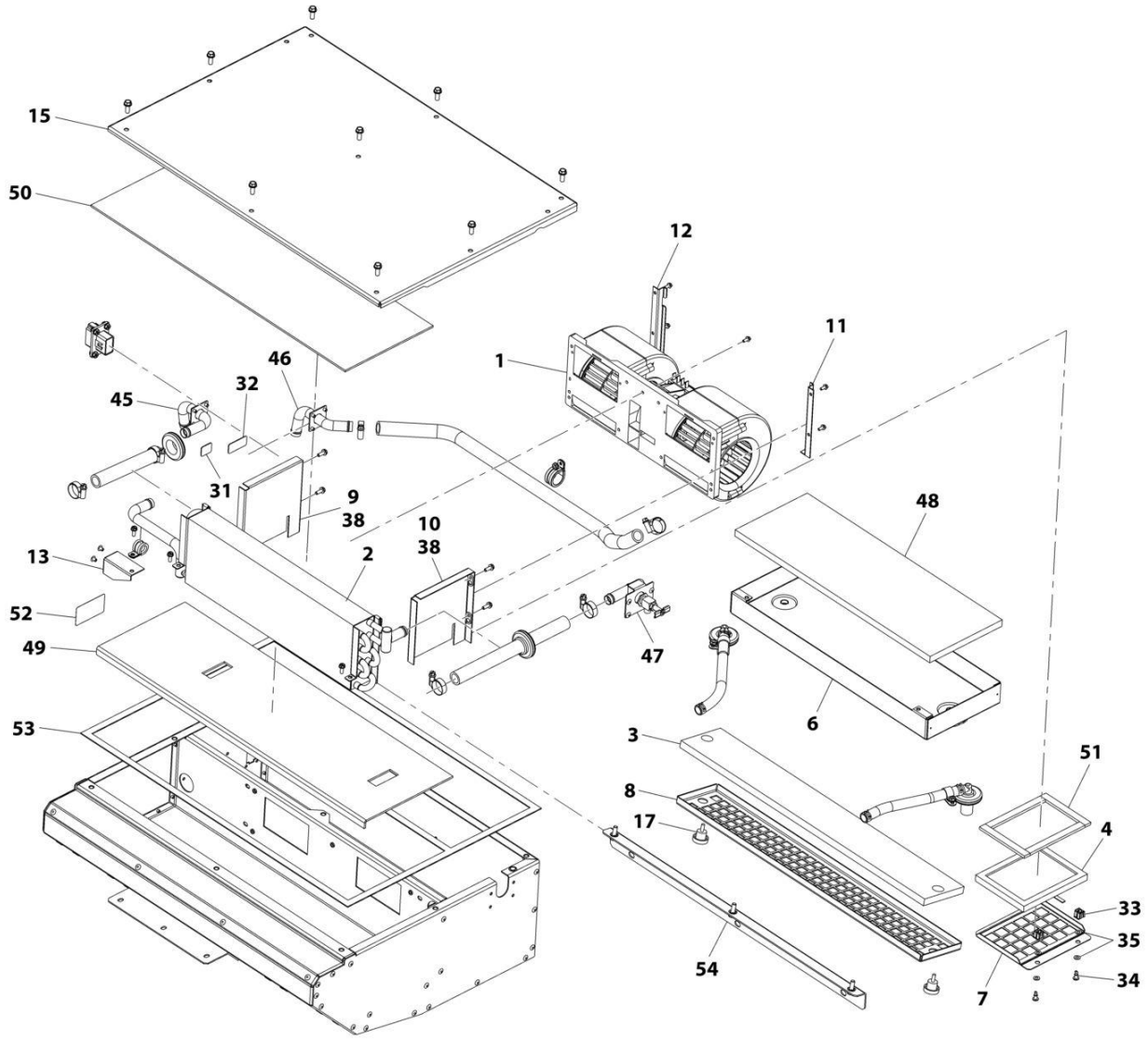
ART\_1001242916

**FIGURE 6-25. INSTALLTION, REAR WINDOW EXIT (ENG/SP)**

| <b>ITEM</b> | <b>PART NUMBER</b> | <b>QTY</b> | <b>DESCRIPTION</b>                     | <b>REV</b> |
|-------------|--------------------|------------|--|------------|
|             | 1001242916         | Ref        | REAR WINDOW EXIT INSTALLATION (ENG/SP) | B          |
| 1           | 1001273850         | 2          | Decal, Rear Window Entry/Exit          |            |
| 2           | 1001162804         | 1          | Window                                 |            |

# SECTION 6 - CAB

## FIGURE 6-26. ROOF HEATER BOX



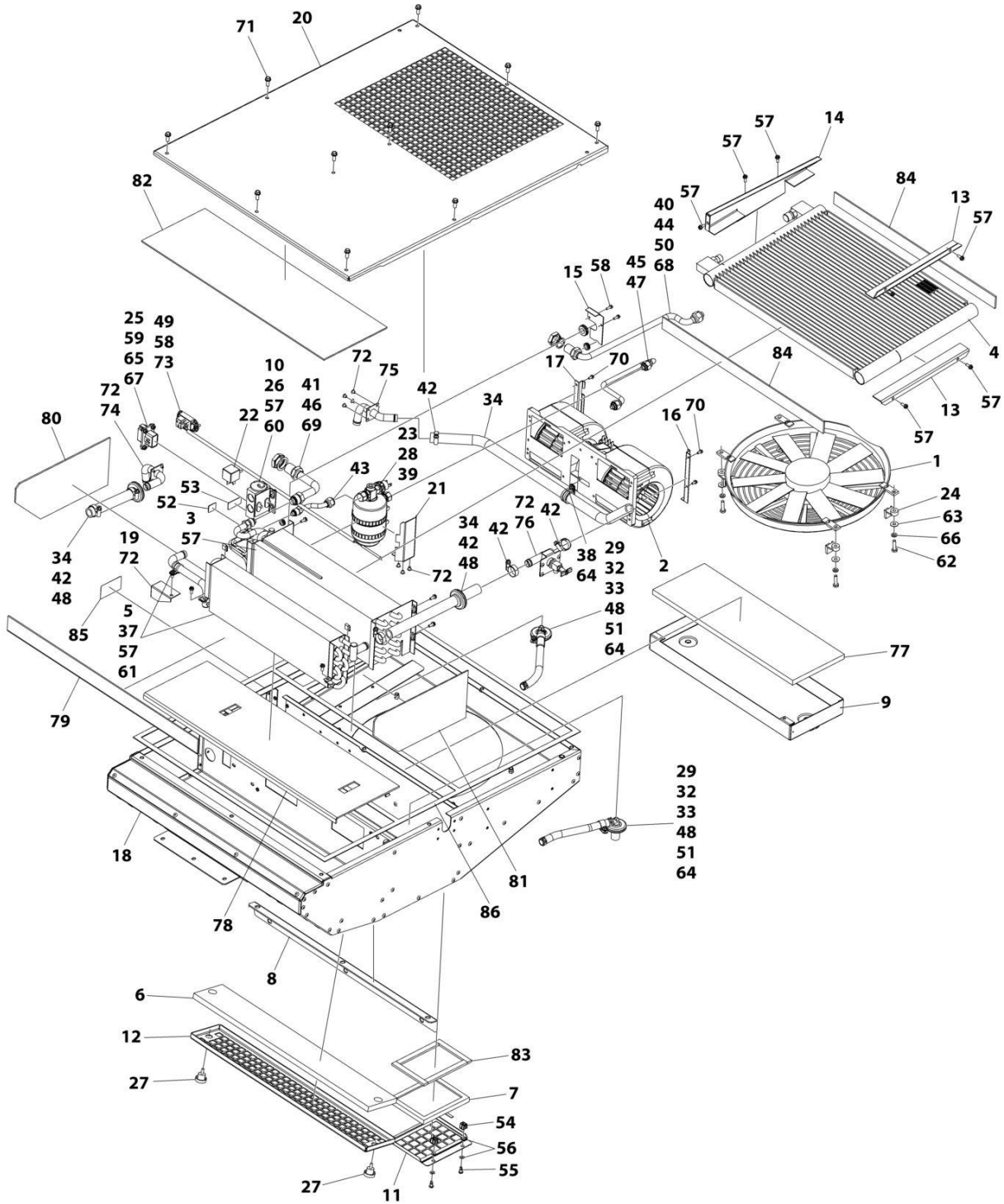
ART\_1001159860-B

FIGURE 6-26. ROOF HEATER BOX

| ITEM | PART NUMBER | QTY | DESCRIPTION         | REV |
|------|-------------|-----|---------------------|-----|
|      | 1001159860  | Ref | Roof Heater Box     | B   |
| 1    | 70026978    | 1   | Blower, 12V         |     |
| 2    | 70026981    | 1   | Heater Coil         |     |
| 3    | 70026982    | 1   | Air Filter          |     |
| 4    | 70026983    | 1   | Air Filter          |     |
| 6    | 70029822    | 1   | Drain Pan           |     |
| 7    | 70029823    | 1   | Cover, Air Filter   |     |
| 8    | 70029824    | 1   | Cover, Air Filter   |     |
| 9    | 70029825    | 1   | Bracket, Coil (R)   |     |
| 10   | 70029826    | 1   | Bracket, Coil (L)   |     |
| 11   | 70029827    | 1   | Bracket, Blower     |     |
| 12   | 70029828    | 1   | Bracket, Blower     |     |
| 13   | 70029829    | 1   | Support Bracket     |     |
| 15   | 70029830    | 1   | Cover               |     |
| 16   | 70029831    | 1   | Harness (not shown) |     |
| 17   | 8036726     | 2   | Knob                |     |
| 31   | 70029832    | 1   | Overlay In          |     |
| 32   | 70029833    | 1   | Overlay Out         |     |
| 33   | 70029834    | 2   | Receptacle          |     |
| 34   | 70029835    | 2   | Stud, Oval Slotted  |     |
| 35   | 70029836    | 4   | Retainer            |     |
| 38   | 70029837    | 2   | Panel, Coil Clip    |     |
| 45   | 70029838    | 1   | Tube Assembly       |     |
| 46   | 70029839    | 1   | Tube Assembly       |     |
| 47   | 70026991    | 1   | Valve, Bleeder      |     |
| 48   | 70029840    | 1   | Foam                |     |
| 49   | 70029841    | 1   | Foam, Closed Cell   |     |
| 50   | 70029842    | 1   | Foam, Closed Cell   |     |
| 51   | 70026123    | 1   | Foam, 3/16X180      |     |
| 52   | See Note    | 1   | Foam 456mm          |     |
| 53   | 70029843    | 1   | Foam, Closed Cell   |     |
| 54   | 70029844    | 1   | Bracket Assembly    |     |

# SECTION 6 - CAB

## FIGURE 6-27. ROOF BOX HVAC



ART\_1001159861



FIGURE 6-27. ROOF BOX HVAC

| ITEM | PART NUMBER | QTY | DESCRIPTION        | REV |
|------|-------------|-----|--------------------|-----|
|      | 1001159861  | Ref | ROOF BOX HVAC      | B   |
| 1    | 70026945    | 1   | Assembly, Fan      |     |
| 2    | 70026978    | 1   | Blower             |     |
| 3    | 70026979    | 1   | Coil, Evaporator   |     |
| 4    | 70026980    | 1   | Condenser          |     |
| 5    | 70026981    | 1   | Coil, Heater       |     |
| 6    | 70026982    | 1   | Filter, Air        |     |
| 7    | 70026983    | 1   | Filter, Air        |     |
| 8    | 70030281    | 1   | Bracket            |     |
| 9    | 70029822    | 1   | Pan, Drain         |     |
| 10   | NPN         | 1   | Bracket            |     |
| 11   | 70029823    | 1   | Cover              |     |
| 12   | 70029824    | 1   | Cover              |     |
| 13   | NPN         | 2   | Rail, Condenser    |     |
| 14   | NPN         | 1   | Bracket, Condenser |     |
| 15   | 70031394    | 1   | Bracket            |     |
| 16   | 70029827    | 1   | Bracket, Blower    |     |
| 17   | 70029828    | 1   | Bracket, Blower    |     |
| 18   | NPN         | 1   | Housing            |     |
| 19   | 70029829    | 1   | Bracket            |     |
| 20   | 70031395    | 1   | Cover              |     |
| 21   | 70031396    | 1   | Bracket            |     |
| 22   | 70026986    | 1   | Relay              |     |
| 23   | 70026854    | 1   | Sensor, Pressure   |     |
| 24   | 70029981    | 4   | Mount, Fan         |     |
| 25   | 70031397    | 1   | Harness, Wiring    |     |
| 26   | 70020876    | 1   | Valve, Block       |     |
| 27   | 8036726     | 2   | Knob               |     |
| 28   | 70026984    | 1   | Drier, Receiver    |     |
| 29   | 7029412     | AR  | Hose               |     |
| 32   | 7029413     | 2   | Fitting, 90        |     |
| 33   | 7029415     | 4   | Clamp              |     |
| 34   | 70031398    | AR  | Hose               |     |
| 37   | 70026987    | 1   | Clamp              |     |
| 38   | 70026988    | 1   | Clamp              |     |
| 39   | 70026989    | 2   | Clamp              |     |
| 40   | 70031402    | 1   | Nut #8             |     |
| 41   | 70031403    | 1   | Nut #10            |     |
| 42   | 70026990    | 6   | Clamp              |     |
| 43   | 70028782    | 1   | Tube               |     |
| 44   | 70028781    | 1   | Tube               |     |
| 45   | 70028780    | 1   | Tube               |     |
| 46   | 70028779    | 1   | Tube               |     |
| 47   | 70031404    | 1   | Grommet            |     |
| 48   | 70031405    | 4   | Grommet            |     |
| 49   | 70026111    | 1   | Grommet            |     |
| 50   | 70031406    | 1   | Grommet            |     |
| 51   | NPN         | 2   | Clamp              |     |
| 52   | 70029832    | 1   | Cover, In          |     |
| 53   | 70029833    | 1   | Cover, Out         |     |

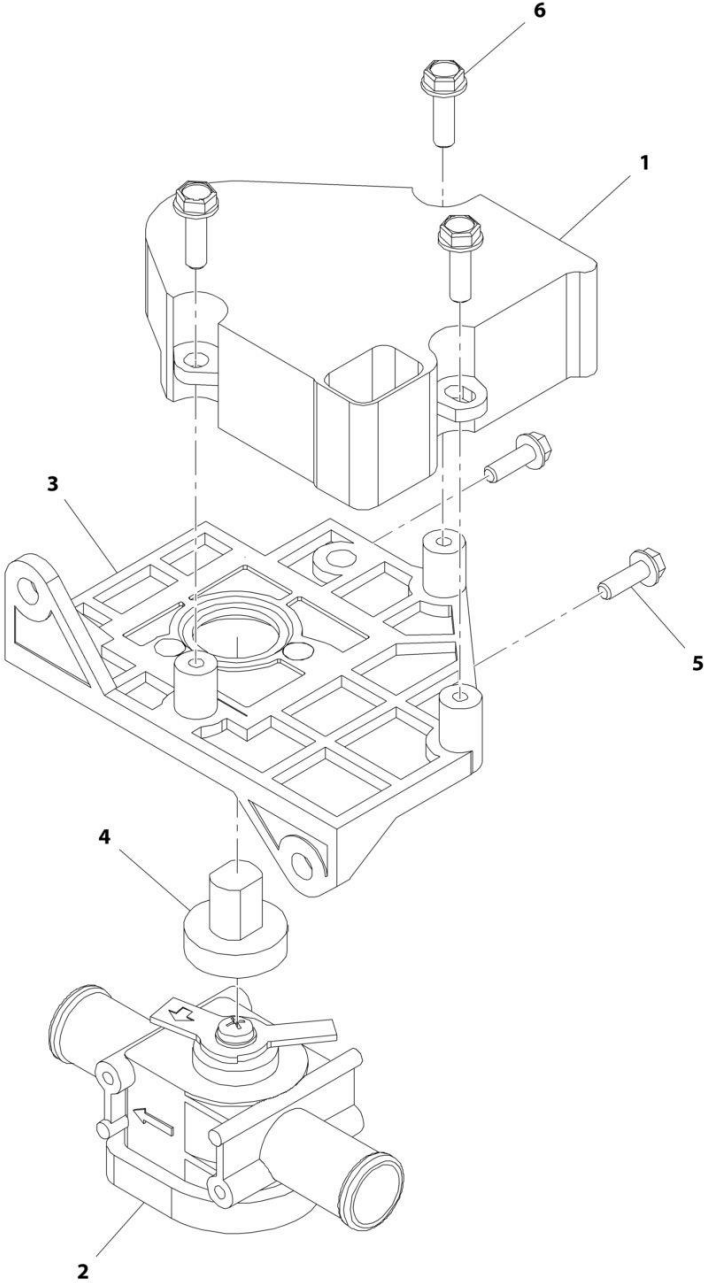
## SECTION 6 - CAB

| ITEM | PART NUMBER | QTY | DESCRIPTION      | REV |
|------|-------------|-----|------------------|-----|
| 54   | 70029834    | 2   | Connector        |     |
| 55   | 70029835    | 2   | Screw            |     |
| 56   | 70029836    | 4   | Washer           |     |
| 57   | NPN         | 16  | Bolt #10 x 1/2   |     |
| 58   | NPN         | 5   | Bolt #8 x 1/2    |     |
| 59   | NPN         | 8   | Washer #8        |     |
| 60   | NPN         | 2   | Bolt 1/4 x 1-1/2 |     |
| 61   | 70029837    | 2   | Clip             |     |
| 62   | NPN         | 4   | Bolt 1/4 x 1     |     |
| 63   | NPN         | 6   | Washer 1/4       |     |
| 64   | NPN         | 3   | Nut #10          |     |
| 65   | NPN         | 4   | Nut #8           |     |
| 66   | 70029984    | 4   | Washer 1/4       |     |
| 67   | NPN         | 4   | Bolt #8 x 1/2    |     |
| 68   | 70031413    | 1   | Washer           |     |
| 69   | 70031414    | 1   | Washer           |     |
| 70   | NPN         | 5   | Bolt #8 x 3/8    |     |
| 71   | NPN         | 10  | Bolt 1/4 x 5/8   |     |
| 72   | NPN         | 17  | Rivet            |     |
| 73   | 70026985    | 1   | Thermostat       |     |
| 74   | 70029838    | 1   | Tube             |     |
| 75   | 70029839    | 1   | Tube             |     |
| 76   | 70026991    | 1   | Valve, Bleeder   |     |
| 77   | 70029840    | 1   | Foam             |     |
| 78   | 70029841    | 1   | Foam             |     |
| 79   | 70031420    | 1   | Foam             |     |
| 80   | 70031421    | 1   | Foam             |     |
| 81   | 70031422    | 1   | Foam             |     |
| 82   | 70029842    | 1   | Foam             |     |
| 83   | 70026123    | 1   | Insulation       |     |
| 84   | 70026124    | 2   | Foam             |     |
| 85   | NPN         | 1   | Decal            |     |
| 86   | 70029843    | 1   | Foam             |     |



**SECTION 6 - CAB**

**FIGURE 6-28. HEATER VALVE**



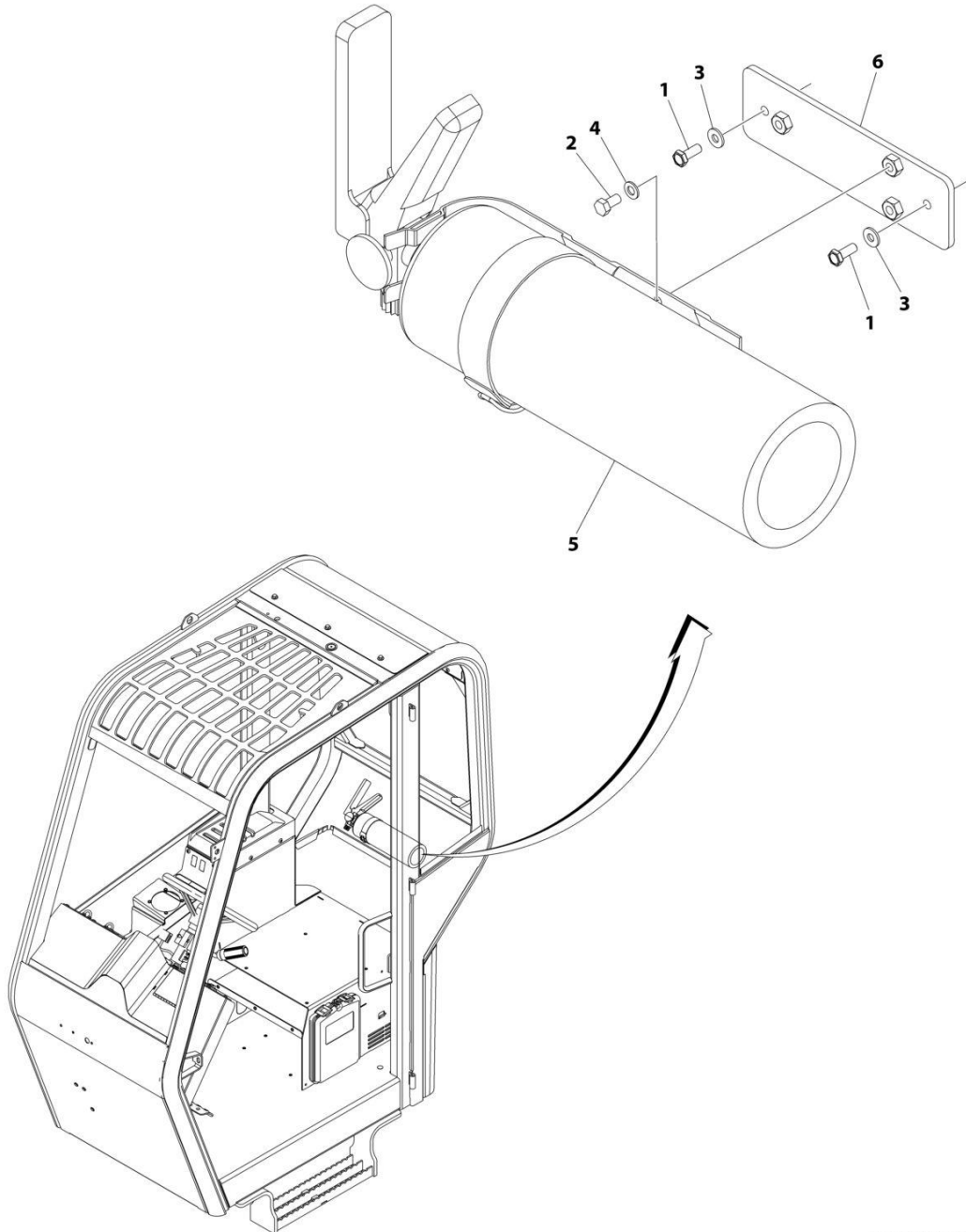
ART\_1001159844-C

FIGURE 6-28. HEATER VALVE

| ITEM | PART NUMBER | QTY | DESCRIPTION             | REV |
|------|-------------|-----|-------------------------|-----|
|      | 1001159844  | Ref | Heater Valve            | C   |
| 1    | 70026088    | 1   | Motor Actuator, 12V     |     |
| 2    | 70026089    | 1   | Assembly, Heater Valve  |     |
| 3    | 70026090    | 1   | Assembly, Valve Bracket |     |
| 4    | 70026091    | 1   | Adapter, Shaft          |     |
| 5    | 70026092    | 2   | Screw, 8-18X1/2         |     |
| 6    | 70026093    | 3   | Screw, 10-16X5/8        |     |

# SECTION 6 - CAB

## FIGURE 6-29. FIRE EXTINGUISHER INSTALLATION



ART\_1001258100

FIGURE 6-29. FIRE EXTINGUISHER INSTALLATION

| ITEM | PART NUMBER | QTY | DESCRIPTION                            | REV |
|------|-------------|-----|--|-----|
|      | 1001258100  | Ref | Skytrak Fire Extinguisher Installation | A   |
| 1    | 0721004     | 2   | Screw M10X1/2                          |     |
| 2    | 0760505     | 3   | Bolt M5X10                             |     |
| 3    | 4750800     | 2   | Washer M8                              |     |
| 4    | 4811600     | 3   | Washer M5                              |     |
| 5    | 1001099699  | 1   | Extinguisher, Fire with Bracket        |     |
| 5    | 1001100082  | 1   | Bracket                                |     |
| 6    | 1001241305  | 1   | Bracket                                |     |

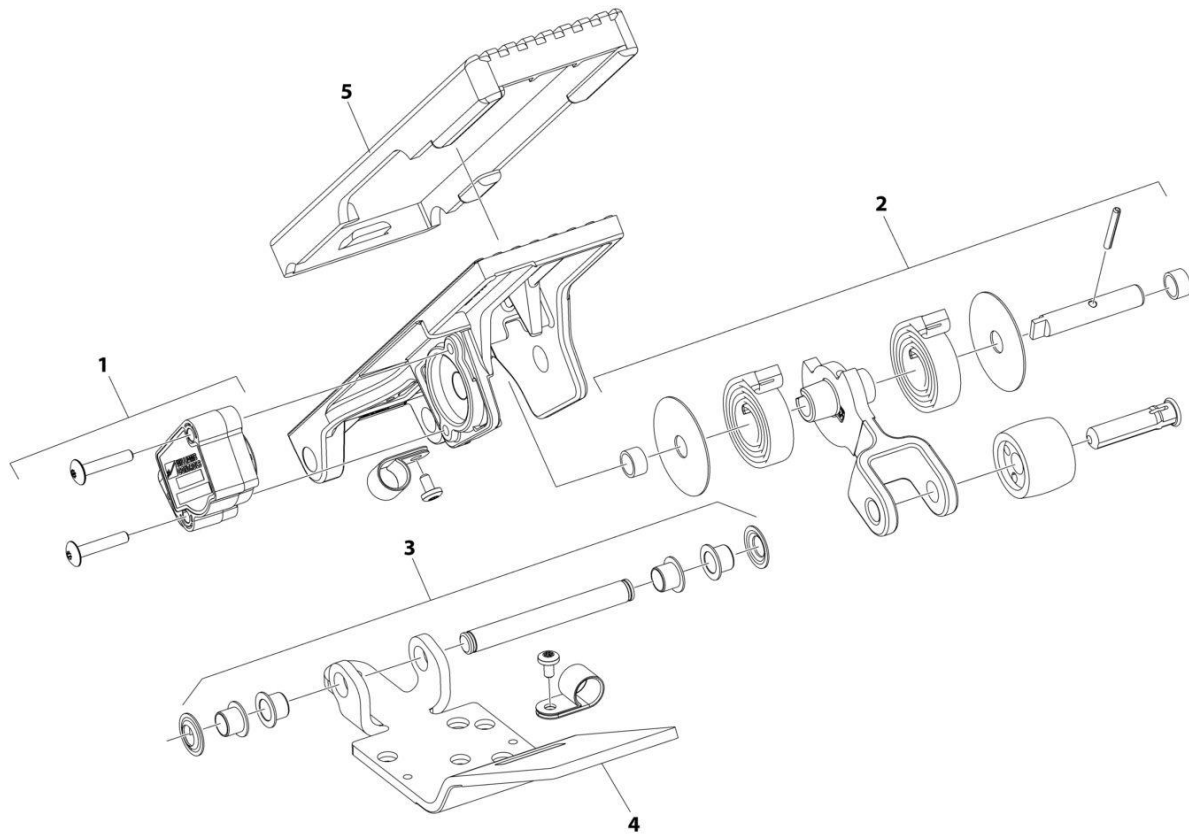




**SECTION 7 - CONTROLS**

# SECTION 7 - CONTROLS

FIGURE 7-1. ACCELERATOR (SN 0160105660 through 0160106072)



ART\_1001180555\_D

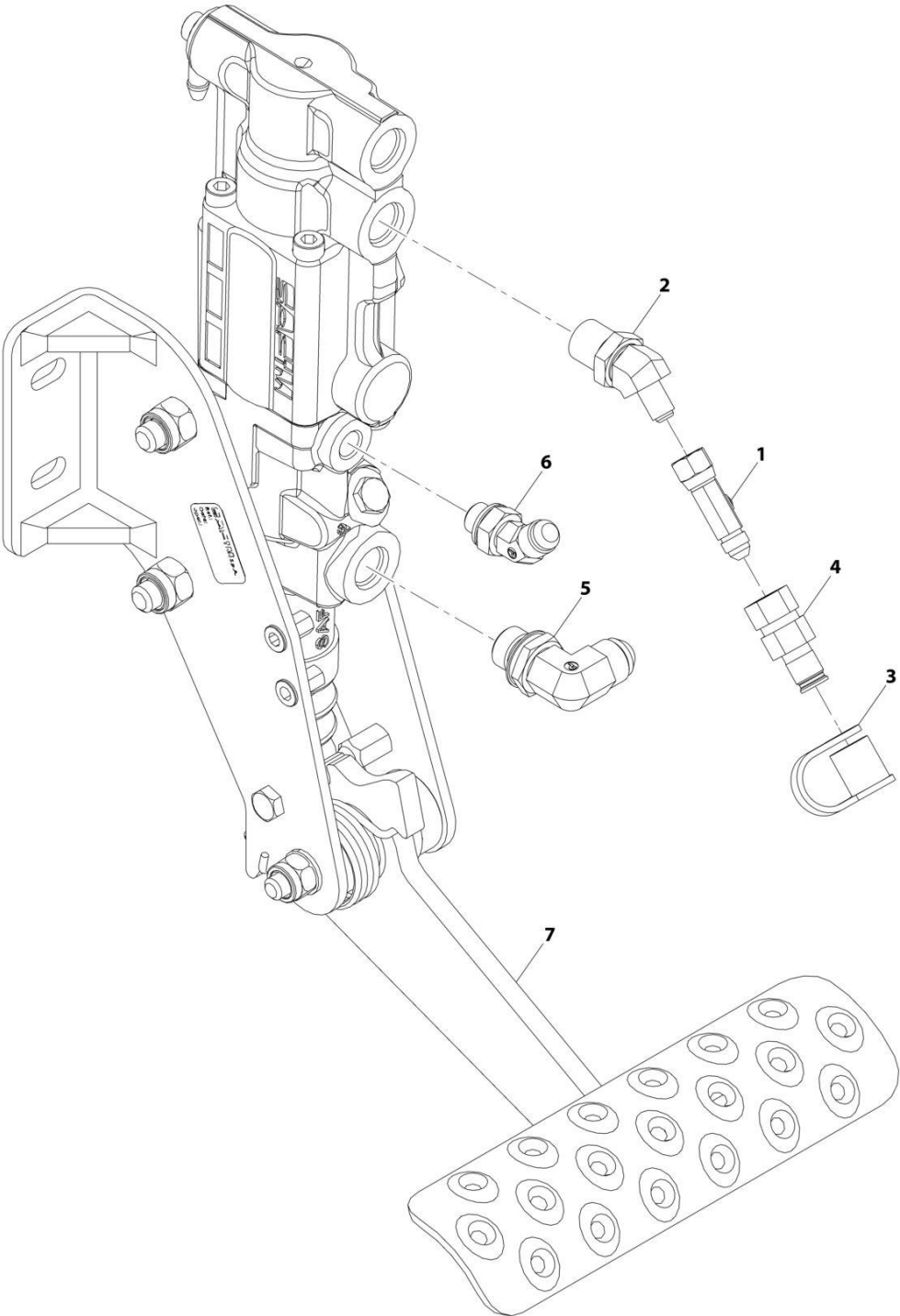
## SECTION 7 - CONTROLS

**FIGURE 7-1. ACCELERATOR (SN 0160105660 through 0160106072)**

| ITEM | PART NUMBER | QTY | DESCRIPTION | REV |
|------|-------------|-----|-------------|-----|
|      | 1001180555  | Ref | Accelerator | D   |
| 1    | 70024319    | 1   | Kit, Sensor |     |
| 2    | 70020404    | 1   | Kit, Roller |     |
| 3    | 91554009    | 1   | Kit, Pin    |     |
| 4    | 70026074    | 1   | Plate, Base |     |
| 5    | 91554005    | 1   | Cover       |     |

**SECTION 7 - CONTROLS**

**FIGURE 7-2. BRAKE ASSEMBLY**



ART\_1001223052-A

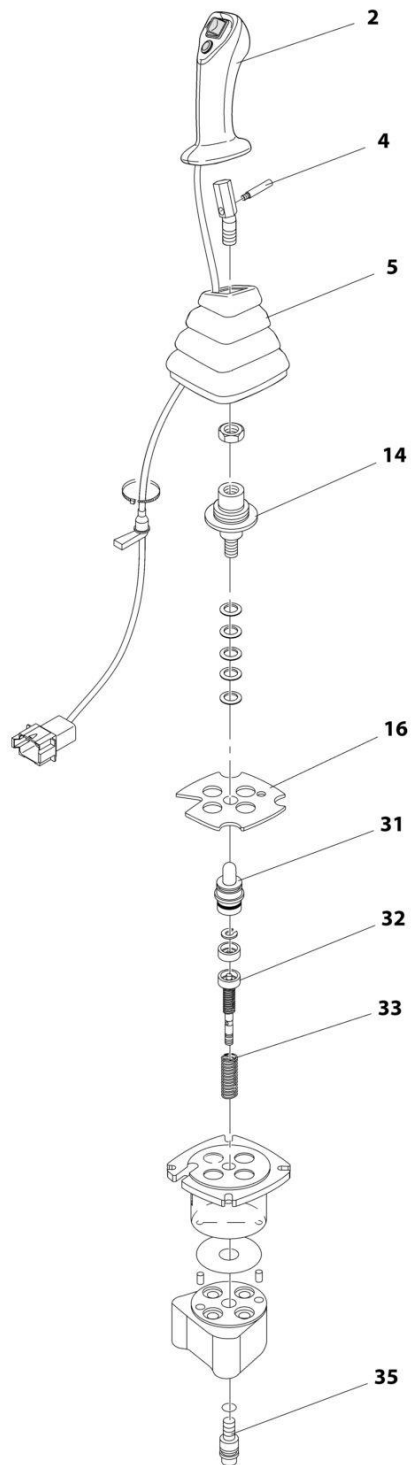
## SECTION 7 - CONTROLS

### FIGURE 7-2. BRAKE ASSEMBLY

| ITEM | PART NUMBER | QTY | DESCRIPTION  | REV |
|------|-------------|-----|--|-----|
|      | 1001223052  | Ref | Brake Assembly - Safim   | A   |
| 1    | 2220605     | 1   | Adapter  |     |
| 2    | 2221344     | 1   | Adapter  |     |
| 3    | 8430032     | 1   | Plug, Dust Cap   |     |
| 4    | 10727374    | 1   | Adapter  |     |
| 5    | 91473086    | 1   | Adapter  |     |
| 6    | 1001183341  | 1   | Adapter  |     |
| 7    | 1001223050  | 1   | Installation, Hydraulic Brake Valve (See Separate Breakdown in HYDRAULIC CIRCUITS Section) |     |

# SECTION 7 - CONTROLS

## FIGURE 7-3. PILOT JOYSTICK CONTROL



ART\_1001158002-B

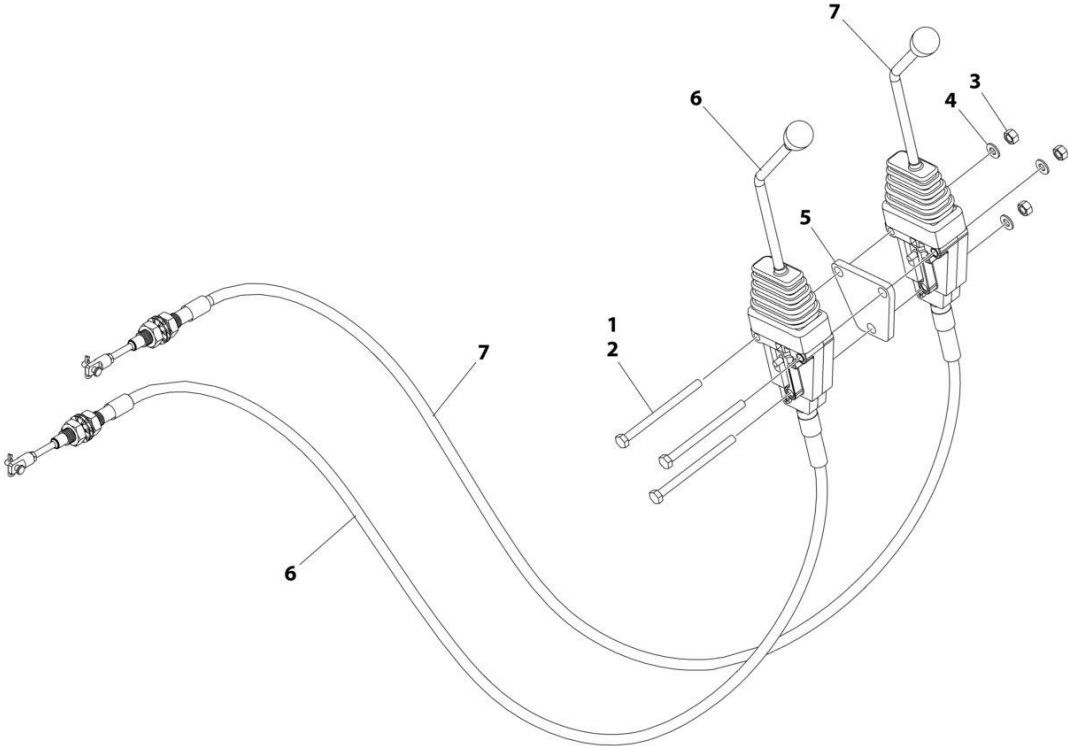
## SECTION 7 - CONTROLS

### FIGURE 7-3. PILOT JOYSTICK CONTROL

| ITEM | PART NUMBER | QTY | DESCRIPTION                  | REV |
|------|-------------|-----|------------------------------|-----|
|      | 1001158002  | Ref | Pilot Joystick Control       | B   |
| 2    | 70026097    | 1   | Handle                       |     |
| 4    | 91404011    | 1   | Kit, Bent Lever              |     |
| 5    | 80364095    | 1   | Boot, Rubber                 |     |
| 14   | 80264138    | 1   | Kit, Cardan                  |     |
| 16   | 91404013    | 1   | Plate, Retaining             |     |
| 31   | 91304025    | 2   | Kit, Plunger (set of two)    |     |
| 32   | 70026098    | 4   | Unit, Regulating             |     |
| 33   | 91514225    | 1   | Spring, Return (set of four) |     |
| 35   | 91404326    | 1   | Kit, Seal                    |     |

**SECTION 7 - CONTROLS**

**FIGURE 7-4. SECONDARY CONTROLS INSTALLATION**



ART\_1001256070



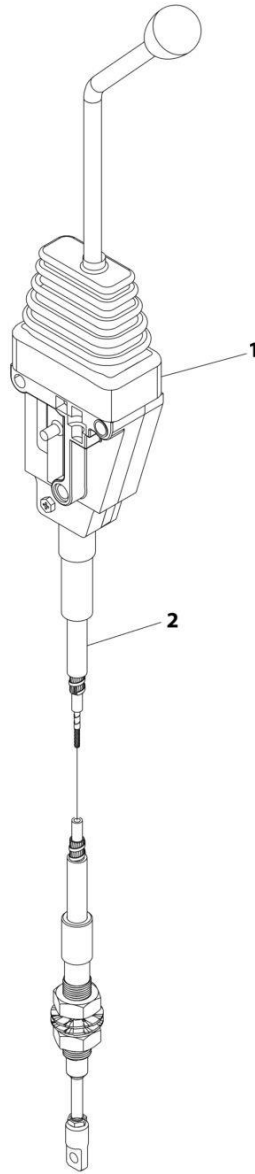
## SECTION 7 - CONTROLS

**FIGURE 7-4. SECONDARY CONTROLS INSTALLATION**

| ITEM | PART NUMBER | QTY | DESCRIPTION  | REV |
|------|-------------|-----|--|-----|
|      | 1001256070  | Ref | SECONDARY CONTROLS INSTALLATION                                  | B   |
| 1    | 0100011     | AR  | Compound, Locking  |     |
| 2    | 0700828     | 3   | Bolt M8 x 110  |     |
| 3    | 8305043     | 3   | Nut M8 x 1.25  |     |
| 4    | 8307222     | 3   | Washer M8  |     |
| 5    | 1001174340  | 1   | Bracket, Control Spacer Plate                                    |     |
| 6    | 1001256068  | 1   | Secondary Tall Control (See Separate Breakdown in this Section)  |     |
| 7    | 1001256069  | 1   | Secondary Short Control (See Separate Breakdown in this Section) |     |

# SECTION 7 - CONTROLS

## FIGURE 7-5. SECONDARY SHORT CONTROL



ART\_1001256069

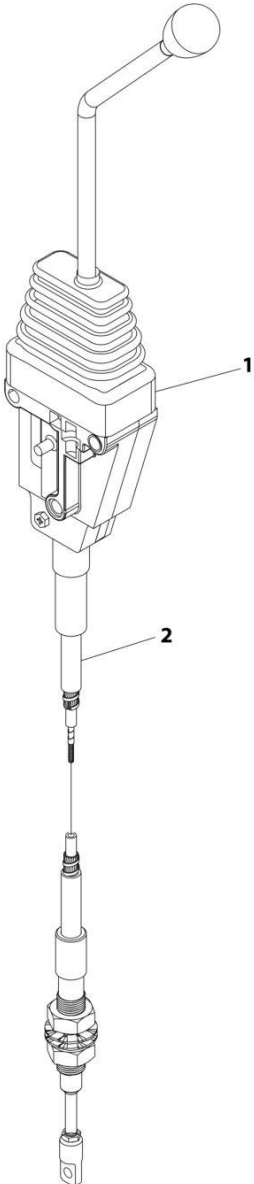
## SECTION 7 - CONTROLS

**FIGURE 7-5. SECONDARY SHORT CONTROL**

| ITEM | PART NUMBER | QTY | DESCRIPTION             | REV |
|------|-------------|-----|-------------------------|-----|
|      | 1001256069  | Ref | SECONDARY SHORT CONTROL | A   |
| 1    | 1001173582  | 1   | Control                 |     |
| 2    | 1001256067  | 1   | Cable                   |     |

**SECTION 7 - CONTROLS**

**FIGURE 7-6. SECONDARY TALL CONTROL**



ART\_1001256068

## SECTION 7 - CONTROLS

**FIGURE 7-6. SECONDARY TALL CONTROL**

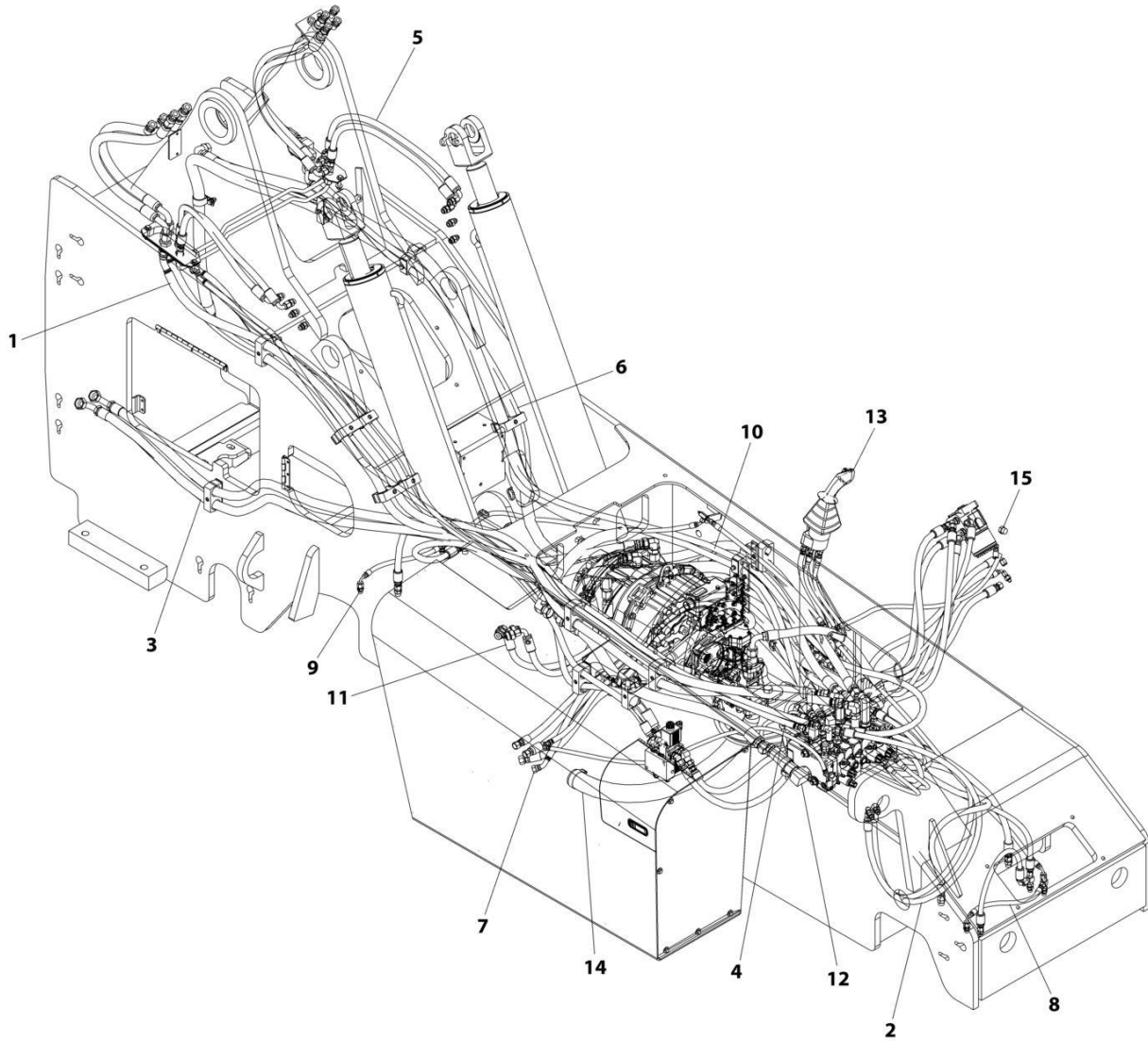
| ITEM | PART NUMBER | QTY | DESCRIPTION            | REV |
|------|-------------|-----|------------------------|-----|
|      | 1001256068  | Ref | SECONDARY TALL CONTROL | A   |
| 1    | 1001173581  | 1   | Control                |     |
| 2    | 1001256067  | 1   | Cable                  |     |



**SECTION 8 - HYDRAULIC CIRCUITS**

# SECTION 8 - HYDRAULIC CIRCUITS

FIGURE 8-1. HYDRAULIC INSTALLATION (6036)



ART\_1001205748



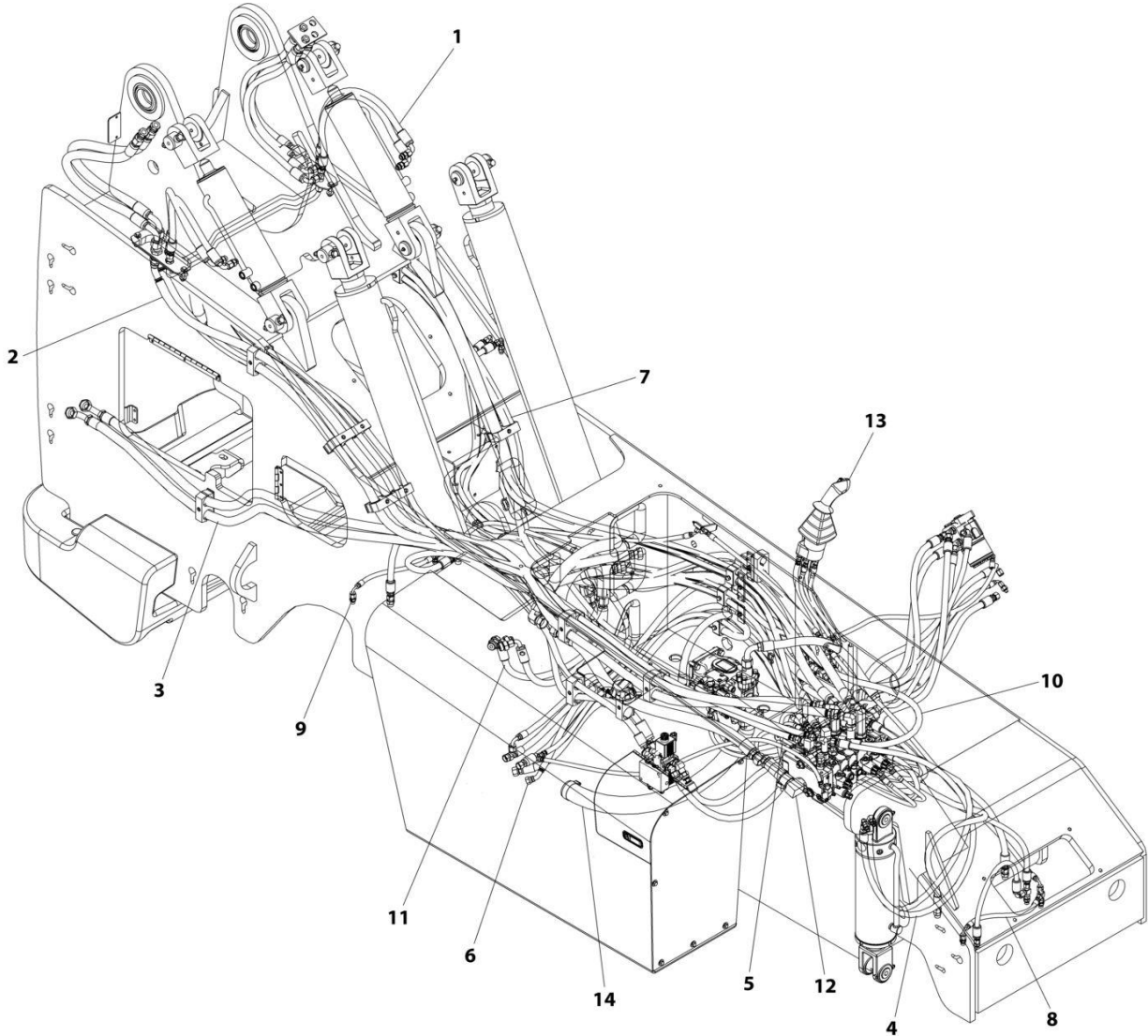
## SECTION 8 - HYDRAULIC CIRCUITS

**FIGURE 8-1. HYDRAULIC INSTALLATION (6036)**

| ITEM | PART NUMBER | QTY | DESCRIPTION  | REV |
|------|-------------|-----|--|-----|
|      | 1001205748  | Ref | HYDRAULIC INSTALLATION, 74HP (ULS)   | E   |
| 1    | 1001159869  | Ref | Hydraulic Extend Plumbing Installation (See Separate Breakdown in this Section)              |     |
| 2    | 1001160825  | Ref | Hydraulic Frame Tilt Plumbing Installation (See Separate Breakdown in this Section)          |     |
| 3    | 1001171873  | Ref | Hydraulic Transmission Cooler Plumbing Installation (See Separate Breakdown in this Section) |     |
| 4    | 1001196293  | Ref | Hydraulic Fork Plumbing Installation (See Separate Breakdown in this Section)                |     |
| 5    | 1001196388  | Ref | Rear Bulkhead Installation (See Separate Breakdown in this Section)                          |     |
| 6    | 1001196668  | Ref | Hydraulic Cooler Plumbing Installation (See Separate Breakdown in this Section)              |     |
| 7    | 1001197421  | Ref | Hydraulic Valves Installation (See Separate Breakdown in this Section)                       |     |
| 8    | 1001201987  | Ref | Front Axle Hydraulic Installation (See Separate Breakdown in this Section)                   |     |
| 9    | 1001201989  | Ref | Rear Axle Hydraulic Installation (See Separate Breakdown in this Section)                    |     |
| 10   | 1001202467  | Ref | Frame Auxiliary Installation (See Separate Breakdown in this Section)                        |     |
| 11   | 1001215159  | Ref | Hydraulic Frame Cylinders Installation (See Separate Breakdown in this Section)              |     |
| 12   | 1001196290  | Ref | Main Control Valve Installation (See Separate Breakdown in this Section)                     |     |
| 13   | 1001205754  | Ref | Installation, Cab Hydraulics (See Separate Breakdown in this Section)                        |     |
| 14   | 1001196650  | Ref | Hydraulic Pump Installation (See Separate Breakdown in this Section)                         |     |
| 15   | 1001211945  | Ref | Brake Valve Plug Installation  |     |
| 15   | 2220238     | 1   | Plug   |     |

# SECTION 8 - HYDRAULIC CIRCUITS

## FIGURE 8-2. HYDRAULIC INSTALLATION (6042)



ART\_1001205749

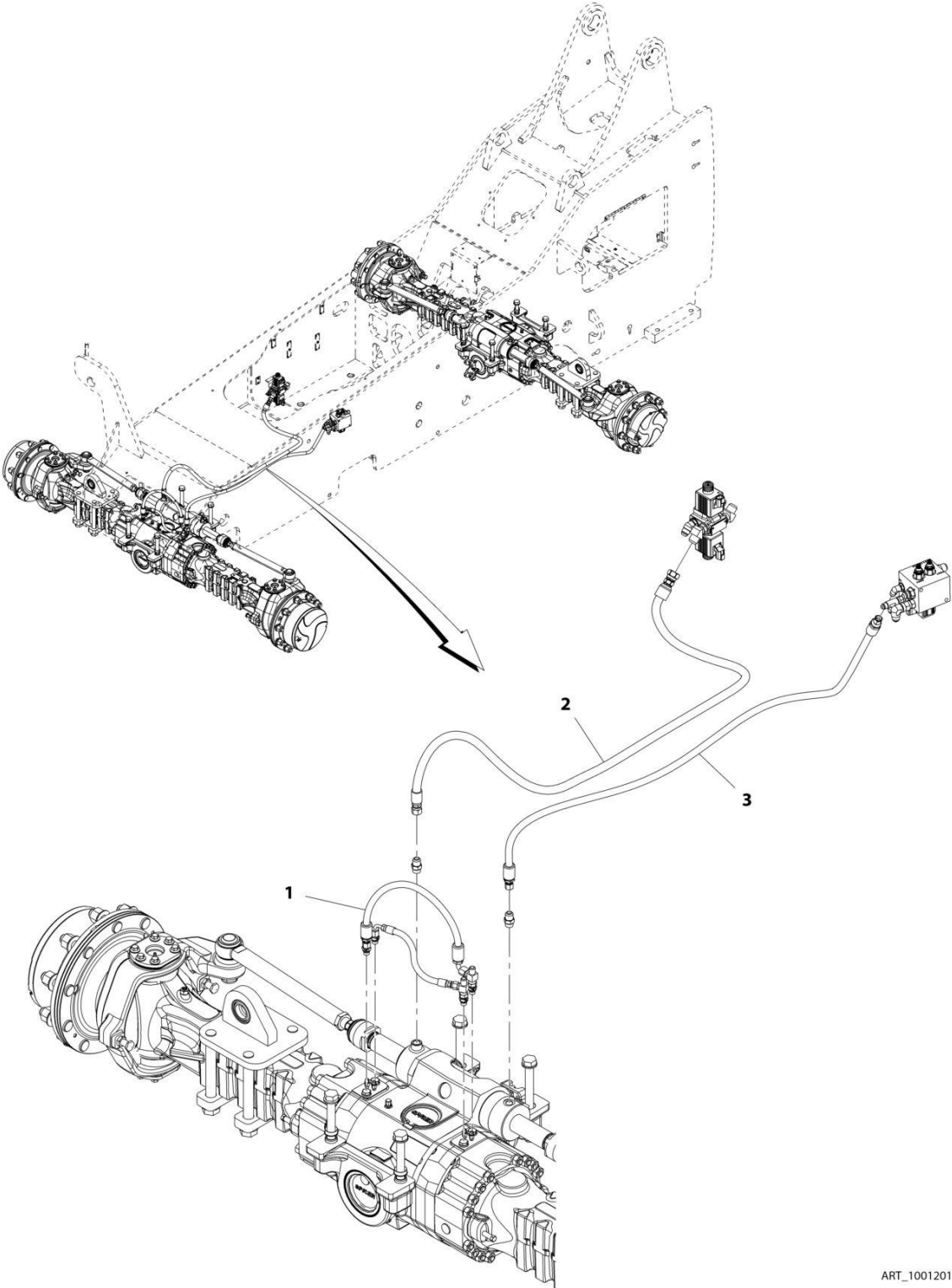
## SECTION 8 - HYDRAULIC CIRCUITS

**FIGURE 8-2. HYDRAULIC INSTALLATION (6042)**

| ITEM | PART NUMBER              | QTY        | DESCRIPTION  | REV |
|------|--------------------------|------------|--|-----|
| 1    | 1001205749<br>1001213142 | Ref<br>Ref | HYDRAULIC INSTALLATION, 74HP (ULS)<br>Installation, Rear Bulkhead (See Separate Breakdown in this Section) | E   |
| 2    | 1001159869               | Ref        | Installation, Hydraulic Extend Plumbing (See Separate Breakdown in this Section)                           |     |
| 3    | 1001171873               | Ref        | Installation, Hydraulic Transmission Cooler Plumbing (See Separate Breakdown in this Section)              |     |
| 4    | 1001196292               | Ref        | Installation, Frame Tilt (See Separate Breakdown in this Section)  |     |
| 5    | 1001196293               | Ref        | Installation, Hydraulic Fork Plumbing (See Separate Breakdown in this Section)                             |     |
| 6    | 1001196321               | Ref        | Installation, Hydraulic Valves (See Separate Breakdown in this Section)                                    |     |
| 7    | 1001196668               | Ref        | Installation, Hydraulic Cooler Plumbing (See Separate Breakdown in this Section)                           |     |
| 8    | 1001201987               | Ref        | Installation, Front Axle Hydraulic (See Separate Breakdown in this Section)                                |     |
| 9    | 1001201989               | Ref        | Installation, Rear Axle Hydraulic (See Separate Breakdown in this Section)                                 |     |
| 10   | 1001202467               | Ref        | Installation, Frame Auxiliary (See Separate Breakdown in this Section)                                     |     |
| 11   | 1001202468               | Ref        | Installation, Hydraulic Frame Cylinders (See Separate Breakdown in this Section)                           |     |
| 12   | 1001196290               | Ref        | Installation, Main Control Valve (See Separate Breakdown in this Section)                                  |     |
| 13   | 1001205754               | Ref        | Installation, Cab Hydraulics (See Separate Breakdown in this Section)                                      |     |
| 14   | 1001196650               | Ref        | Installation, Hydraulic Pump (See Separate Breakdown in this Section)                                      |     |

# SECTION 8 - HYDRAULIC CIRCUITS

## FIGURE 8-3. AXLE (FRONT) HYDRAULICS INSTALLATION



ART\_1001201987-C

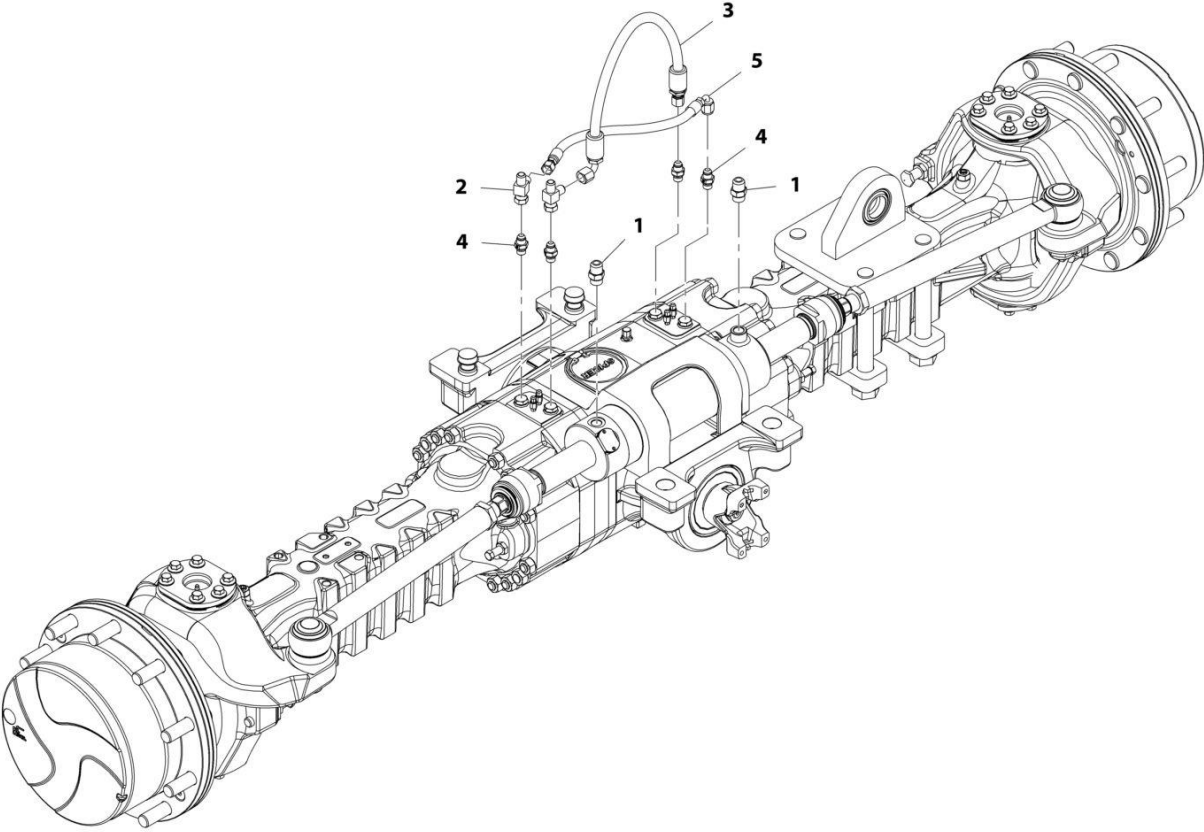
## SECTION 8 - HYDRAULIC CIRCUITS

### FIGURE 8-3. AXLE (FRONT) HYDRAULICS INSTALLATION

| ITEM | PART NUMBER | QTY | DESCRIPTION   | REV |
|------|-------------|-----|---|-----|
| 1    | 1001201987  | Ref | Front Axle Hydraulic Installation                                       | C   |
|      | 1001201988  | 1   | Assembly, Front Axle Hydraulic (See Separate Breakdown in this Section) |     |
| 2    | 1001194757  | 1   | Hose  |     |
| 3    | 2716763     | 1   | Hose  |     |

**SECTION 8 - HYDRAULIC CIRCUITS**

**FIGURE 8-4. AXLE (FRONT) HYDRAULICS ASSEMBLY**



ART\_1001201988-B

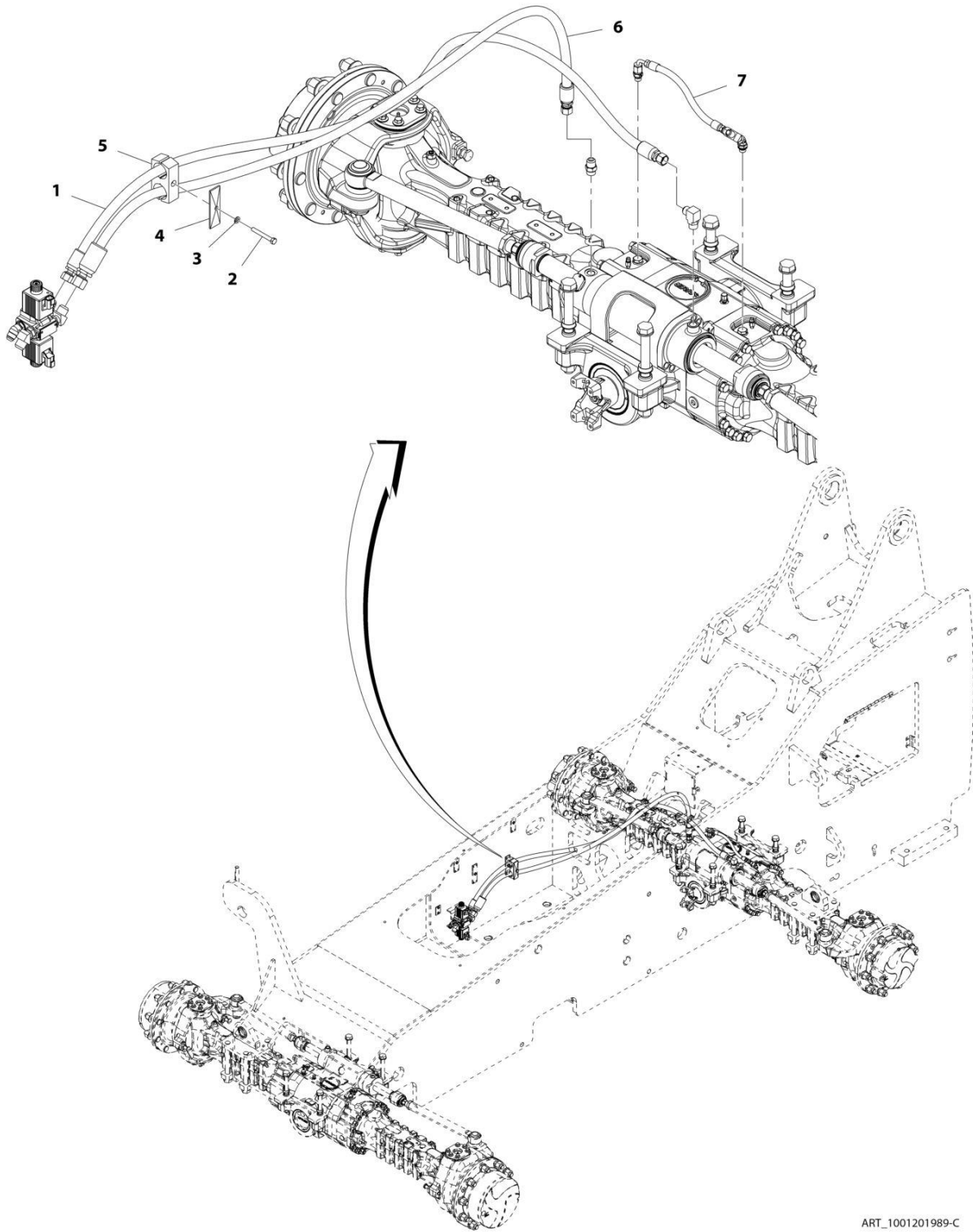
## SECTION 8 - HYDRAULIC CIRCUITS

### FIGURE 8-4. AXLE (FRONT) HYDRAULICS ASSEMBLY

| ITEM | PART NUMBER | QTY | DESCRIPTION                   | REV |
|------|-------------|-----|-------------------------------|-----|
|      | 1001201988  | Ref | Front Axle Hydraulic Assembly | B   |
| 1    | 2220373     | 2   | Adapter, Straight             |     |
| 2    | 2220635     | 2   | Adapter, Run Tee              |     |
| 3    | 2716670     | 1   | Hose                          |     |
| 4    | 8770064     | 4   | Adapter, Straight             |     |
| 5    | 1001210858  | 1   | Hose                          |     |

# SECTION 8 - HYDRAULIC CIRCUITS

## FIGURE 8-5. AXLE (REAR) HYDRAULICS INSTALLATION



ART\_1001201989-C



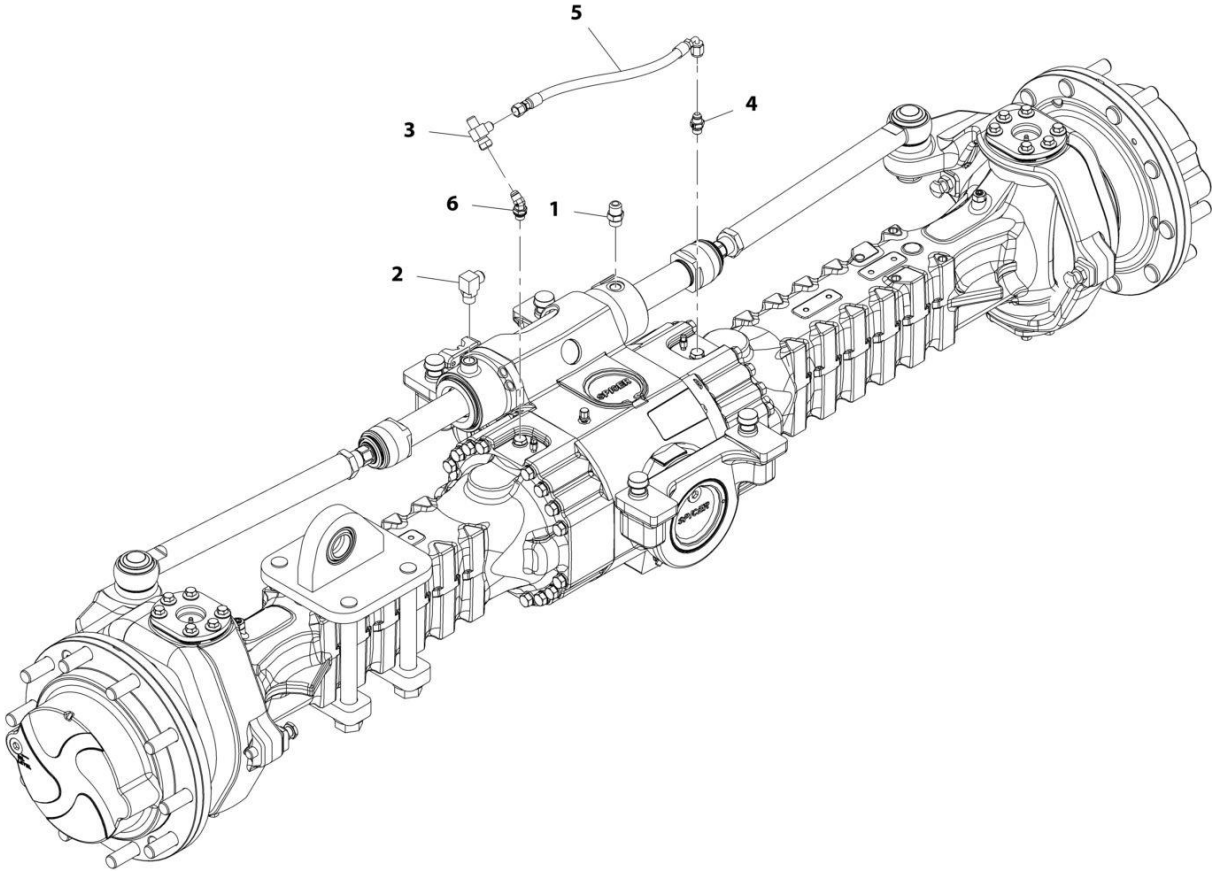
## SECTION 8 - HYDRAULIC CIRCUITS

### FIGURE 8-5. AXLE (REAR) HYDRAULICS INSTALLATION

| ITEM | PART NUMBER | QTY | DESCRIPTION  | REV |
|------|-------------|-----|--|-----|
|      | 1001201989  | Ref | Rear Axle Hydraulic Installation                                       | C   |
| 1    | 2716673     | 1   | Hose   |     |
| 2    | 8303757     | 1   | Bolt, 5/16-18X2-1/2  |     |
| 3    | 8307004     | 1   | Washer, Lock 5/16  |     |
| 4    | 8750025     | 1   | Cover Plate, Twin  |     |
| 5    | 8750040     | 1   | Clamp Set, Twin  |     |
| 6    | 1001178224  | 1   | Hose   |     |
| 7    | 1001201990  | 1   | Assembly, Rear Axle Hydraulic (See Separate Breakdown in this Section) |     |

**SECTION 8 - HYDRAULIC CIRCUITS**

**FIGURE 8-6. AXLE (REAR) HYDRAULICS ASSEMBLY**



ART\_1001201990-B

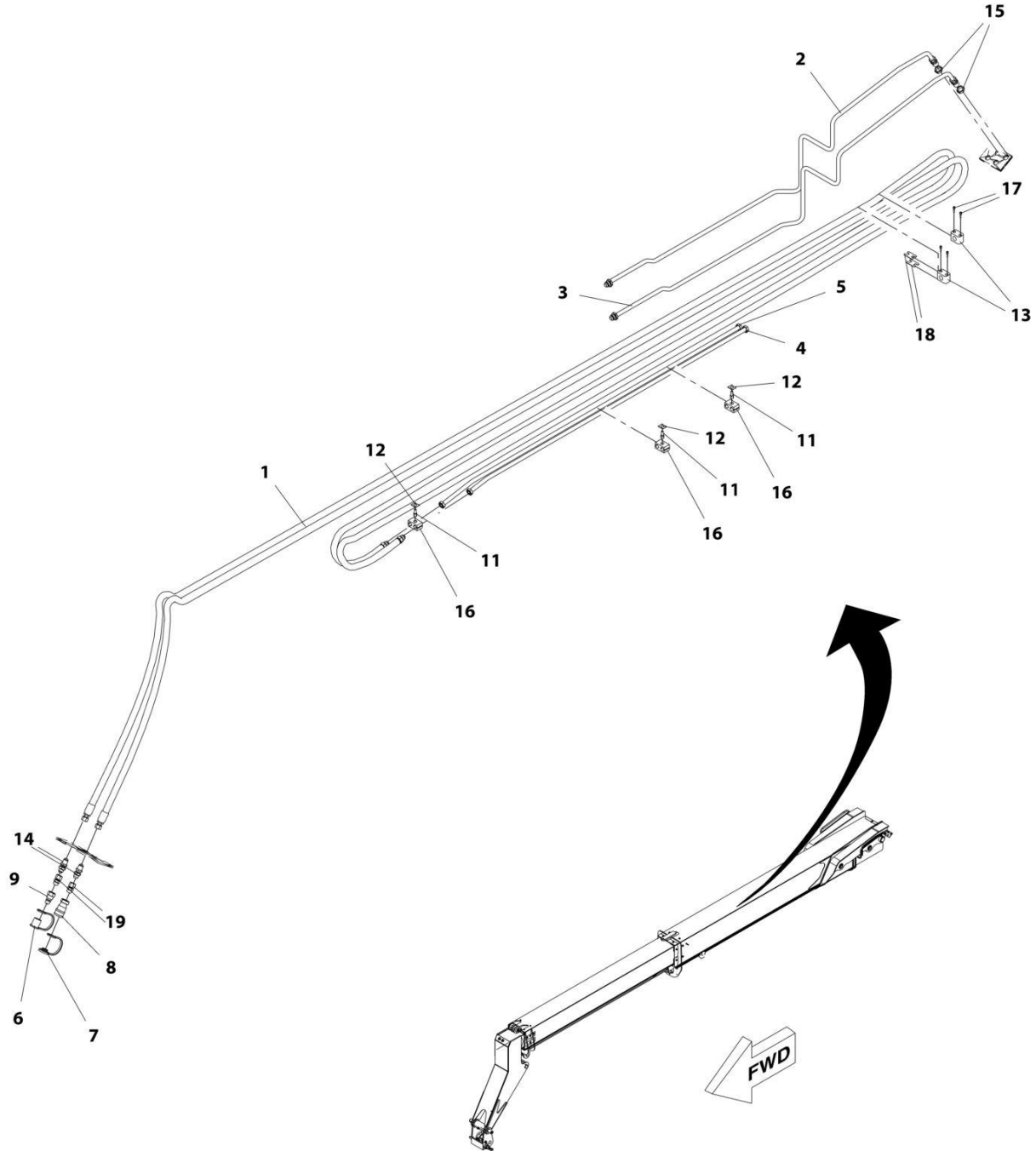
## SECTION 8 - HYDRAULIC CIRCUITS

### FIGURE 8-6. AXLE (REAR) HYDRAULICS ASSEMBLY

| ITEM | PART NUMBER | QTY | DESCRIPTION                  | REV |
|------|-------------|-----|------------------------------|-----|
|      | 1001201990  | Ref | Rear Axle Hydraulic Assembly | B   |
| 1    | 2220373     | 1   | Adapter, Straight            |     |
| 2    | 2220596     | 1   | Adapter, 90                  |     |
| 3    | 2220635     | 1   | Adapter, Run Tee             |     |
| 4    | 8770064     | 1   | Adapter, Straight            |     |
| 5    | 1001210858  | 1   | Hose                         |     |
| 6    | 1001202043  | 1   | Adapter, 45                  |     |

# SECTION 8 - HYDRAULIC CIRCUITS

## FIGURE 8-7. BOOM AUXILIARY HYDRAULICS (6036)



ART\_7139968\_G

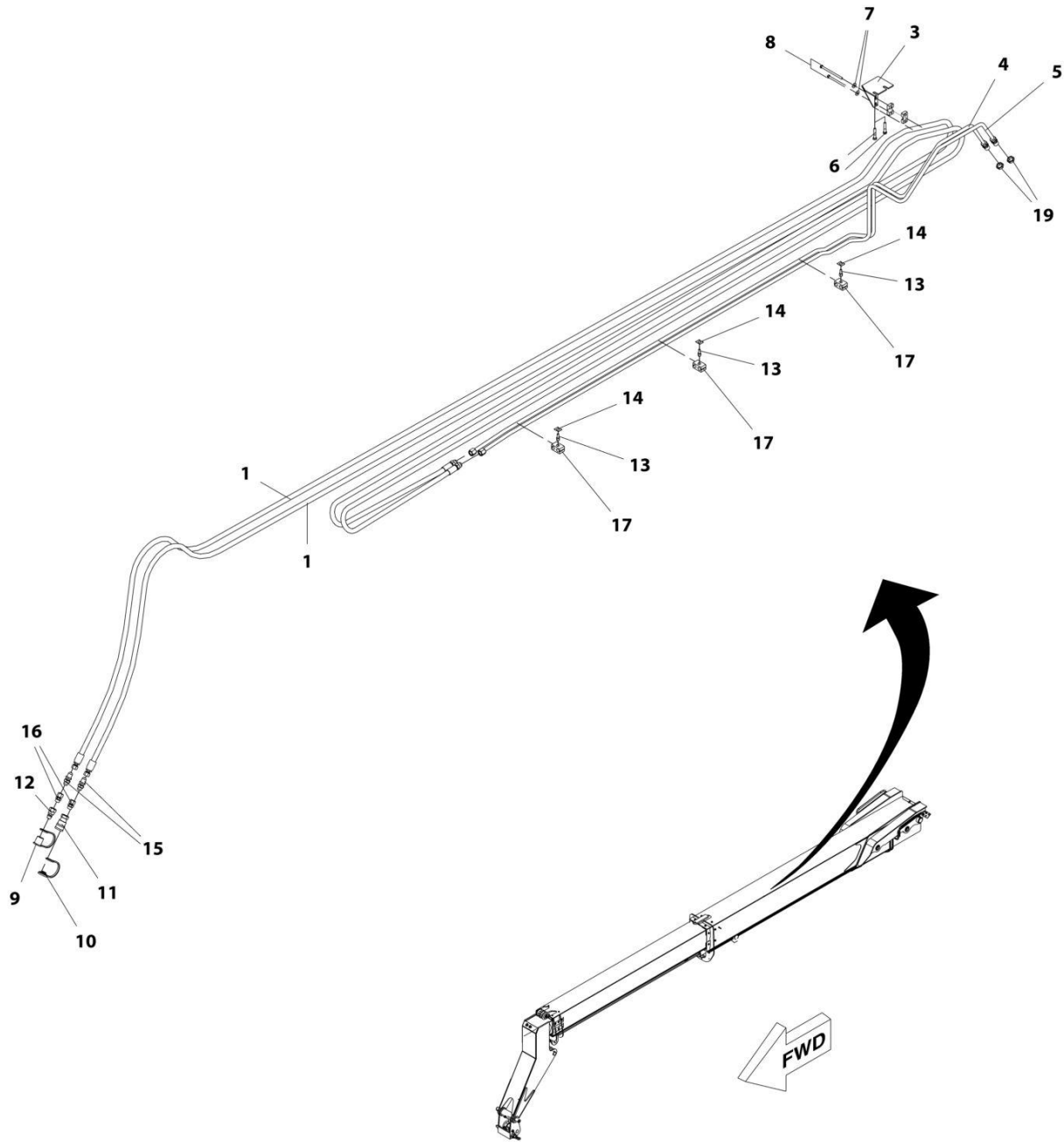
## SECTION 8 - HYDRAULIC CIRCUITS

**FIGURE 8-7. BOOM AUXILIARY HYDRAULICS (6036)**

| ITEM | PART NUMBER | QTY | DESCRIPTION                            | REV |
|------|-------------|-----|--|-----|
|      | 7139968     | Ref | Boom Auxiliary Hydraulics Installation | G   |
| 1    | 2716792     | 2   | Hose                                   |     |
| 2    | 7139728     | 1   | Tube, Auxiliary Inside                 |     |
| 3    | 7139729     | 1   | Tube, Auxiliary Outside                |     |
| 4    | 7150837     | 1   | Tube, Boom Extension Outside Pipe      |     |
| 5    | 7150838     | 1   | Tube, Boom Extension Inside Pipe       |     |
| 6    | 8420053     | 1   | Cap, Dust                              |     |
| 7    | 8420055     | 1   | Plug, Dust                             |     |
| 8    | 91403413    | 1   | Adapter, Quick Disconnect              |     |
| 9    | 91403414    | 1   | Adapter, Quick Disconnect              |     |
| 11   | 8750011     | 3   | Bolt, Stacking 5/16                    |     |
| 12   | 8750017     | 3   | Plate, Twin Clamp Locking              |     |
| 13   | 8750029     | 2   | Clamp Set, Single 3/4                  |     |
| 14   | 2230025     | 2   | Adapter, Bulkhead Straight             |     |
| 15   | 8760465     | 2   | Adapter, Bulkhead Nut                  |     |
| 16   | 8769122     | 3   | Clamp Set, Twin 5/8                    |     |
| 17   | 8769155     | 4   | Bolt, Stacking                         |     |
| 18   | 8769156     | 2   | Plate, Single Safety Lock              |     |
| 19   | 2220651     | 2   | Adapter, Straight                      |     |

# SECTION 8 - HYDRAULIC CIRCUITS

## FIGURE 8-8. BOOM AUXILIARY HYDRAULICS (6042)



ART\_7300678\_E

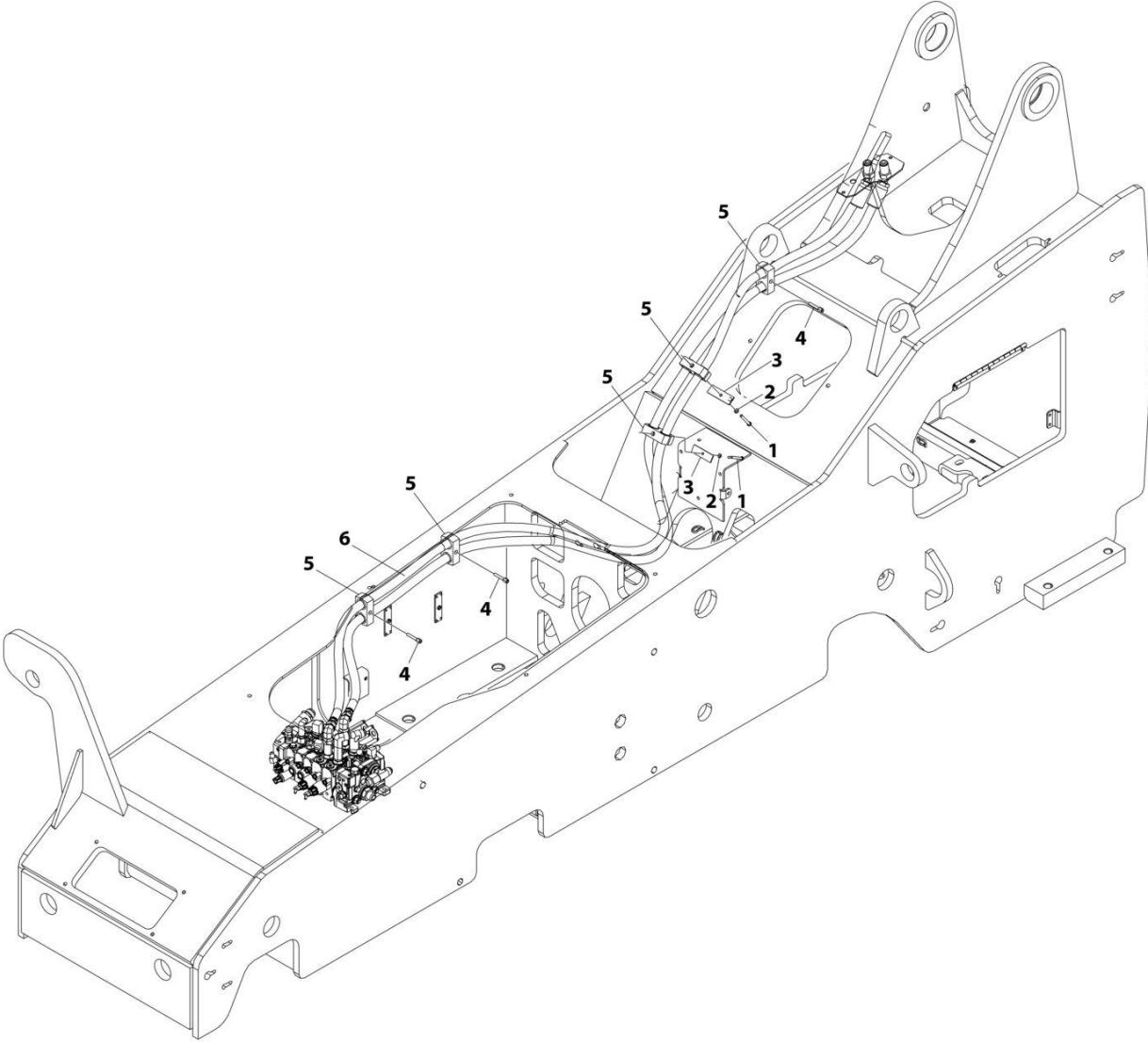
## SECTION 8 - HYDRAULIC CIRCUITS

**FIGURE 8-8. BOOM AUXILIARY HYDRAULICS (6042)**

| ITEM | PART NUMBER | QTY | DESCRIPTION                            | REV |
|------|-------------|-----|--|-----|
|      | 7300678     | Ref | Boom Auxiliary Hydraulics Installation | F   |
| 1    | 2713082     | 2   | Hose                                   |     |
| 3    | 7111402     | 1   | Support, Hose Clamp                    |     |
| 4    | 7300674     | 1   | Tube, Boom Auxiliary Inner             |     |
| 5    | 7300675     | 1   | Tube, Boom Auxiliary Outer             |     |
| 6    | 8303622     | 2   | Bolt, 3/8-16X2                         |     |
| 7    | 8307203     | 2   | Washer, Plain 5/16                     |     |
| 8    | 8310081     | 2   | Bolt, 5/16-18X5                        |     |
| 9    | 8420053     | 1   | Cap, Dust                              |     |
| 10   | 8420055     | 1   | Plug, Dust                             |     |
| 11   | 91403413    | 1   | Adapter, Quick Disconnect              |     |
| 12   | 91403414    | 1   | Adapter, Quick Disconnect              |     |
| 13   | 8750011     | 3   | Bolt, Stacking 5/16                    |     |
| 14   | 8750017     | 3   | Plate, Twin Clamp Locking              |     |
| 15   | 2230025     | 2   | Adapter, Bulkhead Straight             |     |
| 16   | 2220651     | 2   | Adapter, Straight                      |     |
| 17   | 8769122     | 3   | Clamp Set, Twin 5/8                    |     |
| 18   | 8769161     | 2   | Clamp, Half Single 3/4                 |     |
| 19   | 8760465     | 2   | Adapter, Bulkhead Nut                  |     |
| 20   | 0761010     | 2   | Bolt M10 x 20                          |     |
| 21   | 2221027     | 2   | Fitting                                |     |
| 22   | 4812000     | 2   | Washer M10                             |     |
| 23   | 1001272715  | 1   | Plate                                  |     |

# SECTION 8 - HYDRAULIC CIRCUITS

FIGURE 8-9. BOOM EXTEND/RETRACT HYDRAULICS (MAIN VALVE TO BOOM)



ART\_1001159869



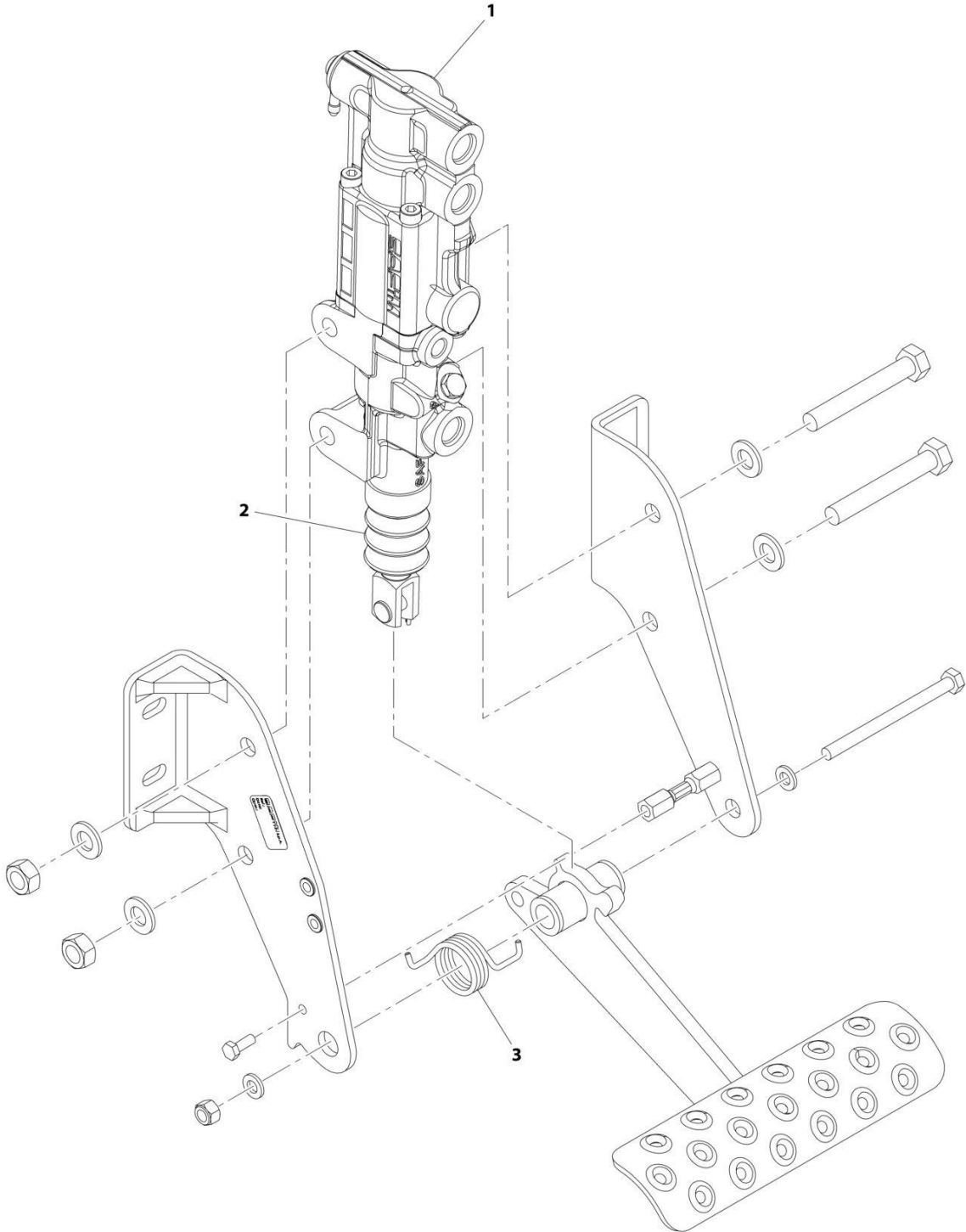
## SECTION 8 - HYDRAULIC CIRCUITS

**FIGURE 8-9. BOOM EXTEND/RETRACT HYDRAULICS (MAIN VALVE TO BOOM)**

| ITEM | PART NUMBER | QTY | DESCRIPTION                            | REV |
|------|-------------|-----|--|-----|
|      | 1001159869  | Ref | HYDRAULIC EXTEND PLUMBING INSTALLATION | G   |
| 1    | 8303757     | 2   | Bolt 5/16 x 2-1/2                      |     |
| 2    | 8307004     | 2   | Washer 5/16                            |     |
| 3    | 8750025     | 2   | Cover Plate, Twin                      |     |
| 4    | 8750026     | 3   | Bolt, Stacking                         |     |
| 5    | 8750040     | 5   | Clamp Set, Twin                        |     |
| 6    | 1001254087  | 2   | Hose                                   |     |

# SECTION 8 - HYDRAULIC CIRCUITS

## FIGURE 8-10. BRAKE & FITTINGS ASSEMBLY



ART\_1001223050-B

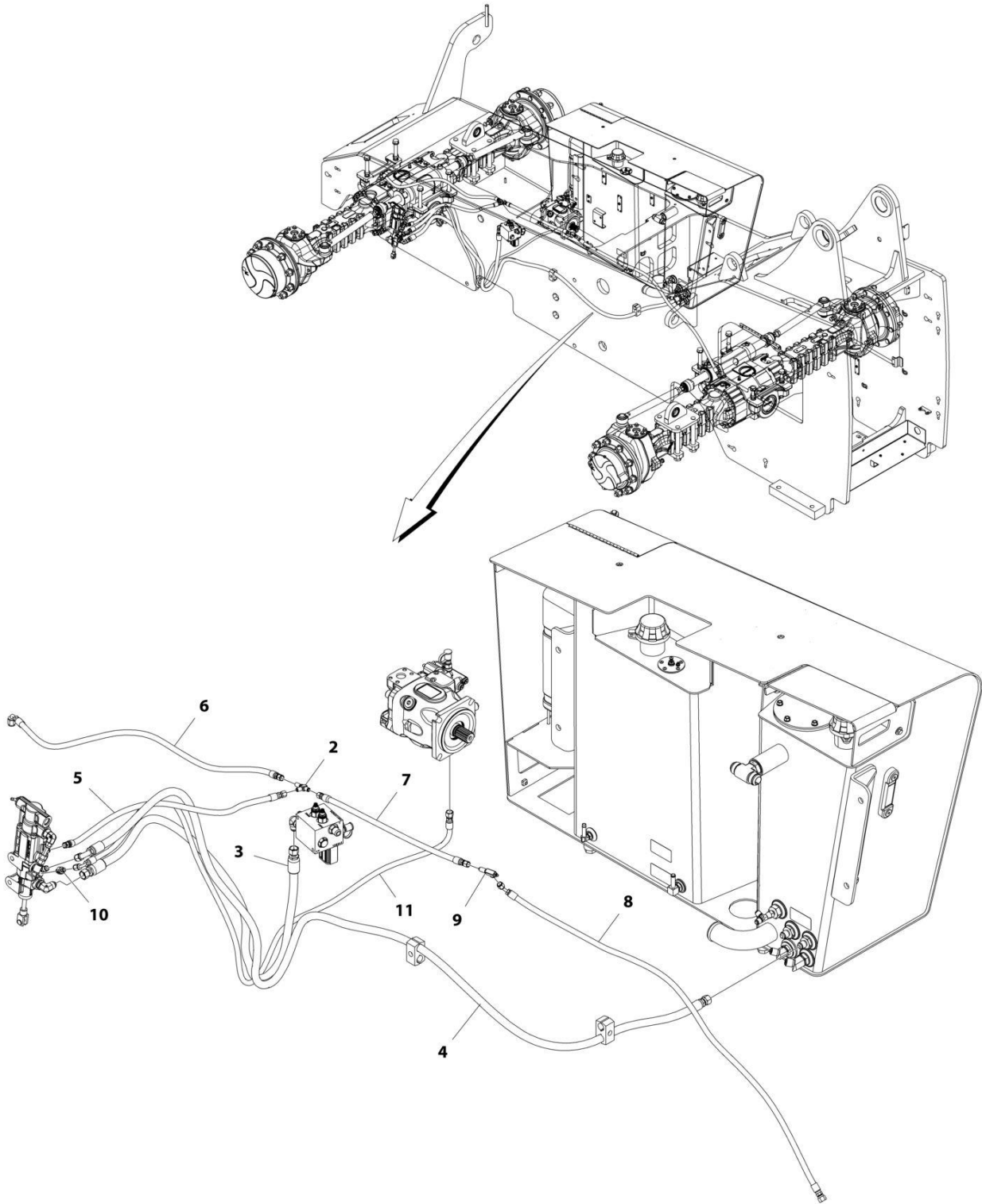
## SECTION 8 - HYDRAULIC CIRCUITS

### FIGURE 8-10. BRAKE & FITTINGS ASSEMBLY

| ITEM | PART NUMBER | QTY | DESCRIPTION  | REV |
|------|-------------|-----|--|-----|
| 1    | 1001223050  | Ref | Hydraulic Brake Valve Installation                                   | B   |
|      | 1001201721  | 1   | Brake Valve (See Separate Breakdown in HYDRAULIC COMPONENTS Section) |     |
| 2    | 70025859    | 1   | Dust Cover   |     |
| 3    | 70028547    | 1   | Spring, Return   |     |

# SECTION 8 - HYDRAULIC CIRCUITS

## FIGURE 8-11. BRAKE HYDRAULICS



ART\_1001205753

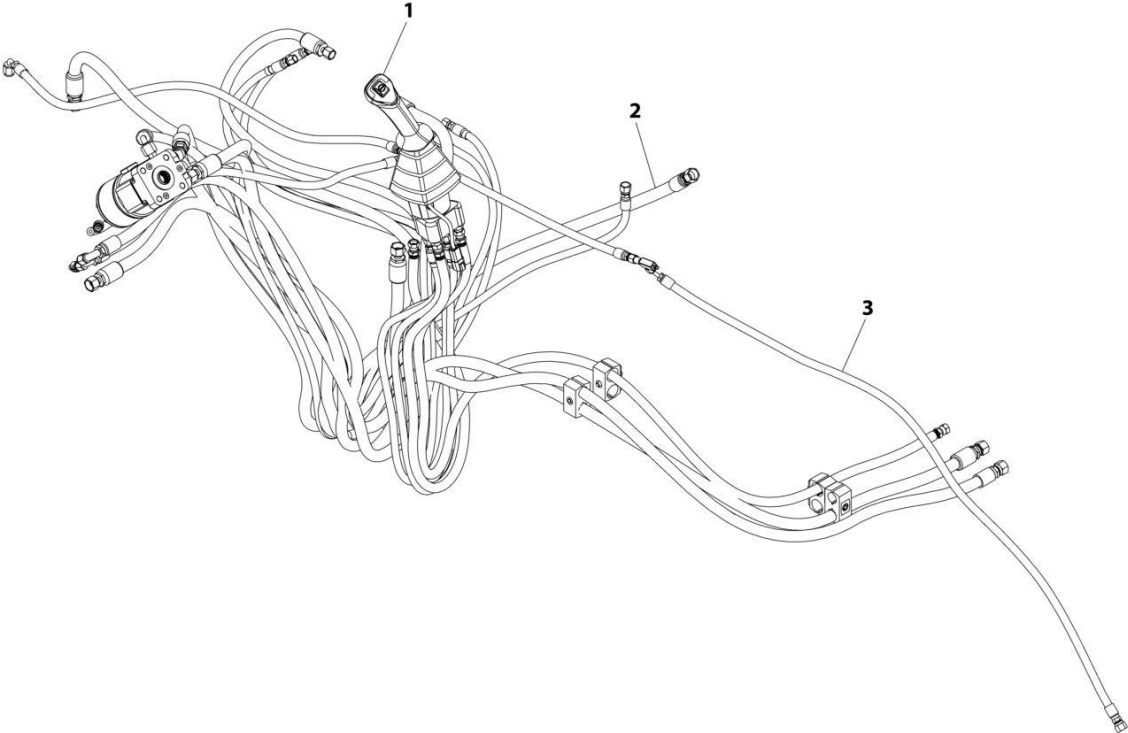
## SECTION 8 - HYDRAULIC CIRCUITS

### FIGURE 8-11. BRAKE HYDRAULICS

| ITEM | PART NUMBER | QTY | DESCRIPTION                         | REV |
|------|-------------|-----|-------------------------------------|-----|
|      | 1001205753  | Ref | BRAKE HYDRAULICS INSTALLATION, 74HP | D   |
| 2    | 10728823    | 1   | Adapter, Run Tee                    |     |
| 3    | 1001201726  | 1   | Hose                                |     |
| 4    | 1001201728  | 1   | Hose                                |     |
| 5    | 1001210854  | 1   | Hose                                |     |
| 6    | 1001210855  | 1   | Hose                                |     |
| 7    | 1001210856  | 1   | Hose                                |     |
| 8    | 1001210857  | 1   | Hose                                |     |
| 9    | 1001201734  | 1   | Manifold, Brake Bleeder Tee         |     |
| 10   | 1001183370  | 1   | Valve, Check                        |     |
| 11   | 1001209223  | 1   | Hose                                |     |

# SECTION 8 - HYDRAULIC CIRCUITS

## FIGURE 8-12. CAB HYDRAULICS INSTALLATION



ART\_1001205754

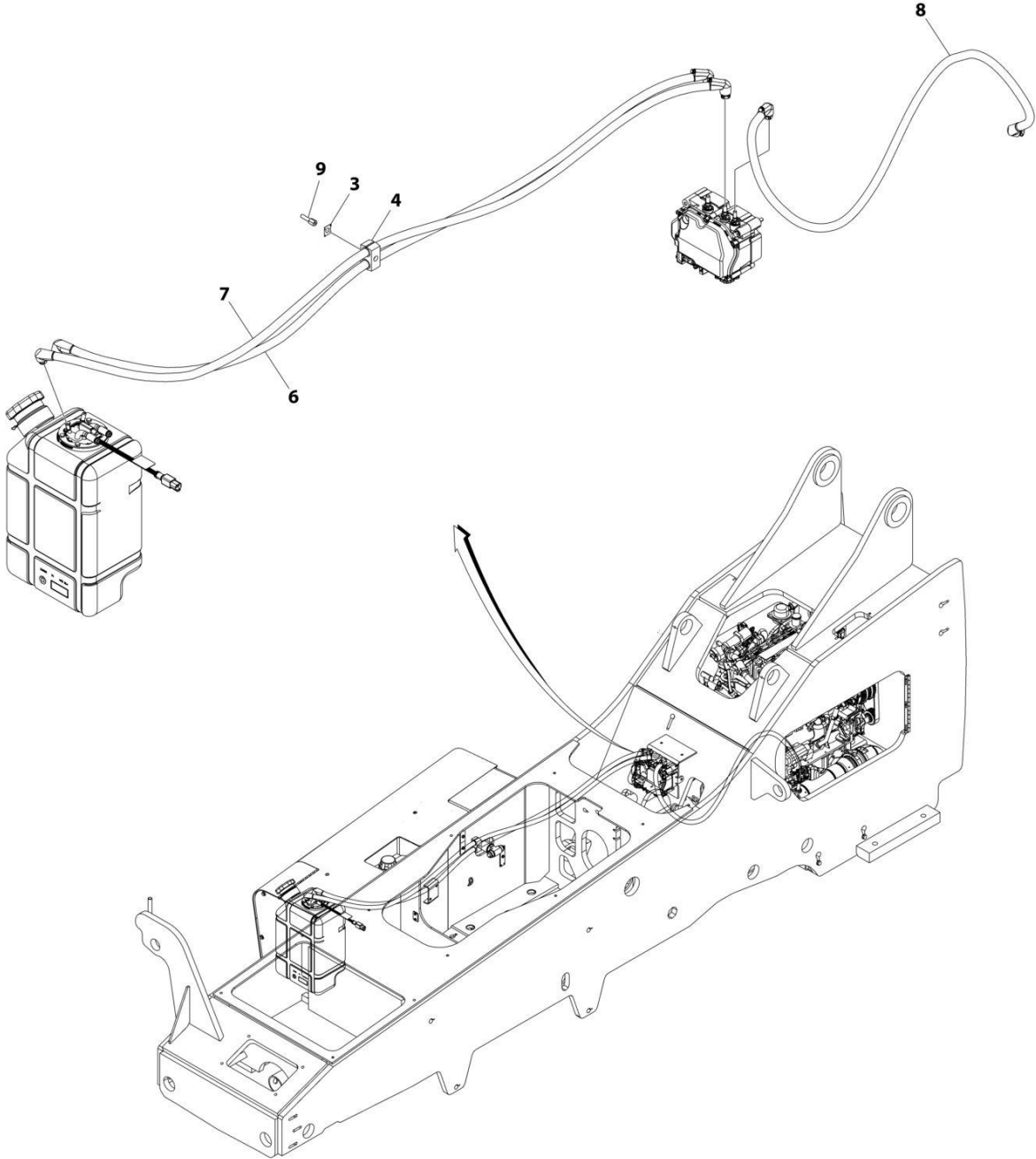
## SECTION 8 - HYDRAULIC CIRCUITS

**FIGURE 8-12. CAB HYDRAULICS INSTALLATION**

| ITEM | PART NUMBER | QTY | DESCRIPTION  | REV |
|------|-------------|-----|--|-----|
|      | 1001205754  | Ref | CAB HYDRAULICS INSTALLATION  | C   |
| 1    | 1001158854  | Ref | Installation, Pilot Control (See Separate Breakdown in this Section)       |     |
| 2    | 1001158856  | Ref | Installation, Steering Hydraulics (See Separate Breakdown in this Section) |     |
| 3    | 1001205753  | Ref | Installation, Brake Hydraulics (See Separate Breakdown in this Section)    |     |

# SECTION 8 - HYDRAULIC CIRCUITS

## FIGURE 8-13. DEF LINES INSTALLATION



ART\_1001229025\_D



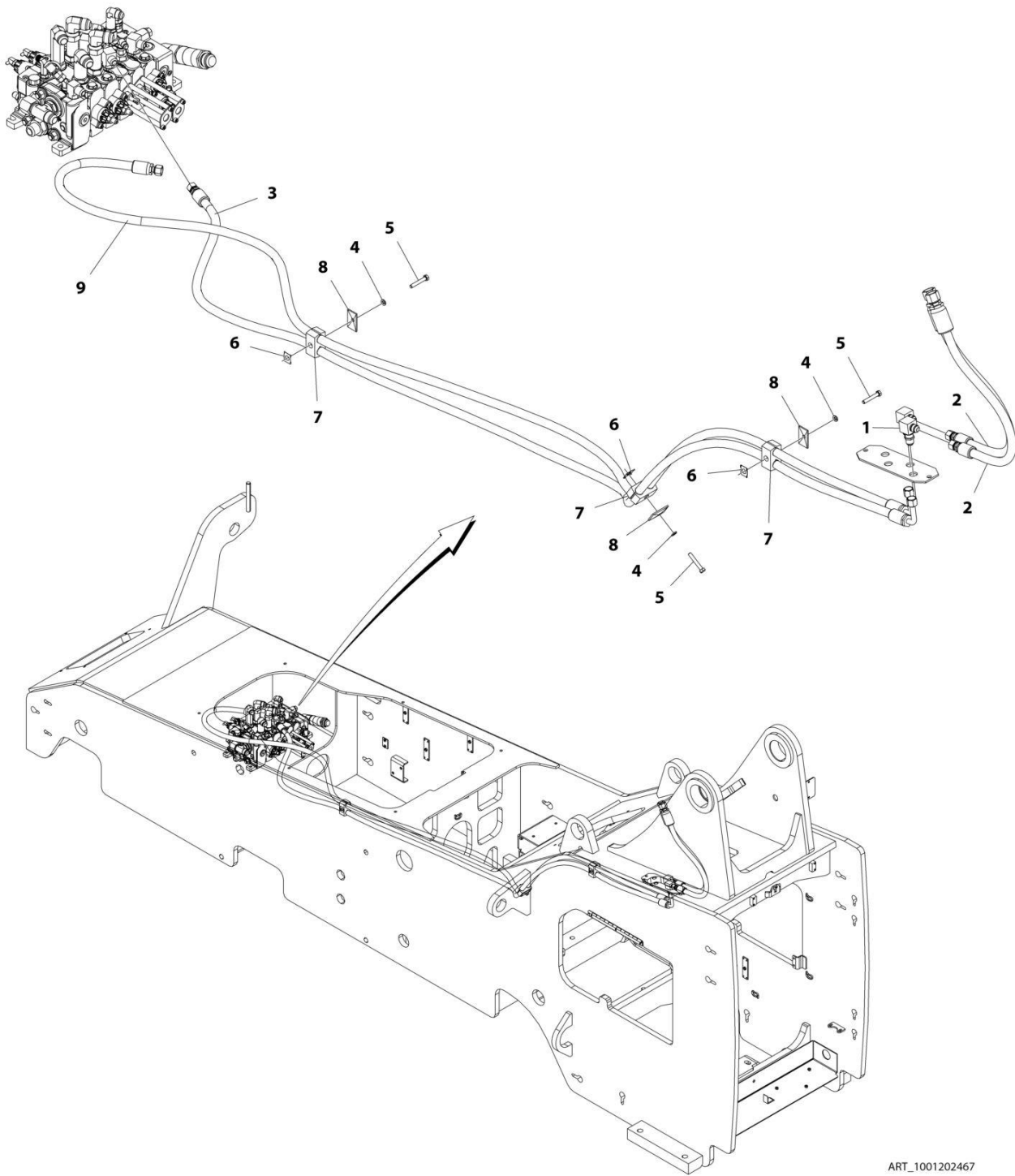
## SECTION 8 - HYDRAULIC CIRCUITS

### FIGURE 8-13. DEF LINES INSTALLATION

| ITEM | PART NUMBER | QTY | DESCRIPTION            | REV |
|------|-------------|-----|------------------------|-----|
|      | 1001229025  | Ref | DEF Lines Installation | D   |
| 3    | 8750017     | 1   | Plate, Locking         |     |
| 4    | 8769127     | 1   | Clamp Set, Twin        |     |
| 6    | 1001229023  | 1   | Hose                   |     |
| 7    | 1001229024  | 1   | Hose                   |     |
| 8    | 1001168859  | 1   | Hose                   |     |
| 9    | 8750012     | 1   | Bolt, Stacking         |     |

# SECTION 8 - HYDRAULIC CIRCUITS

## FIGURE 8-14. FRAME AUXILIARY HYDRAULICS



ART\_1001202467

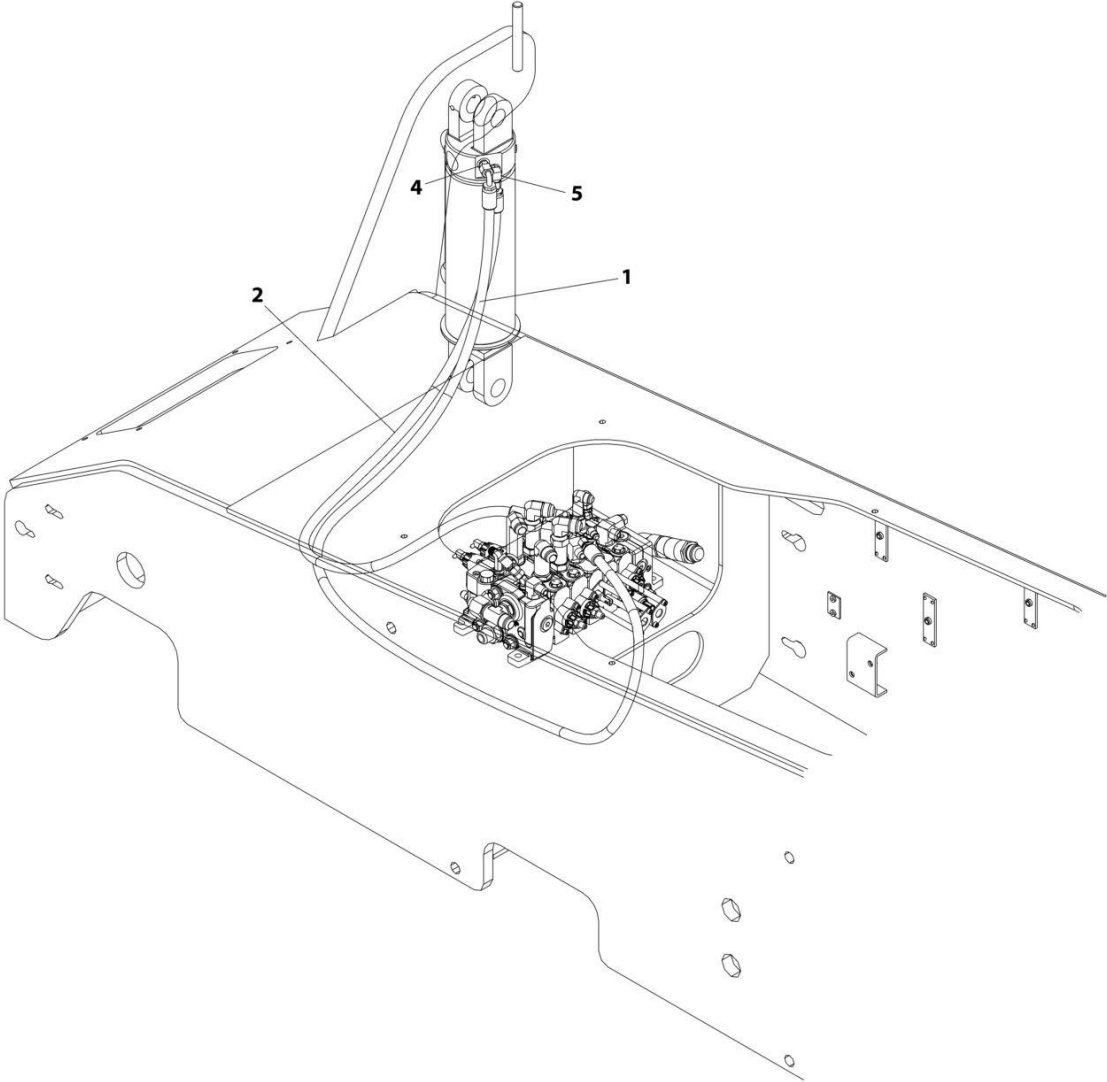
## SECTION 8 - HYDRAULIC CIRCUITS

### FIGURE 8-14. FRAME AUXILIARY HYDRAULICS

| ITEM | PART NUMBER | QTY | DESCRIPTION                  | REV |
|------|-------------|-----|------------------------------|-----|
|      | 1001202467  | Ref | FRAME AUXILIARY INSTALLATION | E   |
| 1    | 2230044     | 2   | Adapter, Bulkhead 90 JIC     |     |
| 2    | 2716713     | 2   | Hose                         |     |
| 3    | 1001254102  | 1   | Hose                         |     |
| 4    | 8307004     | 3   | Washer 5/16                  |     |
| 5    | 8310009     | 3   | Bolt 5/16 x 2                |     |
| 6    | 8750017     | 3   | Plate, Twin Clamp Locking    |     |
| 7    | 8750027     | 3   | Clamp Set, Twin              |     |
| 8    | 8769128     | 3   | Cover Plate, Twin            |     |
| 9    | 1001254103  | 1   | Hose                         |     |

**SECTION 8 - HYDRAULIC CIRCUITS**

**FIGURE 8-15. FRAME TILT HYDRAULICS (6036)**



ART\_1001160825

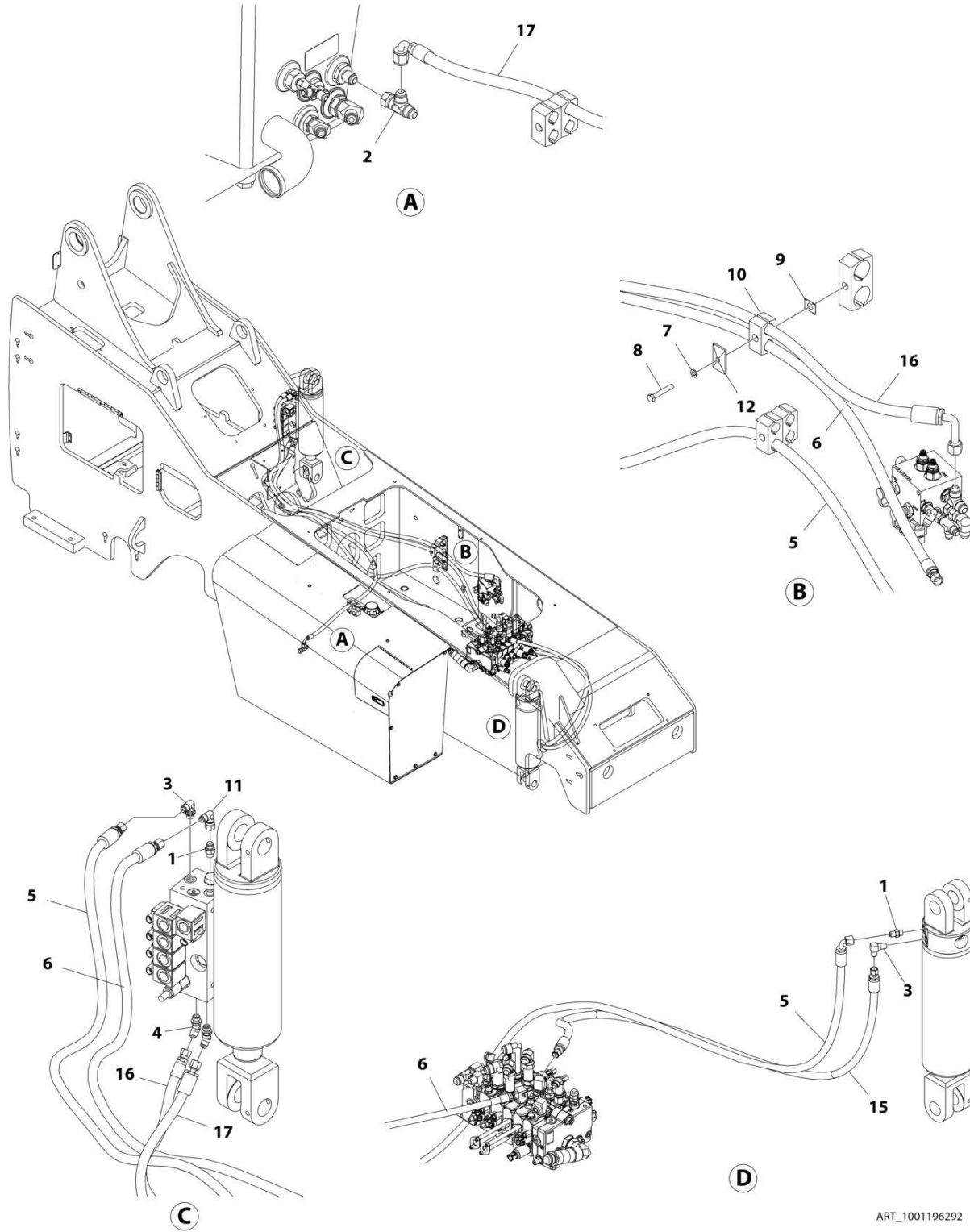
## SECTION 8 - HYDRAULIC CIRCUITS

FIGURE 8-15. FRAME TILT HYDRAULICS (6036)

| ITEM | PART NUMBER | QTY | DESCRIPTION                                | REV |
|------|-------------|-----|--|-----|
|      | 1001160825  | Ref | HYDRAULIC FRAME TILT PLUMBING INSTALLATION | F   |
| 1    | 1001254106  | 1   | Hose                                       |     |
| 2    | 1001254107  | 1   | Hose                                       |     |
| 4    | 2220371     | 1   | Fitting                                    |     |
| 5    | 2220473     | 1   | Fitting                                    |     |

# SECTION 8 - HYDRAULIC CIRCUITS

## FIGURE 8-16. FRAME TILT HYDRAULICS (6042)



ART\_1001196292

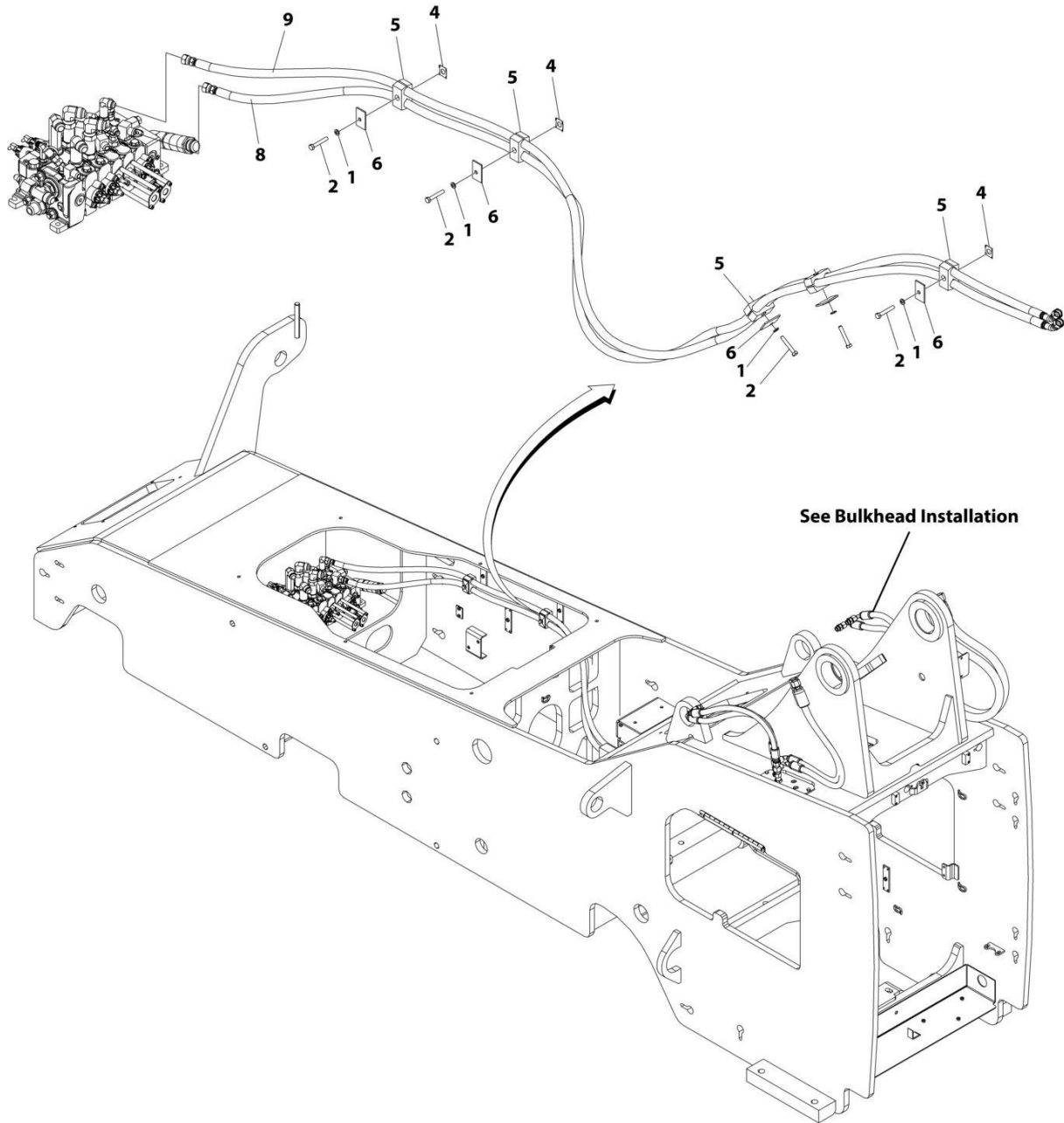
## SECTION 8 - HYDRAULIC CIRCUITS

**FIGURE 8-16. FRAME TILT HYDRAULICS (6042)**

| ITEM | PART NUMBER | QTY | DESCRIPTION               | REV |
|------|-------------|-----|---------------------------|-----|
|      | 1001196292  | Ref | FRAME TILT INSTALLATION   | E   |
| 1    | 2220371     | 2   | Adapter, Straight JIC     |     |
| 2    | 2220385     | 1   | Adapter, Run Tee          |     |
| 3    | 2220473     | 2   | Adapter, 90               |     |
| 4    | 2220501     | 2   | Adapter, 45               |     |
| 5    | 2717019     | 1   | Hose                      |     |
| 6    | 2717020     | 1   | Hose                      |     |
| 7    | 8307004     | 1   | Washer 5/16               |     |
| 8    | 8310009     | 1   | Bolt 5/16 x 2             |     |
| 9    | 8750017     | 1   | Plate, Twin Clamp Locking |     |
| 10   | 8750027     | 1   | Clamp Set, Twin           |     |
| 11   | 8760268     | 1   | Adapter, 90               |     |
| 12   | 8769128     | 1   | Cover Plate, Twin         |     |
| 15   | 1001254107  | 1   | Hose                      |     |
| 16   | 1001196646  | 1   | Hose                      |     |
| 17   | 1001212057  | 1   | Hose                      |     |

# SECTION 8 - HYDRAULIC CIRCUITS

## FIGURE 8-17. FORK HYDRAULICS (MAIN VALVE TO BOOM)



ART\_1001196293



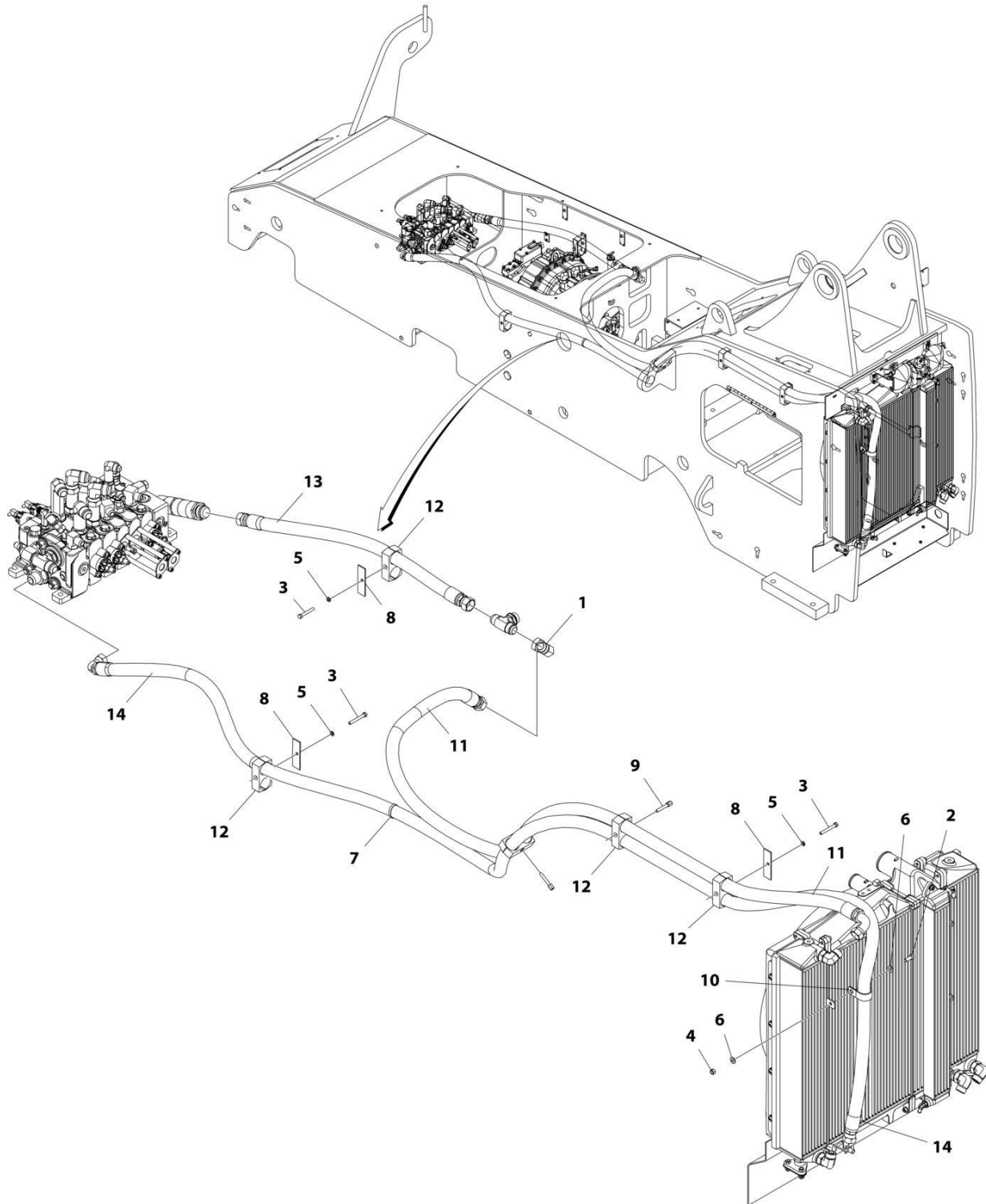
## SECTION 8 - HYDRAULIC CIRCUITS

FIGURE 8-17. FORK HYDRAULICS (MAIN VALVE TO BOOM)

| ITEM | PART NUMBER | QTY | DESCRIPTION                          | REV |
|------|-------------|-----|--------------------------------------|-----|
|      | 1001196293  | Ref | HYDRAULIC FORK PLUMBING INSTALLATION | H   |
| 1    | 8307004     | 5   | Washer 5/16                          |     |
| 2    | 8310009     | 5   | Bolt 5/16 x 2                        |     |
| 4    | 8750017     | 3   | Plate, Twin Clamp Locking            |     |
| 5    | 8750027     | 5   | Clamp Set, Twin                      |     |
| 6    | 8769128     | 5   | Cover Plate, Twin                    |     |
| 8    | 1001254088  | 1   | Hose                                 |     |
| 9    | 1001254089  | 1   | Hose                                 |     |

# SECTION 8 - HYDRAULIC CIRCUITS

## FIGURE 8-18. HYDRAULIC OIL COOLER HYDRAULICS



ART\_100119668

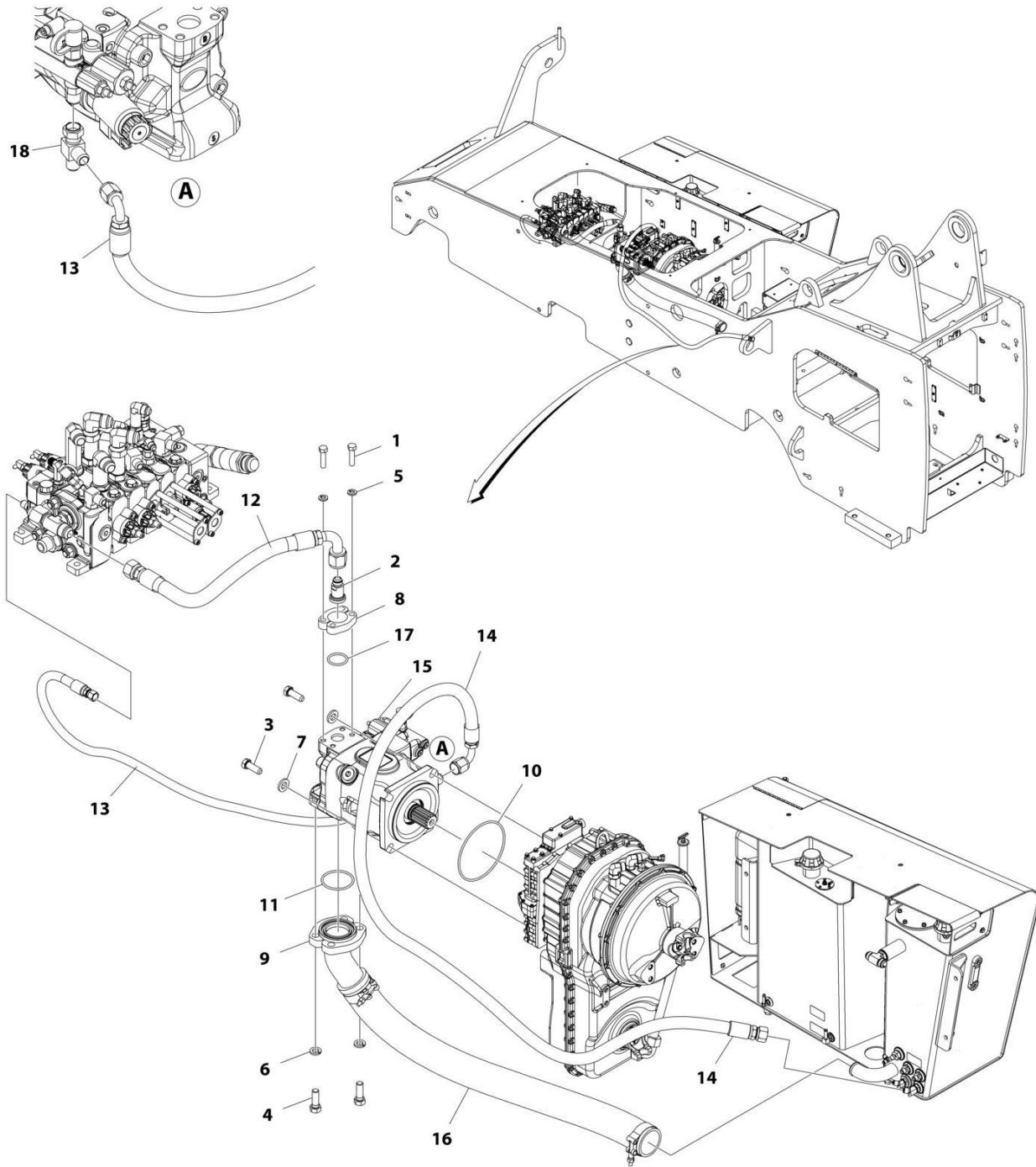
## SECTION 8 - HYDRAULIC CIRCUITS

**FIGURE 8-18. HYDRAULIC OIL COOLER HYDRAULICS**

| ITEM | PART NUMBER | QTY | DESCRIPTION                             | REV |
|------|-------------|-----|---|-----|
|      | 1001196668  | Ref | HYDRAULIC COOLER PLUMBING INSTALLATION, | E   |
| 1    | 2220878     | 1   | Adapter, 90                             |     |
| 2    | 8303620     | 1   | Bolt 3/8 x 1                            |     |
| 3    | 8303757     | 3   | Bolt 5/16 x 2-1/2                       |     |
| 4    | 8305008     | 1   | Nut 3/8                                 |     |
| 5    | 8307004     | 3   | Washer 5/16                             |     |
| 6    | 8307110     | 2   | Washer 3/8                              |     |
| 7    | 8584007     | AR  | Wrap, Tie                               |     |
| 8    | 8750025     | 3   | Cover Plate, Twin                       |     |
| 9    | 8750026     | 2   | Bolt, Stacking                          |     |
| 10   | 85841150    | 1   | Clamp, Support                          |     |
| 11   | 1001192015  | 1   | Hose                                    |     |
| 12   | 1001196109  | 5   | Clamp Set, Twin                         |     |
| 13   | 1001196669  | 1   | Hose                                    |     |
| 14   | 1001196671  | 1   | Hose                                    |     |

# SECTION 8 - HYDRAULIC CIRCUITS

## FIGURE 8-19. HYDRAULIC PUMP INSTALLATION



ART\_1001196650

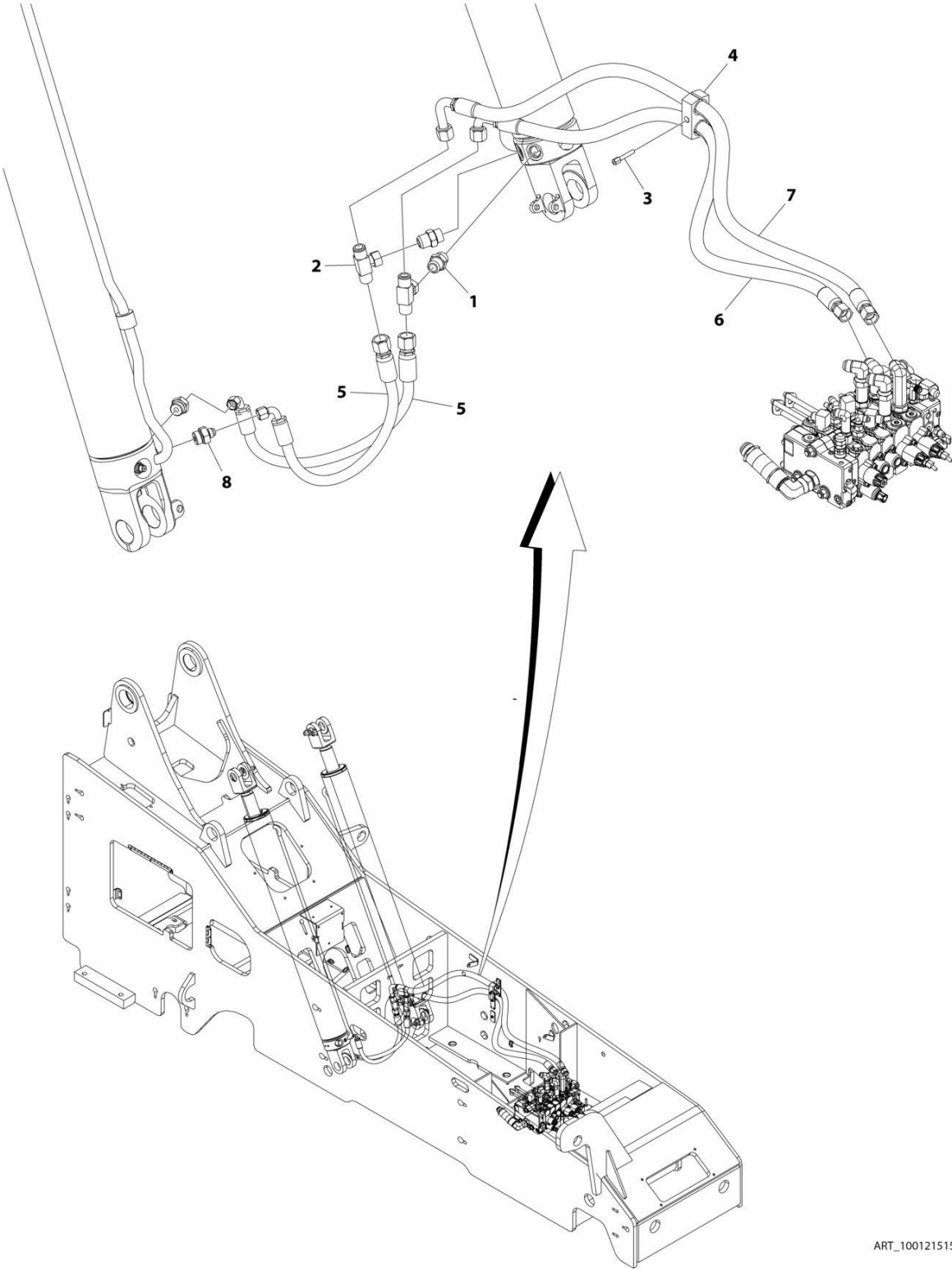
## SECTION 8 - HYDRAULIC CIRCUITS

### FIGURE 8-19. HYDRAULIC PUMP INSTALLATION

| ITEM | PART NUMBER | QTY | DESCRIPTION  | REV |
|------|-------------|-----|--|-----|
|      | 1001196650  | Ref | HYDRAULIC PUMP INSTALLATION  | H   |
| 1    | 0641612     | 4   | Bolt 3/8 x 1-1/2   |     |
| 2    | 1001213118  | 1   | Adapter, 90  |     |
| 3    | 8303519     | 4   | Bolt M12 x 35  |     |
| 4    | 8303626     | 4   | Bolt 1/2 x 1-1/2   |     |
| 5    | 8307005     | 4   | Washer 3/8   |     |
| 6    | 8307007     | 4   | Washer 1/2   |     |
| 7    | 8310356     | 4   | Washer M12   |     |
| 8    | 8530030     | 2   | Flange Half  |     |
| 9    | 8546407     | 2   | Flange Half  |     |
| 10   | 8630019     | 1   | O-Ring   |     |
| 11   | 8640208     | 1   | O-Ring   |     |
| 12   | 1001254104  | 1   | Hose   |     |
| 13   | 1001254105  | 1   | Hose   |     |
| 14   | 1001196649  | 1   | Hose   |     |
| 15   | 1001251426  | 1   | Installation, Piston Pump (See Separate Breakdown in this Section) |     |
| 16   | 1001227508  | 1   | Hose   |     |
| 17   | 8640123     | 1   | O-Ring   |     |
| 18   | 2220635     | 1   | Fitting  |     |

**SECTION 8 - HYDRAULIC CIRCUITS**

**FIGURE 8-20. LIFT CYLINDER HYDRAULICS (6036)**



ART\_1001215159

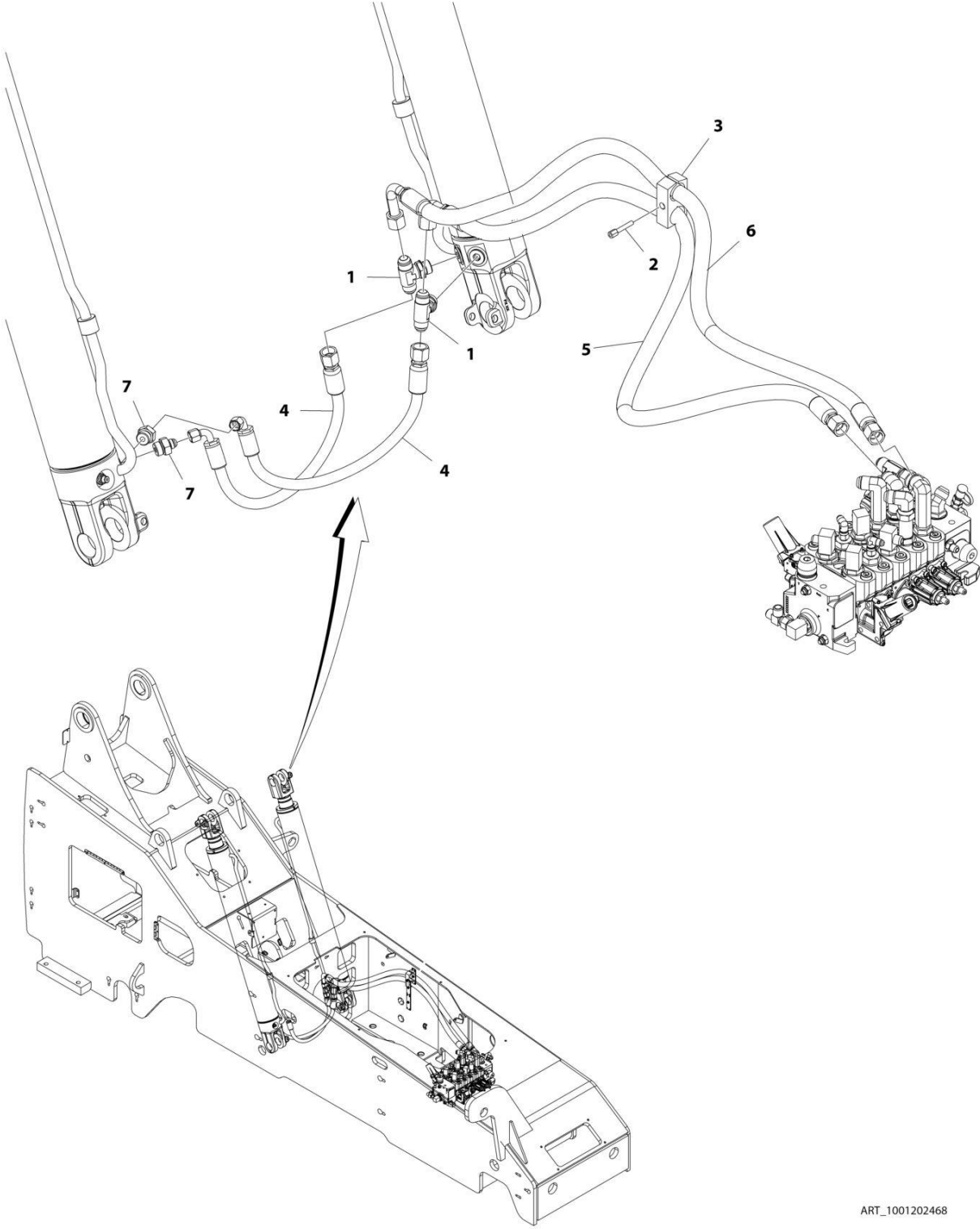
## SECTION 8 - HYDRAULIC CIRCUITS

**FIGURE 8-20. LIFT CYLINDER HYDRAULICS (6036)**

| ITEM | PART NUMBER | QTY | DESCRIPTION                            | REV |
|------|-------------|-----|--|-----|
|      | 1001215159  | Ref | HYDRAULIC FRAME CYLINDERS INSTALLATION | B   |
| 1    | 2220451     | 2   | Adapter                                |     |
| 2    | 2220682     | 2   | Adapter                                |     |
| 3    | 8750026     | 1   | Bolt, Stacking                         |     |
| 4    | 8750040     | 1   | Clamp Set                              |     |
| 5    | 2716675     | 2   | Hose                                   |     |
| 6    | 1001254108  | 1   | Hose                                   |     |
| 7    | 1001254109  | 1   | Hose                                   |     |
| 8    | 2220375     | 2   | Adapter                                |     |

# SECTION 8 - HYDRAULIC CIRCUITS

## FIGURE 8-21. LIFT CYLINDER HYDRAULICS (6042)



ART\_1001202468



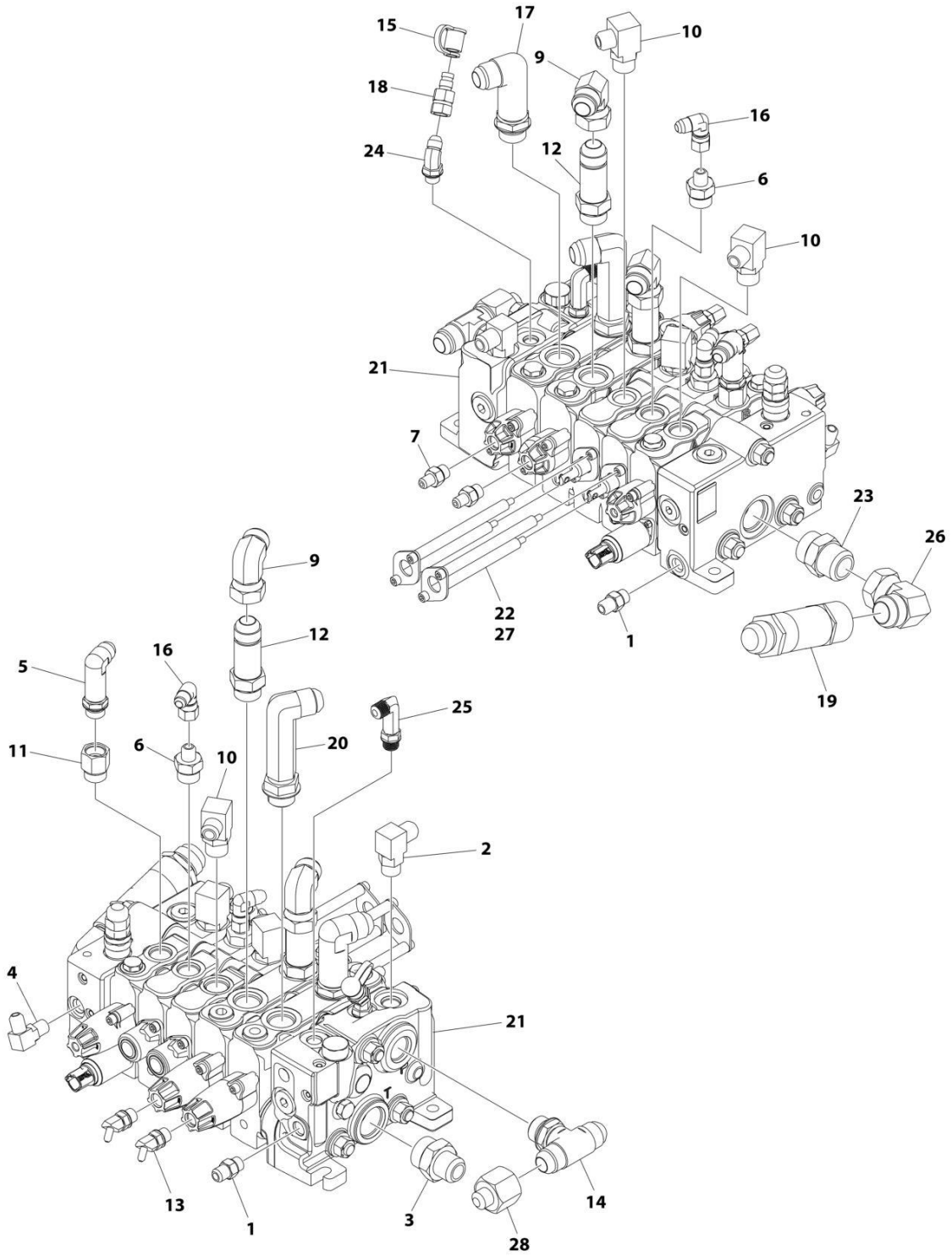
## SECTION 8 - HYDRAULIC CIRCUITS

**FIGURE 8-21. LIFT CYLINDER HYDRAULICS (6042)**

| ITEM | PART NUMBER | QTY | DESCRIPTION                            | REV |
|------|-------------|-----|--|-----|
|      | 1001202468  | Ref | HYDRAULIC FRAME CYLINDERS INSTALLATION | D   |
| 1    | 2220695     | 2   | Adapter, Branch Tee                    |     |
| 2    | 8750026     | 1   | Bolt, Stacking                         |     |
| 3    | 8750040     | 1   | Clamp Set, Twin                        |     |
| 4    | 2716675     | 2   | Hose                                   |     |
| 5    | 1001254108  | 1   | Hose                                   |     |
| 6    | 1001254109  | 1   | Hose                                   |     |
| 7    | 2220375     | 2   | Adapter, Straight                      |     |

# SECTION 8 - HYDRAULIC CIRCUITS

## FIGURE 8-22. MAIN CONTROL & FITTINGS ASSEMBLY



ART\_1001252952

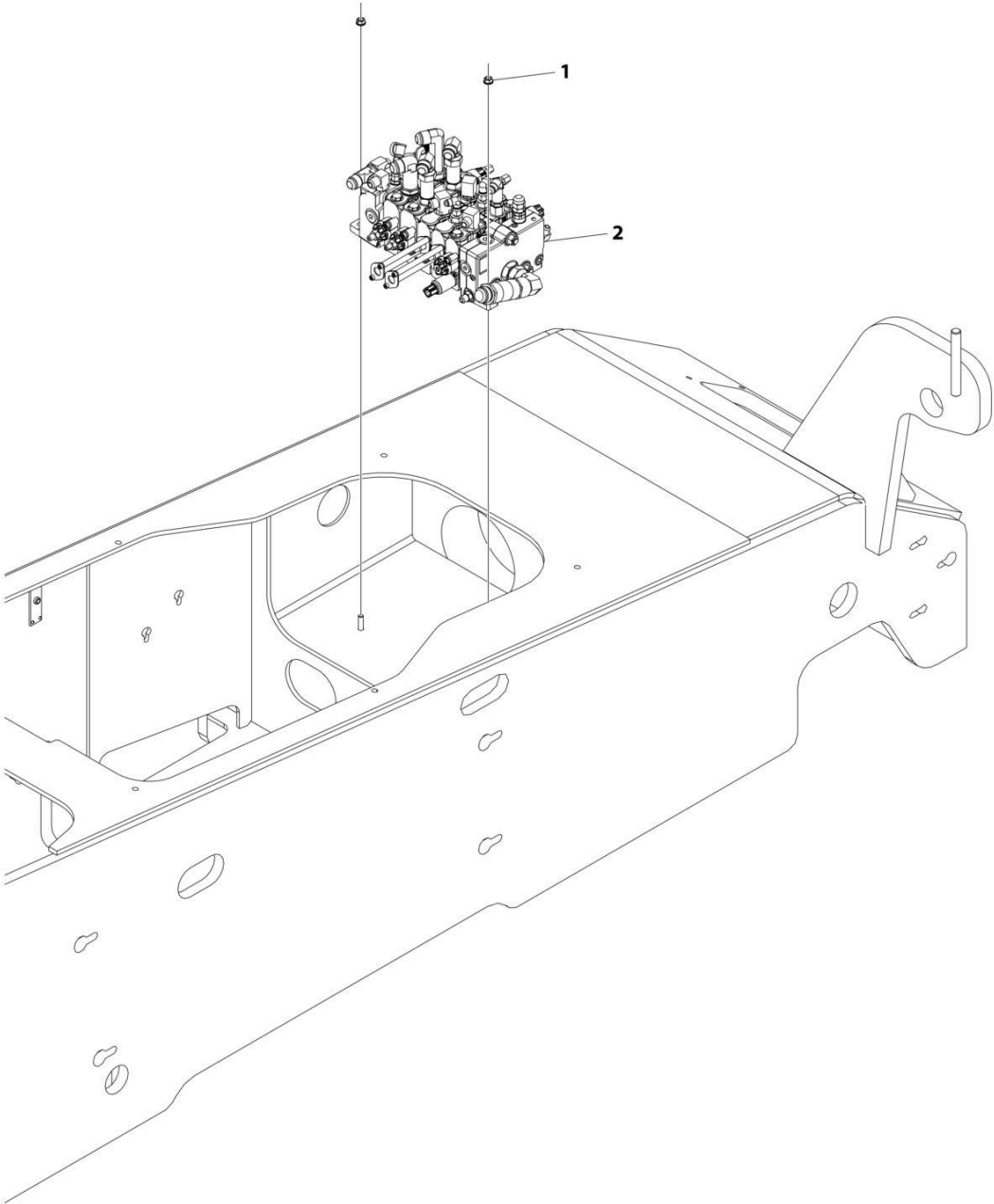
## SECTION 8 - HYDRAULIC CIRCUITS

**FIGURE 8-22. MAIN CONTROL & FITTINGS ASSEMBLY**

| ITEM | PART NUMBER | QTY | DESCRIPTION  | REV |
|------|-------------|-----|--|-----|
|      | 1001252952  | Ref | VALVE ASSEMBLY, 85HP   | D   |
| 1    | 2220371     | 2   | Adapter, Straight  |     |
| 2    | 2220596     | 1   | Adapter, 90  |     |
| 3    | 2220435     | 1   | Adapter, Straight  |     |
| 4    | 2220473     | 1   | Adapter, 90  |     |
| 5    | 2220474     | 1   | Adapter, 90  |     |
| 6    | 2220497     | 2   | Adapter  |     |
| 7    | 2220582     | 2   | Adapter, Straight  |     |
| 9    | 2220655     | 2   | Adapter, 90  |     |
| 10   | 2220671     | 3   | Adapter, 90  |     |
| 11   | 2220810     | 1   | Adapter, Straight  |     |
| 12   | 2220974     | 2   | Adapter, Long Straight   |     |
| 13   | 2221040     | 2   | Adapter, 45  |     |
| 14   | 2220695     | 1   | Adapter, Branch Tee  |     |
| 15   | 8430032     | 1   | Cap, Dust  |     |
| 16   | 8760268     | 2   | Adapter, 90  |     |
| 17   | 8770157     | 1   | Adapter, 90  |     |
| 18   | 8430046     | 1   | Adapter, Diagnostic  |     |
| 19   | 1001174375  | 1   | Valve, Check   |     |
| 20   | 1001181576  | 1   | Adapter, 90  |     |
| 21   | 1001242925  | 1   | Valve, Main Control (See Separate Breakdown in HYDRAULIC COMPONENTS Section) |     |
| 22   | 0100011     | AR  | Compound, Locking  |     |
| 23   | 2220377     | 1   | Adapter  |     |
| 24   | 2220501     | 1   | Adapter, 45  |     |
| 25   | 2220819     | 1   | Adapter, 90  |     |
| 26   | 2220878     | 1   | Adapter, 90  |     |
| 27   | 1001254386  | 2   | Mount, Cable Control   |     |
| 28   | 2220622     | 1   | Reducer  |     |

**SECTION 8 - HYDRAULIC CIRCUITS**

**FIGURE 8-23. MAIN CONTROL VALVE INSTALLATION**



ART\_1001196290\_D

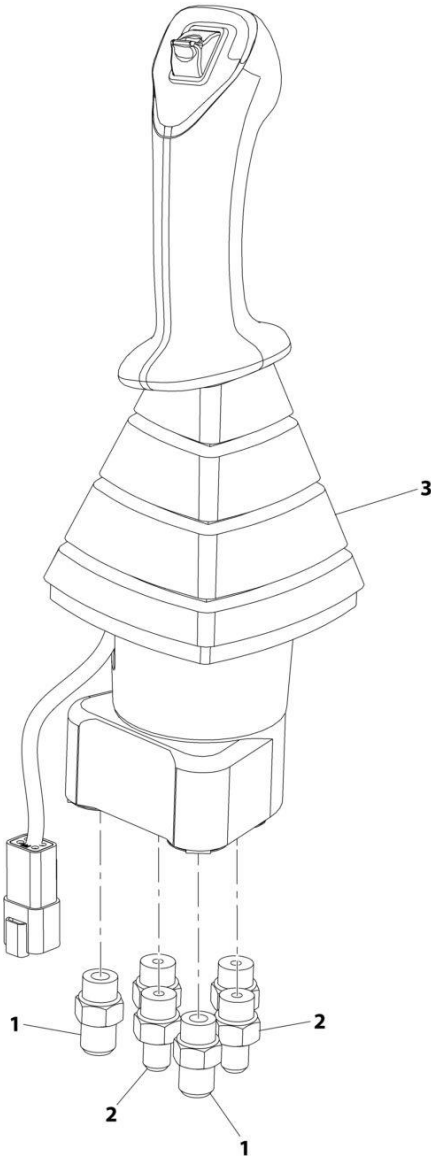
## SECTION 8 - HYDRAULIC CIRCUITS

**FIGURE 8-23. MAIN CONTROL VALVE INSTALLATION**

| ITEM | PART NUMBER | QTY | DESCRIPTION  | REV |
|------|-------------|-----|--|-----|
|      | 1001196290  | Ref | MAIN CONTROL VALVE INSTALLATION, 74HP                    | D   |
| 1    | 8310522     | 3   | Nut 3/8  |     |
| 2    | 1001252952  | 1   | Assembly, Valve (See Separate Breakdown in this Section) |     |

# SECTION 8 - HYDRAULIC CIRCUITS

FIGURE 8-24. PILOT CONTROL VALVE AND FITTINGS ASSEMBLY



ART\_1001158004-B

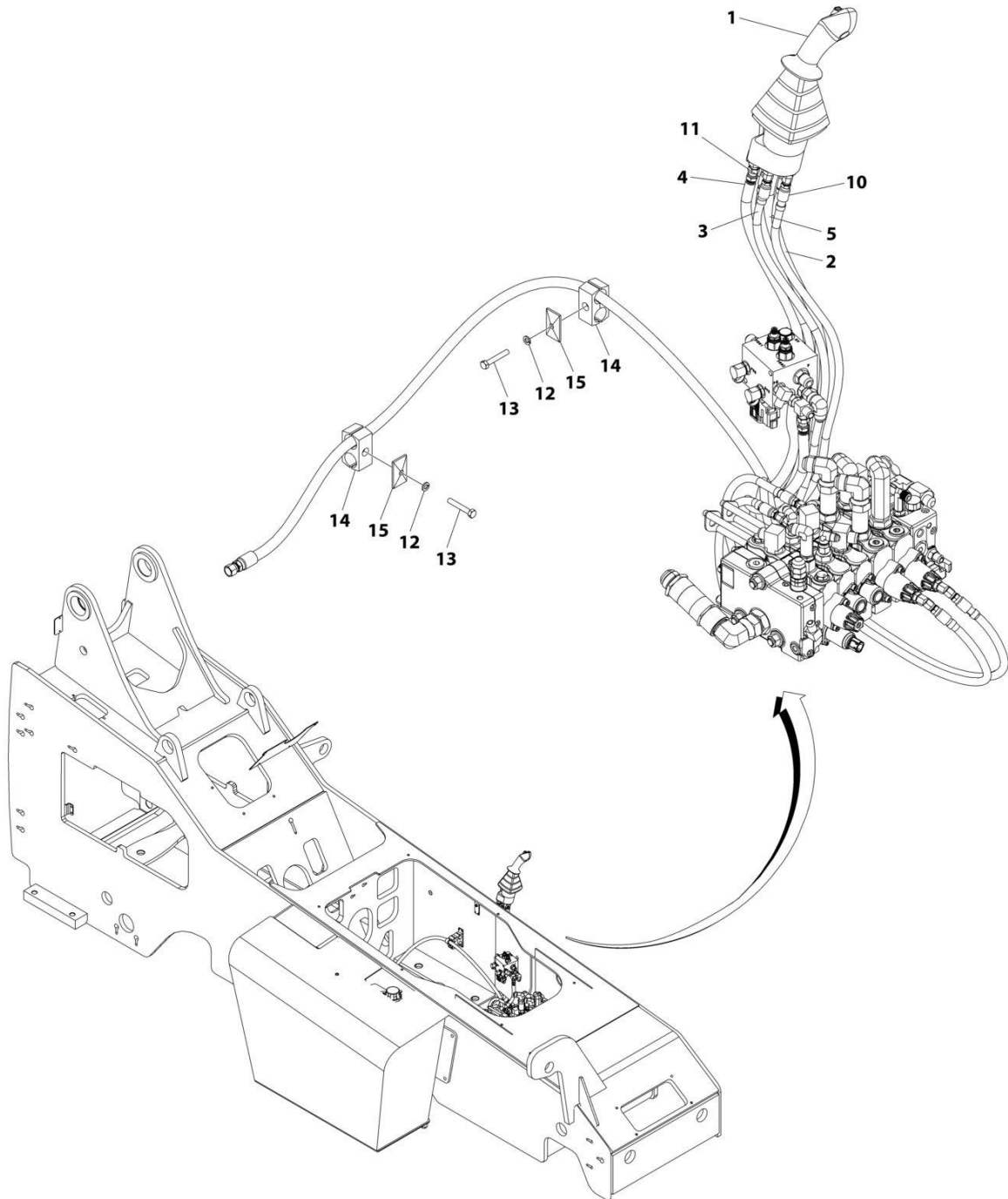
## SECTION 8 - HYDRAULIC CIRCUITS

**FIGURE 8-24. PILOT CONTROL VALVE AND FITTINGS ASSEMBLY**

| ITEM | PART NUMBER | QTY | DESCRIPTION   | REV |
|------|-------------|-----|---|-----|
|      | 1001158004  | Ref | Pilot Joystick & Fitting Assembly   | B   |
| 1    | 2220371     | 2   | Adapter, Straight JIC   |     |
| 2    | 2220582     | 4   | Adapter, Straight JIC   |     |
| 3    | 1001158002  | 1   | Control & Fittings Assembly - Pilot Joystick (See Separate Breakdown in CONTROLS Section) |     |

# SECTION 8 - HYDRAULIC CIRCUITS

## FIGURE 8-25. PILOT CONTROL VALVE HYDRAULICS



ART\_1001158854



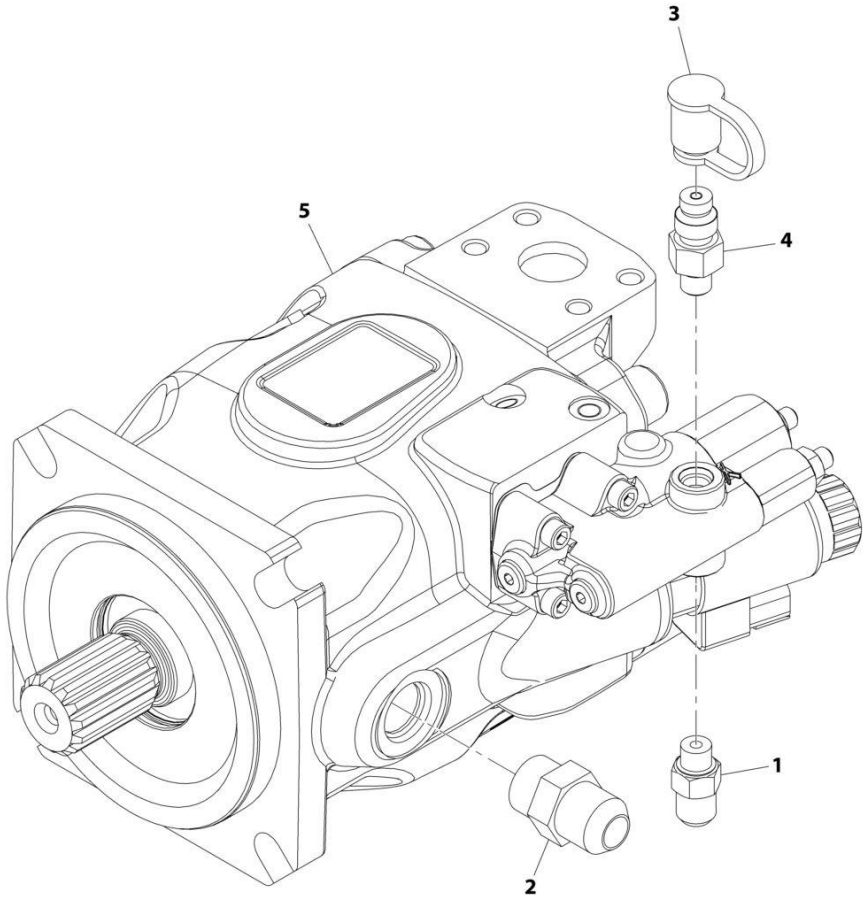
## SECTION 8 - HYDRAULIC CIRCUITS

### FIGURE 8-25. PILOT CONTROL VALVE HYDRAULICS

| ITEM | PART NUMBER | QTY | DESCRIPTION   | REV |
|------|-------------|-----|---|-----|
|      | 1001158854  | Ref | PILOT CONTROLS INSTALLATION                                       | H   |
| 1    | 1001158004  | 1   | Assembly, Pilot Joystick (See Separate Breakdown in this Section) |     |
| 2    | 1001254096  | 1   | Hose  |     |
| 3    | 1001254094  | 1   | Hose  |     |
| 4    | 1001254099  | 1   | Hose  |     |
| 5    | 1001254098  | 1   | Hose  |     |
| 10   | 1001254097  | 1   | Hose  |     |
| 11   | 1001254095  | 1   | Hose  |     |
| 12   | 8307004     | 2   | Washer 5/16   |     |
| 13   | 8310009     | 2   | Bolt 5/16 x 2   |     |
| 14   | 8769127     | 2   | Clamp   |     |
| 15   | 8769128     | 2   | Plate, Cover  |     |

**SECTION 8 - HYDRAULIC CIRCUITS**

**FIGURE 8-26. PISTON PUMP AND FITTINGS ASSEMBLY**



ART\_1001251426-A

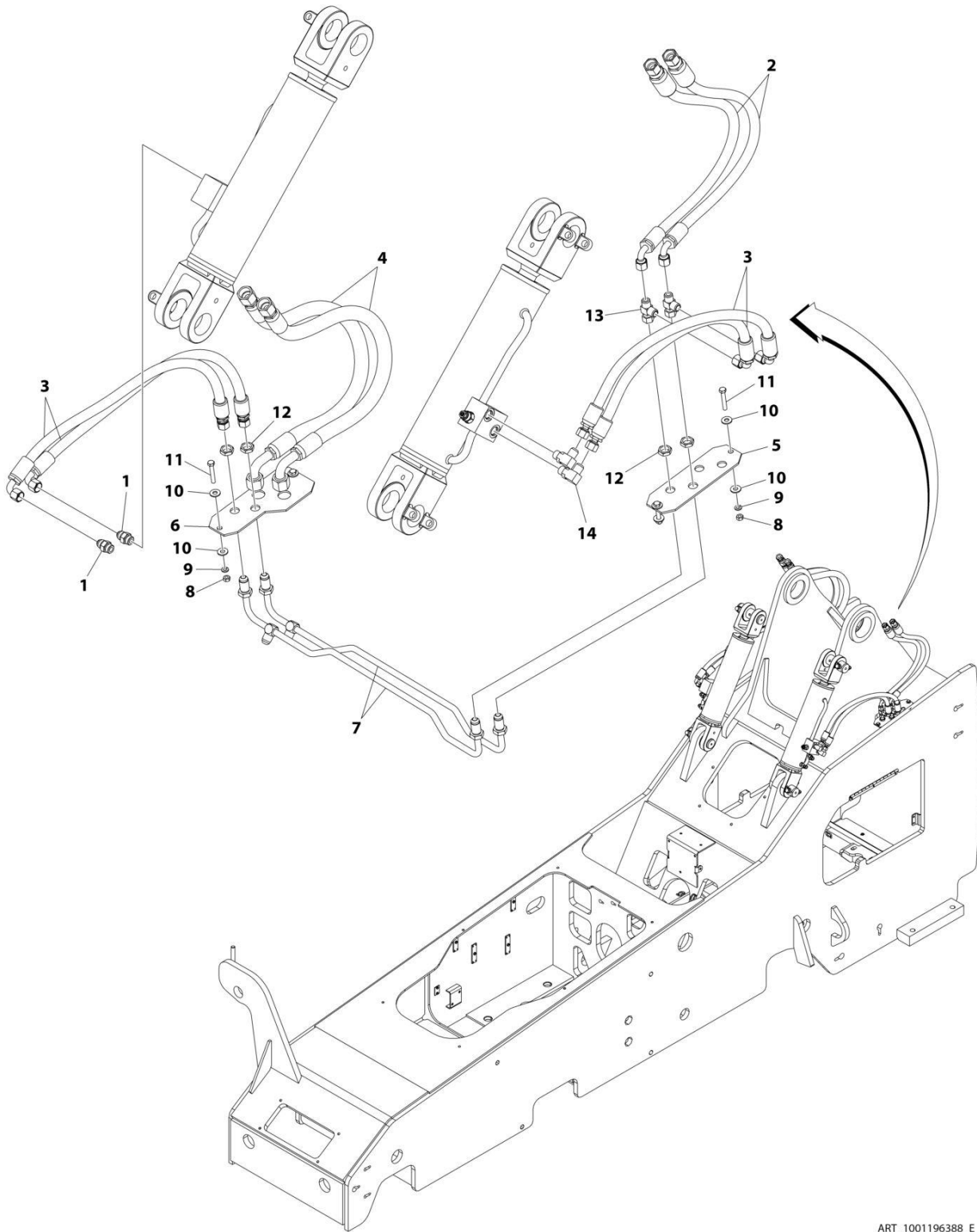
## SECTION 8 - HYDRAULIC CIRCUITS

FIGURE 8-26. PISTON PUMP AND FITTINGS ASSEMBLY

| ITEM | PART NUMBER | QTY | DESCRIPTION   | REV |
|------|-------------|-----|---|-----|
|      | 1001251426  | Ref | Piston Pump Installation  | A   |
| 1    | 2220603     | 1   | Adapter, Straight   |     |
| 2    | 2220947     | 1   | Adapter, Straight   |     |
| 3    | 8430032     | 1   | Cap Dust  |     |
| 4    | 8430033     | 1   | Adapter   |     |
| 5    | 1001251423  | 1   | Pump, Piston (See Separate Breakdown in HYDRAULIC COMPONENTS Section) |     |

# SECTION 8 - HYDRAULIC CIRCUITS

## FIGURE 8-27. REAR BULKHEAD TO COMPENSATION CYLINDERS HYDRAULICS (6036)



ART\_1001196388\_E

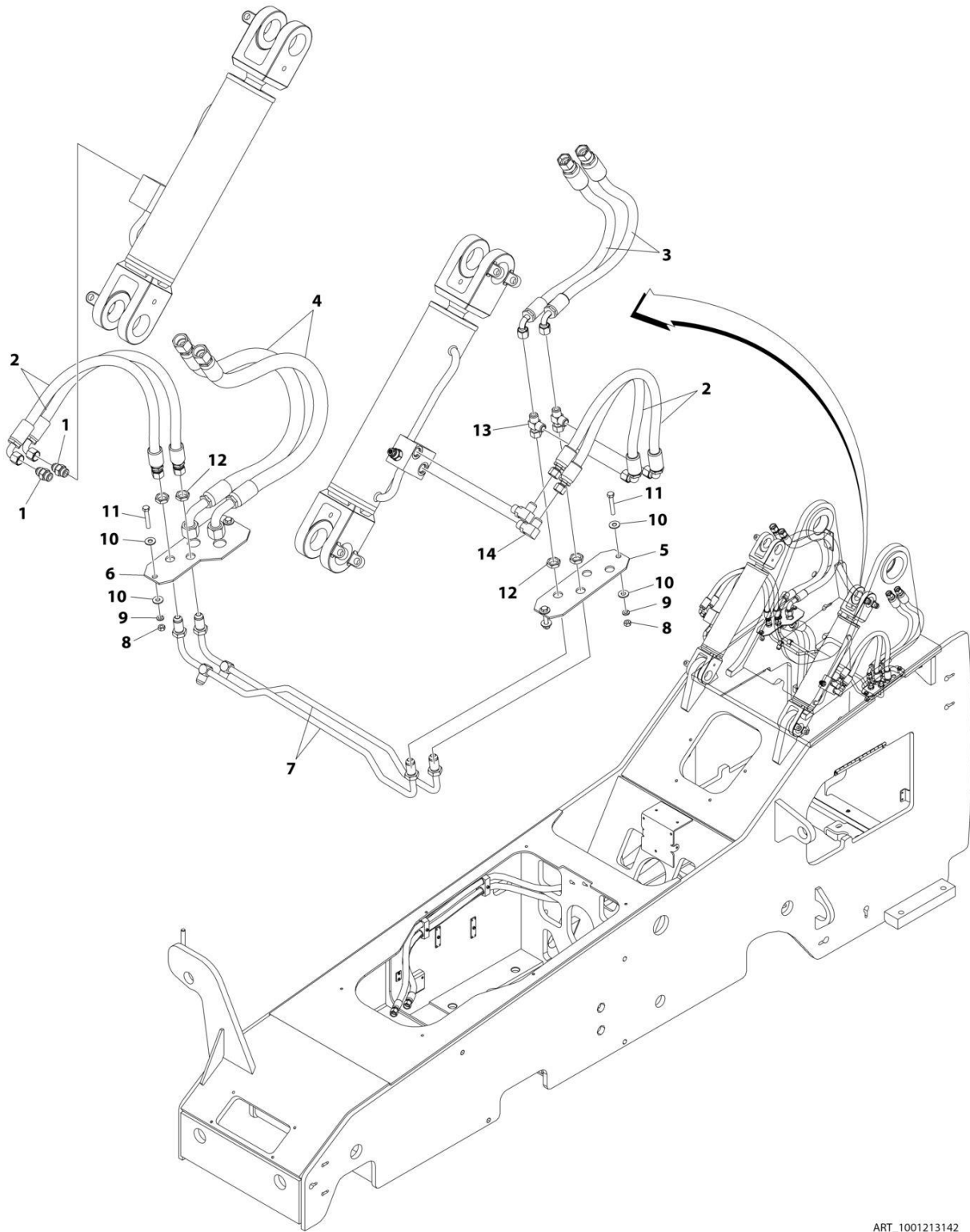
## SECTION 8 - HYDRAULIC CIRCUITS

**FIGURE 8-27. REAR BULKHEAD TO COMPENSATION CYLINDERS HYDRAULICS (6036)**

| ITEM | PART NUMBER | QTY | DESCRIPTION                | REV |
|------|-------------|-----|----------------------------|-----|
|      | 1001196388  | Ref | REAR BULKHEAD INSTALLATION | E   |
| 1    | 2220373     | 2   | Adapter, Straight JIC      |     |
| 2    | 2716714     | 2   | Hose                       |     |
| 3    | 2716773     | 4   | Hose                       |     |
| 4    | 2755060     | 2   | Hose                       |     |
| 5    | 7139504     | 1   | Sheet, Bulkhead            |     |
| 6    | 7139505     | 1   | Sheet, Bulkhead            |     |
| 7    | 1001257571  | 2   | Tube                       |     |
| 8    | 8305006     | 4   | Nut 5/16                   |     |
| 9    | 8307004     | 4   | Washer 5/16                |     |
| 10   | 8307203     | 8   | Washer 5/16                |     |
| 11   | 8310009     | 4   | Bolt 5/16 x 2              |     |
| 12   | 8760463     | 4   | Adapter, Bulkhead Nut      |     |
| 13   | 2220385     | 2   | Adapter, Run Tee           |     |
| 14   | 2220596     | 2   | Adapter, 90                |     |

# SECTION 8 - HYDRAULIC CIRCUITS

## FIGURE 8-28. REAR BULKHEAD TO COMPENSATION CYLINDERS HYDRAULICS (6042)



ART\_1001213142

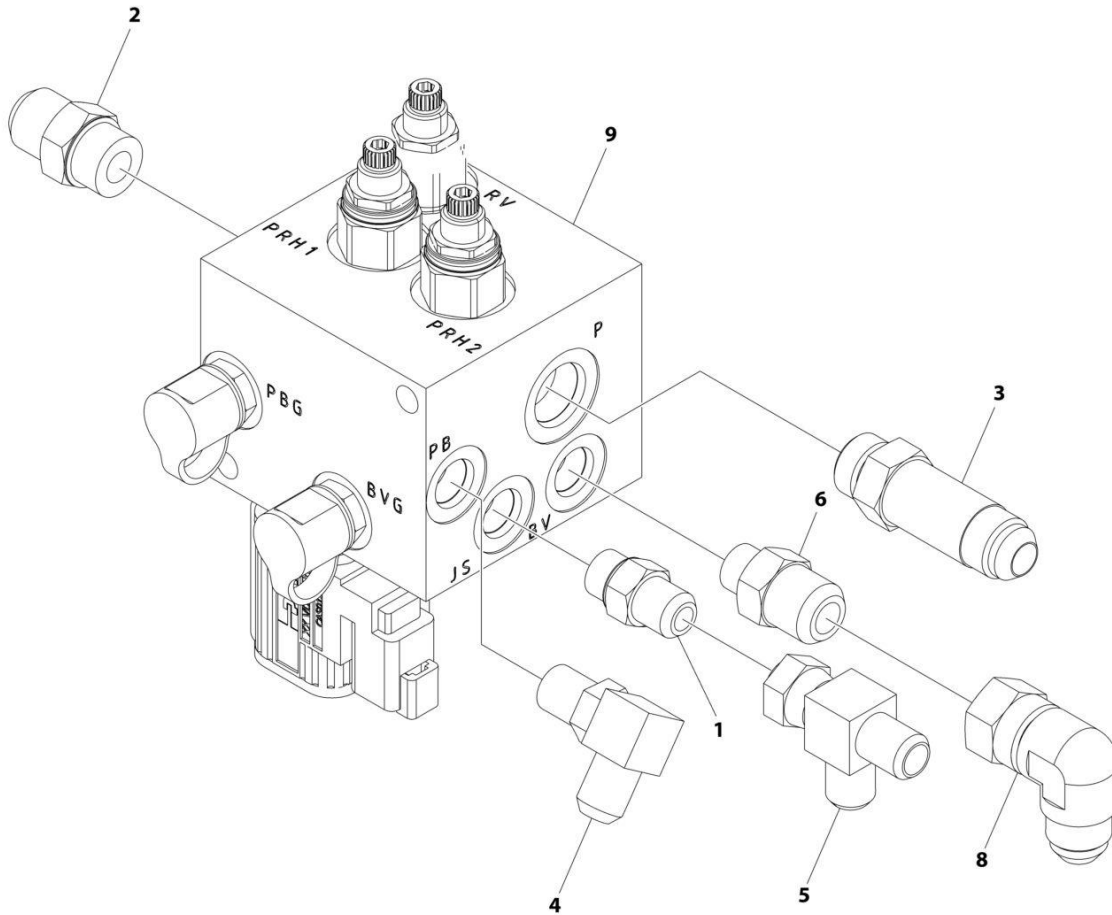
## SECTION 8 - HYDRAULIC CIRCUITS

**FIGURE 8-28. REAR BULKHEAD TO COMPENSATION CYLINDERS HYDRAULICS (6042)**

| ITEM | PART NUMBER | QTY | DESCRIPTION                     | REV |
|------|-------------|-----|---------------------------------|-----|
|      | 1001213142  | Ref | REAR BULKHEAD INSTALLATION 74HP | E   |
| 1    | 2220373     | 2   | Adapter, Straight JIC           |     |
| 2    | 2716684     | 4   | Hose                            |     |
| 3    | 2716714     | 2   | Hose, Boom                      |     |
| 4    | 2755060     | 2   | Hose                            |     |
| 5    | 7139504     | 1   | Sheet, Bulkhead                 |     |
| 6    | 7139505     | 1   | Sheet, Bulkhead                 |     |
| 7    | 1001257571  | 2   | Tube                            |     |
| 8    | 8305006     | 4   | Nut 5/16                        |     |
| 9    | 8307004     | 4   | Washer 5/16                     |     |
| 10   | 8307203     | 8   | Washer 5/16                     |     |
| 11   | 8310009     | 4   | Bolt 5/16 x 2                   |     |
| 12   | 8760463     | 2   | Adapter, Bulkhead Nut           |     |
| 13   | 2220385     | 2   | Adapter, Bulkhead Run Tee       |     |
| 14   | 2220596     | 2   | Adapter, 90                     |     |

# SECTION 8 - HYDRAULIC CIRCUITS

## FIGURE 8-29. SECONDARY VALVE & FITTINGS ASSEMBLY (6036)



ART\_1001197422\_E



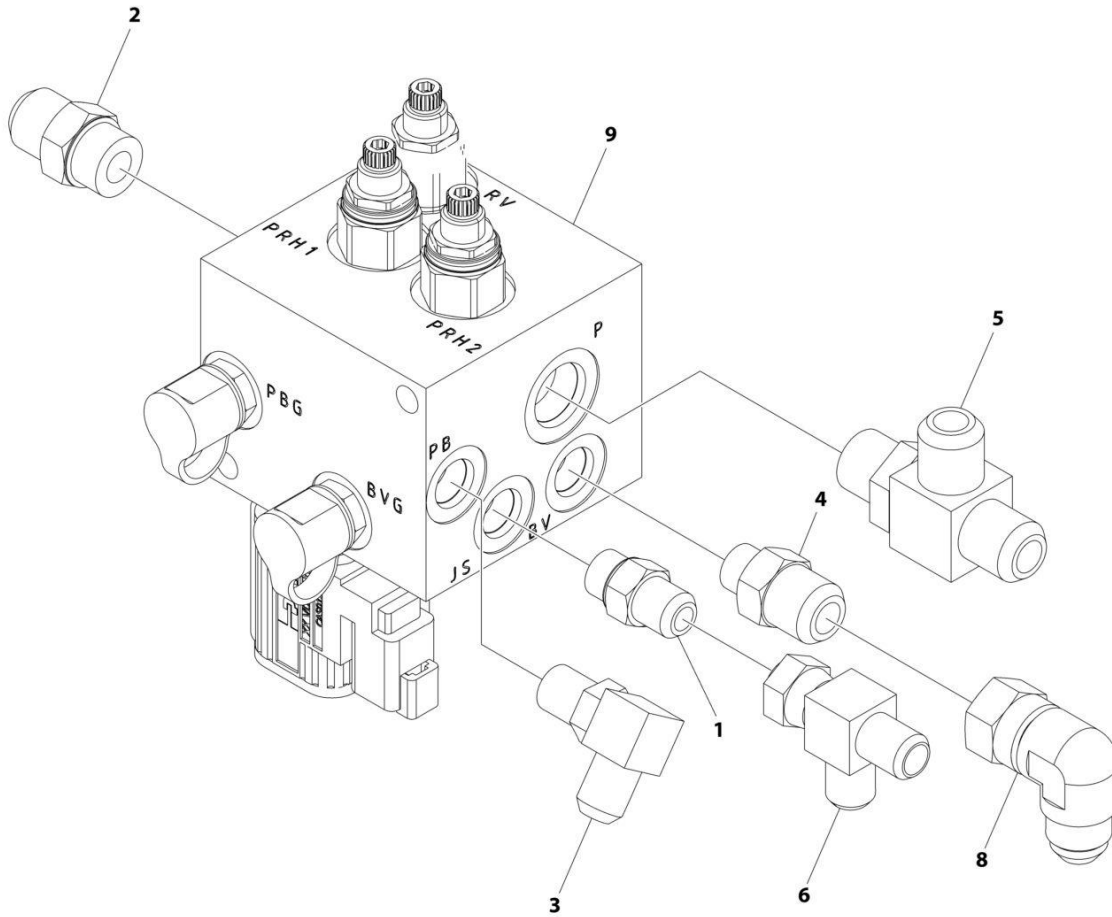
## SECTION 8 - HYDRAULIC CIRCUITS

**FIGURE 8-29. SECONDARY VALVE & FITTINGS ASSEMBLY (6036)**

| ITEM | PART NUMBER | QTY | DESCRIPTION   | REV |
|------|-------------|-----|---|-----|
|      | 1001197422  | Ref | SECONDARY VALVE INSTALLATION, 74HP (IF EQUIPPED)                                  | E   |
| 1    | 2220371     | 1   | Adapter, Straight   |     |
| 2    | 2220373     | 1   | Adapter, Straight   |     |
| 3    | 2220381     | 1   | Adapter, Straight   |     |
| 4    | 2220473     | 1   | Adapter, 90   |     |
| 5    | 2220635     | 1   | Adapter, Run Tee  |     |
| 6    | 2220600     | 1   | Adapter, Straight   |     |
| 8    | 8765204     | 1   | Adapter, 90   |     |
| 9    | 1001266771  | 1   | Valve, Secondary Control (See Separate Breakdown in HYDRAULIC COMPONENTS Section) |     |

# SECTION 8 - HYDRAULIC CIRCUITS

## FIGURE 8-30. SECONDARY VALVE & FITTINGS ASSEMBLY (6042)



ART\_1001196294\_E

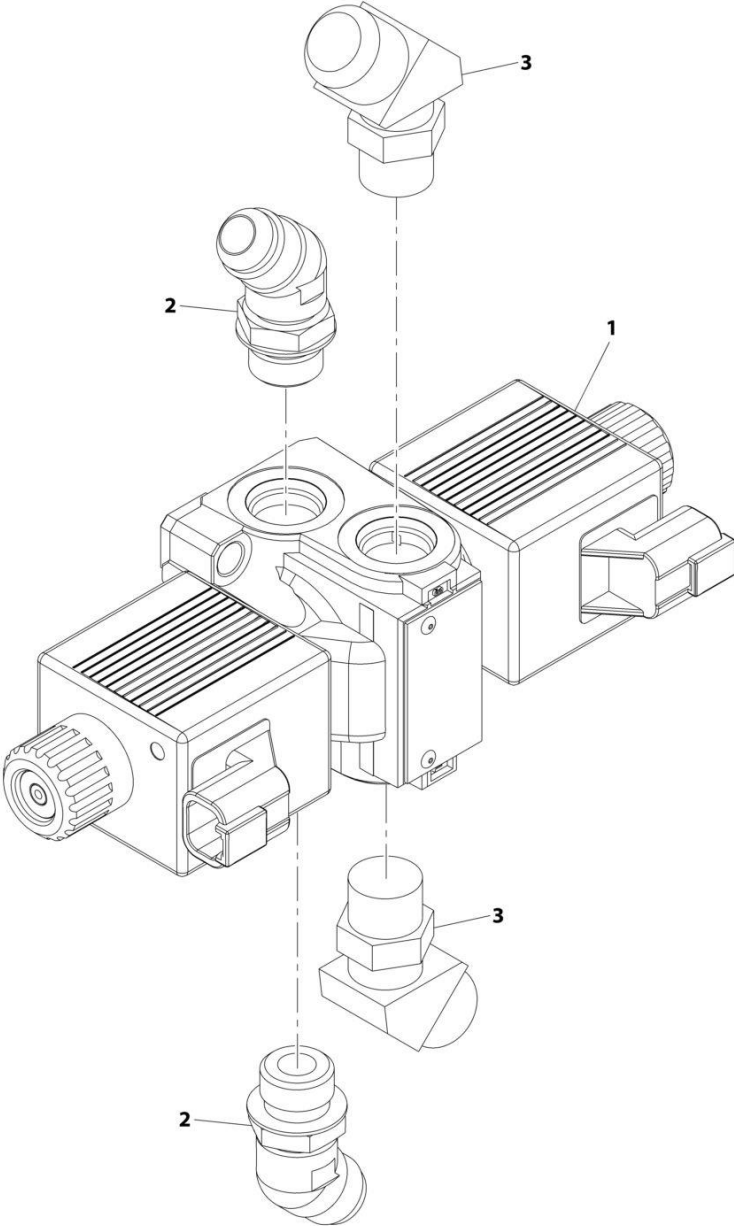
## SECTION 8 - HYDRAULIC CIRCUITS

**FIGURE 8-30. SECONDARY VALVE & FITTINGS ASSEMBLY (6042)**

| ITEM | PART NUMBER | QTY | DESCRIPTION   | REV |
|------|-------------|-----|---|-----|
|      | 1001196294  | Ref | SECONDARY VALVE INSTALLATION, 74HP (IF EQUIPPED)                                  | E   |
| 1    | 2220371     | 1   | Adapter, Straight   |     |
| 2    | 2220373     | 1   | Adapter, Straight   |     |
| 3    | 2220473     | 1   | Adapter, 90   |     |
| 4    | 2220600     | 1   | Adapter, Straight   |     |
| 5    | 2220602     | 1   | Adapter, Run Tee  |     |
| 6    | 2220635     | 1   | Adapter, Run Tee  |     |
| 8    | 8765204     | 1   | Adapter, 90   |     |
| 9    | 1001266771  | 1   | Valve, Secondary Control (See Separate Breakdown in HYDRAULIC COMPONENTS Section) |     |

**SECTION 8 - HYDRAULIC CIRCUITS**

**FIGURE 8-31. STEER VALVE & FITTINGS ASSEMBLY**



ART\_1001228677-A

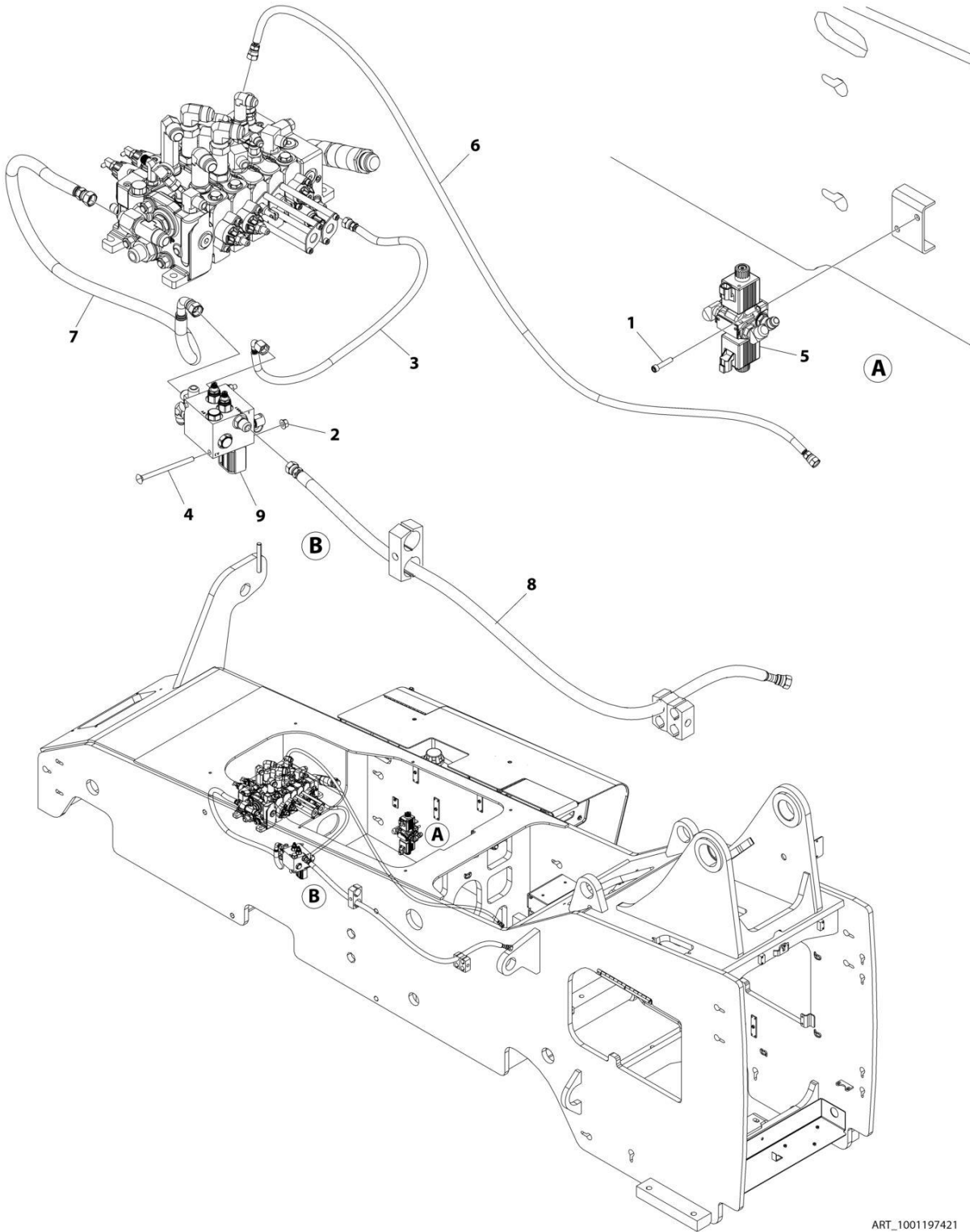
## SECTION 8 - HYDRAULIC CIRCUITS

### FIGURE 8-31. STEER VALVE & FITTINGS ASSEMBLY

| ITEM | PART NUMBER | QTY | DESCRIPTION  | REV |
|------|-------------|-----|--|-----|
| 1    | 1001228677  | Ref | Steer Select Valve Assembly  | A   |
|      | 1001153748  | 1   | Valve, Steer Select (See Separate Breakdown in HYDRAULIC COMPONENTS Section) |     |
| 2    | 2220500     | 2   | Adapter, 45  |     |
| 3    | 2220950     | 2   | Adapter, 45  |     |

# SECTION 8 - HYDRAULIC CIRCUITS

## FIGURE 8-32. STEER/SECONDARY VALVES HYDRAULICS (6036)



ART\_1001197421

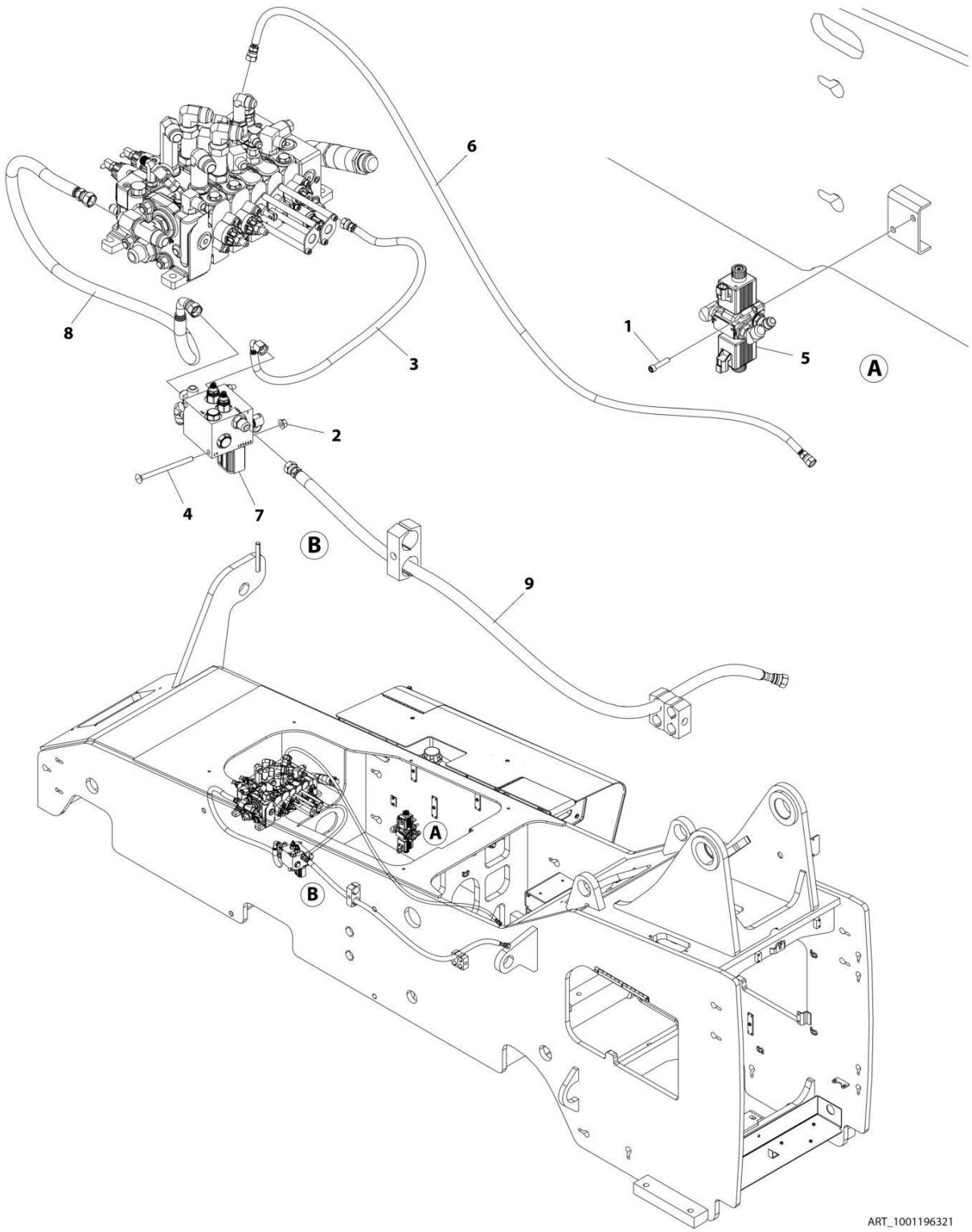
## SECTION 8 - HYDRAULIC CIRCUITS

**FIGURE 8-32. STEER/SECONDARY VALVES HYDRAULICS (6036)**

| ITEM | PART NUMBER | QTY | DESCRIPTION  | REV |
|------|-------------|-----|--|-----|
|      | 1001197421  | Ref | HYDRAULIC VALVES INSTALLATION  | F   |
| 1    | 8304608     | 2   | Screw 5/16 x 1-1/2   |     |
| 2    | 8310420     | 2   | Nut 5/16   |     |
| 3    | 1001254090  | 1   | Hose   |     |
| 4    | 1001163685  | 2   | Bolt 5/16 x 4-1/2  |     |
| 5    | 1001228677  | 1   | Assembly, Steer Select Valve (See Separate Breakdown in this Section)  |     |
| 6    | 1001244302  | 1   | Hose   |     |
| 7    | 1001254092  | 1   | Hose   |     |
| 8    | 1001254093  | 1   | Hose   |     |
| 9    | 1001197422  | 1   | Installation, Secondary Valve (See Separate Breakdown in this Section) |     |

# SECTION 8 - HYDRAULIC CIRCUITS

## FIGURE 8-33. STEER/SECONDARY VALVES HYDRAULICS (6042)



ART\_1001196321



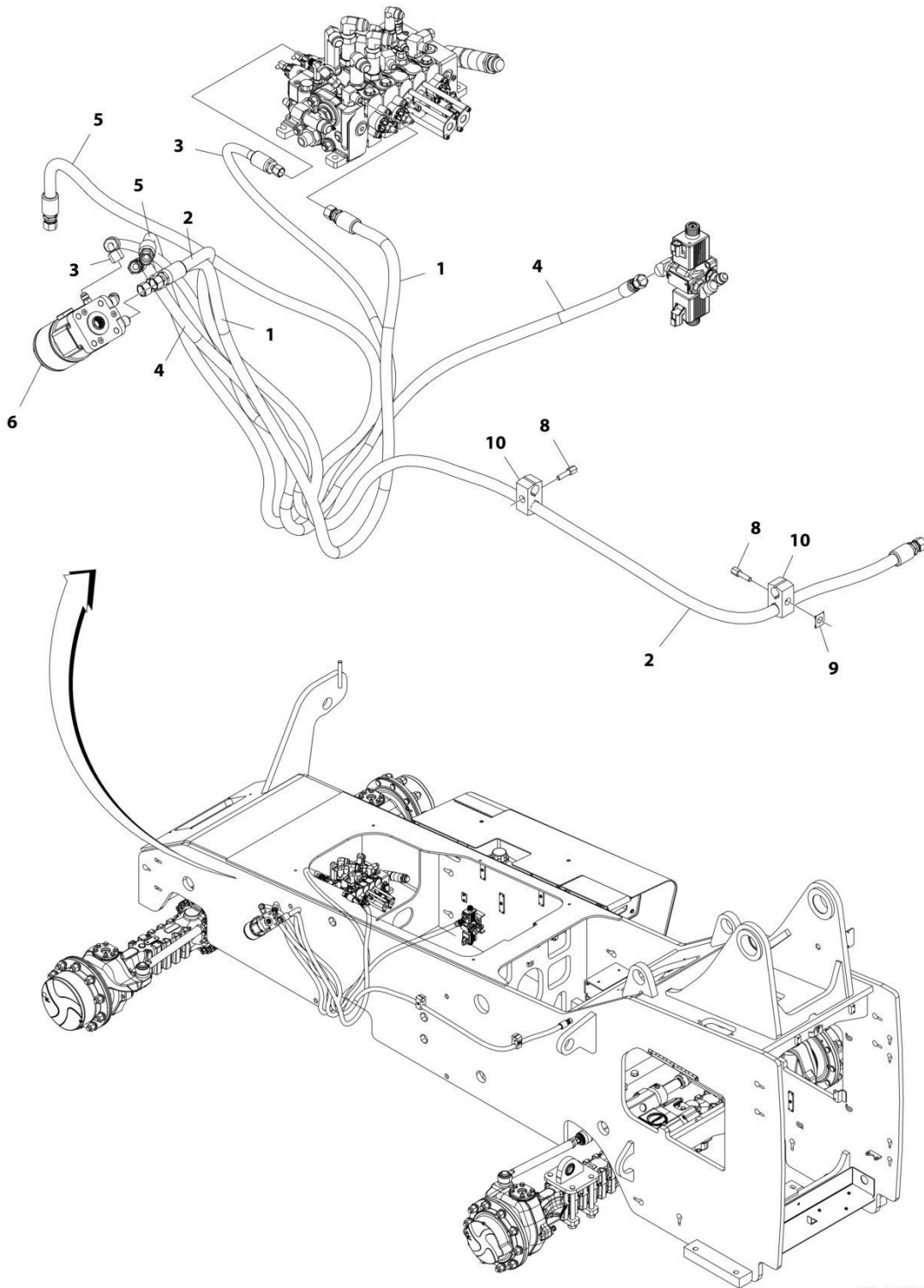
## SECTION 8 - HYDRAULIC CIRCUITS

**FIGURE 8-33. STEER/SECONDARY VALVES HYDRAULICS (6042)**

| ITEM | PART NUMBER | QTY | DESCRIPTION   | REV |
|------|-------------|-----|---|-----|
|      | 1001196321  | Ref | HYDRAULIC VALVES INSTALLATION   | F   |
| 1    | 8304608     | 2   | Screw 5/16 x 1-1/2  |     |
| 2    | 8310420     | 2   | Nut 5/16  |     |
| 3    | 1001254090  | 1   | Hose  |     |
| 4    | 1001163685  | 2   | Bolt 5/16 x 4-1/2   |     |
| 5    |             | Ref | Assembly, Steer Select Valve (See Separate Breakdown in this Section)         |     |
| 6    | 1001244302  | 1   | Hose  |     |
| 7    | 1001196294  | 1   | Installation, Secondary Valve (See Separate Breakdown in this Section) (6042) |     |
| 8    | 1001254092  | 1   | Hose  |     |
| 9    | 1001254093  | 1   | Hose  |     |

# SECTION 8 - HYDRAULIC CIRCUITS

## FIGURE 8-34. STEERING HYDRAULICS



ART\_1001158856

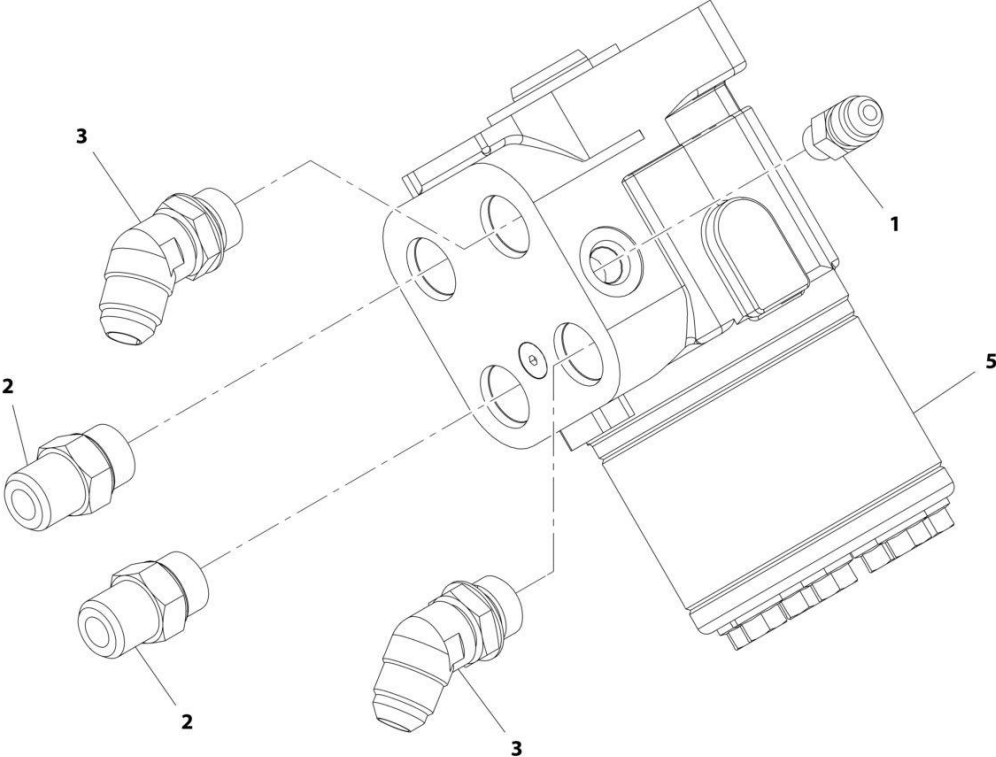
## SECTION 8 - HYDRAULIC CIRCUITS

### FIGURE 8-34. STEERING HYDRAULICS

| ITEM | PART NUMBER | QTY | DESCRIPTION   | REV |
|------|-------------|-----|---|-----|
|      | 1001158856  | Ref | STEERING HYDRAULICS INSTALLATION                                      | I   |
| 1    | 1001254100  | 1   | Hose  |     |
| 2    | 1001158266  | 1   | Hose  |     |
| 3    | 1001254101  | 1   | Hose  |     |
| 4    | 1001173230  | 1   | Hose  |     |
| 5    | 1001158337  | 1   | Hose  |     |
| 6    | 1001158528  | 1   | Installation, Steering Valve (See Separate Breakdown in this Section) |     |
| 8    | 8750012     | 2   | Bolt, Stacking  |     |
| 9    | 8750017     | 1   | Plate, Twin Clamp Locking   |     |
| 10   | 8750027     | 2   | Clamp Set, Twin   |     |

**SECTION 8 - HYDRAULIC CIRCUITS**

**FIGURE 8-35. STEERING VALVE AND FITTINGS ASSEMBLY**



ART\_1001158528-C

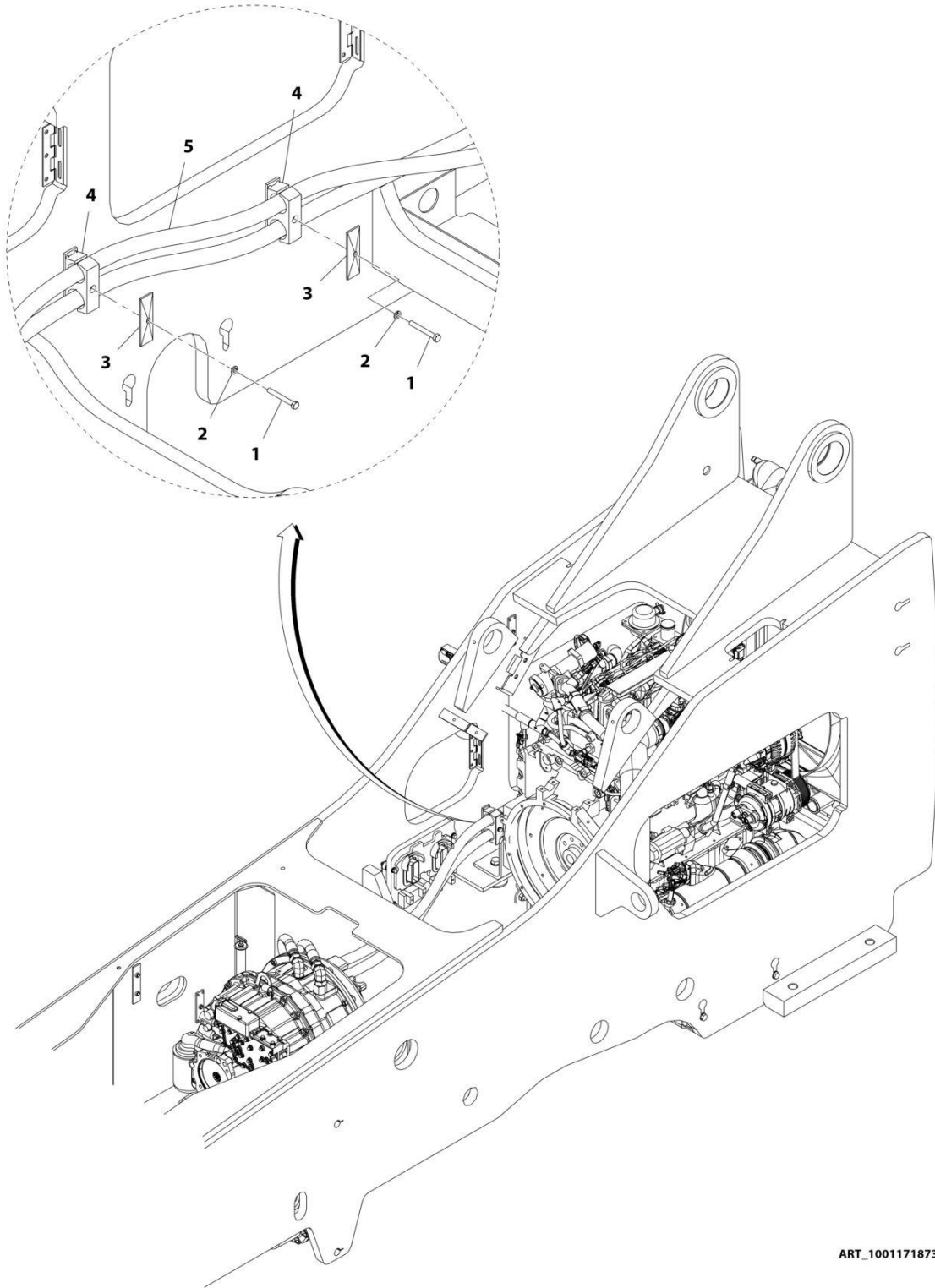
## SECTION 8 - HYDRAULIC CIRCUITS

**FIGURE 8-35. STEERING VALVE AND FITTINGS ASSEMBLY**

| ITEM | PART NUMBER | QTY | DESCRIPTION                       | REV |
|------|-------------|-----|-----------------------------------|-----|
|      | 1001158528  | 1   | Steering Valve & Fitting Assembly | C   |
| 1    | 2220603     | 1   | Adapter, Straight JIC             |     |
| 2    | 2220373     | 2   | Adapter, Straight JIC             |     |
| 3    | 2220500     | 2   | Adapter, 45 JIC                   |     |
| 5    | 1001158527  | 1   | Valve, Steering                   |     |
| 5    | 70026401    | 1   | Seal Kit - Steering Valve         |     |

# SECTION 8 - HYDRAULIC CIRCUITS

## FIGURE 8-36. TRANSMISSION COOLER HYDRAULICS



ART\_1001171873-C

## SECTION 8 - HYDRAULIC CIRCUITS

### FIGURE 8-36. TRANSMISSION COOLER HYDRAULICS

| ITEM | PART NUMBER | QTY | DESCRIPTION   | REV |
|------|-------------|-----|---|-----|
|      | 1001171873  | Ref | Hydraulic Transmission Cooler Plumbing Installation | C   |
| 1    | 8303757     | 2   | Bolt, 5/16X2-1/2                                    |     |
| 2    | 8307004     | 2   | Washer, Lock 5/16                                   |     |
| 3    | 8750025     | 2   | Cover Plate, Twin                                   |     |
| 4    | 8750040     | 2   | Clamp Set, Twin                                     |     |
| 5    | 1001171986  | 2   | Hose  |     |

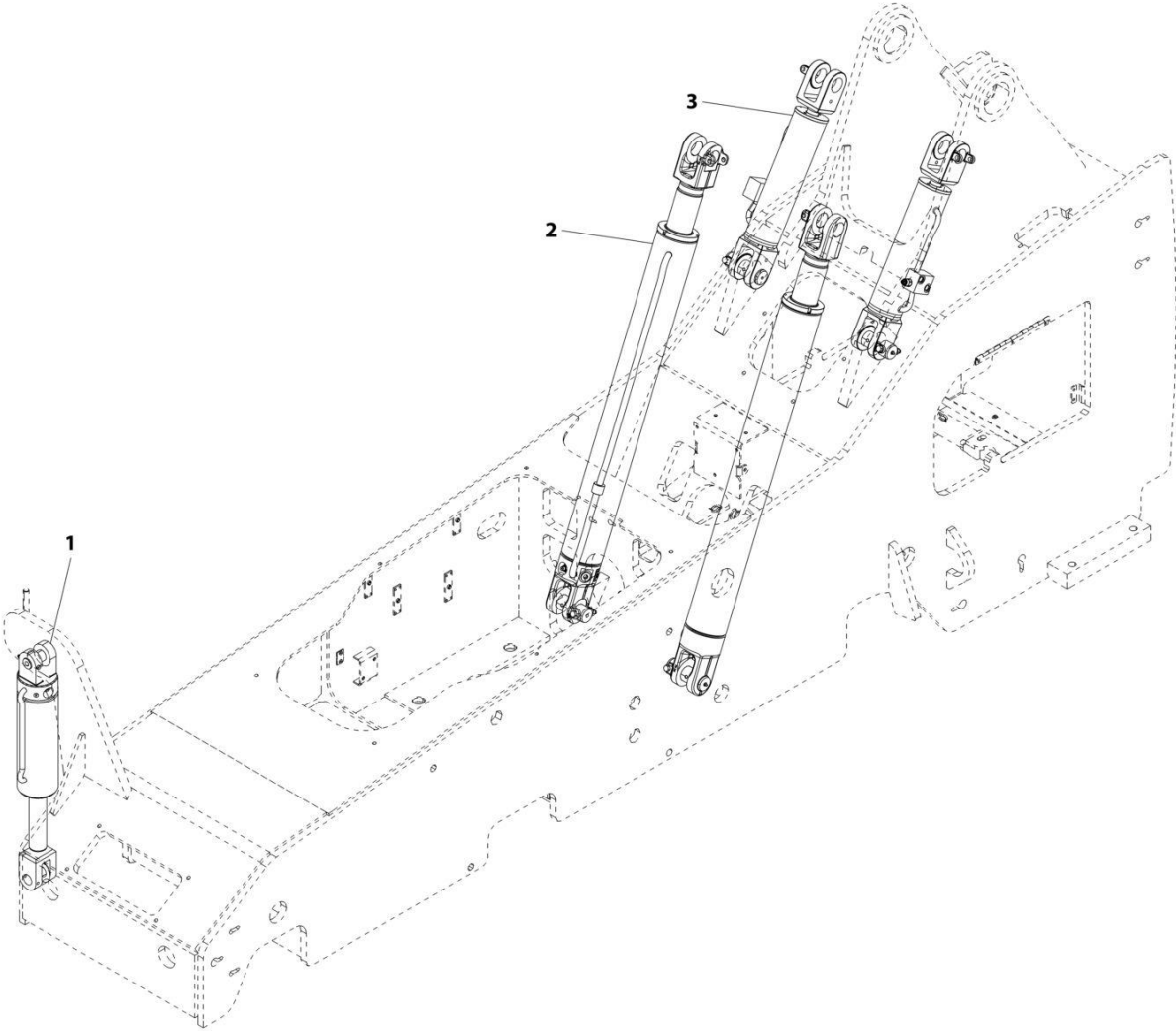




**SECTION 9 - HYDRAULIC COMPONENTS**

**SECTION 9 - HYDRAULIC COMPONENTS**

**FIGURE 9-1. CYLINDER INSTALLATION (6036)**



ART\_1001201689-A

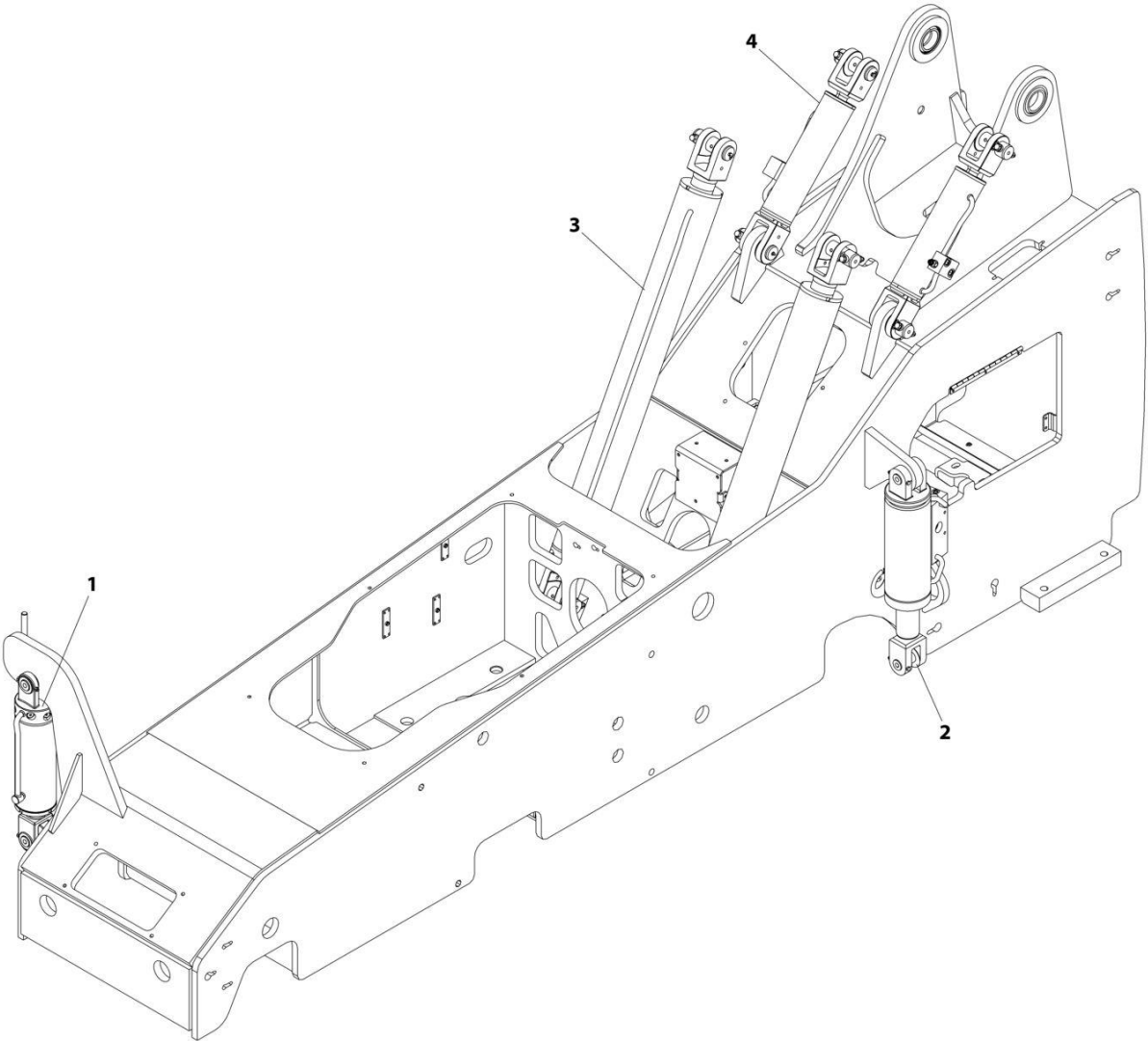
## SECTION 9 - HYDRAULIC COMPONENTS

**FIGURE 9-1. CYLINDER INSTALLATION (6036)**

| ITEM | PART NUMBER | QTY | DESCRIPTION  | REV |
|------|-------------|-----|--|-----|
|      | 1001201689  | Ref | Cylinder Kit   | A   |
| 1    | 1001091901  | 1   | Frame Level Cylinder (See Separate Breakdown in this Section)        |     |
| 2    | 1001156164  | 2   | Lift Cylinder (See Separate Breakdown in this Section)               |     |
| 3    | 1001196110  | 2   | Compensating Cylinder (ULS) (See Separate Breakdown in this Section) |     |

**SECTION 9 - HYDRAULIC COMPONENTS**

**FIGURE 9-2. CYLINDER INSTALLATION (6042)**



ART\_1001209665

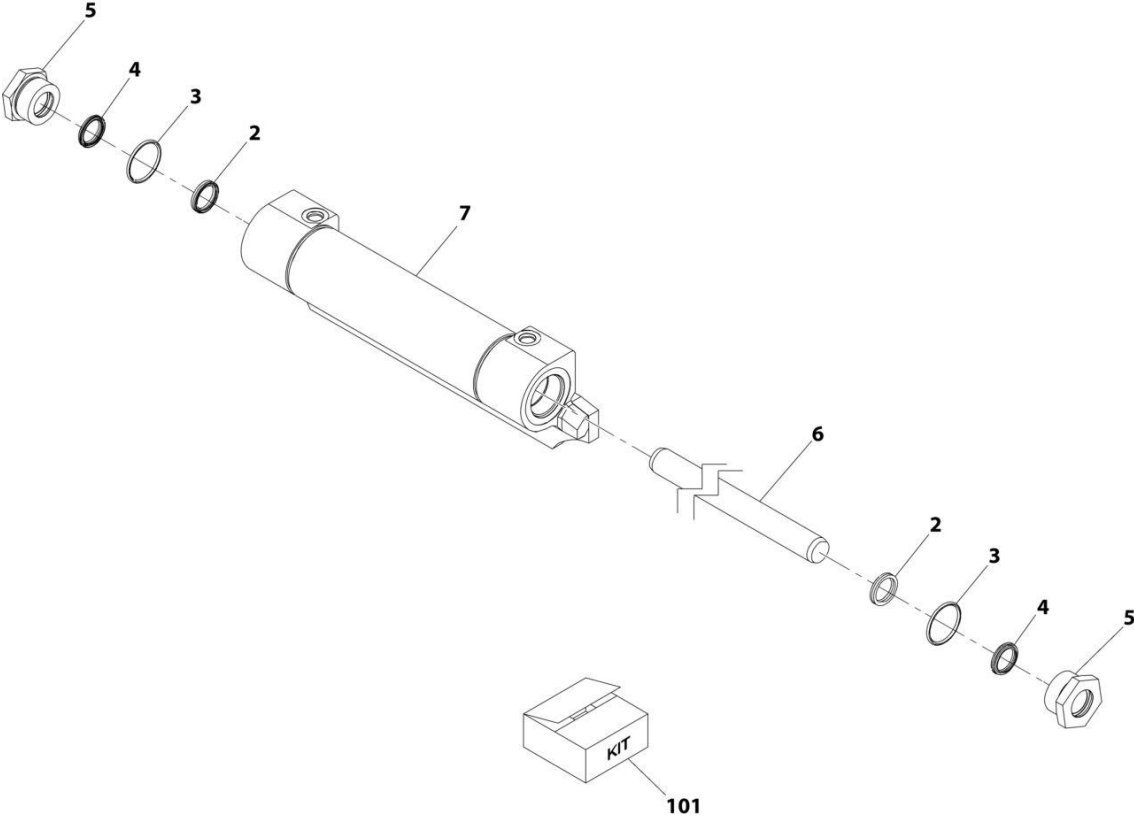
## SECTION 9 - HYDRAULIC COMPONENTS

**FIGURE 9-2. CYLINDER INSTALLATION (6042)**

| ITEM | PART NUMBER | QTY | DESCRIPTION  | REV |
|------|-------------|-----|--|-----|
|      | 1001209665  | Ref | CYLINDER KIT (ULS)   | C   |
| 1    | 1001180762  | Ref | Cylinder, Frame Level (See Separate Breakdown in this Section) |     |
| 2    | 2717198     | Ref | Cylinder, Stabil-Trak (See Separate Breakdown in this Section) |     |
| 3    | 1001180760  | Ref | Cylinder, Lift (See Separate Breakdown in this Section)        |     |
| 4    | 1001196110  | Ref | Cylinder Compensating (See Separate Breakdown in this Section) |     |

**SECTION 9 - HYDRAULIC COMPONENTS**

**FIGURE 9-3. CYLINDER - CARRIAGE SIDE SHIFT**



ART\_70024539-B

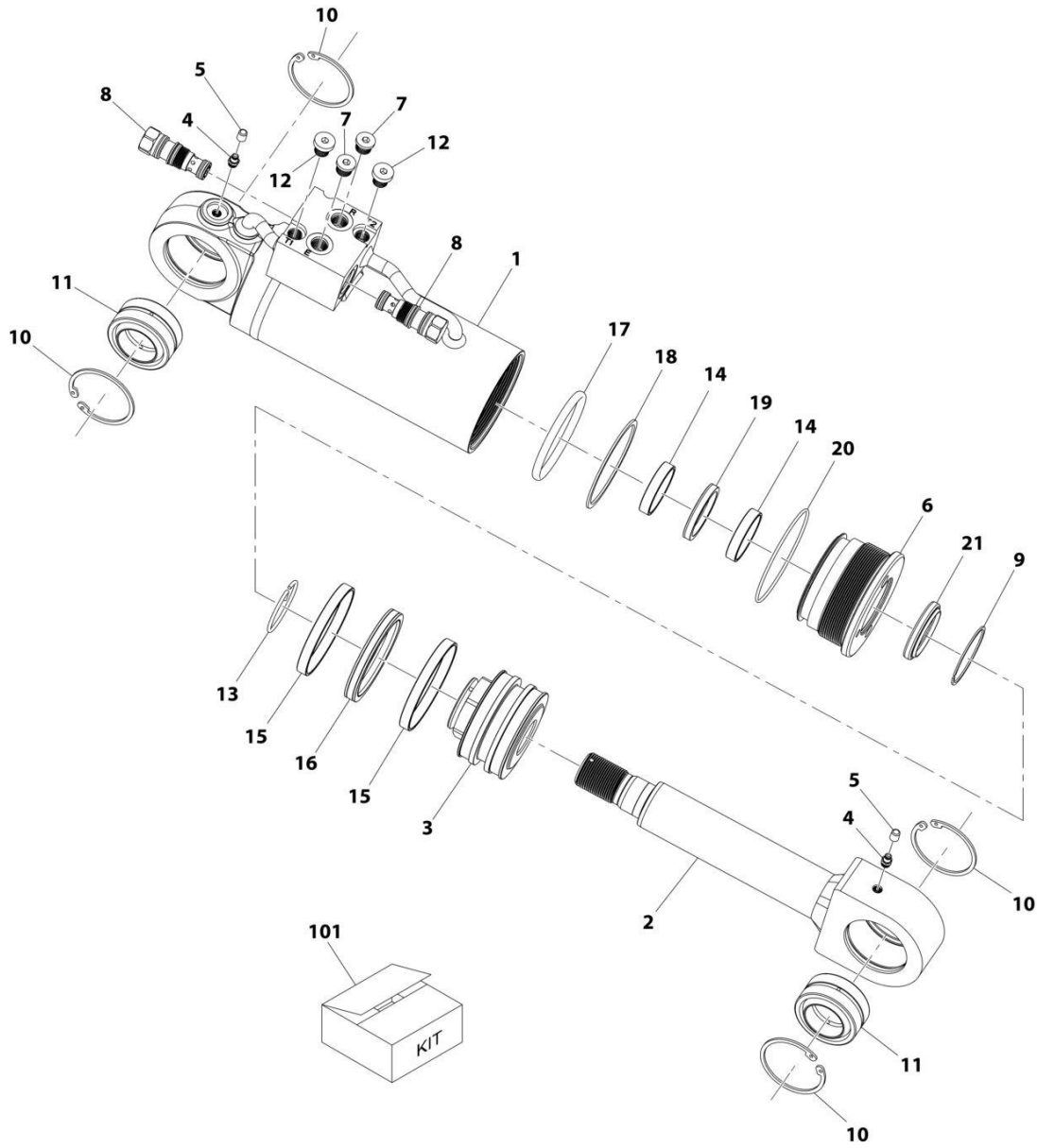
## SECTION 9 - HYDRAULIC COMPONENTS

### FIGURE 9-3. CYLINDER - CARRIAGE SIDE SHIFT

| ITEM | PART NUMBER | QTY | DESCRIPTION  | REV |
|------|-------------|-----|--|-----|
|      | 70024539    | Ref | Side Shift Carriage Cylinder   | B   |
|      |             | Ref | <b>Note: Original Cylinder May Have Been Replaced with Service Replacement. Identify PN Stamped on Cylinder Before Ordering Parts.</b> |     |
| 2    | Kit         | NSS | Seal, Rod (Note: Use Item 101)   |     |
| 3    | 70024547    | 2   | O-Ring   |     |
| 4    | Kit         | NSS | Seal, Rod Wiper (Note: Use Item 101)   |     |
| 5    | 70024548    | 2   | Seal, Retainer   |     |
| 6    | N.S.S.      | NSS | Rod (Note: Use PN 70024539)  |     |
| 7    | N.S.S.      | NSS | Barrel (Note: Use PN 70024539)   |     |
| 101  | 70024549    | 1   | Kit, Seal (includes items 2 & 4)   |     |

# SECTION 9 - HYDRAULIC COMPONENTS

## FIGURE 9-4. CYLINDER - CARRIAGE SIDE TILT



ART\_1001163414-A



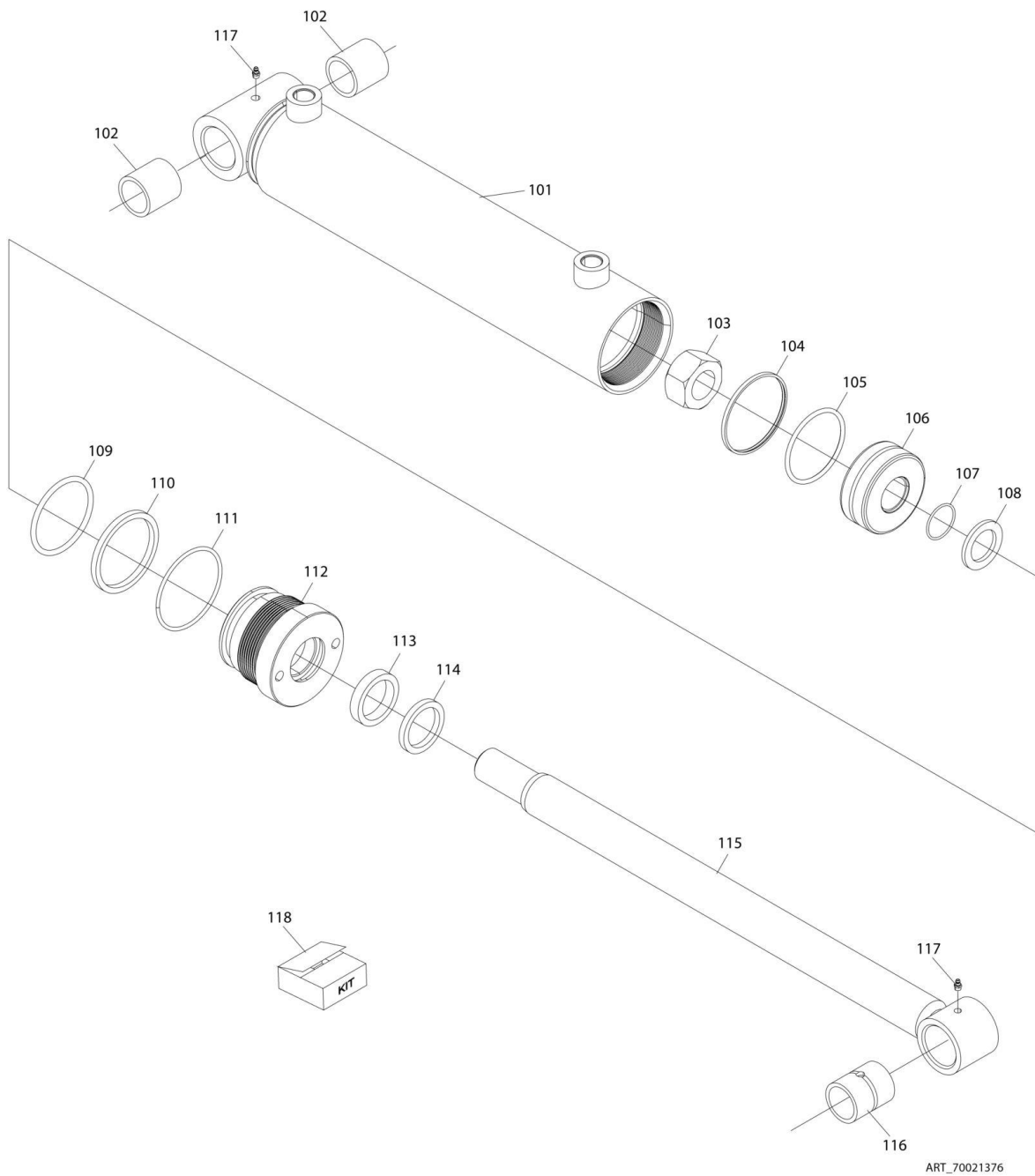
## SECTION 9 - HYDRAULIC COMPONENTS

### FIGURE 9-4. CYLINDER - CARRIAGE SIDE TILT

| ITEM | PART NUMBER | QTY | DESCRIPTION  | REV |
|------|-------------|-----|--|-----|
|      | 1001163414  | Ref | Side Tilt Cylinder   | A   |
|      |             | Ref | <b>Note: Original Cylinder May Have Been Replaced with Service Replacement. Identify PN Stamped on Cylinder Before Ordering Parts.</b> |     |
| 1    | 70026056    | 1   | Barrel   |     |
| 2    | 70026057    | 1   | Rod  |     |
| 3    | 70026058    | 1   | Piston   |     |
| 4    | 70025606    | 2   | Nipple, Grease   |     |
| 5    | 70024020    | 2   | Fitting, Grease  |     |
| 6    | 70003849    | 1   | Head   |     |
| 7    | 70025959    | 2   | Plug   |     |
| 8    | 70026059    | 2   | Valve, Check   |     |
| 9    | 70002219    | 1   | Ring, Retaining  |     |
| 10   | 70026060    | 4   | Ring, Retaining  |     |
| 11   | 70026061    | 2   | Bearing  |     |
| 12   | 70024262    | 2   | Plug   |     |
| 13   | 70002224    | 1   | Ring, Lock   |     |
| 14   | Kit         | NSS | Ring, Rod Bearing (Note: Use Item 101)   |     |
| 15   | Kit         | NSS | Ring, Piston Bearing (Note: Use Item 101)  |     |
| 16   | Kit         | NSS | Seal, Piston (Note: Use Item 101)  |     |
| 17   | Kit         | NSS | O-Ring (Note: Use Item 101)  |     |
| 18   | Kit         | NSS | Ring, Back-Up (Note: Use Item 101)   |     |
| 19   | Kit         | NSS | Seal, Rod (Note: Use Item 101)   |     |
| 20   | Kit         | NSS | O-Ring (Note: Use Item 101)  |     |
| 21   | Kit         | NSS | Seal, Wiper (Note: Use Item 101)   |     |
| 101  | 70026062    | 1   | Kit, Seal (includes items 14 thru 21)  |     |

# SECTION 9 - HYDRAULIC COMPONENTS

## FIGURE 9-5. CYLINDER - CARRIAGE SIDE TILT



ART\_70021376

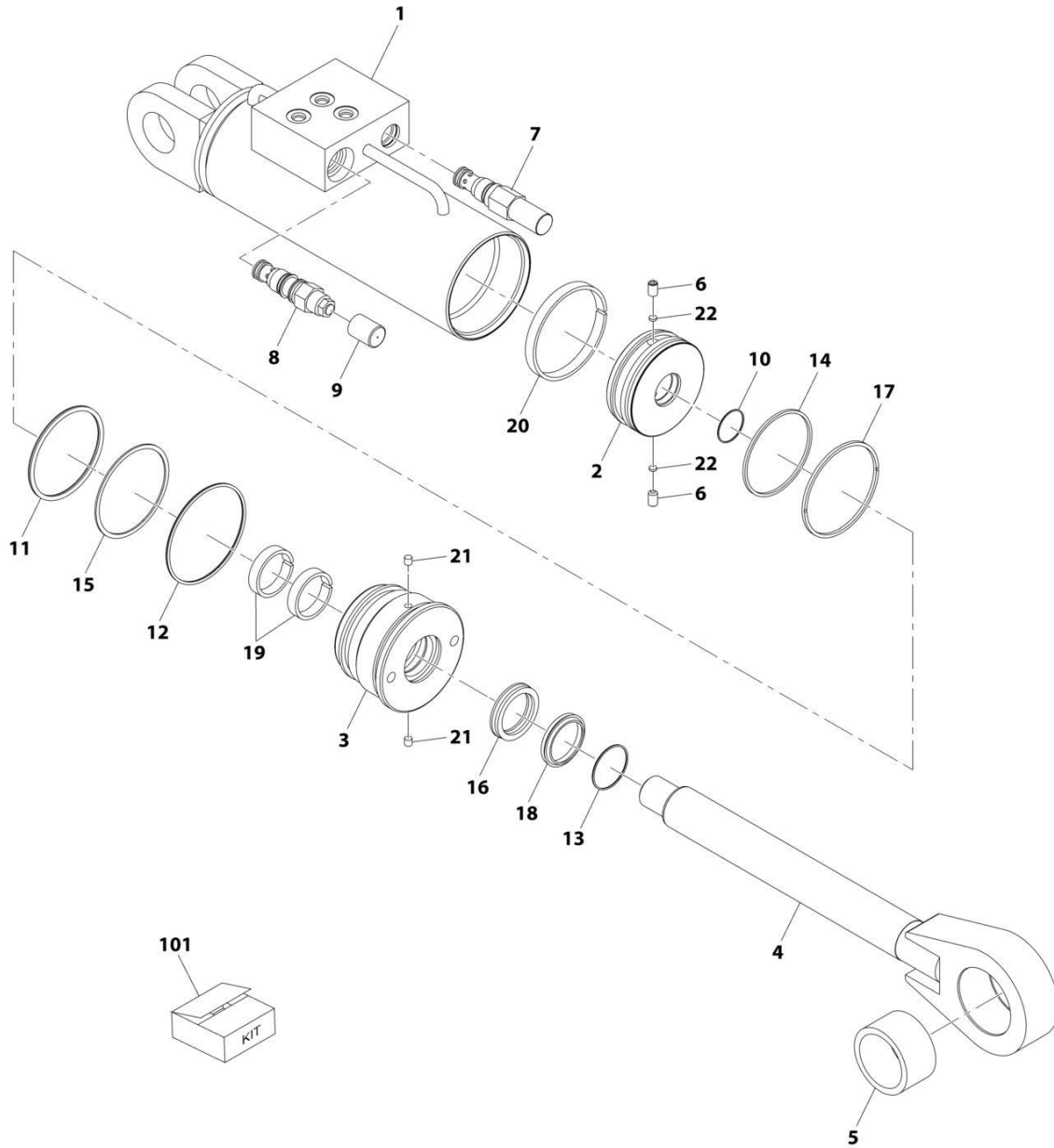
## SECTION 9 - HYDRAULIC COMPONENTS

**FIGURE 9-5. CYLINDER - CARRIAGE SIDE TILT**

| ITEM | PART NUMBER | QTY | DESCRIPTION   | REV |
|------|-------------|-----|---|-----|
|      | 70021376    | 1   | Cylinder Assembly, Side Shift Carriage 12K  |     |
|      |             | Ref | Note: Original Cylinder May Have Been Replaced with Service Replacement. Identify PN Stamped on Cylinder Before Ordering Parts. |     |
| 101  | See Note    | NSS | Barrel (Note: Use PN 70021376)  |     |
| 102  | 70021448    | 2   | Bushing   |     |
| 103  | 70021440    | 1   | Nut   |     |
| 104  | See Note    | NSS | Ring, Piston (Note Use Item 118)  |     |
| 105  | See Note    | NSS | O-Ring (Note: Use Item 118)   |     |
| 106  | 70021451    | 1   | Piston  |     |
| 107  | See Note    | NSS | O-Ring (Note: Use Item 118)   |     |
| 108  | 70021444    | 1   | Spacer, Sheave  |     |
| 109  | See Note    | NSS | O-Ring (Note: Use Item 118)   |     |
| 110  | See Note    | NSS | Washer, Back-Up (Note: Use Item 118)  |     |
| 111  | See Note    | NSS | O-Ring (Note: Use Item 118)   |     |
| 112  | 70021446    | 1   | Head  |     |
| 113  | See Note    | NSS | Seal (Note: Use Item 118)   |     |
| 114  | See Note    | NSS | Wiper, Rod (Note: Use Item 118)   |     |
| 115  | 70021445    | 1   | Rod   |     |
| 116  | 70021447    | 1   | Bushing   |     |
| 117  | 90554045    | 2   | Grease Fitting  |     |
| 118  | 70021452    | 1   | Seal Kit, (includes items 104, 105, 107, 109, 110, 111, 113 & 114)  |     |

# SECTION 9 - HYDRAULIC COMPONENTS

## FIGURE 9-6. CYLINDER - CARRIAGE SWING



ART\_1001103182-B

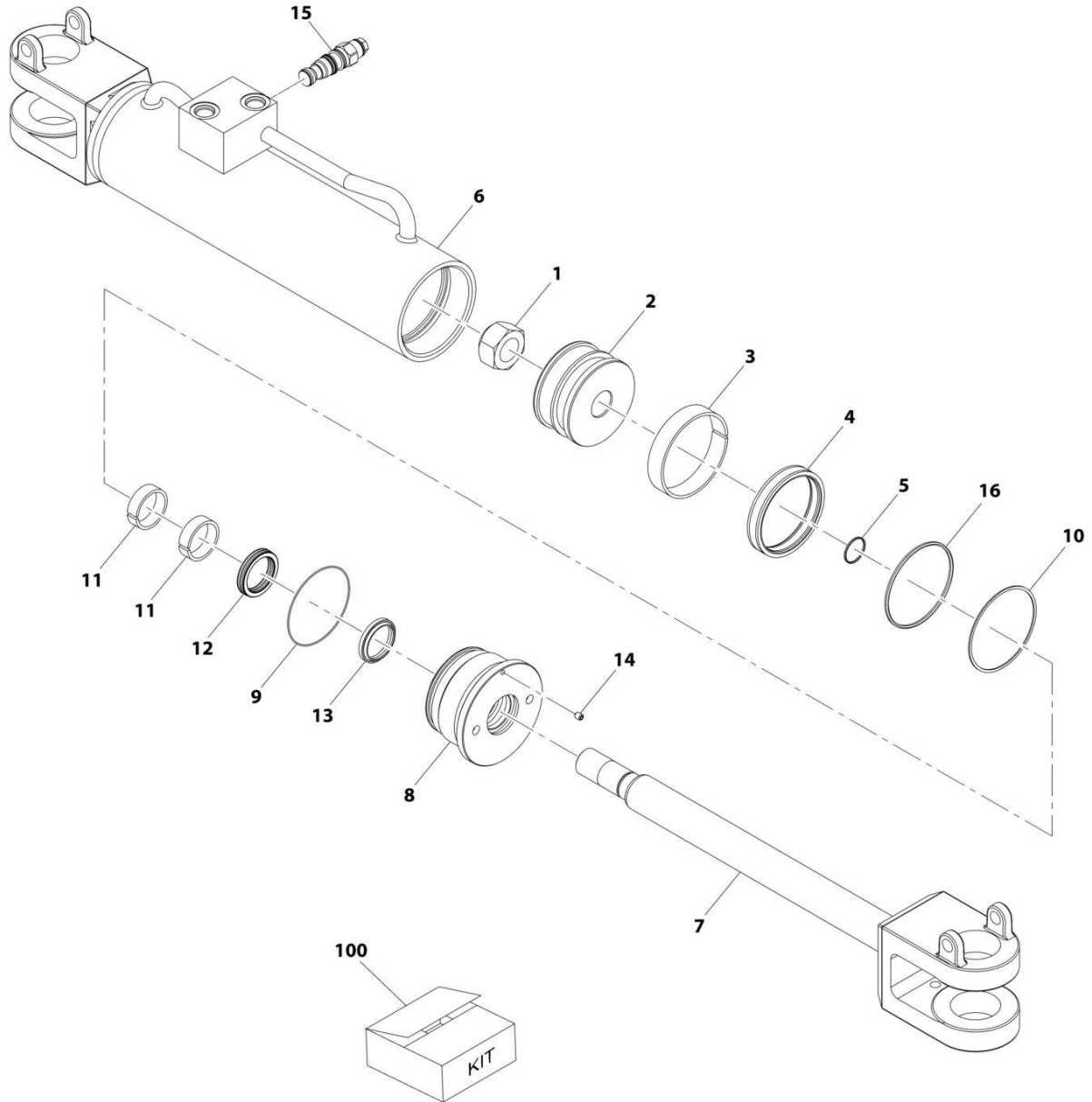
## SECTION 9 - HYDRAULIC COMPONENTS

### FIGURE 9-6. CYLINDER - CARRIAGE SWING

| ITEM | PART NUMBER | QTY | DESCRIPTION                           | REV |
|------|-------------|-----|---------------------------------------|-----|
|      | 1001103182  | Ref | Swing Carriage Cylinder               | B   |
| 1    | 70022044    | 1   | Barrel                                |     |
| 2    | 8035863     | 1   | Piston                                |     |
| 3    | 8035862     | 1   | Head                                  |     |
| 4    | 70022045    | 1   | Rod                                   |     |
| 5    | 70022046    | 1   | Bearing                               |     |
| 6    | 8035536     | 2   | Setscrew 5/16X1/2                     |     |
| 7    | 70020428    | 1   | Valve, Relief                         |     |
| 7    | 7024574     | 1   | Kit, Seal                             |     |
| 8    | 8033786     | 1   | Valve, Counterbalance                 |     |
| 8    | 8205655     | 1   | Kit, Seal                             |     |
| 9    | 70021812    | 1   | Tamper-proof Cap                      |     |
| 10   | See Note    | NSS | O-Ring (Note: Use Item 101)           |     |
| 11   | See Note    | NSS | O-Ring (Note: Use Item 101)           |     |
| 12   | See Note    | NSS | O-Ring (Note: Use Item 101)           |     |
| 13   | See Note    | NSS | O-Ring (Note: Use Item 101)           |     |
| 14   | See Note    | NSS | Ring, Square (Note: Use Item 101)     |     |
| 15   | See Note    | NSS | Ring, Backup (Note: Use Item 101)     |     |
| 16   | See Note    | NSS | Seal (Note: Use Item 101)             |     |
| 17   | See Note    | NSS | Seal, Piston (Note: Use Item 101)     |     |
| 18   | See Note    | NSS | Wiper, Rod (Note: Use Item 101)       |     |
| 19   | See Note    | NSS | Ring, Wear (Note: Use Item 101)       |     |
| 20   | See Note    | NSS | Ring, Wear (Note: Use Item 101)       |     |
| 21   | See Note    | NSS | Insert (Note: Use Item 101)           |     |
| 22   | See Note    | NSS | Insert (Note: Use Item 101)           |     |
| 101  | 2915023     | 1   | Kit, Seal (includes items 11 thru 22) |     |

# SECTION 9 - HYDRAULIC COMPONENTS

## FIGURE 9-7. CYLINDER - COMPENSATION



ART\_1001196110-D

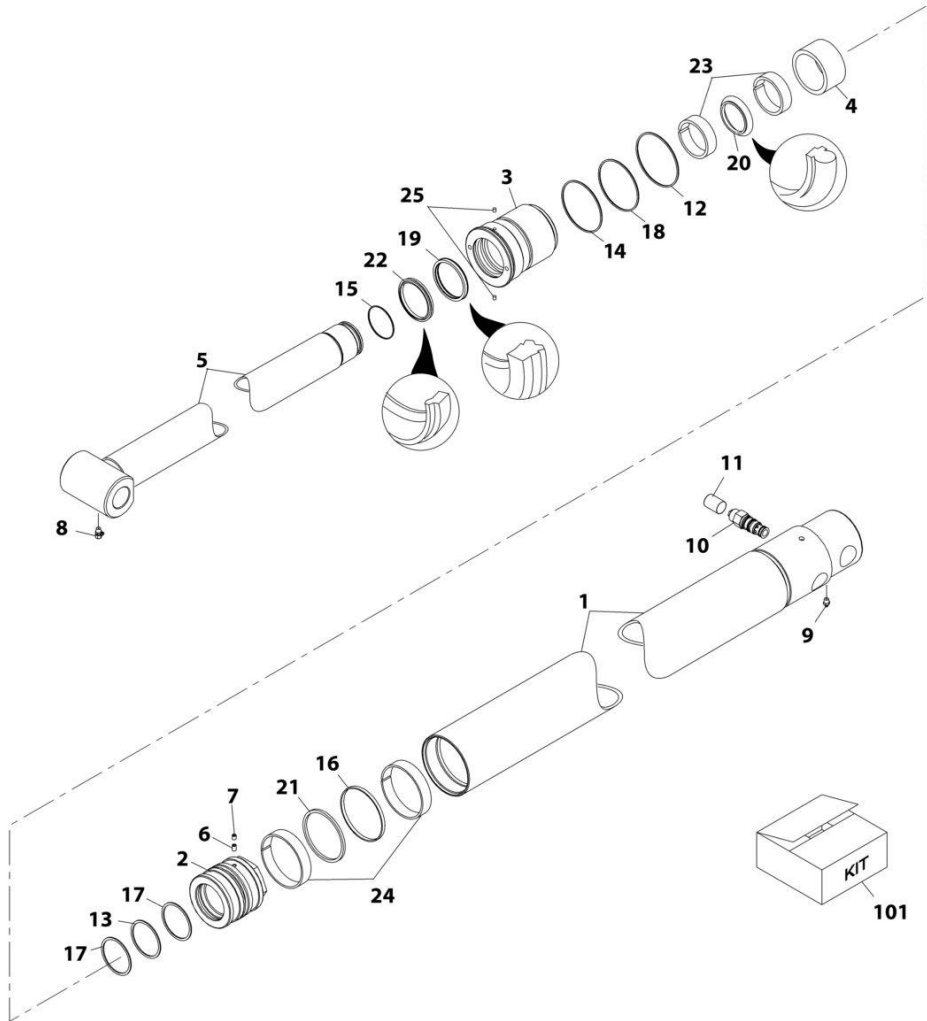
## SECTION 9 - HYDRAULIC COMPONENTS

**FIGURE 9-7. CYLINDER - COMPENSATION**

| ITEM | PART NUMBER | QTY | DESCRIPTION   | REV |
|------|-------------|-----|---|-----|
|      | 1001196110  | Ref | Compensation Cylinder   | D   |
|      |             | Ref | Note: Original Cylinder May Have Been Replaced with Service Replacement. Identify PN Stamped on Cylinder Before Ordering Parts. |     |
| 1    | 8036778     | 1   | Nut, Lock   |     |
| 2    | 7029247     | 1   | Piston  |     |
| 3    | Kit         | NSS | Ring, Wear  |     |
| 4    | Kit         | NSS | Seal, Piston  |     |
| 5    | Kit         | NSS | O-Ring  |     |
| 6    | N.S.S.      | NSS | Barrel (Note Use PN 1001196110)   |     |
| 7    | 7029251     | 1   | Rod   |     |
| 8    | 70028160    | 1   | Guide, Rod  |     |
| 9    | Kit         | NSS | O-Ring  |     |
| 10   | Kit         | NSS | Ring, Back-Up   |     |
| 11   | Kit         | NSS | Ring, Wear  |     |
| 12   | Kit         | NSS | Z-Seal  |     |
| 13   | Kit         | NSS | Ring, Wiper   |     |
| 14   | Kit         | NSS | Screw   |     |
| 15   | 1001232216  | 1   | Valve, Counterbalance   |     |
| 16   | Kit         | NSS | O-Ring  |     |
| 100  | 70028159    | 1   | Seal Kit (includes items 3, 4, 5, 9 thru 14 & 16)   |     |

# SECTION 9 - HYDRAULIC COMPONENTS

## FIGURE 9-8. CYLINDER - EXTEND/RETRACT (6036)



ART\_1001156013-C



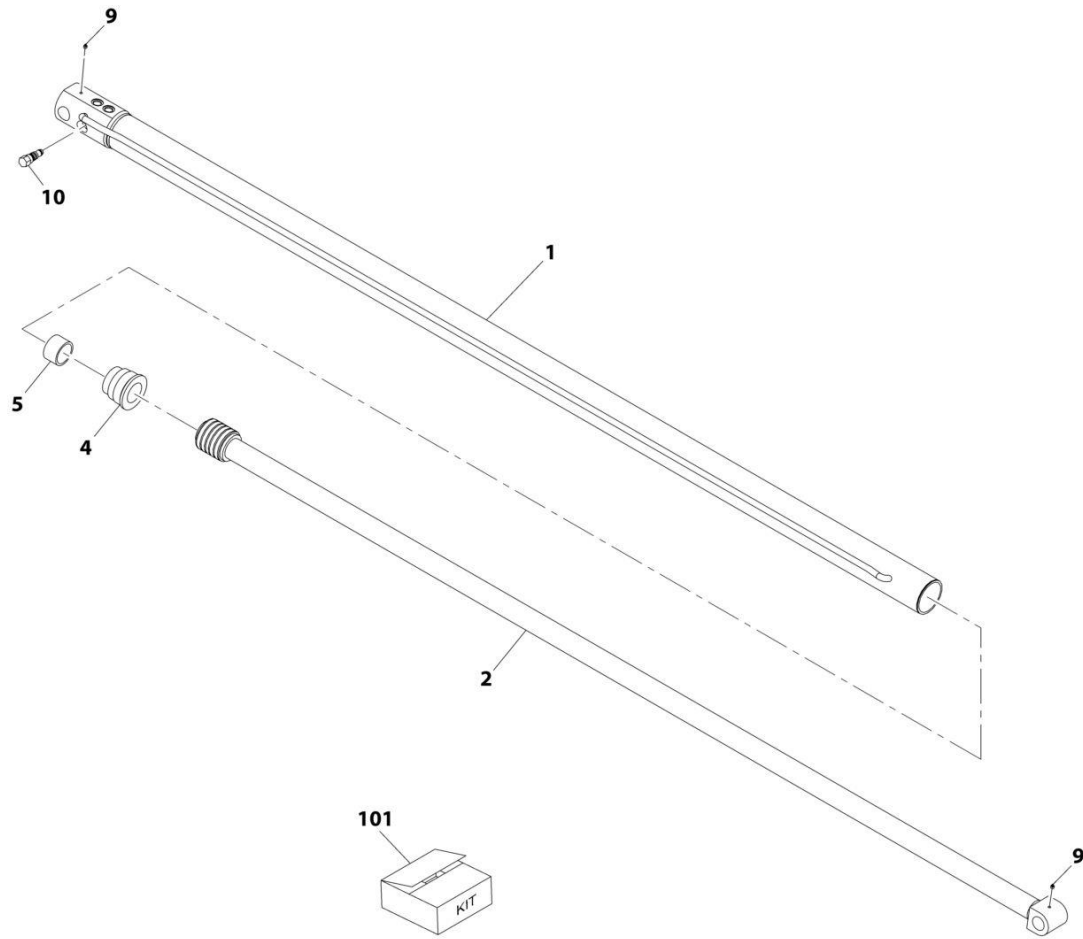
## SECTION 9 - HYDRAULIC COMPONENTS

**FIGURE 9-8. CYLINDER - EXTEND/RETRACT (6036)**

| ITEM | PART NUMBER | QTY | DESCRIPTION  | REV |
|------|-------------|-----|--|-----|
|      | 1001156013  | Ref | Extend/Retract Cylinder  | C   |
|      |             | Ref | <b>Note: Original Cylinder May Have Been Replaced with Service Replacement. Identify PN Stamped on Cylinder Before Ordering Parts.</b> |     |
| 1    | 70026033    | 1   | Barrel   |     |
| 2    | 8036402     | 1   | Piston   |     |
| 3    | 8036403     | 1   | Head   |     |
| 4    | 8036404     | 1   | Spacer, Rod  |     |
| 5    | 8036405     | 1   | Rod  |     |
| 6    | 8036406     | 1   | Setscrew 5/16 x 3/8  |     |
| 7    | 8035536     | 1   | Setscrew 5/16X1/2  |     |
| 8    | 8520021     | 1   | Fitting, 90 Lube   |     |
| 9    | 70020375    | 1   | Fitting, Straight Lube   |     |
| 10   | 70026034    | 1   | Valve, Counterbalance  |     |
| 11   | 8036407     | 1   | Cap, Tamperproof   |     |
| 12   | Kit         | NSS | O-Ring   |     |
| 13   | Kit         | NSS | O-Ring   |     |
| 14   | Kit         | NSS | O-Ring   |     |
| 15   | Kit         | NSS | O-Ring   |     |
| 16   | Kit         | NSS | Ring, Square   |     |
| 17   | Kit         | NSS | Ring, Backup   |     |
| 18   | Kit         | NSS | Ring, Backup   |     |
| 19   | Kit         | NSS | U-Cup  |     |
| 20   | Kit         | NSS | Seal, Buffer   |     |
| 21   | Kit         | NSS | Seal, Piston   |     |
| 22   | Kit         | NSS | Seal, Wiper  |     |
| 23   | Kit         | NSS | Ring, Wear   |     |
| 24   | Kit         | NSS | Ring, Wear   |     |
| 25   | Kit         | NSS | Insert, Locking  |     |
| 101  | 8036502     | 1   | Kit, Seal (includes items 12 thru 25)  |     |

# SECTION 9 - HYDRAULIC COMPONENTS

## FIGURE 9-9. CYLINDER - EXTEND/RETRACT (6042)



ART\_1001180764-C

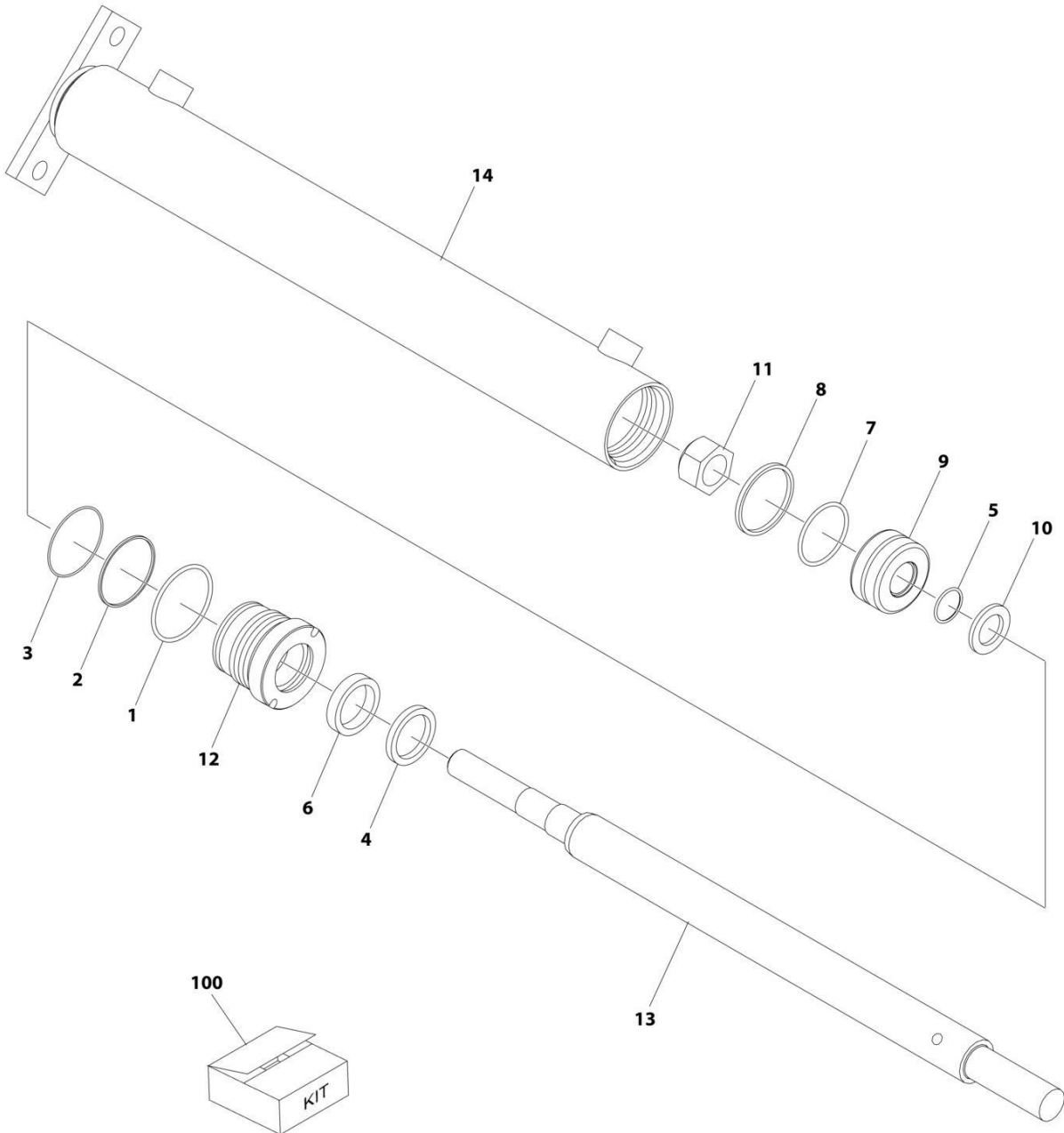
## SECTION 9 - HYDRAULIC COMPONENTS

**FIGURE 9-9. CYLINDER - EXTEND/RETRACT (6042)**

| ITEM | PART NUMBER | QTY | DESCRIPTION   | REV |
|------|-------------|-----|---|-----|
|      | 1001180764  | Ref | Extend/Retract Cylinder Assembly  | C   |
|      |             | Ref | Note: Original Cylinder May Have Been Replaced with Service Replacement. Identify PN Stamped on Cylinder Before Ordering Parts. |     |
| 1    | 70027697    | 1   | Barrel  |     |
| 2    | 70027698    | 1   | Rod   |     |
| 3    | 70027699    | 1   | Piston  |     |
| 4    | 70027700    | 1   | Head  |     |
| 5    | 70027701    | 1   | Spacer  |     |
| 6    | N.S.S.      | NSS | Plug  |     |
| 7    | 2220885     | 2   | Plug  |     |
| 8    | 70027702    | 2   | Plug  |     |
| 9    | 70022566    | 1   | Fitting, Grease   |     |
| 10   | 70028639    | 1   | Valve, Counterbalance   |     |
| 11   | 70005847    | 1   | Setscrew  |     |
| 12   | 70027703    | 4   | Seal, Piston  |     |
| 13   | Kit         | NSS | Ring, Wear (Note: Use Item 101)   |     |
| 14   | Kit         | NSS | O-Ring (Note: Use Item 101)   |     |
| 15   | Kit         | NSS | Seal, Rod (Note: Use Item 101)  |     |
| 16   | Kit         | NSS | Wiper (Note: Use Item 101)  |     |
| 17   | Kit         | NSS | Ring, Wear (Note: Use Item 101)   |     |
| 18   | Kit         | NSS | O-Ring (Note: Use Item 101)   |     |
| 19   | Kit         | NSS | Ring, Back-Up (Note: Use Item 101)  |     |
| 20   | Kit         | NSS | O-Ring (Note: Use Item 101)   |     |
| 101  | 70027704    | 1   | Seal Kit (includes items 13 thru 20)  |     |

# SECTION 9 - HYDRAULIC COMPONENTS

## FIGURE 9-10. CYLINDER - FORK POSITIONING



ART\_2717283

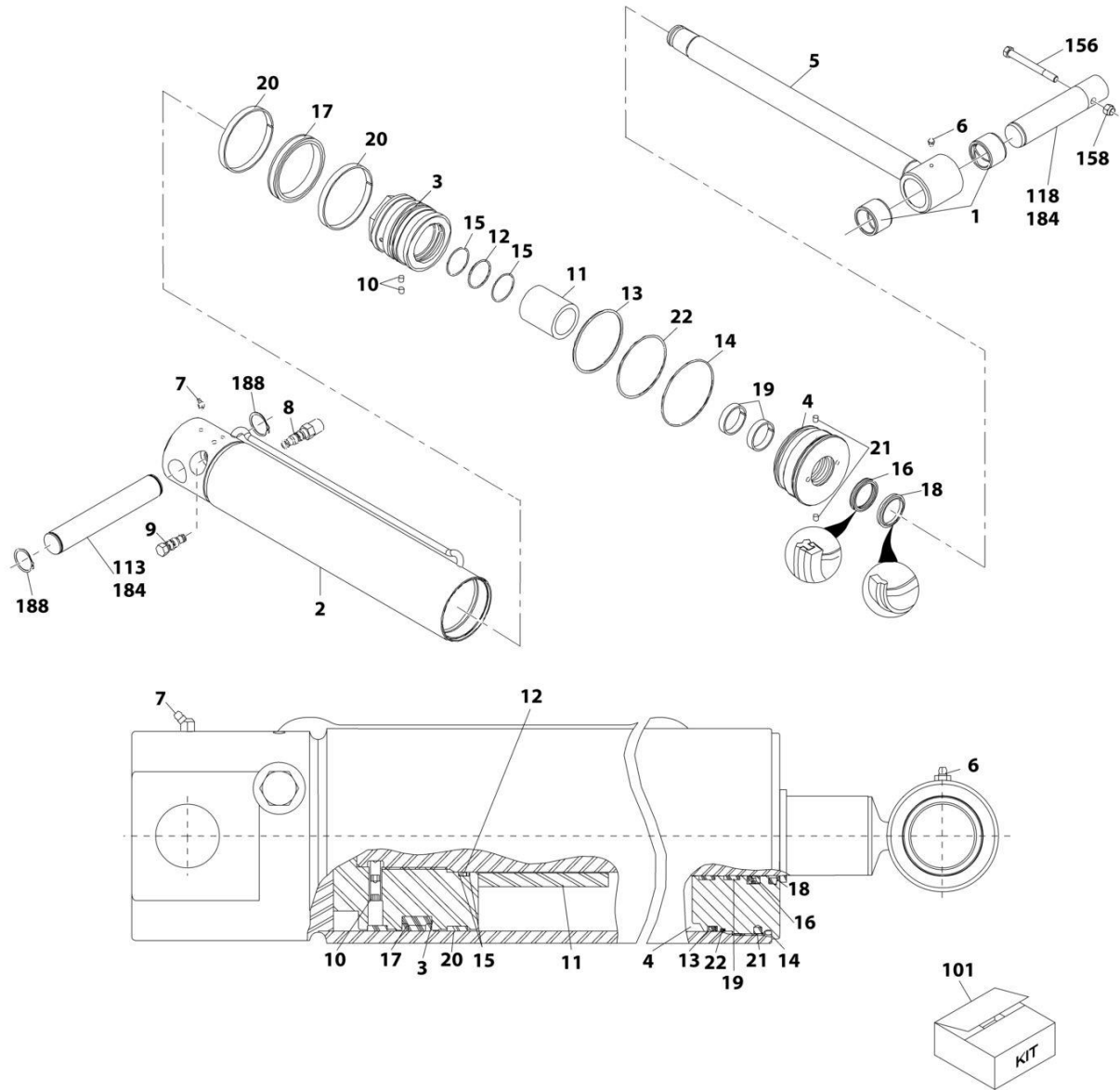
## SECTION 9 - HYDRAULIC COMPONENTS

**FIGURE 9-10. CYLINDER - FORK POSITIONING**

| ITEM | PART NUMBER | QTY | DESCRIPTION  | REV |
|------|-------------|-----|--|-----|
|      | 2717283     | Ref | FORK POSITIONING CYLINDER  | B   |
|      |             | Ref | <b>Note: Original Cylinder May Have Been Replaced with Service Replacement. Identify PN Stamped on Cylinder Before Ordering Parts.</b> |     |
| 1    | See Note    | NSS | O-Ring (Use Item 100)  |     |
| 2    | See Note    | NSS | Ring, Back-up (Use Item 100)   |     |
| 3    | See Note    | NSS | O-Ring (Use Item 100)  |     |
| 4    | See Note    | NSS | Seal (Use Item 100)  |     |
| 5    | See Note    | NSS | O-Ring (Use Item 100)  |     |
| 6    | See Note    | NSS | Seal (Use Item 100)  |     |
| 7    | See Note    | NSS | O-Ring (Use Item 100)  |     |
| 8    | See Note    | NSS | Seal (Use Item 100)  |     |
| 9    | 70026771    | 1   | Piston   |     |
| 10   | 70026775    | 1   | Washer   |     |
| 11   | 70026770    | 1   | Nut  |     |
| 12   | 70026774    | 1   | Head   |     |
| 13   | 70026773    | 1   | Rod  |     |
| 14   | See Note    | NSS | Barrel (Note: Use PN 2717283)  |     |
| 100  | 8036733     | 1   | Seal Kit (includes items 1 thru 8)   |     |

# SECTION 9 - HYDRAULIC COMPONENTS

## FIGURE 9-11. CYLINDER - FORK TILT



ART\_2716614-E

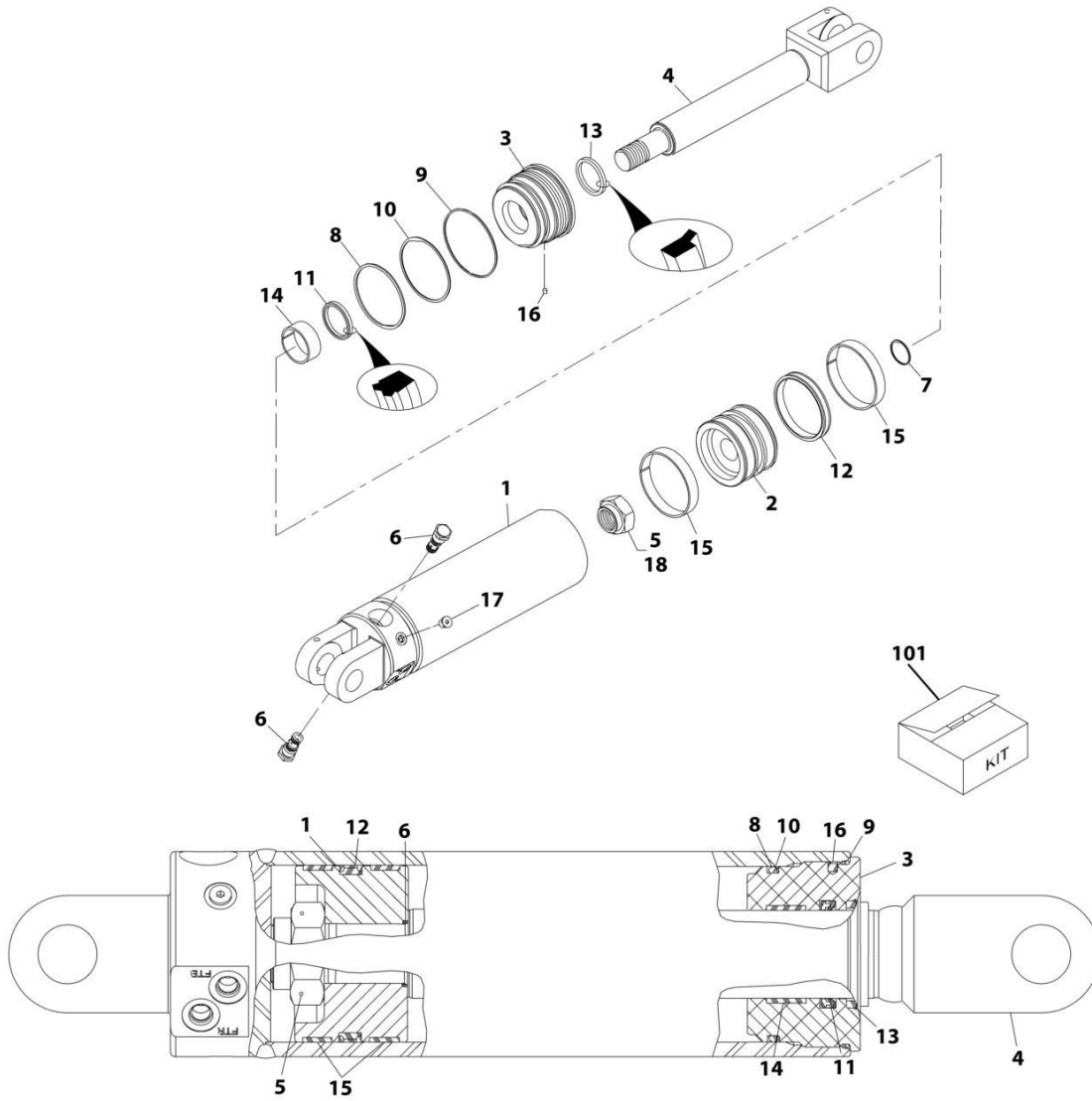
## SECTION 9 - HYDRAULIC COMPONENTS

### FIGURE 9-11. CYLINDER - FORK TILT

| ITEM | PART NUMBER | QTY | DESCRIPTION  | REV |
|------|-------------|-----|--|-----|
|      | 2716614     | Ref | Fork Tilt Cylinder   | E   |
|      |             | Ref | <b>Note: Original Cylinder May Have Been Replaced with Service Replacement. Identify PN Stamped on Cylinder Before Ordering Parts.</b> |     |
| 1    | 8036149     | 2   | Bearing  |     |
| 2    | 70023265    | 1   | Barrel   |     |
| 3    | 8036392     | 1   | Piston   |     |
| 4    | 8036391     | 1   | Head   |     |
| 5    | 8036389     | 1   | Rod  |     |
| 6    | 8036144     | 1   | Fitting, Straight Lube   |     |
| 7    | 8520034     | 1   | Fitting, 45 Lube   |     |
| 8    | 8035321     | 1   | Valve, Counterbalance  |     |
| 8    | 8035327     | 1   | Seal Kit - 8035321 Valve   |     |
| 9    | 8036393     | 1   | Valve, Check   |     |
| 9    | 8205655     | 1   | Seal Kit - 8036393 Valve   |     |
| 10   | 8035536     | 2   | Setscrew 5/16X1/2  |     |
| 11   | 8036390     | 1   | Spacer, Rod  |     |
| 12   | Kit         | NSS | O-Ring (Note: Use Item 101)  |     |
| 13   | Kit         | NSS | O-Ring (Note: Use Item 101)  |     |
| 14   | Kit         | NSS | O-Ring (Note: Use Item 101)  |     |
| 15   | Kit         | NSS | Ring, Back-Up (Note: Use Item 101)   |     |
| 16   | Kit         | NSS | Z-Seal (Note: Use Item 101)  |     |
| 17   | Kit         | NSS | T-Seal (Note: Use Item 101)  |     |
| 18   | Kit         | NSS | Seal, Wiper (Note: Use Item 101)   |     |
| 19   | Kit         | NSS | Ring, Wear (Note: Use Item 101)  |     |
| 20   | Kit         | NSS | Ring, Wear (Note: Use Item 101)  |     |
| 21   | Kit         | NSS | Insert, Locking (Note: Use Item 101)   |     |
| 22   | Kit         | NSS | Ring, Back-Up (Note: Use Item 101)   |     |
| 101  | 8035720     | 1   | Kit, Seal (includes items 12 thru 22)  |     |

# SECTION 9 - HYDRAULIC COMPONENTS

## FIGURE 9-12. CYLINDER - FRAME LEVEL (6036)



ART\_1001091901-C



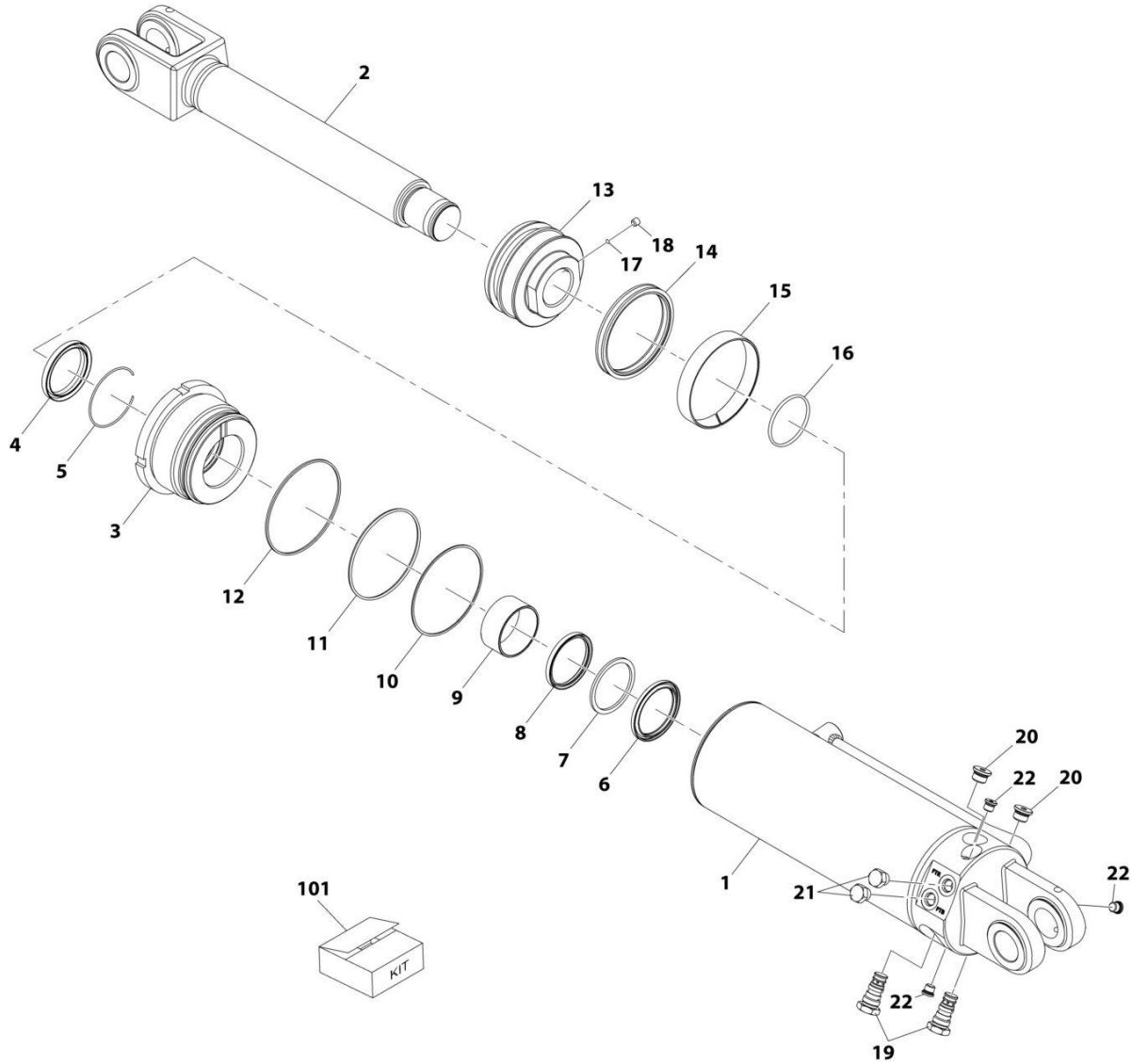
## SECTION 9 - HYDRAULIC COMPONENTS

**FIGURE 9-12. CYLINDER - FRAME LEVEL (6036)**

| ITEM | PART NUMBER | QTY | DESCRIPTION  | REV |
|------|-------------|-----|--|-----|
|      | 1001091901  | Ref | Frame Level Cylinder Assembly  | C   |
|      |             | Ref | <b>Note: Original Cylinder May Have Been Replaced with Service Replacement. Identify PN Stamped on Cylinder Before Ordering Parts.</b> |     |
| 1    | N.S.S.      | NSS | Barrel (Note: Use PN 1001091901)   |     |
| 2    | 8035323     | 1   | Piston   |     |
| 3    | 8035324     | 1   | Head   |     |
| 4    | 8035758     | 1   | Rod  |     |
| 5    | 8035322     | 1   | Nut 1-1/2  |     |
| 6    | 1001091885  | 2   | Valve, Counterbalance  |     |
| 6    | 70021583    | 2   | Seal Kit - 1001091885 Valve  |     |
| 7    | Kit         | NSS | O-Ring (Note: Use Item 101)  |     |
| 8    | Kit         | NSS | O-Ring (Note: Use Item 101)  |     |
| 9    | Kit         | NSS | O-Ring (Note: Use Item 101)  |     |
| 10   | Kit         | NSS | Ring, Back-Up (Note: Use Item 101)   |     |
| 11   | Kit         | NSS | Z-Seal (Note: Use Item 101)  |     |
| 12   | Kit         | NSS | T-Seal (Note: Use Item 101)  |     |
| 13   | Kit         | NSS | Seal, Wiper (Note: Use Item 101)   |     |
| 14   | Kit         | NSS | Ring, Wear (Note: Use Item 101)  |     |
| 15   | Kit         | NSS | Ring, Wear (Note: Use Item 101)  |     |
| 16   | Kit         | NSS | Insert, Locking (Note: Use Item 101)   |     |
| 17   | 8035785     | 2   | Plug   |     |
| 18   | 8526011     | AR  | Compound, Locking  |     |
| 101  | 8035326     | 1   | Kit, Seal (includes items 7 thru 16)   |     |

# SECTION 9 - HYDRAULIC COMPONENTS

## FIGURE 9-13. CYLINDER - FRAME LEVEL (6042)



ART\_1001180762-C

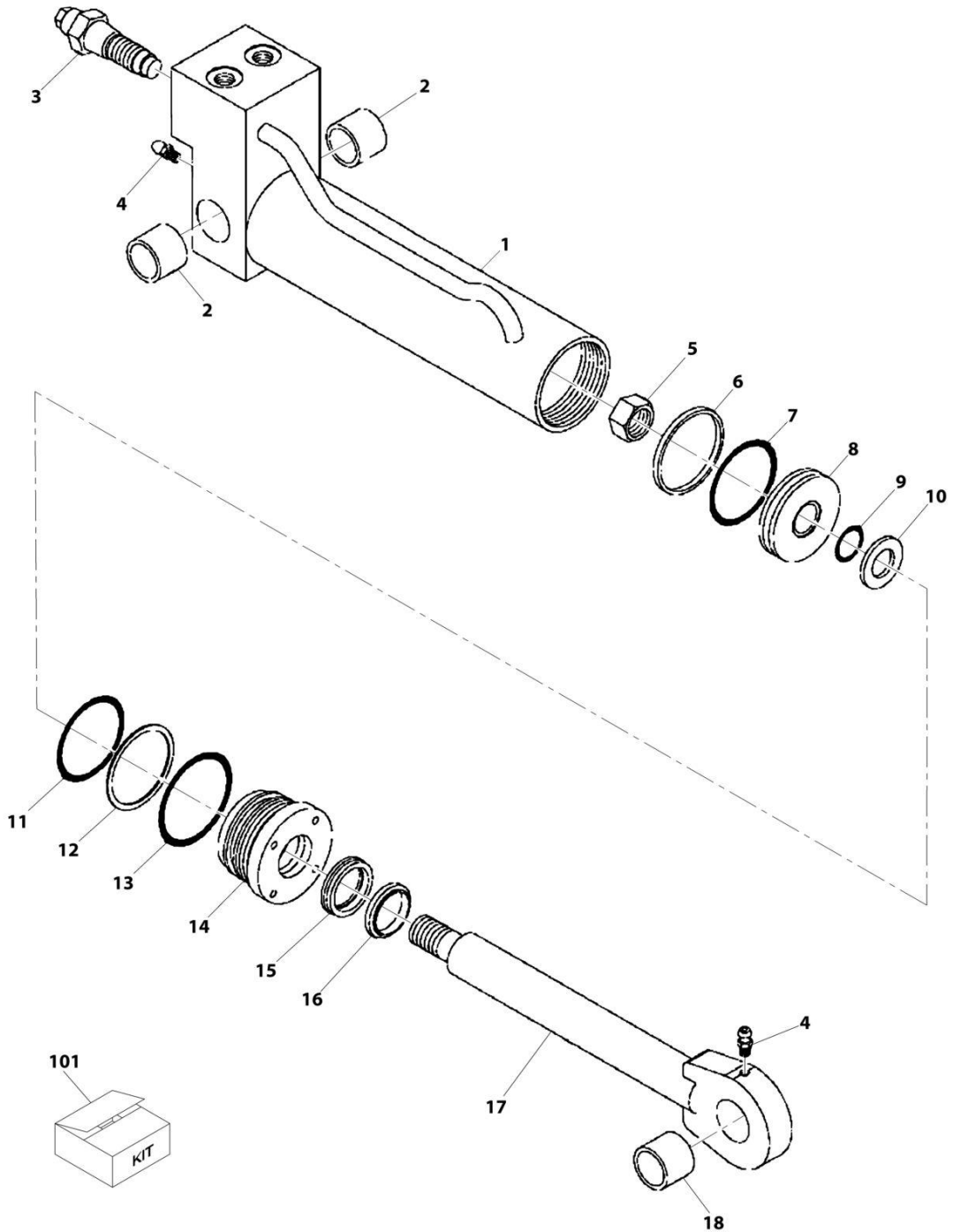
## SECTION 9 - HYDRAULIC COMPONENTS

**FIGURE 9-13. CYLINDER - FRAME LEVEL (6042)**

| ITEM | PART NUMBER | QTY | DESCRIPTION   | REV |
|------|-------------|-----|---|-----|
|      | 1001180762  | Ref | Frame Level Cylinder Assembly   | C   |
|      |             | Ref | Note: Original Cylinder May Have Been Replaced with Service Replacement. Identify PN Stamped on Cylinder Before Ordering Parts. |     |
| 1    | 70027689    | 1   | Barrel  |     |
| 2    | 70027690    | 1   | Rod   |     |
| 3    | 70027691    | 1   | Head  |     |
| 4    | Kit         | NSS | Wiper (Note: Use Item 101)  |     |
| 5    | 70027244    | 1   | Ring, Retaining   |     |
| 6    | Kit         | NSS | Seal, Rod (Note: Use Item 101)  |     |
| 7    | Kit         | NSS | Ring, Back-Up (Note: Use Item 101)  |     |
| 8    | Kit         | NSS | Ring, Buffer (Note: Use Item 101)   |     |
| 9    | 70004637    | 1   | Ring, Wear  |     |
| 10   | Kit         | NSS | O-Ring (Note: Use Item 101)   |     |
| 11   | Kit         | NSS | Ring, Back-Up (Note: Use Item 101)  |     |
| 12   | Kit         | NSS | O-Ring (Note: Use Item 101)   |     |
| 13   | 70027692    | 1   | Piston  |     |
| 14   | Kit         | NSS | Seal, Piston (Note: Use Item 101)   |     |
| 15   | Kit         | NSS | Ring, Wear (Note: Use Item 101)   |     |
| 16   | Kit         | NSS | O-Ring  |     |
| 17   | 70022564    | 1   | Ball  |     |
| 18   | 70022563    | 1   | Setscrew  |     |
| 19   | 70027693    | 2   | Valve, Check  |     |
| 20   | 70027694    | 2   | Plug  |     |
| 21   | 70027695    | 2   | Plug  |     |
| 22   | 2220883     | 3   | Plug  |     |
| 101  | 70027696    | 1   | Seal Kit (Includes Items 4,6-8, 10-12 & 14-16)  |     |

# SECTION 9 - HYDRAULIC COMPONENTS

## FIGURE 9-14. CYLINDER - GRAPPLE BUCKET



ART\_70021393-A

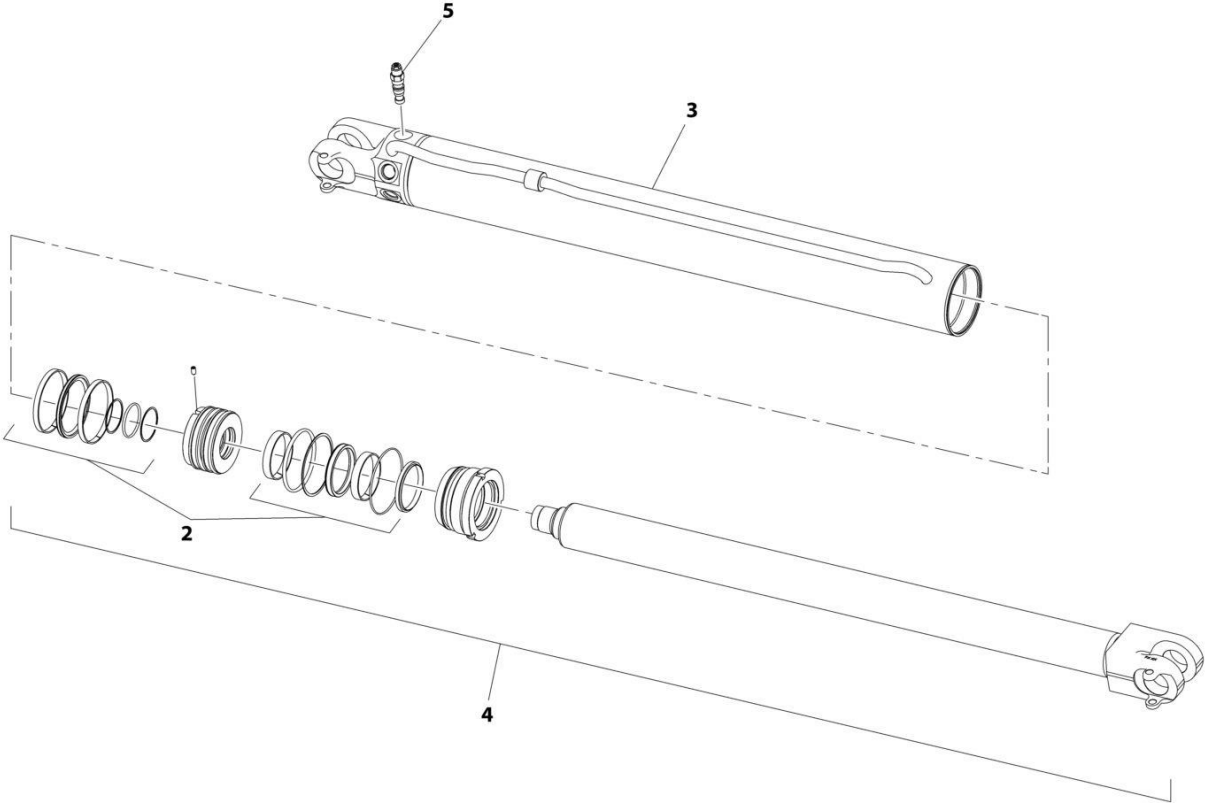
## SECTION 9 - HYDRAULIC COMPONENTS

**FIGURE 9-14. CYLINDER - GRAPPLE BUCKET**

| ITEM | PART NUMBER | QTY | DESCRIPTION   | REV |
|------|-------------|-----|---|-----|
|      | 70021393    | Ref | Grapple Bucket Cylinder   | A   |
|      |             | Ref | Note: Original Cylinder May Have Been Replaced with Service Replacement. Identify PN Stamped on Cylinder Before Ordering Parts. |     |
| 1    | 70021465    | 1   | Barrel  |     |
| 2    | 70021448    | 2   | Bushing   |     |
| 3    | 70021464    | 2   | Cartridge, Valve  |     |
| 4    | 90554045    | 2   | Fitting, Grease   |     |
| 5    | 70021440    | 1   | Nut   |     |
| 6    | Kit         | NSS | Ring, Piston (Note: Use Item 101)   |     |
| 7    | Kit         | NSS | O-Ring (Note: Use Item 101)   |     |
| 8    | 70021451    | 1   | Piston  |     |
| 9    | Kit         | NSS | O-Ring (Note: Use Item 101)   |     |
| 10   | 70021444    | 1   | Washer  |     |
| 11   | Kit         | NSS | O-Ring (Note: Use Item 101)   |     |
| 12   | Kit         | NSS | Washer, Back-Up (Note: Use Item 101)  |     |
| 13   | Kit         | NSS | O-Ring (Note: Use Item 101)   |     |
| 14   | 70021446    | 1   | Head  |     |
| 15   | Kit         | NSS | Seal, Poly-Pak (Note: Use Item 101)   |     |
| 16   | Kit         | NSS | Wiper, Rod (Note: Use Item 101)   |     |
| 17   | 70021466    | 1   | Rod   |     |
| 18   | 70021447    | 1   | Bushing   |     |
| 101  | 70021452    | 1   | Kit, Seal (includes items 6, 7, 9, 11 thru 13, 15 & 16)   |     |

**SECTION 9 - HYDRAULIC COMPONENTS**

**FIGURE 9-15. CYLINDER - LIFT (6036) (Prior to SN 0160110258)**



ART\_1001156164-G

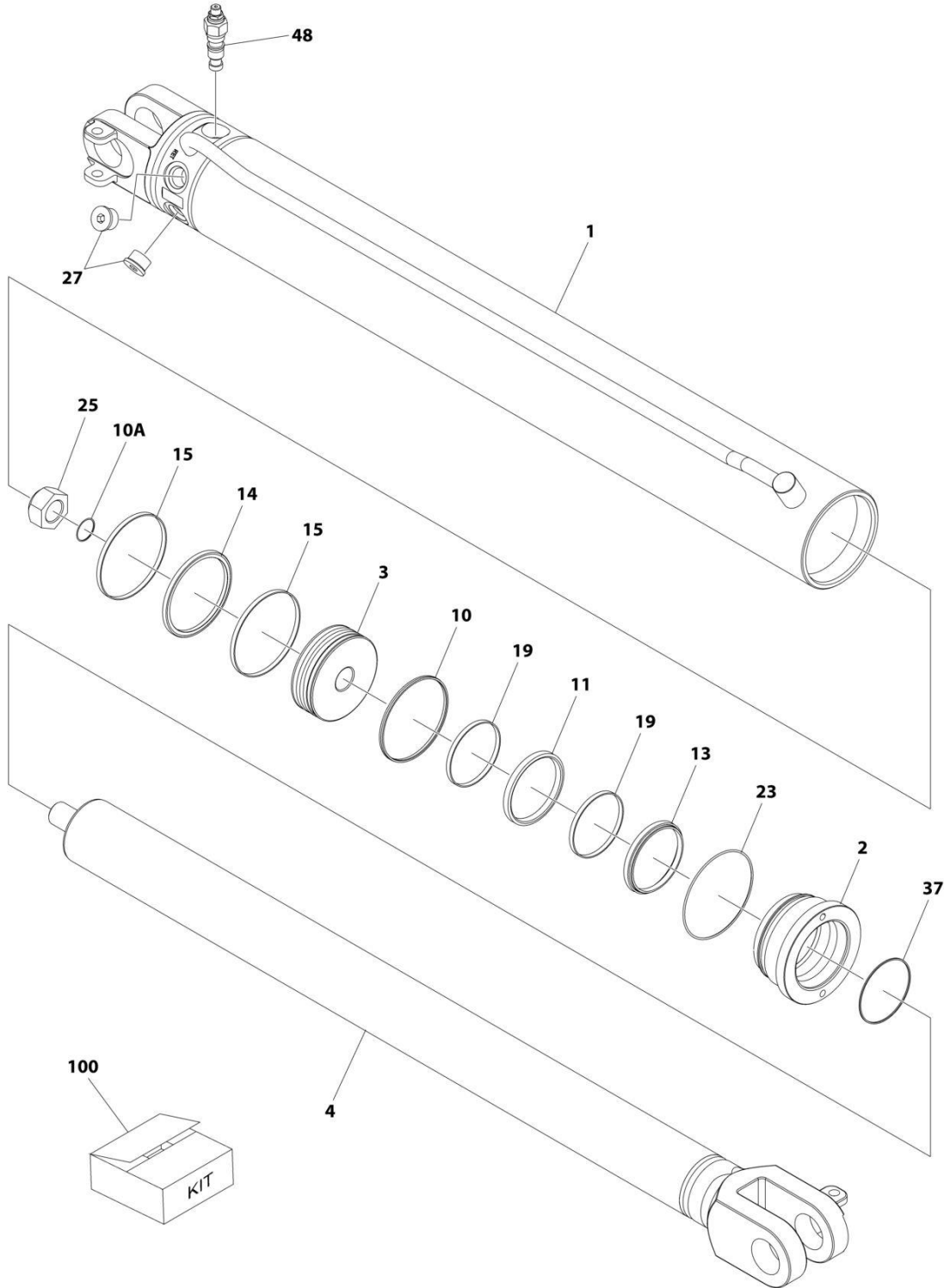
## SECTION 9 - HYDRAULIC COMPONENTS

**FIGURE 9-15. CYLINDER - LIFT (6036) (Prior to SN 0160110258)**

| ITEM | PART NUMBER | QTY        | DESCRIPTION   | REV |
|------|-------------|------------|---|-----|
|      | 1001156164  | NLA<br>Ref | LIFT CYLINDER ASSEMBLY<br><br>Note: Original Cylinder May Have Been Replaced with Service Replacement. Identify PN Stamped on Cylinder Before Ordering Parts. | G   |
| 2    | 70026044    | 1          | Seal Kit - 1001156164 Cylinder  |     |
| 3    | 70026045    | 1          | Barrel  |     |
| 4    | 70026046    | 1          | Rod Assembly  |     |
| 5    | 70026047    | 1          | Cartridge, Valve - Counterbalance   |     |

# SECTION 9 - HYDRAULIC COMPONENTS

FIGURE 9-16. CYLINDER - LIFT (6036) (SN 0160110258 to Present)



ART\_1001267967



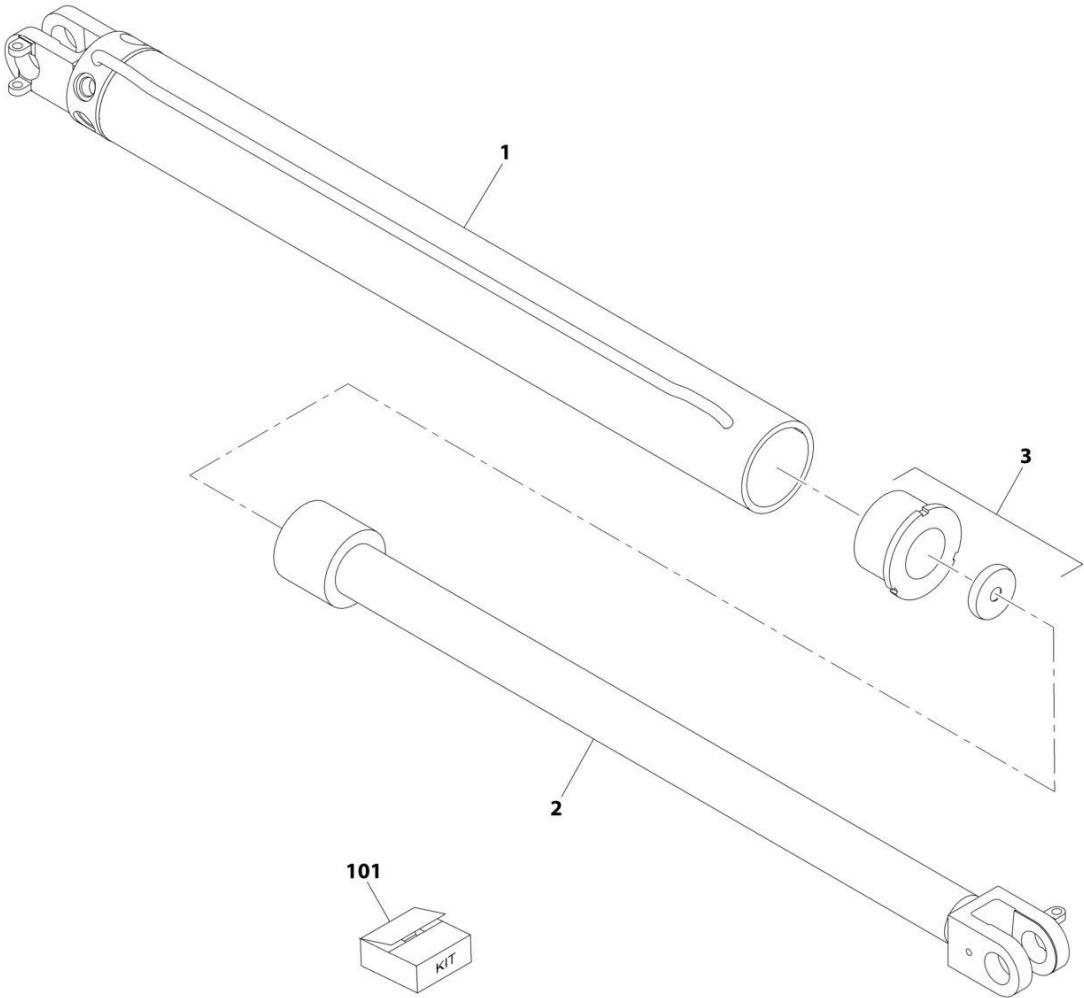
## SECTION 9 - HYDRAULIC COMPONENTS

**FIGURE 9-16. CYLINDER - LIFT (6036) (SN 0160110258 to Present)**

| ITEM | PART NUMBER | QTY | DESCRIPTION   | REV |
|------|-------------|-----|---|-----|
|      | 1001267967  | Ref | CYLINDER ASSEMBLY   | B   |
|      |             | Ref | Note: Original Cylinder May Have Been Replaced with Service Replacement. Identify PN Stamped on Cylinder Before Ordering Parts. |     |
| 1    | See Note    | NSS | Barrel (Note: Purchase PN 1001267967)   |     |
| 2    | 70030382    | 1   | Head  |     |
| 3    | 70030383    | 1   | Piston  |     |
| 4    | 70030384    | 1   | Rod   |     |
| 10   | See Note    | NSS | Seal, Dual (Note: Use Item 100)   |     |
| 10A  | See Note    | NSS | O-Ring (Note: Use Item 100)   |     |
| 11   | See Note    | NSS | Seal, Rod (Note: Use Item 100)  |     |
| 13   | See Note    | NSS | Wiper (Note: Use Item 100)  |     |
| 14   | See Note    | NSS | Seal, Piston (Note: Use Item 100)   |     |
| 15   | See Note    | NSS | Ring, Wear (Note: Use Item 100)   |     |
| 19   | See Note    | NSS | Ring, Wear (Note: Use Item 100)   |     |
| 23   | See Note    | NSS | Seal (Note: Use Item 100)   |     |
| 25   | 70030385    | 1   | Nut   |     |
| 27   | 2220888     | 2   | Plug  |     |
| 37   | 70030386    | 1   | Mask, Wiper   |     |
| 48   | 7029327     | 1   | Cartridge, Valve  |     |
| 100  | 70030387    | 1   | Seal Kit (Includes Items 10, 10A, 11, 13, 14, 15, 19 & 23)  |     |

**SECTION 9 - HYDRAULIC COMPONENTS**

**FIGURE 9-17. CYLINDER - LIFT (6042)**



ART\_1001180760-D

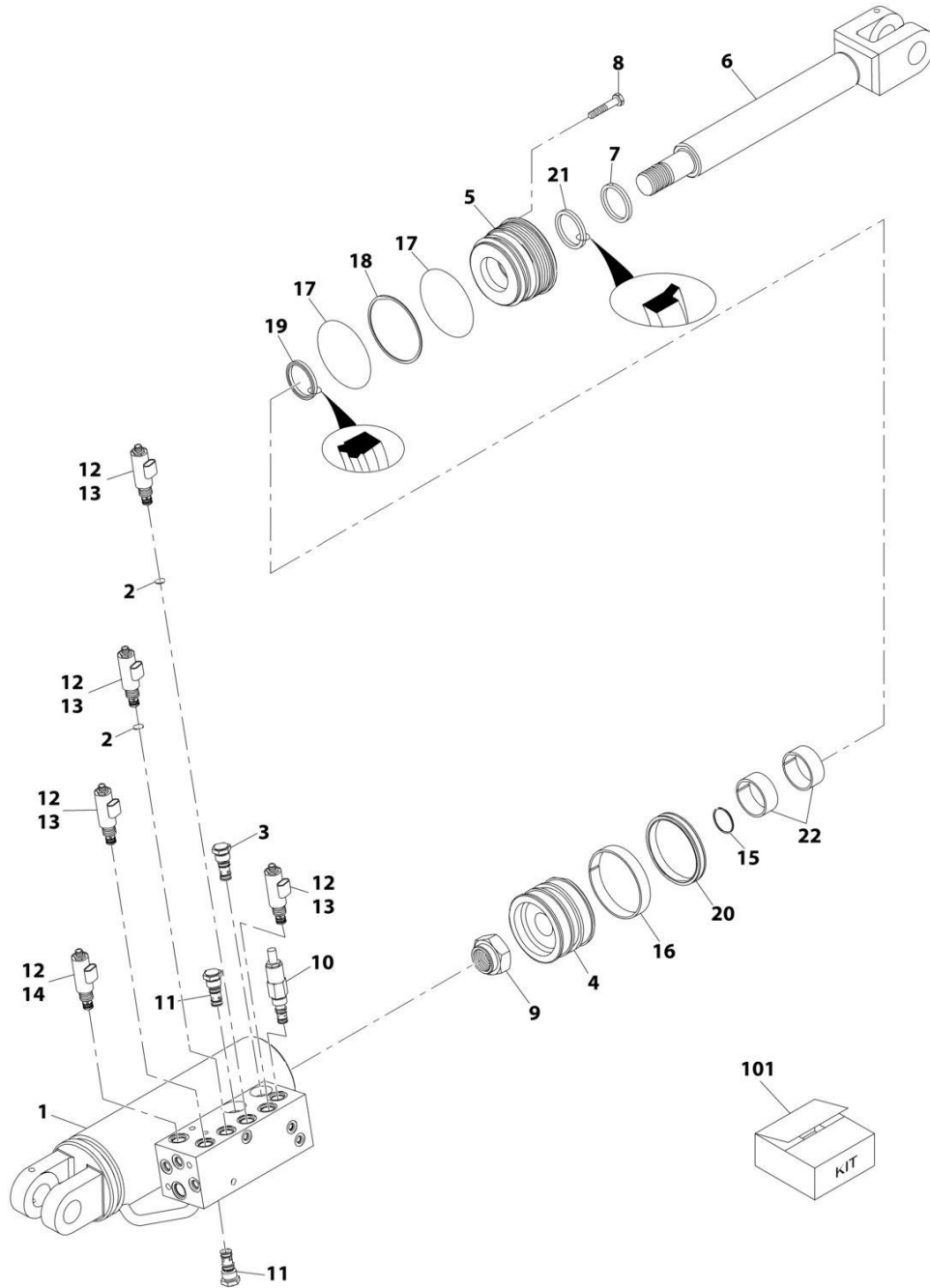
## SECTION 9 - HYDRAULIC COMPONENTS

**FIGURE 9-17. CYLINDER - LIFT (6042)**

| ITEM | PART NUMBER | QTY | DESCRIPTION   | REV |
|------|-------------|-----|---|-----|
|      | 1001180760  | Ref | Lift Cylinder (Be sure to check the part number on your cylinder prior to ordering replacement parts)                           | D   |
|      |             | Ref | Note: Original Cylinder May Have Been Replaced with Service Replacement. Identify PN Stamped on Cylinder Before Ordering Parts. |     |
| 1    | 70027683    | 1   | Barrel Kit  |     |
| 1    | Kit         | NSS | Barrel  |     |
| 1    | Kit         | NSS | O-Ring  |     |
| 2    | 70027684    | 1   | Rod   |     |
| 3    | 70027685    | 1   | Rod Cover Kit   |     |
| 3    | Kit         | NSS | Rod Cover   |     |
| 3    | Kit         | NSS | Rod Bushing   |     |
| 3    | Kit         | NSS | Retaining Ring  |     |
| 13   | 70027686    | 1   | Piston (Not Shown)  |     |
| 19   | 70027687    | 1   | Piston Nut Kit (Not Shown)  |     |
| 19   | Kit         | NSS | Piston Nut (not shown)  |     |
| 19   | Kit         | NSS | Setscrew (Not Shown)  |     |
| 21   | 7029327     | 1   | Valve, Counterbalance (Not Shown)   |     |
| 23   | 70027688    | 1   | Plug Kit (Not Shown)  |     |
| 23   | Kit         | NSS | Plug (Not Shown)  |     |
| 23   | Kit         | NSS | O-Ring (Not Shown)  |     |
| 101  | Kit         | 1   | Seal Kit - 1001180760 Cylinder  |     |
| 101  | Kit         | NSS | U-Packing   |     |
| 101  | Kit         | NSS | Retaining Ring  |     |
| 101  | Kit         | NSS | O-Ring  |     |
| 101  | Kit         | NSS | O-Ring  |     |
| 101  | Kit         | NSS | Piston Seal   |     |
| 101  | Kit         | NSS | Back-up Ring  |     |

# SECTION 9 - HYDRAULIC COMPONENTS

## FIGURE 9-18. CYLINDER - STABLI-TRAK



ART\_2717198-E

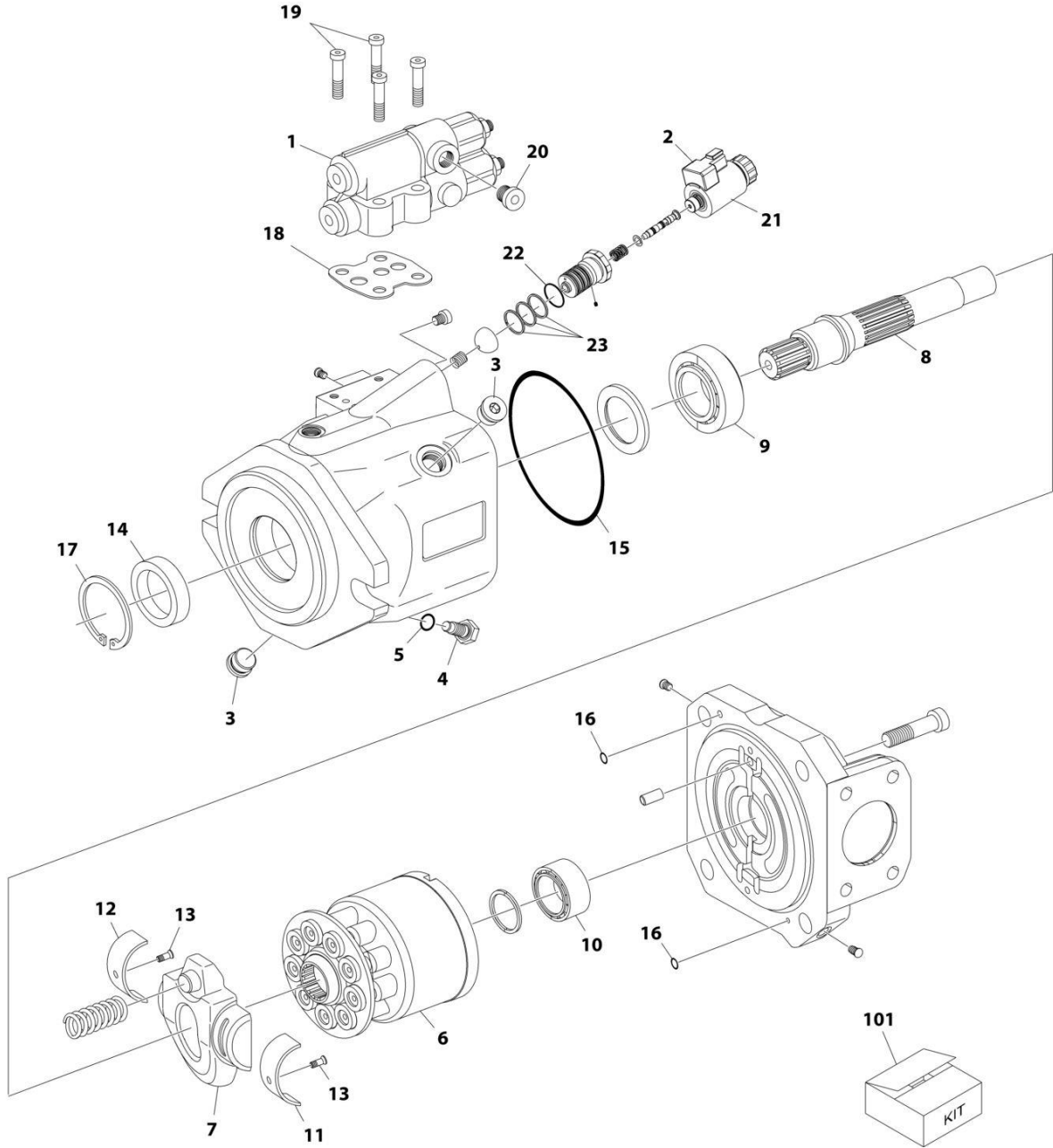
## SECTION 9 - HYDRAULIC COMPONENTS

### FIGURE 9-18. CYLINDER - STABLI-TRAK

| ITEM | PART NUMBER | QTY | DESCRIPTION  | REV |
|------|-------------|-----|--|-----|
|      | 2717198     | Ref | Stabil-Trak Cylinder   | E   |
|      |             | Ref | <b>Note: Original Cylinder May Have Been Replaced with Service Replacement. Identify PN Stamped on Cylinder Before Ordering Parts.</b> |     |
| 1    | N.S.S.      | NSS | Barrel (Note Use PN 2717198)   |     |
| 2    | 8035781     | 2   | Orifice  |     |
| 3    | 8036582     | 1   | Valve, Check   |     |
| 3    | 7017496     | 1   | Kit, Seal  |     |
| 4    | 8036826     | 1   | Piston   |     |
| 5    | 8036828     | 1   | Guide  |     |
| 6    | 8036827     | 1   | Rod  |     |
| 7    | 7029153     | 1   | O-Ring   |     |
| 8    | 8036811     | 1   | Setscrew, Set 1/4X3/8  |     |
| 9    | 8036825     | 1   | Nut 1-1/2  |     |
| 10   | 8035282     | 1   | Valve, Pressure Reducing   |     |
| 10   | 8032994     | 1   | Kit, Seal  |     |
| 11   | 8035281     | 2   | Valve, Check   |     |
| 11   | 8036192     | 2   | Kit, Seal  |     |
| 12   | 7029246     | 5   | Coil, Solenoid   |     |
| 13   | 8036581     | 4   | Valve, Solenoid  |     |
| 13   | 7017496     | 4   | Seal Kit - 8036581 Valve   |     |
| 14   | 8036580     | 1   | Valve, Solenoid  |     |
| 14   | 7012903     | 1   | Seal Kit - 8036580 Valve   |     |
| 15   | Kit         | NSS | O-Ring (Note: Use Item 101)  |     |
| 16   | Kit         | NSS | Ring, Wear (Note: Use Item 101)  |     |
| 17   | Kit         | NSS | O-Ring (Note: Use Item 101)  |     |
| 18   | Kit         | NSS | Ring, Back-Up (Note: Use Item 101)   |     |
| 19   | Kit         | NSS | Z-Seal (Note: Use Item 101)  |     |
| 20   | Kit         | NSS | T-Seal (Note: Use Item 101)  |     |
| 21   | Kit         | NSS | Ring, Wiper (Note: Use Item 101)   |     |
| 22   | Kit         | NSS | Ring, Wear   |     |
| 101  | 8036747     | 1   | Kit, Seal (includes items 15 thru 22)  |     |

# SECTION 9 - HYDRAULIC COMPONENTS

## FIGURE 9-19. PUMP - PISTON



ART\_1001251423\_C

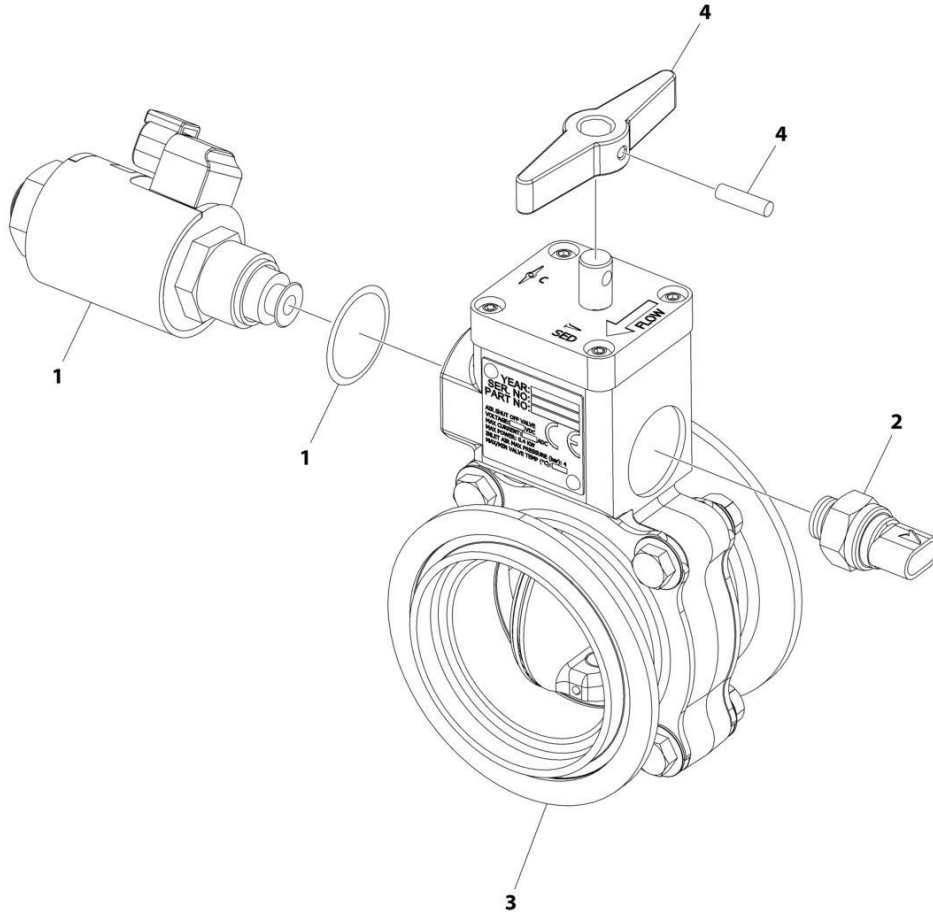
## SECTION 9 - HYDRAULIC COMPONENTS

### FIGURE 9-19. PUMP - PISTON

| ITEM | PART NUMBER | QTY | DESCRIPTION                                | REV |
|------|-------------|-----|--|-----|
|      | 1001251423  | Ref | PISTON PUMP                                | C   |
| 1    | 70003738    | 1   | Control Valve                              |     |
| 2    | 70024186    | 1   | Control Valve                              |     |
| 3    | 70024407    | 2   | Plug                                       |     |
| 4    | 70024408    | 1   | Stop Screw                                 |     |
| 4    | See Note    | NSS | O-Ring (Note: Use Item 101)                |     |
| 6    | 70024411    | 1   | Rotary Group                               |     |
| 7    | 70024412    | 1   | Swash Plate                                |     |
| 8    | 7024939     | 1   | Drive Shaft                                |     |
| 9    | 7024943     | 1   | Bearing                                    |     |
| 10   | 7024944     | 1   | Bearing                                    |     |
| 11   | 70024414    | 1   | Bearing-Liner                              |     |
| 12   | 70024415    | 1   | Bearing-Liner                              |     |
| 13   | 7024953     | 2   | Screw                                      |     |
| 14   | 80634004    | 1   | Shaft Seal                                 |     |
| 15   | See Note    | NSS | O-Ring (Note: Use Item 101)                |     |
| 16   | See Note    | NSS | Seal (Note: Use Item 101)                  |     |
| 17   | 80334277    | 1   | Ring, Retaining                            |     |
| 18   | 70021867    | 1   | Gasket                                     |     |
| 19   | 7024954     | 4   | Capscrew                                   |     |
| 20   | 70024416    | 1   | Plug                                       |     |
| 21   | 70025897    | 1   | Solenoid                                   |     |
| 22   | See Note    | NSS | O-Ring (Note: Use Item 101)                |     |
| 23   | See Note    | NSS | R-Ring (Note: Use Item 101)                |     |
| 101  | 70024189    | 1   | Seal Kit (Includes Items 5, 15,16,22 & 23) |     |

# SECTION 9 - HYDRAULIC COMPONENTS

## FIGURE 9-20. VALVE - AIR SHUT OFF



ART\_1001204032\_C



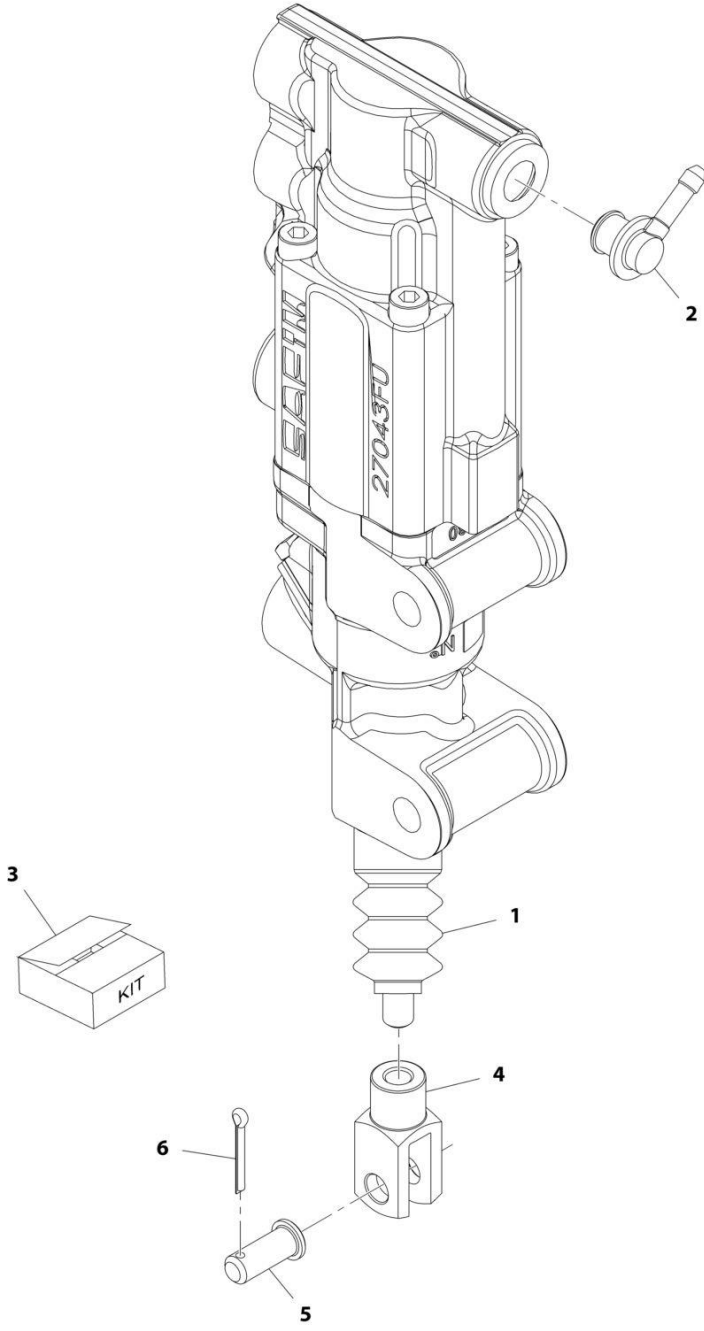
## SECTION 9 - HYDRAULIC COMPONENTS

FIGURE 9-20. VALVE - AIR SHUT OFF

| ITEM | PART NUMBER | QTY | DESCRIPTION   | REV |
|------|-------------|-----|---|-----|
|      | 1001204032  | Ref | Air Shut Off Valve  | C   |
| 1    | 70028514    | 1   | Kit, Solenoid 12V (Includes Solenoid, Coil, O-Ring)                             |     |
| 2    | 70028515    | 1   | Kit, Switch (Includes Ball Switch & O-Ring)                                     |     |
| 3    | 70028516    | 1   | Kit, Flange and Hardware (Includes Flanges (Male & Female) & Mounting Hardware) |     |
| 4    | 70028517    | 1   | Kit, Handle (Includes Handle & Pin)   |     |

**SECTION 9 - HYDRAULIC COMPONENTS**

**FIGURE 9-21. VALVE - BRAKE**



ART\_1001201721-D

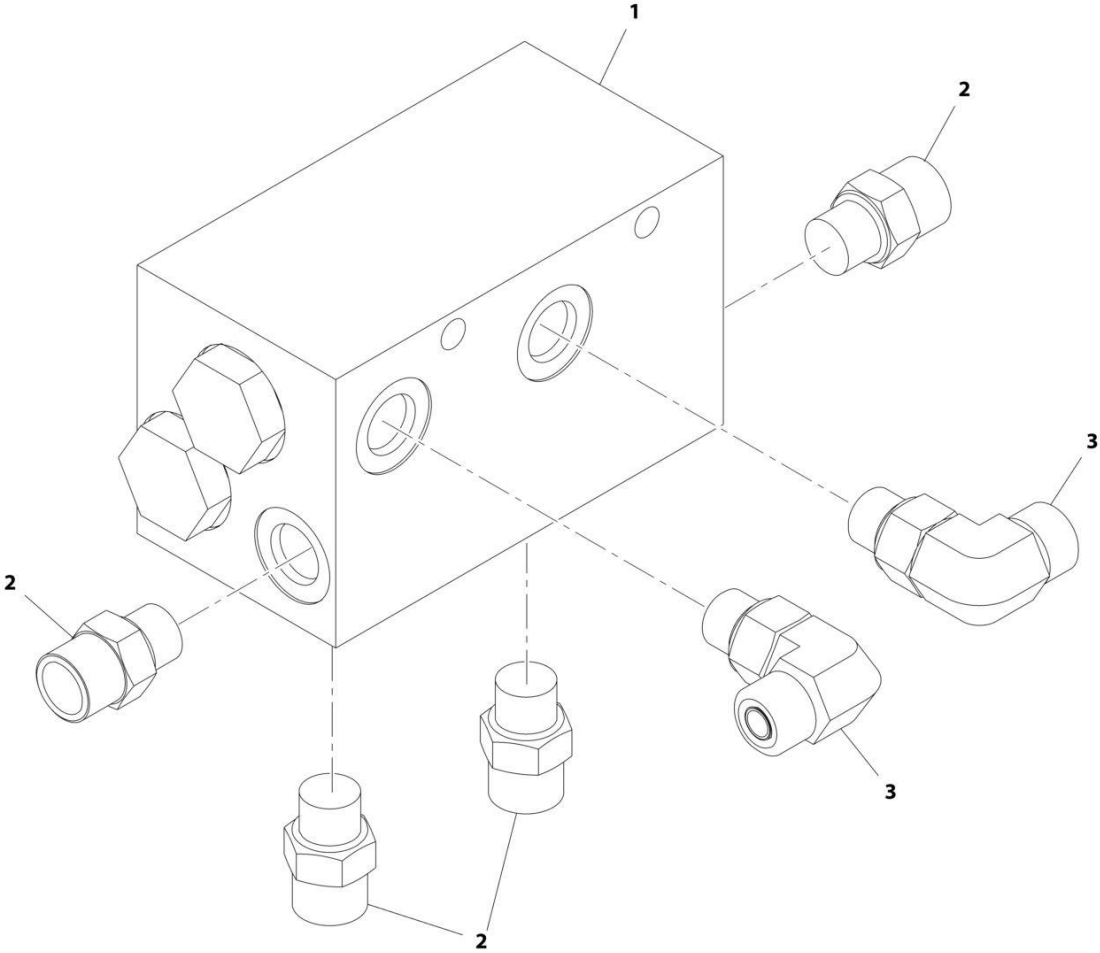
## SECTION 9 - HYDRAULIC COMPONENTS

### FIGURE 9-21. VALVE - BRAKE

| ITEM | PART NUMBER | QTY | DESCRIPTION     | REV |
|------|-------------|-----|-----------------|-----|
|      | 1001201721  | Ref | Brake Valve     | D   |
| 1    | 70025859    | 1   | Dust Cover      |     |
| 2    | 70027275    | 1   | Reservoir Joint |     |
| 3    | 70027276    | 1   | Seal Kit        |     |
| 4    | 70022650    | 1   | Yoke            |     |
| 5    | 70020743    | 1   | Pin, Yoke       |     |
| 6    | 70020745    | 1   | Pin, Cotter     |     |

**SECTION 9 - HYDRAULIC COMPONENTS**

**FIGURE 9-22. VALVE - CARRIAGE**



ART\_4641502-B

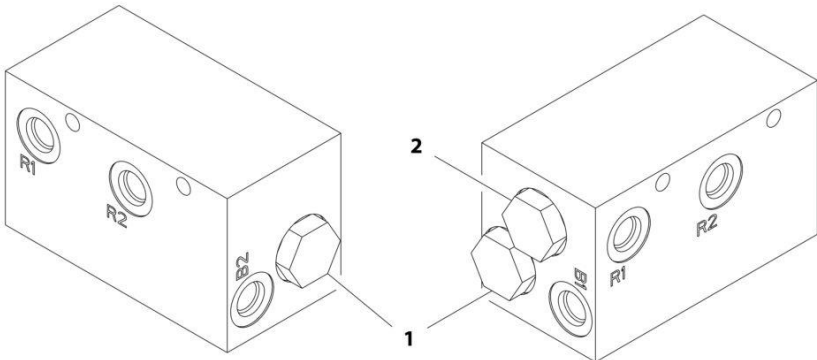
## SECTION 9 - HYDRAULIC COMPONENTS

FIGURE 9-22. VALVE - CARRIAGE

| ITEM | PART NUMBER | QTY | DESCRIPTION  | REV |
|------|-------------|-----|--|-----|
|      | 4641502     | Ref | Dual Fork Carriage Valve Assembly                            | B   |
| 1    | 4641501     | 1   | Valve, Flow Divider (See Separate Breakdown in this Section) |     |
| 2    | 2110606     | 4   | Fitting, Straight ORFS                                       |     |
| 3    | 2130606     | 2   | Fitting, 90  |     |

**SECTION 9 - HYDRAULIC COMPONENTS**

**FIGURE 9-23. VALVE - FLOW DIVIDER**



ART\_4641501-A

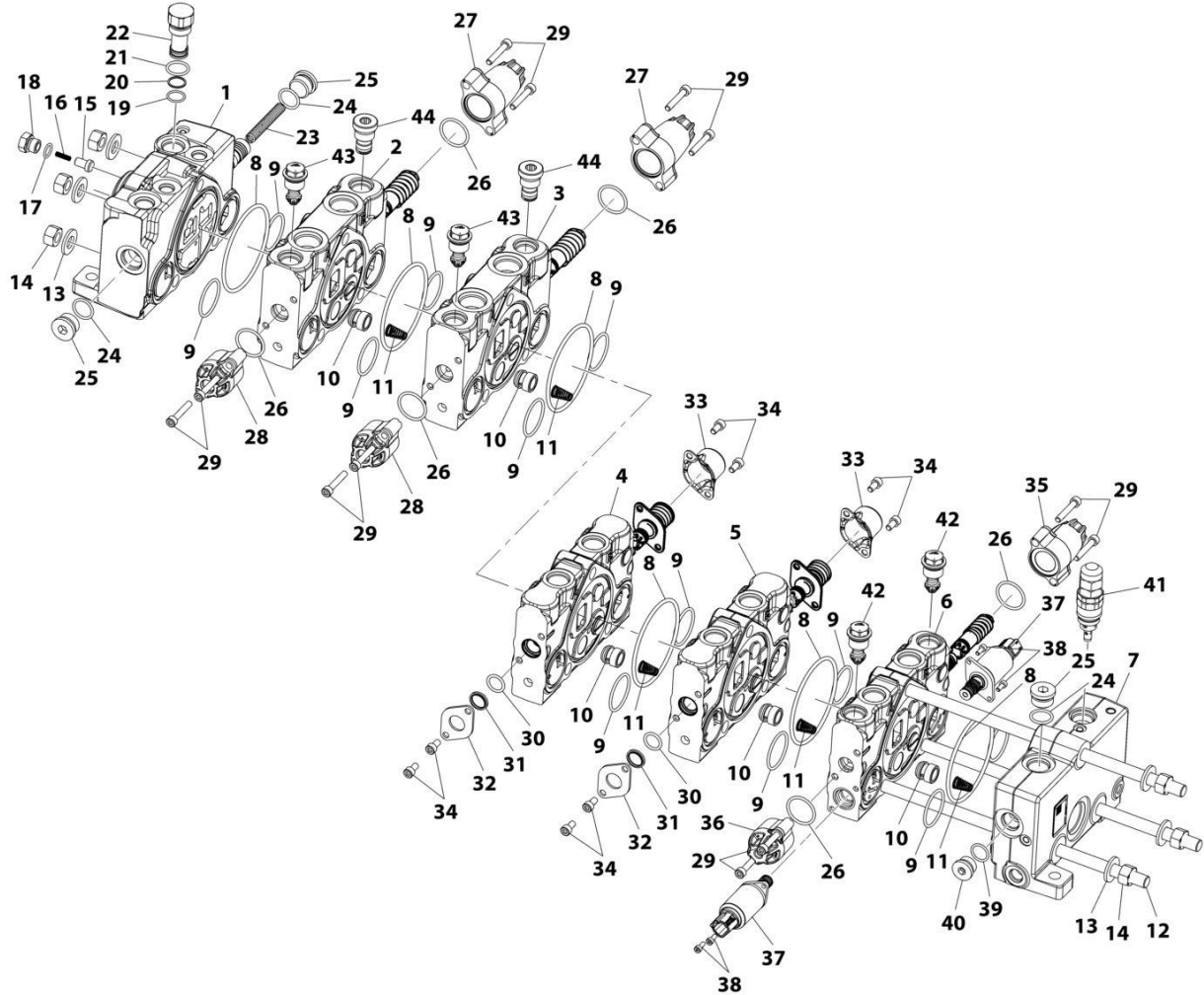
## SECTION 9 - HYDRAULIC COMPONENTS

FIGURE 9-23. VALVE - FLOW DIVIDER

| ITEM | PART NUMBER | QTY | DESCRIPTION        | REV |
|------|-------------|-----|--------------------|-----|
|      | 4641501     | Ref | Flow Divider Valve | A   |
| 1    | 70023928    | 2   | Valve, Check       |     |
| 2    | 70023929    | 1   | Valve, Cartridge   |     |

# SECTION 9 - HYDRAULIC COMPONENTS

## FIGURE 9-24. VALVE - MAIN CONTROL



ART\_1001242925



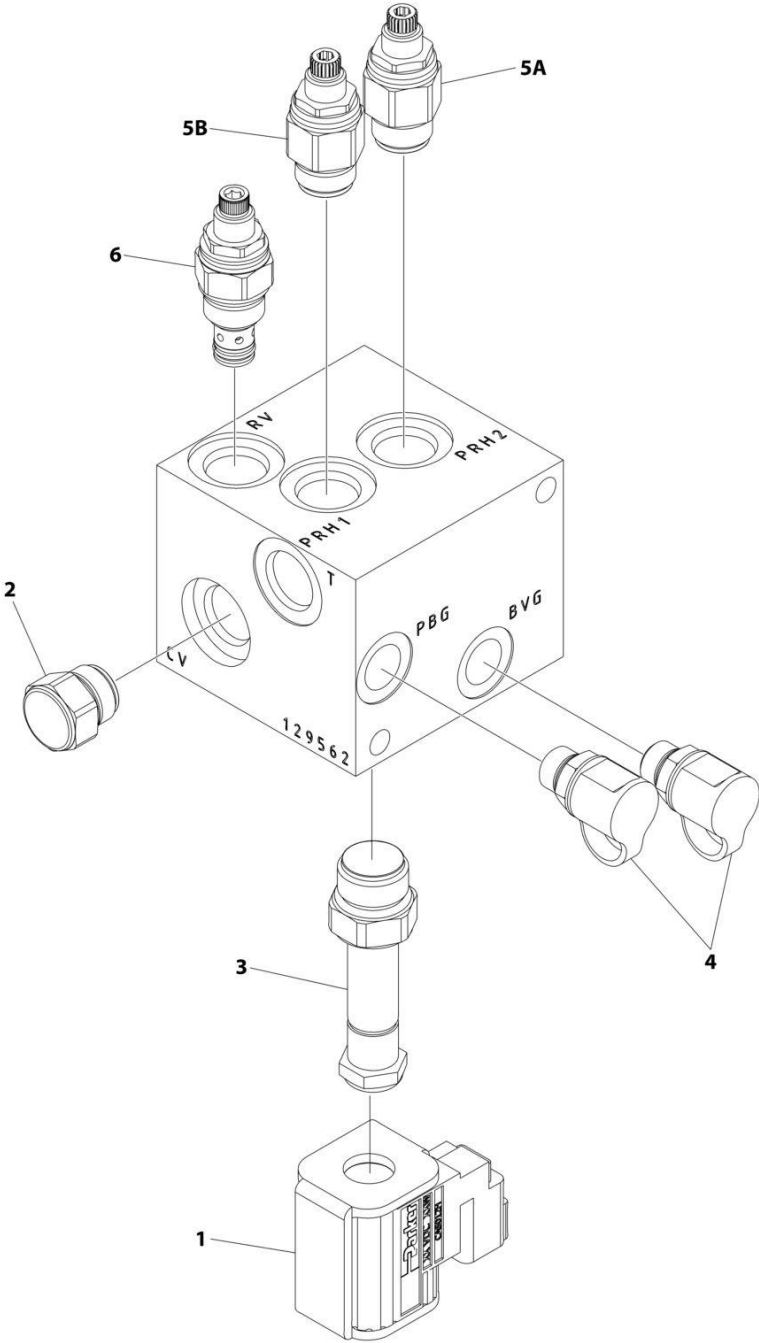
## SECTION 9 - HYDRAULIC COMPONENTS

### FIGURE 9-24. VALVE - MAIN CONTROL

| ITEM | PART NUMBER | QTY | DESCRIPTION                     | REV |
|------|-------------|-----|---------------------------------|-----|
|      | 1001242925  | Ref | MAIN CONTROL VALVE              | F   |
| 1    | 70030023    | 1   | Inlet Section Assembly          |     |
| 2    | 70030001    | 1   | Lift Section Assembly           |     |
| 3    | 70030002    | 1   | Extend/Retract Section Assembly |     |
| 4    | 70030003    | 1   | Aux Section Assembly            |     |
| 5    | 70030004    | 1   | Sway Section Assembly           |     |
| 6    | 70030005    | 1   | Tilt Section Assembly           |     |
| 7    | 70030006    | 1   | Outlet Section Assembly         |     |
| 8    | 8034697     | 6   | O-Ring                          |     |
| 9    | 70030007    | 12  | O-Ring                          |     |
| 10   | 8903015     | 5   | Poppet CV                       |     |
| 11   | 70030012    | 5   | Spring                          |     |
| 12   | 70030038    | 3   | Tie Rod                         |     |
| 13   | 70030039    | 6   | Washer                          |     |
| 14   | 8035347     | 6   | Nut                             |     |
| 15   | 70030009    | 1   | Poppet, CV                      |     |
| 16   | 70030010    | 1   | Spring                          |     |
| 17   | 70030040    | 1   | O-Ring                          |     |
| 18   | 70030011    | 1   | Plug                            |     |
| 19   | 70026370    | 1   | O-Ring                          |     |
| 20   | 70026376    | 1   | Back-Up Ring                    |     |
| 21   | 10837928    | 1   | O-Ring                          |     |
| 22   | 70030041    | 1   | Drain Regulator Assembly        |     |
| 23   | 70030008    | 1   | Spring                          |     |
| 24   | 70026652    | 3   | O-Ring                          |     |
| 25   | 70026653    | 3   | Plug                            |     |
| 26   | 70030013    | 6   | O-Ring                          |     |
| 27   | 70030015    | 2   | Spool Cap                       |     |
| 28   | 70030014    | 2   | Spool Cap                       |     |
| 29   | 70030016    | 12  | Screw                           |     |
| 30   | 8037109     | 2   | O-Ring                          |     |
| 31   | 70030018    | 2   | Wiper                           |     |
| 32   | 70030017    | 2   | Sealing Plate                   |     |
| 33   | 70030019    | 2   | Cap Spool                       |     |
| 34   | 70026133    | 8   | Screw                           |     |
| 35   | 70030021    | 1   | Spool Cap                       |     |
| 36   | 70030020    | 1   | Spool Cap                       |     |
| 37   | 70029874    | 2   | Valve, Solenoid Cartridge       |     |
| 38   | 70022014    | 4   | Screw                           |     |
| 39   | 70024202    | 1   | O-Ring                          |     |
| 40   | 8035382     | 1   | Plug Assembly                   |     |
| 41   | 70030022    | 1   | Valve Assembly, LS Relief       |     |
| 42   | 70027134    | 2   | Valve Assembly, Relief          |     |
| 43   | 70025982    | 2   | Valve Assembly, Relief          |     |
| 44   | 70022008    | 2   | Shut-Off Plug Assembly          |     |

# SECTION 9 - HYDRAULIC COMPONENTS

## FIGURE 9-25. VALVE - SECONDARY CONTROL



ART\_1001266771

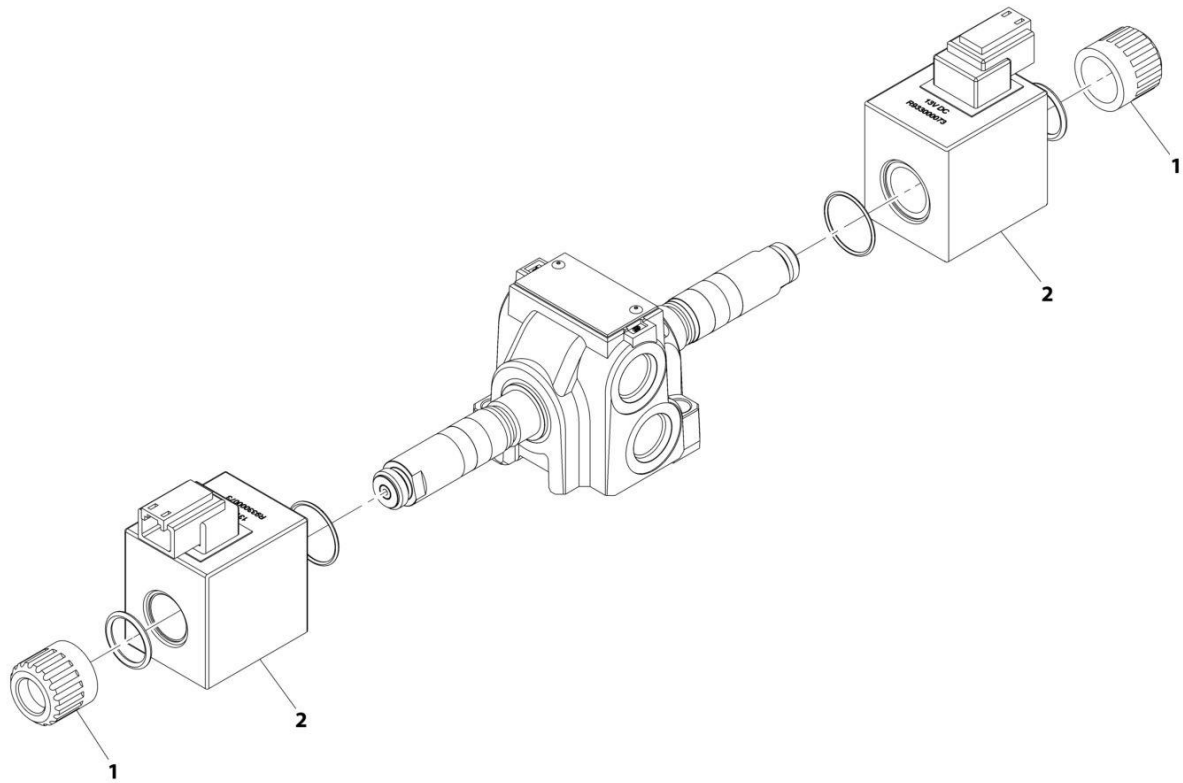
## SECTION 9 - HYDRAULIC COMPONENTS

**FIGURE 9-25. VALVE - SECONDARY CONTROL**

| ITEM | PART NUMBER | QTY    | DESCRIPTION                      | REV |
|------|-------------|--------|----------------------------------|-----|
|      | 1001266771  | Ref    | VALVE ASSEMBLY - SECONDARY       | B   |
| 1    | 70026085    | 1      | Coil                             |     |
| 2    | 91474023    | 1      | Cartridge, Check Valve           |     |
|      | 7010769     | 1      | Seal Kit - 91474023 Valve        |     |
| 3    | 70026087    | 1      | Cartridge, Solenoid Less Coil    |     |
|      | 8032695     | 1      | Seal Kit - 70026087 Valve        |     |
| 4    | See Note    | N.S.S. | Fitting, Straight                |     |
| 5A   | 70029558    | 1      | Cartridge, Pressure Relief Valve |     |
|      | 8032694     | 1      | Seal Kit - 70029558 Valve        |     |
| 5B   | 70029584    | 1      | Cartridge, Pressure Relief Valve |     |
|      | 8032694     | 1      | Seal Kit - 70029584 Valve        |     |
| 6    | 70030292    | 1      | Cartridge, Pressure Relief Valve |     |
|      | 7010769     | 1      | Seal Kit - 70030292 Valve        |     |

# SECTION 9 - HYDRAULIC COMPONENTS

## FIGURE 9-26. VALVE - STEERING SELECT



ART\_1001153748-C

## SECTION 9 - HYDRAULIC COMPONENTS

FIGURE 9-26. VALVE - STEERING SELECT

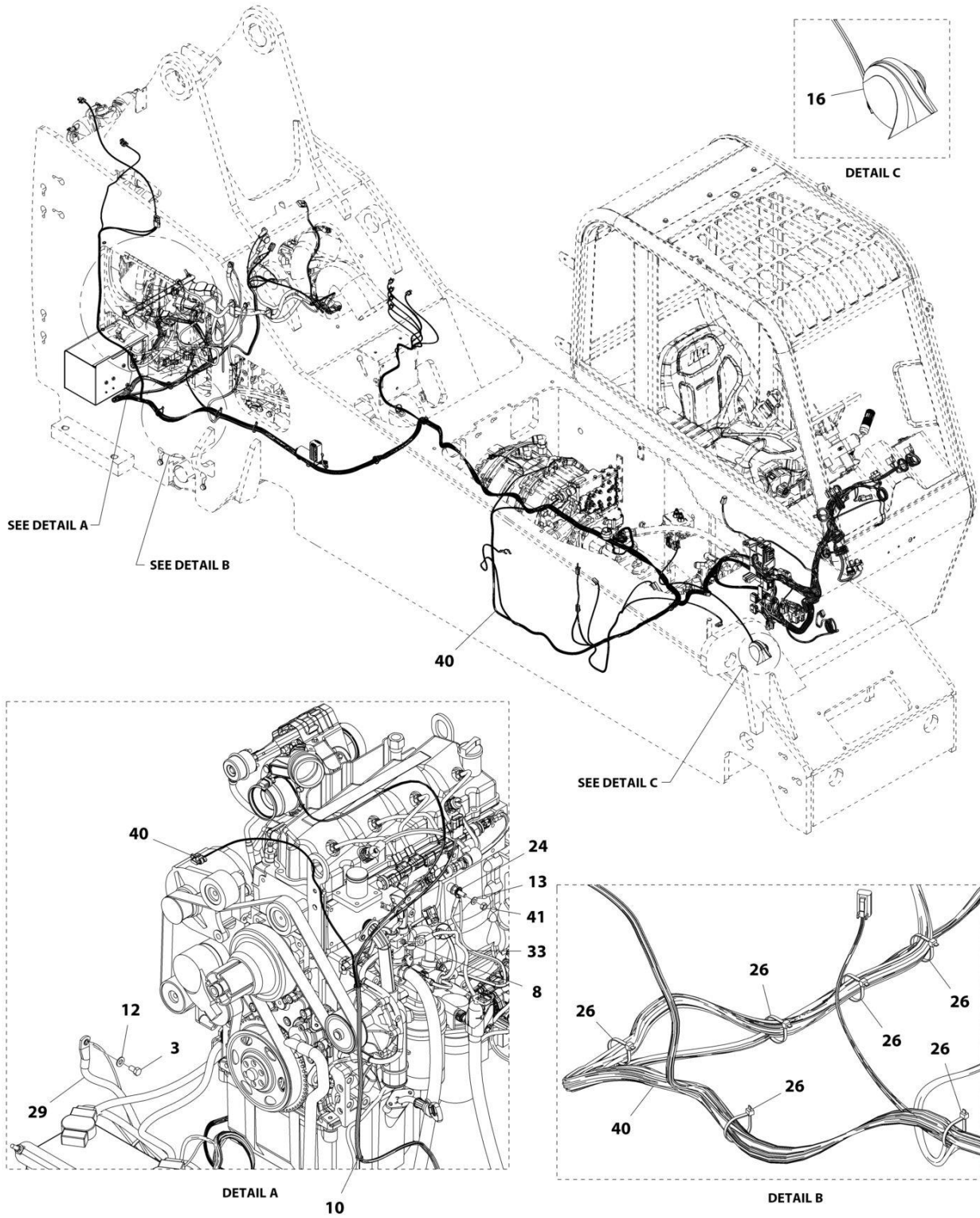
| ITEM | PART NUMBER | QTY | DESCRIPTION           | REV |
|------|-------------|-----|-----------------------|-----|
|      | 1001153748  | Ref | Steering Select Valve | C   |
| 1    | 70020867    | 2   | Nut, Coil             |     |
| 2    | 70026582    | 2   | Coil                  |     |



**SECTION 10 - ELECTRICAL**

# SECTION 10 - ELECTRICAL

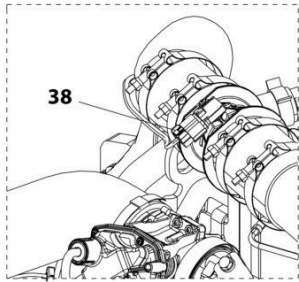
## FIGURE 10-1. ELECTRICAL INSTALLATION - 74HP ULS (6036)



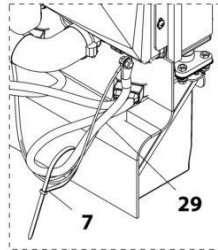
ART\_1001199891\_1-F



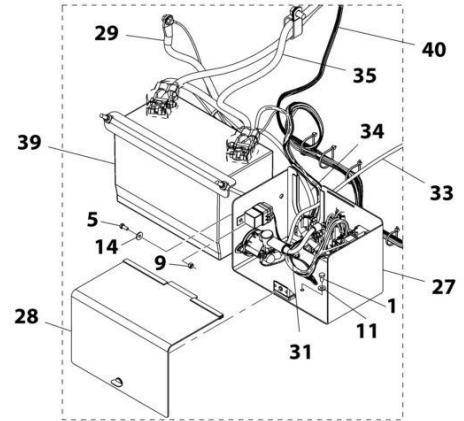
# SECTION 10 - ELECTRICAL



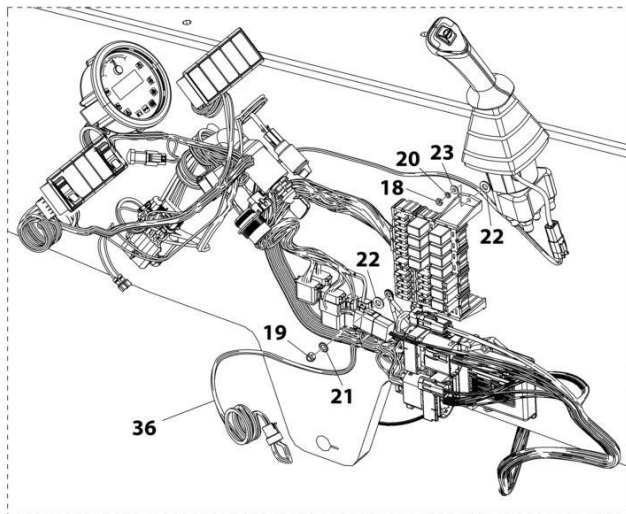
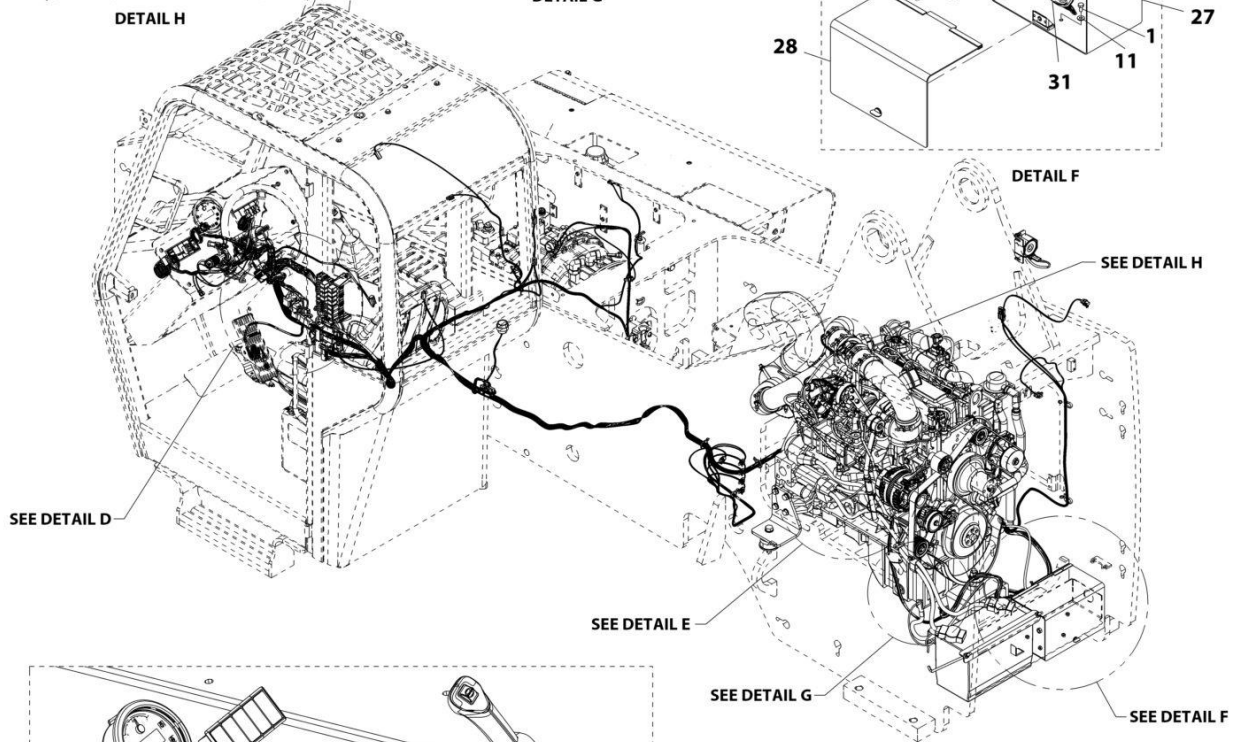
DETAIL H



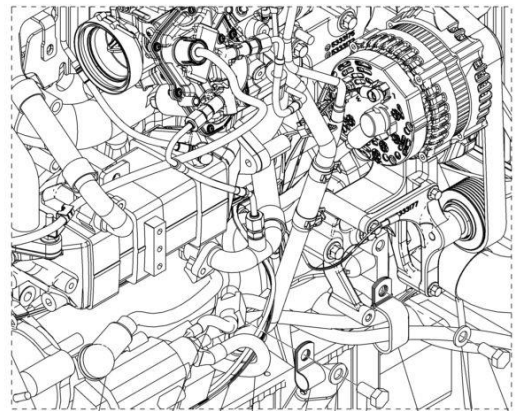
DETAIL G



DETAIL F



DETAIL D



DETAIL E

ART\_1001199891\_2-F

## SECTION 10 - ELECTRICAL

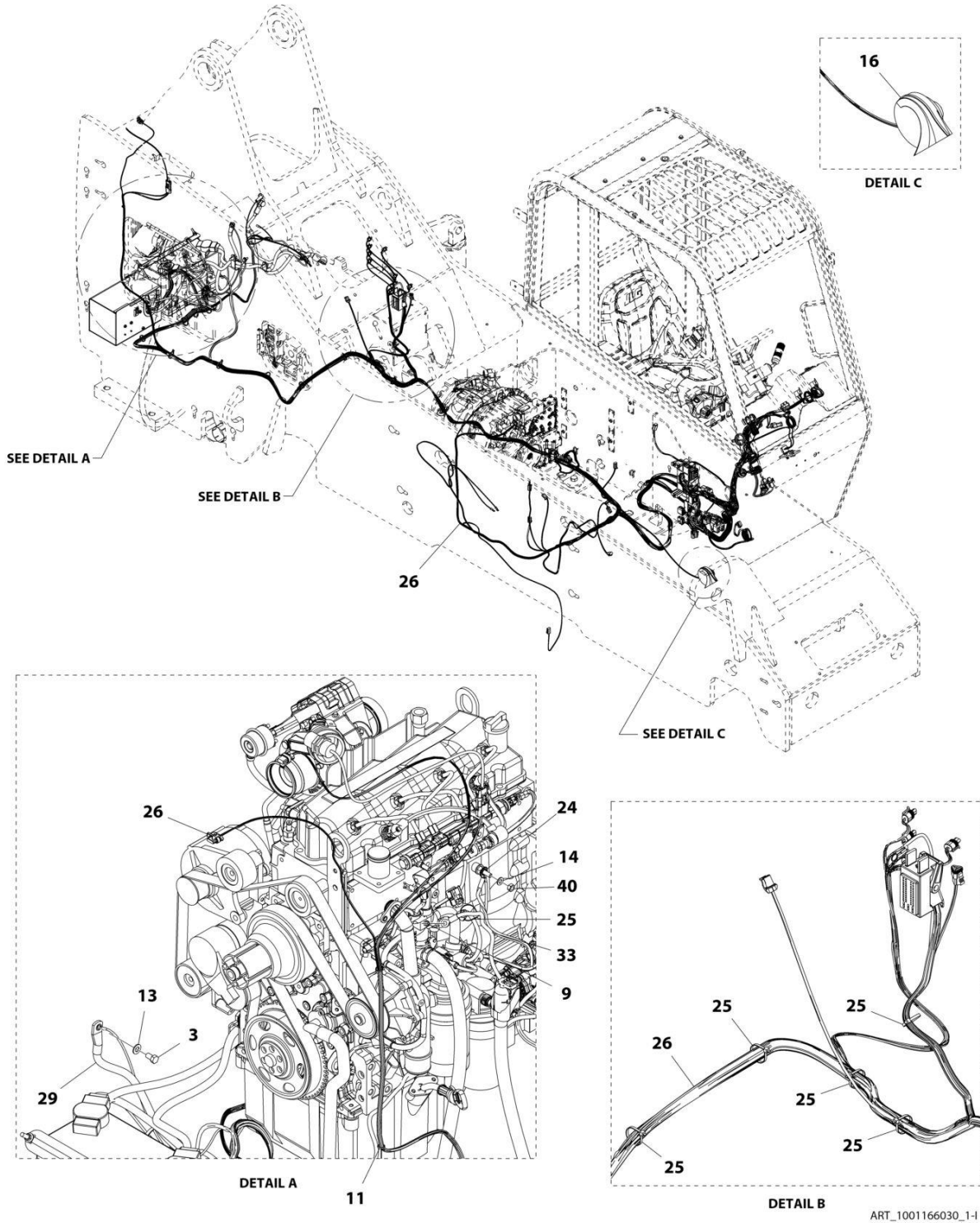
**FIGURE 10-1. ELECTRICAL INSTALLATION - 74HP ULS (6036)**

| ITEM | PART NUMBER | QTY | DESCRIPTION  | REV |
|------|-------------|-----|--|-----|
|      | 1001199891  | Ref | Electrical Installation, 74HP (if equipped for ULS)                      | F   |
| 1    | 0641404     | 3   | Bolt 1/4X1/2   |     |
| 3    | 0641605     | 1   | Bolt 3/8X5/8   |     |
| 5    | 8303545     | 1   | Bolt M8X14   |     |
| 6    | 0761212     | 2   | Bolt M12X25  |     |
| 7    | 1062255     | 1   | Strap, Tie   |     |
| 8    | 3290601     | 1   | Nut M6X1   |     |
| 9    | 3290605     | 1   | Nut M6X1   |     |
| 10   | 4240017     | 3   | Strap, Tie   |     |
| 11   | 4711400     | 3   | Washer 1/4   |     |
| 12   | 4711600     | 1   | Washer 3/8   |     |
| 13   | 4811900     | 1   | Washer M8  |     |
| 14   | 4811702     | 1   | Washer M6  |     |
| 15   | 4812100     | 2   | Washer M12   |     |
| 16   | 8270620     | 1   | Horn, Signal   |     |
| 18   | 8305002     | 3   | Nut #10  |     |
| 19   | 8305624     | 2   | Nut, Lock 1/4  |     |
| 20   | 8307003     | 3   | Washer M10   |     |
| 21   | 8307027     | 4   | Washer, Lock 5/16  |     |
| 22   | 8307106     | 5   | Washer 5/16  |     |
| 23   | 8307111     | 3   | Washer M10   |     |
| 24   | 8310046     | 1   | Washer, Lock M10   |     |
| 25   | 8406105     | 1   | Clip, Tube   |     |
| 26   | 8584001     | 12  | Wrap, Tie  |     |
| 27   | 1001170233  | 1   | Installation, Relay Panel (See Separate Breakdown in this Section)       |     |
| 28   | 1001170234  | 1   | Assembly, Relay Panel Cover (See Separate Breakdown in this Section)     |     |
| 29   | 1001171234  | 1   | Cable, Battery Negative  |     |
| 30   | 1001171236  | 1   | Cable, Starter Ground  |     |
| 31   | 1001171237  | 1   | Cable, Grid Heater to Fuse Power   |     |
| 32   | 1001171238  | 1   | Cable, Alternator Power  |     |
| 33   | 1001171239  | 1   | Cable, Grid Heater Power   |     |
| 34   | 1001171633  | 1   | Cable, Buss Power  |     |
| 35   | 1001171757  | 1   | Cable, Starter Power   |     |
| 36   | 1001178285  | 1   | Harness, Cab Power Distribution (See Separate Breakdown in this Section) |     |
| 37   | 1001181899  | 1   | Clamp  |     |
| 38   | 1001184835  | 1   | Harness, TBAP (See Separate Breakdown in this Section)                   |     |
| 39   | 1001186841  | 1   | Installation, Battery (See Separate Breakdown in this Section)           |     |
| 40   | 1001199889  | 1   | Engine Harness - 74HP (See Separate Breakdown in this Section)           |     |
| 41   | 3290801     | 1   | Nut M8X1.25  |     |

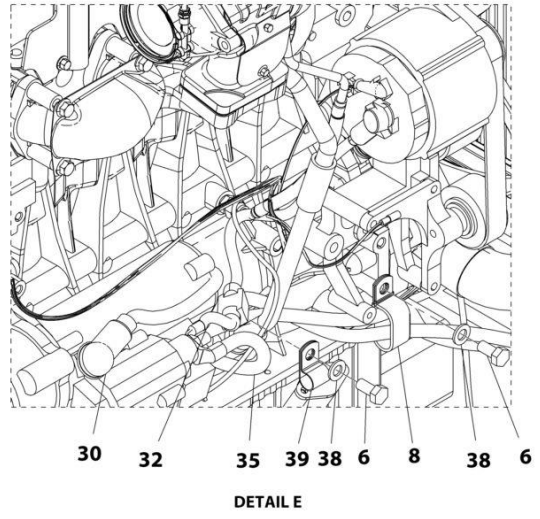
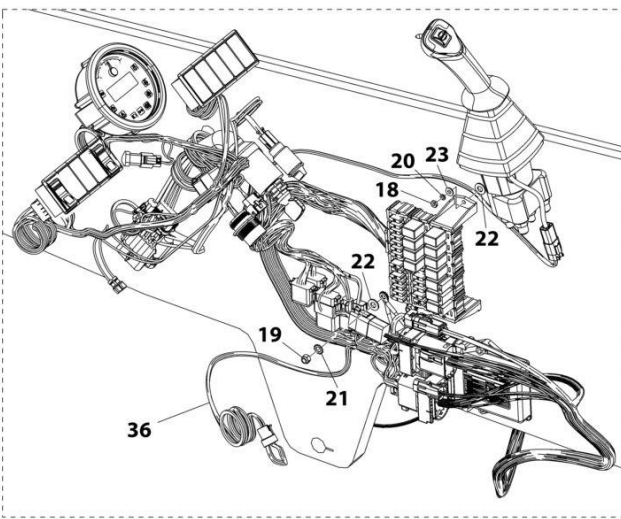
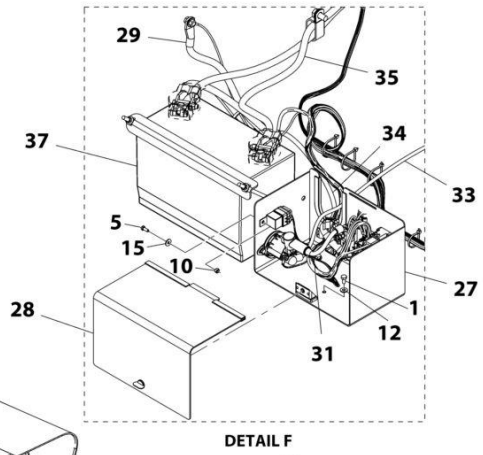
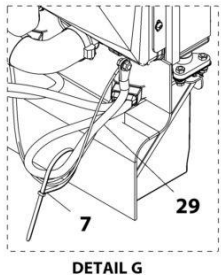
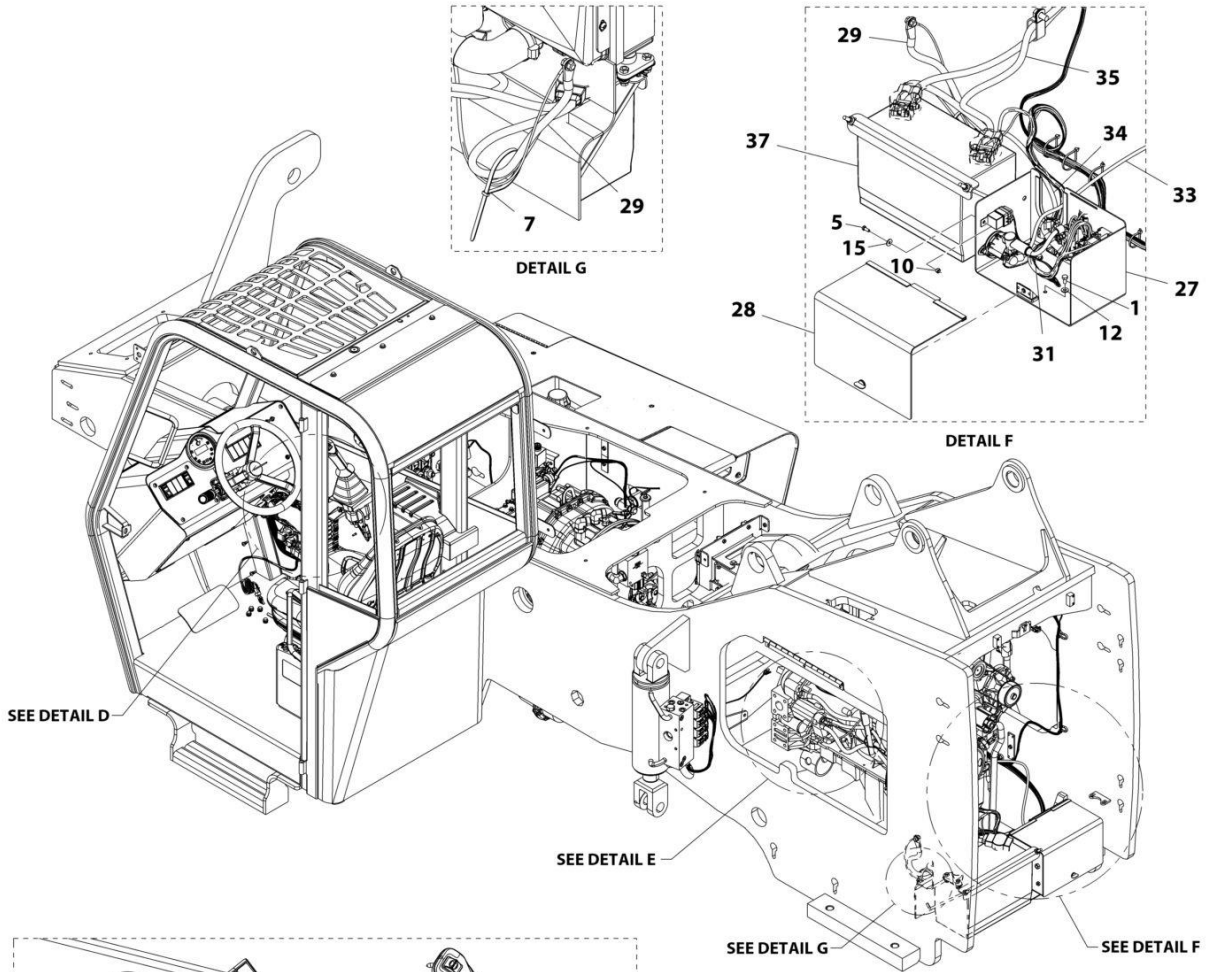


# SECTION 10 - ELECTRICAL

## FIGURE 10-2. ELECTRICAL INSTALLATION - 85HP LS (6036)



# SECTION 10 - ELECTRICAL



ART\_1001166030\_2-1

## SECTION 10 - ELECTRICAL

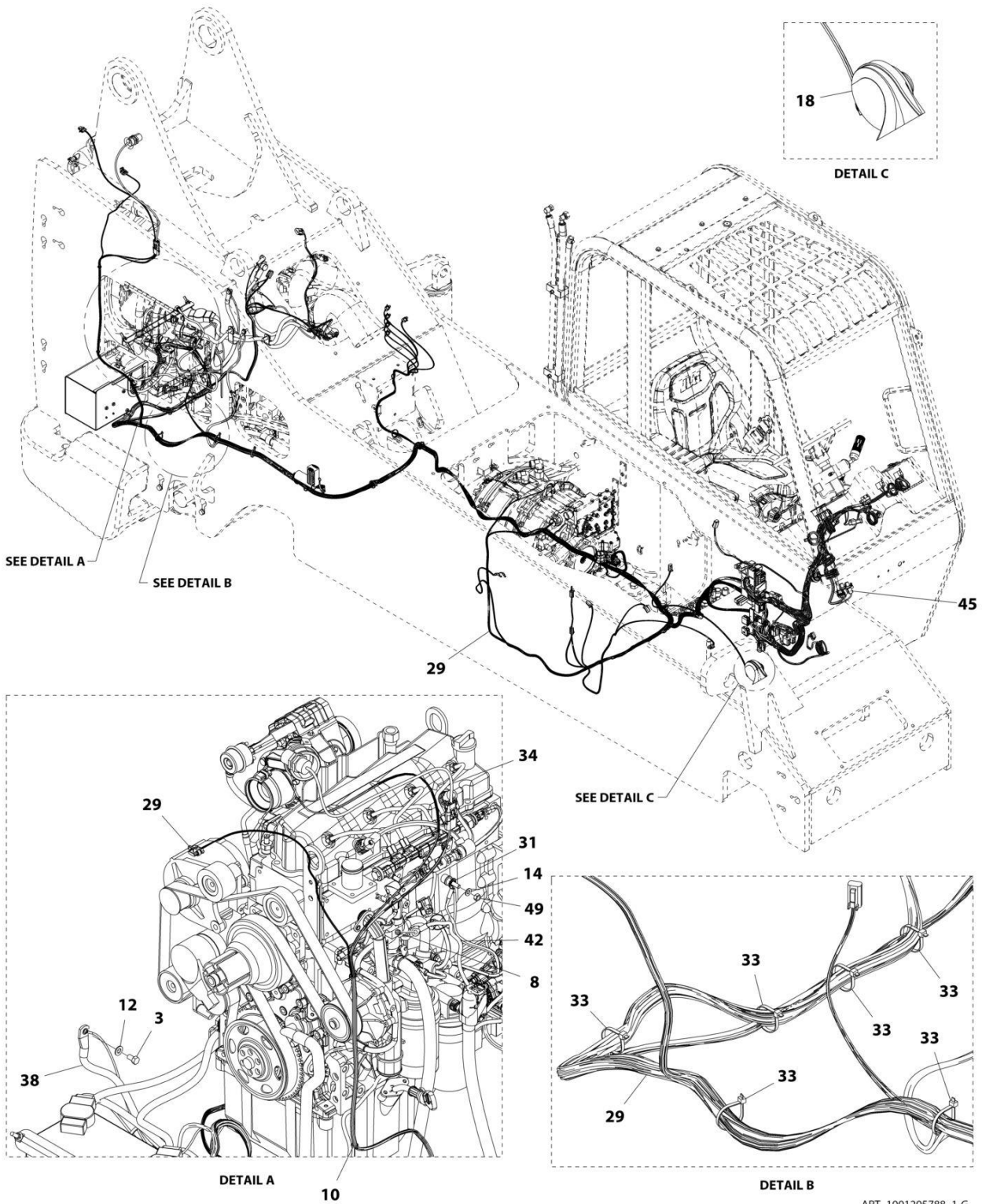
FIGURE 10-2. ELECTRICAL INSTALLATION - 85HP LS (6036)

| ITEM | PART NUMBER | QTY | DESCRIPTION  | REV |
|------|-------------|-----|--|-----|
|      | 1001166030  | Ref | Electrical Installation, 85HP (if equipped for LS)                       | I   |
| 1    | 0641404     | 3   | Bolt, 1/4-20X1/2   |     |
| 3    | 0641605     | 1   | Bolt, 3/8-16X5/8   |     |
| 5    | 8303545     | 1   | Bolt, M8X14  |     |
| 6    | 0761212     | 2   | Bolt, M12X25   |     |
| 7    | 1062255     | 1   | Strap, Tie   |     |
| 8    | 1001181899  | 1   | Clamp  |     |
| 9    | 3290601     | 1   | Nut, M6X1  |     |
| 10   | 3290605     | 1   | Nut, M6X1  |     |
| 11   | 4240017     | 3   | Strap, Tie   |     |
| 12   | 4711400     | 3   | Washer, 1/4  |     |
| 13   | 4711600     | 1   | Washer, 3/8  |     |
| 14   | 4811900     | 1   | Washer, M8   |     |
| 15   | 4811702     | 1   | Washer, M6   |     |
| 16   | 8270620     | 1   | Horn, Signal   |     |
| 18   | 8305002     | 3   | Nut, 10-24   |     |
| 19   | 8305624     | 2   | Nut, Lock 1/4-20   |     |
| 20   | 8307003     | 3   | Washer, Lock M10   |     |
| 21   | 8307027     | 4   | Washer, Lock 5/16  |     |
| 22   | 8307106     | 5   | Washer, 5/16   |     |
| 23   | 8307111     | 3   | Washer, M10  |     |
| 24   | 8310046     | 1   | Washer, Lock External Tooth M10  |     |
| 25   | 8584001     | 13  | Wrap, Tie  |     |
| 26   | 1001189488  | 1   | Engine Harness (See Separate Breakdown in this Section)                  |     |
| 27   | 1001170233  | 1   | Installation, Relay Panel (See Separate Breakdown in this Section)       |     |
| 28   | 1001170234  | 1   | Assembly, Relay Panel Cover (See Separate Breakdown in this Section)     |     |
| 29   | 1001171234  | 1   | Cable, Battery Negative  |     |
| 30   | 1001171236  | 1   | Cable, Starter Ground  |     |
| 31   | 1001171237  | 1   | Cable, Grid Heater to Fuse Power   |     |
| 32   | 1001171238  | 1   | Cable, Alternator Power  |     |
| 33   | 1001171239  | 1   | Cable, Grid Heater Power   |     |
| 34   | 1001171633  | 1   | Cable, Buss Power  |     |
| 35   | 1001171757  | 1   | Cable, Starter Power   |     |
| 36   | 1001178285  | 1   | Harness, Cab Power Distribution (See Separate Breakdown in this Section) |     |
| 37   | 1001186841  | 1   | Installation, Battery (See Separate Breakdown in this Section)           |     |
| 38   | 4812100     | 2   | Washer, M12  |     |
| 39   | 8406105     | 1   | Clip, Tube   |     |
| 40   | 3290801     | 1   | Nut, M8X1.25   |     |



# SECTION 10 - ELECTRICAL

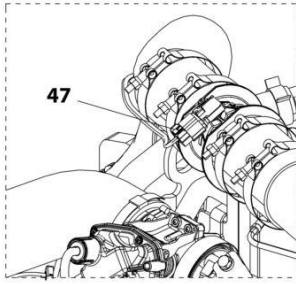
## FIGURE 10-3. ELECTRICAL INSTALLATION - 74HP ULS (6042)



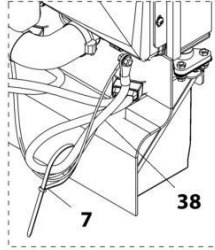
ART\_1001205788\_1-G



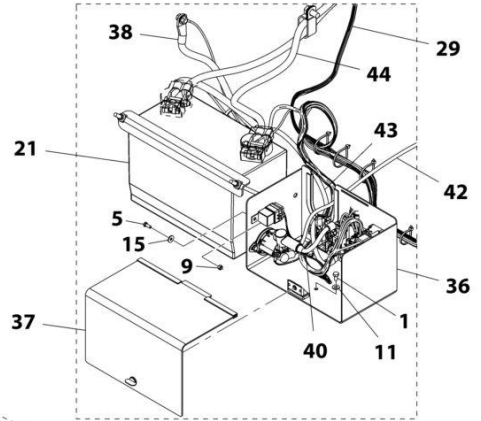
# SECTION 10 - ELECTRICAL



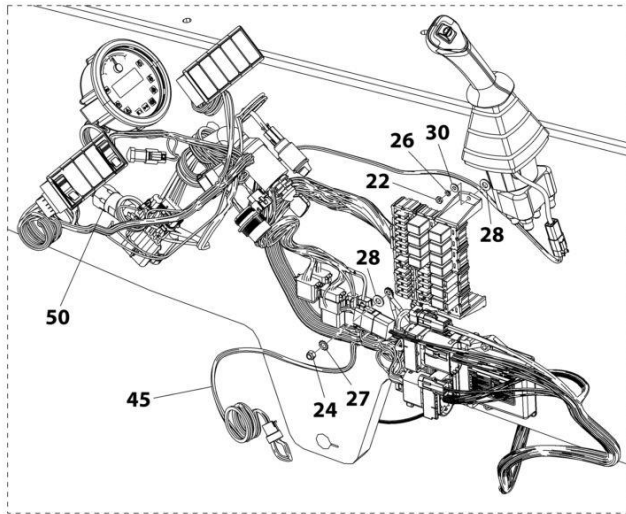
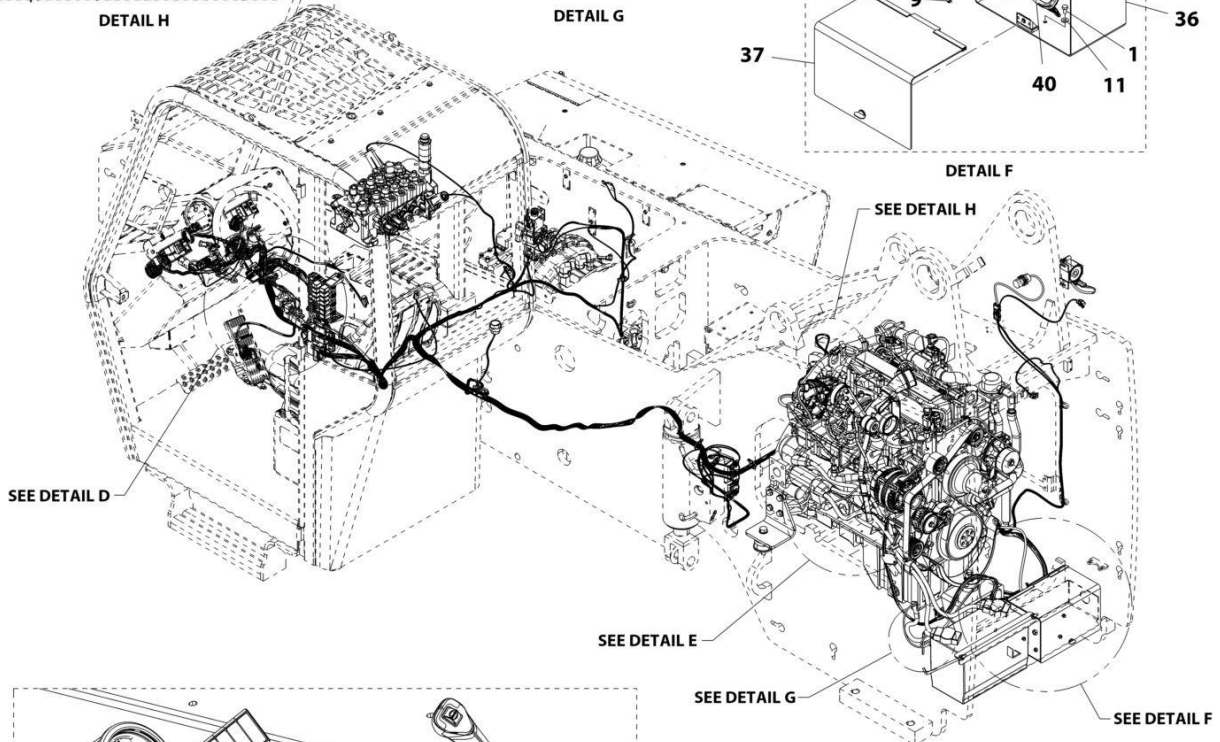
DETAIL H



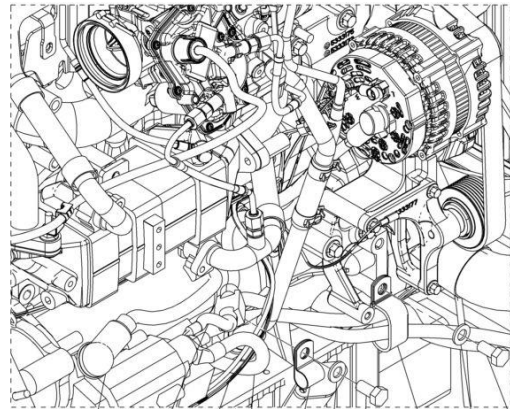
DETAIL G



DETAIL F



DETAIL D



DETAIL E

ART\_1001205788\_2-G

## SECTION 10 - ELECTRICAL

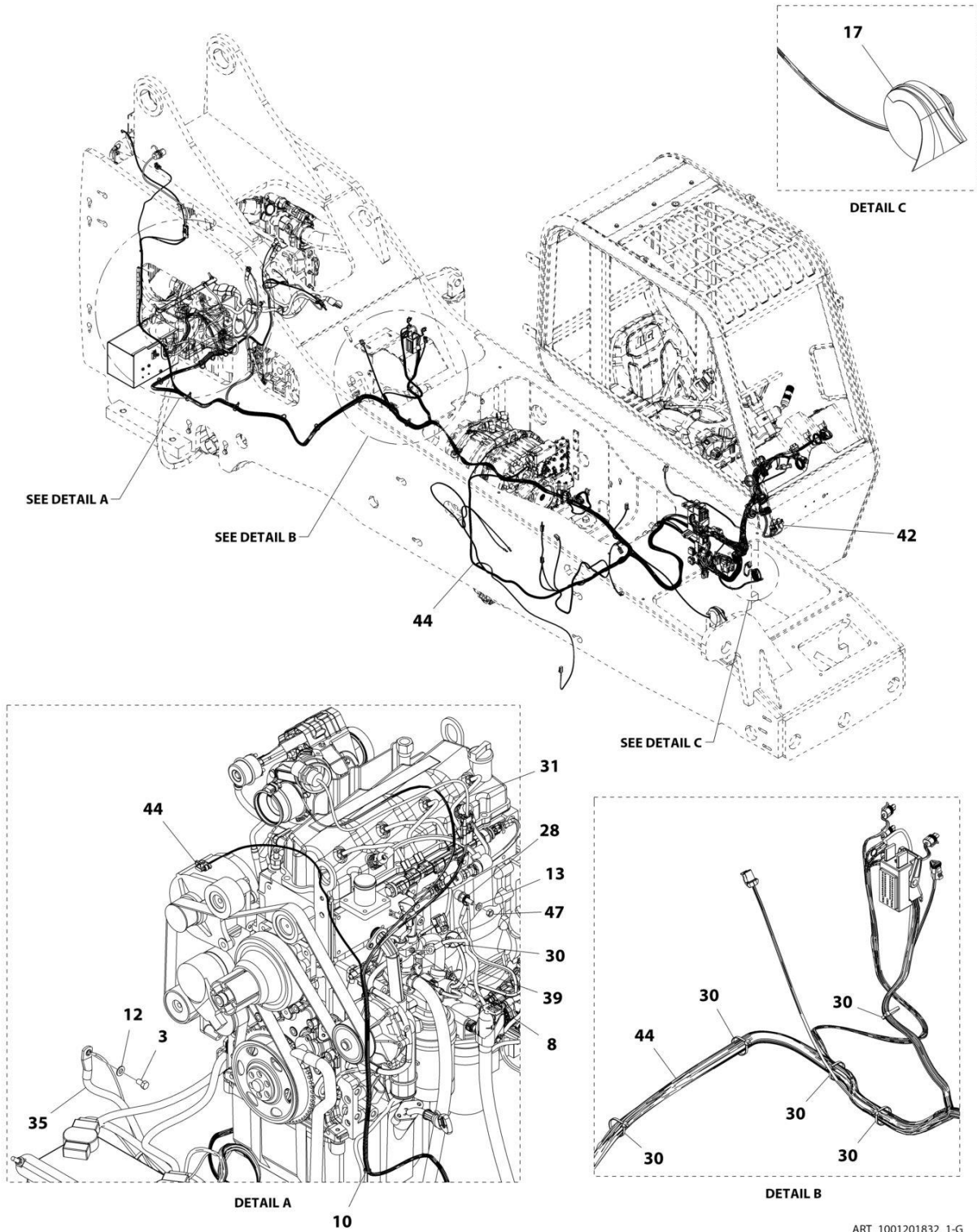
**FIGURE 10-3. ELECTRICAL INSTALLATION - 74HP ULS (6042)**

| ITEM | PART NUMBER | QTY | DESCRIPTION  | REV |
|------|-------------|-----|--|-----|
|      | 1001205788  | Ref | Electrical Installation, 74HP (if equipped for ULS)                      | G   |
| 1    | 0641404     | 3   | Bolt, 1/4Bolt, 1/4-20X1/2  |     |
| 3    | 0641605     | 1   | Bolt, 3/8-16X5/8   |     |
| 5    | 8303545     | 1   | Bolt, M8X14  |     |
| 6    | 0761212     | 2   | Bolt, M12X25   |     |
| 7    | 1062255     | 1   | Strap, Tie   |     |
| 8    | 3290601     | 1   | Nut, M6X1  |     |
| 9    | 3290605     | 1   | Nut, M6X1  |     |
| 10   | 4240017     | 3   | Strap, Tie   |     |
| 11   | 4711400     | 3   | Washer, 1/4  |     |
| 12   | 4711600     | 1   | Washer, 3/8  |     |
| 14   | 4811900     | 1   | Washer, M8   |     |
| 15   | 4811702     | 1   | Washer, M6   |     |
| 16   | 4812100     | 2   | Washer, M12  |     |
| 18   | 8270620     | 1   | Horn, Signal   |     |
| 21   | 1001186841  | 1   | Installation, Battery (See Separate Breakdown in this Section)           |     |
| 22   | 8305002     | 3   | Nut, 10-24   |     |
| 24   | 8305624     | 2   | Nut, Lock 1/4-20   |     |
| 26   | 8307003     | 3   | Washer, Lock M10   |     |
| 27   | 8307027     | 4   | Washer, Lock 5/16  |     |
| 28   | 8307106     | 5   | Washer, 5/16   |     |
| 29   | 1001199889  | 1   | Engine Harness (74HP) (See Separate Breakdown in this Section)           |     |
| 30   | 8307111     | 3   | Washer, M10  |     |
| 31   | 8310046     | 1   | Washer, Lock External Tooth M10  |     |
| 32   | 8406105     | 1   | Clip, Tube   |     |
| 33   | 8584001     | 12  | Wrap, Tie  |     |
| 34   | 1001130307  | 1   | Sensor, Boom   |     |
| 36   | 1001170233  | 1   | Installation, Relay Panel (See Separate Breakdown in this Section)       |     |
| 37   | 1001170234  | 1   | Assembly, Relay Panel Cover (See Separate Breakdown in this Section)     |     |
| 38   | 1001171234  | 1   | Cable, Battery Negative  |     |
| 39   | 1001171236  | 1   | Cable, Starter Ground  |     |
| 40   | 1001171237  | 1   | Cable, Grid Heater to Fuse Power   |     |
| 41   | 1001171238  | 1   | Cable, Alternator Power  |     |
| 42   | 1001171239  | 1   | Cable, Grid Heater Power   |     |
| 43   | 1001171633  | 1   | Cable, Buss Power  |     |
| 44   | 1001171757  | 1   | Cable, Starter Power   |     |
| 45   | 1001178285  | 1   | Harness, Cab Power Distribution (See Separate Breakdown in this Section) |     |
| 46   | 1001181899  | 1   | Clamp  |     |
| 47   | 1001184835  | 1   | Harness, TBAP (See Separate Breakdown in this Section)                   |     |
| 49   | 3290801     | 1   | Nut, M8X1.25   |     |
| 50   | 1001250700  | 1   | Switch, Pressure   |     |



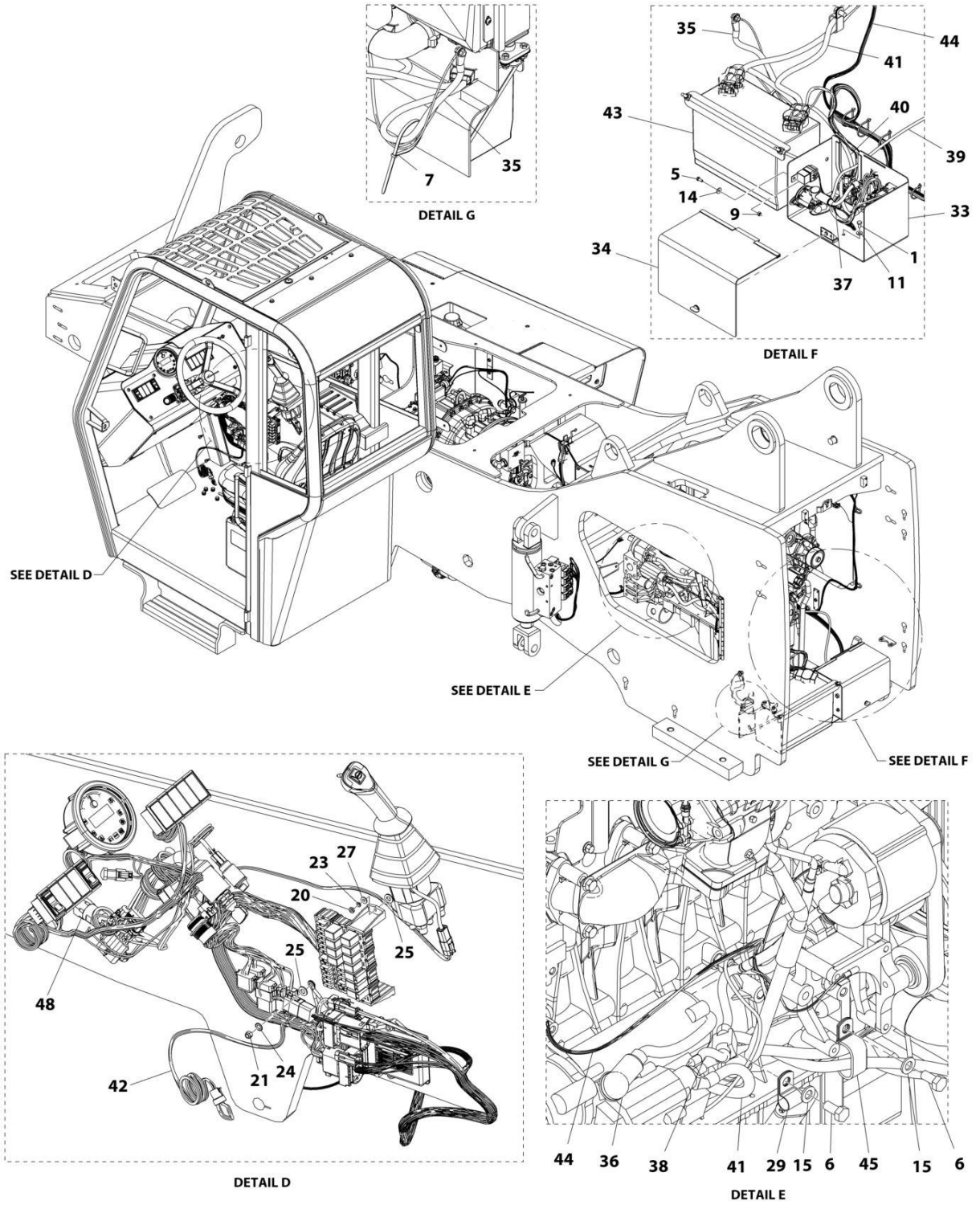
# SECTION 10 - ELECTRICAL

## FIGURE 10-4. ELECTRICAL INSTALLATION - 85HP LS (6042)



ART\_1001201832\_1-G

# SECTION 10 - ELECTRICAL



ART\_1001201832\_2-G

## SECTION 10 - ELECTRICAL

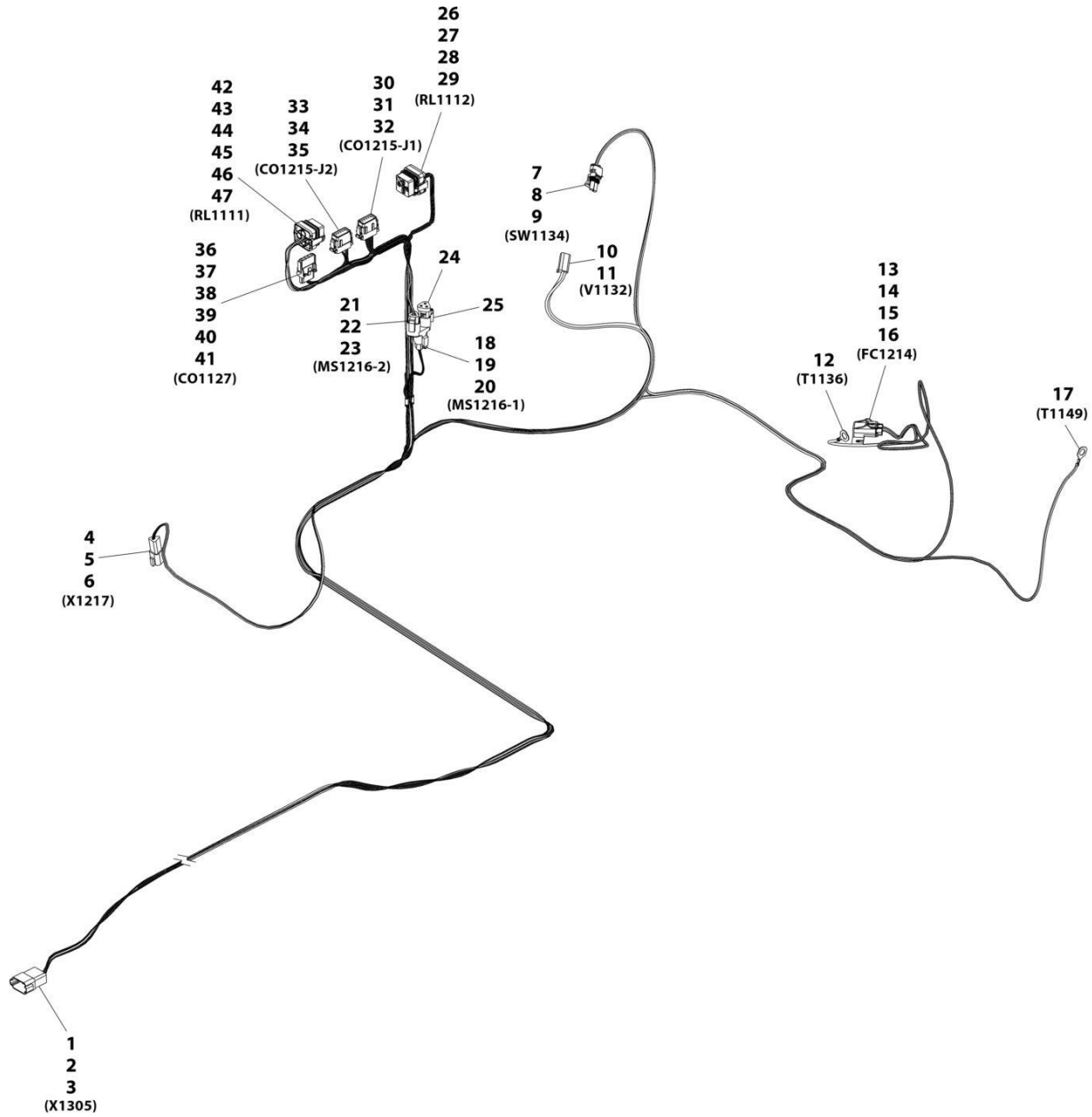
**FIGURE 10-4. ELECTRICAL INSTALLATION - 85HP LS (6042)**

| ITEM | PART NUMBER | QTY | DESCRIPTION  | REV |
|------|-------------|-----|--|-----|
|      | 1001201832  | Ref | Electrical Installation, 85HP (if equipped for LS)                       | G   |
| 1    | 0641404     | 3   | Bolt, 1/4-20X1/2   |     |
| 3    | 0641605     | 1   | Bolt, 3/8-16X5/8   |     |
| 5    | 8303545     | 1   | Bolt, M8X14  |     |
| 6    | 0761212     | 2   | Bolt, M12X25   |     |
| 7    | 1062255     | 1   | Strap, Tie   |     |
| 8    | 3290601     | 1   | Nut, M6X1  |     |
| 9    | 3290605     | 1   | Nut, M6X1  |     |
| 10   | 4240017     | 2   | Strap, Tie   |     |
| 11   | 4711400     | 3   | Washer, 1/4  |     |
| 12   | 4711600     | 1   | Washer, 3/8  |     |
| 13   | 4811900     | 1   | Washer, M8   |     |
| 14   | 4811702     | 1   | Washer, M6   |     |
| 15   | 4812100     | 2   | Washer, M12  |     |
| 17   | 8270620     | 1   | Horn, Signal   |     |
| 20   | 8305002     | 3   | Nut, 10-24   |     |
| 21   | 8305624     | 2   | Nut, Lock 1/4-20   |     |
| 23   | 8307003     | 3   | Washer, Lock M10   |     |
| 24   | 8307027     | 4   | Washer, Lock 5/16  |     |
| 25   | 8307106     | 5   | Washer, 5/16   |     |
| 27   | 8307111     | 3   | Washer, M10  |     |
| 28   | 8310046     | 1   | Washer, Lock External Tooth M10  |     |
| 29   | 8406105     | 1   | Clip   |     |
| 30   | 8584001     | 13  | Wrap, Tie  |     |
| 31   | 1001130307  | 1   | Sensor, Boom   |     |
| 33   | 1001170233  | 1   | Installation, Relay Panel (See Separate Breakdown in this Section)       |     |
| 34   | 1001170234  | 1   | Assembly, Relay Panel Cover (See Separate Breakdown in this Section)     |     |
| 35   | 1001171234  | 1   | Cable, Battery Negative  |     |
| 36   | 1001171236  | 1   | Cable, Starter Ground  |     |
| 37   | 1001171237  | 1   | Cable, Grid Heater to Fuse Power   |     |
| 38   | 1001171238  | 1   | Cable, Alternator Power  |     |
| 39   | 1001171239  | 1   | Cable, Grid Heater Power   |     |
| 40   | 1001171633  | 1   | Cable, Buss Power  |     |
| 41   | 1001171757  | 1   | Cable, Starter Power   |     |
| 42   | 1001178285  | 1   | Harness, Cab Power Distribution (See Separate Breakdown in this Section) |     |
| 43   | 1001186841  | 1   | Installation, Battery (See Separate Breakdown in this Section)           |     |
| 44   | 1001189488  | 1   | Engine Harness (See Separate Breakdown in this Section)                  |     |
| 45   | 1001181899  | 1   | Clamp  |     |
| 47   | 3290801     | 1   | Nut, M8X1.25   |     |
| 48   | 1001250700  | 1   | Switch, Pressure   |     |



# SECTION 10 - ELECTRICAL

## FIGURE 10-5. AIR SHUT OFF VALVE HARNESS - T4F



ART\_1001216455



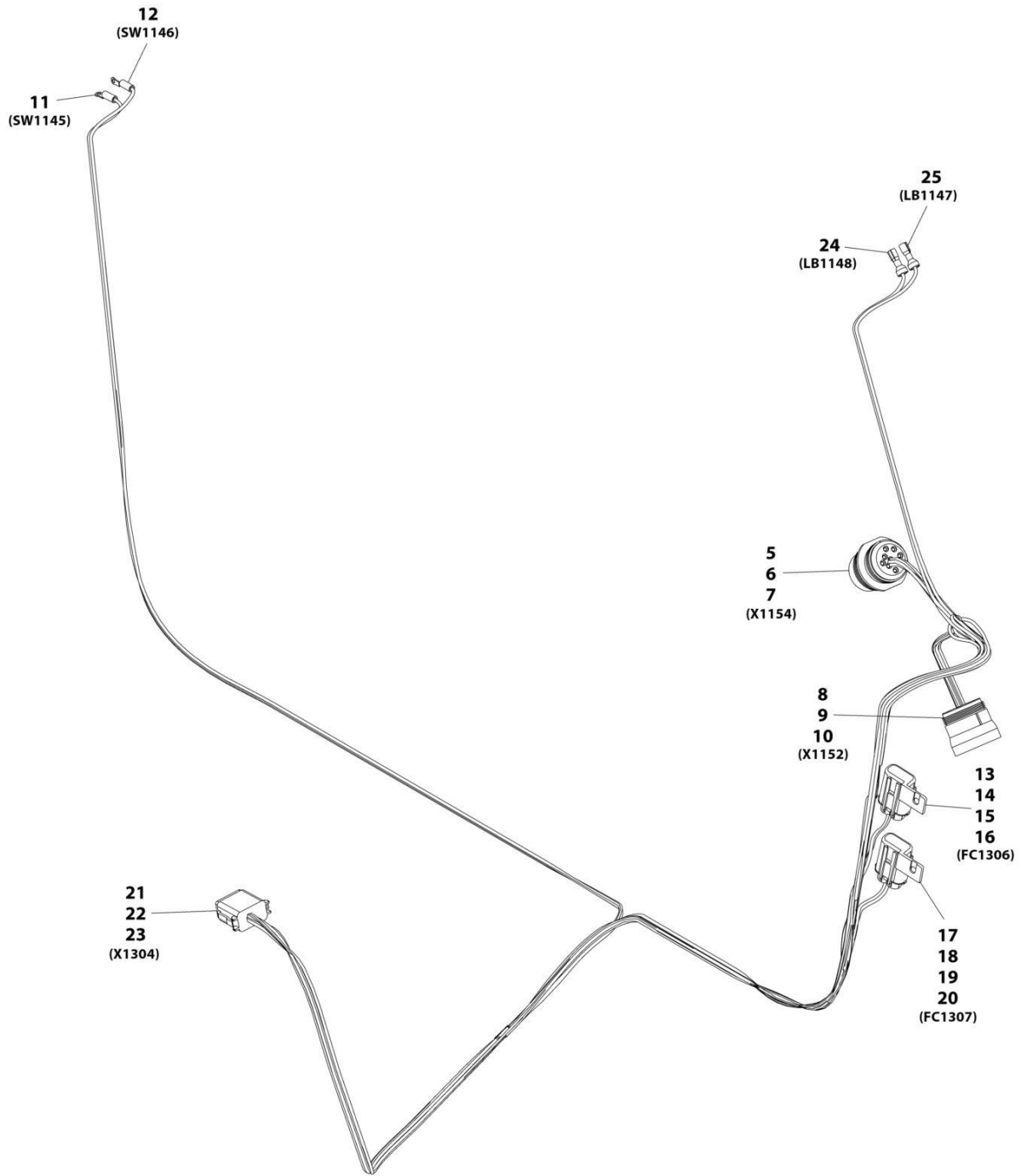
## SECTION 10 - ELECTRICAL

**FIGURE 10-5. AIR SHUT OFF VALVE HARNESS - T4F**

| ITEM | PART NUMBER | QTY | DESCRIPTION                          | REV |
|------|-------------|-----|--------------------------------------|-----|
|      | 1001216455  | Ref | POSI Air Shut Off Valve T4F, Harness | F   |
| 1    | 4460931     | 1   | Connector                            |     |
| 2    | 4460464     | 6   | Terminal                             |     |
| 3    | 4460466     | 2   | Plug                                 |     |
| 4    | 1001144147  | 1   | Connector                            |     |
| 5    | 4460464     | 2   | Terminal                             |     |
| 6    | 4460466     | 1   | Plug                                 |     |
| 7    | 4460742     | 1   | Connector                            |     |
| 8    | 4460475     | 2   | Terminal                             |     |
| 9    | 4460458     | 2   | Seal                                 |     |
| 10   | 4460891     | 1   | Connector                            |     |
| 11   | 1001157890  | 2   | Terminal                             |     |
| 12   | 1001187078  | 1   | Terminal, Ring                       |     |
| 13   | 1001231397  | 1   | Connector                            |     |
| 14   | 8229235     | 1   | Fuse 20A                             |     |
| 15   | 1001231401  | 2   | Terminal                             |     |
| 16   | 1001230402  | 2   | Seal                                 |     |
| 17   | 1001187078  | 1   | Connector                            |     |
| 18   | 1001116812  | 1   | Connector                            |     |
| 19   | 4460465     | 2   | Terminal                             |     |
| 20   | 4460466     | 1   | Plug                                 |     |
| 21   | 4460539     | 1   | Connector                            |     |
| 22   | 4460465     | 2   | Terminal                             |     |
| 23   | 4460466     | 1   | Plug                                 |     |
| 24   | 1001116815  | 1   | Connector, 3 Pin                     |     |
| 25   | 4460945     | 1   | Terminal, 3 Way "T" Receptacle       |     |
| 26   | 1001231398  | 1   | Connector                            |     |
| 27   | 1001231400  | 4   | Terminal                             |     |
| 28   | 1001231406  | 1   | Plug                                 |     |
| 29   | 1001231404  | 4   | Seal                                 |     |
| 30   | 1001116808  | 1   | Connector                            |     |
| 31   | 1001126008  | 9   | Terminal                             |     |
| 32   | 4460518     | 3   | Plug                                 |     |
| 33   | 1001116774  | 1   | Connector                            |     |
| 34   | 4460518     | 8   | Plug                                 |     |
| 35   | 1001126008  | 4   | Terminal                             |     |
| 36   | 4460761     | 1   | Connector                            |     |
| 37   | 4460321     | 1   | Connector - 4 Position               |     |
| 38   | 4460809     | 4   | Plug                                 |     |
| 39   | 1001118378  | 4   | Terminal                             |     |
| 40   | 1001143551  | 1   | Seal                                 |     |
| 41   | 1001218358  | 1   | Lanyard, Rope                        |     |
| 42   | 1001231398  | 1   | Connector                            |     |
| 43   | 1001231401  | 2   | Terminal                             |     |
| 44   | 1001231400  | 2   | Terminal                             |     |
| 45   | 1001231406  | 1   | Plug                                 |     |
| 46   | 1001231402  | 2   | Seal                                 |     |
| 47   | 1001231404  | 2   | Seal                                 |     |

# SECTION 10 - ELECTRICAL

## FIGURE 10-6. AIR SHUT OFF VALVE HARNESS - CAB



ART\_1001231560-C

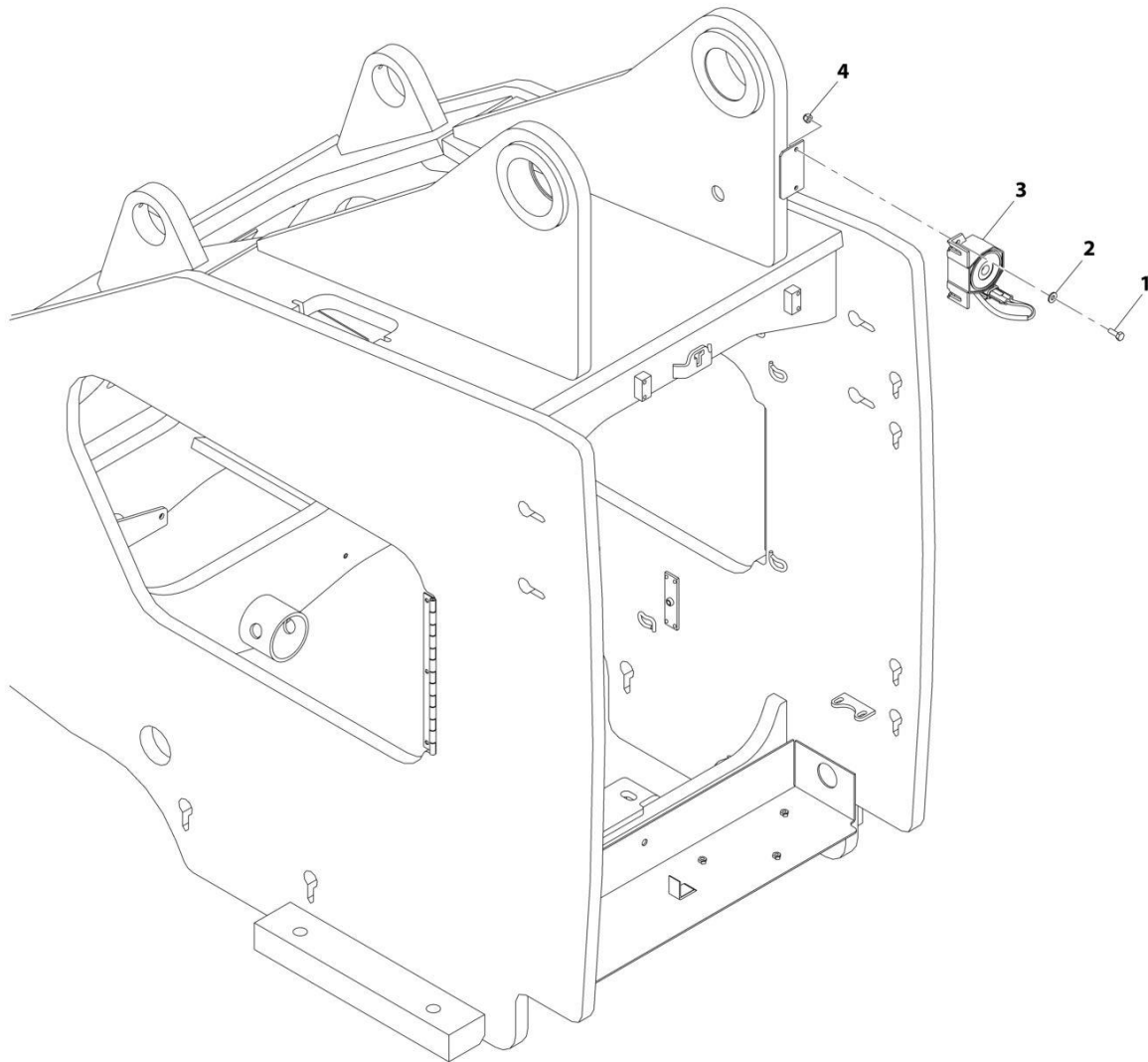
## SECTION 10 - ELECTRICAL

**FIGURE 10-6. AIR SHUT OFF VALVE HARNESS - CAB**

| ITEM | PART NUMBER | QTY | DESCRIPTION                          | REV |
|------|-------------|-----|--------------------------------------|-----|
|      | 1001231560  | Ref | POSI Air Shut Off Valve Cab, Harness | C   |
| 5    | 1001112612  | 1   | Connector                            |     |
| 6    | 4460464     | 6   | Terminal                             |     |
| 7    | 4460466     | 3   | Plug                                 |     |
| 8    | 1001116945  | 1   | Connector                            |     |
| 9    | 4460465     | 6   | Terminal                             |     |
| 10   | 4460466     | 3   | Plug                                 |     |
| 11   | 8220035     | 1   | Terminal, Ring                       |     |
| 12   | 8220035     | 1   | Terminal, Ring                       |     |
| 13   | 1001231397  | 1   | Connector                            |     |
| 14   | 8229261     | 1   | Fuse 5A                              |     |
| 15   | 1001231400  | 2   | Terminal                             |     |
| 16   | 1001231404  | 2   | Plug                                 |     |
| 17   | 1001231397  | 1   | Connector                            |     |
| 18   | 8229234     | 1   | Fuse 10A                             |     |
| 19   | 1001231400  | 2   | Terminal                             |     |
| 20   | 1001231404  | 2   | Plug                                 |     |
| 21   | 4460930     | 1   | Connector                            |     |
| 22   | 4460465     | 6   | Terminal                             |     |
| 23   | 4460466     | 2   | Plug                                 |     |
| 24   | 8220108     | 1   | Connector                            |     |
| 25   | 8220108     | 1   | Connector                            |     |

# SECTION 10 - ELECTRICAL

## FIGURE 10-7. ALARM INSTALLATION - BACK UP



ART\_1001206542-A

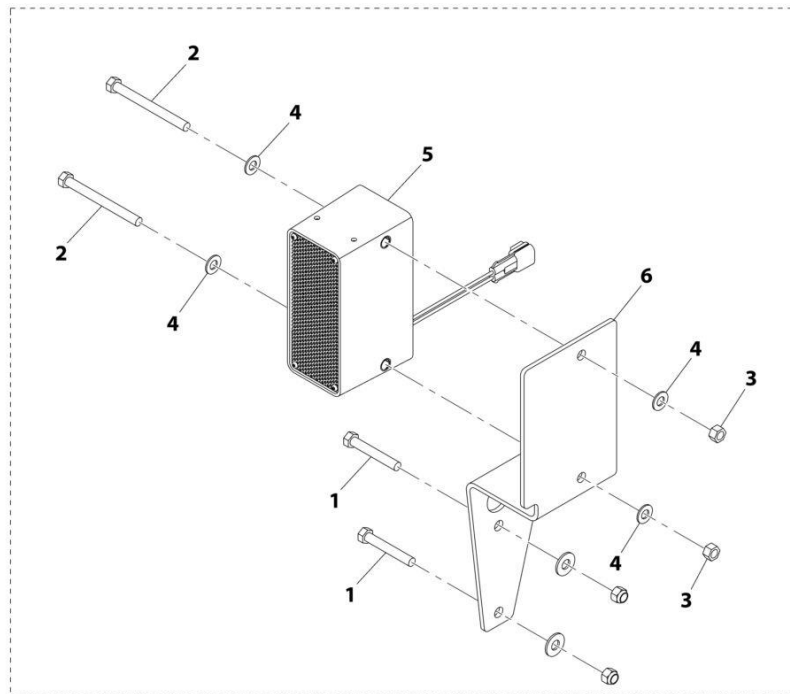
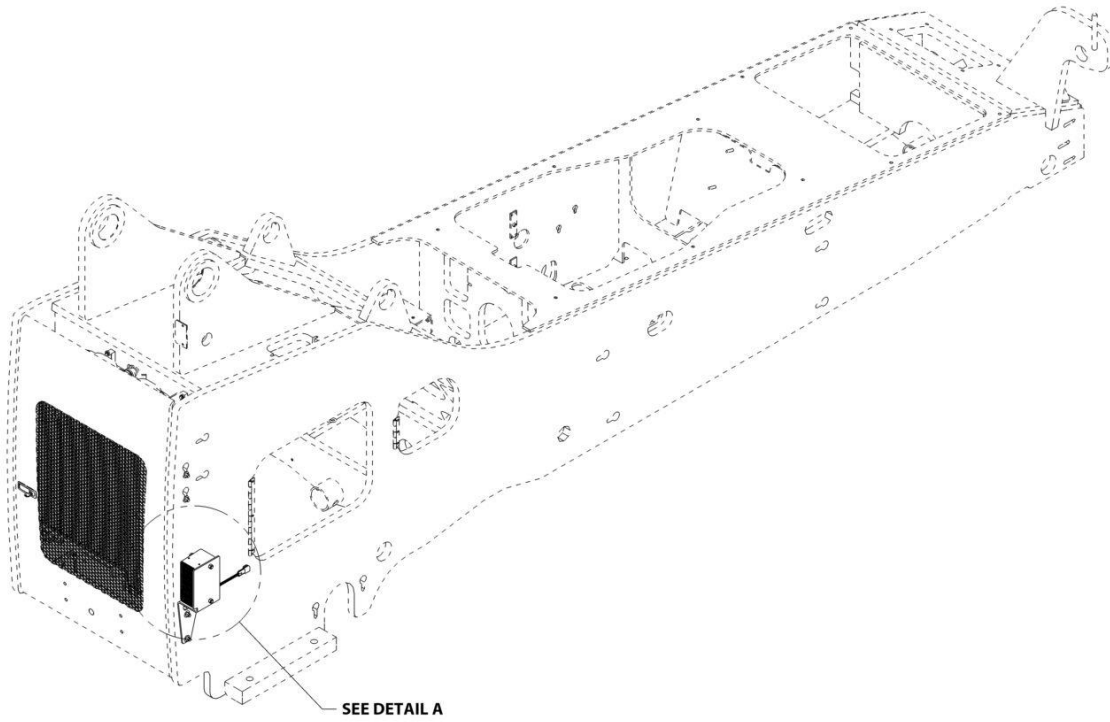
## SECTION 10 - ELECTRICAL

### FIGURE 10-7. ALARM INSTALLATION - BACK UP

| ITEM | PART NUMBER | QTY | DESCRIPTION                | REV |
|------|-------------|-----|----------------------------|-----|
|      | 1001206542  | Ref | Back-Up Alarm Installation | A   |
| 1    | 0641406     | 2   | Bolt 1/4X3/4               |     |
| 2    | 4711400     | 2   | Washer 1/4                 |     |
| 3    | 8270621     | 1   | Alarm, Back-Up             |     |
| 4    | 8305624     | 2   | Nut 1/4                    |     |

# SECTION 10 - ELECTRICAL

## FIGURE 10-8. ALARM INSTALLATION - WHITE NOSE



DETAIL A

ART\_1001206543-A

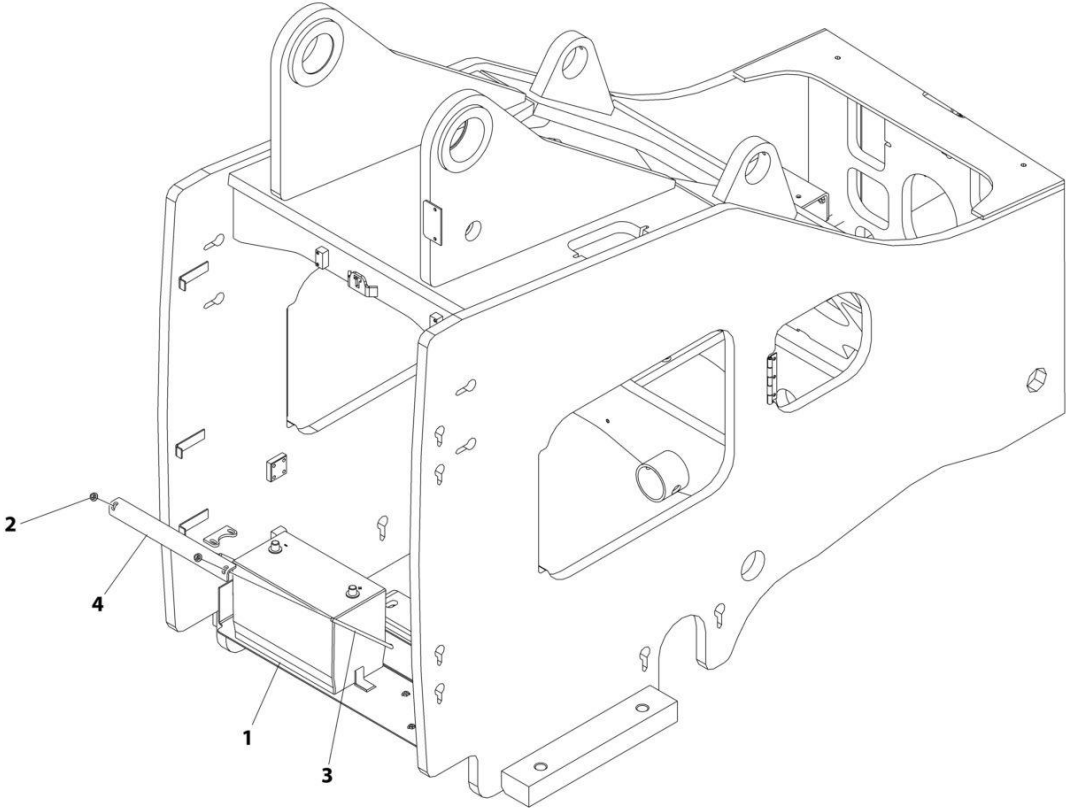
## SECTION 10 - ELECTRICAL

### FIGURE 10-8. ALARM INSTALLATION - WHITE NOISE

| ITEM | PART NUMBER | QTY | DESCRIPTION                              | REV |
|------|-------------|-----|--|-----|
|      | 1001206543  | Ref | Back-Up Alarm Installation (White Noise) | A   |
| 1    | 0641620     | 2   | Bolt 3/82-1/2                            |     |
| 2    | 0641632     | 2   | Bolt 3/8X4                               |     |
| 3    | 3311605     | 2   | Nut 3/8                                  |     |
| 4    | 4711600     | 4   | Washer 3/8                               |     |
| 5    | 1001198728  | 1   | Alarm                                    |     |
| 6    | 1001213574  | 1   | Bracket                                  |     |

**SECTION 10 - ELECTRICAL**

**FIGURE 10-9. BATTERY INSTALLATION**



ART\_1001186841



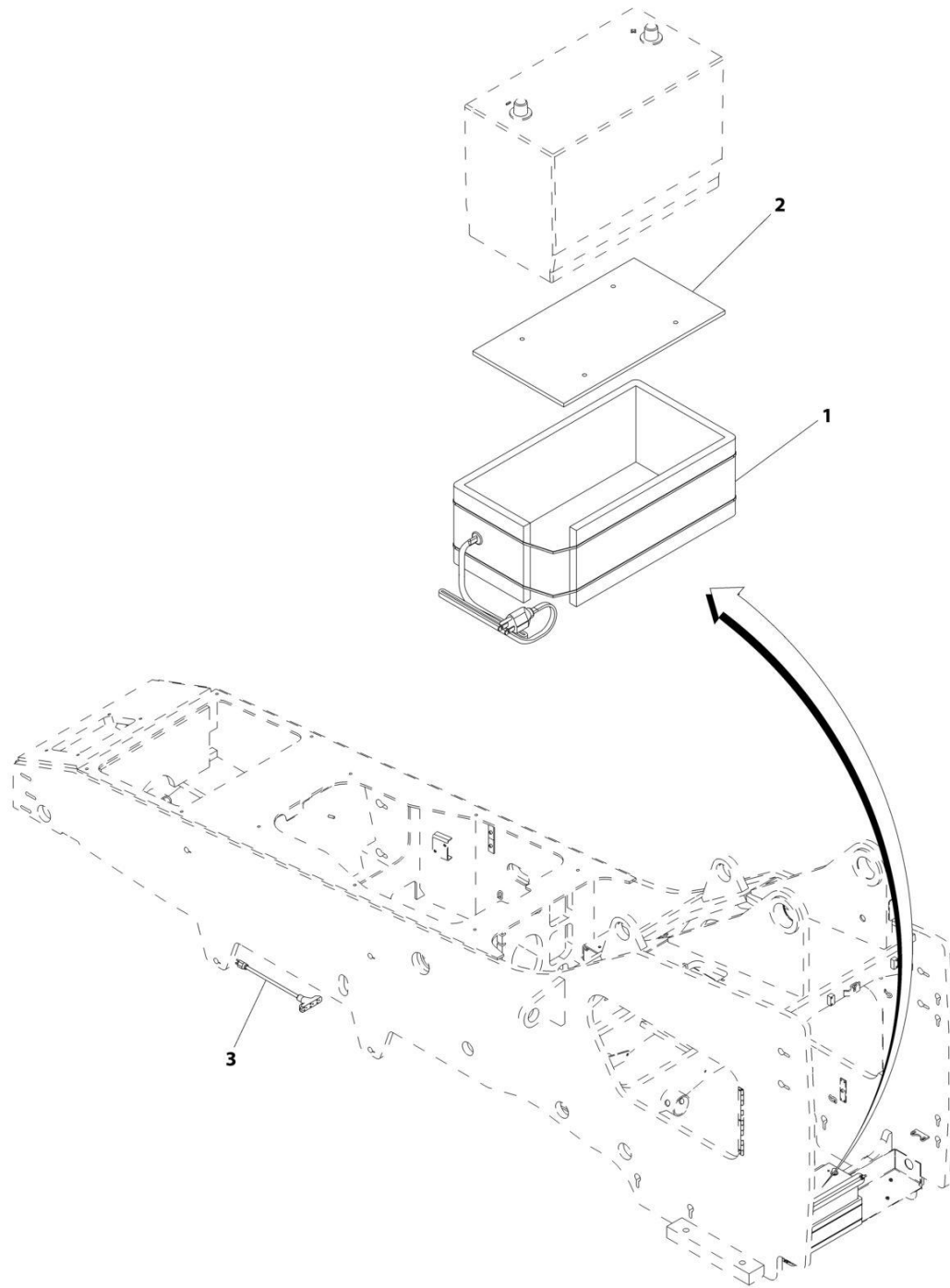
## SECTION 10 - ELECTRICAL

### FIGURE 10-9. BATTERY INSTALLATION

| ITEM | PART NUMBER | QTY | DESCRIPTION              | REV |
|------|-------------|-----|--------------------------|-----|
|      | 1001186841  | Ref | Battery Installation     | B   |
| 1    | 0400075     | 1   | Battery, 12V             |     |
| 2    | 77143006    | 2   | Nut 5/16                 |     |
| 3    | 91081640    | 2   | Bolt, Battery Hold Down  |     |
| 4    | 1001258991  | 1   | Plate, Battery Hold Down |     |

# SECTION 10 - ELECTRICAL

## FIGURE 10-10. BATTERY BLANKET INSTALLATION



ART\_1001234216-A

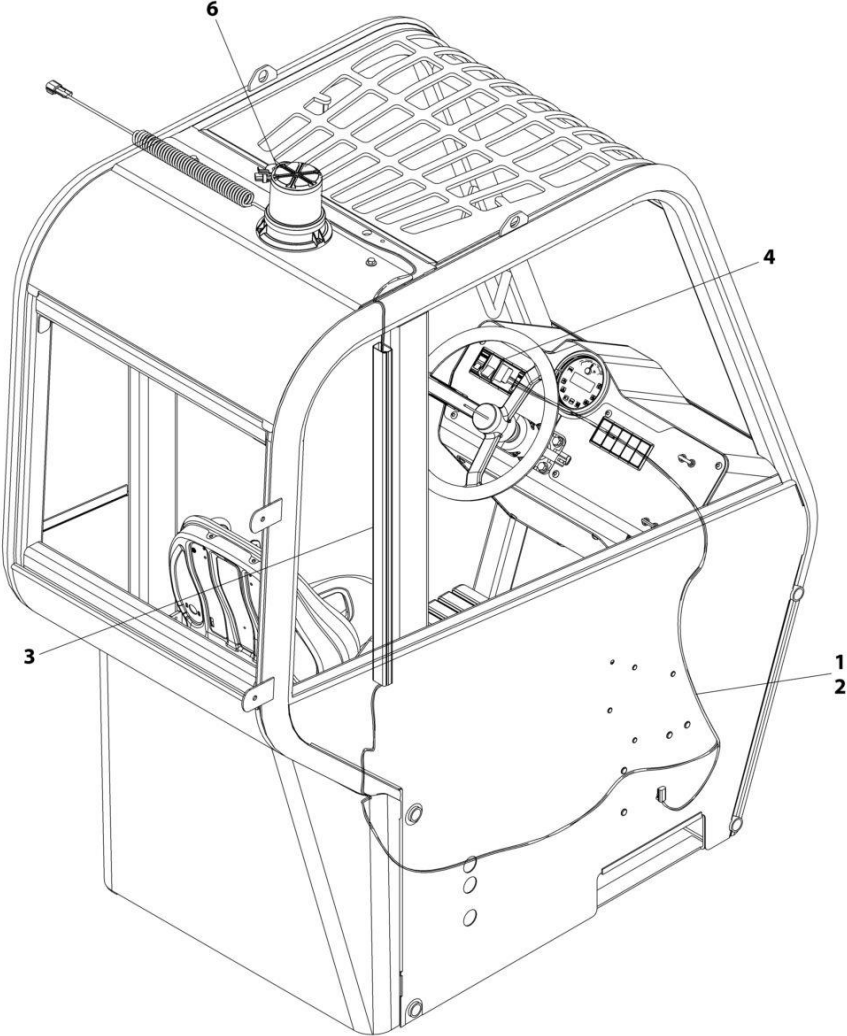
## SECTION 10 - ELECTRICAL

### FIGURE 10-10. BATTERY BLANKET INSTALLATION

| ITEM | PART NUMBER | QTY | DESCRIPTION                  | REV |
|------|-------------|-----|------------------------------|-----|
|      | 1001234216  | Ref | Battery Blanket Installation | A   |
| 1    | 1001093564  | 1   | Battery Heater               |     |
| 2    | 1001119278  | 1   | Battery Insulate             |     |
| 3    | 1060626     | 1   | 3 Way Plug                   |     |

**SECTION 10 - ELECTRICAL**

**FIGURE 10-11. BEACON INSTALLATION (OPEN CAB)**



ART\_1001161212\_J

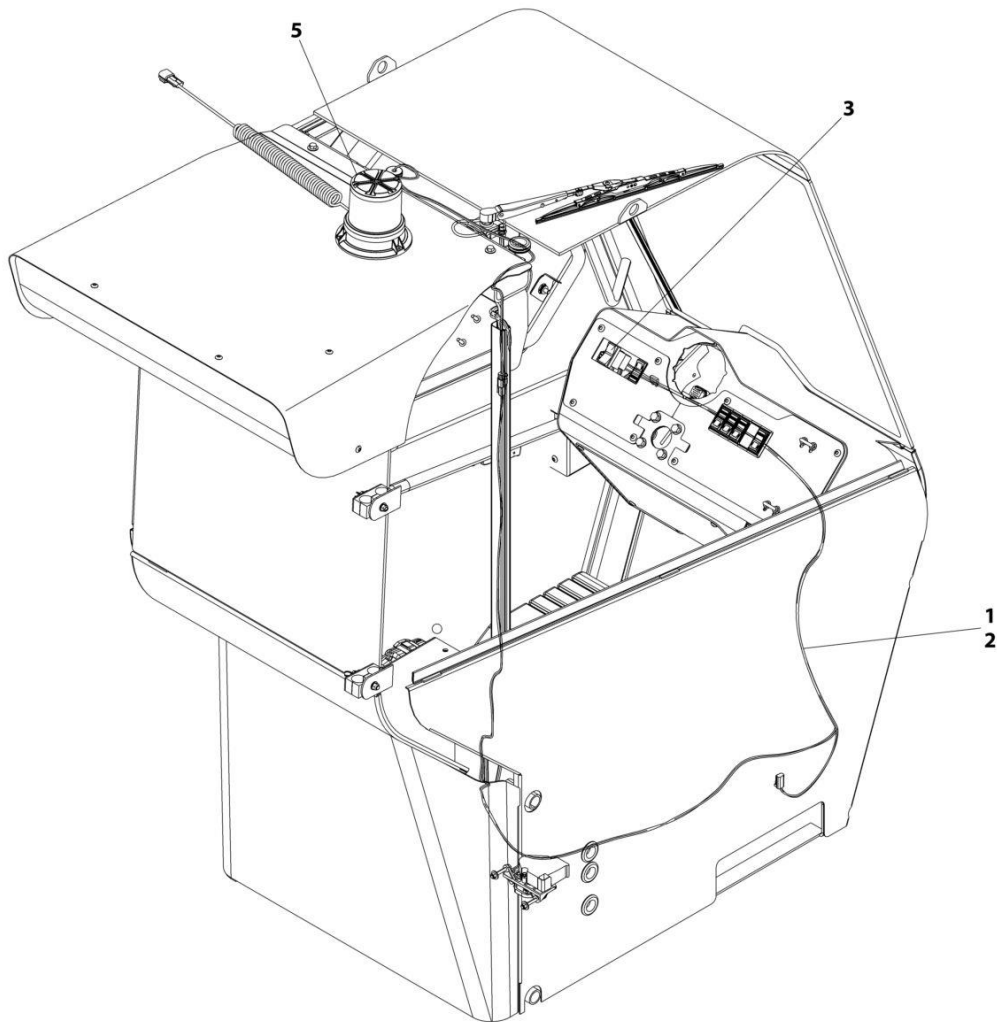
## SECTION 10 - ELECTRICAL

### FIGURE 10-11. BEACON INSTALLATION (OPEN CAB)

| ITEM | PART NUMBER | QTY | DESCRIPTION   | REV |
|------|-------------|-----|---|-----|
|      | 1001161212  | Ref | LIGHTS - BEACON LIGHT INSTALLATION (OPEN CAB)                   | I   |
| 1    | 0100009     | AR  | Sealant   |     |
| 2    | 1001178345  | 1   | Harness, Beacon Option (See Separate Breakdown in this Section) |     |
| 3    | 1001182091  | 1   | Duct, Upper Wire  |     |
| 4    | 8223038     | 1   | Switch, Beacon  |     |
| 6    | 1001271586  | 1   | Light, Rotating Beacon  |     |

# SECTION 10 - ELECTRICAL

## FIGURE 10-12. BEACON INSTALLATION (ENCLOSED CAB)



ART\_1001161213\_G

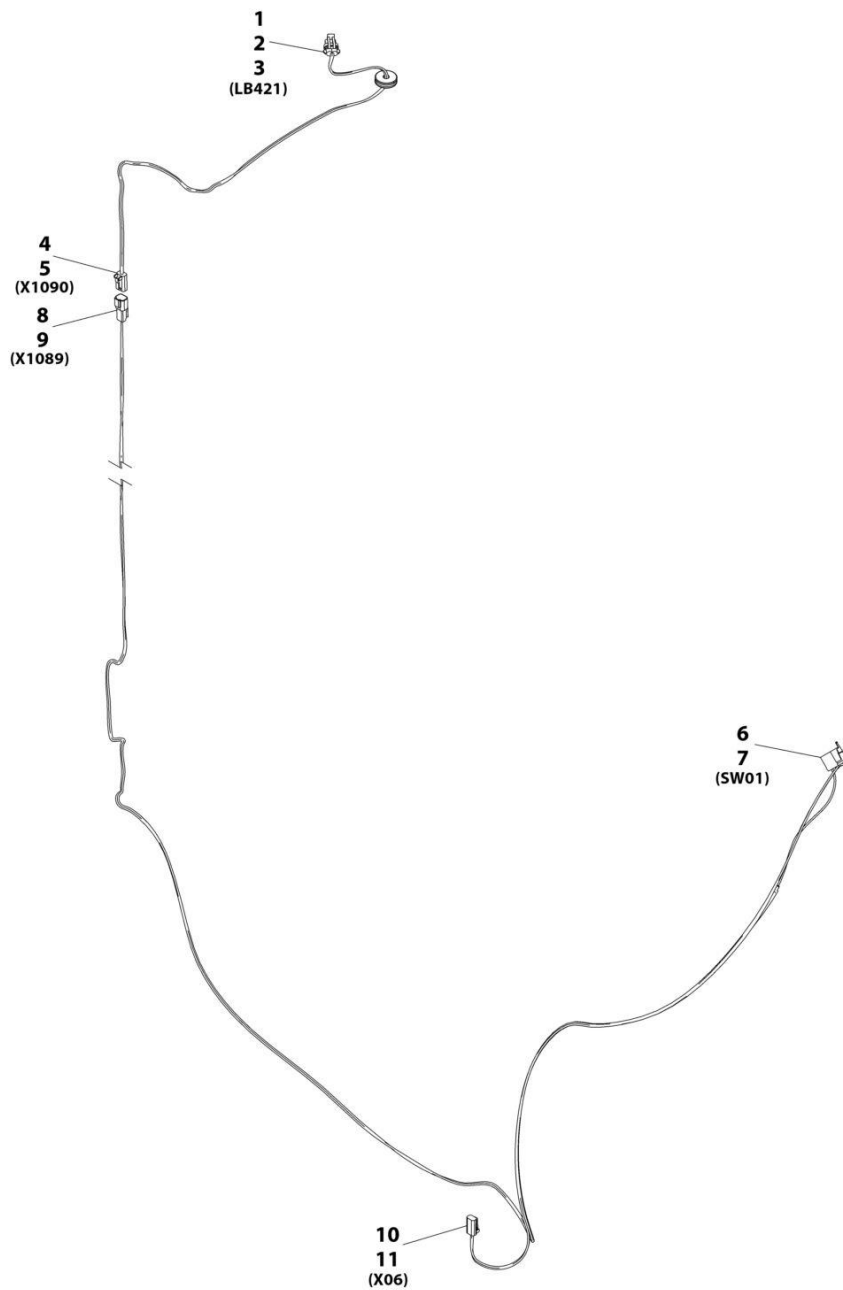
## SECTION 10 - ELECTRICAL

### FIGURE 10-12. BEACON INSTALLATION (ENCLOSED CAB)

| ITEM | PART NUMBER | QTY | DESCRIPTION   | REV |
|------|-------------|-----|---|-----|
|      | 1001161213  | Ref | LIGHTS - BEACON LIGHT INSTALLATION (ENCLOSED CAB)               | G   |
| 1    | 0100009     | AR  | Sealant   |     |
| 2    | 1001178345  | 1   | Harness, Beacon Option (See Separate Breakdown in this Section) |     |
| 3    | 8223038     | 1   | Switch, Beacon  |     |
| 5    | 1001271586  | 1   | Light, Rotating Beacon  |     |

# SECTION 10 - ELECTRICAL

## FIGURE 10-13. BEACON OPTION HARNESS



ART\_1001178345-H



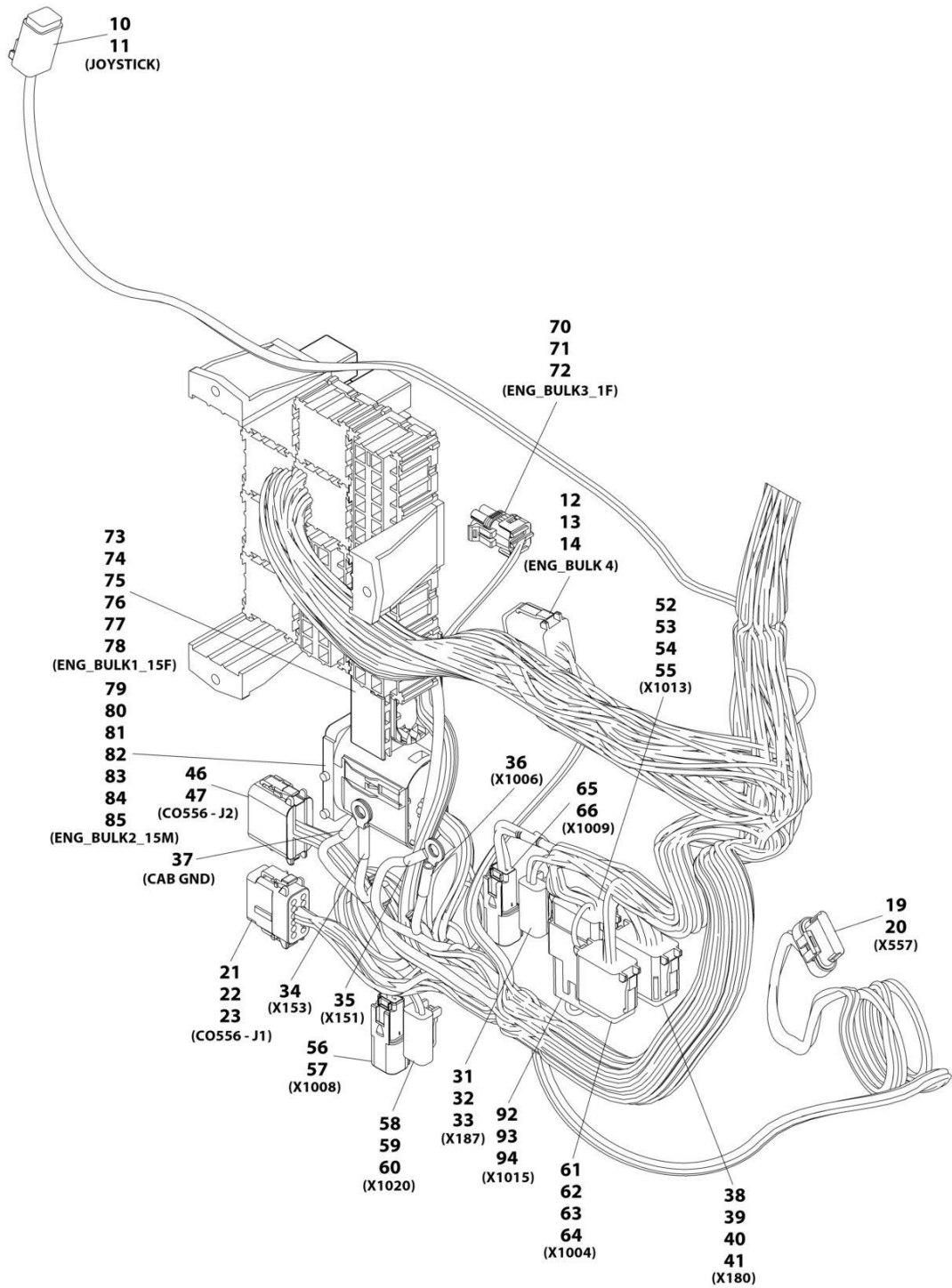
## SECTION 10 - ELECTRICAL

### FIGURE 10-13. BEACON OPTION HARNESS

| ITEM | PART NUMBER | QTY | DESCRIPTION           | REV |
|------|-------------|-----|-----------------------|-----|
|      | 1001178345  | Ref | Beacon Option Harness | H   |
| 1    | 1001117021  | 1   | Connector             |     |
| 2    | 1001116728  | 2   | Terminal              |     |
| 3    | 4460458     | 2   | Seal                  |     |
| 4    | 4460891     | 1   | Connector             |     |
| 5    | 4460465     | 2   | Terminal              |     |
| 6    | 8220904     | 1   | Connector             |     |
| 7    | 4460419     | 5   | Terminal              |     |
| 8    | 4460897     | 1   | Connector             |     |
| 9    | 4460464     | 2   | Terminal              |     |
| 10   | 4460891     | 1   | Connector             |     |
| 11   | 4460465     | 2   | Terminal              |     |

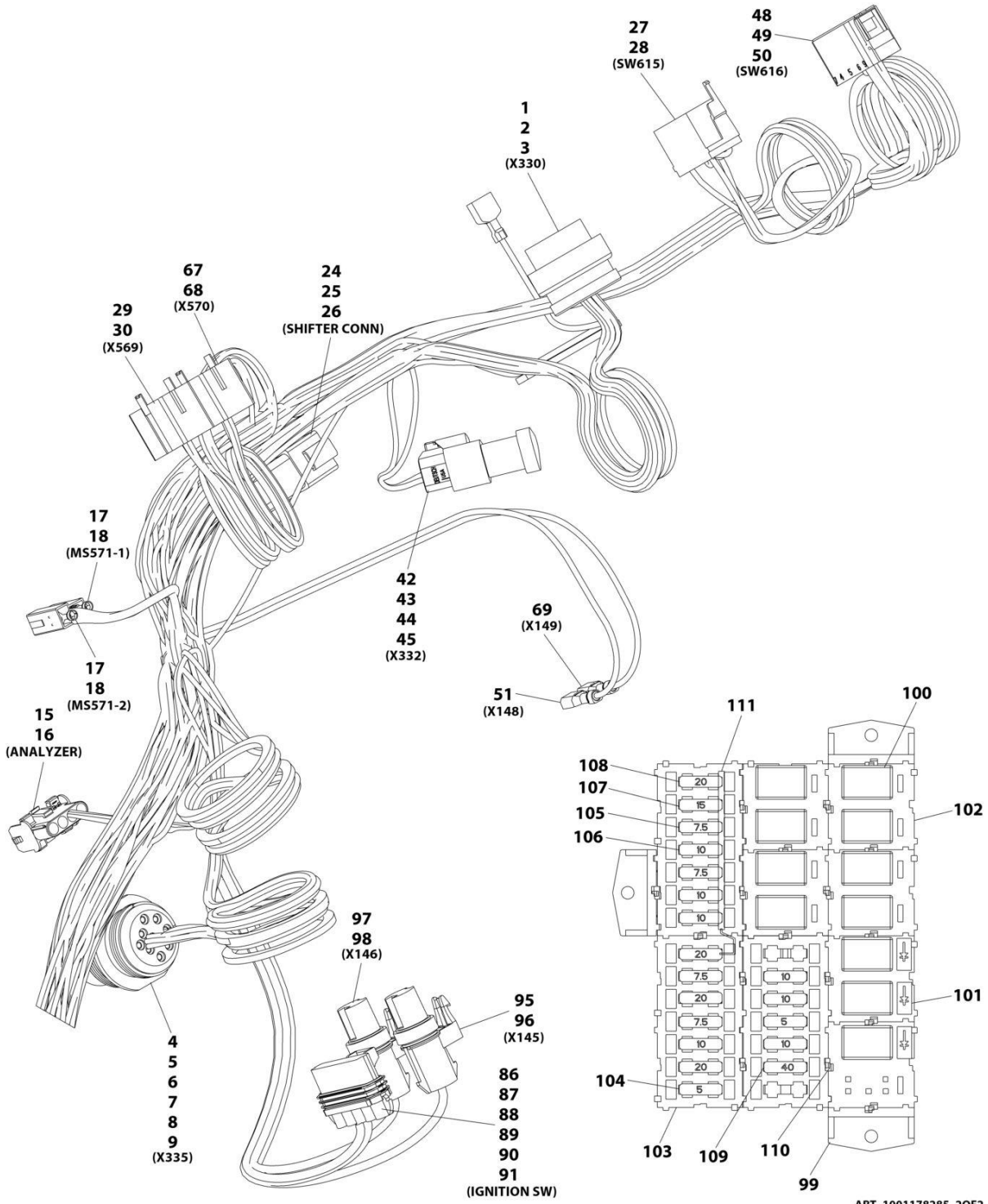
# SECTION 10 - ELECTRICAL

## FIGURE 10-14. CAB POWER DISTRIBUTION HARNESS



ART\_1001178285\_10F2

# SECTION 10 - ELECTRICAL



ART\_1001178285\_20F2

# SECTION 10 - ELECTRICAL

## FIGURE 10-14. CAB POWER DISTRIBUTION HARNESS

| ITEM | PART NUMBER | QTY | DESCRIPTION                    | REV |
|------|-------------|-----|--------------------------------|-----|
|      | 1001178285  | Ref | Cab Power Distribution Harness | O   |
| 1    | 4460872     | 1   | Connector                      |     |
| 2    | 4460871     | 10  | Terminal, Socket               |     |
| 3    | 4460905     | 4   | Plug, Seal                     |     |
| 4    | 1001112612  | 1   | Connector                      |     |
| 5    | 1001149712  | 1   | Cap                            |     |
| 6    | 1001125784  | 1   | Lockwasher                     |     |
| 7    | 1001125785  | 1   | Nut                            |     |
| 8    | 4460464     | 6   | Terminal                       |     |
| 9    | 4460466     | 3   | Plug                           |     |
| 10   | 4460884     | 1   | Connector                      |     |
| 11   | 4460465     | 4   | Terminal                       |     |
| 12   | 4460930     | 1   | Connector                      |     |
| 13   | 4460465     | 6   | Terminal                       |     |
| 14   | 4460466     | 2   | Plug                           |     |
| 15   | 4460761     | 1   | Connector                      |     |
| 16   | 1001118378  | 4   | Terminal                       |     |
| 17   | 4460994     | 2   | Connector                      |     |
| 18   | 1001200833  | 4   | Terminal                       |     |
| 19   | 1001230931  | 1   | Connector                      |     |
| 20   | 1001116748  | 6   | Terminal                       |     |
| 21   | 1001116808  | 1   | Connector                      |     |
| 22   | 1001126008  | 10  | Terminal, Socket               |     |
| 23   | 4460518     | 2   | Terminal, Plug                 |     |
| 24   | 4460970     | 1   | Connector                      |     |
| 25   | 4460464     | 9   | Terminal                       |     |
| 26   | 4460466     | 3   | Plug                           |     |
| 27   | 8220904     | 1   | Connector                      |     |
| 28   | 4460419     | 6   | Terminal                       |     |
| 29   | 1001117119  | 1   | Connector                      |     |
| 30   | 1001159186  | 4   | Terminal                       |     |
| 31   | 4460891     | 1   | Connector                      |     |
| 32   | 1001157890  | 1   | Terminal                       |     |
| 33   | 4460942     | 1   | Terminal                       |     |
| 34   | 1001117106  | 1   | Terminal, Ring                 |     |
| 35   | 1001117106  | 1   | Terminal, Ring                 |     |
| 36   | 1001117106  | 1   | Terminal, Ring                 |     |
| 37   | 1001117106  | 1   | Terminal, Ring                 |     |
| 38   | 4460836     | 1   | Connector                      |     |
| 39   | 4460509     | 5   | Terminal, Socket               |     |
| 40   | 4460465     | 6   | Terminal                       |     |
| 41   | 4460466     | 1   | Plug                           |     |
| 42   | 1001116812  | 1   | Connector                      |     |
| 43   | 4461070     | 1   | Connector                      |     |
| 44   | 4460465     | 2   | Terminal                       |     |
| 45   | 4460466     | 1   | Plug                           |     |
| 46   | 1001116774  | 1   | Connector                      |     |
| 47   | 1001126008  | 12  | Terminal, Socket               |     |
| 48   | 8220904     | 1   | Connector                      |     |
| 49   | 4460419     | 8   | Terminal                       |     |

## SECTION 10 - ELECTRICAL

| ITEM | PART NUMBER | QTY | DESCRIPTION                     | REV |
|------|-------------|-----|---------------------------------|-----|
| 50   | 1001195760  | 2   | Terminal                        |     |
| 51   | 8220051     | 1   | Terminal                        |     |
| 52   | 4460933     | 1   | Connector                       |     |
| 53   | 1001003174  | 3   | Terminal, Socket                |     |
| 54   | 4460465     | 7   | Terminal                        |     |
| 55   | 4460466     | 2   | Terminal                        |     |
| 56   | 4460897     | 1   | Connector                       |     |
| 57   | 4460464     | 2   | Terminal                        |     |
| 58   | 4460891     | 1   | Connector                       |     |
| 59   | 4460465     | 1   | Terminal                        |     |
| 60   | 1001157890  | 1   | Terminal                        |     |
| 61   | 4460930     | 1   | Connector                       |     |
| 62   | 4460465     | 3   | Terminal                        |     |
| 63   | 1001157890  | 2   | Terminal                        |     |
| 64   | 4460466     | 3   | Plug                            |     |
| 65   | 4461017     | 1   | Connector                       |     |
| 66   | 4460508     | 2   | Terminal, Socket                |     |
| 67   | 1001117119  | 1   | Connector                       |     |
| 68   | 1001159186  | 2   | Terminal                        |     |
| 69   | 8220051     | 1   | Terminal                        |     |
| 70   | 80963061    | 1   | Connector                       |     |
| 71   | 4460790     | 4   | Terminal, Socket                |     |
| 72   | 8220089     | 4   | Seal                            |     |
| 73   | 8220927     | 1   | Connector                       |     |
| 74   | 1001116726  | 10  | Terminal                        |     |
| 75   | 8220097     | 4   | Terminal                        |     |
| 76   | 8220098     | 1   | Terminal                        |     |
| 77   | 4460458     | 14  | Seal                            |     |
| 78   | 4460789     | 1   | Seal                            |     |
| 79   | 8220929     | 1   | Connector                       |     |
| 80   | 1001116745  | 3   | Terminal                        |     |
| 81   | 8220162     | 3   | Terminal                        |     |
| 82   | 1001116729  | 8   | Terminal                        |     |
| 83   | 1001116727  | 1   | Plug                            |     |
| 84   | 4460458     | 11  | Seal                            |     |
| 85   | 80963067    | 3   | Seal                            |     |
| 86   | 1001121726  | 1   | Connector                       |     |
| 87   | 8220125     | 2   | Terminal                        |     |
| 88   | 8220089     | 2   | Seal                            |     |
| 89   | 1001116726  | 1   | Terminal                        |     |
| 90   | 4460458     | 1   | Seal                            |     |
| 91   | 1001116727  | 2   | Plug                            |     |
| 92   | 4460970     | 1   | Connector                       |     |
| 93   | 4460466     | 6   | Terminal                        |     |
| 94   | 4460464     | 6   | Terminal                        |     |
| 95   | 1001121728  | 1   | Connector, Packard Female, 1POS |     |
| 96   | 1001121730  | 1   | Terminal                        |     |
| 97   | 1001121728  | 1   | Connector, Packard Female, 1POS |     |
| 98   | 1001121730  | 1   | Terminal                        |     |
| 99   | 1001200845  | 3   | Leg, Mounting                   |     |
| 100  | 1001205172  | 11  | Relay, Micro 280, 12V, 35 Amp   |     |

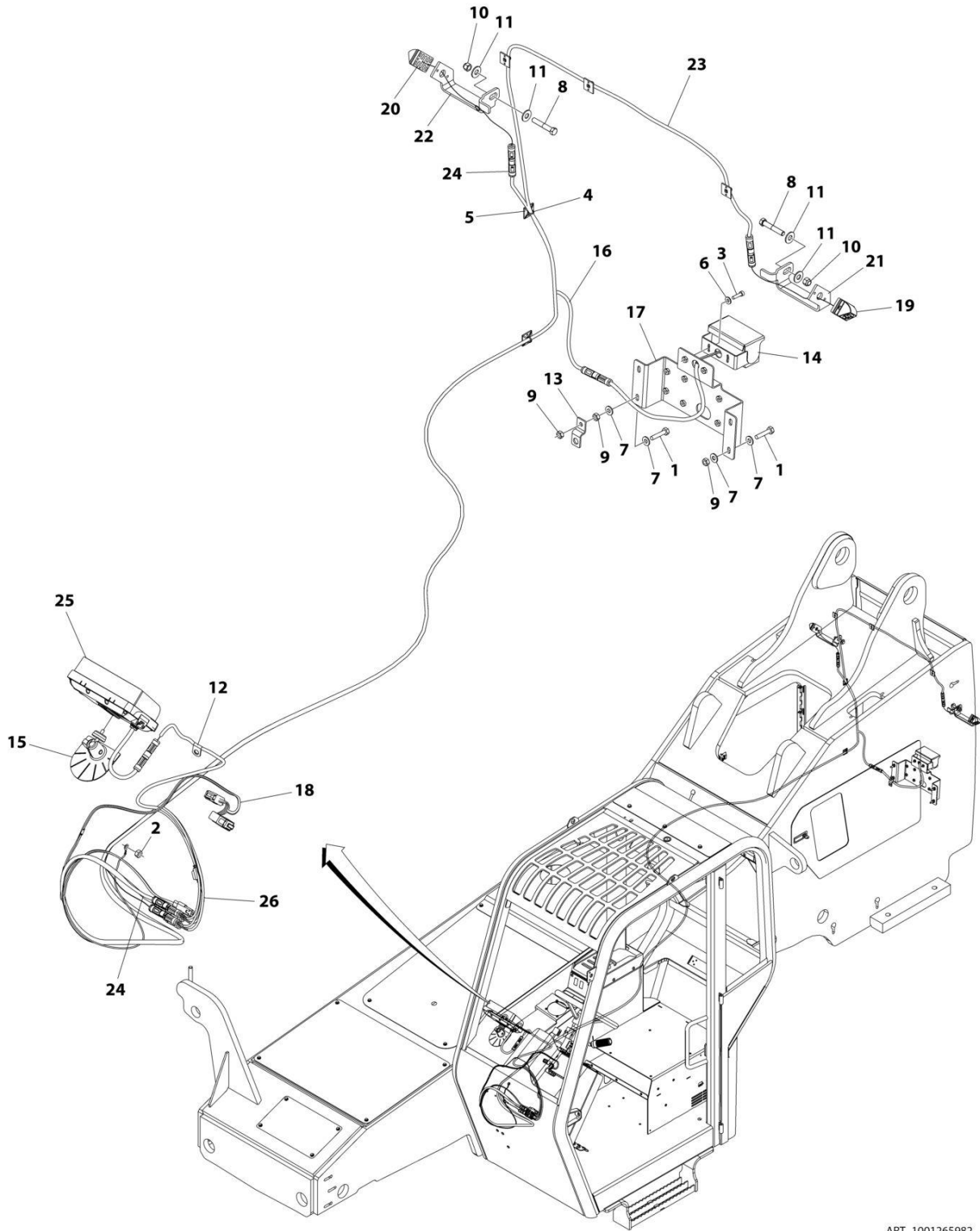
## SECTION 10 - ELECTRICAL

| ITEM | PART NUMBER | QTY | DESCRIPTION          | REV |
|------|-------------|-----|----------------------|-----|
| 101  | 1001129285  | 3   | Fuse, Mini Diode     |     |
| 102  | 1001177198  | 6   | Module, 2 Fuse       |     |
| 103  | 1001187952  | 3   | Assembly, Electrical |     |
| 104  | 8229261     | 2   | Fuse, Type 5 A       |     |
| 105  | 8229233     | 4   | Fuse, Type 7.5 A     |     |
| 106  | 8229234     | 7   | Fuse, Type 10 A      |     |
| 107  | 8229237     | 1   | Fuse, Type 15 A      |     |
| 108  | 8229235     | 4   | Fuse, Type 20 A      |     |
| 109  | 8229238     | 1   | Fuse, Type 40 A      |     |
| 110  | 4461103     | 17  | Relay, Locking Wedge |     |
| 111  | 1001210779  | 1   | Terminal             |     |
| 112  | 1001116710  | 43  | Terminal             |     |
| 113  | 1001116712  | 12  | Terminal             |     |
| 114  | 1001210779  | 1   | Terminal             |     |
| 115  | 1001192050  | 10  | Terminal             |     |
| 116  | 1001210776  | 4   | Terminal             |     |
| 117  | 1001192049  | 11  | Terminal             |     |
| 118  | 1001210778  | 2   | Terminal             |     |
| 119  | 1001210777  | 8   | Terminal             |     |



# SECTION 10 - ELECTRICAL

## FIGURE 10-15. CAMERA INSTALLATION - REVERSE MULTI-VIEW



ART\_1001265982



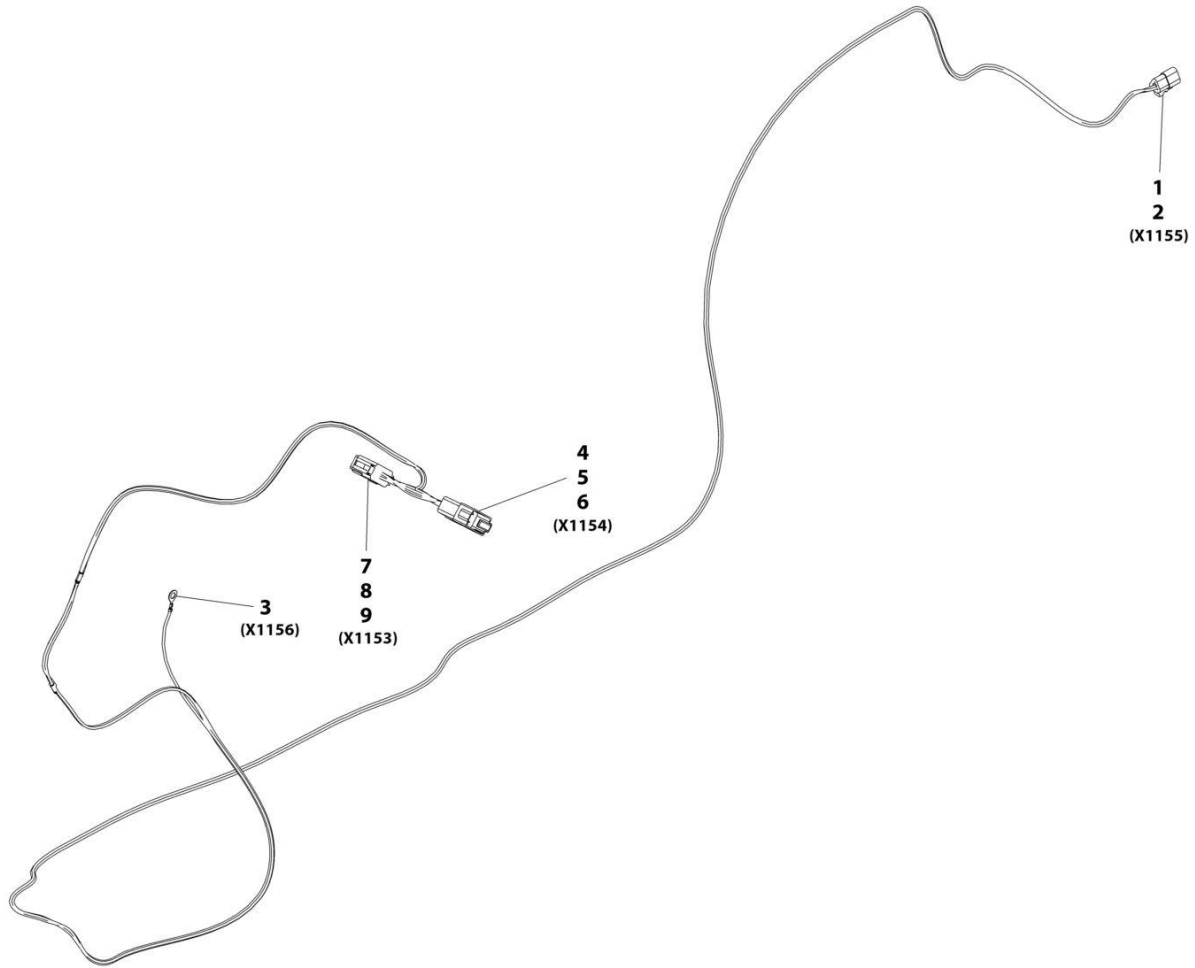
## SECTION 10 - ELECTRICAL

**FIGURE 10-15. CAMERA INSTALLATION - REVERSE MULTI-VIEW**

| ITEM | PART NUMBER | QTY | DESCRIPTION  | REV |
|------|-------------|-----|--|-----|
|      | 1001265982  | Ref | SKYTRAK BACKUP CAMERA INSTALLATION                                   | A   |
| 1    | 0641410     | 4   | Bolt 1/4 x 1   |     |
| 2    | 3311401     | 1   | Nut 1/4  |     |
| 3    | 3931012     | 2   | Capscrew, #10 x 3/4  |     |
| 4    | 4240032     | 1   | Tie-Strap  |     |
| 5    | 4460234     | 1   | Mount, Tie-Strap   |     |
| 6    | 4711000     | 2   | Washer M10   |     |
| 7    | 4711400     | 8   | Washer 1/4   |     |
| 8    | 8303771     | 1   | Bolt 3/8 x 2-1/4   |     |
| 9    | 8305004     | 5   | Nut 1/4  |     |
| 10   | 8305645     | 2   | Nut 3/8  |     |
| 11   | 8307204     | 4   | Washer 3/8   |     |
| 12   | 8406010     | 1   | Clip   |     |
| 13   | 1001204692  | 1   | Bracket  |     |
| 14   | 1001233174  | 1   | Camera, Rear View  |     |
| 15   | 1001233217  | 1   | Bracket, Monitor Mount   |     |
| 16   | 1001233434  | 1   | Harness, Extension Cable Camera                                      |     |
| 17   | 1001233828  | 1   | Bracket, Camera Mount  |     |
| 18   | 1001233976  | 1   | Harness, Rear Camera Option (See Separate Breakdown in this Section) |     |
| 19   | 1001264534  | 1   | Camera (LH)  |     |
| 19   | 70031717    | 1   | Cable, Camera  |     |
| 20   | 1001264536  | 1   | Camera (RH)  |     |
| 20   | 70031717    | 1   | Cable, Camera  |     |
| 21   | 1001265679  | 1   | Bracket, Camera (LH)   |     |
| 22   | 1001265680  | 1   | Bracket, Camera (RH)   |     |
| 23   | 1001265979  | 1   | Harness, Extension (LH)  |     |
| 24   | 1001265980  | 1   | Harness, Extension (RH)  |     |
| 25   | 1001265986  | 1   | Monitor, Display   |     |
| 26   | 1001265987  | 1   | Harness, Monitor/Display   |     |

# SECTION 10 - ELECTRICAL

## FIGURE 10-16. CAMERA OPTION HARNESS - REVERSE



ART\_1001233976-A

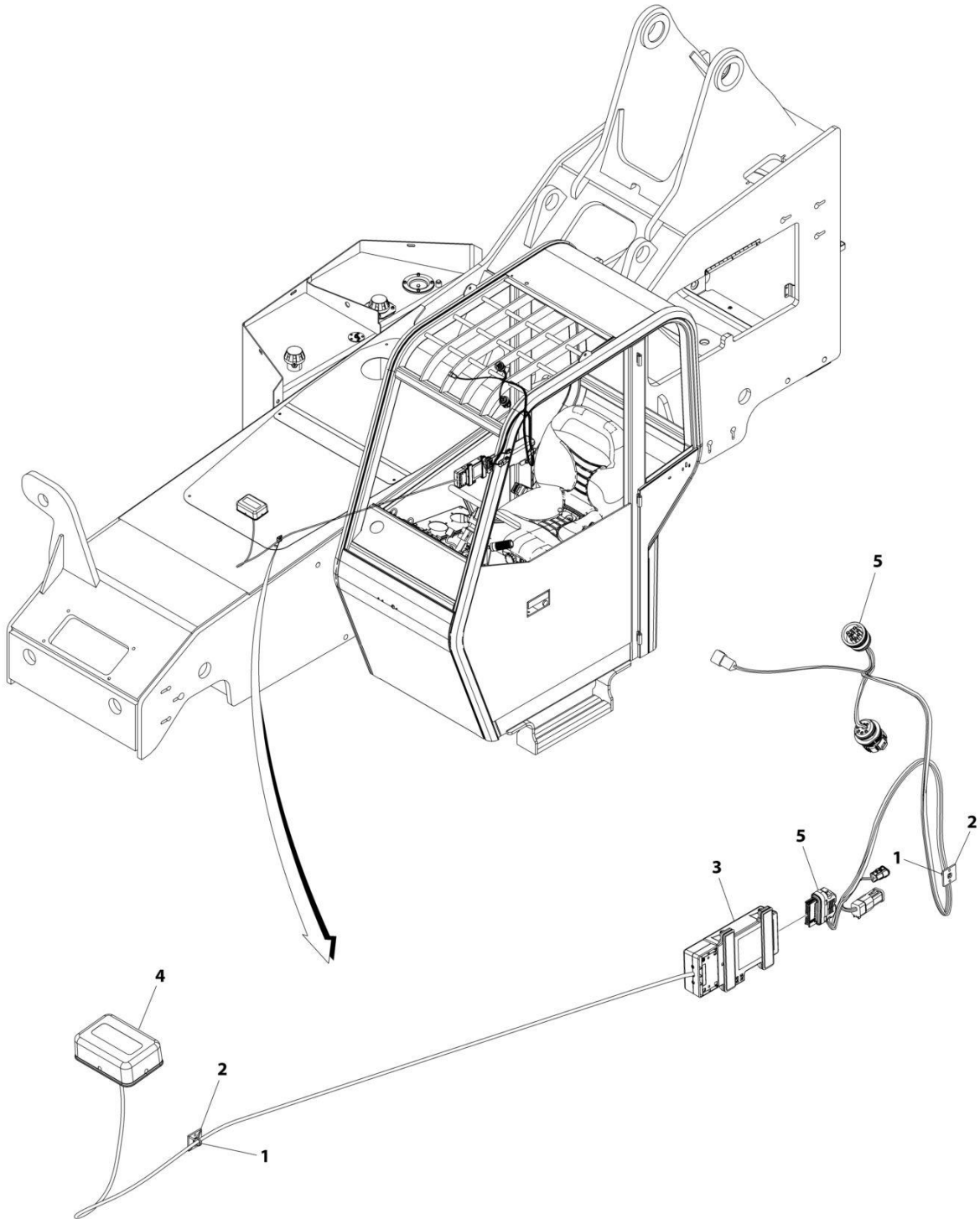
## SECTION 10 - ELECTRICAL

### FIGURE 10-16. CAMERA OPTION HARNESS - REVERSE

| ITEM | PART NUMBER | QTY | DESCRIPTION                        | REV |
|------|-------------|-----|------------------------------------|-----|
|      | 1001233976  | Ref | Skytrak Rear Camera Option Harness | A   |
| 1    | 4460539     | 1   | Connector                          |     |
| 2    | 4460465     | 3   | Terminal                           |     |
| 3    | 1001207173  | 1   | Terminal, Ring                     |     |
| 4    | 4460970     | 1   | Connector                          |     |
| 5    | 4460464     | 9   | Terminal                           |     |
| 6    | 4460466     | 3   | Plug                               |     |
| 7    | 4460933     | 1   | Connector                          |     |
| 8    | 4460465     | 9   | Terminal                           |     |
| 9    | 4460466     | 3   | Plug                               |     |

# SECTION 10 - ELECTRICAL

## FIGURE 10-17. CLEARSKY INSTALLATION CANBUS (ANSI)



ART\_1001227459\_D

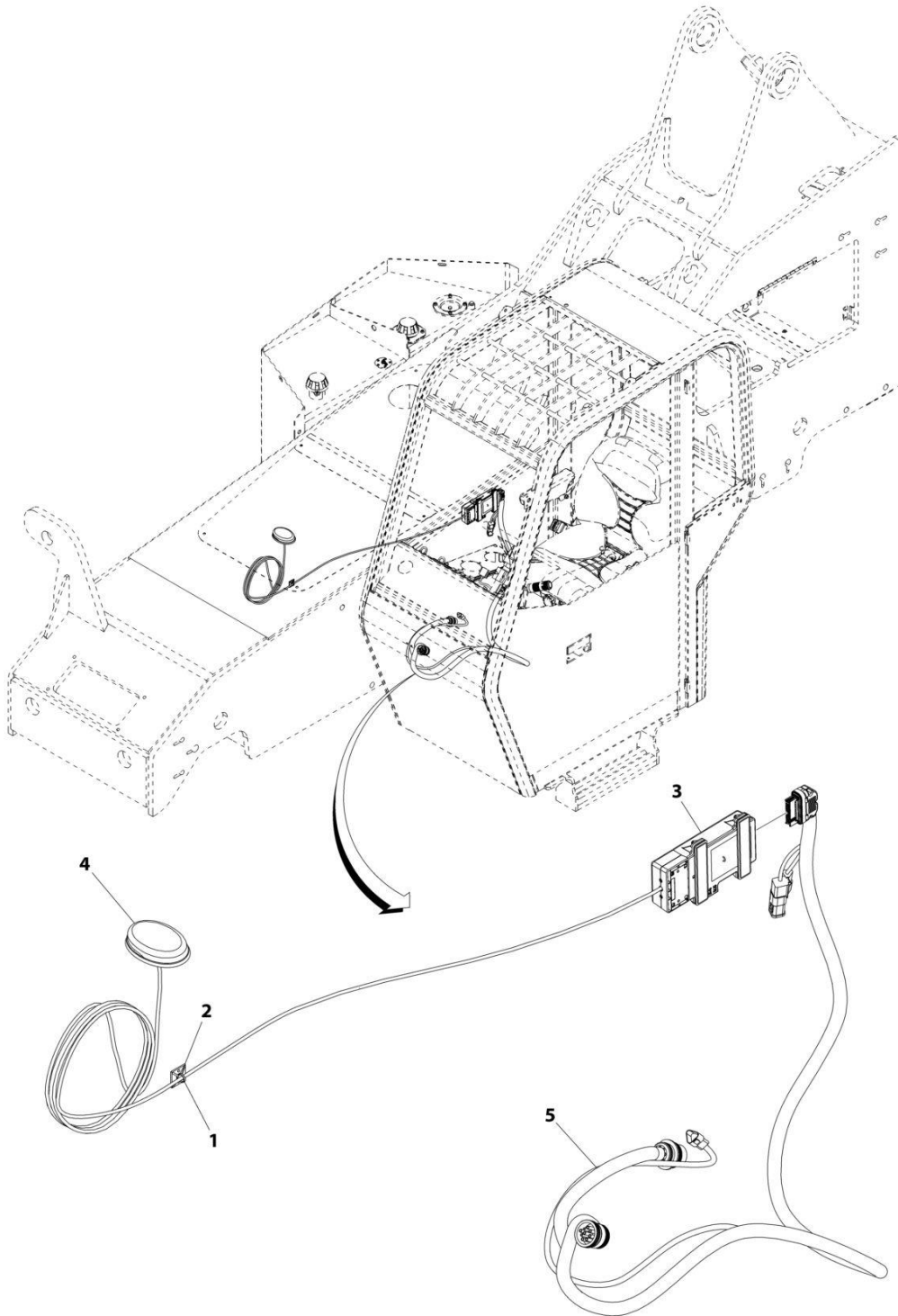
## SECTION 10 - ELECTRICAL

**FIGURE 10-17. CLEARSKY INSTALLATION CANBUS (ANSI)**

| ITEM | PART NUMBER | QTY | DESCRIPTION  | REV |
|------|-------------|-----|--|-----|
|      | 1001227459  | Ref | CLEARSKY INSTALLATION                                      | D   |
| 1    | 4240032     | AR  | Tie-Strap  |     |
| 2    | 4460234     | AR  | Mount, Tie-Strap   |     |
| 3    | 1001226796  | 1   | Module (3G)  |     |
| 3    | 1001262322  | 1   | Module (4G)  |     |
| 4    | 1001226799  | 1   | Antenna (3G)   |     |
| 4    | 1001262326  | 1   | Antenna (4G)   |     |
| 5    | 1001226856  | 1   | Harness, Clearsky (See Separate Breakdown in this Section) |     |

# SECTION 10 - ELECTRICAL

## FIGURE 10-18. CLEARSKY INSTALLATION CANBUS (CE)



ART\_1001239250-A

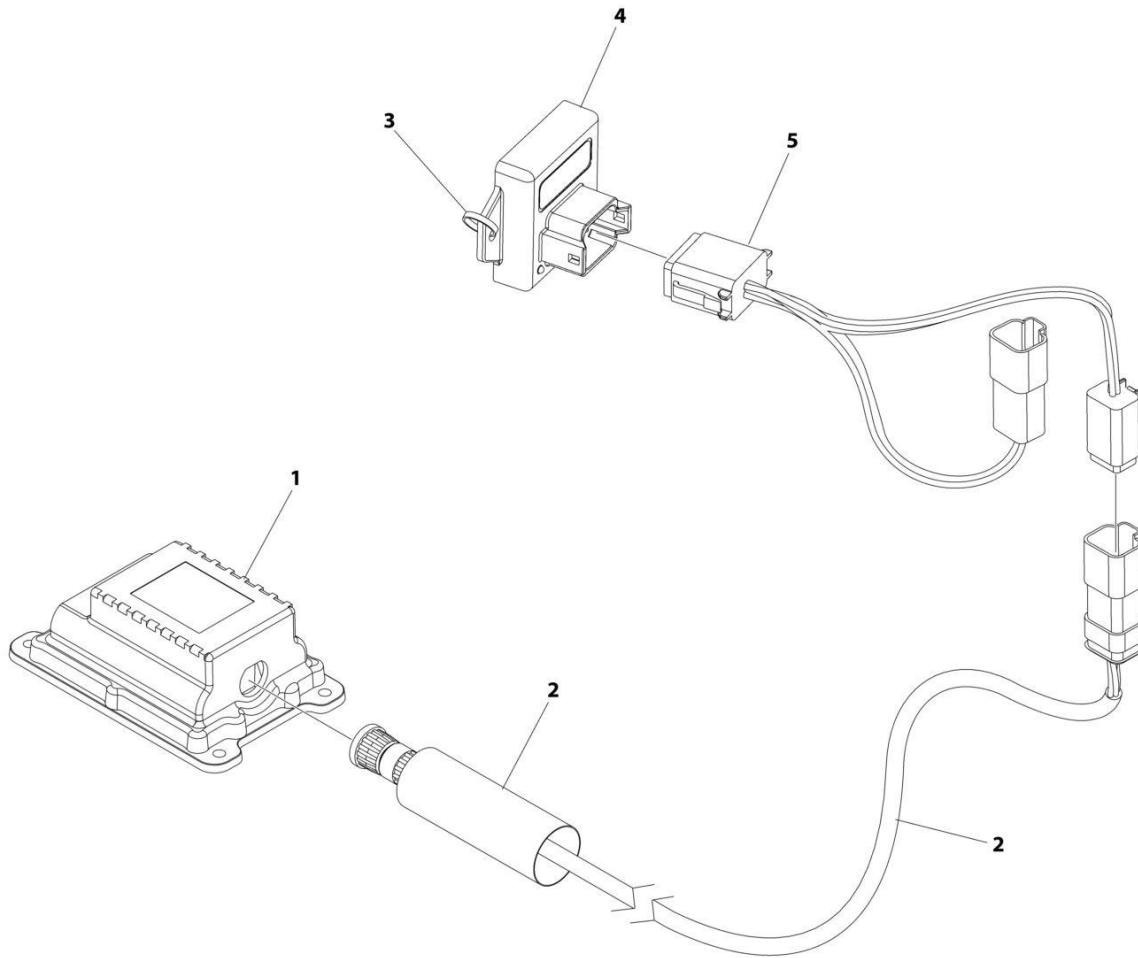
## SECTION 10 - ELECTRICAL

### FIGURE 10-18. CLEARSKY INSTALLATION CANBUS (CE)

| ITEM | PART NUMBER | QTY | DESCRIPTION  | REV |
|------|-------------|-----|--|-----|
|      | 1001239250  | Ref | Clearsky Installation (CE)                                 | A   |
| 1    | 4240032     | AR  | Tie-Strap  |     |
| 2    | 4460234     | AR  | Mount, Tie-Strap   |     |
| 3    | 1001228954  | 1   | Module   |     |
| 4    | 1001226799  | 1   | Antenna  |     |
| 5    | 1001226856  | 1   | Harness, Clearsky (See Separate Breakdown in this Section) |     |

# SECTION 10 - ELECTRICAL

FIGURE 10-19. CLEARSKY INSTALLATION 3-WIRE (ANSI)



ART\_1001229107



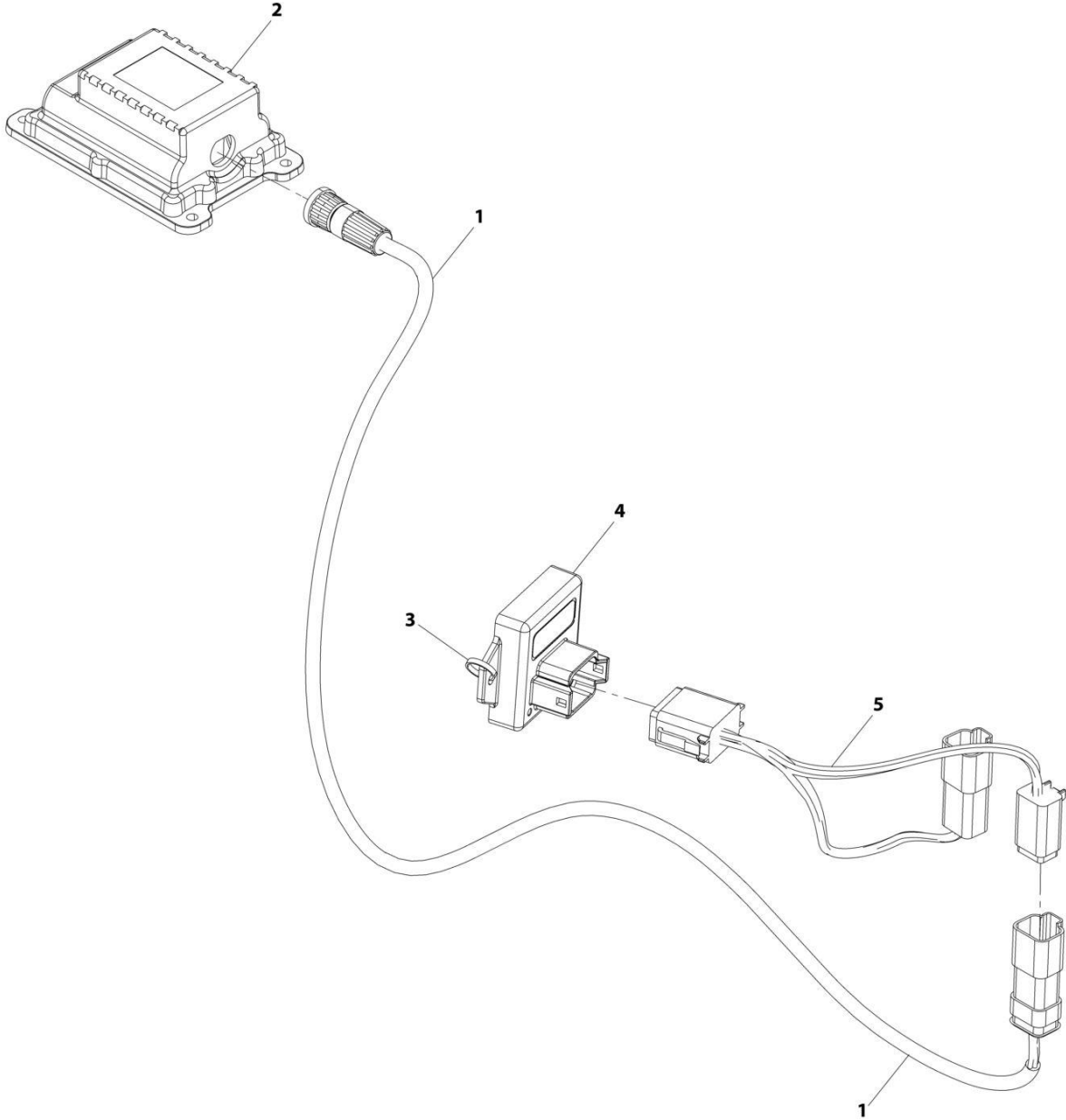
## SECTION 10 - ELECTRICAL

**FIGURE 10-19. CLEARSKY INSTALLATION 3-WIRE (ANSI)**

| ITEM | PART NUMBER | QTY | DESCRIPTION  | REV |
|------|-------------|-----|--|-----|
|      | 1001229107  | Ref | CLEARSKY INSTALLATION 3-WIRE   | D   |
| 1    | 1001226328  | 1   | Module, 3W TCU   |     |
| 2    | 1001227066  | 1   | Telematics ClearSky Harness (See Separate Breakdown in this Section) |     |
| 3    | 4240032     | AR  | Tie-Strap  |     |
| 4    | 1001262960  | 1   | Voltage Regulator  |     |
| 5    | 1001262963  | 1   | Harness, Xirgo Jumper  |     |

**SECTION 10 - ELECTRICAL**

**FIGURE 10-20. CLEARSKY INSTALLATION 3-WIRE (CE)**



ART\_1001233237

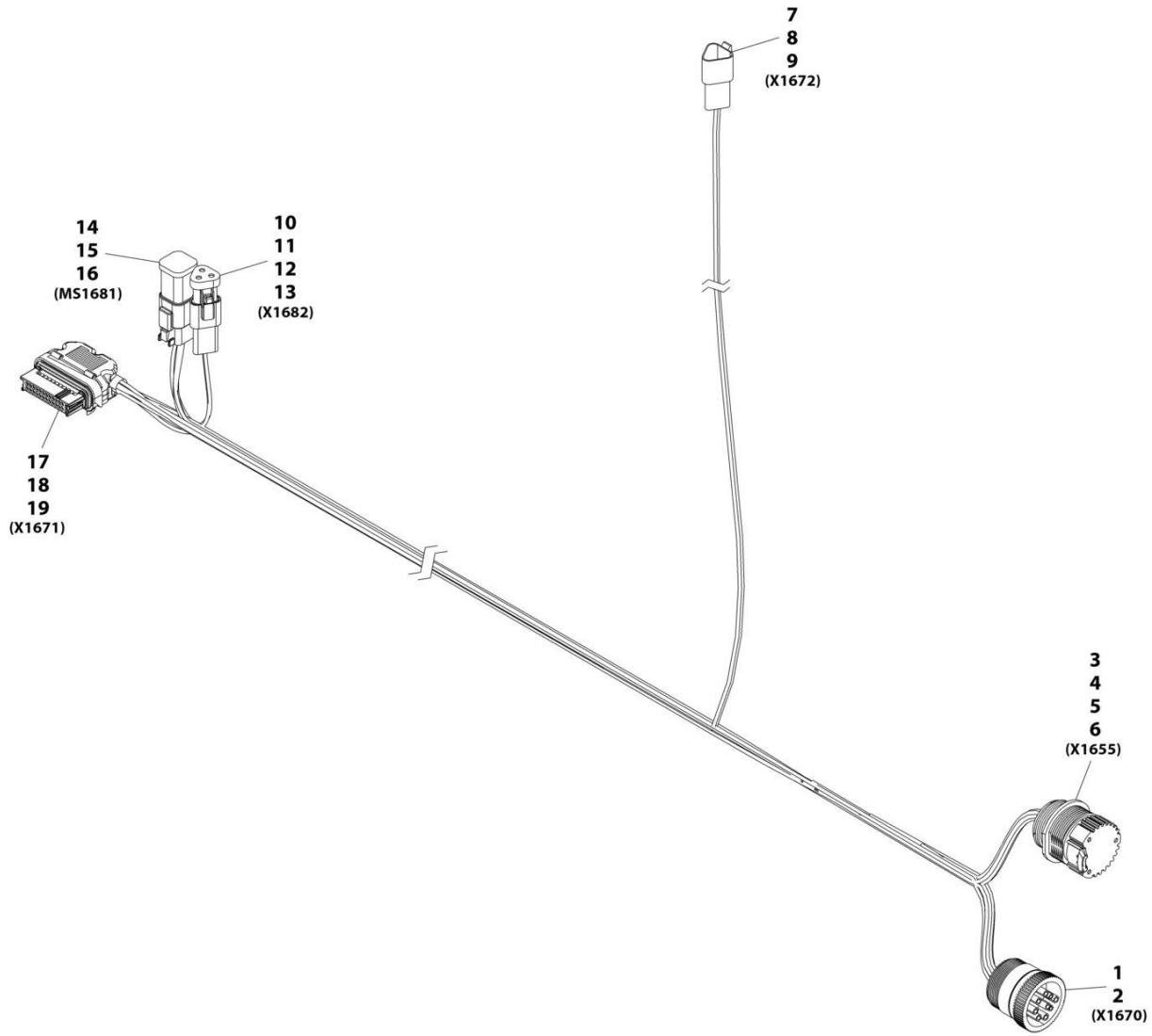
## SECTION 10 - ELECTRICAL

**FIGURE 10-20. CLEARSKY INSTALLATION 3-WIRE (CE)**

| ITEM | PART NUMBER | QTY | DESCRIPTION   | REV |
|------|-------------|-----|---|-----|
|      | 1001233237  | Ref | Clearsky Installation 3-Wire (CE)                           | E   |
| 1    | 1001227066  | 1   | Telematics Harness (See Separate Breakdown in this Section) |     |
| 2    | 1001233236  | 1   | Module, 3W TCU  |     |
| 3    | 4240032     | AR  | Tie Strap   |     |
| 4    | 1001262960  | 1   | Voltage Regulator   |     |
| 5    | 1001262963  | 1   | Harness, Xirgo Jumper                                       |     |

# SECTION 10 - ELECTRICAL

## FIGURE 10-21. CLEARSKY TELEMATICS HARNESS (CANBUS)



ART\_1001226856-A

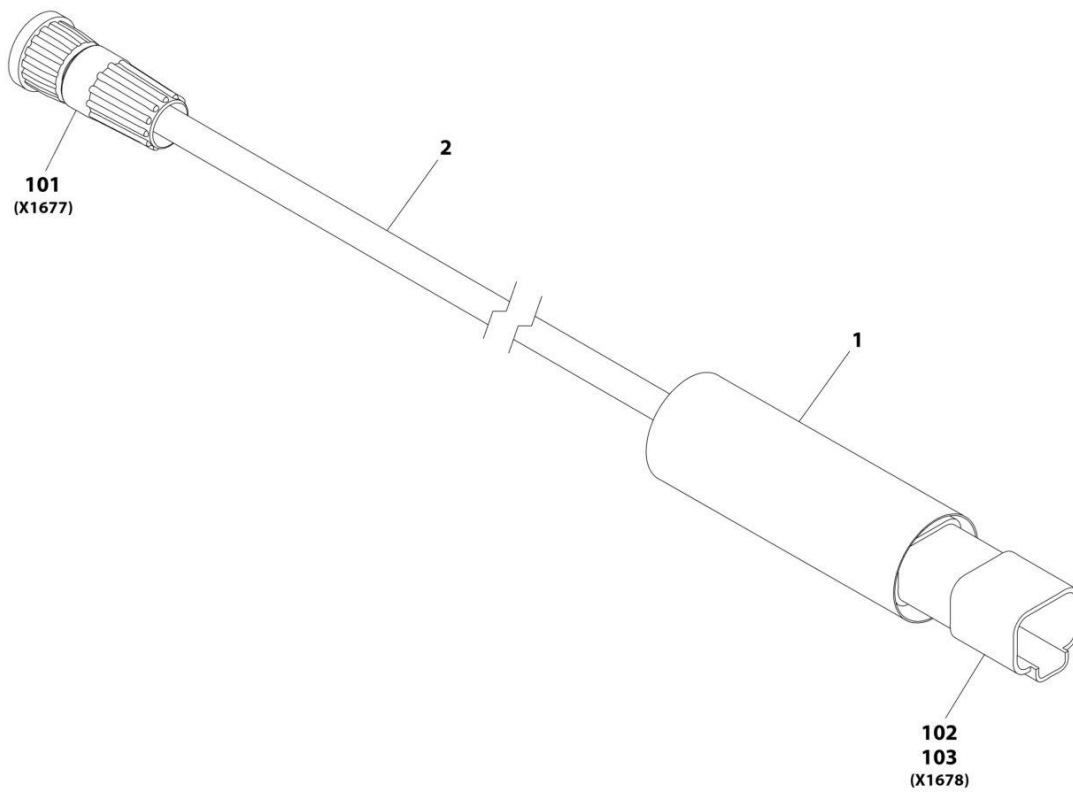
## SECTION 10 - ELECTRICAL

**FIGURE 10-21. CLEARSKY TELEMATICS HARNESS (CANBUS)**

| ITEM | PART NUMBER | QTY | DESCRIPTION                 | REV |
|------|-------------|-----|-----------------------------|-----|
|      | 1001226856  | Ref | Clearsky Telematics Harness | A   |
| 1    | 1001112796  | 1   | Connector                   |     |
| 2    | 4460465     | 9   | Terminal                    |     |
| 3    | 1001112612  | 1   | Connector                   |     |
| 4    | 1001149712  | 1   | Cap                         |     |
| 5    | 1001116693  | 6   | Terminal                    |     |
| 6    | 4460466     | 3   | Plug                        |     |
| 7    | 1001144147  | 1   | Connector                   |     |
| 8    | 4460464     | 2   | Terminal                    |     |
| 9    | 4460466     | 1   | Plug                        |     |
| 10   | 1001144147  | 1   | Connector                   |     |
| 11   | 1001116815  | 1   | Plug                        |     |
| 12   | 4460464     | 2   | Terminal                    |     |
| 13   | 4460466     | 1   | Plug                        |     |
| 14   | 4460894     | 1   | Connector                   |     |
| 15   | 1001226541  | 1   | Bussbar                     |     |
| 16   | 4460465     | 6   | Terminal                    |     |
| 17   | 1001226636  | 1   | Connector                   |     |
| 18   | 1001116731  | 16  | Plug                        |     |
| 19   | 1001226637  | 8   | Terminal                    |     |

# SECTION 10 - ELECTRICAL

## FIGURE 10-22. CLEARSKY TELEMATICS HARNESS (3-WIRE)



ART\_1001227066-A

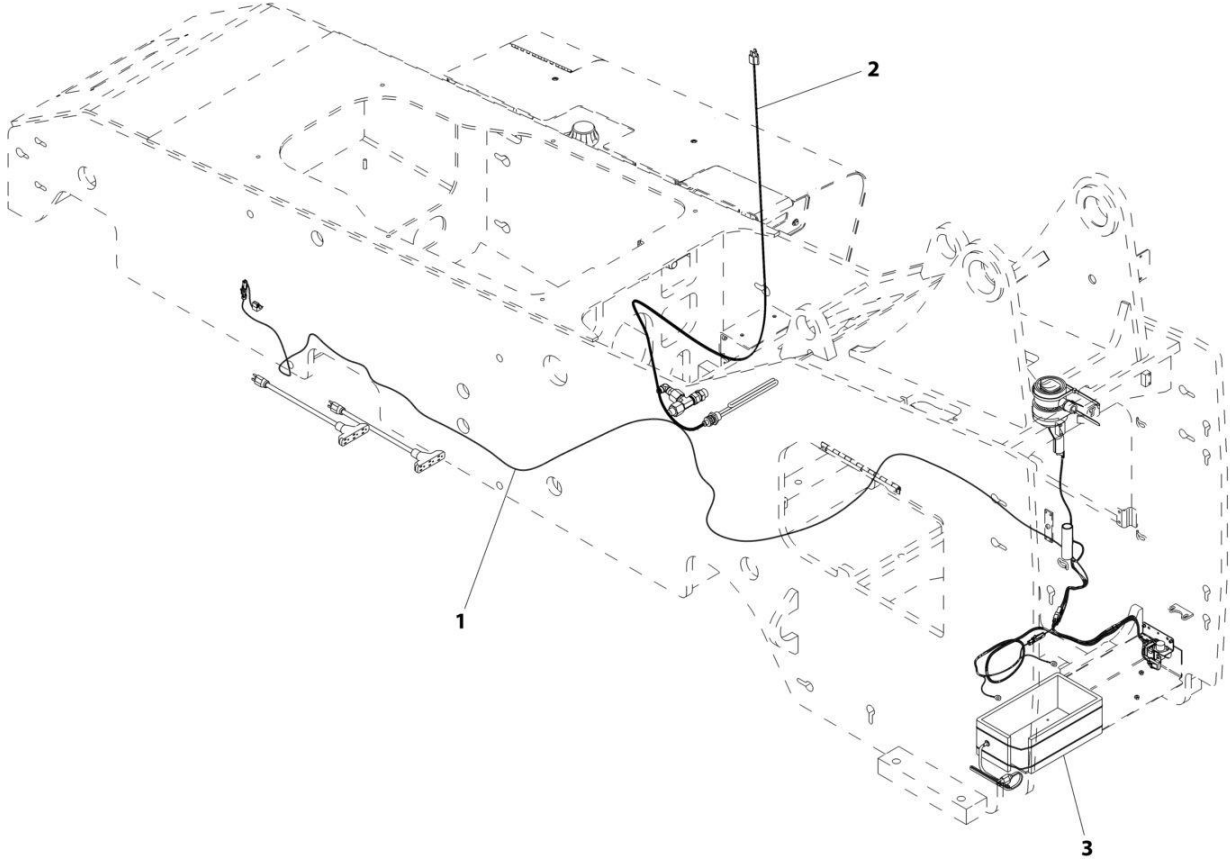
## SECTION 10 - ELECTRICAL

**FIGURE 10-22. CLEARSKY TELEMATICS HARNESS (3-WIRE)**

| ITEM | PART NUMBER | QTY     | DESCRIPTION                 | REV |
|------|-------------|---------|-----------------------------|-----|
|      | 1001227066  | Ref     | CLEARSKY TELEMATICS HARNESS | A   |
| 1    | 1001226400  | 0.33 ft | Insulate, Heat Shrink       |     |
| 2    | 1001227068  | 3.3 ft  | Cable                       |     |
| 101  | 1001227266  | 1       | Connector                   |     |
| 102  | 1001129407  | 1       | Connector                   |     |
| 103  | 4460464     | 4       | Terminal                    |     |

**SECTION 10 - ELECTRICAL**

**FIGURE 10-23. COLD WEATHER PACKAGE INSTALLATION**



ART\_1001234531



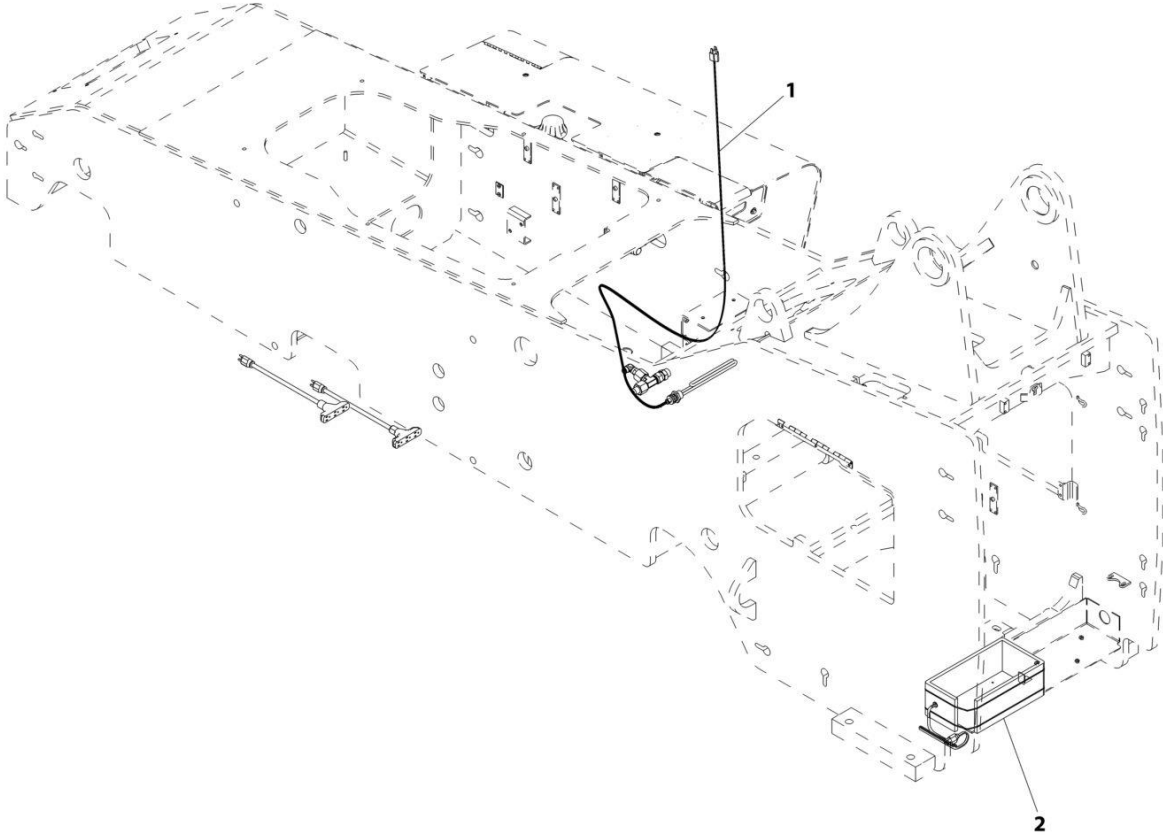
## SECTION 10 - ELECTRICAL

### FIGURE 10-23. COLD WEATHER PACKAGE INSTALLATION

| ITEM | PART NUMBER | QTY | DESCRIPTION   | REV |
|------|-------------|-----|---|-----|
| 1    | 1001234531  | Ref | Arctic Weather Package Installation - 74 HP (ULS)                                       | A   |
|      | 1001232750  | Ref | Heater, Breather - 74 HP (See Separate Breakdown in ENGINE AND ATTACHING PARTS Section) |     |
| 2    | 1001234098  | Ref | Installation, Tank Heater (See Separate Breakdown in this Section)                      |     |
| 3    | 1001234216  | Ref | Installation, Battery Blanket (See Separate Breakdown in this Section)                  |     |

**SECTION 10 - ELECTRICAL**

**FIGURE 10-24. COLD WEATHER PACKAGE INSTALLATION**



ART\_1001239959-A

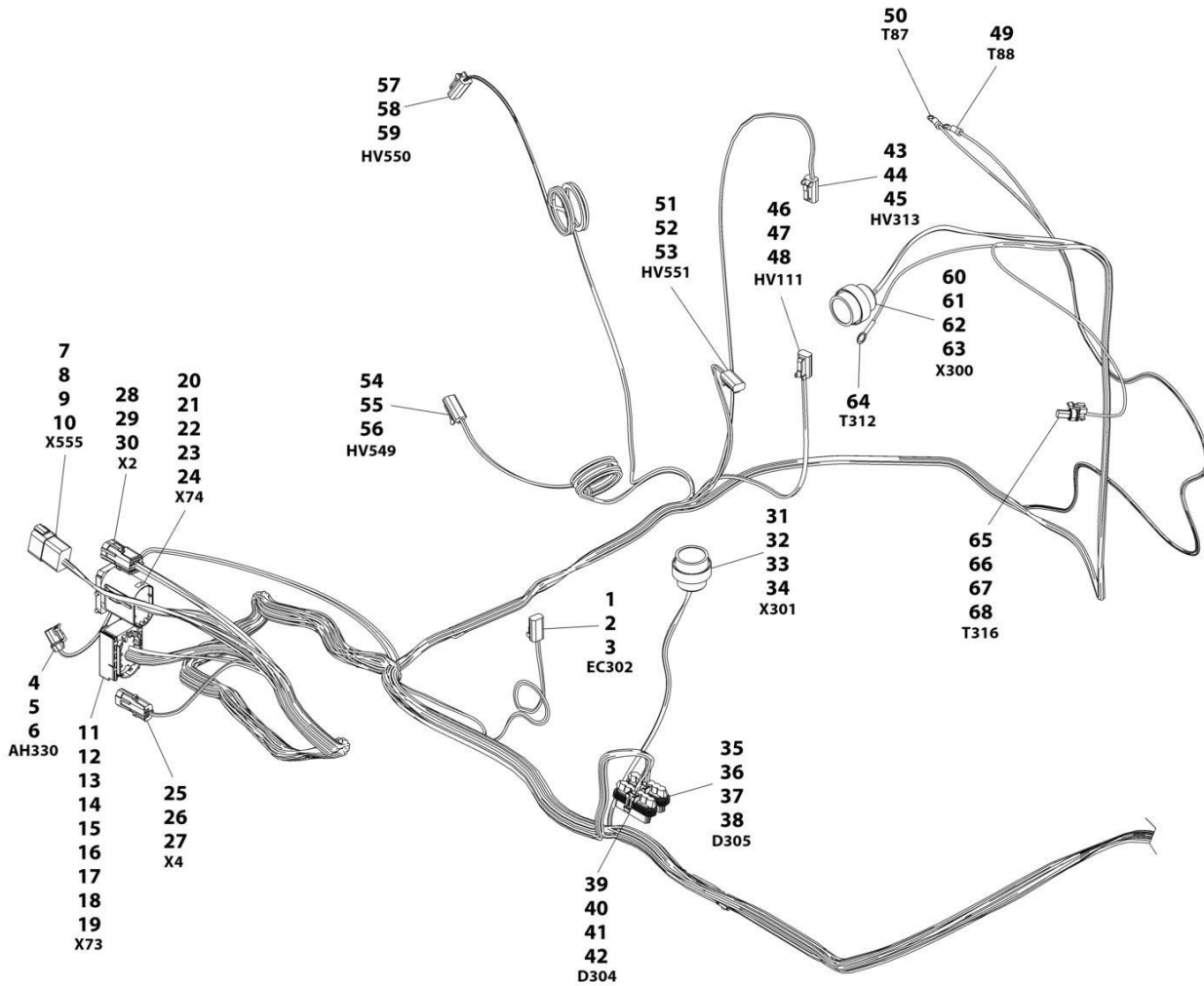
## SECTION 10 - ELECTRICAL

**FIGURE 10-24. COLD WEATHER PACKAGE INSTALLATION**

| ITEM | PART NUMBER | QTY | DESCRIPTION  | REV |
|------|-------------|-----|--|-----|
| 1    | 1001239959  | Ref | Cold Weather Package Installation                                      | A   |
|      | 1001234098  | 1   | Installation, Tank Heater (See Separate Breakdown in this Section)     |     |
| 2    | 1001234216  | 1   | Installation, Battery Blanket (See Separate Breakdown in this Section) |     |

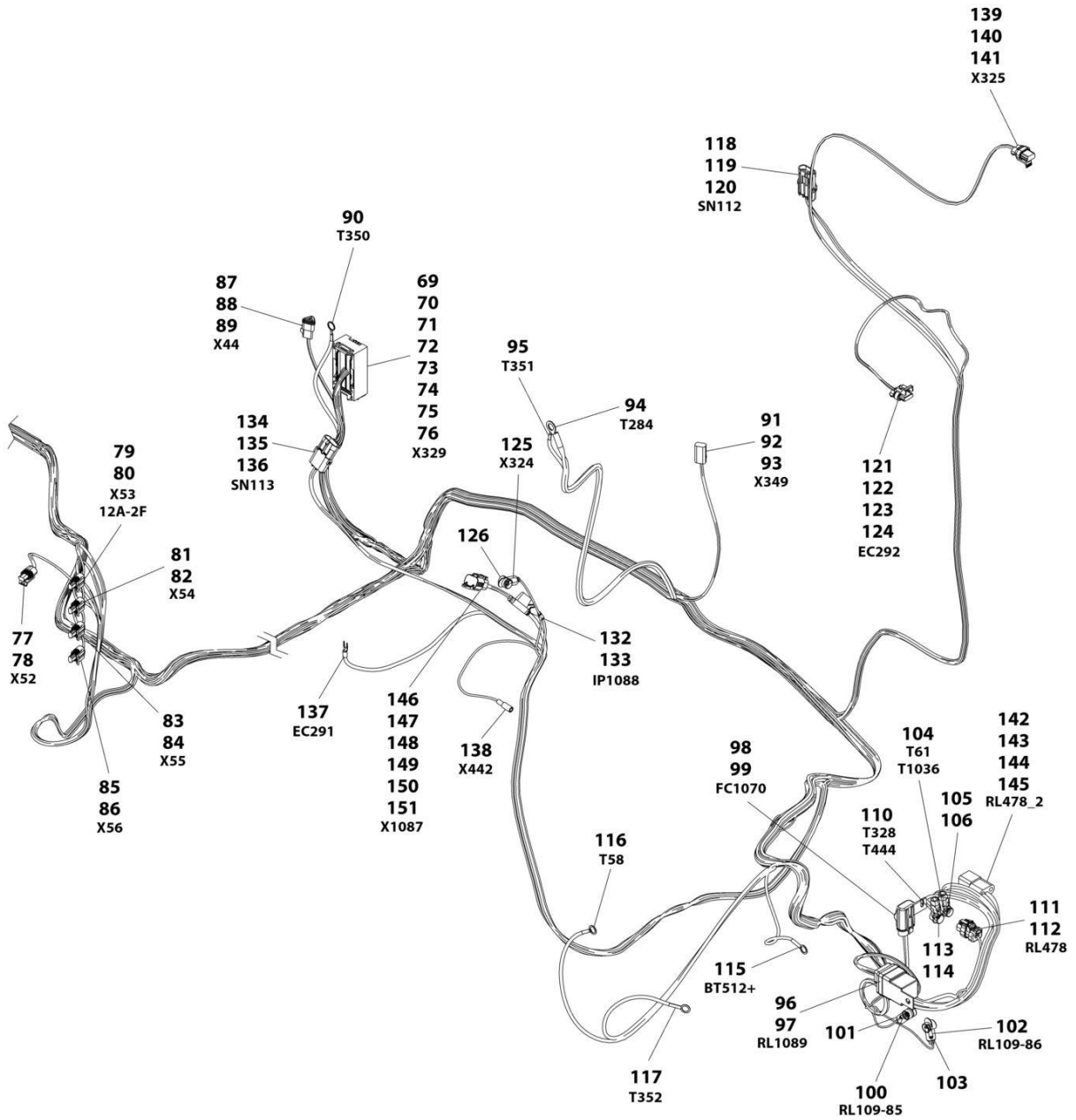
# SECTION 10 - ELECTRICAL

## FIGURE 10-25. ENGINE HARNESS - 74HP (ULS)



ART\_1001199889\_1OF2

# SECTION 10 - ELECTRICAL



ART\_1001199889\_2OF2

# SECTION 10 - ELECTRICAL

## FIGURE 10-25. ENGINE HARNESS - 74HP (ULS)

| ITEM | PART NUMBER | QTY | DESCRIPTION                               | REV |
|------|-------------|-----|---|-----|
|      | 1001199889  | Ref | ENGINE HARNESS 74HP (IF EQUIPPED FOR ULS) | I   |
| 1    | 4460891     | 1   | Connector                                 |     |
| 2    | 80604018    | 1   | Lock, Wedge                               |     |
| 3    | 4460465     | 2   | Terminal                                  |     |
| 4    | 1001117068  | 1   | Connector                                 |     |
| 5    | 8220124     | 2   | Terminal                                  |     |
| 6    | 80963067    | 2   | Seal                                      |     |
| 6    | 4460608     | 2   | Seal                                      |     |
| 7    | 4460931     | 1   | Connector                                 |     |
| 8    | 91503106    | 1   | Lock, Wedge                               |     |
| 9    | 4460464     | 4   | Terminal                                  |     |
| 10   | 4460466     | 4   | Plug                                      |     |
| 11   | 8220927     | 1   | Connector                                 |     |
| 12   | 70024256    | 1   | Lock, Slide                               |     |
| 13   | 70024255    | 1   | Seal, Connector                           |     |
| 14   | 70024254    | 1   | Lock, Secondary                           |     |
| 15   | 8220097     | 10  | Terminal                                  |     |
| 16   | 4460458     | 10  | Seal                                      |     |
| 17   | 8220098     | 3   | Terminal                                  |     |
| 18   | 80963067    | 3   | Seal                                      |     |
| 19   | 1001116727  | 2   | Plug                                      |     |
| 20   | 8220929     | 1   | Connector                                 |     |
| 21   | 70024253    | 1   | Lock, Secondary                           |     |
| 22   | 1001116745  | 1   | Terminal                                  |     |
| 23   | 1001116729  | 14  | Terminal                                  |     |
| 24   | 4460458     | 15  | Seal                                      |     |
| 25   | 4461157     | 1   | Connector                                 |     |
| 26   | 4460475     | 2   | Terminal                                  |     |
| 27   | 4460458     | 2   | Seal                                      |     |
| 28   | 80963062    | 1   | Connector                                 |     |
| 29   | 4460850     | 4   | Terminal                                  |     |
| 30   | 80963067    | 4   | Seal                                      |     |
| 31   | 8220536     | 1   | Connector                                 |     |
| 32   | 1001116758  | 12  | Plug                                      |     |
| 33   | 1001116757  | 4   | Terminal                                  |     |
| 34   | 1001189875  | 4   | Seal                                      |     |
| 35   | 4460744     | 1   | Connector                                 |     |
| 36   | 1001116728  | 4   | Terminal                                  |     |
| 37   | 1001116727  | 2   | Plug                                      |     |
| 38   | 8220081     | 4   | Seal                                      |     |
| 39   | 4460744     | 1   | Connector                                 |     |
| 40   | 1001116728  | 4   | Terminal                                  |     |
| 41   | 1001116727  | 2   | Plug                                      |     |
| 42   | 8220081     | 4   | Seal                                      |     |
| 43   | 4460891     | 1   | Connector                                 |     |
| 44   | 80604018    | 1   | Lock, Wedge                               |     |
| 45   | 4460465     | 2   | Terminal                                  |     |
| 46   | 4460891     | 1   | Connector                                 |     |
| 47   | 80604018    | 1   | Lock, Wedge                               |     |
| 48   | 4460465     | 2   | Terminal                                  |     |

## SECTION 10 - ELECTRICAL

| ITEM | PART NUMBER | QTY | DESCRIPTION     | REV |
|------|-------------|-----|-----------------|-----|
| 49   | 4460042     | 1   | Terminal, Ring  |     |
| 50   | 4460042     | 1   | Terminal, Ring  |     |
| 51   | 4460891     | 1   | Connector       |     |
| 52   | 80604018    | 1   | Lock, Wedge     |     |
| 53   | 4460465     | 2   | Terminal        |     |
| 54   | 4460891     | 1   | Connector       |     |
| 55   | 80604018    | 1   | Lock, Wedge     |     |
| 56   | 4460465     | 2   | Terminal        |     |
| 57   | 4460891     | 1   | Connector       |     |
| 58   | 80604018    | 1   | Lock, Wedge     |     |
| 59   | 4460465     | 2   | Terminal        |     |
| 60   | 8220536     | 1   | Connector       |     |
| 61   | 1001116757  | 4   | Terminal        |     |
| 62   | 1001116758  | 12  | Plug            |     |
| 63   | 1001189875  | 4   | Seal            |     |
| 64   | 4460256     | 1   | Terminal, Ring  |     |
| 65   | 1001119004  | 1   | Connector       |     |
| 66   | 8220889     | 1   | Lock, Secondary |     |
| 67   | 1001116728  | 1   | Terminal        |     |
| 68   | 4460458     | 1   | Seal            |     |
| 69   | 1001167641  | 1   | Connector       |     |
| 70   | 1001167643  | 1   | Cover           |     |
| 71   | 1001167644  | 1   | Lock, Secondary |     |
| 72   | 1001167646  | 1   | Lock, Secondary |     |
| 73   | 1001167647  | 1   | Boot, Rubber    |     |
| 74   | 1001167648  | 10  | Terminal        |     |
| 75   | 1001167650  | 75  | Plug            |     |
| 76   | 1001167649  | 11  | Terminal        |     |
| 77   | 4460955     | 1   | Connector       |     |
| 78   | 1001116748  | 2   | Terminal        |     |
| 79   | 4460955     | 1   | Connector       |     |
| 80   | 1001116748  | 2   | Terminal        |     |
| 81   | 4460955     | 1   | Connector       |     |
| 82   | 1001116748  | 2   | Terminal        |     |
| 83   | 4460955     | 1   | Connector       |     |
| 84   | 1001116748  | 2   | Terminal        |     |
| 85   | 4460955     | 1   | Connector       |     |
| 86   | 1001116748  | 2   | Terminal        |     |
| 87   | 4461095     | 1   | Connector       |     |
| 88   | 4460465     | 2   | Terminal        |     |
| 89   | 4460466     | 1   | Plug            |     |
| 90   | 4460019     | 1   | Terminal, Ring  |     |
| 91   | 4460891     | 1   | Connector       |     |
| 92   | 80604018    | 1   | Lock, Wedge     |     |
| 93   | 4460465     | 2   | Terminal        |     |
| 94   | 8220164     | 2   | Terminal, Ring  |     |
| 95   | 4460019     | 1   | Terminal, Ring  |     |
| 96   | 1001145707  | 1   | Connector       |     |
| 97   | 1001116732  | 4   | Terminal        |     |
| 98   | 1001117070  | 1   | Connector       |     |
| 99   | 1001116734  | 2   | Terminal        |     |

## SECTION 10 - ELECTRICAL

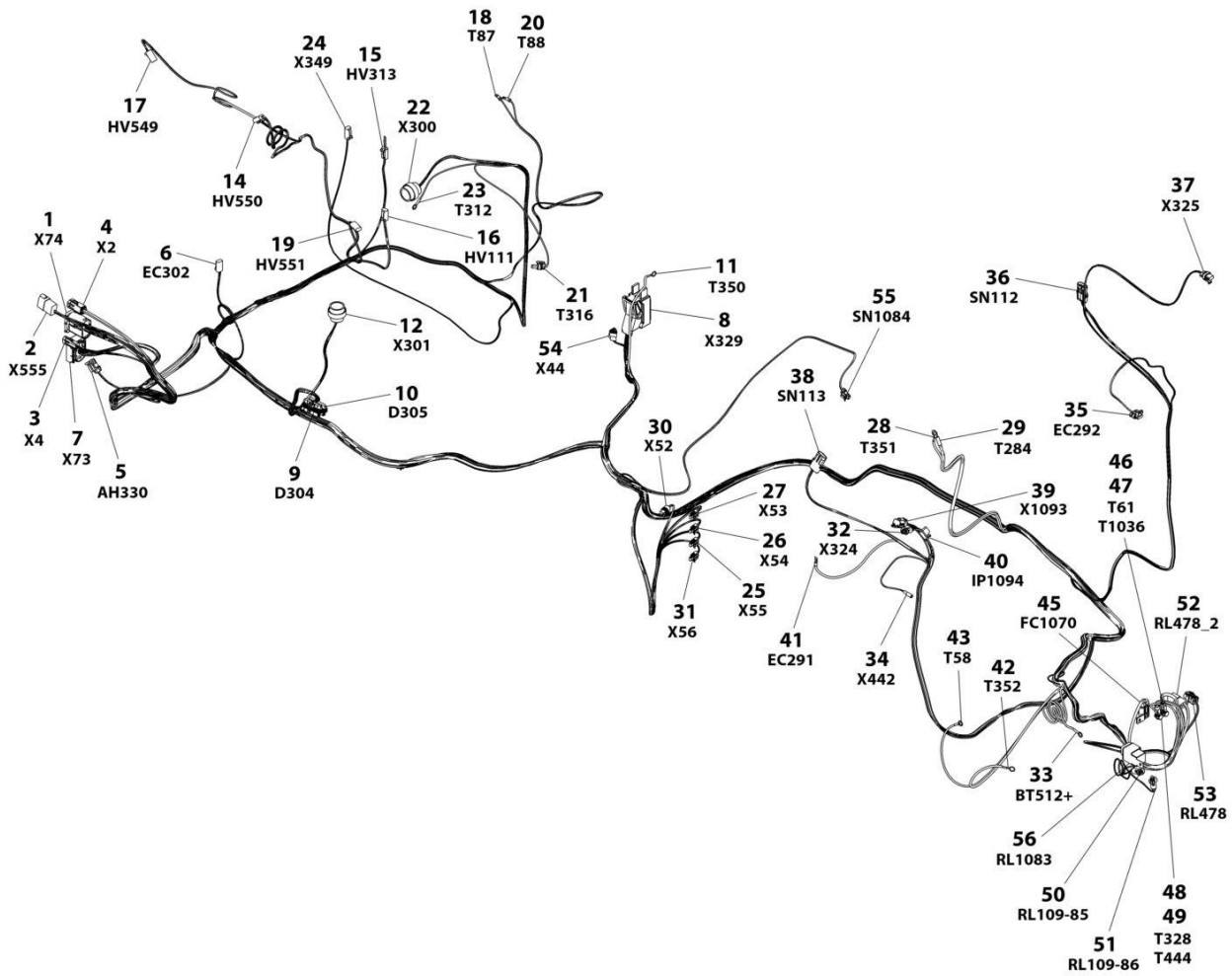
| ITEM | PART NUMBER | QTY | DESCRIPTION         | REV |
|------|-------------|-----|---------------------|-----|
| 100  | 4460247     | 1   | Terminal, Ring      |     |
| 101  | 1001195057  | 1   | Red Boot            |     |
| 102  | 4460247     | 1   | Terminal, Ring      |     |
| 103  | 1001195055  | 1   | Red Boot            |     |
| 104  | 4460312     | 1   | Terminal, Ring      |     |
| 105  | 4460312     | 1   | Terminal, Ring      |     |
| 106  | 1001195087  | 1   | Red Boot            |     |
| 110  | 4460312     | 1   | Terminal, Ring      |     |
| 111  | 1001116950  | 1   | Connector           |     |
| 112  | 4460465     | 2   | Terminal            |     |
| 113  | 4460312     | 2   | Terminal, Ring      |     |
| 114  | 1001195087  | 1   | Red Boot            |     |
| 115  | 4460019     | 1   | Terminal, Ring      |     |
| 115  | 4460312     | 1   | Terminal, Ring      |     |
| 116  | 4460019     | 1   | Terminal, Ring      |     |
| 117  | 4460019     | 1   | Terminal, Ring      |     |
| 118  | 4460476     | 1   | Connector           |     |
| 119  | 4460475     | 3   | Terminal            |     |
| 120  | 4460458     | 3   | Seal                |     |
| 121  | 1001125027  | 1   | Connector           |     |
| 122  | 70026217    | 1   | Lock, Secondary     |     |
| 123  | 8220124     | 3   | Terminal            |     |
| 124  | 4460608     | 3   | Seal                |     |
| 125  | 8220058     | 1   | Terminal, Ring      |     |
| 126  | 1001195055  | 1   | Red Boot            |     |
| 132  | 2400060     | 1   | Fuse Holder         |     |
| 133  | 8229242     | 1   | Fuse 5A             |     |
| 134  | 4460476     | 1   | Connector           |     |
| 135  | 4460475     | 3   | Terminal            |     |
| 136  | 4460458     | 3   | Seal                |     |
| 137  | 1001117111  | 1   | Terminal, Fork      |     |
| 138  | 1001117125  | 1   | Terminal, Snap Plug |     |
| 138  | 1001246391  | 1   | Terminal, Snap Plug |     |
| 139  | 1001117021  | 1   | Connector           |     |
| 140  | 1001116728  | 2   | Terminal            |     |
| 141  | 8220081     | 2   | Seal                |     |
| 142  | 1001117103  | 1   | Connector           |     |
| 143  | 7026404     | 1   | Lock, Connector     |     |
| 144  | 1001121730  | 2   | Terminal            |     |
| 145  | 8220160     | 2   | Seal                |     |
| 146  | 4460884     | 1   | Connector           |     |
| 147  | 80604021    | 1   | Lock, Wedge         |     |
| 148  | 1001157890  | 1   | Terminal            |     |
| 149  | 1001116692  | 2   | Terminal            |     |
| 150  | 4460466     | 1   | Plug                |     |
| 151  | 1001192401  | 1   | Dust Cap            |     |





# SECTION 10 - ELECTRICAL

## FIGURE 10-26. ENGINE HARNESS - 85HP (ULS)



ART\_1001189488

## SECTION 10 - ELECTRICAL

**FIGURE 10-26. ENGINE HARNESS - 85HP (ULS)**

| ITEM | PART NUMBER | QTY | DESCRIPTION    | REV |
|------|-------------|-----|----------------|-----|
|      | 1001189488  | Ref | ENGINE HARNESS | K   |
| 1    | 8220929     | 1   | Connector      |     |
|      | 1001116745  | 1   | Terminal       |     |
|      | 1001116729  | 14  | Terminal       |     |
|      | 4460458     | 15  | Seal           |     |
| 2    | 4460931     | 1   | Connector      |     |
|      | 80604024    | 1   | Lock, Wedge    |     |
|      | 4460464     | 4   | Terminal       |     |
|      | 4460466     | 4   | Plug           |     |
| 3    | 4461157     | 1   | Connector      |     |
|      | 4460475     | 2   | Terminal       |     |
|      | 4460458     | 2   | Seal           |     |
| 4    | 80963062    | 1   | Connector      |     |
|      | 4460850     | 4   | Terminal       |     |
|      | 80963067    | 4   | Seal           |     |
| 5    | 1001117068  | 1   | Connector      |     |
|      | 8220124     | 2   | Terminal       |     |
|      | 80963067    | 2   | Seal           |     |
| 6    | 4460891     | 1   | Connector      |     |
|      | 80604018    | 1   | Lock, Wedge    |     |
|      | 4460465     | 2   | Terminal       |     |
| 7    | 8220927     | 1   | Connector      |     |
|      | 8220097     | 12  | Terminal       |     |
|      | 8220098     | 2   | Terminal       |     |
|      | 1001116727  | 1   | Plug           |     |
|      | 4460458     | 11  | Seal           |     |
|      | 80963067    | 2   | Seal           |     |
|      | 1001189877  | 1   | Seal           |     |
| 8    | 1001133173  | 1   | Connector      |     |
|      | 1001138643  | 6   | Terminal       |     |
|      | 1001126356  | 77  | Terminal       |     |
|      | 1001138642  | 8   | Terminal       |     |
|      | 1001126351  | 3   | Terminal       |     |
|      | 1001126353  | 6   | Seal           |     |
| 9    | 4460744     | 1   | Connector      |     |
|      | 1001116728  | 4   | Terminal       |     |
|      | 1001116727  | 2   | Plug           |     |
|      | 8220081     | 4   | Seal           |     |
| 10   | 4460744     | 1   | Connector      |     |
|      | 1001116728  | 4   | Terminal       |     |
|      | 1001116727  | 2   | Plug           |     |
|      | 8220081     | 4   | Seal           |     |
| 11   | 4460019     | 1   | Terminal, Ring |     |
| 12   | 8220536     | 1   | Connector      |     |
|      | 1001116758  | 12  | Plug           |     |
|      | 1001116757  | 4   | Terminal       |     |
|      | 1001189875  | 4   | Seal           |     |
| 14   | 4460891     | 1   | Connector      |     |
|      | 80604018    | 1   | Lock, Wedge    |     |
|      | 4460465     | 2   | Terminal       |     |

## SECTION 10 - ELECTRICAL

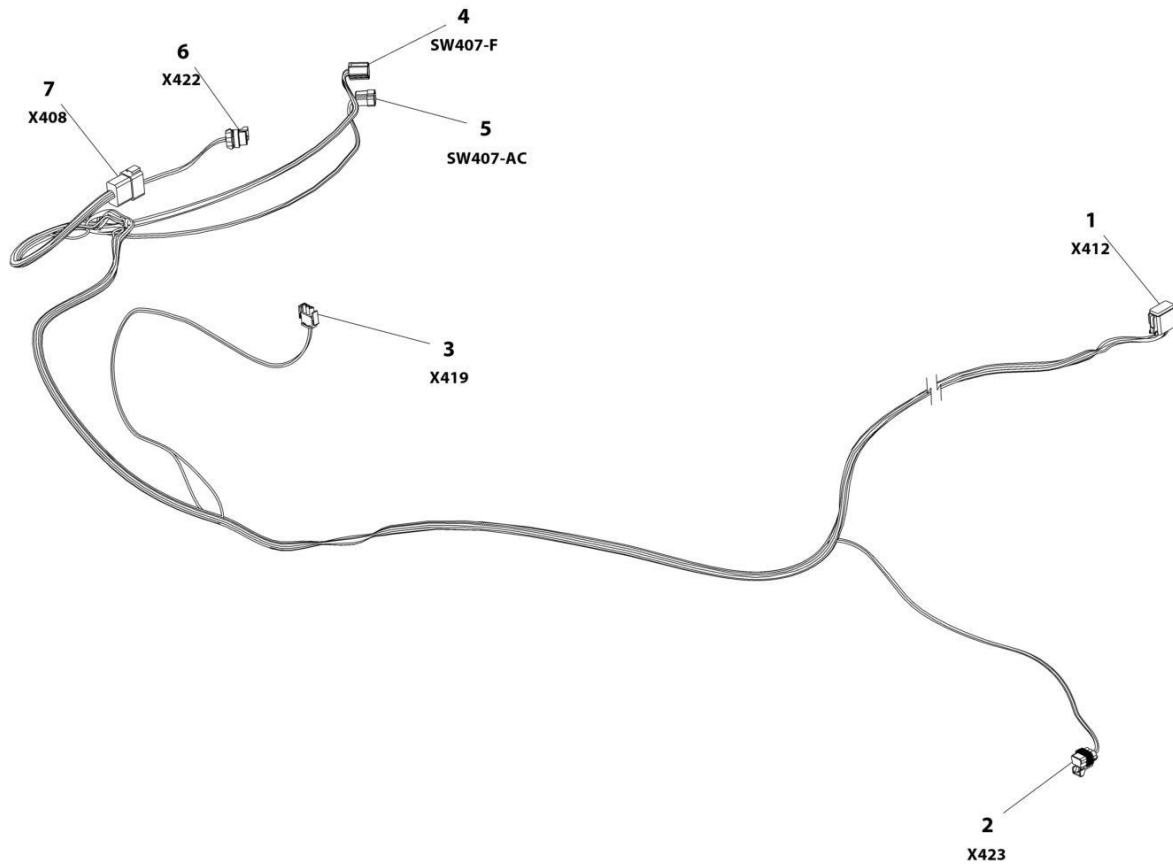
| ITEM | PART NUMBER | QTY | DESCRIPTION         | REV |
|------|-------------|-----|---------------------|-----|
| 15   | 4460891     | 1   | Connector           |     |
|      | 80604018    | 1   | Lock, Wedge         |     |
|      | 4460465     | 2   | Terminal            |     |
| 16   | 4460891     | 1   | Connector           |     |
|      | 80604018    | 1   | Lock, Wedge         |     |
|      | 4460465     | 2   | Terminal            |     |
| 17   | 4460891     | 1   | Connector           |     |
|      | 80604018    | 1   | Lock, Wedge         |     |
|      | 4460465     | 2   | Terminal            |     |
| 18   | 4460042     | 1   | Terminal, Ring      |     |
| 19   | 4460891     | 1   | Connector           |     |
|      | 80604018    | 1   | Lock, Wedge         |     |
|      | 4460465     | 2   | Terminal            |     |
| 20   | 4460042     | 1   | Terminal, Ring      |     |
| 21   | 1001119004  | 1   | Connector           |     |
|      | 1001116728  | 1   | Terminal            |     |
|      | 4460458     | 1   | Seal                |     |
| 22   | 8220536     | 1   | Connector           |     |
|      | 1001116757  | 4   | Terminal            |     |
|      | 1001116758  | 12  | Plug                |     |
|      | 1001189875  | 4   | Seal                |     |
| 23   | 4460256     | 1   | Terminal, Ring      |     |
| 24   | 4460891     | 1   | Connector           |     |
|      | 80604018    | 1   | Lock, Wedge         |     |
|      | 4460465     | 2   | Terminal            |     |
| 25   | 4460955     | 1   | Connector           |     |
|      | 1001116748  | 2   | Terminal            |     |
| 26   | 4460955     | 1   | Connector           |     |
|      | 1001116748  | 2   | Terminal            |     |
| 27   | 4460955     | 1   | Connector           |     |
|      | 1001116748  | 2   | Terminal            |     |
| 28   | 4460019     | 1   | Terminal, Ring      |     |
| 29   | 8220164     | 1   | Terminal, Ring      |     |
| 30   | 4460955     | 1   | Connector           |     |
|      | 1001116748  | 2   | Terminal            |     |
| 31   | 4460955     | 1   | Connector           |     |
|      | 1001116748  | 2   | Terminal            |     |
| 32   | 8220058     | 1   | Terminal, Ring      |     |
| 33   | 4460019     | 1   | Terminal, Ring      |     |
| 34   | 1001117125  | 1   | Terminal, Snap Plug |     |
| 35   | 1001125027  | 1   | Connector           |     |
|      | 8220124     | 3   | Terminal            |     |
|      | 4460608     | 3   | Seal                |     |
| 36   | 4460476     | 1   | Connector           |     |
|      | 4460475     | 3   | Terminal            |     |
|      | 4460458     | 3   | Seal                |     |
| 37   | 1001117021  | 1   | Connector           |     |
|      | 1001116728  | 2   | Terminal            |     |
|      | 8220081     | 2   | Seal                |     |
| 38   | 4460476     | 1   | Connector           |     |
|      | 4460475     | 3   | Terminal            |     |

## SECTION 10 - ELECTRICAL

| ITEM | PART NUMBER | QTY | DESCRIPTION    | REV |
|------|-------------|-----|----------------|-----|
|      | 4460458     | 3   | Seal           |     |
| 39   | 4460884     | 1   | Connector      |     |
|      | 80604021    | 1   | Lock, Wedge    |     |
|      | 4460465     | 3   | Terminal       |     |
|      | 4460466     | 1   | Plug           |     |
|      | 1001192401  | 1   | Dust Cap       |     |
| 40   | 2400060     | 1   | Fuse Holder    |     |
| 41   | 4460142     | 1   | Connector      |     |
|      | 1001117111  | 1   | Terminal       |     |
| 42   | 4460019     | 1   | Terminal, Ring |     |
| 43   | 4460019     | 1   | Terminal, Ring |     |
| 45   | 1001117070  | 1   | Connector      |     |
|      | 1001116734  | 2   | Terminal       |     |
| 46   | 4460312     | 1   | Terminal, Ring |     |
|      | 1001195087  | 1   | Red Boot       |     |
| 47   | 4460312     | 2   | Terminal, Ring |     |
| 48   | 4460312     | 2   | Terminal, Ring |     |
|      | 1001195087  | 1   | Red Boot       |     |
| 49   | 4460312     | 1   | Terminal, Ring |     |
| 50   | 4460247     | 1   | Terminal, Ring |     |
|      | 1001195057  | 1   | Black Boot     |     |
| 51   | 4460247     | 1   | Terminal, Ring |     |
|      | 1001195055  | 1   | Red Boot       |     |
| 52   | 1001117103  | 1   | Connector      |     |
|      | 1001121730  | 2   | Terminal       |     |
| 53   | 1001116950  | 1   | Connector      |     |
|      | 4460465     | 2   | Terminal       |     |
| 54   | 4461095     | 1   | Plug           |     |
|      | 4461070     | 1   | Connector      |     |
|      | 4460465     | 2   | Terminal       |     |
|      | 4460466     | 1   | Terminal       |     |
| 55   | 1001209097  | 1   | Connector      |     |
|      | 8220124     | 2   | Terminal       |     |
| 56   | 1001145707  | 1   | Connector      |     |
|      | 1001116732  | 4   | Terminal       |     |

# SECTION 10 - ELECTRICAL

## FIGURE 10-27. HVAC HARNESS



ART\_1001178347-E

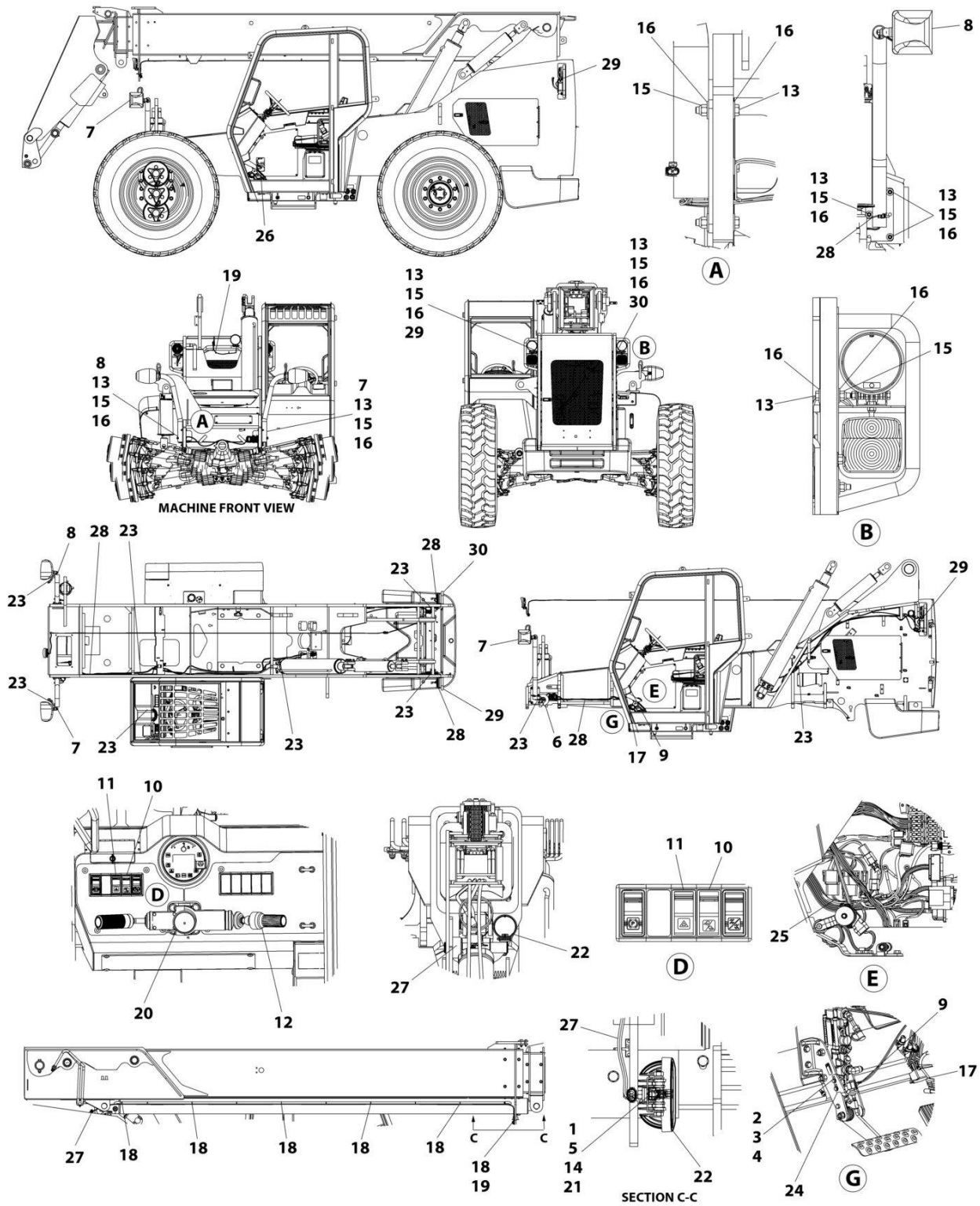
## SECTION 10 - ELECTRICAL

### FIGURE 10-27. HVAC HARNESS

| ITEM | PART NUMBER | QTY | DESCRIPTION     | REV |
|------|-------------|-----|-----------------|-----|
|      | 1001178347  | Ref | HVAC Harness    | E   |
| 1    | 4460933     | 1   | Connector       |     |
|      | 80604016    | 1   | Lock, Wedge     |     |
|      | 4460942     | 9   | Terminal        |     |
|      | 4460465     | 2   | Terminal        |     |
|      | 4460466     | 1   | Terminal        |     |
| 2    | 8220895     | 1   | Connector       |     |
|      | 70026216    | 1   | Lock, Secondary |     |
|      | 8220124     | 3   | Terminal        |     |
|      | 1001116751  | 3   | Terminal, Plug  |     |
| 3    | 4460326     | 1   | Connector       |     |
|      | 4460268     | 2   | Terminal        |     |
| 4    | 1001117080  | 1   | Connector       |     |
|      | 1001116723  | 5   | Terminal        |     |
| 5    | 1001117059  | 1   | Connector       |     |
|      | 1001116736  | 3   | Terminal        |     |
| 6    | 1001125027  | 1   | Connector       |     |
|      | 70026217    | 1   | Lock, Secondary |     |
|      | 8220124     | 3   | Terminal        |     |
| 7    | 4460950     | 1   | Connector       |     |
|      | 80363179    | 1   | Lock, Wedge     |     |
|      | 1001157891  | 5   | Terminal        |     |
|      | 4460464     | 6   | Terminal        |     |
|      | 4460466     | 1   | Terminal        |     |

# SECTION 10 - ELECTRICAL

## FIGURE 10-28. LIGHTS - ROADLIGHT PACKAGE INSTALLATION (6036)



ART\_1001251494



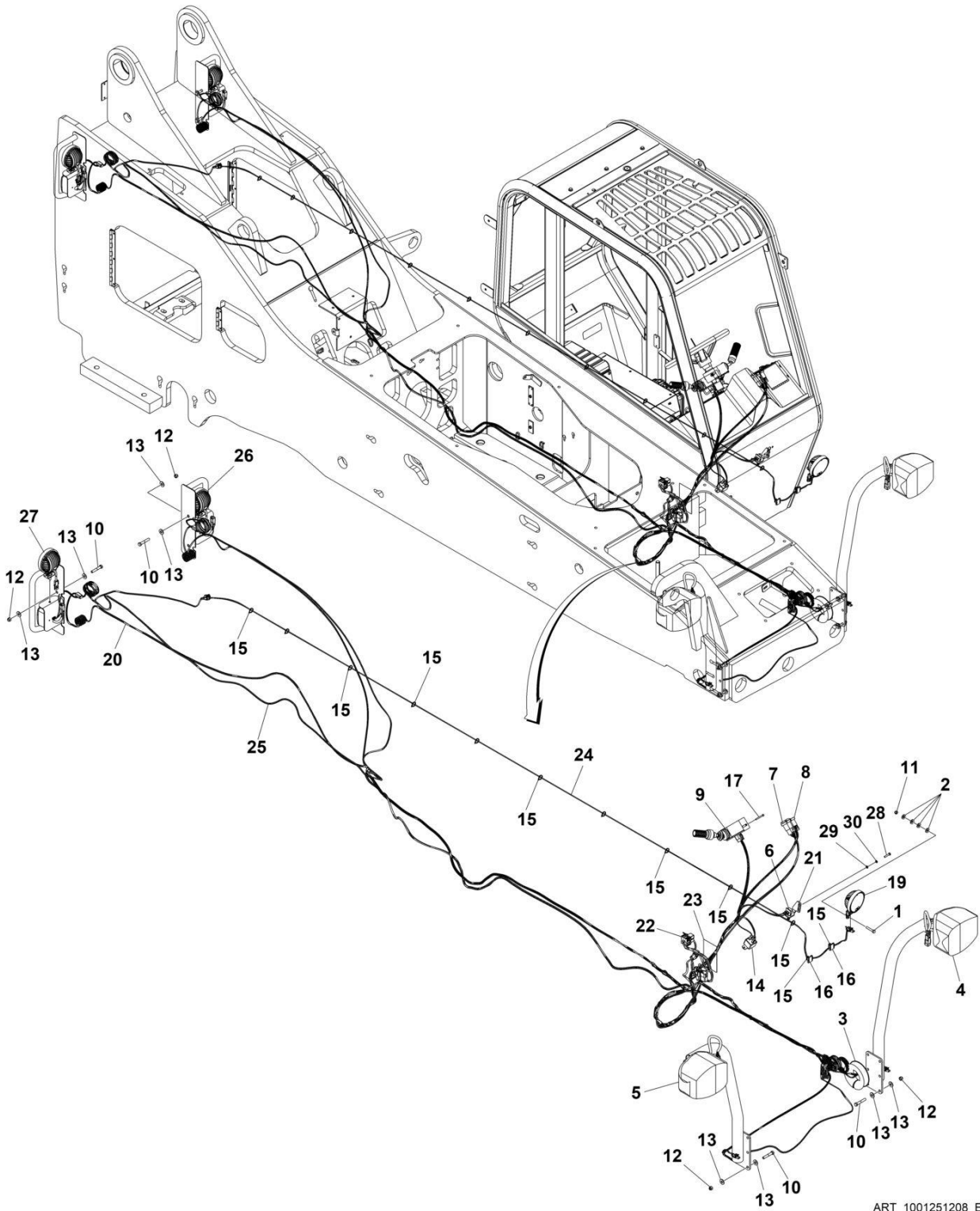
## SECTION 10 - ELECTRICAL

**FIGURE 10-28. LIGHTS - ROADLIGHT PACKAGE INSTALLATION (6036)**

| ITEM | PART NUMBER | QTY | DESCRIPTION   | REV |
|------|-------------|-----|---|-----|
|      | 1001251494  | Ref | LED WORKLIGHT INSTALLATION  | A   |
| 1    | 0641512     | 1   | Bolt 5/16 x 1   |     |
| 2    | 0700614     | 2   | Bolt M6 x 30  |     |
| 3    | 4811700     | 2   | Washer M6   |     |
| 4    | 4831700     | 2   | Washer M6   |     |
| 5    | 4891600     | 2   | Washer 3/8  |     |
| 6    | 7124471     | 1   | Conduit 1 x 12.5  |     |
| 7    | 7150699     | 1   | Assembly, LH Roadlight Bracket (See Separate Breakdown in this Section) |     |
| 8    | 7150716     | 1   | Assembly, RH Roadlight Bracket (See Separate Breakdown in this Section) |     |
| 9    | 8223025     | 1   | Switch, Brake Lights  |     |
| 10   | 8223059     | 1   | Switch, Work Light  |     |
| 11   | 8223060     | 1   | Switch, Hazard  |     |
| 12   | 8223073     | 1   | Control, Turn Signal  |     |
| 13   | 8303771     | 10  | Bolt, 3/8 x 1/4   |     |
| 14   | 8305626     | 1   | Nut 5/16  |     |
| 15   | 8305645     | 10  | Nut 3/8   |     |
| 16   | 8307204     | 20  | Washer 3/8  |     |
| 17   | 8500203     | 1   | Flasher, Hazard Warning 12V   |     |
| 18   | 8584001     | 32  | Wrap, Tie   |     |
| 19   | 8584018     | 2   | Mount, Cable Tie  |     |
| 20   | 88211516    | 2   | Screw M10   |     |
| 21   | 88501005    | 1   | Nut 5/16  |     |
| 22   | 1001176337  | 1   | Lamp, LED Worklight   |     |
| 23   | 1001178346  | 1   | Harness, Road Light Option (See Separate Breakdown in this Section)     |     |
| 24   | 1001201752  | 1   | Bracket, Brake Switch   |     |
| 25   | 1001205248  | 1   | Harness, Roadlight Worklight (See Separate Breakdown in this Section)   |     |
| 26   | 1001205264  | 1   | Decal, Light Fuse Panel   |     |
| 27   | 1001238111  | 1   | Harness, Boom Worklight (See Separate Breakdown in this Section)        |     |
| 28   | 1001238199  | 1   | Harness, Work Light Option (See Separate Breakdown in this Section)     |     |
| 29   | 1001251270  | 1   | Installation, LH Roadlight (See Separate Breakdown in this Section)     |     |
| 30   | 1001251271  | 1   | Installation, RH Roadlight (See Separate Breakdown in this Section)     |     |

# SECTION 10 - ELECTRICAL

## FIGURE 10-29. LIGHTS - ROADLIGHT PACKAGE INSTALLATION (6042)



ART\_1001251208\_E

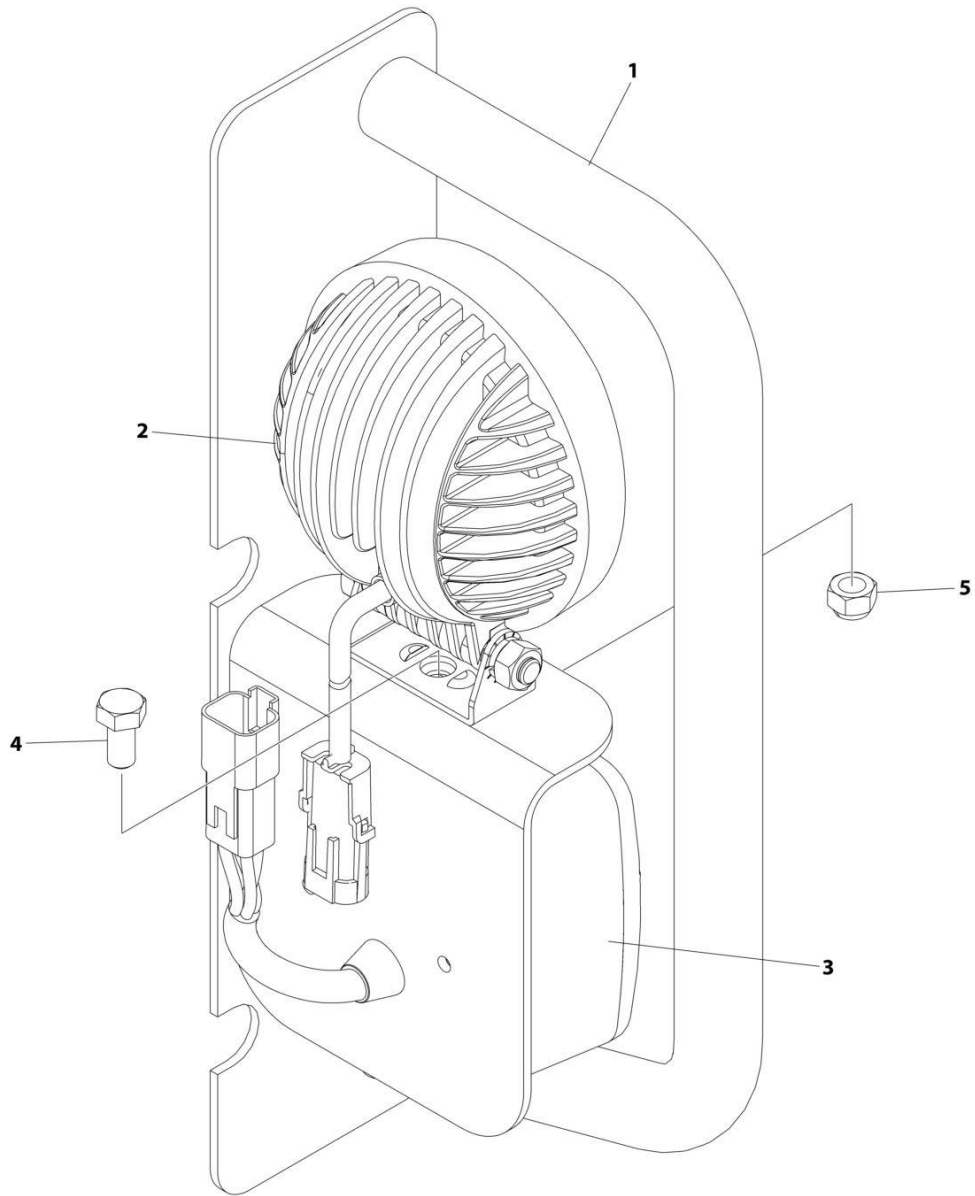
## SECTION 10 - ELECTRICAL

**FIGURE 10-29. LIGHTS - ROADLIGHT PACKAGE INSTALLATION (6042)**

| ITEM | PART NUMBER | QTY | DESCRIPTION   | REV |
|------|-------------|-----|---|-----|
|      | 1001251208  | Ref | ROADLIGHT PACKAGE INSTALLATION  | E   |
| 1    | 0641520     | 1   | Bolt 5/16 x 2-1/2   |     |
| 2    | 1001305569  | 1   | Spacer  |     |
| 2    | 1001173257  | 1   | Spacer Block  |     |
| 3    | 7124471     | 2   | Conduit 1 x 12.5  |     |
| 4    | 7150699     | 1   | Assembly, LH Roadlight Bracket (See Separate Breakdown in this Section) |     |
| 5    | 7150716     | 1   | Assembly, RH Roadlight Bracket (See Separate Breakdown in this Section) |     |
| 6    | 8223025     | 1   | Switch, Brake Lights  |     |
| 7    | 8223059     | 1   | Switch, Work Light  |     |
| 8    | 8223060     | 1   | Switch, Hazard  |     |
| 9    | 8223073     | 1   | Control, Turn Signal  |     |
| 10   | 8303771     | 10  | Bolt 3/8 x 2-1/4  |     |
| 11   | 8305626     | 1   | Nut 5/16  |     |
| 12   | 8305645     | 10  | Nut 3/8   |     |
| 13   | 8307204     | 20  | Washer 3/8  |     |
| 14   | 8500203     | 1   | Flasher, Hazard Warning 12V   |     |
| 15   | 8584001     | 12  | Wrap, Tie   |     |
| 16   | 8584018     | 2   | Mount, Cable Tie  |     |
| 17   | 88211516    | 2   | Screw M10   |     |
| 19   | 1001273636  | 1   | Lamp, LED Worklight   |     |
| 20   | 1001296148  | 1   | Harness, Road Light Option  |     |
| 21   | 1001201752  | 1   | Bracket, Brake Switch   |     |
| 22   | 1001205248  | 1   | Harness, Roadlight Worklight (See Separate Breakdown in this Section)   |     |
| 23   | 1001205264  | 1   | Decal, Light Fuse Panel   |     |
| 24   | 1001238111  | 1   | Harness, Boom Worklight (See Separate Breakdown in this Section)        |     |
| 25   | 1001238199  | 1   | Harness, Work Light Option (See Separate Breakdown in this Section)     |     |
| 26   | 1001251270  | 1   | Assembly, LH Roadlight (See Separate Breakdown in this Section)         |     |
| 27   | 1001251271  | 1   | Assembly, RH Roadlight (See Separate Breakdown in this Section)         |     |
| 28   | 0700614     | 2   | Bolt M6 x 30  |     |
| 29   | 4811700     | 2   | Washer M6   |     |
| 30   | 4831700     | 2   | Washer M6   |     |
| 31   | 7150685     | 1   | Road Light Brake Assembly (LH)  |     |
| 32   | 7150717     | 1   | Road Light Bracket Assembly   |     |
| 33   | 1001244593  | 1   | Lamp (RH)   |     |
| 34   | 1001244594  | 1   | Lamp (LH)   |     |

# SECTION 10 - ELECTRICAL

## FIGURE 10-30. LIGHTS - ROADLIGHT ASSEMBLY (LH)



ART\_1001251270

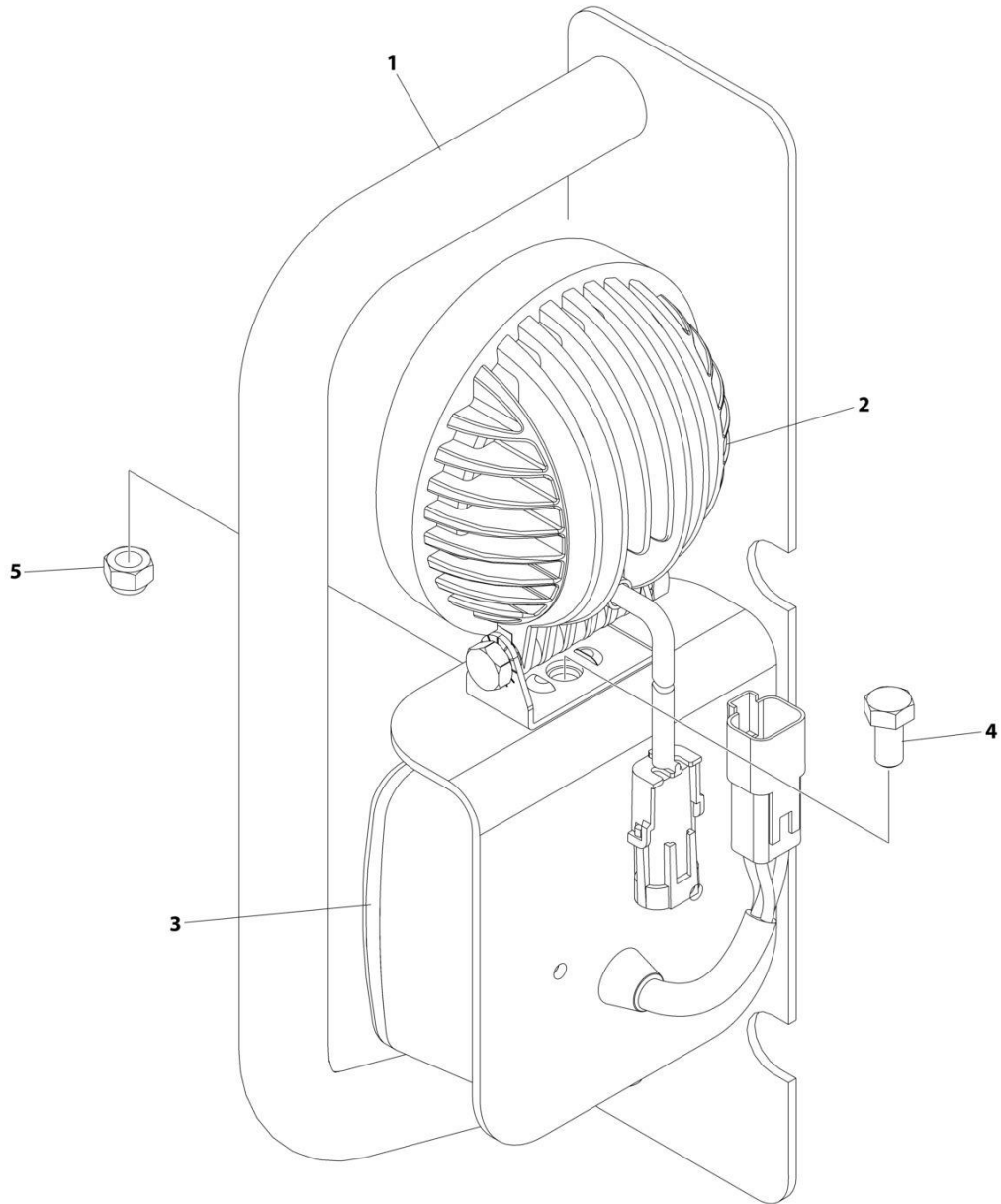
## SECTION 10 - ELECTRICAL

### FIGURE 10-30. LIGHTS - ROADLIGHT ASSEMBLY (LH)

| ITEM | PART NUMBER | QTY | DESCRIPTION                    | REV |
|------|-------------|-----|--------------------------------|-----|
|      | 1001251270  | Ref | LH ROADLIGHT ASSEMBLY          | A   |
| 1    | 7150681     | 1   | Assembly, LH Roadlight Bracket |     |
| 2    | 1001176337  | 1   | Lamp, LED Worklight            |     |
| 3    | 7150690     | 1   | Light, Tail/Indicator          |     |
| 4    | 8303745     | 1   | Bolt 5/16 x 5/8                |     |
| 5    | 8305626     | 1   | Nut 5/16                       |     |

# SECTION 10 - ELECTRICAL

## FIGURE 10-31. LIGHTS - ROADLIGHT ASSEMBLY (RH)



ART\_1001251271

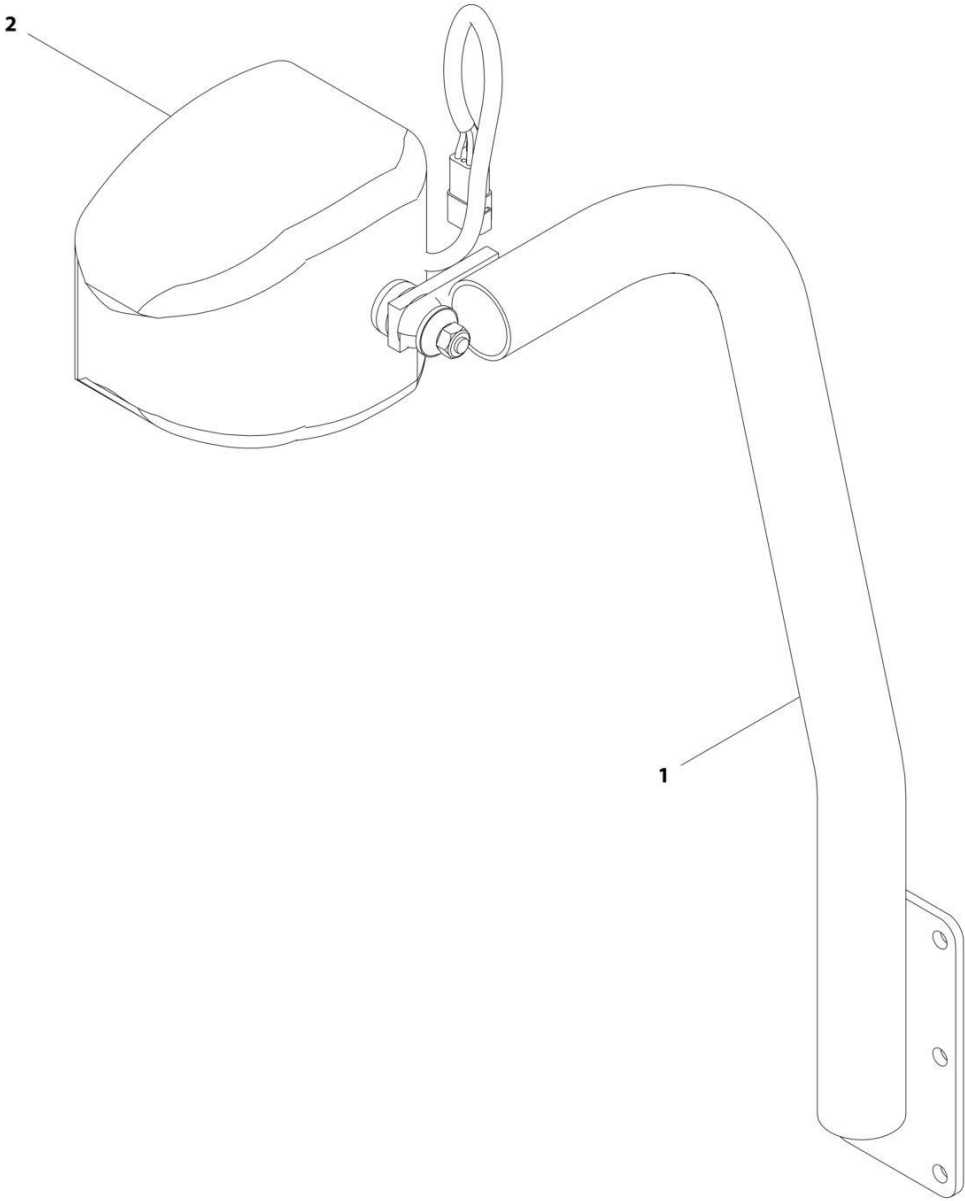
## SECTION 10 - ELECTRICAL

### FIGURE 10-31. LIGHTS - ROADLIGHT ASSEMBLY (RH)

| ITEM | PART NUMBER | QTY | DESCRIPTION                    | REV |
|------|-------------|-----|--------------------------------|-----|
|      | 1001251271  | Ref | RH ROADLIGHT ASSEMBLY          | A   |
| 1    | 7150680     | 1   | Assembly, RH Roadlight Bracket |     |
| 2    | 1001176337  | 1   | Lamp, LED Worklight            |     |
| 3    | 7150690     | 1   | Light, Tail/Indicator          |     |
| 4    | 8303745     | 1   | Bolt 5/16 x 5/8                |     |
| 5    | 8305626     | 1   | Nut 5/16                       |     |

**SECTION 10 - ELECTRICAL**

**FIGURE 10-32. LIGHTS - ROADLIGHT BRACKET ASSEMBLY (LH)**



ART\_7150699-B



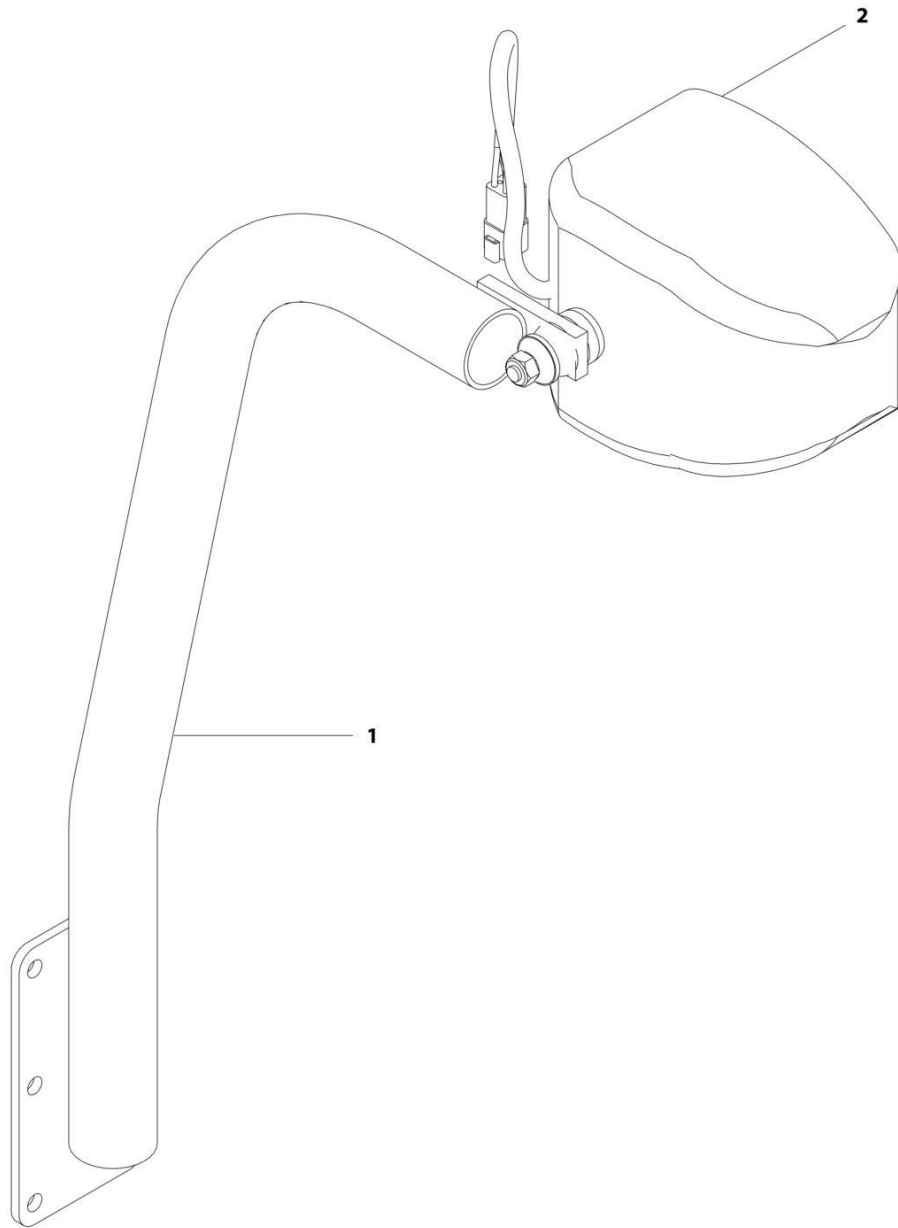
## SECTION 10 - ELECTRICAL

### FIGURE 10-32. LIGHTS - ROADLIGHT BRACKET ASSEMBLY (LH)

| ITEM | PART NUMBER | QTY | DESCRIPTION                                | REV |
|------|-------------|-----|--|-----|
|      | 7150699     | Ref | LH Roadlight Bracket Assembly              | B   |
| 1    | 7150685     | 1   | Bracket, LH Roadlight                      |     |
| 2    | 7150702     | 1   | Roadlight, LH Front                        |     |
| 2    | 8036216     | 6   | Screw, Headlight Lens                      |     |
| 2    | 8036212     | 1   | Lens, Headlight                            |     |
| 2    | 8036213     | 1   | Bulb, Headlight 12V, 60/55W                |     |
| 2    | 8036214     | 1   | Bulb, Blinker 12V, 5W                      |     |
| 2    | 8036215     | 1   | Harness, Wiring (includes 6-way connector) |     |
| 2    | 8036209     | 1   | Lens, Left Amber Headlight                 |     |

# SECTION 10 - ELECTRICAL

## FIGURE 10-33. LIGHTS - ROADLIGHT BRACKET ASSEMBLY (RH)



ART\_7150716-B

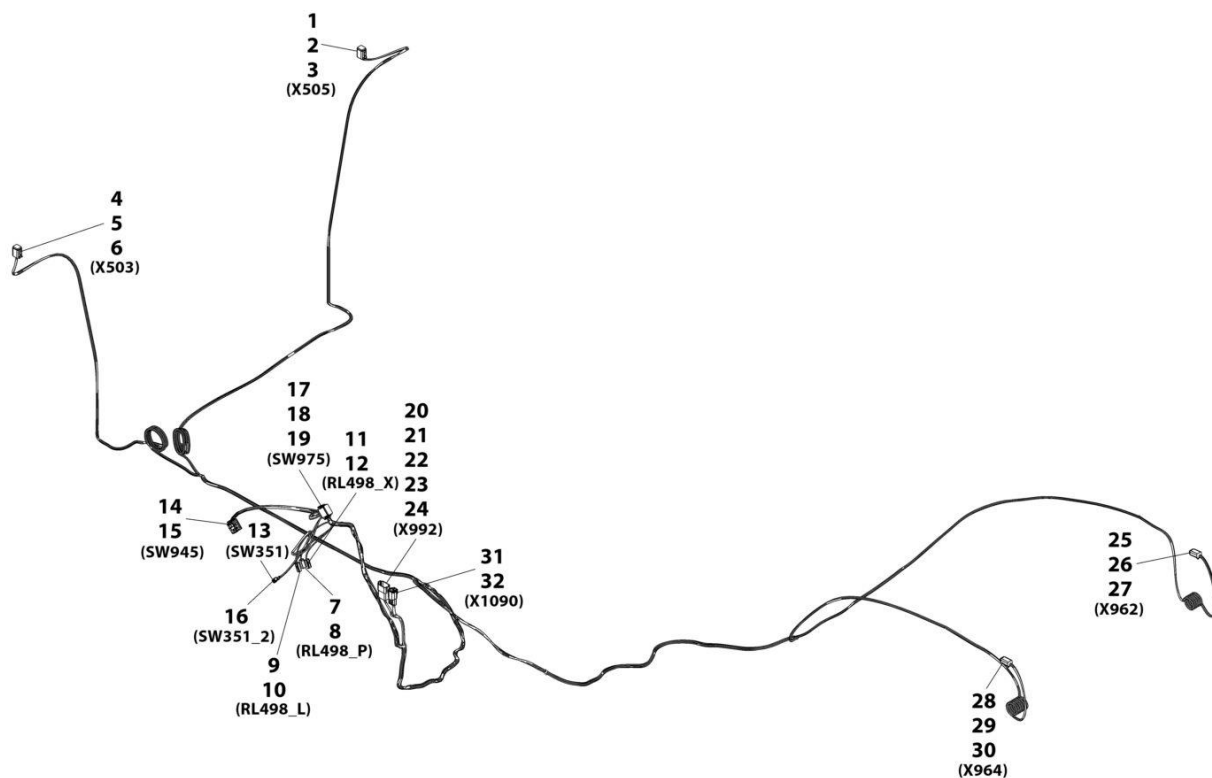
## SECTION 10 - ELECTRICAL

**FIGURE 10-33. LIGHTS - ROADLIGHT BRACKET ASSEMBLY (RH)**

| ITEM | PART NUMBER | QTY | DESCRIPTION                                | REV |
|------|-------------|-----|--|-----|
|      | 7150716     | Ref | RH Roadlight Bracket Assembly              | B   |
| 1    | 7150717     | 1   | Bracket, RH Roadlight                      |     |
| 2    | 7150703     | 1   | Roadlight, LH Front                        |     |
| 2    | 8036210     | 1   | Lens, Right Amber Headlight                |     |
| 2    | 8036216     | 6   | Screw, Headlight Lens                      |     |
| 2    | 8036212     | 1   | Lens, Headlight                            |     |
| 2    | 8036213     | 1   | Bulb, Headlight, 12V, 60/55W               |     |
| 2    | 8036214     | 1   | Bulb, Blinker 12V, 5W                      |     |
| 2    | 8036215     | 1   | Harness, Wiring (includes 6-way connector) |     |

# SECTION 10 - ELECTRICAL

## FIGURE 10-34. LIGHTS - ROADLIGHT OPTION HARNESS



ART\_1001178346-H

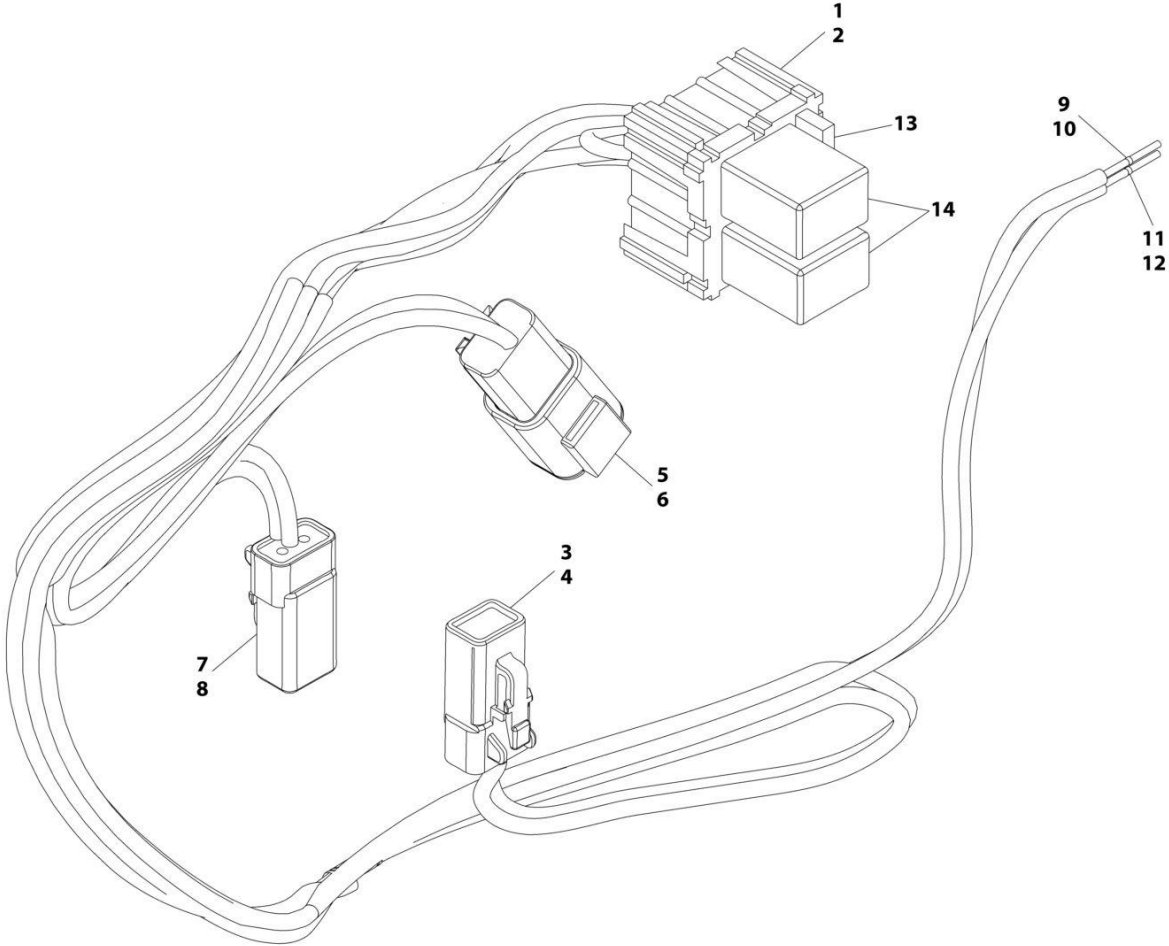
## SECTION 10 - ELECTRICAL

**FIGURE 10-34. LIGHTS - ROADLIGHT OPTION HARNESS**

| ITEM | PART NUMBER | QTY | DESCRIPTION               | REV |
|------|-------------|-----|---------------------------|-----|
|      | 1001178346  | Ref | ROAD LIGHT OPTION HARNESS | H   |
| 1    | 4460894     | 1   | Connector                 |     |
| 2    | 4460465     | 5   | Terminal                  |     |
| 3    | 4460466     | 1   | Plug                      |     |
| 4    | 4460894     | 1   | Connector                 |     |
| 5    | 4460465     | 5   | Terminal                  |     |
| 6    | 4460466     | 1   | Plug                      |     |
| 7    | 7116572     | 1   | Connector                 |     |
| 8    | 1001116736  | 1   | Terminal                  |     |
| 9    | 7116572     | 1   | Connector                 |     |
| 10   | 1001116736  | 1   | Terminal                  |     |
| 11   | 7116572     | 1   | Connector                 |     |
| 12   | 1001116736  | 1   | Terminal                  |     |
| 13   | 8220051     | 1   | Terminal, Ring            |     |
| 14   | 1001117079  | 1   | Connector                 |     |
| 15   | 4460419     | 9   | Terminal                  |     |
| 16   | 8220051     | 1   | Terminal, Ring            |     |
| 17   | 4460933     | 1   | Connector                 |     |
| 18   | 4460465     | 8   | Terminal                  |     |
| 19   | 4460466     | 4   | Plug                      |     |
| 20   | 4460931     | 1   | Connector                 |     |
| 21   | 4460466     | 3   | Plug                      |     |
| 22   | 4460464     | 2   | Terminal                  |     |
| 23   | 1001157891  | 2   | Terminal                  |     |
| 24   | 4460941     | 1   | Terminal                  |     |
| 25   | 4460884     | 1   | Connector                 |     |
| 26   | 4460465     | 3   | Terminal                  |     |
| 27   | 4460942     | 1   | Terminal                  |     |
| 28   | 4460884     | 1   | Connector                 |     |
| 29   | 4460465     | 3   | Terminal                  |     |
| 30   | 4460942     | 1   | Terminal                  |     |
| 31   | 4461017     | 1   | Connector                 |     |
| 32   | 4460508     | 2   | Terminal                  |     |

**SECTION 10 - ELECTRICAL**

**FIGURE 10-35. LIGHTS - ROADLIGHT/WORKLIGHT OPTION HARNESS**



ART\_1001205248\_A

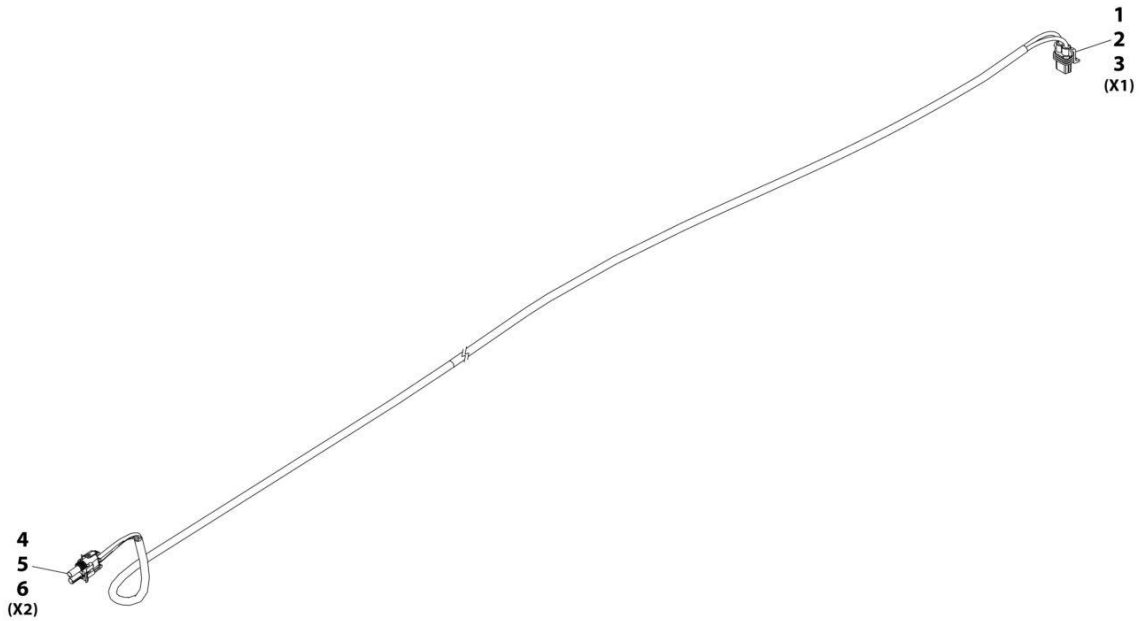
## SECTION 10 - ELECTRICAL

**FIGURE 10-35. LIGHTS - ROADLIGHT/WORKLIGHT OPTION HARNESS**

| ITEM | PART NUMBER | QTY | DESCRIPTION                 | REV |
|------|-------------|-----|-----------------------------|-----|
|      | 1001205248  | Ref | Roadlight Worklight Harness | A   |
| 1    | 1001177198  | 1   | Connector                   |     |
| 2    | 1001116712  | 12  | Terminal                    |     |
| 3    | 4461018     | 1   | Connector                   |     |
| 4    | 4460509     | 2   | Terminal                    |     |
| 5    | 4461017     | 1   | Connector                   |     |
| 6    | 4460508     | 2   | Terminal                    |     |
| 7    | 4461018     | 1   | Connector                   |     |
| 8    | 4460509     | 2   | Terminal                    |     |
| 9    | 4460790     | 1   | Terminal, Socket            |     |
| 10   | 8220089     | 1   | Seal                        |     |
| 11   | 4460790     | 1   | Terminal, Socket            |     |
| 12   | 8220089     | 1   | Seal                        |     |
| 13   | 8229245     | 2   | Fuse 30Amp                  |     |
| 14   | 1001205172  | 2   | Relay                       |     |

# SECTION 10 - ELECTRICAL

## FIGURE 10-36. LIGHTS - WORKLIGHT OPTION HARNESS (BOOM)



ART\_1001238111



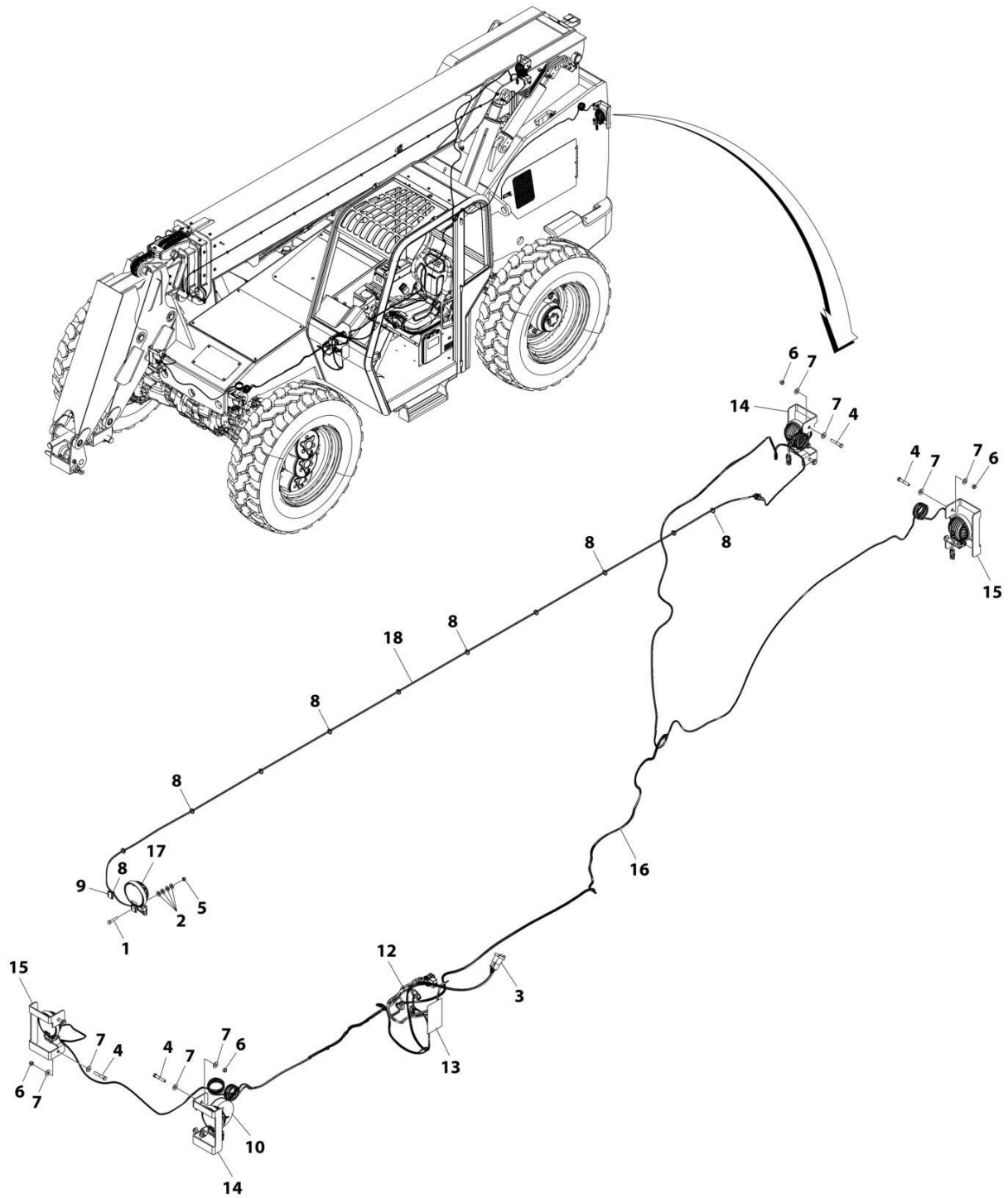
## SECTION 10 - ELECTRICAL

### FIGURE 10-36. LIGHTS - WORKLIGHT OPTION HARNESS (BOOM)

| ITEM | PART NUMBER | QTY | DESCRIPTION            | REV |
|------|-------------|-----|------------------------|-----|
|      | 1001238111  | Ref | Boom Worklight Harness | B   |
| 1    | 1001117021  | 1   | Connector              |     |
| 2    | 1001116747  | 2   | Terminal               |     |
| 3    | 4460789     | 2   | Seal                   |     |
| 4    | 4460742     | 1   | Connector              |     |
| 5    | 4460457     | 2   | Terminal               |     |
| 6    | 4460789     | 2   | Seal                   |     |

# SECTION 10 - ELECTRICAL

## FIGURE 10-37. LIGHTS - WORKLIGHT PACKAGE INSTALLATION



ART\_1001237847

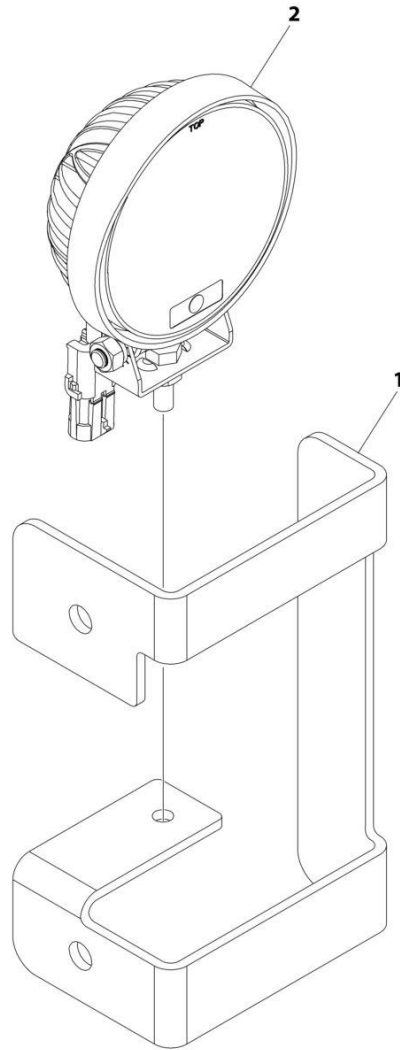
## SECTION 10 - ELECTRICAL

**FIGURE 10-37. LIGHTS - WORKLIGHT PACKAGE INSTALLATION**

| ITEM | PART NUMBER | QTY | DESCRIPTION   | REV |
|------|-------------|-----|---|-----|
|      | 1001237847  | Ref | LIGHTS - LED WORK LIGHT PACKAGE INSTALLATION                          | C   |
| 1    | 0641514     | 1   | Bolt 5/16 x 1-3/8   |     |
| 2    | 4891600     | AR  | Washer 3/8  |     |
| 3    | 8223059     | 1   | Switch, Work Light  |     |
| 4    | 8303771     | 8   | Bolt 3/8 x 2-1/4  |     |
| 5    | 8305626     | 1   | Nut 5/16  |     |
| 6    | 8305645     | 8   | Nut 3/8   |     |
| 7    | 8307204     | 16  | Washer 3/8  |     |
| 8    | 8584001     | AR  | Wrap, Tie   |     |
| 9    | 8584018     | 4   | Mount, Tie-Strap  |     |
| 10   | 7124471     | 1   | Conduit, 1 x 12.5   |     |
| 11   | 88501005    | AR  | Nut 5/16  |     |
| 12   | 1001205248  | 1   | Harness, Roadlight Worklight (See Separate Breakdown in this Section) |     |
| 13   | 1001205264  | 1   | Decal, Light Fuse Panel   |     |
| 14   | 1001237853  | 2   | Assembly, LED RH Worklight (See Separate Breakdown in this Section)   |     |
| 15   | 1001237854  | 2   | Assembly, LED LH Worklight (See Separate Breakdown in this Section)   |     |
| 16   | 1001238199  | 1   | Harness, Work Light Option (See Separate Breakdown in this Section)   |     |
| 17   | 1001176337  | 1   | Lamp, LED Worklight   |     |
| 18   | 1001238111  | 1   | Harness, Boom Worklight (See Separate Breakdown in this Section)      |     |

# SECTION 10 - ELECTRICAL

FIGURE 10-38. LIGHTS - WORKLIGHT ASSEMBLY (RH) (LED)



ART\_1001237853

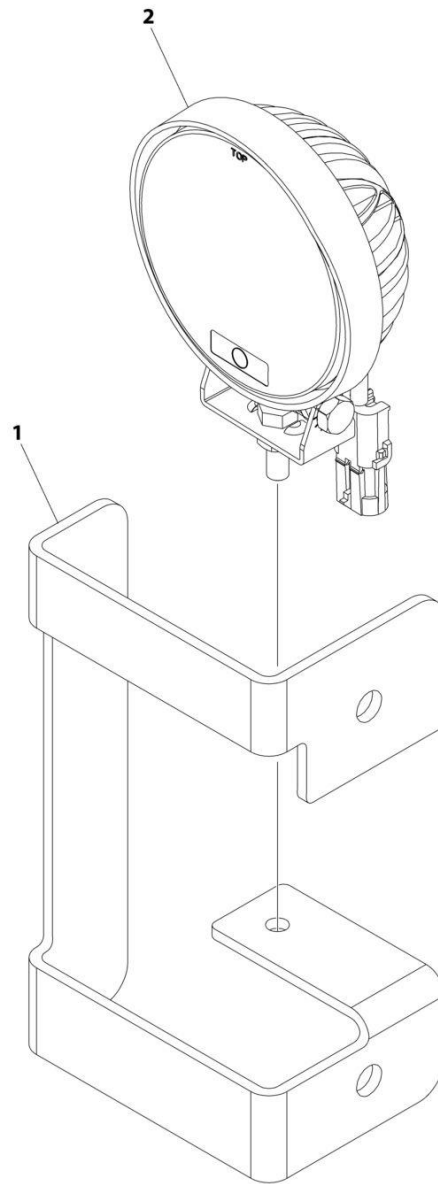
## SECTION 10 - ELECTRICAL

**FIGURE 10-38. LIGHTS - WORKLIGHT ASSEMBLY (RH) (LED)**

| ITEM | PART NUMBER | QTY | DESCRIPTION                             | REV |
|------|-------------|-----|---|-----|
|      | 1001237853  | Ref | LIGHTS - WORK LIGHT ASSEMBLY - LED (RH) | A   |
| 1    | 1001097079  | 1   | Bracket, RH Worklight Mount             |     |
| 2    | 1001176337  | 1   | Lamp, LED Worklight                     |     |

# SECTION 10 - ELECTRICAL

FIGURE 10-39. LIGHTS - WORKLIGHT ASSEMBLY (RH) (LED)



ART\_1001237854

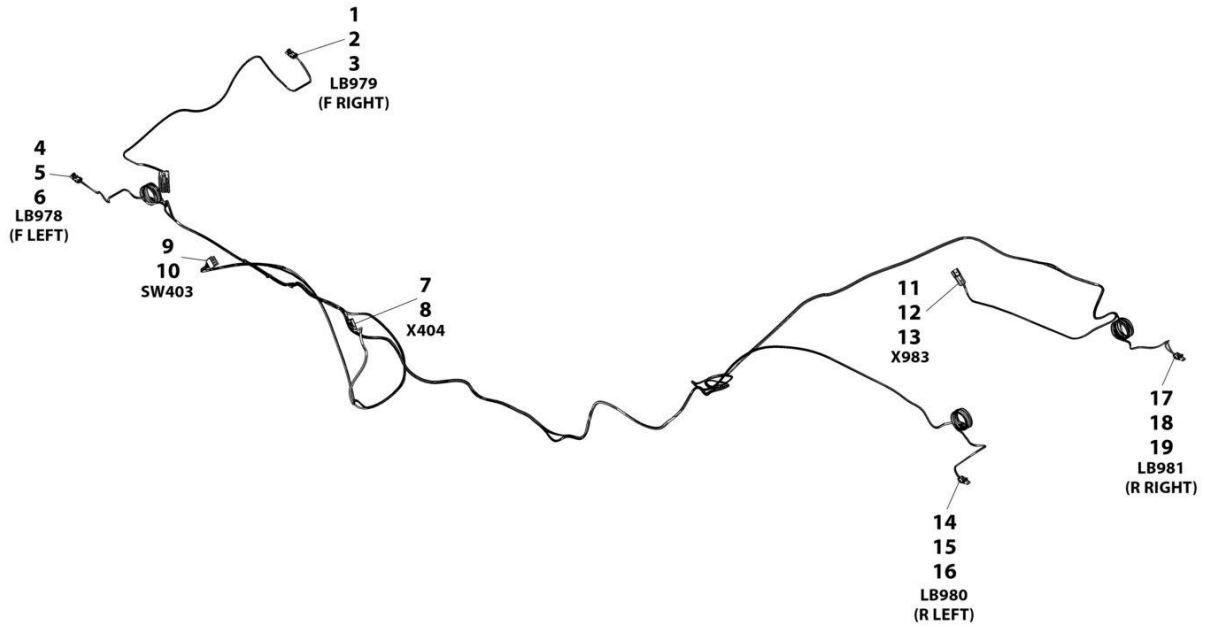
## SECTION 10 - ELECTRICAL

**FIGURE 10-39. LIGHTS - WORKLIGHT ASSEMBLY (RH) (LED)**

| ITEM | PART NUMBER | QTY | DESCRIPTION                             | REV |
|------|-------------|-----|---|-----|
|      | 1001237854  | Ref | LIGHTS - WORK LIGHT ASSEMBLY - LED (LH) | A   |
| 1    | 1001097080  | 1   | Bracket, LH Worklight Mount             |     |
| 2    | 1001176337  | 1   | Lamp, LED Worklight                     |     |

# SECTION 10 - ELECTRICAL

## FIGURE 10-40. LIGHTS - WORKLIGHT OPTION HARNESS



ART\_1001238199-A



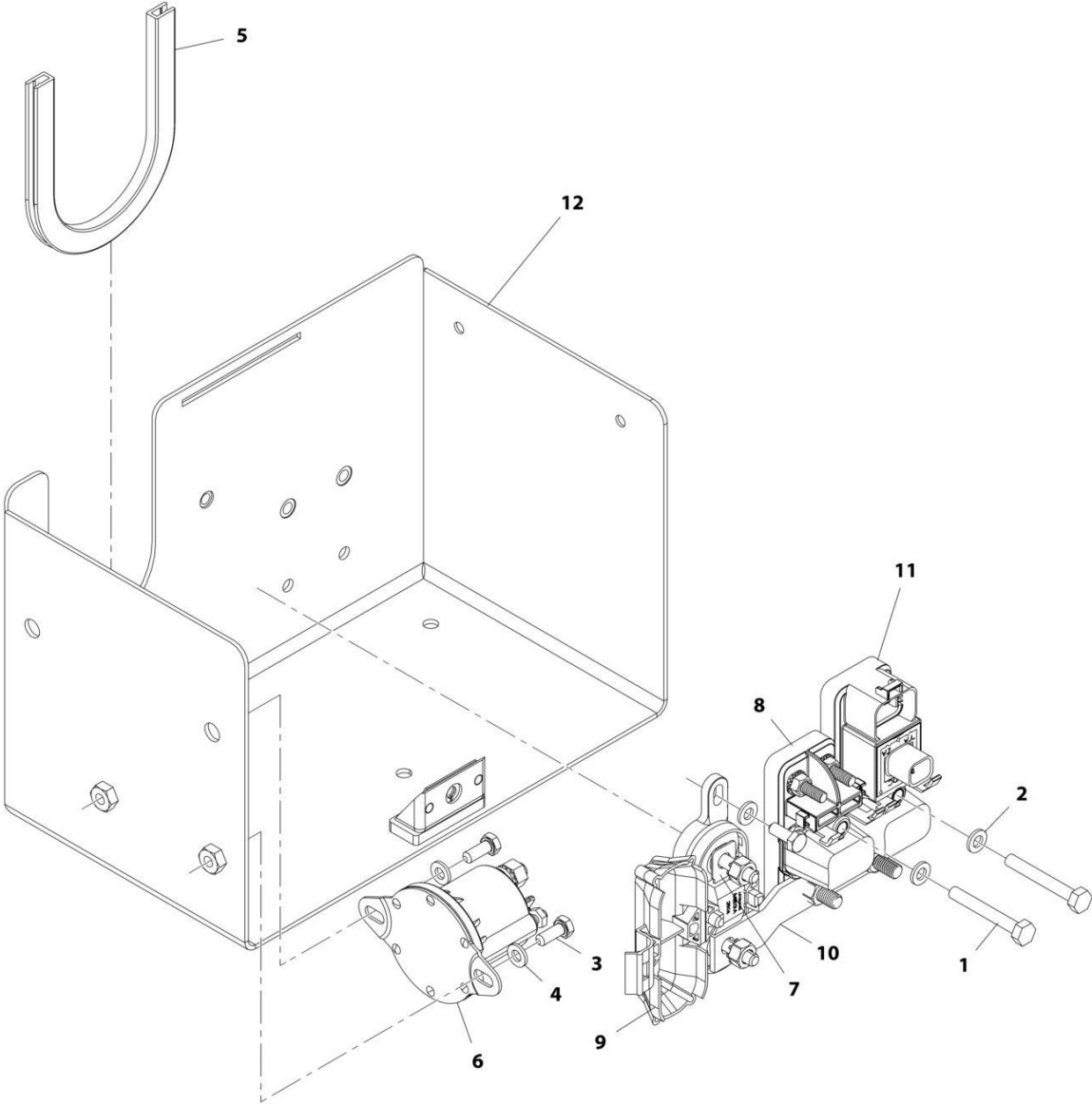
## SECTION 10 - ELECTRICAL

**FIGURE 10-40. LIGHTS - WORKLIGHT OPTION HARNESS**

| ITEM | PART NUMBER | QTY | DESCRIPTION                  | REV |
|------|-------------|-----|------------------------------|-----|
|      | 1001238199  | Ref | Work Lighting Option Harness | A   |
| 1    | 4460742     | 1   | Connector                    |     |
| 2    | 4460457     | 2   | Terminal                     |     |
| 3    | 4460789     | 2   | Seal                         |     |
| 4    | 4460742     | 1   | Connector                    |     |
| 5    | 4460457     | 2   | Terminal                     |     |
| 6    | 4460789     | 2   | Seal                         |     |
| 7    | 4461018     | 1   | Connector                    |     |
| 8    | 4460509     | 2   | Terminal                     |     |
| 9    | 8220904     | 1   | Connector                    |     |
| 10   | 4460419     | 6   | Terminal                     |     |
| 11   | 1001117026  | 1   | Connector                    |     |
| 12   | 1001116729  | 2   | Terminal                     |     |
| 13   | 8220081     | 2   | Seal                         |     |
| 14   | 4460742     | 1   | Connector                    |     |
| 15   | 4460457     | 2   | Terminal                     |     |
| 16   | 4460789     | 2   | Seal                         |     |
| 17   | 4460742     | 1   | Connector                    |     |
| 18   | 4460457     | 2   | Terminal                     |     |
| 19   | 4460457     | 2   | Seal                         |     |

**SECTION 10 - ELECTRICAL**

**FIGURE 10-41. RELAY PANEL INSTALLATION**



ART\_1001170233-F

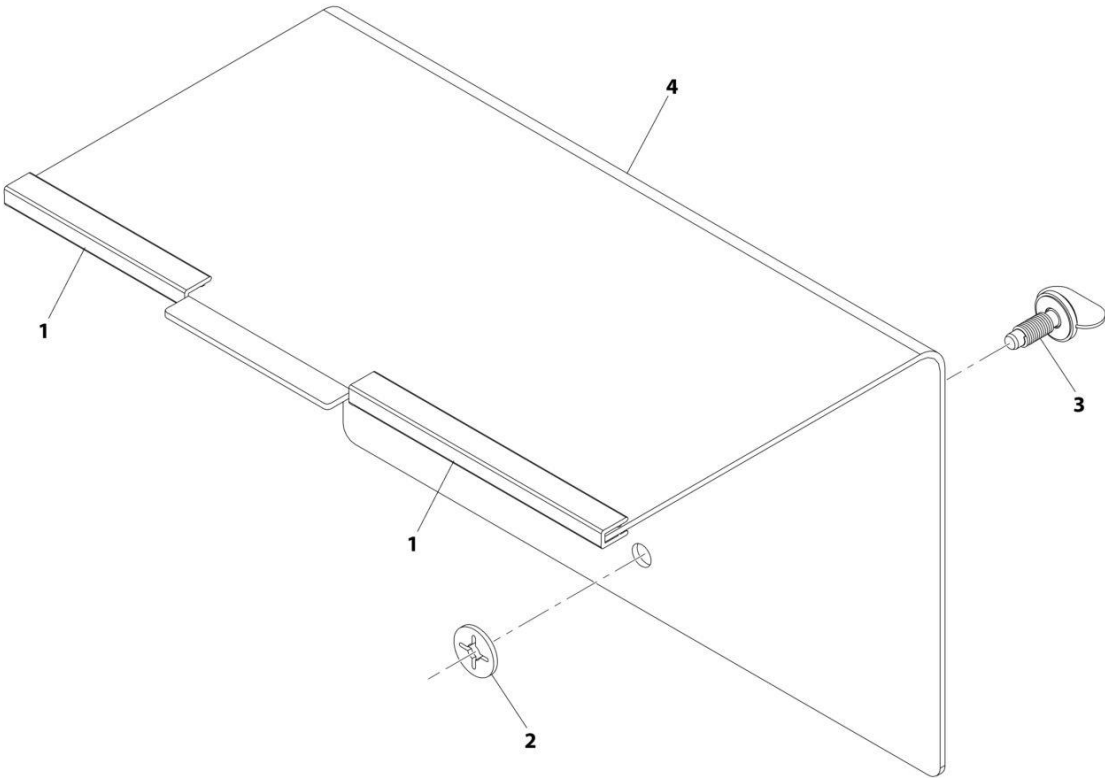
## SECTION 10 - ELECTRICAL

### FIGURE 10-41. RELAY PANEL INSTALLATION

| ITEM | PART NUMBER | QTY    | DESCRIPTION              | REV |
|------|-------------|--------|--------------------------|-----|
|      | 1001170233  | Ref    | Relay Panel Installation | F   |
| 1    | 0641415     | 2      | Bolt 1/4X1-7/8           |     |
| 2    | 4761400     | 2      | Washer 1/4               |     |
| 3    | 8303545     | 4      | Bolt M6X14               |     |
| 4    | 8307219     | 4      | Washer M6                |     |
| 5    | 90206196    | 257 mm | Trim, Vinyl Edge         |     |
| 6    | 1001186417  | 1      | Relay, 150 Amp           |     |
| 7    | 1001118245  | 1      | Fuse, 250 Amp            |     |
| 8    | 1001127699  | 1      | Fuse, Power Module       |     |
| 9    | 1001127700  | 1      | Holder, AMG Fuse         |     |
| 10   | 1001129615  | 1      | Bar, Buss Connector      |     |
| 11   | 1001184316  | 1      | Relay, Power Module      |     |
| 12   | 1001170230  | 1      | Bracket, Relay Mount     |     |

**SECTION 10 - ELECTRICAL**

**FIGURE 10-42. RELAY PANEL COVER ASSEMBLY**



ART\_1001170234-B

## SECTION 10 - ELECTRICAL

### FIGURE 10-42. RELAY PANEL COVER ASSEMBLY

| ITEM | PART NUMBER | QTY    | DESCRIPTION                        | REV |
|------|-------------|--------|------------------------------------|-----|
|      | 1001170234  | Ref    | Relay Panel Cover Assembly         | B   |
| 1    | 90206196    | 220 mm | Trim, Vinyl Edge                   |     |
| 2    | 1001135770  | 1      | Washer, Push-On Retainer           |     |
| 3    | 1001135777  | 1      | Screw, Fastener Assembly Wing Head |     |
| 4    | 1001170235  | 1      | Cover, Relay Panel                 |     |



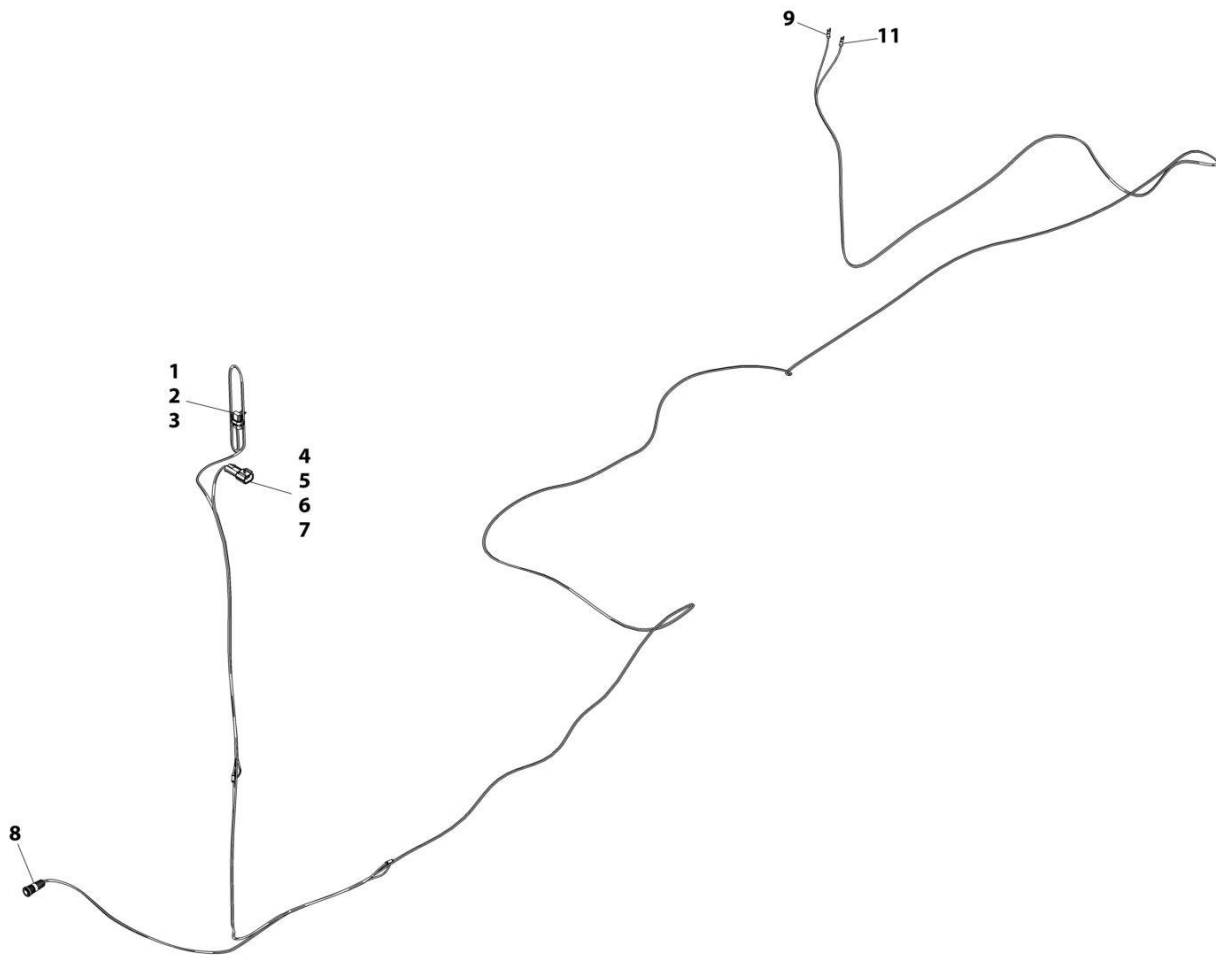
## SECTION 10 - ELECTRICAL

**FIGURE 10-43. REVERSE SENSOR INSTALLATION**

| ITEM | PART NUMBER | QTY | DESCRIPTION  | REV |
|------|-------------|-----|--|-----|
|      | 1001189871  | Ref | REVERSE SENSOR INSTALLATION                                      | B   |
| 1    | 0140011     | 1   | Audible, Signal Device   |     |
| 2    | 0641410     | 4   | Bolt 1/4 x 1   |     |
| 3    | 0641620     | 2   | Bolt 3/8 x 2   |     |
| 4    | 3931012     | 4   | Capscrew #10 x 3/4   |     |
| 5    | 4711400     | 8   | Washer 1/4   |     |
| 6    | 8305004     | 5   | Nut 1/4  |     |
| 7    | 8307002     | 1   | Washer 1/4   |     |
| 8    | 8307005     | 2   | Washer 3/8   |     |
| 9    | 8584001     | AR  | Wrap, Tie 3/16   |     |
| 10   | 1001004720  | 3   | Strap, Cable   |     |
| 11   | 1001154375  | 1   | Bracket  |     |
| 12   | 1001247421  | 1   | Control, Reverse Sensor  |     |
| 13   | 1001189886  | 1   | Harness, Reverse Sensor (See Separate Breakdown in this Section) |     |
| 14   | 1001204692  | 3   | Bracket  |     |

# SECTION 10 - ELECTRICAL

## FIGURE 10-44. REVERSE SENSOR HARNESS



ART\_1001189886-B



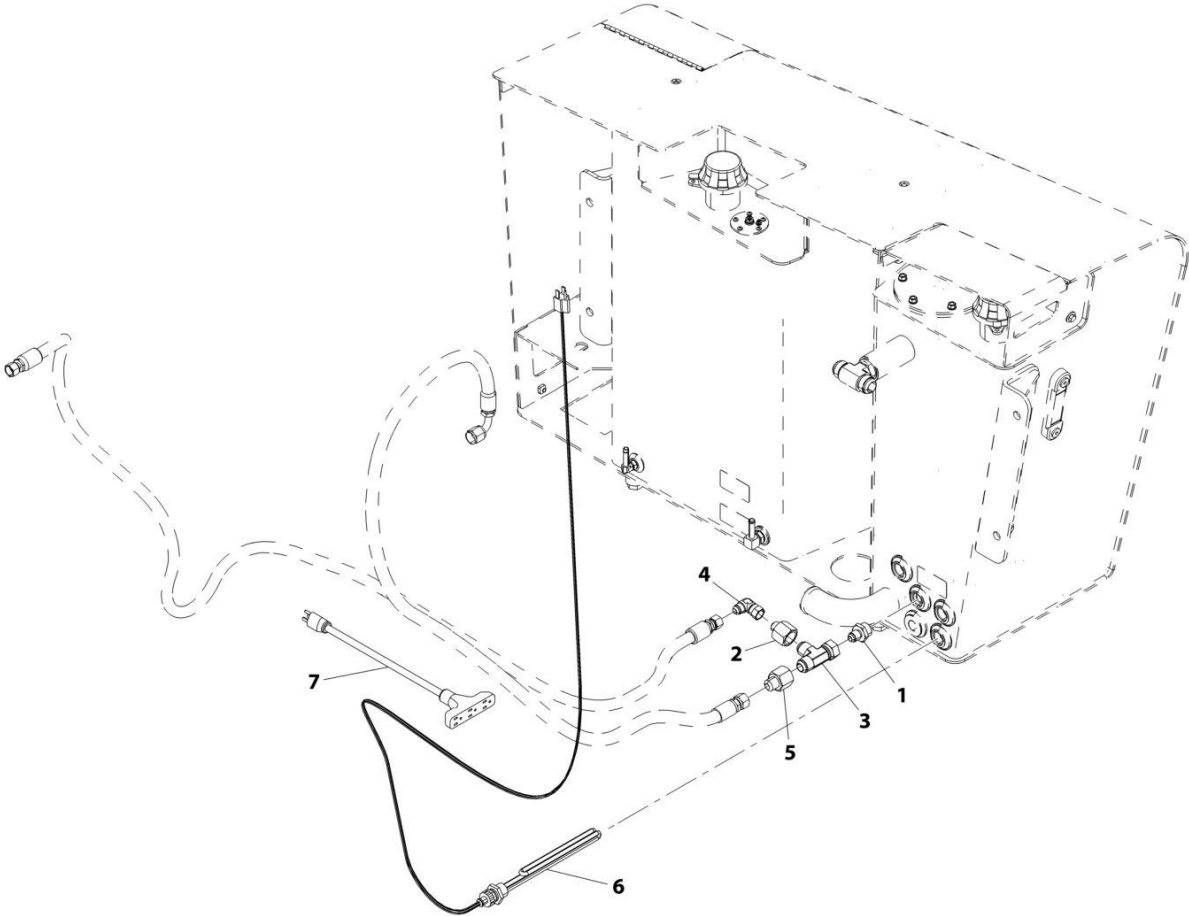
## SECTION 10 - ELECTRICAL

### FIGURE 10-44. REVERSE SENSOR HARNESS

| ITEM | PART NUMBER | QTY | DESCRIPTION            | REV |
|------|-------------|-----|------------------------|-----|
|      | 1001189886  | Ref | Reverse Sensor Harness | B   |
| 1    | 1001117021  | 1   | Connector              |     |
| 2    | 1001116728  | 2   | Terminal               |     |
| 3    | 4460458     | 2   | Seal                   |     |
| 4    | 1001117026  | 1   | Connector              |     |
| 5    | 8220890     | 1   | Lock, Secondary        |     |
| 6    | 1001116745  | 2   | Terminal               |     |
| 7    | 4460458     | 2   | Seal                   |     |
| 8    | 1001175733  | 1   | Connector              |     |
| 9    | 4460183     | 1   | Fork Terminal          |     |
| 11   | 4460183     | 1   | Fork Terminal          |     |

**SECTION 10 - ELECTRICAL**

**FIGURE 10-45. TANK (HYDRAULIC) HEATER INSTALLATION**



ART\_1001234098-A

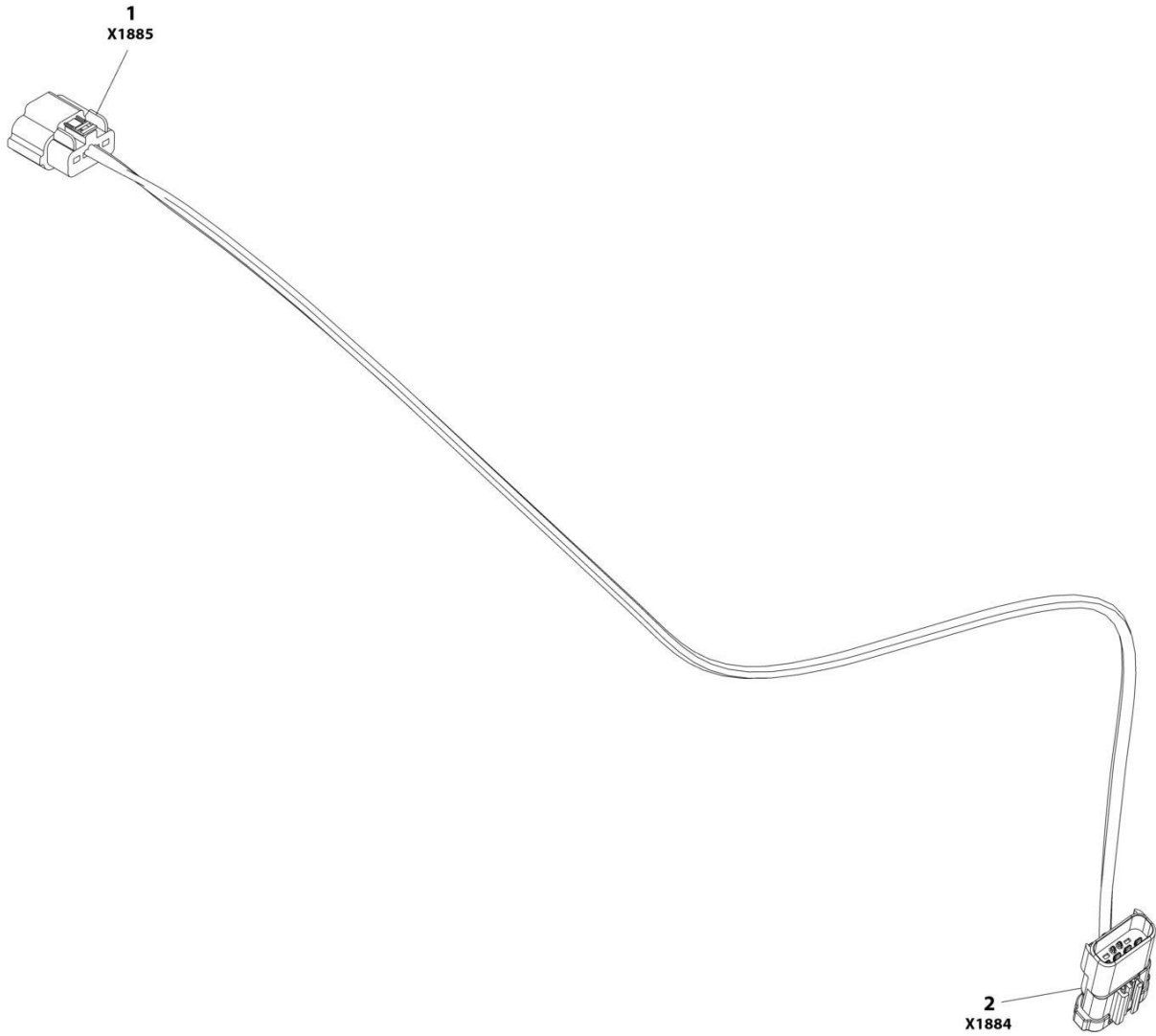
## SECTION 10 - ELECTRICAL

### FIGURE 10-45. TANK (HYDRAULIC) HEATER INSTALLATION

| ITEM | PART NUMBER | QTY | DESCRIPTION                        | REV |
|------|-------------|-----|------------------------------------|-----|
|      | 1001234098  | Ref | Hydraulic Tank Heater Installation | A   |
| 1    | 2220451     | 1   | Connector                          |     |
| 2    | 2220622     | 1   | Reducer                            |     |
| 3    | 2220700     | 1   | Tee Fitting                        |     |
| 4    | 8765204     | 1   | Elbow                              |     |
| 5    | 1001094696  | 1   | Adapter                            |     |
| 6    | 1001105886  | 1   | Immersion Heater                   |     |
| 7    | 1060626     | 1   | 3 Way Plug                         |     |

# SECTION 10 - ELECTRICAL

## FIGURE 10-46. TBAP HARNESS



ART\_1001184835

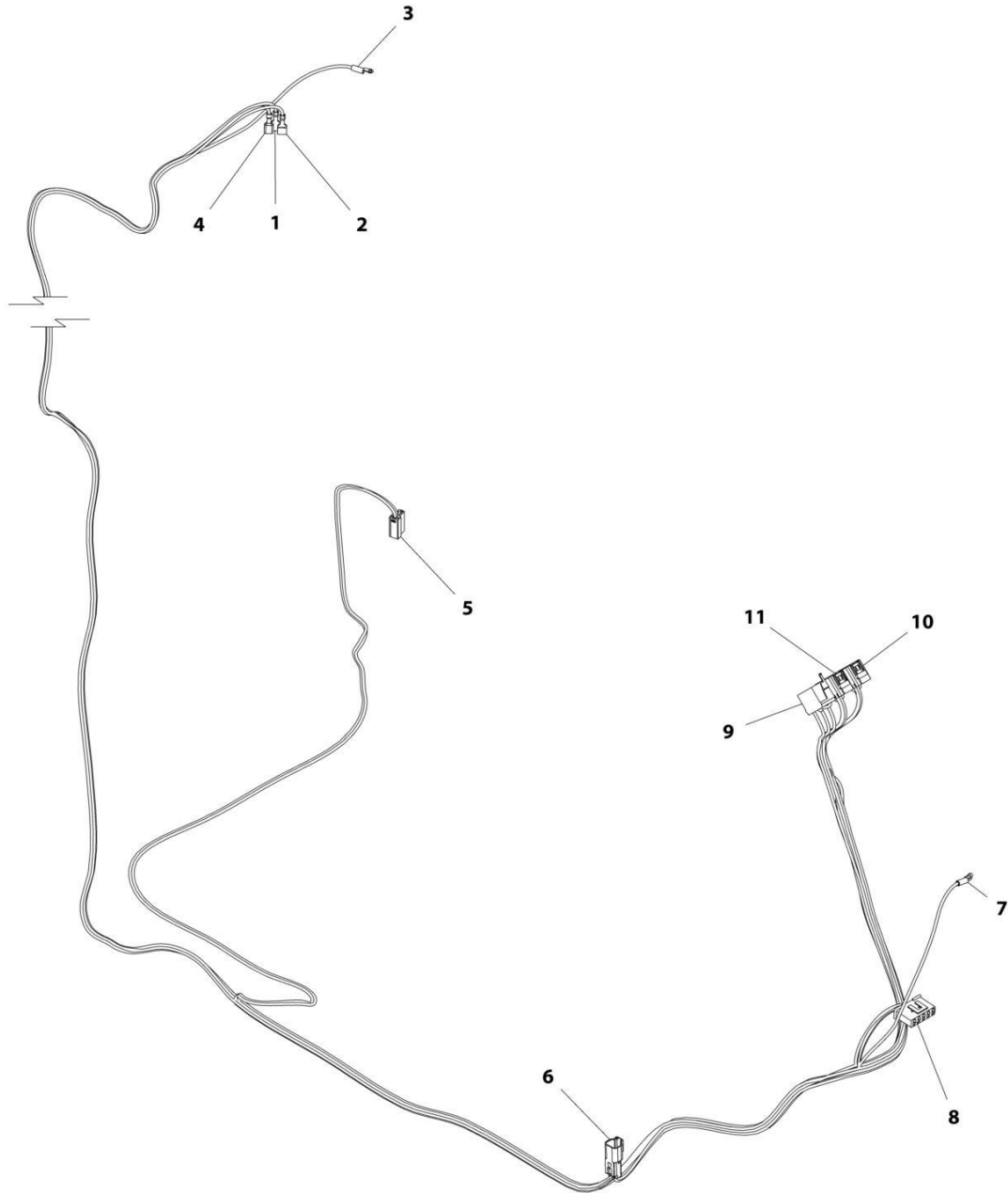
# SECTION 10 - ELECTRICAL

## FIGURE 10-46. TBAP HARNESS

| ITEM | PART NUMBER | QTY | DESCRIPTION  | REV |
|------|-------------|-----|--------------|-----|
| 1    | 1001184835  | Ref | TBAP Harness | C   |
|      | 10011184495 | 1   | Connector    |     |
|      | 1001260509  | 4   | Terminal     |     |
|      | 1001184496  | 4   | Seal         |     |
| 2    | 1001184491  | 1   | Connector    |     |
|      | 1001184493  | 4   | Terminal     |     |

# SECTION 10 - ELECTRICAL

## FIGURE 10-47. WIPER HARNESS



ART\_1001178349-D

## SECTION 10 - ELECTRICAL

### FIGURE 10-47. WIPER HARNESS

| ITEM | PART NUMBER | QTY | DESCRIPTION       | REV |
|------|-------------|-----|-------------------|-----|
|      | 1001178349  | Ref | Wiper Harness     | D   |
| 1    | 8220051     | 1   | Terminal          |     |
| 2    | 8220051     | 1   | Terminal          |     |
| 3    | 8220035     | 1   | Terminal, Ring    |     |
| 4    | 8220051     | 1   | Terminal          |     |
| 5    | 4460994     | 1   | Housing, Terminal |     |
|      | 1001169816  | 2   | Terminal          |     |
| 6    | 4460897     | 1   | Connector         |     |
|      | 80604017    | 1   | Lock, Wedge       |     |
|      | 4460464     | 2   | Terminal          |     |
| 7    | 8220007     | 1   | Terminal, Ring    |     |
| 8    | 1001127066  | 1   | Connector         |     |
|      | 1001116720  | 3   | Terminal          |     |
| 9    | 8220904     | 1   | Connector         |     |
|      | 4460419     | 5   | Terminal          |     |
| 10   | 1001117081  | 1   | Connector         |     |
|      | 4460419     | 9   | Terminal          |     |
| 11   | 1001117081  | 1   | Connector         |     |
|      | 4460419     | 9   | Terminal          |     |

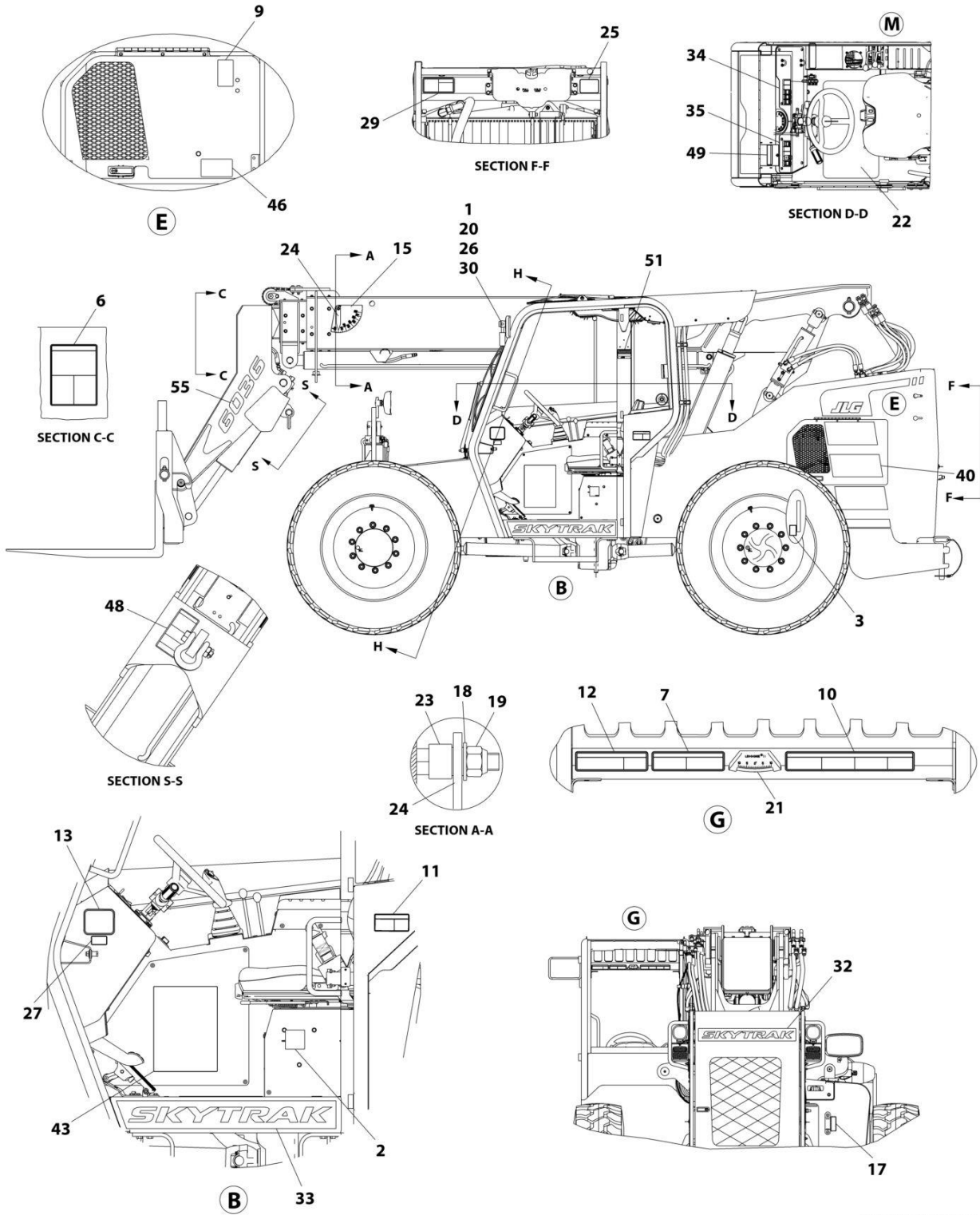




**SECTION 11 - DECALS**

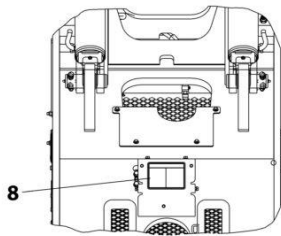
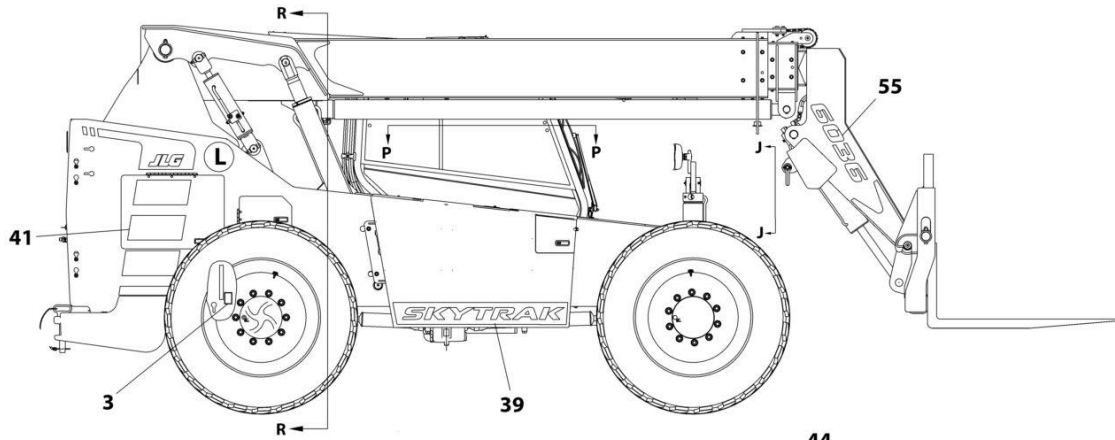
# SECTION 11 - DECALS

FIGURE 11-1. DECAL INSTALLATION - 74HP (ANSI) (6036)

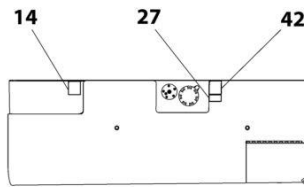


ART\_1001202755\_10F2

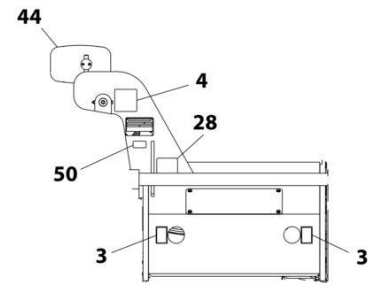
# SECTION 11 - DECALS



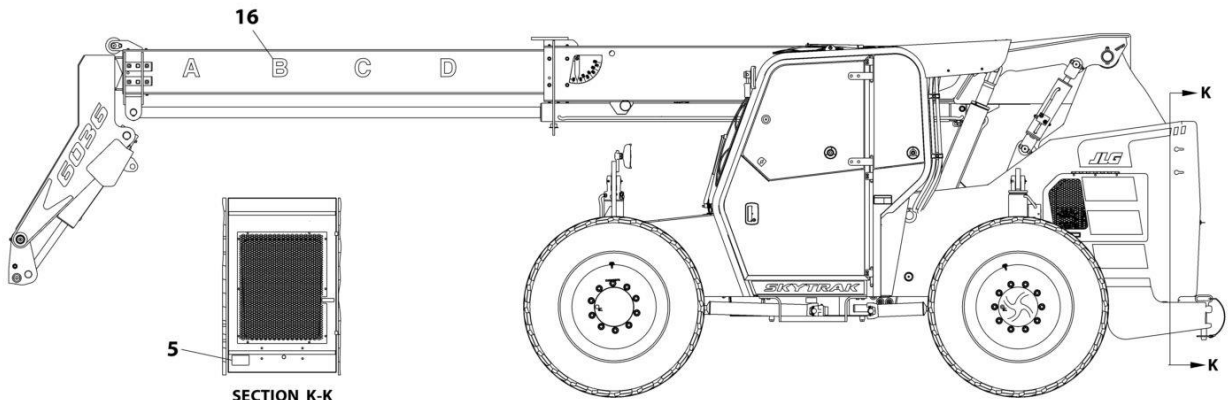
SECTION R-R



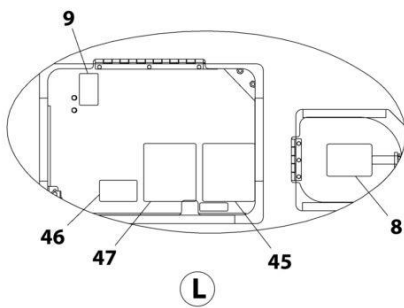
SECTION P-P



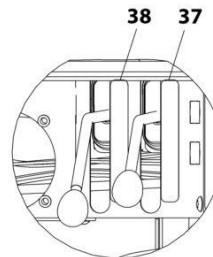
VIEW J



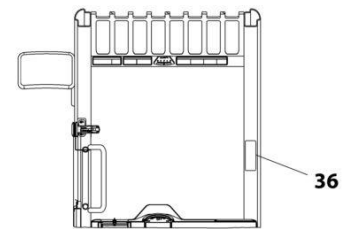
SECTION K-K



L



M



SECTION H-H

ART\_1001202755\_20F2

# SECTION 11 - DECALS

FIGURE 11-1. DECAL INSTALLATION - 74HP (ANSI) (6036)

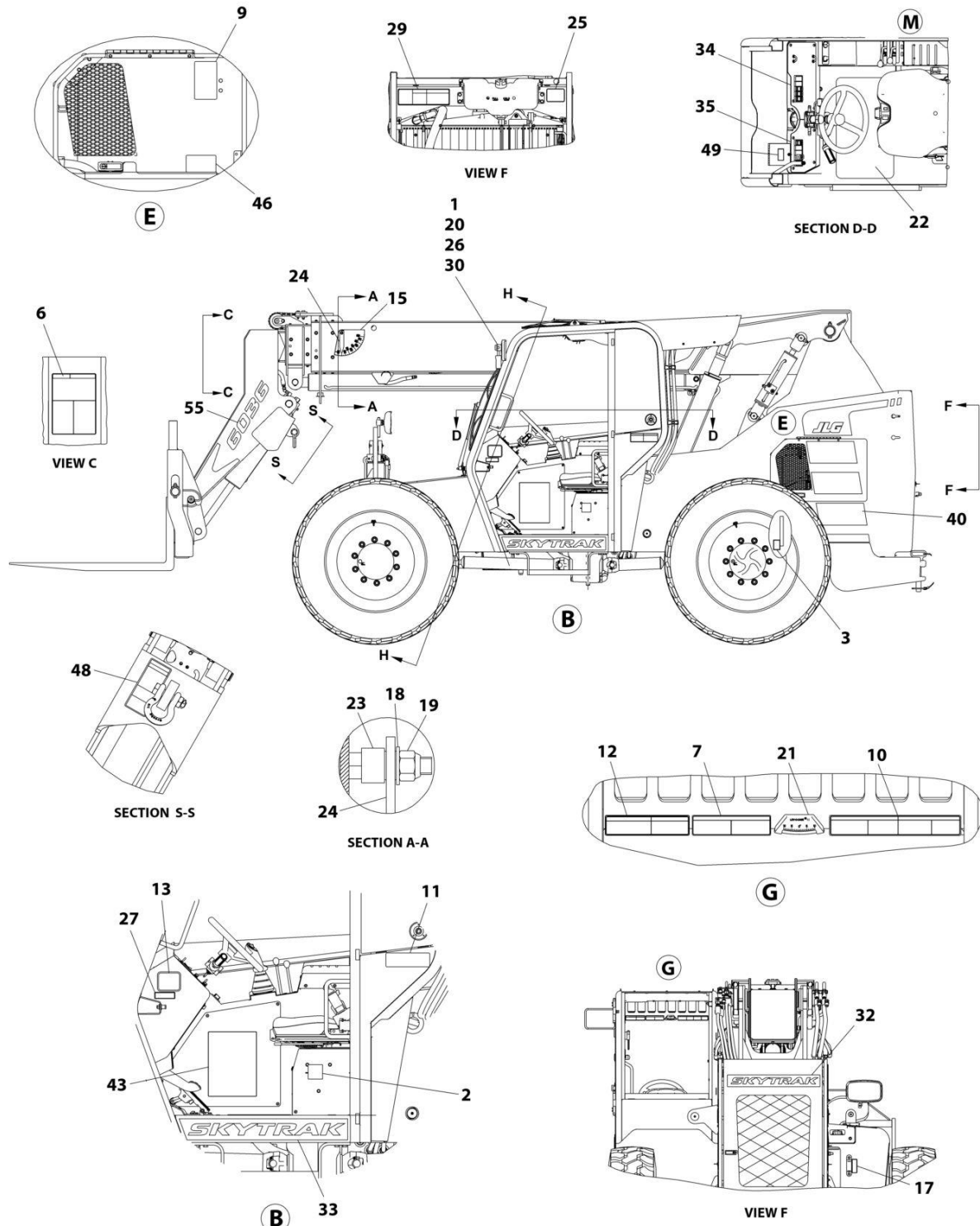
| ITEM | PART NUMBER | QTY | DESCRIPTION                                 | REV |
|------|-------------|-----|---|-----|
|      | 1001202755  | Ref | DECAL INSTALLATION, 74HP (ANSI)             | L   |
| 1    | 0700610     | 2   | Bolt M6 x 20                                |     |
| 2    | 1701640     | 1   | Decal, Manual                               |     |
| 3    | 1702300     | 4   | Decal, Tie Down                             |     |
| 4    | 1702631     | 1   | Decal, Bar Code                             |     |
| 5    | 1706296     | 1   | Decal, Battery Hazard                       |     |
| 6    | 1706298     | 1   | Decal, Carry Personnel                      |     |
| 7    | 1706299     | 1   | Decal, Contacting Power Lines Warning       |     |
| 8    | 1706300     | 2   | Decal, Ether Starting Warning               |     |
| 9    | 1706301     | 2   | Decal, Keep Clear of Rotating Parts Warning |     |
| 10   | 1706306     | 1   | Decal, Tip Over Warning                     |     |
| 11   | 1706768     | 1   | Decal, No Riders                            |     |
| 12   | 1706850     | 1   | Decal, Crush Hazard Warning                 |     |
| 13   | 3251813     | 1   | Decal, USA                                  |     |
| 14   | 4100181     | 1   | Decal, Hydraulic Oil Fill                   |     |
| 15   | 4105262     | 1   | Decal, Boom Angle Indicator                 |     |
| 16   | 4107442     | 1   | Decal, Boom Extend Letters                  |     |
| 17   | 4108302     | 1   | Decal, Hydraulic Oil Level                  |     |
| 18   | 4711600     | 1   | Washer 3/8                                  |     |
| 19   | 8305645     | 1   | Nut 3/8                                     |     |
| 20   | 8307024     | 2   | Washer M6                                   |     |
| 21   | 8466306     | 1   | Gage, Tilt Angle                            |     |
| 22   | 10139087    | 1   | Tread, Safety                               |     |
| 23   | 1001096404  | 1   | Sleeve, Angle Indicator Spacer              |     |
| 24   | 1001098769  | 1   | Plate, Boom Angle Indicator                 |     |
| 25   | 1001109053  | 1   | Decal, Coolant Fill                         |     |
| 26   | 1001114675  | 1   | Arm, Mirror                                 |     |
| 27   | 1001125387  | 2   | Decal, Ultra Low Sulfur Fuel                |     |
| 28   | 1001131271  | 1   | Decal, Telehandlers Patent                  |     |
| 29   | 1001139578  | 1   | Decal, Hot Fluid Warning                    |     |
| 30   | 1001148177  | 1   | Mirror, Rectangular                         |     |
| 32   | 1001259303  | 1   | Decal, Tank Side                            |     |
| 33   | 1001259302  | 1   | Decal, Cab Side                             |     |
| 34   | 1001158272  | 1   | Decal, RH Overlay                           |     |
| 35   | 1001158319  | 1   | Decal, LH Overlay                           |     |
| 36   | 1001162734  | 1   | Decal, Joystick Control                     |     |
| 37   | 1001162735  | 1   | Decal, Sway Control                         |     |
| 38   | 1001162736  | 1   | Decal, Auxiliary Control                    |     |
| 39   | 1001263821  | 1   | Decal, Rear Door                            |     |
| 40   | 1001263819  | 1   | Decal, Right Side Stripe                    |     |
| 41   | 1001263820  | 1   | Decal, Left Side Stripe                     |     |
| 42   | 1001189017  | 1   | Decal, Diesel Fuel Fill                     |     |
| 43   | 1001189327  | 1   | Decal, Main Fuse Panel                      |     |
| 44   | 1001191635  | 1   | Mirror Assembly, RH                         |     |
| 45   | 1001191992  | 1   | Decal, Lubrication Chart                    |     |
| 46   | 1001202626  | 2   | Decal, 74HP                                 |     |
| 47   | 1001202627  | 1   | Decal, Maintenance Chart                    |     |
| 48   | 1001207217  | 1   | Decal, Danger Swinging Load                 |     |
| 49   | 1001218659  | 1   | Decal, Brake Fluid                          |     |
| 50   | 1001223453  | 1   | Decal, ICES (CAN)                           |     |

## SECTION 11 - DECALS

| ITEM | PART NUMBER | QTY | DESCRIPTION                   | REV |
|------|-------------|-----|-------------------------------|-----|
| 51   | 1001231801  | 1   | Decal, Warning Prop 65 Diesel |     |
| 55   | 1001263593  | 2   | Decal, Model Boom Head        |     |

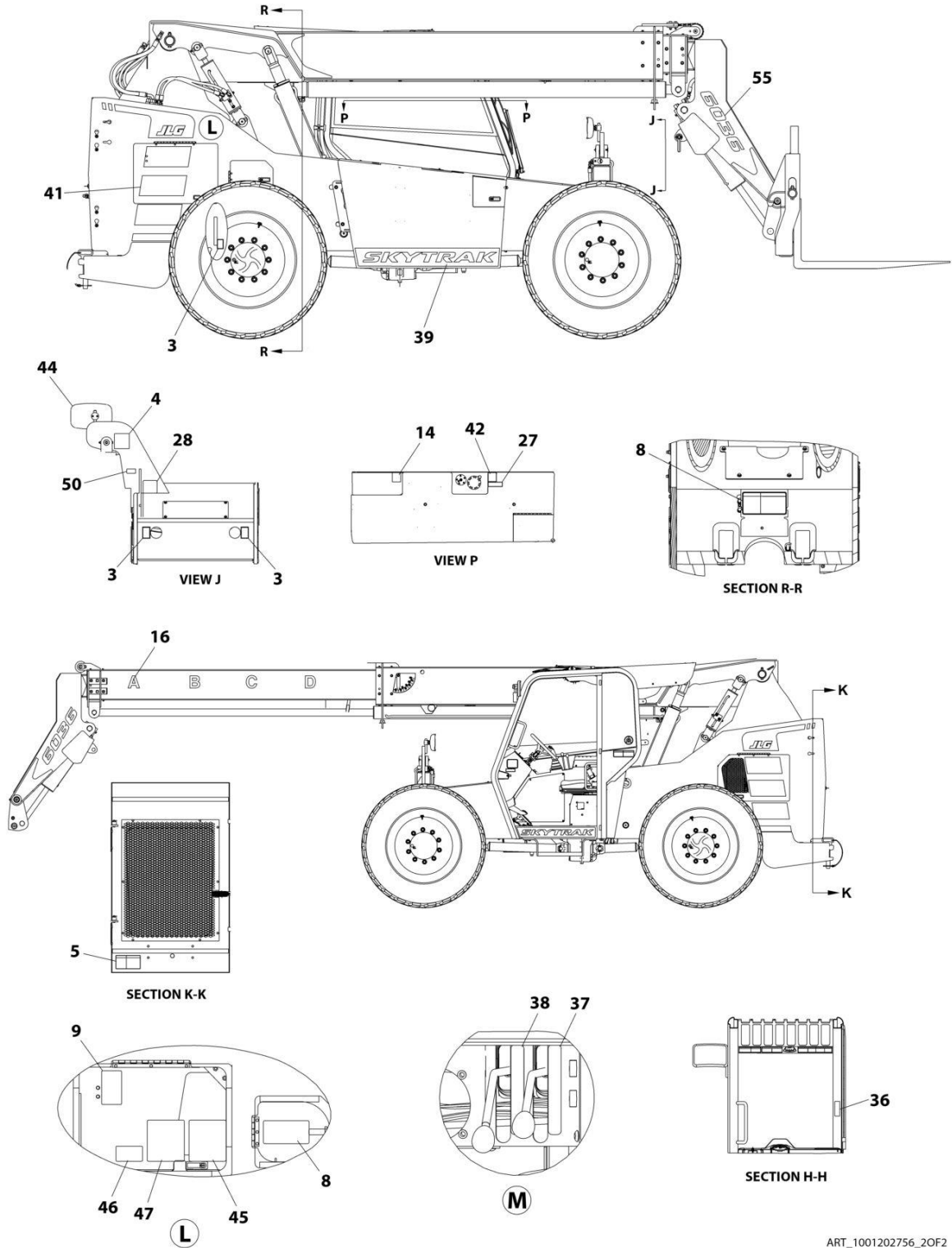
# SECTION 11 - DECALS

FIGURE 11-2. DECAL INSTALLATION - 74HP (ENGLISH/FRENCH) (6036)



ART\_1001202756\_10F2

# SECTION 11 - DECALS



ART\_1001202756\_20F2

# SECTION 11 - DECALS

**FIGURE 11-2. DECAL INSTALLATION - 74HP (ENGLISH/FRENCH) (6036)**

| ITEM | PART NUMBER | QTY | DESCRIPTION                               | REV |
|------|-------------|-----|---|-----|
|      | 1001202756  | Ref | DECAL INSTALLATION, 74HP (ENGLISH/FRENCH) | K   |
| 1    | 0700610     | 2   | Bolt M6 x 20                              |     |
| 2    | 1701640     | 1   | Decal, Manual                             |     |
| 3    | 1702300     | 4   | Decal, Tie Down                           |     |
| 4    | 1702631     | 1   | Decal, Bar Code                           |     |
| 5    | 1001163174  | 1   | Decal, Battery Warning                    |     |
| 6    | 1001163206  | 1   | Decal, Carry Personnel                    |     |
| 7    | 1001163210  | 1   | Decal, Electrocution Hazard               |     |
| 8    | 1001163212  | 2   | Decal, No Ether Warning                   |     |
| 9    | 1001163222  | 2   | Decal, Moving Parts                       |     |
| 10   | 1001163285  | 1   | Decal, Tip Over Warning                   |     |
| 11   | 1001163300  | 1   | Decal, No Riders                          |     |
| 12   | 1001163304  | 1   | Decal, Crush Hazard Warning               |     |
| 13   | 3251813     | 1   | Decal, USA                                |     |
| 14   | 4100181     | 1   | Decal, Hydraulic Oil Fill                 |     |
| 15   | 4105262     | 1   | Decal, Boom Angle Indicator               |     |
| 16   | 4107442     | 1   | Decal, Boom Extend Letters                |     |
| 17   | 4108302     | 1   | Decal, Hydraulic Oil Level                |     |
| 18   | 4711600     | 1   | Washer 3/8                                |     |
| 19   | 8305645     | 1   | Nut 3/8                                   |     |
| 20   | 8307024     | 2   | Washer M6                                 |     |
| 21   | 8466306     | 1   | Gage, Tilt Angle                          |     |
| 22   | 10139087    | 1   | Tread, Safety                             |     |
| 23   | 1001096404  | 1   | Sleeve, Angle Indicator Spacer            |     |
| 24   | 1001098769  | 1   | Plate, Boom Angle Indicator               |     |
| 25   | 1001109053  | 1   | Decal, Coolant Fill                       |     |
| 26   | 1001114675  | 1   | Arm, Mirror                               |     |
| 27   | 1001163355  | 2   | Decal, Ultra Low Sulfur Diesel            |     |
| 28   | 1001131271  | 1   | Decal, Telehandlers Patent                |     |
| 29   | 1001163323  | 1   | Decal, Hot Fluid Warning                  |     |
| 30   | 1001148177  | 1   | Mirror, Rectangular                       |     |
| 32   | 1001259303  | 1   | Decal, Tank Side                          |     |
| 33   | 1001259302  | 1   | Decal, Cab Side                           |     |
| 34   | 1001180175  | 1   | Decal, RH Overlay                         |     |
| 35   | 1001180176  | 1   | Decal, LH Overlay                         |     |
| 36   | 1001162734  | 1   | Decal, Joystick Control                   |     |
| 37   | 1001162735  | 1   | Decal, Sway Control                       |     |
| 38   | 1001162736  | 1   | Decal, Auxiliary Control                  |     |
| 39   | 1001263821  | 1   | Decal, Rear Door                          |     |
| 40   | 1001263819  | 1   | Decal, Right Side Stripe                  |     |
| 41   | 1001263820  | 1   | Decal, Left Side Stripe                   |     |
| 42   | 1001189017  | 1   | Decal, Diesel Fuel Fill                   |     |
| 43   | 1001189327  | 1   | Decal, Main Fuse Panel                    |     |
| 44   | 1001191635  | 1   | Mirror Assembly, RH                       |     |
| 45   | 1001191992  | 1   | Decal, Lubrication Chart                  |     |
| 46   | 1001202626  | 2   | Decal, 74HP                               |     |
| 47   | 1001202627  | 1   | Decal, Maintenance Chart                  |     |
| 48   | 1001211278  | 1   | Decal, Swinging Load Decal KIT (CAN)      |     |
| 49   | 1001219211  | 1   | Decal, Brake Fluid                        |     |
| 50   | 1001223453  | 1   | Decal, ICES (CAN)                         |     |

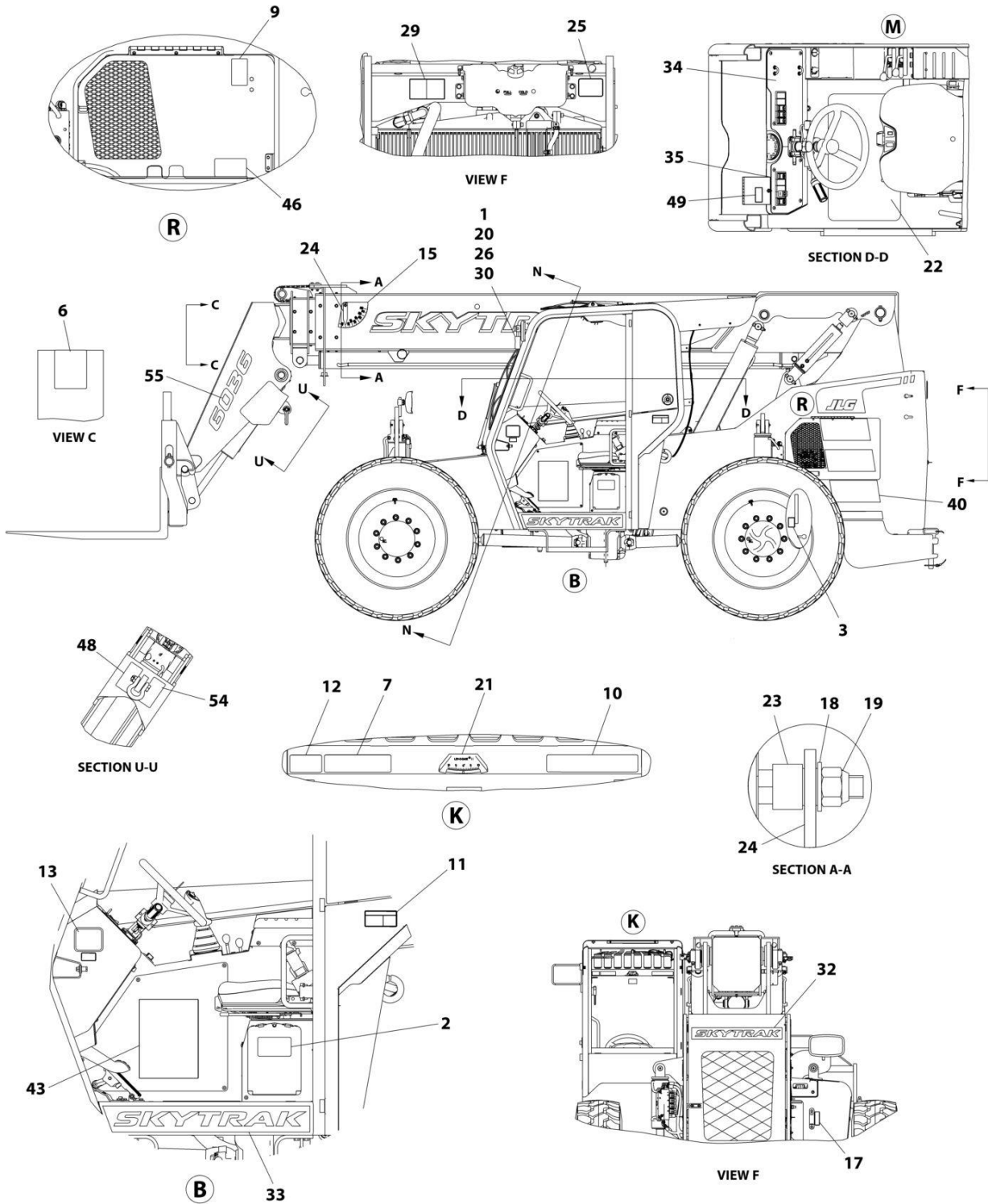


## SECTION 11 - DECALS

| ITEM | PART NUMBER | QTY | DESCRIPTION            | REV |
|------|-------------|-----|------------------------|-----|
| 55   | 1001263593  | 2   | Decal, Model Boom Head |     |

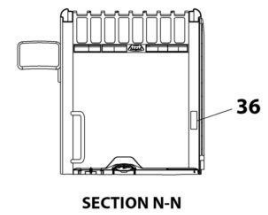
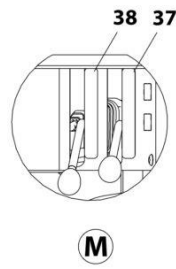
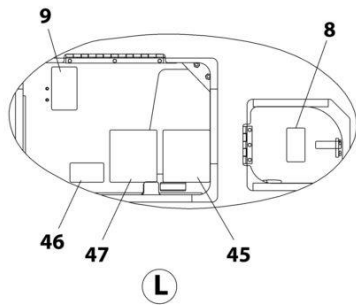
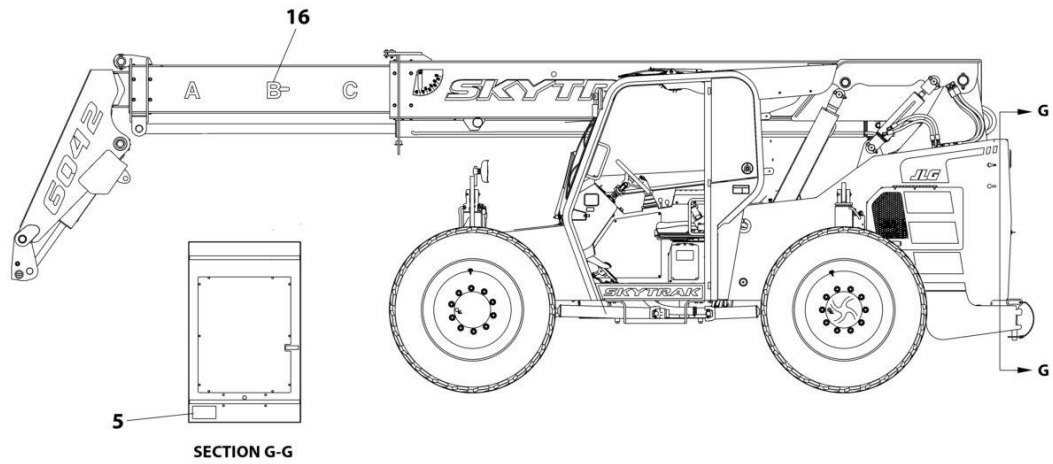
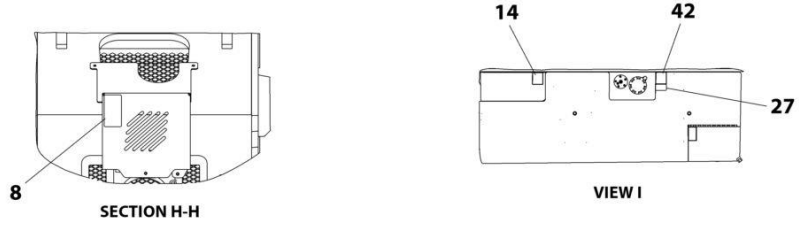
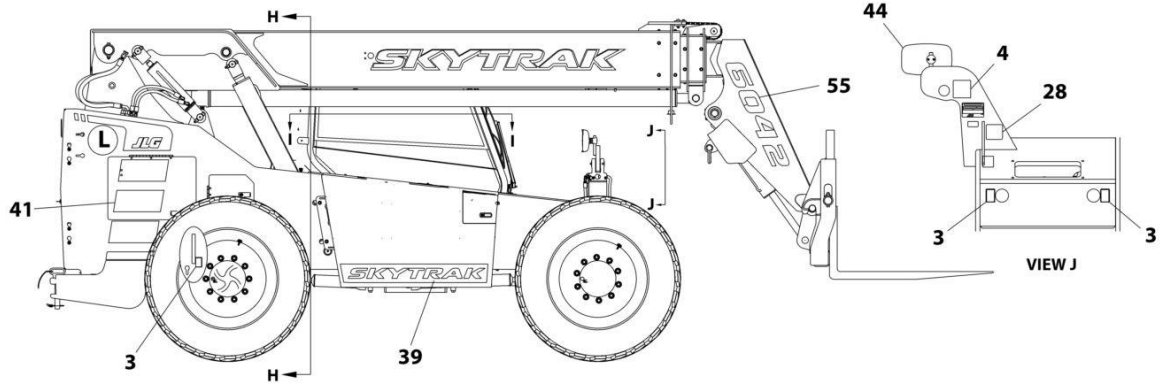
# SECTION 11 - DECALS

## FIGURE 11-3. DECAL INSTALLATION - 74HP (ENGLISH/SPANISH) (6036)



ART\_1001242914\_10F2

# SECTION 11 - DECALS



ART\_1001242914\_20F2

# SECTION 11 - DECALS

**FIGURE 11-3. DECAL INSTALLATION - 74HP (ENGLISH/SPANISH) (6036)**

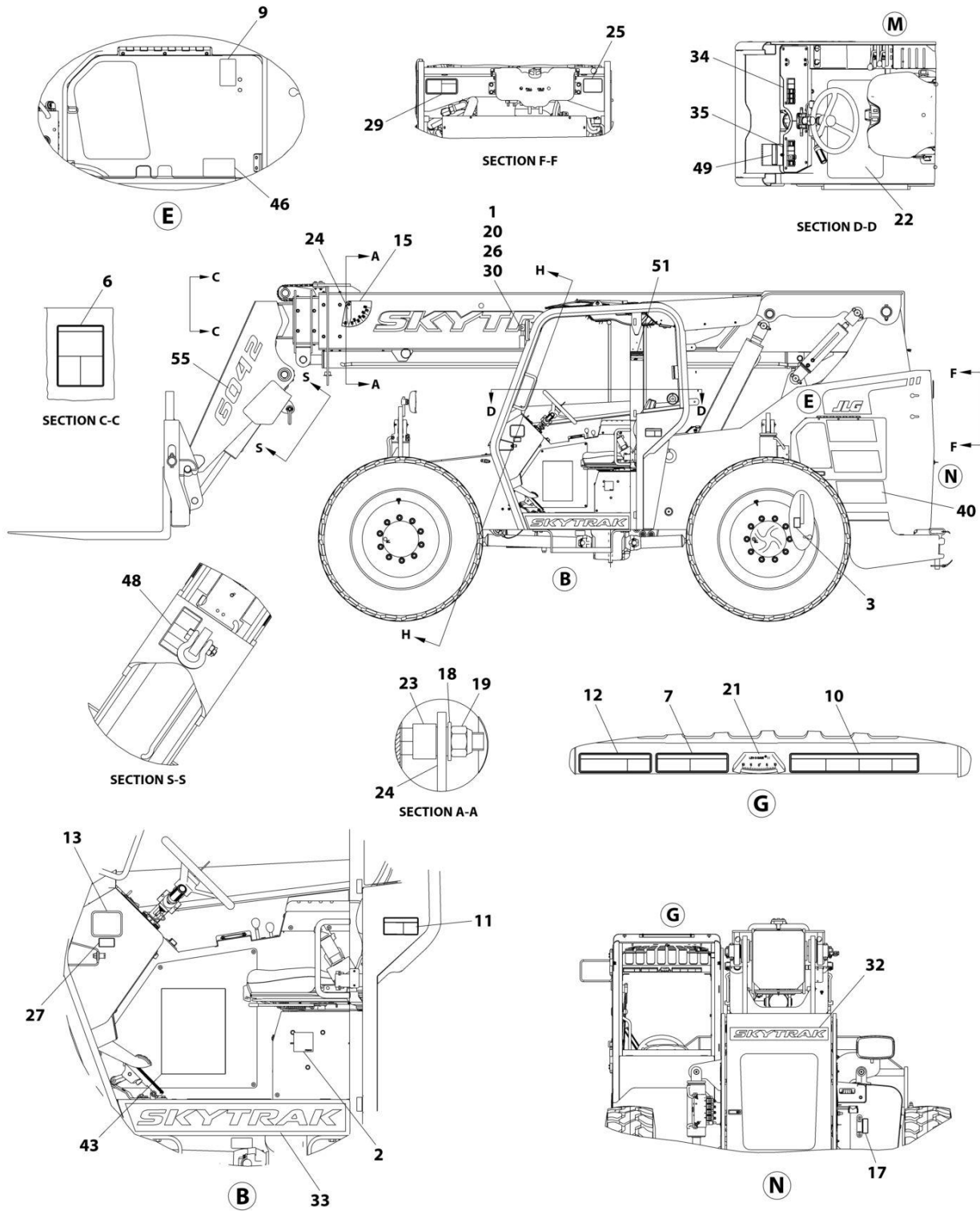
| ITEM | PART NUMBER | QTY | DESCRIPTION                           | REV |
|------|-------------|-----|---------------------------------------|-----|
|      | 1001242914  | Ref | DECAL INSTALLATION (ENGLISH/SPANISH)  | F   |
| 1    | 0700610     | 2   | Bolt M6 x 20                          |     |
| 2    | 1701640     | 1   | Decal, Manual                         |     |
| 3    | 1702300     | 4   | Decal, Tie Down                       |     |
| 4    | 1702631     | 1   | Decal, Bar Code                       |     |
| 5    | 1001235794  | 1   | Decal, Battery Warning                |     |
| 6    | 1001235796  | 1   | Decal, Carry Personnel                |     |
| 7    | 1001235797  | 1   | Decal, Electrocution Hazard           |     |
| 8    | 1001235798  | 2   | Decal, Ether Starting Warning         |     |
| 9    | 1001235799  | 2   | Decal, Moving Parts                   |     |
| 10   | 1001235801  | 1   | Decal, Tip Over Warning               |     |
| 11   | 1001235802  | 1   | Decal, No Riders                      |     |
| 12   | 1001235803  | 1   | Decal, Crush Hazard Warning           |     |
| 13   | 3251813     | 1   | Decal, USA                            |     |
| 14   | 4100181     | 1   | Decal, Hydraulic Oil Fill             |     |
| 15   | 4105262     | 1   | Decal, Boom Angle Indicator           |     |
| 16   | 4107442     | 1   | Decal, Boom Extend Letters            |     |
| 17   | 4108302     | 1   | Decal, Hydraulic Oil Level            |     |
| 18   | 4711600     | 1   | Washer 3/8                            |     |
| 19   | 8305645     | 1   | Nut 3/8                               |     |
| 20   | 8307024     | 2   | Washer M6                             |     |
| 21   | 8466306     | 1   | Gage, Tilt Angle                      |     |
| 22   | 10139087    | 1   | Tread, Safety                         |     |
| 23   | 1001096404  | 1   | Sleeve, Angle Indicator Spacer        |     |
| 24   | 1001098769  | 1   | Plate, Boom Angle Indicator           |     |
| 25   | 1001109053  | 1   | Decal, Coolant Fill                   |     |
| 26   | 1001114675  | 1   | Arm, Mirror                           |     |
| 27   | 1001235804  | 2   | Decal, Ultra Low Sulfur Diesel (SPAN) |     |
| 28   | 1001131271  | 1   | Decal, Telehandlers Patent            |     |
| 29   | 1001235805  | 1   | Decal, Hot Fluid Warning              |     |
| 30   | 1001148177  | 1   | Mirror, Rectangular                   |     |
| 32   | 1001259303  | 1   | Decal, Tank Side                      |     |
| 33   | 1001259302  | 1   | Decal, Cab Side                       |     |
| 34   | 1001242172  | 1   | Decal, RH Overlay                     |     |
| 35   | 1001242173  | 1   | Decal, LH Overlay                     |     |
| 36   | 1001162734  | 1   | Decal, Joystick Control               |     |
| 37   | 1001162735  | 1   | Decal, Sway Control                   |     |
| 38   | 1001162736  | 1   | Decal, Auxiliary Control              |     |
| 39   | 1001263821  | 1   | Decal, Rear Door                      |     |
| 40   | 1001263819  | 1   | Decal, Right Side Stripe              |     |
| 41   | 1001263820  | 1   | Decal, Left Side Stripe               |     |
| 42   | 1001189017  | 1   | Decal, Diesel Fuel Fill               |     |
| 43   | 1001189327  | 1   | Decal, Main Fuse Panel                |     |
| 44   | 1001191635  | 1   | Mirror, RH                            |     |
| 45   | 1001191992  | 1   | Decal, Lubrication Chart              |     |
| 46   | 1001236313  | 2   | Decal, MCO 74HP                       |     |
| 47   | 1001202627  | 1   | Decal, Maintenance Chart (74HP)       |     |
| 48   | 1001246078  | 1   | Decal, Danger Swinging Load           |     |
| 49   | 1001219211  | 1   | Decal, Brake Fluid                    |     |
| 54   | 1001242179  | 1   | Decal, Danger Swinging Load           |     |

## SECTION 11 - DECALS

| ITEM | PART NUMBER | QTY | DESCRIPTION            | REV |
|------|-------------|-----|------------------------|-----|
| 55   | 1001263593  | 2   | Decal, Model Boom Head |     |

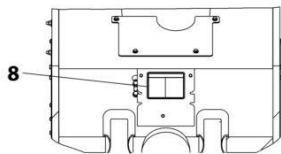
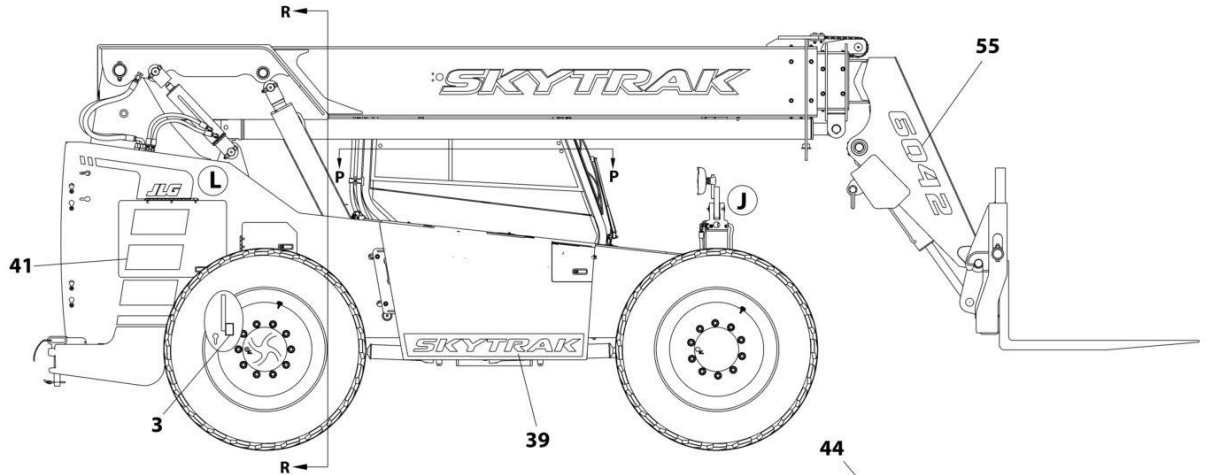
# SECTION 11 - DECALS

FIGURE 11-4. DECAL INSTALLATION - 74HP (ANSI) (6042)

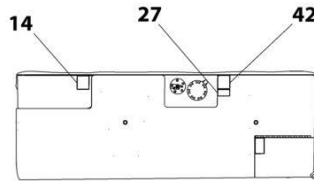


ART\_1001202757\_10F2

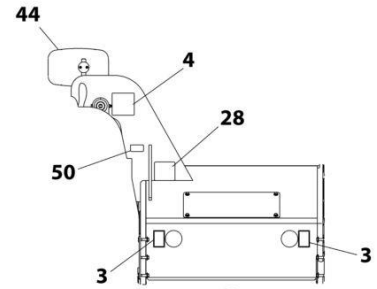
# SECTION 11 - DECALS



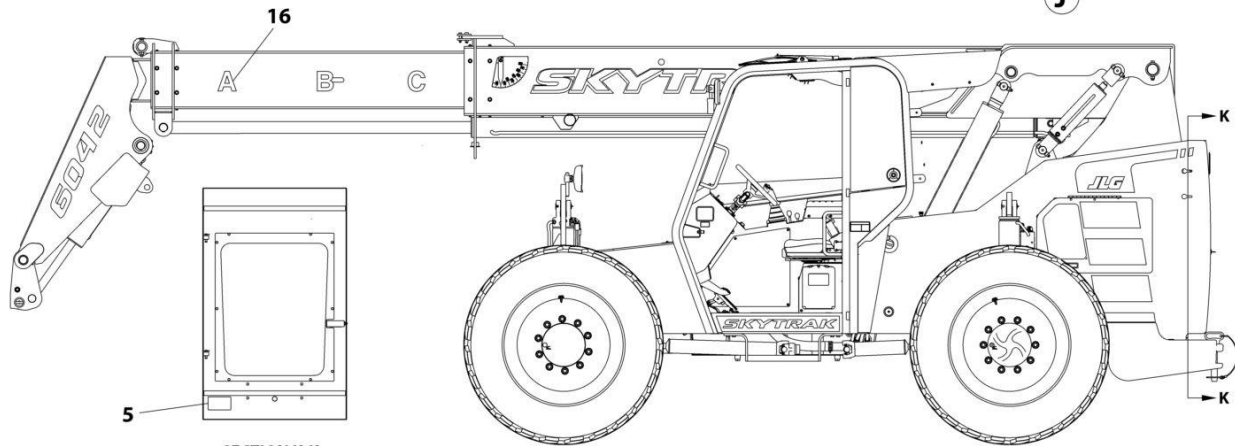
SECTION R-R



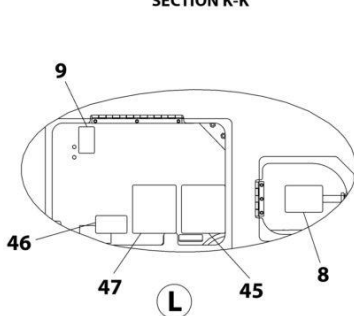
SECTION P-P



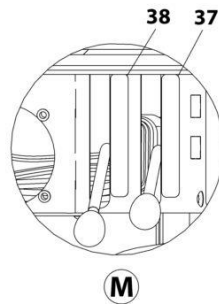
J



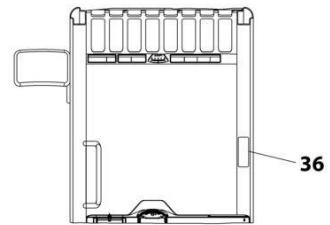
SECTION K-K



L



M



SECTION H-H

ART\_1001202757\_20F2

# SECTION 11 - DECALS

FIGURE 11-4. DECAL INSTALLATION - 74HP (ANSI) (6042)

| ITEM | PART NUMBER | QTY | DESCRIPTION                                 | REV |
|------|-------------|-----|---|-----|
|      | 1001202757  | Ref | DECAL INSTALLATION, 74HP (ANSI)             | L   |
| 1    | 0700610     | 2   | Bolt M6 x 20                                |     |
| 2    | 1701640     | 1   | Decal, Manual                               |     |
| 3    | 1702300     | 4   | Decal, Tie Down                             |     |
| 4    | 1702631     | 1   | Decal, Bar Code                             |     |
| 5    | 1706296     | 1   | Decal, Battery Hazard                       |     |
| 6    | 1706298     | 1   | Decal, Carry Personnel                      |     |
| 7    | 1706299     | 1   | Decal, Contacting Power Lines Warning       |     |
| 8    | 1706300     | 2   | Decal, Ether Starting Warning               |     |
| 9    | 1706301     | 2   | Decal, Keep Clear of Rotating Parts Warning |     |
| 10   | 1706306     | 1   | Decal, Tip Over Warning                     |     |
| 11   | 1706768     | 1   | Decal, No Riders                            |     |
| 12   | 1706850     | 1   | Decal, Crush Hazard Warning                 |     |
| 13   | 3251813     | 1   | Decal, USA                                  |     |
| 14   | 4100181     | 1   | Decal, Hydraulic Oil Fill                   |     |
| 15   | 4105262     | 1   | Decal, Boom Angle Indicator                 |     |
| 16   | 4107442     | 1   | Decal, Boom Extend Letters                  |     |
| 17   | 4108302     | 1   | Decal, Hydraulic Oil Level                  |     |
| 18   | 4711600     | 1   | Washer 3/8                                  |     |
| 19   | 8305645     | 1   | Nut 3/8                                     |     |
| 20   | 8307024     | 2   | Washer M6                                   |     |
| 21   | 8466306     | 1   | Gage, Tilt Angle                            |     |
| 22   | 10139087    | 1   | Tread, Safety                               |     |
| 23   | 1001096404  | 1   | Sleeve, Angle Indicator Spacer              |     |
| 24   | 1001098769  | 1   | Plate, Boom Angle Indicator                 |     |
| 25   | 1001109053  | 1   | Decal, Coolant Fill                         |     |
| 26   | 1001114675  | 1   | Arm, Mirror                                 |     |
| 27   | 1001125387  | 2   | Decal, Ultra Low Sulfur Fuel                |     |
| 28   | 1001131271  | 1   | Decal, Telehandlers Patent                  |     |
| 29   | 1001139578  | 1   | Decal, Hot Fluid Warning                    |     |
| 30   | 1001148177  | 1   | Mirror, Rectangular                         |     |
| 32   | 1001259303  | 1   | Decal, Tank Side                            |     |
| 33   | 1001259302  | 1   | Decal, Cab Side                             |     |
| 34   | 1001158272  | 1   | Decal, RH Overlay                           |     |
| 35   | 1001158319  | 1   | Decal, LH Overlay                           |     |
| 36   | 1001162734  | 1   | Decal, Joystick Control                     |     |
| 37   | 1001162735  | 1   | Decal, Sway Control                         |     |
| 38   | 1001162736  | 1   | Decal, Auxiliary Control                    |     |
| 39   | 1001263821  | 1   | Decal, Rear Door                            |     |
| 40   | 1001263819  | 1   | Decal, Right Side Stripe                    |     |
| 41   | 1001263820  | 1   | Decal, Left Side Stripe                     |     |
| 42   | 1001189017  | 1   | Decal, Diesel Fuel Fill                     |     |
| 43   | 1001189327  | 1   | Decal, Main Fuse Panel                      |     |
| 44   | 1001191635  | 1   | Mirror Assembly, RH                         |     |
| 45   | 1001191993  | 1   | Decal, Lubrication Chart                    |     |
| 46   | 1001202626  | 2   | Decal, 74HP                                 |     |
| 47   | 1001202627  | 1   | Decal, Maintenance Chart                    |     |
| 48   | 1001207217  | 1   | Decal, Danger Swinging Load                 |     |
| 49   | 1001218659  | 1   | Decal, Brake Fluid                          |     |
| 50   | 1001223453  | 1   | Decal, ICES (CAN)                           |     |

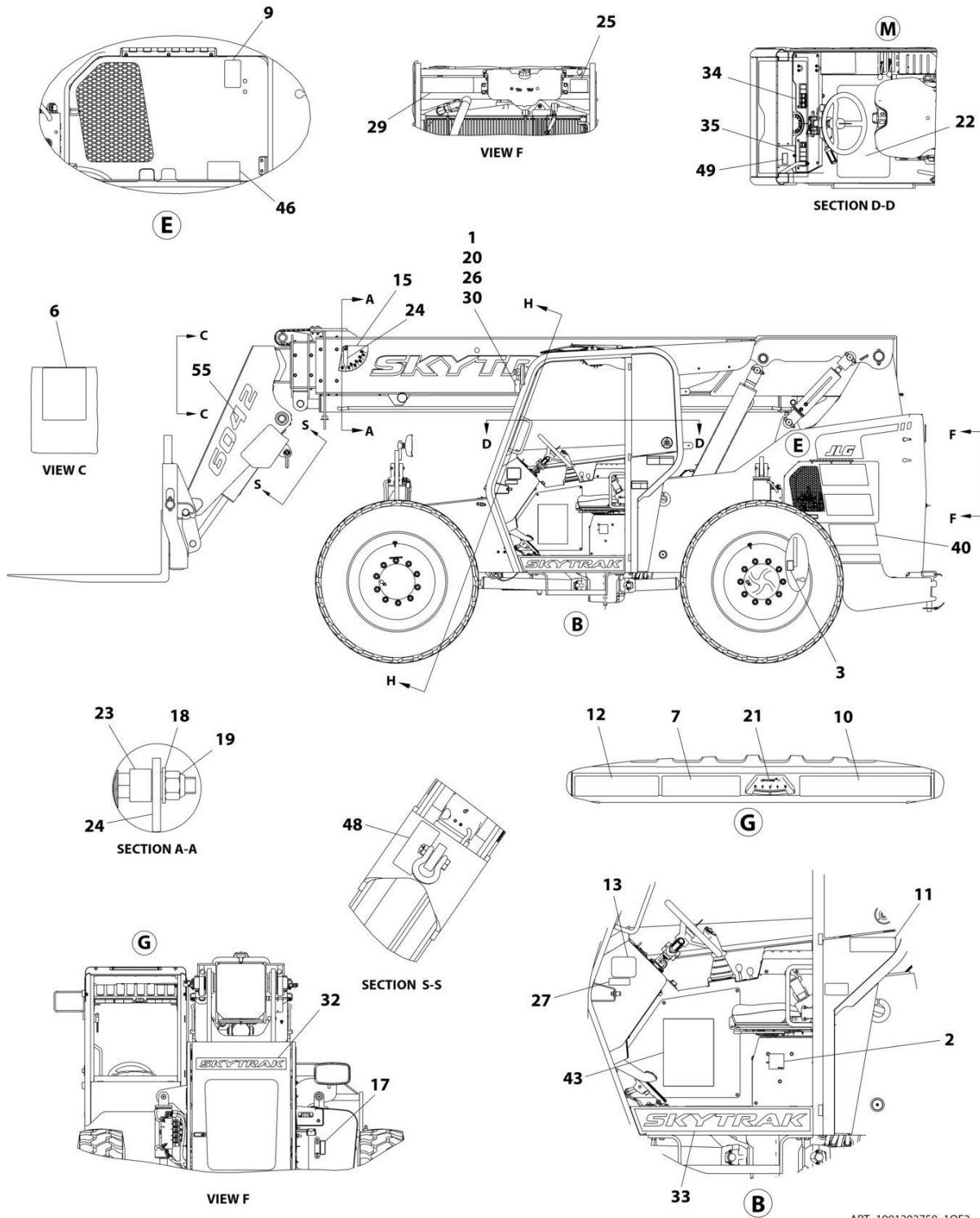


## SECTION 11 - DECALS

| ITEM | PART NUMBER | QTY | DESCRIPTION                   | REV |
|------|-------------|-----|-------------------------------|-----|
| 51   | 1001231801  | 1   | Decal, Warning Prop 65 Diesel |     |
| 55   | 1001263592  | 2   | Decal, Model Boom Head        |     |

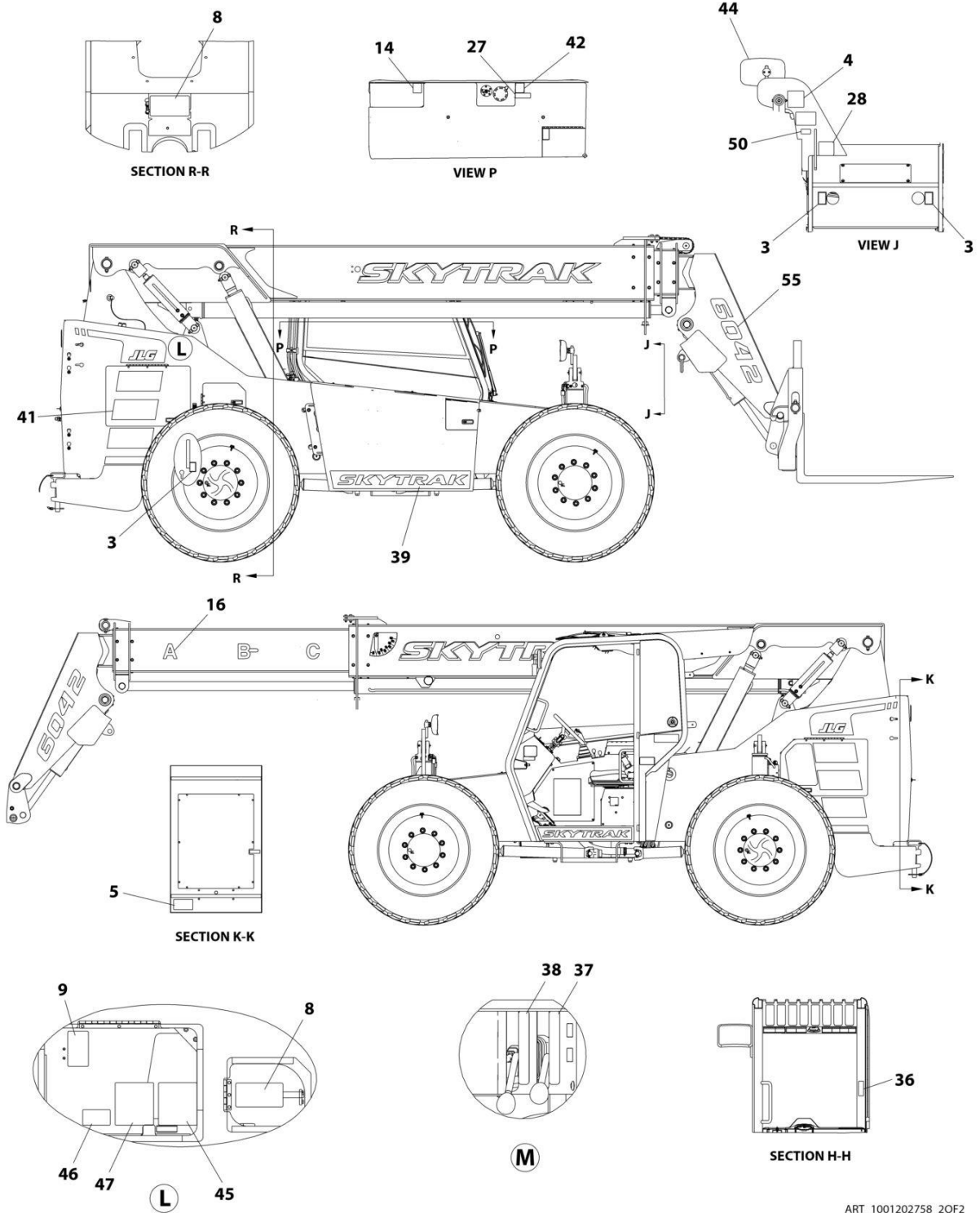
# SECTION 11 - DECALS

FIGURE 11-5. DECAL INSTALLATION - 74HP (ENGLISH/FRENCH) (6042)



ART\_1001202758\_10F2

# SECTION 11 - DECALS



ART\_1001202758\_20F2

# SECTION 11 - DECALS

**FIGURE 11-5. DECAL INSTALLATION - 74HP (ENGLISH/FRENCH) (6042)**

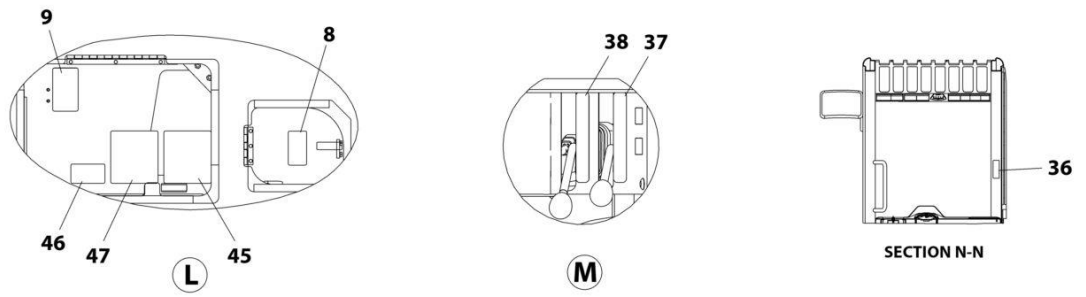
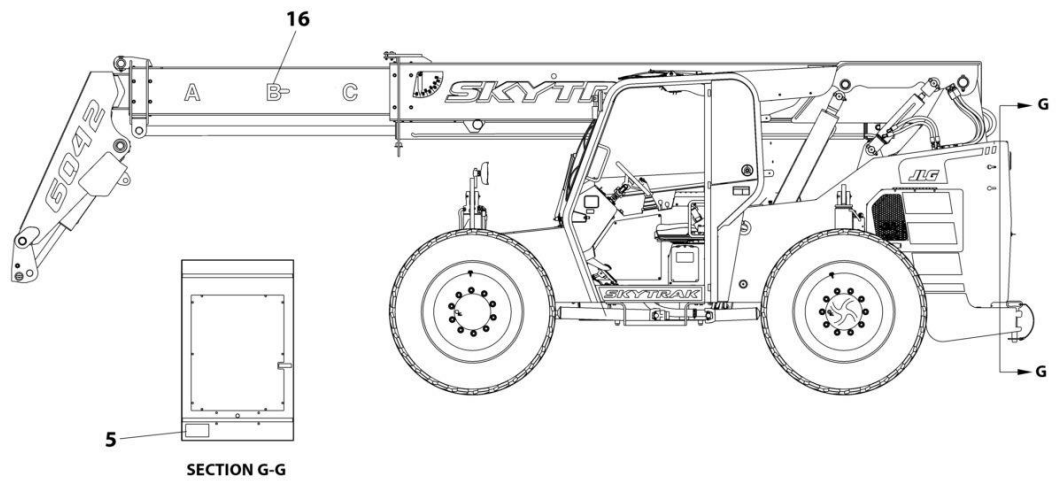
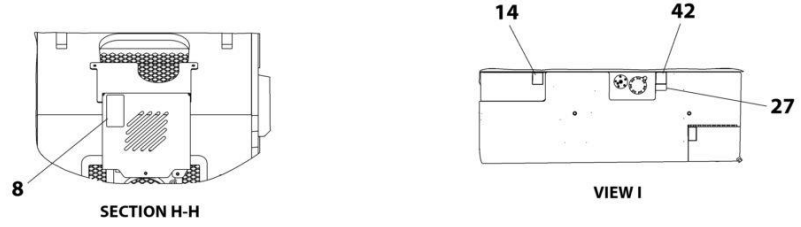
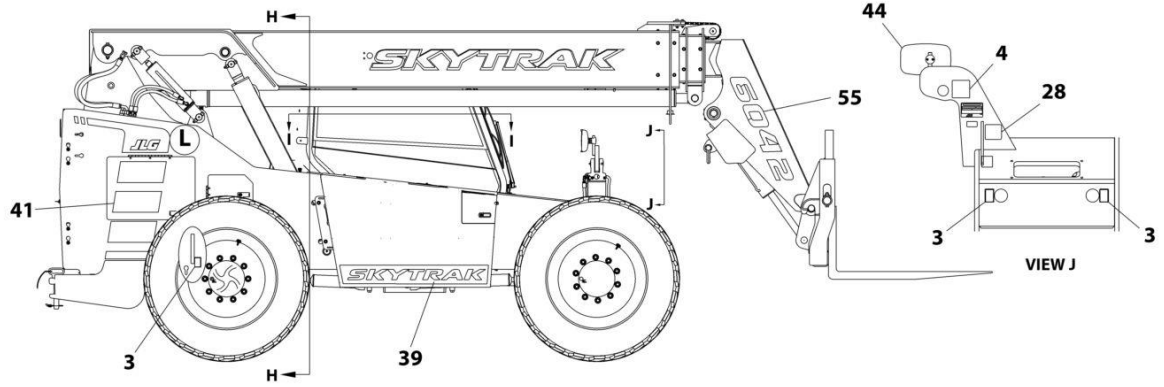
| ITEM | PART NUMBER | QTY | DESCRIPTION                               | REV |
|------|-------------|-----|---|-----|
|      | 1001202758  | Ref | DECAL INSTALLATION, 74HP (ENGLISH/FRENCH) | K   |
| 1    | 0700610     | 2   | Bolt M6 x 20                              |     |
| 2    | 1701640     | 1   | Decal, Manual                             |     |
| 3    | 1702300     | 4   | Decal, Tie Down                           |     |
| 4    | 1702631     | 1   | Decal, Bar Code                           |     |
| 5    | 1001163174  | 1   | Decal, Battery Warning                    |     |
| 6    | 1001163206  | 1   | Decal, Carry Personnel                    |     |
| 7    | 1001163210  | 1   | Decal, Electrocution Hazard               |     |
| 8    | 1001163212  | 2   | Decal, No Ether Warning                   |     |
| 9    | 1001163222  | 2   | Decal, Moving Parts                       |     |
| 10   | 1001163285  | 1   | Decal, Tip Over Warning                   |     |
| 11   | 1001163300  | 1   | Decal, No Riders                          |     |
| 12   | 1001163304  | 1   | Decal, Crush Hazard Warning               |     |
| 13   | 3251813     | 1   | Decal, USA                                |     |
| 14   | 4100181     | 1   | Decal, Hydraulic Oil Fill                 |     |
| 15   | 4105262     | 1   | Decal, Boom Angle Indicator               |     |
| 16   | 4107442     | 1   | Decal, Boom Extend Letters                |     |
| 17   | 4108302     | 1   | Decal, Hydraulic Oil Level                |     |
| 18   | 4711600     | 1   | Washer 3/8                                |     |
| 19   | 8305645     | 1   | Nut 3/8                                   |     |
| 20   | 8307024     | 2   | Washer M6                                 |     |
| 21   | 8466306     | 1   | Gage, Tilt Angle                          |     |
| 22   | 10139087    | 1   | Tread, Safety                             |     |
| 23   | 1001096404  | 1   | Sleeve, Angle Indicator Spacer            |     |
| 24   | 1001098769  | 1   | Plate, Boom Angle Indicator               |     |
| 25   | 1001109053  | 1   | Decal, Coolant Fill                       |     |
| 26   | 1001114675  | 1   | Arm, Mirror                               |     |
| 27   | 1001163355  | 2   | Decal, Ultra Low Sulfur Diesel            |     |
| 28   | 1001131271  | 1   | Decal, Telehandlers Patent                |     |
| 29   | 1001163323  | 1   | Decal, Hot Fluid Warning                  |     |
| 30   | 1001148177  | 1   | Mirror, Rectangular                       |     |
| 32   | 1001259303  | 1   | Decal, Tank Side                          |     |
| 33   | 1001259302  | 1   | Decal, Cab Side                           |     |
| 34   | 1001180175  | 1   | Decal, RH Overlay                         |     |
| 35   | 1001180176  | 1   | Decal, LH Overlay                         |     |
| 36   | 1001162734  | 1   | Decal, Joystick Control                   |     |
| 37   | 1001162735  | 1   | Decal, Sway Control                       |     |
| 38   | 1001162736  | 1   | Decal, Auxiliary Control                  |     |
| 39   | 1001263821  | 1   | Decal, Rear Door                          |     |
| 40   | 1001263819  | 1   | Decal, Right Side Stripe                  |     |
| 41   | 1001263820  | 1   | Decal, Left Side Stripe                   |     |
| 42   | 1001189017  | 1   | Decal, Diesel Fuel Fill                   |     |
| 43   | 1001189327  | 1   | Decal, Main Fuse Panel                    |     |
| 44   | 1001191635  | 1   | Mirror Assembly, RH                       |     |
| 45   | 1001191993  | 1   | Decal, Lubrication Chart                  |     |
| 46   | 1001202626  | 2   | Decal, 74HP                               |     |
| 47   | 1001202627  | 1   | Decal, Maintenance Chart                  |     |
| 48   | 1001211278  | 1   | Decal, Swinging Load Decal Kit (CAN)      |     |
| 49   | 1001219211  | 1   | Decal, Brake Fluid                        |     |
| 50   | 1001223453  | 1   | Decal, ICES (CAN)                         |     |

## SECTION 11 - DECALS

| ITEM | PART NUMBER | QTY | DESCRIPTION            | REV |
|------|-------------|-----|------------------------|-----|
| 55   | 1001263592  | 2   | Decal, Model Boom Head |     |



# SECTION 11 - DECALS



ART\_1001242863\_20F2

# SECTION 11 - DECALS

**FIGURE 11-6. DECAL INSTALLATION - 74HP (ENGLISH/SPANISH) (6042)**

| ITEM | PART NUMBER | QTY | DESCRIPTION                           | REV |
|------|-------------|-----|---------------------------------------|-----|
|      | 1001242863  | Ref | DECAL INSTALLATION (ENGLISH/SPANISH)  | F   |
| 1    | 0700610     | 2   | Bolt M6 x 20                          |     |
| 2    | 1701640     | 1   | Decal, Manual                         |     |
| 3    | 1702300     | 4   | Decal, Tie Down                       |     |
| 4    | 1702631     | 1   | Decal, Bar Code                       |     |
| 5    | 1001235794  | 1   | Decal, Battery Warning                |     |
| 6    | 1001235796  | 1   | Decal, Carry Personnel                |     |
| 7    | 1001235797  | 1   | Decal, Electrocution Hazard           |     |
| 8    | 1001235798  | 2   | Decal, Ether Starting Warning         |     |
| 9    | 1001235799  | 2   | Decal, Moving Parts                   |     |
| 10   | 1001235801  | 1   | Decal, Tip Over Warning               |     |
| 11   | 1001235802  | 1   | Decal, No Riders                      |     |
| 12   | 1001235803  | 1   | Decal, Crush Hazard Warning           |     |
| 13   | 3251813     | 1   | Decal, USA                            |     |
| 14   | 4100181     | 1   | Decal, Hydraulic Oil Fill             |     |
| 15   | 4105262     | 1   | Decal, Boom Angle Indicator           |     |
| 16   | 4107442     | 1   | Decal, Boom Extend Letters            |     |
| 17   | 4108302     | 1   | Decal, Hydraulic Oil Level            |     |
| 18   | 4711600     | 1   | Washer 3/8                            |     |
| 19   | 8305645     | 1   | Nut 3/8                               |     |
| 20   | 8307024     | 2   | Washer M6                             |     |
| 21   | 8466306     | 1   | Gage, Tilt Angle                      |     |
| 22   | 10139087    | 1   | Tread, Safety                         |     |
| 23   | 1001096404  | 1   | Sleeve, Angle Indicator Spacer        |     |
| 24   | 1001098769  | 1   | Plate, Boom Angle Indicator           |     |
| 25   | 1001109053  | 1   | Decal, Coolant Fill                   |     |
| 26   | 1001114675  | 1   | Arm, Mirror                           |     |
| 27   | 1001235804  | 2   | Decal, Ultra Low Sulfur Diesel (SPAN) |     |
| 28   | 1001131271  | 1   | Decal, Telehandlers Patent            |     |
| 29   | 1001235805  | 1   | Decal, Hot Fluid Warning              |     |
| 30   | 1001148177  | 1   | Mirror, Rectangular                   |     |
| 32   | 1001259303  | 1   | Decal, Tank Side                      |     |
| 33   | 1001259302  | 1   | Decal, Cab Side                       |     |
| 34   | 1001242172  | 1   | Decal, RH Overlay                     |     |
| 35   | 1001242173  | 1   | Decal, LH Overlay                     |     |
| 36   | 1001162734  | 1   | Decal, Joystick Control               |     |
| 37   | 1001162735  | 1   | Decal, Sway Control                   |     |
| 38   | 1001162736  | 1   | Decal, Auxiliary Control              |     |
| 39   | 1001263821  | 1   | Decal, Rear Door                      |     |
| 40   | 1001263819  | 1   | Decal, Right Side Stripe              |     |
| 41   | 1001263820  | 1   | Decal, Left Side Stripe               |     |
| 42   | 1001189017  | 1   | Decal, Diesel Fuel Fill               |     |
| 43   | 1001189327  | 1   | Decal, Main Fuse Panel                |     |
| 44   | 1001191635  | 1   | Mirror, RH                            |     |
| 45   | 1001191993  | 1   | Decal, Lubrication Chart              |     |
| 46   | 1001236313  | 2   | Decal, MCO 74HP                       |     |
| 47   | 1001202627  | 1   | Decal, Maintenance Chart (74HP)       |     |
| 48   | 1001246078  | 1   | Decal, Danger Swinging Load           |     |
| 49   | 1001219211  | 1   | Decal, Brake Fluid                    |     |
| 54   | 1001242179  | 1   | Decal, Danger Swinging Load           |     |

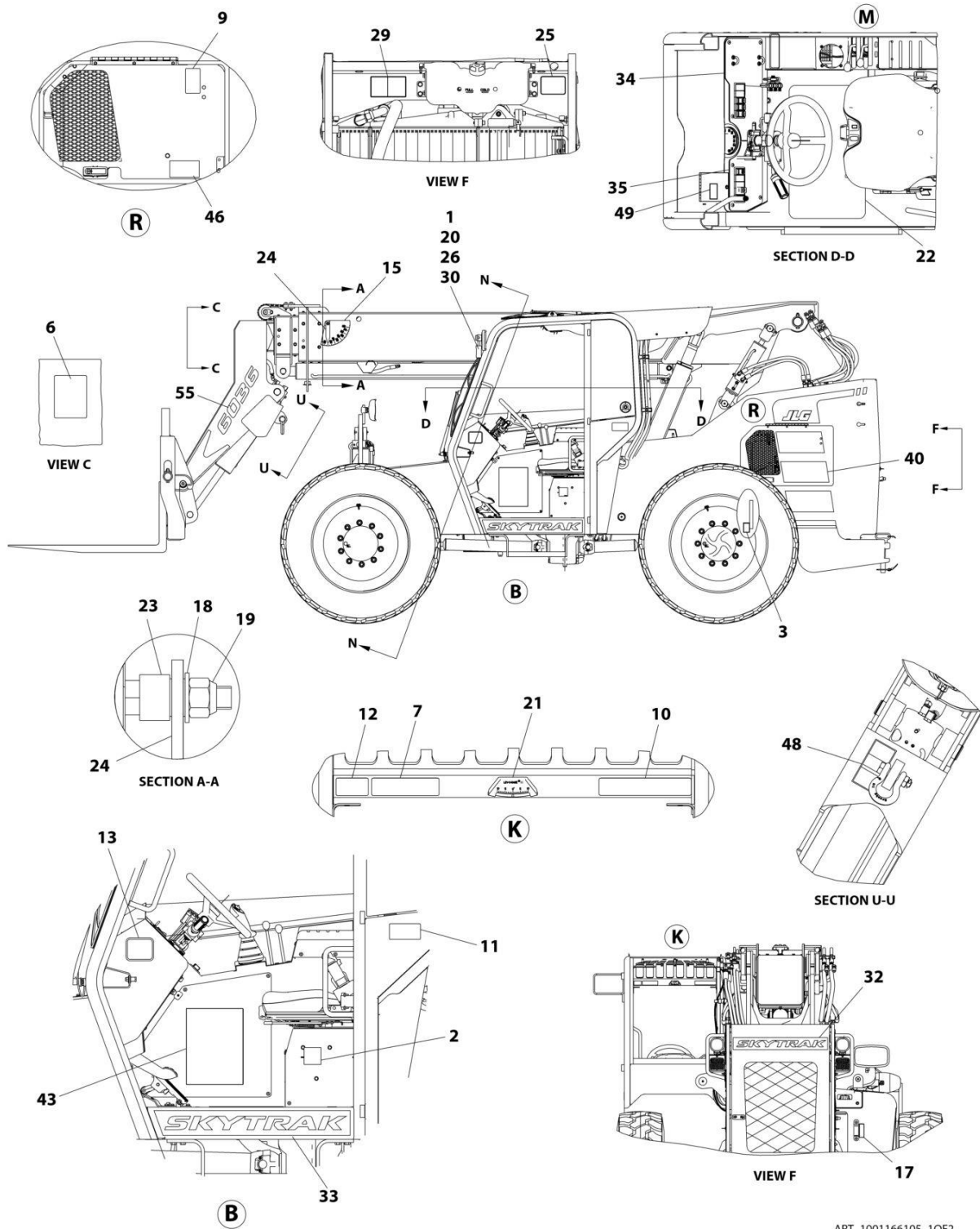


## SECTION 11 - DECALS

| ITEM | PART NUMBER | QTY | DESCRIPTION            | REV |
|------|-------------|-----|------------------------|-----|
| 55   | 1001263592  | 2   | Decal, Model Boom Head |     |

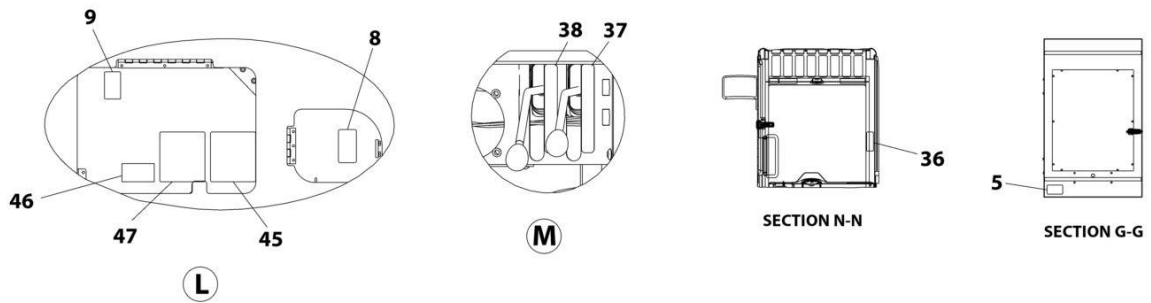
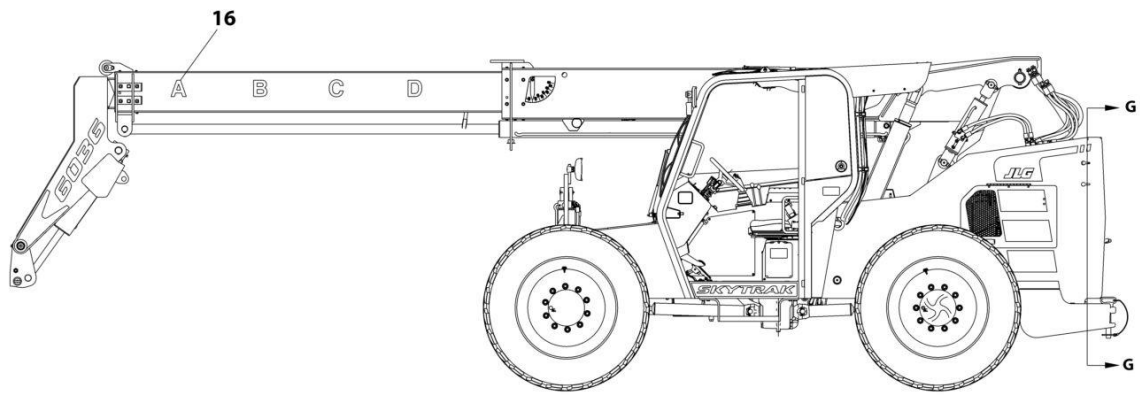
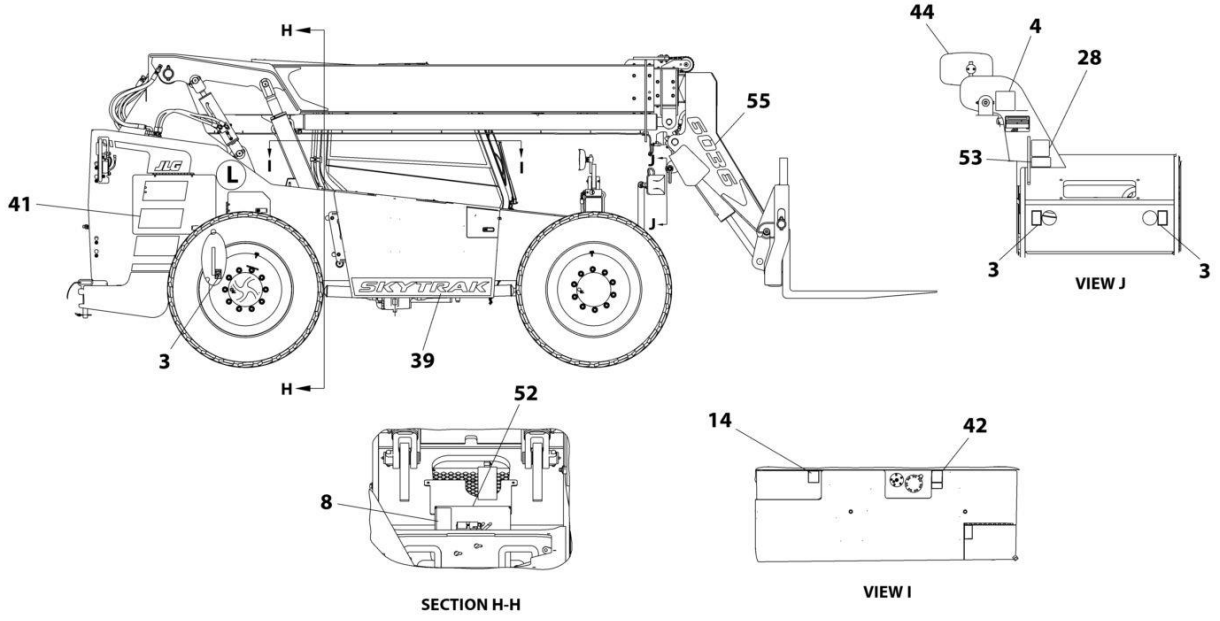
# SECTION 11 - DECALS

## FIGURE 11-7. DECAL INSTALLATION (ISO) (6036)



ART\_1001166105\_10F2

# SECTION 11 - DECALS



ART\_1001166105\_2OF2

# SECTION 11 - DECALS

FIGURE 11-7. DECAL INSTALLATION (ISO) (6036)

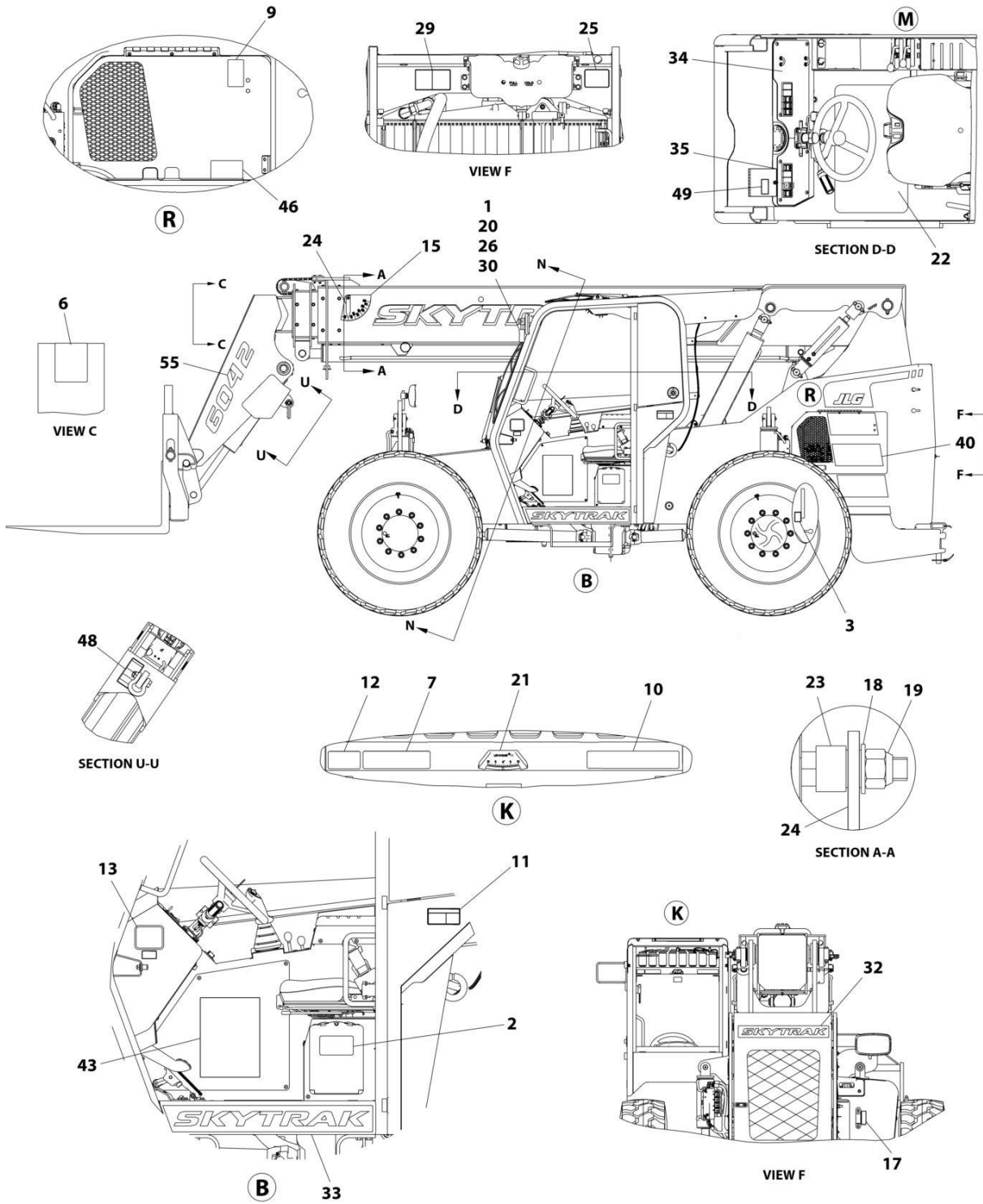
| ITEM | PART NUMBER | QTY | DESCRIPTION                     | REV |
|------|-------------|-----|---------------------------------|-----|
|      | 1001166105  | Ref | DECAL INSTALLATION (ISO)        | K   |
| 1    | 0700610     | 2   | Bolt M6 x 20                    |     |
| 2    | 1701640     | 1   | Decal, Manual                   |     |
| 3    | 1702300     | 4   | Decal, Tie Down                 |     |
| 4    | 1702631     | 1   | Decal, Bar Code                 |     |
| 5    | 1706281     | 1   | Decal, Battery Warning          |     |
| 6    | 1706282     | 1   | Decal, Carry Personnel          |     |
| 7    | 1706284     | 1   | Decal, Electrocution Hazard     |     |
| 8    | 1706098     | 2   | Decal, Ether Starting Warning   |     |
| 9    | 1706285     | 2   | Decal, Moving Parts             |     |
| 10   | 1706288     | 1   | Decal, Tip Over Warning         |     |
| 11   | 1001092878  | 1   | Decal, No Riders                |     |
| 12   | 1001092877  | 1   | Decal, Crush Hazard Warning     |     |
| 13   | 3251813     | 1   | Decal, USA                      |     |
| 14   | 4100181     | 1   | Decal, Hydraulic Oil Fill       |     |
| 15   | 4105262     | 1   | Decal, Boom Angle Indicator     |     |
| 16   | 4107442     | 1   | Decal, Boom Extend Letters      |     |
| 17   | 4108302     | 1   | Decal, Hydraulic Oil Level      |     |
| 18   | 4711600     | 1   | Washer 3/8                      |     |
| 19   | 8305645     | 1   | Nut 3/8                         |     |
| 20   | 8307024     | 2   | Washer M6                       |     |
| 21   | 8466306     | 1   | Gage, Tilt Angle                |     |
| 22   | 10139087    | 1   | Tread, Safety                   |     |
| 23   | 1001096404  | 1   | Sleeve, Angle Indicator Spacer  |     |
| 24   | 1001098769  | 1   | Plate, Boom Angle Indicator     |     |
| 25   | 1001109053  | 1   | Decal, Coolant Fill             |     |
| 26   | 1001114675  | 1   | Arm, Mirror                     |     |
| 28   | 1001131271  | 1   | Decal, Telehandlers Patent      |     |
| 29   | 1001139942  | 1   | Decal, Hot Fluid Warning        |     |
| 30   | 1001148177  | 1   | Mirror, Rectangular             |     |
| 32   | 1001259303  | 1   | Decal, Tank Side                |     |
| 33   | 1001259302  | 1   | Decal, Cab Side                 |     |
| 34   | 1001158320  | 1   | Decal, LH Overlay               |     |
| 35   | 1001158321  | 1   | Decal, RH Overlay               |     |
| 36   | 1001162734  | 1   | Decal, Joystick Control         |     |
| 37   | 1001162735  | 1   | Decal, Sway Control             |     |
| 38   | 1001162736  | 1   | Decal, Auxiliary Control        |     |
| 39   | 1001263821  | 1   | Decal, Rear Door                |     |
| 40   | 1001263819  | 1   | Decal, Right Side Stripe        |     |
| 41   | 1001263820  | 1   | Decal, Left Side Stripe         |     |
| 42   | 1001189017  | 1   | Decal, Diesel Fuel Fill         |     |
| 43   | 1001189327  | 1   | Decal, Main Fuse Panel          |     |
| 44   | 1001191635  | 1   | Mirror, RH                      |     |
| 45   | 1001191992  | 1   | Decal, Lubrication Chart        |     |
| 46   | 1001173423  | 2   | Decal, MCO 85HP                 |     |
| 47   | 1001174152  | 1   | Decal, Maintenance Chart (85HP) |     |
| 47   | 1001202627  | 1   | Decal, Maintenance Chart (74HP) |     |
| 48   | 1001207218  | 1   | Decal, Danger Swinging Load     |     |
| 49   | 1001219211  | 1   | Decal, DEF Fluid                |     |
| 52   | 1001142452  | 1   | Decal, No Step                  |     |

## SECTION 11 - DECALS

| ITEM | PART NUMBER | QTY | DESCRIPTION            | REV |
|------|-------------|-----|------------------------|-----|
| 53   | 1001143852  | 1   | Decal, LRC EPA         |     |
| 55   | 1001263593  | 2   | Decal, Model Boom Head |     |

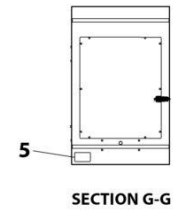
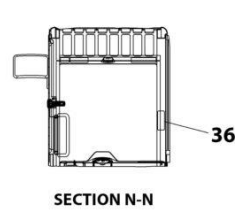
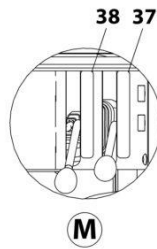
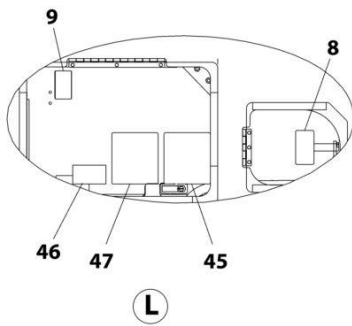
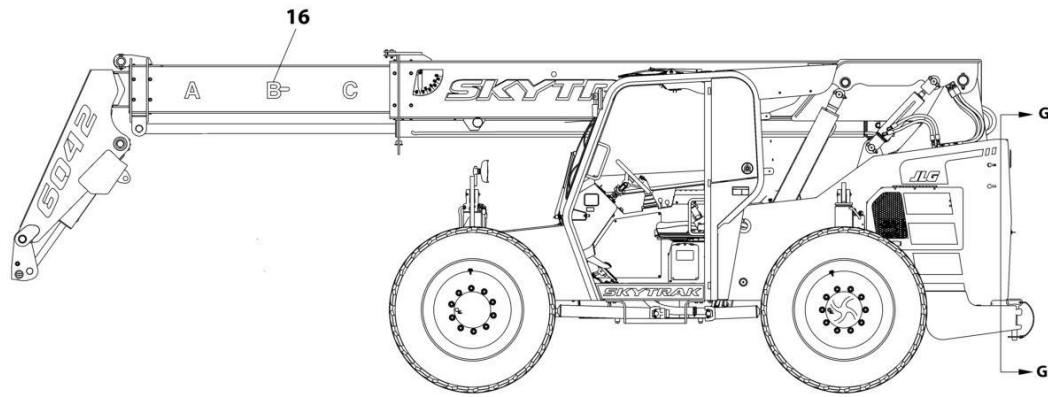
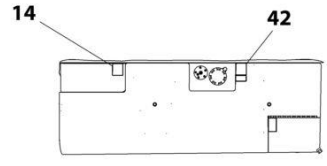
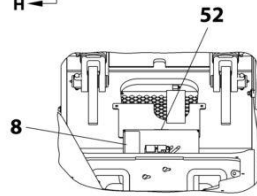
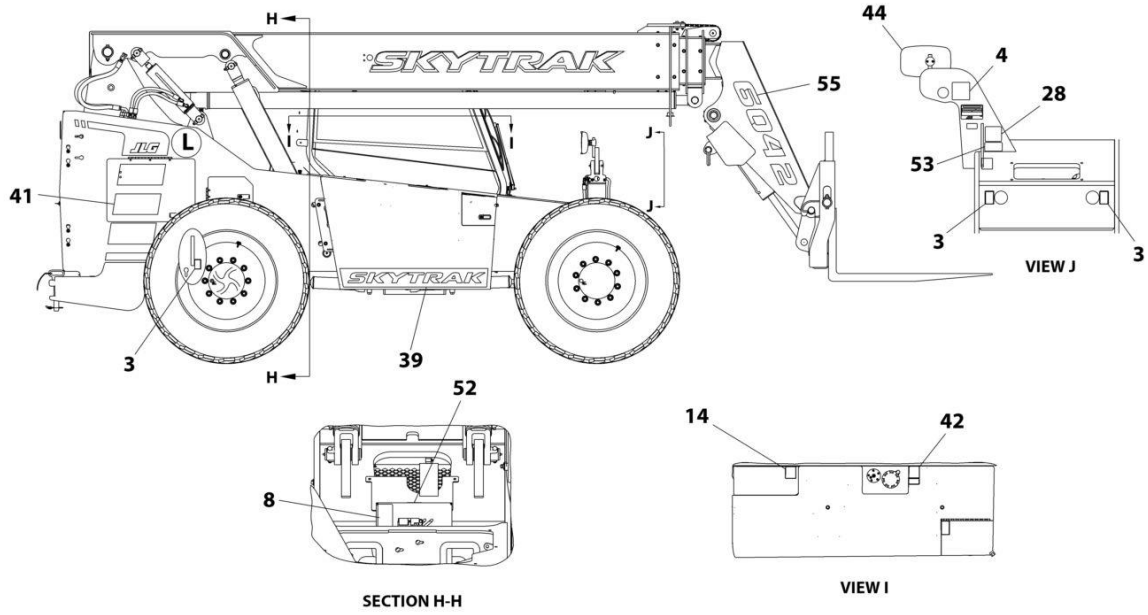
# SECTION 11 - DECALS

## FIGURE 11-8. DECAL INSTALLATION (ISO) (6042)



ART\_1001166108\_10F2

# SECTION 11 - DECALS



ART\_1001166108\_2OF2

# SECTION 11 - DECALS

**FIGURE 11-8. DECAL INSTALLATION (ISO) (6042)**

| ITEM | PART NUMBER | QTY | DESCRIPTION                     | REV |
|------|-------------|-----|---------------------------------|-----|
|      | 1001166108  | Ref | DECAL INSTALLATION (ISO)        | K   |
| 1    | 0700610     | 2   | Bolt M6 x 20                    |     |
| 2    | 1701640     | 1   | Decal, Manual                   |     |
| 3    | 1702300     | 4   | Decal, Tie Down                 |     |
| 4    | 1702631     | 1   | Decal, Bar Code                 |     |
| 5    | 1706281     | 1   | Decal, Battery Warning          |     |
| 6    | 1706282     | 1   | Decal, Carry Personnel          |     |
| 7    | 1706284     | 1   | Decal, Electrocution Hazard     |     |
| 8    | 1706098     | 2   | Decal, Ether Starting Warning   |     |
| 9    | 1706285     | 2   | Decal, Moving Parts             |     |
| 10   | 1706288     | 1   | Decal, Tip Over Warning         |     |
| 11   | 1001092878  | 1   | Decal, No Riders                |     |
| 12   | 1001092877  | 1   | Decal, Crush Hazard Warning     |     |
| 13   | 3251813     | 1   | Decal, USA                      |     |
| 14   | 4100181     | 1   | Decal, Hydraulic Oil Fill       |     |
| 15   | 4105262     | 1   | Decal, Boom Angle Indicator     |     |
| 16   | 4107442     | 1   | Decal, Boom Extend Letters      |     |
| 17   | 4108302     | 1   | Decal, Hydraulic Oil Level      |     |
| 18   | 4711600     | 1   | Washer 3/8                      |     |
| 19   | 8305645     | 1   | Nut 3/8                         |     |
| 20   | 8307024     | 2   | Washer M6                       |     |
| 21   | 8466306     | 1   | Gage, Tilt Angle                |     |
| 22   | 10139087    | 1   | Tread, Safety                   |     |
| 23   | 1001096404  | 1   | Sleeve, Angle Indicator Spacer  |     |
| 24   | 1001198769  | 1   | Plate, Boom Angle Indicator     |     |
| 25   | 1001109053  | 1   | Decal, Coolant Fill             |     |
| 26   | 1001114675  | 1   | Arm, Mirror                     |     |
| 28   | 1001131271  | 1   | Decal, Telehandlers Patent      |     |
| 29   | 1001139942  | 1   | Decal, Hot Fluid Warning        |     |
| 30   | 1001148177  | 1   | Mirror, Rectangular             |     |
| 32   | 1001259303  | 1   | Decal, Tank Side                |     |
| 33   | 1001259302  | 1   | Decal, Cab Side                 |     |
| 34   | 1001158320  | 1   | Decal, LH Overlay               |     |
| 35   | 1001158321  | 1   | Decal, RH Overlay               |     |
| 36   | 1001162734  | 1   | Decal, Joystick Control         |     |
| 37   | 1001162735  | 1   | Decal, Sway Control             |     |
| 38   | 1001162736  | 1   | Decal, Auxiliary Control        |     |
| 39   | 1001263821  | 1   | Decal, Rear Door                |     |
| 40   | 1001263819  | 1   | Decal, Right Side Stripe        |     |
| 41   | 1001263820  | 1   | Decal, Left Side Stripe         |     |
| 42   | 1001189017  | 1   | Decal, Diesel Fuel Fill         |     |
| 43   | 1001189327  | 1   | Decal, Main Fuse Panel          |     |
| 44   | 1001191635  | 1   | Mirror, RH                      |     |
| 45   | 1001191993  | 1   | Decal, Lubrication Chart        |     |
| 46   | 1001173423  | 2   | Decal, MCO 85HP                 |     |
| 47   | 1001202627  | 1   | Decal, Maintenance Chart (74HP) |     |
| 47   | 1001174152  | 1   | Decal, Maintenance Chart (85HP) |     |
| 48   | 1001207218  | 1   | Decal, Danger Swinging Load     |     |
| 49   | 1001219211  | 1   | Decal, Brake Fluid              |     |
| 52   | 1001142452  | 1   | Decal, No Step                  |     |

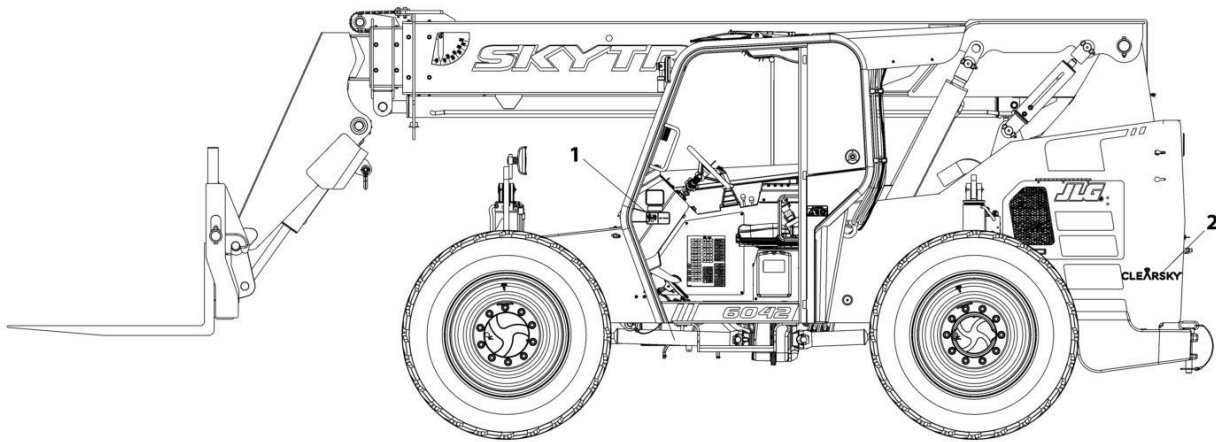


## SECTION 11 - DECALS

| ITEM | PART NUMBER | QTY | DESCRIPTION            | REV |
|------|-------------|-----|------------------------|-----|
| 53   | 1001143852  | 1   | Decal, LRC EPA         |     |
| 55   | 1001263592  | 2   | Decal, Model Boom Head |     |

# SECTION 11 - DECALS

## FIGURE 11-9. CLEARSKY DECAL INSTALLATION



ART\_1001229703-B

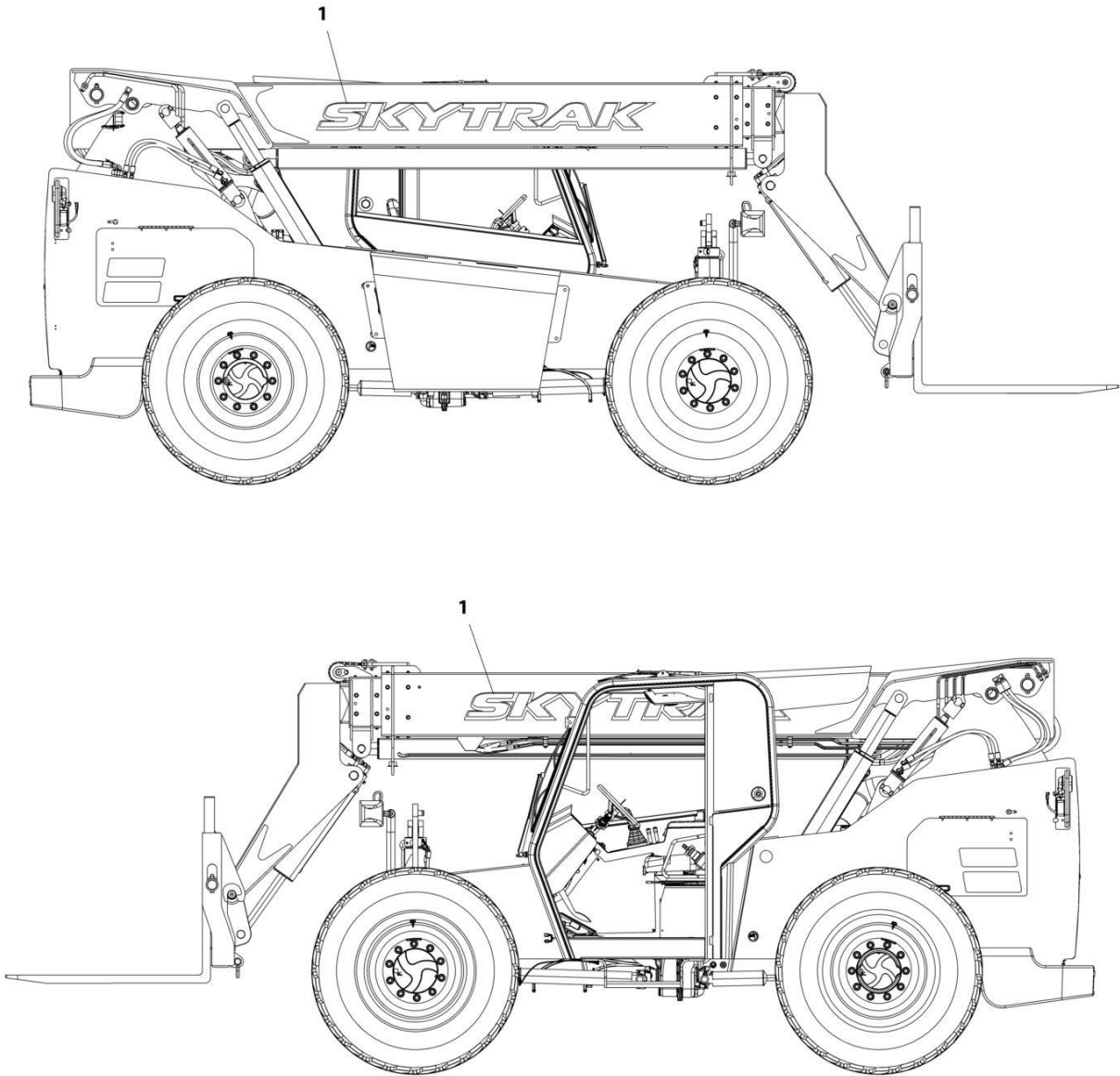
## SECTION 11 - DECALS

### FIGURE 11-9. CLEARSKY DECAL INSTALLATION

| ITEM | PART NUMBER | QTY | DESCRIPTION                 | REV |
|------|-------------|-----|-----------------------------|-----|
|      | 1001229703  | Ref | Clearsky Decal Installation | B   |
| 1    | 1001120989  | 1   | Decal, Radio Frequency      |     |
| 2    | 1001116208  | 1   | Decal, Clear Sky            |     |

**SECTION 11 - DECALS**

**FIGURE 11-10. BOOM DECALS INSTALLATION (6036)**



ART\_1001158071

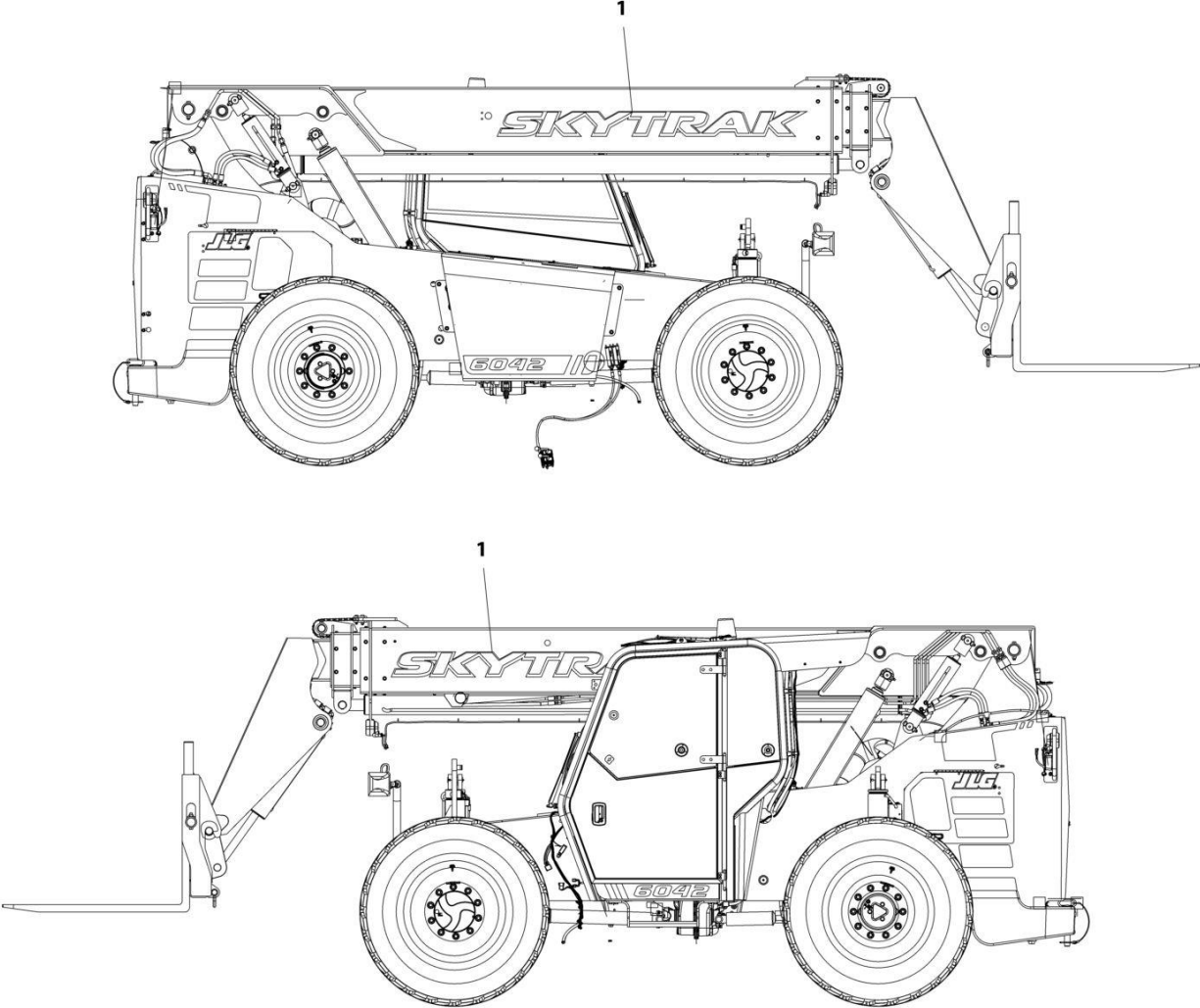
## SECTION 11 - DECALS

**FIGURE 11-10. BOOM DECALS INSTALLATION (6036)**

| ITEM | PART NUMBER | QTY | DESCRIPTION              | REV |
|------|-------------|-----|--------------------------|-----|
| 1    | 1001158071  | Ref | BOOM DECALS INSTALLATION | B   |
|      | 1001262057  | 2   | Decal, Boom              |     |

**SECTION 11 - DECALS**

**FIGURE 11-11. BOOM DECALS INSTALLATION (6042)**



ART\_1001158069

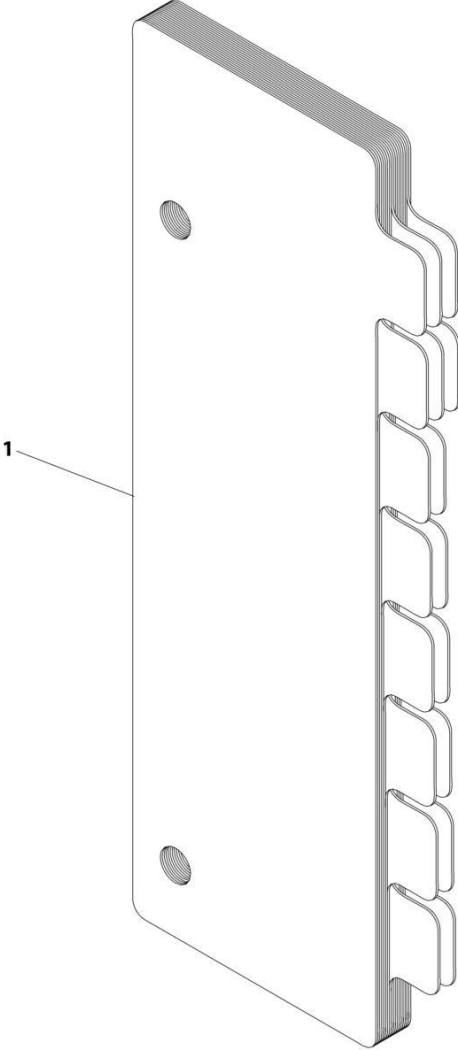
## SECTION 11 - DECALS

**FIGURE 11-11. BOOM DECALS INSTALLATION (6042)**

| ITEM | PART NUMBER | QTY | DESCRIPTION              | REV |
|------|-------------|-----|--------------------------|-----|
| 1    | 1001158069  | Ref | BOOM DECALS INSTALLATION | B   |
|      | 1001262057  | 2   | Decal, Boom              |     |

**SECTION 11 - DECALS**

**FIGURE 11-12. CAPACITY CHART (ANSI) (6036)**



ART\_1001211867-F



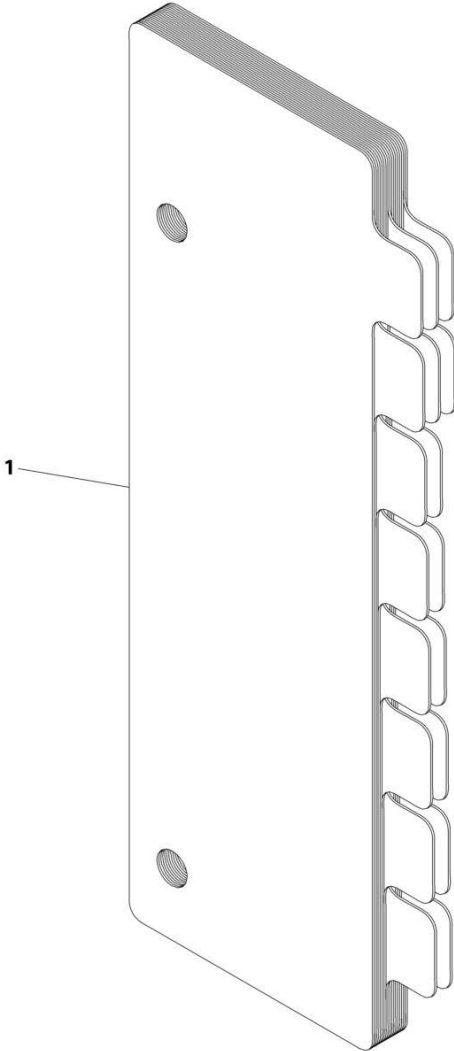
## SECTION 11 - DECALS

**FIGURE 11-12. CAPACITY CHART (ANSI) (6036)**

| ITEM | PART NUMBER | QTY | DESCRIPTION           | REV |
|------|-------------|-----|-----------------------|-----|
| 1    | 1001211867  | 1   | Capacity Chart (ANSI) | F   |

**SECTION 11 - DECALS**

**FIGURE 11-13. CAPACITY CHART (ANSI) (6042)**



ART\_1001211869-F

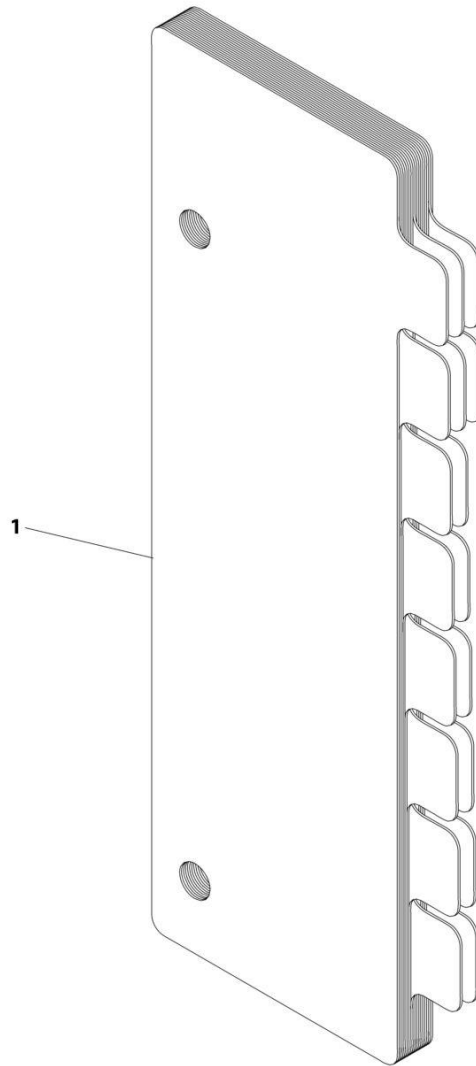
## SECTION 11 - DECALS

**FIGURE 11-13. CAPACITY CHART (ANSI) (6042)**

| ITEM | PART NUMBER | QTY | DESCRIPTION           | REV |
|------|-------------|-----|-----------------------|-----|
| 1    | 1001211869  | 1   | Capacity Chart (ANSI) | F   |

# SECTION 11 - DECALS

FIGURE 11-14. SUPPLEMENTAL CAPACITY CHART (ISO) (6036)



ART\_1001211868-F

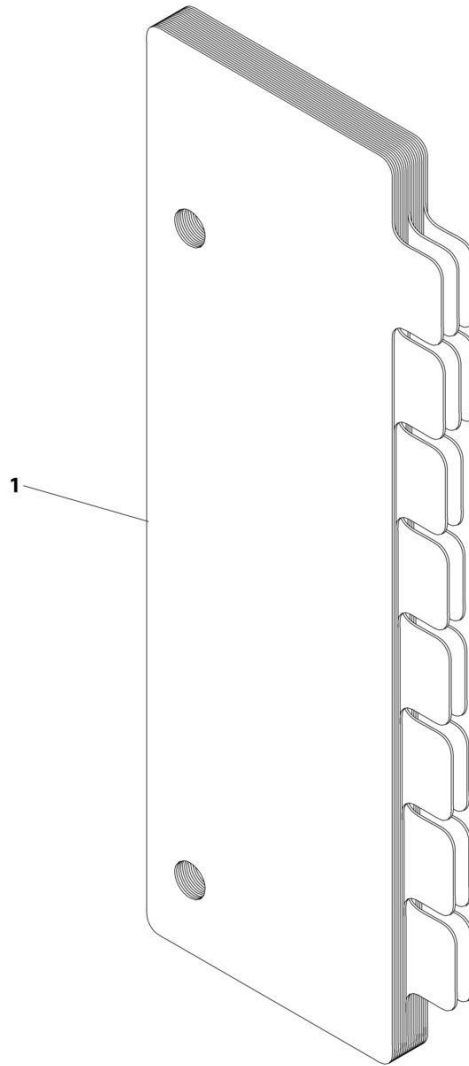
## SECTION 11 - DECALS

FIGURE 11-14. SUPPLEMENTAL CAPACITY CHART (ISO) (6036)

| ITEM | PART NUMBER | QTY | DESCRIPTION          | REV |
|------|-------------|-----|----------------------|-----|
| 1    | 1001211868  | 1   | Capacity Chart (ISO) | F   |

# SECTION 11 - DECALS

FIGURE 11-15. SUPPLEMENTAL CAPACITY CHART (ISO) (6042)



ART\_1001211870-F

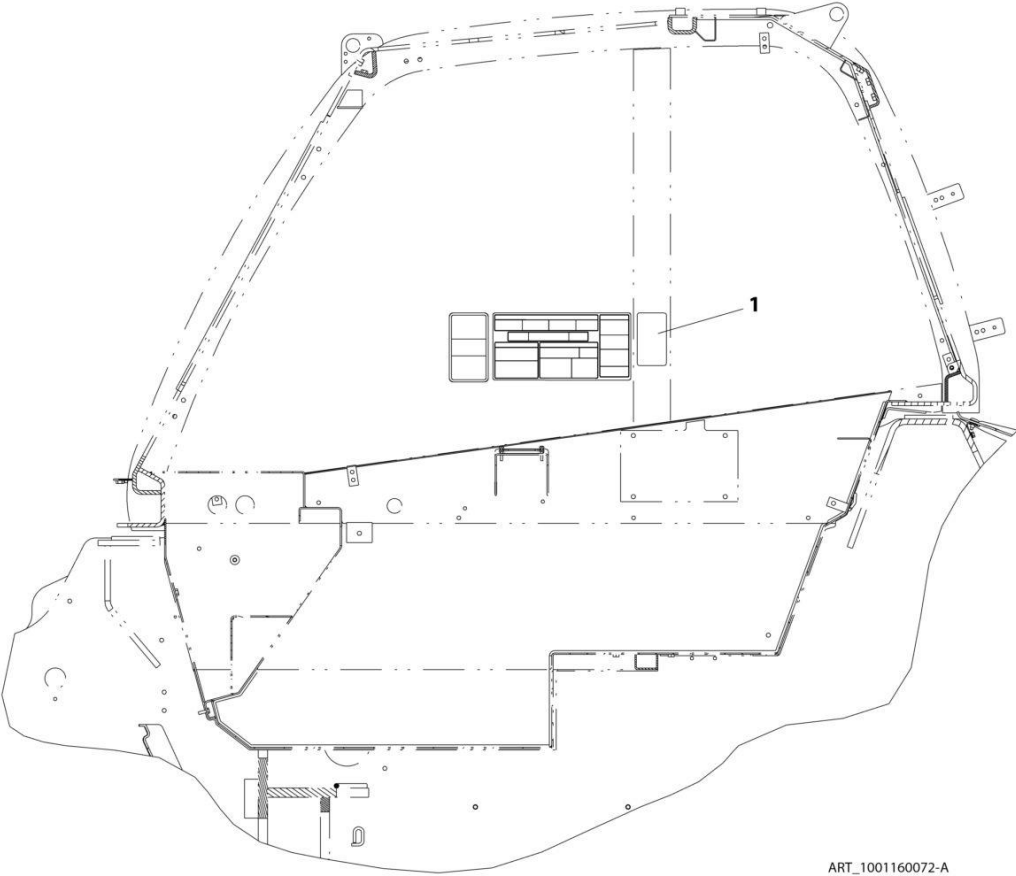
## SECTION 11 - DECALS

**FIGURE 11-15. SUPPLEMENTAL CAPACITY CHART (ISO) (6042)**

| ITEM | PART NUMBER | QTY | DESCRIPTION          | REV |
|------|-------------|-----|----------------------|-----|
| 1    | 1001211870  | 1   | Capacity Chart (ISO) | F   |

**SECTION 11 - DECALS**

**FIGURE 11-16. REVERSE SENSOR SYSTEM DECAL (ENGLISH)**



ART\_1001160072-A



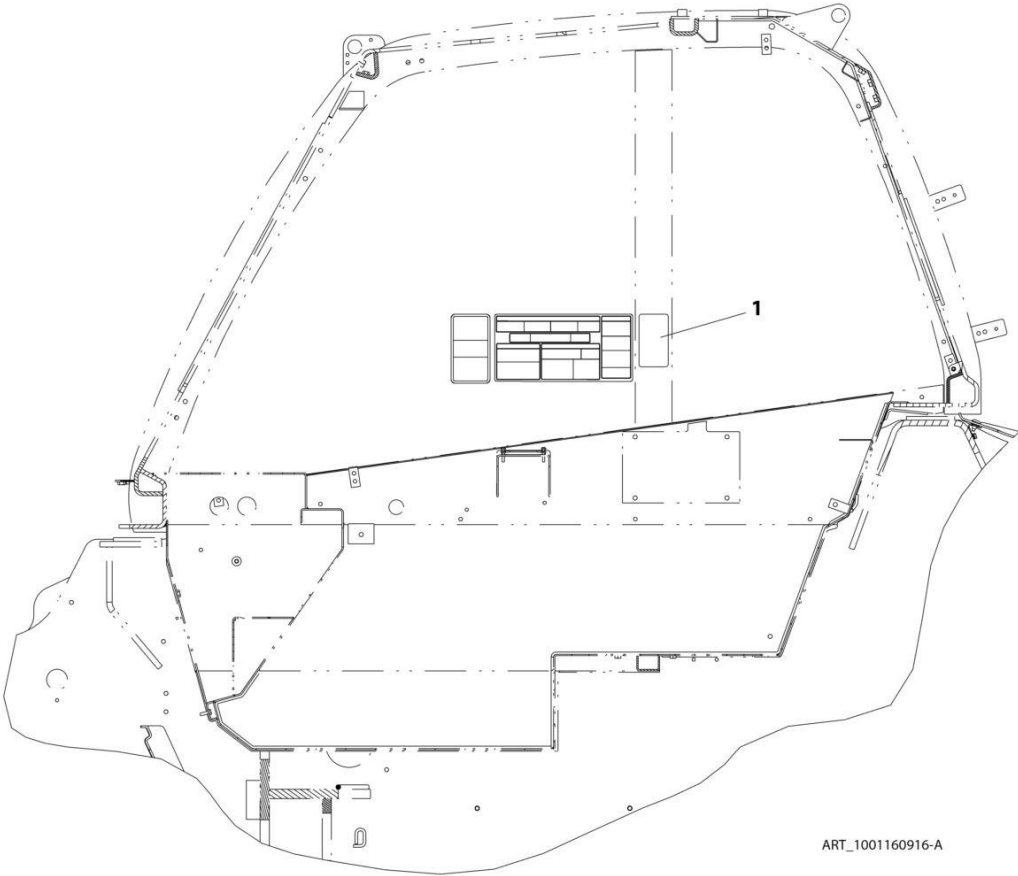
## SECTION 11 - DECALS

**FIGURE 11-16. REVERSE SENSOR SYSTEM DECAL (ENGLISH)**

| ITEM | PART NUMBER | QTY | DESCRIPTION                           | REV |
|------|-------------|-----|---------------------------------------|-----|
| 1    | 1001160072  | 1   | Reverse Sensor System Decal (English) | A   |

**SECTION 11 - DECALS**

**FIGURE 11-17. REVERSE SENSOR SYSTEM DECAL (ISO)**



ART\_1001160916-A

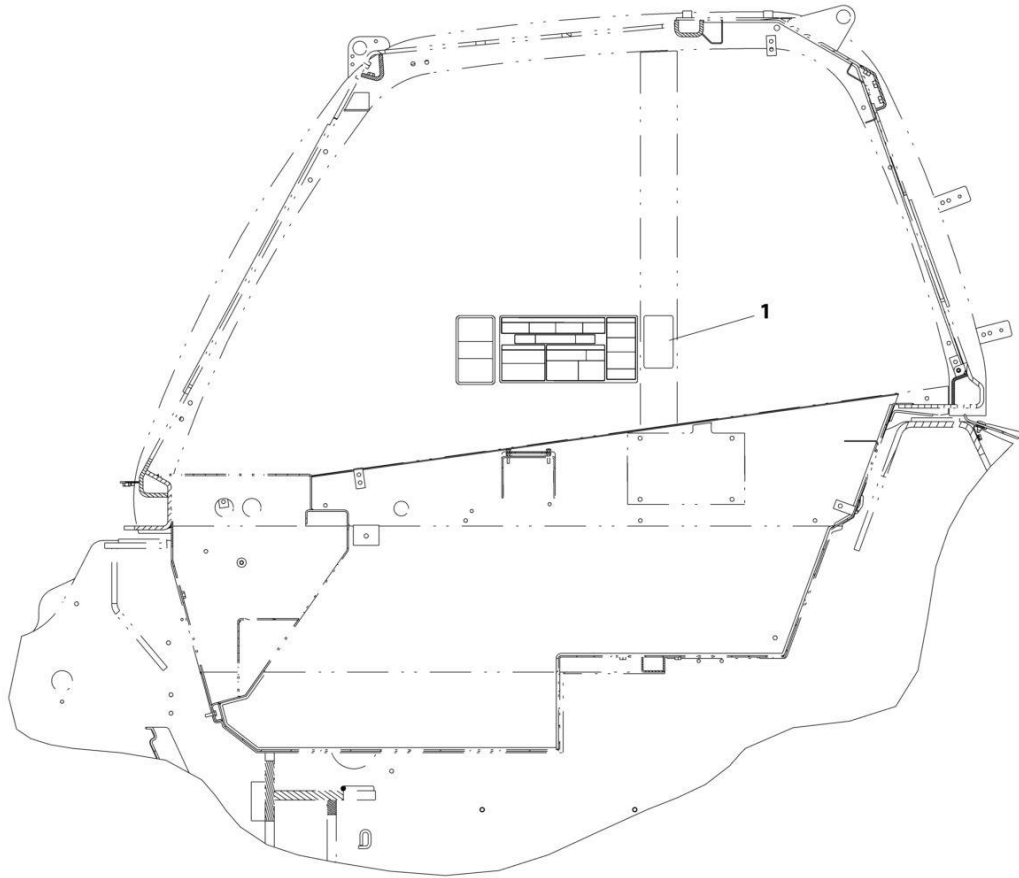
## SECTION 11 - DECALS

FIGURE 11-17. REVERSE SENSOR SYSTEM DECAL (ISO)

| ITEM | PART NUMBER | QTY | DESCRIPTION                       | REV |
|------|-------------|-----|-----------------------------------|-----|
| 1    | 1001160916  | 1   | Reverse Sensor System Decal (ISO) | A   |

# SECTION 11 - DECALS

FIGURE 11-18. REVERSE SENSOR SYSTEM DECAL (ENGLISH/FRENCH)



ART\_1001160945-A

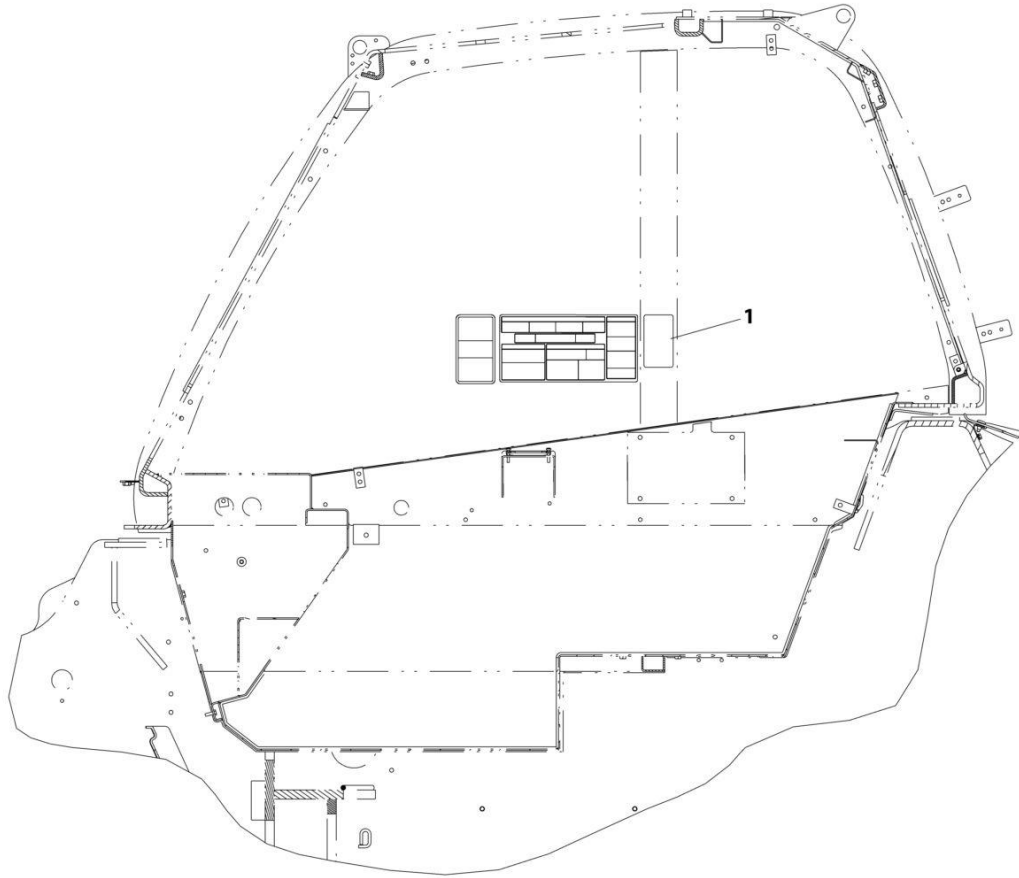
## SECTION 11 - DECALS

**FIGURE 11-18. REVERSE SENSOR SYSTEM DECAL (ENGLISH/FRENCH)**

| ITEM | PART NUMBER | QTY | DESCRIPTION                                  | REV |
|------|-------------|-----|--|-----|
| 1    | 1001160945  | 1   | Reverse Sensor System Decal (ENGLISH/FRENCH) | A   |

# SECTION 11 - DECALS

## FIGURE 11-19. REVERSE SENSOR SYSTEM DECAL (ENGLISH/SPANISH)



ART\_1001237846-A

## SECTION 11 - DECALS

**FIGURE 11-19. REVERSE SENSOR SYSTEM DECAL (ENGLISH/SPANISH)**

| ITEM | PART NUMBER | QTY | DESCRIPTION   | REV |
|------|-------------|-----|---|-----|
| 1    | 1001237846  | Ref | REVERSE SENSOR SYSTEM DECAL (ENGLISH/SPANISH LANGUAGES) | A   |





## **SECTION 12 - RECOMMENDED SERVICE PARTS STOCK**

## **SECTION 12 - RECOMMENDED SERVICE PARTS STOCK**

## SECTION 12 - RECOMMENDED SERVICE PARTS STOCK

FIGURE 12-1. RECOMMENDED SERVICE PARTS STOCK

| ITEM | PART NUMBER | QTY | DESCRIPTION   | REV |
|------|-------------|-----|---|-----|
|      |             | Ref | Note: The following list will service one machine (built to current production per date on the front cover) with emergency repair parts which can be installed in the field. Parts from the list should be replaced when inventory is depleted to keep service parts stock supplied. For further information, contact your JLG dealer or the JLG Industries Parts Department. |     |
|      |             | Ref | STANDARD PARTS  |     |
|      | 70026085    | 1   | Coil  |     |
|      | 70026582    | 1   | Coil  |     |
|      | 1001199205  | 1   | Element, Filter   |     |
|      | 70026234    | 1   | Element, Fuel Filter  |     |
|      | 7139077     | 1   | Filler/Breather   |     |
|      | 70021874    | 1   | Filter, Flow Regulator  |     |
|      | 70026237    | 1   | Filter, Oil   |     |
|      | 8229261     | 2   | Fuse, Type 5 A  |     |
|      | 8229233     | 2   | Fuse, Type 7.5 A  |     |
|      | 8229234     | 2   | Fuse, Type 10 A   |     |
|      | 8229237     | 2   | Fuse, Type 15 A   |     |
|      | 8229235     | 2   | Fuse, Type 20 A   |     |
|      | 8229238     | 2   | Fuse, Type 40 A   |     |
|      | 1001118245  | 2   | Fuse, 250 Amp   |     |
|      | 1001127699  | 2   | Fuse, Power Module  |     |
|      | 1001129285  | 2   | Fuse, Mini Diode  |     |
|      | 8035807     | 1   | Key (with cover)  |     |
|      | 8342808     | 1   | Key, Air Cleaner Access Panel   |     |
|      | 70024319    | 1   | Kit, Sensor   |     |
|      | 4461103     | 1   | Relay   |     |
|      | 1001186417  | 1   | Relay, 150 Amp  |     |
|      | 1001205172  | 1   | Relay, Micro 280, 12V, 35 Amp   |     |
|      | 1001184316  | 1   | Relay, Power Module   |     |
|      | 1001130307  | 1   | Sensor, Boom  |     |
|      | 1001245478  | 1   | Sensor, Coolant Level   |     |
|      | 1001145026  | 1   | Sensor, Fuel  |     |
|      | 4360690     | 1   | Switch, Ignition  |     |
|      | 8223054     | 1   | Switch, Park Brake  |     |
|      | 8223037     | 1   | Switch, Steer Select  |     |
|      |             | Ref | VARIABLE PARTS  |     |
|      | 1001203181  | 1   | Accessory, Control (ASOV)   |     |
|      | 7029246     | 1   | Coil, Solenoid (Stabil-Trak)  |     |
|      | 1001173581  | 1   | Control (Auxiliary Control)   |     |
|      | 1001173582  | 1   | Control (Frame Level)   |     |
|      | 1001182358  | 1   | Control, Reverse Sensor   |     |
|      | 8223073     | 1   | Control, Turn Signal  |     |
|      | 1001210703  | 1   | Controller (Cab)  |     |
|      | 70026985    | 1   | Electronic Deicing Thermostat (EDT) Module  |     |
|      | 70026453    | 1   | Element, Fuel Filter (ULS Engine)   |     |
|      | 70025852    | 1   | Filter, Air Cylindrical Primary (ULS Engine)  |     |
|      | 70025853    | 1   | Filter, Air Cylindrical Secondary (ULS Engine)  |     |
|      | 1001133534  | 1   | Filter, Fuel (LS Engine)  |     |

## SECTION 12 - RECOMMENDED SERVICE PARTS STOCK

| ITEM | PART NUMBER | QTY | DESCRIPTION                                  | REV |
|------|-------------|-----|--|-----|
|      | 70026801    | 1   | Fuel Filter Element (LS Engine)              |     |
|      | 8229242     | 2   | Fuse 5A (74HP ULS Engine)                    |     |
|      | 2400060     | 2   | Fuse (85HP LS Engine)                        |     |
|      | 70026097    | 1   | Handle (Pilot Joystick)                      |     |
|      | 70021948    | 1   | Key, Cab Door (Enclosed Cab)                 |     |
|      | 70028514    | 1   | Kit, Solenoid 12V (ASOV)                     |     |
|      | 2940074     | 1   | Latch (Fork Mounted Platform)                |     |
|      | 1001226796  | 1   | Module (3G) (ClearSky ANSI)                  |     |
|      | 1001262322  | 1   | Module (4G) (ClearSky ANSI)                  |     |
|      | 1001228954  | 1   | Module (ClearSky CE)                         |     |
|      | 1001226328  | 1   | Module, 3W TCU (ANSI)                        |     |
|      | 1001233236  | 1   | Module, 3W TCU (CE)                          |     |
|      | 1001159850  | 1   | Panel, Heater Control                        |     |
|      | 1101312     | 1   | Primary Filter Element (LS Engine)           |     |
|      | 3740080     | 1   | Relay (ASOV)                                 |     |
|      | 70026986    | 1   | Relay, 12V 30/40A (Roof Box HVAC)            |     |
|      | 1101313     | 1   | Secondary Filter Element (LS Engine)         |     |
|      | 1600429     | 1   | Selector, Transmission Control               |     |
|      | 1001169077  | 1   | Sensor, PRS Temperature (ULS Engine)         |     |
|      | 70025897    | 1   | Solenoid (74HP)                              |     |
|      | 1001215941  | 1   | Switch (ASOV)                                |     |
|      | 8223038     | 1   | Switch, Beacon                               |     |
|      | 8223025     | 1   | Switch, Brake Lights (Roadlights)            |     |
|      | 8223060     | 1   | Switch, Hazard (Roadlights)                  |     |
|      | 8223044     | 1   | Switch, Windscreen Washer (Enclosed Cab)     |     |
|      | 8223043     | 1   | Switch, Windscreen Wiper (Enclosed Cab)      |     |
|      | 8223059     | 1   | Switch, Work Light (Roadlights & Worklights) |     |



**SECTION 13 - SPECIAL OPTIONS/ACCESSORIES/KITS**

**SECTION 13 - SPECIAL OPTIONS/ACCESSORIES/KITS**

# SECTION 13 - SPECIAL OPTIONS/ACCESSORIES/KITS

## FIGURE 13-1. SPECIAL OPTIONS/ACCESSORIES/KITS

| ITEM | PART NUMBER | QTY | DESCRIPTION   | REV |
|------|-------------|-----|---|-----|
|      | See Note    | Ref | Note: This list is to accommodate machines ordered with special equipment. Options may not be applicable to all models. For more specific parts information contact JLG Parts Department. |     |
|      |             | Ref | MISCELLANEOUS SPECIAL OPTIONS/ACCESSORIES/KITS  |     |
|      | 1001243577  | Ref | Access Control Kit  |     |
|      | 1001213547  | Ref | Aftermarket Kits (6036)   | K   |
|      | 1001214787  | Ref | Aftermarket Kits (6042)   | K   |
|      | 1001136917  | Ref | Air Baffle Kit  |     |
|      | 1001239455  | Ref | Backup Camera Kit   |     |
|      | 1001214398  | Ref | Battery Disconnect Kit  |     |
|      | 8024025     | Ref | Boom Chain Kit - Extend (6036)  |     |
|      | 8024032     | Ref | Boom Chain Kit - Extend (6042)  |     |
|      | 8024026     | Ref | Boom Chain Kit - Retract (6036)   |     |
|      | 8024033     | Ref | Boom Chain Kit - Retract (6042)   |     |
|      | 2910994     | Ref | Boom Wear Pads Kit (6036)   |     |
|      | 1001119783  | Ref | Boom Wear Pads Kit (6042)   |     |
|      | 1001167008  | Ref | Brake inlet Pressure Hose Kit   |     |
|      | 1001201455  | Ref | Cab A/C Kit   |     |
|      | 1001154226  | Ref | Cab Cooler Vent Kit   |     |
|      | 1001280231  | Ref | Cab Door Window Kit   |     |
|      | 1001201453  | Ref | Cab Enclosure Kit   |     |
|      | 1001193427  | Ref | Cab Enclosure Kit with Heater   |     |
|      | 1001193428  | Ref | Cab Enclosure Kit with HVAC   |     |
|      | 1001201454  | Ref | Cab HVAC Kit  |     |
|      | 1001201456  | Ref | Cab Heater Kit  |     |
|      | 1001155419  | Ref | Cable Routing Kit - Battery (6036)  |     |
|      | 1001268341  | Ref | Camera Kit - Multi-View Rear  |     |
|      | 1001243184  | Ref | ClearSky Telematics Kit - Canbus (CE)   |     |
|      | 1001243183  | Ref | ClearSky Telematics Kit - Canbus (North America)  |     |
|      | 1001242196  | Ref | Cold Weather Kit  |     |
|      | 1001238934  | Ref | Cold Weather - w/ Crankcase Breather Heater   |     |
|      | 1001262151  | Ref | Decal Kit (6036)  |     |
|      | 1001262152  | Ref | Decal Kit (6042)  |     |
|      | 1001177168  | Ref | Engine Removal Brackets Kit   |     |
|      | 1001136035  | Ref | Extended Life Fuel Filter Kit   |     |
|      | 1001128806  | Ref | Fan Shroud Kit  |     |
|      | 1001201461  | Ref | Fender Kit  |     |
|      | 1001199737  | Ref | Filter Kit - 250Hour  |     |
|      | 1001199738  | Ref | Filter Kit - 1000Hour   |     |
|      | 1001239988  | Ref | Fire Extinguisher Kit   |     |
|      | 1001132458  | Ref | Latch Kit   |     |
|      | 1001253916  | Ref | Latch Catch Kit (ANSI)  |     |
|      | 1001201459  | Ref | Lights - Beacon Lights Kit  |     |
|      | 1001137628  | Ref | Lights - Roadlights Kit   |     |
|      | 1001137676  | Ref | Lights - Roadlights Kit (6036)  |     |
|      | 1001213944  | Ref | Lights - Roadlights Kit (Eaton Brakes)  |     |
|      | 1001201458  | Ref | Lights - Roadlights Kit (Safim Brakes)  |     |
|      | 1001238893  | Ref | Lights - Worklight Kit (LED)  |     |
|      | 1001253829  | Ref | Reverse Sensing System Kit  |     |

## SECTION 13 - SPECIAL OPTIONS/ACCESSORIES/KITS

| ITEM | PART NUMBER | QTY | DESCRIPTION                                     | REV |
|------|-------------|-----|---|-----|
|      | 1001130717  | Ref | Service Kits                                    | T   |
|      | 1001248570  | Ref | Tire Kit (Set of 4) G2 13.00 x 24 Foam-Filled   |     |
|      | 1001248571  | Ref | Tire Kit (Set of 4) G2 13.00 x 24 Pneumatic     |     |
|      | 1001249695  | Ref | Tools- Analyzer and Cable Kit                   |     |
|      | 1001249941  | Ref | Tools- Analyzer and Cable Kit (Battery Powered) |     |
|      | 1001213885  | Ref | White Noise Alarm Kit                           |     |





## **SECTION 13 - SPECIAL OPTIONS/ACCESSORIES/KITS**

### **PART NUMBER INDEX**

## SECTION 13 - SPECIAL OPTIONS/ACCESSORIES/KITS

|                             |                            |                            |                         |
|-----------------------------|----------------------------|----------------------------|-------------------------|
| 0100009.....581, 583        | 0760605 ..... 175          | 1001098769 ..... 668, 672, | 100116732.....615, 621  |
| 0100011.... 103, 107, 111,  | 0760608 ..... 213, 215     | 676, 680, 684, 688, 692    | 100116734.....615, 621  |
| 175, 177, 223, 225,         | 0760610 ..... 31           | 1001099113 ..... 103, 107, | 100116736.....623, 637  |
| 417, 467                    | 0760614 ..... 177          | 111                        | 100116745.....589, 614, |
| 0100019.....17, 19, 21, 23  | 0760810.... 177, 187, 193  | 1001099115 ..... 103, 107, | 619, 657                |
| 01043892.....227            | 0760812.... 185, 187, 333  | 111                        | 100116747.....641       |
| 0140011.....655             | 0760815 ..... 195          | 1001099351 ..... 83        | 100116748.....588, 615, |
| 0240156.....137             | 0761010 ..... 439          | 1001099699 ..... 407       | 620                     |
| 0400075.....577             | 0761012 ..... 213, 221     | 1001099901 ..... 85        | 100116751.....623       |
| 0630464.....369, 371        | 0761014 ..... 177          | 1001099902 ..... 81        | 100116757.....614, 615, |
| 0641403.....379             | 0761212... 554, 558, 562,  | 1001099976 ..... 321, 323, | 619, 620                |
| 0641404....554, 558, 562,   | 566                        | 327, 329                   | 100116758.....614, 615, |
| 566                         | 0771618 ..... 175, 177     | 1001100082 ..... 407       | 619, 620                |
| 0641405.....73, 203, 205    | 0860520 ..... 73           | 1001100227 ..... 147       | 100116774.....569, 588  |
| 0641406.....573             | 0930020 ..... 93           | 1001100228 ..... 151       | 100116808.....569, 588  |
| 0641410.....593, 655        | 1001003174 ..... 589       | 1001100229 ..... 149       | 100116812.....569, 588  |
| 0641415.....651             | 1001004720 ..... 217, 219, | 1001100265 ..... 89        | 100116815.....569, 605  |
| 0641507.....185             | 655                        | 1001100266 ..... 91        | 100116945.....571       |
| 0641508.....203, 205        | 1001008742 ..... 369, 371  | 1001100267 ..... 95        | 100116950.....616, 621  |
| 0641509.....203, 205        | 1001081049 ..... 340, 344, | 1001100284 ..... 321, 323  | 100117021.....585, 616, |
| 0641510.....167             | 350, 354, 360, 364,        | 1001100323 ..... 321       | 620, 641, 657           |
| 0641511.....175             | 369, 371                   | 1001100822 ..... 89        | 100117026.....649, 657  |
| 0641512.....625             | 1001081241 ..... 379       | 1001100823 ..... 91        | 100117059.....623       |
| 0641514.....643             | 1001081242 ..... 379       | 1001100824 ..... 95        | 100117068.....614, 619  |
| 0641520.....627             | 1001081243 ..... 369, 371  | 1001100967 ..... 79        | 100117070.....615, 621  |
| 0641605....554, 558, 562,   | 1001081246 ..... 379       | 1001101115 ..... 147, 151  | 100117079.....637       |
| 566                         | 1001081247 ..... 379       | 1001101116 ..... 147, 149  | 100117080.....623       |
| 0641607.....185, 187        | 1001081266 ..... 379       | 1001101845 ..... 45        | 100117081.....663       |
| 0641608.....177             | 1001081310 ..... 383, 385  | 1001101861 ..... 38        | 100117103.....616, 621  |
| 0641609.....215             | 1001090063 ..... 103, 107, | 1001102844 ..... 340, 344, | 100117106.....588       |
| 0641612.... 103, 107, 111,  | 111                        | 350, 354, 360, 364         | 100117111.....616, 621  |
| 215, 461                    | 1001090064 ..... 103, 107, | 1001103182 ..... 113, 509  | 100117119.....588, 589  |
| 0641614.....203, 205        | 111                        | 1001105886 ..... 659       | 100117125.....616, 620  |
| 0641618.... 17, 19, 21, 23, | 1001090140 ..... 103, 107, | 1001108524 ..... 231       | 100118245.....651, 722  |
| 29, 31, 33                  | 111                        | 1001108575 ..... 379       | 100118378.....569, 588  |
| 0641620.....575, 655        | 1001091885 ..... 521       | 1001108668 ..... 144       | 1001184495.....661      |
| 0641632.....575             | 1001091901 . 17, 19, 499,  | 1001109053 ..... 668, 672, | 100119004.....615, 620  |
| 0641636.....379             | 521                        | 676, 680, 684, 688,        | 100119278.....579       |
| 0641652.....379             | 1001092481 ..... 67        | 692, 696                   | 100119783.....726       |
| 0642032.....99, 103, 105,   | 1001092482 ..... 67        | 1001109478 ..... 369, 371  | 100120083.....193       |
| 107, 109, 111               | 1001092877 ..... 692, 696  | 1001110704 ..... 113       | 100120869.....203, 205  |
| 0681810.... 103, 107, 111   | 1001092878 ..... 692, 696  | 1001111112 ..... 369, 371  | 100120914.....103, 107, |
| 0682648.... 17, 19, 21, 23  | 1001093171 ..... 141       | 1001111190 ..... 113, 144  | 111                     |
| 0700610.... 668, 672, 676,  | 1001093273 ..... 137       | 1001112612 ..... 571, 588, | 100120915.....103, 107, |
| 680, 684, 688, 692, 696     | 1001093377 ..... 137, 147  | 605                        | 111                     |
| 0700614.....167, 625, 627   | 1001093465 ..... 137       | 1001112796 ..... 605       | 100120963.....321       |
| 0700617.....373, 375        | 1001093564 ..... 579       | 1001114495 ..... 217, 219  | 100120989.....699       |
| 0700812.....187             | 1001094312 ..... 379       | 1001114675 .... 668, 672,  | 100121101.....323       |
| 0700822.....373             | 1001094330 ..... 137       | 676, 680, 684, 688,        | 100121519.....323       |
| 0700827.....223, 225        | 1001094696 ..... 659       | 692, 696                   | 100121726.....589       |
| 0700828.....375, 417        | 1001094830 ..... 137       | 1001114867 .... 340, 344,  | 100121728.....589       |
| 0701026.....189, 191        | 1001095418 ..... 113       | 350, 354, 360, 364         | 100121730.....589, 616, |
| 0701216.....213             | 1001095650 ..... 333       | 1001116208 ..... 699       | 621                     |
| 0701219.....185, 187        | 1001095810 ..... 73        | 1001116692 ..... 616       | 100125027.....616, 620, |
| 0711214.... 175, 177, 185,  | 1001096019 ..... 71        | 1001116693 ..... 605       | 623                     |
| 187, 225                    | 1001096020 ..... 71        | 1001116710 ..... 590       | 100125387.....668, 680  |
| 0711219.....175, 177        | 1001096021 ..... 69        | 1001116712 ..... 590, 639  | 100125784.....588       |
| 0711227.....175, 177        | 1001096023 ..... 69        | 1001116720 ..... 663       | 100125785.....588       |
| 0711627.....175, 177        | 1001096024 ..... 71        | 1001116723 ..... 623       | 100126008.....569, 588  |
| 0711628.....175, 177        | 1001096025 ..... 69        | 1001116726 ..... 589       | 100126351.....619       |
| 0712040.....273, 275        | 1001096404 .... 668, 672,  | 1001116727 .... 589, 614,  | 100126353.....619       |
| 0721004.....407             | 676, 680, 684, 688,        | 619                        | 100126356.....619       |
| 0741610.... 103, 107, 111   | 692, 696                   | 1001116728 .... 585, 614,  | 100127066.....663       |
| 0760405.... 81, 85, 89, 91, | 1001097079 ..... 645       | 615, 616, 619, 620, 657    | 100127699.....651, 722  |
| 95, 99, 103, 105, 107,      | 1001097080 ..... 647       | 1001116729 ..... 589, 614, | 100127700.....651       |
| 109, 111, 113               | 1001097205 ..... 141       | 619, 649                   | 100128341.....203, 205  |
| 0760505.....407             | 1001097735 ..... 45        | 1001116731 ..... 605       | 100128363.....185       |

## SECTION 13 - SPECIAL OPTIONS/ACCESSORIES/KITS

|  |  |   |  |
|--|--|---|--|
| 1001128364 ..... 185   | 1001153912.....207                             | 1001161212.....581  | 1001167643 ..... 615                             |
| 1001128594 ..... 179, 181,<br>183                                  | 1001154055.....333                             | 1001161213.....583  | 1001167644 ..... 615                             |
| 1001128714 ..... 185   | 1001154226.....726                             | 1001161920.....175, 177                                     | 1001167646 ..... 615                             |
| 1001128806 ..... 726   | 1001154375.....655                             | 1001162734.....668, 672,<br>676, 680, 684, 688,<br>692, 696 | 1001167647 ..... 615                             |
| 1001128890 ..... 77  | 1001154511.....183                             | 1001162735.....668, 672,<br>676, 680, 684, 688,<br>692, 696 | 1001167648 ..... 615                             |
| 1001128901 ..... 185   | 1001154790.....177, 181                        | 1001162736.....668, 672,<br>676, 680, 684, 688,<br>692, 696 | 1001167649 ..... 615                             |
| 1001129285 ..... 590, 722  | 1001155419.....726                             | 1001162804.....391, 393,<br>395, 397                        | 1001167650 ..... 615                             |
| 1001129407 ..... 607   | 1001155921.....45                              | 1001162806.....391  | 1001167793 ..... 29, 33                          |
| 1001129615 ..... 651   | 1001155925.....44                              | 1001163174.....672, 684                                     | 1001168051 ..... 193                             |
| 1001130307 ..... 562, 566,<br>722                                  | 1001155927.....38                              | 1001163206.....672, 684                                     | 1001168052 ..... 193                             |
| 1001130717 ..... 727   | 1001155928.....38                              | 1001163210.....672, 684                                     | 1001168053 ..... 193                             |
| 1001131271 ..... 668, 672,<br>676, 680, 684, 688,<br>692, 696      | 1001156013.....38, 513                         | 1001163212.....672, 684                                     | 1001168066 ..... 367, 371                        |
| 1001132458 ..... 726   | 1001156164..17, 19, 499,<br>527                | 1001163222.....672, 684                                     | 1001168478 ..... 205, 211                        |
| 1001133072 ..... 107, 111  | 1001156283.....29, 31, 33                      | 1001163285.....672, 684                                     | 1001168859 ..... 449                             |
| 1001133173 ..... 619   | 1001157890.....569, 588,<br>589, 616           | 1001163300.....672, 684                                     | 1001168930 .... 29, 31, 33                       |
| 1001133534 ..... 215, 722  | 1001157891.....623, 637                        | 1001163304.....672, 684                                     | 1001169057 ..... 185, 187                        |
| 1001134488 ..... 203, 205  | 1001158002.....415, 471                        | 1001163323.....672, 684                                     | 1001169059 ..... 203, 205                        |
| 1001135770 ..... 653   | 1001158004.....471, 473                        | 1001163355.....672, 684                                     | 1001169077 ..... 193, 723                        |
| 1001135777 ..... 653   | 1001158069.....703                             | 1001163414.....103, 107,<br>111, 505                        | 1001169271 ..... 217                             |
| 1001136035 ..... 726   | 1001158071.....701                             | 1001163685.....487, 489                                     | 1001169272 ..... 217, 219                        |
| 1001136358 ..... 213, 215  | 1001158266.....491                             | 1001164096.....371  | 1001169274 ..... 217, 219                        |
| 1001136917 ..... 726   | 1001158272.....668, 680                        | 1001164099.....371  | 1001169466 .... 19, 23, 27                       |
| 1001136975 ..... 213, 215,<br>217, 219                             | 1001158319.....668, 680                        | 1001164196.....375  | 1001169787 ..... 379                             |
| 1001137512 ..... 135   | 1001158320.....692, 696                        | 1001164282.....369  | 1001169816 ..... 663                             |
| 1001137628 ..... 726   | 1001158321.....692, 696                        | 1001164284.....369  | 1001170117 ..... 203, 205                        |
| 1001137676 ..... 726   | 1001158337.....491                             | 1001164284.....369  | 1001170186 ..... 203, 205                        |
| 1001138642 ..... 619   | 1001158404.....373, 375                        | 1001164717 ..... 369, 371                                   | 1001170230 ..... 651                             |
| 1001138643 ..... 619   | 1001158527.....493                             | 1001165275.....379  | 1001170233 ..... 554, 558,<br>562, 566, 651      |
| 1001138645 ..... 177   | 1001158528.....491, 493                        | 1001165276.....379  | 1001170234 ..... 554, 558,<br>562, 566, 653      |
| 1001139578 ..... 668, 680  | 1001158854.....447, 473                        | 1001165517 ..... 175, 177                                   | 1001170235 ..... 653                             |
| 1001139942 ..... 692, 696  | 1001158856.....447, 491                        | 1001165518.....175, 177                                     | 1001170329 ..... 25, 27                          |
| 1001142452 ..... 692, 696  | 1001159186.....588, 589                        | 1001165617 ..... 347, 357,<br>367                           | 1001170738 ..... 340, 344,<br>350, 354, 360, 364 |
| 1001143551 ..... 569   | 1001159319.....29, 31, 33                      | 1001165660 ..... 175, 177                                   | 1001171234 ..... 554, 558,<br>562, 566           |
| 1001143852 ..... 693, 697  | 1001159844.....373, 375,<br>405                | 1001165668 ..... 173, 191                                   | 1001171236 ..... 554, 558,<br>562, 566           |
| 1001144147 ..... 569, 605  | 1001159850.....350, 354,<br>723                | 1001165669 ..... 171, 193                                   | 1001171237 ..... 554, 558,<br>562, 566           |
| 1001144629J ..... 73   | 1001159851.....360, 364                        | 1001165670 ..... 173, 205                                   | 1001171238 ..... 554, 558,<br>562, 566           |
| 1001145026 .. 25, 27, 722  | 1001159856.....369, 371,<br>377                | 1001165672 ..... 171, 213                                   | 1001171239 ..... 554, 558,<br>562, 566           |
| 1001145707 ..... 615, 621  | 1001159860.....369, 399                        | 1001165673 ..... 171, 217                                   | 1001171383 ..... 29, 31                          |
| 1001146160 ..... 77  | 1001159861.....371, 401                        | 1001165806.....369, 371,<br>379                             | 1001171385 .... 29, 31, 33                       |
| 1001147265 ..... 277, 295  | 1001159869.....425, 427,<br>441                | 1001165818 ..... 193  | 1001171633 ..... 554, 558,<br>562, 566           |
| 1001147377 ..... 277, 279,<br>281, 283, 285, 289,<br>291, 293      | 1001159878.....340, 344,<br>350, 354, 360, 364 | 1001165823.....357, 369                                     | 1001171757 ..... 554, 558,<br>562, 566           |
| 1001147378 ..... 273, 275,<br>277                                  | 1001160071.....391                             | 1001166008.....223  | 1001171802 ..... 213                             |
| 1001147379 ..... 273, 295,<br>297, 299, 301, 303,<br>307, 309, 311 | 1001160072.....713                             | 1001166009.....265  | 1001171803 ..... 213                             |
| 1001147380 ..... 275, 295  | 1001160116.....175, 177                        | 1001166030.....558  | 1001171805 ..... 213, 215                        |
| 1001147874 ..... 273   | 1001160250....17, 19, 21,<br>23                | 1001166034.....173  | 1001171806 ..... 360, 364,<br>375                |
| 1001147875 ..... 275   | 1001160785.....369, 371                        | 1001166105.....692  | 1001171807 ..... 350, 354,<br>373                |
| 1001148177 ..... 668, 672,<br>676, 680, 684, 688,<br>692, 696      | 1001160787.....393                             | 1001166108.....696  | 1001171873 ..... 425, 427,<br>495                |
| 1001149227 ..... 347, 369,<br>371                                  | 1001160788.....347, 357,<br>367                | 1001166229.....171, 173,<br>221                             | 1001171986 ..... 495                             |
| 1001149712 ..... 588, 605  | 1001160790.....347, 357,<br>367                | 1001166237.....17, 21                                       | 1001172537 ..... 373, 375                        |
| 1001150349 ..... 273, 275  | 1001160791.....347, 357,<br>367                | 1001166566.....193, 197                                     | 1001172561 ..... 373, 375                        |
| 1001150652 ..... 333   | 1001160791.....347, 357,<br>367                | 1001166715.....195  | 1001173217 ..... 373, 375                        |
| 1001150655 ..... 333   | 1001160815.....347                             | 1001166935.....185, 187                                     | 1001173230 ..... 491                             |
| 1001150656 ..... 333   | 1001160825.....425, 453                        | 1001167008.....726  | 1001173257 ..... 627                             |
| 1001153748 ..... 485, 549  | 1001160912.....395                             | 1001167250.....393  | 1001173423 ..... 692, 696                        |
|  | 1001160916.....715                             | 1001167251.....395  |  |
|  | 1001160945.....717                             | 1001167357.....223, 225                                     |  |
|  |  | 1001167641 ..... 615  |  |

## SECTION 13 - SPECIAL OPTIONS/ACCESSORIES/KITS

|  |  |  |  |
|--|--|--|--|
| 1001173535.....177                             | 1001182470 ..... 369, 371,<br>385                            | 1001190306 ..... 19, 23                                      | 1001196668.....425, 427,<br>459                |
| 1001173581.....421, 722                        | 1001182514..... 379  | 1001190341 .... 29, 31, 33                                   | 1001196669.....459                             |
| 1001173582.....419, 722                        | 1001182603..... 213  | 1001190344 ..... 215   | 1001196671.....459                             |
| 1001174152.....692, 696                        | 1001182663..... 379  | 1001190349 ..... 215   | 1001196736..... 171, 189                       |
| 1001174227 .... 17, 19, 21,<br>23              | 1001182723 ..... 375   | 1001190370 ..... 215   | 1001196737..... 171, 203                       |
| 1001174229 .... 17, 19, 21,<br>23              | 1001182798 ..... 375   | 1001190371 ..... 215   | 1001197098.....369, 371                        |
| 1001174327..... 185, 187                       | 1001182800 ..... 379   | 1001190372 ..... 215   | 1001197099.....369, 371,<br>379                |
| 1001174340.....417                             | 1001182808 ..... 379   | 1001190629 ..... 215   | 1001197233..... 177, 225                       |
| 1001174375.....467                             | 1001182810 ..... 379   | 1001190630 ..... 215   | 1001197421..... 425, 487                       |
| 1001174822.....191                             | 1001182842 ..... 379   | 1001190631 ..... 215   | 1001197422..... 481, 487                       |
| 1001175568.....213, 215                        | 1001182842 ..... 379   | 1001190962 ..... 187   | 1001197422..... 481, 487                       |
| 1001175733.....657                             | 1001182865 ..... 379   | 1001190990 ..... 187   | 1001197475.....203, 209                        |
| 1001176337.....625, 629,<br>631, 643, 645, 647 | 1001182871 ..... 379   | 1001191635 .... 668, 672,<br>676, 680, 684, 688,<br>692, 696 | 1001198355.....167                             |
| 1001176515.....75                              | 1001182882 ..... 379   | 1001191992 .... 668, 672,<br>676, 692                        | 1001198728.....575                             |
| 1001177168.....726                             | 1001182883 ..... 379   | 1001191992 .... 668, 672,<br>676, 692                        | 1001198769.....696                             |
| 1001177198.....590, 639                        | 1001182884 ..... 379   | 1001191993 .... 680, 684,<br>688, 696                        | 1001199116.....25, 27                          |
| 1001177746.....369, 371,<br>379                | 1001183084 ..... 379   | 1001191993 .... 680, 684,<br>688, 696                        | 1001199135.....25, 27                          |
| 1001178224.....433                             | 1001183104 ..... 379   | 1001192015 ..... 459   | 1001199136.....25, 27                          |
| 1001178285.....554, 558,<br>562, 566, 588      | 1001183164 .... 340, 344,<br>351, 355, 361, 365              | 1001192049 ..... 590   | 1001199177.....25, 27                          |
| 1001178345.....581, 583,<br>585                | 1001183209 ..... 379   | 1001192050 ..... 590   | 1001199181.....25, 27                          |
| 1001178346.....625, 637                        | 1001183341 ..... 413   | 1001192050 ..... 590   | 1001199199.....27                              |
| 1001178347.....350, 354,<br>360, 364, 623      | 1001183370 ..... 445   | 1001192134 ..... 177   | 1001199205...25, 27, 722                       |
| 1001178349.....369, 371,<br>663                | 1001184316 ..... 651, 722                                    | 1001192401 .... 616, 621                                     | 1001199210.....25, 27                          |
| 1001178582.....203, 205                        | 1001184491 ..... 661   | 1001192711 ..... 167   | 1001199737.....726                             |
| 1001178776..25, 27, 203,<br>205, 215           | 1001184493 ..... 661   | 1001192720 ..... 167   | 1001199738.....726                             |
| 1001179229.....373, 375                        | 1001184496 ..... 661   | 1001192875 ..... 167   | 1001199889.....554, 562,<br>614                |
| 1001179375.....213                             | 1001184835 .... 554, 562,<br>661                             | 1001192876 ..... 167   | 1001199891.....554                             |
| 1001179845.....203, 205                        | 1001185071 ..... 221   | 1001192877 ..... 167   | 1001200833.....588                             |
| 1001180175.....672, 684                        | 1001185649 ..... 173, 187                                    | 1001193427 ..... 726   | 1001200845.....589                             |
| 1001180176.....672, 684                        | 1001185650 ..... 173, 177                                    | 1001193428 ..... 726   | 1001201111.....213, 215                        |
| 1001180227.....187                             | 1001185651 ..... 173, 195                                    | 1001193540 ..... 167   | 1001201453.....726                             |
| 1001180244.....221                             | 1001185652 ..... 173, 219                                    | 1001193729 ..... 167   | 1001201454.....726                             |
| 1001180473.....175, 177                        | 1001185776 ..... 350, 354                                    | 1001194757 ..... 429   | 1001201454.....726                             |
| 1001180555.....340, 350,<br>361, 411           | 1001185777 ..... 360, 364                                    | 1001195055 ..... 616, 621                                    | 1001201455.....726                             |
| 1001180760..21, 23, 501,<br>531                | 1001185777 ..... 360, 364                                    | 1001195057 ..... 616, 621                                    | 1001201455.....726                             |
| 1001180762..21, 23, 501,<br>523                | 1001186373 ..... 175   | 1001195087 ..... 616, 621                                    | 1001201456.....726                             |
| 1001180764.....46, 515                         | 1001186417 ..... 651, 722                                    | 1001195087 ..... 616, 621                                    | 1001201456.....726                             |
| 1001181576.....467                             | 1001186490 ..... 173, 215                                    | 1001195760 ..... 589   | 1001201459.....726                             |
| 1001181584.....203, 205                        | 1001186535 ..... 31  | 1001195826 ... 17, 19, 21,<br>23                             | 1001201461.....726                             |
| 1001181585.....203, 205                        | 1001186718 ..... 177   | 1001195952 ... 17, 19, 21,<br>23                             | 1001201559.....19                              |
| 1001181707.....369, 371                        | 1001186841 .... 554, 558,<br>562, 566, 577                   | 1001195970 ..... 87  | 1001201561.....17, 19                          |
| 1001181893.....369, 371                        | 1001187078 ..... 569   | 1001196109 ..... 459   | 1001201567.....23                              |
| 1001181899.....554, 558,<br>562, 566           | 1001187952 ..... 590   | 1001196110 ... 17, 19, 21,<br>23, 499, 501, 511              | 1001201568.....21, 23                          |
| 1001181903.....369, 371                        | 1001189017 .... 668, 672,<br>676, 680, 684, 688,<br>692, 696 | 1001196110 ... 17, 19, 21,<br>23, 499, 501, 511              | 1001201658.....340, 344,<br>351, 355, 361, 365 |
| 1001181956.....340, 344                        | 1001189318 ..... 219   | 1001196124 ..... 171, 175                                    | 1001201689.....499                             |
| 1001181968.....369, 371                        | 1001189327 .... 668, 672,<br>676, 680, 684, 688,<br>692, 696 | 1001196125 ..... 171, 185                                    | 1001201721.....443, 539                        |
| 1001182091.....369, 371,<br>581                | 1001189488 .... 558, 566,<br>619                             | 1001196127 ..... 171   | 1001201726.....445                             |
| 1001182094.....213                             | 1001189602 ..... 219   | 1001196128 ..... 369, 371                                    | 1001201728.....445                             |
| 1001182135.....379                             | 1001189712 ..... 219   | 1001196128 ..... 369, 371                                    | 1001201734.....445                             |
| 1001182255.....203, 205,<br>207                | 1001189715 ..... 219   | 1001196279 ..... 29  | 1001201752.....625, 627                        |
| 1001182358.....722                             | 1001189871 ..... 655   | 1001196290 .... 425, 427,<br>469                             | 1001201831.....193                             |
| 1001182408.....379                             | 1001189875 .... 614, 615,<br>619, 620                        | 1001196292 ..... 427, 455                                    | 1001201832.....566                             |
|  | 1001189886 ..... 655, 657                                    | 1001196293 .... 425, 427,<br>457                             | 1001201923.... 17, 19, 21,<br>23               |
|  | 1001190005 ..... 195   | 1001196294 ..... 483, 489                                    | 1001201945.....217, 219                        |
|  | 1001190183 ..... 195   | 1001196321 ..... 427, 489                                    | 1001201983.....217                             |
|  | 1001190229 .... 340, 344,<br>350, 354, 360, 364, 387         | 1001196388 ..... 425, 477                                    | 1001201987.....425, 427,<br>429                |
|  | 1001190295 ..... 225   | 1001196396 ..... 185   | 1001201988.....429, 431                        |
|  |  | 1001196397 ..... 185   | 1001201989.....425, 427,<br>433                |
|  |  | 1001196646 ..... 455   | 1001201990.....433, 435                        |
|  |  | 1001196649 ..... 461   | 1001202043.....435                             |
|  |  | 1001196650 .... 425, 427,<br>461                             | 1001202189.....347, 357,<br>367                |
|  |  | 1001196665 ..... 175, 179                                    |  |

## SECTION 13 - SPECIAL OPTIONS/ACCESSORIES/KITS

|   |  |  |  |
|---|--|--|--|
| 1001202202 ..... 347, 357,<br>367                             | 1001210777.....590                                   | 1001227459.....597   | 1001237854 ..... 643, 647              |
| 1001202247 ..... 201  | 1001210778.....590                                   | 1001227508.....461   | 1001238111 ..... 625, 627,<br>641, 643 |
| 1001202304 ..... 201  | 1001210779.....590                                   | 1001227670....75, 79, 81,<br>85, 89, 91, 93, 95, 97,<br>99, 101, 103, 105, 107,<br>109, 111, 113, 139,<br>144, 153 | 1001238199 ..... 625, 627,<br>643, 649 |
| 1001202467 ..... 425, 427,<br>451                             | 1001210818.....38                                    | 1001227964.....201   | 1001238560 ..... 73, 167               |
| 1001202468 ..... 427, 465                                     | 1001210819.....45                                    | 1001228508.....33  | 1001238565 ... 67, 69, 71,<br>73       |
| 1001202615 ..... 347  | 1001210854.....445                                   | 1001228677 ..... 485, 487  | 1001238566 ..... 167                   |
| 1001202626 ..... 668, 672,<br>680, 684                        | 1001210855.....445                                   | 1001228954 ..... 599, 723  | 1001238570 ..... 167                   |
| 1001202627 ..... 668, 672,<br>676, 680, 684, 688,<br>692, 696 | 1001210856.....445                                   | 1001229023.....449   | 1001238653 ..... 67                    |
| 1001202746 ..... 347, 357,<br>367                             | 1001210858..... 431, 435                             | 1001229024 ..... 449   | 1001238654 ..... 69                    |
| 1001202755 ..... 668  | 1001211139..... 113                                  | 1001229025 ..... 449   | 1001238655 ..... 71                    |
| 1001202756 ..... 672  | 1001211278..... 672, 684                             | 1001229107 ..... 601   | 1001238893 ..... 726                   |
| 1001202757 ..... 680  | 1001211516..... 109                                  | 1001229703 ..... 699   | 1001238934 ..... 726                   |
| 1001202758 ..... 684  | 1001211688..... 177                                  | 1001230239.....77  | 1001239250 ..... 599                   |
| 1001202904 ..... 153, 155,<br>157, 159, 161, 163, 165         | 1001211690..... 31                                   | 1001230241 ..... 77  | 1001239455 ..... 726                   |
| 1001203181 ..... 201, 722                                     | 1001211697..... 177                                  | 1001230402 ..... 569   | 1001239539 ..... 201                   |
| 1001203503 ..... 167  | 1001211867..... 705                                  | 1001230931 ..... 588   | 1001239734 ..... 103, 107,<br>111      |
| 1001203969 ..... 217, 219                                     | 1001211868..... 709                                  | 1001231397 ..... 569, 571  | 1001239959 ..... 611                   |
| 1001203970 ..... 217  | 1001211869..... 707                                  | 1001231398 ..... 569   | 1001239988 ..... 726                   |
| 1001204032 ..... 201, 537                                     | 1001211870..... 711                                  | 1001231400 ..... 569, 571  | 1001241305 ..... 407                   |
| 1001204045 ..... 38, 45                                       | 1001211945..... 425                                  | 1001231401 ..... 569   | 1001241838 ..... 327, 329              |
| 1001204097 ..... 217, 219                                     | 1001212057..... 455                                  | 1001231402 ..... 569   | 1001241839 ..... 327                   |
| 1001204098 ..... 217, 219                                     | 1001212670 ..... 195                                 | 1001231404 ..... 569, 571  | 1001241840 ..... 329                   |
| 1001204099 ..... 217  | 1001213118..... 461                                  | 1001231406 ..... 569   | 1001241846 ..... 327                   |
| 1001204362 ..... 360, 364                                     | 1001213142..... 427, 479                             | 1001231560 ..... 201, 571  | 1001241847 ..... 329                   |
| 1001204692 ..... 593, 655                                     | 1001213199J..... 325                                 | 1001231692 ..... 77  | 1001242172 ..... 676, 688              |
| 1001205172 ..... 589, 639,<br>722                             | 1001213547..... 726                                  | 1001231801 ..... 669, 681  | 1001242173 ..... 676, 688              |
| 1001205248 ..... 625, 627,<br>639, 643                        | 1001213574..... 575                                  | 1001232216 ..... 511   | 1001242179 ..... 676, 688              |
| 1001205264 ..... 625, 627,<br>643                             | 1001213885..... 727                                  | 1001232355 ..... 131   | 1001242196 ..... 726                   |
| 1001205684 ..... 17   | 1001213938..... 217                                  | 1001232439 ..... 227   | 1001242644 ..... 97                    |
| 1001205685 ..... 21   | 1001213944..... 726                                  | 1001232500 ..... 77  | 1001242863 ..... 688                   |
| 1001205748 ..... 425  | 1001214398..... 726                                  | 1001232599 ..... 227   | 1001242914 ..... 676                   |
| 1001205749 ..... 427  | 1001214787..... 726                                  | 1001232624 ..... 227   | 1001242916 ..... 397                   |
| 1001205753 ..... 445, 447                                     | 1001215159..... 425, 463                             | 1001232750 ..... 227, 609  | 1001242925 ..... 467, 545              |
| 1001205754 ..... 425, 427,<br>447                             | 1001215941..... 201, 723                             | 1001233174 ..... 593   | 1001242996 ... 39, 44, 63              |
| 1001205788 ..... 562  | 1001216455..... 201, 569                             | 1001233217 ..... 593   | 1001243025 ..... 63                    |
| 1001206542 ..... 573  | 1001216589..... 33                                   | 1001233236 ..... 603, 723  | 1001243026 ..... 63                    |
| 1001206543 ..... 575  | 1001218358..... 569                                  | 1001233237 ..... 603   | 1001243183 ..... 726                   |
| 1001206956 ..... 201  | 1001218659..... 668, 680                             | 1001233383 ..... 103   | 1001243184 ..... 726                   |
| 1001206983 ..... 201  | 1001219082..... 201                                  | 1001233384 ..... 107   | 1001243219 ..... 63                    |
| 1001206985 ..... 201  | 1001219211..... 672, 676,<br>684, 688, 692, 696      | 1001233385 ..... 111   | 1001243577 ..... 726                   |
| 1001207173 ..... 595  | 1001220260..... 379                                  | 1001233434 ..... 593   | 1001244302 ..... 487, 489              |
| 1001207217 ..... 668, 680                                     | 1001221500..... 325                                  | 1001233828 ..... 593   | 1001244593 ..... 627                   |
| 1001207218 ..... 692, 696                                     | 1001223050..... 413, 443                             | 1001233976 ..... 593, 595  | 1001244594 ..... 627                   |
| 1001207606 ..... 139  | 1001223052..... 340, 344,<br>351, 355, 361, 365, 413 | 1001234098 ..... 609, 611,<br>659  | 1001245478 ..... 207, 722              |
| 1001207963 ..... 340, 344,<br>351, 355, 361, 365              | 1001223453..... 668, 672,<br>680, 684                | 1001234216 ..... 579, 609,<br>611  | 1001246001 ..... 331                   |
| 1001208280 ..... 31   | 1001225317..... 333                                  | 1001234531 ..... 609   | 1001246078 ..... 676, 688              |
| 1001208662 ..... 17, 19                                       | 1001226328..... 601, 723                             | 1001235725 ..... 217   | 1001246391 ..... 616                   |
| 1001208663 ..... 21, 23                                       | 1001226400..... 607                                  | 1001235794 ..... 676, 688  | 1001246735 ..... 347, 367              |
| 1001209097 ..... 621  | 1001226541..... 605                                  | 1001235796 ..... 676, 688  | 1001246736 ..... 340, 344,<br>347      |
| 1001209223 ..... 445  | 1001226636..... 605                                  | 1001235797 ..... 676, 688  | 1001246737 ..... 351, 355,<br>357      |
| 1001209665 ..... 501  | 1001226637..... 605                                  | 1001235797 ..... 676, 688  | 1001246738 ..... 361, 365,<br>367      |
| 1001210351 ..... 189  | 1001226796..... 597, 723                             | 1001235798 ..... 676, 688  | 1001247421 ..... 655                   |
| 1001210703 ..... 340, 344,<br>350, 354, 360, 364, 722         | 1001226799..... 597, 599                             | 1001235799 ..... 676, 688  | 1001248570 ..... 727                   |
| 1001210776 ..... 590  | 1001226856..... 597, 599,<br>605                     | 1001235801 ..... 676, 688  | 1001248571 ..... 727                   |
|   | 1001227066..... 601, 603,<br>607                     | 1001235803 ..... 676, 688  | 1001249695 ..... 727                   |
|   | 1001227068..... 607                                  | 1001235804 ..... 676, 688  | 1001249941 ..... 727                   |
|   | 1001227077..... 201                                  | 1001235805 ..... 676, 688  | 1001250700 ..... 562, 566              |
|   | 1001227211..... 17, 21, 25                           | 1001236313 ..... 676, 688  | 1001251208 ..... 627                   |
|   | 1001227266..... 607                                  | 1001237846 ..... 719   | 1001251270 ..... 625, 627,<br>629      |
|   | 1001227379..... 125                                  | 1001237847 ..... 643   |  |
|   | 1001227382..... 129                                  | 1001237853 ..... 643, 645  |  |

## SECTION 13 - SPECIAL OPTIONS/ACCESSORIES/KITS

|  |   |   |                            |
|--|---|---|----------------------------|
| 1001251271 .....625, 627,<br>631                             | 1001263820 ..... 668, 672,<br>676, 680, 684, 688,<br>692, 696 | 1101313 ..... 199, 723                      | 1319623..... 245, 249, 251 |
| 1001251423 .....475, 535                                     | 1001263821 ..... 668, 672,<br>676, 680, 684, 688,<br>692, 696 | 1170021 ..... 99                            | 1319624..... 245, 249, 251 |
| 1001251426 .....461, 475                                     | 1001264534 ..... 593  | 1170024 ..... 105                           | 1319625..... 245, 249, 251 |
| 1001251494 .....625  | 1001264536 ..... 593  | 1319203 ..... 235                           | 1319626..... 245, 249, 251 |
| 1001252952 .....467, 469                                     | 1001264554 ..... 344, 354,<br>365                             | 1319204 ..... 235                           | 1319627..... 245, 249, 251 |
| 1001252986 .....331  | 1001264699 ..... 319  | 1319205 ..... 235                           | 1319628..... 245, 249, 251 |
| 1001253829 .....726  | 1001264712 ..... 319  | 1319209 ..... 235                           | 1319629..... 245, 249, 251 |
| 1001253916 .....726  | 1001265272 ..... 379  | 1319210 ..... 235                           | 1319630..... 245, 249, 251 |
| 1001254087 .....441  | 1001265679 ..... 593  | 1319211 ..... 235                           | 1319631..... 245, 249, 251 |
| 1001254088 .....457  | 1001265680 ..... 593  | 1319213 ..... 235                           | 1319632..... 245, 249, 251 |
| 1001254089 .....457  | 1001265914 ..... 344, 355,<br>365                             | 1319557 ..... 237                           | 1319633..... 245, 253      |
| 1001254090 .....487, 489                                     | 1001265979 ..... 593  | 1319558 ..... 237                           | 1319634..... 247           |
| 1001254092 .....487, 489                                     | 1001265980 ..... 593  | 1319563 ..... 237                           | 1319635..... 247           |
| 1001254093 .....487, 489                                     | 1001265982 ..... 593  | 1319565 ..... 237                           | 1319636..... 247, 249, 251 |
| 1001254094 .....473  | 1001265986 ..... 593  | 1319566 ..... 237                           | 1319637..... 249           |
| 1001254095 .....473  | 1001265987 ..... 593  | 1319569 ..... 239                           | 1319638..... 249, 251      |
| 1001254096 .....473  | 1001266771 ..... 481, 483,<br>547                             | 1319570 ..... 239                           | 1319639..... 251           |
| 1001254097 .....473  | 1001267967 .. 17, 19, 529                                     | 1319571 ..... 239                           | 1319641..... 253           |
| 1001254098 .....473  | 1001268341 ..... 726  | 1319574 ..... 239                           | 1319643..... 253           |
| 1001254099 .....473  | 1001271586 ..... 581, 583                                     | 1319575 ..... 239                           | 1319646..... 253           |
| 1001254100 .....491  | 1001272715 ..... 439  | 1319576 ..... 239                           | 1319647..... 253           |
| 1001254101 .....491  | 1001273636 ..... 627  | 1319577 ..... 239                           | 1319648..... 253           |
| 1001254102 .....451  | 1001273850 ..... 397  | 1319582 ..... 239, 263                      | 1319649..... 253           |
| 1001254103 .....451  | 1001275637 ..... 327, 329                                     | 1319583 ..... 239                           | 1319650..... 255           |
| 1001254104 .....461  | 1001275638 ..... 327, 329                                     | 1319584 ..... 239                           | 1319652..... 255, 257      |
| 1001254105 .....461  | 1001275933 ..... 389  | 1319585 ..... 239, 263                      | 1319659..... 255           |
| 1001254106 .....453  | 1001280231 ..... 379, 726                                     | 1319586 ..... 239                           | 1319661..... 255, 257      |
| 1001254107 .....453, 455                                     | 1001296148 ..... 627  | 1319587 ..... 239                           | 1319670..... 257, 261      |
| 1001254108 .....463, 465                                     | 1001301599 ..... 113  | 1319590 ..... 239                           | 1319671..... 257           |
| 1001254109 .....463, 465                                     | 1001301600 ..... 113  | 1319591 ..... 241                           | 1319673..... 257           |
| 1001254386 .....467  | 1001305569 ..... 627  | 1319592 ..... 241                           | 1319674..... 257           |
| 1001256067 .....419, 421                                     | 10139087 .. 668, 672, 676,<br>680, 684, 688, 692, 696         | 1319593 ... 241, 243, 245,<br>247, 249, 251 | 1319675..... 257           |
| 1001256068 .....417, 421                                     | 10268515 ..... 195, 199                                       | 1319594 ... 241, 243, 245,<br>247, 249, 251 | 1319676..... 257           |
| 1001256069 .....417, 419                                     | 10268516 ..... 195  | 1319595 ... 241, 243, 245,<br>247, 249, 251 | 1319677..... 257           |
| 1001256070 .....417  | 1060379 ..... 73  | 1319596 ... 241, 243, 247                   | 1319678..... 257           |
| 1001256519 .....340, 344,<br>350, 354, 360, 364              | 1060626 ..... 579, 659  | 1319600 ... 241, 243, 245,<br>247, 249, 251 | 1319679..... 257           |
| 1001257571 .....477, 479                                     | 1062255 ... 554, 558, 562,<br>566                             | 1319601 ... 241, 243, 245,<br>247, 249, 251 | 1319680..... 257           |
| 1001258100 .....407  | 10705034 ..... 101  | 1319602 ... 241, 243, 245,<br>247, 249, 251 | 1319681..... 257           |
| 1001258244 .....389  | 10719267 ..... 193  | 1319603 ... 241, 243, 245,<br>247, 249, 251 | 1319682..... 257           |
| 1001258245 .....389  | 10727374 ..... 413  | 1319604 ... 241, 243, 245,<br>247, 249, 251 | 1319683..... 257           |
| 1001258991 .....577  | 10728823 ..... 445  | 1319605 ... 241, 243, 247                   | 1319684..... 257           |
| 1001259206 .....119  | 10731702 ..... 235  | 1319606 ... 241, 243, 247                   | 1319685..... 257           |
| 1001259302 .....668, 672,<br>676, 680, 684, 688,<br>692, 696 | 10731709 .. 257, 258, 261                                     | 1319607 ..... 241                           | 1319686..... 257           |
| 1001259303 .....668, 672,<br>676, 680, 684, 688,<br>692, 696 | 10731744 ..... 239  | 1319608 ..... 241, 251                      | 1319687..... 257           |
| 1001259635 .....331  | 10731748 ..... 235  | 1319609 ..... 241                           | 1319688..... 257           |
| 1001260509 .....661  | 10731751 ..... 235  | 1319610 ..... 241                           | 1319689..... 257           |
| 1001262057 .....701, 703                                     | 10731845 .. 241, 243, 247                                     | 1319611 ..... 241                           | 1319690..... 257           |
| 1001262151 .....726  | 10731913 ..... 237  | 1319612 ... 241, 243, 245,<br>247, 249, 251 | 1319691..... 257           |
| 1001262152 .....726  | 10731959 ..... 253  | 1319613 ..... 243                           | 1319692..... 257           |
| 1001262322 .....597, 723                                     | 10732063 ..... 257, 261                                       | 1319614 ..... 243                           | 1319693..... 257           |
| 1001262326 .....597  | 10732064 ..... 257  | 1319615 ... 243, 247, 249                   | 1319694..... 257           |
| 1001262960 .....601, 603                                     | 10732071 ..... 255  | 1319616 ..... 245                           | 1319695..... 257           |
| 1001262963 .....601, 603                                     | 10732072 ..... 255  | 1319617 ... 245, 249, 251                   | 1319696..... 257, 261      |
| 1001263010 .....319  | 10732095 ..... 235  | 1319618 ... 245, 249, 251                   | 1319697..... 257           |
| 1001263592 .....681, 685,<br>689, 697                        | 10732150 ..... 29, 31, 33                                     | 1319619 ..... 245                           | 1319698..... 257           |
| 1001263593 .....669, 673,<br>677, 693                        | 10837928 ..... 545  | 1319620 ... 245, 249, 251                   | 1319699..... 257           |
| 1001263819 .....668, 672,<br>676, 680, 684, 688,<br>692, 696 | 10839156 ..... 253  | 1319621 ... 245, 249, 251                   | 1319700..... 257           |
|  | 1101312 ..... 199, 723  | 1319622 ... 245, 249, 251                   | 1319701..... 257           |
|  |   |   | 1319702..... 257, 261      |
|  |   |   | 1319703..... 257, 261      |
|  |   |   | 1319704..... 257           |
|  |   |   | 1319705..... 257           |
|  |   |   | 1319707..... 257, 261      |
|  |   |   | 1319710..... 261           |
|  |   |   | 1319711..... 261           |
|  |   |   | 1319712..... 261           |
|  |   |   | 1319713..... 261           |

## SECTION 13 - SPECIAL OPTIONS/ACCESSORIES/KITS

|                           |                |                           |                |                          |                |                            |
|---------------------------|----------------|---------------------------|----------------|--------------------------|----------------|----------------------------|
| 1319714.....              | 261            | 2220435.....              | 467            | 2717020.....             | 455            | 4060806... 340, 344, 350,  |
| 1319715.....              | 261            | 2220451.....              | 463, 659       | 2717160.....             | 101            | 354, 360, 364              |
| 1319717.....              | 261            | 2220473 ...               | 113, 453, 455, | 2717161.....             | 101            | 4100181 ... 668, 672, 676, |
| 1319718.....              | 263            | 467, 481, 483             |                | 2717162.....             | 101            | 680, 684, 688, 692, 696    |
| 1319719.....              | 263            | 2220474.....              | 467            | 2717198.21, 23, 501, 533 |                | 4105262... 668, 672, 676,  |
| 1319720.....              | 263            | 2220497.....              | 467            | 2717283.....             | 101, 517       | 680, 684, 688, 692, 696    |
| 1319721.....              | 263            | 2220499.....              | 25, 27         | 2717287.....             | 113            | 4107442... 668, 672, 676,  |
| 1319722.....              | 263            | 2220500.....              | 485, 493       | 2755060.....             | 477, 479       | 680, 684, 688, 692, 696    |
| 1319723.....              | 263            | 2220501.....              | 455, 467       | 2910994.....             | 726            | 4108302... 668, 672, 676,  |
| 1319724.....              | 263            | 2220567.....              | 39             | 2915023.....             | 509            | 680, 684, 688, 692, 696    |
| 1319725.....              | 263            | 2220577.....              | 25, 27         | 2940074.....             | 73, 723        | 4110422... 77, 79, 81, 83, |
| 1319726.....              | 263            | 2220578.....              | 44             | 31200160.....            | 67             | 85                         |
| 1320022 ...               | 219, 340, 344, | 2220582.....              | 467, 471       | 31200386.....            | 71             | 4110473..... 101           |
| 350, 354, 360, 364        |                | 2220596.....              | 38, 435, 467,  | 31200387.....            | 69             | 4240017... 554, 558, 562,  |
| 1321094....               | 179, 181, 183  | 477, 479                  |                | 31200388.....            | 69             | 566                        |
| 1322039....               | 179, 181, 183  | 2220600.....              | 481, 483       | 3251813.....             | 668, 672, 676, | 4240032... 593, 597, 599,  |
| 1322040....               | 179, 181, 183  | 2220602.....              | 483            | 680, 684, 688, 692, 696  |                | 601, 603                   |
| 1600429... 340, 344, 350, |                | 2220603.....              | 475, 493       | 3290501.....             | 227            | 4240099..... 175, 177      |
| 354, 360, 364, 723        |                | 2220605.....              | 413            | 3290505.....             | 201            | 4360569... 340, 344, 350,  |
| 1701509.....              | 73             | 2220622.....              | 467, 659       | 3290601....              | 167, 554, 558, | 354, 360, 364              |
| 1701640... 668, 672, 676, |                | 2220635 25, 27, 431, 435, |                | 562, 566                 |                | 4360690... 340, 344, 350,  |
| 680, 684, 688, 692, 696   |                | 461, 481, 483             |                | 3290605....              | 213, 215, 373, | 354, 360, 364, 722         |
| 1702300... 668, 672, 676, |                | 2220651.....              | 437, 439       | 375, 554, 558, 562, 566  |                | 4420037..... 29, 31, 33    |
| 680, 684, 688, 692, 696   |                | 2220655.....              | 467            | 3290801....              | 379, 554, 558, | 4460019... 615, 616, 619,  |
| 1702631... 668, 672, 676, |                | 2220671.....              | 467            | 562, 566                 |                | 620, 621                   |
| 680, 684, 688, 692, 696   |                | 2220682.....              | 463            | 3290805....              | 177, 373, 375  | 4460042..... 615, 620      |
| 1702773.....              | 67, 69, 71     | 2220683.....              | 40             | 3291205.....             | 213            | 4460142..... 621           |
| 1704277.....              | 73             | 2220683.....              | 40             | 3300240.....             | 99, 103, 105,  | 4460183..... 657           |
| 1704885.....              | 67, 69, 71     | 2220695.....              | 465, 467       | 107, 109, 111            |                | 4460234.... 593, 597, 599  |
| 1706098.....              | 692, 696       | 2220700.....              | 659            | 3300429.....             | 25, 27         | 4460247..... 616, 621      |
| 1706281.....              | 692, 696       | 2220810.....              | 467            | 3311401....              | 203, 205, 340, | 4460256..... 615, 620      |
| 1706282.....              | 692, 696       | 2220819.....              | 467            | 344, 350, 354, 360,      |                | 4460268..... 623           |
| 1706284.....              | 692, 696       | 2220878.....              | 459, 467       | 364, 593                 |                | 4460312..... 616, 621      |
| 1706285.....              | 692, 696       | 2220883.....              | 523            | 3311405.....             | 73             | 4460321..... 569           |
| 1706288.....              | 692, 696       | 2220885.....              | 515            | 3311502.....             | 167            | 4460326..... 623           |
| 1706296.....              | 668, 680       | 2220888.....              | 529            | 3311601.....             | 38, 44         | 4460419... 585, 588, 637,  |
| 1706298.....              | 668, 680       | 2220947.....              | 475            | 3311605.....             | 575            | 649, 663                   |
| 1706299.....              | 668, 680       | 2220950.....              | 485            | 3331615.....             | 175, 177       | 4460457..... 641, 649      |
| 1706300.....              | 668, 680       | 2220974.....              | 467            | 3332017.....             | 273, 275       | 4460458... 569, 585, 589,  |
| 1706301.....              | 668, 680       | 2221027.....              | 439            | 3391410.....             | 167            | 614, 615, 616, 619,        |
| 1706302.....              | 167            | 2221040.....              | 467            | 3421453.....             | 73             | 620, 621, 657              |
| 1706306.....              | 668, 680       | 2221344.....              | 413            | 3423226.....             | 38, 44         | 4460464... 569, 571, 585,  |
| 1706768.....              | 668, 680       | 2230025.....              | 437, 439       | 3423227....              | 17, 19, 21, 23 | 588, 589, 595, 605,        |
| 1706850.....              | 668, 680       | 2230044.....              | 451            | 3423242.....             | 105, 107       | 607, 614, 619, 623,        |
| 1706892.....              | 67             | 2340037.....              | 117            | 3423275.....             | 99, 103        | 637, 663                   |
| 2080040.....              | 73             | 2340038.....              | 127            | 3423276....              | 109, 111, 113  | 4460465... 569, 571, 585,  |
| 2110606... 103, 107, 111, |                | 2340039.....              | 133            | 3423307....              | 103, 107, 111  | 588, 589, 595, 605,        |
| 541                       |                | 2340045.....              | 123            | 3440620.....             | 77             | 614, 615, 616, 619,        |
| 2130606.....              | 101, 541       | 2340046.....              | 115            | 3520030.....             | 29, 31, 33     | 620, 621, 623, 637         |
| 2130608.....              | 101            | 2400060 ...               | 616, 621, 723  | 3520072.....             | 73             | 4460466... 569, 571, 588,  |
| 2130808....               | 103, 107, 111  | 24921332.....             | 185, 187       | 3520198.....             | 73             | 589, 595, 605, 614,        |
| 2131210.....              | 231            | 2600281.....              | 73             | 3740080.....             | 201, 723       | 615, 616, 619, 621,        |
| 2131212 ...               | 203, 205, 231  | 2713082.....              | 439            | 3760170.....             | 73             | 623, 637                   |
| 2172106....               | 103, 107, 111  | 2713452.....              | 44             | 3790152.....             | 201            | 4460475... 569, 614, 616,  |
| 2180798.....              | 195            | 2716614.....              | 38, 44, 519    | 3820020.....             | 73             | 619, 620                   |
| 2220218.....              | 215            | 2716670.....              | 431            | 3841203....              | 103, 107, 111  | 4460476..... 616, 620      |
| 2220238.....              | 425            | 2716673.....              | 433            | 3930610....              | 340, 344, 350, | 4460508.... 589, 637, 639  |
| 2220239.....              | 25, 27         | 2716675.....              | 463, 465       | 354, 360, 364            |                | 4460509.... 588, 639, 649  |
| 2220371 ...               | 453, 455, 467, | 2716684.....              | 479            | 3931012.....             | 593, 655       | 4460518..... 569, 588      |
| 471, 481, 483             |                | 2716713.....              | 451            | 3968141.....             | 283, 301       | 4460539..... 569, 595      |
| 2220373....               | 44, 431, 435,  | 2716714.....              | 477, 479       | 3984436.....             | 307            | 4460608.... 614, 616, 620  |
| 477, 479, 481, 483, 493   |                | 2716760.....              | 38             | 3984447.....             | 307            | 4460742.... 569, 641, 649  |
| 2220375 25, 27, 463, 465  |                | 2716763.....              | 429            | 3984458.....             | 307            | 4460744..... 614, 619      |
| 2220377.....              | 467            | 2716773.....              | 477            | 3984469.....             | 307            | 4460761..... 569, 588      |
| 2220381.....              | 481            | 2716788.....              | 38             | 4031608.....             | 227            | 4460789.... 589, 641, 649  |
| 2220385....               | 455, 477, 479  | 2716792.....              | 437            | 4060803.....             | 369, 371       | 4460790..... 589, 639      |
| 2220415.....              | 113            | 2717018.....              | 44             |                          |                | 4460809..... 569           |
|                           |                | 2717019.....              | 455            |                          |                |                            |

## SECTION 13 - SPECIAL OPTIONS/ACCESSORIES/KITS

|  |   |                            |                           |
|--|---|----------------------------|---------------------------|
| 4460836.....588  | 4812000... 177, 189, 191,<br>213, 439                             | 70021415 ..... 79, 83      | 70022998.....145          |
| 4460850.....614, 619   | 4812100... 175, 177, 185,<br>187, 213, 225, 554,<br>558, 562, 566 | 70021440 .... 75, 507, 525 | 70023003.....144          |
| 4460871.....588  | 4812300..... 175, 177   | 70021444 ..... 507, 525    | 70023004.....144          |
| 4460872.....588  | 4831600 ..... 227   | 70021445 ..... 507         | 70023005.....144          |
| 4460884....588, 616, 621,<br>637   | 4831700 ..... 625, 627  | 70021446 ..... 507, 525    | 70023006.....144          |
| 4460891....569, 585, 588,<br>589, 614, 615, 619, 620                                     | 4832000 ..... 189, 191  | 70021447 ..... 507, 525    | 70023007.....144          |
| 4460894.....605, 637   | 4891500 ..... 185   | 70021448 ..... 507, 525    | 70023008.....144          |
| 4460897....585, 589, 663   | 4891600... 17, 19, 21, 23,<br>185, 187, 625, 643                  | 70021451 ..... 507, 525    | 70023009.....144          |
| 4460905.....588  | 4891800.... 103, 107, 111   | 70021452 ..... 507, 525    | 70023010.....144          |
| 4460930....571, 588, 589   | 5240800 ..... 223, 225  | 70021464 ..... 525         | 70023014.....144          |
| 4460931....569, 614, 619,<br>637   | 5242400 ..... 167   | 70021465 ..... 525         | 70023015.....144          |
| 4460933....589, 595, 623,<br>637   | 5251014... 340, 344, 350,<br>354, 360, 364                        | 70021466 ..... 525         | 70023016.....144          |
| 4460941 .....637   | 5724622 ..... 38, 44  | 70021583 ..... 521         | 70023265.....519          |
| 4460942....588, 623, 637   | 5906392 ..... 38  | 70021613 ..... 299, 307    | 70023404.....239          |
| 4460945.....569  | 6604662 ..... 113   | 70021812 ..... 509         | 70023482.....235          |
| 4460950.....623  | 70002219 ..... 505  | 70021867 ..... 535         | 70023483.....235          |
| 4460955.....615, 620   | 70002224 ..... 505  | 70021874 ..... 722         | 70023736... 179, 181, 183 |
| 4460970....588, 589, 595   | 70003738 ..... 535  | 70021921 ..... 79, 83      | 70023885.....239, 263     |
| 4460994.....588, 663   | 70003849 ..... 505  | 70021935 ..... 79, 83      | 70023925.....144          |
| 4461017....589, 637, 639   | 70004637 ..... 523  | 70021948 ..... 379, 723    | 70023928.....543          |
| 4461018.....639, 649   | 70005847 ..... 515  | 70021977 ..... 79, 83      | 70023929.....543          |
| 4461070.....588, 621   | 70020002 ..... 97   | 70021978 ..... 79, 83      | 70023933..... 179, 183    |
| 4461095.....615, 621   | 70020004 ..... 157  | 70021979 ..... 79, 83      | 70024016... 179, 181, 183 |
| 4461103.....590, 722   | 70020028 ..... 97   | 70021980 ..... 93          | 70024020.....505          |
| 4461157.....614, 619   | 70020375 ..... 513  | 70021981 ..... 93          | 70024059..... 79, 83      |
| 4520356.....331  | 70020404 ..... 411  | 70021982 ..... 93          | 70024060..... 83          |
| 4520368.....313  | 70020425 ..... 255  | 70022008 ..... 545         | 70024062..... 75          |
| 4520370.....315  | 70020426 ..... 255  | 70022014 ..... 545         | 70024147.....285          |
| 4520371.....317  | 70020427 ..... 261  | 70022028 ..... 79, 83      | 70024152.....25, 27       |
| 4641122.....331  | 70020428 ..... 509  | 70022044 ..... 509         | 70024186.....535          |
| 4641501.....541, 543   | 70020430 ..... 253  | 70022045 ..... 509         | 70024189.....535          |
| 4641502..... 101, 541  | 70020431 ..... 253  | 70022046 ..... 509         | 70024202.....545          |
| 4710600....340, 344, 351,<br>355, 361, 365   | 70020555 ..... 139, 141   | 70022527 ..... 79, 83, 93  | 70024253.....614          |
| 4711000.....593  | 70020562 ..... 93   | 70022528 ..... 79, 83      | 70024254.....614          |
| 4711400.... 73, 203, 205,<br>369, 371, 554, 558,<br>562, 566, 573, 593, 655              | 70020652 ..... 385  | 70022529 ..... 79, 83      | 70024255.....614          |
| 4711500.... 175, 203, 205,<br>379  | 70020743 ..... 539  | 70022563 ..... 523         | 70024256.....614          |
| 4711600....215, 554, 558,<br>562, 566, 575, 668,<br>672, 676, 680, 684,<br>688, 692, 696 | 70020745 ..... 539  | 70022564 ..... 523         | 70024262.....505          |
| 4740362.....203, 205   | 70020867 ..... 549  | 70022566 ..... 515         | 70024306.....135          |
| 4750800.....407  | 70020876 ..... 401  | 70022634 .. 179, 181, 183  | 70024307.....135          |
| 4751400.....379  | 70021342 ..... 83, 93   | 70022650 ..... 539         | 70024319..... 411, 722    |
| 4761400....340, 344, 350,<br>354, 360, 364, 651  | 70021349 ..... 79, 83   | 70022797 ..... 283, 301    | 70024407.....535          |
| 4761500..... 175   | 70021351 ..... 97   | 70022799 ..... 303         | 70024408.....535          |
| 4811400.... 81, 85, 89, 91,<br>95, 99, 103, 105, 107,<br>109, 111, 113                   | 70021358 ..... 93   | 70022931 ..... 144         | 70024411.....535          |
| 4811600....201, 215, 227,<br>407   | 70021359 ..... 93   | 70022932 ..... 144         | 70024412.....535          |
| 4811700....167, 175, 177,<br>213, 373, 375, 625, 627                                     | 70021360 ..... 93   | 70022934 ..... 144         | 70024414.....535          |
| 4811702.... 31, 373, 375,<br>554, 558, 562, 566  | 70021361 ..... 93   | 70022935 ..... 145         | 70024415.....535          |
| 4811900....185, 187, 373,<br>375, 554, 558, 562, 566                                     | 70021362 ..... 93   | 70022936 ..... 144         | 70024416.....535          |
| 4811902....177, 193, 333   | 70021364 ..... 93   | 70022937 ..... 144         | 70024519.....299          |
|  | 70021365 ..... 93   | 70022939 ..... 145         | 70024539.....503          |
|  | 70021366 ..... 93   | 70022942 ..... 144         | 70024547.....503          |
|  | 70021367 ..... 93   | 70022946 ..... 145         | 70024548.....503          |
|  | 70021376 ..... 97, 507  | 70022949 ..... 144, 145    | 70024549.....503          |
|  | 70021377 ..... 97   | 70022950 ..... 144         | 70024855.....377          |
|  | 70021378 ..... 97   | 70022952 ..... 144         | 70024872.....281          |
|  | 70021379 ..... 97   | 70022957 ..... 144         | 70024881..... 303, 311    |
|  | 70021382 ..... 97   | 70022960 ..... 144         | 70025014.....285          |
|  | 70021387 ..... 79, 93   | 70022969 ..... 144         | 70025480..... 369, 371    |
|  | 70021389 ..... 97   | 70022970 ..... 144         | 70025548.....285          |
|  | 70021391 ..... 93   | 70022980 ..... 145         | 70025551.....286          |
|  | 70021392 ..... 93   | 70022984 ..... 144         | 70025562..... 301, 303    |
|  | 70021393 ..... 93, 525  | 70022985 ..... 144         | 70025606.....505          |
|  | 70021399 ..... 93   | 70022987 ..... 144         | 70025821.....307          |
|  |   | 70022990 ..... 145         | 70025822.....307          |
|  |   | 70022992 ..... 144         | 70025842.....291, 309     |
|  |   | 70022993 ..... 144         | 70025852..... 197, 722    |
|  |   | 70022994 ..... 144         | 70025853..... 197, 722    |
|  |   | 70022995 ..... 144         | 70025857.....285, 303     |



## SECTION 13 - SPECIAL OPTIONS/ACCESSORIES/KITS

|                |               |                |                    |                |          |                |                    |
|----------------|---------------|----------------|--------------------|----------------|----------|----------------|--------------------|
| 70025859 ..... | 443, 539      | 70026137 ..... | 291, 309           | 70026987 ..... | 401      | 70029704 ..... | 165                |
| 70025897 ..... | 535, 723      | 70026138 ..... | 291, 309           | 70026988 ..... | 401      | 70029705 ..... | 165                |
| 70025959 ..... | 505           | 70026139 ..... | 301                | 70026989 ..... | 401      | 70029706 ..... | 165                |
| 70025982 ..... | 545           | 70026140 ..... | 303                | 70026990 ..... | 401      | 70029707 ..... | 165                |
| 70026031 ..... | 283           | 70026141 ..... | 303                | 70026991 ..... | 399, 402 | 70029708 ..... | 165                |
| 70026033 ..... | 513           | 70026216 ..... | 623                | 70027009 ..... | 79       | 70029709 ..... | 165                |
| 70026034 ..... | 513           | 70026217 ..... | 616, 623           | 70027024 ..... | 387      | 70029710 ..... | 165                |
| 70026044 ..... | 527           | 70026220 ..... | 179, 183           | 70027025 ..... | 387      | 70029711 ..... | 165                |
| 70026045 ..... | 527           | 70026221 ..... | 179                | 70027026 ..... | 387      | 70029712 ..... | 165                |
| 70026046 ..... | 527           | 70026222 ..... | 179, 181           | 70027028 ..... | 387      | 70029713 ..... | 165                |
| 70026047 ..... | 527           | 70026223 ..... | 183                | 70027030 ..... | 387      | 70029714 ..... | 165                |
| 70026056 ..... | 505           | 70026224 ..... | 179, 181, 183      | 70027032 ..... | 387      | 70029715 ..... | 165                |
| 70026057 ..... | 505           | 70026225 ..... | 179, 181, 183      | 70027033 ..... | 387      | 70029716 ..... | 165                |
| 70026058 ..... | 505           | 70026226 ..... | 179, 181, 183      | 70027034 ..... | 387      | 70029717 ..... | 159                |
| 70026059 ..... | 505           | 70026228 ..... | 179, 181, 183      | 70027035 ..... | 387      | 70029718 ..... | 159                |
| 70026060 ..... | 505           | 70026229 ..... | 179, 181, 183      | 70027094 ..... | 209      | 70029719 ..... | 159                |
| 70026061 ..... | 505           | 70026230 ..... | 179, 181, 183      | 70027107 ..... | 299      | 70029720 ..... | 157                |
| 70026062 ..... | 505           | 70026231 ..... | 179, 181, 183      | 70027134 ..... | 545      | 70029721 ..... | 157                |
| 70026074 ..... | 411           | 70026232 ..... | 179, 181, 183      | 70027244 ..... | 523      | 70029722 ..... | 157                |
| 70026075 ..... | 209, 211      | 70026233 ..... | 181                | 70027275 ..... | 539      | 70029723 ..... | 157                |
| 70026076 ..... | 209, 211      | 70026234 ..... | 179, 181, 722      | 70027276 ..... | 539      | 70029724 ..... | 157                |
| 70026077 ..... | 209, 211      | 70026235 ..... | 179, 181, 183      | 70027281 ..... | 179, 181 | 70029725 ..... | 155, 157           |
| 70026078 ..... | 209, 211      | 70026236 ..... | 183                | 70027315 ..... | 285, 303 | 70029726 ..... | 157                |
| 70026079 ..... | 209, 211      | 70026237 ..... | 179, 181, 183, 722 | 70027317 ..... | 307      | 70029727 ..... | 163                |
| 70026080 ..... | 211           |                |                    | 70027642 ..... | 97       | 70029728 ..... | 157                |
| 70026081 ..... | 209, 211      | 70026241 ..... | 179, 181, 183      | 70027683 ..... | 531      | 70029729 ..... | 157                |
| 70026082 ..... | 209, 211      | 70026262 ..... | 289                | 70027684 ..... | 531      | 70029730 ..... | 163                |
| 70026083 ..... | 209, 211      | 70026263 ..... | 289                | 70027685 ..... | 531      | 70029731 ..... | 163                |
| 70026085 ..... | 547, 722      | 70026352 ..... | 385                | 70027686 ..... | 531      | 70029732 ..... | 157, 165           |
| 70026087 ..... | 547           | 70026370 ..... | 545                | 70027687 ..... | 531      | 70029733 ..... | 165                |
| 70026088 ..... | 405           | 70026376 ..... | 545                | 70027688 ..... | 531      | 70029734 ..... | 155, 157, 165      |
| 70026089 ..... | 405           | 70026393 ..... | 197                | 70027689 ..... | 523      | 70029735 ..... | 155, 157           |
| 70026090 ..... | 405           | 70026394 ..... | 197                | 70027690 ..... | 523      | 70029736 ..... | 157                |
| 70026091 ..... | 405           | 70026401 ..... | 493                | 70027691 ..... | 523      | 70029737 ..... | 165                |
| 70026092 ..... | 405           | 70026453 ..... | 179, 183, 722      | 70027692 ..... | 523      | 70029738 ..... | 155, 157           |
| 70026093 ..... | 405           | 70026582 ..... | 549, 722           | 70027693 ..... | 523      | 70029739 ..... | 155, 157, 159, 161 |
| 70026097 ..... | 415, 723      | 70026631 ..... | 301                | 70027694 ..... | 523      |                |                    |
| 70026098 ..... | 415           | 70026652 ..... | 545                | 70027695 ..... | 523      | 70029740 ..... | 155                |
| 70026100 ..... | 377           | 70026653 ..... | 545                | 70027696 ..... | 523      | 70029741 ..... | 157, 159, 161      |
| 70026101 ..... | 377           | 70026698 ..... | 79, 83             | 70027697 ..... | 515      | 70029742 ..... | 155, 157           |
| 70026102 ..... | 377           | 70026699 ..... | 75                 | 70027698 ..... | 515      | 70029743 ..... | 155, 157, 159      |
| 70026103 ..... | 377           | 70026745 ..... | 139                | 70027699 ..... | 515      | 70029744 ..... | 161                |
| 70026104 ..... | 377           | 70026746 ..... | 139                | 70027700 ..... | 515      | 70029745 ..... | 157                |
| 70026105 ..... | 377           | 70026747 ..... | 75                 | 70027701 ..... | 515      | 70029746 ..... | 159, 161           |
| 70026106 ..... | 377           | 70026749 ..... | 299                | 70027702 ..... | 515      | 70029747 ..... | 155, 157           |
| 70026107 ..... | 377           | 70026770 ..... | 517                | 70027703 ..... | 515      | 70029748 ..... | 161                |
| 70026108 ..... | 377           | 70026771 ..... | 517                | 70027704 ..... | 515      | 70029749 ..... | 159, 161           |
| 70026109 ..... | 377           | 70026773 ..... | 517                | 70028159 ..... | 511      | 70029750 ..... | 155                |
| 70026110 ..... | 377           | 70026774 ..... | 517                | 70028160 ..... | 511      | 70029751 ..... | 157                |
| 70026111 ..... | 377, 401      | 70026775 ..... | 517                | 70028392 ..... | 303      | 70029752 ..... | 157                |
| 70026112 ..... | 377           | 70026800 ..... | 181                | 70028450 ..... | 179, 183 | 70029753 ..... | 165                |
| 70026113 ..... | 377           | 70026801 ..... | 181, 723           | 70028452 ..... | 307      | 70029754 ..... | 165                |
| 70026114 ..... | 377           | 70026854 ..... | 401                | 70028471 ..... | 301      | 70029755 ..... | 157                |
| 70026115 ..... | 377           | 70026944 ..... | 75                 | 70028514 ..... | 537, 723 | 70029756 ..... | 155, 157           |
| 70026116 ..... | 377           | 70026945 ..... | 401                | 70028515 ..... | 537      | 70029757 ..... | 157                |
| 70026117 ..... | 377           | 70026946 ..... | 75                 | 70028516 ..... | 537      | 70029758 ..... | 165                |
| 70026118 ..... | 377           | 70026948 ..... | 75                 | 70028517 ..... | 537      | 70029759 ..... | 165                |
| 70026119 ..... | 377           | 70026949 ..... | 75                 | 70028547 ..... | 443      | 70029760 ..... | 157                |
| 70026120 ..... | 377           | 70026978 ..... | 399, 401           | 70028639 ..... | 515      | 70029761 ..... | 159                |
| 70026121 ..... | 377           | 70026979 ..... | 401                | 70028779 ..... | 401      | 70029762 ..... | 155, 157           |
| 70026122 ..... | 377           | 70026980 ..... | 401                | 70028780 ..... | 401      | 70029763 ..... | 161                |
| 70026123 ..... | 377, 399, 402 | 70026981 ..... | 399, 401           | 70028781 ..... | 401      | 70029764 ..... | 157                |
| 70026124 ..... | 377, 402      | 70026982 ..... | 399, 401           | 70028782 ..... | 401      | 70029765 ..... | 157                |
| 70026133 ..... | 545           | 70026983 ..... | 399, 401           | 70028906 ..... | 299      | 70029766 ..... | 157                |
| 70026134 ..... | 283           | 70026984 ..... | 401                | 70029453 ..... | 301      | 70029767 ..... | 157                |
| 70026135 ..... | 285           | 70026985 ..... | 402, 722           | 70029558 ..... | 547      | 70029768 ..... | 157                |
| 70026136 ..... | 285           | 70026986 ..... | 401, 723           | 70029584 ..... | 547      | 70029769 ..... | 159                |

## SECTION 13 - SPECIAL OPTIONS/ACCESSORIES/KITS

|               |          |               |               |              |                                 |              |                                  |
|---------------|----------|---------------|---------------|--------------|---------------------------------|--------------|----------------------------------|
| 70029770..... | 161      | 70030015..... | 545           | 7024574..... | 509                             | 7054351..... | 231                              |
| 70029771..... | 159      | 70030016..... | 545           | 7024939..... | 535                             | 7057141..... | 203, 205                         |
| 70029772..... | 159      | 70030017..... | 545           | 7024943..... | 535                             | 7062922..... | 113                              |
| 70029773..... | 157      | 70030018..... | 545           | 7024944..... | 535                             | 7063432..... | 38                               |
| 70029774..... | 157      | 70030019..... | 545           | 7024953..... | 535                             | 7079572..... | 38, 44                           |
| 70029775..... | 157      | 70030020..... | 545           | 7024954..... | 535                             | 7081621..... | 38                               |
| 70029776..... | 157      | 70030021..... | 545           | 7026404..... | 616                             | 7081631..... | 38                               |
| 70029777..... | 155, 157 | 70030022..... | 545           | 7026731..... | 285                             | 7082311..... | 38, 44                           |
| 70029778..... | 157      | 70030023..... | 545           | 7026758 ...  | 241, 243, 245,<br>247, 249, 251 | 7082342..... | 38, 44                           |
| 70029779..... | 157      | 70030038..... | 545           | 7026759 ...  | 241, 243, 245,<br>247, 249, 251 | 7082362..... | 38, 44                           |
| 70029780..... | 155, 157 | 70030039..... | 545           | 7026760 ...  | 241, 243, 245,<br>247, 249, 251 | 7083922..... | 38                               |
| 70029781..... | 155, 157 | 70030040..... | 545           | 7026798..... | 387                             | 7083992..... | 38, 44                           |
| 70029782..... | 163      | 70030041..... | 545           | 7027273..... | 253                             | 7085442..... | 38                               |
| 70029783..... | 163      | 70030141..... | 97            | 7028706..... | 299, 303                        | 7085542..... | 38                               |
| 70029784..... | 157      | 70030142..... | 97            | 7028710..... | 283                             | 7085571..... | 63                               |
| 70029785..... | 155      | 70030143..... | 97            | 7028714..... | 285, 303                        | 7095312..... | 45                               |
| 70029786..... | 157      | 70030144..... | 97            | 7028715..... | 285, 303                        | 7095352..... | 44                               |
| 70029787..... | 161      | 70030145..... | 97            | 7028716..... | 285, 303                        | 7095522..... | 38, 44                           |
| 70029788..... | 157      | 70030150..... | 304           | 7028717..... | 285, 303                        | 7096491..... | 38                               |
| 70029789..... | 159, 161 | 70030281..... | 401           | 7028720..... | 285                             | 7096552..... | 44                               |
| 70029790..... | 157      | 70030292..... | 547           | 7028721..... | 285, 303                        | 7096562..... | 44                               |
| 70029791..... | 165      | 70030317..... | 183           | 7028722..... | 285                             | 7096702..... | 44                               |
| 70029792..... | 155      | 70030347..... | 183           | 7028723..... | 285                             | 7096772..... | 44                               |
| 70029793..... | 157      | 70030382..... | 529           | 7028724..... | 285                             | 7096882..... | 44                               |
| 70029794..... | 155, 157 | 70030383..... | 529           | 7028725..... | 285                             | 7110702..... | 113                              |
| 70029795..... | 165      | 70030384..... | 529           | 7028729..... | 285, 303                        | 7110712..... | 113                              |
| 70029796..... | 165      | 70030385..... | 529           | 7028730..... | 286, 303                        | 7110722..... | 113                              |
| 70029822..... | 399, 401 | 70030386..... | 529           | 7028731..... | 286                             | 7111402..... | 439                              |
| 70029823..... | 399, 401 | 70030387..... | 529           | 7028732..... | 286                             | 7111572..... | 38, 44                           |
| 70029824..... | 399, 401 | 70031148..... | 179           | 7028733..... | 286, 303                        | 7112642..... | 147                              |
| 70029825..... | 399      | 70031350..... | 183           | 7028734..... | 289                             | 7114941..... | 149, 151                         |
| 70029826..... | 399      | 70031351..... | 183           | 7028735..... | 289                             | 7116572..... | 637                              |
| 70029827..... | 399, 401 | 70031352..... | 183           | 7028736..... | 289                             | 7116642..... | 49, 51                           |
| 70029828..... | 399, 401 | 70031380..... | 183           | 7029037..... | 255, 257                        | 7116652..... | 51                               |
| 70029829..... | 399, 401 | 70031394..... | 401           | 7029039..... | 257                             | 7116662..... | 51                               |
| 70029830..... | 399      | 70031395..... | 401           | 7029129..... | 283                             | 7116691..... | 49, 51                           |
| 70029831..... | 399      | 70031396..... | 401           | 7029131..... | 283, 301                        | 7116733..... | 44, 51                           |
| 70029832..... | 399, 401 | 70031397..... | 401           | 7029153..... | 533                             | 7116742..... | 49                               |
| 70029833..... | 399, 401 | 70031398..... | 401           | 7029246..... | 533, 722                        | 7116752..... | 49                               |
| 70029834..... | 399, 402 | 70031402..... | 401           | 7029247..... | 511                             | 7116773..... | 38, 49                           |
| 70029835..... | 399, 402 | 70031403..... | 401           | 7029251..... | 511                             | 7116792..... | 44                               |
| 70029836..... | 399, 402 | 70031404..... | 401           | 7029271..... | 271                             | 7116812..... | 49, 51                           |
| 70029837..... | 399, 402 | 70031405..... | 401           | 7029282..... | 293, 311                        | 7116822..... | 38                               |
| 70029838..... | 399, 402 | 70031406..... | 401           | 7029283..... | 293, 311                        | 7117031..... | 38, 44                           |
| 70029839..... | 399, 402 | 70031413..... | 402           | 7029286..... | 303                             | 7118882..... | 61                               |
| 70029840..... | 399, 402 | 70031414..... | 402           | 7029327..... | 529, 531                        | 7118892..... | 38, 44, 61                       |
| 70029841..... | 399, 402 | 70031420..... | 402           | 7029412..... | 401                             | 7124301..... | 17, 19, 21, 23                   |
| 70029842..... | 399, 402 | 70031421..... | 402           | 7029413..... | 401                             | 7124471..... | 17, 19, 21, 23,<br>625, 627, 643 |
| 70029843..... | 399, 402 | 70031422..... | 402           | 7029415..... | 401                             | 7125811..... | 38, 44                           |
| 70029844..... | 399      | 70031443..... | 101           | 7029417..... | 263                             | 7125871..... | 175, 177                         |
| 70029874..... | 545      | 70031444..... | 97            | 7029426..... | 281                             | 7126662..... | 45                               |
| 70029981..... | 401      | 70031445..... | 79, 83        | 7029431..... | 303                             | 7137142..... | 17, 19, 21, 23                   |
| 70029984..... | 402      | 70031446..... | 93            | 7029520..... | 141                             | 7138634..... | 231                              |
| 70030001..... | 545      | 70031449..... | 303           | 7029521..... | 141                             | 7138833..... | 340, 344, 350,<br>354, 360, 364  |
| 70030002..... | 545      | 70031458..... | 286           | 7029532 ...  | 243, 245, 253                   | 7138836..... | 340, 344, 350,<br>354, 360, 364  |
| 70030003..... | 545      | 70031459..... | 286           | 7029533 ...  | 243, 245, 253                   | 7138878..... | 340, 344, 350,<br>354, 360, 364  |
| 70030004..... | 545      | 70031523..... | 304           | 7029692..... | 83, 93                          | 7138882..... | 337                              |
| 70030005..... | 545      | 70031717..... | 593           | 7029711..... | 97                              | 7138944..... | 340, 344, 350,<br>354, 360, 364  |
| 70030006..... | 545      | 70040710..... | 285           | 7029714..... | 93                              | 7138958..... | 369, 371                         |
| 70030007..... | 545      | 70041616 ..   | 179, 181, 183 | 7029736..... | 304                             | 7138977..... | 38, 44                           |
| 70030008..... | 545      | 70041617 ..   | 179, 181, 183 | 7029737..... | 303                             | 7138979..... | 38, 44                           |
| 70030009..... | 545      | 70041619 ..   | 179, 181, 183 | 7029786..... | 307                             | 7138986..... | 38, 44                           |
| 70030010..... | 545      | 70041620 ..   | 179, 181, 183 | 7029788..... | 289                             |              |                                  |
| 70030011..... | 545      | 7010769.....  | 547           | 7029860..... | 383                             |              |                                  |
| 70030012..... | 545      | 7012903.....  | 533           |              |                                 |              |                                  |
| 70030013..... | 545      | 7017496.....  | 533           |              |                                 |              |                                  |
| 70030014..... | 545      | 7024441.....  | 25, 27        |              |                                 |              |                                  |

## SECTION 13 - SPECIAL OPTIONS/ACCESSORIES/KITS

|                             |                            |                              |                            |
|-----------------------------|----------------------------|------------------------------|----------------------------|
| 7139032 .... 53, 55, 57, 59 | 8024032 ..... 726          | 8036190.....243, 245, 253    | 8205655 ..... 509, 519     |
| 7139077 ..... 25, 27, 722   | 8024033 ..... 726          | 8036192.....533              | 8220007 ..... 663          |
| 7139180 ..... 38, 44        | 80241137 .. 17, 19, 21, 23 | 8036196.....381              | 8220035 ..... 571, 663     |
| 7139406 ..... 29, 31, 33    | 80264138 ..... 415         | 8036197.....381              | 8220051 .... 589, 637, 663 |
| 7139416 .... 53, 55, 57, 59 | 80304405 ..... 237         | 8036198.....381              | 8220058 ..... 616, 620     |
| 7139455 ..... 29, 31, 33    | 8032694 ..... 547          | 8036199.....381              | 8220081 ... 614, 616, 619, |
| 7139504 ..... 477, 479      | 8032695 ..... 547          | 8036209.....633              | 620, 649                   |
| 7139505 ..... 477, 479      | 8032994 ..... 533          | 8036210.....635              | 8220089 ..... 589, 639     |
| 7139613 .... 17, 19, 21, 23 | 80334277 ..... 535         | 8036212.....633, 635         | 8220097 ... 589, 614, 619  |
| 7139689 ..... 38, 53        | 8033651 ..... 271          | 8036213.....633, 635         | 8220098 .... 589, 614, 619 |
| 7139690 ..... 44, 59        | 8033786 ..... 509          | 8036214.....633, 635         | 8220108 ..... 571          |
| 7139692 .... 38, 44, 55, 57 | 8034697 ..... 545          | 8036215.....633, 635         | 8220124 ... 614, 616, 619, |
| 7139714 ..... 29, 31, 33    | 8034815 ..... 383          | 8036216.....633, 635         | 620, 621, 623              |
| 7139726 ..... 38            | 8035281 ..... 533          | 8036250.....263              | 8220125 ..... 589          |
| 7139727 ..... 38            | 8035282 ..... 533          | 80363179.....623             | 8220160 ..... 616          |
| 7139728 ..... 437           | 8035321 ..... 519          | 8036389.....519              | 8220162 ..... 589          |
| 7139729 ..... 437           | 8035322 ..... 521          | 8036390.....519              | 8220164 ..... 615, 620     |
| 7139730 ..... 38            | 8035323 ..... 521          | 8036391.....519              | 8220536 ... 614, 615, 619, |
| 7139731 ..... 38            | 8035324 ..... 521          | 8036392.....519              | 620                        |
| 7139864 ..... 38, 44        | 8035326 ..... 521          | 8036393.....519              | 8220889 ..... 615          |
| 7139918 ..... 101           | 8035327 ..... 519          | 8036402.....513              | 8220890 ..... 657          |
| 7139968 ..... 40, 437       | 8035347 ..... 545          | 8036403.....513              | 8220895 ..... 623          |
| 7150579 ..... 265, 267      | 8035382 ..... 545          | 8036404.....513              | 8220904 ... 585, 588, 649, |
| 7150580 ..... 265, 269      | 8035393 ..... 383          | 8036405.....513              | 663                        |
| 7150608 ..... 29, 31, 33    | 8035409 ..... 383          | 8036406.....513              | 8220927 .... 589, 614, 619 |
| 7150680 ..... 631           | 8035411 ..... 383          | 8036407.....513              | 8220929 .... 589, 614, 619 |
| 7150681 ..... 629           | 8035493 ..... 385          | 80364095.....415             | 8223025 .... 625, 627, 723 |
| 7150685 ..... 627, 633      | 8035498 ..... 385          | 8036433.....267, 269         | 8223037 ... 340, 344, 350, |
| 7150690 ..... 629, 631      | 8035499 ..... 385          | 8036502.....513              | 354, 360, 364, 722         |
| 7150699 .... 625, 627, 633  | 8035500 ..... 385          | 8036580 ..... 533            | 8223038 .... 581, 583, 723 |
| 7150702 ..... 633           | 8035523 ..... 381          | 8036581 ..... 533            | 8223043 ... 350, 354, 360, |
| 7150703 ..... 635           | 8035536 .... 509, 513, 519 | 8036582.....533              | 364, 723                   |
| 7150716 .... 625, 627, 635  | 8035720 ..... 519          | 8036726.....399, 401         | 8223044 ... 350, 354, 360, |
| 7150717 ..... 627, 635      | 8035758 ..... 521          | 8036733.....517              | 364, 723                   |
| 7150837 ..... 39, 437       | 8035779 ..... 267, 269     | 8036747.....533              | 8223054 ... 340, 344, 350, |
| 7150838 ..... 39, 437       | 8035781 ..... 533          | 8036778.....511              | 354, 360, 364, 722         |
| 7300435 ..... 175, 177      | 8035785 ..... 521          | 8036811.....533              | 8223059 ... 625, 627, 643, |
| 7300670 ..... 44            | 8035807 ... 340, 344, 350, | 8036825 ..... 533            | 723                        |
| 7300671 ..... 44            | 354, 722                   | 8036826.....533              | 8223060 .... 625, 627, 723 |
| 7300672 ..... 44            | 8035862 ..... 509          | 8036827.....533              | 8223073 .... 625, 627, 722 |
| 7300673 ..... 44            | 8035863 ..... 509          | 8036828.....533              | 8223232 ..... 231          |
| 7300674 ..... 439           | 8036021 ..... 235          | 8037109.....545              | 8229233 ..... 590, 722     |
| 7300675 ..... 439           | 8036022 ..... 235          | 80373094.....199             | 8229234 .... 571, 590, 722 |
| 7300678 ..... 46, 439       | 8036023 ..... 237          | 80384207.....383             | 8229235 .... 569, 590, 722 |
| 7301265 ..... 360, 364      | 8036024 ..... 239          | 80384213.....383             | 8229237 ..... 590, 722     |
| 7301295 ..... 101           | 8036025 ..... 239          | 80384218.....369, 371        | 8229238 ..... 590, 722     |
| 7301408 ..... 121           | 8036026 ..... 239          | 80384445.....381             | 8229242 ..... 616, 723     |
| 7302028 ..... 265, 271      | 8036027 ..... 239          | 8050001 .... 17, 19, 21, 23  | 8229245 ..... 639          |
| 7302052 ..... 44            | 8036028 ..... 239          | 80604016.....623             | 8229261 .... 571, 590, 722 |
| 7302056 ..... 39            | 8036029 ... 243, 245, 247, | 80604017.....663             | 8270620 ... 554, 558, 562, |
| 77133133 ..... 373, 375     | 249, 251                   | 80604018..614, 615, 619,     | 566                        |
| 77133134 ..... 373, 375     | 8036030 ..... 253          | 620                          | 8270621 ..... 573          |
| 77143006 ..... 577          | 8036031 ..... 253          | 80604021.....616, 621        | 8278020 ..... 203, 205     |
| 8007751 ..... 283           | 8036032 ..... 253          | 80604024.....619             | 8302470 ..... 29, 31, 33   |
| 8007755 ..... 283           | 8036033 ..... 255          | 80634004.....535             | 8303034 ... 347, 357, 367, |
| 80204005 . 281, 285, 299,   | 8036036 ..... 257          | 8065062.....113              | 369, 371, 379              |
| 303                         | 8036038 ..... 257          | 8065640 .... 17, 19, 21, 23, | 8303041 ..... 44           |
| 80204060 ..... 289          | 8036039 ..... 257          | 39, 44                       | 8303090 ..... 39           |
| 80204065 ..... 285, 303     | 8036040 ..... 257          | 8065641 .... 17, 19, 21, 23  | 8303119 ..... 379          |
| 80204071 ..... 285, 303     | 8036041 ..... 263          | 80963061.....589             | 8303519 ..... 461          |
| 80204108 ..... 289          | 8036042 ..... 263          | 80963062.....614, 619        | 8303545 ... 554, 558, 562, |
| 80204117 . 285, 289, 293,   | 8036050 .... 369, 371, 381 | 80963067...589, 614, 619     | 566, 651                   |
| 303, 307, 311               | 8036056 .... 369, 371, 383 | 8124138 .... 53, 55, 57, 59  | 8303615 ..... 29, 31, 33   |
| 80204281 ..... 289, 307     | 8036099 ..... 383          | 8127021 ..... 53             | 8303620 .... 44, 327, 329, |
| 80214120 ..... 285, 303     | 8036100 ..... 383          | 8127022 ..... 59             | 340, 344, 350, 354,        |
| 8024025 ..... 726           | 8036144 ..... 519          | 8127024 ..... 55, 57         | 360, 364, 459              |
| 8024026 ..... 726           | 8036149 ..... 519          | 82033997 ..... 369, 371      | 8303621 ..... 44           |

## SECTION 13 - SPECIAL OPTIONS/ACCESSORIES/KITS

|   |   |   |  |
|---|---|---|--|
| 8303622.....439   | 8305916 ... 340, 344, 350,<br>354, 360, 364   | 8310245 ..... 49, 51  | 8584007.....459  |
| 8303624.....39, 44  | 8307002 ... 29, 31, 33, 39,<br>655  | 8310266 ..... 61  | 8584018.....625, 627, 643  |
| 8303626.... 147, 149, 151,<br>340, 344, 350, 354,<br>360, 364, 461  | 8307003 ... 554, 558, 562,<br>566   | 8310276 ..... 61  | 85841150.....459   |
| 8303634.....45, 101, 113  | 8307004 ... 29, 31, 33, 45,<br>433, 441, 451, 455,<br>457, 459, 473, 477,<br>479, 495 | 8310281 ..... 203, 205  | 8630003.....101  |
| 8303640.....63  | 8307005 .39, 45, 461, 655   | 8310302 ..... 101   | 8630019.....461  |
| 8303655.....39, 45  | 8307006 ..... 265   | 8310356 ..... 461   | 8640123.....461  |
| 8303656.....29, 31, 33  | 8307007 39, 45, 147, 149,<br>151, 461   | 8310382 ... 340, 344, 350,<br>354, 360, 364                             | 8640208.....461  |
| 8303657.....39  | 8307009 ... 17, 19, 21, 23  | 8310420 ..... 487, 489  | 8642207.....113  |
| 8303658.....101   | 8307011 ..... 337   | 8310425 ..... 265   | 8642224.....39, 45   |
| 8303666.....39, 45  | 8307023 ... 340, 344, 350,<br>354, 360, 364   | 8310431 ..... 39, 45  | 8642234.....39   |
| 8303670.....340, 350, 360   | 8307024 ... 668, 672, 676,<br>680, 684, 688, 692, 696                                 | 8310435 ..... 101   | 8642237.....53, 55, 57, 59   |
| 8303675.....45  | 8307027 ... 554, 558, 562,<br>566   | 8310493 ..... 337   | 86683122.....227   |
| 8303679.....39, 45  | 8307049 ..... 231   | 8310497 ..... 39, 45  | 8750003.....45   |
| 8303681.....39, 45  | 8307104 ..... 39, 45, 63  | 8310522 ... 17, 19, 21, 23,<br>469                                      | 8750011.....437, 439   |
| 8303697....25, 27, 39, 45,<br>340, 344, 350, 354,<br>360, 364   | 8307106 39, 45, 195, 340,<br>344, 350, 354, 360,<br>364, 554, 558, 562, 566           | 8310620 ..... 273, 275  | 8750012.....449, 491   |
| 8303715.....39, 45, 113   | 8307109 ..... 39, 340, 344,<br>350, 354, 360, 364                                     | 8310708 ..... 39  | 8750017....437, 439, 449,<br>451, 455, 457, 491  |
| 8303724.....231   | 8307110 ... 327, 329, 340,<br>344, 350, 354, 360,<br>364, 459                         | 8310712 ..... 39  | 8750025....433, 441, 459,<br>495   |
| 8303729.....29, 31, 33  | 8307111 ... 554, 558, 562,<br>566   | 83191010 ..... 333  | 8750026....441, 459, 463,<br>465   |
| 8303738.....39  | 8307112 ... 149, 151, 340,<br>344, 350, 354, 360,<br>364, 369, 371                    | 83201147 ..... 277, 295   | 8750027....451, 455, 457,<br>491   |
| 8303745.....629, 631  | 8307202 ..... 29, 31, 33  | 8342808 ..... 722   | 8750029.....39, 437  |
| 8303746.....39, 45  | 8307203 .... 439, 477, 479  | 8405007 ... 217, 219, 373,<br>375                                       | 8750040....433, 441, 463,<br>465, 495  |
| 8303752.....17, 19, 21, 23  | 8307204 ... 29, 31, 33, 39,<br>45, 49, 51, 593, 625,<br>627, 643                      | 8405104 ..... 217, 219  | 8760268.....455, 467   |
| 8303757....433, 441, 459,<br>495  | 8307206 ..... 49, 51  | 8405201 ..... 217, 219  | 8760463.....477, 479   |
| 8303771....593, 625, 627,<br>643  | 8307219 ..... 651   | 8405212 .... 201, 217, 219  | 8760465 .39, 45, 437, 439  |
| 8303772.....39, 45  | 8307222 ..... 195, 417  | 8405305 ..... 217, 219  | 8760468.....40, 45   |
| 8303782.....17, 19, 21, 23  | 8307904 ..... 39, 45, 113   | 8405307 ..... 195   | 8760548.....231  |
| 8303784.....221   | 8307910 ..... 39, 45  | 8405404 ..... 193   | 8760552.....25, 27   |
| 8303982....340, 344, 350,<br>354, 360, 364  | 8307911 ..... 39, 45  | 8406010 ..... 593   | 8765204....481, 483, 659   |
| 8304608.....487, 489  | 8307918 ..... 39, 45, 113   | 8406105 ... 231, 554, 558,<br>562, 566                                  | 8769122 .40, 45, 437, 439  |
| 8305002....554, 558, 562,<br>566  | 8310009 ... 451, 455, 457,<br>473, 477, 479   | 8406112 .... 175, 213, 215  | 8769123.....40, 45   |
| 8305004..29, 31, 33, 593,<br>655  | 8310019 ..... 39, 45  | 8406303 ..... 177   | 8769127.....449, 473   |
| 8305006..29, 31, 33, 477,<br>479  | 8310020 ..... 39, 45  | 8410007 ..... 193   | 8769128 40, 45, 451, 455,<br>457, 473  |
| 8305008....203, 205, 459  | 8310026 ... 340, 344, 350,<br>354, 360, 364   | 8410021 ..... 195   | 8769132.....113  |
| 8305012.....147   | 8310046 ... 554, 558, 562,<br>566   | 8420053 79, 97, 101, 103,<br>107, 111, 113, 437, 439                    | 8769139.....40, 45   |
| 8305014.....17, 19, 21, 23  | 8310067 ..... 231   | 8420055 79, 97, 101, 103,<br>107, 111, 113, 437, 439                    | 8769153.....40   |
| 8305043.....195, 417  | 8310081 ..... 439   | 8430032 .... 413, 467, 475  | 8769155.....437  |
| 8305603.....379   | 8310085 .... 347, 357, 367  | 8430033 ..... 475   | 8769156.....437  |
| 8305619.....63  | 8310093 ..... 39, 45  | 8430046 ..... 467   | 8769161.....45, 439  |
| 8305624....101, 369, 371,<br>554, 558, 562, 566, 573  | 8310109 ..... 369, 371  | 8430048 ..... 373, 375  | 8770016.....113  |
| 8305626....17, 19, 21, 23,<br>340, 344, 350, 354,<br>360, 364, 625, 627,<br>629, 631, 643                               | 8310160 ..... 113   | 8466306 ... 668, 672, 676,<br>680, 684, 688, 692, 696                   | 8770048.....25, 27   |
| 8305638.....379   | 8310161 ..... 113   | 8500203 ..... 625, 627  | 8770064.....431, 435   |
| 8305643 .39, 45, 101, 113   | 8310209 ..... 46, 49, 51  | 8520001 ... 17, 19, 21, 23,<br>39, 45                                   | 8770157.....467  |
| 8305644....17, 19, 21, 23,<br>39, 45, 49, 51, 149,<br>151, 340, 344, 350,<br>354, 360, 364                              | 8310215 ..... 231   | 8520003 ... 17, 19, 21, 23,<br>39, 45                                   | 8780031.....313, 315   |
| 8305645....29, 31, 33, 39,<br>45, 49, 51, 327, 329,<br>593, 625, 627, 643,<br>668, 672, 676, 680,<br>684, 688, 692, 696 | 8310235 ..... 49, 51  | 8520021 ..... 513   | 8780045.....317  |
| 8305646.....39, 45  |   | 8520034 ..... 519   | 8786514....313, 315, 317,<br>319, 321, 323, 327, 329   |
| 8305906.....39, 45  |   | 8522012 ... 17, 19, 21, 23,<br>39, 45, 53, 55, 57, 59                   | 88211516.....625, 627  |
|   |   | 8526007 .. 39, 45, 61, 221  | 88261015.....177   |
|   |   | 8526011 ..... 521   | 8841036....231, 233, 235,<br>237, 239, 241, 243,<br>245, 247, 249, 251,<br>253, 255, 257, 261, 263 |
|   |   | 8526048 ..... 39  | 88411148... 17, 19, 21, 23   |
|   |   | 8526406 ..... 39, 45  | 88501005.....625, 643  |
|   |   | 8530030 ..... 461   | 88671001... 103, 107, 111  |
|   |   | 8546407 ..... 461   | 8880218-OM.....265   |
|   |   | 8580315 ..... 113   | 8880219-OM.....265   |
|   |   | 8580420 ..... 29, 31, 33  | 8881800.....177  |
|   |   | 8584001 ... 113, 373, 375,<br>554, 558, 562, 566,<br>625, 627, 643, 655 | 8903015.....545  |
|   |   |   | 8990147....340, 344, 350,<br>354, 360, 364   |

## SECTION 13 - SPECIAL OPTIONS/ACCESSORIES/KITS

|                |  |                |  |               |          |                |                       |
|----------------|--|----------------|--|---------------|----------|----------------|-----------------------|
| 90027475 ..... | 277, 295                                 | 91403413 ..... | 79, 97, 101,<br>103, 107, 111, 113,<br>145, 437, 439 | 91474549..... | 283      | 91514081 ..... | 285, 303              |
| 90028631 ..... | 195                                      | 91403414 ..... | 79, 97, 101,<br>103, 107, 111, 113,<br>144, 437, 439 | 91474550..... | 283, 301 | 91514082 ..... | 285, 303              |
| 90200003 ...   | 99, 101, 103,<br>105, 107, 109, 111, 113 | 91403448 ..... | 77   | 91474551..... | 283, 301 | 91514083 ..... | 286                   |
| 90206196 ..... | 651, 653                                 | 91404011 ..... | 415  | 91474553..... | 283, 301 | 91514084 ..... | 285                   |
| 90451058 ..... | 101                                      | 91404013 ..... | 415  | 91474554..... | 301      | 91514095 ..... | 285, 303              |
| 90554016 .     | 75, 79, 83, 93,<br>97, 139               | 91404298 ..... | 369, 371   | 91474559..... | 289      | 91514098 ..... | 281, 299              |
| 90554017 ..... | 93, 97                                   | 91404299 ..... | 369, 371   | 91474560..... | 289      | 91514099 ..... | 285, 293              |
| 90554018 ..... | 93                                       | 91404301 ..... | 369, 371   | 91474561..... | 289      | 91514111 ..... | 285, 303              |
| 90554020 ..... | 79, 83, 97                               | 91404326 ..... | 415  | 91474562..... | 289      | 91514112 ..... | 285, 303              |
| 90554033 ..... | 75                                       | 91405035 ..... | 313  | 91474563..... | 289      | 91514115 ..... | 285, 303              |
| 90554034 ..... | 75                                       | 91405036 ..... | 313  | 91474564..... | 289      | 91514117 ..... | 285, 303              |
| 90554042 ..... | 79, 83                                   | 91471213 ..... | 277, 295   | 91474565..... | 289      | 91514118 ..... | 333                   |
| 90554045 ..... | 507, 525                                 | 91473086 ..... | 413  | 91474568..... | 289, 307 | 91514123 ..... | 283, 285              |
| 90554054 ..... | 79, 83                                   | 91473206 .     | 313, 315, 317,<br>319                                | 91474569..... | 289, 307 | 91514134 ..... | 283, 301              |
| 90554062 ..... | 83, 93                                   | 91474023 ..... | 547  | 91474570..... | 289      | 91514146 ..... | 285, 303              |
| 90554065 ..... | 93, 97                                   | 91474507 ..    | 281, 285, 299  | 91474571..... | 289      | 91514147 ..... | 285, 303              |
| 90554067 ..... | 97                                       | 91474512 ..... | 281, 299   | 91474572..... | 289      | 91514148 ..... | 285, 303              |
| 90554076 ..... | 83, 93                                   | 91474513 ..... | 281, 285   | 91474573..... | 289      | 91514149 ..... | 285                   |
| 90554080 ..... | 141                                      | 91474515 ..... | 293, 311   | 91474576..... | 285, 303 | 91514153 ..... | 289                   |
| 91043125 ..... | 145                                      | 91474516 ..... | 293, 311   | 91474579..... | 303      | 91514154 ..... | 289, 307              |
| 91043126 ..... | 144                                      | 91474522 ..... | 291, 309   | 91474580..... | 303      | 91514159 ..... | 289, 307              |
| 91043147 ..... | 373, 375                                 | 91474524 ..... | 285  | 91474581..... | 303      | 91514160 ..... | 289, 307              |
| 91053419 ..... | 201                                      | 91474528 ..... | 283  | 91474582..... | 285, 303 | 91514165 ..... | 289                   |
| 91081640 ..... | 577                                      | 91474529 ..... | 283, 301   | 91474584..... | 285, 303 | 91514167 ..... | 289                   |
| 91083129 ..... | 195                                      | 91474532 ..... | 283, 301   | 91474585..... | 303      | 91514175 ..... | 285                   |
| 91163035 ..... | 187                                      | 91474533 ..... | 283, 301   | 91474586..... | 303      | 91514181 ..... | 285, 303              |
| 91293003 ..... | 195                                      | 91474537 ..... | 283, 301   | 91474587..... | 303      | 91514188 .     | 281, 285, 299,<br>303 |
| 91304025 ..... | 415                                      | 91474539 ..... | 283, 301   | 91474591..... | 283, 301 | 91514189 ..... | 285, 303              |
| 91364023 ..... | 199                                      | 91474542 ..... | 283, 301   | 91474593..... | 301      | 91514225 ..... | 415                   |
| 91403097 ..... | 231                                      | 91474547 ..... | 283, 301   | 91474594..... | 301      | 91535019 ..... | 317                   |
| 91403193 ..... | 273, 275                                 |                |  | 91474595..... | 301      | 91554005 ..... | 411                   |
|                |  |                |  | 91475054..... | 315      | 91554009.....  | 411                   |
|                |  |                |  | 91475055..... | 315      |                |                       |
|                |  |                |  | 91503106..... | 614      |                |                       |
|                |  |                |  | 91513266..... | 333      |                |                       |



**Corporate Office  
JLG Industries, Inc.  
1 JLG Drive  
McConnellsburg, PA 17233-9533 USA  
☎ (717) 485-5161 (Corporate)  
☎ (877) 554-5438 (Customer Support)  
📠 (717) 485-6417**

**Visit our website for JLG Worldwide Locations.  
[www.jlg.com](http://www.jlg.com)**



**OSHKOSH™**