



Illustrated Parts Manual

*Model
G5-18A*

PVC
2011

P/N
31211544

April 2, 2021 – Rev B



EFFECTIVITY PAGE

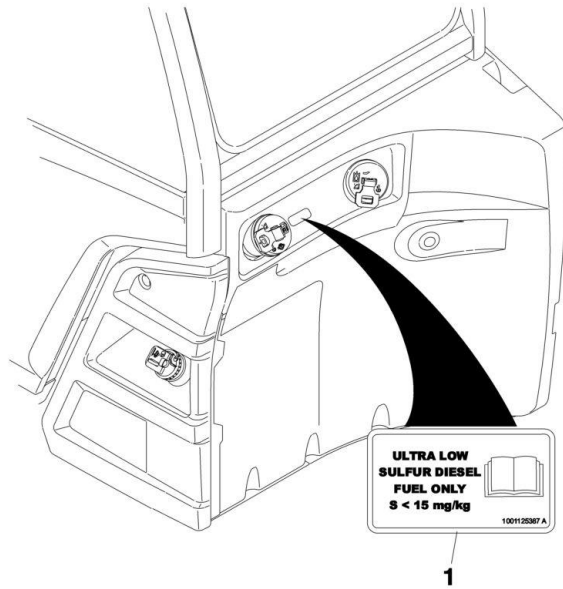
November 15, 2020 – A – Original Issue of Manual (Edited to B/M 1001234000 Revision N)

April 2, 2021 – B – Manual Revised (Edited to B/M 1001234000 Revision N)

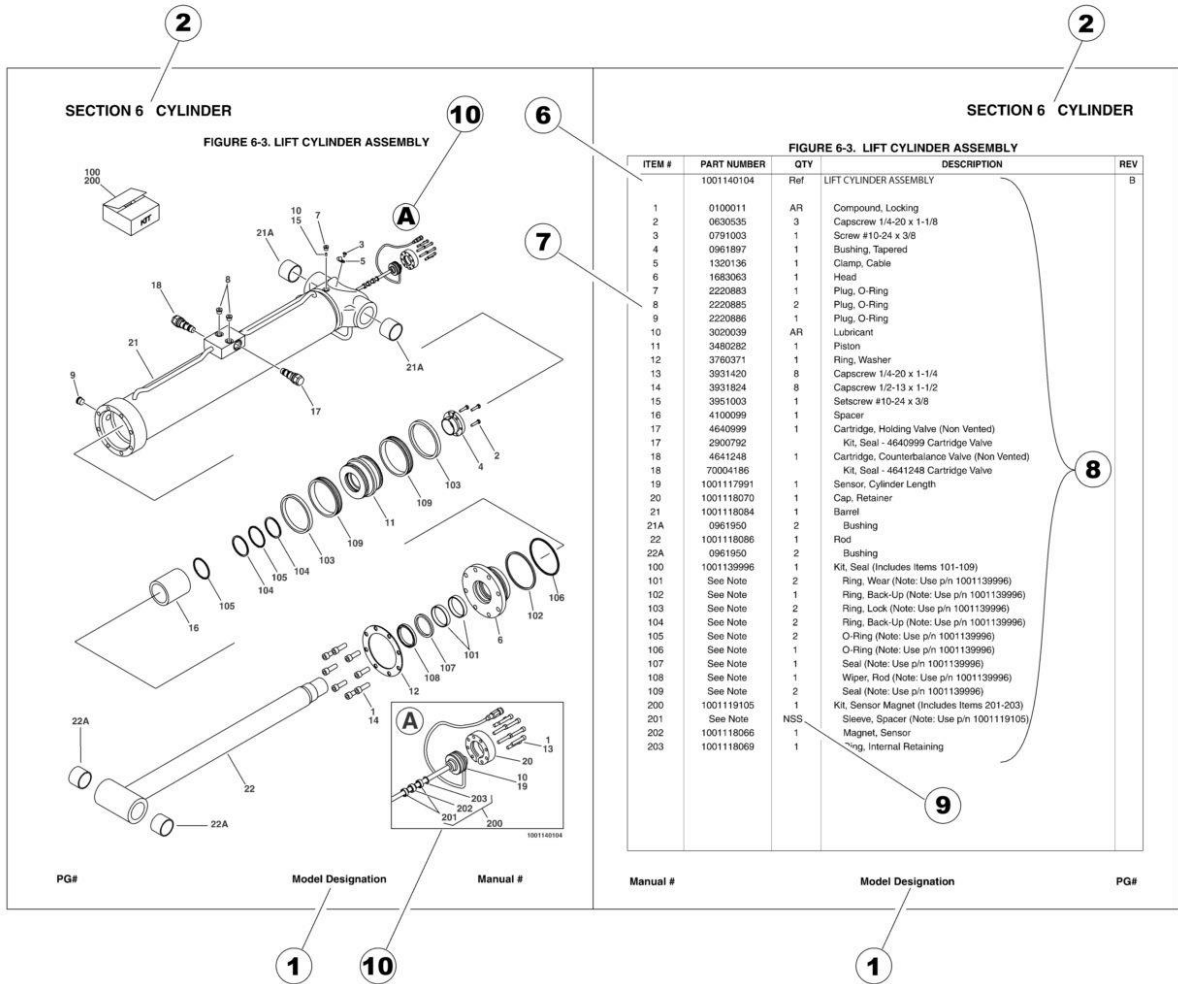
Machine Configuration

Two configurations of each machine are included in this manual. Determine if machine is equipped with Ultra Sulfur Fuel Decal (1) as indicated below.

- If equipped with the Ultra Low Sulfur decal, all specific references to this machine configuration will be referred to as Ultra Low Sulfur (ULS) from this point forward.
- If not equipped with the Ultra Low Sulfur decal, all specific references to this machine configuration will be referred to as Low Sulfur (LS) from this point forward.



GENERAL INFORMATION



1) MACHINE IDENTIFICATION

Machines are identified by model and in some cases a combination of models, serial number (SN) or regional standard (i.e ANSI, CE, CSA). Components may also be identified by SN or manufacturer. Common components that may be identified by these characteristics are engines and hydraulic components.

2) PARTS MANUAL ORGANIZATION

Product information in this manual is organized under section titles. Frame, Cylinder, Hydraulic and Electrical are a few examples. Each section is organized by figure and page number. The information within the Figure is then organized by item number, part number, description and corresponding illustration (s).

3) TABLE OF CONTENTS (NOT SHOWN)

A table of contents is found toward the beginning of the manual. Figure number, description and page number are provided for quick reference to the page containing the related information.

4) RECOMMENDED SPARE PARTS (NOT SHOWN)

The Recommended Spare Parts List, located near the end of the manual, reference most frequently used maintenance parts.

5) PART NUMBER INDEX (NOT SHOWN)

A numerical index listing all part numbers and the corresponding page number(s) appears at the back of the manual.

GENERAL INFORMATION

6) NON-SERVICED PARTS

In some instances, it is necessary to display non-serviced parts, assemblies or installations. In the case of assemblies and installations there will be a Ref in the Qty. column. In case of parts that are not available for service within assemblies or components, there will be a NSS (Not Sold Separately) or NLA (No Longer Available) listed in the Qty. column of the manual.

7) PARTS LIST ITEM NUMBERS

Numbers shown in the item# column correspond to numbers used in the associated illustration (s). Item numbers which are missing from the sequence in the parts list are not used on that page.

8) INDENTED PARTS DESCRIPTION

An indented part description is included in the item under which it is indented.

9) ABBREVIATION AND SYMBOLS

AC.....	Alternating Current	L.....	Liter
ADE.....	Advanced Design Electronics	LB(LBS).....	Pounds
AG.....	Agricultural	LCD.....	Liquid Crystal Display
ANSI.....	American National Standards Institute	LED.....	Light Emitting Diodes
AR.....	As Required	LH.....	Left Hand
ASSY.....	Assembly	LRC.....	Low Rated Countries
AUS.....	Australia	LSS.....	Load Sensing System
AUX.....	Auxiliary	M(m).....	Metric/Meter
AWG.....	American Wire Gauge	MM(mm).....	Milimeter
B/M.....	Bill of Material	mA.....	Miliamps
CAC.....	Charge Air Cooler	NLA.....	No Longer Available
CE.....	European Conformity	NPT.....	National Pipe Threads
CCW.....	Counter Clockwise	NSS.....	Not Sold Separately
CM.....	Centimeter	OD.....	Outside Diameter
CW.....	Clockwise	ORB.....	O-Ring Boss
CSA.....	Canadian Standards Association	ORFS.....	O-Ring Face Seal
CYL.....	Cylinder	OZ (oz).....	Ounces
DIA.....	Diameter	PG.....	Page
DC.....	Direct Current	PN.....	Part Number
DEF.....	Diesel Exhaust Fluid	QT(qt.).....	Quarts
EMS.....	Emergency Stop	QTY.....	Quantity
ENG.....	Engine	REF.....	Reference
FT(ft).....	Feet	REV.....	Revision Level
GA(Ga).....	Gauge	RH.....	Right Hand
HRC.....	High Rated Countries	SAE.....	Society of Automotive Engineers
HVAC.....	Heating, Ventilating, and Air Conditioning	SN.....	Serial Number
HYD.....	Hydraulic	SPEC(S).....	Specifications
Hz.....	Hertz	T/T.....	Turntable
ID.....	Inside Diameter	UGM.....	Universal Ground Module
IN.....	inches	V.....	Volts
ISO.....	International Organization for Standards	W.....	Watts
JIC.....	Joint Industry Council	#.....	Number
KG.....	Kilogram		

10) ILLUSTRATION REFERENCE LETTERS

When necessary, illustrations may contain reference letters that are intended to track information (i. e. hoses, harnesses) from one point to another or to track visual enlargement of components to show details that may be located in another area on the illustration.

Note: Due to continuous product improvements, JLG Industries, Inc. reserves the right to make specification changes without prior notification. Contact JLG Industries, Inc. for updated information.

TABLE OF CONTENTS

SECTION 1 - FRAME AND ATTACHING PARTS.....	13
FIGURE 1-1. HOODS INSTALLATION	14
FIGURE 1-2. HOOD ASSEMBLY	16
FIGURE 1-3. PAD LOCK.....	18
FIGURE 1-4. TANK INSTALLATION	20
FIGURE 1-5. OIL TANK.....	22
FIGURE 1-6. FUEL TANK ASSEMBLY.....	24
FIGURE 1-7. FUEL CAP INSTALLATION.....	26
FIGURE 1-8. MIRROR INSTALLATION.....	28
FIGURE 1-9. REAR CONVEX MIRROR INSTALLATION	30
FIGURE 1-10. MIRROR ASSEMBLY (CONVEX).....	32
FIGURE 1-11. WHEEL CHOCKS.....	34
FIGURE 1-12. BATTERY COVER INSTALLATION	36
FIGURE 1-13. REAR COVER PLATE INSTALLATION, (NO HITCH).....	38
FIGURE 1-14. HITCH INSTALLATION, MECHANICAL	40
FIGURE 1-15. HITCH INSTALLATION, MECHANICAL, AUTOMATIC	42
FIGURE 1-16. HITCH INSTALLATION.....	44
FIGURE 1-17. HITCH INSTALLATION - EEC	46
FIGURE 1-18. HITCH ASSEMBLY (FIXED).....	48
FIGURE 1-19. HITCH INSTALLATION - CUNA-C.....	50
FIGURE 1-20. HITCH ASSEMBLY (CUNA-C)	52
FIGURE 1-21. LICENSE HOLDER INSTALLATION, SMALL.....	54
FIGURE 1-22. LICENSE HOLDER INSTALLATION, LARGE	56
FIGURE 1-23. LIFT CYLINDER PROP SUPPORT	58
SECTION 2 - BOOM.....	61
FIGURE 2-1. BOOM ASSEMBLY INSTALLATION, STD W/AUX.....	62
FIGURE 2-2. BOOM ASSEMBLY INSTALLATION, W/AUX FOR QS	64
FIGURE 2-3. BOOM INSTALLATION, W/O AUXILIARY HYDRAULICS.....	66
FIGURE 2-4. BOOM W/O AUXILIARY HYDRAULIC INSTALLATION	68
FIGURE 2-5. COUPLER INSTALLATION (HYDRAULIC)	72
FIGURE 2-6. FORK LOCKING CYLINDER KIT	74
FIGURE 2-7. QUICK COUPLER INSTALLATION - MANUAL.....	76
FIGURE 2-8. COUPLER INSTALLATION, UNIVERSAL (MANUAL).....	78
FIGURE 2-9. UNIVERSAL QUICK COUPLER ASSEMBLY.....	80
FIGURE 2-10. BOOM SIDE COVER INSTALLATION.....	82
FIGURE 2-11. BOOM BRUSHES INSTALLATION	84
SECTION 3 - ATTACHMENTS	87
FIGURE 3-1. AUGER BIT (6INX4IN).....	88
FIGURE 3-2. AUGER BIT (9INX4IN).....	90
FIGURE 3-3. AUGER BIT (12INX4IN).....	92
FIGURE 3-4. AUGER BIT (15INX4IN).....	94
FIGURE 3-5. AUGER BIT (18INX4IN).....	96
FIGURE 3-6. AUGER DRIVE ASSEMBLY, STANDARD	98
FIGURE 3-7. AUGER DRIVE ASSEMBLY, UNIVERSAL.....	100
FIGURE 3-8. BALE SPEAR ASSEMBLY, STANDARD.....	102
FIGURE 3-9. BALE SPEAR ASSEMBLY, UNIVERSAL	104
FIGURE 3-10. CARRIAGE ASSEMBLY, (50INCH/1270MM)	106
FIGURE 3-11. CARRIAGE ASSEMBLY, UNIVERSAL QUICK ATTACH, (48IN/1219.2MM)	108
FIGURE 3-12. CARRIAGE, SIDE TILT, (48IN).....	110
FIGURE 3-13. CARRIAGE, SIDE TILT, UNIVERSAL QUICK ATTACH, (48IN)	112
FIGURE 3-14. CARRIAGE, SIDE SHIFT (48IN).....	114
FIGURE 3-15. CARRIAGE, SIDE SHIFT, UNIVERSAL QUICK ATTACH, (48IN).....	116
FIGURE 3-16. CARRIAGE ASSEMBLY - FORK POSITIONING STANDARD (48IN).....	118
FIGURE 3-17. CARRIAGE ASSEMBLY - FORK POSITIONING UNIVERSAL (48IN)	120
FIGURE 3-18. LIGHT MATERIAL BUCKET, (72INCH) (1.0 YD ³ /0.76 M ³)	122
FIGURE 3-19. LIGHT MATERIAL BUCKET, (72INCH) (1.7 YD ³ /1.29 M ³)	124
FIGURE 3-20. MULTI-PURPOSE GRAPPLE BUCKET (1850MM) (ANSI - JLG)	126
FIGURE 3-21. UNIVERSAL HITCH ATTACHMENT	128
FIGURE 3-22. BLOCKING FORK (50X50X1220)	130
FIGURE 3-23. PALLET FORK (2X4X48).....	132
FIGURE 3-24. LUMBER FORK (40X150X1540).....	134

TABLE OF CONTENTS

FIGURE 3-25. FORK MOUNTED HOOK (4 TON)	136
FIGURE 3-26. LIFTING HOOK ASSEMBLY, STANDARD	138
FIGURE 3-27. LIFTING HOOK ASSEMBLY, UNIVERSAL	140
FIGURE 3-28. BOLT-ON EDGE ASSEMBLY, 72"	142
FIGURE 3-29. HYDRAULIC QUICK SWITCH INSTALLATION	144
FIGURE 3-30. QUICK SWITCH ASSEMBLY	146
FIGURE 3-31. BLOCK VALVE ASSEMBLY	148
FIGURE 3-32. FORK MOUNTED BUCKET (1.0 M ³)	150
FIGURE 3-33. BASKET, PERSONNEL (1.2MX2.4M) (DOMESTIC)	152
FIGURE 3-34. BASKET, PERSONNEL (1.2MX2.4M) (ISO)	154
FIGURE 3-35. BASKET, PERSONNEL (1.2MX2.4M) (FRENCH)	156
FIGURE 3-36. FORK MOUNTED PLATFORM	158
FIGURE 3-37. TRASH HOPPER INSTALLATION	160
SECTION 4 - ENGINE AND ATTACHING PARTS	163
FIGURE 4-1. ENGINE INSTALLATION	164
FIGURE 4-2. ENGINE INSTALLATION	166
FIGURE 4-3. ENGINE MOUNT INSTALLATION	168
FIGURE 4-4. ENGINE MOUNT INSTALLATION, (HEATER)	170
FIGURE 4-5. ENGINE MOUNT INSTALLATION, (HEATER & A/C)	172
FIGURE 4-6. ENGINE (55.4KW - ULS)	174
FIGURE 4-7. ENGINE (55.4KW - LS)	176
FIGURE 4-8. FAN INSTALLATION	178
FIGURE 4-9. FAN INSTALLATION, REVERSING	180
FIGURE 4-10. RADIATOR INSTALLATION	182
FIGURE 4-11. RADIATOR LOWER HOSE ASSEMBLY	184
FIGURE 4-12. AIR CLEANER INSTALLATION	186
FIGURE 4-13. AIR CLEANER ASSEMBLY	188
FIGURE 4-14. AIR SHUT OFF VALVE INSTALLATION	190
FIGURE 4-15. RAIN CAP	192
FIGURE 4-16. PRECLEANER	194
FIGURE 4-17. EXHAUST INSTALLATION (ULS)	196
FIGURE 4-18. EXHAUST INSTALLATION (LS)	198
FIGURE 4-19. HYDROSTATIC DRIVE PUMP ASSEMBLY	200
FIGURE 4-20. HEATER LINES INSTALLATION	202
FIGURE 4-21. LUBRICITY DOSER INSTALLATION (MIRROR)	204
FIGURE 4-22. LUBRICITY DOSER INSTALLATION (LIGHT & MIRROR)	206
SECTION 5 - DRIVE TRAIN	209
FIGURE 5-1. DRIVETRAIN INSTALLATION	210
FIGURE 5-2. FRONT AXLE ASSEMBLY	212
FIGURE 5-3. FRONT AXLE	214
FIGURE 5-4. FRONT AXLE, CENTRAL HOUSING	216
FIGURE 5-5. FRONT AXLE, DIFFERENTIAL	218
FIGURE 5-6. FRONT AXLE, HUB REDUCTION	222
FIGURE 5-7. FRONT AXLE, BRAKES	226
FIGURE 5-8. FRONT AXLE, STEERING	228
FIGURE 5-9. REAR AXLE ASSEMBLY	230
FIGURE 5-10. REAR AXLE	232
FIGURE 5-11. REAR AXLE, CENTRAL HOUSING	234
FIGURE 5-12. REAR AXLE, DIFFERENTIAL	236
FIGURE 5-13. REAR AXLE, HUB REDUCTION	238
FIGURE 5-14. REAR AXLE, STEERING	242
FIGURE 5-15. REAR AXLE, TRUNION	244
FIGURE 5-16. DIFFERENTIAL KIT	246
FIGURE 5-17. STEERING CASE KIT (LF/RR)	248
FIGURE 5-18. STEERING CASE KIT (RF/LR)	250
FIGURE 5-19. RING GEAR SUPPORT KIT	252
FIGURE 5-20. PLANET GEAR CARRIER KIT	254
FIGURE 5-21. TIRE/WHEEL SET, CAMSO (AIR 12-16.5 - 12 PLY)	256
FIGURE 5-22. RIGHT TIRE/WHEEL ASSEMBLY, CAMSO (AIR 12-16.5 - 12 PLY)	258
FIGURE 5-23. LEFT TIRE/WHEEL ASSEMBLY, CAMSO (AIR 12-16.5 - 12 PLY)	260
FIGURE 5-24. TIRE/WHEEL SET (AIR 14-17.5 - 12 PLY)	262
FIGURE 5-25. RIGHT TIRE/WHEEL ASSEMBLY (AIR 12-16.5 - 12 PLY)	264
FIGURE 5-26. LEFT TIRE/WHEEL ASSEMBLY (AIR 12-16.5 - 12 PLY)	266

TABLE OF CONTENTS

FIGURE 5-27. TIRE/WHEEL SET, CAMSO (FOAM 12-16.5 - 12 PLY)	268
FIGURE 5-28. TIRE/WHEEL SET (FOAM 12-16.5 - 14 PLY)	270
FIGURE 5-29. TIRE/WHEEL SET (SOLID 33X12-20 - NM).....	272
FIGURE 5-30. TIRE/WHEEL SET, AG (AIR 10.5-18 - 16 PR)	274
FIGURE 5-31. RIGHT TIRE/WHEEL ASSEMBLY, AG (AIR 10.5-18 - 16 PR).....	276
FIGURE 5-32. LEFT TIRE/WHEEL ASSEMBLY, AG (AIR 10.5-18 - 16 PR)	278
FIGURE 5-33. FENDER INSTALLATION.....	280
FIGURE 5-34. FENDER ASSEMBLY	282
FIGURE 5-35. TIRE/WHEEL SET 33X16LL19.5 TURF/SAND	284
FIGURE 5-36. ASSEMBLY, TIRE/WHEEL 33X16LL19.5 TURF/SAND	286
SECTION 6 - CAB.....	289
FIGURE 6-1. CAB INSTALLATION	290
FIGURE 6-2. OPEN CAB INSTALLATION (ANSI - FIXED STEERING)	292
FIGURE 6-3. OPEN CAB INSTALLATION (ANSI - TILT STEERING).....	294
FIGURE 6-4. ENCLOSED CAB INSTALLATION (ANSI - TILT STEERING) (HEAT)	296
FIGURE 6-5. ENCLOSED CAB INSTALLATION (ANSI - TILT STEERING) (HEAT & A/C).....	298
FIGURE 6-6. ENCLOSED CAB INSTALLATION (LSI - TILT STEERING) (HEAT)	300
FIGURE 6-7. ENCLOSED CAB INSTALLATION (LSI - TILT STEERING) (HEAT & A/C).....	302
FIGURE 6-8. CAB COMMON INSTALLATION	304
FIGURE 6-9. CAB COMMON COMPONENTS, ENCLOSED.....	308
FIGURE 6-10. CAB GLASS INSTALLATION, OPEN	310
FIGURE 6-11. CAB GLASS INSTALLATION, ENCLOSED.....	312
FIGURE 6-12. REAR WINDOW ASSEMBLY	314
FIGURE 6-13. DOOR ASSEMBLY INSTALLATION.....	316
FIGURE 6-14. JLG COMMON INSTALLATION	318
FIGURE 6-15. SEAT RISER COVER INSTALLATION.....	320
FIGURE 6-16. SEAT RISER COVER INSTALLATION, HVAC.....	322
FIGURE 6-17. OPEN CAB COMMON COMPONENTS INSTALLATION.....	324
FIGURE 6-18. DASH INSTALLATION, OPEN CAB	326
FIGURE 6-19. DASH INSTALLATION, ENCLOSED CAB.....	328
FIGURE 6-20. RIGHT SIDE CONSOLE	330
FIGURE 6-21. NA COMMON INSTALLATION.....	332
FIGURE 6-22. NA COMMON COMPONENTS INSTALLATION (LSI).....	334
FIGURE 6-23. FRONT WIPER ASSEMBLY	336
FIGURE 6-24. WASHER TANK W/PUMP INSTALLATION.....	338
FIGURE 6-25. ROOF/REAR WIPER INSTALLATION.....	340
FIGURE 6-26. AUX WIPER ASSEMBLY.....	342
FIGURE 6-27. SEAT.....	344
FIGURE 6-28. SEAT, LSI	346
FIGURE 6-29. SEAT BELT INSTALLATION (3 INCH)	348
FIGURE 6-30. SEAT BELT INSTALLATION, LSI (3 INCH).....	350
FIGURE 6-31. CONTROL COVER INSTALLATION	352
FIGURE 6-32. HEATER INSTALLATION (CAB PARTS)	354
FIGURE 6-33. HEATER AND A/C INSTALLATION (CAB PARTS).....	356
FIGURE 6-34. HEATER ASSEMBLY, 3 SPEED	358
FIGURE 6-35. HEATER AND A/C ASSEMBLY, 3 SPEED.....	360
FIGURE 6-36. HEATER	362
FIGURE 6-37. HEATER AND A/C.....	364
FIGURE 6-38. A/C KIT	366
FIGURE 6-39. A/C CONDENSER INSTALLATION.....	368
FIGURE 6-40. CONDENSER	370
FIGURE 6-41. OVERHEAD CONSOLE INSTALLATION	372
FIGURE 6-42. OVERHEAD CONSOLE INSTALLATION (OPEN).....	374
FIGURE 6-43. FRONT FOPS INSTALLATION	376
FIGURE 6-44. OVERHEAD CONSOLE INSTALLATION (LSI)	378
FIGURE 6-45. RADIO READY PACKAGE INSTALLATION.....	380
FIGURE 6-46. FLOOR MAT INSTALLATION.....	382
FIGURE 6-47. CAB FENDER INSTALLATION	384
FIGURE 6-48. CAB GUARD INSTALLATION (TOP).....	386
FIGURE 6-49. CAB GUARD INSTALLATION (FRONT).....	388
FIGURE 6-50. REAR WINDOW ENTRY KIT INSTALLATION (ANSI).....	390
FIGURE 6-51. REAR WINDOW ENTRY KIT INSTALLATION (ENGLISH/FRENCH)	392
FIGURE 6-52. REAR WINDOW ENTRY KIT INSTALLATION (ISO).....	394
FIGURE 6-53. FIRE EXTINGUISHER INSTALLATION.....	396
FIGURE 6-54. WASHER FLUID TANK ASSEMBLY	398

TABLE OF CONTENTS

FIGURE 6-55. EMERGENCY ENTRY/EXIT WINDOW.....	400
SECTION 7 - CONTROLS.....	403
FIGURE 7-1. ACCELERATOR PEDAL ASSEMBLY.....	404
FIGURE 7-2. ACCELERATOR PEDAL.....	406
FIGURE 7-3. BRAKE PEDAL INSTALLATION.....	408
FIGURE 7-4. MASTER CYLINDER VALVE ASSEMBLY.....	410
FIGURE 7-5. PARK BRAKE VALVE INSTALLATION.....	412
FIGURE 7-6. PARK BRAKE VALVE INSTALLATION (EURO).....	414
FIGURE 7-7. PARK BRAKE VALVE ASSEMBLY (EURO).....	416
FIGURE 7-8. FIXED STEERING COLUMN INSTALLATION.....	418
FIGURE 7-9. FIXED STEERING COLUMN.....	420
FIGURE 7-10. TILT STEERING COLUMN INSTALLATION.....	422
FIGURE 7-11. TILT STEERING COLUMN.....	424
FIGURE 7-12. HYDRAULIC CONTROLLER ASSEMBLY.....	426
FIGURE 7-13. HEATER CONTROL SWITCH.....	428
FIGURE 7-14. HVAC CONTROL SWITCH.....	430
FIGURE 7-15. BOOM JOYSTICK.....	432
SECTION 8 - HYDRAULIC CIRCUITS.....	435
FIGURE 8-1. VALVE INSTALLATION (ANSI).....	436
FIGURE 8-2. VALVE INSTALLATION (CE).....	438
FIGURE 8-3. PILOT SELECT VALVE ASSEMBLY (ANSI).....	440
FIGURE 8-4. PILOT SELECT VALVE ASSEMBLY (CE).....	442
FIGURE 8-5. PILOT SELECT VALVE (ANSI).....	444
FIGURE 8-6. PILOT SELECT VALVE (CE).....	446
FIGURE 8-7. HYDRAULIC VALVE INSTALLATION.....	448
FIGURE 8-8. STEERING SELECT VALVE ASSEMBLY.....	450
FIGURE 8-9. MAIN CONTROL VALVE ASSEMBLY.....	452
FIGURE 8-10. PRIORITY VALVE ASSEMBLY.....	454
FIGURE 8-11. BRAKE VALVE ASSEMBLY.....	456
FIGURE 8-12. PARK BRAKE VALVE ASSEMBLY.....	458
FIGURE 8-13. BOOM HYDRAULIC INSTALLATION.....	460
FIGURE 8-14. BOOM HYDRAULIC INSTALLATION, W/QS.....	462
FIGURE 8-15. REMOTE GREASE INSTALLATION.....	464
FIGURE 8-16. FRAME HYDRAULIC HOSE INSTALLATION.....	466
FIGURE 8-17. HYDRAULIC HOSE INSTALLATION (ANSI).....	468
FIGURE 8-18. HYDRAULIC HOSE INSTALLATION (CE).....	470
FIGURE 8-19. STEERING VALVE ASSEMBLY.....	472
FIGURE 8-20. CAB HYDRAULICS INSTALLATION, (ANSI).....	474
FIGURE 8-21. CAB HYDRAULICS INSTALLATION (LSI).....	476
FIGURE 8-22. IMPLEMENT PUMP FILTER ASSEMBLY.....	478
FIGURE 8-23. HYDRAULIC FILTER ASSEMBLY.....	480
FIGURE 8-24. HYDRAULIC TANK BREATHER INSTALLATION.....	482
FIGURE 8-25. HYDRAULIC TANK BREATHER INSTALLTION (A/C).....	484
FIGURE 8-26. REAR HYDRAULIC OUTLET INSTALLATION.....	486
FIGURE 8-27. REAR DIVERTER VALVE ASSEMBLY.....	488
FIGURE 8-28. DIVERTOR VALVE.....	490
FIGURE 8-29. BOOM AUX HOSE INSTALLATION.....	492
SECTION 9 - HYDRAULIC COMPONENTS.....	495
FIGURE 9-1. BOOM CYLINDER INSTALLATION, ANSI.....	496
FIGURE 9-2. BOOM CYLINDER INSTALLATION, CE.....	498
FIGURE 9-3. LIFT CYLINDER, ANSI.....	500
FIGURE 9-4. LIFT CYLINDER ASSEMBLY, CE.....	502
FIGURE 9-5. LIFT CYLINDER, CE.....	504
FIGURE 9-6. COMPENSATION CYLINDER.....	506
FIGURE 9-7. EXTEND/RETRACT CYLINDER.....	508
FIGURE 9-8. FORK POSITIONING CYLINDER.....	510
FIGURE 9-9. SIDE SHIFT CYLINDER.....	512
FIGURE 9-10. TILT CYLINDER.....	514
FIGURE 9-11. HYDROSTATIC MOTOR.....	516
FIGURE 9-12. HYDROSTATIC PUMP.....	518
FIGURE 9-13. GEAR PUMP.....	520

TABLE OF CONTENTS

FIGURE 9-14. FAN MOTOR	522
FIGURE 9-15. FAN MOTOR, REVERSING	524
FIGURE 9-16. PARK BRAKE RELEASE VALVE	526
FIGURE 9-17. HYDRAULIC PARK BRAKE RELEASE VALVE	528
FIGURE 9-18. STEERING SELECT VALVE	530
FIGURE 9-19. MAIN CONTROL VALVE (W/AUX).....	532
FIGURE 9-20. BRAKE MASTER CYLINDER VALVE	534
FIGURE 9-21. SIDE TILT CARRIAGE CYLINDER.....	536
FIGURE 9-22. UNIVERSAL SIDE SHIFT CYLINDER.....	538
FIGURE 9-23. FORK LOCKING CYLINDER.....	540
FIGURE 9-24. AIR SHUT OFF VALVE.....	542
SECTION 10 - ELECTRICAL.....	545
FIGURE 10-1. MAIN ELECTRICAL INSTALLATION.....	546
FIGURE 10-2. FRAME OPTIONS HARNESS INSTALLATION.....	548
FIGURE 10-3. FRAME OPTIONS HARNESS INSTALLATION (ANSI).....	550
FIGURE 10-4. FRAME OPTIONS HARNESS INSTALLATION (CE)	552
FIGURE 10-5. BLOCK HEATER INSTALLATION (ANSI)	554
FIGURE 10-6. BLOCK HEATER INSTALLATION (CE).....	556
FIGURE 10-7. BLOCK HEATER INSTALLATION (115V) (LS)	558
FIGURE 10-8. SPEED SENSOR JUMPER HARNESS.....	560
FIGURE 10-9. BATTERY INSTALLATION	562
FIGURE 10-10. BATTERY DISCONNECT SWITCH INSTALLATION	564
FIGURE 10-11. START SWITCH JUMPER HARNESS	566
FIGURE 10-12. JUMPER HARNESS	568
FIGURE 10-13. ROAD LIGHT INSTALLATION (ANSI).....	570
FIGURE 10-14. ROAD LIGHT INSTALLATION (LSI).....	572
FIGURE 10-15. ROAD LIGHT INSTALLATION (LH DIP).....	574
FIGURE 10-16. WORK LIGHT INSTALLATION	576
FIGURE 10-17. WORK LIGHT INSTALLATION (OPEN CAB)	578
FIGURE 10-18. WORK LIGHT LED INSTALLATION	580
FIGURE 10-19. WORK LIGHT LED INSTALLATION (OPEN CAB)	582
FIGURE 10-20. BOOM WORK LIGHT	584
FIGURE 10-21. BOOM WORK LIGHT LED INSTALLATION	586
FIGURE 10-22. BEACON INSTALLATION	588
FIGURE 10-23. BEACON INSTALLATION (OPEN CAB).....	590
FIGURE 10-24. REVERSE SENSING SYSTEM INSTALLATION.....	592
FIGURE 10-25. CLEARSKY 4G CANBUS GSM INSTALLATION.....	594
FIGURE 10-26. BOOM SENSOR INSTALLATION.....	596
FIGURE 10-27. BOOM SENSOR ASSEMBLY INSTALLATION	598
FIGURE 10-28. ENGINE HARNESS.....	600
FIGURE 10-29. BOOM AUX HARNESS	604
FIGURE 10-30. CAB HARNESS	606
FIGURE 10-31. CAB ROOF HARNESS	612
FIGURE 10-32. FRAME HARNESS	614
FIGURE 10-33. FRAME BASE JUMPER HARNESS	618
FIGURE 10-34. FUNCTION JUMPER HARNESS.....	620
FIGURE 10-35. FRAME OPTION HARNESS	622
FIGURE 10-36. REVERSE SENSOR HARNESS.....	626
FIGURE 10-37. TELEMATICS READY HARNESS.....	628
FIGURE 10-38. CLEARSKY4G CANBUS GSM HARNESS.....	630
FIGURE 10-39. CLEARSKY INSTALLATION 3-WIRE (ANSI)	632
FIGURE 10-40. BOOM SENSOR HARNESS.....	634
FIGURE 10-41. OPEN CAB WORKLIGHT HARNESS.....	636
FIGURE 10-42. CAB WORKLIGHT HARNESS.....	638
FIGURE 10-43. BOOM WORKLIGHT JUMPER HARNESS (LONG)	640
FIGURE 10-44. PROXIMITY SENSOR HARNESS.....	642
FIGURE 10-45. BOOM WORKLIGHT JUMPER HARNESS (SHORT).....	644
FIGURE 10-46. BOOM WORKLIGHTS HARNESS.....	646
FIGURE 10-47. CONDENSOR FAN HARNESS	648
FIGURE 10-48. MODE SELECT HARNESS	650
FIGURE 10-49. TRAILER PLUG INSTALLATION (7 PIN)	652
FIGURE 10-50. ELECTRICAL HARNESS CAPS INSTALLATION.....	654
FIGURE 10-51. TELEMATICS HARNESS	656
FIGURE 10-52. RH TAIL LIGHT INSTALLATION	658
FIGURE 10-53. LH TAIL LIGHT INSTALLATION.....	660

TABLE OF CONTENTS

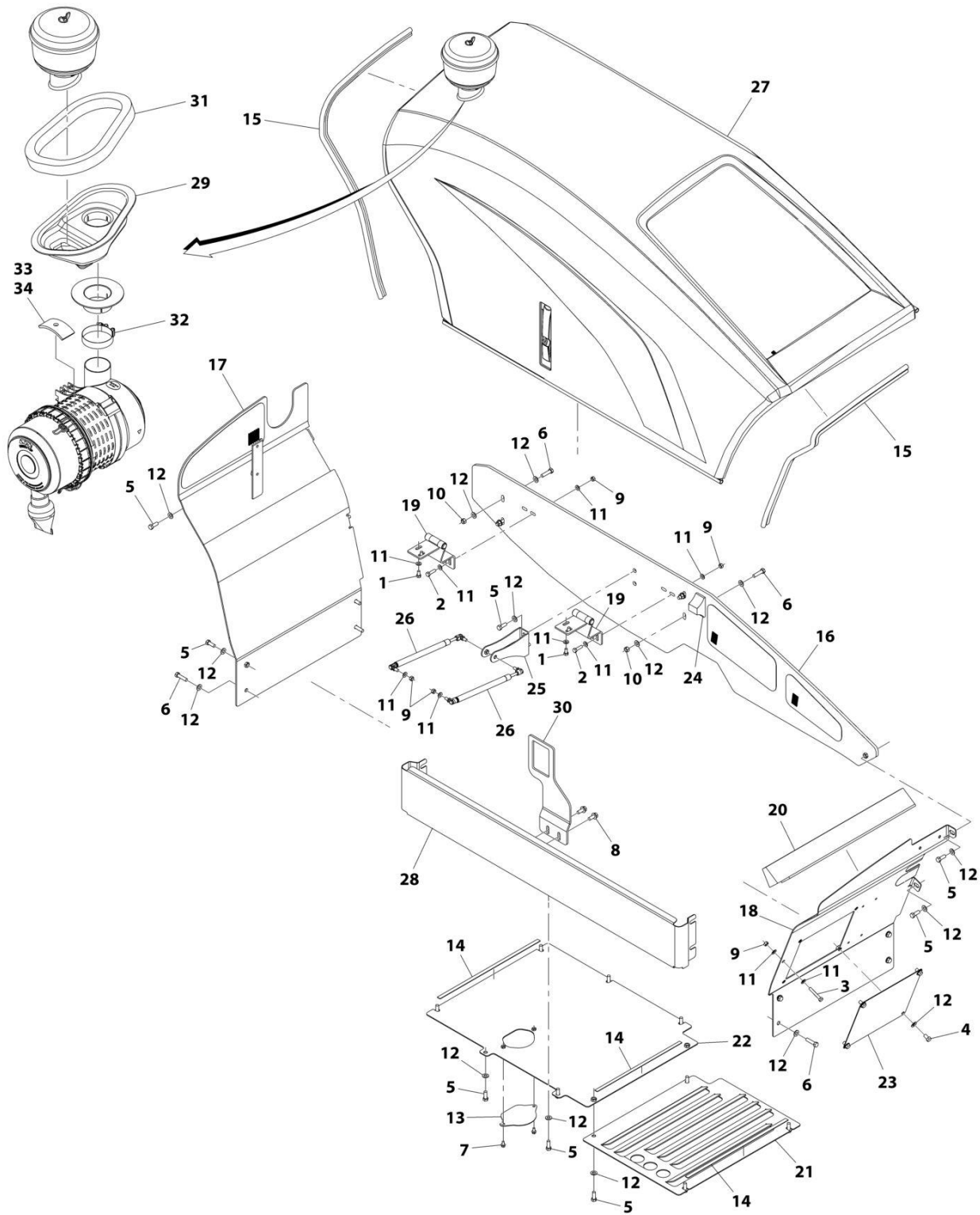
FIGURE 10-54. LH DRIVE LIGHT INSTALLATION	662
FIGURE 10-55. JUMPER HARNESS.....	664
FIGURE 10-56. HARNESS, POSI AIR SHUT OFF, SC CAB.....	666
FIGURE 10-57. HARNESS, POSI AIR SHUTOFF, SC FRAME	668
FIGURE 10-58. VALVE JUMPER HARNESS	672
FIGURE 10-59. INSTALLATION, BACK-UP CAMERA	674
FIGURE 10-60. REAR CAMERA OPTION HARNESS	676
SECTION 11 - DECALS	679
FIGURE 11-1. DECAL INSTALLATION	680
FIGURE 11-2. DECAL INSTALLATION, (ANSI)	682
FIGURE 11-3. DECAL INSTALLATION, (ISO).....	686
FIGURE 11-4. DECAL INSTALLATION (ENGLISH/FRENCH)	690
FIGURE 11-5. LOAD CHART MOUNT	694
FIGURE 11-6. CAPACITY CHART	696
FIGURE 11-7. CAPACITY CHART (UNIVERSAL QUICK SWITCH)	698
FIGURE 11-8. CAPACITY CHART - METRIC	700
FIGURE 11-9. CAPACITY CHART (UNIVERSAL QUICK SWITCH - METRIC)	702
FIGURE 11-10. MACHINE DECAL (ULS - ANSI)	704
FIGURE 11-11. MACHINE DECAL (ULS - ISO)	706
FIGURE 11-12. MACHINE DECAL (ULS - ENGLISH/FRENCH)	708
FIGURE 11-13. MACHINE DECAL (LS)	710
FIGURE 11-14. REVERSE SENSOR SYSTEM DECAL (ENGLISH).....	712
FIGURE 11-15. REVERSE SENSING SYSTEM DECAL, (ENGLISH/FRENCH)	714
FIGURE 11-16. REVERSE SENSING SYSTEM DECAL (ISO)	716
FIGURE 11-17. CLEARSKY DECAL INSTALLATION	718
SECTION 12 - RECOMMENDED SERVICE PARTS STOCK.....	721
FIGURE 12-1. RECOMMENDED SERVICE PARTS STOCK.....	722
SECTION 13 - SPECIAL OPTIONS	725
FIGURE 13-1. SPECIAL OPTIONS	726
PART NUMBER INDEX.....	727

SECTION 1 - FRAME AND ATTACHING PARTS

SECTION 1 - FRAME AND ATTACHING PARTS

SECTION 1 - FRAME AND ATTACHING PARTS

FIGURE 1-1. HOODS INSTALLATION



ART_1001190762-C

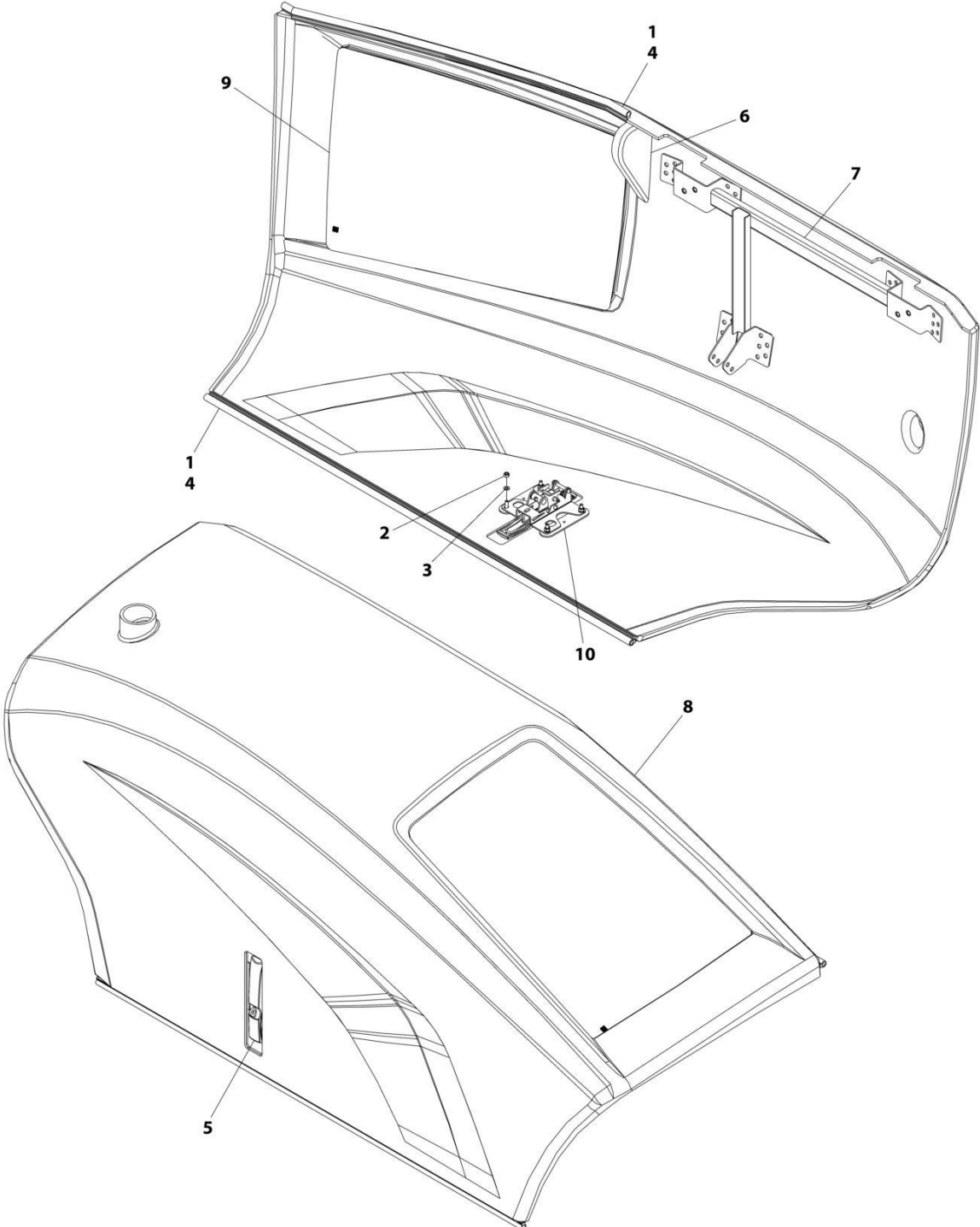
SECTION 1 - FRAME AND ATTACHING PARTS

FIGURE 1-1. HOODS INSTALLATION

ITEM	PART NUMBER	QTY	DESCRIPTION	REV
	1001190762	Ref	HOODS INSTALLATION	C
1	0641505	4	Bolt 5/16 x 5/8	
2	0641509	4	Bolt 5/16 x 1-1/8	
3	0641516	1	Bolt 5/16 x 2	
4	0641605	4	Bolt 3/8 x 5/8	
5	0641608	21	Bolt 3/8 x 1	
6	0641612	8	Bolt 3/8 x 1-1/2	
7	0791404	2	Screw 1/4 x 1/2	
8	0791607	2	Screw 3/8 x 7/8	
9	3271501	7	Nut 5/16	
10	3271601	4	Nut 3/8	
11	4711500	16	Washer 5/16	
12	4711600	37	Washer 3/8	
13	1001081299K	1	Fuel Filter Access Panel	
14	1001090344	1320 mm	Neoprene Tape, 1/16X1/2	
15	1001097160	1980 mm	Self-Gripping Bulb Seal	
16	1001142265	1	Hood Hinge Mount Weldment Plate	
17	1001197401	1	Rear Fender Weldment Panel	
18	1001142267	1	Front Fender Weldment Panel	
19	1001143142	2	Hood Hinge	
20	1001144369	1	Foam Gasket Seal	
21	1001149810	1	Belly Pan Plate	
22	1001149811	1	Belly Pan Weldment Plate	
23	1001156315	1	Cover Plate	
24	1001158318	1	Foam Gasket Seal	
25	1001158428	1	Gas Spring Weldment Mount	
26	1001160078	2	Gas Spring	
27	1001190743	1	Hood Assembly (See Separate Breakdown in this Section)	
28	1001190788	1	Side Skirt Panel	
29	1001191640	1	Air Intake Channel	
30	1001191820	1	Latch Catch Bracket	
31	1001192255	1	Air Intake Seal	
32	90028488	1	T-Bolt Clamp	
33	0100081	AR	Adhesive	
34	3340943	1	Pad, Rubber	

SECTION 1 - FRAME AND ATTACHING PARTS

FIGURE 1-2. HOOD ASSEMBLY



ART_1001190743-E

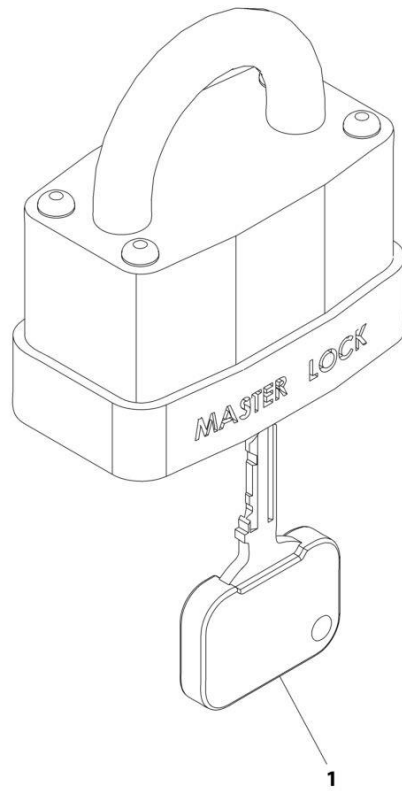
SECTION 1 - FRAME AND ATTACHING PARTS

FIGURE 1-2. HOOD ASSEMBLY

ITEM	PART NUMBER	QTY	DESCRIPTION	REV
	1001190743	Ref	Hood Assembly	E
1	0100090	AR	Adhesive	
2	3290605	4	Hex Locknut, M6X1	
3	4811700	4	Washer, M6	
4	1001097159	2110 mm	Self-Gripping Bulb Seal	
5	1001132168	1	Compression Latch	
6	1001193423	1	Air Dam Seal	
7	1001190728	1	Hinge And Gas Spring Mount	
8	1001190754	1	Hood	
9	1001191643	1	Cooler Vent	
10	1001192022	2	Support, Latch	

SECTION 1 - FRAME AND ATTACHING PARTS

FIGURE 1-3. PAD LOCK



ART_1001102157-A

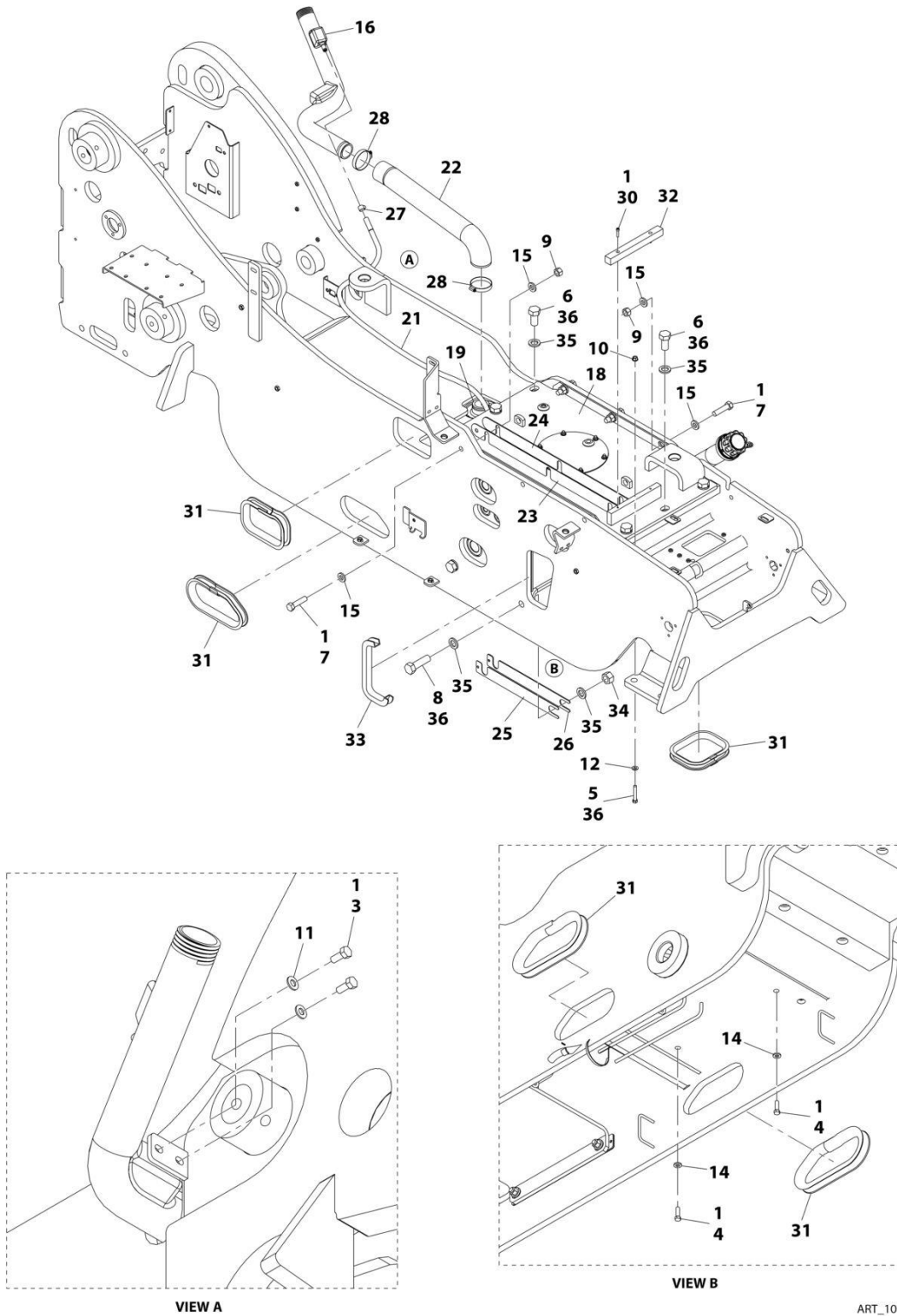
SECTION 1 - FRAME AND ATTACHING PARTS

FIGURE 1-3. PAD LOCK

ITEM	PART NUMBER	QTY	DESCRIPTION	REV
1	1001102157 8342813	Ref 1	Pad Lock Key	A

SECTION 1 - FRAME AND ATTACHING PARTS

FIGURE 1-4. TANK INSTALLATION



ART_1001193316-H

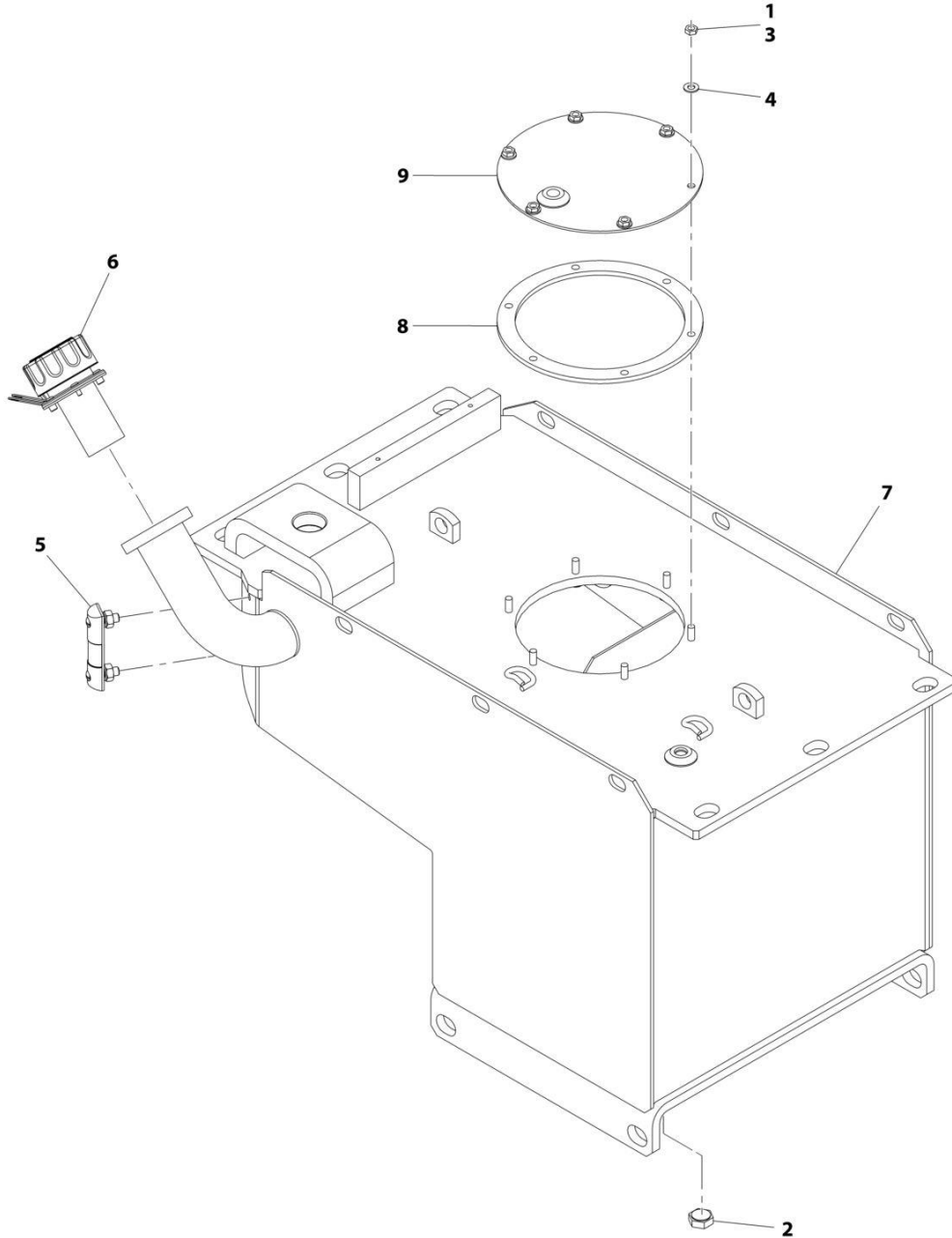
SECTION 1 - FRAME AND ATTACHING PARTS

FIGURE 1-4. TANK INSTALLATION

ITEM	PART NUMBER	QTY	DESCRIPTION	REV
	1001193316	Ref	TANK INSTALLATION	H
1	0100011	AR	Compound, Locking	
3	0641506	2	Bolt 5/16 x 3/4	
4	0641610	3	Bolt 3/8 x 1-1/4	
5	0630399	1	Tap Bolt	
6	0682414	6	Bolt 7/8 x 1-3/4	
7	0692020	6	Bolt 3/8 x 2-1/2	
8	0682424	4	Bolt 7/8 x 3	
9	3282001	6	Nut 5/8	
10	3311608	1	Nut 3/8	
11	4711500	2	Washer 5/16	
12	4711600	1	Washer 3/8	
14	4891600	3	Washer 3/8	
15	4892000	12	Washer 5/8	
16	1001080573	1	Fuel Nozzle Tube	
18	1001193351	1	Oil Tank (See Separate Breakdown in this Section)	
19	1001194100	1	Fuel Tank (See Separate Breakdown in this Section)	
21	1001148483	1	Fuel Tank Vent	
22	1001198730	1	Fuel Fill Pipe	
23	1001200682	AR	Shim, 1.5mm	
24	1001200683	AR	Shim, 3mm	
25	1001200684	AR	Shim, 1.5mm	
26	1001200685	AR	Shim, 3mm	
27	8405006	2	Gear Clamp	
28	86883327	2	Clamp, Hose	
30	3931416	2	Screw 1/4 x 1	
31	1001142680	2100 mm	Conduit	
32	1001200925	1	Pad	
33	1001081364	2	Grommet	
34	3272401	4	Nut 7/8	
35	4892400	14	Washer 7/8	
36	0100019	AR	Adhesive	

SECTION 1 - FRAME AND ATTACHING PARTS

FIGURE 1-5. OIL TANK



ART_1001193351-E

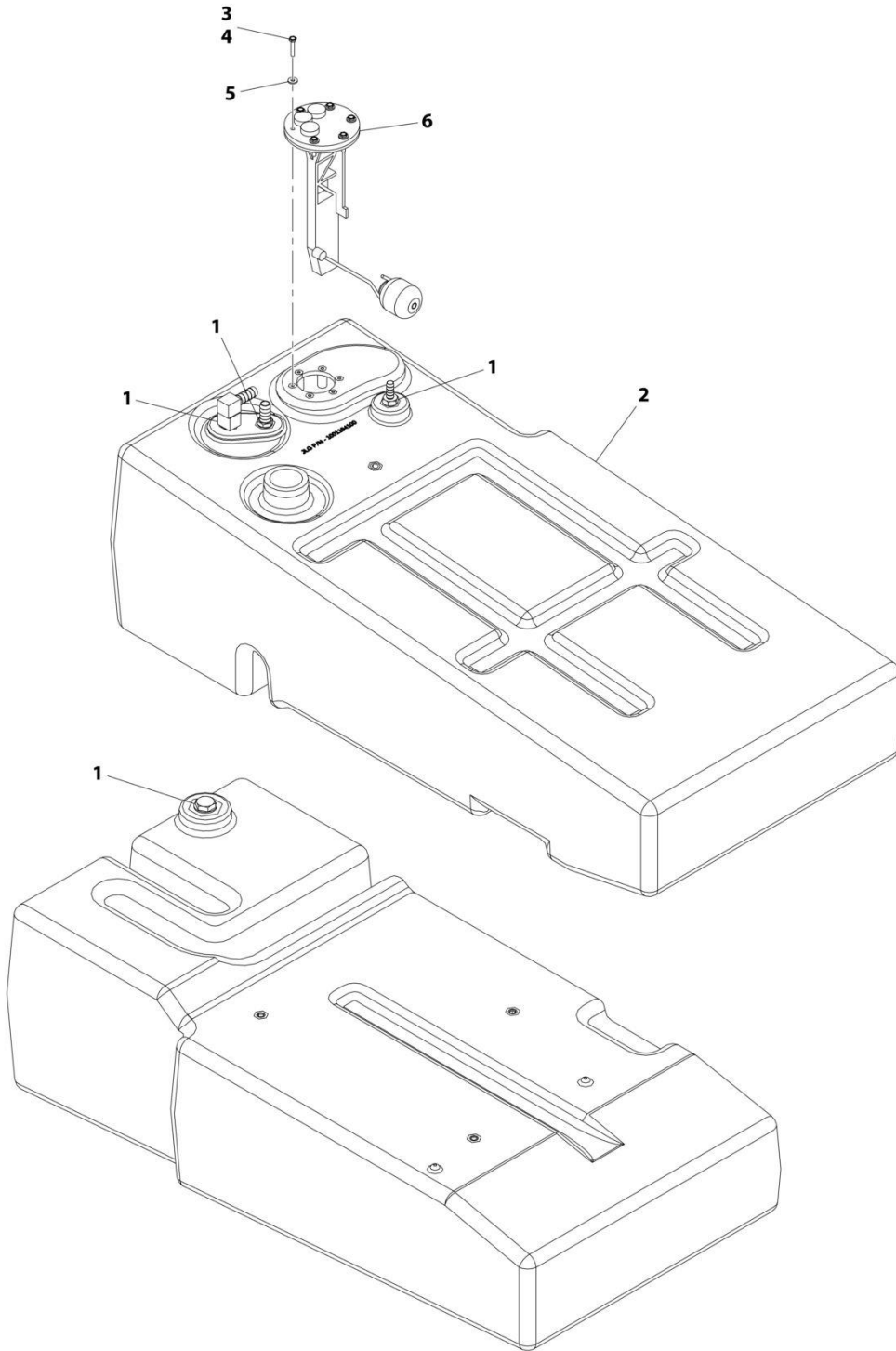
SECTION 1 - FRAME AND ATTACHING PARTS

FIGURE 1-5. OIL TANK

ITEM	PART NUMBER	QTY	DESCRIPTION	REV
	1001193351	Ref	Oil Tank	E
1	0100011	AR	Compound, Locking	
2	2220239	1	Adapter, Plug	
3	3311502	6	Nut 5/8	
4	4711500	6	Washer 5/16	
5	91563136	1	Oil Level Indicator	
6	1001187150	1	Lockable Hydraulic Filler Cap	
7	1001193470	1	Oil Tank Weldment	
8	1001193473	1	Gasket	
9	1001195884	1	Tank Access Cover	

SECTION 1 - FRAME AND ATTACHING PARTS

FIGURE 1-6. FUEL TANK ASSEMBLY



ART_1001194100-E

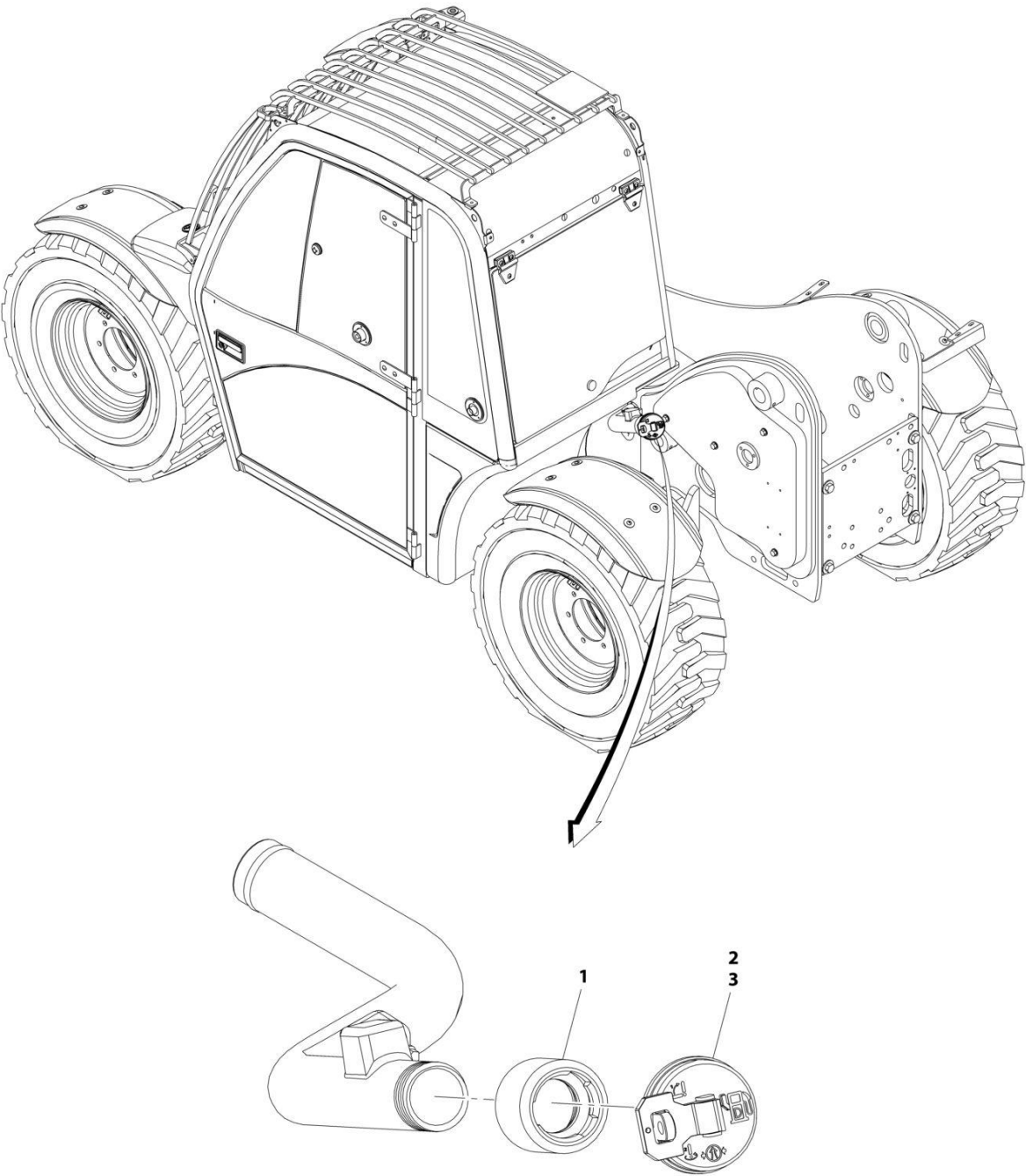
SECTION 1 - FRAME AND ATTACHING PARTS

FIGURE 1-6. FUEL TANK ASSEMBLY

ITEM	PART NUMBER	QTY	DESCRIPTION	REV
	1001194100	Ref	Fuel Tank Assembly	E
1	0100020	AR	Compound, Locking	
2	1001194099	1	Fuel Tank	
3	0100035	AR	Compound, Locking	
4	0720606	6	Hex HD Bolt	
5	4750600	6	Washer M6	
6	1001197965	1	Fuel Level Sensor	

SECTION 1 - FRAME AND ATTACHING PARTS

FIGURE 1-7. FUEL CAP INSTALLATION



ART_1001080571-B

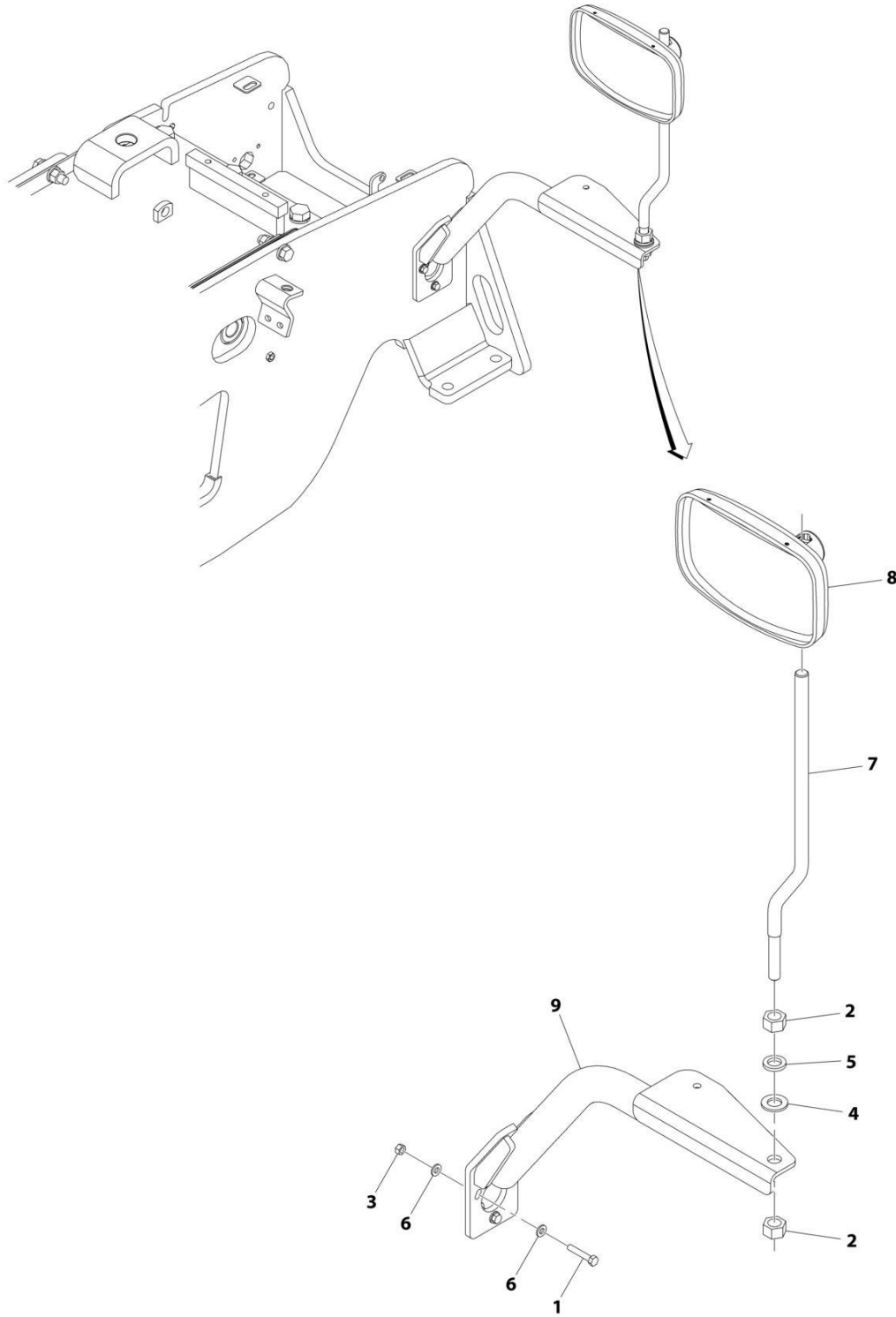
SECTION 1 - FRAME AND ATTACHING PARTS

FIGURE 1-7. FUEL CAP INSTALLATION

ITEM	PART NUMBER	QTY	DESCRIPTION	REV
	1001080571	Ref	FUEL CAP INSTALLATION	B
1	1001001422	1	Filler Neck Tank Adapter	
2	1001080707	1	Diesel Fuel Locking Cap	
3	0100093	AR	Compound, Locking	

SECTION 1 - FRAME AND ATTACHING PARTS

FIGURE 1-8. MIRROR INSTALLATION



ART_1001200928-B

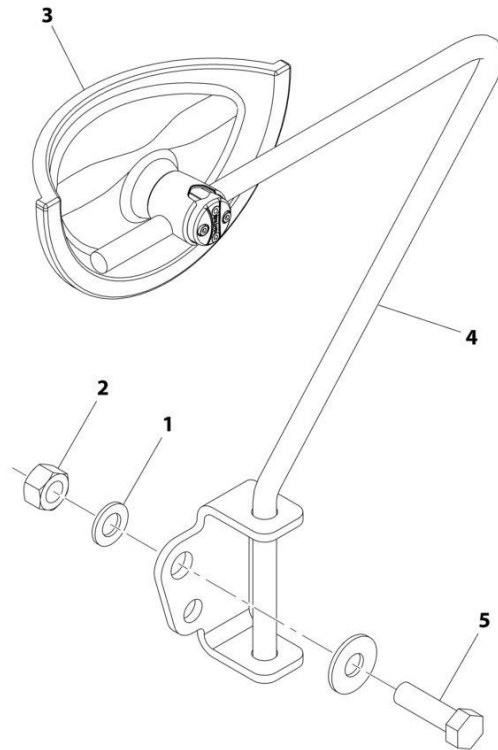
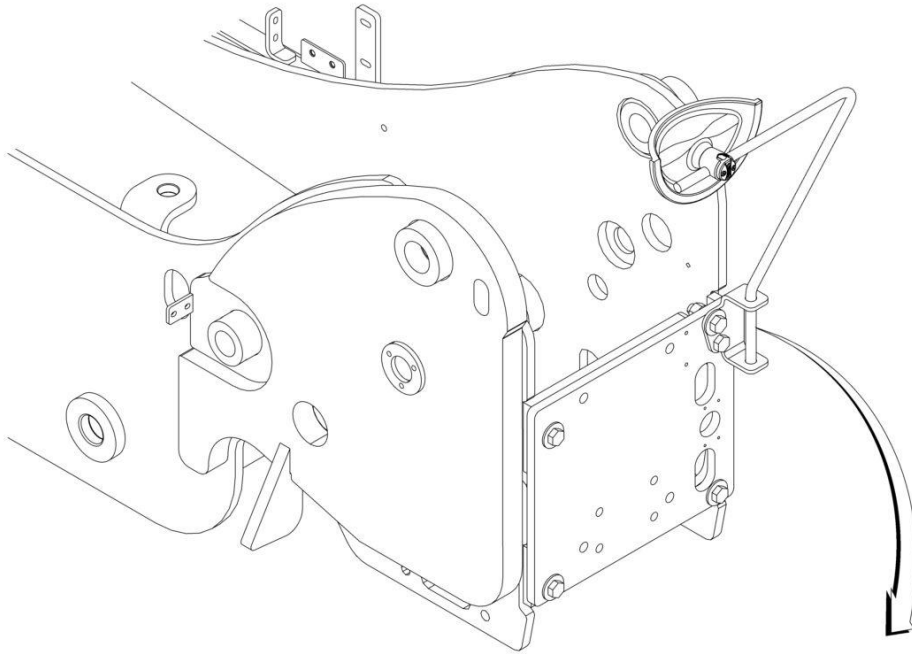
SECTION 1 - FRAME AND ATTACHING PARTS

FIGURE 1-8. MIRROR INSTALLATION

ITEM	PART NUMBER	QTY	DESCRIPTION	REV
	1001200928	Ref	Mirror Installaton	B
1	0641514	3	Hex HD Capscrew, 5/16-18X1-3/4, GR5	
2	3272201	2	Hex Nut, 3/4-10, GR8	
3	3311505	3	Locknut, 5/16-18	
4	4712200	1	Washer, 3/4	
5	4762200	1	Lockwasher, 3/4	
6	4891500	6	Washer, 5/16	
7	1001144474	1	Mirror Bracket	
8	1001191635	1	Mirror Assembly	
9	1001190639	1	Headlight Bracket	

SECTION 1 - FRAME AND ATTACHING PARTS

FIGURE 1-9. REAR CONVEX MIRROR INSTALLATION



ART_1001200851-C

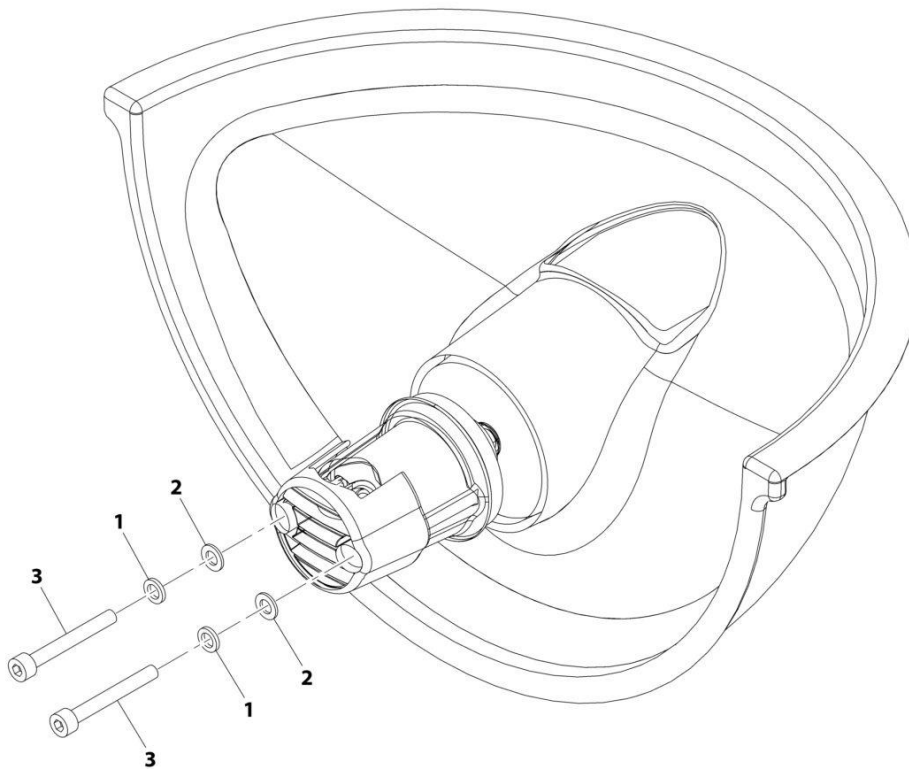
SECTION 1 - FRAME AND ATTACHING PARTS

FIGURE 1-9. REAR CONVEX MIRROR INSTALLATION

ITEM	PART NUMBER	QTY	DESCRIPTION	REV
	1001200851	Ref	Rear Convex Mirror Installation	C
1	4712200	1	Washer, 3/4	
2	88501012	1	Hex Nut, 3/4-10	
3	1001008436	1	Mirror Assembly (See Separate Breakdown in this Section)	
4	1001208759	1	Rear Mount Mirror Bar	
5	0682220	1	Hex HD Capscrew, 3/4-10X2-1/2, GR8	

SECTION 1 - FRAME AND ATTACHING PARTS

FIGURE 1-10. MIRROR ASSEMBLY (CONVEX)



ART_1001008436-D

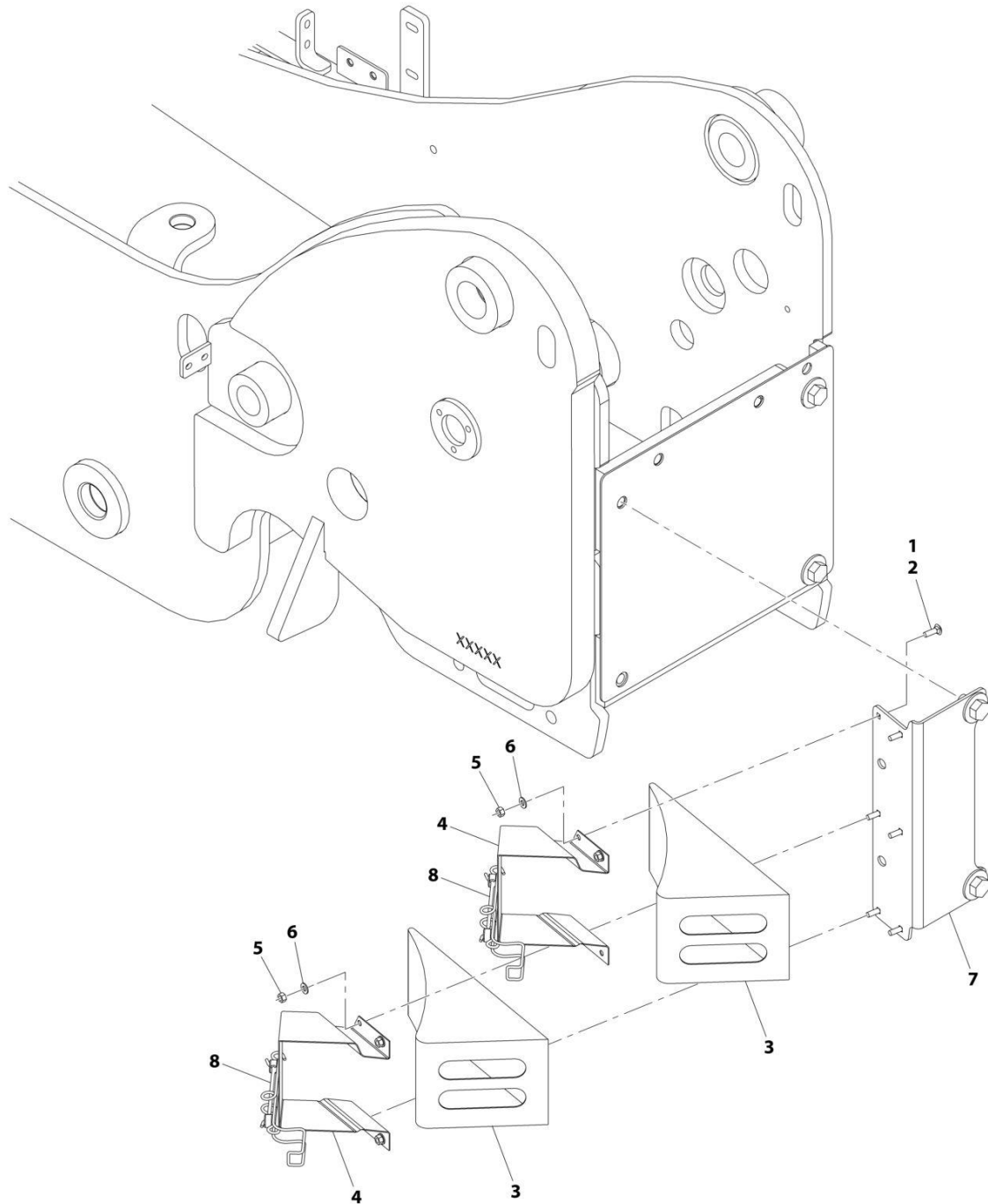
SECTION 1 - FRAME AND ATTACHING PARTS

FIGURE 1-10. MIRROR ASSEMBLY (CONVEX)

ITEM	PART NUMBER	QTY	DESCRIPTION	REV
	1001008436	Ref	Mirror Assembly (Convex)	D
1	1001008475	2	Washer, Lock	
2	1001009062	2	Washer	
3	1001010838	2	Bolt	

SECTION 1 - FRAME AND ATTACHING PARTS

FIGURE 1-11. WHEEL CHOCKS



ART_1001201527-B

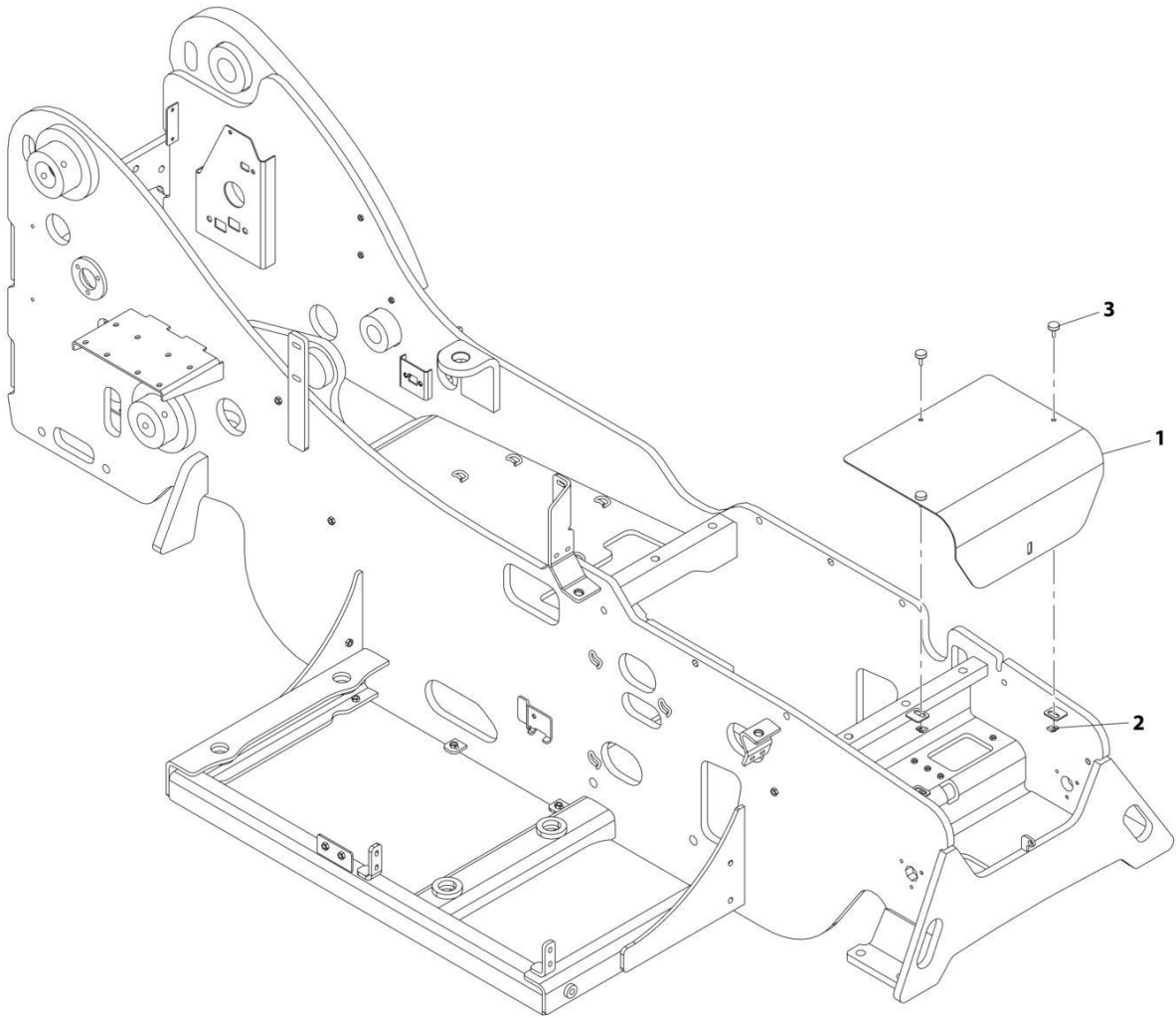
SECTION 1 - FRAME AND ATTACHING PARTS

FIGURE 1-11. WHEEL CHOCKS

ITEM	PART NUMBER	QTY	DESCRIPTION	REV
	1001201527	Ref	WHEEL CHOCKS	B
1	0100011	AR	Compound, Locking	
2	0630383	6	Bolt, Carriage	
3	806253	2	Wedge Assembly	
4	806264	2	Wedge Holder	
5	3311501	6	Nut 5/16	
6	4711500	6	Washer 5/16	
7	1001201526	1	Wheel Chock Mounting	
8	1060628	2	Tie Down Cable	

SECTION 1 - FRAME AND ATTACHING PARTS

FIGURE 1-12. BATTERY COVER INSTALLATION



ART_1001200247-B

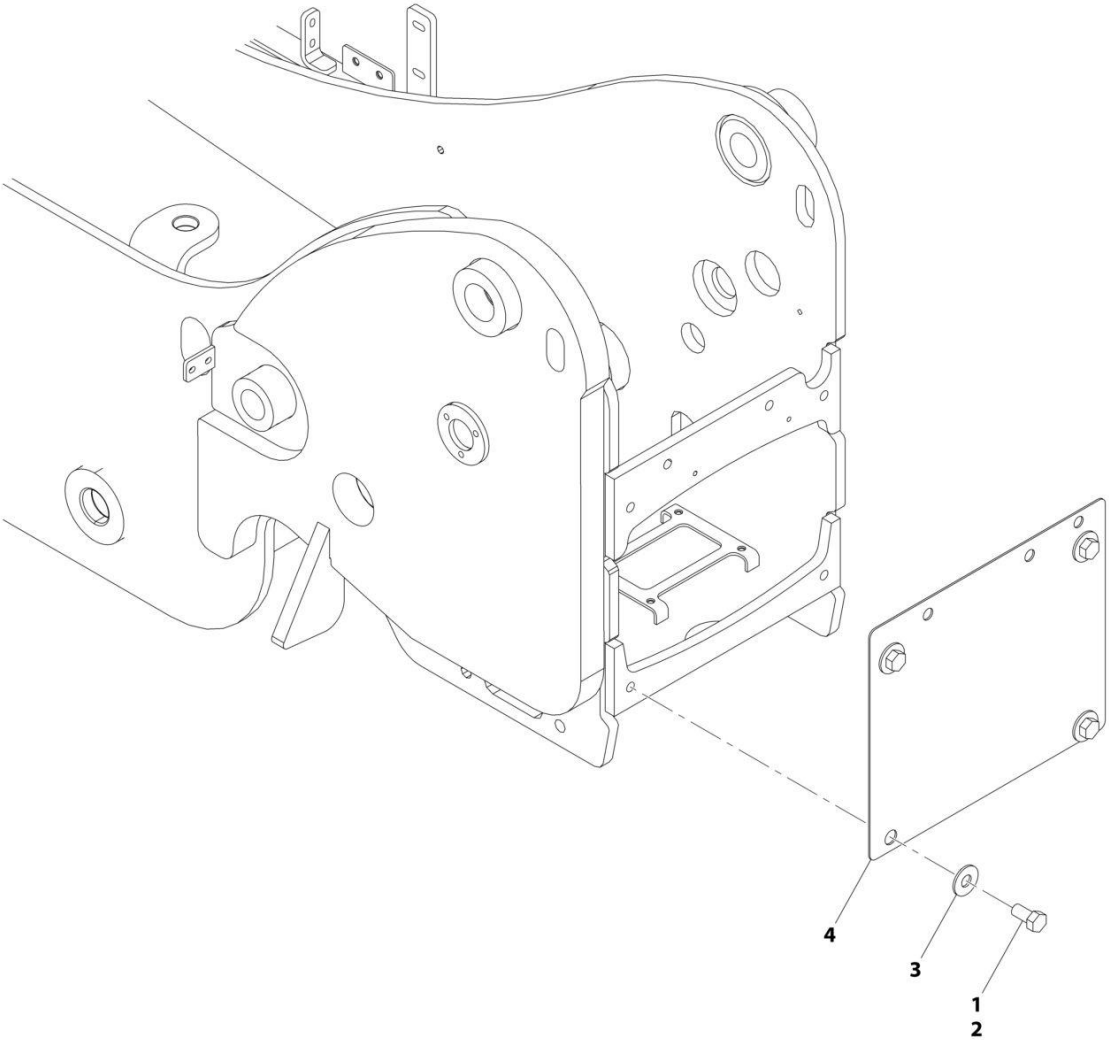
SECTION 1 - FRAME AND ATTACHING PARTS

FIGURE 1-12. BATTERY COVER INSTALLATION

ITEM	PART NUMBER	QTY	DESCRIPTION	REV
	1001200247	Ref	Battery Cover Installation	B
1	1001198349	1	Battery Cover	
2	1001130220	3	Tinnerman Nut, M6	
3	1001151183	3	Thumb Screw, M6-1X25.4	

SECTION 1 - FRAME AND ATTACHING PARTS

FIGURE 1-13. REAR COVER PLATE INSTALLATION, (NO HITCH)



ART_1001200598-D

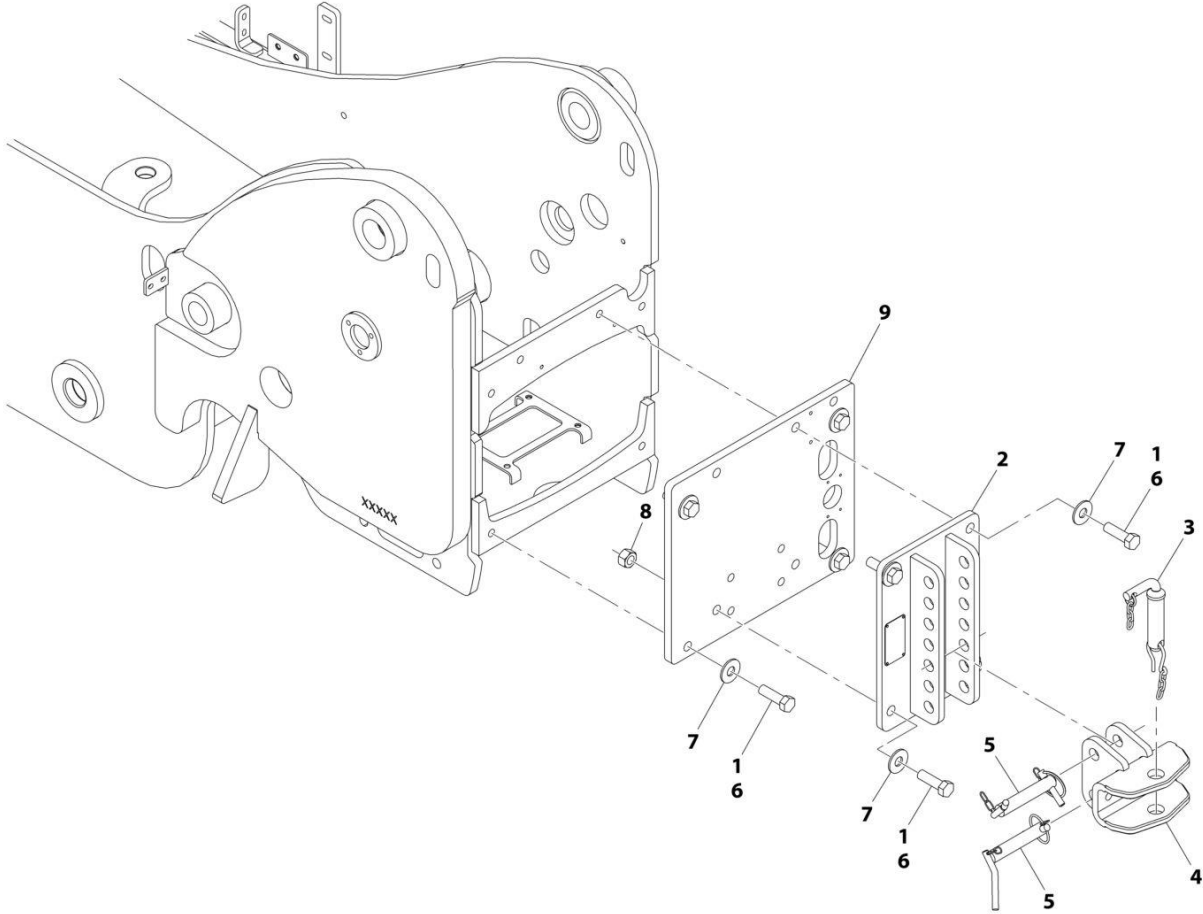
SECTION 1 - FRAME AND ATTACHING PARTS

FIGURE 1-13. REAR COVER PLATE INSTALLATION, (NO HITCH)

ITEM	PART NUMBER	QTY	DESCRIPTION	REV
	1001200598	Ref	Rear Cover Plate Installation, (No Hitch)	D
1	0100011	AR	Compound, Locking	
2	0642212	4	Capscrew 3/4 x 1-1/2	
3	4752200	4	Washer 3/4	
4	1001197490	1	Plate, Rear	

SECTION 1 - FRAME AND ATTACHING PARTS

FIGURE 1-14. HITCH INSTALLATION, MECHANICAL



ART_1001200599-B

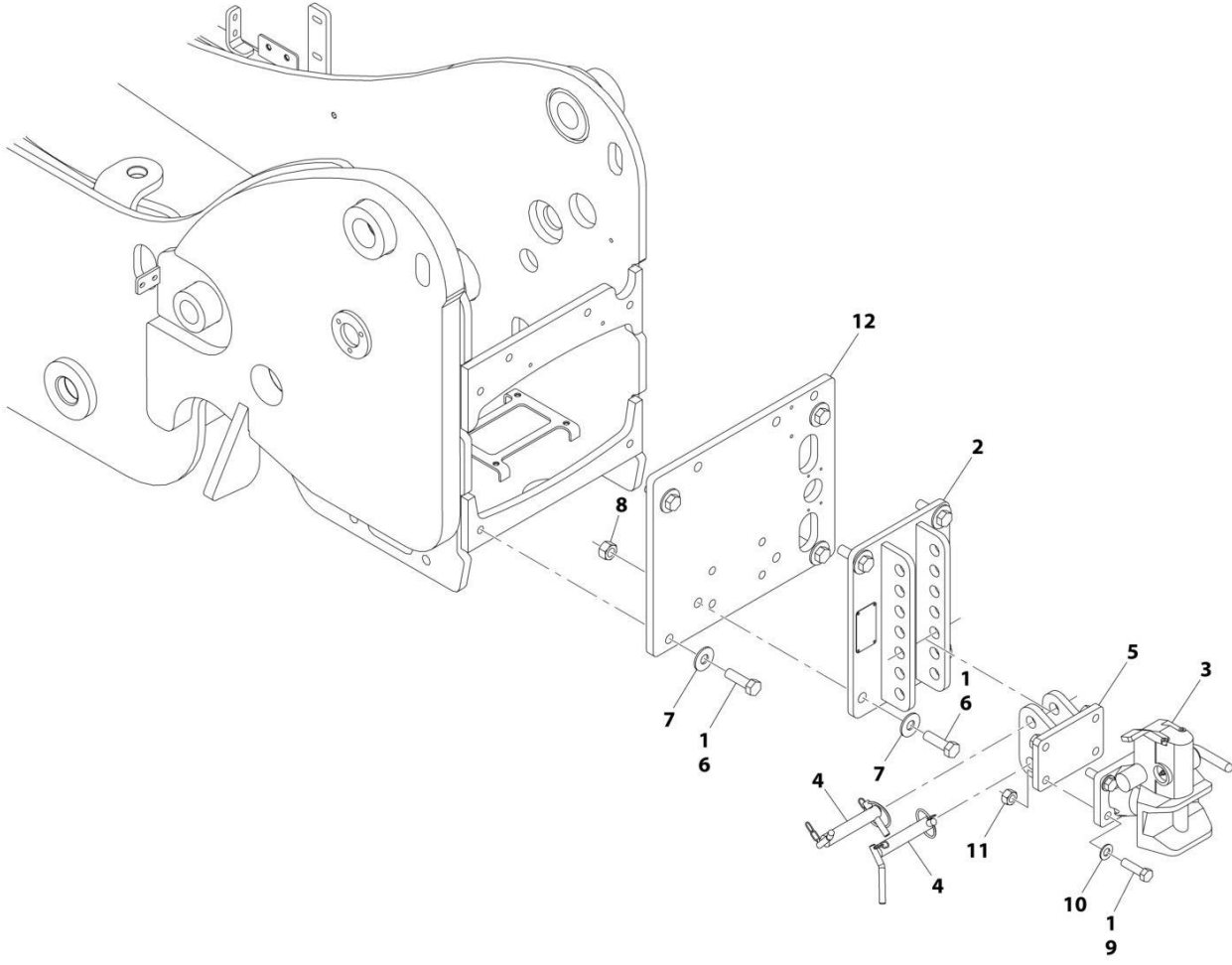
SECTION 1 - FRAME AND ATTACHING PARTS

FIGURE 1-14. HITCH INSTALLATION, MECHANICAL

ITEM	PART NUMBER	QTY	DESCRIPTION	REV
	1001200599	Ref	Hitch Installation, Mechanical	B
1	0100011	AR	Compound, Locking	
2	0903083	1	Hitch Mounting Bracket	
3	3944574	1	Hitch Pin	
4	8010200	1	Hitch	
5	8010204	2	Hitch Mounting Pin	
6	0682220	8	Capscrew 3/4 x 2-1/2	
7	4752200	8	Washer 3/4	
8	88501012	2	Nut 3/4	
9	1001200378	1	Plate, Rear Hitch Mount	

SECTION 1 - FRAME AND ATTACHING PARTS

FIGURE 1-15. HITCH INSTALLATION, MECHANICAL, AUTOMATIC



ART_1001200600-B

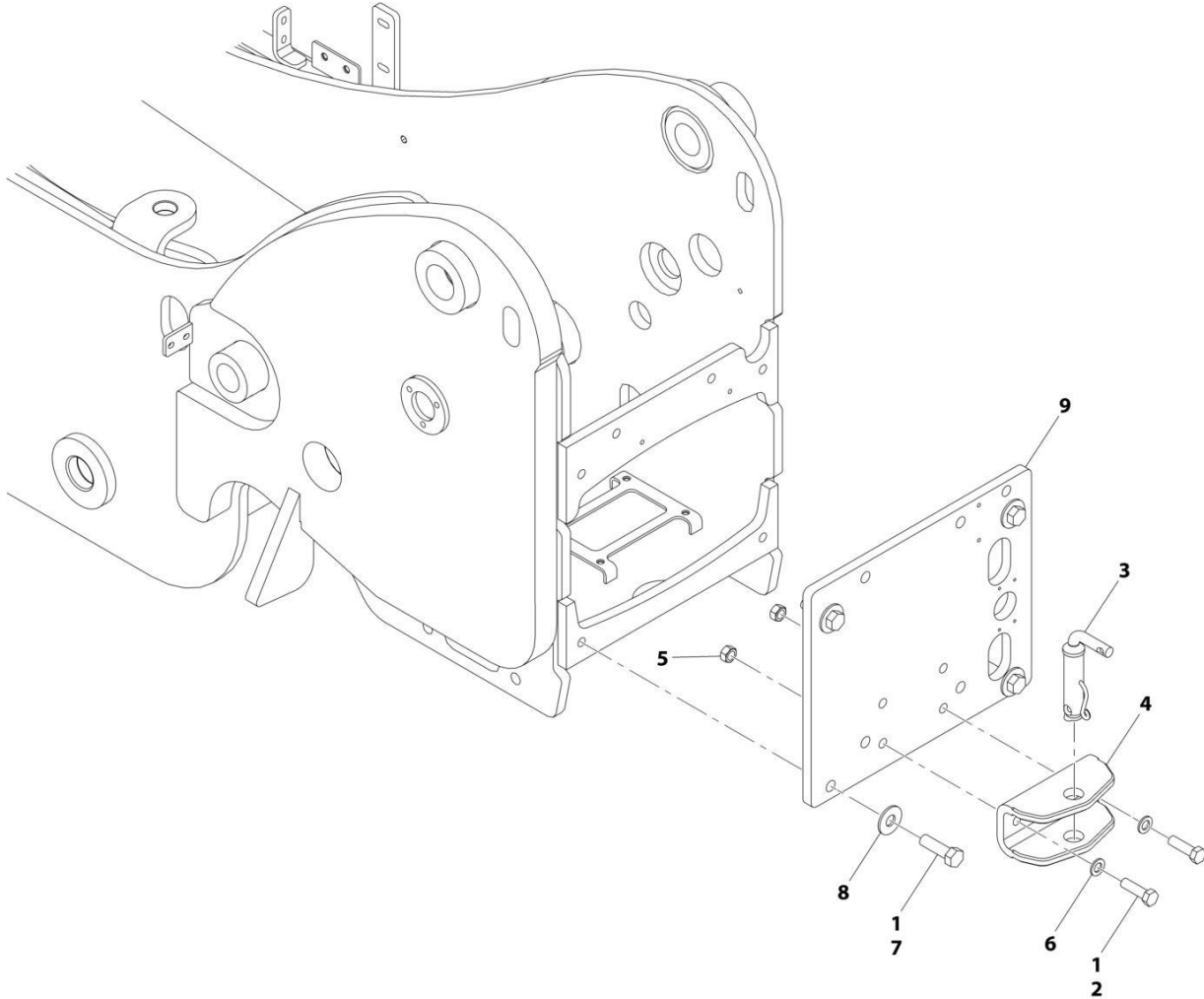
SECTION 1 - FRAME AND ATTACHING PARTS

FIGURE 1-15. HITCH INSTALLATION, MECHANICAL, AUTOMATIC

ITEM	PART NUMBER	QTY	DESCRIPTION	REV
	1001200600	Ref	Hitch Install, Mechanical, Automatic	B
1	0100011	AR	Compound, Locking	
2	0903083	1	Hitch Mounting Bracket	
3	8002789	1	Automatic Hitch	
4	8010204	2	Hitch Mounting Pin	
5	8010234	1	Hitch Adapter	
6	0682220	8	Capscrew 3/4 x 2-1/2	
7	4752200	8	Washer 3/4	
8	88501012	2	Nut 3/4	
9	0682018	4	Capscrew 5/8 x 2-1/4	
10	4712000	4	Washer 5/8	
11	88501010	4	Nut 5/8	
12	1001200378	1	Plate, Rear Hitch Mount	

SECTION 1 - FRAME AND ATTACHING PARTS

FIGURE 1-16. HITCH INSTALLATION



ART_1001200601-B

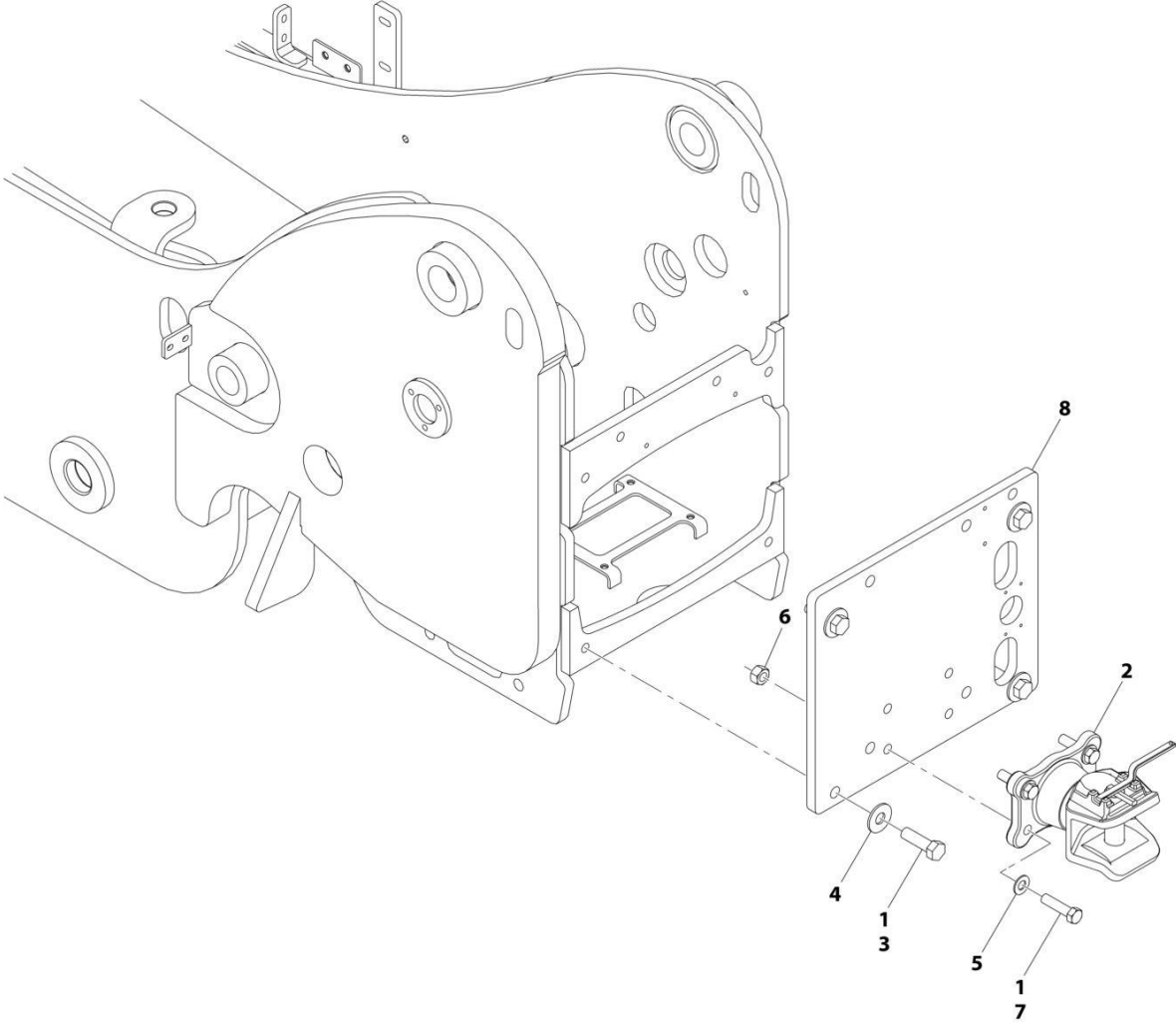
SECTION 1 - FRAME AND ATTACHING PARTS

FIGURE 1-16. HITCH INSTALLATION

ITEM	PART NUMBER	QTY	DESCRIPTION	REV
	1001200601	Ref	HITCH INSTALLATION	B
1	0100011	AR	Compound, Locking	
2	0771619	2	Capscrew M16 x 55	
3	3944574	1	Hitch Pin	
4	4804533	1	Hitch	
5	4805921	2	Nut M16	
6	4812300	2	Washer M16	
7	0682220	4	Capscrew 3/4 x 2-1/2	
8	4752200	4	Washer 3/4	
9	1001200378	1	Plate, Rear Hitch Mount	

SECTION 1 - FRAME AND ATTACHING PARTS

FIGURE 1-17. HITCH INSTALLATION - EEC



ART_1001200602-B

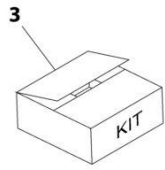
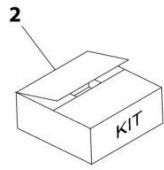
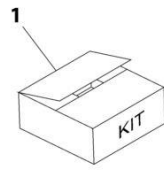
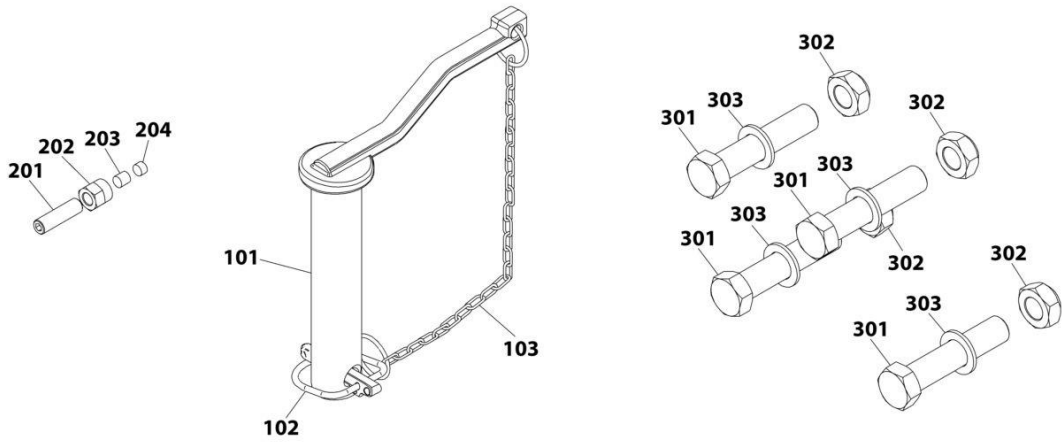
SECTION 1 - FRAME AND ATTACHING PARTS

FIGURE 1-17. HITCH INSTALLATION - EEC

ITEM	PART NUMBER	QTY	DESCRIPTION	REV
	1001200602	Ref	Hitch Installation - EEC	B
1	0100011	AR	Compound, Locking	
2	1001110849	1	Hitch Assembly, (EEC) (See Separate Breakdown in this Section)	
3	0682220	4	Capscrew 3/4 x 2-1/2	
4	4752200	4	Washer 3/4	
5	4712000	4	Washer 5/8	
6	88501010	4	Nut 5/8	
7	83201102	4	Capscrew 5/8 x 2-1/2	
8	1001200378	1	Plate, Rear Hitch Mount	

SECTION 1 - FRAME AND ATTACHING PARTS

FIGURE 1-18. HITCH ASSEMBLY (FIXED)



ART_1001110849-B

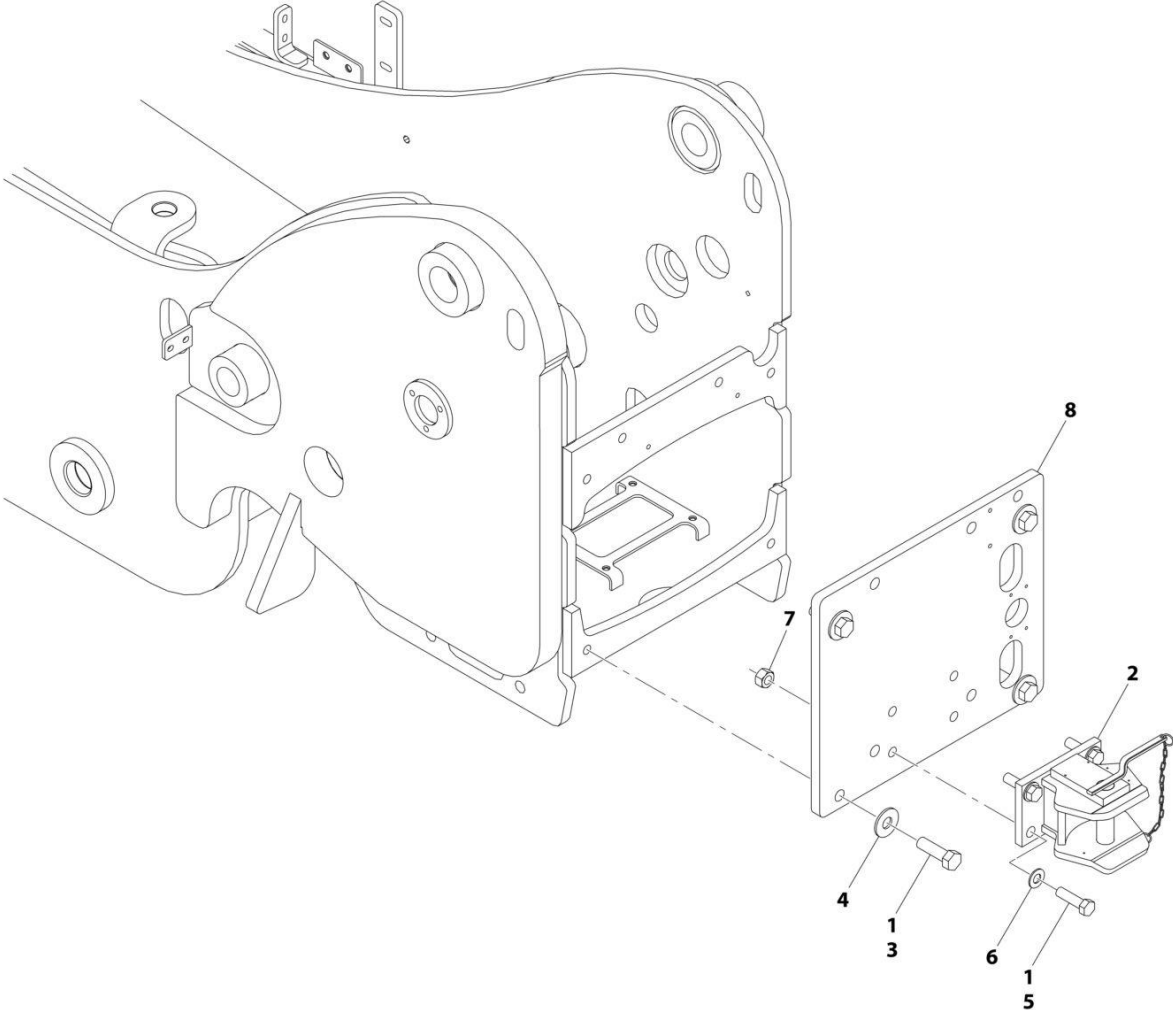
SECTION 1 - FRAME AND ATTACHING PARTS

FIGURE 1-18. HITCH ASSEMBLY (FIXED)

ITEM	PART NUMBER	QTY	DESCRIPTION	REV
	1001110849	Ref	Hitch Assembly (Fixed)	B
1	70027178	1	Kit, Towing Pin (includes items 101 thru 103)	
2	70027176	1	Kit, Friction (includes items 201 thru 204)	
3	70027177	1	Kit, Screws (includes items 301 thru 303)	
101	Kit	1	Pin	
102	Kit	1	Chain, Safety	
103	Kit	1	Pin, Safety	
201	Kit	1	Screw, M16X80	
202	Kit	1	Nut, M10	
203	Kit	1	Insert	
204	Kit	1	Insert	
301	Kit	4	Screw, M16X80	
302	Kit	4	Nut, M16	
303	Kit	4	Washer	

SECTION 1 - FRAME AND ATTACHING PARTS

FIGURE 1-19. HITCH INSTALLATION - CUNA-C



ART_1001200603-B

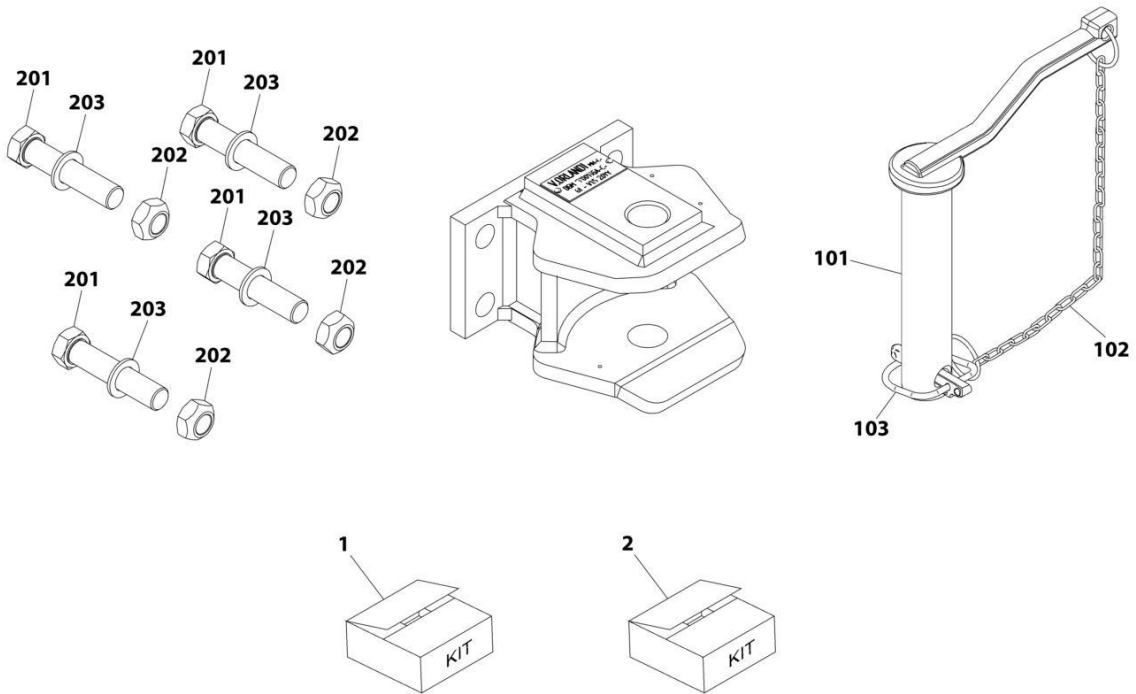
SECTION 1 - FRAME AND ATTACHING PARTS

FIGURE 1-19. HITCH INSTALLATION - CUNA-C

ITEM	PART NUMBER	QTY	DESCRIPTION	REV
	1001200603	Ref	Hitch Installation - Cuna-C	B
1	0100011	1	Compound, Locking	
2	2620052	1	Hitch, 6M TON, (CUNA-C), (See Separate Breakdown in this Section)	
3	0682220	1	Capscrew 3/4 x 2-1/2	
4	4752200	1	Washer 3/4	
5	0682018	1	Capscrew 5/8 x 2-1/4	
6	4712000	1	Washer 5/8	
7	88501010	1	Nut 5/8	
8	1001200378	1	Plate, Rear Hitch Mount	

SECTION 1 - FRAME AND ATTACHING PARTS

FIGURE 1-20. HITCH ASSEMBLY (CUNA-C)



ART_2620052-A

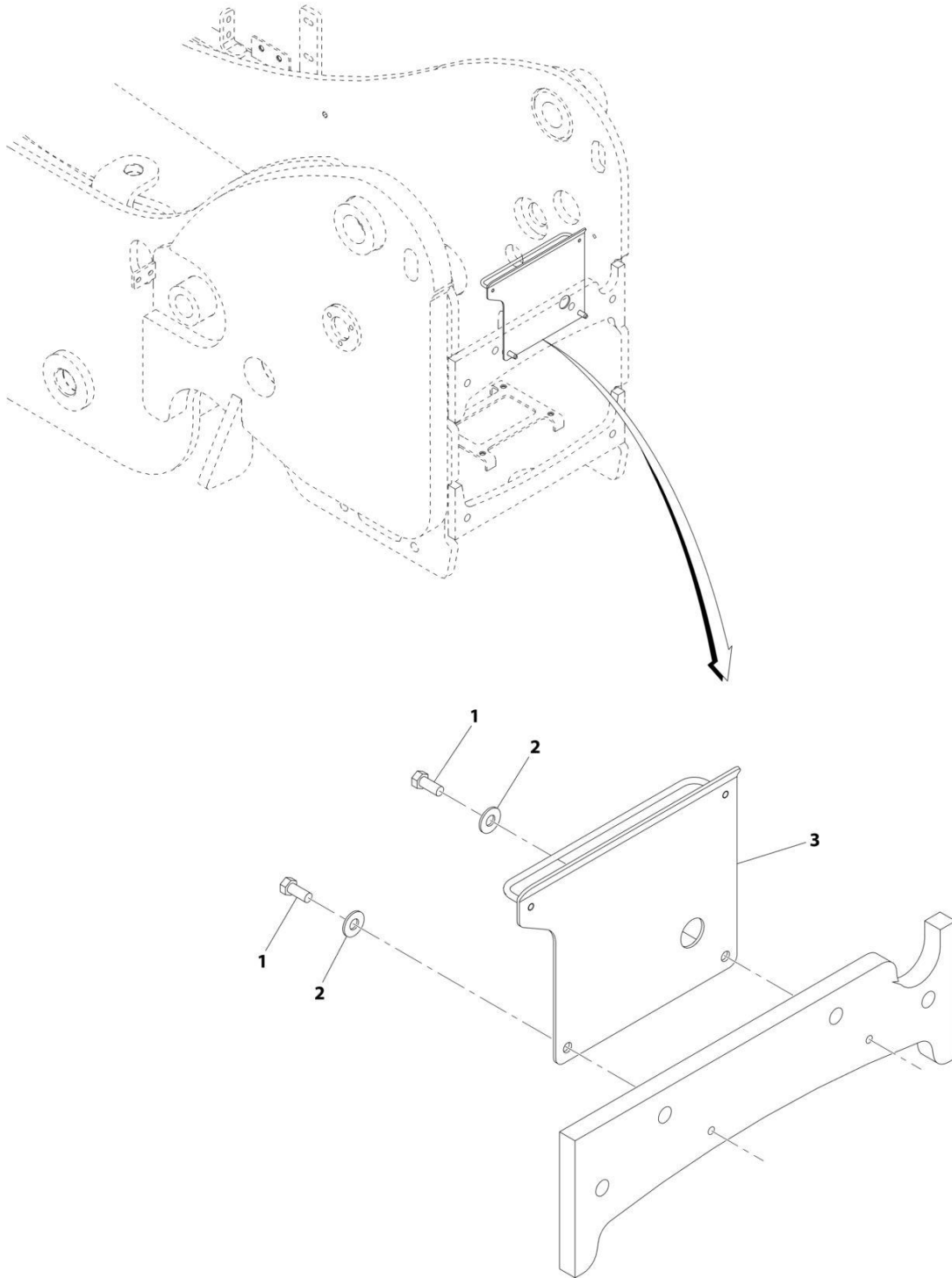
SECTION 1 - FRAME AND ATTACHING PARTS

FIGURE 1-20. HITCH ASSEMBLY (CUNA-C)

ITEM	PART NUMBER	QTY	DESCRIPTION	REV
	2620052	1	Hitch Assembly, (CUNA-C)	A
1	70022818	1	Towing Pin Kit, (Includes Items 101 thru 103)	
101	Kit	1	Pin	
102	Kit	1	Safety Chain	
103	Kit	1	Safety Pin	
2	70027176	1	Screw Kit, (Includes Items 201 thru 203)	
201	Kit	4	Screw, M16X80	
202	Kit	4	Nut, M16	
203	Kit	4	Washer	

SECTION 1 - FRAME AND ATTACHING PARTS

FIGURE 1-21. LICENSE HOLDER INSTALLATION, SMALL



ART_1001233572-B

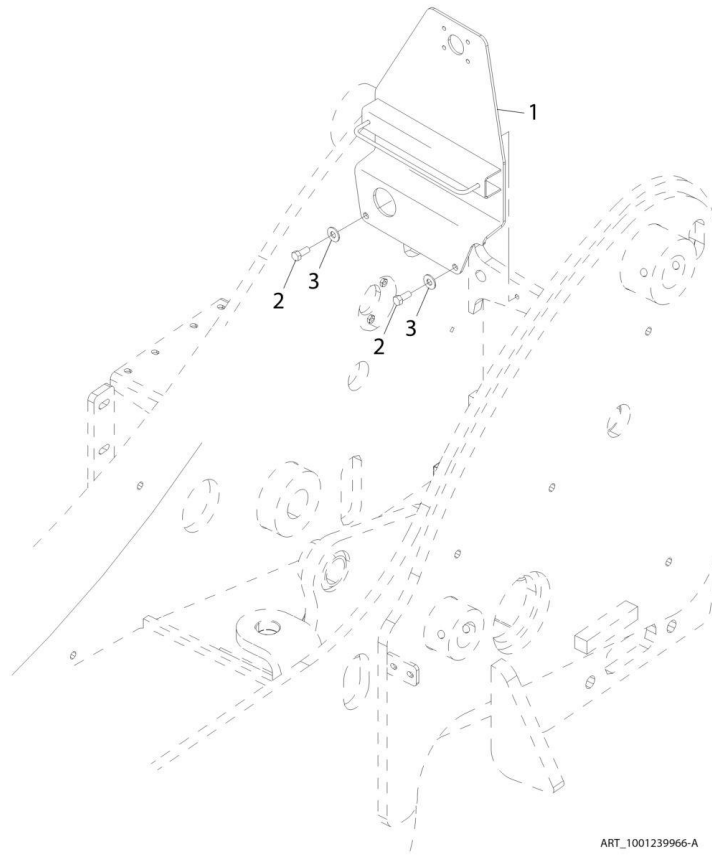
SECTION 1 - FRAME AND ATTACHING PARTS

FIGURE 1-21. LICENSE HOLDER INSTALLATION, SMALL

ITEM	PART NUMBER	QTY	DESCRIPTION	REV
	1001233572	Ref	License Holder Installation, Small	B
1	0641607	2	Hex HD Capscrew, 3/8-16X7/8, GR5	
2	4751600	2	Washer, 3/8	
3	1001232719	1	Support, Boom Hose Guide	

SECTION 1 - FRAME AND ATTACHING PARTS

FIGURE 1-22. LICENSE HOLDER INSTALLATION, LARGE



ART_1001239966-A

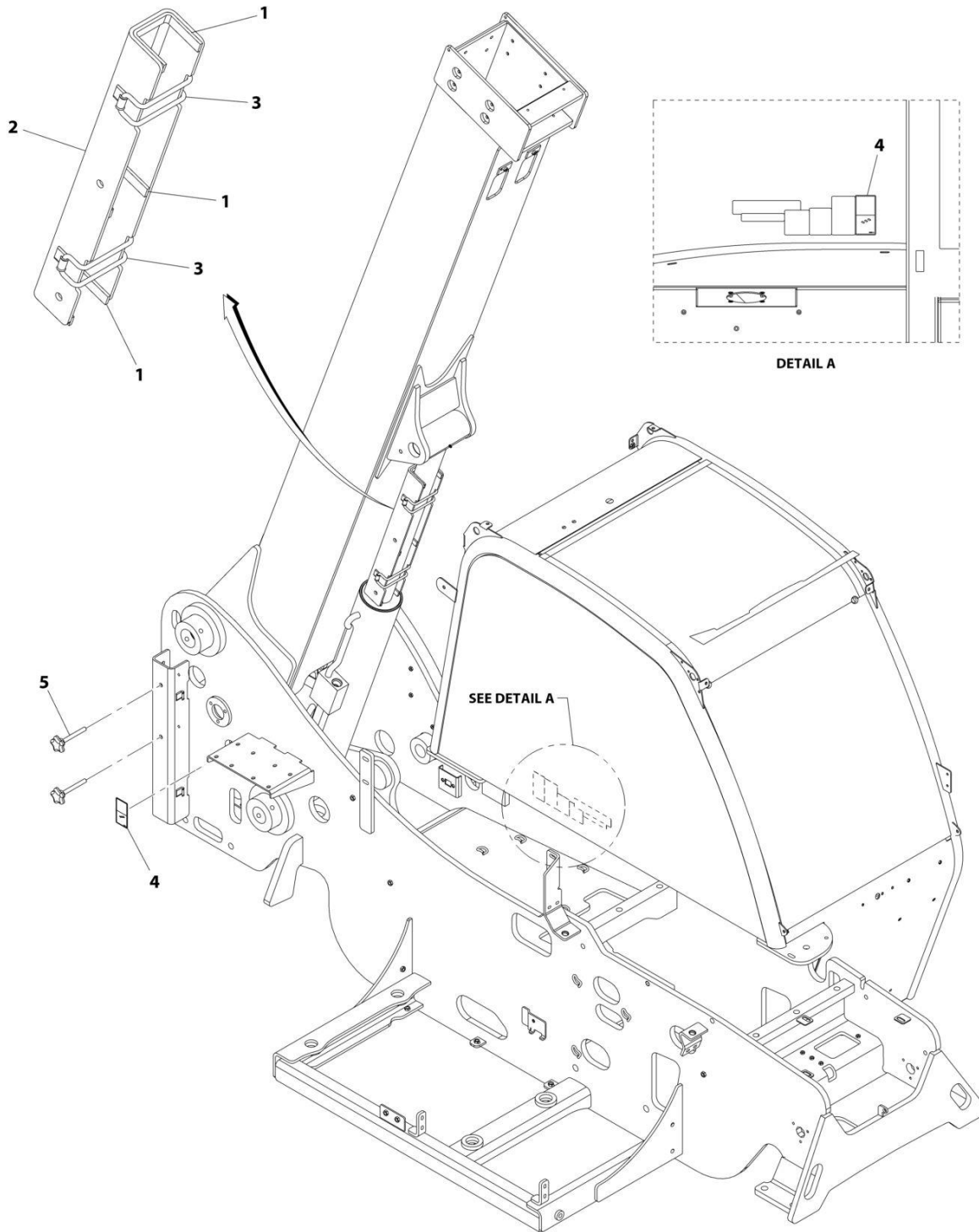
SECTION 1 - FRAME AND ATTACHING PARTS

FIGURE 1-22. LICENSE HOLDER INSTALLATION, LARGE

ITEM	PART NUMBER	QTY	DESCRIPTION	REV
	1001239966	Ref	License Holder Installation	A
1	1001239965	1	Hose Clamp Support	
2	0641607	2	Bolt, 3/8-16X7/8	
3	4751600	2	Washer, 3/8	

SECTION 1 - FRAME AND ATTACHING PARTS

FIGURE 1-23. LIFT CYLINDER PROP SUPPORT



ART_1001201659-A

SECTION 1 - FRAME AND ATTACHING PARTS

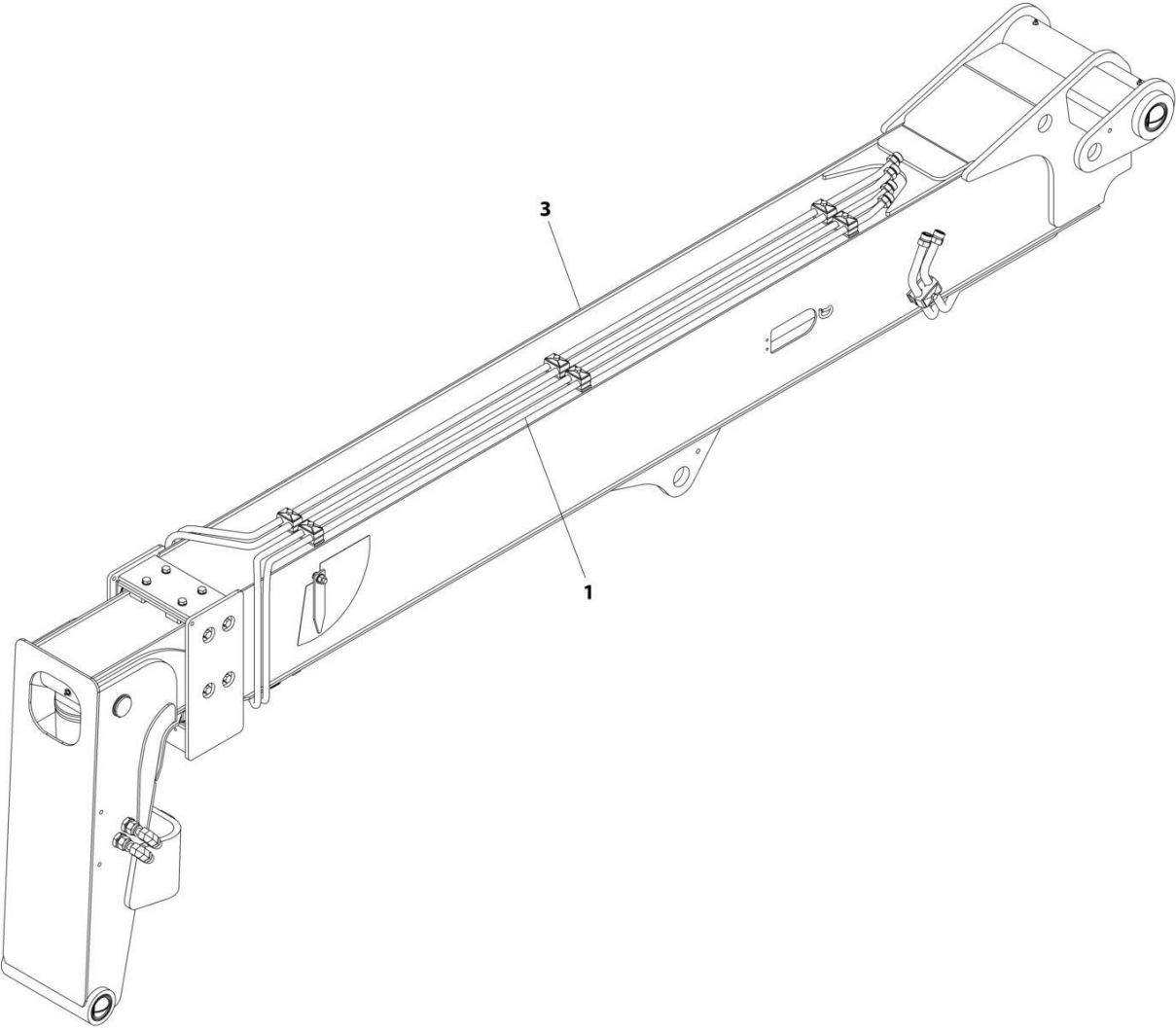
FIGURE 1-23. LIFT CYLINDER PROP SUPPORT

ITEM	PART NUMBER	QTY	DESCRIPTION	REV
	1001201659	Ref	Lift Cylinder Lock Installation	A
1	909304	640 mm	Rubber Profile, 18X5mm	
2	1271599	1	Lift Cylinder Lock Weldment	
3	1784861	2	O-Ring	
4	8005671	2	Cylinder Lock Warning Decal	
5	1001099887	2	Handle Screw, 12X103mm	

SECTION 2 - BOOM

SECTION 2 - BOOM

FIGURE 2-1. BOOM ASSEMBLY INSTALLATION, STD W/AUX



ART_1001233661-B

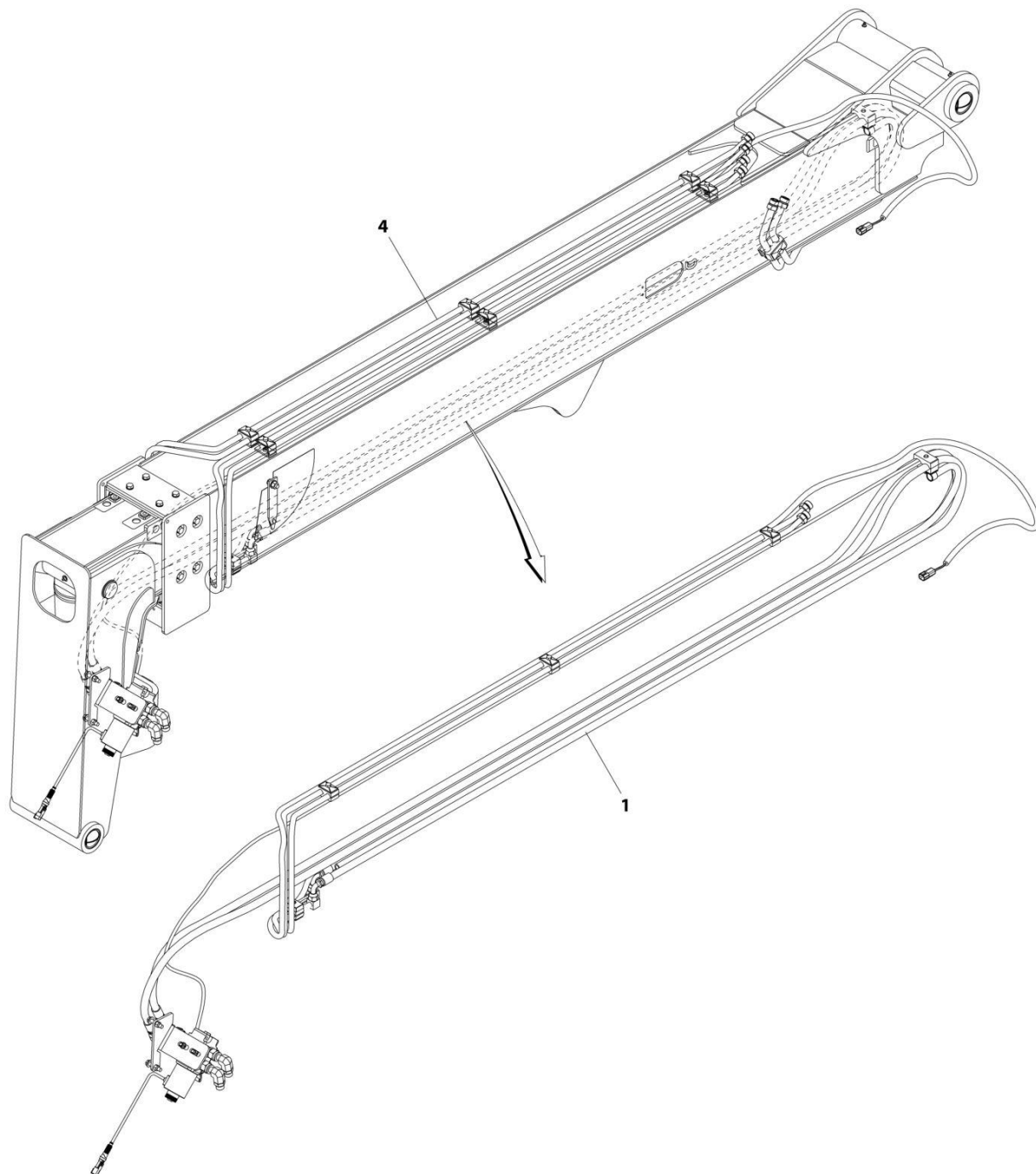
SECTION 2 - BOOM

FIGURE 2-1. BOOM ASSEMBLY INSTALLATION, STD W/AUX

ITEM	PART NUMBER	QTY	DESCRIPTION	REV
1	1001233661	Ref	Boom Assembly Installation, STD W/AUX	B
	1001237192	Ref	Installation, Standard Auxiliary Hydraulics (See Separate Breakdown in HYDRAULIC CIRCUITS Section)	
3	1001233660	Ref	Installation, Boom W/O Auxiliary (See Separate Breakdown in this Section)	

SECTION 2 - BOOM

FIGURE 2-2. BOOM ASSEMBLY INSTALLATION, W/AUX FOR QS



ART_1001233662-B

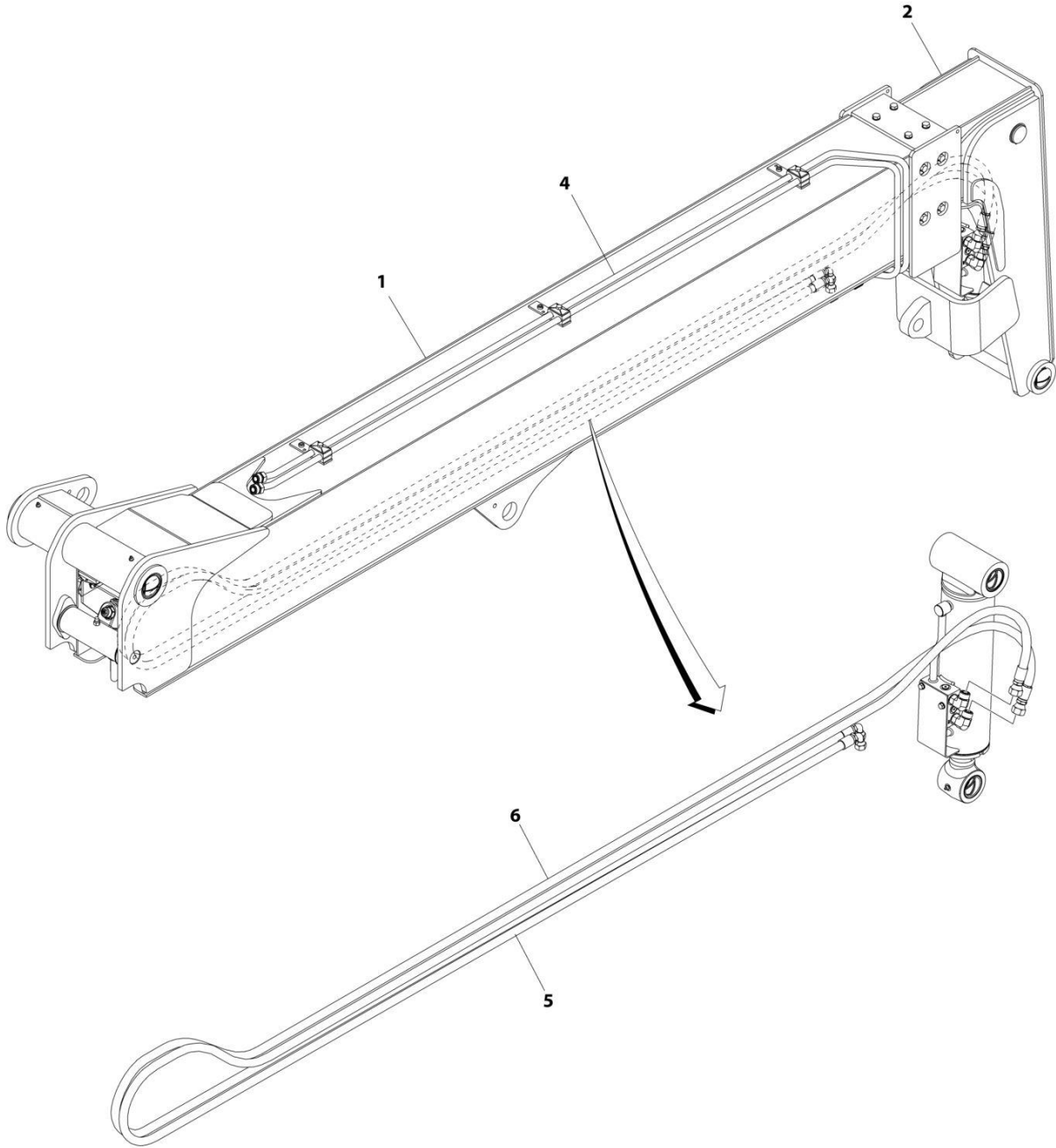
SECTION 2 - BOOM

FIGURE 2-2. BOOM ASSEMBLY INSTALLATION, W/AUX FOR QS

ITEM	PART NUMBER	QTY	DESCRIPTION	REV
1	1001233662	Ref	Boom Assembly Installation, W/AUX for QS	B
	1001237214	Ref	Installation, Auxiliary Hydraulics W/Quick Switch (See Separate Breakdown in HYDRAULIC CIRCUITS Section)	
4	1001233660	Ref	Installation, Boom W/O Auxiliary Assembly (See Separate Breakdown in this Section)	

SECTION 2 - BOOM

FIGURE 2-3. BOOM INSTALLATION, W/O AUXILIARY HYDRAULICS



ART_1001233660-C

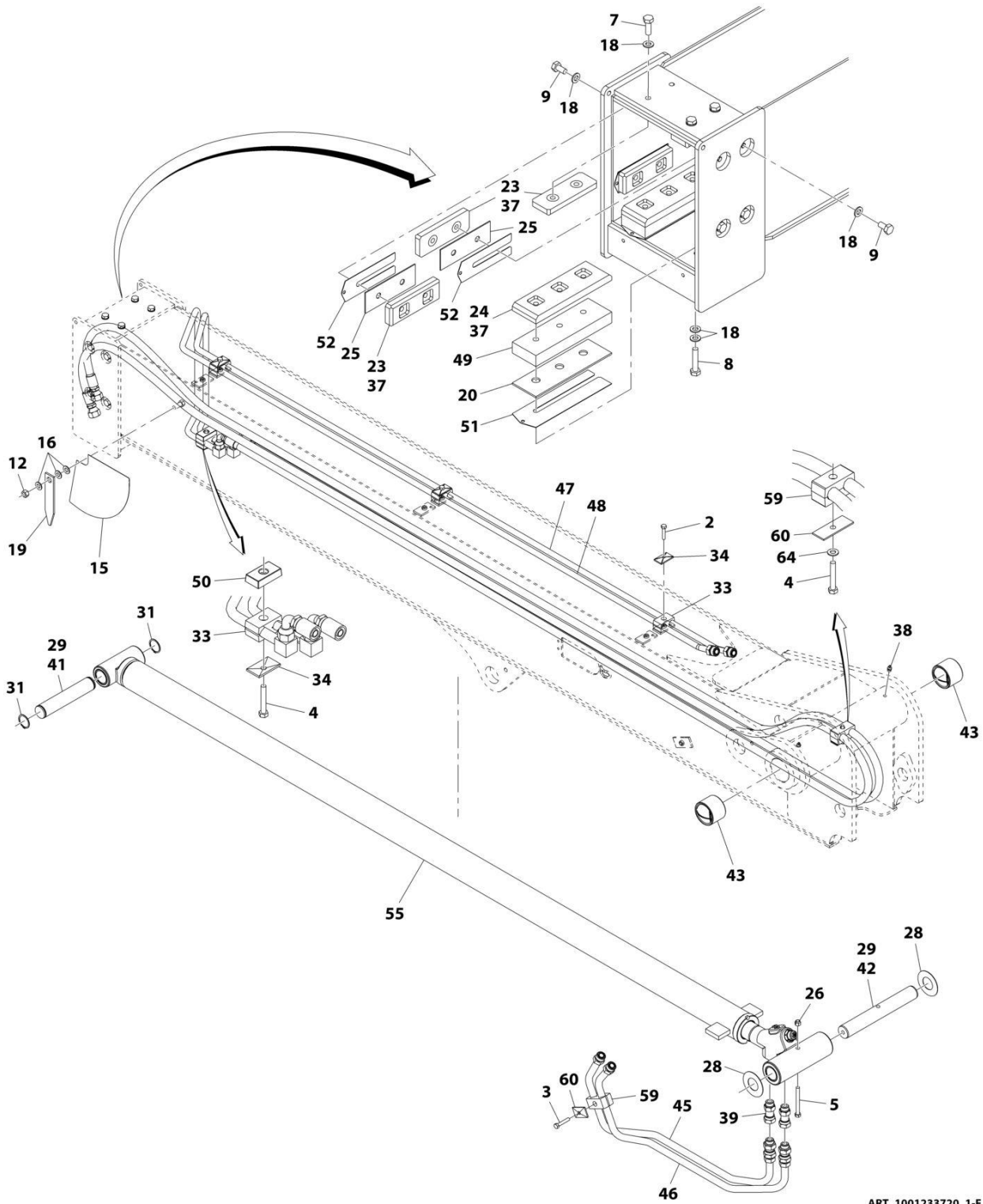
SECTION 2 - BOOM

FIGURE 2-3. BOOM INSTALLATION, W/O AUXILIARY HYDRAULICS

ITEM	PART NUMBER	QTY	DESCRIPTION	REV
	1001233660	Ref	Boom Assembly Installation, W/O Auxiliary	C
1	1001247326	1	First Boom Section	
2	1001228447	1	Second Boom Section	
4	1001233720	Ref	Installation, Boom Assembly (See Separate Breakdown in this Section)	
5	1001247194	1	Hose	
6	1001247195	1	Hose	

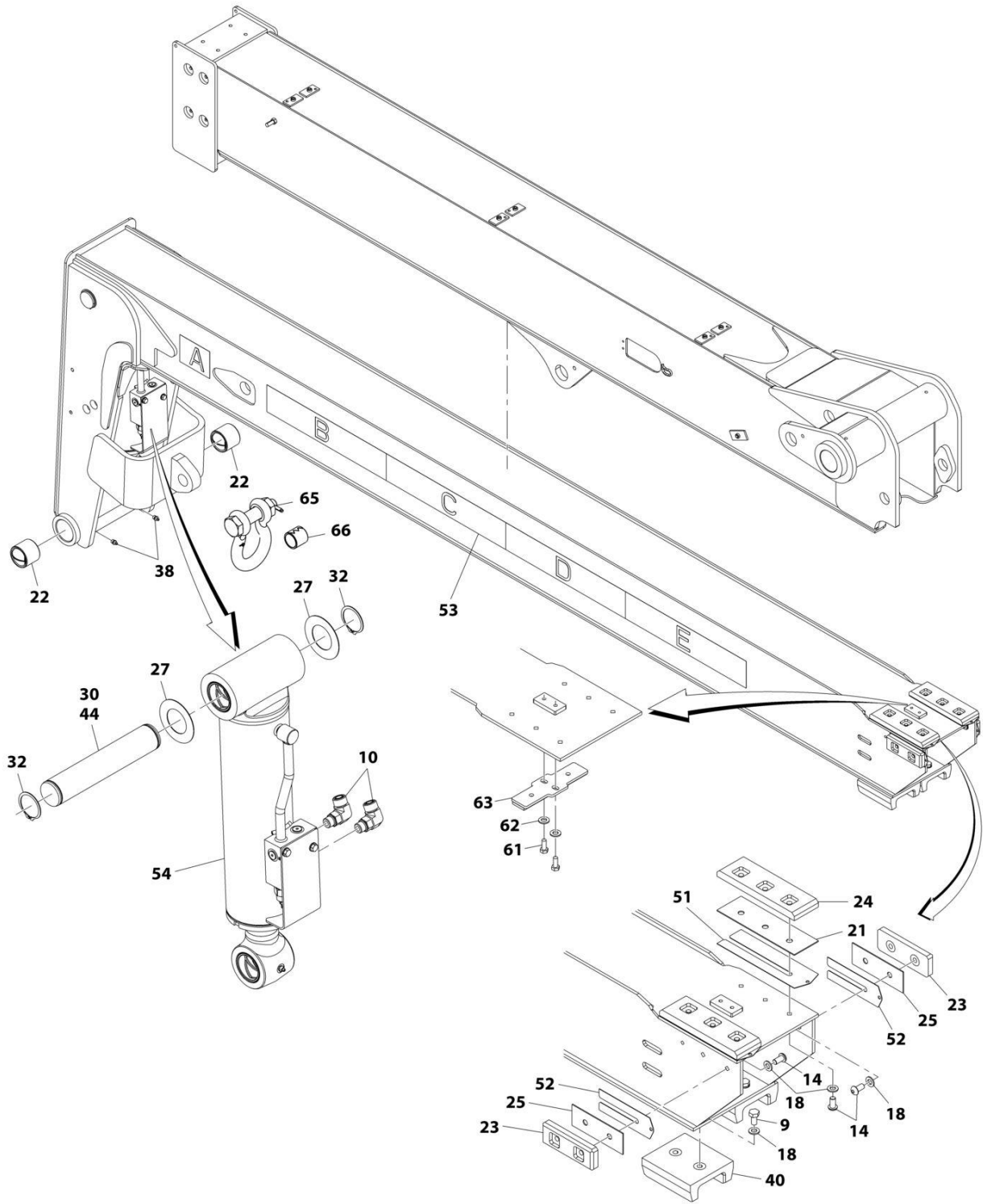
SECTION 2 - BOOM

FIGURE 2-4. BOOM W/O AUXILIARY HYDRAULIC INSTALLATION



ART_1001233720_1-F

SECTION 2 - BOOM



ART_1001233720_2-F

SECTION 2 - BOOM

FIGURE 2-4. BOOM W/O AUXILIARY HYDRAULIC INSTALLATION

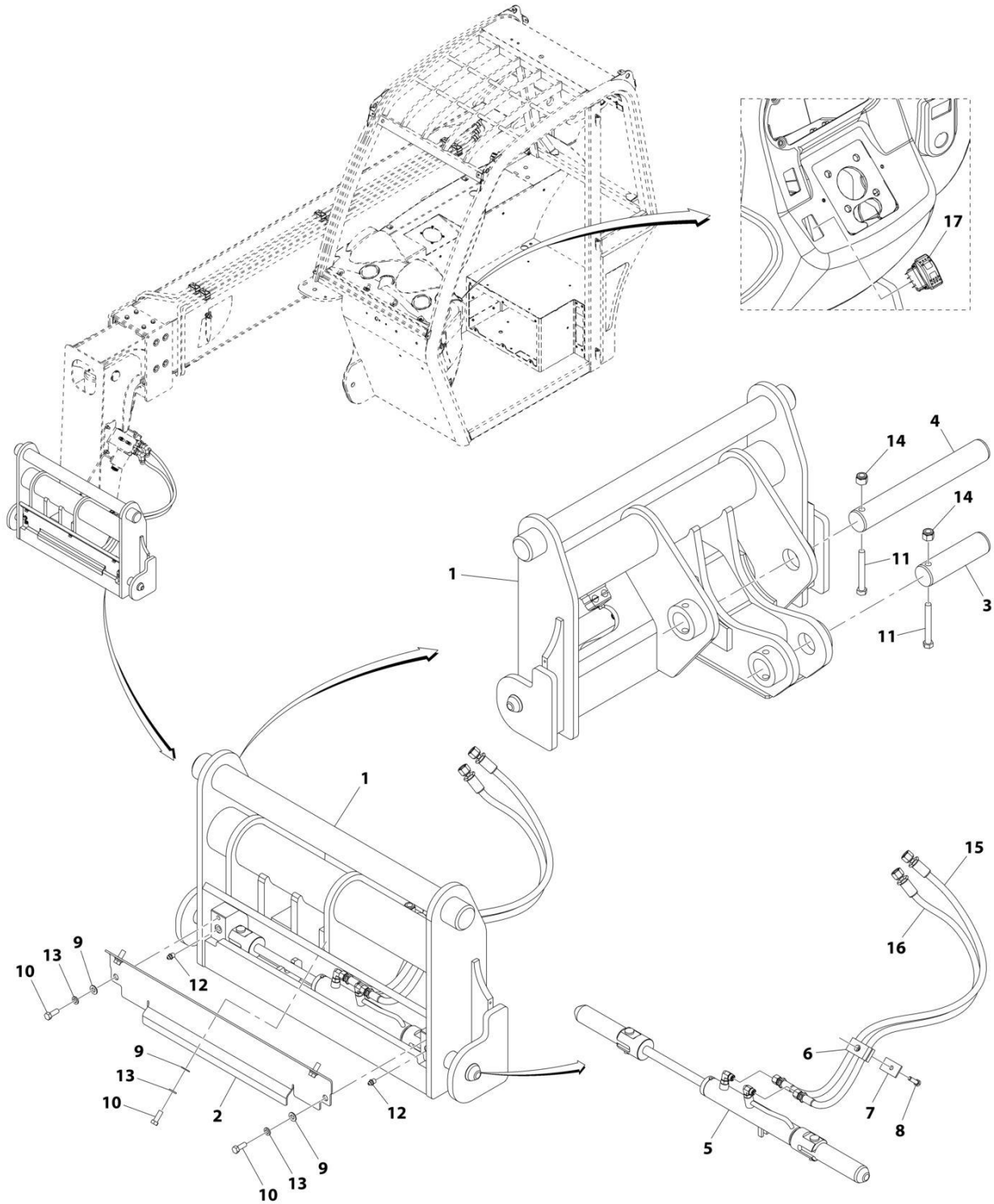
ITEM	PART NUMBER	QTY	DESCRIPTION	REV
	1001233720	Ref	Boom W/O Auxiliary Hydraulic Installation	F
2	0641512	3	Hex HD Capscrew, 5/16 x 1-1/2, GR5	
3	0641514	1	Hex HD Capscrew, 5/16 x 1-3/4, GR5	
4	0641516	2	Hex HD Capscrew, 5/16 x 2, GR5	
5	0641628	1	Hex HD Capscrew, 3/8 x 3-1/2, GR5	
7	0701014	4	Bolt, M10X30	
8	0701018	6	Hex HD Capscrew, M10 x 50, GR8.8	
9	0761010	12	Hex HD Capscrew, M10 x 20, GR8.8	
10	2131008	2	Fitting, 90 ORFS	
12	3311705	1	Locknut, 7/16-14	
14	3900393	10	Button HD Capscrew, M10 X 20	
15	4105262	1	Boom Angle Decal	
16	4711700	3	Flat Washer, 7/16	
18	4812000	38	Washer, M10	
19	7075611	1	Boom Angle Indicator	
20	7082362	AR	Spacer	
21	7126182	AR	Spacer	
22	7126662	2	Chain Sheave Bushing	
23	7300032	8	Wear Pad	
24	7300034	4	Wear Pad	
25	7300518	AR	Spacer, 1.90mm	
26	8305645	1	Hex Locknut, 3/8-16	
27	8307904	AR	Shim Washer, 2X0.048X3	
28	8310160	AR	Shim Washer, 1.50X0.048X3.00	
29	8522012	AR	Anti-Seize Lube	
30	8522031	AR	Multi-Purpose Grease	
31	8642207	2	Retaining Ring, 1.50	
32	8642224	2	Retaining Ring, 2.00	
33	8769122	4	Clamp Set, 5/8 Dia	
34	8769123	4	Twin Cover Plate	
37	14404793	AR	Mystik Tetrimoly Grease	
38	88671001	4	Straight Lube Fitting, 1/8	
39	1001001556	2	Fitting, Straight ORFS	
40	1001080050	2	Wear Pad Channel Assy	
41	1001080116	1	Base Pin	
42	1001080117	1	Rod Pin	
43	1001080124	2	Bushing	
44	1001080152	1	Base Pin	
45	1001080203	1	Tube Assy	
46	1001080204	1	Tube Assy	
47	1001247191	1	Tube Assy	
48	1001247190	1	Tube Assy	
49	1001080391	2	Wear Pad Spacer	
50	1001080394	1	Twin Line Clamp Spacer	
51	1001096584	AR	Shim	
52	1001096585	AR	Shim	
53	1001099783	1	Boom Extend Decal	
54	1001200581	1	Cylinder, Tilt (See Separate Breakdown in Hydraulic Components Section)	
55	1001201668	1	Cylinder, Extend/Retract (See Separate Breakdown in	

SECTION 2 - BOOM

ITEM	PART NUMBER	QTY	DESCRIPTION	REV
			HYDRAULIC COMPONENT Section)	
59	77133136	2	Set Clamp	
60	77133137	2	Cover Plate	
61	0760810	2	Hex HD Capscrew, M8X20, GR8.8	
62	4811900	2	Washer, M8	
63	1001238317	1	Bracket	
64	4711500	1	Washer, 5/16	
65	1001204045	1	Clevis	
66	1001204047	1	Sleeve	

SECTION 2 - BOOM

FIGURE 2-5. COUPLER INSTALLATION (HYDRAULIC)



ART_1001097255-G

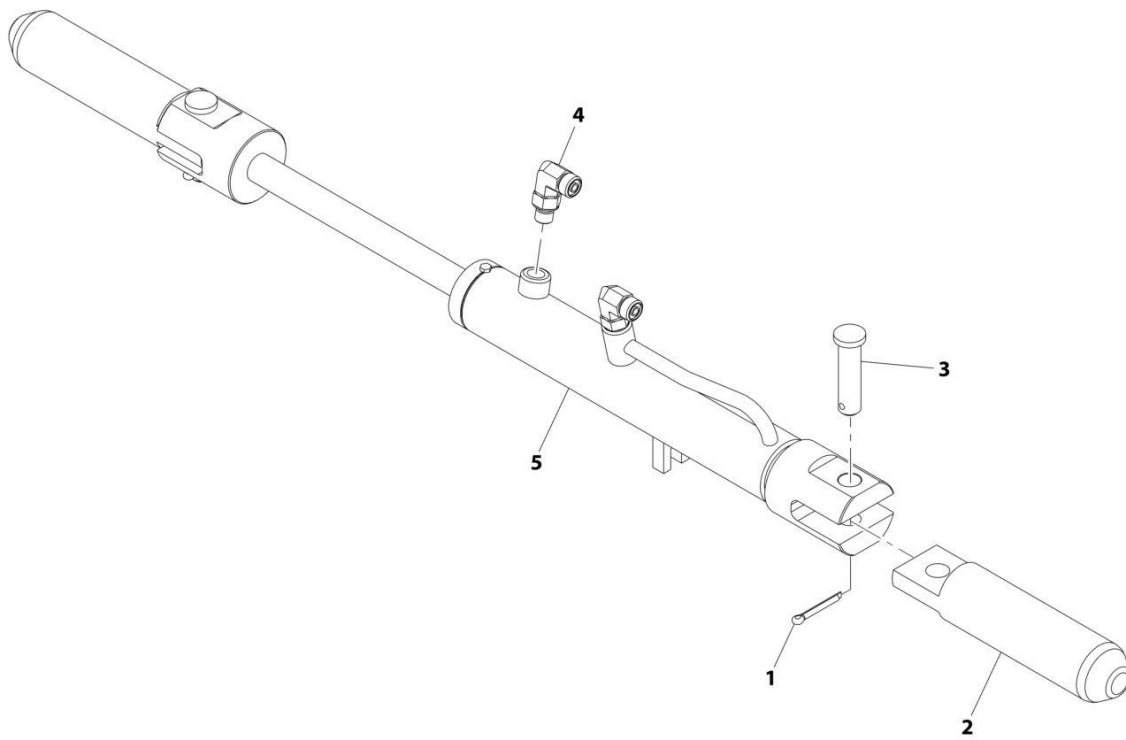
SECTION 2 - BOOM

FIGURE 2-5. COUPLER INSTALLATION (HYDRAULIC)

ITEM	PART NUMBER	QTY	DESCRIPTION	REV
	1001097255	Ref	Coupler Installation (Hydraulic)	G
1	1001097252	1	Hydraulic Quick Coupler Weldment	
2	1001097628	1	Cover Plate	
3	1001097728	1	Fork Cylinder Rod Pin	
4	1001097729	1	Quick Coupler Pivot Pin	
5	1001080333	Ref	Fork Locking Cylinder Kit, (See Separate Breakdown in this Section)	
6	8769122	1	Twin Clamp Set	
7	8769123	1	Twin Cover Plate	
8	8303739	1	Hex HD Capscrew, 5/16-18X1-1/4	
9	4711600	5	Flat Washer, 3/8	
10	0641608	5	Hex HD Capscrew, 3/8-16X1, GR5	
11	0681832	2	Hex HD Capscrew, 1/2-13X4, GR8	
12	2160002	2	Grease Fitting	
13	4761600	5	Lockwasher, 3/8	
14	88521208	2	Locknut, 1/2-13	
15	1001080565	1	Hose Assy	
16	1001096730	1	Hose Assy	
17	1001080375	Ref	Quick Coupler Switch	

SECTION 2 - BOOM

FIGURE 2-6. FORK LOCKING CYLINDER KIT



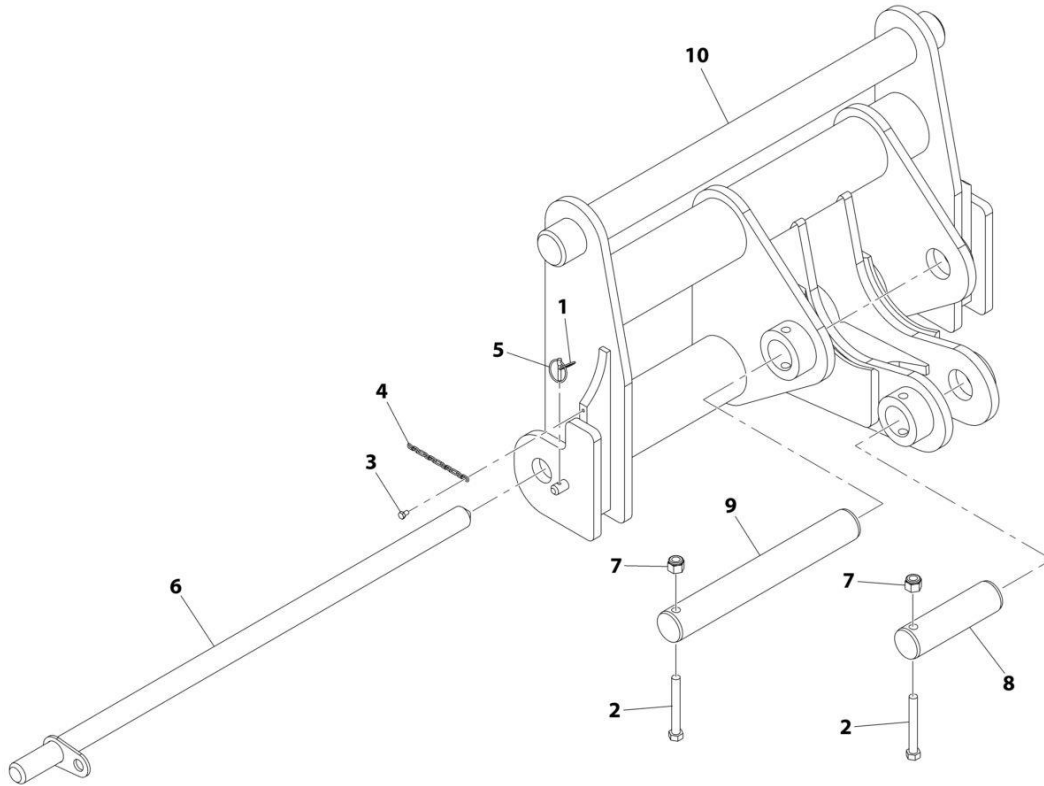
ART_1001080333-C

FIGURE 2-6. FORK LOCKING CYLINDER KIT

ITEM	PART NUMBER	QTY	DESCRIPTION	REV
	1001080333	Ref	Fork Locking Cylinder Kit	C
1	3391410	2	Split Pin	
2	8001888	2	Pin	
3	8002110	2	Clevis Pin	
4	2130404	2	Elbow, 90	
5	1001080334	Ref	Hydraulic Quick Coupler Cylinder, (See Separate Breakdown in HYDRAULIC COMPONENTS Section)	

SECTION 2 - BOOM

FIGURE 2-7. QUICK COUPLER INSTALLATION - MANUAL



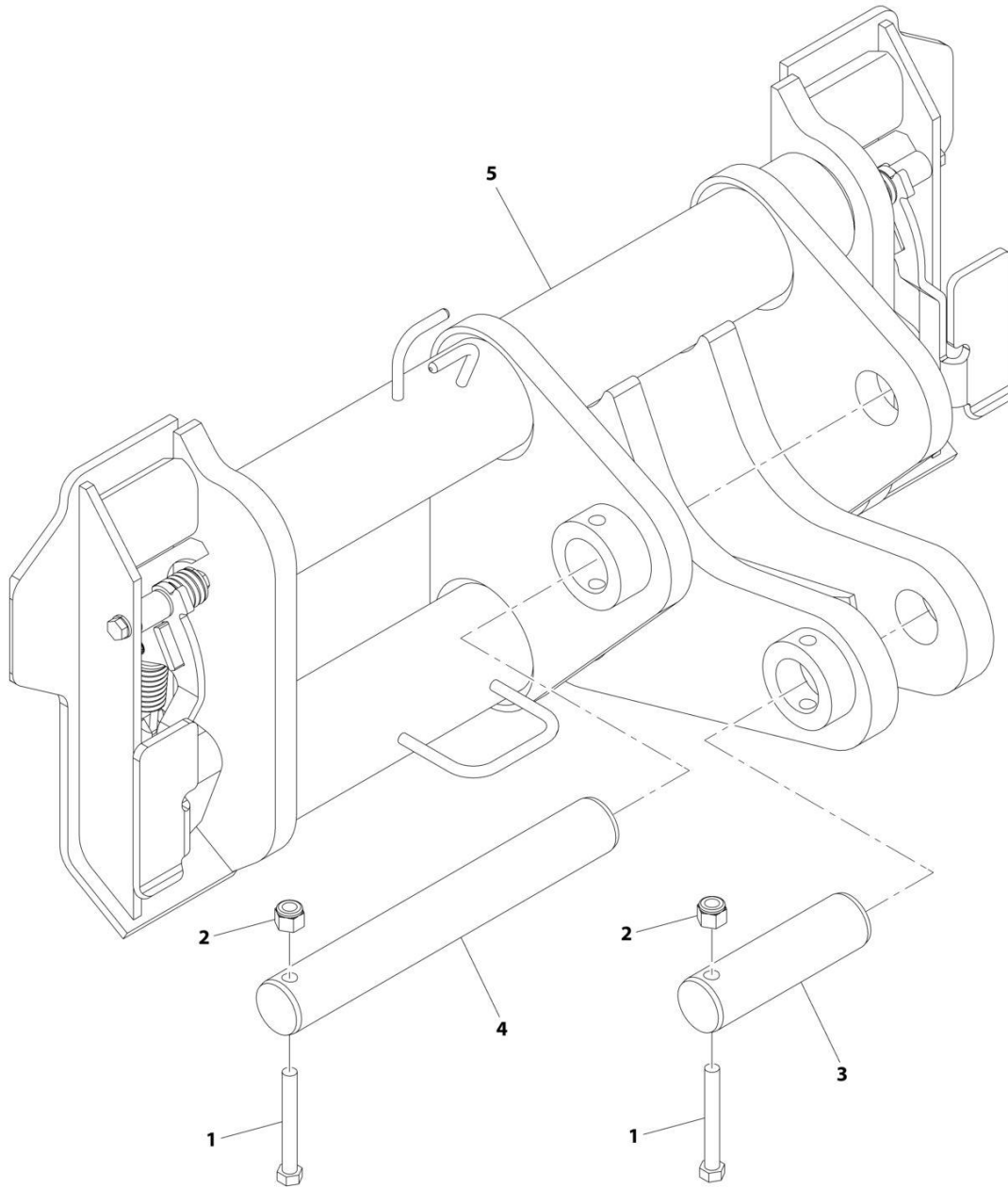
ART_1001098472-C

FIGURE 2-7. QUICK COUPLER INSTALLATION - MANUAL

ITEM	PART NUMBER	QTY	DESCRIPTION	REV
	1001098472	Ref	COUPLER INSTALLATION - MANUAL	C
1	463929	1	Ring	
2	0681832	2	Bolt 1/2 x 4	
3	0760605	1	Bolt M6 x 10	
4	933940	1	Chain	
5	3964987	1	Split Pin	
6	8002027	1	Rod	
7	88521208	2	Nut 1/2	
8	1001097728	1	Fork Cylinder Rod Pin	
9	1001097729	1	Quick Coupler Pivot Pin	
10	1001098171	1	Quick Coupler Weldment	

SECTION 2 - BOOM

FIGURE 2-8. COUPLER INSTALLATION, UNIVERSAL (MANUAL)



ART_1001101185-C

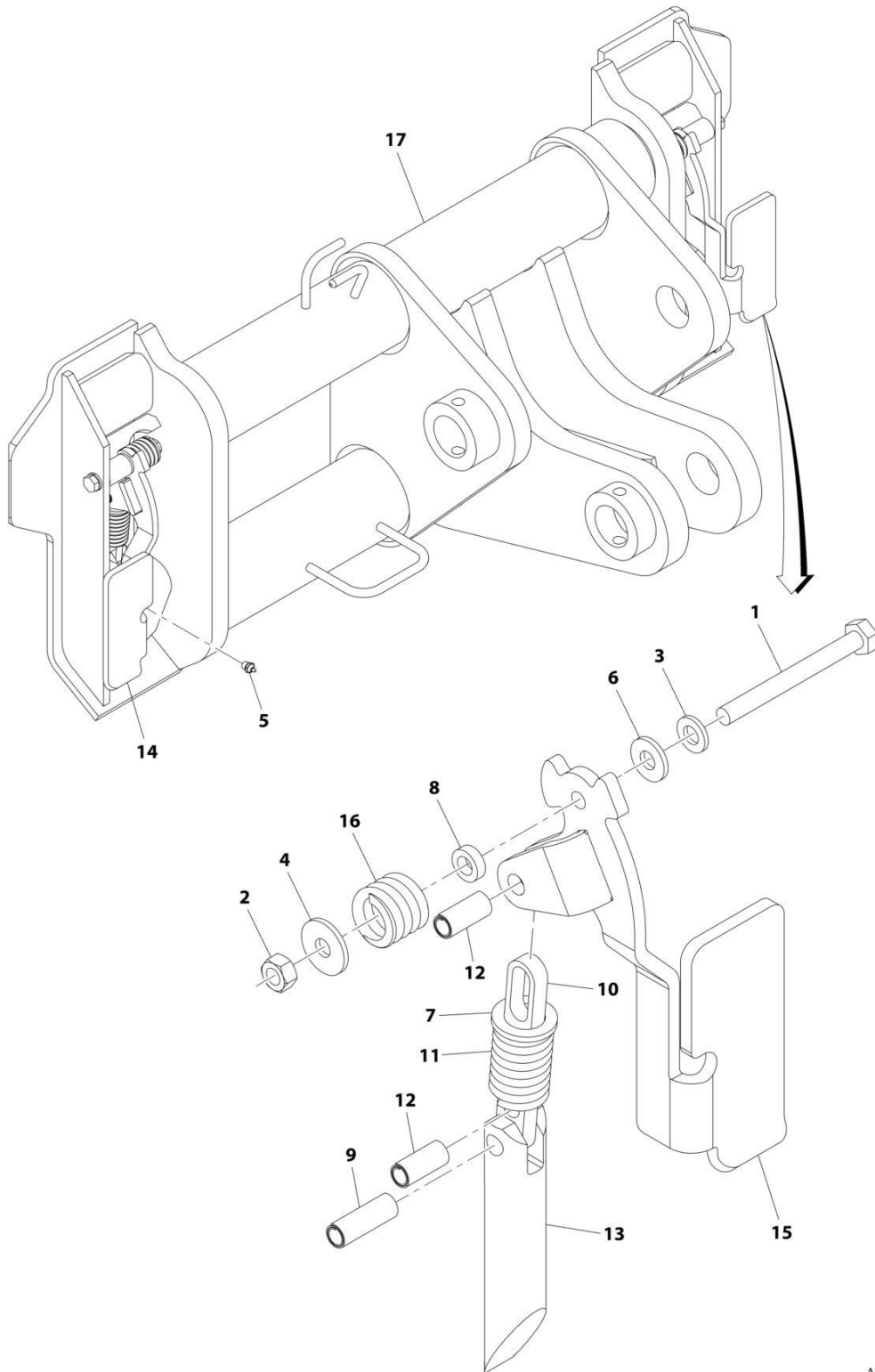
SECTION 2 - BOOM

FIGURE 2-8. COUPLER INSTALLATION, UNIVERSAL (MANUAL)

ITEM	PART NUMBER	QTY	DESCRIPTION	REV
	1001101185	Ref	Coupler Installation, Universal (Manual)	C
1	0681832	2	Hex HD Capscrew, 1/2-13X4, GR8	
2	88521208	2	Locknut, 1/2-13	
3	1001097728	1	Fork Cylinder Rod Pin	
4	1001097729	1	Universal Quick Coupler Pivot Pin	
5	1001117498	Ref	Universal Quick Coupler Assembly (See Separate Breakdown in this Section)	

SECTION 2 - BOOM

FIGURE 2-9. UNIVERSAL QUICK COUPLER ASSEMBLY



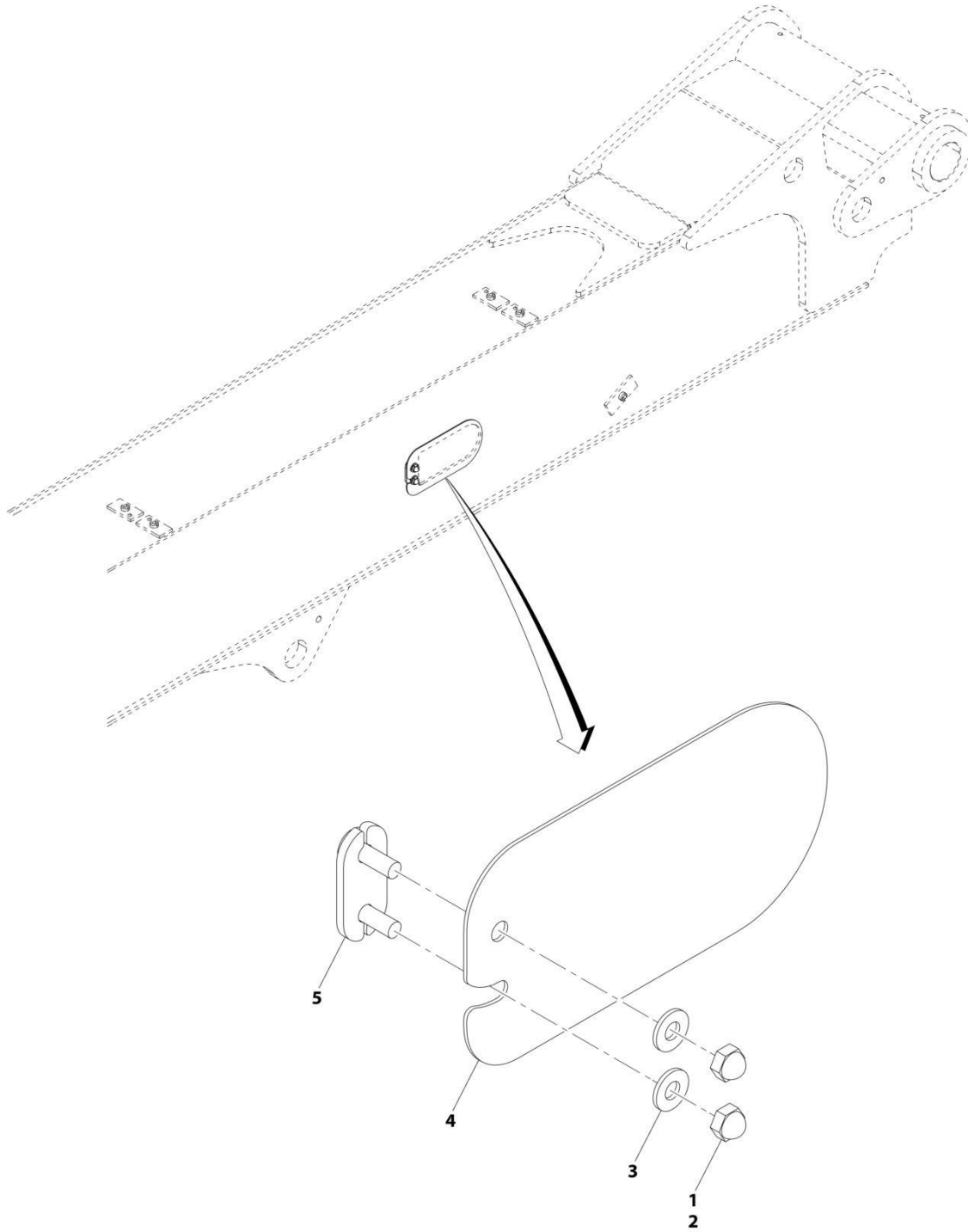
ART_1001117498-C

FIGURE 2-9. UNIVERSAL QUICK COUPLER ASSEMBLY

ITEM	PART NUMBER	QTY	DESCRIPTION	REV
	1001117498	Ref	Universal Quick Coupler Assembly, (if ordering for the first time, refer to Decals Section for the appropriate capacity chart)	C
1	0701027	2	Hex HD Capscrew	
2	3291007	2	Hex Locknut, M10X1.5, Gr8	
3	5241000	2	Washer, 10mm	
4	1001003299	2	Washer	
5	1001008479	2	Grease Fitting	
6	1001008979	2	Washer	
7	1001009094	2	Washer	
8	1001055652	2	Washer	
9	1001061633	2	Spring Pin	
10	1001061659	2	Plate	
11	1001061660	2	Spring	
12	1001061662	4	Spring Pin	
13	1001061891	2	Pin	
14	1001061892	1	LH Handle	
15	1001061893	1	RH Handle	
16	1001062117	2	Spring	
17	N.S.S.	1	Universal Quick Coupler Weldment	

SECTION 2 - BOOM

FIGURE 2-10. BOOM SIDE COVER INSTALLATION



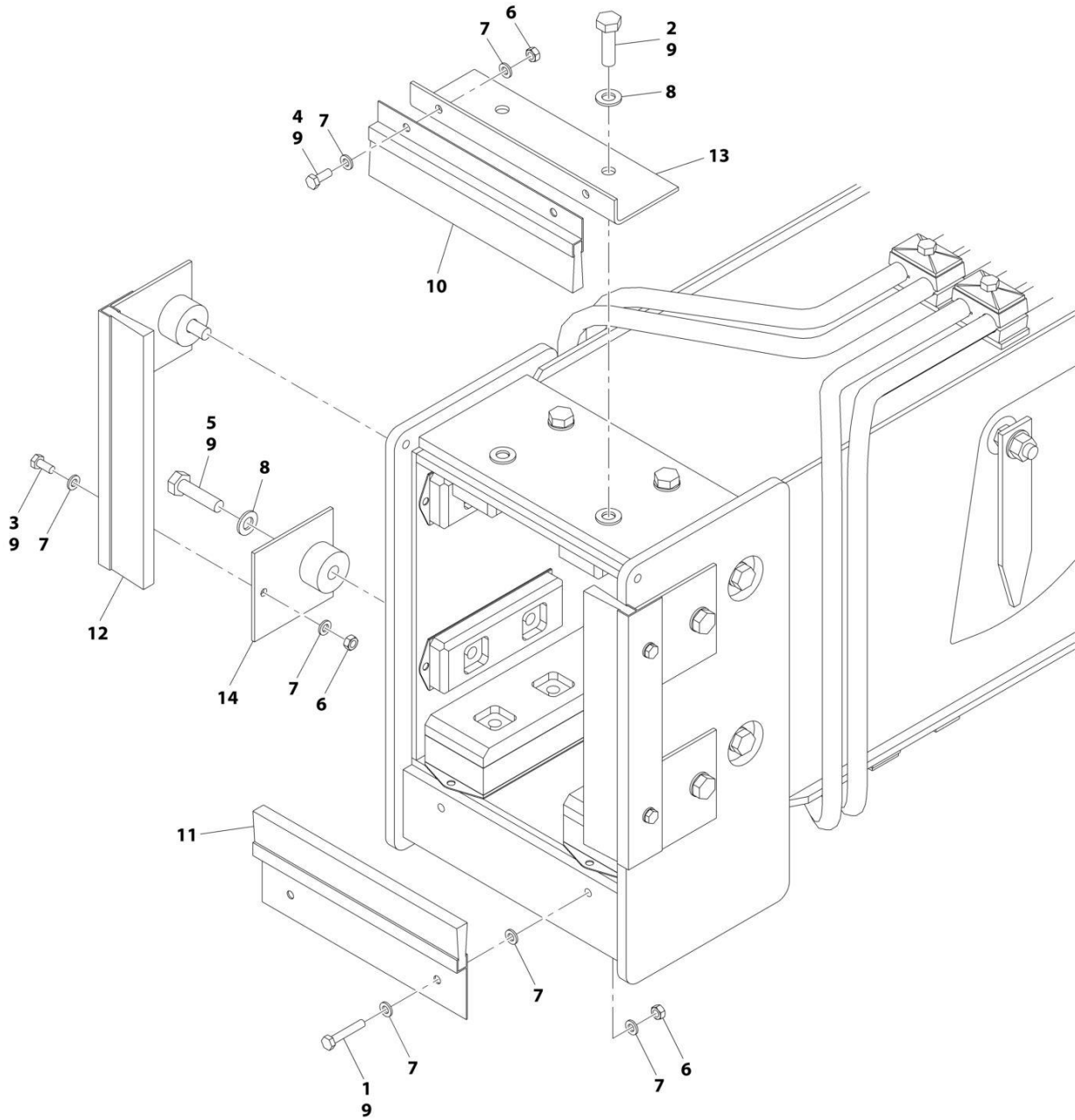
ART_1001139177-C

FIGURE 2-10. BOOM SIDE COVER INSTALLATION

ITEM	PART NUMBER	QTY	DESCRIPTION	REV
	1001139177	Ref	Boom Side Cover Installation	C
1	0100011	AR	Compound, Locking	
2	3300430	2	Acorn Nut, 1/4-20	
3	4711400	2	Washer, 1/4	
4	1001139042	1	Boom Side Cover Panel	
5	1001139043	1	Cover Retainer Screw	

SECTION 2 - BOOM

FIGURE 2-11. BOOM BRUSHES INSTALLATION



ART_1001146888-B

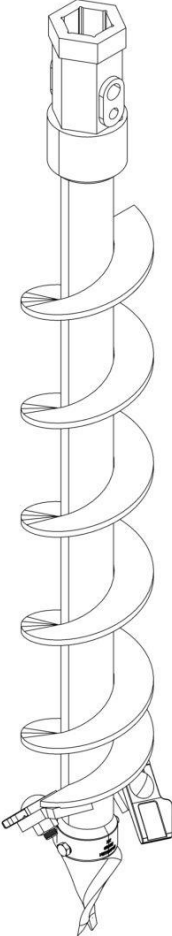
FIGURE 2-11. BOOM BRUSHES INSTALLATION

ITEM	PART NUMBER	QTY	DESCRIPTION	REV
	1001146888	Ref	Boom Brushes Installation	B
1	0700615	2	Hex HD Capscrew, M6X35, GR8.8	
2	0701015	2	Hex HD Capscrew, M10X35, GR8.8	
3	0760607	4	Hex HD Capscrew, M6X14, GR8.8	
4	0760608	2	Hex HD Capscrew, M6X16, GR8.8	
5	0761016	4	Hex HD Capscrew, M10X40, GR8.	
6	3290601	8	Hex Nut, M6X1	
7	4811700	18	Washer, M6	
8	4812000	6	Washer, M10	
9	1001095650	AR	Compound, Locking	
10	1001146830	1	Brush Seal, Boom Top	
11	1001146831	1	Brush Seal, Boom Bottom	
12	1001146832	2	Brush Seal, Boom Side	
13	1001146887	1	Stiffener Bar	
14	1001153277	4	Side Boom Brush Plate	

SECTION 3 - ATTACHMENTS

SECTION 3 - ATTACHMENTS

FIGURE 3-1. AUGER BIT (6INX4IN)



ART_1001204128-B

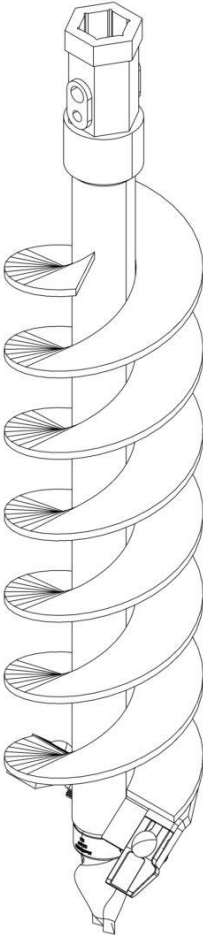
SECTION 3 - ATTACHMENTS

FIGURE 3-1. AUGER BIT (6INX4IN)

ITEM	PART NUMBER	QTY	DESCRIPTION	REV
	1001204128	Ref	Auger Bit (6INX4IN)	B

SECTION 3 - ATTACHMENTS

FIGURE 3-2. AUGER BIT (9INX4IN)



ART_1001204129-B

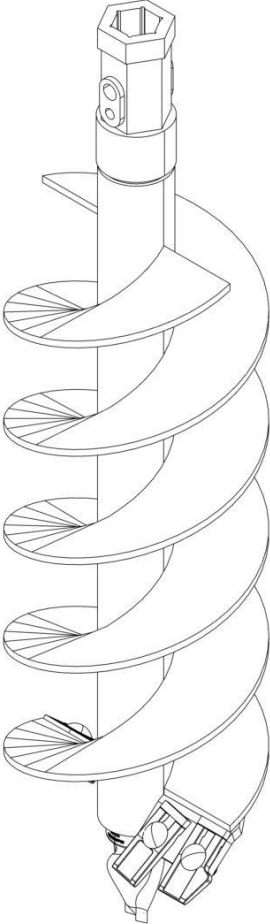
SECTION 3 - ATTACHMENTS

FIGURE 3-2. AUGER BIT (9INX4IN)

ITEM	PART NUMBER	QTY	DESCRIPTION	REV
	1001204129	Ref	Auger Bit (9INX4IN)	B

SECTION 3 - ATTACHMENTS

FIGURE 3-3. AUGER BIT (12INX4IN)



ART_1001204130-B

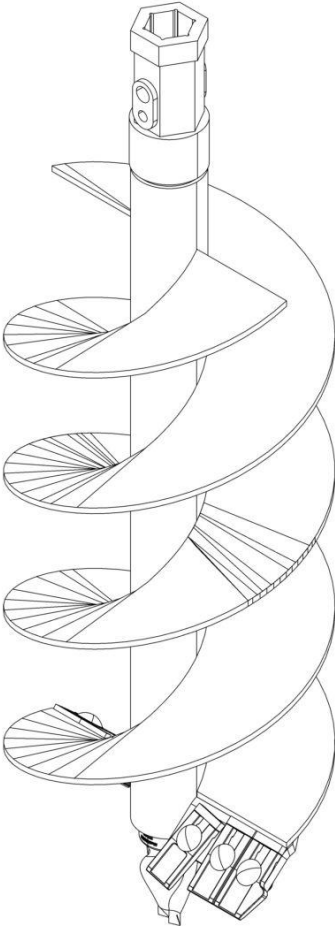
SECTION 3 - ATTACHMENTS

FIGURE 3-3. AUGER BIT (12INX4IN)

ITEM	PART NUMBER	QTY	DESCRIPTION	REV
	1001204130	Ref	Auger Bit (12INX4IN)	B

SECTION 3 - ATTACHMENTS

FIGURE 3-4. AUGER BIT (15INX4IN)



ART_1001204131-B

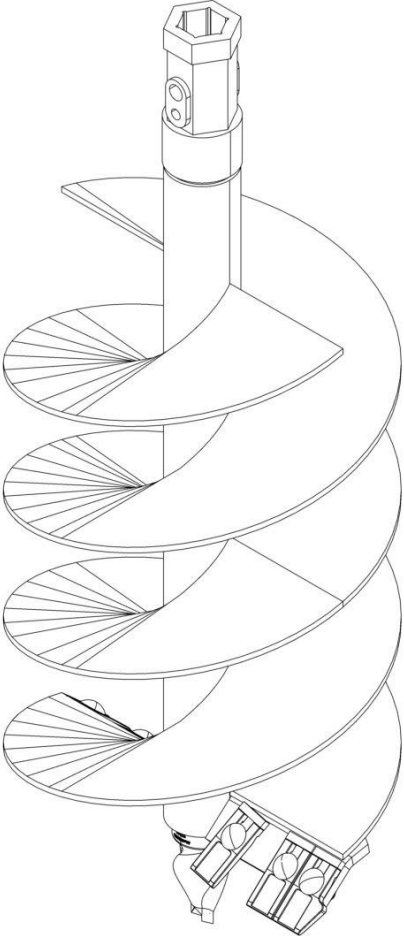
SECTION 3 - ATTACHMENTS

FIGURE 3-4. AUGER BIT (15INX4IN)

ITEM	PART NUMBER	QTY	DESCRIPTION	REV
	1001204131	Ref	Auger Bit (15INX4IN)	B

SECTION 3 - ATTACHMENTS

FIGURE 3-5. AUGER BIT (18INX4IN)



ART_1001204132-B

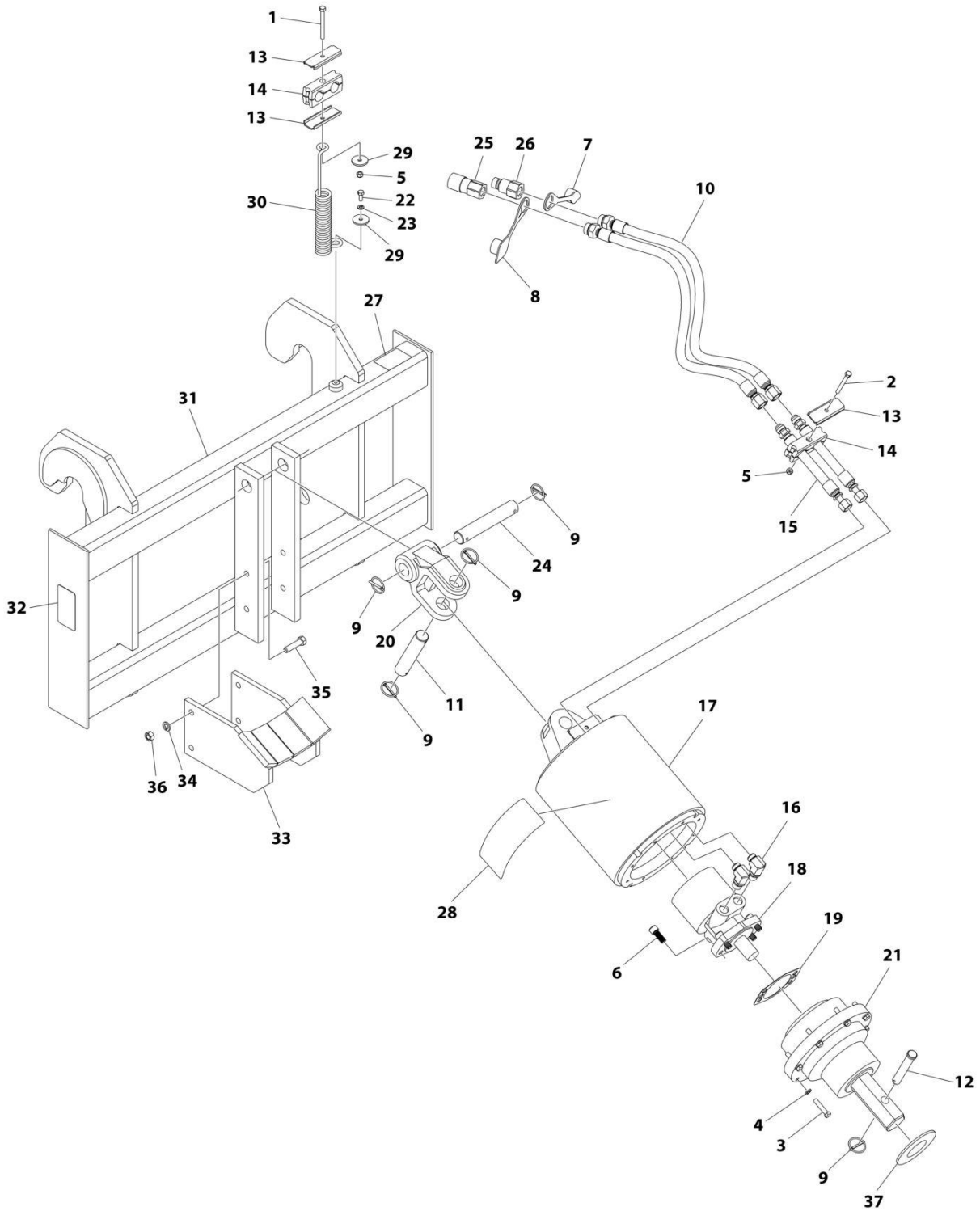
SECTION 3 - ATTACHMENTS

FIGURE 3-5. AUGER BIT (18INX4IN)

ITEM	PART NUMBER	QTY	DESCRIPTION	REV
	1001204132	Ref	Auger Bit (18INX4IN)	B

SECTION 3 - ATTACHMENTS

FIGURE 3-6. AUGER DRIVE ASSEMBLY, STANDARD



ART_1001242617

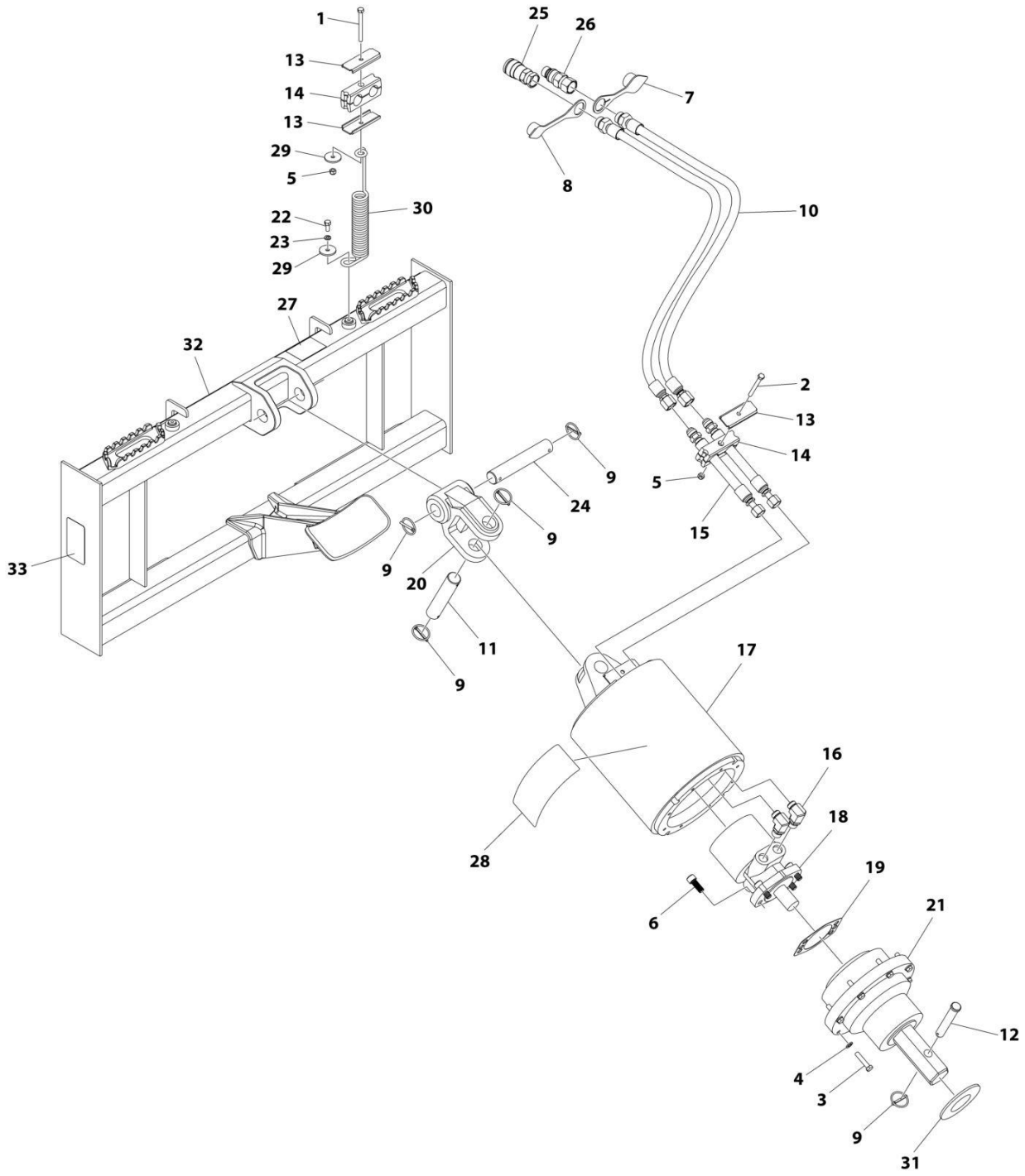
SECTION 3 - ATTACHMENTS

FIGURE 3-6. AUGER DRIVE ASSEMBLY, STANDARD

ITEM	PART NUMBER	QTY	DESCRIPTION	REV
	1001242617	Ref	AUGER DRIVE ASSEMBLY, STANDARD	C
1	90554074	1	Bolt	
2	90554070	1	Bolt	
3	70027774	8	Bolt	
4	90554042	8	Washer	
5	70027775	2	Nut	
6	70027776	4	Bolt	
7	1001093826	1	Dust Cap, Male	
8	1001093827	1	Dust Cap, Female	
9	70027777	5	Pin	
10	70027794	2	Hose	
11	70027781	1	Pin	
12	70027782	1	Pin	
13	70027783	3	Plate	
14	70027784	2	Block	
15	70027789	2	Hose	
16	70027788	2	Fitting	
17	70029696	1	Planetary Housing	
18	70029697	1	Motor	
19	70029314	1	Gasket	
20	70027779	1	Cast Swivel	
21	70027793	1	Planetary, Gearbox Assembly	
22	70027773	1	Bolt	
23	90554067	1	Washer	
24	70027780	1	Pin	
25	1001101042	1	Hydraulic Coupler, Female	
26	1001101041	1	Hydraulic Coupler, Male	
27	70027786	1	Decal, Warning	
28	70037787	2	Decal - Danger	
29	70029698	2	Washer	
30	70029699	1	Spring	
31	See Note	NSS	Weldment (Note: Not Available for Purchase)	
32	See Note	NSS	Serial Tag (Note: Not Available for Purchase)	
33	70027778	1	Bracket	
34	90554020	4	Washer	
35	90554019	4	Bolt	
36	90554054	4	Nut	
37	70029700	1	Seal	

SECTION 3 - ATTACHMENTS

FIGURE 3-7. AUGER DRIVE ASSEMBLY, UNIVERSAL



ART_1001242616

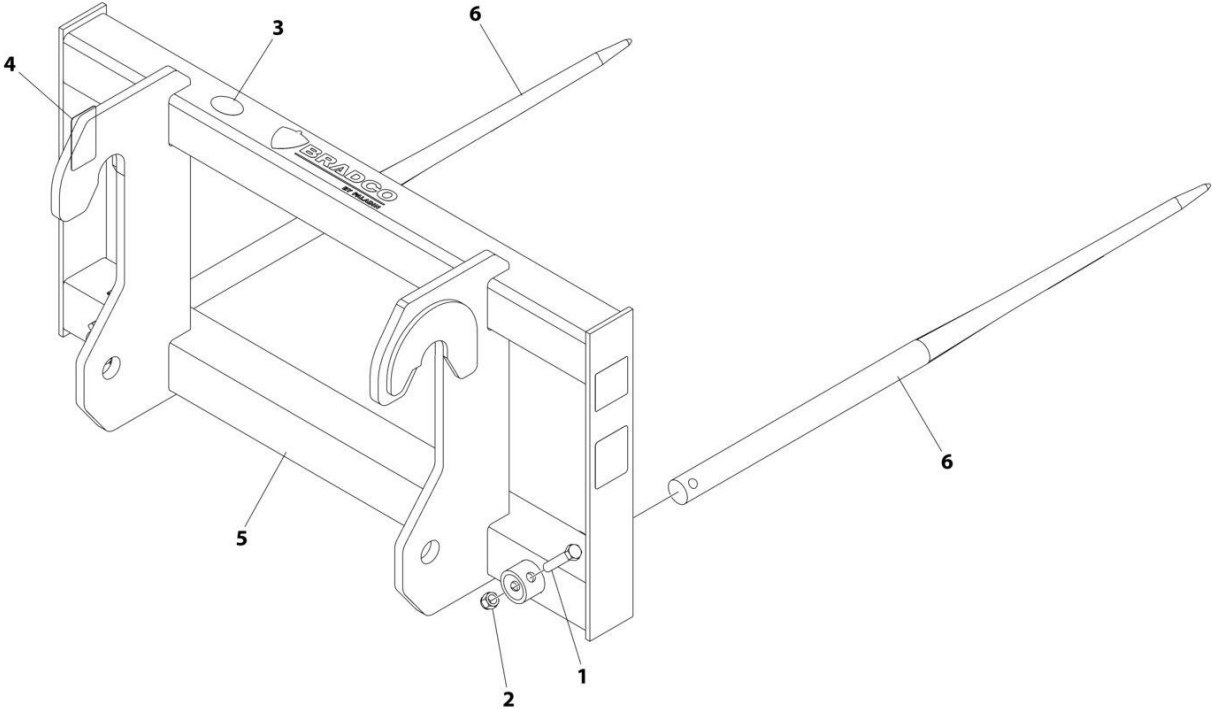
SECTION 3 - ATTACHMENTS

FIGURE 3-7. AUGER DRIVE ASSEMBLY, UNIVERSAL

ITEM	PART NUMBER	QTY	DESCRIPTION	REV
	1001242616	Ref	AUGER DRIVE ASSEMBLY, UNIVERSAL	C
1	90554074	1	Bolt	
2	90554070	1	Bolt	
3	70027774	8	Bolt	
4	90554042	8	Washer	
5	70027775	2	Nut	
6	70027776	4	Bolt	
7	1001093826	1	Dust Cap, Male	
8	1001093827	1	Dust Cap, Female	
9	70027777	5	Pin	
10	70029315	2	Hose	
11	70027781	1	Pin	
12	70027782	1	Pin	
13	70027783	3	Plate	
14	70027784	2	Block	
15	70027789	2	Hose	
16	70027788	2	Fitting	
17	70029696	1	Planetary Housing	
18	70029697	1	Motor	
19	70029314	1	Gasket	
20	70027779	1	Cast Swivel	
21	70027793	1	Planetary, Gearbox Assembly	
22	70027773	1	Bolt	
23	90554067	1	Washer	
24	70027780	1	Pin	
25	1001101042	1	Hydraulic Coupler, Female	
26	1001101041	1	Hydraulic Coupler, Male	
27	70027786	1	Decal, Warning	
28	70037787	2	Decal - Danger	
29	70029698	2	Washer	
30	70029699	1	Spring	
31	70029700	1	Seal	
32	See Note	NSS	Weldment (Note: Not Available for Purchase)	
33	See Note	NSS	Serial Tag (Note: Not Available for Purchase)	

SECTION 3 - ATTACHMENTS

FIGURE 3-8. BALE SPEAR ASSEMBLY, STANDARD



ART_1001242517

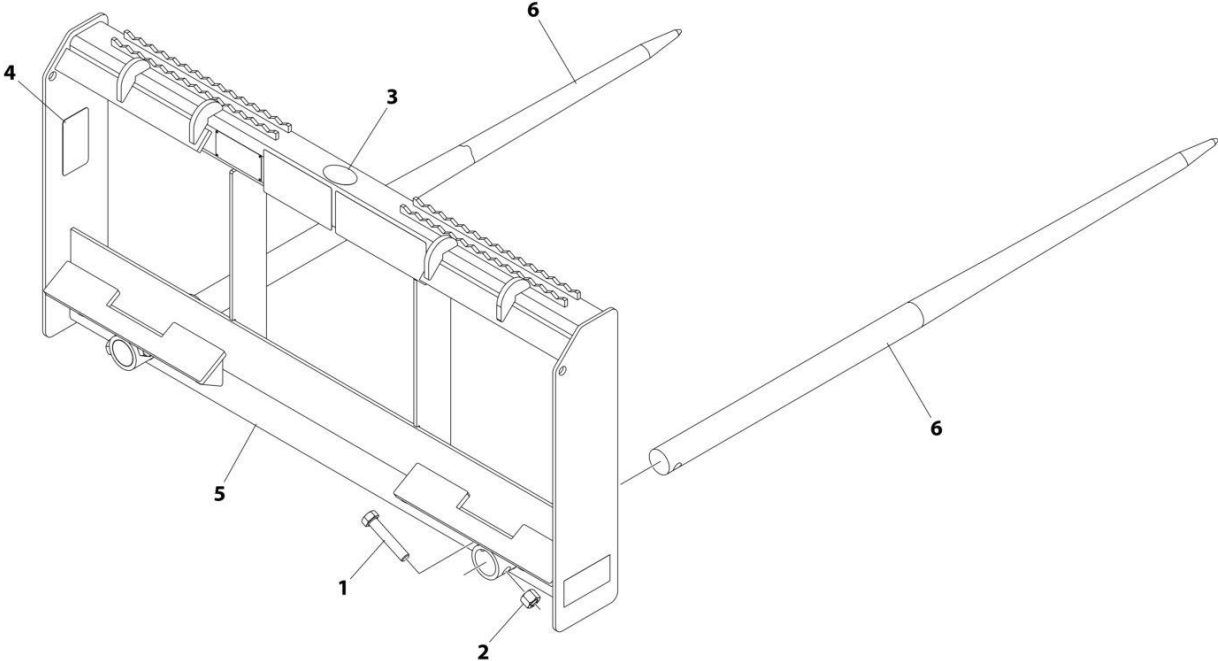
SECTION 3 - ATTACHMENTS

FIGURE 3-8. BALE SPEAR ASSEMBLY, STANDARD

ITEM	PART NUMBER	QTY	DESCRIPTION	REV
	1001242517	Ref	BALE SPEAR ASSEMBLY, STANDARD	C
1	70029309	2	Bolt	
2	70029310	2	Nut	
3	90554016	1	Decal - USA	
4	See Note	NSS	Serial Tag (Note: Not Available for Purchase)	
5	See Note	NSS	Weldment (Note: Not Available for Purchase)	
6	70029313	2	Spear, Bale	

SECTION 3 - ATTACHMENTS

FIGURE 3-9. BALE SPEAR ASSEMBLY, UNIVERSAL



ART_1001242511

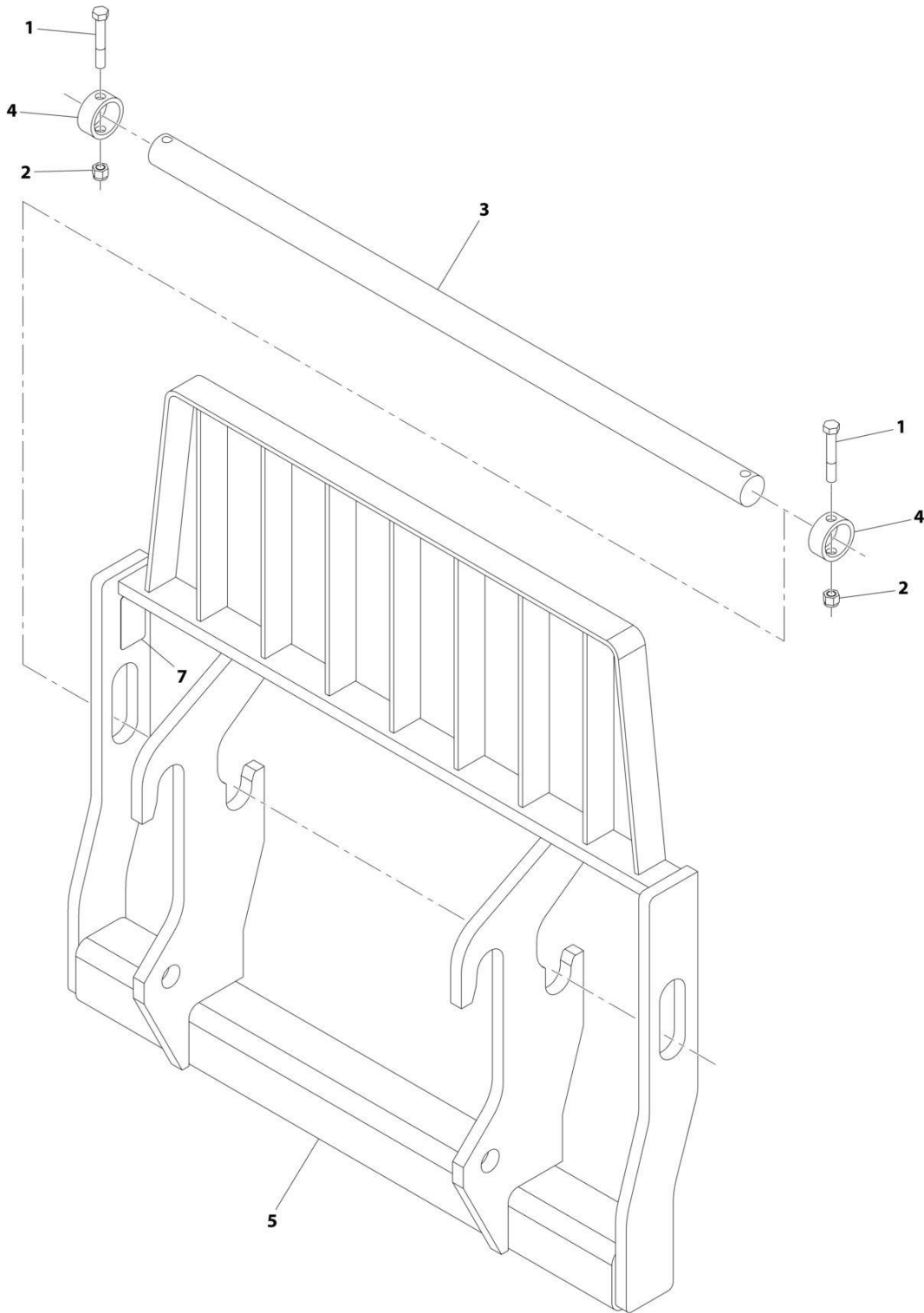
SECTION 3 - ATTACHMENTS

FIGURE 3-9. BALE SPEAR ASSEMBLY, UNIVERSAL

ITEM	PART NUMBER	QTY	DESCRIPTION	REV
	1001242511	Ref	BALE SPEAR ASSEMBLY, UNIVERSAL	C
1	70029309	2	Bolt	
2	70029310	2	Nut	
3	90554016	1	Decal - USA	
4	See Note	NSS	Serial Tag (Note: Not Available for Purchase)	
5	See Note	NSS	Weldment (Note: Not Available for Purchase)	
6	70029313	2	Spear, Bale	

SECTION 3 - ATTACHMENTS

FIGURE 3-10. CARRIAGE ASSEMBLY, (50INCH/1270MM)



ART_1001104435-E

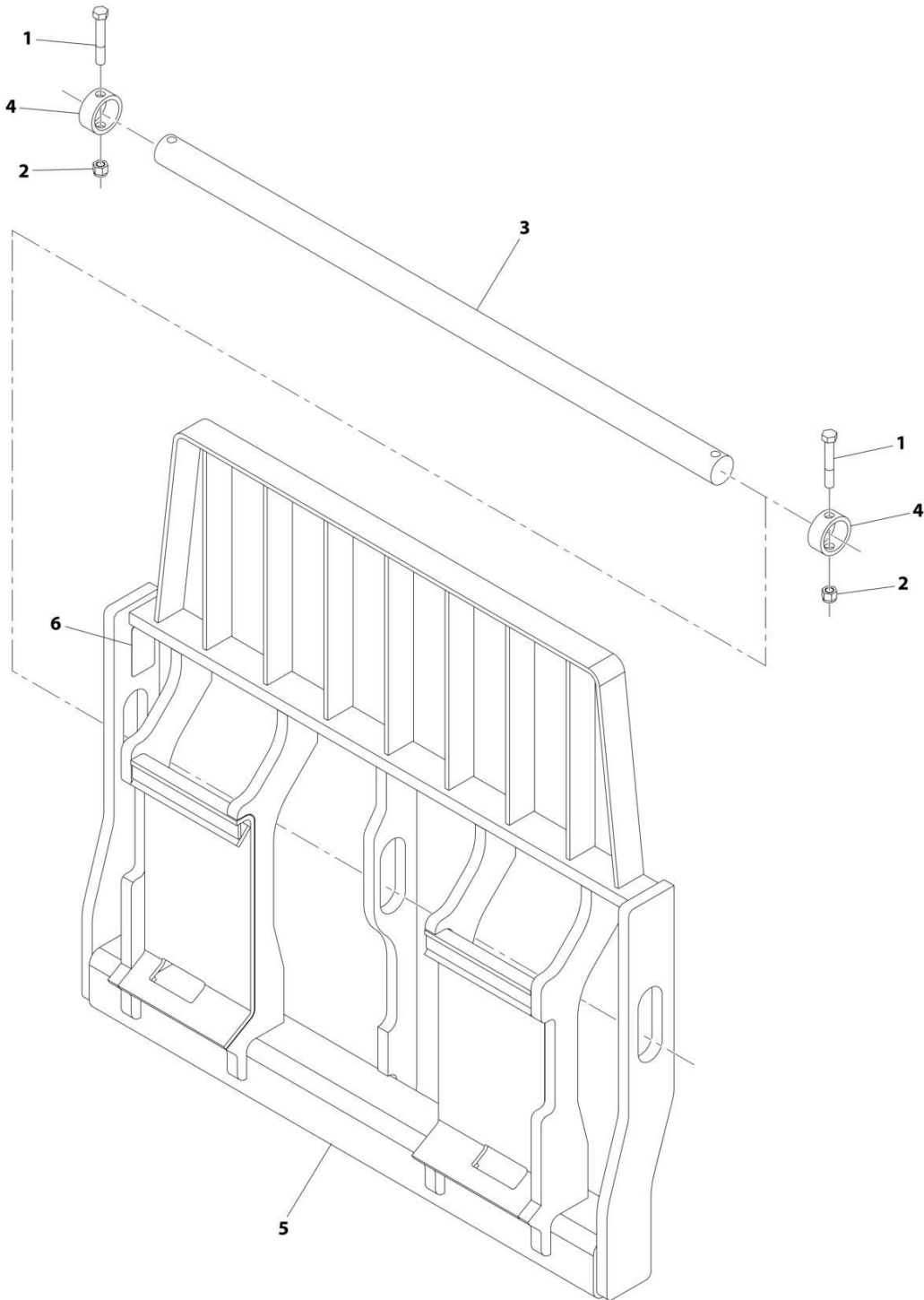
SECTION 3 - ATTACHMENTS

FIGURE 3-10. CARRIAGE ASSEMBLY, (50INCH/1270MM)

ITEM	PART NUMBER	QTY	DESCRIPTION	REV
	1001104435	Ref	Carriage Assembly, (50Inch/1270mm)	H
1	0642032	2	Hex HD Capscrew, 5/8-11X4	
2	3300240	2	Locknut, 5/8-11	
3	3423275	1	Fork Pin	
4	90200003	2	Collar	
5	N.S.S.	1	Carriage Weldment	
7	N.S.S.	1	S/N Plate	

SECTION 3 - ATTACHMENTS

FIGURE 3-11. CARRIAGE ASSEMBLY, UNIVERSAL QUICK ATTACH, (48IN/1219.2MM)



ART_1001113038-D

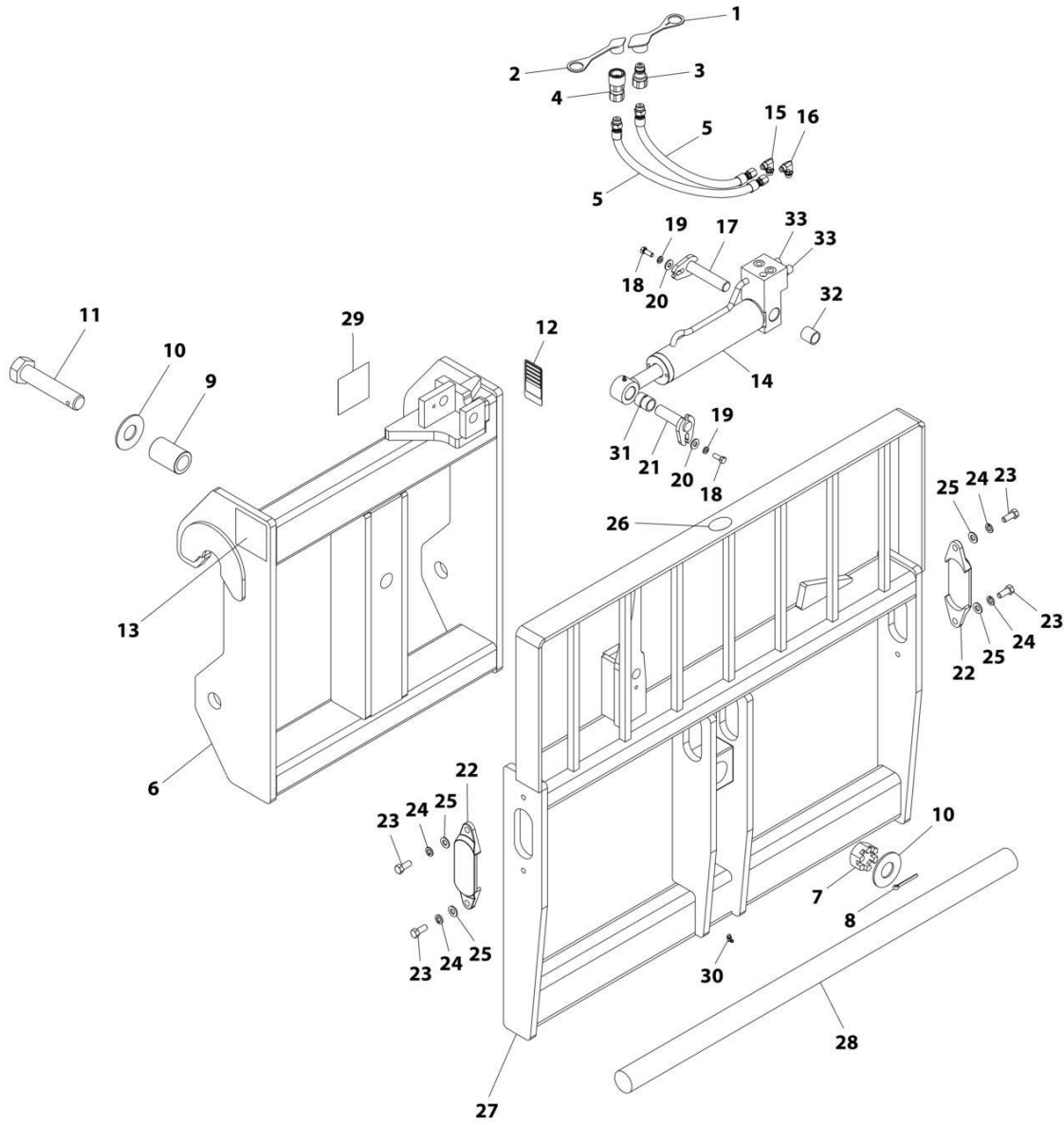
SECTION 3 - ATTACHMENTS

FIGURE 3-11. CARRIAGE ASSEMBLY, UNIVERSAL QUICK ATTACH, (48IN/1219.2MM)

ITEM	PART NUMBER	QTY	DESCRIPTION	REV
	1001113038	Ref	Carriage Assembly, Universal Quick Attach, (48Inch/1219.2mm)	D
1	0642032	2	Hex HD Capscrew, 5/8-11X4, GR5	
2	3300240	2	Locknut, 5/8-11	
3	3423275	1	Fork Pin	
4	90200003	2	Collar	
5	N.S.S.	1	Carriage Weldment	
6	N.S.S.	1	S/N Plate	

SECTION 3 - ATTACHMENTS

FIGURE 3-12. CARRIAGE, SIDE TILT, (48IN)



ART_1001102331-G

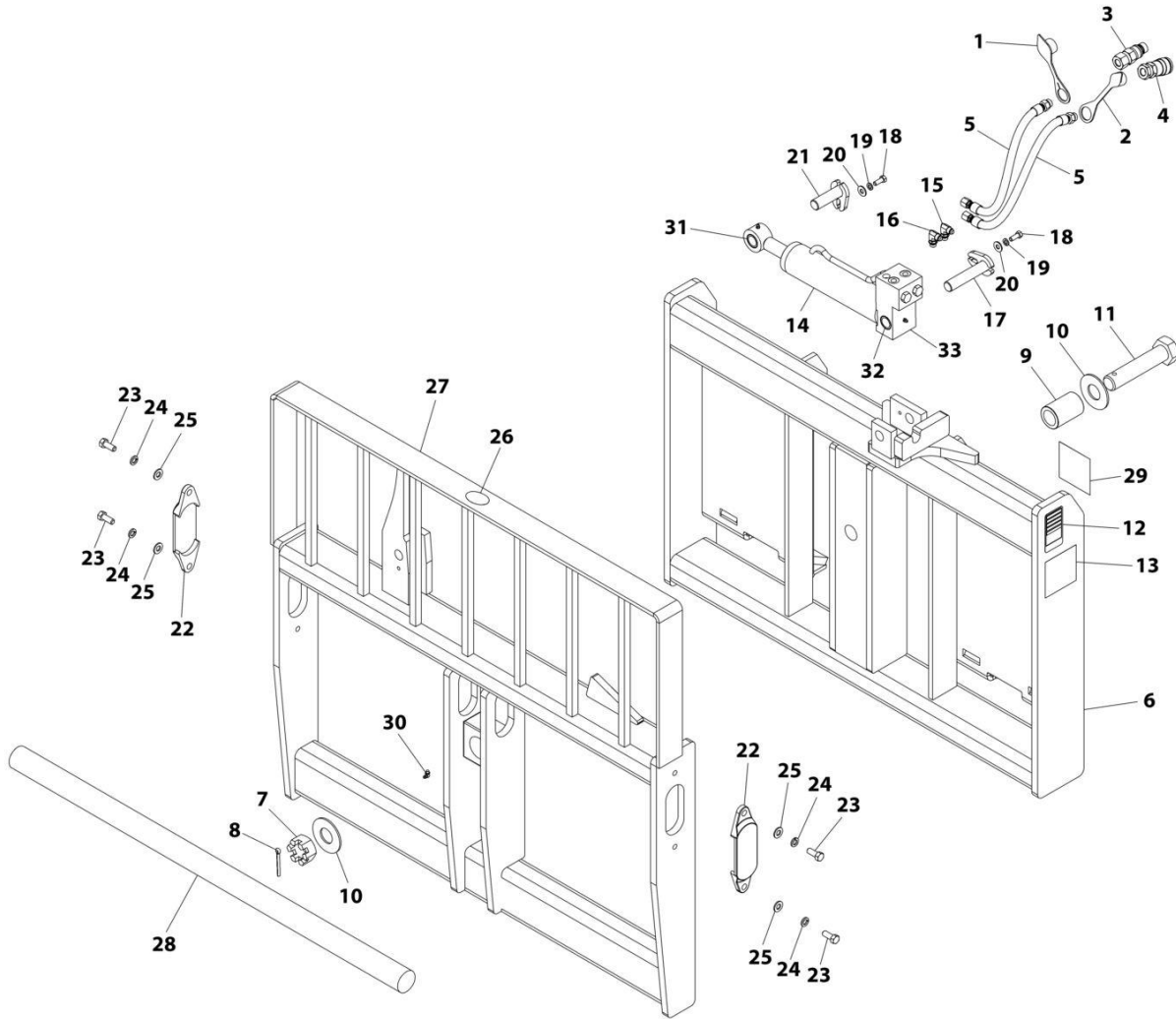
SECTION 3 - ATTACHMENTS

FIGURE 3-12. CARRIAGE, SIDE TILT, (48IN)

ITEM	PART NUMBER	QTY	DESCRIPTION	REV
	1001102331	Ref	Carriage, Side Tilt (48in)	1
1	1001003475	1	Dust Cap, Male	
2	1001003474	1	Plug, Dust, Female	
3	7029692	1	Hydraulic Couplier, Male	
4	70021342	1	Hydraulic Couplier, Female	
5	70021343	2	Hose	
6	N.S.S.	1	Rear Frame Weldment	
7	7029713	1	Nut	
8	7029700	1	Pin, Cotter	
9	70021345	1	Spacer	
10	70021346	2	Washer	
11	70021347	1	Bolt	
12	N.S.S.	1	Serial Tag	
13	90554017	1	Decal	
14	70021363	1	Cylinder Assembly (See Separate Breakdown in HYDRAULIC COMPONENTS Section)	
15	90554065	1	Hydraulic Fitting	
16	7029705	1	Hydraulic Fitting	
17	70021348	1	Pin	
18	70021349	2	Bolt	
19	90554042	2	Washer, Lock	
20	70021350	2	Washer	
21	70021351	1	Pin	
22	7029690	2	Fork Pin Retainer	
23	7029691	4	Bolt	
24	90554020	4	Washer, Lock	
25	70021338	4	Washer	
26	90554016	1	Decal	
27	N.S.S.	1	Front Frame	
28	70022105	1	Fork Pin	
29	7029711	1	Decal	
30	70022106	1	Zerk, Grease	
31	70021447	1	Bushing	
32	70021448	2	Bushing	
33	70021464	2	Valve	

SECTION 3 - ATTACHMENTS

FIGURE 3-13. CARRIAGE, SIDE TILT, UNIVERSAL QUICK ATTACH, (48IN)



ART_1001104009-G

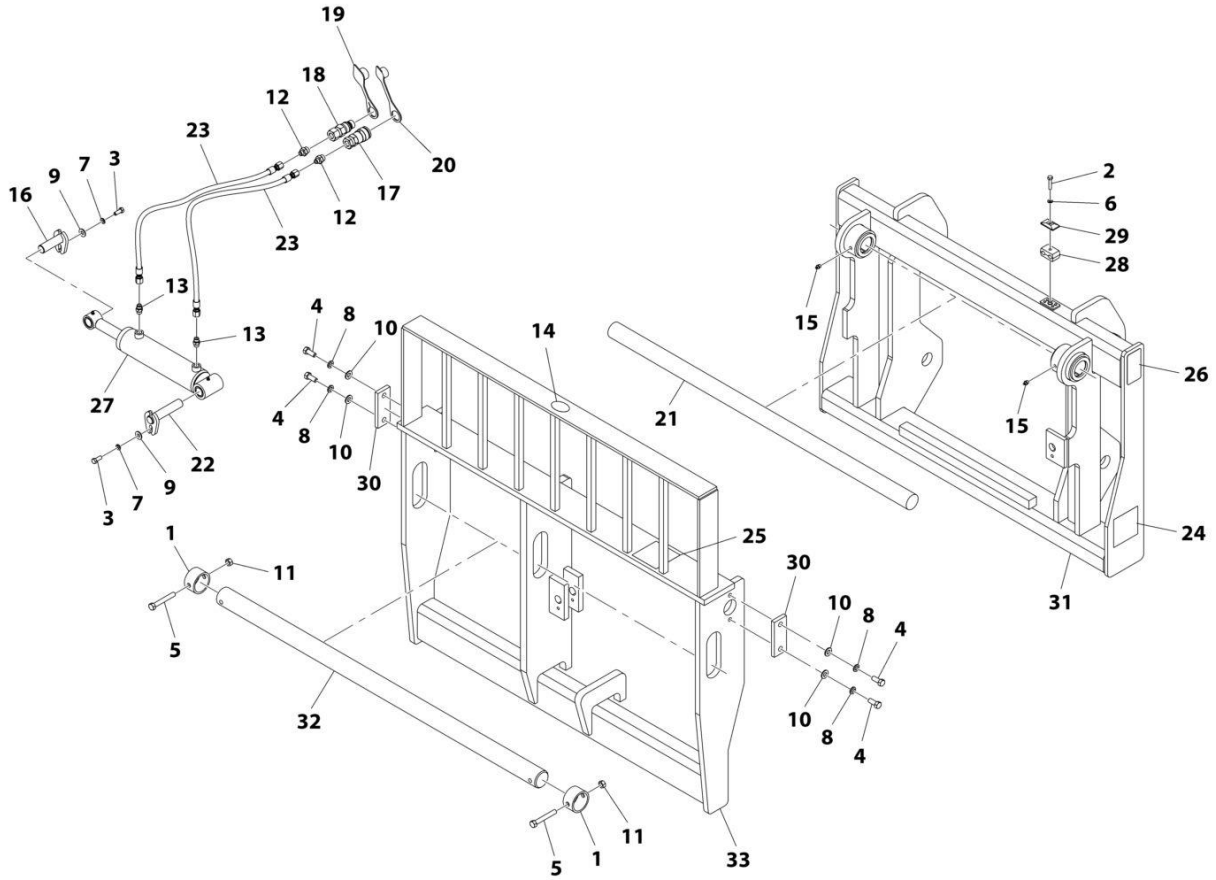
SECTION 3 - ATTACHMENTS

FIGURE 3-13. CARRIAGE, SIDE TILT, UNIVERSAL QUICK ATTACH, (48IN)

ITEM	PART NUMBER	QTY	DESCRIPTION	REV
	1001104009	Ref	Carriage, Side Tilt, Universal Quick Attach (48in)	1
1	70022097	1	Dust Cap, Male	
2	70022102	1	Plug, Dust, Female	
3	70022103	1	Hydraulic Couplier, Male	
4	70022104	1	Hydraulic Couplier, Female	
5	70021343	2	Hose	
6	N.S.S.	1	Rear Frame Weldment	
7	7029713	1	Nut	
8	7029700	1	Pin, Cotter	
9	70021345	1	Spacer	
10	70021346	2	Washer	
11	70021347	1	Bolt	
12	N.S.S.	1	Serial Tag	
13	90554017	1	Decal	
14	70021363	1	Cylinder Assembly (See Separate Breakdown in HYDRAULIC COMPONENTS Section)	
15	90554065	1	Hydraulic Fitting	
16	7029705	1	Hydraulic Fitting	
17	70021348	1	Pin	
18	70021349	2	Bolt	
19	90554042	2	Washer, Lock	
20	70021350	2	Washer	
21	70021351	1	Pin	
22	7029690	2	Fork Pin Retainer	
23	7029691	4	Bolt	
24	90554020	4	Washer, Lock	
25	70021338	4	Washer	
26	90554016	1	Decal	
27	N.S.S.	1	Front Frame	
28	70022105	1	Fork Pin	
29	7029711	1	Decal	
30	70022106	1	Zerk, Grease	
31	70021447	1	Bushing	
32	70021448	2	Bushing	
33	70021464	2	Valve	

SECTION 3 - ATTACHMENTS

FIGURE 3-14. CARRIAGE, SIDE SHIFT (48IN)



ART_1001242501-B

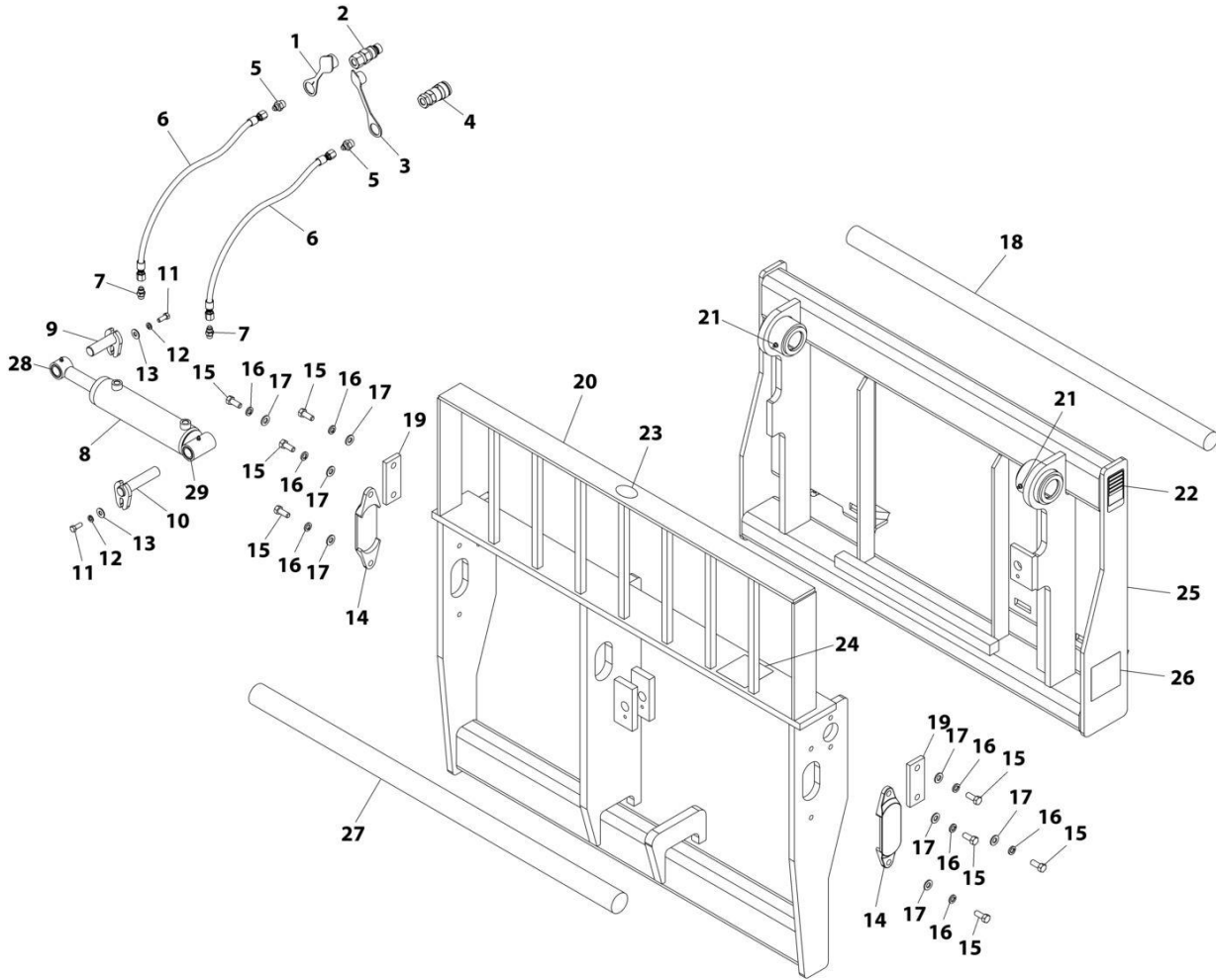
SECTION 3 - ATTACHMENTS

FIGURE 3-14. CARRIAGE, SIDE SHIFT (48IN)

ITEM	PART NUMBER	QTY	DESCRIPTION	REV
	1001242501	Ref	CARRIAGE, SIDE SHIFT (48IN)	C
1	70020028	2	Fork Pin Retainer	
2	70029502	1	Bolt	
3	70021349	2	Bolt	
4	70027989	4	Bolt	
5	70020002	2	Bolt	
6	90554067	1	Washer	
7	90554042	2	Washer	
8	90554020	4	Washer	
9	70021350	2	Washer	
10	70021338	4	Washer	
11	70027642	2	Nut	
12	70021397	2	Fitting	
13	70021415	2	Fitting	
14	90554016	1	Decal	
15	7029714	2	Fitting, Grease	
16	70021351	1	Pin	
17	1001001240	1	Hydraulic Coupler, Female	
18	1001001241	1	Hydraulic Coupler, Male	
19	1001003475	1	Dust Cap, Male	
20	1001003474	1	Plug, Dust, Female	
21	70022111	1	Fork Pin	
22	70022110	1	Pin	
23	70022107	1	Hose	
24	90554017	2	Decal	
25	7029711	1	Decal	
26	See Note	NSS	Serial Tag (Note: Not Available for Purchase)	
27	70022108	1	Cylinder Assembly (See Separate Breakdown in HYDRAULIC COMPONENTS Section)	
28	70029503	1	Clamp	
29	70029505	1	Clamp	
30	70022112	2	Plate, Retainer	
31	See Note	NSS	Rear Frame (Note: Not Available for Purchase)	
32	70029504	1	Fork Pin	
33	See Note	NSS	Main Frame (Note: Not Available for Purchase)	

SECTION 3 - ATTACHMENTS

FIGURE 3-15. CARRIAGE, SIDE SHIFT, UNIVERSAL QUICK ATTACH, (48IN)



ART_1001104025-G

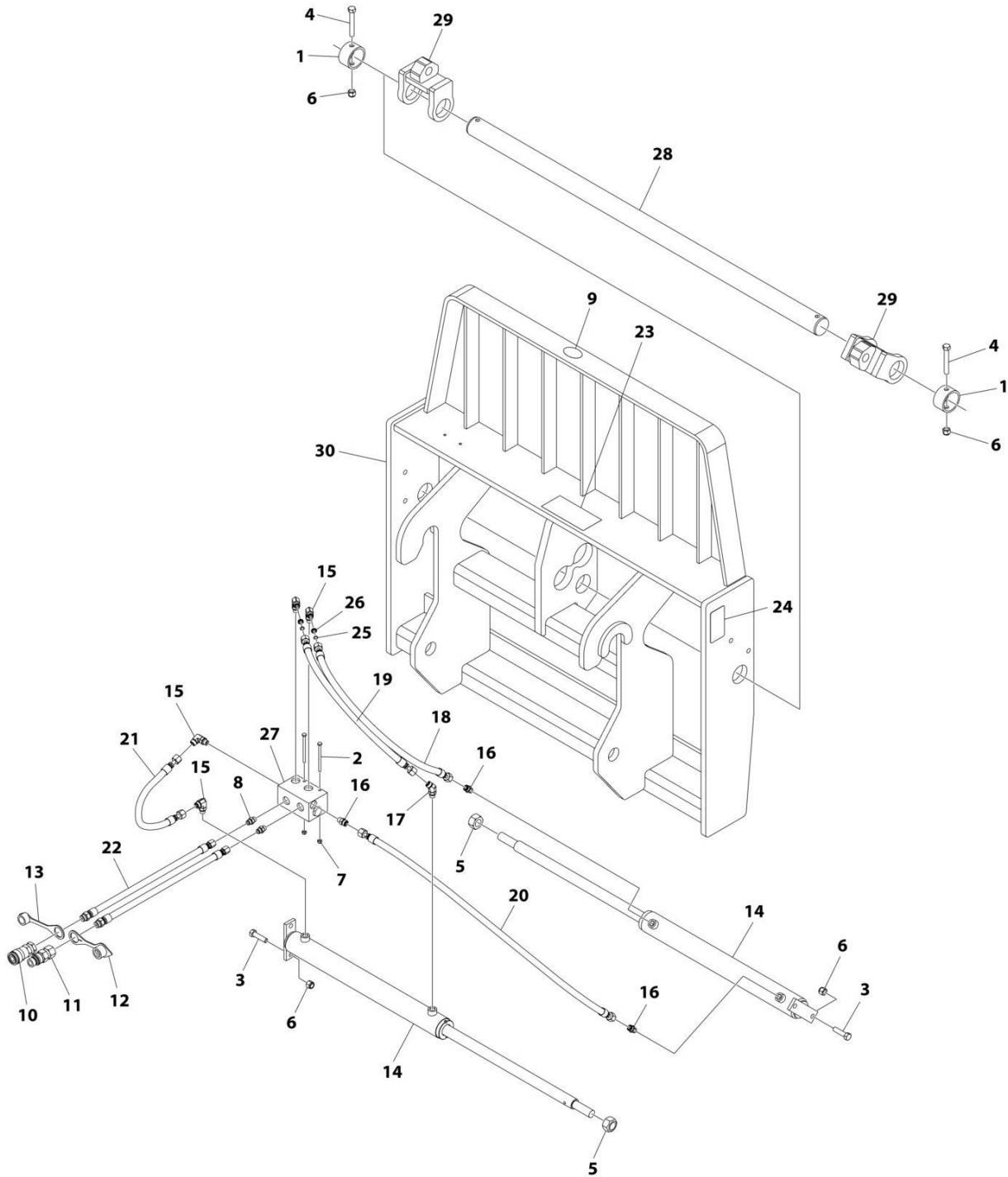
SECTION 3 - ATTACHMENTS

FIGURE 3-15. CARRIAGE, SIDE SHIFT, UNIVERSAL QUICK ATTACH, (48IN)

ITEM	PART NUMBER	QTY	DESCRIPTION	REV
	1001104025	Ref	Carriage, Side Shift, Universal Quick Attach (48in)	I
1	70022097	1	Dust Cap, Male	
2	70022103	1	Hydraulic Couplier, Male	
3	70022102	1	Plug, Dust, Female	
4	70022104	1	Hydraulic Couplier, Female	
5	70021397	2	Hydraulic Fitting	
6	70022107	2	Hose	
7	70021415	2	Hydraulic Fitting	
8	70022108	1	Cylinder Assembly (See Separate Breakdown in HYDRAULIC COMPONENTS Section)	
9	70021351	1	Pin	
10	70022110	1	Pin	
11	70021349	2	Bolt	
12	90554042	2	Washer, Lock	
13	70021350	2	Washer	
14	7029690	2	Fork Pin Retainer	
15	70027989	8	Bolt	
16	90554020	8	Washer, Lock	
17	70021338	4	Washer	
18	70022111	1	Fork Pin	
19	70022112	2	Pin Retainer Bar	
20	N.S.S.	1	Front Frame	
21	7029714	2	Zerk, Grease	
22	N.S.S.	1	Serial Tag	
23	70050641	1	Decal	
24	7029711	1	Decal	
25	N.S.S.	1	Rear Frame	
26	90554017	2	Decal	
27	70022105	1	Fork Pin	
28	70021447	1	Bushing	
29	70021448	2	Bushing	

SECTION 3 - ATTACHMENTS

FIGURE 3-16. CARRIAGE ASSEMBLY - FORK POSITIONING STANDARD (48IN)



ART_1001242506

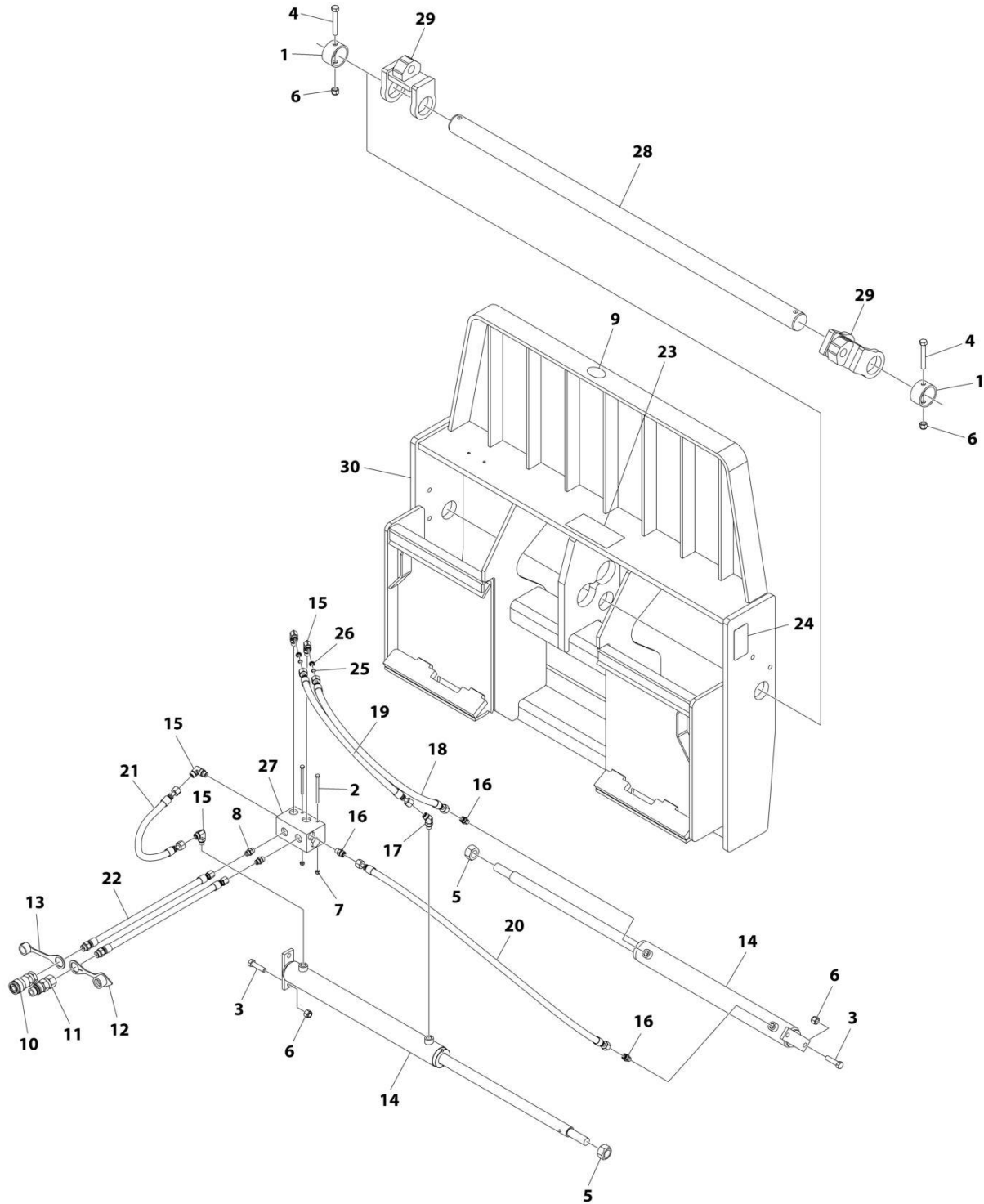
SECTION 3 - ATTACHMENTS

FIGURE 3-16. CARRIAGE ASSEMBLY - FORK POSITIONING STANDARD (48IN)

ITEM	PART NUMBER	QTY	DESCRIPTION	REV
	1001242506	Ref	CARRIAGE ASSEMBLY - FORK POSITIONING STANDARD (48IN)	C
1	70020028	2	Retainer, Pin	
2	70028519	2	Bolt	
3	90554019	4	Bolt	
4	70020002	2	Bolt	
5	70021440	2	Nut	
6	70028523	6	Nut	
7	70028524	2	Nut	
8	70021415	2	Hydraulic Fitting	
9	90554016	1	Decal	
10	1001001240	1	Hydraulic Coupler, Female	
11	1001001241	1	Hydraulic Coupler, Male	
12	1001003475	1	Dust Cap, Male	
13	1001003474	1	Plug, Dust, Female	
14	2717283	2	Cylinder Assembly (See Separate Breakdown in HYDRAULIC COMPONENTS Section)	
15	70028525	4	Hydraulic Fitting	
16	70028486	3	Hydraulic Fitting	
17	70029495	1	Hydraulic Fitting	
18	70029052	1	Hose	
19	70029046	2	Hose	
20	70029496	1	Hose	
21	70029492	1	Hose	
22	70026702	2	Hose	
23	70028530	1	Decal	
24	See Note	NSS	Serial Tag (Note: Not Available for Purchase)	
25	70028531	2	O-Ring	
26	70028520	2	Orifice	
27	70028521	1	Valve	
28	70027283	1	Pin Fork	
29	70029497	2	Clevis	
30	See Note	NSS	Weldment (Note: Not Available for Purchase)	

SECTION 3 - ATTACHMENTS

FIGURE 3-17. CARRIAGE ASSEMBLY - FORK POSITIONING UNIVERSAL (48IN)



ART_1001242508

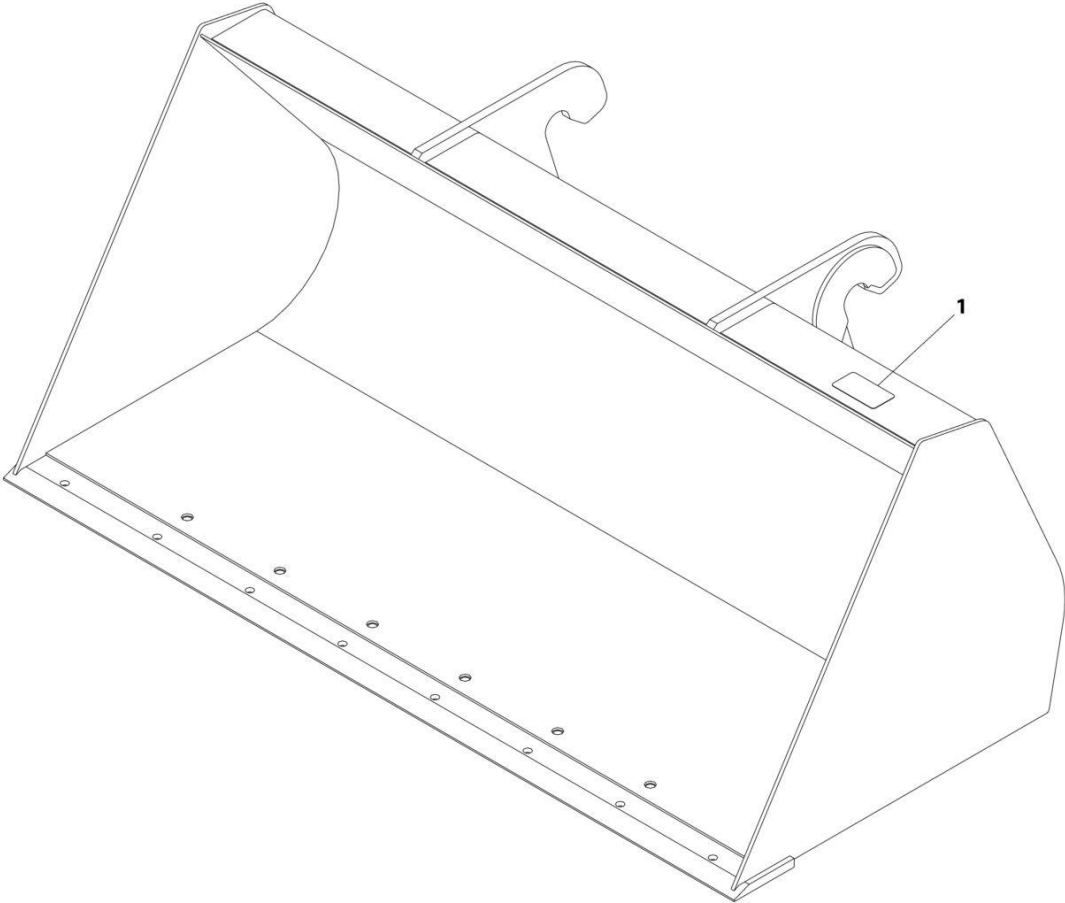
SECTION 3 - ATTACHMENTS

FIGURE 3-17. CARRIAGE ASSEMBLY - FORK POSITIONING UNIVERSAL (48IN)

ITEM	PART NUMBER	QTY	DESCRIPTION	REV
	1001242508	Ref	CARRIAGE ASSEMBLY - FORK POSITIONING UNIVERSAL, (48IN)	C
1	70020028	2	Retainer, Pin	
2	70028519	2	Bolt	
3	90554019	4	Bolt	
4	70020002	2	Bolt	
5	70021440	2	Nut	
6	70028523	6	Nut	
7	70028524	2	Nut	
8	70021415	2	Hydraulic Fitting	
9	90554016	1	Decal	
10	1001001240	1	Hydraulic Coupler, Female	
11	1001001241	1	Hydraulic Coupler, Male	
12	1001003475	1	Dust Cap, Male	
13	1001003474	1	Plug, Dust, Female	
14	2717283	2	Cylinder Assembly (See Separate Breakdown in HYDRAULIC COMPONENTS Section)	
15	70028525	4	Hydraulic Fitting	
16	70028486	3	Hydraulic Fitting	
17	70029495	1	Hydraulic Fitting	
18	70029052	1	Hose	
19	70029046	2	Hose	
20	70029496	1	Hose	
21	70029492	1	Hose	
22	70026702	2	Hose	
23	70028530	1	Decal	
24	See Note	NSS	Serial Tag (Note: Not Available for Purchase)	
25	70028531	2	O-Ring	
26	70028520	2	Orifice	
27	70028521	1	Valve	
28	70027283	1	Pin Fork	
29	70029497	2	Clevis	
30	See Note	NSS	Weldment (Note: Not Available for Purchase)	

SECTION 3 - ATTACHMENTS

FIGURE 3-18. LIGHT MATERIAL BUCKET, (72INCH) (1.0 YD³/0.76 M³)



ART_1001102324-F

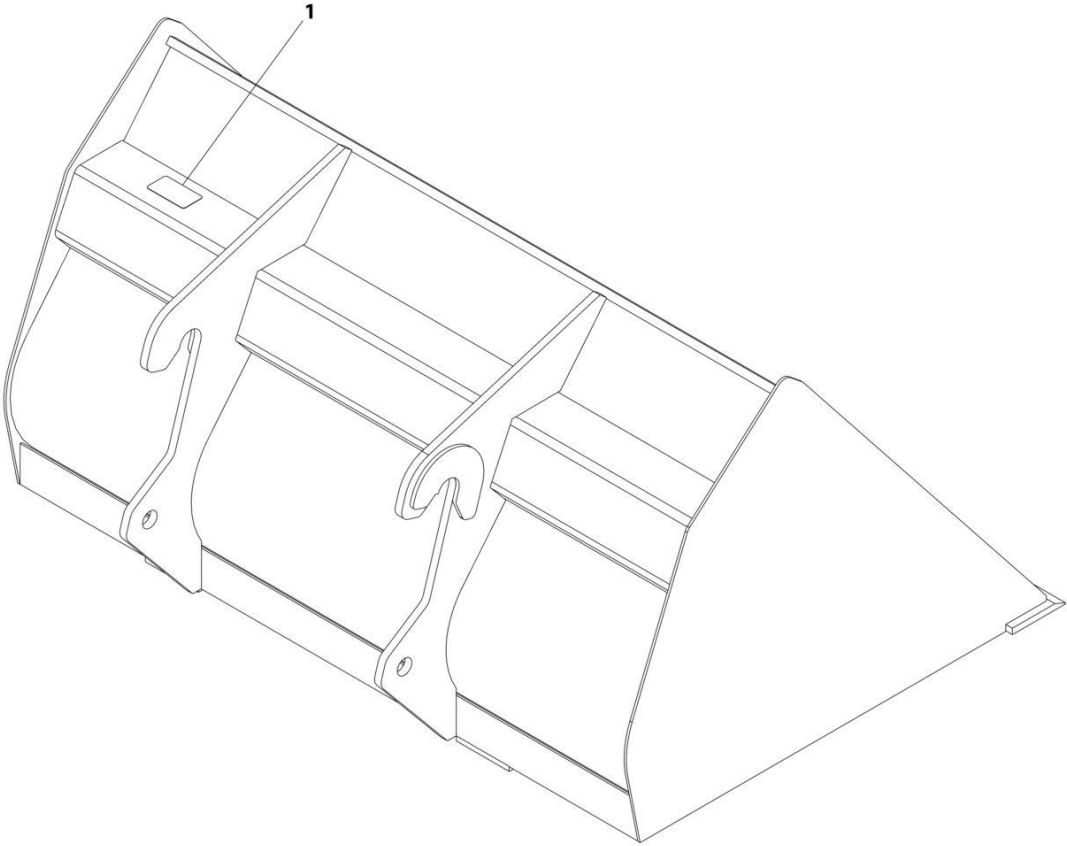
SECTION 3 - ATTACHMENTS

FIGURE 3-18. LIGHT MATERIAL BUCKET, (72INCH) (1.0 YD³/0.76 M³)

ITEM	PART NUMBER	QTY	DESCRIPTION	REV
	1001102324 N.S.S.	Ref 1	Light Material Bucket (72Inch) (1.0 yd ³ /0.76 m ³) S/N Plate	I

SECTION 3 - ATTACHMENTS

FIGURE 3-19. LIGHT MATERIAL BUCKET, (72INCH) (1.7 YD³/1.29 M³)



ART_1001102323-F

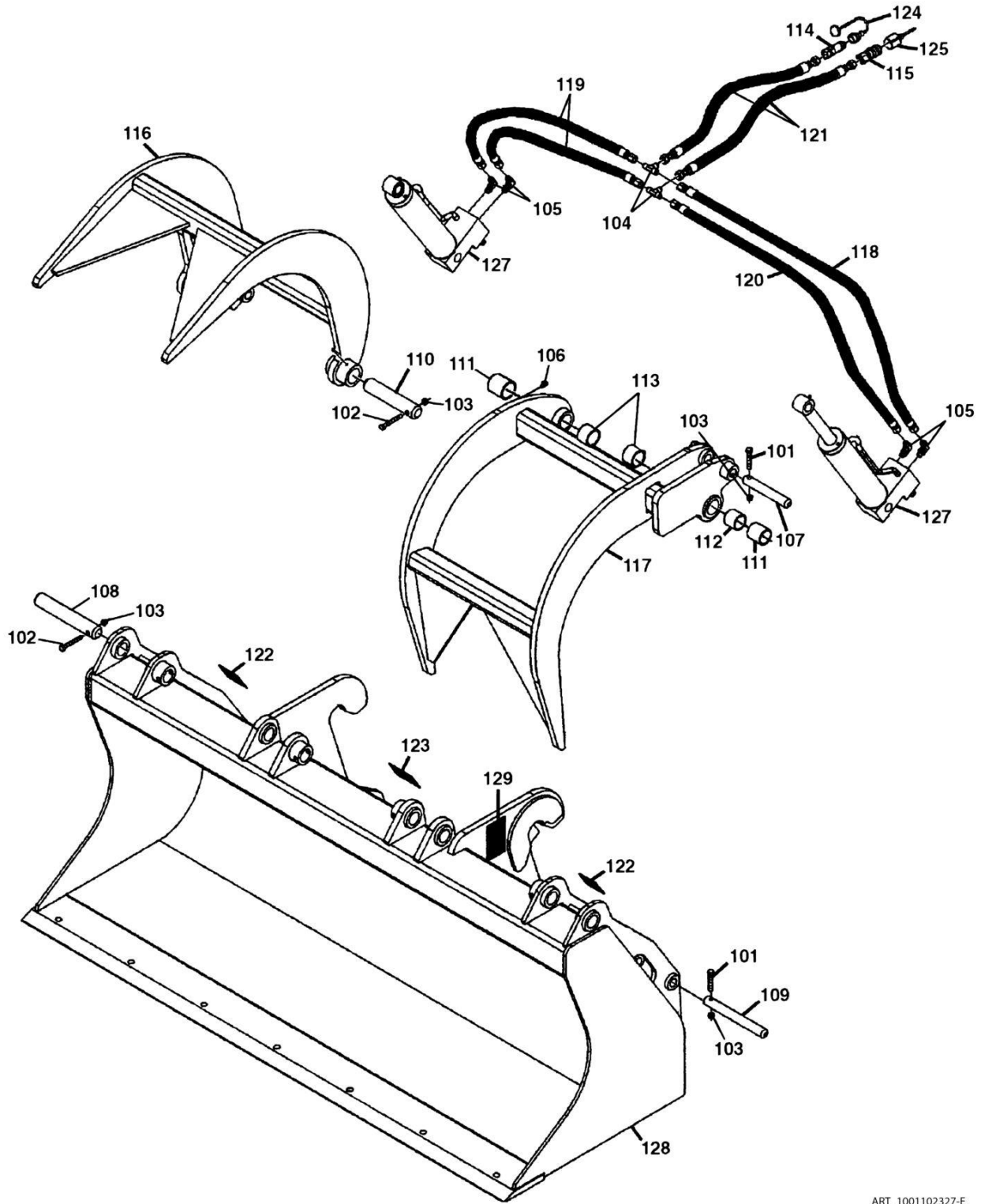
SECTION 3 - ATTACHMENTS

FIGURE 3-19. LIGHT MATERIAL BUCKET, (72INCH) (1.7 YD³/1.29 M³)

ITEM	PART NUMBER	QTY	DESCRIPTION	REV
1	1001102323 N.S.S.	Ref 1	Light Material Bucket (72Inch) (1.7 yd ³ /1.29 m ³) S/N Plate	I

SECTION 3 - ATTACHMENTS

FIGURE 3-20. MULTI-PURPOSE GRAPPLE BUCKET (1850MM) (ANSI - JLG)



ART_1001102327-E

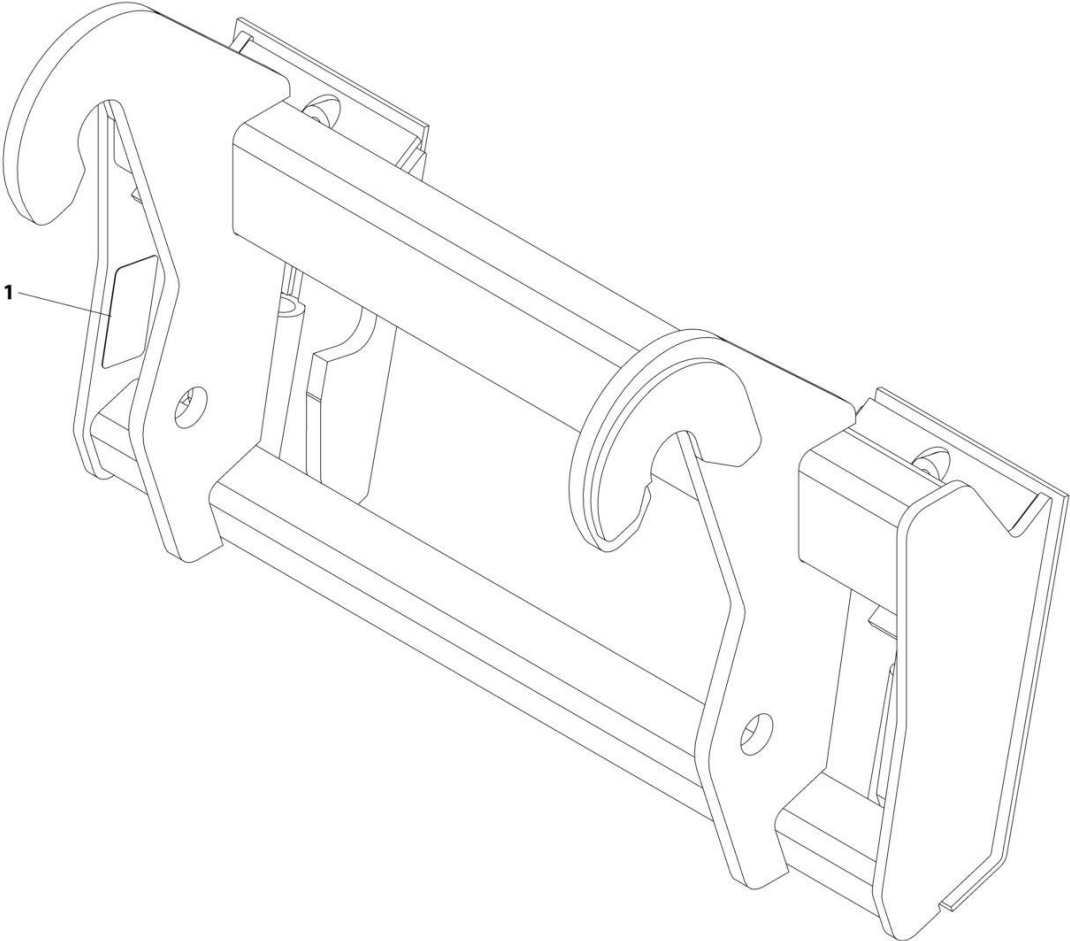
SECTION 3 - ATTACHMENTS

FIGURE 3-20. MULTI-PURPOSE GRAPPLE BUCKET (1850MM) (ANSI - JLG)

ITEM	PART NUMBER	QTY	DESCRIPTION	REV
	1001102327	1	Multi-Purpose Grapple Bucket (1850mm) (ANSI - JLG)	G
101	70021399	4	Screw	
102	70021366	4	Screw	
103	70021367	8	Nut	
104	70020562	2	Fitting, Tee	
105	90554065	4	Fitting, 90	
106	7029714	4	Fitting, Grease	
107	70021364	2	Pin	
108	70021361	2	Pin	
109	70021365	2	Pin	
110	70021362	2	Pin	
111	70021360	4	Bushing	
112	70021359	2	Spacer	
113	70021358	4	Bushing	
114	7029692	1	Fitting, Straight	
115	70021342	1	Fitting, Straight	
116	70021356	1	Grapple Hook, RH	
117	70021357	1	Grapple Hook, LH	
118	70020560	1	Hose	
119	70021368	2	Hose	
120	70021370	1	Hose	
121	70021369	2	Hose	
122	90554017	2	Decal, Pinch Point	
123	7029711	1	Decal, High Pressure	
124	90554062	1	Cap, Dust	
125	90554076	1	Plug, Dust	
126	70021387	4	Clamp (not shown)	
127	70021363	2	Cylinder, Multi-Purpose Grapple Bucket (1850mm) (See Separate Breakdown in Hydraulic Components Section)	
128	N.S.S.	1	Bucket, Grapple	
129	N.S.S.	1	Plate, Serial Number	

SECTION 3 - ATTACHMENTS

FIGURE 3-21. UNIVERSAL HITCH ATTACHMENT



ART_1001102332-E

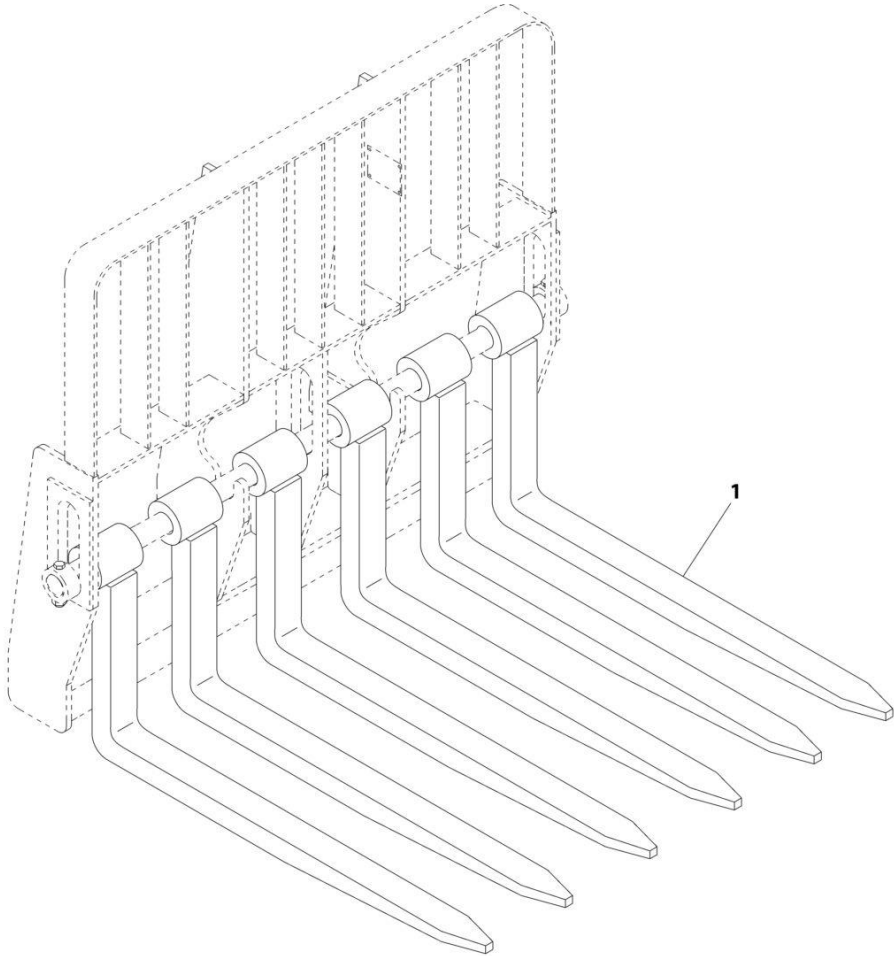
SECTION 3 - ATTACHMENTS

FIGURE 3-21. UNIVERSAL HITCH ATTACHMENT

ITEM	PART NUMBER	QTY	DESCRIPTION	REV
1	1001102332 N.S.S.	Ref 1	Universal Hitch Attachment S/N Plate	E

SECTION 3 - ATTACHMENTS

FIGURE 3-22. BLOCKING FORK (50X50X1220)



ART_2340037

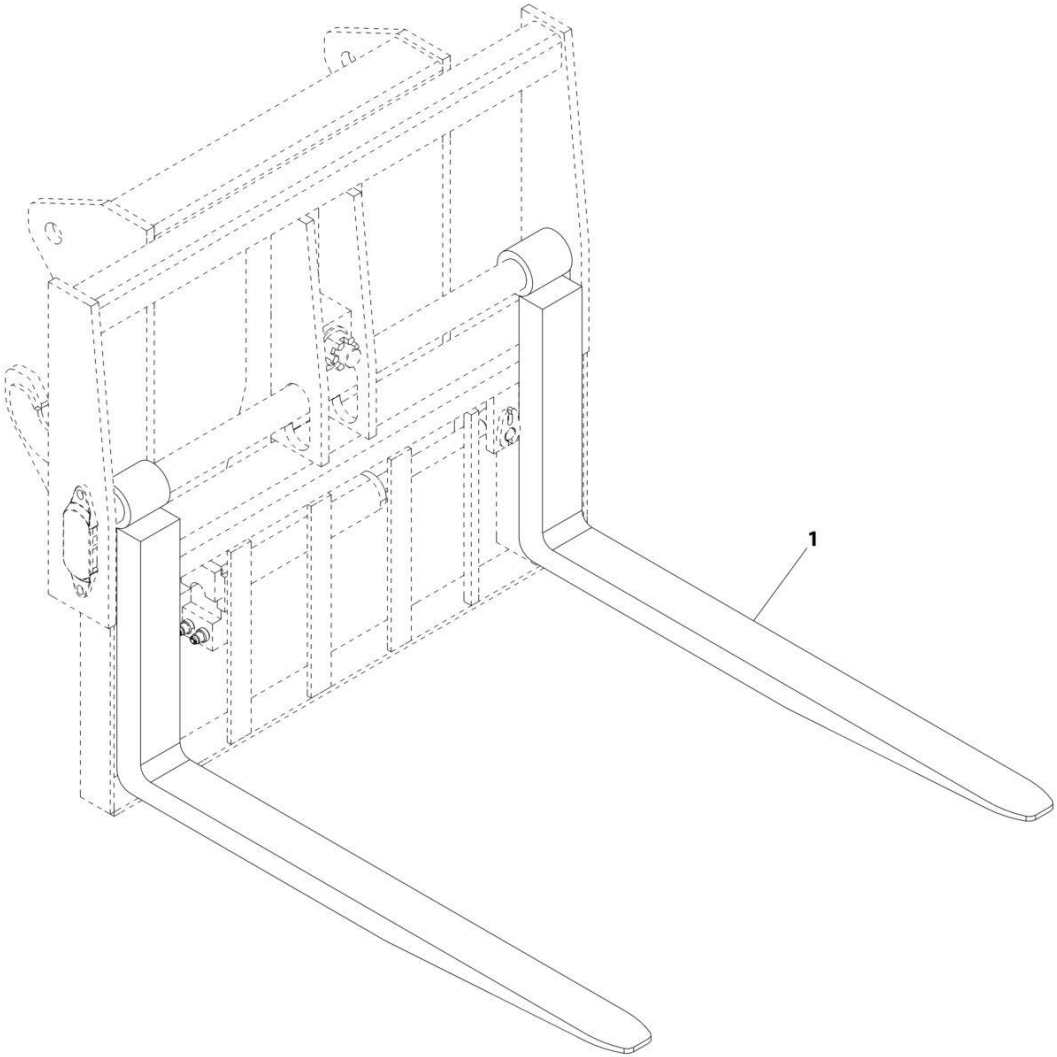
SECTION 3 - ATTACHMENTS

FIGURE 3-22. BLOCKING FORK (50X50X1220)

ITEM	PART NUMBER	QTY	DESCRIPTION	REV
1	2340037	1	Cubing Fork (2.00X2X48)	A
	Note	Ref	FORKS RATED LESS THAN THE ATTACHMENT OR MACHINE'S CAPACITY DECREASES CAPACITY OF THE ATTACHMENT OR MACHINE TO THAT OF THE FORKS. FORKS RATED MORE THAN THE ATTACHMENT OR MACHINE'S CAPACITY DO NOT INCREASE ATTACHMENT OR MACHINE'S CAPACITY.	
	Note	Ref	PLEASE CONSULT JLG PARTS DEPARTMENT TO DETERMINE THE CORRECT FORKS APPLICABLE TO YOUR SPECIFIC CARRIASE ASSEMBLY AND APPLICATION.	

SECTION 3 - ATTACHMENTS

FIGURE 3-23. PALLET FORK (2X4X48)



ART_1001099458-C

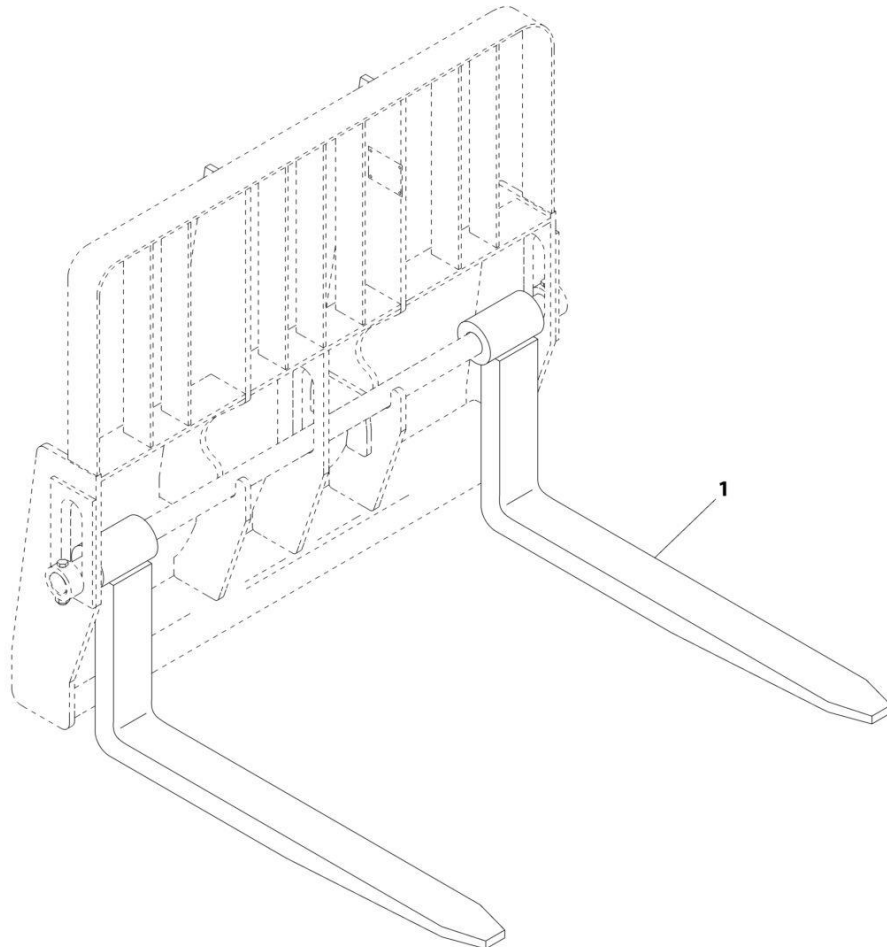
SECTION 3 - ATTACHMENTS

FIGURE 3-23. PALLET FORK (2X4X48)

ITEM	PART NUMBER	QTY	DESCRIPTION	REV
1	1001099458	Ref	Pallet Fork (2X4X48)	C
	Note	Ref	FORKS RATED LESS THAN THE ATTACHMENT OR MACHINE'S CAPACITY DECREASES CAPACITY OF THE ATTACHMENT OR MACHINE TO THAT OF THE FORKS. FORKS RATED MORE THAN THE ATTACHMENT OR MACHINE'S CAPACITY DO NOT INCREASE ATTACHMENT OR MACHINE'S CAPACITY.	
	Note	Ref	PLEASE CONSULT JLG PARTS DEPARTMENT TO DETERMINE THE CORRECT FORKS APPLICABLE TO YOUR SPECIFIC CARRIAGE ASSEMBLY AND APPLICATION.	

SECTION 3 - ATTACHMENTS

FIGURE 3-24. LUMBER FORK (40X150X1540)



ART_1001099457-C

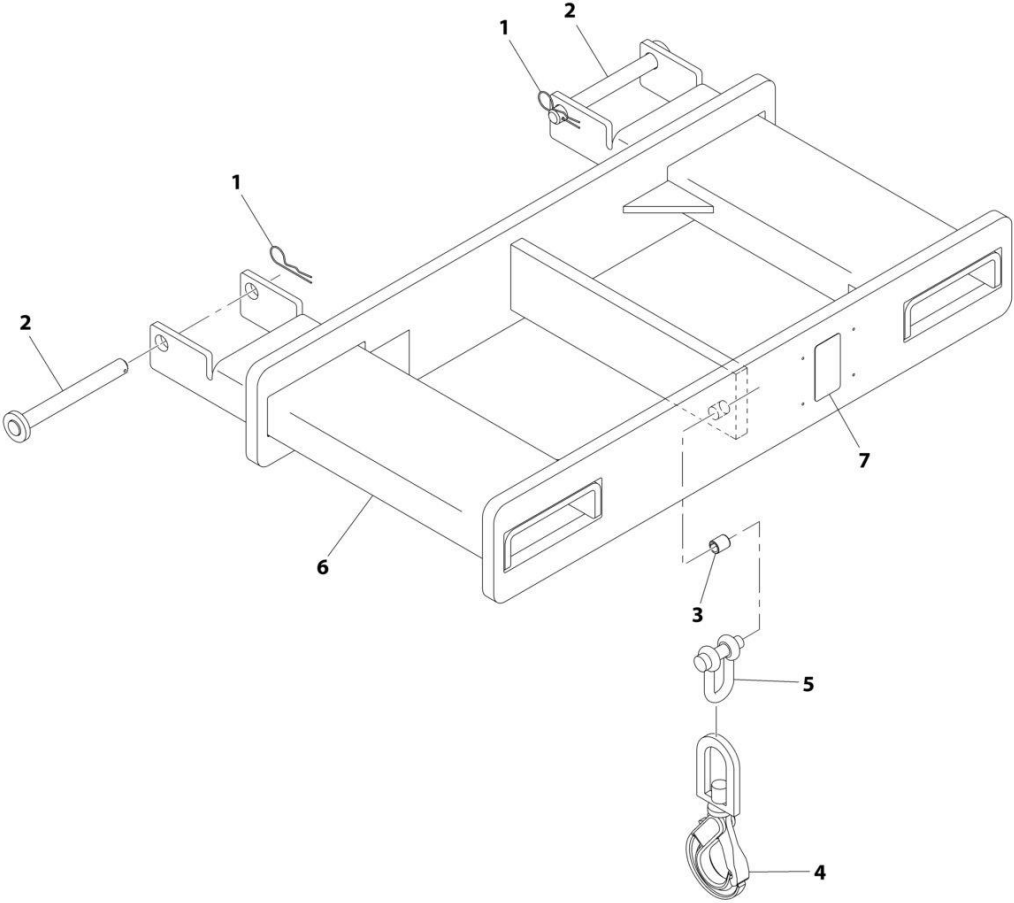
SECTION 3 - ATTACHMENTS

FIGURE 3-24. LUMBER FORK (40X150X1540)

ITEM	PART NUMBER	QTY	DESCRIPTION	REV
1	1001099457	2	Lumber Fork (1.5X6X60)	C
	Note	Ref	FORKS RATED LESS THAN THE ATTACHMENT OR MACHINE'S CAPACITY DECREASES CAPACITY OF THE ATTACHMENT OR MACHINE TO THAT OF THE FORKS. FORKS RATED MORE THAN THE ATTACHMENT OR MACHINE'S CAPACITY DO NOT INCREASE ATTACHMENT OR MACHINE'S CAPACITY.	
	Note	Ref	PLEASE CONSULT JLG PARTS DEPARTMENT TO DETERMINE THE CORRECT FORKS APPLICABLE TO YOUR SPECIFIC CARRIAGE ASSEMBLY AND APPLICATION.	

SECTION 3 - ATTACHMENTS

FIGURE 3-25. FORK MOUNTED HOOK (4 TON)



ART_1001097205-I

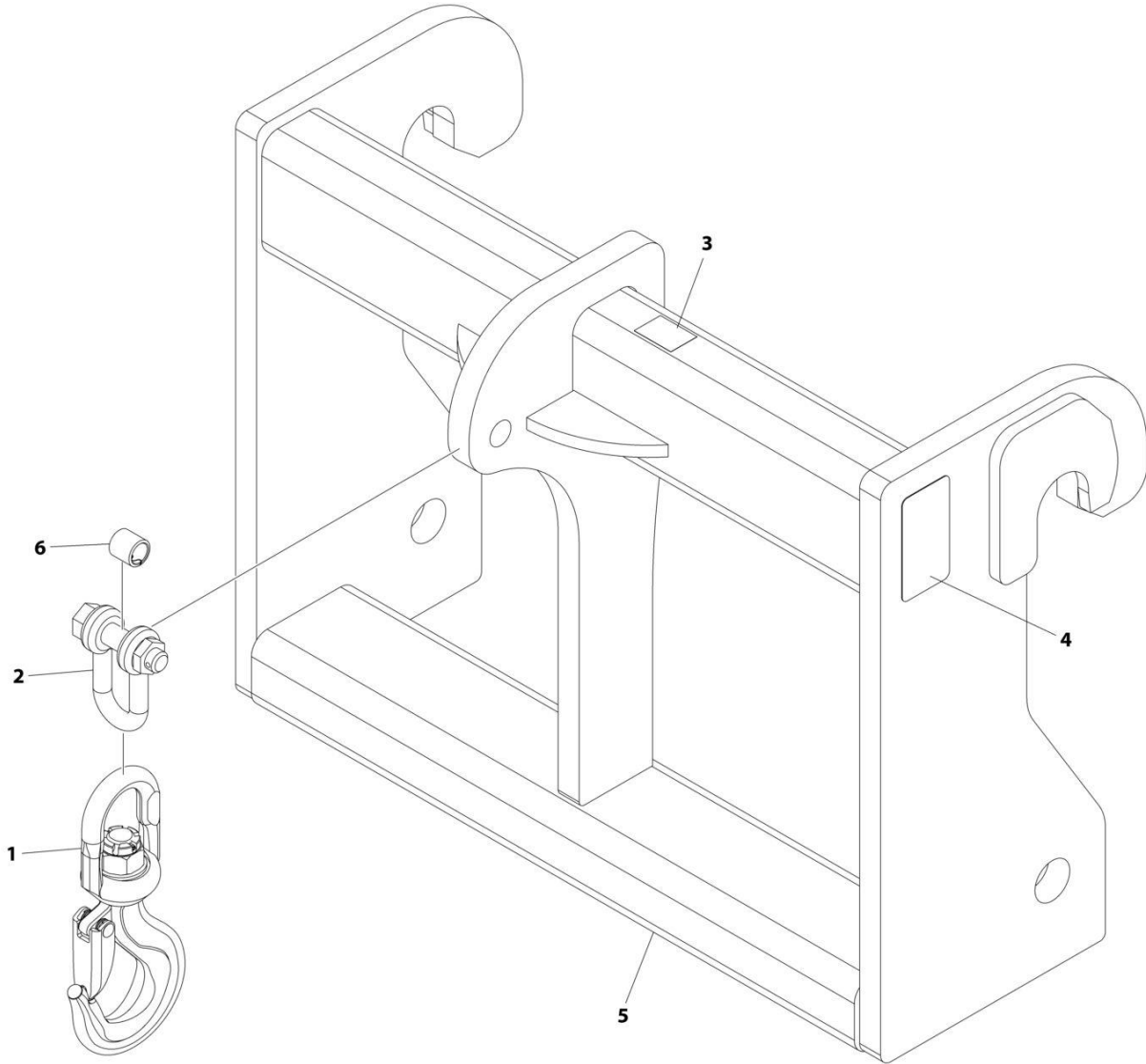
SECTION 3 - ATTACHMENTS

FIGURE 3-25. FORK MOUNTED HOOK (4 TON)

ITEM	PART NUMBER	QTY	DESCRIPTION	REV
	1001097205	Ref	Fork Mounted Hook (4 Ton)	J
1	7029520	2	Pin, Cotter	
2	1001093171	2	Pin	
3	70020555	1	Bushing	
4	90554080	1	Hook	
5	7029521	1	Shackle	
6	See Note	NSS	Frame, Hook (Note: Purchase Complete Assembly)	
7	See Note	NSS	S/N Plate (Note: Stamped Part - Not Available for Purchase)	

SECTION 3 - ATTACHMENTS

FIGURE 3-26. LIFTING HOOK ASSEMBLY, STANDARD



ART_1001242509

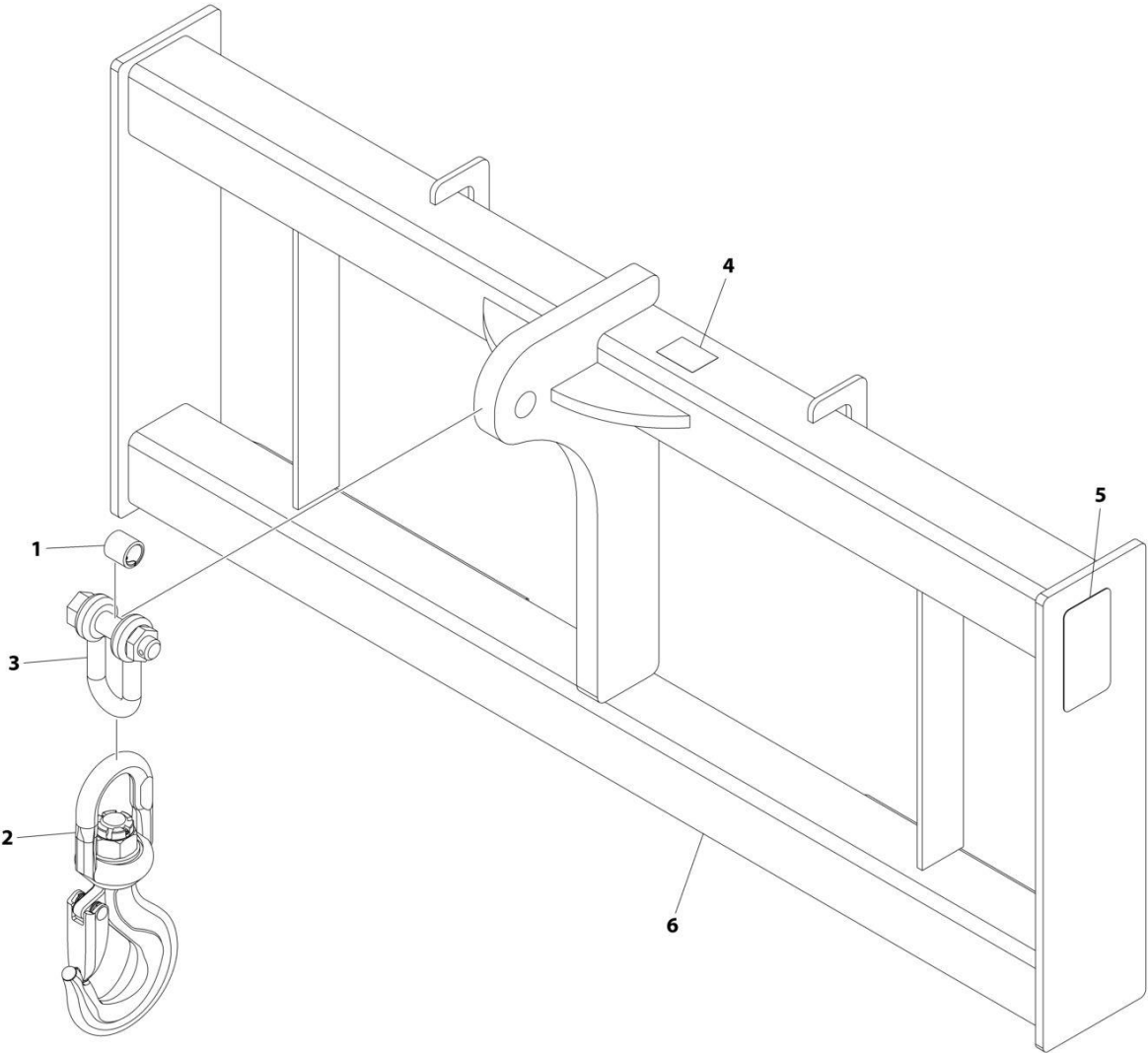
SECTION 3 - ATTACHMENTS

FIGURE 3-26. LIFTING HOOK ASSEMBLY, STANDARD

ITEM	PART NUMBER	QTY	DESCRIPTION	REV
	1001242509	Ref	LIFTING HOOK ASSEMBLY, STANDARD	C
1	90554080	1	Hook, Swivel	
2	7029521	1	Chain, Shackle	
3	90554016	1	Decal - USA	
4	See Note	NSS	Serial Tag (Note: Not Available for Purchase)	
5	See Note	NSS	Weldment (Note: Not Available for Purchase)	
6	70029498	1	Bushing	

SECTION 3 - ATTACHMENTS

FIGURE 3-27. LIFTING HOOK ASSEMBLY, UNIVERSAL



ART_1001242510

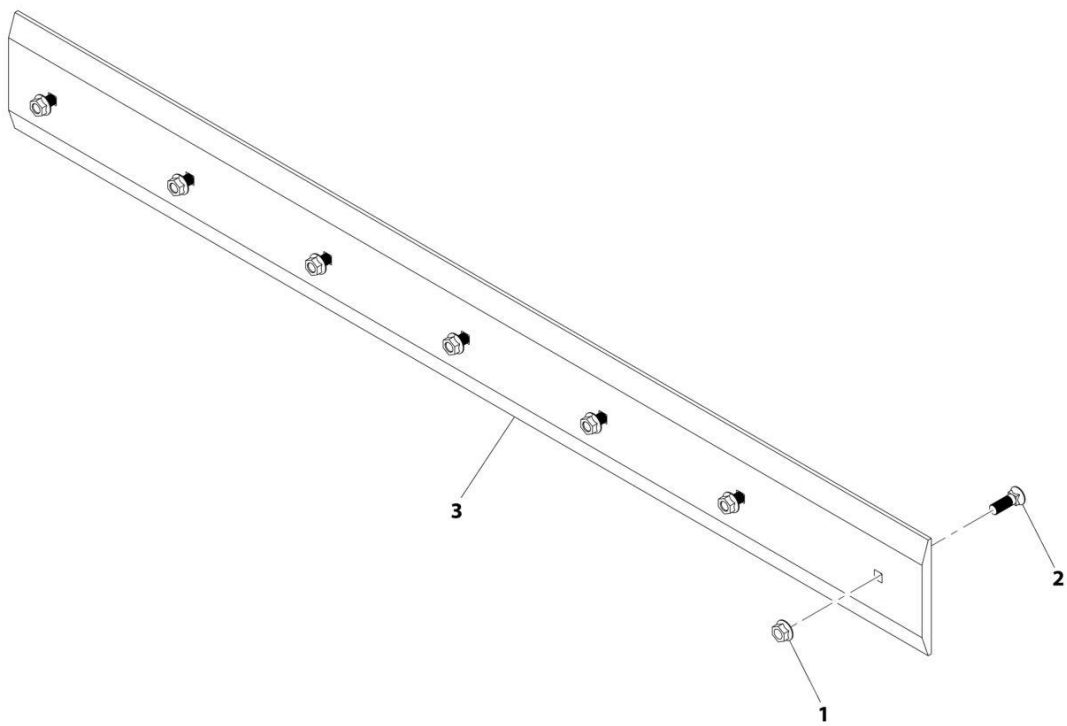
SECTION 3 - ATTACHMENTS

FIGURE 3-27. LIFTING HOOK ASSEMBLY, UNIVERSAL

ITEM	PART NUMBER	QTY	DESCRIPTION	REV
	1001242510	Ref	LIFTING HOOK ASSEMBLY, UNIVERSAL	C
1	70029498	1	Bushing	
2	90554080	1	Hook, Swivel	
3	7029521	1	Chain, Shackle	
4	90554016	1	Decal - USA	
5	See Note	NSS	Serial Tag (Note: Not Available for Purchase)	
6	See Note	NSS	Weldment (Note: Not Available for Purchase)	

SECTION 3 - ATTACHMENTS

FIGURE 3-28. BOLT-ON EDGE ASSEMBLY, 72"



ART_1001162898 -A

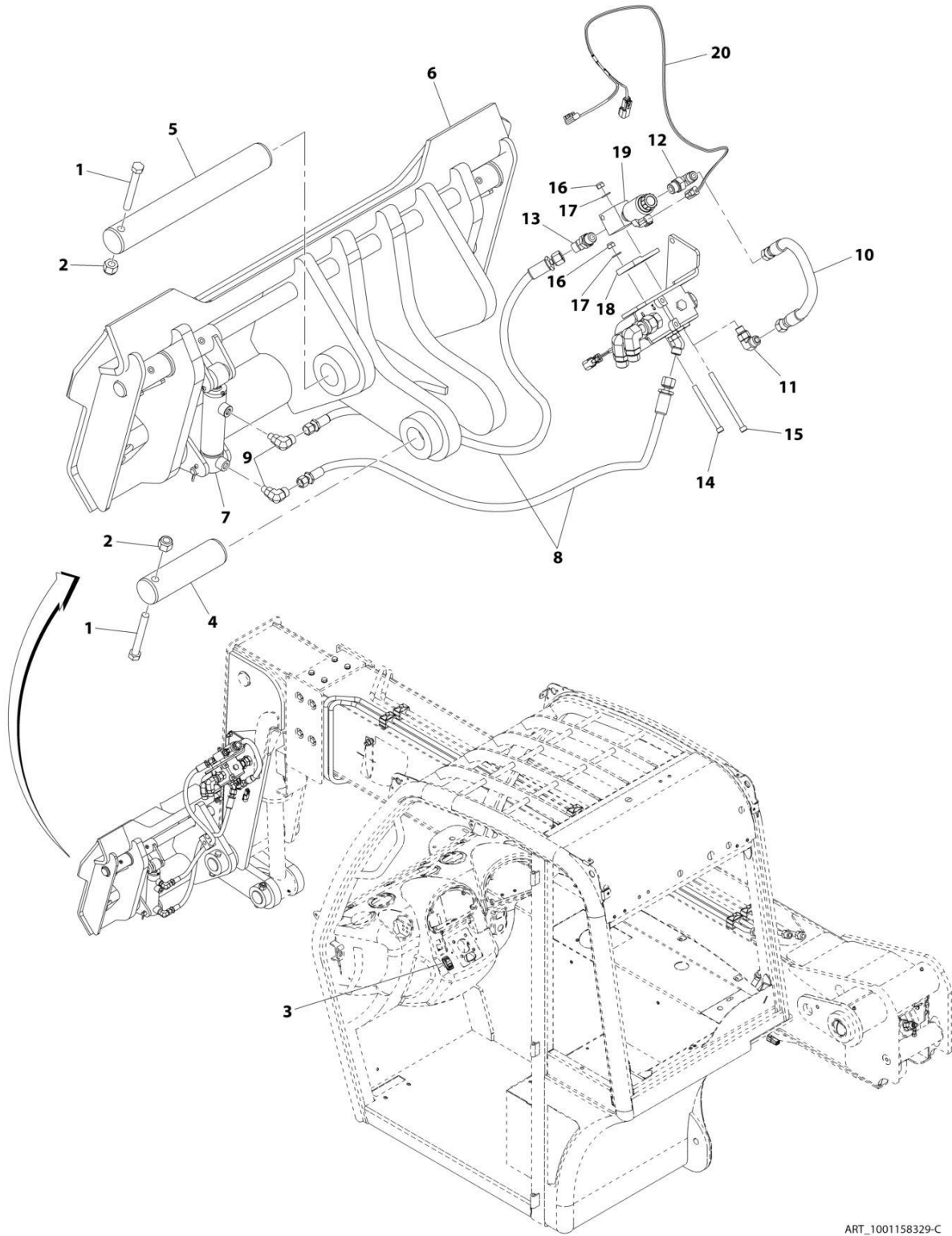
SECTION 3 - ATTACHMENTS

FIGURE 3-28. BOLT-ON EDGE ASSEMBLY, 72"

ITEM	PART NUMBER	QTY	DESCRIPTION	REV
1	1001162898	1	Bolt-On Edge Assembly, 72"	A

SECTION 3 - ATTACHMENTS

FIGURE 3-29. HYDRAULIC QUICK SWITCH INSTALLATION



ART_1001158329-C

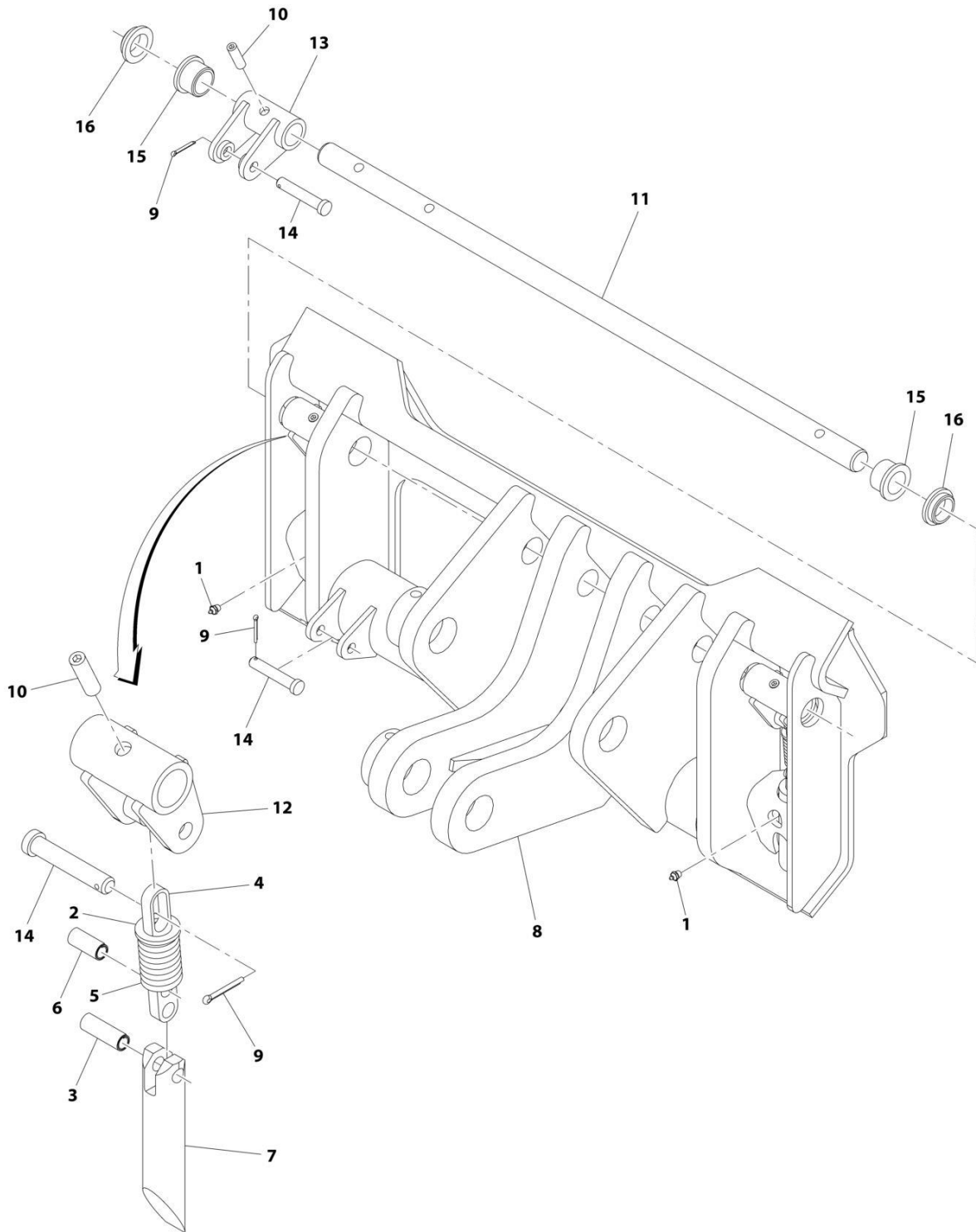
SECTION 3 - ATTACHMENTS

FIGURE 3-29. HYDRAULIC QUICK SWITCH INSTALLATION

ITEM	PART NUMBER	QTY	DESCRIPTION	REV
	1001158329	Ref	Installation, Hydraulic Quick Switch	C
1	0641832	2	Bolt, 1/2-13X4	
2	88521208	2	Nut, Lock 1/2-13	
3	1001080375	1	Switch	
4	1001097728	1	Pin, Fork	
5	1001097729	1	Pin, Pivot	
6	1001158352	1	Assembly, Quick Switch (See Separate Breakdown in this Section)	
7	1001160926	1	Cylinder, Fork Locking	
8	1001161759	2 in	Hose	
9	2130604	2	Fitting, 90	
10	1001137106	1	Hose	
11	2130606	1	Fitting, 90	
12	2130608	1	Fitting, 90	
13	2150608	1	Fitting	
14	3931556	1	Socket Screw, 5-16-18X3-1/2	
15	3931572	1	Socket Screw, 5-16X4.50	
16	8305626	2	Nut, Lock .312-18	
17	8307106	2	Washer, .312	
18	1001207768	1	Bracket, Valve	
19	1001207926	1	Assembly, Valve Block (See Separate Breakdown in Hydraulic Components Section)	
20	1001209009	1	Harness, Valve Jumper (See Separate Breakdown in Electrical Components Section)	

SECTION 3 - ATTACHMENTS

FIGURE 3-30. QUICK SWITCH ASSEMBLY



ART_1001158352-D

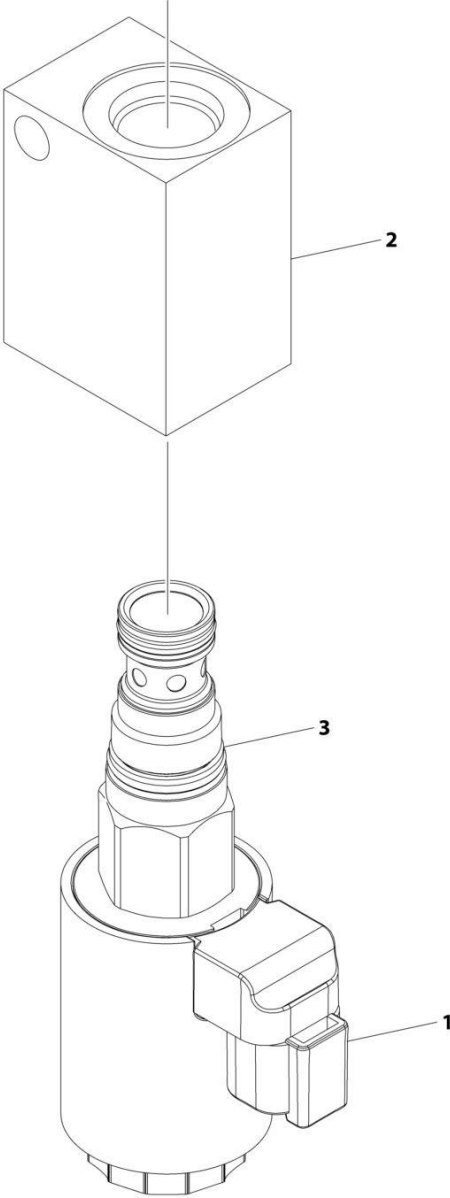
SECTION 3 - ATTACHMENTS

FIGURE 3-30. QUICK SWITCH ASSEMBLY

ITEM	PART NUMBER	QTY	DESCRIPTION	REV
	1001158352	Ref	Quick Switch Assembly	D
1	1001008479	2	Grease Fitting	
2	1001009094	2	Washer	
3	1001061633	2	Spring Pin	
4	1001178059	2	Plate, Quick Switch	
5	1001061660	2	Spring	
6	1001061662	2	Spring Pin	
7	1001061891	2	Pin	
8	N.S.S.	1	Weldment, Quick Switch	
9	3391410	4	Split Pin	
10	3951814	3	Setscrew .50-13X1.75	
11	1001158330	1	Rod, Quick Switch	
12	1001158331	2	Support, Quick Switch Link	
13	1001158336	1	Support, Quick Switch Cylinder	
14	1001161604	4	Lock Pin	
15	1001161606	2	Bushing	
16	1001161607	2	Bushing	

SECTION 3 - ATTACHMENTS

FIGURE 3-31. BLOCK VALVE ASSEMBLY



ART_1001207926_B

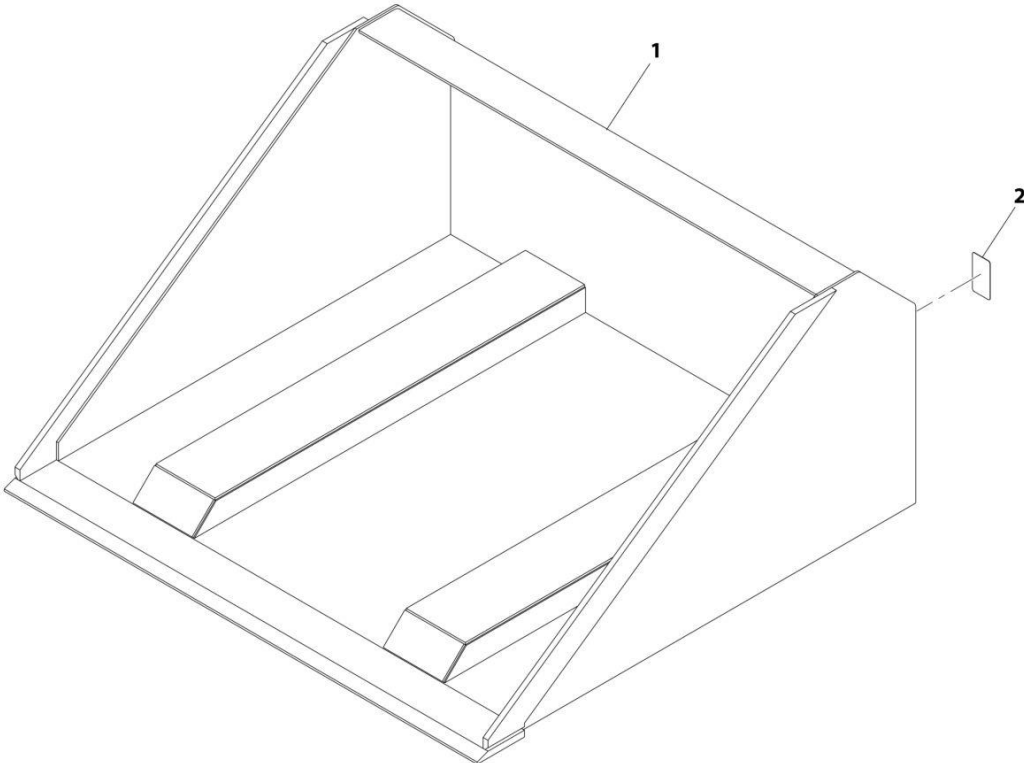
SECTION 3 - ATTACHMENTS

FIGURE 3-31. BLOCK VALVE ASSEMBLY

ITEM	PART NUMBER	QTY	DESCRIPTION	REV
	1001207926	Ref	VALVE BLOCK ASSEMBLY	B
1	1001264879	1	Coil	
2	1001207924	1	Manifold	
3	1001264878	1	Vale, Poppet	

SECTION 3 - ATTACHMENTS

FIGURE 3-32. FORK MOUNTED BUCKET (1.0 M³)



ART_1001195970-D

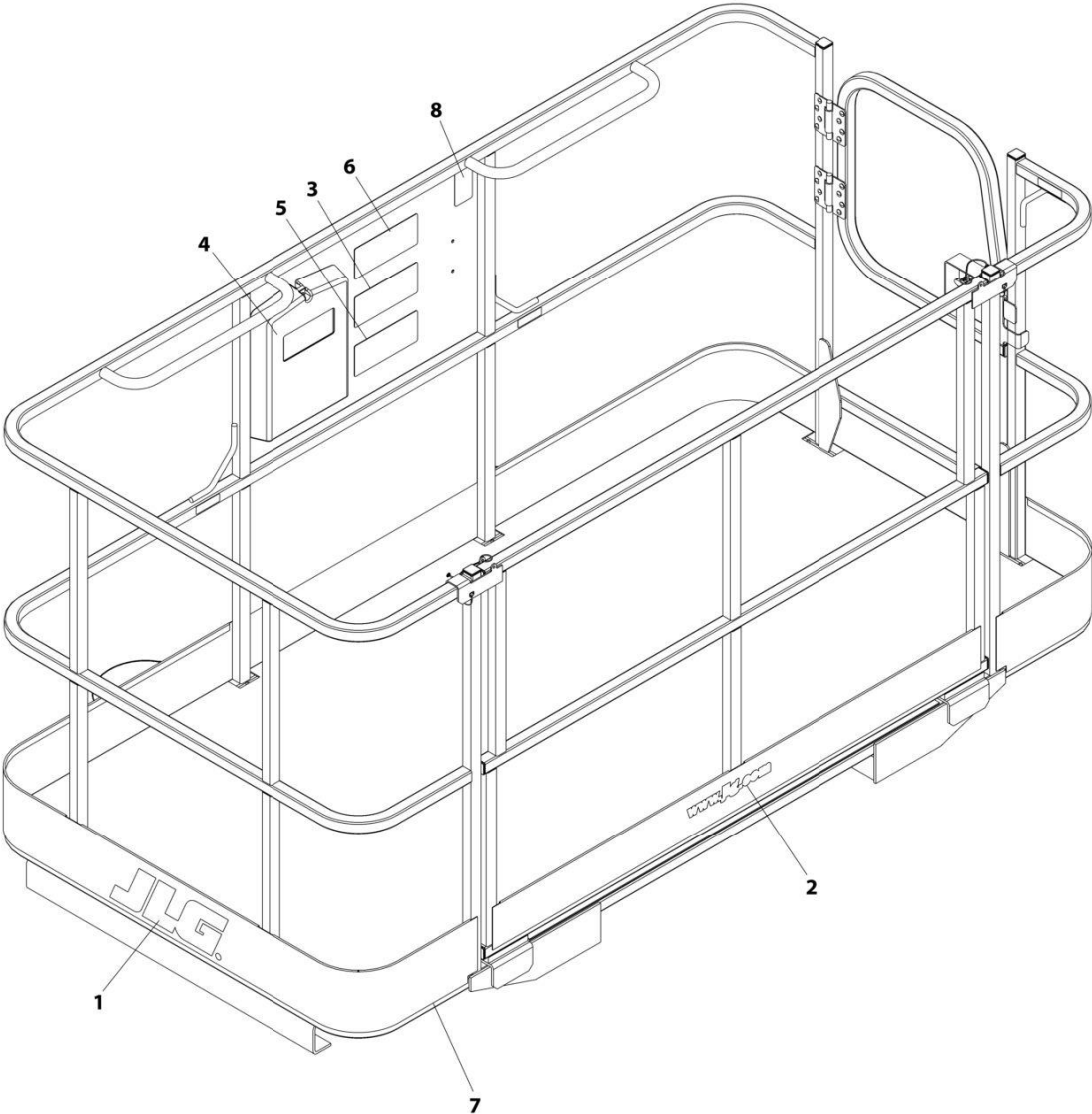
SECTION 3 - ATTACHMENTS

FIGURE 3-32. FORK MOUNTED BUCKET (1.0 M³)

ITEM	PART NUMBER	QTY	DESCRIPTION	REV
1	1001195970	Ref	Bucket 1.0 m ³ (Fork Mounted)	E
2	See Note	NSS	S/N Plate (Note: Stamped Part - Not Available for Purchase)	

SECTION 3 - ATTACHMENTS

FIGURE 3-33. BASKET, PERSONNEL (1.2MX2.4M) (DOMESTIC)



ART_1001238653-A

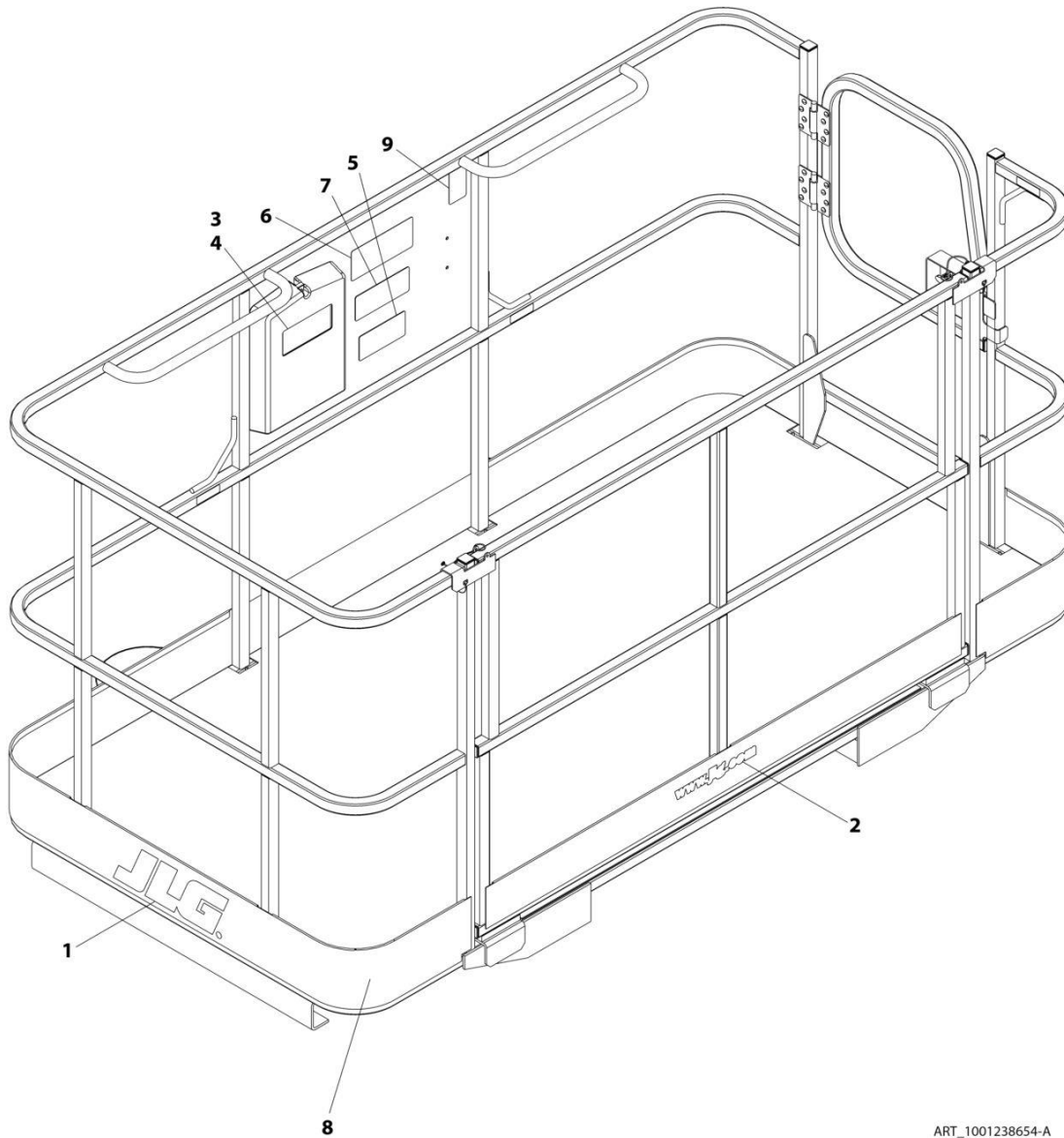
SECTION 3 - ATTACHMENTS

FIGURE 3-33. BASKET, PERSONNEL (1.2MX2.4M) (DOMESTIC)

ITEM	PART NUMBER	QTY	DESCRIPTION	REV
	1001238653	Ref	FORK MOUNTED PLATFORM	B
1	1702773	2	Decal, JLG	
2	1704885	1	Decal, Website	
3	1706892	1	Decal, Platform Warning	
4	31200160	1	Manual, Personnel Work Platform Operation and Safety	
5	1001092481	1	Decal, Warning Attachment	
6	1001092482	1	Decal, Platform Capacity	
7	1001238565	1	Platform, Fork Mounted (See Separate Breakdown in this Section)	
8	See Note	NSS	SN Plate (Note: Stamped Part - Not Available for Purchase)	

SECTION 3 - ATTACHMENTS

FIGURE 3-34. BASKET, PERSONNEL (1.2MX2.4M) (ISO)



ART_1001238654-A

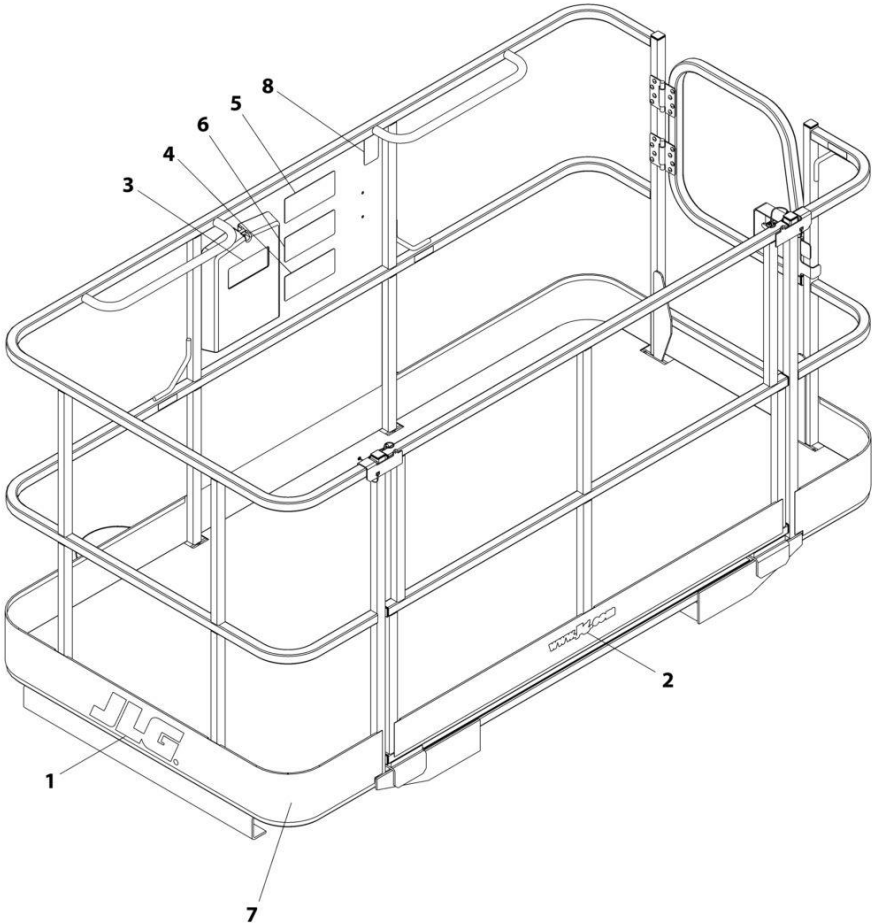
SECTION 3 - ATTACHMENTS

FIGURE 3-34. BASKET, PERSONNEL (1.2MX2.4M) (ISO)

ITEM	PART NUMBER	QTY	DESCRIPTION	REV
	1001238654	Ref	BASKET, PERSONNEL	B
1	1702773	2	Decal, JLG	
2	1704885	1	Decal, Website	
3	31200387	1	Manual, Operation and Safety, Spanish	
4	31200388	1	Manual, Operation and Safety, Portuguese	
5	1001096021	1	Decal, Warning Attachment	
6	1001096023	1	Decal, Platform Capacity	
7	1001096025	1	Decal, Platform Warning	
8	1001238565	1	Platform, Fork Mounted (ANSI) (See Separate Breakdown in this Section)	
9	See Note	NSS	SN Plate (Note: Stamped Part - Not Available for Purchase)	

SECTION 3 - ATTACHMENTS

FIGURE 3-35. BASKET, PERSONNEL (1.2MX2.4M) (FRENCH)



ART_1001238655-A

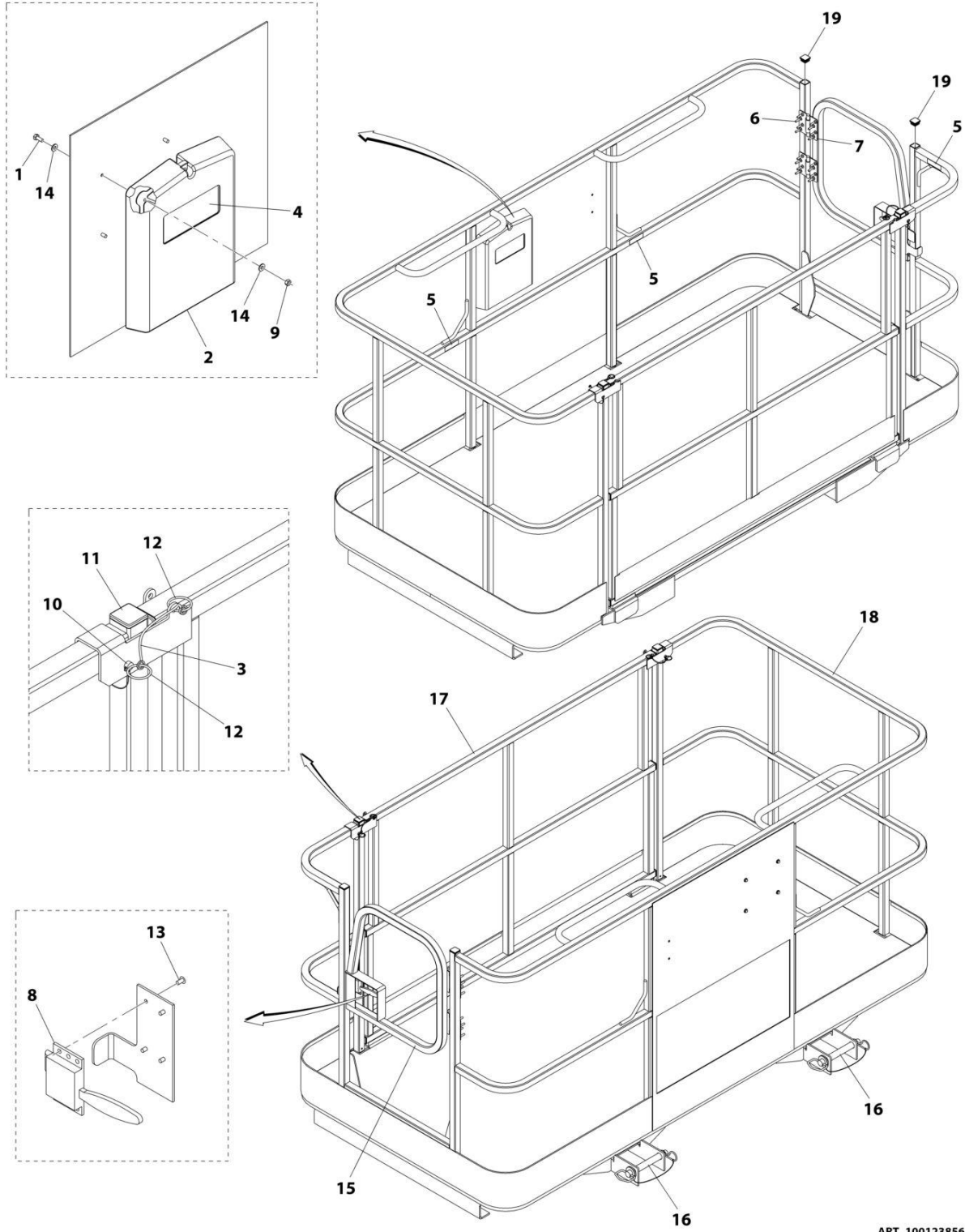
SECTION 3 - ATTACHMENTS

FIGURE 3-35. BASKET, PERSONNEL (1.2MX2.4M) (FRENCH)

ITEM	PART NUMBER	QTY	DESCRIPTION	REV
	1001238655	Ref	BASKET, PERSONNEL	B
1	1702773	2	Decal, JLG	
2	1704885	1	Decal, Website	
3	31200386	1	Manual, Operation and Safety (French)	
4	1001096019	1	Decal, Warning Attachment (French)	
5	1001096020	1	Decal, Platform Capacity (French)	
6	1001096024	1	Decal, Platform Warning (French)	
7	1001238565	1	Platform, Fork Mounted (ANSI) (See Separate Breakdown in this Section)	
8	See Note	NSS	SN Plate (Note: Stamped Part - Not Available for Purchase)	

SECTION 3 - ATTACHMENTS

FIGURE 3-36. FORK MOUNTED PLATFORM



ART_1001238565

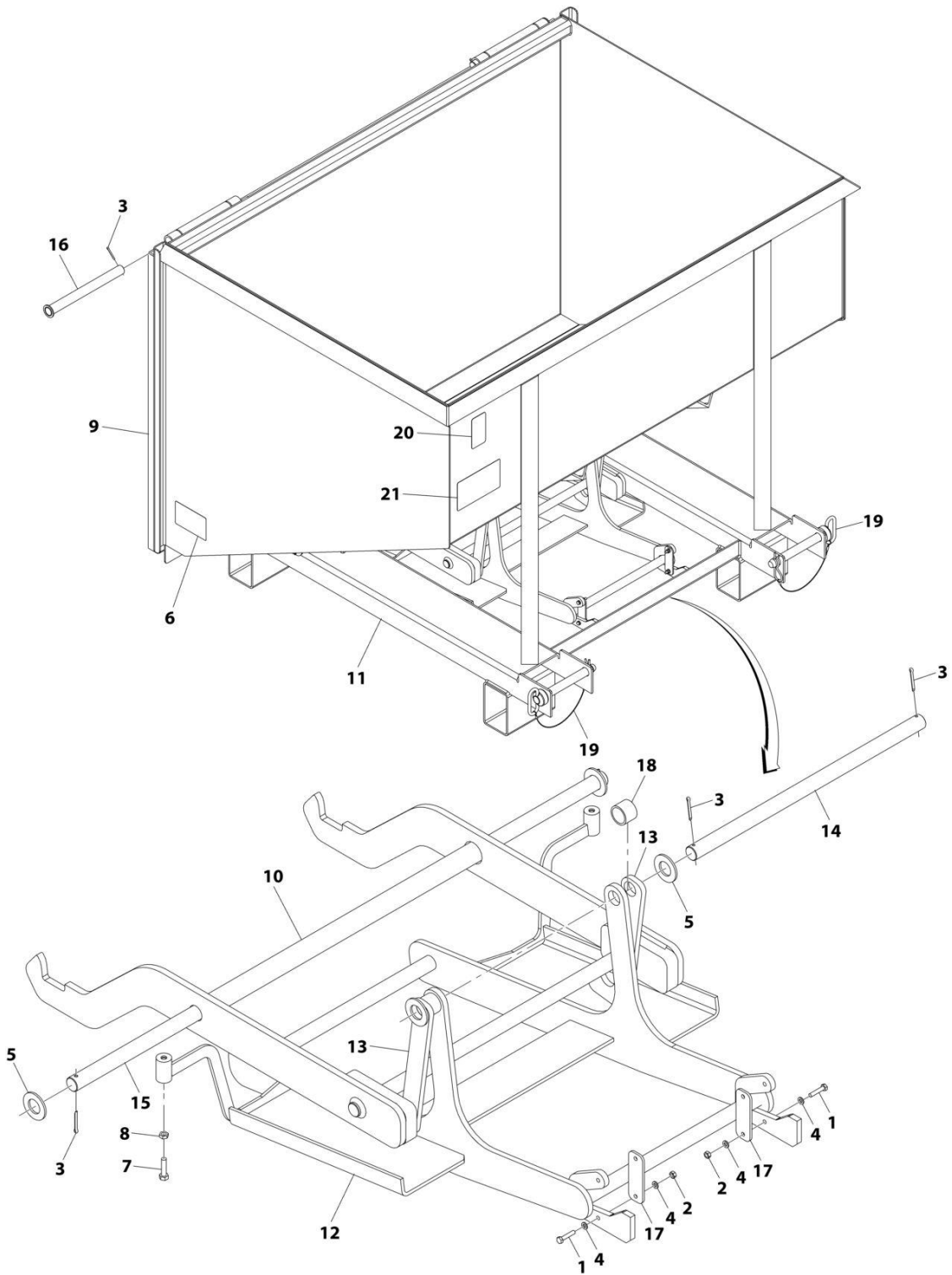
SECTION 3 - ATTACHMENTS

FIGURE 3-36. FORK MOUNTED PLATFORM

ITEM	PART NUMBER	QTY	DESCRIPTION	REV
	1001238565	Ref	FORK MOUNTED PLATFORM ASSEMBLY	F
1	0641405	4	Bolt 1/4 x 5/8	
2	0860520	1	Box, Manual Storage	
3	1060379	2	Cable, Lanyard	
4	1701509	1	Decal, Manual	
5	1704277	3	Decal, Lanyard Attach	
6	2080040	16	Fastener	
7	2600281	2	Hinge	
8	2940074	1	Latch	
9	3311405	4	Nut 1/4	
10	3421453	2	Pin	
11	3520072	7	Plug	
12	3760170	4	Ring	
13	3820020	4	Rivet	
14	4711400	8	Washer 1/4	
15	1001144629J	1	Gate	
16	1001238560	2	Pin, Hitch	
17	1001095810	1	Gate	
18	See Note	NSS	Platform, Fork Mounted	
19	3520198	4	Plug	

SECTION 3 - ATTACHMENTS

FIGURE 3-37. TRASH HOPPER INSTALLATION



ART_1001238566-B

SECTION 3 - ATTACHMENTS

FIGURE 3-37. TRASH HOPPER INSTALLATION

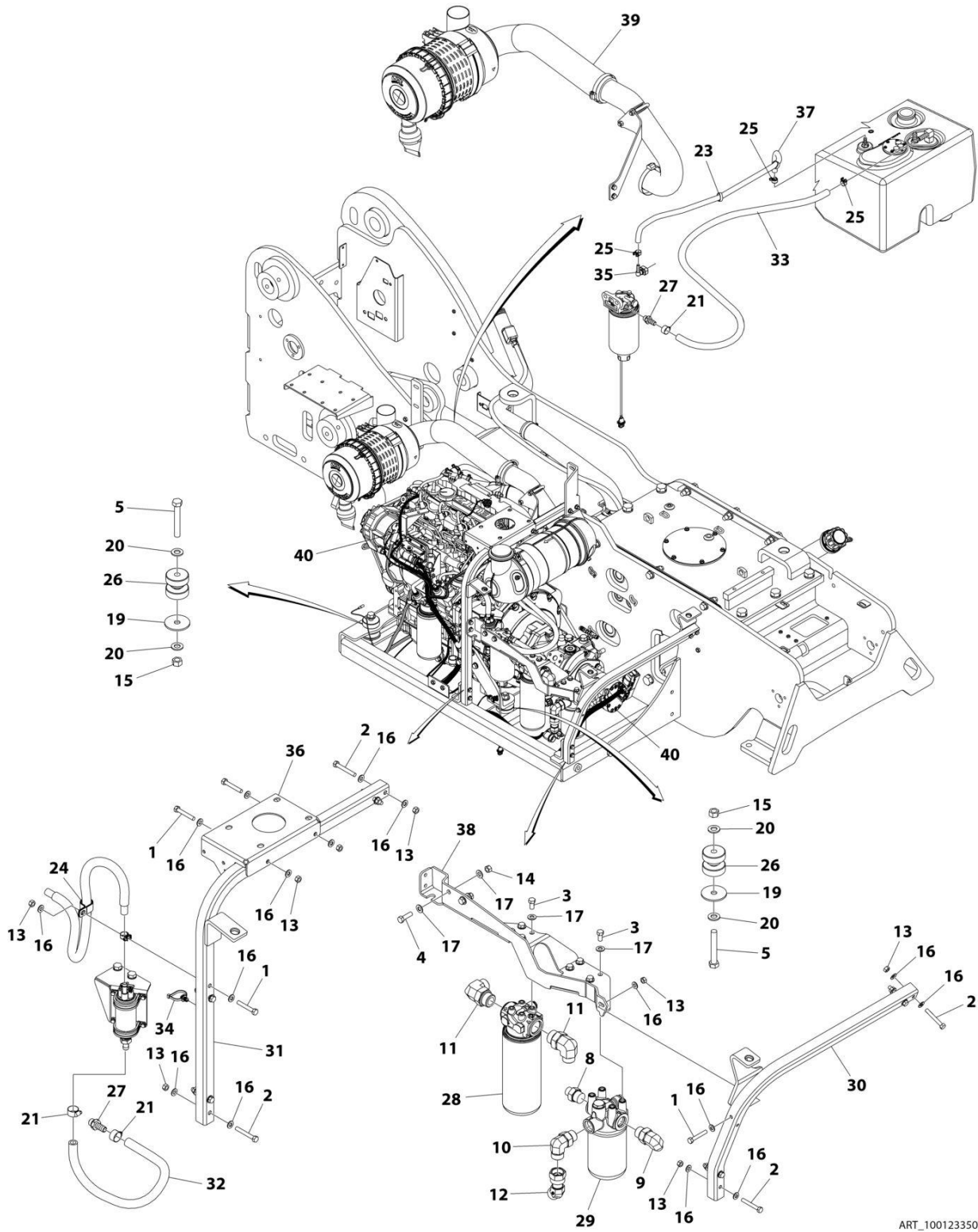
ITEM	PART NUMBER	QTY	DESCRIPTION	REV
	1001238566	Ref	FORK MOUNTED TRASH HOPPER	C
1	0700614	4	Bolt M6 x 30	
2	3290601	4	Nut M6 x 1	
3	3391410	6	Pin	
4	4811700	8	Washer M6	
5	5242400	4	Washer M24	
6	1706302	2	Decal, Pinch Point	
7	0641510	2	Bolt 5/16 x 1-1/4	
8	3311502	2	Nut 5/16	
9	1001192711	1	Door Assembly	
10	1001192720	1	Hook Assembly	
11	See Note	NSS	Hopper, Trash (Note: Purchase Complete Assembly)	
12	1001192875	1	Tray Assembly	
13	1001192876	2	Arm, Swing	
14	1001192877	1	Rod, Swing	
15	1001238570	1	Bar	
16	1001193540	2	Pin	
17	1001193729	2	Plate	
18	1001198355	2	Spacer	
19	1001238560	2	Pin	
20	See Note	NSS	SN Plate (Note: Stamped Part - Not Available for Purchase)	
21	1001203503	1	Decal, Trash Hopper Operation	

SECTION 4 - ENGINE AND ATTACHING PARTS

SECTION 4 - ENGINE AND ATTACHING PARTS

SECTION 4 - ENGINE AND ATTACHING PARTS

FIGURE 4-1. ENGINE INSTALLATION



ART_1001233502

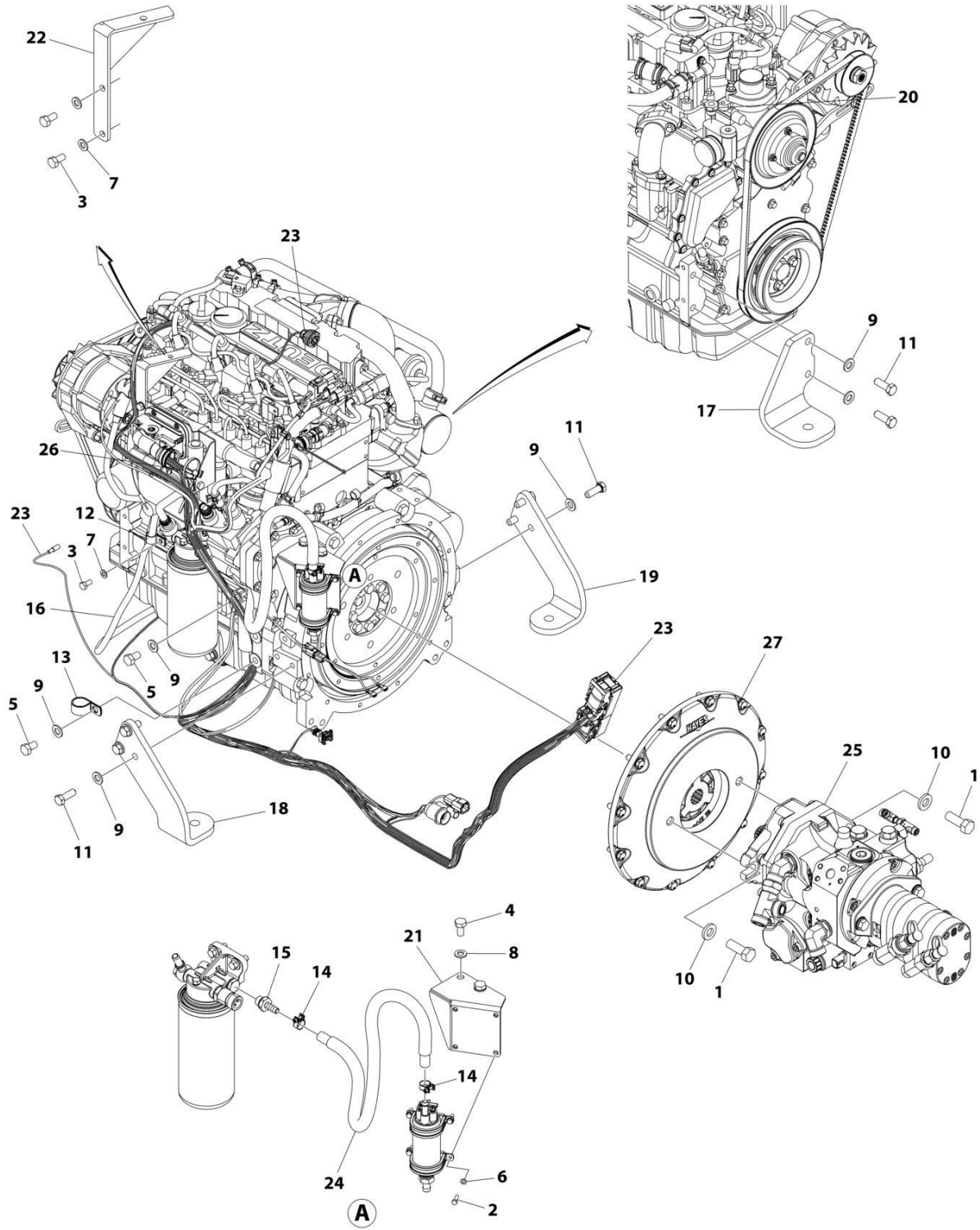
SECTION 4 - ENGINE AND ATTACHING PARTS

FIGURE 4-1. ENGINE INSTALLATION

ITEM	PART NUMBER	QTY	DESCRIPTION	REV
	1001233502	Ref	Engine Installation	D
1	0681516	5	Bolt 5/16 x 2	
2	0681518	8	Bolt 5/16 x 2-1/4	
3	0681606	8	Bolt 3/8 x 3/4	
4	0681610	2	Bolt 3/8 x 1-1/4	
5	0682034	4	Bolt 5/8 x 4-1/4	
8	2110812	1	Fitting, Straight ORFS/ORB	
9	2130812	1	Fitting, 90 ORFS/ORB	
10	2131212	1	Fitting, 90 ORFS/ORB	
11	2131216	2	Fitting, 90 ORFS/ORB	
12	2172112	1	Fitting, 90 ORFS/FSORFS	
13	3271501	13	Nut 5/16	
14	3271601	2	Nut 3/8	
15	3272001	4	Nut 5/8	
16	4711500	26	Washer 5/16	
17	4711600	12	Washer 3/8	
19	7300435	4	Washer, Rebound	
20	8310058	8	Washer	
21	8405006	3	Clamp	
23	8881800	2	Tie Strap	
24	85941017	1	Clamp	
25	1001136975	3	Clamp	
26	1001141027	4	Mount, Isolator	
27	1001141718	2	Tube	
28	1001141975	Ref	Hydraulic Filter Assembly (See Separate Breakdown in HYDRAULIC CIRCUITS Section)	
29	1001141976	Ref	Charge Pump Filter Assembly (See Separate Breakdown in HYDRAULIC CIRCUITS Section)	
30	1001143879	1	Support	
31	1001143880	1	Support	
32	1001144106	1	Hose	
33	1001144133	1	Hose	
34	1001146588	1	Tie Strap	
35	1001155823	1	Coupling, 90 Quick Connect	
36	1001156243	1	Plate	
37	1001158561	1	Hose	
38	1001189305	1	Bracket	
39	1001193752	Ref	Air Cleaner Installation (See Separate Breakdown in this Section)	
40	1001233503	Ref	Engine Installation (See Separate Breakdown in this Section)	

SECTION 4 - ENGINE AND ATTACHING PARTS

FIGURE 4-2. ENGINE INSTALLATION



ART_1001233503_F

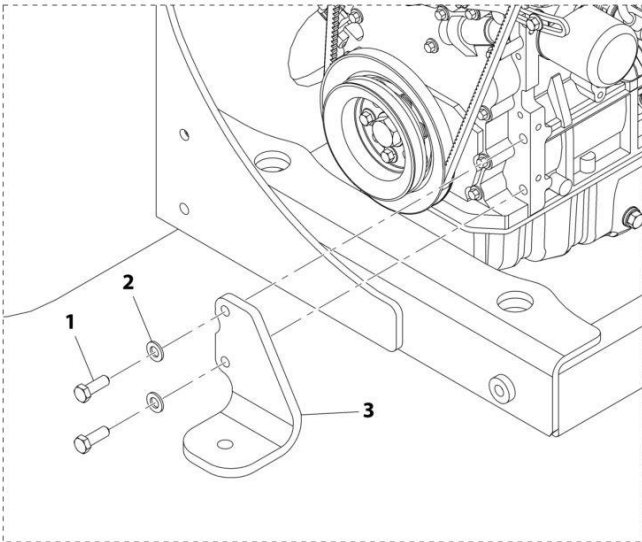
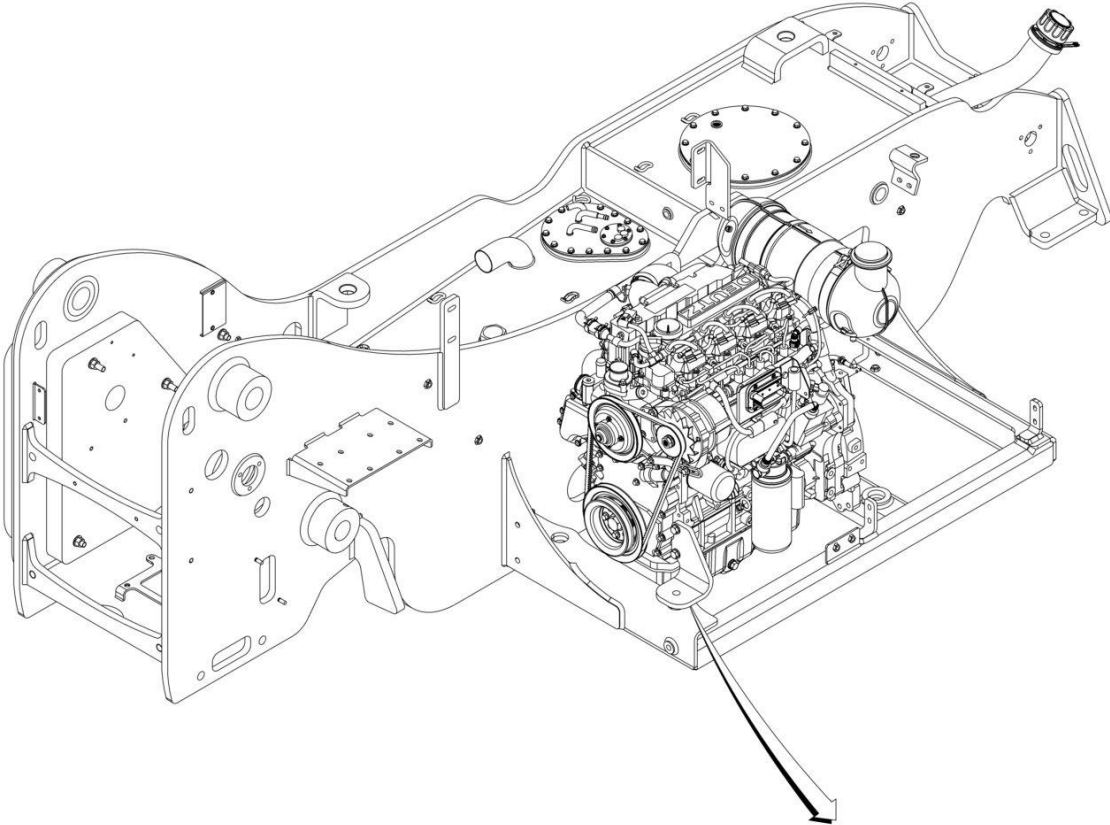
SECTION 4 - ENGINE AND ATTACHING PARTS

FIGURE 4-2. ENGINE INSTALLATION

ITEM	PART NUMBER	QTY	DESCRIPTION	REV
	1001233503	Ref	Engine Installation	F
1	0642014	2	Screw 5/8 x1-3/4	
2	0760508	4	Bolt M5 x 16	
3	0760808	3	Bolt M8 x 16	
4	0761010	2	Bolt M10 x 20	
5	0761210	2	Bolt M12 x 20	
6	4811600	4	Washer M5	
7	4811900	3	Washer M8	
8	4812000	2	Washer M10	
9	4812100	10	Washer M12	
10	4892000	2	Washer 5/8	
11	8310297	8	Bolt M12 x 35	
12	8406112	1	Clip	
13	80673023	1	Clip	
14	1001136975	2	Fuel Hose Clamp	
15	1001141717	1	Hose Barb Fitting	
16	1001142242	1	150 AMP Link Harness	
17	1001143641	1	Engine Support	
18	1001143642	1	Engine Support	
19	1001143643	1	Engine Support	
20	1001143801	1	Plug, M16 x 1.5	
21	1001143839	1	Pump Bracket	
22	1001149828	1	Hose Support Plate	
23	1001258097	1	Engine Harness (See Separate Breakdown in ELECTRICAL Section)	
24	1001165200	1	Fuel Supply Engine Hose	
25	1001190821	1	Pump (See Separate Breakdown in this Section)	
26	1001228975	1	Clip, Tie Strap	
27	1001233451	1	Coupling Assembly	

SECTION 4 - ENGINE AND ATTACHING PARTS

FIGURE 4-3. ENGINE MOUNT INSTALLATION



ART_1001143678-C

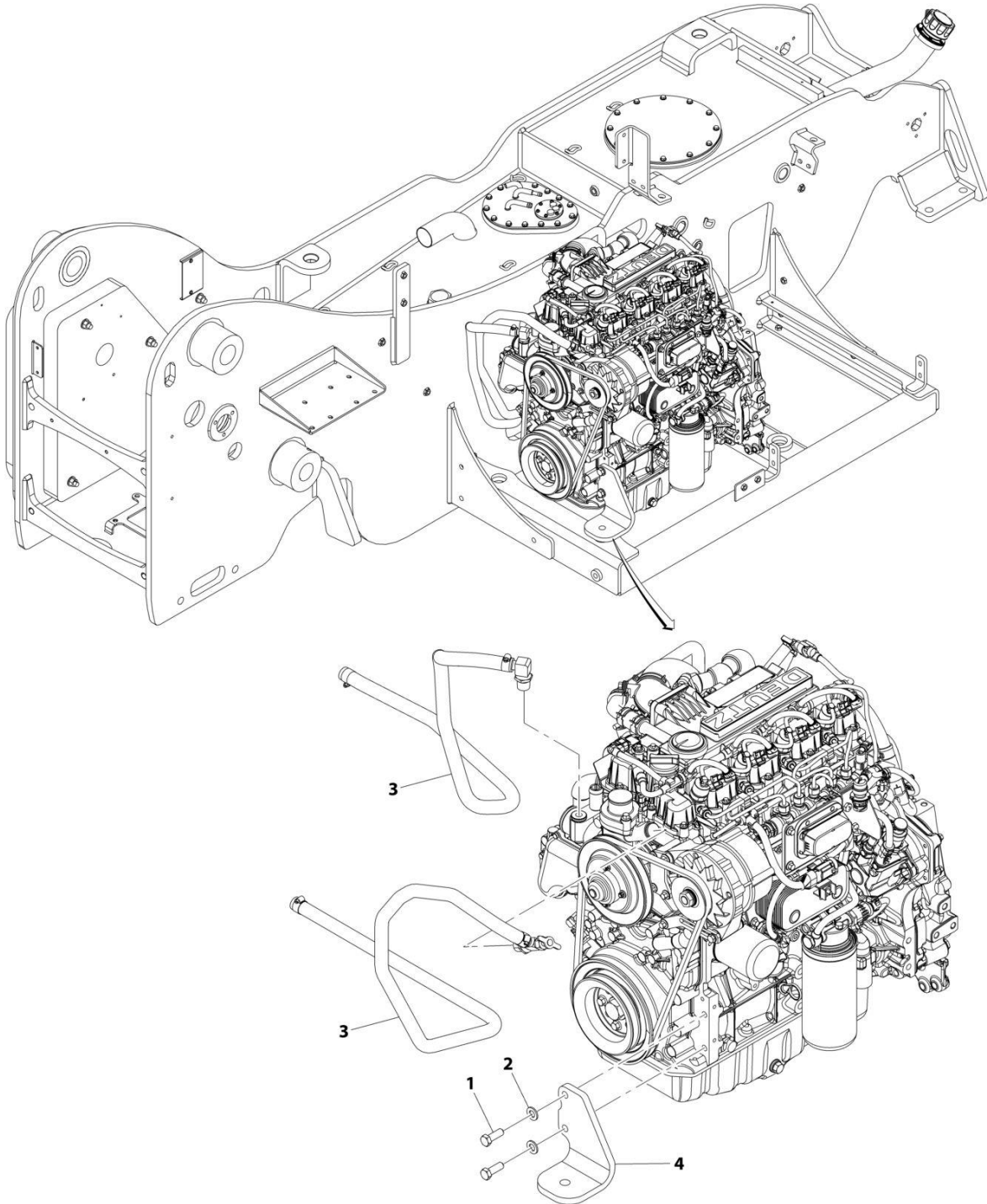
SECTION 4 - ENGINE AND ATTACHING PARTS

FIGURE 4-3. ENGINE MOUNT INSTALLATION

ITEM	PART NUMBER	QTY	DESCRIPTION	REV
	1001143678	Ref	Engine Mount Installation	C
1	8310297	2	Hex HD Capscrew, M12X35, GR10.9	
2	4812100	2	Washer, M12	
3	1001143640	1	Engine Support	

SECTION 4 - ENGINE AND ATTACHING PARTS

FIGURE 4-4. ENGINE MOUNT INSTALLATION, (HEATER)



ART_1001143677-C

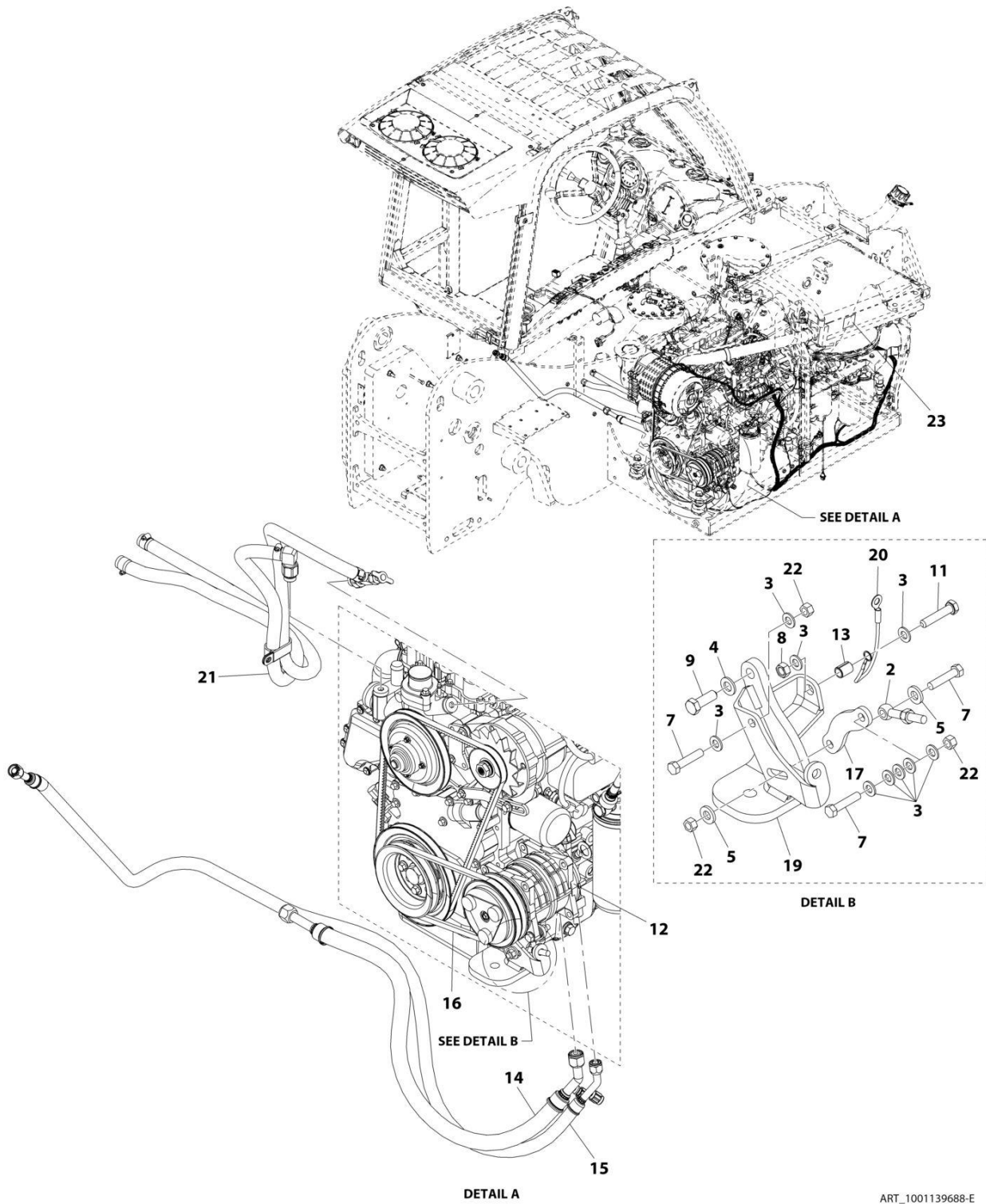
SECTION 4 - ENGINE AND ATTACHING PARTS

FIGURE 4-4. ENGINE MOUNT INSTALLATION, (HEATER)

ITEM	PART NUMBER	QTY	DESCRIPTION	REV
	1001143677	Ref	Engine Mount Installation, (Heater)	C
1	8310297	2	Hex HD Capscrew, M12X35, GR10.9	
2	4812100	2	Washer, M12	
3	1001139684	1	Heater Lines Installation (See Separate Breakdown in this Section)	
4	1001143640	1	Engine Support	

SECTION 4 - ENGINE AND ATTACHING PARTS

FIGURE 4-5. ENGINE MOUNT INSTALLATION, (HEATER & A/C)



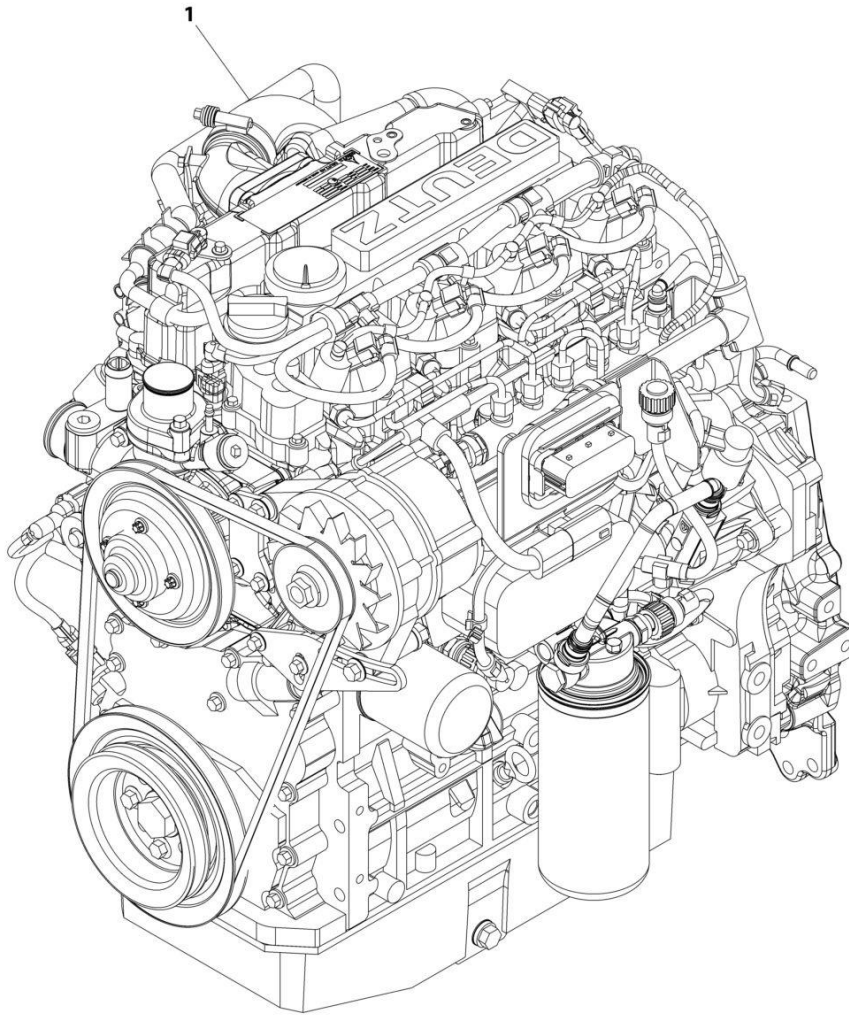
SECTION 4 - ENGINE AND ATTACHING PARTS

FIGURE 4-5. ENGINE MOUNT INSTALLATION, (HEATER & A/C)

ITEM	PART NUMBER	QTY	DESCRIPTION	REV
	1001139688	Ref	Engine Mount Installation, (Heater & A/C)	E
2	1001156849	1	Rod Assembly W/Locknut	
3	4812000	9	Washer, M10	
4	4812100	2	Washer, M12	
5	4891700	2	Washer, 7/16	
7	0681614	3	Hex HD Capscrew, 3/8-16X1-3/4	
8	8305038	1	Hex Nut, M10X1.5	
9	8310297	2	Hex HD Capscrew, M12X35, GR10.9	
11	8310748	1	Hex HD Capscrew, M10X50, GR8.8	
12	1001080789	1	A/C Compressor Pump	
13	1001131818	1	Sleeve, Split Bushing	
14	1001143815	1	Hose Assembly, Compressor To Evaporator	
15	1001143816	1	Hose Assembly, Compressor To Condenser	
16	1001144359	1	Belt	
17	1001144373	1	Tension Arm Plate	
19	1001144378	1	Engine/AC Mount Support	
20	1001147071	1	A/C Ground Harness	
21	1001139684	1	Heater Lines Installation (See Separate Breakdown in this Section)	
22	3271601	3	Hex Nut, 3/8-16, GR8	
23	1001227091	1	Decal, A/C Installation	

SECTION 4 - ENGINE AND ATTACHING PARTS

FIGURE 4-6. ENGINE (55.4KW - ULS)



ART_1001136095_H

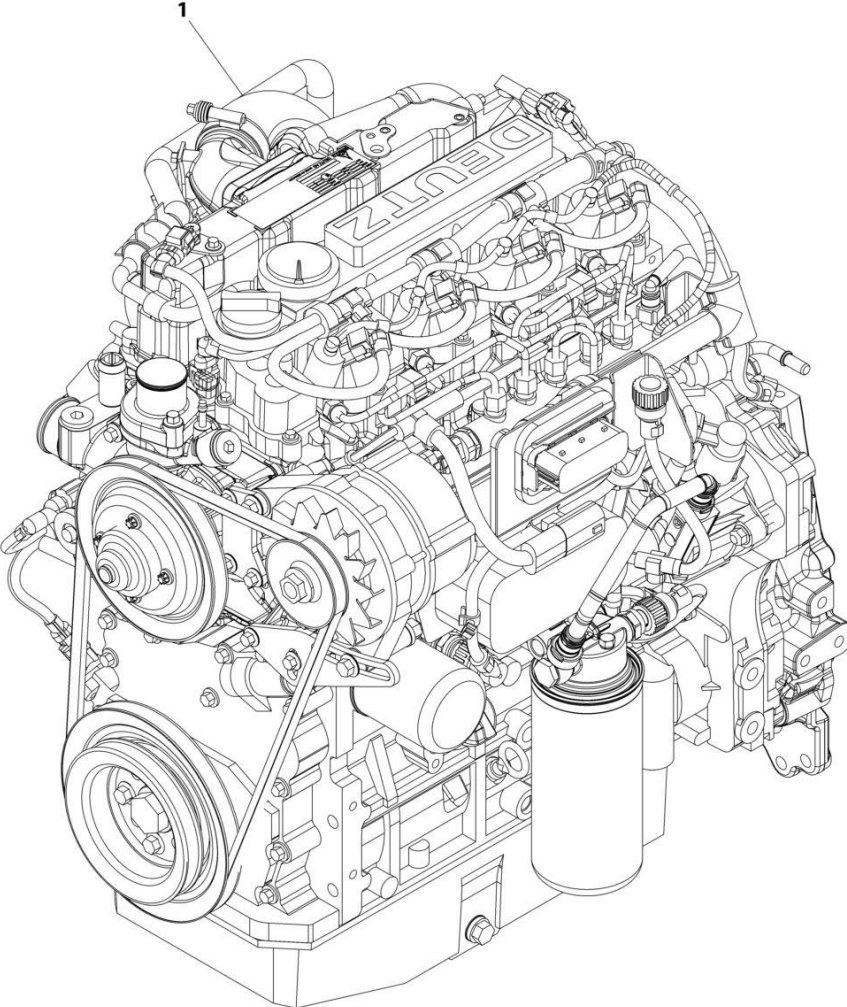
SECTION 4 - ENGINE AND ATTACHING PARTS

FIGURE 4-6. ENGINE (55.4KW - ULS)

ITEM	PART NUMBER	QTY	DESCRIPTION	REV
1	1001136095	Ref	ENGINE (55.4KW - ULS)	H
	70029015	1	Fan	
	3580158	1	Pulley	
	70025150	1	V-Grooved Pulley	
	1001225430	1	Filter, Fuel Primary	
	70029451	1	Fuel Filter	
	70025162	1	Oil Pan (Includes Items #2 & 3)	
	70028929	1	V-Grooved Pulley	
	70028540	1	Sender, Temperature	
	7016331	2	Filter, Oil	
	7020465	3	Cap, Filler	
	70025187	1	Fuel Injector	
	70024913	2	Narrow V-Belt	
	70006652	2	Alternator	
	70024915	2	Starter (Not Shown - Located on Left Side)	
	70024904	2	Dipstick (Includes Item #2)	
	70024911	2	Turbocharger	
	70005941	2	Plug, Oil	

SECTION 4 - ENGINE AND ATTACHING PARTS

FIGURE 4-7. ENGINE (55.4KW - LS)



ART_1001139668_H

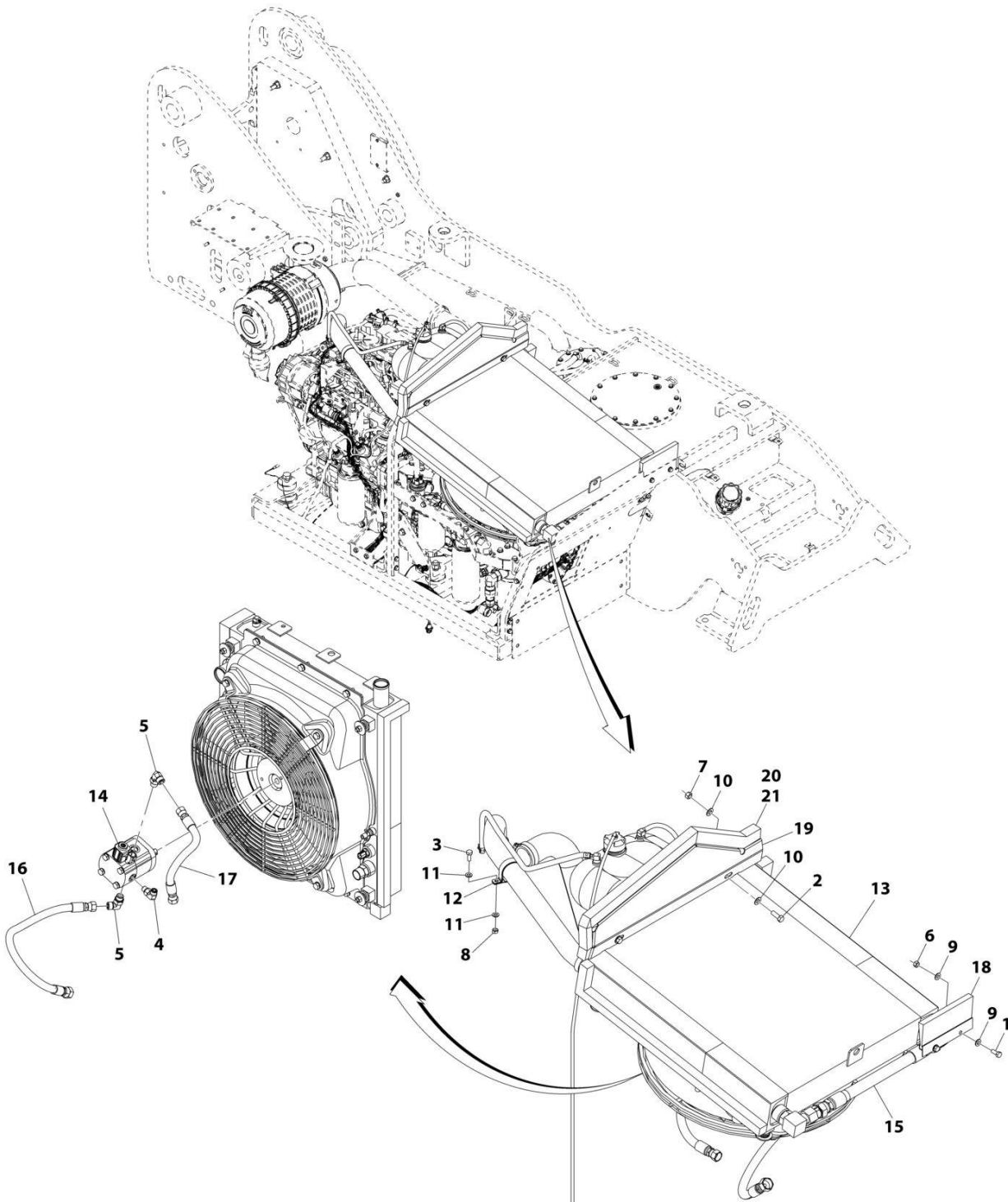
SECTION 4 - ENGINE AND ATTACHING PARTS

FIGURE 4-7. ENGINE (55.4KW - LS)

ITEM	PART NUMBER	QTY	DESCRIPTION	REV
1	1001139668	Ref	ENGINE (55.4KW - LS)	H
	70029015	1	Fan	
	3580158	1	Pulley	
	70025150	1	V-Grooved Pulley	
	1001225430	1	Filter, Fuel Primary	
	1001225432	1	Fuel Filter, Element	
	70025162	1	Oil Pan, (Includes Item 2 & 3)	
	70028929	1	V-Grooved Pulley	
	70028540	1	Sender, Temperature	
	7016331	1	Filter, Oil	
	7020465	2	Cap, Filler	
	70025181	1	Injector, Fuel	
	70024913	1	Narrow V-Belt	
	70006652	1	Alternator	
	70024915	1	Starter (Not Shown - Located on Left Side)	
	70024904	1	Dipstick, (Includes Item 2)	
	70024911	1	Turbocharger	
	70005941	1	Plug, Oil	

SECTION 4 - ENGINE AND ATTACHING PARTS

FIGURE 4-8. FAN INSTALLATION



ART_1001192128-D

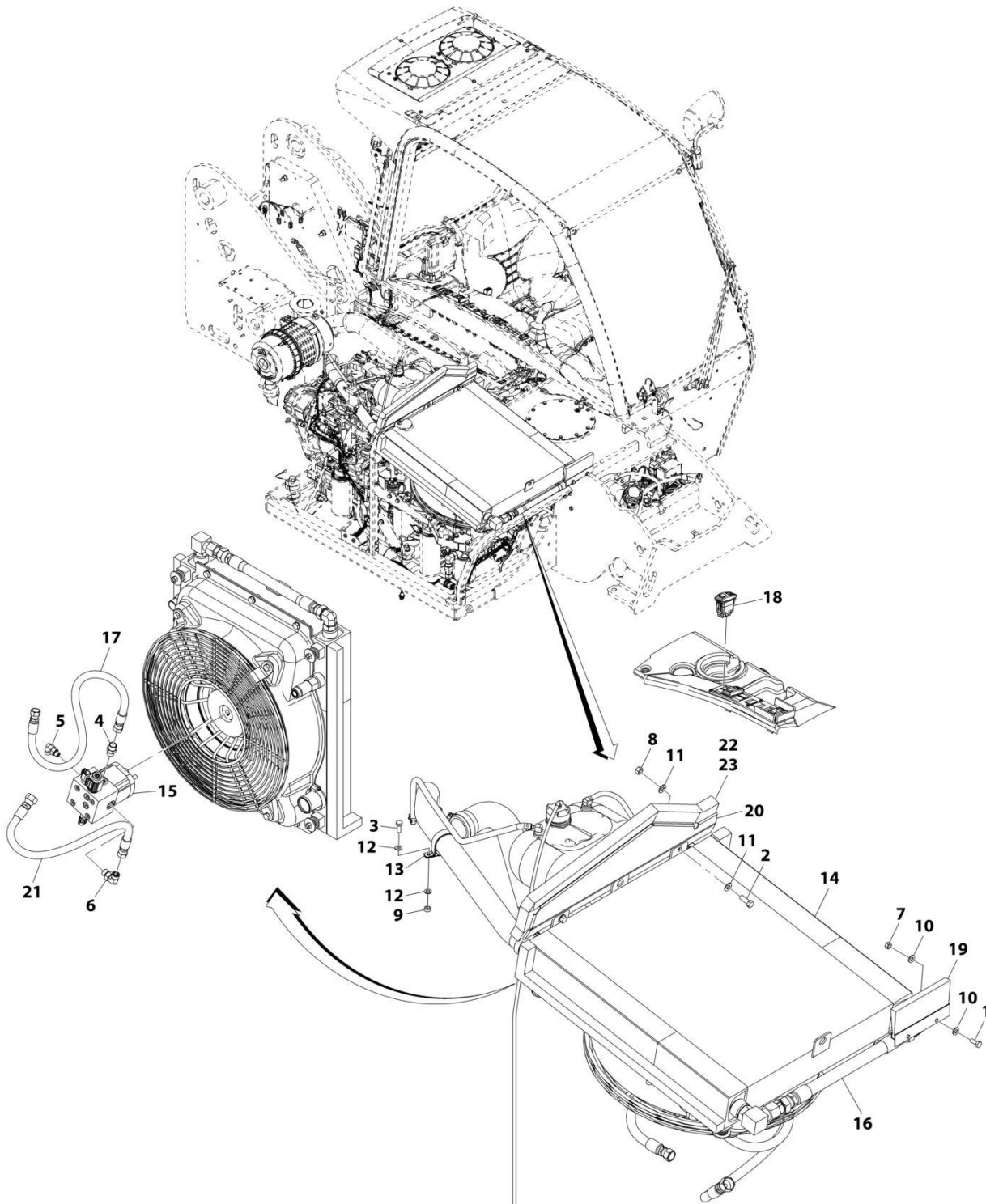
SECTION 4 - ENGINE AND ATTACHING PARTS

FIGURE 4-8. FAN INSTALLATION

ITEM	PART NUMBER	QTY	DESCRIPTION	REV
	1001192128	Ref	FAN INSTALLATION	D
1	0681506	2	Bolt 5/16 x 3/4	
2	0681608	2	Bolt 3/8 x 1 Grade 8	
3	0760810	1	Bolt M8 x 20	
4	2130606	1	Adapter, 90	
5	2130808	2	Adapter, 90	
6	3271501	2	Nut 5/16	
7	3271601	2	Nut 3/8	
8	3290801	1	Nut M8 x 1.25	
9	4711500	4	Washer 5/16	
10	4711600	4	Washer 3/8	
11	4811900	2	Washer M8	
12	8410001	1	Hose Clamp	
13	1001138877	1	Radiator Installation (See Separate Breakdown in this Section)	
14	1001141779	1	Fan Motor, Variable (See Separate Breakdown in HYDRAULIC COMPONENTS Section)	
15	1001143041	1	Hose Assembly	
16	1001144692	1	Hose Assembly	
17	1001144693	1	Hose Assembly	
18	1001145710	1	Brush Seal	
19	1001191830	1	Air Dam Plate	
20	1001192256	1	Seal	
21	0100081	AR	Adhesive	

SECTION 4 - ENGINE AND ATTACHING PARTS

FIGURE 4-9. FAN INSTALLATION, REVERSING



ART_1001192129-D

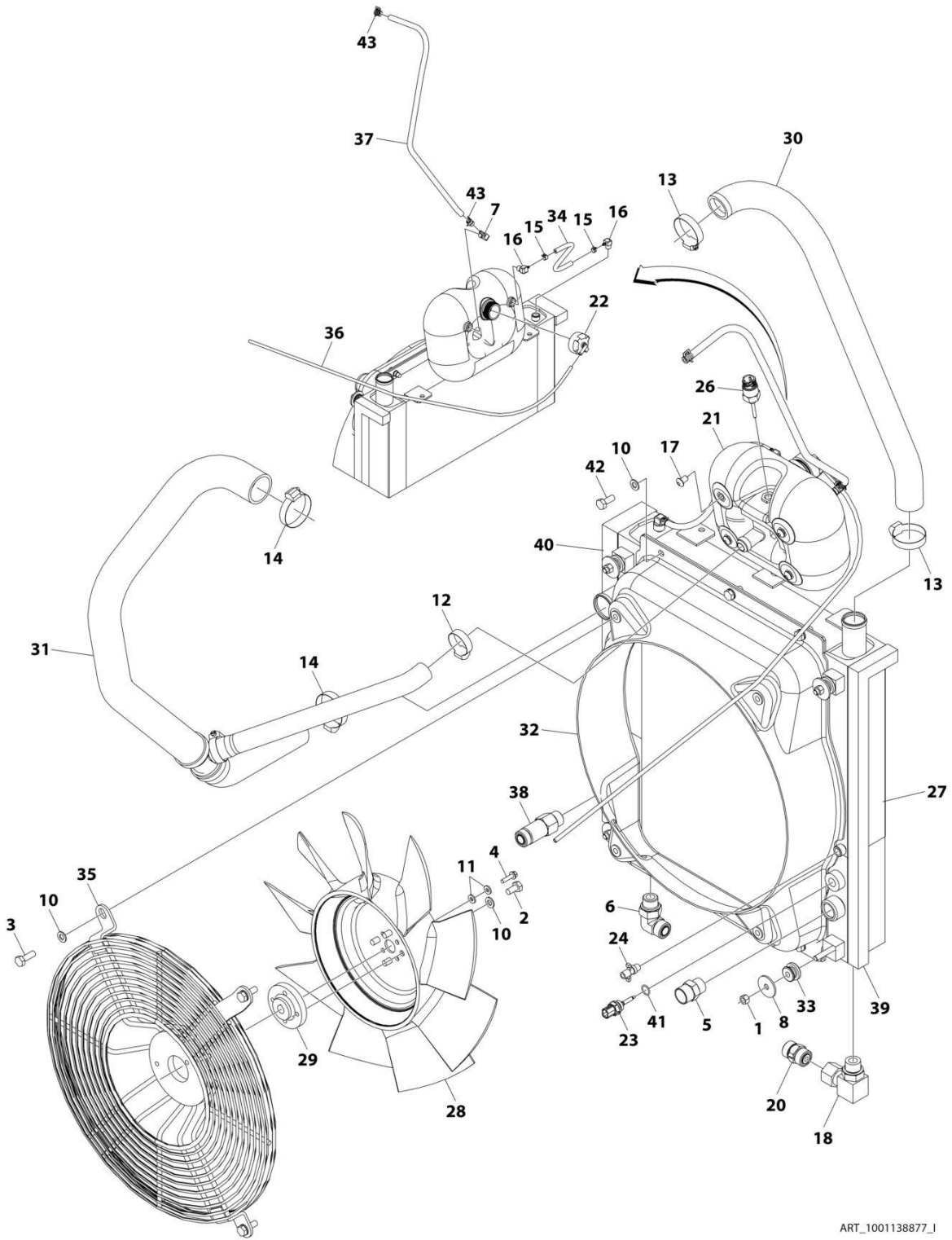
SECTION 4 - ENGINE AND ATTACHING PARTS

FIGURE 4-9. FAN INSTALLATION, REVERSING

ITEM	PART NUMBER	QTY	DESCRIPTION	REV
	1001192129	Ref	FAN INSTALLATION, REVERSING	D
1	0681506	2	Bolt 5/16 x 3/4	
2	0681608	2	Bolt 3/8 x 1 Grade 8	
3	0760810	1	Bolt M8 x 20	
4	2110808	1	Adapter, Straight	
5	2130606	1	Adapter 90	
6	2130808	1	Adapter 90	
7	3271501	2	Nut 5/16-18	
8	3271601	2	Nut 3/8	
9	3290801	1	Nut M8	
10	4711500	4	Washer 5/6	
11	4711600	4	Washer 3/8	
12	4811900	2	Washer M8	
13	8410001	1	Hose Clamp	
14	1001138877	1	Radiator Installation (See Separate Breakdown in this Section)	
15	1001141780	1	Fan Motor, Variable, Reversing (See Separate Breakdown in HYDRAULIC COMPONENTS Section)	
16	1001143041	1	Hose Assembly	
17	1001144695	1	Hose Assembly	
18	1001145204	1	Reverse Fan Switch	
19	1001145710	1	Brush Seal	
20	1001191830	1	Air Dam Plate	
21	1001144694	1	Hose Assembly	
22	1001192256	1	Seal	
23	0100081	AR	Adhesive	

SECTION 4 - ENGINE AND ATTACHING PARTS

FIGURE 4-10. RADIATOR INSTALLATION



ART_1001138877_I

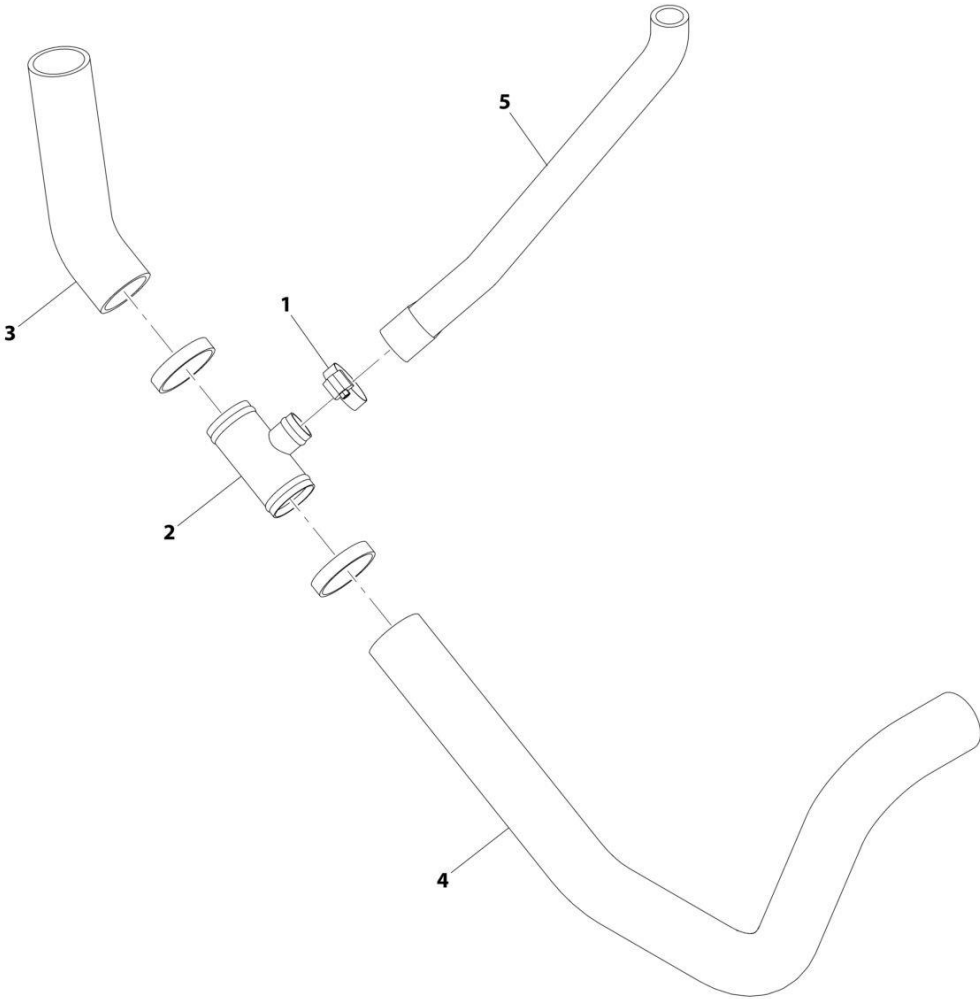
SECTION 4 - ENGINE AND ATTACHING PARTS

FIGURE 4-10. RADIATOR INSTALLATION

ITEM	PART NUMBER	QTY	DESCRIPTION	REV
	1001138877	Ref	RADIATOR INSTALLATION	I
1	3271601	4	Nut 3/8	
2	0761010	4	Bolt M10 x 20, GR8.8	
3	0761014	4	Bolt M10 x 30, GR8.8	
4	0811408	1	Screw 1/4 x 1	
5	2111212	1	Adapter, Straight	
6	2131212	1	Adapter, 90	
7	8420227	1	Hose Barb Elbow, 90	
8	4740281	4	Special Washer	
10	4812000	14	Washer M10	
11	4891400	2	Washer 1/4	
12	8405102	1	Gear Clamp, 1.75	
13	8405104	2	Gear Clamp, 2.25	
14	8405201	2	Gear Clamp, 2.50	
15	1001157075	2	Hose Clamp	
16	8420236	2	Hose Barb Elbow, 90	
17	88261026	4	Capscrew 3/8 x 5/8	
18	1001003680	1	Adapter, 90	
20	1001127967	1	Check Valve	
21	1001128144	1	Coolant Tank	
22	1001136834	1	Deaeration Tank Cap	
23	1001128478	1	Temperature Sensor	
24	8904001	1	External Seal, Drain Cock	
26	1001138827	1	Coolant Level Sensor	
27	1001252481	1	Water/Oil Radiator	
28	1001148423	1	Fan, 20in, 9 Blade	
29	1001145871	1	Adapter, Fan	
30	1001141786	1	Radiator Inlet Hose	
31	1001141787	1	Lower Radiator Hose Assembly (See Separate Breakdown in this Section)	
32	1001141796	1	Fan Shroud	
33	1001141801	4	Mounting Pad	
34	1001141834	1	Radiator Vent Hose, 3/16	
35	1001141881	1	Fan Guard Grill	
36	1001141896	1	Coolant Overflow Hose	
37	1001141944	1	Engine Vent Hose	
38	2170112	1	Adapter, Straight	
39	1001252482	1	Foam Gasket Seal	
40	1001252483	1	Foam Gasket Seal	
41	1001009163	1	Seal	
42	0761012	6	Bolt M10 x 25, GR8.8	
43	1001156087	2	Hose Clamp	

SECTION 4 - ENGINE AND ATTACHING PARTS

FIGURE 4-11. RADIATOR LOWER HOSE ASSEMBLY



ART_1001141787-D

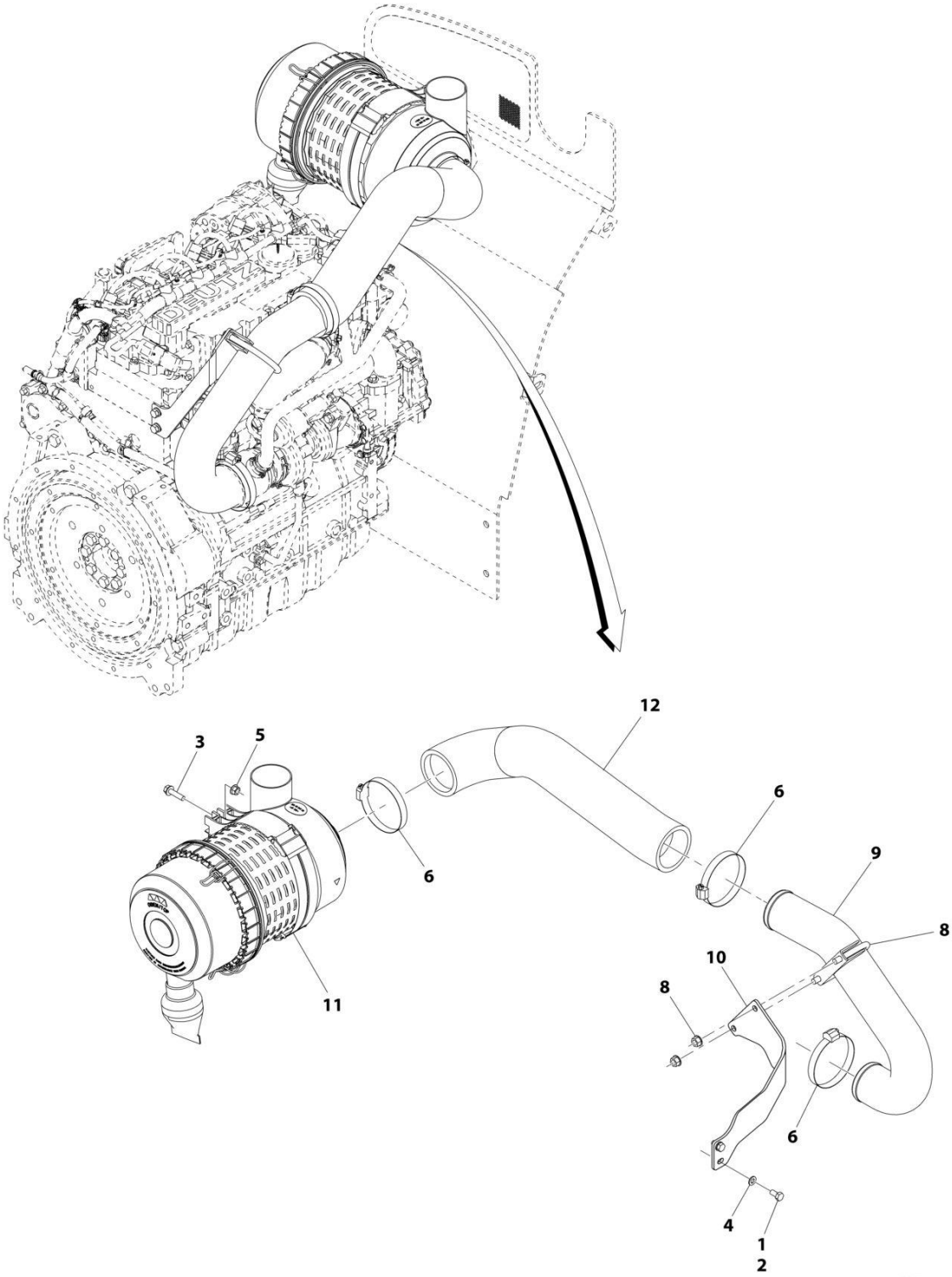
SECTION 4 - ENGINE AND ATTACHING PARTS

FIGURE 4-11. RADIATOR LOWER HOSE ASSEMBLY

ITEM	PART NUMBER	QTY	DESCRIPTION	REV
	1001141787	Ref	Radiator Lower Hose Assembly	D
1	8405102	1	Gear Clamp, 1.75	
2	1001121514	1	Tee Pipe	
3	1001141788	1	Water Inlet Hose	
4	1001141789	1	Radiator Outlet Hose	
5	1001141791	1	Surge Tank Return Hose	

SECTION 4 - ENGINE AND ATTACHING PARTS

FIGURE 4-12. AIR CLEANER INSTALLATION



ART_1001193752-C

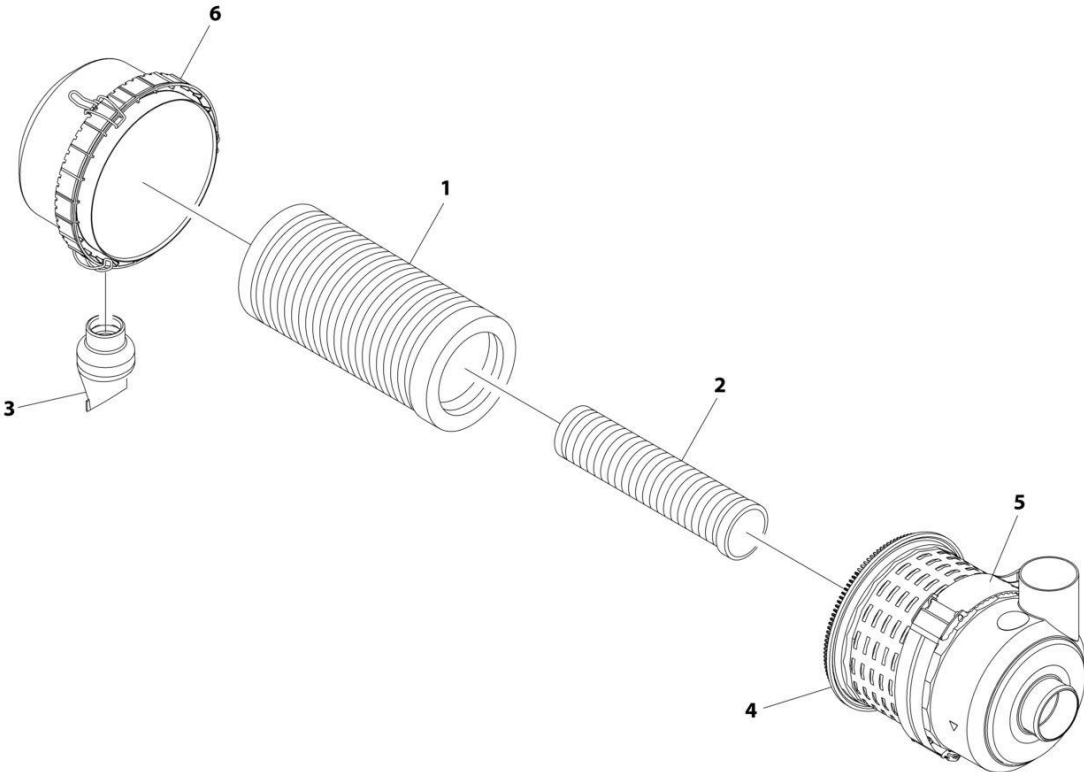
SECTION 4 - ENGINE AND ATTACHING PARTS

FIGURE 4-12. AIR CLEANER INSTALLATION

ITEM	PART NUMBER	QTY	DESCRIPTION	REV
	1001193752	Ref	Air Cleaner Installation	C
1	0100011	AR	Compound, Locking	
2	0760808	2	Bolt M8 x 16	
3	0811510	2	Screw 5/16 x 1-1/4	
4	4811900	2	Washer M8	
5	8310420	2	Nut 5/16	
6	8410011	3	Gear Clamp, 3.25	
8	1001101451	1	Muffler Clamp	
9	1001139155	1	Air Intake Tube	
10	1001241661	1	Tube Bracket	
11	1001142259	1	Air Cleaner Assembly (See Separate Breakdown in this Section)	
12	1001143201	1	Air Intake Hose	

SECTION 4 - ENGINE AND ATTACHING PARTS

FIGURE 4-13. AIR CLEANER ASSEMBLY



ART_1001142259_D

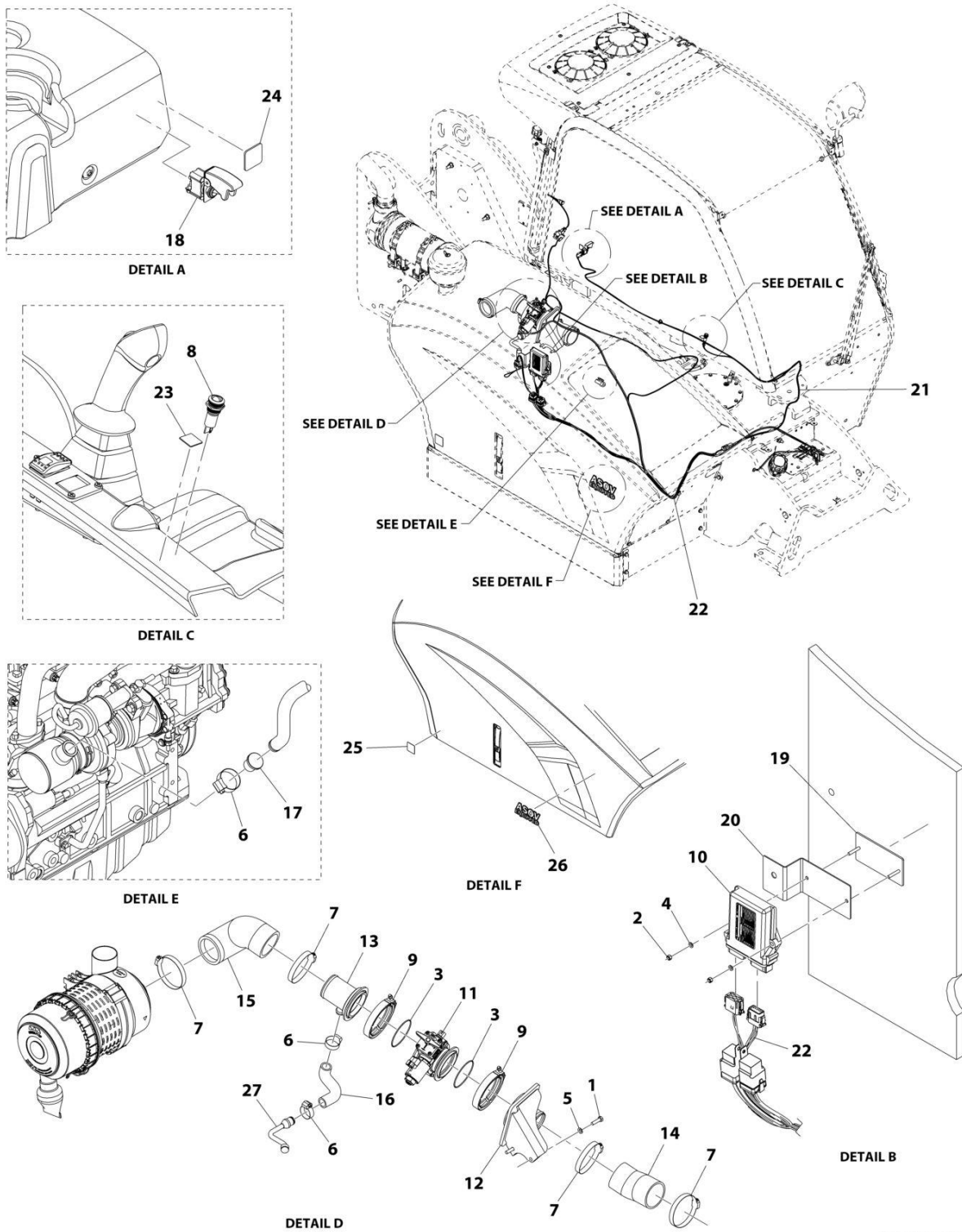
SECTION 4 - ENGINE AND ATTACHING PARTS

FIGURE 4-13. AIR CLEANER ASSEMBLY

ITEM	PART NUMBER	QTY	DESCRIPTION	REV
	1001142259	Ref	AIR CLEANER ASSEMBLY	D
1	70024190	1	Main Air Element	
2	70024191	1	Secondary Air Element	
3	70025249	1	Dust Valve	
4	70030962	1	Filter Housing (Includes Item 6)	
5	70030963	1	Bracket	
6	See Note	NSS	Cover with Clips (Note: Purchase Item 4)	

SECTION 4 - ENGINE AND ATTACHING PARTS

FIGURE 4-14. AIR SHUT OFF VALVE INSTALLATION



ART_1001204679-C

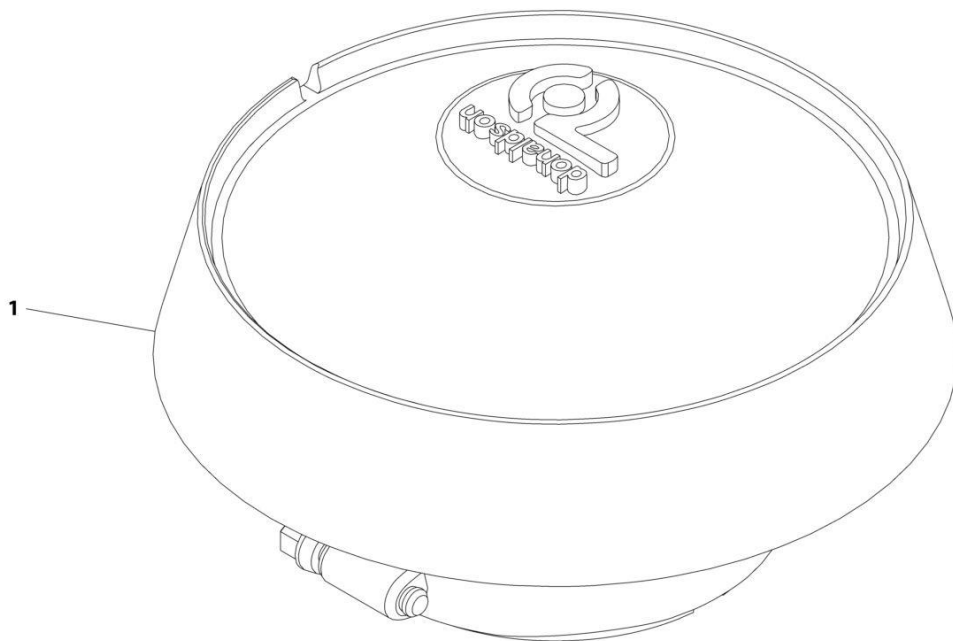
SECTION 4 - ENGINE AND ATTACHING PARTS

FIGURE 4-14. AIR SHUT OFF VALVE INSTALLATION

ITEM	PART NUMBER	QTY	DESCRIPTION	REV
	1001204679	Ref	AIR SHUT OFF VALVE INSTALLATION	C
1	0760814	2	Bolt M8 x 30	
2	3290505	2	Nut M5	
3	3790152	2	O-Ring	
4	4811600	2	Washer M5	
5	4811900	2	Washer M8	
6	8405101	3	Clamp	
7	8410011	4	Clamp	
8	1001239539	1	Lamp, LED Indicator	
9	1001202247	2	Clamp	
10	1001203181	1	Control Accessory	
11	1001204032	1	Valve, Air Shut Off (See Separate Breakdown in Hydraulic Components Section)	
12	1001204674	1	Bracket	
13	1001204676	1	Adapter	
14	1001204677	1	Hose	
15	1001204678	1	Hose	
16	1001205397	1	Hose	
17	1001206603	1	Plug	
18	1001215941	1	Switch	
19	1001219082	1	Bracket	
20	1001230503	1	Plate	
21	1001233213	1	Harness, Posi Air Shut Off Valve (See Separate Breakdown in Electrical Section)	
22	1001233235	1	Harness, Posi Air Shut Off Valve Frame (See Separate Breakdown in Electrical Section)	
23	1001227077	1	Decal	
24	1001227964	1	Decal	
25	1001228273	1	Decal	
26	1001228643	1	Decal	
27	1001233784	1	Pipe	

SECTION 4 - ENGINE AND ATTACHING PARTS

FIGURE 4-15. RAIN CAP



ART_1001144015-A

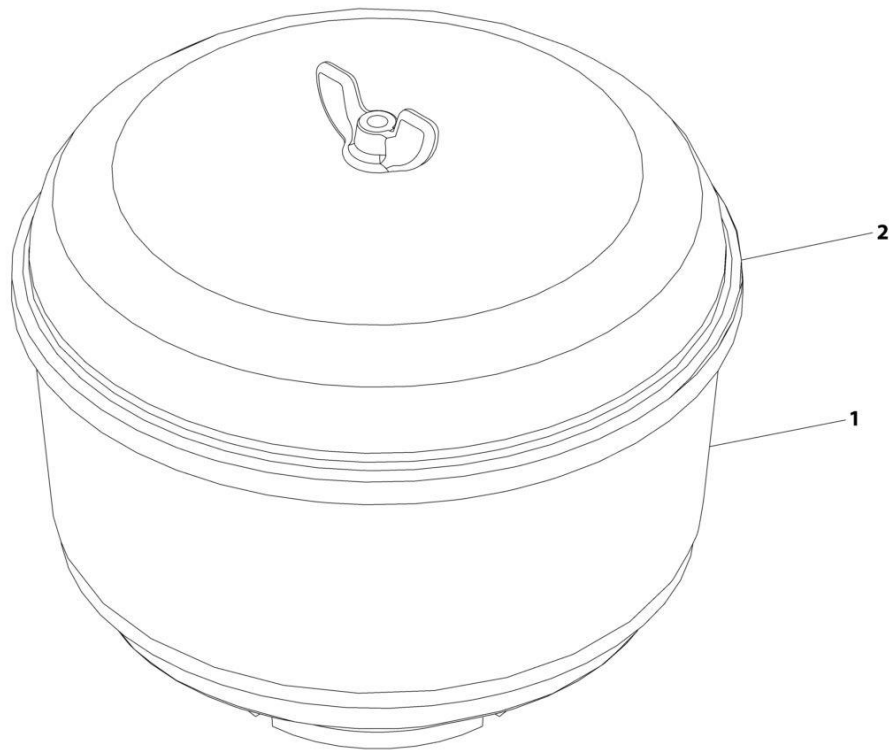
SECTION 4 - ENGINE AND ATTACHING PARTS

FIGURE 4-15. RAIN CAP

ITEM	PART NUMBER	QTY	DESCRIPTION	REV
1	1001144015	Ref	Rain Cap	A

SECTION 4 - ENGINE AND ATTACHING PARTS

FIGURE 4-16. PRECLEANER



ART_1001062773-B

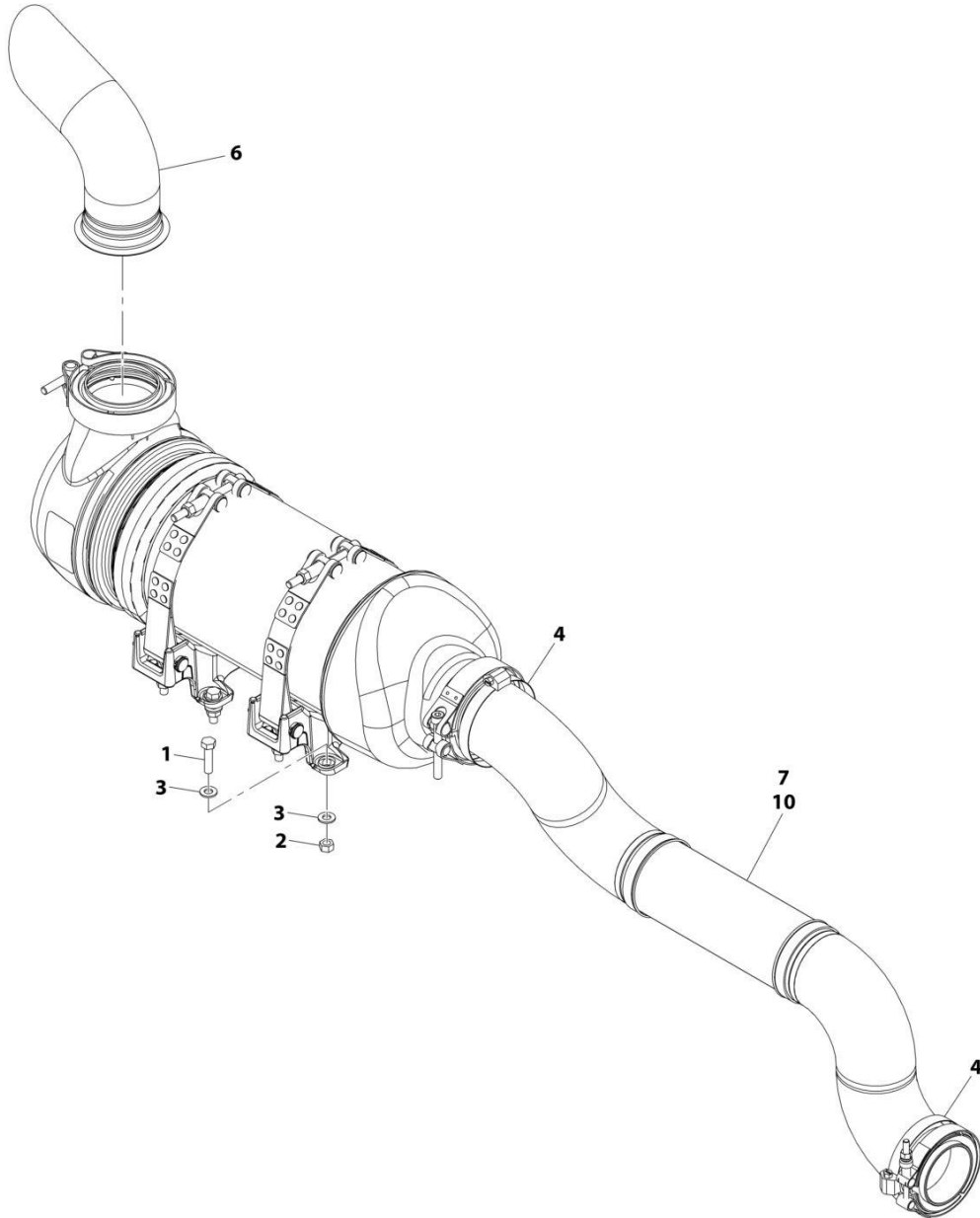
SECTION 4 - ENGINE AND ATTACHING PARTS

FIGURE 4-16. PRECLEANER

ITEM	PART NUMBER	QTY	DESCRIPTION	REV
	1001062773	Ref	Precleaner	B
1	70027591	1	Bowl	
2	70027592	1	Cover	

SECTION 4 - ENGINE AND ATTACHING PARTS

FIGURE 4-17. EXHAUST INSTALLATION (ULS)



ART_1001139681-D

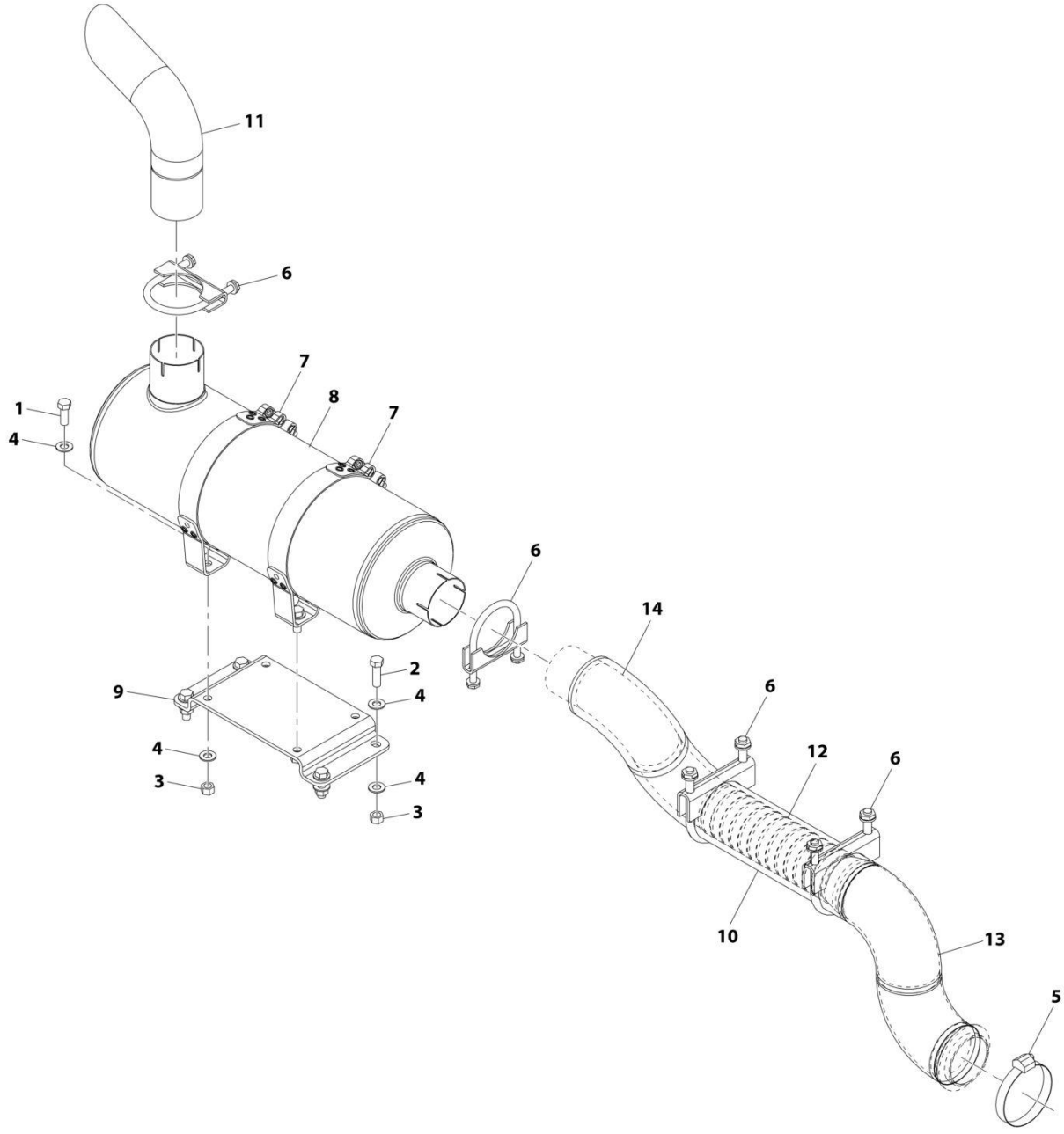
SECTION 4 - ENGINE AND ATTACHING PARTS

FIGURE 4-17. EXHAUST INSTALLATION (ULS)

ITEM	PART NUMBER	QTY	DESCRIPTION	REV
	1001139681	Ref	Exhaust Installation (ULS)	D
1	0681510	8	Hex HD Capscrew, 5/16-18X1 1/4 LG	
2	3271501	8	Hex Nut, 5/16-18	
3	4711500	16	Washer, 5/16	
4	8410011	2	Gear Clamp, 3.25	
6	1001141551	1	Exhaust Elbow Pipe	
7	1001143216	1	Exhaust Pipe	
10	1001143304	1	Thermal Sock Insulate	

SECTION 4 - ENGINE AND ATTACHING PARTS

FIGURE 4-18. EXHAUST INSTALLATION (LS)



ART_1001139682-C

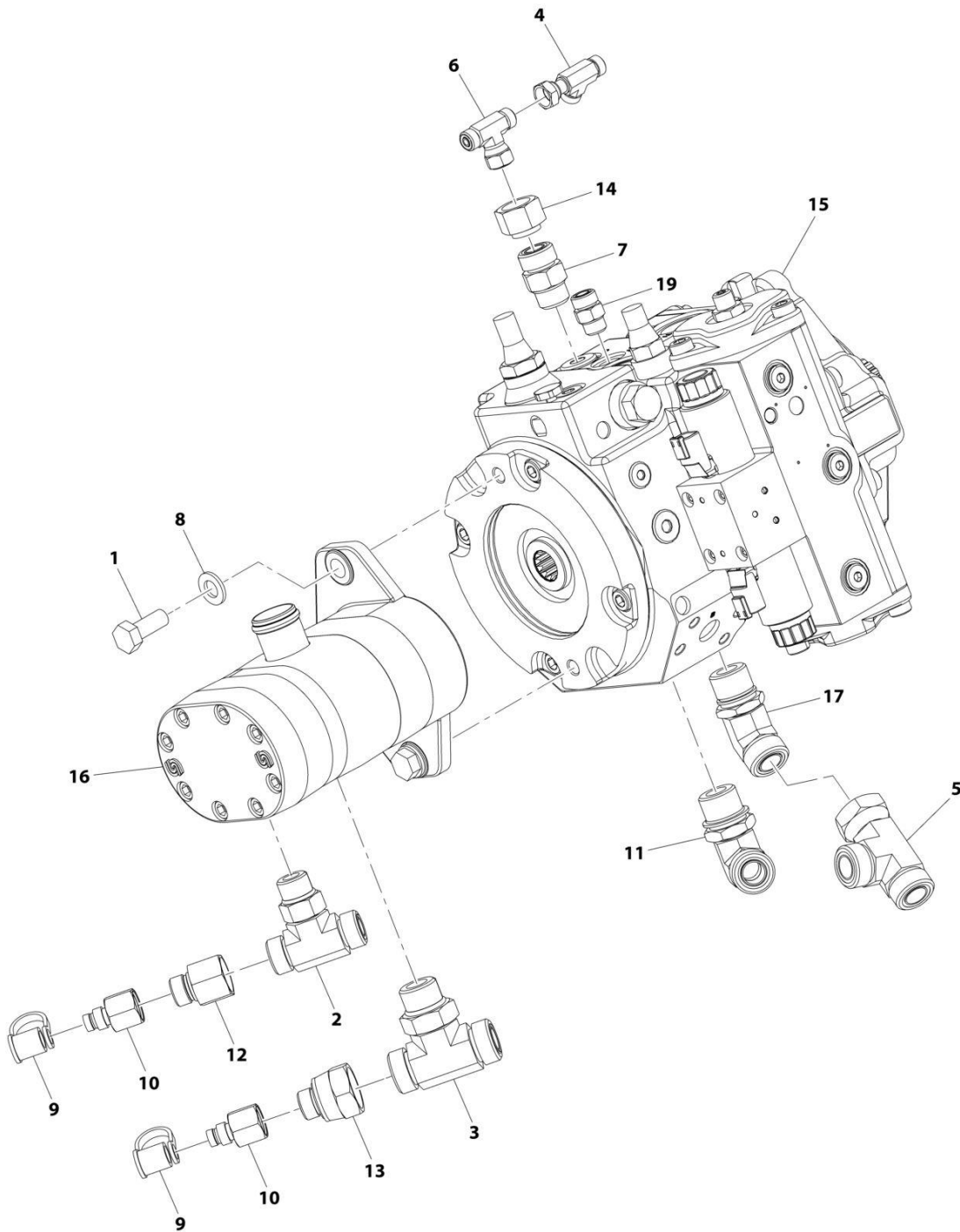
SECTION 4 - ENGINE AND ATTACHING PARTS

FIGURE 4-18. EXHAUST INSTALLATION (LS)

ITEM	PART NUMBER	QTY	DESCRIPTION	REV
	1001139682	Ref	Exhaust Installation (LS)	C
1	0681608	4	Hex HD Capscrew, 3/8-16X1	
2	0681610	4	Hex HD Capscrew, 3/8-16X1-1/4	
3	3271601	8	Hex Nut, 3/8-16, GR8	
4	4711600	16	Washer, 3/8	
5	8405204	1	Gear Clamp, 3.25	
6	8275212	4	Muffler Clamp	
7	1001119727	2	Muffler Clamp	
8	1001140671	1	Muffler	
9	1001141019	1	Support Plate	
10	1001143304	1	Thermal Sock Insulate	
11	1001153410	1	Exhaust Elbow Pipe	
12	1001153411	1	Flex Tube	
13	1001153412	1	Exhaust Pipe	
14	1001153413	1	Exhaust Pipe	

SECTION 4 - ENGINE AND ATTACHING PARTS

FIGURE 4-19. HYDROSTATIC DRIVE PUMP ASSEMBLY



ART_1001190821-C

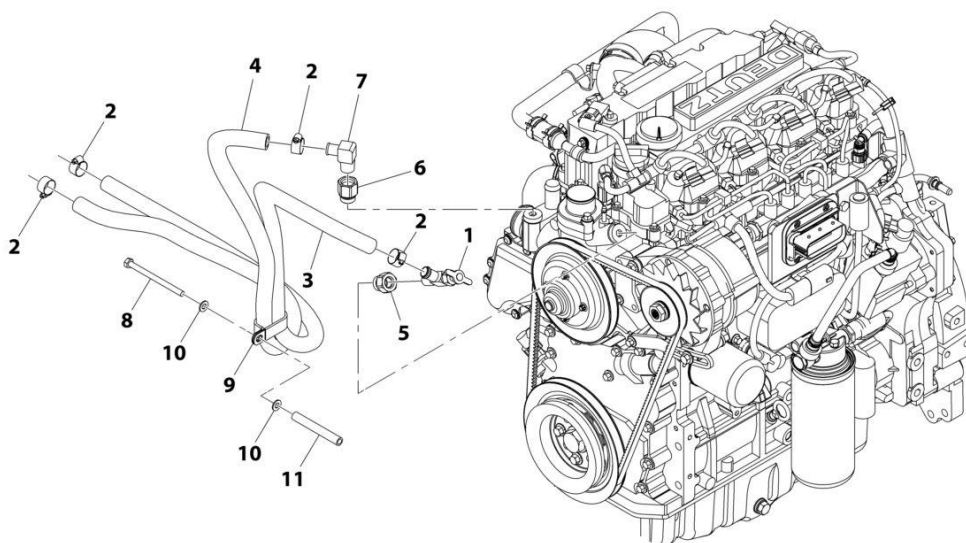
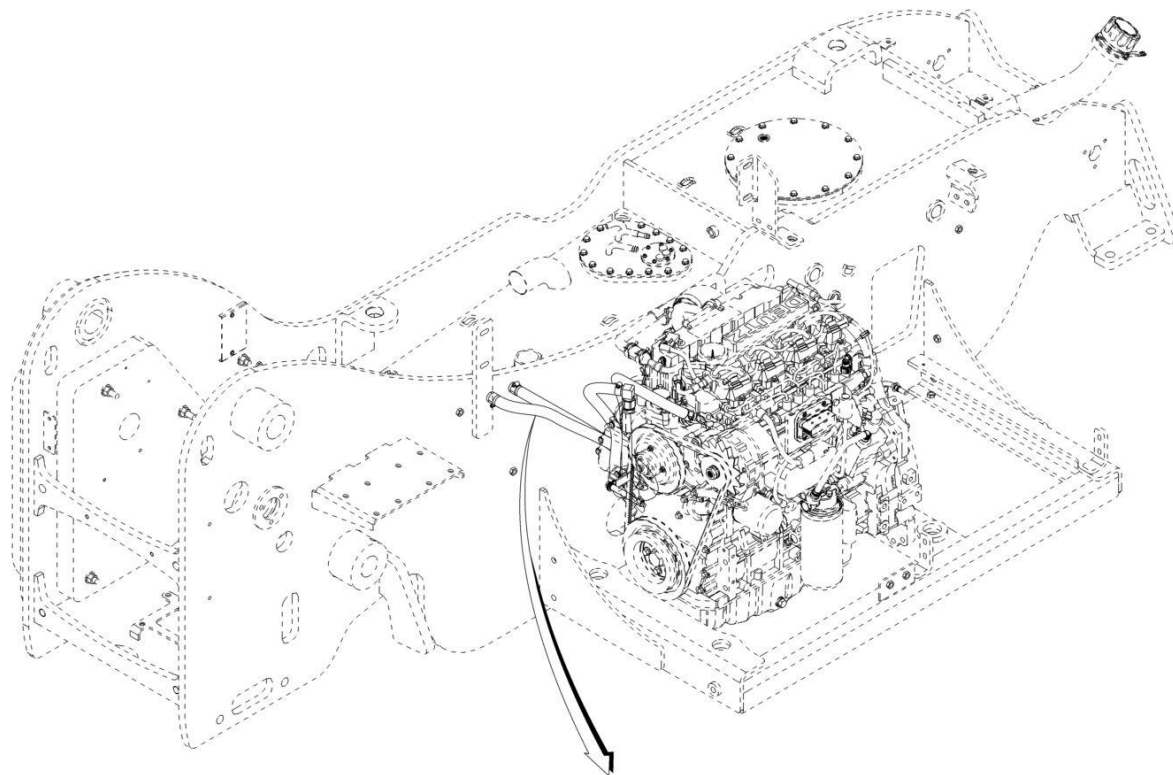
SECTION 4 - ENGINE AND ATTACHING PARTS

FIGURE 4-19. HYDROSTATIC DRIVE PUMP ASSEMBLY

ITEM	PART NUMBER	QTY	DESCRIPTION	REV
	1001190821	Ref	Hydrostatic Drive Pump Assembly	C
1	0761214	2	Bolt M12X30	
2	2170410	1	Fitting, Tee	
3	2170412	1	Fitting, Tee ORFS/ORF/ORB	
4	2170704	1	Fitting, Tee	
5	2170712	1	Fitting, Tee ORFS/ORFS/ORFS	
6	2170804	1	Fitting, Tee	
7	2221257	1	Fitting, Straight FSORFS/ORFS	
8	4812100	2	Washer M12	
9	8430032	2	Dust Cap	
10	8430082	2	Fitting, Diagnostic	
11	8770248	1	Fitting, 90	
12	8770296	1	Fitting, Straight FSORFS/ORFS	
13	88662480	1	Fitting	
14	1001119721	1	Fitting, Straight FSORFS/ORFS	
15	1001138887	1	Pump Assembly - Hydrostatic Drive (See Separate Breakdown in HYDRAULIC COMPONENTS Section)	
16	1001139997	1	Pump Assembly - Gear (See Separate Breakdown in HYDRAULIC COMPONENTS Section)	
17	1001151264	1	Fitting, 45 ORFS/MST	
19	2144611	1	Fitting, Straight ORFS	

SECTION 4 - ENGINE AND ATTACHING PARTS

FIGURE 4-20. HEATER LINES INSTALLATION



ART_1001139684-C

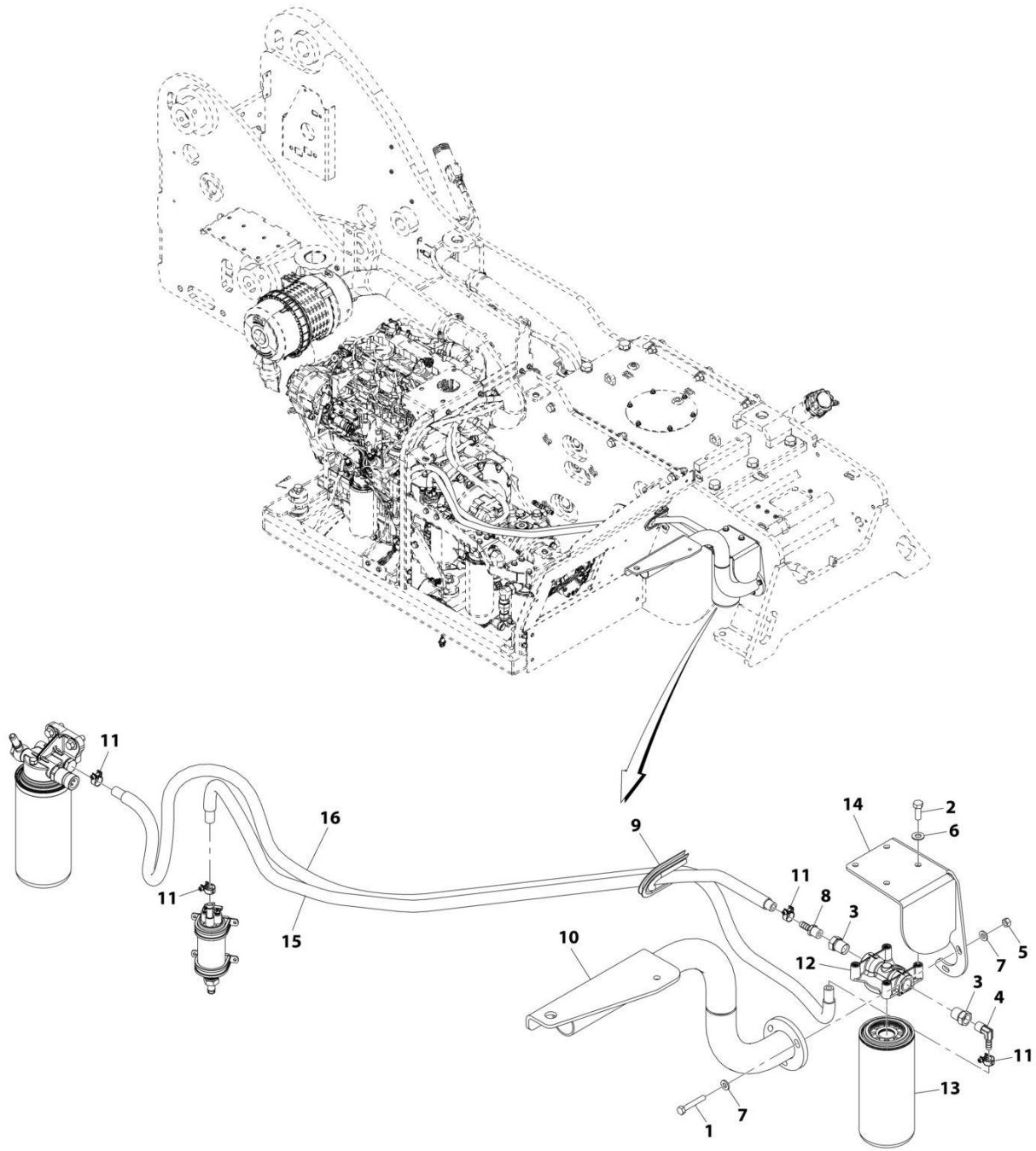
SECTION 4 - ENGINE AND ATTACHING PARTS

FIGURE 4-20. HEATER LINES INSTALLATION

ITEM	PART NUMBER	QTY	DESCRIPTION	REV
	1001139684	Ref	Heater Lines Installation	C
1	8360005	1	Shut-Off Valve	
2	8410009	4	Gear Clamp	
3	1001143254	1	Cab Heater Hose	
4	1001143255	1	Cab Heater Hose	
5	1001143467	1	Straight Adapter	
6	1001143468	1	Straight Adapter	
7	84712749	1	Brass Elbow	
8	0760828	1	Hex HD Capscrew, M8X110, GR8.8	
9	1321716	1	Clamp	
10	8307222	2	Plain Washer, M8	
11	1001157088	1	Sleeve	

SECTION 4 - ENGINE AND ATTACHING PARTS

FIGURE 4-21. LUBRICITY DOSER INSTALLATION (MIRROR)



ART_1001201538-A

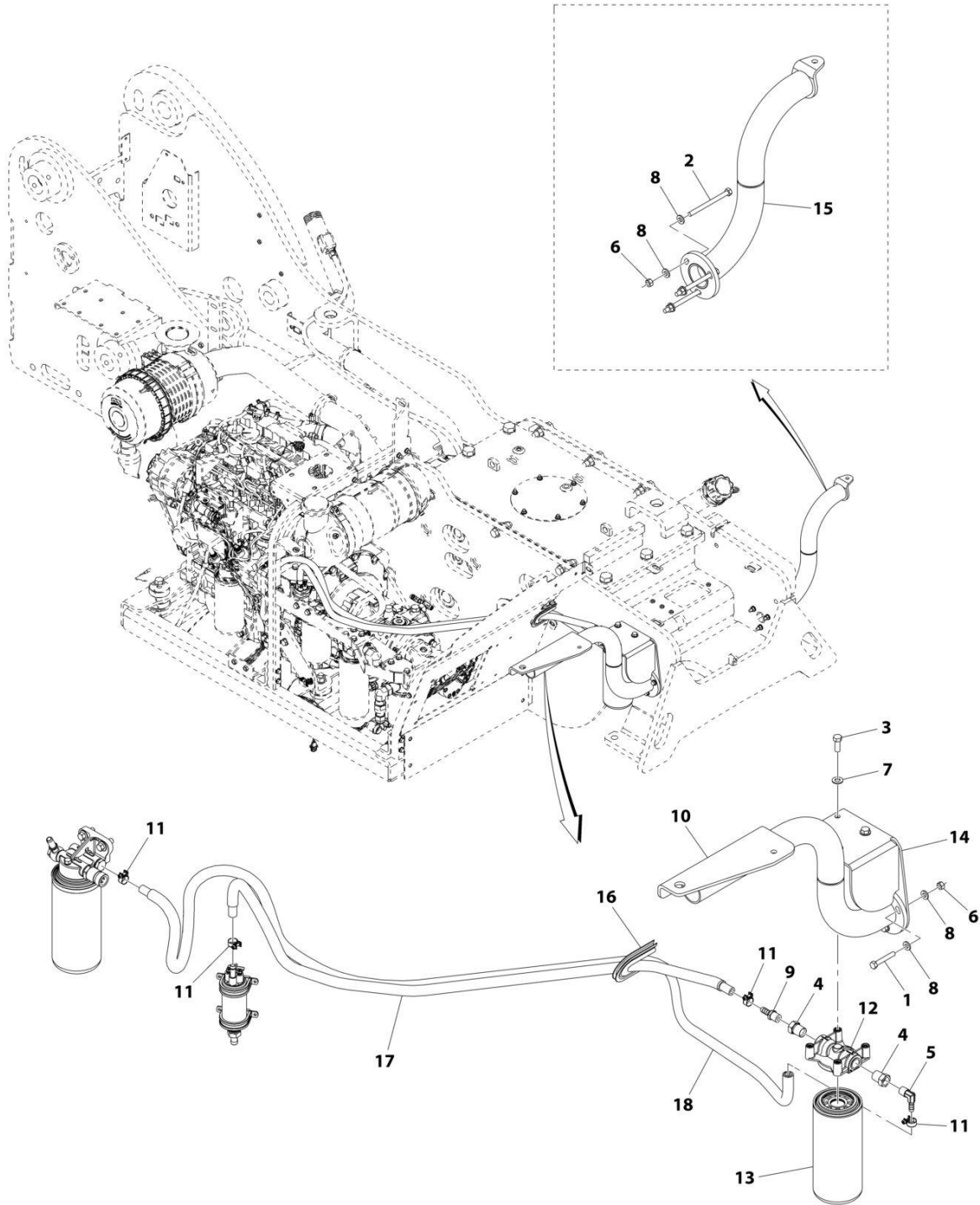
SECTION 4 - ENGINE AND ATTACHING PARTS

FIGURE 4-21. LUBRICITY DOSER INSTALLATION (MIRROR)

ITEM	PART NUMBER	QTY	DESCRIPTION	REV
	1001201538	Ref	LUBRICITY DOSER INSTALLATION (MIRROR)	A
1	0641516	3	Bolt 5/16 x 2	
2	0681608	4	Bolt 3/8 x 1	
3	2220251	2	Adapter, Straight	
4	2220313	1	Barb Fitting, 90	
5	3311505	3	Nut 5/16	
6	4711600	4	Washer 3/8	
7	4891500	6	Washer 5/16	
8	8430068	1	Hose Barb Coupling	
9	1001097160	6 in	Self-Gripping Bulb Seal	
10	1001133822	1	Bracket Headlight	
11	1001136975	4	Fuel Hose Clamp	
12	1001141287	1	Lubricity Doser Mount	
13	1001141591	1	Lubricity Doser Element Filter	
14	1001146575	1	Doser Bracket	
15	1001165202	1	Engine Fuel Supply Hose	
16	1001165203	1	Engine Fuel Supply Hose	

SECTION 4 - ENGINE AND ATTACHING PARTS

FIGURE 4-22. LUBRICITY DOSER INSTALLATION (LIGHT & MIRROR)



ART_1001213994-A

SECTION 4 - ENGINE AND ATTACHING PARTS

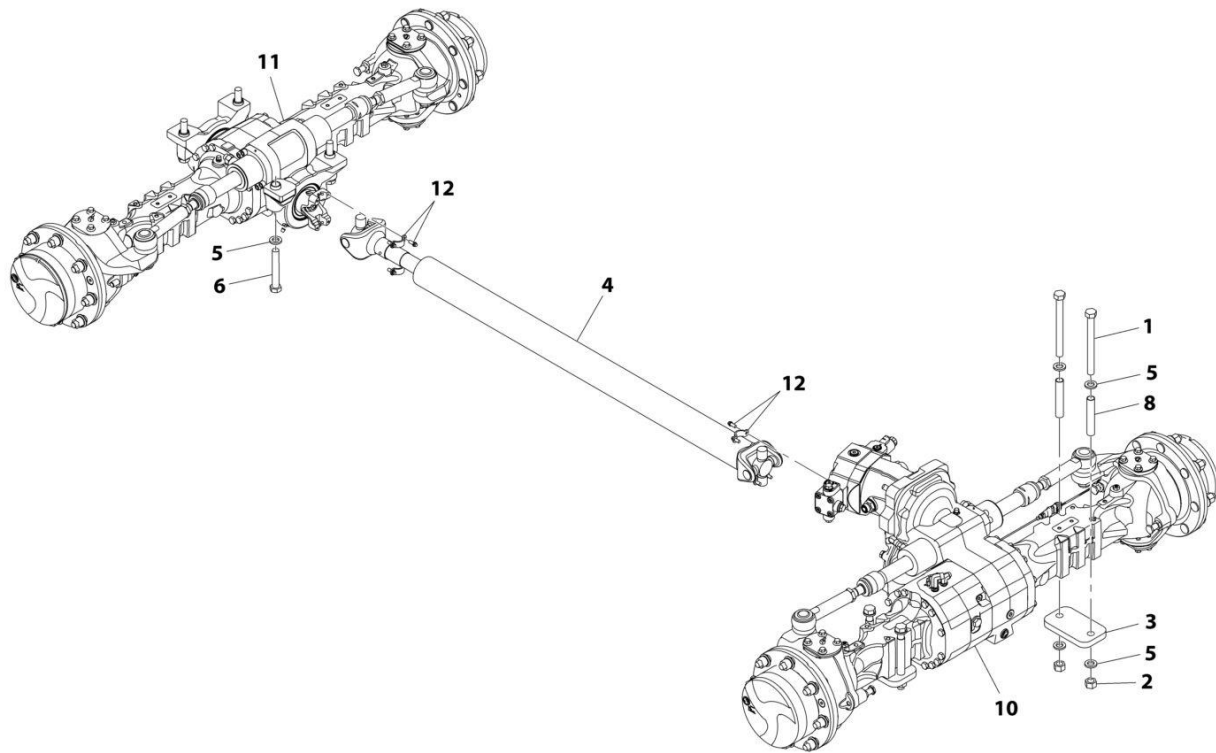
FIGURE 4-22. LUBRICITY DOSER INSTALLATION (LIGHT & MIRROR)

ITEM	PART NUMBER	QTY	DESCRIPTION	REV
	1001213994	Ref	Lubricity Doser Installation (Light & Mirror)	A
1	0641516	3	Hex HD Capscrew, 5/16-18X2	
2	0641532	3	Hex HD Capscrew, 5/16-18X4	
3	0681608	4	Hex HD Capscrew, 3/8-16X1	
4	2220251	2	Adapter, Straight	
5	2220313	1	Barb Fitting, 90	
6	3311505	6	Hex Locknut, 5/16-18, GR2	
7	4711600	4	Plain Washer, 3/8	
8	4891500	12	Hardened Washer, 5/16	
9	8430068	1	Hose Barb Coupling	
10	1001133822	1	Bracket Headlight	
11	1001136975	4	Fuel Hose Clamp	
12	1001141287	1	Lubricity Doser Mount	
13	1001141591	1	Lubricity Doser Element Filter	
14	1001146575	1	Doser Bracket	
15	1001213955	1	Bracket Headlight Mount	
16	1001097160	6 in	Self-Gripping Bulb Seal	
17	1001165202	1	Engine Fuel Supply Hose	
18	1001165203	1	Engine Fuel Supply Hose	

SECTION 5 - DRIVE TRAIN

SECTION 5 - DRIVE TRAIN

FIGURE 5-1. DRIVETRAIN INSTALLATION



ART_1001233725-C

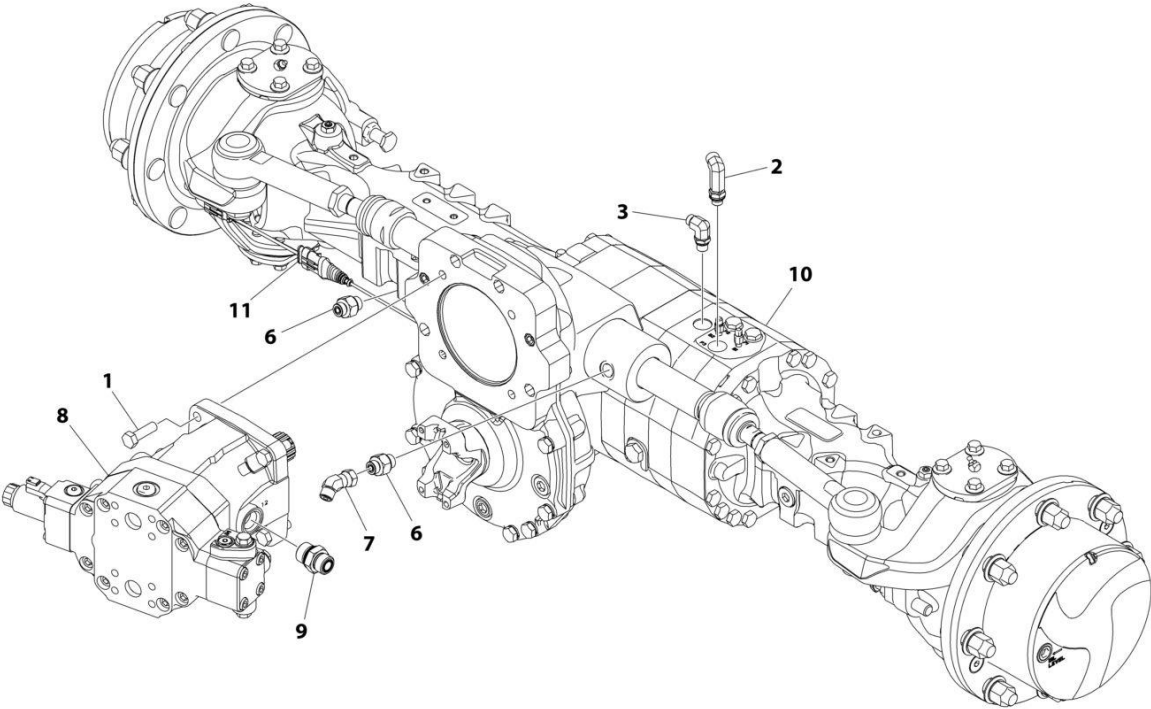
SECTION 5 - DRIVE TRAIN

FIGURE 5-1. DRIVETRAIN INSTALLATION

ITEM	PART NUMBER	QTY	DESCRIPTION	REV
	1001233725	Ref	Drive Train Installation	C
1	0682264	4	Hex HD Capscrew, 3/4-10X8, GR8	
2	3272201	4	Hex Nut, 3/4-10, GR8	
3	3576766	2	Mounting Plate	
4	4040291	1	Drive Shaft	
5	4892200	12	Washer, 3/4	
6	91403412	4	Hex HD Capscrew, 3/4-10X5, GR8	
8	1001081071	4	Front Axle Mount Sleeve	
10	1001233723	1	Front Axle Assembly (See Separate Breakdown in this Section)	
11	1001233724	1	Rear Axle Assembly (See Separate Breakdown in this Section)	
12	8880219-OM	2	Strap Kit	
12	8880221	4	Screw	
12	8880220	2	Strap	

SECTION 5 - DRIVE TRAIN

FIGURE 5-2. FRONT AXLE ASSEMBLY



ART_1001233723

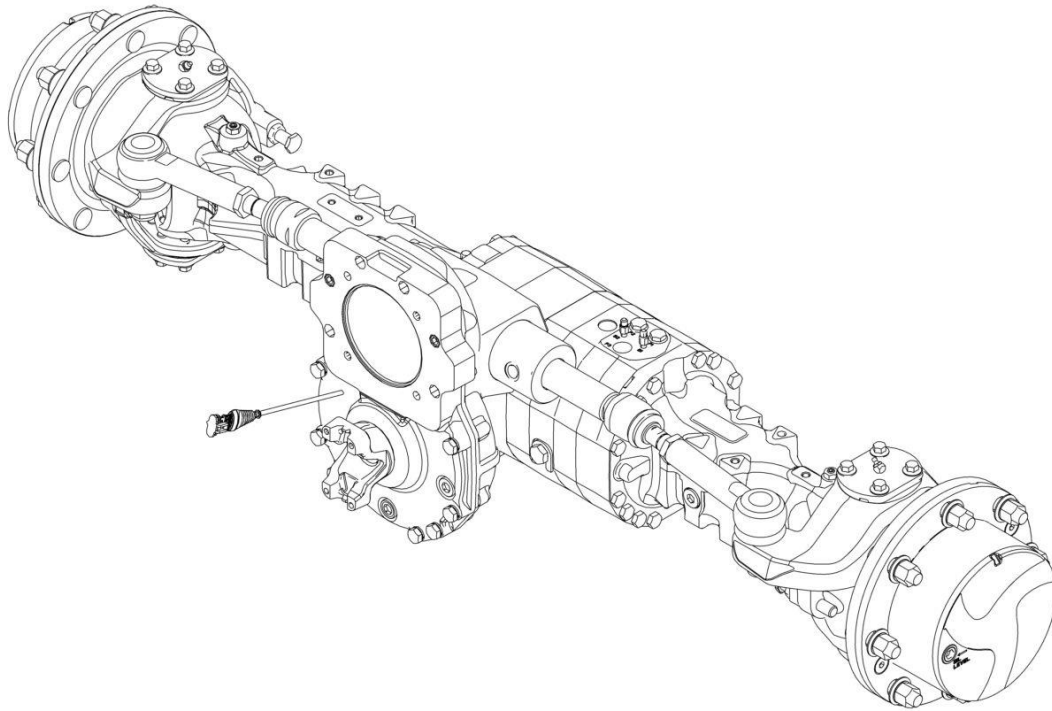
SECTION 5 - DRIVE TRAIN

FIGURE 5-2. FRONT AXLE ASSEMBLY

ITEM	PART NUMBER	QTY	DESCRIPTION	REV
	1001233723	Ref	FRONT AXLE ASSEMBLY	F
1	0761216	4	Bolt M12 x 40	
2	2221285	1	Elbow, 90	
3	8770241	1	Elbow, 90	
6	1001081333	2	Fitting, Straight	
7	1001105990	1	Fitting, 45	
8	1001138823	1	Hydrostatic Motor (See Separate Breakdown in HYDRAULIC COMPONENTS Section)	
9	1001144255	1	Fitting, Straight	
10	1007367100	1	Front Axle (See Separate Breakdown in this Section)	
11	1001234992	1	Speed Sensor Jumper Harness (See Separate Breakdown in ELECTRICAL Section)	

SECTION 5 - DRIVE TRAIN

FIGURE 5-3. FRONT AXLE



ART_1007367100

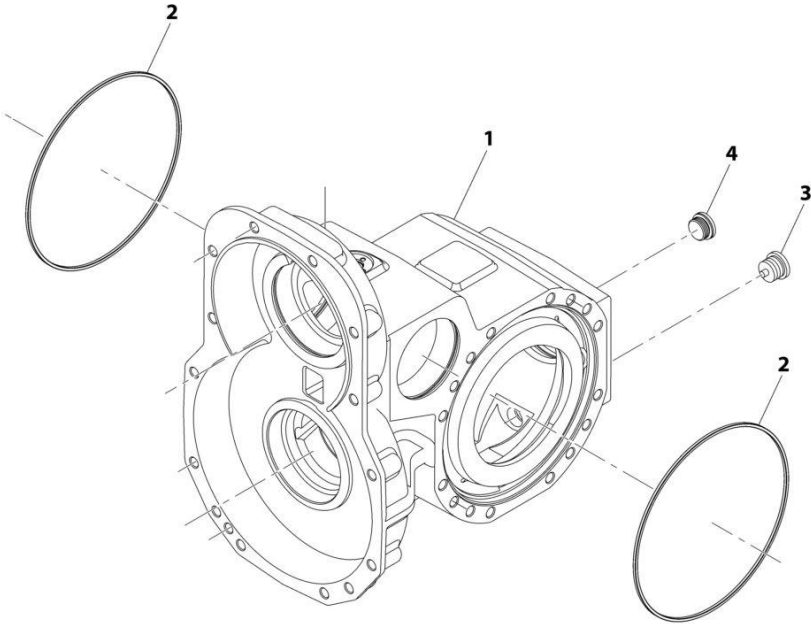
SECTION 5 - DRIVE TRAIN

FIGURE 5-3. FRONT AXLE

ITEM	PART NUMBER	QTY	DESCRIPTION	REV
	1007367100	Ref	Front Axle	G
		Ref	Front Axle, Central Housing (See Separate Breakdown in this Section)	
		Ref	Front Axle, Differential (See Separate Breakdown in this Section)	
		Ref	Front Axle, Hub Reduction (See Separate Breakdown in this Section)	
		Ref	Front Axle, Brakes (See Separate Breakdown in this Section)	
		Ref	Front Axle, Steering (See Separate Breakdown in this Section)	

SECTION 5 - DRIVE TRAIN

FIGURE 5-4. FRONT AXLE, CENTRAL HOUSING



ART_1007367100_1-F

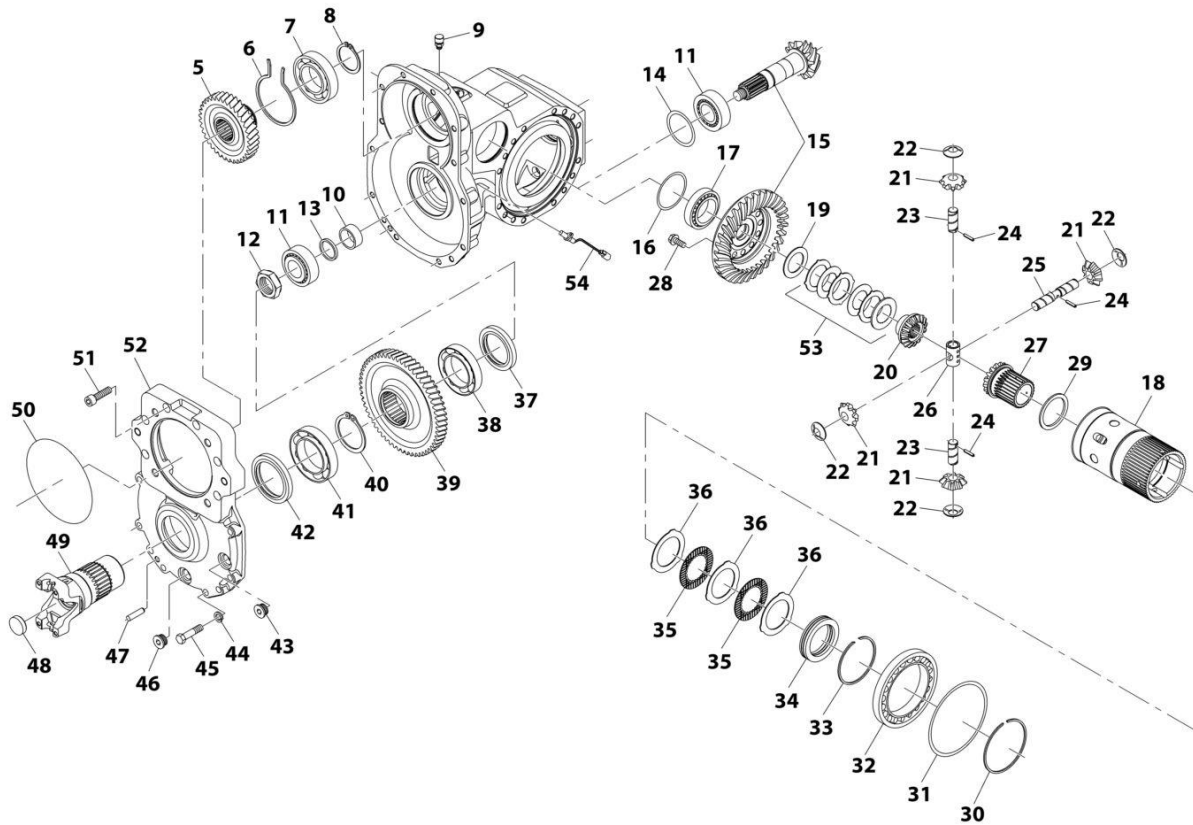
SECTION 5 - DRIVE TRAIN

FIGURE 5-4. FRONT AXLE, CENTRAL HOUSING

ITEM	PART NUMBER	QTY	DESCRIPTION	REV
	1007367100	Ref	FRONT AXLE, CENTRAL HOUSING	G
1	70029265	1	Housing	
2	70021147	2	O-Ring	
3	7028706	1	Magnetic Plug	
4	91514188	1	Plug With Seal Washer	

SECTION 5 - DRIVE TRAIN

FIGURE 5-5. FRONT AXLE, DIFFERENTIAL



ART_1007367100_2-F

SECTION 5 - DRIVE TRAIN

FIGURE 5-5. FRONT AXLE, DIFFERENTIAL

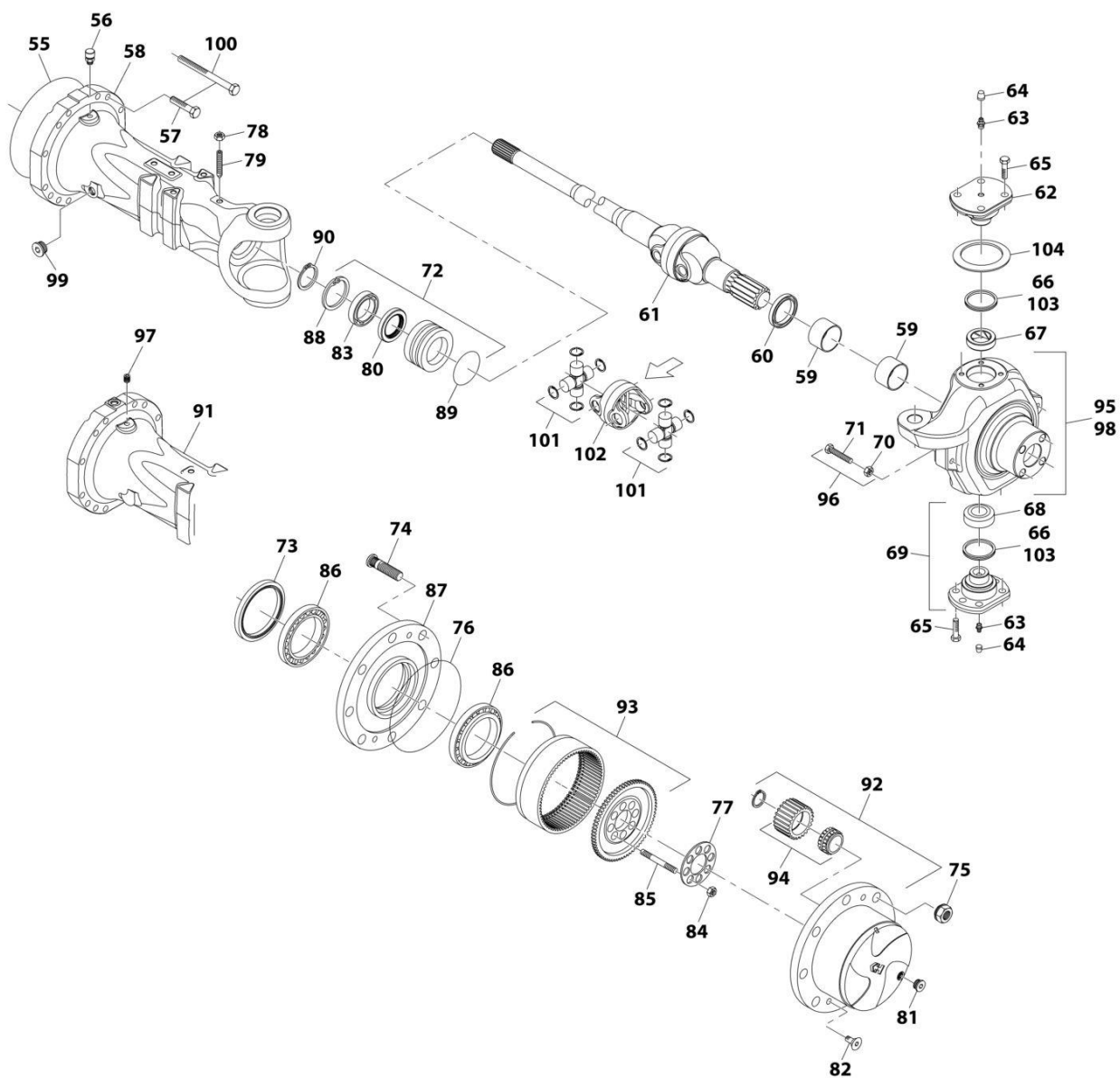
ITEM	PART NUMBER	QTY	DESCRIPTION	REV
	1007367100	Ref	FRONT AXLE, DIFFERENTIAL	G
5	70024863	1	Gear	
6	70020230	1	Circlip	
7	70020231	1	Ball Bearing	
8	70020232	1	Circlip	
9	91474512	1	Plug	
10	70024864	1	Spacer	
11	70020234	2	Bearing	
12	70020235	1	Ring Nut	
13	70024927	1	Shim Kit	
14	70024866	1	Shim Kit	
15	70029266	1	Bevel Gear Set	
16	70024929	1	Shim Kit	
17	70020240	1	Tapered Roller Bearing	
18	70021939	1	Differential Carrier	
19	70029267	1	Friction Washer	
20	70020243	1	Differential Side Gear	
21	70020244	4	Differential Pinion	
22	70020245	4	Friction Washer	
23	70021929	2	Pin	
24	70020247	3	Dowel	
25	70021928	1	Pin	
26	70020249	1	Shaft Retainer	
27	70020250	1	Differential Side Gear	
28	70020251	12	Bolt	
29	70020252	1	Friction Washer	
30	70020253	1	Circlip	
31	70027859	1	Shim Kit	
32	3984301	1	Bearing	
33	70020255	1	Circlip	
34	70020256	1	Bearing	
35	70020257	7	Clutch Disc	
36	70020258	8	Intermediate Clutch	
37	70020259	1	Seal	
38	70020260	1	Ball Bearing	
39	70020261	1	Gear	
40	70020262	1	Circlip	
41	80204178	1	Ball Bearing	
42	70020263	1	Seal	
43	70028389	1	Plug	
44	80204147	8	Spring Washer	
45	70024873	8	Bolt	
46	70028388	1	Plug	
47	70020265	1	Dowel	
48	70020266	1	Plug	
49	70020267	1	Flange	
50	70024874	1	O-Ring	
51	70020269	6	Cylinder Bolt	
52	70024875	1	Cover	
53	70020271	1	Clutch Disc	

SECTION 5 - DRIVE TRAIN

ITEM	PART NUMBER	QTY	DESCRIPTION	REV
54	70029268	1	Speed Sensor	

SECTION 5 - DRIVE TRAIN

FIGURE 5-6. FRONT AXLE, HUB REDUCTION



ART_1007367100_3-F

SECTION 5 - DRIVE TRAIN

FIGURE 5-6. FRONT AXLE, HUB REDUCTION

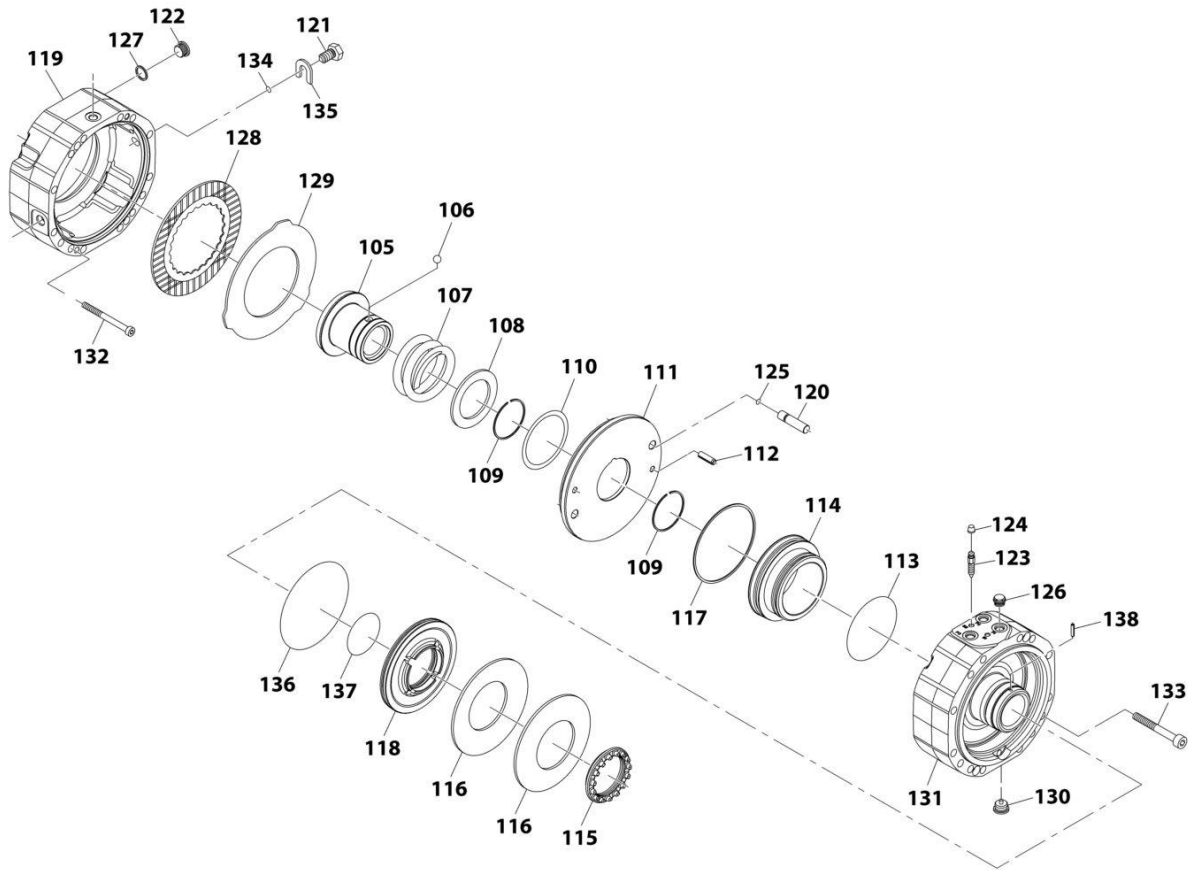
ITEM	PART NUMBER	QTY	DESCRIPTION	REV
	1007367100	Ref	FRONT AXLE, HUB REDUCTION	G
55	70021147	2	O-Ring	
56	91474512	1	Vent	
57	70024878	14	Bolt	
58	70029269	1	Axle Case	
59	70021150	2	Thrust Bushing	
60	70021151	2	Seal	
61	70029270	2	Universal Joint & Shaft	
62	70029271	2	Pivot Pin	
63	70024881	4	Grease Fitting	
64	80204117	4	Plug	
65	70025562	20	Bolt	
66	70021155	2	Seal	
67	70029272	2	Reduction Bushing	
68	70029273	2	Articulation	
69	70029274	2	Pivot Pin	
70	80204065	4	Nut	
71	91514117	4	Bolt	
72	70029275	2	Reduction Bushing	
73	70029276	2	Seal	
74	70024883	16	Wheel Stud	
75	70026875	NLA	Nut (No Longer Available, Use Item 70030769)	
75	70030769	16	Nut	
76	91474507	2	O-Ring	
77	3983731	2	Locking Plate	
78	80204172	2	Nut	
79	70029277	2	Bolt	
80	70029278	2	Seal	
81	7028706	2	Magnetic Plug	
82	91514189	4	Countersunk Bolt	
83	70029279	2	Bearing	
84	91474584	8	Nut	
85	70027315	8	Stud	
86	3984301	4	Bearing	
87	70029280	2	Wheel Hub	
88	70029281	2	Circlip	
89	70029282	2	O-Ring	
90	70029283	2	Circlip	
91	70029284	1	Axle Case	
92	70029285	2	Planet Gear Carrier Kit (See Separate Breakdown in this Section)	
93	7029432	2	Ring Gear Support Kit (See Separate Breakdown in this Section)	
94	70027114	6	Planet Gear Kit	
95	70029286	1	Steering Case Kit (LF, RR) (See Separate Breakdown in this Section)	
96	7028733	4	Steering Adjust Bolt Kit	
97	80204012	1	Plug	
98	70029287	1	Steering Case Kit (RF, LR) (See Separate Breakdown in this Section)	
99	91514188	1	Plug W/ Sealing Washer	
100	70029288	14	Hex Bolt	

SECTION 5 - DRIVE TRAIN

ITEM	PART NUMBER	QTY	DESCRIPTION	REV
101	70029289	2	Joint Cross	
102	70029290	1	Joint Center Section	
103	70029291	2	Dust Excluder	
104	70029292	4	Spring	

SECTION 5 - DRIVE TRAIN

FIGURE 5-7. FRONT AXLE, BRAKES



ART_1007367100_4-F

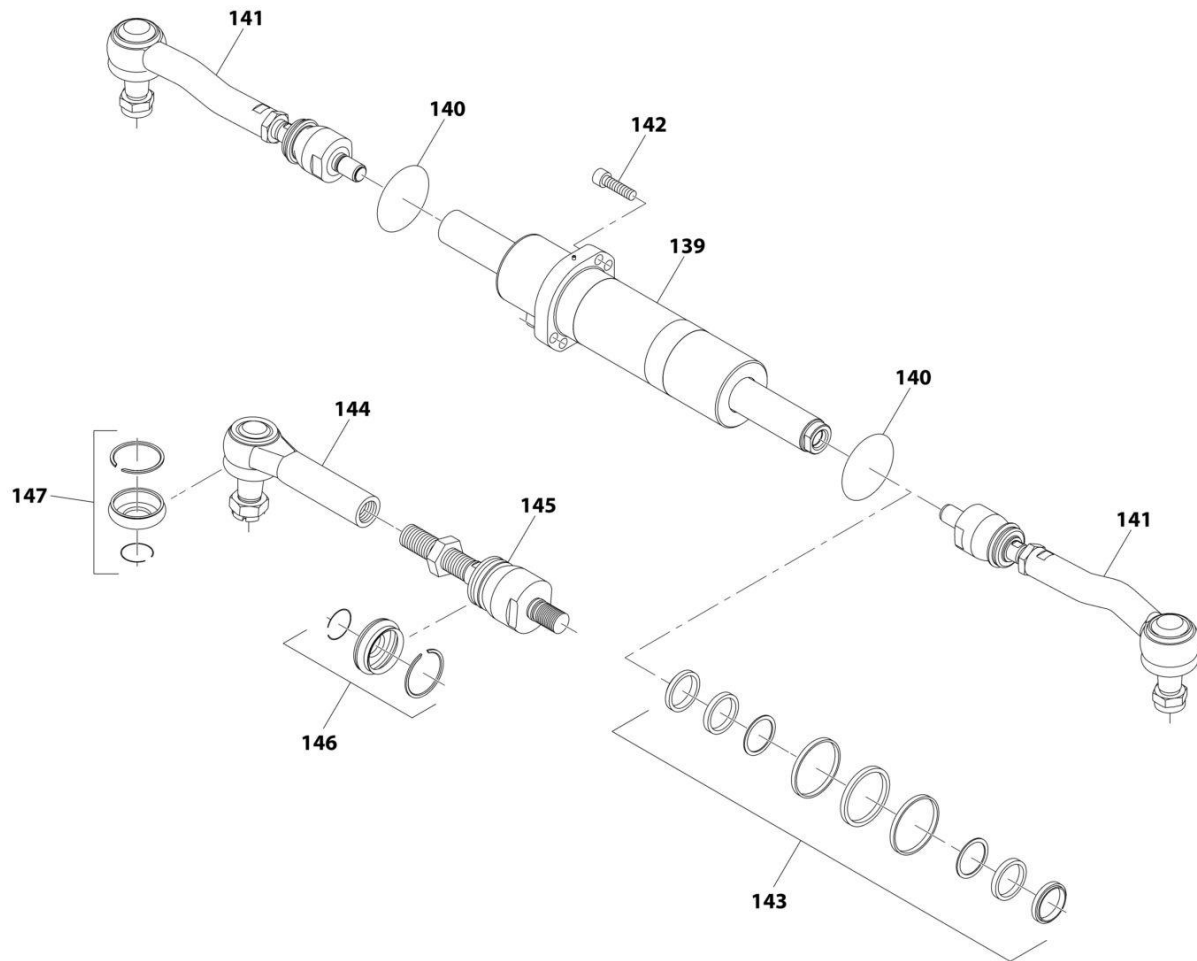
SECTION 5 - DRIVE TRAIN

FIGURE 5-7. FRONT AXLE, BRAKES

ITEM	PART NUMBER	QTY	DESCRIPTION	REV
	1007367100	Ref	FRONT AXLE, BRAKES	G
105	70021942	1	Reduction Bushing	
106	70020276	2	Detend Ball	
107	70020285	1	Spring	
108	70021941	1	Spacer	
109	70020284	2	Circlip	
110	70027862	1	Shim Kit	
111	70021940	1	Intermediate Brake Disc	
112	70029293	2	Roll Pin	
113	70028884	1	O-Ring, Anti-Twist	
114	70020280	1	Piston	
115	70020296	1	Ring Nut	
116	70020295	2	Spring	
117	70026263	1	Seal	
118	70024897	1	Piston	
119	70029294	1	Steering Axle Housing	
120	70020291	3	Pin	
121	70020297	2	Bolt	
122	70029295	1	Plug	
123	80204281	2	Bleeding Bolt	
124	80204117	2	Plug	
125	70020290	3	O-Ring	
126	70020282	1	Plug	
127	70029296	1	Washer	
128	70020273	6	Brake Disc	
129	70024528	6	Disc, Intermediate Brake	
130	7028706	1	Magnetic Plug	
131	70029297	1	Steering Axle Housing	
132	70029298	2	Cylinder Bolt	
133	70029299	3	Cylinder Bolt	
134	80204111	2	O-Ring	
135	70020298	2	Spacer	
136	70020292	1	O-Ring	
137	70020293	1	O-Ring	
138	70020247	1	Dowel	

SECTION 5 - DRIVE TRAIN

FIGURE 5-8. FRONT AXLE, STEERING



ART_1007367100_5-F

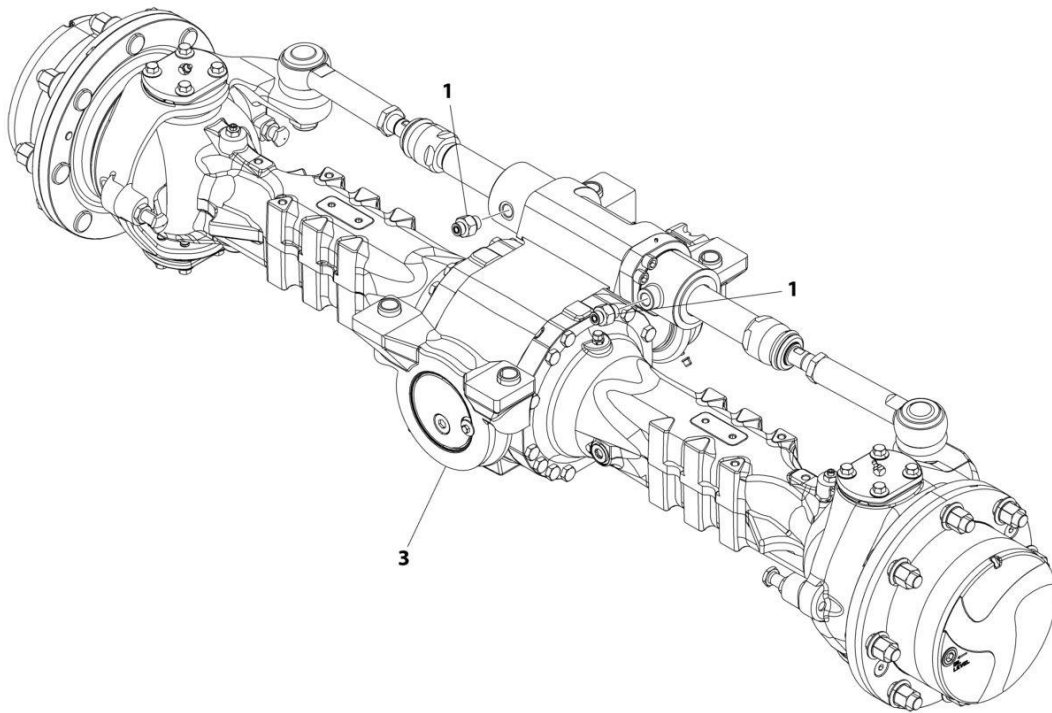
SECTION 5 - DRIVE TRAIN

FIGURE 5-8. FRONT AXLE, STEERING

ITEM	PART NUMBER	QTY	DESCRIPTION	REV
	1007367100	Ref	FRONT AXLE, STEERING	G
139	70023035	1	Steer Cylinder	
140	70020301	2	O-Ring	
141	70020302	2	Tie Rod	
142	70020269	4	Cylinder Bolt	
143	70023036	1	Seal Kit, Steer Cylinder	
144	70029300	1	Joint, 90 Degree	
145	70029301	1	Axle Joint	
146	70027866	1	Rubber Boot and Locking Ring Kit	
147	70027865	1	Rubber Boot and Locking Ring Kit	

SECTION 5 - DRIVE TRAIN

FIGURE 5-9. REAR AXLE ASSEMBLY



ART_1001233724

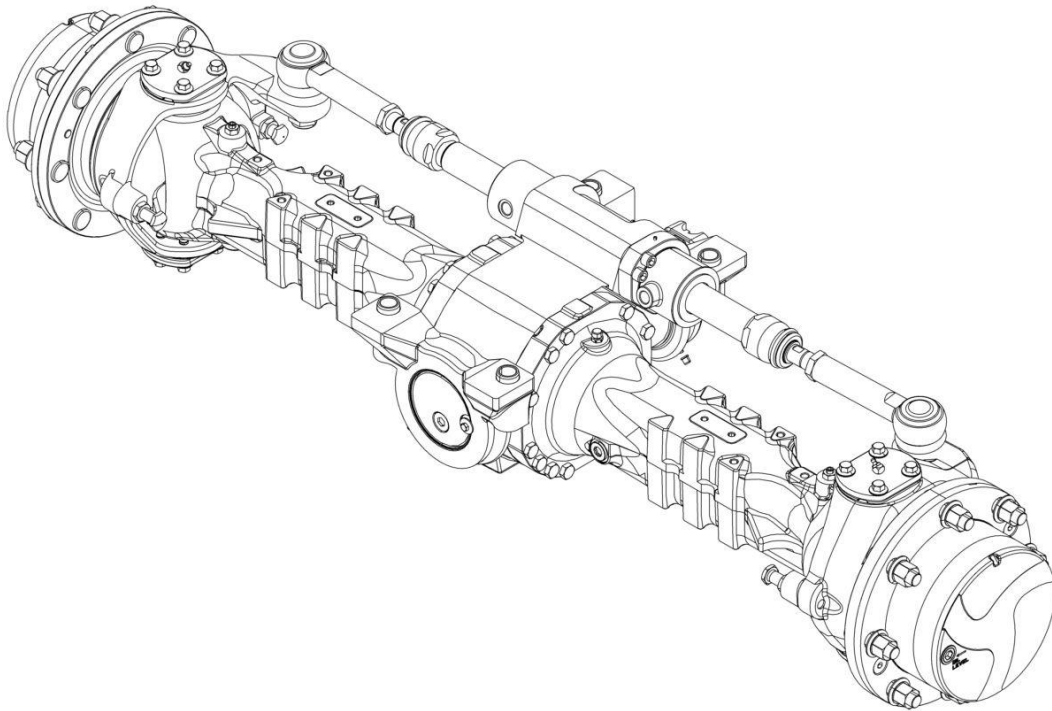
SECTION 5 - DRIVE TRAIN

FIGURE 5-9. REAR AXLE ASSEMBLY

ITEM	PART NUMBER	QTY	DESCRIPTION	REV
1	1001233724	Ref	Rear Axle Assembly	C
	1001081333	2	Fitting	
3	1007367300	1	Rear Axle (See Separate Breakdown in this Section)	

SECTION 5 - DRIVE TRAIN

FIGURE 5-10. REAR AXLE



ART_1007367300

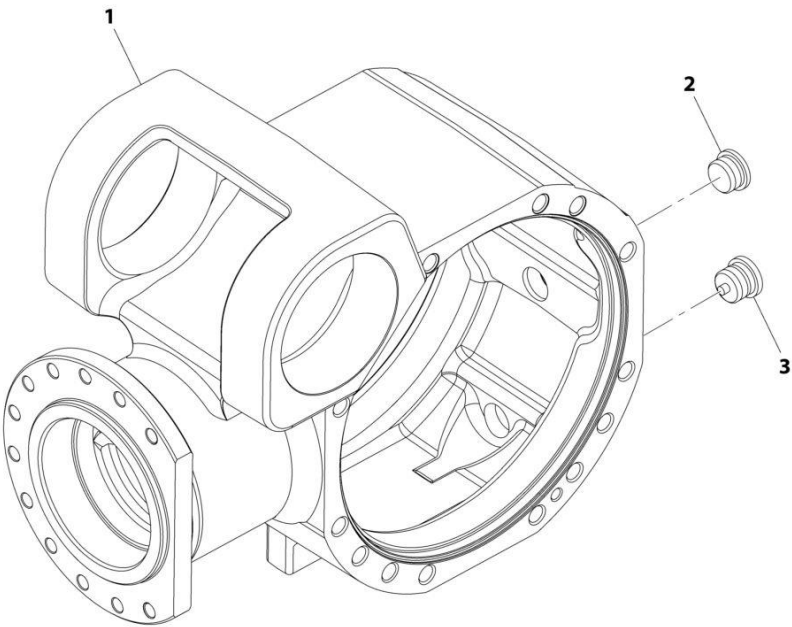
SECTION 5 - DRIVE TRAIN

FIGURE 5-10. REAR AXLE

ITEM	PART NUMBER	QTY	DESCRIPTION	REV
	1007367300	Ref	Rear Axle	F
		Ref	Rear Axle, Central Housing (See Separate Breakdown in this Section)	
		Ref	Rear Axle, Differential (See Separate Breakdown in this Section)	
		Ref	Rear Axle, Hub Reduction (See Separate Breakdown in this Section)	
		Ref	Rear Axle, Steering (See Separate Breakdown in this Section)	
		Ref	Rear Axle, Trunion (See Separate Breakdown in this Section)	

SECTION 5 - DRIVE TRAIN

FIGURE 5-11. REAR AXLE, CENTRAL HOUSING



ART_1007367300_1-E

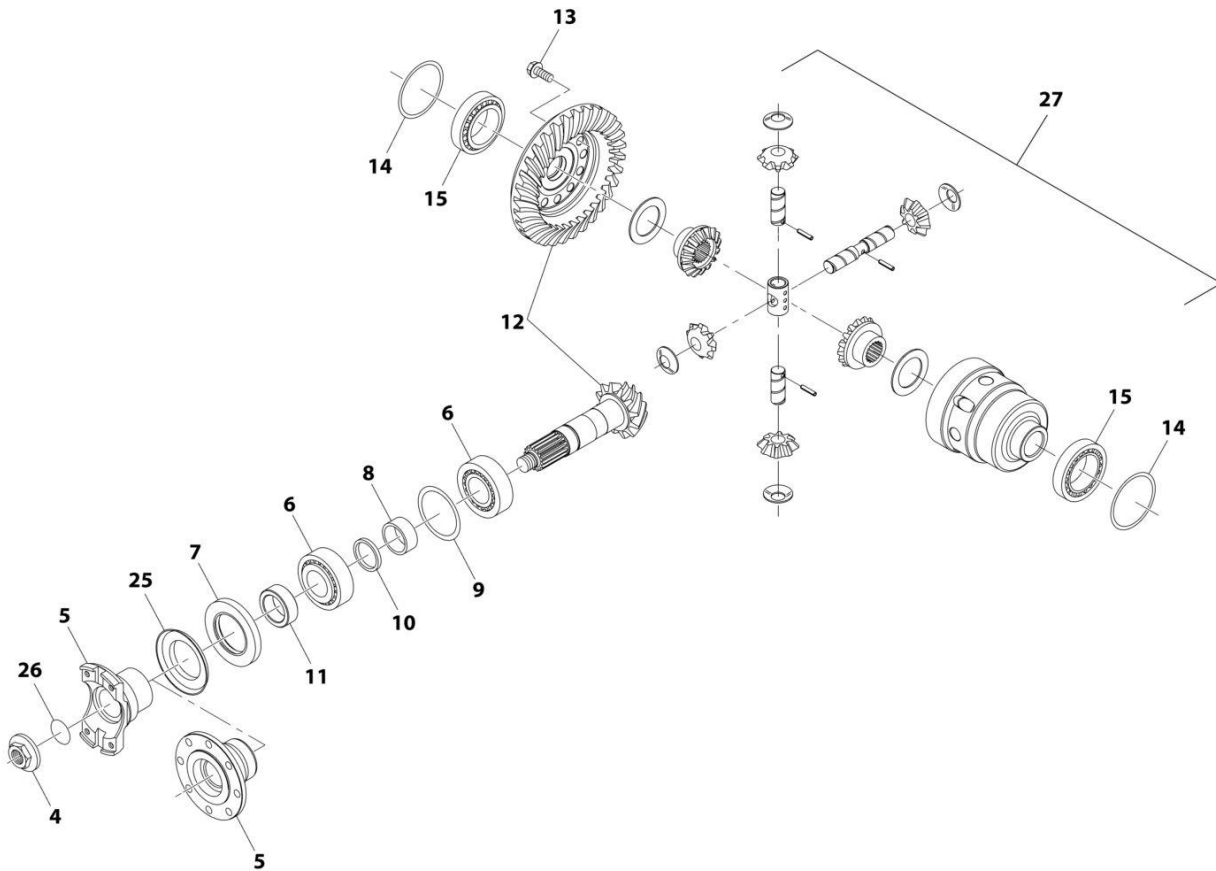
SECTION 5 - DRIVE TRAIN

FIGURE 5-11. REAR AXLE, CENTRAL HOUSING

ITEM	PART NUMBER	QTY	DESCRIPTION	REV
	1007367300	Ref	REAR AXLE, CENTRAL HOUSING	F
1	70029265	1	Housing	
2	91514188	1	Plug	
3	7028706	1	Magnetic Plug	

SECTION 5 - DRIVE TRAIN

FIGURE 5-12. REAR AXLE, DIFFERENTIAL



ART_1007367300_2-E

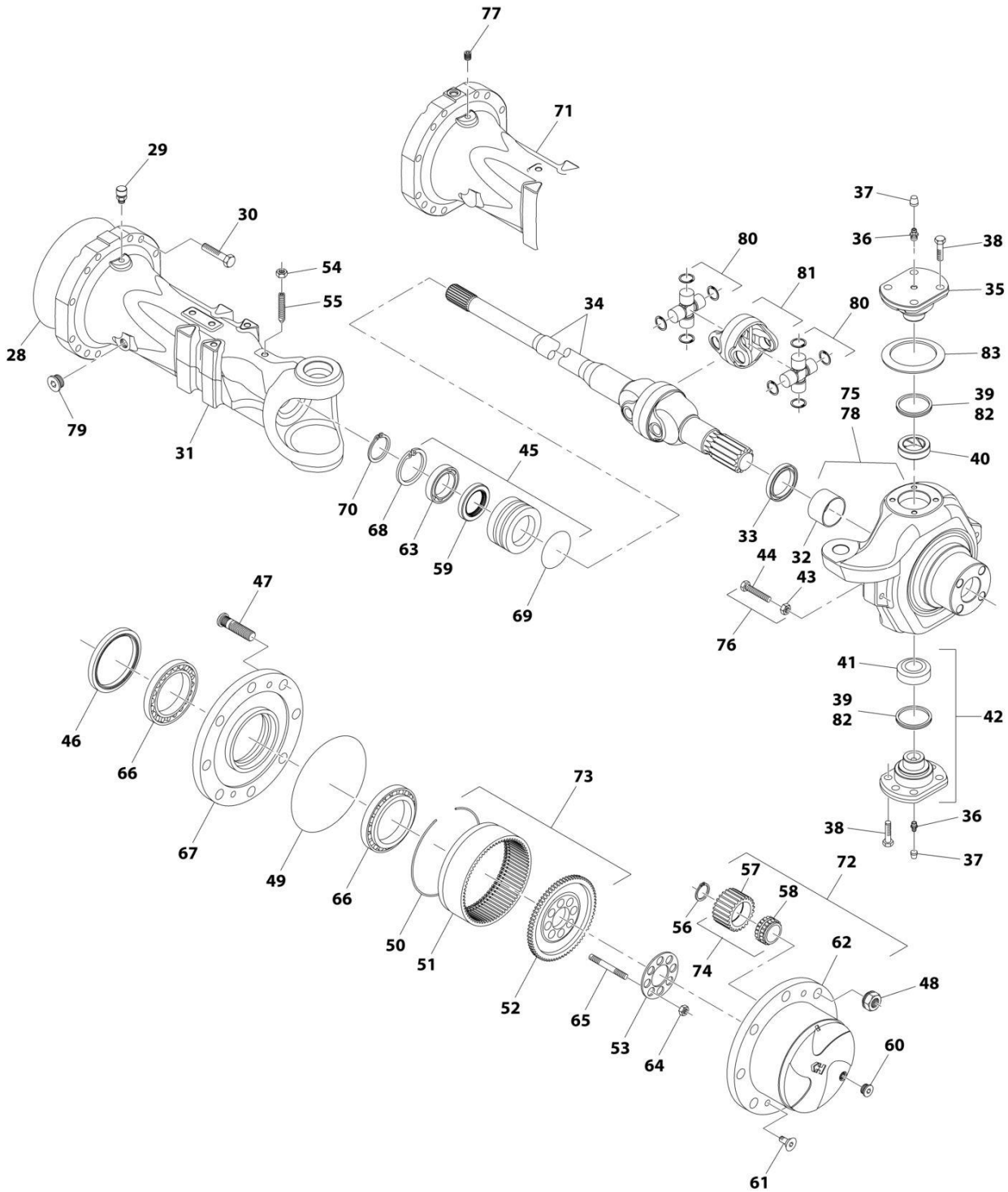
SECTION 5 - DRIVE TRAIN

FIGURE 5-12. REAR AXLE, DIFFERENTIAL

ITEM	PART NUMBER	QTY	DESCRIPTION	REV
	1007367300	Ref	REAR AXLE, DIFFERENTIAL	F
4	80204213	1	Nut	
5	70020288	1	Flange	
6	70020234	2	Bearing	
7	91474532	1	Seal	
8	70020233	1	Spacer	
9	70024866	1	Shim Kit	
10	70024927	1	Shim Kit	
11	70020303	1	Spacer	
12	70029302	1	Bevel Gear Set	
13	70020251	12	Bolt	
14	70024929	1	Shim Kit	
15	70020240	2	Tapered Roller Bearing	
25	70021076	1	Cover Plate	
26	70021196	1	O-Ring	
27	70029303	1	Differential Kit (See Separate Breakdown in this Section)	

SECTION 5 - DRIVE TRAIN

FIGURE 5-13. REAR AXLE, HUB REDUCTION



ART_1007367300_3-E

SECTION 5 - DRIVE TRAIN

FIGURE 5-13. REAR AXLE, HUB REDUCTION

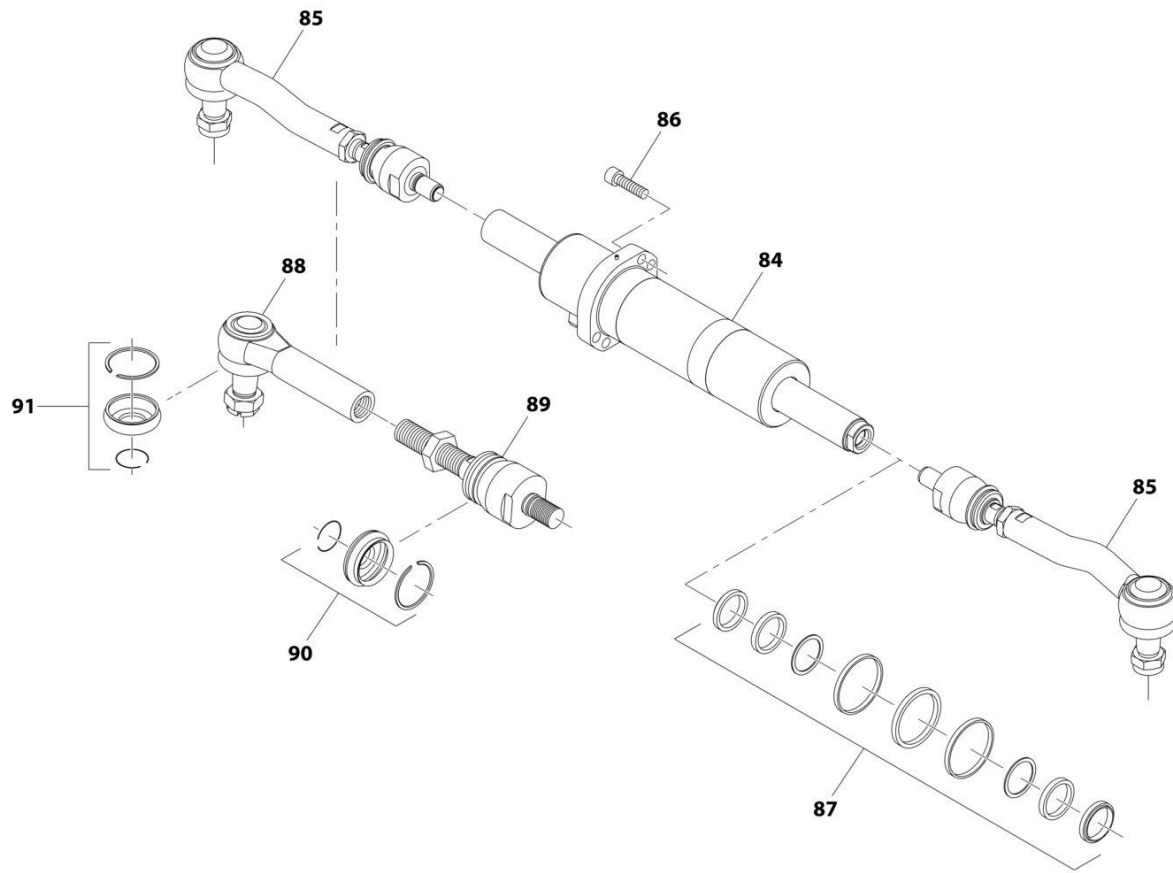
ITEM	PART NUMBER	QTY	DESCRIPTION	REV
	1007367300	Ref	REAR AXLE, HUB REDUCTION	F
28	70021147	2	O-Ring	
29	91474512	1	Breather	
30	70024878	28	Bolt	
31	70029304	1	Axle Case	
32	70021150	2	Bushing	
33	70021151	2	Seal	
34	70029270	2	Universal Joint and Shaft	
35	70029271	2	Pivot Pin	
36	70024881	4	Grease Fitting	
37	80204117	4	Plug	
38	70025562	20	Bolt	
39	70021155	2	Seal	
40	70029272	2	Reduction Bushing	
41	70029273	2	Articulation	
42	70029274	2	Pivot Pin	
43	80204065	4	Nut	
44	91514117	4	Bolt	
45	70029275	2	Reduction Bushing	
46	70029276	2	Seal	
47	70024883	16	Wheel Stud	
48	70026875	NLA	Nut (No Longer Available, Use Item 70030769)	
48	70030769	16	Nut	
49	91474507	2	O-Ring	
50	91474579	2	Circlip	
51	91474580	2	Ring Gear	
52	3983720	2	Ring Gear Support	
53	3983731	2	Locking Plate	
54	80204172	2	Nut	
55	70029277	2	Bolt	
56	91474585	3	Circlip	
57	70028473	6	Planet Gear	
58	70028474	6	Bearing	
59	70029278	2	Seal	
60	7028706	2	Magnetic Plug	
61	91514189	4	Bolt, Countersunk	
62	70024888	1	Plant Gear Carrier	
63	70029279	2	Bearing	
64	91474584	8	Nut	
65	70027315	8	Stud	
66	70030251	4	Bearing	
67	70029280	2	Wheel Hub	
68	70029281	2	Circlip	
69	70029282	2	O-Ring	
70	70029283	2	Circlip	
71	70029284	1	Axle Case	
72	70029285	2	Planet Gear Carrier Kit (See Separate Breakdown in this Section)	
73	7029432	2	Ring Gear Support Assembly (See Separate Breakdown in this Section)	
74	70027114	6	Kit, Planet Gear	

SECTION 5 - DRIVE TRAIN

ITEM	PART NUMBER	QTY	DESCRIPTION	REV
75	70029286	1	Steering Case Kit (LF, RR) (See Separate Breakdown in this Section)	
76	7028733	4	Steering Adjust Bolt Kit	
77	80204012	1	Plug	
78	70029287	1	Steering Case Kit (RF, LR) (See Separate Breakdown in this Section)	
79	70028389	1	Plug	
80	70029289	2	Joint Cross	
81	70029290	1	Joint Center Section	
82	70029291	2	Dust Excluder	
83	70029292	4	Spring	

SECTION 5 - DRIVE TRAIN

FIGURE 5-14. REAR AXLE, STEERING



ART_1007367300_4-E

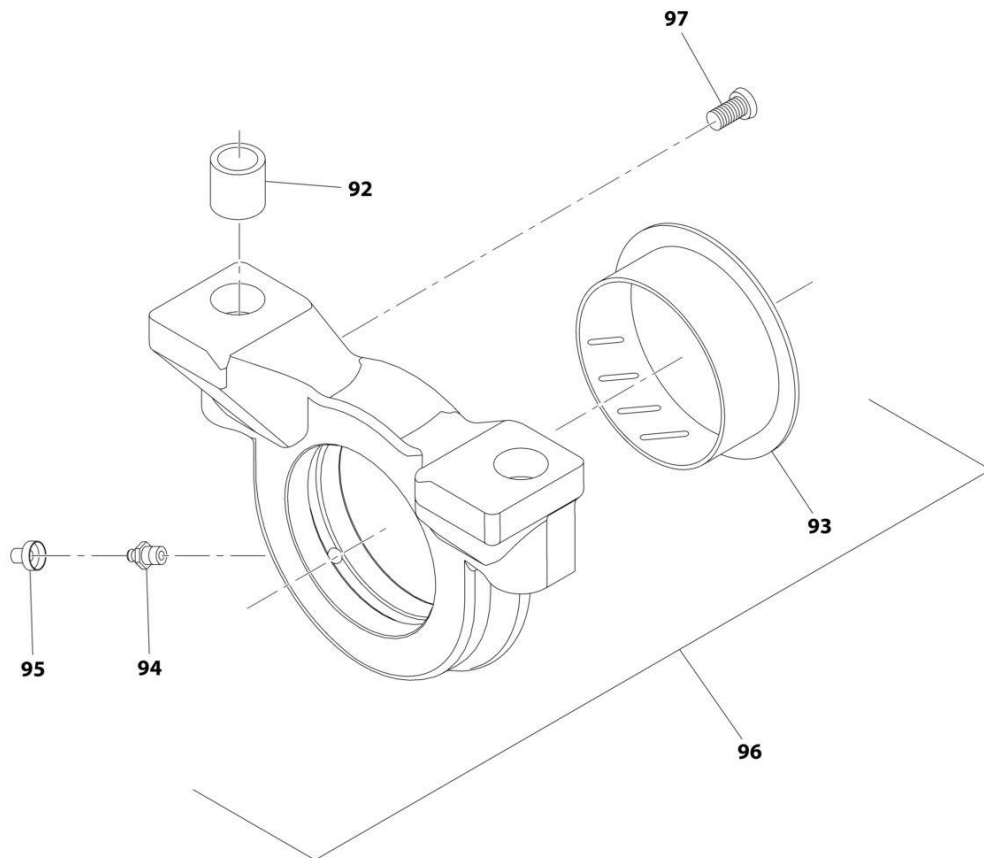
SECTION 5 - DRIVE TRAIN

FIGURE 5-14. REAR AXLE, STEERING

ITEM	PART NUMBER	QTY	DESCRIPTION	REV
	1007367300	Ref	REAR AXLE, STEERING	F
84	70023035	1	Steer Cylinder	
85	70020302	2	Tie Rod	
86	70020269	4	Cylinder Bolt	
87	70023036	1	Seal Kit, Steer Cylinder	
88	70029300	1	Joint, 90 Degree	
89	70029301	1	Axle Joint	
90	70027866	1	Rubber Boot and Locking Ring Kit	
91	70027865	1	Rubber Boot and Locking Ring Kit	

SECTION 5 - DRIVE TRAIN

FIGURE 5-15. REAR AXLE, TRUNION



ART_1007367300_5-E

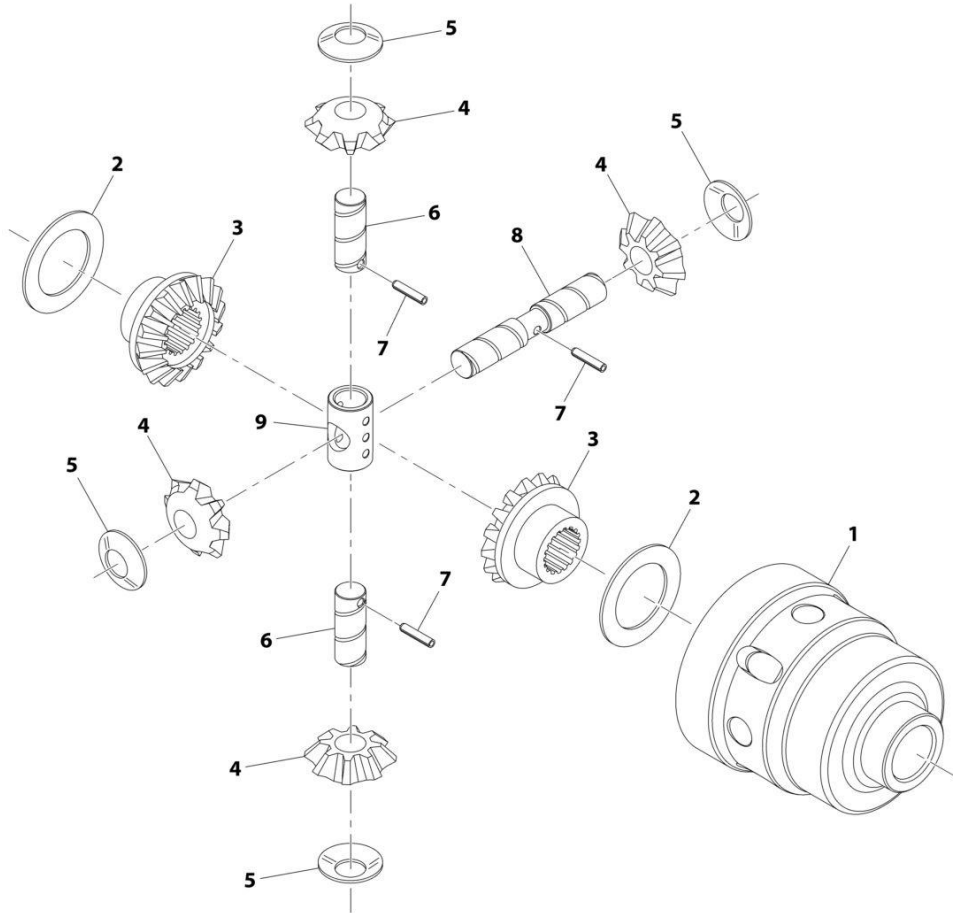
SECTION 5 - DRIVE TRAIN

FIGURE 5-15. REAR AXLE, TRUNION

ITEM	PART NUMBER	QTY	DESCRIPTION	REV
	1007367300	Ref	REAR AXLE, TRUNION	F
92	91474516	4	Reduction Bushing	
93	70021198	2	Thrust Bushing	
94	70024881	2	Fitting, Grease	
95	80204117	2	Plug	
96	70021200	2	Support Assembly	
97	70028535	2	Bolt	

SECTION 5 - DRIVE TRAIN

FIGURE 5-16. DIFFERENTIAL KIT



ART_70029303

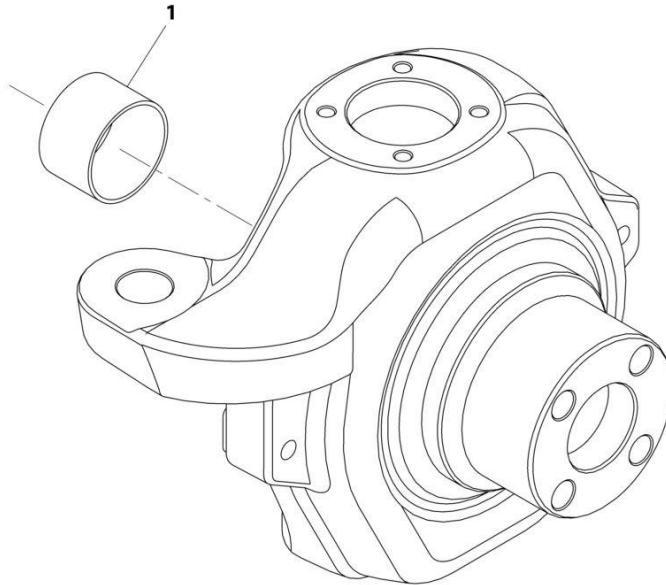
SECTION 5 - DRIVE TRAIN

FIGURE 5-16. DIFFERENTIAL KIT

ITEM	PART NUMBER	QTY	DESCRIPTION	REV
	70029303	Ref	Differential Kit	
1	70020346	1	Differential Carrier	
2	70029267	2	Friction Washer	
3	70021221	2	Differential Side Gear	
4	70020244	4	Differential Pinion	
5	70020245	4	Friction Washer	
6	70021929	2	Pin	
7	70020247	3	Dowel	
8	70021928	1	Pin	
9	70020249	1	Shaft Retainer	

SECTION 5 - DRIVE TRAIN

FIGURE 5-17. STEERING CASE KIT (LF/RR)



ART_70029286

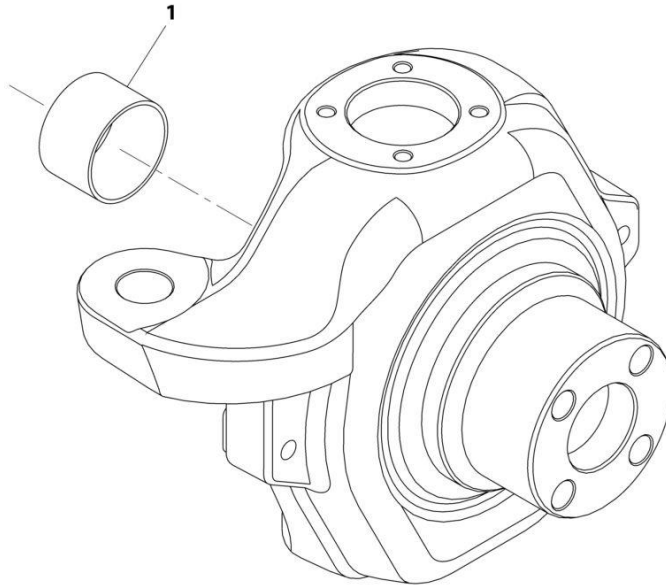
SECTION 5 - DRIVE TRAIN

FIGURE 5-17. STEERING CASE KIT (LF/RR)

ITEM	PART NUMBER	QTY	DESCRIPTION	REV
1	70029286	Ref	Steering Case Kit (LF, RR)	
	70021150	2	Thrust Bushing	

SECTION 5 - DRIVE TRAIN

FIGURE 5-18. STEERING CASE KIT (RF/LR)



ART_70029287

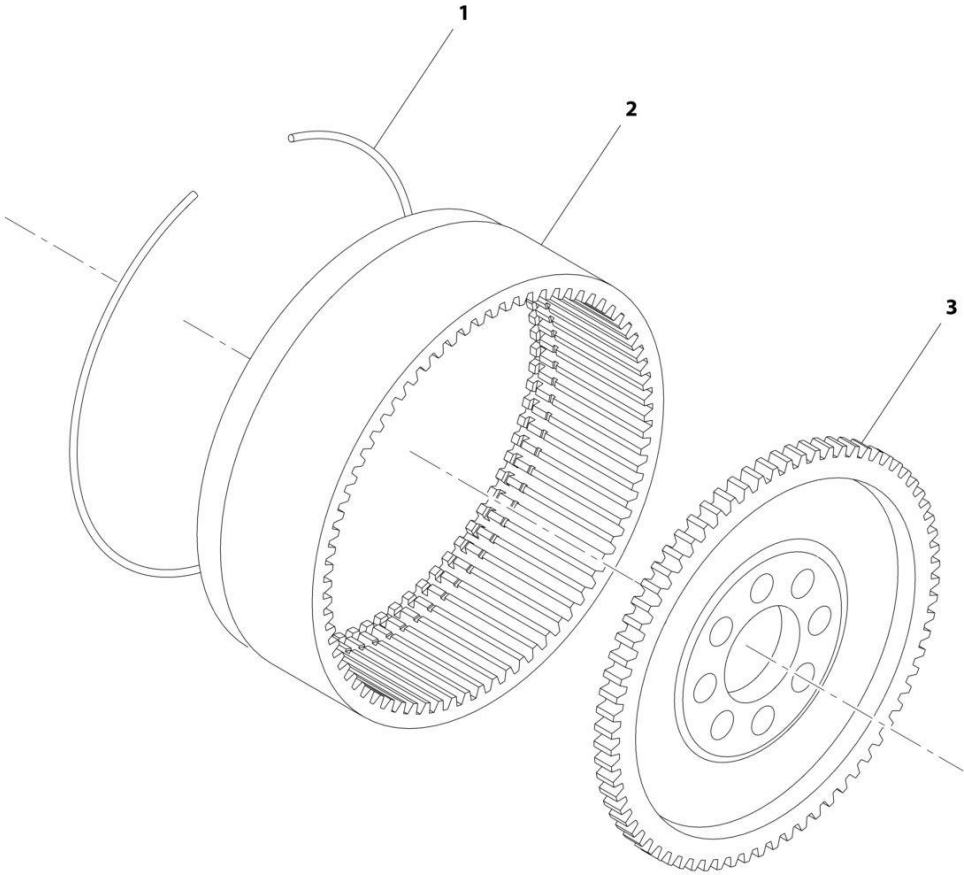
SECTION 5 - DRIVE TRAIN

FIGURE 5-18. STEERING CASE KIT (RF/LR)

ITEM	PART NUMBER	QTY	DESCRIPTION	REV
1	70029287	Ref	Steering Case Kit (RF, LR)	
	70021150	2	Thrust Bushing	

SECTION 5 - DRIVE TRAIN

FIGURE 5-19. RING GEAR SUPPORT KIT



ART_7029432

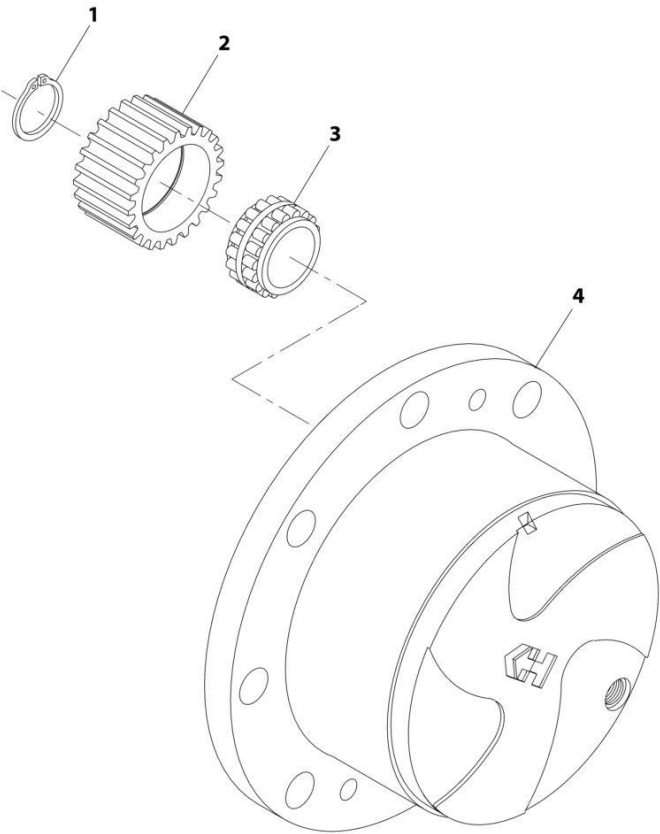
SECTION 5 - DRIVE TRAIN

FIGURE 5-19. RING GEAR SUPPORT KIT

ITEM	PART NUMBER	QTY	DESCRIPTION	REV
	7029432	Ref	Ring Gear Support Kit	
1	91474579	1	Circlip	
2	91474580	1	Ring Gear	
3	3983720	1	Ring Gear Support	

SECTION 5 - DRIVE TRAIN

FIGURE 5-20. PLANET GEAR CARRIER KIT



ART_70029285

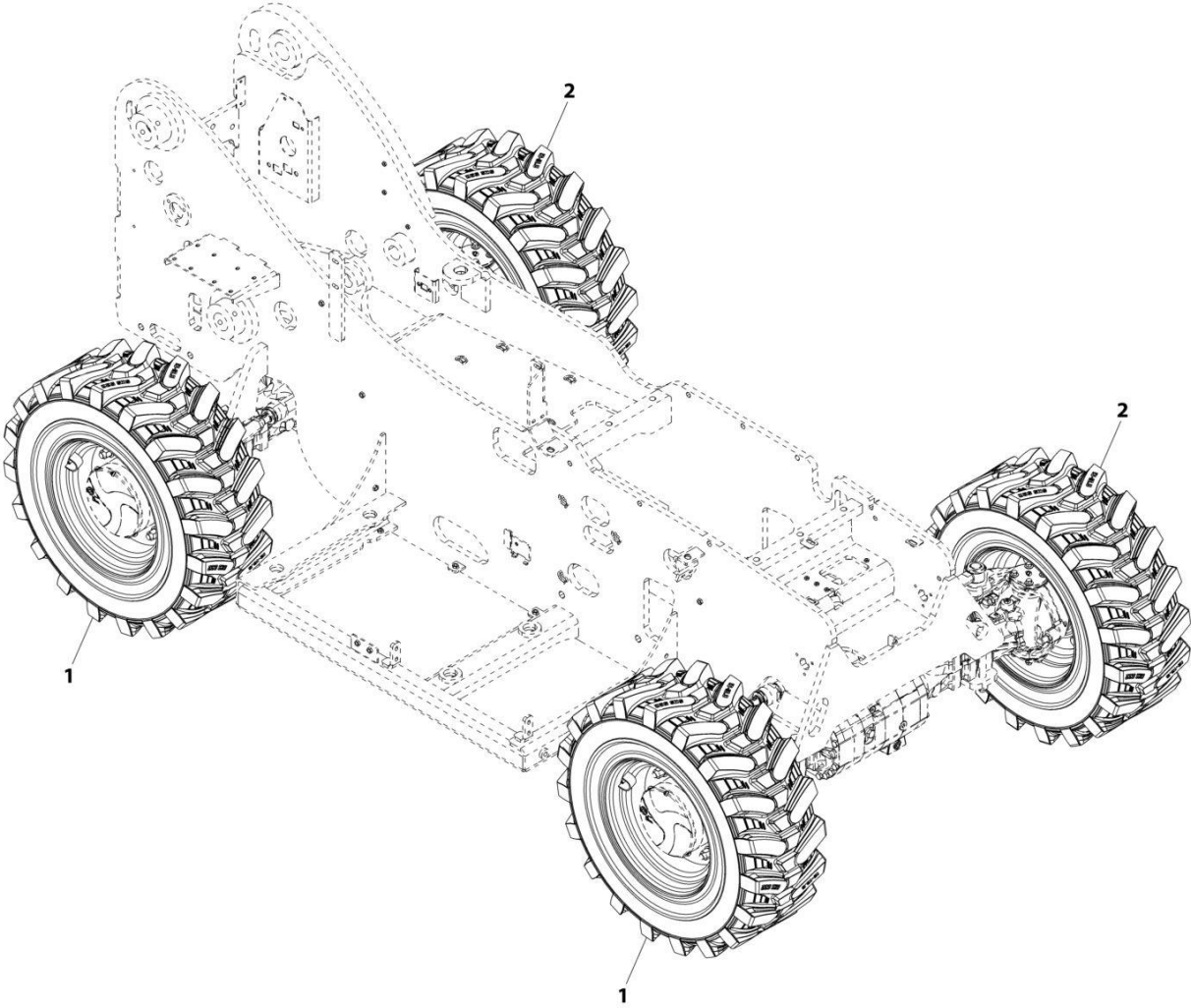
SECTION 5 - DRIVE TRAIN

FIGURE 5-20. PLANET GEAR CARRIER KIT

ITEM	PART NUMBER	QTY	DESCRIPTION	REV
	70029285	Ref	Planet Gear Carrier Kit	
1	91474585	3	Circlip	
2	70028473	6	Planet Gear	
3	70028474	6	Bearing	
4	70024888	1	Planet Gear Carrier	

SECTION 5 - DRIVE TRAIN

FIGURE 5-21. TIRE/WHEEL SET, CAMSO (AIR 12-16.5 - 12 PLY)



ART_1001236316-A

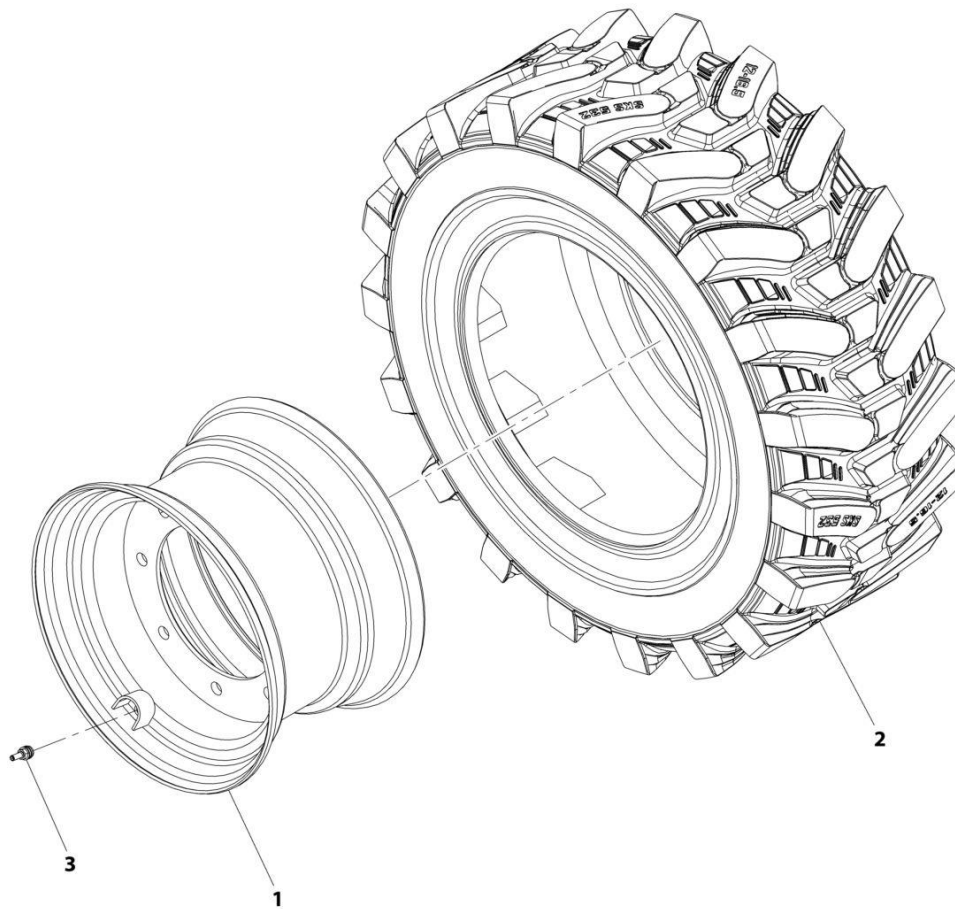
SECTION 5 - DRIVE TRAIN

FIGURE 5-21. TIRE/WHEEL SET, CAMSO (AIR 12-16.5 - 12 PLY)

ITEM	PART NUMBER	QTY	DESCRIPTION	REV
1	1001236316	Ref	Tire/Wheel Set, Camso (Air 12-16.5 - 12 PLY)	A
	1001236666	2	Right Tire/Wheel Assembly, Camso (Air 12-16.5 - 12 Ply) (See Separate Breakdown in this Section)	
2	1001236667	2	Left Tire/Wheel Assembly, Camso (Air 12-16.5 - 12 Ply) (See Separate Breakdown in this Section)	

SECTION 5 - DRIVE TRAIN

FIGURE 5-22. RIGHT TIRE/WHEEL ASSEMBLY, CAMSO (AIR 12-16.5 - 12 PLY)



ART_1001236666-A

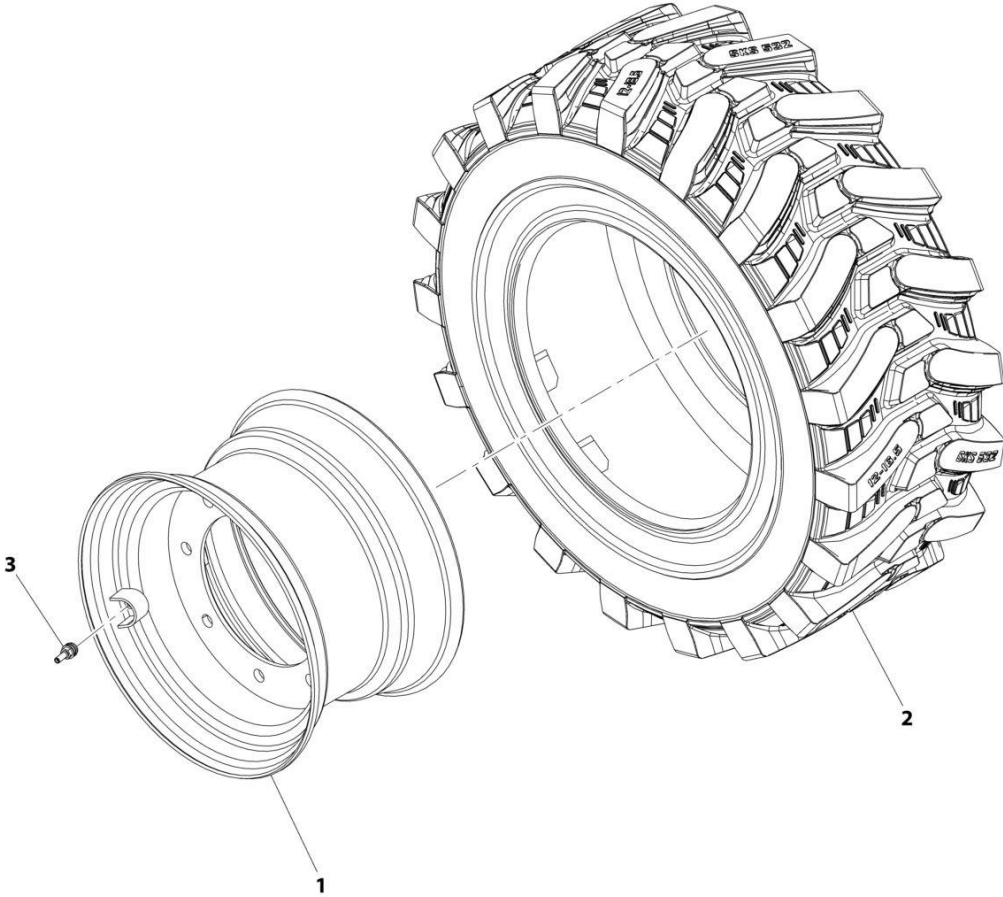
SECTION 5 - DRIVE TRAIN

FIGURE 5-22. RIGHT TIRE/WHEEL ASSEMBLY, CAMSO (AIR 12-16.5 - 12 PLY)

ITEM	PART NUMBER	QTY	DESCRIPTION	REV
	1001236666	Ref	Right Tire/Wheel Assembly, Camso (Air 12-16.5 - 12 PLY)	A
1	1001139975	1	Wheel, 16.5X9.75	
2	1001232351	1	Tire, 12-16.5 - 12 Ply	
3	4640163	1	Tire Valve	

SECTION 5 - DRIVE TRAIN

FIGURE 5-23. LEFT TIRE/WHEEL ASSEMBLY, CAMSO (AIR 12-16.5 - 12 PLY)



ART_1001236667-A

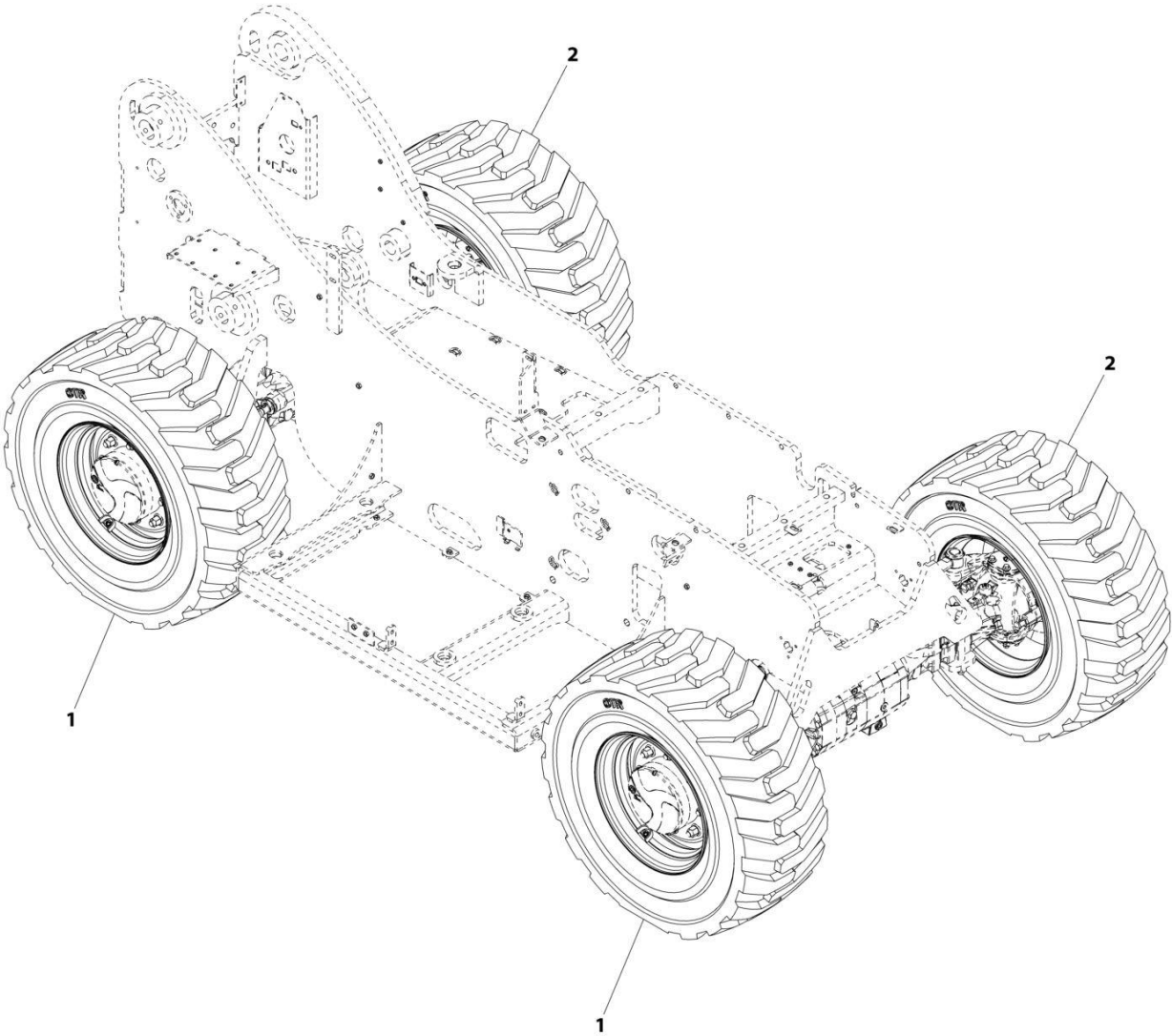
SECTION 5 - DRIVE TRAIN

FIGURE 5-23. LEFT TIRE/WHEEL ASSEMBLY, CAMSO (AIR 12-16.5 - 12 PLY)

ITEM	PART NUMBER	QTY	DESCRIPTION	REV
	1001236667	Ref	Left Tire/Wheel Assembly, Camso (Air 12-16.5 - 12 PLY)	A
1	1001139975	1	Wheel, 16.5X9.75	
2	1001232351	1	Tire, 12-16.5 - 12 Ply	
3	4640163	1	Tire Valve	

SECTION 5 - DRIVE TRAIN

FIGURE 5-24. TIRE/WHEEL SET (AIR 14-17.5 - 12 PLY)



ART_1001236317-A

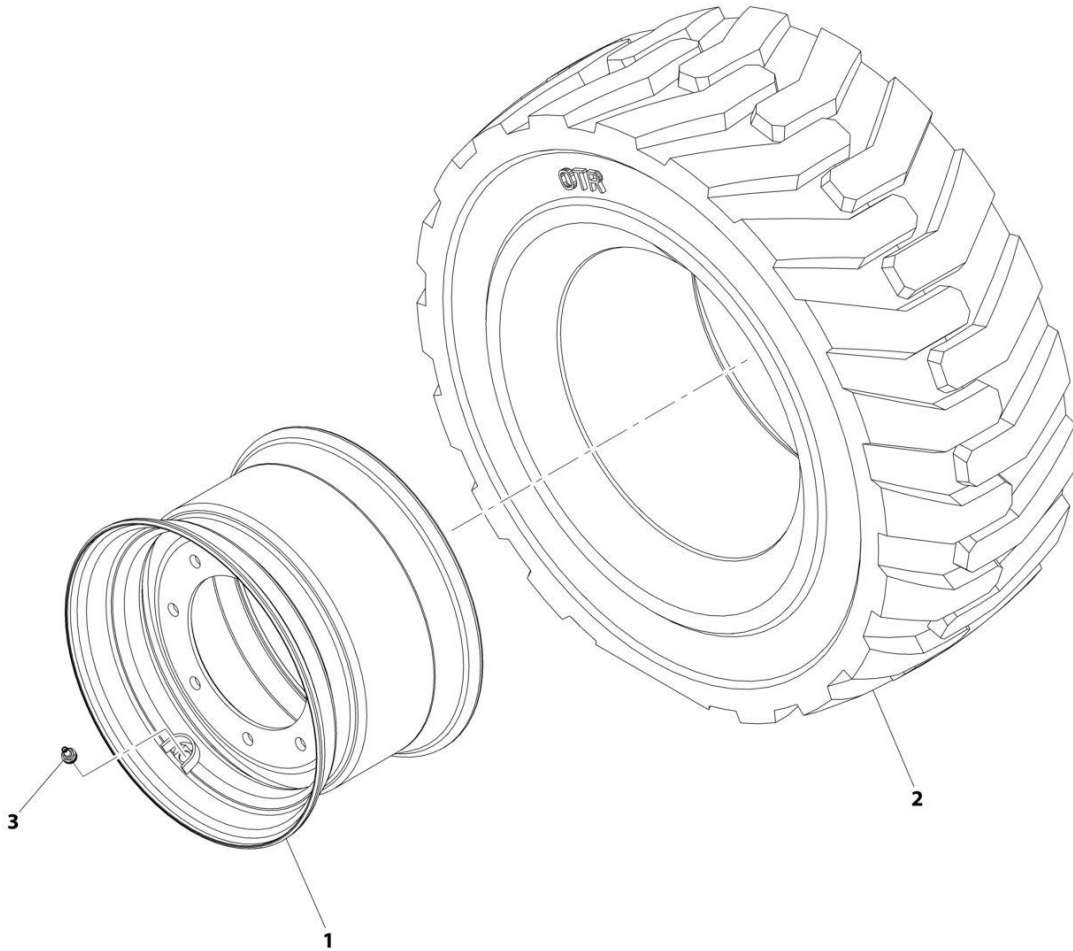
SECTION 5 - DRIVE TRAIN

FIGURE 5-24. TIRE/WHEEL SET (AIR 14-17.5 - 12 PLY)

ITEM	PART NUMBER	QTY	DESCRIPTION	REV
1	1001236317	Ref	Tire/Wheel Set (Air 14-17.5 - 12 PLY)	A
	1001140686	2	Right Tire/Wheel Assembly (Air 12-16.5 - 12 Ply) (See Separate Breakdown in this Section)	
2	1001140700	2	Left Tire/Wheel Assembly (Air 12-16.5 - 12 Ply) (See Separate Breakdown in this Section)	

SECTION 5 - DRIVE TRAIN

FIGURE 5-25. RIGHT TIRE/WHEEL ASSEMBLY (AIR 12-16.5 - 12 PLY)



ART_1001140686-F

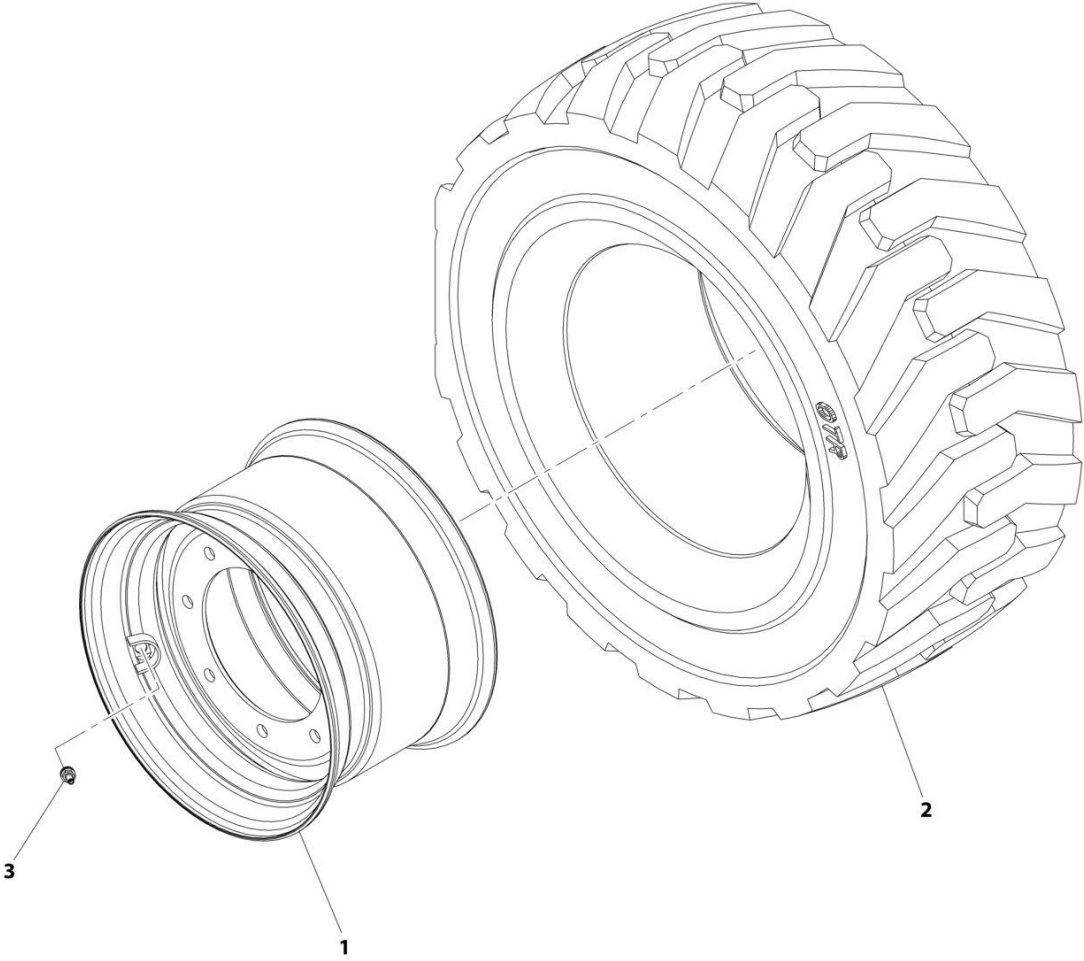
SECTION 5 - DRIVE TRAIN

FIGURE 5-25. RIGHT TIRE/WHEEL ASSEMBLY (AIR 12-16.5 - 12 PLY)

ITEM	PART NUMBER	QTY	DESCRIPTION	REV
	1001140686	Ref	Right Tire/Wheel Assembly (Air 12-16.5 - 12 PLY)	F
1	1001139974	1	Wheel, 17.5X10.5	
2	4520259	1	Tire, 14X17.5	
3	4640163	1	Tire Valve	

SECTION 5 - DRIVE TRAIN

FIGURE 5-26. LEFT TIRE/WHEEL ASSEMBLY (AIR 12-16.5 - 12 PLY)



ART_1001140700-F

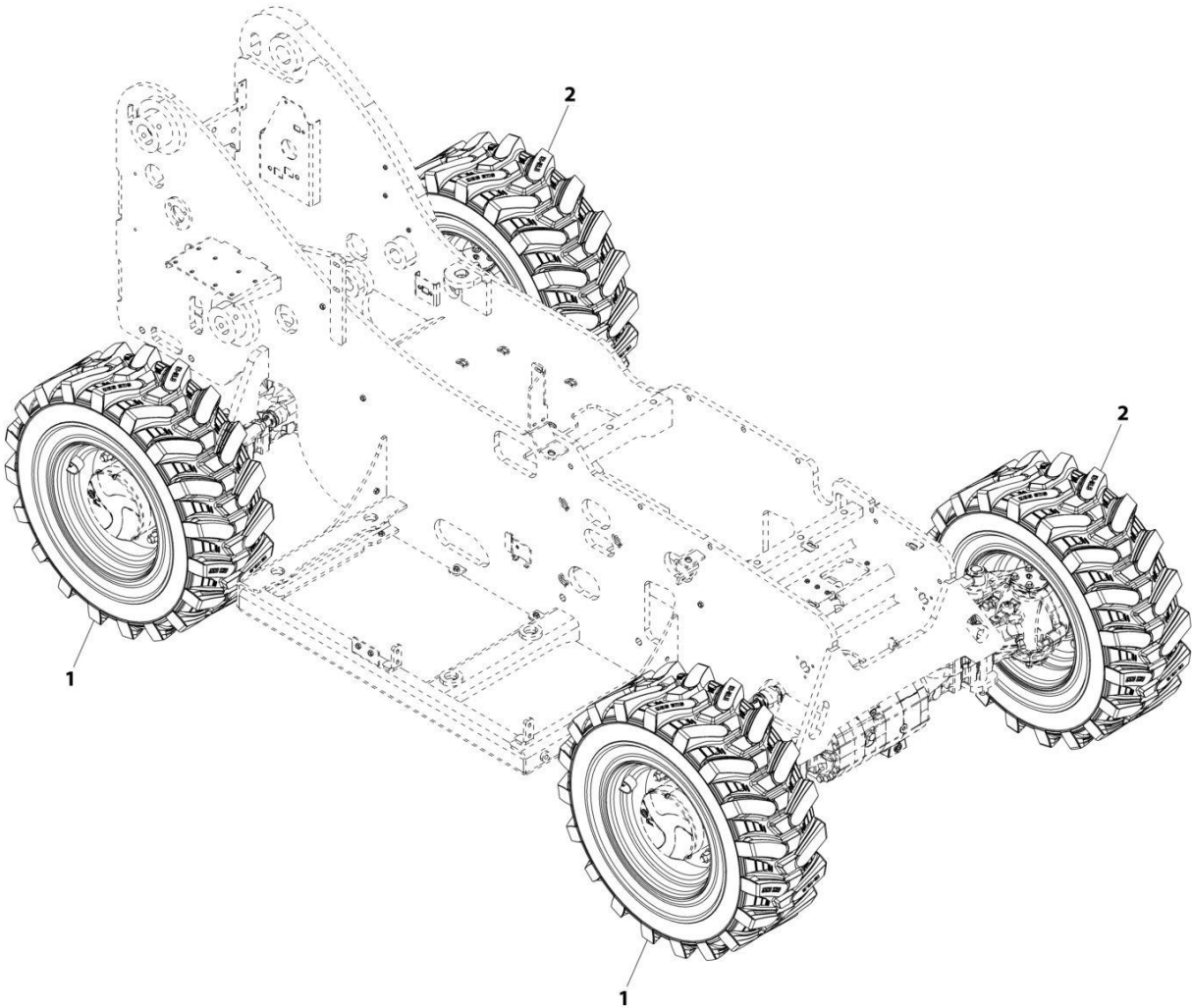
SECTION 5 - DRIVE TRAIN

FIGURE 5-26. LEFT TIRE/WHEEL ASSEMBLY (AIR 12-16.5 - 12 PLY)

ITEM	PART NUMBER	QTY	DESCRIPTION	REV
	1001140700	Ref	Left Tire/Wheel Assembly (Air 12-16.5 - 12 PLY)	F
1	1001139974	1	Wheel, 16.5X9.75	
2	4520259	1	Tire, 14X17.5	
3	4640163	1	Tire Valve	

SECTION 5 - DRIVE TRAIN

FIGURE 5-27. TIRE/WHEEL SET, CAMSO (FOAM 12-16.5 - 12 PLY)



ART_1001236319-A

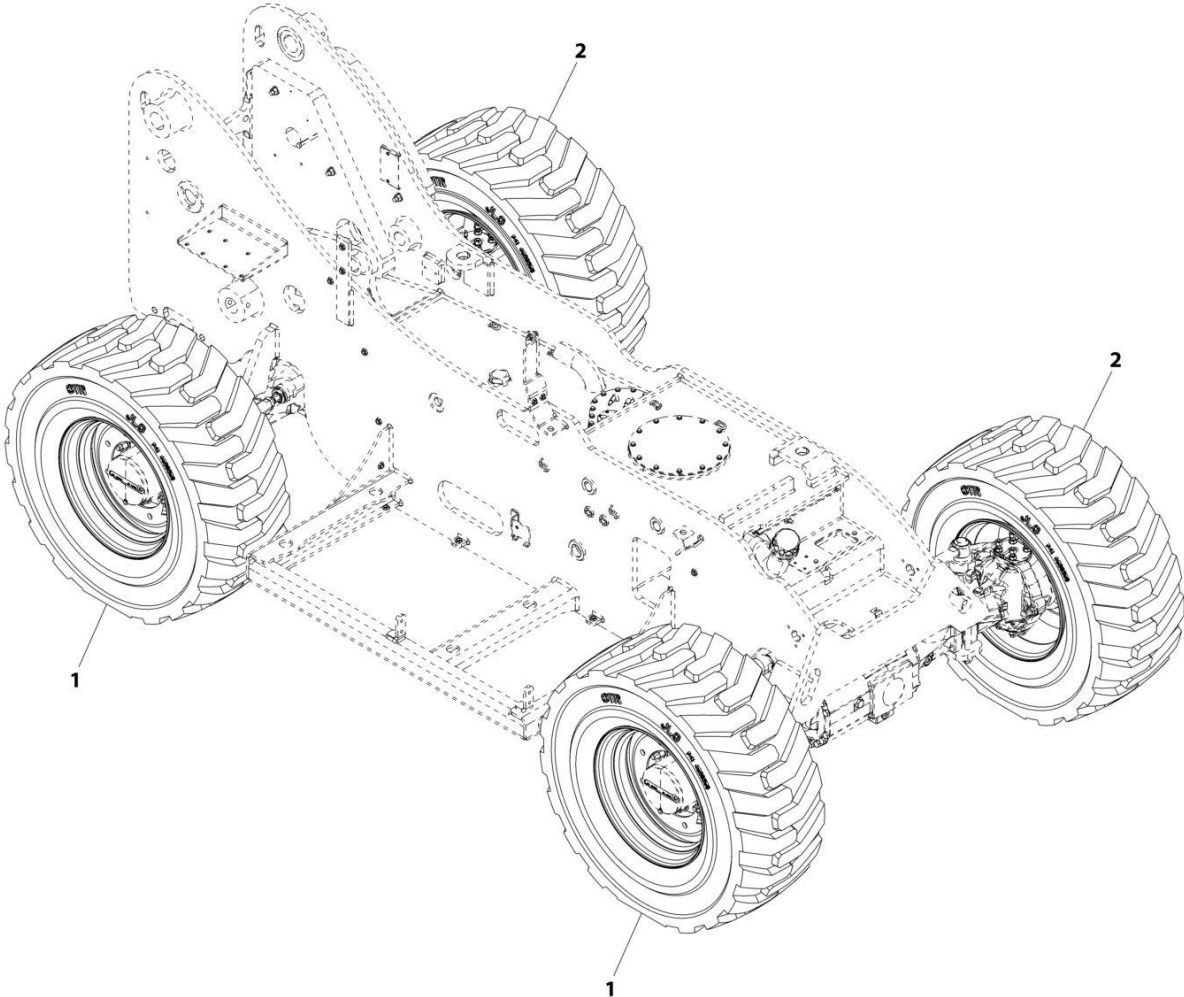
SECTION 5 - DRIVE TRAIN

FIGURE 5-27. TIRE/WHEEL SET, CAMSO (FOAM 12-16.5 - 12 PLY)

ITEM	PART NUMBER	QTY	DESCRIPTION	REV
	1001236319	Ref	Tire/Wheel Set, Camso (Foam 12-16.5 - 12 PLY)	A
1	1001236668	2	Wheel and Tire Assembly, Right, 12-16.5, Foam	
2	1001236669	2	Wheel and Tire Assembly, Left, 12-16.5, Foam	

SECTION 5 - DRIVE TRAIN

FIGURE 5-28. TIRE/WHEEL SET (FOAM 12-16.5 - 14 PLY)



ART_1001141324-A

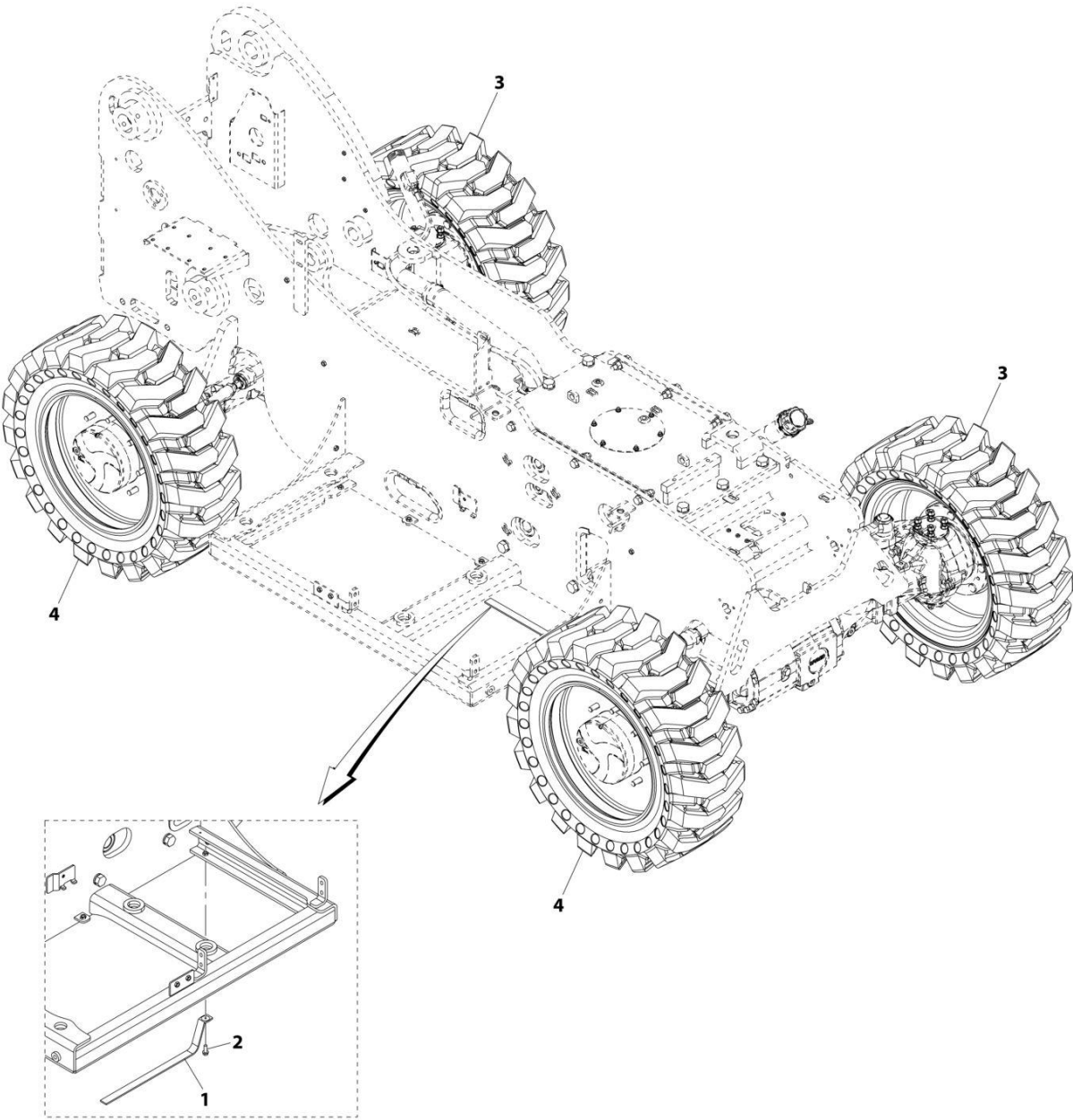
SECTION 5 - DRIVE TRAIN

FIGURE 5-28. TIRE/WHEEL SET (FOAM 12-16.5 - 14 PLY)

ITEM	PART NUMBER	QTY	DESCRIPTION	REV
	1001141324	Ref	Tire/Wheel Set (Foam 12-16.5 - 14 PLY)	A
1	1001140703	2	Wheel and Tire Assembly, Right, 14-17.5, Foam	
2	1001140704	2	Wheel and Tire Assembly, Left, 14-17.5, Foam	

SECTION 5 - DRIVE TRAIN

FIGURE 5-29. TIRE/WHEEL SET (SOLID 33X12-20 - NM)



ART_1001200945-A

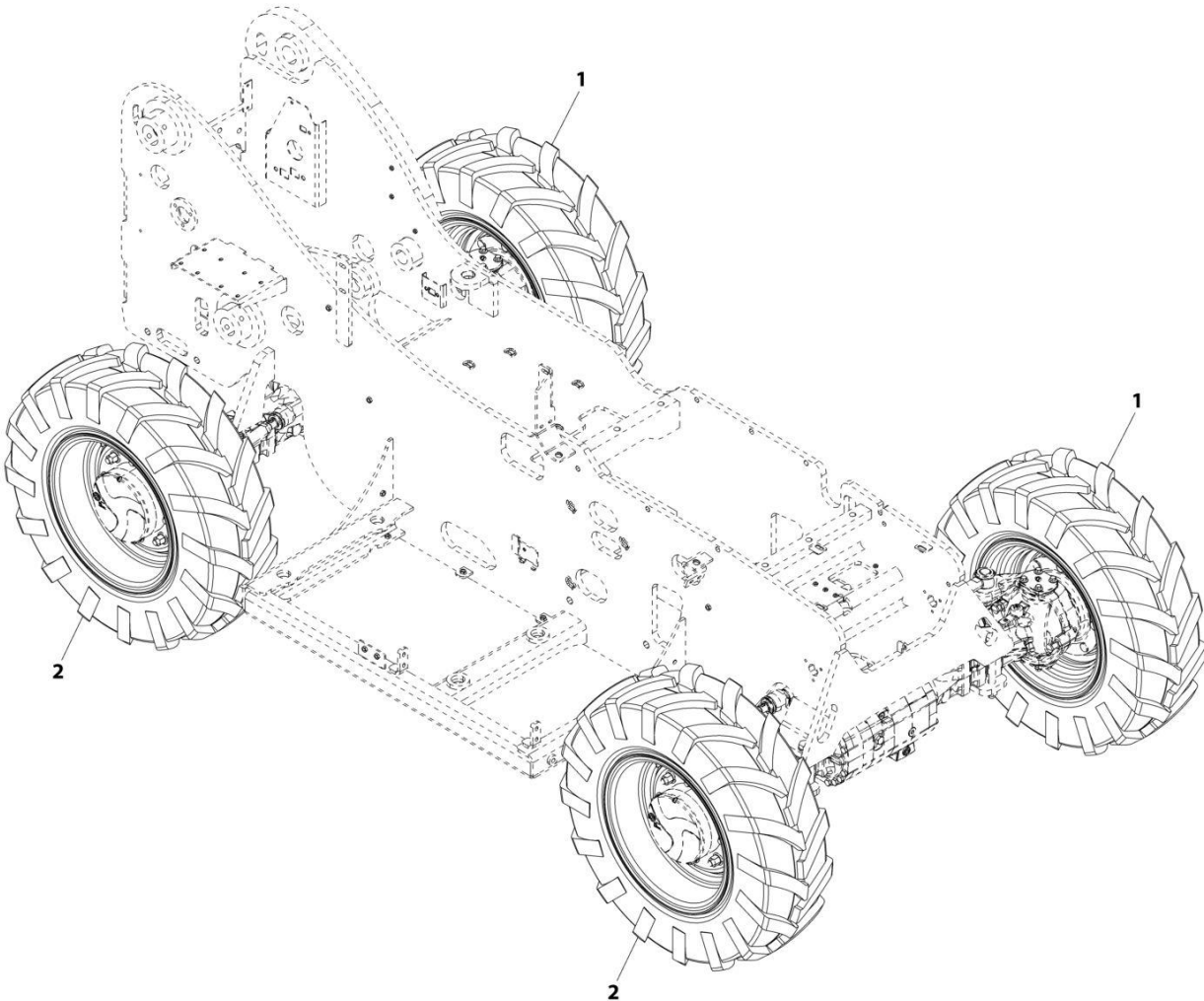
SECTION 5 - DRIVE TRAIN

FIGURE 5-29. TIRE/WHEEL SET (SOLID 33X12-20 - NM)

ITEM	PART NUMBER	QTY	DESCRIPTION	REV
	1001200945	Ref	Tire/Wheel Set (Solid 33X12-20 - NM)	A
1	4240084	1	Anti-Static Strap	
2	1001115871	1	Bolt, 1X0.375-16	
3	1001200796	2	Wheel and Tire Assembly, Left, Non-Marking	
4	1001200797	2	Wheel and Tire Assembly, Right, Non-Marking	

SECTION 5 - DRIVE TRAIN

FIGURE 5-30. TIRE/WHEEL SET, AG (AIR 10.5-18 - 16 PR)



ART_1001236321-A

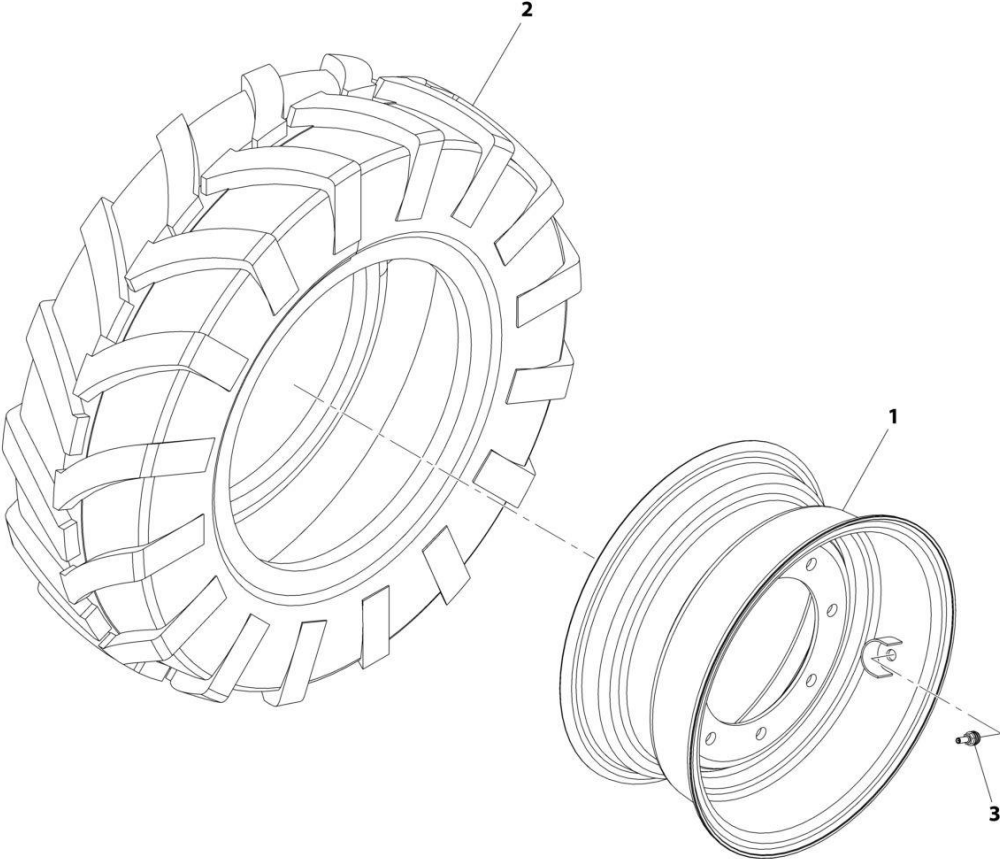
SECTION 5 - DRIVE TRAIN

FIGURE 5-30. TIRE/WHEEL SET, AG (AIR 10.5-18 - 16 PR)

ITEM	PART NUMBER	QTY	DESCRIPTION	REV
1	1001236321	Ref	Tire/Wheel Set, AG (Air 10.5-18 - 16 PR)	A
	1001143671	2	Right Tire/Wheel Assembly, AG (Air 10.5-18 - 16 PR) (See Separate Breakdown in this Section)	
2	1001143689	2	Left Tire/Wheel Assembly, AG (Air 10.5-18 - 16 PR) (See Separate Breakdown in this Section)	

SECTION 5 - DRIVE TRAIN

FIGURE 5-31. RIGHT TIRE/WHEEL ASSEMBLY, AG (AIR 10.5-18 - 16 PR)



ART_1001143671-E

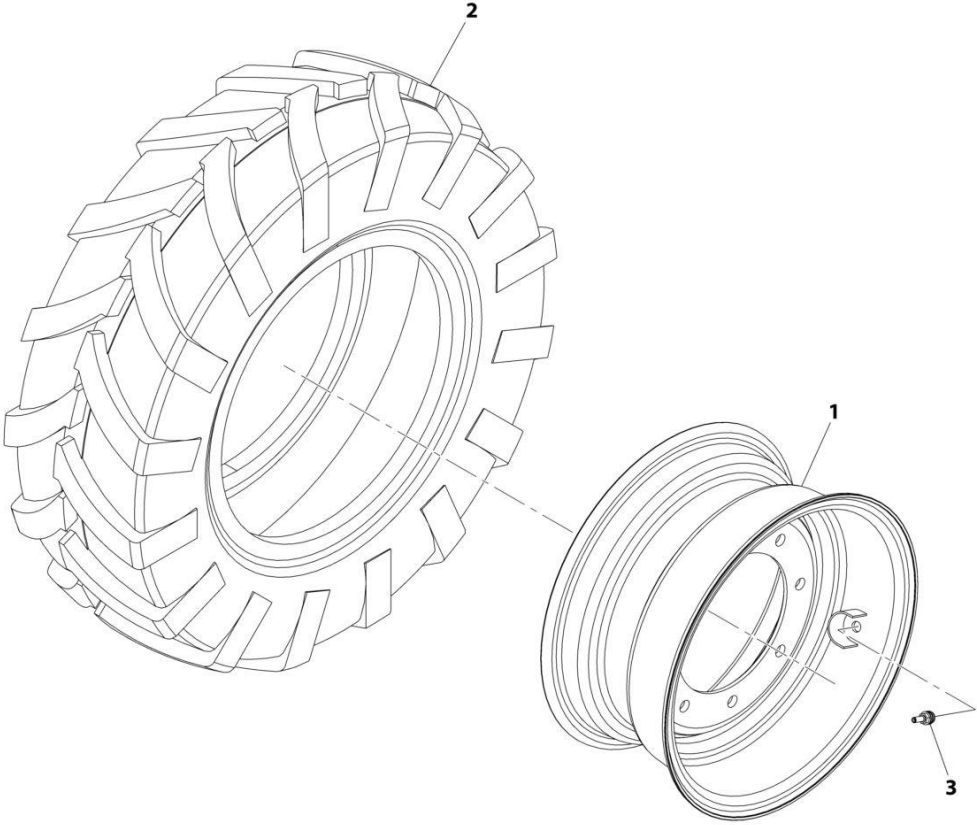
SECTION 5 - DRIVE TRAIN

FIGURE 5-31. RIGHT TIRE/WHEEL ASSEMBLY, AG (AIR 10.5-18 - 16 PR)

ITEM	PART NUMBER	QTY	DESCRIPTION	REV
	1001143671	Ref	Right Tire/Wheel Assembly, AG (Air 10.5-18 - 16 PR)	E
1	1001142101	1	Wheel, 18X9	
2	1001154229	1	Tire, 10.5X18	
3	4640163	1	Tire Valve	

SECTION 5 - DRIVE TRAIN

FIGURE 5-32. LEFT TIRE/WHEEL ASSEMBLY, AG (AIR 10.5-18 - 16 PR)



ART_1001143689-E

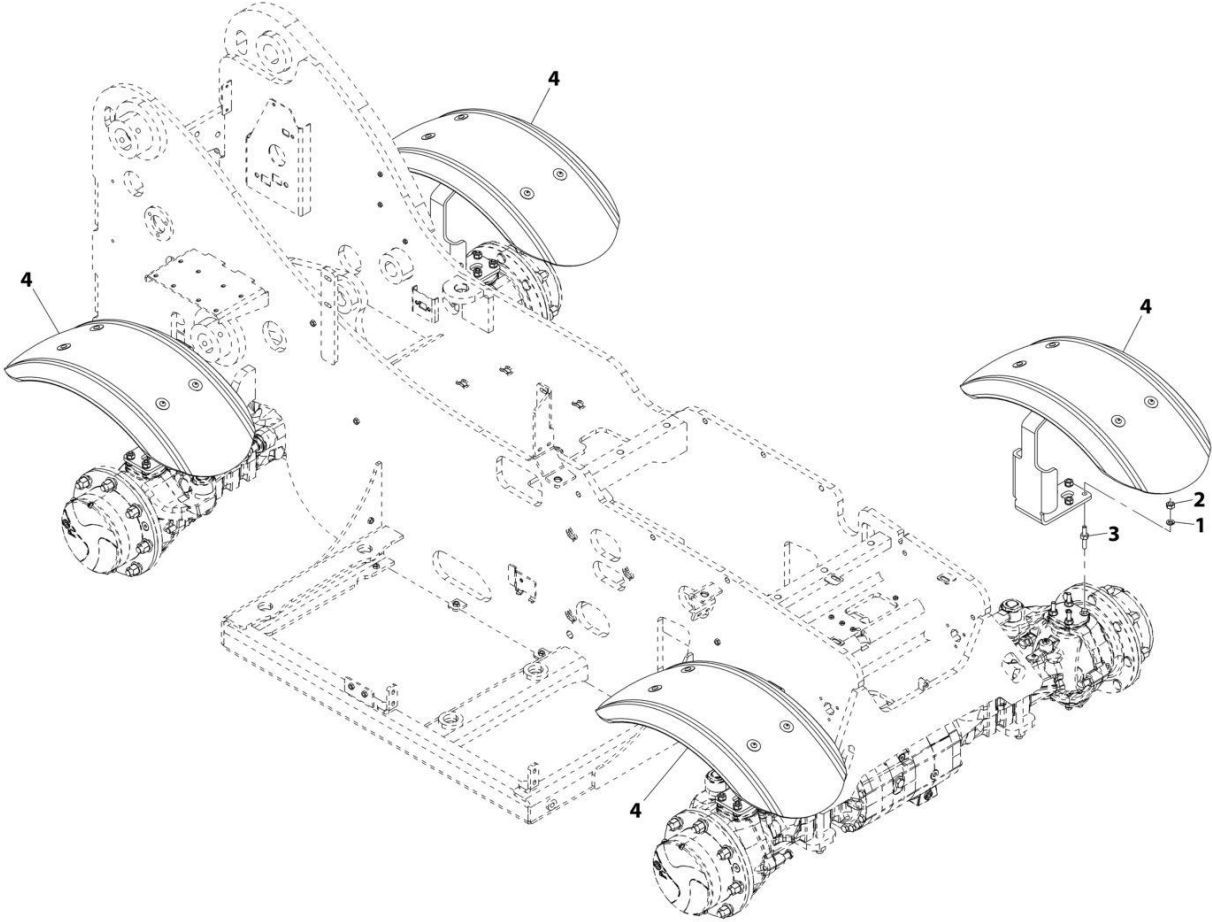
SECTION 5 - DRIVE TRAIN

FIGURE 5-32. LEFT TIRE/WHEEL ASSEMBLY, AG (AIR 10.5-18 - 16 PR)

ITEM	PART NUMBER	QTY	DESCRIPTION	REV
	1001143689	Ref	Left Tire/Wheel Assembly, AG (Air 10.5-18 - 16 PR)	E
1	1001142101	1	Wheel, 18X9	
2	1001154229	1	Tire, 10.5X18	
3	4640163	1	Tire Valve	

SECTION 5 - DRIVE TRAIN

FIGURE 5-33. FENDER INSTALLATION



ART_1001235015-A

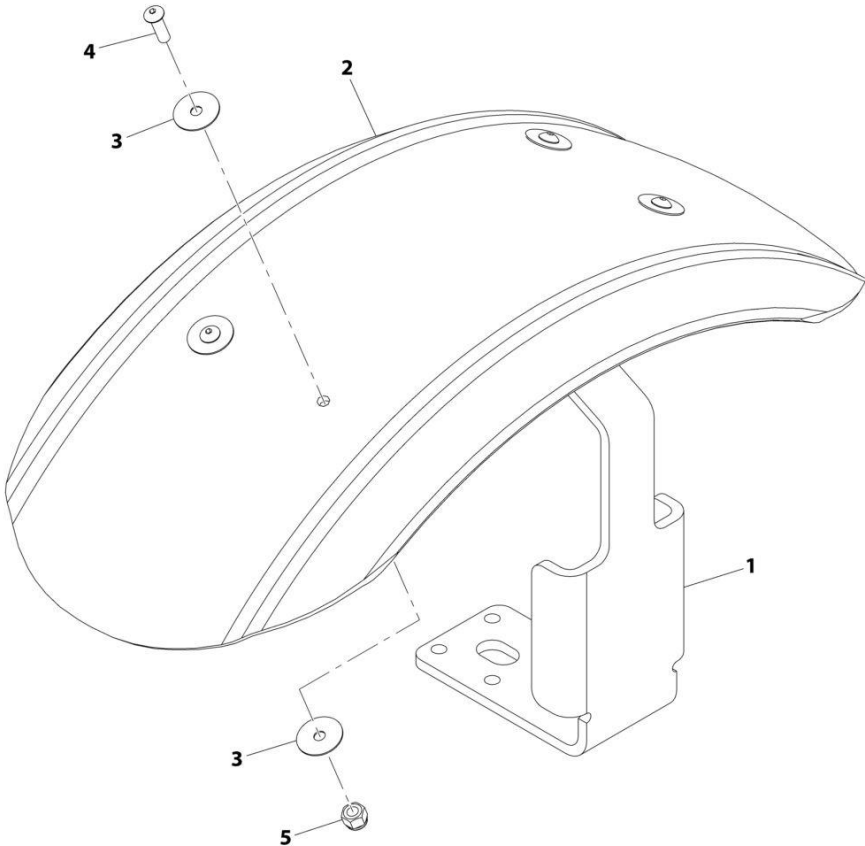
SECTION 5 - DRIVE TRAIN

FIGURE 5-33. FENDER INSTALLATION

ITEM	PART NUMBER	QTY	DESCRIPTION	REV
	1001235015	Ref	Fender Installation	A
1	83191010	16	Lockwasher, M12	
2	91513266	16	Nut, M12X1-1/4	
3	91514118	16	Stud	
4	1001235014	4	Fender Assembly (See Separate Breakdown in this Section)	

SECTION 5 - DRIVE TRAIN

FIGURE 5-34. FENDER ASSEMBLY



ART_1001235014-A

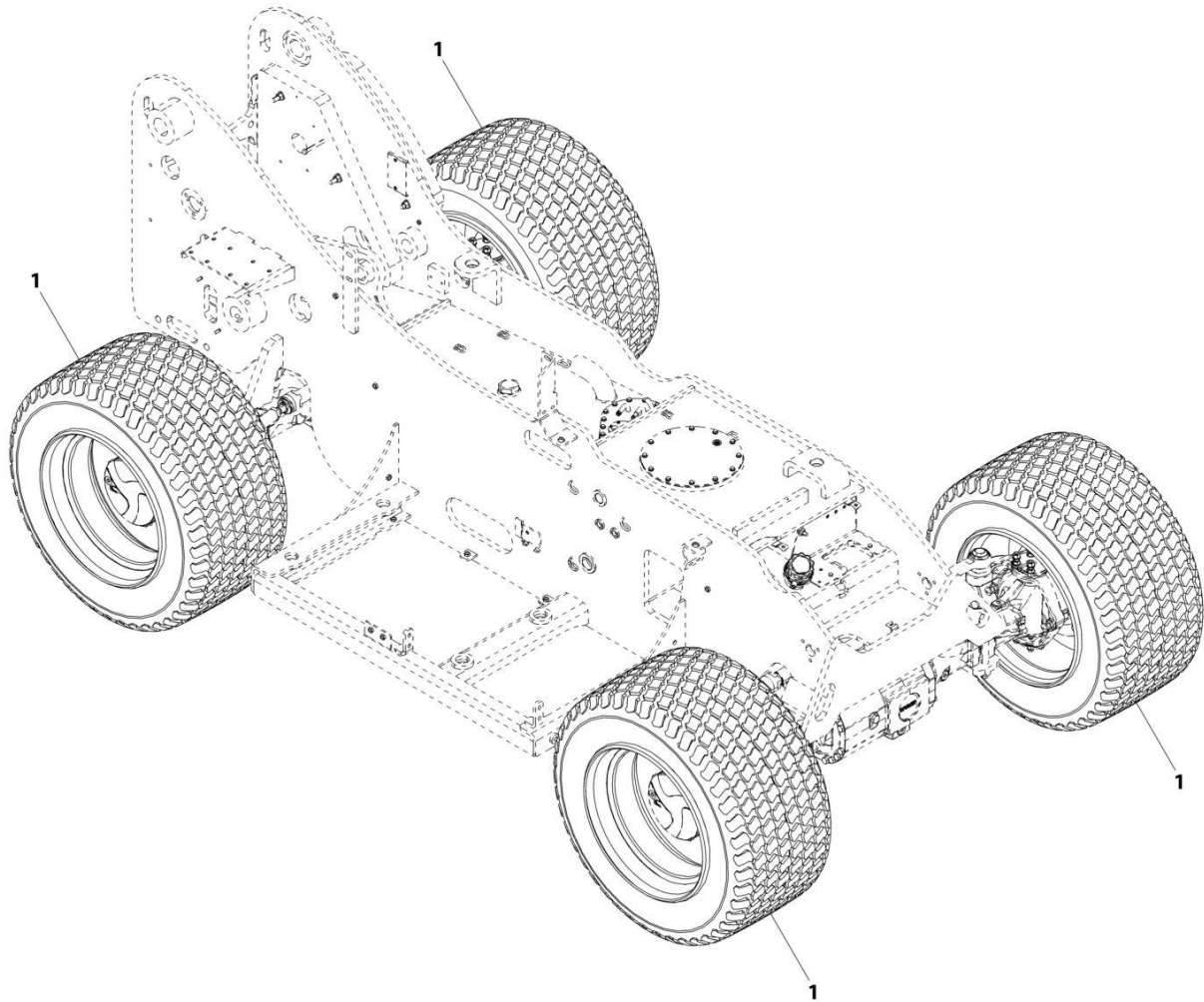
SECTION 5 - DRIVE TRAIN

FIGURE 5-34. FENDER ASSEMBLY

ITEM	PART NUMBER	QTY	DESCRIPTION	REV
	1001235014	Ref	Fender Assembly	A
1	1001234973	1	Fender Mount	
2	1001080212	1	Wheel Fender	
3	8310246	8	Fender Washer, 3/8X0.048X1-1/2	
4	88261030	4	Socket HD Capscrew, 3/8-16X1-1/4	
5	88521206	4	Locknut, 3/8-16	

SECTION 5 - DRIVE TRAIN

FIGURE 5-35. TIRE/WHEEL SET 33X16LL19.5 TURF/SAND



ART_1001234507-A

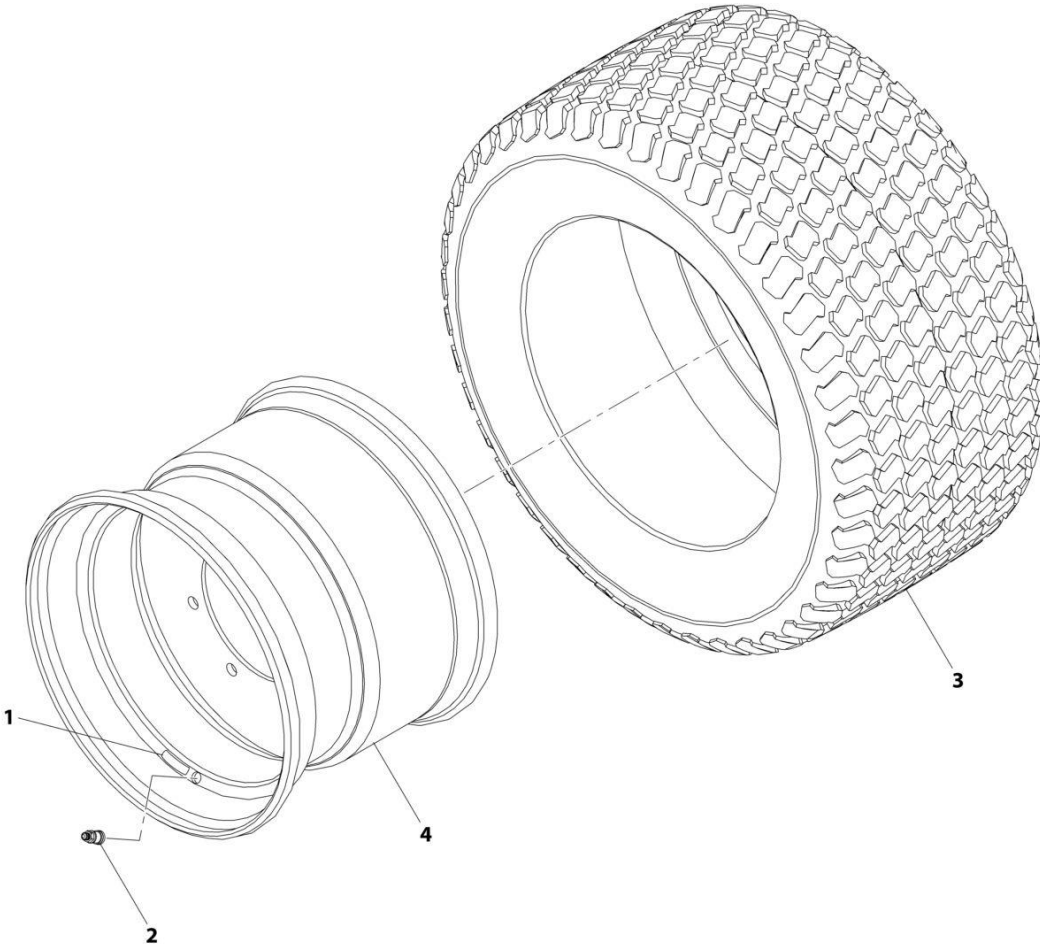
SECTION 5 - DRIVE TRAIN

FIGURE 5-35. TIRE/WHEEL SET 33X16LL19.5 TURF/SAND

ITEM	PART NUMBER	QTY	DESCRIPTION	REV
1	1001234507 1001233304	1 4	Tire/Wheel Set 33X16LL 19.5 - Turf/Sand Assembly, Tire/Wheel 33X16LL 19.5 - Turf/Sand (See TIRE/WHEEL ASSEMBLY 33X16LL 19.5 TURF/SAND for Breakdown)	A

SECTION 5 - DRIVE TRAIN

FIGURE 5-36. ASSEMBLY, TIRE/WHEEL 33X16LL19.5 TURF/SAND



ART_1001233304-C

SECTION 5 - DRIVE TRAIN

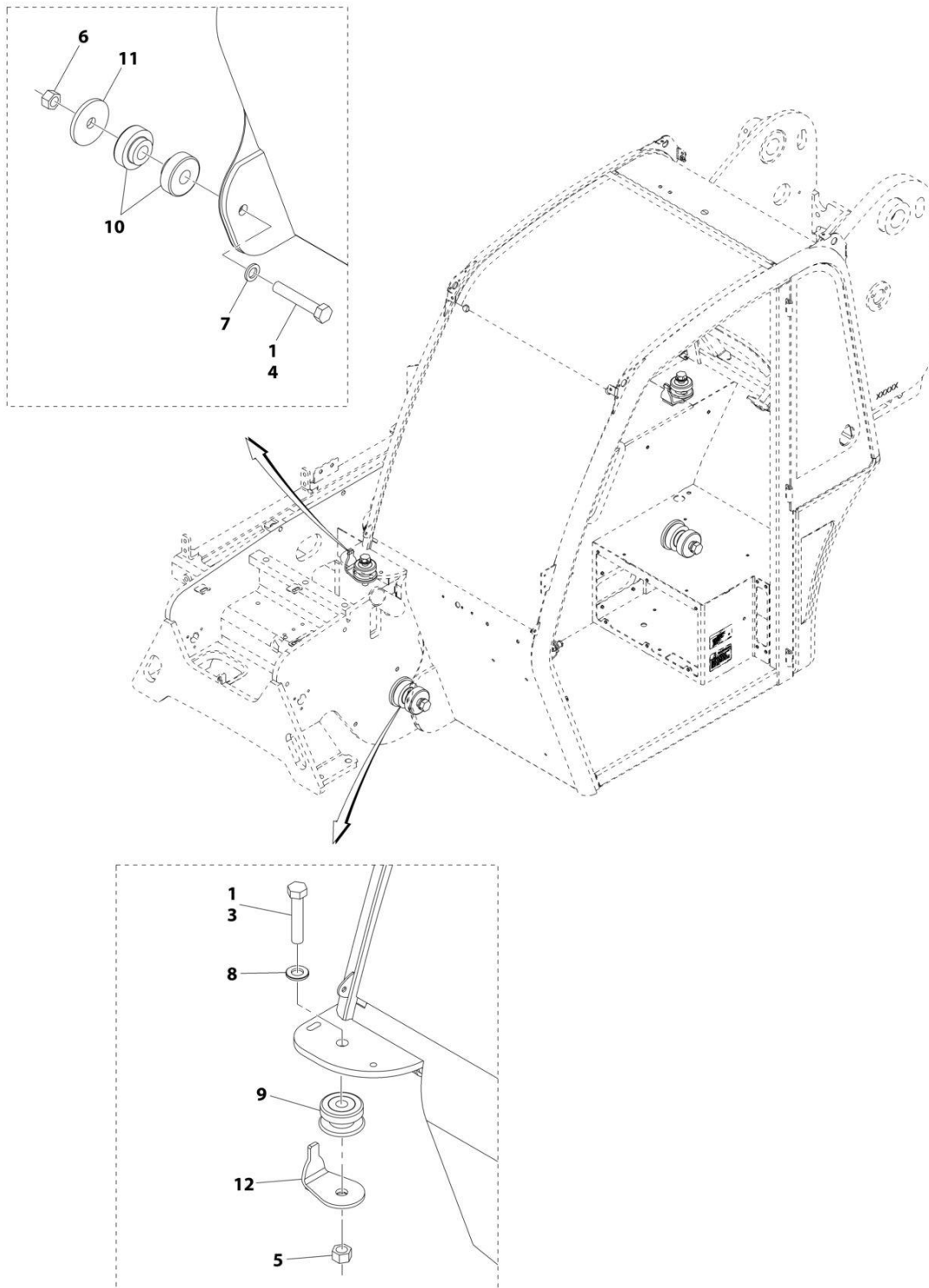
FIGURE 5-36. ASSEMBLY, TIRE/WHEEL 33X16LL19.5 TURF/SAND

ITEM	PART NUMBER	QTY	DESCRIPTION	REV
	1001233304	Ref	Tire/Wheel Asembly 33X16LL 19.5 - Turf/Sand	C
1	1706846	1	Decal, Tire Pressure	
2	4640113	1	Valve, Stem	
3	1001233303	1	Tire, 33X16LL 19.5 - Turf/Sand	
4	1001233305	1	Wheel, 33X16	

SECTION 6 - CAB

SECTION 6 - CAB

FIGURE 6-1. CAB INSTALLATION



ART_1001210402-B

FIGURE 6-1. CAB INSTALLATION

ITEM	PART NUMBER	QTY	DESCRIPTION	REV
	1001210402	Ref	Cab Installation	B
1	0100019	AR	Compound, Locking	
3	0682230	2	Hex HD Capscrew, 3/4-10X3-3/4, GR8	
4	0682440	2	Hex HD Capscrew, 7/8-9X5, GR8	
5	3272201	2	Hex Nut, 3/4-10, GR8	
6	3272401	2	Hex Nut, 7/8-9, GR8	
7	4892400	2	Washer, 7/8	
8	90027473	2	Washer, 3/4	
9	91403097	2	Center Bonded Mount	
10	91403153	4	Shock Mount	
11	91403217	2	Rebound Washer	
12	1001080992	2	Washer	

SECTION 6 - CAB

FIGURE 6-2. OPEN CAB INSTALLATION (ANSI - FIXED STEERING)

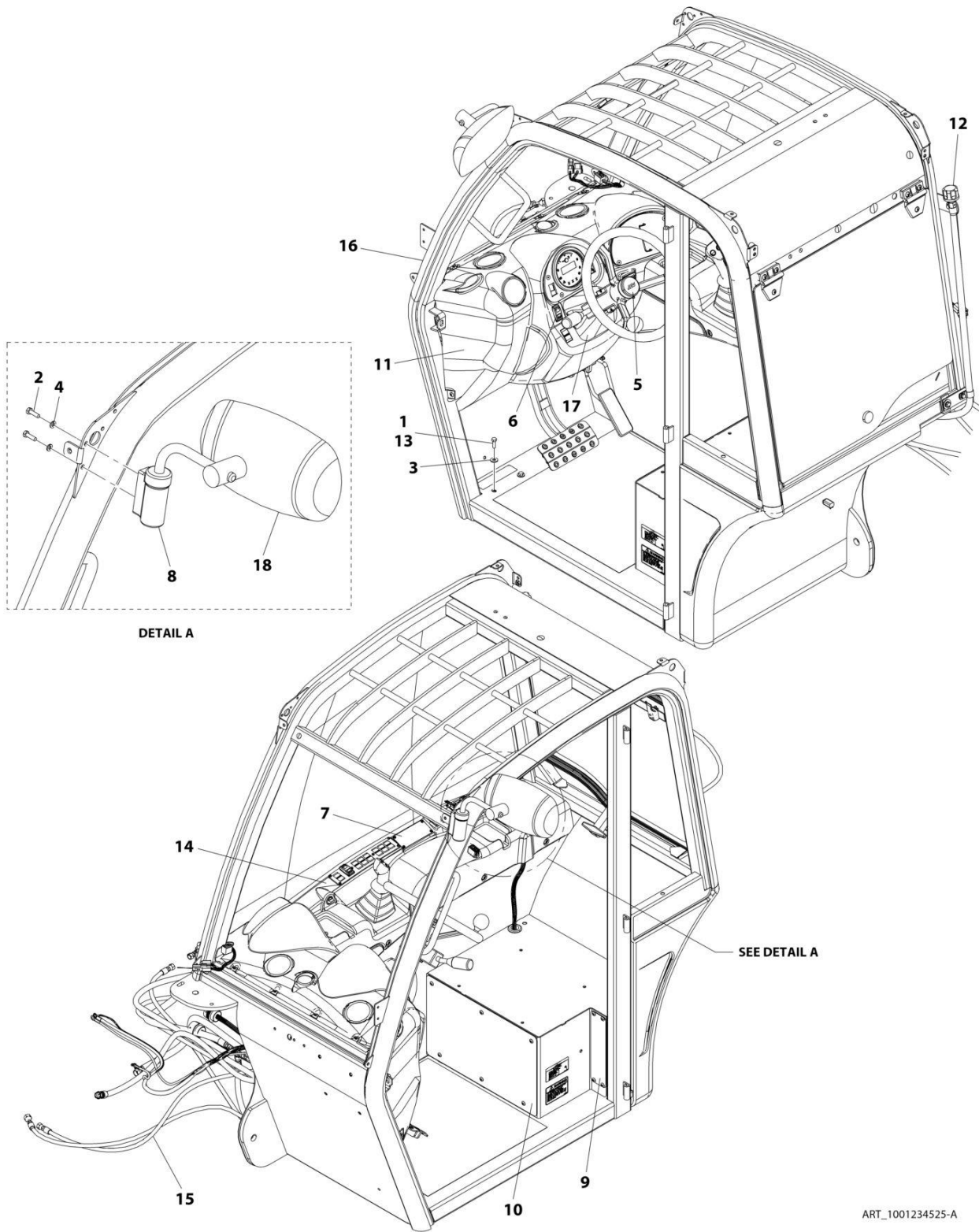
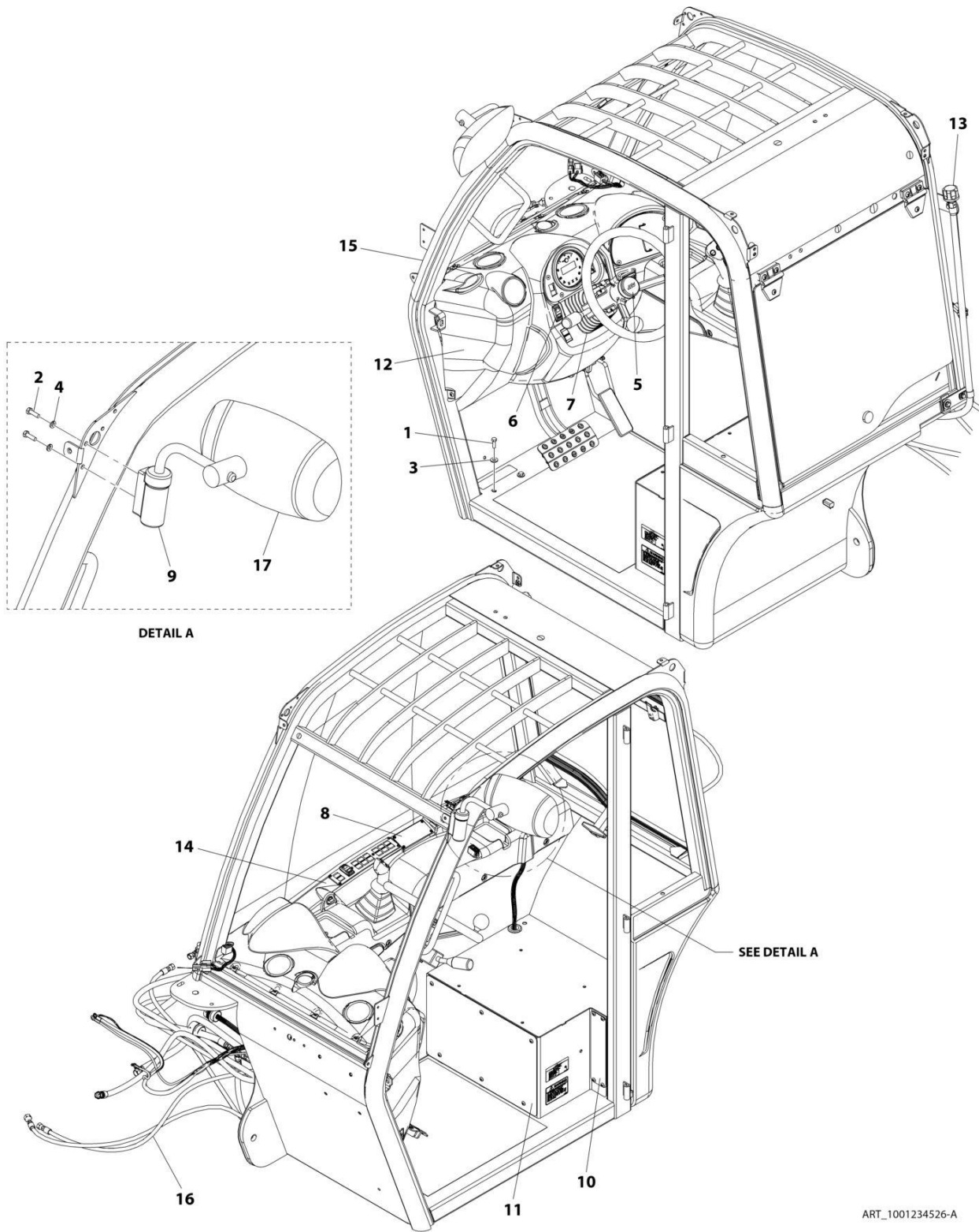


FIGURE 6-2. OPEN CAB INSTALLATION (ANSI - FIXED STEERING)

ITEM	PART NUMBER	QTY	DESCRIPTION	REV
	1001234525	Ref	Open Cab Installation (ANSI - Fixed Steering)	A
1	0641508	4	Hex HD Capscrew, 5/16-18X1, GR5	
2	0700610	2	Hex HD Capscrew, M6X20, GR8.8	
3	4751500	4	Washer, 5/16	
4	8307024	2	Washer, M6	
5	1001080742	Ref	Installation, JLG Common (See Separate Breakdown in this Section)	
6	1001080744	Ref	Installation, NA Common (See Separate Breakdown in this Section)	
7	1001080876	Ref	Installation, Control Cover (See Separate Breakdown in this Section)	
8	1001114675	1	Mirror Arm	
9	1001137600	Ref	Installation, Park Brake Valve (See Separate Breakdown in Control Section)	
10	1001137623	Ref	Installation, Seat Riser Cover (See Separate Breakdown in this Section)	
11	1001138582	Ref	Installation, Open Cab Common Components (See Separate Breakdown in this Section)	
12	1001182755	Ref	Installation, Hydraulic Tank Breather (See Separate Breakdown in Hydraulic Circuits Section)	
13	0100011	AR	Compound, Locking	
14	1001202007	Ref	Installation, Cab Common (See Separate Breakdown in this Section)	
15	1001235716	Ref	Installation, Cab Hydraulics (ANSI) (See Separate Breakdown in Hydraulic Circuits Section)	
16	1001208616	Ref	Installation, Open Cab Glass (See Separate Breakdown in this Section)	
17	1001221303	Ref	Installation, Fixed Steering Column (See Separate Breakdown in Control Section)	
18	8866514	1	Convex Mirror	

SECTION 6 - CAB

FIGURE 6-3. OPEN CAB INSTALLATION (ANSI - TILT STEERING)



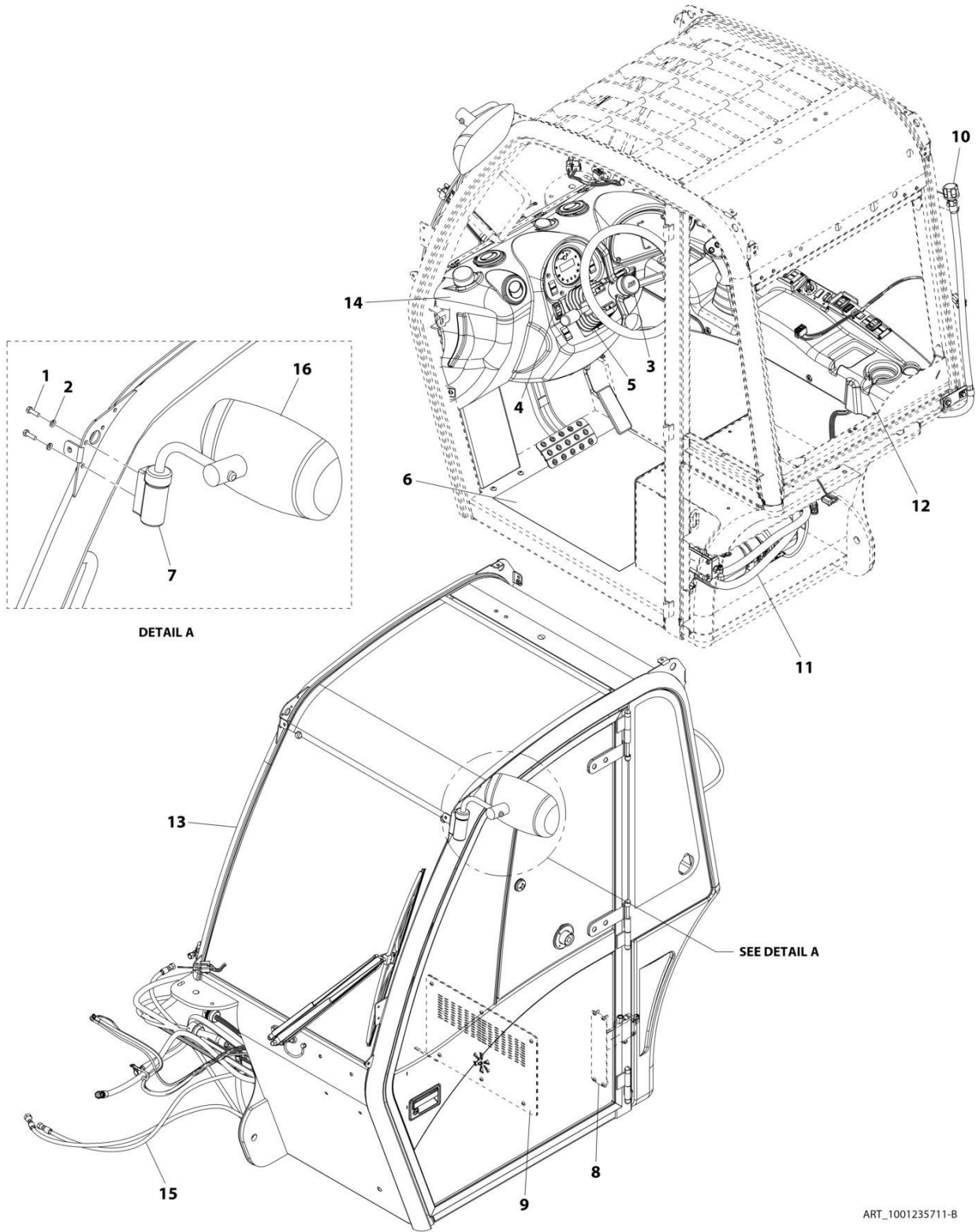
ART_1001234526-A

FIGURE 6-3. OPEN CAB INSTALLATION (ANSI - TILT STEERING)

ITEM	PART NUMBER	QTY	DESCRIPTION	REV
	1001234526	Ref	Open Cab Installation (ANSI - Tilt Steering)	A
1	0641508	4	Hex HD Capscrew, 5/16-18X1, GR5	
2	0700610	2	Hex HD Capscrew, M6X20, GR8.8	
3	4751500	4	Washer, 5/16	
4	8307024	2	Washer, M6	
5	1001080742	Ref	Installation, JLG Common (See Separate Breakdown in this Section)	
6	1001080744	Ref	Installation, NA Common (See Separate Breakdown in this Section)	
7	1001080809	Ref	Installation, Tilt Steering Column (See Separate Breakdown in Control Section)	
8	1001080876	Ref	Installation, Control Cover (See Separate Breakdown in this Section)	
9	1001114675	1	Mirror Arm	
10	1001137600	Ref	Installation, Park Brake Valve (See Separate Breakdown in Control Section)	
11	1001137623	Ref	Installation, Seat Riser Cover (See Separate Breakdown in this Section)	
12	1001138582	Ref	Installation, Open Cab Common Components (See Separate Breakdown in this Section)	
13	1001182755	Ref	Installation, Hydraulic Tank Breather (See Separate Breakdown in Hydraulic Circuits Section)	
14	1001202007	Ref	Installation, Cab Common (See Separate Breakdown in this Section)	
15	1001208616	Ref	Installation, Open Cab Glass (See Separate Breakdown in this Section)	
16	1001235716	Ref	Installation, Cab Hydraulics (ANSI) (See Separate Breakdown in Hydraulic Circuits Section)	
17	8866514	1	Convex Mirror	

SECTION 6 - CAB

FIGURE 6-4. ENCLOSED CAB INSTALLATION (ANSI - TILT STEERING) (HEAT)



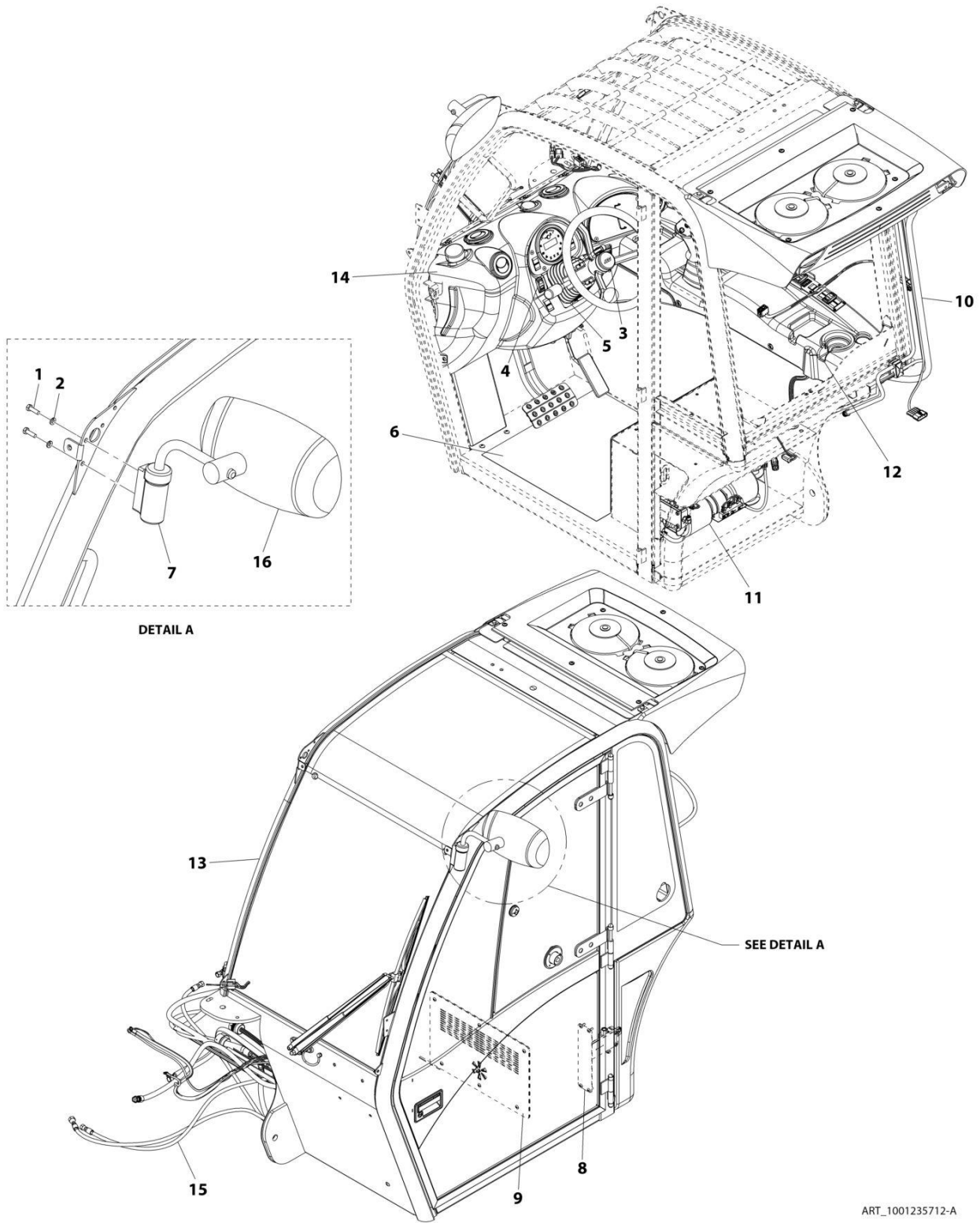
SECTION 6 - CAB

FIGURE 6-4. ENCLOSED CAB INSTALLATION (ANSI - TILT STEERING) (HEAT)

ITEM	PART NUMBER	QTY	DESCRIPTION	REV
	1001235711	Ref	Enclosed Cab Installation (ANSI - Tilt Steering) (Heat)	B
1	0700610	2	Hex HD Capscrew, M6X20, GR8.8	
2	8307024	2	Washer, M6	
3	1001080742	Ref	Installation, JLG Common (See Separate Breakdown in this Section)	
4	1001080744	Ref	Installation, NA Common (See Separate Breakdown in this Section)	
5	1001080809	Ref	Installation, Tilt Steering Column (See Separate Breakdown in Control Section)	
6	1001080847	1	Floor Skid Strip	
7	1001114675	1	Mirror Arm	
8	1001137600	Ref	Installation, Park Brake Valve (See Separate Breakdown in Control Section)	
9	1001137621	Ref	Installation, Seat Riser Cover HVAC (See Separate Breakdown in this Section)	
10	1001182755	Ref	Installation, Hydraulic Tank Breather (See Separate Breakdown in Hydraulic Circuits Section)	
11	1001193943	Ref	Installation, Heater (cab parts) (See Separate Breakdown in this Section)	
12	1001202007	Ref	Installation, Cab Common (See Separate Breakdown in this Section)	
13	1001208617	Ref	Installation, Enclosed Cab Glass (See Separate Breakdown in this Section)	
14	1001213757	Ref	Installation, Enclosed Cab Common Components (See Separate Breakdown in this Section)	
15	1001235716	Ref	Installation, Cab Hydraulics (ANSI) (See Separate Breakdown in Hydraulic Circuits Section)	
16	8866514	1	Mirror Head, Convex	

SECTION 6 - CAB

FIGURE 6-5. ENCLOSED CAB INSTALLATION (ANSI - TILT STEERING) (HEAT & A/C)



ART_1001235712-A

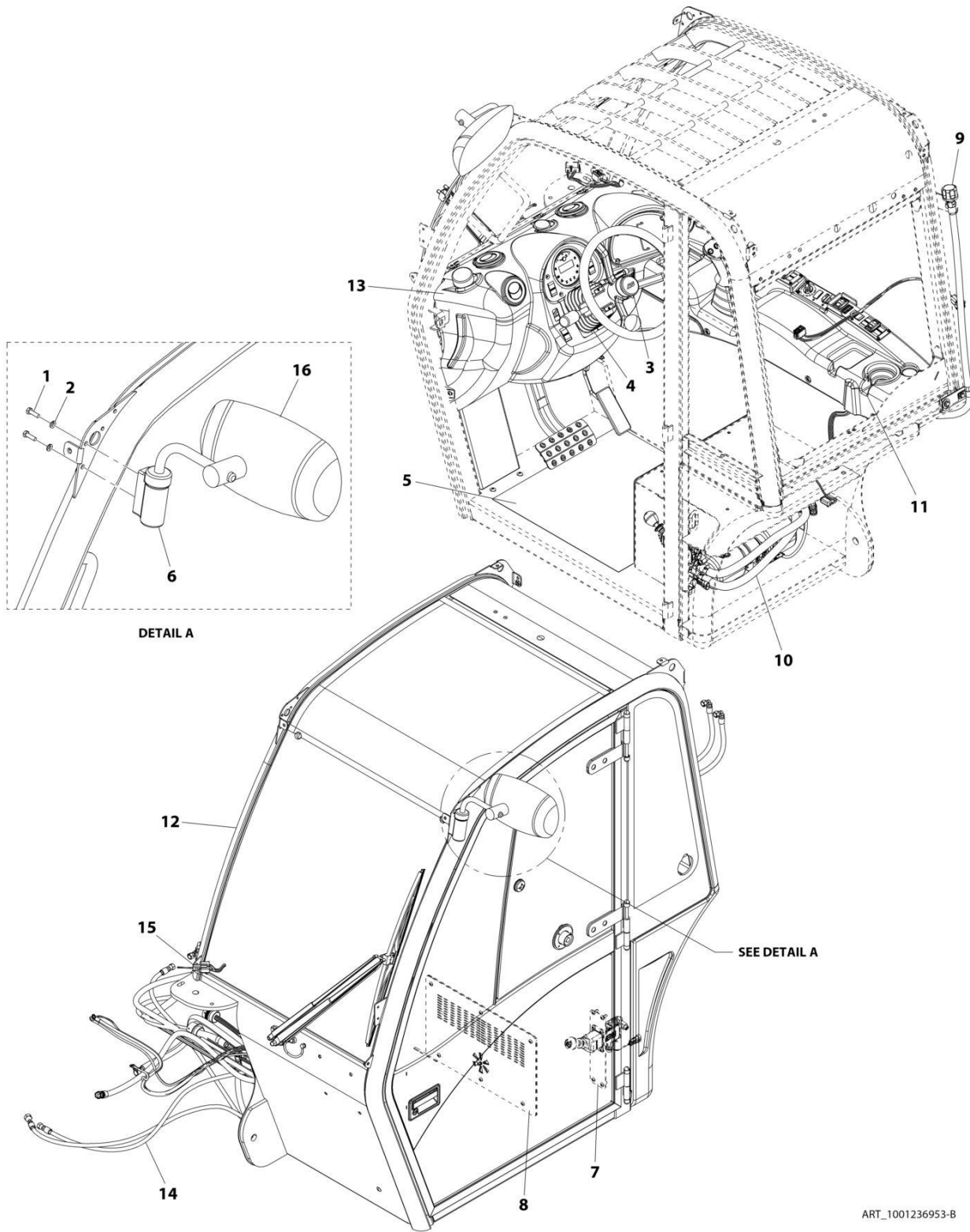
SECTION 6 - CAB

FIGURE 6-5. ENCLOSED CAB INSTALLATION (ANSI - TILT STEERING) (HEAT & A/C)

ITEM	PART NUMBER	QTY	DESCRIPTION	REV
	1001235712	Ref	Enclosed Cab Installation (ANSI - Tilt Steering) (Heat & A/C)	A
1	0700610	2	Hex HD Capscrew, M6X20, GR8.8	
2	8307024	2	Washer, M6	
3	1001080742	Ref	Installation, JLG Common (See Separate Breakdown in this Section)	
4	1001080744	Ref	Installation, NA Common (See Separate Breakdown in this Section)	
5	1001080809	Ref	Installation, Tilt Steering Column (See Separate Breakdown in Control Section)	
6	1001080847	1	Floor Skid Strip	
7	1001114675	1	Mirror Arm	
8	1001137600	Ref	Installation, Park Brake Valve (See Separate Breakdown in Control Section)	
9	1001137621	Ref	Installation, Seat Riser Cover HVAC (See Separate Breakdown in this Section)	
10	1001186376	Ref	Installation, Hydraulic Tank Breather (See Separate Breakdown in Hydraulic Circuits Section)	
11	1001193443	Ref	Installation, Heater and A/C (Cab Parts) (See Separate Breakdown in this Section)	
12	1001202007	Ref	Installation, Cab Common (See Separate Breakdown in this Section)	
13	1001208617	Ref	Installation, Enclosed Cab Glass (See Separate Breakdown in this Section)	
14	1001213757	Ref	Installation, Enclosed Cab Common Components (See Separate Breakdown in this Section)	
15	1001235716	Ref	Installation, Cab Hydraulics (ANSI) (See Separate Breakdown in Hydraulic Circuits Section)	
16	8866514	1	Convex Mirror	

SECTION 6 - CAB

FIGURE 6-6. ENCLOSED CAB INSTALLATION (LSI - TILT STEERING) (HEAT)



ART_1001236953-B

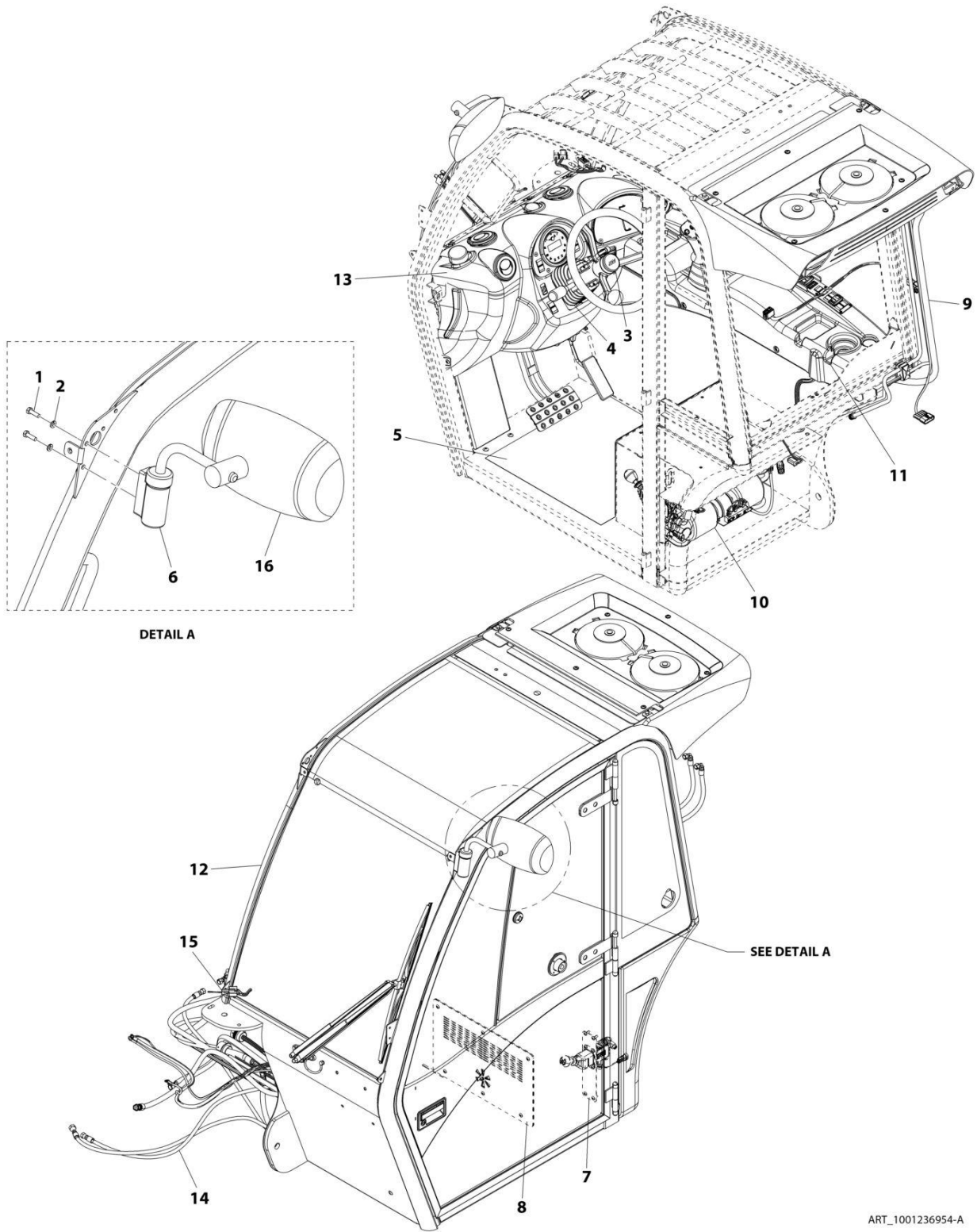
SECTION 6 - CAB

FIGURE 6-6. ENCLOSED CAB INSTALLATION (LSI - TILT STEERING) (HEAT)

ITEM	PART NUMBER	QTY	DESCRIPTION	REV
	1001236953	Ref	Enclosed Cab Installation (LSI - Tilt Steering) (Heat)	B
1	0700610	2	Hex HD Capscrew, M6X20, GR8.8	
2	8307024	2	Washer, M6	
3	1001080742	Ref	Installation, JLG Common (See Separate Breakdown in this Section)	
4	1001080809	Ref	Installation, Tilt Steering Column (See Separate Breakdown in Control Section)	
5	1001080847	1	Floor Skid Strip	
6	1001114675	1	Mirror Arm	
7	1001137602	Ref	Installation, Park Brake Valve (Euro) (See Separate Breakdown in Control Section)	
8	1001137621	Ref	Installation, Seat Riser Cover HVAC (See Separate Breakdown in this Section)	
9	1001182755	Ref	Installation, Hydraulic Tank Breather (See Separate Breakdown in Hydraulic Circuits Section)	
10	1001193943	Ref	Installation, Heater (cab parts) (See Separate Breakdown in this Section)	
11	1001202007	Ref	Installation, Cab Common (See Separate Breakdown in this Section)	
12	1001208617	Ref	Installation, Enclosed Cab Glass (See Separate Breakdown in this Section)	
13	1001213757	Ref	Installation, Enclosed Cab Common Components (See Separate Breakdown in this Section)	
14	1001236957	Ref	Installation, Cab Hydraulics (LSI) (See Separate Breakdown in Hydraulic Circuits Section)	
15	1001236959	Ref	Installation, NA Common Components (LSI) (See Separate Breakdown in this Section)	
16	8866514	1	Mirror Head, Convex	

SECTION 6 - CAB

FIGURE 6-7. ENCLOSED CAB INSTALLATION (LSI - TILT STEERING) (HEAT & A/C)



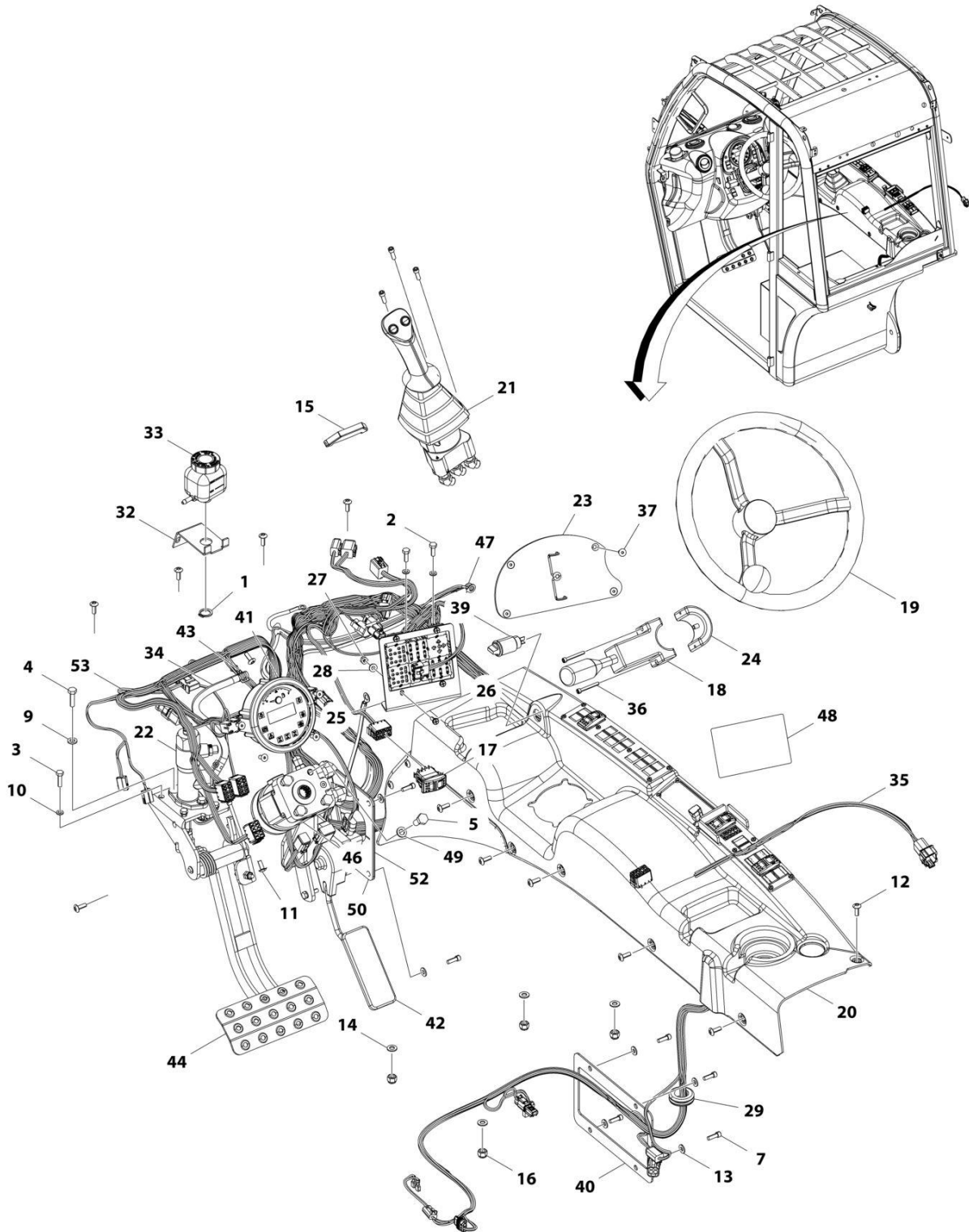
SECTION 6 - CAB

FIGURE 6-7. ENCLOSED CAB INSTALLATION (LSI - TILT STEERING) (HEAT & A/C)

ITEM	PART NUMBER	QTY	DESCRIPTION	REV
	1001236954	Ref	Enclosed Cab Installation (LSI - Tilt Steering) (Heat & A/C)	A
1	0700610	2	Hex HD Capscrew, M6X20, GR8.8	
2	8307024	2	Washer, M6	
3	1001080742	Ref	Installation, JLG Common (See Separate Breakdown in this Section)	
4	1001080809	Ref	Installation, Tilt Steering Column (See Separate Breakdown in Control Section)	
5	1001080847	1	Floor Skid Strip	
6	1001114675	1	Mirror Arm	
7	1001137602	Ref	Installation, Park Brake Valve (Euro) (See Separate Breakdown in Control Section)	
8	1001137621	Ref	Installation, Seat Riser Cover HVAC (See Separate Breakdown in this Section)	
9	1001186376	Ref	Installation, Hydraulic Tank Breather (See Separate Breakdown in Hydraulic Circuits Section)	
10	1001193443	Ref	Installation, Heater and A/C (Cab Parts) (See Separate Breakdown in this Section)	
11	1001202007	Ref	Installation, Cab Common (See Separate Breakdown in this Section)	
12	1001208617	Ref	Installation, Enclosed Cab Glass (See Separate Breakdown in this Section)	
13	1001213757	Ref	Installation, Enclosed Cab Common Components (See Separate Breakdown in this Section)	
14	1001236957	Ref	Installation, Cab Hydraulics (LSI) (See Separate Breakdown in Hydraulic Circuits Section)	
15	1001236959	Ref	Installation, NA Common Components (LSI) (See Separate Breakdown in this Section)	
16	8866514	1	Convex Mirror	

SECTION 6 - CAB

FIGURE 6-8. CAB COMMON INSTALLATION



ART_1001202007_J

FIGURE 6-8. CAB COMMON INSTALLATION

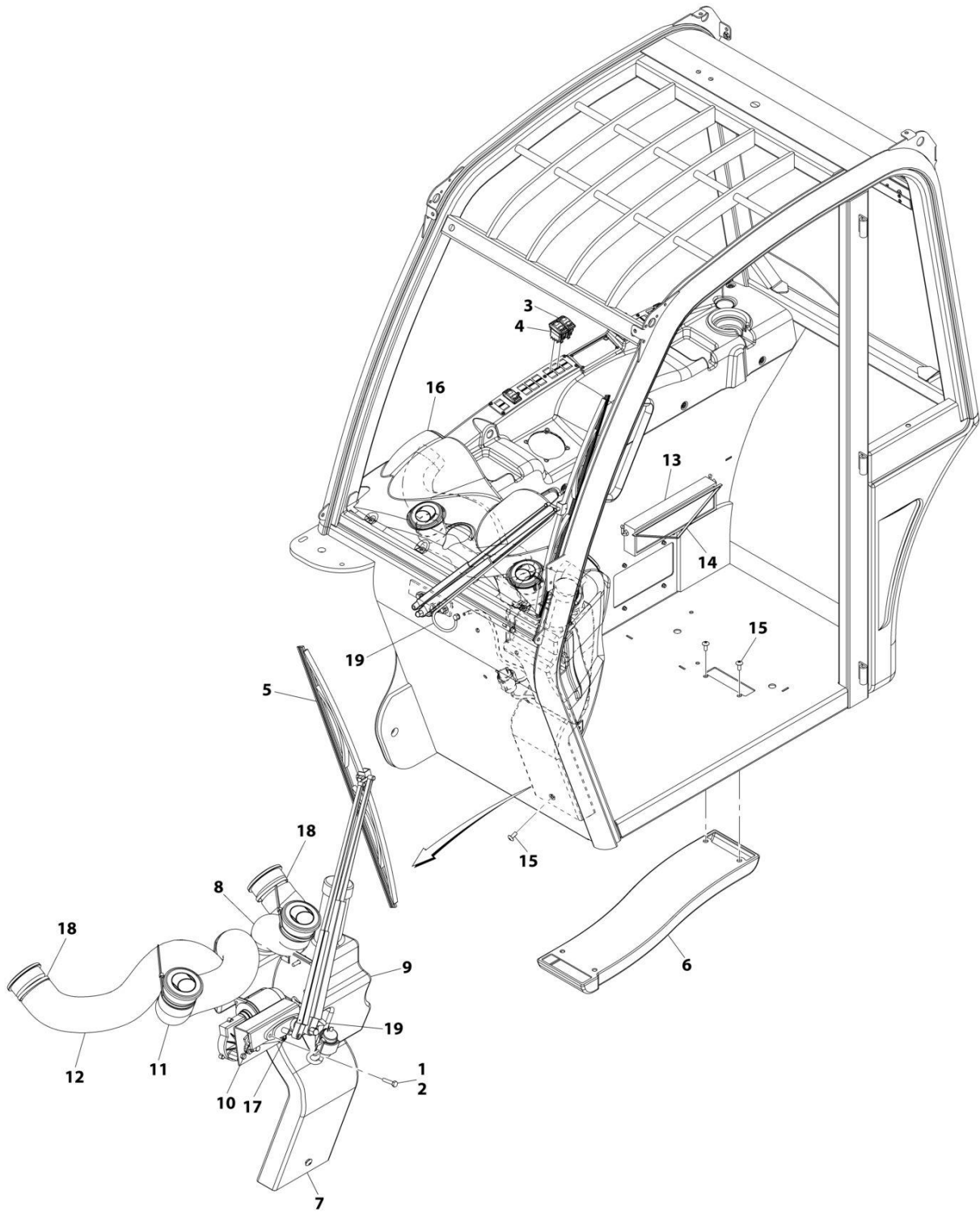
ITEM	PART NUMBER	QTY	DESCRIPTION	REV
	1001202007	Ref	CAB COMMON INSTALLATION	J
1	3760348	1	Ring, Retaining	
2	0641406	2	Bolt 1/4 x 3/4	
3	0641408	7	Bolt 1/4 x 1	
4	0641508	2	Bolt 5/16 x 1	
5	0761012	4	Bolt M10 x 25	
7	3931412	12	Screw	
9	4711500	2	Washer 5/16	
10	4761400	9	Washer 1/4	
11	8035487	1	Screw	
12	8303034	15	Screw	
13	8307109	8	Washer	
14	8310053	4	Washer	
15	8466306	1	Gage, Tilt Angle	
16	88521205	4	Nut 5/16	
17	1001080371	1	Switch	
18	1001080380	1	Switch	
19	1001080462	1	Wheel, Steering	
20	1001080493	1	Console (See Separate Breakdown in this Section)	
21	1001080500	1	Assembly, Hydraulic Controller (See Separate Breakdown in CONTROLS Section)	
22	1001080559	1	Assembly, Master Cylinder Valve (See Separate Breakdown in CONTROLS Section)	
23	1001239184	1	Chart, Load (See Separate Breakdown in DECALS Section)	
24	1001080900	1	Clamp	
25	1001080983	1	Bracket	
26	1001080986	4	Screw	
27	1001080987	4	Nut	
28	1001080988	4	Washer	
29	1001081049	1	Grommet	
32	1001081151	1	Bracket	
33	1001214220	1	Reservoir, Brake	
34	1001081153	1	Hose	
35	1001098235	1	Harness, Mode Select (See Separate Breakdown in ELECTRICAL Section)	
36	1001108079	2	Screw	
37	1001108194	8	Screw	
39	1001114867	1	Screw	
40	1001117158	1	Plate	
41	1001137657	1	Guage	
42	1001258791	1	Assembly, Accelerator Pedal (See Separate Breakdown in CONTROLS Section)	
43	1001156087	2	Clamp	
44	1001189734	1	Installation, Brake Pedal (See Separate Breakdown in CONTROLS Section)	
46	1001202006	1	Assembly, Steering Valve (See Separate Breakdown in HYDRAULIC COMPONENTS Section)	
47	1001080418	1	Harness	
48	1001156577	1	Decal, Fuse	
49	4832000	1	Washer M10	
50	1001207837	1	Panel	

SECTION 6 - CAB

ITEM	PART NUMBER	QTY	DESCRIPTION	REV
52	1001208119	1	Plate	
53	1001257907	1	Harness, Cab (See Separate Breakdown in ELECTRICAL Section)	

SECTION 6 - CAB

FIGURE 6-9. CAB COMMON COMPONENTS, ENCLOSED



ART_1001213757-B

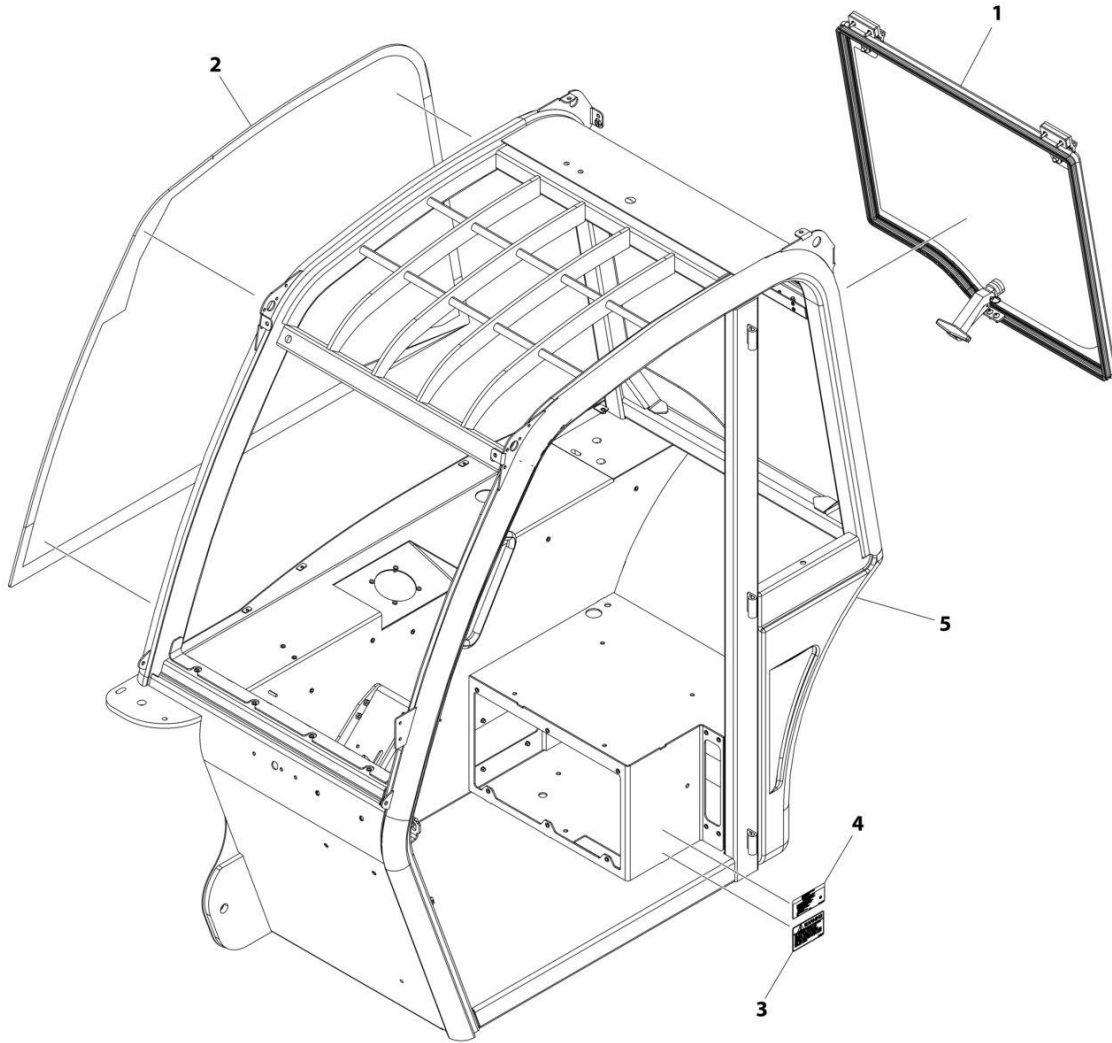
SECTION 6 - CAB

FIGURE 6-9. CAB COMMON COMPONENTS, ENCLOSED

ITEM	PART NUMBER	QTY	DESCRIPTION	REV
	1001213757	Ref	Cab Common Components, Enclosed	B
1	0100011	AR	Compound, Locking	
2	0651410	2	Hex HD Capscrew, 1/4-28X1-1/4	
3	1001080367	1	Front Windshield Washer Switch	
4	1001080368	1	Front Wiper Switch	
5	1001080499	1	Assembly, Front Wiper (See Separate Breakdown in this Section)	
6	1001080862	1	Lower Duct	
7	1001080863	1	Front Duct	
8	1001080931	2	Duct Hose	
9	1001080933	1	Installation, Washer Tank W/Pump (See Separate Breakdown in this Section)	
10	1001081306	1	Front Wiper Spacer	
11	1001081331	1	Duct Hose	
12	1001081332	1	Duct Hose	
13	1001081375	1	Cab Air Filter	
14	1001081376	1	Cab Air Filter Seal Ring	
15	1001108196	6	Screw	
16	1001137943	1	Installation, Dash Enclosed Cab (See Separate Breakdown in this Section)	
17	1001189653	1	Spacer	
18	01043892	8	Tie wrap	
19	82033997	408 mm	Window Washer Hose	

SECTION 6 - CAB

FIGURE 6-10. CAB GLASS INSTALLATION, OPEN



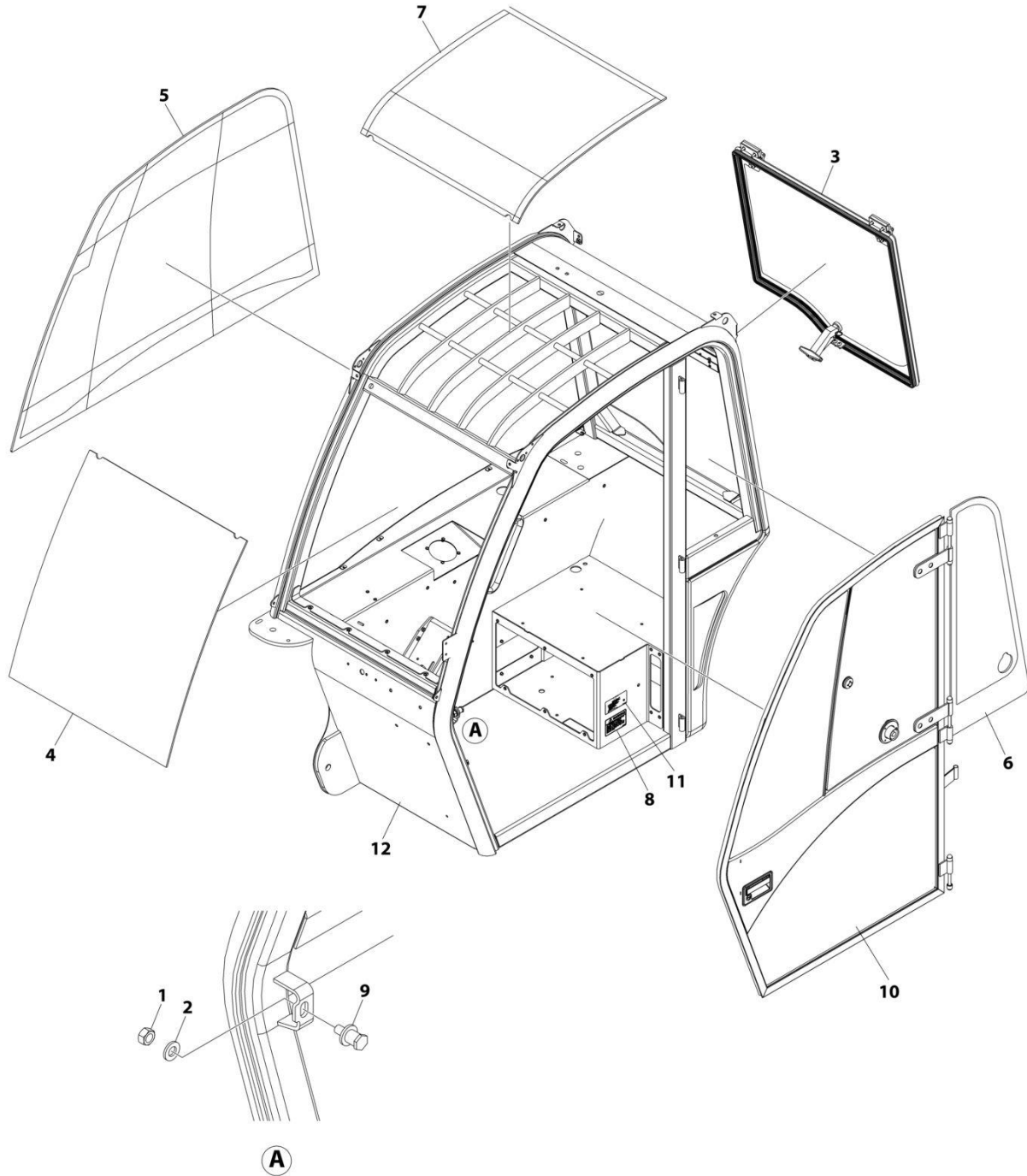
ART_1001208616_G

FIGURE 6-10. CAB GLASS INSTALLATION, OPEN

ITEM	PART NUMBER	QTY	DESCRIPTION	REV
	1001208616	Ref	Cab Glass Installation, Open	G
1	1001080796	1	Assembly, Rear Window (See Separate Breakdown in this Section)	
2	1001080798	1	Window, Right Side	
3	1001109365	1	Decal, ROPS Warning	
4	N.S.S.	1	SN Plate	
5	N.S.S.	1	Cab Weldment	

SECTION 6 - CAB

FIGURE 6-11. CAB GLASS INSTALLATION, ENCLOSED



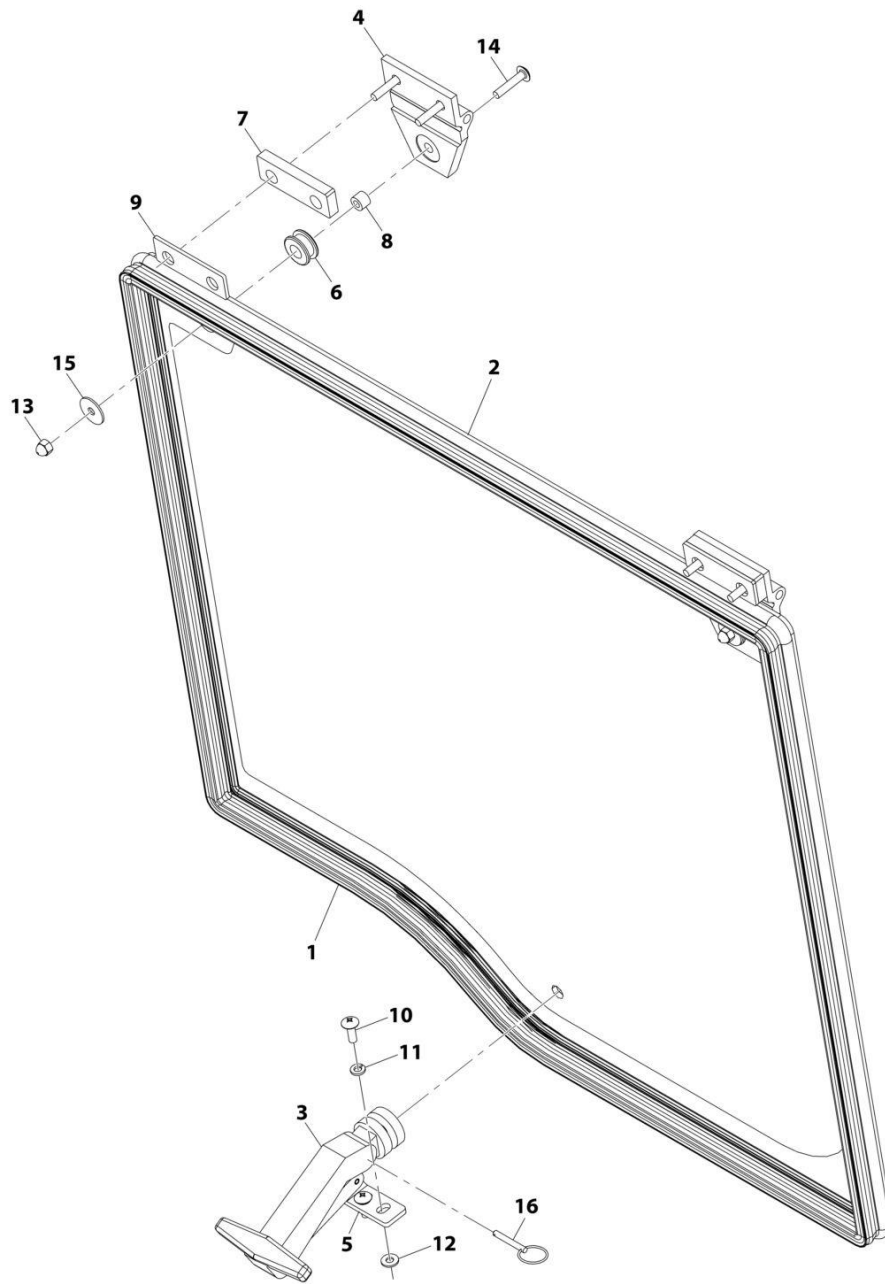
ART_1001208617_G

FIGURE 6-11. CAB GLASS INSTALLATION, ENCLOSED

ITEM	PART NUMBER	QTY	DESCRIPTION	REV
	1001208617	Ref	CAB GLASS INSTALLATION, ENCLOSED	G
1	3291201	1	Nut M12	
2	1001009126	1	Washer	
3	1001080796	1	Rear Window Assembly (See Separate Breakdown in this Section)	
4	1001080797	1	Front Glass	
5	1001080798	1	Right Side Glass	
6	1001080801	1	Left Rear Glass	
7	1001080821	1	Skylight Glass	
8	1001109365	1	ROPS Warning Decal	
9	1001109478	1	Striker Latch	
10	1001150596	1	Installation, Door Assembly (See Separate Breakdown in this Section)	
11	N.S.S.	1	SN Plate	
12	N.S.S.	1	Cab Weldment	

SECTION 6 - CAB

FIGURE 6-12. REAR WINDOW ASSEMBLY



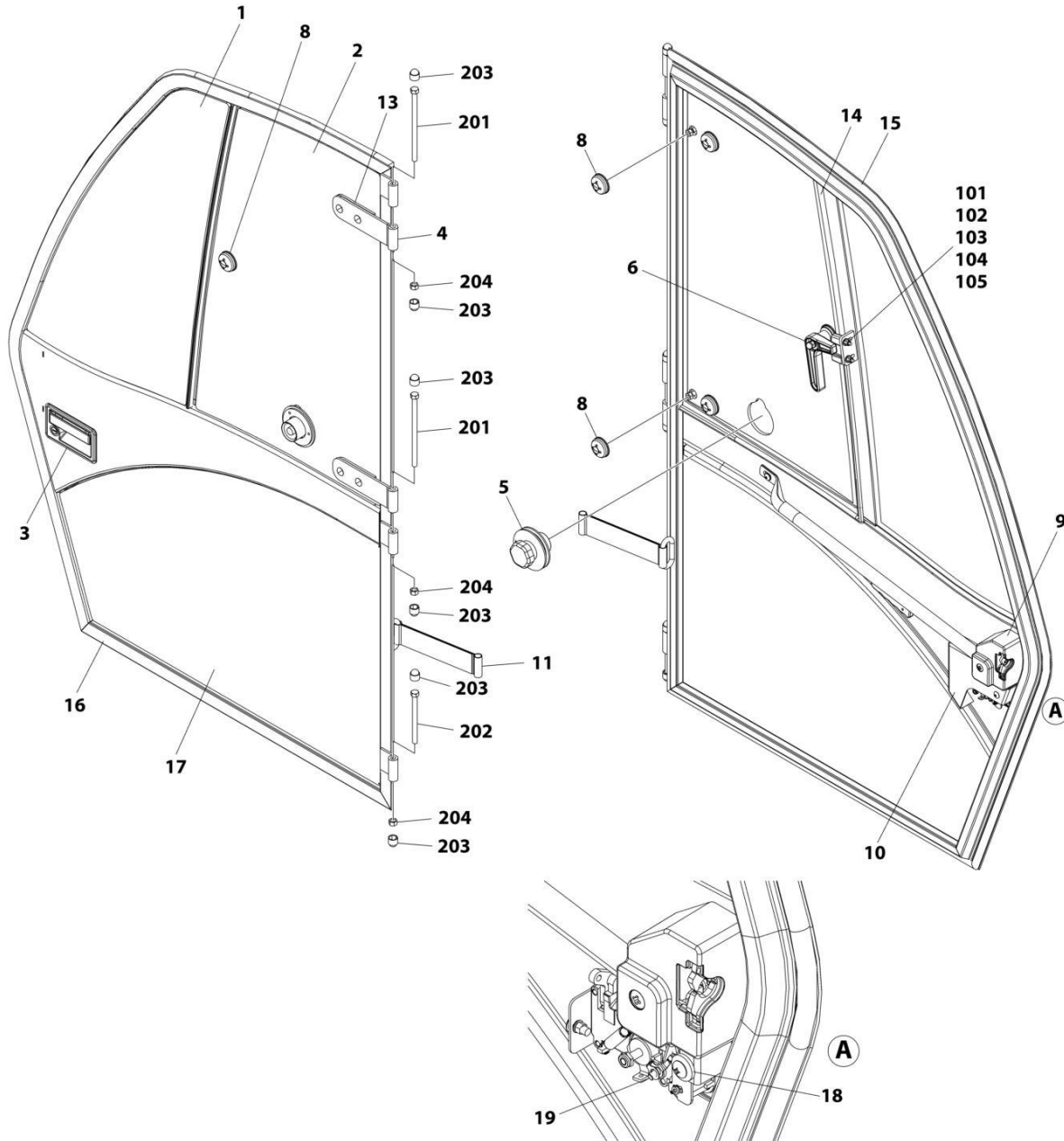
ART_1001080796-G

FIGURE 6-12. REAR WINDOW ASSEMBLY

ITEM	PART NUMBER	QTY	DESCRIPTION	REV
	1001080796	Ref	Rear Window Assembly	G
1	1001107997	1	Window Rear Seal	
2	1001080926	1	Rear Hinged Glass	
3	1001081280	1	T-Style Hold Open	
4	1001081281	2	Plastic Hinge	
5	1001081282	1	Rear Window Latch Bracket	
6	1001081283	2	Grommet	
7	1001081284	2	Hinge Seal	
8	1001081285	2	Bushing	
9	1001081289	2	Hinge Mounting Pad	
10	1001108161	2	Truss HD Screw, 1/4-20X3/4	
11	1001108547	2	Lockwasher, 1/4	
12	1001108548	2	Washer, 1/4	
13	1001108549	2	Nut, 1/4-20	
14	1001110067	6	Torx Screw, 1/4-20X1-1/4	
15	1001108552	2	Flat Washer, 1/4	
16	1001109417	1	Detent Ring Pin	

SECTION 6 - CAB

FIGURE 6-13. DOOR ASSEMBLY INSTALLATION



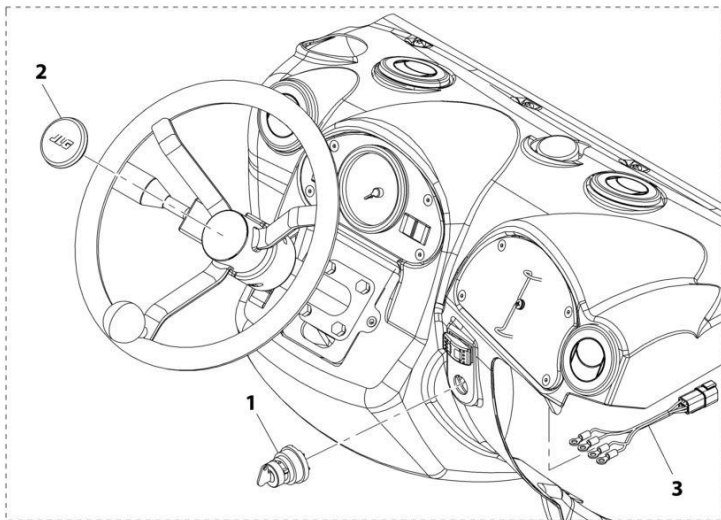
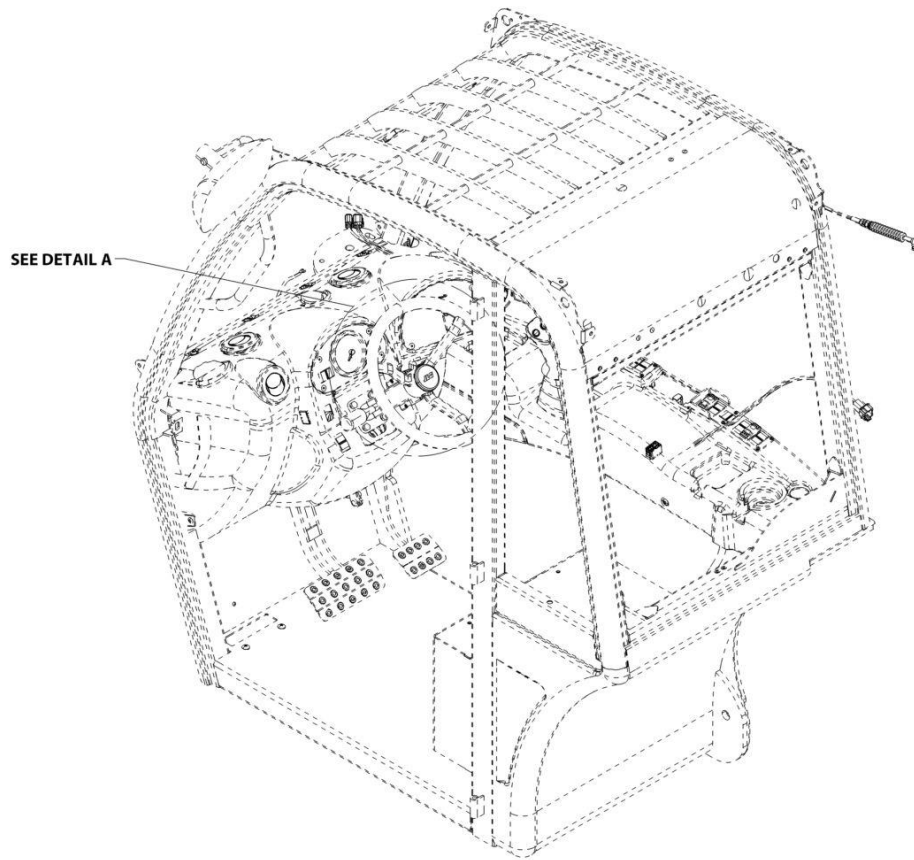
ART_1001150596

FIGURE 6-13. DOOR ASSEMBLY INSTALLATION

ITEM	PART NUMBER	QTY	DESCRIPTION	REV
	1001150596	Ref	DOOR ASSEMBLY INSTALLATION	E
1	1001081235	1	Fixed Door Glass	
2	1001081236	1	Hinged Door Glass	
3	1001081241	1	Latch, Paddle W/Key	
3	8342813	1	Key, (Set of Two)	
4	1001081242	2	Hinge	
5	1001081243	1	Window Lock Latch	
6	1001081244	1	Window Latch (Use with Hardware 101-105)	
8	1001081246	5	Window Cap	
9	1001081247	1	Door Handle	
10	1001081248	1	Door Latch Cover	
11	1001081249	1	Door Restraint Strap	
13	1001081266	2	Spacer	
14	1001081268	1	Hinged Glass Seal	
15	1001081314	1	Door Seal	
16	1001080867JO	1	Door Frame	
17	1001081239	1	Cab Door Panel	
18	1001165585	1	Flat Washer	
19	91404309	1	Connecting Rod	
101	70021079	2	Bolt M6	
102	70021082	2	Nut M6	
103	80364037	1	Washer	
104	70021090	1	Seal	
105	70021095	1	Bolt M8 x 65	
201	8036064	2	Bolt 3/8 x 6-1/2	
202	80364005	1	Bolt 3/8 x 5	
203	1001182663	6	Cap	
204	8035632	3	Nut 3/8	

SECTION 6 - CAB

FIGURE 6-14. JLG COMMON INSTALLATION



DETAIL A

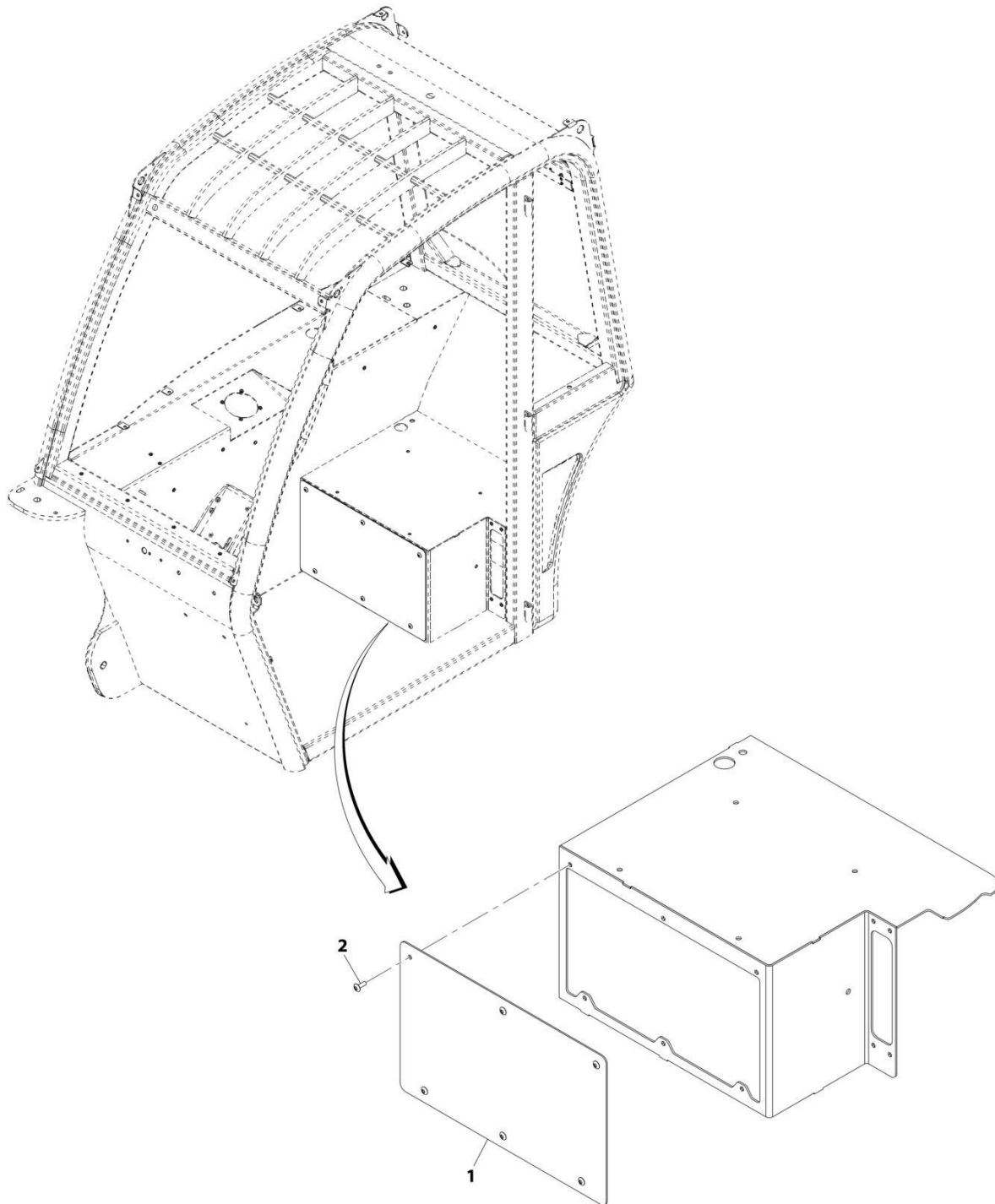
ART_1001080742-B

FIGURE 6-14. JLG COMMON INSTALLATION

ITEM	PART NUMBER	QTY	DESCRIPTION	REV
	1001080742	Ref	JLG COMMON INSTALLATION	C
1	1001080379	1	Ignition Switch	
1	70020621	1	Key, Ignition	
2	1001080463	1	Center Cap	
3	1001100053	1	Start Switch Jumper Harness (See Separate Breakdown in ELECTRICAL Section)	
4	1001285715	1	Beacon Switch	

SECTION 6 - CAB

FIGURE 6-15. SEAT RISER COVER INSTALLATION



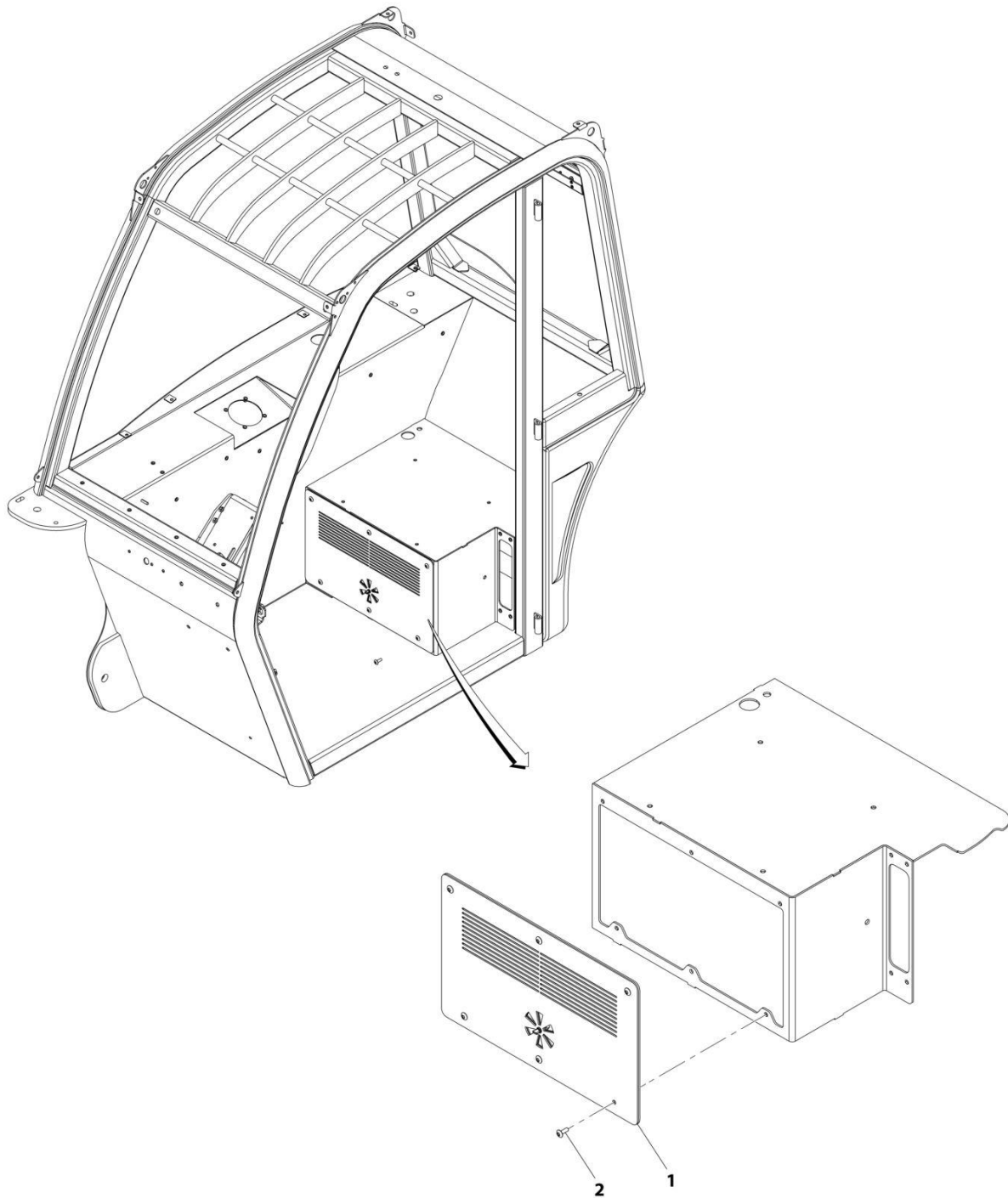
ART_1001137623-B

FIGURE 6-15. SEAT RISER COVER INSTALLATION

ITEM	PART NUMBER	QTY	DESCRIPTION	REV
	1001137623	Ref	Seat Riser Cover Installation	B
1	1001137574	1	Panel	
2	8303034	6	Screw	

SECTION 6 - CAB

FIGURE 6-16. SEAT RISER COVER INSTALLATION, HVAC



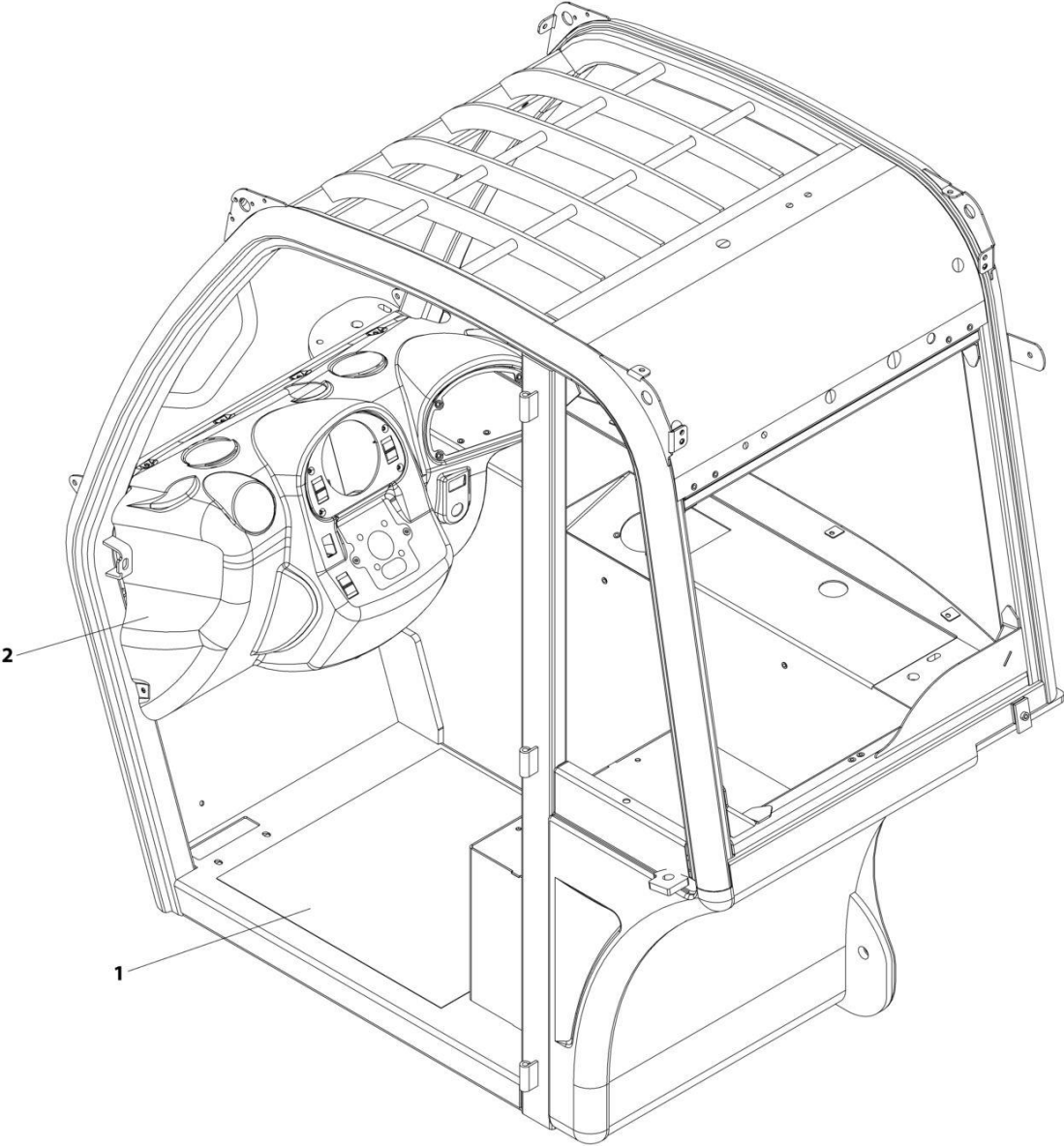
ART_1001137621-C

FIGURE 6-16. SEAT RISER COVER INSTALLATION, HVAC

ITEM	PART NUMBER	QTY	DESCRIPTION	REV
	1001137621	Ref	Seat Riser Cover Installation, HVAC	C
1	1001189948	1	HAVC Cover Panel	
2	8303034	6	Screw, 1/4-20X3/4	

SECTION 6 - CAB

FIGURE 6-17. OPEN CAB COMMON COMPONENTS INSTALLATION



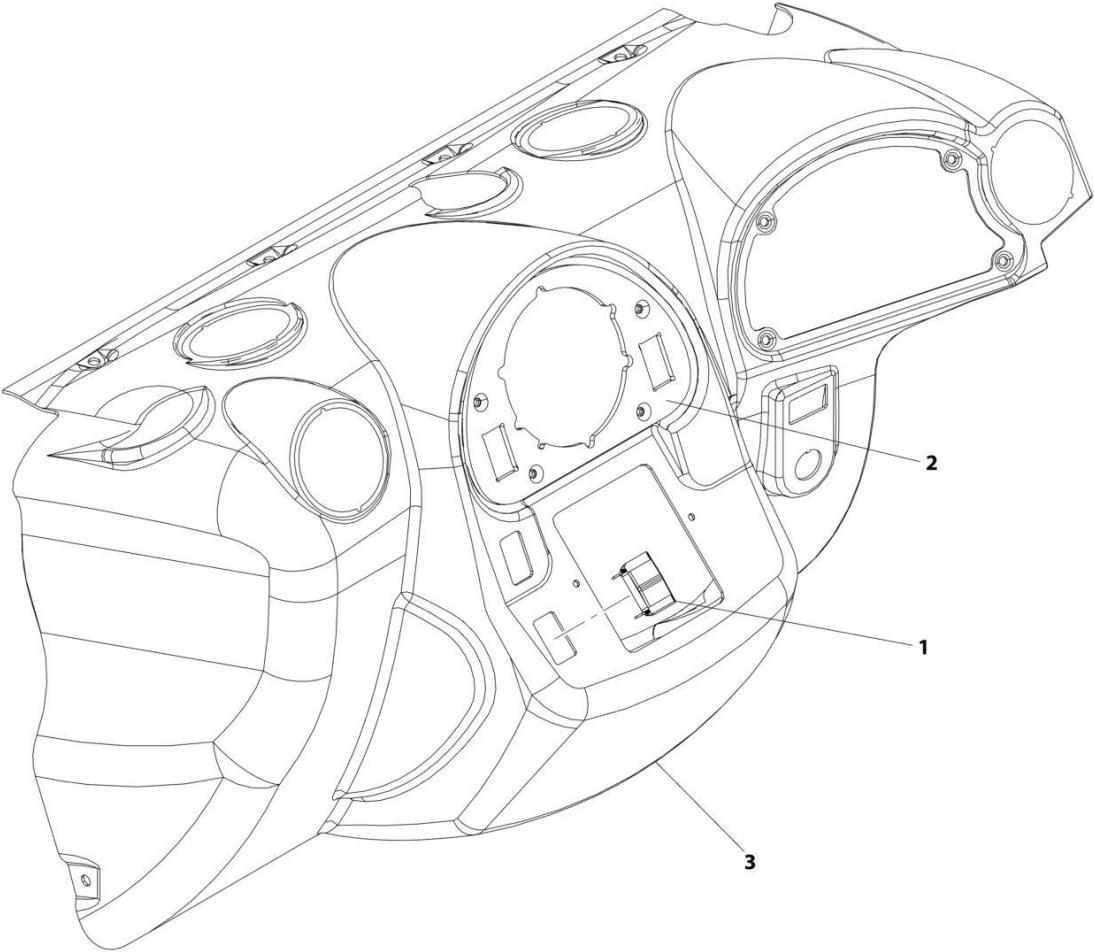
ART_1001138582-A

FIGURE 6-17. OPEN CAB COMMON COMPONENTS INSTALLATION

ITEM	PART NUMBER	QTY	DESCRIPTION	REV
	1001138582	Ref	Open Cab Common Components Installation	A
1	1001080847	1	Skid, Floor	
2	1001139481	1	Installation, Open Cab Dash (See Separate Breakdown in this Section)	

SECTION 6 - CAB

FIGURE 6-18. DASH INSTALLATION, OPEN CAB



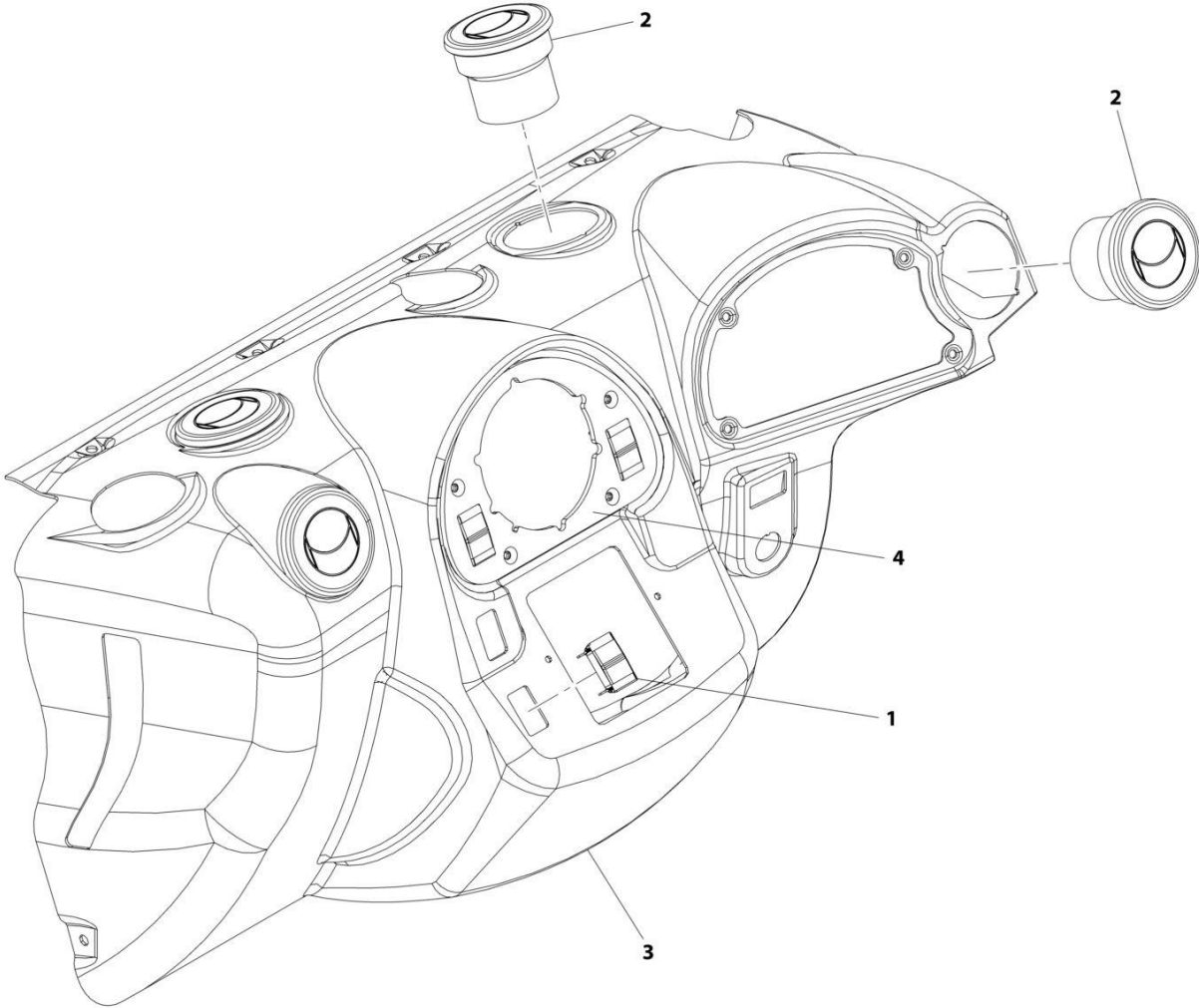
ART_1001139481-C

FIGURE 6-18. DASH INSTALLATION, OPEN CAB

ITEM	PART NUMBER	QTY	DESCRIPTION	REV
	1001139481	Ref	Dash Installation, Open Cab	C
1	1001080494	1	Switch Cover	
2	1001137985	1	Dash Mount	
3	1001153624	1	Cab Dash Cover	

SECTION 6 - CAB

FIGURE 6-19. DASH INSTALLATION, ENCLOSED CAB



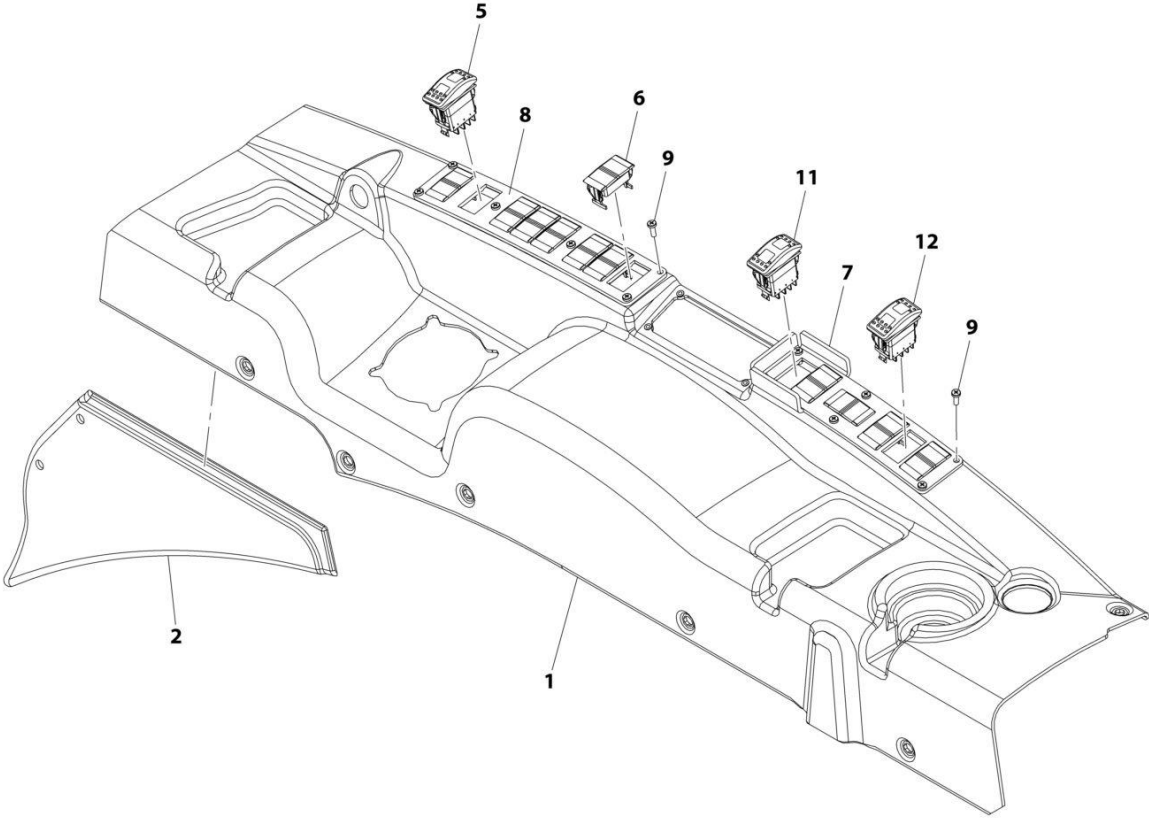
ART_1001137943-C

FIGURE 6-19. DASH INSTALLATION, ENCLOSED CAB

ITEM	PART NUMBER	QTY	DESCRIPTION	REV
	1001137943	Ref	Dash Installation, Enclosed Cab	C
1	1001080494	3	Cover Switch	
2	1001080848	4	Directional Vent	
3	1001153625	1	Cab Dash	
4	1001137985	1	Dash Mount	

SECTION 6 - CAB

FIGURE 6-20. RIGHT SIDE CONSOLE



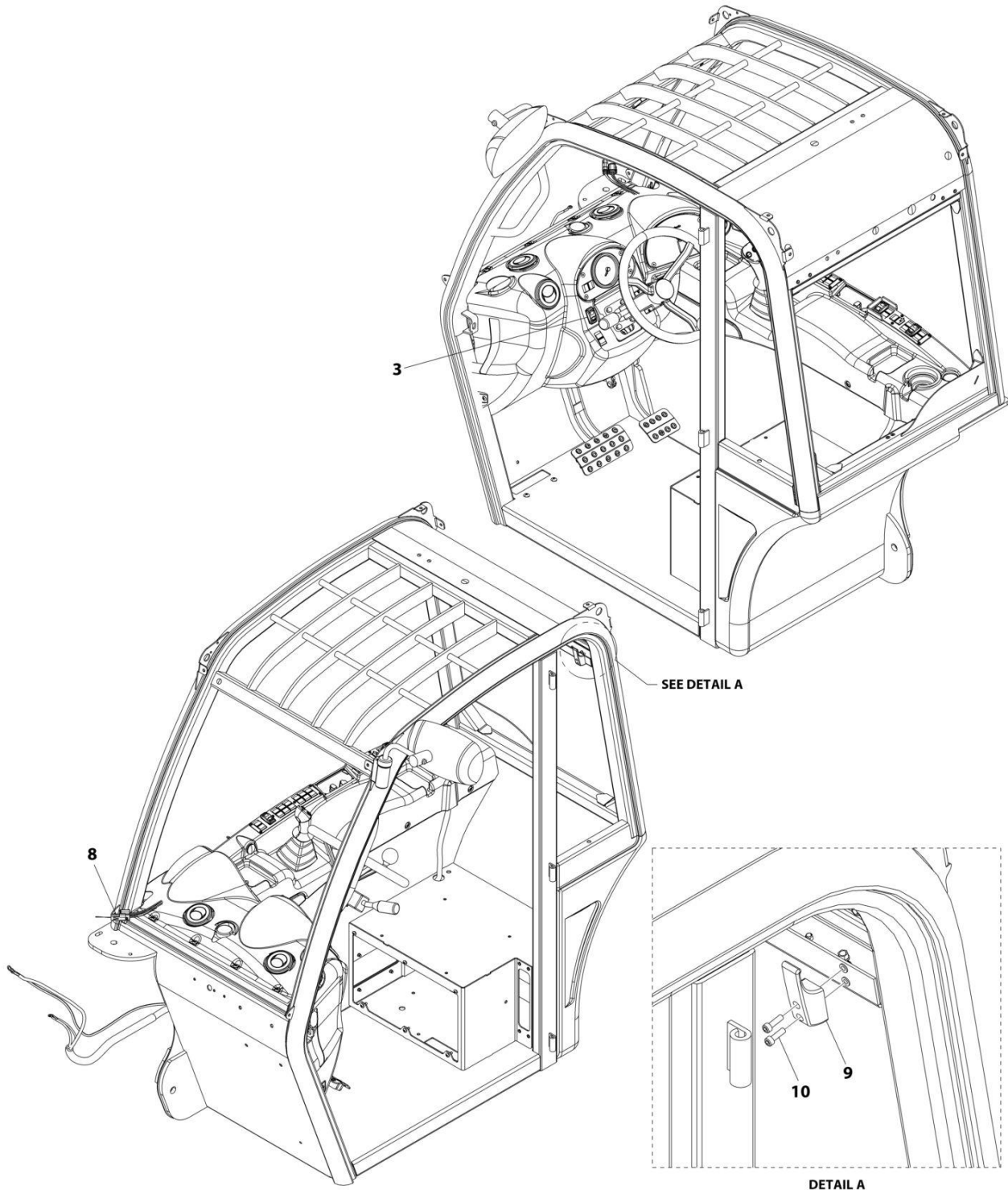
ART_1001080493-J

FIGURE 6-20. RIGHT SIDE CONSOLE

ITEM	PART NUMBER	QTY	DESCRIPTION	REV
	1001080493	Ref	Right Side Console	J
1	1001153627	1	Console	
2	1001153626	1	Lower Plastic Console	
5	1001080378	1	Steer Select Switch	
6	1001080494	11	Switch Cover	
7	1001080969	1	Switch Mount Panel, Six Gang	
8	1001080970	1	Switch Mount Panel, Eight Gang	
9	1001139011	12	Pan HD Screw, #8-32	
11	1001080978	1	Lift/Loader Joystick Pattern Switch	
12	1001104654	1	Auxiliary Hydraulics Pressure Relief Switch	

SECTION 6 - CAB

FIGURE 6-21. NA COMMON INSTALLATION



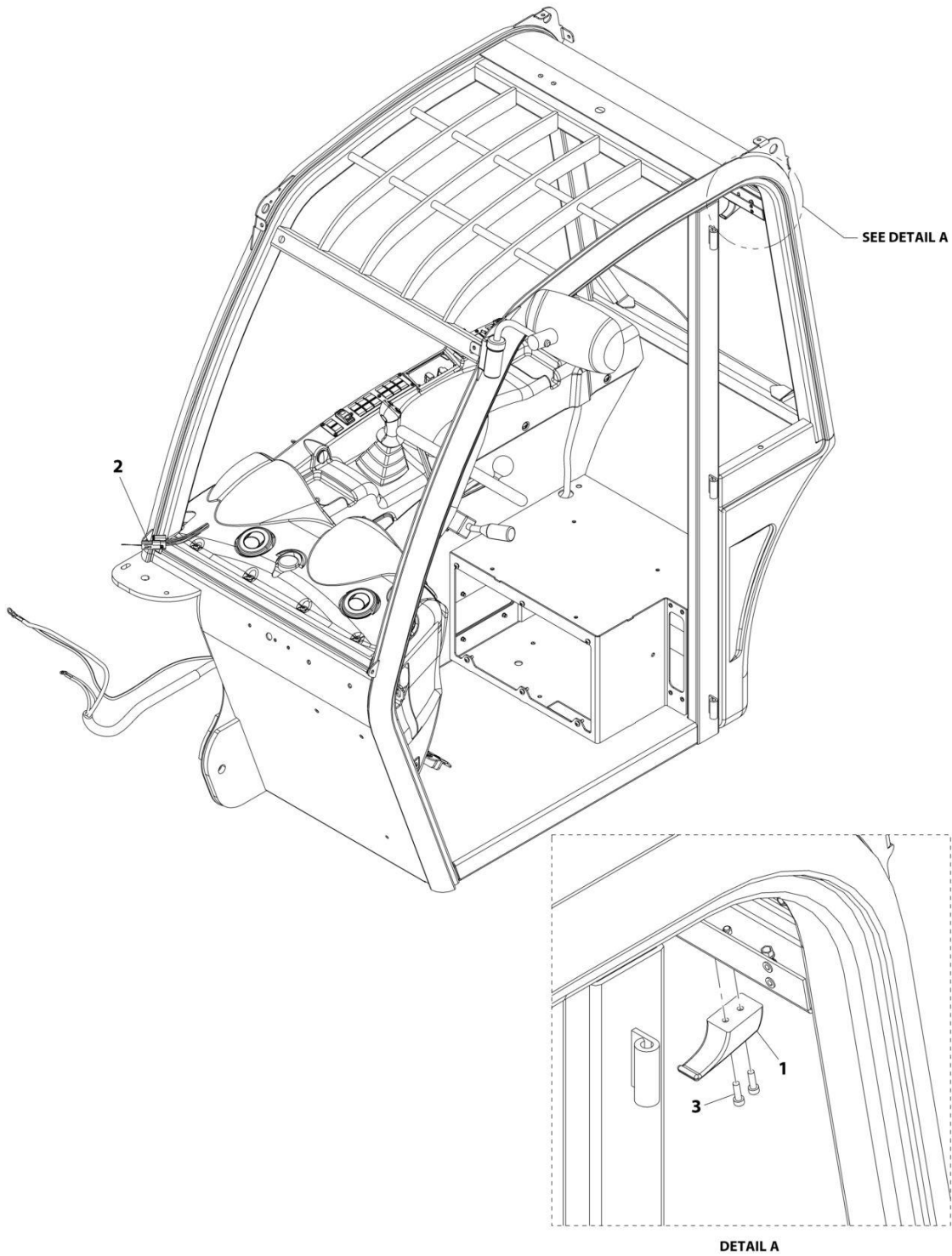
ART_1001080744-G

FIGURE 6-21. NA COMMON INSTALLATION

ITEM	PART NUMBER	QTY	DESCRIPTION	REV
	1001080744	Ref	NA COMMON INSTALLATION	G
3	1001080374	1	Switch	
8	1001100966	1	Jumper Harness (See Separate Breakdown in ELECTRICAL Section)	
9	1001080953	1	Hook	
10	3931010	2	Screw	

SECTION 6 - CAB

FIGURE 6-22. NA COMMON COMPONENTS INSTALLATION (LSI)



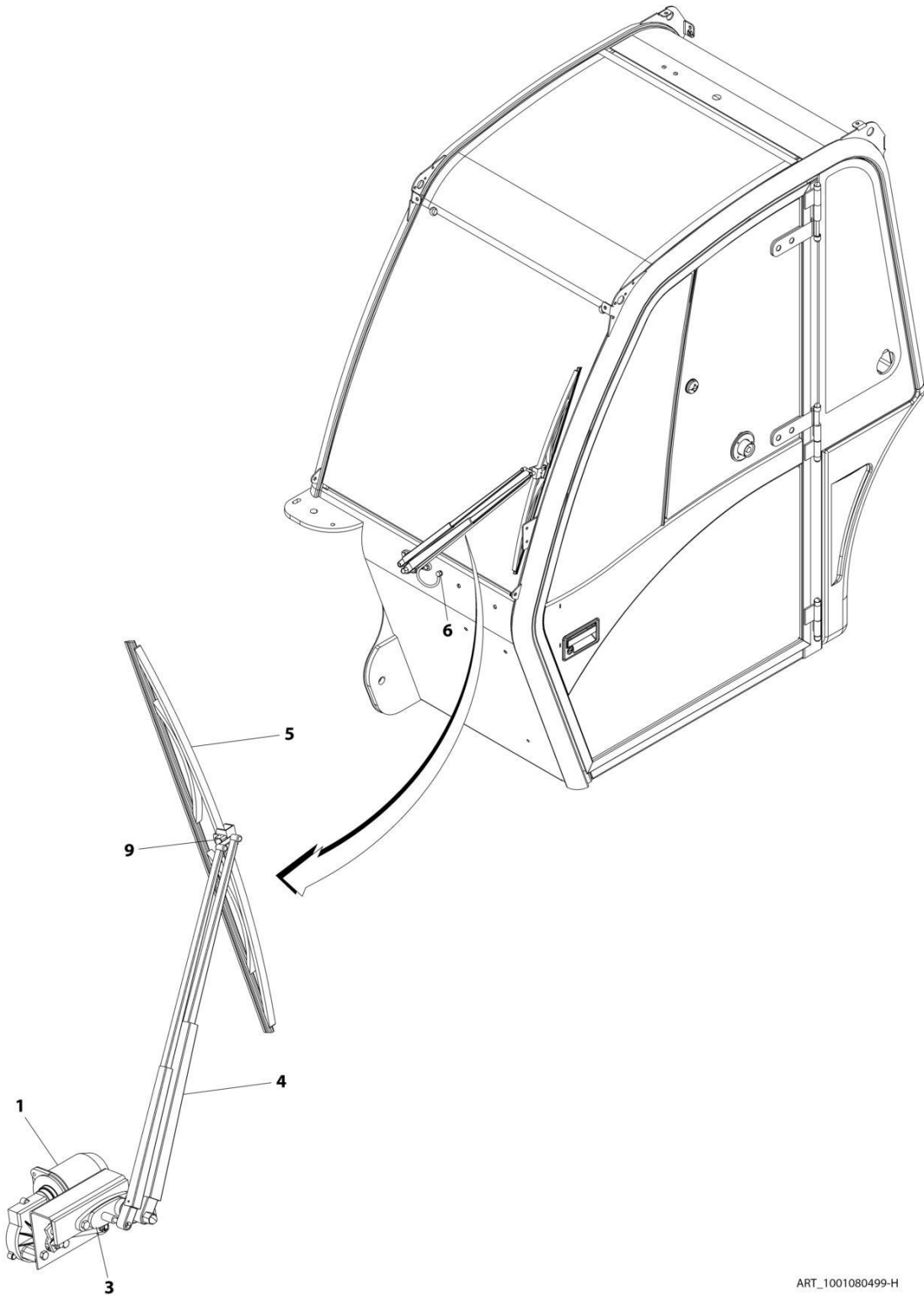
ART_1001236959-A

FIGURE 6-22. NA COMMON COMPONENTS INSTALLATION (LSI)

ITEM	PART NUMBER	QTY	DESCRIPTION	REV
	1001236959	Ref	NA COMMON COMPONENTS INSTALLATION (LSI)	A
1	1001080953	1	Hook	
2	1001100966	1	Jumper Harness (See Separate Breakdown in ELECTRICAL Section)	
3	1001108155	2	Bolt 10 x 5/8	

SECTION 6 - CAB

FIGURE 6-23. FRONT WIPER ASSEMBLY



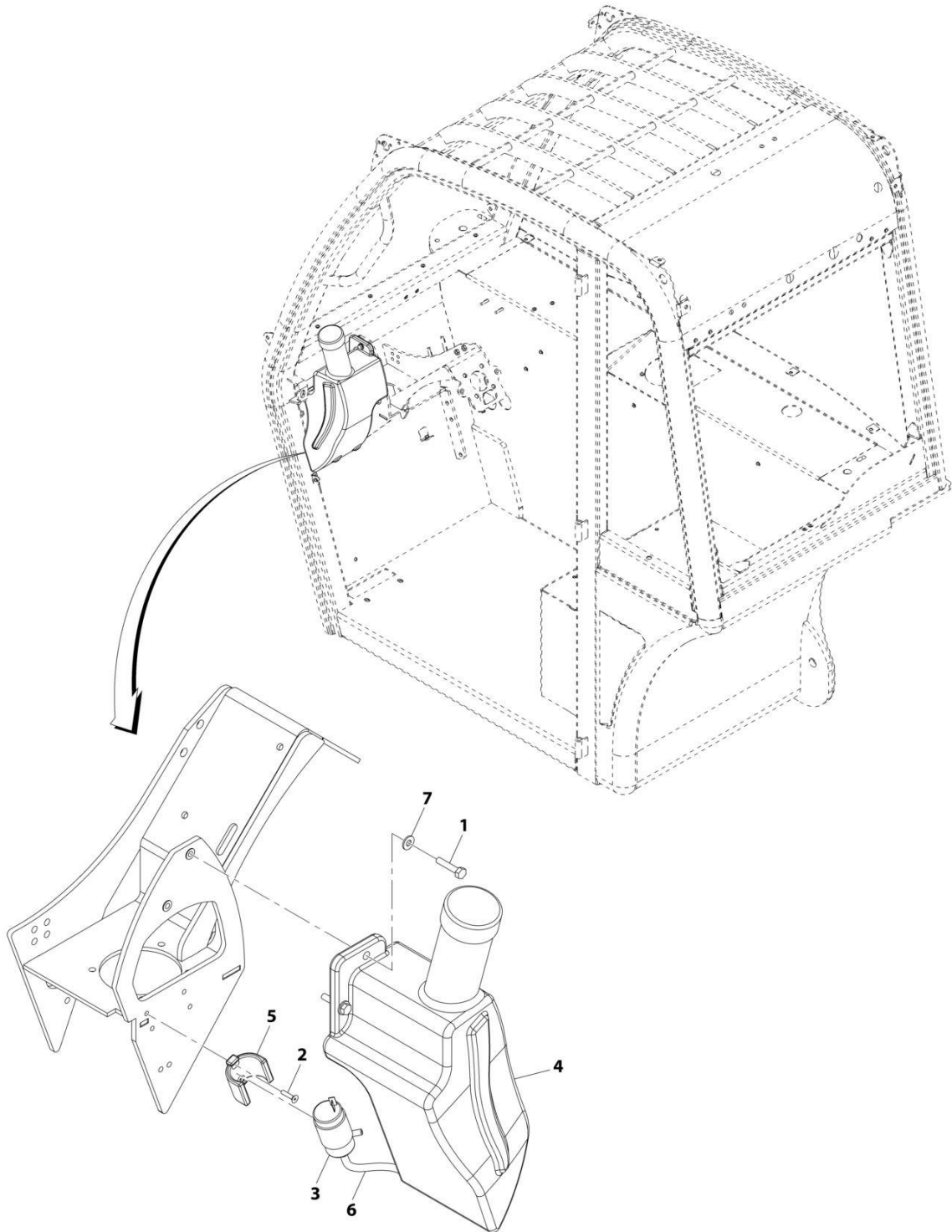
ART_1001080499-H

FIGURE 6-23. FRONT WIPER ASSEMBLY

ITEM	PART NUMBER	QTY	DESCRIPTION	REV
	1001080499	Ref	Front Wiper Asssembly	H
1	1001080383	1	Front Wiper Motor	
3	1001081307	1	Adapter Kit	
4	1001081308	1	Wiper Arm	
5	1001081309	1	Wiper Blade	
6	1001081310	1	Wet Arm Adaptor	
9	1001081311	1	Wet Arm Kit	

SECTION 6 - CAB

FIGURE 6-24. WASHER TANK W/PUMP INSTALLATION



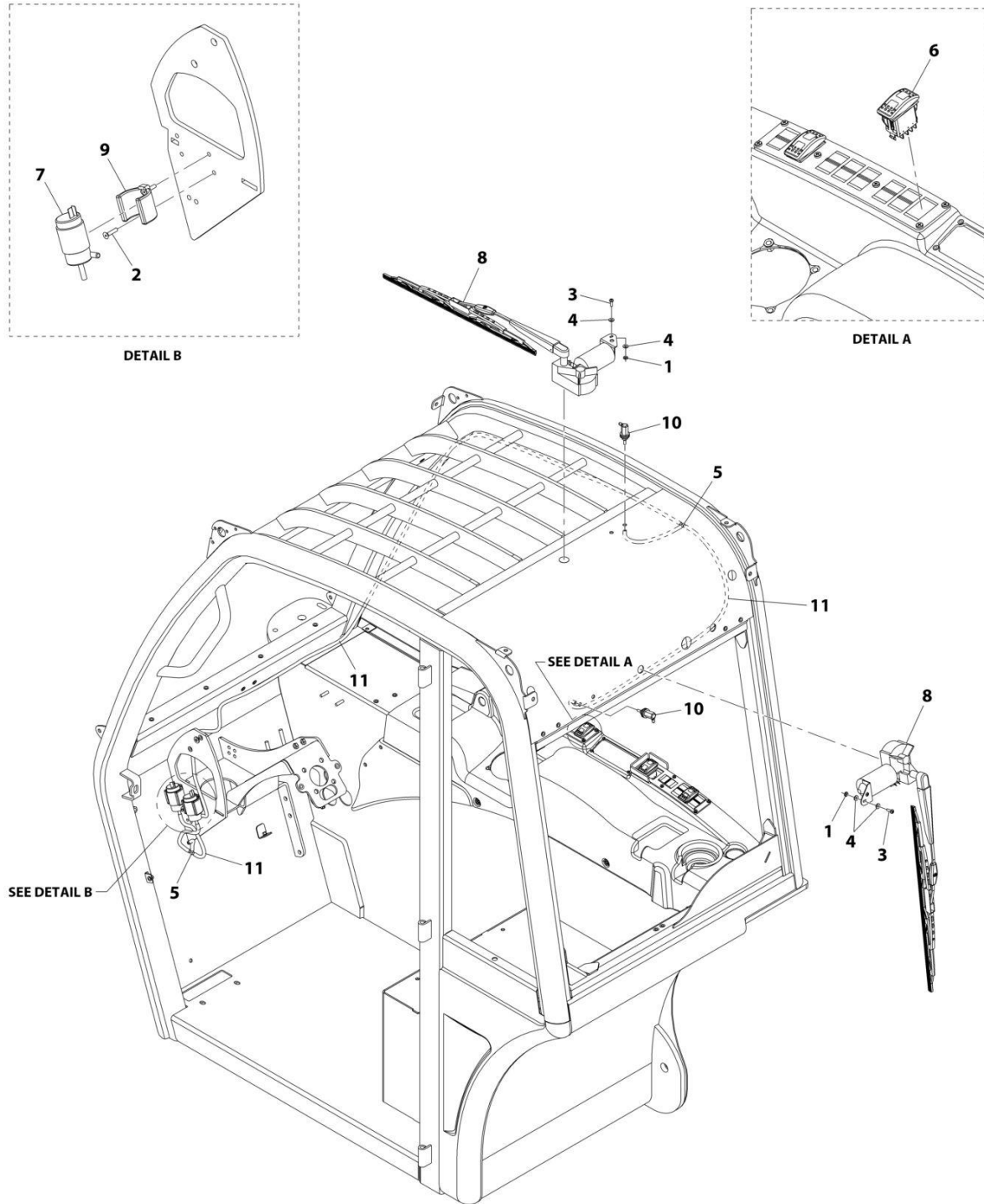
ART_1001080933-E

FIGURE 6-24. WASHER TANK W/PUMP INSTALLATION

ITEM	PART NUMBER	QTY	DESCRIPTION	REV
	1001080933	Ref	Washer Tank W/Pump Installation	E
1	0641410	2	Hex HD Capscrew, 1/4-20X1-1/4	
2	3900302	2	Stainless Steel Screw, #8	
3	1001080382	1	Washer Pump	
4	1001080824	1	Washer Fluid Tank Assembly (See Separate Breakdown in this Section)	
5	1001080932	1	Washer Pump Clamp	
6	82033997	5 in	Window Washer Hose	
7	4711400	2	Washer, 1/4	

SECTION 6 - CAB

FIGURE 6-25. ROOF/REAR WIPER INSTALLATION



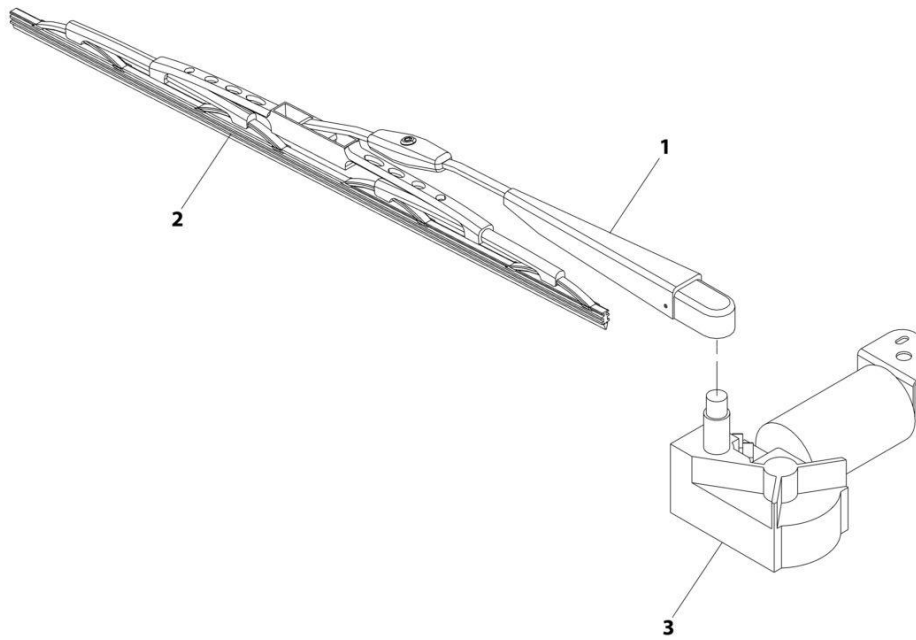
ART_1001080877-H

FIGURE 6-25. ROOF/REAR WIPER INSTALLATION

ITEM	PART NUMBER	QTY	DESCRIPTION	REV
	1001080877	Ref	Roof/Rear Wiper Installation	H
1	8305002	2	Nut, M10	
2	3900302	2	Socket HD Capscrew, GR8	
3	1001197099	2	Screw	
4	4740120	4	Nylon Washer	
5	1001008742	2	Tee Coupling	
6	1001080377	1	Rear/Roof Wiper Switch	
7	1001080382	1	Windshield Washer Pump	
8	1001179547	2	AUX Wiper Assembly (See Separate Breakdown in this Section)	
9	1001080932	1	Washer Pump Clamp	
10	1001080985	2	Spray Nozzle	
11	82033997	157 in	Hose	

SECTION 6 - CAB

FIGURE 6-26. AUX WIPER ASSEMBLY



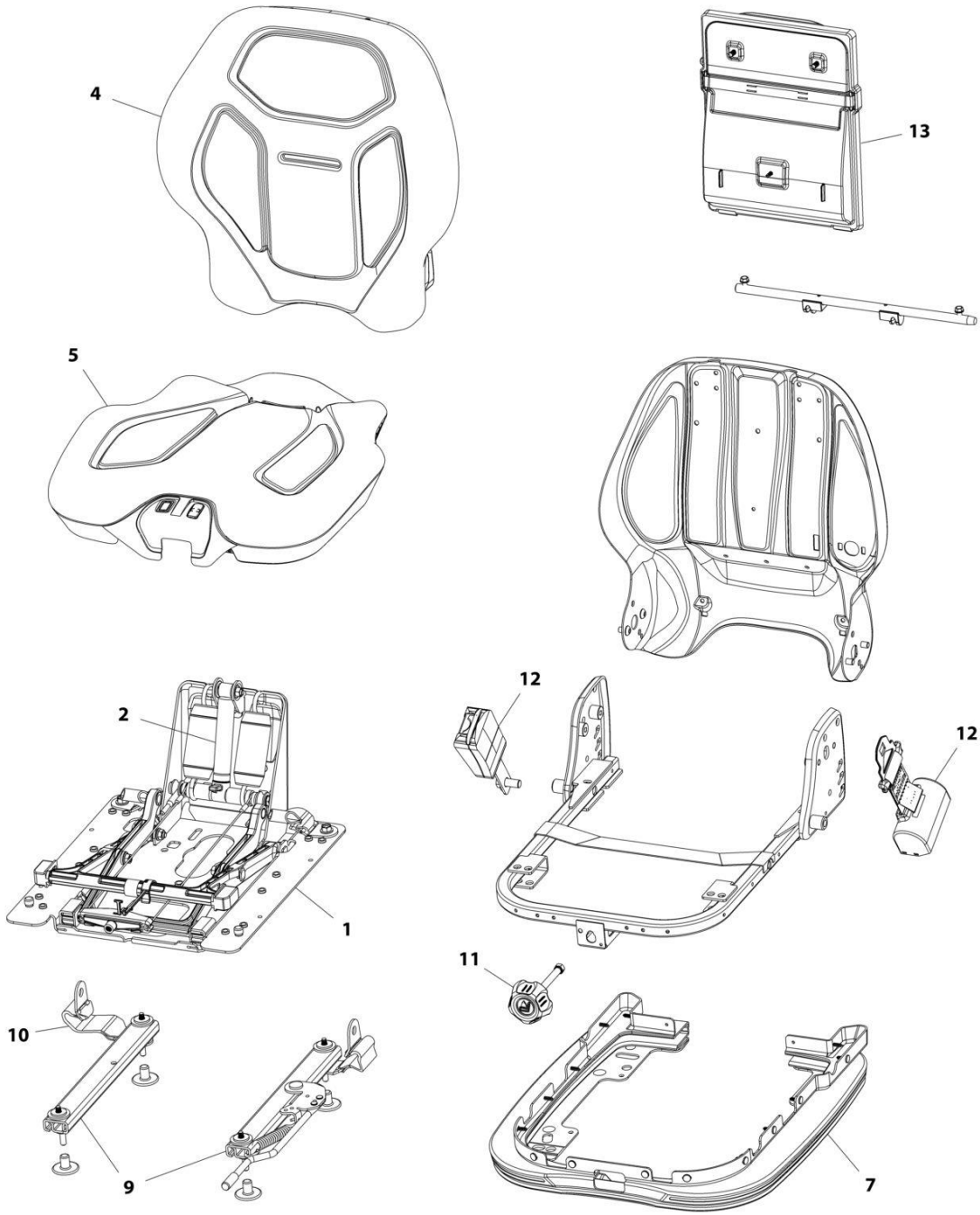
ART_1001179547-A

FIGURE 6-26. AUX WIPER ASSEMBLY

ITEM	PART NUMBER	QTY	DESCRIPTION	REV
	1001179547	Ref	AUX Wiper Assembly	A
1	1001179495	1	Wiper Link Assembly	
2	1001179496	1	Wiper	
3	1001179832	1	Motor	

SECTION 6 - CAB

FIGURE 6-27. SEAT



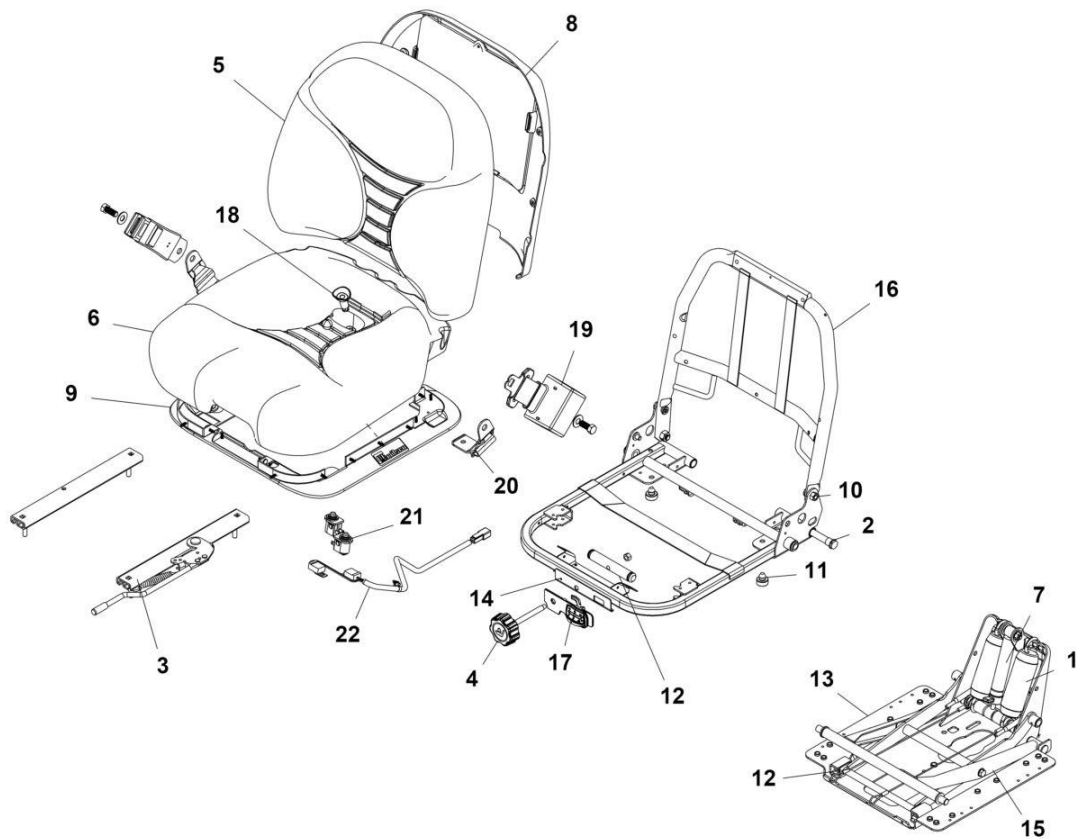
ART_1001197027-D

FIGURE 6-27. SEAT

ITEM	PART NUMBER	QTY	DESCRIPTION	REV
	1001197027	Ref	Seat	E
1	70027024	1	Suspension Assembly Kit	
2	70027025	1	Spring Saddle Assembly Kit	
4	70027026	1	Back Cushion Kit	
5	70027028	1	Seat Cushion Assembly Kit	
7	70027030	1	Boot Kit	
9	7026798	1	Adjuster Kit	
10	70027032	1	Tether Strap	
11	70027033	1	Weight Adjust Knob Kit	
12	70027034	2	Seat Belt Kit	
13	70027035	1	Document Box Kit	

SECTION 6 - CAB

FIGURE 6-28. SEAT, LSI



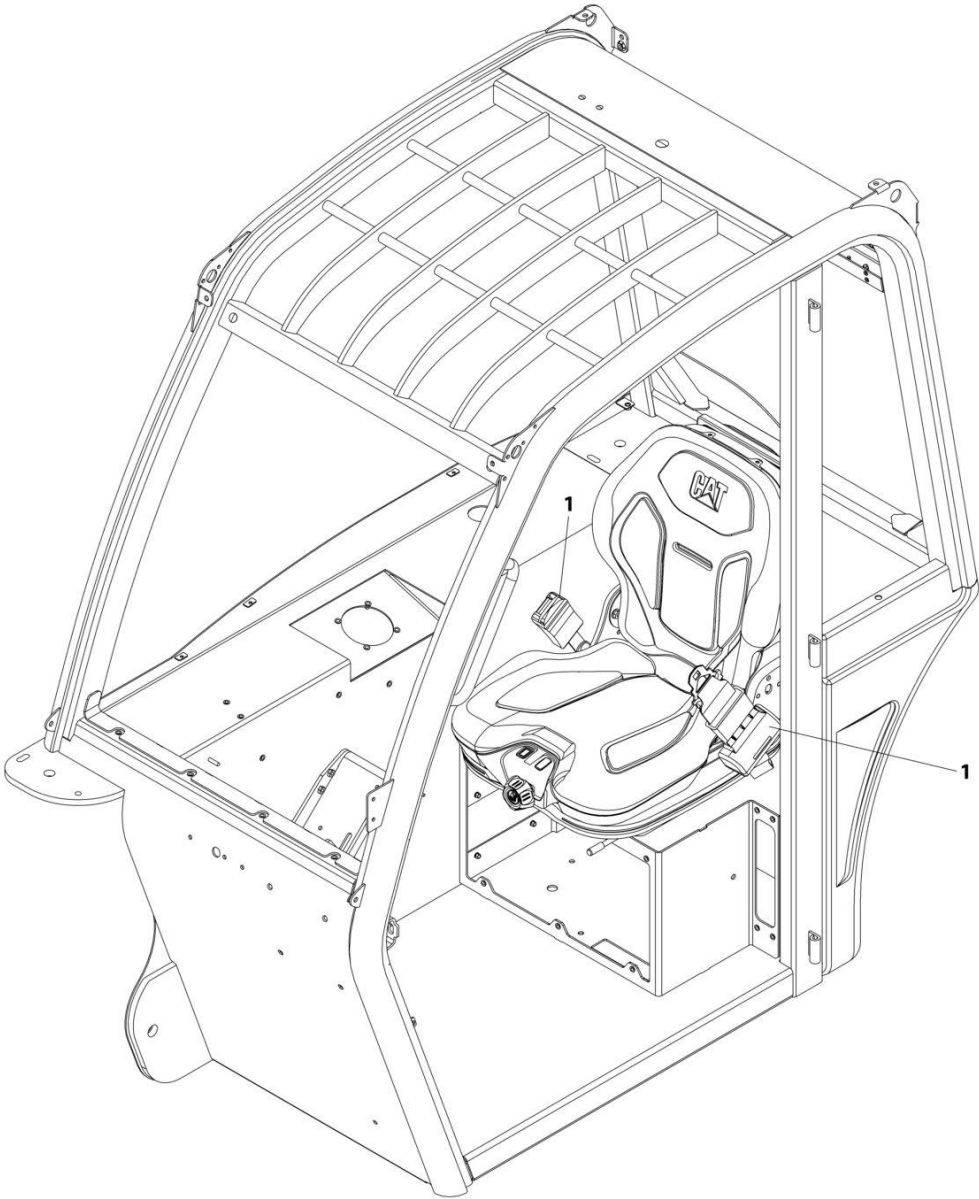
ART_1001142055

FIGURE 6-28. SEAT, LSI

ITEM	PART NUMBER	QTY	DESCRIPTION	REV
	1001142055	Ref	Seat, LSI	D
1	7026798	1	Slide Kit	
2	7026799	1	Knob Kit	
3	7026900	1	Back Cushion Kit	
4	7026901	1	Seat Cushion Kit	
5	7026905	1	Seat Belt Kit	
6	7026906	1	Tether Kit	
7	7026902	1	Back Panel Kit	
8	70023040	1	Shock Absorber Kit, (Not Shown), (Includes One Shock Absorber, Two Shock Pins And Two Hex Nuts)	
9	70023041	1	Spring and Saddle Kit, (Not Shown)	

SECTION 6 - CAB

FIGURE 6-29. SEAT BELT INSTALLATION (3 INCH)



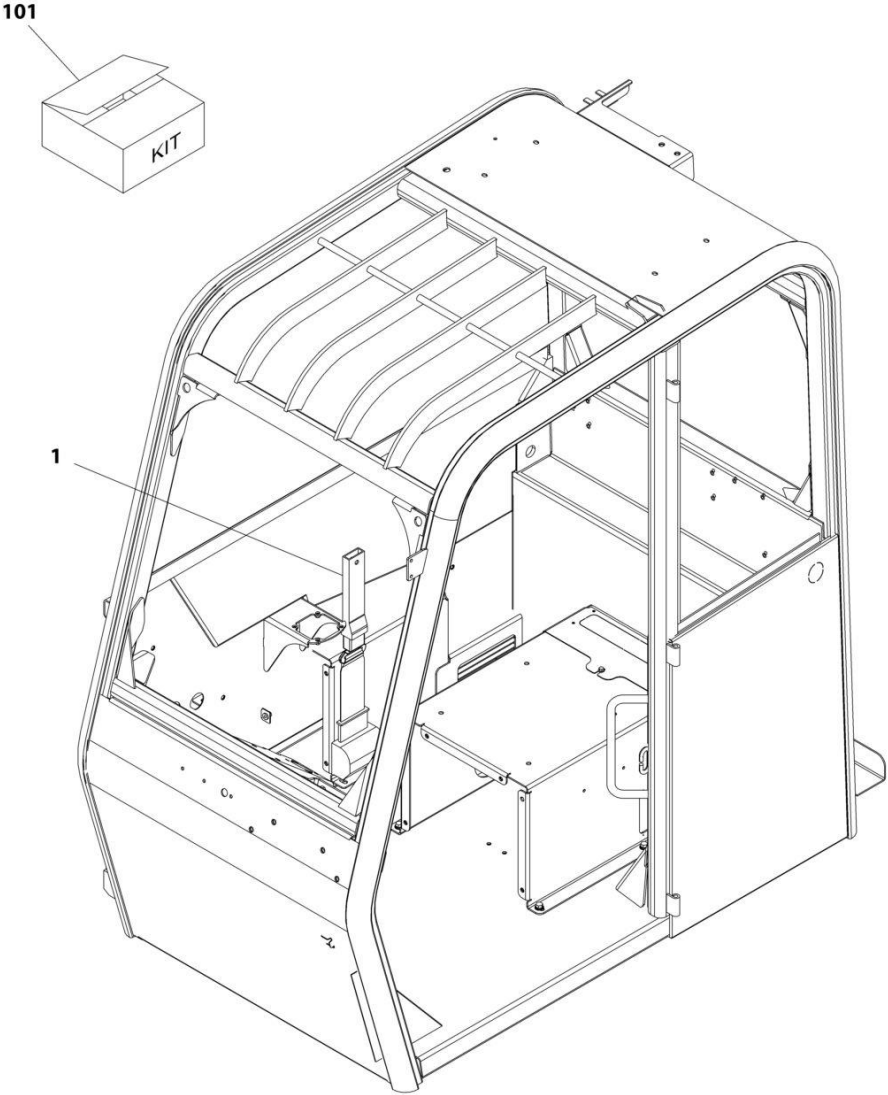
ART_1001233666_C

FIGURE 6-29. SEAT BELT INSTALLATION (3 INCH)

ITEM	PART NUMBER	QTY	DESCRIPTION	REV
	1001233666	Ref	Seat Belt Installation (3 Inch)	C
1	1001258244	1	Seat Belt (3in) (Black Strap)	
1	1001275933	1	Seat Belt (3in) (Orange Strap)	

SECTION 6 - CAB

FIGURE 6-30. SEAT BELT INSTALLATION, LSI (3 INCH)



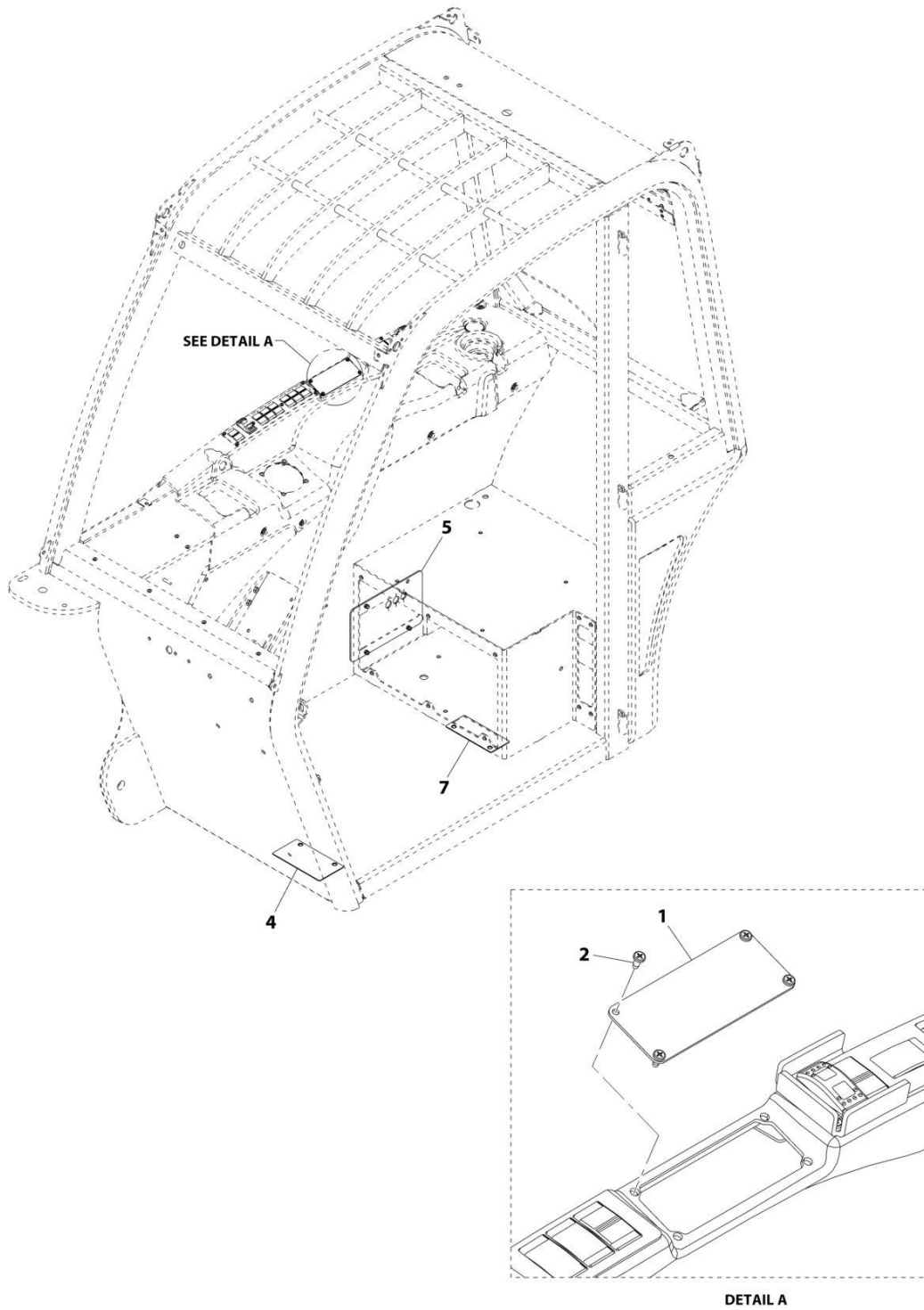
ART_91565064-A

FIGURE 6-30. SEAT BELT INSTALLATION, LSI (3 INCH)

ITEM	PART NUMBER	QTY	DESCRIPTION	REV
	91565064	Ref	Seat Belt Installation, LSI (3 Inch)	A
1	91563164	NLA	Seat Belt (no longer available, use 70023139 for replacement)	
101	70023139	1	Kit, 3 Inch Seat Belt (includes female and retractor ends)	

SECTION 6 - CAB

FIGURE 6-31. CONTROL COVER INSTALLATION



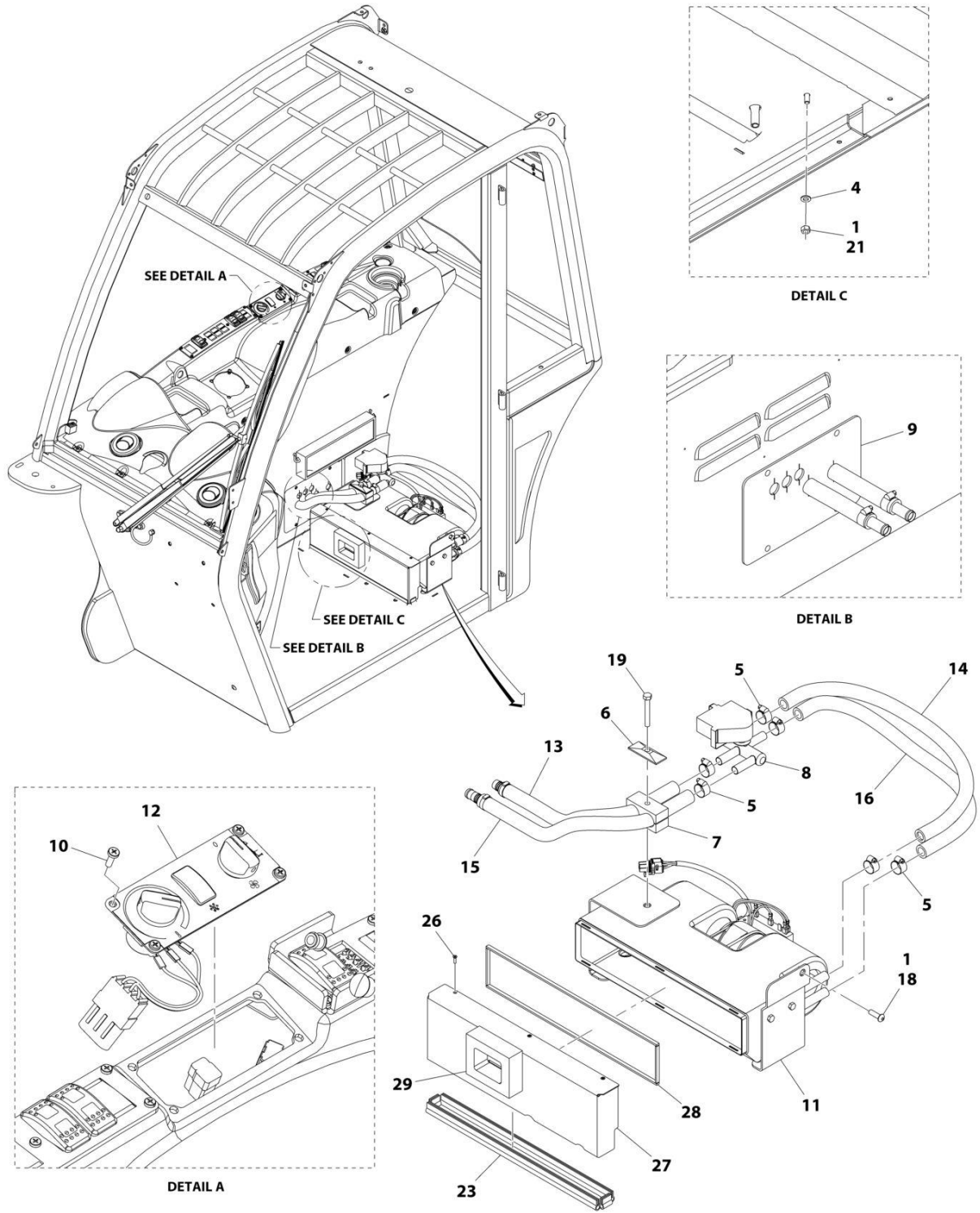
ART_1001080876-H

FIGURE 6-31. CONTROL COVER INSTALLATION

ITEM	PART NUMBER	QTY	DESCRIPTION	REV
	1001080876	Ref	Control Cover Installation	H
1	1001080852	1	Heater Control Cover	
2	1001137454	4	Pan HD Screw	
4	1001080974	1	Ductwork Panel	
5	1001080975	1	Parking Brake Release Valve Only Panel	
7	1001081023	1	Ductwork Panel	

SECTION 6 - CAB

FIGURE 6-32. HEATER INSTALLATION (CAB PARTS)



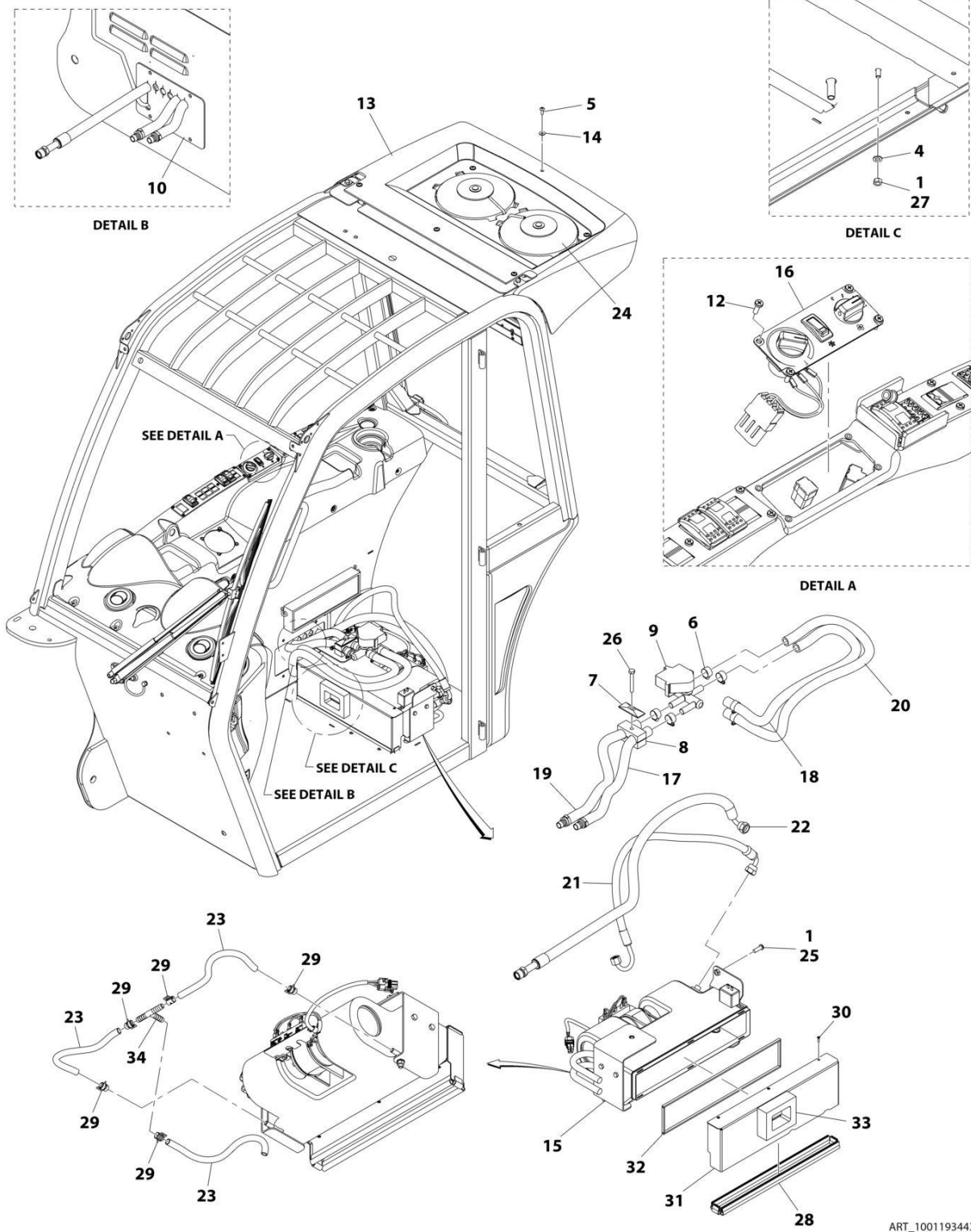
ART_1001193943-E

FIGURE 6-32. HEATER INSTALLATION (CAB PARTS)

ITEM	PART NUMBER	QTY	DESCRIPTION	REV
	1001193943	Ref	Heater Installation (cab parts)	E
1	0100011	AR	Compound, Locking	
4	4811900	1	Washer, M8	
5	8410009	6	Gear Clamp	
6	77133137	1	Cover Plate	
7	77133279	1	Clamp	
8	80383231	1	Water Heater Valve	
9	1001080976	1	Parking Brake Release Valve And Heater Panel	
10	1001137454	4	Pan HD Screw	
11	1001193805	1	Assembly, Heater 3 Speed (See Separate Breakdown in this Section)	
12	1001193945	1	Heater Control Switch (See Separate Breakdown in Control Section)	
13	1001193973	1	Hose	
14	1001193974	1	Hose	
15	1001193975	1	Hose	
16	1001193976	1	Hose	
18	0630468	1	Hex HD Capscrew, 5/16-18X2, GR5	
19	0641518	1	Hex HD Capscrew, 5/16-18X2-1/4, GR5	
21	3311501	1	Hex Nut, 5/16-18, GR2	
23	1001110433	856 mm	Seal	
26	91413036	1	Screw, M6X12	
27	1001202939	1	Duct	
28	1001113047	970 mm	Adhesive Seal	
29	1001209966	1	Seal, Duct	

SECTION 6 - CAB

FIGURE 6-33. HEATER AND A/C INSTALLATION (CAB PARTS)



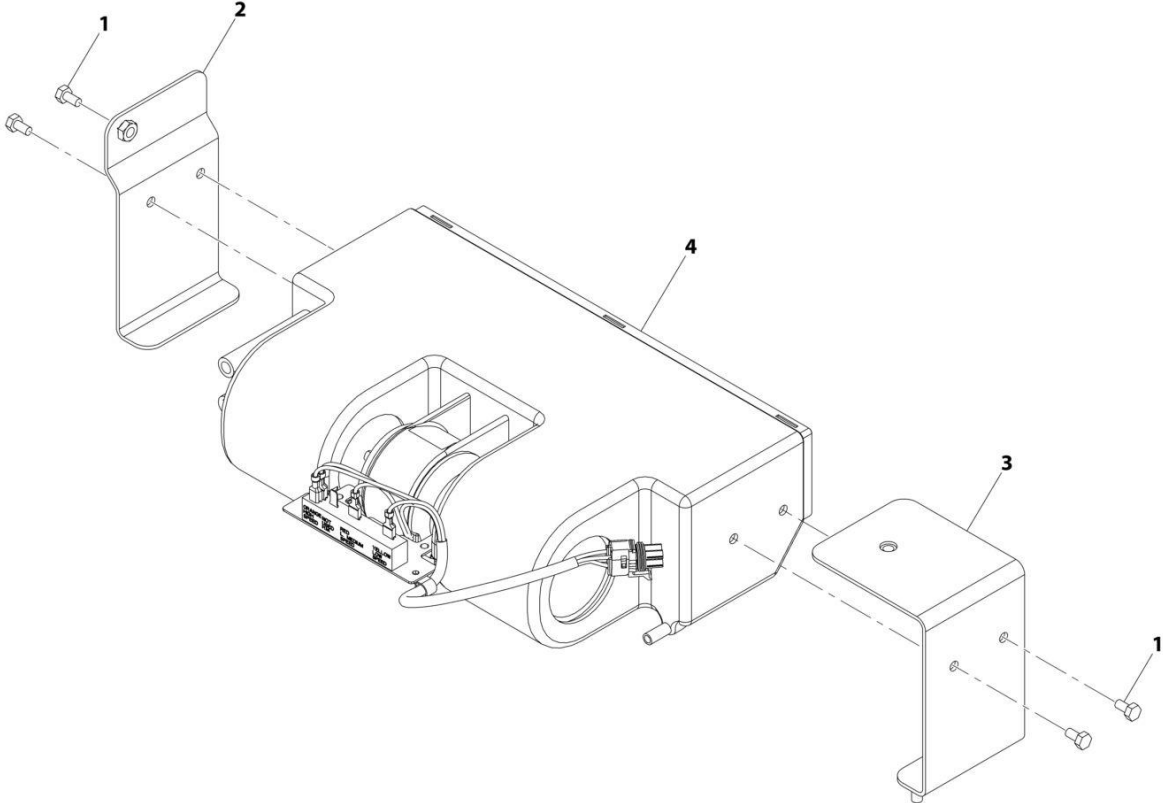
ART_1001193443-E

FIGURE 6-33. HEATER AND A/C INSTALLATION (CAB PARTS)

ITEM	PART NUMBER	QTY	DESCRIPTION	REV
	1001193443	Ref	Heater and A/C Installation (cab parts)	E
1	0100011	AR	Compound, Locking	
4	4811900	1	Washer M8	
5	8303034	6	Screw 1/4 x 3/4	
6	8410009	6	Gear Clamp	
7	77133137	1	Cover Plate	
8	77133279	1	Clamp	
9	80383231	1	Water Heater Valve	
10	1001220705	1	Parking Brake Release Valve, Heater and AC Panel	
12	1001139011	4	Pan HD Screw	
13	1001139801	1	Cover	
14	1001150509	6	Washer	
15	1001193432	1	Assembly, Heater and A/C, 3 Speed (See Separate Breakdown in This Section)	
16	1001193501	1	HVAC Control Switch (See Separate Breakdown in Control Section)	
17	1001193720	1	Hose	
18	1001193721	1	Hose	
19	1001193723	1	Hose	
20	1001193725	1	Hose	
21	1001193761	1	Hose	
22	1001193762	1	Hose	
23	1001195447	809 mm	Hose	
24	1001202352	1	AC Condenser Installation (See Separate Breakdown in this Section)	
25	0630468	1	Capscrew 5/16 x 1	
26	0641518	1	Capscrew 5/16 x 2-1/4	
27	3311501	1	Nut 5/16	
28	1001110433	856 mm	Seal	
29	1001156087	5	Gear Clamp	
30	91413036	6	Screw M6 x 12	
31	1001202939	1	Duct	
32	1001113047	970 mm	Adhesive Seal	
33	1001209966	1	Seal, Duct	
34	1001172953	1	Union Tee	

SECTION 6 - CAB

FIGURE 6-34. HEATER ASSEMBLY, 3 SPEED



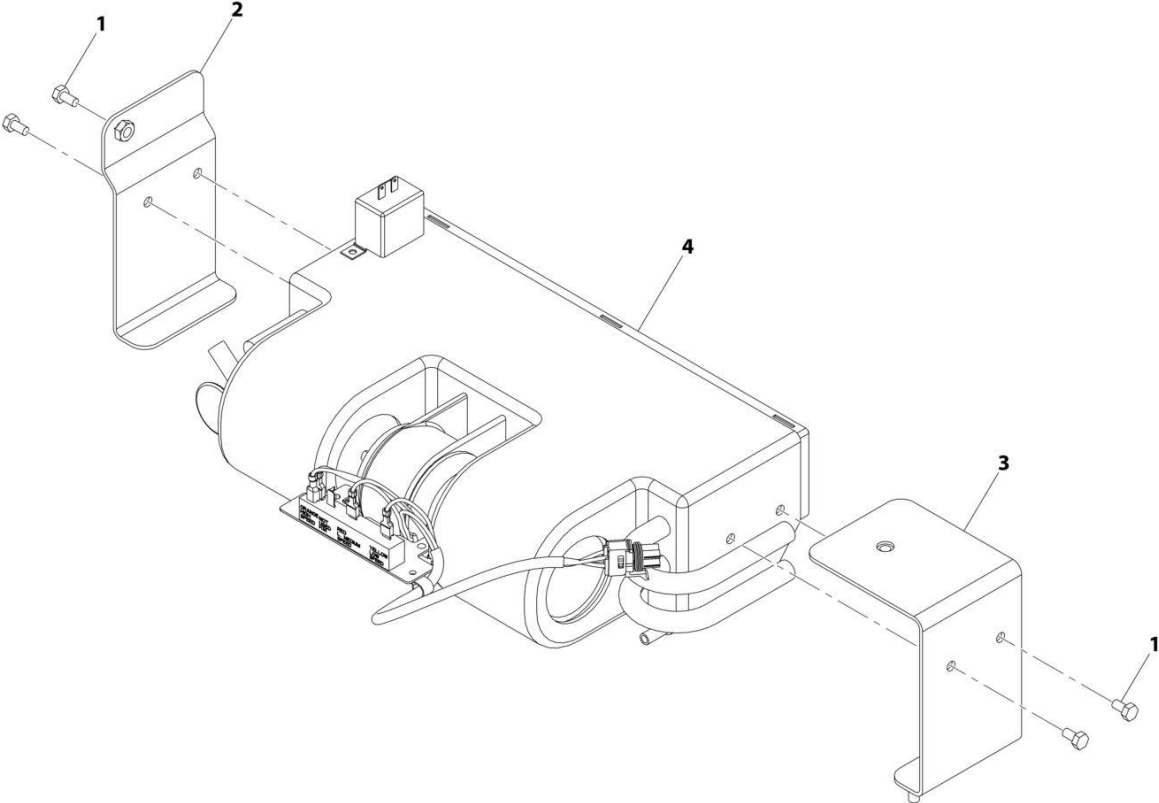
ART_1001193805-C

FIGURE 6-34. HEATER ASSEMBLY, 3 SPEED

ITEM	PART NUMBER	QTY	DESCRIPTION	REV
	1001193805	Ref	Heater Assembly, 3 Speed	C
1	0641404	4	Hex HD Capscrew, 1/4-20X1/2, GR5	
2	1001193528	1	Bracket	
3	1001193529	1	Bracket	
4	1001195348	1	Heater Assembly (See Separate breakdown in this Section)	

SECTION 6 - CAB

FIGURE 6-35. HEATER AND A/C ASSEMBLY, 3 SPEED



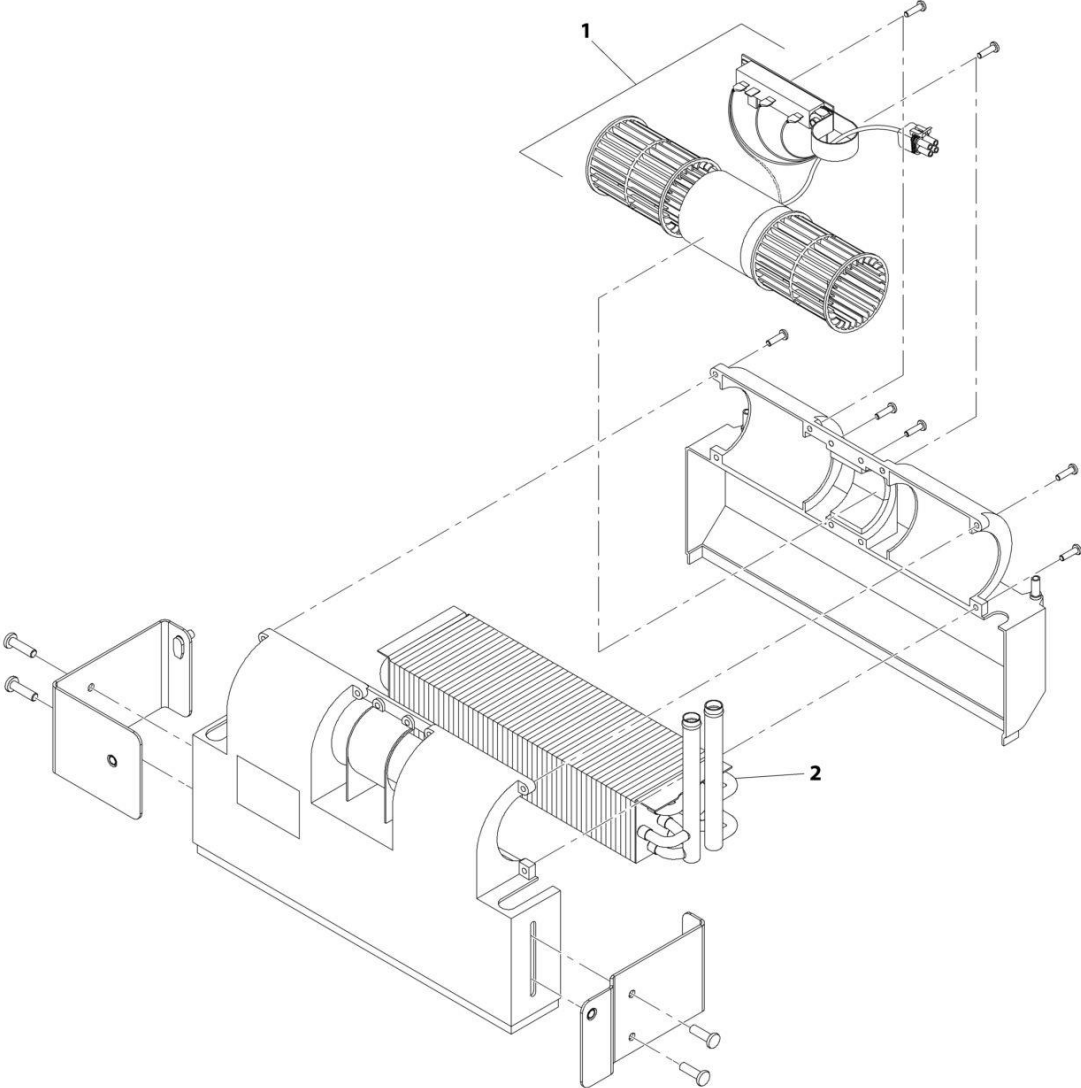
ART_1001193432-C

FIGURE 6-35. HEATER AND A/C ASSEMBLY, 3 SPEED

ITEM	PART NUMBER	QTY	DESCRIPTION	REV
	1001193432	Ref	Heater and A/C Assembly, 3 Speed	C
1	0641404	4	Hex HD Capscrew, 1/4-20X1/2, GR5	
2	1001193528	1	Bracket	
3	1001193529	1	Bracket	
4	1001195347	1	Assembly, Heater and A/C (See Separate breakdown in this Section)	

SECTION 6 - CAB

FIGURE 6-36. HEATER



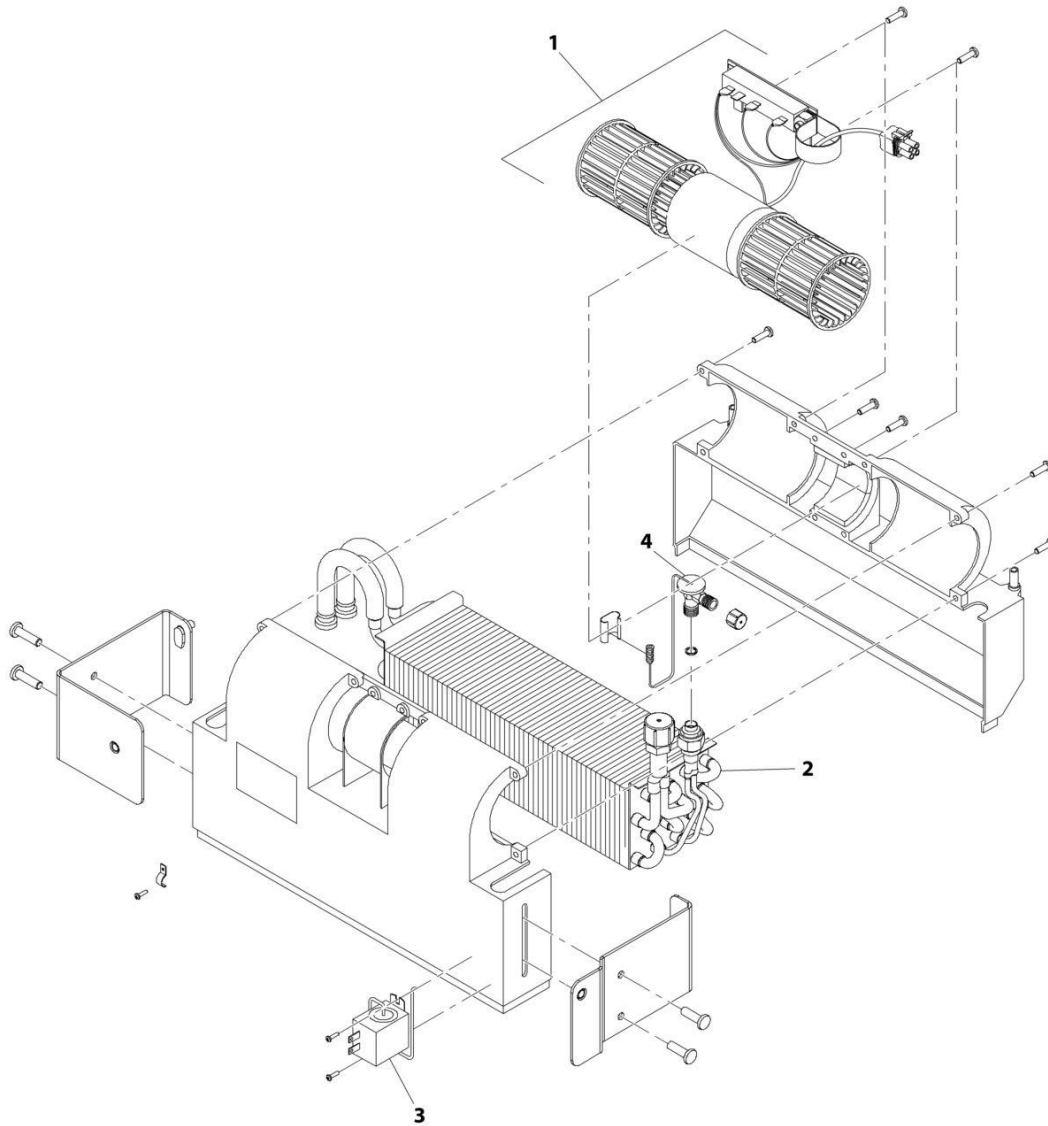
ART_1001195348-C

FIGURE 6-36. HEATER

ITEM	PART NUMBER	QTY	DESCRIPTION	REV
	1001195348	Ref	Heater	C
1	70022805	1	Blower Motor	
2	70025925	1	Heater Coil	

SECTION 6 - CAB

FIGURE 6-37. HEATER AND A/C



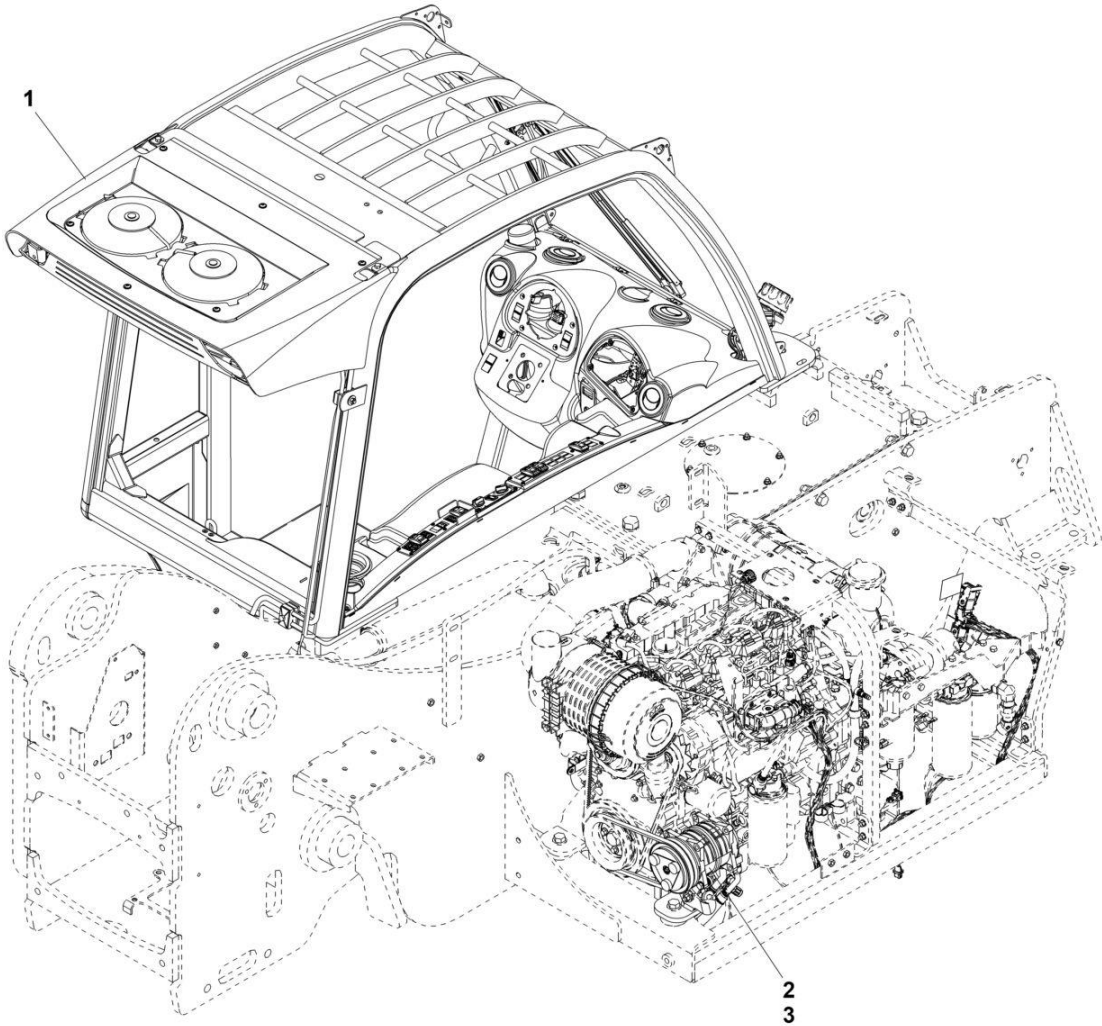
ART_1001195347-C

FIGURE 6-37. HEATER AND A/C

ITEM	PART NUMBER	QTY	DESCRIPTION	REV
	1001195347	Ref	Heater and A/C	C
1	70022805	1	Blower Motor	
2	70027632	1	Coil	
3	70024386	1	Thermostat	
4	91514272	1	Expansion Valve	

SECTION 6 - CAB

FIGURE 6-38. A/C KIT



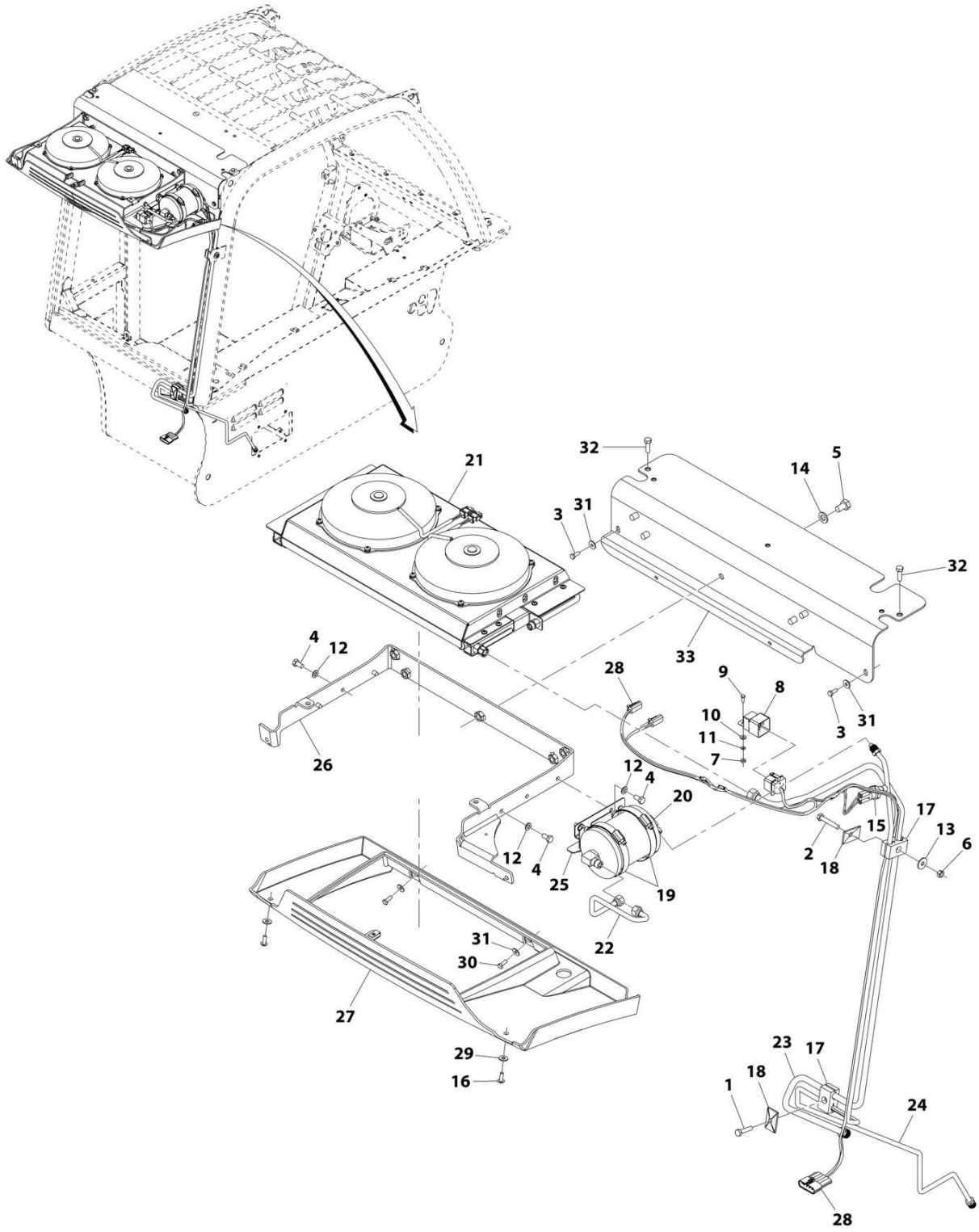
ART_1001202502

FIGURE 6-38. A/C KIT

ITEM	PART NUMBER	QTY	DESCRIPTION	REV
1	1001202502 1001193443	Ref 1	A/C KIT Installation, Heater and A/C (cab parts) (See Separate Breakdown in this Section)	B
2	1001139688	1	Installation, A/C System (See Separate Breakdown in ENGINE AND ATTACHING PARTS Section)	
3	2300037	AR	Fluid, Refrigerant R-134a	

SECTION 6 - CAB

FIGURE 6-39. A/C CONDENSER INSTALLATION



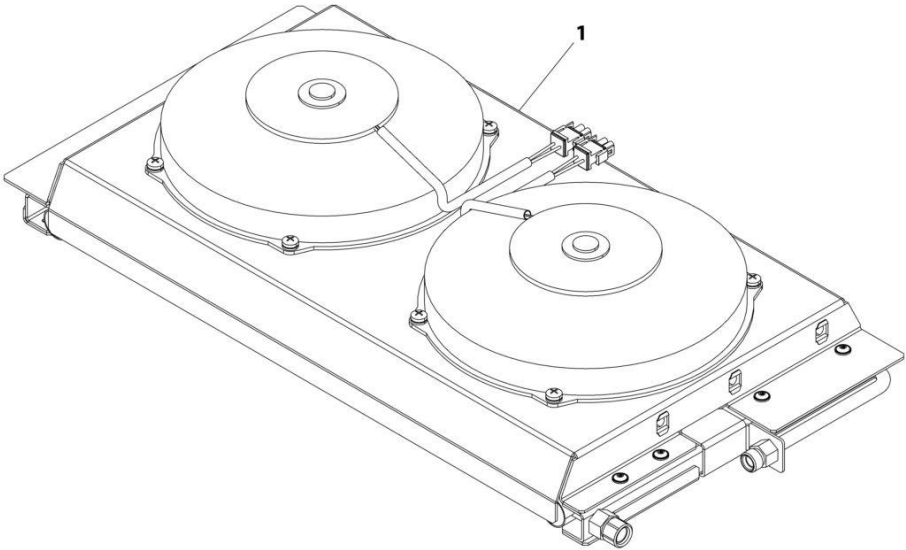
ART_1001202352-A

FIGURE 6-39. A/C CONDENSER INSTALLATION

ITEM	PART NUMBER	QTY	DESCRIPTION	REV
	1001202352	Ref	A/C Condenser Installation	A
1	0700815	1	Hex HD Capscrew, M8X35, GR8.8	
2	0700818	1	Hex HD Capscrew, M8X50, GR8.8	
3	0760608	2	Hex HD Capscrew, M6X16, GR8.8	
4	0760808	6	Hex HD Capscrew, M8X16, GR8.8	
5	0761210	5	Hex HD Capscrew, M12x20, GR8.8	
6	3290801	1	Hex Nut, M8X1.25	
7	3311001	1	Hex Nut	
8	3740080	1	Weather Proof Relay	
9	3900306	1	Hex HD Screw	
10	4711000	1	Washer	
11	4771000	1	Star Washer	
12	4811900	6	Washer, M8	
13	4811902	1	Washer, M8	
14	4812100	5	Washer, M12	
15	8223531	1	A/C Pressure Switch	
16	8303034	2	Truss HD Screw, 1/4-20X0.75	
17	8750042	2	Clamp Set	
18	8769123	2	Cover Plate	
19	10719267	2	Clamp	
20	1001126841	1	A/C Receiver Drier	
21	1001138262	1	A/C Condenser (See Separate Breakdown in this Section)	
22	1001138264	1	Condenser Outlet Tube	
23	1001138265	1	Condenser Supply Tube	
24	1001138266	1	Drier Outlet Tube	
25	1001138269	1	Drier Mount Bracket	
26	1001138345	1	Condenser Mount Bracket	
27	1001139803	1	Condenser Bottom Cover	
28	1001142236	1	Harness, Condenser Fan (See Separate Breakdown in Electrical Section)	
29	1001150479	2	Washer	
30	1001150508	2	Bolt, M6x18, GR8.8	
31	1001150509	4	Washer	
32	1001151088	2	Bolt, 5/16-18X1, GR5	
33	1001138263K	1	A/C Mount Bracket	

SECTION 6 - CAB

FIGURE 6-40. CONDENSER



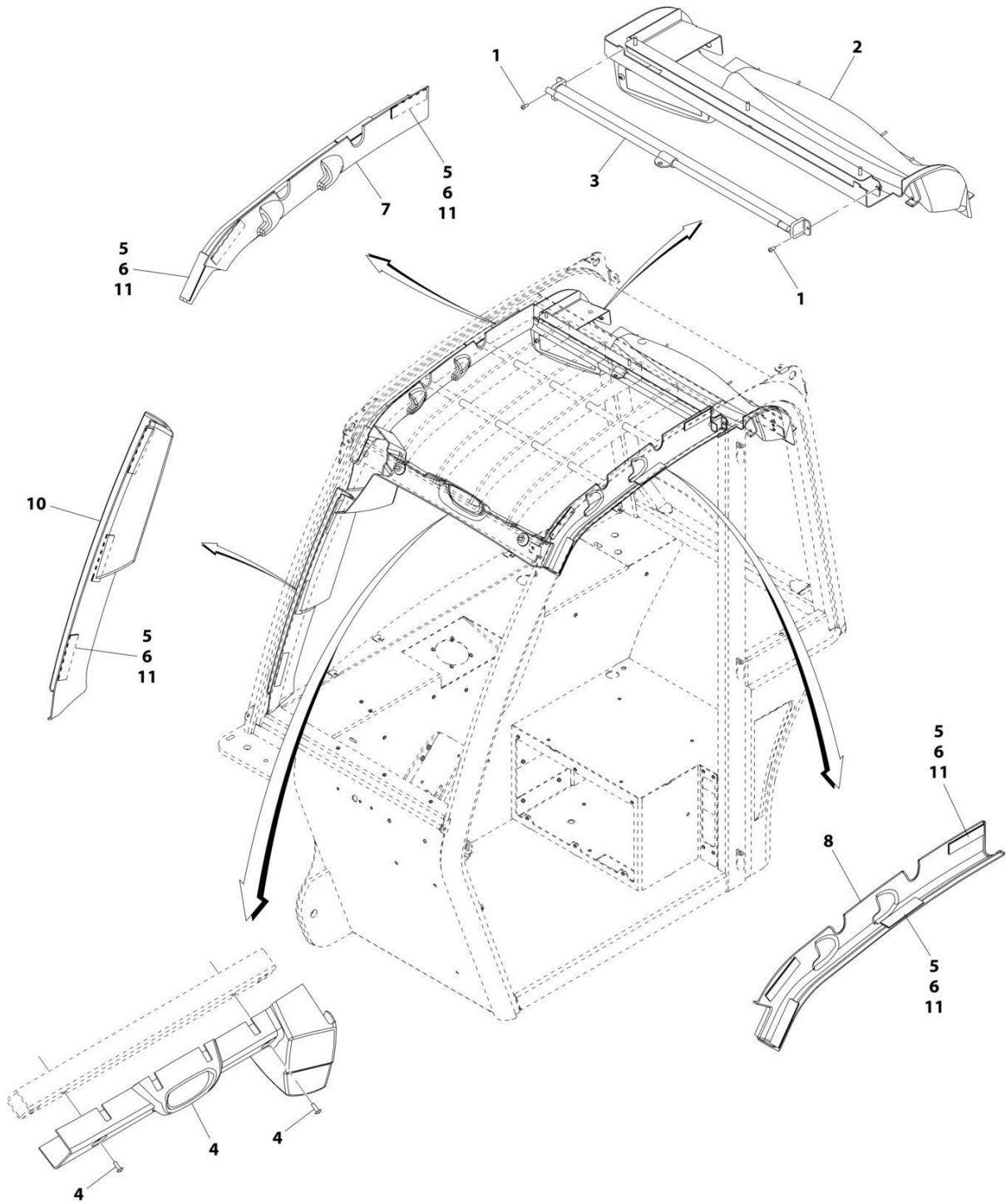
ART_1001138262-B

FIGURE 6-40. CONDENSER

ITEM	PART NUMBER	QTY	DESCRIPTION	REV
	1001138262	Ref	Condenser	B

SECTION 6 - CAB

FIGURE 6-41. OVERHEAD CONSOLE INSTALLATION



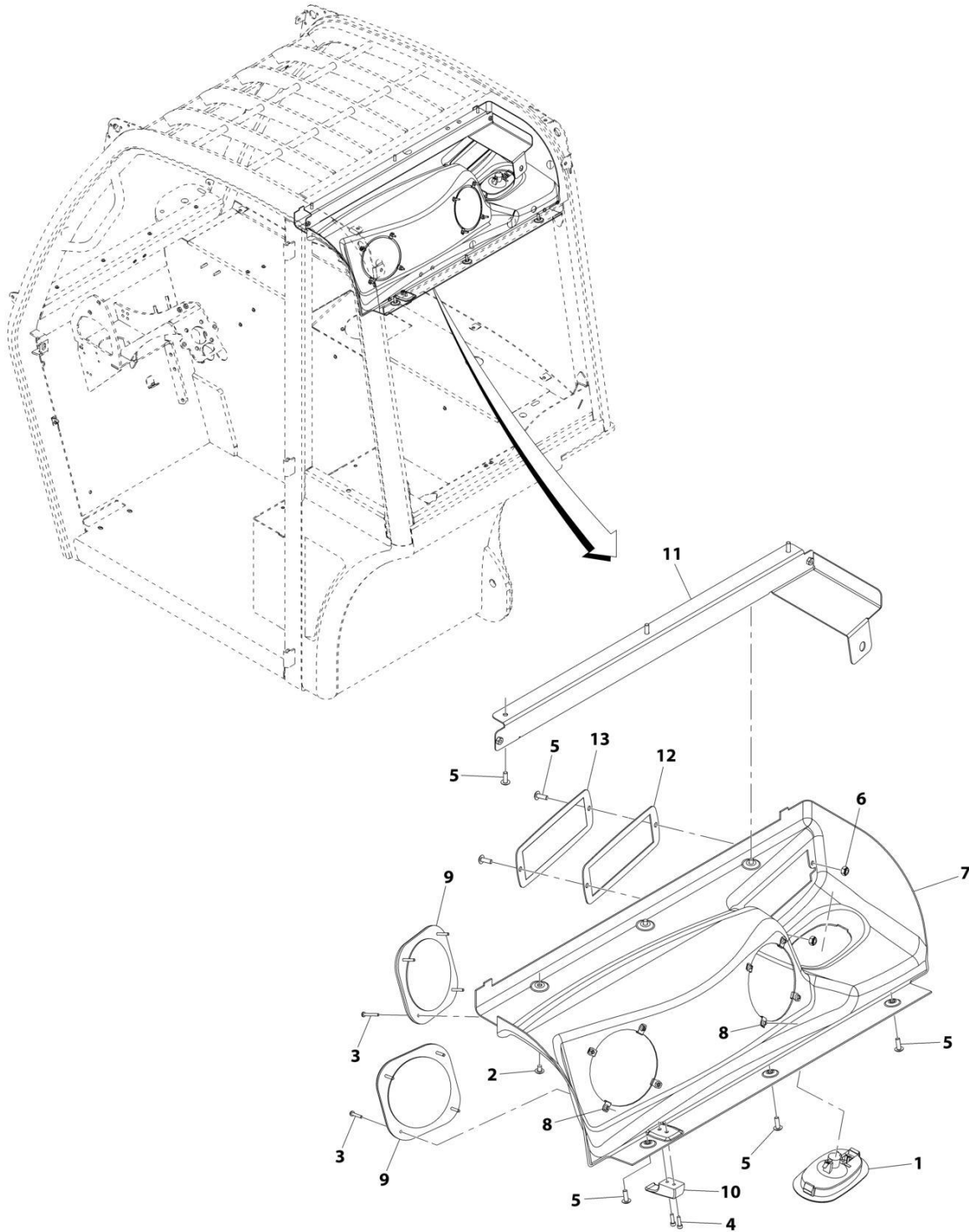
ART_1001081187-G

FIGURE 6-41. OVERHEAD CONSOLE INSTALLATION

ITEM	PART NUMBER	QTY	DESCRIPTION	REV
	1001081187	Ref	Overhead Console Installation	G
1	0630464	2	Button HD Screw, #10 x 1/2	
2	1001080945	1	Installation, Overhead Console (Open) (See Separate Breakdown in this Section)	
3	1001080952	1	Visor	
4	1001080957	1	Installation, Front FOPS (See Separate Breakdown in this Section)	
5	1001081161	11	Hook 1in Wide Tape	
6	1001081163	11	Loop 1in Wide Tape	
7	1001153634	1	In-Board ROPS Bar Cover	
8	1001153635	1	Out-Board ROPS Bar Cover	
10	1001153631	1	A-Pillar Cover	
11	1001112058	AR	Adhesive Strip	

SECTION 6 - CAB

FIGURE 6-42. OVERHEAD CONSOLE INSTALLATION (OPEN)



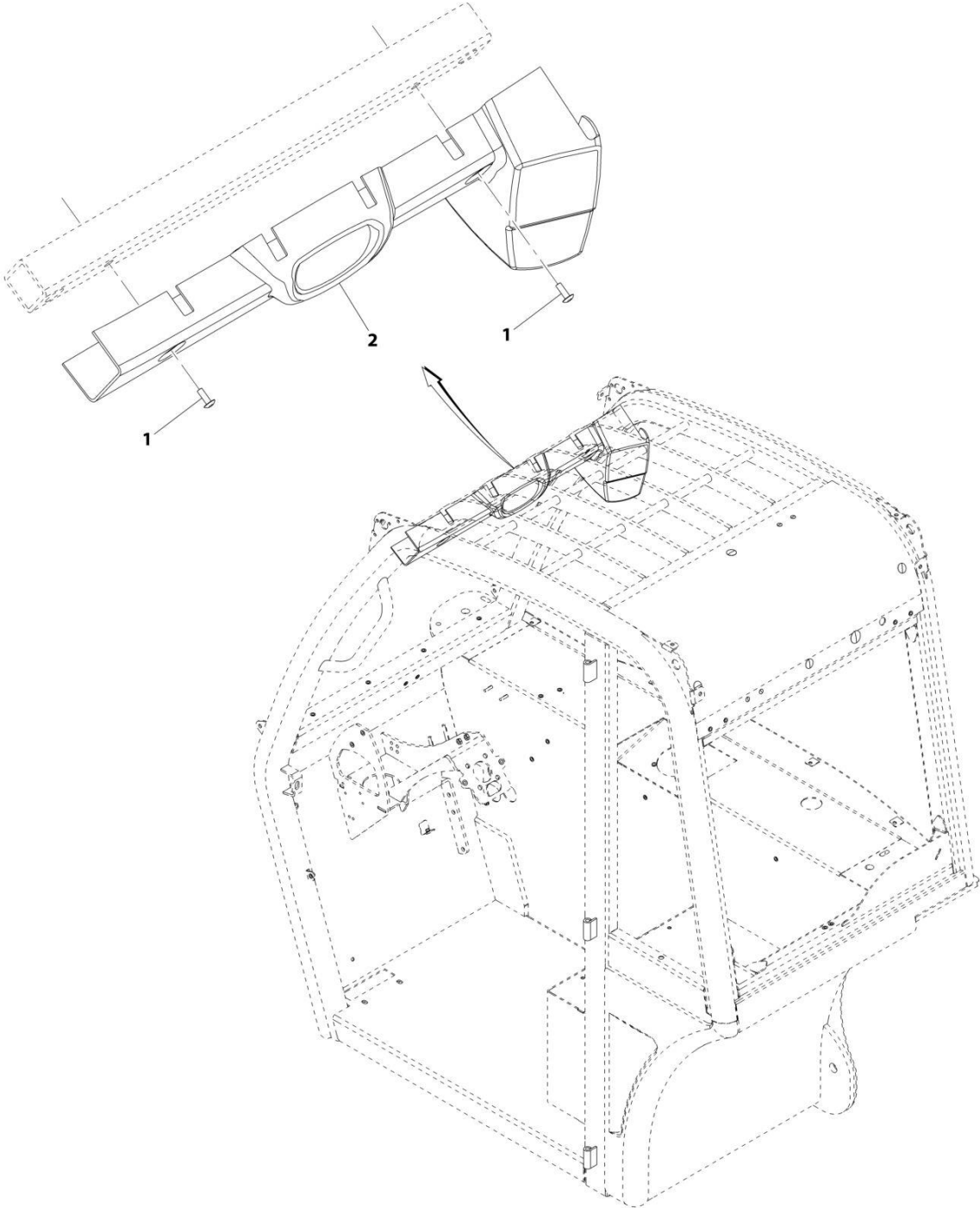
ART_1001080945-H

FIGURE 6-42. OVERHEAD CONSOLE INSTALLATION (OPEN)

ITEM	PART NUMBER	QTY	DESCRIPTION	REV
	1001080945	Ref	Overhead Console Installation (Open)	H
1	2920209	1	Dome Light Lamp	
1	70020795	1	Light Bulb	
2	1001108078	3	Truss HD Screw, 1/4-20X3/8	
3	1001108152	8	Screw, M4X30	
4	1001108155	2	Socket HD Capscrew, 10-24X5/8	
5	8303034	8	Truss HD Screw, 1/4-20X3/4	
6	88521304	2	Hex Locknut, 1/4-20	
7	1001080866	1	Overhead Console Cover	
8	1001080947	8	Nut, M4	
9	1001080951	2	Speaker Cover	
10	1001080953	1	Hook	
11	1001080954	1	Visor Mount Bracket	
12	1001080955	1	Radio Mount Plate	
13	1001080960	1	Radio Mount Outer Plate	

SECTION 6 - CAB

FIGURE 6-43. FRONT FOPS INSTALLATION



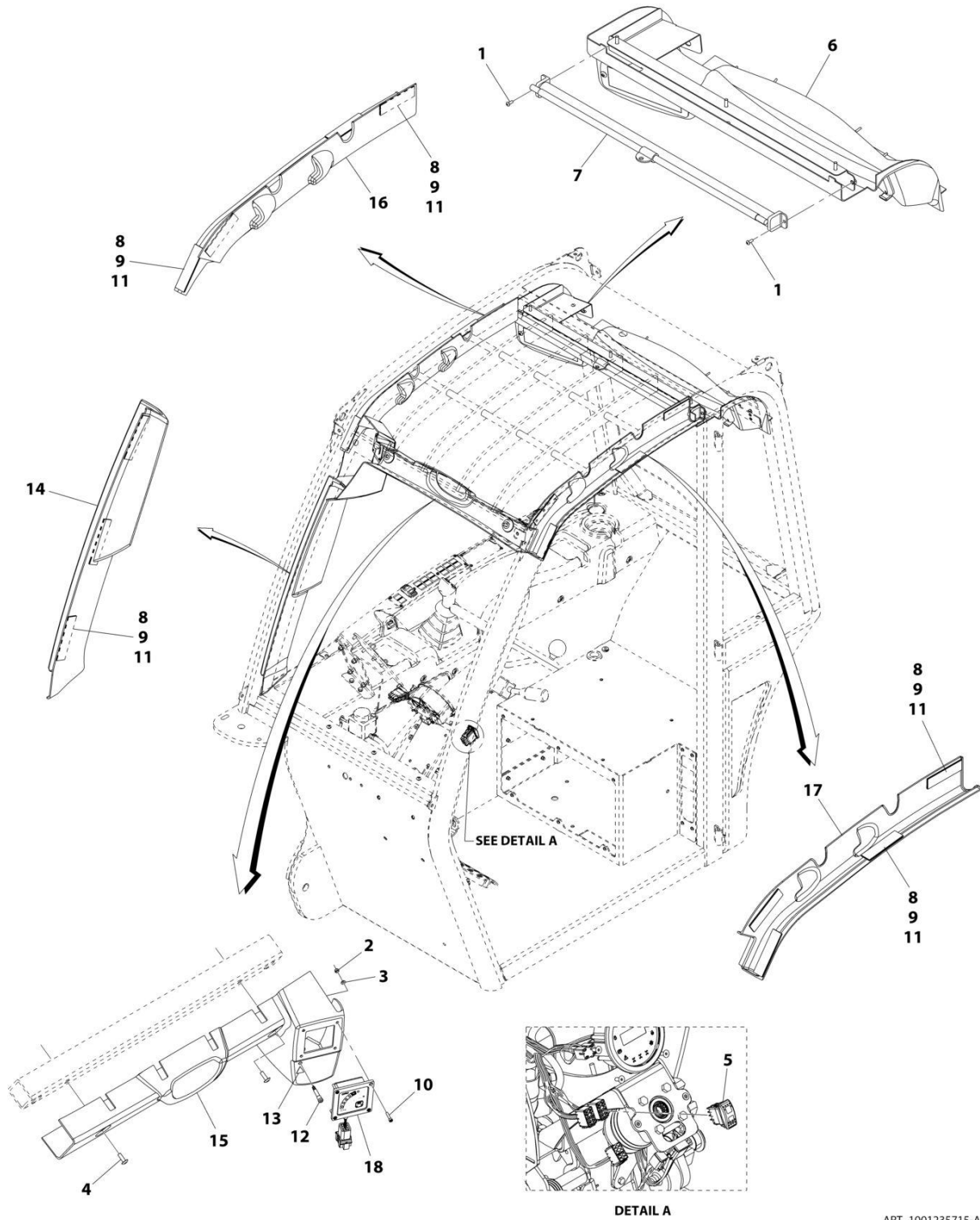
ART_1001080957-F

FIGURE 6-43. FRONT FOPS INSTALLATION

ITEM	PART NUMBER	QTY	DESCRIPTION	REV
	1001080957	Ref	Front FOPS Installation	F
1	8303034	2	Truss HD Screw, 1/4-20X3/4	
2	1001153630	1	Front FOPS Bar Cover	

SECTION 6 - CAB

FIGURE 6-44. OVERHEAD CONSOLE INSTALLATION (LSI)



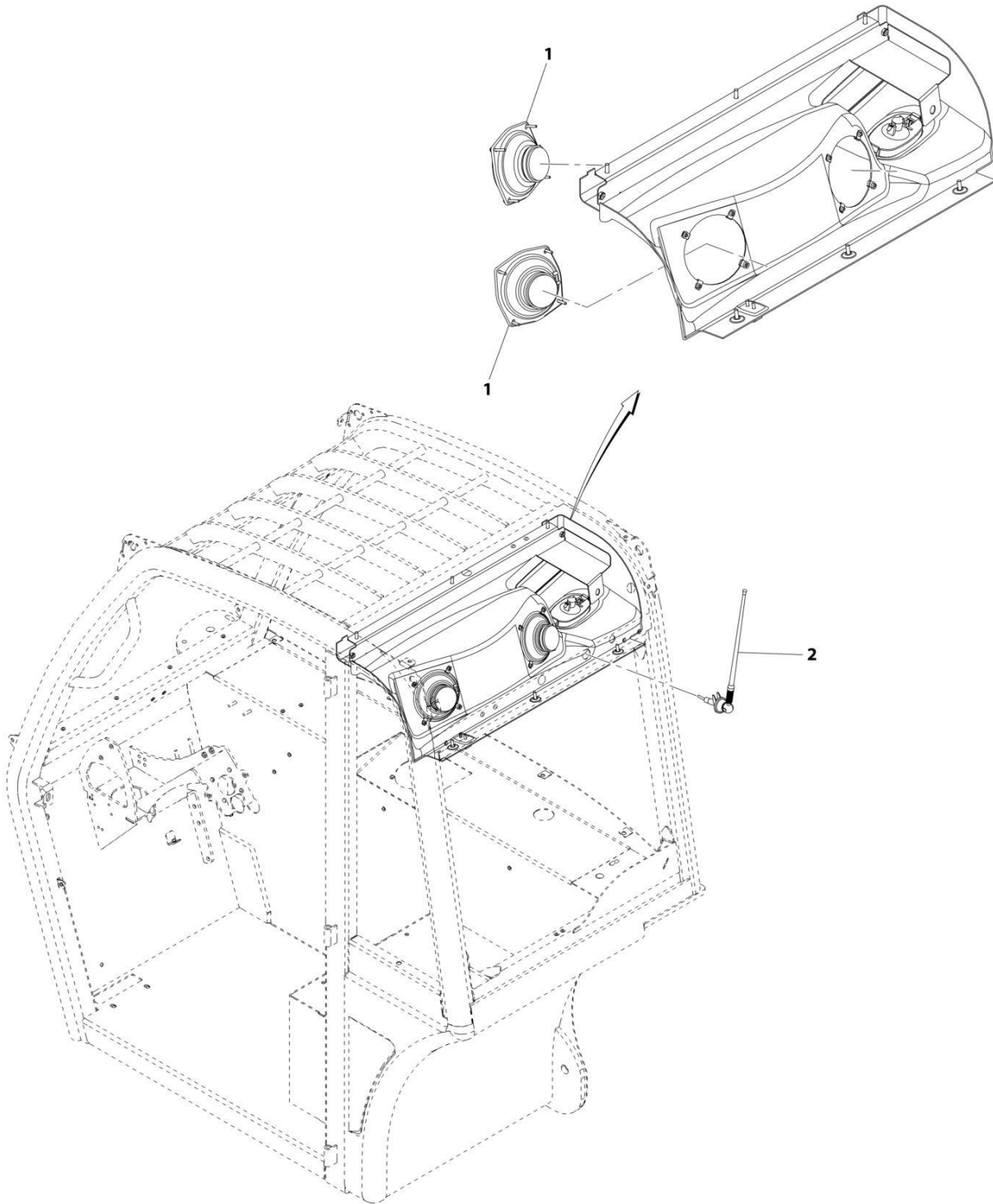
ART_1001235715-A

FIGURE 6-44. OVERHEAD CONSOLE INSTALLATION (LSI)

ITEM	PART NUMBER	QTY	DESCRIPTION	REV
	1001235715	Ref	Overhead Console Installation (LSI)	A
1	0630464	2	Button HD Screw, #10 x 1/2	
2	3290405	4	Hex Locknut, M4	
3	4811400	4	Washer, M4	
4	8303034	2	Screw, 1/4 x 3/4	
5	1001080373	1	LMI Override Switch	
6	1001080945	1	Installation, Overhead Console (See Separate Breakdown in this Section)	
7	1001080952	1	Visor	
8	1001081161	11	Hook 1in Wide Tape	
9	1001081163	11	Loop 1in Wide Tape	
10	1001110269	4	Screw, M4X20	
11	1001112058	AR	Adhesive Strip	
12	1001127397	1	LSI Light	
13	1001127546	1	LSI Decal	
14	1001153631	1	A-Pillar Cover	
15	1001153633	1	Front ROPS Bar Cover	
16	1001153634	1	In-Board ROPS Bar Cover	
17	1001153635	1	Out-Board ROPS Bar Cover	
18	1001192979	1	LSI Display	

SECTION 6 - CAB

FIGURE 6-45. RADIO READY PACKAGE INSTALLATION



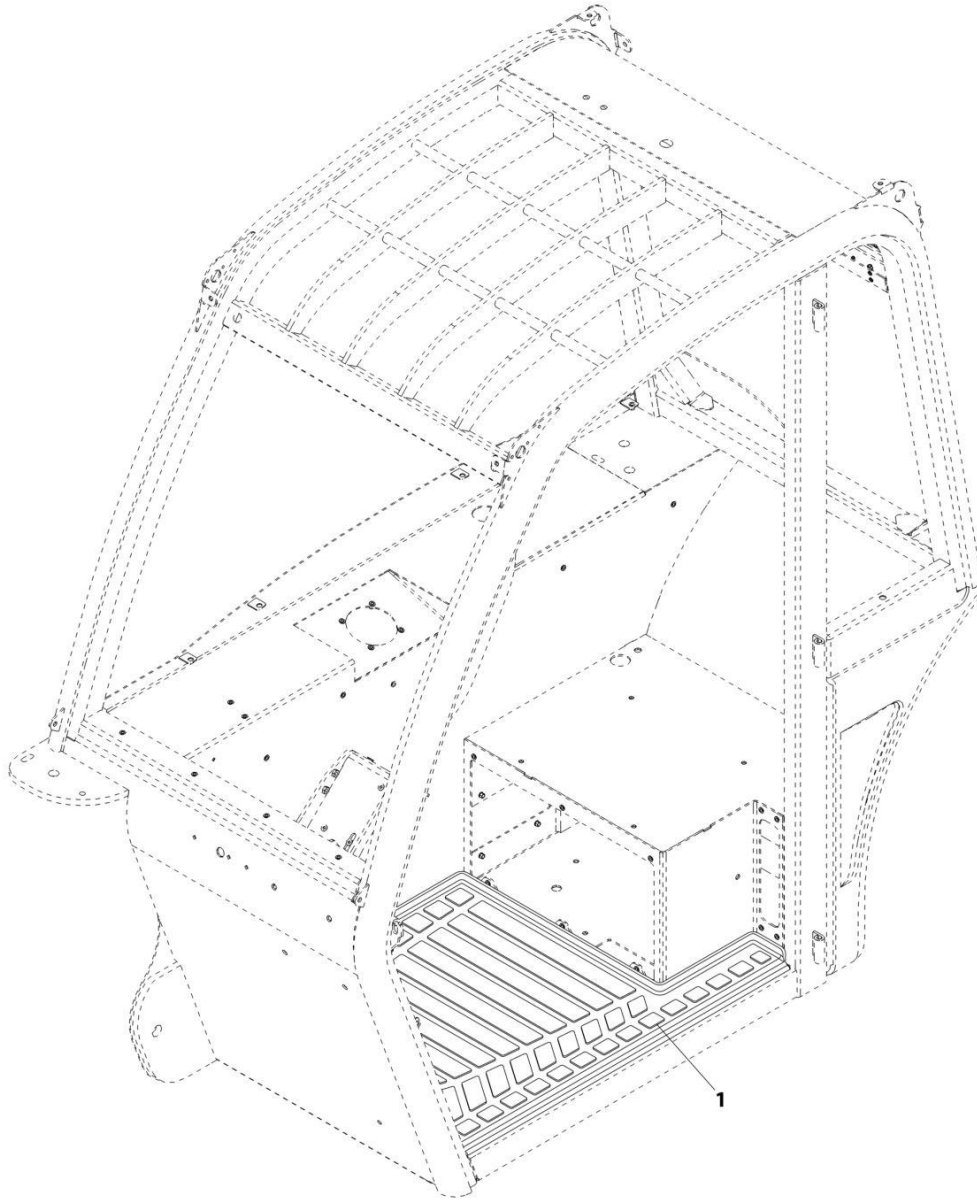
ART_1001080844-B

FIGURE 6-45. RADIO READY PACKAGE INSTALLATION

ITEM	PART NUMBER	QTY	DESCRIPTION	REV
	1001080844	Ref	Radio Ready Package Installation	B
1	1001080956	2	Speaker	
2	1001080959	1	Antenna	

SECTION 6 - CAB

FIGURE 6-46. FLOOR MAT INSTALLATION



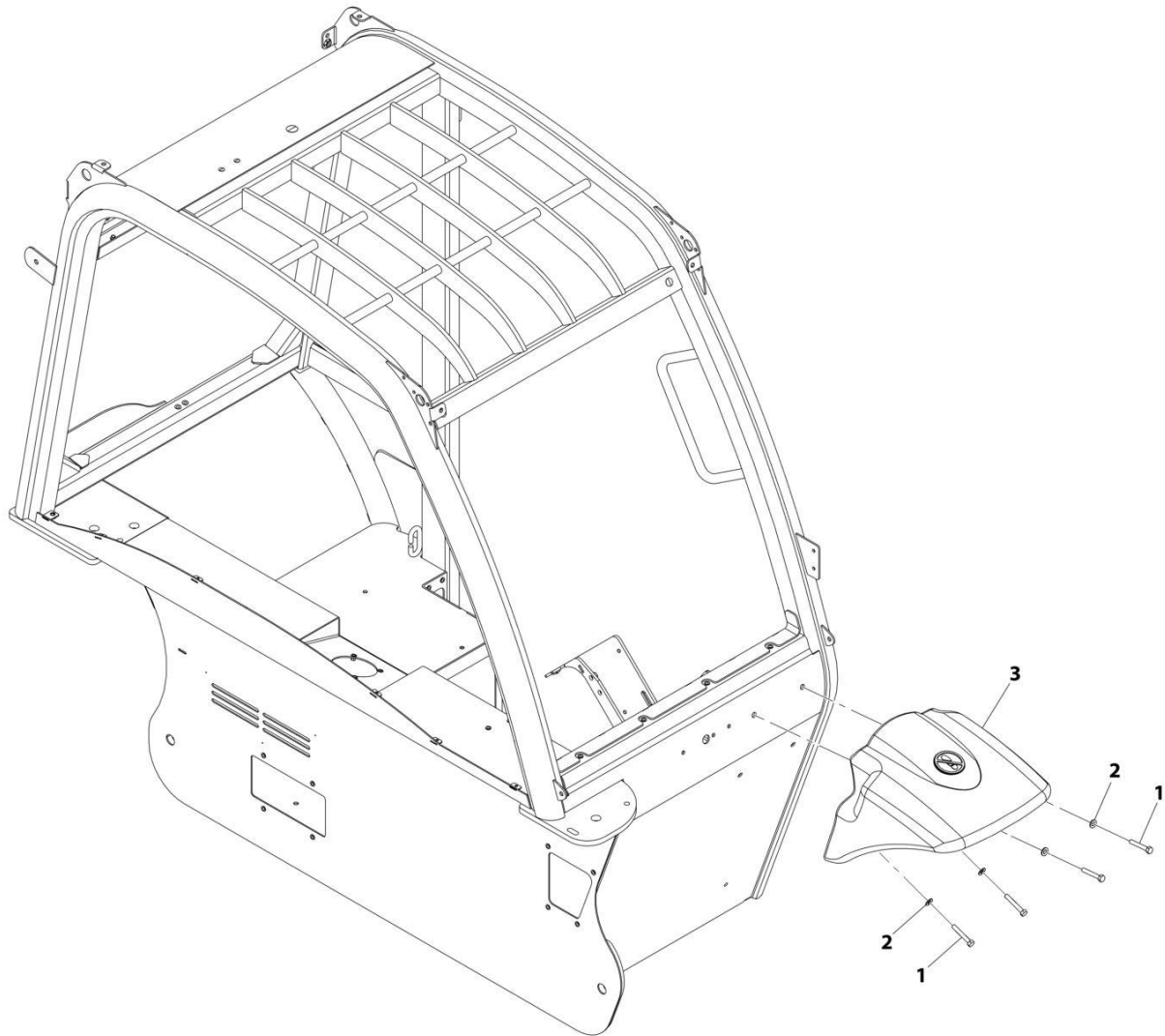
ART_1001080893-B

FIGURE 6-46. FLOOR MAT INSTALLATION

ITEM	PART NUMBER	QTY	DESCRIPTION	REV
1	1001080893 1001080822	Ref 1	Floor Mat Installation Floor, Cover	B

SECTION 6 - CAB

FIGURE 6-47. CAB FENDER INSTALLATION



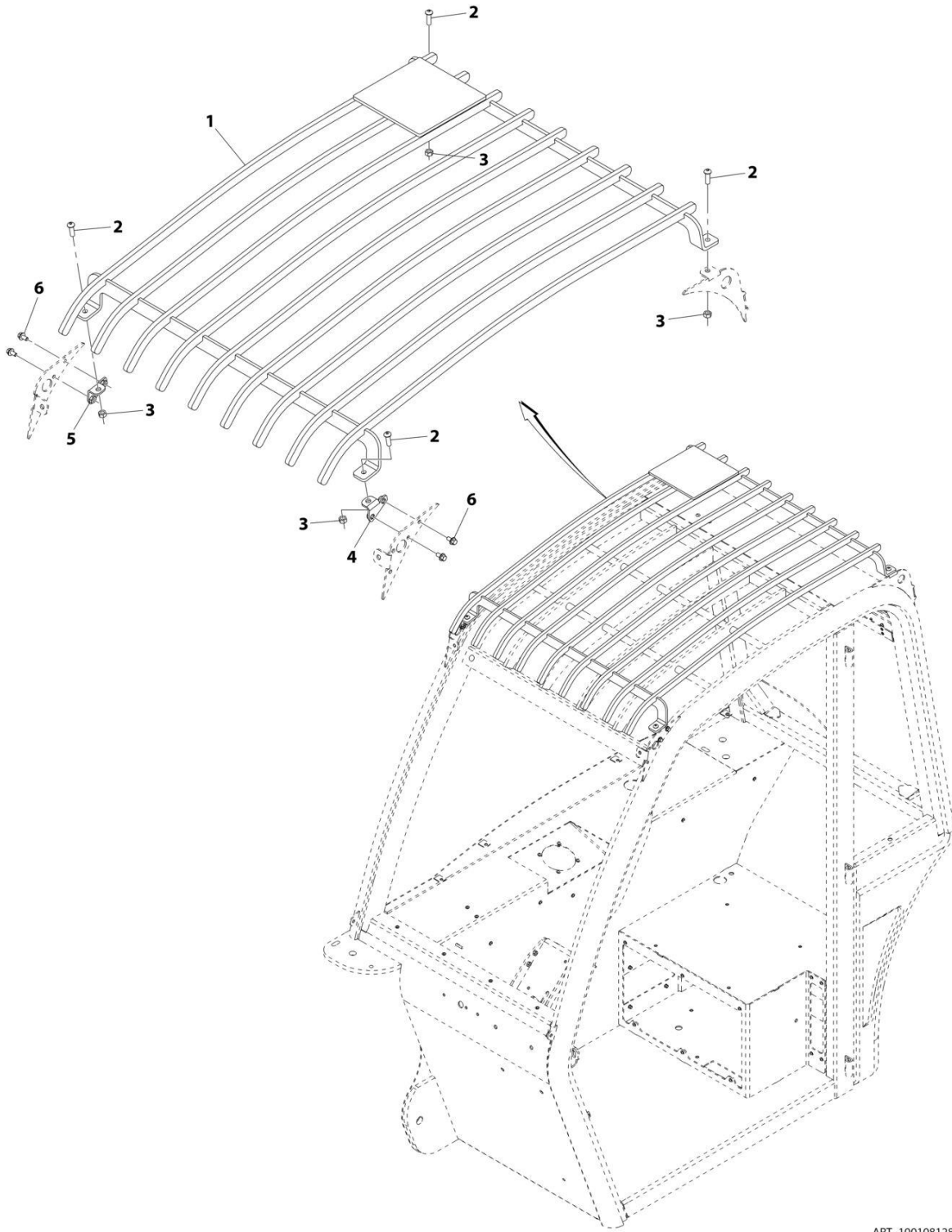
ART_1001097640-C

FIGURE 6-47. CAB FENDER INSTALLATION

ITEM	PART NUMBER	QTY	DESCRIPTION	REV
	1001097640	Ref	Cab Fender Installation	C
1	0641516	4	Hex HD Capscrew, 5/16-18X2	
2	4711500	4	Washer, 5/16	
3	1001080891	1	Front Fender	

SECTION 6 - CAB

FIGURE 6-48. CAB GUARD INSTALLATION (TOP)



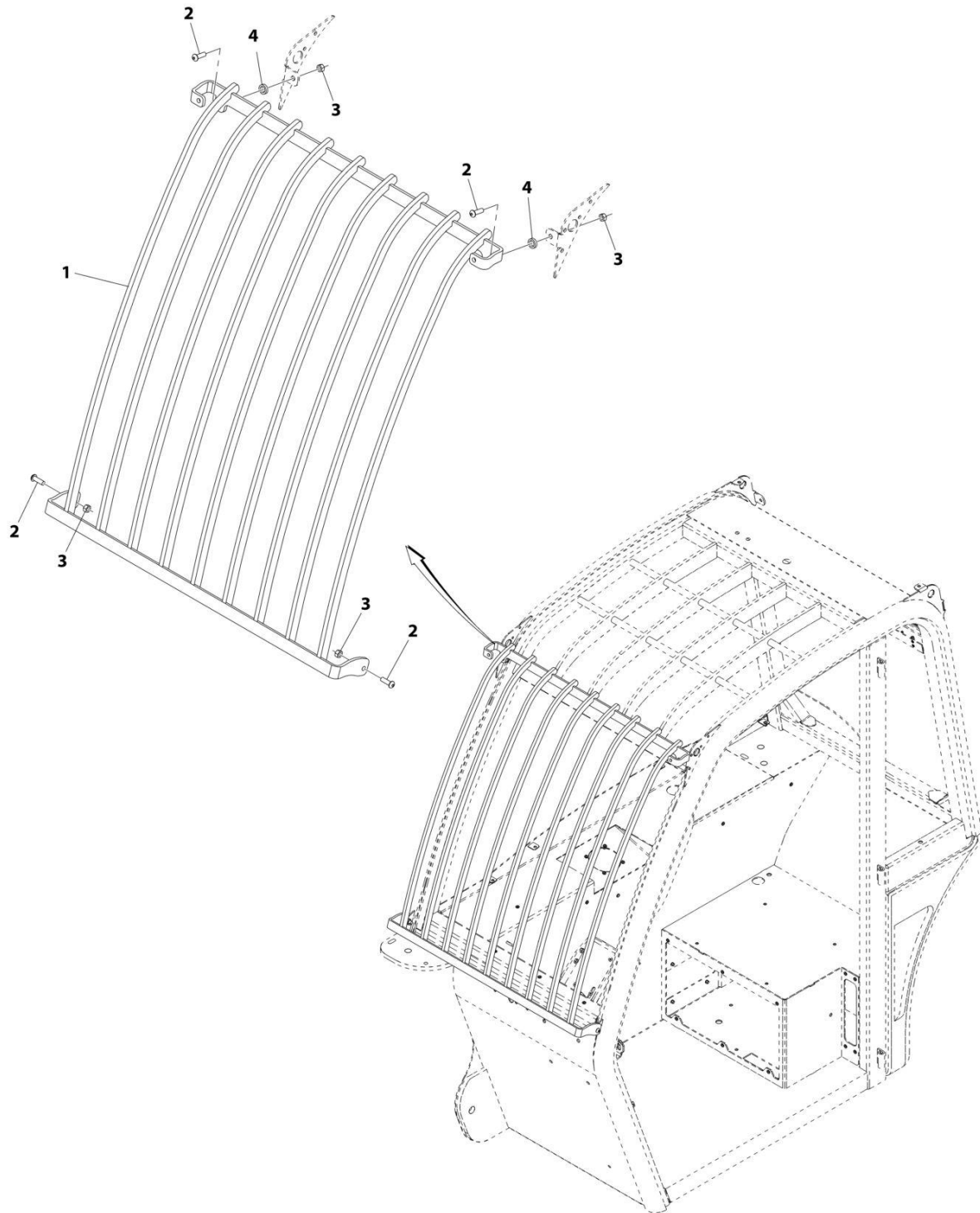
ART_1001081286-F

FIGURE 6-48. CAB GUARD INSTALLATION (TOP)

ITEM	PART NUMBER	QTY	DESCRIPTION	REV
	1001081286	Ref	Cab Guard Installation (Top)	F
1	1001189739	1	Upper Brick Guard	
2	0630468	4	Button HD Capscrew, 5/16-18X1	
3	1001108115	4	Hex Locknut, 5/16, GR8	
4	1001081296	1	Left Brick Guard Weldment	
5	1001081298	1	Right Brick Guard Weldment	
6	1001108242	4	Screw, 1/4-20X1/2, GR5	

SECTION 6 - CAB

FIGURE 6-49. CAB GUARD INSTALLATION (FRONT)



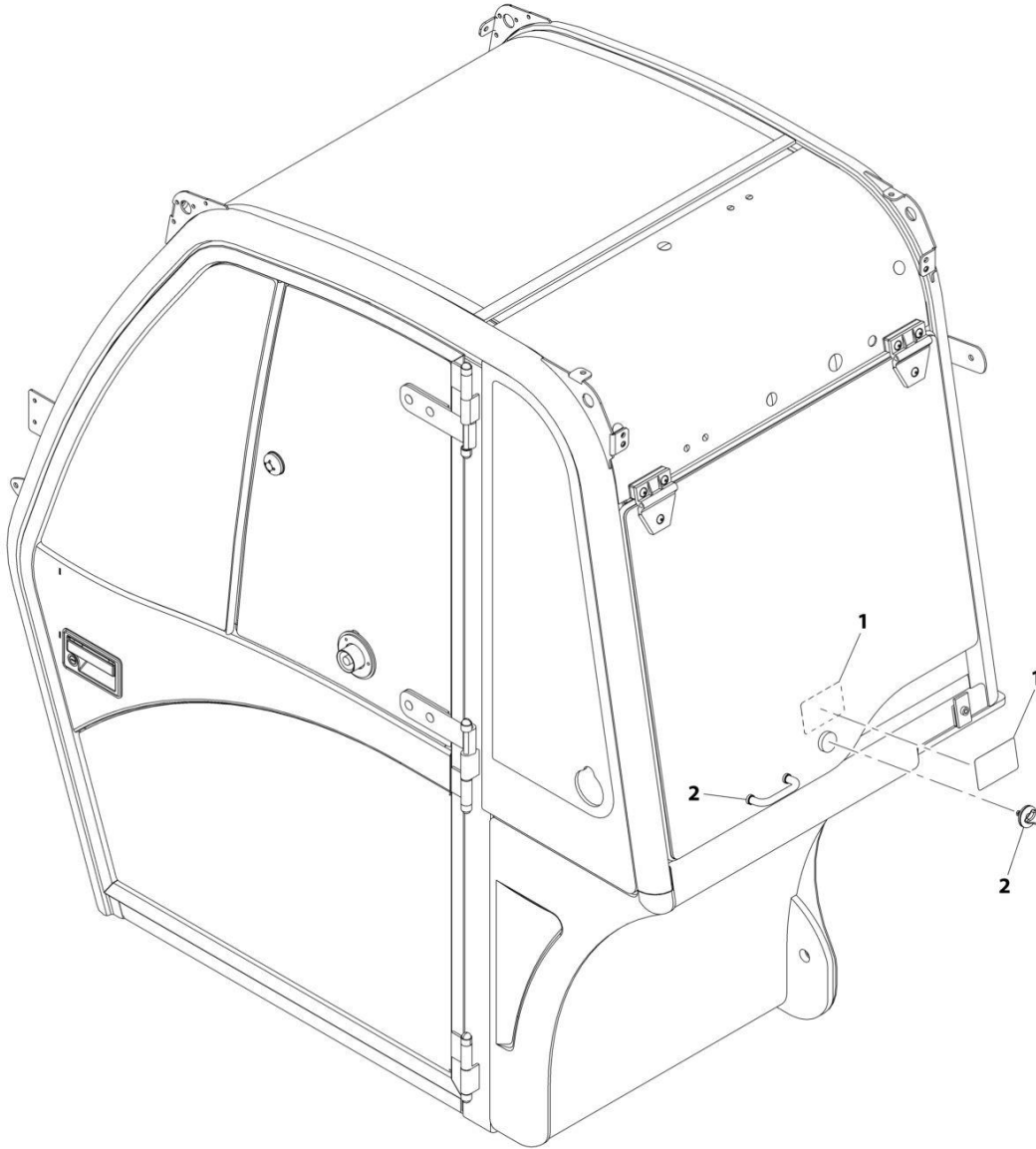
ART_1001081287-E

FIGURE 6-49. CAB GUARD INSTALLATION (FRONT)

ITEM	PART NUMBER	QTY	DESCRIPTION	REV
	1001081287	Ref	Cab Guard Installation (Front)	E
1	1001189753	1	Lower Brick Guard Shield	
2	0630468	4	Button HD Capscrew, 5/16-18X1	
3	1001108115	4	Hex Locknut, 5/16, GR8	
4	1001138703	2	Brick Guard Spacer	

SECTION 6 - CAB

FIGURE 6-50. REAR WINDOW ENTRY KIT INSTALLATION (ANSI)



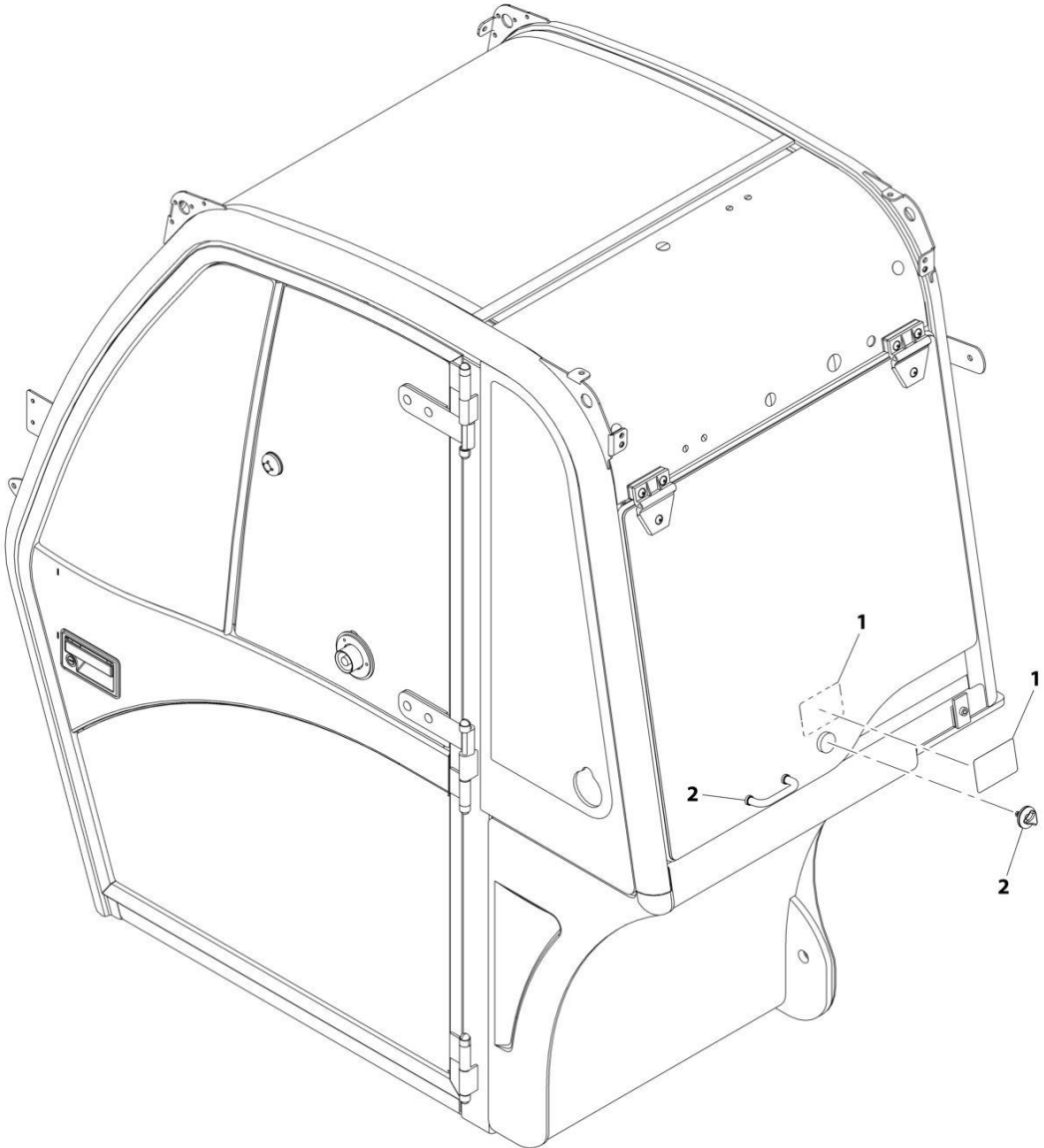
ART_1001162813-A

FIGURE 6-50. REAR WINDOW ENTRY KIT INSTALLATION (ANSI)

ITEM	PART NUMBER	QTY	DESCRIPTION	REV
	1001162813	Ref	Rear Window Entry Kit Installation (ANSI)	A
1	1001162814	2	Rear Window Exit Decal	
2	1001177469	1	Emergency Entry/Exit Window (See Separate Breakdown in this Section)	

SECTION 6 - CAB

FIGURE 6-51. REAR WINDOW ENTRY KIT INSTALLATION (ENGLISH/FRENCH)



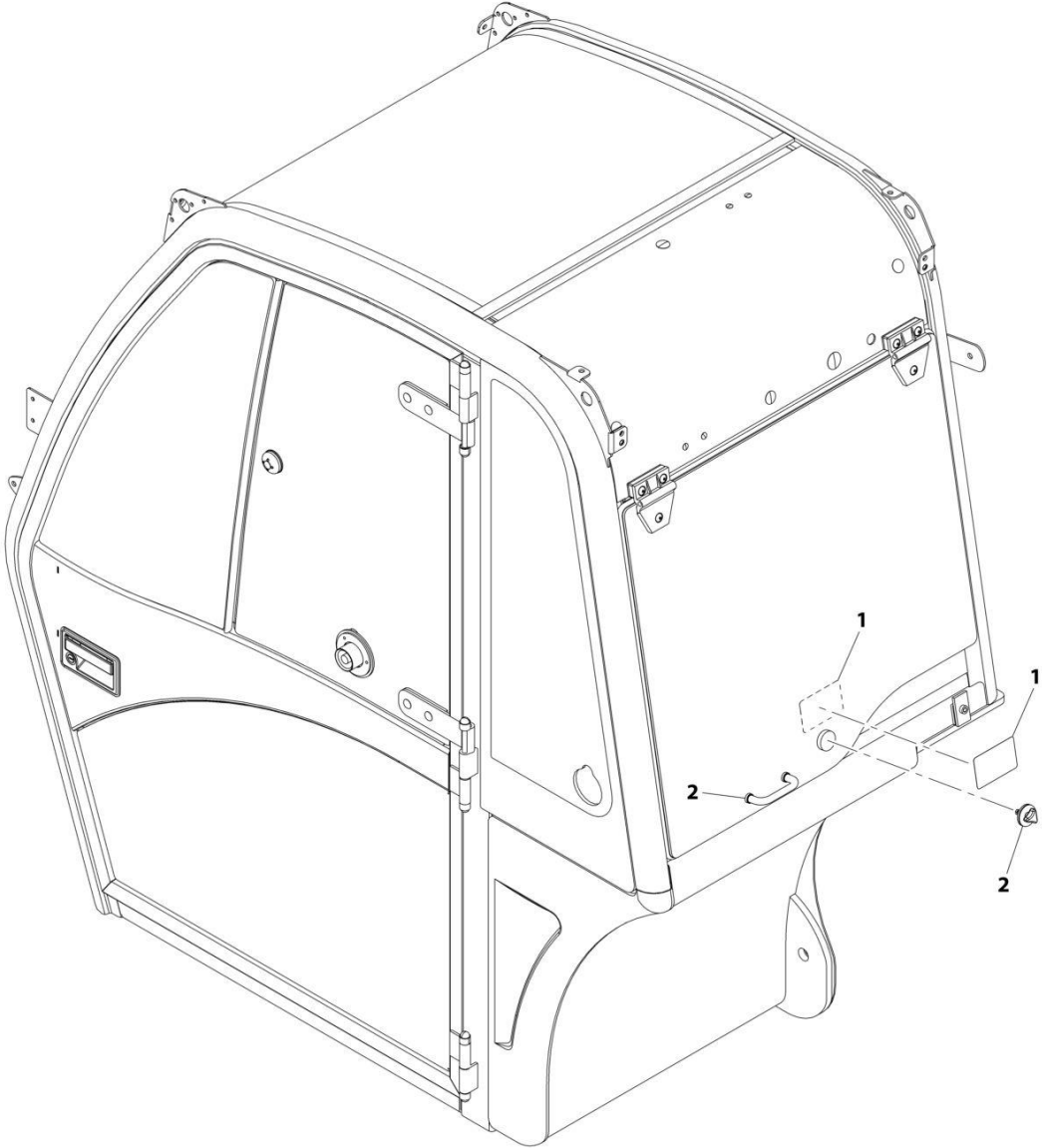
ART_1001177470-A

FIGURE 6-51. REAR WINDOW ENTRY KIT INSTALLATION (ENGLISH/FRENCH)

ITEM	PART NUMBER	QTY	DESCRIPTION	REV
	1001177470	Ref	Rear Window Entry Kit Installation (English/French)	A
1	1001162815	2	Rear Window Exit Decal	
2	1001177469	1	Emergency Entry/Exit Window (See Separate Breakdown in This Section)	

SECTION 6 - CAB

FIGURE 6-52. REAR WINDOW ENTRY KIT INSTALLATION (ISO)



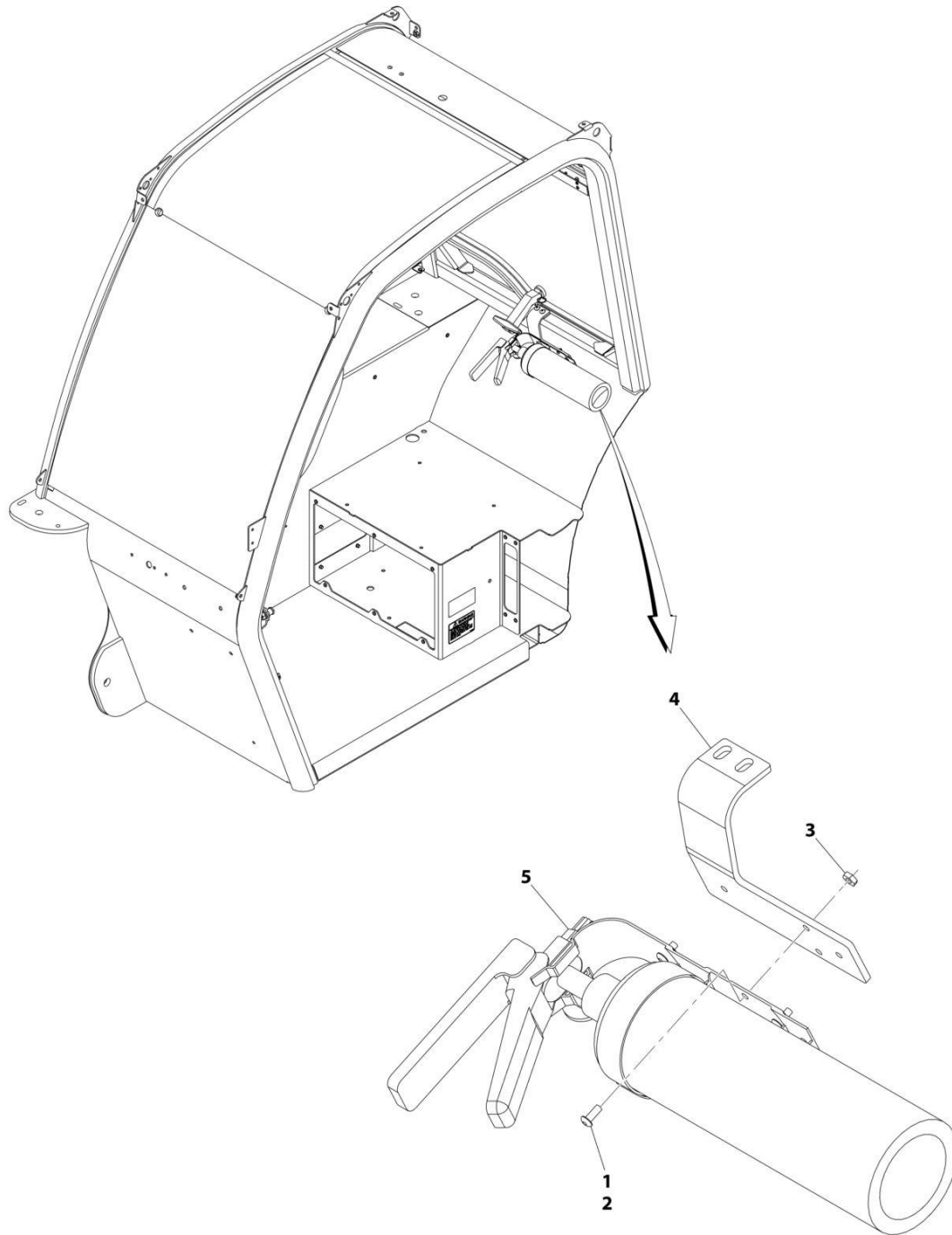
ART_1001177471-A

FIGURE 6-52. REAR WINDOW ENTRY KIT INSTALLATION (ISO)

ITEM	PART NUMBER	QTY	DESCRIPTION	REV
	1001177471	Ref	Rear Window Entry Kit Installation (ISO)	A
1	1001162816	2	Rear Window Exit Decal	
2	1001177469	1	Emergency Entry/Exit Window (See Separate Breakdown in This Section)	

SECTION 6 - CAB

FIGURE 6-53. FIRE EXTINGUISHER INSTALLATION



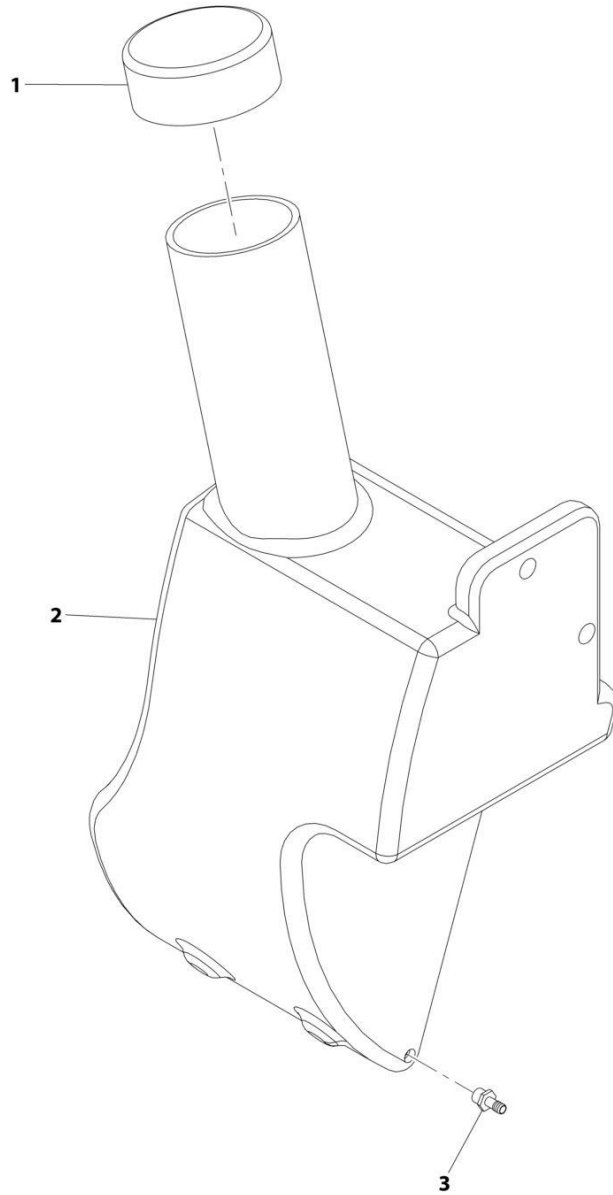
ART_1001162487-A

FIGURE 6-53. FIRE EXTINGUISHER INSTALLATION

ITEM	PART NUMBER	QTY	DESCRIPTION	REV
	1001162487	Ref	Fire Extinguisher Installation	A
1	0100011	AR	Compound, Locking	
2	0630464	4	Screw 10 x 1/2	
3	3311005	4	Nut 10	
4	1001162486	1	Bracket	
5	1001099699	1	Fire Extinguisher	

SECTION 6 - CAB

FIGURE 6-54. WASHER FLUID TANK ASSEMBLY



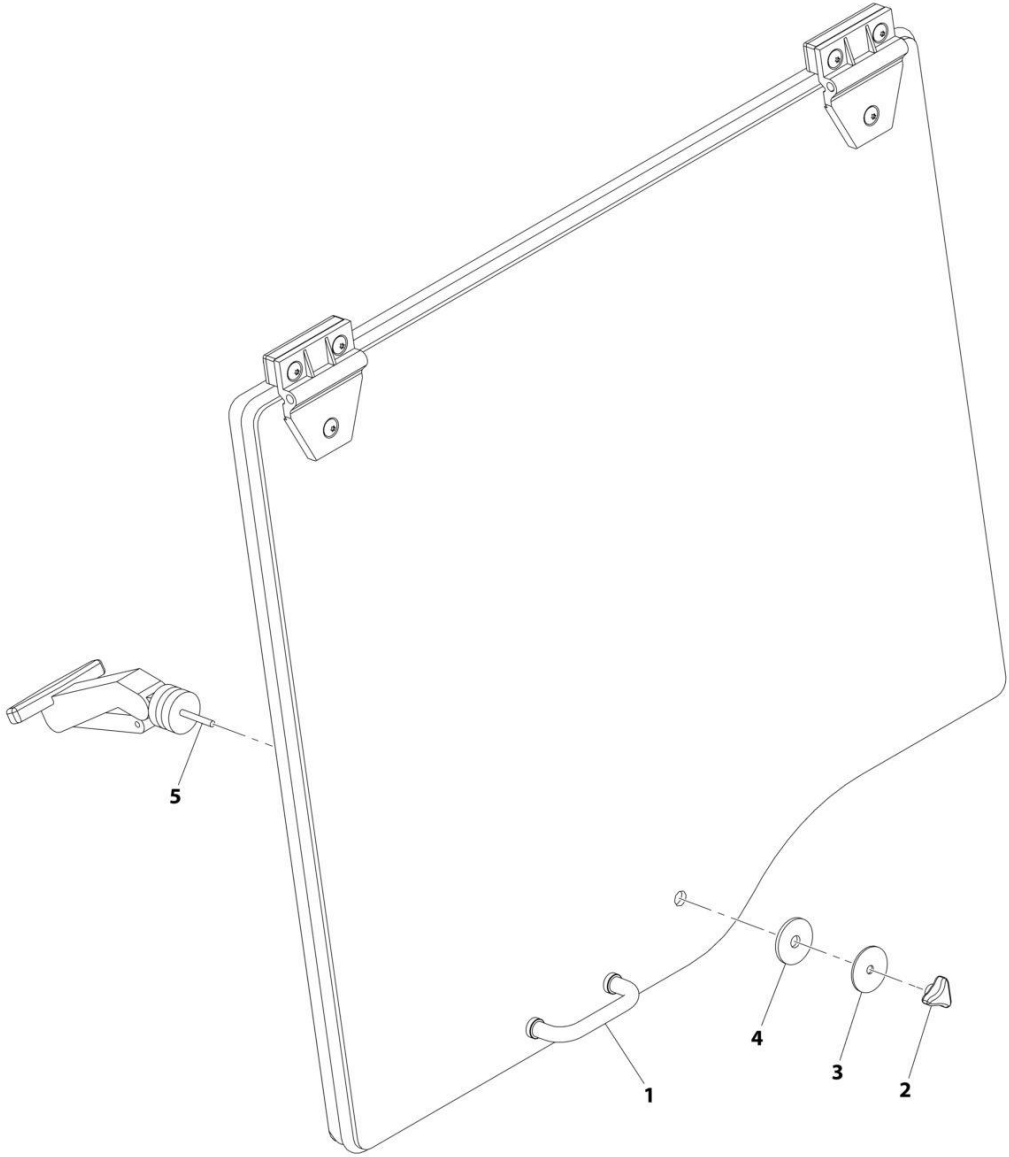
ART_1001080824-C

FIGURE 6-54. WASHER FLUID TANK ASSEMBLY

ITEM	PART NUMBER	QTY	DESCRIPTION	REV
	1001080824	Ref	Washer Fluid Tank Assembly	C
1	1001080872	1	Cap	
2	1001097319	1	Washer Fluid Tank	
3	1001081234	1	Fitting	

SECTION 6 - CAB

FIGURE 6-55. EMERGENCY ENTRY/EXIT WINDOW



ART_1001177469-A

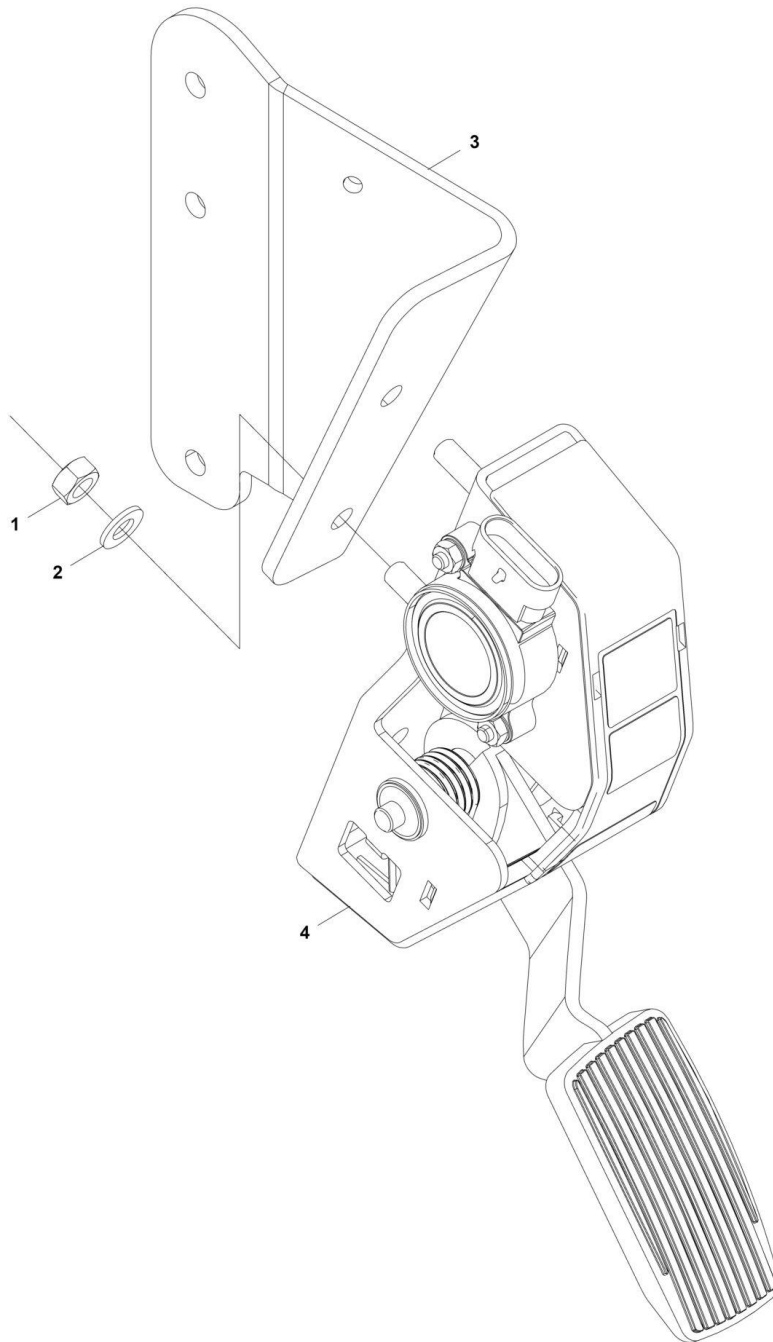
FIGURE 6-55. EMERGENCY ENTRY/EXIT WINDOW

ITEM	PART NUMBER	QTY	DESCRIPTION	REV
	1001177469	Ref	Emergency Entry/Exit Window	A
1	1001162829	1	Rear Window Entry Handle	
2	1001162830	1	Rear Window Entry Knob	
3	1001177636	1	Flat Washer	
4	1001177640	1	Washer, M10	
5	1001178811	1	Bolt	

SECTION 7 - CONTROLS

SECTION 7 - CONTROLS

FIGURE 7-1. ACCELERATOR PEDAL ASSEMBLY



ART_1001256791

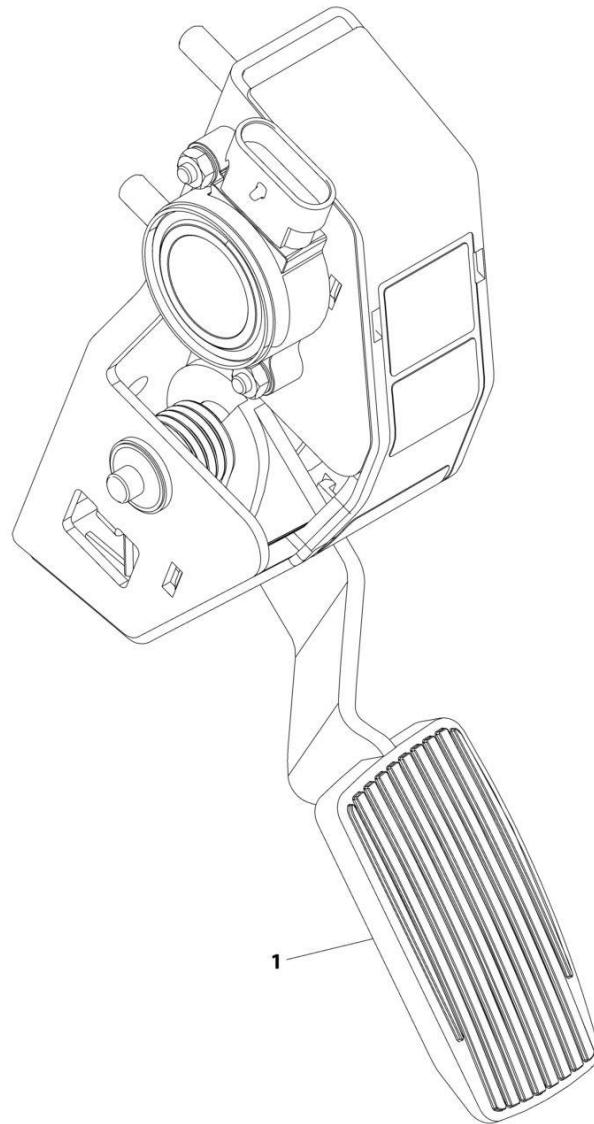
SECTION 7 - CONTROLS

FIGURE 7-1. ACCELERATOR PEDAL ASSEMBLY

ITEM	PART NUMBER	QTY	DESCRIPTION	REV
	1001258791	Reff	Accelerator Pedal Assembly	A
1	3290801	2	Nut, M8X1.25	
2	4811900	2	Washer, 8mm	
3	1001257106	1	Bracket	
4	1001258560	1	Accelerator Pedal (See Separate Breakdown this Section)	

SECTION 7 - CONTROLS

FIGURE 7-2. ACCELERATOR PEDAL



ART_1001258560

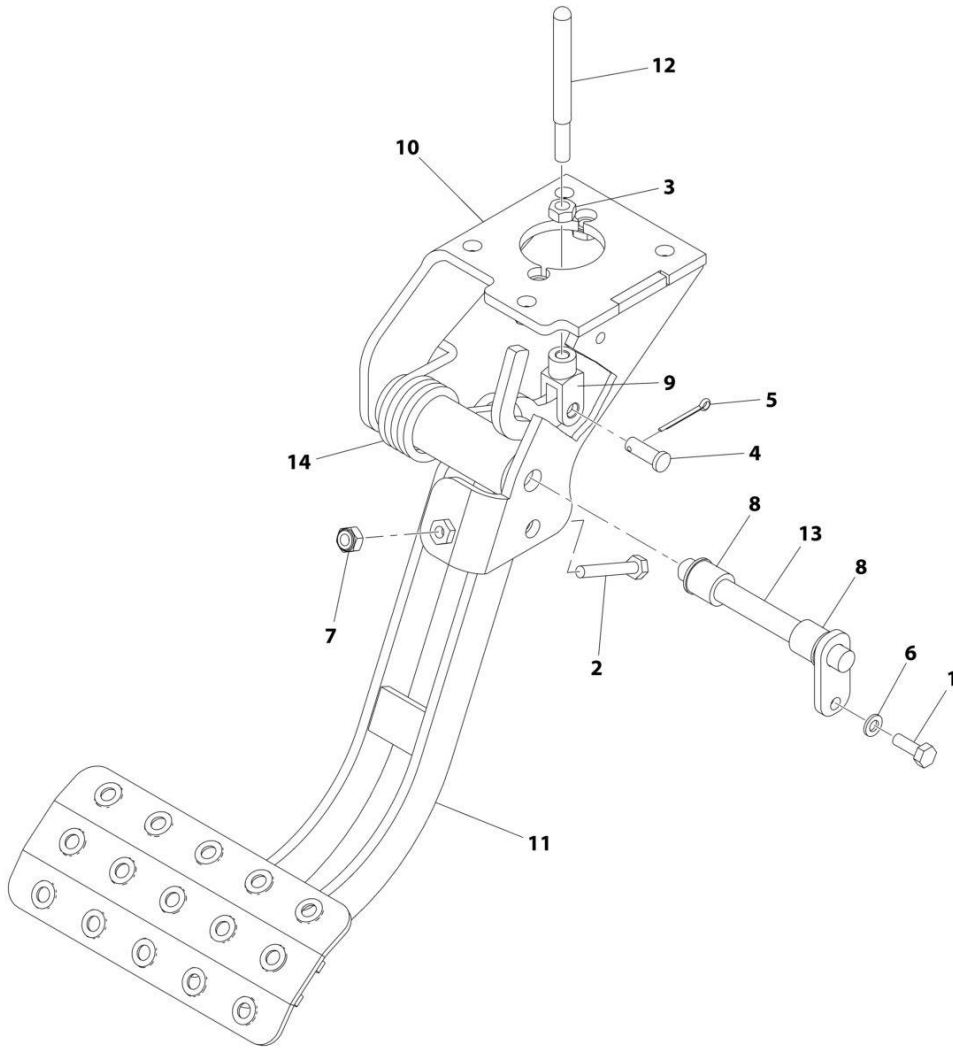
SECTION 7 - CONTROLS

FIGURE 7-2. ACCELERATOR PEDAL

ITEM	PART NUMBER	QTY	DESCRIPTION	REV
1	1001258560 70025816	Ref 1	ACCELERATOR PEDAL Pad, Rubber	A

SECTION 7 - CONTROLS

FIGURE 7-3. BRAKE PEDAL INSTALLATION



ART_1001189734-C

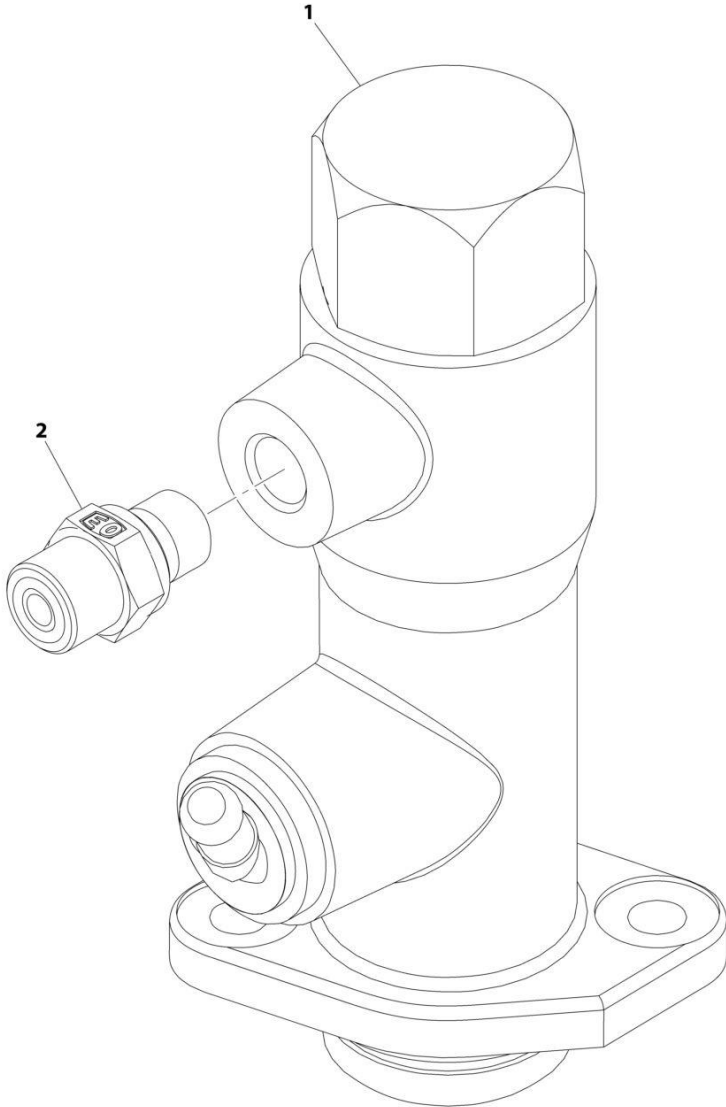
SECTION 7 - CONTROLS

FIGURE 7-3. BRAKE PEDAL INSTALLATION

ITEM	PART NUMBER	QTY	DESCRIPTION	REV
	1001189734	Ref	Brake Pedal Installation	C
1	0641406	1	Hex HD Capscrew, 1/4-20X3/4, GR5	
2	0681414	1	Hex HD Cap Screw, 1/4-20X1 3/4, GR8	
3	3290801	1	Nut, M8X1.25	
4	3430507	1	Clevis Pin	
5	3450304	1	Cotter Pin	
6	4761400	1	Lockwasher, 1/4	
7	88521304	1	Hex Locknut, 1/4-20	
8	1001189738	2	Bearing	
9	1001189743	1	Universal Clevis Yoke	
10	1001189745	1	Brake Support Mount	
11	1001189803	1	Brake Weldment Lever	
12	1001189839	1	Brake Push Rod	
13	1001189850	1	Brake Shaft Pin	
14	1001189733	1	Brake Spring	

SECTION 7 - CONTROLS

FIGURE 7-4. MASTER CYLINDER VALVE ASSEMBLY



ART_1001080559-C

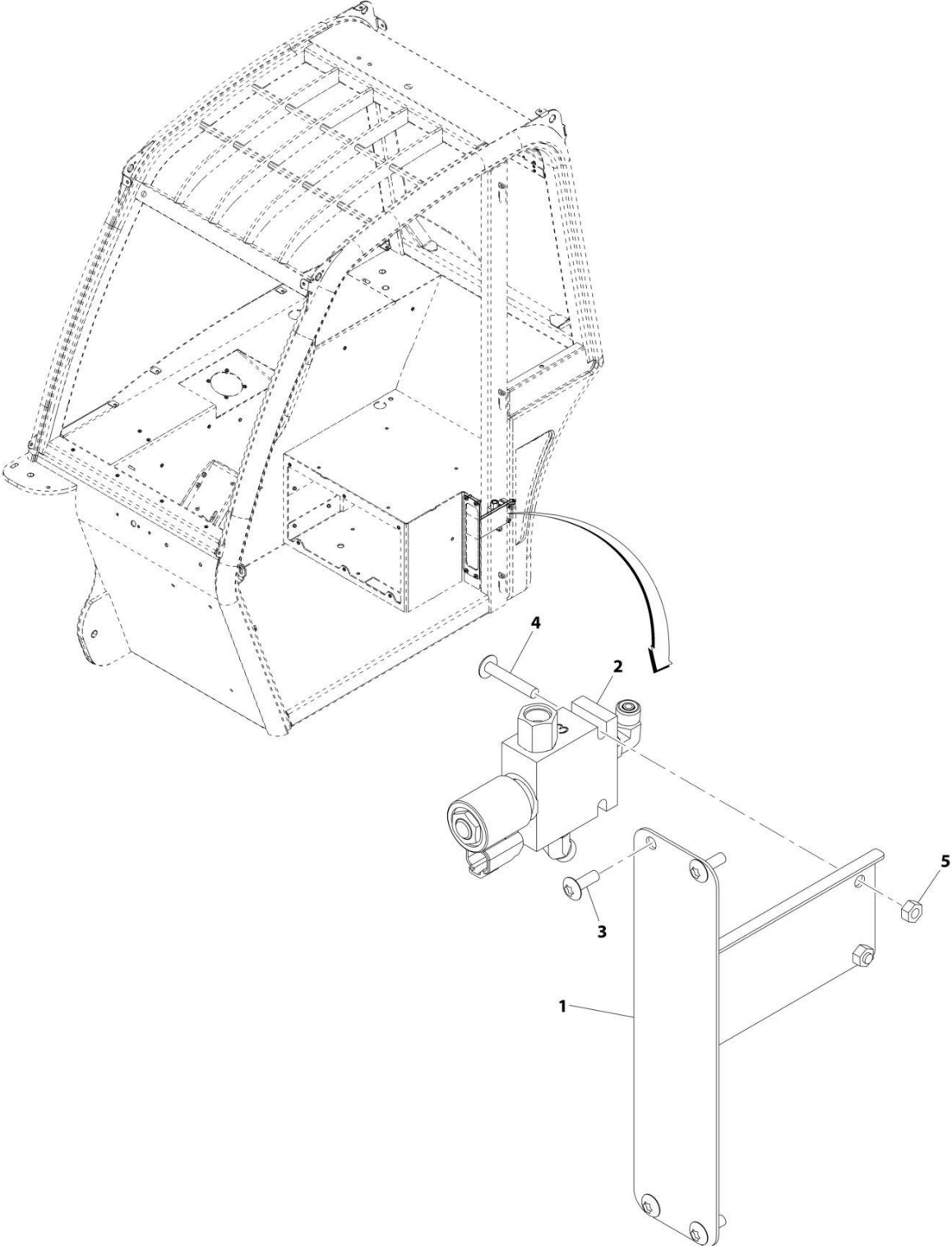
SECTION 7 - CONTROLS

FIGURE 7-4. MASTER CYLINDER VALVE ASSEMBLY

ITEM	PART NUMBER	QTY	DESCRIPTION	REV
1	1001080559	Ref	Master Cylinder Valve Assembly	C
	1001080262	1	Brake Master Cylinder Valve, (See Separate Breakdown in Hydraulic Components Section)	
2	2145004	1	Straight Fitting	

SECTION 7 - CONTROLS

FIGURE 7-5. PARK BRAKE VALVE INSTALLATION



ART_1001137600-C

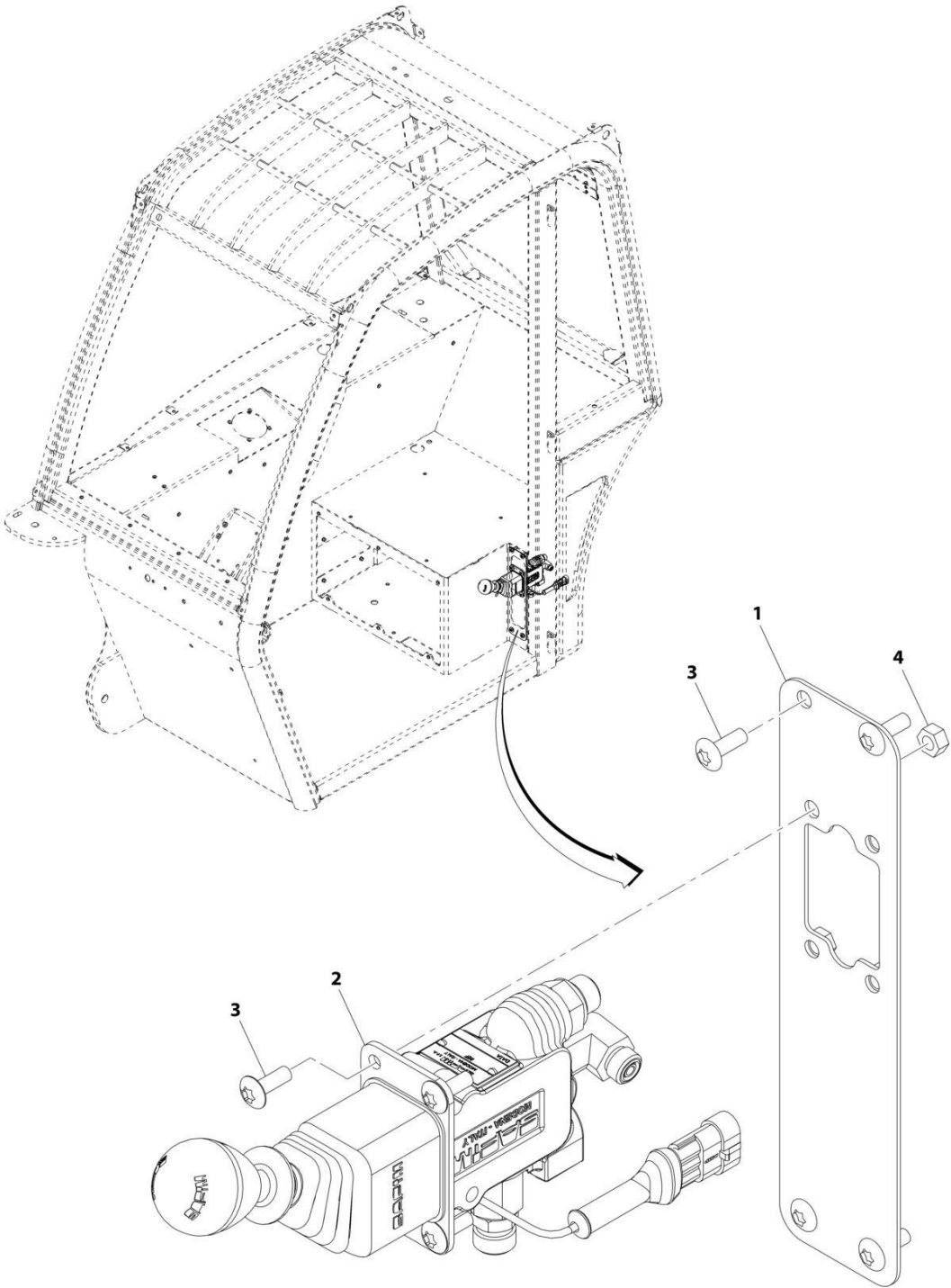
SECTION 7 - CONTROLS

FIGURE 7-5. PARK BRAKE VALVE INSTALLATION

ITEM	PART NUMBER	QTY	DESCRIPTION	REV
	1001137600	Ref	Park Brake Valve Installation	D
1	1001188496	1	Bracket	
2	1001080567	1	Assembly, Park Brake Valve (See Separate Breakdown in Hydraulic Circuits Section)	
3	8303034	4	Screw	
4	101977201	2	Screw	
5	3311405	2	Nut, Lock 1/4-20	

SECTION 7 - CONTROLS

FIGURE 7-6. PARK BRAKE VALVE INSTALLATION (EURO)



ART_1001137602-B

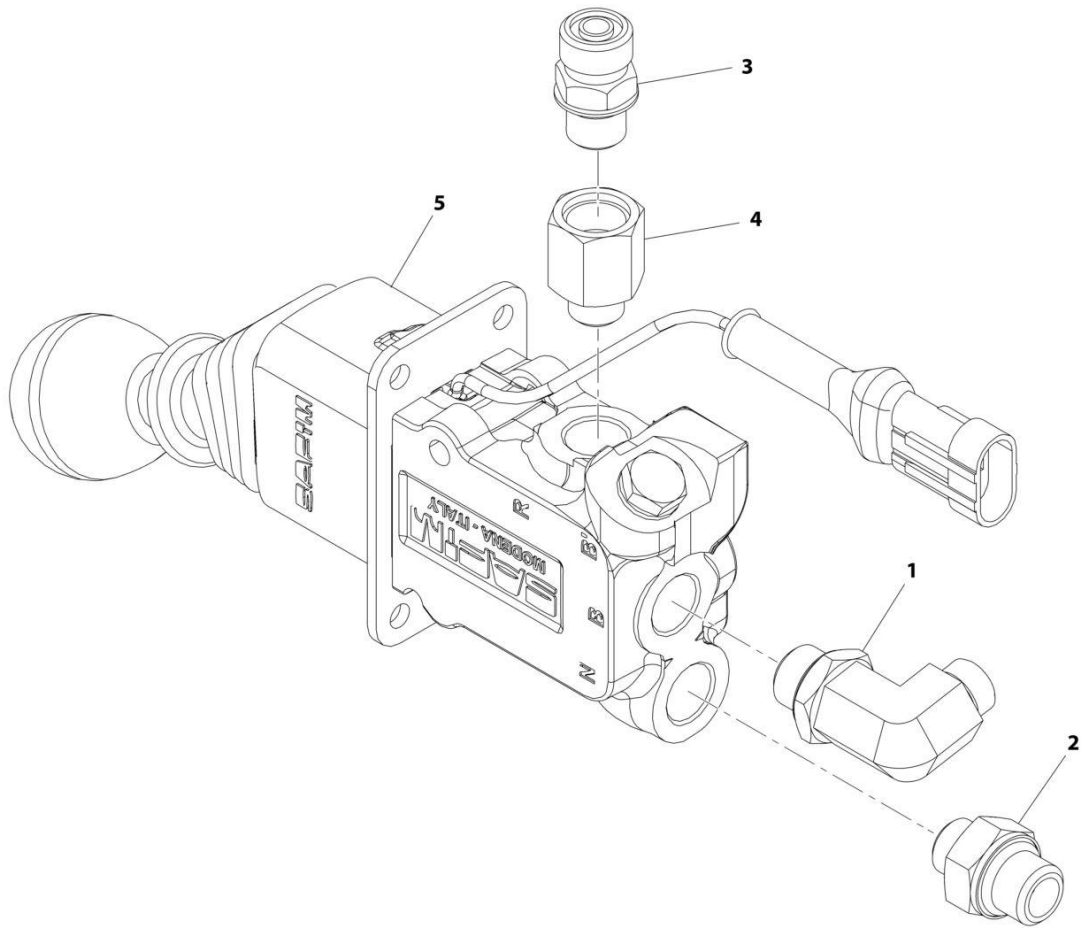
SECTION 7 - CONTROLS

FIGURE 7-6. PARK BRAKE VALVE INSTALLATION (EURO)

ITEM	PART NUMBER	QTY	DESCRIPTION	REV
	1001137602	Ref	Park Brake Valve Installation (Euro)	B
1	1001137998	1	Park Brake Valve Bracket	
2	1001080968	1	Park Brake Valve Assembly (Euro) (See Separate Breakdown this Section)	
3	8303034	8	Screw, 1/4-20X0.75	
4	3271405	4	Hex Locknut, 1/4-20, GR8	

SECTION 7 - CONTROLS

FIGURE 7-7. PARK BRAKE VALVE ASSEMBLY (EURO)



ART_1001080968-B

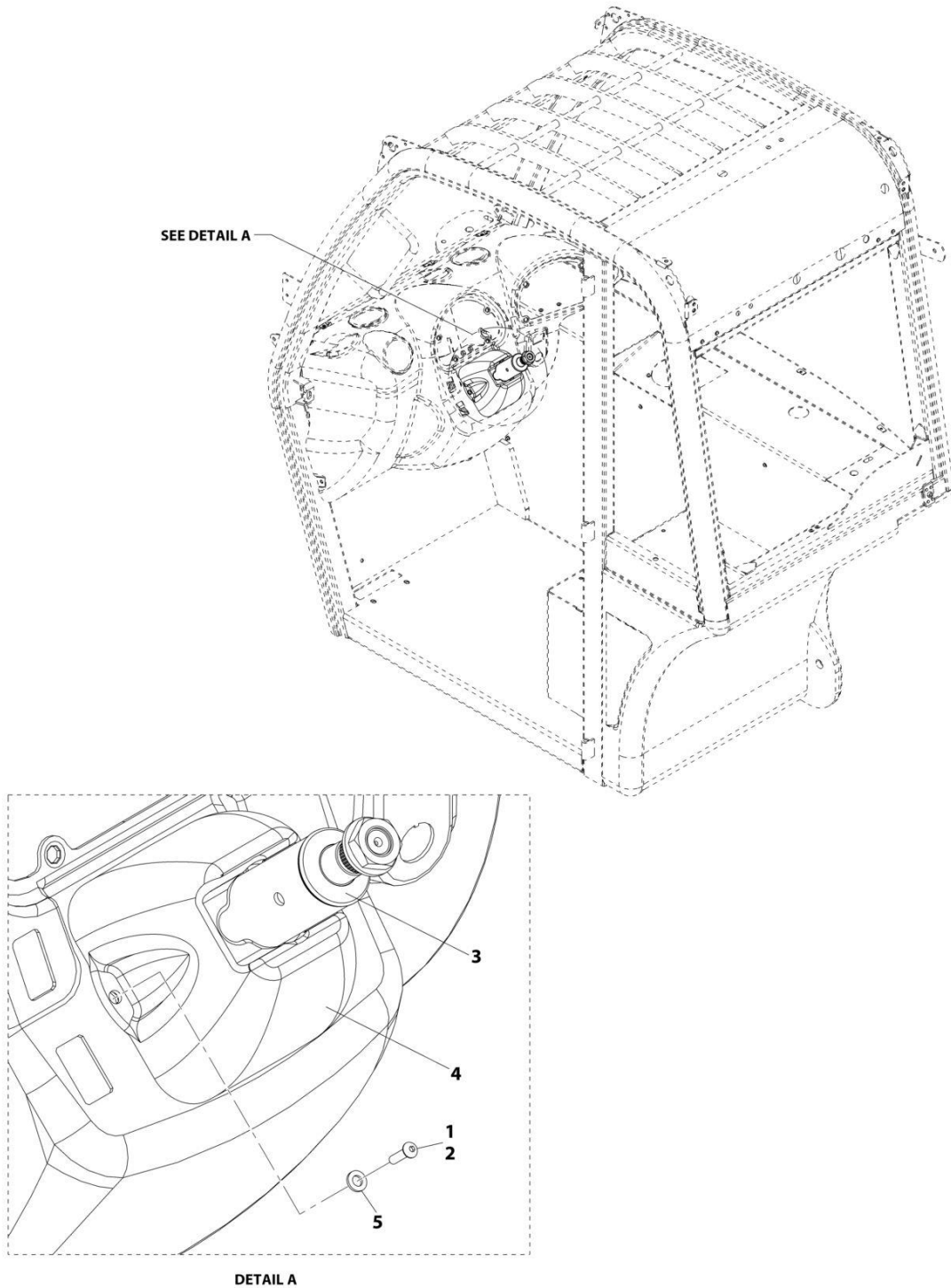
SECTION 7 - CONTROLS

FIGURE 7-7. PARK BRAKE VALVE ASSEMBLY (EURO)

ITEM	PART NUMBER	QTY	DESCRIPTION	REV
	1001080968	Ref	Park Brake Valve Assembly (Euro)	B
1	80233256	1	Elbow, 90	
2	80233257	1	Adapter, Connector	
3	80333184	1	Check Fitting	
4	1001098069	1	Fitting	
5	1001098153	1	Valve, Park Brake Release (Euro) (See Separate Breakdown in Hydraulic Components Section)	

SECTION 7 - CONTROLS

FIGURE 7-8. FIXED STEERING COLUMN INSTALLATION



ART_1001221303-A

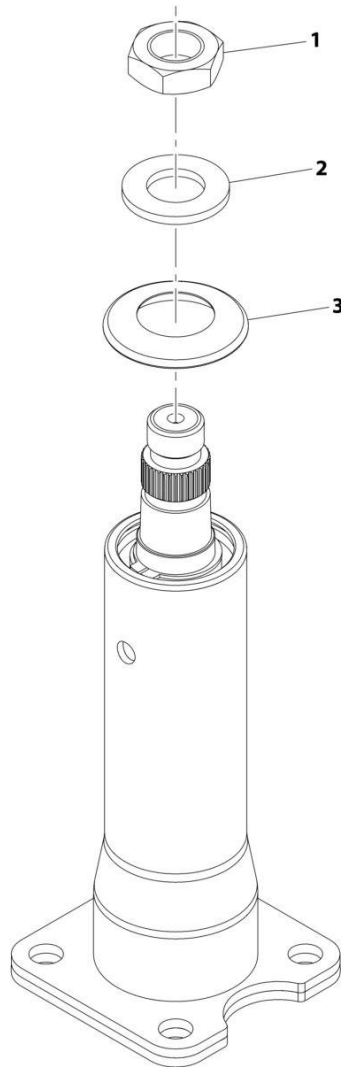
SECTION 7 - CONTROLS

FIGURE 7-8. FIXED STEERING COLUMN INSTALLATION

ITEM	PART NUMBER	QTY	DESCRIPTION	REV
	1001221303	Ref	Fixed Steering Column Installation	A
1	0100035	AR	Compound, Locking	
2	0630518	2	Screw	
3	1001081223	1	Fixed Steering Column (See Separate Breakdown in this Section)	
4	1001153629	1	Steering Column Boot	
5	4811700001	2	Washer M6	

SECTION 7 - CONTROLS

FIGURE 7-9. FIXED STEERING COLUMN



ART_1001081223-D

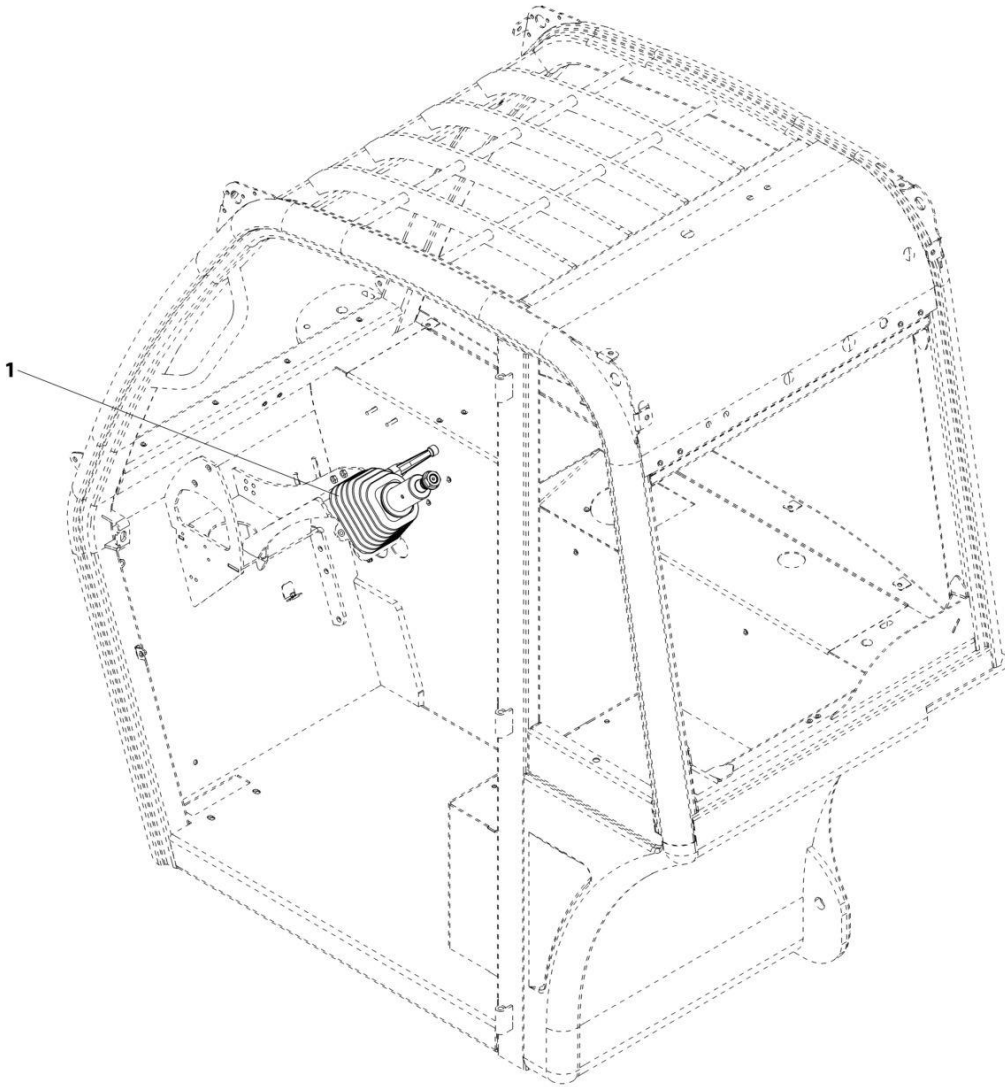
SECTION 7 - CONTROLS

FIGURE 7-9. FIXED STEERING COLUMN

ITEM	PART NUMBER	QTY	DESCRIPTION	REV
	1001081223	Ref	Fixed Steering Column	E
1	70020923	1	Nut, M18X.5	
2	70020924	1	Washer	
3	70020925	1	Rubber Cap	

SECTION 7 - CONTROLS

FIGURE 7-10. TILT STEERING COLUMN INSTALLATION



ART_1001080809-A

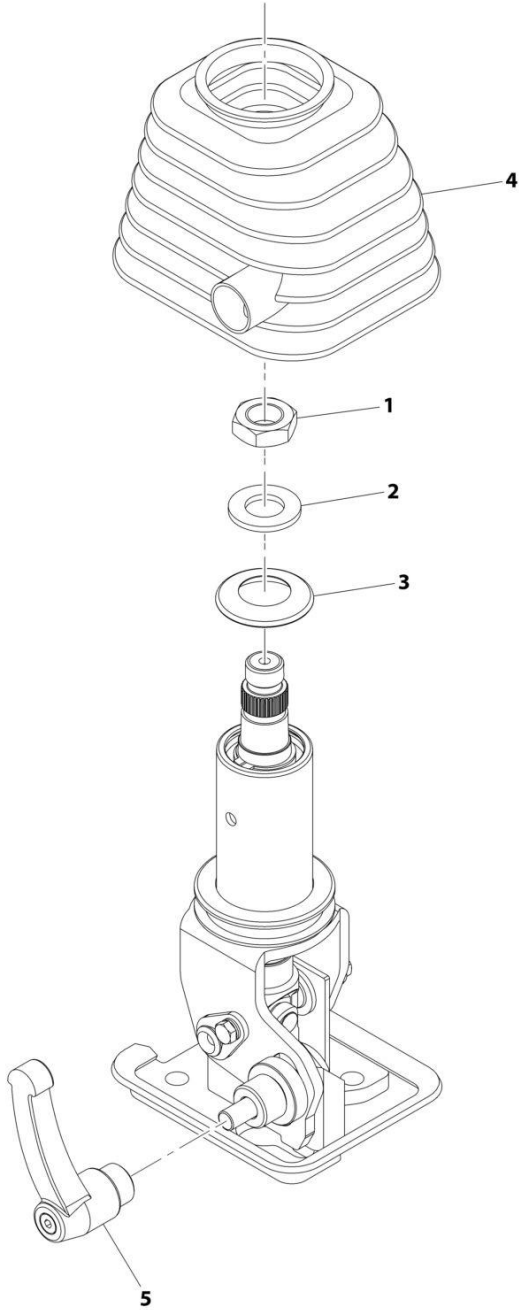
SECTION 7 - CONTROLS

FIGURE 7-10. TILT STEERING COLUMN INSTALLATION

ITEM	PART NUMBER	QTY	DESCRIPTION	REV
1	1001080809	Ref	Tilt Steering Column Installation	A
	1001080826	1	Tilt Steering Column (See Separate Breakdown in this Section)	

SECTION 7 - CONTROLS

FIGURE 7-11. TILT STEERING COLUMN



ART_1001080826-F

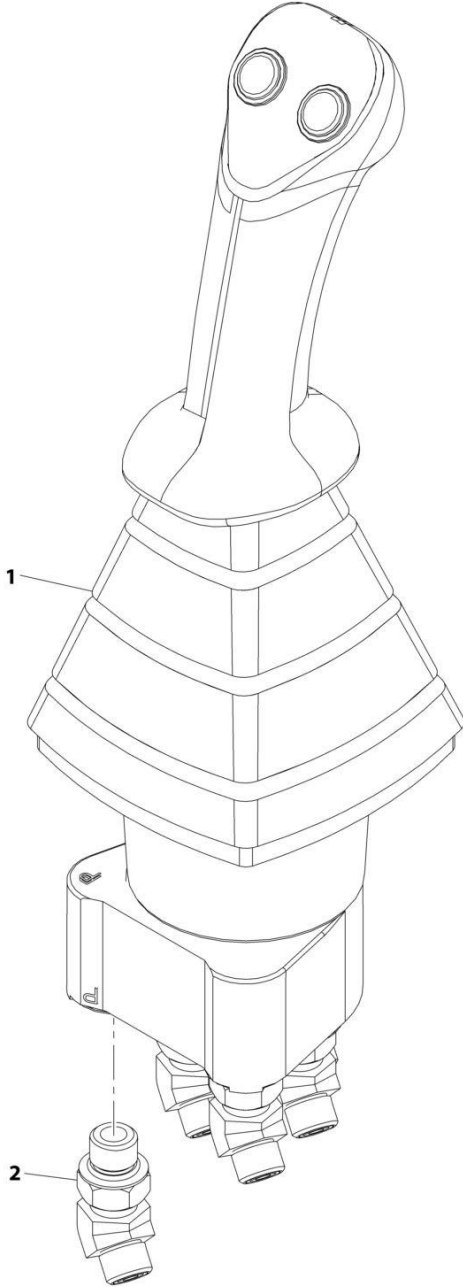
SECTION 7 - CONTROLS

FIGURE 7-11. TILT STEERING COLUMN

ITEM	PART NUMBER	QTY	DESCRIPTION	REV
	1001080826	Ref	Tilt Steering Column	F
1	70020923	1	Nut, M18-1-1/2	
2	70020924	1	Washer	
3	70020925	1	Rubber Cap	
4	70020926	1	Bellows	
5	70020927	1	Locking Handle	

SECTION 7 - CONTROLS

FIGURE 7-12. HYDRAULIC CONTROLLER ASSEMBLY



ART_1001080500-D

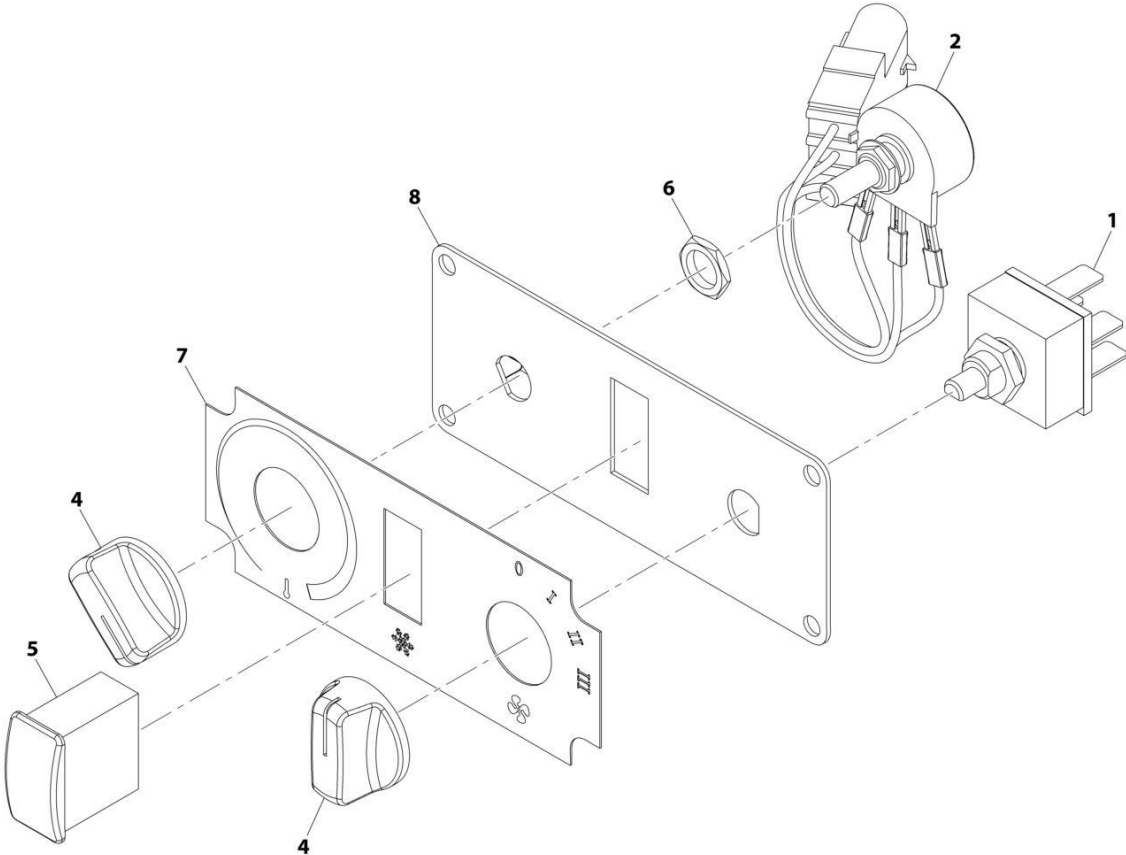
SECTION 7 - CONTROLS

FIGURE 7-12. HYDRAULIC CONTROLLER ASSEMBLY

ITEM	PART NUMBER	QTY	DESCRIPTION	REV
	1001080500	1	Hydraulic Controller Assembly	D
1	1001080256	1	Joystick (See Separate Breakdown in this Section)	
2	2150406	1	Fitting, 45 ORFS	

SECTION 7 - CONTROLS

FIGURE 7-13. HEATER CONTROL SWITCH



ART_1001193945-D

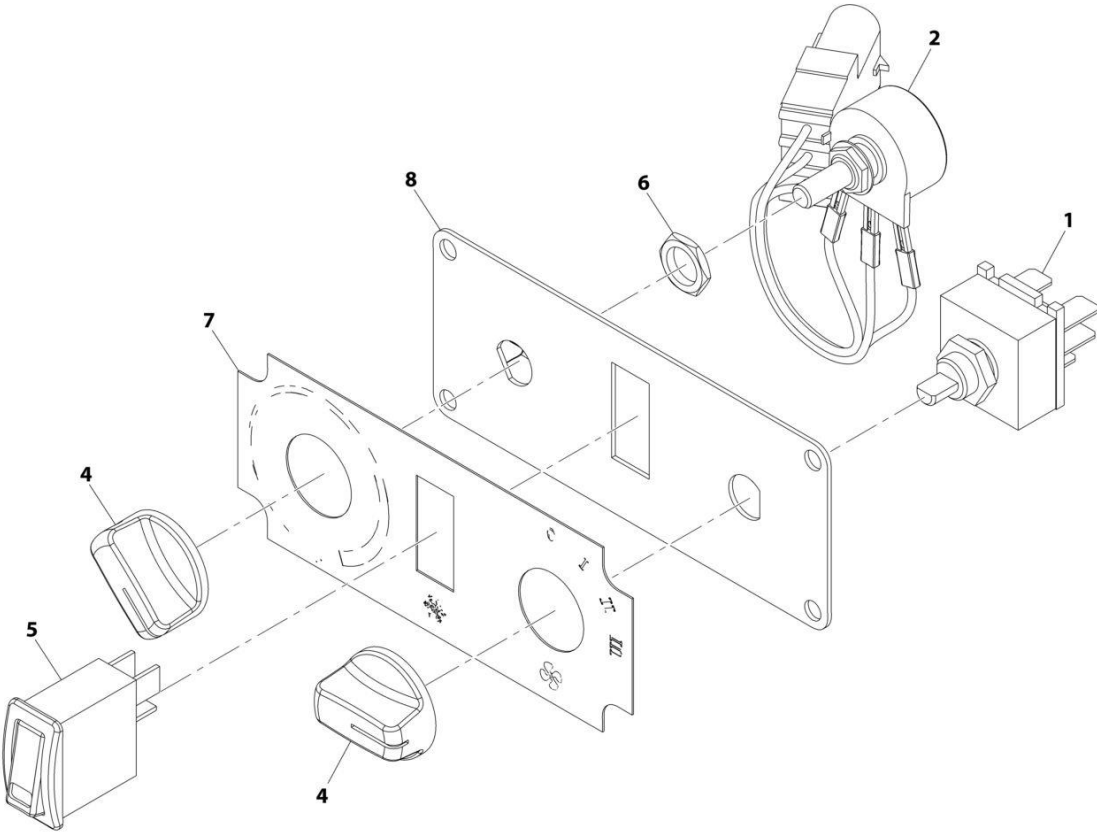
SECTION 7 - CONTROLS

FIGURE 7-13. HEATER CONTROL SWITCH

ITEM	PART NUMBER	QTY	DESCRIPTION	REV
	1001193945	Ref	Heater Control Switch	D
1	1001204362	1	Switch, Blower	
2	1001151643	1	Potentiometer	
4	1001204360	2	Positioning Knob	
5	1001204363	1	Rocker Switch	
6	1001204464	1	Jam Nut	
7	1001204469	1	Decal, Switch Panel	
8	1001204470	1	Plate, Switch Panel	

SECTION 7 - CONTROLS

FIGURE 7-14. HVAC CONTROL SWITCH



ART_1001193501-D

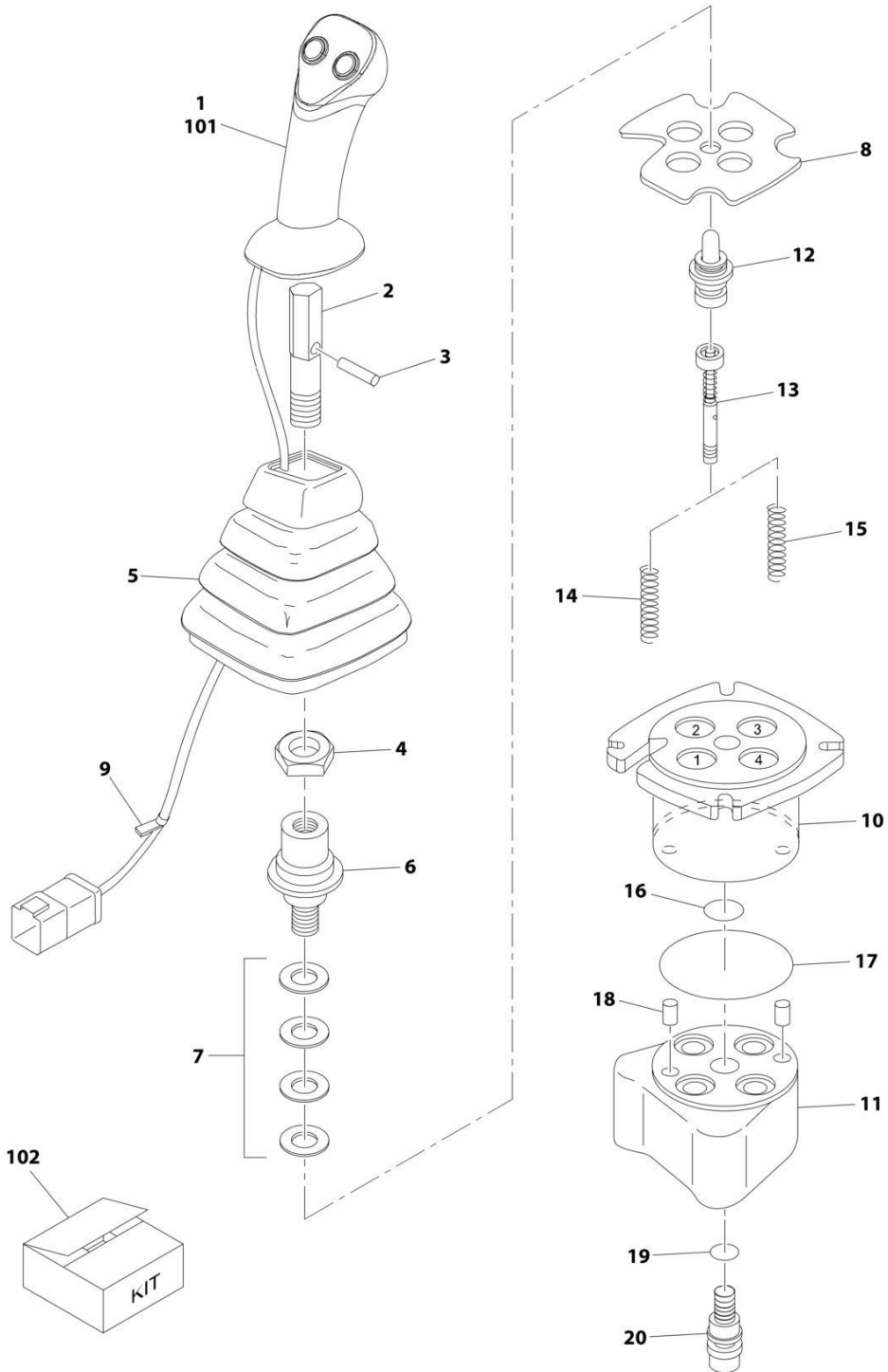
SECTION 7 - CONTROLS

FIGURE 7-14. HVAC CONTROL SWITCH

ITEM	PART NUMBER	QTY	DESCRIPTION	REV
	1001193501	Ref	HVAC Control Switch	D
1	1001204362	1	Switch, Blower	
2	1001151643	1	Potentiometer	
4	1001204360	2	Positioning Knob	
5	1001204385	1	Rocker Switch	
6	1001204464	1	Jam Nut	
7	1001204469	1	Decal, Switch Panel	
8	1001204470	1	Plate, Switch Panel	

SECTION 7 - CONTROLS

FIGURE 7-15. BOOM JOYSTICK



ART_1001080256-D

SECTION 7 - CONTROLS

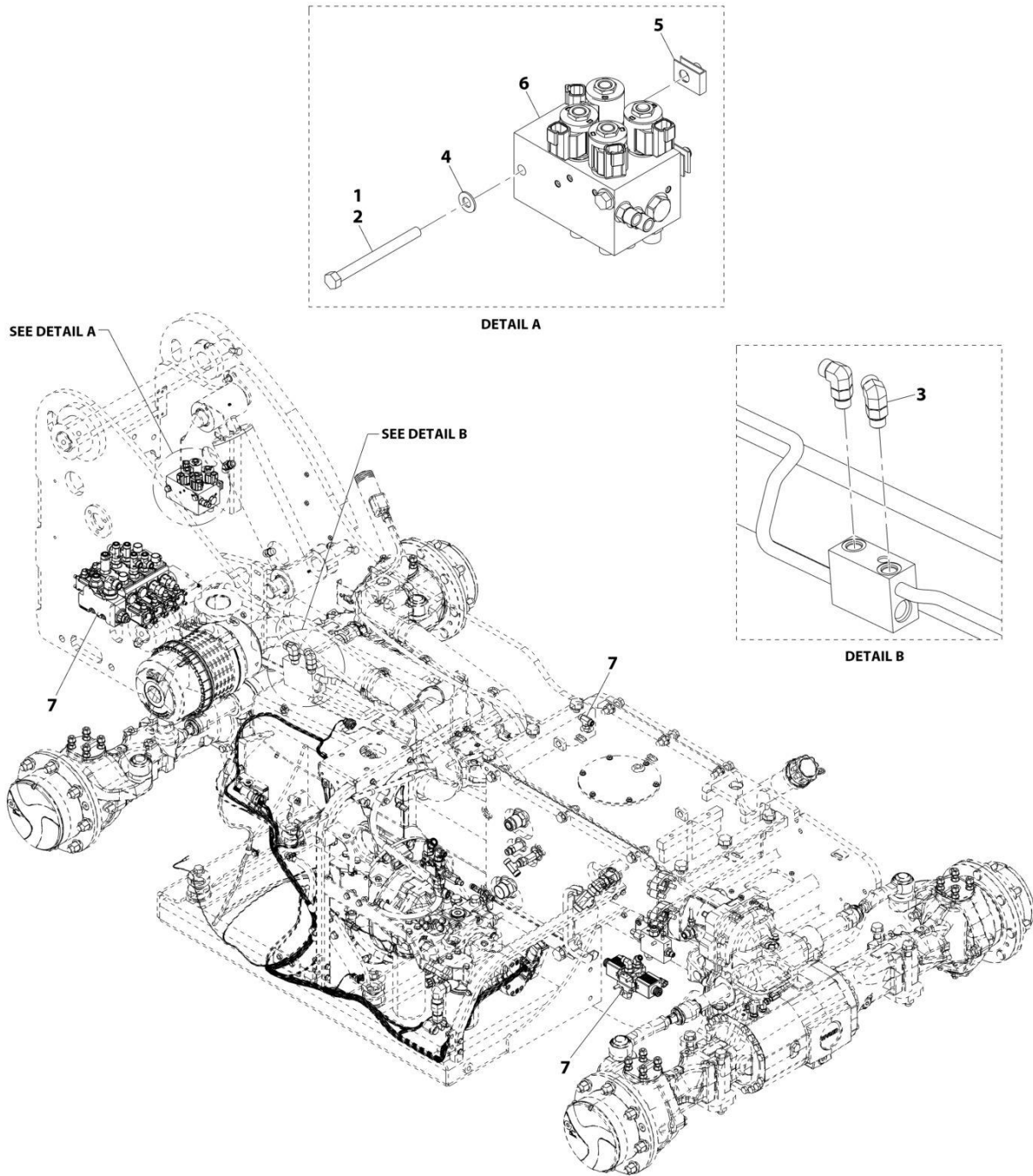
FIGURE 7-15. BOOM JOYSTICK

ITEM	PART NUMBER	QTY	DESCRIPTION	REV
	1001080256	Ref	Boom Joystick	D
1	70020769	1	Handle Assembly	
2	70020770	1	Straight Lever Kit	
3	N.S.S.	1	Straight Lever	
4	N.S.S.	1	Hex Nut	
5	70020771	1	Rubber Boot	
6	80264138	1	Cardan Kit	
7	N.S.S.	AR	Shim	
8	91404013	1	Retaining Plate	
9	80264139	1	Grommet Kit	
10	91404016	1	Upper Body	
11	N.S.S.	1	Lower Body	
12	91304025	2	Plunger And Guide Kit	
13	91514224	4	Regulating Unit	
14	91504028	1	Return Spring	
15	91504029	1	Return Spring	
16	Kit	1	O-Ring	
17	Kit	1	O-Ring	
18	Kit	2	Dowel Pin	
19	Kit	1	O-Ring	
20	Kit	1	Screw Assembly	
101	3931412	4	Socket HD Screw, 1/4-20X3/4	
102	91404326	1	Seal Kit, (Includes Items 16 Thru 20)	

SECTION 8 - HYDRAULIC CIRCUITS

SECTION 8 - HYDRAULIC CIRCUITS

FIGURE 8-1. VALVE INSTALLATION (ANSI)



ART_1001190784-D

SECTION 8 - HYDRAULIC CIRCUITS

FIGURE 8-1. VALVE INSTALLATION (ANSI)

ITEM	PART NUMBER	QTY	DESCRIPTION	REV
	1001190784	Ref	Valve Installation (ANSI)	D
1	0100011	AR	Compound, Locking	
2	0641634	2	Capscrew 3/8 x 4-1/4	
3	2131010	2	Elbow, 90	
4	4711600	2	Washer 3/8	
5	88662523	2	Tinnerman Nut	
6	1001131099	1	Assembly, Pilot Select Valve (ANSI) (See Separate Breakdown in this Section)	
7	1001190692	1	Installation, Hydraulic Valve (See Separate Breakdown in this Section)	

SECTION 8 - HYDRAULIC CIRCUITS

FIGURE 8-2. VALVE INSTALLATION (CE)



ART_1001190694-D

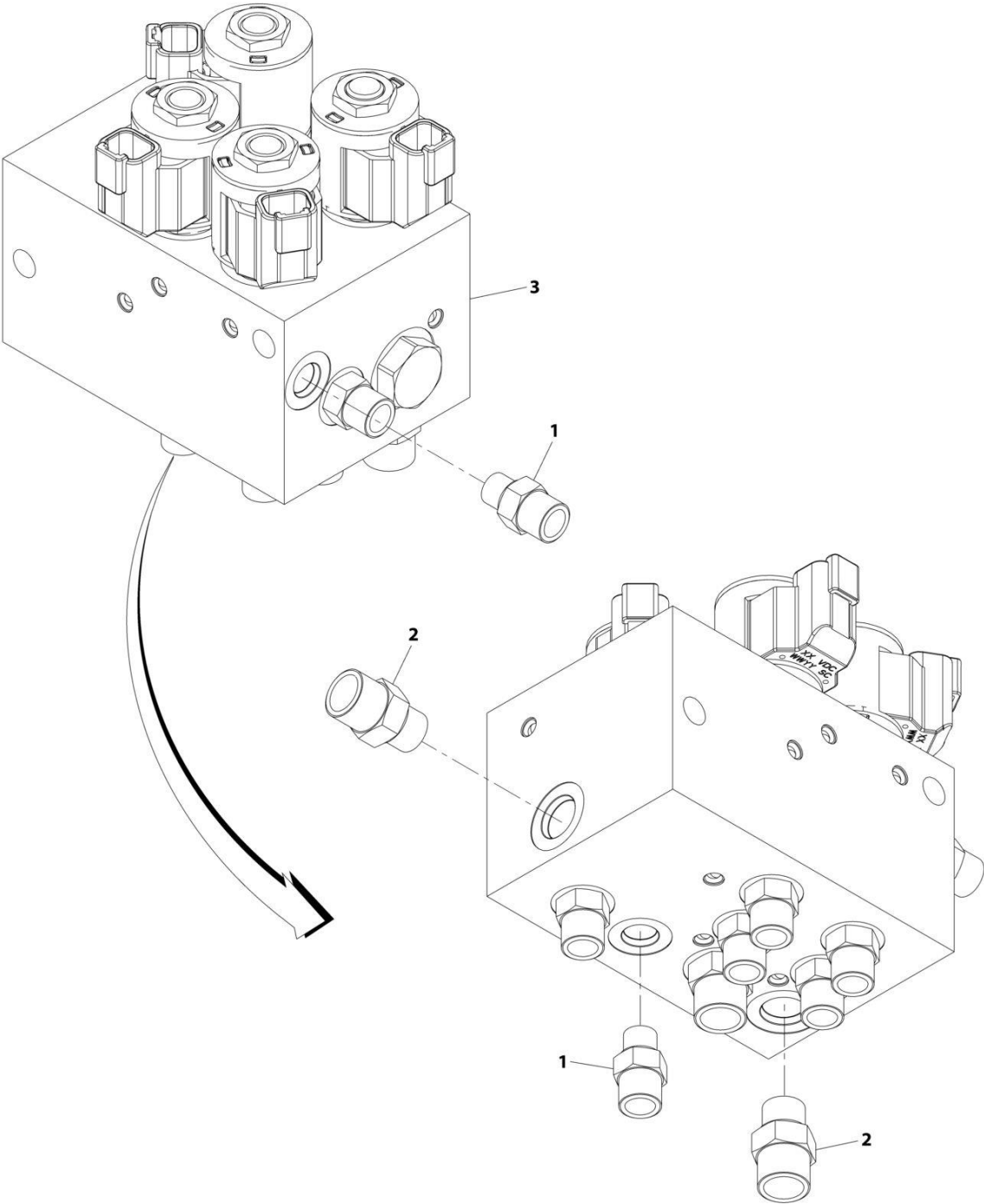
SECTION 8 - HYDRAULIC CIRCUITS

FIGURE 8-2. VALVE INSTALLATION (CE)

ITEM	PART NUMBER	QTY	DESCRIPTION	REV
	1001190694	Ref	Valve Installation (CE)	D
1	0100011	AR	Compound, Locking	
2	0641634	2	Capscrew 3/8 x 4-1/4	
3	2111010	2	Adapter	
4	4711600	2	Washer 3/8	
5	88662523	2	Tinnerman Nut	
6	1001131098	1	Assembly, Pilot Select Valve (CE) (See Separate Breakdown in this Section)	
7	1001190692	1	Installation, Hydraulic Valve (See Separate Breakdown in this Section)	

SECTION 8 - HYDRAULIC CIRCUITS

FIGURE 8-3. PILOT SELECT VALVE ASSEMBLY (ANSI)



ART_1001131099-A

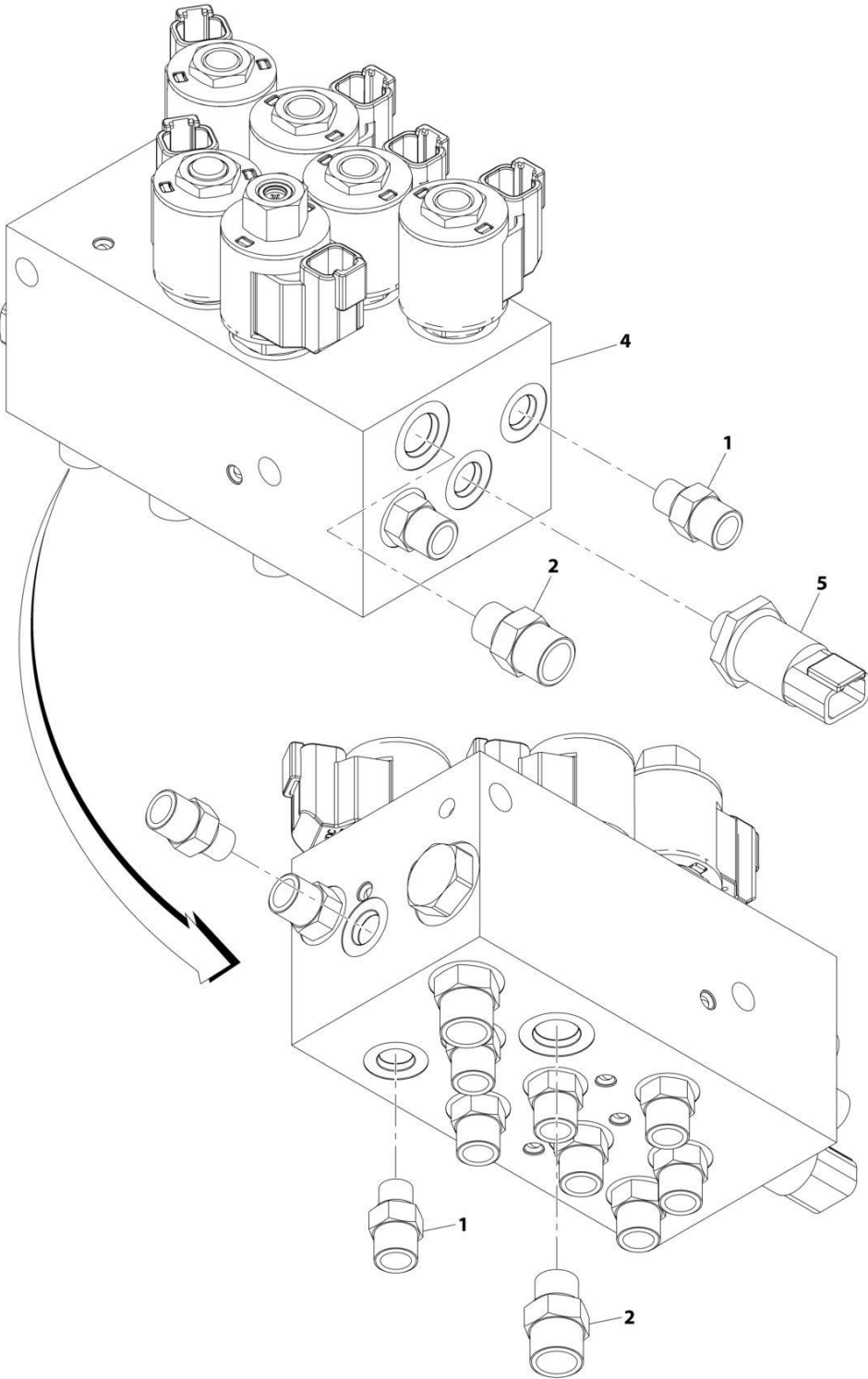
SECTION 8 - HYDRAULIC CIRCUITS

FIGURE 8-3. PILOT SELECT VALVE ASSEMBLY (ANSI)

ITEM	PART NUMBER	QTY	DESCRIPTION	REV
	1001131099	Ref	Pilot Select Valve Assembly (ANSI)	A
1	2110404	8	Adapter, Connector	
2	2110606	3	Adapter, Connector	
3	1001130178	1	Pilot Select Valve (ANSI) (See Separate Breakdown in this Section)	

SECTION 8 - HYDRAULIC CIRCUITS

FIGURE 8-4. PILOT SELECT VALVE ASSEMBLY (CE)



ART_1001131098-B

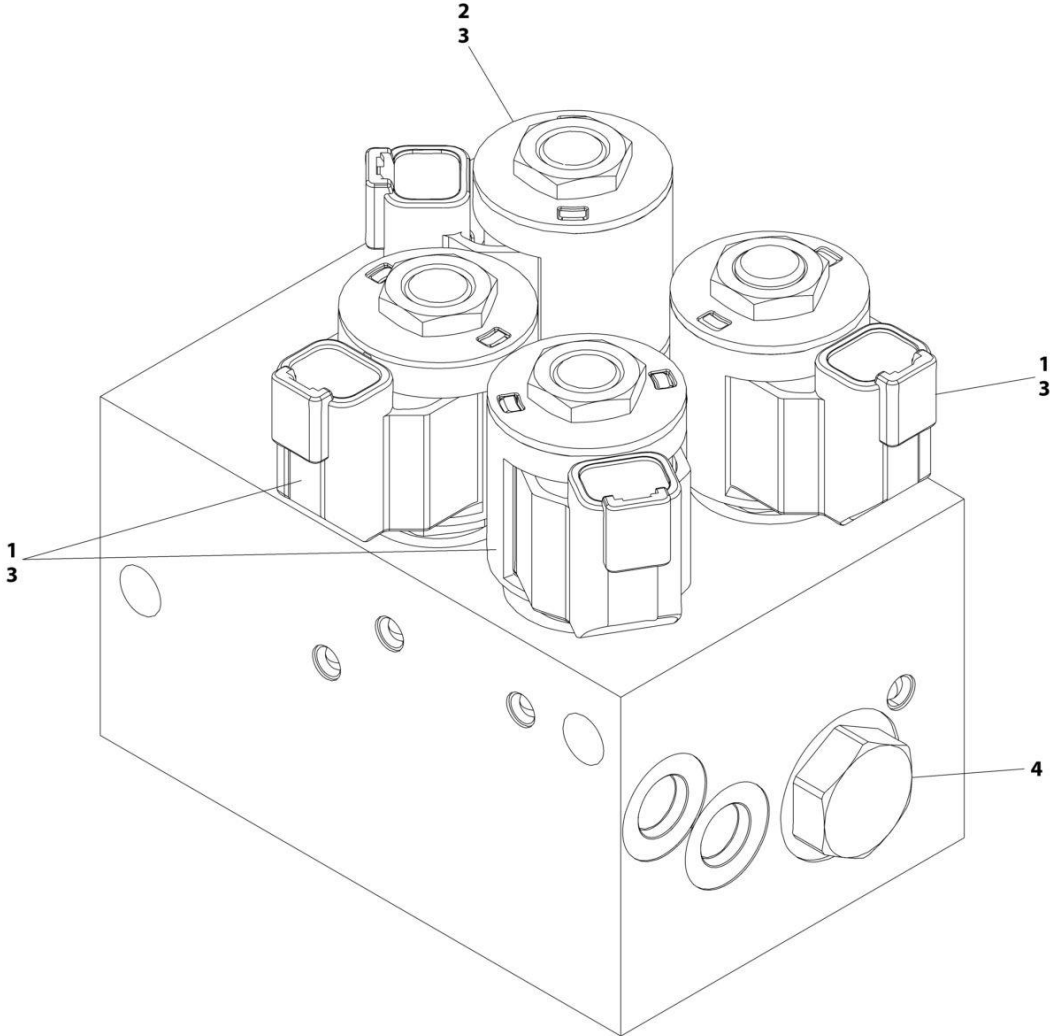
SECTION 8 - HYDRAULIC CIRCUITS

FIGURE 8-4. PILOT SELECT VALVE ASSEMBLY (CE)

ITEM	PART NUMBER	QTY	DESCRIPTION	REV
	1001131098	Ref	Pilot Select Valve Assembly (CE)	B
1	2110404	12	Straight Fitting	
2	2110606	3	Straight Fitting	
4	1001132342	1	Valve, Pilot Select (CE) (See Separate Breakdown in this Section)	
5	1001132795	1	Pressure Sensor	

SECTION 8 - HYDRAULIC CIRCUITS

FIGURE 8-5. PILOT SELECT VALVE (ANSI)



ART_1001130178-A

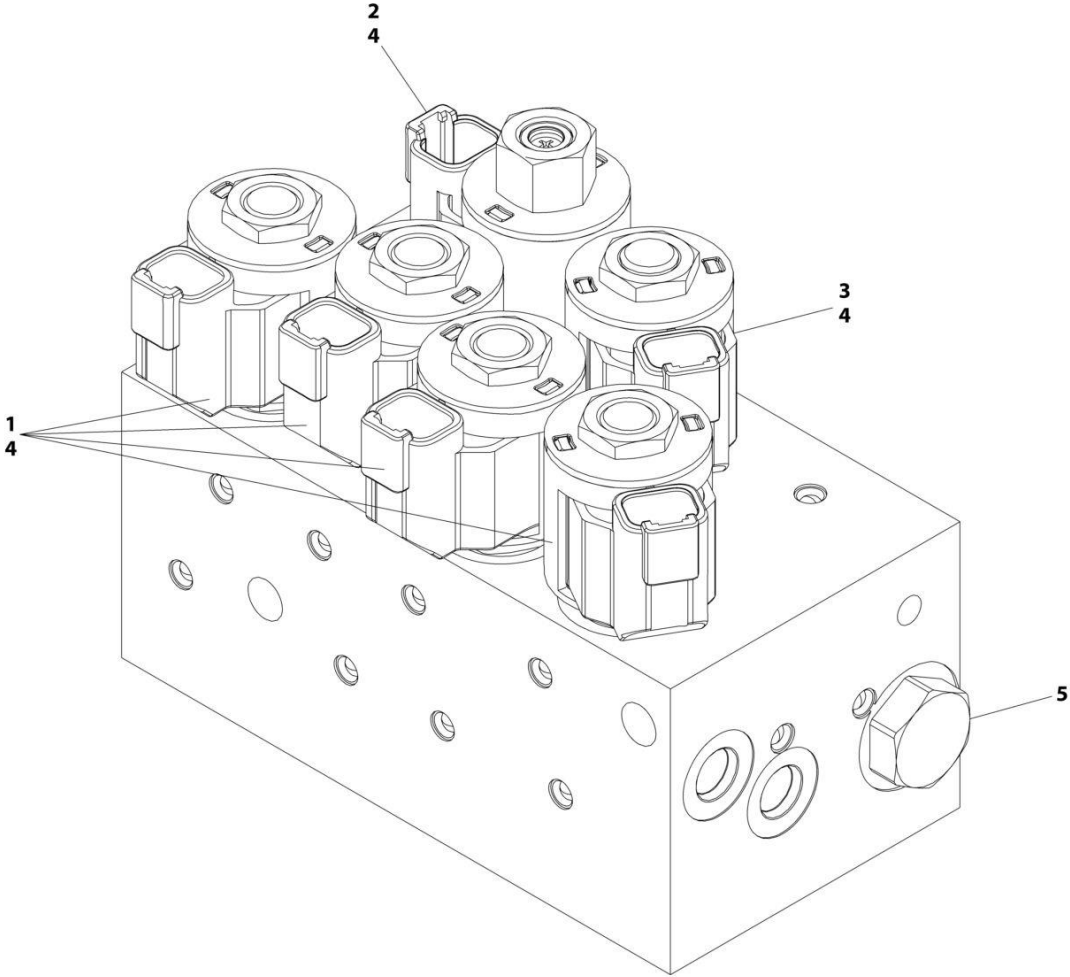
SECTION 8 - HYDRAULIC CIRCUITS

FIGURE 8-5. PILOT SELECT VALVE (ANSI)

ITEM	PART NUMBER	QTY	DESCRIPTION	REV
	1001130178	Ref	Pilot Select Valve (ANSI)	A
1	1101244	3	Directional Valve	
1	8033761	3	Seal Kit	
2	70023946	1	Directional Valve	
3	70002386	4	Coil	
4	10837580	1	Load Sense Check Valve	
4	7010543	1	Seal Kit	

SECTION 8 - HYDRAULIC CIRCUITS

FIGURE 8-6. PILOT SELECT VALVE (CE)



ART_1001132342-A

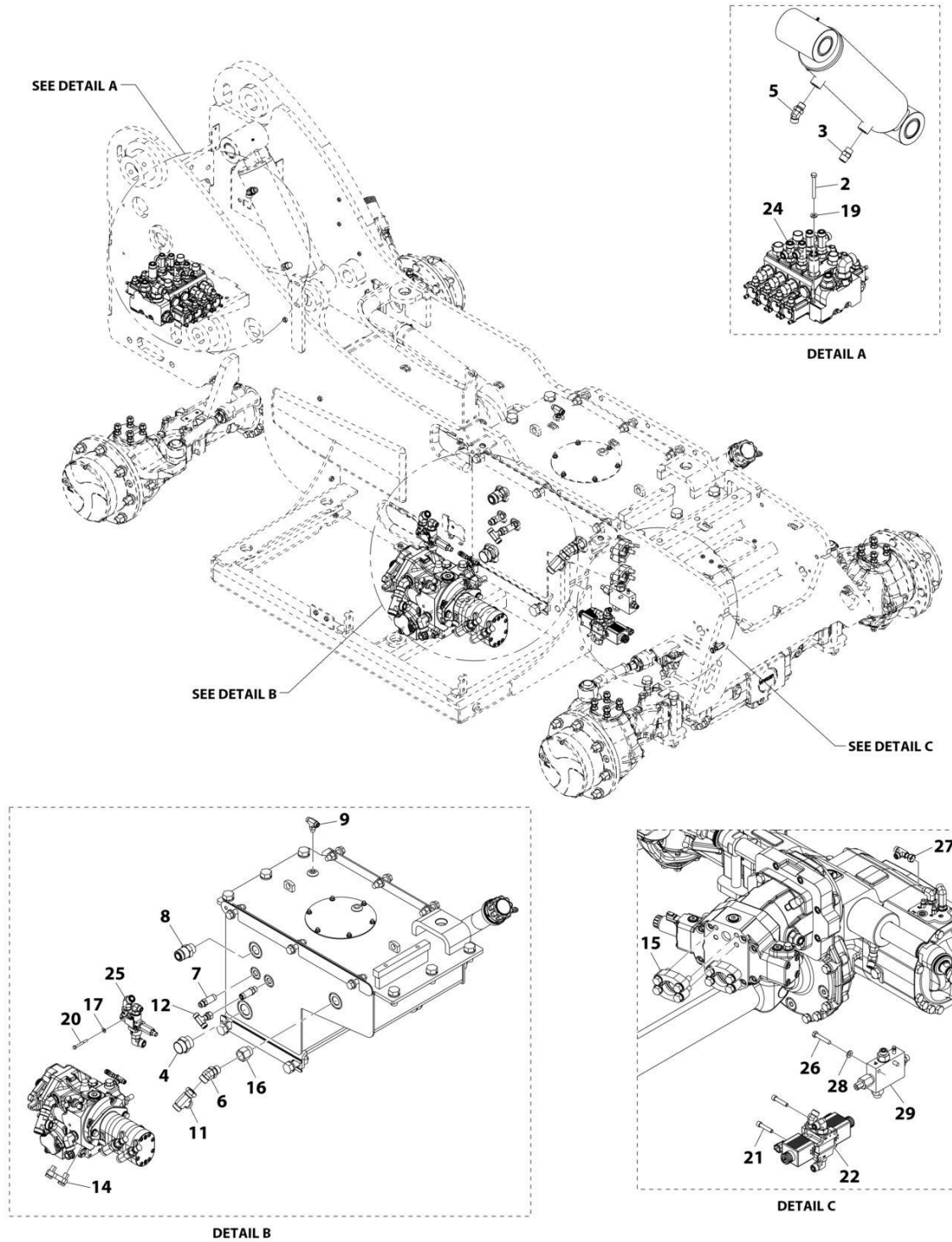
SECTION 8 - HYDRAULIC CIRCUITS

FIGURE 8-6. PILOT SELECT VALVE (CE)

ITEM	PART NUMBER	QTY	DESCRIPTION	REV
	1001132342	Ref	Pilot Select Valve (CE)	A
1	1101244	4	Directional Valve	
1	8033761	4	Seal Kit	
2	70023945	1	Proportional Valve	
3	70023946	1	Directional Valve	
4	70002386	6	Coil	
5	10837580	1	Load Sense Check Valve	
5	7010543	1	Seal Kit	
6	70002064	1	Orifice, 0.047 In	

SECTION 8 - HYDRAULIC CIRCUITS

FIGURE 8-7. HYDRAULIC VALVE INSTALLATION



ART_1001190692-D

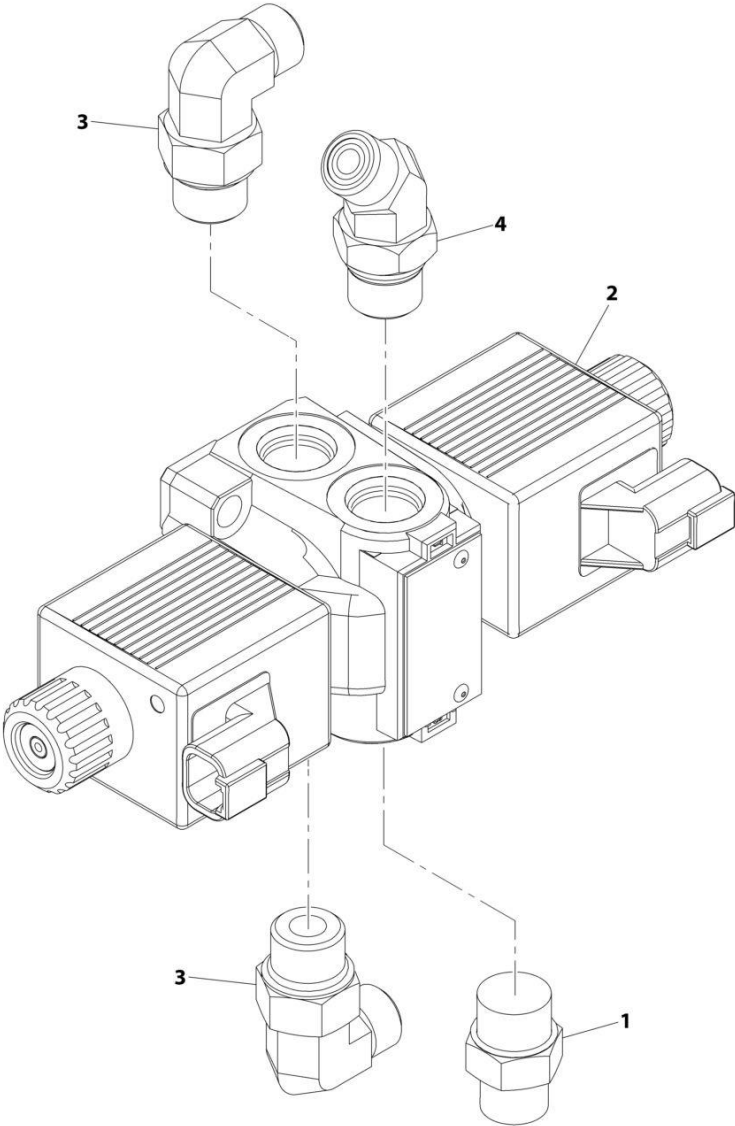
SECTION 8 - HYDRAULIC CIRCUITS

FIGURE 8-7. HYDRAULIC VALVE INSTALLATION

ITEM	PART NUMBER	QTY	DESCRIPTION	REV
	1001190692	Ref	Hydraulic Valve Installation	D
2	0641522	3	Hex HD Capscrew, 5/16-18X2-3/4, GR5	
3	2110808	1	Adapter	
4	2112020	1	Adapter	
5	2150808	1	Adapter	
6	2151212	1	Adapter, 45	
7	2170108	2	Adapter, Connector	
8	1001208854	1	Adapter, Connector	
9	2170406	1	Adapter, Run Tee	
11	2170712	1	Adapter, Run Tee	
12	2170808	1	Adapter, Branch Tee	
14	2171712	2	Flange Kit	
15	2171716	2	Flange Kit	
16	2220550	1	Adapter, Connector	
17	4711400	1	Washer, 1/4	
19	4891500	3	Washer, 5/16	
20	8303114	1	Hex HD Capscrew, 0.250-20X2.250, GR5	
21	88212229	2	Socket Hd Capscrew, 5/16-18X1-1/2	
22	1001080243	1	Assembly, Steering Select Valve (See Separate Breakdown in this Section)	
24	1001132338	1	Assembly, Main Control Valve (See Separate Breakdown in this Section)	
25	1001142155	1	Assembly, Priority Valve (See Separate Breakdown in this Section)	
26	0641514	2	Hex HD Capscrew, 5/16-18X1-3/4, GR5	
27	2170704	1	Swivel Tee	
28	4711500	2	Washer, 5/16	
29	1001080399	1	Assembly, Brake Valve (See Separate Breakdown in this Section)	

SECTION 8 - HYDRAULIC CIRCUITS

FIGURE 8-8. STEERING SELECT VALVE ASSEMBLY



ART_1001080243-F

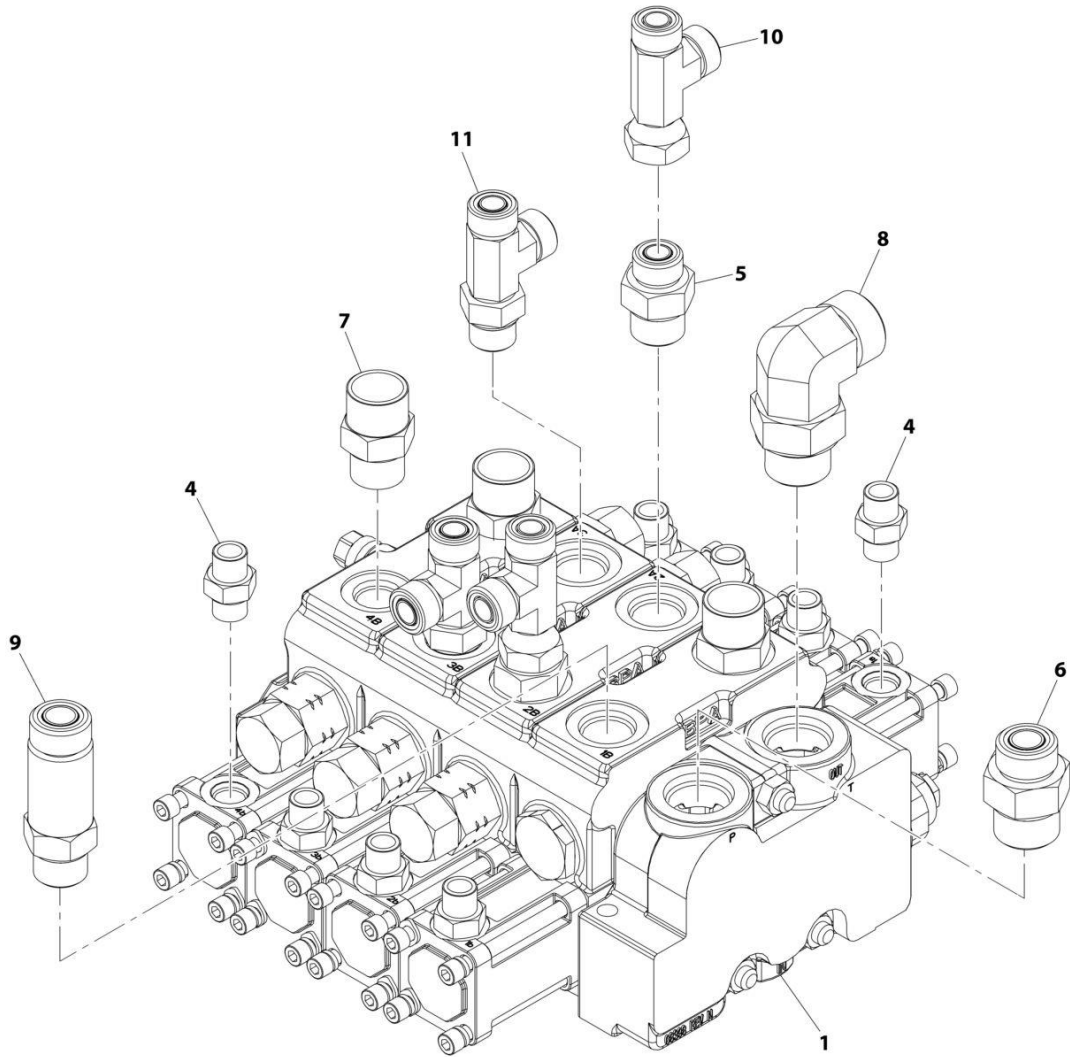
SECTION 8 - HYDRAULIC CIRCUITS

FIGURE 8-8. STEERING SELECT VALVE ASSEMBLY

ITEM	PART NUMBER	QTY	DESCRIPTION	REV
	1001080243	Ref	Steering Select Valve Assembly	F
1	2110608	1	Adapter	
2	1001153748	1	Steering Select Valve (See Separate Breakdown in Hydraulic Component Section)	
3	2130608	2	Adapter, 90	
4	2150608	1	Adapter, 45	

SECTION 8 - HYDRAULIC CIRCUITS

FIGURE 8-9. MAIN CONTROL VALVE ASSEMBLY



ART_1001132338-D

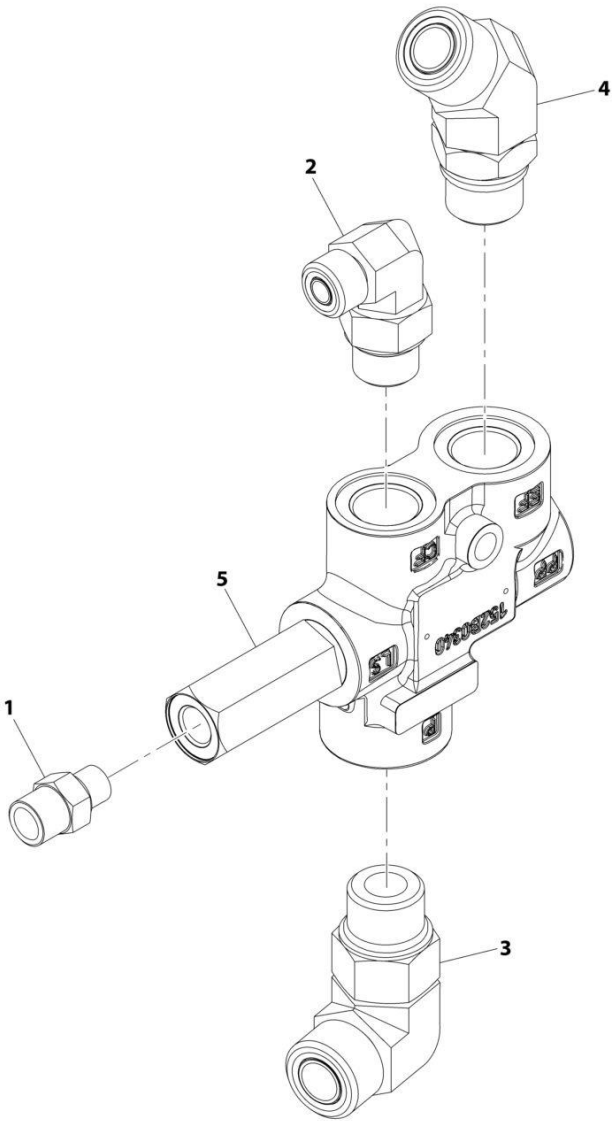
SECTION 8 - HYDRAULIC CIRCUITS

FIGURE 8-9. MAIN CONTROL VALVE ASSEMBLY

ITEM	PART NUMBER	QTY	DESCRIPTION	REV
	1001132338	Ref	Main Control Valve Assembly	D
1	1001080176	1	Valve, Main Control (W/Aux) (See Separate Breakdown in Hydraulic Component Section)	
4	2110406	8	Straight Fitting	
5	2110810	2	Adapter	
6	2111012	1	Adapter, Connector	
7	2111010	3	Adapter	
8	2131212	1	Adapter, 90	
9	2170110	1	Straight Fitting	
10	2170708	2	Swivel Tee	
11	2170308	2	Tee Fitting	

SECTION 8 - HYDRAULIC CIRCUITS

FIGURE 8-10. PRIORITY VALVE ASSEMBLY



ART_1001142155-A

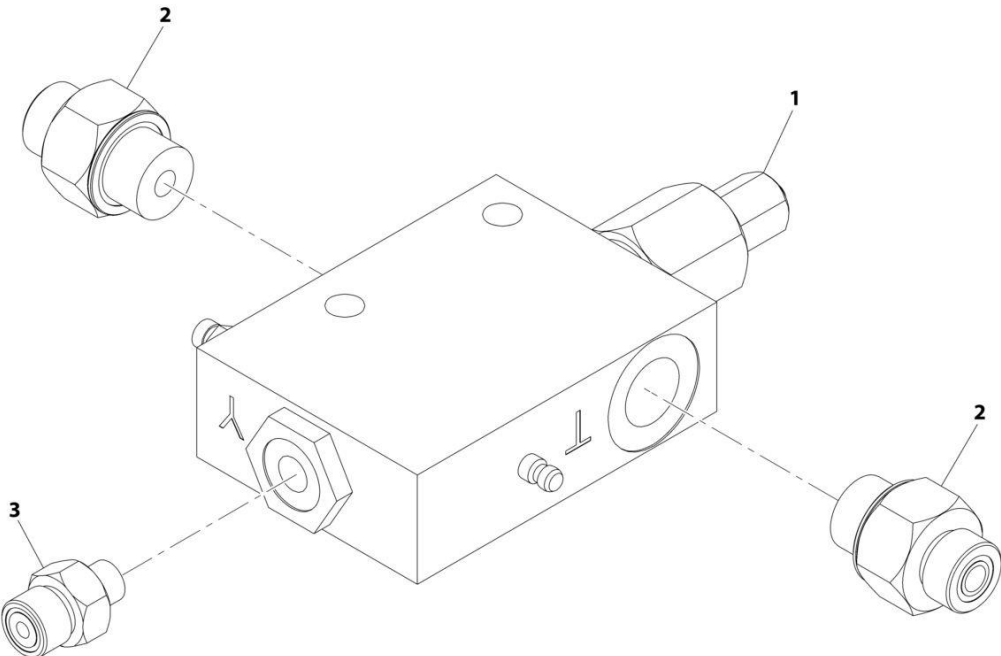
SECTION 8 - HYDRAULIC CIRCUITS

FIGURE 8-10. PRIORITY VALVE ASSEMBLY

ITEM	PART NUMBER	QTY	DESCRIPTION	REV
	1001142155	Ref	Priority Valve Assembly	A
1	2110404	1	Adapter, Connector	
2	2130608	1	Adapter, 90	
3	2131010	1	Adapter, 90	
4	2151010	1	Adapter, 45	
5	1001080143	1	Priority Valve	

SECTION 8 - HYDRAULIC CIRCUITS

FIGURE 8-11. BRAKE VALVE ASSEMBLY



ART_1001080399-D

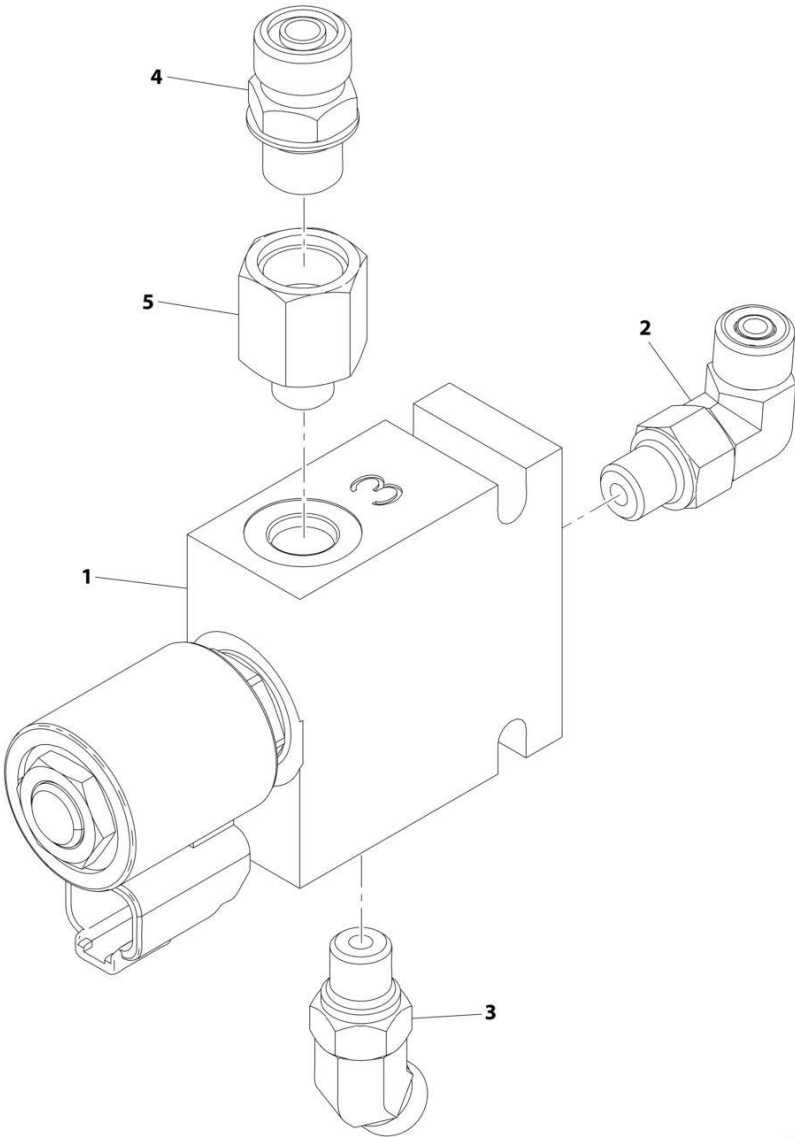
SECTION 8 - HYDRAULIC CIRCUITS

FIGURE 8-11. BRAKE VALVE ASSEMBLY

ITEM	PART NUMBER	QTY	DESCRIPTION	REV
	1001080399	Ref	Brake Valve Assembly	D
1	4641474	1	Brake Valve	
2	1001081333	2	Fitting	
3	1001081334	1	Fitting	

SECTION 8 - HYDRAULIC CIRCUITS

FIGURE 8-12. PARK BRAKE VALVE ASSEMBLY



ART_1001080567-A

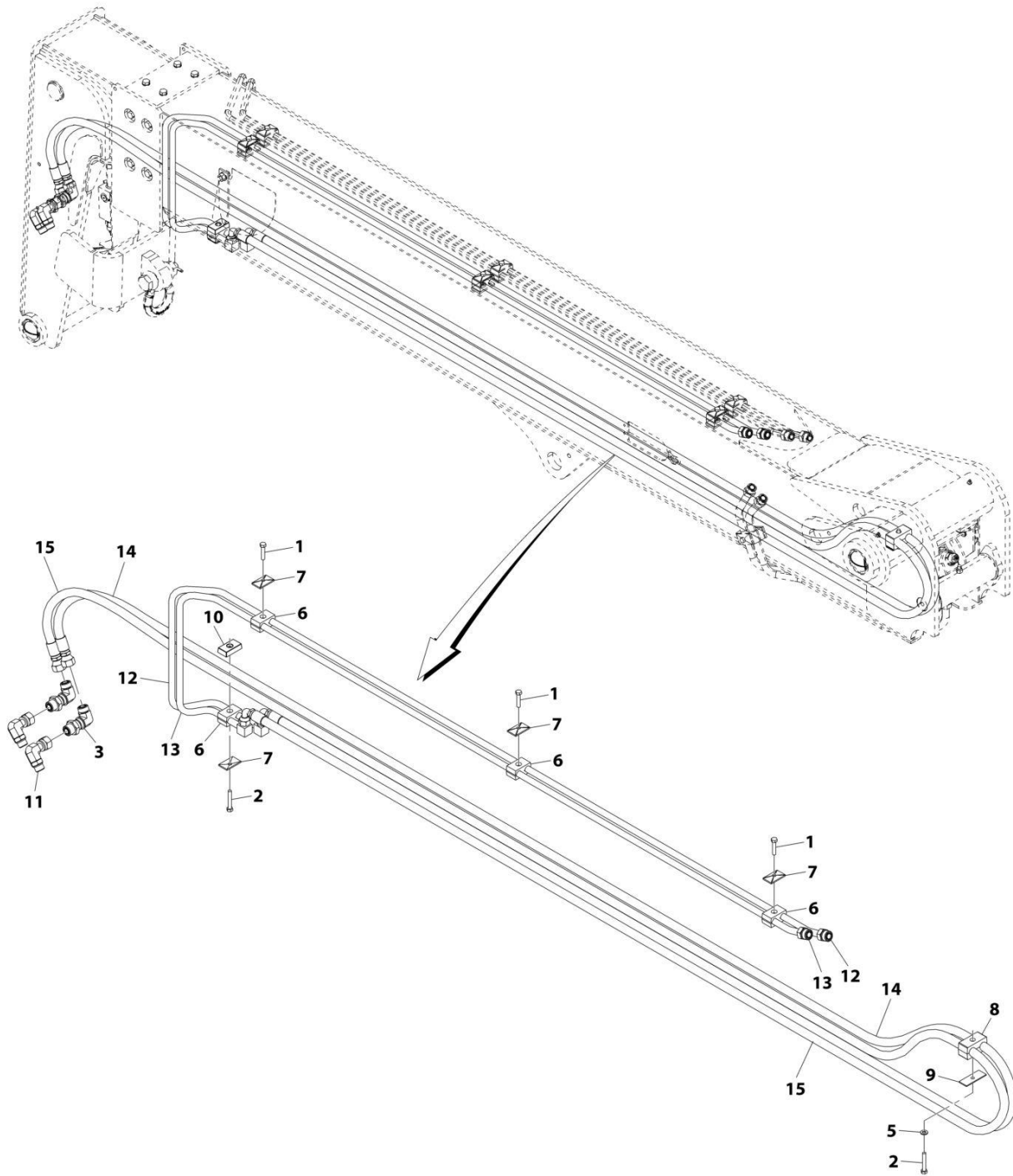
SECTION 8 - HYDRAULIC CIRCUITS

FIGURE 8-12. PARK BRAKE VALVE ASSEMBLY

ITEM	PART NUMBER	QTY	DESCRIPTION	REV
1	1001080567	Ref	Park Brake Valve Assembly	B
	1001292174	1	Valve, Park Brake Release (See Separate Breakdown in Hydraulic Components Section)	
2	2130406	1	Fitting, 90 ORFS	
3	2150406	1	Fitting, 90 ORFS	
4	80333184	1	Fitting, Straight	

SECTION 8 - HYDRAULIC CIRCUITS

FIGURE 8-13. BOOM HYDRAULIC INSTALLATION



ART_1001237192-C

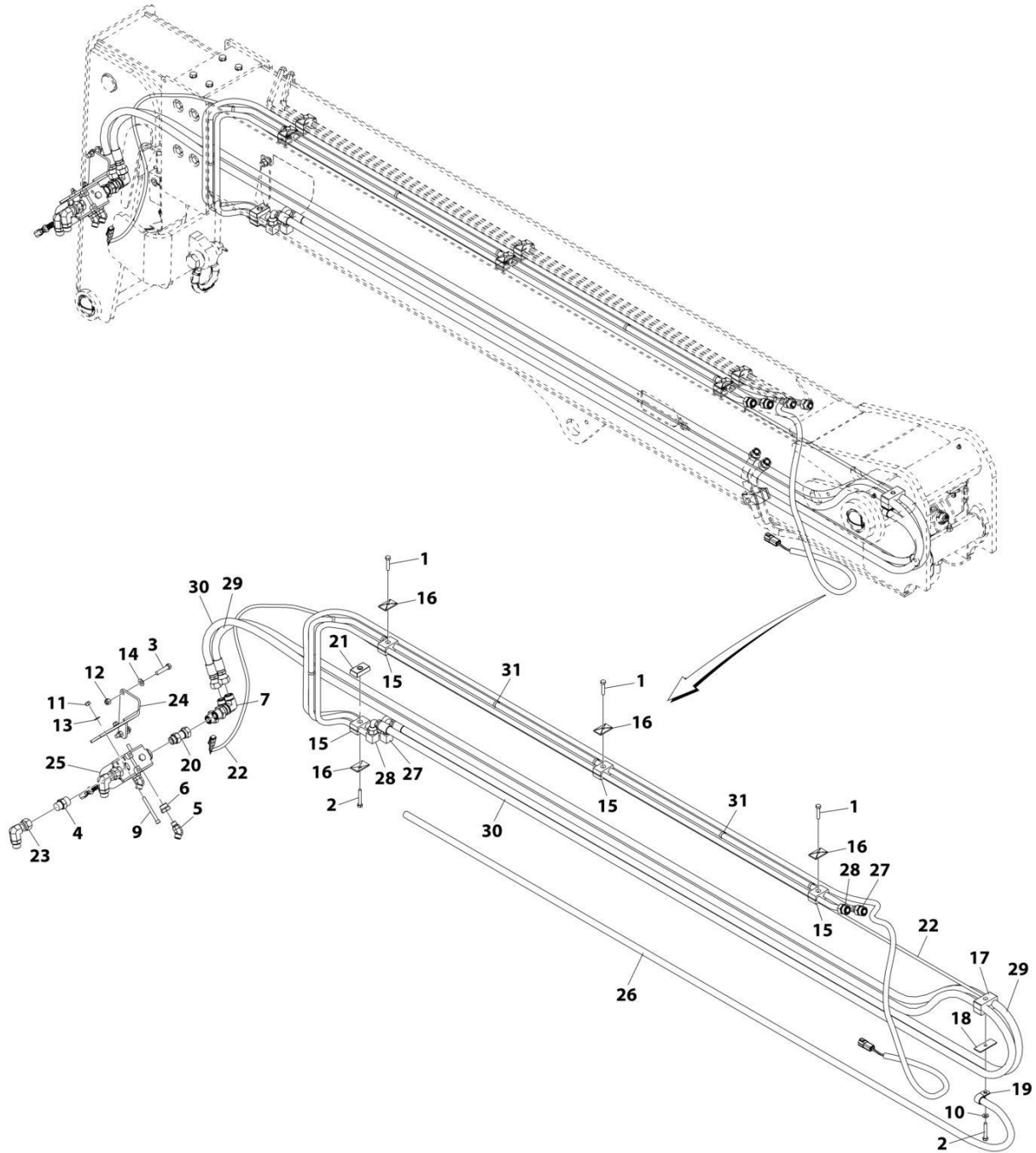
SECTION 8 - HYDRAULIC CIRCUITS

FIGURE 8-13. BOOM HYDRAULIC INSTALLATION

ITEM	PART NUMBER	QTY	DESCRIPTION	REV
	1001237192	Ref	Boom Hydraulic Installation	C
1	0641512	3	Hex HD Capscrew, 5/16-18X1-1/2, GR5	
2	0641516	2	Hex HD Capscrew, 5/16-18X2, GR5	
3	2221290	2	Elbow, 90	
5	4711500	1	Washer, 5/16	
6	8769122	4	Twin Clamp Set	
7	8769123	4	Twin Cover Plate	
8	77133136	1	Clamp	
9	77133137	1	Cover Plate	
10	1001080394	1	Twin Spacer	
11	1001090103	2	Fitting	
12	1001247193	1	Tube Assembly	
13	1001247192	1	Tube Assembly	
14	1001247194	1	Hose	
15	1001247195	1	Hose	

SECTION 8 - HYDRAULIC CIRCUITS

FIGURE 8-14. BOOM HYDRAULIC INSTALLATION, W/QS



ART_1001237214-B

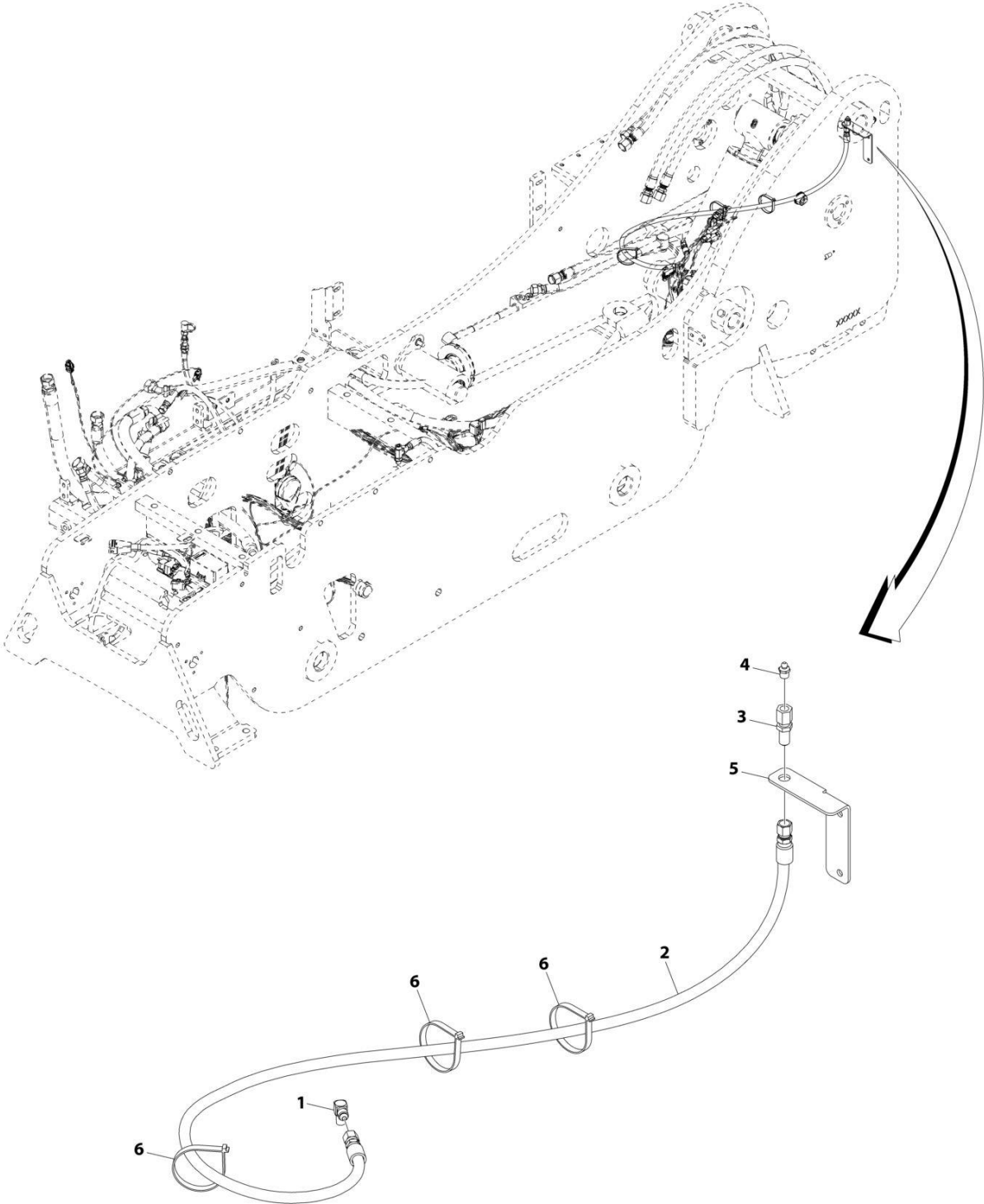
SECTION 8 - HYDRAULIC CIRCUITS

FIGURE 8-14. BOOM HYDRAULIC INSTALLATION, W/QS

ITEM	PART NUMBER	QTY	DESCRIPTION	REV
	1001237214	Ref	Boom Hydraulic Installation, W/QS	B
1	0641512	3	Hex HD Capscrew, 5/16-18X1-1/2, GR5	
2	0641516	2	Hex HD Capscrew, 5/16-18X2, GR5	
3	0641614	2	Hex HD Capscrew, 3/8-16X1-3/4, GR5	
4	2111010	2	Adapter	
5	2150606	2	Elbow, 45	
6	2220218	2	Adapter	
7	2221290	2	Elbow, 90	
9	3931548	2	Socket HD Capscrew, 5/16-18X3	
10	4711500	1	Washer, 5/16	
11	8305626	2	Hex Locknut, 5/16	
12	8305645	2	Hex Locknut, 3/8-16	
13	8307106	2	Plain Washer, 5/16	
14	8307110	2	Washer, 3/8	
15	8769122	4	Clamp Set	
16	8769123	4	Cover Plate	
17	77133136	1	Clamp Set	
18	77133137	1	Cover Plate	
19	91043147	1	Clamp	
20	1001001556	2	Adapter	
21	1001080394	1	Twin Line Clamp Spacer	
22	1001080397	1	Boom Aux Harness (See Separate Breakdown in Electrical Section)	
23	1001090103	2	Fitting	
24	1001100916	1	Bracket	
25	1001104477	1	Valve Divertor (See Separate Breakdown in this Section)	
26	1001232722	1	Hose	
27	1001080207	1	Tube Assembly	
28	1001080208	1	Tube Assembly	
29	1001236782	1	Hose	
30	1001236783	1	Hose	
31	90027187	AR	Cable Tie Strap	

SECTION 8 - HYDRAULIC CIRCUITS

FIGURE 8-15. REMOTE GREASE INSTALLATION



ART_1001236788-B

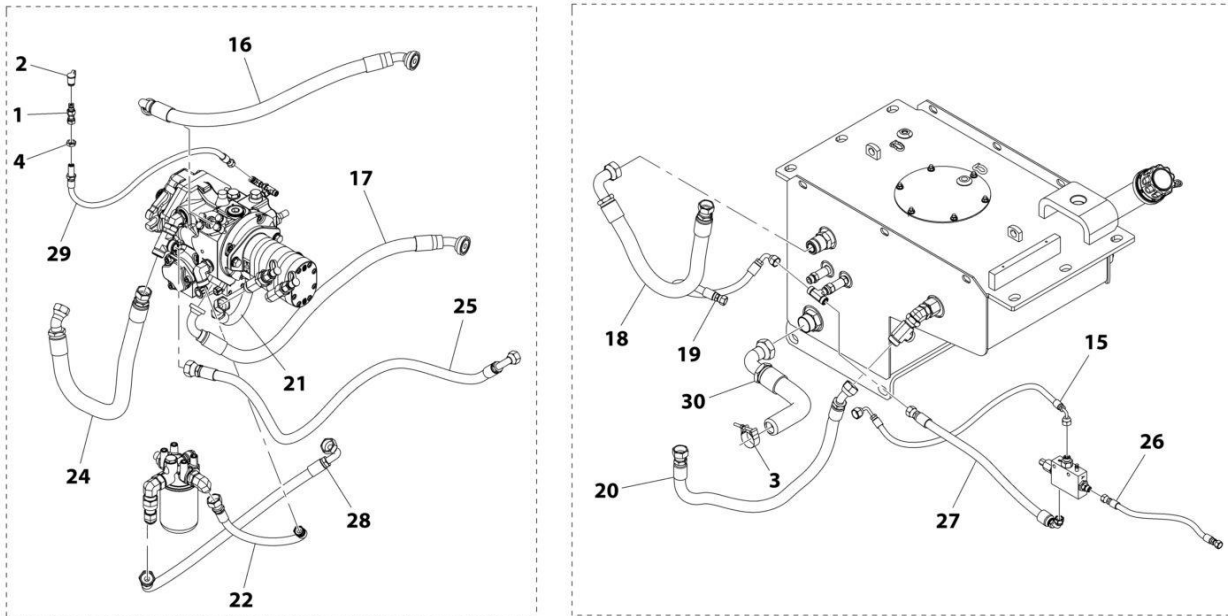
SECTION 8 - HYDRAULIC CIRCUITS

FIGURE 8-15. REMOTE GREASE INSTALLATION

ITEM	PART NUMBER	QTY	DESCRIPTION	REV
	1001236788	Ref	Remote Grease Installation	B
1	2220612	1	Elbow, 90	
2	1001081413	1	Hose Assembly	
3	80623016	1	Adapter	
4	8520001	1	Fitting	
5	1001236787	1	Bracket	
6	8584003	3	Cable Tie	

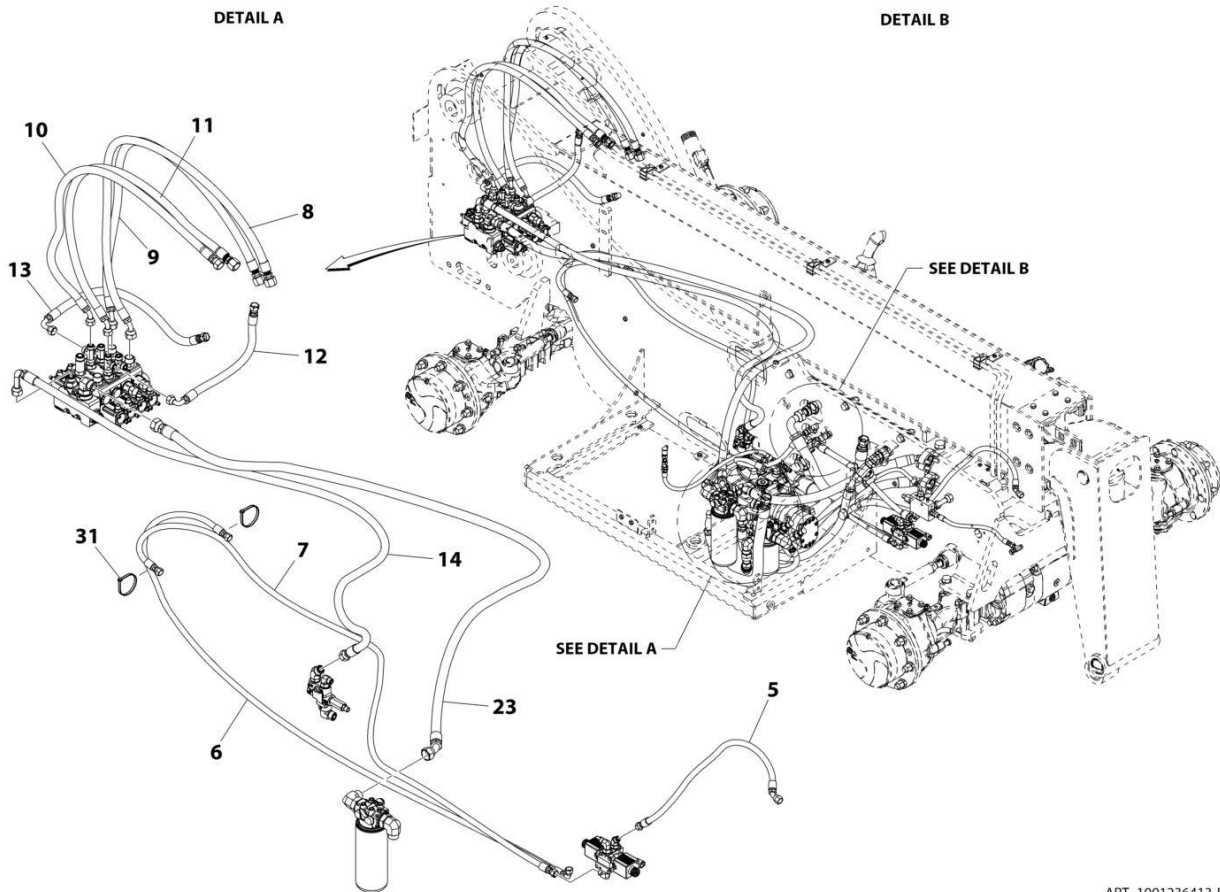
SECTION 8 - HYDRAULIC CIRCUITS

FIGURE 8-16. FRAME HYDRAULIC HOSE INSTALLATION



DETAIL A

DETAIL B



ART_1001236413-B

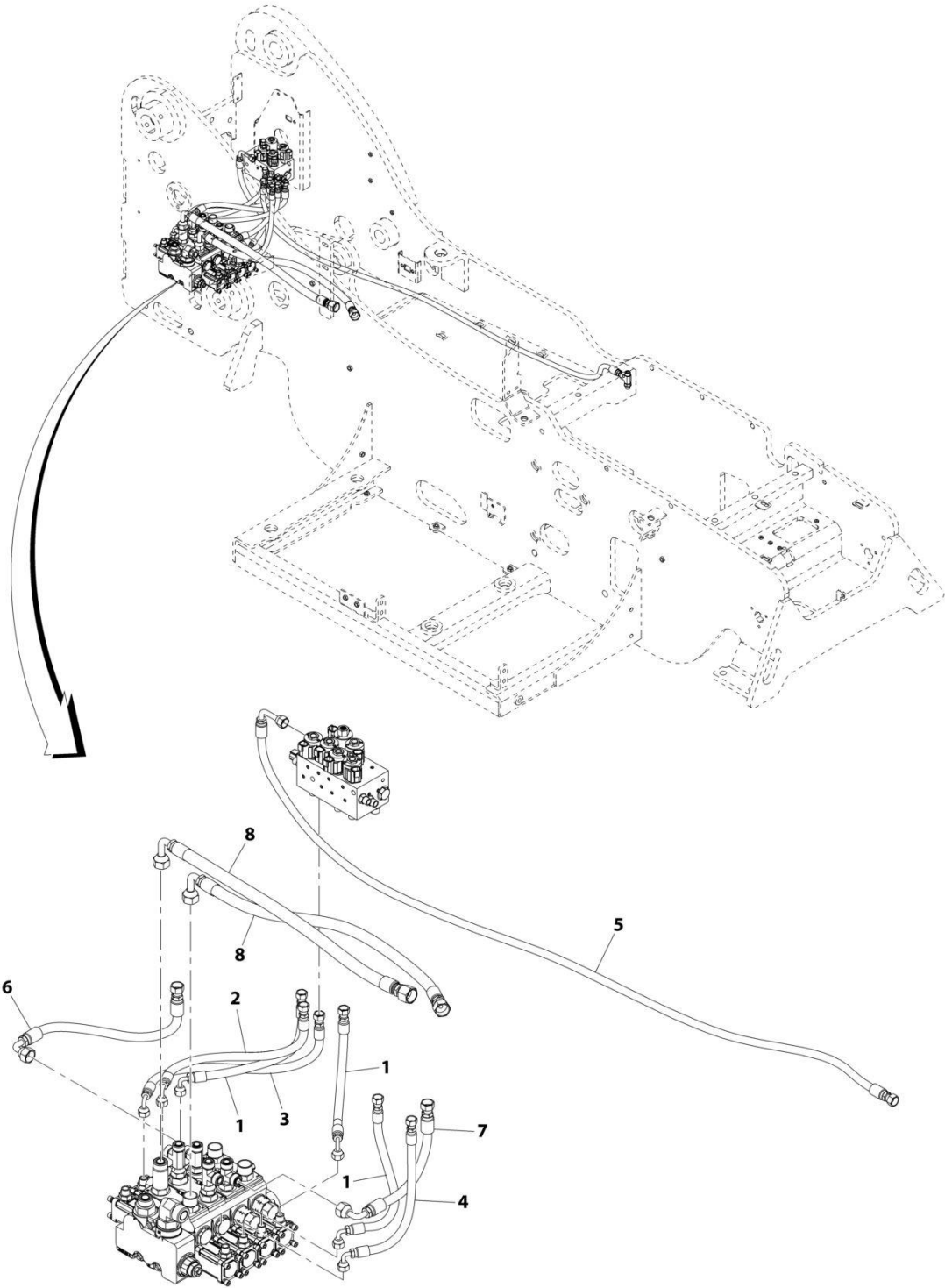
SECTION 8 - HYDRAULIC CIRCUITS

FIGURE 8-16. FRAME HYDRAULIC HOSE INSTALLATION

ITEM	PART NUMBER	QTY	DESCRIPTION	REV
	1001236413	Ref	Frame Hydraulic Hose Installation	B
1	2221229	1	Adapter, Diagnostic Nipple	
2	8430032	1	Dust Cap	
3	80633030	1	Clamp	
4	88662482	1	Locknut	
5	1001236418	1	Hose Assembly	
6	1001236419	1	Hose Assembly	
7	1001236420	1	Hose Assembly	
8	1001080293	1	Hose Assembly	
9	1001080309	1	Hose Assembly	
10	1001080437	1 in	Hose Assembly	
11	1001080438	1 in	Hose Assembly	
12	1001081347	1	Hose Assembly	
13	1001081348	1	Hose Assembly	
14	1001144697	1	Hose Assembly	
15	1001144763	1	Hose Assembly	
16	1001144749	1	Hose Assembly	
17	1001144750	1	Hose Assembly	
18	1001144751	1	Hose Assembly	
19	1001144753	1	Hose Assembly	
20	1001144754	1	Hose Assembly	
21	1001144755	1	Hose Assembly	
22	1001144757	1	Hose Assembly	
23	1001144759	1	Hose Assembly	
24	1001144760	1	Hose Assembly	
25	1001144761	1	Hose Assembly	
26	1001144764	1	Hose Assembly	
27	1001144737	1	Hose Assembly	
28	1001151288	1	Hose Assembly	
29	1001152967	1	Hose Assembly	
30	1001202141	1	Hose Assembly	
31	4240099	2	Strap, Tie	

SECTION 8 - HYDRAULIC CIRCUITS

FIGURE 8-17. HYDRAULIC HOSE INSTALLATION (ANSI)



ART_1001200567-B

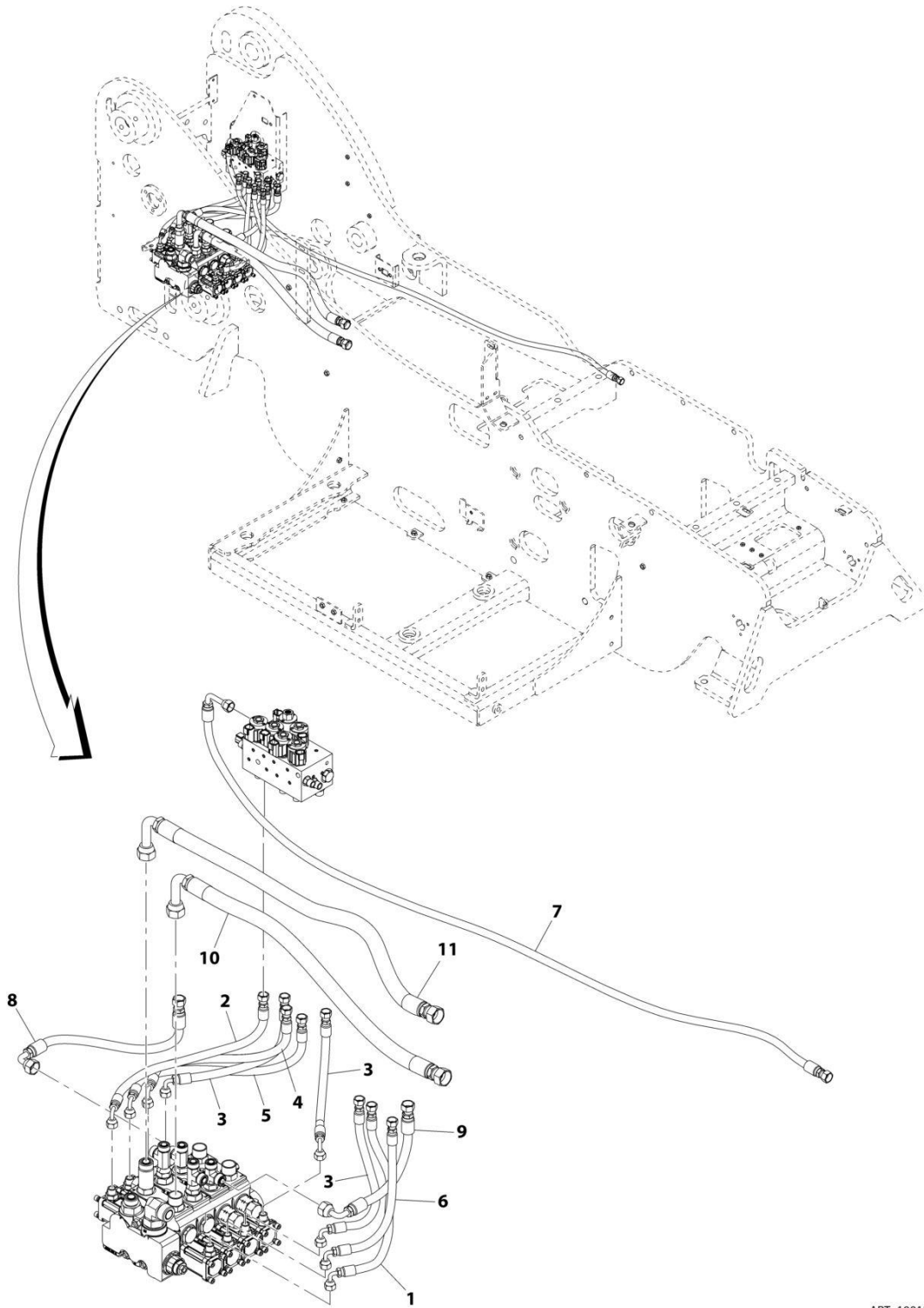
SECTION 8 - HYDRAULIC CIRCUITS

FIGURE 8-17. HYDRAULIC HOSE INSTALLATION (ANSI)

ITEM	PART NUMBER	QTY	DESCRIPTION	REV
	1001200567	Ref	Hydraulic Hose Installation (ANSI)	B
1	1001129889	3	Hose Assembly	
2	1001129891	1	Hose Assembly	
3	1001129893	1	Hose Assembly	
4	1001129894	1	Hose Assembly	
5	1001209089	1	Hose Assembly	
6	1001129925	1	Hose Assembly	
7	1001129926	1	Hose Assembly	
8	1001080279	2	Hose Assembly	

SECTION 8 - HYDRAULIC CIRCUITS

FIGURE 8-18. HYDRAULIC HOSE INSTALLATION (CE)



ART_1001201117-B

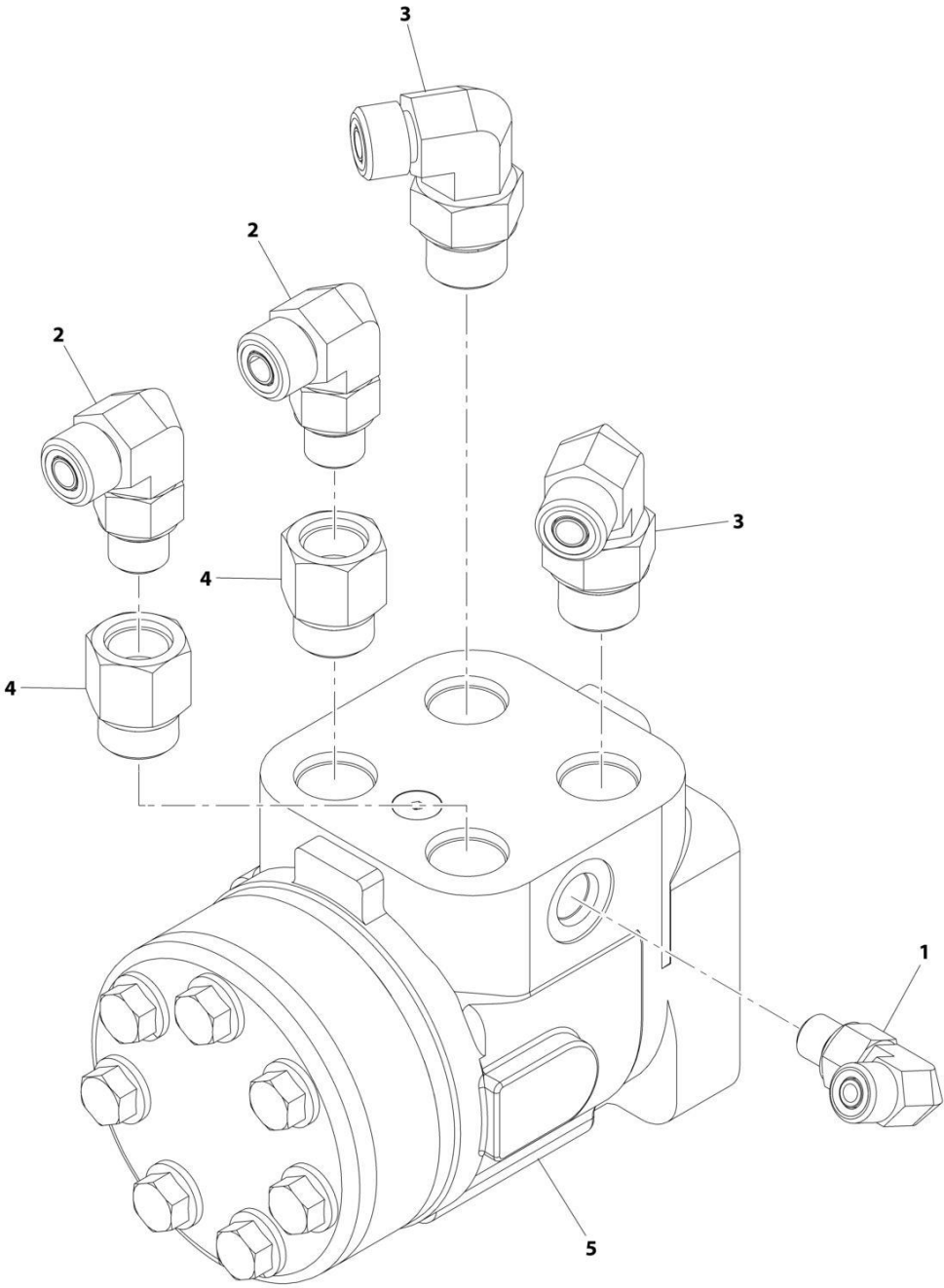
SECTION 8 - HYDRAULIC CIRCUITS

FIGURE 8-18. HYDRAULIC HOSE INSTALLATION (CE)

ITEM	PART NUMBER	QTY	DESCRIPTION	REV
	1001201117	Ref	Hydraulic Hose Installation (CE)	B
1	1001129887	1	Hose Assembly	
2	1001129888	1	Hose Assembly	
3	1001129889	3	Hose Assembly	
4	1001129891	1	Hose Assembly	
5	1001129893	1	Hose Assembly	
6	1001129894	1	Hose Assembly	
7	1001209089	1	Hose Assembly	
8	1001129925	1	Hose Assembly	
9	1001129926	1	Hose Assembly	
10	1001132411	1	Hose Assembly	
11	1001132412	1	Hose Assembly	

SECTION 8 - HYDRAULIC CIRCUITS

FIGURE 8-19. STEERING VALVE ASSEMBLY



ART_1001202006-A

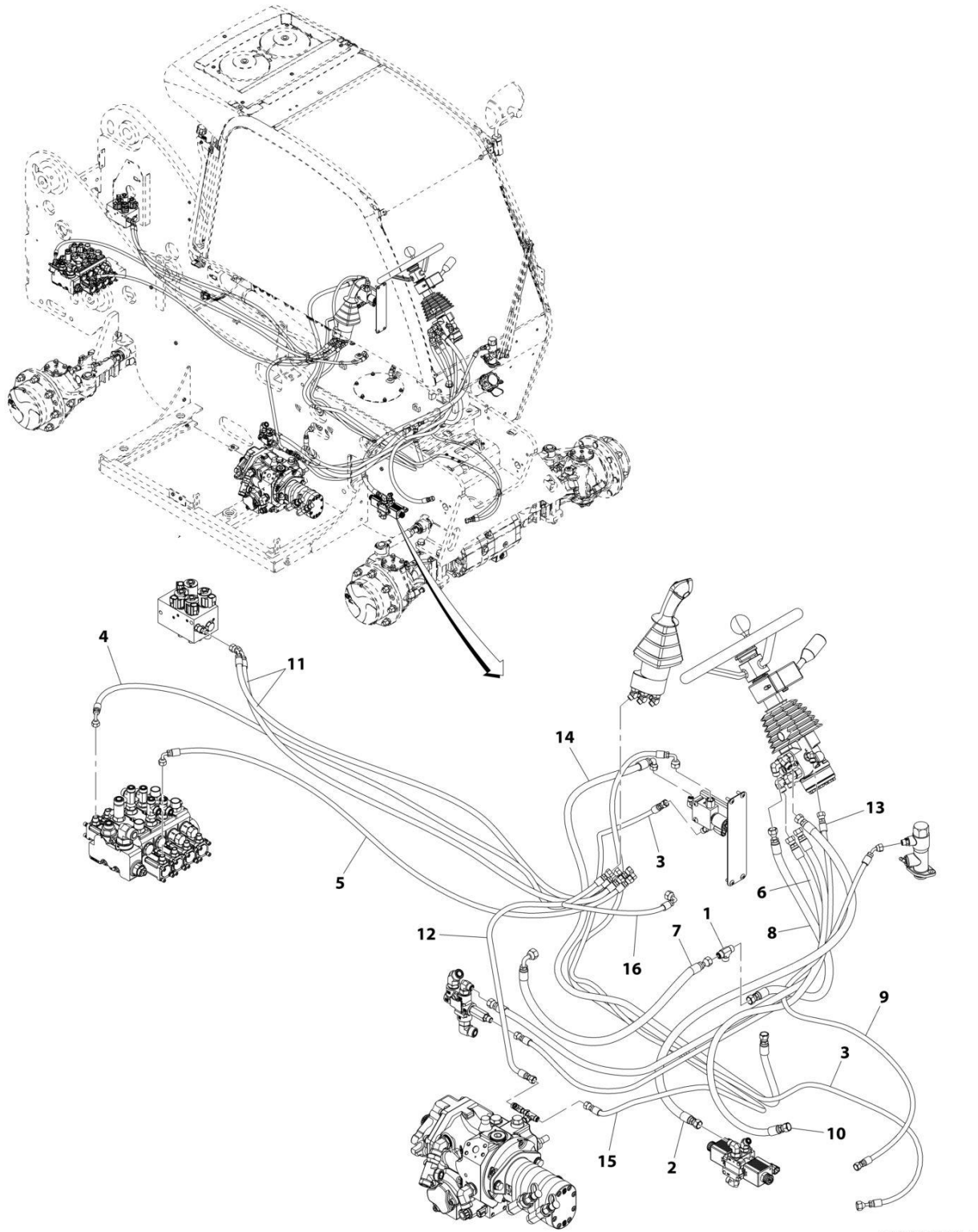
SECTION 8 - HYDRAULIC CIRCUITS

FIGURE 8-19. STEERING VALVE ASSEMBLY

ITEM	PART NUMBER	QTY	DESCRIPTION	REV
	1001202006	Ref	Steering Valve Assembly	A
1	2130404	1	Adapter, 90	
2	2130606	2	Adapter, 90	
3	2130608	2	Adapter, 90	
4	2220591	2	Adapter, Connector	
5	1001194017	1	Orbital Steering Valve	

SECTION 8 - HYDRAULIC CIRCUITS

FIGURE 8-20. CAB HYDRAULICS INSTALLATION, (ANSI)



ART_1001235716-A

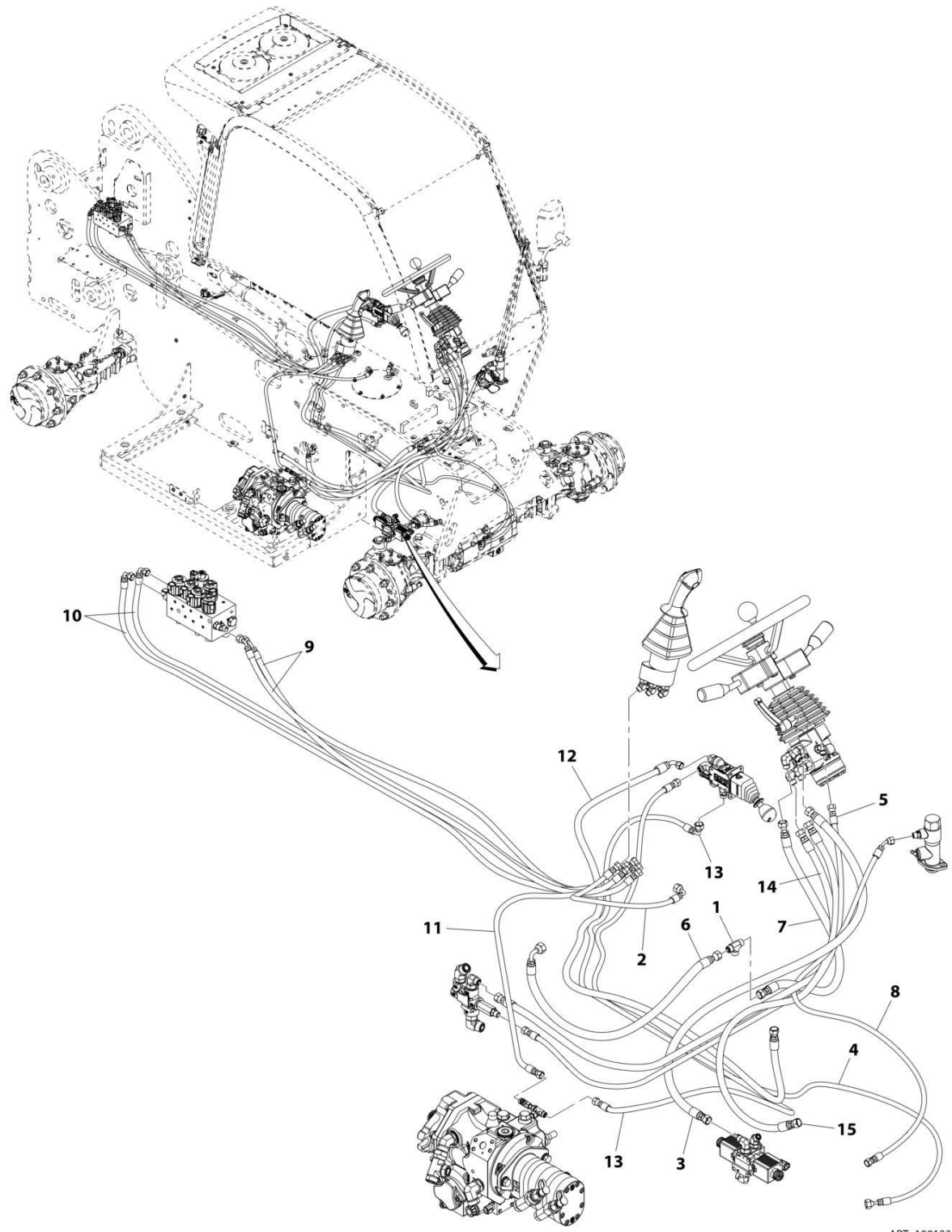
SECTION 8 - HYDRAULIC CIRCUITS

FIGURE 8-20. CAB HYDRAULICS INSTALLATION, (ANSI)

ITEM	PART NUMBER	QTY	DESCRIPTION	REV
	1001235716	Ref	Cab Hydraulics Installation, (ANSI)	A
1	2170506	1	Adapter, Run Tee	
2	1001080250	1	Hose Assembly	
3	1001080251	1	Hose Assembly	
4	1001080265	1	Hose Assembly	
5	1001080266	1	Hose Assembly	
6	1001209063	1	Hose Assembly	
7	1001080585	1	Hose Assembly	
8	1001080586	1	Hose Assembly	
9	1001106622	1	Hose Assembly	
10	1001236417	1	Hose Assembly	
11	1001129895	2	Hose Assembly	
12	1001144756	1	Hose Assembly	
13	1001080356	1	Hose Assembly	
14	1001145224	1	Hose Assembly	
15	1001145225	1	Hose Assembly	
16	1001202297	1	Hose Assembly	

SECTION 8 - HYDRAULIC CIRCUITS

FIGURE 8-21. CAB HYDRAULICS INSTALLATION (LSI)



ART_1001236957-B

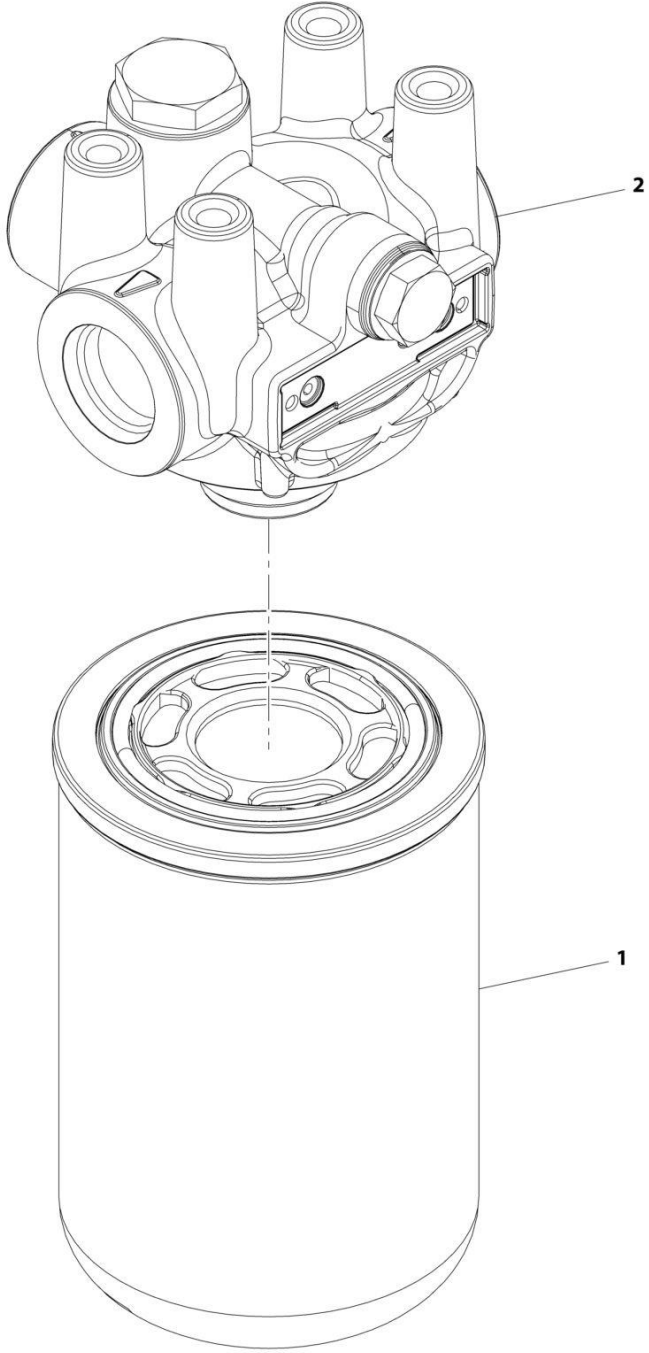
SECTION 8 - HYDRAULIC CIRCUITS

FIGURE 8-21. CAB HYDRAULICS INSTALLATION (LSI)

ITEM	PART NUMBER	QTY	DESCRIPTION	REV
	1001236957	Ref	Cab Hydraulics Installation (LSI)	B
1	2170506	1	Adapter, Run Tee	
2	1001202297	1	Hose Assembly	
3	1001080250	1	Hose Assembly	
4	1001080251	1	Hose Assembly	
5	1001080356	1	Hose Assembly	
6	1001080585	1	Hose Assembly	
7	1001080586	1	Hose Assembly	
8	1001106622	1	Hose Assembly	
9	1001129895	2	Hose Assembly	
10	1001129898	2	Hose Assembly	
11	1001144756	1	Hose Assembly	
12	1001145224	1	Hose Assembly	
13	1001145225	1	Hose Assembly	
14	1001209063	1	Hose Assembly	
15	1001236417	1	Hose Assembly	

SECTION 8 - HYDRAULIC CIRCUITS

FIGURE 8-22. IMPLEMENT PUMP FILTER ASSEMBLY



ART_1001141976-A

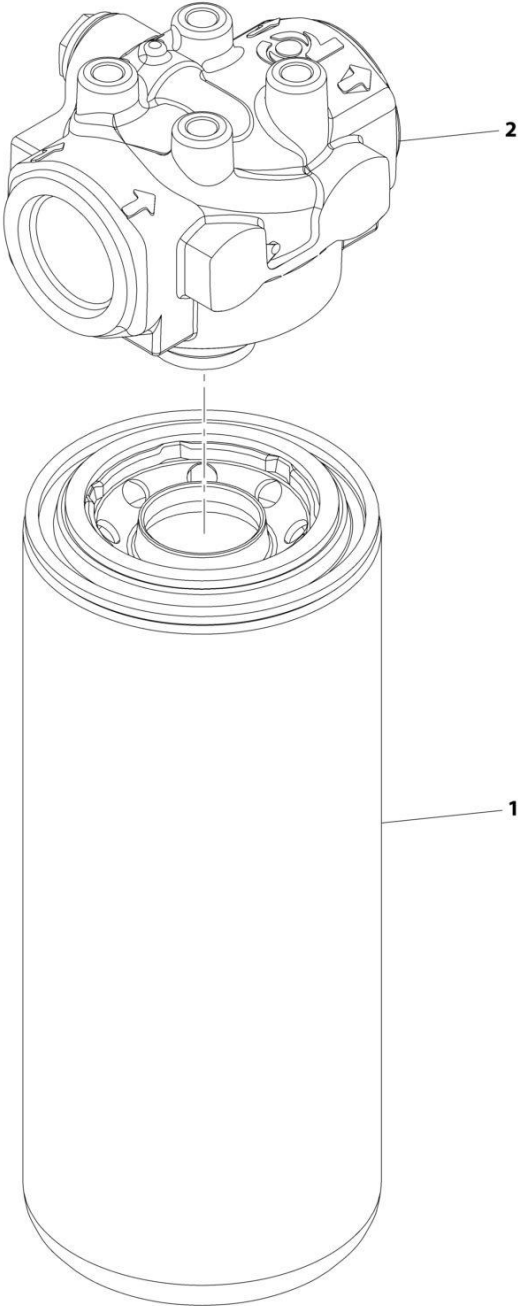
SECTION 8 - HYDRAULIC CIRCUITS

FIGURE 8-22. IMPLEMENT PUMP FILTER ASSEMBLY

ITEM	PART NUMBER	QTY	DESCRIPTION	REV
	1001141976	Ref	Implement Pump Filter Assembly	A
1	1001141461	1	Filter	
2	1001141462	1	Pump, Filter	

SECTION 8 - HYDRAULIC CIRCUITS

FIGURE 8-23. HYDRAULIC FILTER ASSEMBLY



ART_1001141975-A

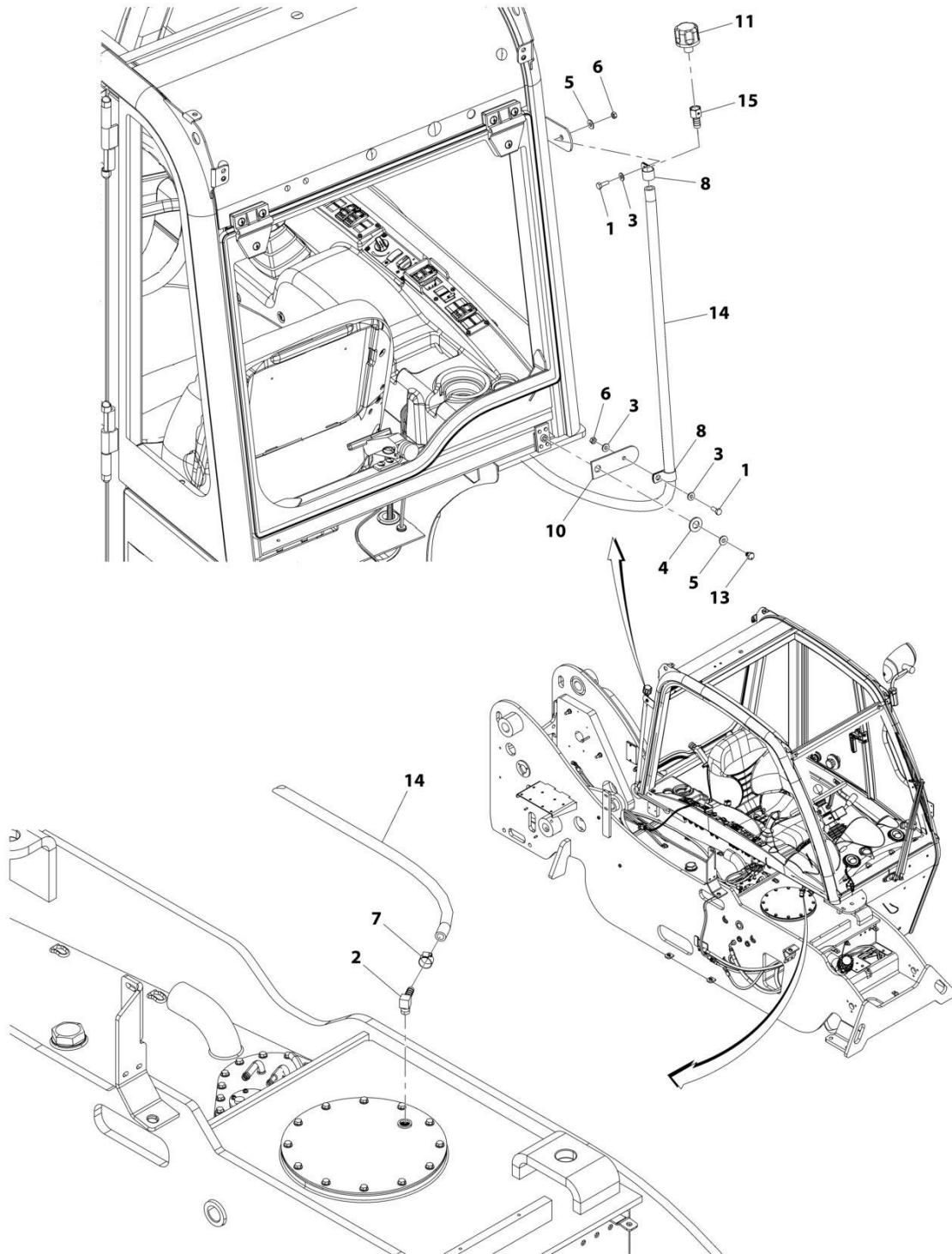
SECTION 8 - HYDRAULIC CIRCUITS

FIGURE 8-23. HYDRAULIC FILTER ASSEMBLY

ITEM	PART NUMBER	QTY	DESCRIPTION	REV
	1001141975	Ref	Hydraulic Filter Assembly	A
1	1001141459	1	Hydraulic Oil Filter Element	
2	1001141460	1	Head Filter	

SECTION 8 - HYDRAULIC CIRCUITS

FIGURE 8-24. HYDRAULIC TANK BREATHER INSTALLATION



ART_1001182755-C

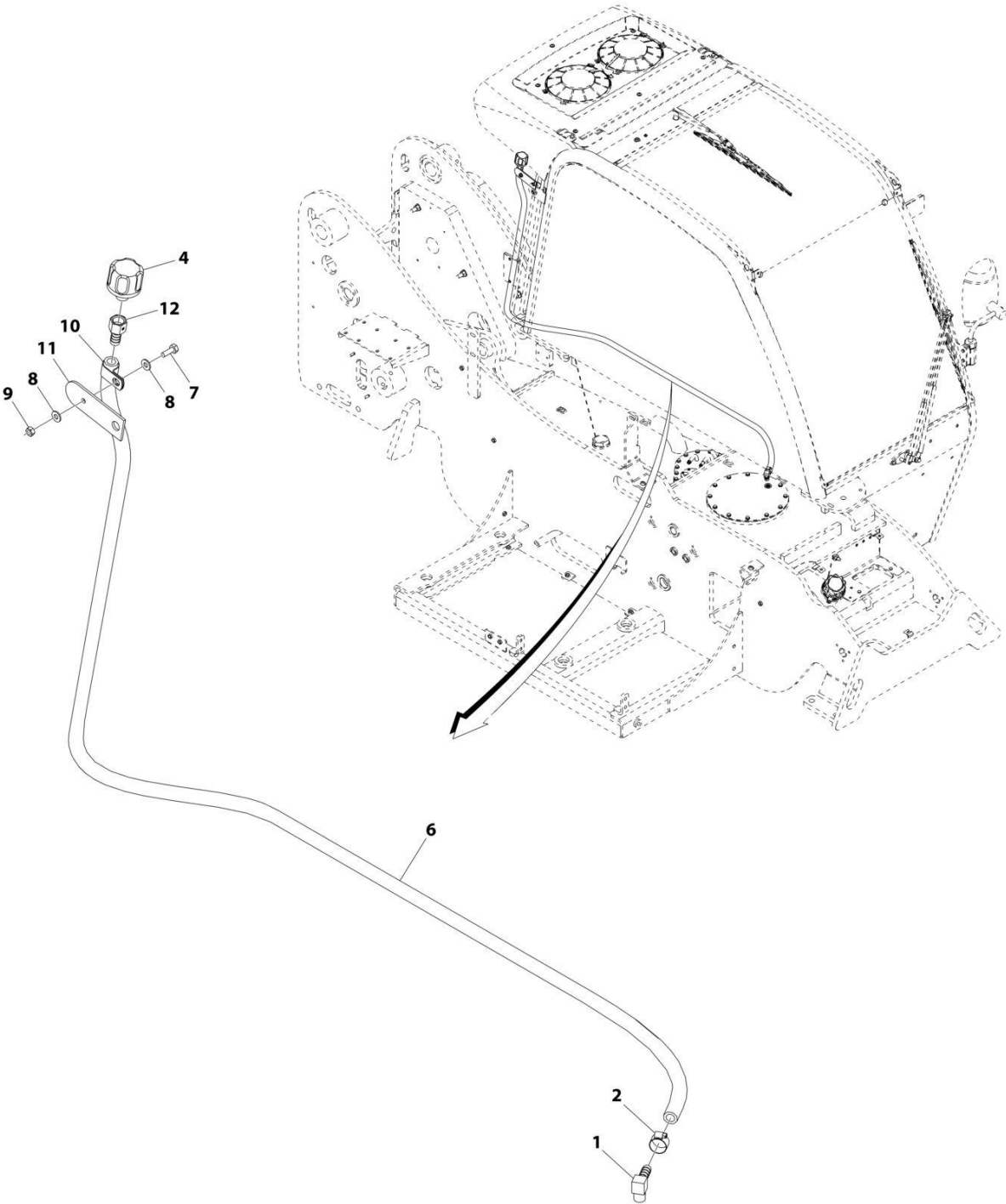
SECTION 8 - HYDRAULIC CIRCUITS

FIGURE 8-24. HYDRAULIC TANK BREATHER INSTALLATION

ITEM	PART NUMBER	QTY	DESCRIPTION	REV
	1001182755	Ref	Hydraulic Tank Breather Installation	C
1	0641406	2	Bolt, 1/4-20X3/4	
2	2221198	1	Fitting, 90	
3	4711400	3	Washer, 1/4	
4	4711900	1	Washer, 9/16	
5	4751400	2	Washer, 1/4	
6	8305004	2	Nut	
7	8405006	1	Clamp, Gear	
8	8406102	2	Clip	
10	1001182224	1	Bracket	
11	1001185024	1	Filter, Hydraulic Breather	
13	1001196601	1	Bolt	
14	1001154405	7	Hose	
15	1001232888	1	Fitting, Straight	

SECTION 8 - HYDRAULIC CIRCUITS

FIGURE 8-25. HYDRAULIC TANK BREATHER INSTALLTION (A/C)



ART_1001186376-B

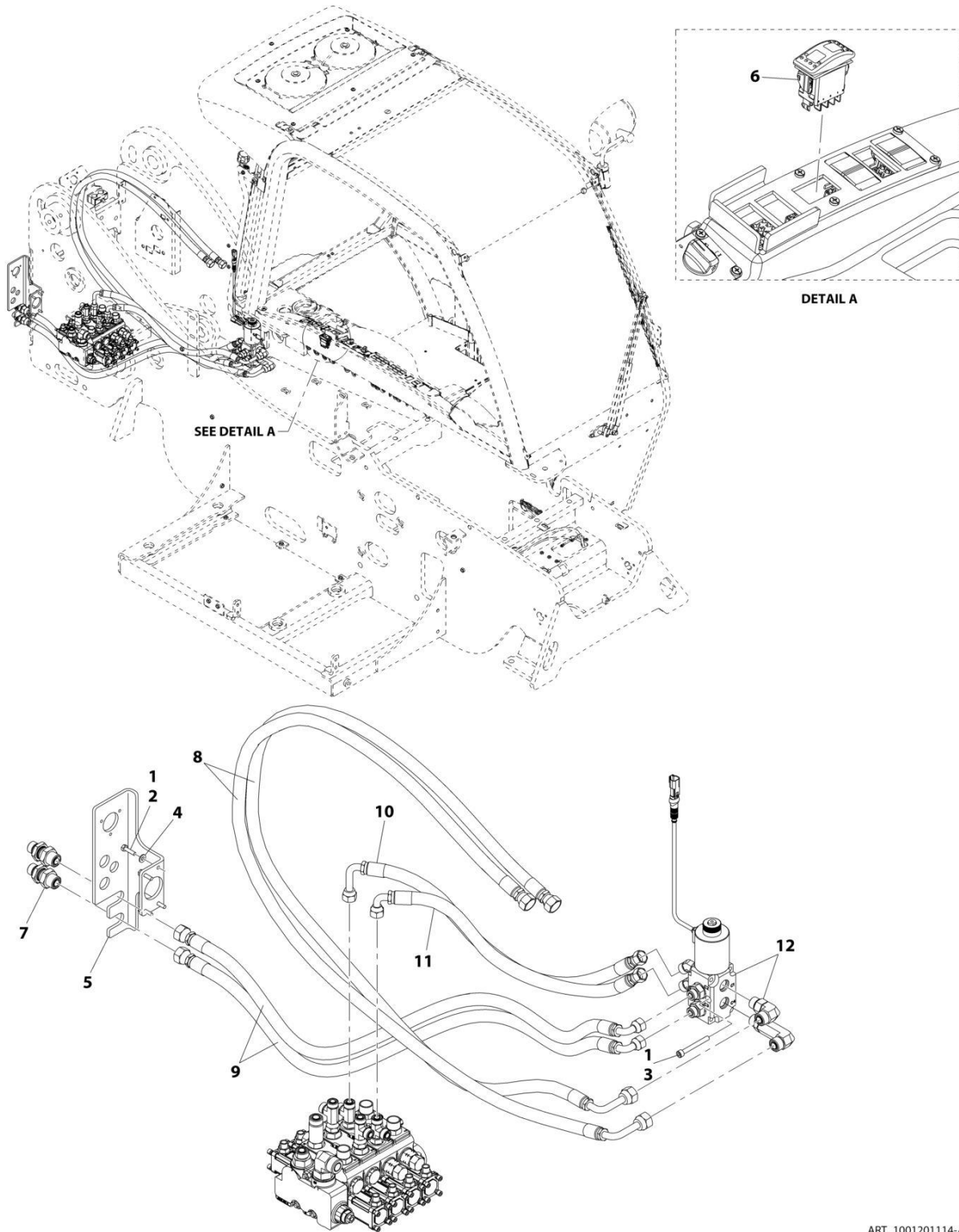
SECTION 8 - HYDRAULIC CIRCUITS

FIGURE 8-25. HYDRAULIC TANK BREATHER INSTALLTION (A/C)

ITEM	PART NUMBER	QTY	DESCRIPTION	REV
	1001186376	Ref	Hydraulic Tank Breather installtion (A/C)	B
1	2221198	1	Barbed Fitting, 90	
2	8405006	1	Gear Clamp	
4	1001185024	1	Air Breather	
6	1001154405	7	Fuel Line Hose, 1/2 In	
7	0641406	1	Hex HD Cap Screw, 1/4-20X3/4	
8	4711400	2	Narrow Washer, 1/4	
9	8305004	1	Hex Nut	
10	8406102	1	Wire Clip	
11	1001182224	1	Tank Breather Hose Bracket	
12	1001232888	1	Fitting	

SECTION 8 - HYDRAULIC CIRCUITS

FIGURE 8-26. REAR HYDRAULIC OUTLET INSTALLATION



ART_1001201114-A

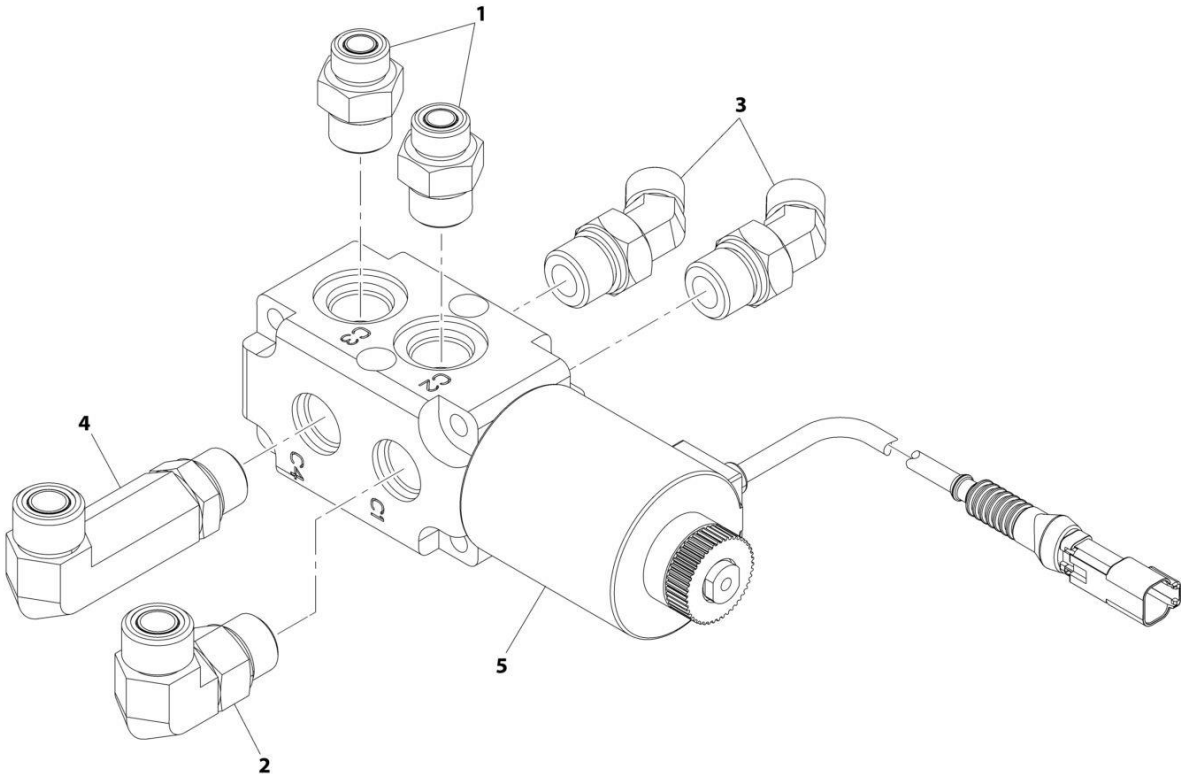
SECTION 8 - HYDRAULIC CIRCUITS

FIGURE 8-26. REAR HYDRAULIC OUTLET INSTALLATION

ITEM	PART NUMBER	QTY	DESCRIPTION	REV
	1001201114	Ref	REAR HYDRAULIC OUTLET INSTALLATION	A
1	0100011	AR	Compound, Locking	
2	0641408	4	Capscrew 1/4 x 1	
3	4031918	2	Bolt M8 x 70	
4	4711400	4	Washer 1/4	
5	1001080240	1	Trailer Hitch Bracket	
6	1001080364	1	Front/Rear Auxiliary Hydraulic Switch	
7	1001101235	2	Adapter	
8	1001135799	2	Hose Assembly	
9	1001135801	2	Hose Assembly	
10	1001135803	1	Hose Assembly	
11	1001135805	1	Hose Assembly	
12	1001135807	1	Assembly, Rear Diverter Valve (See Separate Breakdown in this Section)	

SECTION 8 - HYDRAULIC CIRCUITS

FIGURE 8-27. REAR DIVERTER VALVE ASSEMBLY



ART_1001135807-A

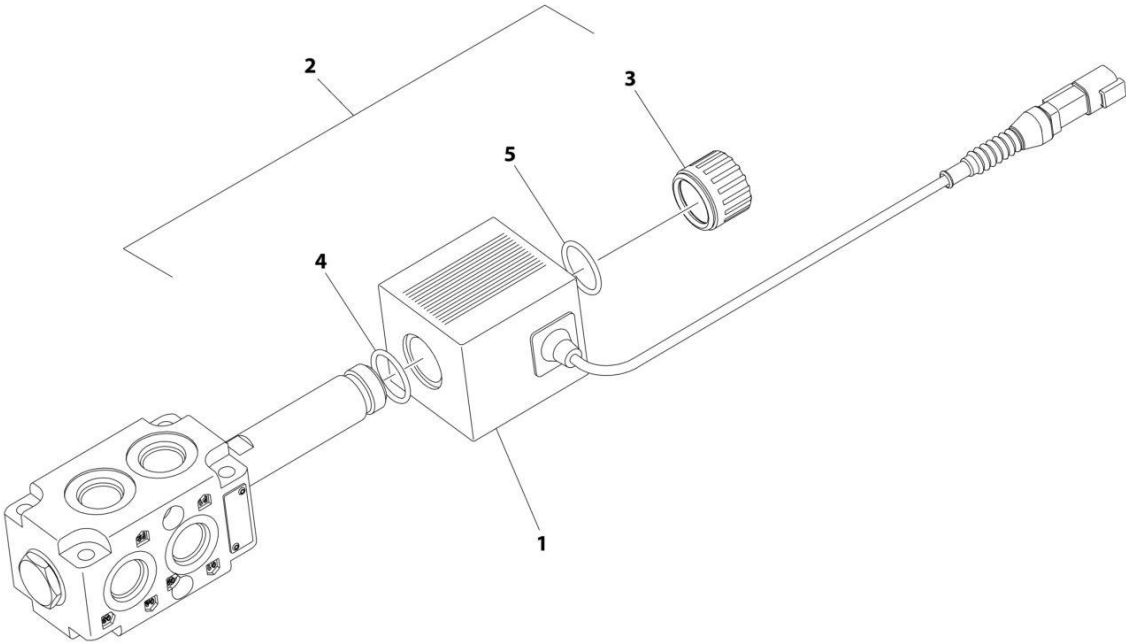
SECTION 8 - HYDRAULIC CIRCUITS

FIGURE 8-27. REAR DIVERTER VALVE ASSEMBLY

ITEM	PART NUMBER	QTY	DESCRIPTION	REV
	1001135807	Ref	Rear Diverter Valve Assembly	A
1	2110810	2	Adapter	
2	2131010	1	Adapter, 90	
3	2150810	2	Adapter, 45	
4	2170210	1	Adapter, 90	
5	1001104477	1	Diverter Valve (See Separate Breakdown in this Section)	

SECTION 8 - HYDRAULIC CIRCUITS

FIGURE 8-28. DIVERTOR VALVE



ART_1001104477

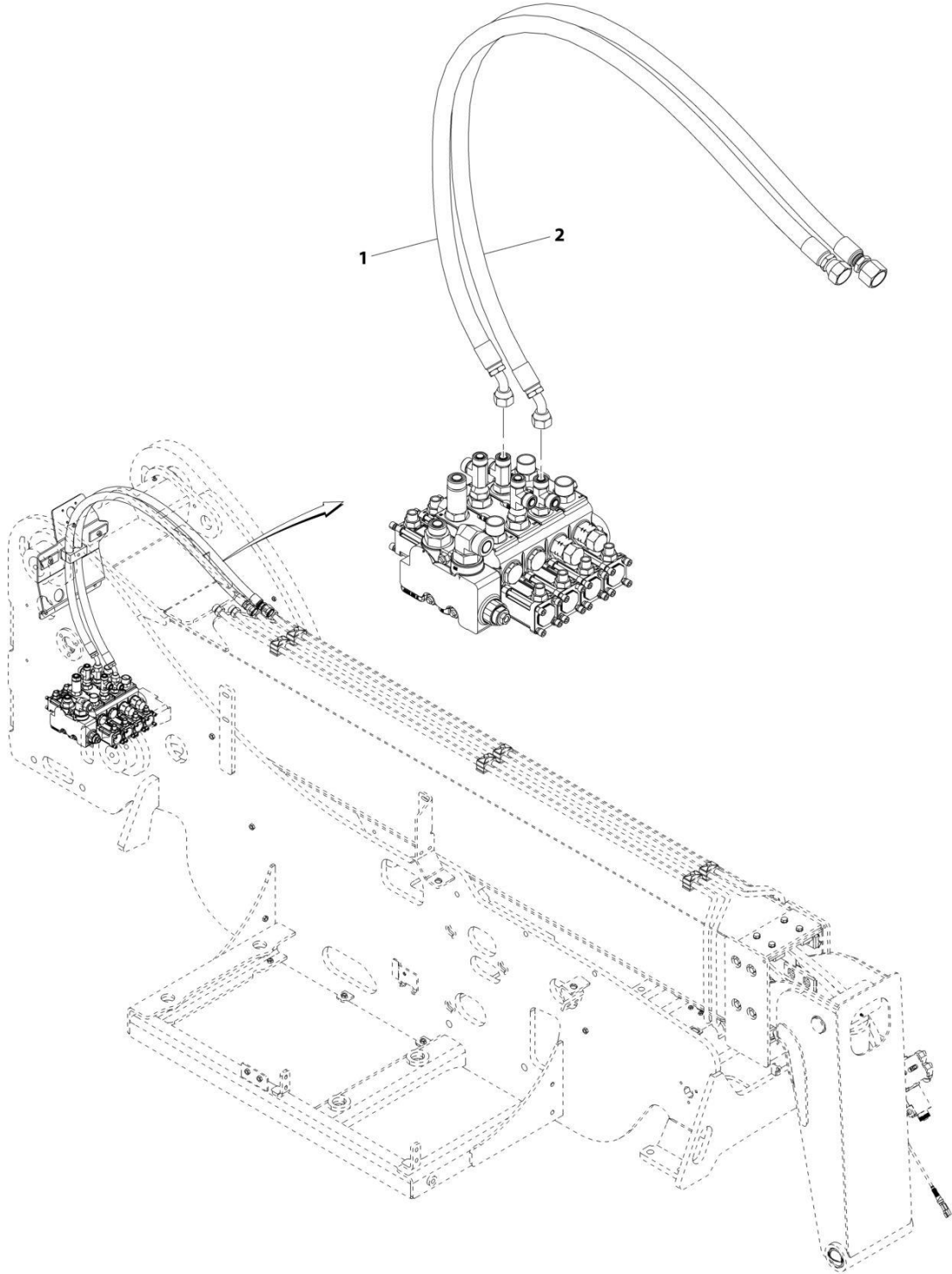
SECTION 8 - HYDRAULIC CIRCUITS

FIGURE 8-28. DIVERTOR VALVE

ITEM	PART NUMBER	QTY	DESCRIPTION	REV
	1001104477	Ref	DIVERTOR VALVE	D
1	70020764	1	Coil	
2	70021531	1	Retainer Kit (Includes Items 3-5)	
3	Kit	1	Nut	
4	Kit	1	O-Ring	
5	Kit	1	O-Ring	

SECTION 8 - HYDRAULIC CIRCUITS

FIGURE 8-29. BOOM AUX HOSE INSTALLATION



ART_1001201115-A

SECTION 8 - HYDRAULIC CIRCUITS

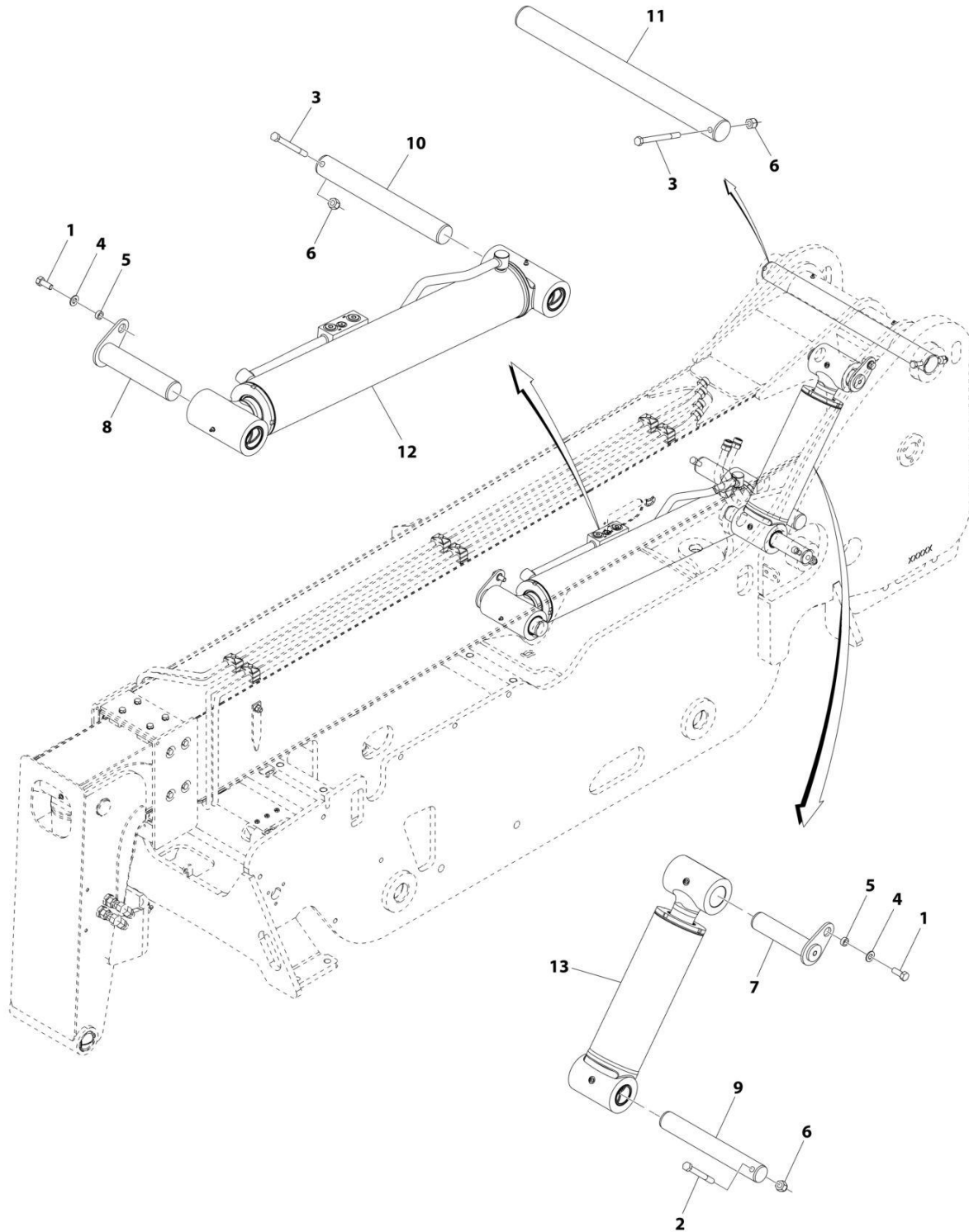
FIGURE 8-29. BOOM AUX HOSE INSTALLATION

ITEM	PART NUMBER	QTY	DESCRIPTION	REV
	1001201115	Ref	Boom Aux Hose Installation	A
1	1001080294	1	Hose Assembly	
2	1001080308	1	Hose Assembly	

SECTION 9 - HYDRAULIC COMPONENTS

SECTION 9 - HYDRAULIC COMPONENTS

FIGURE 9-1. BOOM CYLINDER INSTALLATION, ANSI



ART_1001204854-B

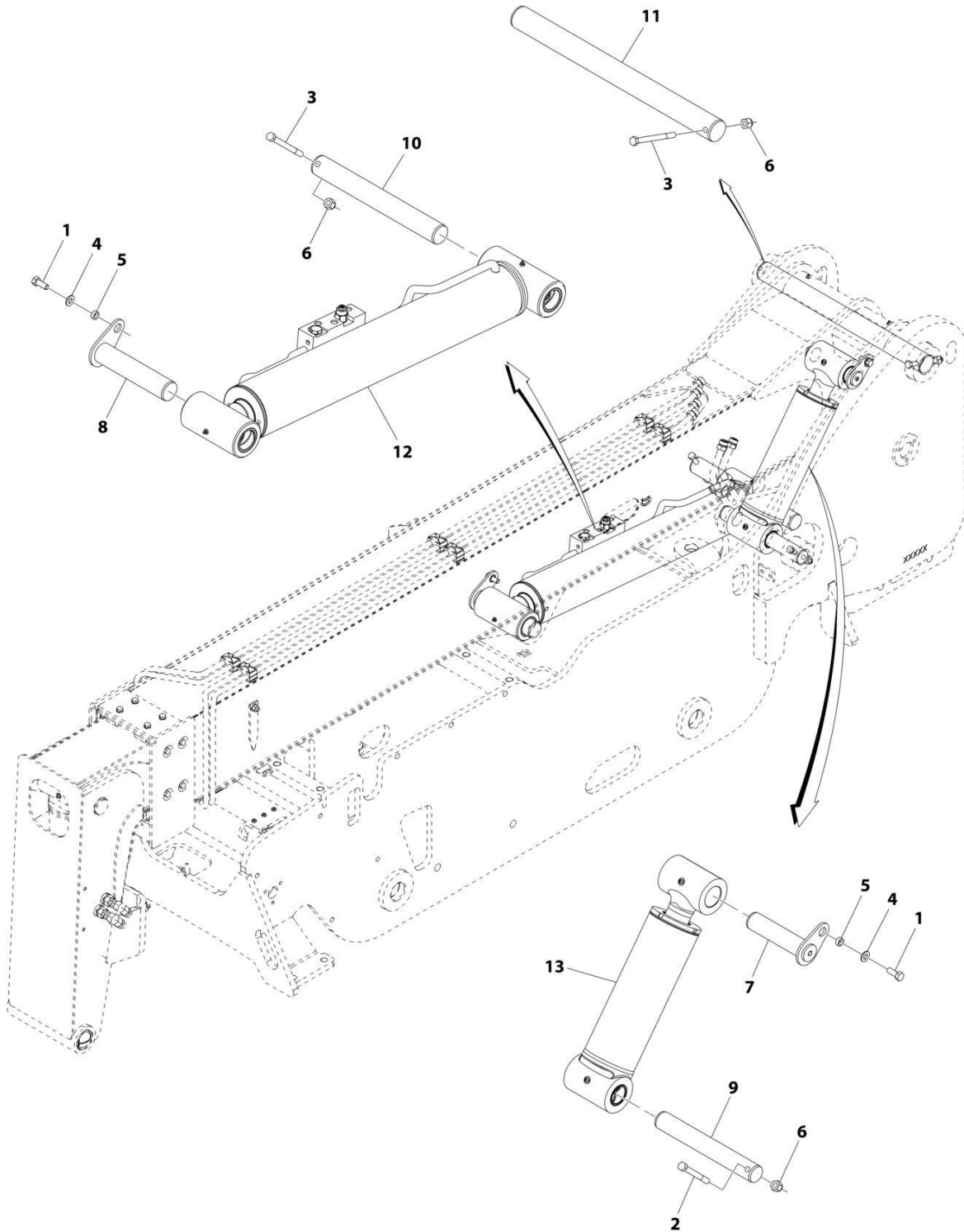
SECTION 9 - HYDRAULIC COMPONENTS

FIGURE 9-1. BOOM CYLINDER INSTALLATION, ANSI

ITEM	PART NUMBER	QTY	DESCRIPTION	REV
	1001204854	Ref	Boom Cylinder Installation (ANSI)	B
1	0641810	2	Hex HD Capscrew, 1/2-13X5/4	
2	0681836	1	Hex HD Capscrew, 1/2-13X9/2	
3	0681844	2	Hex HD Capscrew, 1/2-13X11/2	
4	4711800	2	Plain Washer, 1/2	
5	7139886	2	Pin Retention Spacer	
6	88521208	3	Locknut, 1/2-13	
7	1001080154	1	Cylinder Rod Pin	
8	1001080155	1	Cylinder Rod Pin	
9	1001080312	1	Cylinder Base Pin	
10	1001080313	1	Cylinder Base Pin	
11	1001080314	1	Boom Pivot Pin	
12	1001225578	1	Lift Cylinder (See Separate Breakdown in this Section)	
13	1001200580	1	Compensation Cylinder (See Separate Breakdown in this Section)	

SECTION 9 - HYDRAULIC COMPONENTS

FIGURE 9-2. BOOM CYLINDER INSTALLATION, CE



ART_1001204856-A

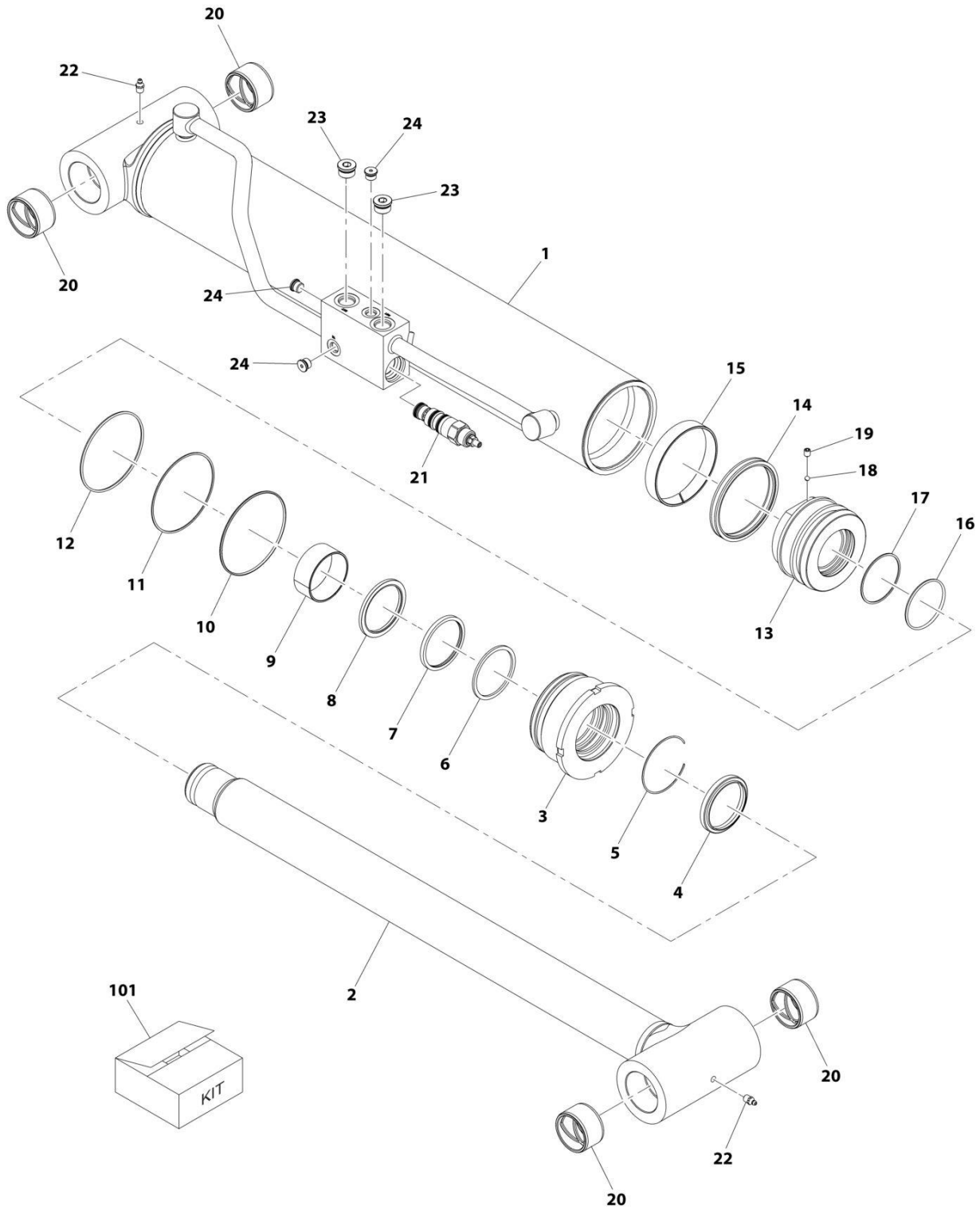
SECTION 9 - HYDRAULIC COMPONENTS

FIGURE 9-2. BOOM CYLINDER INSTALLATION, CE

ITEM	PART NUMBER	QTY	DESCRIPTION	REV
	1001204856	Ref	Boom Cylinder Installation (CE)	A
1	0641810	2	Hex HD Capscrew, 1/2-13X5/4	
2	0681836	1	Hex HD Capscrew, 1/2-13X9/2	
3	0681844	2	Hex HD Capscrew, 1/2-13X11/2	
4	4711800	2	Plain Washer, 1/2	
5	7139886	2	Pin Retention Spacer	
6	88521208	3	Locknut, 1/2-13	
7	1001080154	1	Cylinder Rod Pin	
8	1001080155	1	Cylinder Rod Pin	
9	1001080312	1	Cylinder Base Pin	
10	1001080313	1	Cylinder Base Pin	
11	1001080314	1	Boom Pivot Pin	
12	1001132210	1	Lift Cylinder Assembly (See Separate Breakdown in this Section)	
13	1001200580	1	Compensation Cylinder (See Separate Breakdown in this Section)	

SECTION 9 - HYDRAULIC COMPONENTS

FIGURE 9-3. LIFT CYLINDER, ANSI



ART_1001225578-B

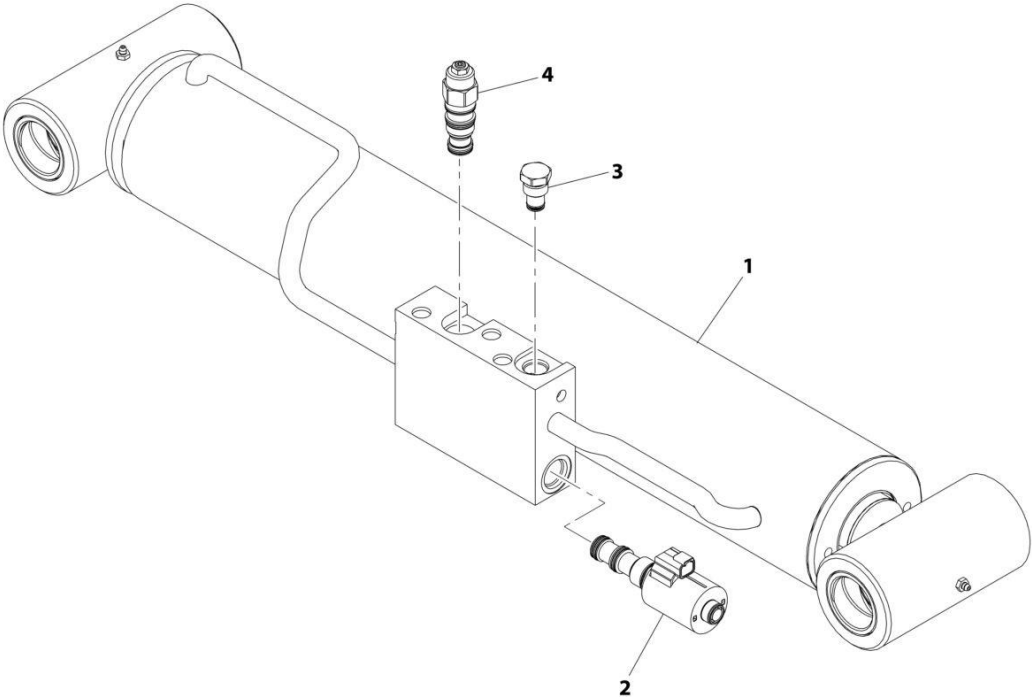
SECTION 9 - HYDRAULIC COMPONENTS

FIGURE 9-3. LIFT CYLINDER, ANSI

ITEM	PART NUMBER	QTY	DESCRIPTION	REV
	1001225578	Ref	Lift Cylinder, ANSI	B
		Ref	Note: Original Cylinder May Have Been Replaced with Service Replacement. Identify PN Stamped on Cylinder Before Ordering Parts.	
1	70027260	1	Tube Assembly	
2	70027261	1	Rod Assembly	
3	70027256	1	Gland	
4	Kit	1	Dust Wiper	
5	70027259	1	Retain Ring	
6	Kit	1	Rod Seal	
7	Kit	1	Back-Up Ring	
8	Kit	1	Buffer Ring	
9	Kit	1	Dry Bearing	
10	Kit	1	O-Ring	
11	Kit	1	Back-Up Ring	
12	Kit	1	O-Ring	
13	70027257	1	Piston	
14	Kit	1	Piston Seal	
15	Kit	1	Wear Ring	
16	Kit	1	O-Ring	
17	Kit	1	Back-Up Ring	
18	70022564	1	Steel Ball	
19	70023369	1	Set Screw	
20	70027251	4	Bushing	
21	70028856	1	Counterbalance Valve	
22	70026308	2	Grease Nipple	
23	70005433	2	Hex Plug	
24	2220885	3	Hex Plug	
101	70027262	1	Seal Kit (includes items 4, 6 thru 12, 14 thru 17)	

SECTION 9 - HYDRAULIC COMPONENTS

FIGURE 9-4. LIFT CYLINDER ASSEMBLY, CE



ART_1001132210-A

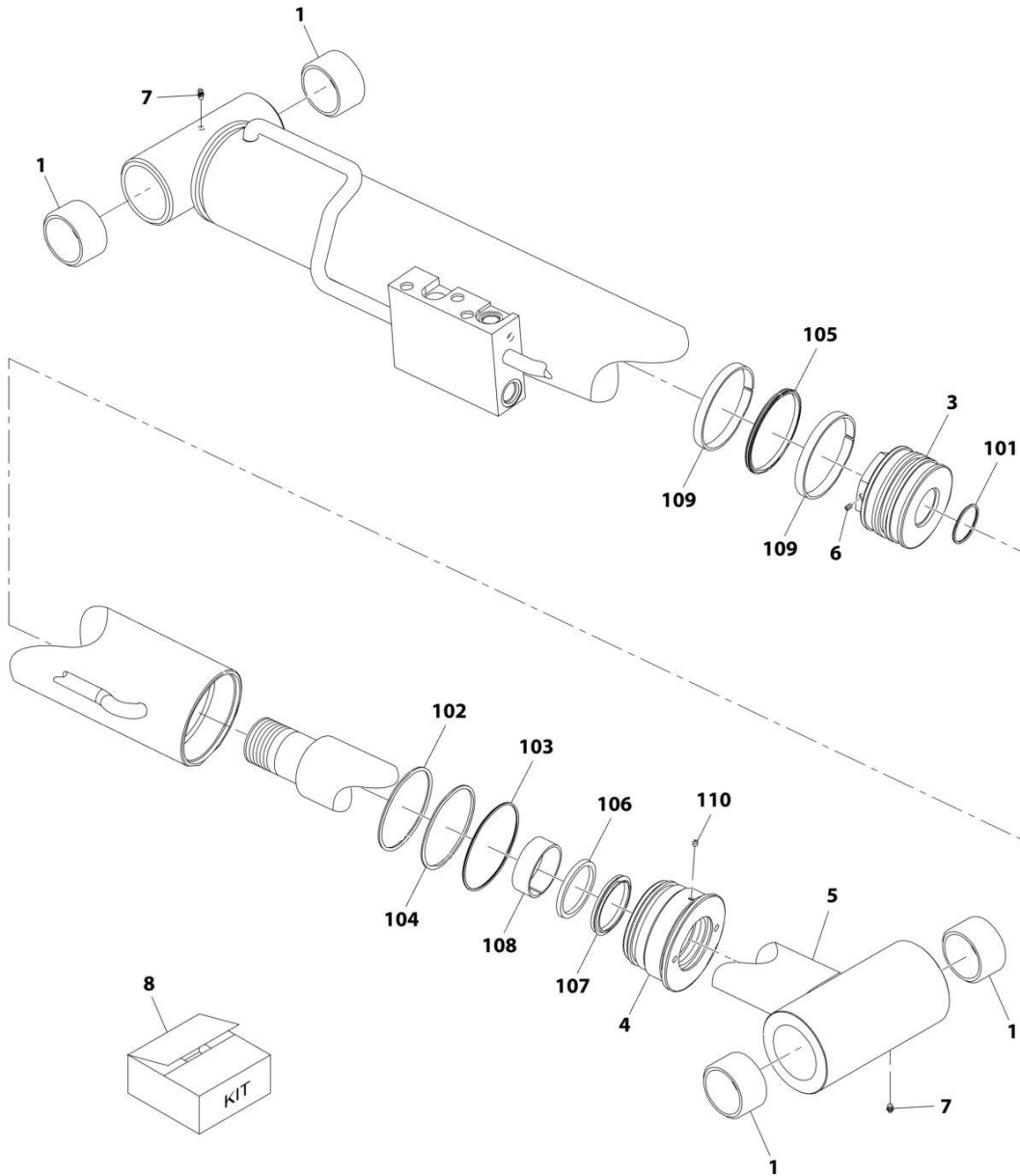
SECTION 9 - HYDRAULIC COMPONENTS

FIGURE 9-4. LIFT CYLINDER ASSEMBLY, CE

ITEM	PART NUMBER	QTY	DESCRIPTION	REV
	1001132210	Ref	Lift Cylinder Assembly, CE	A
1	1001132161	1	Lift Cylinder, CE (See Separate Breakdown in this Section)	
2	1001132207	1	Flow Control Valve	
3	1001132208	1	Check Valve	
4	1001132209	1	Counterbalance Valve	

SECTION 9 - HYDRAULIC COMPONENTS

FIGURE 9-5. LIFT CYLINDER, CE



ART_1001132161-A

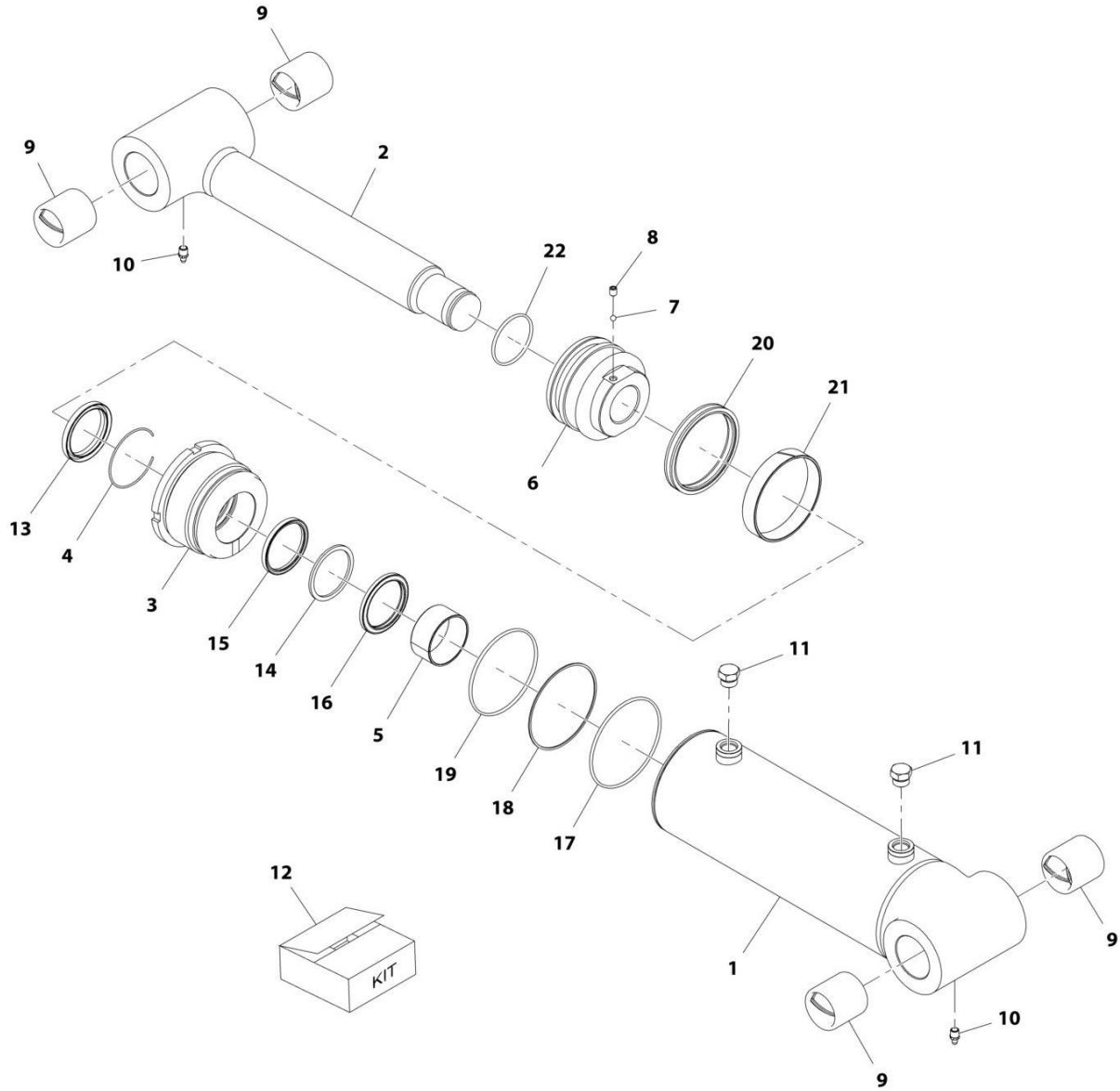
SECTION 9 - HYDRAULIC COMPONENTS

FIGURE 9-5. LIFT CYLINDER, CE

ITEM	PART NUMBER	QTY	DESCRIPTION	REV
	1001132161	Ref	Lift Cylinder, CE	A
		Ref	Note: Original Cylinder May Have Been Replaced with Service Replacement. Identify PN Stamped on Cylinder Before Ordering Parts.	
1	70020370	4	Bushing	
3	70020372	1	Piston	
4	70020373	1	Head Gland	
5	70023974	1	Cylinder Rod	
6	8036629	3	Set Screw	
7	70020375	2	Grease Fitting	
8	70020377	1	Seal Kit	
101	Kit	1	O-Ring	
102	Kit	1	O-Ring	
103	Kit	1	O-Ring	
104	Kit	1	Backup Ring	
105	Kit	1	Piston Seal	
106	Kit	1	Rod Seal	
107	Kit	1	Rod Wiper	
108	Kit	1	Wearband	
109	Kit	2	Wearband	
110	Kit	2	Locking Insert	

SECTION 9 - HYDRAULIC COMPONENTS

FIGURE 9-6. COMPENSATION CYLINDER



ART_1001200580-B

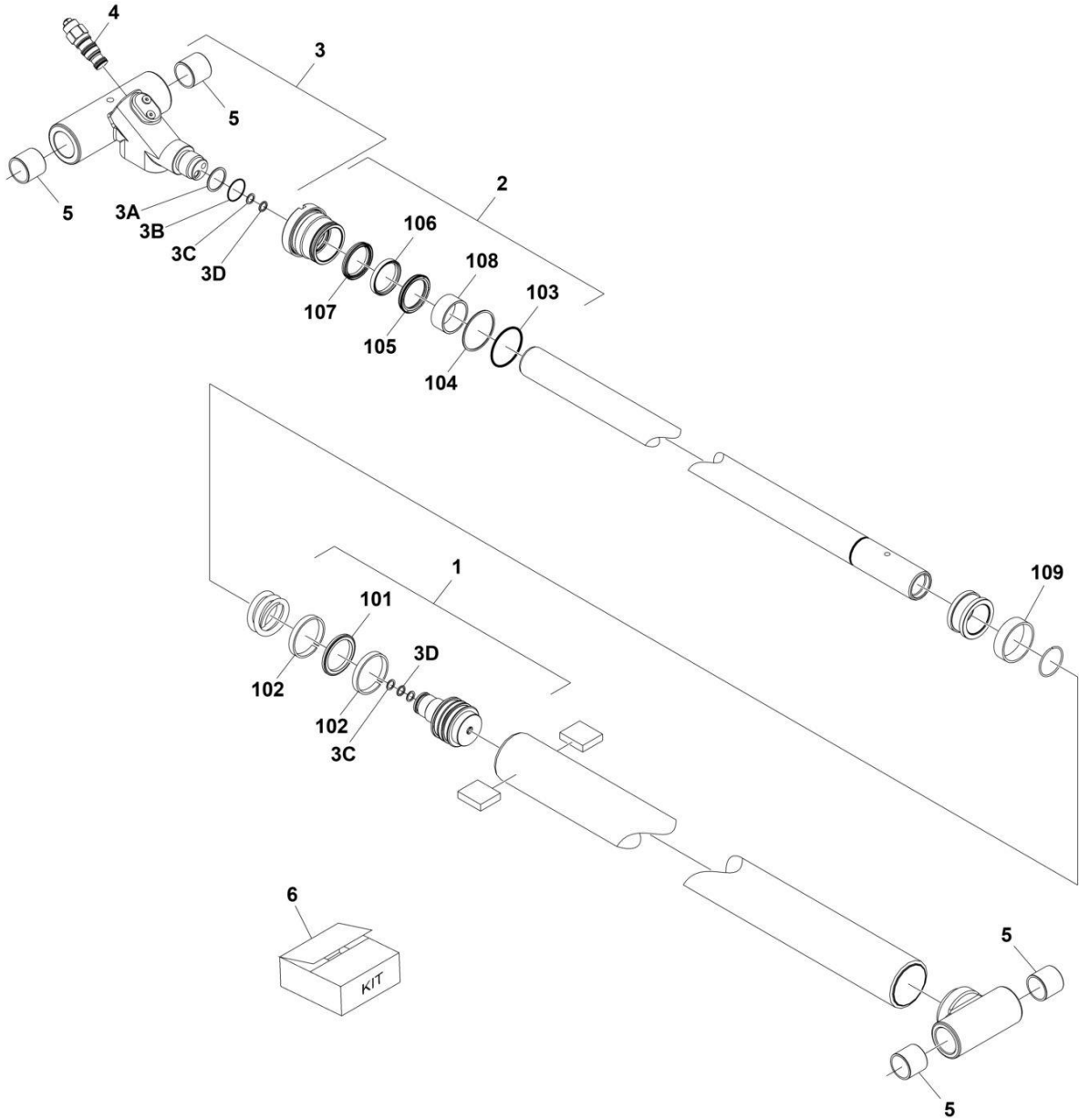
SECTION 9 - HYDRAULIC COMPONENTS

FIGURE 9-6. COMPENSATION CYLINDER

ITEM	PART NUMBER	QTY	DESCRIPTION	REV
	1001200580	Ref	Compensation Cylinder	B
		Ref	Note: Original Cylinder May Have Been Replaced with Service Replacement. Identify PN Stamped on Cylinder Before Ordering Parts.	
1	70027246	1	Barrel Assembly	
2	70027247	1	Rod Assembly	
3	70027242	1	Gland	
4	70027244	1	Retain Ring	
5	70004637	1	Dry Bearing	
6	70027243	1	Piston	
7	70022564	1	Steel Ball	
8	70023369	1	Set Screw	
9	70027245	4	Bush	
10	70026308	2	Grease Nipple	
11	70023372	2	Hex Plug	
12	70027248	1	Seal Kit, (includes items 13 thru 22)	
13	Kit	1	Dust Wiper	
14	Kit	1	Rod Seal	
15	Kit	1	Back Up Ring	
16	Kit	1	Buffer Ring	
17	Kit	1	O-Ring	
18	Kit	1	Back Up Ring	
19	Kit	1	O-Ring	
20	Kit	1	Piston Seal	
21	Kit	1	Wear Ring	
22	Kit	1	O-Ring	

SECTION 9 - HYDRAULIC COMPONENTS

FIGURE 9-7. EXTEND/RETRACT CYLINDER



ART_1001201668

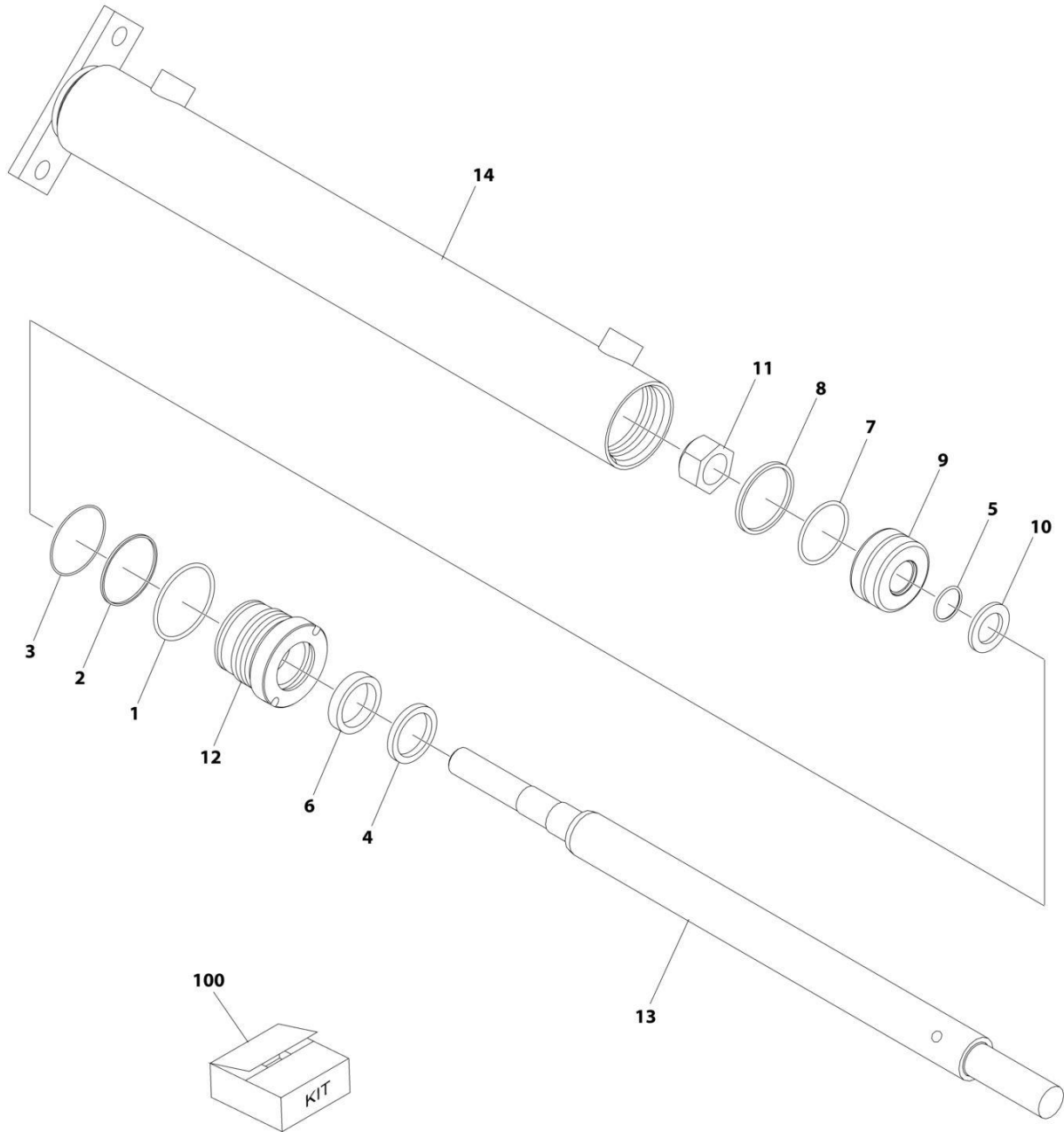
SECTION 9 - HYDRAULIC COMPONENTS

FIGURE 9-7. EXTEND/RETRACT CYLINDER

ITEM	PART NUMBER	QTY	DESCRIPTION	REV
	1001201668	Ref	Extend/Retract Cylinder	C
		Ref	Note: Original Cylinder May Have Been Replaced with Service Replacement. Identify PN Stamped on Cylinder Before Ordering Parts.	
1	70027610	1	Piston Assembly, (Includes Items 101 & 102)	
2	70027611	1	Retainer Assembly, (Includes Items 103-108)	
3	70027612	1	Rod Assembly	
3A	70030368	1	Ring, Back up	
3B	70030369	1	O-Ring	
3C	70030370	1	O-Ring	
3D	70030371	1	Ring, Back up	
4	70020376	1	Counter Balance Valve	
5	70029975	4	Bearing	
6	70027638	1	Seal Kit, (Includes Items 101-109)	
101	Kit	1	Piston Seal	
102	Kit	2	Wear Ring	
103	Kit	1	O-Ring	
104	Kit	1	Back Up Ring	
105	Kit	1	Buffer Ring	
106	Kit	1	Rod Seal	
107	Kit	1	Wiper	
108	Kit	1	Bushing	
109	Kit	1	Wear Ring	

SECTION 9 - HYDRAULIC COMPONENTS

FIGURE 9-8. FORK POSITIONING CYLINDER



ART_2717283

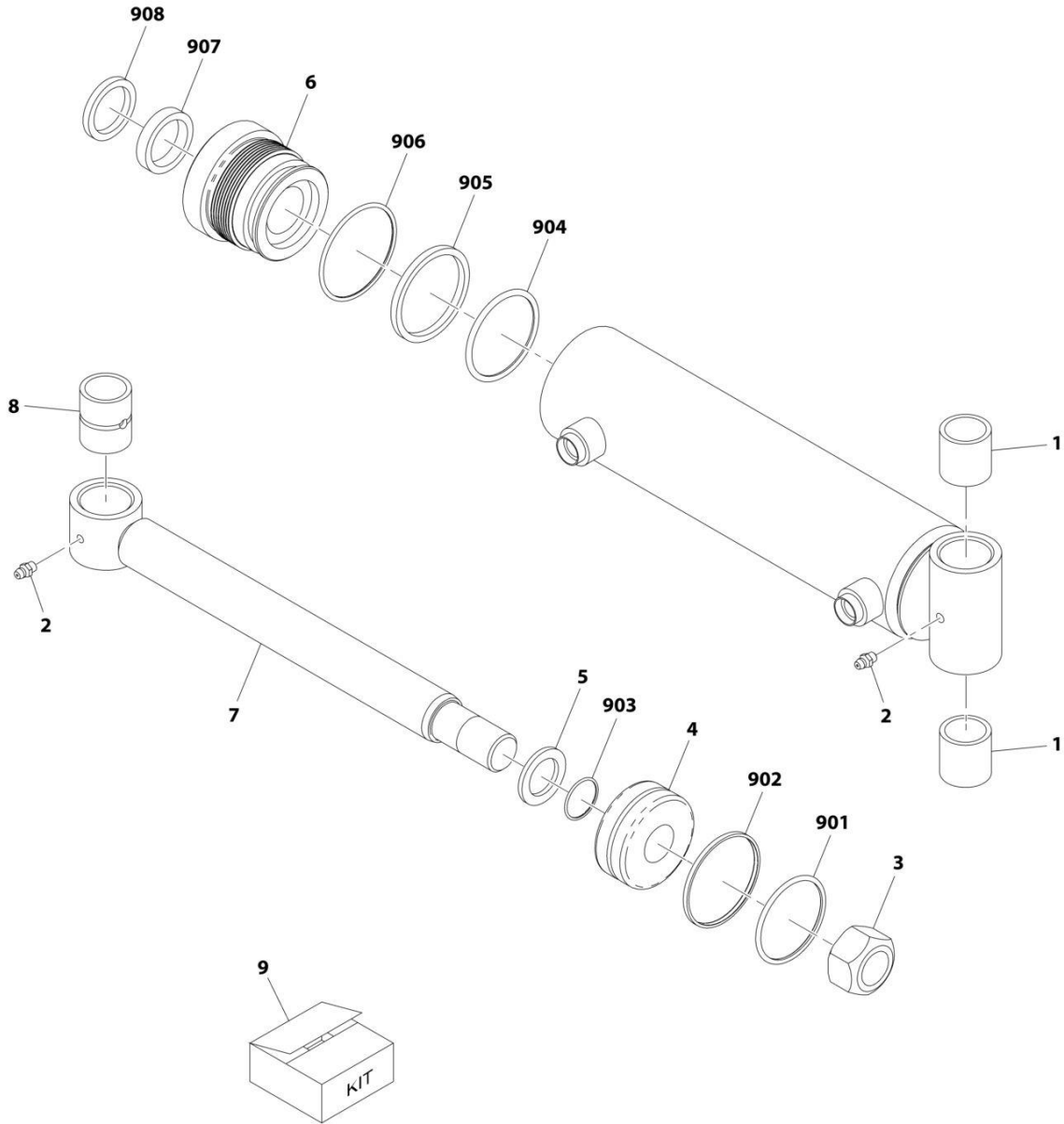
SECTION 9 - HYDRAULIC COMPONENTS

FIGURE 9-8. FORK POSITIONING CYLINDER

ITEM	PART NUMBER	QTY	DESCRIPTION	REV
	2717283	Ref	FORK POSITIONING CYLINDER	B
		Ref	Note: Original Cylinder May Have Been Replaced with Service Replacement. Identify PN Stamped on Cylinder Before Ordering Parts.	
1	See Note	NSS	O-Ring (Use Item 100)	
2	See Note	NSS	Ring, Back-up (Use Item 100)	
3	See Note	NSS	O-Ring (Use Item 100)	
4	See Note	NSS	Seal (Use Item 100)	
5	See Note	NSS	O-Ring (Use Item 100)	
6	See Note	NSS	Seal (Use Item 100)	
7	See Note	NSS	O-Ring (Use Item 100)	
8	See Note	NSS	Seal (Use Item 100)	
9	70026771	1	Piston	
10	70026775	1	Washer	
11	70026770	1	Nut	
12	70026774	1	Head	
13	70026773	1	Rod	
14	See Note	NSS	Barrel (Note: Use PN 2717283)	
100	8036733	1	Seal Kit (includes items 1 thru 8)	

SECTION 9 - HYDRAULIC COMPONENTS

FIGURE 9-9. SIDE SHIFT CYLINDER



ART_70022108-A

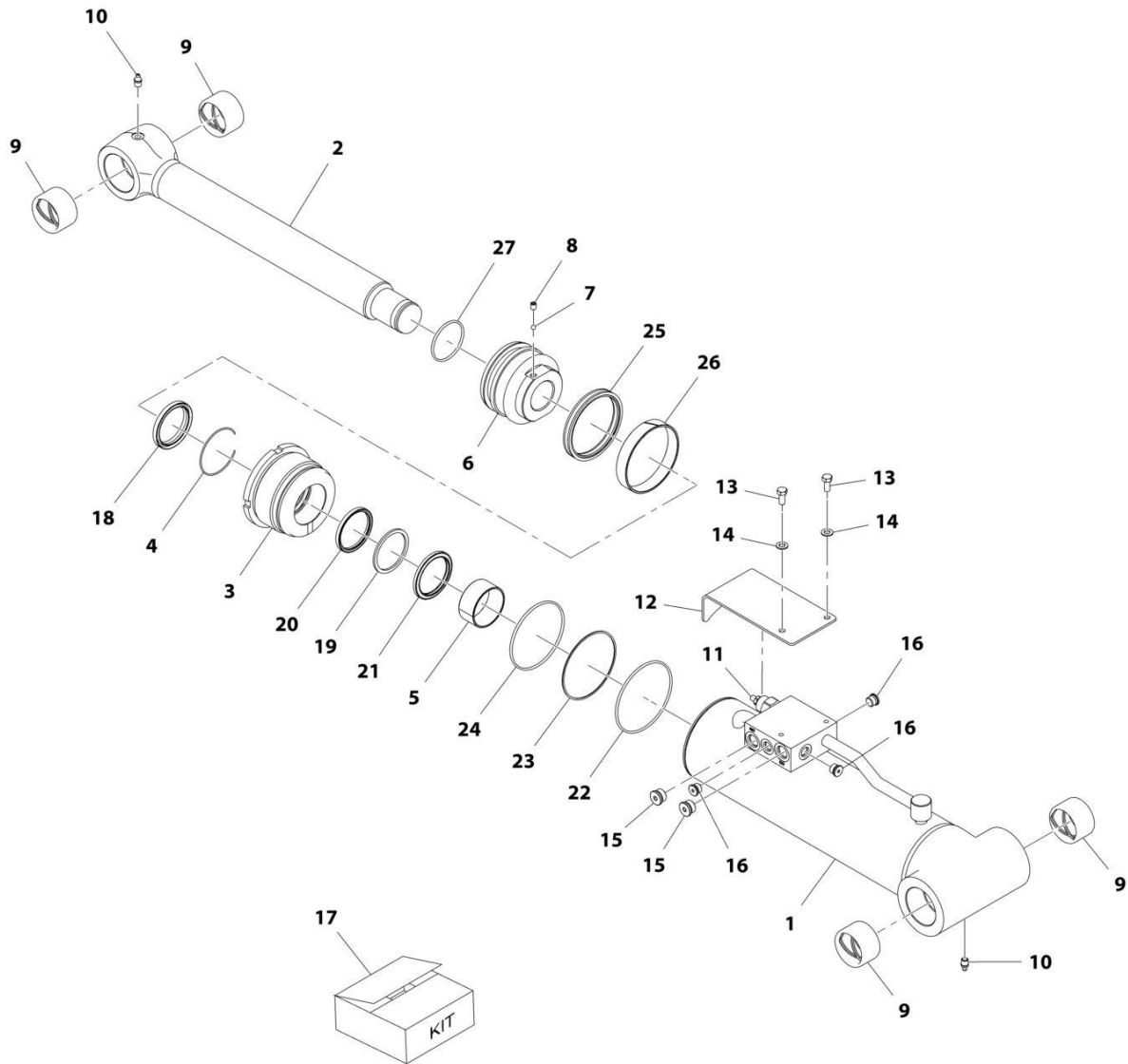
SECTION 9 - HYDRAULIC COMPONENTS

FIGURE 9-9. SIDE SHIFT CYLINDER

ITEM	PART NUMBER	QTY	DESCRIPTION	REV
	70022108	Ref	Universal Side Shift Cylinder	A
		Ref	Note: Original Cylinder May Have Been Replaced with Service Replacement. Identify PN Stamped on Cylinder Before Ordering Parts.	
1	70021448	2	Bushing	
2	90554045	2	Grease Fitting	
3	70021440	1	Nut	
4	70021451	1	Piston	
5	70021444	1	Washer	
6	70021446	1	Gland	
7	70021462	1	Rod	
8	70021447	1	Bushing	
9	70021452	1	Seal Kit, (includes items 901 thru 908)	
901	Kit	1	O-Ring	
902	Kit	1	Back-up O-Ring	
903	Kit	1	O-Ring	
904	Kit	1	O-Ring	
905	Kit	1	O-Ring	
906	Kit	1	Seal	
907	Kit	1	O-Ring	
908	Kit	1	Seal	

SECTION 9 - HYDRAULIC COMPONENTS

FIGURE 9-10. TILT CYLINDER



ART_1001200581-B

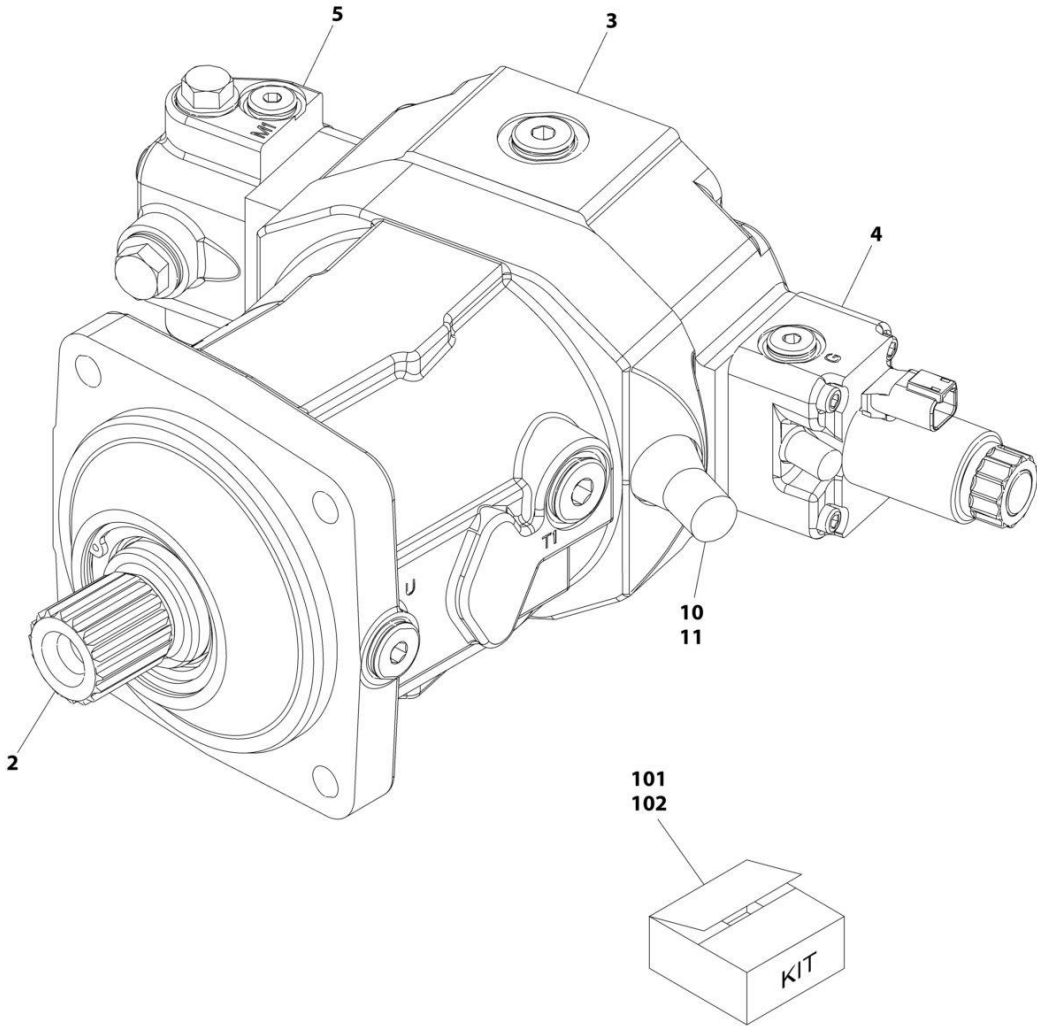
SECTION 9 - HYDRAULIC COMPONENTS

FIGURE 9-10. TILT CYLINDER

ITEM	PART NUMBER	QTY	DESCRIPTION	REV
	1001200581	Ref	Tilt Cylinder	B
		Ref	Note: Original Cylinder May Have Been Replaced with Service Replacement. Identify PN Stamped on Cylinder Before Ordering Parts.	
1	70027252	1	Barrel Assembly	
2	70027253	1	Rod Assembly	
3	70027242	1	Gland	
4	70027244	1	Retain Ring	
5	70004637	1	Dry Bearing	
6	70027243	1	Piston	
7	70022564	1	Steel Ball	
8	70023369	1	Set Screw	
9	70027251	4	Bush	
10	70026308	2	Grease Nipple	
11	1001189888	1	Counter Balance Valve	
12	70027254	1	Cover	
13	70027249	2	Hex Bolt	
14	70027250	2	Washer	
15	70023373	2	Hex Socket Plug	
16	70023371	3	Hex Socket Plug	
17	70027255	1	Seal Kit	
18	Kit	1	Dust Wiper	
19	Kit	1	Rod Seal	
20	Kit	1	Back Up Ring	
21	Kit	1	Buffer Ring	
22	Kit	1	O-Ring	
23	Kit	1	Back Up Ring	
24	Kit	1	O-Ring	
25	Kit	1	Piston Seal	
26	Kit	1	Wear Ring	
27	Kit	1	O-Ring	

SECTION 9 - HYDRAULIC COMPONENTS

FIGURE 9-11. HYDROSTATIC MOTOR



ART_1001138823

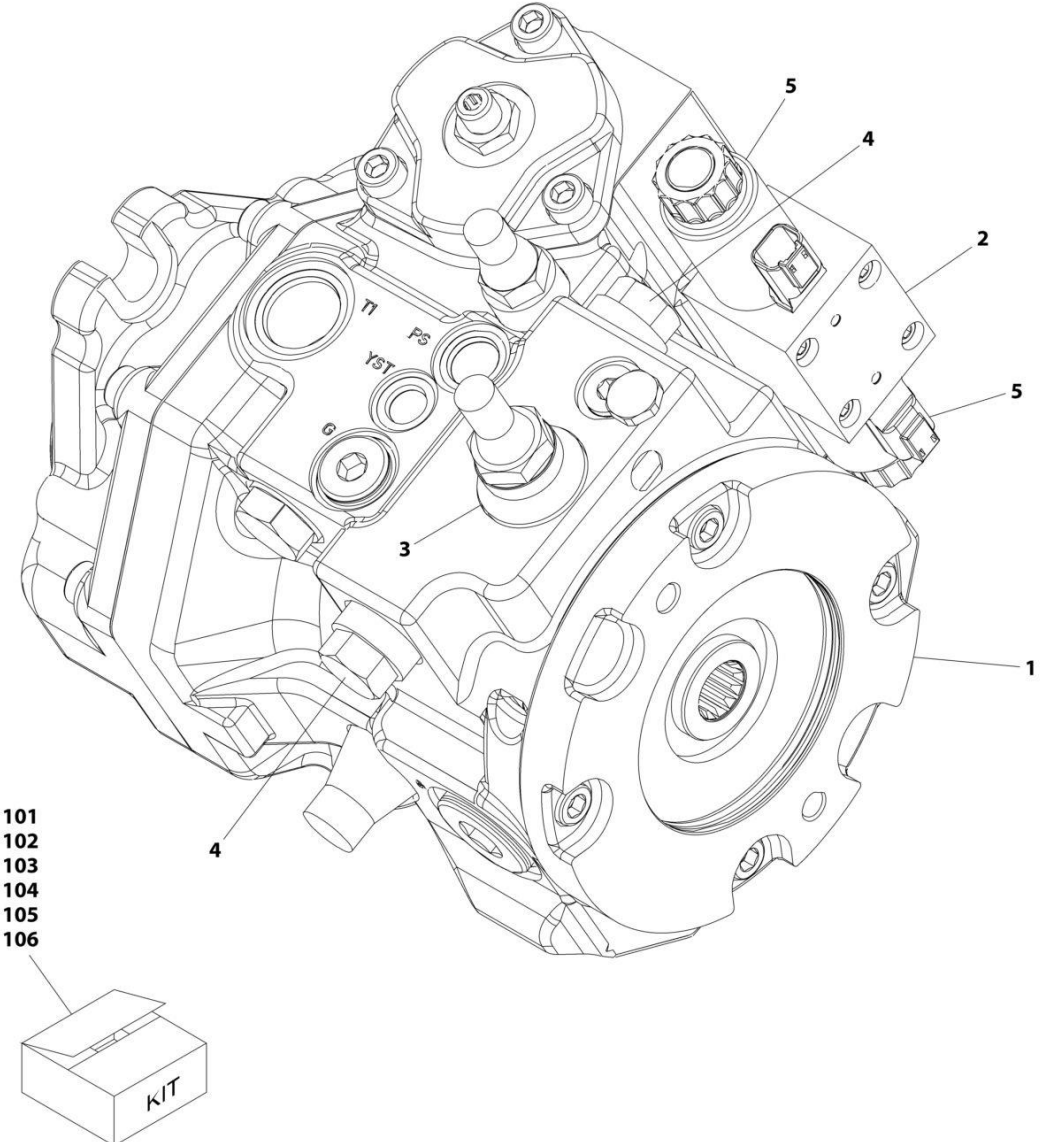
SECTION 9 - HYDRAULIC COMPONENTS

FIGURE 9-11. HYDROSTATIC MOTOR

ITEM	PART NUMBER	QTY	DESCRIPTION	REV
	1001138823	Ref	HYDROSTATIC MOTOR	C
2	70024933	1	Rotary Group	
3	70024934	1	Port Plate W/Accessories	
4	70024935	1	Control Part	
5	70024936	1	Flushing Valve W/Orifice	
10	70024938	1	Threaded Pin	
11	80334492	1	Sealing Nut	
101	70024939	1	Seal Kit	
102	70024937	1	Seal Kit, Rotary Group	

SECTION 9 - HYDRAULIC COMPONENTS

FIGURE 9-12. HYDROSTATIC PUMP



ART_1001138887-C

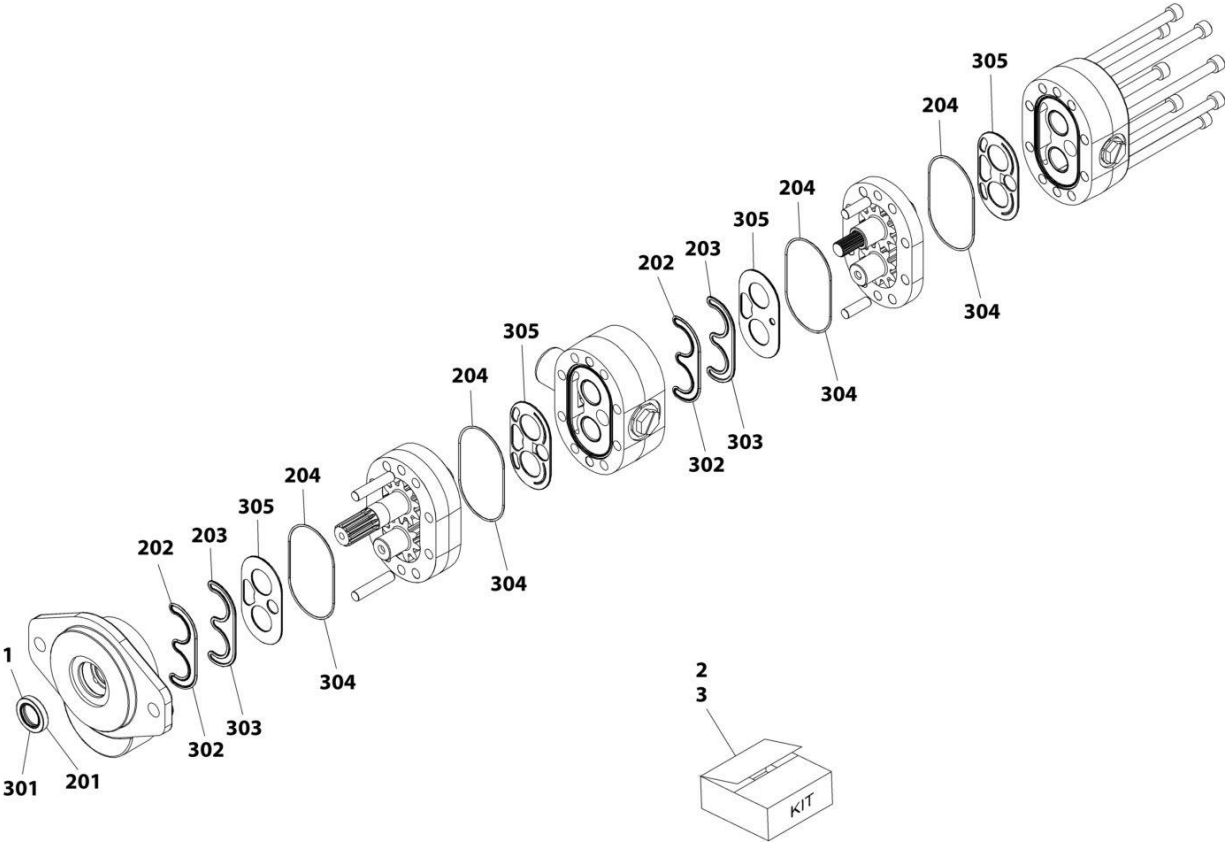
SECTION 9 - HYDRAULIC COMPONENTS

FIGURE 9-12. HYDROSTATIC PUMP

ITEM	PART NUMBER	QTY	DESCRIPTION	REV
	1001138887	Ref	Hydrostatic Pump	C
1	70024940	1	Charge Pump	
2	70024941	1	Control Module	
3	70024942	1	Control Cartridge W/Orifice	
4	70024945	2	Pressure Relief Valve	
5	70022726	2	Control Solenoid	
101	70024943	1	Seal Kit, (Includes Items 103 Thru 106)	
102	70024944	1	Seal Kit, Rotary Group, (Shaft Seal And Retaining Ring)	
103	70024947	1	Shaft Seal Kit	
104	70024948	1	Pump Seal Kit	
105	70024949	1	Charge Pump Seal Kit	
106	70024950	1	Control Seal Kit	

SECTION 9 - HYDRAULIC COMPONENTS

FIGURE 9-13. GEAR PUMP



ART_1001139997-B

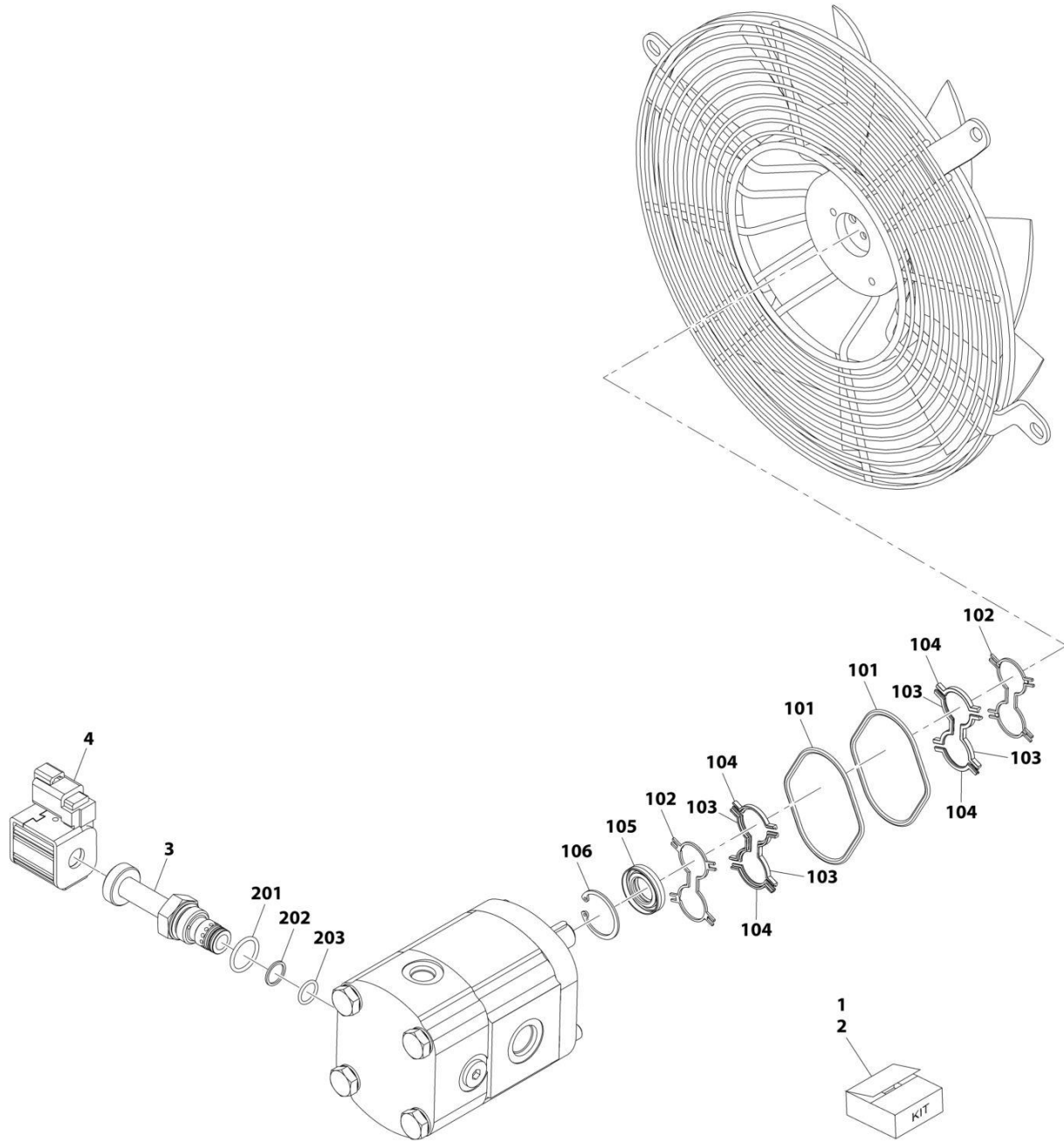
SECTION 9 - HYDRAULIC COMPONENTS

FIGURE 9-13. GEAR PUMP

ITEM	PART NUMBER	QTY	DESCRIPTION	REV
	1001139997	Ref	Gear Pump	B
1	70024951	1	Shaft Seal Kit	
2	70024952	1	Unit Seal Kit, (includes items 201 thru 204)	
201	Kit	1	Shaft Seal	
202	Kit	2	Pre-Load Seal	
203	Kit	2	Load Seal	
204	Kit	4	Sealing Ring	
3	70024953	1	Minor Repair Kit, (includes items 301 thru 305)	
301	Kit	1	Shaft Seal	
302	Kit	2	Pre-Load Seal	
303	Kit	2	Load Seal	
304	Kit	4	Sealing Ring	
305	Kit	4	Wear Plates	

SECTION 9 - HYDRAULIC COMPONENTS

FIGURE 9-14. FAN MOTOR



ART_1001141779-C

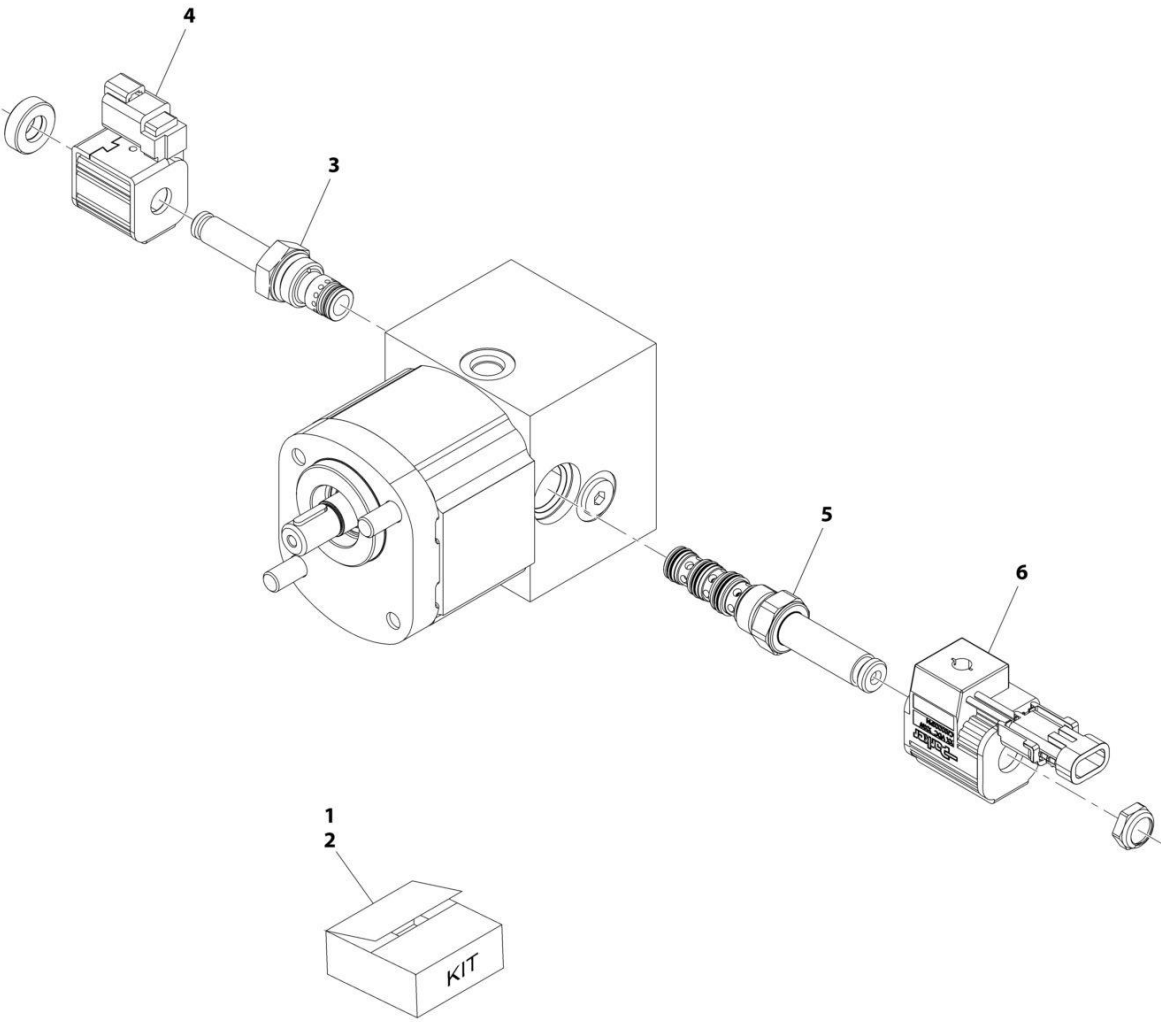
SECTION 9 - HYDRAULIC COMPONENTS

FIGURE 9-14. FAN MOTOR

ITEM	PART NUMBER	QTY	DESCRIPTION	REV
	1001141779	Ref	Fan Motor	C
1	70027400	1	Motor Seal Kit	
101	Kit	2	Seal	
102	Kit	2	Seal	
103	Kit	4	Seal	
104	Kit	4	Seal	
105	Kit	1	Seal	
106	Kit	1	Snap Ring	
2	70027401	1	Valve Seal Kit	
201	Kit	1	Seal	
202	Kit	1	Back-Up Ring	
203	Kit	1	Seal	
3	70027556	1	Proportional Valve	
4	70027557	1	Valve Coil	

SECTION 9 - HYDRAULIC COMPONENTS

FIGURE 9-15. FAN MOTOR, REVERSING



ART_1001141780-C

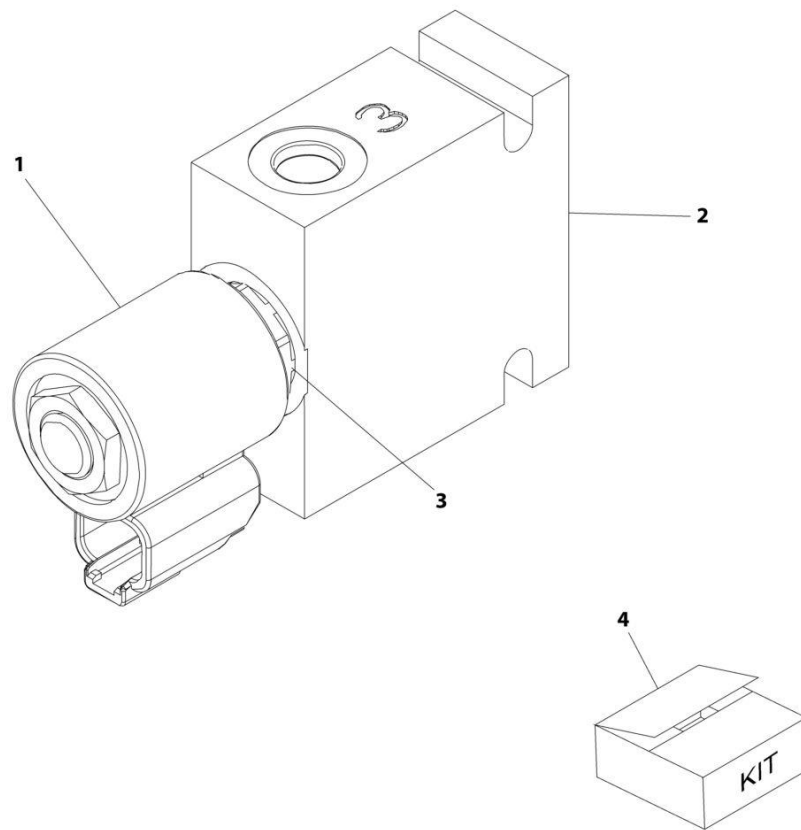
SECTION 9 - HYDRAULIC COMPONENTS

FIGURE 9-15. FAN MOTOR, REVERSING

ITEM	PART NUMBER	QTY	DESCRIPTION	REV
1	1001141780	Ref	Fan Motor	C
	70027400	1	Seal Kit, Motor	
	Kit	2	Seal	
	Kit	2	Seal	
	Kit	4	Seal	
	Kit	4	Seal	
	Kit	1	Seal	
	Kit	1	Snap Ring	
	2	70028239	1	
Kit		1	Seal, O-R	
Kit		1	Seal, O-R	
Kit		1	Seal, O-R	
Kit		1	Seal, O-R	
Kit		2	Seal, Bk-Up	
Kit		2	Seal, Bk-Up	
Kit		2	Seal, Bk-Up	
3	70027556	1	Proportional Valve	
4	70027557	1	Valve Coil	
5	70028240	1	Reversing Valve	
6	70028241	1	Valve Coil	

SECTION 9 - HYDRAULIC COMPONENTS

FIGURE 9-16. PARK BRAKE RELEASE VALVE



ART_1001080359-B

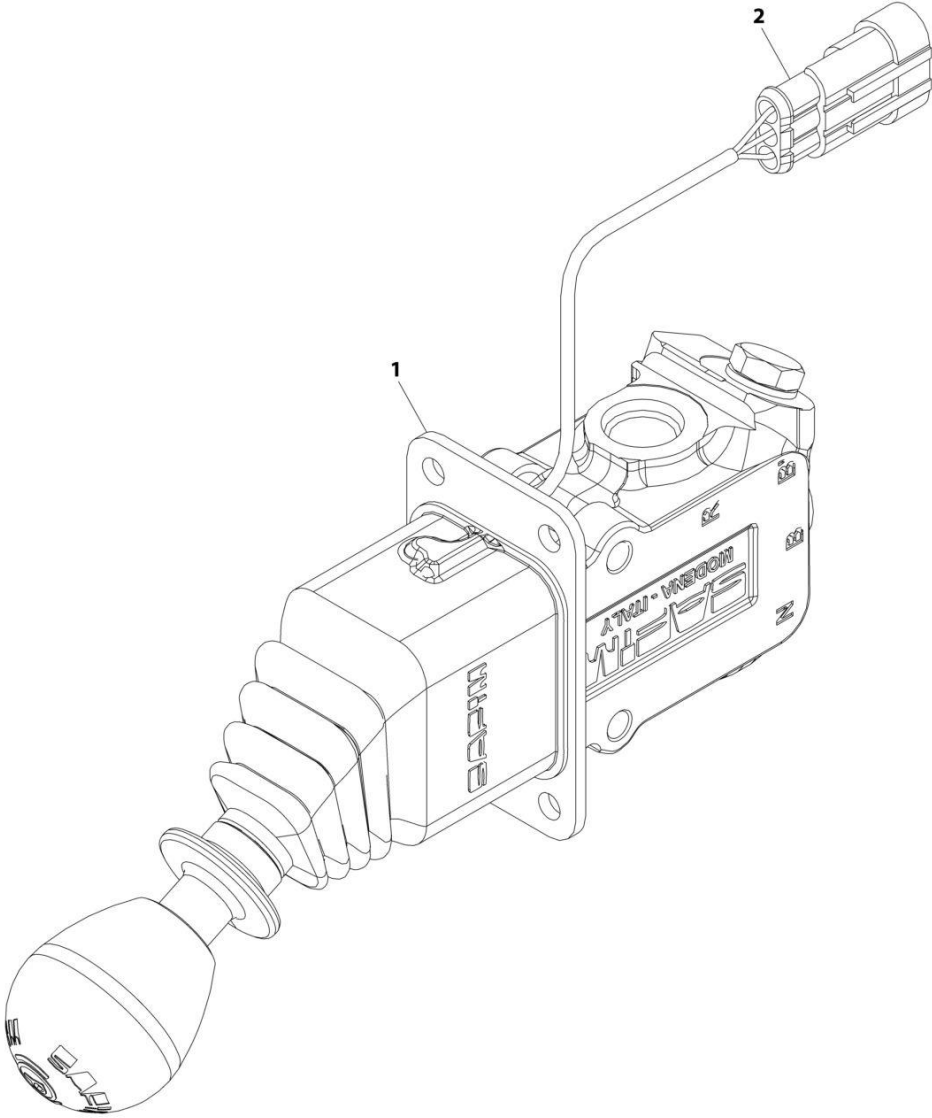
SECTION 9 - HYDRAULIC COMPONENTS

FIGURE 9-16. PARK BRAKE RELEASE VALVE

ITEM	PART NUMBER	QTY	DESCRIPTION	REV
	1001080359	Ref	Park Brake Release Valve	B
1	7012941	1	Cartridge	
2	70020871	1	Body	
3	7024872	1	Coil	
4	7010543	1	Seal Kit	

SECTION 9 - HYDRAULIC COMPONENTS

FIGURE 9-17. HYDRAULIC PARK BRAKE RELEASE VALVE



ART_1001098153-D

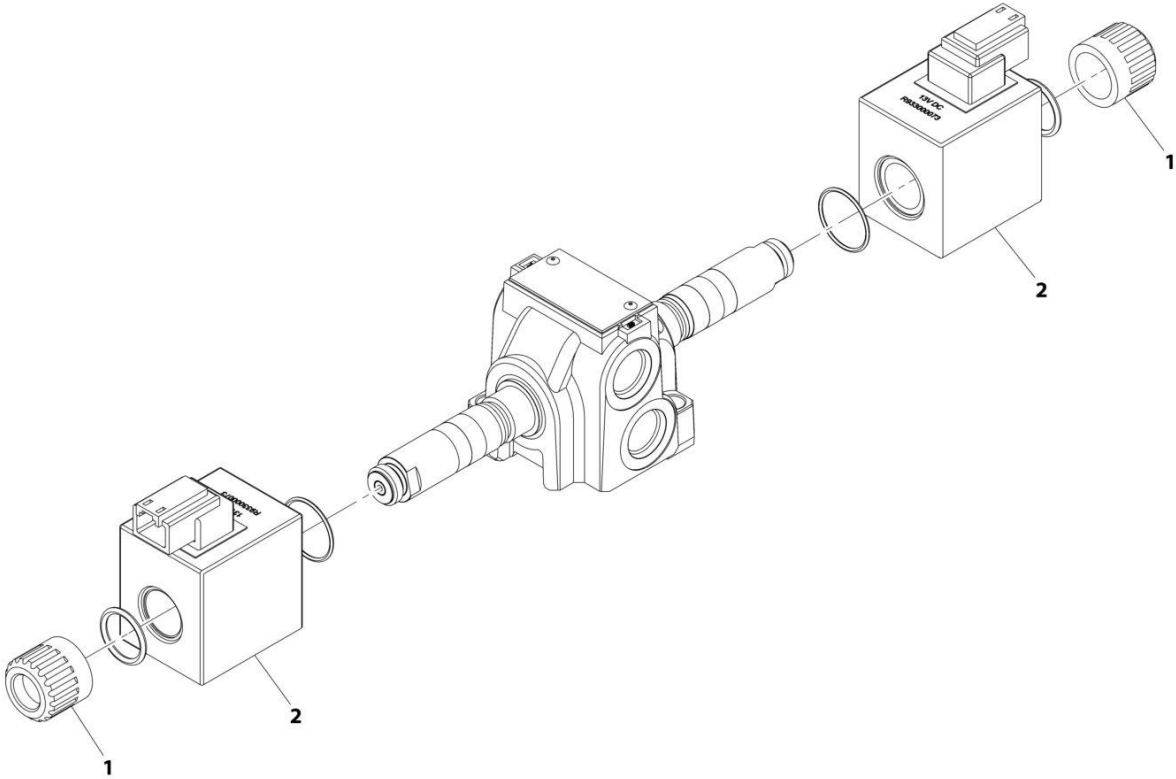
SECTION 9 - HYDRAULIC COMPONENTS

FIGURE 9-17. HYDRAULIC PARK BRAKE RELEASE VALVE

ITEM	PART NUMBER	QTY	DESCRIPTION	REV
	1001098153	Ref	Hydraulic Park Brake Release Valve	D
1	70020922	1	Kit, Seal	
2	70022847	1	Kit, Microswitch	

SECTION 9 - HYDRAULIC COMPONENTS

FIGURE 9-18. STEERING SELECT VALVE



ART_1001153748-C

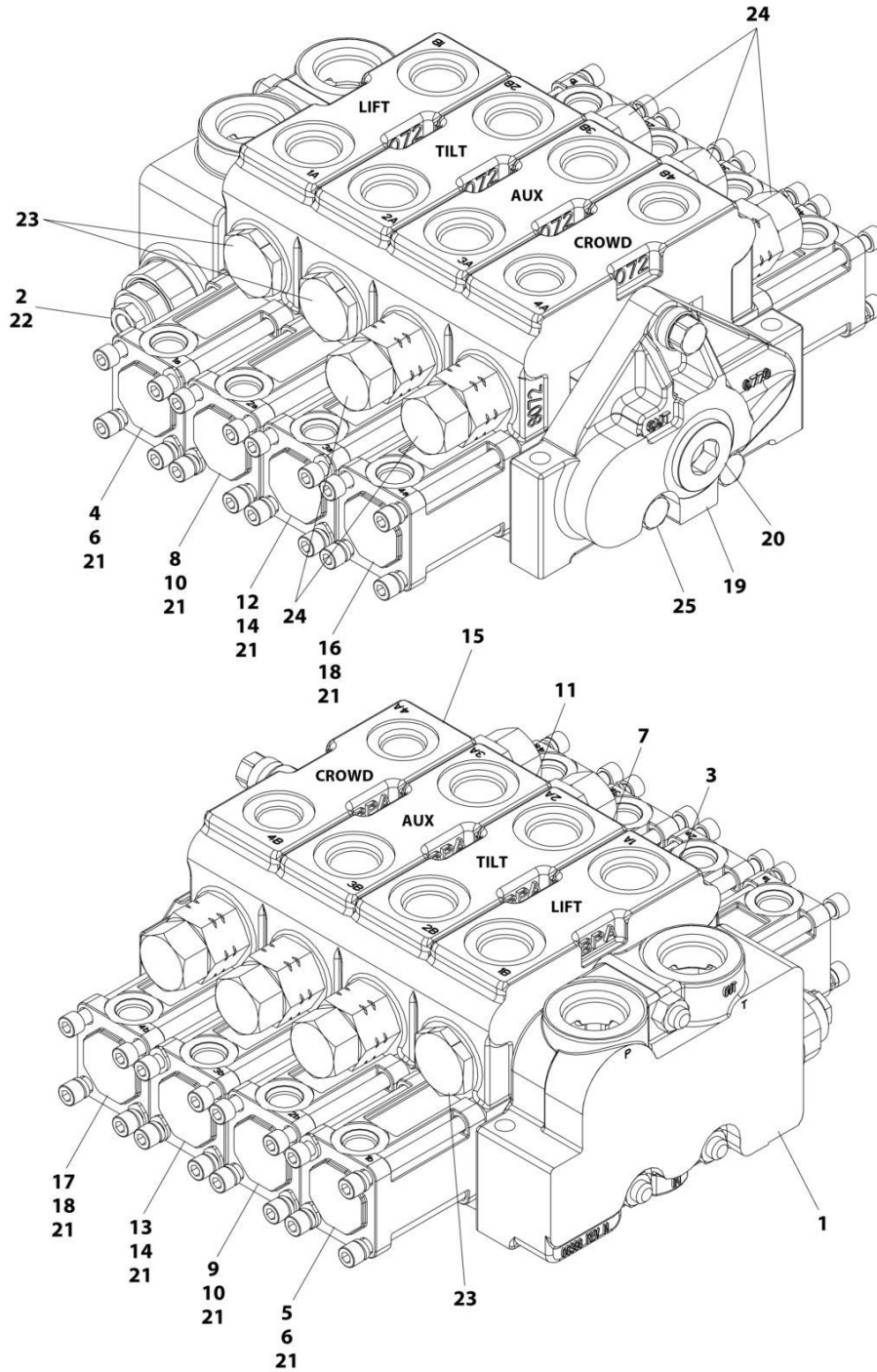
SECTION 9 - HYDRAULIC COMPONENTS

FIGURE 9-18. STEERING SELECT VALVE

ITEM	PART NUMBER	QTY	DESCRIPTION	REV
	1001153748	Ref	Steering Select Valve	C
1	70020867	2	Nut, Coil	
2	70026582	2	Coil	

SECTION 9 - HYDRAULIC COMPONENTS

FIGURE 9-19. MAIN CONTROL VALVE (W/AUX)



ART_1001080176

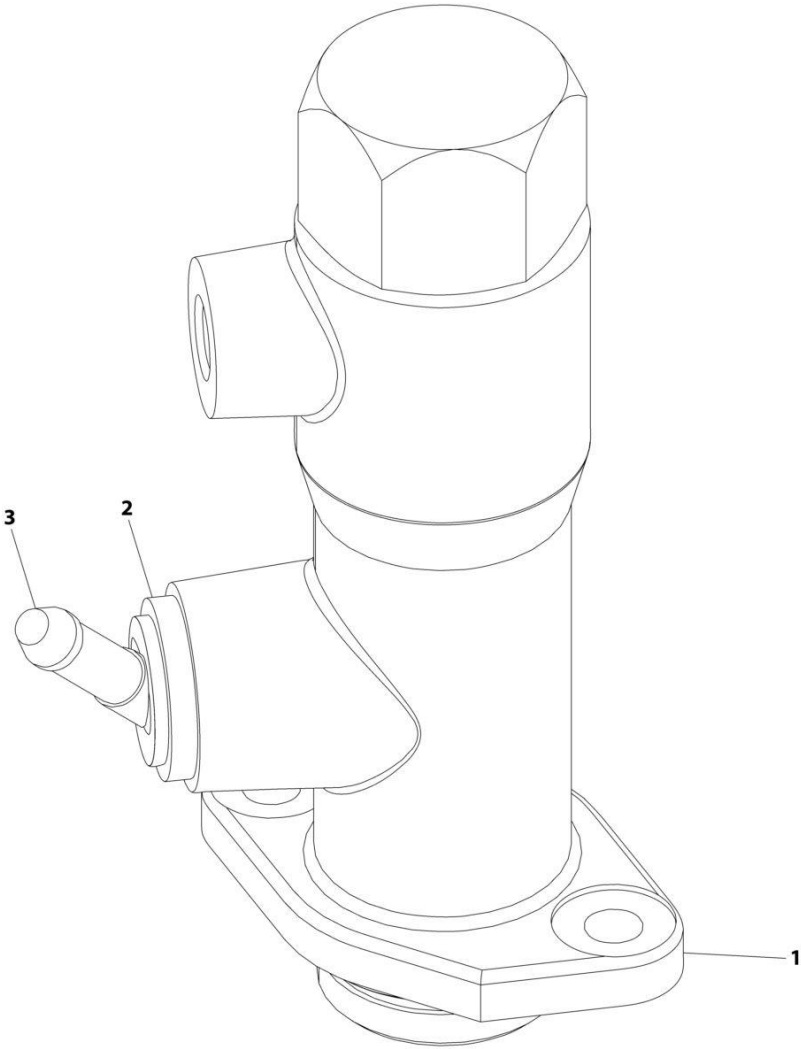
SECTION 9 - HYDRAULIC COMPONENTS

FIGURE 9-19. MAIN CONTROL VALVE (W/AUX)

ITEM	PART NUMBER	QTY	DESCRIPTION	REV
	1001080176	Ref	MAIN CONTROL VALVE (W/AUX)	D
1	91084008	1	Inlet Assembly	
2	91084009	1	Main Relief Valve, 3000PSI	
3	91404182	1	Lift Valve Section	
4	91094023	1	Hydraulic Remote Positioner, A End	
5	91094024	1	Hydraulic Remote Positioner, B End	
6	91084010	2	Load Check Plug	
7	70020718	1	Tilt Valve Section Assembly	
8	91094023	1	Hydraulic Remote Positioner, A End	
9	91094024	1	Hydraulic Remote Positioner, B End	
10	70021352	2	Relief Cartridge, 3800PSI 10GPM	
11	70020719	1	Auxiliary Valve Section Assembly	
12	91094023	1	Hydraulic Remote Positioner, A End	
13	91094024	1	Hydraulic Remote Positioner, B End	
14	70021352	2	Relief Cartridge, 3800PSI 10GPM	
15	91404186	1	Crowd Valve Section Assembly	
16	91094023	1	Hydraulic Remote Positioner, A End	
17	91094024	1	Hydraulic Remote Positioner, B End	
18	91404189	1	Relief Valve	
19	91084278	1	Outlet Assembly	
20	91084279	1	Plug	
21	91084233	8	Seal, Positioner	
22	70020716	1	Seal Kit - Main Relief	
23	7029865	3	Seal Kit - Transition Check	
24	70020717	5	Seal Kit - RC Relief	
25	91084019	1	Bolt Assembly	

SECTION 9 - HYDRAULIC COMPONENTS

FIGURE 9-20. BRAKE MASTER CYLINDER VALVE



ART_1001080262-C

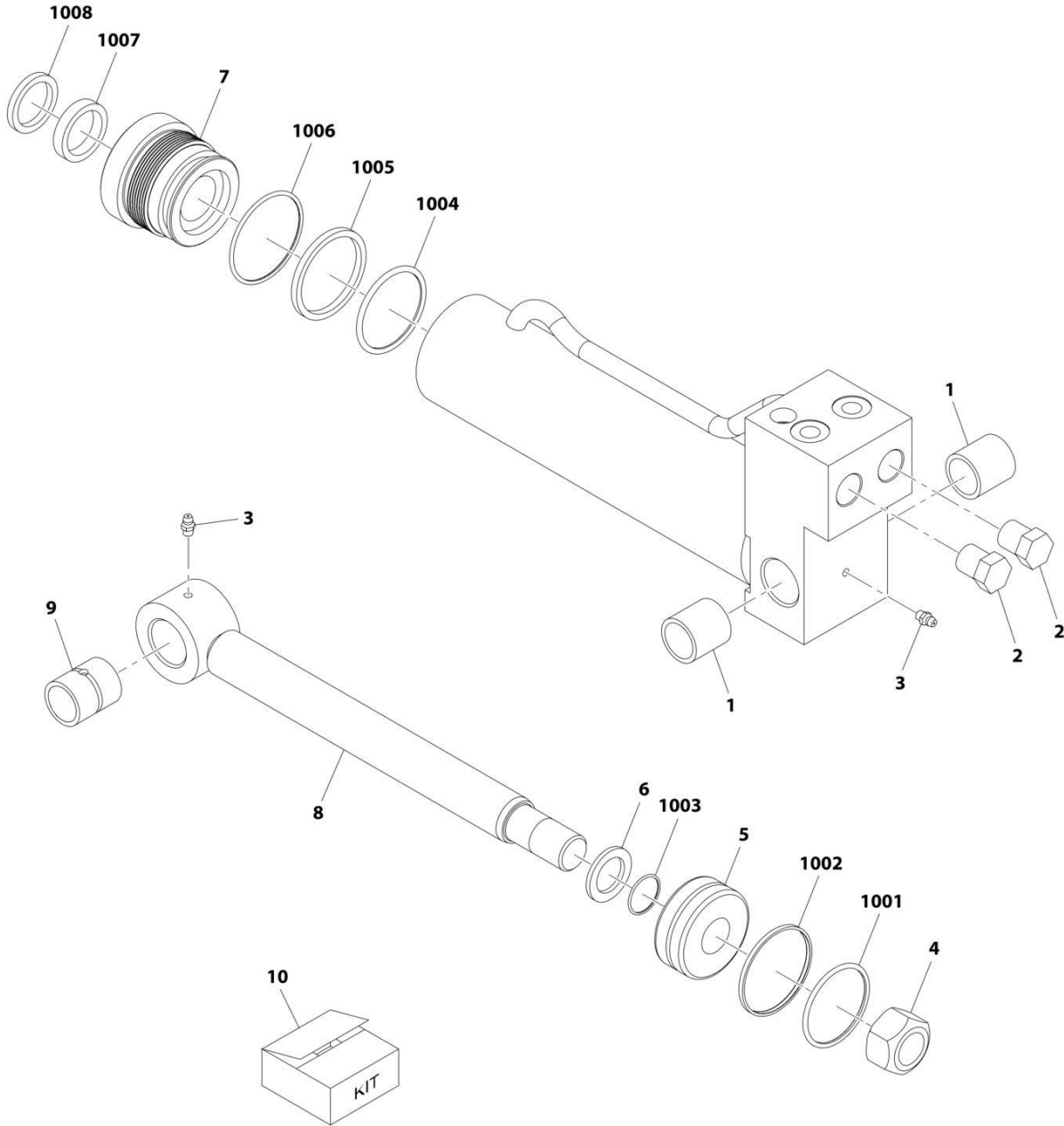
SECTION 9 - HYDRAULIC COMPONENTS

FIGURE 9-20. BRAKE MASTER CYLINDER VALVE

ITEM	PART NUMBER	QTY	DESCRIPTION	REV
	1001080262	Ref	Brake Master Cylinder Valve	C
1	70020919	1	Seal Kit	
2	70020920	1	Rubber Boot	
3	70021475	1	Fitting	

SECTION 9 - HYDRAULIC COMPONENTS

FIGURE 9-21. SIDE TILT CARRIAGE CYLINDER



ART_70021363-A

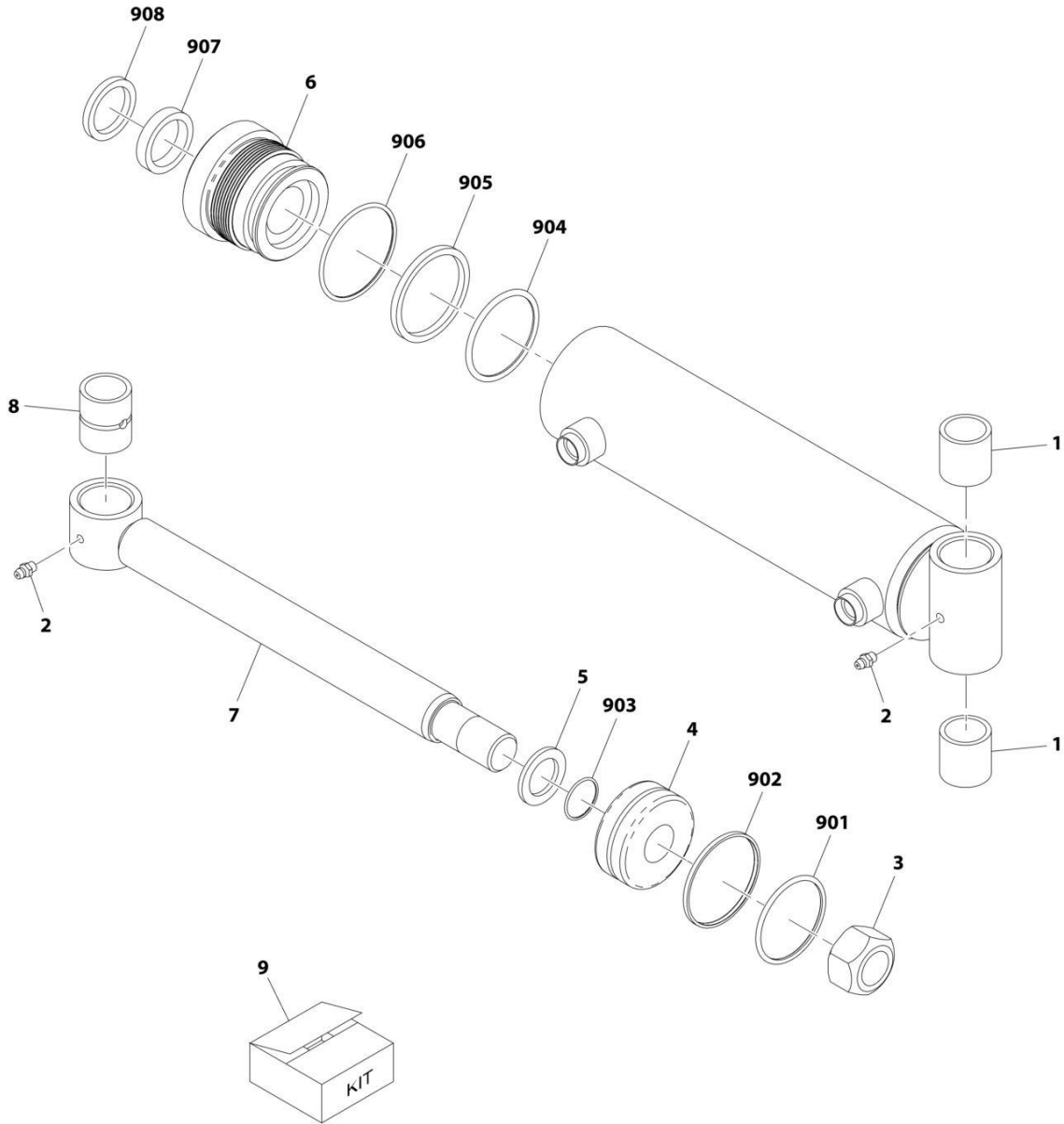
SECTION 9 - HYDRAULIC COMPONENTS

FIGURE 9-21. SIDE TILT CARRIAGE CYLINDER

ITEM	PART NUMBER	QTY	DESCRIPTION	REV
	70021363	Ref	Side Tilt Carriage Cylinder	A
		Ref	Note: Original Cylinder May Have Been Replaced with Service Replacement. Identify PN Stamped on Cylinder Before Ordering Parts.	
1	70021448	2	Bushing	
2	70021464	2	Valve Cartridge	
3	90554045	2	Grease Fitting	
4	70021440	1	Nut	
5	70021451	1	Piston	
6	70021444	1	Washer	
7	70021446	1	Gland	
8	70029441	1	Rod	
9	70021447	1	Bushing	
10	70021452	1	Seal Kit, (includes items 1001 thru 1008)	
1001	Kit	1	Piston Ring	
1002	Kit	1	O-Ring	
1003	Kit	1	O-Ring	
1004	Kit	1	O-Ring	
1005	Kit	1	Back-Up Ring	
1006	Kit	1	O-Ring	
1007	Kit	1	Polypak, Type B	
1008	Kit	1	Rod Wiper	

SECTION 9 - HYDRAULIC COMPONENTS

FIGURE 9-22. UNIVERSAL SIDE SHIFT CYLINDER



ART_70022108-A

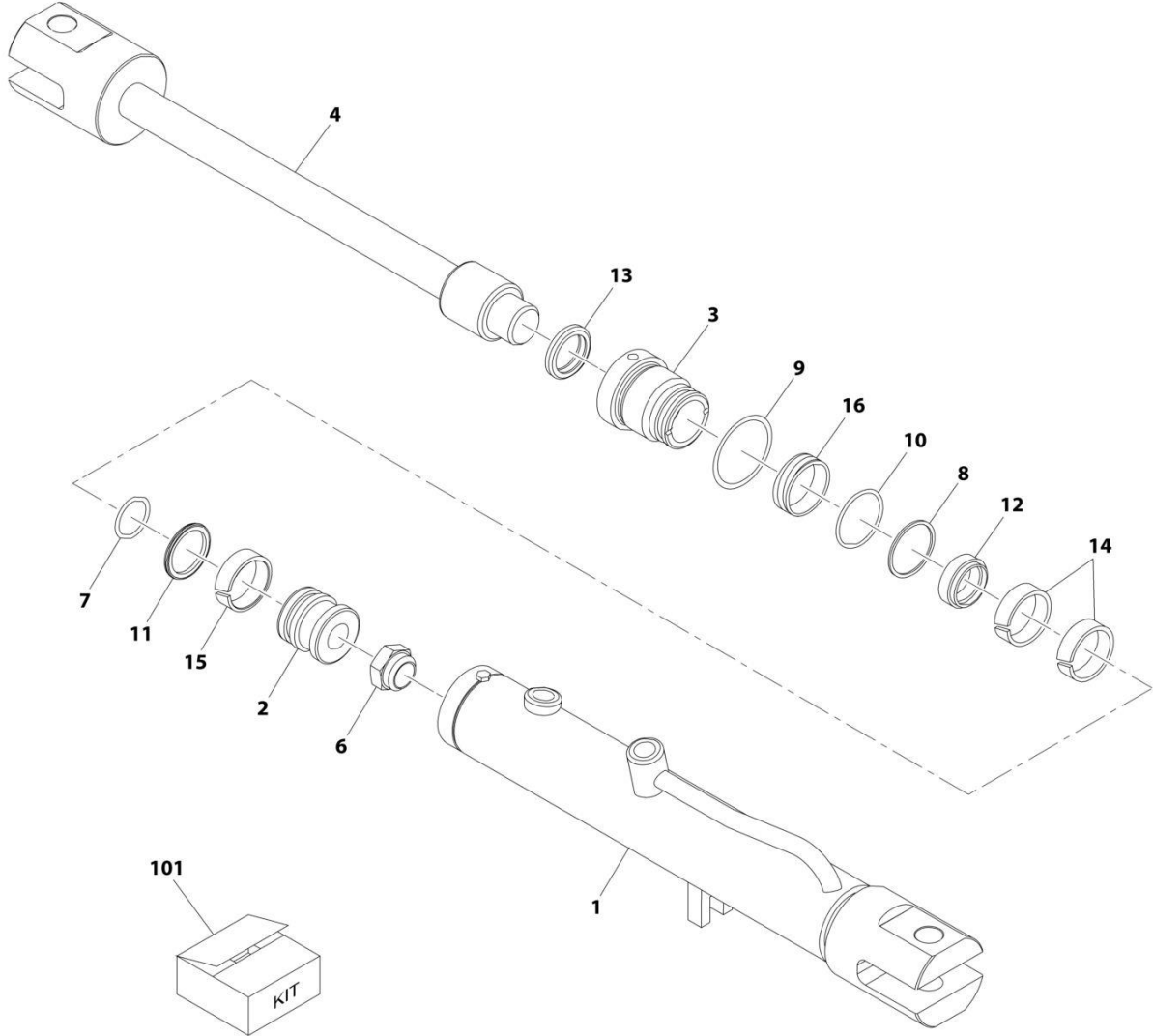
SECTION 9 - HYDRAULIC COMPONENTS

FIGURE 9-22. UNIVERSAL SIDE SHIFT CYLINDER

ITEM	PART NUMBER	QTY	DESCRIPTION	REV
	70022108	Ref	Universal Side Shift Cylinder	A
		Ref	Note: Original Cylinder May Have Been Replaced with Service Replacement. Identify PN Stamped on Cylinder Before Ordering Parts.	
1	70021448	2	Bushing	
2	90554045	2	Grease Fitting	
3	70021440	1	Nut	
4	70021451	1	Piston	
5	70021444	1	Washer	
6	70021446	1	Gland	
7	70021462	1	Rod	
8	70021447	1	Bushing	
9	70021452	1	Seal Kit, (includes items 901 thru 908)	
901	Kit	1	O-Ring	
902	Kit	1	Back-up O-Ring	
903	Kit	1	O-Ring	
904	Kit	1	O-Ring	
905	Kit	1	O-Ring	
906	Kit	1	Seal	
907	Kit	1	O-Ring	
908	Kit	1	Seal	

SECTION 9 - HYDRAULIC COMPONENTS

FIGURE 9-23. FORK LOCKING CYLINDER



ART_1001080334-D

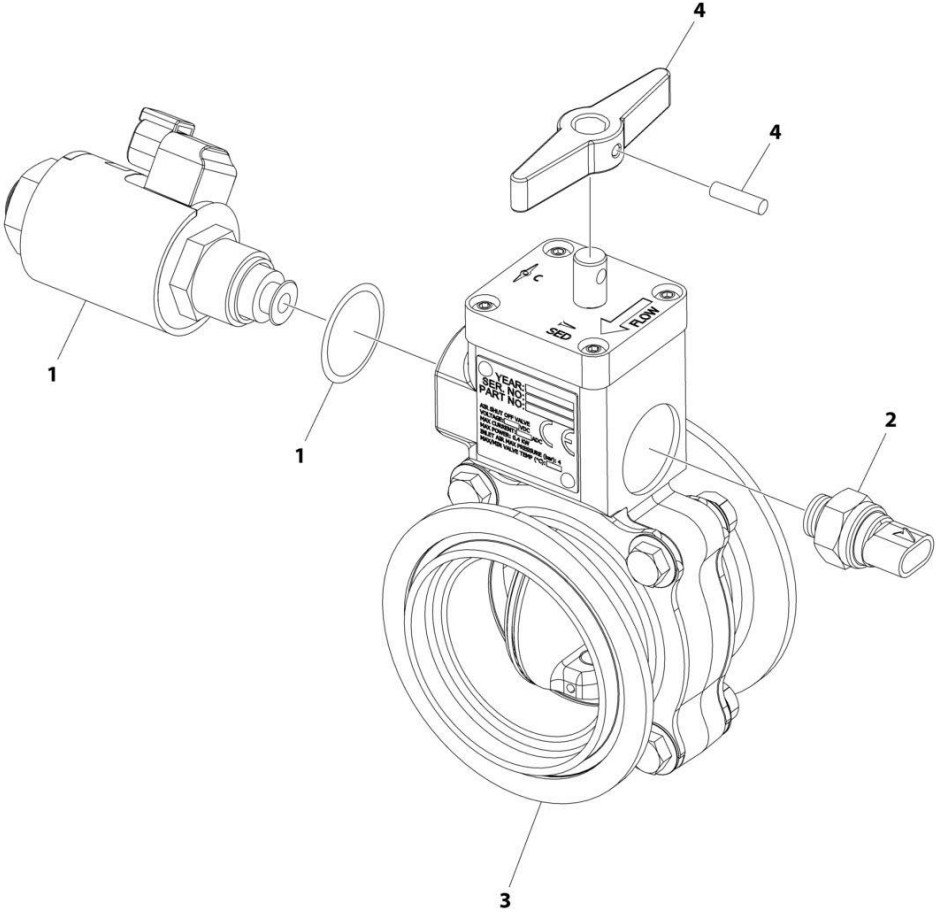
SECTION 9 - HYDRAULIC COMPONENTS

FIGURE 9-23. FORK LOCKING CYLINDER

ITEM	PART NUMBER	QTY	DESCRIPTION	REV
	1001080334	Ref	Fork Locking Cylinder	D
		Ref	Note: Original Cylinder May Have Been Replaced with Service Replacement. Identify PN Stamped on Cylinder Before Ordering Parts.	
1	70021270	1	Case Assembly	
2	70021271	1	Piston	
3	70021272	1	Head Gland	
4	70021273	1	Rod	
6	70021275	1	Locknut	
7	Kit	1	O-Ring	
8	Kit	1	O-Ring	
9	Kit	1	O-Ring	
10	Kit	1	Back-Up Ring	
11	Kit	1	Diso-Pac	
12	Kit	1	Deep Z-Seal	
13	Kit	1	Rod Wiper	
14	Kit	2	Precision Wearband	
15	Kit	1	Precision Wearband	
16	Kit	1	Locking Insert	
101	70021276	1	Seal Kit, (includes items 7 thru 16)	

SECTION 9 - HYDRAULIC COMPONENTS

FIGURE 9-24. AIR SHUT OFF VALVE



ART_1001204032_C

SECTION 9 - HYDRAULIC COMPONENTS

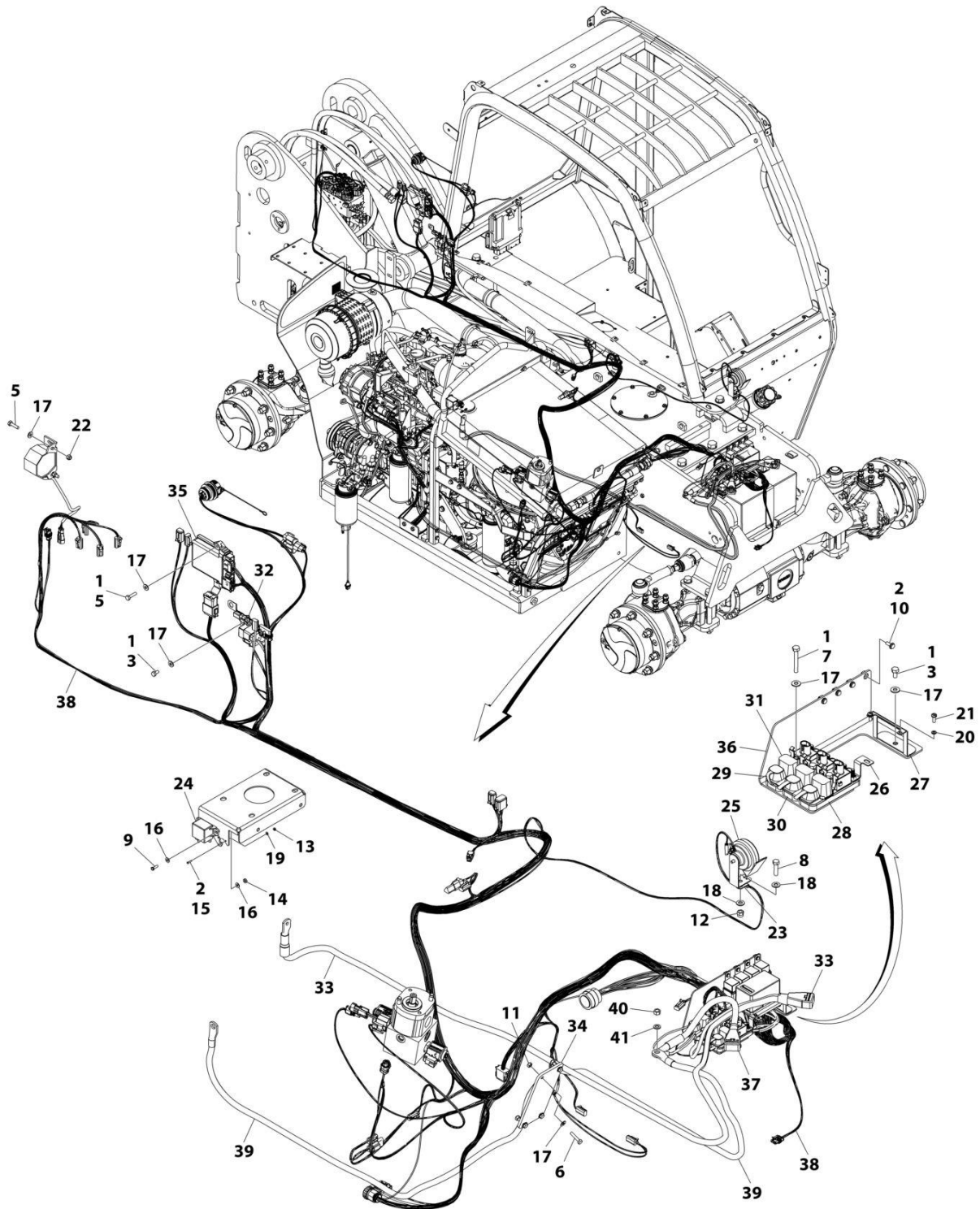
FIGURE 9-24. AIR SHUT OFF VALVE

ITEM	PART NUMBER	QTY	DESCRIPTION	REV
	1001204032	Ref	Air Shut Off Valve	C
1	70028514	1	Kit, Solenoid 12V (Includes Solenoid, Coil, O-Ring)	
2	70028515	1	Kit, Switch (Includes Ball Switch & O-Ring)	
3	70028516	1	Kit, Flange and Hardware (Includes Flanges (Male & Female) & Mounting Hardware)	
4	70028517	1	Kit, Handle (Includes Handle & Pin)	

SECTION 10 - ELECTRICAL

SECTION 10 - ELECTRICAL

FIGURE 10-1. MAIN ELECTRICAL INSTALLATION



ART_1001200612

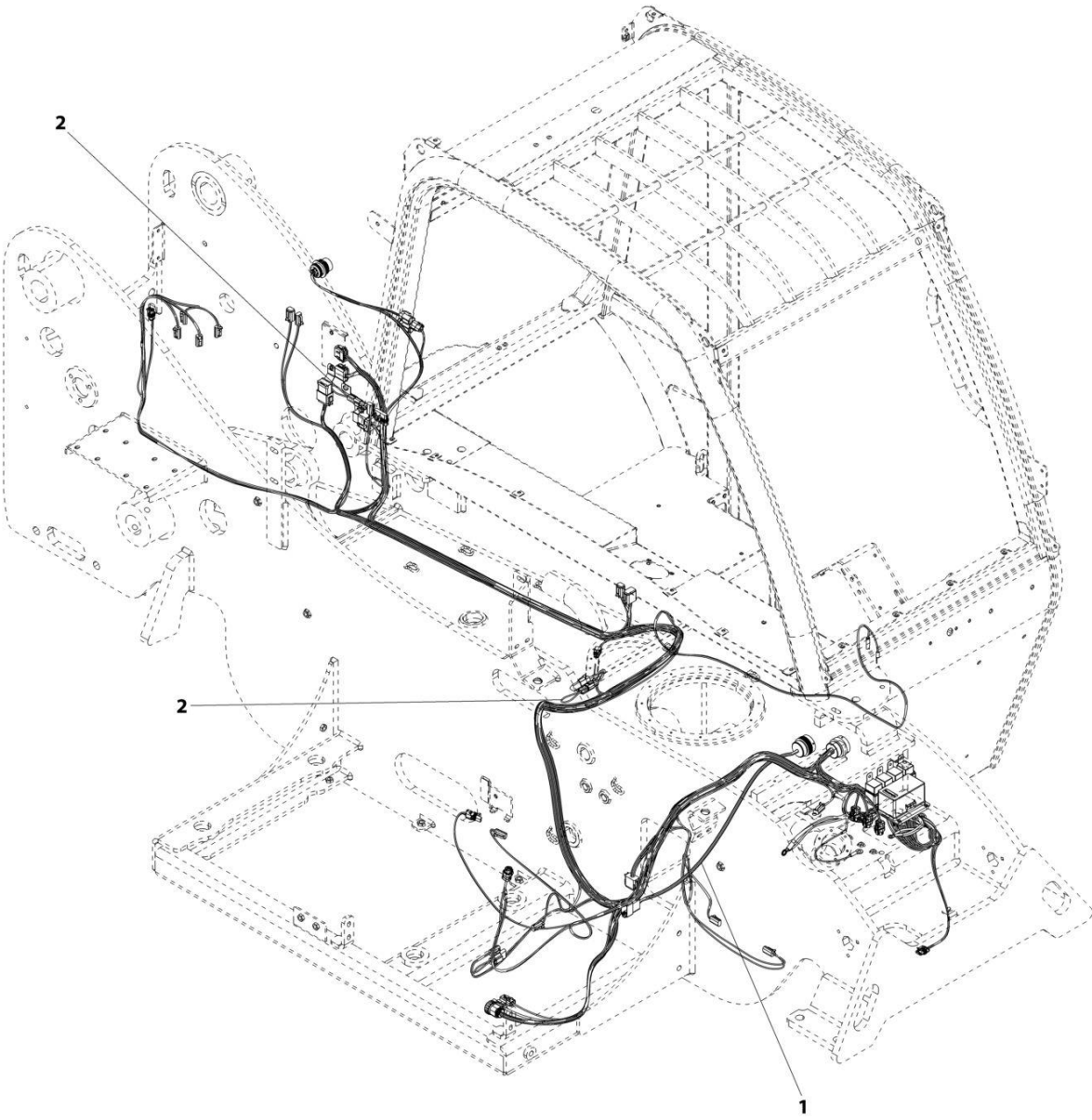
SECTION 10 - ELECTRICAL

FIGURE 10-1. MAIN ELECTRICAL INSTALLATION

ITEM	PART NUMBER	QTY	DESCRIPTION	REV
	1001200612	Ref	MAIN ELECTRICAL INSTALLATION	G
1	0100011	AR	Compound, Locking	
2	0100035	AR	Compound, Locking	
3	0641404	2	Bolt 1/4 x 1/2	
5	0641408	4	Bolt 1/4 x 1	
6	0641410	4	Bolt 1/4 x 1-1/4	
7	0641415	3	Bolt 1/4 x 1-7/8	
8	0641611	1	Bolt 3/8 x 1-3/8	
9	0721005	2	Screw	
10	0791004	4	Screw	
11	3271405	4	Nut 1/4	
12	3300143	1	Nut 3/8	
13	3310401	3	Nut 4	
14	3311001	2	Nut 10	
15	3910408	3	Screw 4 x 1/2	
16	4711000	4	Washer	
17	4711400	13	Washer 1/4	
18	4711600	2	Washer 3/8	
19	4750400	3	Washer #4	
20	4761000	2	Washer	
21	8303839	2	Screw #10 x 1/2	
22	8305624	2	Nut	
23	8406003	1	Clip	
24	77383377	1	Starter Relay	
25	91143357	1	Horn	
26	1001080409	1	Bus Bar	
27	1001080410	1	Bracket	
28	1001080424	1	Yellow Power Module Relay	
29	1001092585	1	Bus Bar Insulator	
30	1001127589	1	Red Power Module Relay	
31	1001141066	1	Green Power Module Relay	
32	1001141581	1	Connector Mount	
33	1001149466	1	Positive Battery Cable	
34	1001156314	1	Plate	
35	1001196254	1	Control Module	
36	1001201252	1	Mount, Electrical Components	
37	1001080619	1	Negative Battery Cable	
38	1001275270	1	Frame Harness, (See Separate Breakdown in this Section)	
39	1001209102	1	Ground Cable	
40	3271601	1	Nut 3/8	
41	4761600	1	Washer 3/8	

SECTION 10 - ELECTRICAL

FIGURE 10-2. FRAME OPTIONS HARNESS INSTALLATION



ART_1001143556-C

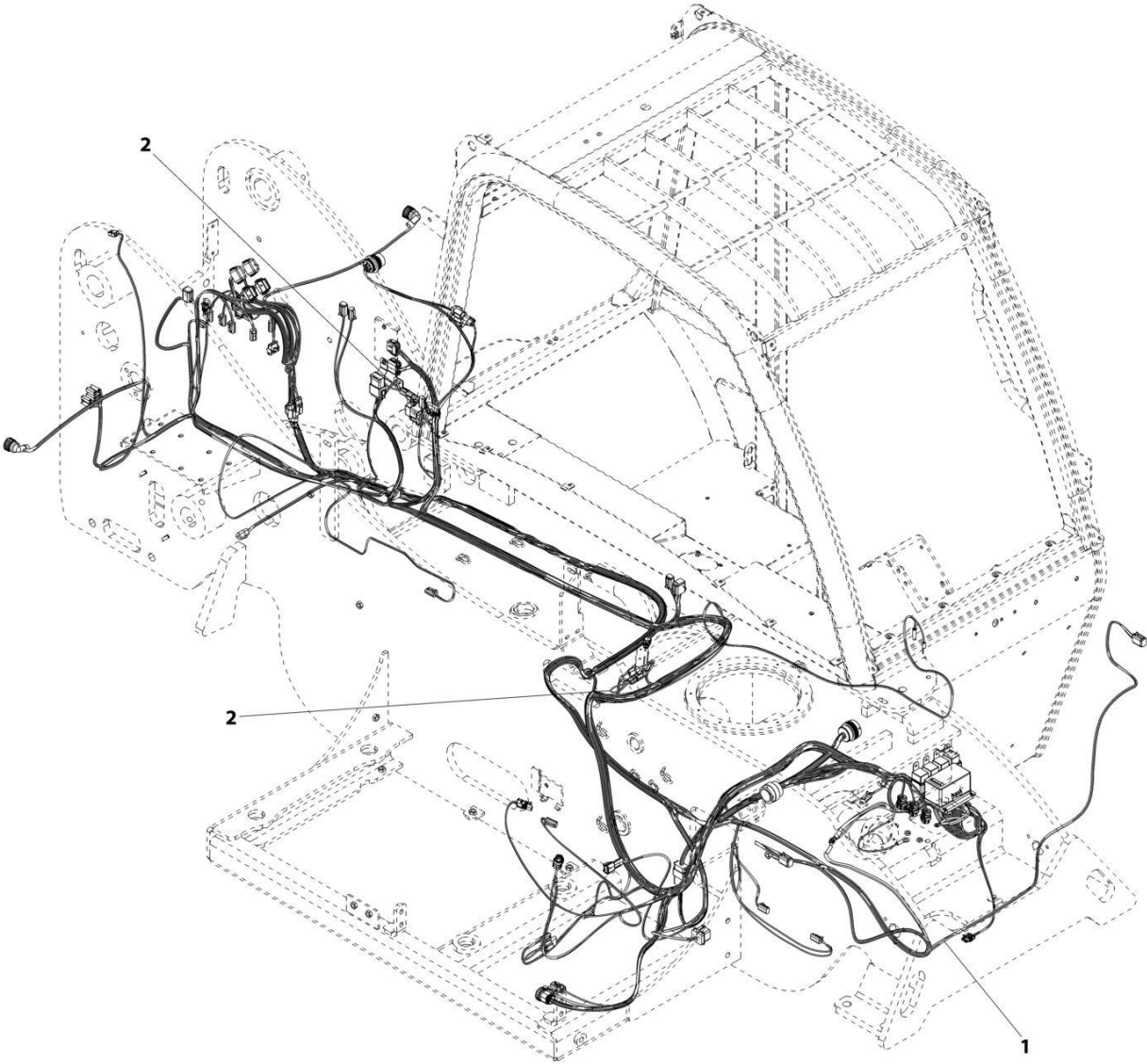
SECTION 10 - ELECTRICAL

FIGURE 10-2. FRAME OPTIONS HARNESS INSTALLATION

ITEM	PART NUMBER	QTY	DESCRIPTION	REV
1	1001143556	Ref	Frame Options Harness Installation	C
	1001142011	1	Frame Base Jumper Harness (See Separate Breakdown in this Section)	
2	1001122280	2	Function Jumper Harness (See Separate Breakdown in this Section)	

SECTION 10 - ELECTRICAL

FIGURE 10-3. FRAME OPTIONS HARNESS INSTALLATION (ANSI)



ART_1001143552-C

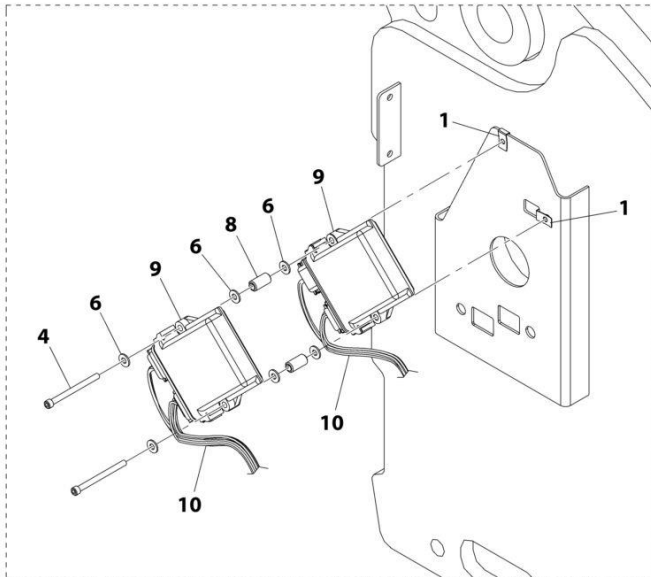
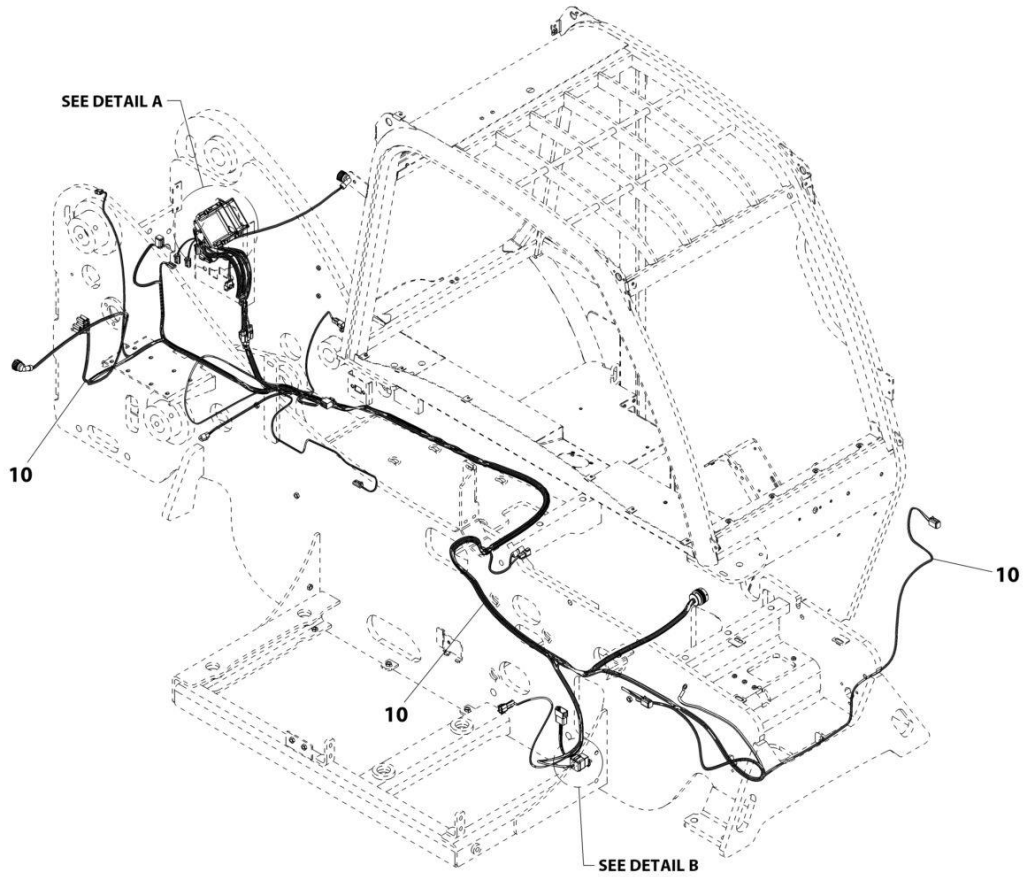
SECTION 10 - ELECTRICAL

FIGURE 10-3. FRAME OPTIONS HARNESS INSTALLATION (ANSI)

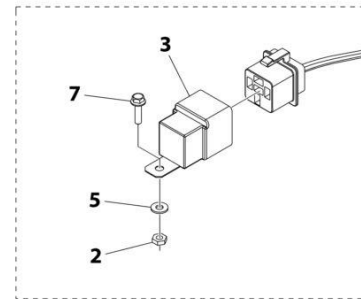
ITEM	PART NUMBER	QTY	DESCRIPTION	REV
	1001143552	Ref	FRAME OPTIONS HARNESS INSTALLATION	C
1	1001140635	1	Frame Option Harness (See Separate Breakdown in this Section)	
2	1001122280	2	Function Jumper Harness (See Separate Breakdown in this Section)	

SECTION 10 - ELECTRICAL

FIGURE 10-4. FRAME OPTIONS HARNESS INSTALLATION (CE)



DETAIL A



DETAIL B

ART_1001209103-B

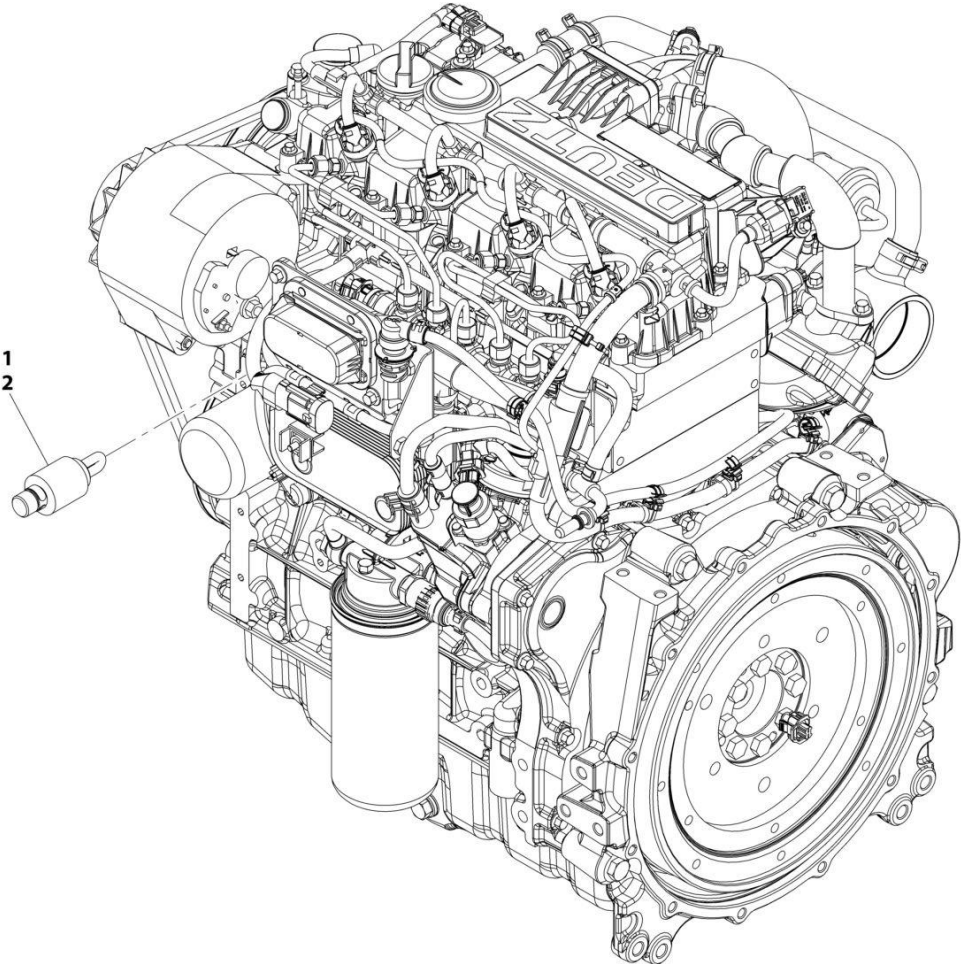
SECTION 10 - ELECTRICAL

FIGURE 10-4. FRAME OPTIONS HARNESS INSTALLATION (CE)

ITEM	PART NUMBER	QTY	DESCRIPTION	REV
	1001209103	Ref	Frame Options Harness Installation (CE)	B
1	3300454	2	Special Nut	
2	3311001	1	Hex Nut, 10-24, GR2	
3	3740080	1	Weather Proof Relay	
4	3931448	2	Socket HD Capscrew, 1/4-20X3	
5	4711000	1	Washer, #10	
6	4711400	6	Washer, 1/4	
7	77143016	1	Screw, #10-24X3/4	
8	88631566	2	Roll Pin	
9	1001226247	2	LSI Module	
10	1001140635	1	Frame Option Harness (See Separate Breakdown in this Section)	

SECTION 10 - ELECTRICAL

FIGURE 10-5. BLOCK HEATER INSTALLATION (ANSI)



ART_1001139683-B

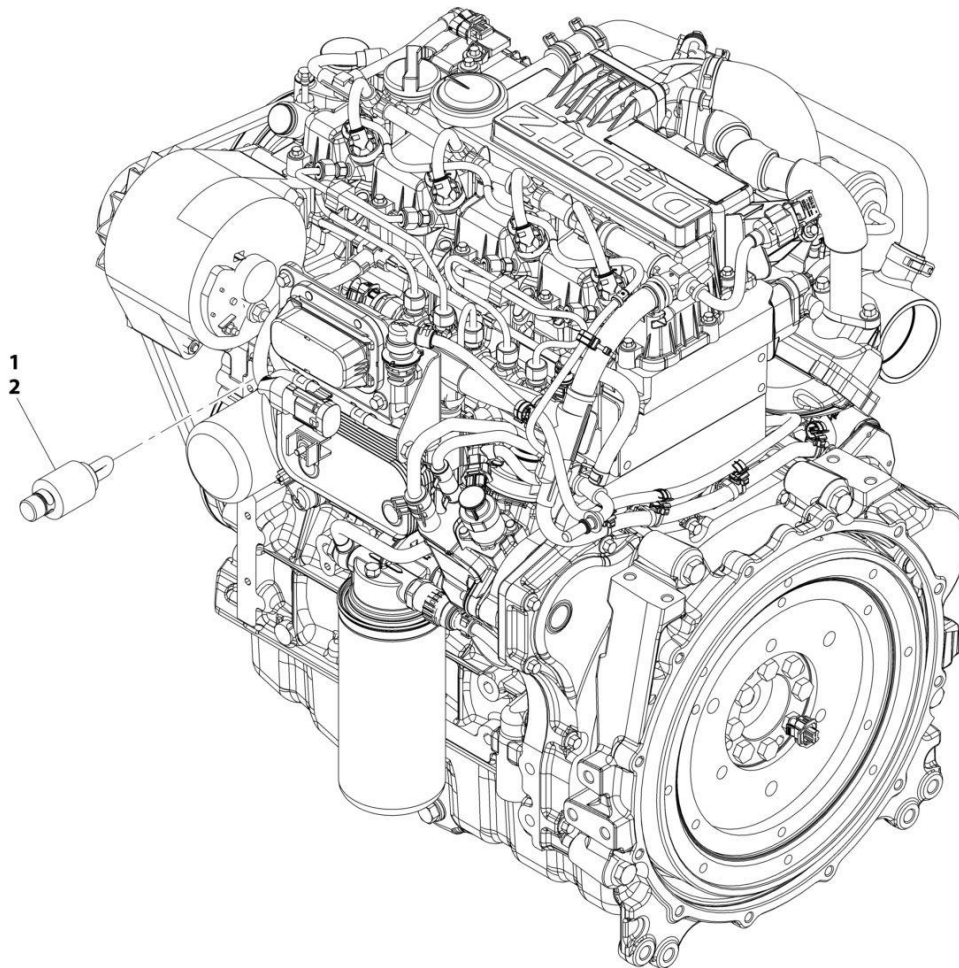
SECTION 10 - ELECTRICAL

FIGURE 10-5. BLOCK HEATER INSTALLATION (ANSI)

ITEM	PART NUMBER	QTY	DESCRIPTION	REV
1	1001139683	Ref	LOCK HEATER INSTALLATION	B
	1001095650	AR	Compound, Locking	
	1001140312	1	Block Heater	

SECTION 10 - ELECTRICAL

FIGURE 10-6. BLOCK HEATER INSTALLATION (CE)



ART_1001159207-A

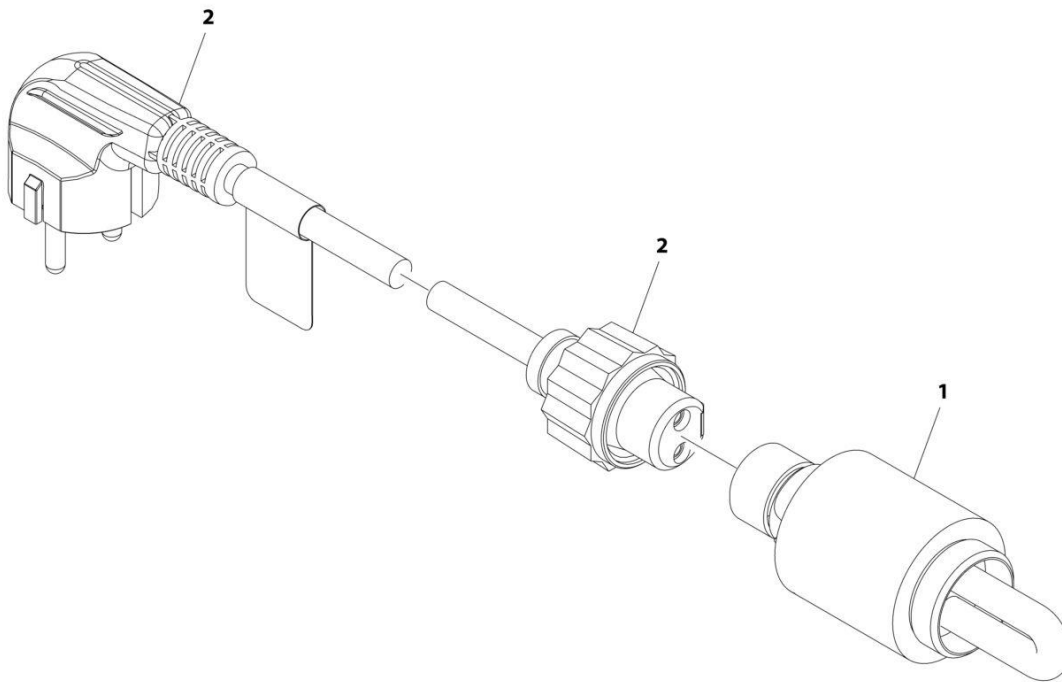
SECTION 10 - ELECTRICAL

FIGURE 10-6. BLOCK HEATER INSTALLATION (CE)

ITEM	PART NUMBER	QTY	DESCRIPTION	REV
1	1001159207	Ref	Block Heater Installation (CE)	A
	1001095650	AR	Locking Compound	
2	1001159206	1	Block Heater (See Separate Breakdown in this Section)	

SECTION 10 - ELECTRICAL

FIGURE 10-7. BLOCK HEATER INSTALLATION (115V) (LS)



ART_1001159206

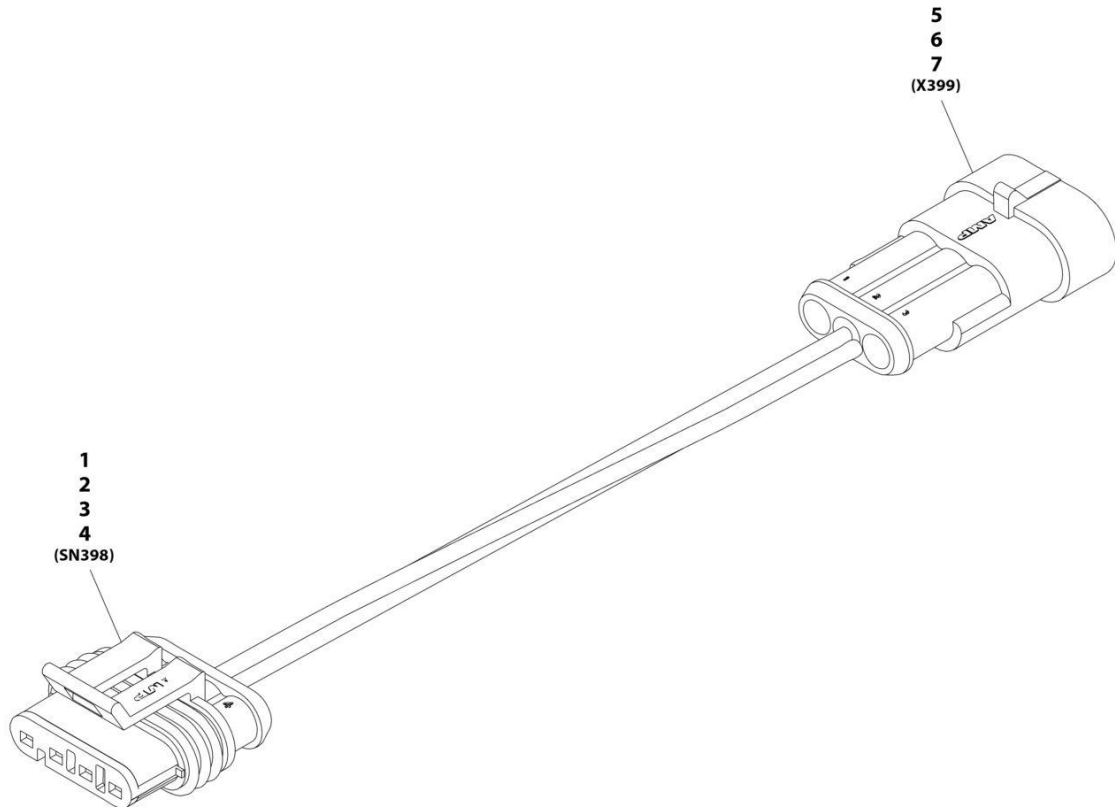
SECTION 10 - ELECTRICAL

FIGURE 10-7. BLOCK HEATER INSTALLATION (115V) (LS)

ITEM	PART NUMBER	QTY	DESCRIPTION	REV
	1001159206	Ref	Block Heater Installation (115V) (LS)	B
1	1001159204	1	Block Heater	
2	1001159205	1	Cable	

SECTION 10 - ELECTRICAL

FIGURE 10-8. SPEED SENSOR JUMPER HARNESS



ART_1001234992-B

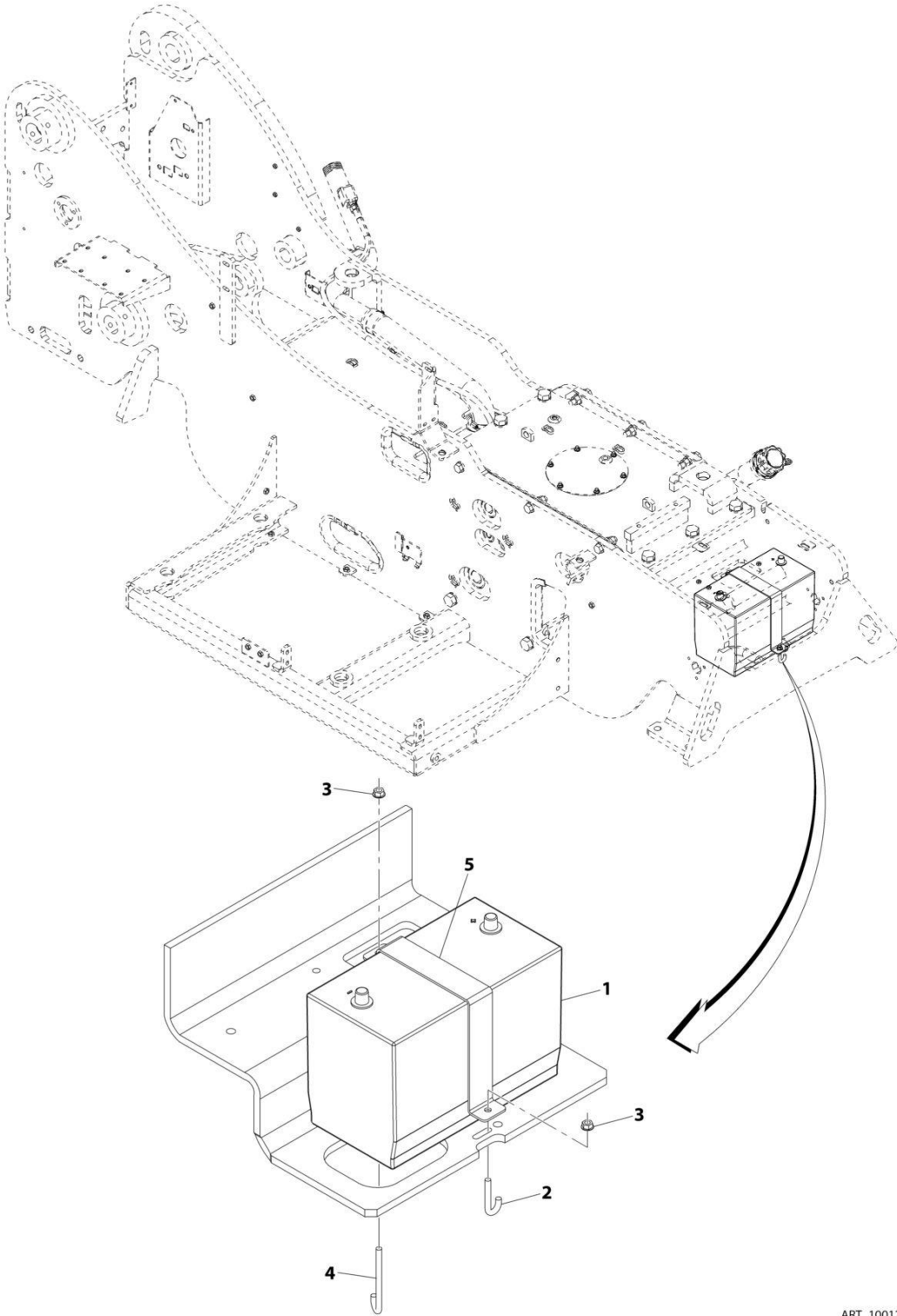
SECTION 10 - ELECTRICAL

FIGURE 10-8. SPEED SENSOR JUMPER HARNESS

ITEM	PART NUMBER	QTY	DESCRIPTION	REV
	1001234992	Ref	Speed Sensor Jumper Harness	B
1	1001103012	1	Connector	
2	1001107854	3	Terminal	
3	1001116698	1	Plug	
4	1001104498	3	Seal	
5	4461119	1	Connector	
6	1001104497	3	Terminal	
7	1001104498	3	Seal	

SECTION 10 - ELECTRICAL

FIGURE 10-9. BATTERY INSTALLATION



ART_1001200613-A

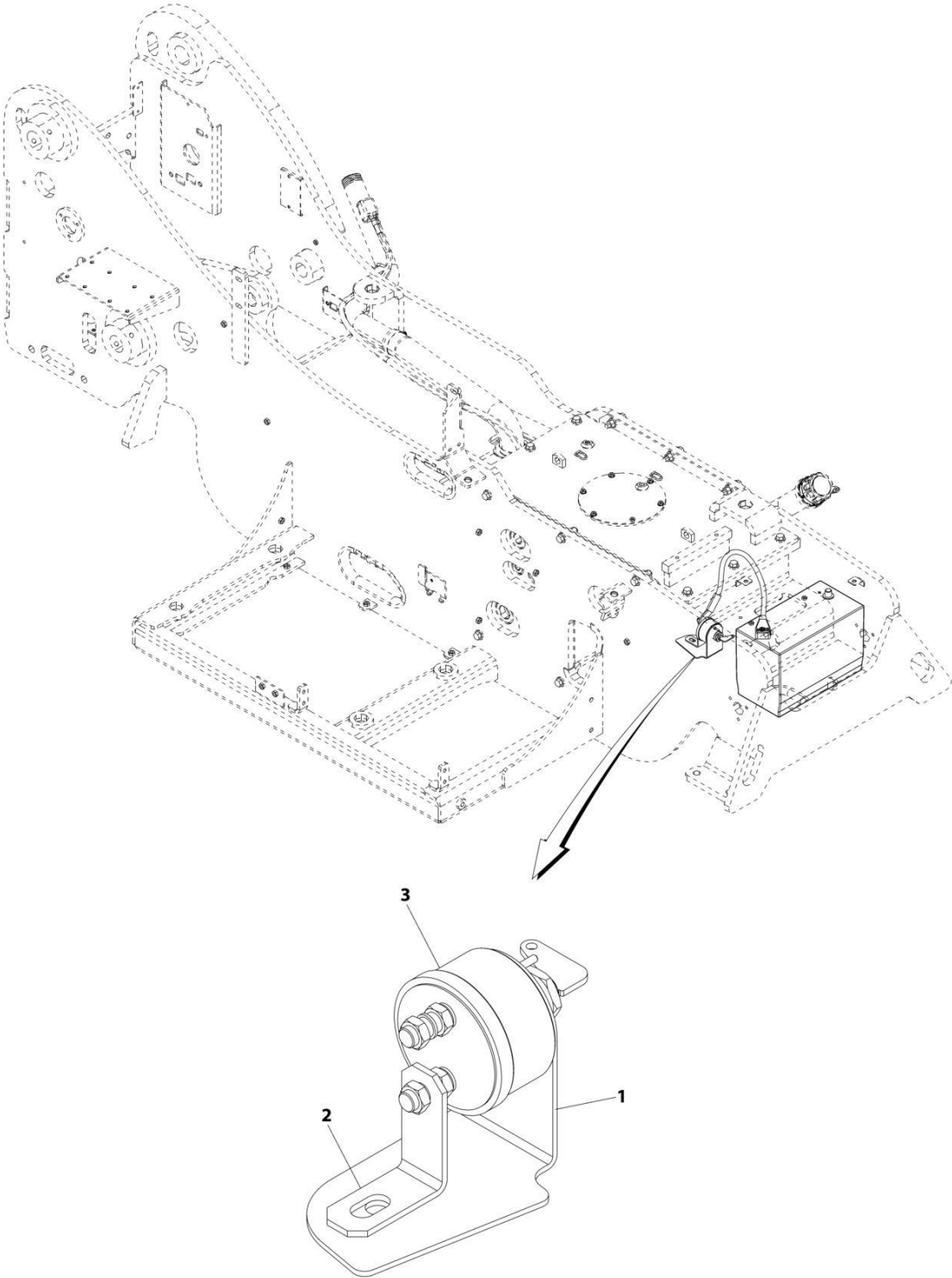
SECTION 10 - ELECTRICAL

FIGURE 10-9. BATTERY INSTALLATION

ITEM	PART NUMBER	QTY	DESCRIPTION	REV
	1001200613	Ref	Battery Installation	A
1	0400075	1	12V Battery	
2	0630455	1	J-Bolt	
3	3311508	2	Hex Nut, 5/16-18	
4	1001081123	1	J-Bolt	
5	1001112697	1	Plate	

SECTION 10 - ELECTRICAL

FIGURE 10-10. BATTERY DISCONNECT SWITCH INSTALLATION



ART_1001201826-A

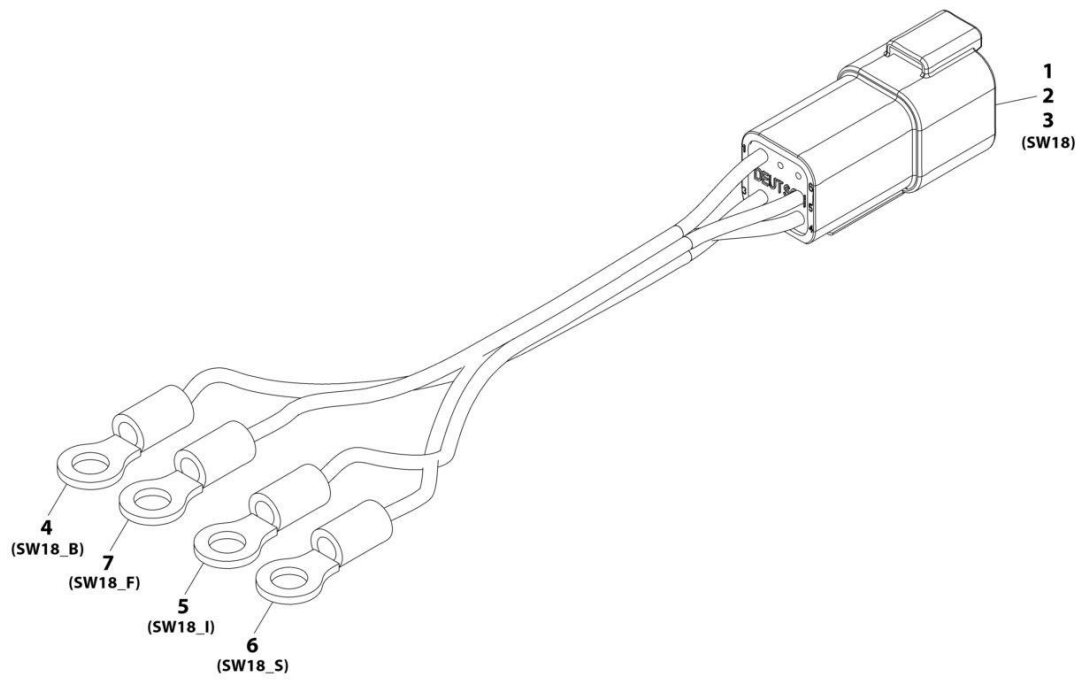
SECTION 10 - ELECTRICAL

FIGURE 10-10. BATTERY DISCONNECT SWITCH INSTALLATION

ITEM	PART NUMBER	QTY	DESCRIPTION	REV
	1001201826	Ref	Battery Disconnect Switch Installation	A
1	1001135845	1	Bracket	
2	1001135846	1	Bar	
3	1001192142	1	Switch	

SECTION 10 - ELECTRICAL

FIGURE 10-11. START SWITCH JUMPER HARNESS



ART_1001100053-B

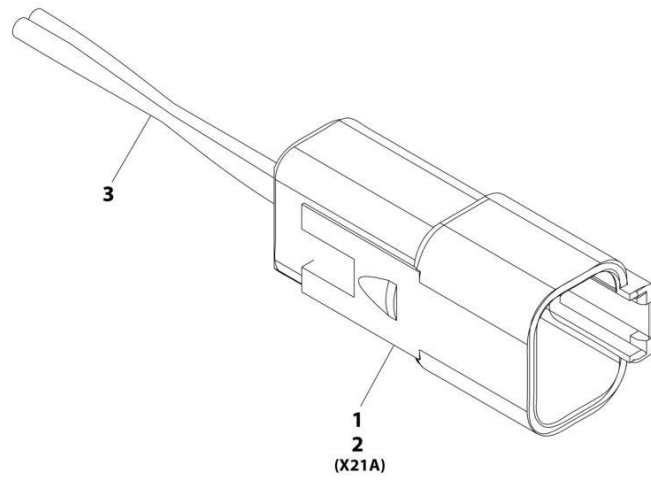
SECTION 10 - ELECTRICAL

FIGURE 10-11. START SWITCH JUMPER HARNESS

ITEM	PART NUMBER	QTY	DESCRIPTION	REV
	1001100053	Ref	Start Switch Jumper Harness	B
1	4460899	1	Connector	
2	4460464	4	Terminal	
3	4460466	2	Terminal	
4	4460042	1	Terminal Ring	
5	4460042	1	Terminal Ring	
6	4460042	1	Terminal Ring	
7	4460042	1	Terminal Ring	

SECTION 10 - ELECTRICAL

FIGURE 10-12. JUMPER HARNESS



ART_1001100966-B

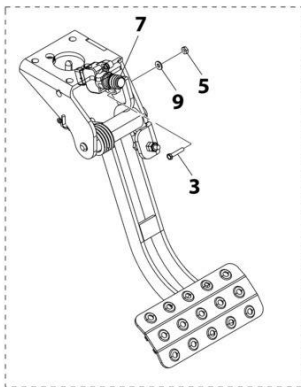
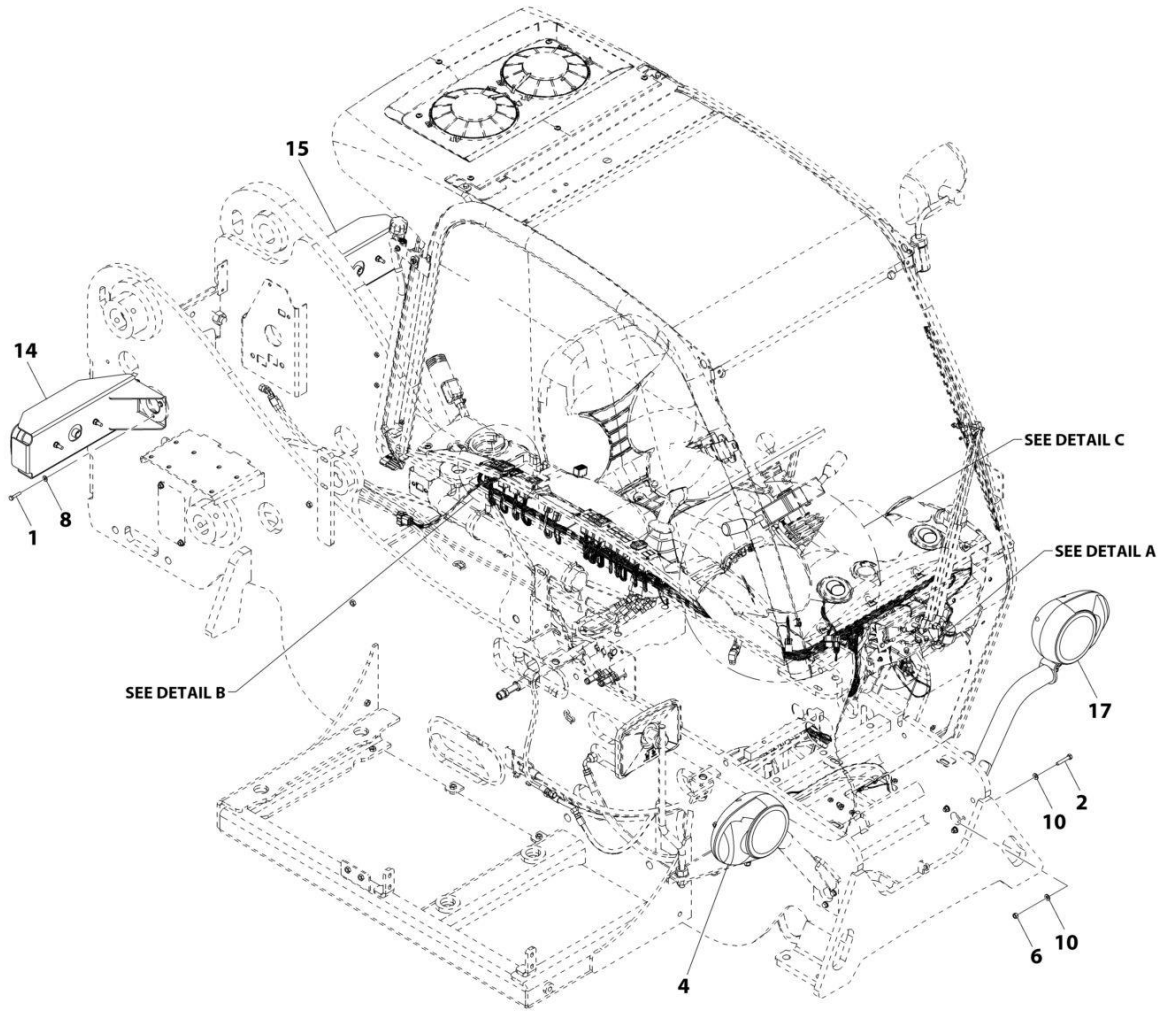
SECTION 10 - ELECTRICAL

FIGURE 10-12. JUMPER HARNESS

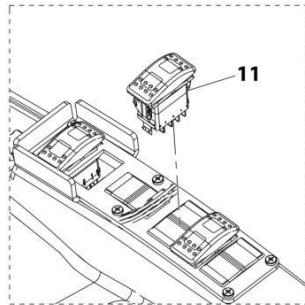
ITEM	PART NUMBER	QTY	DESCRIPTION	REV
	1001100966	Ref	Jumper Harness	B
1	4460464	4	Terminal	
2	4460932	1	Connector	
3	4920017	0.5 ft	Wire	

SECTION 10 - ELECTRICAL

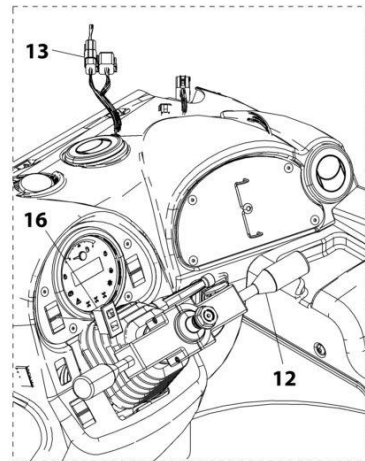
FIGURE 10-13. ROAD LIGHT INSTALLATION (ANSI)



DETAIL A



DETAIL B



DETAIL C

ART_1001233633-B

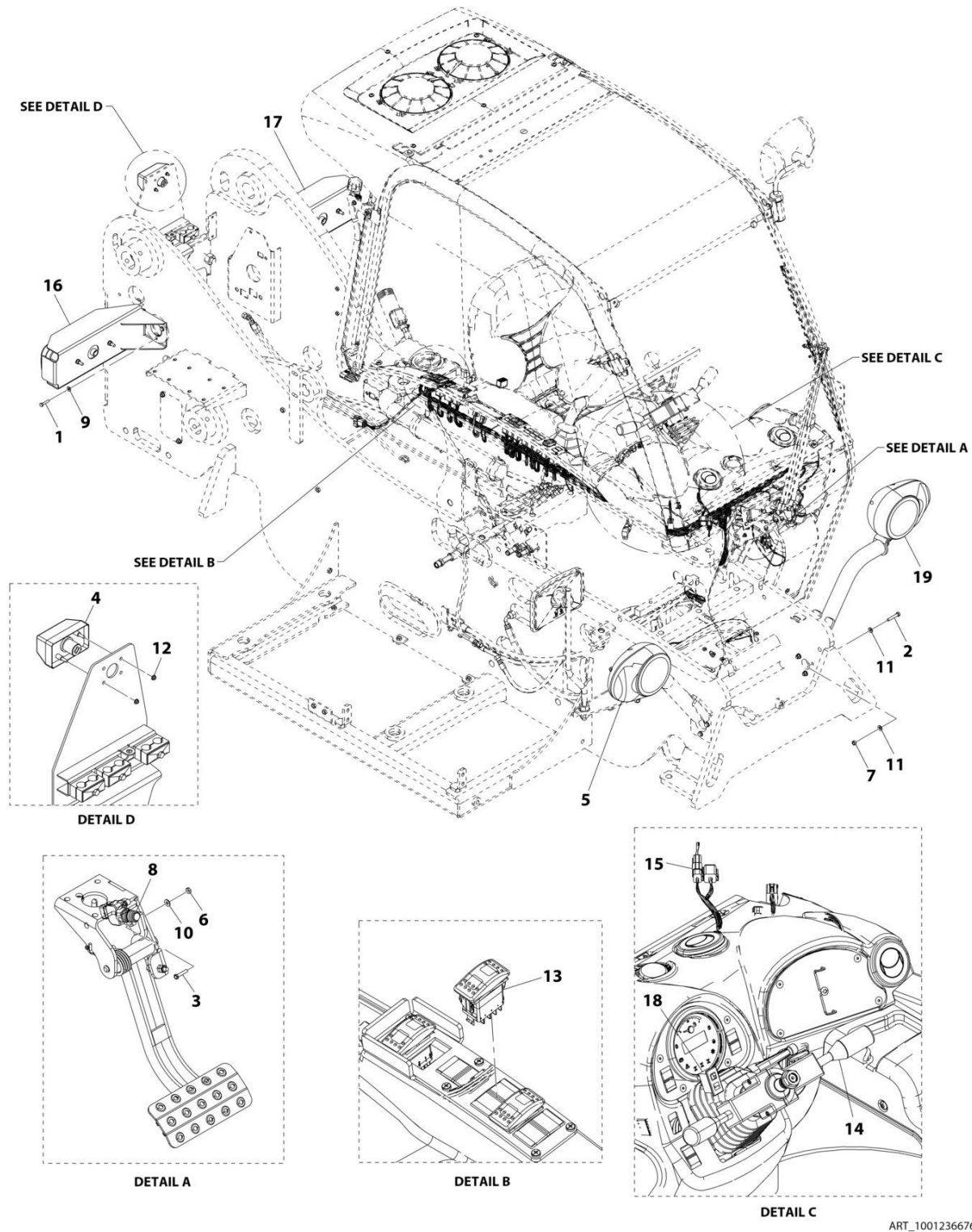
SECTION 10 - ELECTRICAL

FIGURE 10-13. ROAD LIGHT INSTALLATION (ANSI)

ITEM	PART NUMBER	QTY	DESCRIPTION	REV
	1001233633	Ref	Road Light Installation (ANSI)	B
1	0641410	6	Hex HD Capscrew, 1/4-20X1-1/4, GR5	
2	0641514	3	Hex HD Capscrew, 5/16-18X1-3/4, GR5	
3	0721008	2	Screw, 10-24X1	
4	2920208	1	RH Drive Light	
5	3311005	2	Hex Locknut	
6	3311505	3	Hex Locknut, 5/16-18, GR2	
7	4360658	1	Brake Light Switch	
8	4711400	6	Washer, 1/4	
9	4751000	2	Washer, M10	
10	4891500	6	Washer, 5/16	
11	1001080370	1	Hazard Light Switch	
12	1001080381	1	Turn Signal-Headlight Switch	
13	1001100965	1	Jumper Harness (See Separate Breakdown in this Section)	
14	1001101533	1	RH Tail Light Installation (See Separate Breakdown in this Section)	
15	1001101534	1	LH Tail Light Installation (See Separate Breakdown in this Section)	
16	1001139937	1	Turn/High Beam Indicator	
17	1001190709	1	LH Drive Light Installation (See Separate Breakdown in this Section)	

SECTION 10 - ELECTRICAL

FIGURE 10-14. ROAD LIGHT INSTALLATION (LSI)



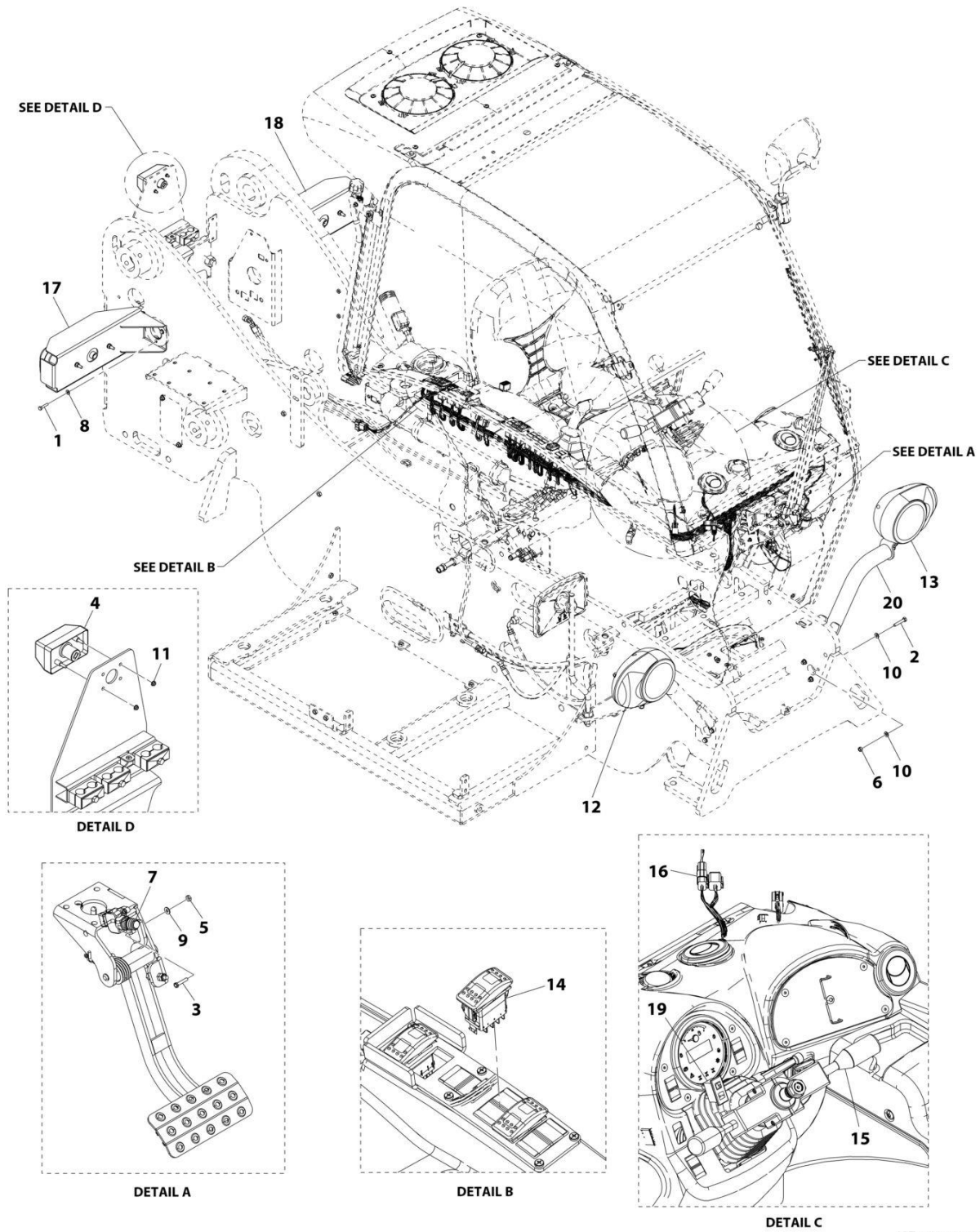
SECTION 10 - ELECTRICAL

FIGURE 10-14. ROAD LIGHT INSTALLATION (LSI)

ITEM	PART NUMBER	QTY	DESCRIPTION	REV
	1001236676	Ref	Road Light Installation (LSI)	A
1	0641410	6	Hex HD Capscrew, 1/4-20X1-1/4, GR5	
2	0641514	3	Hex HD Capscrew, 5/16-18X1-3/4, GR5	
3	0721008	2	Screw, #10-24X1	
4	2920204	1	License Plate Light	
5	2920208	1	RH Drive Light	
6	3311005	2	Hex Locknut	
7	3311505	3	Hex Locknut, 5/16-18, GR2	
8	4360658	1	Brake Light Switch	
9	4711400	6	Washer, 1/4	
10	4751000	2	Washer, M10	
11	4891500	6	Washer, 5/16	
12	5220500	2	Ripp Nut, M5	
13	1001080370	1	Hazard Light Switch	
14	1001080381	1	Turn Signal-Headlight Switch	
15	1001100965	1	Jumper Harness (See Separate Breakdown in this Section)	
16	1001101533	1	RH Tail Light Installation (See Separate Breakdown in this Section)	
17	1001101534	1	LH Tail Light Installation (See Separate Breakdown in this Section)	
18	1001139937	1	Turn/High Beam Indicator	
19	1001190709	1	LH Drive Light Installation (See Separate Breakdown in this Section)	

SECTION 10 - ELECTRICAL

FIGURE 10-15. ROAD LIGHT INSTALLATION (LH DIP)



ART_1001236678-A

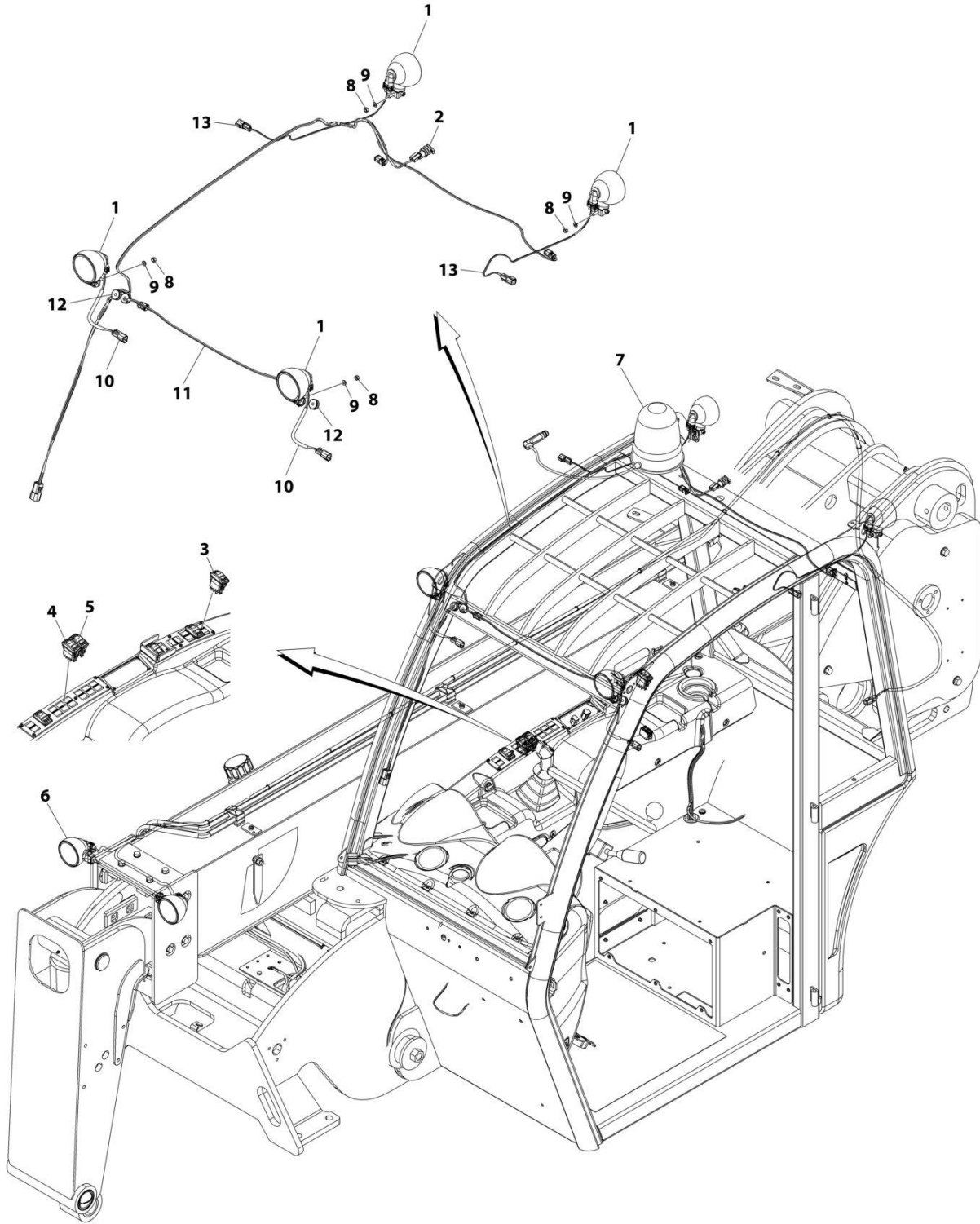
SECTION 10 - ELECTRICAL

FIGURE 10-15. ROAD LIGHT INSTALLATION (LH DIP)

ITEM	PART NUMBER	QTY	DESCRIPTION	REV
	1001236678	Ref	Road Light Installation (LH Dip)	A
1	0641410	6	Hex HD Capscrew, 1/4-20X1-1/4, GR5	
2	0641514	3	Hex HD Capscrew, 5/16-18X1-3/4, GR5,	
3	0721008	2	Screw, #10-24X1	
4	2920204	1	License Plate Light	
5	3311005	2	Hex Locknut	
6	3311505	3	Hex Locknut, 5/16-18, GR2	
7	4360658	1	Brake Light Switch	
8	4711400	6	Washer, 1/4	
9	4751000	2	Washer, M10	
10	4891500	6	Washer, 5/16	
11	5220500	2	Ripp Nut, M5	
12	1001002778	1	RH Drive Light	
13	1001002779	1	LH Drive Light	
14	1001080370	1	Hazard Light Switch	
15	1001080381	1	Turn Signal-Headlight Switch	
16	1001100965	1	Jumper Harness (See Separate Breakdown in this Section)	
17	1001101533	1	RH Tail Light Installation (See Separate Breakdown in this Section)	
18	1001101534	1	LH Tail Light Installation (See Separate Breakdown in this Section)	
19	1001139937	1	Turn/High Beam Indicator	
20	1001190640	1	Bracket	

SECTION 10 - ELECTRICAL

FIGURE 10-16. WORK LIGHT INSTALLATION



ART_1001143558

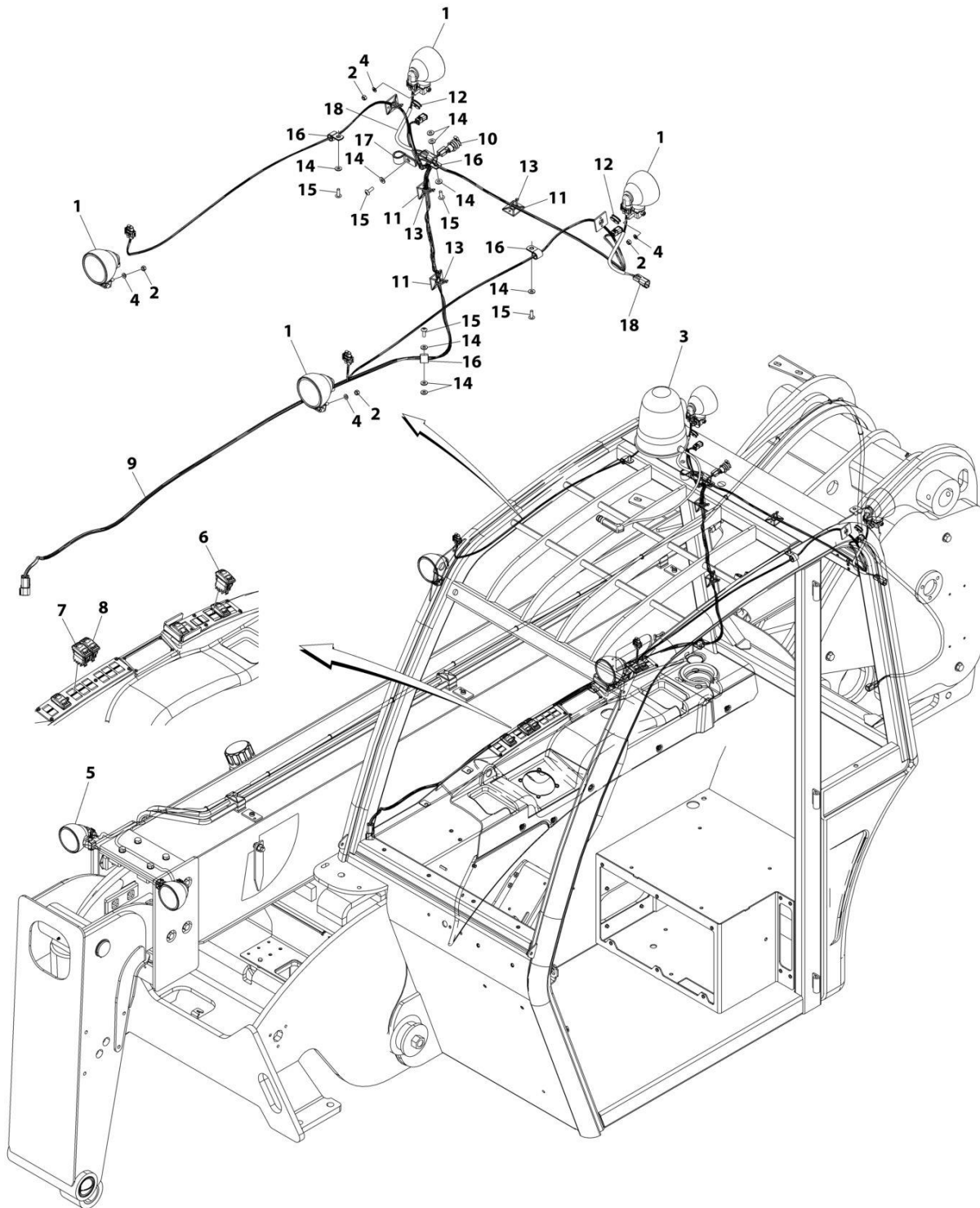
SECTION 10 - ELECTRICAL

FIGURE 10-16. WORK LIGHT INSTALLATION

ITEM	PART NUMBER	QTY	DESCRIPTION	REV
	1001143558	Ref	WORK LIGHT INSTALLATION	B
1	2920206	4	Worklight	
2	4461174	1	12V Terminal	
3	1001080365	1	Beacon Light Switch	
4	1001080369	1	Front Work Light Switch	
5	1001080376	1	Rear Work Light Switch	
6	1001080669	1	Boom Work Light, (See Separate Breakdown in this Section)	
7	1001217623	1	Beacon Light	
8	1001108127	4	Nut M6 x 1	
9	1001108129	4	Washer M6	
10	1001109565	2	Boom Worklight Jumper Harness (Short) (See Separate Breakdown in ELECTRICAL Section)	
11	1001109566	1	Proximity Sensor Harness (See Separate Breakdown in ELECTRICAL Section)	
12	1001111341	4	Grommet	
13	1001142981	2	Boom Worklight Jumper Harness (Long) (See Separate Breakdown in ELECTRICAL Section)	

SECTION 10 - ELECTRICAL

FIGURE 10-17. WORK LIGHT INSTALLATION (OPEN CAB)



ART_1001113154

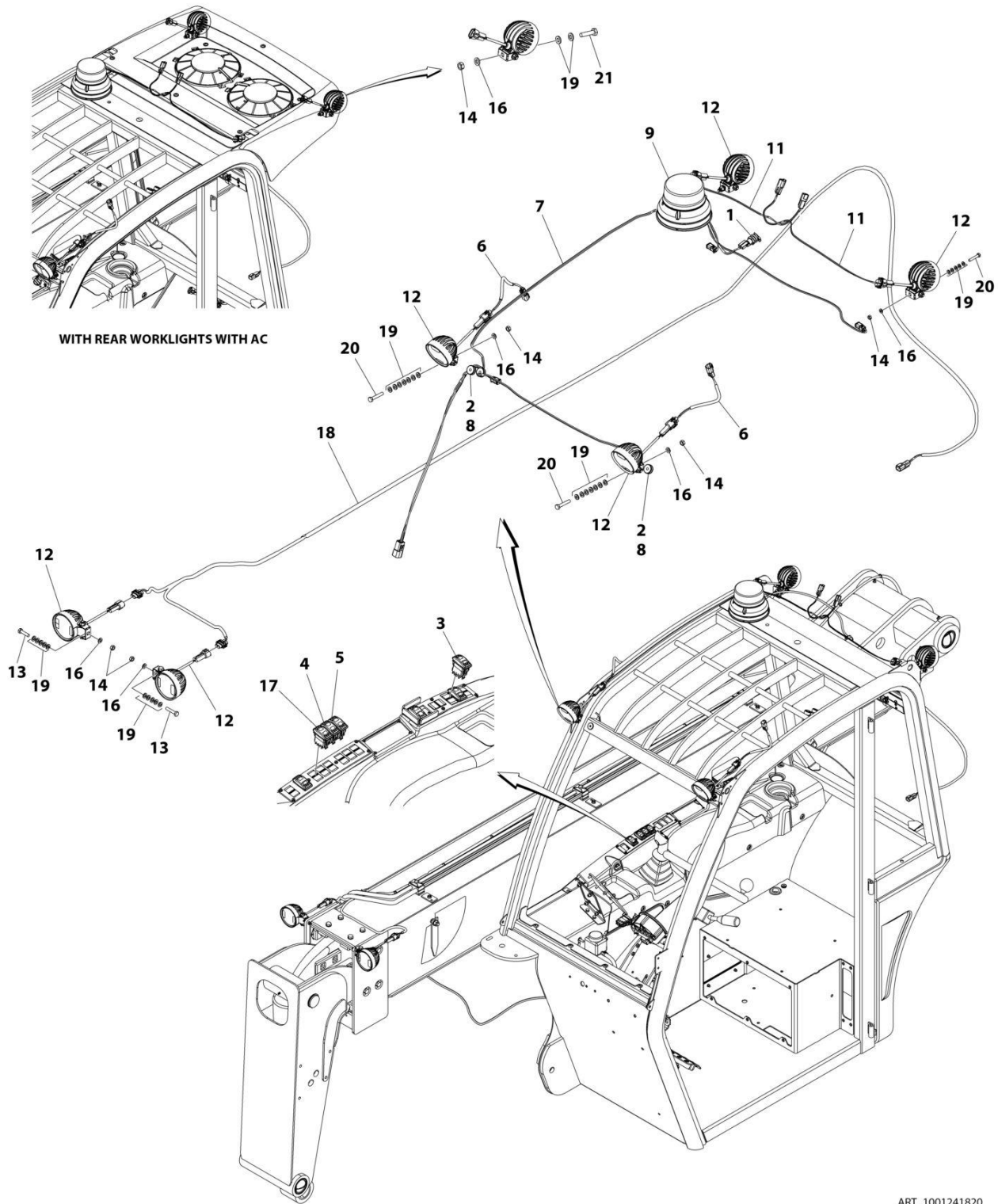
SECTION 10 - ELECTRICAL

FIGURE 10-17. WORK LIGHT INSTALLATION (OPEN CAB)

ITEM	PART NUMBER	QTY	DESCRIPTION	REV
	1001113154	Ref	WORK LIGHT INSTALLATION (OPEN CAB)	C
1	2920206	4	Worklight	
2	3290605	4	Nut M6 x 1	
3	1001217623	1	Beacon Light	
4	4811700	4	Washer	
5	1001080669	1	Boom Work Light (See Separate Breakdown in this Section)	
6	1001080365	1	Beacon Light Switch	
7	1001080369	1	Front Work Light Switch	
8	1001080376	1	Rear Work Light Switch	
9	1001111156	1	Cab Worklight Harness (See Separate Breakdown in this Section)	
10	4461174	1	12V Terminal	
11	4460488	5	Mounting Base	
12	1001111341	2	Grommet	
13	8881802	9	Tie Strap	
14	4711400	9	Washer 1/4	
15	8303034	5	Screw 1/4 x 3/4	
16	85941016	4	1/2In Clamp	
17	85941017	1	P-Clamp	
18	1001109565	2	Boom Worklight Jumper Harness (Short) (See Separate Breakdown in ELECTRICAL Section)	

SECTION 10 - ELECTRICAL

FIGURE 10-18. WORK LIGHT LED INSTALLATION



ART_1001241820

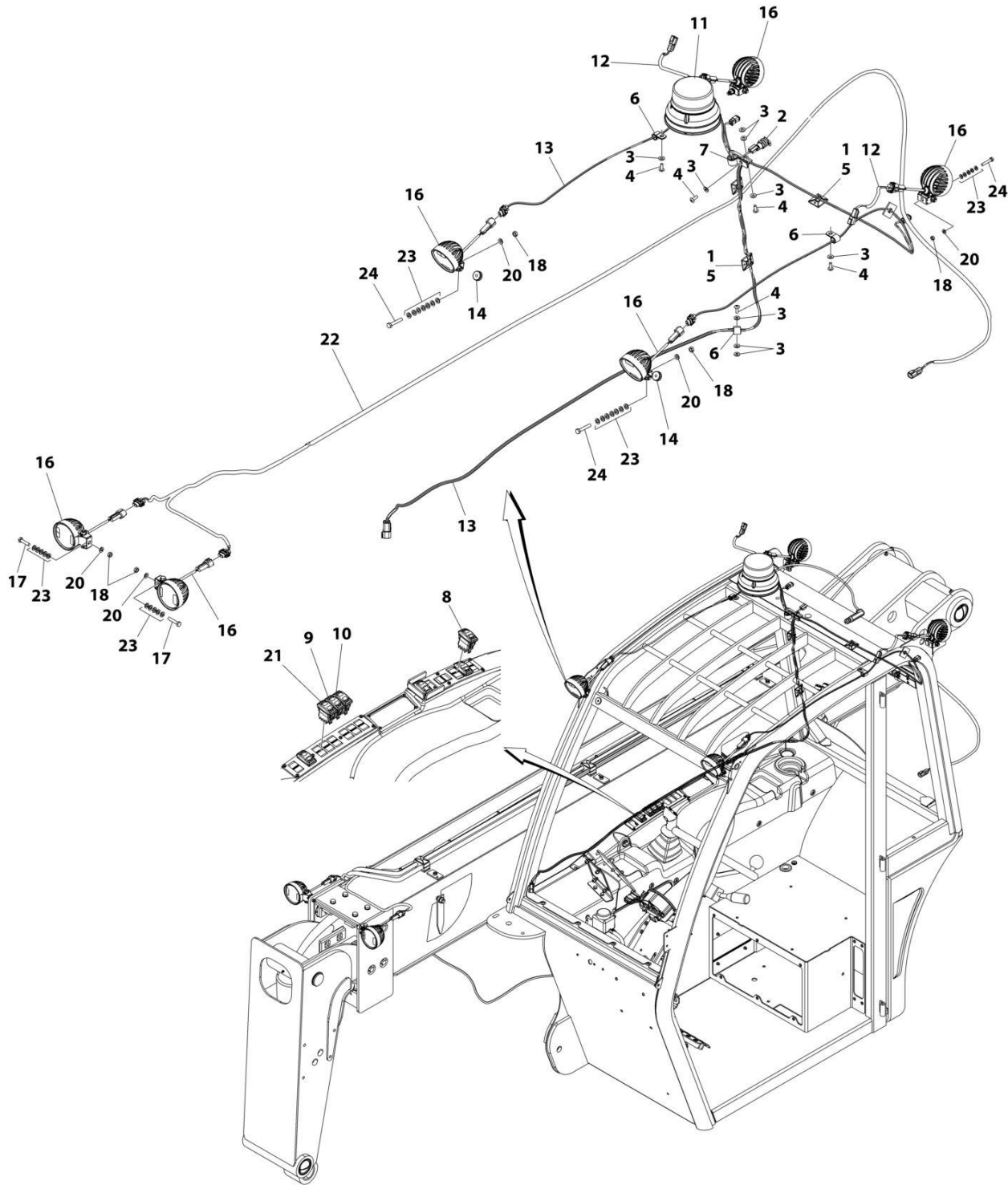
SECTION 10 - ELECTRICAL

FIGURE 10-18. WORK LIGHT LED INSTALLATION

ITEM	PART NUMBER	QTY	DESCRIPTION	REV
	1001241820	Ref	WORK LIGHT LED INSTALLATION	C
1	4461174	1	12V Terminal	
2	8882320	AR	Sealer, Seam	
3	1001080365	1	Beacon Light Switch	
4	1001080369	1	Front Work Light Switch	
5	1001080376	1	Rear Work Light Switch	
6	1001109565	2	Boom Worklight Jumper Harness (Short) (See Separate Breakdown in this Section)	
7	1001109566	1	Proximity Sensor Harness (See Separate Breakdown in this Section)	
8	1001111341	4	Grommet	
9	1001198893	1	Beacon Light	
11	1001142981	2	Boom Worklight Jumper Harness (Long) (See Separate Breakdown in this Section)	
12	1001203640	6	Light, LED	
13	0760612	AR	Bolt M6 x 25	
14	3290601	AR	Nut M6	
15	4240032	AR	Tie-Strap (Not Shown)	
16	4831700	AR	Washer M6	
17	1001080366	1	Switch	
18	1001080656	1	Boom Worklight Harness (See Separate Breakdown in this Section)	
19	4811700	AR	Washer M6	
20	0760615	AR	Bolt M6 x 35	
21	0760610	AR	Bolt M6 x 20	

SECTION 10 - ELECTRICAL

FIGURE 10-19. WORK LIGHT LED INSTALLATION (OPEN CAB)



ART_1001241821

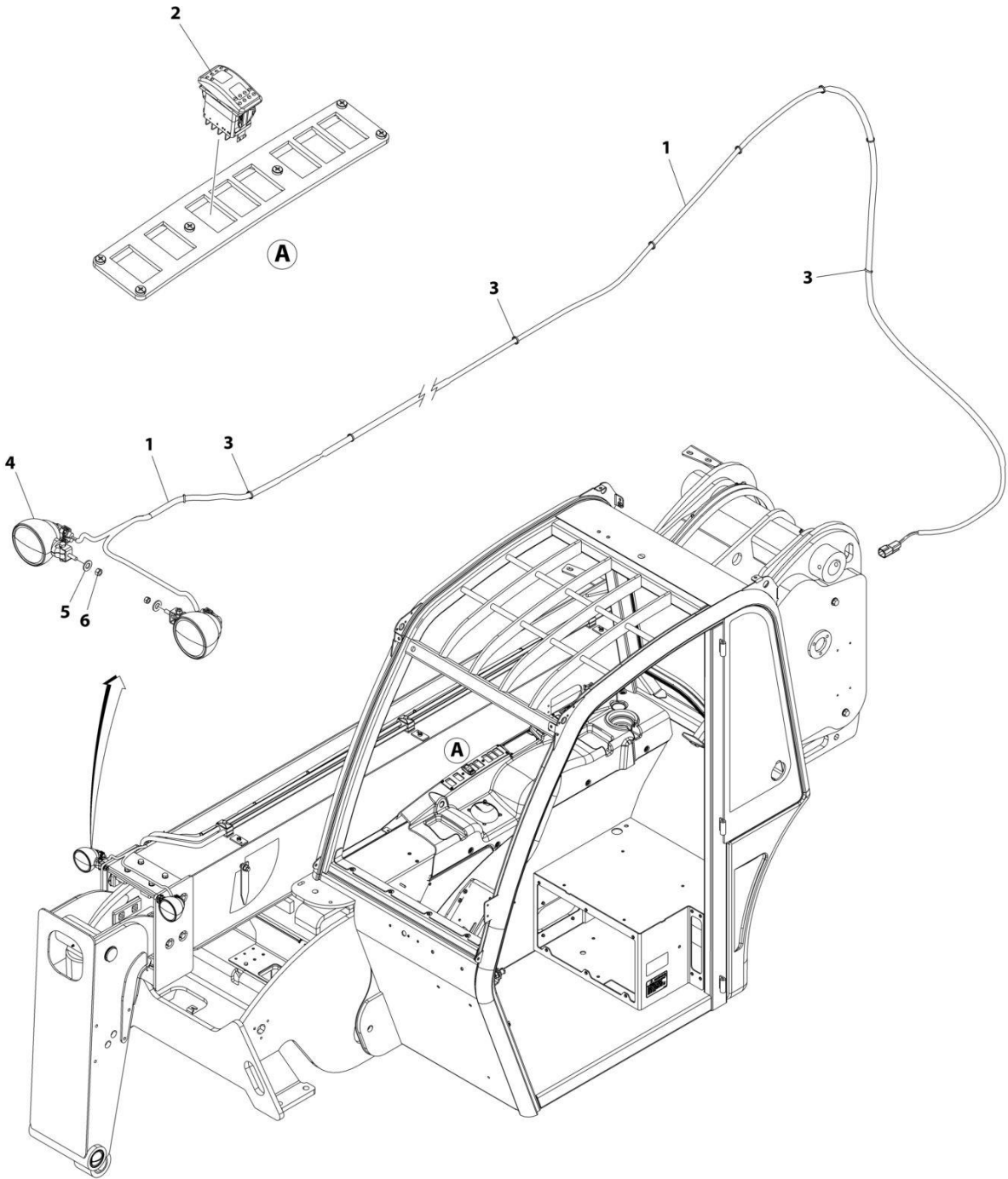
SECTION 10 - ELECTRICAL

FIGURE 10-19. WORK LIGHT LED INSTALLATION (OPEN CAB)

ITEM	PART NUMBER	QTY	DESCRIPTION	REV
	1001241821	Ref	WORK LIGHT LED INSTALLATION (OPEN CAB)	C
1	4460488	5	Mounting Base	
2	4461174	1	12V Terminal	
3	4711400	9	Washer 1/4	
4	8303034	5	Screw 1/4 x 3/4	
5	8881802	9	Tie-Strap	
6	85941016	4	Clamp, 1/2	
7	85941017	1	P-Clamp	
8	1001080365	1	Beacon Light Switch	
9	1001080369	1	Front Work Light Switch	
10	1001080376	1	Rear Work Light Switch	
11	1001198893	1	Beacon Light	
12	1001109565	2	Boom Worklight Jumper Harness (Short) (See Separate Breakdown in this Section)	
13	1001111156	1	Cab Worklight Harness (See Separate Breakdown in this Section)	
14	1001111341	2	Grommet	
16	1001203640	6	Light, LED	
17	0760612	AR	Bolt M6 x 25	
18	3290601	AR	Nut M6	
19	4240032	AR	Tie-Strap (Not Shown)	
20	4831700	AR	Washer M6	
21	1001080366	1	Switch	
22	1001080656	1	Boom Worklight Harness (See Separate Breakdown in this Section)	
23	4811700	AR	Washer M6	
24	0760615	AR	Bolt M6 x 35	

SECTION 10 - ELECTRICAL

FIGURE 10-20. BOOM WORK LIGHT



ART_1001080669

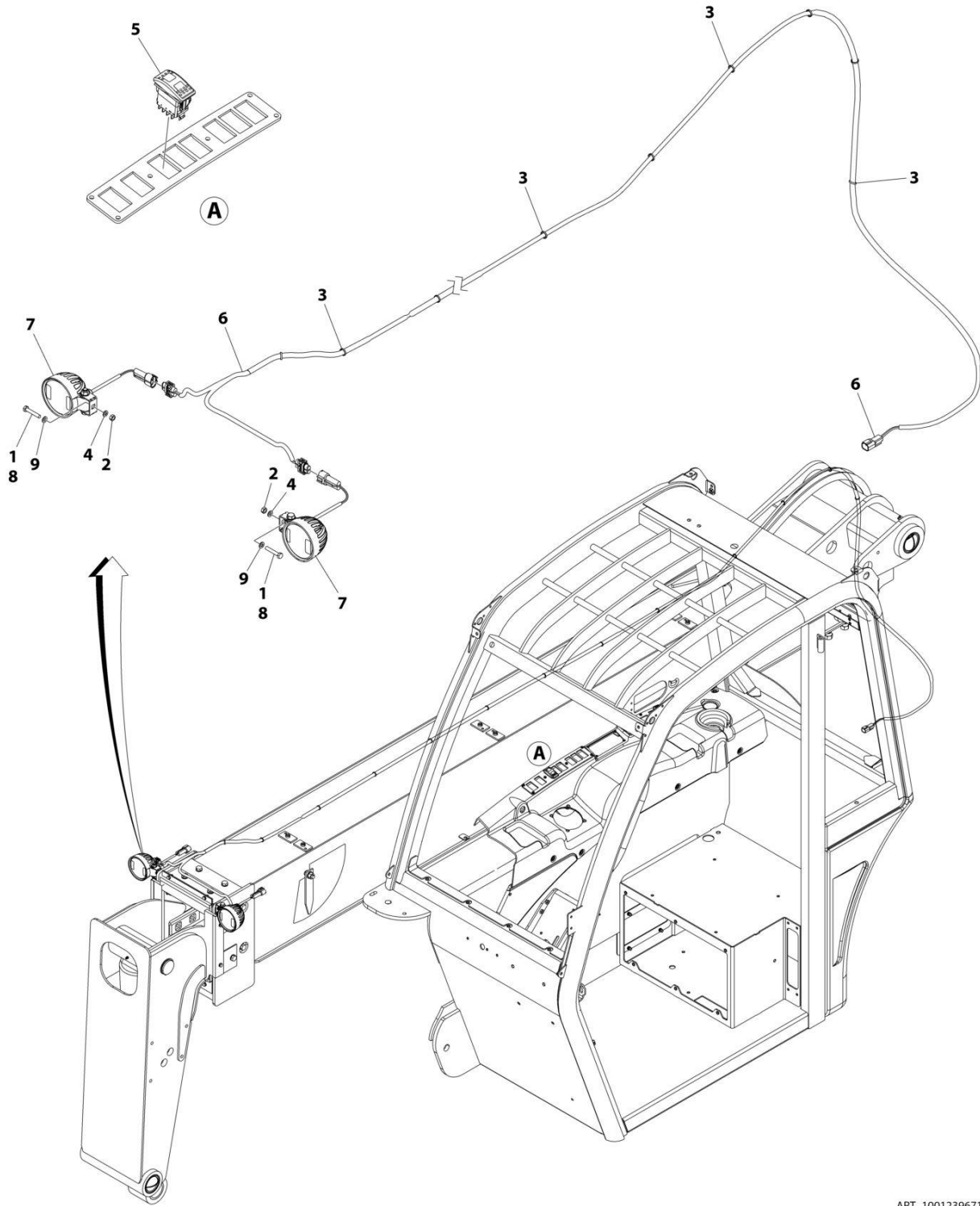
SECTION 10 - ELECTRICAL

FIGURE 10-20. BOOM WORK LIGHT

ITEM	PART NUMBER	QTY	DESCRIPTION	REV
	1001080669	Ref	BOOM WORK LIGHT	D
1	1001080656	1	Boom Worklights Harness (See Separate Breakdown in this Section)	
2	1001080366	1	Boom Work Light Switch	
3	4240032	14	Tie Strap	
4	2920206	2	Worklight	
5	4831700	2	Washer	
6	3290601	2	Nut M6 x 1	

SECTION 10 - ELECTRICAL

FIGURE 10-21. BOOM WORK LIGHT LED INSTALLATION



ART_1001239671

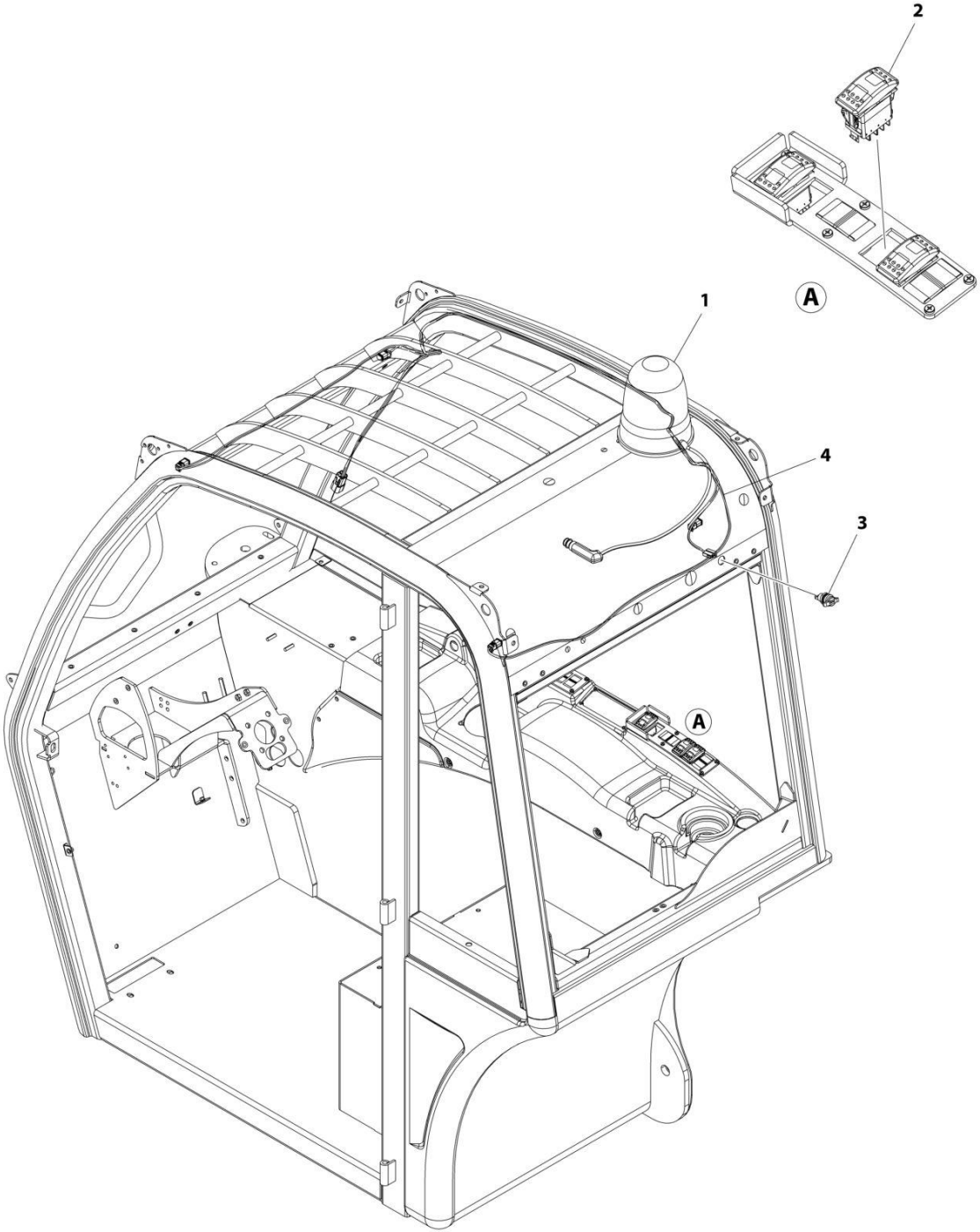
SECTION 10 - ELECTRICAL

FIGURE 10-21. BOOM WORK LIGHT LED INSTALLATION

ITEM	PART NUMBER	QTY	DESCRIPTION	REV
	1001239671	Ref	BOOM WORK LIGHT LED INSTALLATION	B
1	0760612	AR	Bolt M6 x 25	
2	3290601	2	Nut M6	
3	4240032	14	Tie-Strap	
4	4831700	2	Washer M6	
5	1001080366	1	Boom Work Light Switch	
6	1001080656	1	Boom Worklights Harness (See Separate Breakdown in this Section)	
7	1001203640	1	Light, LED	
8	0760615	AR	Bolt M6 x 35	
9	4811700	AR	Washer M6	

SECTION 10 - ELECTRICAL

FIGURE 10-22. BEACON INSTALLATION



ART_1001103139

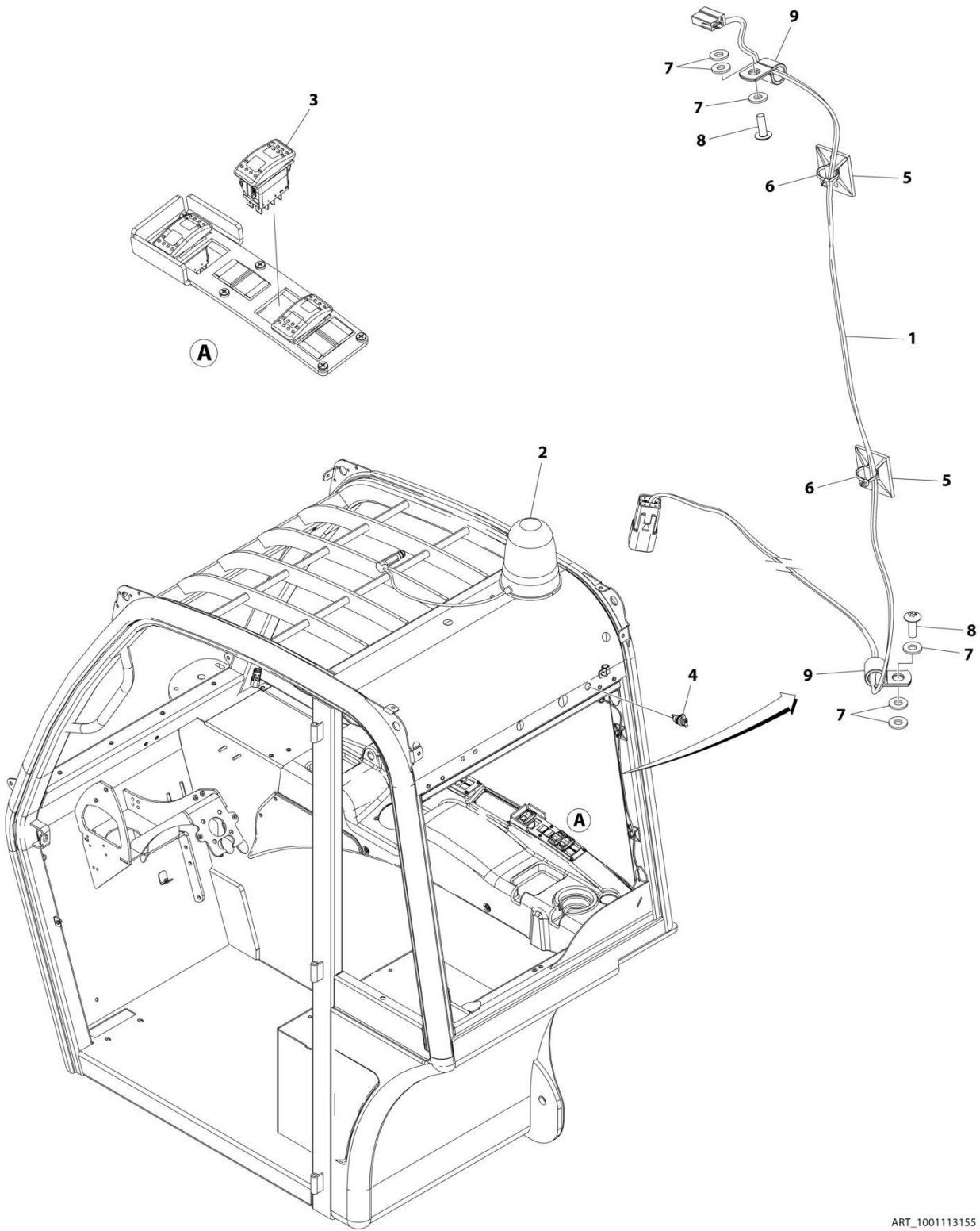
SECTION 10 - ELECTRICAL

FIGURE 10-22. BEACON INSTALLATION

ITEM	PART NUMBER	QTY	DESCRIPTION	REV
	1001103139	Ref	BEACON INSTALLATION	D
1	1001217623	1	Beacon Light	
2	1001080365	1	Beacon Light Switch	
3	4461174	1	12V Terminal	
4	1001109566	1	Proximity Sensor Harness (See Separate Breakdown in ELECTRICAL Section)	

SECTION 10 - ELECTRICAL

FIGURE 10-23. BEACON INSTALLATION (OPEN CAB)



ART_1001113155

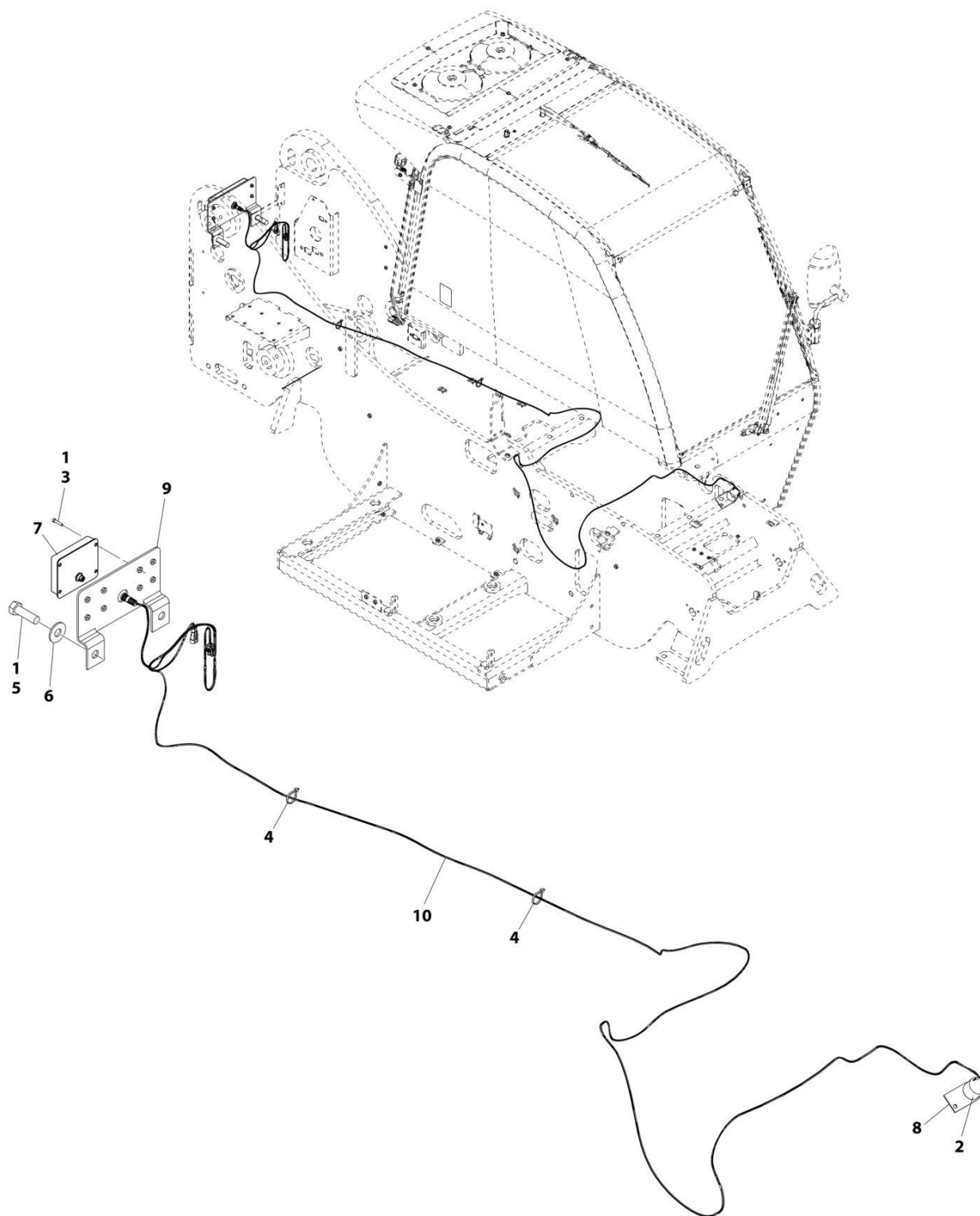
SECTION 10 - ELECTRICAL

FIGURE 10-23. BEACON INSTALLATION (OPEN CAB)

ITEM	PART NUMBER	QTY	DESCRIPTION	REV
	1001113155	Ref	BEACON INSTALLATION (OPEN CAB)	B
1	1001110723	1	Open Cab Worklight Harness (See Separate Breakdown in this Section)	
2	1001217623	1	Beacon Light	
3	1001080365	1	Beacon Light Switch	
4	4461174	1	12V Terminal	
5	4460488	2	Mounting Base	
6	8881802	AR	Tie Strap	
7	4711400	7	Washer 1/4	
8	8303034	3	Screw 1/4 x 3/4	
9	85941016	3	Clamp	

SECTION 10 - ELECTRICAL

FIGURE 10-24. REVERSE SENSING SYSTEM INSTALLATION



ART_1001201151-E

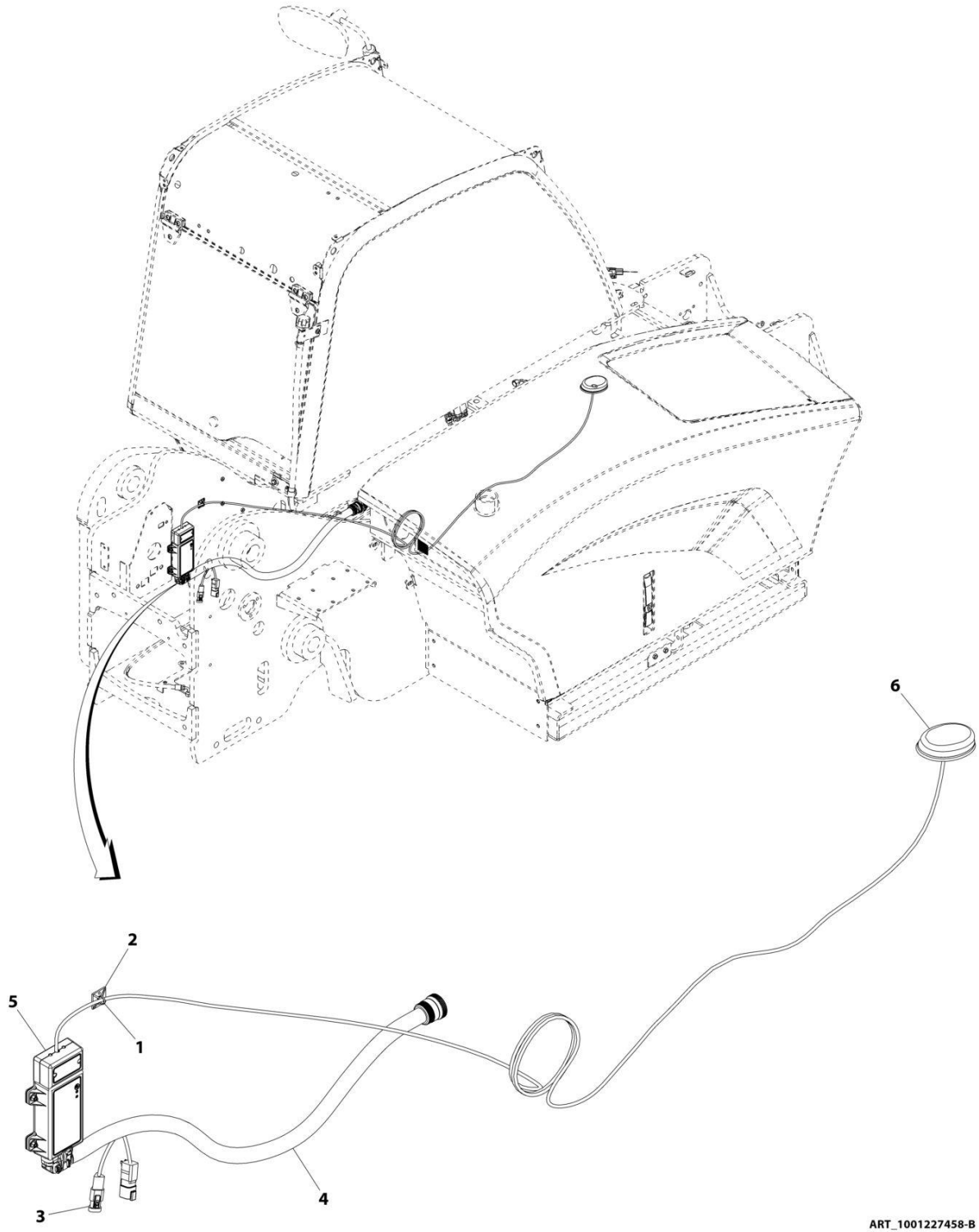
SECTION 10 - ELECTRICAL

FIGURE 10-24. REVERSE SENSING SYSTEM INSTALLATION

ITEM	PART NUMBER	QTY	DESCRIPTION	REV
	1001201151	Ref	REVERSE SENSING SYSTEM INSTALLATION	E
1	0100011	AR	Compound, Locking	
2	0140011	1	Audible Signal Device	
3	3931012	4	Capscrew #10 x 3/4	
4	4240033	AR	Cable Tie Strap	
5	0682220	2	Capscrew 3/4 x 2-1/2	
6	4752200	2	Washer 3/4	
7	1001189997	Ref	Reverse Sensor Object, (no longer available, use 1001247421 for replacement)	
7	1001247421	1	Reverse Sensor Object	
8	1001182662	1	Audible Alarm Bracket	
9	1001184685	1	Backup Sensor Mounting Bracket	
10	1001190914	1	Reverse Sensor Harness (See Separate Breakdown in this Section)	

SECTION 10 - ELECTRICAL

FIGURE 10-25. CLEARSKY 4G CANBUS GSM INSTALLATION



ART_1001227458-B

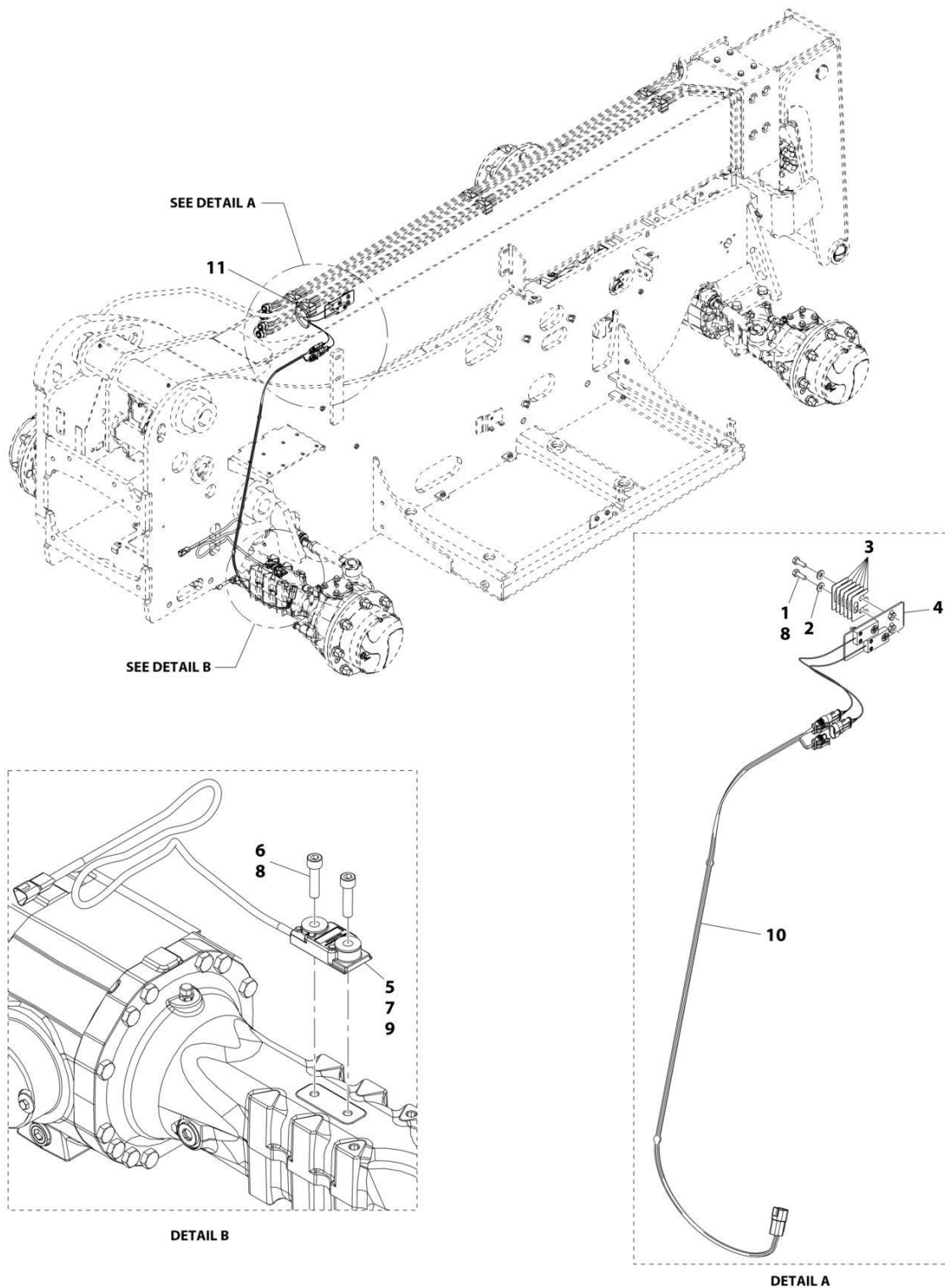
SECTION 10 - ELECTRICAL

FIGURE 10-25. CLEARSKY 4G CANBUS GSM INSTALLATION

ITEM	PART NUMBER	QTY	DESCRIPTION	REV
	1001227458	Ref	Clearsky Installation	B
1	4240032	AR	Tie Strap	
2	4460234	AR	Terminal, Mount Cable Tie	
3	1001116815	1	Connector, Plug 3-Pin (3G)	
3	1001129408	1	Connector, Plug 3-Pin (4G)	
4	1001226739	1	Clearsky Harness (See Separate Breakdown in this Section)	
5	1001226796	1	Module (3G)	
5	1001262322	1	Module (4G)	
6	1001226799	1	Antenna (3G)	
6	1001262326	1	Antenna (4G)	

SECTION 10 - ELECTRICAL

FIGURE 10-26. BOOM SENSOR INSTALLATION



ART_T001236302-A

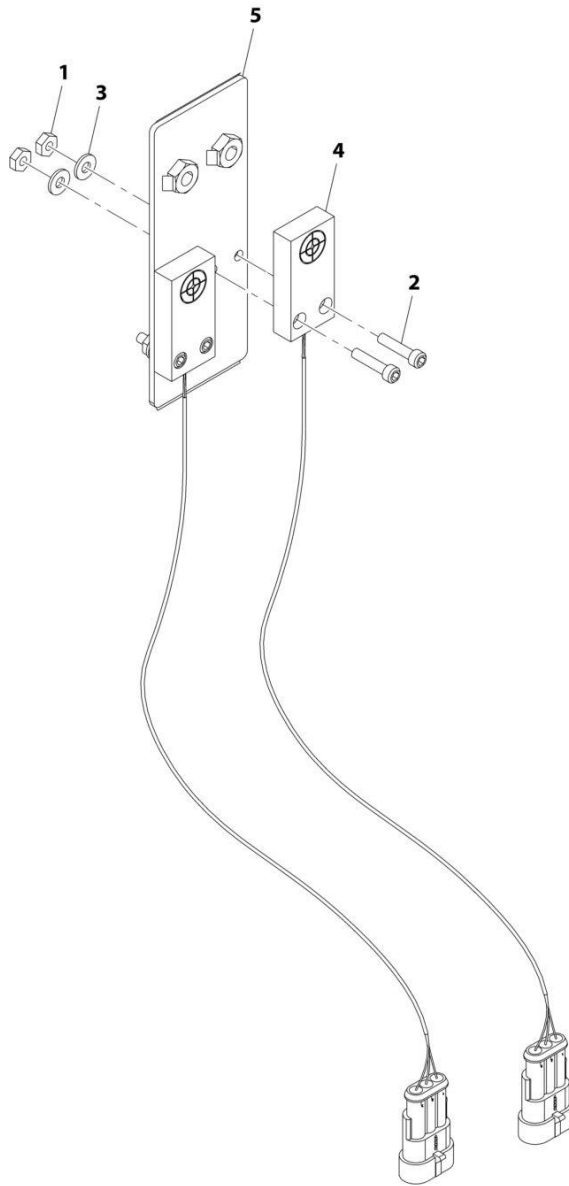
SECTION 10 - ELECTRICAL

FIGURE 10-26. BOOM SENSOR INSTALLATION

ITEM	PART NUMBER	QTY	DESCRIPTION	REV
	1001236302	Ref	Boom Sensor Installation	B
1	0641406	2	Bolt 1/4 x 3/4	
2	4711400	2	Washer 1/4	
3	1001121953	6	Shim	
4	1001236272	1	Installation, Boom Sensor Assembly (See Separate Breakdown in this Section)	
5	1001289105	1	Rear Axle LSI Sensor	
6	5272012	2	Bolt M10 x 40	
7	1001125465	AR	Adhesive	
8	1001289296	AR	Adhesive	
9	1001116128	AR	Seal	
10	1001129801	1	Boom Sensor Harness (See Separate Breakdown in this Section)	
11	8584003	AR	Tie Wrap	

SECTION 10 - ELECTRICAL

FIGURE 10-27. BOOM SENSOR ASSEMBLY INSTALLATION



ART_1001236272-A

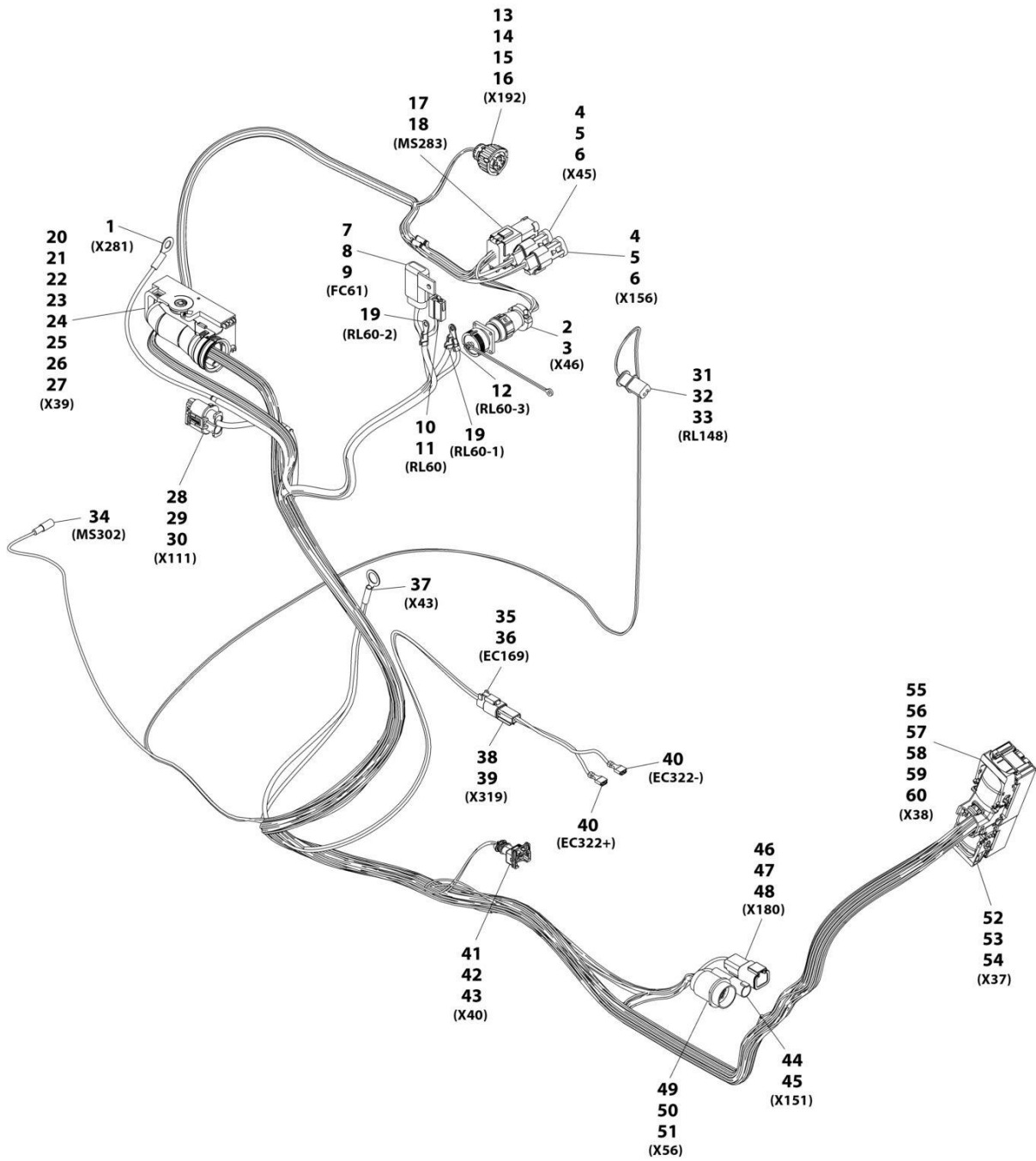
SECTION 10 - ELECTRICAL

FIGURE 10-27. BOOM SENSOR ASSEMBLY INSTALLATION

ITEM	PART NUMBER	QTY	DESCRIPTION	REV
	1001236272	Ref	Boom Sensor Assembly Installation	A
1	3310805	4	Hex Locknut, 8-32, GR2	
2	3930812	4	Socket HD Capscrew, 8-32X3/4	
3	4750800	4	Washer, M8	
4	1001121021	2	Proximity Sensor	
5	1001236337	1	Bracket	

SECTION 10 - ELECTRICAL

FIGURE 10-28. ENGINE HARNESS



ART_1001258097

SECTION 10 - ELECTRICAL

FIGURE 10-28. ENGINE HARNESS

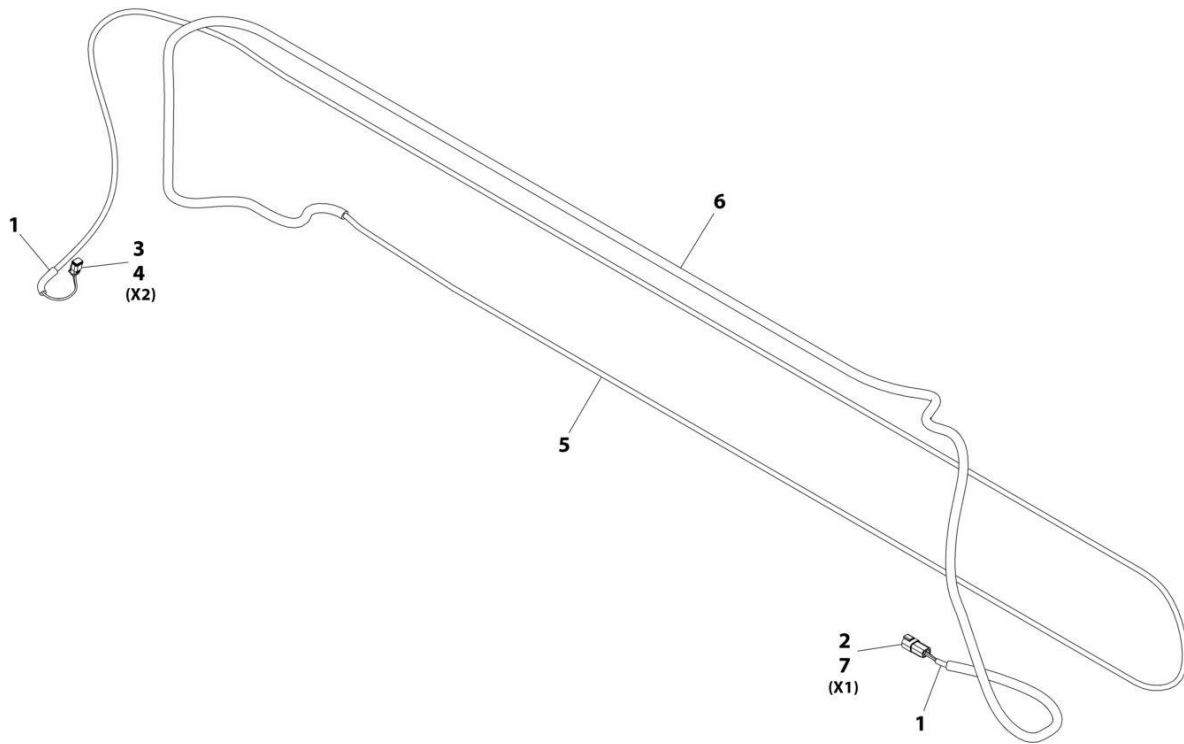
ITEM	PART NUMBER	QTY	DESCRIPTION	REV
	1001258097	1	ENGINE HARNESS	C
1	8220045	1	Terminal Ring	
2	2902443	1	Connector	
3	4461071	6	Terminal	
4	4461095	2	Connector	
5	4460465	4	Terminal	
6	4460466	2	Plug	
7	1001117022	1	Connector	
8	1001116734	1	Terminal	
9	1001116733	1	Terminal	
10	4460994	1	Connector	
11	1001116720	2	Terminal	
12	1001254186	1	Connector	
13	1001133714	1	Connector	
14	1001133715	3	Terminal	
15	1001135650	3	Seal	
16	1001135651	1	Plug	
17	4460933	1	Connector	
18	4460465	12	Terminal	
19	1001254187	2	Connector	
20	1001126362	1	Connector	
21	1001126363	18	Terminal	
22	1001126364	18	Seal	
23	1001126392	10	Terminal	
24	1001223459	10	Seal	
25	4461008	4	Plug	
26	1001126365	2	Terminal	
27	4461054	2	Seal	
28	1001142938	1	Connector	
29	1001142940	2	Terminal	
30	1001142941	2	Seal	
31	1001138110	1	Connector	
32	1001138111	2	Terminal	
33	1001138113	2	Seal	
34	1001117125	1	Connector	
35	4460891	1	Connector	
36	4460942	2	Terminal	
37	1001130900	1	Terminal Ring	
38	4460897	1	Connector	
39	4460941	2	Terminal	
40	8220051	2	Connector	
41	1001116983	1	Connector	
42	1001116706	2	Terminal	
43	1001137578	2	Seal	
44	1001116967	1	Connector	
45	91143339	1	Terminal	
46	4461017	1	Connector	
47	4460508	1	Terminal	
48	4460466	1	Plug	
49	1001116990	1	Connector	

SECTION 10 - ELECTRICAL

ITEM	PART NUMBER	QTY	DESCRIPTION	REV
50	1001118380	14	Terminal	
51	1001118391	2	Plug	
52	1001133957	1	Connector	
53	1001126351	14	Terminal	
54	1001230934	15	Terminal	
55	1001133956	1	Connector	
56	1001182361	6	Terminal	
57	1001182365	6	Seal	
58	1001230934	22	Terminal	
59	1001126351	2	Terminal	
60	1001230935	6	Plug	

SECTION 10 - ELECTRICAL

FIGURE 10-29. BOOM AUX HARNESS



ART_1001080397-B

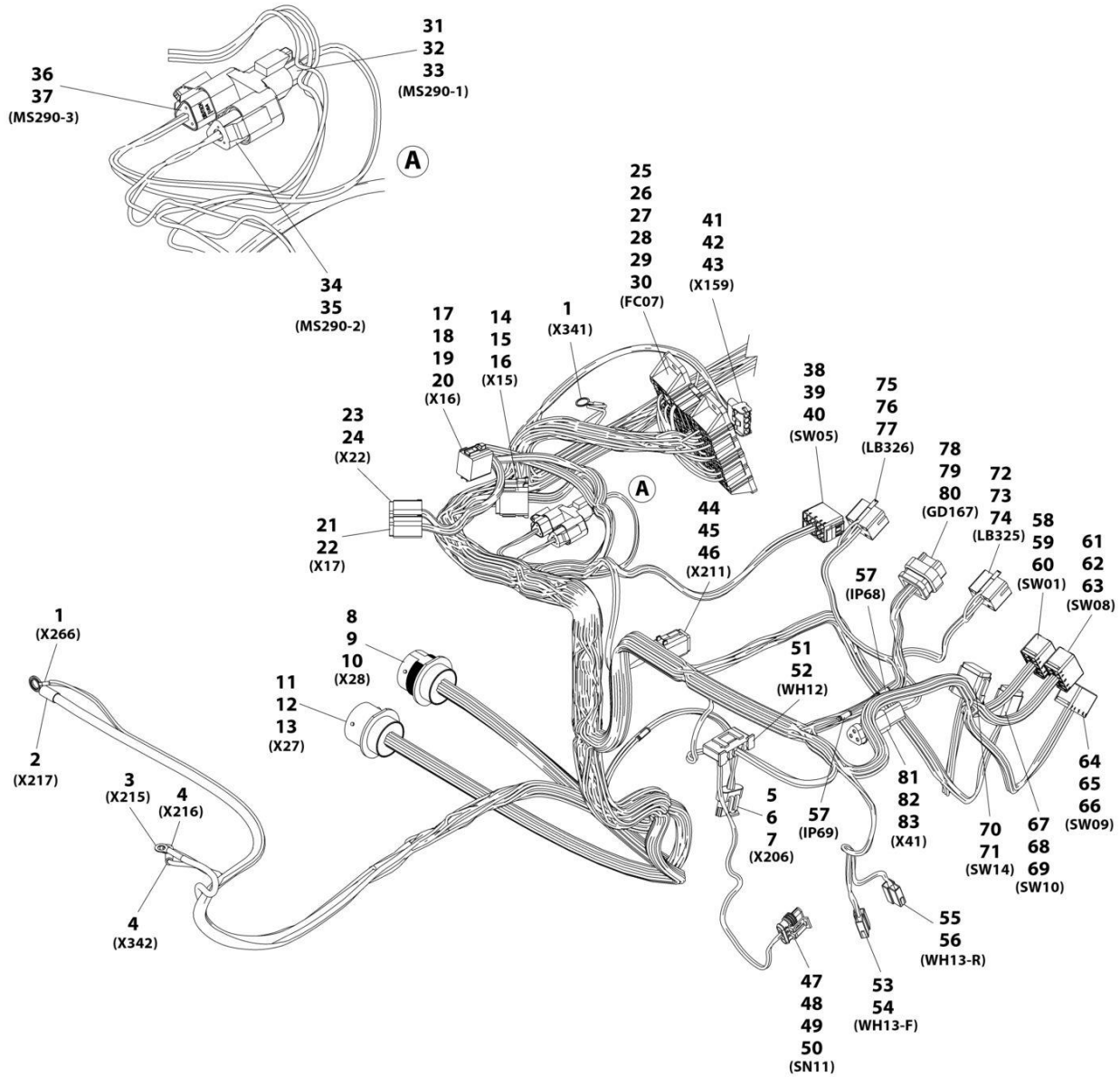
SECTION 10 - ELECTRICAL

FIGURE 10-29. BOOM AUX HARNESS

ITEM	PART NUMBER	QTY	DESCRIPTION	REV
	1001080397	Ref	Boom Aux Harness	B
1	2820171	0.25 ft	Heat Shrink, Insulate	
2	4460464	4	Terminal	
3	4460465	2	Terminal	
4	4460891	1	Connector	
5	4923141	34.83 ft	Wire, 4 Conductor 16 Ga Cable	
6	1001220853	14 ft	Loom, 3/8	
7	4460932	1	Connector	

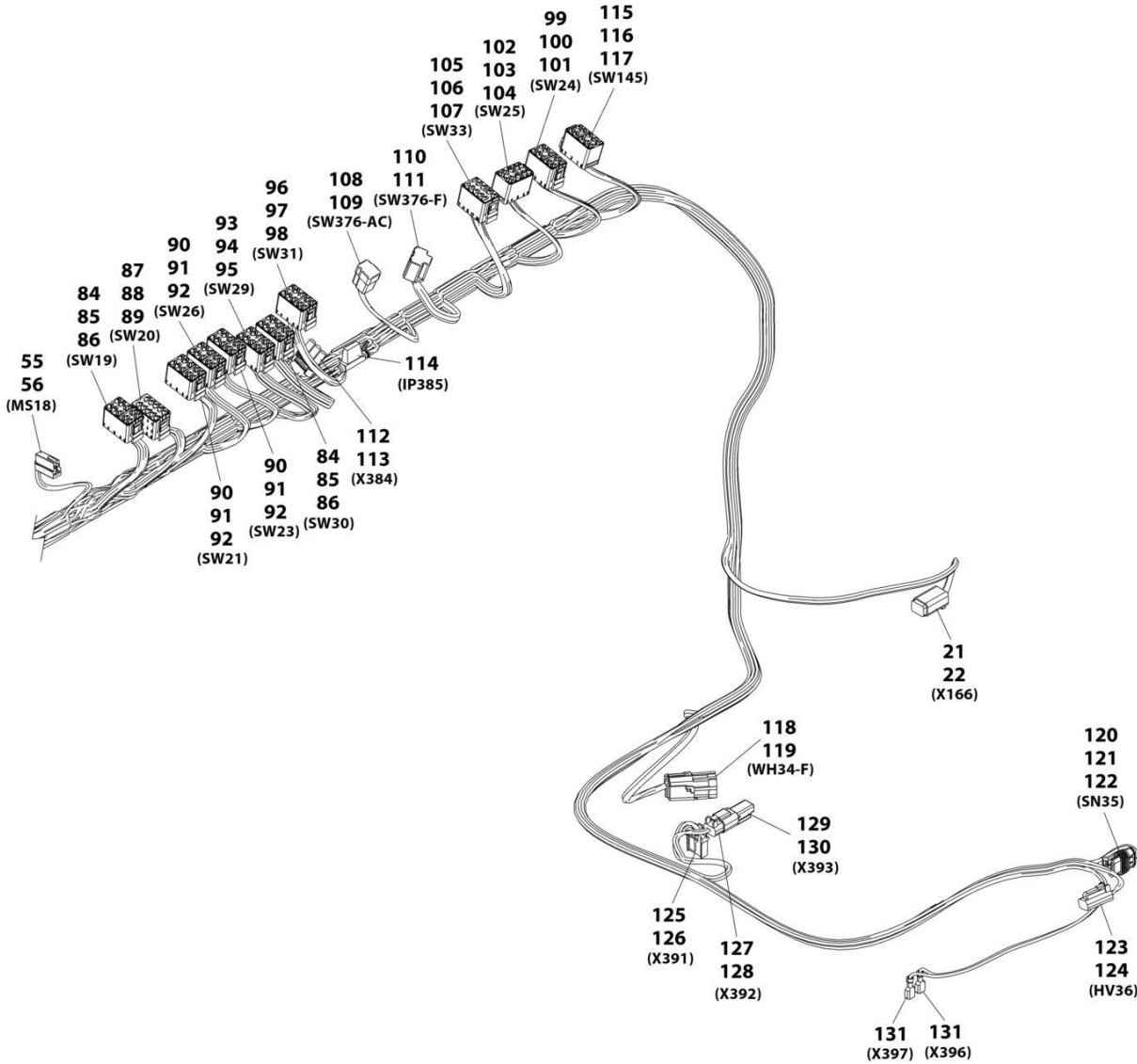
SECTION 10 - ELECTRICAL

FIGURE 10-30. CAB HARNESS



ART_1001257907_1

SECTION 10 - ELECTRICAL



ART_1001257907_2

SECTION 10 - ELECTRICAL

FIGURE 10-30. CAB HARNESS

ITEM	PART NUMBER	QTY	DESCRIPTION	REV
	1001257907	Ref	CAB HARNESS	B
1	4460019	1	Ring Terminal	
2	8220115	1	Ring Terminal	
3	1001117106	1	Ring Terminal	
4	4460043	1	Ring Terminal	
5	1001230931	1	Connector	
6	1001116748	5	Terminal	
7	1001116751	1	Plug	
8	1001121961	1	Connector	
9	4460465	28	Terminal	
10	4460466	3	Plug	
11	1001116920	1	Connector	
12	4460464	29	Terminal	
13	4460466	2	Plug	
14	4460933	1	Connector	
15	4460465	11	Terminal	
16	4460466	1	Plug	
17	4460851	1	Connector	
18	4460465	4	Terminal	
19	4460942	2	Terminal	
20	4460466	2	Plug	
21	4460884	1	Connector	
22	4460465	4	Terminal	
23	4460894	1	Connector	
24	4460465	6	Terminal	
25	1001080763	1	Fuse Holder	
26	1001116710	37	Terminal	
27	1001116711	4	Terminal	
28	1001116712	17	Terminal	
29	1001116735	5	Terminal	
30	4460419	1	Terminal	
31	1001116812	1	Connector	
32	4460945	1	Connector, 3 Pin	
33	4460465	3	Terminal	
34	4460539	1	Connector	
35	4460465	3	Terminal	
36	1001116812	1	Connector	
37	4460465	3	Terminal	
38	1001117081	1	Connector	
39	1001116723	4	Terminal	
40	1001118385	2	Terminal	
41	4460761	1	Connector	
42	4460267	3	Terminal	
43	4460705	1	Terminal	
44	4460894	1	Connector	
45	4460465	3	Terminal	
46	4460466	3	Plug	
47	1001103012	1	Connector	
48	1001116698	2	Plug	
49	1001107854	2	Terminal	

SECTION 10 - ELECTRICAL

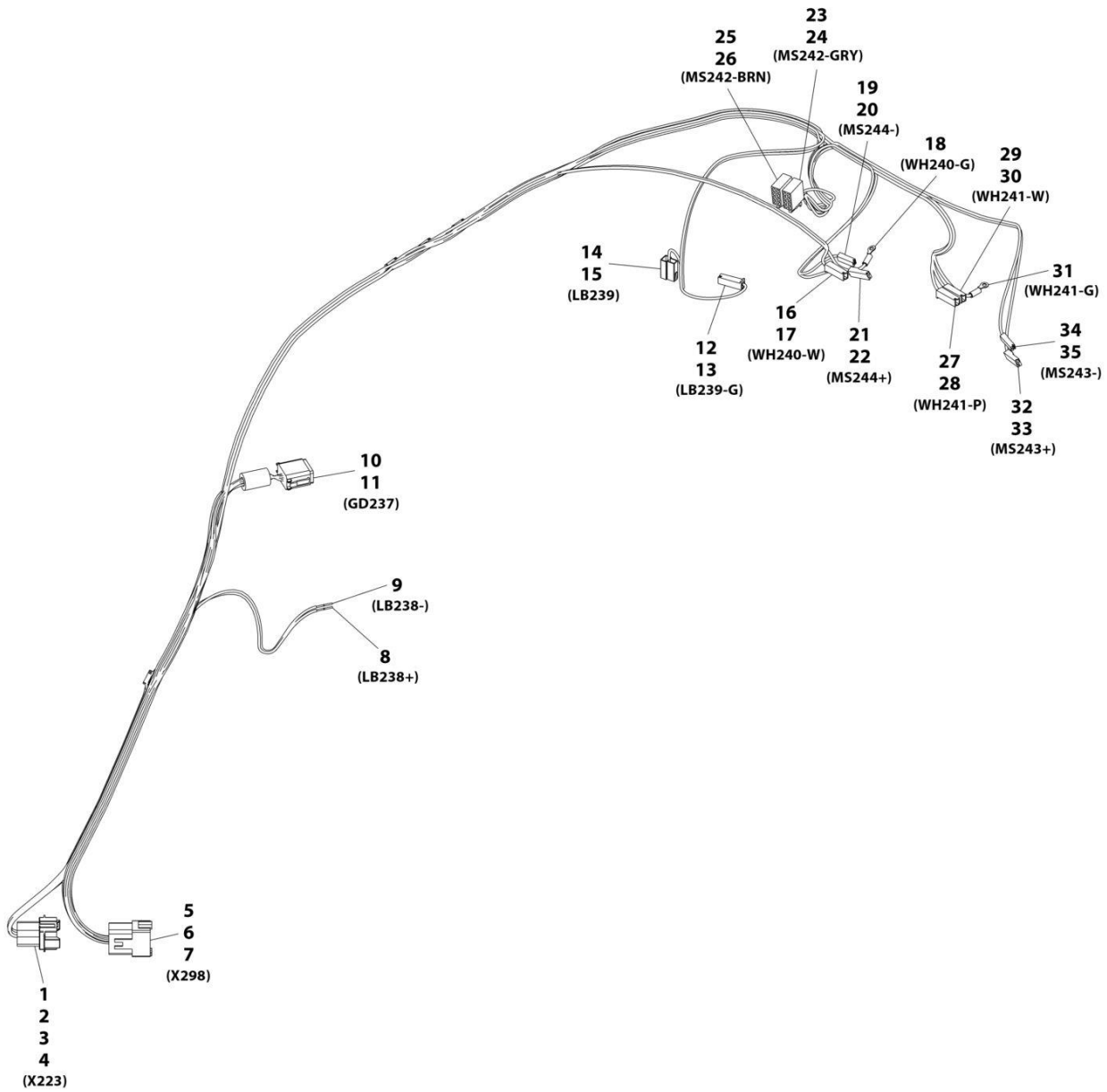
ITEM	PART NUMBER	QTY	DESCRIPTION	REV
50	1001104498	2	Seal	
51	1001127066	1	Connector	
52	1001118385	4	Terminal	
53	4460994	1	Connector	
54	1001118385	3	Terminal	
55	4460994	1	Connector	
56	1001118385	2	Terminal	
57	3990013	1	Diode	
58	1001117081	1	Connector	
59	1001116723	6	Terminal	
60	1001118385	1	Terminal	
61	1001117081	1	Connector	
62	1001116723	8	Terminal	
63	1001118385	3	Terminal	
64	1001117081	1	Connector	
65	1001116723	4	Terminal	
66	1001118385	4	Terminal	
67	4460894	1	Connector	
68	4460465	5	Terminal	
69	4460466	1	Plug	
70	4460930	1	Connector	
71	4460465	8	Terminal	
72	1001117119	1	Connector	
73	1001116723	6	Terminal	
74	1001118385	1	Terminal	
75	1001117119	1	Connector	
76	1001116723	4	Terminal	
77	1001118385	2	Terminal	
78	4460872	1	Connector	
79	4460871	13	Terminal	
80	4460905	2	Plug	
81	4460536	1	Connector	
82	4460464	2	Terminal	
83	4460466	1	Plug	
84	1001117081	1	Connector	
85	1001118385	4	Terminal	
86	1001116723	6	Terminal	
87	1001117082	1	Connector	
88	1001118385	3	Terminal	
89	1001116723	8	Terminal	
90	1001117081	1	Connector	
91	1001118385	2	Terminal	
92	1001116723	4	Terminal	
93	1001117081	1	Connector	
94	1001118385	5	Terminal	
95	1001116723	6	Terminal	
96	1001117081	1	Connector	
97	1001118385	6	Terminal	
98	1001116723	2	Terminal	
99	1001117081	1	Connector	
100	1001118385	3	Terminal	

SECTION 10 - ELECTRICAL

ITEM	PART NUMBER	QTY	DESCRIPTION	REV
101	1001116723	2	Terminal	
102	1001117081	1	Connector	
103	1001116723	4	Terminal	
104	1001118385	1	Terminal	
105	1001117079	1	Connector	
106	1001118385	4	Terminal	
107	1001116723	8	Terminal	
108	1001117059	1	Connector	
109	1001116736	3	Terminal	
110	1001117080	1	Connector	
111	1001116723	5	Terminal	
112	4460459	1	Connector	
113	4460457	3	Terminal	
114	2400060	1	Fuse Holder	
115	1001117081	1	Connector	
116	1001118385	3	Terminal	
117	1001116723	6	Terminal	
118	80963062	1	Connector	
119	4460475	4	Terminal	
120	4461262	1	Connector	
121	1001107854	3	Terminal	
122	1001104498	3	Seal	
123	4460891	1	Connector	
124	4460465	2	Terminal	
125	1001197624	1	Connector	
126	1001197714	3	Terminal	
127	4460891	1	Connector	
128	4460465	2	Terminal	
129	4460897	1	Connector	
130	4460464	2	Pin	
131	8220051	1	Blade Terminal	

SECTION 10 - ELECTRICAL

FIGURE 10-31. CAB ROOF HARNESS



ART_1001142010-C

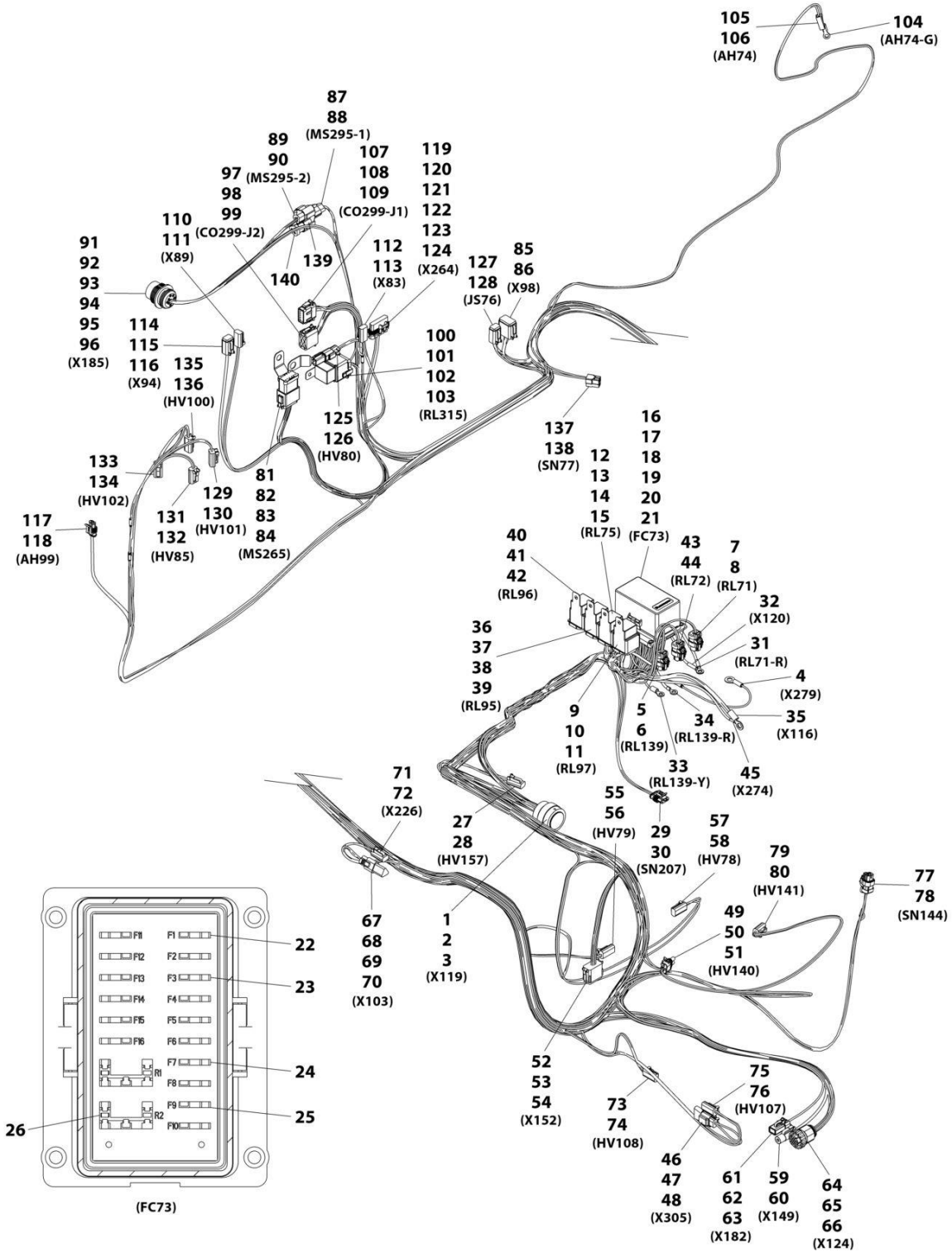
SECTION 10 - ELECTRICAL

FIGURE 10-31. CAB ROOF HARNESS

ITEM	PART NUMBER	QTY	DESCRIPTION	REV
	1001142010	Ref	Cab Roof Harness	C
1	1001116813	1	Connector	
2	4460464	3	Terminal	
3	4460941	3	Terminal	
4	4460466	2	Plug	
5	4460970	1	Connector	
6	4460464	11	Terminal	
7	4460466	1	Plug	
8	1001118387	1	Terminal, Ring	
9	1001118387	1	Terminal, Ring	
10	4460930	1	Connector	
11	4460465	9	Terminal	
12	4460260	1	Connector	
13	4460259	1	Terminal	
14	4460994	1	Connector	
15	1001118385	1	Terminal	
16	4460260	1	Connector	
17	4460259	1	Terminal	
18	8220007	1	Terminal, Ring	
19	1001117002	1	Connector	
20	1001116705	1	Terminal	
21	1001116982	1	Connector	
22	1001118379	1	Terminal	
23	1001116985	1	Connector	
24	1001116710	3	Terminal	
25	1001116984	1	Connector	
26	1001116710	4	Terminal	
27	4460260	1	Connector	
28	4460259	1	Terminal	
29	4460260	1	Connector	
30	4460259	1	Terminal	
31	8220007	1	Terminal, Ring	
32	1001116982	1	Connector	
33	1001118379	1	Terminal	
34	1001117002	1	Connector	
35	1001116705	1	Terminal	

SECTION 10 - ELECTRICAL

FIGURE 10-32. FRAME HARNESS



ART_1001140634-F

SECTION 10 - ELECTRICAL

FIGURE 10-32. FRAME HARNESS

ITEM	PART NUMBER	QTY	DESCRIPTION	REV
	1001140634	Ref	Frame Harness	F
1	1001116921	1	Connector	
2	4460465	29	Terminal	
3	4460466	2	Plug	
4	8220045	1	Terminal, Ring	
5	1001116953	1	Connector	
6	4460465	2	Terminal	
7	1001116952	1	Connector	
8	4460465	2	Terminal	
9	4460374	1	Connector	
10	1001116733	5	Terminal	
11	3740080	1	Relay	
12	4460374	1	Connector	
13	1001116733	4	Terminal	
14	1001128128	1	Plug	
15	3740080	1	Relay	
16	1001080361	1	Connector	
17	1001116726	22	Terminal	
18	1001116725	8	Terminal	
19	1001116727	2	Plug	
20	8220081	22	Seal	
21	8220089	8	Seal	
22	8229244	5	Fuse, 15 AMP	
23	8229242	4	Fuse, 5 AMP	
24	80983191	1	Fuse, 10 AMP	
25	80983191	6	Fuse, 10 AMP	
26	1001095704	2	Relay, 35 AMP	
27	4460891	1	Connector	
28	4460465	2	Terminal	
29	4461262	1	Connector	
30	1001107854	3	Terminal	
31	1001117106	1	Terminal, Ring	
32	1001117106	1	Terminal, Ring	
33	4460043	1	Terminal, Ring	
34	4460312	1	Terminal, Ring	
35	8220115	1	Terminal, Ring	
36	4460374	1	Connector	
37	1001116733	4	Terminal	
38	1001128128	1	Plug	
39	3740080	1	Relay	
40	4460374	1	Connector	
41	1001116733	5	Terminal	
42	3740080	1	Relay	
43	1001116950	1	Connector	
44	4460465	2	Terminal	
45	4460019	1	Terminal, Ring	
46	4460891	1	Connector	
47	1001116816	1	Connector, DT 2 Pin Receptacle With Diode	
48	4460465	2	Terminal	
49	4460742	1	Connector	

SECTION 10 - ELECTRICAL

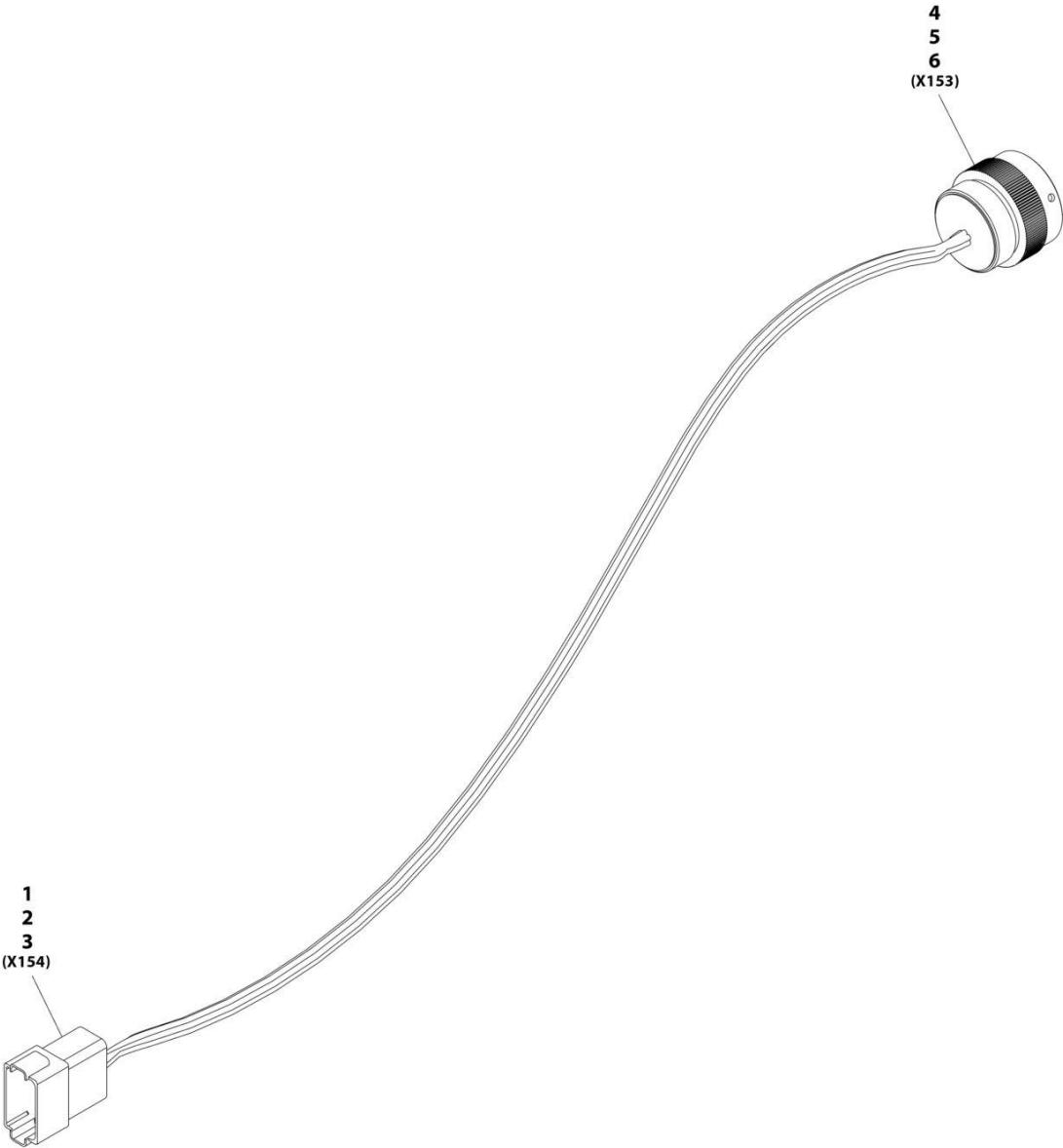
ITEM	PART NUMBER	QTY	DESCRIPTION	REV
50	4460457	2	Terminal	
51	8220081	2	Seal	
52	4460933	1	Connector	
53	4460465	9	Terminal	
54	4460466	3	Plug	
55	4460891	1	Connector	
56	4460465	2	Terminal	
57	4460891	1	Connector	
58	4460465	2	Terminal	
59	1001116966	1	Connector	
60	91143340	1	Terminal	
61	4461018	1	Connector	
62	4460509	1	Terminal	
63	4460466	1	Plug	
64	1001116977	1	Connector	
65	1001118381	14	Terminal	
66	1001118391	2	Plug	
67	4460539	1	Connector	
68	4460536	1	Terminal	
69	4460466	4	Plug	
70	4460465	2	Terminal	
71	4460891	1	Connector	
72	4460465	2	Terminal	
73	4460891	1	Connector	
74	4460465	2	Terminal	
75	4460891	1	Connector	
76	4460465	2	Terminal	
77	1001116950	1	Connector	
78	4460465	2	Terminal	
79	4460891	1	Connector	
80	4460465	2	Terminal	
81	4460933	1	Connector	
82	1001119020	1	Connector, 3X4 Bussbar	
83	1001120328	1	Mount	
84	4460465	12	Terminal	
85	4460930	1	Connector	
86	4460465	8	Terminal	
87	1001116812	1	Connector	
88	4460465	3	Terminal	
89	4460539	1	Connector	
90	4460465	3	Terminal	
91	1001112612	1	Connector	
92	1001106736	1	Dust, Cap	
93	4460497	1	Nut	
94	4460496	1	Lock Washer	
95	4460464	6	Terminal	
96	4460466	3	Plug	
97	1001116774	1	Connector	
98	1001126008	10	Terminal	
99	4460518	3	Plug	
100	4460374	1	Connector	

SECTION 10 - ELECTRICAL

ITEM	PART NUMBER	QTY	DESCRIPTION	REV
101	3740080	1	Relay	
102	1001116733	4	Terminal	
103	1001128128	1	Plug	
104	4460043	1	Terminal, Ring	
105	4460260	1	Connector	
106	4460259	1	Terminal	
107	1001116808	1	Connector	
108	1001126008	9	Terminal	
109	4460518	3	Plug	
110	4460891	1	Connector	
111	4460465	2	Terminal	
112	4460891	1	Connector	
113	4460465	2	Terminal	
114	4460884	1	Connector	
115	4460465	2	Terminal	
116	4460466	2	Plug	
117	4461118	1	Connector	
118	1001107854	2	Terminal	
119	1001121726	1	Connector	
120	8220125	2	Terminal	
121	1001116747	2	Terminal	
122	4460748	1	Plug	
123	8220089	2	Seal	
124	4460458	2	Seal	
125	4460891	1	Connector	
126	4460465	2	Terminal	
127	4460884	1	Connector	
128	4460465	4	Terminal	
129	4460891	1	Connector	
130	4460465	2	Terminal	
131	4460891	1	Connector	
132	4460465	2	Terminal	
133	4460891	1	Connector	
134	4460465	2	Terminal	
135	4460891	1	Connector	
136	4460465	2	Terminal	
137	1001116948	1	Connector	
138	1001118385	2	Terminal	
139	4460945	1	Terminal, 3 Way "T" Receptacle	
140	1001116815	1	Connector, 3 Pin	

SECTION 10 - ELECTRICAL

FIGURE 10-33. FRAME BASE JUMPER HARNESS



ART_1001142011-A

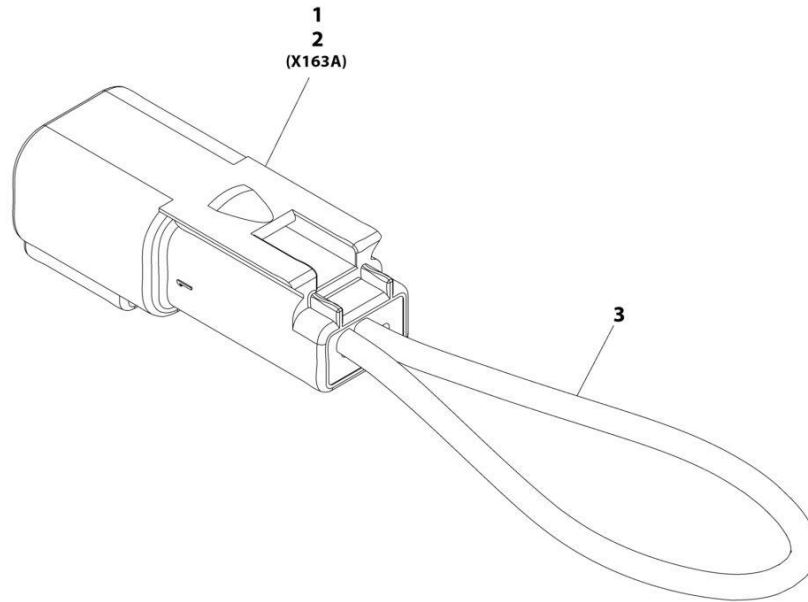
SECTION 10 - ELECTRICAL

FIGURE 10-33. FRAME BASE JUMPER HARNESS

ITEM	PART NUMBER	QTY	DESCRIPTION	REV
	1001142011	Ref	Frame Base Jumper Harness	A
1	4460970	1	Connector	
2	4460464	6	Terminal	
3	4460466	6	Plug	
4	1001121960	1	Connector	
5	4460464	6	Terminal	
6	4460466	25	Plug	

SECTION 10 - ELECTRICAL

FIGURE 10-34. FUNCTION JUMPER HARNESS



ART_1001122280-B

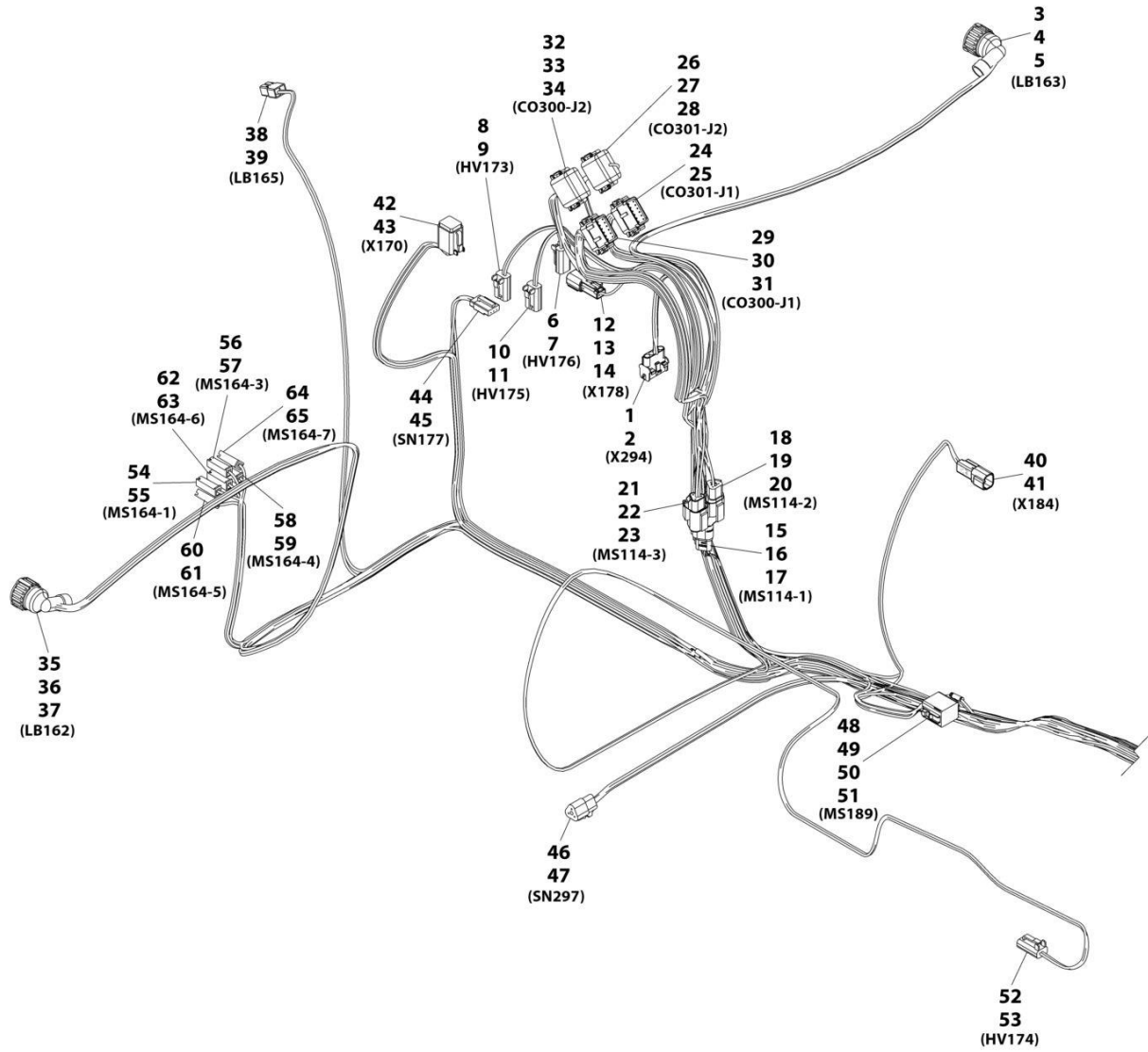
SECTION 10 - ELECTRICAL

FIGURE 10-34. FUNCTION JUMPER HARNESS

ITEM	PART NUMBER	QTY	DESCRIPTION	REV
	1001122280	Ref	Function Jumper Harness	B
1	4460464	2	Terminal	
2	4460897	1	Connector	
3	4920017	118 mm	Wire, 16 GA	

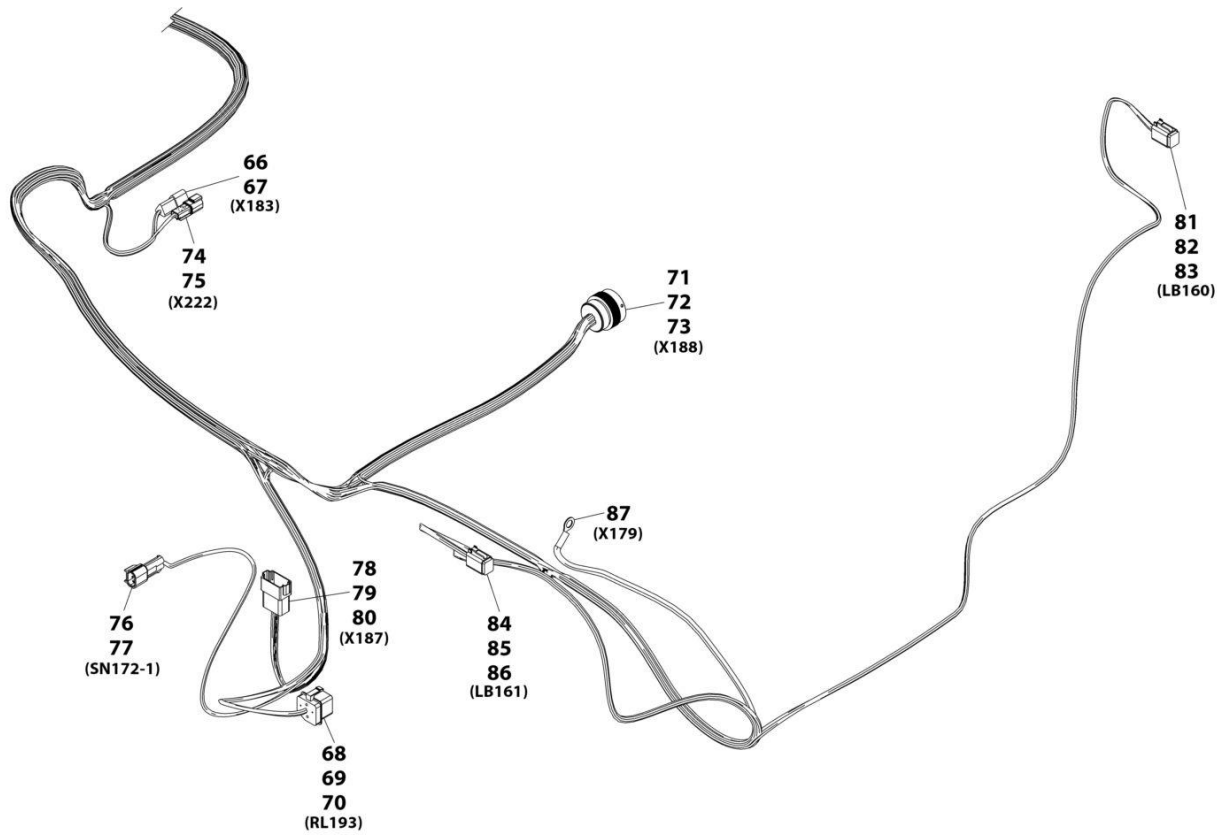
SECTION 10 - ELECTRICAL

FIGURE 10-35. FRAME OPTION HARNESS



ART_1001140635_1-D

SECTION 10 - ELECTRICAL



ART_1001140635_2-D

SECTION 10 - ELECTRICAL

FIGURE 10-35. FRAME OPTION HARNESS

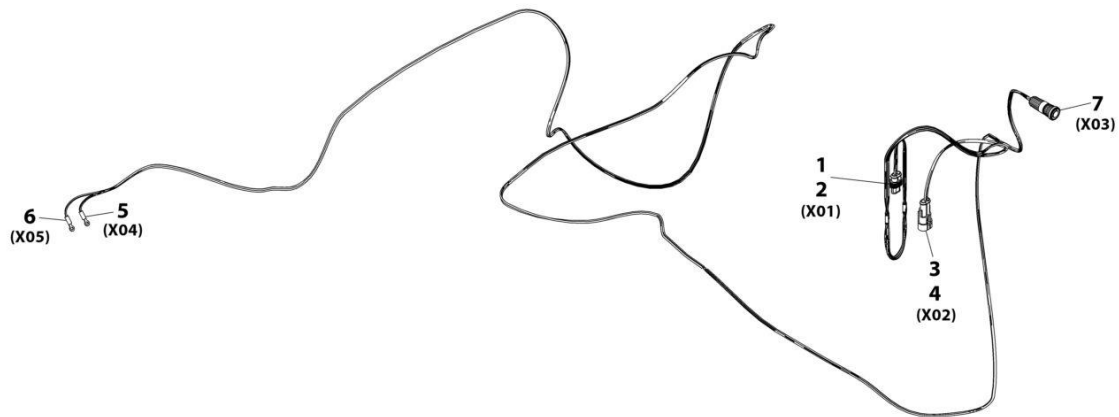
ITEM	PART NUMBER	QTY	DESCRIPTION	REV
	1001140635	Ref	Frame Option Harness	D
1	4460761	1	Connector	
2	4460227	4	Terminal	
3	1001116996	1	Connector	
4	1001118392	5	Terminal	
5	4461008	2	Plug	
6	4460891	1	Connector	
7	4460465	2	Terminal	
8	4460891	1	Connector	
9	4460465	2	Terminal	
10	4460891	1	Connector	
11	4460465	2	Terminal	
12	4460897	1	Connector	
13	4460464	1	Terminal	
14	4460466	1	Plug	
15	1001116812	1	Connector	
16	4460945	1	Terminal, 3 Way "T" Receptacle	
17	4460465	3	Terminal	
18	4460539	1	Connector	
19	4460465	2	Terminal	
20	4460466	1	Plug	
21	1001116812	1	Connector	
22	4460465	2	Terminal	
23	4460466	1	Plug	
24	1001116808	1	Connector	
25	1001126008	12	Terminal	
26	1001116774	1	Connector	
27	1001126008	8	Terminal	
28	4460518	4	Plug	
29	1001116808	1	Connector	
30	1001126008	7	Terminal	
31	4460518	5	Plug	
32	1001116774	1	Connector	
33	1001126008	5	Terminal	
34	4460518	7	Plug	
35	1001116996	1	Connector	
36	1001118392	5	Terminal	
37	4461008	2	Plug	
38	1001117133	1	Connector	
39	1001118385	2	Terminal	
40	4460897	1	Connector	
41	4460464	2	Terminal	
42	4460894	1	Connector	
43	4460465	6	Terminal	
44	4460911	1	Connector	
45	1001126008	3	Terminal	
46	4460539	1	Connector	
47	4460465	4	Terminal	
48	4460851	1	Connector	
49	4460852	1	Connector, 8 Pin	

SECTION 10 - ELECTRICAL

ITEM	PART NUMBER	QTY	DESCRIPTION	REV
50	4460465	7	Terminal	
51	4460466	1	Plug	
52	4460891	1	Connector	
53	4460465	2	Terminal	
54	4460260	1	Connector	
55	4460259	1	Terminal	
56	4460260	1	Connector	
57	4460259	1	Terminal	
58	4460260	1	Connector	
59	4460259	1	Terminal	
60	4460260	1	Connector	
61	4460259	1	Terminal	
62	4460260	1	Connector	
63	4460259	1	Terminal	
64	4460260	1	Connector	
65	4460259	1	Terminal	
66	4460536	1	Connector	
67	4460464	3	Terminal	
68	4460374	1	Connector	
69	1001116733	4	Terminal	
70	1001128128	1	Plug	
71	1001121960	1	Connector	
72	4460464	28	Terminal	
73	4460466	3	Plug	
74	4460897	1	Connector	
75	4460464	2	Terminal	
76	1001117026	1	Connector	
77	1001116729	2	Terminal	
78	4460970	1	Connector	
79	4460464	9	Terminal	
80	4460466	3	Plug	
81	4460894	1	Connector	
82	4460465	5	Terminal	
83	4460466	1	Plug	
84	4460894	1	Connector	
85	4460465	5	Terminal	
86	4460466	1	Plug	
87	8220164	1	Terminal, Ring	

SECTION 10 - ELECTRICAL

FIGURE 10-36. REVERSE SENSOR HARNESS



ART_1001190914-B

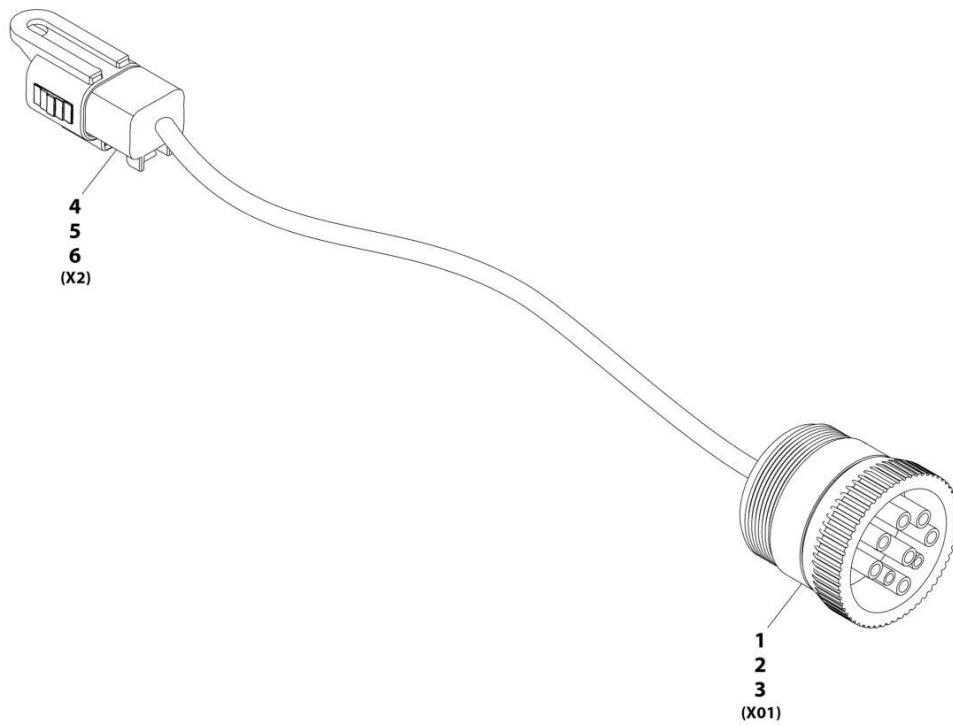
SECTION 10 - ELECTRICAL

FIGURE 10-36. REVERSE SENSOR HARNESS

ITEM	PART NUMBER	QTY	DESCRIPTION	REV
	1001190914	Ref	Reverse Sensor Harness	B
1	4461118	1	Connector	
2	1001107854	2	Terminal	
3	4461227	1	Connector	
4	1001104497	2	Terminal	
5	1001098122	1	Terminal, Ring	
6	1001098122	1	Terminal, Ring	
7	1001175733	1	Connector	

SECTION 10 - ELECTRICAL

FIGURE 10-37. TELEMATICS READY HARNESS



ART_1001196461-A

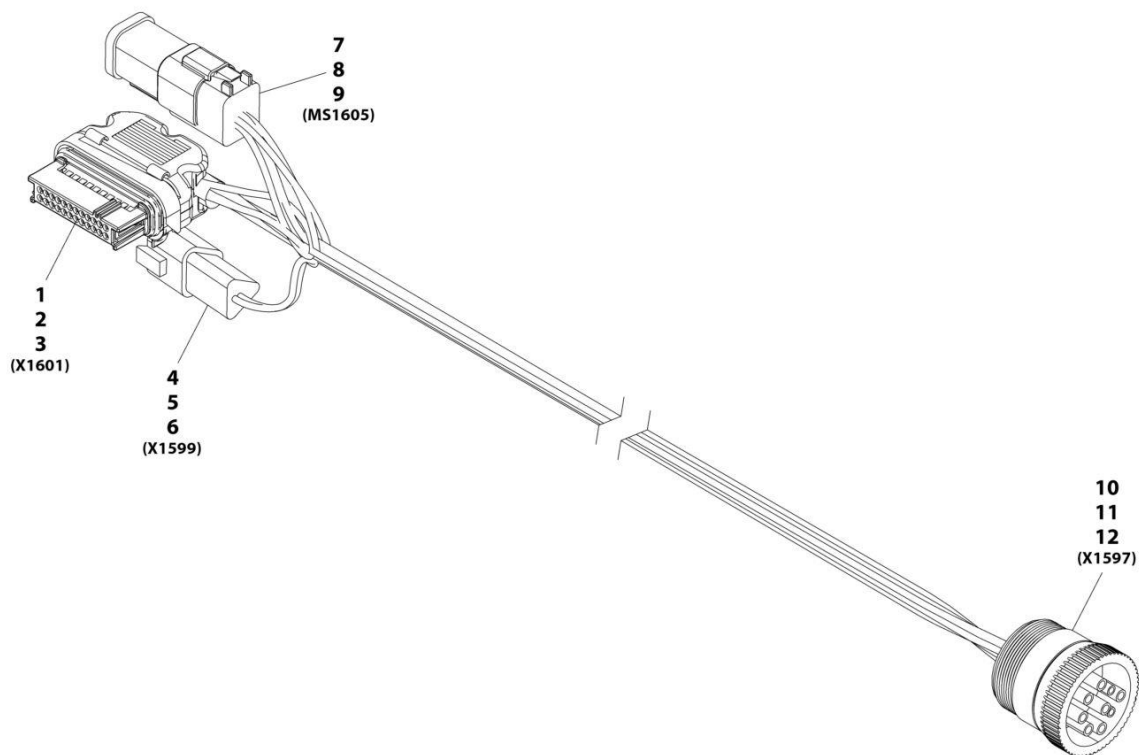
SECTION 10 - ELECTRICAL

FIGURE 10-37. TELEMATICS READY HARNESS

ITEM	PART NUMBER	QTY	DESCRIPTION	REV
	1001196461	Ref	Telematics Ready Harness	A
1	1001112796	1	Connector	
2	4460465	3	Terminal	
3	4460466	6	Plug	
4	4460884	1	Connector	
5	4460465	3	Terminal	
6	4460466	1	Plug	

SECTION 10 - ELECTRICAL

FIGURE 10-38. CLEARSKY4G CANBUS GSM HARNESS



ART_1001226739-A

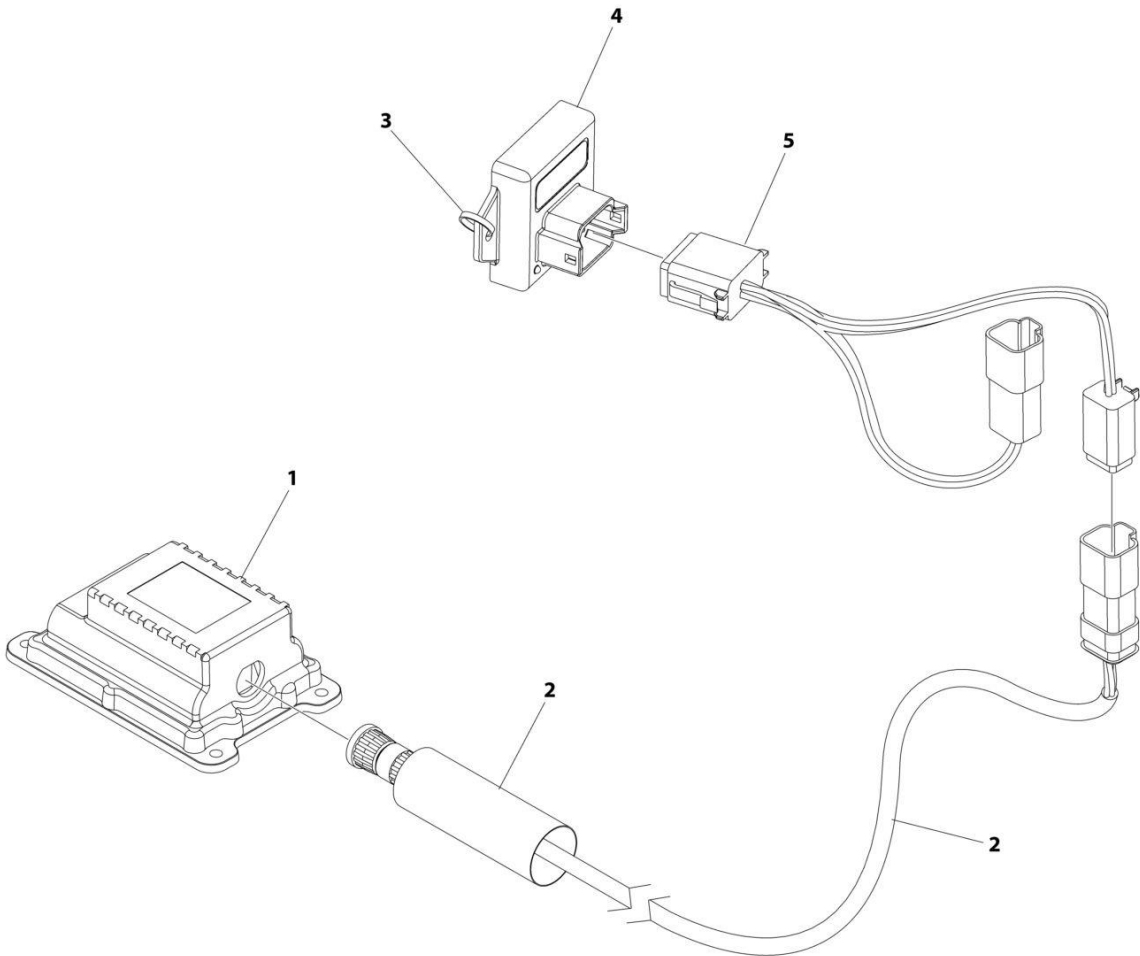
SECTION 10 - ELECTRICAL

FIGURE 10-38. CLEARSKY4G CANBUS GSM HARNESS

ITEM	PART NUMBER	QTY	DESCRIPTION	REV
	1001226739	Ref	Clearsky Harness	A
1	1001226636	1	Connector	
2	1001116731	16	Plug, Terminal	
3	1001226637	8	Terminal	
4	1001144147	1	Connector	
5	4460464	2	Terminal	
6	4460466	1	Plug, Terminal	
7	4460894	1	Connector	
8	4460465	6	Terminal	
9	1001226541	1	Connector- 6 Pin Bussbar	
10	1001112796	1	Connector	
11	4460465	8	Terminal	
12	4460466	1	Plug, Terminal	

SECTION 10 - ELECTRICAL

FIGURE 10-39. CLEARSKY INSTALLATION 3-WIRE (ANSI)



ART_1001229107

SECTION 10 - ELECTRICAL

FIGURE 10-39. CLEARSKY INSTALLATION 3-WIRE (ANSI)

ITEM	PART NUMBER	QTY	DESCRIPTION	REV
	1001229107	Ref	CLEARSKY INSTALLATION 3-WIRE	D
1	1001226328	1	Module, 3W TCU	
2	1001227066	1	Telematics ClearSky Harness (See Separate Breakdown in this Section)	
3	4240032	AR	Tie-Strap	
4	1001262960	1	Voltage Regulator	
5	1001262963	1	Harness, Xirgo Jumper	

SECTION 10 - ELECTRICAL

FIGURE 10-40. BOOM SENSOR HARNESS



ART_1001129801-A

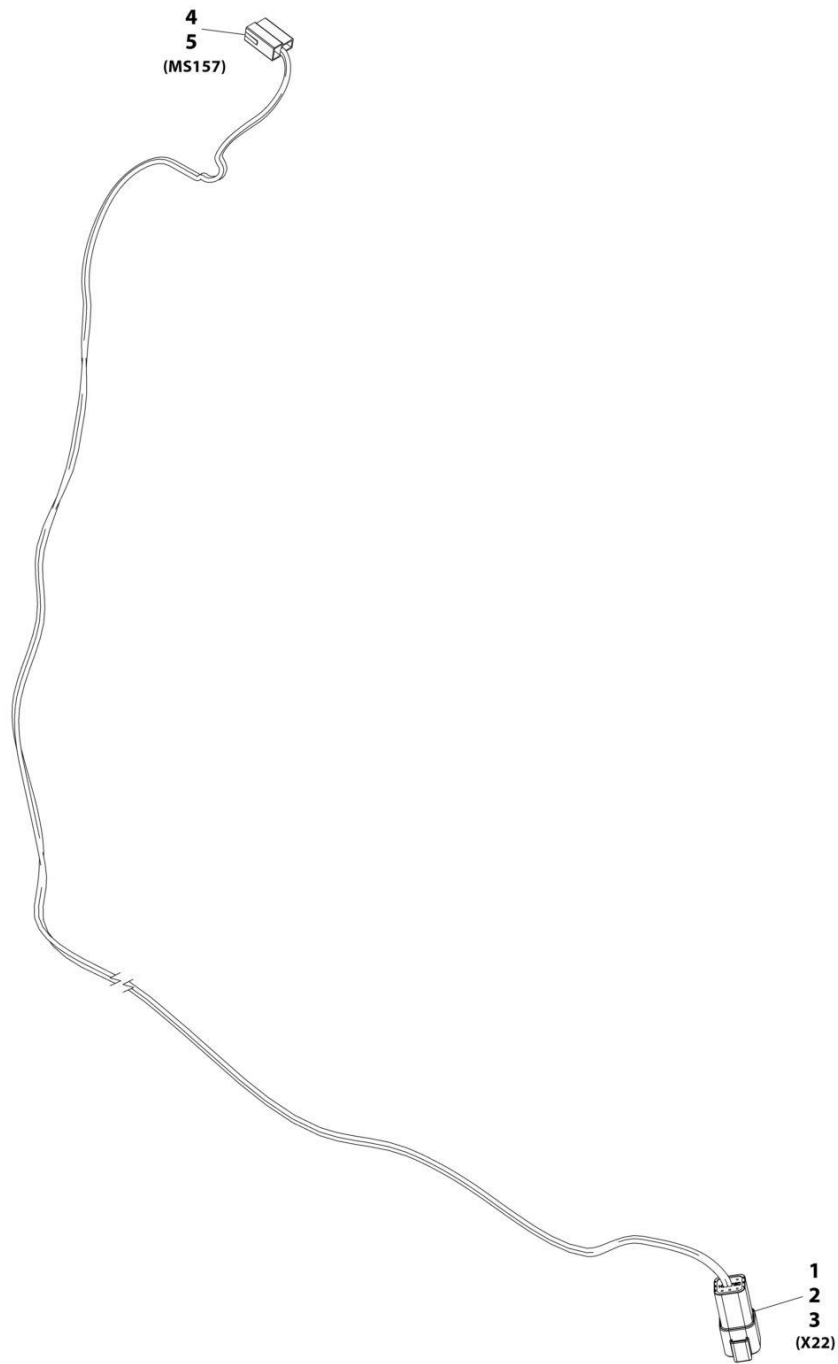
SECTION 10 - ELECTRICAL

FIGURE 10-40. BOOM SENSOR HARNESS

ITEM	PART NUMBER	QTY	DESCRIPTION	REV
	1001129801	Ref	Boom Sensor Harness	A
1	4460899	1	Connector	
2	4460464	6	Terminal	
3	4461262	1	Connector	
4	1001107854	3	Terminal	
5	4461262	1	Connector	
6	1001107854	3	Terminal	

SECTION 10 - ELECTRICAL

FIGURE 10-41. OPEN CAB WORKLIGHT HARNESS



ART_1001110723-B

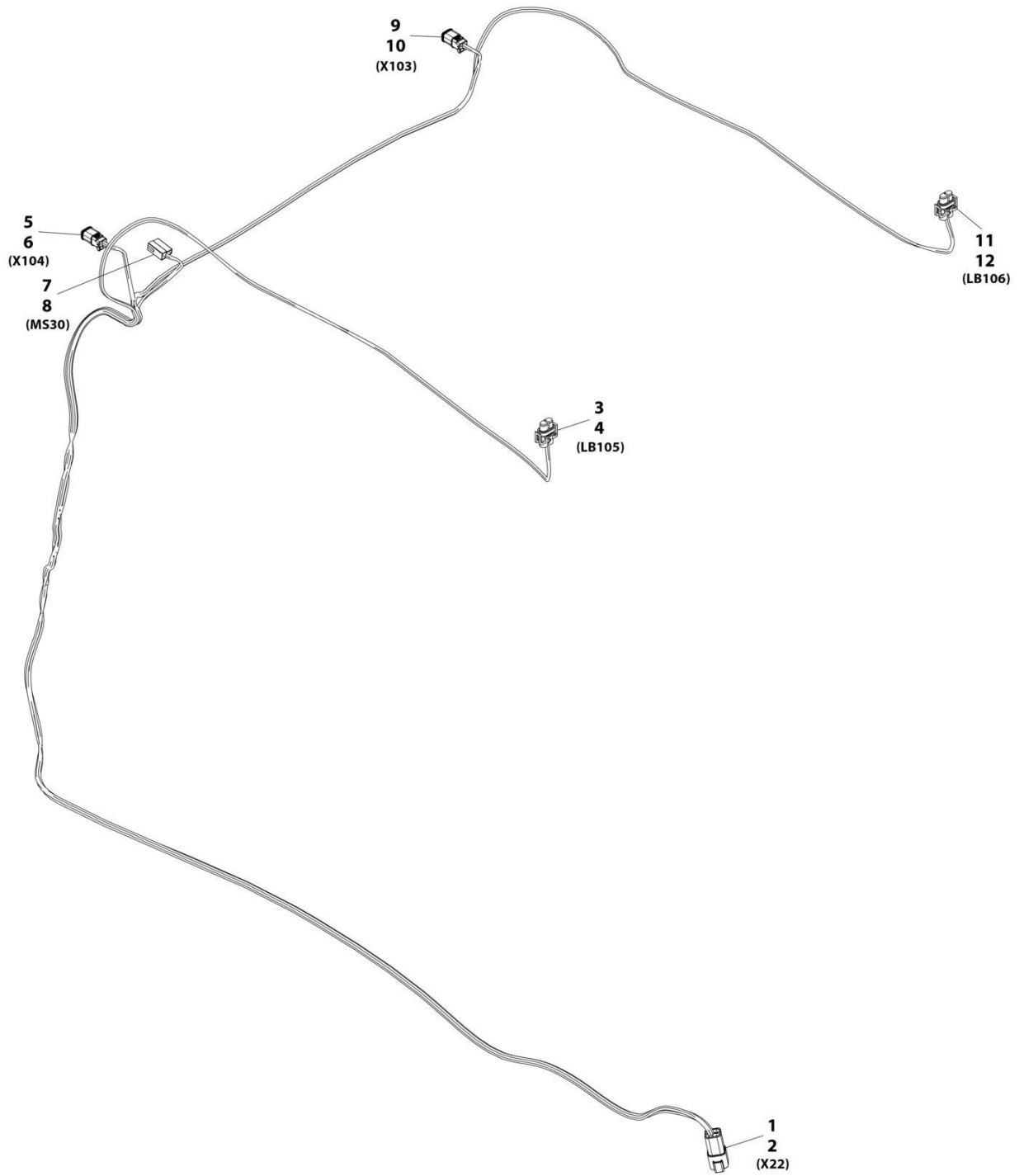
SECTION 10 - ELECTRICAL

FIGURE 10-41. OPEN CAB WORKLIGHT HARNESS

ITEM	PART NUMBER	QTY	DESCRIPTION	REV
	1001110723	Ref	Open Cab Worklight Harness	B
1	4460899	1	Connector	
2	4460466	4	Plug	
3	4460464	2	Terminal	
4	4460994	1	Connector	
5	1001104519	2	Terminal	

SECTION 10 - ELECTRICAL

FIGURE 10-42. CAB WORKLIGHT HARNESS



ART_1001111156-C

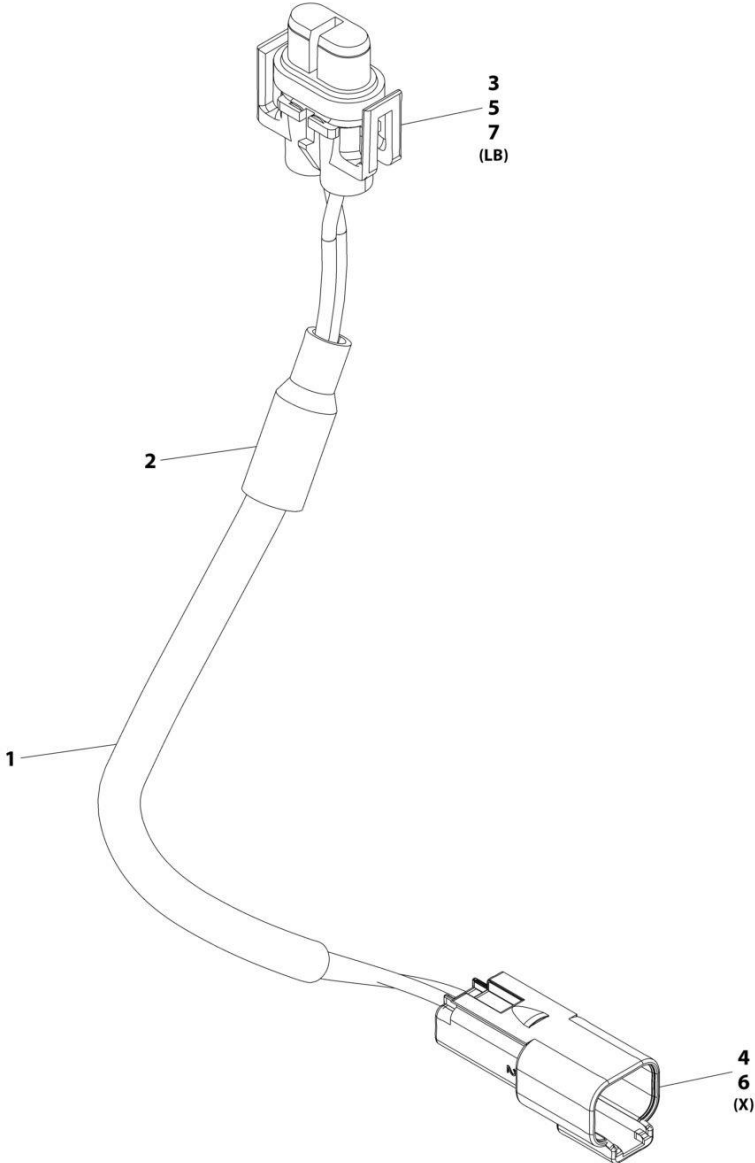
SECTION 10 - ELECTRICAL

FIGURE 10-42. CAB WORKLIGHT HARNESS

ITEM	PART NUMBER	QTY	DESCRIPTION	REV
	1001111156	Ref	Cab Worklight Harness	C
1	4460899	1	Connector	
2	4460464	6	Terminal	
3	4461115	1	Connector	
4	4460746	2	Terminal	
5	4460891	1	Connector	
6	4460465	2	Terminal	
7	4460994	1	Connector	
8	1001104519	2	Terminal	
9	4460891	1	Connector	
10	4460465	2	Terminal	
11	4461115	1	Connector	
12	4460746	2	Terminal	

SECTION 10 - ELECTRICAL

FIGURE 10-43. BOOM WORKLIGHT JUMPER HARNESS (LONG)



ART_1001142981-B

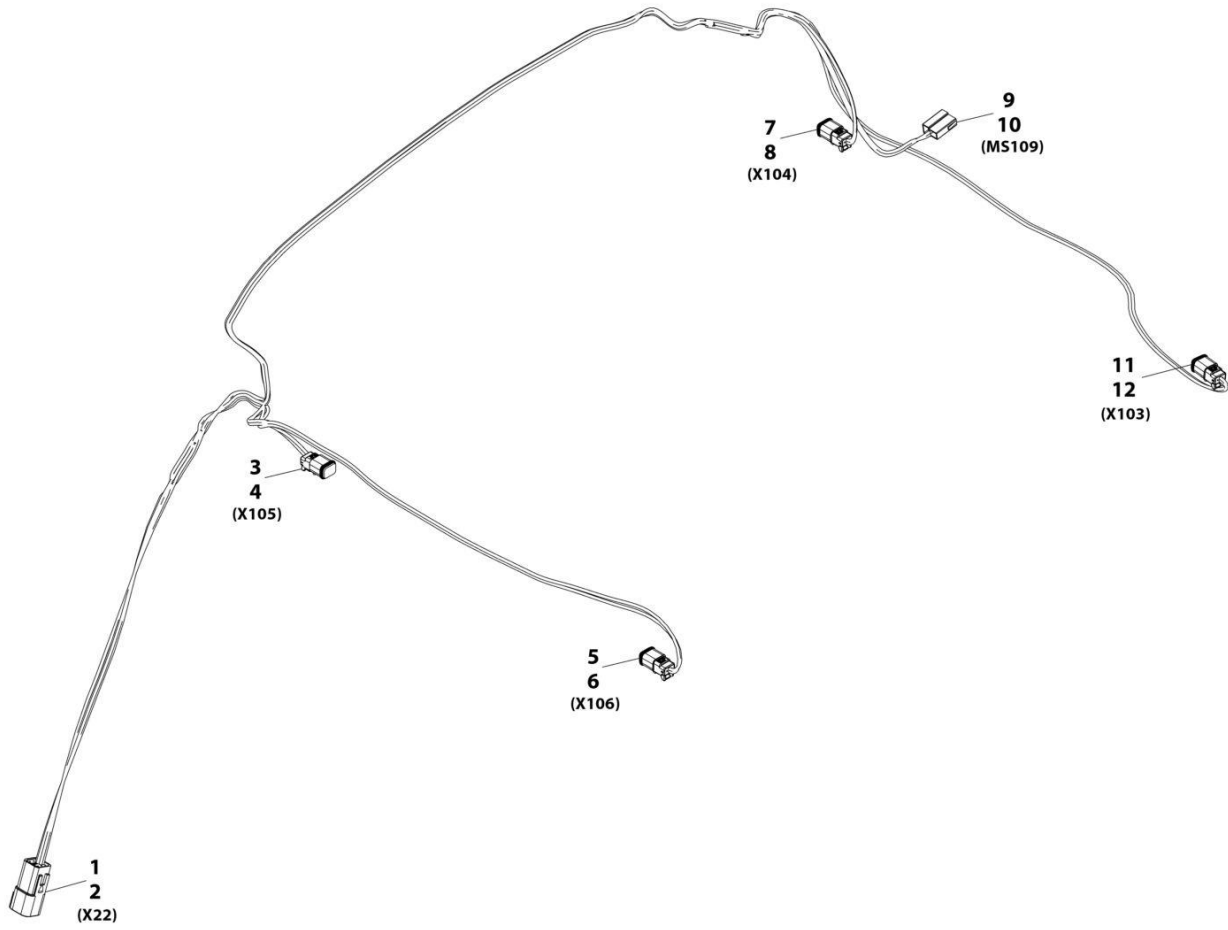
SECTION 10 - ELECTRICAL

FIGURE 10-43. BOOM WORKLIGHT JUMPER HARNESS (LONG)

ITEM	PART NUMBER	QTY	DESCRIPTION	REV
	1001142981	Ref	Boom Worklight Jumper Harness (Long)	B
1	1060680	2 ft	Cable	
2	2820019	0.12 ft	Insulate, Tubing Shrink	
3	4460458	2	Seal	
4	4460464	2	Terminal	
5	4460746	2	Terminal	
6	4460897	1	Connector	
7	4461115	1	Connector	

SECTION 10 - ELECTRICAL

FIGURE 10-44. PROXIMITY SENSOR HARNESS



ART_1001109566-B

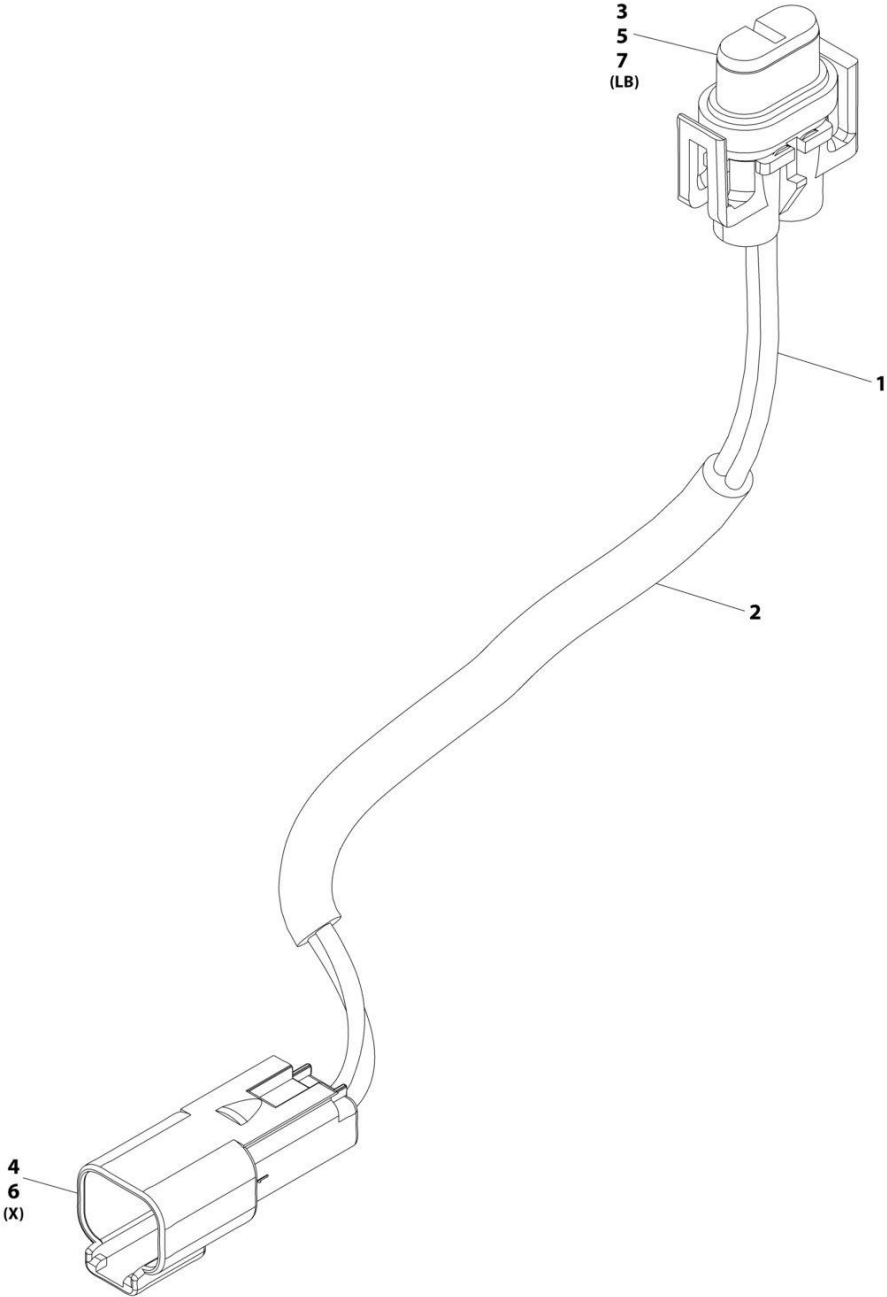
SECTION 10 - ELECTRICAL

FIGURE 10-44. PROXIMITY SENSOR HARNESS

ITEM	PART NUMBER	QTY	DESCRIPTION	REV
	1001109566	Ref	Proximity Sensor Harness	B
1	4460899	1	Connector	
2	4460464	6	Terminal	
3	4460891	1	Connector	
4	4460465	2	Terminal	
5	4460891	1	Connector	
6	4460465	2	Terminal	
7	4460891	1	Connector	
8	4460465	2	Terminal	
9	4460994	1	Connector	
10	1001104519	2	Terminal	
11	4460891	1	Connector	
12	4460465	2	Terminal	

SECTION 10 - ELECTRICAL

FIGURE 10-45. BOOM WORKLIGHT JUMPER HARNESS (SHORT)



ART_1001109565

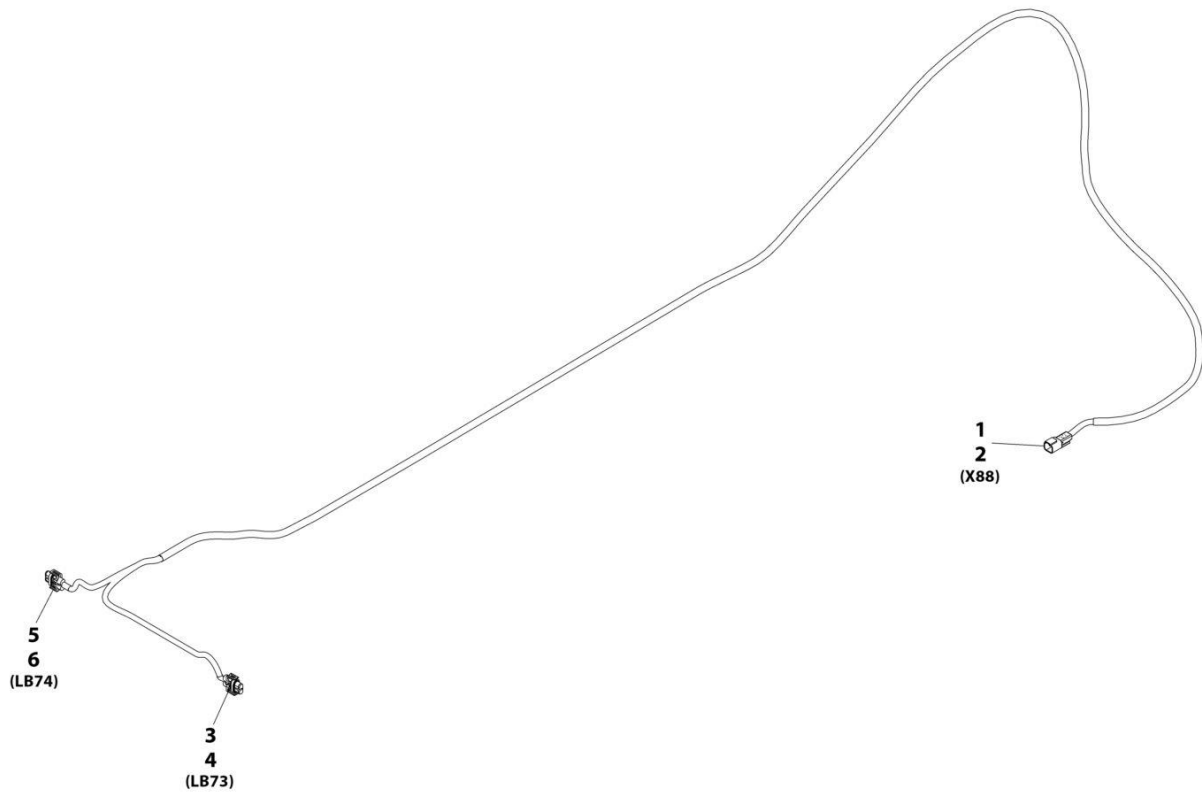
SECTION 10 - ELECTRICAL

FIGURE 10-45. BOOM WORKLIGHT JUMPER HARNESS (SHORT)

ITEM	PART NUMBER	QTY	DESCRIPTION	REV
	1001109565	Ref	BOOM WORKLIGHT JUMPER HARNESS (SHORT)	F
1	1060680	1	Cable, 18-2	
2	2820019	AR	Insulate, Tubing shrink 3/8	
3	4460458	2	Terminal, Seal	
4	4460464	2	Terminal	
5	4460746	2	Terminal	
6	4460897	1	Connector	
7	4461115	1	Connector	

SECTION 10 - ELECTRICAL

FIGURE 10-46. BOOM WORKLIGHTS HARNESS



ART_1001080656-C

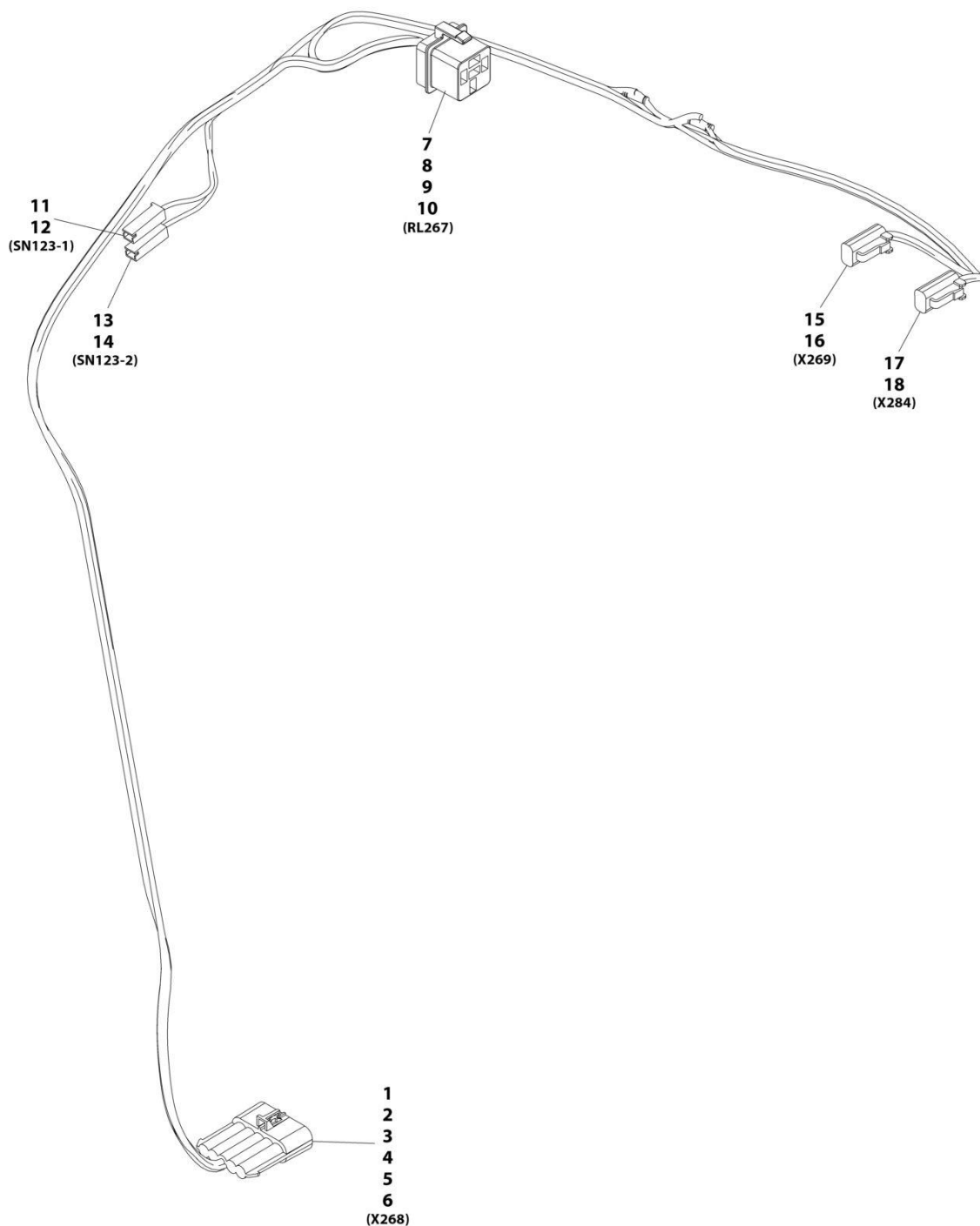
SECTION 10 - ELECTRICAL

FIGURE 10-46. BOOM WORKLIGHTS HARNESS

ITEM	PART NUMBER	QTY	DESCRIPTION	REV
	1001080656	Ref	Boom Worklights Harness	C
1	4460897	1	Connector	
2	4460464	2	Terminal	
3	4461115	1	Connector	
4	4460746	2	Terminal	
5	4461115	1	Connector	
6	4460746	2	Terminal	

SECTION 10 - ELECTRICAL

FIGURE 10-47. CONDENSOR FAN HARNESS



ART_1001142236-B

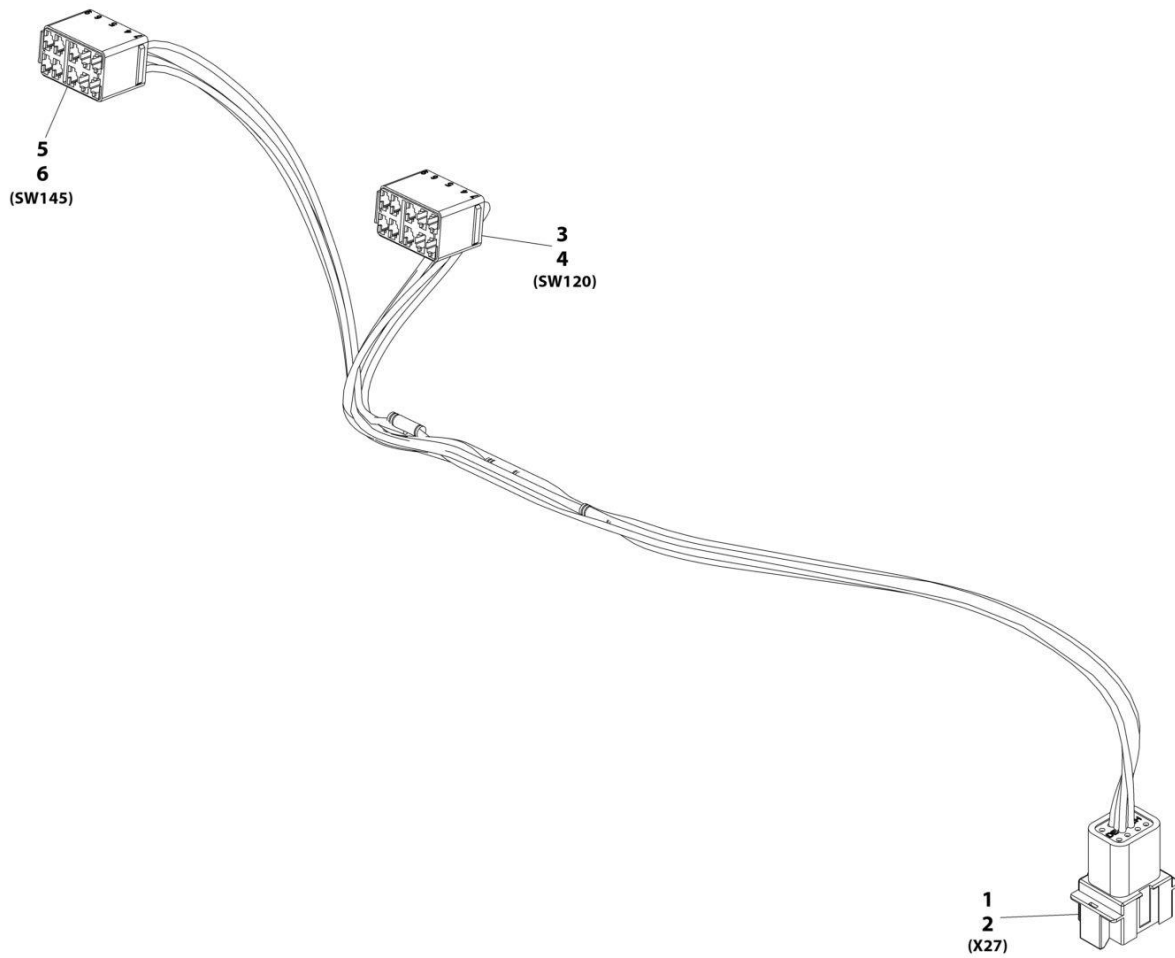
SECTION 10 - ELECTRICAL

FIGURE 10-47. CONDENSOR FAN HARNESS

ITEM	PART NUMBER	QTY	DESCRIPTION	REV
	1001142236	Ref	Condensor Fan Harness	B
1	1001121727	1	Connector	
2	8220162	2	Terminal	
3	1001116729	2	Terminal	
4	1001116727	1	Plug	
5	8220089	2	Seal	
6	4460458	2	Seal	
7	4460374	1	Connector	
8	1001116734	2	Terminal	
9	1001116733	2	Terminal	
10	1001128128	1	Plug	
11	4460260	1	Connector	
12	4460259	1	Terminal	
13	4460260	1	Connector	
14	4460259	1	Terminal	
15	4460891	1	Connector	
16	4460942	2	Terminal	
17	4460891	1	Connector	
18	4460942	2	Terminal	

SECTION 10 - ELECTRICAL

FIGURE 10-48. MODE SELECT HARNESS



ART_1001098235-D

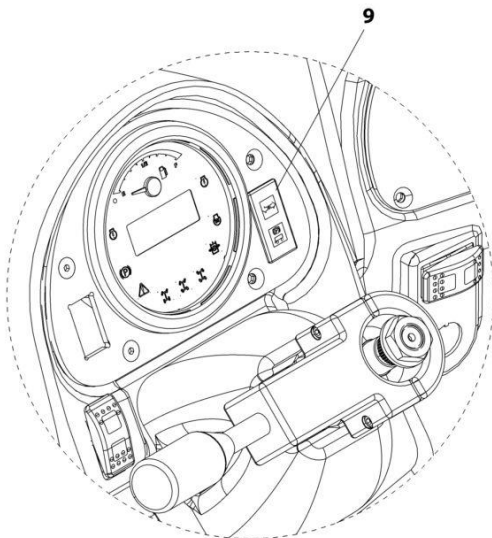
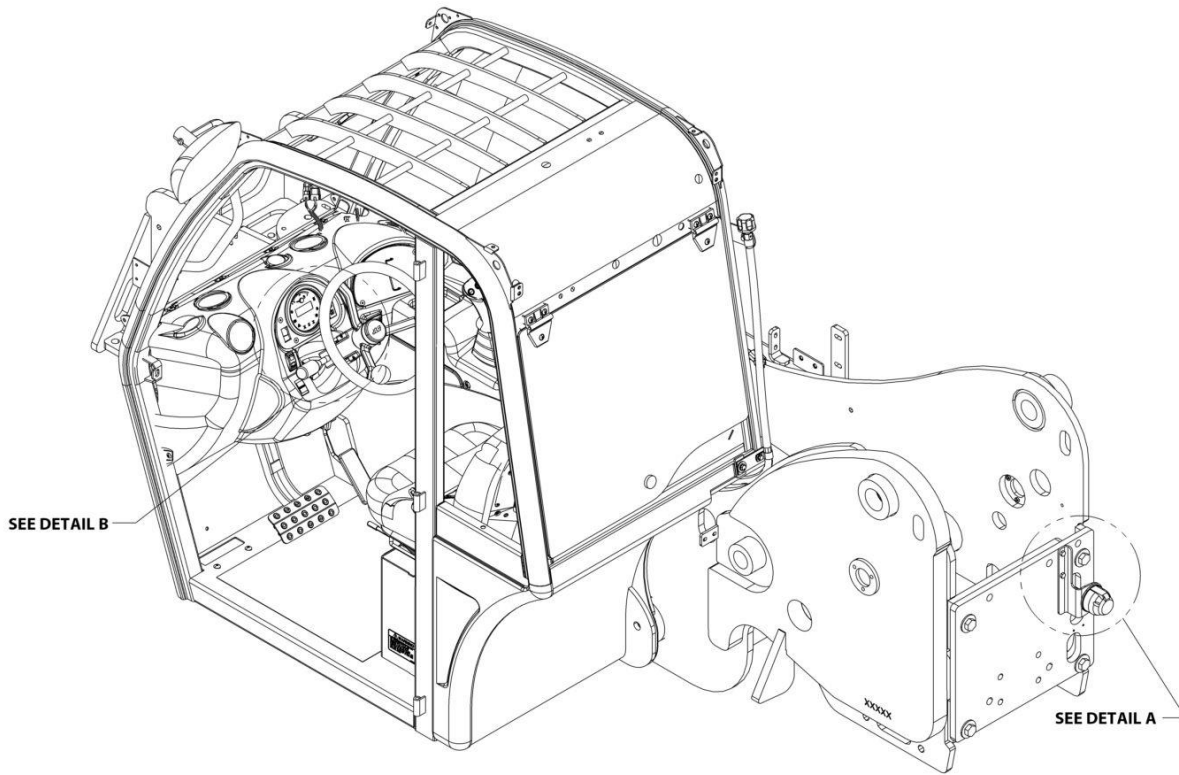
SECTION 10 - ELECTRICAL

FIGURE 10-48. MODE SELECT HARNESS

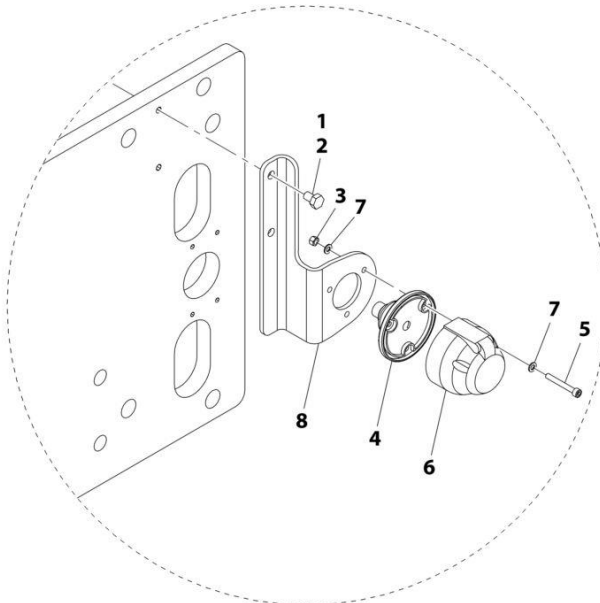
ITEM	PART NUMBER	QTY	DESCRIPTION	REV
	1001098235	Ref	Mode Select Harness	D
1	4460931	1	Connector	
2	4460464	8	Terminal	
3	1001117081	1	Connector	
4	1001104519	7	Terminal	
5	1001117081	1	Connector	
6	1001104519	4	Terminal	

SECTION 10 - ELECTRICAL

FIGURE 10-49. TRAILER PLUG INSTALLATION (7 PIN)



DETAIL B



DETAIL A

ART_1001200850-A

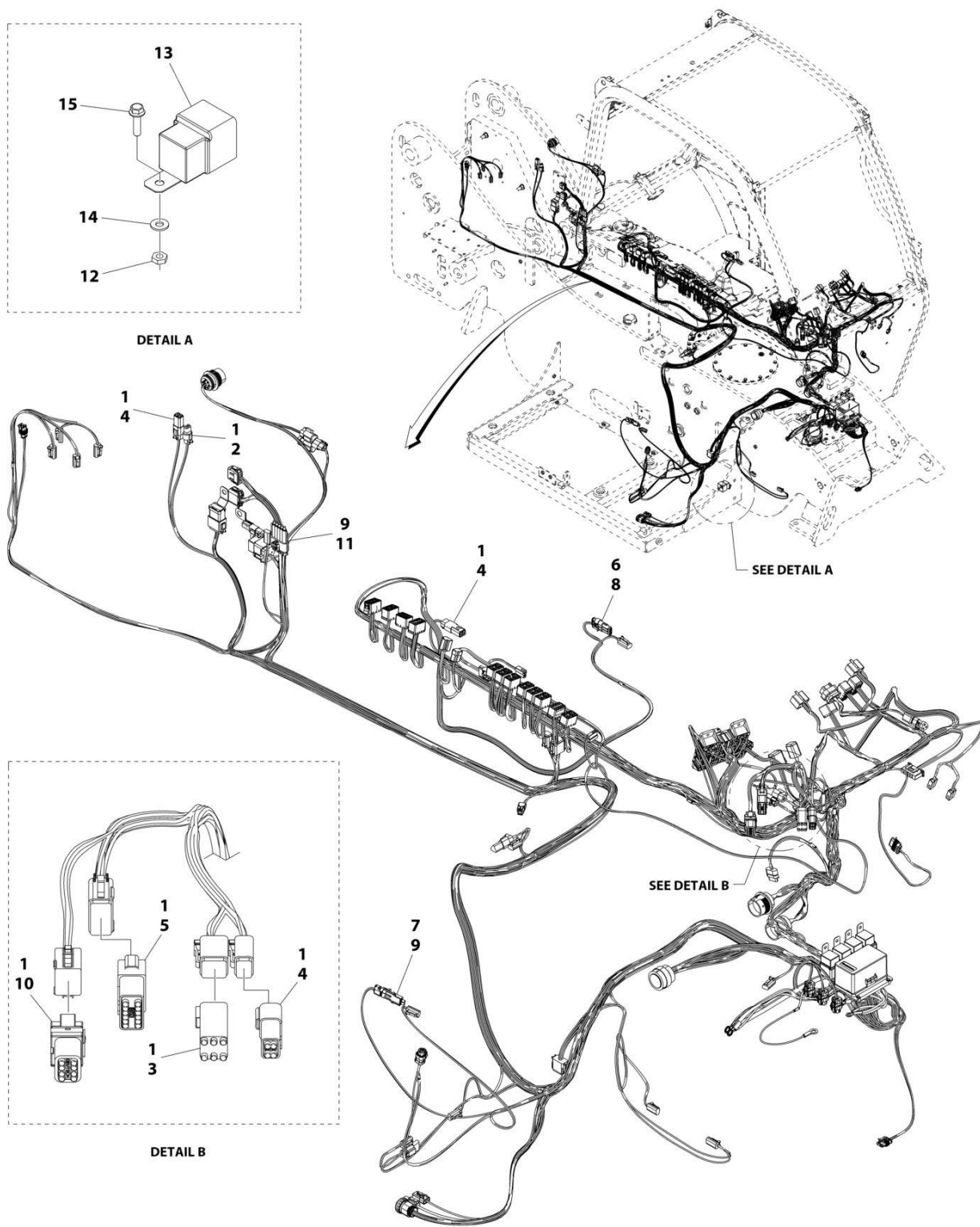
SECTION 10 - ELECTRICAL

FIGURE 10-49. TRAILER PLUG INSTALLATION (7 PIN)

ITEM	PART NUMBER	QTY	DESCRIPTION	REV
	1001200850	Ref	TRAILER PLUG INSTALLATION (7 PIN)	A
1	0100011	AR	Compound, Locking	
2	0760806	2	Capscrew M8 x 12	
3	3290507	3	Nut M5	
4	3960600	1	Trailer Plug Gasket	
5	4031612	3	Capscrew M5 x 40	
6	4461021	1	Trailer Plug	
7	4811600	6	Washr M5	
8	1001080686	1	Trailer Plug Bracket	
9	1001139938	1	Trailer Indicator	

SECTION 10 - ELECTRICAL

FIGURE 10-50. ELECTRICAL HARNESS CAPS INSTALLATION



ART_1001150705-C

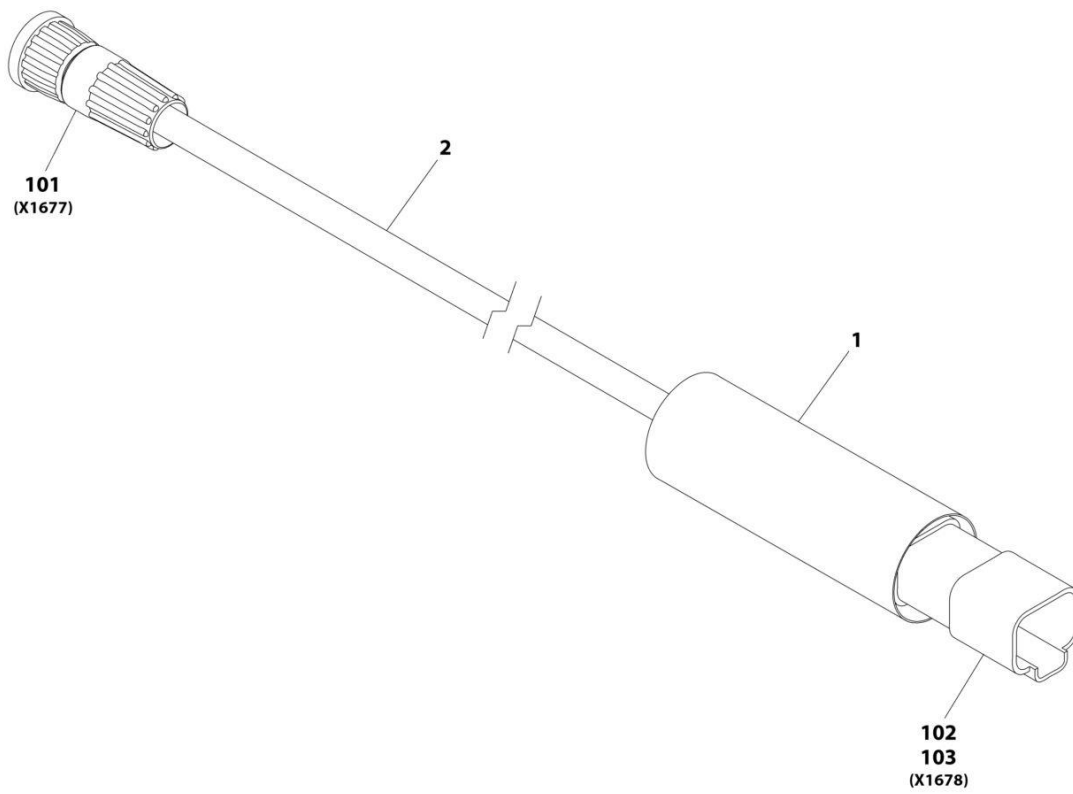
SECTION 10 - ELECTRICAL

FIGURE 10-50. ELECTRICAL HARNESS CAPS INSTALLATION

ITEM	PART NUMBER	QTY	DESCRIPTION	REV
	1001150705	Ref	Electrical Harness Caps Installation	C
1	4460466	40	Terminal Plug	
2	4460897	1	Terminal, 2 Position Receptacle	
3	4460899	1	Connector	
4	4460932	3	Connector	
5	4460970	1	Connector	
6	4461119	1	Connector	
7	80963058	1	Connector	
8	1001116698	3	Plug	
9	1001116727	7	Plug	
10	1001116813	1	Connector	
11	1001121727	1	Connector	
12	3311001	1	Hex Nut, 10-24, Gr2	
13	3740080	1	Relay	
14	4711000	1	Washer, M10	
15	77143016	1	Screw, 10-24X3/4	

SECTION 10 - ELECTRICAL

FIGURE 10-51. TELEMATICS HARNESS



ART_1001227066-A

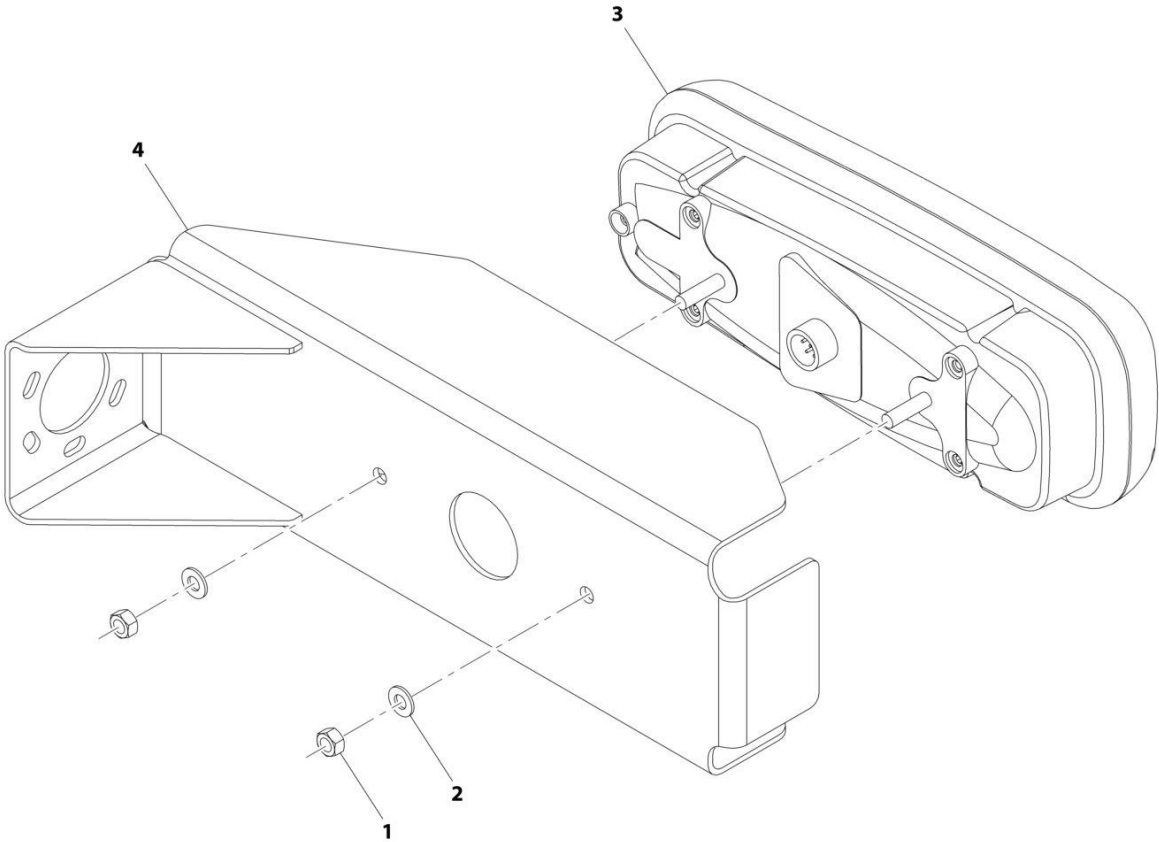
SECTION 10 - ELECTRICAL

FIGURE 10-51. TELEMATICS HARNESS

ITEM	PART NUMBER	QTY	DESCRIPTION	REV
	1001227066	Ref	CLEARSKY TELEMATICS HARNESS	A
1	1001226400	0.33 ft	Insulate, Heat Shrink	
2	1001227068	3.3 ft	Cable	
101	1001227266	1	Connector	
102	1001129407	1	Connector	
103	4460464	4	Terminal	

SECTION 10 - ELECTRICAL

FIGURE 10-52. RH TAIL LIGHT INSTALLATION



ART_1001101533-D

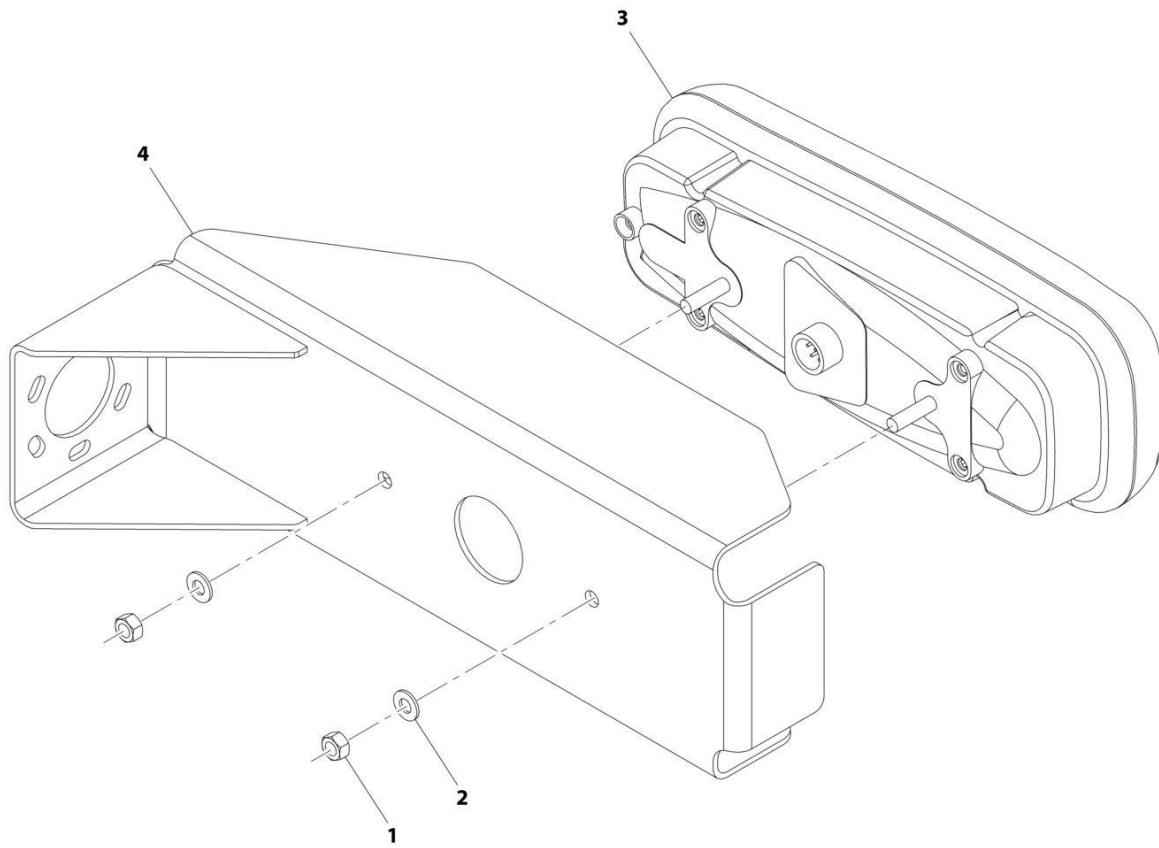
SECTION 10 - ELECTRICAL

FIGURE 10-52. RH TAIL LIGHT INSTALLATION

ITEM	PART NUMBER	QTY	DESCRIPTION	REV
	1001101533	Ref	RH Tail Light Installation	D
1	3290807	2	Hex Locknut, M8X1.25	
2	4811900	2	Washer, M8	
3	8001989	1	RH Tail Light	
4	1001081322	1	Bracket	

SECTION 10 - ELECTRICAL

FIGURE 10-53. LH TAIL LIGHT INSTALLATION



ART_1001101534-C

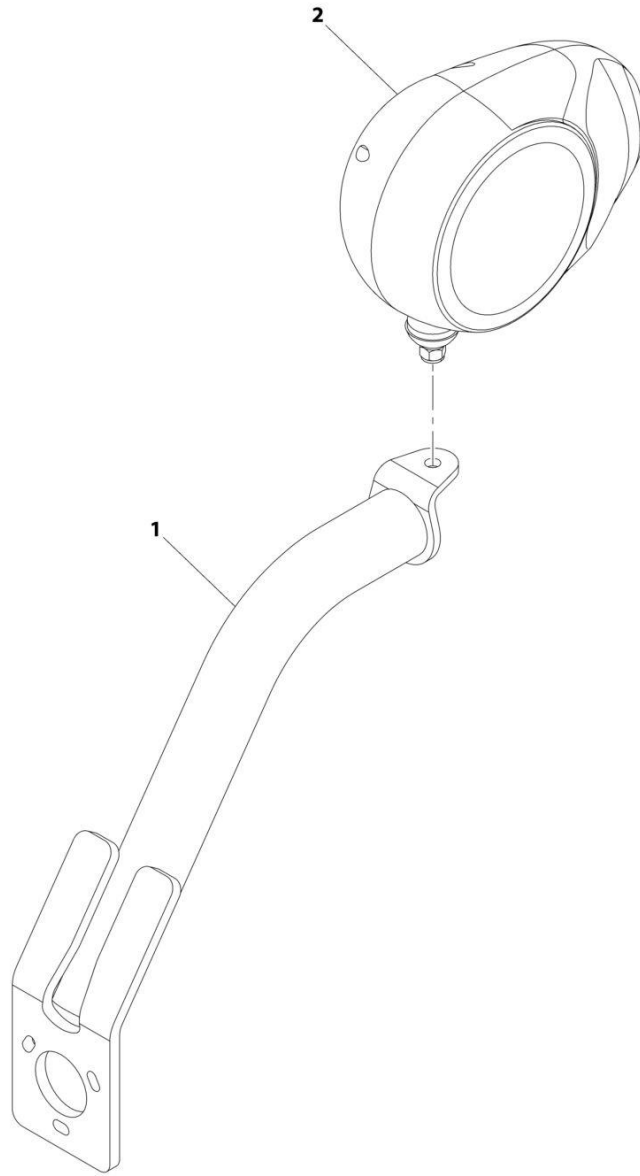
SECTION 10 - ELECTRICAL

FIGURE 10-53. LH TAIL LIGHT INSTALLATION

ITEM	PART NUMBER	QTY	DESCRIPTION	REV
	1001101534	Ref	LH Tail Light Installation	C
1	3290807	2	Hex Locknut, M8X1.25	
2	4811900	2	Washer, M8	
3	8001991	1	LH Tail Light	
4	1001081322	1	Bracket	

SECTION 10 - ELECTRICAL

FIGURE 10-54. LH DRIVE LIGHT INSTALLATION



ART_1001190709-A

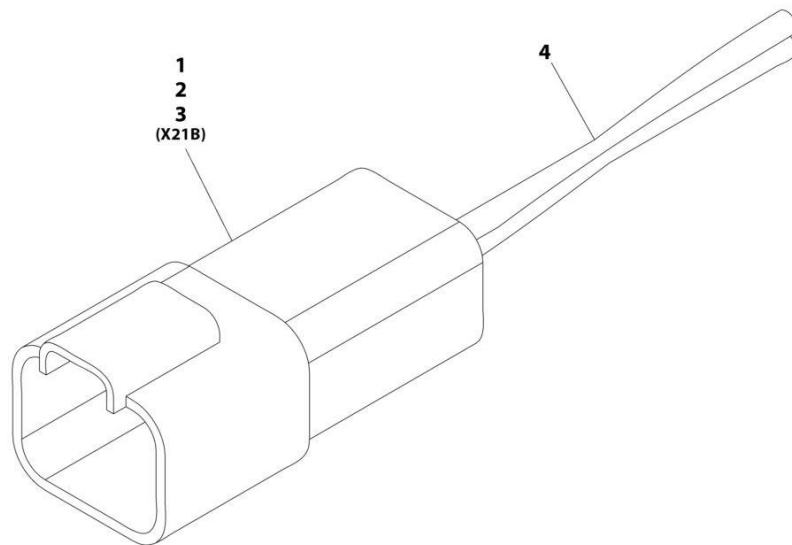
SECTION 10 - ELECTRICAL

FIGURE 10-54. LH DRIVE LIGHT INSTALLATION

ITEM	PART NUMBER	QTY	DESCRIPTION	REV
	1001190709	Ref	LH Drive Light Installation	A
1	1001190640	1	Bracket	
2	2920207	1	LH Drive Light	

SECTION 10 - ELECTRICAL

FIGURE 10-55. JUMPER HARNESS



ART_1001100965-B

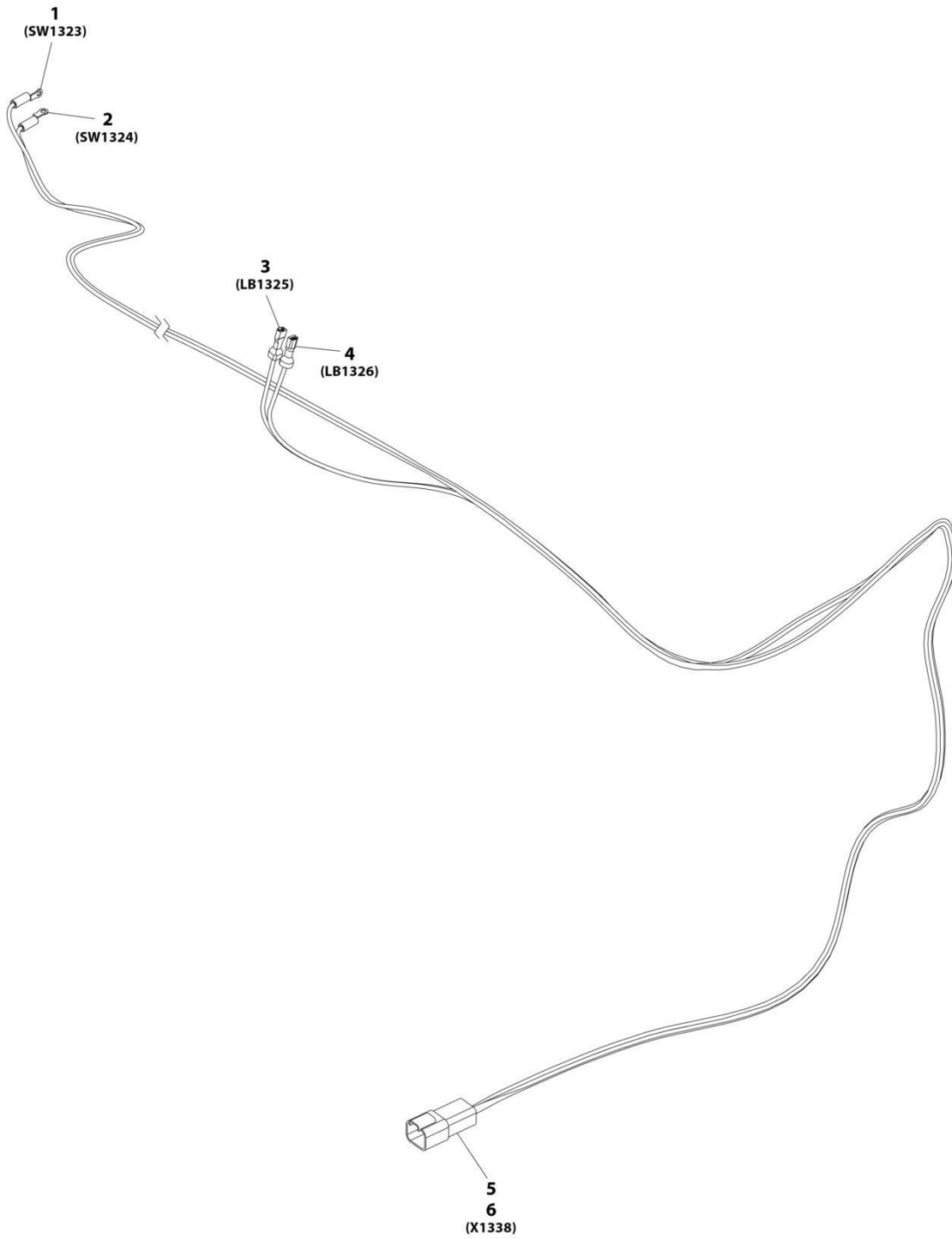
SECTION 10 - ELECTRICAL

FIGURE 10-55. JUMPER HARNESS

ITEM	PART NUMBER	QTY	DESCRIPTION	REV
	1001100965	Ref	Jumper Harness	B
1	4460464	2	Terminal	
2	4460466	2	Terminal	
3	4460932	1	Connector	
4	4920017	0.25 ft	Wire, 16 GA	

SECTION 10 - ELECTRICAL

FIGURE 10-56. HARNESS, POSI AIR SHUT OFF, SC CAB



ART_1001233213-B

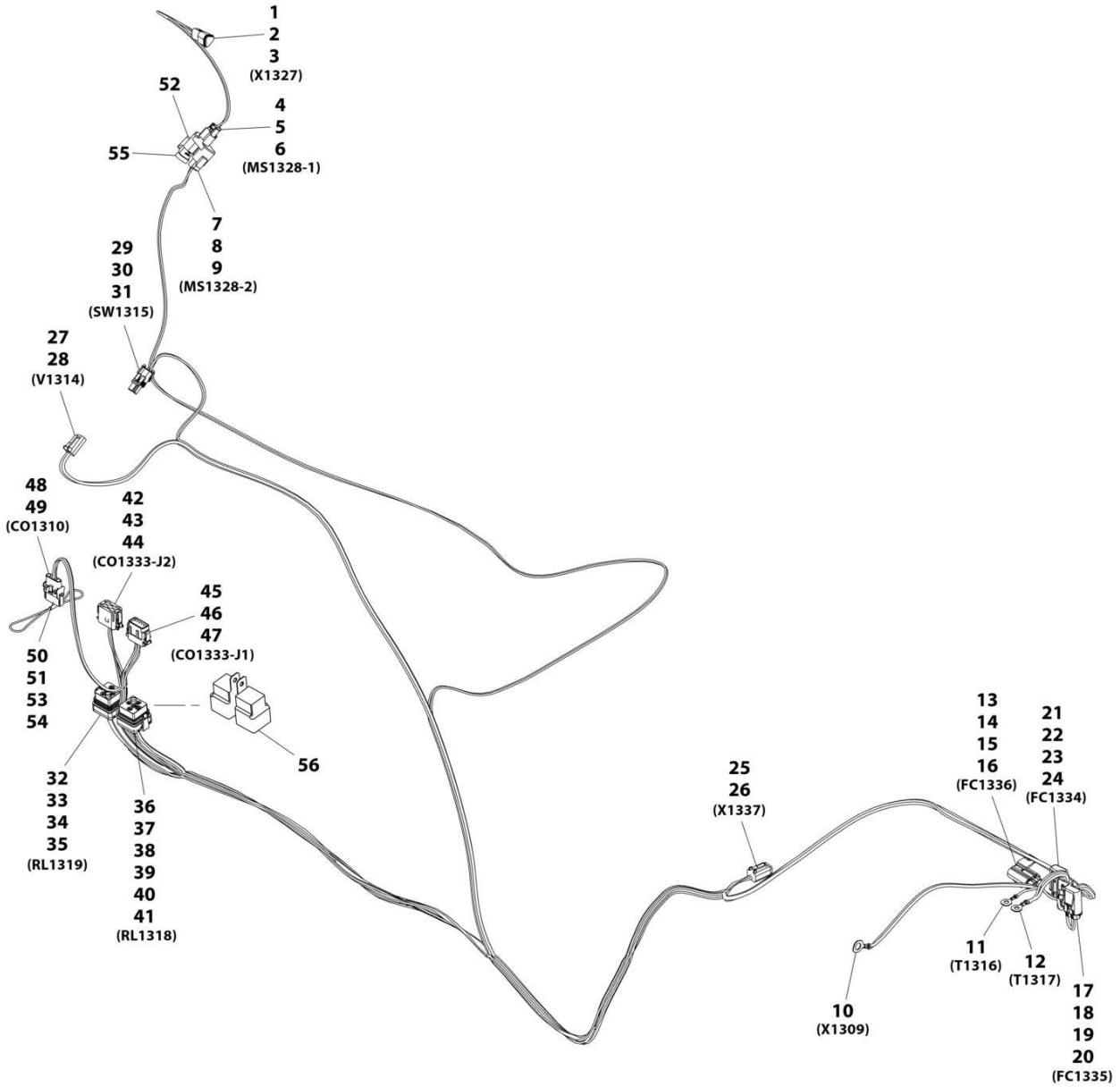
SECTION 10 - ELECTRICAL

FIGURE 10-56. HARNESS, POSI AIR SHUT OFF, SC CAB

ITEM	PART NUMBER	QTY	DESCRIPTION	REV
	1001233213	Ref	Harness, POSI Air Shut Off Valve	B
1	8220035	1	Terminal, Ring	
2	8220035	1	Terminal, Ring	
3	8220108	1	Connector, Female	
4	8220108	1	Connector, Female	
5	4460932	1	Connector	
6	4460464	1	Pin	

SECTION 10 - ELECTRICAL

FIGURE 10-57. HARNESS, POSI AIR SHUTOFF, SC FRAME



ART_1001233235-C

SECTION 10 - ELECTRICAL

FIGURE 10-57. HARNESS, POSI AIR SHUTOFF, SC FRAME

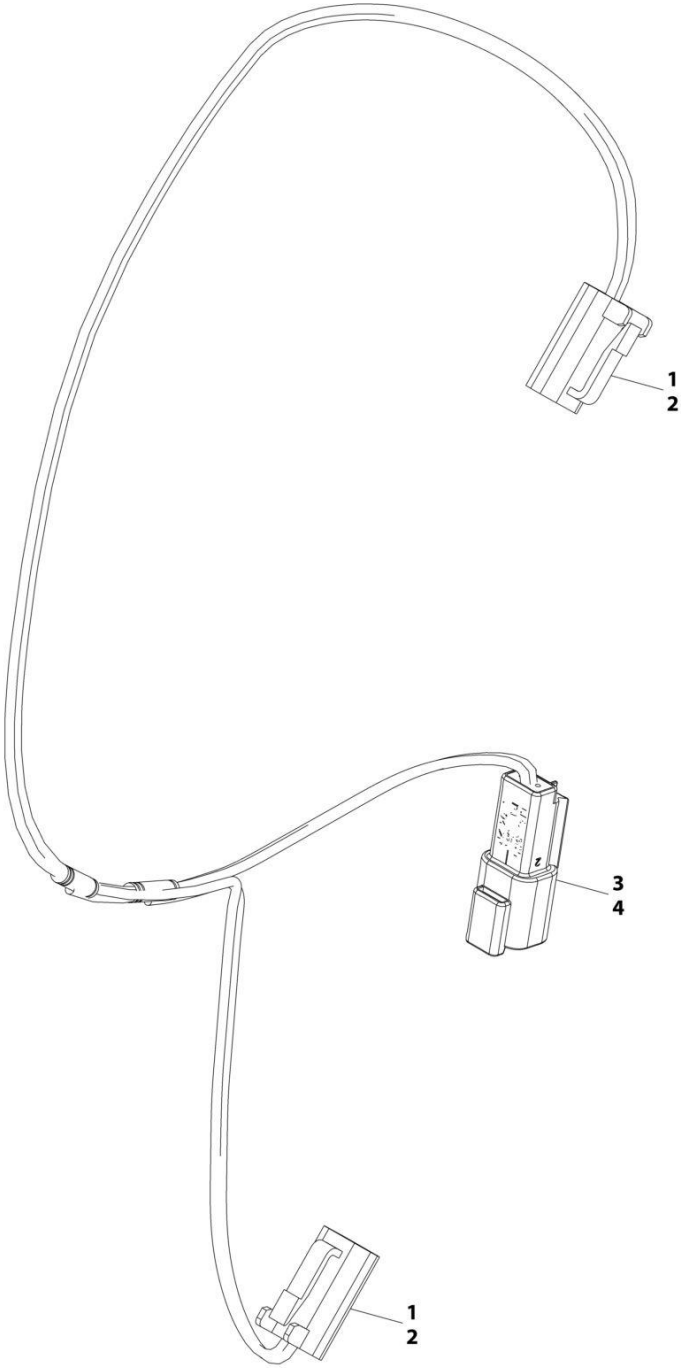
ITEM	PART NUMBER	QTY	DESCRIPTION	REV
	1001233235	Ref	AIR SHUT OFF VALVE FRAME HARNESS	C
1	1001116812	1	CONNECTOR	
2	4460465	2	TERMINAL	
3	4460466	1	PLUG	
4	1001116812	1	CONNECTOR	
5	4460465	2	TERMINAL	
6	4460466	1	PLUG	
7	4460539	1	CONNECTOR	
8	4460465	1	TERMINAL	
9	4460466	1	PLUG	
10	1001187079	1	TERMINAL RING	
11	1001207171	1	TERMINAL RING	
12	1001189077	1	TERMINAL RING	
13	1001231397	1	CONNECTOR	
14	8229261	1	FUSE	
15	1001231400	2	TERMINAL	
16	1001231403	2	SEAL	
17	1001231397	1	CONNECTOR	
18	8229234	1	FUSE	
19	1001231400	2	TERMINAL	
20	1001231403	2	SEAL	
21	1001231397	1	CONNECTOR	
22	8229235	1	FUSE	
23	1001231401	2	TERMINAL	
24	1001231402	2	SEAL	
25	4460884	1	CONNECTOR	
26	4460465	4	TERMINAL	
27	4460891	1	CONNECTOR	
28	1001157890	2	TERMINAL	
29	4460742	1	CONNECTOR	
30	4460475	2	TERMINAL	
31	4460458	2	SEAL	
32	1001231398	1	CONNECTOR	
33	1001231400	4	TERMINAL	
34	1001231406	1	PLUG	
35	1001231404	4	SEAL	
36	1001231398	1	CONNECTOR	
37	1001231401	2	TERMINAL	
38	1001231400	2	TERMINAL	
39	1001231401	1	PLUG	
40	1001231402	2	SEAL	
41	1001231404	2	SEAL	
42	1001116774	1	CONNECTOR	
43	1001126008	4	TERMINAL	
44	4460518	8	PLUG	
45	1001116808	1	CONNECTOR	
46	1001126008	9	TERMINAL	
47	4460518	3	PLUG	
48	4460761	1	CONNECTOR	
49	1001118378	4	TERMINAL	

SECTION 10 - ELECTRICAL

ITEM	PART NUMBER	QTY	DESCRIPTION	REV
50	4460321	1	PLUG	
51	4460809	4	TERMINAL	
52	4460945	1	TERMINAL	
53	1001143551	1	SEAL	
54	1001218358	1	LANYARD, ROPE	
55	1001116815	1	PLUG	
56	3740080	2	RELAY	

SECTION 10 - ELECTRICAL

FIGURE 10-58. VALVE JUMPER HARNESS



ART_1001209009-B

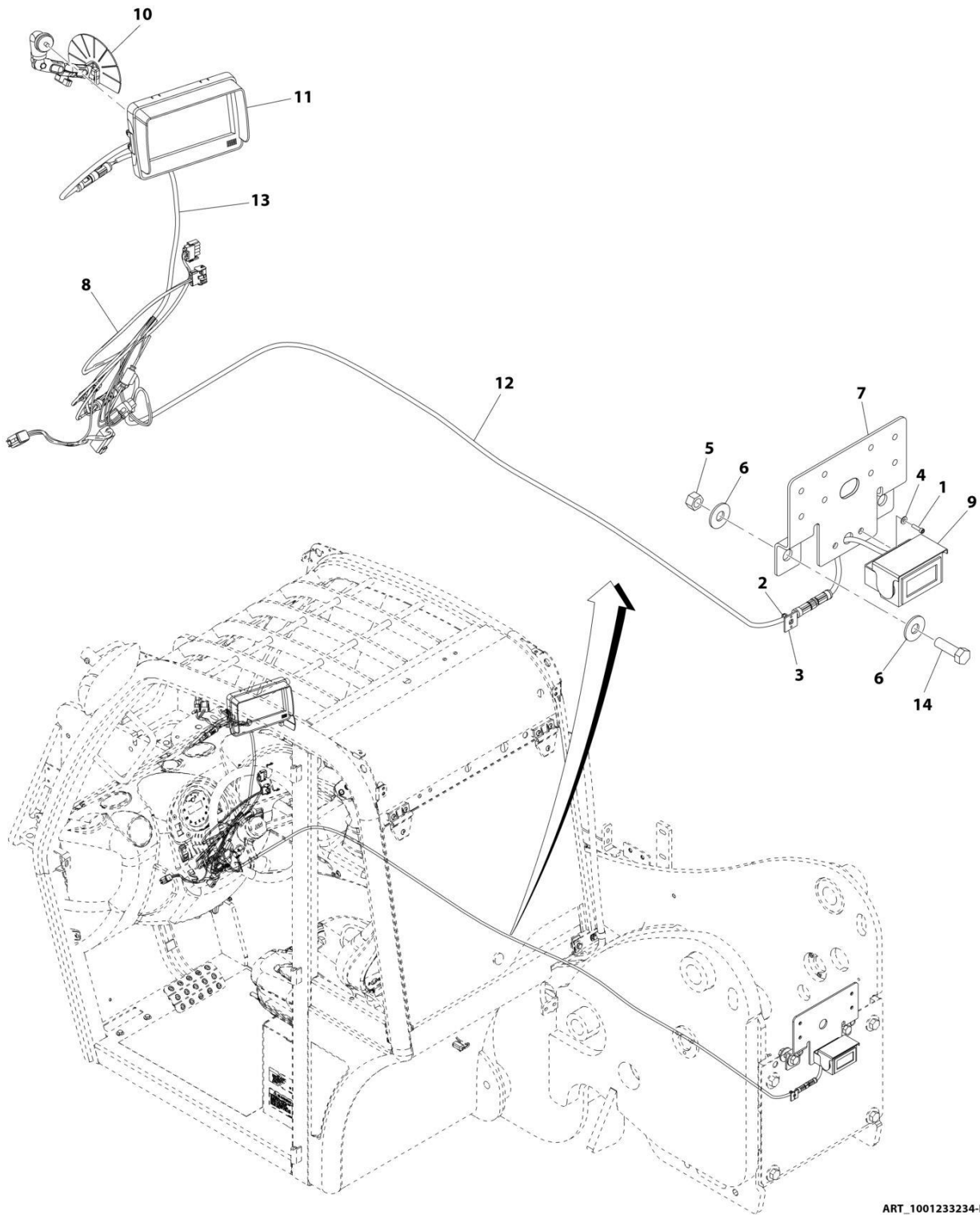
SECTION 10 - ELECTRICAL

FIGURE 10-58. VALVE JUMPER HARNESS

ITEM	PART NUMBER	QTY	DESCRIPTION	REV
	1001209009	Ref	Valve Jumper Harness	B
1	4460891	1	Connector, (includes rear seal)	
2	4460465	2	Terminal	
3	4460891	1	Connector, (includes rear seal)	
4	4460465	2	Terminal	
5	4460897	1	Connector, (includes rear seal)	
6	4460464	2	Terminal	

SECTION 10 - ELECTRICAL

FIGURE 10-59. INSTALLATION, BACK-UP CAMERA



ART_1001233234-B

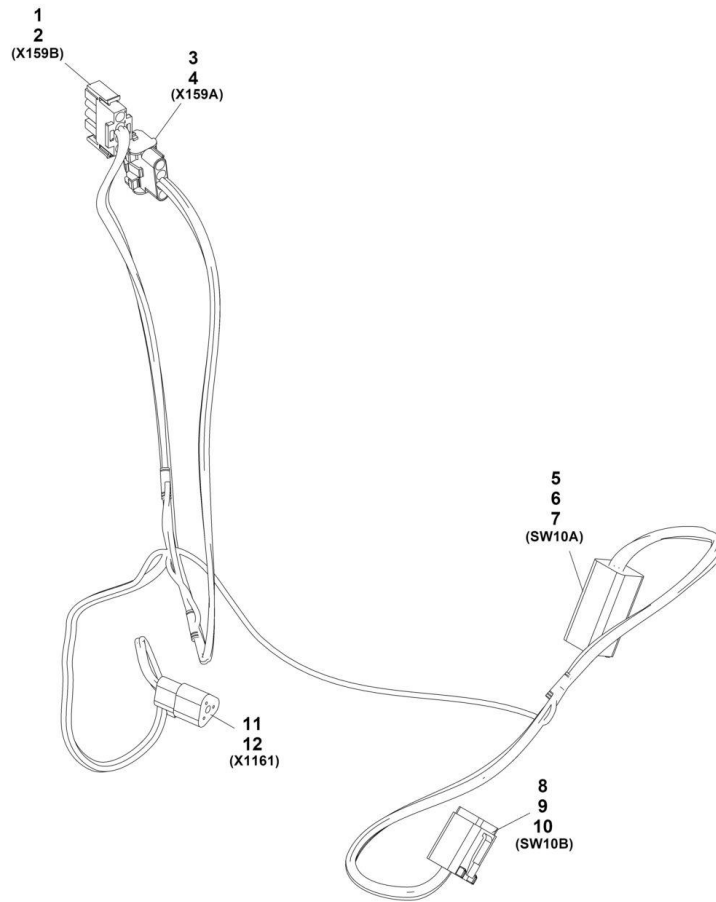
SECTION 10 - ELECTRICAL

FIGURE 10-59. INSTALLATION, BACK-UP CAMERA

ITEM	PART NUMBER	QTY	DESCRIPTION	REV
	1001233234	Ref	Back-Up Camera Installation	B
1	3931012	2	Bolt, #10-24X3/4	
2	4240032	15	Strap, Tie	
3	4460234	1	Terminal	
4	4711000	2	Washer, #10	
5	3312005	2	Nut, Lock 5/8-11	
6	4752000	4	Washer, 5/8	
7	1001233831	1	Bracket, Camera Mount	
8	1001243201	1	Harness, Rear Camera (See Separate Breakdown in Electrical Section)	
9	1001233174	1	Camera, Rear View	
10	1001233199	1	Bracket, Monitor Mount	
11	1001233202	1	Montior	
12	1001233434	1	Camera Harness, Extension Cable	
13	1001233435	1	Harness, Back-Up Camera	
14	0642016	2	Bolt, 5/8-11X2	

SECTION 10 - ELECTRICAL

FIGURE 10-60. REAR CAMERA OPTION HARNESS



ART_1001243201

SECTION 10 - ELECTRICAL

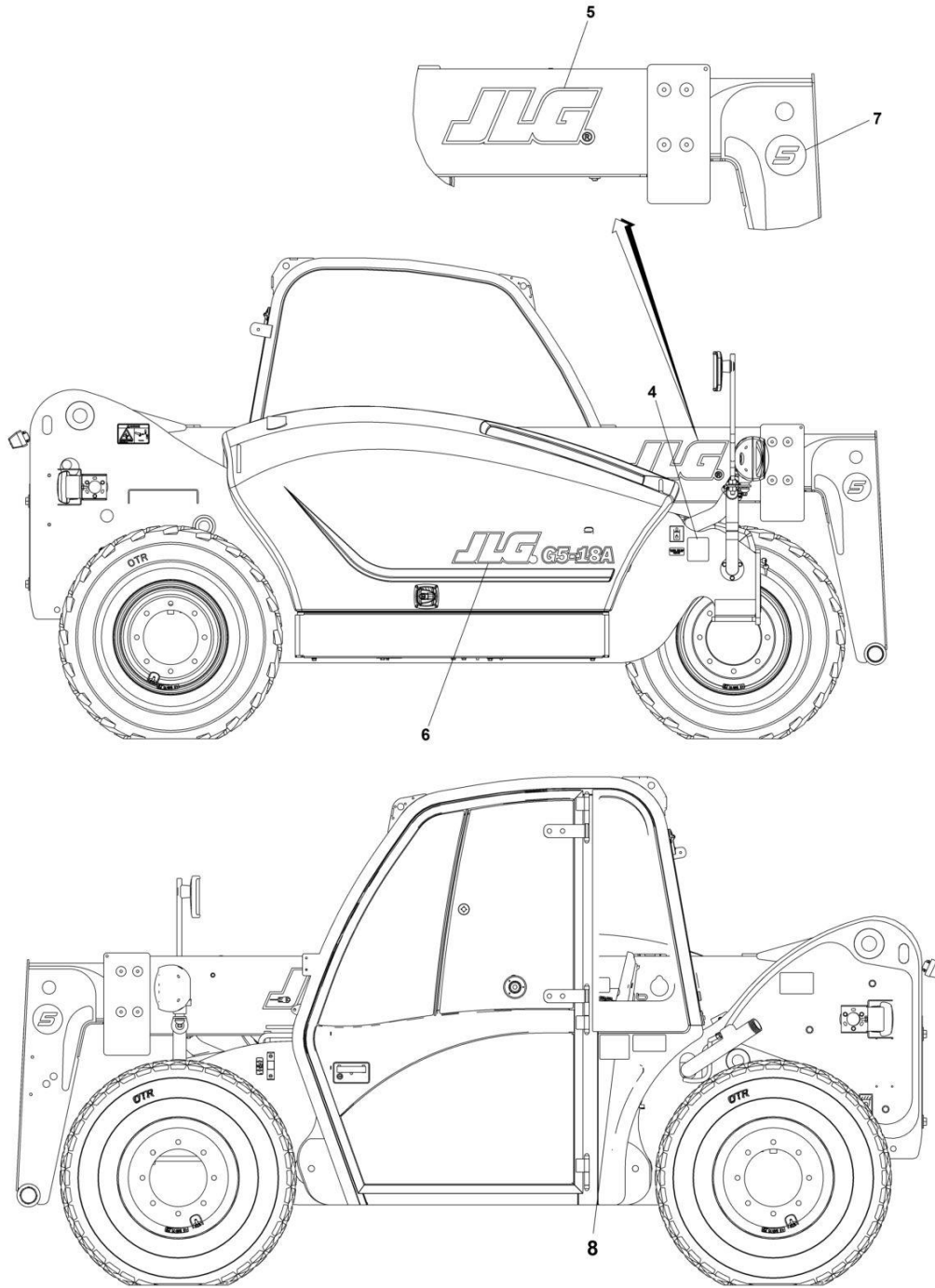
FIGURE 10-60. REAR CAMERA OPTION HARNESS

ITEM	PART NUMBER	QTY	DESCRIPTION	REV
	1001243201	1	Rear Camera Option Harness	A
1	1001119031	1	Connector	
2	4460268	4	Terminal	
3	4460761	1	Connector	
4	4460267	4	Terminal	
5	4460899	1	Connector	
6	4460464	5	Terminal	
7	4460466	1	Plug	
8	4460894	1	Connector	
9	4460465	5	Terminal	
10	4460466	1	Plug	
11	4460539	1	Connector	
12	4460465	3	Terminal	

SECTION 11 - DECALS

SECTION 11 - DECALS

FIGURE 11-1. DECAL INSTALLATION



ART_1001148091_I

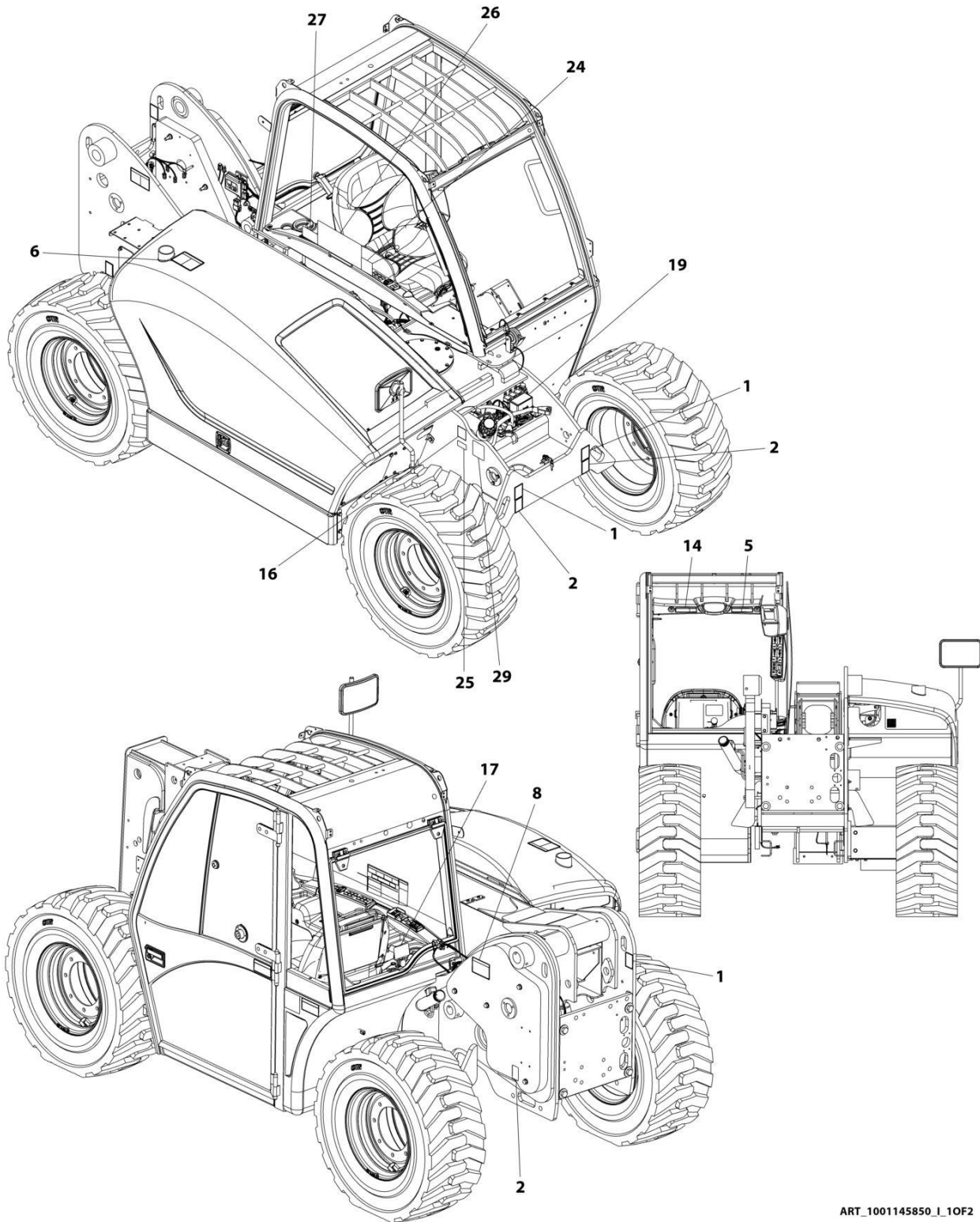
SECTION 11 - DECALS

FIGURE 11-1. DECAL INSTALLATION

ITEM	PART NUMBER	QTY	DESCRIPTION	REV
	1001148091	Ref	DECAL INSTALLATION	I
4	1001131271	1	Decal, Patent Telehandlers	
5	1001151781	2	Decal, JLG	
6	1001151782	1	Decal, JLG	
7	1001279175	2	Decal, Boom Head 5K	
8	3251813	1	Decal, USA	

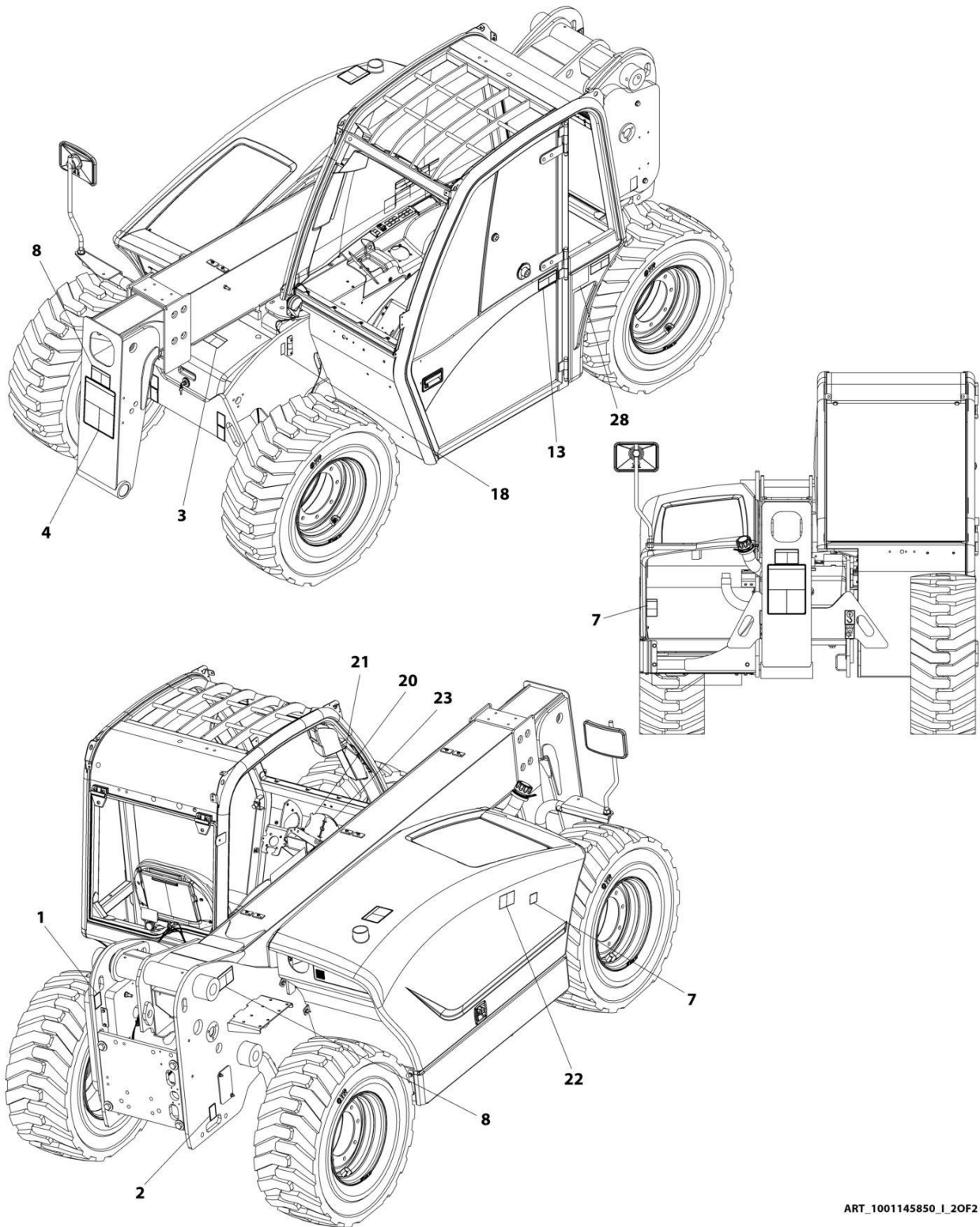
SECTION 11 - DECALS

FIGURE 11-2. DECAL INSTALLATION, (ANSI)



ART_1001145850_I_10F2

SECTION 11 - DECALS



ART_1001145850_I_20F2

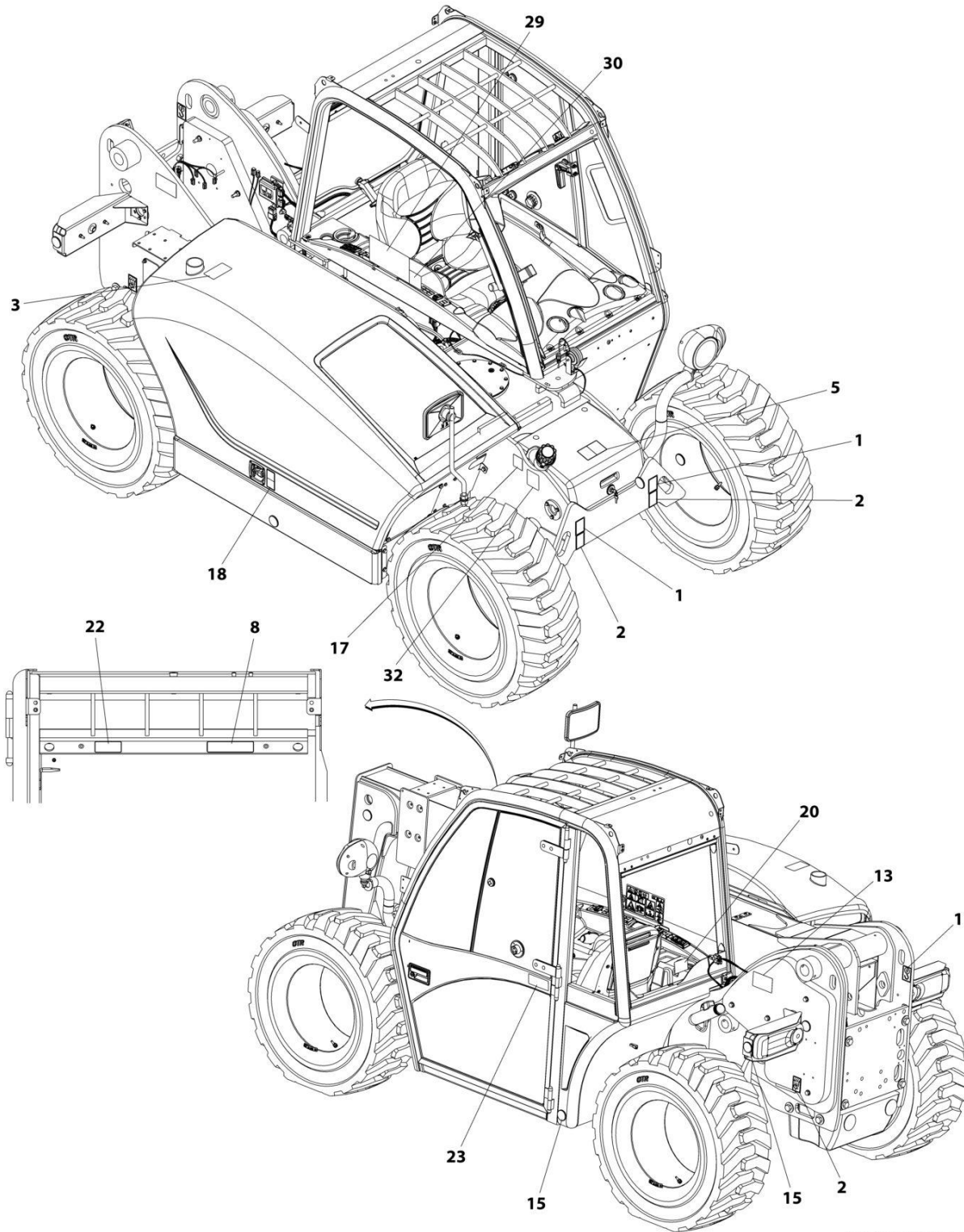
SECTION 11 - DECALS

FIGURE 11-2. DECAL INSTALLATION, (ANSI)

ITEM	PART NUMBER	QTY	DESCRIPTION	REV
	1001145850	Ref	DECAL INSTALLATION	I
1	1701500	4	Decal, Lift	
2	1702300	4	Decal, Tie Down	
3	1706296	1	Decal, Battery Warning	
4	1706298	1	Decal, Attachment Falling Off Warning	
5	1706299	1	Decal, Contacting Power Lines Warning	
6	1706300	1	Decal, Ether Warning	
7	1706301	2	Decal, Keep Clear of Rotating Parts Warning	
8	1706302	3	Decal, Pinch Point Boom Holes	
13	1706768	1	Decal, Vehicle Roll Away	
14	1706850	1	Decal, Crush Hazard Warning	
16	4100181	1	Decal, Hydraulic Oil Fill	
17	8005870	1	Decal, Emergency Exit	
18	91563220	1	Decal, Oil Level	
19	1001156576	1	Decal, Fuse Cover	
20	1001100107	1	Decal, Lube Chart	
21	1001101071	1	Decal, Instructional Joystick	
22	1001139578	1	Decal, Hot Fluid Warning	
23	1001146038	1	Decal, Maintenance Chart	
24	1001200101	1	Decal, Manual	
25	1001223453	1	Decal, ICES	
26	1707078	1	Decal, Warning	
27	1001231801	1	Decal, Warning Prop 65 Diesel	
28	3251813	AR	Decal - USA	
29	1702631	1	Decal, Bar Code	

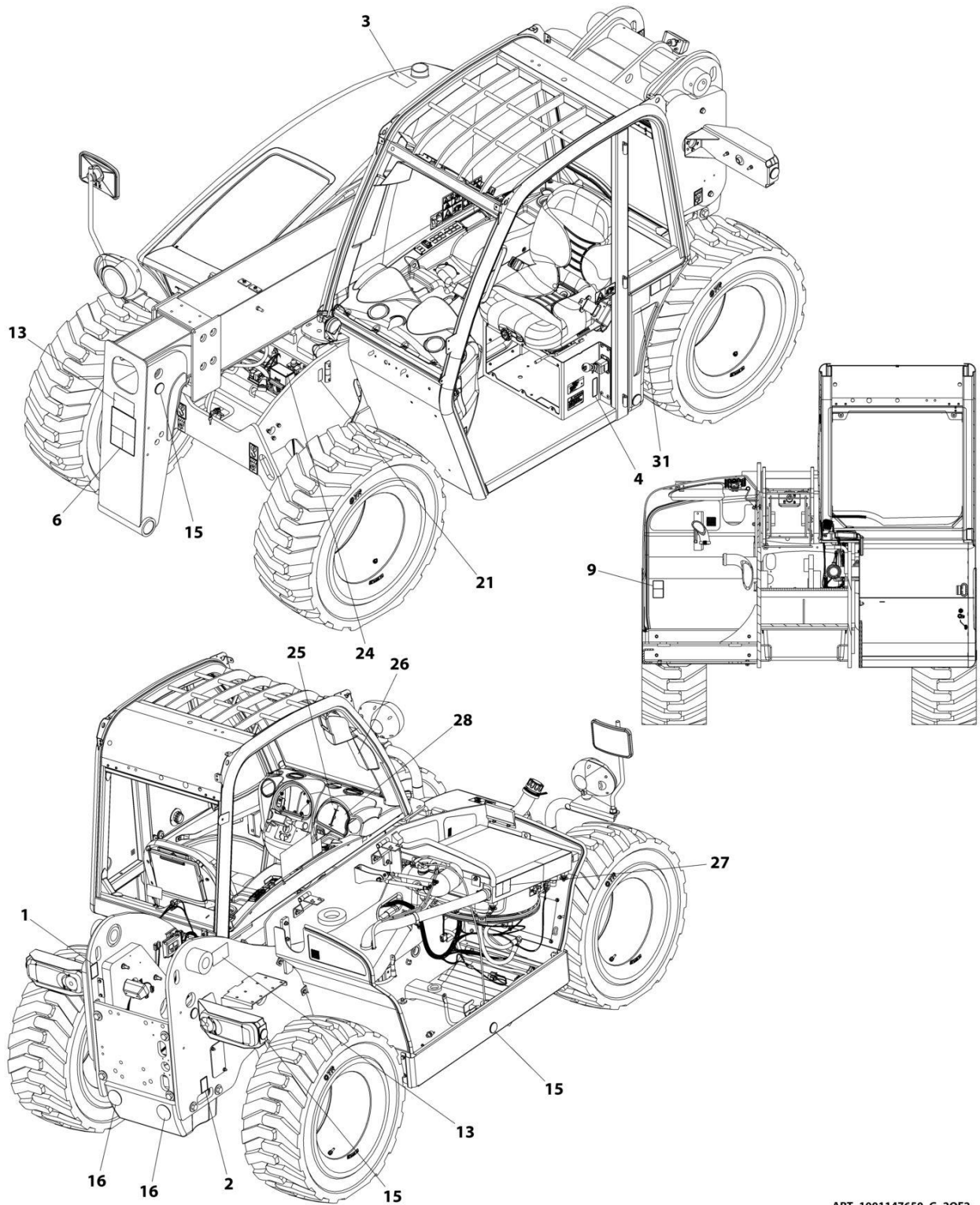
SECTION 11 - DECALS

FIGURE 11-3. DECAL INSTALLATION, (ISO)



ART_1001147650_G_10F2

SECTION 11 - DECALS



ART_1001147650_G_20F2

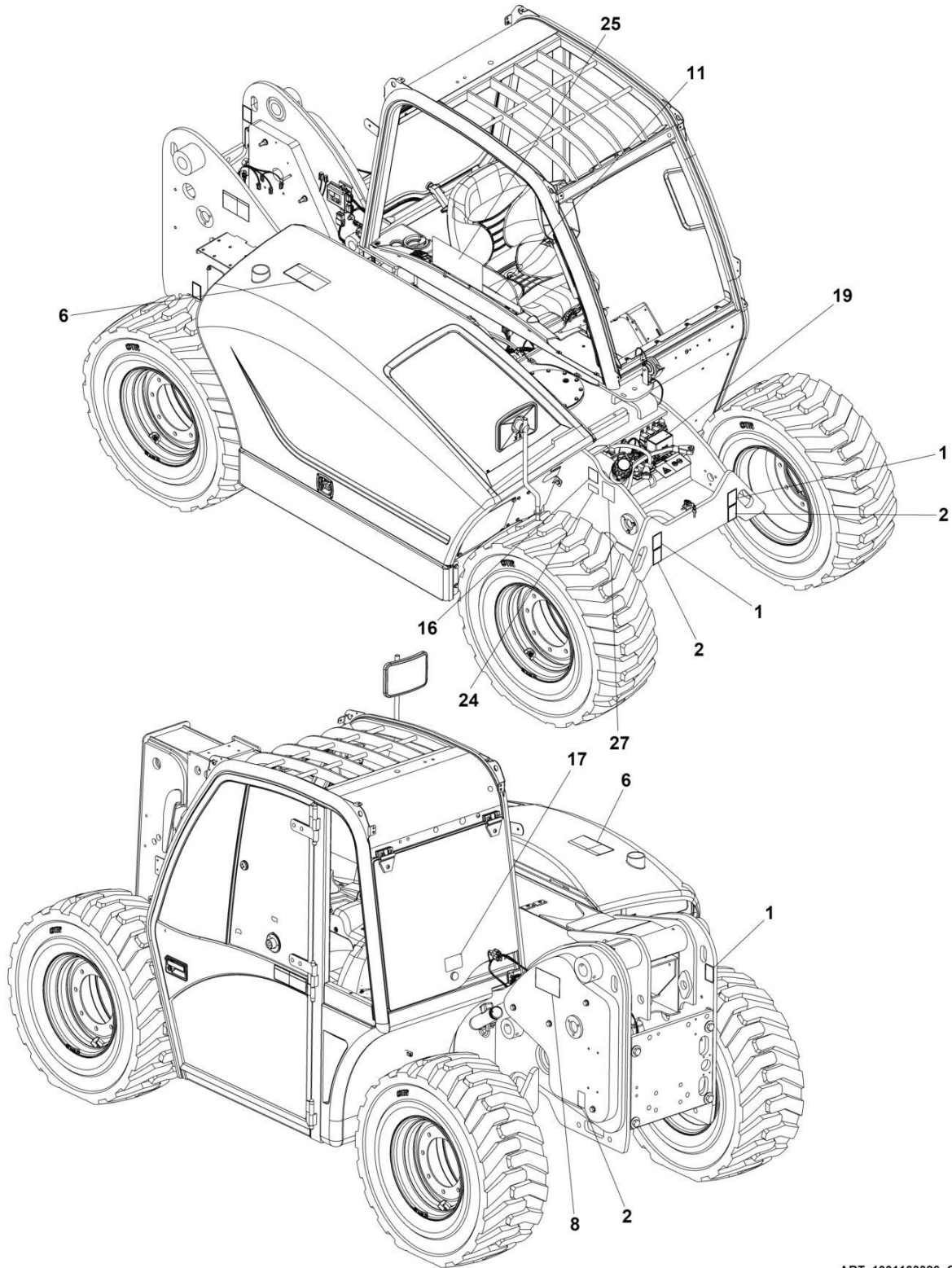
SECTION 11 - DECALS

FIGURE 11-3. DECAL INSTALLATION, (ISO)

ITEM	PART NUMBER	QTY	DESCRIPTION	REV
	1001147650	Ref	DECAL INSTALLATION, (ISO)	G
1	1701500	4	Decal, Lift	
2	1702300	4	Decal, Tie Down	
3	1706098	1	Decal, Ether Start Warning	
4	1706209	1	Decal, Park Brake	
5	1706281	1	Decal, Battery Warning	
6	1706282	1	Decal, Carry Personnel	
8	1706284	1	Decal, Electrocution Hazard	
9	1706285	2	Decal, Moving Parts	
13	1706292	3	Decal, Pinch Point	
15	3700016	6	Reflector	
16	3931579	2	Reflector	
17	4100181	1	Decal, Hydraulic Oil Fill	
18	8005670	1	Decal, Read Operators Manual	
20	8005870	1	Decal, Emergency Exit	
21	91563220	1	Decal, Oil Level	
22	1001092877	1	Decal, Crush Hazard Warning	
23	1001092878	1	Decal, No Riders	
24	1001156576	1	Decal, Fuse Cover	
25	1001100107	1	Lube Chart	
26	1001101071	1	Decal, Joystick	
27	1001139942	1	Decal, Hot Fluid Warning	
28	1001150347	1	Decal, Maintenance Chart	
29	1001101895	1	Decal, Warning	
30	1001200101	1	Decal, Manual Location	
31	3251813	AR	Decal - USA	
32	1702631	1	Decal, Bar Code	

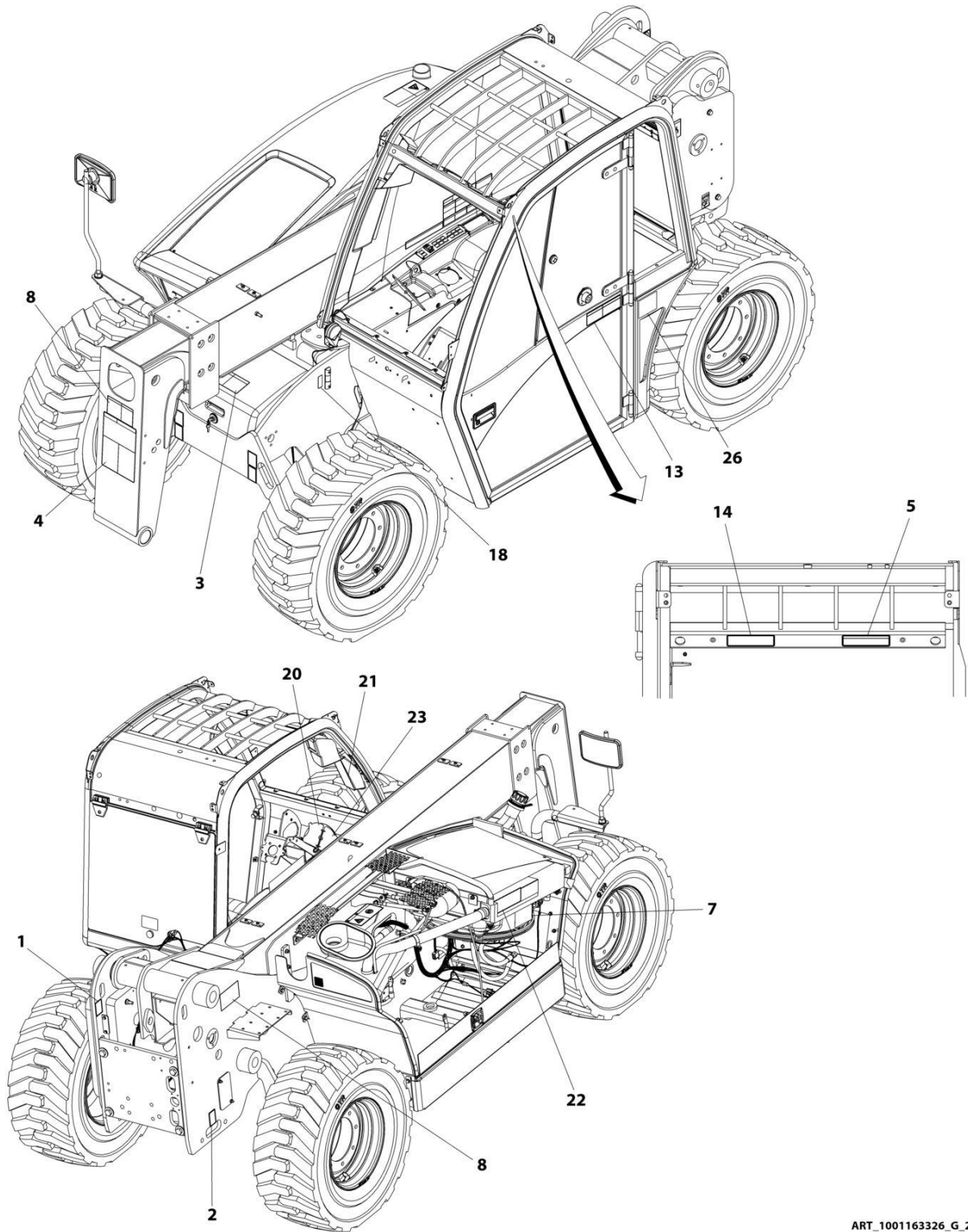
SECTION 11 - DECALS

FIGURE 11-4. DECAL INSTALLATION (ENGLISH/FRENCH)



ART_1001163326_G_10F2

SECTION 11 - DECALS



ART_1001163326_G_20F2

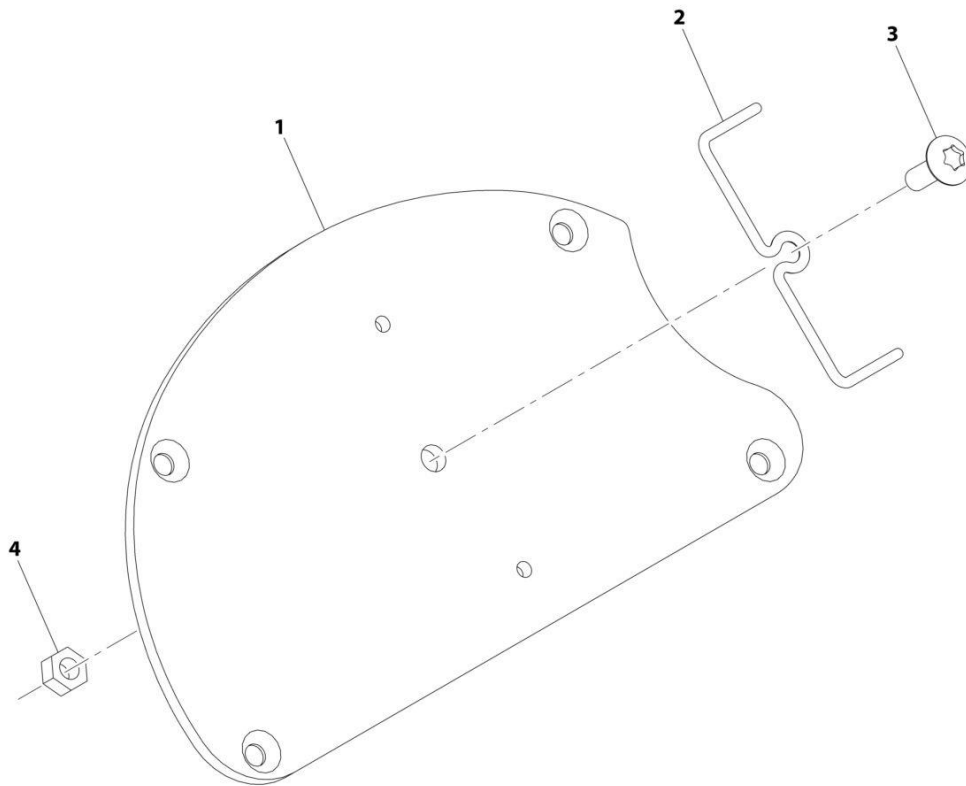
SECTION 11 - DECALS

FIGURE 11-4. DECAL INSTALLATION (ENGLISH/FRENCH)

ITEM	PART NUMBER	QTY	DESCRIPTION	REV
	1001163326	Ref	DECAL INSTALLATION (ENGLISH/FRENCH)	G
1	1701500	4	Decal, Lift	
2	1702300	4	Decal, Tie Down	
3	1001163174	1	Decal, Battery Warning	
4	1001163206	1	Decal, Carry Personnel	
5	1001163210	1	Decal, Electrocutation Hazard	
6	1001163212	1	Decal, Warning No Either	
7	1001163222	2	Decal, Moving Parts	
8	1001163223	3	Decal, Pinch Point	
11	1001163285	1	Decal, Warning Tip Over	
13	1001163300	1	Decal, No Riders	
14	1001163304	1	Decal, Warning Crushing Hazard	
16	4100181	1	Decal, Hydraulic Oil Fill	
17	8005870	1	Decal, Emergency Exit	
18	91563220	1	Decal, Oil Level	
19	1001156576	1	Decal, Fuse Cover	
20	1001100107	1	Decal, Lube Chart	
21	1001101071	1	Decal, Instructional Joystick	
22	1001163323	1	Decal, Warning Hot Fluid	
23	1001146038	1	Decal, Maintenance Chart	
24	1001223453	1	Decal, ICES	
25	1001233558	1	Decal, Warning/Danger	
26	3251813	AR	Decal - USA	
27	1702631	1	Decal, Bar Code	

SECTION 11 - DECALS

FIGURE 11-5. LOAD CHART MOUNT



ART_1001239184-A

FIGURE 11-5. LOAD CHART MOUNT

ITEM	PART NUMBER	QTY	DESCRIPTION	REV
	1001239184	Ref	Load Chart Mount	A
1	1001081301	1	Panel, Load Chart	
2	1001081302	1	Holder, Wire	
3	8303034	1	Truss HD Screw, 1/4-20X0.75	
4	3311405	1	Nut, 1/4-20	

SECTION 11 - DECALS

FIGURE 11-6. CAPACITY CHART



ART_1001102000-1

FIGURE 11-6. CAPACITY CHART

ITEM	PART NUMBER	QTY	DESCRIPTION	REV
1	1001102000	Ref	Capacity Chart	I

SECTION 11 - DECALS

FIGURE 11-7. CAPACITY CHART (UNIVERSAL QUICK SWITCH)



ART_1001126677-G

SECTION 11 - DECALS

FIGURE 11-7. CAPACITY CHART (UNIVERSAL QUICK SWITCH)

ITEM	PART NUMBER	QTY	DESCRIPTION	REV
1	1001126677	Ref	Capacity Chart (Universal Quick Switch)	G

SECTION 11 - DECALS

FIGURE 11-8. CAPACITY CHART - METRIC



ART_100117326-H

SECTION 11 - DECALS

FIGURE 11-8. CAPACITY CHART - METRIC

ITEM	PART NUMBER	QTY	DESCRIPTION	REV
1	1001117326	Ref	Capacity Chart - Metric	H

SECTION 11 - DECALS

FIGURE 11-9. CAPACITY CHART (UNIVERSAL QUICK SWITCH - METRIC)



ART_1001126685-F

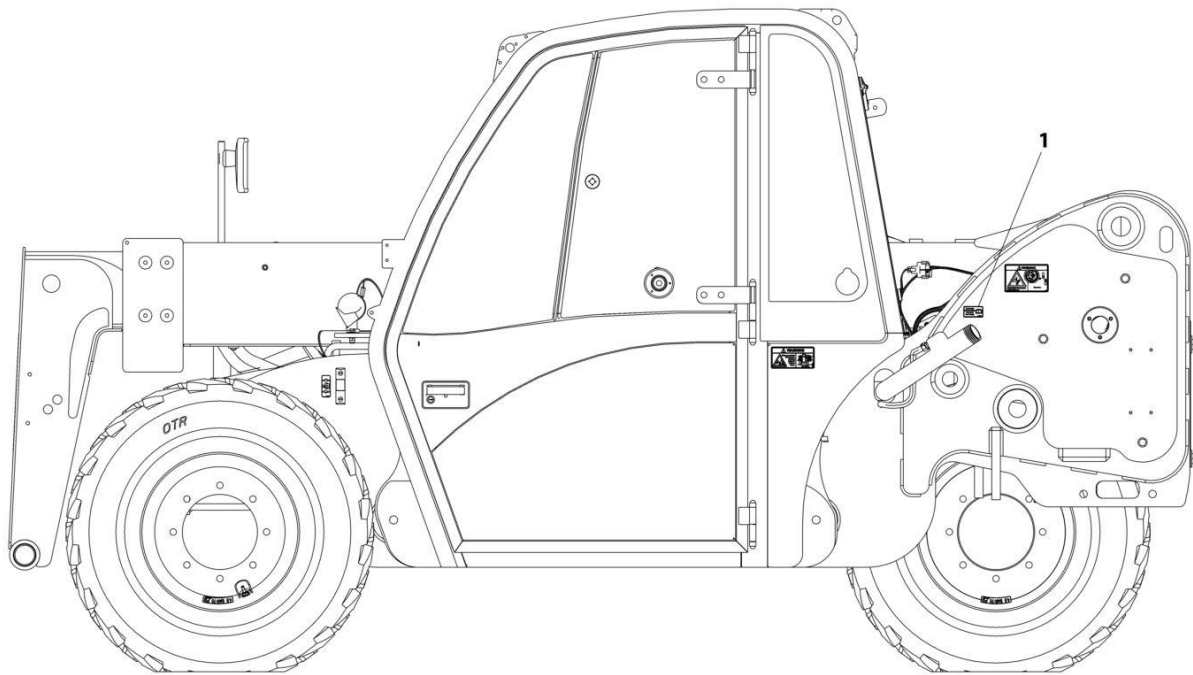
SECTION 11 - DECALS

FIGURE 11-9. CAPACITY CHART (UNIVERSAL QUICK SWITCH - METRIC)

ITEM	PART NUMBER	QTY	DESCRIPTION	REV
1	1001126685	Ref	Capacity Chart (Universal Quick Switch - Metric)	F

SECTION 11 - DECALS

FIGURE 11-10. MACHINE DECAL (ULS - ANSI)



ART_1001150461-A

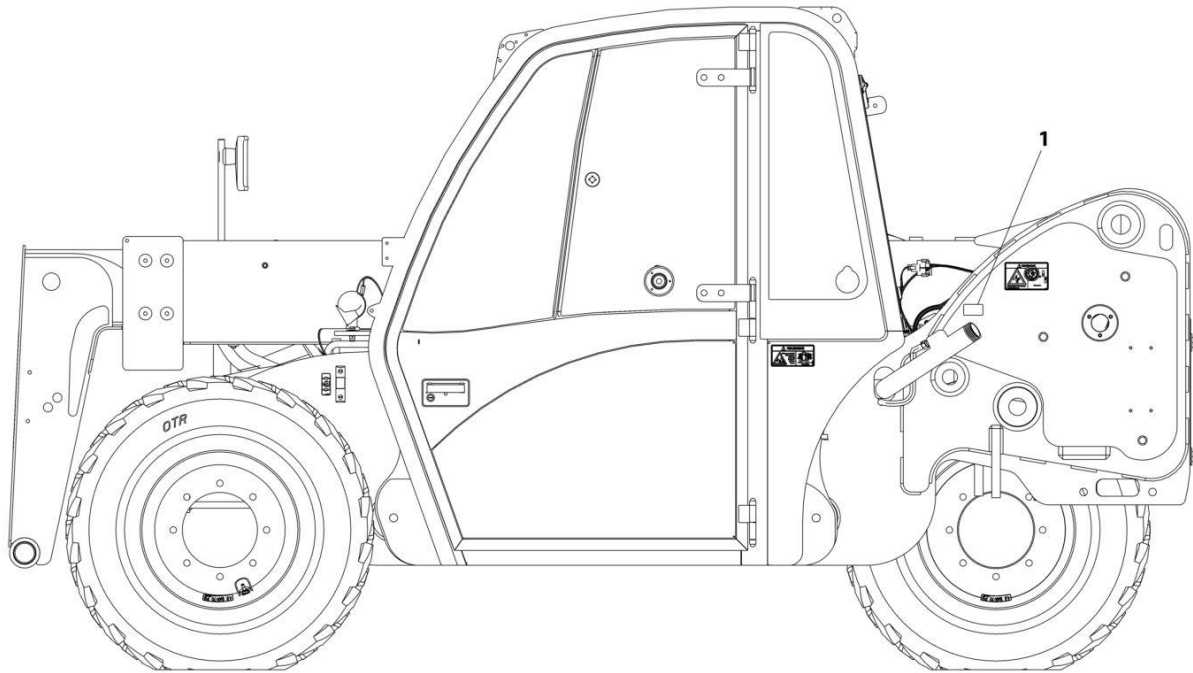
SECTION 11 - DECALS

FIGURE 11-10. MACHINE DECAL (ULS - ANSI)

ITEM	PART NUMBER	QTY	DESCRIPTION	REV
1	1001150461 1001125387	Ref 1	Machine Decal (ULS - ANSI) Decal, Ultra Low Sulfur Fuel	A

SECTION 11 - DECALS

FIGURE 11-11. MACHINE DECAL (ULS - ISO)



ART_1001150462-A

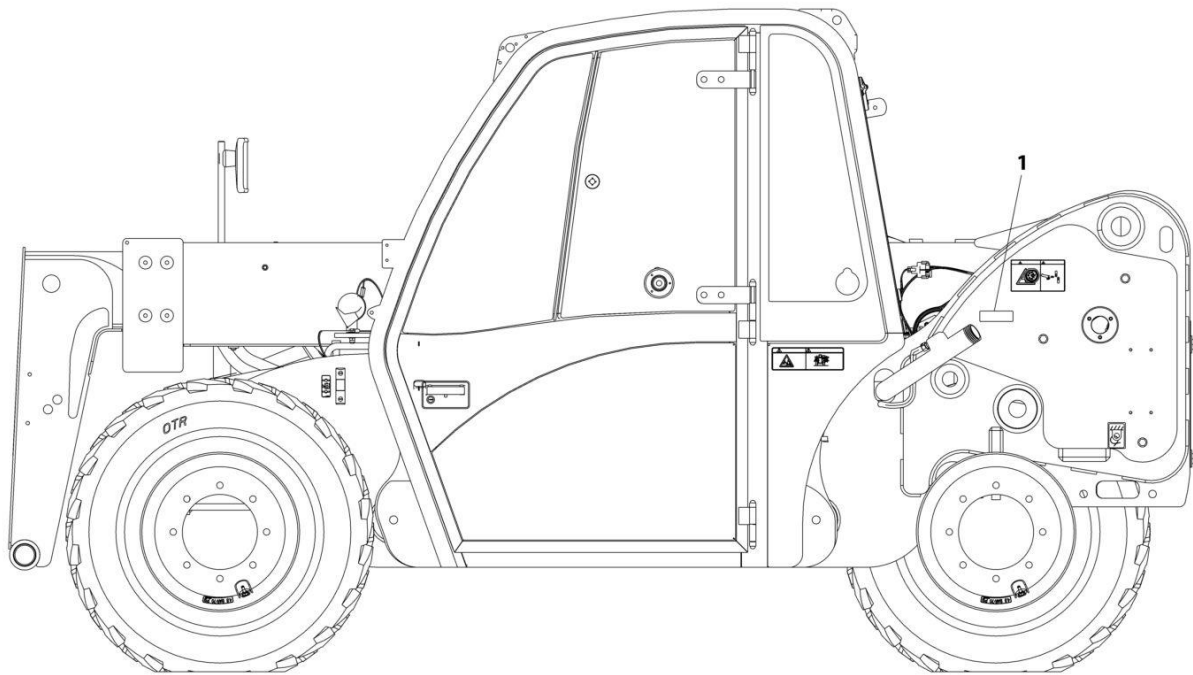
SECTION 11 - DECALS

FIGURE 11-11. MACHINE DECAL (ULS - ISO)

ITEM	PART NUMBER	QTY	DESCRIPTION	REV
1	1001150462 1001139654	Ref 1	Machine Decal (ULS - ISO) Decal, Ultra Low Sulfur Fuel	A

SECTION 11 - DECALS

FIGURE 11-12. MACHINE DECAL (ULS - ENGLISH/FRENCH)



ART_1001163751-A

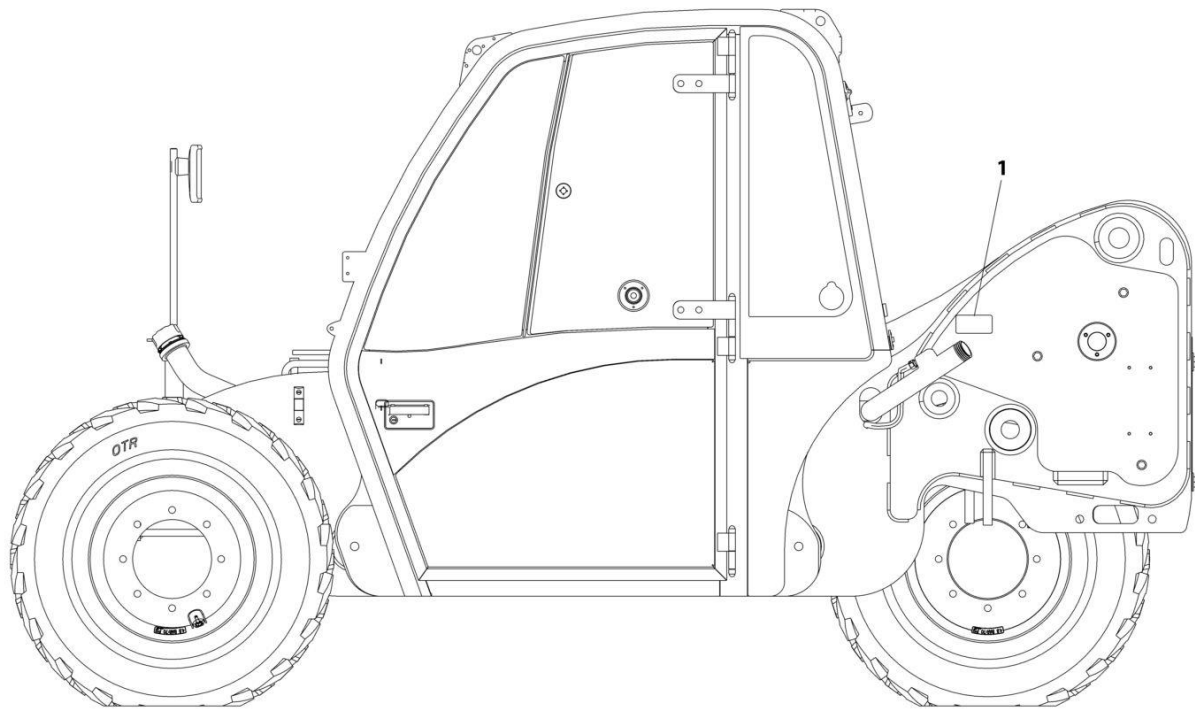
SECTION 11 - DECALS

FIGURE 11-12. MACHINE DECAL (ULS - ENGLISH/FRENCH)

ITEM	PART NUMBER	QTY	DESCRIPTION	REV
1	1001163751 1001163355	Ref 1	Machine Decal (ULS - English/French) Decal, Ultra Low Sulfur Fuel	A

SECTION 11 - DECALS

FIGURE 11-13. MACHINE DECAL (LS)



ART_1001150642-A

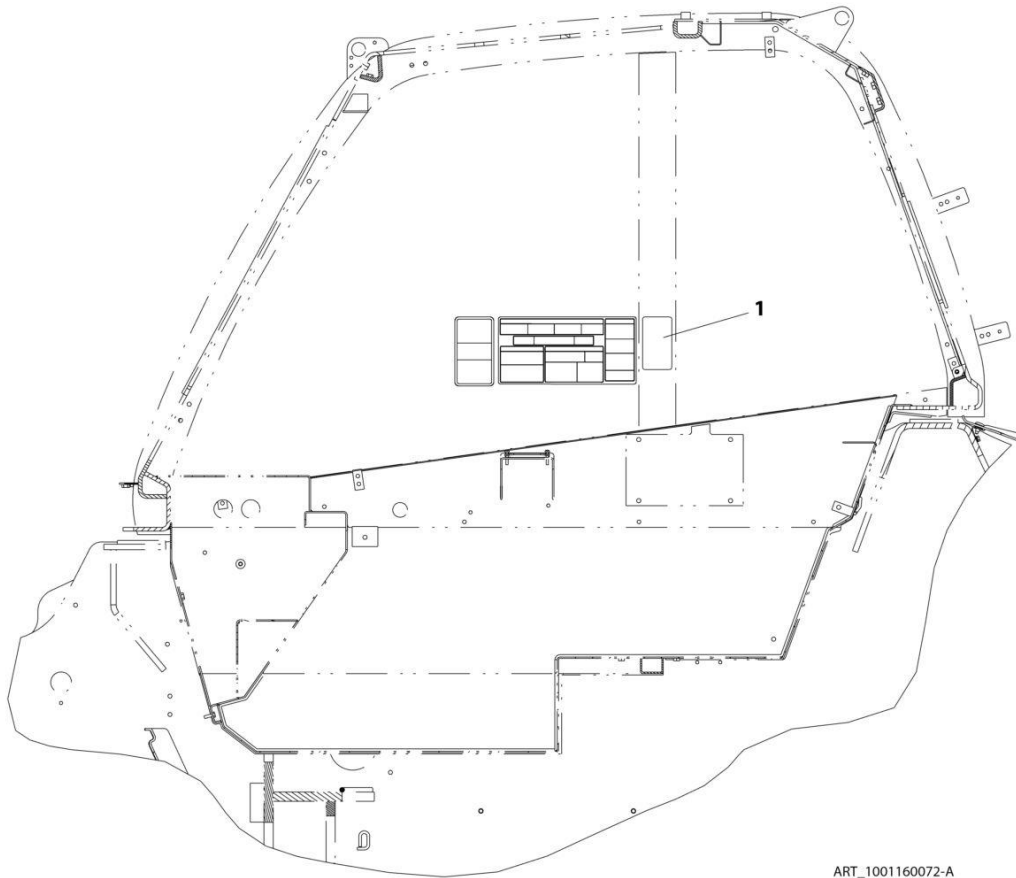
SECTION 11 - DECALS

FIGURE 11-13. MACHINE DECAL (LS)

ITEM	PART NUMBER	QTY	DESCRIPTION	REV
1	1001150642 1001143852	Ref 1	Machine Decal (LS) Decal, Export	A

SECTION 11 - DECALS

FIGURE 11-14. REVERSE SENSOR SYSTEM DECAL (ENGLISH)



ART_1001160072-A

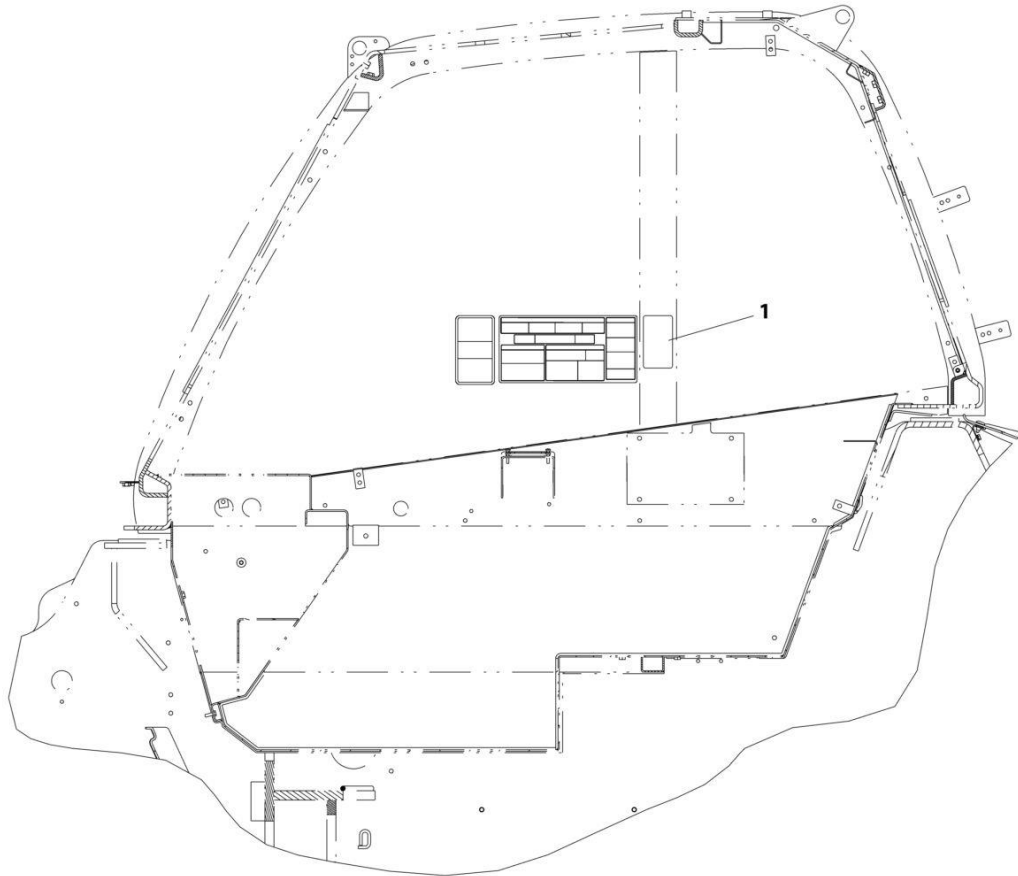
SECTION 11 - DECALS

FIGURE 11-14. REVERSE SENSOR SYSTEM DECAL (ENGLISH)

ITEM	PART NUMBER	QTY	DESCRIPTION	REV
1	1001160072	1	Reverse Sensor System Decal (English)	A

SECTION 11 - DECALS

FIGURE 11-15. REVERSE SENSING SYSTEM DECAL, (ENGLISH/FRENCH)



ART_1001160945-A

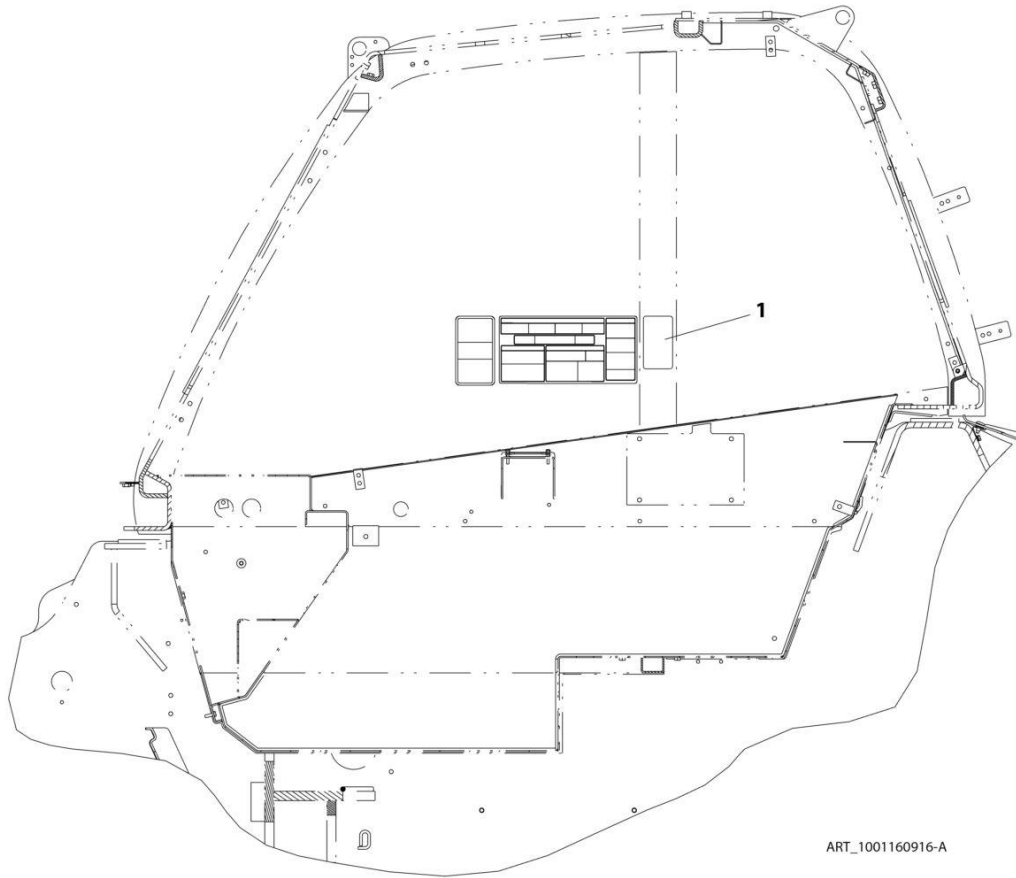
SECTION 11 - DECALS

FIGURE 11-15. REVERSE SENSING SYSTEM DECAL, (ENGLISH/FRENCH)

ITEM	PART NUMBER	QTY	DESCRIPTION	REV
1	1001160945	1	Reverse Sensor System Decal (ENGLISH/FRENCH)	A

SECTION 11 - DECALS

FIGURE 11-16. REVERSE SENSING SYSTEM DECAL (ISO)



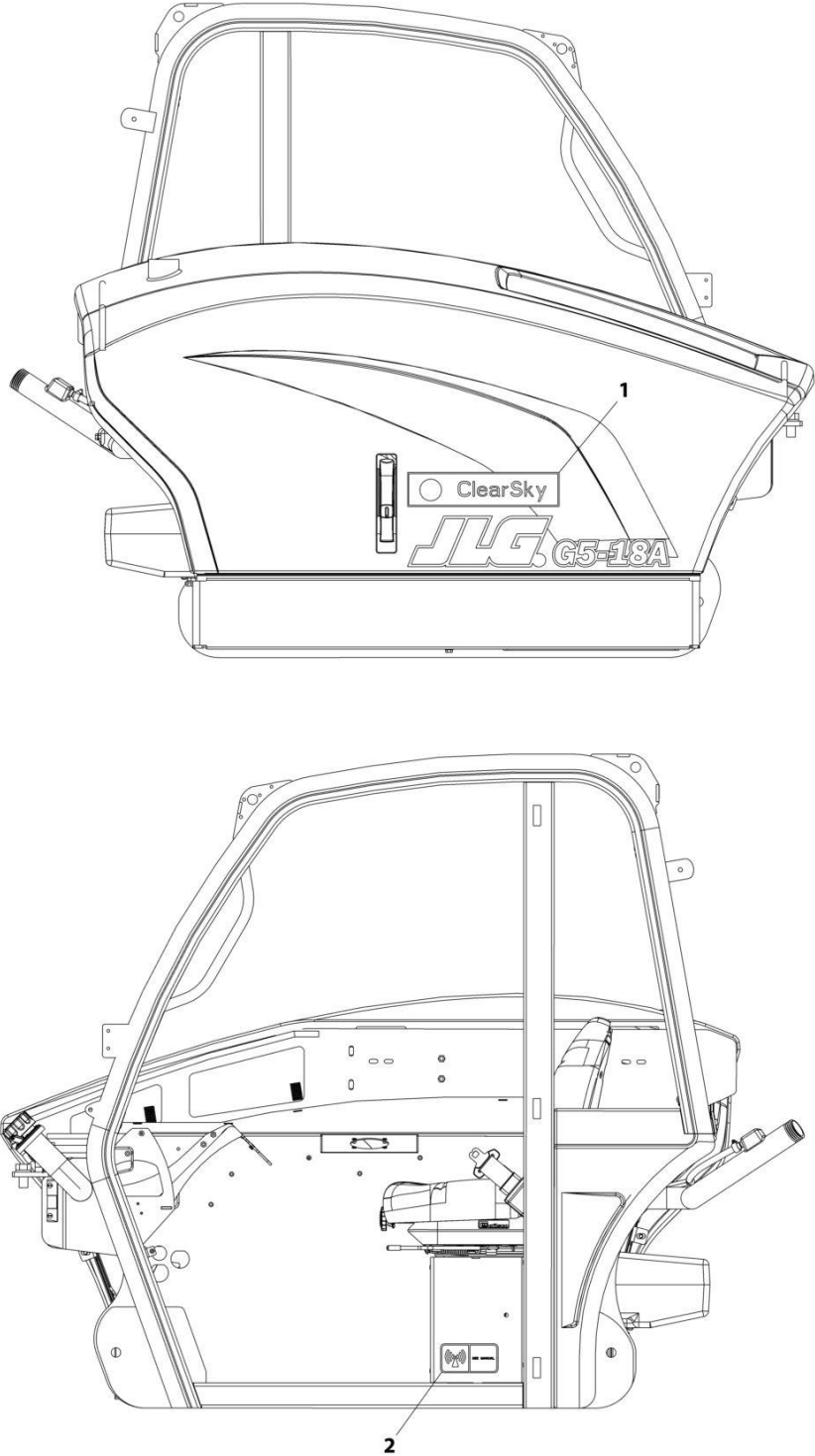
SECTION 11 - DECALS

FIGURE 11-16. REVERSE SENSING SYSTEM DECAL (ISO)

ITEM	PART NUMBER	QTY	DESCRIPTION	REV
1	1001160916	1	Reverse Sensor System Decal (ISO)	A

SECTION 11 - DECALS

FIGURE 11-17. CLEARSKY DECAL INSTALLATION



ART_1001229461-A

SECTION 11 - DECALS

FIGURE 11-17. CLEARSKY DECAL INSTALLATION

ITEM	PART NUMBER	QTY	DESCRIPTION	REV
	1001229461	Ref	Clearsky Decal Installation	B
1	1001294815	1	Decal, Clearsky	
2	1001120989	1	Decal, Radio Frequency	

SECTION 12 - RECOMMENDED SERVICE PARTS STOCK

SECTION 12 - RECOMMENDED SERVICE PARTS STOCK

SECTION 12 - RECOMMENDED SERVICE PARTS STOCK

FIGURE 12-1. RECOMMENDED SERVICE PARTS STOCK

ITEM	PART NUMBER	QTY	DESCRIPTION	REV
		Ref	Note: The following list will service one machine (built to current production per date on the front cover) with emergency repair parts which can be installed in the field. Parts from the list should be replaced when inventory is depleted to keep service parts stock supplied. For further information, contact your JLG dealer or the JLG Industries Parts Department.	
		Ref	STANDARD PARTS	
	1001142259	1	Air Filter	
	1001104654	1	Auxiliary Hydraulics Pressure Relief Switch	
	1001264879	1	Coil	
	70002386	1	Coil	
	70020764	1	Coil	
	7024872	1	Coil	
	70026582	1	Coil	
	3990013	2	Diode, 4 AMP	
	1001141461	1	Filter	
	7002951	1	Filter, Fuel Element - ULS Engines	
	1001225432	1	Filter, Fuel Element - UL Engines	
	1001185024	1	Filter, Hydraulic Breather	
	7016331	1	Filter, Oil	
	1001080364	1	Front/Rear Auxiliary Hydraulic Switch	
	8229242	2	Fuse, 5 AMP	
	80983191	2	Fuse, 10 AMP	
	8229244	2	Fuse, 15 AMP	
	1001141066	1	Green Power Module Relay	
	1001141459	1	Hydraulic Oil Filter Element	
	1001080379	1	Ignition Switch	
	1001080978	1	Lift/Loader Joystick Pattern Switch	
	1001141591	1	Lubricity Doser Element Filter	
	1001127589	1	Red Power Module Relay	
	1001095704	1	Relay, 35 AMP	
	77383377	1	Starter Relay	
	1001080378	1	Steer Select Switch	
	1001080371	1	Switch	
	1001080380	1	Switch	
	70027557	1	Valve Coil	
	70028241	1	Valve Coil	
	3740080	1	Weather Proof Relay	
	1001080424	1	Yellow Power Module Relay	
		Ref	VARIABLE PARTS	
	1001080365	1	Beacon Light Switch (Worklights)	
	1001080366	1	Boom Work Light Switch	
	4360658	1	Brake Light Switch (Roadlights)	
	1001203181	1	Control Accessory (ASOV)	
	1001196254	1	Control Module (Main Electrical)	
	1001138827	1	Coolant Level Sensor	
	1001080367	1	Front Windshield Washer Switch (Enclosed Cab)	
	1001080368	1	Front Wiper Switch (Enclosed Cab)	
	1001080369	1	Front Work Light Switch (Worklights)	

SECTION 12 - RECOMMENDED SERVICE PARTS STOCK

ITEM	PART NUMBER	QTY	DESCRIPTION	REV
	1001197965	1	Fuel Level Sensor	
	8229261	2	Fuse (Posi Air Shutoff)	
	8229234	2	Fuse (Posi Air Shutoff)	
	8229235	2	Fuse (Posi Air Shutoff)	
	70020769	1	Handle Assembly	
	1001080370	1	Hazard Light Switch (Roadlights)	
	1001098153	1	Hydraulic Park Brake Release Valve	
	70028514	1	Kit, Solenoid 12V (ASOV)	
	2940074	1	Latch (Fork Mounted Platform)	
	1001080373	1	LMI Override Switch (LSI)	
	1001226247	1	LSI Module	
	1001226796	1	Module - 3G (ClearSky)	
	1001262322	1	Module - 4G (ClearSky)	
	1001226328	1	Module, 3W TCU (ClearSky)	
	1001151643	1	Potentiometer (Heater & AC)	
	1001132795	1	Pressure Sensor (Pilot Select Valve (CE)	
	1001121021	1	Proximity Sensor (Boom)	
	1001160730	1	Rear Axle LSI Sensor	
	1001080376	1	Rear Work Light Switch (Worklights)	
	1001080377	1	Rear/Roof Wiper Switch (Enclosed Cab)	
	1001145204	1	Reverse Fan Switch (Reversing Fan)	
	1001247421	1	Reverse Sensor Object	
	1001204385	1	Rocker Switch (Heater & AC)	
	1001204363	1	Rocker Switch (Heater only)	
	70029268	1	Speed Sensor (Front Axle Differential)	
	1001215941	1	Switch (ASOV)	
	1001192142	1	Switch (Battery Disconnect)	
	1001080375	1	Switch (Hydraulic Quick Switch)	
	1001080374	1	Switch (N.A.)	
	1001204362	1	Switch, Blower (Heater & AC)	
	1001128478	1	Temperature Sensor (Radiator)	
	1001080381	1	Turn Signal-Headlight Switch (Roadlights)	

SECTION 13 - SPECIAL OPTIONS

SECTION 13 - SPECIAL OPTIONS

FIGURE 13-1. SPECIAL OPTIONS

ITEM	PART NUMBER	QTY	DESCRIPTION	REV
	See Note	Ref	Note: This list is to accommodate machines ordered with special equipment. Options may not be applicable to all models. For more specific parts information contact JLG Parts Department.	
		Ref	MISCELLANEOUS SPECIAL OPTIONS	
	1001270669	Ref	Alternator Charging Harness Kit	
	1001099810	Ref	Back Up Alarm	
	1001112683	Ref	Battery Cover Kit	
	1001112684	Ref	Battery Cover Kit	
	1001112685	Ref	Battery Cover Kit	
	1001112687	Ref	Battery Cover Kit	
	1001136150	Ref	Battery Disconnect Kit	
	1001119788	Ref	Boom Wear Pad Kit	
	1001081287	Ref	Cab Guard Kit, Front	
	1001081286	Ref	Cab Guard Kit, Top	
	1001258137	Ref	Cab Guard Kit - Top & Front	
	1001113294	Ref	Cab Mounting Kit	
	1001245709	Ref	Camera (Back up) Add-on Kit (Dealer Installed)	
	1001268341	Ref	Camera (Rear View) Add-on Kit(Dealer Installed)	
	1001243576	Ref	ClearSky Telematics Access Control Kit	
	1001243184	Ref	ClearSky Telematics Kit - Access Control (CE)	
	1001243183	Ref	ClearSky Telematics Kit - Access Control (North America)	
	1001133543	Ref	Decals Kit (ANSI)	
	1001161229	Ref	Filter Kit, 500 Hour, LS and ULS Engines only	
	1001161228	Ref	Filter Kit, 500 Hour, ULS Engine only	
	1001110116	Ref	Filter Kit, 500 Hour	
	1001161230	Ref	Filter Kit, 1000 Hour	
	1001110120	Ref	Filter Kit, 1000 Hour	
	1001222921	Ref	Fuel Pump Terminal Kit - Deutz	
	1001186492	Ref	Hydraulic Breather Kit	
	1001144509	Ref	Mirror Arm Kit	
	1001202500	Ref	Open to Enclosed Cab W/Heat	
	1001202501	Ref	Open to Enclosed Cab W/Heat and AC	
	1001101039	Ref	Quick Disconnect Kit (Flat Faced)	
	1001101040	Ref	Quick Disconnect Kit (AG Style)	
	1001212156	Ref	Rear Mirror Mount Kit	
	1001253828	Ref	Reverse Sensing System	
	1001130717	Ref	Service Kits	W
	1001265371	Ref	Telematics Harness Kit	
	1001262959	Ref	Voltage Regulator Re-Locate Kit	
	1001239672	Ref	Worklights Kit (Enclosed Cab)	
	1001239673	Ref	Worklights Kit (Open Cab)	

PART NUMBER INDEX

SECTION 13 - SPECIAL OPTIONS

0100011.....21, 23, 35, 39, 41, 43, 45, 47, 51, 83, 187, 293, 309, 355, 357, 397, 437, 439, 487, 547, 593, 653	0681610..... 165, 199	1001003475 111, 115, 119, 121	1001080369.....577, 579, 581, 583, 722
0100019.....21, 291	0681614..... 173	1001003680 183	1001080370.....571, 573, 575, 723
0100020.....25	0681832..... 73, 77, 79	1001008436 31, 33	1001080371.....305, 722
0100035.....25, 419, 547	0681836..... 497, 499	1001008475 33	1001080373.....379, 723
0100081.....15, 179, 181	0681844..... 497, 499	1001008479 81, 147	1001080374.....333, 723
0100090.....17	0682018..... 43, 51	1001008742 341	1001080375.....73, 145, 723
0100093.....27	0682034..... 165	1001008979 81	1001080376.....577, 579, 581, 583, 723
01043892.....309	0682220... 31, 41, 43, 45, 47, 51, 593	1001009062 33	1001080377.....341, 723
0140011.....593	0682230..... 291	1001009094 81, 147	1001080378.....331, 722
0400075.....563	0682264..... 211	1001009126 313	1001080379.....319, 722
0630383.....35	0682414..... 21	1001009163 183	1001080380.....305, 722
0630399.....21	0682424..... 21	1001010838 33	1001080381.....571, 573, 575, 723
0630455.....563	0682440..... 291	1001055652 81	1001080382.....339, 341
0630464.....373, 379, 397	0692020..... 21	1001061633 81, 147	1001080383.....337
0630468.....355, 357, 387, 389	0700610... 293, 295, 297, 299, 301, 303	1001061659 81	1001080391.....70
0630518.....419	0700614..... 161	1001061660 81, 147	1001080394.....70, 461, 463
0641404.....359, 361, 547	0700615..... 85	1001061662 81, 147	1001080397.....463, 605
0641405.....159	0700815..... 369	1001061891 81, 147	1001080399.....449, 457
0641406.....305, 409, 483, 485, 597	0700818..... 369	1001061892 81	1001080409.....547
0641408.....305, 487, 547	0701014..... 70	1001061893 81	1001080410.....547
0641410.....339, 547, 571, 573, 575	0701015..... 85	1001062117 81	1001080418.....305
0641415.....547	0701018..... 70	1001062773 195	1001080424.....547, 722
0641505.....15	0701027..... 81	1001080050 70	1001080437.....467
0641506.....21	0720606..... 25	1001080116 70	1001080438.....467
0641508.....293, 295, 305	0721005..... 547	1001080117 70	1001080462.....305
0641509.....15	0721008... 571, 573, 575	1001080124 70	1001080463.....319
0641510.....161	0760508..... 167	1001080143 455	1001080493.....305, 331
0641512.....70, 461, 463	0760605..... 77	1001080152 70	1001080494.....327, 329, 331
064151429, 70, 449, 571, 573, 575	0760607..... 85	1001080154 497, 499	1001080499.....309, 337
064151615, 70, 205, 207, 385, 461, 463	0760608..... 85, 369	1001080155 497, 499	1001080500.....305, 427
0641518.....355, 357	0760610..... 581	1001080176 453, 533	1001080559.....305, 411
0641522.....449	0760612... 581, 583, 587	1001080203 70	1001080565.....73
0641532.....207	0760615... 581, 583, 587	1001080204 70	1001080567.....413, 459
0641605.....15	0760806..... 653	1001080207 463	1001080571.....27
0641607.....55, 57	0760808... 167, 187, 369	1001080208 463	1001080573.....21
0641608.....15, 73	0760810..... 71, 179, 181	1001080212 283	1001080585.....475, 477
0641610.....21	0760814..... 191	1001080240 487	1001080586.....475, 477
0641611.....547	0760828..... 203	1001080243 449, 451	1001080619.....547
0641612.....15	0760828..... 203	1001080250 475, 477	1001080656.....581, 583, 585, 587, 647
0641614.....463	0761010..... 70, 167, 183	1001080251 475, 477	1001080669.....577, 579, 585
0641628.....70	0761012..... 183, 305	1001080256 427, 433	1001080686.....653
0641634.....437, 439	0761014..... 183	1001080262 411, 535	1001080707.....27
0641810.....497, 499	0761016..... 85	1001080265 475	1001080742.....293, 295, 297, 299, 301, 303, 319
0641832.....145	0761210..... 167, 369	1001080266 475	1001080744.....293, 295, 297, 299, 333
0642014.....167	0761214..... 201	1001080279 469	1001080763.....608
0642016.....675	0761216..... 213	1001080293 467	1001080789.....173
0642032.....107, 109	0771619..... 45	1001080294 493	1001080796.....311, 313, 315
0642212.....39	0791004..... 547	1001080308 493	1001080797.....313
0651410.....309	0791404..... 15	1001080309 467	1001080798.....311, 313
0681414.....409	0791607..... 15	1001080312 497, 499	1001080801.....313
0681506.....179, 181	0811408..... 183	1001080313 497, 499	1001080809.....295, 297, 299, 301, 303, 423
0681510.....197	0811510..... 187	1001080314 497, 499	1001080821.....313
0681516.....165	0860520..... 159	1001080333 73, 75	1001080822.....383
0681518.....165	0903083..... 41, 43	1001080334 75, 541	1001080824.....339, 399
0681606.....165	1001001240 115, 119, 121	1001080356 475, 477	1001080826.....423, 425
0681608.....179, 181, 199, 205, 207	1001001241 115, 119, 121	1001080359 527	
	1001001422 27	1001080361 615	
	1001001556 70, 463	1001080364 487, 722	
	1001002778 575	1001080365 577, 579, 581, 583, 589, 591, 722	
	1001002779 575	1001080366 581, 583, 585, 587, 722	
	1001003299 81	1001080367 309, 722	
	1001003474 111, 115, 119, 121	1001080368 309, 722	

SECTION 13 - SPECIAL OPTIONS

1001080844 381	1001081249..... 317	1001097728....73, 77, 79, 145	1001108115 387, 389
1001080847 297, 299, 301, 303, 325	1001081266..... 317	1001097729....73, 77, 79, 145	1001108127 577
1001080848 329	1001081268..... 317	1001098069..... 417	1001108129 577
1001080852 353	1001081280..... 315	1001098122..... 627	1001108152 375
1001080862 309	1001081281..... 315	1001098153..... 417, 529, 723	1001108155 335, 375
1001080863 309	1001081282..... 315	1001098171 77	1001108161 315
1001080866 375	1001081283..... 315	1001098235..... 305, 651	1001108194 305
1001080867JO..... 317	1001081284..... 315	1001098472..... 77	1001108196 309
1001080872 399	1001081285..... 315	1001099457..... 135	1001108242 387
1001080876 293, 295, 353	1001081286..... 387, 726	1001099458..... 133	1001108547 315
1001080877 341	1001081287..... 389, 726	1001099699..... 397	1001108548 315
1001080891 385	1001081289..... 315	1001099783..... 70	1001108549 315
1001080893 383	1001081296..... 387	1001099810..... 726	1001108552 315
1001080893 383	1001081298..... 387	1001099887..... 59	1001109365 311, 313
1001080900 305	1001081299K..... 15	1001100053..... 319, 567	1001109417 315
1001080926 315	1001081301..... 695	1001100107..... 684, 688, 692	1001109478 313
1001080931 309	1001081302..... 695	1001100916..... 463	1001109565 577, 579, 581, 583, 645
1001080932 339, 341	1001081306..... 309	1001100965..... 571, 573, 575, 665	1001109566 577, 581, 589, 643
1001080933 309, 339	1001081307..... 337	1001100966..... 333, 335, 569	1001110067 315
1001080945 373, 375, 379	1001081308..... 337	1001101039..... 726	1001110116 726
1001080947 375	1001081309..... 337	1001101040..... 726	1001110120 726
1001080951 375	1001081310..... 337	1001101041..... 99, 101	1001110269 379
1001080952 373, 379	1001081311..... 337	1001101042..... 99, 101	1001110433 355, 357
1001080953 333, 335, 375	1001081314..... 317	1001101071..... 684, 688, 692	1001110723 591, 637
1001080954 375	1001081322..... 659, 661	1001101185..... 79	1001110849 47, 49
1001080955 375	1001081331..... 309	1001101235..... 487	1001111156 579, 583, 639
1001080956 375	1001081332..... 309	1001101235..... 487	1001111341 577, 579, 581, 583
1001080957 373, 377	1001081333..... 213, 231, 457	1001101451..... 187	1001112058 373, 379
1001080959 381	1001081334..... 457	1001101533..... 571, 573, 575, 659	1001112612 616
1001080960 375	1001081347..... 467	1001101534..... 571, 573, 575, 661	1001112683 726
1001080968 415, 417	1001081348..... 467	1001101895..... 688	1001112684 726
1001080969 331	1001081364..... 21	1001102000..... 697	1001112685 726
1001080970 331	1001081375..... 309	1001102157..... 19	1001112687 726
1001080974 353	1001081376..... 309	1001102323..... 125	1001112697 563
1001080975 353	1001081413..... 465	1001102324..... 123	1001112796 629, 631
1001080976 355	1001090103..... 461, 463	1001102327..... 127	1001113038 109
1001080978 331, 722	1001090344..... 15	1001102331..... 111	1001113047 355, 357
1001080983 305	1001092481..... 153	1001102332..... 129	1001113154 579
1001080985 341	1001092482..... 153	1001103012..... 561, 608	1001113155 591
1001080986 305	1001092585..... 547	1001103139..... 589	1001113294 726
1001080987 305	1001092877..... 688	1001104009..... 113	1001114675 293, 295, 297, 299, 301, 303
1001080988 305	1001092878..... 688	1001104025..... 117	1001114867 305
1001080992 291	1001093171..... 137	1001104435..... 107	1001115871 273
1001081023 353	1001093826..... 99, 101	1001104477..... 463, 489, 491	1001116128 597
1001081049 305	1001093827..... 99, 101	1001104497..... 561, 627	1001116698 561, 608, 655
1001081071 211	1001095650. 85, 555, 557	1001104498..... 561, 609, 610	1001116705 613
1001081123 563	1001095704..... 615, 722	1001104519..... 637, 639, 643, 651	1001116706 601
1001081151 305	1001095810..... 159	1001104654..... 331, 722	1001116710 608, 613
1001081153 305	1001096019..... 157	1001105990..... 213	1001116711 608
1001081161 373, 379	1001096020..... 157	1001106622..... 475, 477	1001116712 608
1001081163 373, 379	1001096021..... 155	1001106736..... 616	1001116720 601
1001081187 373	1001096023..... 155	1001107854..... 561, 608, 610, 615, 617, 627, 635	1001116723 608, 609, 610
1001081223 419, 421	1001096024..... 157	1001107997..... 315	1001116725 615
1001081234 399	1001096025..... 155	1001108078..... 375	1001116726 615
1001081235 317	1001096584..... 70	1001108079..... 305	1001116727 615, 649, 655
1001081236 317	1001096585..... 70		1001116729 625, 649
1001081239 317	1001096730..... 73		1001116731 631
1001081241 317	1001097159..... 17		1001116733 601, 615, 617, 625, 649
1001081242 317	1001097160. 15, 205, 207		
1001081243 317	1001097205..... 137		
1001081244 317	1001097252..... 73		
1001081246 317	1001097255..... 73		
1001081247 317	1001097319..... 399		
1001081248 317	1001097628..... 73		
	1001097640..... 385		

SECTION 13 - SPECIAL OPTIONS

1001116734.....601, 649	1001121953..... 597	1001135799..... 487	1001139974.....265, 267
1001116735.....608	1001121960..... 619, 625	1001135801..... 487	1001139975.....259, 261
1001116736.....610	1001121961..... 608	1001135803..... 487	1001139997.....201, 521
1001116747.....617	1001122280..... 549, 551,	1001135805..... 487	1001140312.....555
1001116748.....608	621	1001135807..... 487, 489	1001140634.....615
1001116751.....608	1001125387..... 705	1001135845..... 565	1001140635.....551, 553,
1001116774.....616, 624,	1001125465..... 597	1001135846..... 565	624
669	1001126008..... 616, 617,	1001136095..... 175	1001140671.....199
1001116808.....617, 624,	624, 669	1001136150..... 726	1001140686.....263, 265
669	1001126351..... 602	1001136834..... 183	1001140700.....263, 267
1001116812.....608, 616,	1001126362..... 601	1001136975..... 165, 167,	1001140703.....271
624, 669	1001126363..... 601	205, 207	1001140704.....271
1001116813.....613, 655	1001126364..... 601	1001137106..... 145	1001141019.....199
1001116815.....595, 617,	1001126365..... 601	1001137454..... 353, 355	1001141027.....165
670	1001126392..... 601	1001137574..... 321	1001141066.....547, 722
1001116816.....615	1001126677..... 699	1001137578..... 601	1001141287.....205, 207
1001116920.....608	1001126685..... 703	1001137600..... 293, 295,	1001141324.....271
1001116921.....615	1001126841..... 369	297, 299, 413	1001141459.....481, 722
1001116948.....617	1001127066..... 609	1001137602..... 301, 303,	1001141460.....481
1001116950.....615, 616	1001127397..... 379	415	1001141461.....479, 722
1001116952.....615	1001127546..... 379	1001137621..... 297, 299,	1001141462.....479
1001116953.....615	1001127589..... 547, 722	301, 303, 323	1001141551.....197
1001116966.....616	1001127967..... 183	1001137623..... 293, 295,	1001141581.....547
1001116967.....601	1001128128..... 615, 617,	321	1001141591.....205, 207,
1001116977.....616	625, 649	1001137657..... 305	722
1001116982.....613	1001128144..... 183	1001137943..... 309, 329	1001141717.....167
1001116983.....601	1001128478..... 183, 723	1001137985..... 327, 329	1001141718.....165
1001116984.....613	1001129407..... 657	1001137998..... 415	1001141779.....179, 523
1001116985.....613	1001129408..... 595	1001138110..... 601	1001141780.....181, 525
1001116990.....601	1001129801..... 597, 635	1001138111..... 601	1001141786.....183
1001116996.....624	1001129887..... 471	1001138113..... 601	1001141787.....183, 185
1001117002.....613	1001129888..... 471	1001138262..... 369, 371	1001141788.....185
1001117022.....601	1001129889..... 469, 471	1001138263K..... 369	1001141789.....185
1001117026.....625	1001129891..... 469, 471	1001138264..... 369	1001141791.....185
1001117059.....610	1001129893..... 469, 471	1001138265..... 369	1001141796.....183
1001117079.....610	1001129894..... 469, 471	1001138266..... 369	1001141801.....183
1001117080.....610	1001129895..... 475, 477	1001138269..... 369	1001141834.....183
1001117081.....608, 609,	1001129898..... 477	1001138345..... 369	1001141881.....183
610, 651	1001129925..... 469, 471	1001138582..... 293, 295,	1001141896.....183
1001117082.....609	1001129926..... 469, 471	325	1001141944.....183
1001117106.....608, 615	1001130178..... 441, 445	1001138703..... 389	1001141975.....165, 481
1001117119.....609	1001130220..... 37	1001138823..... 213, 517	1001141976.....165, 479
1001117125.....601	1001130717..... 726	1001138827..... 183, 722	1001142010.....613
1001117133.....624	1001130900..... 601	1001138877..... 179, 181,	1001142011.....549, 619
1001117158.....305	1001131098..... 439, 443	183	1001142055.....347
1001117326.....701	1001131099..... 437, 441	1001138887..... 201, 519	1001142101.....277, 279
1001117498.....79, 81	1001131271..... 681	1001139011..... 331, 357	1001142155.....449, 455
1001118378.....669	1001131818..... 173	1001139042..... 83	1001142236.....369, 649
1001118379.....613	1001132161..... 503, 505	1001139043..... 83	1001142242.....167
1001118380.....602	1001132168..... 17	1001139155..... 187	1001142259.....187, 189,
1001118381.....616	1001132207..... 503	1001139177..... 83	722
1001118385.....608, 609,	1001132208..... 503	1001139481..... 325, 327	1001142265.....15
610, 613, 617, 624	1001132209..... 503	1001139578..... 684	1001142267.....15
1001118387.....613	1001132210..... 499, 503	1001139654..... 707	1001142680.....21
1001118391.....602, 616	1001132338..... 449, 453	1001139668..... 177	1001142938.....601
1001118392.....624	1001132342..... 443, 447	1001139681..... 197	1001142940.....601
1001119020.....616	1001132411..... 471	1001139682..... 199	1001142941.....601
1001119031.....677	1001132412..... 471	1001139683..... 555	1001142981.....577, 581,
1001119721.....201	1001132795..... 443, 723	1001139684..... 171, 173,	641
1001119727.....199	1001133543..... 726	203	1001143041.....179, 181
1001119788.....726	1001133714..... 601	1001139688..... 173, 367	1001143142.....15
1001120328.....616	1001133715..... 601	1001139801..... 357	1001143201.....187
1001120989.....719	1001133822..... 205, 207	1001139803..... 369	1001143216.....197
1001121021.....599, 723	1001133956..... 602	1001139937..... 571, 573,	1001143254.....203
1001121514.....185	1001133957..... 602	575	1001143255.....203
1001121726.....617	1001135650..... 601	1001139938..... 653	1001143304.....197, 199
1001121727.....649, 655	1001135651..... 601	1001139942..... 688	1001143467.....203

SECTION 13 - SPECIAL OPTIONS

1001143468.....	203	1001148091.....	681	1001159207.....	557	1001187079.....	669
1001143551.....	670	1001148423.....	183	1001160072.....	713	1001187150.....	23
1001143552.....	551	1001148483.....	21	1001160078.....	15	1001188496.....	413
1001143556.....	549	1001149466.....	547	1001160730.....	723	1001189077.....	669
1001143558.....	577	1001149810.....	15	1001160916.....	717	1001189305.....	165
1001143640.....	169, 171	1001149811.....	15	1001160926.....	145	1001189653.....	309
1001143641.....	167	1001149828.....	167	1001160945.....	715	1001189733.....	409
1001143642.....	167	1001150347.....	688	1001161228.....	726	1001189734.....	305, 409
1001143643.....	167	1001150461.....	705	1001161229.....	726	1001189738.....	409
1001143671.....	275, 277	1001150462.....	707	1001161230.....	726	1001189739.....	387
1001143677.....	171	1001150479.....	369	1001161604.....	147	1001189743.....	409
1001143678.....	169	1001150508.....	369	1001161606.....	147	1001189745.....	409
1001143689.....	275, 279	1001150509.....	357, 369	1001161607.....	147	1001189753.....	389
1001143801.....	167	1001150596.....	313, 317	1001161759.....	145	1001189803.....	409
1001143815.....	173	1001150642.....	711	1001162486.....	397	1001189839.....	409
1001143816.....	173	1001150705.....	655	1001162487.....	397	1001189850.....	409
1001143839.....	167	1001151088.....	369	1001162813.....	391	1001189888.....	515
1001143852.....	711	1001151183.....	37	1001162814.....	391	1001189948.....	323
1001143879.....	165	1001151264.....	201	1001162815.....	393	1001189997.....	593
1001143880.....	165	1001151288.....	467	1001162816.....	395	1001190639.....	29
1001144015.....	193	1001151643.....	429, 431, 723	1001162829.....	401	1001190640.....	575, 663
1001144106.....	165	1001151781.....	681	1001162830.....	401	1001190692.....	437, 439, 449
1001144133.....	165	1001151782.....	681	1001162898.....	143	1001190694.....	439
1001144147.....	631	1001152967.....	467	1001163174.....	692	1001190709.....	571, 573, 663
1001144255.....	213	1001153277.....	85	1001163206.....	692	1001190728.....	17
1001144359.....	173	1001153410.....	199	1001163210.....	692	1001190743.....	15, 17
1001144369.....	15	1001153411.....	199	1001163212.....	692	1001190754.....	17
1001144373.....	173	1001153412.....	199	1001163222.....	692	1001190762.....	15
1001144378.....	173	1001153413.....	199	1001163223.....	692	1001190784.....	437
1001144474.....	29	1001153624.....	327	1001163285.....	692	1001190788.....	15
1001144509.....	726	1001153625.....	329	1001163300.....	692	1001190821.....	167, 201
1001144629J.....	159	1001153626.....	331	1001163304.....	692	1001190914.....	593, 627
1001144692.....	179	1001153627.....	331	1001163323.....	692	1001191635.....	29
1001144693.....	179	1001153629.....	419	1001163326.....	692	1001191640.....	15
1001144694.....	181	1001153630.....	377	1001163326.....	692	1001191643.....	17
1001144695.....	181	1001153631.....	373, 379	1001163355.....	709	1001191820.....	15
1001144697.....	467	1001153633.....	379	1001163751.....	709	1001191830.....	179, 181
1001144737.....	467	1001153634.....	373, 379	1001165200.....	167	1001192022.....	17
1001144749.....	467	1001153635.....	373, 379	1001165202.....	205, 207	1001192128.....	179
1001144750.....	467	1001153748.....	451, 531	1001165203.....	205, 207	1001192129.....	181
1001144751.....	467	1001154229.....	277, 279	1001165585.....	317	1001192142.....	565, 723
1001144753.....	467	1001154405.....	483, 485	1001172953.....	357	1001192255.....	15
1001144754.....	467	1001155823.....	165	1001175733.....	627	1001192256.....	179, 181
1001144756.....	475, 477	1001156087.....	183, 305, 357	1001177469.....	391, 393, 395, 401	1001192711.....	161
1001144757.....	467	1001156243.....	165	1001177470.....	393	1001192720.....	161
1001144759.....	467	1001156314.....	547	1001177471.....	395	1001192875.....	161
1001144760.....	467	1001156315.....	15	1001177636.....	401	1001192876.....	161
1001144761.....	467	1001156576.....	684, 688, 692	1001177640.....	401	1001192877.....	161
1001144763.....	467	1001156577.....	305	1001178059.....	147	1001192979.....	379
1001144764.....	467	1001156849.....	173	1001178811.....	401	1001193316.....	21
1001145204.....	181, 723	1001157075.....	183	1001179495.....	343	1001193351.....	21, 23
1001145224.....	475, 477	1001157088.....	203	1001179496.....	343	1001193423.....	17
1001145225.....	475, 477	1001157890.....	669	1001179547.....	341, 343	1001193432.....	357, 361
1001145710.....	179, 181	1001158318.....	15	1001179832.....	343	1001193443.....	299, 303, 357, 367
1001145850.....	684	1001158329.....	145	1001182224.....	483, 485	1001193470.....	23
1001145871.....	183	1001158330.....	147	1001182361.....	602	1001193501.....	357, 431
1001146038.....	684, 692	1001158331.....	147	1001182365.....	602	1001193528.....	359, 361
1001146575.....	205, 207	1001158336.....	147	1001182662.....	593	1001193529.....	359, 361
1001146588.....	165	1001158352.....	145, 147	1001182663.....	317	1001193540.....	161
1001146830.....	85	1001158428.....	15	1001182755.....	293, 295, 297, 301, 483	1001193720.....	357
1001146831.....	85	1001158561.....	165	1001184685.....	593	1001193721.....	357
1001146832.....	85	1001159204.....	559	1001185024.....	483, 485, 722	1001193723.....	357
1001146832.....	85	1001159205.....	559	1001186376.....	299, 303, 485	1001193725.....	357
1001146887.....	85	1001159206.....	557, 559	1001186492.....	726		
1001146888.....	85						
1001147071.....	173						
1001147650.....	688						

SECTION 13 - SPECIAL OPTIONS

1001193729.....161	1001201527.....35	1001213955.....207	1001233451.....167
1001193752.....165, 187	1001201538.....205	1001213994.....207	1001233502.....165
1001193761.....357	1001201659.....59	1001214220.....305	1001233503.....165, 167
1001193762.....357	1001201668.....70, 509	1001215941.....191, 723	1001233558.....692
1001193805.....355, 359	1001201826.....565	1001217623.....577, 579, 589, 591	1001233572.....55
1001193943.....297, 301, 355	1001202006.....305, 473	1001218358.....670	1001233633.....571
1001193945.....355, 429	1001202007.....293, 295, 297, 299, 301, 303, 305	1001219082.....191	1001233660.....63, 65, 67
1001193973.....355	1001202141.....467	1001220705.....357	1001233661.....63
1001193974.....355	1001202247.....191	1001220853.....605	1001233662.....65
1001193975.....355	1001202297.....475, 477	1001221303.....293, 419	1001233666.....349
1001193976.....355	1001202352.....357, 369	1001222921.....726	1001233720.....67, 70
1001194017.....473	1001202500.....726	1001223453.....684, 692	1001233723.....211, 213
1001194099.....25	1001202501.....726	1001223459.....601	1001233724.....211, 231
1001194100.....21, 25	1001202502.....367	1001225430.....175, 177	1001233725.....211
1001195347.....361, 365	1001202939.....355, 357	1001225432.....177, 722	1001233784.....191
1001195348.....359, 363	1001203181.....191, 722	1001225578.....497, 501	1001233831.....675
1001195447.....357	1001203503.....161	1001226247.....553, 723	1001234507.....285
1001195884.....23	1001203640.....581, 583, 587	1001226328.....633, 723	1001234525.....293
1001195970.....151	1001204032.....191, 543	1001226400.....657	1001234526.....295
1001196254.....547, 722	1001204045.....71	1001226541.....631	1001234973.....283
1001196461.....629	1001204047.....71	1001226636.....631	1001234992.....213, 561
1001196601.....483	1001204128.....89	1001226637.....631	1001235014.....281, 283
1001197027.....345	1001204129.....91	1001226739.....595, 631	1001235015.....281
1001197099.....341	1001204130.....93	1001226796.....595, 723	1001235711.....297
1001197401.....15	1001204131.....95	1001226799.....595	1001235712.....299
1001197490.....39	1001204132.....97	1001227066.....633, 657	1001235715.....379
1001197624.....610	1001204360.....429, 431	1001227068.....657	1001235716.....293, 295, 297, 299, 475
1001197714.....610	1001204362.....429, 431, 723	1001227077.....191	1001236272.....597, 599
1001197965.....25, 723	1001204363.....429, 723	1001227091.....173	1001236302.....597
1001198349.....37	1001204385.....431, 723	1001227266.....657	1001236316.....257
1001198355.....161	1001204464.....429, 431	1001227458.....595	1001236317.....263
1001198730.....21	1001204469.....429, 431	1001227964.....191	1001236319.....269
1001198893.....581, 583	1001204470.....429, 431	1001228273.....191	1001236321.....275
1001200101.....684, 688	1001204674.....191	1001228447.....67	1001236337.....599
1001200247.....37	1001204676.....191	1001228643.....191	1001236413.....467
1001200378.....41, 43, 45, 47, 51	1001204677.....191	1001228975.....167	1001236417.....475, 477
1001200567.....469	1001204678.....191	1001229107.....633	1001236418.....467
1001200580.....497, 499, 507	1001204679.....191	1001229461.....719	1001236419.....467
1001200581.....70, 515	1001204854.....497	1001230503.....191	1001236420.....467
1001200598.....39	1001204856.....499	1001230931.....608	1001236666.....257, 259
1001200599.....41	1001205397.....191	1001230934.....602	1001236667.....257, 261
1001200600.....43	1001206603.....191	1001230935.....602	1001236668.....269
1001200601.....45	1001207171.....669	1001231397.....669	1001236669.....269
1001200602.....47	1001207768.....145	1001231398.....669	1001236676.....573
1001200603.....51	1001207837.....305	1001231400.....669	1001236678.....575
1001200612.....547	1001207924.....149	1001231401.....669	1001236782.....463
1001200613.....563	1001207926.....145, 149	1001231402.....669	1001236783.....463
1001200682.....21	1001208119.....306	1001231403.....669	1001236787.....465
1001200683.....21	1001208616.....293, 295, 311	1001231404.....669	1001236788.....465
1001200684.....21	1001208617.....297, 299, 301, 303, 313	1001231406.....669	1001236953.....301
1001200685.....21	1001208759.....31	1001231801.....684	1001236954.....303
1001200796.....273	1001208854.....449	1001232351.....259, 261	1001236957.....301, 303, 477
1001200797.....273	1001209009.....145, 673	1001232719.....55	1001236959.....301, 303, 335
1001200850.....653	1001209063.....475, 477	1001232722.....463	1001237192.....63, 461
1001200851.....31	1001209089.....469, 471	1001232888.....483, 485	1001237214.....65, 463
1001200925.....21	1001209102.....547	1001233174.....675	1001238317.....71
1001200928.....29	1001209103.....553	1001233199.....675	1001238560.....159, 161
1001200945.....273	1001209966.....355, 357	1001233202.....675	1001238565.....153, 155, 157, 159
1001201114.....487	1001210402.....291	1001233213.....191, 667	1001238566.....161
1001201115.....493	1001212156.....726	1001233234.....675	1001238570.....161
1001201117.....471	1001213757.....297, 299, 301, 303, 309	1001233235.....191, 669	1001238653.....153
1001201151.....593		1001233303.....287	1001238654.....155
1001201252.....547		1001233304.....285, 287	1001238655.....157
1001201526.....35		1001233305.....287	
		1001233434.....675	
		1001233435.....675	

SECTION 13 - SPECIAL OPTIONS

1001239184 305, 695	101977201..... 413	2150810..... 489	3290601 85, 161, 581,
1001239539 191	1060379 159	2151010..... 455	583, 585, 587
1001239671 587	1060628 35	2151212..... 449	3290605 17, 579
1001239672 726	1060680 641, 645	2160002..... 73	3290801 ... 179, 181, 369,
1001239673 726	10719267 369	2170108..... 449	405, 409
1001239965 57	10837580 445, 447	2170110..... 453	3290807 659, 661
1001239966 57	1101244 445, 447	2170112..... 183	3291007 81
1001241661 187	1271599 59	2170210..... 489	3291201 313
1001241820 581	1321716 203	2170308..... 453	3300143 547
1001241821 583	14404793 70	2170406..... 449	3300240 107, 109
1001242501 115	1701500 ... 684, 688, 692	2170410..... 201	3300430 83
1001242506 119	1701509 159	2170412..... 201	3300454 553
1001242508 121	1702300 ... 684, 688, 692	2170506..... 475, 477	3310401 547
1001242509 139	1702631 ... 684, 688, 692	2170704..... 201, 449	3310805 599
1001242510 141	1702773 ... 153, 155, 157	2170708..... 453	3311001 ... 369, 547, 553,
1001242511 105	1704277 159	2170712..... 201, 449	655
1001242517 103	1704885 ... 153, 155, 157	2170804..... 201	3311005 ... 397, 571, 573,
1001242616 101	1706098 688	2170808..... 449	575
1001242617 99	1706209 688	2171712..... 449	3311405 159, 413, 695
1001243183 726	1706281 688	2171716..... 449	3311501 35, 355, 357
1001243184 726	1706282 688	2172112..... 165	3311502 23, 161
1001243201 675, 677	1706284 688	2220218..... 463	3311505 29, 205, 207,
1001243576 726	1706285 688	2220239..... 23	571, 573, 575
1001245709 726	1706292 688	2220251..... 205, 207	3311508 563
1001247190 70	1706296 684	2220313..... 205, 207	3311608 21
1001247191 70	1706298 684	2220550..... 449	3311705 70
1001247192 461	1706299 684	2220591..... 473	3312005 675
1001247193 461	1706300 684	2220612..... 465	3340943 15
1001247194 67, 461	1706301 684	2220885..... 501	3391410 75, 147, 161
1001247195 67, 461	1706302 161, 684	2221198..... 483, 485	3421453 159
1001247326 67	1706768 684	2221229..... 467	3423275 107, 109
1001247421 593, 723	1706846 287	2221257..... 201	3430507 409
1001252481 183	1706850 684	2221285..... 213	3450304 409
1001252482 183	1706892 153	2221290..... 461, 463	3520072 159
1001252483 183	1707078 684	2300037..... 367	3520198 159
1001253828 726	1784861 59	2340037..... 131	3576766 211
1001254186 601	2080040 159	2400060..... 610	3580158 175, 177
1001254187 601	2110404 ... 441, 443, 455	2600281..... 159	3700016 688
1001257106 405	2110406 453	2620052..... 51, 53	3740080 ... 369, 553, 615,
1001257907 306, 608	2110606 441, 443	2717283.... 119, 121, 511	617, 655, 670, 722
1001258097 167, 601	2110608 451	2820019..... 641, 645	3760170 159
1001258137 726	2110808 181, 449	2820171 605	3760348 305
1001258244 349	2110810 453, 489	2902443..... 601	3790152 191
1001258560 405, 407	2110812 165	2920204..... 573, 575	3820020 159
1001258791 305, 405	2111010 ... 439, 453, 463	2920206.... 577, 579, 585	3900302 339, 341
1001262322 595, 723	2111012 453	2920207..... 663	3900306 369
1001262326 595	2111212 183	2920208..... 571, 573	3900393 70
1001262959 726	2112020 449	2920209..... 375	3910408 547
1001262960 633	2130404 75, 473	2940074..... 159, 723	3930812 599
1001262963 633	2130406 459	31200160..... 153	3931010 333
1001264878 149	2130604 145	31200386..... 157	3931012 593, 675
1001264879 149, 722	2130606 ... 145, 179, 181,	31200387..... 155	3931412 305, 433
1001265371 726	473	31200388..... 155	3931416 21
1001268341 726	2130608 ... 145, 451, 455,	3251813.... 681, 684, 688,	3931448 553
1001270669 726	473	692	3931548 463
1001275270 547	2130808 179, 181	3271405..... 415, 547	3931556 145
1001275933 349	2130812 165	3271501..... 15, 165, 179,	3931572 145
1001279175 681	2131008 70	181, 197	3931579 688
1001285715 319	2131010 ... 437, 455, 489	3271601..... 15, 165, 173,	3944574 41, 45
1001289105 597	2131212 ... 165, 183, 453	179, 181, 183, 199, 547	3951814 147
1001289296 597	2131216 165	3272001..... 165	3960600 653
1001292174 459	2144611 201	3272201..... 29, 211, 291	3964987 77
1001294815 719	2145004 411	3272401..... 21, 291	3983720 239, 253
1007367100 213, 215,	2150406 427, 459	3282001..... 21	3983731 223, 239
217, 219, 223, 227, 229	2150606 463	3290405..... 379	3984301 219, 223
1007367300 231, 233,	2150608 145, 451	3290505..... 191	3990013 609, 722
235, 237, 239, 243, 245	2150808 449	3290507..... 653	4031612 653

SECTION 13 - SPECIAL OPTIONS

4031918.....487	4460851 608, 624	4711900 483	70020240.....219, 237
4040291.....211	4460852 624	4712000 43, 47, 51	70020243.....219
4100181.....684, 688, 692	4460871 609	4712200 29, 31	70020244.....219, 247
4105262.....70	4460872 609	4740120 341	70020245.....219, 247
4240032....581, 583, 585, 587, 595, 633, 675	4460884 ... 608, 617, 629, 669	4740281 183	70020247...219, 227, 247
4240033.....593	4460891 ... 601, 605, 610, 615, 616, 617, 624, 625, 639, 643, 649, 669, 673	4750400 547	70020249.....219, 247
4240084.....273	4460894 ... 608, 609, 624, 625, 631, 677	4750600 25	70020250.....219
4240099.....467	4460897 ... 601, 610, 621, 624, 625, 641, 645, 647, 655, 673	4750800 599	70020251.....219, 237
4360658....571, 573, 575, 722	4460899 ... 567, 635, 637, 639, 643, 655, 677	4751000 ... 571, 573, 575	70020252.....219
4460019.....608, 615	4460905 609	4751400 483	70020253.....219
4460042.....567	4460911 624	4751500 293, 295	70020255.....219
4460043.....608, 615, 617	4460930 ... 609, 613, 616	4751600 55, 57	70020256.....219
4460227.....624	4460931 651	4752000 675	70020257.....219
4460234.....595, 675	4460932 ... 569, 605, 655, 665, 667	4752200 ... 39, 41, 43, 45, 47, 51, 593	70020258.....219
4460259....613, 617, 625, 649	4460933 601, 608, 616	4761000 547	70020259.....219
4460260....613, 617, 625, 649	4460941 601, 613	4761400 305, 409	70020261.....219
4460267.....608, 677	4460942 ... 601, 608, 649	4761600 73, 547	70020262.....219
4460268.....677	4460945 ... 608, 617, 624, 670	4762200 29	70020263.....219
4460312.....615	4460970 ... 613, 619, 625, 655	4771000 369	70020265.....219
4460321.....670	4460994 ... 601, 609, 613, 637, 639, 643	4804533 45	70020266.....219
4460374....615, 616, 625, 649	4461008 601, 624	4805921 45	70020267.....219
4460419.....608	4461017 601	4811400 379	70020269...219, 229, 243
4460457.....610, 616	4461018 616	4811600 167, 191, 653	70020271.....219
4460458....617, 641, 645, 649, 669	4461021 653	4811700 17, 85, 161, 579, 581, 583, 587	70020273.....227
4460459.....610	4461054 601	4811700001 419	70020276.....227
4460464....567, 569, 605, 608, 609, 610, 613, 616, 619, 621, 624, 625, 631, 635, 637, 639, 641, 643, 645, 647, 651, 657, 665, 667, 673, 677	4461071 601	4811900 71, 167, 179, 181, 187, 191, 355, 357, 369, 405, 659, 661	70020280.....227
4460465....601, 605, 608, 609, 610, 613, 615, 616, 617, 624, 625, 629, 631, 639, 643, 669, 673, 677	4461095 601	4812000 70, 85, 167, 173, 183	70020282.....227
4460466....567, 601, 608, 609, 613, 615, 616, 617, 619, 624, 625, 629, 631, 637, 655, 665, 669, 677	4461115 ... 639, 641, 645, 647	4812100 ... 167, 169, 171, 173, 201, 369	70020284.....227
4460475.....610, 669	4461118 617, 627	4812300 45	70020285.....227
4460488....579, 583, 591	4461119 561, 655	4831700 ... 581, 583, 585, 587	70020288.....237
4460496.....616	4461174 ... 577, 579, 581, 583, 589, 591	4832000 305	70020290.....227
4460497.....616	4461227 627	4891400 183	70020291.....227
4460508.....601	4461262 ... 610, 615, 635	4891500 29, 205, 207, 449, 571, 573, 575	70020292.....227
4460509.....616	4520259 265, 267	4891700 173	70020293.....227
4460518....616, 617, 624, 669	463929 77	4892000 21, 167	70020295.....227
4460536....609, 616, 625	4640113 287	4892200 211	70020296.....227
4460539....608, 616, 624, 669, 677	4640163 ... 259, 261, 265, 267, 277, 279	4892400 21, 291	70020297.....227
4460705.....608	4641474 457	4920017 ... 569, 621, 665	70020298.....227
4460742.....615, 669	4711000 ... 369, 547, 553, 655, 675	4923141 605	70020301.....229
4460746....639, 641, 645, 647	4711400 83, 159, 339, 449, 483, 485, 487, 547, 553, 571, 573, 575, 579, 583, 591, 597	5220500 573, 575	70020302.....229, 243
4460748.....617	4711500 ... 15, 21, 23, 35, 71, 165, 179, 181, 197, 305, 385, 449, 461, 463	5241000 81	70020303.....237
4460761....608, 624, 669, 677	4711600 . 15, 21, 73, 165, 179, 181, 199, 205, 207, 437, 439, 547	5242400 161	70020346.....247
4460809.....670	4711700 70	5272012 597	70020370.....505
	4711800 497, 499	70002064 447	70020372.....505
		70002386 .. 445, 447, 722	70020373.....505
		70004637 507, 515	70020375.....505
		70005433 501	70020376.....509
		70005941 175, 177	70020377.....505
		70006652 175, 177	70020555.....137
		70020002 .. 115, 119, 121	70020560.....127
		70020028 .. 115, 119, 121	70020562.....127
		70020230 219	70020621.....319
		70020231 219	70020716.....533
		70020232 219	70020717.....533
		70020233 237	70020718.....533
		70020234 219, 237	70020719.....533
		70020235 219	70020764.....491, 722
			70020769.....433, 723
			70020770.....433
			70020771.....433
			70020795.....375
			70020867.....531
			70020871.....527
			70020919.....535
			70020920.....535
			70020922.....529

SECTION 13 - SPECIAL OPTIONS

70020923	421, 425	70021448 .	111, 113, 117, 513, 537, 539	70024936.....	517	70027262.....	501
70020924	421, 425	70021451 ..	513, 537, 539	70024937.....	517	70027283.....	119, 121
70020925	421, 425	70021452 ..	513, 537, 539	70024938.....	517	70027315.....	223, 239
70020926	425	70021462	513, 539	70024939.....	517	70027400.....	523, 525
70020927	425	70021464 ..	111, 113, 537	70024940.....	519	70027401.....	523
70021076	237	70021475	535	70024941.....	519	70027556.....	523, 525
70021079	317	70021531	491	70024942.....	519	70027557 ..	523, 525, 722
70021082	317	70021928	219, 247	70024943.....	519	70027591.....	195
70021090	317	70021929	219, 247	70024944.....	519	70027592.....	195
70021095	317	70021939	219	70024945.....	519	70027610.....	509
70021147 ..	217, 223, 239	70021940	227	70024947.....	519	70027611.....	509
70021150 .	223, 239, 249, 251	70021941	227	70024948.....	519	70027612.....	509
70021151	223, 239	70021942	227	70024949.....	519	70027632.....	365
70021155	223, 239	70022097	113, 117	70024950.....	519	70027638.....	509
70021196	237	70022102	113, 117	70024951.....	521	70027642.....	115
70021198	245	70022103	113, 117	70024952.....	521	70027773.....	99, 101
70021200	245	70022104	113, 117	70024953.....	521	70027774.....	99, 101
70021221	247	70022105 ..	111, 113, 117	70025150.....	175, 177	70027775.....	99, 101
70021270	541	70022106	111, 113	70025162.....	175, 177	70027776.....	99, 101
70021271	541	70022107	115, 117	70025181.....	177	70027777.....	99, 101
70021272	541	70022108 .	115, 117, 513, 539	70025187.....	175	70027778.....	99
70021273	541	70022110	115, 117	70025249.....	189	70027779.....	99, 101
70021275	541	70022111	115, 117	70025562.....	223, 239	70027780.....	99, 101
70021276	541	70022112	115, 117	70025816.....	407	70027781.....	99, 101
70021338 .	111, 113, 115, 117	70022113	115, 117	70025925.....	363	70027782.....	99, 101
70021342	111, 127	70022564 ..	501, 507, 515	70026263.....	227	70027783.....	99, 101
70021343	111, 113	70022726	519	70026308...501, 507, 515		70027784.....	99, 101
70021345	111, 113	70022805	363, 365	70026582.....	531, 722	70027786.....	99, 101
70021346	111, 113	70022818	53	70026702.....	119, 121	70027788.....	99, 101
70021347	111, 113	70022847	529	70026770.....	511	70027789.....	99, 101
70021348	111, 113	70023035	229, 243	70026771.....	511	70027793.....	99, 101
70021349 .	111, 113, 115, 117	70023036	229, 243	70026773.....	511	70027794.....	99
70021350 .	111, 113, 115, 117	70023036	229, 243	70026774.....	511	70027859.....	219
70021351 .	111, 113, 115, 117	70023040	347	70026775.....	511	70027862.....	227
70021352	533	70023041	347	70026875.....	223, 239	70027865.....	229, 243
70021356	127	70023139	351	70027024.....	345	70027866.....	229, 243
70021357	127	70023369 ..	501, 507, 515	70027025.....	345	70027989.....	115, 117
70021358	127	70023371	515	70027026.....	345	70028239.....	525
70021359	127	70023372	507	70027028.....	345	70028240.....	525
70021360	127	70023373	515	70027030.....	345	70028241.....	525, 722
70021361	127	70023945	447	70027032.....	345	70028388.....	219
70021362	127	70023946	445, 447	70027033.....	345	70028389.....	219, 240
70021363 .	111, 113, 127, 537	70023974	505	70027034.....	345	70028473.....	239, 255
70021364	127	70024190	189	70027035.....	345	70028474.....	239, 255
70021365	127	70024191	189	70027114.....	223, 239	70028486.....	119, 121
70021366	127	70024386	365	70027176.....	49, 53	70028514.....	543, 723
70021367	127	70024528	227	70027177.....	49	70028515.....	543
70021368	127	70024863	219	70027178.....	49	70028516.....	543
70021369	127	70024864	219	70027242.....	507, 515	70028517.....	543
70021370	127	70024866	219, 237	70027243.....	507, 515	70028519.....	119, 121
70021387	127	70024873	219	70027244.....	507, 515	70028520.....	119, 121
70021397	115, 117	70024874	219	70027245.....	507	70028521.....	119, 121
70021399	127	70024875	219	70027246.....	507	70028523.....	119, 121
70021415 .	115, 117, 119, 121	70024878	223, 239	70027247.....	507	70028524.....	119, 121
70021440 .	119, 121, 513, 537, 539	70024881 ..	223, 239, 245	70027248.....	507	70028525.....	119, 121
70021444 ..	513, 537, 539	70024883	223, 239	70027249.....	515	70028530.....	119, 121
70021446 ..	513, 537, 539	70024888	239, 255	70027250.....	515	70028531.....	119, 121
70021447 .	111, 113, 117, 513, 537, 539	70024897	227	70027251.....	501, 515	70028535.....	245
		70024904	175, 177	70027252.....	515	70028540.....	175, 177
		70024911	175, 177	70027253.....	515	70028856.....	501
		70024913	175, 177	70027254.....	515	70028884.....	227
		70024915	175, 177	70027255.....	515	70028929.....	175, 177
		70024927	219, 237	70027256.....	501	70029015.....	175, 177
		70024929	219, 237	70027257.....	501	70029046.....	119, 121
		70024933	517	70027259.....	501	70029052.....	119, 121
		70024934	517	70027260.....	501	70029265.....	217, 235
		70024935	517	70027261.....	501	70029266.....	219

SECTION 13 - SPECIAL OPTIONS

70029267.....	219, 247	70030962.....	189	80204213.....	237	8310246.....	283
70029268.....	220, 723	70030963.....	189	80204281.....	227	8310297....	167, 169, 171, 173
70029269.....	223	70037787.....	99, 101	80233256.....	417	8310420.....	187
70029270.....	223, 239	70050641.....	117	80233257.....	417	8310748.....	173
70029271.....	223, 239	7010543....	445, 447, 527	80264138.....	433	83191010.....	281
70029272.....	223, 239	7012941.....	527	80264139.....	433	83201102.....	47
70029273.....	223, 239	7016331....	175, 177, 722	80333184.....	417, 459	8342813.....	19, 317
70029274.....	223, 239	7020465.....	175, 177	80334492.....	517	8360005.....	203
70029275.....	223, 239	7024872.....	527, 722	8035487.....	305	8405006.....	21, 165, 483, 485
70029276.....	223, 239	7026798.....	345, 347	8035632.....	317	8405101.....	191
70029277.....	223, 239	7026799.....	347	8036064.....	317	8405102.....	183, 185
70029278.....	223, 239	7026900.....	347	80364005.....	317	8405104.....	183
70029279.....	223, 239	7026901.....	347	80364037.....	317	8405201.....	183
70029280.....	223, 239	7026902.....	347	8036629.....	505	8405204.....	199
70029281.....	223, 239	7026905.....	347	8036733.....	511	8406003.....	547
70029282.....	223, 239	7026906.....	347	80383231.....	355, 357	8406102.....	483, 485
70029283.....	223, 239	7028706... ..	217, 223, 227, 235, 239	80623016.....	465	8406112.....	167
70029284.....	223, 239	7028733.....	223, 240	806253.....	35	8410001.....	179, 181
70029285... ..	223, 239, 255	7029432....	223, 239, 253	806264.....	35	8410009....	203, 355, 357
70029286... ..	223, 240, 249	7029520.....	137	80633030.....	467	8410011....	187, 191, 197
70029287... ..	223, 240, 251	7029521....	137, 139, 141	80673023.....	167	8420227.....	183
70029288.....	223	7029690....	111, 113, 117	80963058.....	655	8420236.....	183
70029289.....	224, 240	7029691.....	111, 113	80963062.....	610	8430032.....	201, 467
70029290.....	224, 240	7029692.....	111, 127	80983191.....	615, 722	8430068.....	205, 207
70029291.....	224, 240	7029700.....	111, 113	82033997..	309, 339, 341	8430082.....	201
70029292.....	224, 240	7029705.....	111, 113	8220007.....	613	8466306.....	305
70029293.....	227	7029711... ..	111, 113, 115, 117, 127	8220035.....	667	84712749.....	203
70029294.....	227	7029713.....	111, 113	8220045.....	601, 615	8520001.....	465
70029295.....	227	7029714....	115, 117, 127	8220051.....	601, 610	8522012.....	70
70029296.....	227	7029865.....	533	8220081.....	615, 616	8522031.....	70
70029297.....	227	7075611.....	70	8220089....	615, 617, 649	8584003.....	465, 597
70029298.....	227	7082362.....	70	8220108.....	667	85941016... ..	579, 583, 591
70029299.....	227	7126182.....	70	8220115.....	608, 615	85941017... ..	165, 579, 583
70029300.....	229, 243	7126662.....	70	8220125.....	617	8642207.....	70
70029301.....	229, 243	7139886.....	497, 499	8220162.....	649	8642224.....	70
70029302.....	237	7300032.....	70	8220164.....	625	86883327.....	21
70029303.....	237, 247	7300034.....	70	8223531.....	369	8750042.....	369
70029304.....	239	7300034.....	70	8229234.....	669, 723	8769122.70, 73, 461, 463	
70029309.....	103, 105	7300435.....	165	8229235.....	669, 723	8769123.70, 73, 369, 461, 463	
70029310.....	103, 105	7300518.....	70	8229242.....	615, 722	8770241.....	213
70029313.....	103, 105	77133136....	71, 461, 463	8229244.....	615, 722	8770248.....	201
70029314.....	99, 101	77133137... ..	71, 355, 357, 461, 463	8229261.....	669, 723	8770296.....	201
70029315.....	101	77133279.....	355, 357	8275212.....	199	88212229.....	449
70029441.....	537	77143016.....	553, 655	8303034... ..	305, 321, 323, 357, 369, 375, 377, 379, 413, 415, 579, 583, 591, 695	88261026.....	183
70029451.....	175	77383377.....	547, 722	8303114.....	449	88261030.....	283
70029492.....	119, 121	8001888.....	75	8303739.....	73	88501010.....	43, 47, 51
70029495.....	119, 121	8001989.....	659	8303839.....	547	88501012.....	31, 41, 43
70029496.....	119, 121	8001991.....	661	8305002.....	341	88521205.....	305
70029497.....	119, 121	8002027.....	77	8305004.....	483, 485	88521206.....	283
70029498.....	139, 141	8002110.....	75	8305008.....	173	88521208.73, 77, 79, 145, 497, 499	
70029502.....	115	8002789.....	43	8305624.....	547	88521304.....	375, 409
70029503.....	115	8005670.....	688	8305626.....	145, 463	88631566.....	553
70029504.....	115	8005671.....	59	8305645.....	70, 463	88662480.....	201
70029505.....	115	8005870....	684, 688, 692	8307024... ..	293, 295, 297, 299, 301, 303	88662482.....	467
7002951.....	722	8010200.....	41	8307106.....	145, 463	88662523.....	437, 439
70029696.....	99, 101	8010204.....	41, 43	8307109.....	305	8866514....	293, 295, 297, 299, 301, 303
70029697.....	99, 101	8010234.....	43	8307110.....	463	88671001.....	70
70029698.....	99, 101	80204012.....	223, 240	8307222.....	203	8880219-OM.....	211
70029699.....	99, 101	80204065.....	223, 239	8307904.....	70	8880220.....	211
70029700.....	99, 101	80204111.....	227	8310053.....	305	8880221.....	211
70029975.....	509	80204117..	223, 227, 239, 245	8310058.....	165	8881800.....	165
70030251.....	239	80204147.....	219	8310160.....	70	8881802....	579, 583, 591
70030368.....	509	80204172.....	223, 239				
70030369.....	509	80204178.....	219				

SECTION 13 - SPECIAL OPTIONS

8882320 581	90554065 .. 111, 113, 127	91143357 547	91474580 239, 253
8904001 183	90554067 99, 101, 115	91304025 433	91474584 223, 239
90027187 463	90554070 99, 101	91403097 291	91474585 239, 255
90027473 291	90554074 99, 101	91403153 291	91504028 433
90028488 15	90554076 127	91403217 291	91504029 433
90200003 107, 109	90554080 .. 137, 139, 141	91403412 211	91513266 281
90554016 . 103, 105, 111, 113, 115, 119, 121, 139, 141	909304 59	91404013 433	91514117 223, 239
90554017 . 111, 113, 115, 117, 127	91043147 463	91404016 433	91514118 281
90554019 99, 119, 121	91084008 533	91404182 533	91514188 .. 217, 223, 235
90554020 ... 99, 111, 113, 115, 117	91084009 533	91404186 533	91514189 223, 239
90554042 ... 99, 101, 111, 113, 115, 117	91084010 533	91404189 533	91514224 433
90554045 .. 513, 537, 539	91084019 533	91404309 317	91514272 365
90554054 99	91084233 533	91404326 433	91563136 23
90554062 127	91084278 533	91413036 355, 357	91563164 351
	91084279 533	91474507 223, 239	91563220 .. 684, 688, 692
	91094023 533	91474512 ... 219, 223, 239	91565064 351
	91094024 533	91474516 245	933940 77
	91143339 601	91474532 237	
	91143340 616	91474579 239, 253	



**Corporate Office
JLG Industries, Inc.
1 JLG Drive
McConnellsburg, PA 17233-9533 USA
☎ (717) 485-5161 (Corporate)
☎ (877) 554-5438 (Customer Support)
📠 (717) 485-6417**

**Visit our website for JLG Worldwide Locations.
www.jlg.com**



OSHKOSH™