



Illustrated Parts Manual

*Model
7013H*

PVC
2011

P/N
31211556

June 15, 2023 - Rev B



EFFECTIVITY PAGE

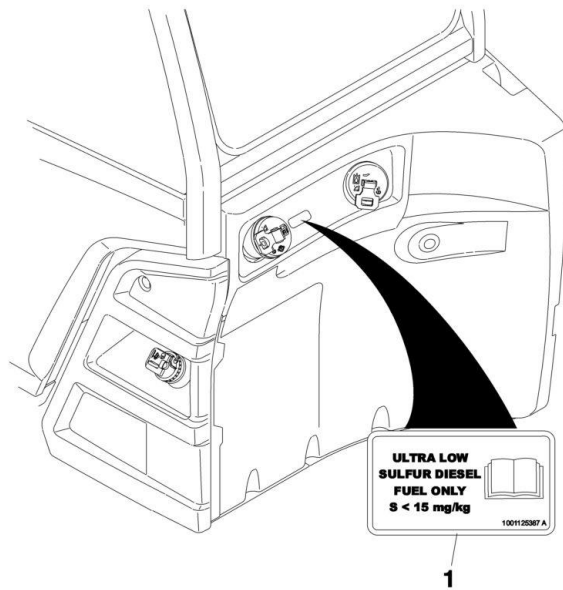
October 30, 2020 - A - Original Issue of Manual (Manual Edited to 1001195000 Revision AD)

June 15, 2023 - B - Revised Manual (Manual Edited to 1001195000 Revision AD)

Machine Configuration

Two configurations of each machine are included in this manual. Determine if machine is equipped with Ultra Sulfur Fuel Decal (1) as indicated below.

- If equipped with the Ultra Low Sulfur decal, all specific references to this machine configuration will be referred to as Ultra Low Sulfur (ULS) from this point forward.
- If not equipped with the Ultra Low Sulfur decal, all specific references to this machine configuration will be referred to as Low Sulfur (LS) from this point forward.



GENERAL INFORMATION

6) NON-SERVICED PARTS

In some instances, it is necessary to display non-serviced parts, assemblies or installations. In the case of assemblies and installations there will be a Ref in the Qty. column. In case of parts that are not available for service within assemblies or components, there will be a NSS (Not Sold Separately) or NLA (No Longer Available) listed in the Qty. column of the manual.

7) PARTS LIST ITEM NUMBERS

Numbers shown in the item# column correspond to numbers used in the associated illustration (s). Item numbers which are missing from the sequence in the parts list are not used on that page.

8) INDENTED PARTS DESCRIPTION

An indented part description is included in the item under which it is indented.

9) ABBREVIATION AND SYMBOLS

AC.....	Alternating Current	L.....	Liter
ADE.....	Advanced Design Electronics	LB(LBS).....	Pounds
AG.....	Agricultural	LCD.....	Liquid Crystal Display
ANSI.....	American National Standards Institute	LED.....	Light Emitting Diodes
AR.....	As Required	LH.....	Left Hand
ASSY.....	Assembly	LRC.....	Low Rated Countries
AUS.....	Australia	LSS.....	Load Sensing System
AUX.....	Auxiliary	M(m).....	Metric/Meter
AWG.....	American Wire Gauge	MM(mm).....	Milimeter
B/M.....	Bill of Material	mA.....	Miliamps
CAC.....	Charge Air Cooler	NLA.....	No Longer Available
CE.....	European Conformity	NPT.....	National Pipe Threads
CCW.....	Counter Clockwise	NSS.....	Not Sold Separately
CM.....	Centimeter	OD.....	Outside Diameter
CW.....	Clockwise	ORB.....	O-Ring Boss
CSA.....	Canadian Standards Association	ORFS.....	O-Ring Face Seal
CYL.....	Cylinder	OZ (oz).....	Ounces
DIA.....	Diameter	PG.....	Page
DC.....	Direct Current	PN.....	Part Number
DEF.....	Diesel Exhaust Fluid	QT/qt.).....	Quarts
EMS.....	Emergency Stop	QTY.....	Quantity
ENG.....	Engine	REF.....	Reference
FT(ft).....	Feet	REV.....	Revision Level
GA(Ga).....	Gauge	RH.....	Right Hand
HRC.....	High Rated Countries	SAE.....	Society of Automotive Engineers
HVAC.....	Heating, Ventilating, and Air Conditioning	SN.....	Serial Number
HYD.....	Hydraulic	SPEC(S).....	Specifications
Hz.....	Hertz	T/T.....	Turntable
ID.....	Inside Diameter	UGM.....	Universal Ground Module
IN.....	inches	V.....	Volts
ISO.....	International Organization for Standards	W.....	Watts
JIC.....	Joint Industry Council	#.....	Number
KG.....	Kilogram		

10) ILLUSTRATION REFERENCE LETTERS

When necessary, illustrations may contain reference letters that are intended to track information (i. e. hoses, harnesses) from one point to another or to track visual enlargement of components to show details that may be located in another area on the illustration.

Note: Due to continuous product improvements, JLG Industries, Inc. reserves the right to make specification changes without prior notification. Contact JLG Industries, Inc. for updated information.

TABLE OF CONTENTS

SECTION 1 - FRAME AND ATTACHING PARTS.....	19
FIGURE 1-1. GROMMETS INSTALLATION	20
FIGURE 1-2. TANKS INSTALLATION.....	22
FIGURE 1-3. HYDRAULIC TANK INSTALLATION	24
FIGURE 1-4. HYDRAULIC TANK ASSEMBLY.....	26
FIGURE 1-5. FUEL TANK INSTALLATION.....	28
FIGURE 1-6. FUEL TANK ASSEMBLY	30
FIGURE 1-7. TANK SUPPORT INSTALLATION.....	32
FIGURE 1-8. LOCKING FUEL CAP	34
FIGURE 1-9. PAD LOCK.....	36
FIGURE 1-10. ENGINE ENCLOSURE & HOOD INSTALLATION.....	38
FIGURE 1-11. ENGINE HOOD ASSEMBLY	40
FIGURE 1-12. ENGINE HOOD INSULATION INSTALLATION.....	42
FIGURE 1-13. ENGINE ENCLOSURE ASSEMBLY	44
FIGURE 1-14. COVER INSTALLATION (ULS).....	46
FIGURE 1-15. COVER INSTALLATION (LS)	48
FIGURE 1-16. FRAME COVER INSTALLATION	50
FIGURE 1-17. FRONT LOWER COVER INSTALLATION	52
FIGURE 1-18. MIRRORS INSTALLATION.....	54
FIGURE 1-19. WHEEL CHOCKS INSTALLATION.....	56
FIGURE 1-20. REFLECTORS INSTALLATION	58
SECTION 2 - BOOM	61
FIGURE 2-1. BOOM INSTALLATION.....	62
FIGURE 2-2. BOOM ASSEMBLY.....	64
FIGURE 2-3. FIRST BOOM SECTION ASSEMBLY.....	66
FIGURE 2-4. SECOND BOOM SECTION ASSEMBLY.....	68
FIGURE 2-5. THIRD BOOM SECTION ASSEMBLY	70
FIGURE 2-6. COUPLER INSTALLATION (MANUAL).....	72
FIGURE 2-7. COUPLER INSTALLATION (HYDRAULIC)	74
FIGURE 2-8. COUPLER LOCKING CYLINDER ASSEMBLY	76
FIGURE 2-9. MANUAL COUPLER PIN HOLDER INSTALLATION.....	78
FIGURE 2-10. BOOM ANGLE INDICATOR INSTALLATION.....	80
FIGURE 2-11. BOOM PROP INSTALLATION	82
FIGURE 2-12. BOOM PROP BRACKET ASSEMBLY.....	84
FIGURE 2-13. BOOM BRUSHES INSTALLATION	86
SECTION 3 - ATTACHMENTS	89
FIGURE 3-1. ATTACHMENT RECOGNITION INSTALLATION - COMPLETE	90
FIGURE 3-2. ATTACHMENT RECOGNITION INSTALLATION.....	92
FIGURE 3-3. ATTACHMENT RECOGNITION RECEIVER (ALL SPECS EXCEPT AUS & CE SPECS	94
FIGURE 3-4. ATTACHMENT RECOGNITION RECEIVER (AUS & CE SPECS	96
FIGURE 3-5. ATTACHMENT RECOGNITION ANTENNA (ALL SPECS EXCEPT AUS & CE SPECS.....	98
FIGURE 3-6. ATTACHMENT RECOGNITION ANTENNA (AUS & CE SPECS	100
FIGURE 3-7. BALE HANDLER (ROUND BALES).....	102

TABLE OF CONTENTS

FIGURE 3-8. BALE HANDLER (SQUARE BALES)	106
FIGURE 3-9. BASKET, PERSONNEL (1.2MX2.4M) (ISO)	108
FIGURE 3-10. BASKET ASSEMBLY - FORK MOUNTED	110
FIGURE 3-11. BOOM - TRUSS (3.6TON FORK MOUNTED)	112
FIGURE 3-12. BOOM - TRUSS (7.6 TON)	114
FIGURE 3-13. BUCKET (2.6 YD ³ /2.0M ³)	116
FIGURE 3-14. BUCKET (5.23 YD ³)	118
FIGURE 3-15. BUCKET - 4 IN 1 (1.3 YD ³ /1.0M ³)	120
FIGURE 3-16. BUCKET - GRAPPLE (1.7 YD ³ /1.3M ³)	122
FIGURE 3-17. BUCKET - FORK MOUNTED (1.0M ³)	124
FIGURE 3-18. CARRIAGE ASSEMBLY (60IN/1524MM)	126
FIGURE 3-19. CARRIAGE ASSEMBLY (72IN/1829MM)	128
FIGURE 3-20. CARRIAGE ASSEMBLY (87IN/2290MM)	130
FIGURE 3-21. CARRIAGE ASSEMBLY - DUAL FORK POSITIONING CARRIAGE (72IN/1829MM)	132
FIGURE 3-22. CARRIAGE ASSEMBLY - DUAL FORK POSITIONING SIDE SHIFT CARRIAGE (75IN/1899MM)	134
FIGURE 3-23. CARRIAGE ASSEMBLY - LOG HANDLER CARRIAGE	136
FIGURE 3-24. CARRIAGE ASSEMBLY - PIPE HANDLER CARRIAGE	140
FIGURE 3-25. CARRIAGE ASSEMBLY - STEEL COIL HANDLER CARRIAGE	144
FIGURE 3-26. FORK - PALLET (2.25X6X48)	146
FIGURE 3-27. FORK - PALLET (2.25X6X60)	148
FIGURE 3-28. FORK - PALLET (2.25X6X72)	150
FIGURE 3-29. FORK - PALLET (2.25X6X96)	152
FIGURE 3-30. FORK RETENTION INSTALLATION	154
FIGURE 3-31. HOOK - CRANK (7.6 TON)	156
FIGURE 3-32. HOPPER - TRASH	158
FIGURE 3-33. WINCH - COUPLER MOUNTED	160
SECTION 4 - ENGINE AND ATTACHING PARTS	163
FIGURE 4-1. ENGINE POD COMPONENT INSTALLATION (ULS)	164
FIGURE 4-2. ENGINE POD COMPONENT INSTALLATION (MINING) (ULS)	166
FIGURE 4-3. ENGINE POD COMPONENT INSTALLATION (LS)	168
FIGURE 4-4. ENGINE POD COMPONENT INSTALLATION (LS HIGH AMBIENT)	170
FIGURE 4-5. ENGINE POD COMPONENT INSTALLATION (MINING) (LS)	172
FIGURE 4-6. ENGINE POD COMPONENT INSTALLATION (MINING) (LS HIGH AMBIENT)	174
FIGURE 4-7. ENGINE INSTALLATION (ULS)	176
FIGURE 4-8. ENGINE ASSEMBLY (ULS)	178
FIGURE 4-9. ENGINE ASSEMBLY (LS)	182
FIGURE 4-10. ENGINE MOUNT INSTALLATION	184
FIGURE 4-11. AIR INTAKE INSTALLATION (ULS)	186
FIGURE 4-12. AIR INTAKE INSTALLATION (LS)	188
FIGURE 4-13. AIR CLEANER INSTALLATION	190
FIGURE 4-14. AIR CLEANER FILTER ASSEMBLY	192
FIGURE 4-15. AIR INTAKE DUCT INSTALLATION	194
FIGURE 4-16. PRIMARY FUEL FILTER INSTALLATION (ULS)	196
FIGURE 4-17. PRIMARY FUEL FILTER INSTALLATION (LS)	198

TABLE OF CONTENTS

FIGURE 4-18. REMOTE FUEL PUMP INSTALLATION.....	200
FIGURE 4-19. FUEL LINES INSTALLATION (ULS).....	202
FIGURE 4-20. FUEL LINES INSTALLATION (LS)	204
FIGURE 4-21. FUEL LINES INSTALLATION (LS HIGH AMBIENT).....	206
FIGURE 4-22. HYDROSTATIC ADAPTOR INSTALLATION.....	208
FIGURE 4-23. DUAL DRIVE SUPPORT ASSEMBLY	210
FIGURE 4-24. HYDROSTATIC DRIVE PUMP INSTALLATION.....	212
FIGURE 4-25. HYDROSTATIC DRIVE PUMP ASSEMBLY	214
FIGURE 4-26. IMPLEMENT PUMP INSTALLATION	216
FIGURE 4-27. IMPLEMENT PUMP ASSEMBLY.....	218
FIGURE 4-28. DEF COOLANT LINES INSTALLATION (ULS)	220
FIGURE 4-29. COOLING PACKAGE INSTALLATION (ULS & LS NO HIGH AMBIENT).....	222
FIGURE 4-30. COOLING PACKAGE INSTALLATION (ULS & LS ASOV).....	224
FIGURE 4-31. COOLING PACKAGE INSTALLATION (LS HIGH AMBIENT)	228
FIGURE 4-32. RADIATOR - COOLING PACKAGE.....	230
FIGURE 4-33. RADIATOR LINES INSTALLATION (ALL EXCEPT ULS & LS ASOV)	232
FIGURE 4-34. RADIATOR LINES INSTALLATION (ULS & LS ASOV).....	234
FIGURE 4-35. COOLANT LINES INSTALLATION.....	236
FIGURE 4-36. SURGE TANK INSTALLATION	238
FIGURE 4-37. TRANSMISION OIL COOLER LINES INSTALLATION (ALL EXCEPT ULS TUV)	240
FIGURE 4-38. FAN GUARD INSTALLATION	242
FIGURE 4-39. FAN GUARD (REVERSING) INSTALLATION	244
FIGURE 4-40. COOLING FAN INSTALLATION (NO HIGH AMBIENT)	246
FIGURE 4-41. COOLING FAN INSTALLATION (HIGH AMBIENT).....	248
FIGURE 4-42. COOLING FAN (REVERSING) INSTALLATION	250
FIGURE 4-43. COOLING FAN COVER (REVERSING) INSTALLATION.....	252
FIGURE 4-44. EXHAUST INSTALLATION (ULS)	254
FIGURE 4-45. DEF TANK INSTALLATION.....	256
FIGURE 4-46. DEF TANK ASSEMBLY	258
FIGURE 4-47. DEF LINES INSTALLATION	260
FIGURE 4-48. DEF CONTROL MODULE INSTALLATION.....	262
FIGURE 4-49. EXHAUST INSTALLATION (LS).....	264
FIGURE 4-50. MUFFLER INSTALLATION (LS).....	266
FIGURE 4-51. HEATER LINES INSTALLATION (ULS)	268
FIGURE 4-52. HEATER LINES INSTALLATION (LS).....	270
FIGURE 4-53. A/C PUMP INSTALLATION	272
FIGURE 4-54. A/C LINES INSTALLATION	274
FIGURE 4-55. BLOCK HEATER INSTALLATION (115V) (ULS).....	276
FIGURE 4-56. BLOCK HEATER INSTALLATION (115V) (LS)	278
FIGURE 4-57. BLOCK HEATER INSTALLATION (230V) (LS)	280
FIGURE 4-58. HEATED BREATHER TUBE INSTALLATION	282
SECTION 5 - DRIVE TRAIN	285
FIGURE 5-1. DRIVETRAIN INSTALLATION.....	286
FIGURE 5-2. HYDROSTATIC MOTOR INSTALLATION.....	288
FIGURE 5-3. HYDROSTATIC MOTOR ASSEMBLY.....	290

TABLE OF CONTENTS

FIGURE 5-4. GEARBOX INSTALLATION	292
FIGURE 5-5. GEAR BOX.....	294
FIGURE 5-6. DRIVE SHAFT INSTALLATION	298
FIGURE 5-7. FRONT AXLE INSTALLATION.....	300
FIGURE 5-8. FRONT AXLE MOUNTING INSTALLATION	302
FIGURE 5-9. FRONT AXLE	304
FIGURE 5-10. FRONT AXLE, CENTRAL HOUSING.....	306
FIGURE 5-11. FRONT AXLE, DIFFERENTIAL.....	308
FIGURE 5-12. DIFFERENTIAL KIT.....	310
FIGURE 5-13. FRONT AXLE, HUB REDUCTION	312
FIGURE 5-14. FRONT AXLE, BRAKES.....	314
FIGURE 5-15. FRONT AXLE, STEERING	316
FIGURE 5-16. FRONT AXLE, TRUNION.....	318
FIGURE 5-17. FRONT AXLE LINES INSTALLATION	320
FIGURE 5-18. REAR AXLE INSTALLATION	322
FIGURE 5-19. REAR AXLE MOUNTING INSTALLATION.....	324
FIGURE 5-20. REAR AXLE, BRAKES	326
FIGURE 5-21. REAR AXLE, STEERING	328
FIGURE 5-22. REAR AXLE	330
FIGURE 5-23. REAR AXLE, CENTRAL HOUSING	332
FIGURE 5-24. REAR AXLE, DIFFERENTIAL	334
FIGURE 5-25. DIFFERENTIAL KIT.....	336
FIGURE 5-26. REAR AXLE, HUB REDUCTION.....	338
FIGURE 5-27. STEERING CASE ASSEMBLY (LH STEER LINK).....	340
FIGURE 5-28. STEERING CASE ASSEMBLY (RH STEER LINK).....	342
FIGURE 5-29. REAR AXLE, TRUNION	344
FIGURE 5-30. TRUNION KIT.....	346
FIGURE 5-31. RING GEAR SUPPORT KIT.....	348
FIGURE 5-32. REDUCTION BUSHING KIT	350
FIGURE 5-33. PLANET GEAR CARRIER KIT	352
FIGURE 5-34. REAR AXLE LINES INSTALLATION.....	354
FIGURE 5-35. TIRE/WHEEL SET (AIR 17.5-25 - 20 PLY)	356
FIGURE 5-36. TIRE/WHEEL SET (FOAM 17.5-25 - 20 PLY)	358
FIGURE 5-37. TIRE/WHEEL SET (AIR 17.5 R25 - RADIAL).....	360
FIGURE 5-38. TIRE/WHEEL SET (AIR 17.5-25 - 22 PLY)	362
FIGURE 5-39. FENDER INSTALLATION	364
FIGURE 5-40. RH FENDER ASSEMBLY	366
FIGURE 5-41. LH FENDER ASSEMBLY	368
SECTION 6 - CAB	371
FIGURE 6-1. CAB MOUNTING INSTALLATION	372
FIGURE 6-2. FRONT CAB MOUNT BRACKET INSTALLATION	374
FIGURE 6-3. CAB MOUNTS INSTALLATION	376
FIGURE 6-4. CAB COMPONENTS INSTALLATION	378
FIGURE 6-5. CAB INSTALLATION.....	380
FIGURE 6-6. CAB ASSEMBLY (PVC 1911)	382

TABLE OF CONTENTS

FIGURE 6-7. CAB ASSEMBLY (PVC 2005).....	384
FIGURE 6-8. DOOR INSTALLATION.....	386
FIGURE 6-9. DOOR ASSEMBLY.....	388
FIGURE 6-10. CAB DOOR.....	390
FIGURE 6-11. GLASS ASSEMBLY - DOOR UPPER.....	392
FIGURE 6-12. CAB LATCH ASSEMBLY.....	394
FIGURE 6-13. CAB DOOR TRIGGER ASSEMBLY.....	396
FIGURE 6-14. DOOR STRAP INSTALLATION.....	398
FIGURE 6-15. CAB PLUG GROUP.....	400
FIGURE 6-16. REAR WINDOW INSTALLATION.....	402
FIGURE 6-17. REAR WINDOW GROUP.....	404
FIGURE 6-18. REAR WIPER INSTALLATION.....	406
FIGURE 6-19. REAR WINDOW RELEASE INSTALLATION (ANSI - ENGLISH).....	408
FIGURE 6-20. FRONT WIPER INSTALLATION.....	410
FIGURE 6-21. WASHER TANK INSTALLATION.....	412
FIGURE 6-22. WASHER BOTTLE.....	414
FIGURE 6-23. FRONT COVER INSTALLATION.....	416
FIGURE 6-24. FRONT DUCT COVER.....	418
FIGURE 6-25. FILTER TRAY PANEL.....	420
FIGURE 6-26. LEVEL INDICATOR INSTALLATION.....	422
FIGURE 6-27. BASIC MIRROR INSTALLATION.....	424
FIGURE 6-28. MULTIFUNCTION DISPLAY INSTALLATION.....	426
FIGURE 6-29. SEAT INSTALLATION (CLOTH).....	428
FIGURE 6-30. SEAT ASSEMBLY.....	430
FIGURE 6-31. SEAT INSTALLATION (AIR SUSPENSION - STANDARD).....	432
FIGURE 6-32. SEAT ASSEMBLY (AIR SUSPENSION - STANDARD).....	434
FIGURE 6-33. UPPER SEAT ASSEMBLY.....	436
FIGURE 6-34. SUSPENSION KIT.....	438
FIGURE 6-35. SEAT INSTALLATION (AIR SUSPENSION - PREMIUM).....	440
FIGURE 6-36. SEAT ASSEMBLY (AIR SUSPENSION - PREMIUM).....	442
FIGURE 6-37. SEAT BELT INSTALLATION (3IN).....	444
FIGURE 6-38. SEAT BELT INSTALLATION (2IN).....	446
FIGURE 6-39. HEATER INSTALLATION.....	448
FIGURE 6-40. HEATER ASSEMBLY.....	450
FIGURE 6-41. HEATER.....	452
FIGURE 6-42. HVAC CAB ACTUATOR.....	454
FIGURE 6-43. HEATER AND A/C INSTALLATION (CAB PARTS).....	456
FIGURE 6-44. HEATER AND A/C ASSEMBLY.....	460
FIGURE 6-45. HEATER AND A/C.....	462
FIGURE 6-46. CAB CONDENSER ASSEMBLY.....	464
FIGURE 6-47. CONDENSER.....	466
FIGURE 6-48. A/C RECEIVER DRIER.....	468
FIGURE 6-49. HEADLINER INSTALLATION.....	470
FIGURE 6-50. HEADLINER/RADIO READY PACKAGE INSTALLATION.....	472
FIGURE 6-51. CAB TRIM INSTALLATION.....	474

TABLE OF CONTENTS

FIGURE 6-52. DASH COVER ASSEMBLY.....	478
FIGURE 6-53. REAR PANEL COVER ASSEMBLY.....	480
FIGURE 6-54. ADJUSTABLE ARMREST INSTALLATION.....	482
FIGURE 6-55. ARMREST.....	484
FIGURE 6-56. FIXED ARMREST BRACKET.....	486
FIGURE 6-57. MOVING ARMREST BRACKET.....	488
FIGURE 6-58. ROOF WIPER INSTALLATION.....	490
FIGURE 6-59. ROOF CAP INSTALLATION (NO A/C).....	492
FIGURE 6-60. ROOF CAP INSTALLATION (A/C).....	494
FIGURE 6-61. RETRACTABLE SUNSCREEN INSTALLATION.....	496
FIGURE 6-62. FLOOR MAT INSTALLATION.....	498
FIGURE 6-63. ENCLOSED CAB FRONT COVER INSTALLATION.....	500
FIGURE 6-64. CAB GUARD INSTALLATION (TOP).....	502
FIGURE 6-65. CAB GUARD INSTALLATION (FRONT).....	504
FIGURE 6-66. CAB GUARD INSTALLATION (TOP AND FRONT).....	506
SECTION 7 - CONTROLS.....	509
FIGURE 7-1. ACCELERATOR PEDAL INSTALLATION.....	510
FIGURE 7-2. ACCELERATOR PEDAL.....	512
FIGURE 7-3. BRAKE PEDAL INSTALLATION.....	514
FIGURE 7-4. BRAKE PEDAL ASSEMBLY.....	516
FIGURE 7-5. BRAKE SENSOR INSTALLATION.....	518
FIGURE 7-6. SWITCH PLATE ASSEMBLY.....	520
FIGURE 7-7. PARK BRAKE INSTALLATION.....	522
FIGURE 7-8. TILT STEERING COLUMN INSTALLATION.....	524
FIGURE 7-9. TILT STEERING COLUMN.....	526
FIGURE 7-10. COLUMN SHIFT INSTALLATION (2 SPEED).....	528
FIGURE 7-11. COLUMN SHIFT INSTALLATION (0 SPEED).....	530
FIGURE 7-12. STEERING WHEEL INSTALLATION.....	532
FIGURE 7-13. STEERING WHEEL.....	534
FIGURE 7-14. HORN BUTTON INSTALLATION.....	536
FIGURE 7-15. JOYSTICK INSTALLATION (2 SPEED).....	538
FIGURE 7-16. JOYSTICK INSTALLATION.....	540
FIGURE 7-17. WIPER-TURN SWITCH INSTALLATION.....	542
SECTION 8 - HYDRAULIC CIRCUITS.....	545
FIGURE 8-1. MAIN HYDRAULIC INSTALLATION.....	546
FIGURE 8-2. BOOM HYDRAULIC LINES INSTALLATION.....	548
FIGURE 8-3. BOOM HYDRAULIC INSTALLATION.....	550
FIGURE 8-4. BOOM AUX HYDRAULIC INSTALLATION (MANUAL - SINGLE).....	552
FIGURE 8-5. BOOM AUX HYDRAULIC INSTALLATION (MANUAL - TWIN).....	554
FIGURE 8-6. BOOM AUX DIVERTER VALVE/FITINGS ASSEMBLY (MANUAL - TWIN).....	556
FIGURE 8-7. BOOM AUX HYDRAULIC INSTALLATION (HYDRAULIC - SINGLE).....	558
FIGURE 8-8. BOOM AUX DIVERTER VALVE/FITINGS ASSEMBLY (HYDRAULIC - SINGLE).....	560
FIGURE 8-9. BOOM AUX HYDRAULIC INSTALLATION (HYDRAULIC - TWIN).....	562
FIGURE 8-10. BOOM AUX DIVERTER VALVE/FITINGS ASSEMBLY (HYDRAULIC - TWIN).....	564

TABLE OF CONTENTS

FIGURE 8-11. BOOM RAISE HOSE INSTALLATION (NO RIDE CONTROL)	566
FIGURE 8-12. BOOM RAISE COUNTERBALANCE VALVE/FITTINGS ASSEMBLY (NO RIDE CONTROL)	568
FIGURE 8-13. BOOM RAISE HOSE INSTALLATION (RIDE CONTROL)	570
FIGURE 8-14. BOOM RAISE RIDE & FLOAT VALVE/FITTING ASSEMBLY (RIDE CONTROL)	572
FIGURE 8-15. CAB HYDRUALIC INSTALLATION.....	574
FIGURE 8-16. CAB HYDRUALICS CHECK VALVE INSTALLATION	576
FIGURE 8-17. CAB HYDRAULICS SOLENOID INSTALLATION.....	578
FIGURE 8-18. CAB HYDRAULICS SOLENOID FITTINGS INSTALLATION	580
FIGURE 8-19. CHARGE FILTER LINES INSTALLATION.....	582
FIGURE 8-20. CHARGE FILTER INSTALLATION	584
FIGURE 8-21. CHARGE FILTER ASSEMBLY	586
FIGURE 8-22. ENGINE BAY HYDRAULIC INSTALLATION	588
FIGURE 8-23. ENGINE BAY INCHING VALVE INSTALLATION	590
FIGURE 8-24. ENGINE BAY INCHING VALVE/FITINGS ASSEMBLY	592
FIGURE 8-25. FRAME HYDRAULIC INSTALLATION	594
FIGURE 8-26. FRAME MANIFOLD INSTALLATION.....	596
FIGURE 8-27. FRAME MANIFOLD/FITTINGS ASSEMBLY	598
FIGURE 8-28. FRAME LEVEL INSTALLATION.....	600
FIGURE 8-29. FRAME LEVEL CYLINDER INSTALLATION.....	602
FIGURE 8-30. FRAME LEVEL COUNTERBALANCE VALVE/FITTINGS ASSEMBLY	604
FIGURE 8-31. FRAME LEVEL CONTROL VALVE INSTALLATION.....	606
FIGURE 8-32. FRAME LEVEL CONTROL VALVE/FITTINGS ASSEMBLY	608
FIGURE 8-33. MAIN CONTROL VALVE INSTALLATION.....	610
FIGURE 8-34. MAIN CONTROL VALVE/FITTINGS ASSEMBLY	612
FIGURE 8-35. PRIORITY VALVE INSTALLATION	614
FIGURE 8-36. PRIORITY VALVE/FITTINGS ASSEMBLY	616
FIGURE 8-37. SPEED CONTROL VALVE INSTALLATION	618
FIGURE 8-38. SPEED CONTROL VALVE/FITTINGS ASSEMBLY	620
FIGURE 8-39. STEERING SELECT VALVE INSTALLATION.....	622
FIGURE 8-40. STEERING SELECT VALVE/FITTINGS ASSEMBLY.....	624
SECTION 9 - HYDRAULIC COMPONENTS.....	627
FIGURE 9-1. CYLINDER INSTALLATION - BOOM LIFT & COMPENSATION CYLINDER.....	628
FIGURE 9-2. CYLINDER INSTALLATION - BOOM LIFT	630
FIGURE 9-3. CYLINDER ASSEMBLY - BOOM LIFT	632
FIGURE 9-4. CYLINDER INSTALLATION - BOOM COMPENSATION	634
FIGURE 9-5. CYLINDER ASSEMBLY - BOOM COMPENSATION.....	636
FIGURE 9-6. CYLINDER INSTALLATION - BOOM EXTEND/RETRACT CYLINDER	638
FIGURE 9-7. CYLINDER ASSEMBLY - BOOM EXTEND/RETRACT CYLINDER	640
FIGURE 9-8. CYLINDER ASSEMBLY - BOOM TILT	642
FIGURE 9-9. CYLINDER ASSEMBLY - BUCKET (4 IN 1 BUCKET).....	644
FIGURE 9-10. CYLINDER ASSEMBLY - BUCKET (GRAPPLE BUCKET)	646
FIGURE 9-11. CYLINDER ASSEMBLY - CARRIAGE (LOG HANDLER CYLINDER).....	648
FIGURE 9-12. CYLINDER ASSEMBLY - COUPLER LOCKING	650
FIGURE 9-13. CYLINDER ASSEMBLY - FORK POSITIONING	652
FIGURE 9-14. CYLINDER INSTALLATION - FORK POSITIONING SIDE SHIFT	654

TABLE OF CONTENTS

FIGURE 9-15. CYLINDER ASSEMBLY - FRAME LEVEL	656
FIGURE 9-16. CYLINDER ASSEMBLY - PIPE HANDLER CARRIAGE (UPPER)	658
FIGURE 9-17. CYLINDER ASSEMBLY - PIPE HANDLER CARRIAGE (LOWER).....	660
FIGURE 9-18. MOTOR ASSEMBLY - HYDROSTATIC	662
FIGURE 9-19. PUMP ASSEMBLY - HYDROSTATIC	664
FIGURE 9-20. PUMP ASSEMBLY - IMPLEMENT	666
FIGURE 9-21. VALVE ASSEMBLY - BOOM AUX DIVERTER VALVE (HYDRAULIC - SINGLE & TWIN).....	668
FIGURE 9-22. VALVE ASSEMBLY - BOOM AUX DIVERTER VALVE (MANUAL & HYDRAULIC -TWIN)	670
FIGURE 9-23. VALVE ASSEMBLY - BOOM RAISE COUNTERBALANCE VALVE (NO RIDE CONTROL)	672
FIGURE 9-24. VALVE ASSEMBLY - BOOM RAISE RIDE & FLOAT VALVE (RIDE CONTROL).....	674
FIGURE 9-25. VALVE ASSEMBLY - BUCKET (5.23 YD ³ /4.0M ³)	676
FIGURE 9-26. VALVE ASSEMBLY - CAB HYDRAULICS CHECK VALVE	678
FIGURE 9-27. VALVE ASSEMBLY - CAB HYDRAULICS SOLENOID VALVE	680
FIGURE 9-28. VALVE ASSEMBLY - ENGINE BAY INCHING VALVE	682
FIGURE 9-29. VALVE ASSEMBLY - FRAME LEVEL CONTROL	684
FIGURE 9-30. VALVE ASSEMBLY - FRAME LEVEL COUNTERBALANCE.....	686
FIGURE 9-31. VALVE ASSEMBLY - MAIN CONTROL	688
FIGURE 9-32. VALVE ASSEMBLY - PRIORITY VALVE	690
FIGURE 9-33. VALVE ASSEMBLY - RADIATOR HOSE SHUT-OFF VALVE	692
FIGURE 9-34. VALVE ASSEMBLY - RADIATOR HOSE ASO VALVE	694
FIGURE 9-35. VALVE ASSEMBLY - SPEED CONTROL	696
FIGURE 9-36. VALVE ASSEMBLY - STEER.....	698
FIGURE 9-37. VALVE ASSEMBLY - STEERING SELECT VALVE	700
SECTION 10 - ELECTRICAL.....	703
FIGURE 10-1. ALARM INSTALLATION - BACK UP	704
FIGURE 10-2. ALARM INSTALLATION (BACK UP - WHITE NOISE)	706
FIGURE 10-3. BATTERY INSTALLATION.....	708
FIGURE 10-4. BATTERY (DUAL) INSTALLATION.....	710
FIGURE 10-5. BATTERY (ARCTIC) PACKAGE INSTALLATION (115V)	712
FIGURE 10-6. BATTERIES (ARCTIC) INSTALLATION (115V)	714
FIGURE 10-7. BATTERY (ARCTIC) PACKAGE INSTALLATION (230V)	716
FIGURE 10-8. BATTERIES (ARCTIC) INSTALLATION (230V)	718
FIGURE 10-9. BEACON INSTALLATION (LED).....	720
FIGURE 10-10. BEACON (REMOTE BOOM CONTROL) INSTALLATION	722
FIGURE 10-11. BEACON (LED) (REMOTE BOOM CONTROL) INSTALLATION.....	724
FIGURE 10-12. BOOM HARNESS INSTALLATION	726
FIGURE 10-13. BOOM HARNESS	728
FIGURE 10-14. BOOM HARNESS INSTALLATION	730
FIGURE 10-15. BOOM HARNESS	732
FIGURE 10-16. BOOM ANGLE SENSOR INSTALLATION (NO LMIS)	734
FIGURE 10-17. BOOM AUX HARNESS INSTALLATION.....	736
FIGURE 10-18. BOOM AUX HARNESS	738
FIGURE 10-19. BOOM RETRACT SENSOR INSTALLATION	740
FIGURE 10-20. BOOM RETRACT PROXIMITY SENSOR HARNESS.....	742
FIGURE 10-21. CAB ELECTRICAL INSTALLATION (PVC1911)	744

TABLE OF CONTENTS

FIGURE 10-22. CAB ELECTRICAL INSTALLATION (PVC 2005)	746
FIGURE 10-23. CAB HARNESS (PVC 1911).....	748
FIGURE 10-24. CAB HARNESS (PVC 2005).....	756
FIGURE 10-25. CAB - STANDARD ELECTRICAL BOARD ASSEMBLY.....	764
FIGURE 10-26. CAB - OPTION 1 ELECTRICAL BOARD ASSEMBLY.....	766
FIGURE 10-27. CAB - OPTION 2 ELECTRICAL BOARD ASSEMBLY.....	768
FIGURE 10-28. CAB OPTION HARNESS (PVC 1911).....	770
FIGURE 10-29. CAB OPTION HARNESS (PVC 2005).....	772
FIGURE 10-30. CAB - A/C OPTION HARNESS	774
FIGURE 10-31. CAB - DASH ELECTRICAL INSTALLATION (ULS).....	776
FIGURE 10-32. CAB - DASH ELECTRICAL INSTALLATION (LS)	778
FIGURE 10-33. CAB - IGNITION SWITCH HARNESS	780
FIGURE 10-34. CAB - LIGHT SWITCH INSTALLATION	782
FIGURE 10-35. CAB - SEAT ADAPTOR HARNESS.....	784
FIGURE 10-36. CAB - EXTERNAL EMERGENCY STOP INSTALLATION	786
FIGURE 10-37. ENGINE - ENGINE BAY ELECTRICAL INSTALLATION (ULS)	788
FIGURE 10-38. ENGINE - ENGINE BAY ELECTRICAL INSTALLATION (LS)	790
FIGURE 10-39. ENGINE - ENGINE POD ELECTRICAL INSTALLATION (ULS).....	792
FIGURE 10-40. ENGINE - ENGINE POD ELECTRICAL INSTALLATION (LS)	794
FIGURE 10-41. ENGINE - DEF PURGE LIGHT HARNESS	796
FIGURE 10-42. ENGINE - FAN (REVERSE COOLING) INSTALLATION.....	798
FIGURE 10-43. ENGINE - FAN (REVERSE COOLING) HARNESS.....	800
FIGURE 10-44. ENGINE WIRING INSTALLATION (ULS)	802
FIGURE 10-45. ENGINE WIRING INSTALLATION (MINING) (ULS)	804
FIGURE 10-46. ENGINE WIRING INSTALLATION (LS).....	806
FIGURE 10-47. ENGINE WIRING INSTALLATION (MINING) (LS).....	808
FIGURE 10-48. ENGINE HARNESS (ULS).....	810
FIGURE 10-49. ENGINE HARNESS (MINING) (ULS)	816
FIGURE 10-50. ENGINE HARNESS (LS)	822
FIGURE 10-51. ENGINE HARNESS (MINING) (LS).....	826
FIGURE 10-52. ENGINE - FUEL PUMP HARNESS	830
FIGURE 10-53. ENGINE - FUEL PUMP HARNESS (MINING) (ULS).....	832
FIGURE 10-54. ENGINE - GLOW PLUG RELAY HARNESS	834
FIGURE 10-55. ENGINE - GLOW PLUG RELAY HARNESS (MINING) (ULS).....	836
FIGURE 10-56. ENGINE ECU INSTALLATION	838
FIGURE 10-57. ENGINE - AIR SHUTOFF VALVE HARNESS	840
FIGURE 10-58. ENGINE - AIR SHUT OFF VALVE HARNESS (ENGINE)	842
FIGURE 10-59. FRAME ELECTRICAL INSTALLATION	846
FIGURE 10-60. FRAME - POWER DISTRIBUTION ELECTRICAL BOX.....	848
FIGURE 10-61. FRAME - REAR FRAME MODULE INSTALLATION (PVC 1911).....	850
FIGURE 10-62. FRAME - REAR FRAME MODULE INSTALLATION (PVC 2005).....	852
FIGURE 10-63. FRAME WIRING INSTALLATION (PVC 1911)	854
FIGURE 10-64. FRAME WIRING INSTALLATION (PVC 2005).....	856
FIGURE 10-65. FRAME WIRING INSTALLATION, MINING (ULS) (PVC 1911).....	858
FIGURE 10-66. FRAME WIRING INSTALLATION, MINING (ULS) (PVC 2005).....	860

TABLE OF CONTENTS

FIGURE 10-67. FRAME - FRONT FRAME HARNESS (PVC 1911)	862
FIGURE 10-68. FRAME - FRONT FRAME HARNESS (PVC 2005)	866
FIGURE 10-69. FRAME - FRONT FRAME HARNESS, MINING (PVC 1911)	870
FIGURE 10-70. FRAME - FRONT FRAME HARNESS, MINING (PVC 2005)	874
FIGURE 10-71. FRAME - REAR FRAME HARNESS	878
FIGURE 10-72. FRAME - REAR FRAME HARNESS, MINING	882
FIGURE 10-73. LIGHTS - BOOM WORK LIGHTS (LED)	886
FIGURE 10-74. LIGHTS - BOOM WORK LIGHT INSTALLATION (LED)	888
FIGURE 10-75. LIGHTS - BOOM WORKLIGHTS HARNESS	890
FIGURE 10-76. LIGHTS - CAB WORKLIGHTS INSTALLATION (NO A/C - LED)	892
FIGURE 10-77. LIGHTS - CAB WORKLIGHTS INSTALLATION (A/C - LED)	894
FIGURE 10-78. LIGHTS - DRIVING LIGHT INSTALLATION (LH DIP)	896
FIGURE 10-79. LIGHTS - DRIVING LIGHT INSTALLATION (RH DIP)	898
FIGURE 10-80. LIGHTS - DRIVING LIGHT BRACKET ASSEMBLY	900
FIGURE 10-81. LIGHTS - DRIVING HEADLIGHT HARNESS	902
FIGURE 10-82. LIGHTS - DRIVING LIGHT INSTALLATION (LED) (LH DIP)	904
FIGURE 10-83. LIGHTS - DRIVING LIGHT INSTALLATION (LED) (RH DIP)	906
FIGURE 10-84. LIGHTS - LICENSE PLATE LIGHT INSTALLATION	908
FIGURE 10-85. LMIS CONTROL PACKAGE INSTALLATION	910
FIGURE 10-86. LMIS TILT SENSOR INSTALLATION	912
FIGURE 10-87. LMIS - PLATFORM READY HARNESS	914
FIGURE 10-88. LMIS WIRING INSTALLATION	916
FIGURE 10-89. LMIS CHASSIS OPTION HARNESS	918
FIGURE 10-90. LMIS BOOM HARNESS	922
FIGURE 10-91. LMIS CONTROLLER INSTALLATION	924
FIGURE 10-92. LMIS CABLE REEL INSTALLATION	926
FIGURE 10-93. LMIS INSTALLATION (HIGH END DISPLAY)	928
FIGURE 10-94. LMIS BOOM ANGLE SENSOR INSTALLATION	930
FIGURE 10-95. LMIS BEACON LIGHT INSTALLATION	932
FIGURE 10-96. LMIS BEACON OPTION HARNESS	934
FIGURE 10-97. LSI INSTALLATION	936
FIGURE 10-98. LSI DISPLAY INSTALLATION	938
FIGURE 10-99. LSI SENSOR INSTALLATION	940
FIGURE 10-100. MAIN ELECTRICAL INSTALLATION (ULS)	942
FIGURE 10-101. MAIN ELECTRICAL INSTALLATION, MINING (ULS)	944
FIGURE 10-102. MAIN ELECTRICAL INSTALLATION (LS)	946
FIGURE 10-103. MAIN ELECTRICAL INSTALLATION, MINING (LS)	948
FIGURE 10-104. RALP PLATFORM HARNESS	950
FIGURE 10-105. REVERSE CAMERA INSTALLATION	952
FIGURE 10-106. REVERSE SENSOR INSTALLATION	954
FIGURE 10-107. REVERSE SENSOR HARNESS	956
FIGURE 10-108. RIDE CONTROL WIRING INSTALLATION	958
FIGURE 10-109. RIDE CONTROL HARNESS (BOOM)	960
FIGURE 10-110. SPEED HARNESS (VEHICLE SPEED)	962
FIGURE 10-111. TANK HEATER INSTALLATION - HYDRAULIC TANK (115V)	964

TABLE OF CONTENTS

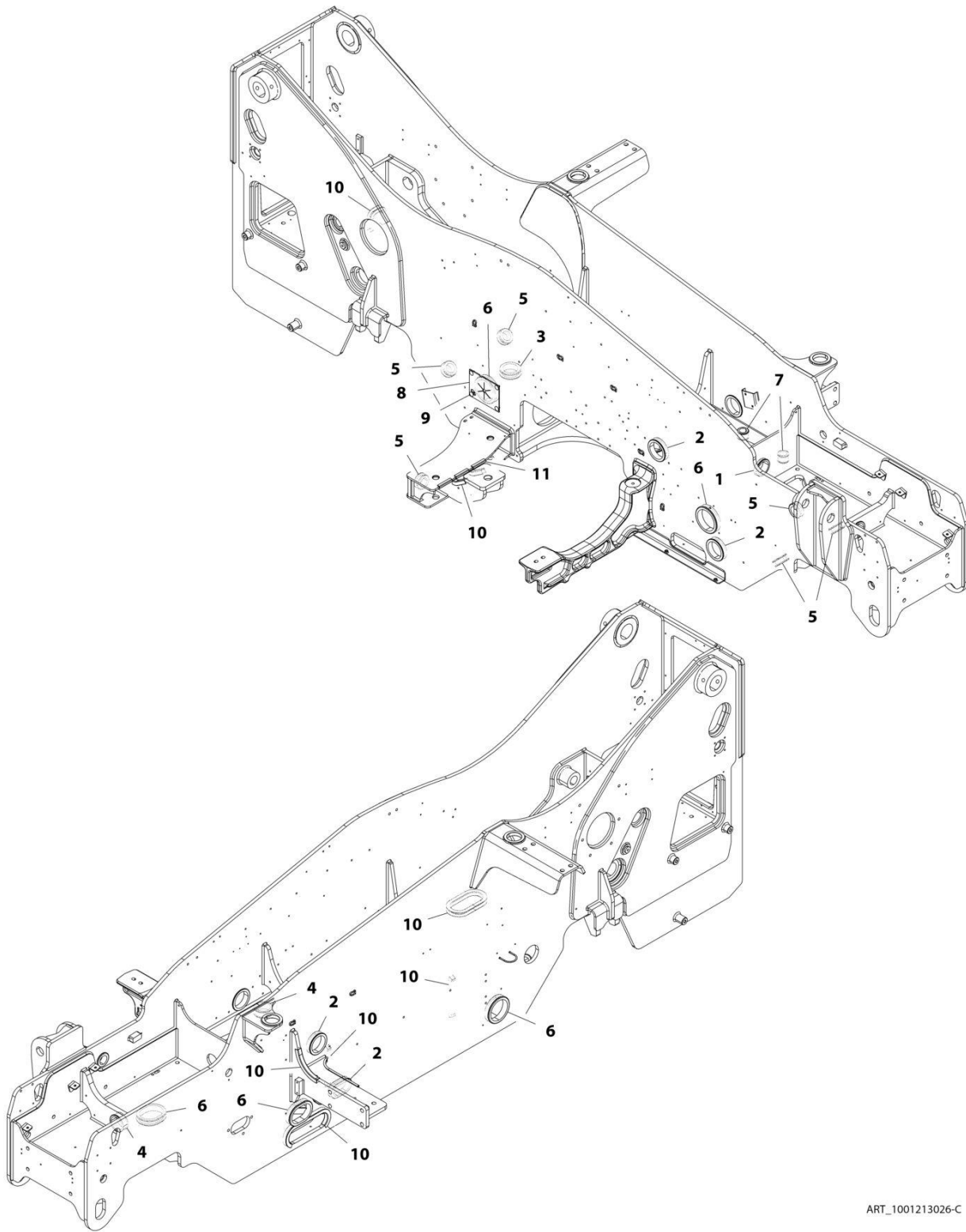
FIGURE 10-112. TANK HEATER INSTALLATION - HYDRAULIC TANK (230V)	966
FIGURE 10-113. TELEMATICS (CLEARSKY) INSTALLATION 3-WIRE (CE)	968
FIGURE 10-114. TELEMATICS HARNESS	970
FIGURE 10-115. TELEMATICS (CLEARSKY) INSTALLATION (4G CANBUS)	972
FIGURE 10-116. TELEMATICS (CLEARSKY) INSTALLATION (3G CANBUS) (CE)	974
FIGURE 10-117. TELEMATIC 4WARD HARNESS (CLEARSKY 2)	976
FIGURE 10-118. TELEMATICS OPTION HARNESS.....	978
FIGURE 10-119. TELEMATICS ADAPTER HARNESS	980
FIGURE 10-120. TELEMATICS READY INSTALLATION.....	982
FIGURE 10-121. TELEMATICS READY HARNESS	984
SECTION 11 - DECALS.....	987
FIGURE 11-1. 7013H DECAL INSTALLATION	988
FIGURE 11-2. DECALS INSTALLATION (ULS ISO).....	990
FIGURE 11-3. DECALS INSTALLATION (LS ISO)	994
FIGURE 11-4. DECALS INSTALLATION (LS AUS)	998
FIGURE 11-5. DECALS INSTALLATION (LS CIS).....	1002
FIGURE 11-6. CAPACITY CHART (ANSI METRIC) (ULS & LS) (AFRICA, APAC, CIS, JAPAN, LATIN AMERICA MID-EAST SPECS)	1006
FIGURE 11-7. CAPACITY CHART HOLDER INSTALLATION	1008
FIGURE 11-8. CLEARSKY DECAL INSTALLATION.....	1010
FIGURE 11-9. REVERSE SENSOR SYSTEM DECAL	1012
SECTION 12 - RECOMMENDED SERVICE PARTS STOCK	1015
FIGURE 12-1. RECOMMENDED SERVICE PARTS STOCK	1016
SECTION 13 - SPECIAL OPTIONS.....	1019
FIGURE 13-1. SPECIAL OPTIONS.....	1020
PART NUMBER INDEX	1023

SECTION 1 - FRAME AND ATTACHING PARTS

SECTION 1 - FRAME AND ATTACHING PARTS

SECTION 1 - FRAME AND ATTACHING PARTS

FIGURE 1-1. GROMMETS INSTALLATION



ART_1001213026-C

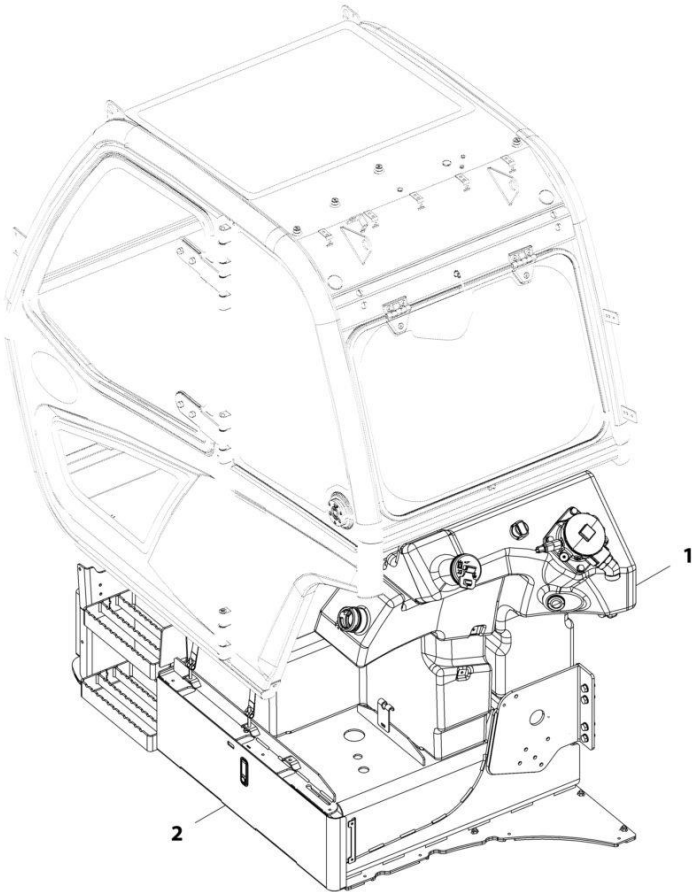
SECTION 1 - FRAME AND ATTACHING PARTS

FIGURE 1-1. GROMMETS INSTALLATION

ITEM	PART NUMBER	QTY	DESCRIPTION	REV
	1001213026	Ref	Grommets Installation	C
1	1001009018	1	Grommet	
2	1001028264	4	Grommet	
3	1001028291	1	Grommet	
4	1001028306	2	Grommet	
5	1001028308	6	Grommet	
6	1001028377	5	Grommet	
7	1001028400	2	Grommet	
8	1001175347	1	Grommet	
9	1001180306	4	Screw	
10	4060919	2030 mm	Trim,Hose Protection	
11	90206202	270 mm	Trim Lock	

SECTION 1 - FRAME AND ATTACHING PARTS

FIGURE 1-2. TANKS INSTALLATION



ART_1001185927-C

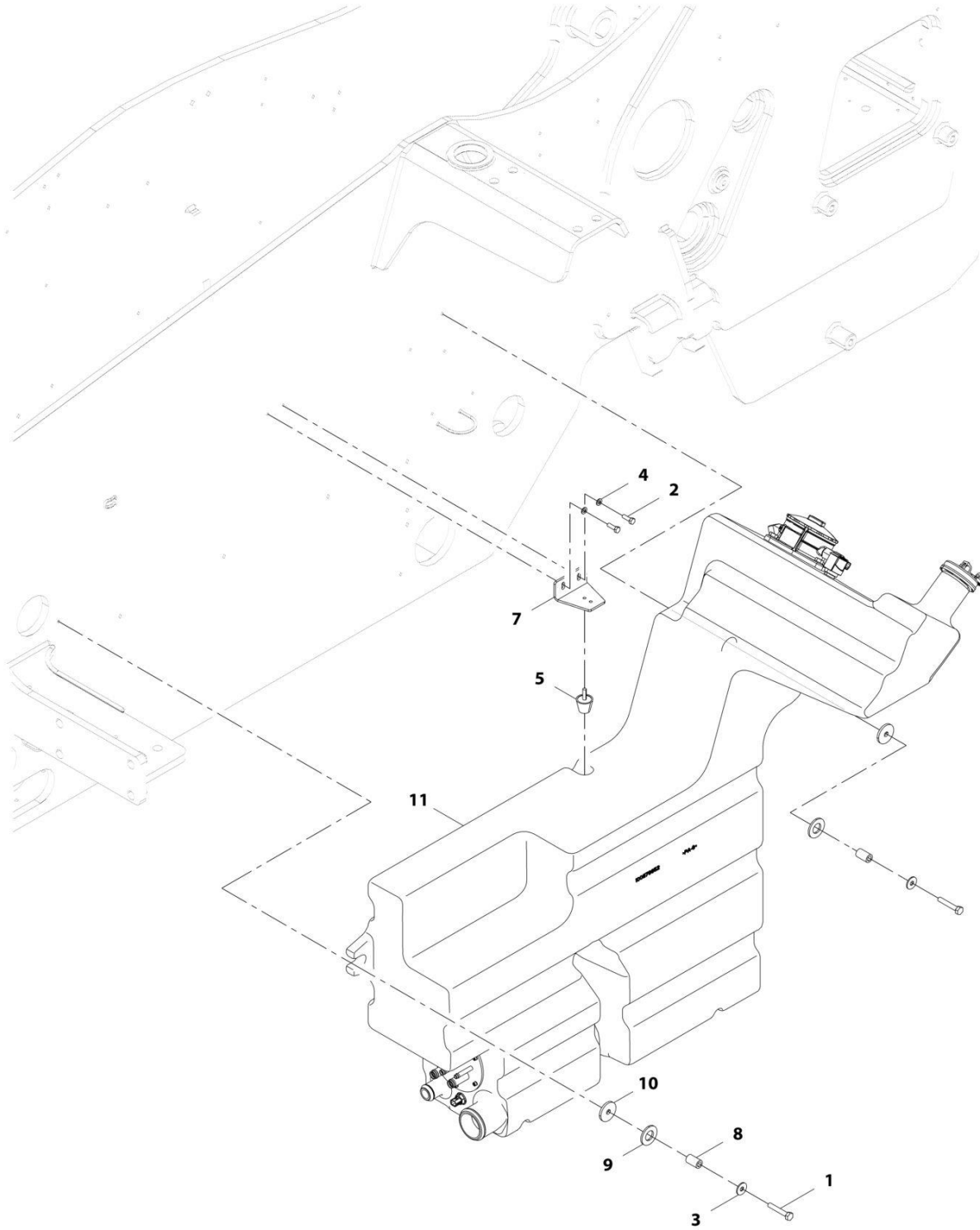
SECTION 1 - FRAME AND ATTACHING PARTS

FIGURE 1-2. TANKS INSTALLATION

ITEM	PART NUMBER	QTY	DESCRIPTION	REV
1	1001185927	Ref	Tank Installation	C
	1001179850	Ref	Installation, Hydraulic Tank (See Separate Breakdown in this Section)	
2	1001185929	Ref	Installation, Fuel Tank (See Separate Breakdown in this Section)	

SECTION 1 - FRAME AND ATTACHING PARTS

FIGURE 1-3. HYDRAULIC TANK INSTALLATION



ART_1001179850-C

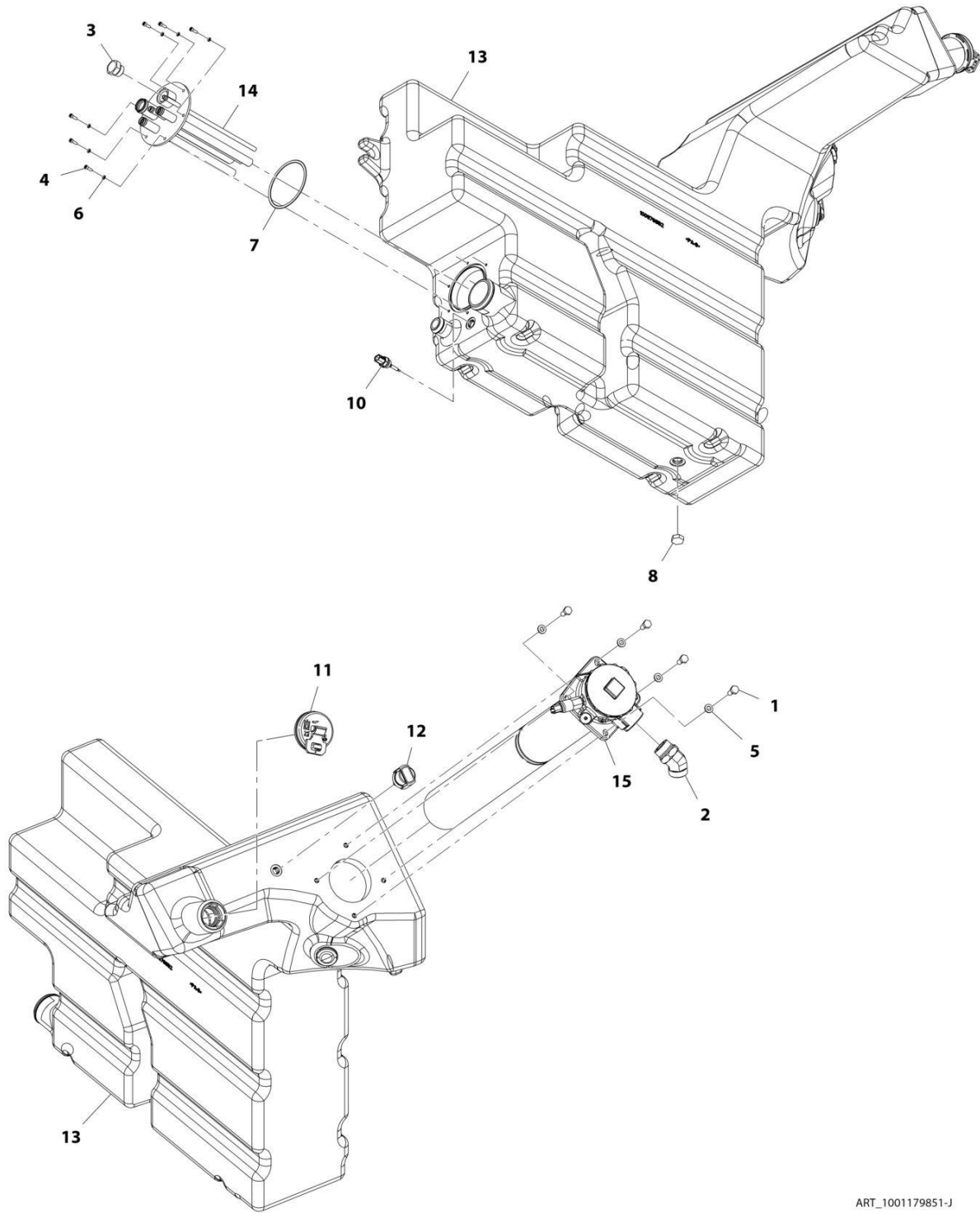
SECTION 1 - FRAME AND ATTACHING PARTS

FIGURE 1-3. HYDRAULIC TANK INSTALLATION

ITEM	PART NUMBER	QTY	DESCRIPTION	REV
	1001179850	Ref	Hydraulic Tank Installation	C
1	0701020	2	Bolt, M10X60	
2	0760812	2	Bolt, M8X25	
3	4812002	2	Washer, M10	
4	4811900	2	Washer, M8	
5	1001008575	1	Bumper, Conical	
7	1001177082	1	Bracket	
8	1001171179	2	Spacer	
9	1001172146	2	Washer, Rubber	
10	1001172147	2	Washer, M10	
11	1001179851	1	Assembly, Hydraulic Tank (See Separate Breakdown in this Section)	

SECTION 1 - FRAME AND ATTACHING PARTS

FIGURE 1-4. HYDRAULIC TANK ASSEMBLY



ART_1001179851-J

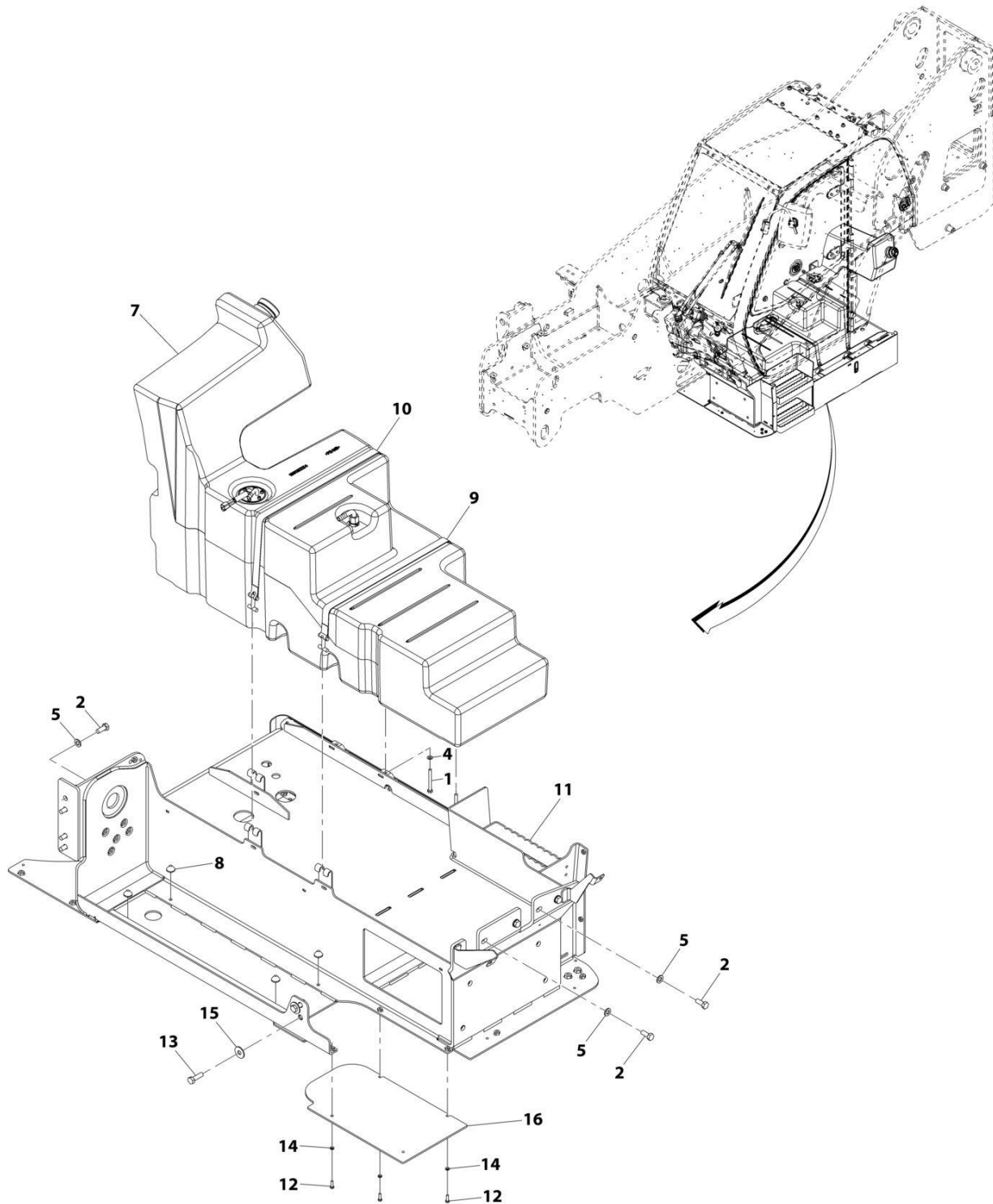
SECTION 1 - FRAME AND ATTACHING PARTS

FIGURE 1-4. HYDRAULIC TANK ASSEMBLY

ITEM	PART NUMBER	QTY	DESCRIPTION	REV
	1001179851	Ref	Hydraulic Tank Assembly	J
1	0761012	4	Bolt, M10X25	
2	2152020	1	Fitting, 45 ORFS	
3	2220240	1	Fitting, Straight	
4	4031607	6	Bolt, M5-.8X16	
5	4812000	4	Washer, M10	
6	4831600	6	Washer, Lock M5	
7	1001003301	1	Seal O-Ring	
8	2220239	1	Plug	
10	1001128478	1	Sensor	
11	1001194981	1	Cap, Hydraulic	
12	1001162662	1	Filter, Breather	
13	1001179852	1	Tank, Hydraulic	
14	1001191157	1	Manifold, Hydraulic Return	
15	1001191163	1	Filter	
15	1001191685	1	Element, Filter	

SECTION 1 - FRAME AND ATTACHING PARTS

FIGURE 1-5. FUEL TANK INSTALLATION



ART_1001185929-G

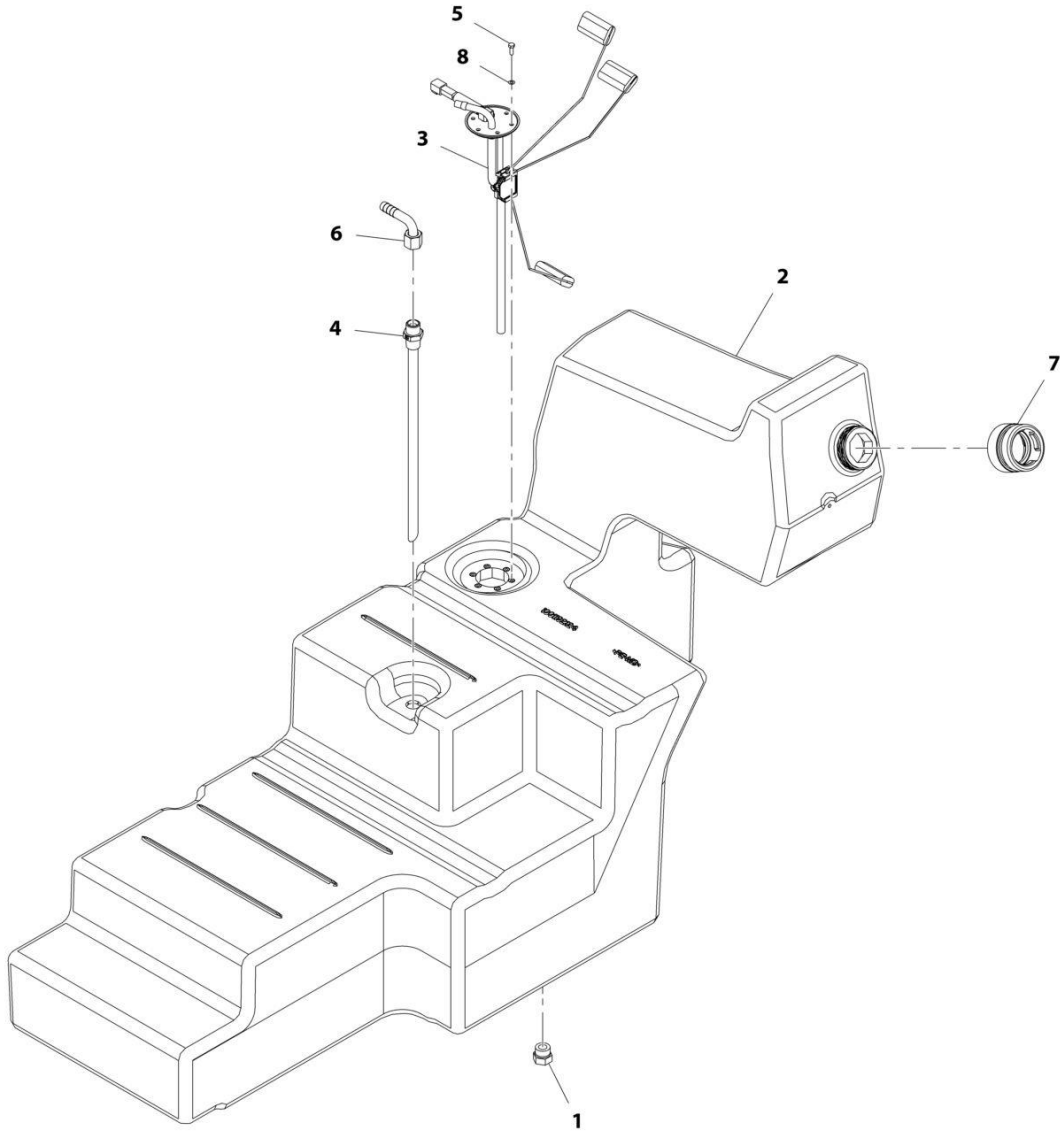
SECTION 1 - FRAME AND ATTACHING PARTS

FIGURE 1-5. FUEL TANK INSTALLATION

ITEM	PART NUMBER	QTY	DESCRIPTION	REV
	1001185929	Ref	Fuel Tank Installation	G
1	0760823	2	Bolt, M8X75	
2	0761214	8	Bolt, M12X30	
4	4811900	2	Washer, M8	
5	4812100	8	Washer, M12	
7	1001192125	1	Assembly, Fuel Tank (See Separate Breakdown in this Section)	
8	1001169454	4	Buffer	
9	1001178474	1	Strap	
10	1001178693	1	Strap	
11	1001185930	1	Installation, Tank Support (See Separate Breakdown in this Section)	
12	0700610	3	Bolt, M6X20	
13	0701216	2	Bolt, M12X40	
14	4811700	3	Washer, M6	
15	4812102	2	Washer, M12	
16	1001197480	1	Plate	

SECTION 1 - FRAME AND ATTACHING PARTS

FIGURE 1-6. FUEL TANK ASSEMBLY



ART_1001192125-C

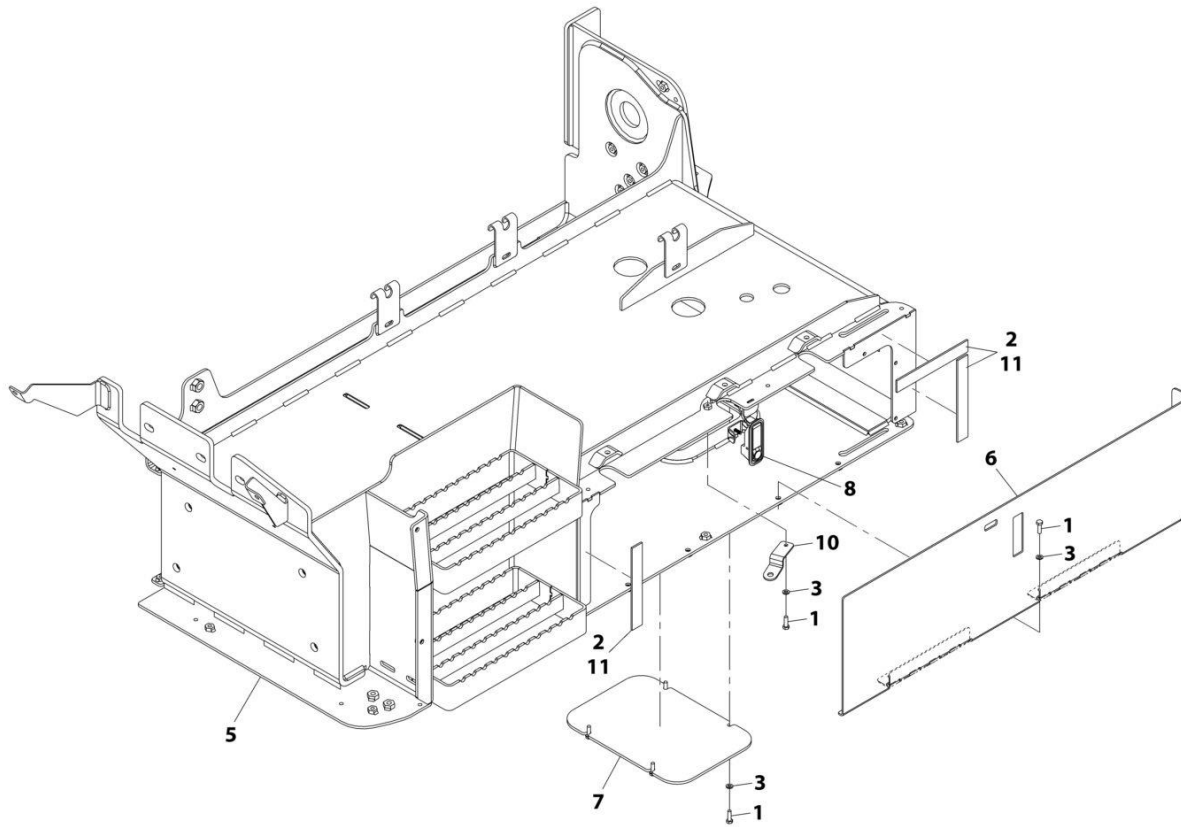
SECTION 1 - FRAME AND ATTACHING PARTS

FIGURE 1-6. FUEL TANK ASSEMBLY

ITEM	PART NUMBER	QTY	DESCRIPTION	REV
	1001192125	Ref	FUEL TANK ASSEMBLY	C
1	1001003427	1	Plug	
2	1001192124	1	Tank, Fuel	
3	1001222188	1	Pump, Fuel	
4	1001170106	1	Pipe, Fuel Supply	
5	4031607	6	Bolt, M5X16	
6	1001172693	1	Fitting, 90	
7	1001192392	1	Adapter	
8	1001222190	6	Washer	

SECTION 1 - FRAME AND ATTACHING PARTS

FIGURE 1-7. TANK SUPPORT INSTALLATION



ART_1001185930-K

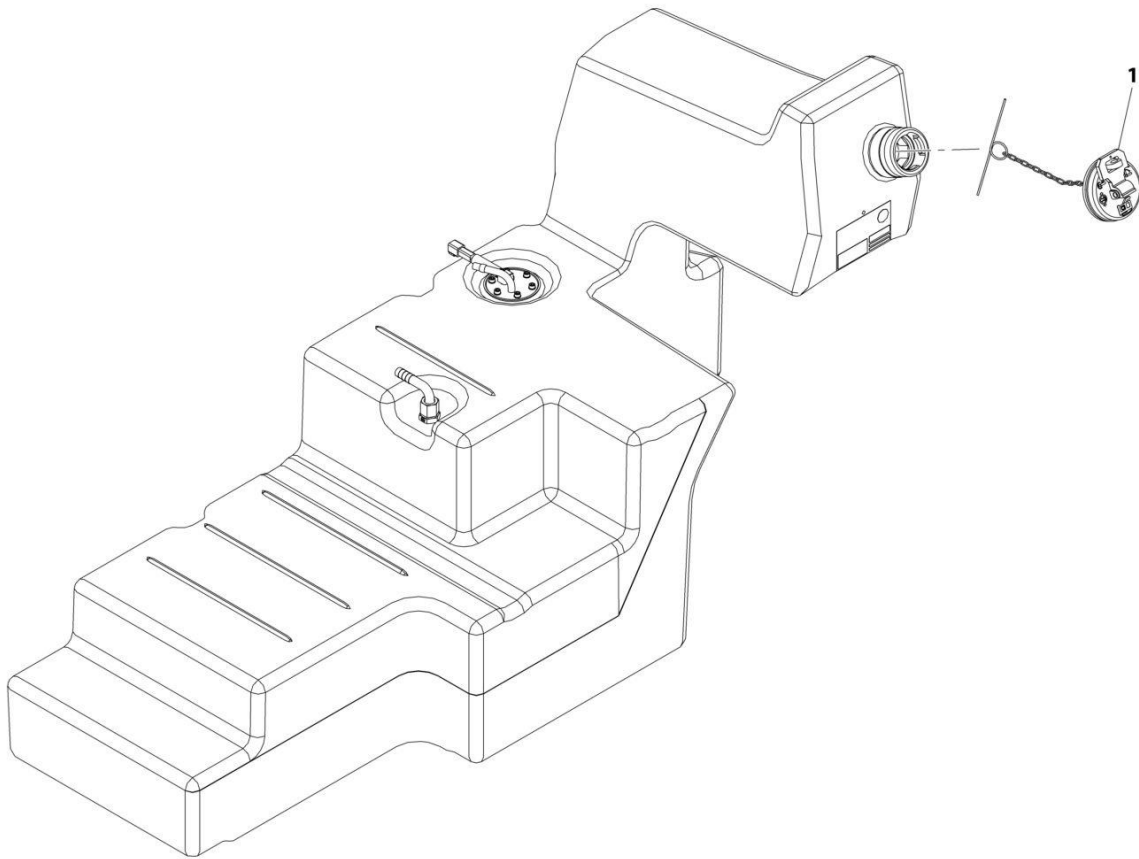
SECTION 1 - FRAME AND ATTACHING PARTS

FIGURE 1-7. TANK SUPPORT INSTALLATION

ITEM	PART NUMBER	QTY	DESCRIPTION	REV
	1001185930	Ref	Tank Support Installation	K
1	0700610	9	Bolt, M6X20	
2	4280307	3	Strip	
3	4811700	9	Washer, M6	
5	1001185931	1	Plate, Support	
6	1001185933	1	Cover	
7	1001185935	1	Cover	
8	1001189246	1	Latch, Locking	
10	1001197481	1	Plate	
11	0100081	AR	Compound, Locking	

SECTION 1 - FRAME AND ATTACHING PARTS

FIGURE 1-8. LOCKING FUEL CAP



ART_1001194980

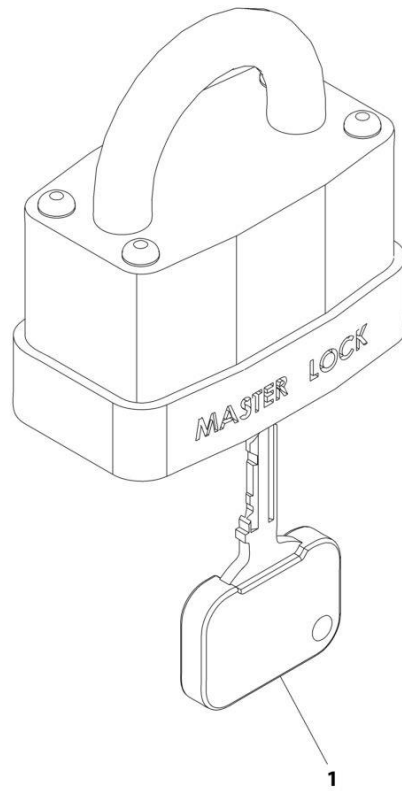
SECTION 1 - FRAME AND ATTACHING PARTS

FIGURE 1-8. LOCKING FUEL CAP

ITEM	PART NUMBER	QTY	DESCRIPTION	REV
1	1001194980	Ref	Locking Fuel Cap	A

SECTION 1 - FRAME AND ATTACHING PARTS

FIGURE 1-9. PAD LOCK



ART_1001102157-A

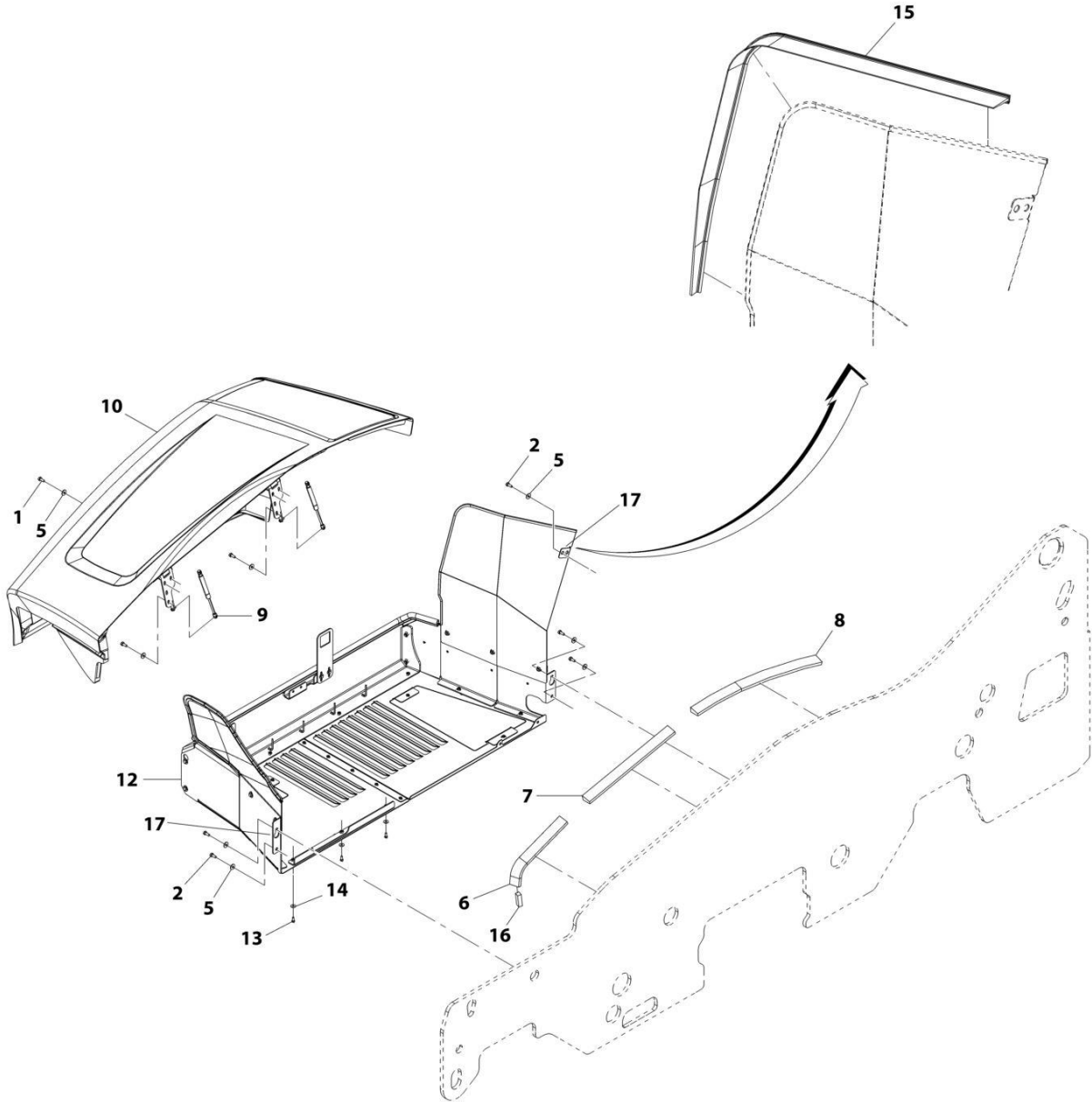
SECTION 1 - FRAME AND ATTACHING PARTS

FIGURE 1-9. PAD LOCK

ITEM	PART NUMBER	QTY	DESCRIPTION	REV
1	1001102157 8342813	Ref 1	Pad Lock Key	A

SECTION 1 - FRAME AND ATTACHING PARTS

FIGURE 1-10. ENGINE ENCLOSURE & HOOD INSTALLATION



ART_1001192318-K

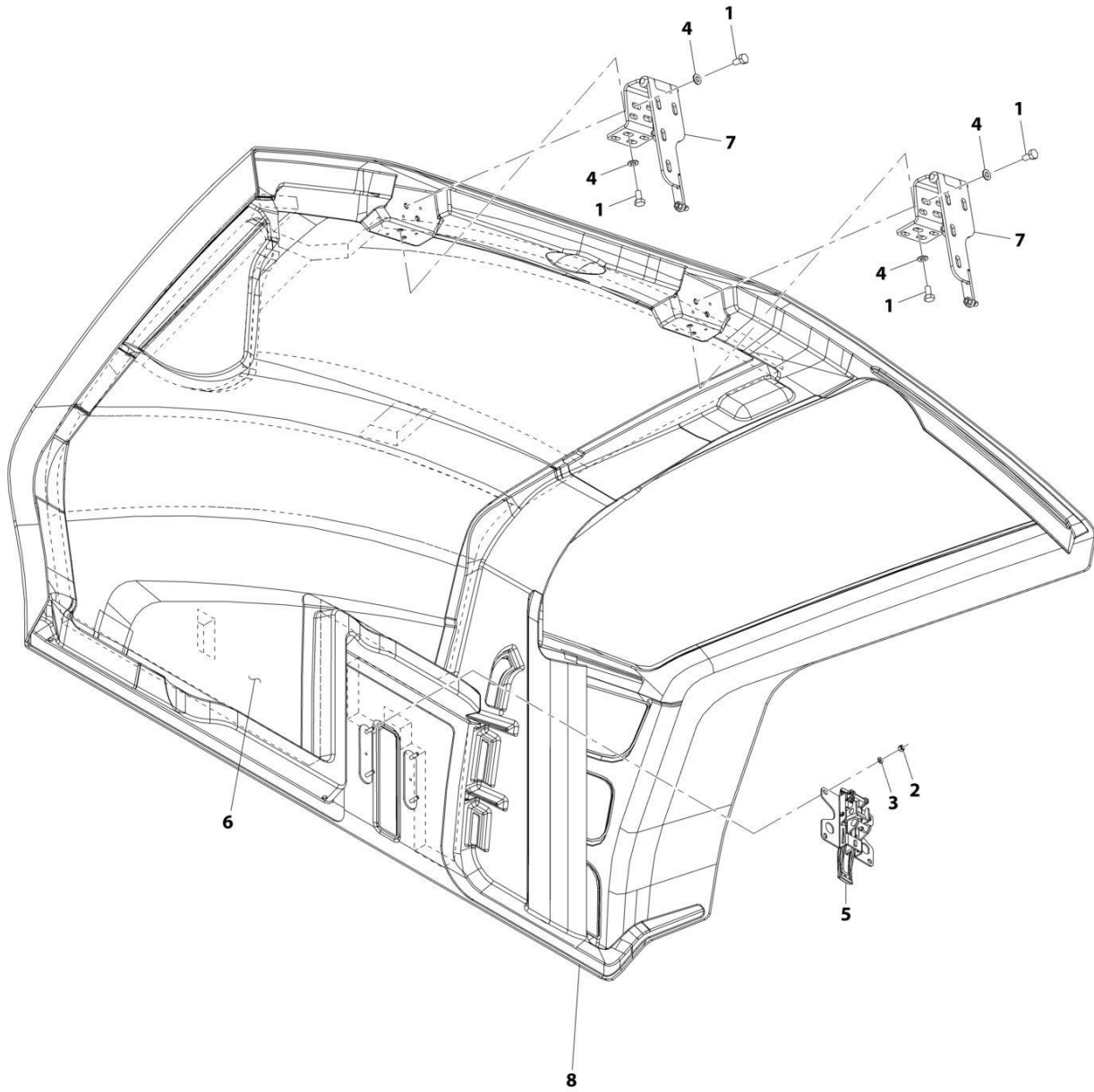
SECTION 1 - FRAME AND ATTACHING PARTS

FIGURE 1-10. ENGINE ENCLOSURE & HOOD INSTALLATION

ITEM	PART NUMBER	QTY	DESCRIPTION	REV
	1001192318	Ref	Engine Enclosure Installation	K
1	0761010	1	Bolt, M10X20	
2	0761012	11	Bolt, M10X25	
5	4812002	12	Washer, M10	
6	1001203932	1	Seal	
7	1001203933	1	Seal	
8	1001203934	1	Seal	
9	1001171885	2	Spring, Gas	
10	1001235965	1	Assembly, Engine Hood (See Separate Breakdown in this Section)	
12	1001192622	1	Assembly, Engine Enclosure (See Separate Breakdown in this Section)	
13	0760810	3	Bolt, M8X20	
14	4811902	3	Washer, M8	
15	1001197339	1	Seal	
16	1001229609	1	Seal, Foam Gasket	
17	1001241836	AR	Shim	

SECTION 1 - FRAME AND ATTACHING PARTS

FIGURE 1-11. ENGINE HOOD ASSEMBLY



ART_1001235965-A

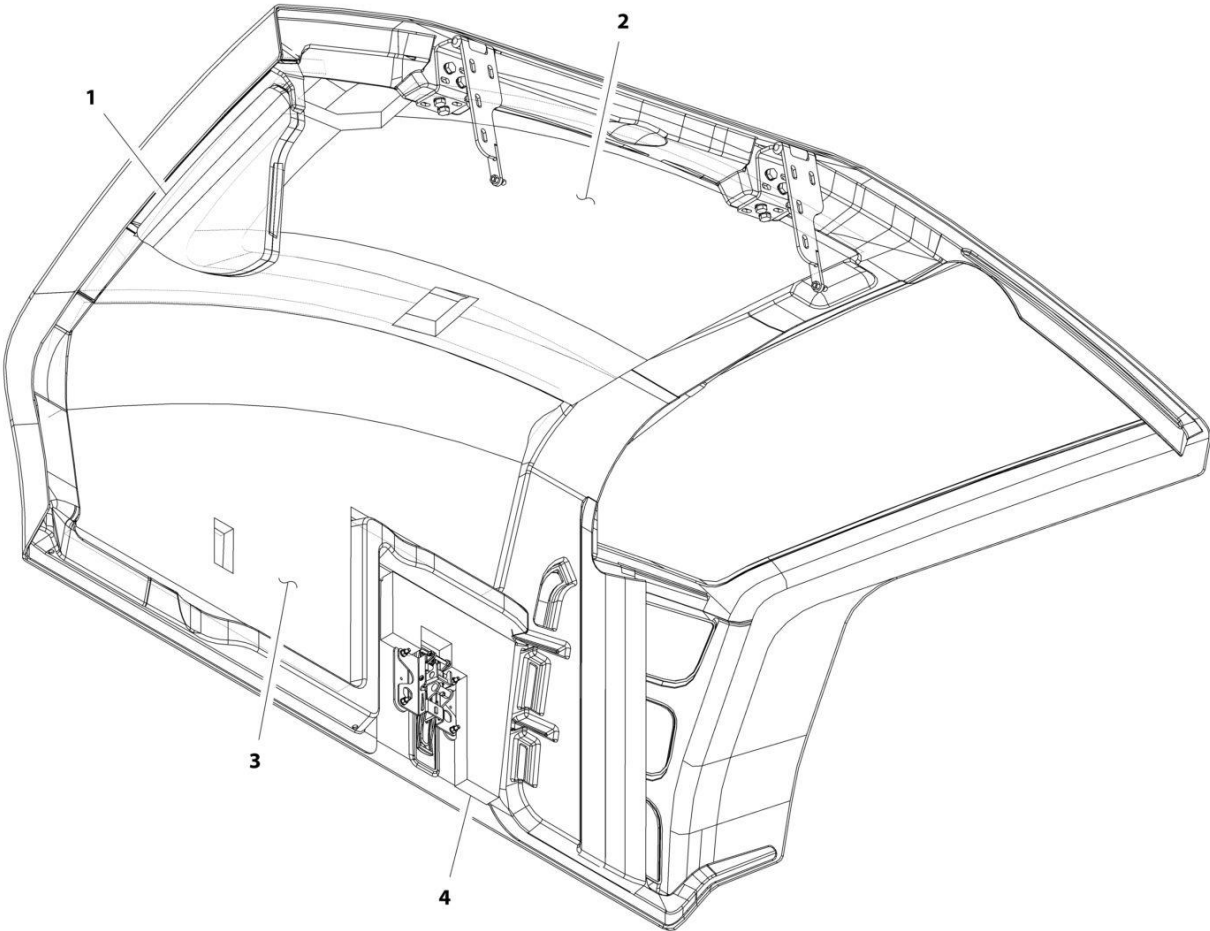
SECTION 1 - FRAME AND ATTACHING PARTS

FIGURE 1-11. ENGINE HOOD ASSEMBLY

ITEM	PART NUMBER	QTY	DESCRIPTION	REV
	1001235965	Ref	Engine Hood Assembly	A
1	0761010	8	Bolt, M10X20	
2	3290605	4	Nut, Lock M6X1	
3	4811700	4	Washer, M6	
4	4812000	8	Washer, M10	
5	1001132168	1	Latch, Hood	
6	1001172110	1	Installation, Engine Hood Insulation (See Separate Breakdown in this Section)	
7	1001209387	2	Hinge	
8	1001234455	1	Hood	

SECTION 1 - FRAME AND ATTACHING PARTS

FIGURE 1-12. ENGINE HOOD INSULATION INSTALLATION



ART_1001172110-G

SECTION 1 - FRAME AND ATTACHING PARTS

FIGURE 1-12. ENGINE HOOD INSULATION INSTALLATION

ITEM	PART NUMBER	QTY	DESCRIPTION	REV
	1001172110	Ref	Engine Hood Insulation Installation	G
1	1001172112	1	Insulation, Front	
2	1001172113	1	Insulation, Top	
3	1001172114	1	Insulation, Side	
4	1001172115	1	Insulation, Hood Latch	

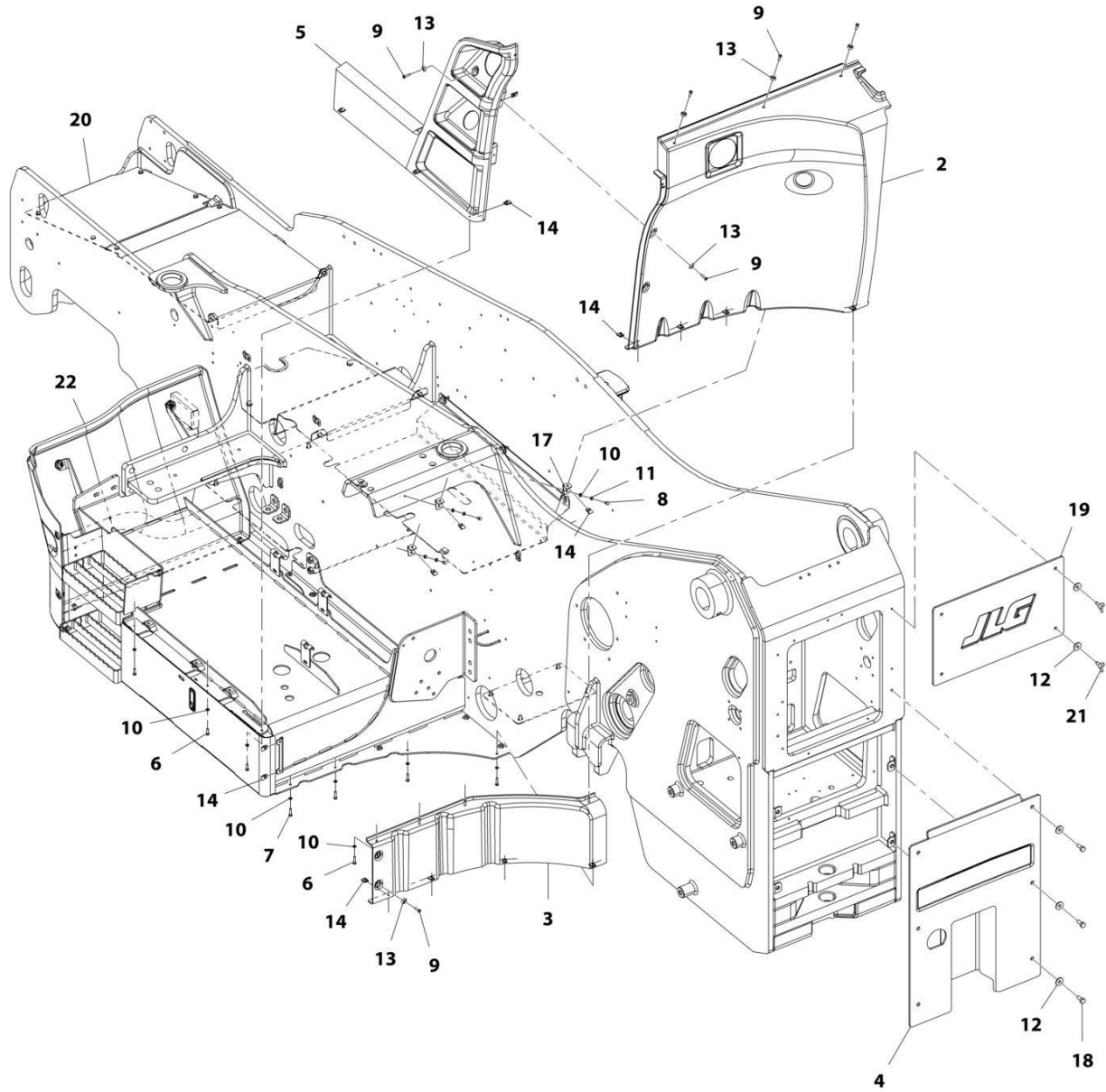
SECTION 1 - FRAME AND ATTACHING PARTS

FIGURE 1-13. ENGINE ENCLOSURE ASSEMBLY

ITEM	PART NUMBER	QTY	DESCRIPTION	REV
	1001192622	Ref	Engine Enclosure Assembly	I
1	0700814	2	Bolt, M8X30	
2	0701014	4	Bolt, M10X30	
3	0760807	5	Bolt, M8X14	
4	0761010	6	Bolt, M10X20	
5	4811902	19	Washer, M8	
7	1001003227	1573 mm	Seal	
8	1001204486	1785 mm	Seal	
9	1001209388	1	Latch, Hood	
10	1001169265	1	Plate, Access Panel	
11	1001219115	1	Panel, Front Wheel	
12	1001192627	1	Panel, Rear Cover	
19	0760808	12	Bolt, M8X16	
20	4812002	10	Washer, M10	
21	1001008999	1381 mm	Trim, Edge	
101	1001192631	1	Panel, Bottom Cover	
102	1001194969	1	Panel, Access	
103	1001219250	1	Panel, Bottom Front Cover	
201	1001192623J	1	Panel, Side Skirt	
202	1001224450J	1	Panel, Rear Skirt	
203	1001219113J	1	Panel, Front Skirt	

SECTION 1 - FRAME AND ATTACHING PARTS

FIGURE 1-14. COVER INSTALLATION (ULS)



ART_1001184869-J

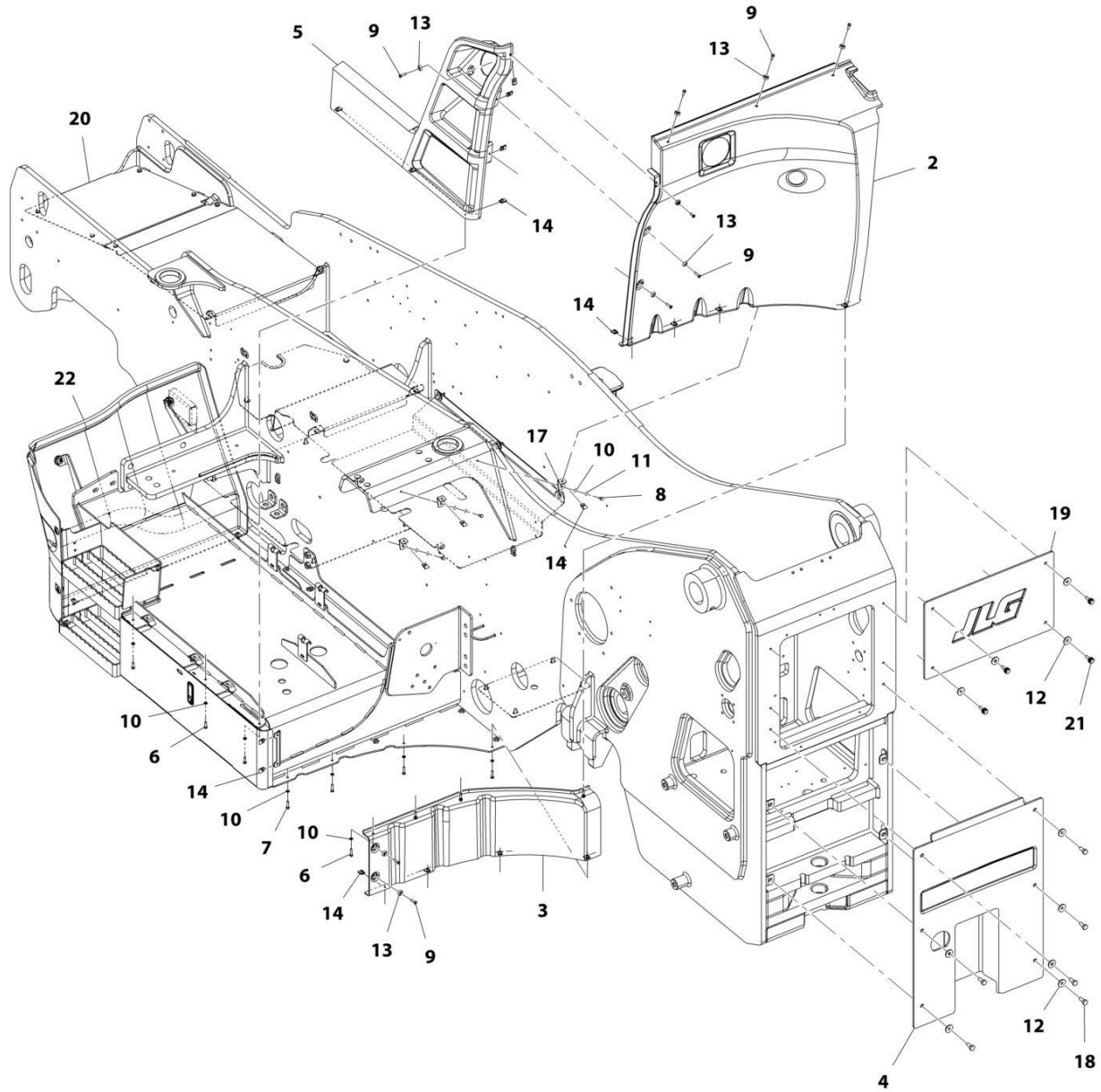
SECTION 1 - FRAME AND ATTACHING PARTS

FIGURE 1-14. COVER INSTALLATION (ULS)

ITEM	PART NUMBER	QTY	DESCRIPTION	REV
	1001184869	Ref	Cover Installation (ULS)	J
2	1001184872	1	Cover, Rear Tank	
3	1001184874	1	Cover, Lower Rear Tank	
4	1001213834	1	Cover, Rear Frame	
5	1001168758	1	Cover, Side Tank	
6	0700610	7	Bolt, M6X20	
7	0700612	4	Bolt, M6X25	
8	0760607	3	Bolt, M6X14	
9	0630576	9	Screw, M6X20	
10	4811700	14	Washer, M6	
11	4831700	3	Washer, Lock M6	
12	4812002	10	Washer, M10	
13	1001097540	9	Washer, M6	
14	1001130220	19	Nut, M6	
17	1001231385	3	Plate, Angle Mount	
18	0761012	6	Bolt, M10X25	
19	1001213833	1	Cover, Rear Frame	
20	1001198307	1	Installation, Frame Cover (See Separate Breakdown in this Section)	
21	1001250708	4	Bolt, M8X20	
22	1001201848	1	Installation, Front Lower Cover (See Separate Breakdown in this Section)	

SECTION 1 - FRAME AND ATTACHING PARTS

FIGURE 1-15. COVER INSTALLATION (LS)



ART_1001184870-I

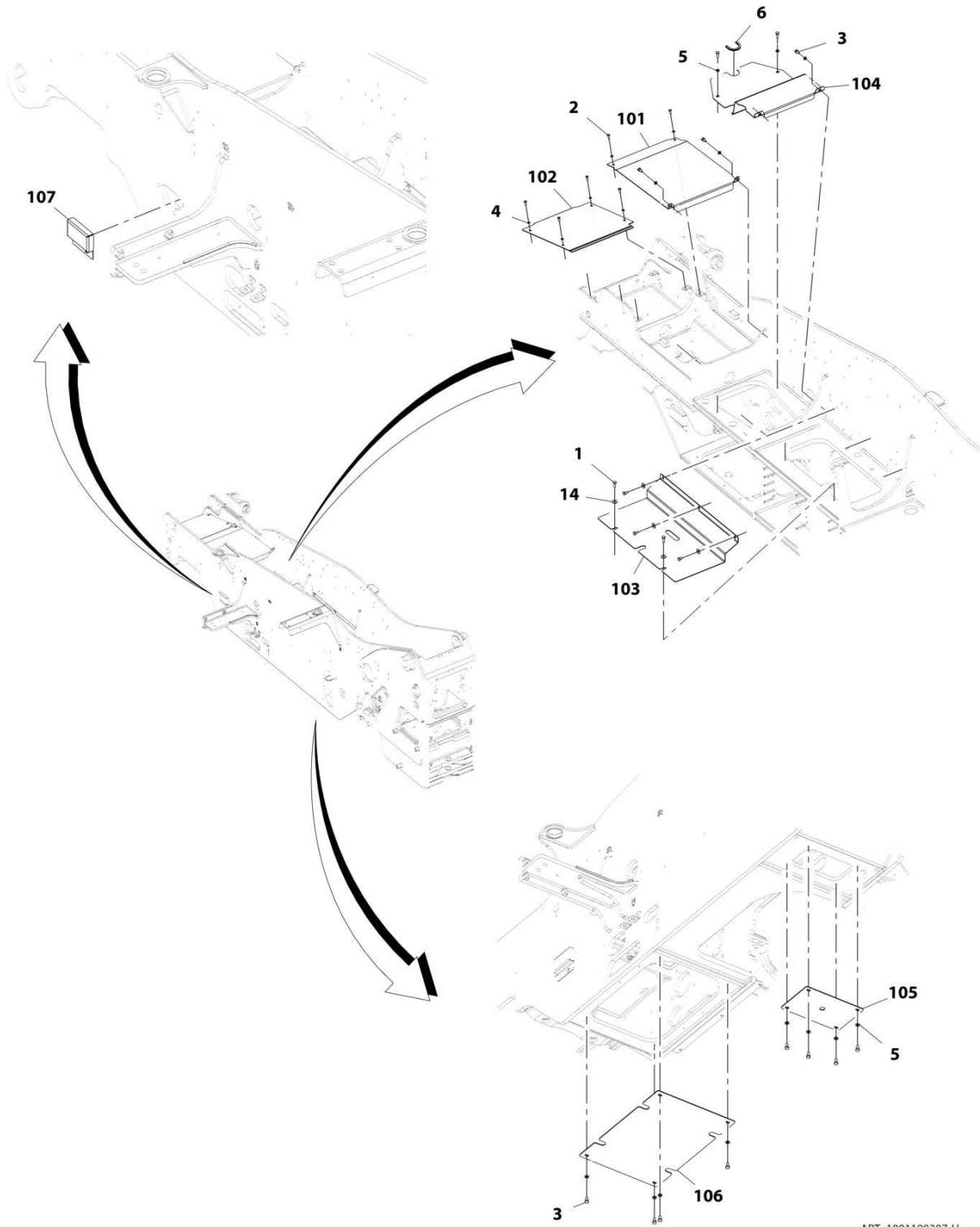
SECTION 1 - FRAME AND ATTACHING PARTS

FIGURE 1-15. COVER INSTALLATION (LS)

ITEM	PART NUMBER	QTY	DESCRIPTION	REV
	1001184870	Ref	Cover Installation (LS)	J
2	1001184872	1	Cover, Rear Tank	
3	1001184874	1	Cover, Lower Rear Tank	
4	1001213834	1	Cover, Rear Frame	
5	1001172829	1	Cover, Side Tank	
6	0700610	7	Bolt, M6X20	
7	0700612	4	Bolt, M6X25	
8	0760607	3	Bolt, M6X14	
9	0630576	9	Screw, M6X20	
10	4811700	14	Washer, M6	
11	4831700	3	Washer, Lock M6	
12	4812002	10	Washer, M10	
13	1001097540	9	Washer, M6	
14	1001130220	19	Nut, M6	
17	1001231385	3	Plate, Angle Mount	
18	0761012	6	Bolt, M10X25	
19	1001213833	1	Cover, Rear Frame	
20	1001198307	Ref	Installation, Frame Cover (See Separate Breakdown in this Section)	
21	1001250708	4	Bolt M8 x 20	
22	1001201848	Ref	Installation, Front Lower Cover (See Separate Breakdown in this Section)	

SECTION 1 - FRAME AND ATTACHING PARTS

FIGURE 1-16. FRAME COVER INSTALLATION



ART_1001198307-H

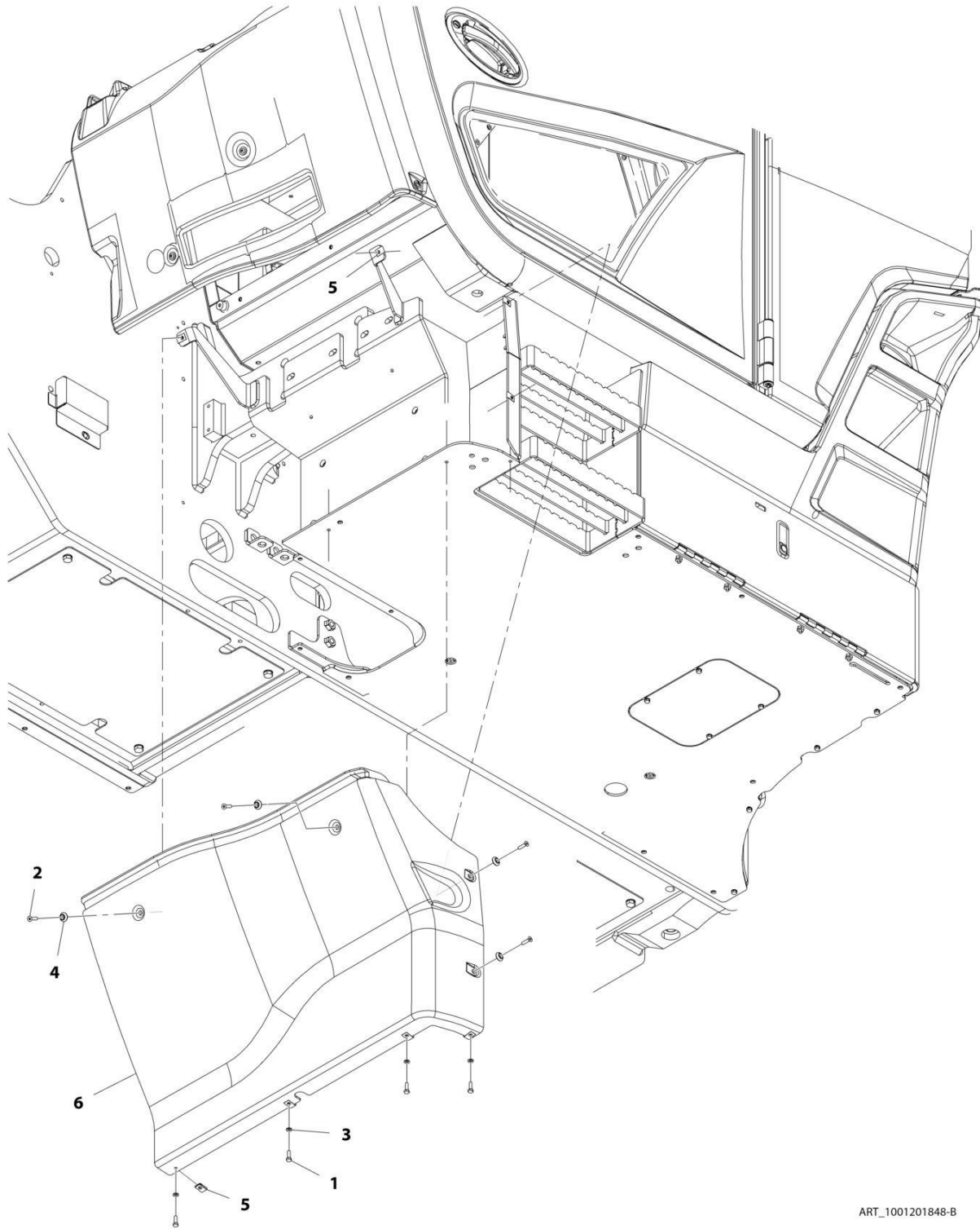
SECTION 1 - FRAME AND ATTACHING PARTS

FIGURE 1-16. FRAME COVER INSTALLATION

ITEM	PART NUMBER	QTY	DESCRIPTION	REV
	1001198307	Ref	Frame Cover Installation	H
1	0701014	4	Bolt, M10X30	
2	0760810	6	Bolt, M8X20	
3	0761010	15	Bolt, M10X20	
4	4811900	6	Washer, M8	
5	4812000	14	Washer, M10	
6	90206196	0.15 m	Gasket	
14	4812002	5	Washer, M10	
101	1001197056	1	Cover, Battery	
102	1001197057	1	Plate, Valve Cover	
103	1001197733	1	Plate, Frame Cover	
104	1001197734	1	Plate, Frame Cover	
105	1001211899	1	Plate, Frame Cover	
106	1001211900	1	Plate, Frame Cover	
107	1001218694	1	Cover	

SECTION 1 - FRAME AND ATTACHING PARTS

FIGURE 1-17. FRONT LOWER COVER INSTALLATION



ART_1001201848-B

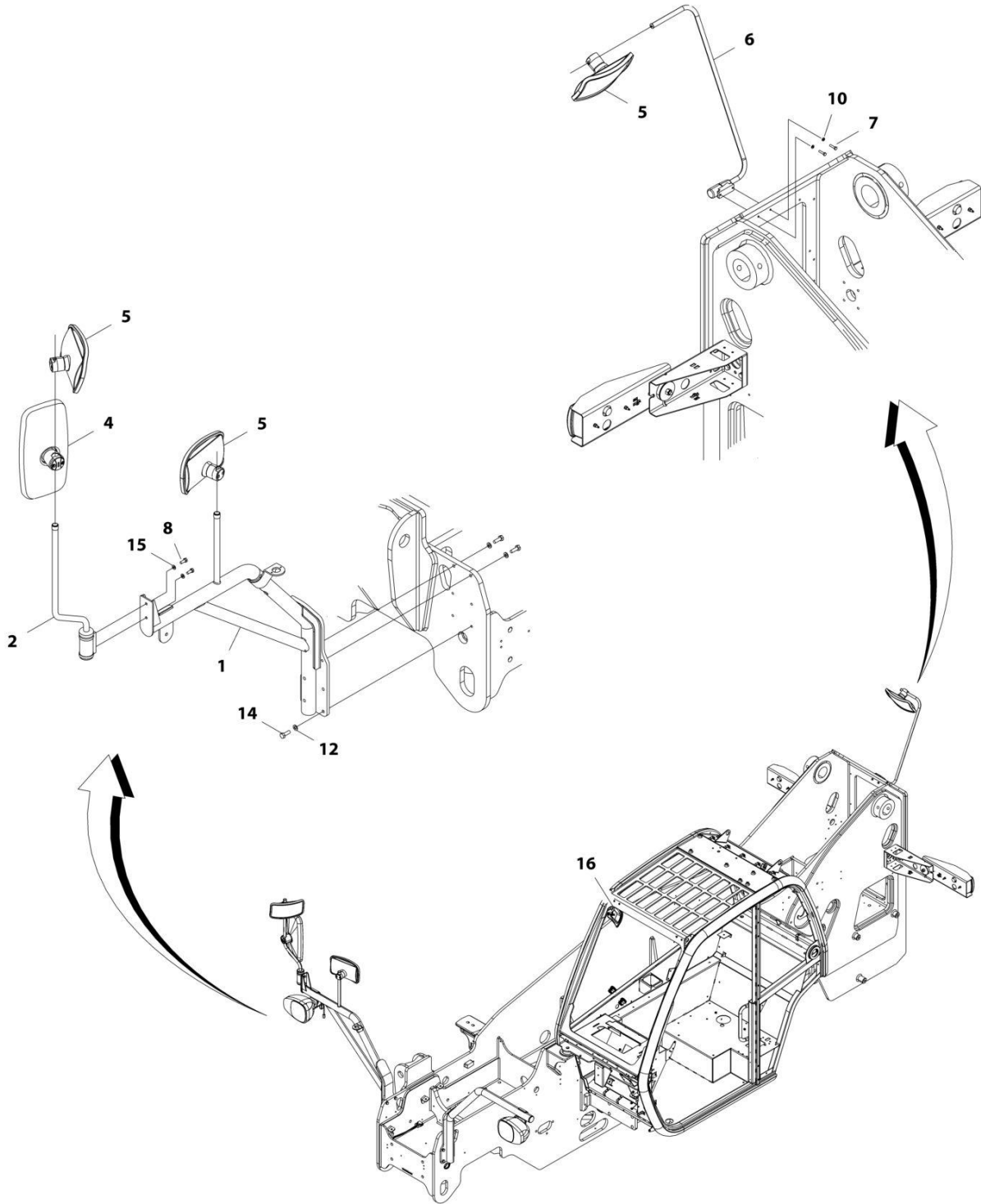
SECTION 1 - FRAME AND ATTACHING PARTS

FIGURE 1-17. FRONT LOWER COVER INSTALLATION

ITEM	PART NUMBER	QTY	DESCRIPTION	REV
	1001201848	Ref	Front Lower Cover Installation	B
1	0700610	4	Bolt, M6X20	
2	3900379	4	Screw, M6-1.00X25	
3	4811700	4	Washer, M6	
4	1001097540	4	Washer, M6	
5	1001130220	6	Nut, M6	
6	1001184871	1	Cover, Front Lower	

SECTION 1 - FRAME AND ATTACHING PARTS

FIGURE 1-18. MIRRORS INSTALLATION



ART_1001186881_G

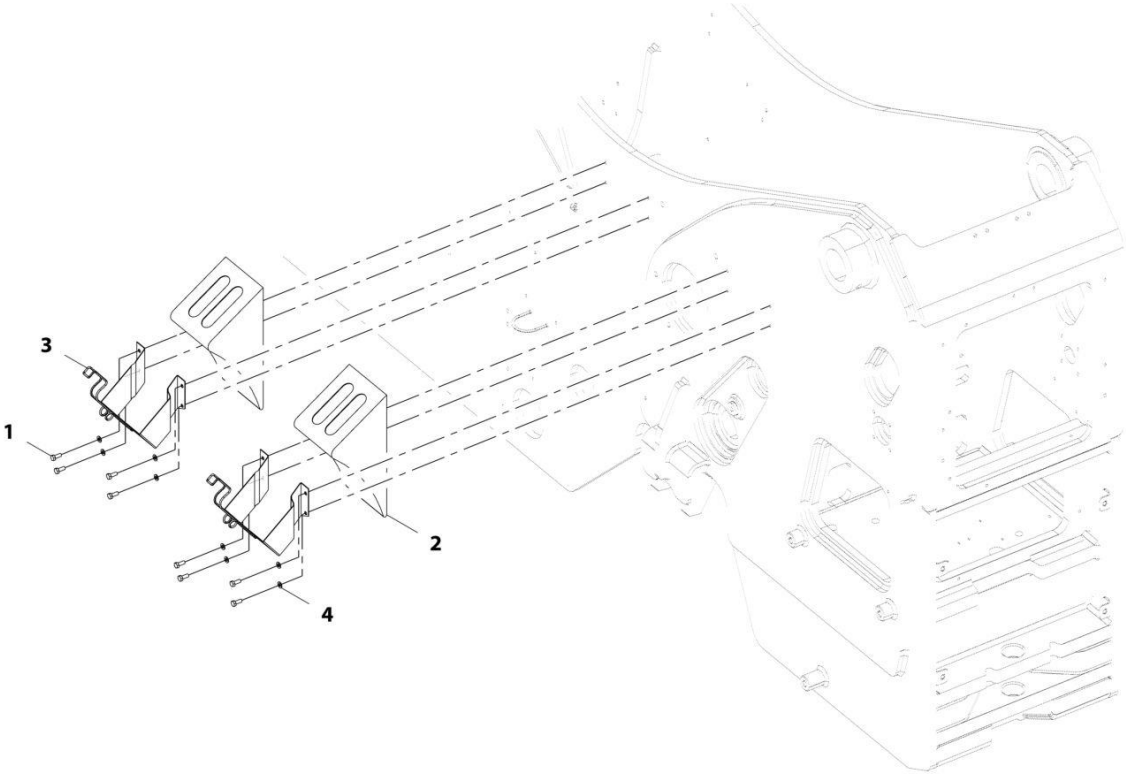
SECTION 1 - FRAME AND ATTACHING PARTS

FIGURE 1-18. MIRRORS INSTALLATION

ITEM	PART NUMBER	QTY	DESCRIPTION	REV
	1001186881	Ref	Mirror Installation	G
1	1001265346	1	Bracket	
2	1001209345	1	Bracket	
4	1001175812	1	Mirror, Dual Lens	
5	1001142724	3	Mirror, Convex	
6	1001168429	1	Support, Arm	
7	0700612	2	Bolt, M6X25	
8	0760810	2	Bolt, M8X20	
10	4811700	2	Washer, M6	
12	4812000	6	Washer, M10	
14	0701014	6	Bolt, M10X30	
15	4811900	2	Washer, M8	
16	1001166192	1	Installation, Internal Mirror (See Separate Breakdown in CAB Section)	

SECTION 1 - FRAME AND ATTACHING PARTS

FIGURE 1-19. WHEEL CHOCKS INSTALLATION



ART_1001192336-B

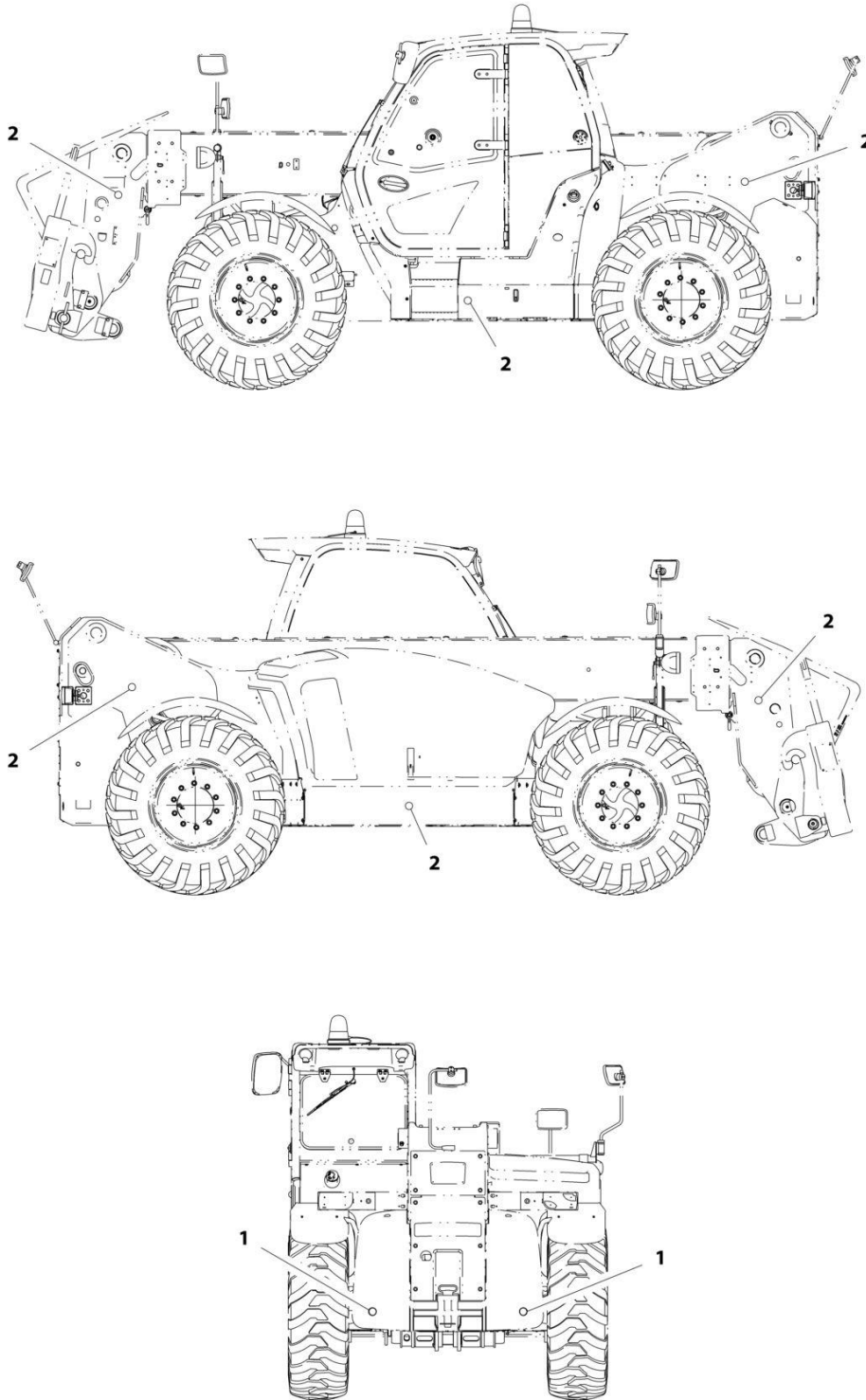
SECTION 1 - FRAME AND ATTACHING PARTS

FIGURE 1-19. WHEEL CHOCKS INSTALLATION

ITEM	PART NUMBER	QTY	DESCRIPTION	REV
	1001192336	Ref	Wheel Chock Installation	B
1	0760810	8	Bolt, M8X20	
2	806253	2	Wedge	
3	806264	2	Holder, Wedge	
4	4811900	8	Washer, M8	

SECTION 1 - FRAME AND ATTACHING PARTS

FIGURE 1-20. REFLECTORS INSTALLATION



ART_1001200344-D

SECTION 1 - FRAME AND ATTACHING PARTS

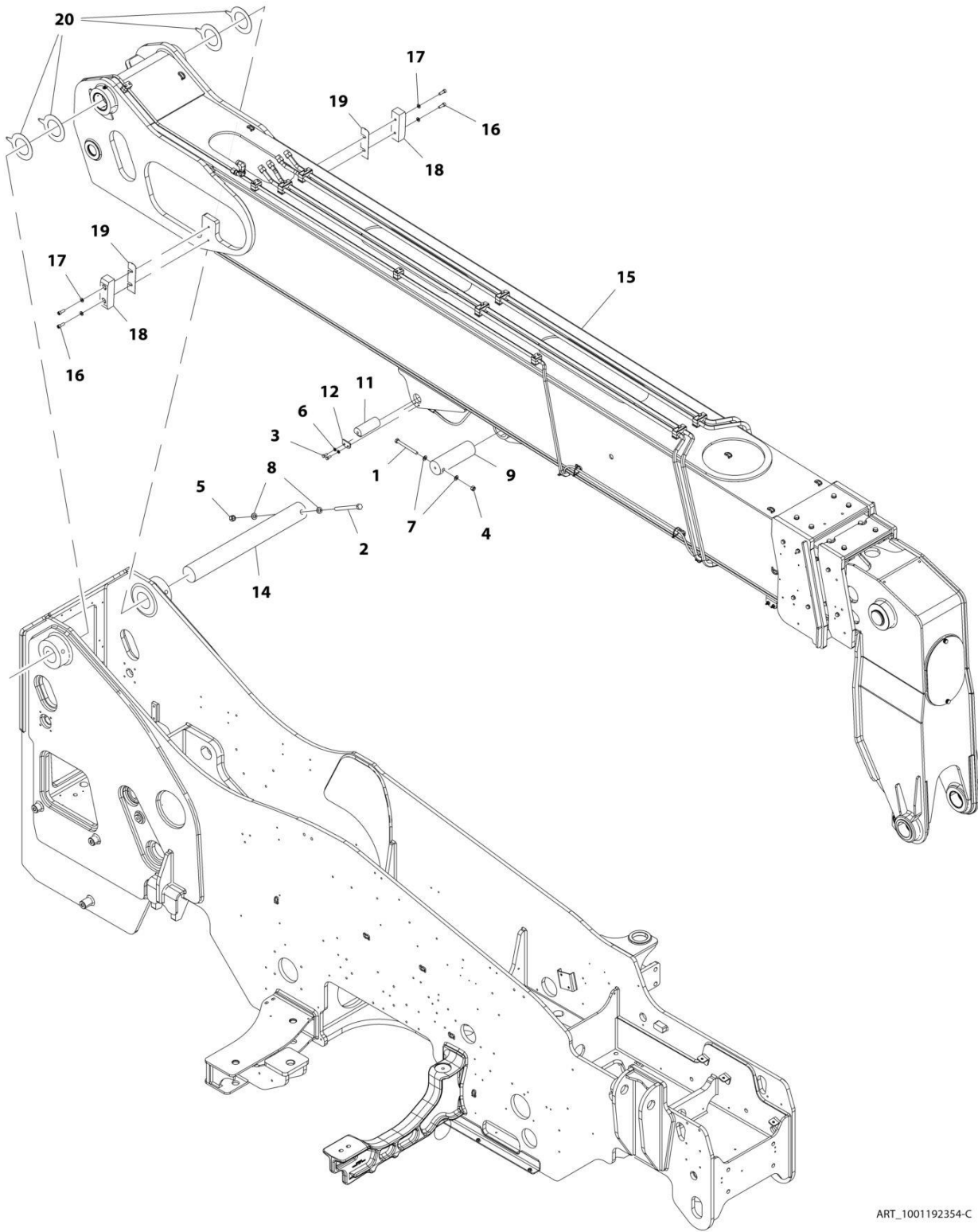
FIGURE 1-20. REFLECTORS INSTALLATION

ITEM	PART NUMBER	QTY	DESCRIPTION	REV
	1001200344	Ref	Reflectors Installation	D
1	3700015	2	Reflector, Rear	
2	3700016	6	Reflector, Side	

SECTION 2 - BOOM

SECTION 2 - BOOM

FIGURE 2-1. BOOM INSTALLATION



ART_1001192354-C

FIGURE 2-1. BOOM INSTALLATION

ITEM	PART NUMBER	QTY	DESCRIPTION	REV
	1001192354	Ref	Boom Installation	C
1	0711230	1	Bolt, M12X130	
2	0711635	1	Bolt, M16X180	
3	0760810	2	Bolt, M8X20	
4	3291205	1	Nut, Lock M12X1.75	
5	3291605	1	Nut, Lock M16X2	
6	4811900	2	Washer, M8	
7	4812100	2	Washer, M12	
8	4812300	2	Washer, M16	
9	1001190254	1	Pin, Lift Cylinder	
11	1001190256	1	Pin, Compensation Cylinder	
12	1001190257	1	Plate, Pin Retainer	
14	1001190260	1	Pin, Boom Pivot	
15	1001211427	1	Assembly, Boom (See Separate Breakdown in this Section)	
16	4032010	4	Bolt, M10X30	
17	4812000	4	Washer, M10	
18	1001195655	2	Pad, M44X50X160	
19	1001219905	AR	Shim, M50X169X1	
20	1001219953	AR	Shim, Boom Pivot	

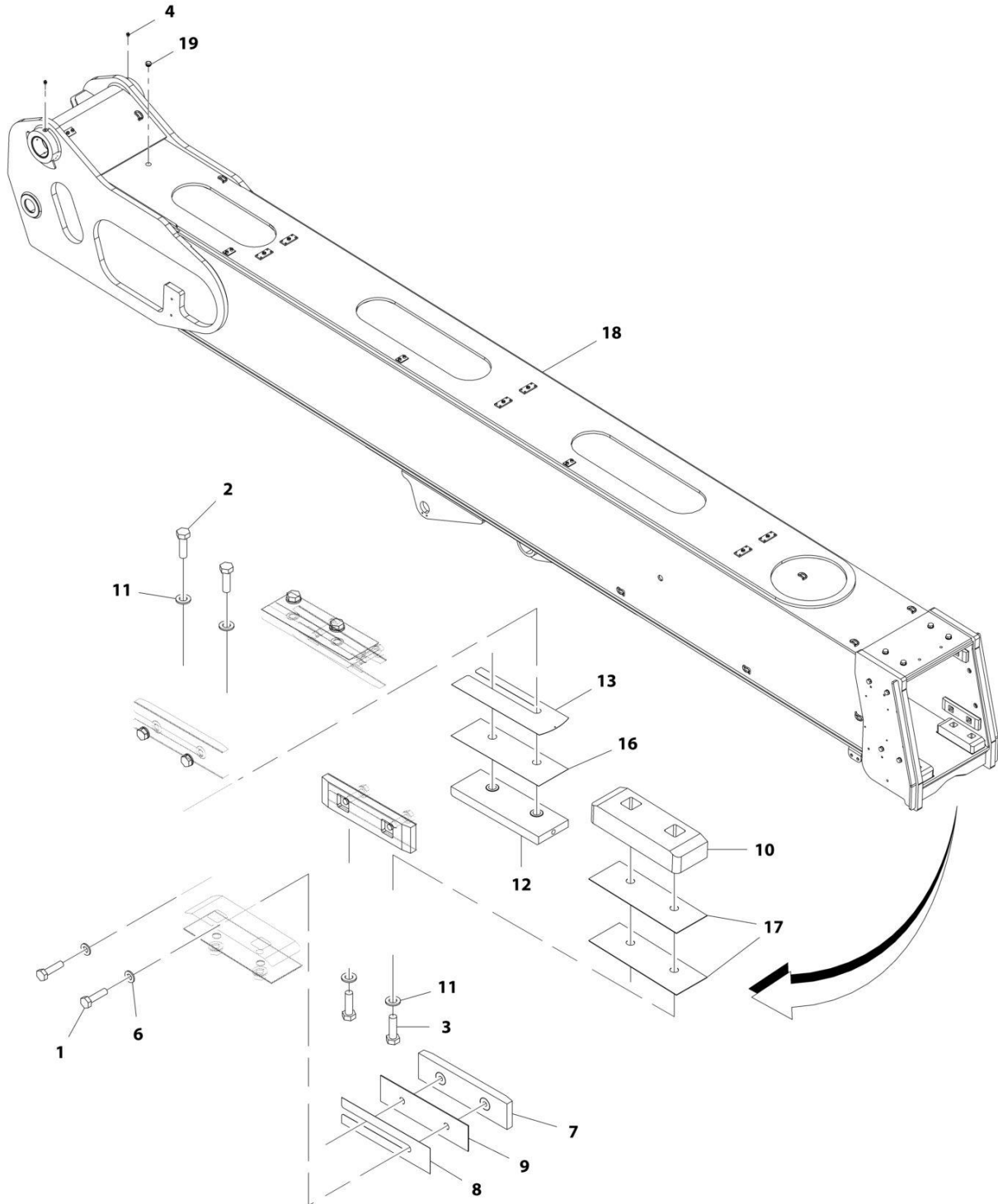
SECTION 2 - BOOM

FIGURE 2-2. BOOM ASSEMBLY

ITEM	PART NUMBER	QTY	DESCRIPTION	REV
	1001211427	Ref	Boom Assembly	G
1	314689	2	Ring, Retaining M50	
4	4032314	4	Bolt, M16X50	
5	4811900	4	Washer, M8	
6	4812300	4	Washer, M16	
7	1001213959	2	Plate, Clamp	
8	1001213961	2	Plate, Trunion Block Guide	
9	1001174812	1	Cylinder, Tilt (See Separate Breakdown in Hydraulic Components Section)	
10	1001191110	1	Shackle	
11	1001197262	2	Ring, Snap M75	
12	1001199325	Ref	Installation, Extend/Retract Cylinder (See Separate Breakdown in Hydraulic Components Section)	
13	1001201266	1	Assembly, First Boom Section (See Separate Breakdown in this Section)	
14	1001203985	1	Assembly, Third Boom Section (See Separate Breakdown in this Section)	
15	1001203989	1	Pin, Tilt	
16	1001203990	1	Pin, Extend/Retract	
17	1001204177	1	Assembly, Second Boom Section (See Separate Breakdown in this Section)	
18	1001205375	Ref	Installation, Boom Hydraulic (See Separate Breakdown in Hydraulic Circuit Section)	
22	0760810	4	Bolt, M8X20	
23	0711015	2	Bolt, M10X35	
24	1001230986	1	Support, Hose	
25	1001230967	1	Plate, Support	
26	1001213462	1	Support, Hose	
27	4812000	2	Washer, M10	
28	1001217353	Ref	Installation, Remote Grease (See Separate Breakdown in Hydraulic Circuit Section)	

SECTION 2 - BOOM

FIGURE 2-3. FIRST BOOM SECTION ASSEMBLY



ART_1001201266-G

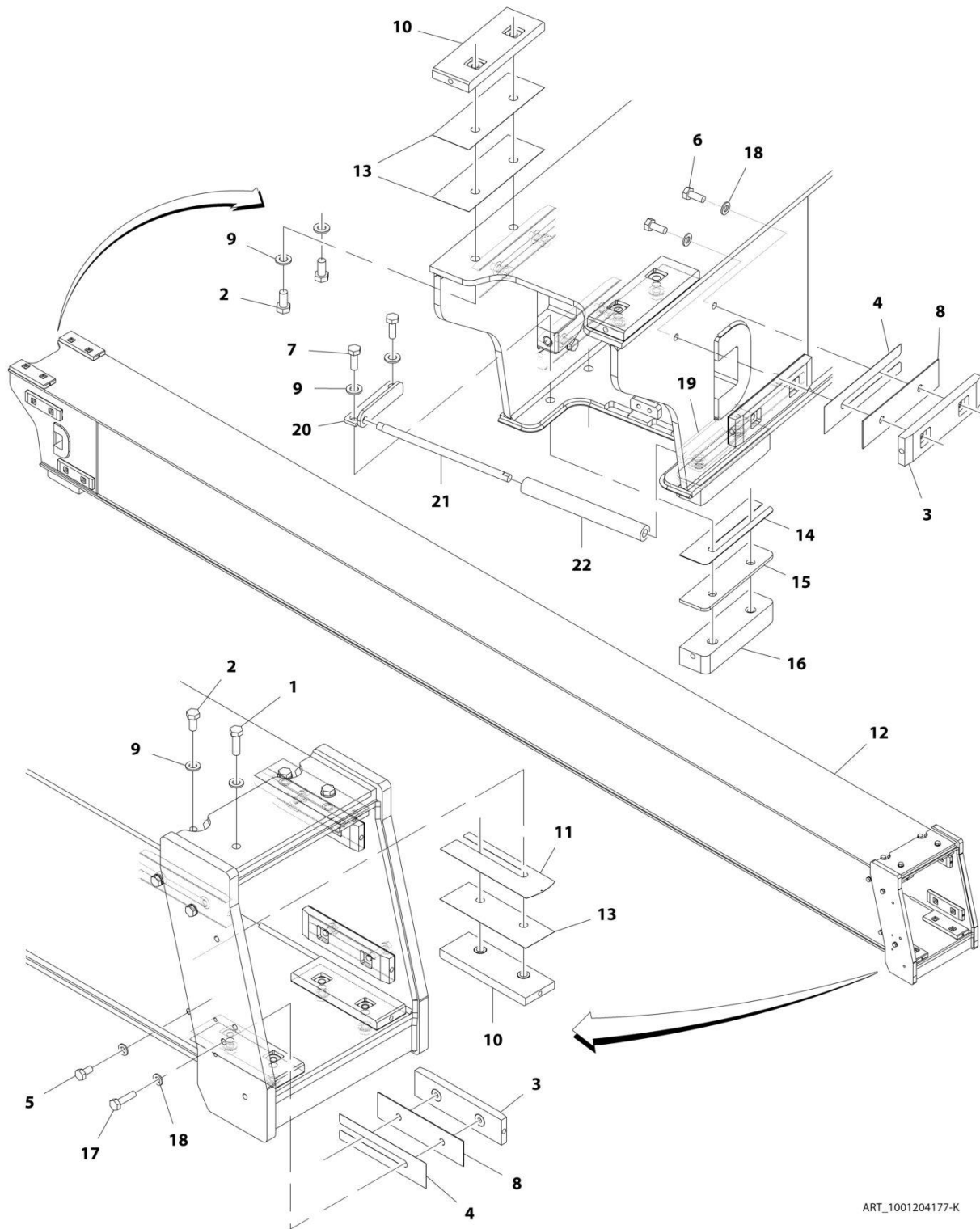
SECTION 2 - BOOM

FIGURE 2-3. FIRST BOOM SECTION ASSEMBLY

ITEM	PART NUMBER	QTY	DESCRIPTION	REV
	1001201266	Ref	First Boom Section Assembly	G
1	0711017	8	Bolt, M10X45	
2	0711216	4	Bolt, M12X40	
3	0711217	4	Bolt, M12X45	
4	2160016	2	Fitting, Grease	
6	4812000	AR	Washer, M10	
7	8002200	4	Pad, M15X50X200	
8	8008640	AR	Shim, M50X200X0.5	
9	1001003031	4	Shim, M50X198X1.5	
10	1001227337	2	Pad, M70X200X39	
11	1001125117	AR	Washer, M12	
12	1001227334	2	Pad, Wear	
13	1001195194	AR	Shim, M67X204X0.5	
16	1001195737	2	Shim	
17	1001201269	AR	Shim, M70X200X1	
18	1001201267J	1	Weldment, Boom	
19	3520193	1	Plug	

SECTION 2 - BOOM

FIGURE 2-4. SECOND BOOM SECTION ASSEMBLY



ART_1001204177-K

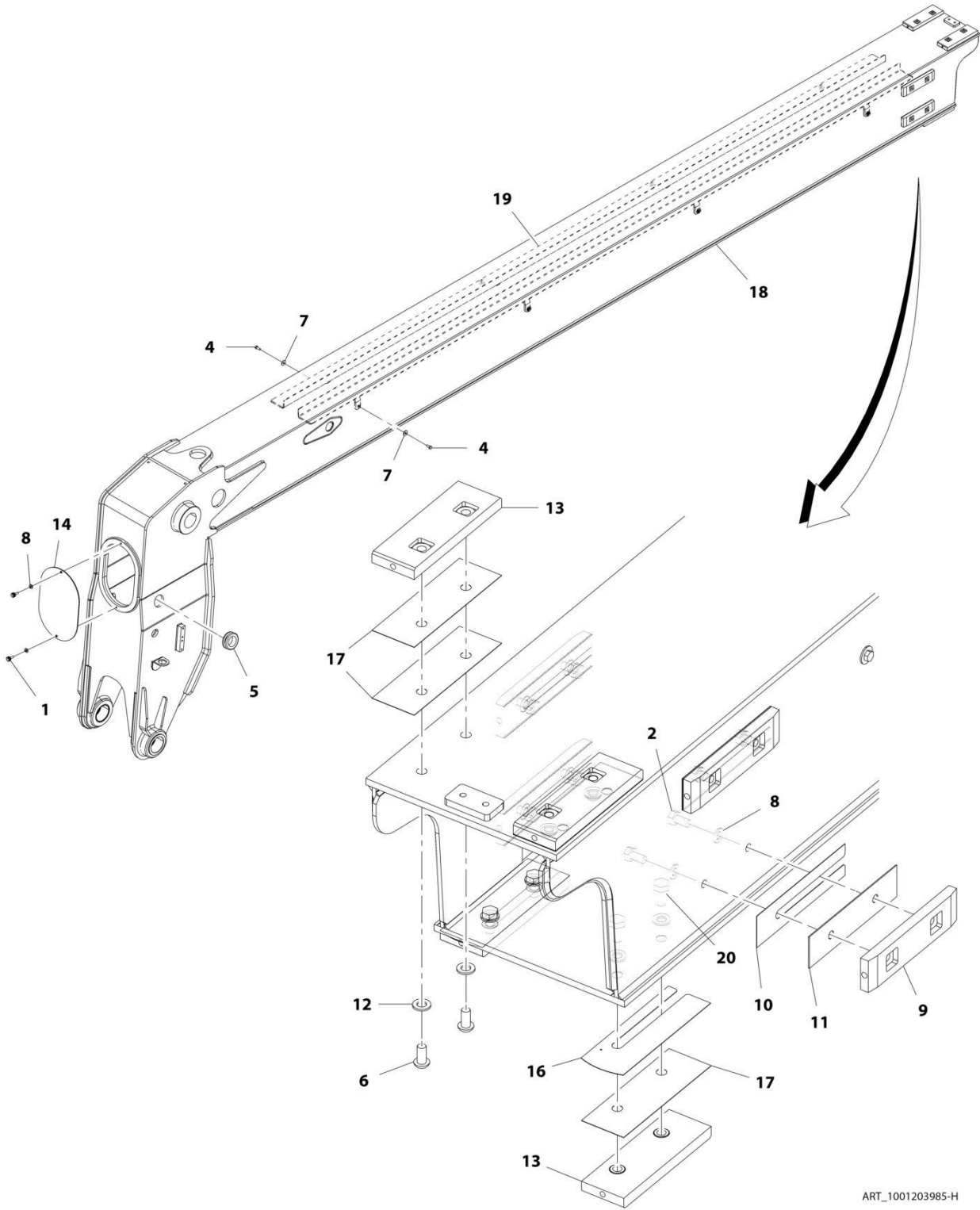
SECTION 2 - BOOM

FIGURE 2-4. SECOND BOOM SECTION ASSEMBLY

ITEM	PART NUMBER	QTY	DESCRIPTION	REV
	1001204177	Ref	Second Boom Section Assembly	K
1	0711216	4	Bolt, M12X40 Grade 10.9	
2	0771212	8	Bolt, M12X25 Grade 10.9	
3	8002200	8	Pad, M15X50X200	
4	8008640	AR	Shim, M50X200X0.5	
5	0771010	4	Bolt, M10X20 Grade 10.9	
6	0771012	8	Bolt, M10X25 Grade 10.9	
7	0711215	4	Bolt, M12X35 Grade 10.9	
8	1001003031	8	Shim, M50X198X1.5	
9	1001125117	AR	Washer, M12	
10	1001227334	6	Pad, M34X54X165	
11	1001195194	AR	Shim, M0.5X67X204	
12	1001204178	1	Boom, Second	
13	1001195737	AR	Shim	
14	1001204198	AR	Shim, M1X49X181	
15	1001204199	2	Shim, M49X181X5	
16	1001204200	2	Pad, M35X49X181	
17	0711016	4	Bolt, M10X40 Grade 10.9	
18	4812000	AR	Washer, M10	
19	1001223902	1	Bracket, RH	
20	1001223920	1	Bracket, LH	
21	1001223948	1	Pin	
22	1001223983	1	Roller	

SECTION 2 - BOOM

FIGURE 2-5. THIRD BOOM SECTION ASSEMBLY



ART_1001203985-H

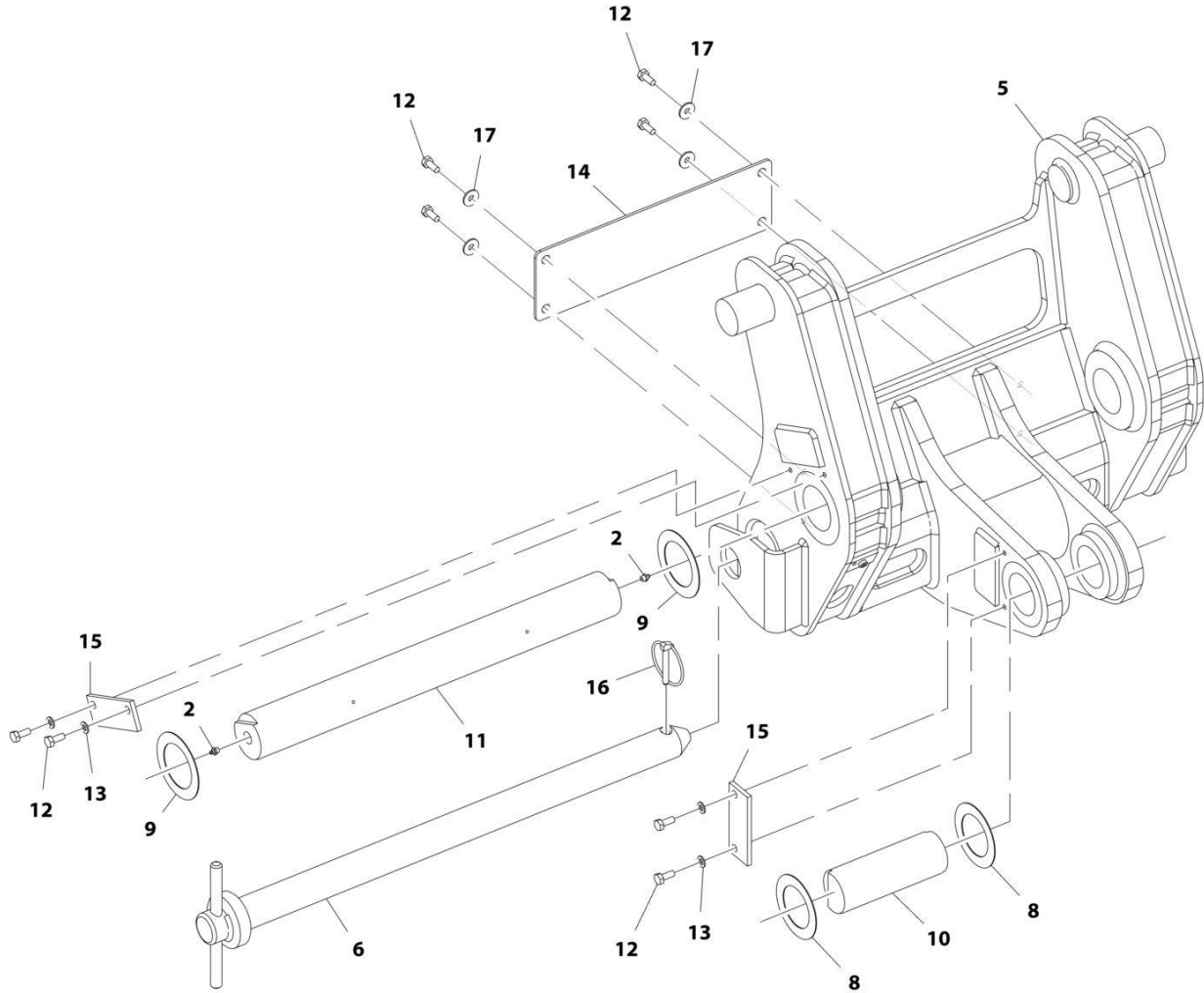
SECTION 2 - BOOM

FIGURE 2-5. THIRD BOOM SECTION ASSEMBLY

ITEM	PART NUMBER	QTY	DESCRIPTION	REV
	1001203985	Ref	Third Boom Section Assembly	1
1	1001250708	1	Bolt M8 x 20	
2	0771010	8	Bolt, M10X20 Grade 10.9	
4	0760810	8	Bolt, M8X20	
5	1001188971	1	Grommet	
6	1001229057	4	Screw, M12X25	
7	4811902	8	Washer, M8	
8	4812000	AR	Washer, M10	
9	8002200	4	Pad, M15X50X200	
10	8008640	AR	Shim, M50X200X0.5	
11	1001003031	4	Shim, M50X198X1.5	
12	1001125117	AR	Washer, M12	
13	1001227334	4	Pad	
14	1001191789	1	Plate, Boom Front Cover	
16	1001195194	AR	Shim, M0.5X67X204	
17	1001195737	AR	Shim	
18	1001203986	1	Weldment, Third Boom Section	
19	1001203987	2	Bracket, Hose Support Tray	
20	0771212	4	Bolt, M12X25	

SECTION 2 - BOOM

FIGURE 2-6. COUPLER INSTALLATION (MANUAL)



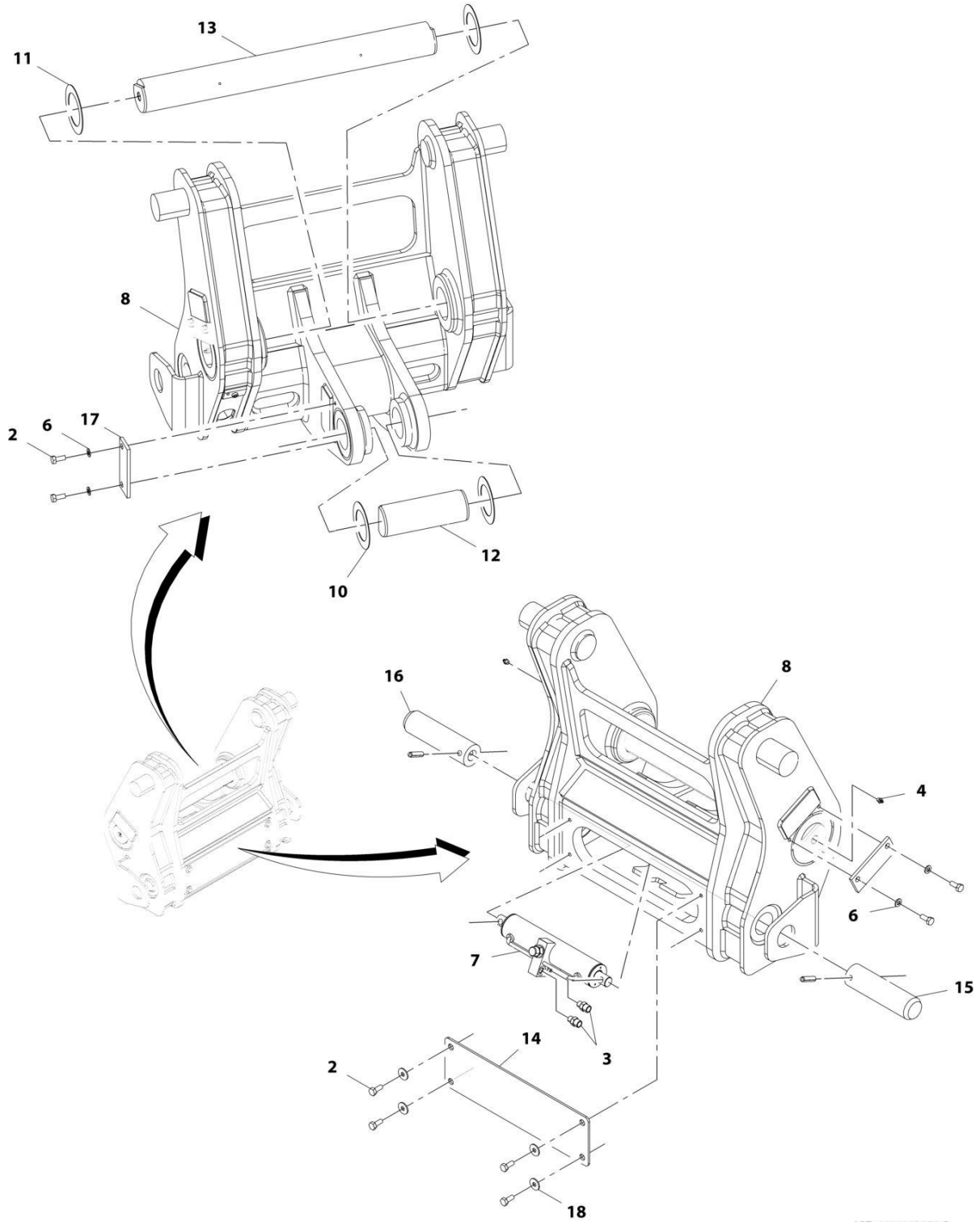
ART_1001174104-G

FIGURE 2-6. COUPLER INSTALLATION (MANUAL)

ITEM	PART NUMBER	QTY	DESCRIPTION	REV
	1001174104	Ref	Coupler Installation (Manual)	G
2	2160016	2	Fitting, Grease	
5	1001187820	1	Coupling, Manual	
6	1001187821	1	Pin	
8	1001187847	AR	Shim	
9	1001187848	AR	Shim	
10	1001190250	1	Pin, Tilt	
11	1001190264	1	Pin	
12	0761012	8	Bolt, M10X25	
13	4812000	4	Washer, M10	
14	1001200393	1	Plate, Front Cover	
15	1001210326	2	Plate	
16	1001003803	1	Pin	
17	4812002	4	Washer, M10	

SECTION 2 - BOOM

FIGURE 2-7. COUPLER INSTALLATION (HYDRAULIC)



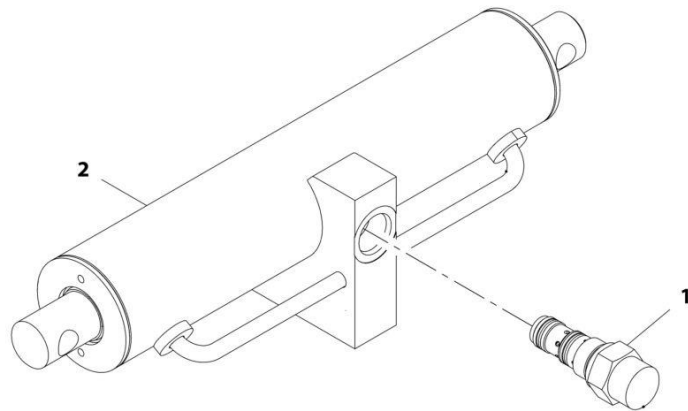
ART_1001192358-D

FIGURE 2-7. COUPLER INSTALLATION (HYDRAULIC)

ITEM	PART NUMBER	QTY	DESCRIPTION	REV
	1001192358	Ref	Coupler Installation (Hydraulic)	D
2	0761012	8	Bolt, M10X25	
3	2110606	2	Fitting, Straight ORFS	
4	2160016	2	Fitting, Grease	
6	4812000	4	Washer, M10	
7	1001145391	1	Assembly, Coupler Locking Cylinder (See Separate Breakdown in this Section)	
8	1001187820	1	Carriage	
10	1001187847	AR	Shim, M76X115X1.5	
11	1001187848	AR	Shim, M81X120X1.5	
12	1001190250	1	Pin, Tilt	
13	1001190264	1	Pin, Coupler	
14	1001200393	1	Plate, Front Cover	
15	1001200395	2	Pin	
16	1001184610	2	Pin	
17	1001210326	2	Plate, Pin Retention	
18	4812002	4	Washer, M10	

SECTION 2 - BOOM

FIGURE 2-8. COUPLER LOCKING CYLINDER ASSEMBLY



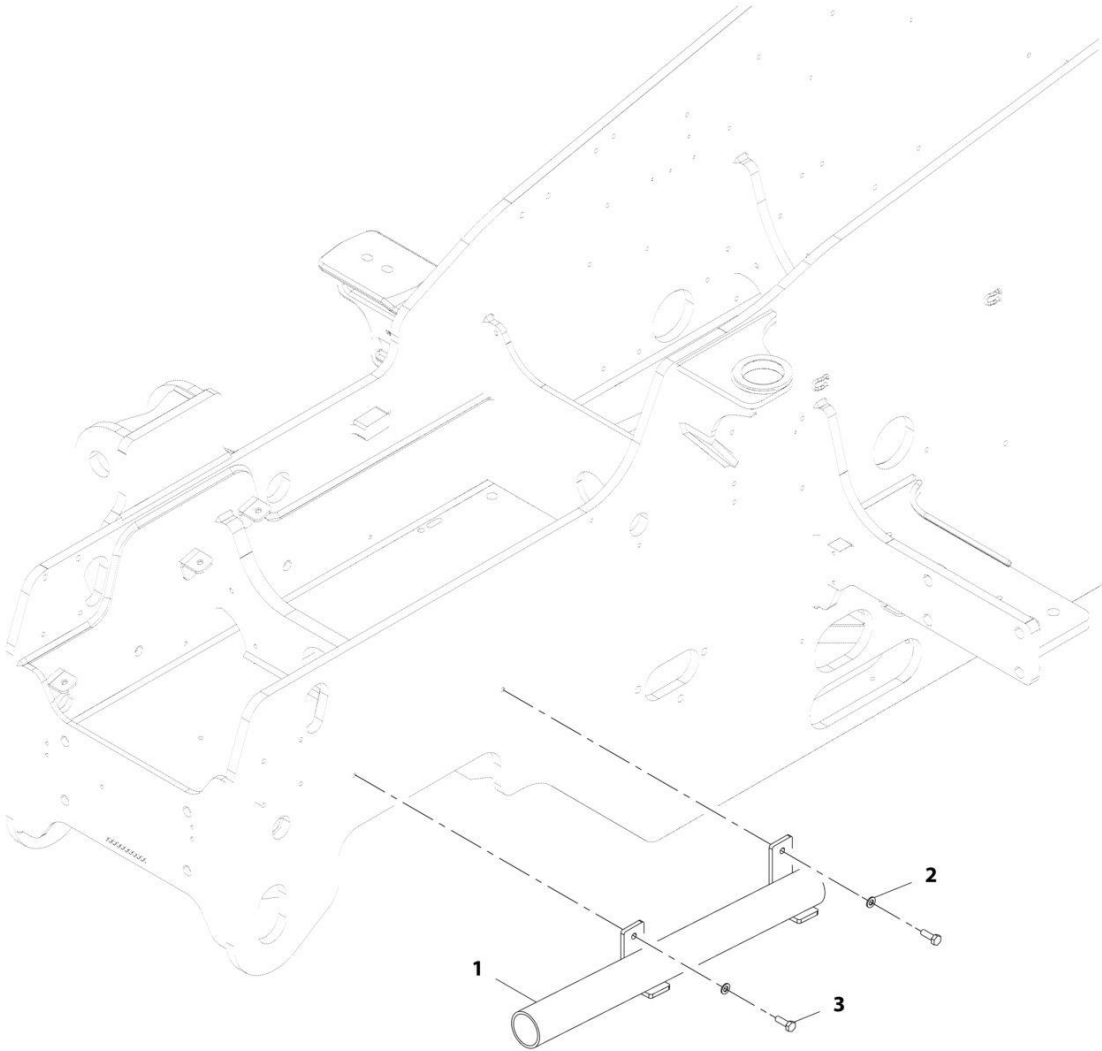
ART_1001145391-A

FIGURE 2-8. COUPLER LOCKING CYLINDER ASSEMBLY

ITEM	PART NUMBER	QTY	DESCRIPTION	REV
	1001145391	Ref	Coupler Locking Cylinder Assembly	A
1	1001007056	1	Valve, Check	
2	1001145390	1	Cylinder, Coupler Locking (See Separate Breakdown in Hydraulic Components Section)	

SECTION 2 - BOOM

FIGURE 2-9. MANUAL COUPLER PIN HOLDER INSTALLATION



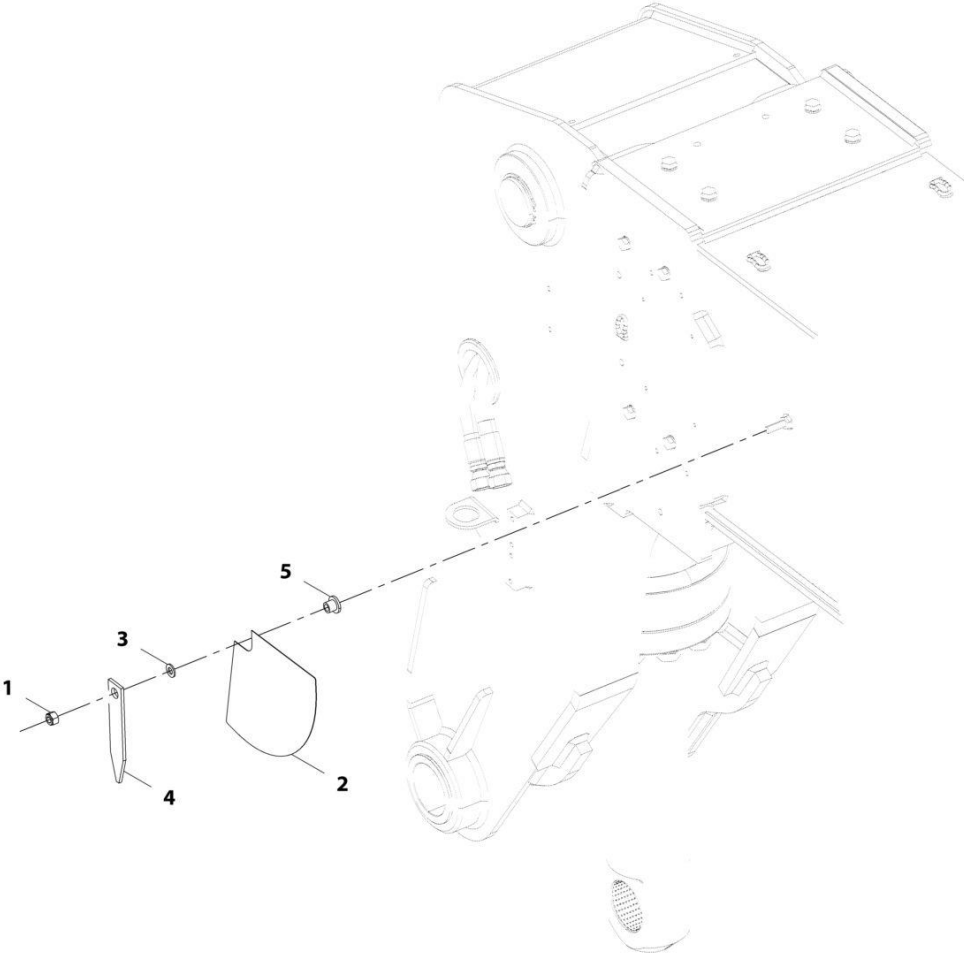
ART_1001220641-A

FIGURE 2-9. MANUAL COUPLER PIN HOLDER INSTALLATION

ITEM	PART NUMBER	QTY	DESCRIPTION	REV
	1001220641	Ref	Manual Coupler Pin Holder Installation	A
1	1001220248	1	Bracket, Pin Holder	
2	4812000	2	Washer, M10	
3	0701014	2	Bolt, M10X30	

SECTION 2 - BOOM

FIGURE 2-10. BOOM ANGLE INDICATOR INSTALLATION



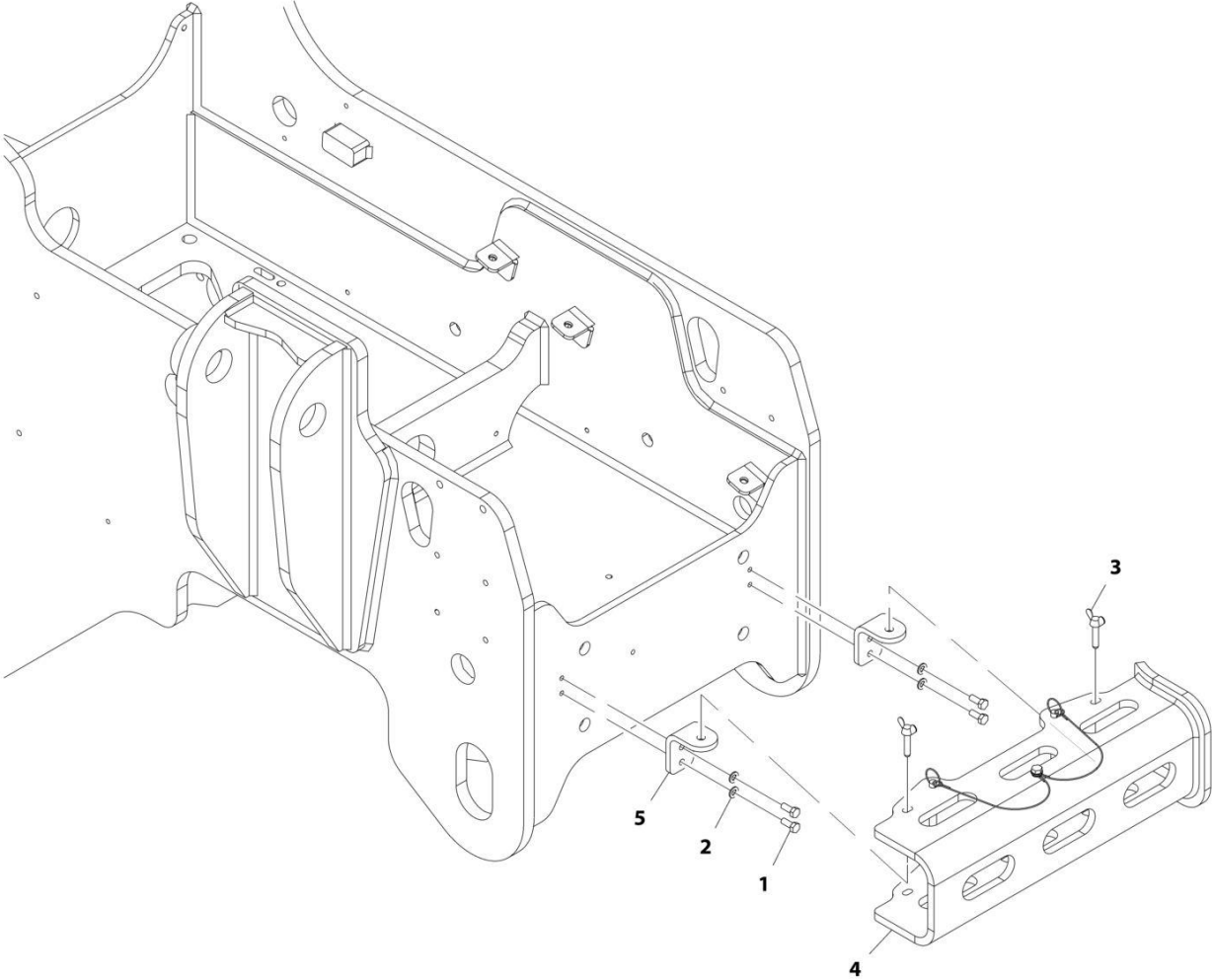
ART_1001192364-A

FIGURE 2-10. BOOM ANGLE INDICATOR INSTALLATION

ITEM	PART NUMBER	QTY	DESCRIPTION	REV
	1001192364	Ref	Boom Angle Indicator Installation	A
1	3291005	1	Nut, Lock M10X1.5	
2	4105262	1	Decal, Boom Angle Indicator	
3	4812000	1	Washer, M10	
4	1001098769	1	Plate, Boom Angle Indicator	
5	1001171808	1	Spacer	

SECTION 2 - BOOM

FIGURE 2-11. BOOM PROP INSTALLATION



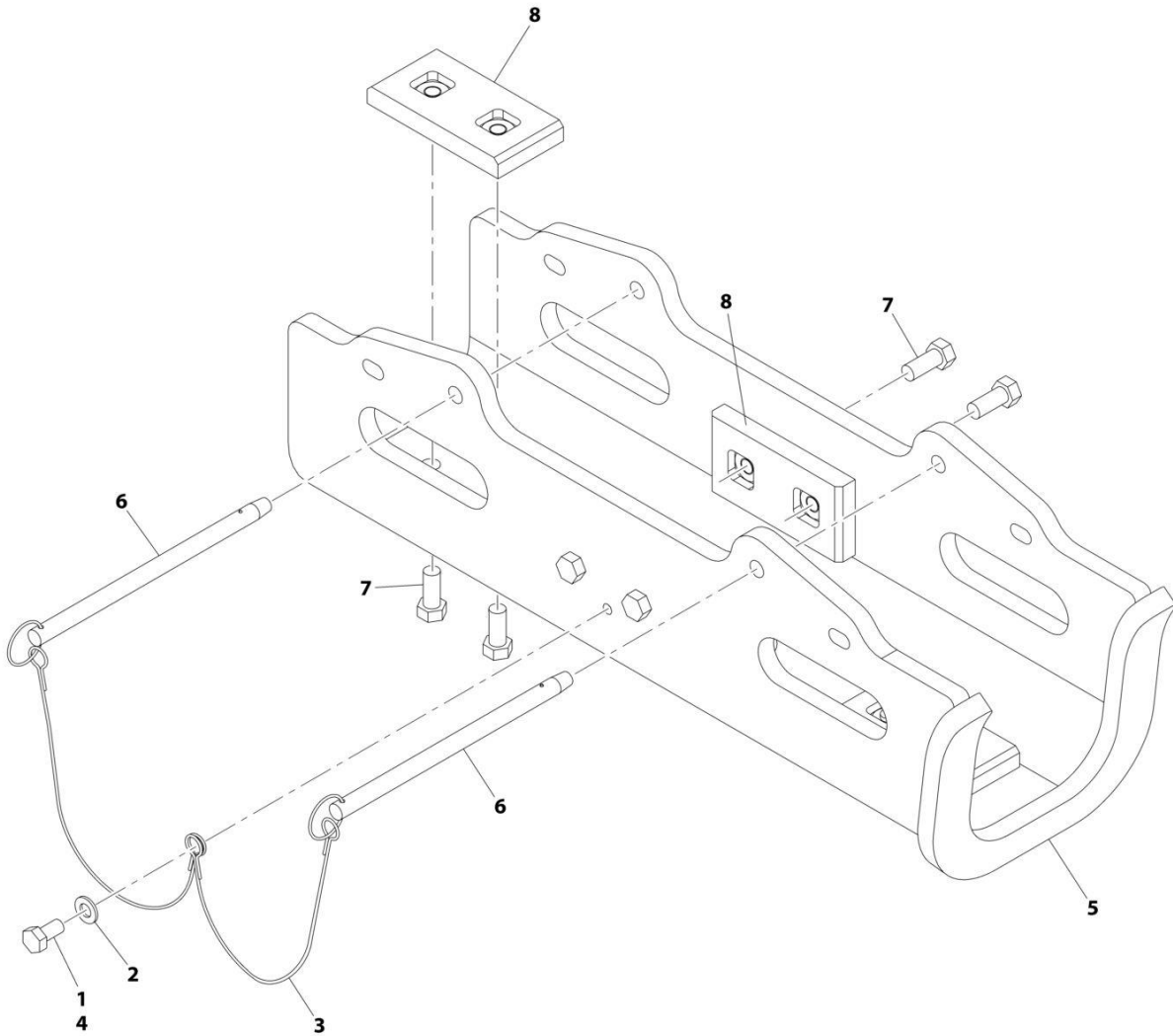
ART_1001174419-C

FIGURE 2-11. BOOM PROP INSTALLATION

ITEM	PART NUMBER	QTY	DESCRIPTION	REV
	1001174419	Ref	Boom Prop Installation	C
1	0760810	4	Bolt, M8X20	
2	4811900	4	Washer, M8	
3	1001228860	2	Bolt, Wing M8X30	
4	1001191035	1	Bracket, Boom Prop (See Separate Breakdown in this Section)	
5	1001193887	2	Bracket	

SECTION 2 - BOOM

FIGURE 2-12. BOOM PROP BRACKET ASSEMBLY



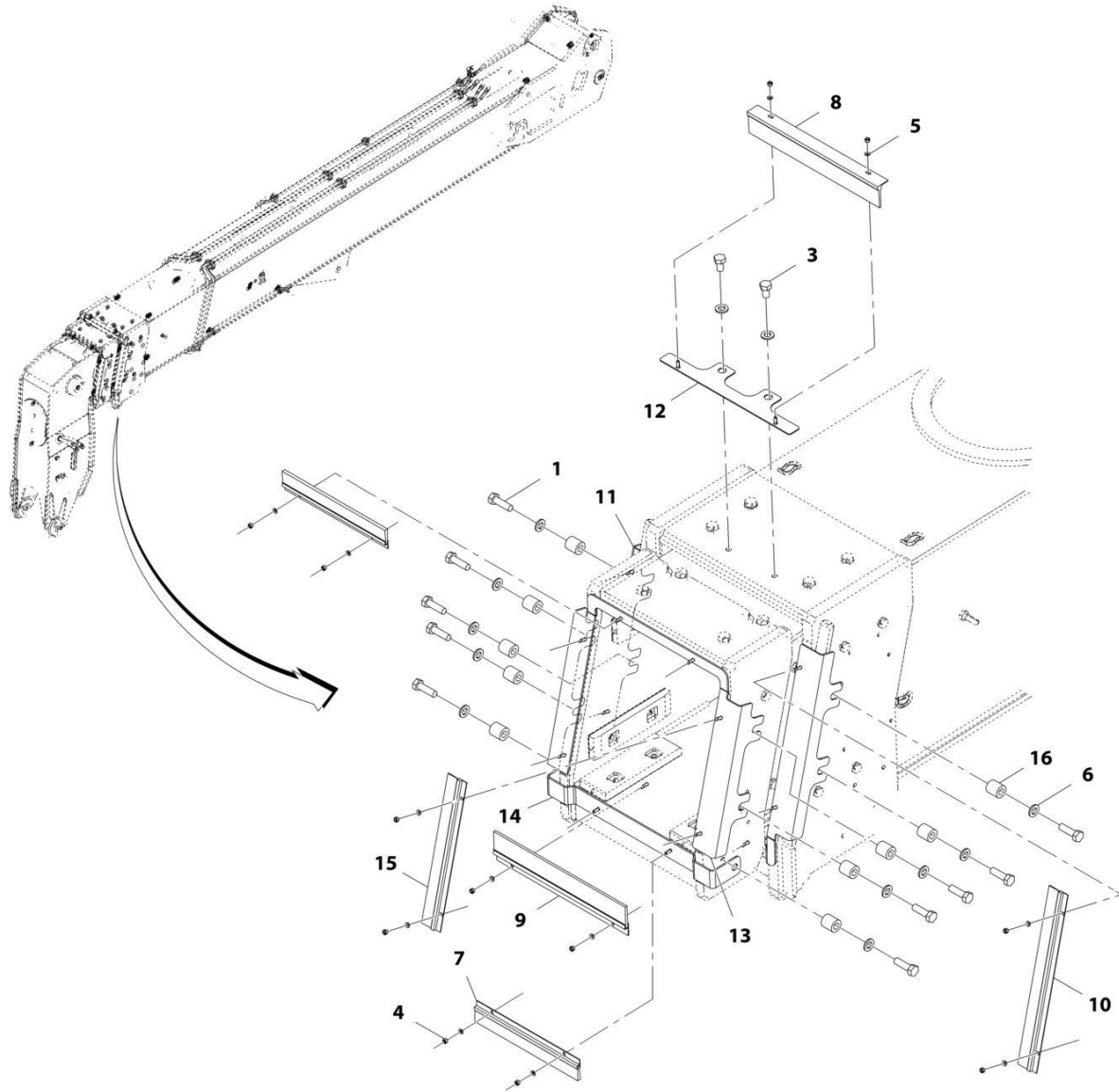
ART_1001191035-B

FIGURE 2-12. BOOM PROP BRACKET ASSEMBLY

ITEM	PART NUMBER	QTY	DESCRIPTION	REV
	1001191035	Ref	Boom Prop Bracket Assembly	B
1	0760808	1	Bolt, M8X16	
2	4811900	1	Washer, M8	
3	1001164183	2	Lanyard, Boom Prop	
4	1001095650	AR	Adhesive, Loctite	
5	1001191036	1	Support, Boom Prop	
6	1001191039	2	Pin	
7	0651607	8	Bolt, 3/8-24 X 7/8	
8	91403530	4	Bearing	

SECTION 2 - BOOM

FIGURE 2-13. BOOM BRUSHES INSTALLATION



ART_1001201432-C

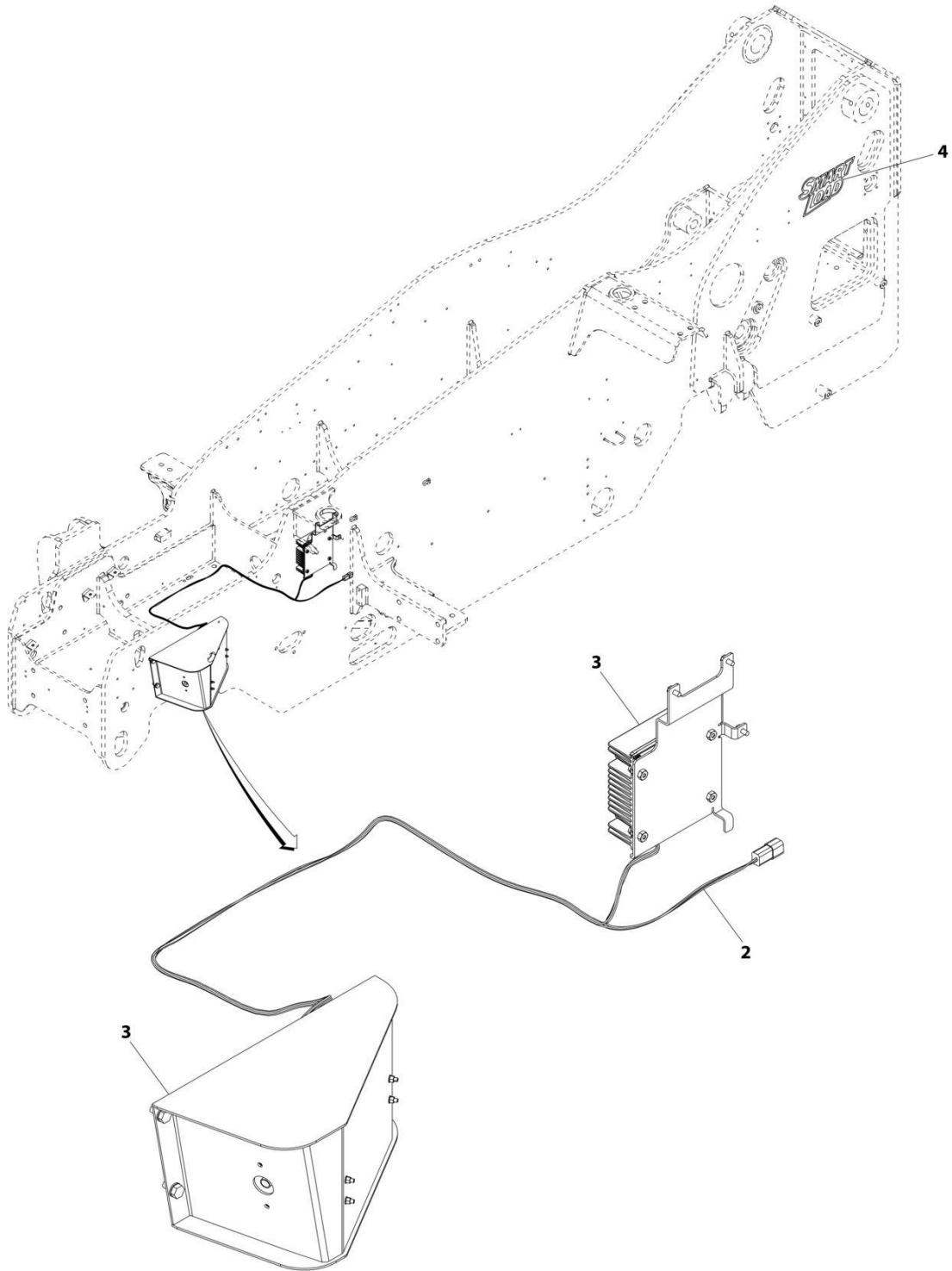
FIGURE 2-13. BOOM BRUSHES INSTALLATION

ITEM	PART NUMBER	QTY	DESCRIPTION	REV
	1001201432	Ref	Boom Brushes Installation	C
1	0701216	10	Bolt, M12X40	
3	0761210	2	Bolt, M12X20	
4	3290505	16	Nut, Lock M5X0.8	
5	4811600	16	Washer, M5	
6	1001125117	12	Washer, M12	
7	1001172995	2	Brush, Boom	
8	1001172999	1	Brush, Boom	
9	1001173679	1	Brush, Boom	
10	1001173739	2	Brush, Boom	
11	1001205619	1	Bracket, Boom Brush	
12	1001196879	1	Bracket, Boom Brush	
13	1001205621	1	Bracket, Boom Brush	
14	1001205622	1	Bracket, Boom Brush	
15	1001205627	2	Brush, Boom	
16	1001220286	10	Spacer	

SECTION 3 - ATTACHMENTS

SECTION 3 - ATTACHMENTS

FIGURE 3-1. ATTACHMENT RECOGNITION INSTALLATION - COMPLETE



ART_1001195881

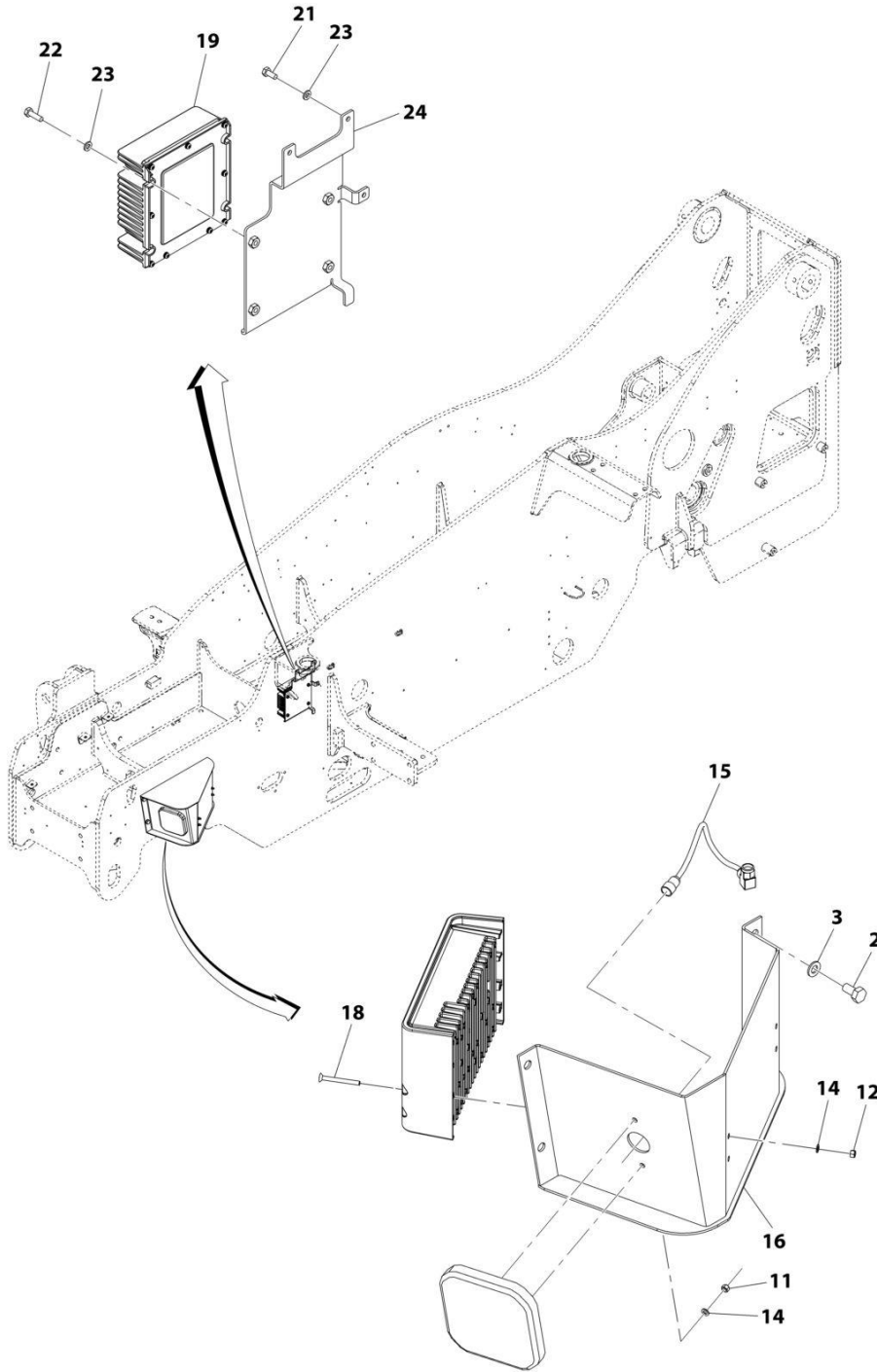
SECTION 3 - ATTACHMENTS

FIGURE 3-1. ATTACHMENT RECOGNITION INSTALLATION - COMPLETE

ITEM	PART NUMBER	QTY	DESCRIPTION	REV
	1001195881	Ref	Attachment Recognition Installation	F
2	1001249251	1	Cable	
3	1001207866	1	Installation, Components Attachment Recognition (See Separate Breakdown in this Section)	
4	1001250276	2	Decal, Smart Load	

SECTION 3 - ATTACHMENTS

FIGURE 3-2. ATTACHMENT RECOGNITION INSTALLATION



ART_1001207866_G

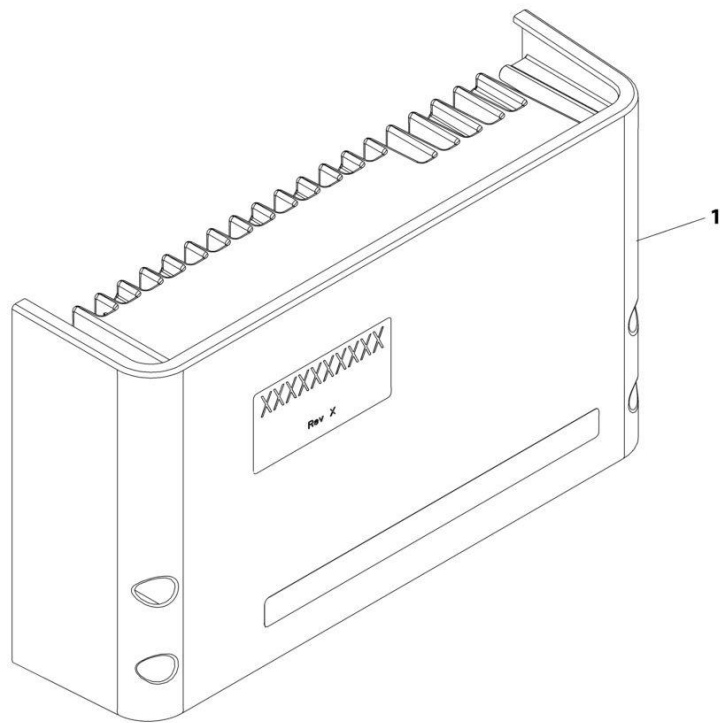
SECTION 3 - ATTACHMENTS

FIGURE 3-2. ATTACHMENT RECOGNITION INSTALLATION

ITEM	PART NUMBER	QTY	DESCRIPTION	REV
	1001207866	Ref	Components Attachment Recognition Installation	G
2	0761010	4	Bolt, M10X20	
3	4812000	4	Washer, M10	
11	3290505	2	Nut, Lock M5X0.8 Grade 8	
12	3290507	4	Nut, Lock M5X0.8	
14	4811600	6	Washer, M5	
15	1001206725	1	Cable	
16	1001232988	1	Bracket, Attachment Recognition	
18	1001234395	4	Screw, M5X50	
19	1001249078	1	Control, Voltage	
21	0760607	3	Bolt, M6X14	
22	0700610	4	Bolt, M6X20	
23	4811700	7	Washer M6	
24	1001249249	1	Bracket, Converter Support	

SECTION 3 - ATTACHMENTS

FIGURE 3-3. ATTACHMENT RECOGNITION RECEIVER (ALL SPECS EXCEPT AUS & CE SPECS)



ART_1001250475-B

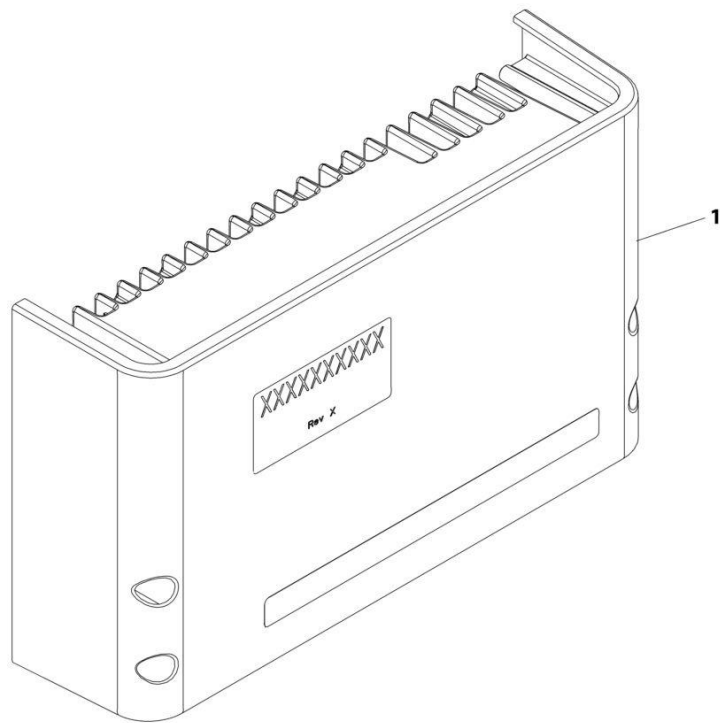
SECTION 3 - ATTACHMENTS

FIGURE 3-3. ATTACHMENT RECOGNITION RECEIVER (ALL SPECS EXCEPT AUS & CE SPECS

ITEM	PART NUMBER	QTY	DESCRIPTION	REV
	1001250475	1 Ref	ATTACHMENT RECOGNITION RECEIVER (FCC) No Serviceable Parts. Purchase complete assembly	B

SECTION 3 - ATTACHMENTS

FIGURE 3-4. ATTACHMENT RECOGNITION RECEIVER (AUS & CE SPECS)



ART_1001250476-B

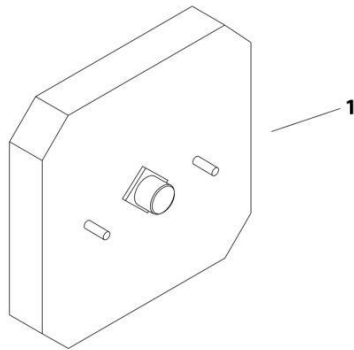
SECTION 3 - ATTACHMENTS

FIGURE 3-4. ATTACHMENT RECOGNITION RECEIVER (AUS & CE SPECS

ITEM	PART NUMBER	QTY	DESCRIPTION	REV
	1001250476	1 Ref	ATTACHMENT RECOGNITION RECEIVER (EU) No Serviceable Parts. Purchase complete assembly	B

SECTION 3 - ATTACHMENTS

FIGURE 3-5. ATTACHMENT RECOGNITION ANTENNA (ALL SPECS EXCEPT AUS & CE SPECS)



ART_1001202730

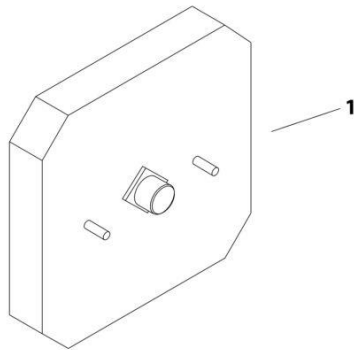
SECTION 3 - ATTACHMENTS

FIGURE 3-5. ATTACHMENT RECOGNITION ANTENNA (ALL SPECS EXCEPT AUS & CE SPECS

ITEM	PART NUMBER	QTY	DESCRIPTION	REV
	1001202730	1	ATTACHMENT RECOGNITION ANTENNA (FCC)	

SECTION 3 - ATTACHMENTS

FIGURE 3-6. ATTACHMENT RECOGNITION ANTENNA (AUS & CE SPECS



ART_1001237738

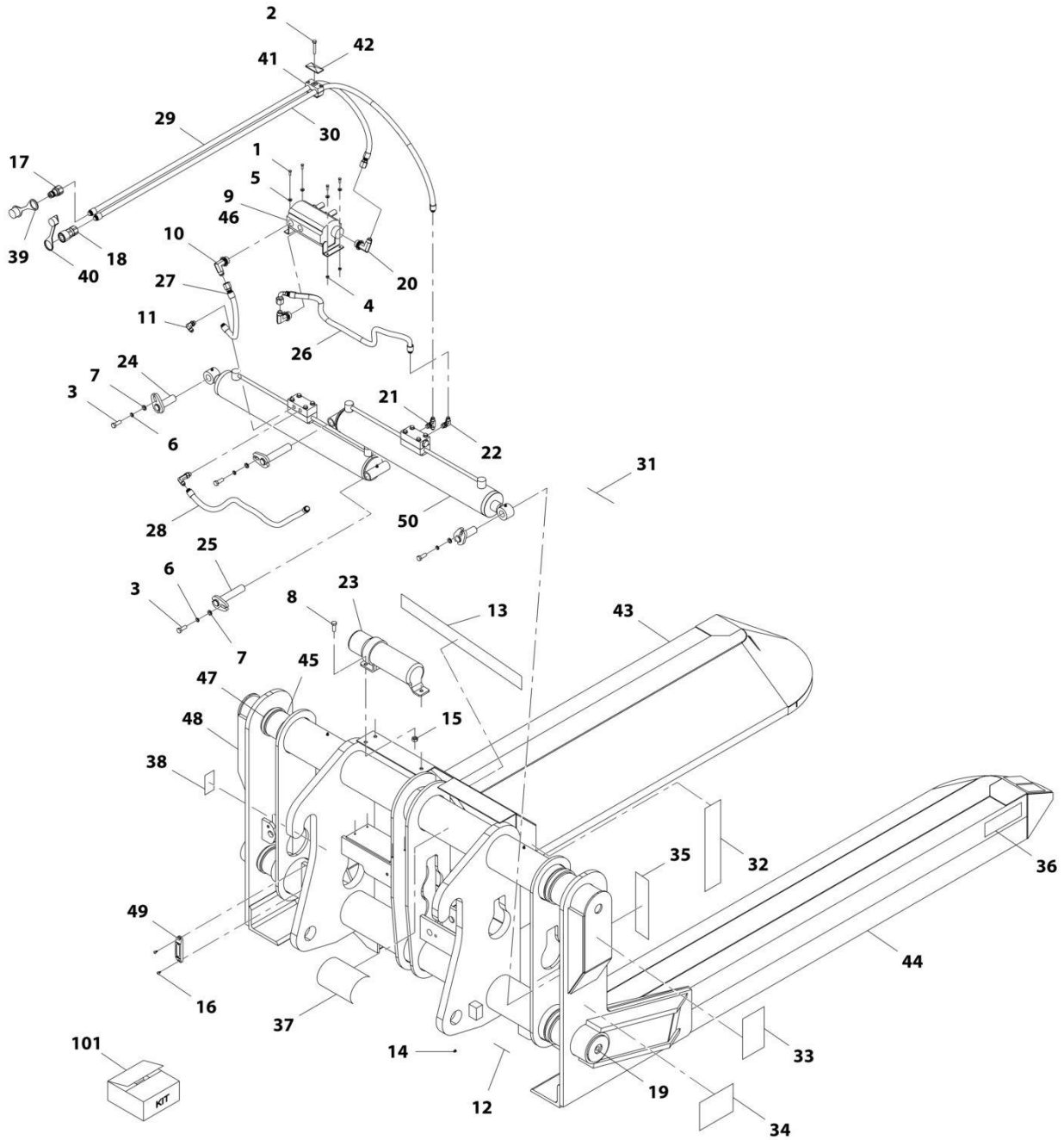
SECTION 3 - ATTACHMENTS

FIGURE 3-6. ATTACHMENT RECOGNITION ANTENNA (AUS & CE SPECS

ITEM	PART NUMBER	QTY	DESCRIPTION	REV
	1001202730	1	ATTACHMENT RECOGNITION ANTENNA (FCC)	

SECTION 3 - ATTACHMENTS

FIGURE 3-7. BALE HANDLER (ROUND BALES)



ART_1001192649-D

SECTION 3 - ATTACHMENTS

FIGURE 3-7. BALE HANDLER (ROUND BALES)

ITEM	PART NUMBER	QTY	DESCRIPTION	REV
	1001192649	Ref	Bale Handler (round)	E
1	70027773	4	Bolt	
2	70028485	1	Screw	
3	70021349	4	Bolt, 3/8X1	
4	90554066	4	Nut	
5	90554067	4	Washer, Lock	
6	90554042	4	Washer, Lock	
7	70021350	4	Washer	
8	70028635	3	Bolt	
9	70028636	1	Plug w/O-Ring	
10	70028637	2	Fitting, 90	
11	90554065	1	Fitting, 90	
12	7029712	4	Decal, Grease	
13	70028638	1	Decal, Stand Clear Warning	
14	90554045	4	Fitting, Grease	
15	70028615	3	Nut	
16	70028554	2	Screw	
17	1001101041	1	Adapter, Male Quick Disconnect	
18	70028616	1	Fitting, Straight	
19	70028617	4	Plug	
20	70028618	1	Fitting, 90	
21	70028619	1	Fitting, Tee	
22	70028620	1	Fitting, 90	
23	1001101042	1	Adapter, Female Quick Disconnect	
24	70028489	2	Pin	
25	70028490	2	Pin	
26	70028621	1	Hose	
27	70028622	1	Hose	
28	70028623	1	Hose	
29	70028624	1	Hose	
30	7029709	1	Hose	
31	7029711	1	Decal, High Pressure Warning	
32	70028625	2	Decal, Pinch Point	
33	70028626	1	Decal, Transport Warning	
34	70028627	1	Decal, Safety Warning	
35	70028628	6	Decal, Red Reflexite	
36	70028629	6	Decal, Amber Reflexite	
37	70028630	1	Decal, Module Staging	
38	N.S.S.	1	Plate, Serial Number	
39	8420053	1	Cap, Dust	
40	8420055	1	Cap, Dust	
41	70028495	1	Clamp	
42	70028496	1	Plate, Clamp	
43	N.S.S.	1	Arm, RH	
44	N.S.S.	1	Arm, LH	
45	70028631	4	Wrap	
46	70028632	1	Valve, Flow Divider	
47	70028633	8	Clamp	
48	N.S.S.	1	Weldment	
49	1001227670	1	Tag, RFID	

SECTION 3 - ATTACHMENTS

ITEM	PART NUMBER	QTY	DESCRIPTION	REV
50	70028634	2	Assembly, Cylinder	
101	Kit	1	Kit, Seal	

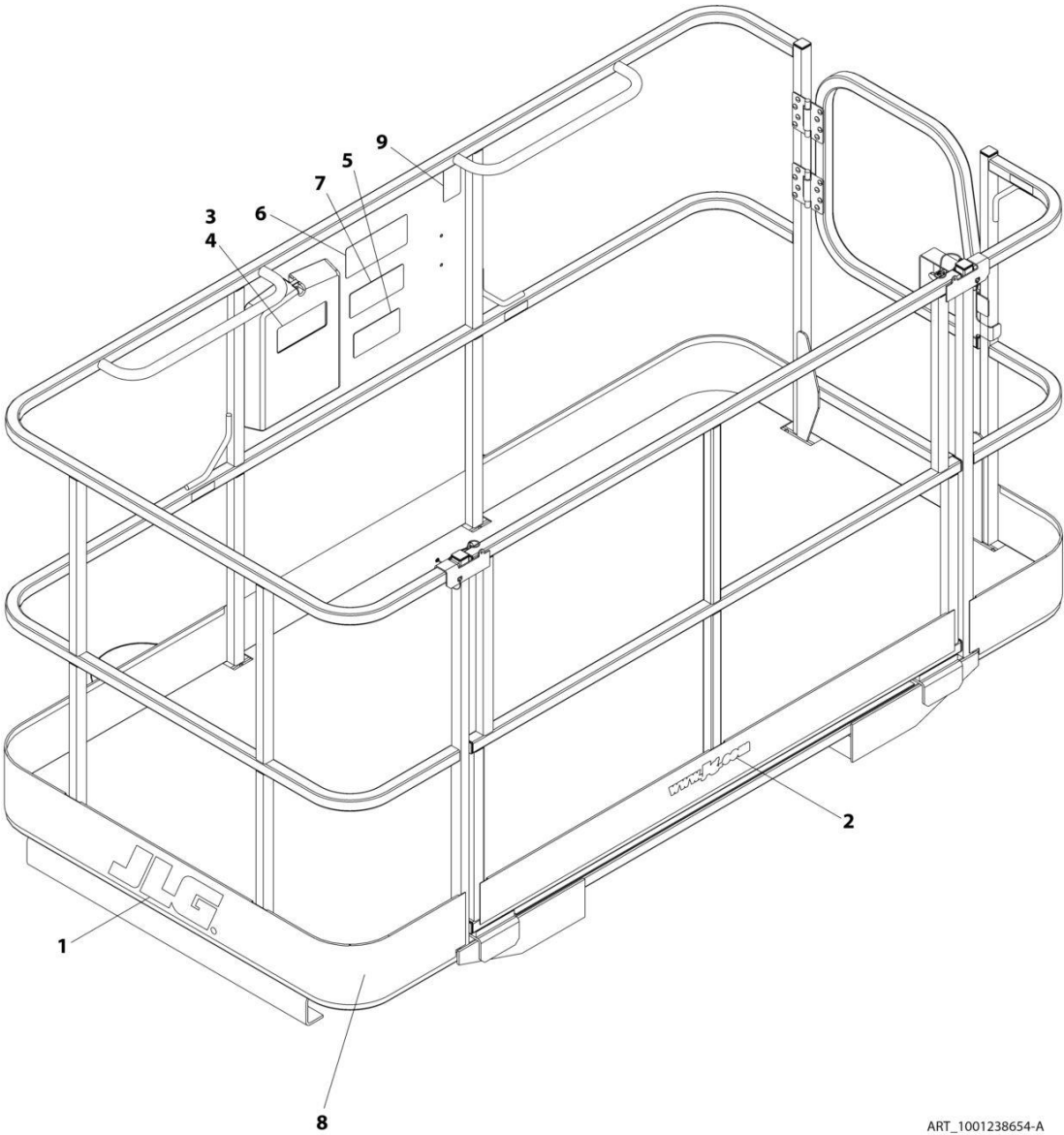
SECTION 3 - ATTACHMENTS

FIGURE 3-8. BALE HANDLER (SQUARE BALES)

ITEM	PART NUMBER	QTY	DESCRIPTION	REV
	1001192650	Ref	Bale Handler (square)	F
1	70028499	2	Spear	
2	70028500	2	Decal, Pinch Point	
3	70028485	2	Screw	
4	70021349	4	Bolt, 3/8X1	
5	70021422	2	Screw	
6	90554042	4	Washer, Lock 3/8	
7	70021350	4	Washer, Flat	
8	70021367	2	Nut, Lock 3/8	
9	90554045	4	Fitting, Grease	
10	N.S.S.	1	Weldment, Main Frame	
11	1001101041	1	Coupler, Male Hydraulic	
12	1001101042	1	Coupler, Female Hydraulic	
13	70028486	4	Fitting	
14	70028488	2	Fitting	
15	70028489	2	Pin	
16	70028490	2	Pin	
17	N.S.S.	1	Weldment, Left Bale Arm	
18	N.S.S.	1	Weldment, Right Bale Arm	
19	70028491	2	Hose	
20	7029711	1	Decal, High Pressure Warning	
21	N.S.S.	1	Plate, Serial Number	
22	8420053	1	Cap, Dust	
23	8420055	1	Cap, Dust	
25	70028495	2	Clamp	
26	70028496	2	Plate, Clamp	
28	70028497	2	Assembly, Cylinder	
29	70028498	1	Decal, Read Manual	
31	70028501	2	Decal, Falling Load	
32	70028487	2	Fitting, Tee	
33	70028492	1	Hose	
34	70028493	1	Hose	
101	70028494	1	Kit, Seal	

SECTION 3 - ATTACHMENTS

FIGURE 3-9. BASKET, PERSONNEL (1.2MX2.4M) (ISO)



ART_1001238654-A

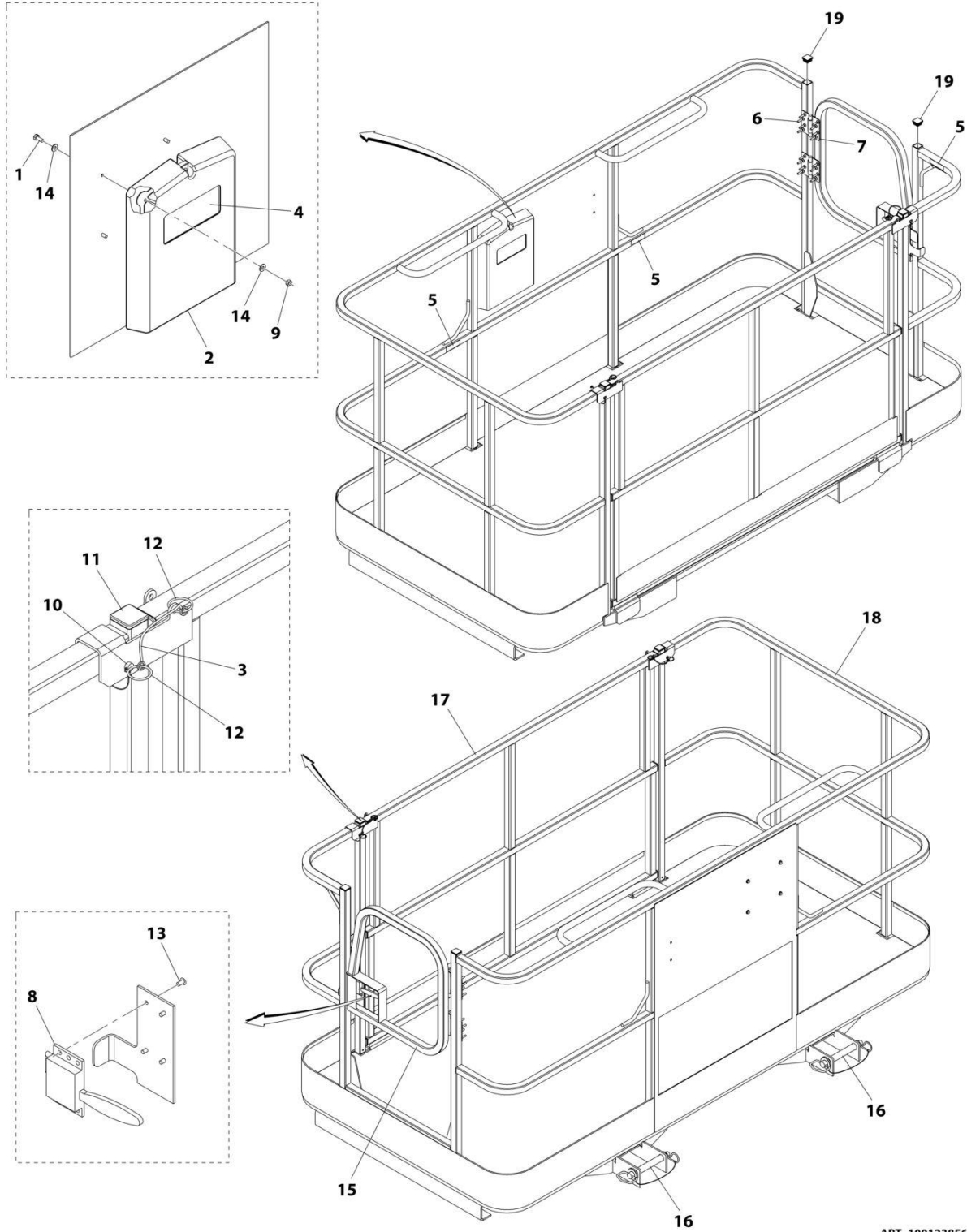
SECTION 3 - ATTACHMENTS

FIGURE 3-9. BASKET, PERSONNEL (1.2MX2.4M) (ISO)

ITEM	PART NUMBER	QTY	DESCRIPTION	REV
	1001238654	Ref	BASKET, PERSONNEL	B
1	1702773	2	Decal, JLG	
2	1704885	1	Decal, Website	
3	31200387	1	Manual, Operation and Safety, Spanish	
4	31200388	1	Manual, Operation and Safety, Portuguese	
5	1001096021	1	Decal, Warning Attachment	
6	1001096023	1	Decal, Platform Capacity	
7	1001096025	1	Decal, Platform Warning	
8	1001238565	1	Platform, Fork Mounted (ANSI) (See Separate Breakdown in this Section)	
9	See Note	NSS	SN Plate (Note: Stamped Part - Not Available for Purchase)	

SECTION 3 - ATTACHMENTS

FIGURE 3-10. BASKET ASSEMBLY - FORK MOUNTED



ART_1001238565

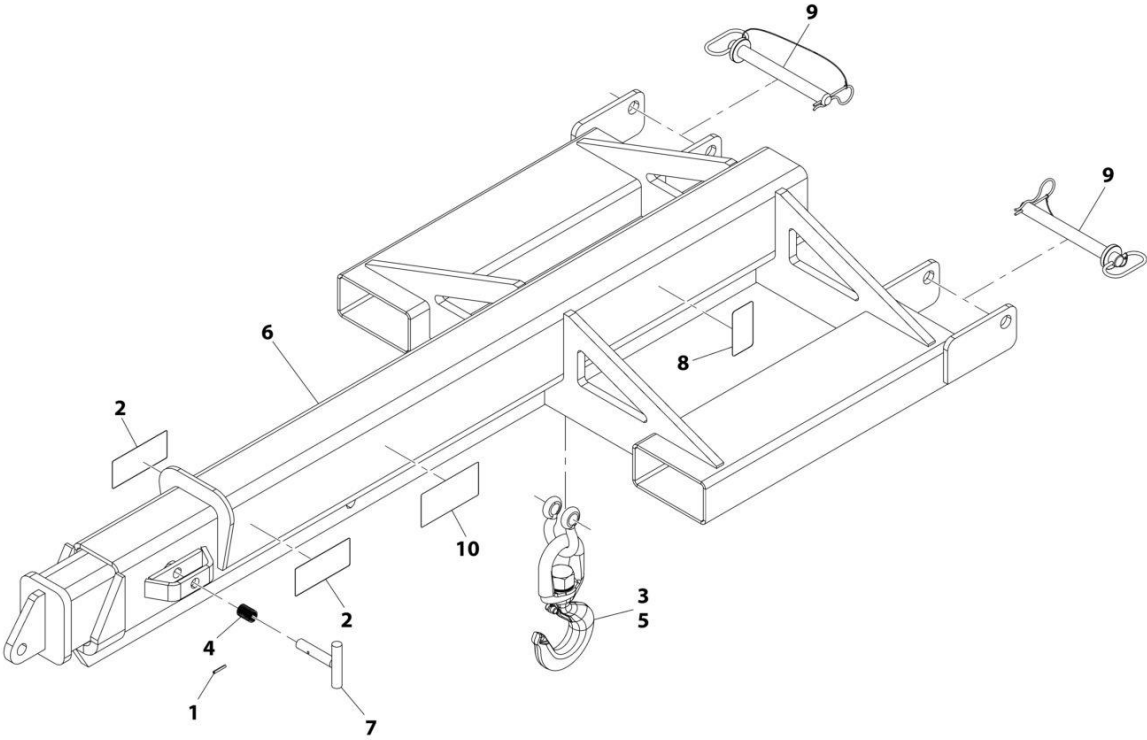
SECTION 3 - ATTACHMENTS

FIGURE 3-10. BASKET ASSEMBLY - FORK MOUNTED

ITEM	PART NUMBER	QTY	DESCRIPTION	REV
	1001238565	Ref	FORK MOUNTED PLATFORM ASSEMBLY	F
1	0641405	4	Bolt 1/4 x 5/8	
2	0860520	1	Box, Manual Storage	
3	1060379	2	Cable, Lanyard	
4	1701509	1	Decal, Manual	
5	1704277	3	Decal, Lanyard Attach	
6	2080040	16	Fastener	
7	2600281	2	Hinge	
8	2940074	1	Latch	
9	3311405	4	Nut 1/4	
10	3421453	2	Pin	
11	3520072	7	Plug	
12	3760170	4	Ring	
13	3820020	4	Rivet	
14	4711400	8	Washer 1/4	
15	1001144629J	1	Gate	
16	1001238560	2	Pin, Hitch	
17	1001095810	1	Gate	
18	See Note	NSS	Platform, Fork Mounted	
19	3520198	4	Plug	

SECTION 3 - ATTACHMENTS

FIGURE 3-11. BOOM - TRUSS (3.6TON FORK MOUNTED)



ART_1001230241-H

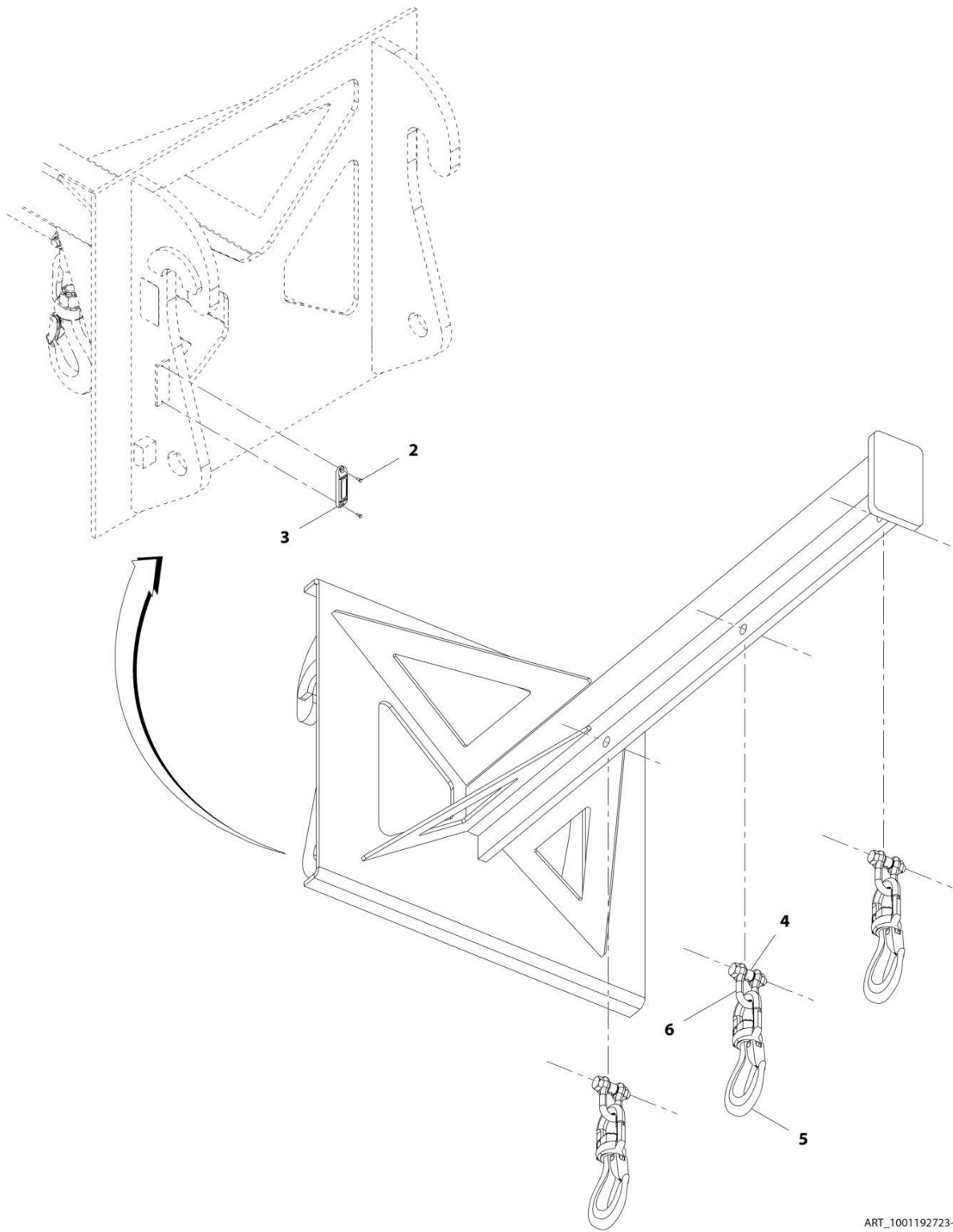
SECTION 3 - ATTACHMENTS

FIGURE 3-11. BOOM - TRUSS (3.6TON FORK MOUNTED)

ITEM	PART NUMBER	QTY	DESCRIPTION	REV
	1001230241	Ref	Adjustable Truss Boom Installation (Fork Mounted)	J
1	3440620	1	Pin	
2	4110422	2	Decal, Danger Swinging Loads	
3	91403448	1	Hook, Swivel	
4	1001128890	1	Spring	
5	1001146160	1	Shackle	
6	See Note	NSS	Boom, Truss - Adjustable (Note: Purchase Complete Assembly)	
7	1001230239	1	Pin	
8	See Note	NSS	SN Plate (Note:Stamped Part - Not Available for Purchase)	
9	1001231692	2	Pin	
10	1001232500	1	Decal, Load Capacities	

SECTION 3 - ATTACHMENTS

FIGURE 3-12. BOOM - TRUSS (7.6 TON)



ART_1001192723-F

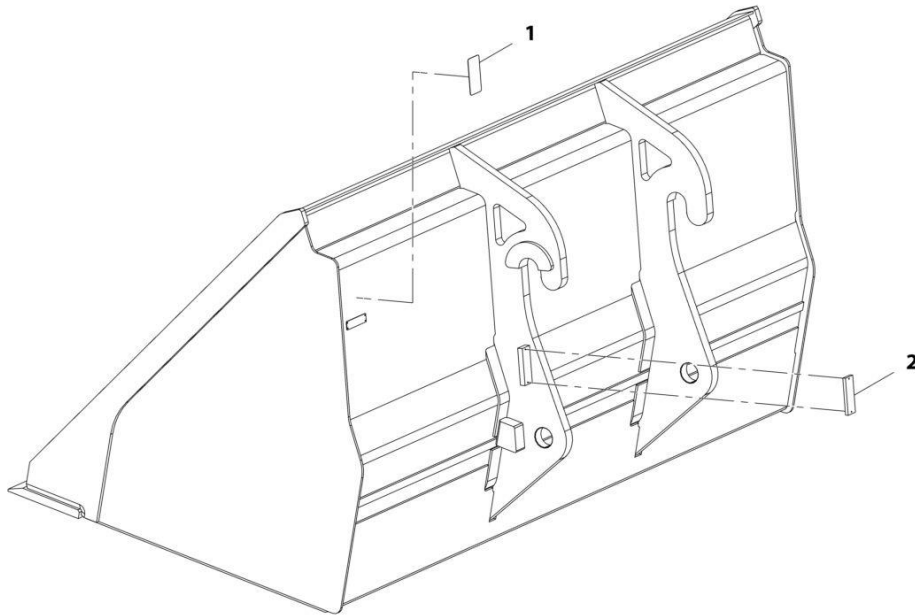
SECTION 3 - ATTACHMENTS

FIGURE 3-12. BOOM - TRUSS (7.6 TON)

ITEM	PART NUMBER	QTY	DESCRIPTION	REV
	1001192723	1	Truss Boom (7.6 ton)	G
2	70028554	2	Screw	
3	1001227670	1	Tag, RFID	
4	70020555	3	Bushing	
5	70026745	3	Hook	
6	70026746	3	Shackle, Chain	

SECTION 3 - ATTACHMENTS

FIGURE 3-13. BUCKET (2.6 YD³/2.0M³)



ART_1001192615-F

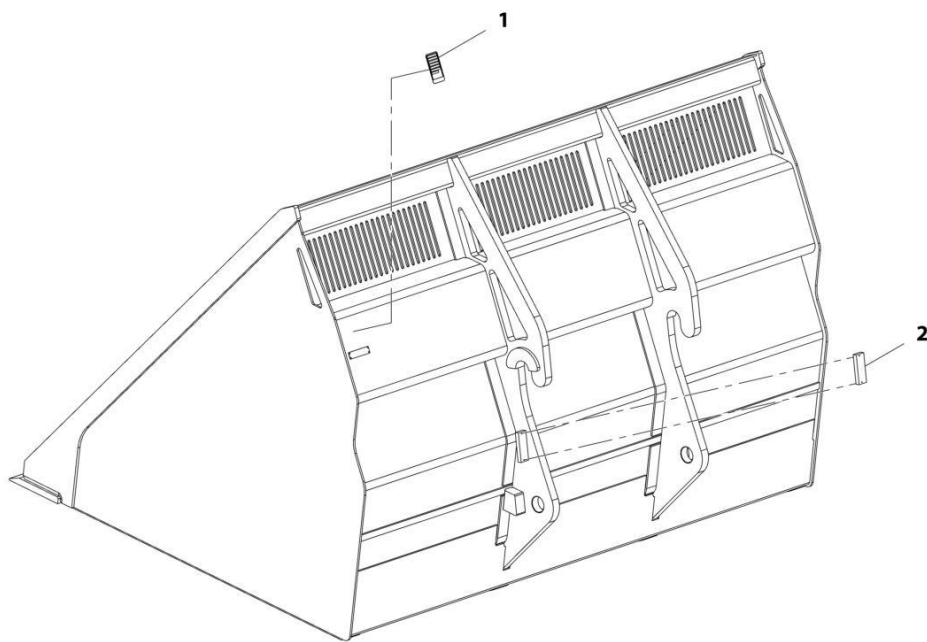
SECTION 3 - ATTACHMENTS

FIGURE 3-13. BUCKET (2.6 YD³/2.0M³)

ITEM	PART NUMBER	QTY	DESCRIPTION	REV
	1001192615	Ref	Bucket (2.6 yd ³ /2.0m ³)	G
1	N.S.S.	1	S/N Plate	
2	1001227670	1	Tag, RFID	

SECTION 3 - ATTACHMENTS

FIGURE 3-14. BUCKET (5.23 YD³)



ART_1001192616-E

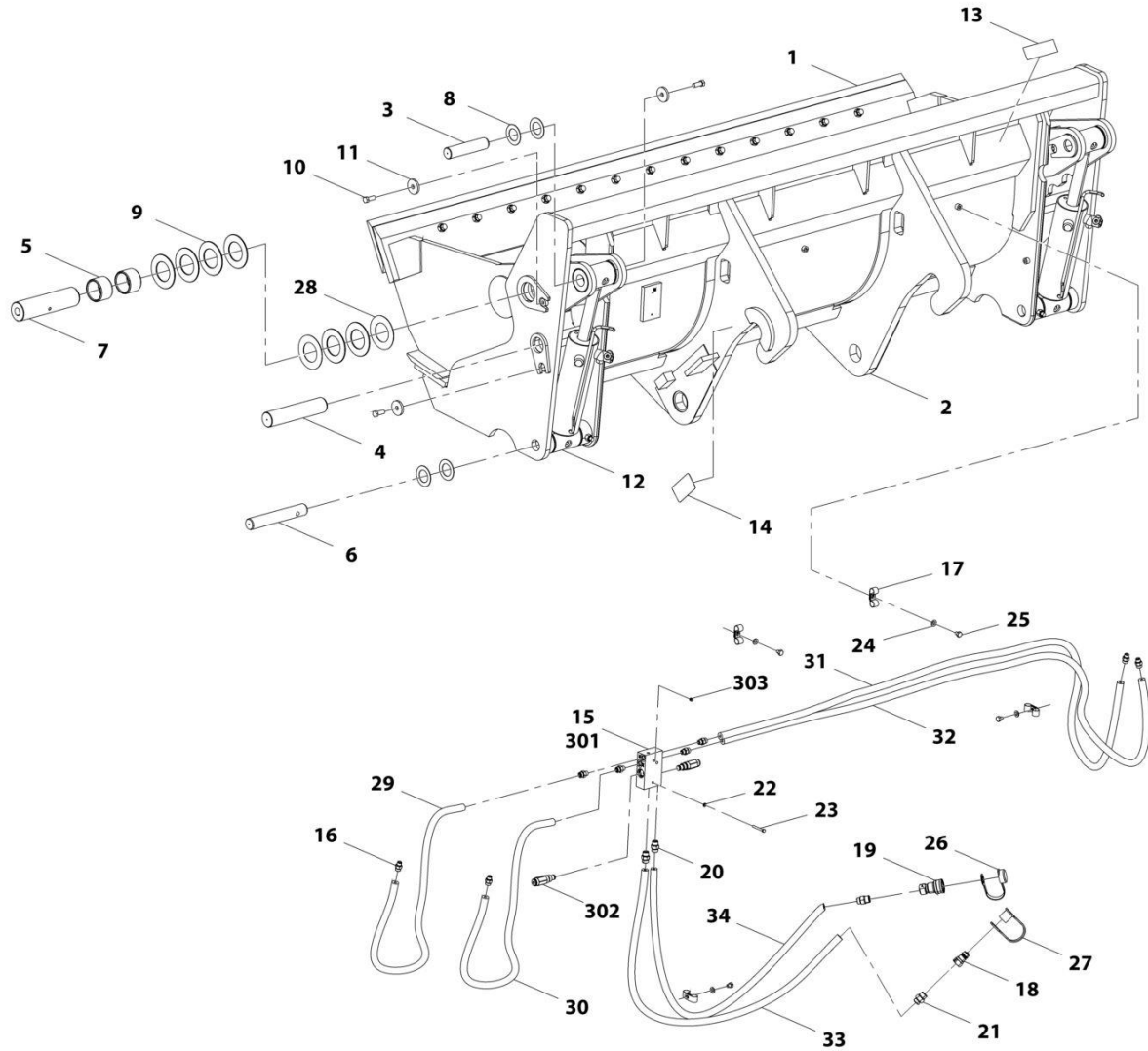
SECTION 3 - ATTACHMENTS

FIGURE 3-14. BUCKET (5.23 YD³)

ITEM	PART NUMBER	QTY	DESCRIPTION	REV
	1001192616	Ref	Bucket (5.23 yd ³ /4.0m ³)	F
1	N.S.S.	1	S/N Plate	
2	1001227670	1	Tag, RFID	

SECTION 3 - ATTACHMENTS

FIGURE 3-15. BUCKET - 4 IN 1 (1.3 YD³/1.0M³)



ART_1001228427-B

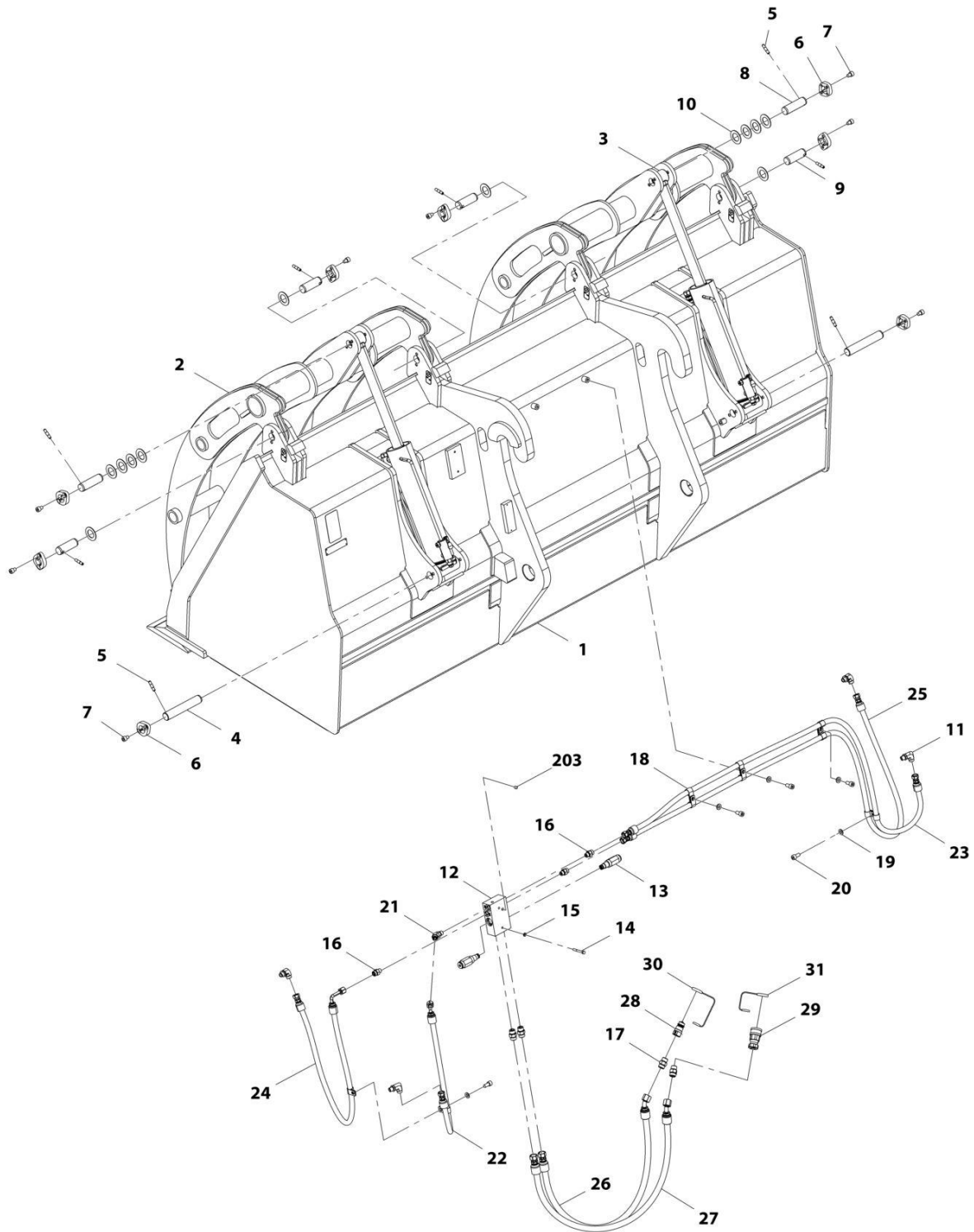
SECTION 3 - ATTACHMENTS

FIGURE 3-15. BUCKET - 4 IN 1 (1.3 YD³/1.0M³)

ITEM	PART NUMBER	QTY	DESCRIPTION	REV
	1001228427	Ref	4 in 1 Bucket (1.3 yd ³ /1.0m ³)	C
1	N.S.S.	1	Assembly, Front Bucket	
2	N.S.S.	1	Assembly, Back Bucket	
3	70028563	2	Pin	
4	70028564	2	Pin	
5	70028565	4	Bushing	
6	70028566	2	Pin	
7	70028567	2	Pin	
8	70028568	8	Shim	
9	70028569	6	Shim	
10	70028570	6	Capscrew	
11	70028571	6	Washer	
12	70028572	2	Assembly, 4 In 1 Bucket Cylinder (5.23 yd ³ /4.0m ³) (See Separate Breakdown in HYDRAULIC COMPONENTS Section)	
13	N.S.S.	1	Plate, Name	
14	N.S.S.	1	Plate, Serial Number	
15	70028573	1	Assembly, 4 In 1 Bucket Valve (5.23 yd ³ /4.0m ³)	
16	70024130	8	Fitting, Straight	
17	70026481	8	Clamp, Hose	
18	1001101041	1	Adapter, Male Quick Disconnect	
19	1001101042	1	Adapter, Female Quick Disconnect	
20	70022938	2	Fitting, Straight	
21	70028263	2	Fitting, Straight	
22	70026480	2	Washer, M6	
23	70026479	2	Bolt, M6X50	
24	70026482	4	Washer, M10	
25	70026483	4	Bolt, M10X16	
26	8420055	1	Plug, Dust	
27	8420053	1	Plug, Cap	
28	70028574	12	Shim	
29	70028575	1	Hose	
30	70028576	1	Hose	
31	70028577	1	Hose	
32	70028578	1	Hose	
33	70028579	1	Hose	
34	70028580	1	Hose	
301	70026477	1	Manifold	
302	70028589	2	Cartridge, Relief	
303	70026614	2	Plug	

SECTION 3 - ATTACHMENTS

FIGURE 3-16. BUCKET - GRAPPLE (1.7 YD³/1.3M³)



ART_1001223435-C

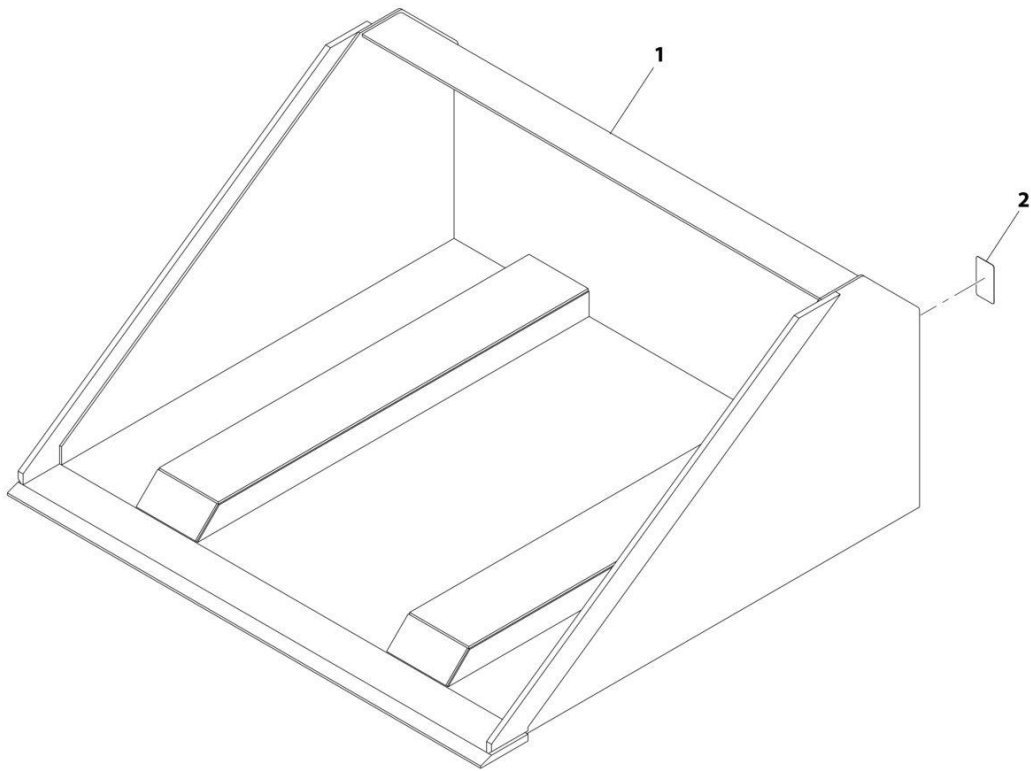
SECTION 3 - ATTACHMENTS

FIGURE 3-16. BUCKET - GRAPPLE (1.7 YD³/1.3M³)

ITEM	PART NUMBER	QTY	DESCRIPTION	REV
	1001223435	Ref	Grapple Bucket (1.7 yd ³ /1.3m ³)	D
1	N.S.S.	1	Bucket	
2	N.S.S.	1	Grapple	
3	70026469	2	Assembly, Cylinder, (See Separate Breakdown in HYDRAULIC COMPONENTS Section)	
4	70026470	2	Pin	
5	70026471	8	Pin Drive - Lock	
6	70026472	8	Retainer	
7	70026473	16	Capscrew, M10X12	
8	70026474	2	Pin	
9	70026475	4	Pin	
10	70026476	32	Shim	
11	70024123	4	Fitting, 90	
12	70026477	1	Manifold	
13	70026478	2	Cartridge, Relief Valve	
14	70026479	2	Bolt, M6X50	
15	70026480	2	Washer, M6	
16	70024130	3	Fitting, Straight	
17	70022938	4	Fitting, Straight	
18	70026481	10	Clamp, Hose	
19	70026482	5	Washer, M10	
20	70028672	5	Bolt, M10X20	
21	70026616	1	Fitting, 45	
22	70028749	1	Hose	
23	70028750	1	Hose	
24	70028751	1	Hose	
25	70028752	1	Hose	
26	70028753	1	Hose	
27	70028697	1	Hose	
28	1001101041	1	Adapter, Male Quick Disconnect	
29	1001101042	1	Adapter, Female Quick Disconnect	
30	8420053	1	Cap, Dust	
31	8420055	1	Plug, Dust	
203	70026614	2	Plug	

SECTION 3 - ATTACHMENTS

FIGURE 3-17. BUCKET - FORK MOUNTED (1.0M³)



ART_1001195970-D

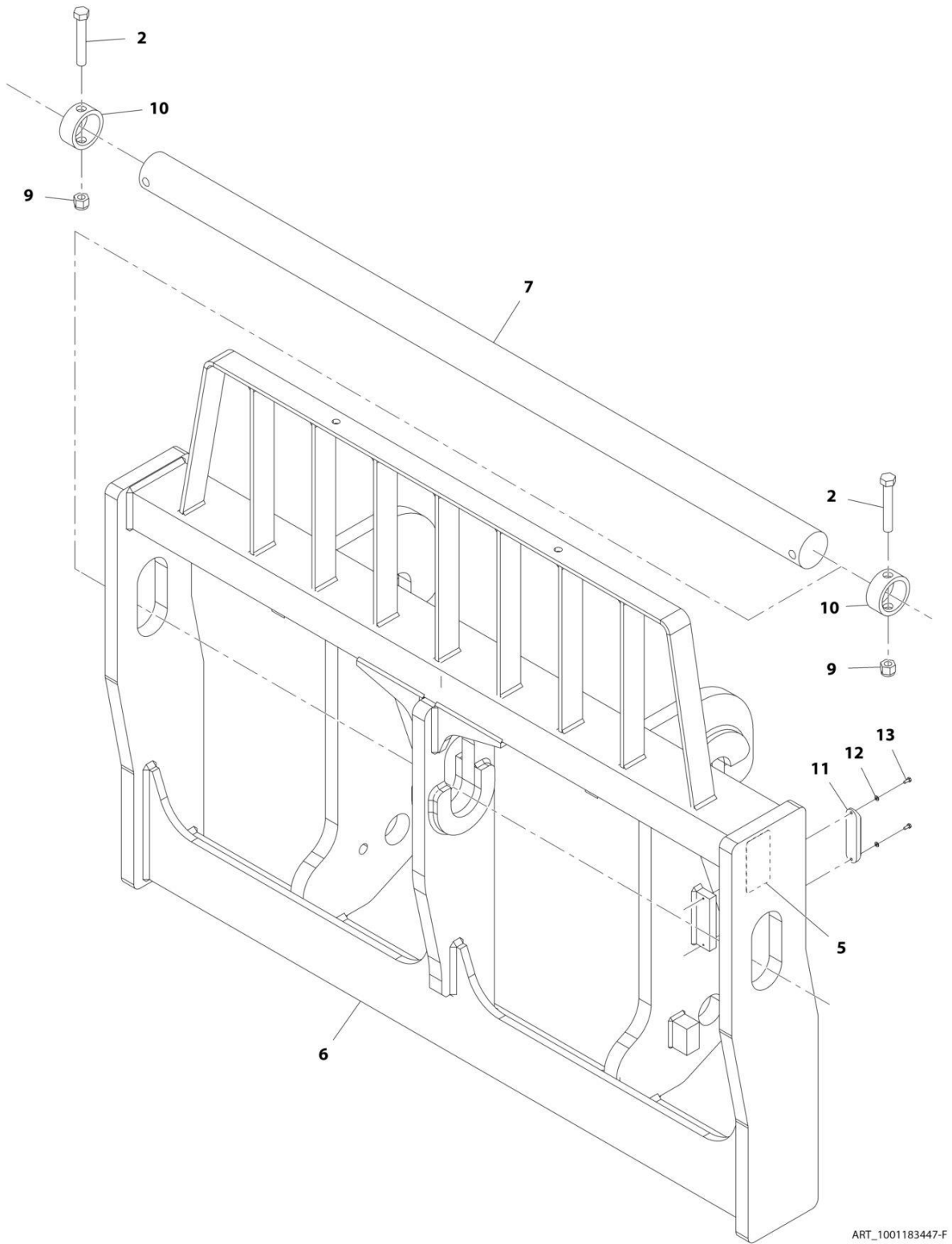
SECTION 3 - ATTACHMENTS

FIGURE 3-17. BUCKET - FORK MOUNTED (1.0M³)

ITEM	PART NUMBER	QTY	DESCRIPTION	REV
1	1001195970	Ref	Bucket 1.0 m ³ (Fork Mounted)	E
2	See Note	NSS	S/N Plate (Note: Stamped Part - Not Available for Purchase)	

SECTION 3 - ATTACHMENTS

FIGURE 3-18. CARRIAGE ASSEMBLY (60IN/1524MM)



ART_1001183447-F

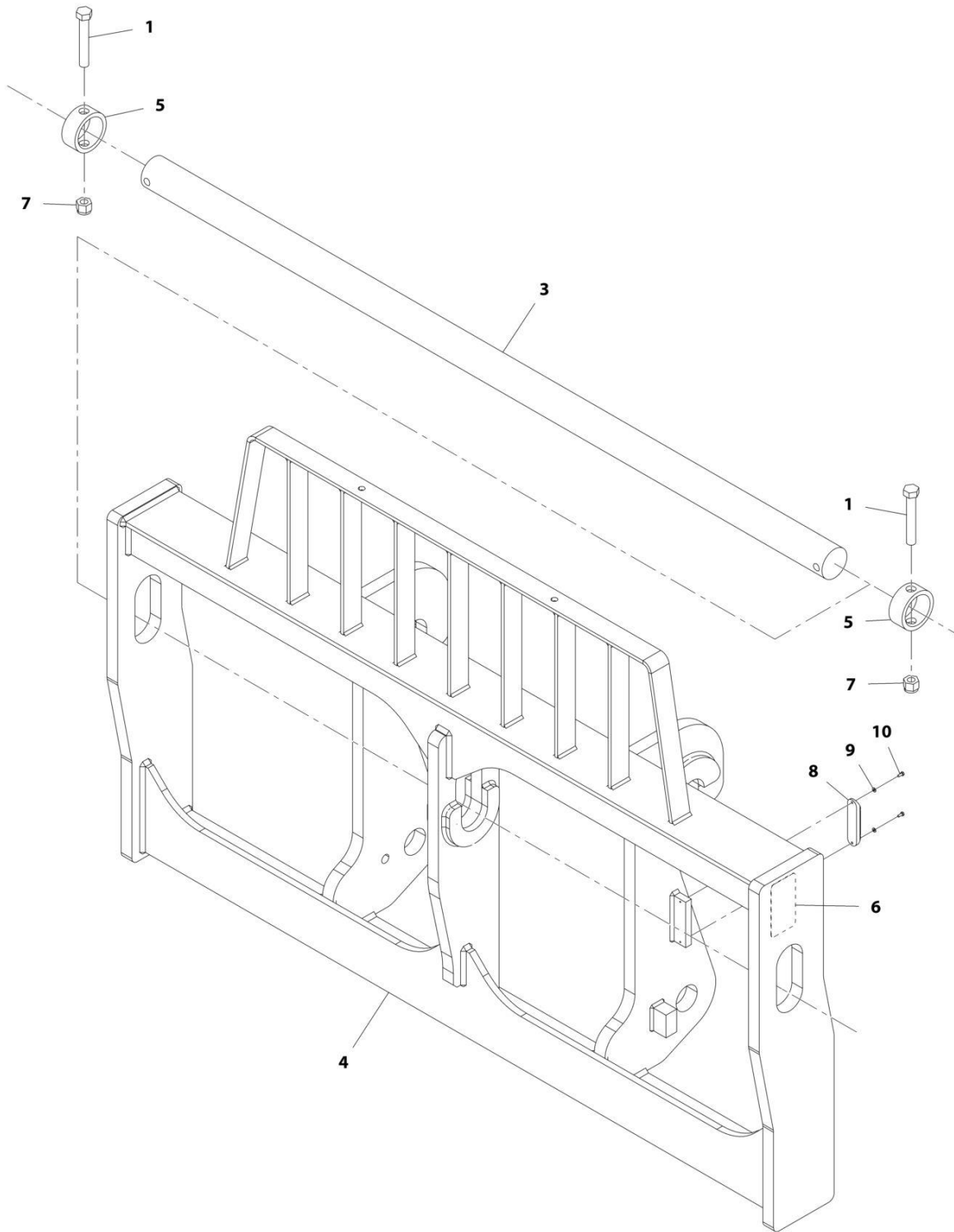
SECTION 3 - ATTACHMENTS

FIGURE 3-18. CARRIAGE ASSEMBLY (60IN/1524MM)

ITEM	PART NUMBER	QTY	DESCRIPTION	REV
	1001183447	1	Carriage Assembly (60in/1524mm)	F
2	0701628	2	Bolt, M16X110	
5	N.S.S.	1	S/N Plate	
6	N.S.S.	1	Weldment, Carriage	
7	1001191108	1	Pin	
9	3291605	2	Nut, Lock M16X2 Grade 8	
10	1001218755	2	Collar, Shaft	
11	1001227670	1	Tag, RFID	
12	4811400	2	Washer, M4	
13	0760405	2	Bolt, M4X10	

SECTION 3 - ATTACHMENTS

FIGURE 3-19. CARRIAGE ASSEMBLY (72IN/1829MM)



ART_1001214415-E

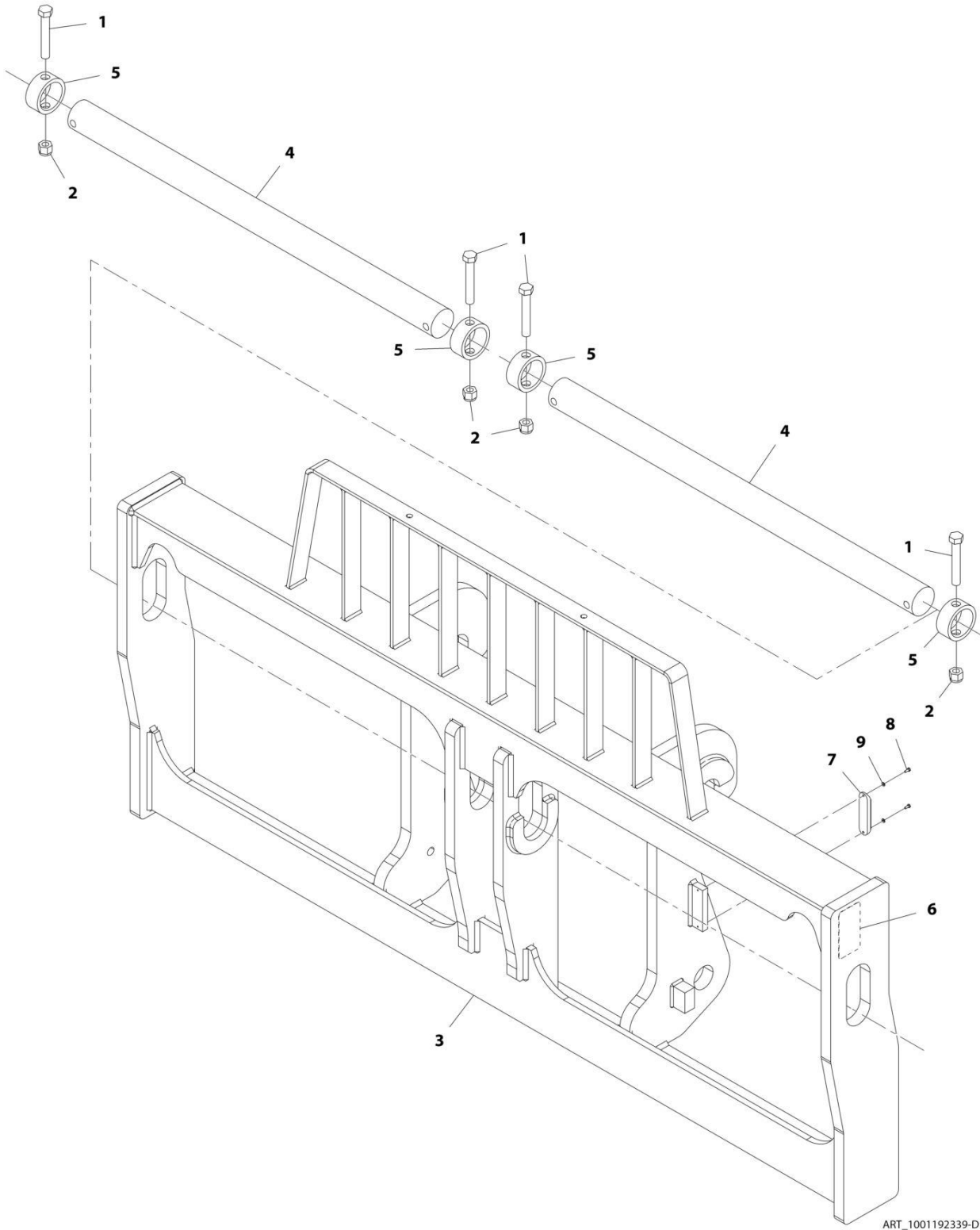
SECTION 3 - ATTACHMENTS

FIGURE 3-19. CARRIAGE ASSEMBLY (72IN/1829MM)

ITEM	PART NUMBER	QTY	DESCRIPTION	REV
	1001214415	Ref	Carriage Assembly (72in/1829mm)	E
1	0701628	2	Bolt, M16X110	
3	1001214254	1	Pin	
4	N.S.S.	1	Weldment, Carriage	
5	1001218755	2	Collar, Shaft	
6	N.S.S.	1	Plate, Serial Number	
7	3291605	2	Nut, Lock M16X2 Grade 8	
8	1001227670	1	Tag, RFID	
9	4811400	2	Washer, M4	
10	0760405	2	Bolt, M4X10	

SECTION 3 - ATTACHMENTS

FIGURE 3-20. CARRIAGE ASSEMBLY (87IN/2290MM)



ART_1001192339-D

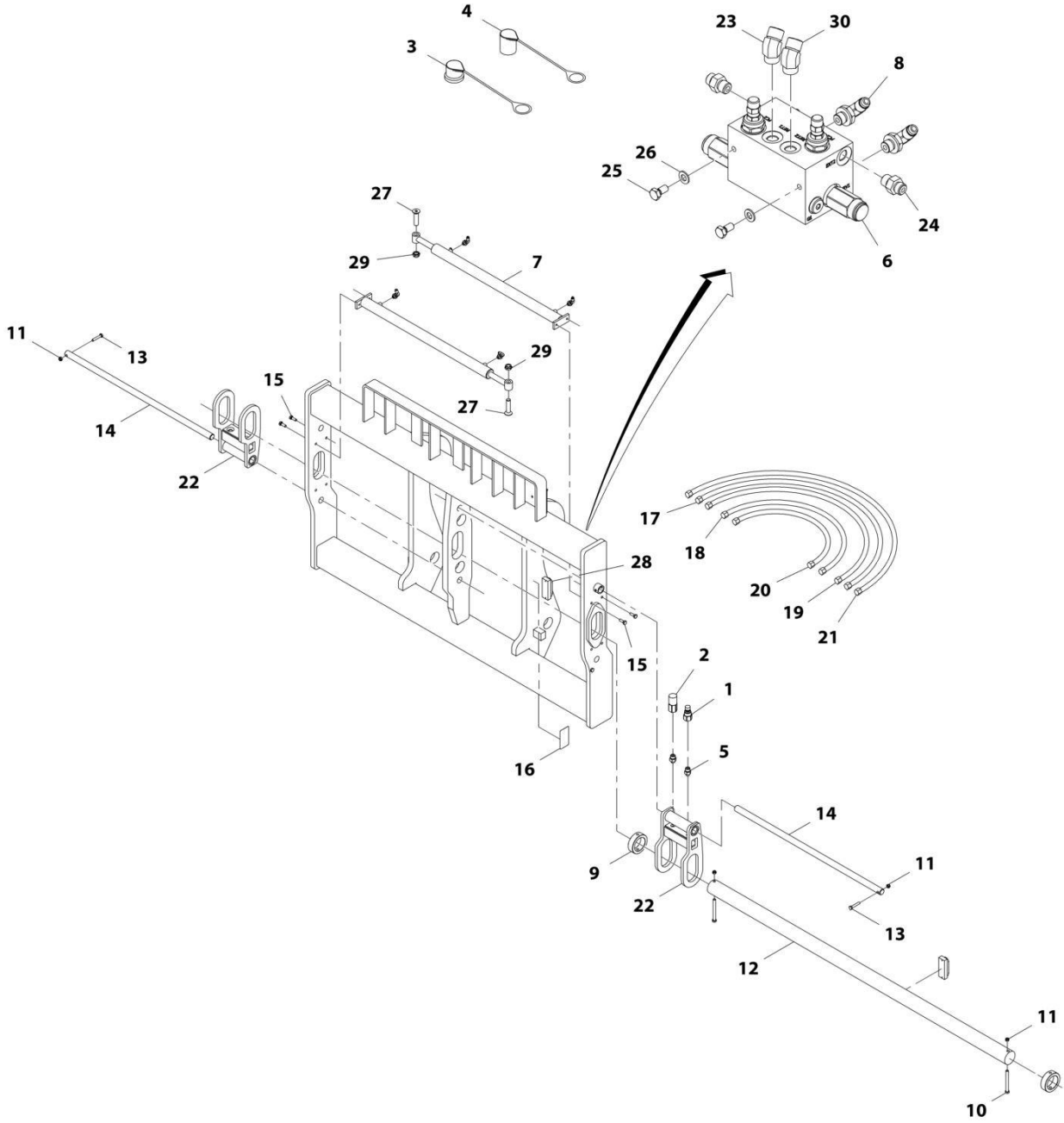
SECTION 3 - ATTACHMENTS

FIGURE 3-20. CARRIAGE ASSEMBLY (87IN/2290MM)

ITEM	PART NUMBER	QTY	DESCRIPTION	REV
	1001192339	1	Carriage Assembly (87in/2290mm)	D
1	0701628	4	Bolt, M16X110	
2	3291605	4	Nut, Lock M16X2 Grade 8	
3	N.S.S.	1	Weldment, Carriage	
4	1001218754	2	Pin	
5	1001218755	4	Collar, Shaft	
6	N.S.S.	1	Plate, Serial Number	
7	1001227670	1	Tag, RFID	
8	0760405	2	Bolt, M4X10	
9	4811400	2	Washer, M4	

SECTION 3 - ATTACHMENTS

FIGURE 3-21. CARRIAGE ASSEMBLY - DUAL FORK POSITIONING CARRIAGE (72IN/1829MM)



ART_1001192342-E

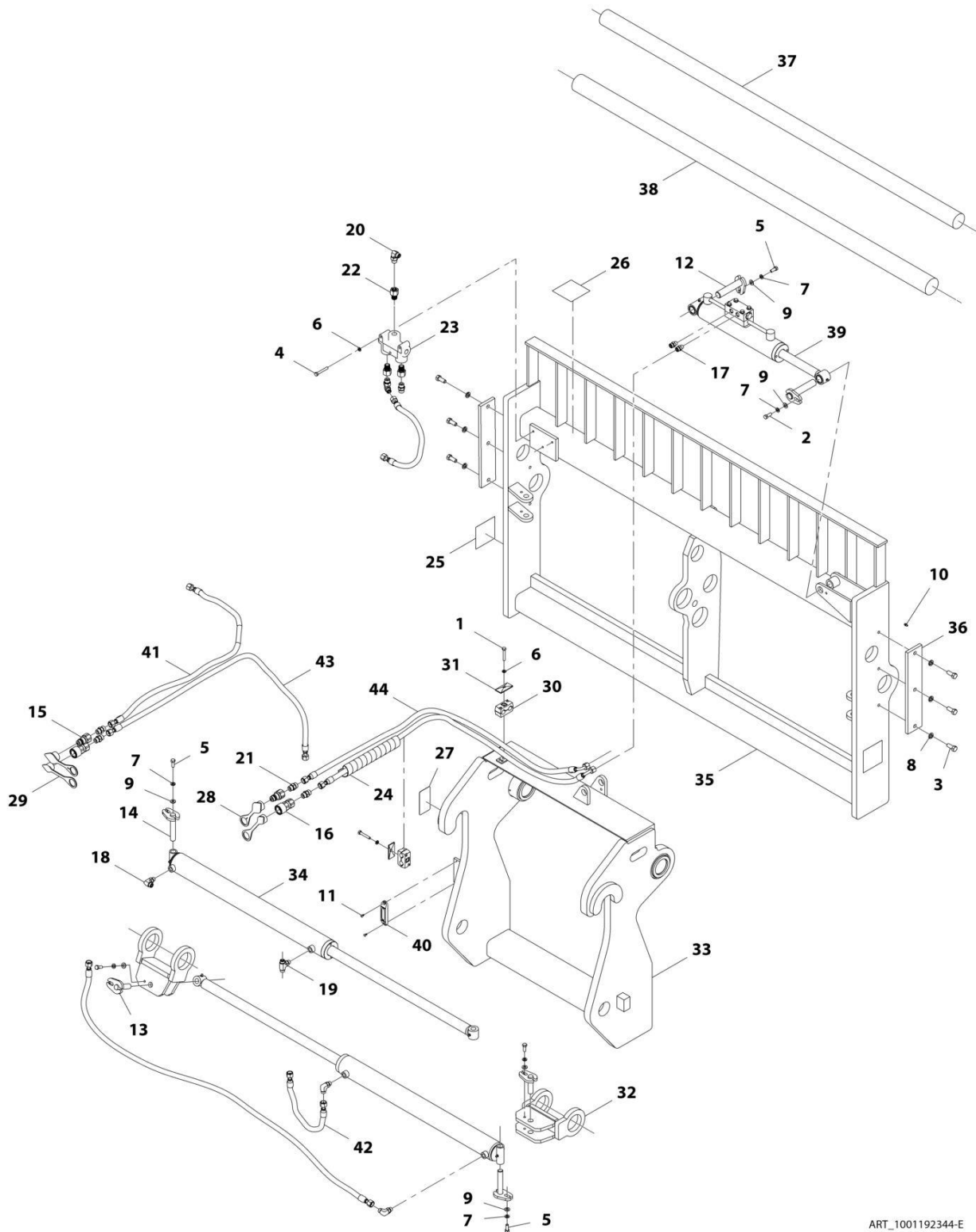
SECTION 3 - ATTACHMENTS

FIGURE 3-21. CARRIAGE ASSEMBLY - DUAL FORK POSITIONING CARRIAGE (72IN/1829MM)

ITEM	PART NUMBER	QTY	DESCRIPTION	REV
	1001192342	1	Dual Fork Positioning Carriage (72in/1829mm)	E
1	1001101041	1	Coupler, Male Hydraulic	
2	1001101042	1	Coupler, Female Hydraulic	
3	8420053	1	Cap	
4	8420055	1	Cap	
5	1001008834	2	Fitting, Straight	
6	70027896	1	Valve	
7	70028505	2	Cylinder, Forkpositioner	
8	2150606	4	Fitting, 45 ORFS	
9	70028506	2	Collar	
10	70027889	2	Bolt, M10x120	
11	70027890	4	Nut M10	
12	70028507	1	Shaft, Floating	
13	70027881	2	Bolt, M10x55	
14	70028508	2	Shaft, Forkpositioner	
15	70027880	4	Bolt, M10x30	
16	N.S.S.	1	S/N Plate	
17	70028509	1	Hose	
18	70028510	1	Hose	
19	70028511	1	Hose	
20	70028512	1	Hose	
21	70027899	2	Hose	
22	70028513	2	Cage, Fork	
23	2150606	1	Fitting, 45 ORFS	
24	2110606	2	Fitting, Straight ORFS	
25	70027882	2	Bolt, M8X16	
26	70027879	2	Washer	
27	70027888	3	Screw, Countersunk M20x80	
28	1001227670	1	Tag, RFID	
29	70027887	2	Nut, M20	
30	2170206	1	Fitting, 90 ORFS	

SECTION 3 - ATTACHMENTS

FIGURE 3-22. CARRIAGE ASSEMBLY - DUAL FORK POSITIONING SIDE SHIFT CARRIAGE (75IN/1899MM)



ART_1001192344-E

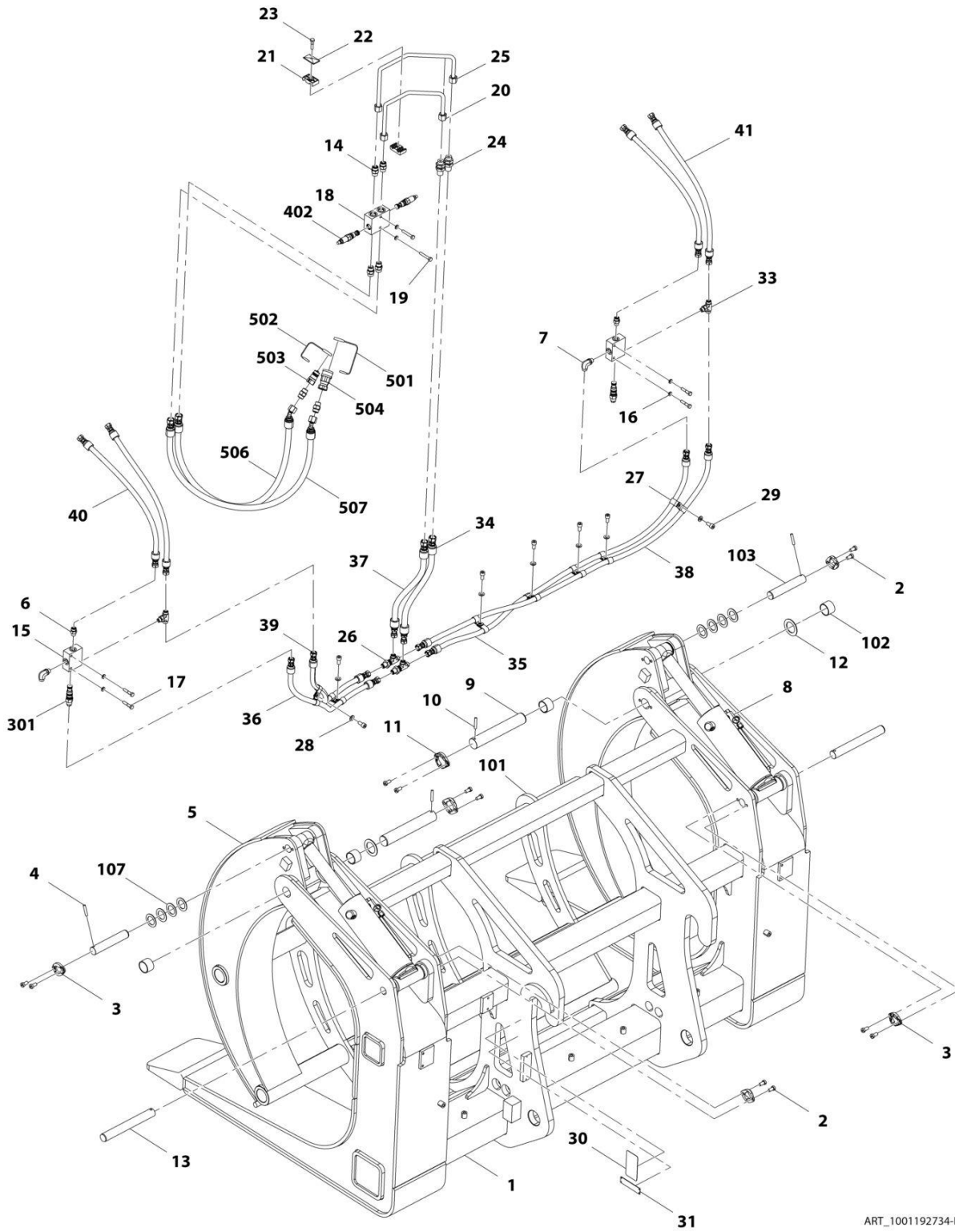
SECTION 3 - ATTACHMENTS

**FIGURE 3-22. CARRIAGE ASSEMBLY - DUAL FORK POSITIONING SIDE SHIFT CARRIAGE
(75IN/1899MM)**

ITEM	PART NUMBER	QTY	DESCRIPTION	REV
	1001192344	1	Dual Fork Positioning Side Shift Carriage (75in/1899mm)	F
1	70028485	2	Bolt	
2	70021349	1	Bolt, 3/8X1	
3	70027989	6	Bolt	
4	70028591	3	Bolt	
5	7029704	5	Bolt, 3/8-24X1	
6	90554067	5	Washer, Lock 5/16	
7	90554042	6	Washer, Lock 3/8	
8	90554020	6	Washer, Lock 1/2	
9	7029703	6	Washer, Flat	
10	90554045	1	Zerk, Grease	
11	70028554	2	Screw	
12	7029702	2	Pin	
13	70028592	2	Pin	
14	70028593	2	Pin	
15	1001101041	2	Adapter, Male Quick Disconnect	
16	1001101042	2	Adapter, Female Quick Disconnect	
17	70028486	2	Fitting	
18	70028525	3	Elbow, 90	
19	70028594	1	Fitting	
20	70028526	2	Elbow, 90	
21	70028488	5	Fitting	
22	70028595	3	Fitting	
23	70028596	1	Valve	
24	70028597	1	Protector, Hose	
25	90554017	2	Decal, Danger Pinch Point	
26	7029711	1	Decal, High Pressure	
27	N.S.S.	1	S/N Plate	
28	8420053	2	Plug, Dust	
29	8420055	2	Plug, Dust	
30	70028495	2	Clamp	
31	70028496	2	Plate, Clamp	
32	70028598	2	Clevis	
33	N.S.S.	1	Weldment	
34	70028599	2	Assembly, Fork Positioning Cylinder (See Separate Breakdown in HYDRAULIC COMPONENTS Section)	
35	N.S.S.	1	Weldment	
36	70028600	2	Pin	
37	70028601	1	Pin	
38	70028602	1	Pin	
39	70028603	1	Assembly, Side Shift Cylinder (See Separate Breakdown in HYDRAULIC COMPONENTS Section)	
40	1001227670	1	Tag, RFID	
41	70028604	2	Hose	
42	70028605	2	Hose	
43	70028606	1	Hose	
44	70028607	2	Hose	

SECTION 3 - ATTACHMENTS

FIGURE 3-23. CARRIAGE ASSEMBLY - LOG HANDLER CARRIAGE



ART_1001192734-D

SECTION 3 - ATTACHMENTS

FIGURE 3-23. CARRIAGE ASSEMBLY - LOG HANDLER CARRIAGE

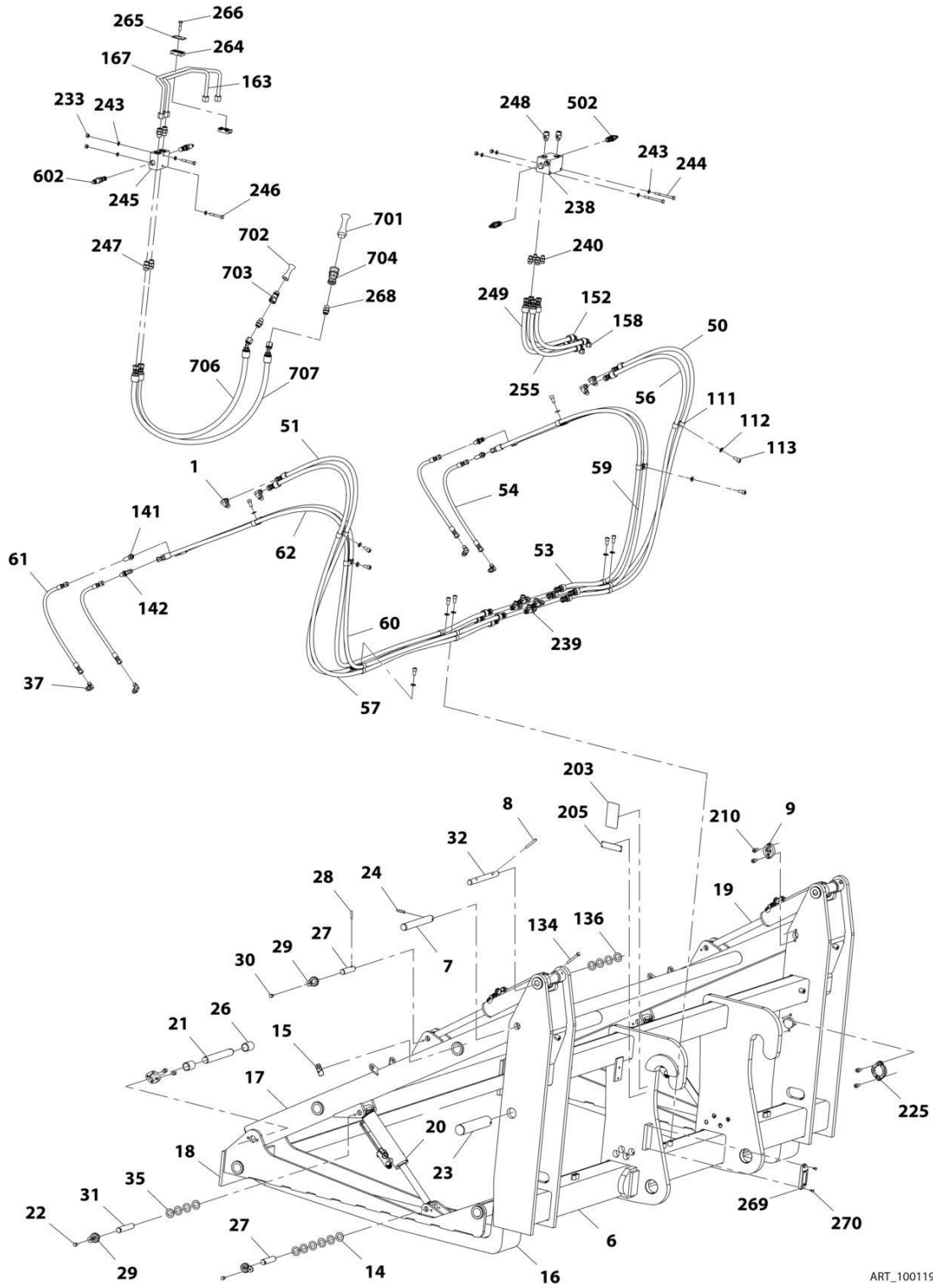
ITEM	PART NUMBER	QTY	DESCRIPTION	REV
	1001192734	Ref	Log Handler Carriage	E
1	N.S.S.	1	Frame	
2	70028701	8	Capscrew, M10X20	
3	70028702	2	Retainer	
4	70028703	4	Pin	
5	N.S.S.	1	Grapple	
6	70024130	2	Fitting, Straight	
7	70024123	2	Fitting, 90	
8	70028704	2	Assembly, Log Handler Carriage Cylinder (See Separate Breakdown in HYDRAULIC COMPONENTS Section)	
9	70028705	2	Pin	
10	70028706	2	Pin	
11	70028707	2	Retainer	
12	70028708	2	Shim	
13	70028709	2	Pin	
14	70022938	4	Fitting, Straight	
15	N.S.S.	2	Valve	
16	70024721	6	Washer, M8	
17	70028710	4	Capscrew	
18	N.S.S.	1	Valve, Relief	
19	70028711	2	Capscrew	
20	70028712	1	Pipe	
21	70028687	1	Clamp	
22	70028688	1	Plate, Cover	
23	70028689	1	Bolt, M8X35	
24	70028713	2	Fitting, Straight	
25	70028714	1	Pipe	
26	70028267	2	Fitting, Tee	
27	70026481	14	Clamp, Hose	
28	70026482	7	Washer, M10	
29	70028672	7	Bolt, M10X20	
30	N.S.S.	1	Plate, Serial Number	
31	N.S.S.	1	Plate, Name	
33	70028715	2	Fitting, Tee	
34	70028716	1	Hose	
35	70028717	1	Hose	
36	70028718	1	Hose	
37	70028719	1	Hose	
38	70028720	1	Hose	
39	70028721	1	Hose	
40	70028722	2	Hose	
41	70028723	2	Hose	
101	70028724	1	Arm	
102	70028725	4	Bearing	
103	70028726	2	Pin	
107	70028727	8	Shim	
301	70026504	2	Valve, Counterbalance	
402	70024772	2	Valve, Relief	
501	8420055	1	Plug, Dust	
502	8420053	1	Plug, Cap	

SECTION 3 - ATTACHMENTS

ITEM	PART NUMBER	QTY	DESCRIPTION	REV
503	1001101041	1	Adapter, Male Quick Disconnect	
504	1001101042	1	Adapter, Female Quick Disconnect	
506	70028734	1	Hose	
507	70028697	1	Hose	

SECTION 3 - ATTACHMENTS

FIGURE 3-24. CARRIAGE ASSEMBLY - PIPE HANDLER CARRIAGE



ART_1001192722-E

SECTION 3 - ATTACHMENTS

FIGURE 3-24. CARRIAGE ASSEMBLY - PIPE HANDLER CARRIAGE

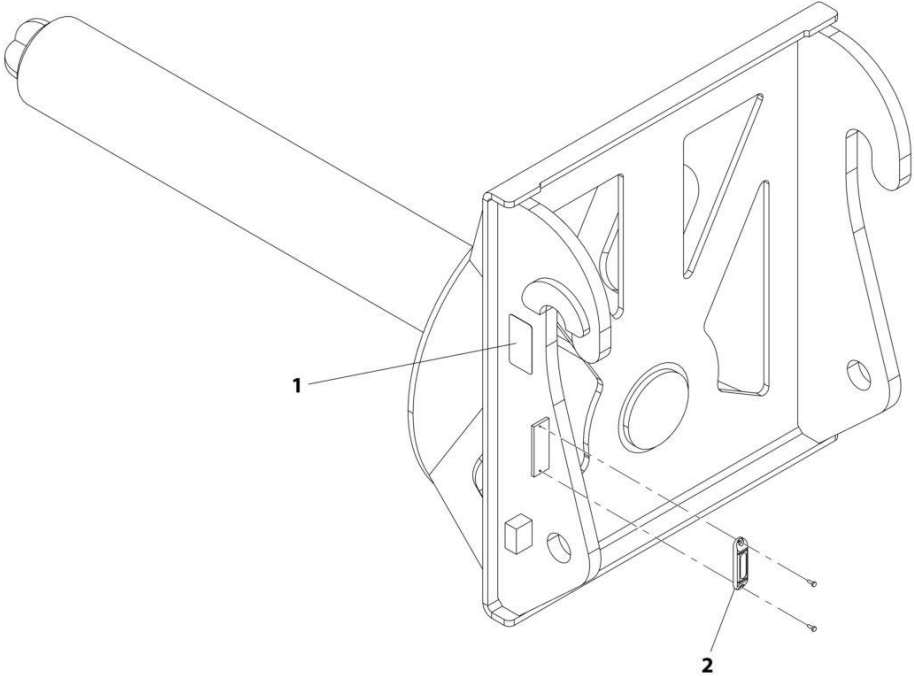
ITEM	PART NUMBER	QTY	DESCRIPTION	REV
	1001192722	Ref	Pipe Handler Carriage	F
1	70024123	4	Adapter, 90 (includes o-ring)	
6	N.S.S.	1	Carriage	
7	70028648	2	Pin	
8	70026471	4	Pin	
9	70026472	4	Retainer	
14	70026476	12	Shim	
15	70024538	2	Decal, Pinch Point	
16	70028649	2	Fork	
17	70028650	1	Arm	
18	70028651	1	Pad, Contact	
19	70028652	1	Assembly, Upper Cylinder (See Separate Breakdown in HYDRAULIC COMPONENTS Section)	
20	70028653	1	Assembly, Lower Cylinder (See Separate Breakdown in HYDRAULIC COMPONENTS Section)	
21	70028654	2	Pin	
22	70026473	4	Capscrew, M10X12	
23	70028655	2	Pin	
24	70028405	2	Pin	
26	70026501	8	Bushing	
27	70028656	4	Pin	
28	70028253	6	Pin	
29	70028262	6	Retainer	
30	70028657	6	Bolt, M8X16	
31	70028658	2	Pin	
32	70028659	2	Pin	
35	70028660	8	Shim	
37	70028661	4	Fittin, 90	
50	70028662	1	Hose	
51	70028663	1	Hose	
53	70028664	1	Hose	
54	70028665	2	Hose	
56	70028666	1	Hose	
57	70028667	1	Hose	
59	70028668	1	Hose	
60	70028669	1	Hose	
61	70028670	2	Hose	
62	70028671	1	Hose	
111	70026481	24	Clamp, Hose	
112	70026482	12	Washer	
113	70028672	12	Bolt, M10X20	
134	70028406	2	Capscrew	
136	70028767	4	Shim	
141	70028768	2	Fitting, Straight	
142	70028673	2	Fitting, 45	
152	70028674	1	Hose	
158	70028675	1	Hose	
163	70028676	1	Pipe	
167	70028677	1	Pipe	
203	N.S.S.	1	Plate, Serial Number	

SECTION 3 - ATTACHMENTS

ITEM	PART NUMBER	QTY	DESCRIPTION	REV
205	N.S.S.	1	Plate, Name	
210	70028678	8	Bolt	
225	70028679	2	Retainer	
233	70028680	6	Nut, M8	
238	N.S.S.	1	Valve	
239	70028267	4	Fitting, Straight	
240	70024130	4	Fitting, Straight	
243	70024721	8	Washer, M8	
244	70028681	2	Bolt, M8X90	
245	N.S.S.	1	Valve, Relief	
246	70028682	2	Bolt, M8X60	
247	70028683	2	Fitting, Straight	
248	70028684	2	Fitting, Straight	
249	70028685	1	Hose	
255	70028686	1	Hose	
264	70028687	1	Clamp	
265	70028688	1	Cover	
266	70028689	1	Bolt, M8X35	
268	70022938	4	Fitting, Straight	
269	1001227670	1	Tag, RFID	
270	70028690	2	Bolt, M4X16	
501	N.S.S.	1	Valve, Relief	
502	70024772	2	Valve, Cartridge	
601	N.S.S.	1	Valve, Sequence	
602	70028695	2	Valve, Cartridge	
701	8420055	1	Plug, Dust	
702	8420053	1	Plug, Cap	
703	1001101041	1	Adapter, Male Quick Disconnect	
704	1001101042	1	Adapter, Female Quick Disconnect	
706	70028696	1	Hose	
707	70028697	1	Hose	

SECTION 3 - ATTACHMENTS

FIGURE 3-25. CARRIAGE ASSEMBLY - STEEL COIL HANDLER CARRIAGE



ART_1001192735-F

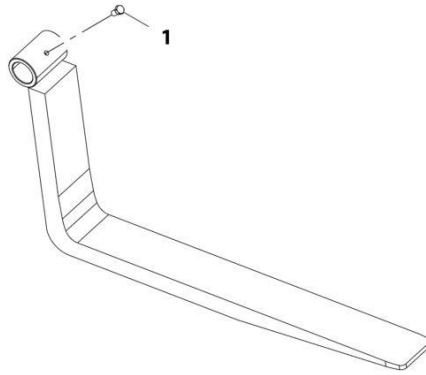
SECTION 3 - ATTACHMENTS

FIGURE 3-25. CARRIAGE ASSEMBLY - STEEL COIL HANDLER CARRIAGE

ITEM	PART NUMBER	QTY	DESCRIPTION	REV
	1001192735	1	Steel Coil Handler Carriage	G
1	N.S.S.	1	Plate, Serial Number	
2	1001227670	1	Tag, RFID	

SECTION 3 - ATTACHMENTS

FIGURE 3-26. FORK - PALLET (2.25X6X48)



ART_1001196952-B

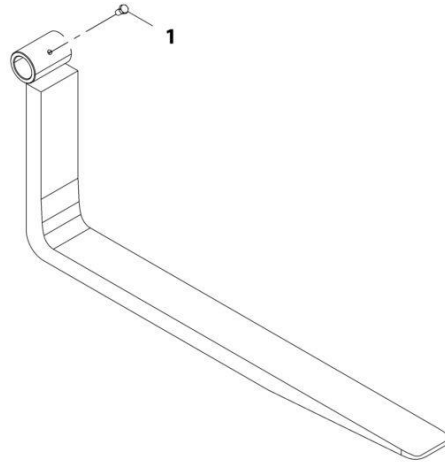
SECTION 3 - ATTACHMENTS

FIGURE 3-26. FORK - PALLET (2.25X6X48)

ITEM	PART NUMBER	QTY	DESCRIPTION	REV
1	1001196952	1	Pallet Fork (2.25X6X48)	B
	70027180	1	Screw, M16X30	
	Note	Ref	<p>FORKS RATED LESS THAN THE ATTACHMENT OR MACHINE'S CAPACITY DECREASES CAPACITY OF THE ATTACHMENT OR MACHINE TO THAT OF THE FORKS. FORKS RATED MORE THAN THE ATTACHMENT OR MACHINE'S CAPACITY DO NOT INCREASE ATTACHMENT OR MACHINE'S CAPACITY.</p>	
	Note	Ref	<p>PLEASE CONSULT JLG PARTS DEPARTMENT TO DETERMINE THE CORRECT FORKS APPLICABLE TO YOUR SPECIFIC CARRIAGE ASSEMBLY AND APPLICATION.</p>	

SECTION 3 - ATTACHMENTS

FIGURE 3-27. FORK - PALLET (2.25X6X60)



ART_1001196951-B

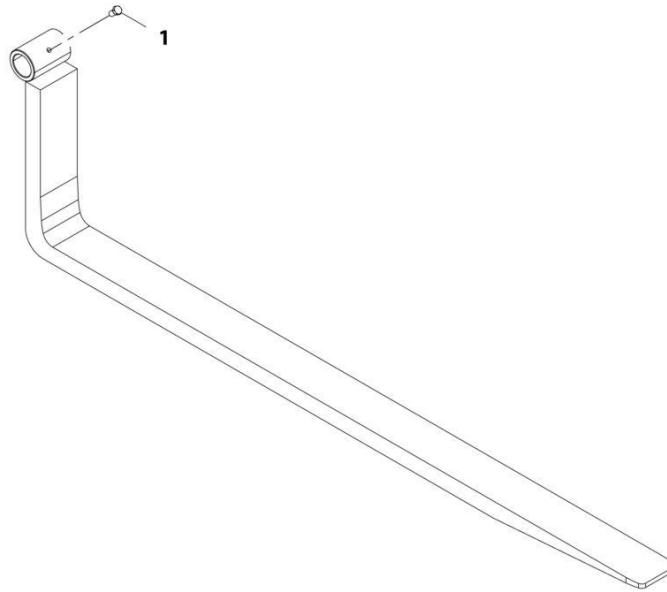
SECTION 3 - ATTACHMENTS

FIGURE 3-27. FORK - PALLET (2.25X6X60)

ITEM	PART NUMBER	QTY	DESCRIPTION	REV
1	1001196951	1	Pallet Fork (2.25X6X60)	B
	70027180	1	Screw, M16X30	
	Note	Ref	<p>FORKS RATED LESS THAN THE ATTACHMENT OR MACHINE'S CAPACITY DECREASES CAPACITY OF THE ATTACHMENT OR MACHINE TO THAT OF THE FORKS. FORKS RATED MORE THAN THE ATTACHMENT OR MACHINE'S CAPACITY DO NOT INCREASE ATTACHMENT OR MACHINE'S CAPACITY.</p>	
	Note	Ref	<p>PLEASE CONSULT JLG PARTS DEPARTMENT TO DETERMINE THE CORRECT FORKS APPLICABLE TO YOUR SPECIFIC CARRIAGE ASSEMBLY AND APPLICATION.</p>	

SECTION 3 - ATTACHMENTS

FIGURE 3-28. FORK - PALLET (2.25X6X72)



ART_1001196950-B

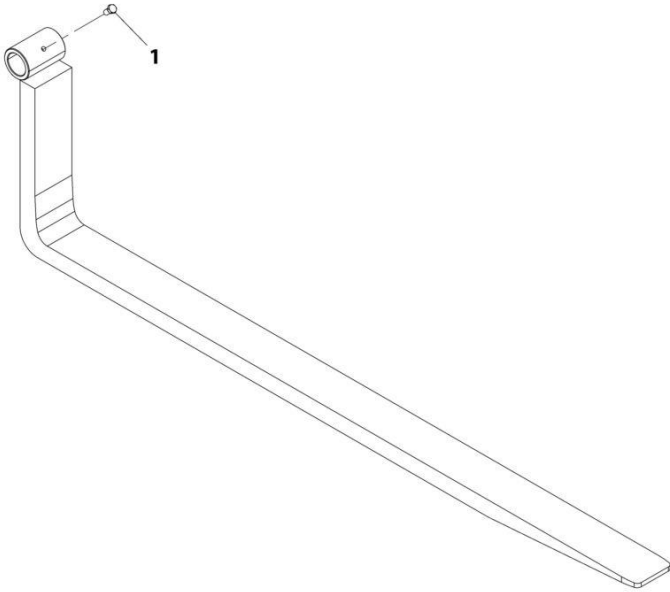
SECTION 3 - ATTACHMENTS

FIGURE 3-28. FORK - PALLET (2.25X6X72)

ITEM	PART NUMBER	QTY	DESCRIPTION	REV
1	1001196950	1	Pallet Fork (2.25X6X72)	B
	70027180	1 2	Screw, M16X30	
	Note	Ref	<p>FORKS RATED LESS THAN THE ATTACHMENT OR MACHINE'S CAPACITY DECREASES CAPACITY OF THE ATTACHMENT OR MACHINE TO THAT OF THE FORKS. FORKS RATED MORE THAN THE ATTACHMENT OR MACHINE'S CAPACITY DO NOT INCREASE ATTACHMENT OR MACHINE'S CAPACITY.</p>	
	Note	Ref	<p>PLEASE CONSULT JLG PARTS DEPARTMENT TO DETERMINE THE CORRECT FORKS APPLICABLE TO YOUR SPECIFIC CARRIAGE ASSEMBLY AND APPLICATION.</p>	

SECTION 3 - ATTACHMENTS

FIGURE 3-29. FORK - PALLET (2.25X6X96)



ART_1001196949-B

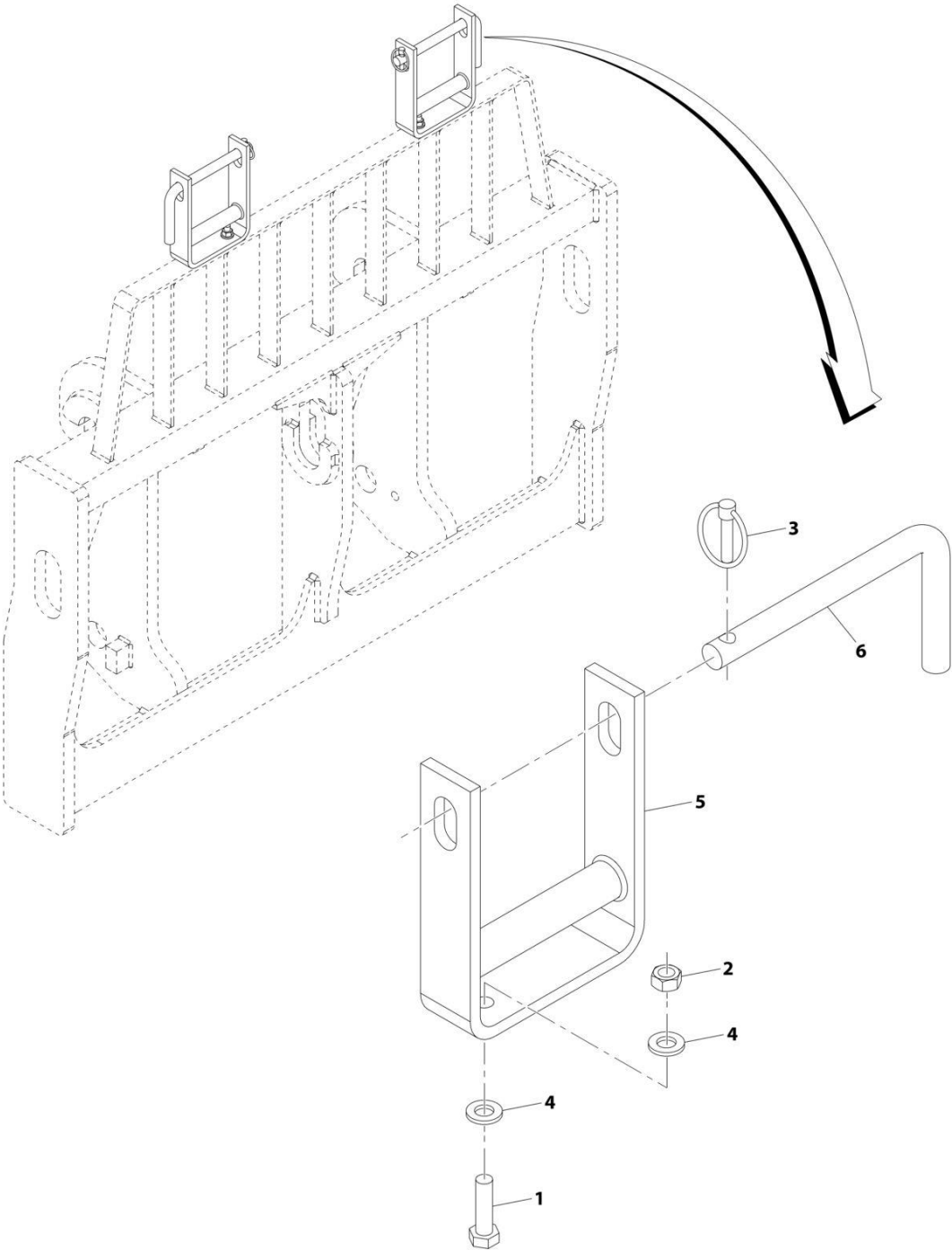
SECTION 3 - ATTACHMENTS

FIGURE 3-29. FORK - PALLET (2.25X6X96)

ITEM	PART NUMBER	QTY	DESCRIPTION	REV
1	1001196949	1	Pallet Fork (2.25X6X96)	B
	70027180	1 2	Screw, M16X30	
	Note	Ref	<p>FORKS RATED LESS THAN THE ATTACHMENT OR MACHINE'S CAPACITY DECREASES CAPACITY OF THE ATTACHMENT OR MACHINE TO THAT OF THE FORKS. FORKS RATED MORE THAN THE ATTACHMENT OR MACHINE'S CAPACITY DO NOT INCREASE ATTACHMENT OR MACHINE'S CAPACITY.</p>	
	Note	Ref	<p>PLEASE CONSULT JLG PARTS DEPARTMENT TO DETERMINE THE CORRECT FORKS APPLICABLE TO YOUR SPECIFIC CARRIAGE ASSEMBLY AND APPLICATION.</p>	

SECTION 3 - ATTACHMENTS

FIGURE 3-30. FORK RETENTION INSTALLATION



ART_1001196778-C

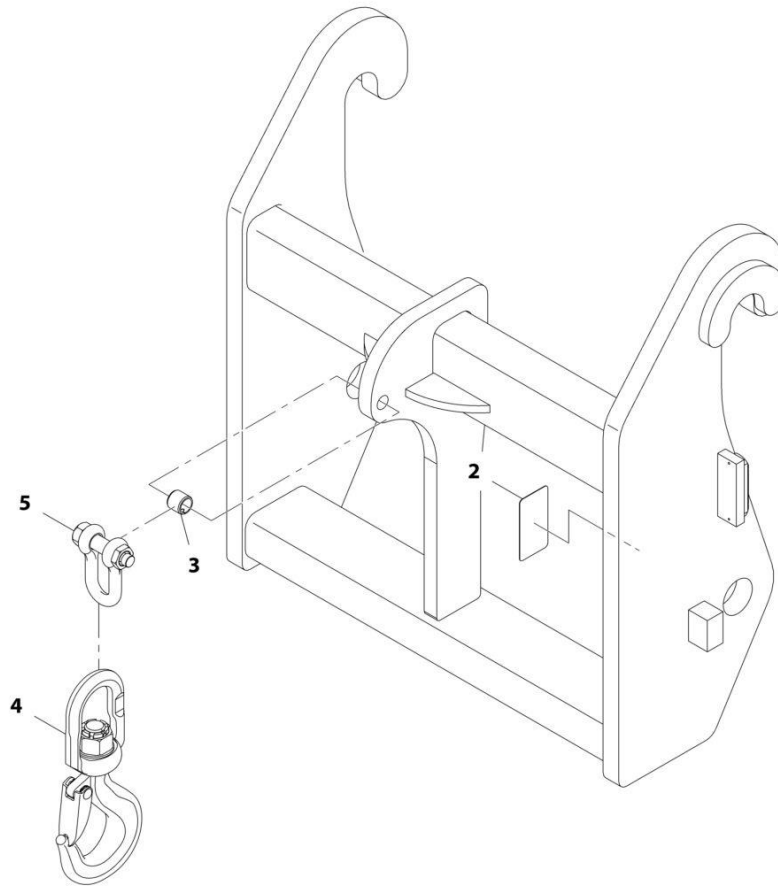
SECTION 3 - ATTACHMENTS

FIGURE 3-30. FORK RETENTION INSTALLATION

ITEM	PART NUMBER	QTY	DESCRIPTION	REV
	1001196778	Ref	Fork Retention Installation	C
1	0761217	1	Bolt, M12X45	
2	3291201	1	Nut, M12X1.75	
3	1001109387	1	Pin, Linch	
4	5241200	2	Washer, M12	
5	1001196779	1	Bracket, Fork Retention	
6	1001196782	1	Pin, Fork Retention	

SECTION 3 - ATTACHMENTS

FIGURE 3-31. HOOK - CRANK (7.6 TON)



ART_1001192700-E

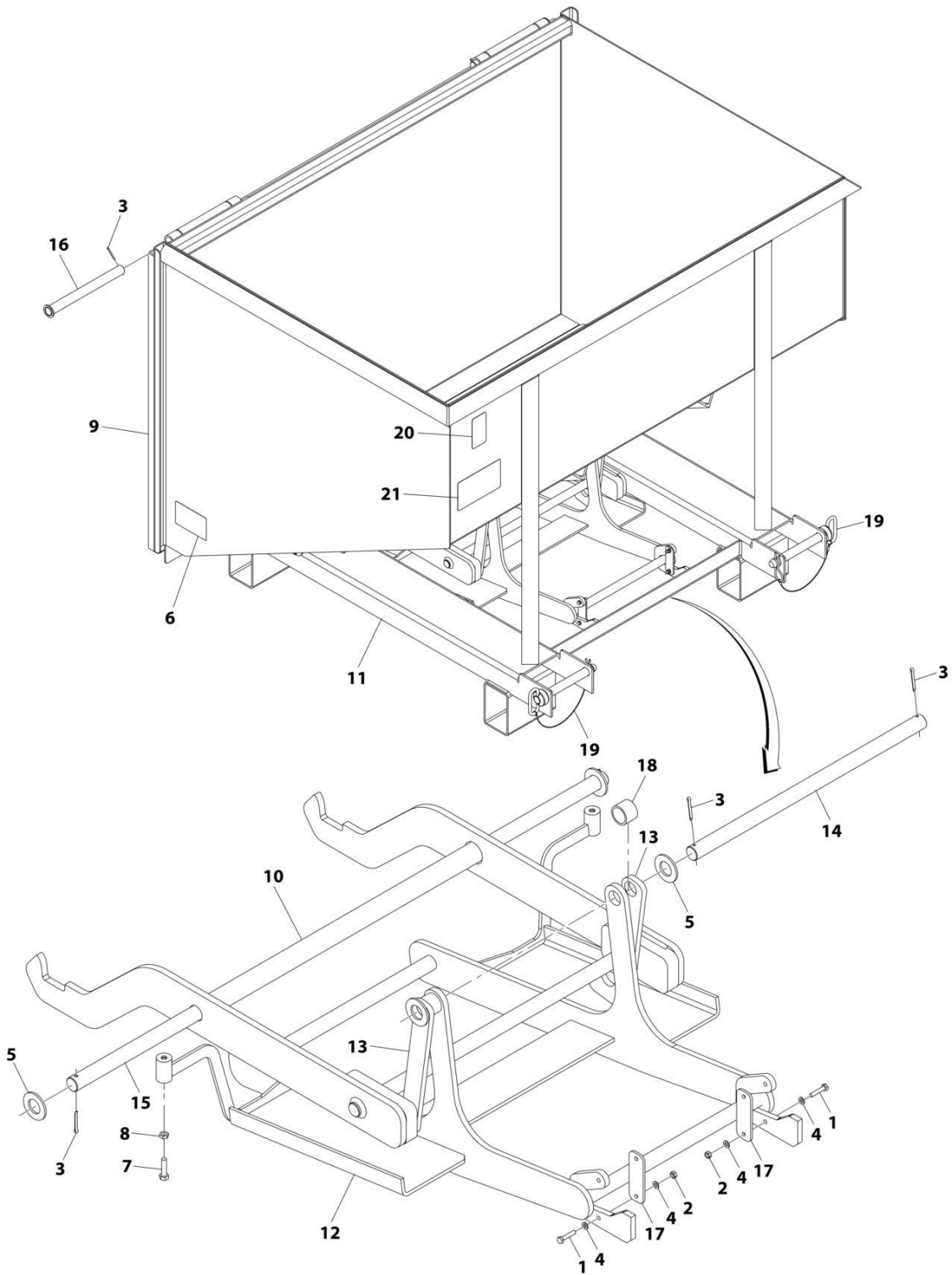
SECTION 3 - ATTACHMENTS

FIGURE 3-31. HOOK - CRANK (7.6 TON)

ITEM	PART NUMBER	QTY	DESCRIPTION	REV
	1001192700	1	Crane Hook (7.6 ton)	F
2	90554016	1	Decal, Made in USA	
3	70020555	1	Bushing	
4	70026745	1	Hook, Swivel	
5	70026746	1	Shackle, Chain	

SECTION 3 - ATTACHMENTS

FIGURE 3-32. HOPPER - TRASH



ART_1001238566-B

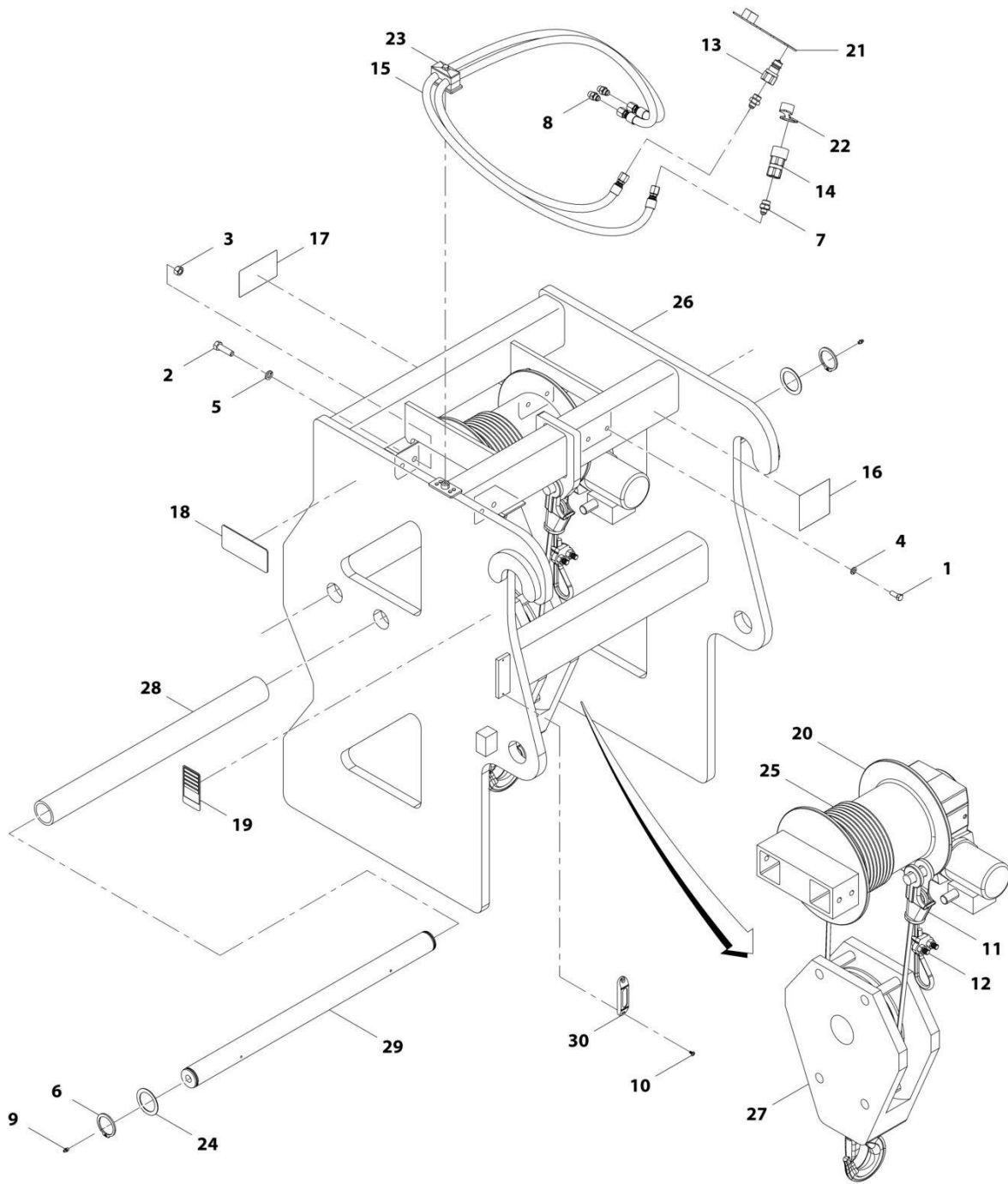
SECTION 3 - ATTACHMENTS

FIGURE 3-32. HOPPER - TRASH

ITEM	PART NUMBER	QTY	DESCRIPTION	REV
	1001238566	Ref	FORK MOUNTED TRASH HOPPER	C
1	0700614	4	Bolt M6 x 30	
2	3290601	4	Nut M6 x 1	
3	3391410	6	Pin	
4	4811700	8	Washer M6	
5	5242400	4	Washer M24	
6	1706302	2	Decal, Pinch Point	
7	0641510	2	Bolt 5/16 x 1-1/4	
8	3311502	2	Nut 5/16	
9	1001192711	1	Door Assembly	
10	1001192720	1	Hook Assembly	
11	See Note	NSS	Hopper, Trash (Note: Purchase Complete Assembly)	
12	1001192875	1	Tray Assembly	
13	1001192876	2	Arm, Swing	
14	1001192877	1	Rod, Swing	
15	1001238570	1	Bar	
16	1001193540	2	Pin	
17	1001193729	2	Plate	
18	1001198355	2	Spacer	
19	1001238560	2	Pin	
20	See Note	NSS	SN Plate (Note: Stamped Part - Not Available for Purchase)	
21	1001203503	1	Decal, Trash Hopper Operation	

SECTION 3 - ATTACHMENTS

FIGURE 3-33. WINCH - COUPLER MOUNTED



ART_1001192702-C

SECTION 3 - ATTACHMENTS

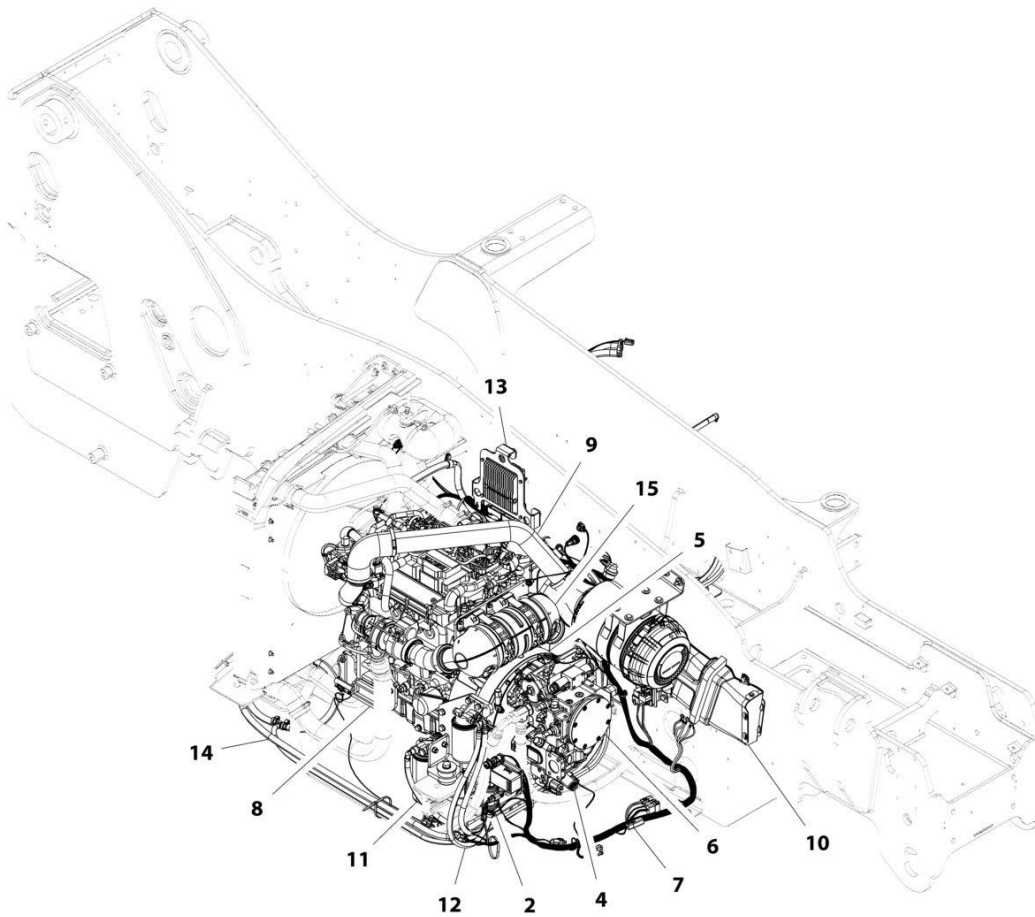
FIGURE 3-33. WINCH - COUPLER MOUNTED

ITEM	PART NUMBER	QTY	DESCRIPTION	REV
	1001192702	Ref	Coupler Mounted Winch	D
1	70021349	4	Bolt, 3/8X1	
2	70024059	4	Bolt, 1/2X1-3/4	
3	90554054	4	Nut, 1/2	
4	90554042	4	Washer, Lock 3/8	
5	90554020	4	Washer, Lock 1/2	
6	70028860	4	Ring, Snap	
7	70021397	2	Fitting, Straight	
8	70021415	2	Fitting, Straight	
9	90554045	4	Grease, Fitting	
10	70028554	2	Screw	
11	70021979	1	Assembly, Socket (includes pin and cotter pin)	
12	70022528	1	Clamp	
13	91403414	1	Adapter, Male Quick Disconnect	
14	91403413	1	Adapter, Female Quick Disconnect	
15	70028861	2	Hose	
16	7029711	1	Decal, High Pressure	
17	70024064	1	Decal, Do Not Tow	
18	4110422	2	Decal, Warning Swinging Loads	
19	N.S.S.	1	Plate, Serial Number	
20	70028862	1	Winch	
21	8420053	1	Cap, Dust	
22	8420055	1	Cap, Dust	
23	70021387	1	Clamp, Hose	
24	70028863	4	Washer	
25	70028864	1	Cable	
26	N.S.S.	1	Weldment, Frame	
27	70028865	1	Hook	
28	70028866	2	Roller Tube, Winch	
29	70028867	2	Roller Bar, Winch	
30	1001227670	1	Tag, RFID	

SECTION 4 - ENGINE AND ATTACHING PARTS

SECTION 4 - ENGINE AND ATTACHING PARTS

FIGURE 4-1. ENGINE POD COMPONENT INSTALLATION (ULS)



ART_1001200443-D

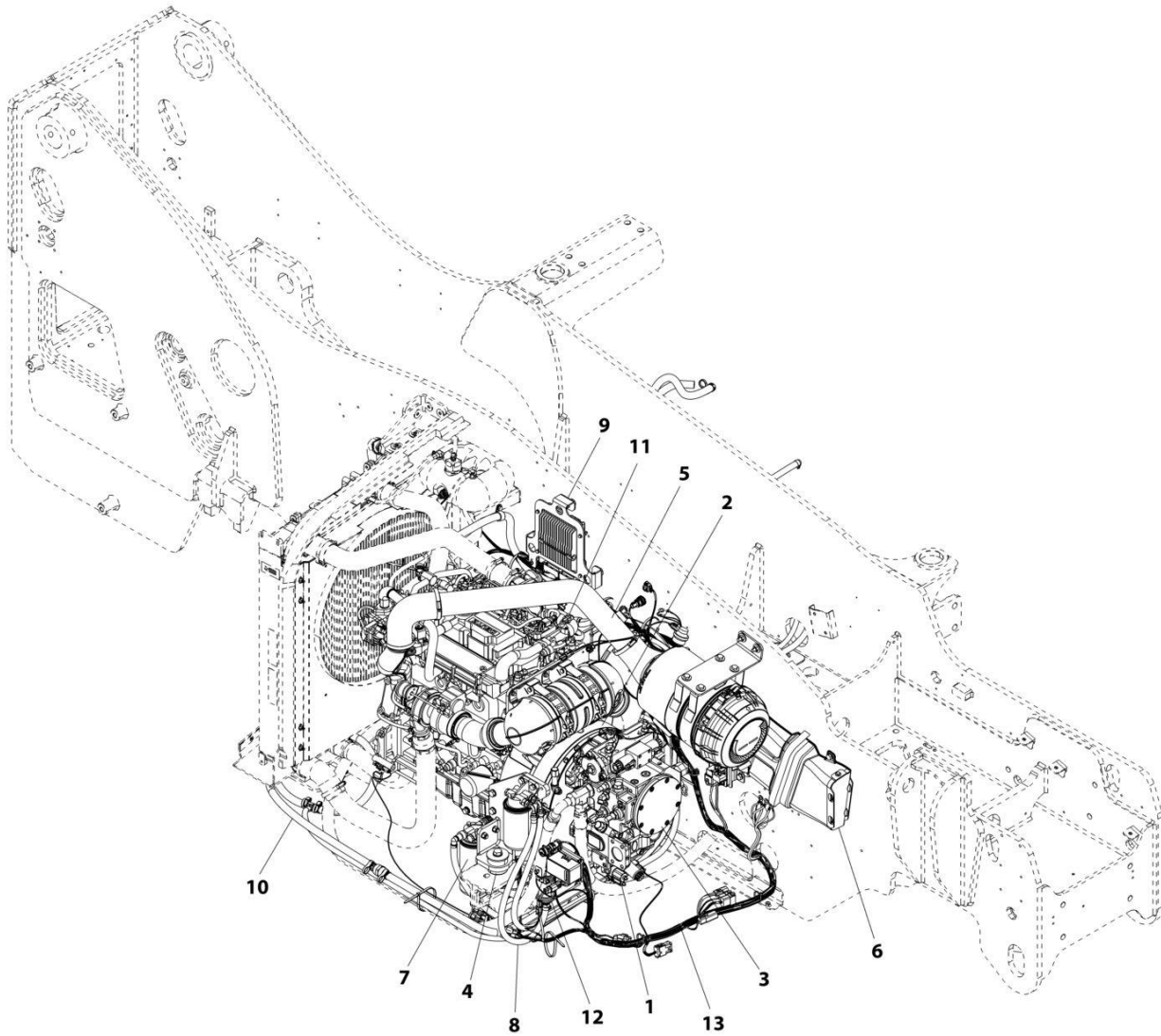
SECTION 4 - ENGINE AND ATTACHING PARTS

FIGURE 4-1. ENGINE POD COMPONENT INSTALLATION (ULS)

ITEM	PART NUMBER	QTY	DESCRIPTION	REV
	1001200443	Ref	Engine Pod Component Installation (ULS)	E
2	1001221041	1	Installation, Remote Fuel Pump (See Separate Breakdown in this Section)	
4	1001193393	1	Installation, Implement Pump (See Separate Breakdown in this Section)	
5	1001193703	1	Installation, Hydrostatic Adaptor (See Separate Breakdown in this Section)	
6	1001193704	1	Installation, Hydrostatic Drive Pump (See Separate Breakdown in this Section)	
7	1001200106	1	Installation, Engine Wiring (See Separate Breakdown in ELECTRICAL Section)	
8	1001200862	1	Installation, Engine Mount (See Separate Breakdown in this Section)	
9	1001200863	1	Installation, Air Intake (See Separate Breakdown in this Section)	
10	1001200864	1	Installation, Air Cleaner (See Separate Breakdown in this Section)	
11	1001200865	1	Installation, Primary Fuel Filter (See Separate Breakdown in this Section)	
12	1001200866	1	Installation, Fuel Lines (See Separate Breakdown in this Section)	
13	1001284538	1	Installation, Engine ECU (See Separate Breakdown in ELECTRICAL Section)	
14	1001293070	1	Installation, DEF Coolant Lines (See Separate Breakdown in this Section)	
15	1001201425	1	Installation, Engine (See Separate Breakdown in this Section)	

SECTION 4 - ENGINE AND ATTACHING PARTS

FIGURE 4-2. ENGINE POD COMPONENT INSTALLATION (MINING) (ULS)



ART_1001228727-A

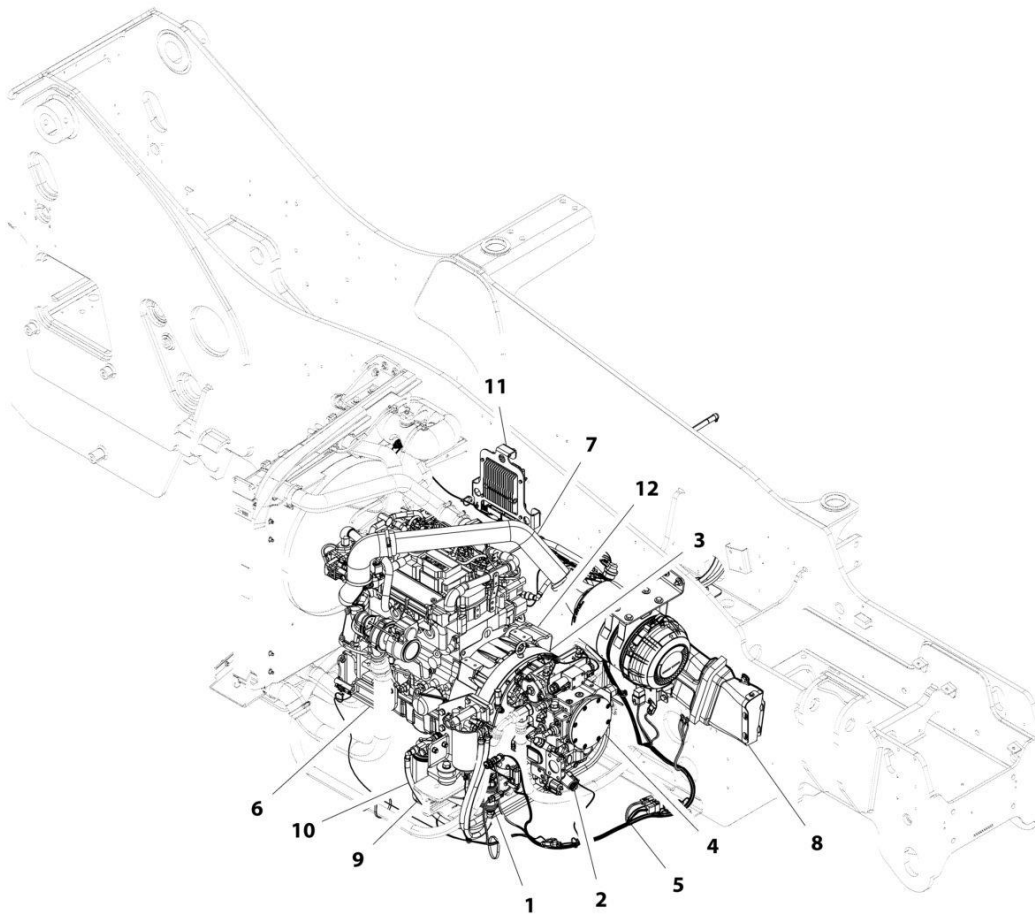
SECTION 4 - ENGINE AND ATTACHING PARTS

FIGURE 4-2. ENGINE POD COMPONENT INSTALLATION (MINING) (ULS)

ITEM	PART NUMBER	QTY	DESCRIPTION	REV
	1001228727	Ref	Engine Pod Component Installation (Mining) (ULS)	B
1	1001193393	1	Installation, Implement Pump (See Separate Breakdown in this Section)	
2	1001193703	1	Installation, Hydrostatic Adaptor (See Separate Breakdown in this Section)	
3	1001193704	1	Installation, Hydrostatic Drive Pump (See Separate Breakdown in this Section)	
4	1001200862	1	Installation, Engine Mount (See Separate Breakdown in this Section)	
5	1001200863	1	Installation, Air Intake (See Separate Breakdown in this Section)	
6	1001200864	1	Installation, Air Cleaner (See Separate Breakdown in this Section)	
7	1001200865	1	Installation, Primary Fuel Filter (See Separate Breakdown in this Section)	
8	1001200866	1	Installation, Fuel Lines (See Separate Breakdown in this Section)	
9	1001284538	1	Installation, Engine ECU (See Separate Breakdown in ELECTRICAL Section)	
10	1001293070	1	Installation, DEF Coolant Lines (See Separate Breakdown in this Section)	
11	1001201425	1	Installation, Engine (See Separate Breakdown in this Section)	
12	1001221041	1	Installation, Remote Fuel Pump (See Separate Breakdown in this Section)	
13	1001228728	1	Installation, Engine Wiring (See Separate Breakdown in ELECTRICAL Section)	

SECTION 4 - ENGINE AND ATTACHING PARTS

FIGURE 4-3. ENGINE POD COMPONENT INSTALLATION (LS)



ART_1001200444-A

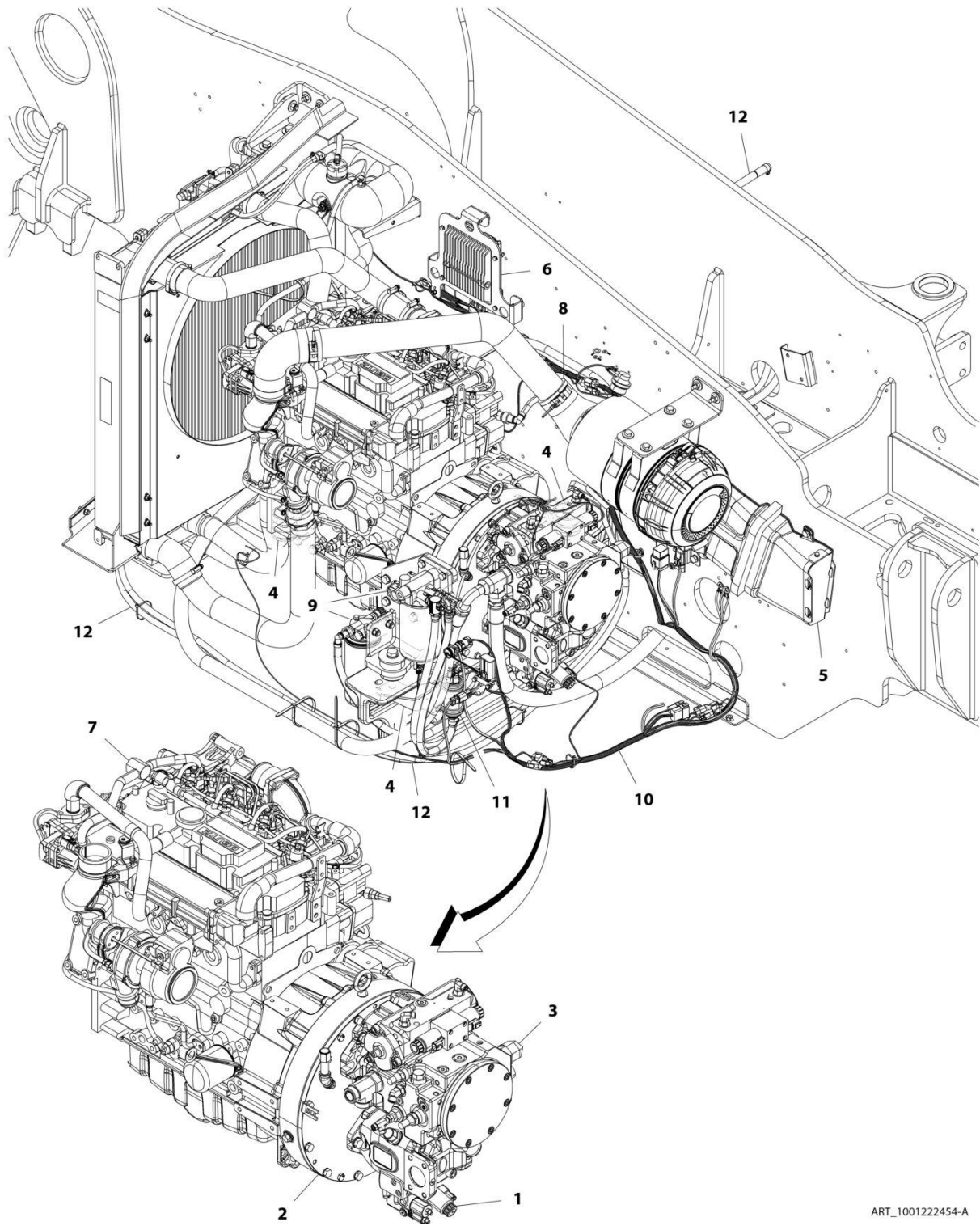
SECTION 4 - ENGINE AND ATTACHING PARTS

FIGURE 4-3. ENGINE POD COMPONENT INSTALLATION (LS)

ITEM	PART NUMBER	QTY	DESCRIPTION	REV
	1001200444	Ref	Engine Pod Component Installation (LS - no High Ambient)	B
1	1001221041	1	Installation, Remote Fuel Pump (See Separate Breakdown in this Section)	
2	1001193393	1	Installation, Implement Pump (See Separate Breakdown in this Section)	
3	1001193703	1	Installation, Hydrostatic Adaptor (See Separate Breakdown in this Section)	
4	1001193704	1	Installation, Hydrostatic Drive Pump (See Separate Breakdown in this Section)	
5	1001217752	1	Installation, Engine Wiring (See Separate Breakdown in Electrical Section)	
6	1001200862	1	Installation, Engine Mount (See Separate Breakdown in this Section)	
7	1001210600	1	Installation, Air Intake (See Separate Breakdown in this Section)	
8	1001200864	1	Installation, Air Cleaner (See Separate Breakdown in this Section)	
9	1001210602	1	Installation, Primary Fuel Filter (See Separate Breakdown in this Section)	
10	1001210601	1	Installation, Fuel Lines (See Separate Breakdown in this Section)	
11	1001284538	1	Installation, Engine ECU (See Separate Breakdown in Electrical Section)	
12	1001284532	1	Installation, Engine (See Separate Breakdown in this Section)	

SECTION 4 - ENGINE AND ATTACHING PARTS

FIGURE 4-4. ENGINE POD COMPONENT INSTALLATION (LS HIGH AMBIENT)



ART_1001222454-A

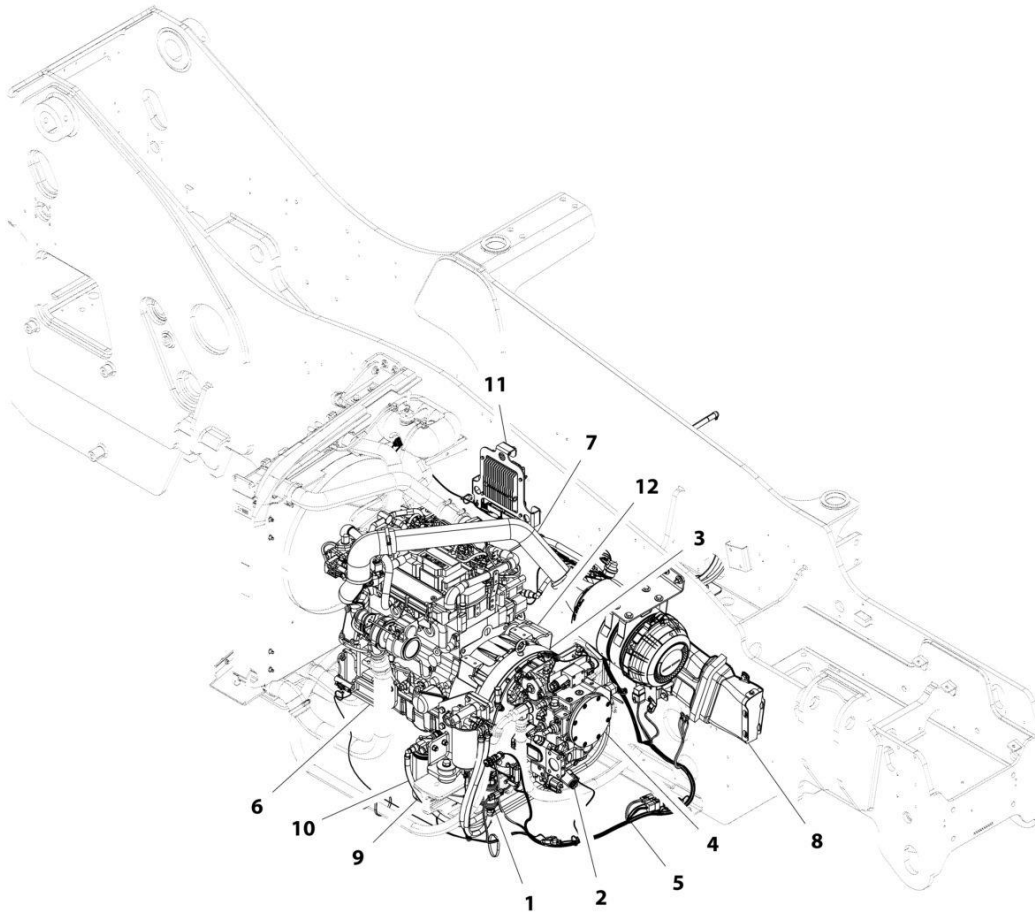
SECTION 4 - ENGINE AND ATTACHING PARTS

FIGURE 4-4. ENGINE POD COMPONENT INSTALLATION (LS HIGH AMBIENT)

ITEM	PART NUMBER	QTY	DESCRIPTION	REV
1	1001222454	Ref	Engine Installation (LS)	B
	1001193393	Ref	Installation, Main Hydraulic Pump (See Separate Breakdown in Hydraulic Circuits Section)	
2	1001193703	Ref	Installation, Transmission Hydrostatic Adapter (See Separate Breakdown in this Section)	
3	1001193704	Ref	Installation, Transmission Hydrostatic Drive Pump (See Separate Breakdown in this Section)	
4	1001200862	Ref	Installation, Engine Mounting (See Separate Breakdown in this Section)	
5	1001200864	Ref	Installation, Air Cleaner (See Separate Breakdown in this Section)	
6	1001284538	Ref	Installation, Engine ECU (See Separate Breakdown in Electrical Section)	
7	1001284532	Ref	Engine (LS) (See Separate Breakdown in this Section)	
8	1001210600	Ref	Installation, Air Intake Lines (LS) (See Separate Breakdown in this Section)	
9	1001210602	Ref	Installation, Primary Fuel Filter (LS) (See Separate Breakdown in this Section)	
10	1001217752	Ref	Installation, Engine Wiring (LS) (See Separate Breakdown in Electrical Section)	
11	1001221041	Ref	Installation, Remote Fuel Pump (See Separate Breakdown in this Section)	
12	1001222163	Ref	Installation, Fuel Lines (See Separate Breakdown in this Section)	

SECTION 4 - ENGINE AND ATTACHING PARTS

FIGURE 4-5. ENGINE POD COMPONENT INSTALLATION (MINING) (LS)



ART_1001228734-A

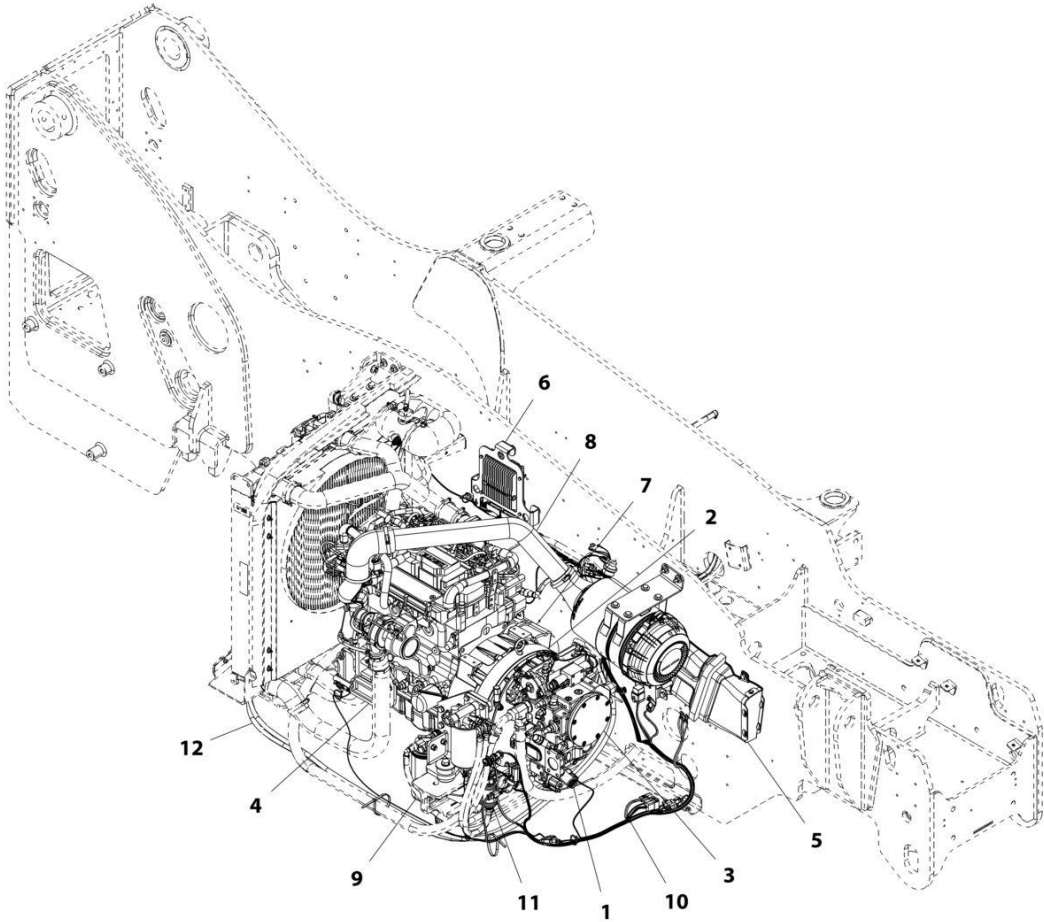
SECTION 4 - ENGINE AND ATTACHING PARTS

FIGURE 4-5. ENGINE POD COMPONENT INSTALLATION (MINING) (LS)

ITEM	PART NUMBER	QTY	DESCRIPTION	REV
	1001228734	Ref	Engine Pod Component Installation (Mining) (LS)	B
1	1001221041	1	Installation, Remote Fuel Pump (See Separate Breakdown in this Section)	
2	1001193393	1	Installation, Implement Pump (See Separate Breakdown in this Section)	
3	1001193703	1	Installation, Hydrostatic Adaptor (See Separate Breakdown in this Section)	
4	1001193704	1	Installation, Hydrostatic Drive Pump (See Separate Breakdown in this Section)	
5	1001228735	1	Installation, Engine Wiring (See Separate Breakdown in Electrical Section)	
6	1001200862	1	Installation, Engine Mount (See Separate Breakdown in this Section)	
7	1001210600	1	Installation, Air Intake (See Separate Breakdown in this Section)	
8	1001200864	1	Installation, Air Cleaner (See Separate Breakdown in this Section)	
9	1001210602	1	Installation, Primary Fuel Filter (See Separate Breakdown in this Section)	
10	1001210601	1	Installation, Fuel Lines (See Separate Breakdown in this Section)	
11	1001284538	1	Installation, Engine ECU (See Separate Breakdown in Electrical Section)	
12	1001284532	1	Installation, Engine (See Separate Breakdown in this Section)	

SECTION 4 - ENGINE AND ATTACHING PARTS

FIGURE 4-6. ENGINE POD COMPONENT INSTALLATION (MINING) (LS HIGH AMBIENT)



ART_1001228737-A

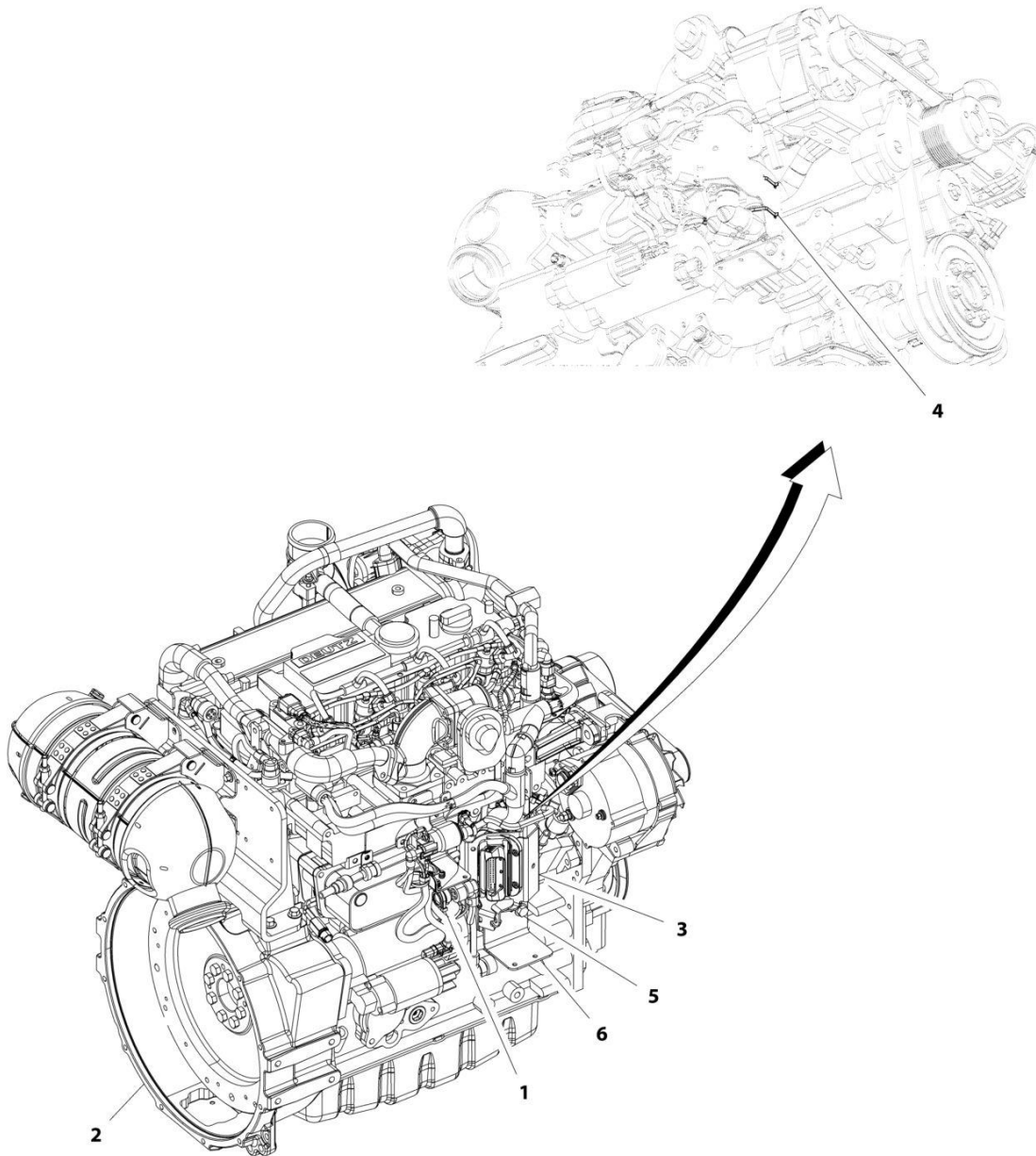
SECTION 4 - ENGINE AND ATTACHING PARTS

FIGURE 4-6. ENGINE POD COMPONENT INSTALLATION (MINING) (LS HIGH AMBIENT)

ITEM	PART NUMBER	QTY	DESCRIPTION	REV
	1001228737	Ref	Engine Pod Component Installation (LS - High Ambient)	B
1	1001193393	1	Installation, Implement Pump (See Separate Breakdown in this Section)	
2	1001193703	1	Installation, Hydrostatic Adaptor (See Separate Breakdown in this Section)	
3	1001193704	1	Installation, Hydrostatic Drive Pump (See Separate Breakdown in this Section)	
4	1001200862	1	Installation, Engine Mount (See Separate Breakdown in this Section)	
5	1001200864	1	Installation, Air Cleaner (See Separate Breakdown in this Section)	
6	1001284538	1	Installation, Engine ECU (See Separate Breakdown in Electrical Section)	
7	1001284532	1	Installation, Engine (See Separate Breakdown in this Section)	
8	1001210600	1	Installation, Air Intake (See Separate Breakdown in this Section)	
9	1001210602	1	Installation, Primary Fuel Filter (See Separate Breakdown in this Section)	
10	1001228735	1	Installation, Engine Wiring (See Separate Breakdown in Electrical Section)	
11	1001221041	1	Installation, Remote Fuel Pump (See Separate Breakdown in this Section)	
12	1001222163	1	Installation, Fuel Lines (See Separate Breakdown in this Section)	

SECTION 4 - ENGINE AND ATTACHING PARTS

FIGURE 4-7. ENGINE INSTALLATION (ULS)



ART_1001201425-D

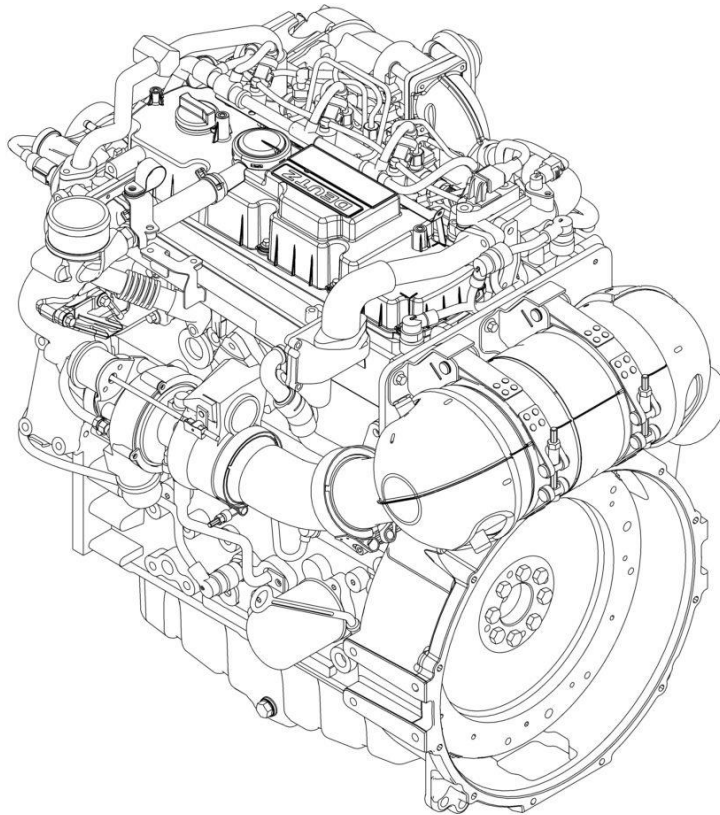
SECTION 4 - ENGINE AND ATTACHING PARTS

FIGURE 4-7. ENGINE INSTALLATION (ULS)

ITEM	PART NUMBER	QTY	DESCRIPTION	REV
	1001201425	Ref	Engine Installation (ULS)	F
1	1001004720	4	Strap, Cable	
2	1001284531	1	Engine (See Separate breakdown in this Section)	
3	1001202901	1	Bracket, ECU Connector	
4	1001008559	2	Strap, Cable	
5	5251012	2	Bolt, M10X25	
6	1001222460	1	Bracket, Fuel Supply	

SECTION 4 - ENGINE AND ATTACHING PARTS

FIGURE 4-8. ENGINE ASSEMBLY (ULS)



ART_1001197414_0

SECTION 4 - ENGINE AND ATTACHING PARTS

FIGURE 4-8. ENGINE ASSEMBLY (ULS)

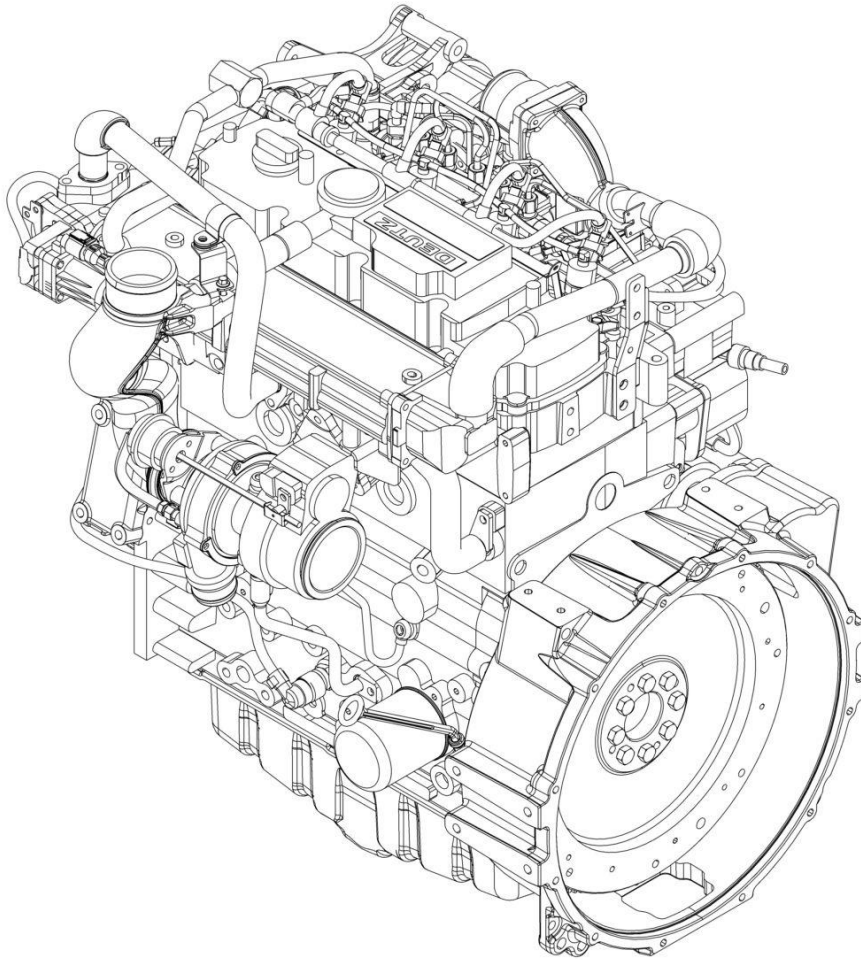
ITEM	PART NUMBER	QTY	DESCRIPTION	REV
	1001197414	Ref	ENGINE (100kW - ULS)	O
	70027657	1	Dipstick	
	7020442	1	O-Ring	
	70025755	1	Tube, Dipstick	
	70025765	1	Pan, Oil	
	70025786	1	Plug	
	70025757	1	Flywheel	
	7020208	1	Gear, Ring	
	70126616	1	Bearing	
	70027567	1	Belt	
	70025737	1	Sensor, Wheel	
	70025743	1	Pulley, V-Groove	
	70124445	1	Crankcase	
	70025763	1	Pump, Oil	
	70024494	1	Cooler, Oil	
	70024495	1	Gasket	
	7016331	1	Filter, Oil	
	70024504	1	Sensor, Pressure	
	70024489	1	Line, Lube	
	70005490	1	Line, Return	
	70005730	1	Pipe, Transfer	
	70025722	1	Line, Oil Suction	
	70024487	1	Pump, Fuel Injector	
	70027417	1	Filter, Fuel (Secondary)	
	70004512	1	Element, Fuel Filter (Secondary)	
	70024961	1	Filter, Fuel (Primary)	
	70025153	1	Element, Fuel Filter (Primary)	
	70006144	1	Pump, Fuel	
	70024507	1	Sensor, Pressure	
	70005492	1	Valve, Throttle	
	70025772	1	Manifold, Air Charge	
	70027420	1	Module, ECU	
	70026011	1	Pump, Water	
	70025775	1	Pulley, V-Ribbed Belt	
	70024918	1	Sensor, Temperature	
	70024493	1	Gasket	
	70005504	1	Sensor, Pressure	
	70005505	1	O-Ring	
	70027405	2	Sensor, Temperature	
	70005507	2	O-Ring	
	70005510	1	Manifold, Exhaust	
	70005511	1	Gasket	
	70027426	1	Module, EGR	
	70005513	1	Valve, Control	
	70025768	1	Valve, Shuttle	
	70028417	1	Turbocharger	
	70024484	1	Roller, Idler	
	70028418	1	Tensioner, Belt	
	70028419	1	Belt, V-Ribbed	
	70031088	1	Alternator	

SECTION 4 - ENGINE AND ATTACHING PARTS

ITEM	PART NUMBER	QTY	DESCRIPTION	REV
	70025535	1	Starter	
	70025780	1	Relay	
	70026210	1	Sensor, Speed	
	70005191	1	O-Ring	
	70025761	1	Connector	
	70024474	1	Plug, Glow	
	70025760	1	Rail, Connecting	
	70005544	1	Unit, Metering	
	70005548	1	Pump, DEF Supply	
	70005549	1	Filter, DEF	
	70005523	1	Sensor, Pressure	
	70024505	1	Sensor, Temperature	
	70005556	1	Sensor, Temperature	
	70005522	1	Sensor	
	70005524	1	Sensor	
	70005559	1	Sensor, Temperature	
	70005507	1	O-Ring	
	70005557	1	Pipe	
	70005558	1	Clip	
	70025877	3	Clamp	
	70025242	3	Gasket	
	70025707	1	Set, Gasket	

SECTION 4 - ENGINE AND ATTACHING PARTS

FIGURE 4-9. ENGINE ASSEMBLY (LS)



ART_1001209585-G

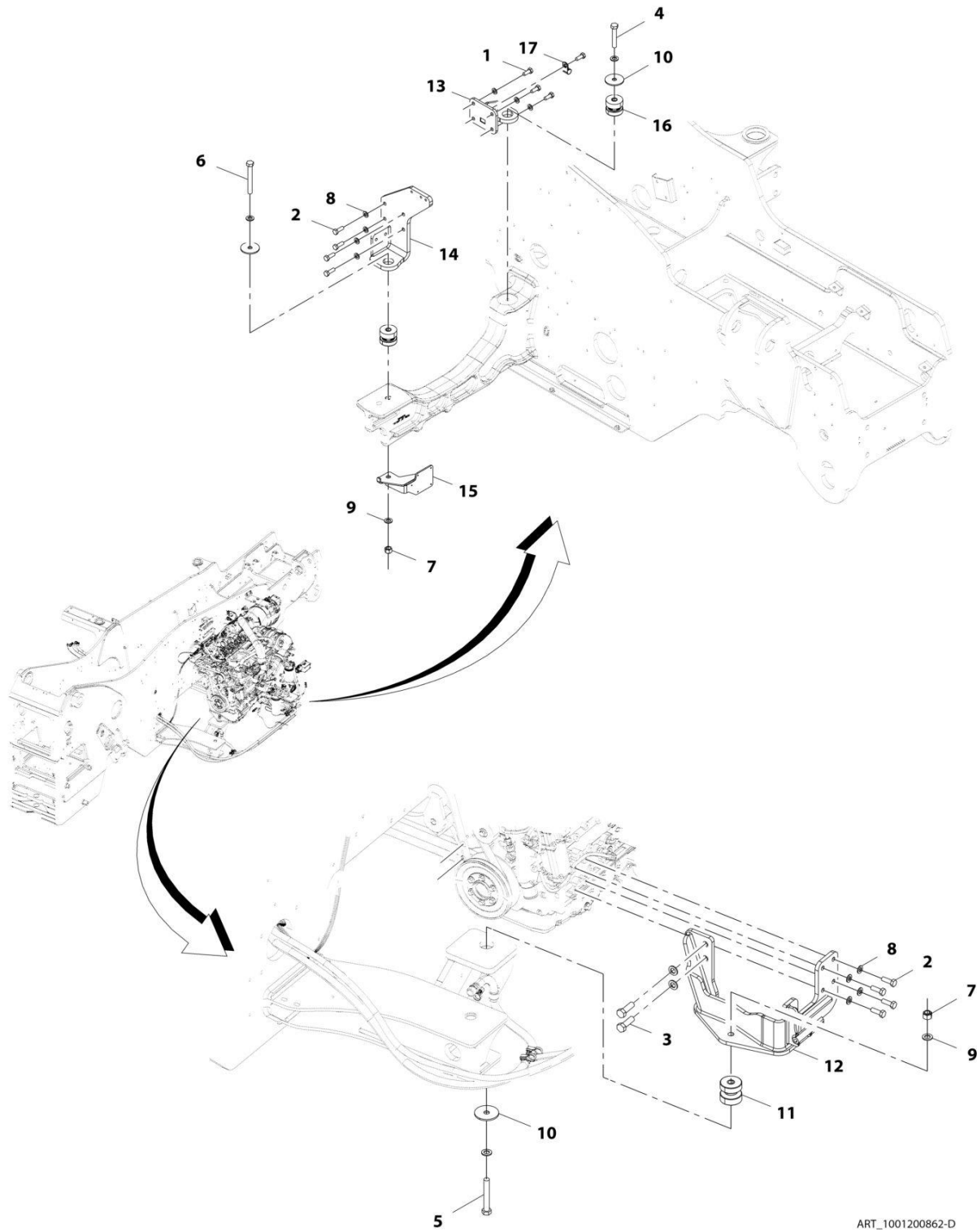
SECTION 4 - ENGINE AND ATTACHING PARTS

FIGURE 4-9. ENGINE ASSEMBLY (LS)

ITEM	PART NUMBER	QTY	DESCRIPTION	REV
	1001209585	Ref	Engine (100kW - LS)	H
	70004512	1	Fuel Filter - Use 1001225432	
	70005174	1	Pump, Fuel - Use 1001226098	
	70005490	1	Line, Oil Return	
	70005492	1	Valve, Throttle	
	70005495	1	Unit, Control Programmed To Sn	
	70005504	1	Sensor, Pressure	
	70005505	1	Ring, Sealing	
	70005507	2	O-Seal	
	70024487	1	Fuel Inject Pump	
	70024489	1	Lubrication Oil Line	
	70024493	1	Gasket	
	70024494	1	Oil Cooler	
	70024495	1	Gasket	
	70024504	1	Oil Pressure Sensor - Use 70028538	
	70024507	1	Air Temperature Sensor	
	70024918	1	Temperature Sensor, Coolnt - Use 70028540	
	70024961	1	Fuel Prefilt Assembly, Prim (No Br)	
	70025153	1	Fuel Element Prime - Use 1001225430	
	70025722	1	Oil Suction Line	
	70025730	1	Transfer Pipe	
	70025737	1	Sensor Wheel	
	70025743	1	V-Grooved Pulley	
	70025755	1	Guide Tube	
	70025757	1	Flywheel - Use 70028764	
	70025763	1	Oil Pump	
	70025765	1	Oil Pan	
	70025768	1	Shuttle Valve - Use 70028928	
	70025772	1	Charge Air Pipe - Use 70028927	
	70025775	1	V-Belt Pulley	
	70025786	24	Screw Plug	
	70026011	1	Water Pump	
	70027405	2	Temperature Sensor	
	70027417	1	Fuel Filter Assembly	
	70027567	1	Belt Pulley	
	70027657	1	Dipstick	
	70124445	1	Crankshaft - Use 70029365	
	70126616	1	Bearing Bush	
	7016331	1	Filter, Oil	
	7020208	1	Ring Gear (129 Teeth)	
	7020442	1	Dipstick O-Ring	

SECTION 4 - ENGINE AND ATTACHING PARTS

FIGURE 4-10. ENGINE MOUNT INSTALLATION



ART_1001200862-D

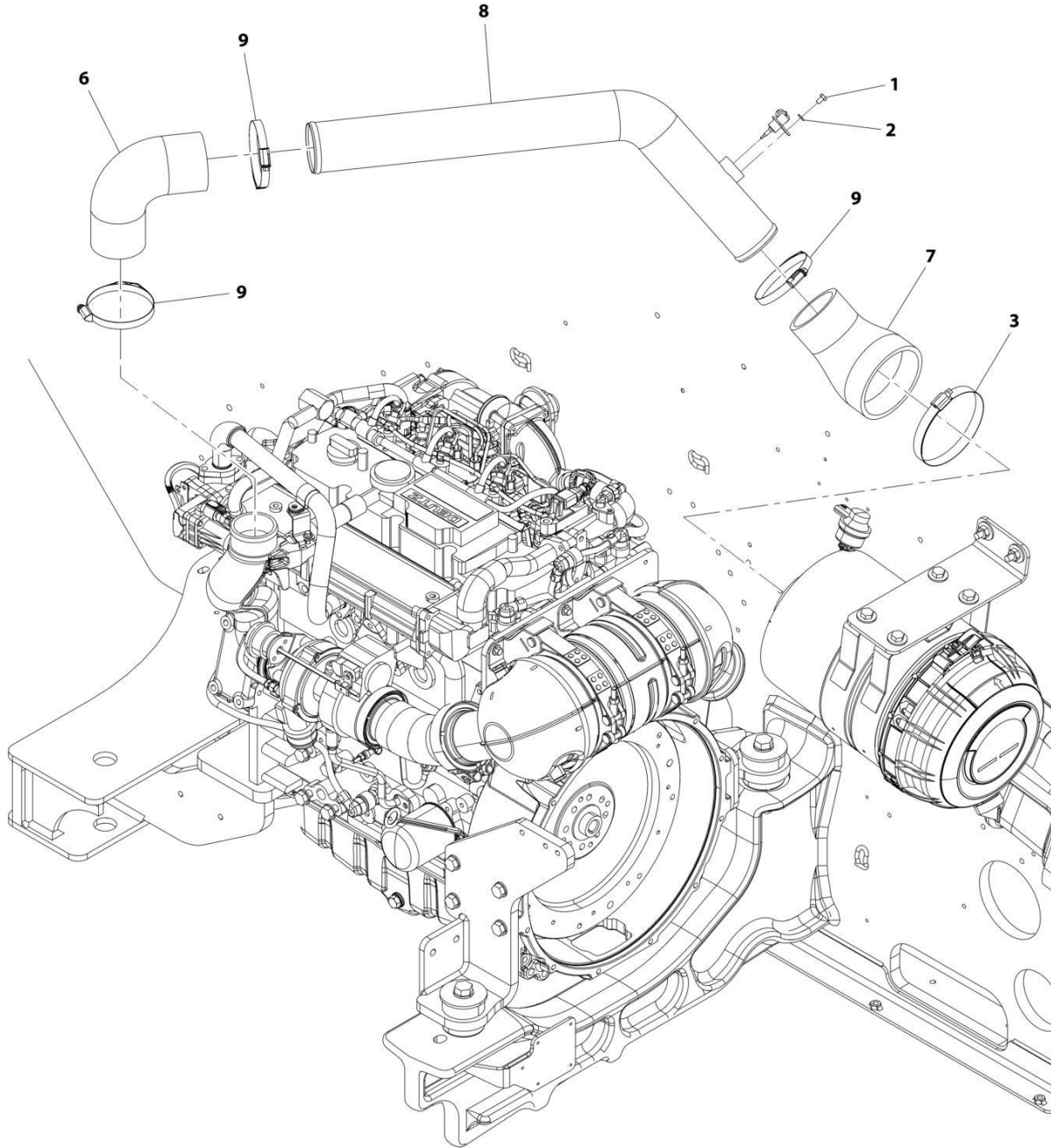
SECTION 4 - ENGINE AND ATTACHING PARTS

FIGURE 4-10. ENGINE MOUNT INSTALLATION

ITEM	PART NUMBER	QTY	DESCRIPTION	REV
	1001200862	Ref	Engine Mount Installation	D
1	0761214	4	Bolt, M12X30	
2	0761215	8	Bolt, M12X35	
3	0701618	2	Bolt M16 X 50	
4	0701626	1	Bolt, M16X90	
5	0701628	1	Bolt, M16X110	
6	0701630	1	Bolt, M16X130	
7	3291605	2	Nut, Lock M16X2	
8	4812100	11	Washer, M12	
9	4812300	7	Washer, M16	
10	7300435	3	Washer	
11	1001188757	1	Mount, Engine	
12	1001200871	1	Bracket, Engine Mount	
13	1001200872	1	Bracket, Engine Mount	
14	1001200873	1	Bracket, Engine Mount	
15	1001200874	1	Bracket, Fuel Pump	
16	1001197072	2	Mount, Engine	
17	8406105	1	Clip, Tube	

SECTION 4 - ENGINE AND ATTACHING PARTS

FIGURE 4-11. AIR INTAKE INSTALLATION (ULS)



ART_1001200863-B

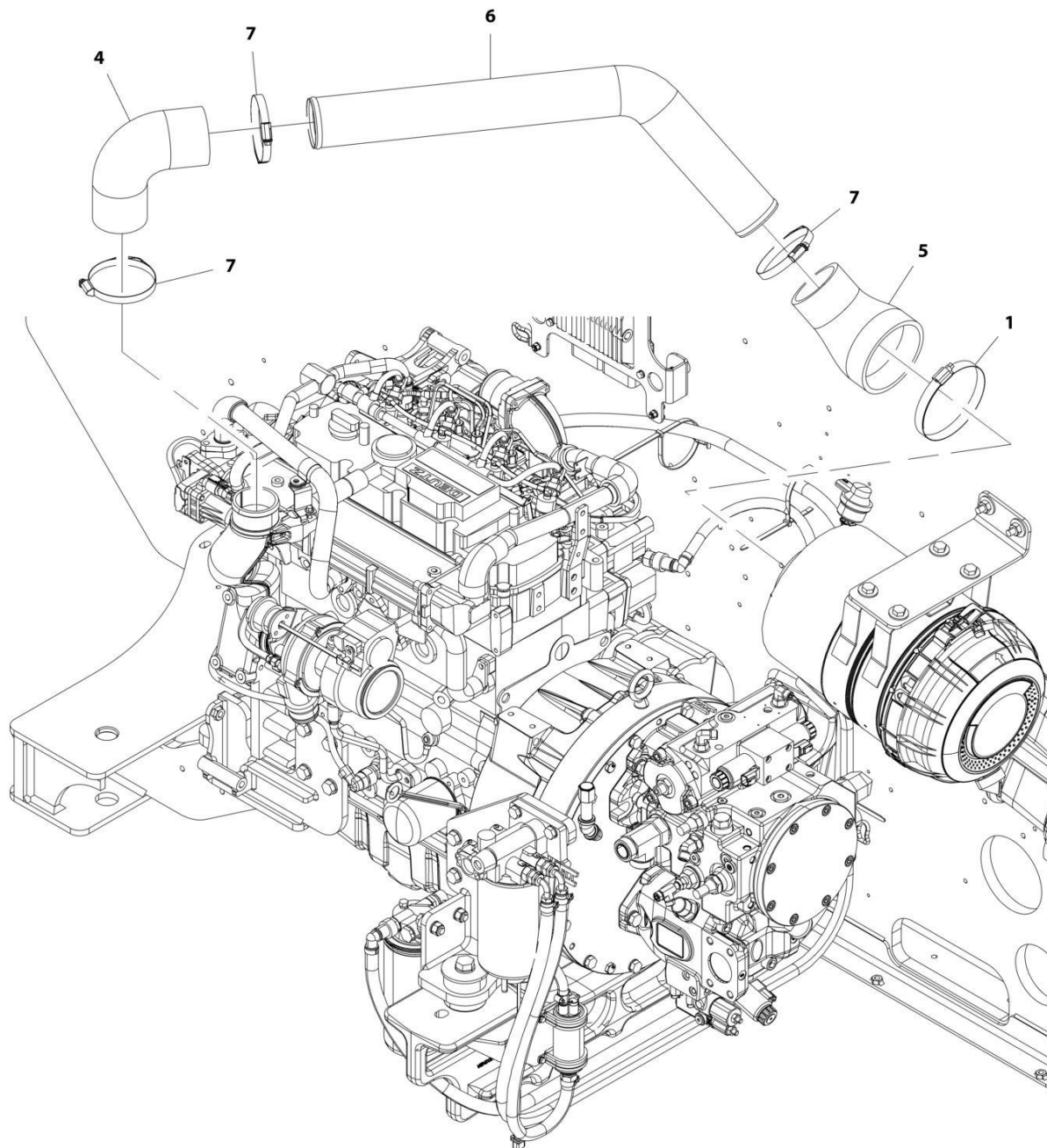
SECTION 4 - ENGINE AND ATTACHING PARTS

FIGURE 4-11. AIR INTAKE INSTALLATION (ULS)

ITEM	PART NUMBER	QTY	DESCRIPTION	REV
	1001200863	Ref	Air Intake Installation (ULS)	B
1	0760605	1	Bolt, M6X10	
2	4811700	1	Washer, M6	
3	8405402	1	Clamp	
6	1001182881	1	Hose	
7	1001200885	1	Hose	
8	1001200886	1	Tube	
9	1001226523	3	Clamp	

SECTION 4 - ENGINE AND ATTACHING PARTS

FIGURE 4-12. AIR INTAKE INSTALLATION (LS)



ART_1001210600-B

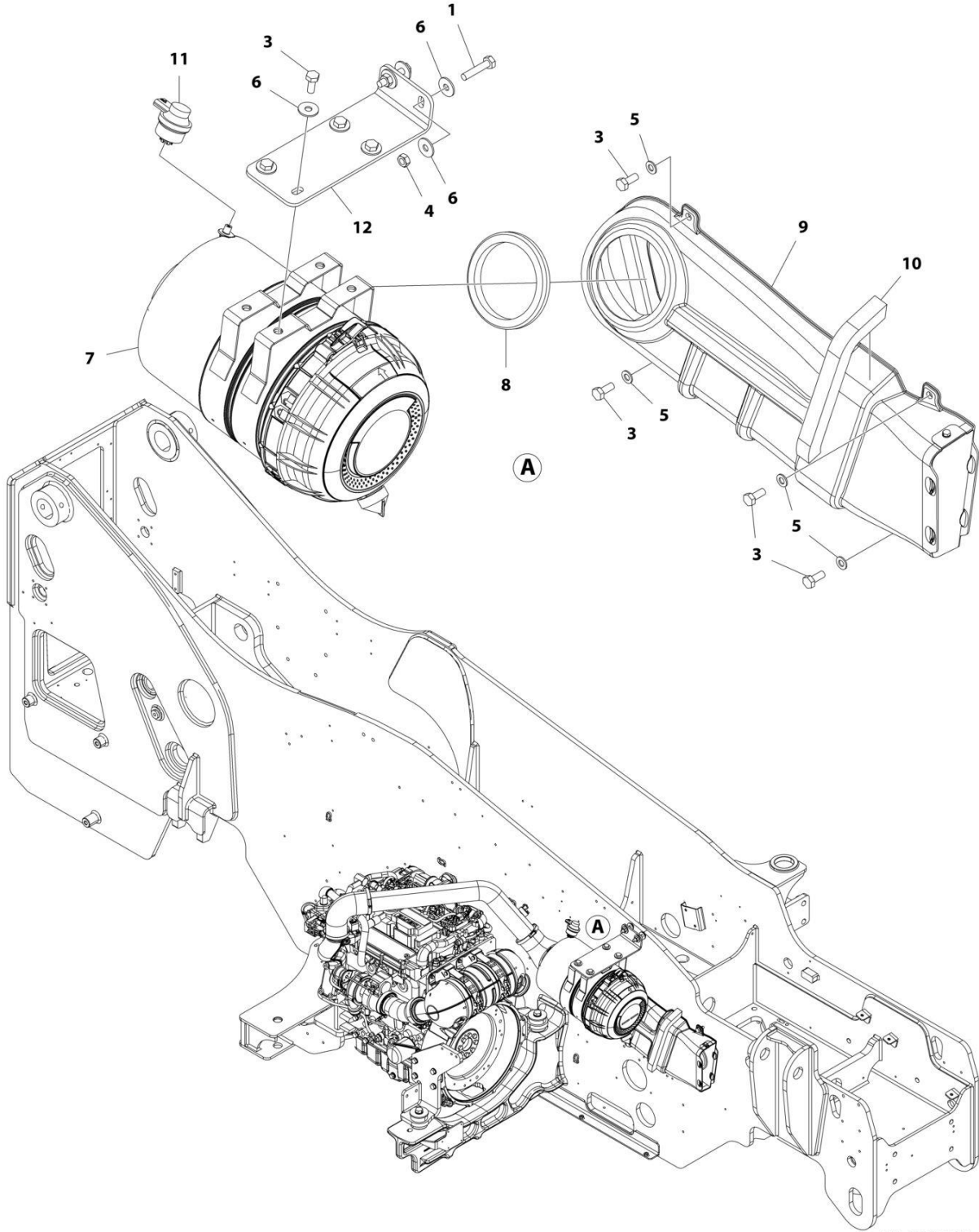
SECTION 4 - ENGINE AND ATTACHING PARTS

FIGURE 4-12. AIR INTAKE INSTALLATION (LS)

ITEM	PART NUMBER	QTY	DESCRIPTION	REV
	1001210600	Ref	Air Intake Installation (LS)	B
1	8405402	1	Clamp	
4	1001182881	1	Hose	
5	1001200885	1	Hose	
6	1001210603	1	Pipe	
7	1001226523	3	Clamp	

SECTION 4 - ENGINE AND ATTACHING PARTS

FIGURE 4-13. AIR CLEANER INSTALLATION



ART_1001200864

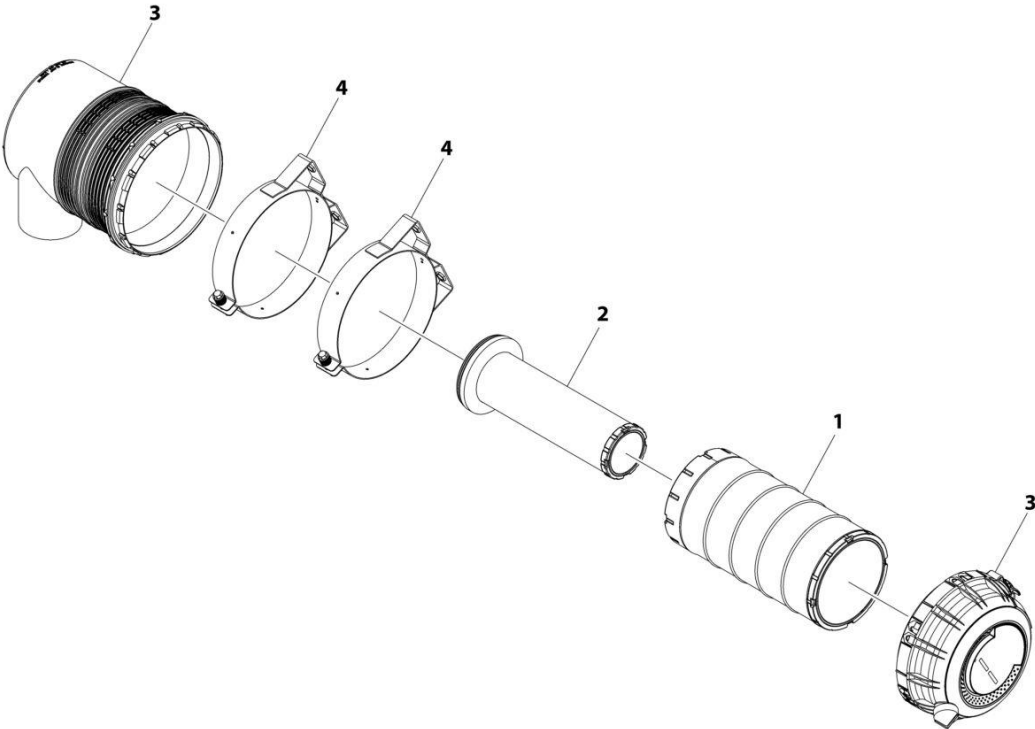
SECTION 4 - ENGINE AND ATTACHING PARTS

FIGURE 4-13. AIR CLEANER INSTALLATION

ITEM	PART NUMBER	QTY	DESCRIPTION	REV
	1001200864	Ref	AIR CLEANER INSTALLATION	D
1	0701018	2	Bolt M10 x 50	
3	0761012	8	Bolt M10 x 25	
4	3291001	2	Nut M10 x 1.5	
5	4812000	4	Washer M10	
6	4812002	8	Washer M10	
7	1001166565	1	Filter, Air Cleaner (See Separate Breakdown in this Section)	
8	1001183831	1	Grommet	
9	1001183835	1	Air Intake Duct Installation (See Separate Breakdown in this Section)	
10	1001186898	1	Seal	
11	1001166715	1	Indicator	
12	1001194534	1	Bracket, Air Cleaner Mount	

SECTION 4 - ENGINE AND ATTACHING PARTS

FIGURE 4-14. AIR CLEANER FILTER ASSEMBLY



ART_1001166565

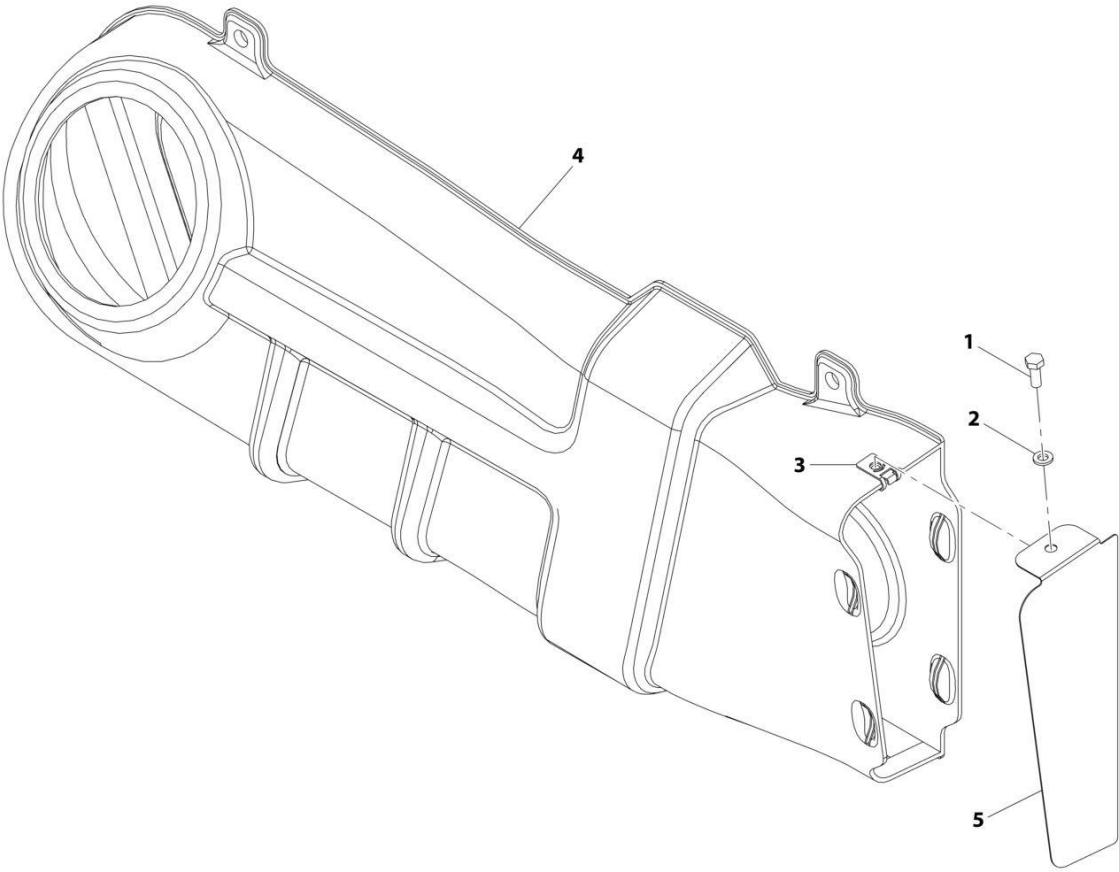
SECTION 4 - ENGINE AND ATTACHING PARTS

FIGURE 4-14. AIR CLEANER FILTER ASSEMBLY

ITEM	PART NUMBER	QTY	DESCRIPTION	REV
	1001166565	Ref	AIR FILTER ASSEMBLY (90/100KW)	F
1	70025850	1	Filter, Cylindrical Air Primary	
2	70025851	1	Filter, Cylindrical Air Secondary	
3	70026395	1	Cover	
4	70026396	2	Bracket	

SECTION 4 - ENGINE AND ATTACHING PARTS

FIGURE 4-15. AIR INTAKE DUCT INSTALLATION



ART_1001183835-C

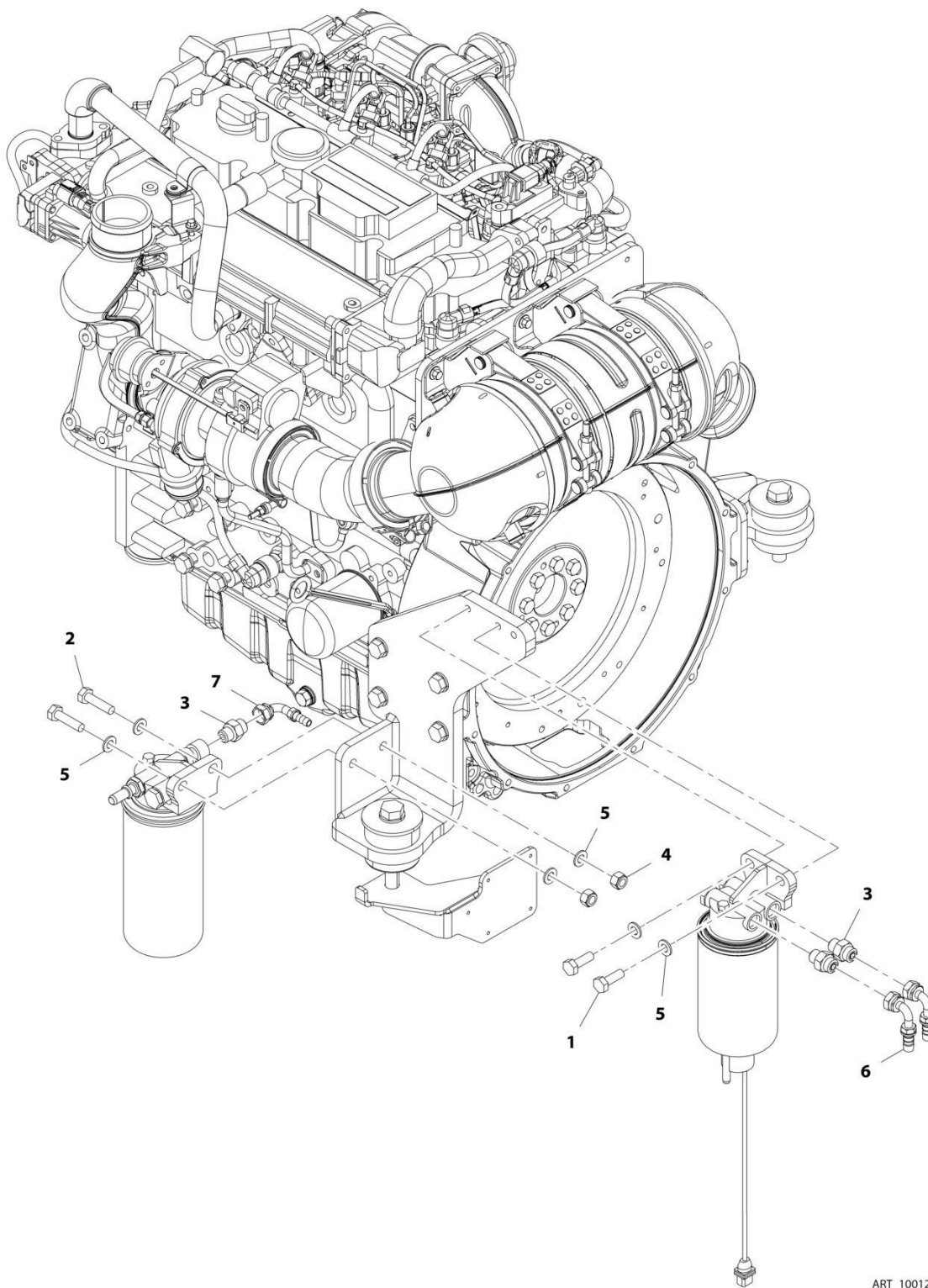
SECTION 4 - ENGINE AND ATTACHING PARTS

FIGURE 4-15. AIR INTAKE DUCT INSTALLATION

ITEM	PART NUMBER	QTY	DESCRIPTION	REV
	1001183835	Ref	Air Intake Duct Installation	C
1	0760608	1	Bolt, M6X16	
2	4811702	1	Washer, M6	
3	8305919	1	Nut	
4	1001183827	1	Duct	
5	1001183829	1	Plate	

SECTION 4 - ENGINE AND ATTACHING PARTS

FIGURE 4-16. PRIMARY FUEL FILTER INSTALLATION (ULS)



ART_1001200865-C

SECTION 4 - ENGINE AND ATTACHING PARTS

FIGURE 4-16. PRIMARY FUEL FILTER INSTALLATION (ULS)

ITEM	PART NUMBER	QTY	DESCRIPTION	REV
	1001200865	Ref	Primary Fuel Filter Installation	C
1	0701014	2	Bolt, M10X30	
2	0701016	2	Bolt, M10X40	
3	2144606	3	Fitting, Straight ORFS	
4	3291005	2	Nut, Lock M10X1.5	
5	4812000	6	Washer, M10	
6	1001095301	2	Fitting, 90 ORFS	
7	1001133793	1	Fitting, 90 ORFS	

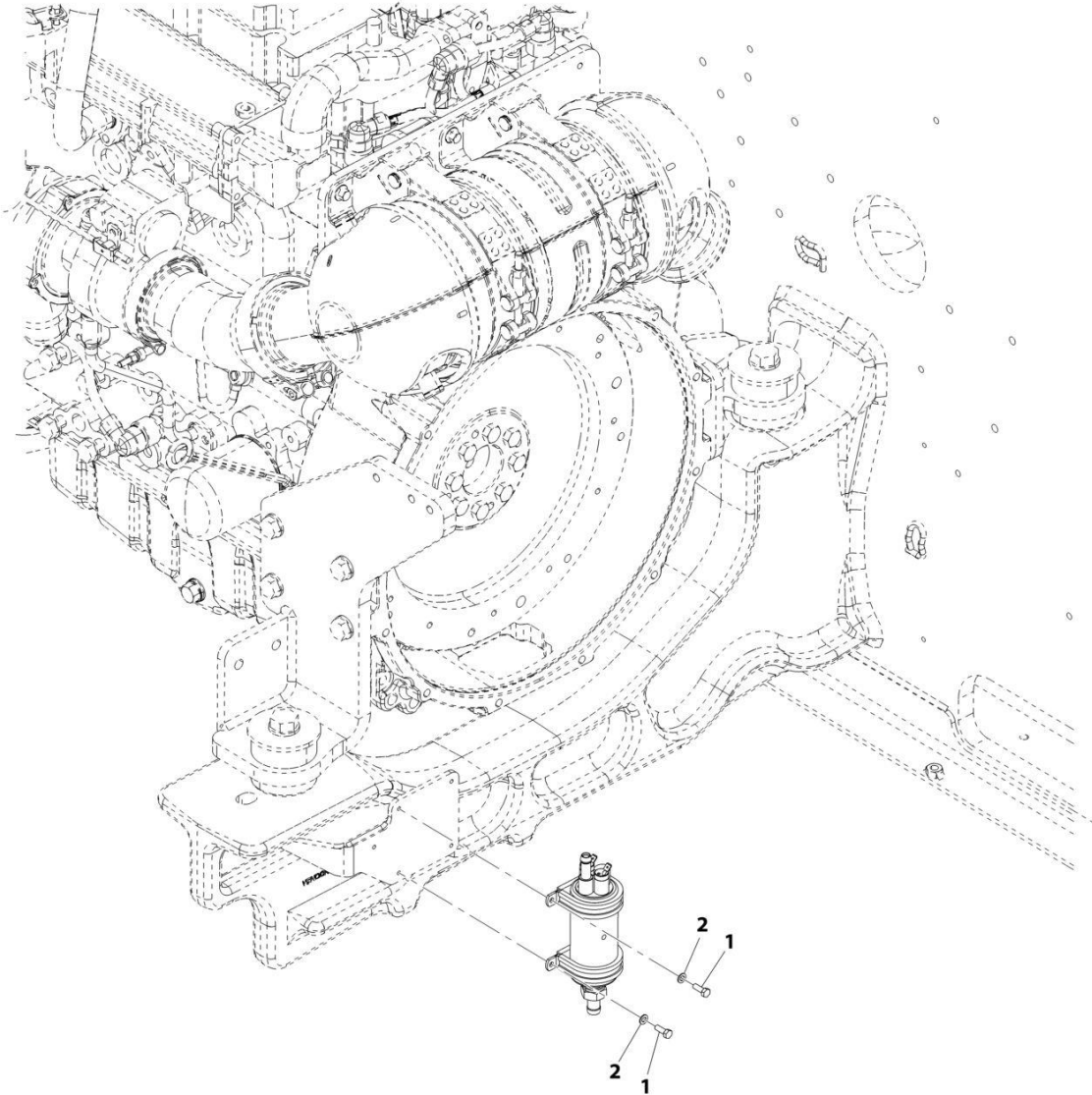
SECTION 4 - ENGINE AND ATTACHING PARTS

FIGURE 4-17. PRIMARY FUEL FILTER INSTALLATION (LS)

ITEM	PART NUMBER	QTY	DESCRIPTION	REV
	1001210602	Ref	Primary Fuel Filter Installation (LS)	B
1	0701014	2	Bolt, M10X30	
2	0701016	2	Bolt, M10X40	
3	2144606	3	Fitting, 90 ORFS	
4	3291005	2	Nut, Lock M10X1.5	
5	4812000	6	Washer, M10	
6	1001095301	2	Fitting, 90 ORFS	
7	1001133793	1	Fitting, 90 ORFS	

SECTION 4 - ENGINE AND ATTACHING PARTS

FIGURE 4-18. REMOTE FUEL PUMP INSTALLATION



ART_1001221041-B

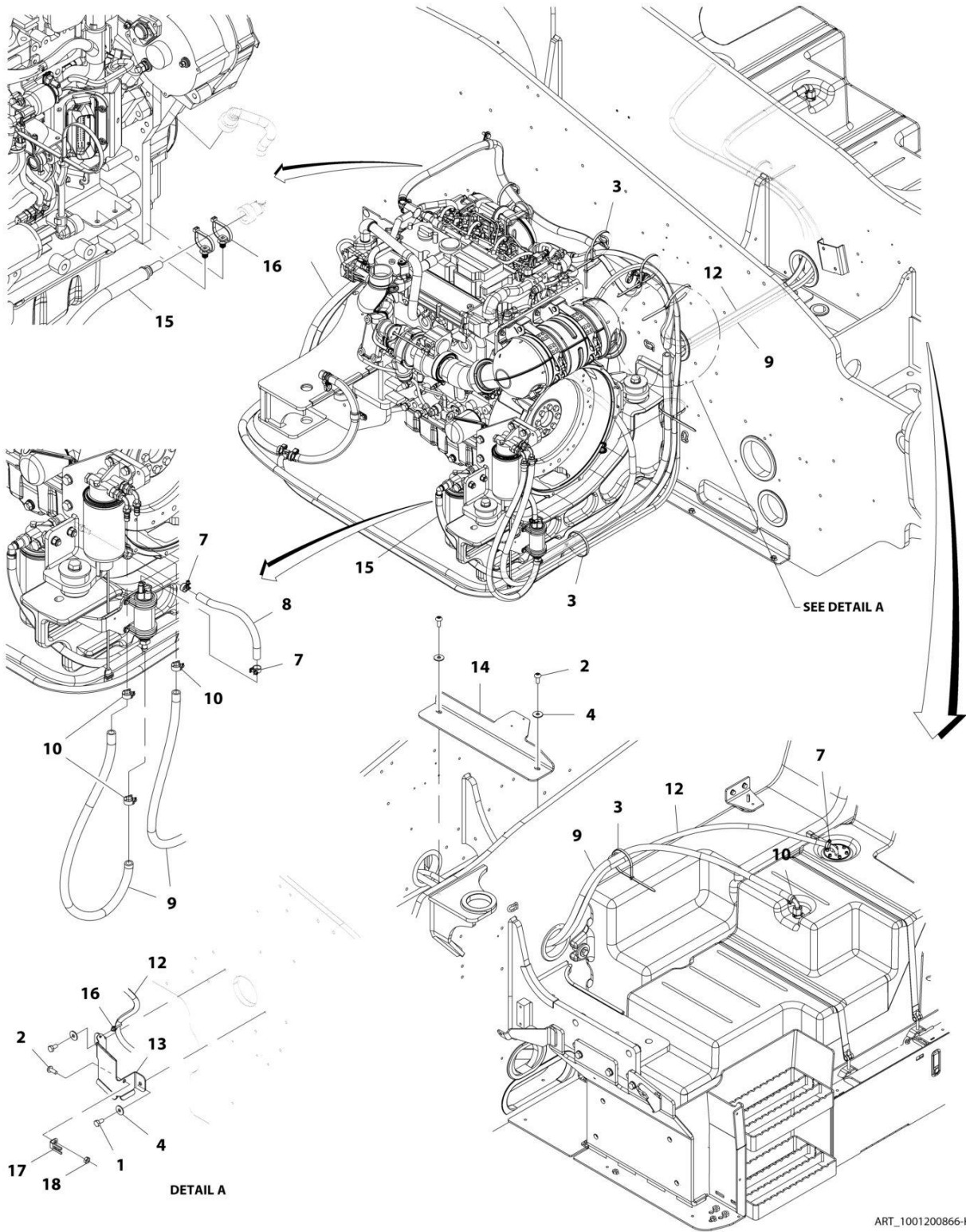
SECTION 4 - ENGINE AND ATTACHING PARTS

FIGURE 4-18. REMOTE FUEL PUMP INSTALLATION

ITEM	PART NUMBER	QTY	DESCRIPTION	REV
	1001221041	Ref	Remote Fuel Pump Installation	B
1	0760507	4	Bolt, M5X14	
2	4811600	4	Washer, M5	

SECTION 4 - ENGINE AND ATTACHING PARTS

FIGURE 4-19. FUEL LINES INSTALLATION (ULS)



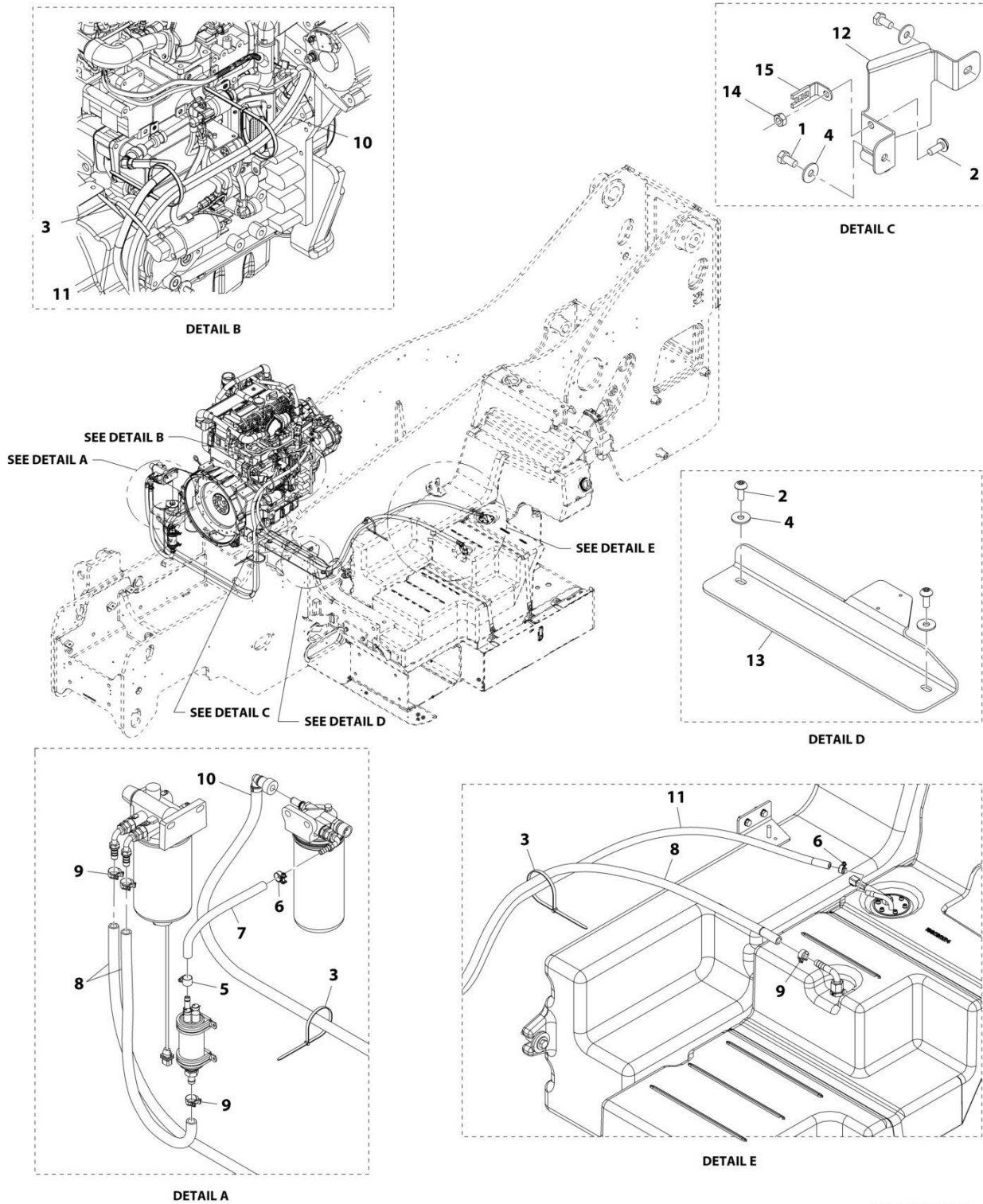
SECTION 4 - ENGINE AND ATTACHING PARTS

FIGURE 4-19. FUEL LINES INSTALLATION (ULS)

ITEM	PART NUMBER	QTY	DESCRIPTION	REV
	1001200866	Ref	Fuel Lines Installation	K
1	0761010	2	Bolt, M10X20	
2	1001009325	3	Screw	
3	1062255	6	Strap, Tie	
4	4812002	4	Washer, M10	
7	1001136975	3	Clamp	
8	1001165035	260 mm	Hose	
9	1001172755	4060 mm	Hose	
10	1001175568	4	Clip	
12	1001228248	1	Hose	
13	1001210870	1	Plate	
14	1001221868	1	Channel, Frame	
15	1001232850	1	Hose	
16	1001146588	3	Strap, Tie	
17	1001003305	1	Clip	
18	3291001	1	Nut, M10X1.5 Grade 8	

SECTION 4 - ENGINE AND ATTACHING PARTS

FIGURE 4-20. FUEL LINES INSTALLATION (LS)



ART_1001210601-C

SECTION 4 - ENGINE AND ATTACHING PARTS

FIGURE 4-20. FUEL LINES INSTALLATION (LS)

ITEM	PART NUMBER	QTY	DESCRIPTION	REV
	1001210601	Ref	Fuel Line Installation	C
1	0761010	2	Bolt, M10X20	
2	1001009325	3	Screw, Torx Hd	
3	1062255	5	Strap, Tie	
4	4812002	4	Washer, M10	
5	8405006	1	Clamp	
6	1001136975	2	Clamp	
7	1001165035	235 mm	Hose	
8	1001172755	3946 mm	Hose	
9	1001175568	4	Clip	
10	1001200887	1	Hose	
11	1001228248	1	Hose	
12	1001210870	1	Plate	
13	1001221868	1	Channel, Hose	
14	3291001	1	Nut, M10X1.5 Grade 8	
15	1001003305	1	Clip	

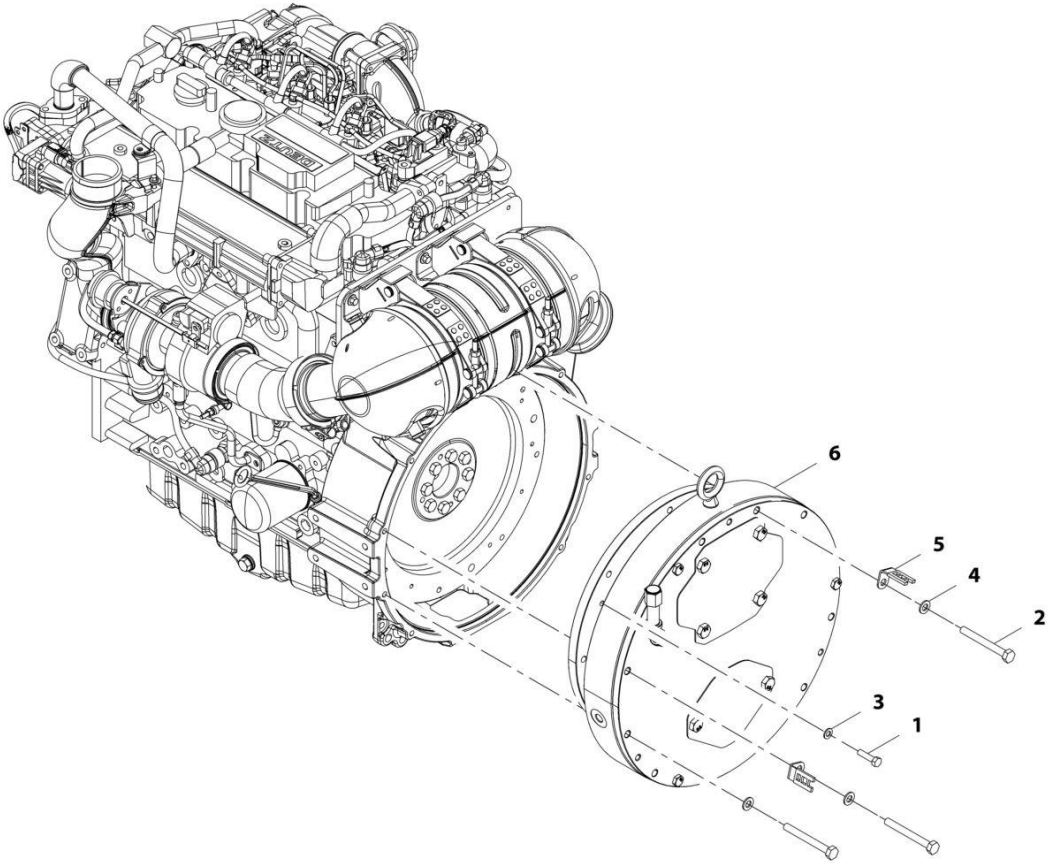
SECTION 4 - ENGINE AND ATTACHING PARTS

FIGURE 4-21. FUEL LINES INSTALLATION (LS HIGH AMBIENT)

ITEM	PART NUMBER	QTY	DESCRIPTION	REV
	1001222163	Ref	Fuel Lines Installation	A
1	0700610	2	Bolt, M6X20	
2	0761010	2	Bolt, M10X20	
3	1062255	4	Strap, Tie	
4	3290601	2	Nut, M6X1 Grade 8	
5	4811700	4	Washer, M6	
6	4812002	4	Washer, M10	
7	8405006	1	Clamp, Gear	
8	8406112	2	Clip, Tube	
9	1001008559	2	Strap, Cable	
10	1001009325	2	Screw	
11	1001136975	4	Clamp	
12	1001141400	5376 mm	Hose	
13	1001165035	235 mm	Hose	
14	1001172755	3946 mm	Hose	
15	1001175568	4	Clip	
16	1001200887	1	Hose	
17	1001210870	1	Plate, Hose Shield	
18	1001221702	1	Hose	
19	1001221868	1	Channel, Engine Lines	

SECTION 4 - ENGINE AND ATTACHING PARTS

FIGURE 4-22. HYDROSTATIC ADAPTOR INSTALLATION



ART_1001193703-D

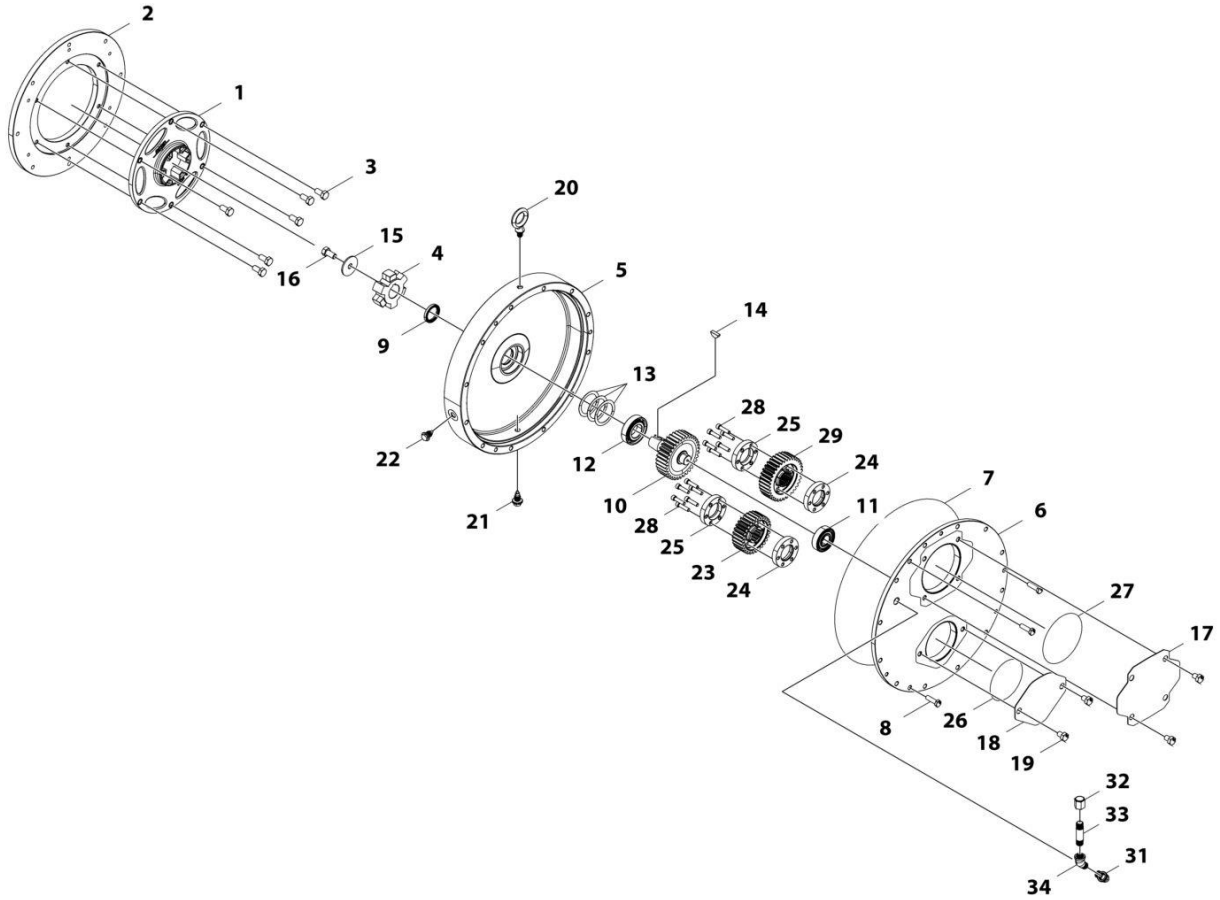
SECTION 4 - ENGINE AND ATTACHING PARTS

FIGURE 4-22. HYDROSTATIC ADAPTOR INSTALLATION

ITEM	PART NUMBER	QTY	DESCRIPTION	REV
	1001193703	Ref	Hydrostatic Adaptor Installation	D
1	0641510	6	Bolt, 5/16-18X1.25	
2	0701026	12	Bolt, M10X90	
3	4811900	6	Washer, M8	
4	4812000	10	Washer, M10	
5	1001003305	2	Clip	
6	1001193705	1	Assembly, Dual Drive Support (See Separate Breakdown in this Section)	

SECTION 4 - ENGINE AND ATTACHING PARTS

FIGURE 4-23. DUAL DRIVE SUPPORT ASSEMBLY



ART_1001193705

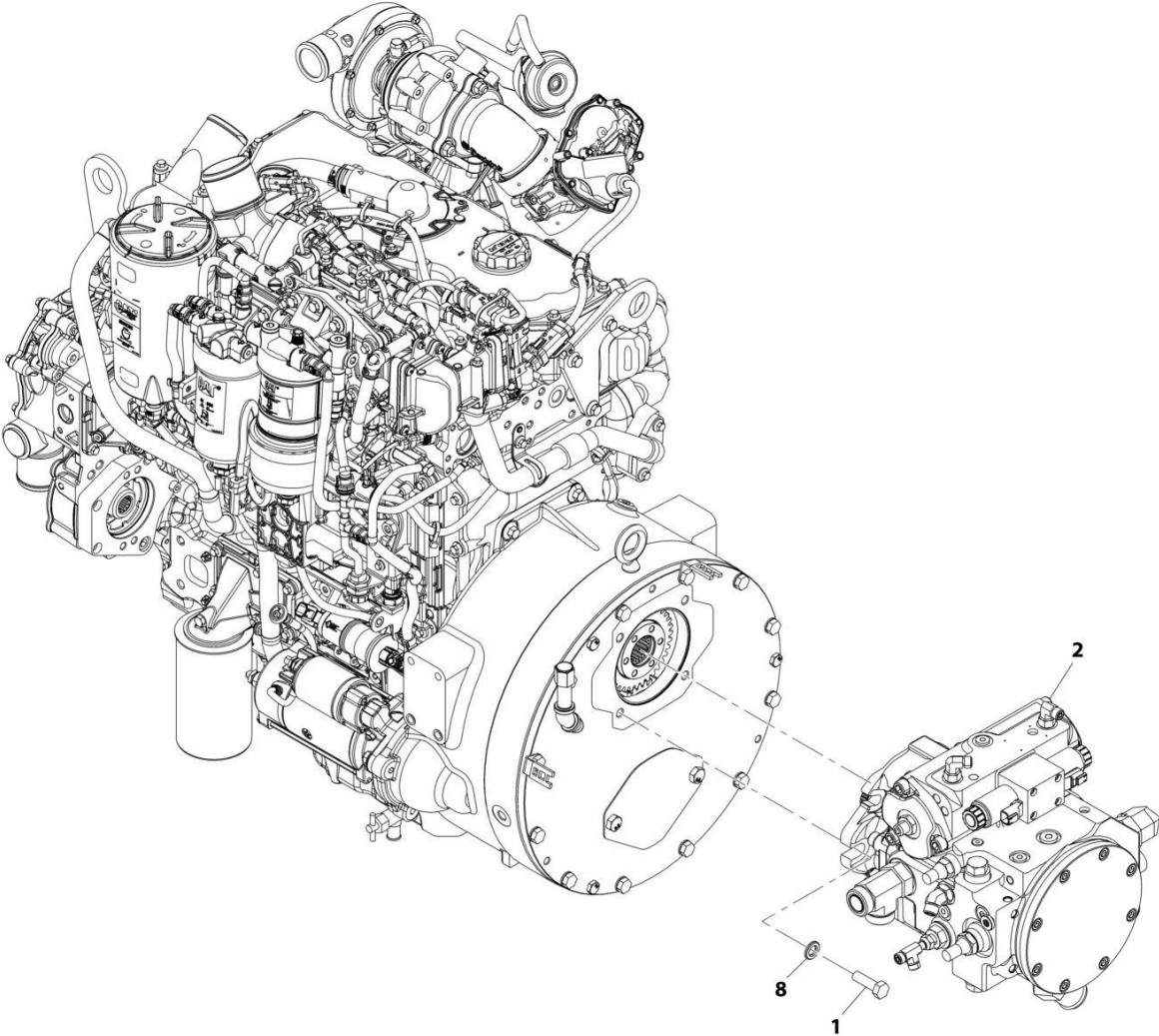
SECTION 4 - ENGINE AND ATTACHING PARTS

FIGURE 4-23. DUAL DRIVE SUPPORT ASSEMBLY

ITEM	PART NUMBER	QTY	DESCRIPTION	REV
	1001193705	Ref	Dual Drive Support Assembly	E
1	70028327	1	Plate, Flex	
2	70028328	1	Plate, Flywheel Adapter	
3	70028329	6	Bolt	
4	70028330	1	Hub, Flex	
5	70028331	1	Gear Box Half, Input Side	
6	70028332	1	Gear Box Half, Output Side	
7	70028333	1	O-Ring	
8	70028334	3	Bolt	
9	70028335	1	Seal, Shaft	
10	70028336	1	Gear, Input Shaft	
11	70028337	1	Bearing, Angular Contact	
12	70028338	1	Bearing, Angular Contact	
13	70028339	3	Washer	
14	70028340	1	Key	
15	70028341	1	Washer	
16	70028342	1	Bolt	
17	70028343	1	Cover, Pump Mount Implement	
18	70028344	1	Cover, Pump Mount Hydrastat	
19	70028345	6	Bolt	
20	70028346	1	Eyebolt, Modified	
21	70028347	1	Plug	
22	70028348	1	Plug	
23	70028349	1	Pump, Gear,30 Tooth	
24	70028350	2	Locking Ring, Tapered	
25	70028351	2	Locking Ring, Tapered	
26	70028352	1	O-Ring	
27	70028353	1	O-Ring	
28	70028354	12	Bolt	
29	70028355	1	Pump, Gear, 35 Tooth	
31	70028357	1	Adapter, 90	
32	70028358	1	Breather	
33	70028359	1	Nipple	
34	70028360	1	Adapter, 45	

SECTION 4 - ENGINE AND ATTACHING PARTS

FIGURE 4-24. HYDROSTATIC DRIVE PUMP INSTALLATION



ART-1001193704-D

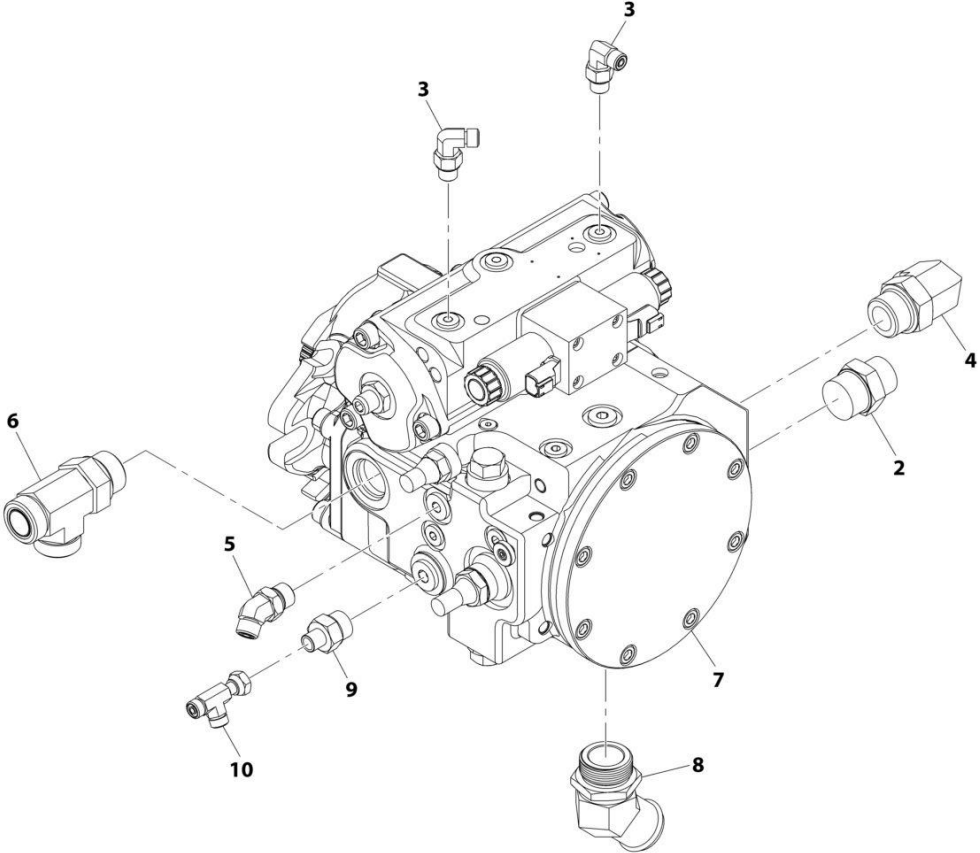
SECTION 4 - ENGINE AND ATTACHING PARTS

FIGURE 4-24. HYDROSTATIC DRIVE PUMP INSTALLATION

ITEM	PART NUMBER	QTY	DESCRIPTION	REV
	1001193704	Ref	Hydrostatic Drive Pump Installation	D
1	0711216	4	Bolt, M12X40	
2	1001210771	1	Assembly, Hydrostatic Drive Pump (See Separate Breakdown in this Section)	
8	4740532	4	Washer, M12	

SECTION 4 - ENGINE AND ATTACHING PARTS

FIGURE 4-25. HYDROSTATIC DRIVE PUMP ASSEMBLY



ART_1001210771-C

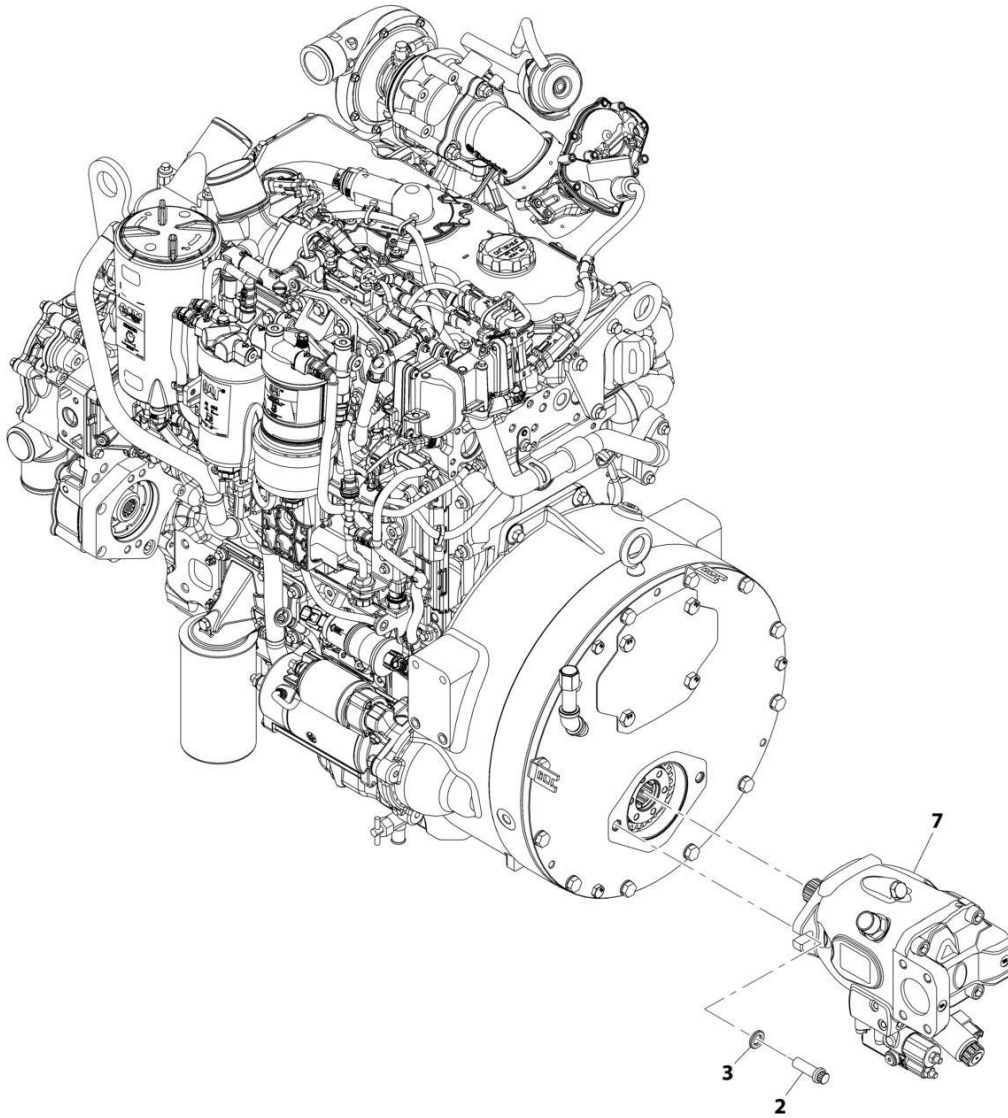
SECTION 4 - ENGINE AND ATTACHING PARTS

FIGURE 4-25. HYDROSTATIC DRIVE PUMP ASSEMBLY

ITEM	PART NUMBER	QTY	DESCRIPTION	REV
	1001210771	Ref	Hydrostatic Drive Pump Assembly	C
2	2111216	1	Fitting, Straight ORFS	
3	2130406	2	Fitting, 90 ORFS	
4	2131216	1	Fitting, 90 ORFS	
5	2150608	1	Fitting, 45 ORFS	
6	2170316	1	Fitting, TEE ORFS	
7	1001193307	1	Pump, Hydrostatic Drive (See Separate Breakdown in HYDRAULIC COMPONENTS Section)	
8	1001196664	1	Fitting, 45	
9	2110410	1	Fitting, Straight ORFS	
10	2170704	1	Fitting, Tee ORFS	

SECTION 4 - ENGINE AND ATTACHING PARTS

FIGURE 4-26. IMPLEMENT PUMP INSTALLATION



ART_1001193393-E

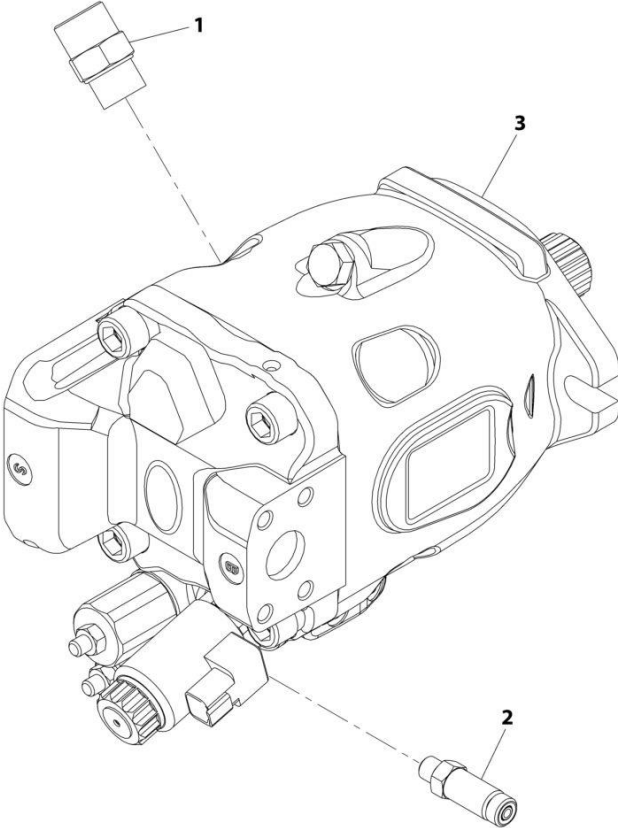
SECTION 4 - ENGINE AND ATTACHING PARTS

FIGURE 4-26. IMPLEMENT PUMP INSTALLATION

ITEM	PART NUMBER	QTY	DESCRIPTION	REV
	1001193393	Ref	Implement Pump Installation	E
2	1001238781	2	Screw Flange	
3	4740532	2	Washer	
7	1001212739	1	Assembly, Implement Pump (See Separate Breakdown in this Section)	

SECTION 4 - ENGINE AND ATTACHING PARTS

FIGURE 4-27. IMPLEMENT PUMP ASSEMBLY



ART_1001212739-A

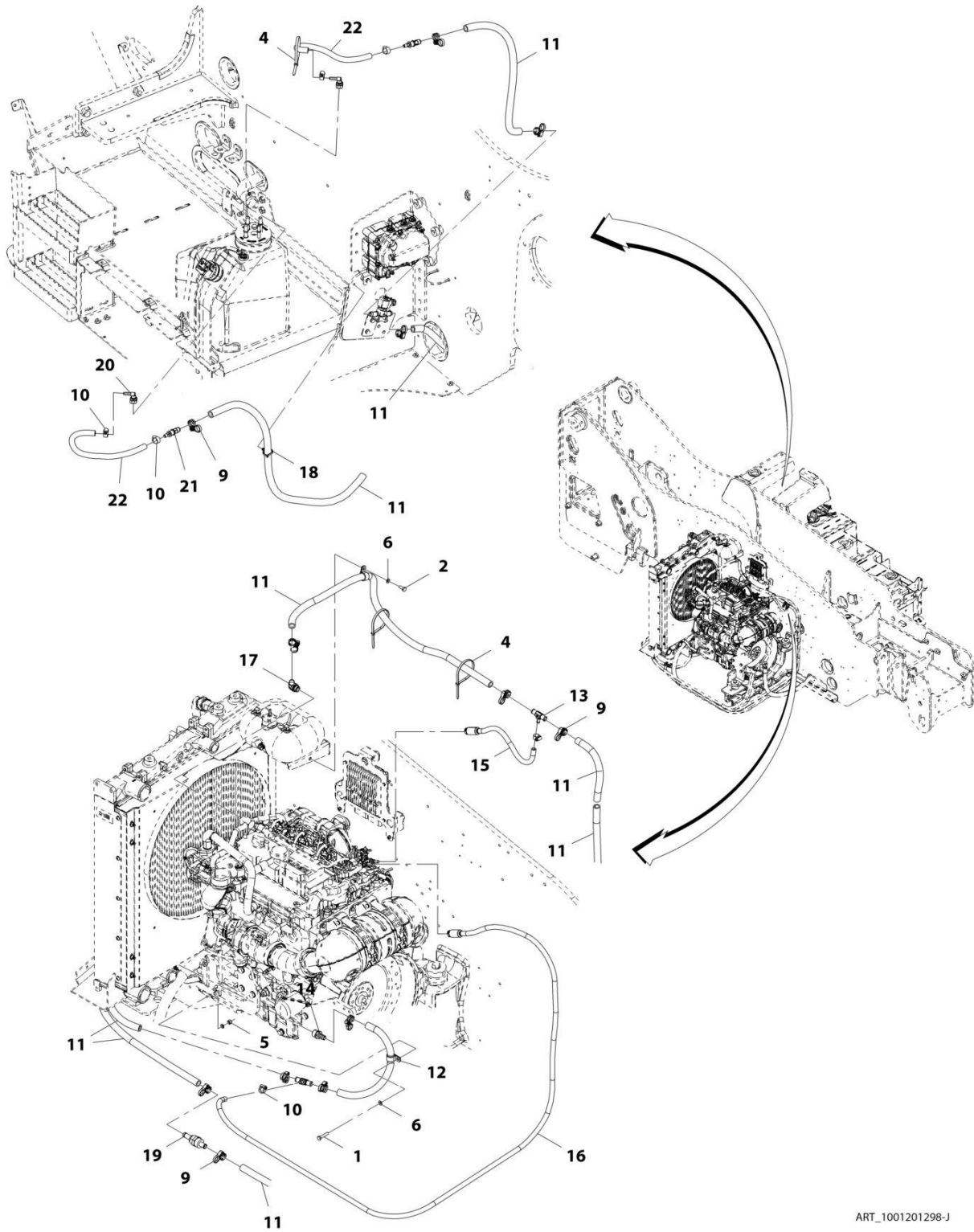
SECTION 4 - ENGINE AND ATTACHING PARTS

FIGURE 4-27. IMPLEMENT PUMP ASSEMBLY

ITEM	PART NUMBER	QTY	DESCRIPTION	REV
	1001212739	Ref	Implement Pump Assembly	A
1	2111010	1	Fitting, Straight ORFS	
2	2170104	1	Fitting, Straight ORFS	
3	1001180070	1	Pump, Implement (See Separate Breakdown in HYDRAULIC COMPONENTS Section)	

SECTION 4 - ENGINE AND ATTACHING PARTS

FIGURE 4-28. DEF COOLANT LINES INSTALLATION (ULS)



ART_1001201298-J

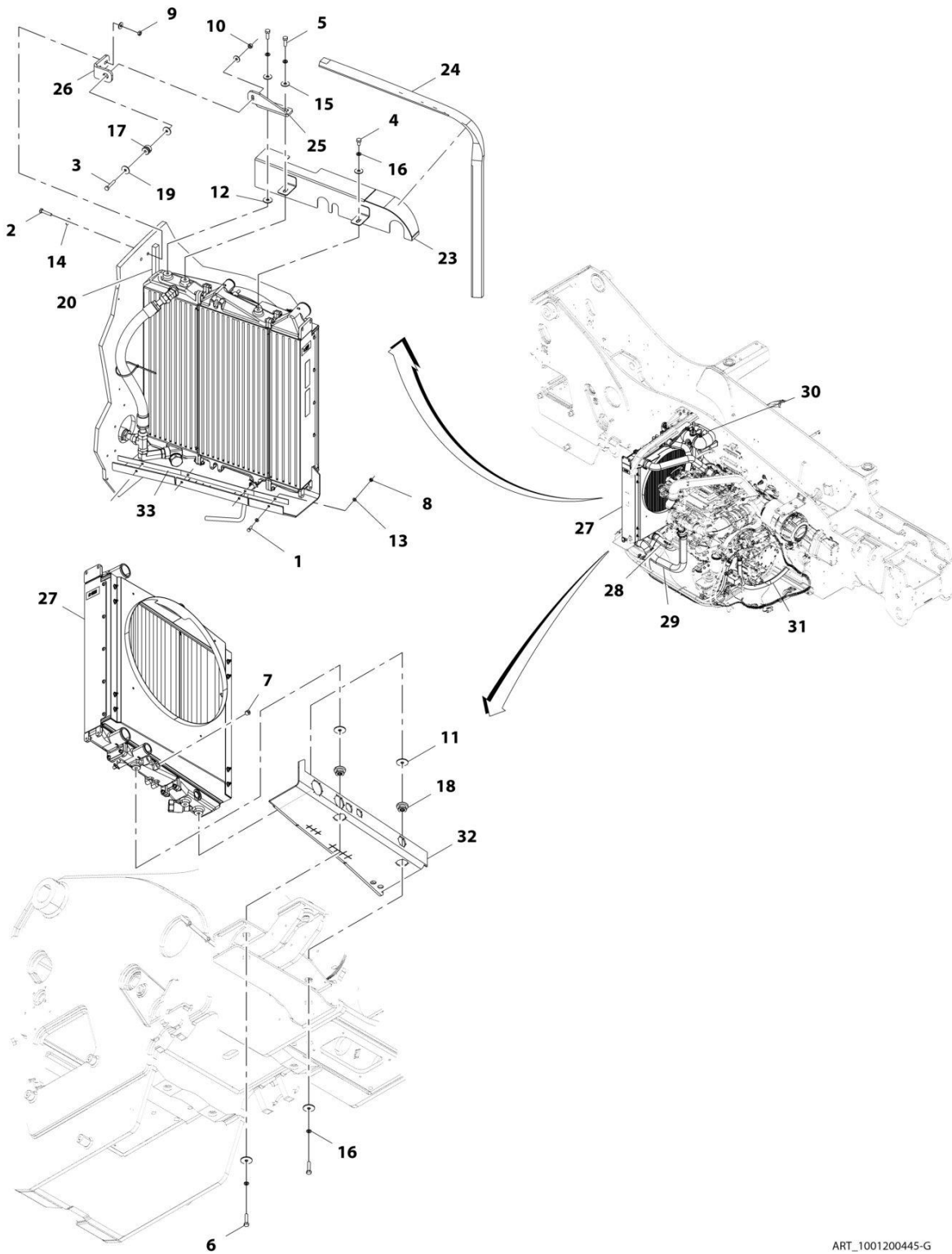
SECTION 4 - ENGINE AND ATTACHING PARTS

FIGURE 4-28. DEF COOLANT LINES INSTALLATION (ULS)

ITEM	PART NUMBER	QTY	DESCRIPTION	REV
	1001201298	Ref	DEF Coolant Lines Installation (ULS)	J
1	0700816	1	Bolt, M8X40	
2	0760810	1	Bolt, M8X20	
4	1062255	AR	Strap, Tie	
5	3290805	1	Nut, M8X1.25	
6	4811900	3	Washer, M8	
9	1001202526	12	Clamp	
10	8410013	6	Clamp	
11	82033995	9365 mm	Hose	
12	1001100319	2	Clip	
13	1001162212	2	Pipe	
14	1001167409	1	Pipe	
15	1001201299	1	Hose	
16	1001201300	1	Hose	
17	1001203005	1	Fitting, 45	
18	1001146588	1	Strap, Tie	
19	1001228872	1	Filter	
20	1001155823	2	Coupling	
21	1001238470	2	Adapter	
22	1001181625	870 mm	Hose	

SECTION 4 - ENGINE AND ATTACHING PARTS

FIGURE 4-29. COOLING PACKAGE INSTALLATION (ULS & LS NO HIGH AMBIENT)



ART_1001200445-G

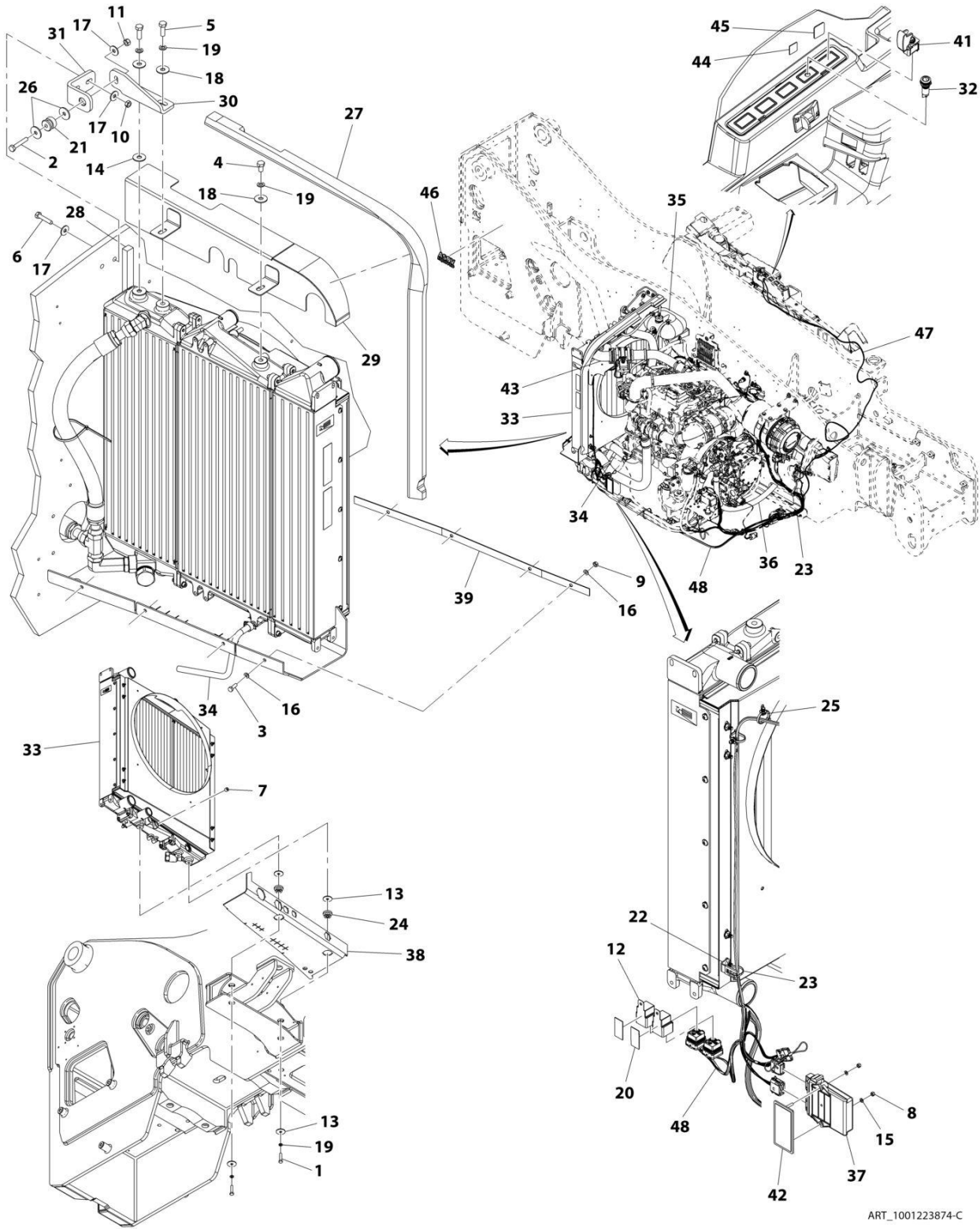
SECTION 4 - ENGINE AND ATTACHING PARTS

FIGURE 4-29. COOLING PACKAGE INSTALLATION (ULS & LS NO HIGH AMBIENT)

ITEM	PART NUMBER	QTY	DESCRIPTION	REV
	1001200445	Ref	Cooling Package Installation	G
1	0760812	4	Bolt,M8X25	
2	0701018	2	Bolt, M10X50	
3	0701020	1	Bolt, M10X60	
4	0761210	1	Bolt, M12X20	
5	0761215	2	Bolt, M12X35	
6	0761218	2	Bolt, M12X50	
7	2200223	1	Plug	
8	3290801	4	Nut, M8X1.25	
9	3291001	2	Nut, M10X1.5	
10	3291005	1	Nut, Lock M10X1.5	
11	4740274	4	Washer	
12	4740550	1	Washer, M12	
13	4811900	8	Washer, M8	
14	4812002	5	Washer, M10	
15	4812102	3	Washer, M12	
16	4832100	5	Washer, Lock M12	
17	8278020	1	Mount	
18	1001114803	2	Mount	
19	1001155540	2	Washer	
20	1001173457	1	Seal	
23	1001196191	1	Bracket, Air Baffle	
24	1001173452	1	Seal	
25	1001200498	1	Bracket, Radiator	
26	1001200499	1	Bracket, Frame	
27	1001201301	1	Radiator, (See Separate Breakdown in this Section)	
28	1001201302	Ref	Installation, Coolant Lines (See Separate Breakdown in this Section)	
29	1001201303	Ref	Installation, Radiator Lines (See Separate Breakdown in this Section)	
30	1001201304	Ref	Installation, Surge Tank (See Separate Breakdown in this Section)	
31	1001201305	Ref	Installation, Transmission Oil Cooler Lines (See Separate Breakdown in this Section)	
32	1001203947	1	Panel, Air Dam	
33	1001203948	1	Plate, Air Dam	

SECTION 4 - ENGINE AND ATTACHING PARTS

FIGURE 4-30. COOLING PACKAGE INSTALLATION (ULS & LS ASOV)



SECTION 4 - ENGINE AND ATTACHING PARTS

FIGURE 4-30. COOLING PACKAGE INSTALLATION (ULS & LS ASOV)

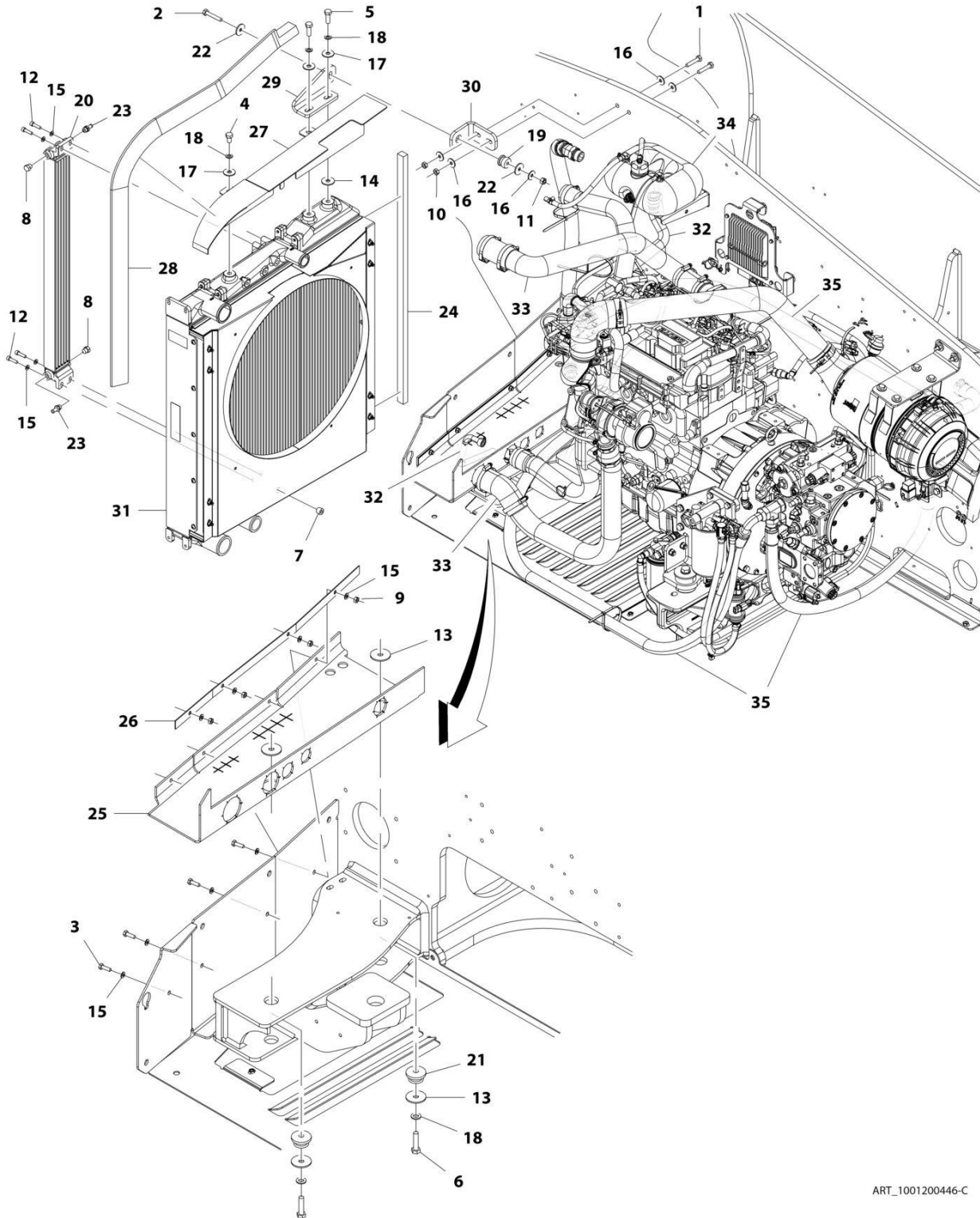
ITEM	PART NUMBER	QTY	DESCRIPTION	REV
	1001223874	Ref	Cooling Package Installation	C
1	0701018	2	Bolt, M10X50	
2	0701020	1	Bolt, M10X60	
3	0760812	4	Bolt, M8X25	
4	0761210	1	Bolt, M12X20	
5	0761215	2	Bolt, M12X35	
6	0761218	2	Bolt, M12X50	
7	2200223	1	Plug	
8	3290505	2	Nut, M5X0.8	
9	3290801	4	Nut, M8X1.25	
10	3291001	2	Nut, M10X1.5	
11	3291005	1	Nut, Lock M10X1.5	
12	3740080	2	Relay	
13	4740274	4	Washer	
14	4740550	1	Washer, M12	
15	4811600	2	Washer, M5	
16	4811900	8	Washer, M8	
17	4812002	5	Washer, M10	
18	4812102	3	Washer, M12	
19	4832100	5	Washer, Lock M12	
20	7169541	AR	Tape	
21	8278020	1	Mount	
22	1001003305	1	Clip	
23	1001008559	4	Strap, Cable	
24	1001114803	2	Mount	
25	1001146588	2	Strap, Cable	
26	1001155540	2	Washer	
27	1001173452	1	Seal, Foam Gasket	
28	1001173457	1	Seal	
29	1001196191	1	Bracket, Air Baffle	
30	1001200498	1	Bracket, Radiator	
31	1001200499	1	Bracket, Frame	
32	1001200631	1	Lamp, LED Indicator	
33	1001201301	1	Radiator, (See Separate Breakdown in this Section)	
34	1001201302	Ref	Installation, Coolant Lines (See Separate Breakdown in this Section)	
35	1001201304	Ref	Installation, Surge Tank (See Separate Breakdown in this Section)	
36	1001201305	Ref	Installation, Transmission Oil Cooler Lines (See Separate Breakdown in this Section)	
37	1001203181	1	Accessory, Control	
38	1001203947	1	Panel, Air Dam	
39	1001203948	1	Plate, Air Dam	
41	1001215941	1	Switch	
42	1001219082	1	Bracket	
43	1001223869	1	Installation, Radiator Lines (See Separate Breakdown in this Section)	
44	1001227077	1	Decal, Air Shut Off	
45	1001227964	1	Decal, ASOV Test	
46	1001228643	1	Decal, ASOV Equipped	

SECTION 4 - ENGINE AND ATTACHING PARTS

ITEM	PART NUMBER	QTY	DESCRIPTION	REV
47	1001231407	1	Harness, POSI Air Shutoff (See Separate Breakdown in Electrical Section)	
48	1001231483	1	Harness, POSI Air Shutoff (See Separate Breakdown in Electrical Section)	

SECTION 4 - ENGINE AND ATTACHING PARTS

FIGURE 4-31. COOLING PACKAGE INSTALLATION (LS HIGH AMBIENT)



ART_1001200446-C

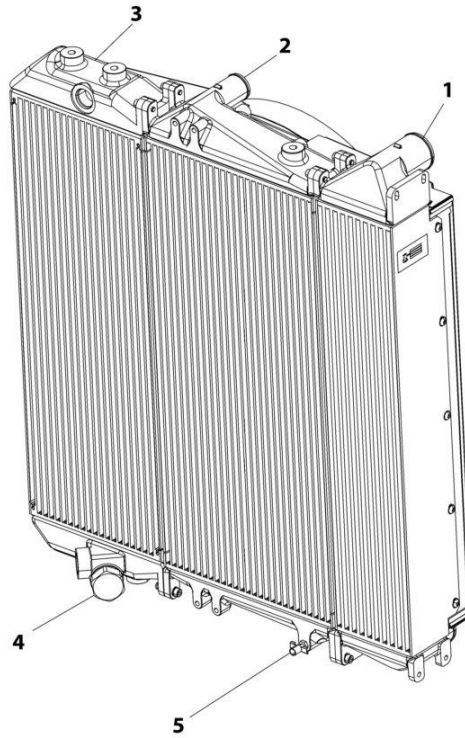
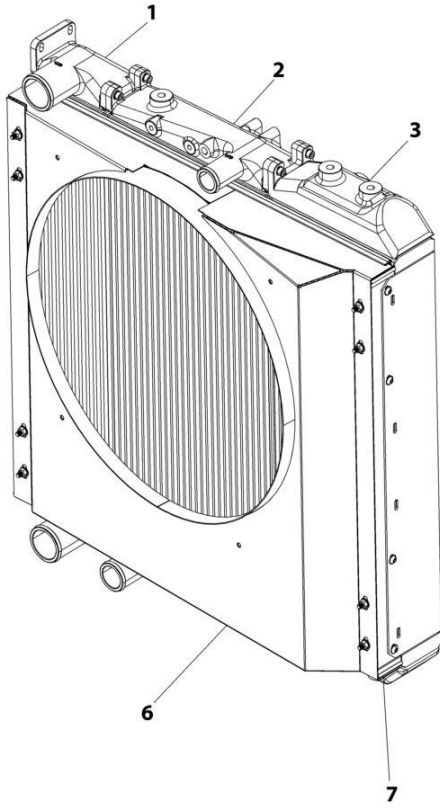
SECTION 4 - ENGINE AND ATTACHING PARTS

FIGURE 4-31. COOLING PACKAGE INSTALLATION (LS HIGH AMBIENT)

ITEM	PART NUMBER	QTY	DESCRIPTION	REV
	1001200446	Ref	Cooling Package Installation (LS)	C
1	0701018	2	Bolt, M8X50	
2	0701020	1	Bolt, M10X60	
3	0760812	4	Bolt, M8X25	
4	0761210	1	Bolt, M12X20	
5	0761215	2	Bolt, M12X35	
6	0761218	2	Bolt, M12X50	
7	2200223	1	Plug	
8	2220237	2	Plug	
9	3290801	4	Nut, M8X1.25 Grade 8	
10	3291001	2	Nut, M10X1.5 Grade 8	
11	3291005	1	Nut, Lock M0X1.5 Grade 8	
12	4031910	4	Bolt, M8X30	
13	4740274	4	Washer	
14	4740550	1	Washer, M12	
15	4811900	12	Washer, M8	
16	4812002	5	Washer, M10	
17	4812102	3	Washer, M12	
18	4832100	5	Washer, Lock M12	
19	8278020	1	Mount	
20	1001220337	1	Radiator, Fuel Cooler	
21	1001114803	2	Mount, Isolator	
22	1001155540	2	Washer	
23	1001168030	2	Barb, Hose	
24	1001173457	1	Seal, Foam Gasket	
25	1001203947	1	Panel	
26	1001203948	1	Plate	
27	1001196191	1	Bracket	
28	1001196193	1	Seal, Foam Gasket	
29	1001200498	1	Bracket	
30	1001200499	1	Bracket	
31	1001201301	1	Radiator, Cooling Package (See Separate Breakdown in this Section)	
32	1001201302	1	Installation, Coolant Lines (ULS) (See Separate Breakdown in this Section)	
33	1001201303	1	Installation, CAC Lines (See Separate Breakdown in this Section)	
34	1001201304	1	Installation, Surge Tank (See Separate Breakdown in this Section)	
35	1001201305	1	Installation, TOC Lines (See Separate Breakdown in this Section)	

SECTION 4 - ENGINE AND ATTACHING PARTS

FIGURE 4-32. RADIATOR - COOLING PACKAGE



ART_1001201301

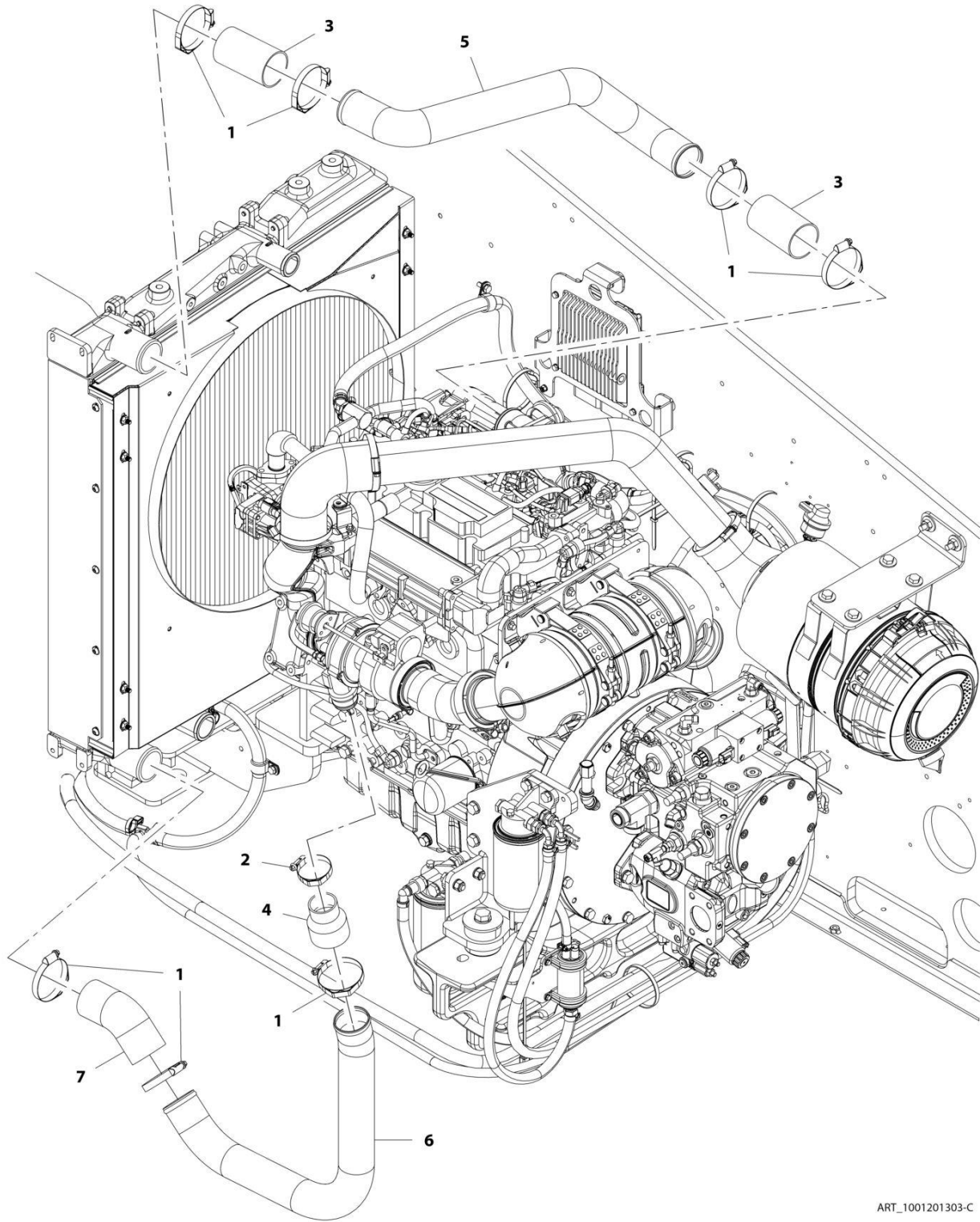
SECTION 4 - ENGINE AND ATTACHING PARTS

FIGURE 4-32. RADIATOR - COOLING PACKAGE

ITEM	PART NUMBER	QTY	DESCRIPTION	REV
	1001201301	Ref	RADIATOR COOLLING PACKAGE	D
1	70026353	1	Cooler, Air Charge	
2	70026354	1	Radiator	
3	70028550	1	Cooler, Hydraulic Oil	
4	70028548	1	Valve, Bypass	
5	70026081	1	Petcock	
6	70028549	1	Shroud	
7	70026359	2	Bracket, Shroud Mounting	

SECTION 4 - ENGINE AND ATTACHING PARTS

FIGURE 4-33. RADIATOR LINES INSTALLATION (ALL EXCEPT ULS & LS ASOV)



ART_1001201303-C

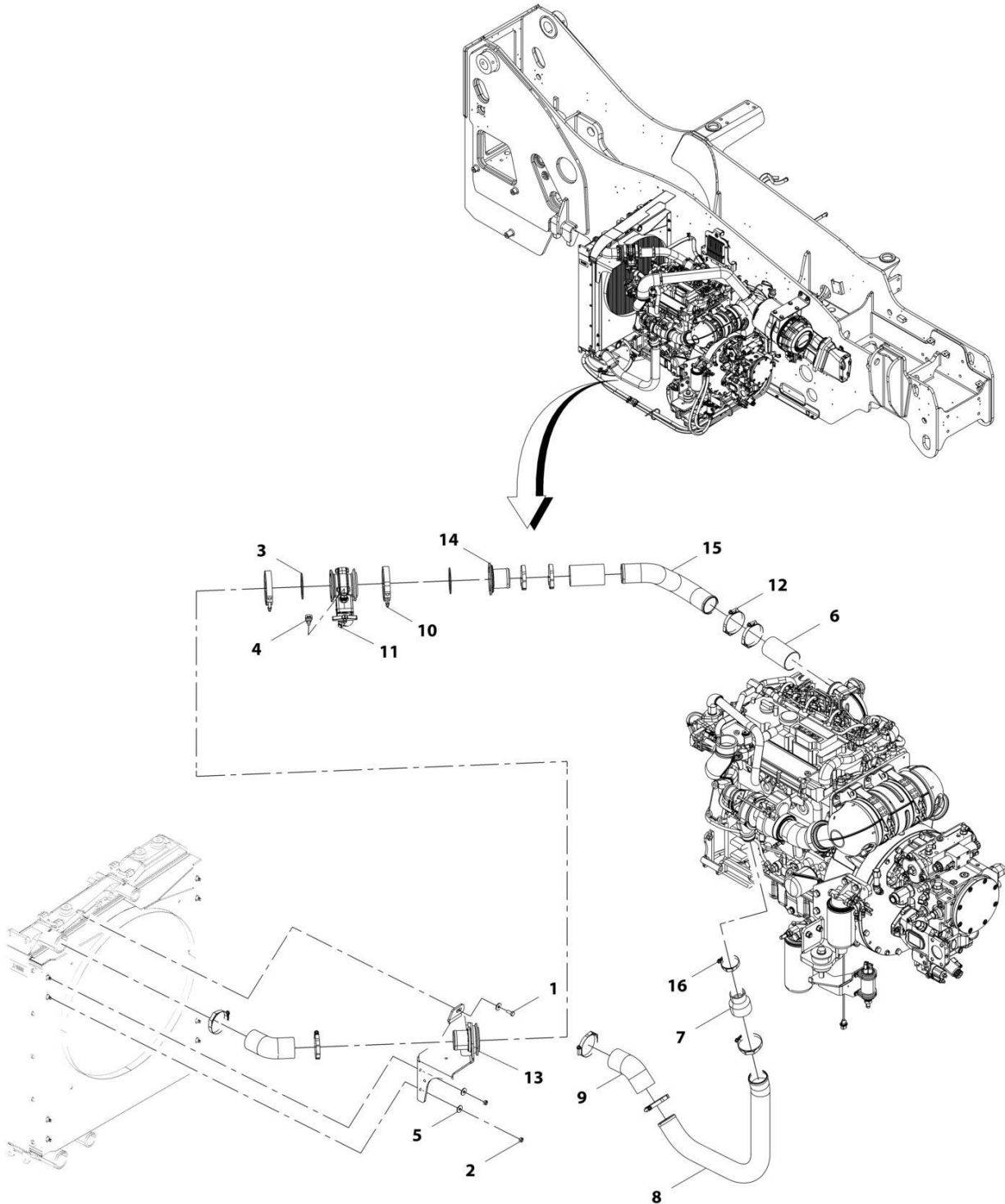
SECTION 4 - ENGINE AND ATTACHING PARTS

FIGURE 4-33. RADIATOR LINES INSTALLATION (ALL EXCEPT ULS & LS ASOV)

ITEM	PART NUMBER	QTY	DESCRIPTION	REV
	1001201303	Ref	Radiator Lines Installation	C
1	1001215022	7	Clamp	
2	1001215024	1	Clamp	
3	1001114495	2	Hose	
4	1001173528	1	Coupling, Reducer	
5	1001201314	1	Pipe	
6	1001201315	1	Pipe	
7	1001201316	1	Elbow, 45	

SECTION 4 - ENGINE AND ATTACHING PARTS

FIGURE 4-34. RADIATOR LINES INSTALLATION (ULS & LS ASOV)



ART_1001223869-B

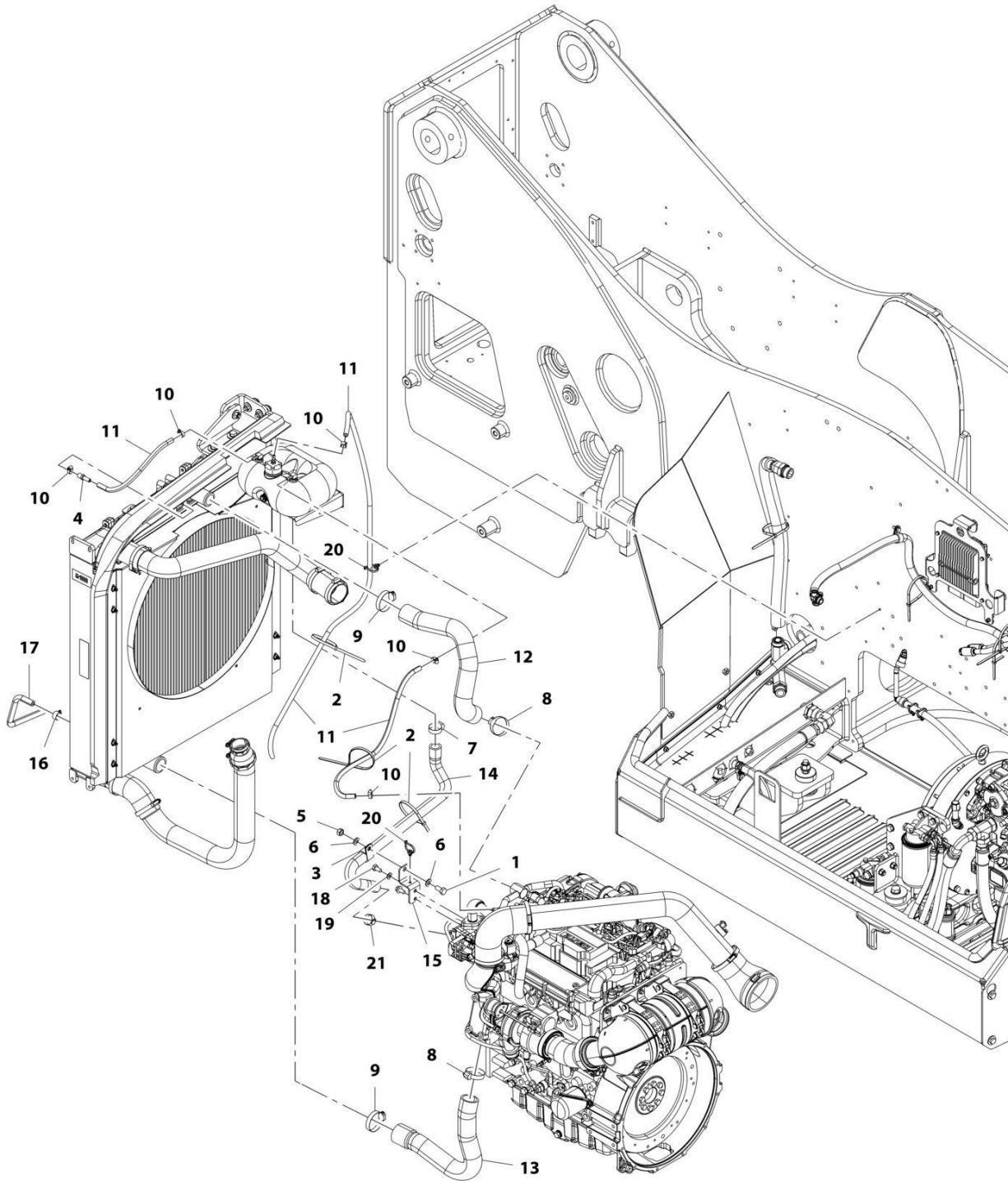
SECTION 4 - ENGINE AND ATTACHING PARTS

FIGURE 4-34. RADIATOR LINES INSTALLATION (ULS & LS ASOV)

ITEM	PART NUMBER	QTY	DESCRIPTION	REV
	1001223869	Ref	CAC Lines Installation	B
1	0760810	1	Bolt, M8X20	
2	3290801	2	Nut, M8X1.25	
3	3790152	2	Ring	
4	4460742	1	Connector	
5	4811902	3	Washer, M8	
6	1001114495	2	Hose	
7	1001173528	1	Fitting, Straight	
8	1001201315	1	Pipe	
9	1001201316	2	Hose	
10	1001202247	2	Clamp	
11	1001204032	1	Valve, Shut Off (See Separate Breakdown in HYDRAULIC COMPONENTS Section)	
12	1001215022	9	Clamp	
13	1001223618	1	Valve, ASO (See Separate Breakdown in HYDRAULIC COMPONENTS Section)	
14	1001223628	1	Valve, ASO	
15	1001223645	1	Pipe	
16	1001215024	1	Clamp	

SECTION 4 - ENGINE AND ATTACHING PARTS

FIGURE 4-35. COOLANT LINES INSTALLATION



ART_1001201302-E

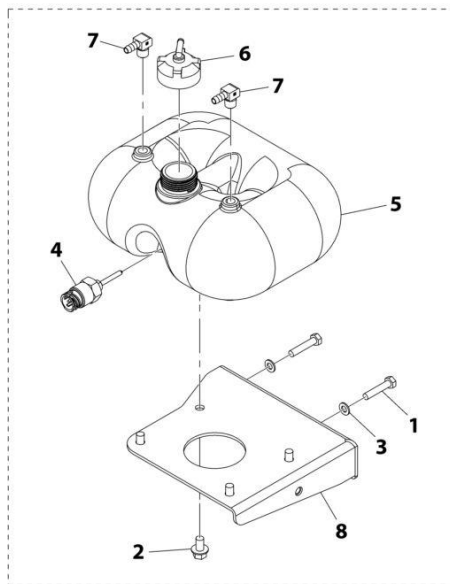
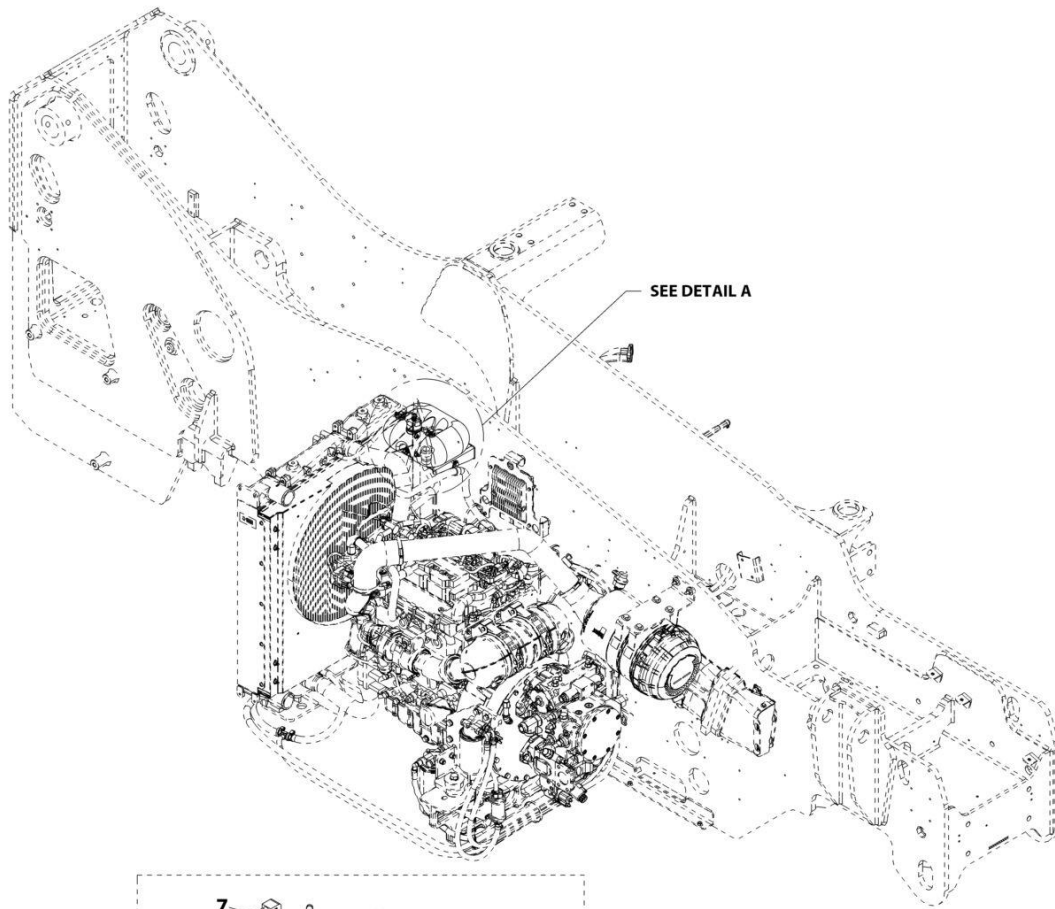
SECTION 4 - ENGINE AND ATTACHING PARTS

FIGURE 4-35. COOLANT LINES INSTALLATION

ITEM	PART NUMBER	QTY	DESCRIPTION	REV
	1001201302	Ref	Coolant Lines Installation	E
1	0761212	1	Bolt, M12X25	
2	1062255	3	Strap, Tie	
3	1320060	1	Clamp, Hose	
4	2220767	1	Fitting	
5	3291201	1	Nut, M12	
6	4812100	2	Washer, M12	
7	8405101	1	Clamp, Gear	
8	8405104	2	Clamp, Gear	
9	8405201	2	Clamp, Gear	
10	8405009	5	Clamp, Gear	
11	1001180542	2465 mm	Hose	
12	1001217762	1	Hose	
13	1001201309	1	Hose	
14	1001217763	1	Hose	
15	1001217761	1	Bracket	
16	8405006	1	Clamp, Gear	
17	1001180553	370 mm	Hose	
18	0761010	1	Bolt, M12X20	
19	4812000	1	Washer, M10	
20	1001146588	2	Strap, Tie	
21	8405007	1	Clamp, Gear	

SECTION 4 - ENGINE AND ATTACHING PARTS

FIGURE 4-36. SURGE TANK INSTALLATION



DETAIL A

ART_1001201304-B

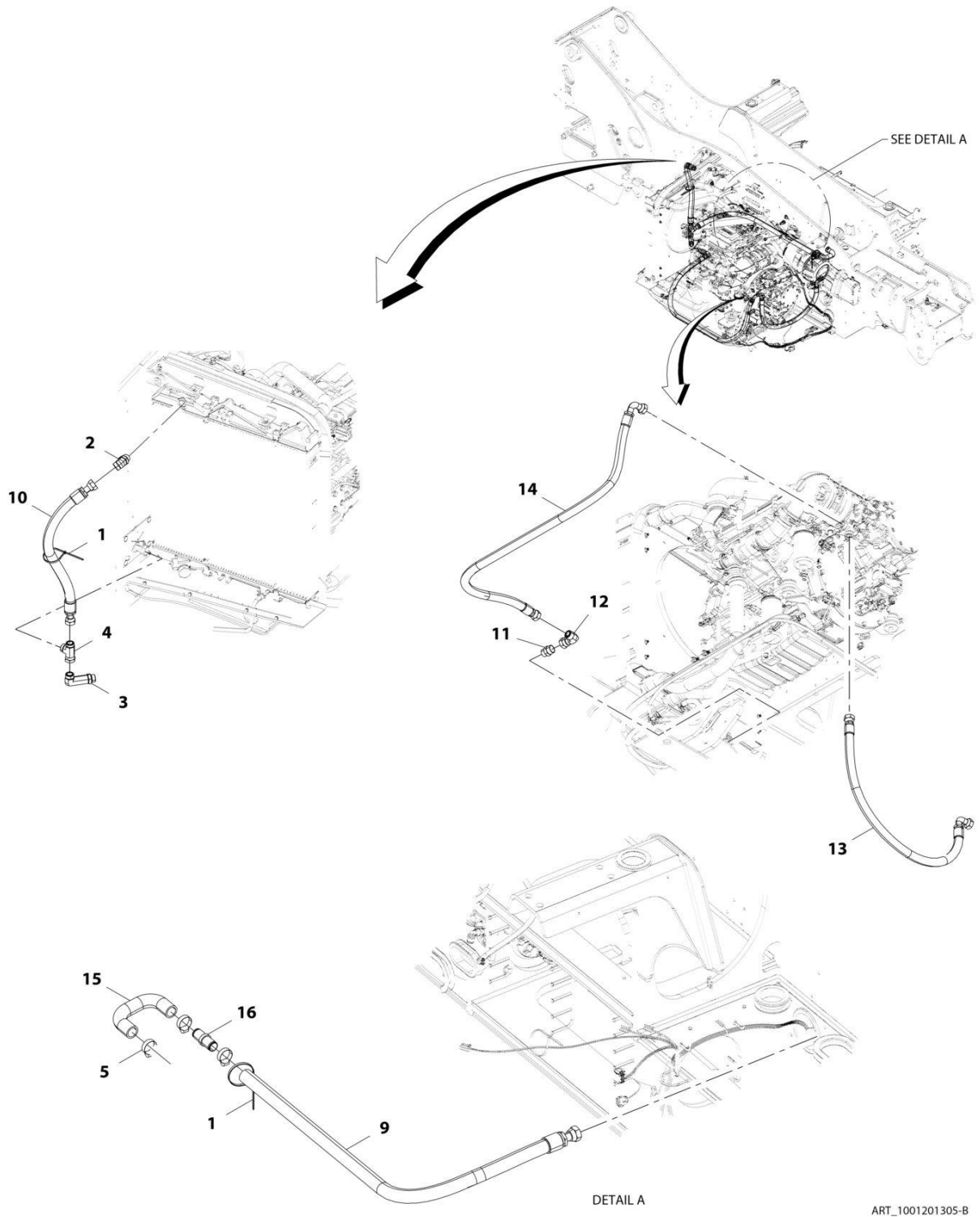
SECTION 4 - ENGINE AND ATTACHING PARTS

FIGURE 4-36. SURGE TANK INSTALLATION

ITEM	PART NUMBER	QTY	DESCRIPTION	REV
	1001201304	Ref	Surge Tank Installation	B
1	0700816	2	Bolt, M8X40	
2	0791605	4	Screw	
3	4811900	2	Washer, M8	
4	1001138827	1	Sensor, Coolant Level	
5	1001128144	1	Tank, Coolant	
6	1001128341	1	Cap	
7	1001169368	2	Fitting, Hose Barb	
8	1001201317	1	Bracket, Coolant Tank	

SECTION 4 - ENGINE AND ATTACHING PARTS

FIGURE 4-37. TRANSMISSION OIL COOLER LINES INSTALLATION (ALL EXCEPT ULS TUV)



DETAIL A

ART_1001201305-B

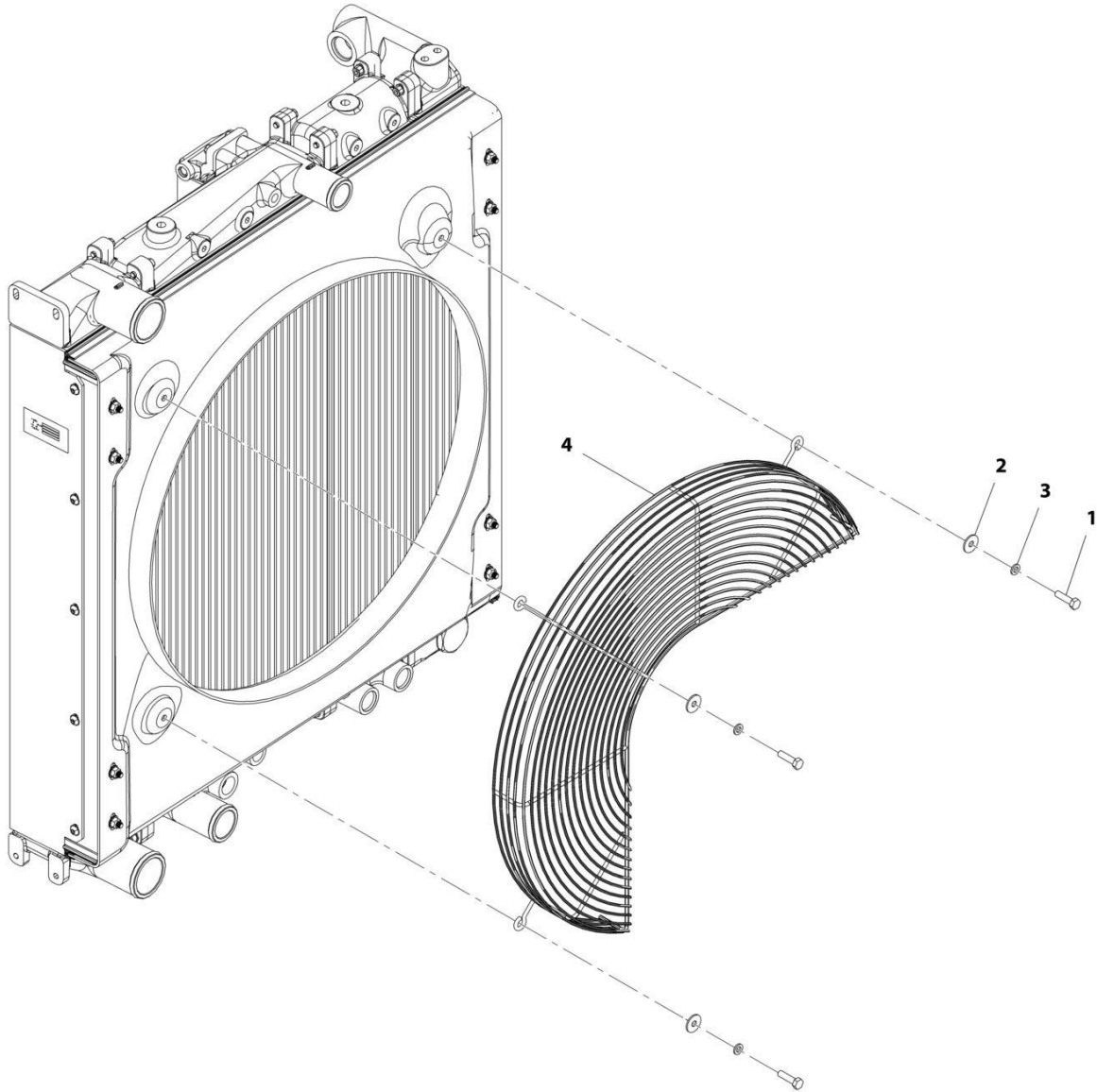
SECTION 4 - ENGINE AND ATTACHING PARTS

FIGURE 4-37. TRANSMISION OIL COOLER LINES INSTALLATION (ALL EXCEPT ULS TUV)

ITEM	PART NUMBER	QTY	DESCRIPTION	REV
	1001201305	Ref	Transmission Oil Cooler Lines Installation	B
1	1062255	AR	Strap, Tie	
2	2151616	1	Fitting, 45 ORFS	
3	2170216	1	Fitting, 90 ORFS	
4	2170716	1	Fitting, Tee ORFS	
5	8405102	3	Clamp, Gear	
9	1001205564	1	Hose	
10	1001205565	1	Hose	
11	2111616	1	Fitting, Straight ORFS	
12	2172116	1	Fitting, 90 ORFS	
13	1001211616	1	Hose	
14	1001211617	1	Hose	
15	1001212920	1	Hose	
16	1001212921	1	Fitting, Straight	

SECTION 4 - ENGINE AND ATTACHING PARTS

FIGURE 4-38. FAN GUARD INSTALLATION



ART_1001160420-D

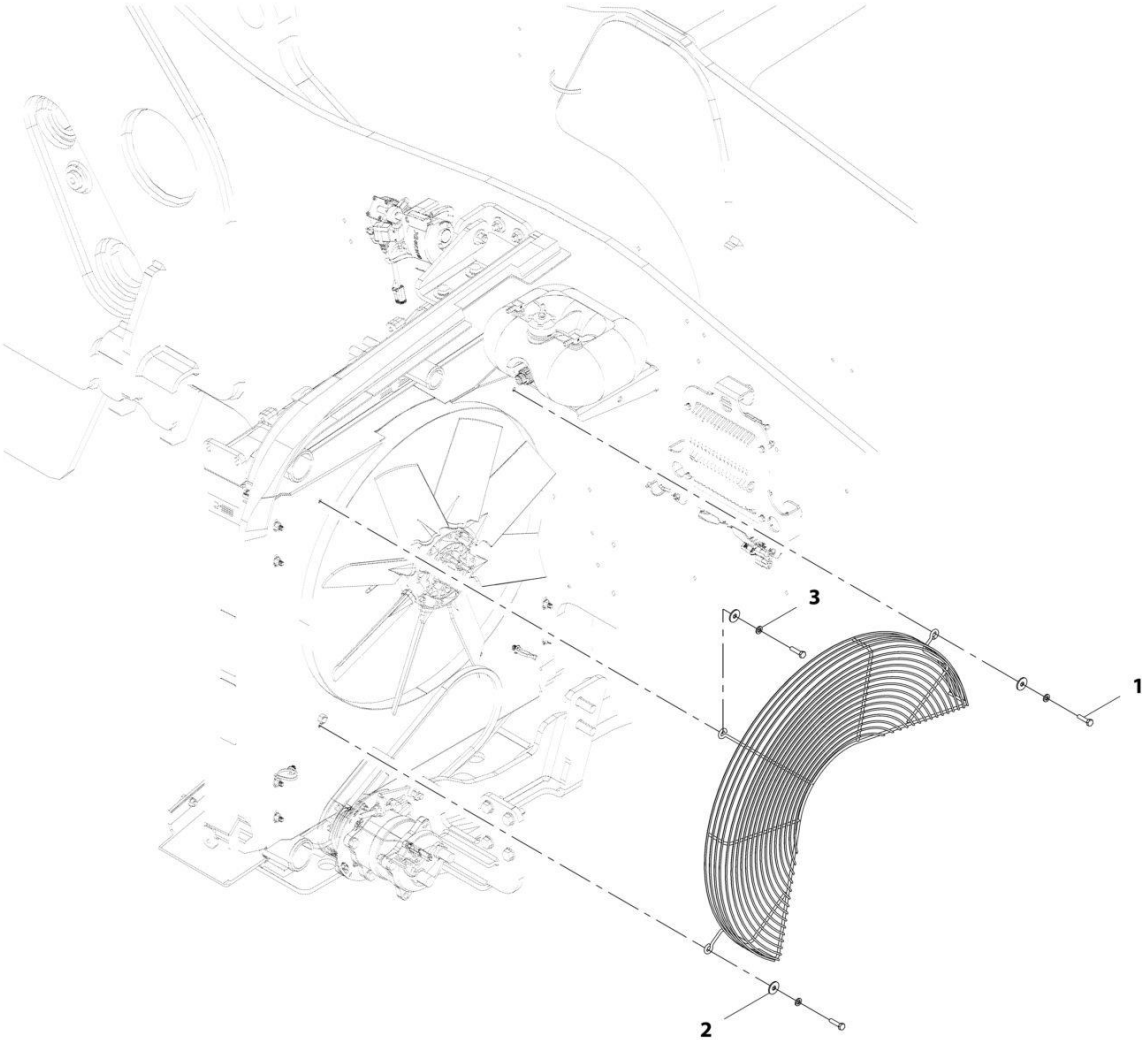
SECTION 4 - ENGINE AND ATTACHING PARTS

FIGURE 4-38. FAN GUARD INSTALLATION

ITEM	PART NUMBER	QTY	DESCRIPTION	REV
	1001160420	Ref	Fan Guard Installation	D
1	0700814	3	Bolt, M8X30	
2	4811902	3	Washer, M8	
3	4831900	3	Washer, Lock M8	
4	1001167186	1	Grill	

SECTION 4 - ENGINE AND ATTACHING PARTS

FIGURE 4-39. FAN GUARD (REVERSING) INSTALLATION



ART_1001217754-B

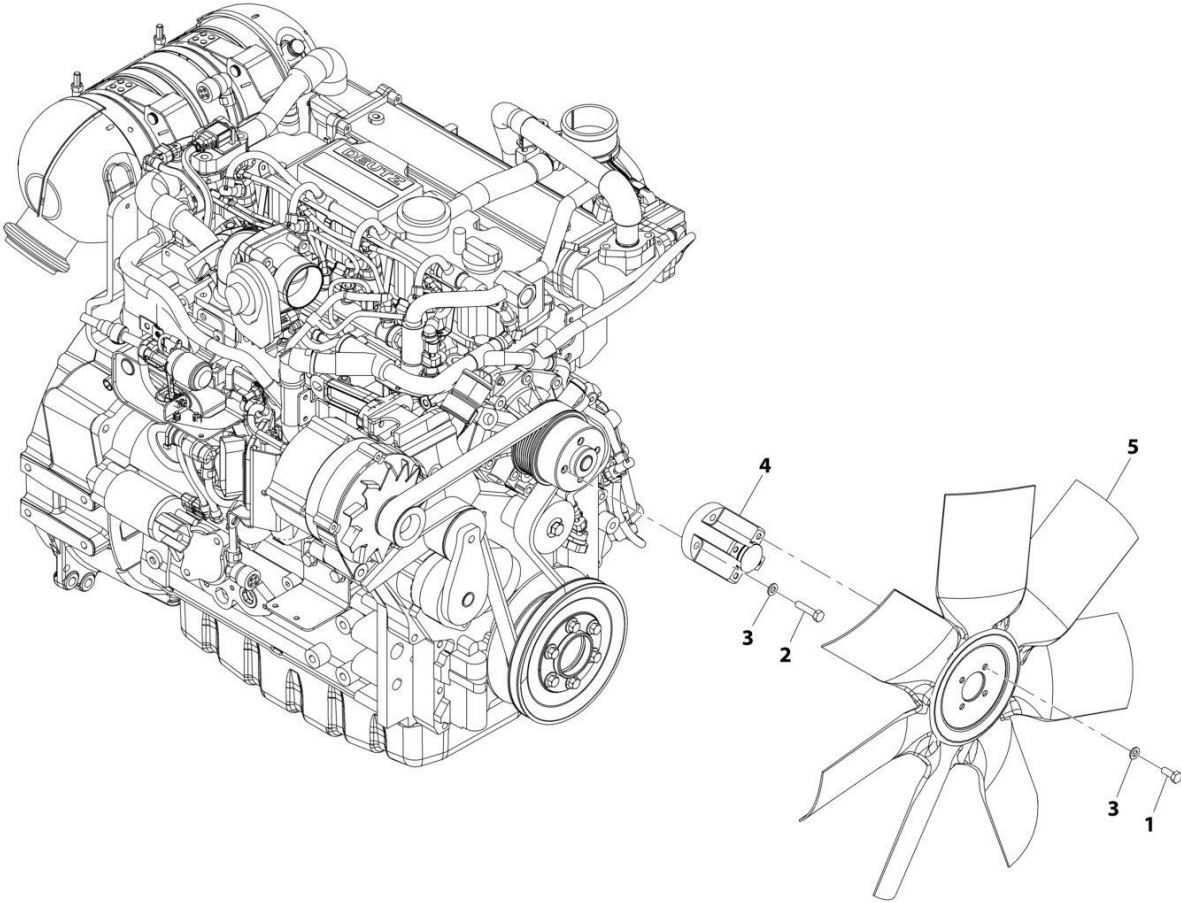
SECTION 4 - ENGINE AND ATTACHING PARTS

FIGURE 4-39. FAN GUARD (REVERSING) INSTALLATION

ITEM	PART NUMBER	QTY	DESCRIPTION	REV
	1001217754	1	Fan Guard (Reversing) Installation	B
1	0700814	3	Bolt, M8X30	
2	4811902	3	Washer, M8	
3	4831900	3	Washer, Lock M8	
4	1001217755	1	Grill	

SECTION 4 - ENGINE AND ATTACHING PARTS

FIGURE 4-40. COOLING FAN INSTALLATION (NO HIGH AMBIENT)



ART_1001214123-A

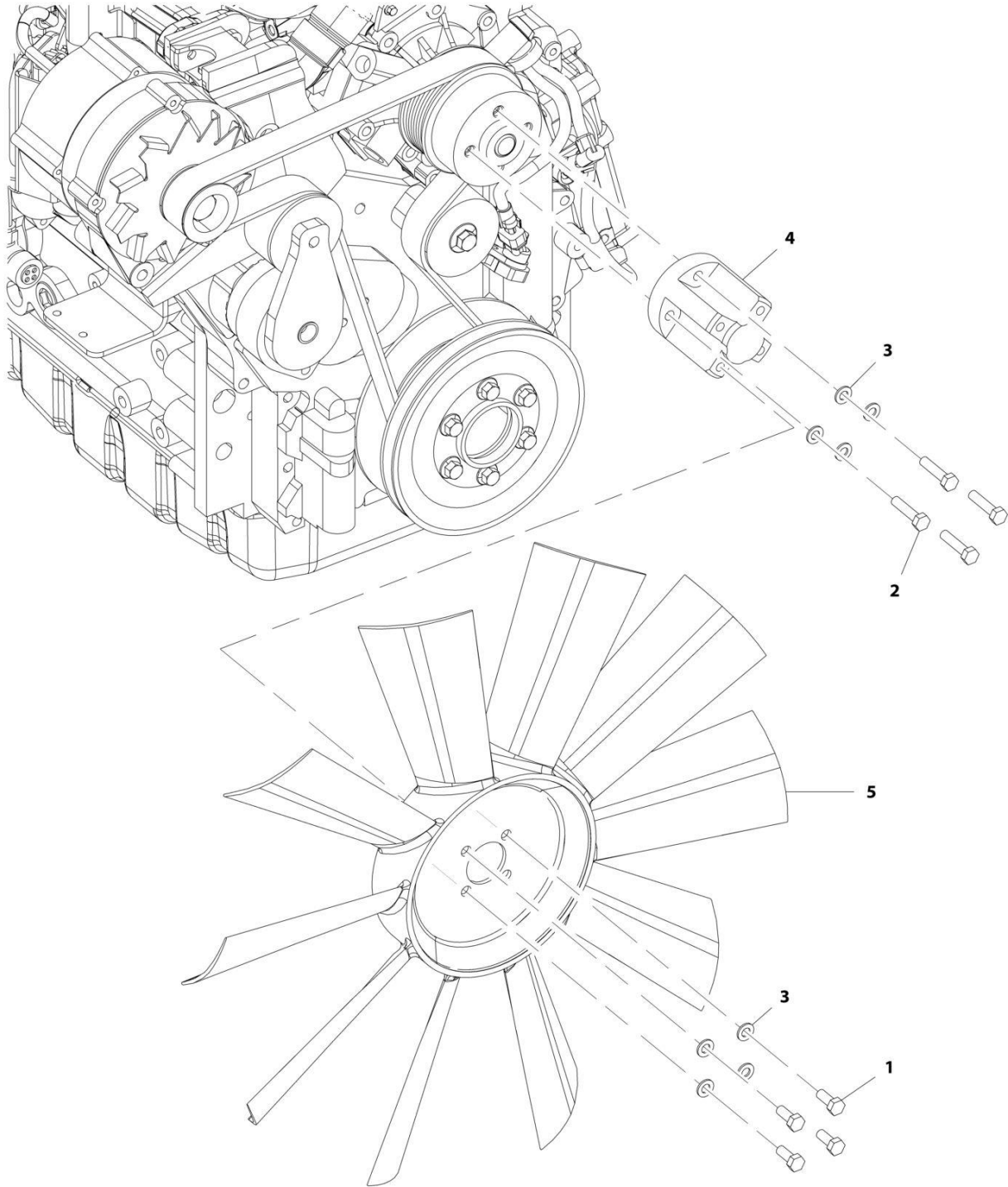
SECTION 4 - ENGINE AND ATTACHING PARTS

FIGURE 4-40. COOLING FAN INSTALLATION (NO HIGH AMBIENT)

ITEM	PART NUMBER	QTY	DESCRIPTION	REV
	1001214123	Ref	Cooling Fan Installation	A
1	0760810	4	Bolt, M8X20	
2	0770815	4	Bolt, M8X35 Grade 10.9	
3	4811900	8	Washer, M8	
4	1001170311	1	Adapter, Fan	
5	1001185026	1	Fan	

SECTION 4 - ENGINE AND ATTACHING PARTS

FIGURE 4-41. COOLING FAN INSTALLATION (HIGH AMBIENT)



ART_1001221918-A

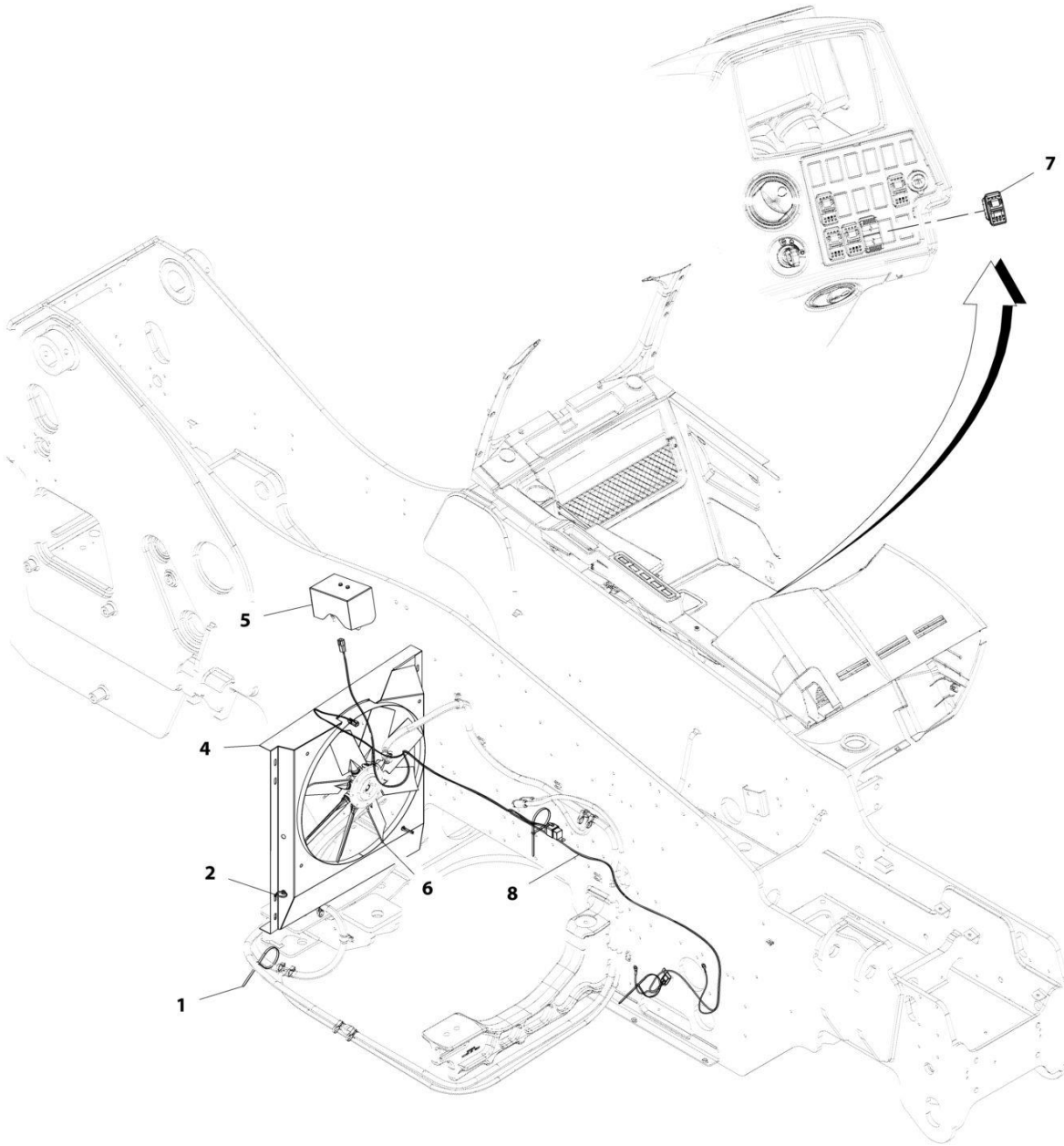
SECTION 4 - ENGINE AND ATTACHING PARTS

FIGURE 4-41. COOLING FAN INSTALLATION (HIGH AMBIENT)

ITEM	PART NUMBER	QTY	DESCRIPTION	REV
	1001221918	Ref	Cooling Fan Installation	A
1	0760810	4	Bolt, M8X20	
2	0770815	4	Bolt, M8X35 Grade 10.9	
3	4811900	8	Washer, M8	
4	1001170311	1	Adapter, Fan Hub	
5	1001148307	1	Fan, 23IN	

SECTION 4 - ENGINE AND ATTACHING PARTS

FIGURE 4-42. COOLING FAN (REVERSING) INSTALLATION



ART_1001217753-C

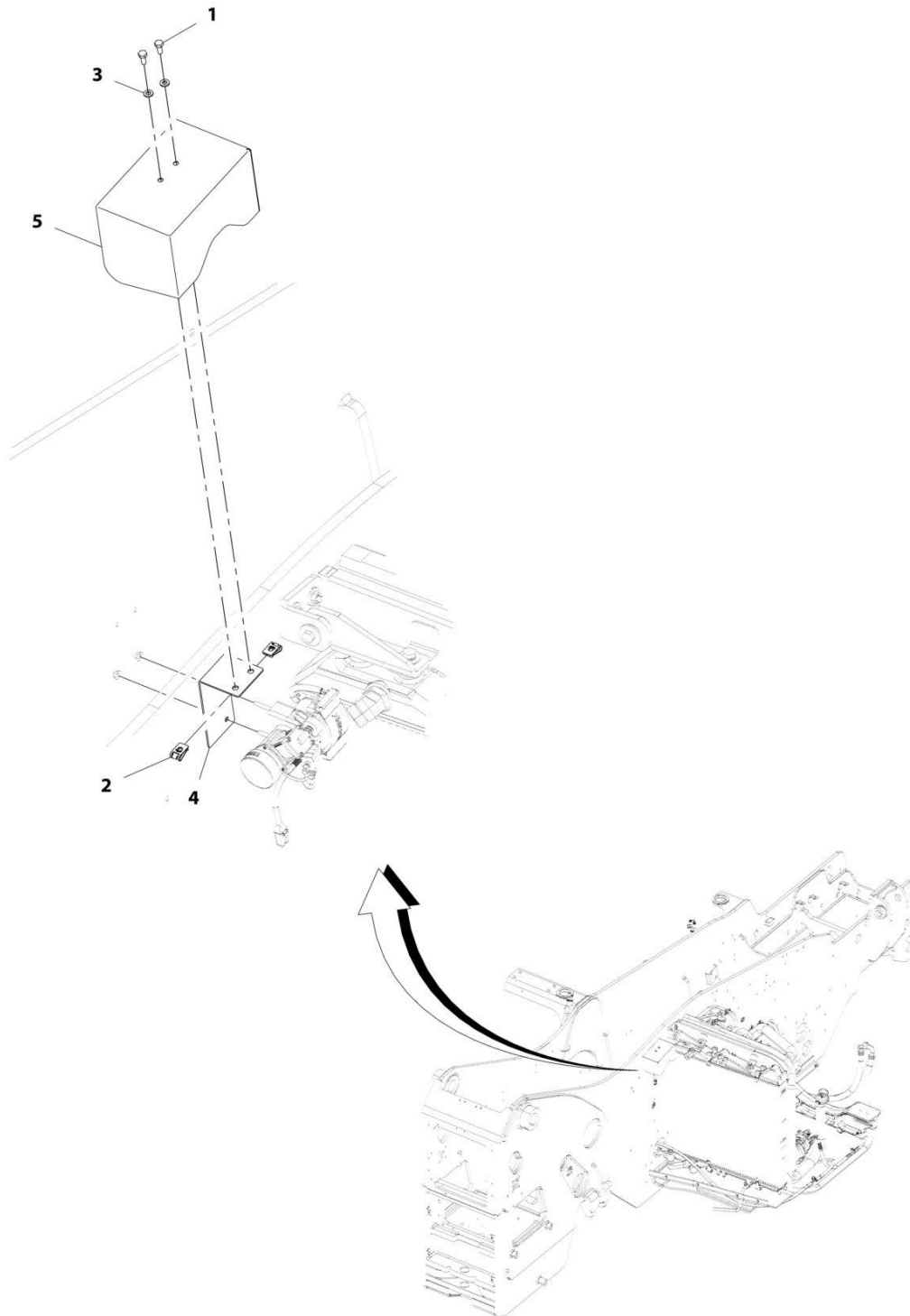
SECTION 4 - ENGINE AND ATTACHING PARTS

FIGURE 4-42. COOLING FAN (REVERSING) INSTALLATION

ITEM	PART NUMBER	QTY	DESCRIPTION	REV
	1001217753	Ref	Reverse Cooling Fan Installation	C
1	1062255	3	Strap, Tie	
2	1001146588	2	Strap, Fir Tree Cable Tie	
4	1001217756	1	Shroud	
5	1001217757	1	Installation, Cover (See Separate Breakdown in this Section)	
6	1001217760	1	Kit, Reversing Fan	
6	70030353	1	Pneumatic Line	
6	70030355	1	Fan, Reverse	
6	70030356	1	Compressor	
7	1001145204	1	Switch	
8	1001221493	1	Harness, Reversing Fan (See Separate Breakdown in ELECTRICAL Section)	

SECTION 4 - ENGINE AND ATTACHING PARTS

FIGURE 4-43. COOLING FAN COVER (REVERSING) INSTALLATION



ART_1001217757-A

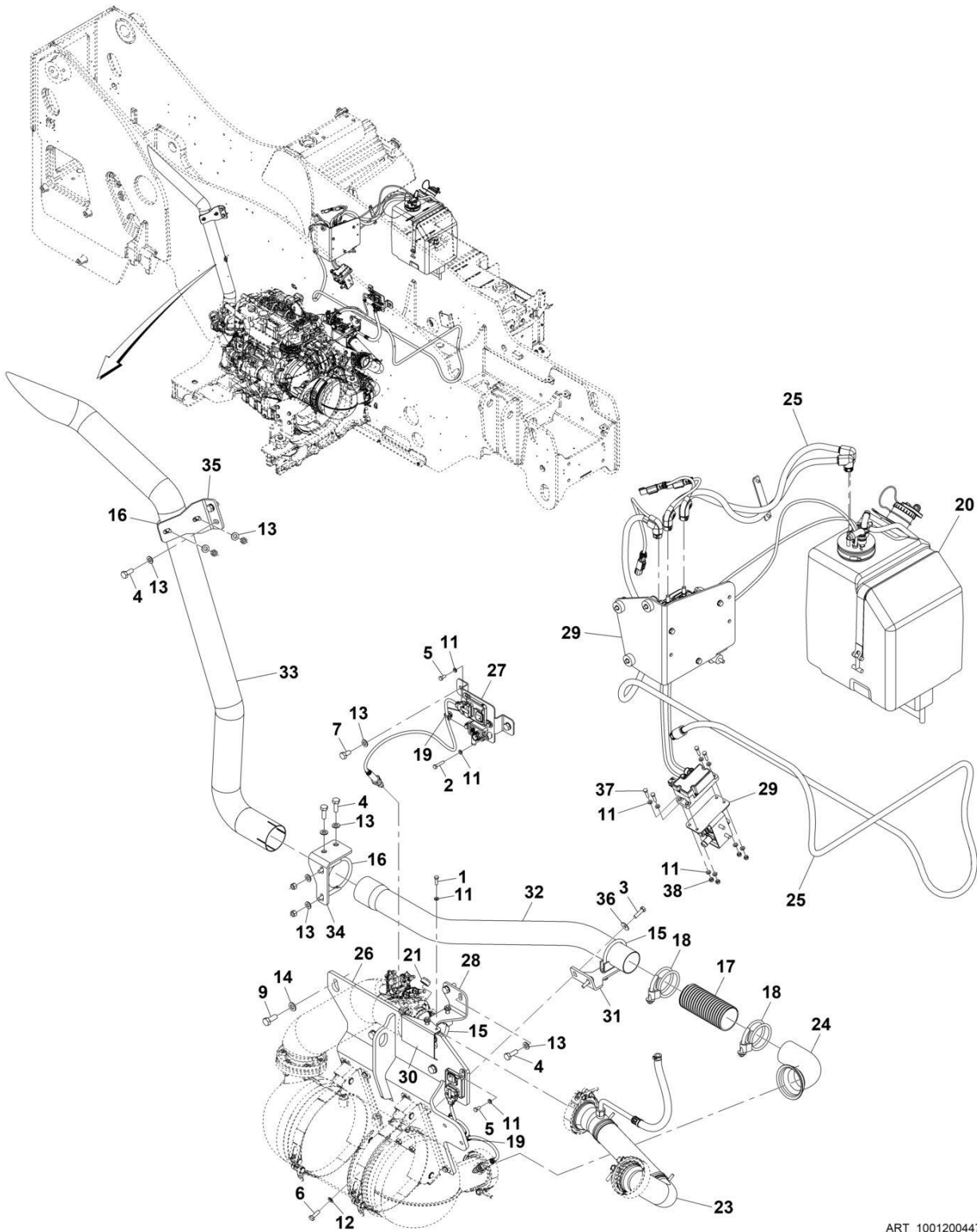
SECTION 4 - ENGINE AND ATTACHING PARTS

FIGURE 4-43. COOLING FAN COVER (REVERSING) INSTALLATION

ITEM	PART NUMBER	QTY	DESCRIPTION	REV
	1001217757	Ref	Compressor Cover Installation	A
1	0760607	2	Bolt, M6X14	
2	8305919	2	Nut, M6	
3	8307219	2	Washer, M6	
4	1001217758	1	Bracket	
5	1001217759	1	Cover	

SECTION 4 - ENGINE AND ATTACHING PARTS

FIGURE 4-44. EXHAUST INSTALLATION (ULS)



ART_1001200447-I

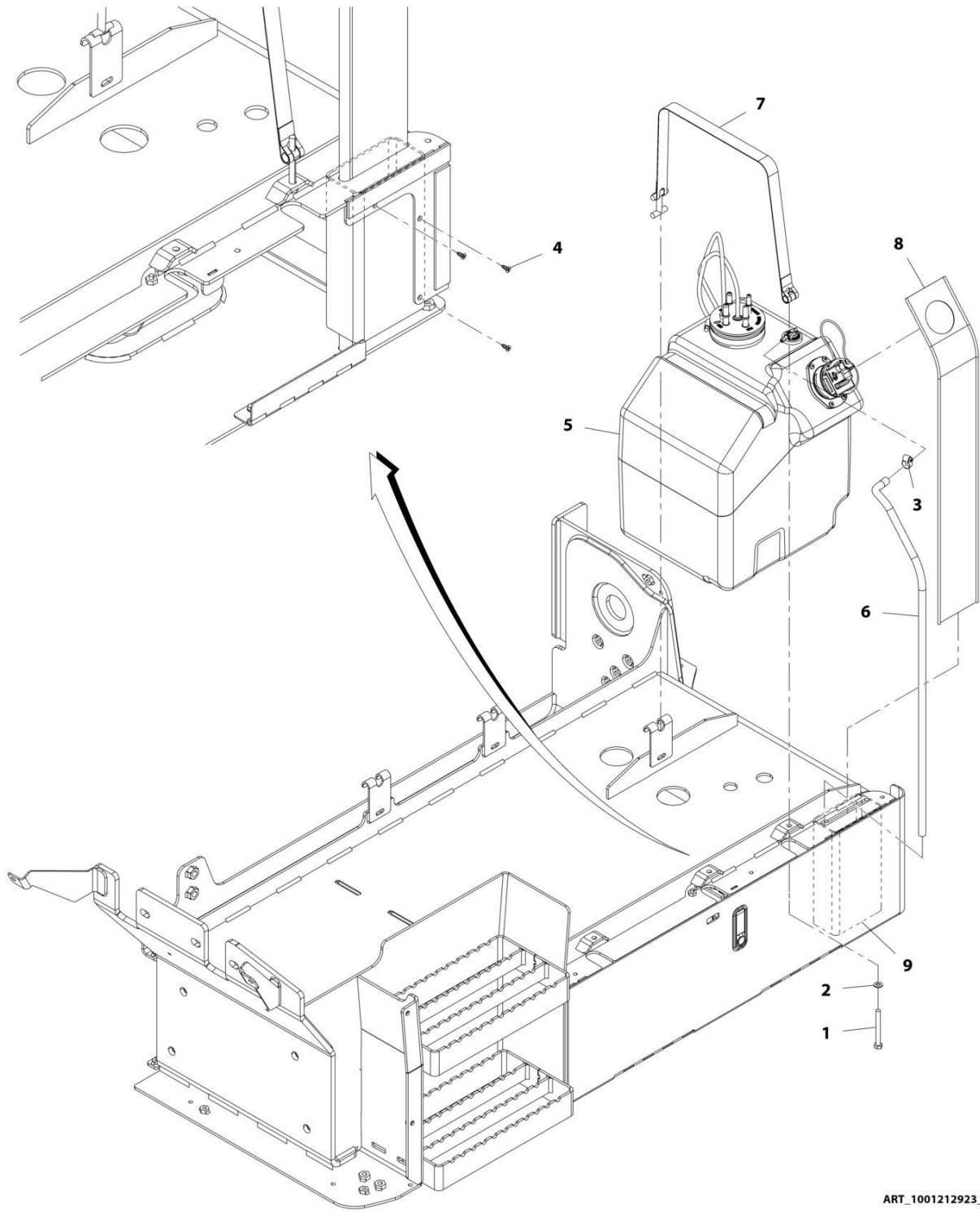
SECTION 4 - ENGINE AND ATTACHING PARTS

FIGURE 4-44. EXHAUST INSTALLATION (ULS)

ITEM	PART NUMBER	QTY	DESCRIPTION	REV
	1001200447	Ref	EXHAUST INSTALLATION (ULS)	K
1	0700610	1	Bolt M6 x 20	
2	0700614	1	Bolt M6 x 30	
3	0700814	2	Bolt M8 x 30	
4	0701014	6	Bolt M10 x 30	
5	0760607	4	Bolt M6 x 14	
6	0760812	8	Bolt M8 x 25	
7	0761010	2	Bolt M10 x 20	
9	0761214	4	Bolt M12 x 30	
11	4811700	6	Washer M6	
12	4811900	8	Washer M8	
13	4812000	12	Washer M10	
14	4812100	4	Washer M12	
15	8275212	2	Clamp	
16	24921332	2	Clamp	
17	77213042	1	Tube, Flexible	
18	91163268	2	Clamp	
19	1001146588	3	Tie-Strap	
20	1001293067	Ref	Installation, DEF Tank (See Separate Breakdown in this Section)	
23	1001199902	1	Pipe	
24	1001200249	1	Pipe	
25	1001293068	Ref	Installation, DEF Lines (See Separate Breakdown in this Section)	
26	1001201856	1	Bracket	
27	1001284536	1	Bracket	
28	1001201858	1	Support	
29	1001202018	Ref	Installation, DEF Control Module (See Separate Breakdown in this Section)	
30	1001202021	1	Plate	
31	1001202899	1	Bracket	
32	1001204411	1	Pipe	
33	1001226797	1	Pipe, Tail	
34	1001204413	1	Bracket	
35	1001204414	1	Bracket	
36	4811902	2	Washer M8	
39	1001004720	AR	Tie-Strap	

SECTION 4 - ENGINE AND ATTACHING PARTS

FIGURE 4-45. DEF TANK INSTALLATION



ART_1001212923_F

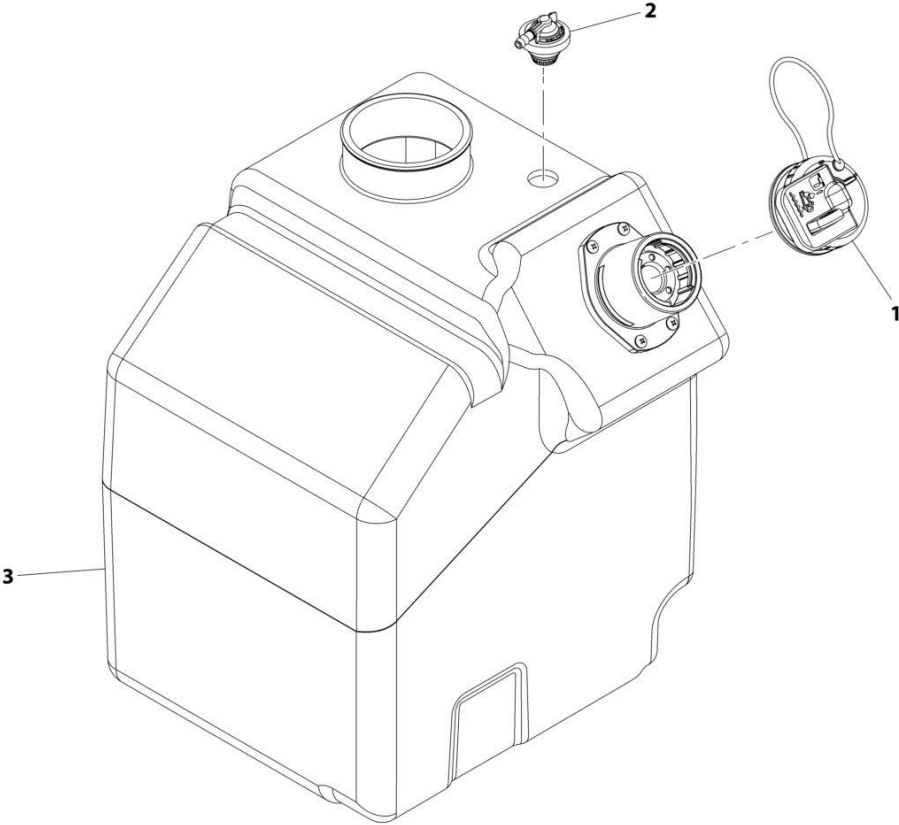
SECTION 4 - ENGINE AND ATTACHING PARTS

FIGURE 4-45. DEF TANK INSTALLATION

ITEM	PART NUMBER	QTY	DESCRIPTION	REV
	1001212923	Ref	DEF Tank Installation	F
1	0760823	1	Bolt, M8X75	
2	4811900	1	Washer, M8	
3	8405009	1	Clamp	
4	1001226681	3	Screw	
5	1001247279	1	Assembly, DEF Tank (See Separate Breakdown in this Section)	
6	1001175201	813 mm	Hose	
7	1001178791	1	Strap, Tank	
8	1001212924	1	Guard, Spill	
9	1001212925	1	Tube, Drain	

SECTION 4 - ENGINE AND ATTACHING PARTS

FIGURE 4-46. DEF TANK ASSEMBLY



ART_1001247279-B

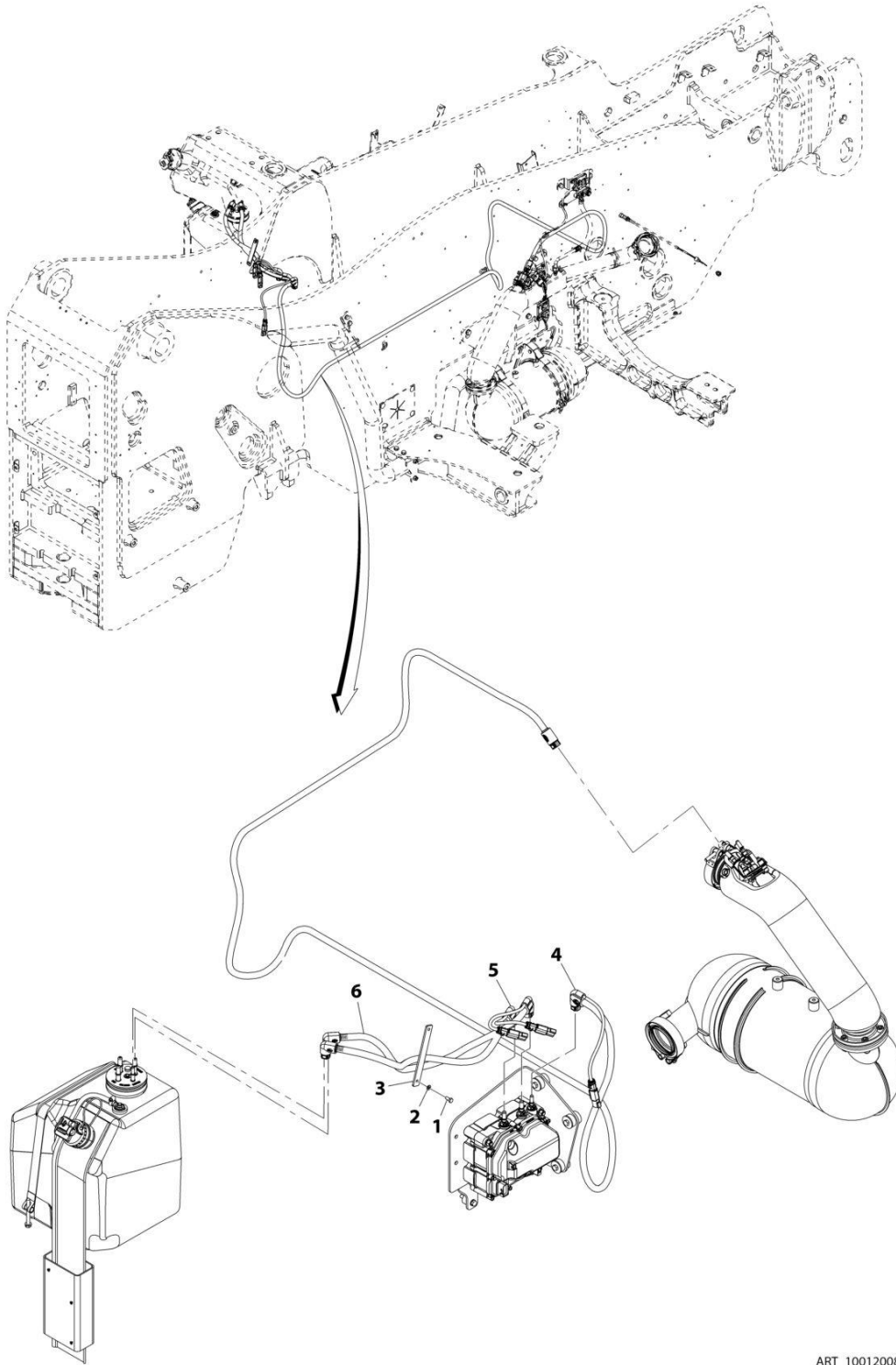
SECTION 4 - ENGINE AND ATTACHING PARTS

FIGURE 4-46. DEF TANK ASSEMBLY

ITEM	PART NUMBER	QTY	DESCRIPTION	REV
	1001247279	Ref	DEF Tank Assembly	B
1	1001174795	1	Reutter Cap Assembly	
2	1001215319	1	DEF Breather Valve	
3	1001237897	NLA	DEF Tank (Use PN 1001247279)	

SECTION 4 - ENGINE AND ATTACHING PARTS

FIGURE 4-47. DEF LINES INSTALLATION



ART_1001200867-E

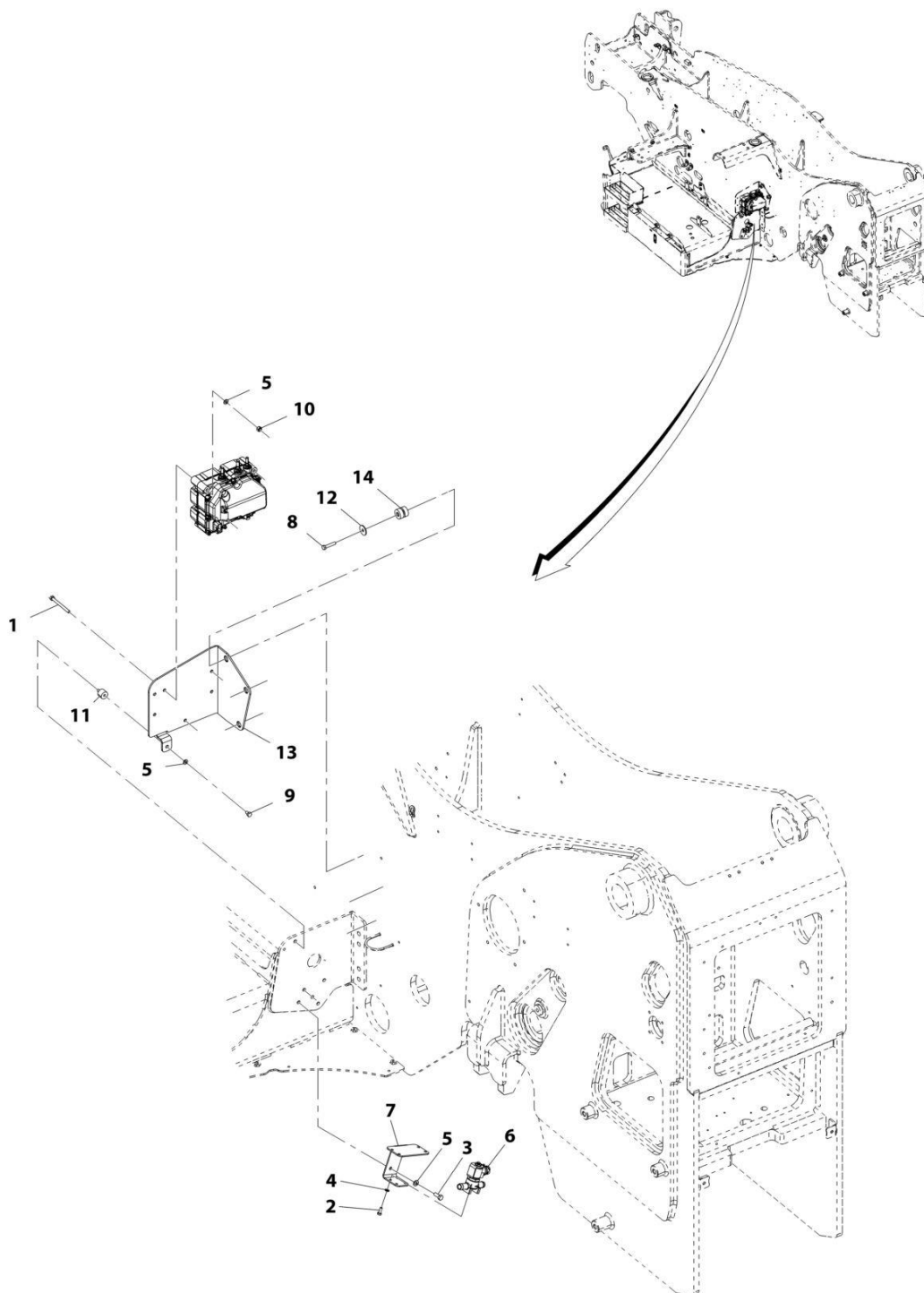
SECTION 4 - ENGINE AND ATTACHING PARTS

FIGURE 4-47. DEF LINES INSTALLATION

ITEM	PART NUMBER	QTY	DESCRIPTION	REV
	1001200867	Ref	DEF Lines Installation	E
1	0760607	2	Bolt, M6X14	
2	4831700	2	Washer, Lock M6	
3	1001173873	1	Plate	
4	1001180437	1	Hose	
5	1001239879	1	Hose	
6	1001239878	1	Hose	

SECTION 4 - ENGINE AND ATTACHING PARTS

FIGURE 4-48. DEF CONTROL MODULE INSTALLATION



ART_1001202018-F

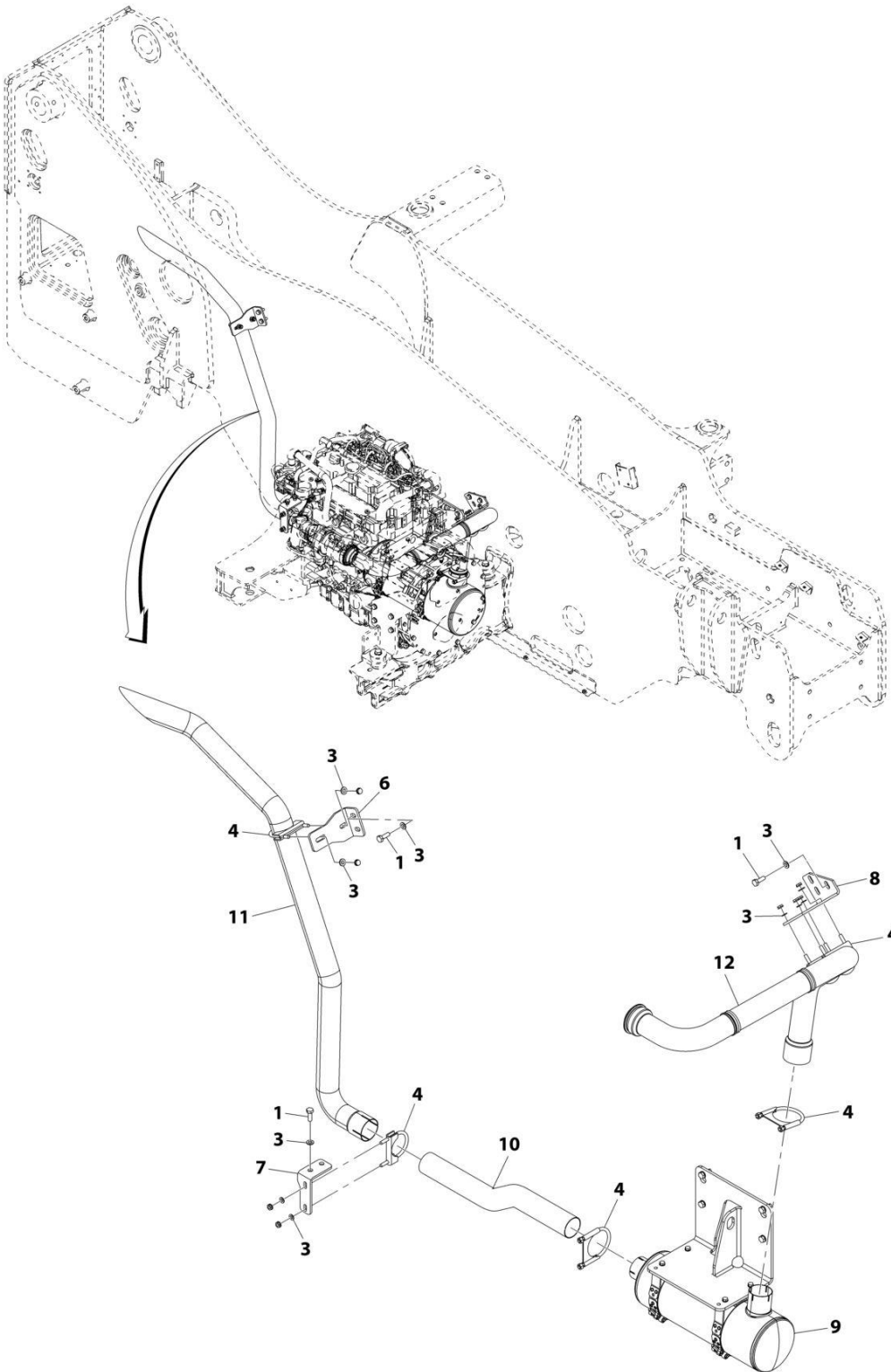
SECTION 4 - ENGINE AND ATTACHING PARTS

FIGURE 4-48. DEF CONTROL MODULE INSTALLATION

ITEM	PART NUMBER	QTY	DESCRIPTION	REV
	1001202018	Ref	DEF Control Module Installation	F
1	0700826	3	Bolt, M8X90	
2	0760608	4	Bolt, M6X16	
3	0760810	2	Bolt, M8X20	
4	4811700	4	Washer, M6	
5	4811900	9	Washer, M8	
6	1001199670	1	Valve, DEF Tank Coolant Flow	
7	1001247184	1	Bracket	
8	0700816	3	Bolt, M8X40	
9	0760806	1	Bolt, M8X12	
10	3290805	3	Nut, Lock M8X1.25 Grade 8	
11	1001179907	1	Mount, Isolator	
12	1001195089	3	Washer	
13	1001221349	1	Bracket	
14	1001221383	3	Mount, Isolator	

SECTION 4 - ENGINE AND ATTACHING PARTS

FIGURE 4-49. EXHAUST INSTALLATION (LS)



ART_1001200448-E

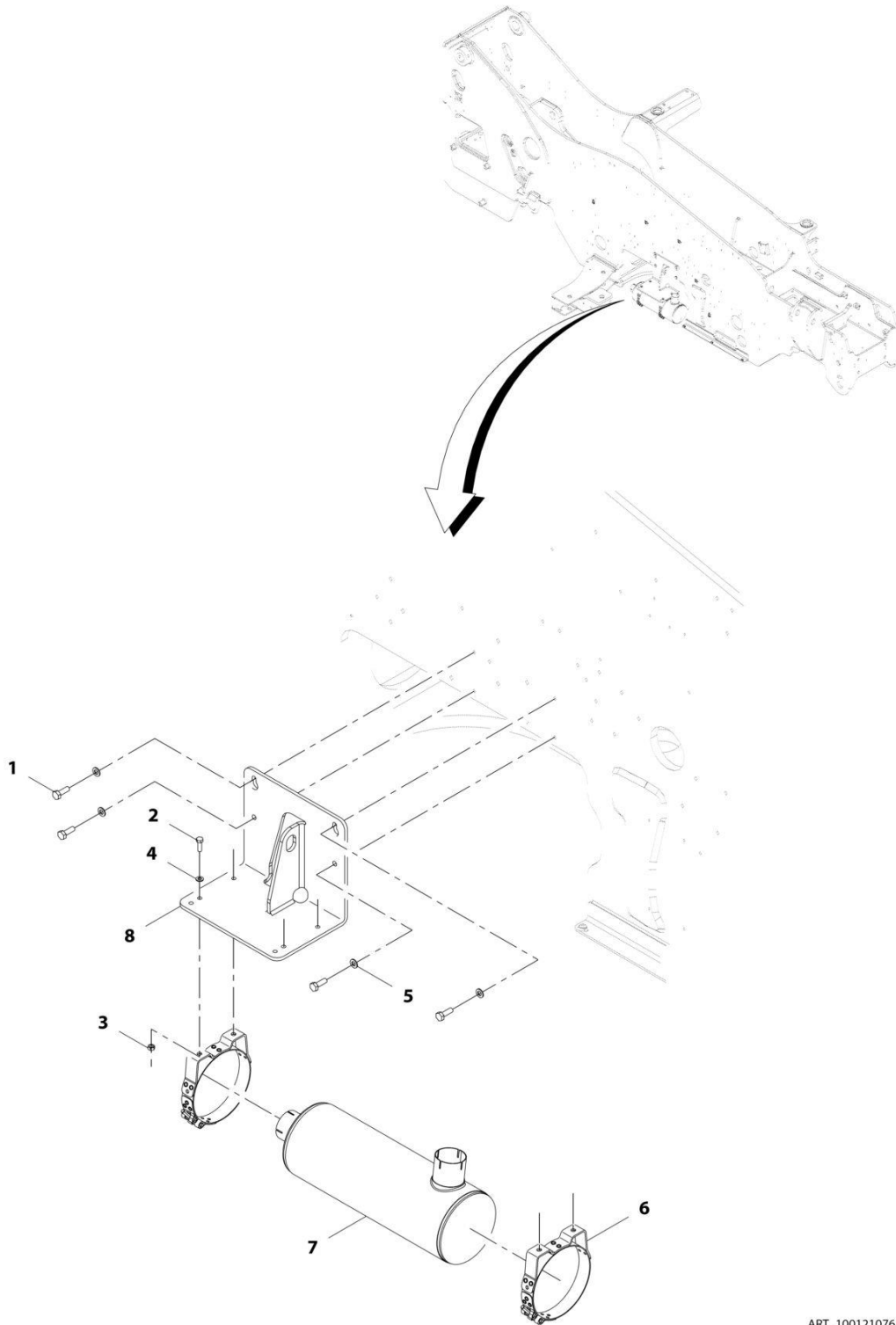
SECTION 4 - ENGINE AND ATTACHING PARTS

FIGURE 4-49. EXHAUST INSTALLATION (LS)

ITEM	PART NUMBER	QTY	DESCRIPTION	REV
	1001200448	Ref	Exhaust Installation (LS)	E
1	0701014	6	Bolt, M10X30	
3	4812000	14	Washer, M10	
4	8275212	4	Clamp	
6	1001182824	1	Bracket	
7	1001194155	1	Bracket	
8	1001214439	1	Bracket	
9	1001210761	1	Installation, Muffler (See Separate Breakdown in this Section)	
10	1001214441	1	Pipe	
11	1001228174	1	Pipe, Tail	
12	1001214440	1	Pipe	

SECTION 4 - ENGINE AND ATTACHING PARTS

FIGURE 4-50. MUFFLER INSTALLATION (LS)



ART_1001210761-A

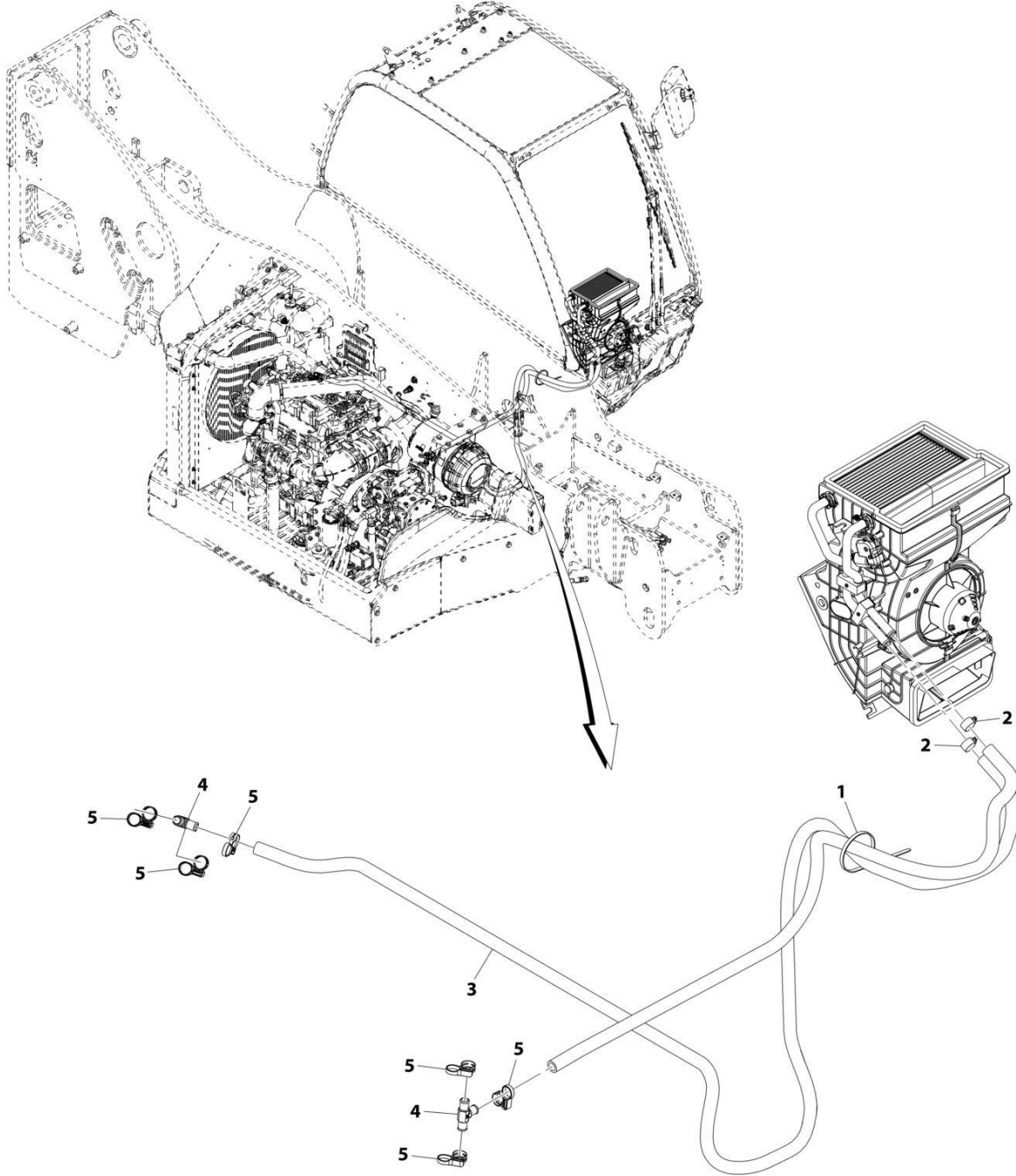
SECTION 4 - ENGINE AND ATTACHING PARTS

FIGURE 4-50. MUFFLER INSTALLATION (LS)

ITEM	PART NUMBER	QTY	DESCRIPTION	REV
	1001210761	Ref	Muffler Installation (LS)	A
1	0701014	4	Bolt, M10X30	
2	0760812	4	Bolt, M8X25	
3	3290801	4	Nut, M8X1.25 Grade 8	
4	4811900	8	Washer, M8	
5	4812000	4	Washer, M10	
6	1001119727	2	Clamp	
7	1001140671	1	Muffler	
8	1001214438	1	Bracket	

SECTION 4 - ENGINE AND ATTACHING PARTS

FIGURE 4-51. HEATER LINES INSTALLATION (ULS)



ART_1001200451-D

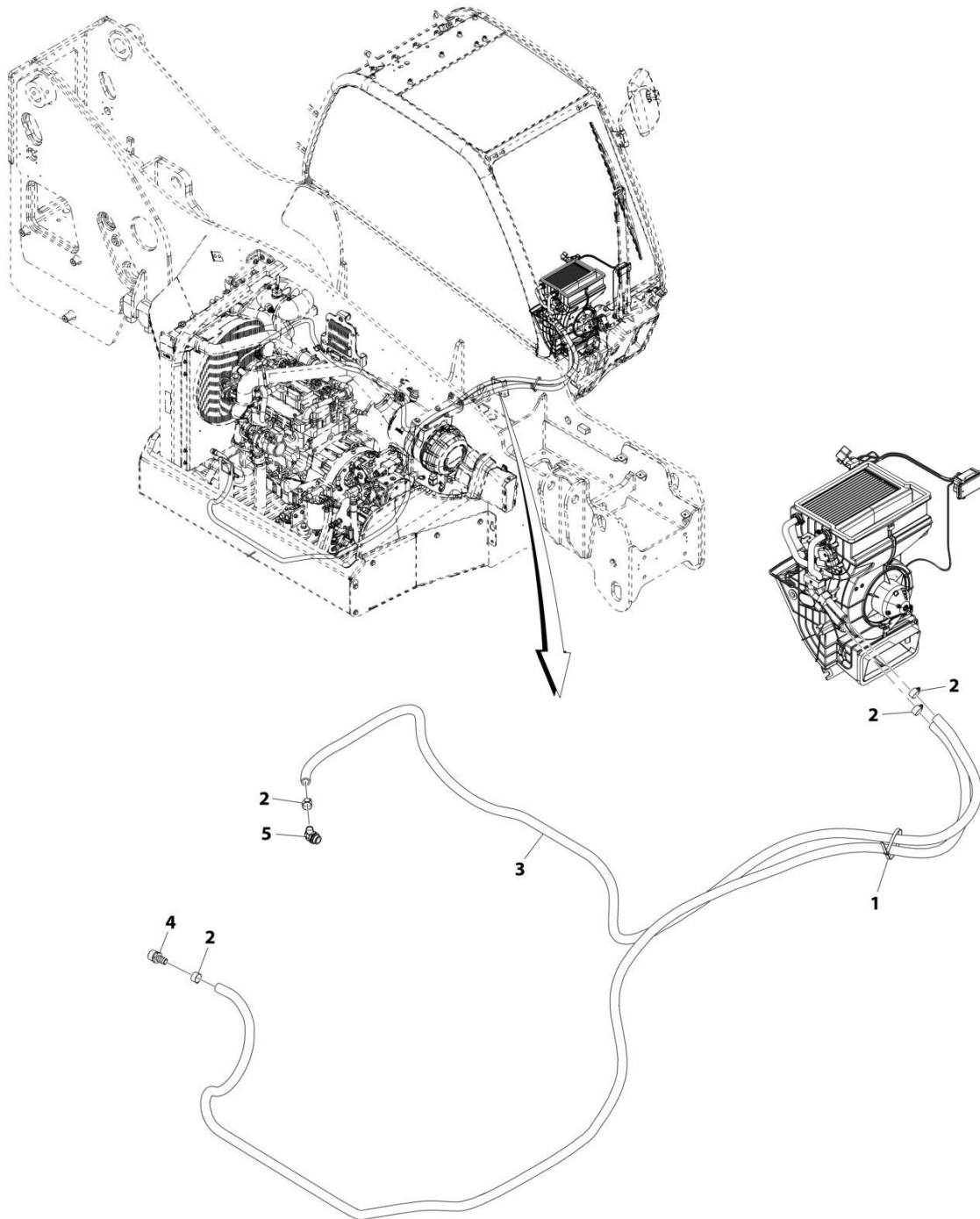
SECTION 4 - ENGINE AND ATTACHING PARTS

FIGURE 4-51. HEATER LINES INSTALLATION (ULS)

ITEM	PART NUMBER	QTY	DESCRIPTION	REV
	1001200451	Ref	Heater Lines Installation (ULS)	D
1	1062255	AR	Strap, Tie	
2	8410009	2	Clamp	
3	82033995	4620 mm	Hose	
4	1001170432	2	Fitting, Tee	
5	1001202526	6	Clamp	

SECTION 4 - ENGINE AND ATTACHING PARTS

FIGURE 4-52. HEATER LINES INSTALLATION (LS)



ART_1001200452-A

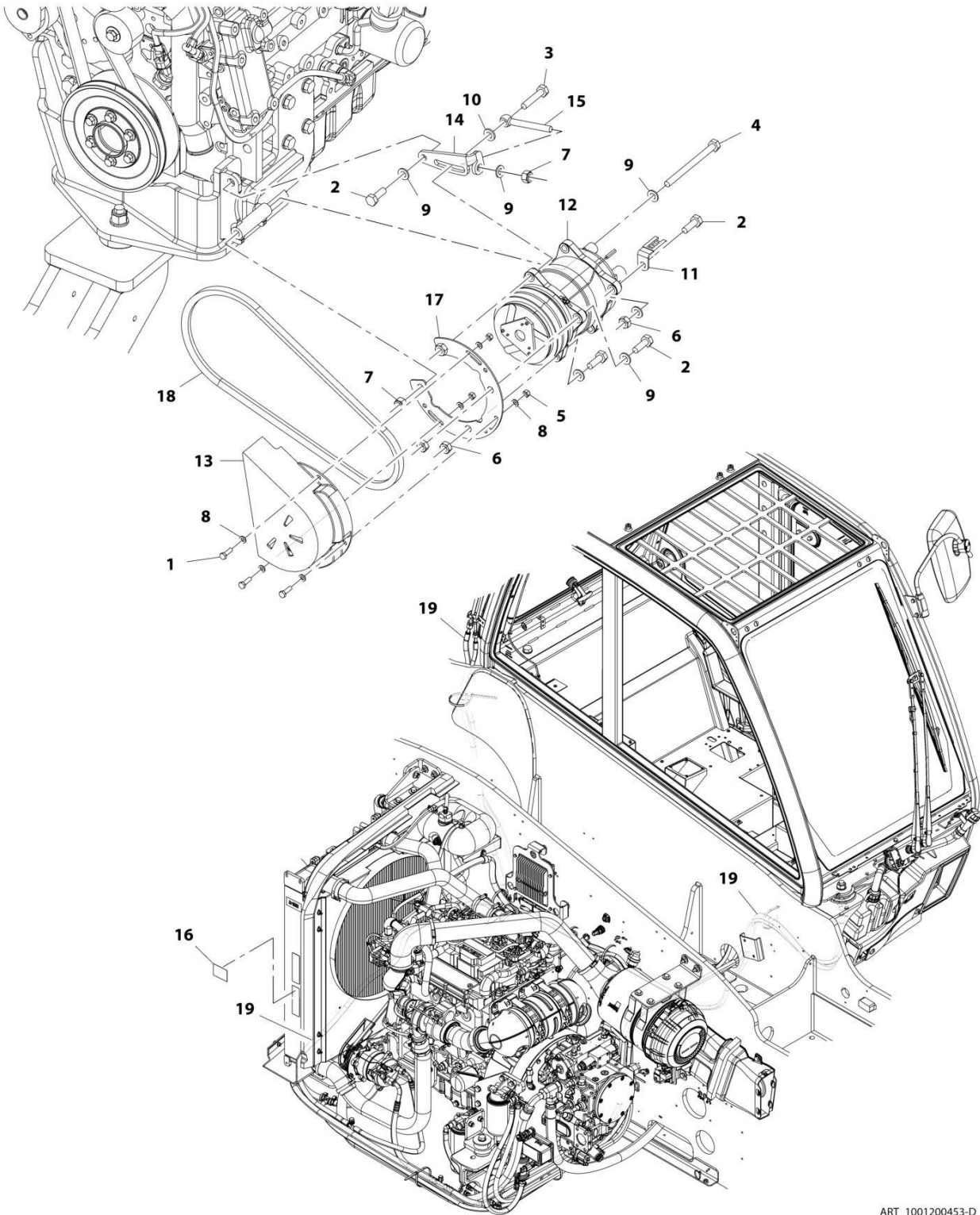
SECTION 4 - ENGINE AND ATTACHING PARTS

FIGURE 4-52. HEATER LINES INSTALLATION (LS)

ITEM	PART NUMBER	QTY	DESCRIPTION	REV
	1001200452	Ref	Heater Lines Installation (LS)	A
1	1062255	1	Strap, Tie	
2	8410009	4	Clamp	
3	82033995	6897 mm	Hose	
4	1001167409	1	Fitting, Straight	
5	1001203005	1	Fitting, 45	

SECTION 4 - ENGINE AND ATTACHING PARTS

FIGURE 4-53. A/C PUMP INSTALLATION



ART_1001200453-D

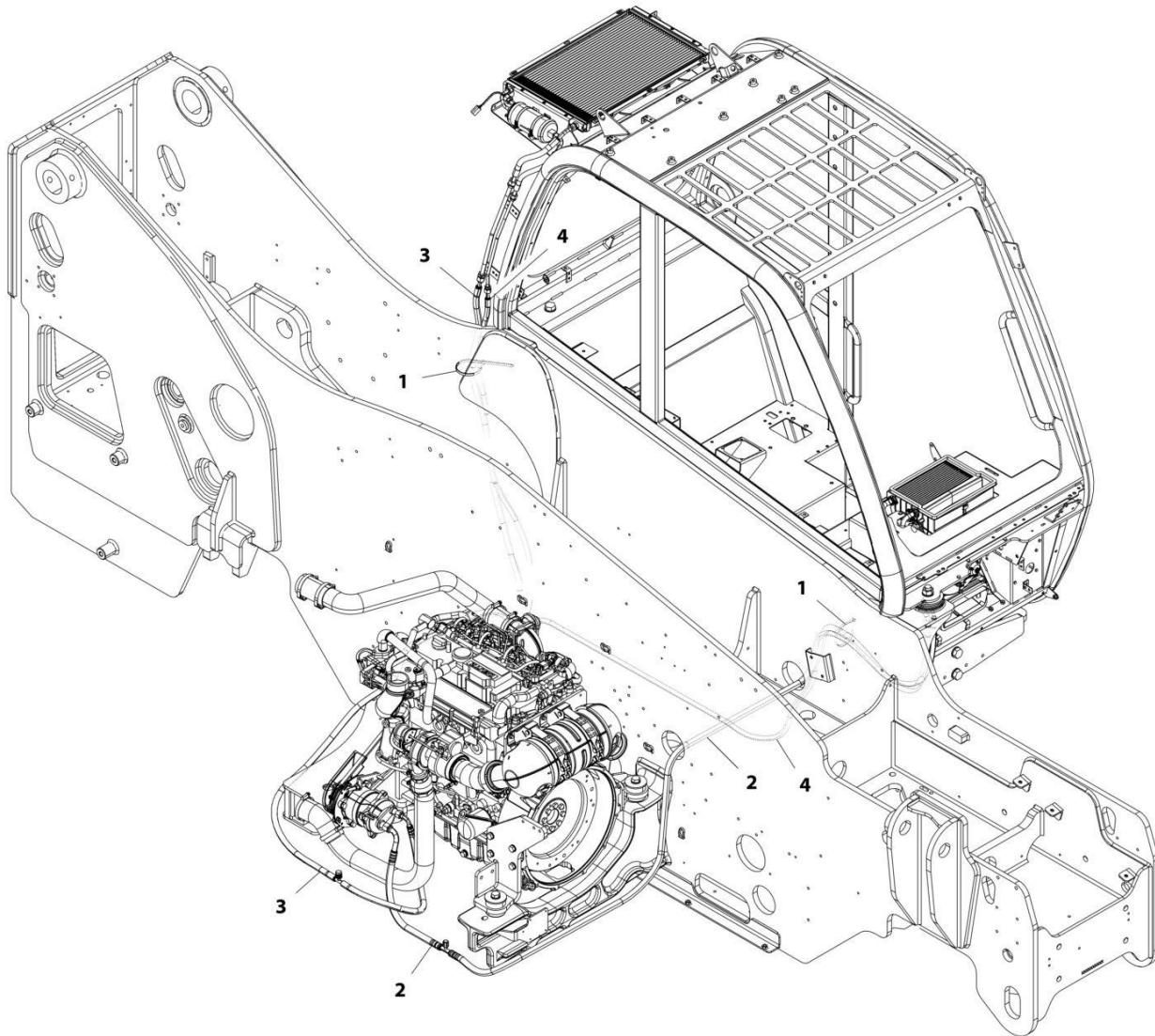
SECTION 4 - ENGINE AND ATTACHING PARTS

FIGURE 4-53. A/C PUMP INSTALLATION

ITEM	PART NUMBER	QTY	DESCRIPTION	REV
	1001200453	Ref	A/C Pump Installation	D
1	0700610	3	Bolt, M6X20	
2	0701014	4	Bolt, M10X30	
3	0701018	1	Bolt, M10X50	
4	0711030	1	Bolt, M10X130 Grade 10.9	
5	3290605	3	Nut, Lock M6X1	
6	3291001	3	Nut, M10X1.5	
7	3291005	2	Nut, lock M10X1.5	
8	4811700	6	Washer, M6	
9	4812000	6	Washer, M10	
10	5241000	1	Washer, M10	
11	1001003305	1	Clip	
12	1001107339	1	Compressor, A/C Clutch	
13	1001138945	1	Cover, Compressor	
14	1001188855	1	Plate, A/C Belt Tensioner	
15	1001188856	1	Rod, Tensioner	
16	1001227090	1	Decal, A/C Installation	
17	1001193797	1	Support, Cover	
18	1001200701	1	Belt, Drive	
19	1001202321	1	A/C Lines Installation (See Separate Breakdown in this Section)	

SECTION 4 - ENGINE AND ATTACHING PARTS

FIGURE 4-54. A/C LINES INSTALLATION



ART_1001202321-D

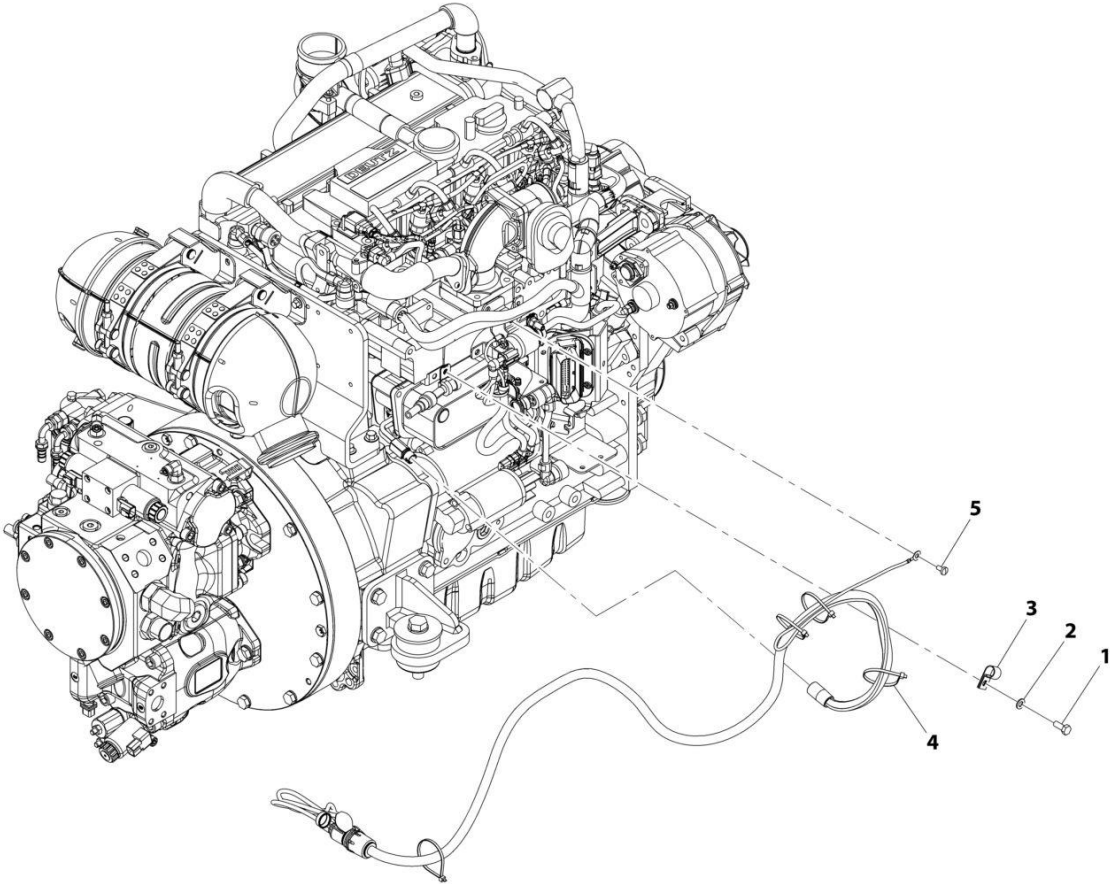
SECTION 4 - ENGINE AND ATTACHING PARTS

FIGURE 4-54. A/C LINES INSTALLATION

ITEM	PART NUMBER	QTY	DESCRIPTION	REV
	1001202321	Ref	A/C Lines Installation	D
1	1062255	2	Strap, Tie	
2	1001216798	1	Hose	
3	1001216799	1	Hose	
4	1001202325	1	Hose	

SECTION 4 - ENGINE AND ATTACHING PARTS

FIGURE 4-55. BLOCK HEATER INSTALLATION (115V) (ULS)



ART_1001214349-C

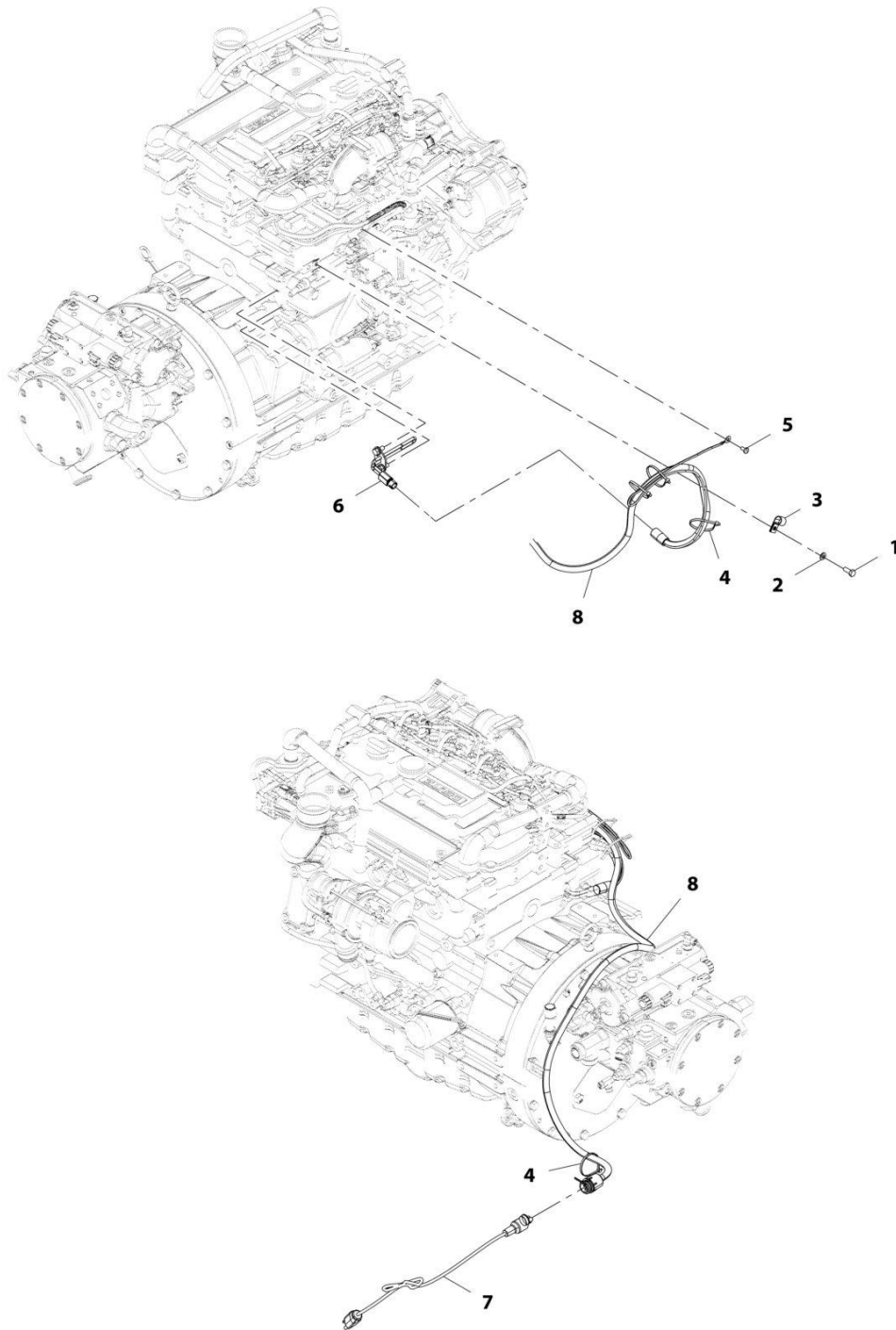
SECTION 4 - ENGINE AND ATTACHING PARTS

FIGURE 4-55. BLOCK HEATER INSTALLATION (115V) (ULS)

ITEM	PART NUMBER	QTY	DESCRIPTION	REV
	1001214349	Ref	Block Heater Installation (115V) (ULS)	C
1	0760810	1	Bolt, M8X20	
2	4811900	1	Washer, M8	
3	8406112	1	Clip	
4	1001008559	4	Strap, Cable	
5	1001099566	1	Screw, M6-1X12	

SECTION 4 - ENGINE AND ATTACHING PARTS

FIGURE 4-56. BLOCK HEATER INSTALLATION (115V) (LS)



ART_1001201428-B

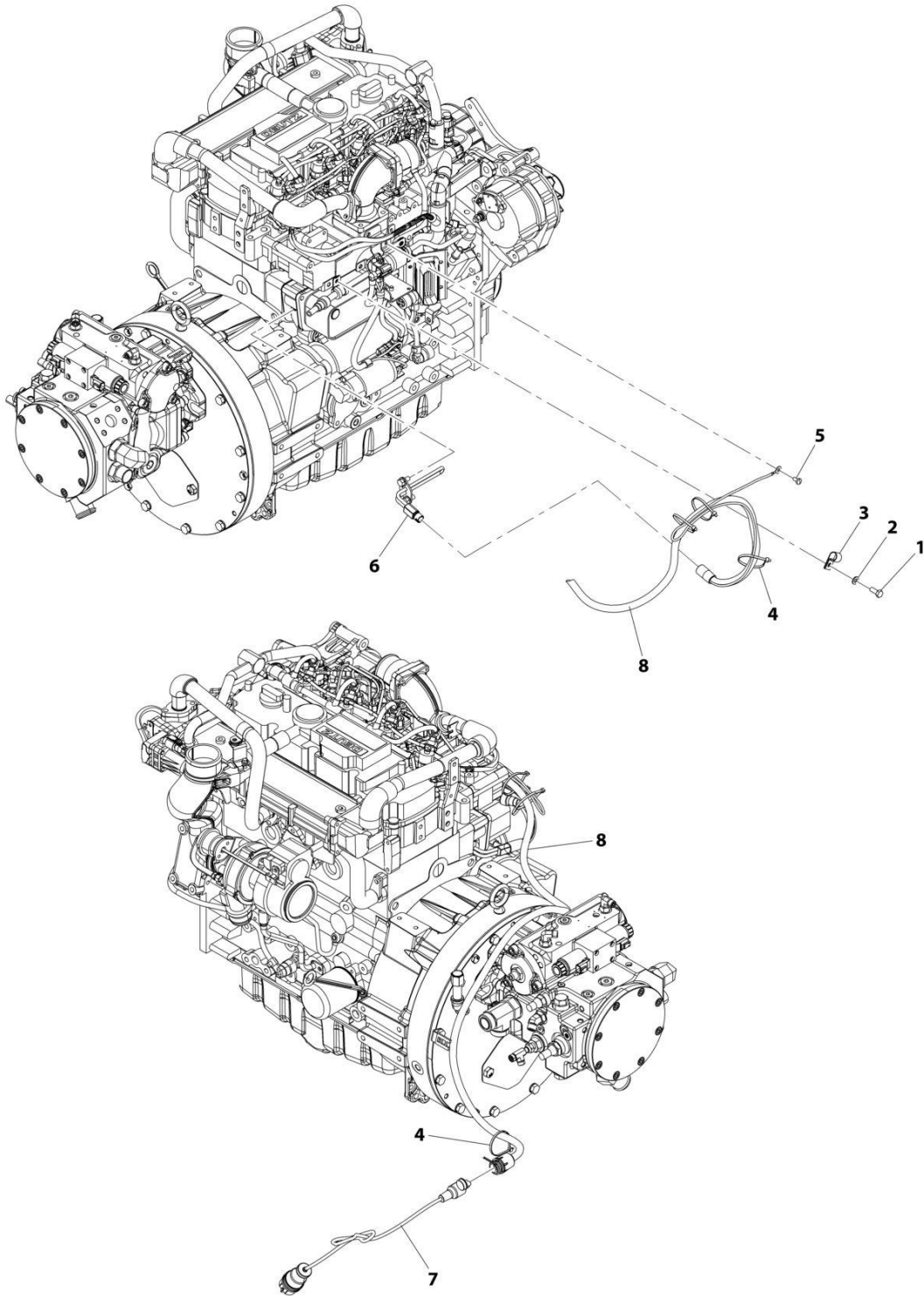
SECTION 4 - ENGINE AND ATTACHING PARTS

FIGURE 4-56. BLOCK HEATER INSTALLATION (115V) (LS)

ITEM	PART NUMBER	QTY	DESCRIPTION	REV
	1001201428	Ref	Block Heater Installation (115V) (LS)	B
1	0760810	1	Bolt, M8X20	
2	4811900	1	Washer, M8	
3	8406112	1	Clip	
4	1001008559	4	Cable, Strap	
5	1001099566	1	Screw, M6-1X12	
6	1001211570	1	Heater, Engine (115V)	
7	1001212013	1	Cord, Heater	
8	1001212054	1	Cord, Heater	

SECTION 4 - ENGINE AND ATTACHING PARTS

FIGURE 4-57. BLOCK HEATER INSTALLATION (230V) (LS)



ART_1001201427-B

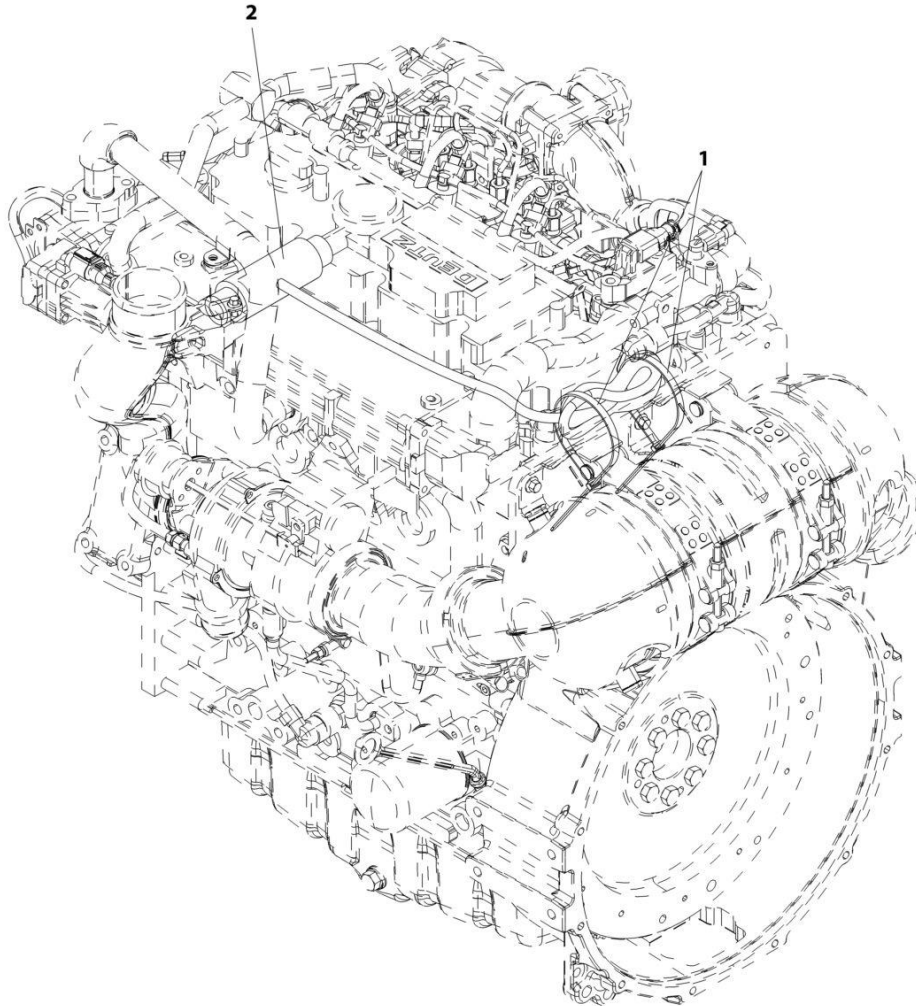
SECTION 4 - ENGINE AND ATTACHING PARTS

FIGURE 4-57. BLOCK HEATER INSTALLATION (230V) (LS)

ITEM	PART NUMBER	QTY	DESCRIPTION	REV
	1001201427	Ref	Block Heater Installation (230V) (LS)	B
1	0760810	1	Bolt, M8X20	
2	4811900	1	Washer, M8	
3	8406112	1	Clip	
4	1001008559	4	Strap, Cable	
5	1001099566	1	Screw, M6-1X12	
6	1001211571	1	Heater, Engine (230V)	
7	1001212014	1	Cord, Heater	
8	1001212055	1	Cord, Heater	

SECTION 4 - ENGINE AND ATTACHING PARTS

FIGURE 4-58. HEATED BREATHER TUBE INSTALLATION



ART_1001233024-A

SECTION 4 - ENGINE AND ATTACHING PARTS

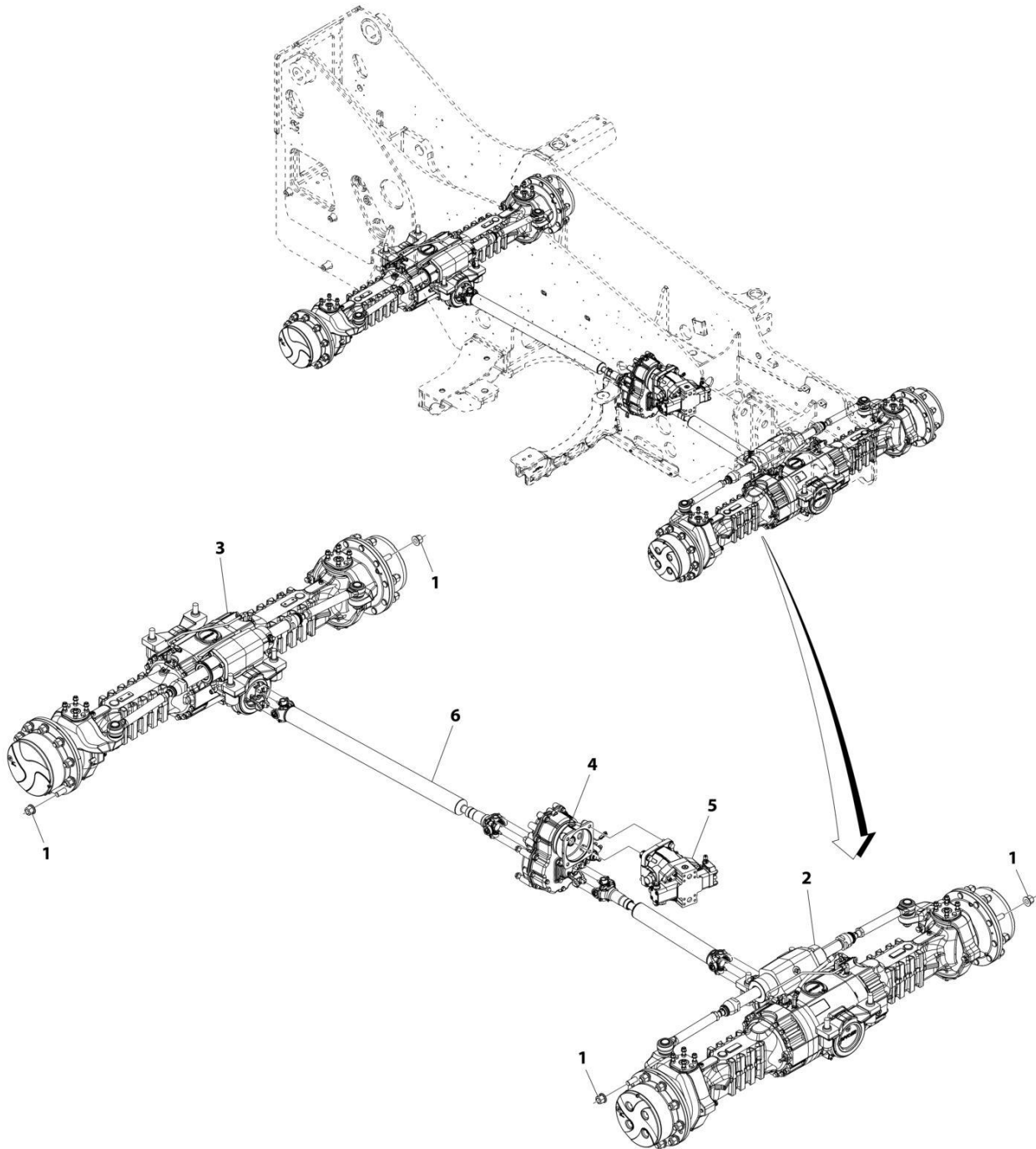
FIGURE 4-58. HEATED BREATHER TUBE INSTALLATION

ITEM	PART NUMBER	QTY	DESCRIPTION	REV
	1001233024	Ref	Heated Breather Tube Installation	A
1	1062255	2	Strap, Tie	
2	1001232509	1	Hose	

SECTION 5 - DRIVE TRAIN

SECTION 5 - DRIVE TRAIN

FIGURE 5-1. DRIVETRAIN INSTALLATION



ART_1001184976-B

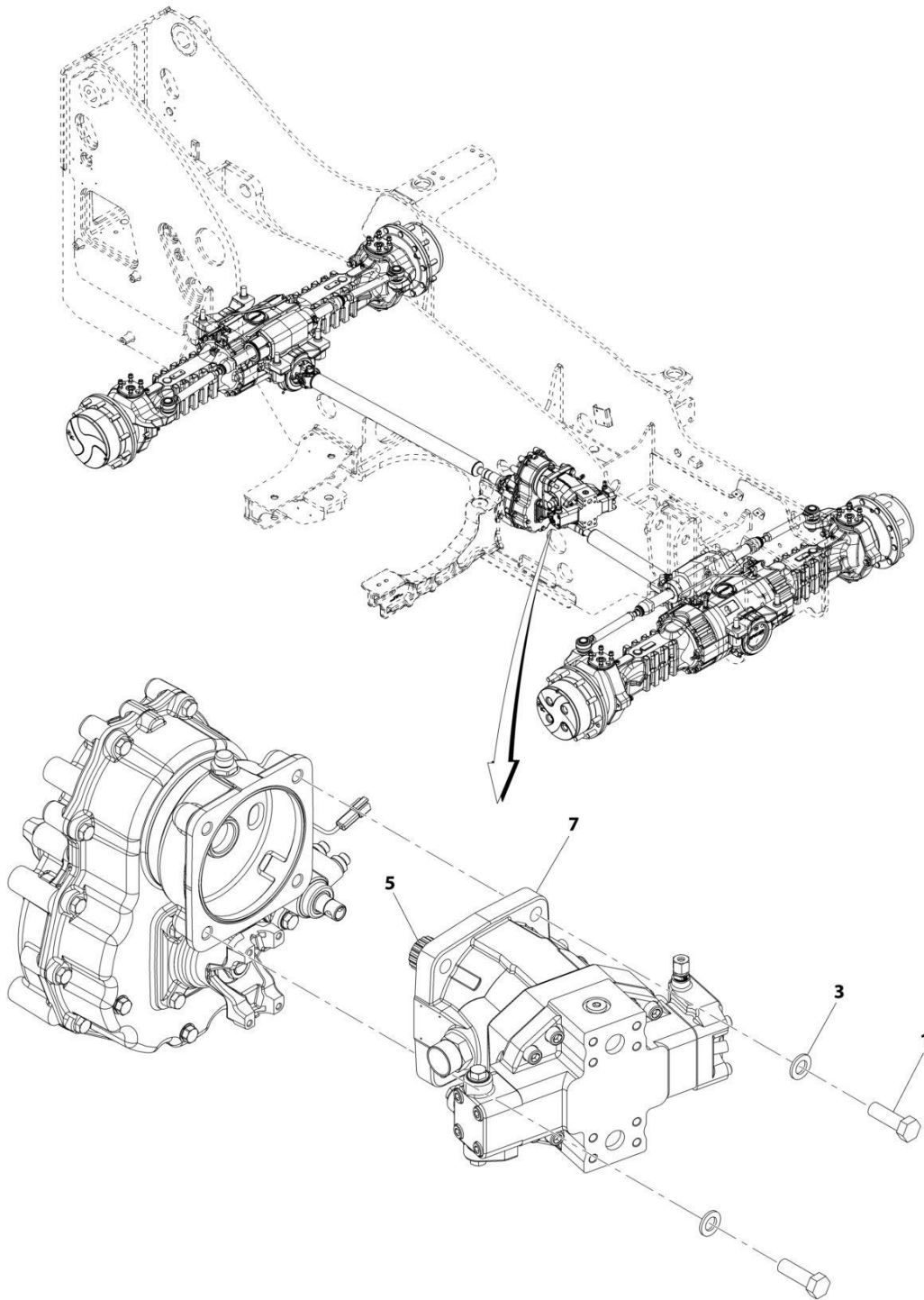
SECTION 5 - DRIVE TRAIN

FIGURE 5-1. DRIVETRAIN INSTALLATION

ITEM	PART NUMBER	QTY	DESCRIPTION	REV
	1001184976	Ref	Drivetrain Installation	B
1	91403193	40	Nut, Lug M22X1.5	
2	1001184977	Ref	Installation, Front Axle (See Separate Breakdown in this Section)	
3	1001184978	Ref	Installation, Rear Axle (See Separate Breakdown in this Section)	
4	1001184979	Ref	Installation, Gearbox (See Separate Breakdown in this Section)	
5	1001184980	Ref	Installation, Hydrostatic Motor (See Separate Breakdown in this Section)	
6	1001184981	Ref	Installation, Drive Shaft (See Separate Breakdown in this Section)	

SECTION 5 - DRIVE TRAIN

FIGURE 5-2. HYDROSTATIC MOTOR INSTALLATION



ART_1001184980-D

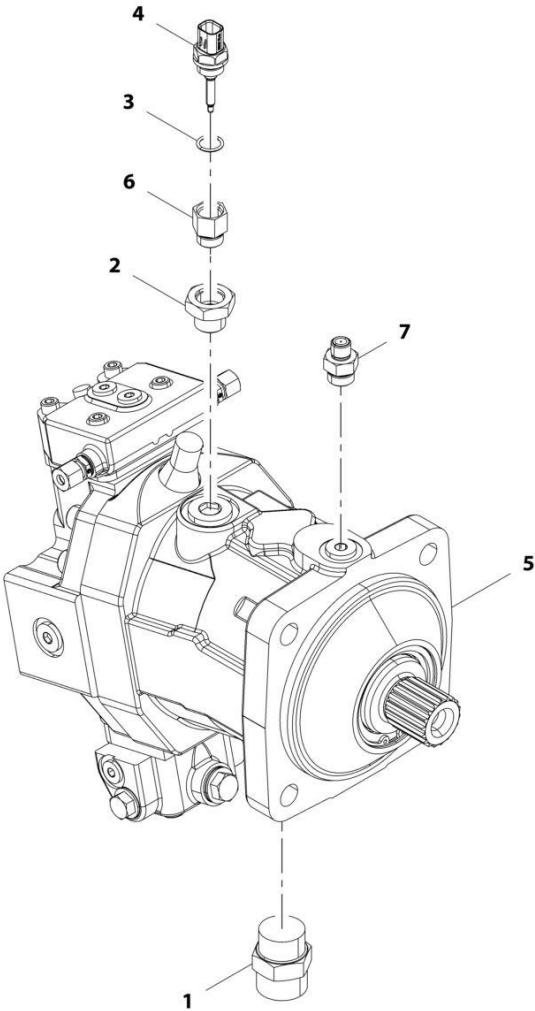
SECTION 5 - DRIVE TRAIN

FIGURE 5-2. HYDROSTATIC MOTOR INSTALLATION

ITEM	PART NUMBER	QTY	DESCRIPTION	REV
	1001184980	Ref	Hydrostatic Motor Installation	D
1	0771618	4	Bolt, M16X50	
3	4812300	4	Washer, M16	
5	3020037	AR	Lube, Grease	
7	1001217620	1	Assembly, Hydrostatic Drive Motor (See Separate Breakdown in this Section)	

SECTION 5 - DRIVE TRAIN

FIGURE 5-3. HYDROSTATIC MOTOR ASSEMBLY



ART_1001217620-B

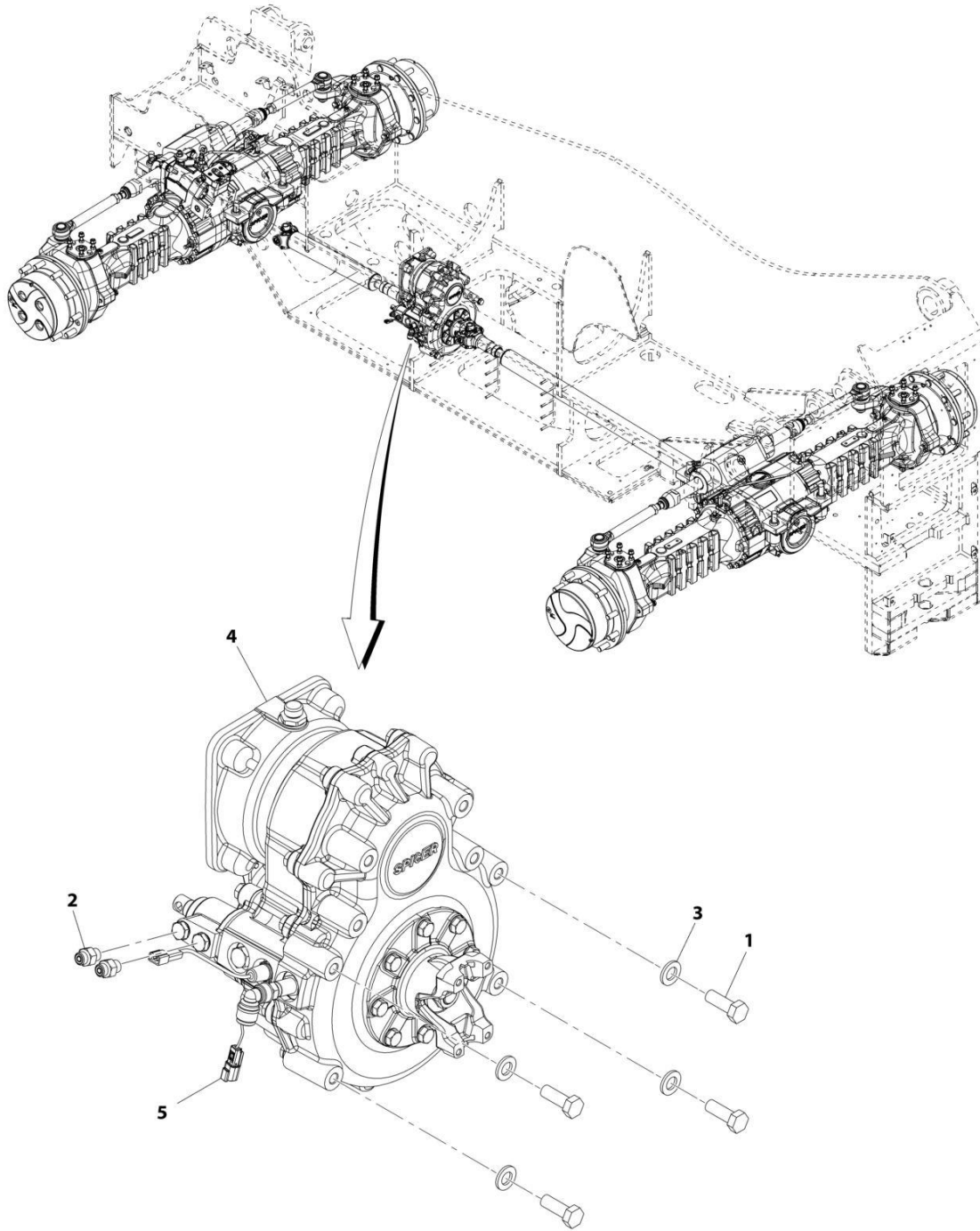
SECTION 5 - DRIVE TRAIN

FIGURE 5-3. HYDROSTATIC MOTOR ASSEMBLY

ITEM	PART NUMBER	QTY	DESCRIPTION	REV
	1001217620	Ref	Hydrostatic Motor Assembly	B
1	2111616	1	Fitting, Straight ORFS	
2	2220811	1	Fitting, Straight	
3	1001009163	1	O-Ring	
4	1001128478	1	Sensor	
5	1001193308	1	Motor, Hydrostatic (See Separate Breakdown in HYDRAULIC COMPONENTS Section)	
6	1001220760	1	Fitting, Straight	
7	1001217669	1	Fitting, Straight	

SECTION 5 - DRIVE TRAIN

FIGURE 5-4. GEARBOX INSTALLATION



ART_1001184979-E

SECTION 5 - DRIVE TRAIN

FIGURE 5-4. GEARBOX INSTALLATION

ITEM	PART NUMBER	QTY	DESCRIPTION	REV
	1001184979	Ref	Gearbox Installation	E
1	0771416	4	Bolt, M14-2X40 Grade 10.9	
2	2144603	1	Fitting, Straight ORFS	
3	5241400	4	Washer, M14	
4	1001184986	1	Gearbox (See Separate Breakdown in this Section)	
5	1001229981	1	Harness, Vehicle Speed Pigtail (See Separate Breakdown in ELECTRICAL Section)	

SECTION 5 - DRIVE TRAIN

FIGURE 5-5. GEAR BOX

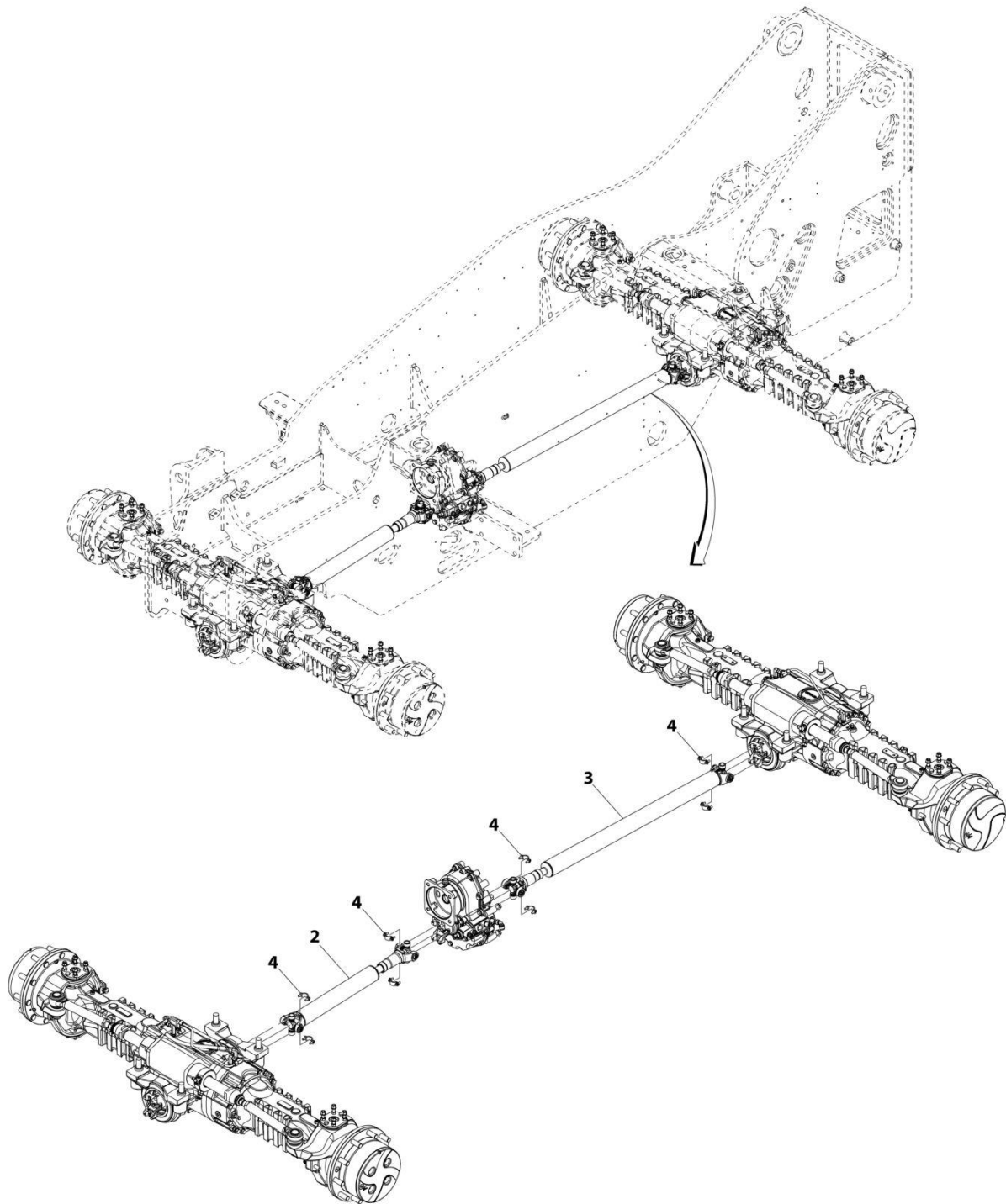
ITEM	PART NUMBER	QTY	DESCRIPTION	REV
	1001184986	Ref	Gear box	D
1	70028817	2	Bolt	
2	70028818	1	Plug	
3	70028819	1	Cylinder	
4	70028820	1	O-Ring	
5	91514146	1	Bearing, Ball	
6	80204016	1	Plug	
7	70028821	1	Housing	
8	70028822	1	Cover	
9	70026904	1	Bearing, Ball	
10	3986405	1	O-Ring	
11	70026892	3	Dowel	
12	70028823	1	Housing	
13	70026911	28	Bolt	
15	70026897	1	Cover	
16	70026896	1	Seal	
17	70028824	2	Spacer	
18	70026909	2	Bolt	
19	70027110	2	Washer, Lock	
20	70028825	1	Plate, Cover	
21	70028826	4	Bearing	
22	70028827	1	Shaft	
23	70028828	1	Sleeve	
24	70028829	2	Pin	
25	70026908	1	Sheet	
26	80204007	1	Plug	
27	1001081085	1	O-Ring	
28	80203020	1	Washer	
30	70028830	1	Switch	
31	70028831	1	Bolt	
32	80203021	1	Spring	
33	70020276	1	Ball, Detend	
34	80204176	1	O-Ring	
35	70027862	2	Kit, Shim	
36	91474364	2	Bearing, Ball	
37	70026901	2	Seal	
38	70028832	1	Cover	
39	70026898	2	Flange	
40	80204215	2	O-Ring	
41	70026631	2	Nut	
42	70028833	1	Bolt	
43	70028834	1	O-Ring	
44	70028835	2	Sleeve	
45	91514154	2	Bolt	
46	70028836	1	Bar	
47	70027109	1	O-Ring	
48	70028837	2	Pin	
49	70028838	1	Fork, Selector	
50	70028839	1	Shaft	
51	70028840	1	Plate, Cover	

SECTION 5 - DRIVE TRAIN

ITEM	PART NUMBER	QTY	DESCRIPTION	REV
52	70028841	1	Piston	
53	70028842	1	O-Ring	
54	70028844	1	Washer	
55	70028801	1	Sensor, Speed	
58	70028843	10	Washer	
69	70028845	1	Bolt	
70	70026927	1	Washer, Seal	
71	70028846	1	Shaft, Input	
72	70028847	1	Gear	
73	70028848	1	Gear	

SECTION 5 - DRIVE TRAIN

FIGURE 5-6. DRIVE SHAFT INSTALLATION



ART_1001184981-B

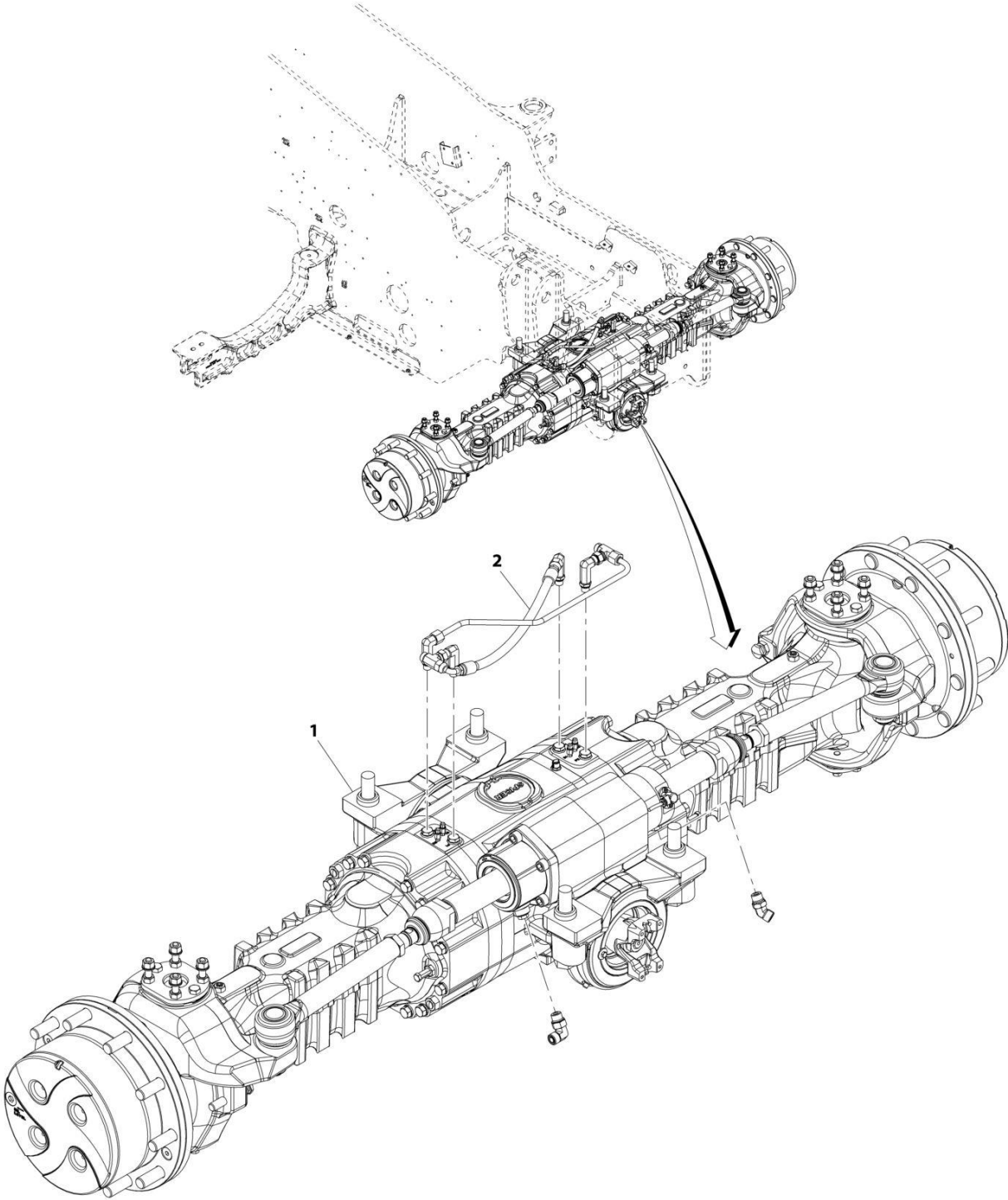
SECTION 5 - DRIVE TRAIN

FIGURE 5-6. DRIVE SHAFT INSTALLATION

ITEM	PART NUMBER	QTY	DESCRIPTION	REV
	1001184981	Ref	Drive Shaft Installation	B
2	1001184987	1	Assembly, Drive Shaft	
3	1001184988	1	Assembly, Drive Shaft	
4	8880219-OM	4	Kit, Strap	

SECTION 5 - DRIVE TRAIN

FIGURE 5-7. FRONT AXLE INSTALLATION



ART_1001184977-B

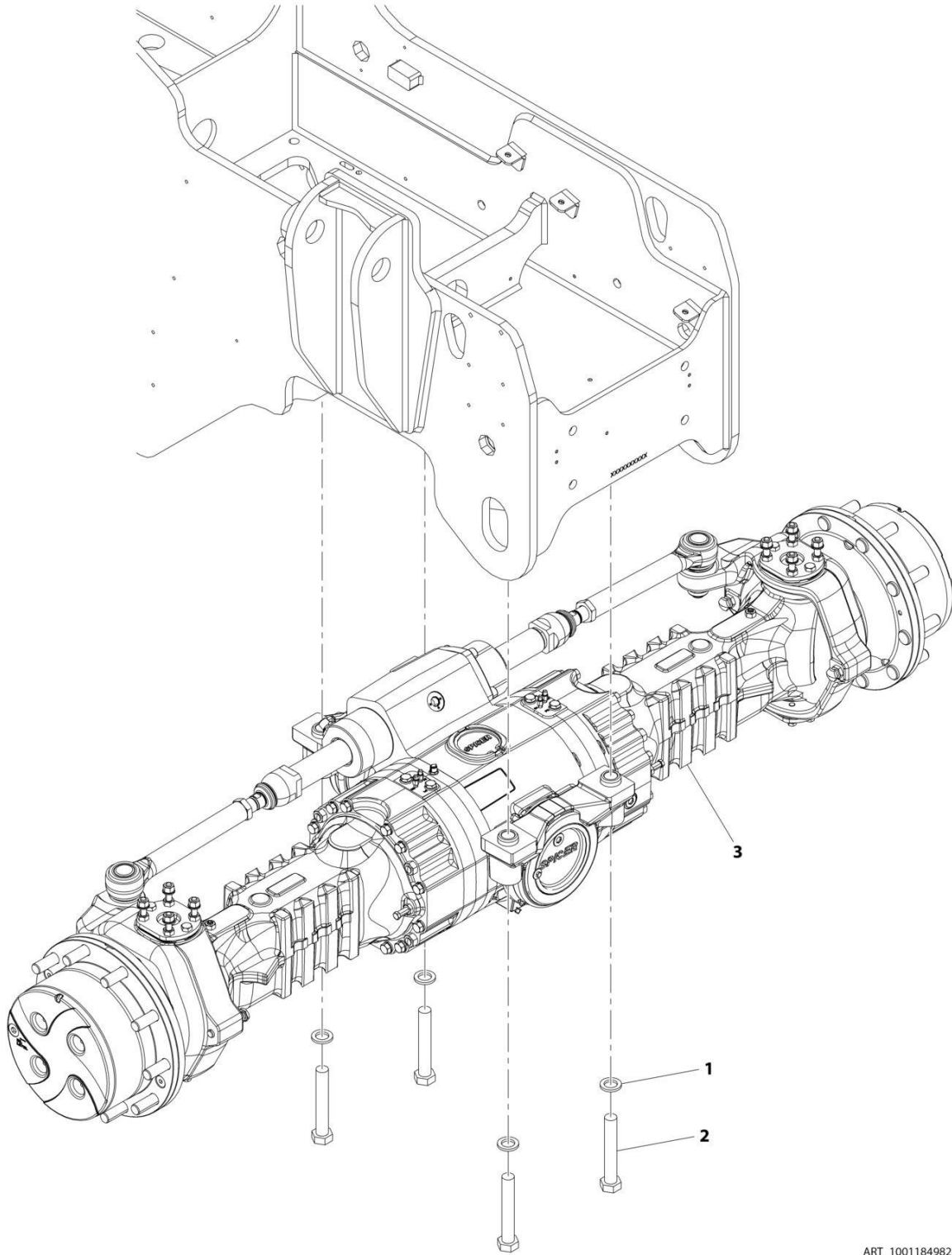
SECTION 5 - DRIVE TRAIN

FIGURE 5-7. FRONT AXLE INSTALLATION

ITEM	PART NUMBER	QTY	DESCRIPTION	REV
1	1001184977	Ref	Front Axle Installation	B
	1001184982	Ref	Installation, Front Axle Mounting (See Separate Breakdown in this Section)	
2	1001207898	Ref	Installation, Front Axle Lines (See Separate Breakdown in this Section)	

SECTION 5 - DRIVE TRAIN

FIGURE 5-8. FRONT AXLE MOUNTING INSTALLATION



ART_1001184982-B

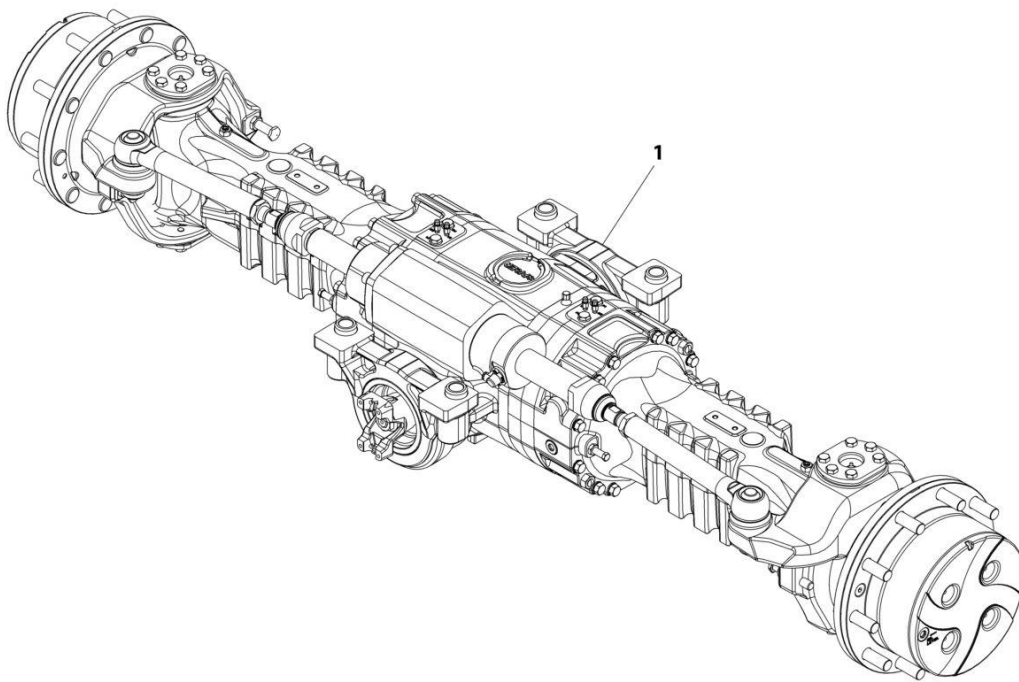
SECTION 5 - DRIVE TRAIN

FIGURE 5-8. FRONT AXLE MOUNTING INSTALLATION

ITEM	PART NUMBER	QTY	DESCRIPTION	REV
	1001184982	Ref	Front Axle Mounting Installation	B
1	4892600	4	Washer	
2	1001097587	4	Bolt, M24-3X150 Grade 10.9	
3	1001184984	1	Axle, Front (See Separate Breakdown in this Section)	

SECTION 5 - DRIVE TRAIN

FIGURE 5-9. FRONT AXLE



ART_1001184984-F

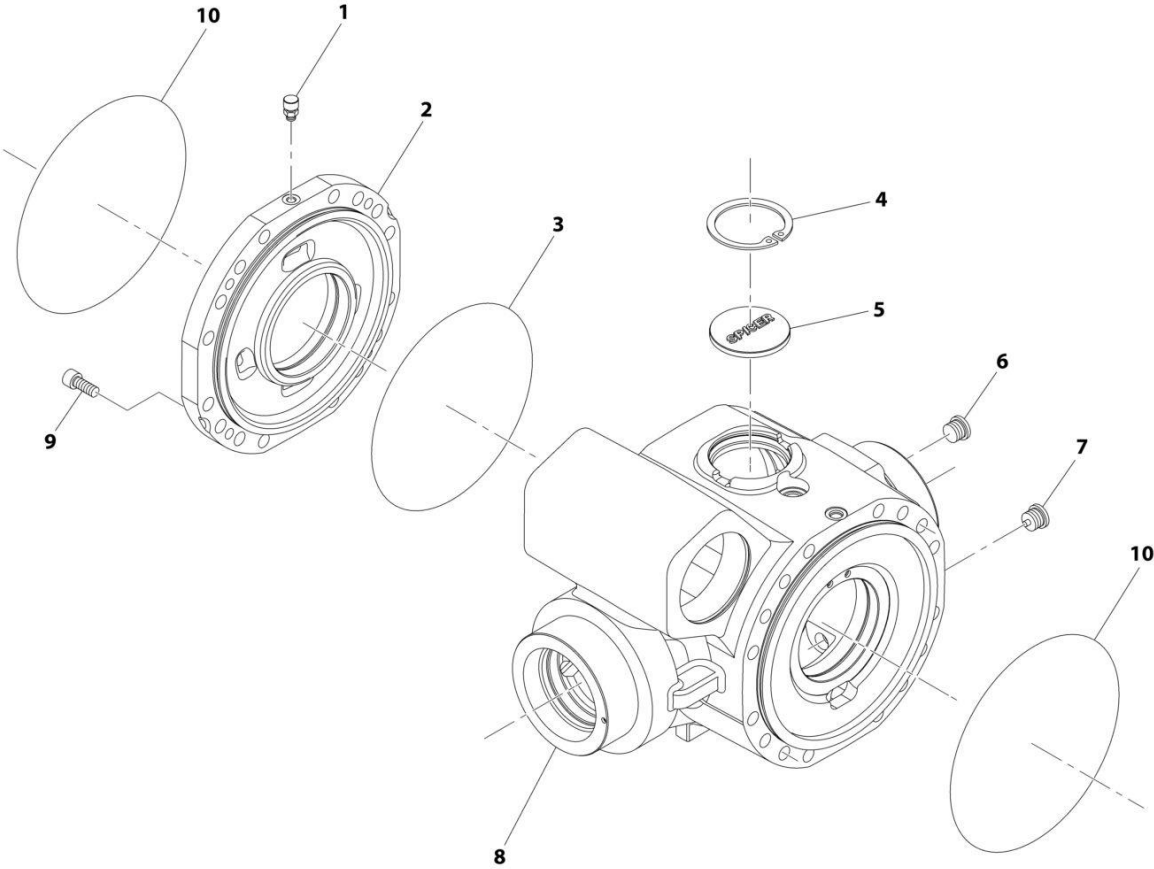
SECTION 5 - DRIVE TRAIN

FIGURE 5-9. FRONT AXLE

ITEM	PART NUMBER	QTY	DESCRIPTION	REV
	1001184984	Ref	Front Axle	F
		Ref	Front Axle, Central Housing (See Separate Breakdown in this Section)	
		Ref	Front Axle, Differential (See Separate Breakdown in this Section)	
		Ref	Front Axle, Hub Reduction (See Separate Breakdown in this Section)	
		Ref	Front Axle, Brakes (See Separate Breakdown in this Section)	
		Ref	Front Axle, Steering (See Separate Breakdown in this Section)	
		Ref	Front Axle, Trunnion (See Separate Breakdown in this Section)	

SECTION 5 - DRIVE TRAIN

FIGURE 5-10. FRONT AXLE, CENTRAL HOUSING



ART_1001184984_1-F

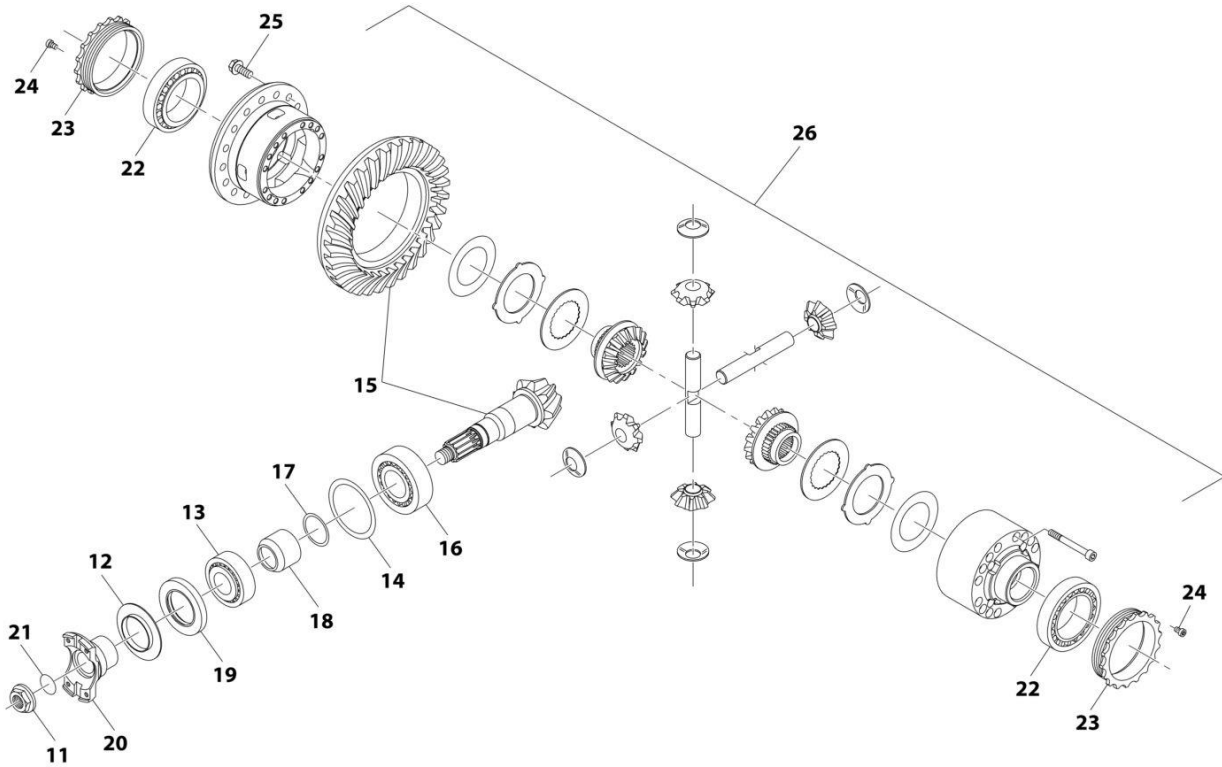
SECTION 5 - DRIVE TRAIN

FIGURE 5-10. FRONT AXLE, CENTRAL HOUSING

ITEM	PART NUMBER	QTY	DESCRIPTION	REV
	1001184984	Ref	Front Axle, Central Housing	F
1	91474512	1	Vent	
2	7029288	1	Cover, Intermediate	
3	80204002	1	O-Ring	
4	80204005	1	Circlip	
5	91514098	1	Plug	
6	70028389	1	Plug	
7	70028388	1	Plug	
8	70025335	1	Housing	
9	91514101	4	Bolt	
10	91514089	2	O-Ring	

SECTION 5 - DRIVE TRAIN

FIGURE 5-11. FRONT AXLE, DIFFERENTIAL



ART_1001184984_2-F

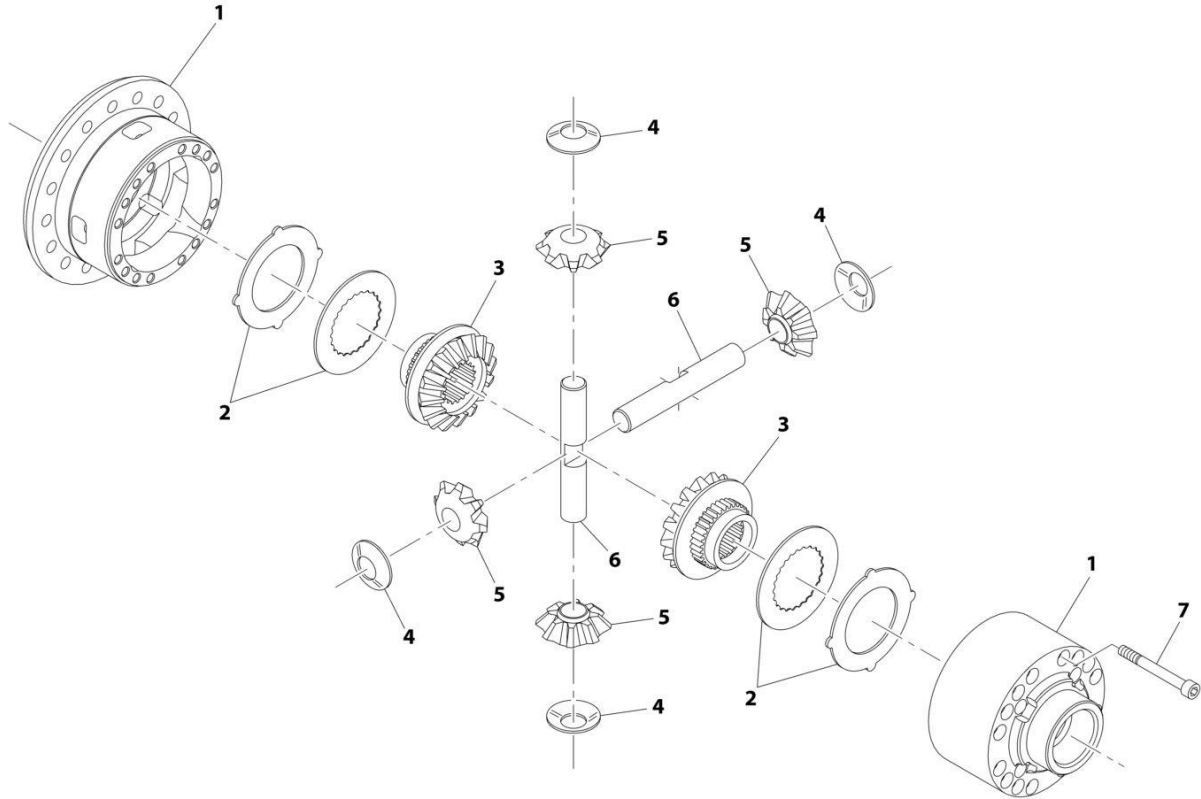
SECTION 5 - DRIVE TRAIN

FIGURE 5-11. FRONT AXLE, DIFFERENTIAL

ITEM	PART NUMBER	QTY	DESCRIPTION	REV
	1001184984	Ref	Front Axle, Differential	F
11	80204043	1	Nut	
12	91514130	1	Plate, Cover	
13	80204048	1	Bearing, Tape Roller	
14	70023469	1	Shim	
15	70028391	1	Gear, Bevel Set	
16	80204035	1	Bearing, Tape Roller	
17	70023494	1	Ring	
18	70022140	1	Spacer	
19	70025887	1	Seal	
20	70028401	1	Flange	
21	10725554	1	O-Ring	
22	80204033	2	Bearing, Tape Roller	
23	91514133	2	Nut, Ring	
24	91514134	2	Bolt	
25	91514123	16	Bolt	
26	70028390	1	Kit, Differential (See Separate Breakdown in this Section)	

SECTION 5 - DRIVE TRAIN

FIGURE 5-12. DIFFERENTIAL KIT



ART_70028390

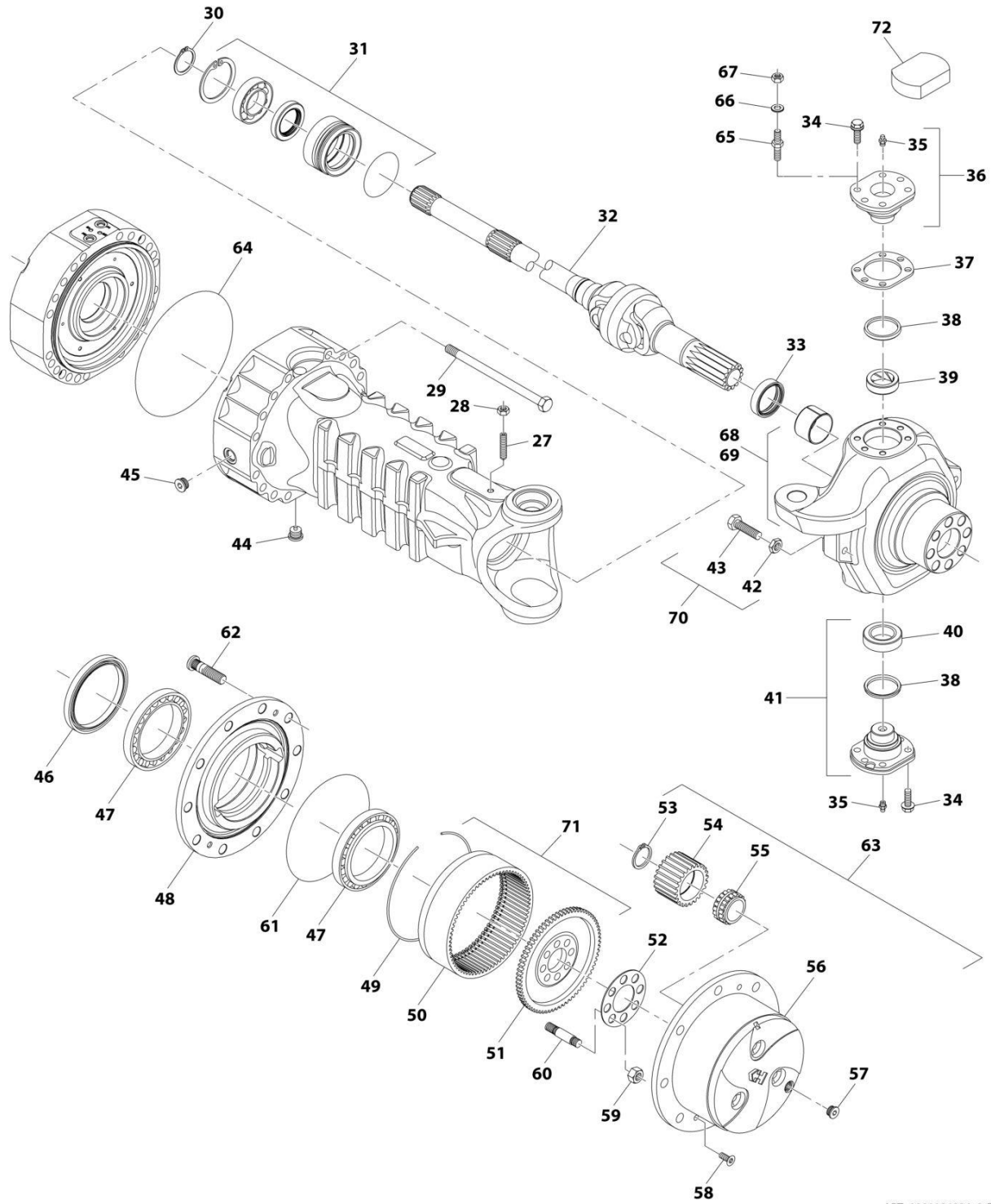
SECTION 5 - DRIVE TRAIN

FIGURE 5-12. DIFFERENTIAL KIT

ITEM	PART NUMBER	QTY	DESCRIPTION	REV
	70028390	Ref	Differential Kit	
1	70024004	2	Carrier, Differential	
2	70026750	2	Disc, Clutch	
3	70025856	2	Gear, Differential Side	
4	70027105	4	Washer, Friction	
5	70025339	4	Pinion, Differential	
6	70023490	2	Shaft, Differential	
7	91514143	15	Bolt	

SECTION 5 - DRIVE TRAIN

FIGURE 5-13. FRONT AXLE, HUB REDUCTION



ART_1001184984_3-F

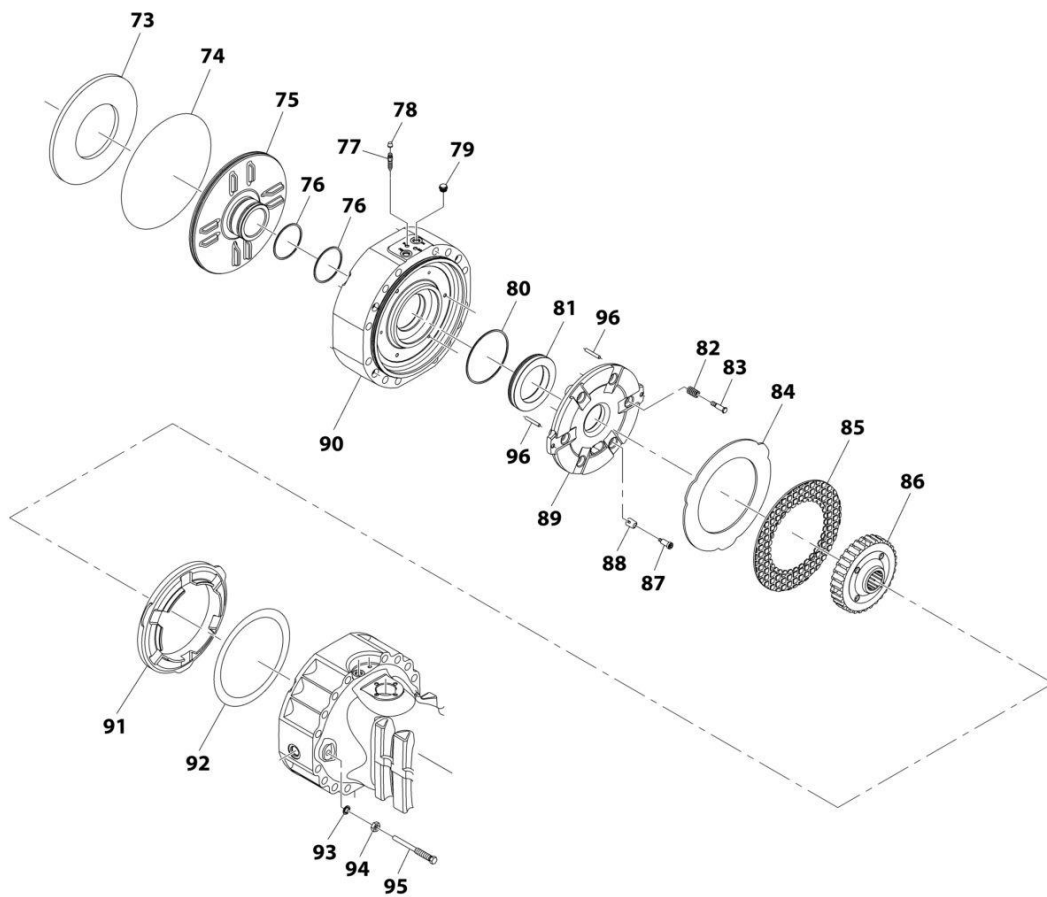
SECTION 5 - DRIVE TRAIN

FIGURE 5-13. FRONT AXLE, HUB REDUCTION

ITEM	PART NUMBER	QTY	DESCRIPTION	REV
	1001184984	Ref	Front Axle, Hub Reduction	F
27	91514081	2	Bolt	
28	91514082	2	Nut	
29	70025012	24	Bolt	
30	80204071	2	Circlip	
31	91514149	2	Kit, Reduction Bushing (See Separate Breakdown in this Section)	
32	70028396	2	Joint, Double Universal	
33	70026238	2	Seal	
34	70025562	20	Bolt	
35	70024881	2	Fitting, Grease	
36	91514112	2	Pin	
37	70025561	1	Shim	
38	7028716	2	Seal, Dust	
39	7028714	2	Bushing	
40	91514095	2	Bearing	
41	7028715	2	Pin	
42	80204065	4	Nut	
43	91514117	4	Bolt	
44	70028388	2	Plug	
45	70028389	2	Plug	
46	70026002	2	Seal	
47	80204076	4	Bearing, Taper Roller	
48	91514174	2	Hub, Wheel	
49	91514175	2	Circlip	
50	70024147	2	Gear, Ring	
51	91514177	2	Support, Ring Gear	
52	91514178	2	Plate	
53	91514184	8	Circlip	
54	91514185	8	Gear, Planet	
55	91514186	8	Bearing	
56	7029317	2	Carrier, Planet Gear	
57	70028387	2	Plug	
58	91514189	4	Bolt, Countersunk	
59	91514179	16	Nut	
60	91514180	16	Stud	
61	91514181	2	O-Ring	
62	80214120	NLA	Stud, Wheel (Use PN 70030365)	
62	70030365	20	Stud, Wheel	
63	7029743	2	Kit, Planet Gear Carrier	
64	91514089	2	O-Ring	
65	70025014	8	Stud	
66	91514084	8	Washer	
67	91514083	8	Nut	
68	70026260	1	Steering Case Assembly (LH Steer Link) (See Separate Breakdown in this Section)	
69	70026261	1	Steering Case Assembly (RH Steer Link) (See Separate Breakdown in this Section)	
70	7028733	4	Bolt, Steering Adjust	
71	70024146	2	Kit, Ring Gear Support (See Separate Breakdown in this Section)	
72	70028392	2	Cover	

SECTION 5 - DRIVE TRAIN

FIGURE 5-14. FRONT AXLE, BRAKES



ART_1001184984_4-F

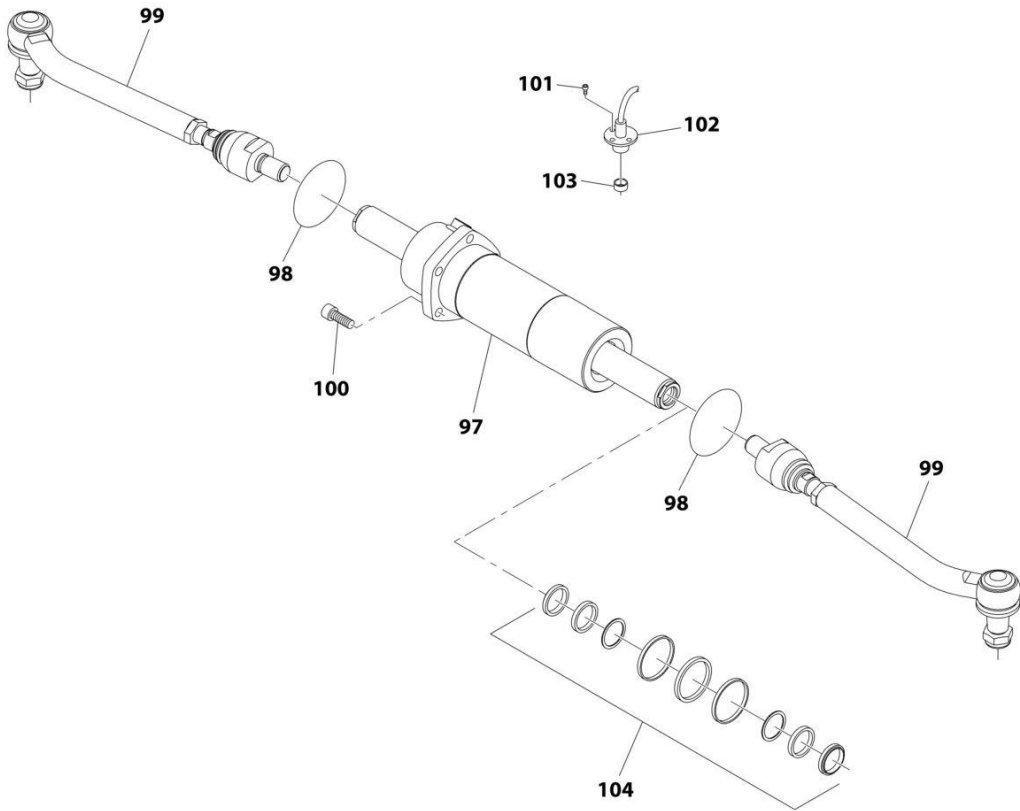
SECTION 5 - DRIVE TRAIN

FIGURE 5-14. FRONT AXLE, BRAKES

ITEM	PART NUMBER	QTY	DESCRIPTION	REV
	1001184984	Ref	Front Axle, Brakes	F
73	91514151	2	Washer	
74	91514089	2	O-Ring	
75	70027092	2	Piston	
76	70026262	4	Seal	
77	80204281	4	Bolt, Bleeding	
78	80204117	4	Plug	
79	91514154	4	Plug	
80	70026263	2	Seal	
81	70027796	2	Piston	
82	91514159	6	Spring	
83	70024210	6	Bolt, Adjusting	
84	70027022	6	Disc, Intermediate Brake	
85	7029735	6	Disc, Brake	
86	7029734	2	Bushing, Reduction	
87	7029787	6	Bolt, Adjusting	
88	70027317	6	Spring	
89	70024849	2	Disc, Intermediate Brake	
90	70024848	2	Cover	
91	70026264	2	Spacer	
92	70025970	1	Shim	
93	80204108	4	Washer, Lock	
94	80204060	4	Nut	
95	70024213	4	Bolt	
96	70024215	4	Dowel	

SECTION 5 - DRIVE TRAIN

FIGURE 5-15. FRONT AXLE, STEERING



ART_1001184984_5-F

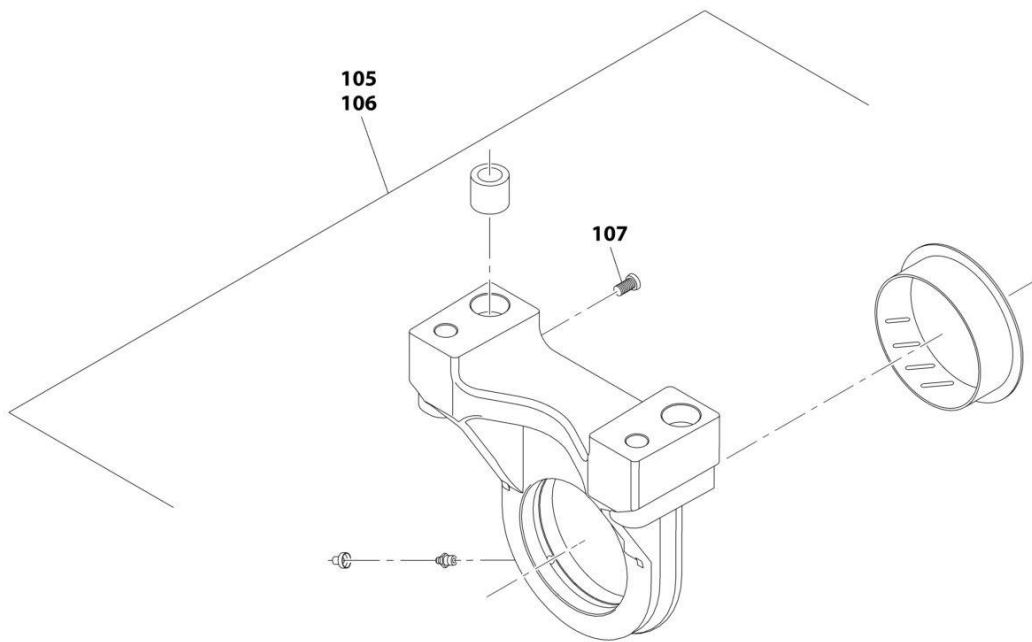
SECTION 5 - DRIVE TRAIN

FIGURE 5-15. FRONT AXLE, STEERING

ITEM	PART NUMBER	QTY	DESCRIPTION	REV
	1001184984	Ref	Front Axle, Steering	F
97	70028393	1	Cylinder	
98	80204143	2	O-Ring	
99	70028394	2	Rod, Articulated Tie	
99	70022773	2	Nut	
100	80204144	5	Bolt	
101	8008175	2	Bolt	
102	70027986	1	Optical Sensor	
103	7029307	1	Plug	
104	7029127	1	Kit, Seal	

SECTION 5 - DRIVE TRAIN

FIGURE 5-16. FRONT AXLE, TRUNION



ART_1001184984_6-F

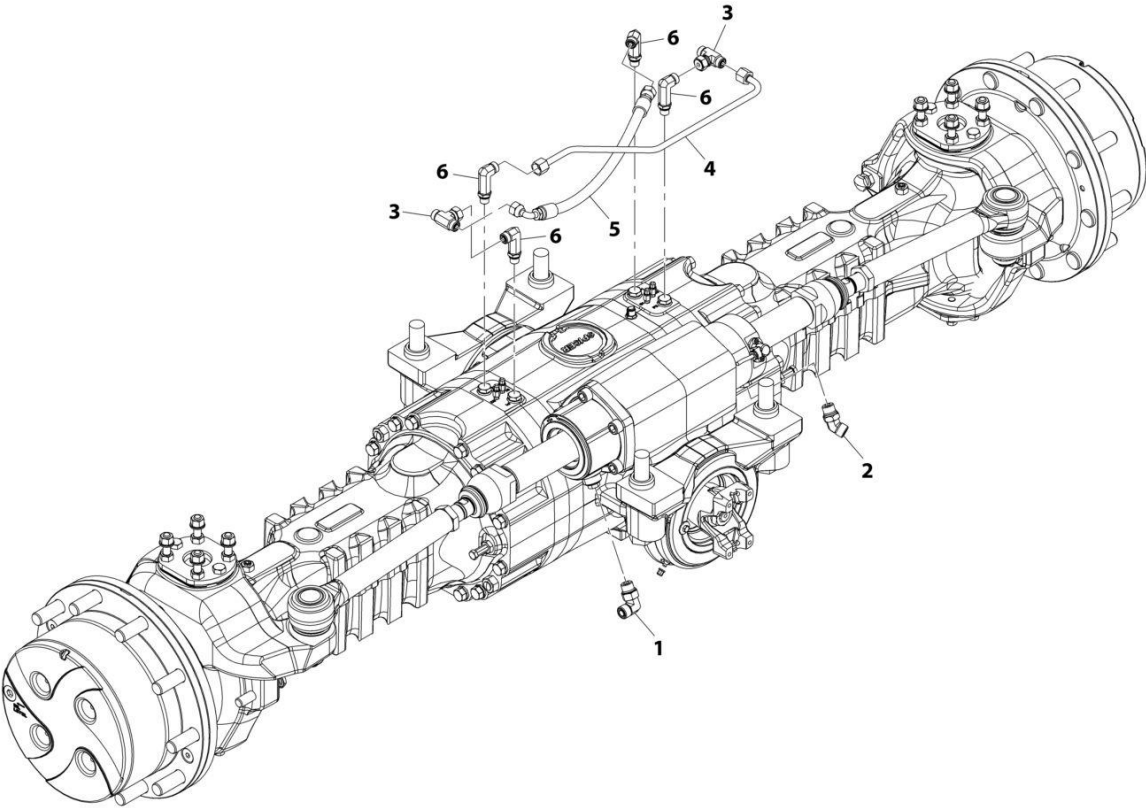
SECTION 5 - DRIVE TRAIN

FIGURE 5-16. FRONT AXLE, TRUNION

ITEM	PART NUMBER	QTY	DESCRIPTION	REV
	1001184984	Ref	Front Axle, Trunion	F
105	70026266	1	Kit, Trunion (See Separate Breakdown in this Section)	
106	70026265	1	Support	
107	70025884	1	Bolt	

SECTION 5 - DRIVE TRAIN

FIGURE 5-17. FRONT AXLE LINES INSTALLATION



ART_1001207898-C

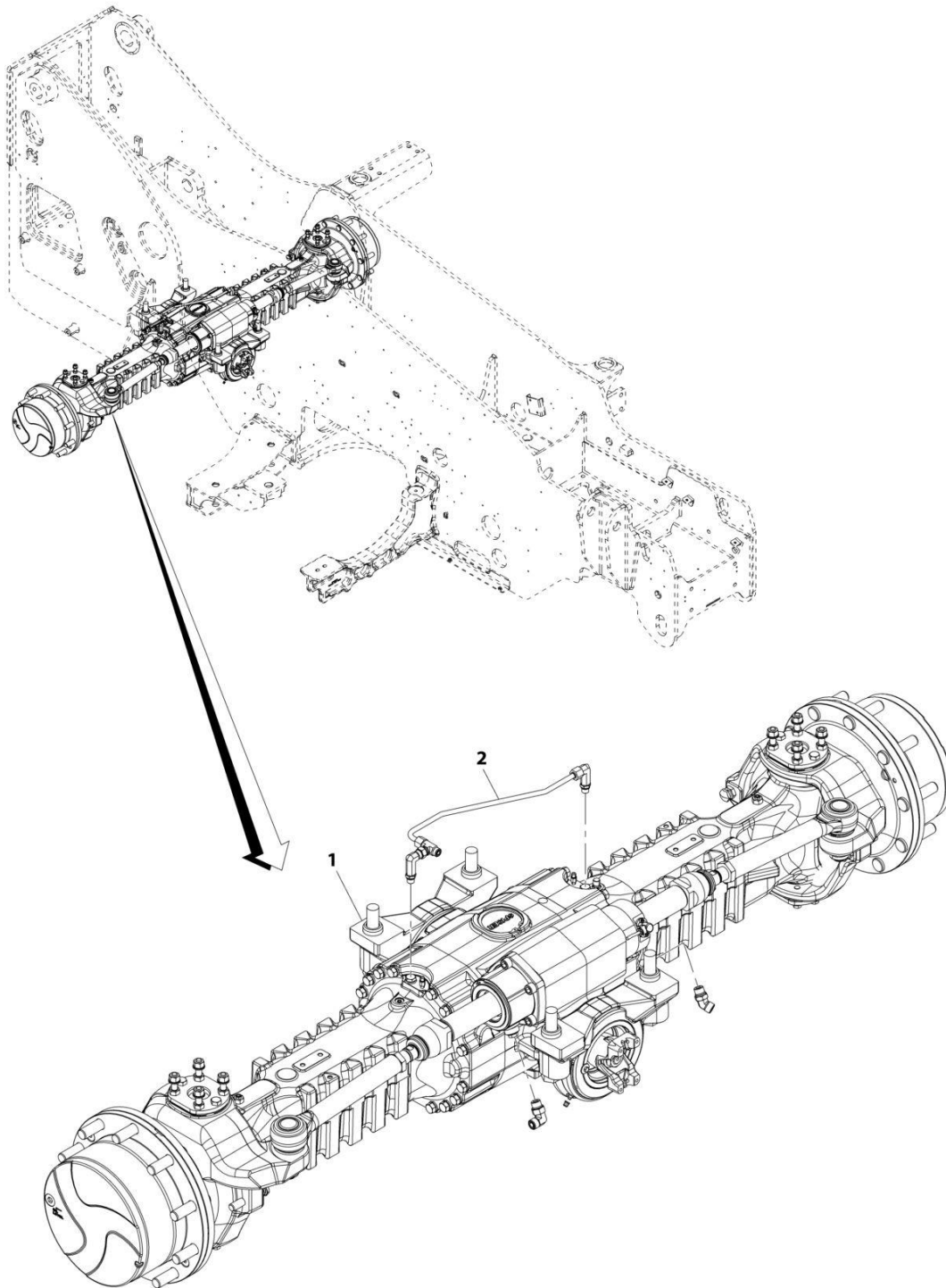
SECTION 5 - DRIVE TRAIN

FIGURE 5-17. FRONT AXLE LINES INSTALLATION

ITEM	PART NUMBER	QTY	DESCRIPTION	REV
	1001207898	Ref	Front Axle Lines Installation	C
1	2130808	1	Fitting, 90 ORFS	
2	2150808	1	Fitting, 45 ORFS	
3	2170806	2	Fitting, Tee ORFS	
4	1001224598	1	Tube	
5	1001210281	1	Hose	
6	1001210769	4	Fitting, 90 ORFS	

SECTION 5 - DRIVE TRAIN

FIGURE 5-18. REAR AXLE INSTALLATION



ART_1001184978-B

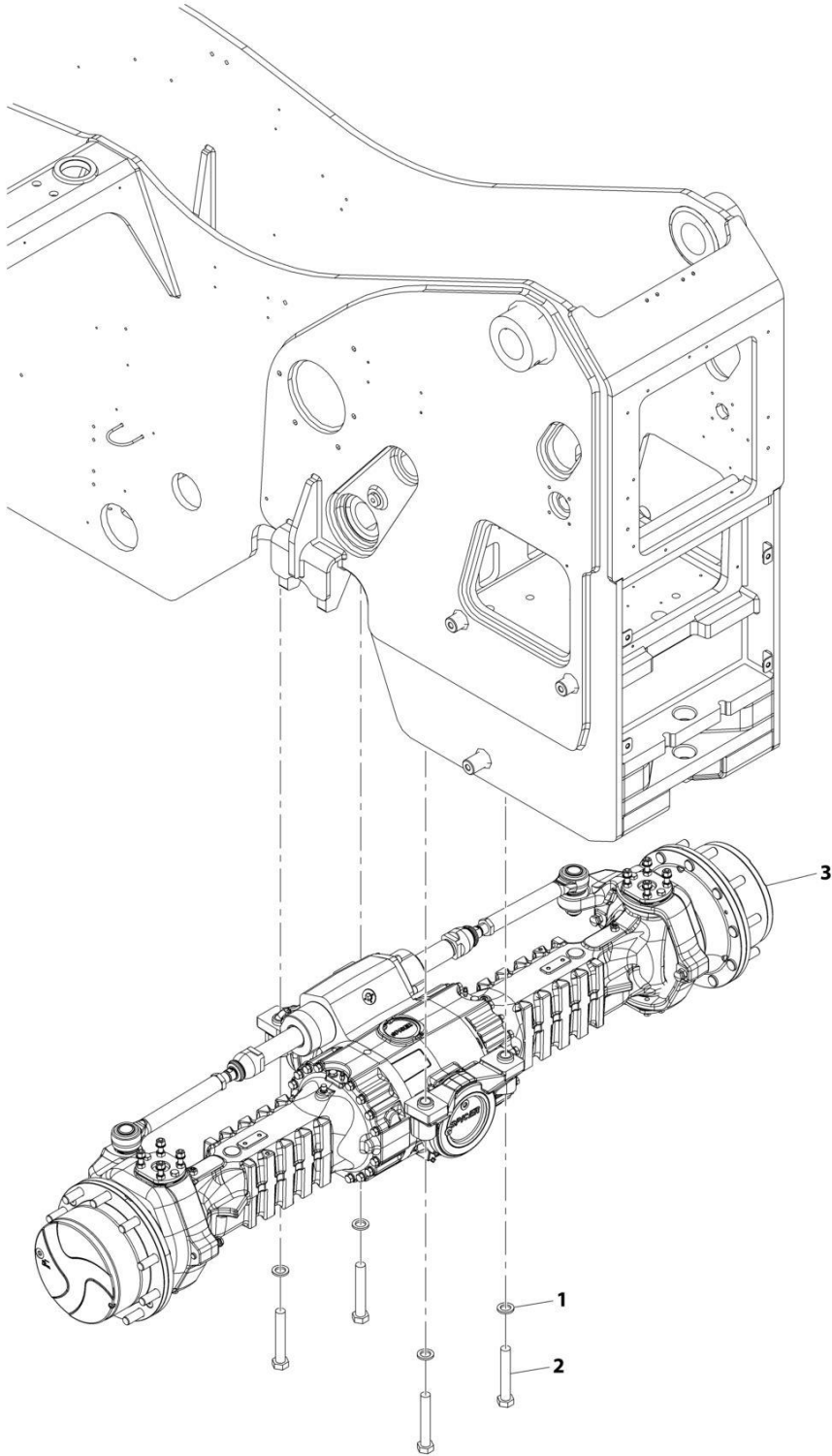
SECTION 5 - DRIVE TRAIN

FIGURE 5-18. REAR AXLE INSTALLATION

ITEM	PART NUMBER	QTY	DESCRIPTION	REV
1	1001184978	Ref	Rear Axle Installation	B
	1001184983	Ref	Installation, Rear Axle Mounting (See Separate Breakdown in this Section)	
2	1001207899	Ref	Installation, Rear Axle Lines (See Separate Breakdown in this Section)	

SECTION 5 - DRIVE TRAIN

FIGURE 5-19. REAR AXLE MOUNTING INSTALLATION



ART_1001184983-B

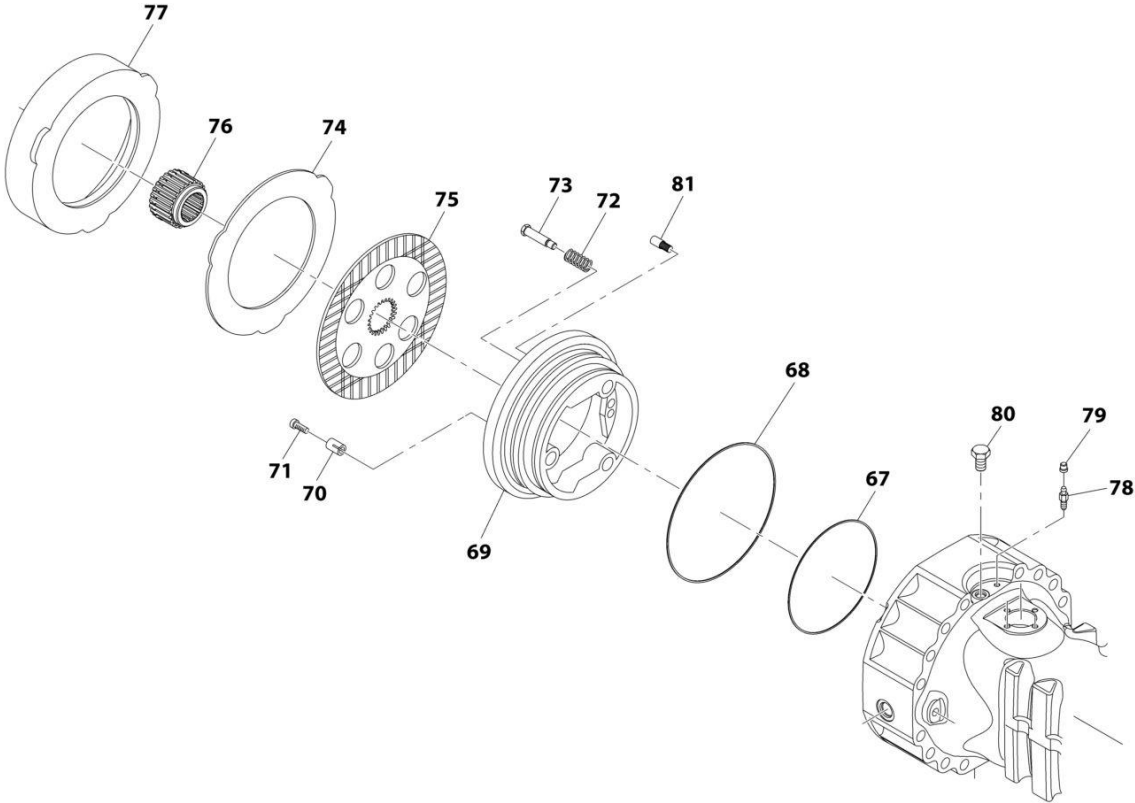
SECTION 5 - DRIVE TRAIN

FIGURE 5-19. REAR AXLE MOUNTING INSTALLATION

ITEM	PART NUMBER	QTY	DESCRIPTION	REV
	1001184983	Ref	Rear Axle Mounting Installation	B
1	4892600	4	Washer	
2	1001097587	4	Bolt, M24-3X150 Grade 10.9	
3	1001184985	Ref	Axle, Rear (See Separate Breakdown in this Section)	

SECTION 5 - DRIVE TRAIN

FIGURE 5-20. REAR AXLE, BRAKES



ART_1001184985_4-F

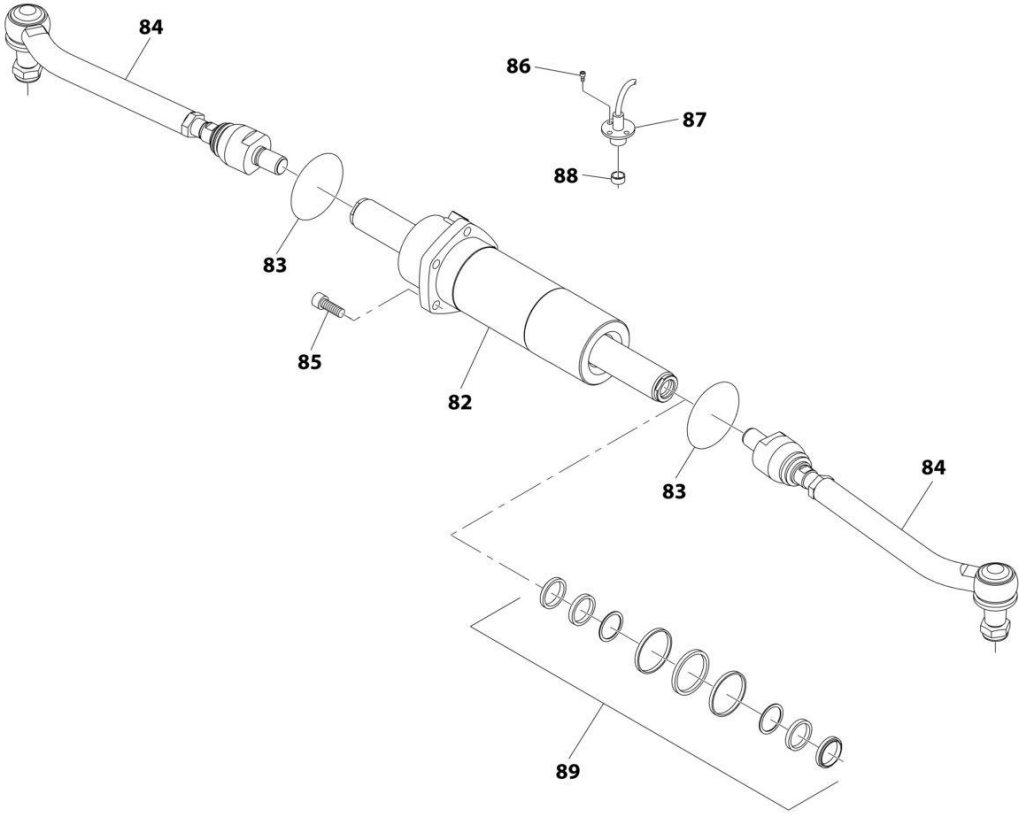
SECTION 5 - DRIVE TRAIN

FIGURE 5-20. REAR AXLE, BRAKES

ITEM	PART NUMBER	QTY	DESCRIPTION	REV
	1001184985	Ref	Rear Axle, Brakes	F
67	70026747	2	Seal	
68	70026748	2	Seal	
69	70024216	2	Piston	
70	70027317	6	Spring	
71	7029785	6	Bolt, Adjusting	
72	91514159	6	Spring	
73	70024210	6	Bolt, Adjusting	
74	70027022	6	Disc, Intermediate Brake	
75	7029735	6	Disc, Brake	
76	7029734	2	Bushing, Reduction	
77	70021606	2	Spacer	
78	80204281	2	Bolt, Bleeding	
79	80204117	2	Plug	
80	91514154	2	Bolt	
81	70021613	2	Bolt, Pilot	

SECTION 5 - DRIVE TRAIN

FIGURE 5-21. REAR AXLE, STEERING



ART_1001184985_5-F

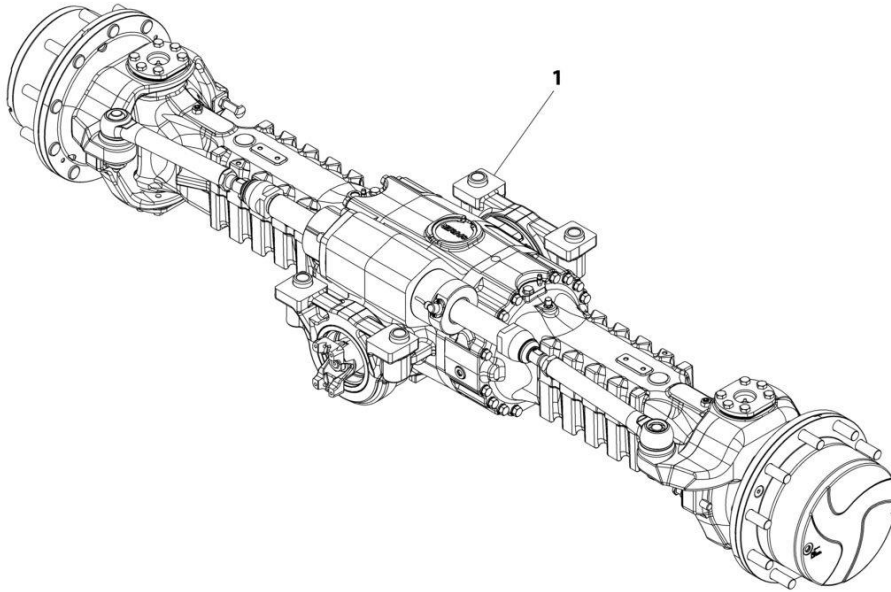
SECTION 5 - DRIVE TRAIN

FIGURE 5-21. REAR AXLE, STEERING

ITEM	PART NUMBER	QTY	DESCRIPTION	REV
	1001184985	Ref	Rear Axle, Steering	F
82	70028393	1	Cylinder	
83	80204143	2	O-Ring	
84	70028394	2	Rod, Articulated Tie	
84	70022773	2	Nut	
85	80204144	5	Bolt	
86	8008175	2	Bolt	
87	70027986	1	Sensor, Optical	
88	7029307	1	Plug	
89	7029127	1	Kit, Seal	

SECTION 5 - DRIVE TRAIN

FIGURE 5-22. REAR AXLE



ART_1001184985-F

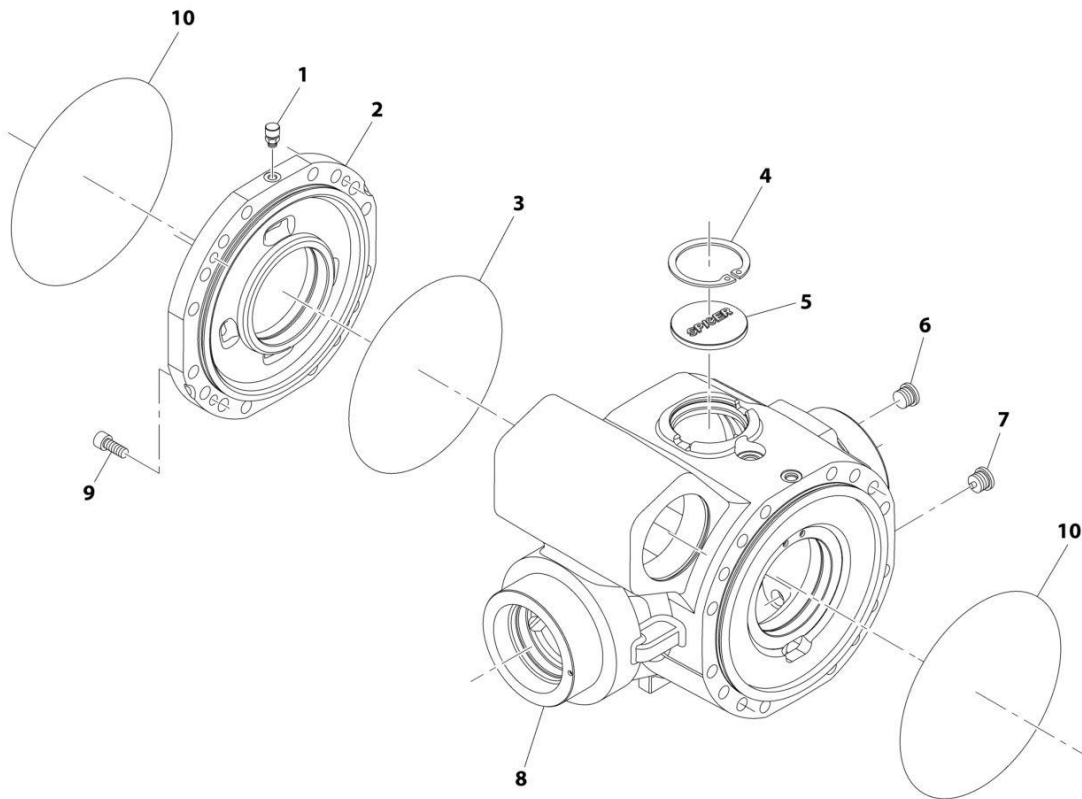
SECTION 5 - DRIVE TRAIN

FIGURE 5-22. REAR AXLE

ITEM	PART NUMBER	QTY	DESCRIPTION	REV
1	1001184985	Ref	Rear Axle	F
		Ref	Rear Axle, Central Housing (See Separate Breakdown in this Section)	
		Ref	Rear Axle, Differential (See Separate Breakdown in this Section)	
		Ref	Rear Axle, Hub Reduction (See Separate Breakdown in this Section)	
		Ref	Rear Axle, Brakes (See Separate Breakdown in this Section)	
		Ref	Rear Axle, Steering (See Separate Breakdown in this Section)	
		Ref	Rear Axle, Trunnion (See Separate Breakdown in this Section)	

SECTION 5 - DRIVE TRAIN

FIGURE 5-23. REAR AXLE, CENTRAL HOUSING



ART_1001184985_1-F

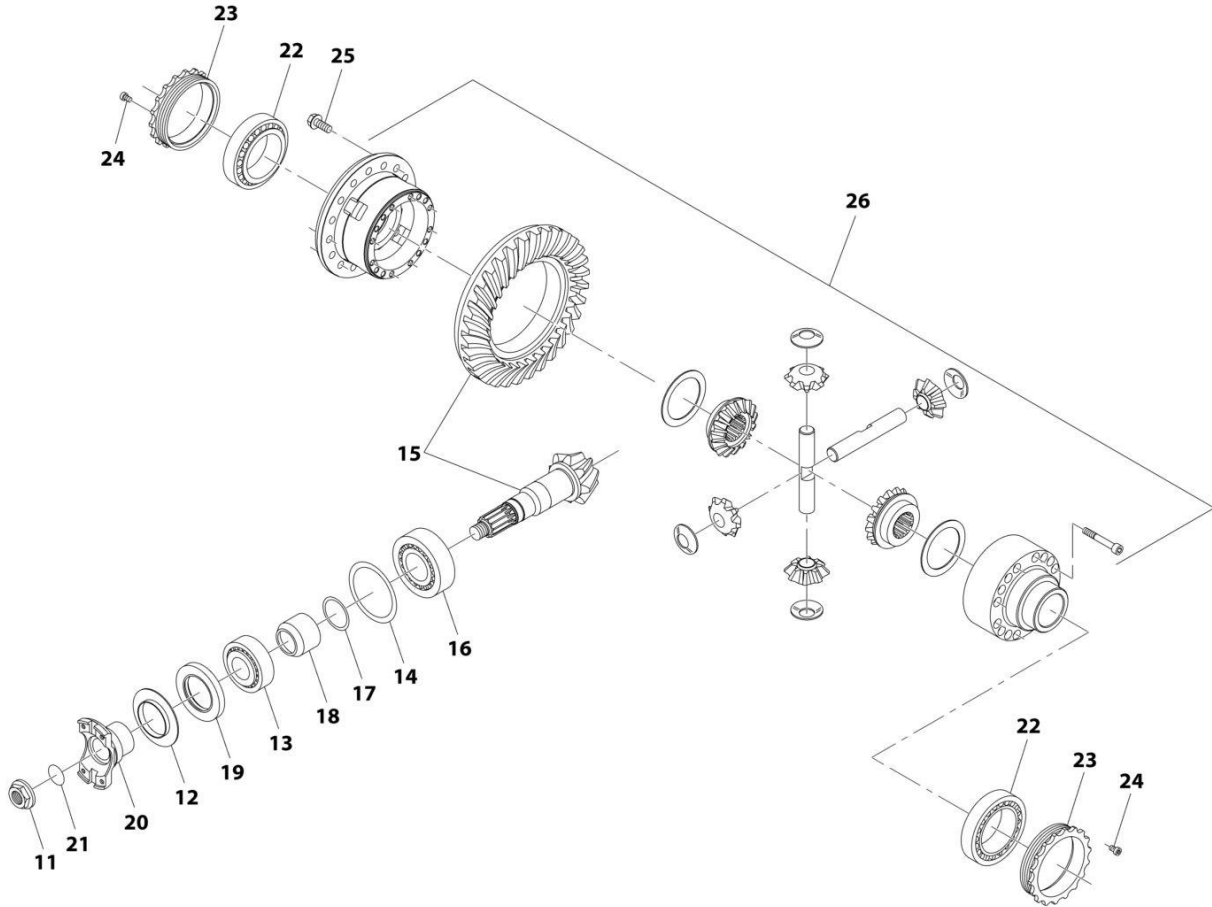
SECTION 5 - DRIVE TRAIN

FIGURE 5-23. REAR AXLE, CENTRAL HOUSING

ITEM	PART NUMBER	QTY	DESCRIPTION	REV
	1001184985	Ref	Rear Axle, Central Housing	F
1	91474512	1	Vent	
2	7029288	1	Cover, Intermediate	
3	80204002	1	O-Ring	
4	80204005	1	Circlip	
5	91514098	1	Plug	
6	70028389	1	Plug	
7	70028388	1	Plug	
8	70025335	1	Housing	
9	91514101	4	Bolt	
10	91514089	2	O-Ring	

SECTION 5 - DRIVE TRAIN

FIGURE 5-24. REAR AXLE, DIFFERENTIAL



ART_1001184985_2-F

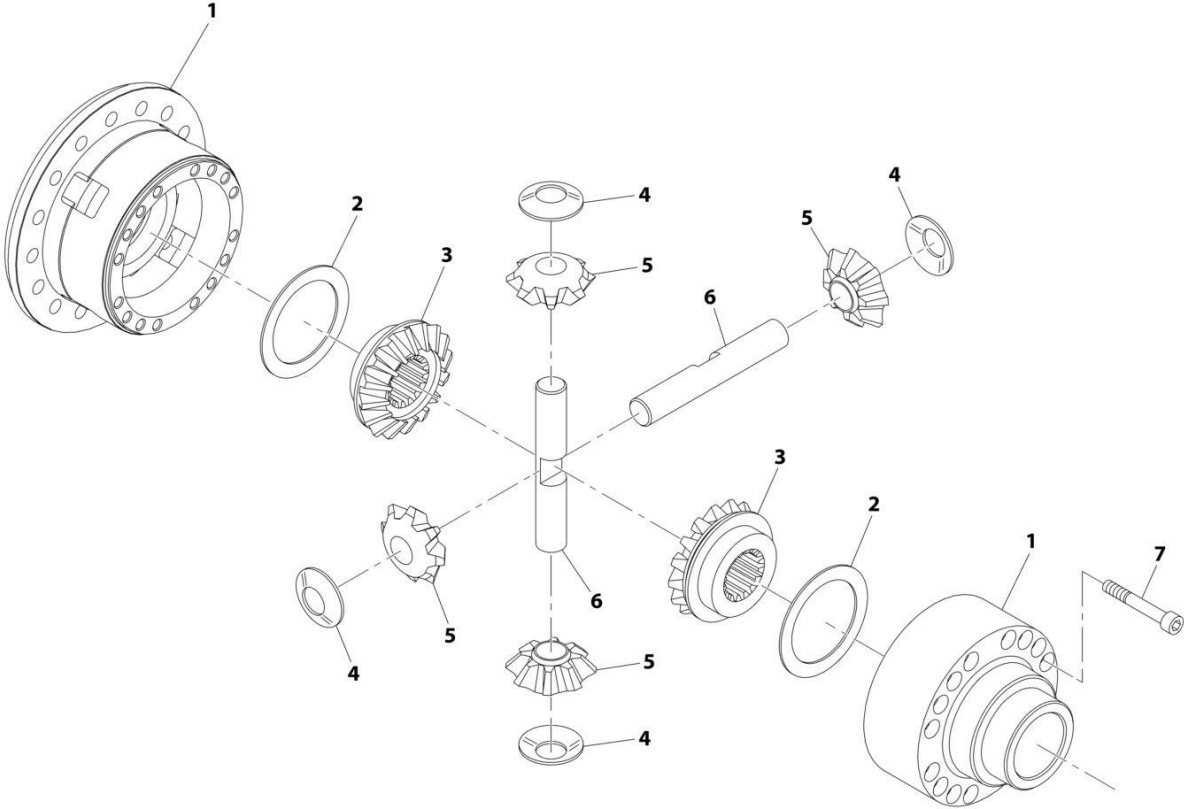
SECTION 5 - DRIVE TRAIN

FIGURE 5-24. REAR AXLE, DIFFERENTIAL

ITEM	PART NUMBER	QTY	DESCRIPTION	REV
	1001184985	Ref	Rear Axle, Differential	F
11	80204043	1	Nut	
12	91514130	1	Plate, Cover	
13	80204048	1	Bearing, Taper Roller	
14	70023469	1	Shim	
15	70028399	1	Gear, Bevel Set	
16	80204035	1	Bearing, Taper Roller	
17	70023494	1	Ring	
18	70022140	1	Spacer	
19	70025887	1	Seal	
20	70028401	1	Flange	
21	10725554	1	O-Ring	
22	80204033	2	Bearing, Taper Roller	
23	91514133	2	Nut, Ring	
24	91514134	2	Bolt	
25	39844923	16	Bolt	
26	70028398	1	Kit, Differential (See Separate Breakdown in this Section)	

SECTION 5 - DRIVE TRAIN

FIGURE 5-25. DIFFERENTIAL KIT



ART_70028398

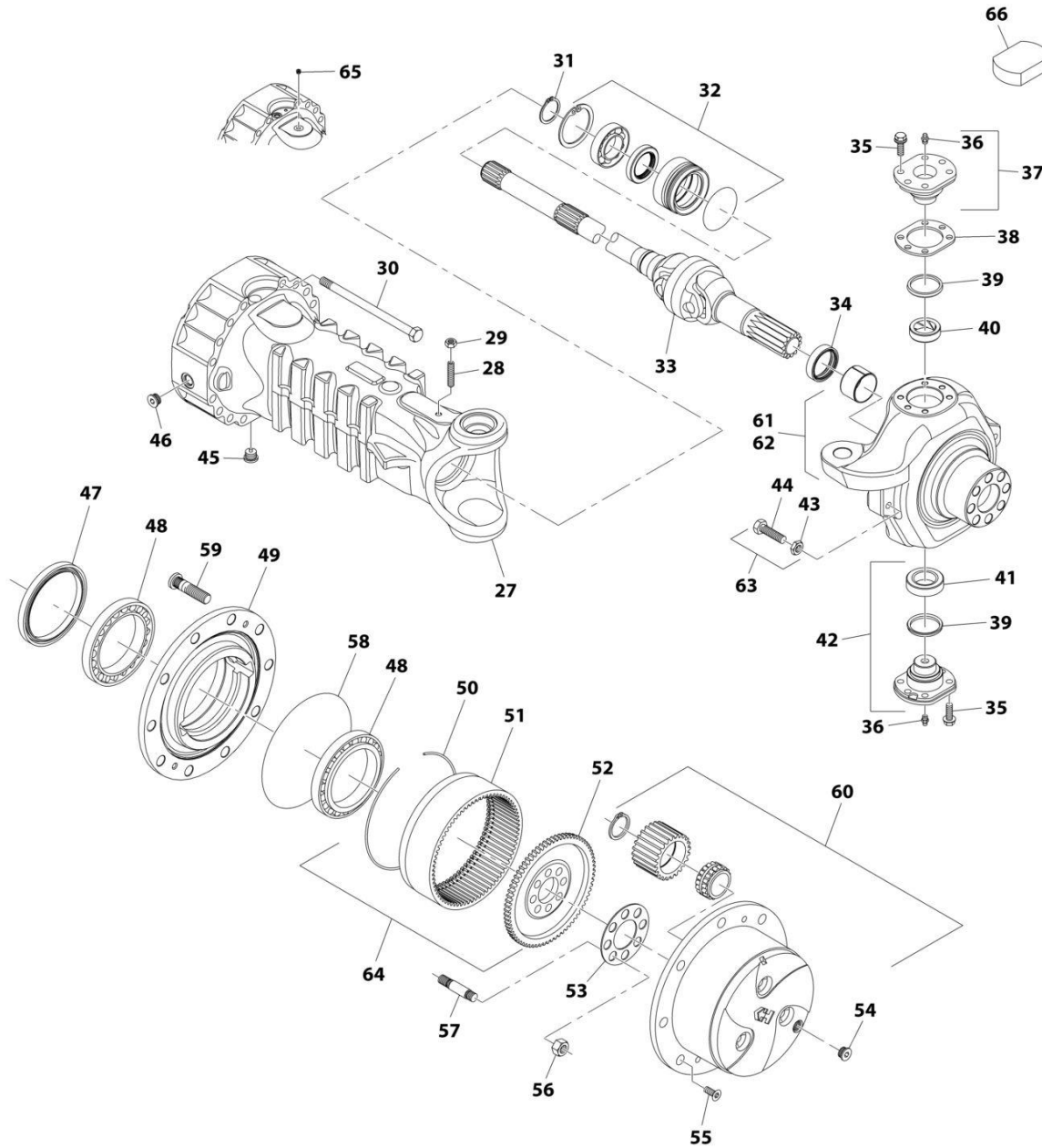
SECTION 5 - DRIVE TRAIN

FIGURE 5-25. DIFFERENTIAL KIT

ITEM	PART NUMBER	QTY	DESCRIPTION	REV
	70028398	Ref	Differential Kit	
1	70025337	1	Carrier, Differential	
2	70023493	2	Washer, Friction	
3	70025338	2	Gear, Differential Side	
4	70027105	4	Washer, Friction	
5	70025339	4	Pinion, Differential	
6	70023490	2	Shaft, Differential	
7	70023489	15	Bolt	

SECTION 5 - DRIVE TRAIN

FIGURE 5-26. REAR AXLE, HUB REDUCTION



ART_1001184985_3-F

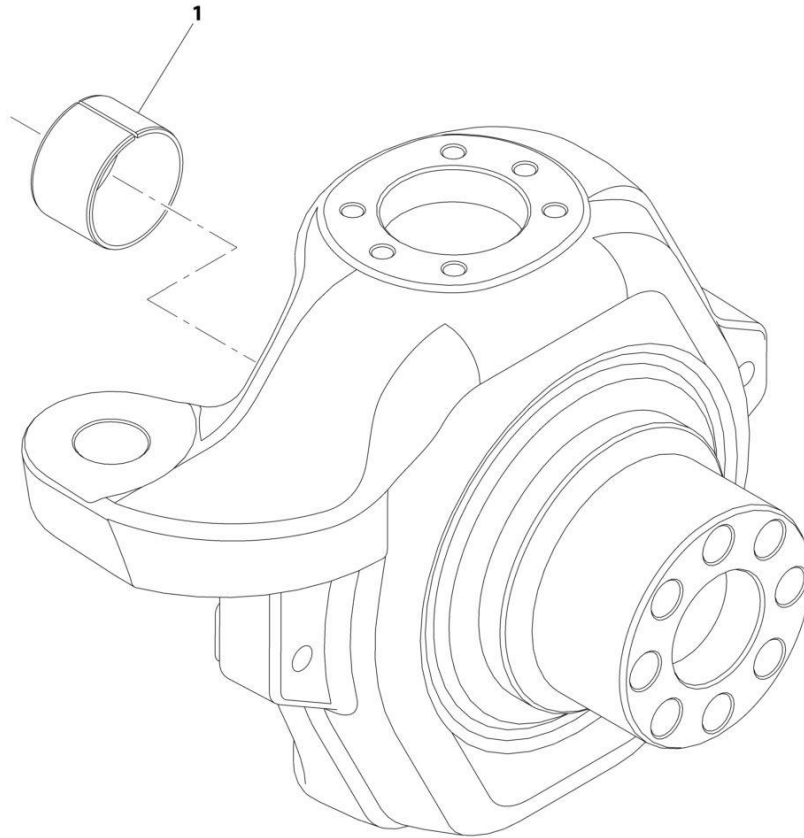
SECTION 5 - DRIVE TRAIN

FIGURE 5-26. REAR AXLE, HUB REDUCTION

ITEM	PART NUMBER	QTY	DESCRIPTION	REV
	1001184985	Ref	Rear Axle, Hub Reduction	F
27	70028400	2	Case, Axle	
28	91514081	2	Bolt	
29	91514082	2	Nut	
30	70028397	32	Bolt	
31	80204071	2	Circlip	
32	91514149	2	Kit, Reduction Bushing (See Separate Breakdown in this Section)	
33	70028396	2	Joint, Double Universal	
34	70026238	2	Seal	
35	70025562	20	Bolt	
36	70024881	2	Fitting, Grease	
37	91514112	2	Pin	
38	70025561	1	Shim	
39	7028716	2	Seal, Dust	
40	7028714	2	Bushing	
41	91514095	2	Bearing	
42	7028715	2	Pin	
43	80204065	4	Nut	
44	91514117	4	Bolt	
45	70028388	2	Plug	
46	70028387	2	Plug	
47	70026002	2	Seal	
48	80204076	4	Bearing, Taper Roller	
49	91514174	2	Hub, Wheel	
50	91514175	2	Circlip	
51	70024147	2	Gear, Ring	
52	91514177	2	Gear, Ring Support	
53	91514178	2	Plate, Locking	
54	70028389	2	Plug	
55	91514189	4	Bolt, Countersunk	
56	91514179	16	Nut	
57	91514180	16	Stud	
58	91514181	2	O-Ring	
59	80214120	20	Stud	
60	7029733	2	Kit, Planet Gear Carrier (See Separate Breakdown in this Section)	
61	70026260	1	Steering Case Assembly (LH Steer Link) (See Separate Breakdown in this Section)	
62	70026261	1	Steering Case Assembly (RH Steer Link) (See Separate Breakdown in this Section)	
63	7028733	4	Bolt, Steering Adjust	
64	70024146	2	Kit, Ring Gear Support (See Separate Breakdown in this Section)	
65	80204012	2	Plug	
66	70028392	2	Cover	

SECTION 5 - DRIVE TRAIN

FIGURE 5-27. STEERING CASE ASSEMBLY (LH STEER LINK)



ART_70026260

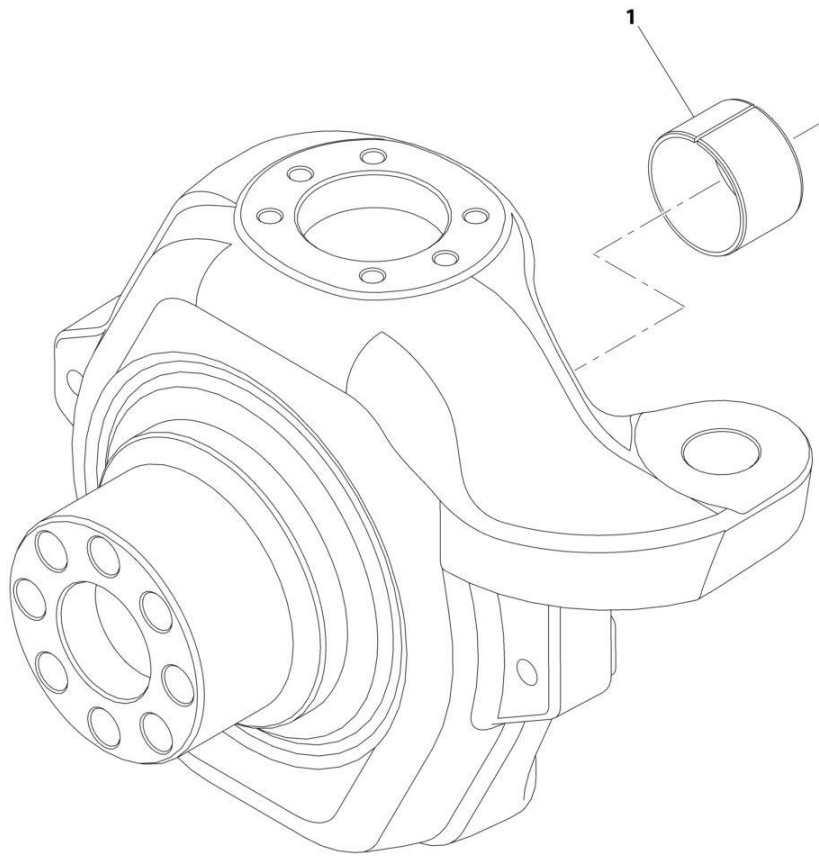
SECTION 5 - DRIVE TRAIN

FIGURE 5-27. STEERING CASE ASSEMBLY (LH STEER LINK)

ITEM	PART NUMBER	QTY	DESCRIPTION	REV
1	70026260 91514111	Ref 1	STEERING CASE ASSEMBLY (LH STEER LINK) Bushing, Thrust	

SECTION 5 - DRIVE TRAIN

FIGURE 5-28. STEERING CASE ASSEMBLY (RH STEER LINK)



ART_70026261

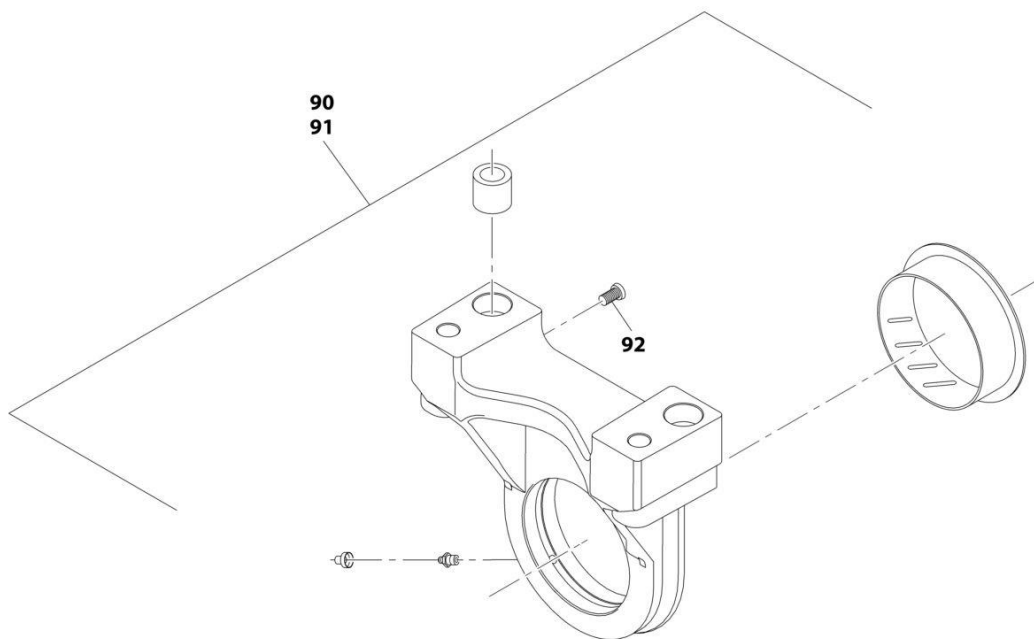
SECTION 5 - DRIVE TRAIN

FIGURE 5-28. STEERING CASE ASSEMBLY (RH STEER LINK)

ITEM	PART NUMBER	QTY	DESCRIPTION	REV
1	70026261 91514111	Ref 1	STEERING CASE ASSEMBLY (RH STEER LINK) Bushing, Thrust	

SECTION 5 - DRIVE TRAIN

FIGURE 5-29. REAR AXLE, TRUNION



ART_1001184985_6-F

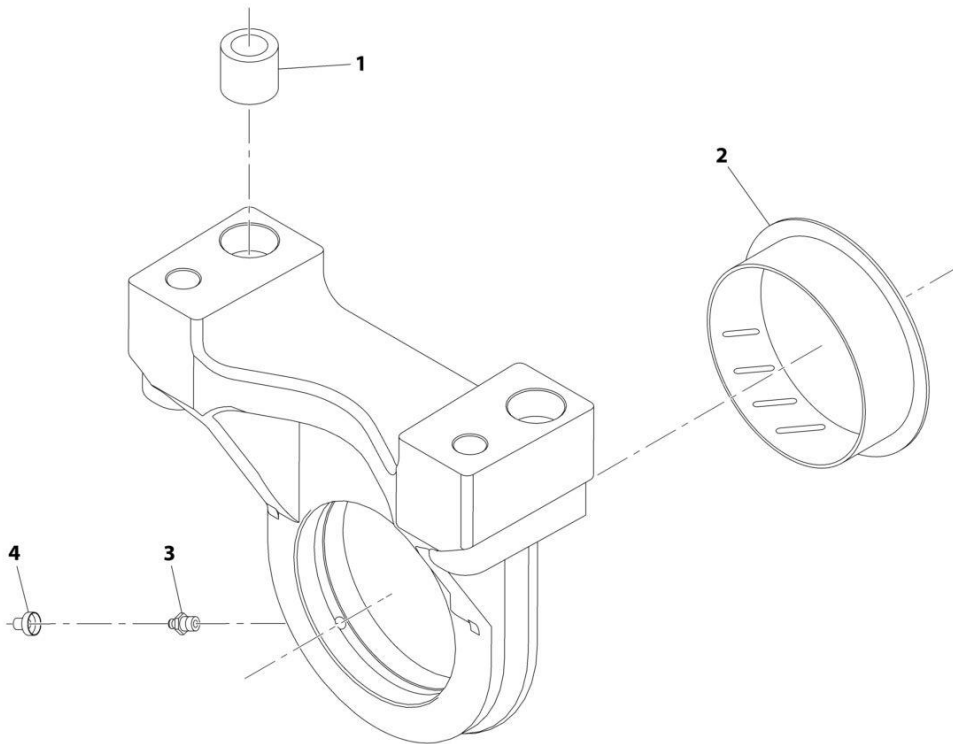
SECTION 5 - DRIVE TRAIN

FIGURE 5-29. REAR AXLE, TRUNION

ITEM	PART NUMBER	QTY	DESCRIPTION	REV
	1001184985	Ref	Rear Axle, Trunion	F
90	70026266	1	Kit, Trunion (See Separate Breakdown in this Section)	
91	70026265	1	Support	
92	70025884	1	Bolt	

SECTION 5 - DRIVE TRAIN

FIGURE 5-30. TRUNION KIT



ART_70026266

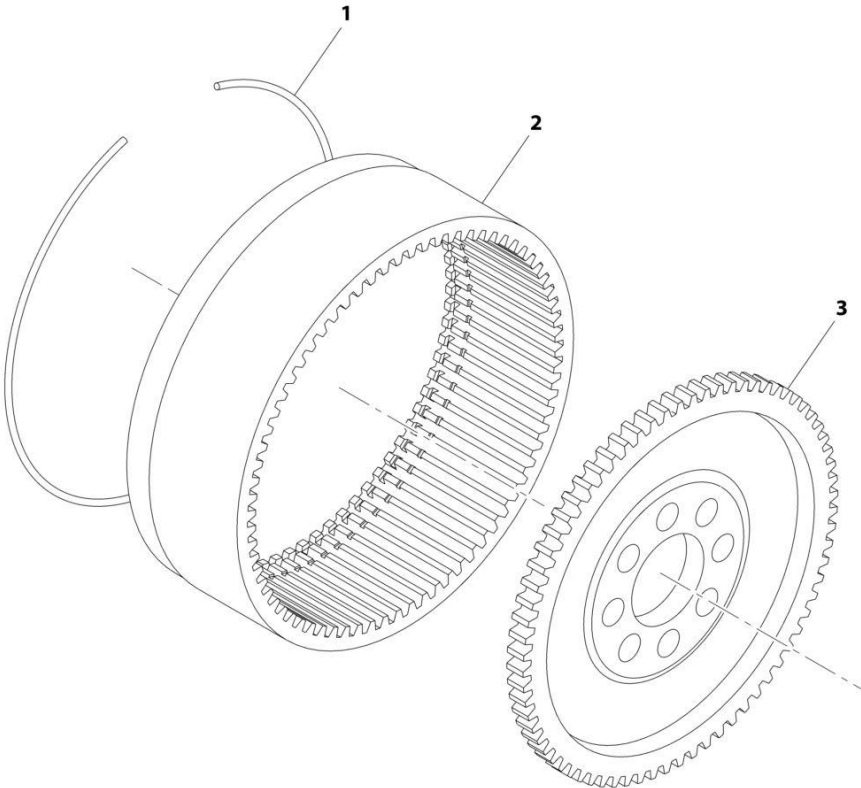
SECTION 5 - DRIVE TRAIN

FIGURE 5-30. TRUNION KIT

ITEM	PART NUMBER	QTY	DESCRIPTION	REV
	70026266	Ref	Trunion Kit	
1	7029290	2	Bushing, Reduction	
2	91514090	1	Bushing, Thrust	
3	70024881	1	Fitting, Grease	
4	80204117	1	Plug	

SECTION 5 - DRIVE TRAIN

FIGURE 5-31. RING GEAR SUPPORT KIT



ART_70024146

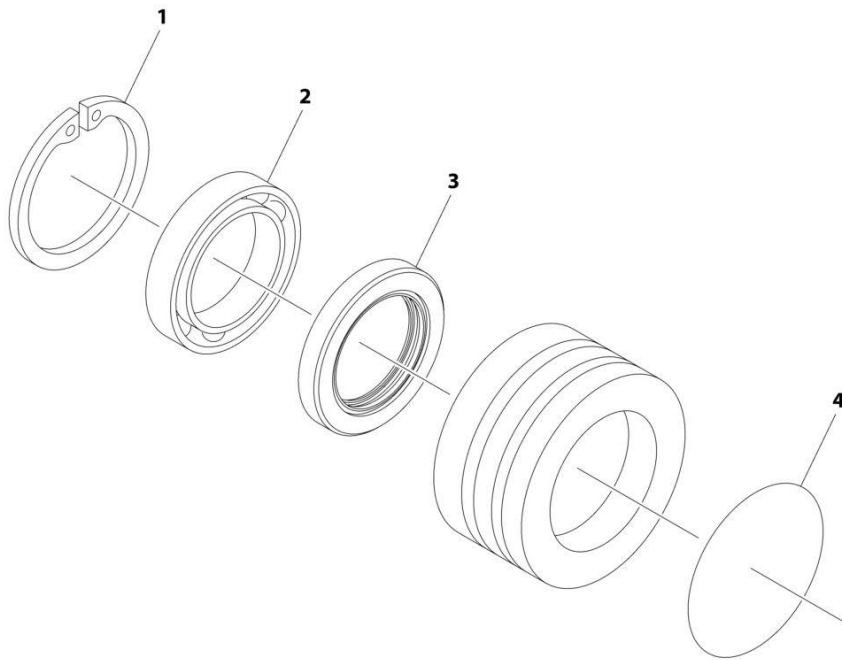
SECTION 5 - DRIVE TRAIN

FIGURE 5-31. RING GEAR SUPPORT KIT

ITEM	PART NUMBER	QTY	DESCRIPTION	REV
	70024146	Ref	Ring Gear Support Kit	
1	91514175	1	Circlip	
2	70024147	1	Gear, Ring	
3	91514177	1	Gear, Ring Support	

SECTION 5 - DRIVE TRAIN

FIGURE 5-32. REDUCTION BUSHING KIT



ART_91514149

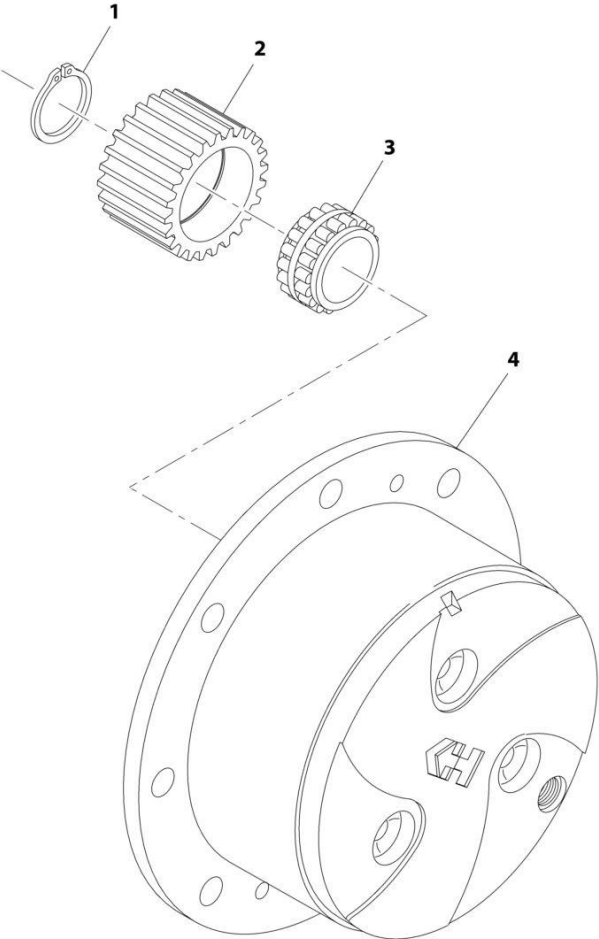
SECTION 5 - DRIVE TRAIN

FIGURE 5-32. REDUCTION BUSHING KIT

ITEM	PART NUMBER	QTY	DESCRIPTION	REV
	91514149	Ref	Reduction Bushing Kit	
1	80204005	2	Circlip	
2	91514146	2	Bearing, Ball	
3	91514147	2	Seal	
4	91514148	2	O-Ring	

SECTION 5 - DRIVE TRAIN

FIGURE 5-33. PLANET GEAR CARRIER KIT



ART_7029733

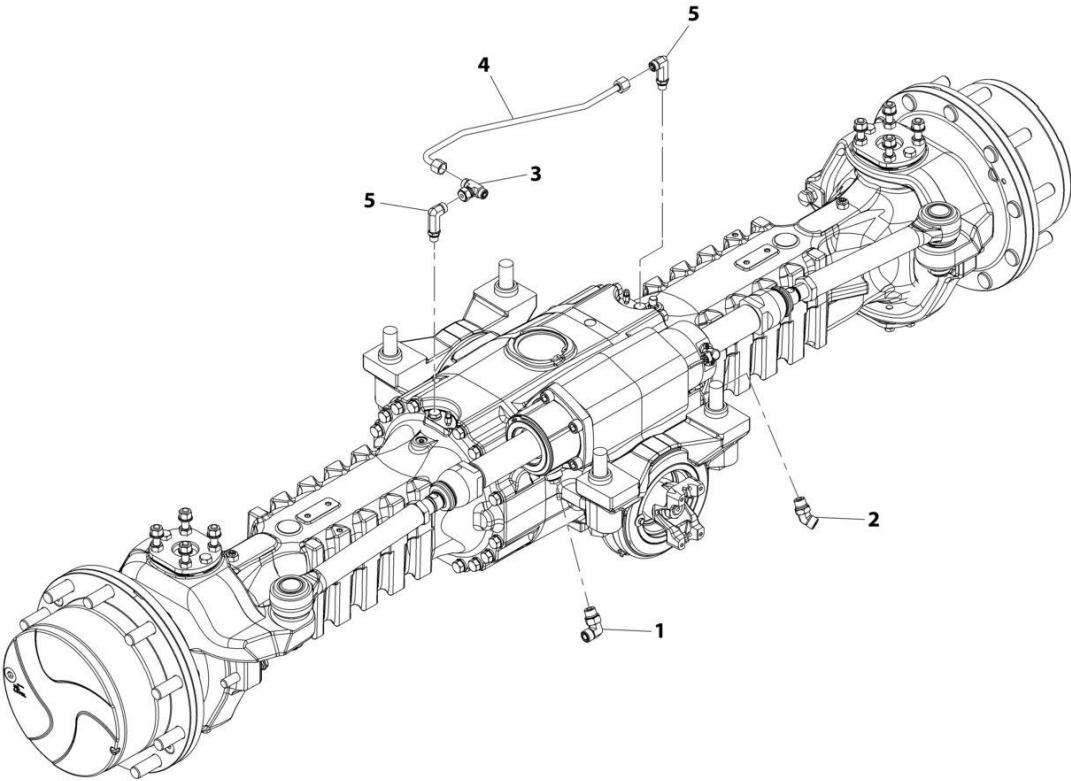
SECTION 5 - DRIVE TRAIN

FIGURE 5-33. PLANET GEAR CARRIER KIT

ITEM	PART NUMBER	QTY	DESCRIPTION	REV
	7029733	Ref	Planet Gear Carrier Kit	
1	91514184	3	Circlip	
2	91514185	6	Gear, Planet	
3	91514186	6	Bearing	
4	7026731	1	Carrier, Planet Gear	

SECTION 5 - DRIVE TRAIN

FIGURE 5-34. REAR AXLE LINES INSTALLATION



ART_1001207899-C

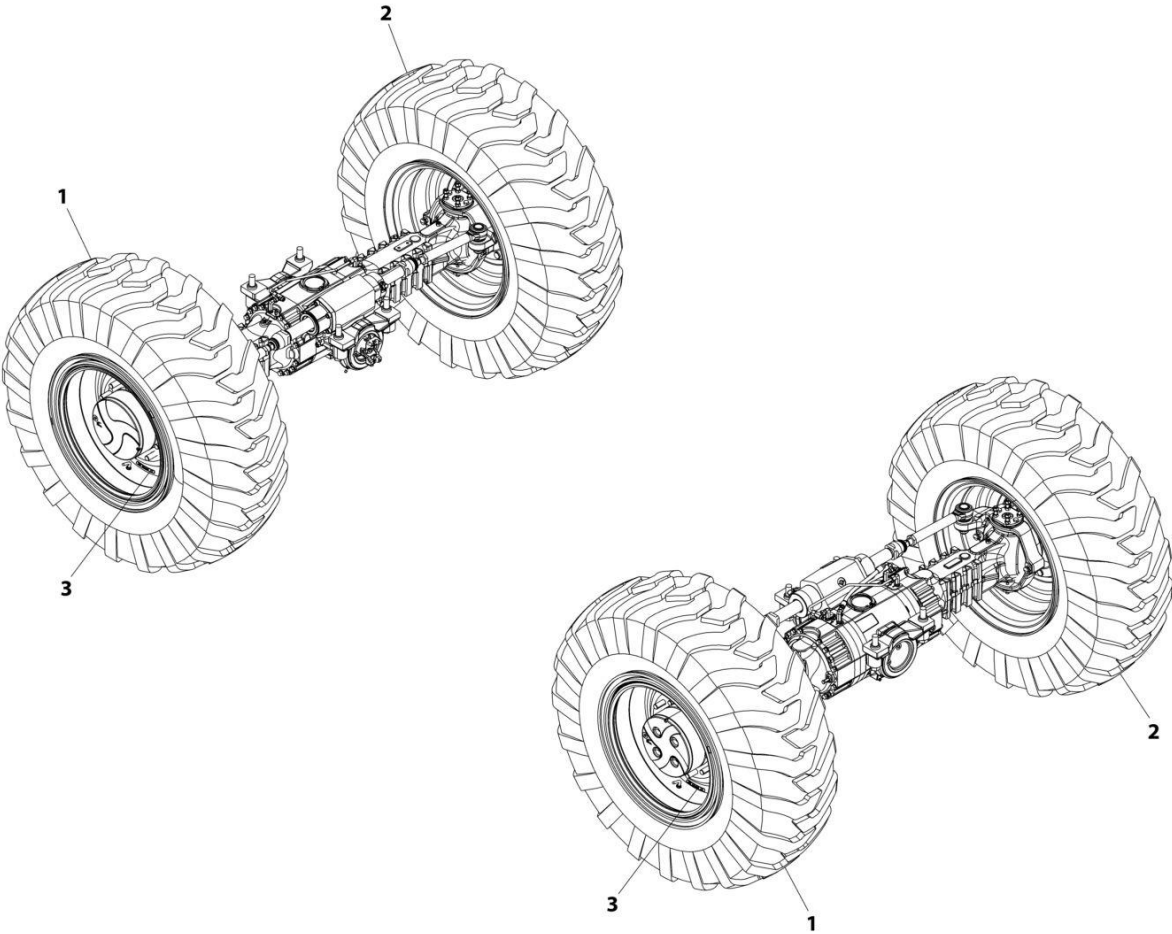
SECTION 5 - DRIVE TRAIN

FIGURE 5-34. REAR AXLE LINES INSTALLATION

ITEM	PART NUMBER	QTY	DESCRIPTION	REV
	1001207899	Ref	Rear Axle Lines Installation	C
1	2130808	1	Fitting, 90 ORFS	
2	2150808	1	Fitting, 45 ORFS	
3	2170806	1	Fitting, Tee ORFS	
4	1001224938	1	Tube	
5	1001210769	2	Fitting, 90 ORFS	

SECTION 5 - DRIVE TRAIN

FIGURE 5-35. TIRE/WHEEL SET (AIR 17.5-25 - 20 PLY)



ART_1001192168-C

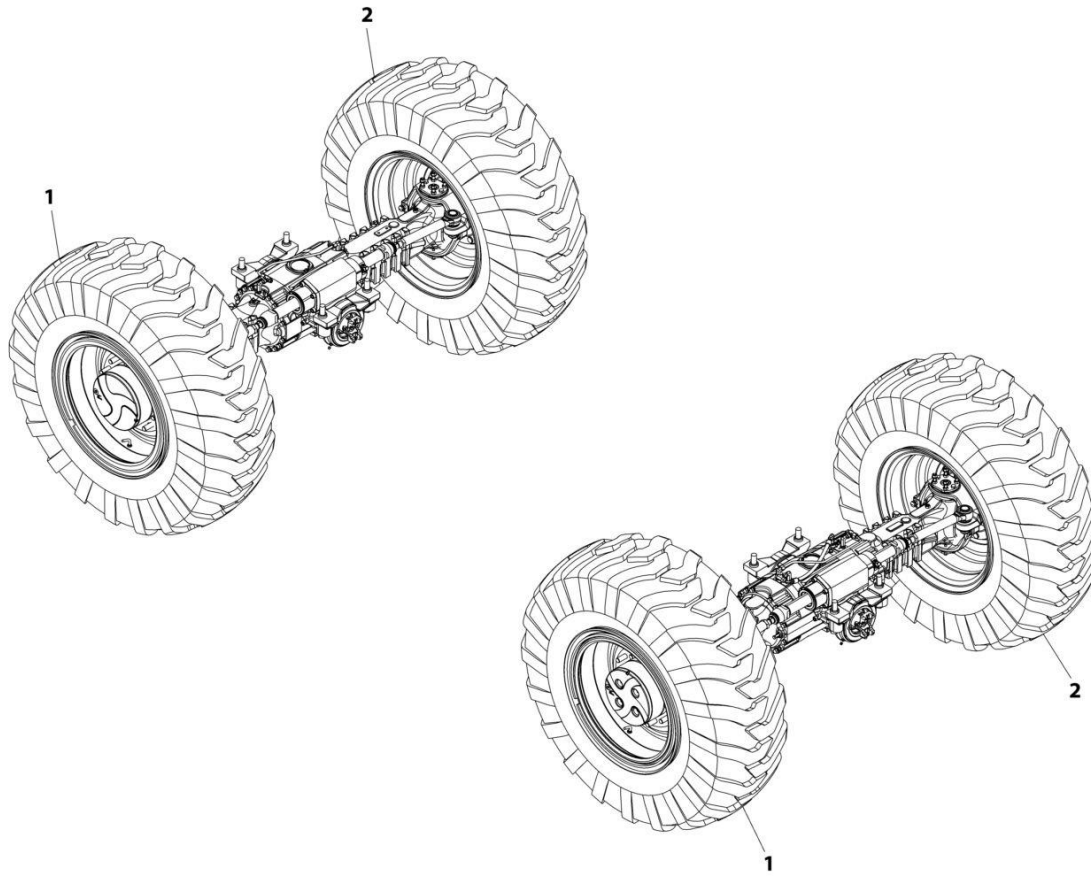
SECTION 5 - DRIVE TRAIN

FIGURE 5-35. TIRE/WHEEL SET (AIR 17.5-25 - 20 PLY)

ITEM	PART NUMBER	QTY	DESCRIPTION	REV
	1001192168	1	Tire/Wheel Set (Air 17.5-25 - 20 PLY)	C
1	1001192177	2	Assembly, Right Tire/Wheel (Air 17.5-25 - 20 PLY)	
1	8786549	1	Valve, Stem	
1	1001187423	1	Tire, 17.5-25 20 PLY	
1	1001189288J	1	Wheel, 25X14.0 DTU 10 Hole	
2	1001192178	2	Assembly, Left Tire/Wheel (Air 17.5-25 - 20 PLY)	
2	8786549	1	Valve, Stem	
2	1001187423	1	Tire, 17.5-25 20 PLY	
2	1001189288J	1	Wheel, 25X14.0 DTU 10 Hole	
3	1001229201	4	Decal	

SECTION 5 - DRIVE TRAIN

FIGURE 5-36. TIRE/WHEEL SET (FOAM 17.5-25 - 20 PLY)



ART_1001192170-A

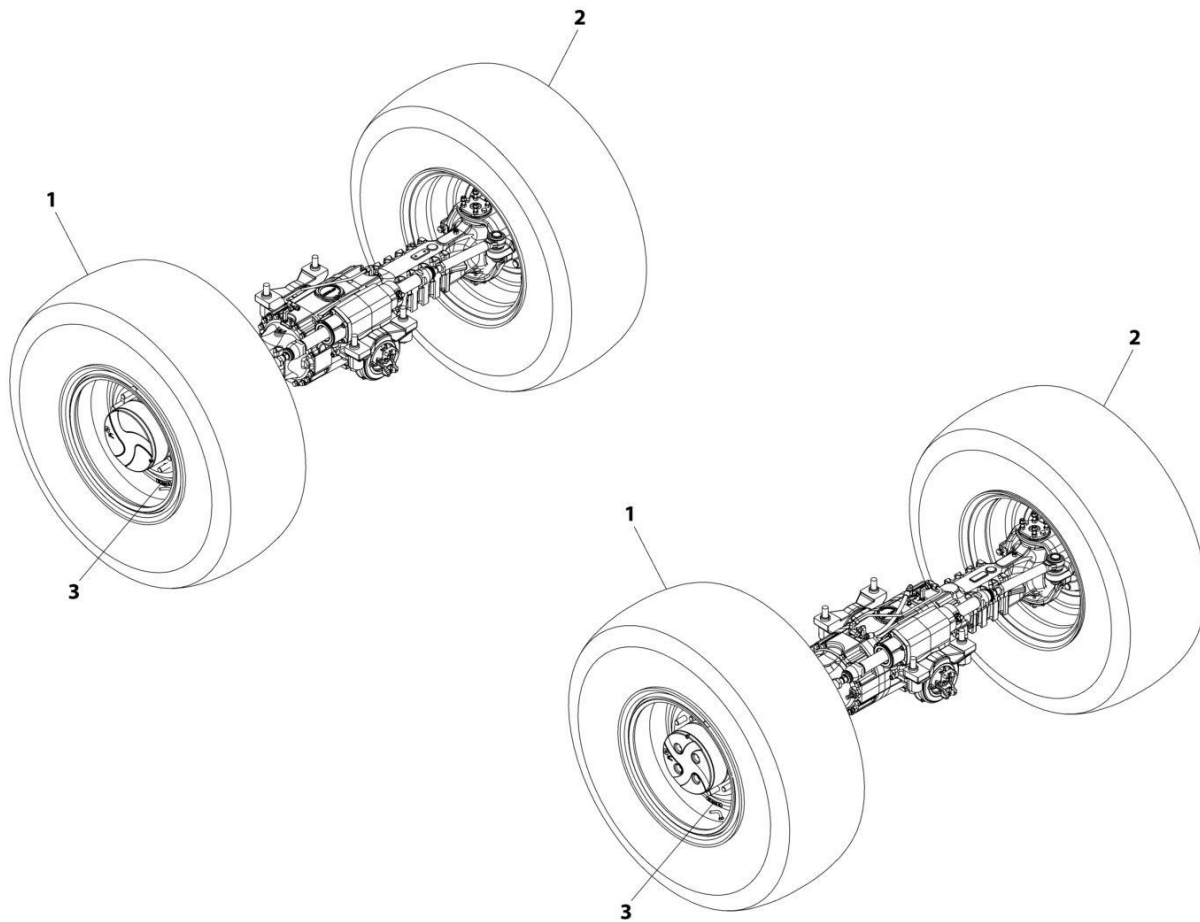
SECTION 5 - DRIVE TRAIN

FIGURE 5-36. TIRE/WHEEL SET (FOAM 17.5-25 - 20 PLY)

ITEM	PART NUMBER	QTY	DESCRIPTION	REV
	1001192170	1	Tire/Wheel Set (Foam 17.5-25 - 20 PLY)	A
		Ref	Note: Requires ballast/foam filling to manufacturer's specifications prior to installing on a machine. Refer to Service and Maintenance Manuals. Purchase individual tire and/or rim only if able to foam fill tire and wheel assembly, otherwise, purchase complete.	
1	1001192180	2	Assembly, Right Tire/Wheel (Foam 17.5-25 - 20 PLY)	
1	8786549	1	Valve, Stem	
1	1001187423	1	Tire, 17.5-25 20 PLY	
1	1001189288J	1	Wheel, 25X14.0 DTU 10 Hole	
2	1001192181	2	Assembly, Left Tire/Wheel (Foam 17.5-25 - 20 PLY)	
2	8786549	1	Valve, Stem	
2	1001187423	1	Tire, 17.5-25 20 PLY	
2	1001189288J	1	Wheel, 25X14.0 DTU 10 Hole	

SECTION 5 - DRIVE TRAIN

FIGURE 5-37. TIRE/WHEEL SET (AIR 17.5 R25 - RADIAL)



ART_1001221270-A

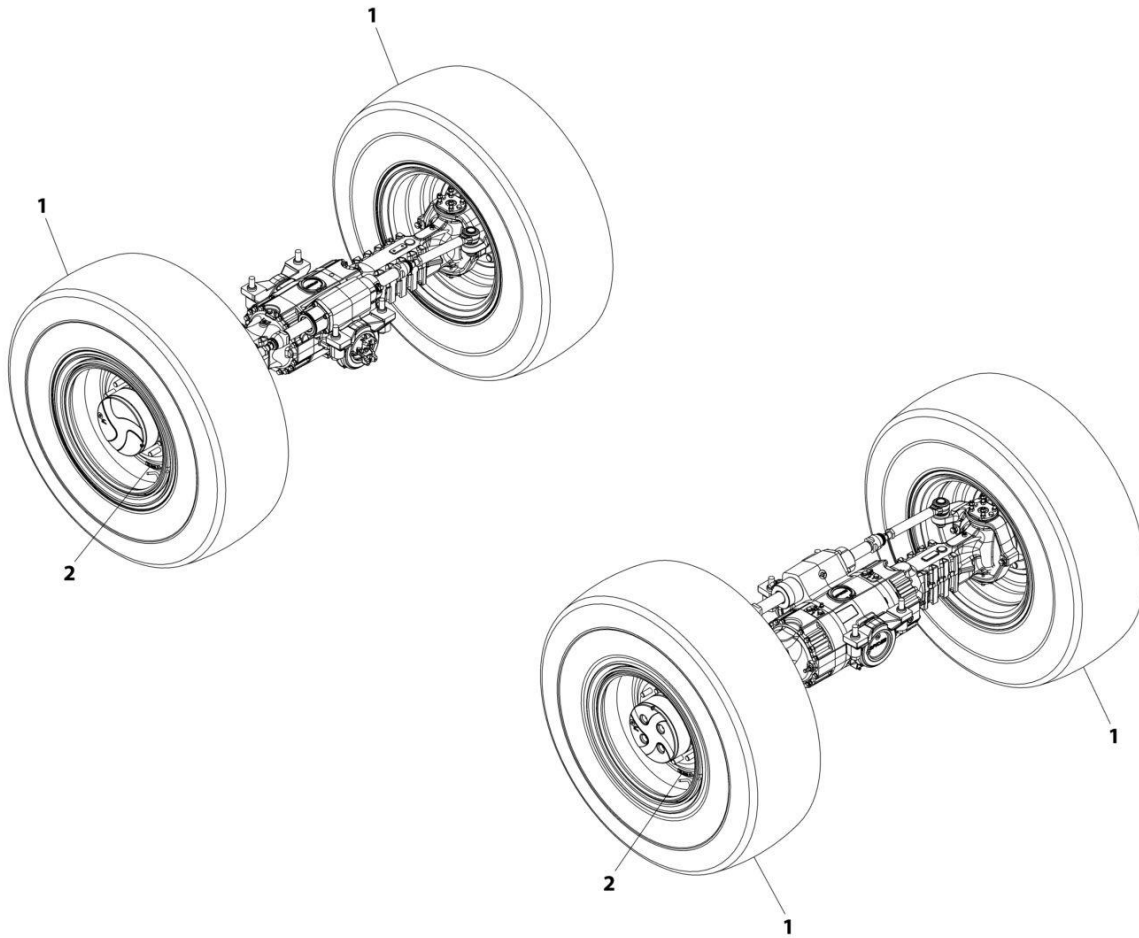
SECTION 5 - DRIVE TRAIN

FIGURE 5-37. TIRE/WHEEL SET (AIR 17.5 R25 - RADIAL)

ITEM	PART NUMBER	QTY	DESCRIPTION	REV
	1001221270	1	Tire/Wheel Set (Air 17.5 R25 - Radial)	A
1	1001221157	2	Assembly, Right Tire/Wheel (Air 17.5 R25 - Radial)	
1	8786549	1	Valve, Stem	
1	1001221087	1	Tire, 17.5 R25 Radial	
1	1001189288J	1	Wheel, 25X14.0 DTU 10 Hole	
2	1001221321	2	Assembly, Left Tire/Wheel (Air 17.5 R25 - Radial)	
2	8786549	1	Valve, Stem	
2	1001221087	1	Tire, 17.5 R25 Radial	
2	1001189288J	1	Wheel, 25X14.0 DTU 10 Hole	
3	1001221734	4	Decal	

SECTION 5 - DRIVE TRAIN

FIGURE 5-38. TIRE/WHEEL SET (AIR 17.5-25 - 22 PLY)



ART_1001221695-B

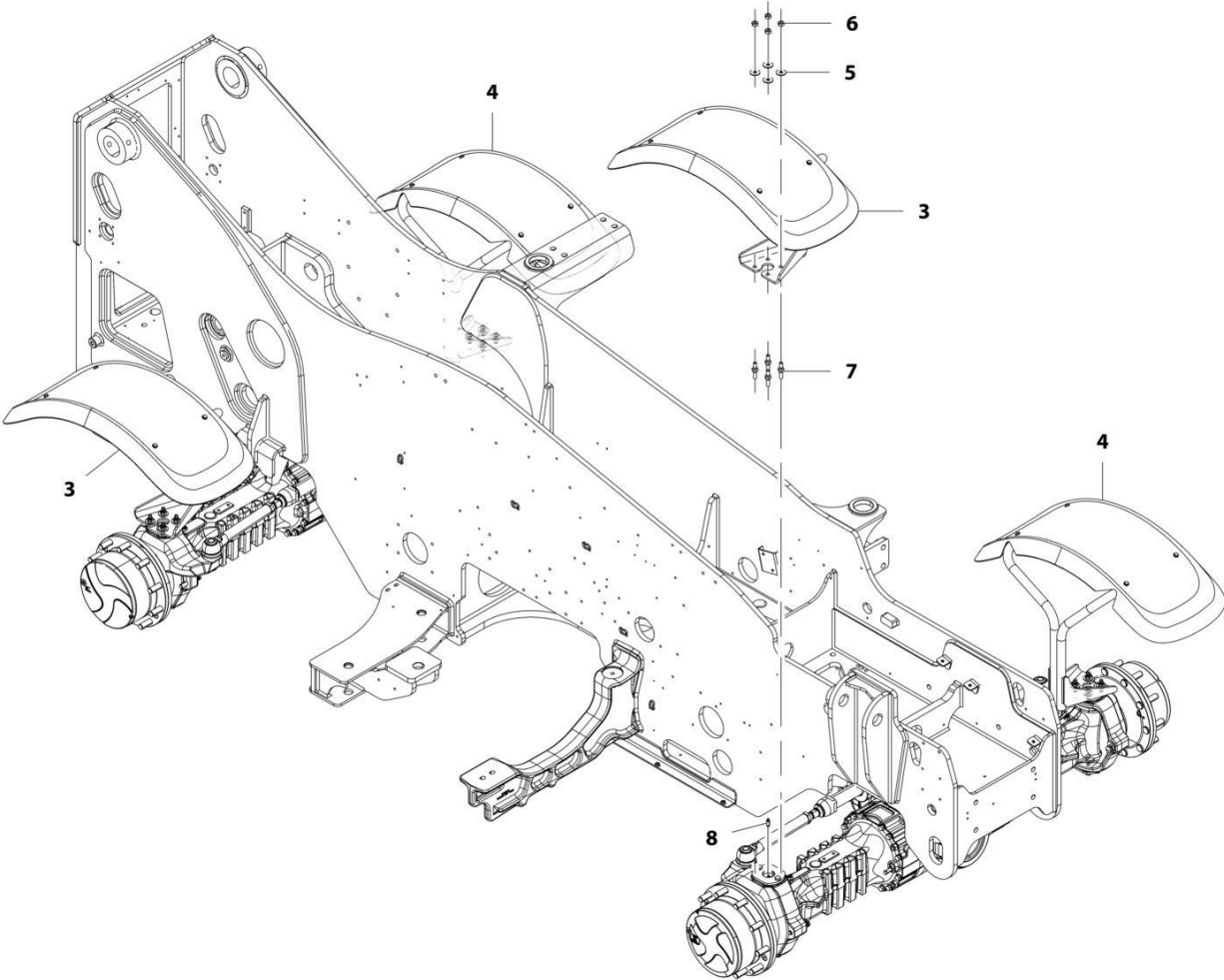
SECTION 5 - DRIVE TRAIN

FIGURE 5-38. TIRE/WHEEL SET (AIR 17.5-25 - 22 PLY)

ITEM	PART NUMBER	QTY	DESCRIPTION	REV
	1001221695	Ref	Tire/Wheel Set (Air 17.5-25 - 22 PLY)	B
1	1001221554	4	Assembly, Tire/Wheel (Air 17.5-25 - 22 PLY)	
1	8786549	1	Valve, Stem	
1	1001221553	1	Tire, 17.5-25 EM60 22 PLY	
1	1001189288J	1	Wheel, 25X14.0 DTU 10 Hole	
2	1001229201	4	Decal	

SECTION 5 - DRIVE TRAIN

FIGURE 5-39. FENDER INSTALLATION



ART_1001174129-E

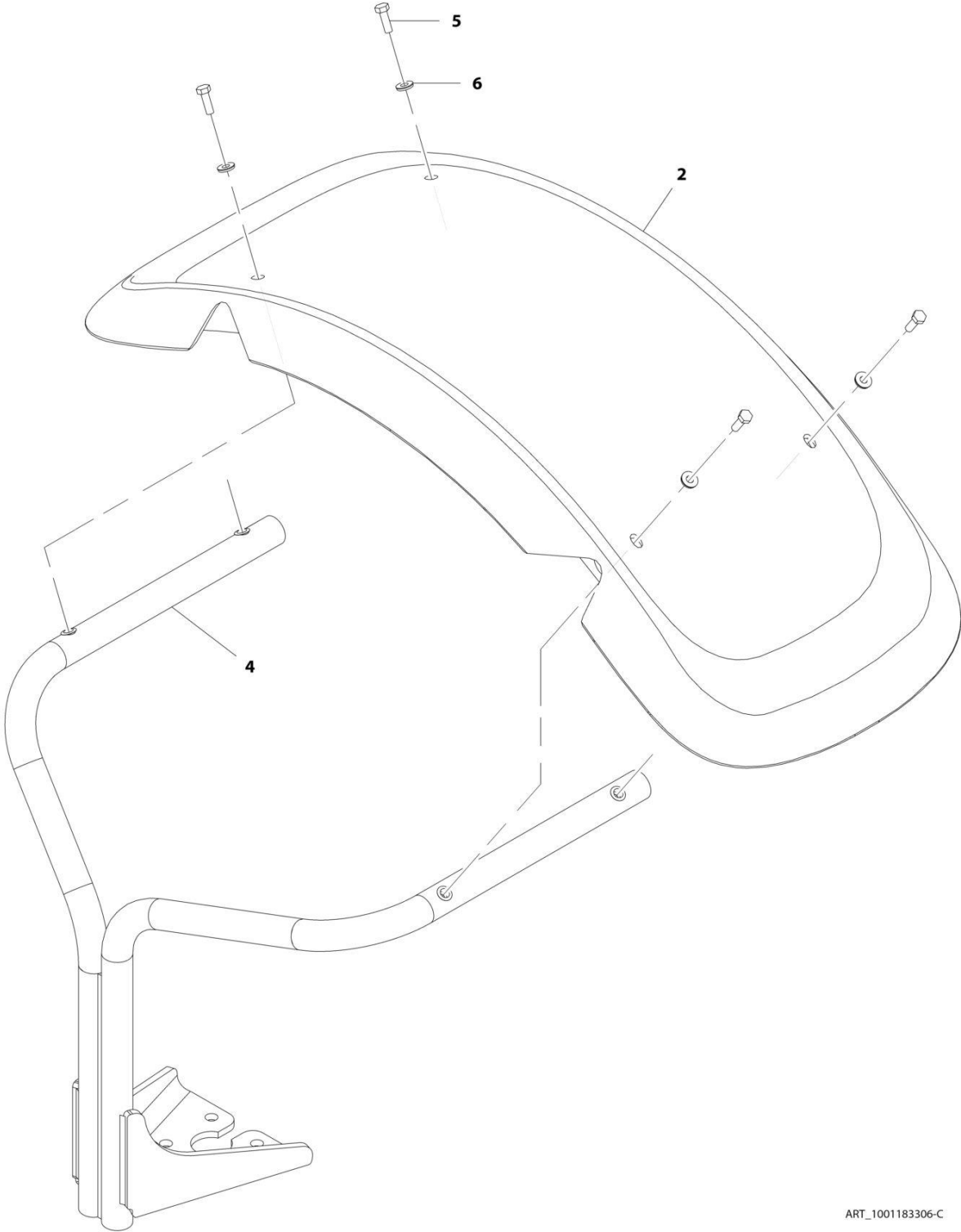
SECTION 5 - DRIVE TRAIN

FIGURE 5-39. FENDER INSTALLATION

ITEM	PART NUMBER	QTY	DESCRIPTION	REV
	1001174129	Ref	Fender Installation	E
3	1001183306	2	Assembly, RH Fender (See Separate Breakdown in this Section)	
4	1001183307	2	Assembly, LH Fender (See Separate Breakdown in this Section)	
5	4812102	16	Washer, M12	
6	91513266	16	Nut, M12X1.25	
7	91514118	16	Stud, Fender	
8	1001225317	4	Fitting, Grease	

SECTION 5 - DRIVE TRAIN

FIGURE 5-40. RH FENDER ASSEMBLY



ART_1001183306-C

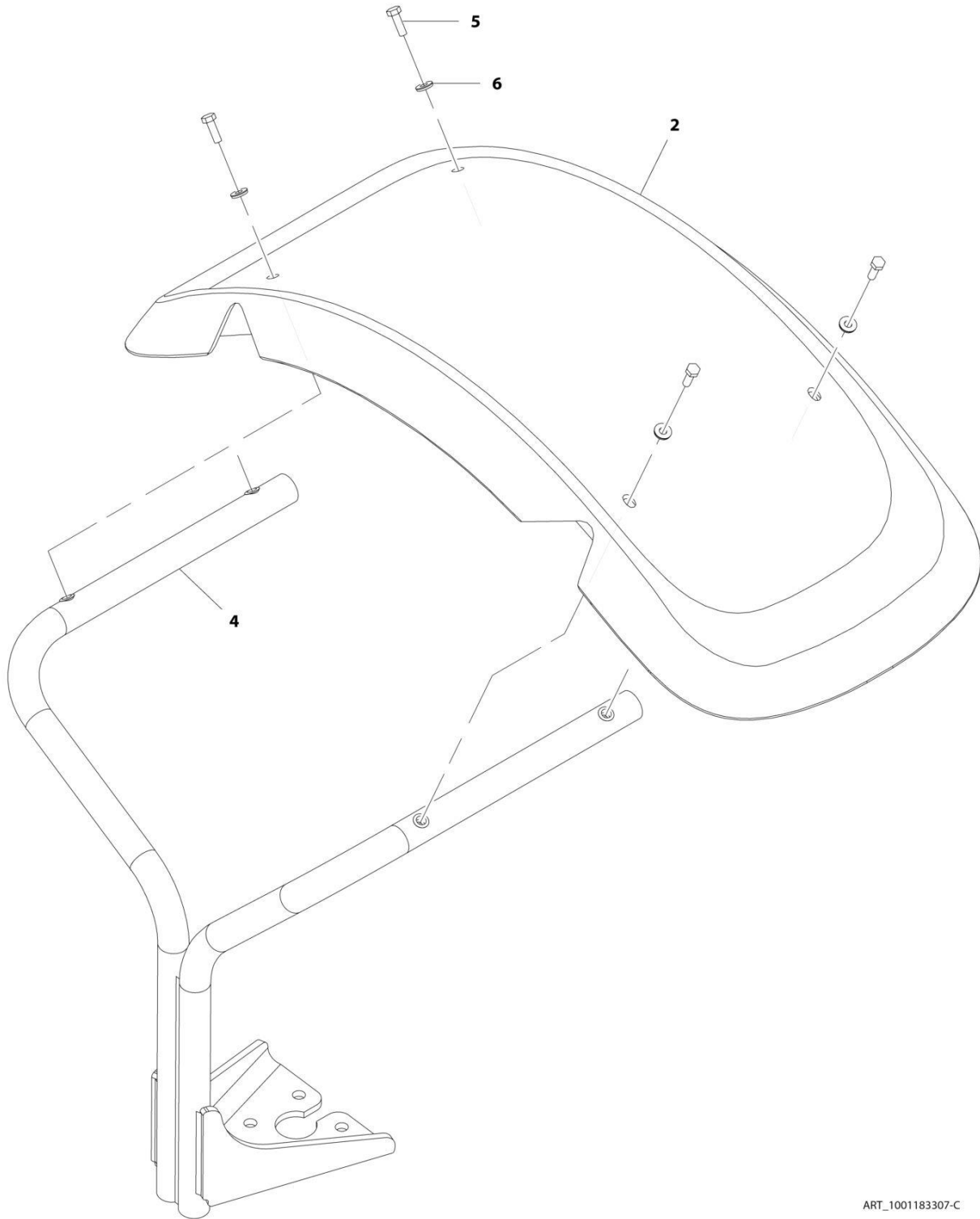
SECTION 5 - DRIVE TRAIN

FIGURE 5-40. RH FENDER ASSEMBLY

ITEM	PART NUMBER	QTY	DESCRIPTION	REV
	1001183306	Ref	RH Fender Assembly	C
2	1001168264	1	Fender	
4	1001183308	1	Bracket	
5	0760812	4	Bolt, M8X25	
6	1001202786	4	Washer	

SECTION 5 - DRIVE TRAIN

FIGURE 5-41. LH FENDER ASSEMBLY



ART_1001183307-C

SECTION 5 - DRIVE TRAIN

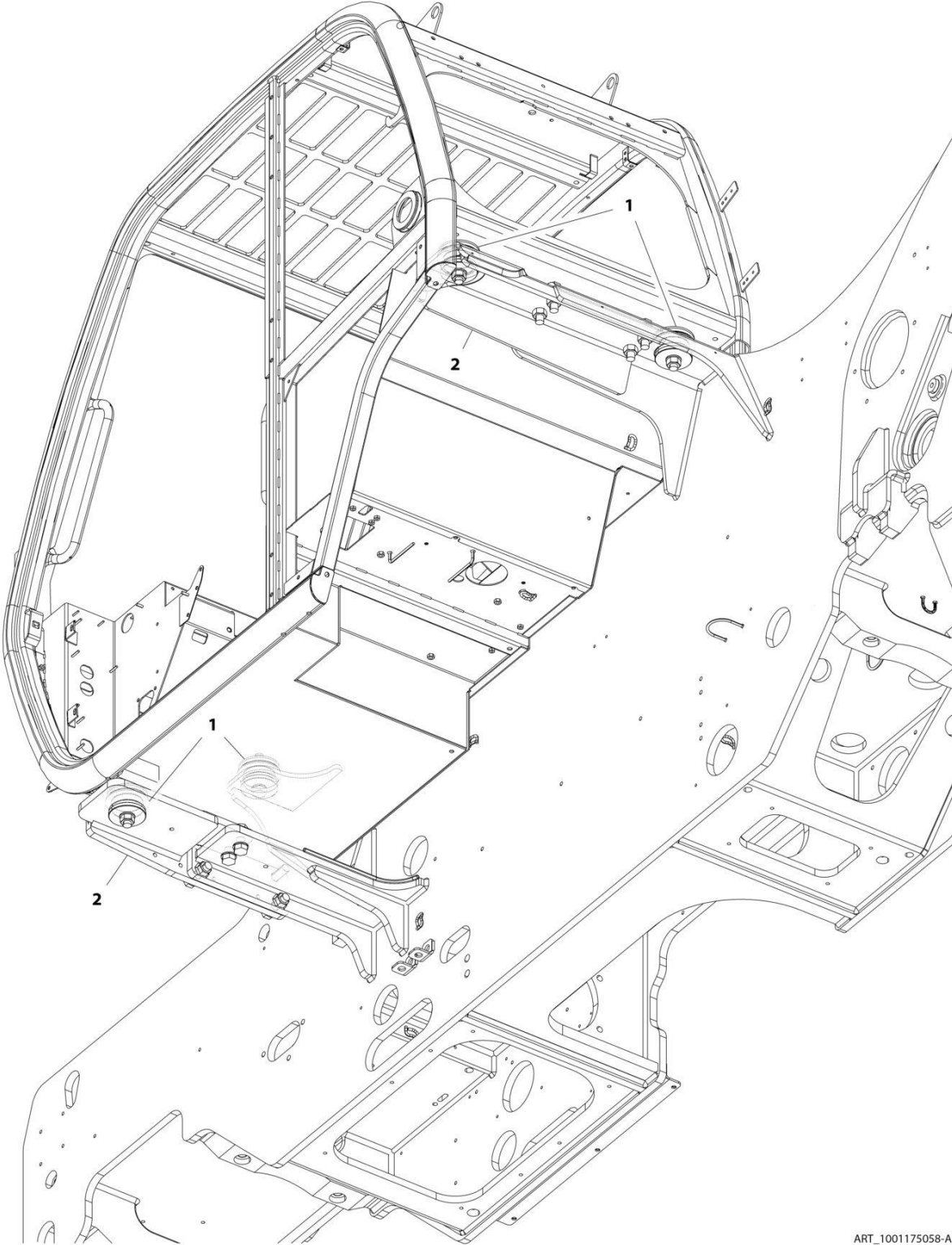
FIGURE 5-41. LH FENDER ASSEMBLY

ITEM	PART NUMBER	QTY	DESCRIPTION	REV
	1001183307	Ref	LH Fender Assembly	C
2	1001168264	1	Fender	
4	1001183309	1	Bracket	
5	0760812	4	Bolt, M8X25	
6	1001202786	4	Washer	

SECTION 6 - CAB

SECTION 6 - CAB

FIGURE 6-1. CAB MOUNTING INSTALLATION



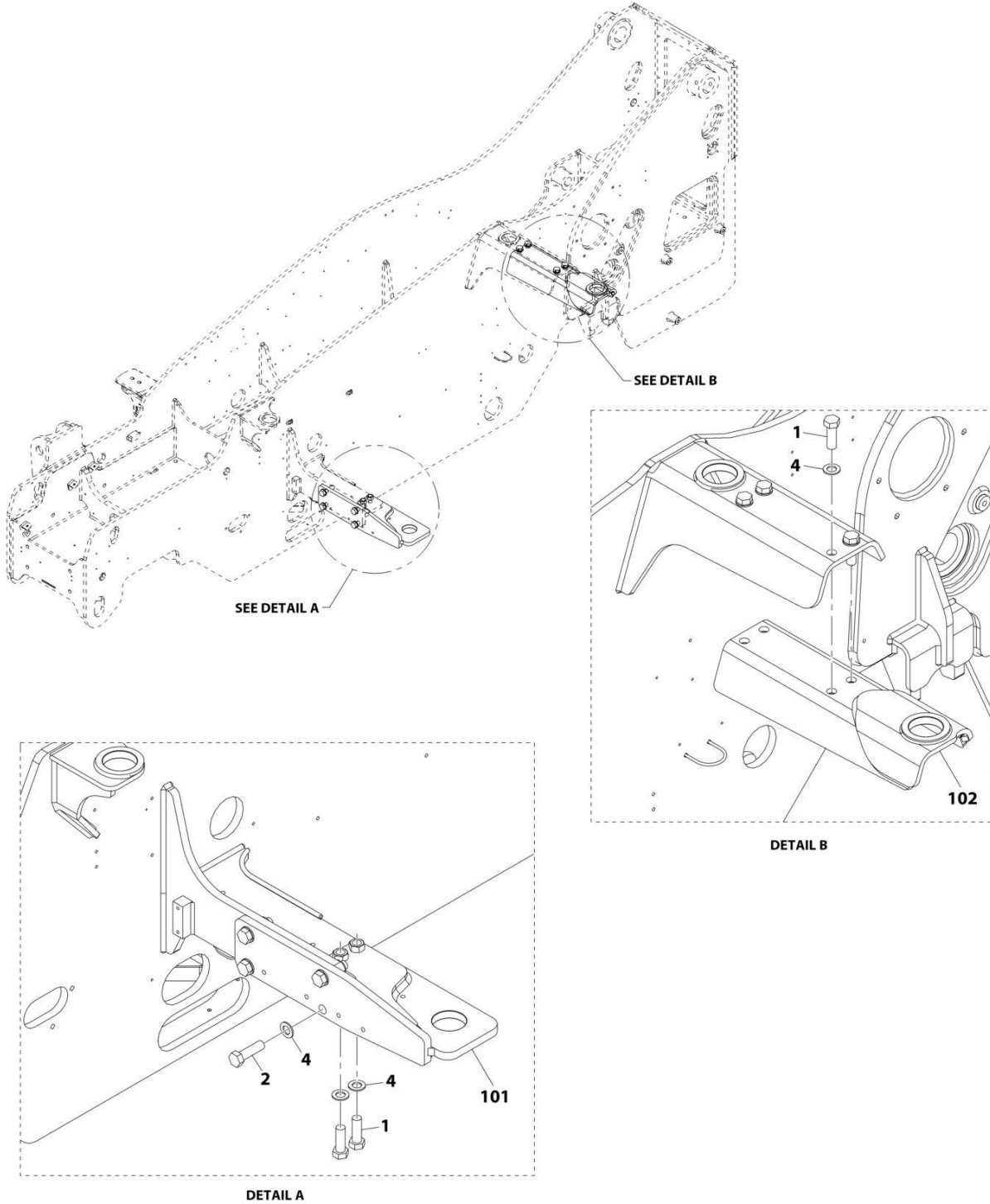
ART_1001175058-A

FIGURE 6-1. CAB MOUNTING INSTALLATION

ITEM	PART NUMBER	QTY	DESCRIPTION	REV
1	1001175058	Ref	Cab Mounting Installation	A
	1001155446	Ref	Installation, Cab Mount (See Separate Breakdown in this Section)	
	1001191255	Ref	Installation, Front Cab Mount Bracket (See Separate Breakdown in this Section)	

SECTION 6 - CAB

FIGURE 6-2. FRONT CAB MOUNT BRACKET INSTALLATION



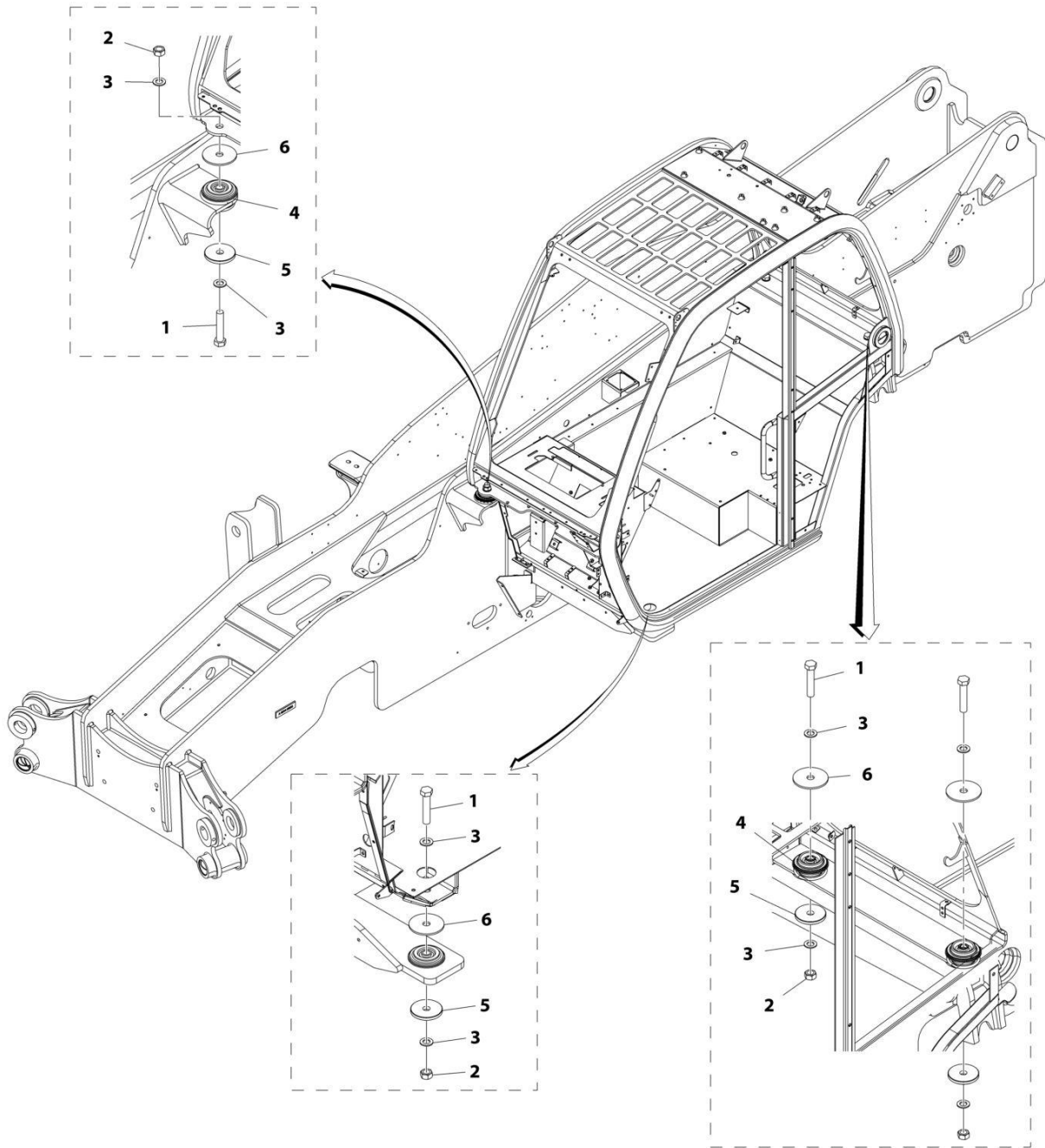
ART_1001191255-E

FIGURE 6-2. FRONT CAB MOUNT BRACKET INSTALLATION

ITEM	PART NUMBER	QTY	DESCRIPTION	REV
	1001191255	Ref	Front Cab Mount Bracket Installation	E
1	0712020	6	Bolt, M20X60	
2	0712022	4	Bolt, M20X70	
4	4812500	10	Washer, M20	
101	1001191256	1	Bracket	
102	1001191257	1	Bracket	

SECTION 6 - CAB

FIGURE 6-3. CAB MOUNTS INSTALLATION



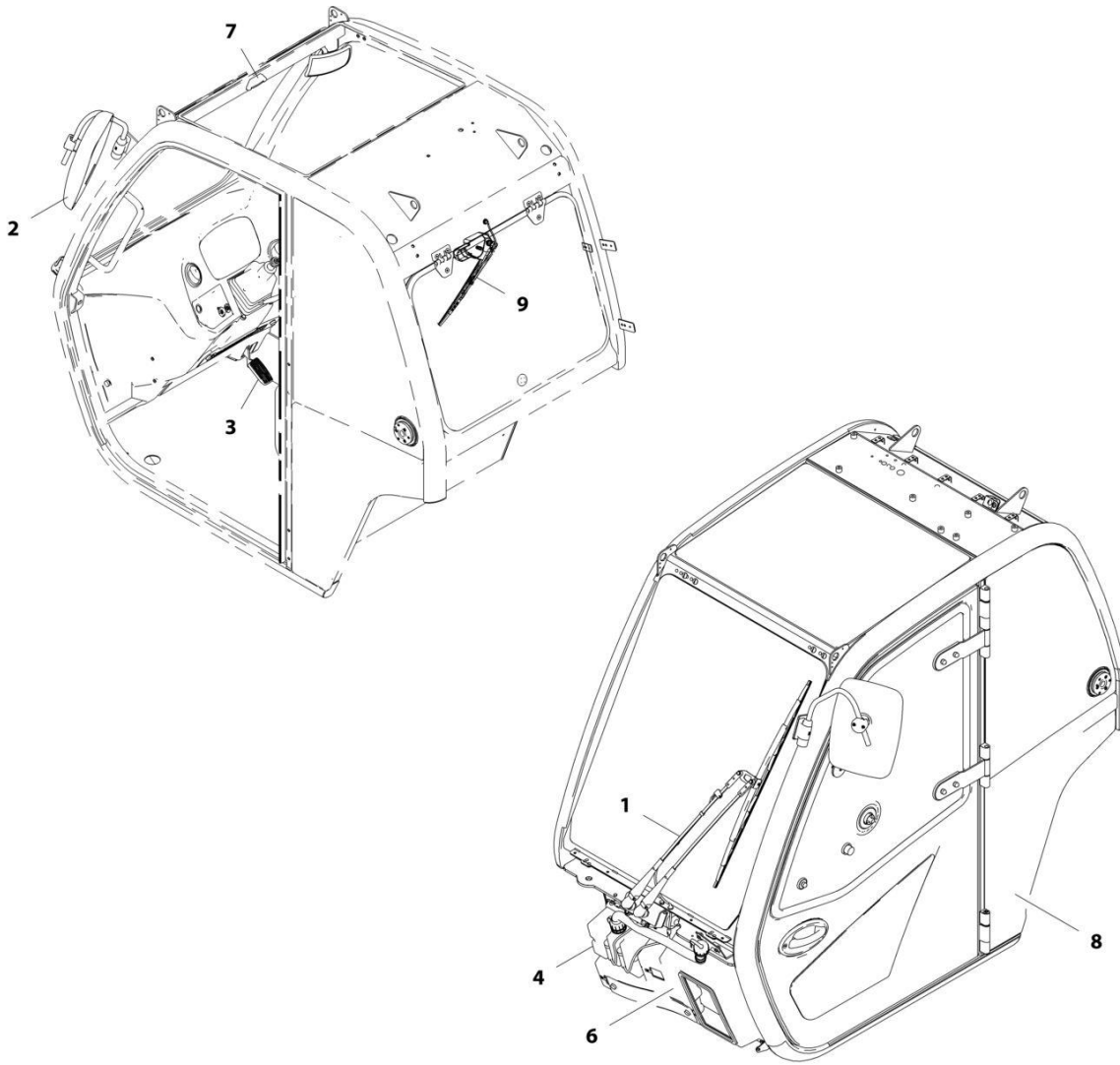
ART_1001155446-E

FIGURE 6-3. CAB MOUNTS INSTALLATION

ITEM	PART NUMBER	QTY	DESCRIPTION	REV
	1001155446	Ref	Cab Mounts Installation	E
1	0712027	4	Bolt, M20X100	
2	3332011	4	Nut, M20X2.5	
3	4812500	8	Washer, M20	
4	1001166754	4	Mount, Cab Isolation	
5	1001166755	4	Washer, Cab Rebound	
6	1001220540	4	Washer, Cab Mount	

SECTION 6 - CAB

FIGURE 6-4. CAB COMPONENTS INSTALLATION



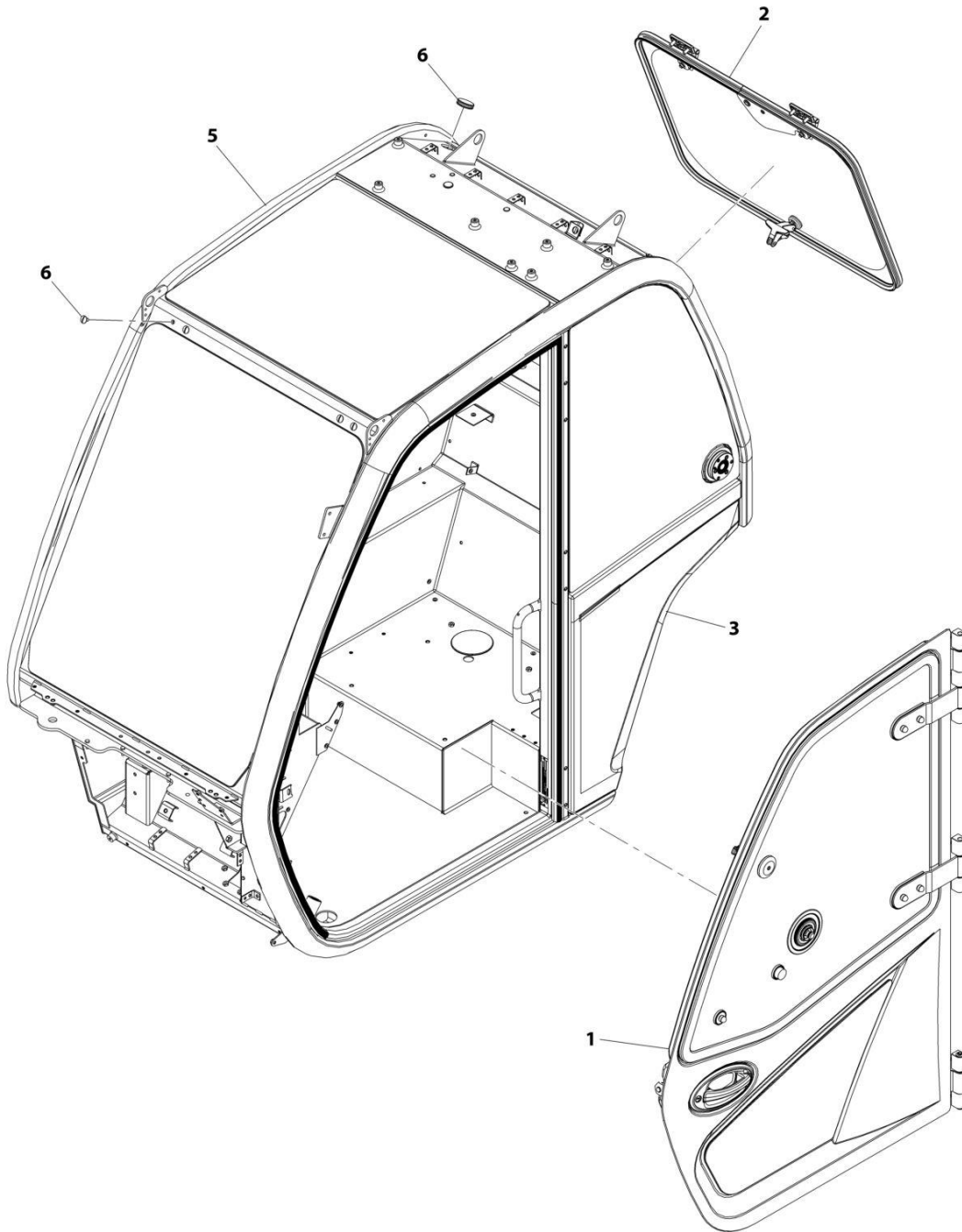
ART_1001194698

FIGURE 6-4. CAB COMPONENTS INSTALLATION

ITEM	PART NUMBER	QTY	DESCRIPTION	REV
	1001194698	Ref	Cab Components Installation	G
1	1001155447	Ref	Installation, Front Wiper (See Separate Breakdown in this Section)	
2	1001160508	Ref	Installation, Basic Mirror (See Separate Breakdown in this Section)	
3	1001161499	Ref	Installation, Accelerator Pedal (See Separate Breakdown in CONTROLS Section)	
4	1001162789	Ref	Installation, Washer Tank (See Separate Breakdown in this Section)	
6	1001170366	Ref	Installation, Front Cover (See Separate Breakdown in this Section)	
7	1001172401	Ref	Installation, Level Indicator (See Separate Breakdown in this Section)	
8	1001194699	Ref	Installation, Cab (See Separate Breakdown in this Section)	
9	1001220329	Ref	Installation, Rear Wiper (See Separate Breakdown in this Section)	

SECTION 6 - CAB

FIGURE 6-5. CAB INSTALLATION



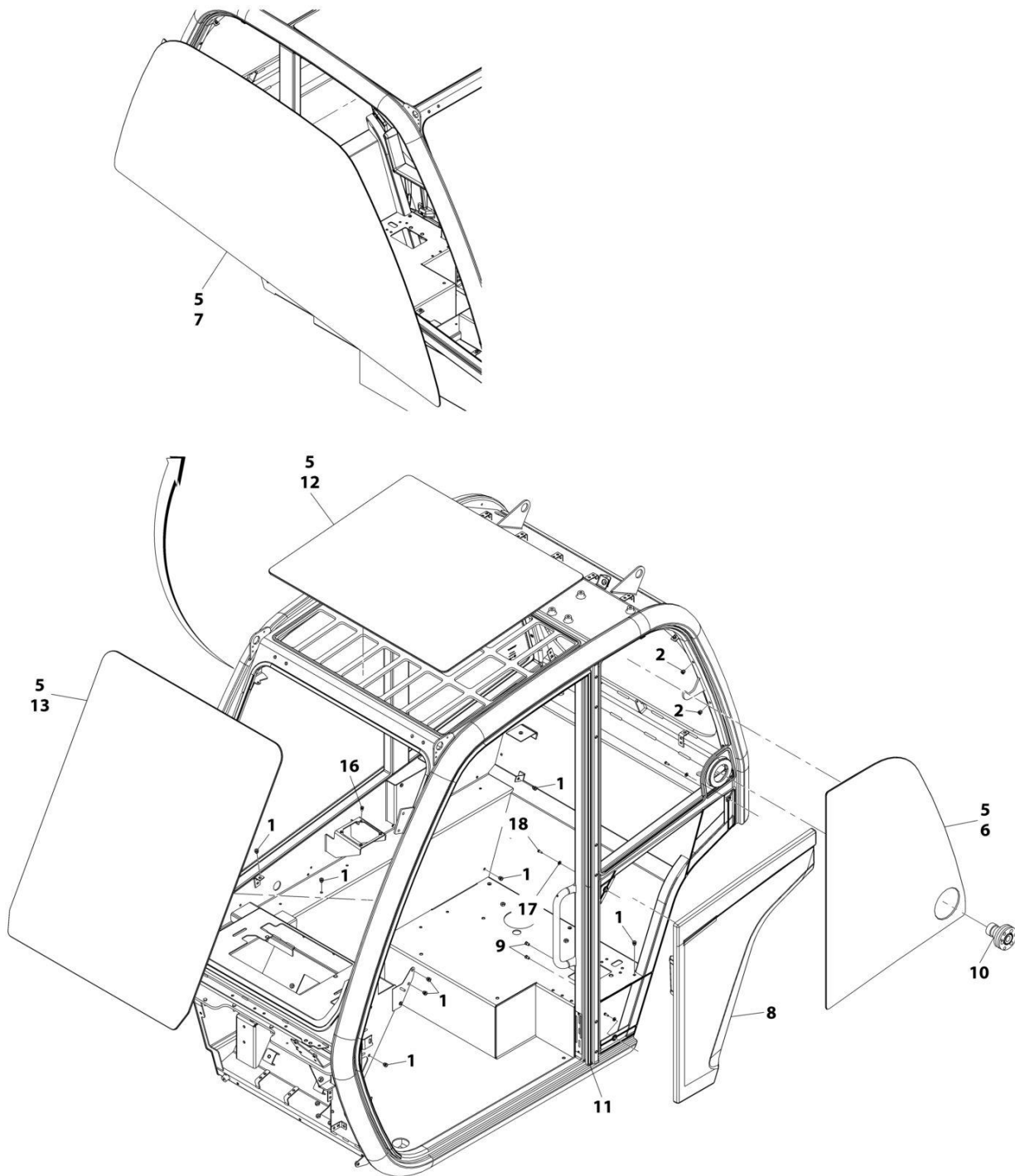
ART_1001194699

FIGURE 6-5. CAB INSTALLATION

ITEM	PART NUMBER	QTY	DESCRIPTION	REV
	1001194699	Ref	Cab Installation	L
1	1001155228	1	Installation, Cab Door (See Separate Breakdown in this Section)	
2	1001220339	1	Installation, Rear Window (See Separate Breakdown in this Section)	
3	1001194700	1	Assembly, Cab Group (See Separate Breakdown in this Section)	
5	N.S.S.	1	Weldment, Cab	
6	1001195814	1	Group, Cab Plug (See Separate Breakdown in this Section)	

SECTION 6 - CAB

FIGURE 6-6. CAB ASSEMBLY (PVC 1911)



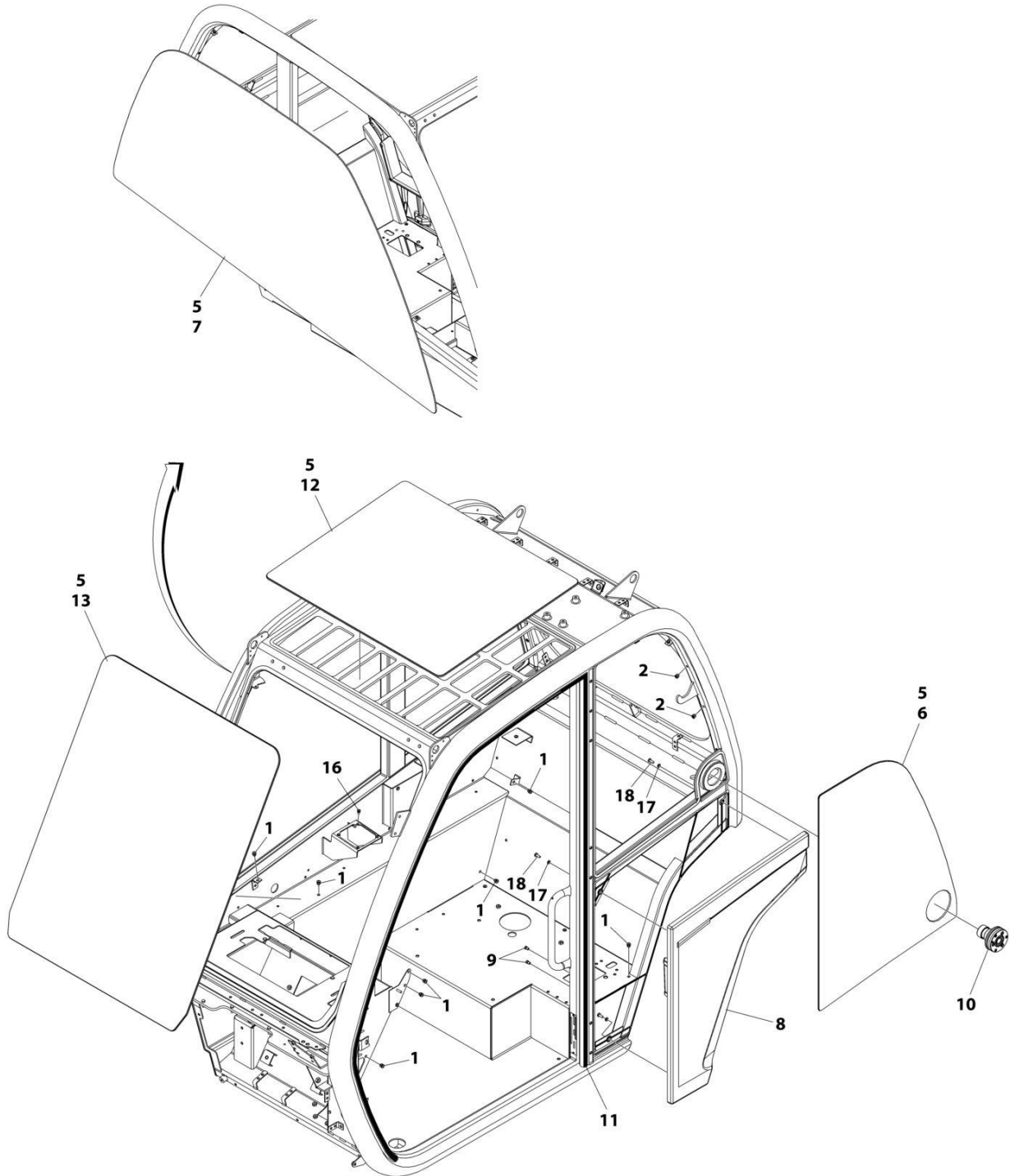
ART_1001194700-F

FIGURE 6-6. CAB ASSEMBLY (PVC 1911)

ITEM	PART NUMBER	QTY	DESCRIPTION	REV
	1001194700	Ref	Cab Assembly	G
1	2080086	25	Rivnut M6 x 1	
2	2080087	16	Rivnut M8 x 1.25	
5	1001111317	AR	Compound, Locking	
6	1001152915	1	Glass, LH Screen	
7	1001152947	1	Glass, RH Screen	
8	1001256073	1	Panel, Cab Quarter	
9	1001172193	2	Rivnut M5 x 0.8	
10	1001174320	1	Latch, Top Window	
11	1001227186	1	Seal, Cab Door	
12	1001178159	1	Glass, Roof Laminated	
13	1001178160	1	Glass, Front Laminated	
16	1001195878	4	Rivnut M5 x 0.8	
17	4811700	3	Washer M6	
18	4010608002	3	Screw	

SECTION 6 - CAB

FIGURE 6-7. CAB ASSEMBLY (PVC 2005)



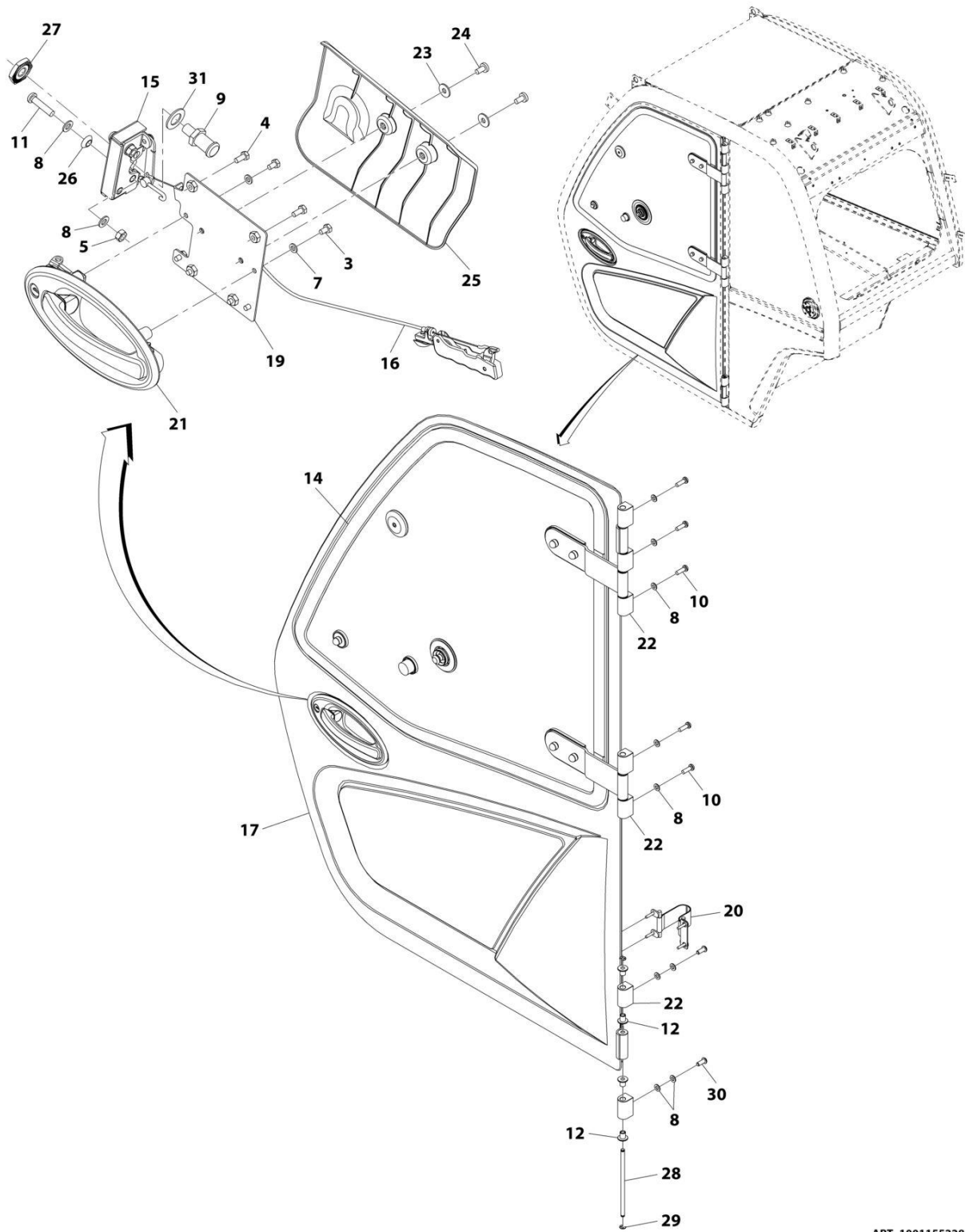
ART_1001194700_G

FIGURE 6-7. CAB ASSEMBLY (PVC 2005)

ITEM	PART NUMBER	QTY	DESCRIPTION	REV
	1001194700	Ref	Cab Assembly	G
1	2080086	25	Rivnut M6 x 1	
2	2080087	16	Rivnut M8 x 1.25	
5	1001111317	AR	Compound, Locking	
6	1001152915	1	Glass, LH Screen	
7	1001152947	1	Glass, RH Screen	
8	1001256073	1	Panel, Cab Quarter	
9	1001172193	2	Rivnut M5 x 0.8	
10	1001174320	1	Latch, Top Window	
11	1001227186	1	Seal, Cab Door	
12	1001178159	1	Glass, Roof Laminated	
13	1001178160	1	Glass, Front Laminated	
16	1001195878	4	Rivnut M5 x 0.8	
17	4811700	3	Washer M6	
18	4010608002	3	Screw M6 x 16	

SECTION 6 - CAB

FIGURE 6-8. DOOR INSTALLATION



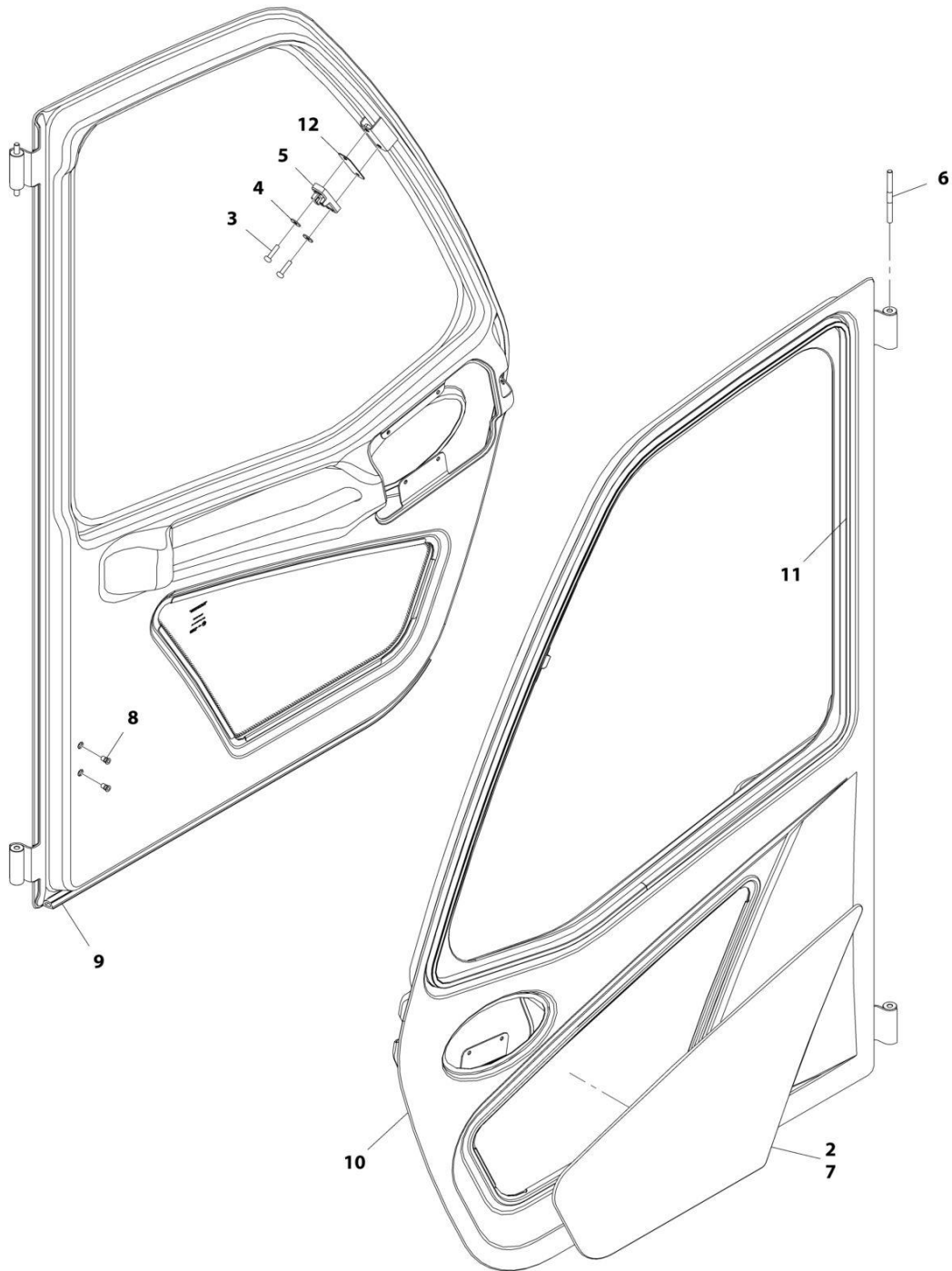
ART_1001155228

FIGURE 6-8. DOOR INSTALLATION

ITEM	PART NUMBER	QTY	DESCRIPTION	REV
	1001155228	Ref	Door Installation	Q
3	0760605	4	Bolt, M6X10	
4	0760607	4	Bolt, M6X14	
5	3290801	2	Nut, M8X1.25 Grade 8	
7	4811700	4	Washer, M6	
8	4811900	13	Washer, M8	
9	8000803	1	Pin, Door Striker	
10	1001008988	5	Screw M8X25	
11	1001047062	2	Screw, M8X35	
12	1001107192	10	Sleeve, Hinge	
14	1001205532	1	Assembly, Door Upper Glass (See Separate Breakdown in this Section)	
15	1001192766	1	Assembly, Cab Latch (See Separate Breakdown in this Section)	
16	1001167958	1	Assembly, Cab Door Trigger (See Separate Breakdown in this Section)	
17	1001170114	1	Assembly, Door (See Separate Breakdown in this Section)	
19	1001173298	1	Bracket	
20	1001174295	1	Installation, Door Strap (See Separate Breakdown in this Section)	
21	1001192646	1	Handle, Exterior Door	
22	1001229543	7	Block, Hinge (Rounded Top/Bottom Edge)	
22	1001170601J	7	Block, Hinge (Square Top/Bottom Edge)	
23	4811702001	2	Washer, M6	
24	4010608002	2	Screw, Posi-Drive, M6X16	
25	1001175477	1	Cover, Cab Door Interior	
26	1001184439	2	Bushing	
27	1001192309	1	Nut, M12X1	
28	1001213791	1	Pin	
29	0498748	2	Washer, Lock M7	
30	1001164726	2	Bolt, M8X20	
31	1001227802	1	Washer	

SECTION 6 - CAB

FIGURE 6-9. DOOR ASSEMBLY



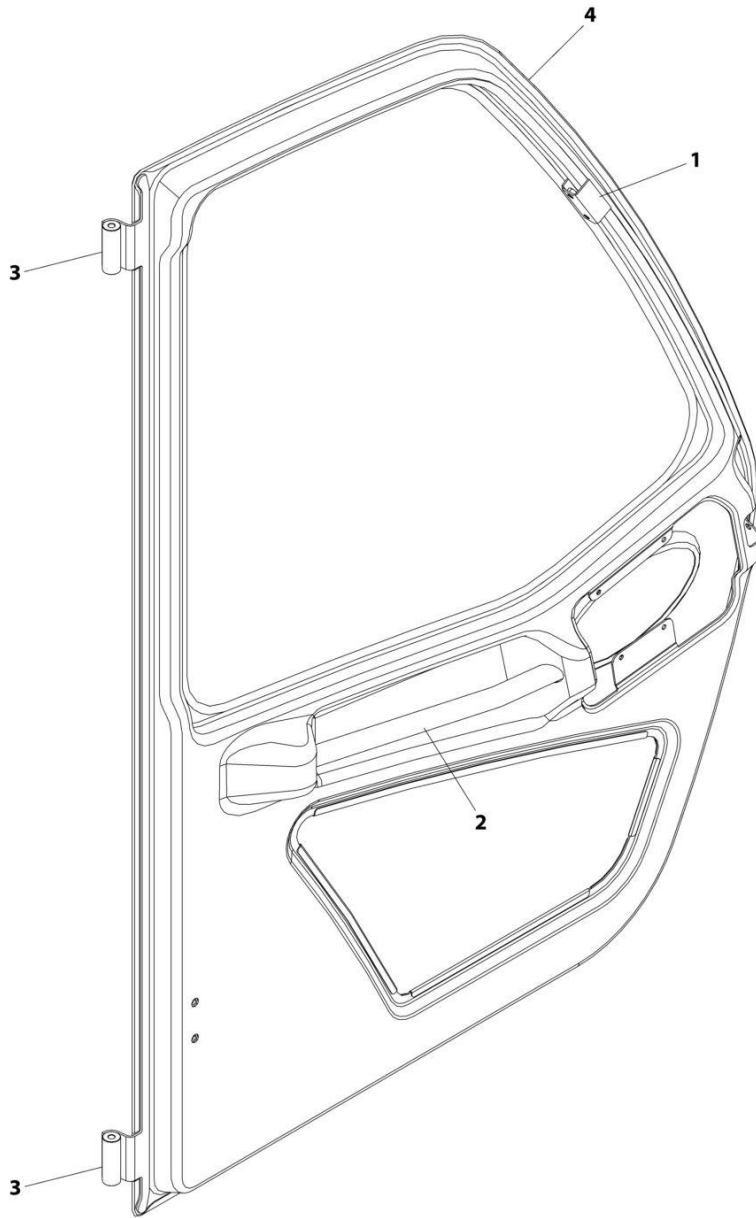
ART_1001170114

FIGURE 6-9. DOOR ASSEMBLY

ITEM	PART NUMBER	QTY	DESCRIPTION	REV
	1001170114	Ref	Door Assembly	K
2	1001111317	AR	Compound, Locking	
3	4010612002	2	Screw, M6X25	
4	4811702001	2	Washer, M6	
5	1001165276	1	Plate, Window Latch Striker	
6	1001166634	1	Pin, Hinge	
7	1001169880	1	Window, Lower Glass	
8	1001172193	2	Rivnut, M5X0.8	
9	1001227188	1	Seal, Cab Door	
10	1001170113J	1	Door, Cab (See Separate Breakdown in this Section)	
11	1001227187	1	Seal, Cab Door Window	
12	1001193210	AR	Shim, Window Latch	

SECTION 6 - CAB

FIGURE 6-10. CAB DOOR



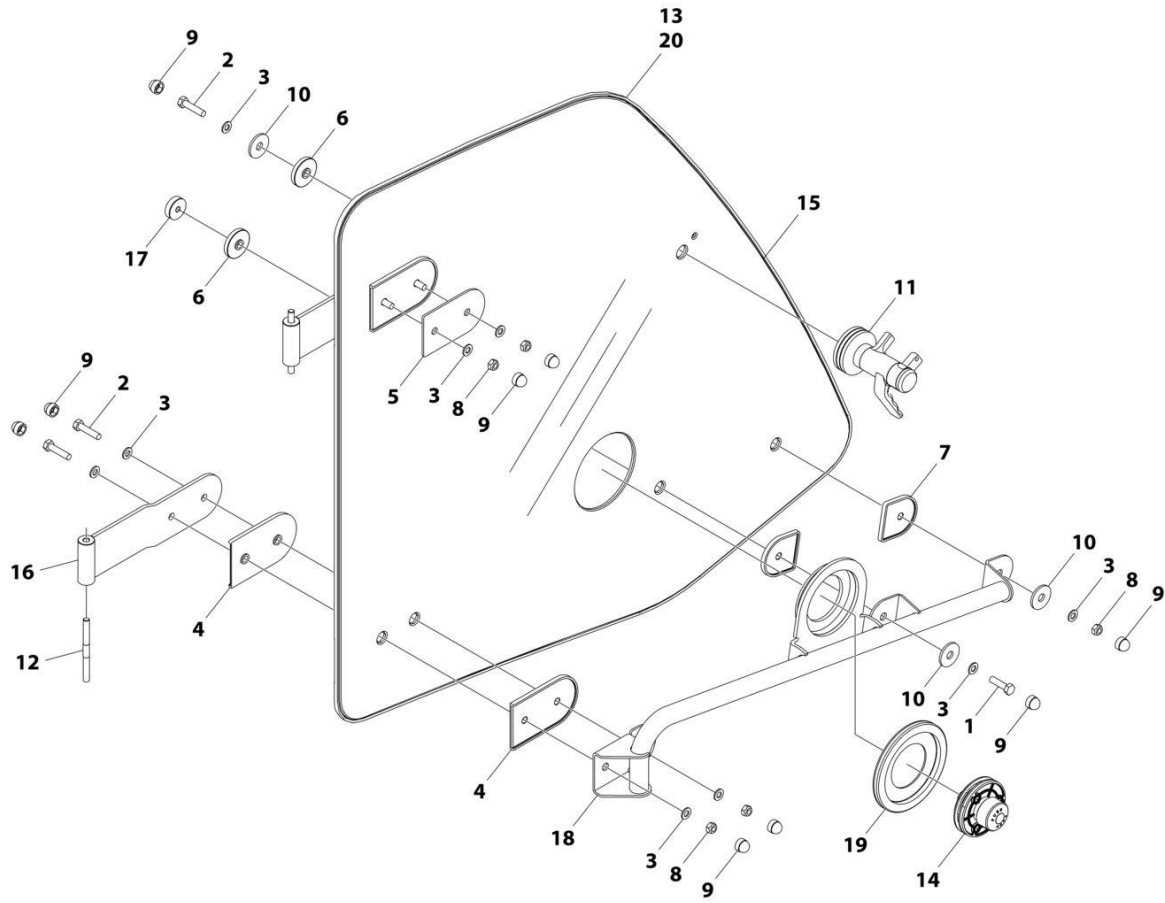
ART_1001170113J-E

FIGURE 6-10. CAB DOOR

ITEM	PART NUMBER	QTY	DESCRIPTION	REV
	1001170113J	Ref	Cab Door	E
1	1001169883	1	Bracket, Window Latch	
2	1001169885	1	Handle, Interior Door	
3	1001171037	1	Plate, Hinge	
4	1001171635	1	Frame, Door	

SECTION 6 - CAB

FIGURE 6-11. GLASS ASSEMBLY - DOOR UPPER



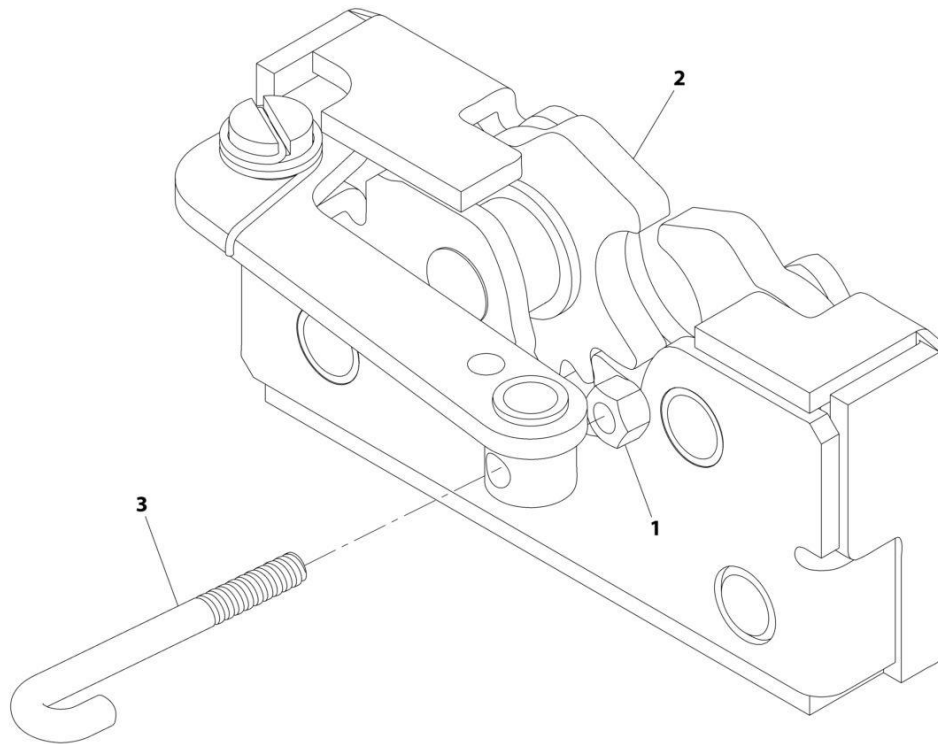
ART_1001205532

FIGURE 6-11. GLASS ASSEMBLY - DOOR UPPER

ITEM	PART NUMBER	QTY	DESCRIPTION	REV
	1001205532	Ref	Door Upper Glass Assembly	G
1	0760812	1	Bolt, M8X25	
2	0760815	5	Bolt, M8X35	
3	4811900	11	Washer, 8MM	
4	1001002946	4	Mount, Hinge	
5	1001002947	1	Mount, Hinge	
6	1001002953	2	Mount, Rubber	
7	1001002957	2	Mount, Latch	
8	1001008857	5	Nut, Lock	
9	1001096365	11	Cap, M8	
10	1001141246	3	Mount, Rubber	
11	1001165275	1	Latch, Window	
12	1001166634	2	Pin, Hinge	
13	1001170944	1	Panel, Window Surround	
14	1001174321	1	Striker, Top Window	
15	1001204066	1	Glass, Window	
16	1001204115	2	Hinge	
17	1001222741	1	Buffer, Cab	
18	1001204120	1	Handle	
19	1001213331	1	Gasket	
20	1001215531	AR	Adhesive	

SECTION 6 - CAB

FIGURE 6-12. CAB LATCH ASSEMBLY



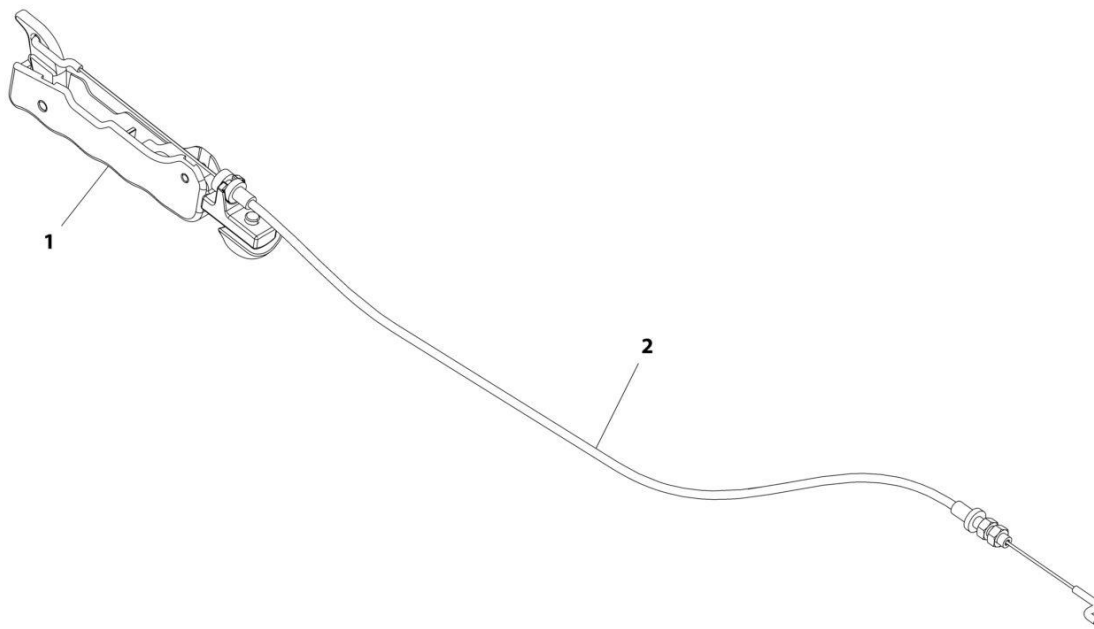
ART_1001192766_C

FIGURE 6-12. CAB LATCH ASSEMBLY

ITEM	PART NUMBER	QTY	DESCRIPTION	REV
	1001192766	Ref	Cab Latch Assembly	C
1	3290405	1	Nut, M4X0.7 Grade 8	
2	1001192643	1	Latch	
3	1001241308	1	Link, Door Handle	

SECTION 6 - CAB

FIGURE 6-13. CAB DOOR TRIGGER ASSEMBLY



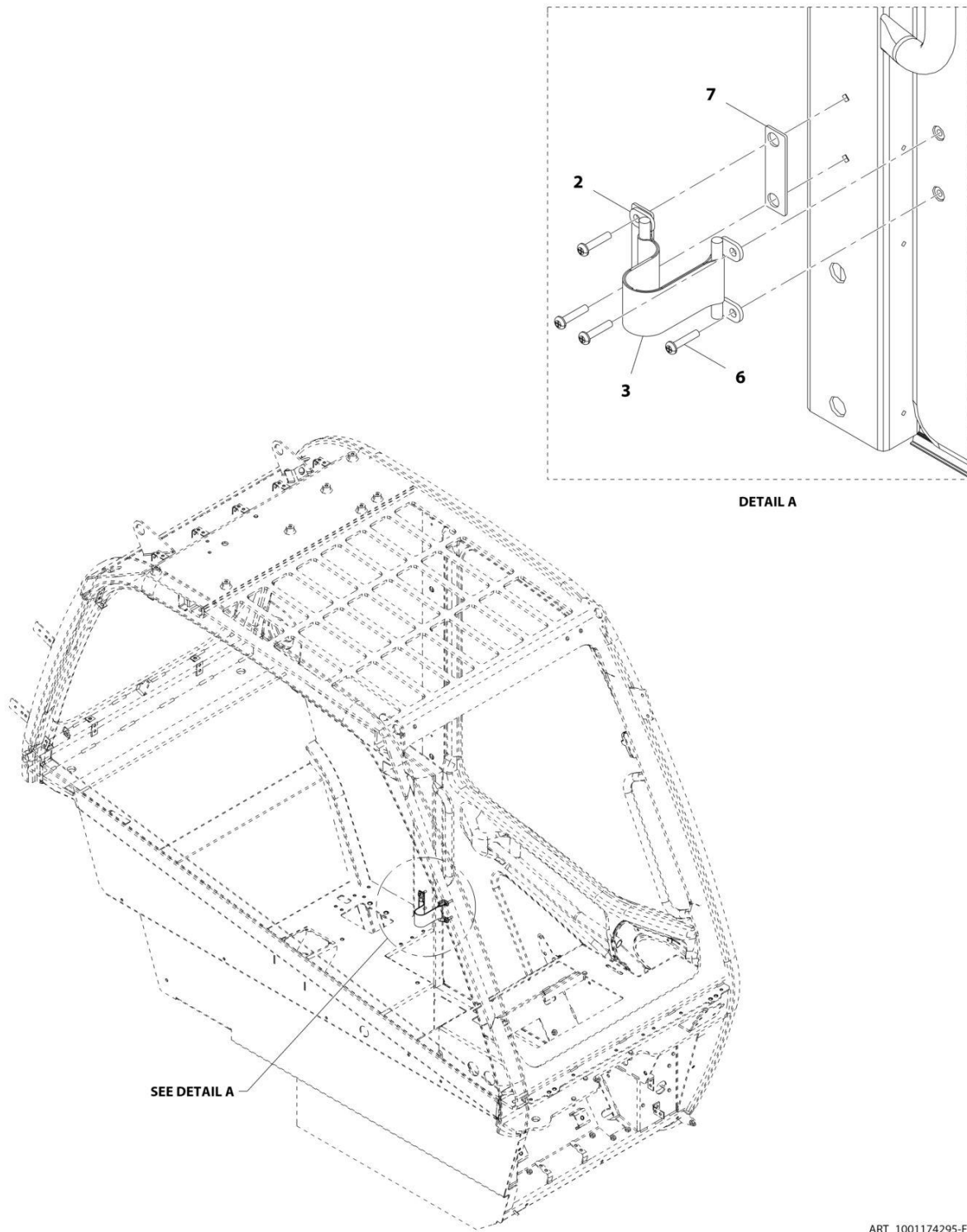
ART_1001167958-E

FIGURE 6-13. CAB DOOR TRIGGER ASSEMBLY

ITEM	PART NUMBER	QTY	DESCRIPTION	REV
	1001167958	Ref	Cab Door Trigger Assembly	E
1	1001167937	1	Trigger, Cab Interior Release	
2	1001192644	1	Cable, Cab Latch Release	

SECTION 6 - CAB

FIGURE 6-14. DOOR STRAP INSTALLATION



SEE DETAIL A

DETAIL A

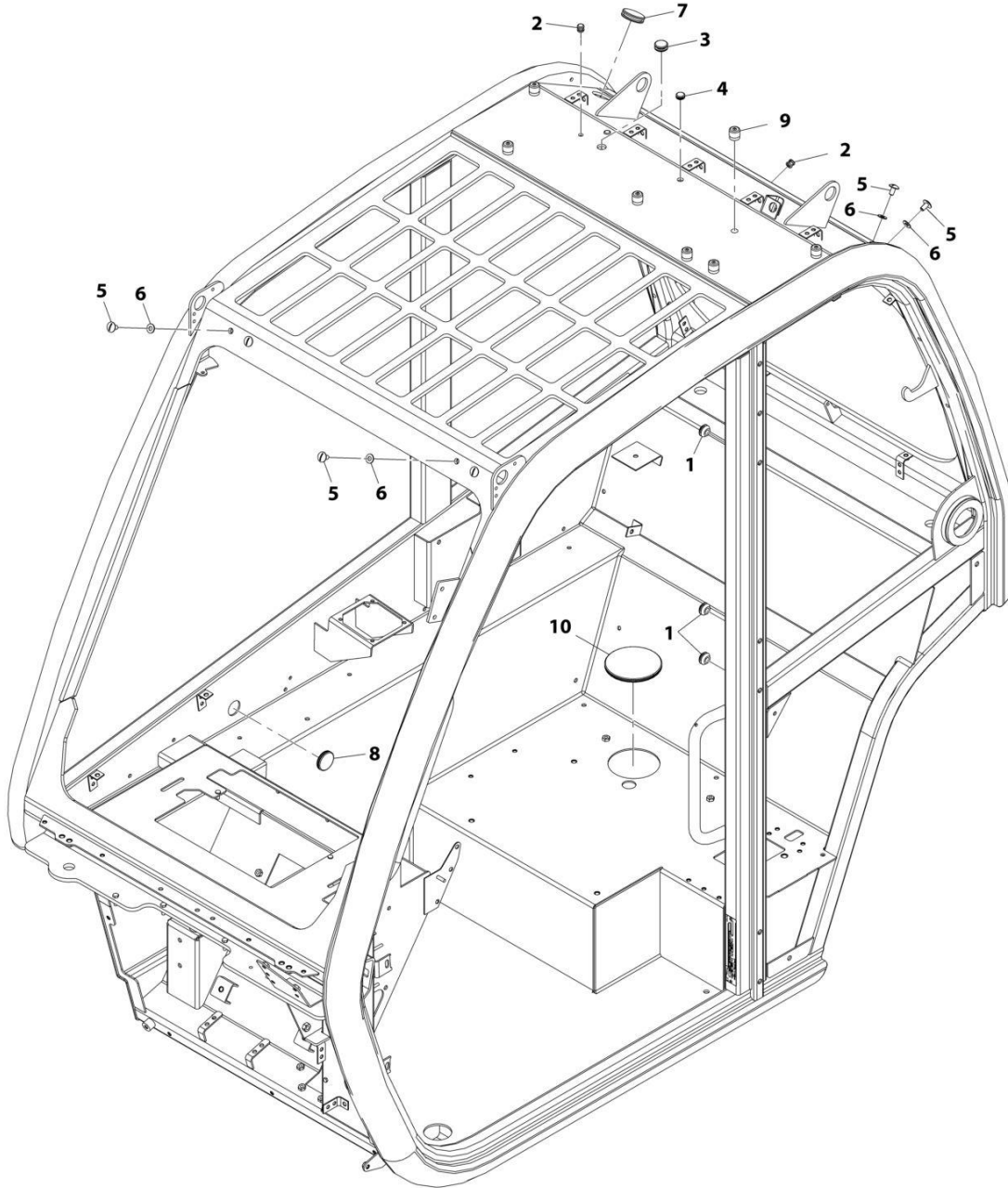
ART_1001174295-F

FIGURE 6-14. DOOR STRAP INSTALLATION

ITEM	PART NUMBER	QTY	DESCRIPTION	REV
	1001174295	Ref	Door Strap Installation	F
2	1001230163	2	Bracket, Strap Holder	
3	1001212011	1	Strap, Door Hold Open	
6	8310559	4	Screw	
7	1001191091	1	Plate, Cab Door Strap	

SECTION 6 - CAB

FIGURE 6-15. CAB PLUG GROUP



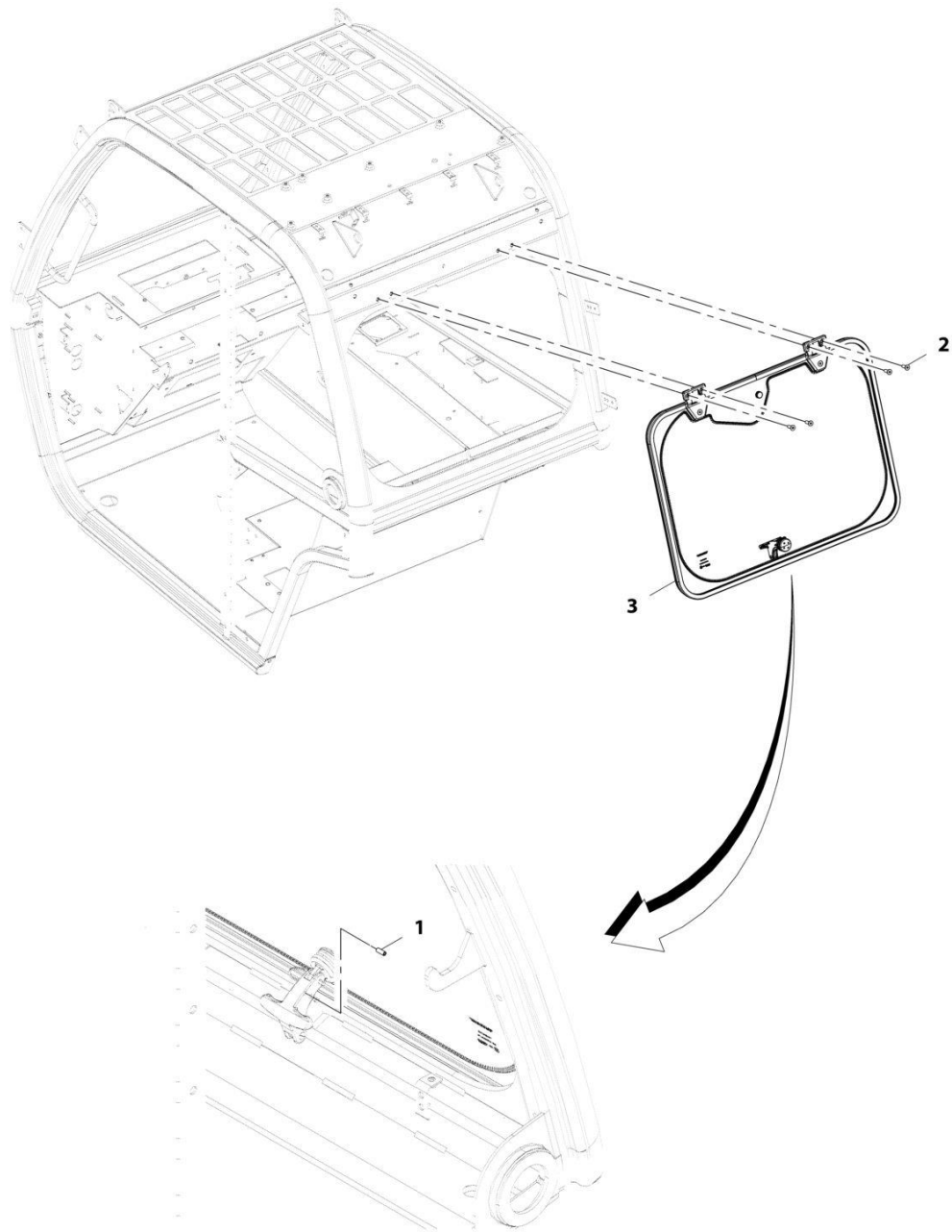
ART_1001195814-C

FIGURE 6-15. CAB PLUG GROUP

ITEM	PART NUMBER	QTY	DESCRIPTION	REV
	1001195814	Ref	Cab Plug Group	C
1	1001143200	7	Plug	
2	1001176272	3	Plug	
3	1001176273	1	Plug	
4	1001176626	1	Plug	
5	1001181920	8	Screw, Nylon M8X16	
6	1001181921	8	Washer, Rubber M8	
7	1001182123	2	Plug	
8	1001182139	1	Plug	
9	1001219220	7	Plug	
10	1001209899	1	Plug	

SECTION 6 - CAB

FIGURE 6-16. REAR WINDOW INSTALLATION



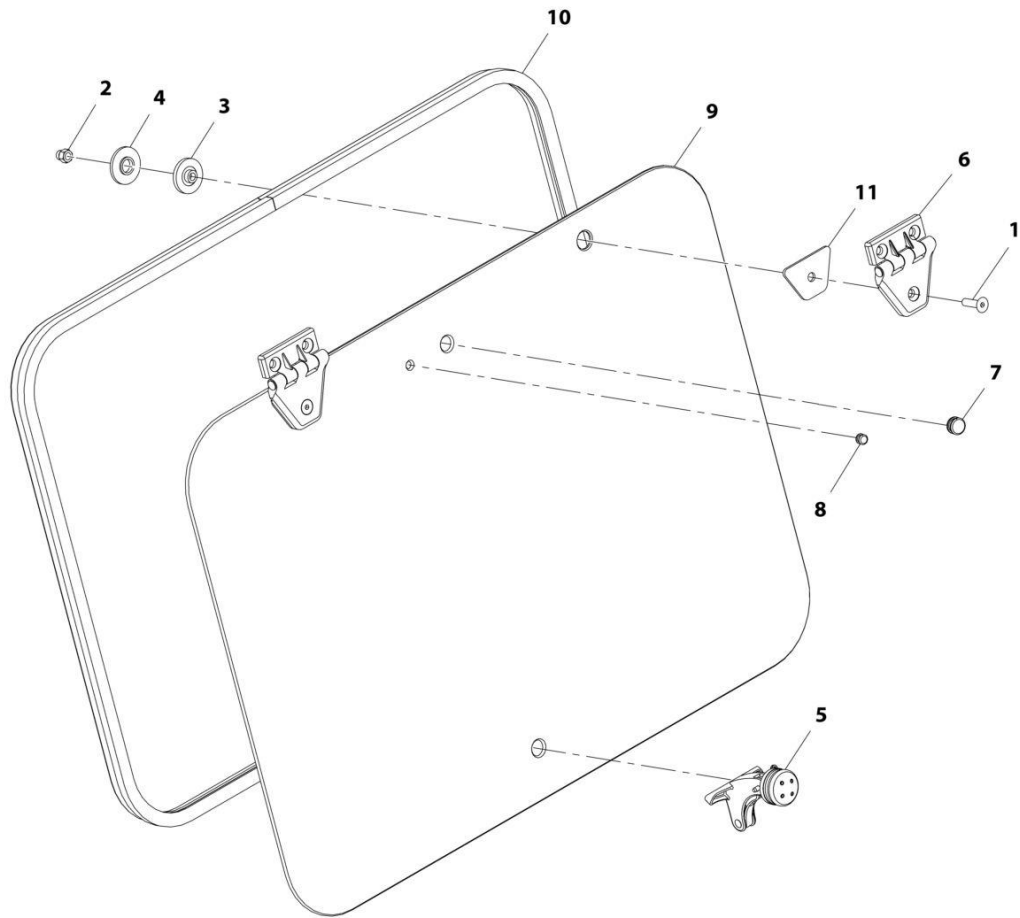
ART_1001220339-A

FIGURE 6-16. REAR WINDOW INSTALLATION

ITEM	PART NUMBER	QTY	DESCRIPTION	REV
	1001220339	Ref	Rear Window Installation	A
1	1001003043	1	Pin, Spring	
2	1001097586	4	Screw, M8X1.25	
3	1001220338	1	Assembly, Rear Window (See Separate Breakdown in this Section)	

SECTION 6 - CAB

FIGURE 6-17. REAR WINDOW GROUP



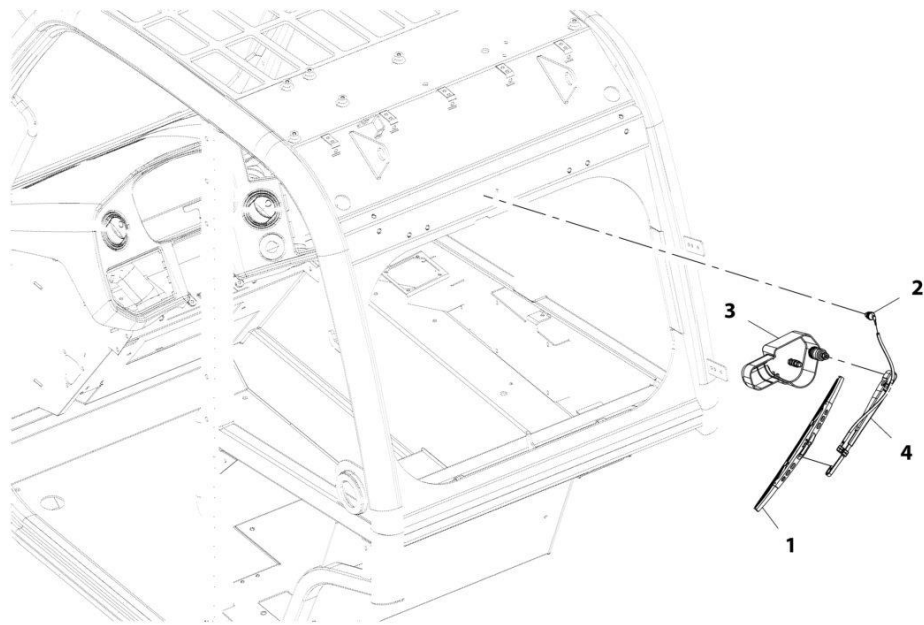
ART_1001220338-A

FIGURE 6-17. REAR WINDOW GROUP

ITEM	PART NUMBER	QTY	DESCRIPTION	REV
	1001220338	Ref	Rear Window Group	A
1	2080078	2	Fastener, M8X30	
2	3290806	2	Nut, M8X1.25 Grade 8	
3	8000759	2	Spacer	
4	8004398	2	Spacer	
5	1001005368	1	Latch, Window	
6	1001139568	2	Hinge	
7	1001171182	1	Grommet	
8	1001171183	1	Grommet	
9	1001178680	1	Glass, Rear Window	
10	1001178681	1	Seal	
11	1001181411	2	Gasket, Rear Window Hinge	

SECTION 6 - CAB

FIGURE 6-18. REAR WIPER INSTALLATION



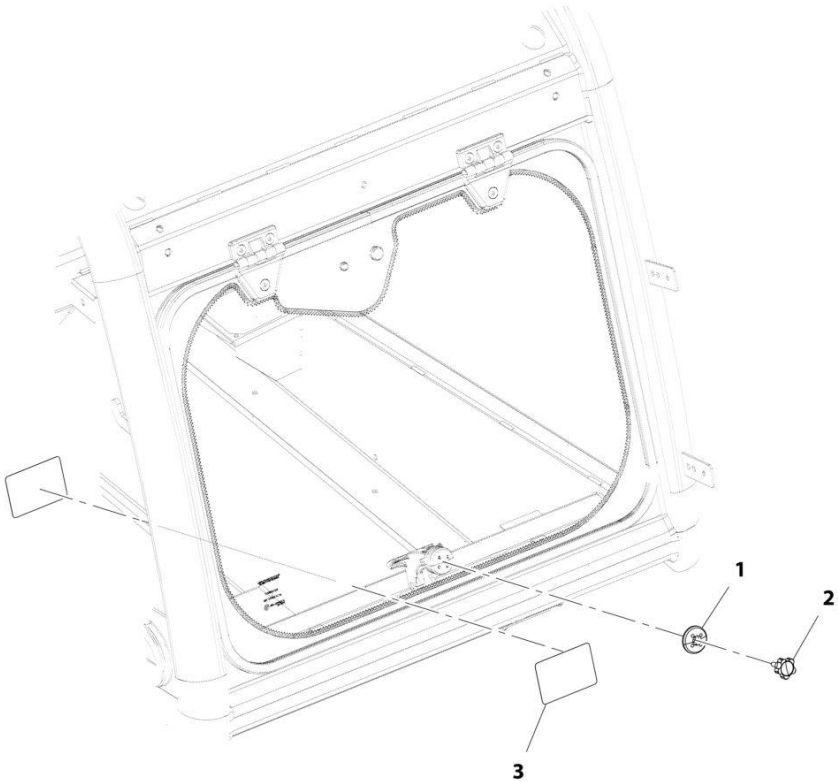
ART_1001220329-A

FIGURE 6-18. REAR WIPER INSTALLATION

ITEM	PART NUMBER	QTY	DESCRIPTION	REV
	1001220329	Ref	Rear Wiper Installation	A
1	4807718	1	Wiper Blade, Oslv Italia	
2	1001090343	1	Connector	
3	1001139552	1	Motor, Wiper, Rear Window	
4	1001141312	1	Blade, Arm, Rear Window	

SECTION 6 - CAB

FIGURE 6-19. REAR WINDOW RELEASE INSTALLATION (ANSI - ENGLISH)



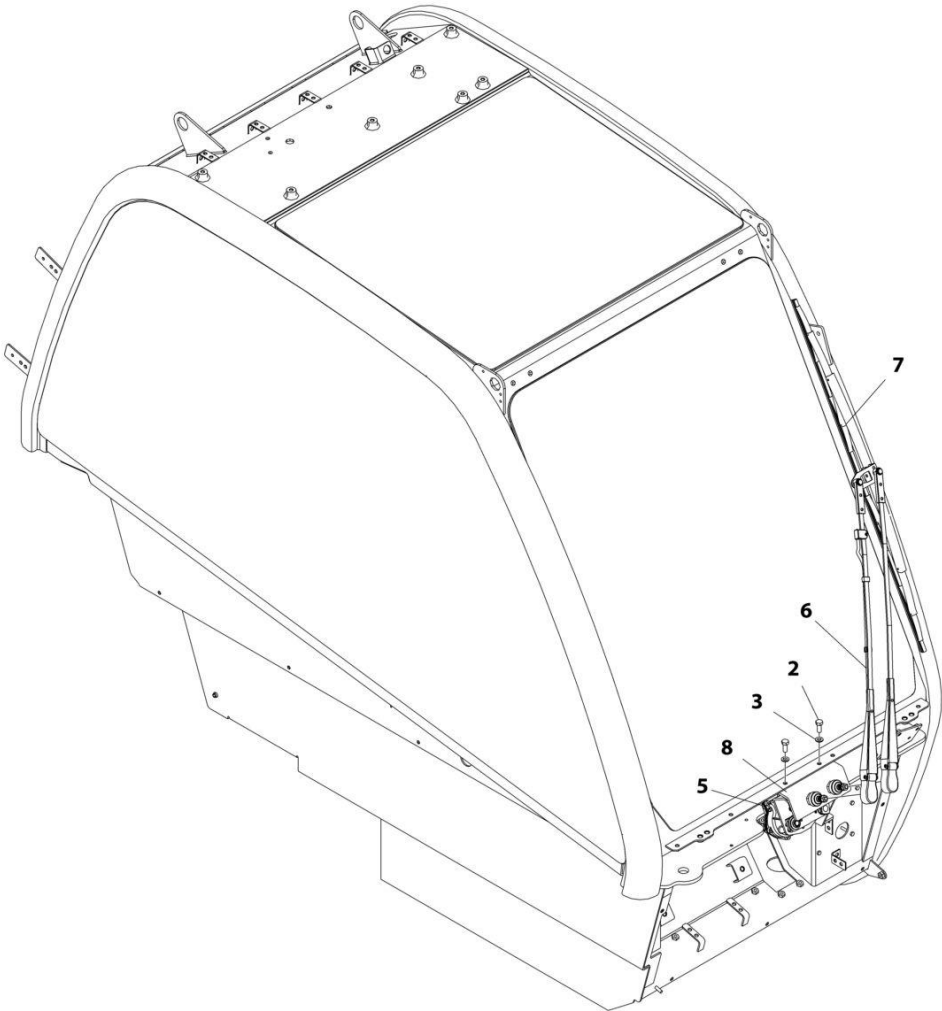
ART_1001212048-A

FIGURE 6-19. REAR WINDOW RELEASE INSTALLATION (ANSI - ENGLISH)

ITEM	PART NUMBER	QTY	DESCRIPTION	REV
	1001212048	Ref	Rear Window Installation (WO/Wiper) (ISO)	A
1	1001179008	1	Cap, Latch Window	
2	1001179009	1	Cap, Knob M6	
3	1001212050	2	Decal, Emergency Exit	

SECTION 6 - CAB

FIGURE 6-20. FRONT WIPER INSTALLATION



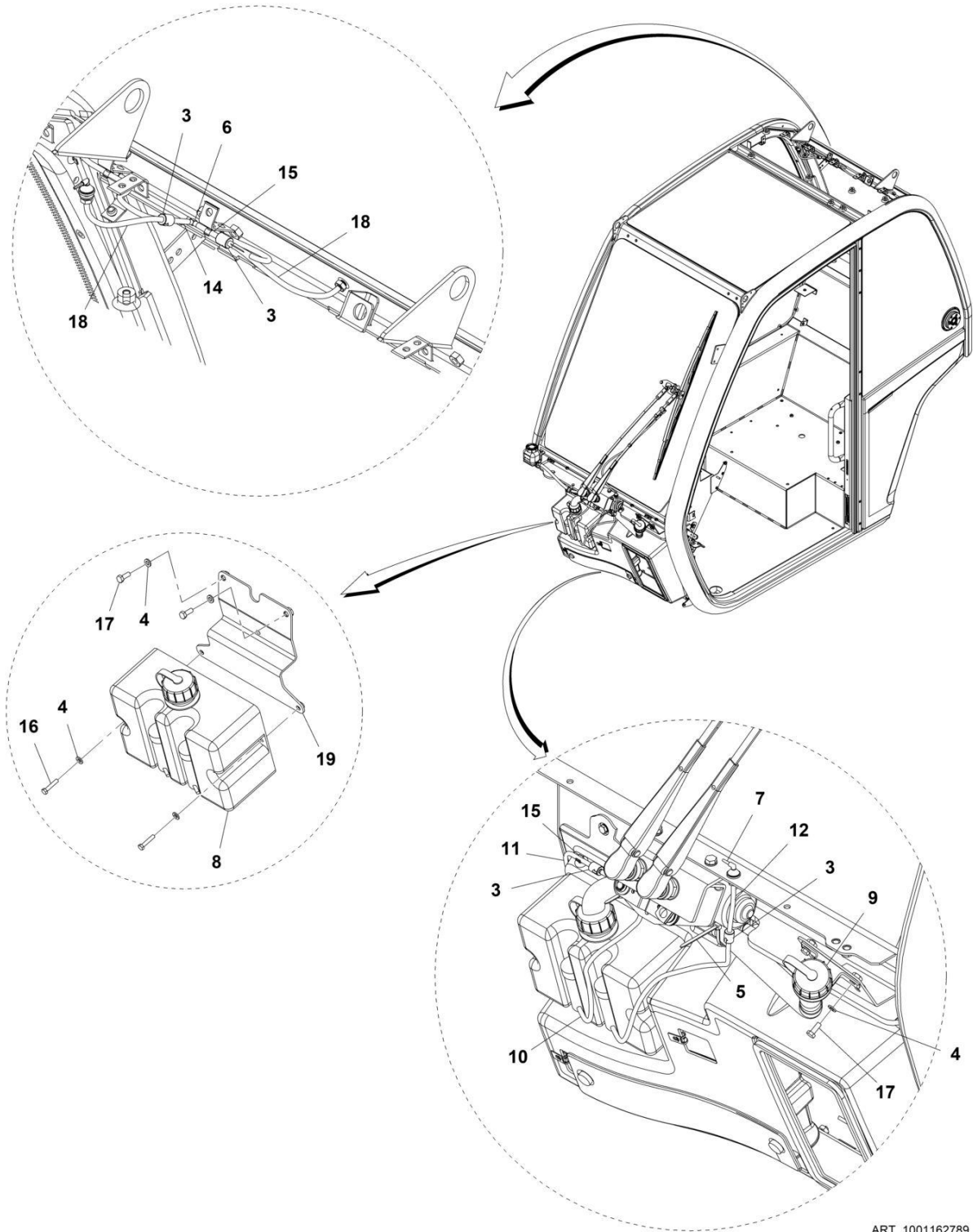
ART_1001155447-G

FIGURE 6-20. FRONT WIPER INSTALLATION

ITEM	PART NUMBER	QTY	DESCRIPTION	REV
	1001155447	Ref	Front Wiper Installation	G
2	0760810	2	Bolt, M8X20	
3	4811900	2	Washer, M8	
5	1001214092	1	Motor, Front Wiper	
6	1001212369	1	Arm, Front Wiper	
7	1001141281	1	Blade, Wiper	
8	1001165637	1	Bracket	

SECTION 6 - CAB

FIGURE 6-21. WASHER TANK INSTALLATION



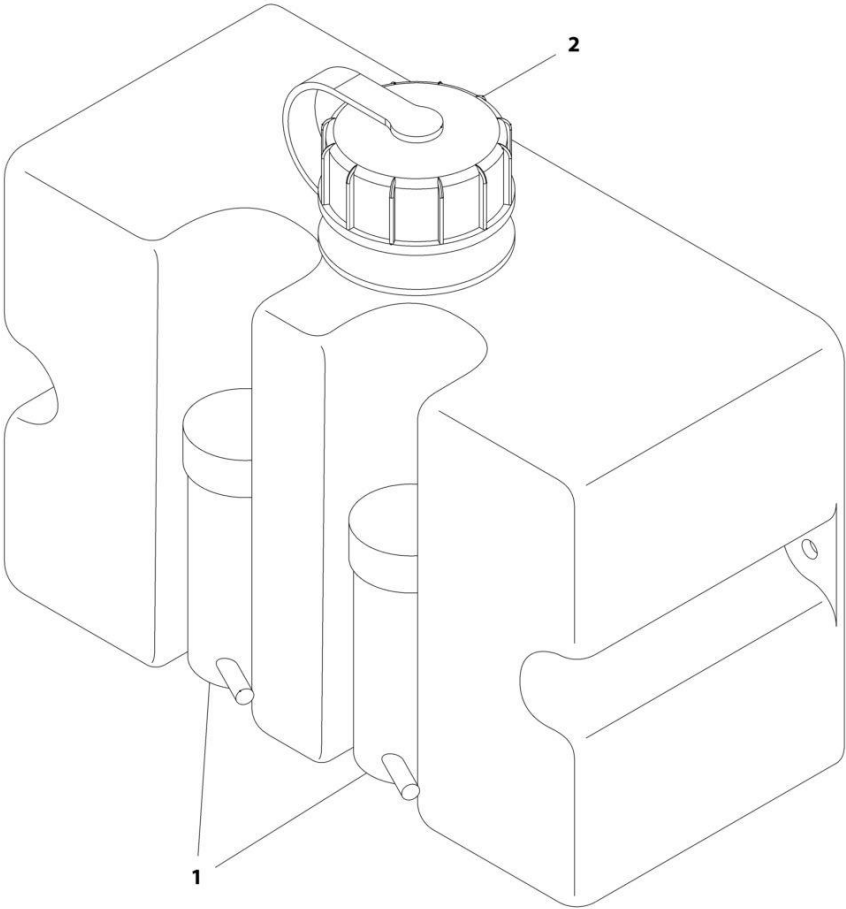
ART_1001162789

FIGURE 6-21. WASHER TANK INSTALLATION

ITEM	PART NUMBER	QTY	DESCRIPTION	REV
	1001162789	Ref	Washer Tank Installation	M
3	1001201331	4	Valve, Check	
4	4811700	6	Washer, M6	
5	471678	2	Strap, Tie	
6	1001008742	1	Coupling, Tee	
8	1001165269	1	Bottle, Washer (See Separate Breakdown in this Section)	
9	1001165270	1	Hose, Washer Filler	
10	1001165351	2	Hose	
11	1001165407	1	Hose	
12	1001165416	1	Hose	
14	1001165455	2	Hose	
15	1001165458	16	Hose	
16	0760512	2	Bolt M5X25	
17	0760608	4	Bolt, M6X16	
18	1001178123	2	Hose	
19	1001171756	1	Bracket	

SECTION 6 - CAB

FIGURE 6-22. WASHER BOTTLE



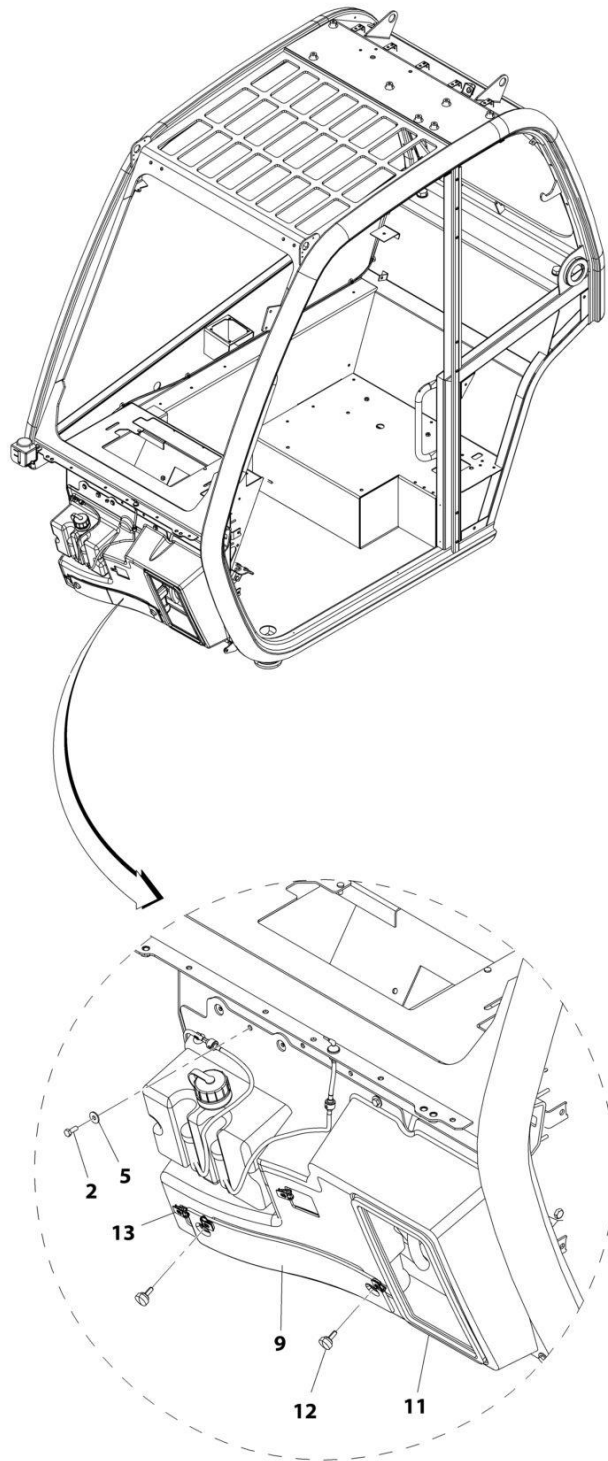
ART_1001165269-B

FIGURE 6-22. WASHER BOTTLE

ITEM	PART NUMBER	QTY	DESCRIPTION	REV
	1001165269	Ref	Washer Bottle	B
1	1001165327	2	Pump, Washer	
2	1001165273	1	Cap, Washer	

SECTION 6 - CAB

FIGURE 6-23. FRONT COVER INSTALLATION



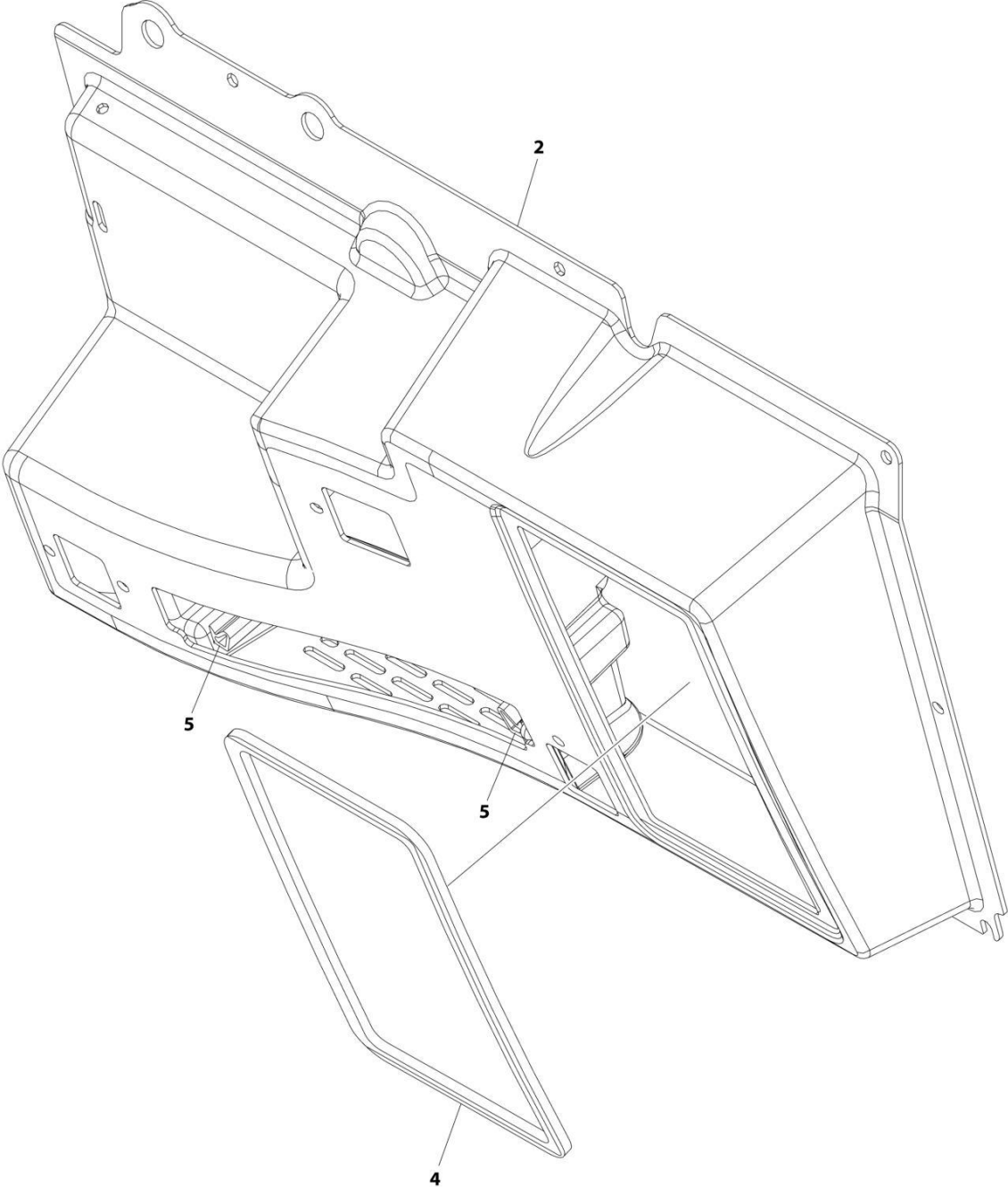
ART_1001170366-G

FIGURE 6-23. FRONT COVER INSTALLATION

ITEM	PART NUMBER	QTY	DESCRIPTION	REV
	1001170366	Ref	Front Cover Installation	G
2	0760608	7	Bolt, M6X16	
5	4811702	7	Washer, M6	
9	1001175471	1	Panel, Filter Tray (See Separate Breakdown in this Section)	
11	1001176121	1	Cover, Front Duct (See Separate Breakdown in this Section)	
12	2080092	2	Thumb Screw, M6X16	
13	8305919	4	Nut, M6	

SECTION 6 - CAB

FIGURE 6-24. FRONT DUCT COVER



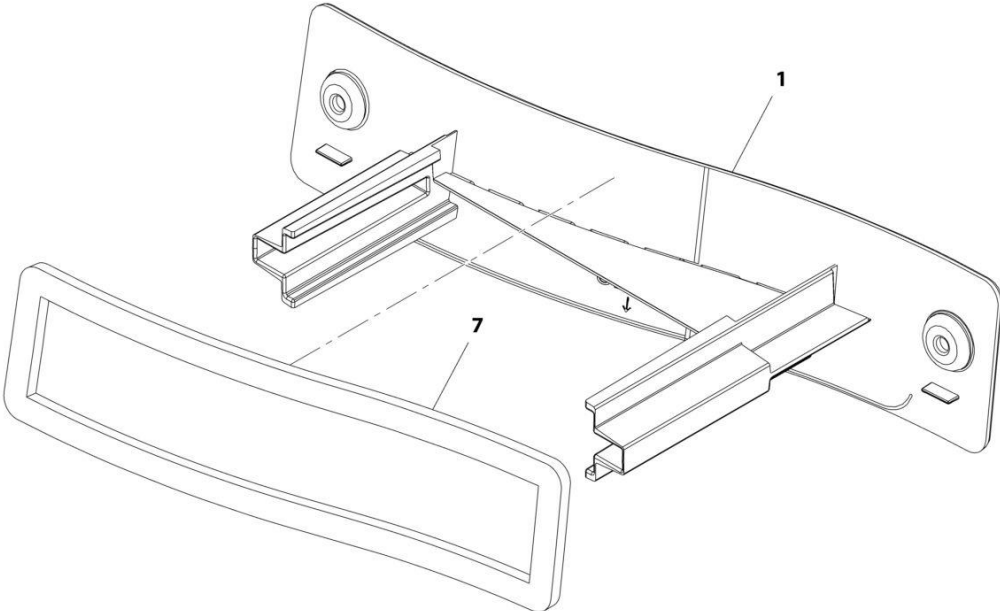
ART_1001176121

FIGURE 6-24. FRONT DUCT COVER

ITEM	PART NUMBER	QTY	DESCRIPTION	REV
	1001176121	Ref	FRONT DUCT COVER	H
2	1001170326	1	Cover, Front	
4	1001175470	1	Seal, Front Cab Panel	
5	1001270117	AR	Seal, Bulb	

SECTION 6 - CAB

FIGURE 6-25. FILTER TRAY PANEL



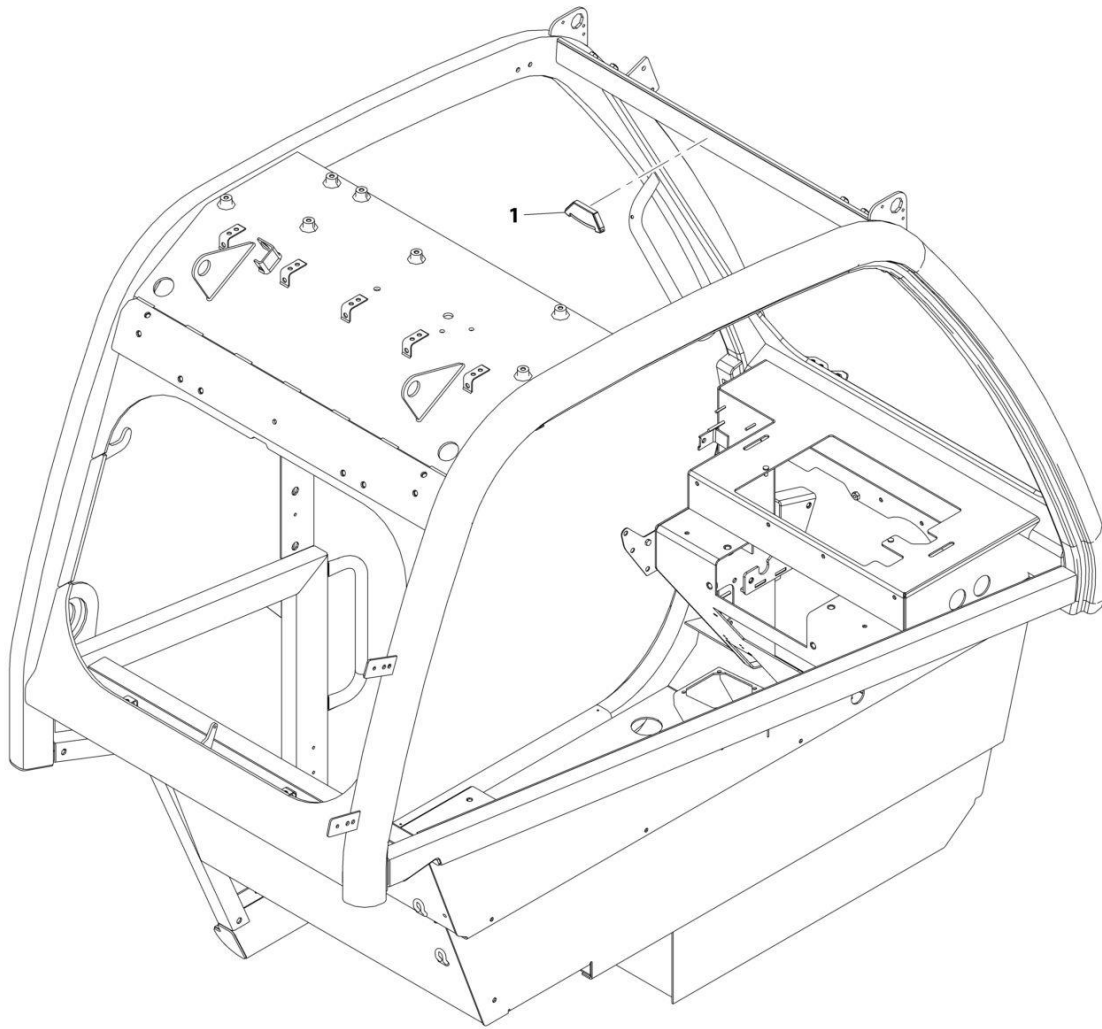
ART_1001175471-D

FIGURE 6-25. FILTER TRAY PANEL

ITEM	PART NUMBER	QTY	DESCRIPTION	REV
	1001175471	Ref	Filter Tray Panel	D
1	1001170993	1	Panel, Front Inlet	
7	1001171767	1	Cab, Front Panel Seal	

SECTION 6 - CAB

FIGURE 6-26. LEVEL INDICATOR INSTALLATION



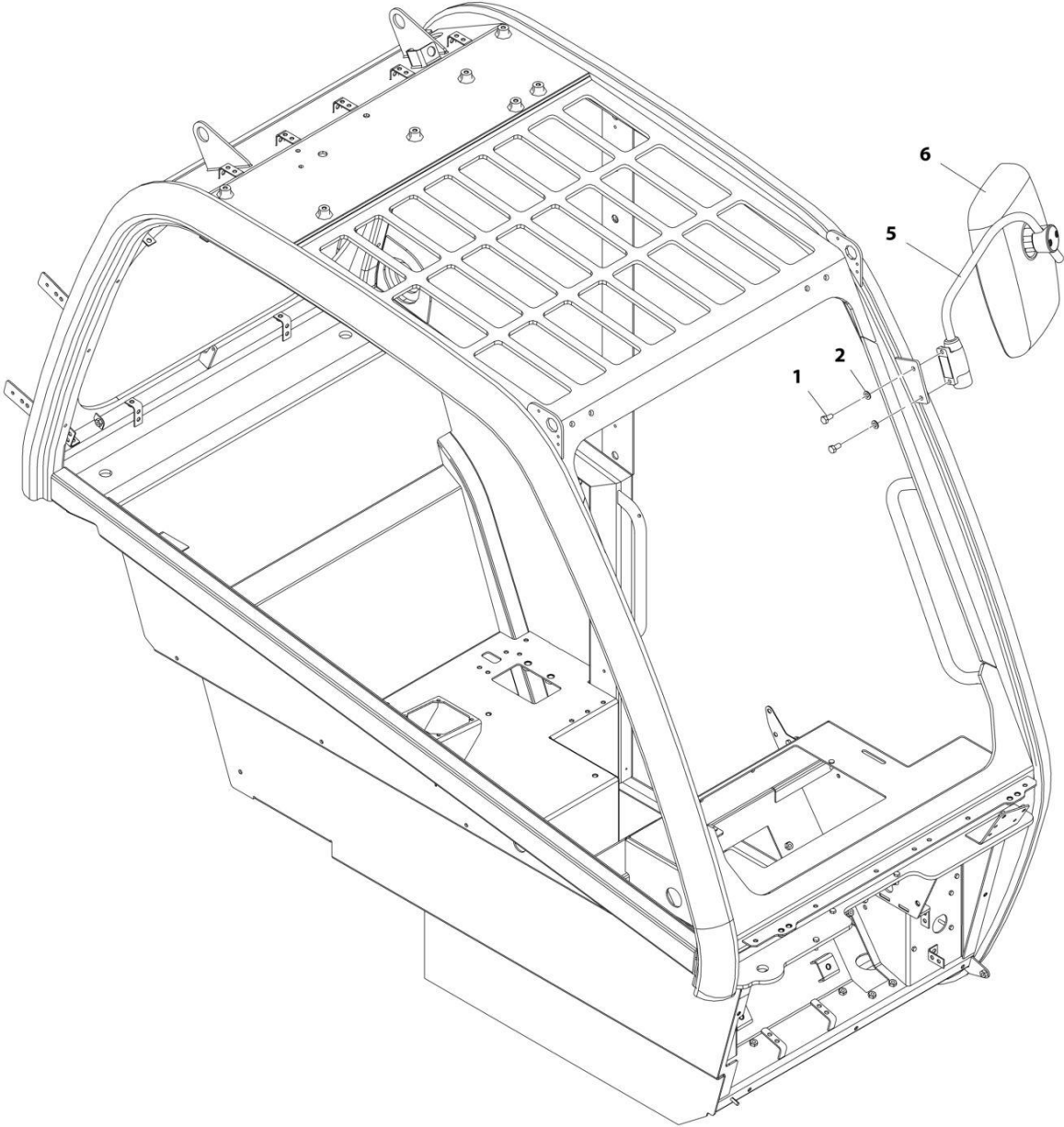
ART_1001172401-C

FIGURE 6-26. LEVEL INDICATOR INSTALLATION

ITEM	PART NUMBER	QTY	DESCRIPTION	REV
1	1001172401 8466306	Ref 1	Level Indicator Installation Gauge, Tilt Angle	C

SECTION 6 - CAB

FIGURE 6-27. BASIC MIRROR INSTALLATION



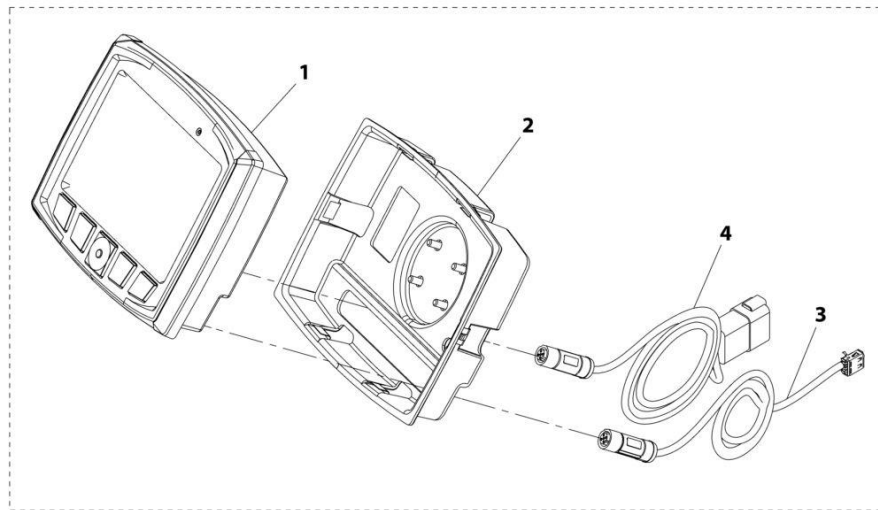
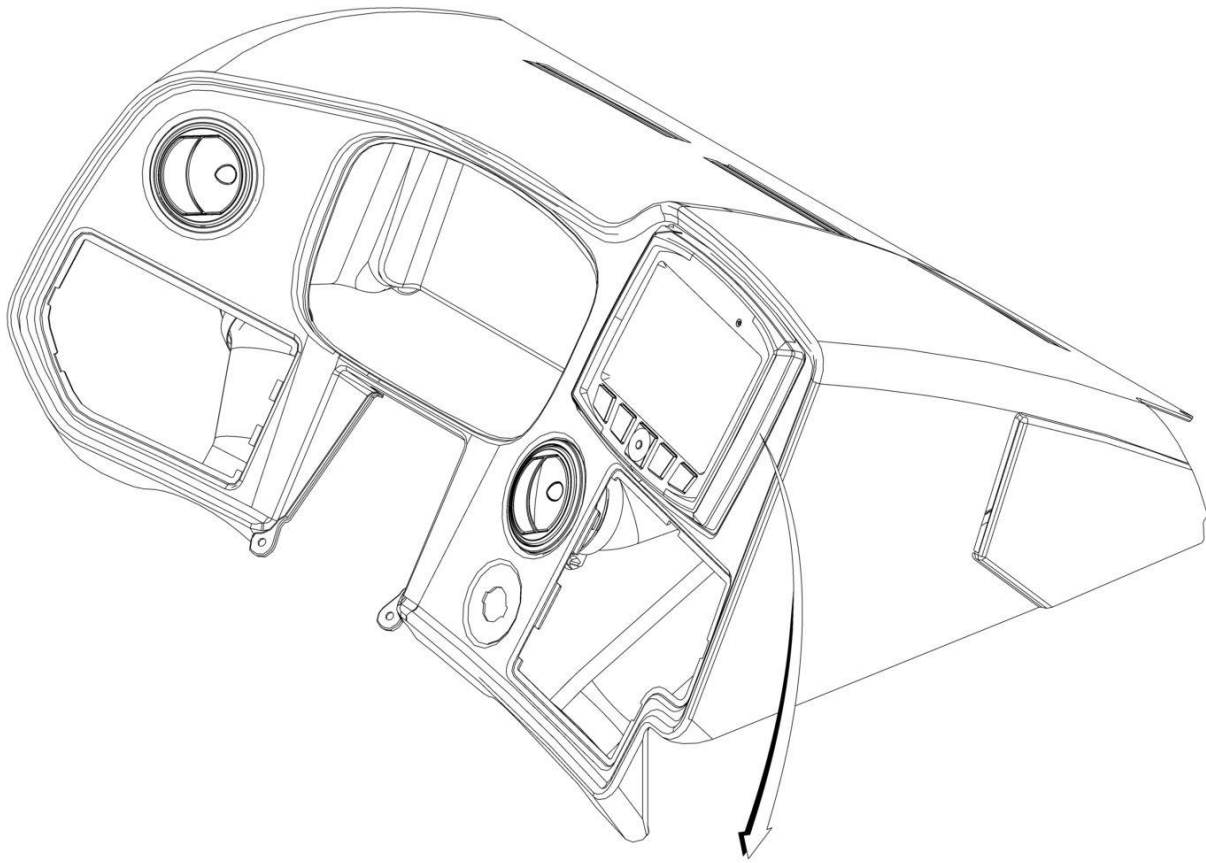
ART_1001160508-E

FIGURE 6-27. BASIC MIRROR INSTALLATION

ITEM	PART NUMBER	QTY	DESCRIPTION	REV
	1001160508	Ref	Basic Mirror Installation	E
1	0760808	2	Bolt, M8X16	
2	4811900	2	Washer, M8	
5	1001164655	1	Bracket	
6	80363195	1	Mirror	

SECTION 6 - CAB

FIGURE 6-28. MULTIFUNCTION DISPLAY INSTALLATION



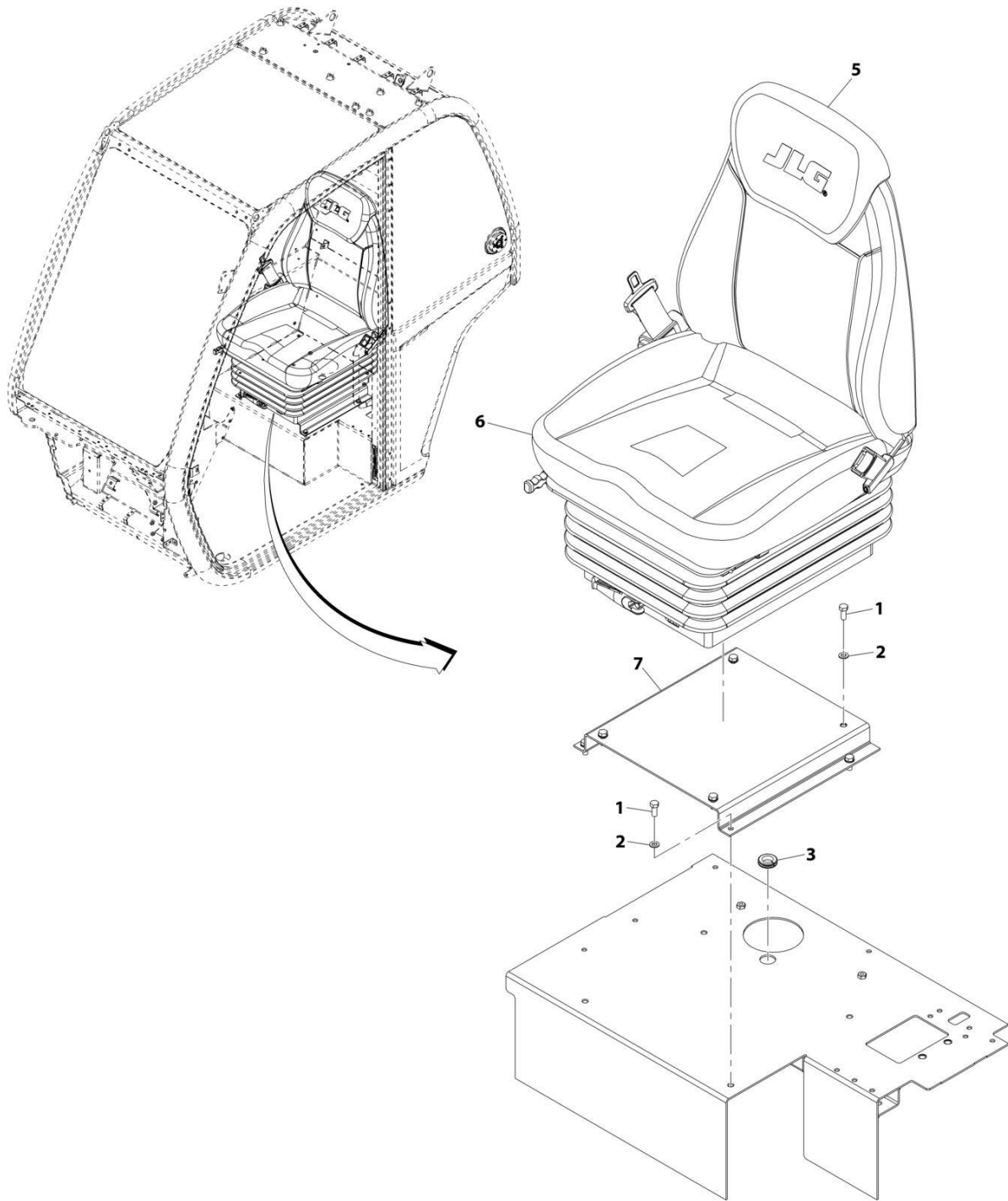
ART_1001176338-C

FIGURE 6-28. MULTIFUNCTION DISPLAY INSTALLATION

ITEM	PART NUMBER	QTY	DESCRIPTION	REV
	1001176338	Ref	Multifunction Display Installation	C
1	1001250161	1	Display	
2	1001178783	1	Bezel	
3	1001180682	1	Cable	
4	1001180683	1	Cable, Video	

SECTION 6 - CAB

FIGURE 6-29. SEAT INSTALLATION (CLOTH)



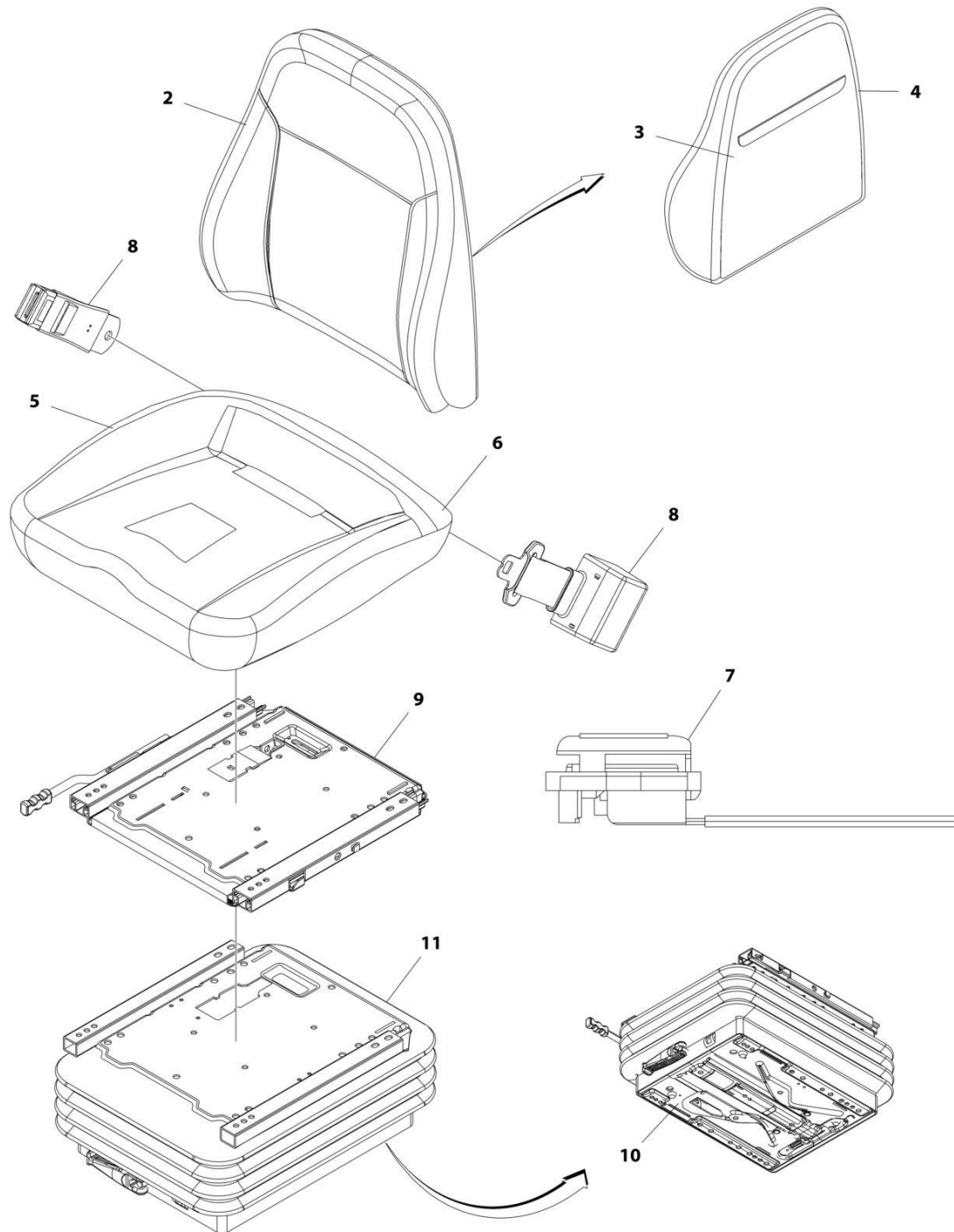
ART_1001158601-D

FIGURE 6-29. SEAT INSTALLATION (CLOTH)

ITEM	PART NUMBER	QTY	DESCRIPTION	REV
	1001158601	Ref	Seat Installation (Cloth)	E
1	0760810	8	Bolt, M8X20	
2	4811900	8	Washer, M8	
3	1001216974	1	Grommet	
5	1001119467	1	Headrest, Cloth	
6	1001288070	1	Assembly, Seat (See Separate Breakdown in this Section)	
7	1001158738C	1	Plinth, Seat	

SECTION 6 - CAB

FIGURE 6-30. SEAT ASSEMBLY



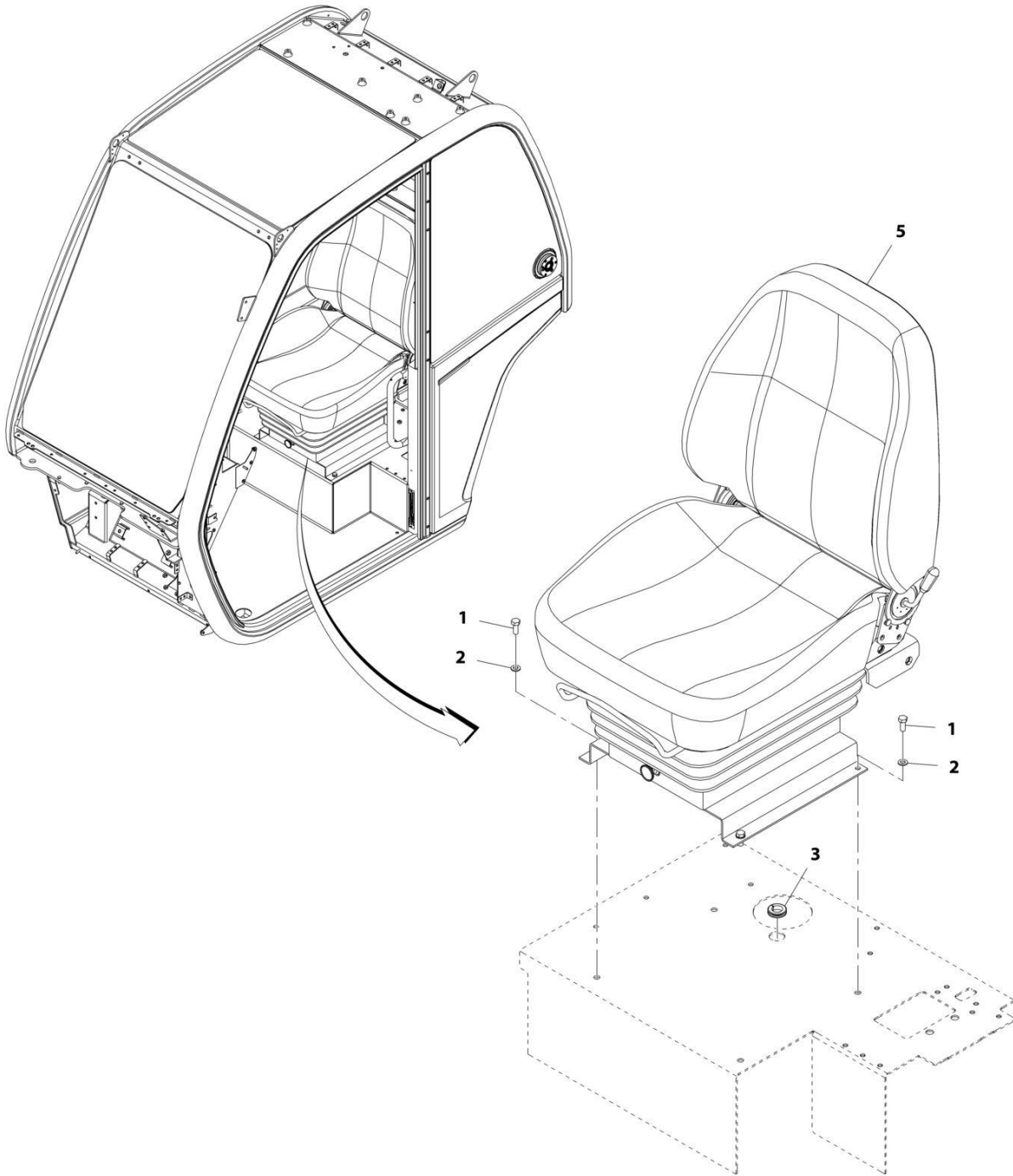
ART_1001150294

FIGURE 6-30. SEAT ASSEMBLY

ITEM	PART NUMBER	QTY	DESCRIPTION	REV
	1001150294	Ref	CLOTH SEAT	F
2	70025489	1	Fabric, Upper Seat	
3	70025490	1	Cover, Back	
4	70025483	1	Foam, Back	
5	70025491	1	Cover, Seat	
6	70025485	1	Foam, Seat	
7	70025486	1	Switch, Contact	
8	7029767	1	Belt, Seat	
9	70021252	1	Rail, Slide	
10	70021251	1	Unit, Suspension	
11	70022034	1	Cover, Rubber	

SECTION 6 - CAB

FIGURE 6-31. SEAT INSTALLATION (AIR SUSPENSION - STANDARD)



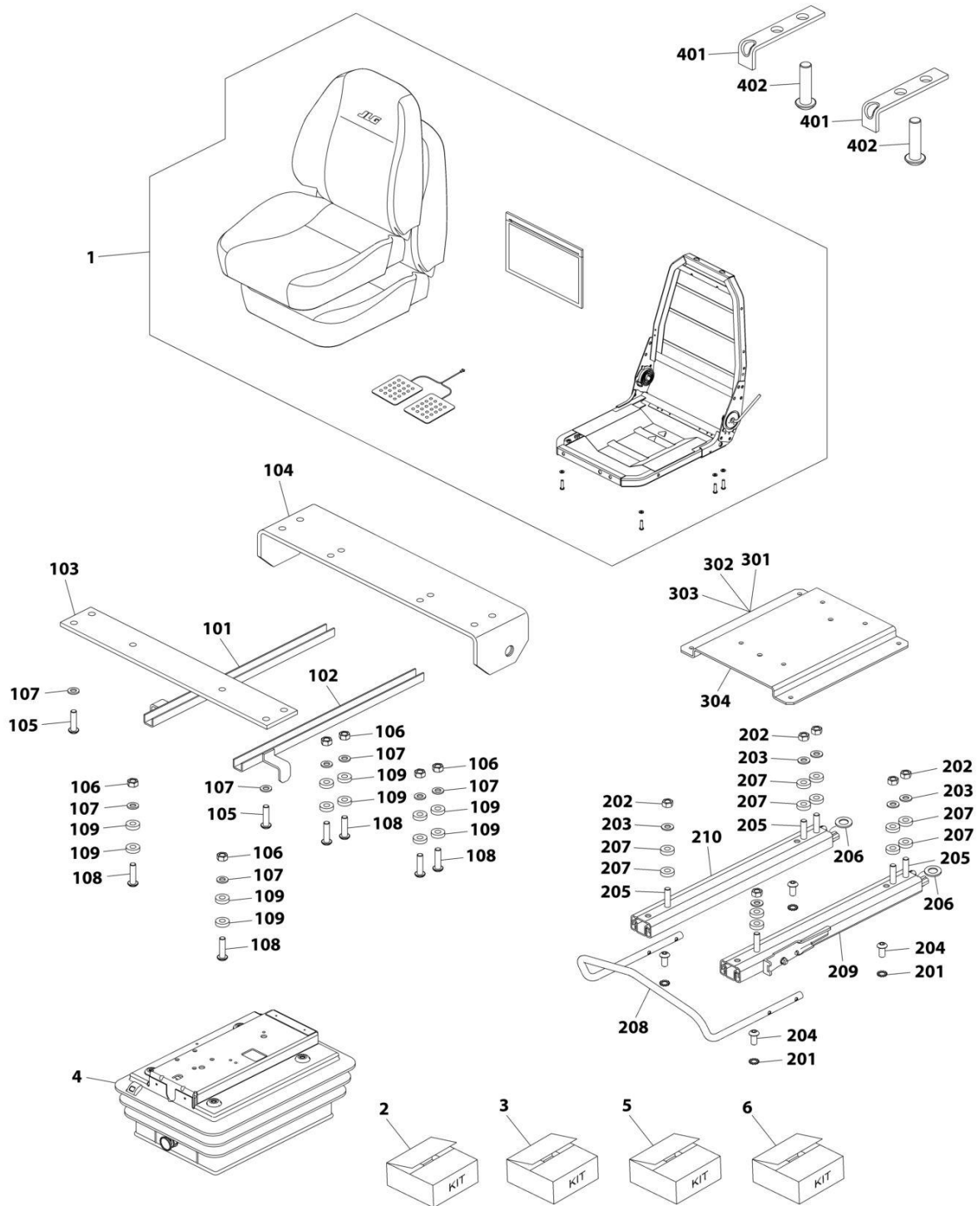
ART_1001158596-D

FIGURE 6-31. SEAT INSTALLATION (AIR SUSPENSION - STANDARD)

ITEM	PART NUMBER	QTY	DESCRIPTION	REV
	1001158596	Ref	Seat Installation (Air Suspension - Standard)	D
1	0760810	4	Bolt, M8X20	
2	4811900	4	Washer, M8	
3	1001216974	1	Grommet	
5	1001165573	1	Assembly, Seat (See Separate Breakdown in this Section)	

SECTION 6 - CAB

FIGURE 6-32. SEAT ASSEMBLY (AIR SUSPENSION - STANDARD)



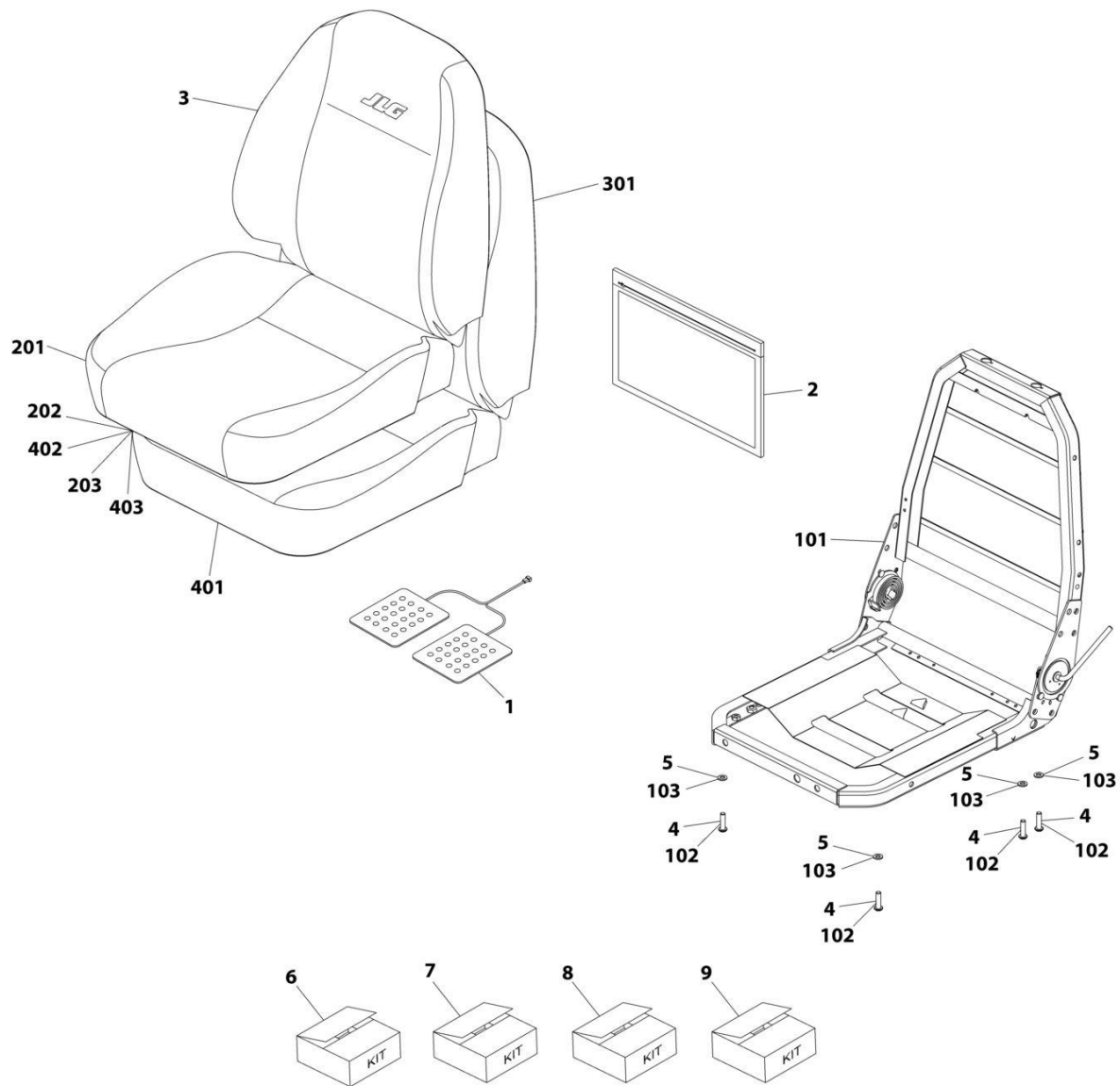
ART_1001165573-C

FIGURE 6-32. SEAT ASSEMBLY (AIR SUSPENSION - STANDARD)

ITEM	PART NUMBER	QTY	DESCRIPTION	REV
	1001165573	Ref	Seat Assembly (Air Suspension - Standard)	C
1	70027392	1	Assembly, Upper Seat (See Separate Breakdown in this Section)	
2	70021317	1	Kit, Cross Strap (includes items 101 thru 109)	
3	70021318	1	Kit, Fore and Aft Adjustment (includes items 201 thru 210)	
4	70021319	1	Kit, Suspension (See Separate Breakdown in this Section)	
5	70027395	1	Kit, Adapter Plate (includes items 301 thru 304)	
6	70021322	1	Kit, Slide Rail Stop (includes items 401 & 402)	
101	N.S.S.	1	Channel	
102	N.S.S.	1	Channel	
103	N.S.S.	1	Plate, Strap	
104	N.S.S.	1	Plate, Strap	
105	N.S.S.	4	Bolt, M8X25	
106	N.S.S.	6	Nut, M8	
107	N.S.S.	10	Washer	
108	N.S.S.	6	Bolt, M8X30	
109	N.S.S.	12	Spacer	
201	N.S.S.	4	Washer, Spring M8	
202	N.S.S.	1	Nut, M8	
203	N.S.S.	1	Washer	
204	N.S.S.	1	Bolt, M8X16	
205	N.S.S.	1	Bolt, M8X30	
206	N.S.S.	1	Washer	
207	N.S.S.	1	Spacer	
208	N.S.S.	1	Handle	
209	N.S.S.	1	Rail, Slide	
210	N.S.S.	1	Rail, Slide	
301	N.S.S.	1	Bolt, M8X25	
302	N.S.S.	1	Bolt, M8X16	
303	N.S.S.	1	Washer	
304	N.S.S.	1	Plate, Adapter	
401	N.S.S.	1	Stop, Sliderrail	
402	N.S.S.	1	Bolt, M8X16	

SECTION 6 - CAB

FIGURE 6-33. UPPER SEAT ASSEMBLY



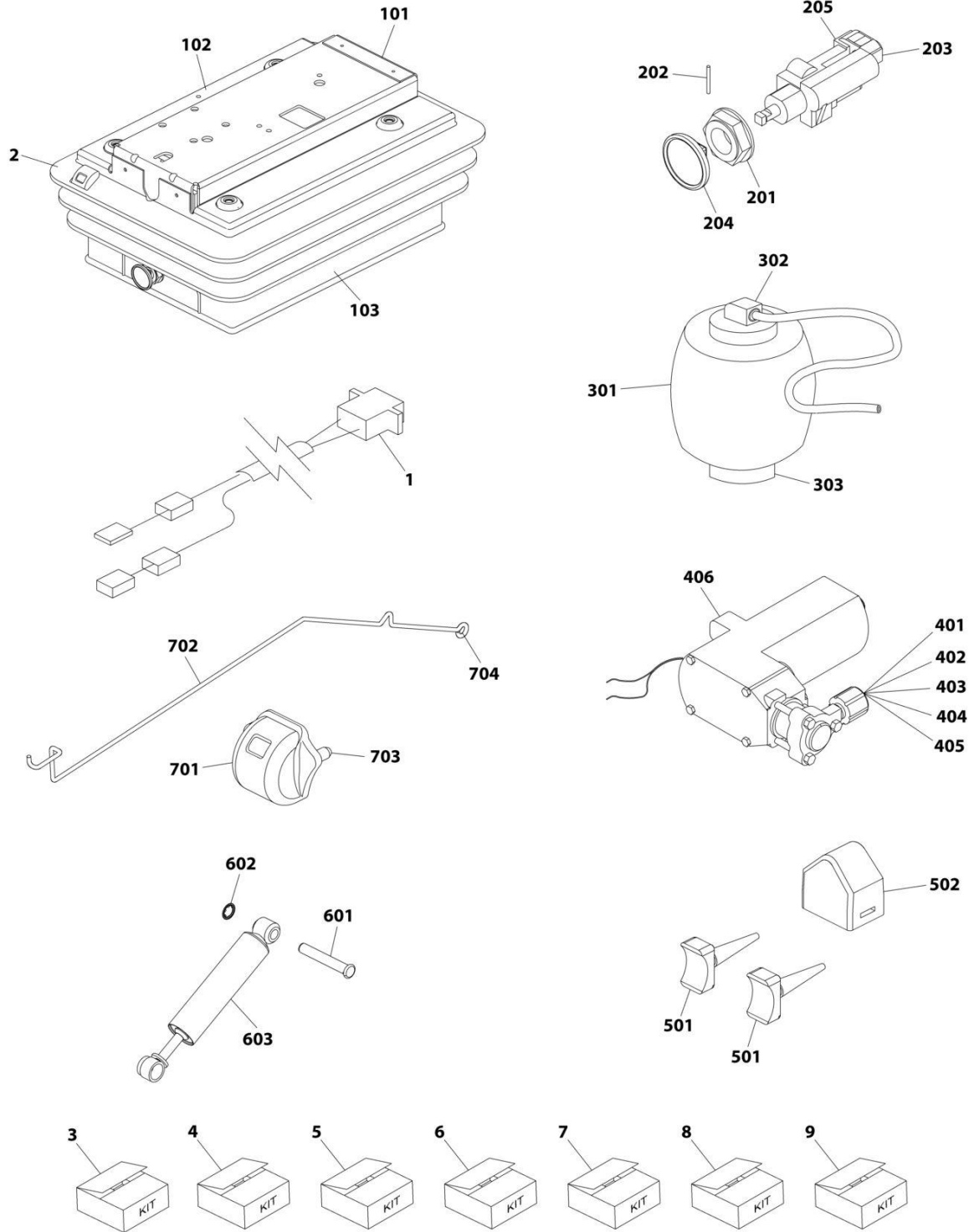
ART_70027392

FIGURE 6-33. UPPER SEAT ASSEMBLY

ITEM	PART NUMBER	QTY	DESCRIPTION	REV
	70027392	Ref	Upper Seat Assembly	
1	70025539	1	Pad, Sensor	
2	70021316	1	Bag	
3	70027393	1	Cover, Back	
4	N.S.S.	4	Bolt, M8X25	
5	N.S.S.	4	Washer	
6	70021314	1	Kit, Frame (includes items 101 thru 103)	
7	70027394	1	Kit, Bottom Seat Cover (includes items 201 thru 203)	
8	80264002	1	Kit, Back Foam (includes items 301 thru 303)	
9	80264004	1	Kit, Seat Foam (includes items 401 thru 403)	
101	N.S.S.	1	Frame, Seat	
102	N.S.S.	4	Bolt, M8X25	
103	N.S.S.	4	Washer	
201	N.S.S.	1	Cover, Seat	
202	N.S.S.	2	Clip	
203	N.S.S.	17	Clip	
301	N.S.S.	1	Foam, Back	
302	N.S.S.	3	Bar, Trim	
303	N.S.S.	4	Ring	
401	N.S.S.	1	Foam, Seat	
402	N.S.S.	2	Clip	
403	N.S.S.	17	Clip	

SECTION 6 - CAB

FIGURE 6-34. SUSPENSION KIT



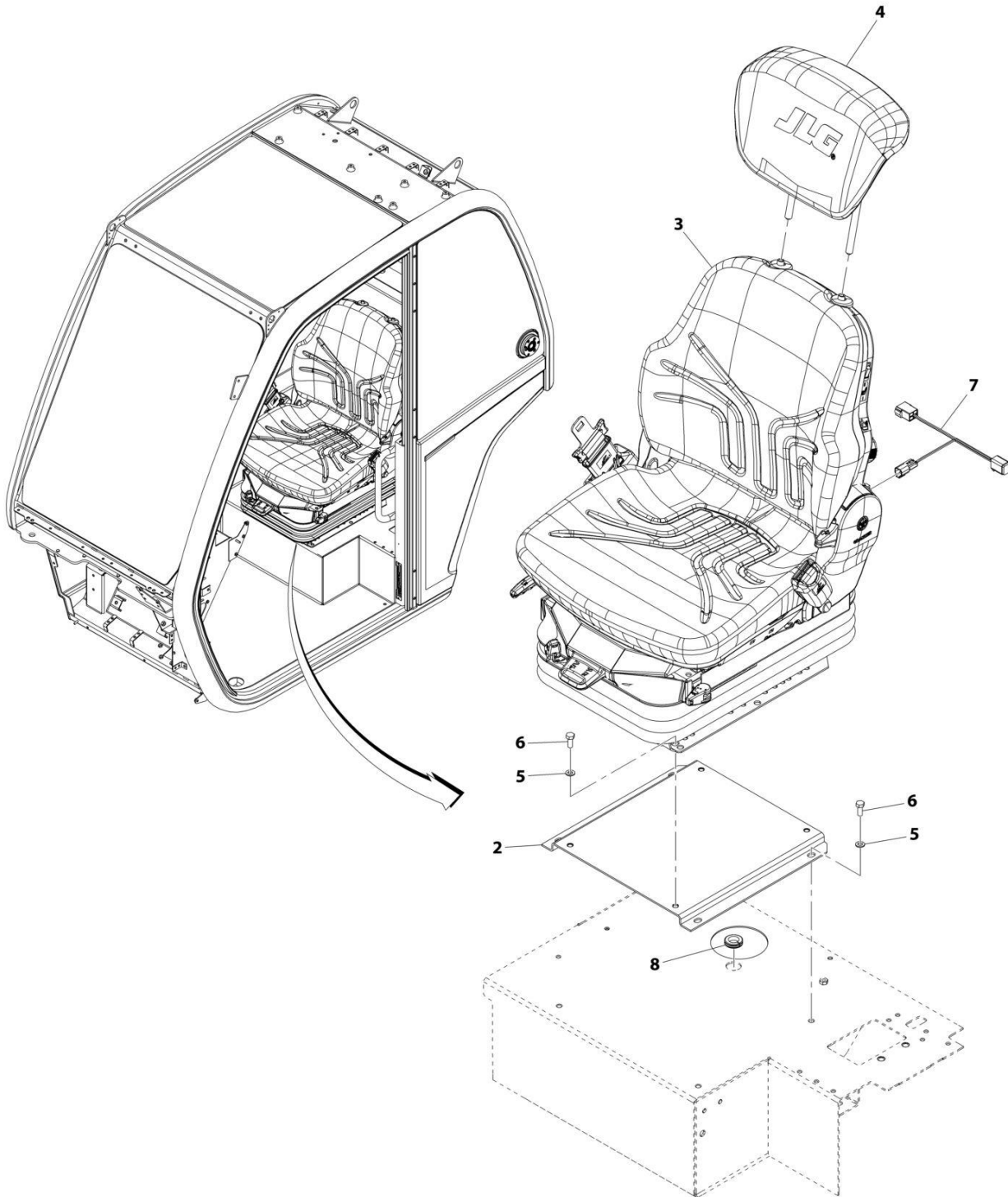
ART_70021319

FIGURE 6-34. SUSPENSION KIT

ITEM	PART NUMBER	QTY	DESCRIPTION	REV
	70021319	Ref	Suspension Kit	
1	70021330	1	Lead, Fly	
2	N.S.S.	1	Suspension	
3	70021321	1	Kit, Suspension Cover (includes items 101 thru 103)	
4	70021323	1	Kit, Air Valve (includes items 201 thru 205)	
5	70021324	1	Kit, Air Spring (includes items 301 thru 303)	
6	70021325	1	Kit, Compressor (includes items 401 thru 406)	
7	70021326	1	Kit, Upstop/Bumpstop (includes items 501 & 502)	
8	70021327	1	Kit, Damper (includes items 601 thru 603)	
9	70021328	1	Kit, Ride Indicator (includes items 701 thru 704)	
101	N.S.S.	6	Clip, Cover	
102	N.S.S.	1	Cover, Suspension	
103	N.S.S.	5	Clip, Cover	
201	N.S.S.	1	Nut, Air Valve	
202	N.S.S.	1	Pin, Retaining	
203	N.S.S.	1	Valve, Combination	
204	N.S.S.	1	Knob	
205	N.S.S.	2	Tie, Plastic	
301	N.S.S.	1	Spring, Air	
302	N.S.S.	1	Clip	
303	N.S.S.	1	Screw, Countersunk Self Tapping	
401	N.S.S.	1	Clip	
402	N.S.S.	1	Pad	
403	N.S.S.	1	Loom	
404	N.S.S.	2	Tie, Cable	
405	N.S.S.	3	Tie, Plastic	
406	N.S.S.	1	Compressor (with Elbow)	
501	N.S.S.	2	Upstop	
502	N.S.S.	1	Bumpstop	
601	N.S.S.	2	Pin	
602	N.S.S.	2	Washer, Starlock	
603	N.S.S.	1	Damper	
701	N.S.S.	1	Indicator, Ride	
702	N.S.S.	1	Wire, Ride Indicator	
703	N.S.S.	2	Washer, Starlock	
704	N.S.S.	1	Washer, Grip M4	

SECTION 6 - CAB

FIGURE 6-35. SEAT INSTALLATION (AIR SUSPENSION - PREMIUM)



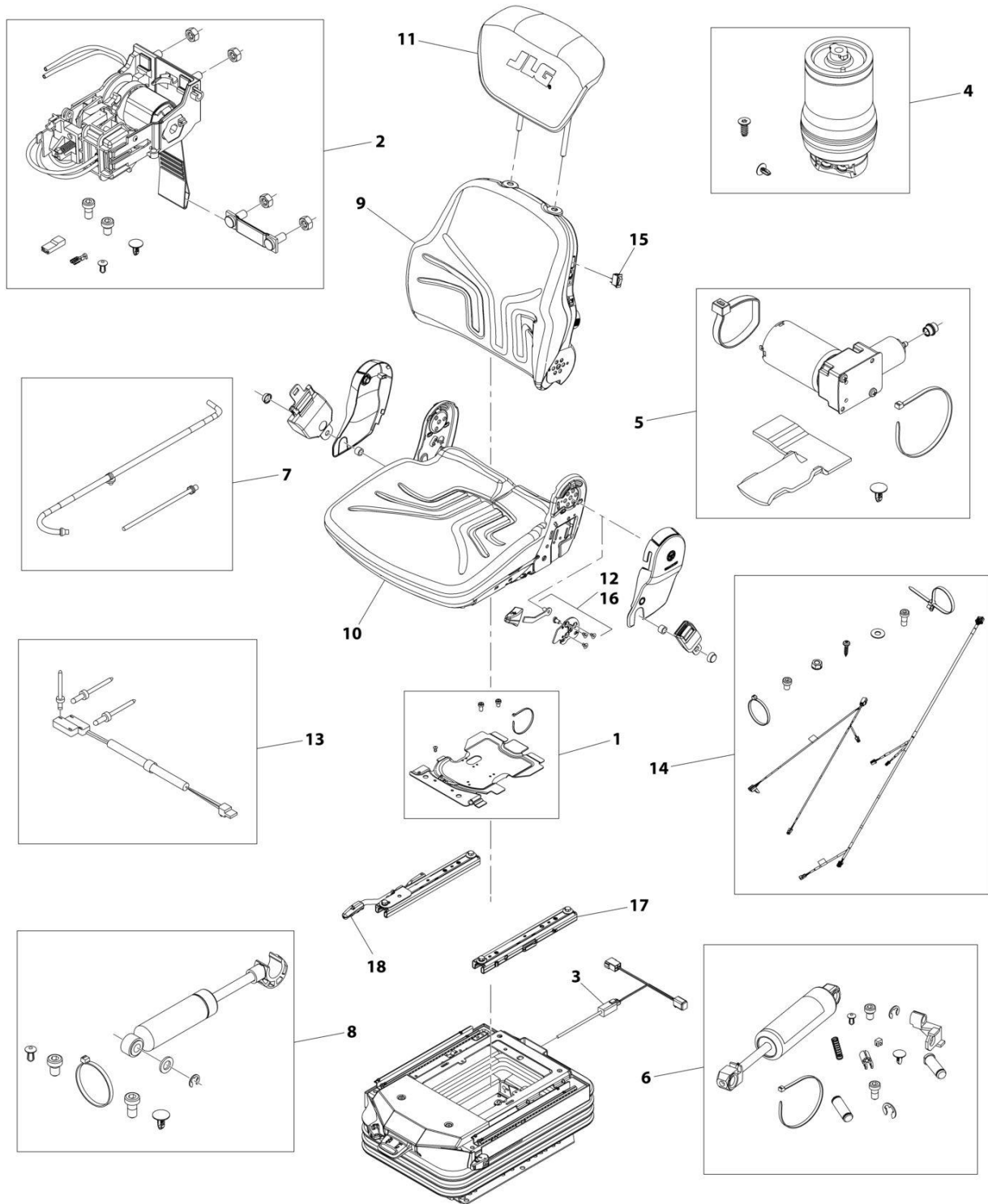
ART_1001182530-F

FIGURE 6-35. SEAT INSTALLATION (AIR SUSPENSION - PREMIUM)

ITEM	PART NUMBER	QTY	DESCRIPTION	REV
	1001182530	Ref	Seat Installation (Air Suspension - Premium)	F
2	1001158736C	1	Plinth, Seat	
3	1001169135	1	Assembly, Seat (See Separate Breakdown in this Section)	
4	1001182529	1	Headrest	
5	4811900	8	Washer, M8	
6	0760810	8	Bolt, M8X20	
7	1001168531	1	Harness, Seat Adaptor (See Separate Breakdown in ELECTRICAL Section)	
8	1001216974	1	Grommet	

SECTION 6 - CAB

FIGURE 6-36. SEAT ASSEMBLY (AIR SUSPENSION - PREMIUM)



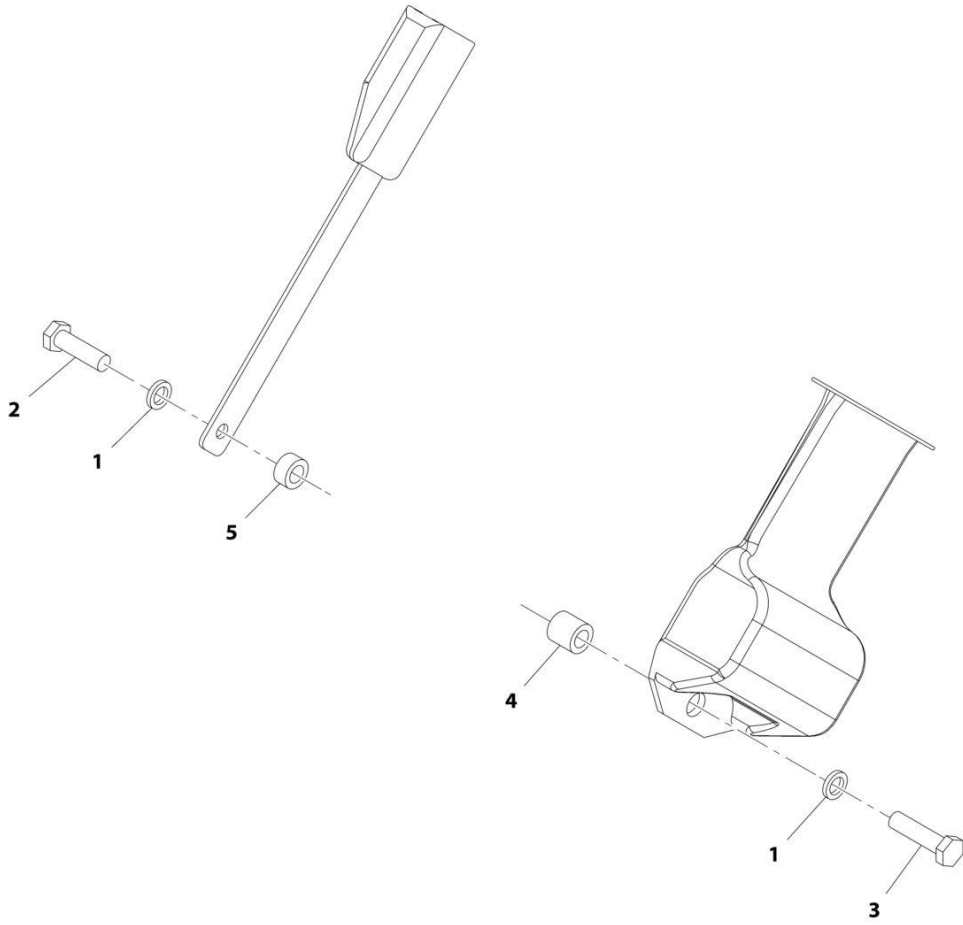
ART_1001169135-B

FIGURE 6-36. SEAT ASSEMBLY (AIR SUSPENSION - PREMIUM)

ITEM	PART NUMBER	QTY	DESCRIPTION	REV
	1001169135	Ref	Seat Assembly (Air Suspension - Premium)	B
1	70024856	1	Cover	
2	70023182	1	Control Level Kit	
3	70023186	1	Wiring Harness, Air/Safeswitch	
4	70023184	1	Air Spring Kit	
5	70024857	1	Compressor, 12V	
6	70023181	1	Shock Absorber Kit	
7	70024459	1	Air Tubes Kit	
8	70023189	2	Shock Absorber Kit	
9	70023179	1	Back Cushion Kit	
10	70024858	1	Seat Cushion Kit	
11	1001182529	1	Headrest, Cloth	
12	70024859	1	Backrest Actuator	
13	70028326	1	Switch	
14	70024861	1	Wiring Harness	
15	70024107	1	Switch, Heater	
16	7028621	1	Handle, Backrest Angle Adjust	
17	3986643	1	Adjust Slide Kit	
18	3986610	1	Handle	

SECTION 6 - CAB

FIGURE 6-37. SEAT BELT INSTALLATION (3IN)



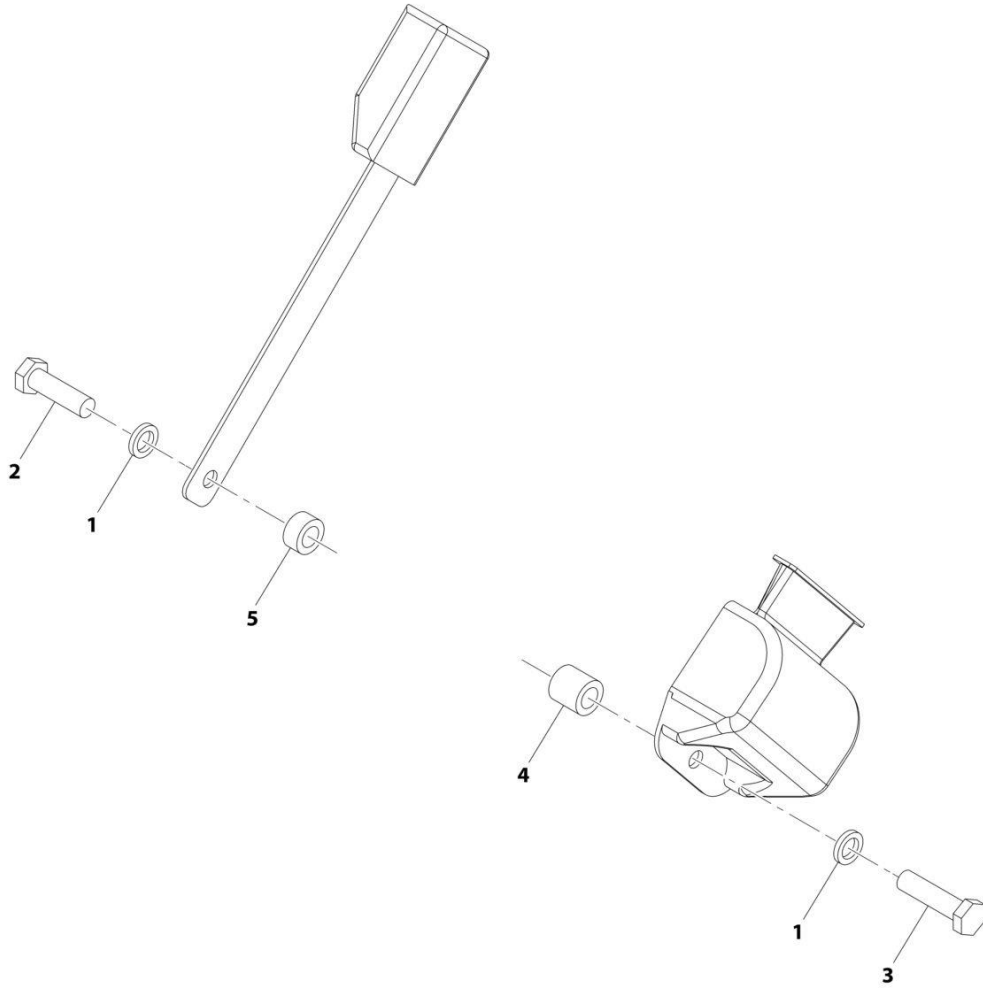
ART_1001006731-B

FIGURE 6-37. SEAT BELT INSTALLATION (3IN)

ITEM	PART NUMBER	QTY	DESCRIPTION	REV
	1001006731	Ref	Seat Belt Installation (3IN)	B
1	1001010646	2	Washer	
2	1001010647	1	Bolt	
3	1001010648	1	Bolt	
4	1001010649	1	Spacer	
5	1001010650	1	Spacer	

SECTION 6 - CAB

FIGURE 6-38. SEAT BELT INSTALLATION (2IN)



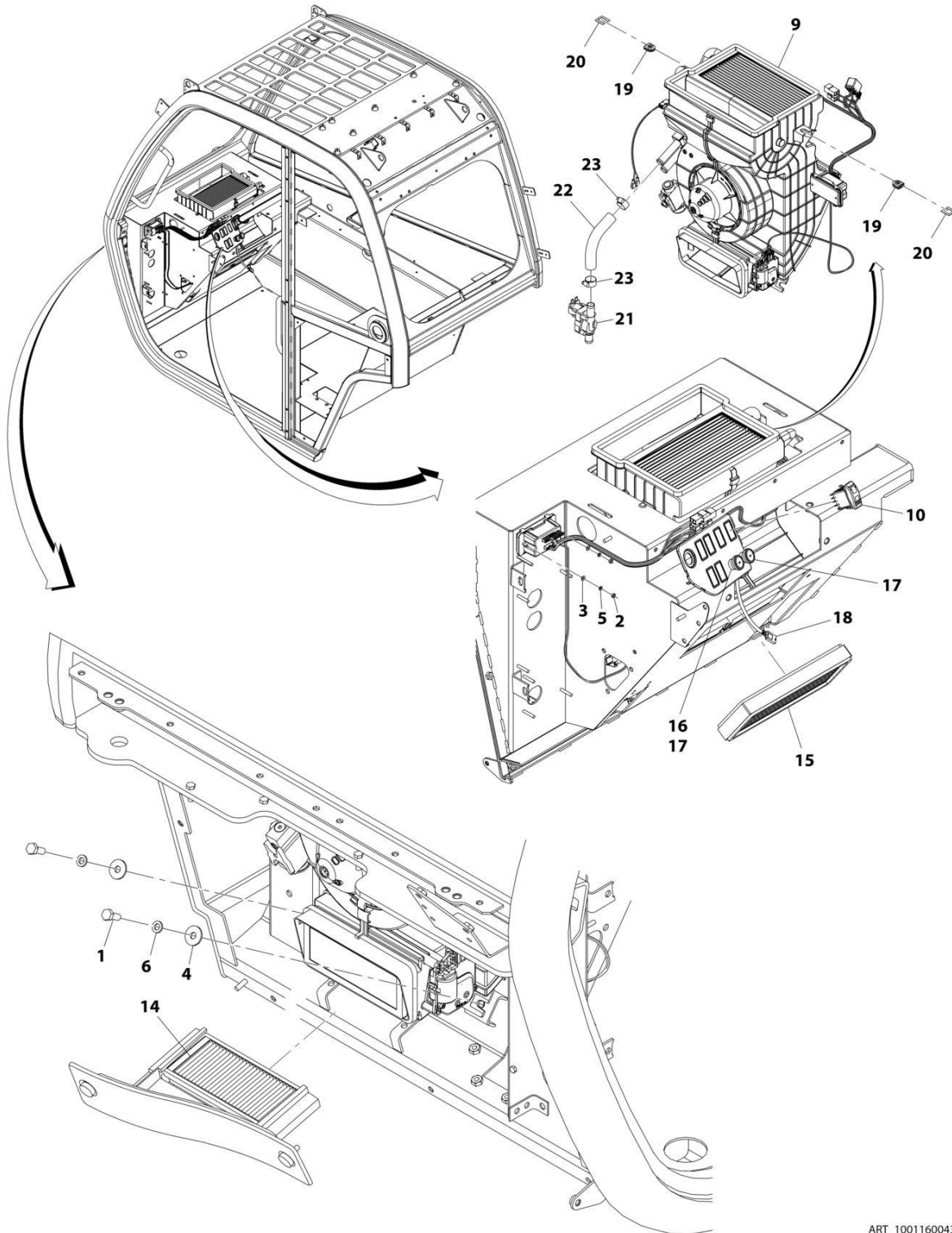
ART_1001006730

FIGURE 6-38. SEAT BELT INSTALLATION (2IN)

ITEM	PART NUMBER	QTY	DESCRIPTION	REV
	1001006730	Ref	Seat Belt Installation (2IN)	H
1	1001010646	2	Washer	
2	1001010647	1	Bolt	
3	1001010648	1	Bolt	
4	1001010649	1	Spacer, Shim	
5	1001010650	1	Spacer, Shim	

SECTION 6 - CAB

FIGURE 6-39. HEATER INSTALLATION



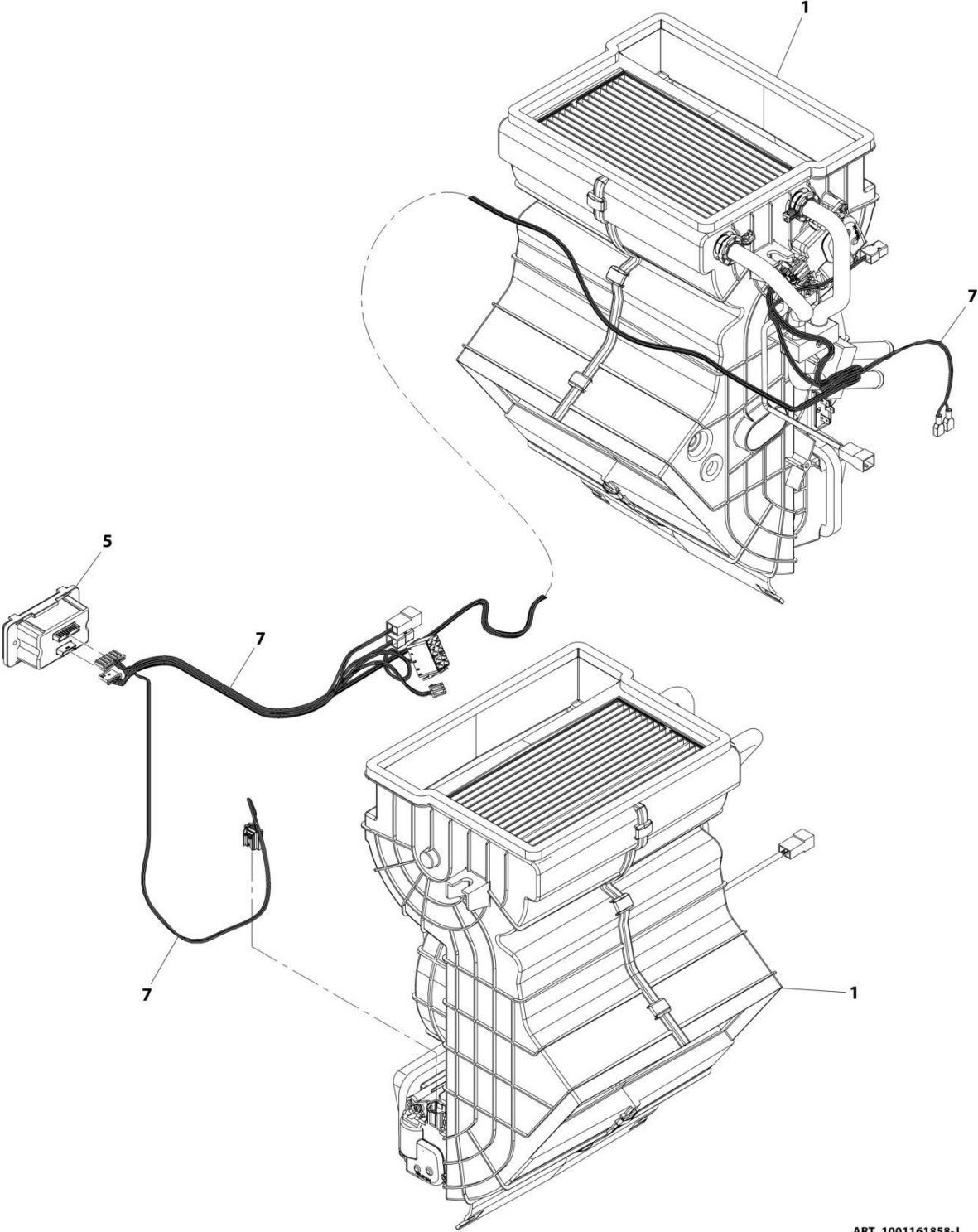
ART_1001160043-K

FIGURE 6-39. HEATER INSTALLATION

ITEM	PART NUMBER	QTY	DESCRIPTION	REV
	1001160043	Ref	Heater Installation	K
1	0760810	2	Bolt, M8X20	
2	3290401	2	Nut, M4X0.7	
3	4811400	2	Washer, M4	
4	4811902	2	Washer, M8	
5	4831400	2	Washer, Lock M4	
6	4831900	2	Washer, M8	
9	1001161858	1	Assembly, Heater (See Separate Breakdown in this Section)	
10	1001159925	1	Switch, HVAC Recycle	
14	1001218996	1	Filter, HVAC Air	
15	1001172553	1	Filter, HVAC Recirculation Air	
16	1001172547	1	Switch, HVAC Rotary 3 Speed	
17	1001172550	2	Knob, HVAC Control	
18	1001218529	1	Cable, HVAC	
19	1001188590	2	Grommet	
20	1001218542	2	Shim	
21	1001221059	1	Valve, Water	
22	1001221295	1	House	
23	8410009	2	Clamp	

SECTION 6 - CAB

FIGURE 6-40. HEATER ASSEMBLY



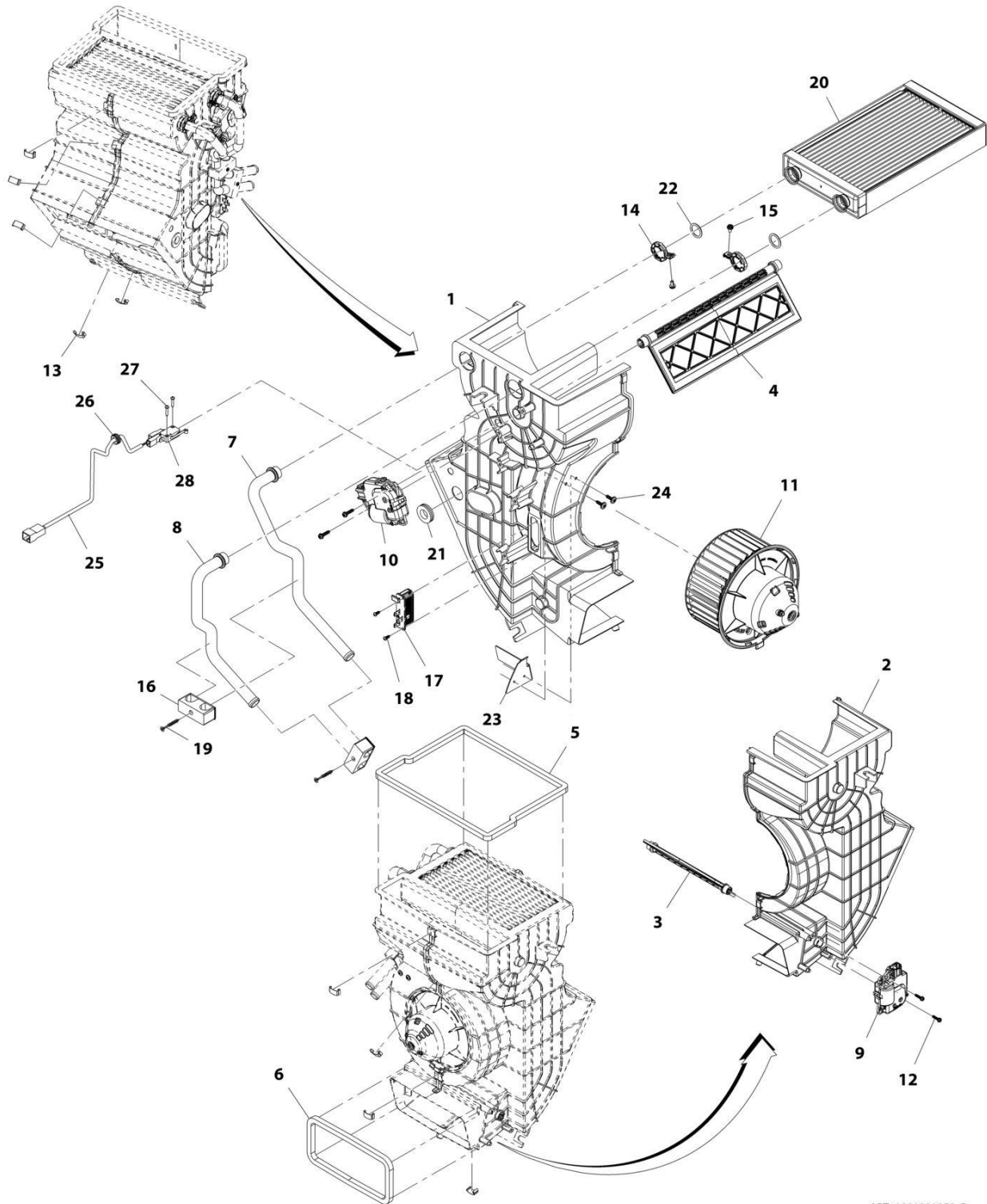
ART_1001161858-J

FIGURE 6-40. HEATER ASSEMBLY

ITEM	PART NUMBER	QTY	DESCRIPTION	REV
	1001161858	Ref	Heater Assembly	J
1	1001221052	1	Heater, Cab (See Separate Breakdown in this Section)	
5	1001172551	1	Actuator, HVAC Cab	
7	1001221056	1	Harness, HVAC Actuator (See Separate Breakdown in ELECTRICAL Section)	

SECTION 6 - CAB

FIGURE 6-41. HEATER



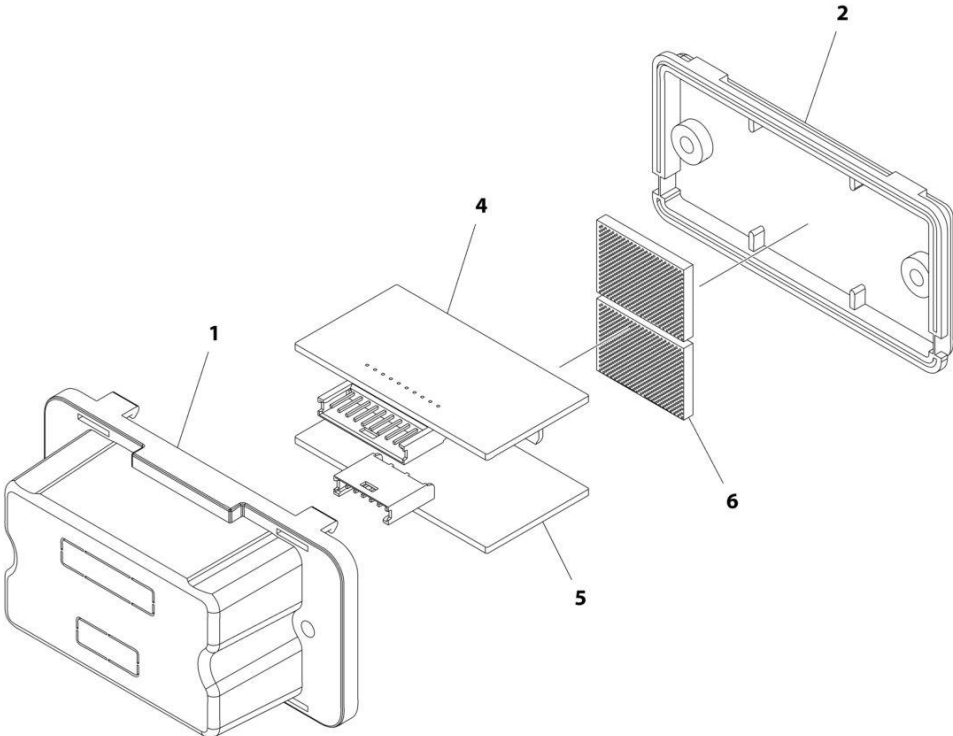
ART_1001221052-C

FIGURE 6-41. HEATER

ITEM	PART NUMBER	QTY	DESCRIPTION	REV
	1001221052	Ref	Heater	D
1	1001166091	1	Housing, RH	
2	1001166092	1	Housing, LH	
3	1001184275	1	Flap, Recirculation with Foam	
4	1001184278	1	Flap, Mixing with Foam	
5	1001184294	1	Foam, Air Outlet	
6	1001184295	1	Foam, Air Inlet	
7	1001184296	1	Pipe, Water	
8	1001184297	1	Pipe, Water	
9	1001188577	1	Actuator, Fresh/Recirculation Air	
10	1001188578	1	Actuator, Hot/Cold	
11	1001188594	1	Fan, 12V	
12	1001188602	4	Screw	
13	1001188603	9	Clamp	
14	1001188604	2	Clamp	
15	1001188610	2	Screw	
16	1001188612	2	Clamp	
17	1001188614	1	Resistor	
18	1001188720	2	Screw	
19	1001188725	2	Screw	
20	1001188729	1	Radiator, Heater Core	
21	1001188733	1	Grommet	
22	1001189025	2	O-Ring	
23	1001221057	1	Plate	
24	1001221058	2	Screw	
25	1001228132	1	Harness, HVAC Sensor	
26	1001228140	1	Grommet	
27	1001228141	2	Screw	
28	1001228147	1	Valve, Water	

SECTION 6 - CAB

FIGURE 6-42. HVAC CAB ACTUATOR



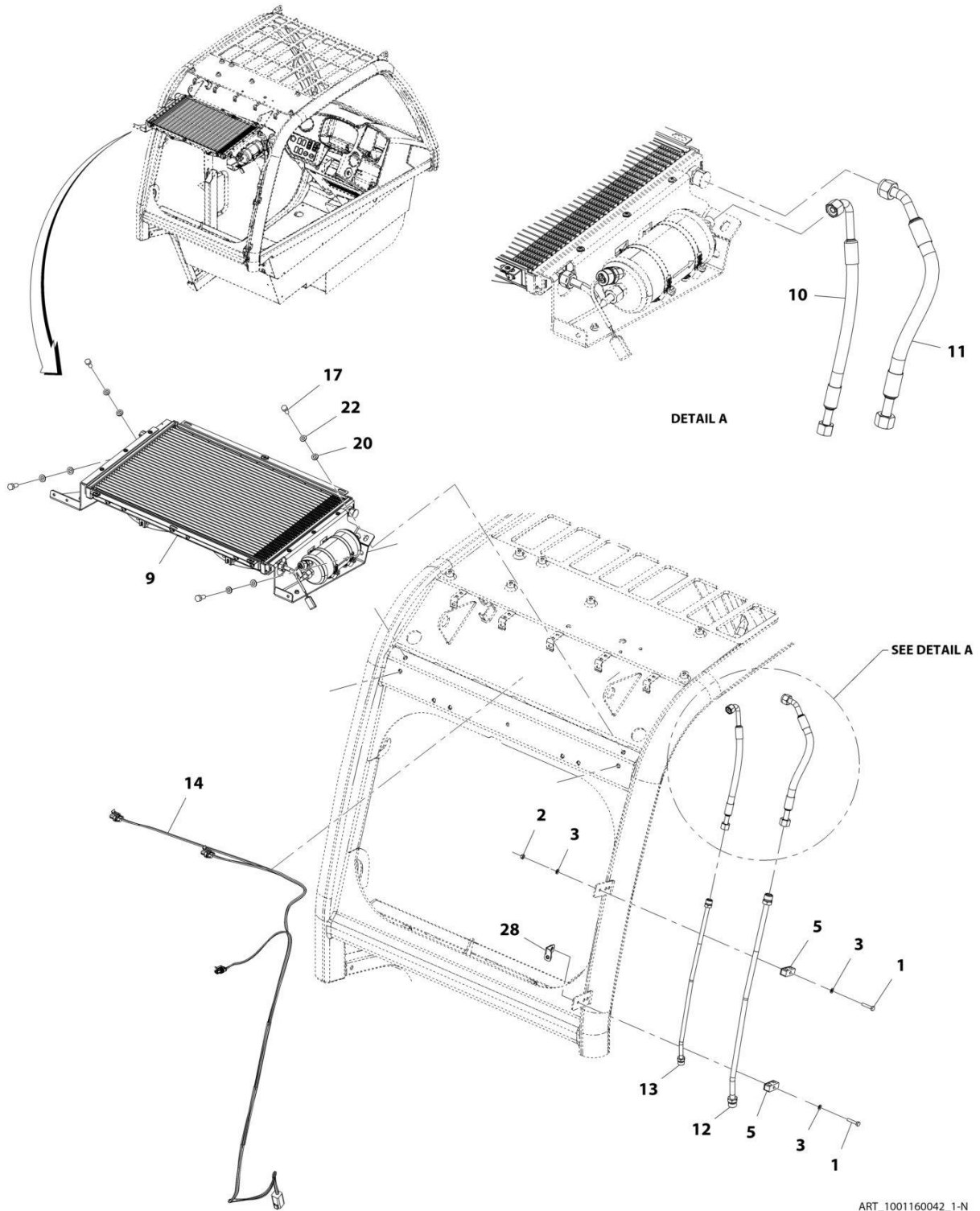
ART_1001172551

FIGURE 6-42. HVAC CAB ACTUATOR

ITEM	PART NUMBER	QTY	DESCRIPTION	REV
	1001172551	Ref	HVAC CAB ACTUATOR	E
1	1001184306	1	Box, Heater Controller	
2	1001184307	1	Base, Heater Controller Box	
4	1001184309	1	Board, Heater Control	
5	1001184310	1	Board, Heater Control	
6	1001189980	2	Insulator, Heater Controller Box	

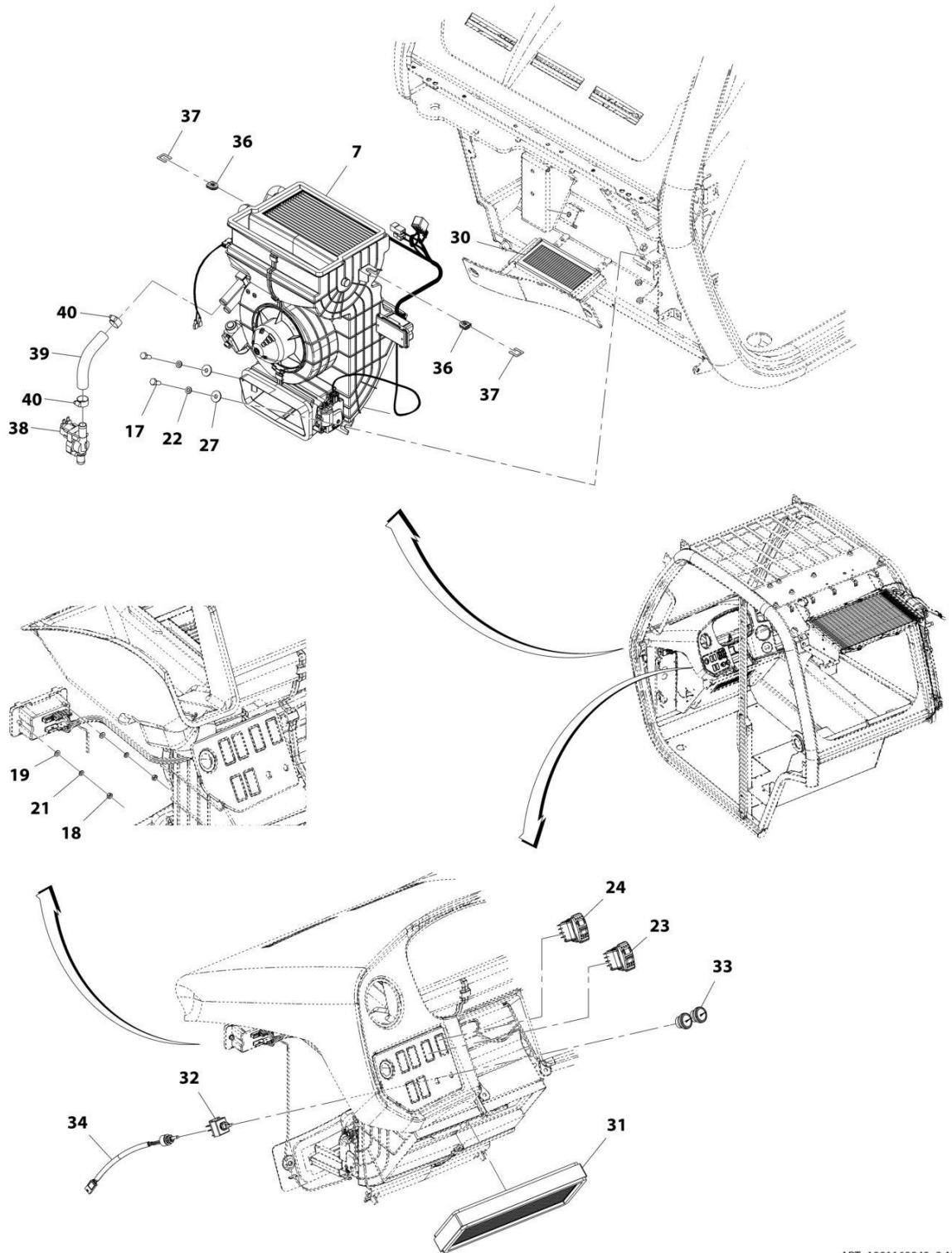
SECTION 6 - CAB

FIGURE 6-43. HEATER AND A/C INSTALLATION (CAB PARTS)



ART_1001160042_1-N

SECTION 6 - CAB



ART_1001160042_2-N

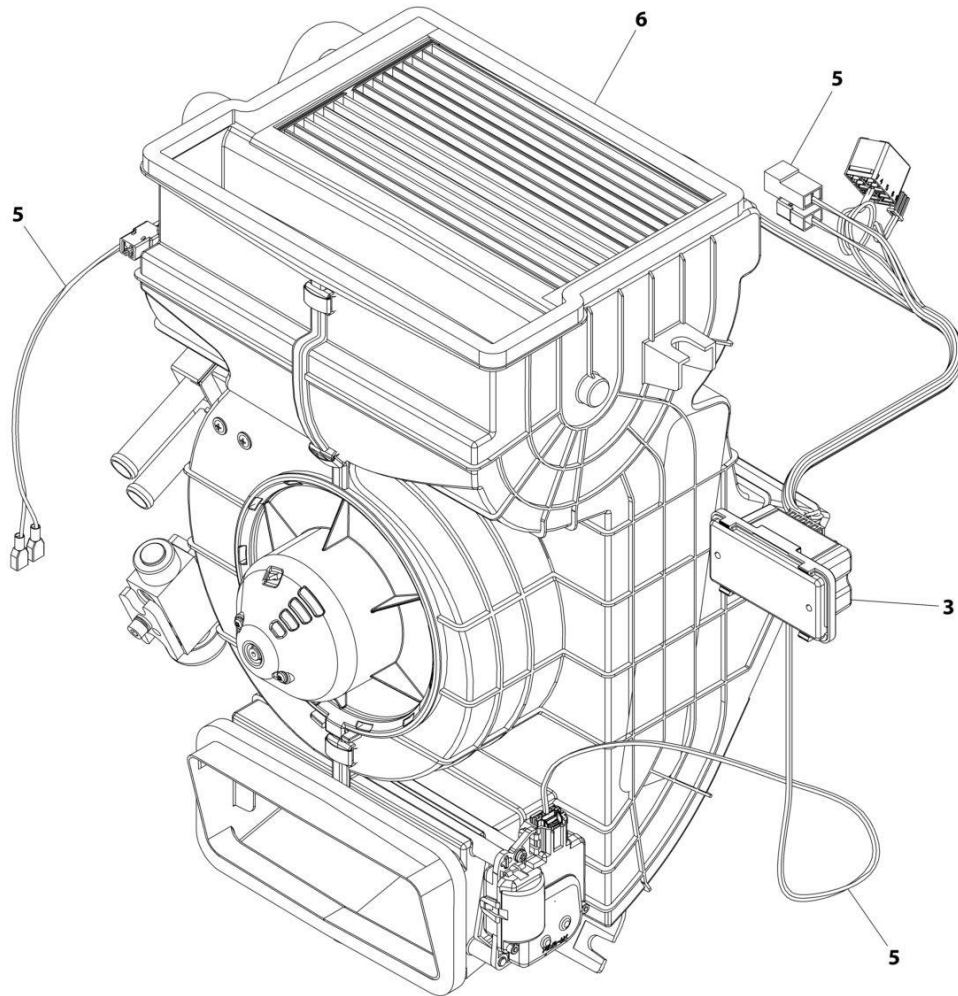
SECTION 6 - CAB

FIGURE 6-43. HEATER AND A/C INSTALLATION (CAB PARTS)

ITEM	PART NUMBER	QTY	DESCRIPTION	REV
	1001160042	Ref	Heater and A/C Installation (Cab Parts)	N
1	0700614	2	Bolt, M6X30	
2	3290601	1	Nut, M6X1	
3	4811700	3	Washer, M6	
5	1001145539	2	Support, Pipe	
7	1001188303	1	Assembly, Heater and A/C (See Separate Breakdown in this Section)	
9	1001162953	1	Assembly, Cab Condenser (See Separate Breakdown in this Section)	
10	1001168327	1	Hose	
11	1001168330	1	Hose	
12	1001168331	1	Tube	
13	1001168456	1	Tube	
14	1001169151	1	Harness, A/C Option (See Separate Breakdown in ELECTRICAL Section)	
17	0760810	6	Bolt, M8X20 GR8.8	
18	3290401	2	Nut, M4X0.7	
19	4811400	2	Washer, M4	
20	4811900	4	Washer, M8	
21	4831400	2	Washer, Lock M4	
22	4831900	6	Washer, Lock M8	
23	1001159925	1	Switch, HVAC Recycle	
24	1001160326	1	Switch, HVAC On/Off	
27	4811902	2	Washer, M8	
28	1001178170	1	Bracket	
30	1001218996	1	Filter, HVAC Fresh Air	
31	1001172553	1	Filter, HVAC Air Recirculation	
32	1001172547	1	Switch, HVAC Rotary 3 Speed	
33	1001172550	2	Knob, HVAC Control	
34	1001218529	1	Cable, HVAC	
35	1320022	1	Clamp	
36	1001188590	2	Grommet	
37	1001218542	2	Shim	
38	1001221059	1	Valve, Water	
39	1001221295	1	Hose	
40	8410009	2	Clamp	

SECTION 6 - CAB

FIGURE 6-44. HEATER AND A/C ASSEMBLY



ART_1001188303-G

FIGURE 6-44. HEATER AND A/C ASSEMBLY

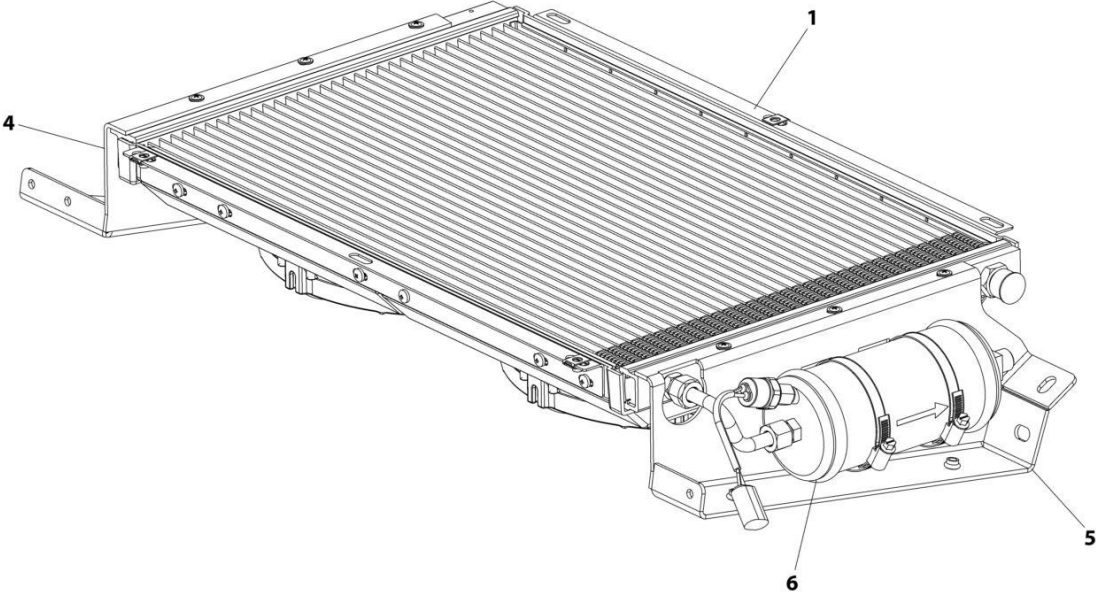
ITEM	PART NUMBER	QTY	DESCRIPTION	REV
	1001188303	Ref	Heater and A/C Assembly	H
3	1001172551	1	Actuator, HVAC Cab	
5	1001221056	1	Harness, HVAC Actuator (See Separate Breakdown in ELECTRICAL Section)	
6	1001221054	1	Heater and A/C (See Separate Breakdown in this Section)	

FIGURE 6-45. HEATER AND A/C

ITEM	PART NUMBER	QTY	DESCRIPTION	REV
	1001221054	Ref	Heater and A/C	D
1	1001166091	1	Housing, HVAC RH	
2	1001166092	1	Housing, HVAC LH	
3	1001184275	1	Foam, Heater Flap	
4	1001184278	1	Foam, Heater Mixing Flap	
5	1001184280	1	Evaporator, Heater	
6	1001184294	1	Seal, Heater Foam	
7	1001184295	1	Seal, Air Inlet Foam	
8	1001184296	1	Pipe, Heater Water	
9	1001184297	1	Pipe, Heater Water	
10	1001184427	1	Pipe, Heater	
11	1001188577	1	Actuator, Fresh/Recirculation Air	
12	1001188578	1	Actuator, Hot/Cold Mixing	
13	1001188592	1	Valve, HVAC Expansion	
14	1001188594	1	Fan, HVAC Centrifugal 12V	
15	1001188602	4	Screw, M4	
16	1001188603	9	Clamp, HVAC Case	
17	1001188604	2	Clamp, HVAC Pipe	
18	1001188610	2	Screw, M4X0.7	
19	1001188612	3	Clamp, Pipe	
20	1001188614	1	Resistor	
21	1001188618	4	Screw, M5	
22	1001188619	1	Screw, M6	
23	1001188720	2	Screw, M2.9X9.5	
24	1001188725	3	Screw, M4X35	
25	1001188728	1	Sensor, HVAC Thermostat	
26	1001188729	1	Radiator, Heater Core	
27	1001188733	1	Grommet	
28	1001188817	1	Clamp, Hose	
29	1001188818	1	Clamp, HVAC EVAP/Valve	
30	1001189023	1	O-Ring	
31	1001189024	1	O-Ring	
32	1001189025	2	O-Ring	
33	1001189048	1	Washer	
34	1001189054	1	Washer, Spring	
35	1001221057	1	Plate	
36	1001221058	2	Screw	
37	1001228132	1	Harness, HVAC Sensor	
38	1001228140	1	Grommet	
39	1001228141	2	Screw	
40	1001228147	1	Valve, Water Sensor	

SECTION 6 - CAB

FIGURE 6-46. CAB CONDENSER ASSEMBLY



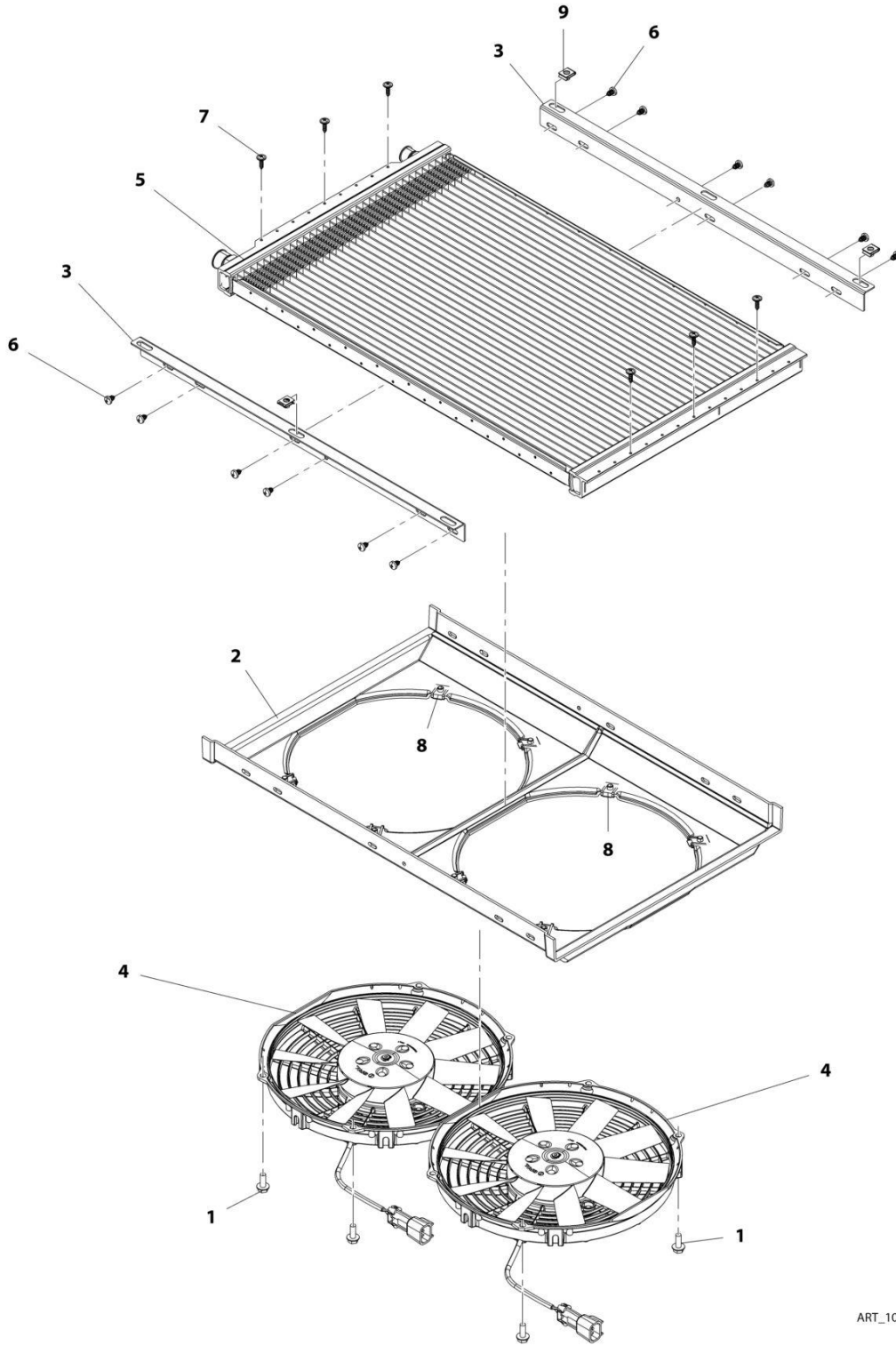
ART_1001162953

FIGURE 6-46. CAB CONDENSER ASSEMBLY

ITEM	PART NUMBER	QTY	DESCRIPTION	REV
	1001162953	Ref	Cab Condenser Assembly	G
1	1001167266	1	Condenser (See Separate Breakdown in this Section)	
4	1001179080	1	Bracket	
5	1001179081	1	Bracket	
6	1001179130	1	Drier, A/C Receiver (See Separate Breakdown in this Section)	

SECTION 6 - CAB

FIGURE 6-47. CONDENSER



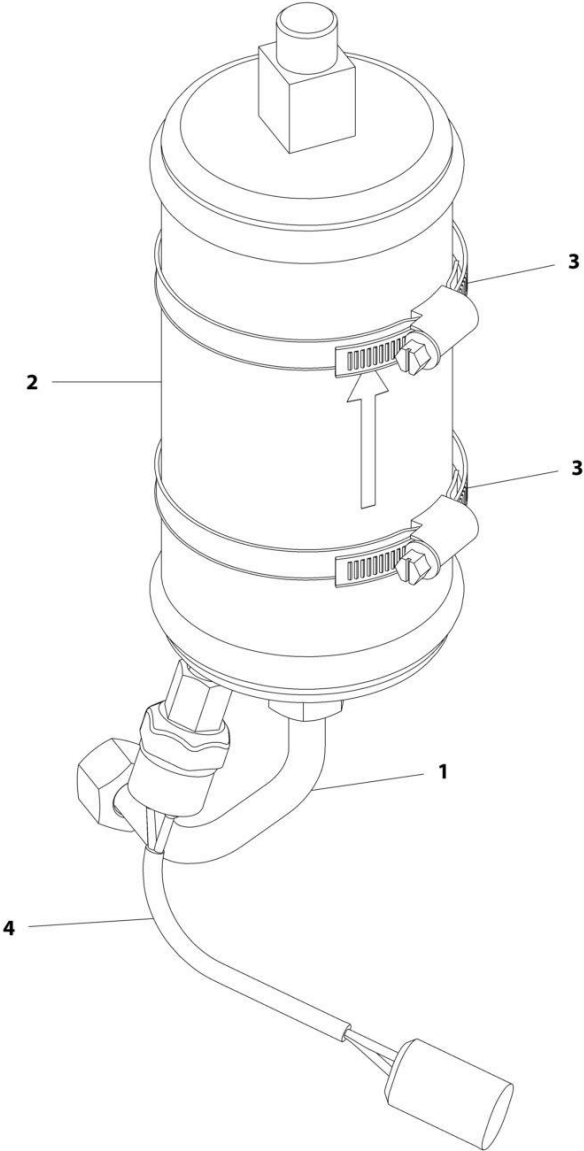
ART_1001167266-C

FIGURE 6-47. CONDENSER

ITEM	PART NUMBER	QTY	DESCRIPTION	REV
	1001167266	Ref	Condenser	C
1	5250608	8	Bolt, M6X16	
2	1001195342	1	Bracket, Condenser Fan Mount	
3	1001195343	2	Support, Condenser	
4	1001195345	2	Fan, Condenser	
5	1001195346	1	Condenser	
6	1001195385	12	Screw, M3.9X9.5	
7	1001195386	6	Screw, M4.2X16	
8	1001195437	8	Clip, M6X1	
9	1001195438	3	Clip, M6X1	

SECTION 6 - CAB

FIGURE 6-48. A/C RECEIVER DRIER



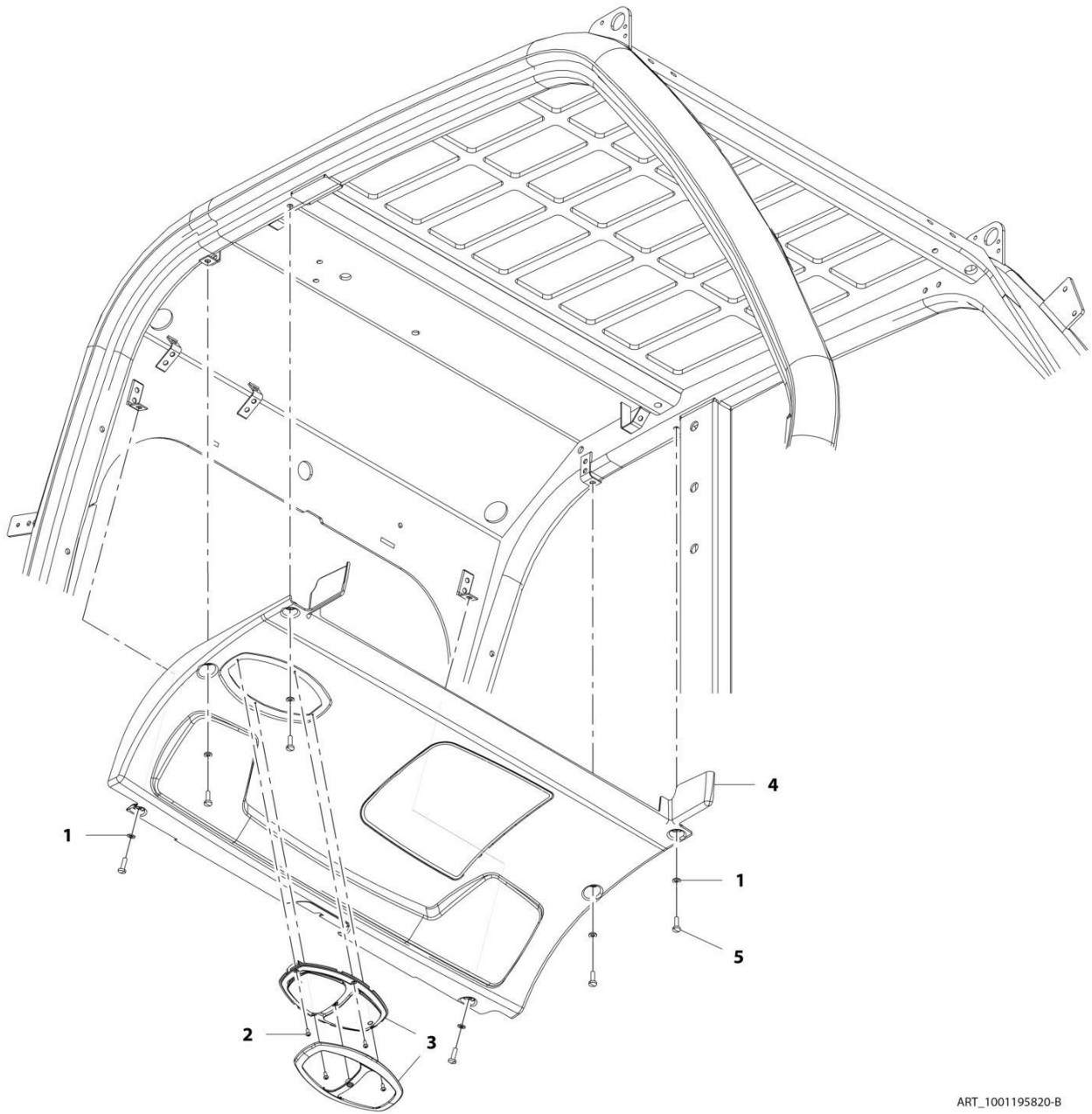
ART_1001179130-B

FIGURE 6-48. A/C RECEIVER DRIER

ITEM	PART NUMBER	QTY	DESCRIPTION	REV
	1001179130	Ref	A/C Receiver Drier	B
1	1001184403	1	Tube, Heater	
2	1001184404	1	Receiver, Heater Drier	
3	1001184405	2	Clamp	
4	1001184406	1	Connector, Heater	

SECTION 6 - CAB

FIGURE 6-49. HEADLINER INSTALLATION



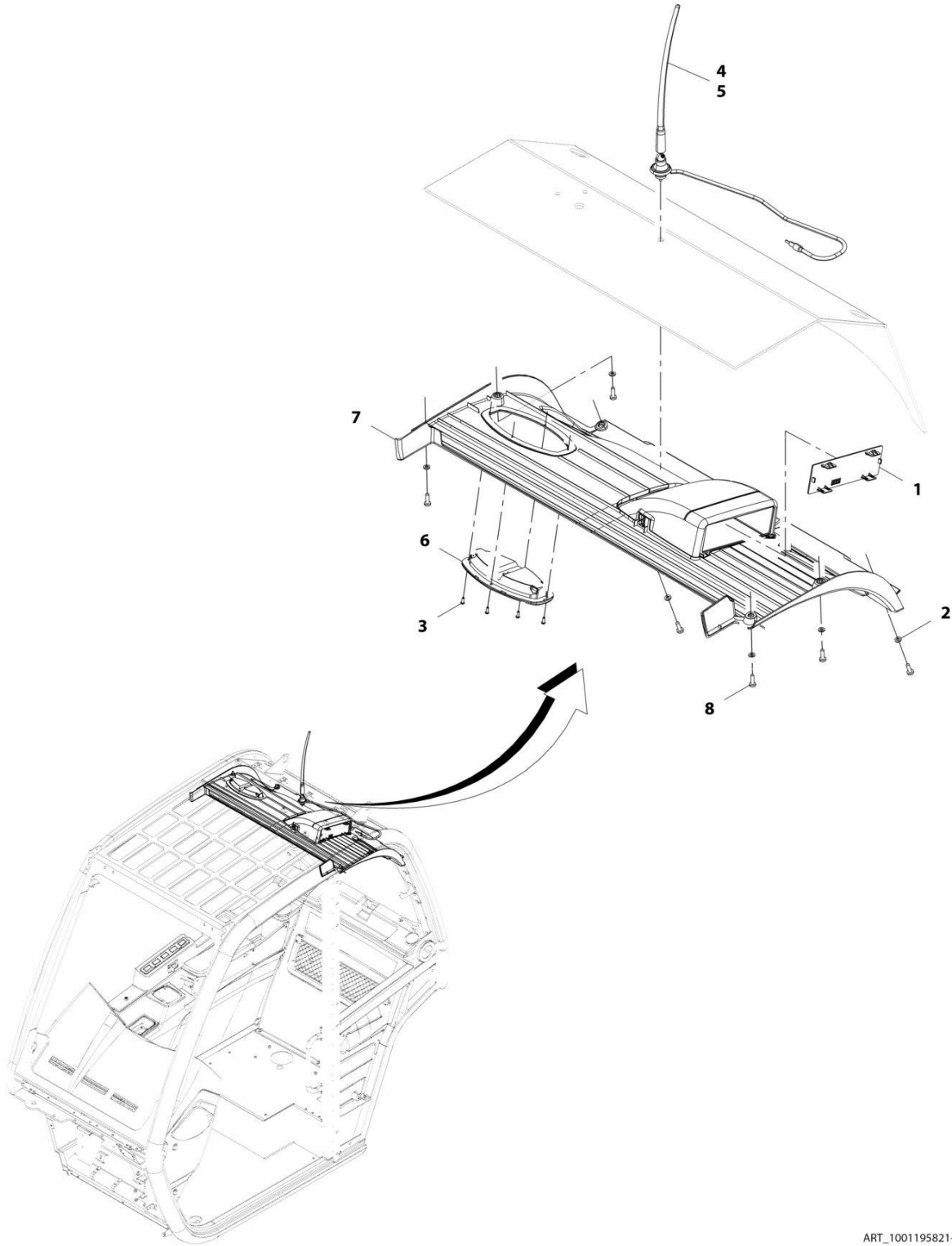
ART_1001195820-B

FIGURE 6-49. HEADLINER INSTALLATION

ITEM	PART NUMBER	QTY	DESCRIPTION	REV
	1001195820	Ref	Headliner Installation	C
1	4811700	6	Washer, M6	
2	7029486	4	Screw	
3	1001167015	1	Lamp, Dome	
4	1001195822	1	Panel, Headliner	
5	4031708001	1	Cap Screw M6 x 20	

SECTION 6 - CAB

FIGURE 6-50. HEADLINER/RADIO READY PACKAGE INSTALLATION



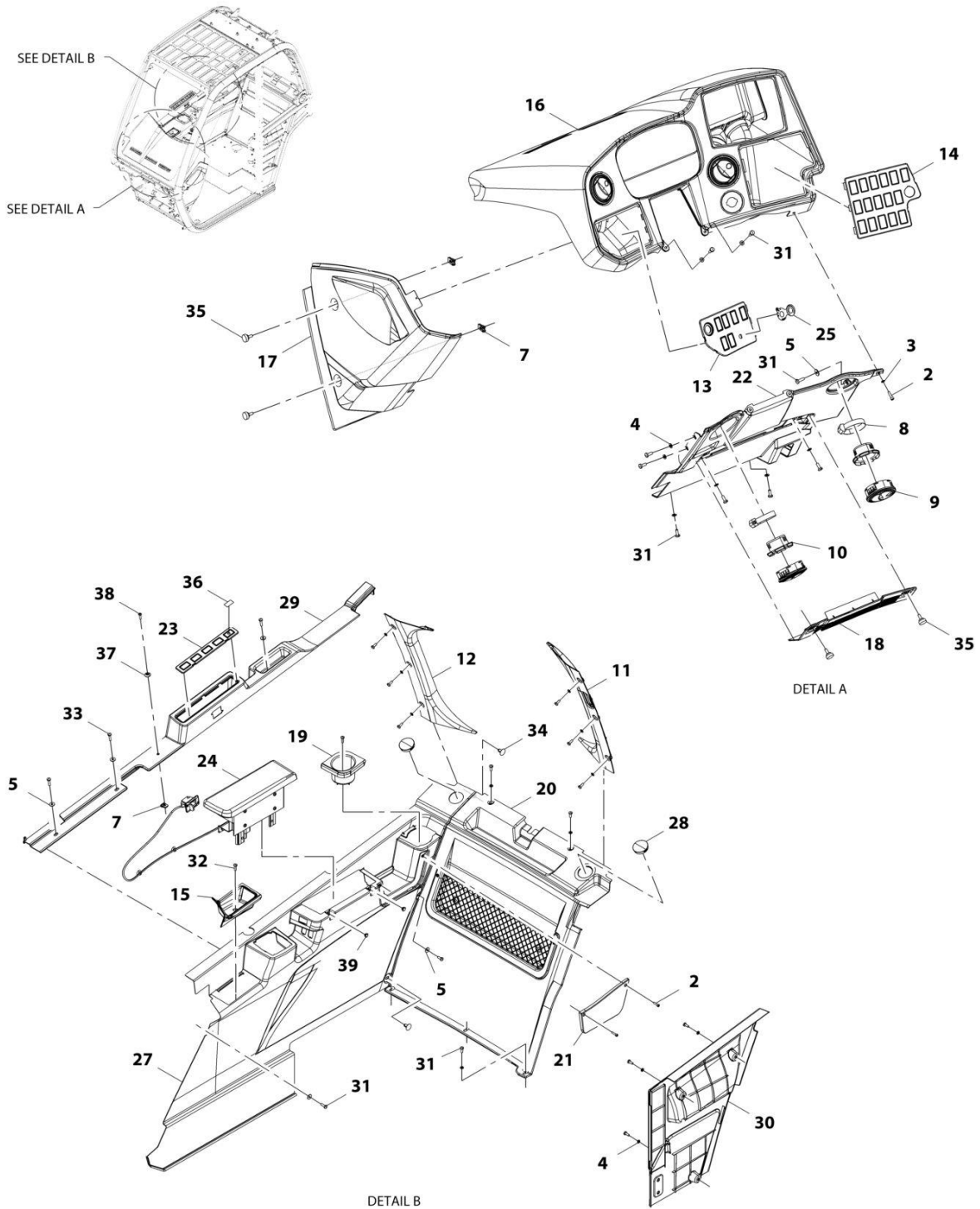
ART_1001195821-B

FIGURE 6-50. HEADLINER/RADIO READY PACKAGE INSTALLATION

ITEM	PART NUMBER	QTY	DESCRIPTION	REV
	1001195821	Ref	Headliner/Radio Ready Package Installation	B
1	1001200968	1	Plate	
2	4811700	6	Washer, 6M	
3	7029486	4	Screw	
4	8005901	1	Antenna	
5	1001116128	AR	Sealant, Polysiloxane	
6	1001167015	1	Lamp	
7	1001195823	1	Cover, Headliner	
8	4010610002	6	Screw, M6X20	

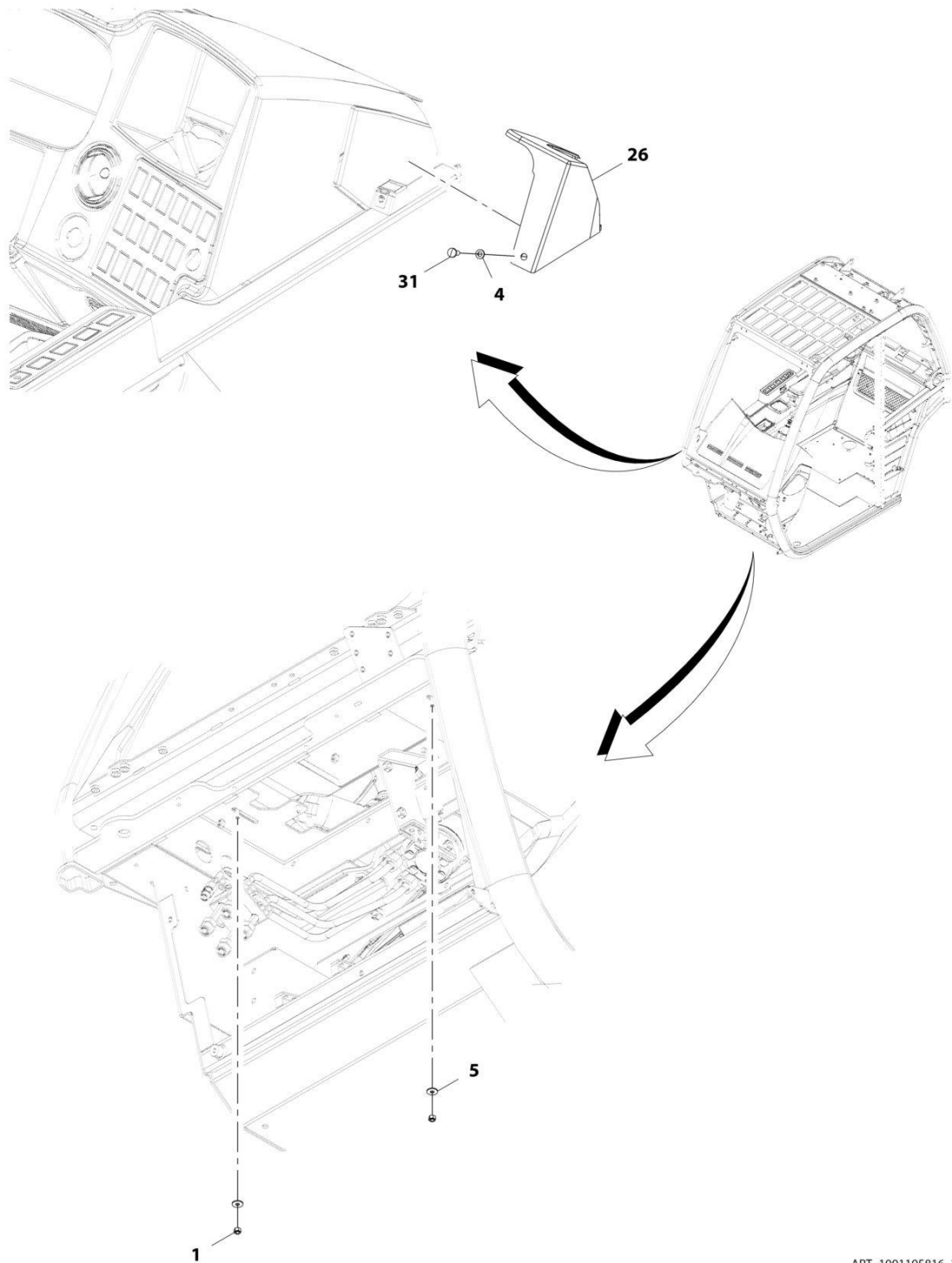
SECTION 6 - CAB

FIGURE 6-51. CAB TRIM INSTALLATION



ART_1001195816_1-I

SECTION 6 - CAB



ART_1001195816_2-I

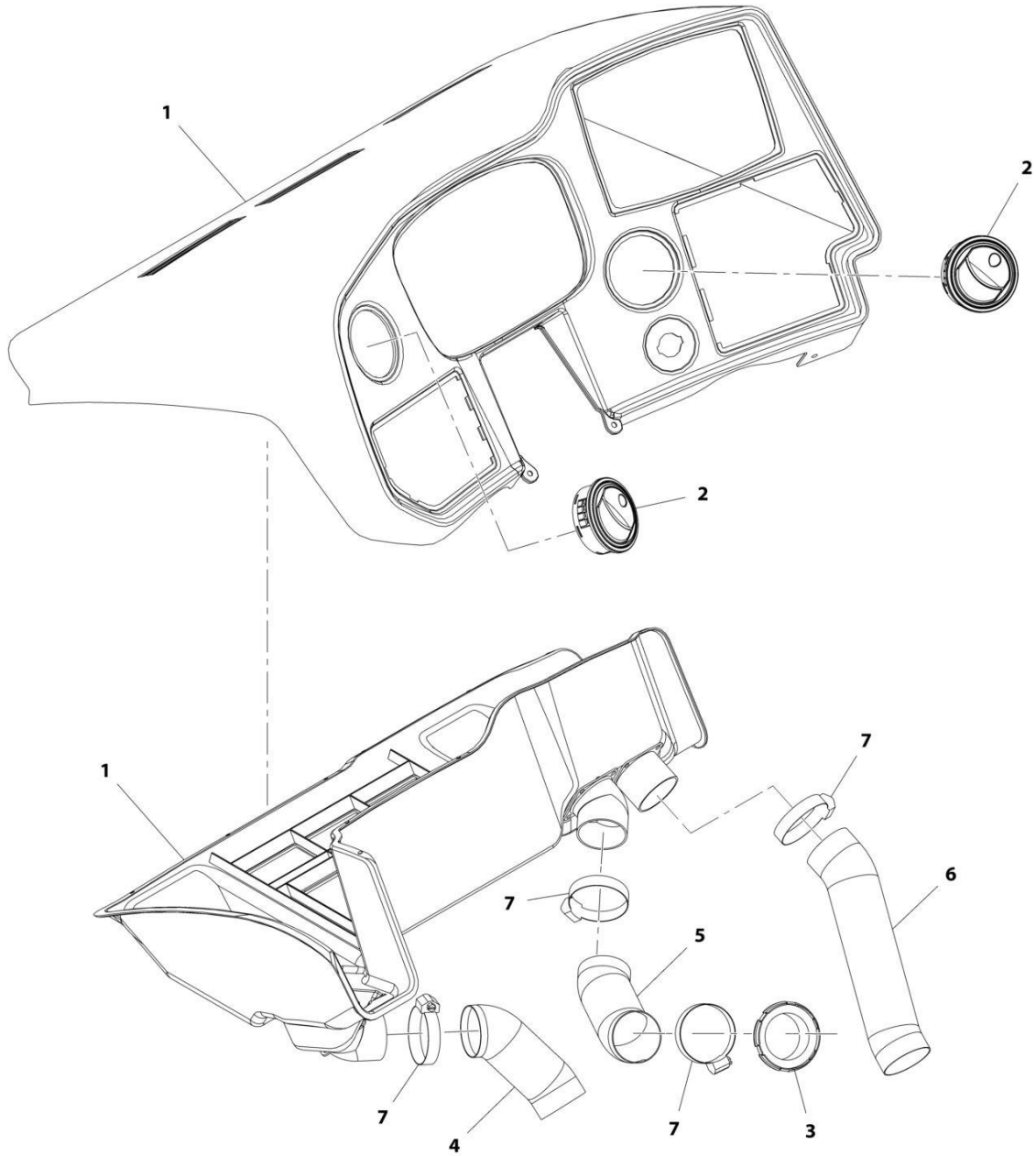
SECTION 6 - CAB

FIGURE 6-51. CAB TRIM INSTALLATION

ITEM	PART NUMBER	QTY	DESCRIPTION	REV
	1001195816	Ref	Cab Trim Installation	I
1	3290605	2	Nut, Lock M6X1	
2	4031608001	3	Screw, M5X20	
3	4811600	1	Washer, M5	
4	4811700001	23	Washer, M6	
5	4811702001	7	Washer, M6	
7	8305919	2	Nut, M6	
8	8405201	2	Clamp	
9	1001147449	2	Vent	
10	1001149278	2	Connector, Vent	
11	1001161252	1	Cover, LH C-Post	
12	1001161253	1	Cover, RH C-Post	
13	1001219864	1	Plate, Switch	
14	1001219865	1	Plate, Switch	
15	1001169603	1	Tray	
16	1001169604	1	Assembly, Dash Cover (See Separate Breakdown in this Section)	
17	1001161855	1	Cover, Side Dash	
18	1001170504	1	Cover, Recirculation Grille	
19	1001170518	1	Holder, Cup	
20	1001170519	1	Assembly, Rear Panel Cover (See Separate Breakdown in this Section)	
21	1001173965	1	Bezel, Net	
22	1001175903	1	Cover, Lower Dash	
23	1001219863	1	Plate, Switch	
24	1001181726	1	Installation, Armrest (See Separate Breakdown in this Section)	
25	1001184975	1	Decal, HVAC	
26	1001185870	1	Cover, Lower A-Post	
27	1001189182	1	Cover, RH Side	
28	1001223265	2	Grommet	
29	1001195817	1	Cover, RH Extension	
30	1001195818	1	Panel, LH Side	
31	4010608002	26	Screw, M6X16	
32	4010610002	1	Screw, M6X20	
33	4010612002	3	Screw, M6X25	
34	1001211907	2	Screw	
35	1001208308	4	Thumb Screw, M6X15	
36	1001226481	1	Decal, Blank	
37	1001098150	1	Washer, M6	
38	1001132564	1	Screw, M6X20	
39	1001227133	2	Grommet	

SECTION 6 - CAB

FIGURE 6-52. DASH COVER ASSEMBLY



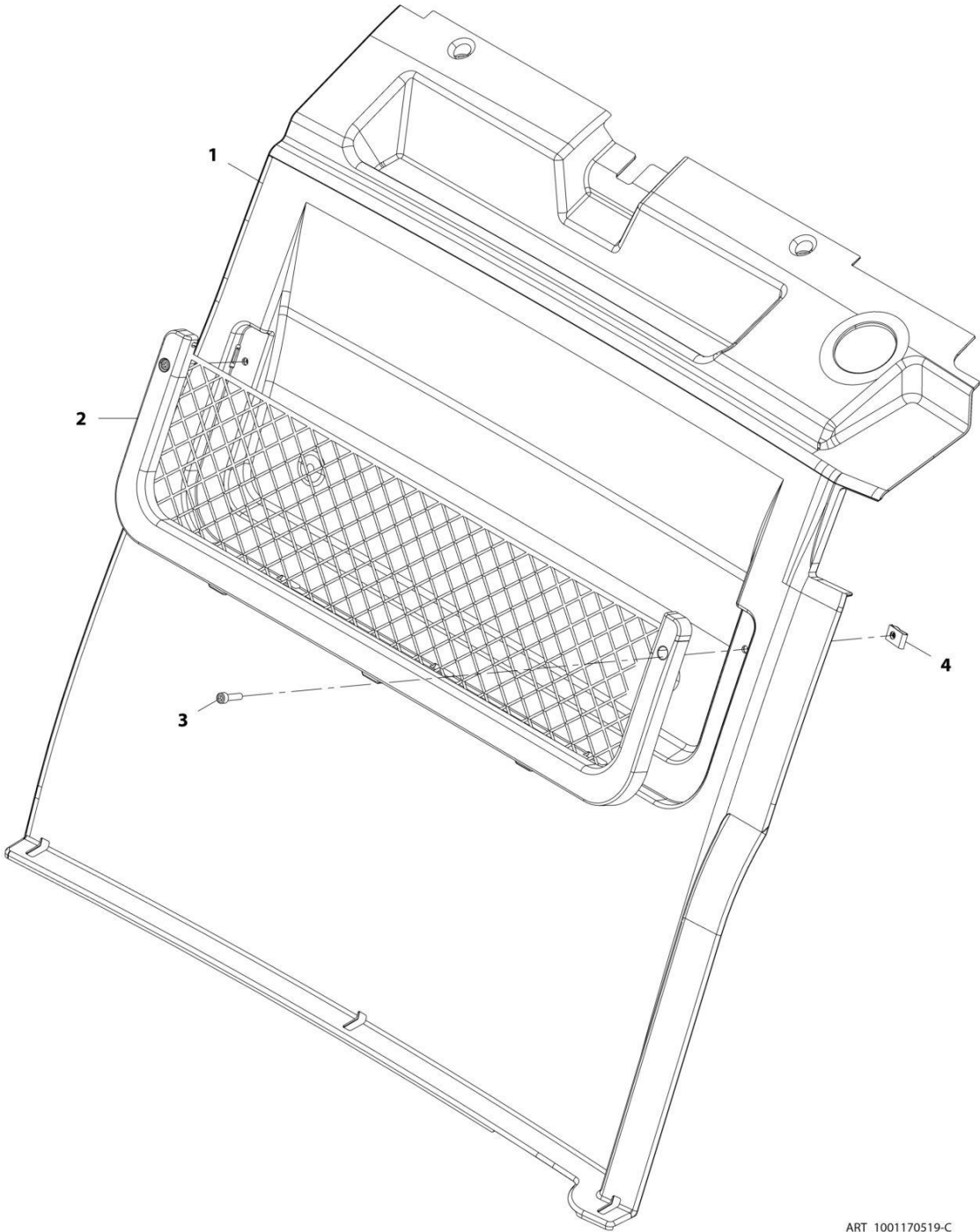
ART_1001169604-B

FIGURE 6-52. DASH COVER ASSEMBLY

ITEM	PART NUMBER	QTY	DESCRIPTION	REV
	1001169604	Ref	Dash Cover Assembly (Construction)	B
1	1001161851	1	Panel, Top Dash	
2	1001147449	2	Vent, Air	
3	1001149278	1	Vent, Connector	
4	1001174652	1	Hose	
5	1001174653	1	Hose	
6	1001174655	1	Hose	
7	8405201	4	Clamp, Gear	

SECTION 6 - CAB

FIGURE 6-53. REAR PANEL COVER ASSEMBLY



ART_1001170519-C

FIGURE 6-53. REAR PANEL COVER ASSEMBLY

ITEM	PART NUMBER	QTY	DESCRIPTION	REV
	1001170519	Ref	Rear Panel Cover Assembly	C
1	1001161067	1	Panel, Rear	
2	1001170514	1	Storage Net, Rear Panel	
3	4031608	2	Bolt, M5X20	
4	1001183550	2	Nut, Cage M5	

SECTION 6 - CAB

FIGURE 6-54. ADJUSTABLE ARMREST INSTALLATION

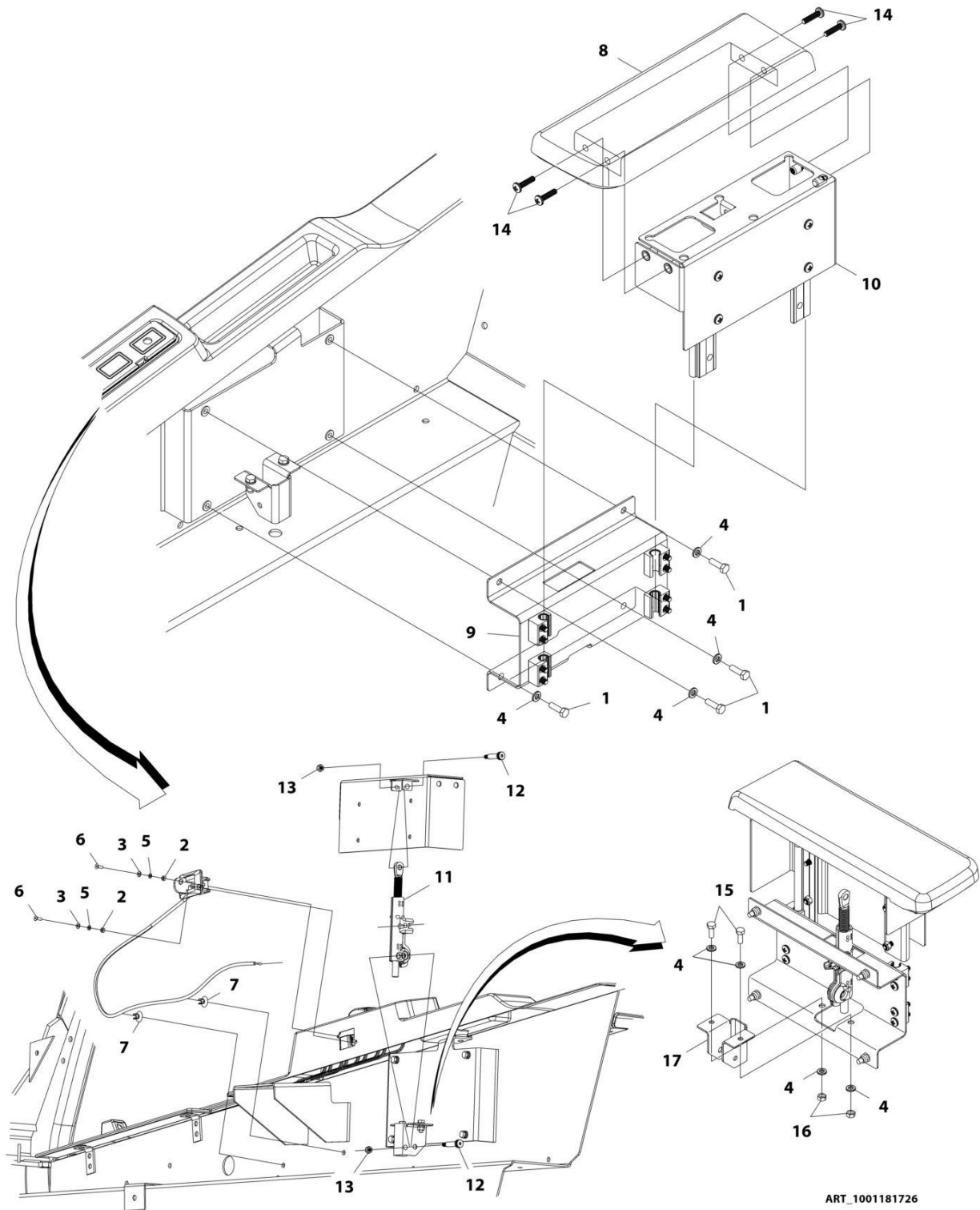
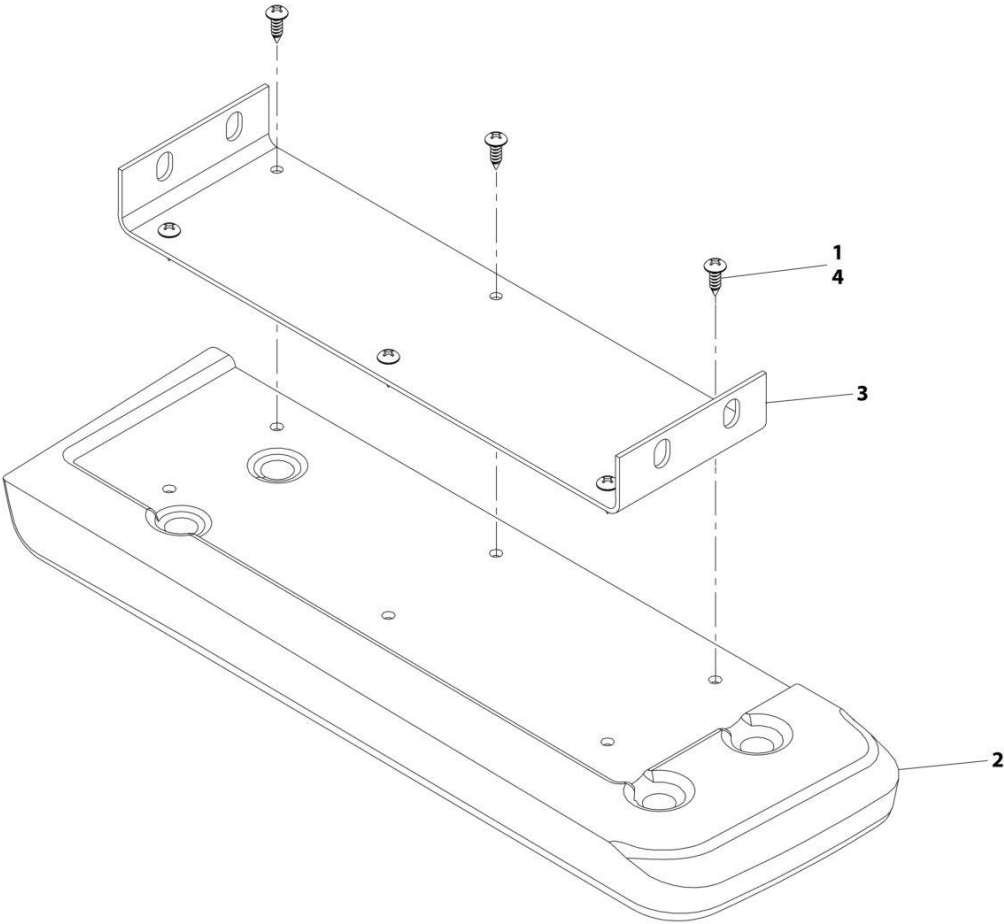


FIGURE 6-54. ADJUSTABLE ARMREST INSTALLATION

ITEM	PART NUMBER	QTY	DESCRIPTION	REV
	1001181726	Ref	Adjustable Armrest Installation	F
1	0700610	4	Bolt, M6X20	
2	3290401	2	Nut, M4X0.7	
3	4811400	2	Washer, M4	
4	4811700	8	Washer, M6	
5	4831400	2	Washer, Lock M4	
6	1001097244	2	Screw, M4X12	
7	1001165458	4	Hose	
8	1001191281	1	Armrest (See Separate Breakdown in this Section)	
9	1001191283	1	Bracket, Fixed Armrest (See Separate Breakdown in this Section)	
10	1001191284	1	Bracket, Moving Armrest (See Separate Breakdown in this Section)	
11	1001191285	1	Spring	
12	1001191370	2	Screw, M6	
13	3290605	2	Nut, M6X1 Grade 8	
14	4010612002	4	Screw, M6X25	
15	0760608	2	Bolt, M6X16	
16	3290601	2	Nut, M6X1	
17	1001212468	1	Bracket, Locking Spring Mount	

SECTION 6 - CAB

FIGURE 6-55. ARMREST



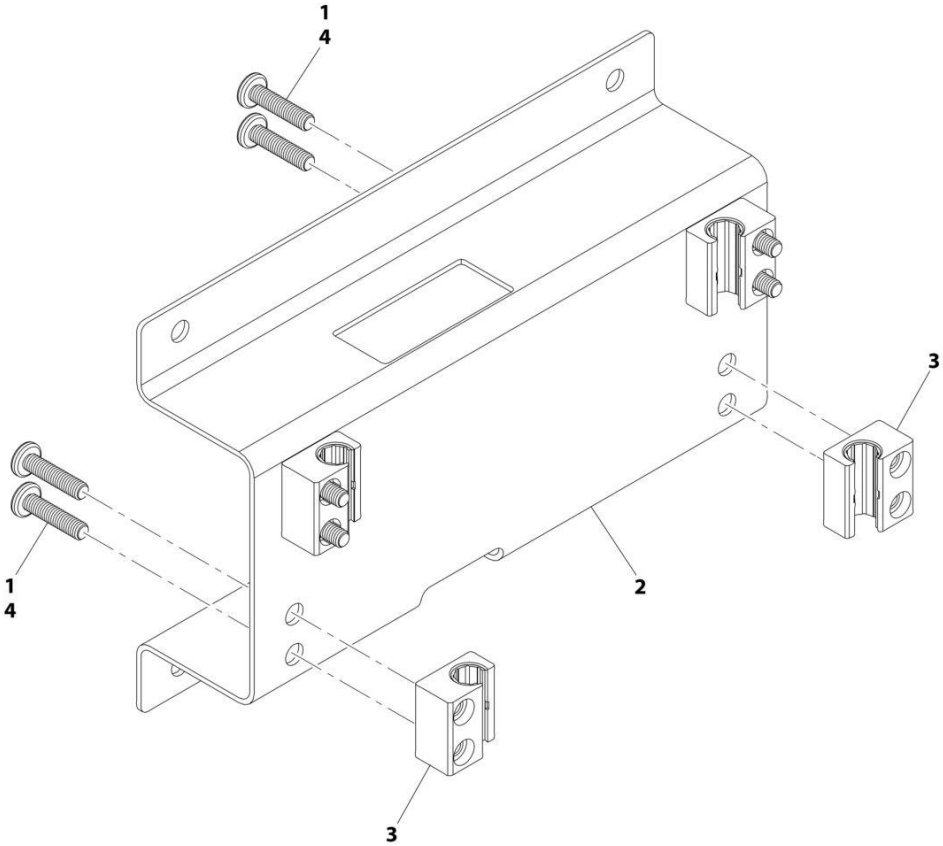
ART_1001191281

FIGURE 6-55. ARMREST

ITEM	PART NUMBER	QTY	DESCRIPTION	REV
	1001191281	Ref	Armrest	E
1	1001095650	AR	Adhesive	
2	1001179484	1	Armrest, Cab	
3	1001191282	1	Bracket, Armrest Pad	
4	1001192240	6	Screw	

SECTION 6 - CAB

FIGURE 6-56. FIXED ARMREST BRACKET



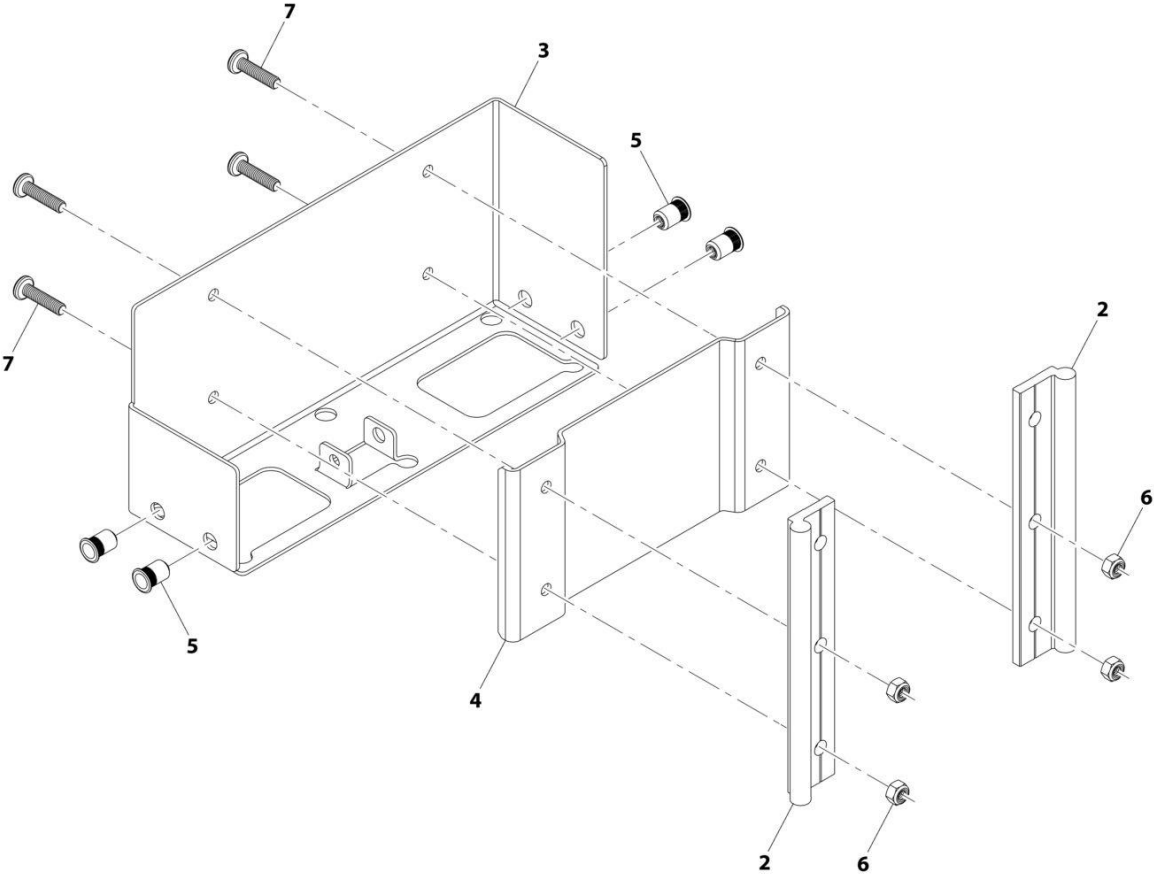
ART_1001191283-B

FIGURE 6-56. FIXED ARMREST BRACKET

ITEM	PART NUMBER	QTY	DESCRIPTION	REV
	1001191283	Ref	Fixed Armrest Bracket	B
1	1001095650	AR	Adhesive	
2	1001183597	1	Armrest Bracket	
3	1001191310	4	Slide Block	
4	4010612002	8	Screw	

SECTION 6 - CAB

FIGURE 6-57. MOVING ARMREST BRACKET



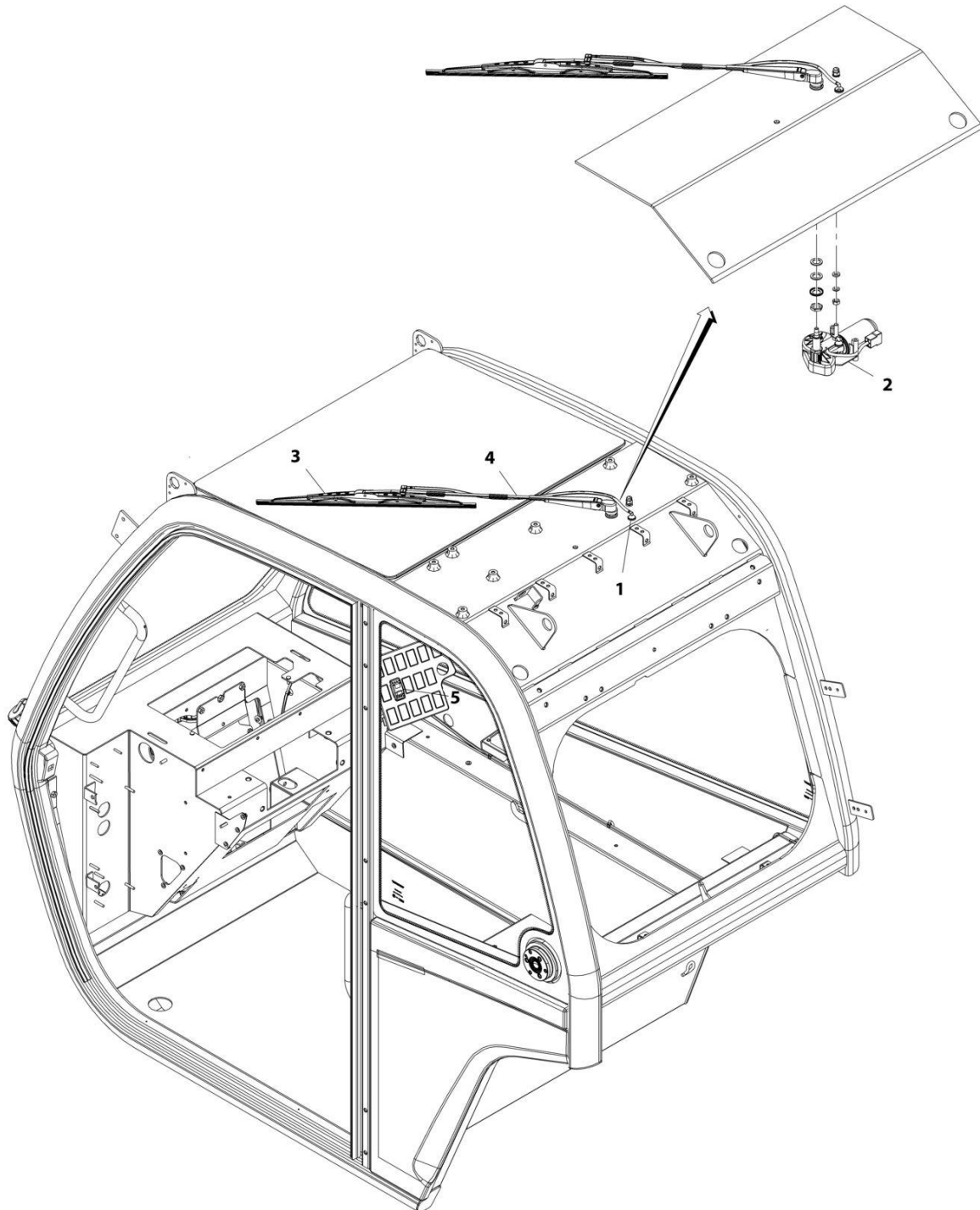
ART_1001191284-B

FIGURE 6-57. MOVING ARMREST BRACKET

ITEM	PART NUMBER	QTY	DESCRIPTION	REV
	1001191284	Ref	Moving Armrest Bracket	B
2	1001191311	2	Side Rail	
3	1001191312	1	Armrest Mount Bracket	
4	1001191313	1	Spacer Block Plate	
5	1001191959	4	Rivenut M6 X 1	
6	3290605	4	Nut, Lock M6X1	
7	4010612002	4	Screw, M6X25	

SECTION 6 - CAB

FIGURE 6-58. ROOF WIPER INSTALLATION



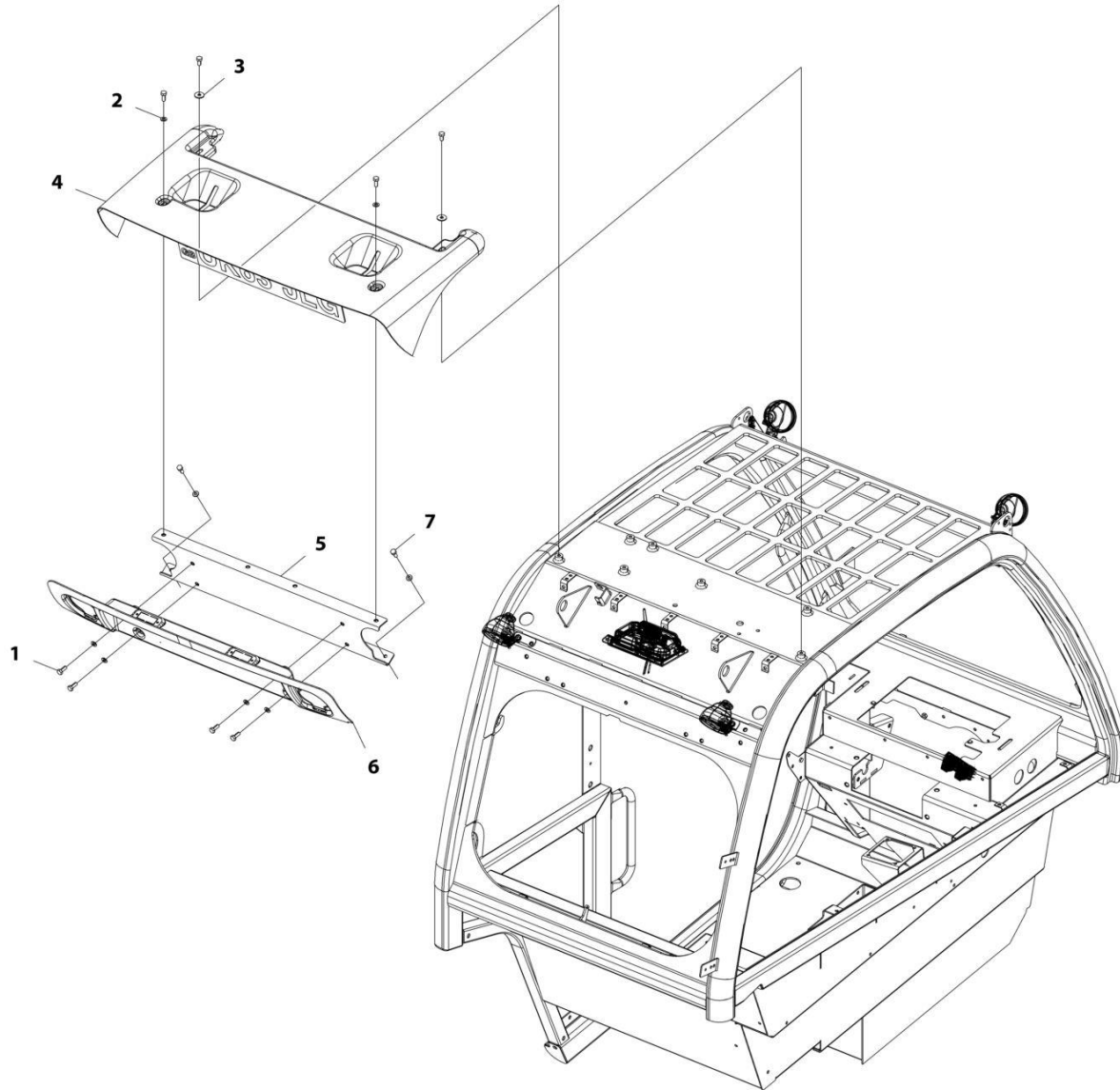
ART_1001155486-B

FIGURE 6-58. ROOF WIPER INSTALLATION

ITEM	PART NUMBER	QTY	DESCRIPTION	REV
	1001155486	Ref	Roof Wiper Installation	B
1	1001090343	1	Connector	
2	1001139551	1	Motor, Roof Wiper	
3	1001141313	1	Blade, Roof Wiper	
4	1001141311	1	Arm, Roof Wiper Blade	
5	1001159736	1	Switch, Roof Wiper	

SECTION 6 - CAB

FIGURE 6-59. ROOF CAP INSTALLATION (NO A/C)



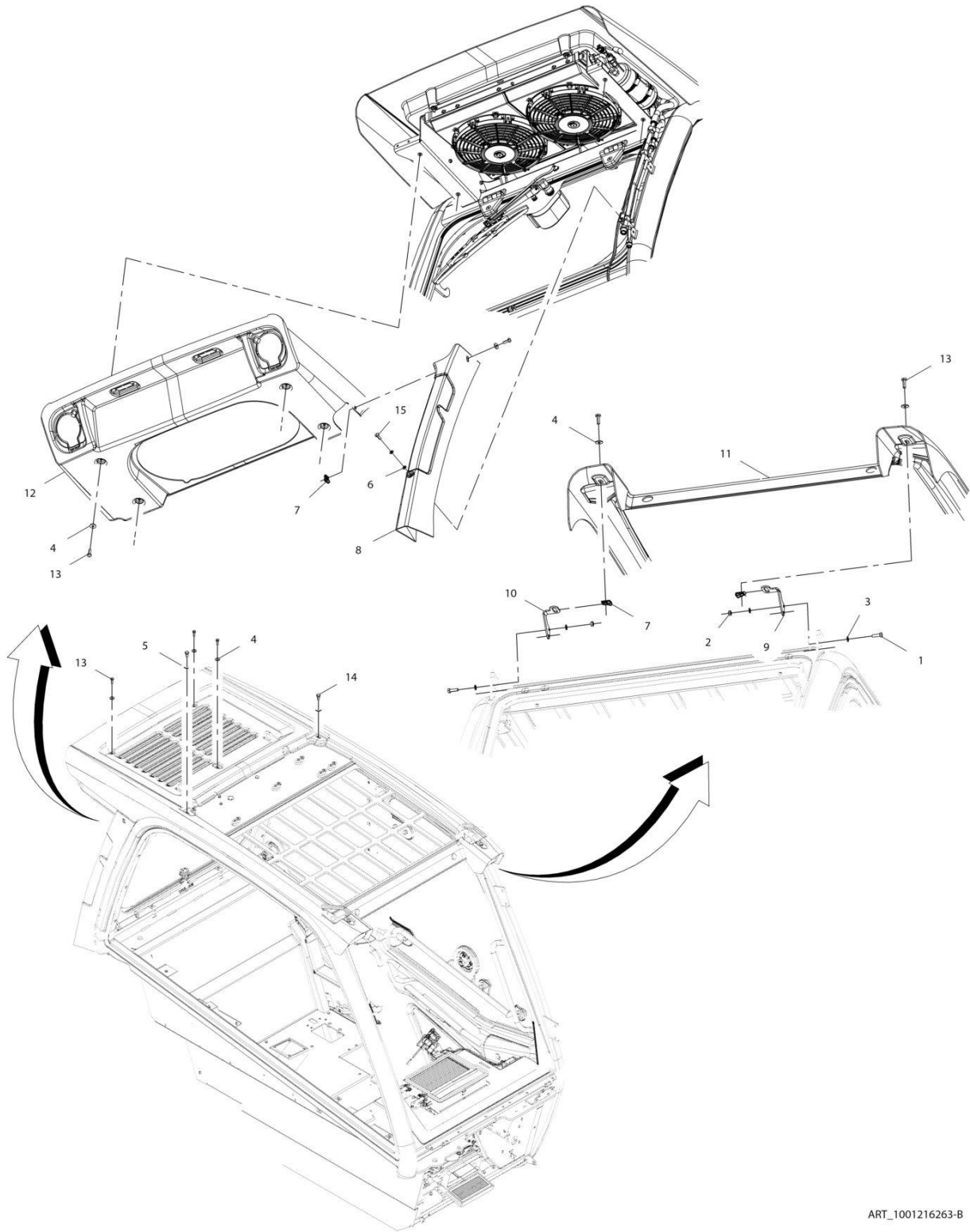
ART_1001216265

FIGURE 6-59. ROOF CAP INSTALLATION (NO A/C)

ITEM	PART NUMBER	QTY	DESCRIPTION	REV
	1001216265	Ref	Roof Cap Installation (No A/C)	B
1	0760810	8	Bolt, M8X20	
2	4811900	8	Washer, M8	
3	4811902	2	Washer, M8	
4	1001182330	1	Cover, Short Upper Roof Cap	
5	1001185633	1	Bracket, Roof Cap Mount	
6	1001216270	1	Cover, Short Lower Roof Cap	
7	0760808	2	Bolt, M8X16	

SECTION 6 - CAB

FIGURE 6-60. ROOF CAP INSTALLATION (A/C)



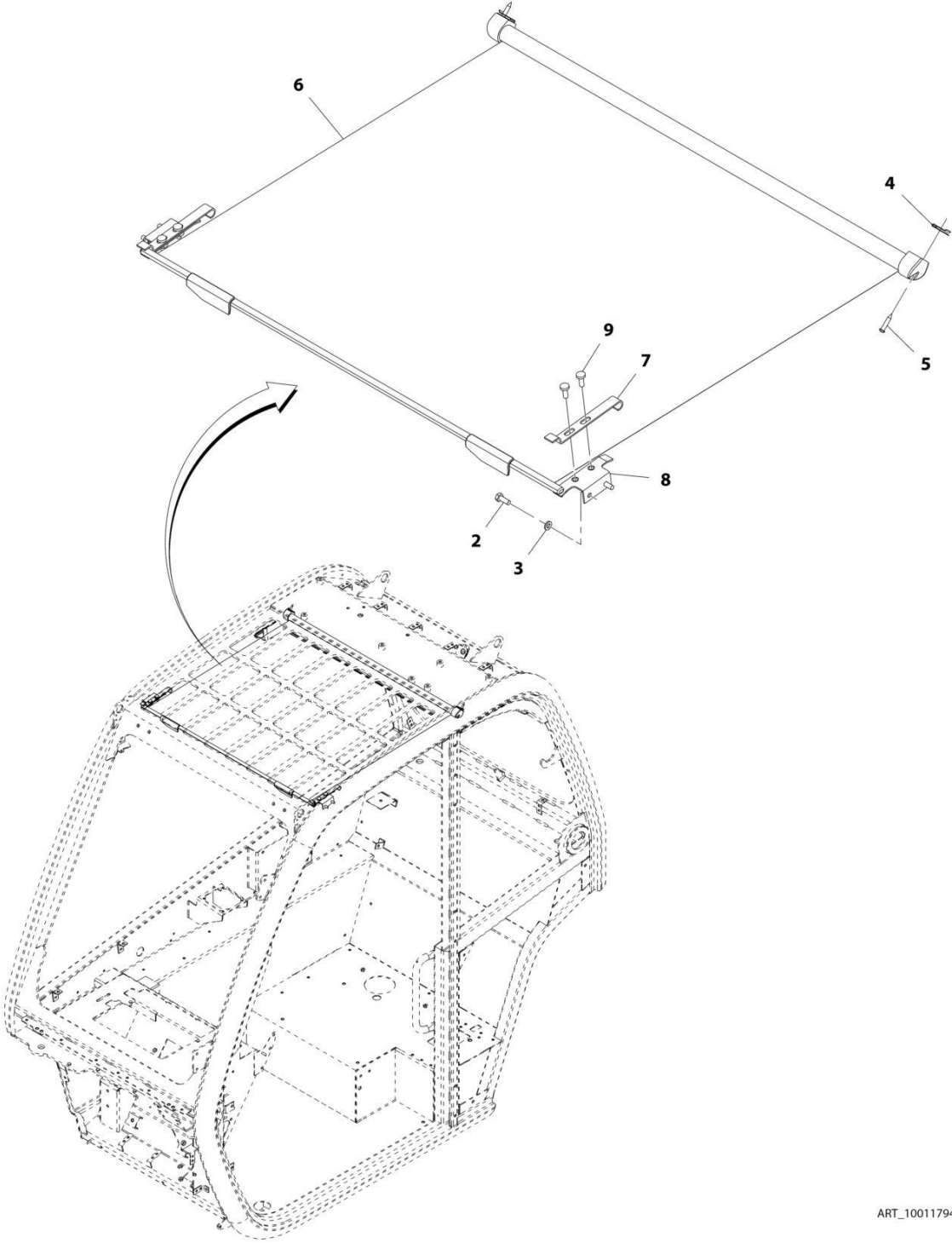
ART_1001216263-B

FIGURE 6-60. ROOF CAP INSTALLATION (A/C)

ITEM	PART NUMBER	QTY	DESCRIPTION	REV
	1001216263	Ref	Roof Cap (A/C) Installation	B
1	0700610	4	Bolt, M6X20	
2	3290601	4	Nut, M6X1	
3	4811700	9	Washer, M6	
4	4811702	10	Washer, M6	
5	4811902	2	Washer, M8	
6	4831700	1	Washer, Lock M6	
7	8305919	3	Nut, M6	
8	1001174741	1	Cover	
9	1001174800	1	Bracket	
10	1001174801	1	Bracket	
11	1001216267	1	Cover, Upper Roof Cap	
12	1001216269	1	Cover, Lower Roof Cap	
13	4010610002	10	Screw, Posi-Drive M6X20	
14	0760808	2	Bolt, M8X16	
15	4010608002	1	Screw, M6X16	

SECTION 6 - CAB

FIGURE 6-61. RETRACTABLE SUNSCREEN INSTALLATION



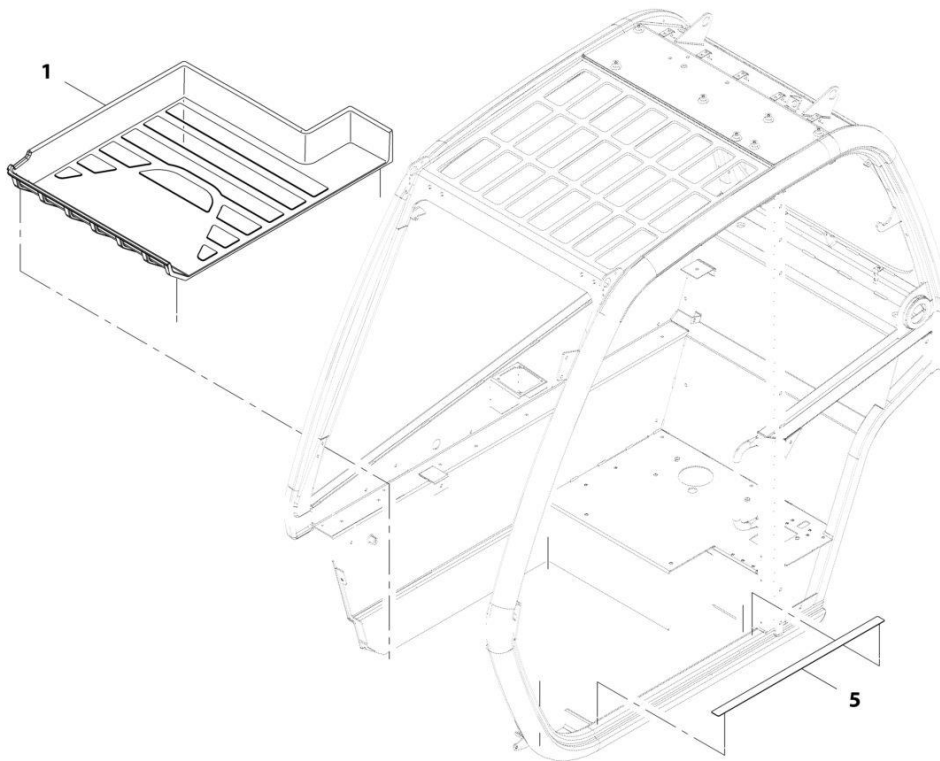
ART_1001179482-D

FIGURE 6-61. RETRACTABLE SUNSCREEN INSTALLATION

ITEM	PART NUMBER	QTY	DESCRIPTION	REV
	1001179482	Ref	Retractable Sunscreen Installation	D
2	0760608	4	Bolt, M6X16	
3	4811700	4	Washer, M6	
4	1001111076	2	Nut, Spire	
5	1001111147	2	Screw, Self Tapping	
6	1001179483	1	Cab, Sun Blind	
7	1001209463	2	Bracket	
8	1001166385	2	Bracket	
9	4010608002	4	Screw, Posi-Drive M6X16	

SECTION 6 - CAB

FIGURE 6-62. FLOOR MAT INSTALLATION



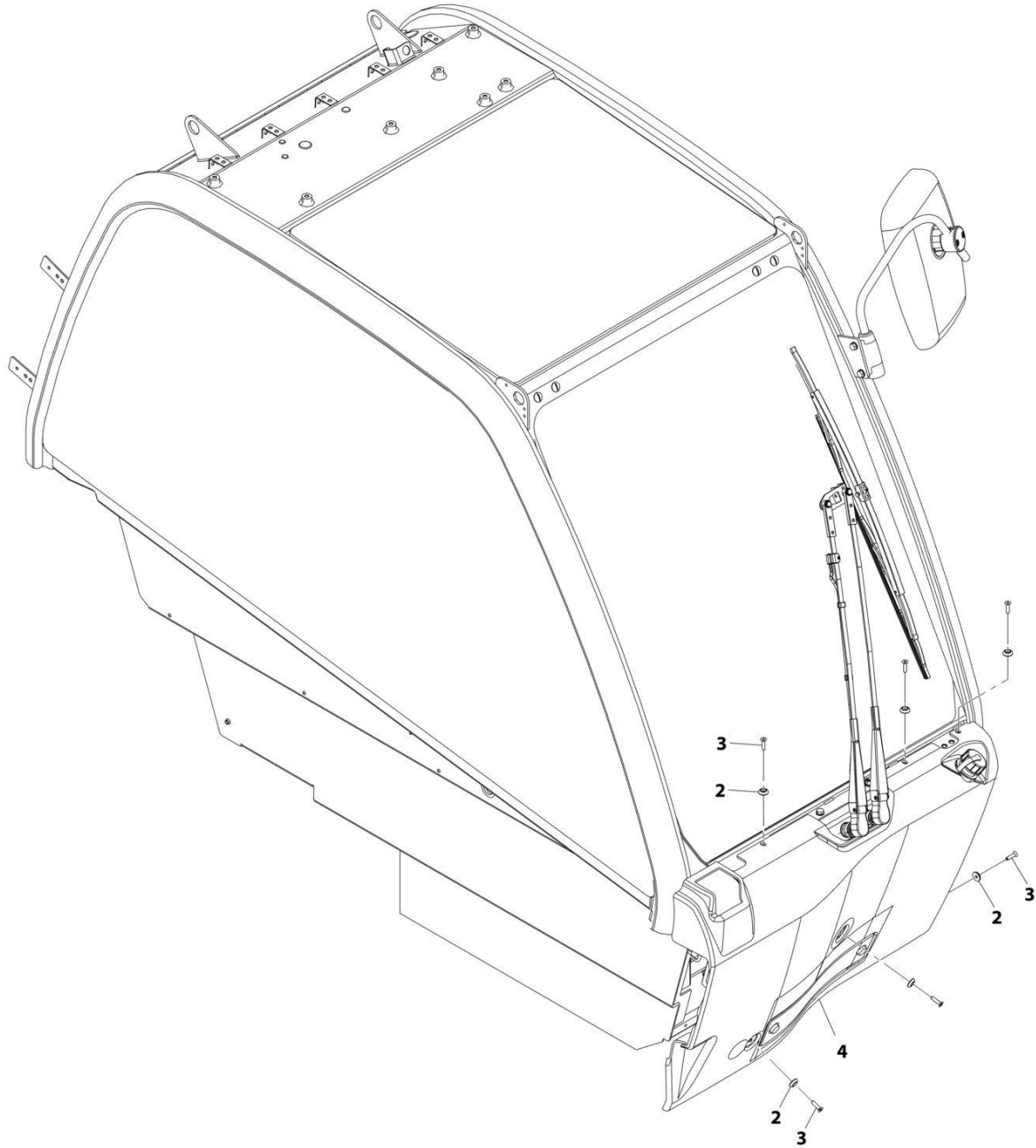
ART_1001161080-E

FIGURE 6-62. FLOOR MAT INSTALLATION

ITEM	PART NUMBER	QTY	DESCRIPTION	REV
	1001161080	Ref	Floor Mat Installation	E
1	1001161078	1	Cab, Floor Mat	
5	1001197259	1	Tape, Frame Non Skid	

SECTION 6 - CAB

FIGURE 6-63. ENCLOSED CAB FRONT COVER INSTALLATION



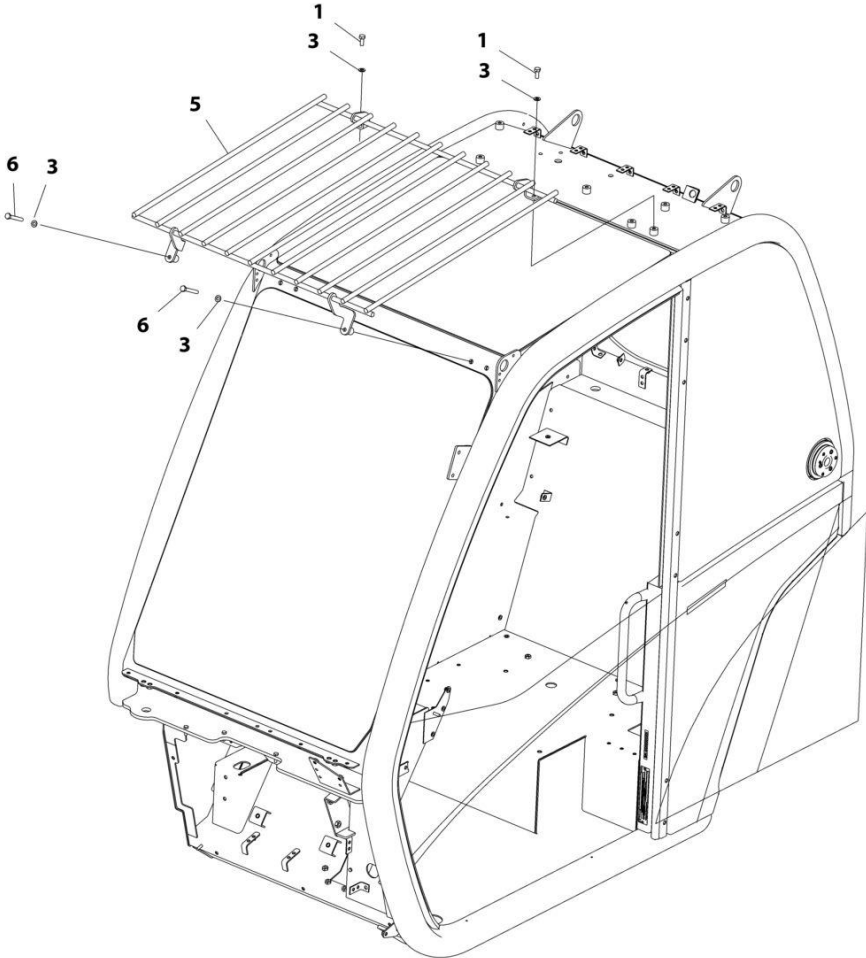
ART_1001179592-G

FIGURE 6-63. ENCLOSED CAB FRONT COVER INSTALLATION

ITEM	PART NUMBER	QTY	DESCRIPTION	REV
	1001179592	Ref	Enclosed Cab Front Cover Installation	G
2	1001097540	6	Washer, M6	
3	3900379	6	Screw, M6-1X25 Grade 10.9	
4	1001170325	1	Cover, Front	

SECTION 6 - CAB

FIGURE 6-64. CAB GUARD INSTALLATION (TOP)



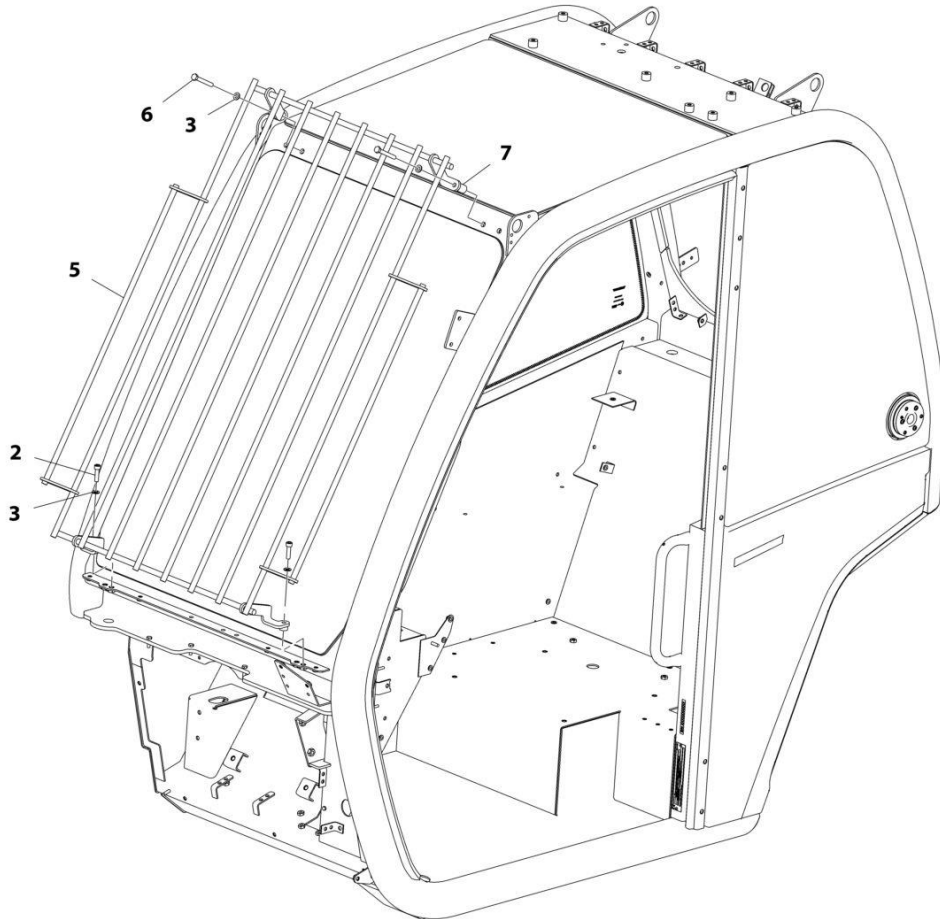
ART_1001160496

FIGURE 6-64. CAB GUARD INSTALLATION (TOP)

ITEM	PART NUMBER	QTY	DESCRIPTION	REV
	1001160496	Ref	Cab Guard Installation (Top)	G
1	0760810	2	Bolt, M8X20	
3	4811900	4	Washer, M8	
5	1001160503	1	Guard, Top Screen	
6	0700820	2	Bolt, M8X60	

SECTION 6 - CAB

FIGURE 6-65. CAB GUARD INSTALLATION (FRONT)



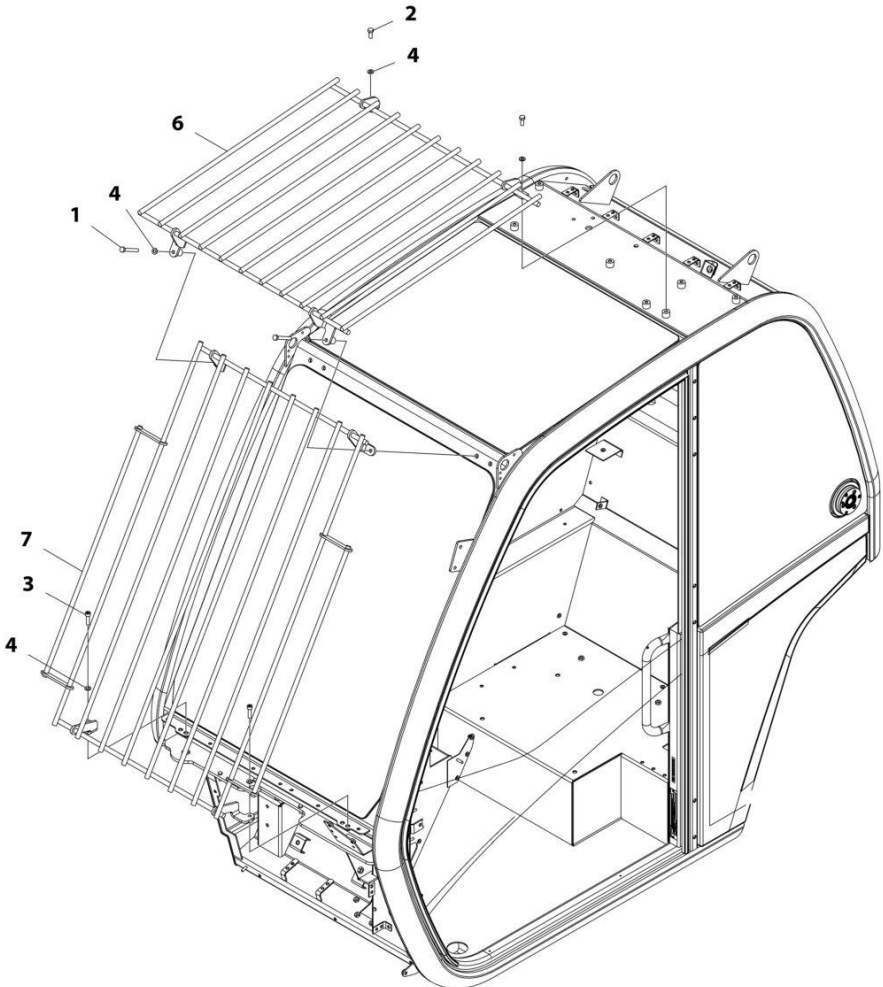
ART_1001160506-G

FIGURE 6-65. CAB GUARD INSTALLATION (FRONT)

ITEM	PART NUMBER	QTY	DESCRIPTION	REV
	1001160506	Ref	Cab Guard Installation (Front)	G
2	4031910	2	Bolt, M8X30	
3	4811900	4	Washer, M8	
5	1001180263	1	Guard, Front Screen	
6	0700820	2	Bolt, M8X60	
7	1001173257	2	Spacer	

SECTION 6 - CAB

FIGURE 6-66. CAB GUARD INSTALLATION (TOP AND FRONT)



ART_1001172774

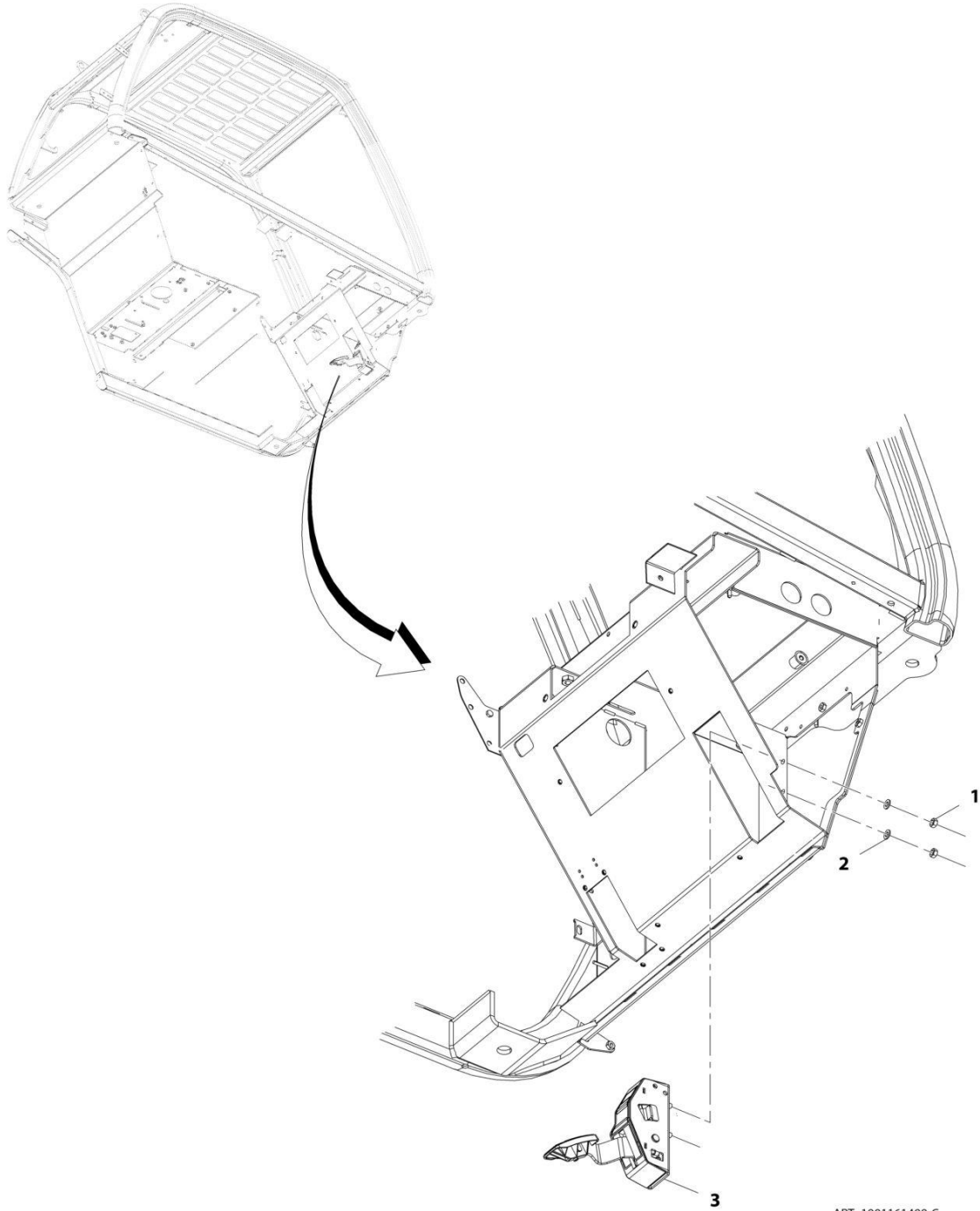
FIGURE 6-66. CAB GUARD INSTALLATION (TOP AND FRONT)

ITEM	PART NUMBER	QTY	DESCRIPTION	REV
	1001172774	Ref	CAB GUARD INSTALLATION (TOP AND FRONT)	G
1	0700820	2	Bolt M8 x 60	
2	0760810	2	Bolt M8 x 20	
3	4031910	2	Bolt M8 x 30	
4	4811900	6	Washer M8	
6	1001160503	1	Guard, Top Screen	
7	1001180263	1	Guard, Front Screen	

SECTION 7 - CONTROLS

SECTION 7 - CONTROLS

FIGURE 7-1. ACCELERATOR PEDAL INSTALLATION



ART_1001161499-C

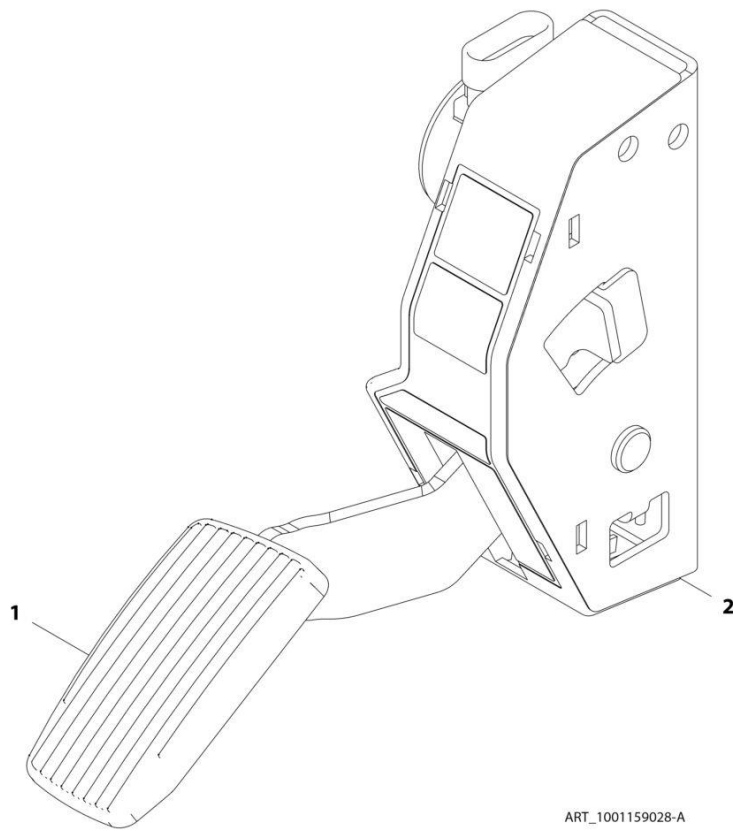
SECTION 7 - CONTROLS

FIGURE 7-1. ACCELERATOR PEDAL INSTALLATION

ITEM	PART NUMBER	QTY	DESCRIPTION	REV
	1001161499	Ref	Accelerator Pedal Installation	C
1	3290801	2	Nut, M8X1.25	
2	4811900	2	Washer, M8	
3	1001159028	1	Pedal, Accelerator (See Separate Breakdown in this Section)	

SECTION 7 - CONTROLS

FIGURE 7-2. ACCELERATOR PEDAL



ART_1001159028-A

SECTION 7 - CONTROLS

FIGURE 7-2. ACCELERATOR PEDAL

ITEM	PART NUMBER	QTY	DESCRIPTION	REV
	1001159028	Ref	Accelerator Pedal	A
1	70025816	1	Pad, Rubber	
2	70025817	1	Cover, Rubber	

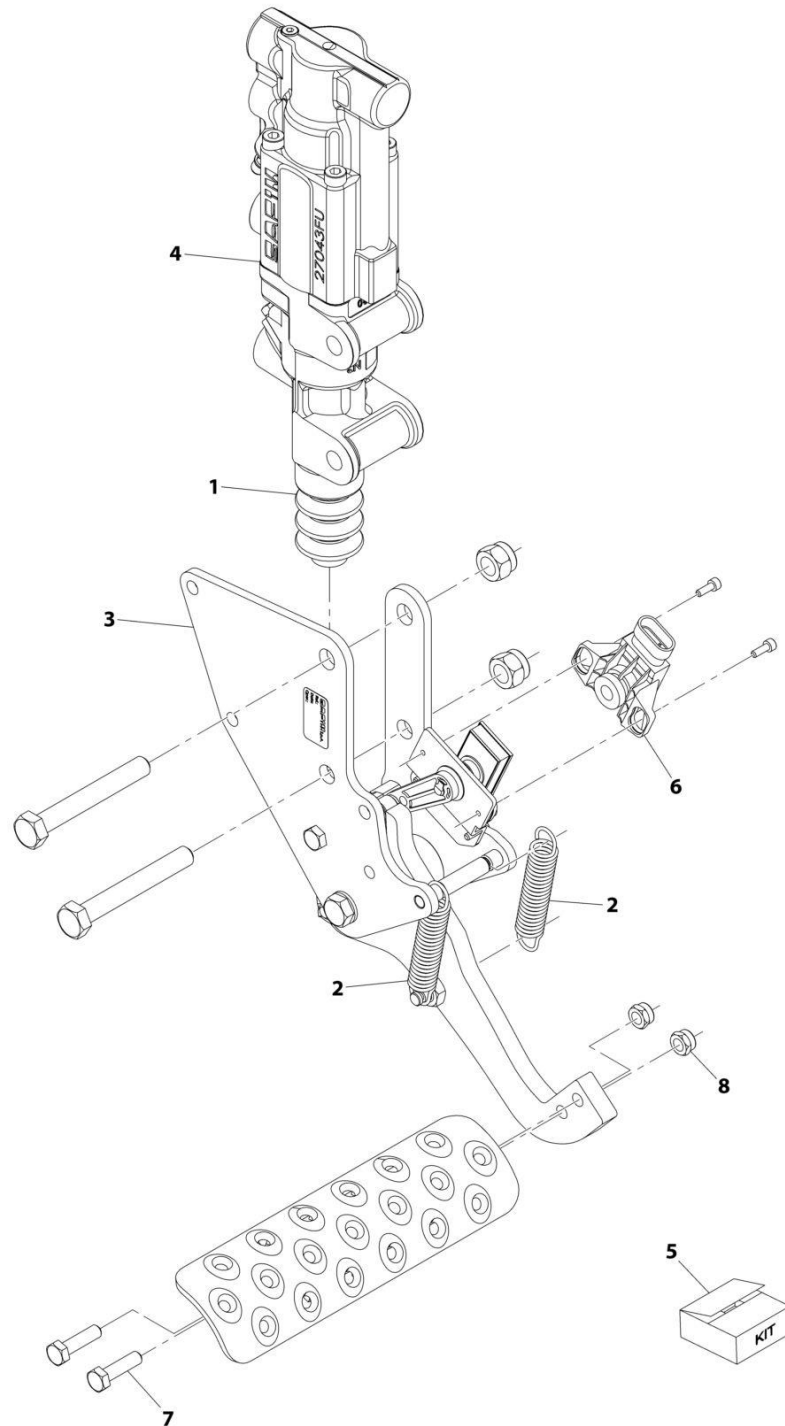
SECTION 7 - CONTROLS

FIGURE 7-3. BRAKE PEDAL INSTALLATION

ITEM	PART NUMBER	QTY	DESCRIPTION	REV
	1001192737	Ref	Brake Pedal Installation	E
2	0760605	4	Bolt, M6X10	
3	0760608	1	Bolt, M6X16	
4	0760810	3	Bolt, M8X20	
5	3290601	3	Nut, M6X1	
6	3760348	1	Ring, Retaining	
10	4811700	4	Washer, M6	
11	4811702	4	Washer, M6	
12	4811900	3	Washer, M8	
14	4831900	3	Washer, Lock M8	
15	8405009	2	Clamp	
16	1001214220	1	Reservoir, Brake	
18	1001162920	1	Seal	
19	1001162922	1	Plate	
20	1001170231	3	Clip	
21	1001171874	1	Fitting, Straight	
22	1001172088	1	Bracket	
23	1001172094	1	Hose	
26	1001213265	1	Assembly, Brake Pedal (See Separate Breakdown in this Section)	
32	1001197139	1	Plate, Brake Pedal	
33	1001205061	Ref	Installation, Brake Sensor (See Separate Breakdown in this Section)	
34	80233218	1	Fitting, Straight ORFS	
35	80333151	1	Fitting, 90 ORFS	
36	1001168054	1	Fitting, 90 ORFS	

SECTION 7 - CONTROLS

FIGURE 7-4. BRAKE PEDAL ASSEMBLY



ART_1001213265-A

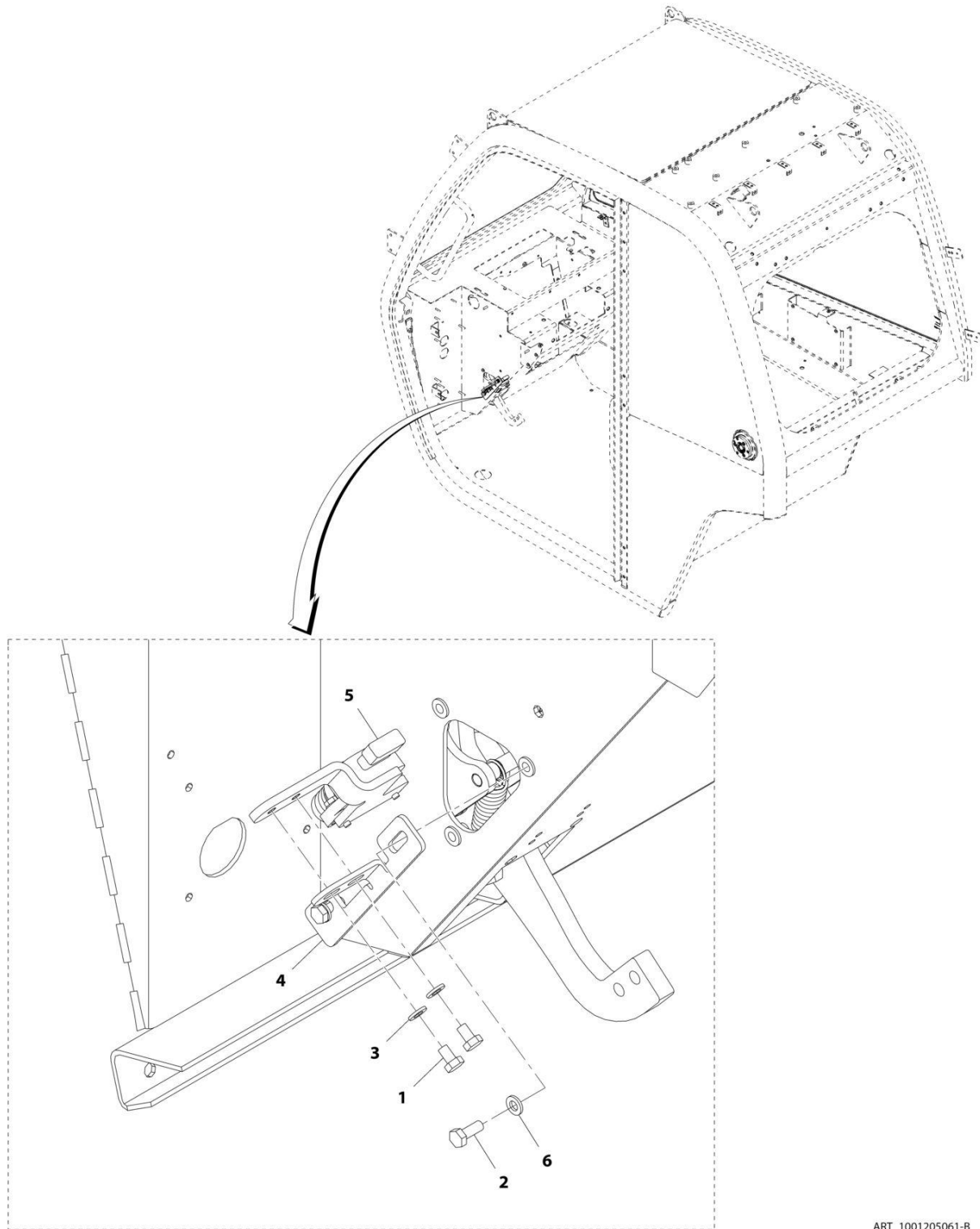
SECTION 7 - CONTROLS

FIGURE 7-4. BRAKE PEDAL ASSEMBLY

ITEM	PART NUMBER	QTY	DESCRIPTION	REV
	1001213265	Ref	Brake Pedal Assembly	A
1	70025859	1	Cover, Dust	
2	70025860	2	Spring, Return	
3	70028381	1	Support, Pedal	
4	70028382	1	Cylinder, Master	
5	70026434	1	Kit, Seal	
6	70028383	1	Sensor, Angle	
7	0770814	2	Bolt, M8X30 Grade 10.9	
8	3290805	2	Nut, Lock M8X1.25 Grade 8	

SECTION 7 - CONTROLS

FIGURE 7-5. BRAKE SENSOR INSTALLATION



ART_1001205061-B

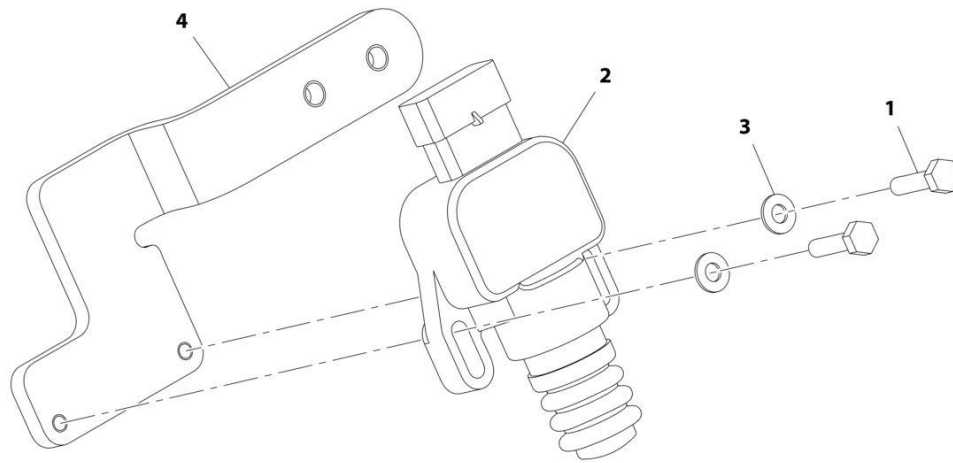
SECTION 7 - CONTROLS

FIGURE 7-5. BRAKE SENSOR INSTALLATION

ITEM	PART NUMBER	QTY	DESCRIPTION	REV
	1001205061	Ref	Brake Sensor Installation	B
1	0760605	2	Bolt, M6X10	
2	0760608	2	Bolt, M6X16	
3	4811700	2	Washer, M6	
4	1001201499	1	Plate, Switch Adjustment	
5	1001201501	1	Assembly, Switch Plate (See Separate Breakdown in this Section)	
6	4811702	2	Washer, M6	

SECTION 7 - CONTROLS

FIGURE 7-6. SWITCH PLATE ASSEMBLY



ART_1001201501-A

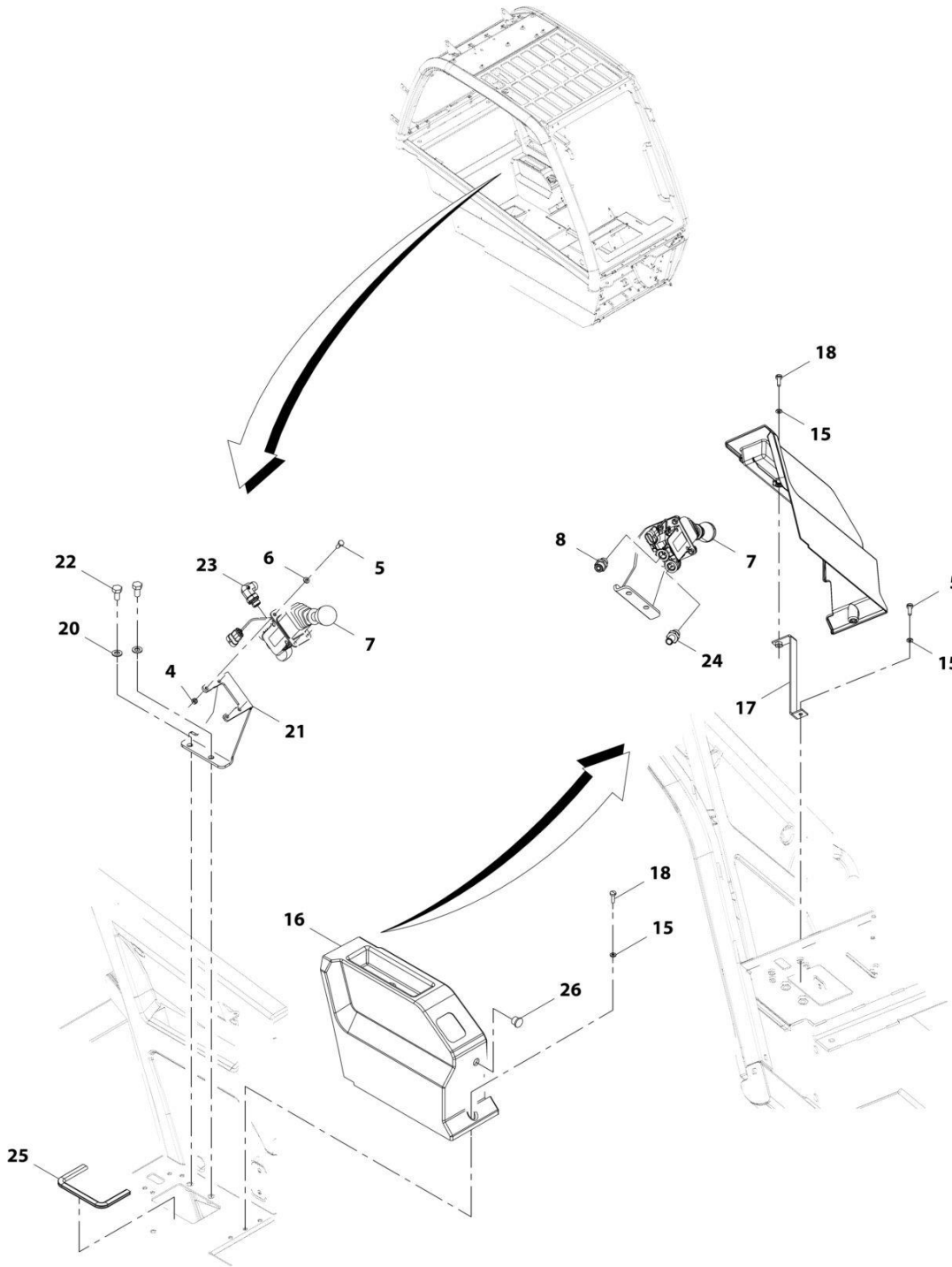
SECTION 7 - CONTROLS

FIGURE 7-6. SWITCH PLATE ASSEMBLY

ITEM	PART NUMBER	QTY	DESCRIPTION	REV
	1001201501	Ref	Switch Plate Assembly	A
1	0700408	2	Bolt, M4X16	
2	4360658	1	Sensor, Brake	
3	4811400	2	Washer, M4	
4	1001201500	1	Plate	

SECTION 7 - CONTROLS

FIGURE 7-7. PARK BRAKE INSTALLATION



ART_1001162062-M

SECTION 7 - CONTROLS

FIGURE 7-7. PARK BRAKE INSTALLATION

ITEM	PART NUMBER	QTY	DESCRIPTION	REV
	1001162062	Ref	Park Brake Installation	M
4	3290601	4	Nut, M6X1	
5	0760608	5	Bolt, M6X16	
6	4831700	4	Washer, Lock M6	
7	1001207956	1	Hydraulic Hand Brake	
7	70020922	1	Kit, Seal	
8	1001101702	1	Fitting, Straight ORFS	
15	4811700	3	Washer, M6	
16	1001193474	1	Panel	
17	1001195254	1	Bracket	
18	4010610002	2	Screw, M6X20	
20	4812000	2	Washer, M10	
21	1001191915	1	Bracket	
22	0761010	2	Bolt, M10X20	
23	1001125222	1	Fitting, 90 ORFS	
24	1001206744	1	Fitting, Grease	
25	1001208037	1	Seal	
26	3520028	1	Plug	

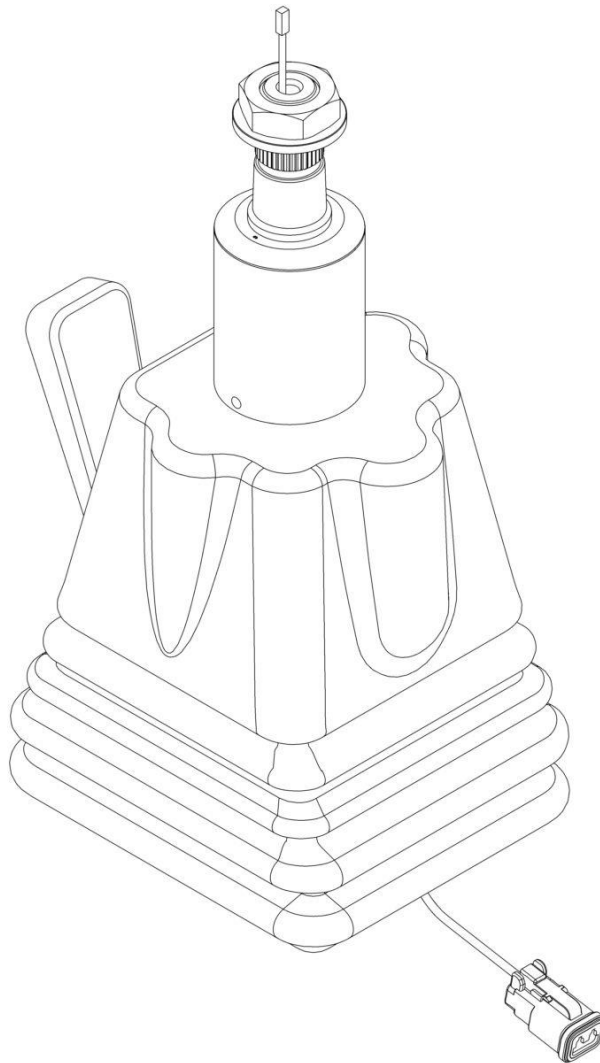
SECTION 7 - CONTROLS

FIGURE 7-8. TILT STEERING COLUMN INSTALLATION

ITEM	PART NUMBER	QTY	DESCRIPTION	REV
	1001192410	Ref	Tilt Steering Column Installation	1
1	0700824	1	Bolt M8 x 80	
2	0760608	1	Bolt M6 x 16	
3	0761012	8	Bolt M10 x 25	
4	2130404	1	Fitting, 90 ORFS	
5	2130808	2	Fitting, 90 ORFS	
6	2170208	2	Fitting, 90 ORFS	
7	4811702	1	Washer M6	
8	4811900	1	Washer M8	
9	4812000	8	Washer M10	
10	1001004640	4	Clamp	
11	1001095650	AR	Adhesive (Not Shown)	
13	1001257330	1	Column, Tilt Steering (See Separate Breakdown in this Section)	
14	1001156265	1	Bracket, Support	
15	1001161672	1	Pipe	
16	1001161896	1	Pipe	
17	1001161897	1	Pipe	
18	1001161898	1	Pipe	
19	1001168142	1	Bracket	
20	1001168151	1	Bracket	
21	1001178670	1	Valve, Steer (See Separate Breakdown in HYDRAULICS COMPONENTS Section)	
22	1001194282	1	Pipe	
25	1001227945	1	Valve, Check	

SECTION 7 - CONTROLS

FIGURE 7-9. TILT STEERING COLUMN



ART_1001257330

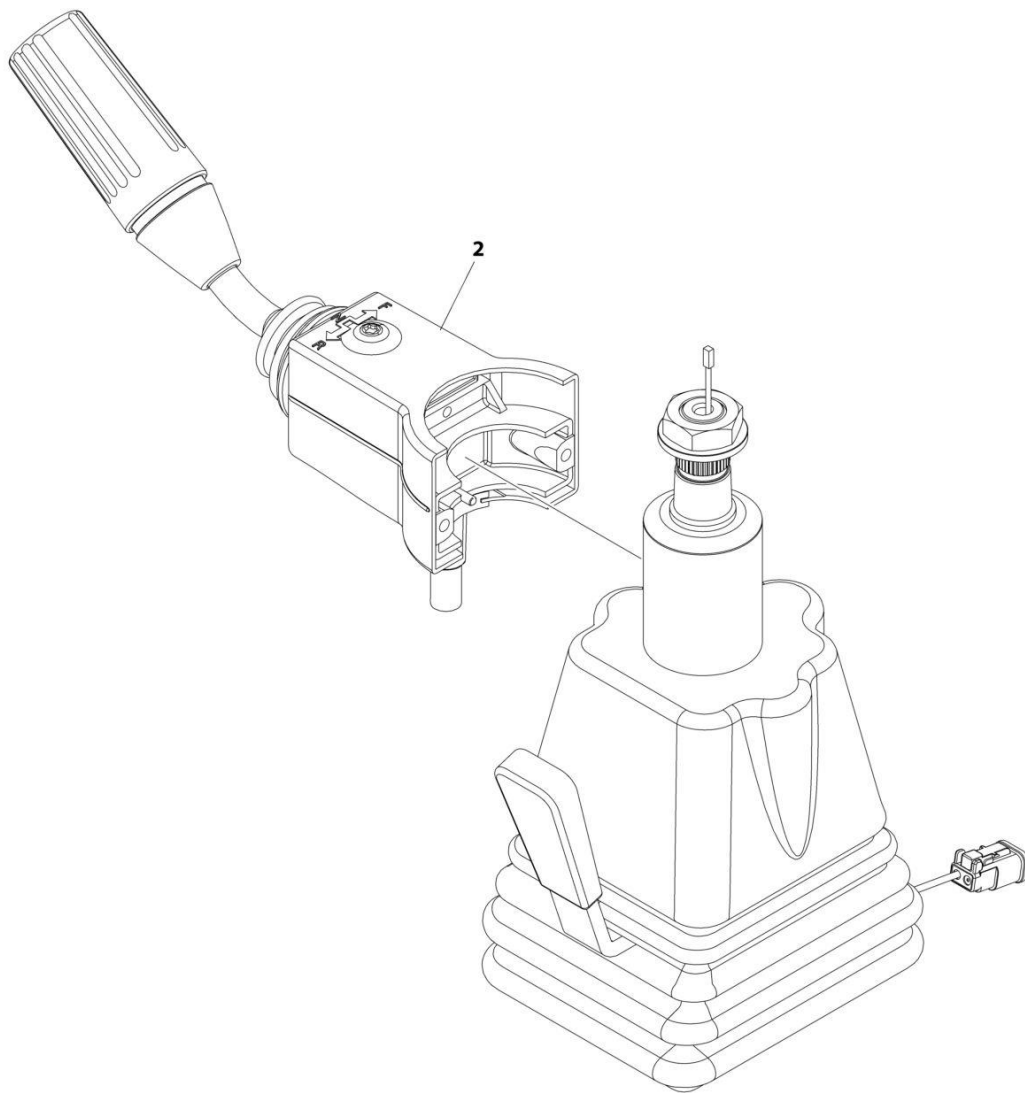
SECTION 7 - CONTROLS

FIGURE 7-9. TILT STEERING COLUMN

ITEM	PART NUMBER	QTY	DESCRIPTION	REV
	1001257330	Ref Ref	TILT STEERING COLUMN Note: No Service Parts Available - Purchase Complete Assembly	A

SECTION 7 - CONTROLS

FIGURE 7-10. COLUMN SHIFT INSTALLATION (2 SPEED)



ART_1001220507_B

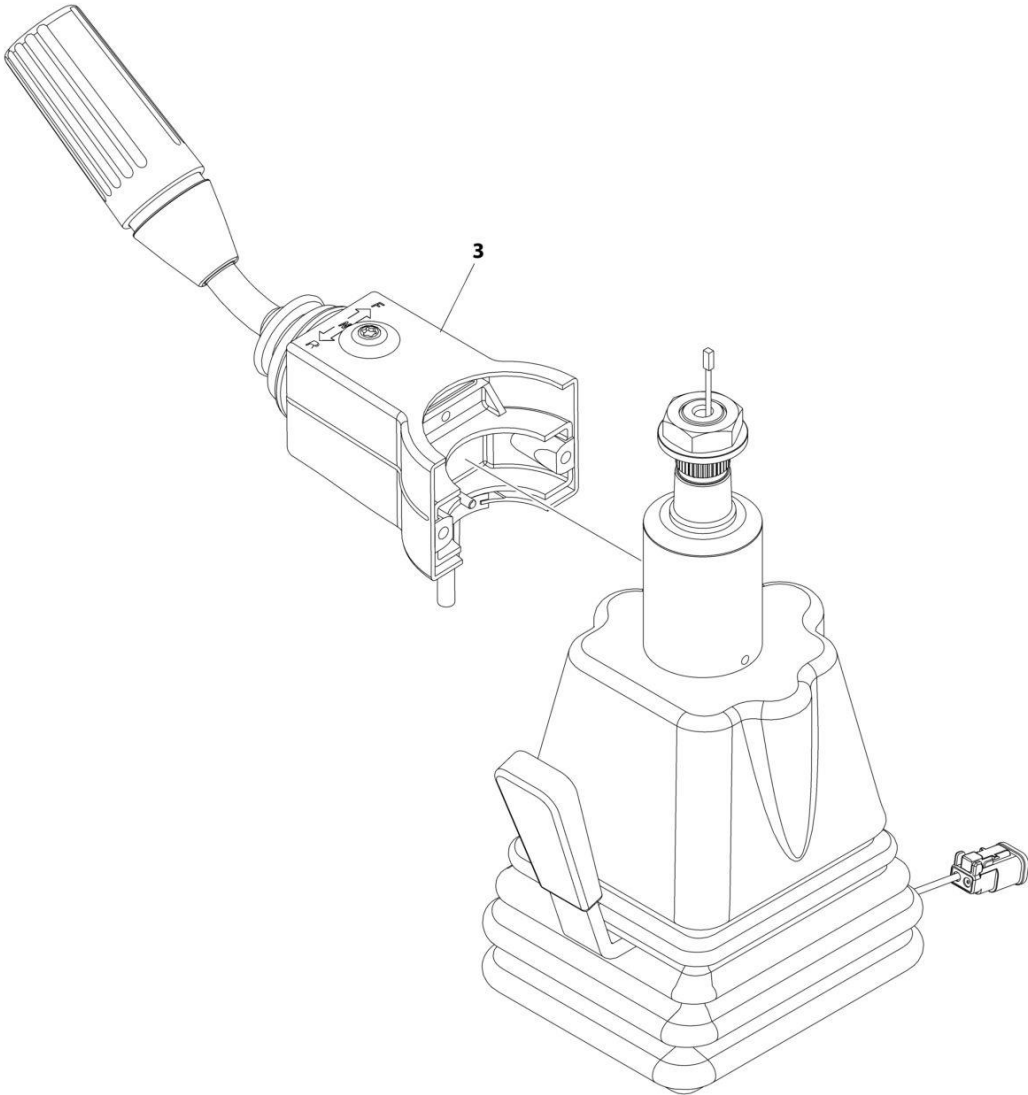
SECTION 7 - CONTROLS

FIGURE 7-10. COLUMN SHIFT INSTALLATION (2 SPEED)

ITEM	PART NUMBER	QTY	DESCRIPTION	REV
2	1001220507 1001257088	Ref 1	Column Shift Installation (2 Speed) Lever, FNR (2 Speed)	B

SECTION 7 - CONTROLS

FIGURE 7-11. COLUMN SHIFT INSTALLATION (0 SPEED)



ART_1001179931_D

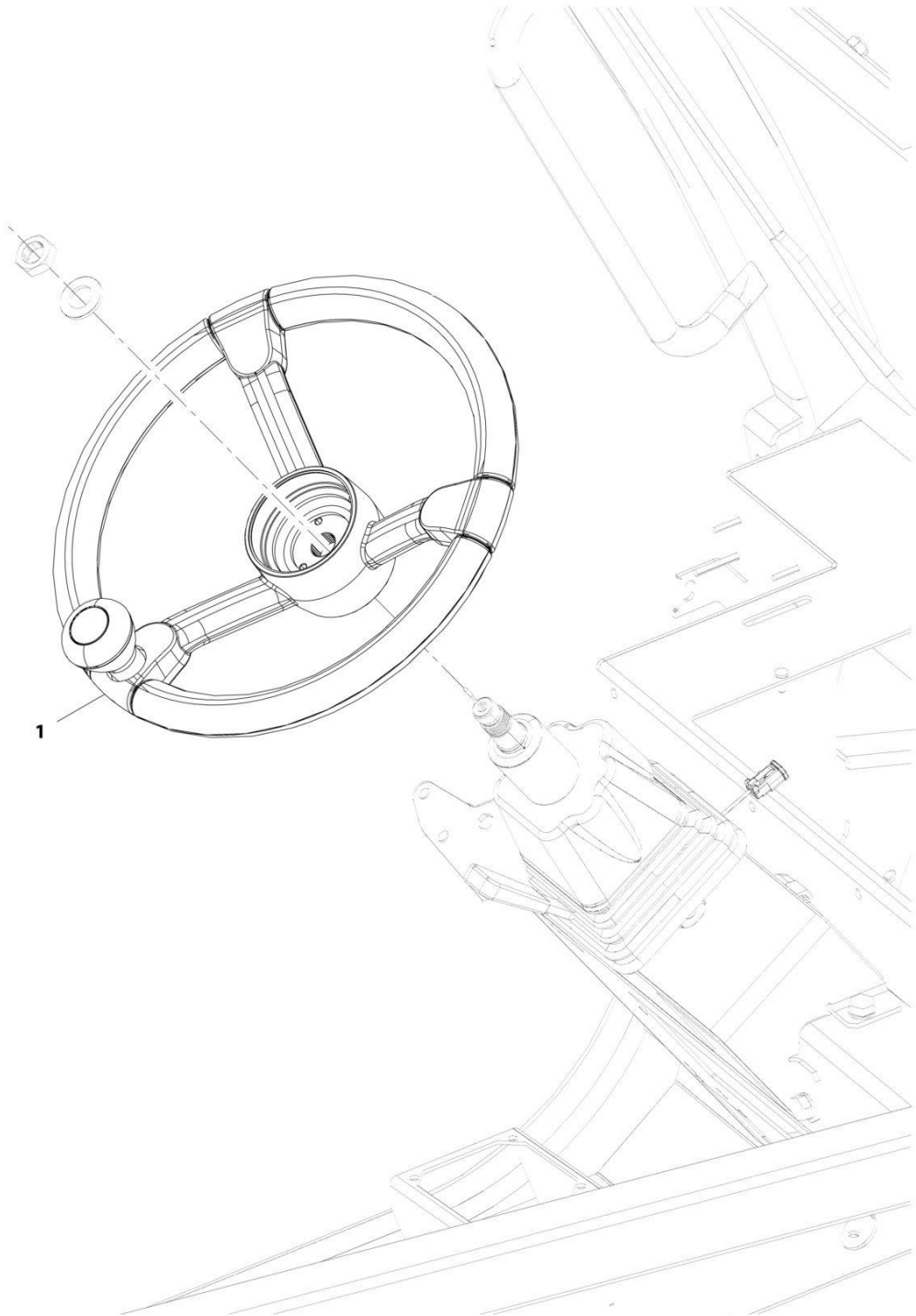
SECTION 7 - CONTROLS

FIGURE 7-11. COLUMN SHIFT INSTALLATION (0 SPEED)

ITEM	PART NUMBER	QTY	DESCRIPTION	REV
3	1001179931 1001257348	Ref 1	Column Shift Installation (0 Speed) Lever, FNR (0 Speed)	D

SECTION 7 - CONTROLS

FIGURE 7-12. STEERING WHEEL INSTALLATION



ART_1001169751-C

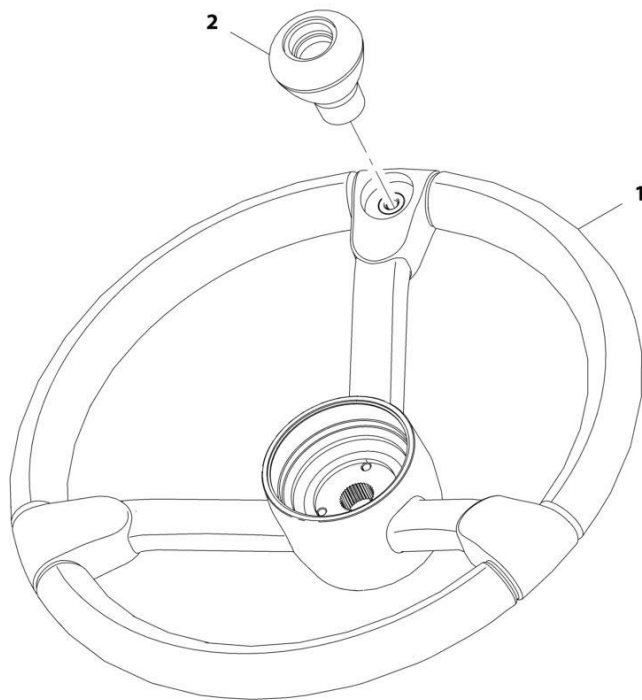
SECTION 7 - CONTROLS

FIGURE 7-12. STEERING WHEEL INSTALLATION

ITEM	PART NUMBER	QTY	DESCRIPTION	REV
1	1001169751 1001169354	Ref 1	Steering Wheel Installation Wheel, Steering (See Separate Breakdown in this Section)	C

SECTION 7 - CONTROLS

FIGURE 7-13. STEERING WHEEL



ART_1001169354-D

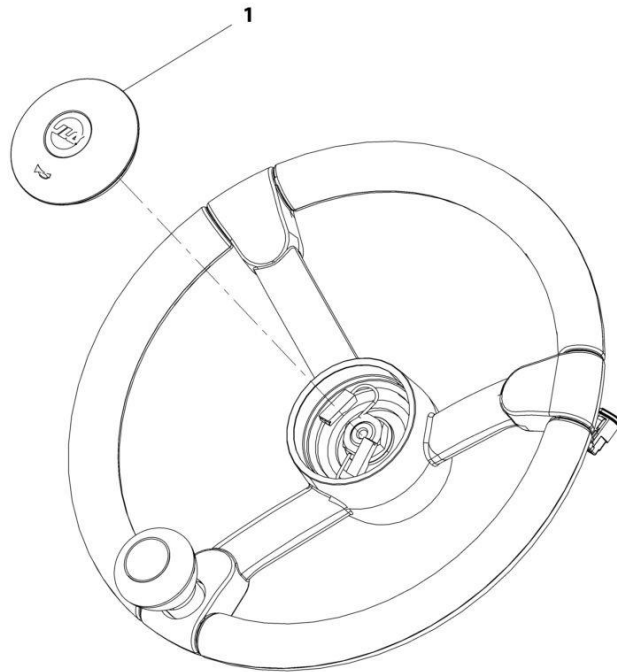
SECTION 7 - CONTROLS

FIGURE 7-13. STEERING WHEEL

ITEM	PART NUMBER	QTY	DESCRIPTION	REV
	1001169354	Ref	Steering Wheel	D
1	1001169367	1	Wheel, Steering	
2	1001169355	1	Handle, Steer Spinner	

SECTION 7 - CONTROLS

FIGURE 7-14. HORN BUTTON INSTALLATION



ART_1001169763-A

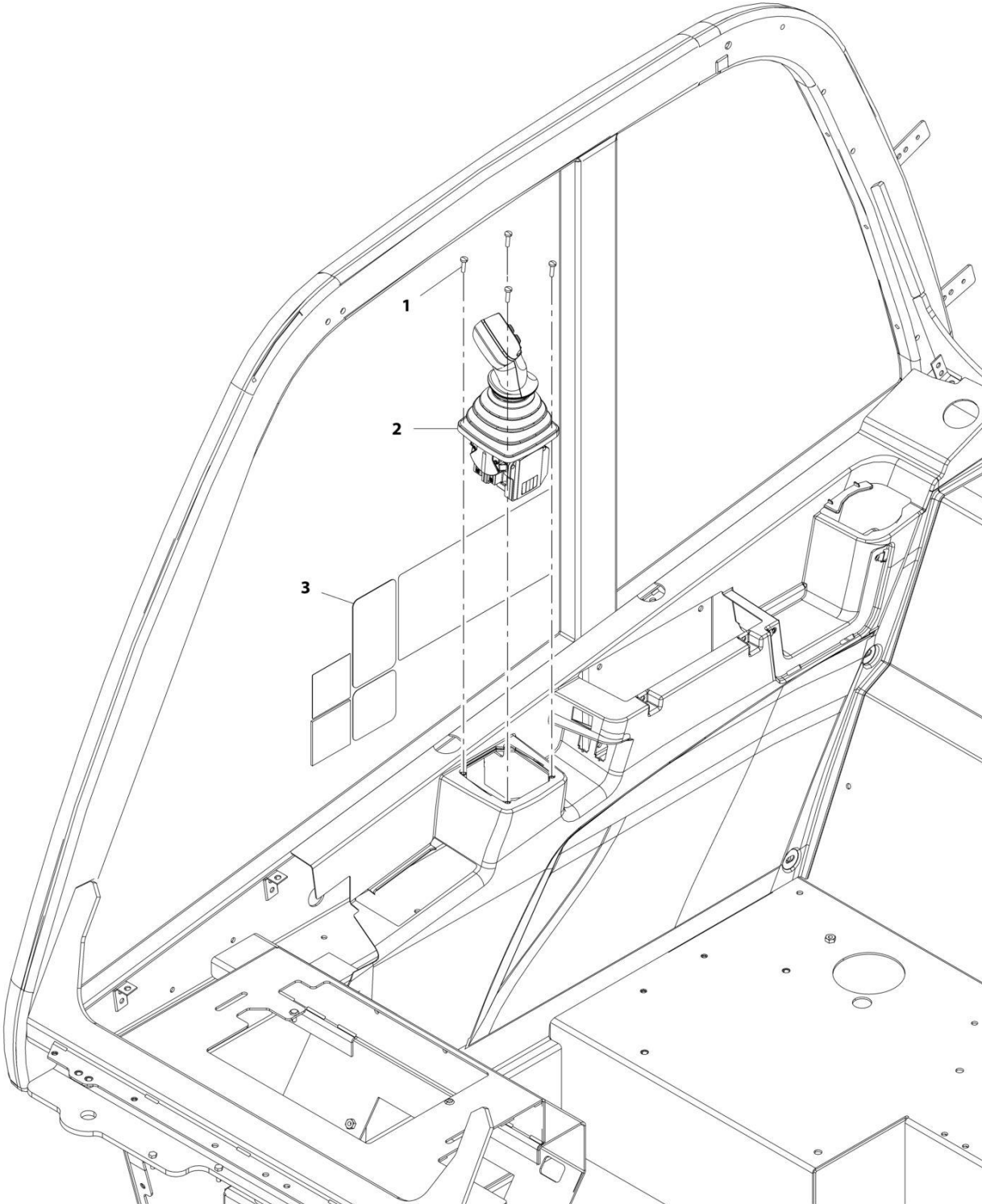
SECTION 7 - CONTROLS

FIGURE 7-14. HORN BUTTON INSTALLATION

ITEM	PART NUMBER	QTY	DESCRIPTION	REV
1	1001169763 1001169268	Ref 1	Horn Button Installation Button, Horn	A

SECTION 7 - CONTROLS

FIGURE 7-15. JOYSTICK INSTALLATION (2 SPEED)



ART_1001216757-B

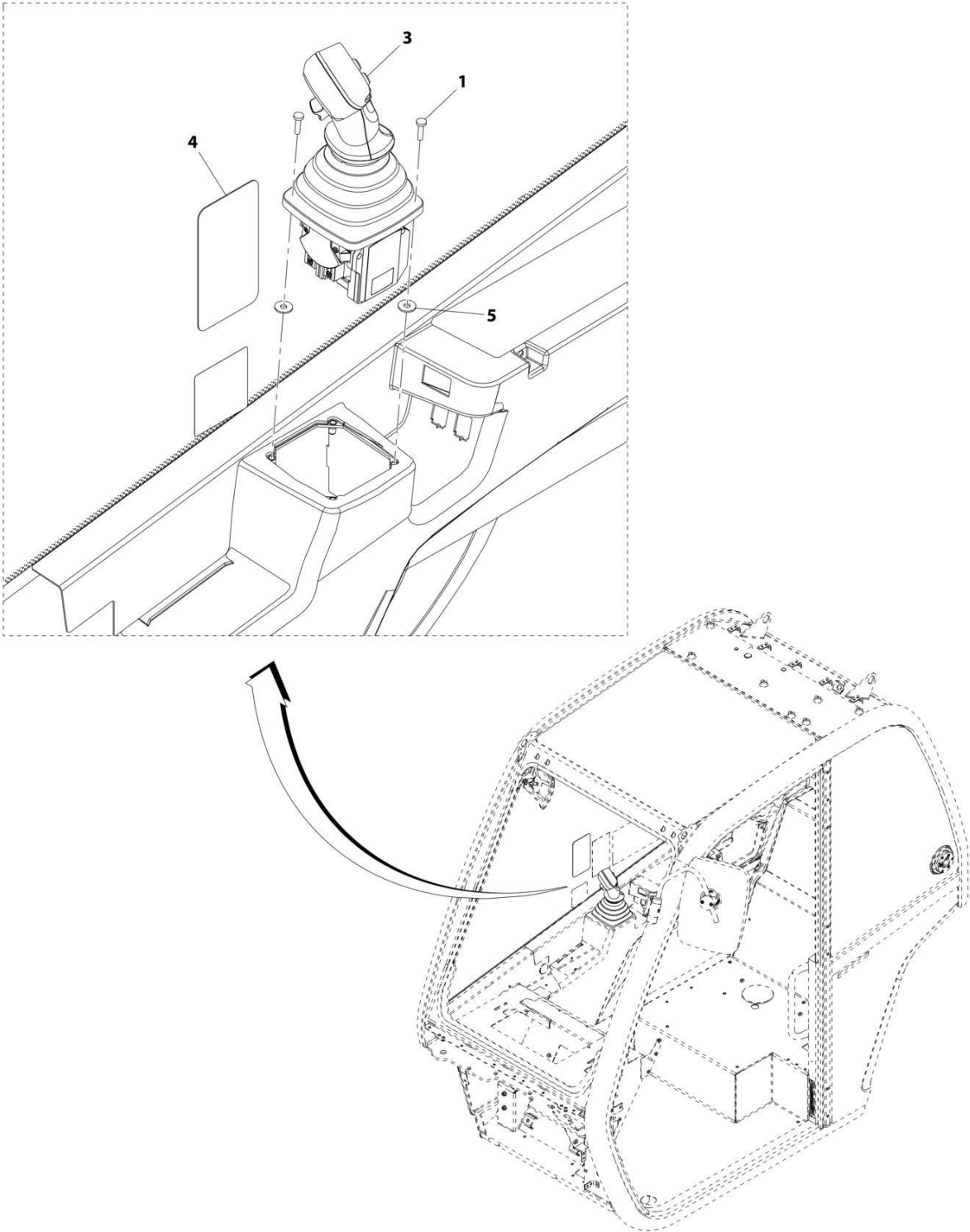
SECTION 7 - CONTROLS

FIGURE 7-15. JOYSTICK INSTALLATION (2 SPEED)

ITEM	PART NUMBER	QTY	DESCRIPTION	REV
	1001216757	Ref	Joystick Installation (2 Speed)	C
1	4010510	4	Screw, M5X20	
2	1001222606	1	Joystick, 2R2B	
3	1001216803	1	Decal	

SECTION 7 - CONTROLS

FIGURE 7-16. JOYSTICK INSTALLATION



ART_1001167004-G

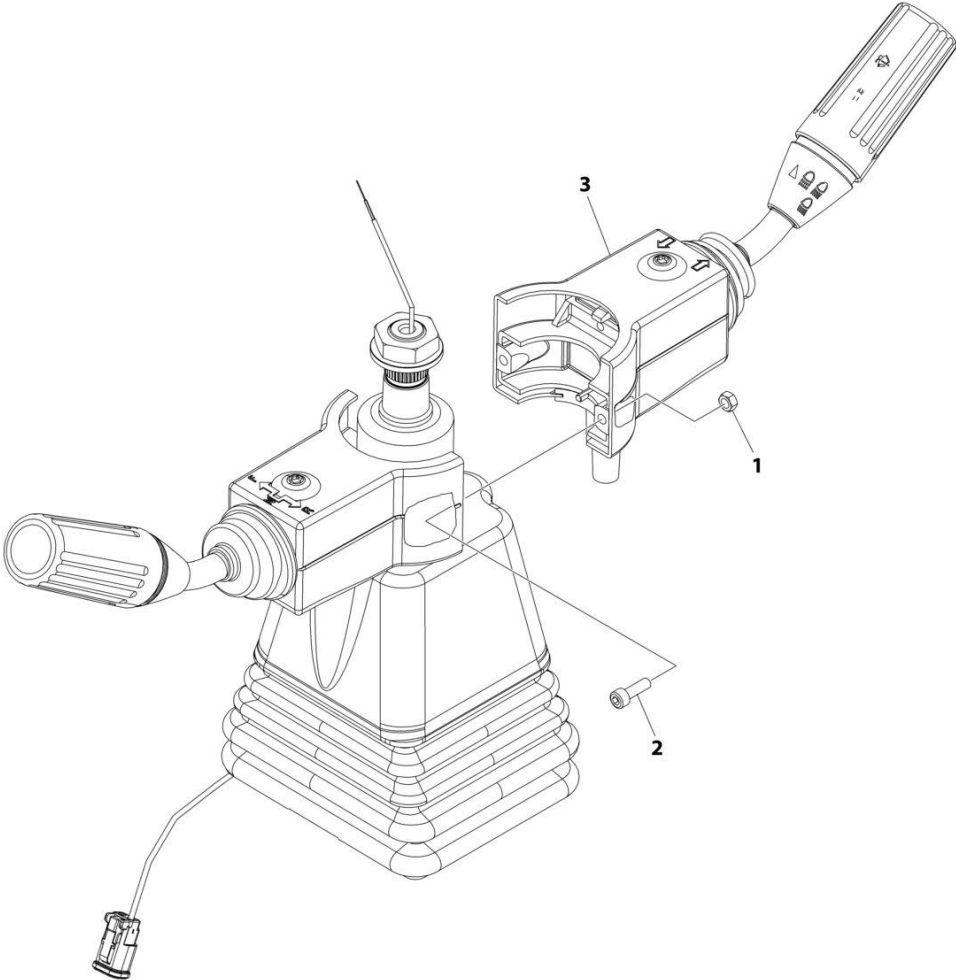
SECTION 7 - CONTROLS

FIGURE 7-16. JOYSTICK INSTALLATION

ITEM	PART NUMBER	QTY	DESCRIPTION	REV
	1001167004	Ref	Joystick Installation	G
1	4010510	4	Screw, M5X20	
3	1001222603	1	Joystick	
4	1001241950	1	Decal, Joystick	
5	4811702001	AR	Washer, M6	

SECTION 7 - CONTROLS

FIGURE 7-17. WIPER-TURN SWITCH INSTALLATION



ART_1001257071

SECTION 7 - CONTROLS

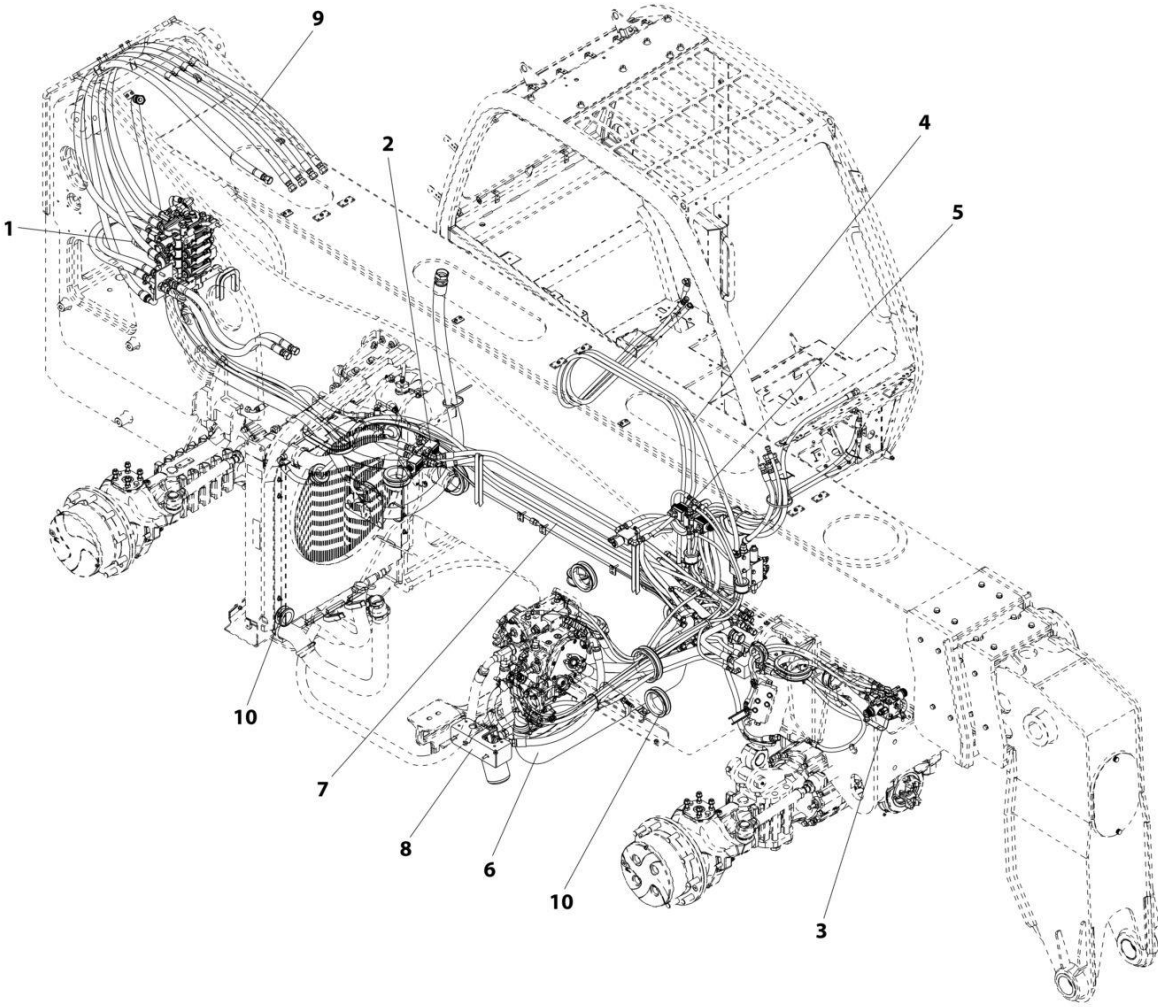
FIGURE 7-17. WIPER-TURN SWITCH INSTALLATION

ITEM	PART NUMBER	QTY	DESCRIPTION	REV
	1001257071	Ref	Wiper-Turn Switch Installation	B
1	3290505	2	Nut, Lock M5	
2	4031607	2	Capscrew M5 x 16	
3	1001256974	1	Switch, Turn-Wiper	

SECTION 8 - HYDRAULIC CIRCUITS

SECTION 8 - HYDRAULIC CIRCUITS

FIGURE 8-1. MAIN HYDRAULIC INSTALLATION



ART_1001202645-D

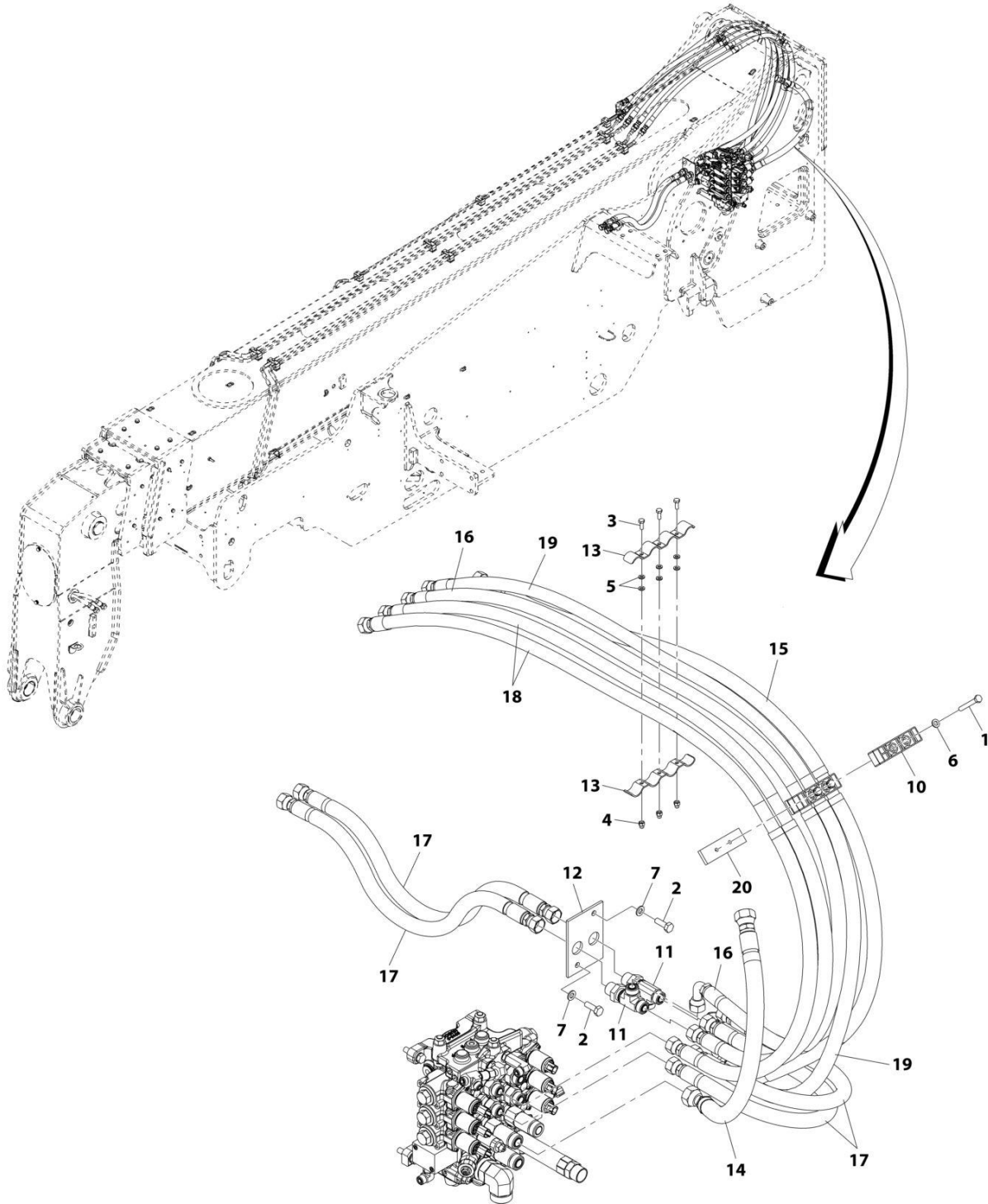
SECTION 8 - HYDRAULIC CIRCUITS

FIGURE 8-1. MAIN HYDRAULIC INSTALLATION

ITEM	PART NUMBER	QTY	DESCRIPTION	REV
1	1001202645	Ref	Main Hydraulic Installation	D
	1001220457	Ref	Installation, Main Control Valve (See Separate Breakdown in this Section)	
2	1001193516	Ref	Installation, Steering Select Valve (See Separate Breakdown in this Section)	
3	1001193517	Ref	Installation, Frame Level Valve (See Separate Breakdown in this Section)	
4	1001193709	Ref	Installation, Cab Hydraulics (See Separate Breakdown in this Section)	
5	1001197196	Ref	Installation, Speed Control Valve (See Separate Breakdown in this Section)	
6	1001202024	Ref	Installation, Engine Bay Hydraulic (See Separate Breakdown in this Section)	
7	1001202025	Ref	Installation, Frame Hydraulics (See Separate Breakdown in this Section)	
8	1001202026	Ref	Installation, Charge Filter Lines (See Separate Breakdown in this Section)	
9	1001210522	Ref	Installation, Boom Lines (See Separate Breakdown in this Section)	
10	1001213026	Ref	Installation, Grommets (See Separate Breakdown in Frame and Attaching Parts Section)	

SECTION 8 - HYDRAULIC CIRCUITS

FIGURE 8-2. BOOM HYDRAULIC LINES INSTALLATION



ART_1001210522-F

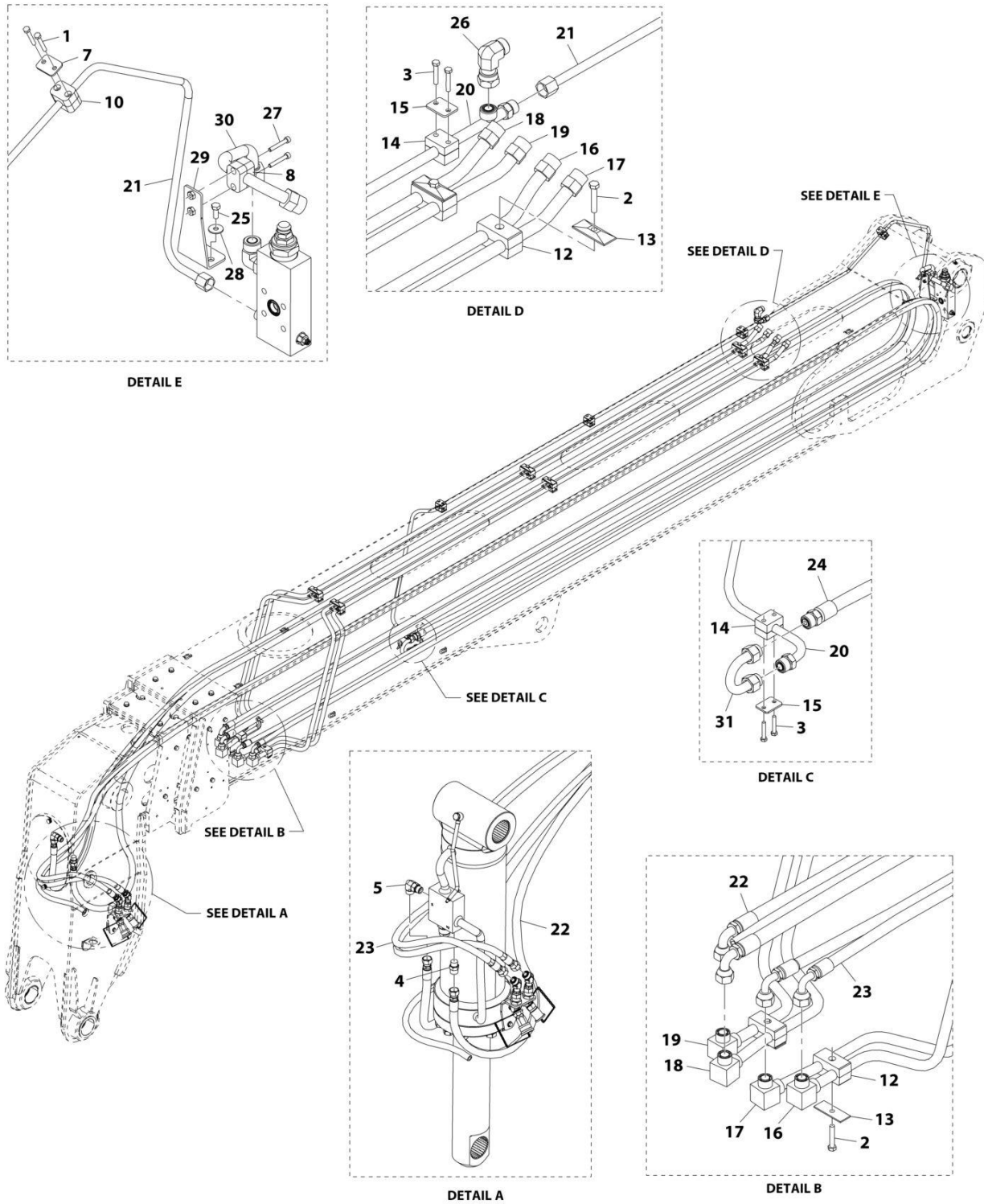
SECTION 8 - HYDRAULIC CIRCUITS

FIGURE 8-2. BOOM HYDRAULIC LINES INSTALLATION

ITEM	PART NUMBER	QTY	DESCRIPTION	REV
	1001210522	Ref	Boom Hydraulic Lines Installation	F
1	0700821	4	Bolt, M8X65	
2	0701014	2	Bolt, M10X30	
3	0760608	3	Bolt, M6X16	
4	3290606	3	Nut, M6X1	
5	4811700	6	Washer, M6	
6	4811900	4	Washer, M8	
7	4812000	2	Washer, M10	
10	1001098128	2	Clamp	
11	1001192096	2	Fitting, Tee ORFS	
12	1001197011	1	Plate	
13	1001205618	2	Clamp	
14	1001210271	1	Hose	
15	1001210523	1	Hose	
16	1001210524	1	Hose	
17	1001210525	4	Hose	
18	1001210526	2	Hose	
19	1001218997	1	Hose	
20	1001226557	2	Plate	

SECTION 8 - HYDRAULIC CIRCUITS

FIGURE 8-3. BOOM HYDRAULIC INSTALLATION



ART_1001205375-F

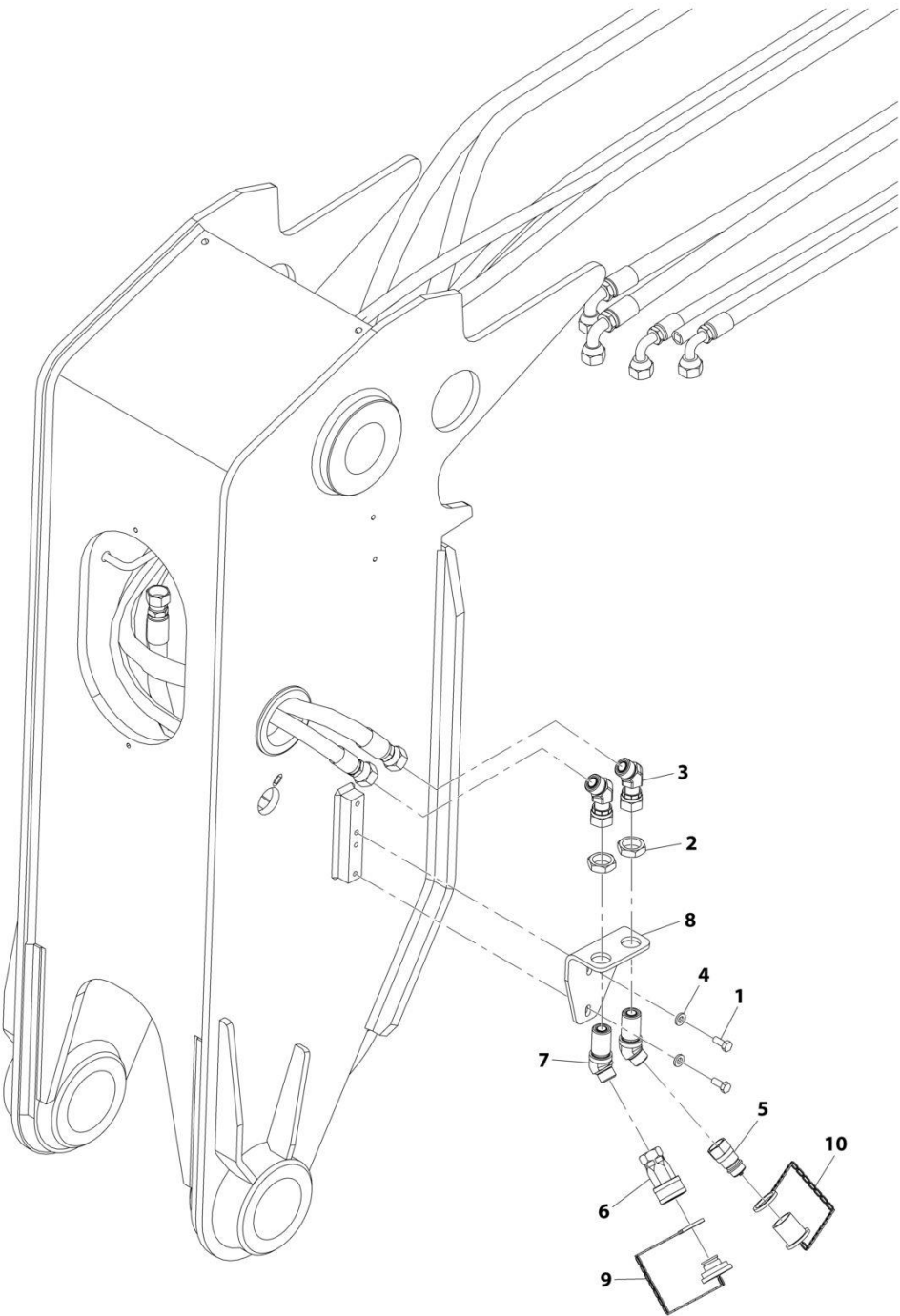
SECTION 8 - HYDRAULIC CIRCUITS

FIGURE 8-3. BOOM HYDRAULIC INSTALLATION

ITEM	PART NUMBER	QTY	DESCRIPTION	REV
	1001205375	Ref	Boom Hydraulic Installation	F
1	0700616	2	Bolt, M6X40	
2	0700817	8	Bolt, M8X45	
3	0760615	8	Bolt, M6X35	
4	2111010	1	Fitting, Straight ORFS	
5	2131010	1	Fitting, 90 ORFS	
7	8769146	1	Plate, Cover	
8	8769152	1	Clamp	
10	8769199	1	Clamp	
12	77133136	8	Clamp	
13	77133137	8	Plate, Cover	
14	77133497	4	Clamp	
15	1001105093	4	Plate, Cover	
16	1001209201	1	Pipe	
17	1001209200	1	Pipe	
18	1001209202	1	Pipe	
19	1001209203	1	Pipe	
20	1001205380	1	Pipe	
21	1001205381	1	Tube	
22	1001210568	1	Hose	
23	1001210569	1	Hose	
24	1001229422	1	Hose	
25	0760810	2	Bolt, M8X20	
26	2172110	1	Fitting, 90 ORFS	
27	4031712	2	Bolt, M6X40	
28	4811902	2	Washer, M8	
29	1001209972	1	Bracket	
30	1001210270	1	Tube	
31	1001220942	1	Pipe	

SECTION 8 - HYDRAULIC CIRCUITS

FIGURE 8-4. BOOM AUX HYDRAULIC INSTALLATION (MANUAL - SINGLE)



ART_1001192363-D

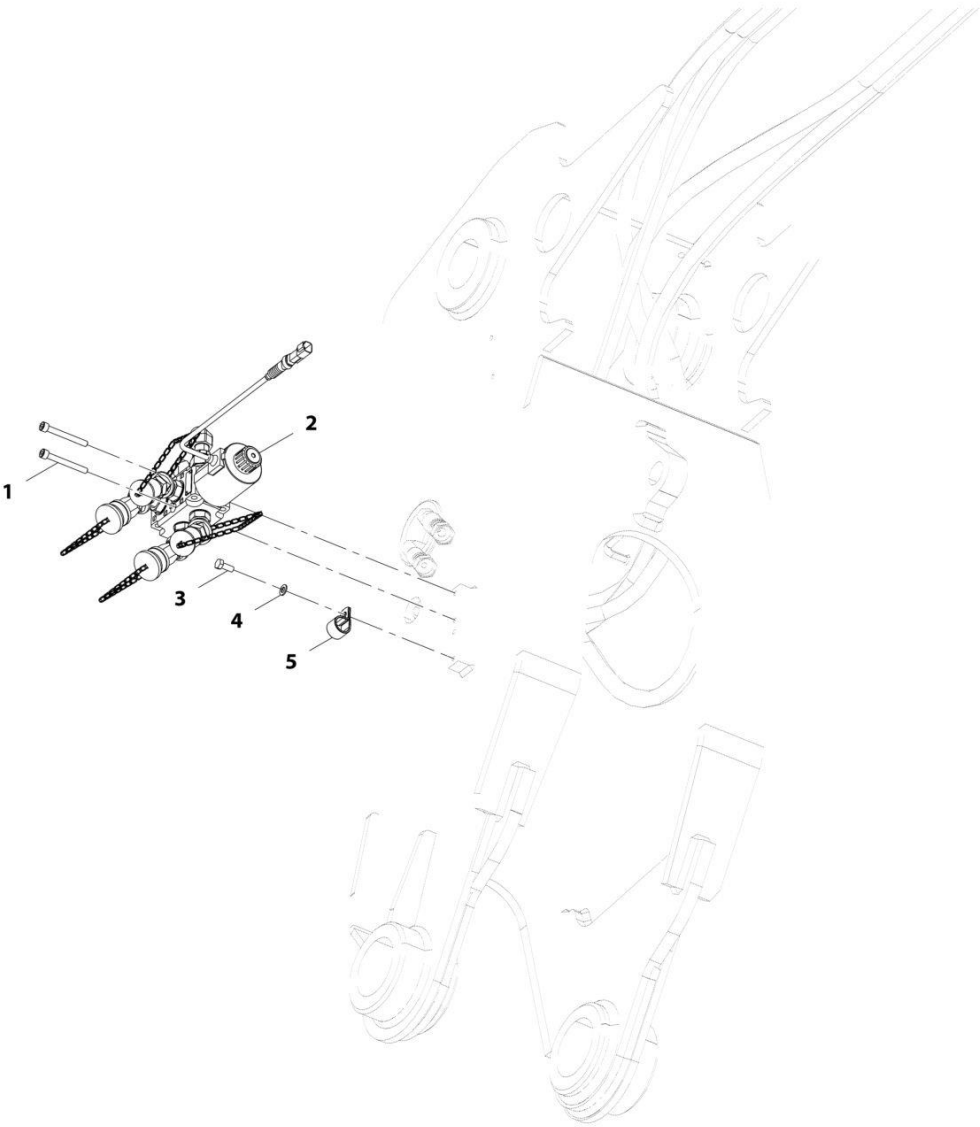
SECTION 8 - HYDRAULIC CIRCUITS

FIGURE 8-4. BOOM AUX HYDRAULIC INSTALLATION (MANUAL - SINGLE)

ITEM	PART NUMBER	QTY	DESCRIPTION	REV
	1001192363	Ref	Boom Aux Hydraulic Installation (Manual - Single)	D
1	0760810	2	Bolt, M8X20	
2	8770075	2	Fitting, ORFS	
3	1001147416	2	Fitting, 45 ORFS	
4	5240800	2	Washer, M8	
5	1001101041	1	Coupling, Male Quick Disconnect	
6	1001101042	1	Coupling, Female Quick Disconnect	
7	1001217553	2	Fitting, 45 ORFS	
8	1001217552	1	Bracket	
9	91043125	1	Plug	
10	91043126	1	Cap, Dust	

SECTION 8 - HYDRAULIC CIRCUITS

FIGURE 8-5. BOOM AUX HYDRAULIC INSTALLATION (MANUAL - TWIN)



ART_1001192366-C

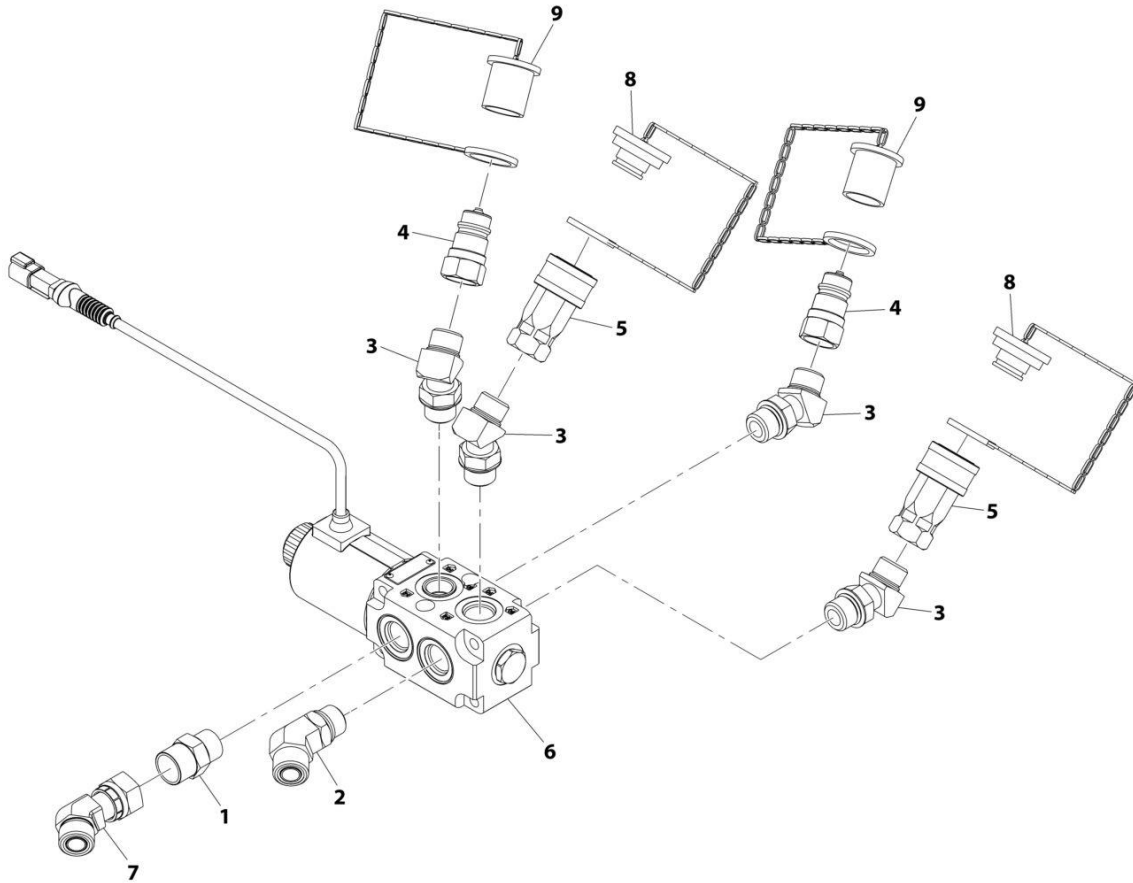
SECTION 8 - HYDRAULIC CIRCUITS

FIGURE 8-5. BOOM AUX HYDRAULIC INSTALLATION (MANUAL - TWIN)

ITEM	PART NUMBER	QTY	DESCRIPTION	REV
	1001192366	Ref	Boom Aux Hydraulic Installation (Manual - Twin)	C
1	4031918	2	Bolt, M8X70	
2	1001213318	1	Assembly, Diverter Valve (manual - twin) (See Separate Breakdown in this Section)	
3	0760810	1	Bolt, M8X20	
4	4811900	1	Washer, M8	
5	8406202	1	CLIP,TUBE 7/8"	

SECTION 8 - HYDRAULIC CIRCUITS

FIGURE 8-6. BOOM AUX DIVERTER VALVE/FITINGS ASSEMBLY (MANUAL - TWIN)



ART_1001213318-B

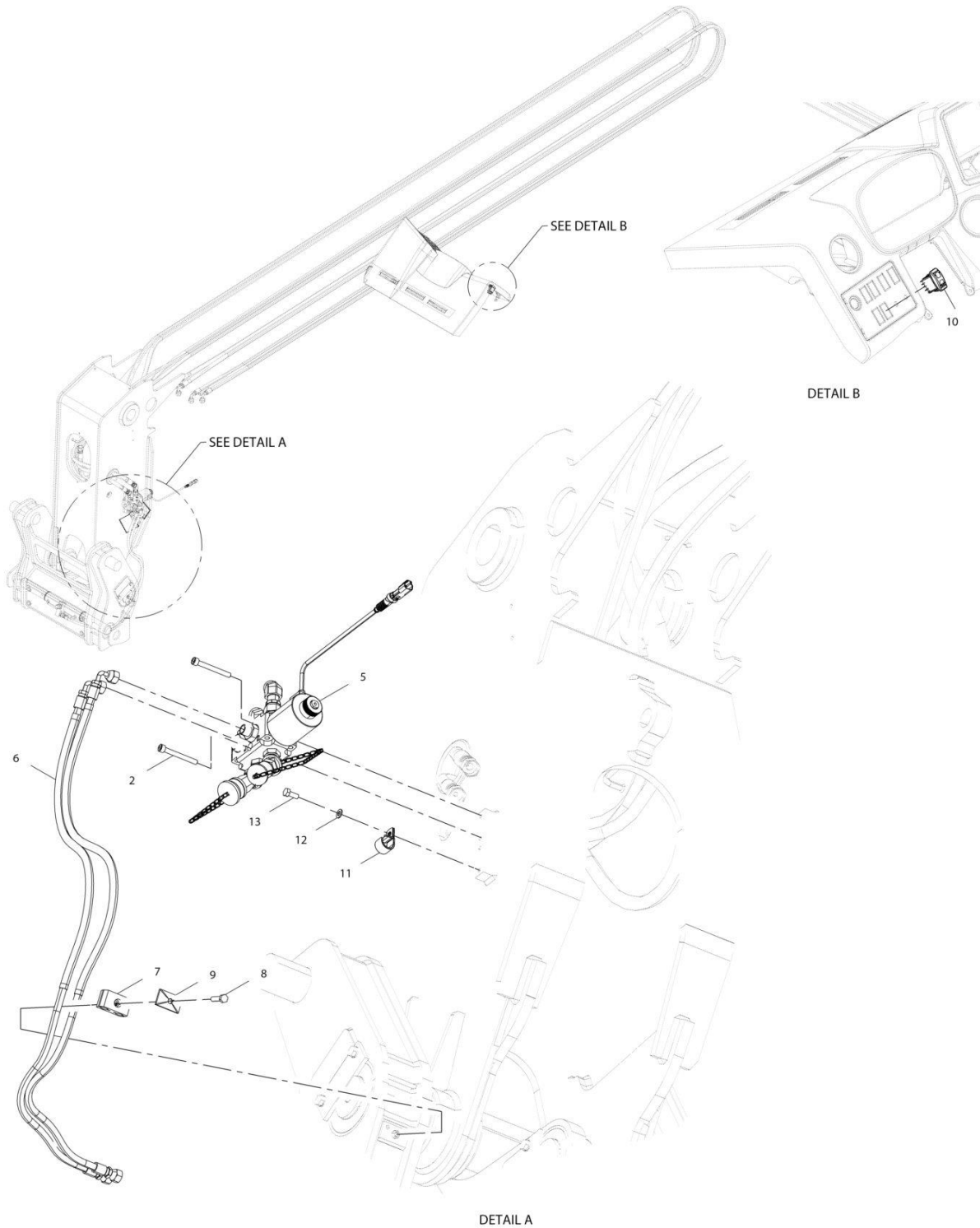
SECTION 8 - HYDRAULIC CIRCUITS

FIGURE 8-6. BOOM AUX DIVERTER VALVE/FITINGS ASSEMBLY (MANUAL - TWIN)

ITEM	PART NUMBER	QTY	DESCRIPTION	REV
	1001213318	Ref	Diverter Valve Assembly	B
1	2111010	1	Fitting, Straight ORFS	
2	2151010	1	Fitting, 45 ORFS	
3	1001005904	4	Fitting, 45	
4	1001101041	2	Adapter, Male Quick Disconnect	
5	1001101042	2	Adapter, Female Quick Disconnect	
6	1001110023	1	Valve, Diverter (See Separate Breakdown in HYDRAULIC COMPONENTS Section)	
7	1001147416	1	Fitting, 45 ORFS	
8	91043125	2	Plug	
9	91043126	2	Cap	

SECTION 8 - HYDRAULIC CIRCUITS

FIGURE 8-7. BOOM AUX HYDRAULIC INSTALLATION (HYDRAULIC - SINGLE)



ART_1001192365-E

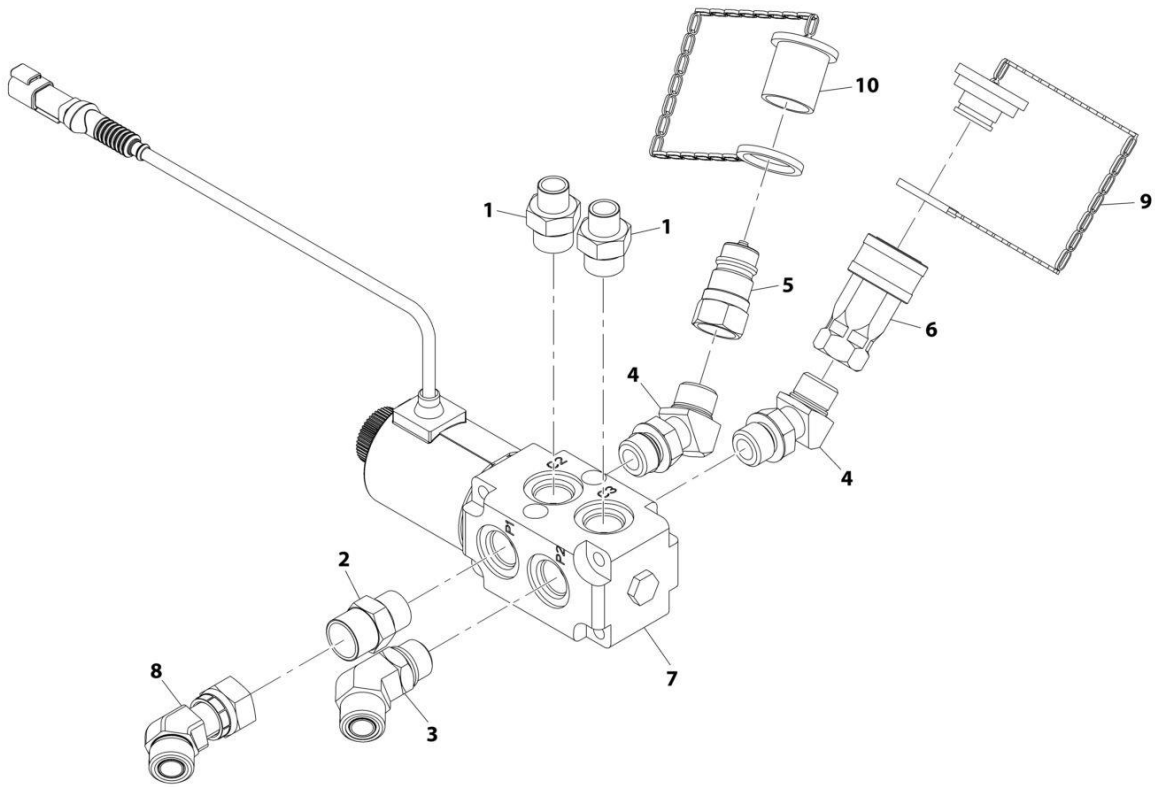
SECTION 8 - HYDRAULIC CIRCUITS

FIGURE 8-7. BOOM AUX HYDRAULIC INSTALLATION (HYDRAULIC - SINGLE)

ITEM	PART NUMBER	QTY	DESCRIPTION	REV
	1001192365	Ref	Boom Aux Hydraulic Installation (Hydraulic - Single)	E
2	4031918	2	Bolt, M8X70	
5	1001213317	1	Assembly, Diverter Valve (Hydraulic - Single) (See Separate Breakdown in this Section)	
6	1001193111	2	Hose	
7	8769126	1	Clamp	
8	0760815	1	Bolt, M8X35	
9	8769123	1	Plate, Cover	
10	1001080375	1	Switch	
11	8406202	1	CLIP,TUBE 7/8"	
12	4811900	1	Washer, M8	
13	0760810	1	Bolt, M8X20	

SECTION 8 - HYDRAULIC CIRCUITS

FIGURE 8-8. BOOM AUX DIVERTER VALVE/FITINGS ASSEMBLY (HYDRAULIC - SINGLE)



ART_1001213317-B

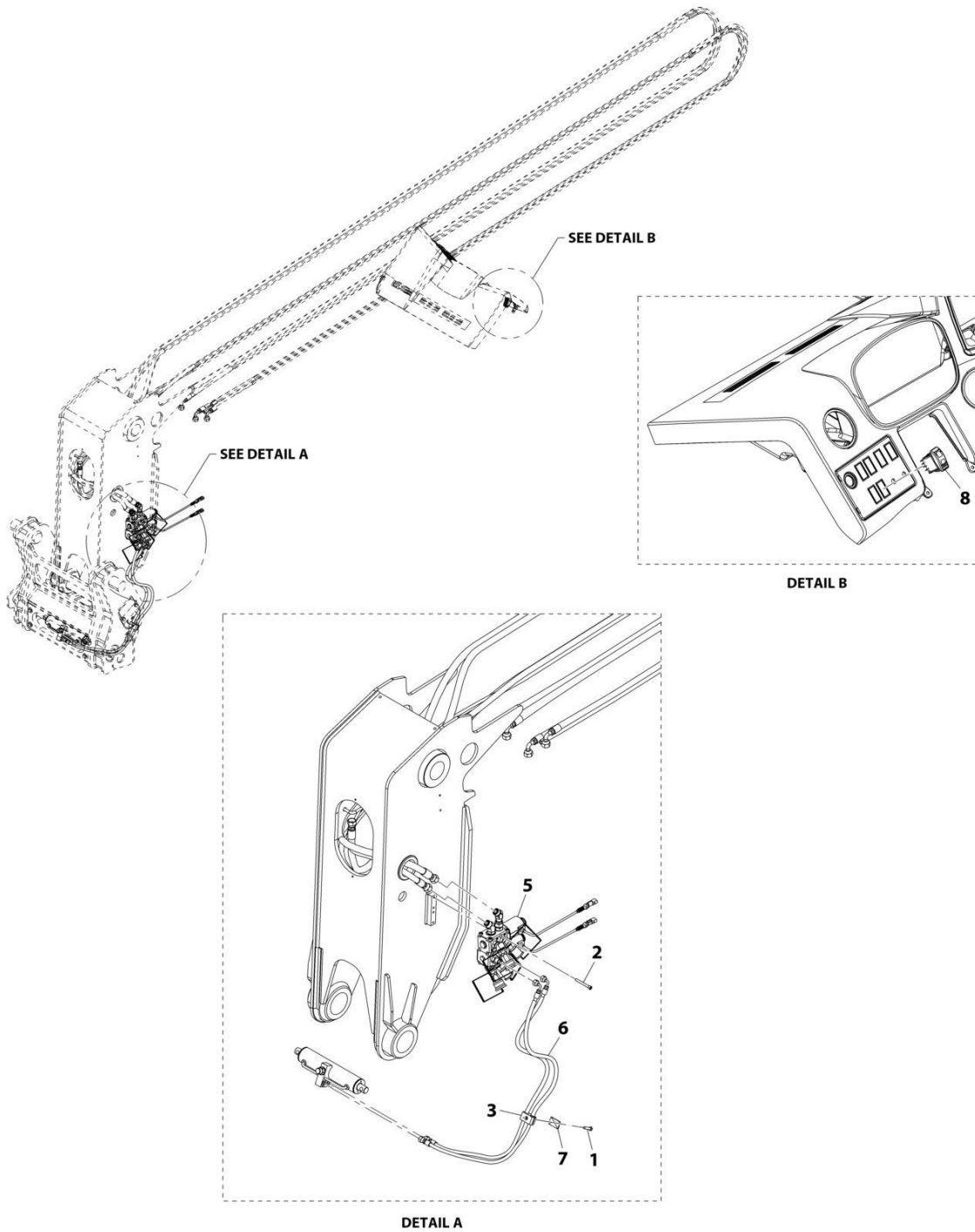
SECTION 8 - HYDRAULIC CIRCUITS

FIGURE 8-8. BOOM AUX DIVERTER VALVE/FITINGS ASSEMBLY (HYDRAULIC - SINGLE)

ITEM	PART NUMBER	QTY	DESCRIPTION	REV
	1001213317	Ref	Diverter Valve Assembly	B
1	2110610	2	Fitting, Straight ORFS	
2	2111010	1	Fitting, Straight ORFS	
3	2151010	1	Fitting, 45 ORFS	
4	1001005904	2	Fitting, 45	
5	1001101041	1	Fitting, Male Quick Disconnect	
6	1001101042	1	Fitting, Female Quick Disconnect	
7	1001104477	1	Valve, Divertor (See Separate Breakdown in HYDRAULIC COMPONENTS Section)	
8	1001147416	1	Fitting, 45 ORFS	
9	91043125	1	Plug	
10	91043126	1	Cap, Dust	

SECTION 8 - HYDRAULIC CIRCUITS

FIGURE 8-9. BOOM AUX HYDRAULIC INSTALLATION (HYDRAULIC - TWIN)



ART_1001192367-C

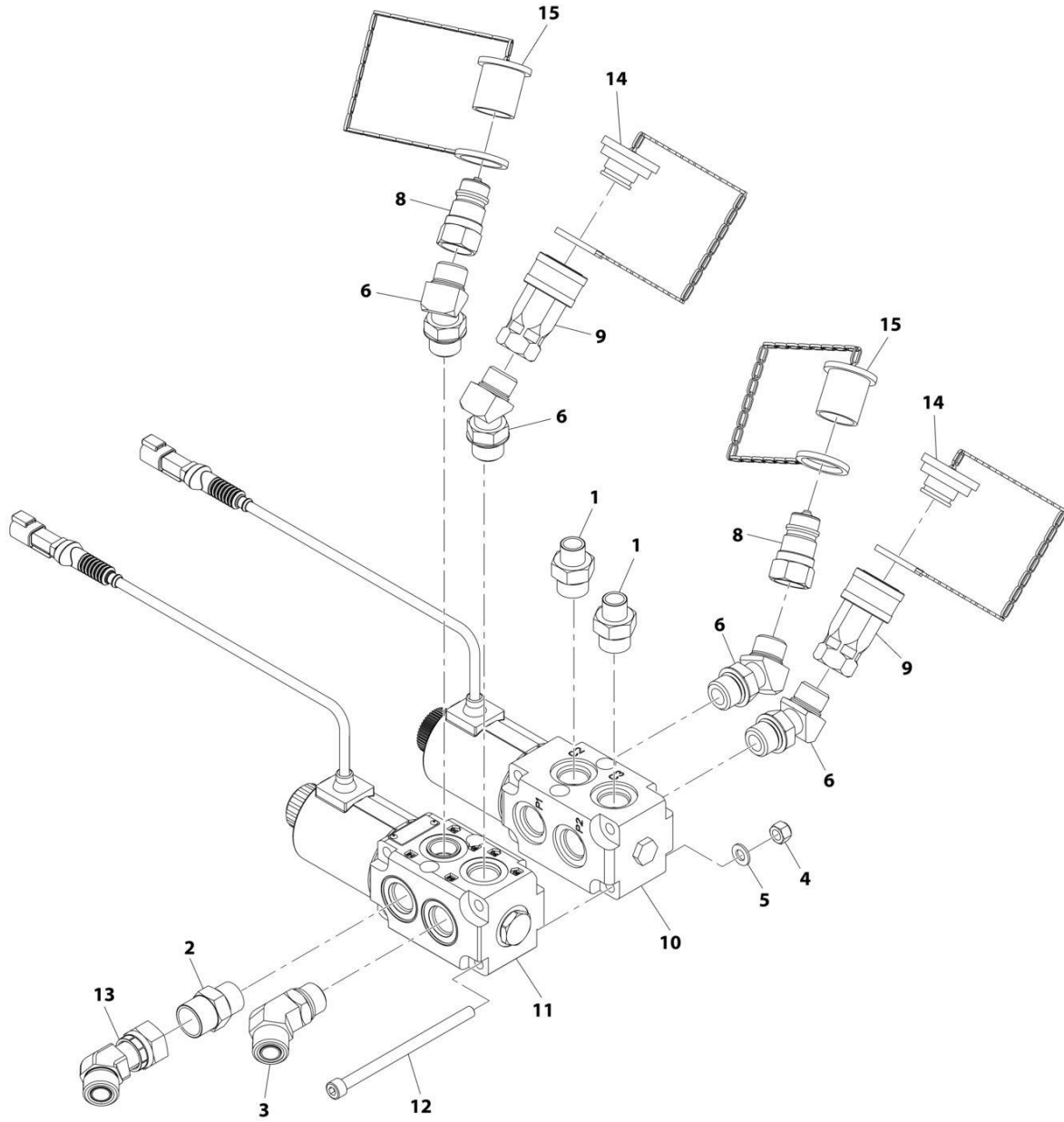
SECTION 8 - HYDRAULIC CIRCUITS

FIGURE 8-9. BOOM AUX HYDRAULIC INSTALLATION (HYDRAULIC - TWIN)

ITEM	PART NUMBER	QTY	DESCRIPTION	REV
	1001192367	Ref	Boom Aux Hydraulic Installation (Hydraulic - Twin)	C
1	0760815	1	Bolt, M8X35	
2	4031918	3	Bolt, M8X70	
3	8769126	1	Clamp	
5	1001213319	1	Assembly, Diverter Valve (Hydraulic - Twin) (See Separate Breakdown in this Section)	
6	1001193111	2	Hose	
7	8769123	1	Plate, Cover	
8	1001080375	1	Switch	

SECTION 8 - HYDRAULIC CIRCUITS

FIGURE 8-10. BOOM AUX DIVERTER VALVE/FITINGS ASSEMBLY (HYDRAULIC - TWIN)



ART_1001213319-C

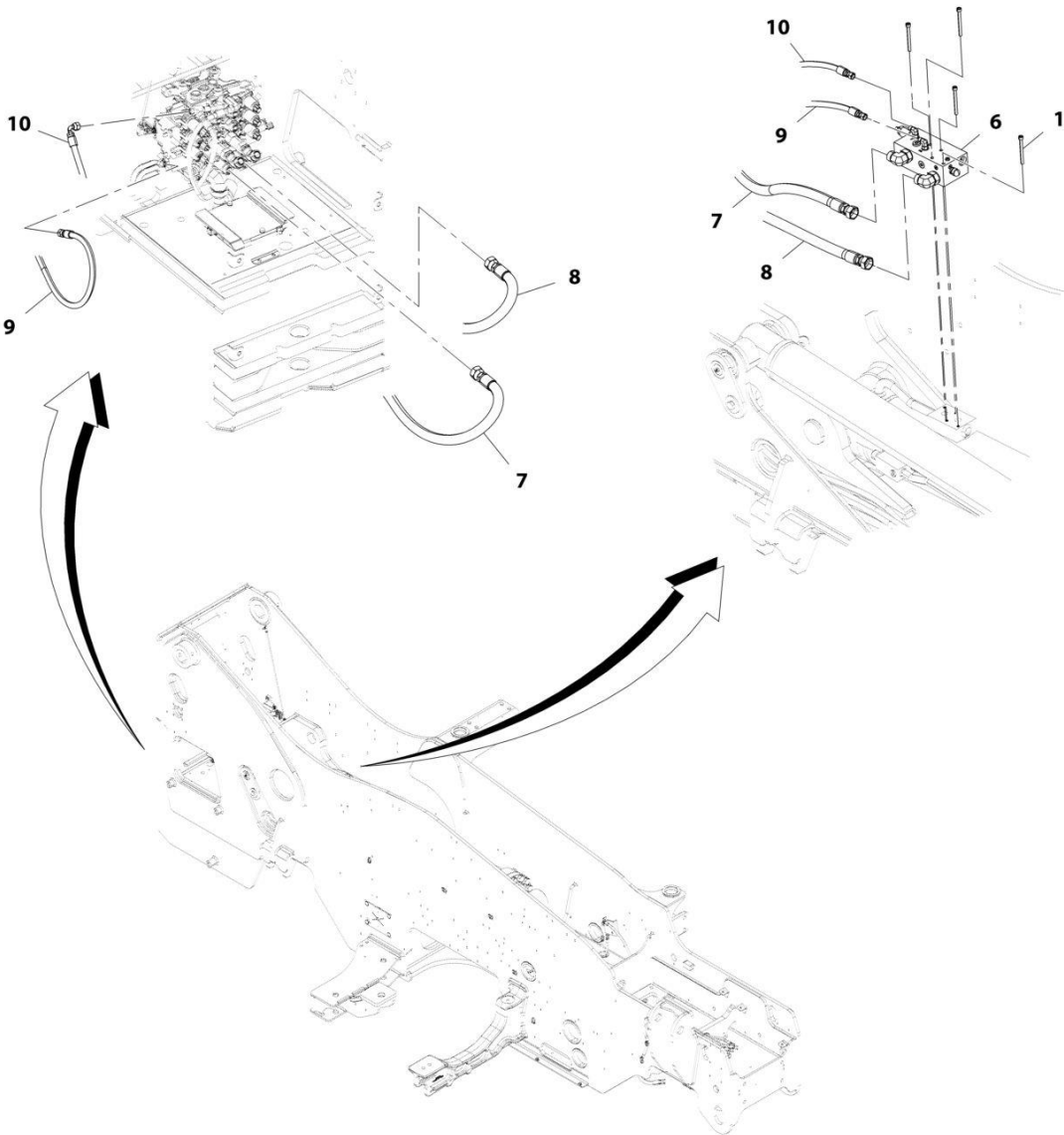
SECTION 8 - HYDRAULIC CIRCUITS

FIGURE 8-10. BOOM AUX DIVERTER VALVE/FITINGS ASSEMBLY (HYDRAULIC - TWIN)

ITEM	PART NUMBER	QTY	DESCRIPTION	REV
	1001213319	Ref	Diverter Valve Assembly	C
1	2110610	2	Fitting, Straight ORFS	
2	2111010	1	Fitting, Straight ORFS	
3	2151010	1	Fitting, 45 ORFS	
4	3290805	4	Nut, Lock M8X1.25	
5	4811900	4	Washer, M8	
6	1001005904	4	Fitting, 45	
8	1001101041	2	Fitting, Male Quick Disconnect	
9	1001101042	2	Fitting, Female Quick Disconnect	
10	1001104477	1	Valve, Divertor (See Separate Breakdown in HYDRAULIC COMPONENTS Section)	
11	1001110023	1	Valve, Divertor (See Separate Breakdown in HYDRAULIC COMPONENTS Section)	
12	1001110115	4	Bolt, M8X100	
13	1001147416	1	Fitting, 45 ORFS	
14	91043125	2	Plug	
15	91043126	2	Cap	

SECTION 8 - HYDRAULIC CIRCUITS

FIGURE 8-11. BOOM RAISE HOSE INSTALLATION (NO RIDE CONTROL)



ART_1001194702-F

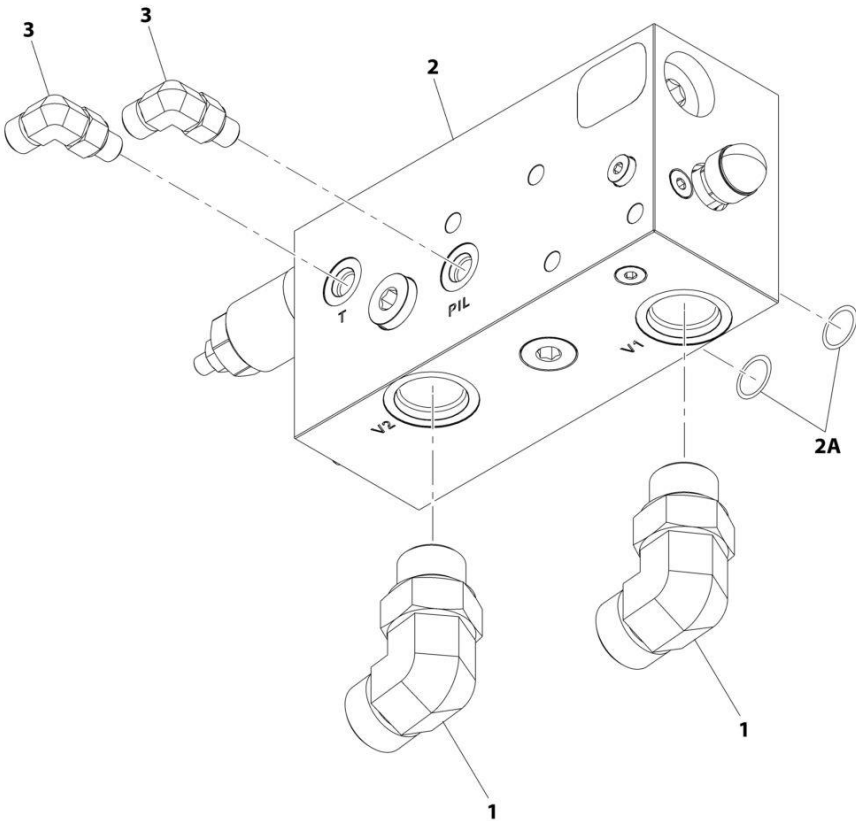
SECTION 8 - HYDRAULIC CIRCUITS

FIGURE 8-11. BOOM RAISE HOSE INSTALLATION (NO RIDE CONTROL)

ITEM	PART NUMBER	QTY	DESCRIPTION	REV
	1001194702	Ref	Boom Raise Hose Installation (no Ride Control)	F
1	4031921	4	Bolt, M8X85	
6	1001219764	1	Valve, Boom Raise Counterbalance (no Ride Control) (See Separate Breakdown in this Section)	
7	1001225392	1	Hose, ORFS	
8	1001225393	1	Hose, ORFS	
9	1001226828	1	Hose, ORFS	
10	1001226829	1	Hose, ORFS	

SECTION 8 - HYDRAULIC CIRCUITS

FIGURE 8-12. BOOM RAISE COUNTERBALANCE VALVE/FITTINGS ASSEMBLY (NO RIDE CONTROL)



ART_1001219764-C

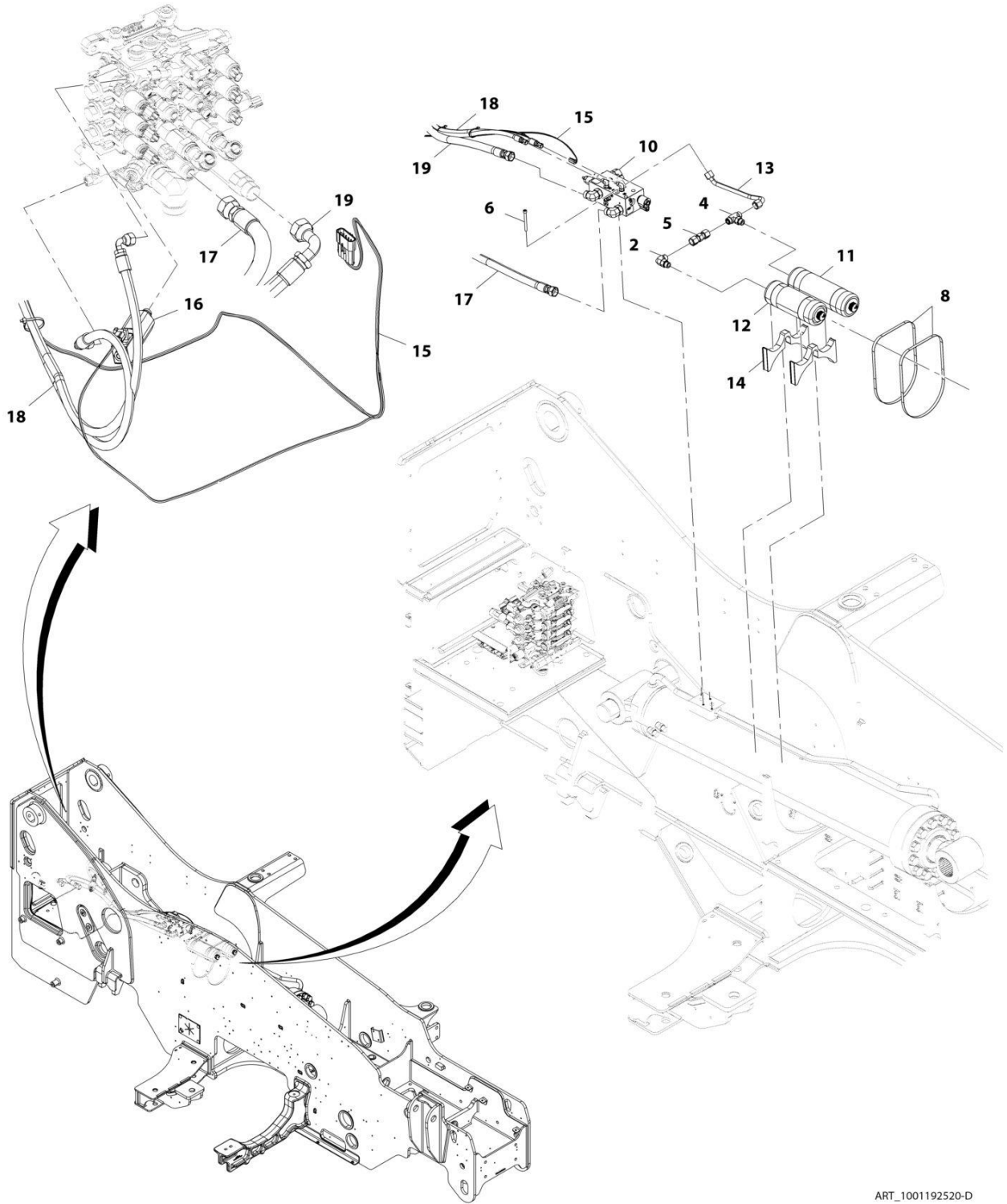
SECTION 8 - HYDRAULIC CIRCUITS

FIGURE 8-12. BOOM RAISE COUNTERBALANCE VALVE/FITTINGS ASSEMBLY (NO RIDE CONTROL)

ITEM	PART NUMBER	QTY	DESCRIPTION	REV
	1001219764	Ref	Boom Raise Counterbalance Valve (no Ride Control)	C
1	2131212	2	Fitting, 90 ORFS	
2	1001224944	1	Valve, GLS	
2A	70028282	2	O-ring	
3	2130404	2	Fitting, 90 ORFS	

SECTION 8 - HYDRAULIC CIRCUITS

FIGURE 8-13. BOOM RAISE HOSE INSTALLATION (RIDE CONTROL)



ART_1001192520-D

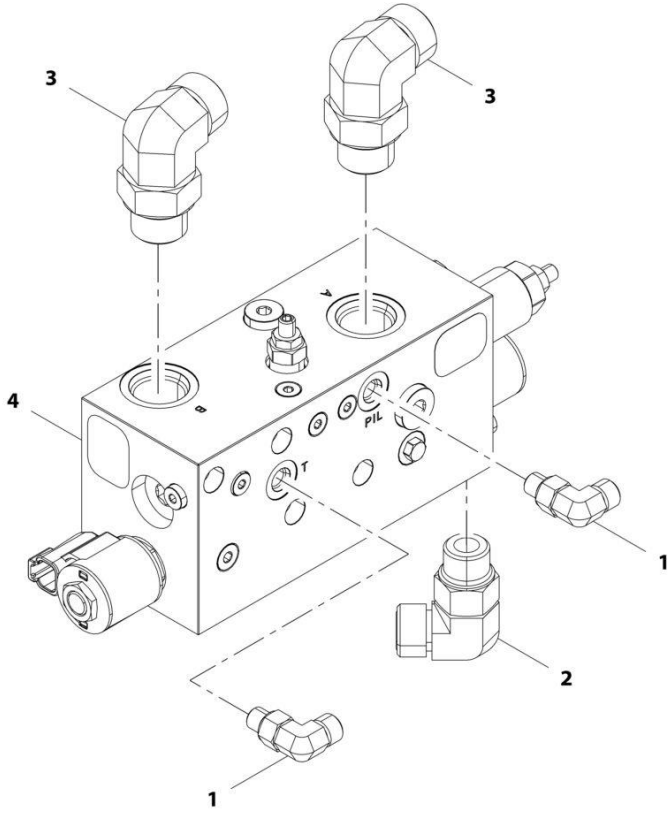
SECTION 8 - HYDRAULIC CIRCUITS

FIGURE 8-13. BOOM RAISE HOSE INSTALLATION (RIDE CONTROL)

ITEM	PART NUMBER	QTY	DESCRIPTION	REV
	1001192520	Ref	Boom Raise Hose Installation (Ride Control)	D
2	2131010	1	Fitting, 90 ORFS	
4	2170410	1	Fitting, Tee ORFS	
5	2172410	1	Fitting, Straight ORFS	
6	4031921	4	Bolt, M8X85	
8	1001214829	2	Clamp	
10	1001219765	1	Assembly, Ride and Float Valve (See Separate Breakdown in this Section)	
11	1001192771	1	Cylinder, Piston	
12	1001192772	1	Cylinder, Piston	
13	1001225390	1	Pipe	
14	1001196402	2	Bumper	
15	1001200105	1	Installation, Ride Control Wiring (See Separate Breakdown in ELECTRICAL Section)	
16	1001202020	1	Valve, MCV Tank Cartridge	
17	1001225393	1	Hose	
18	1001226829	2	Hose	
19	1001227440	1	Hose	

SECTION 8 - HYDRAULIC CIRCUITS

FIGURE 8-14. BOOM RAISE RIDE & FLOAT VALVE/FITTING ASSEMBLY (RIDE CONTROL)



ART_1001219765-B

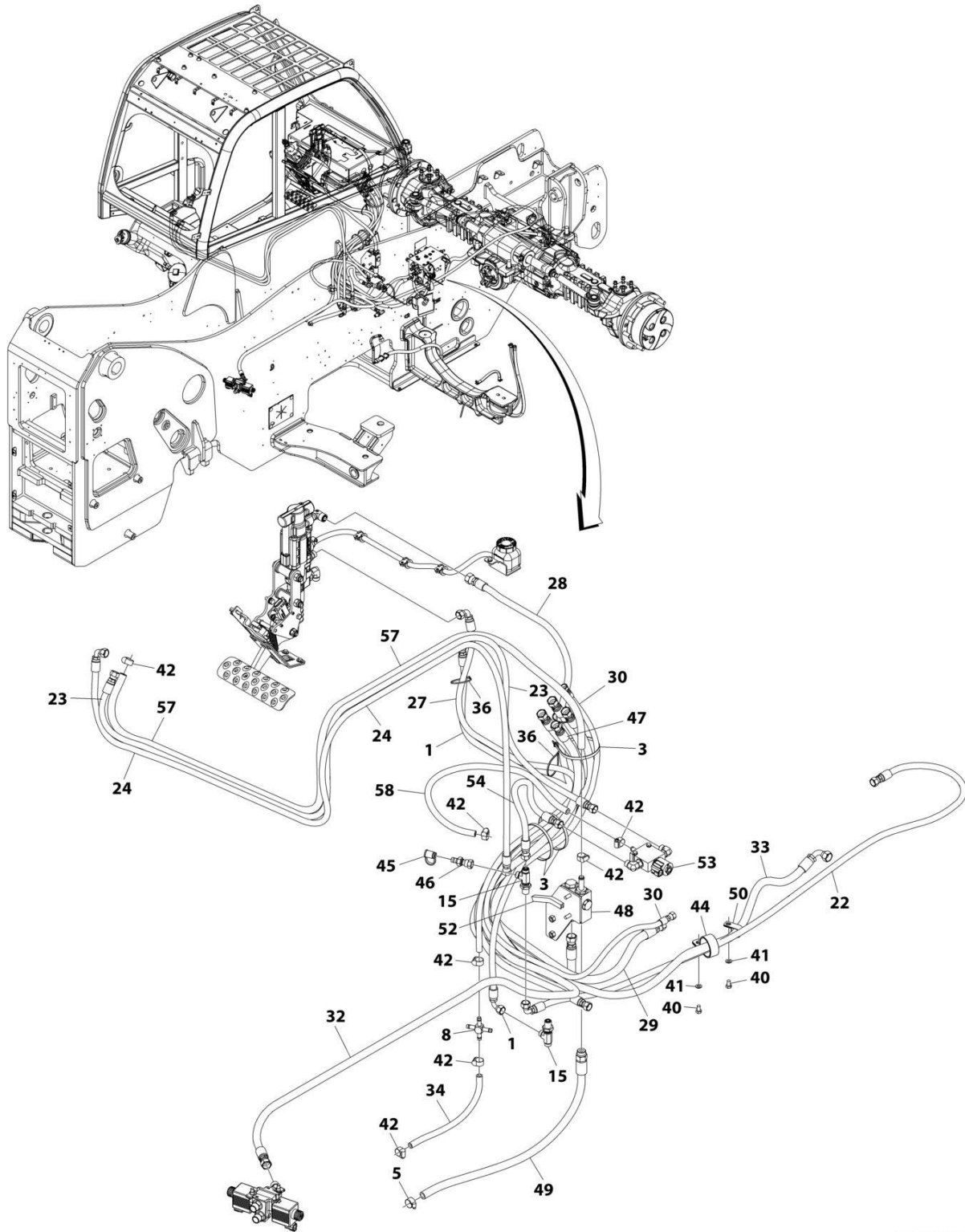
SECTION 8 - HYDRAULIC CIRCUITS

FIGURE 8-14. BOOM RAISE RIDE & FLOAT VALVE/FITTING ASSEMBLY (RIDE CONTROL)

ITEM	PART NUMBER	QTY	DESCRIPTION	REV
	1001219765	Ref	Ride and Float Valve Assembly	B
1	2130404	2	Fitting, 90 ORFS	
2	2131010	1	Fitting, 90 ORFS	
3	2131212	2	Fitting, 90 ORFS	
4	1001224945	1	Valve, Boom Raise (See Separate Breakdown in HYDRAULIC COMPONENTS Section)	

SECTION 8 - HYDRAULIC CIRCUITS

FIGURE 8-15. CAB HYDRUALIC INSTALLATION



ART_1001193709

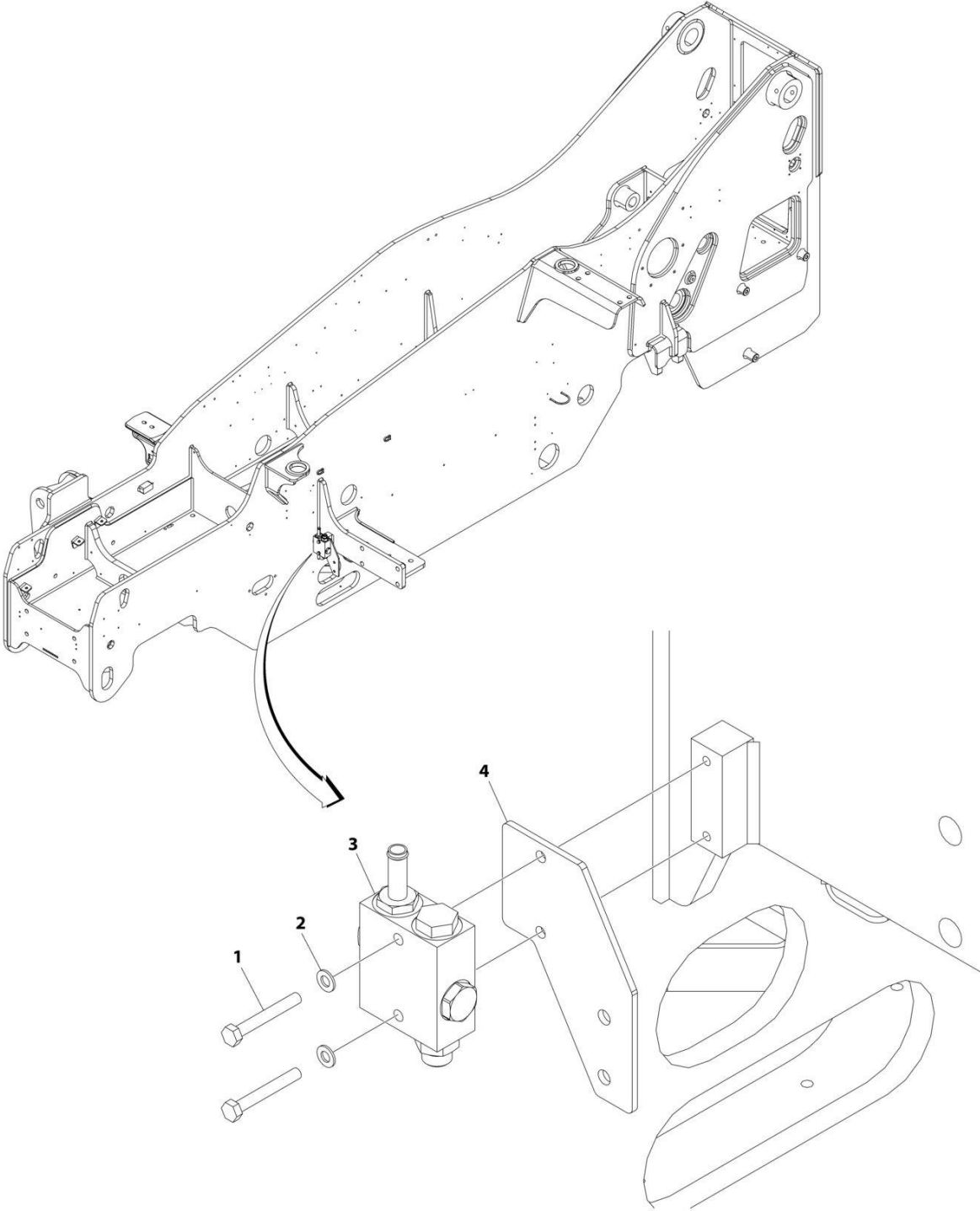
SECTION 8 - HYDRAULIC CIRCUITS

FIGURE 8-15. CAB HYDRUALIC INSTALLATION

ITEM	PART NUMBER	QTY	DESCRIPTION	REV
	1001193709	Ref	CAB HYDRUALIC INSTALLATION	J
1	1001196989	1	Hose	
3	4240018	3	Strap, Cable	
5	8405006	1	Clamp	
8	1001215256	1	Fitting, Cross Barb	
15	88662434	2	Fitting, Tee ORFS	
22	1001210800	1	Hose	
23	1001221989	1	Hose	
24	1001210327	1	Hose	
27	1001206709	1	Hose	
28	1001210282	1	Hose	
29	1001196992	1	Hose	
30	1001196993	1	Hose	
32	1001196995	1	Hose	
33	1001196996	1	Hose	
34	1001196997	1	Hose	
36	4240099	3	Tie, Wire	
40	0760807	2	Bolt M8 x 14	
41	4811900	2	Washer M8	
42	8410013	7	Clamp	
44	85941018	1	Clamp	
45	8430032	1	Plug	
46	8430081	1	Fitting, Straight ORFS	
47	1001204152	1	Hose	
48	1001212788	Ref	Installation, Check Valve (See Separate Breakdown in this Section)	
49	1001212880	1	Hose	
50	8406201	1	Clip	
52	90206198	186 mm	Compound, Locking	
53	1001221987	Ref	Installation, Solenoid Valve (See Separate Breakdown in this Section)	
54	1001221988	1	Hose	
57	2720160	2290 mm	Hose	
58	1001008654	750 mm	Hose	

SECTION 8 - HYDRAULIC CIRCUITS

FIGURE 8-16. CAB HYDRUALICS CHECK VALVE INSTALLATION



ART_1001212788

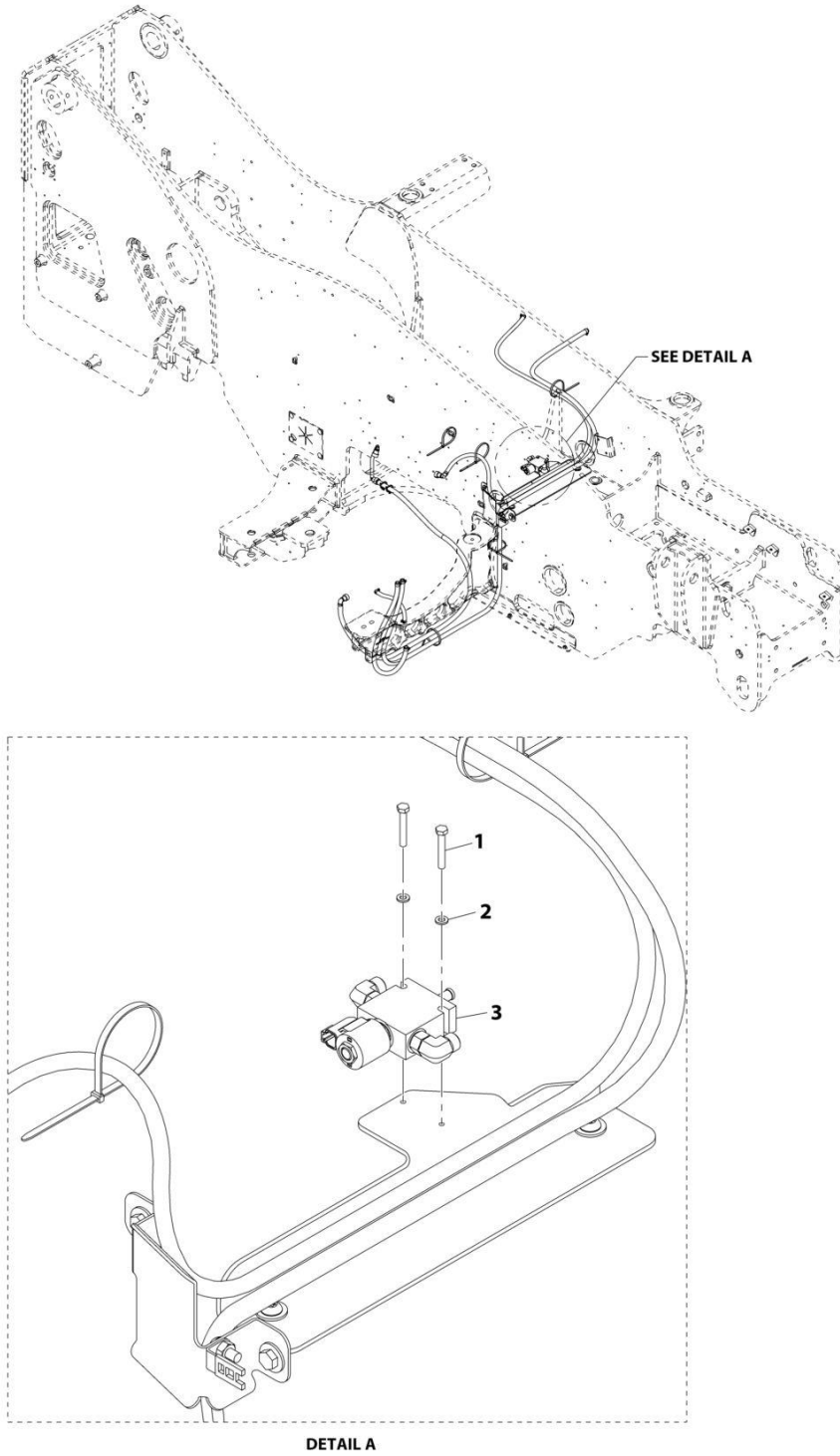
SECTION 8 - HYDRAULIC CIRCUITS

FIGURE 8-16. CAB HYDRUALICS CHECK VALVE INSTALLATION

ITEM	PART NUMBER	QTY	DESCRIPTION	REV
	1001212788	Ref	CAB HYDRUALICS CHECK VALVE INSTALLATION	B
1	0700820	2	Bolt M8 x 60	
2	4811900	2	Washer M8	
3	1001212789	1	Assembly, Check Valve (See Separate Breakdown in HYDRAULIC COMPONENTS Section)	
4	1001219659	1	Plate	

SECTION 8 - HYDRAULIC CIRCUITS

FIGURE 8-17. CAB HYDRAULICS SOLENOID INSTALLATION



ART_1001221987-A

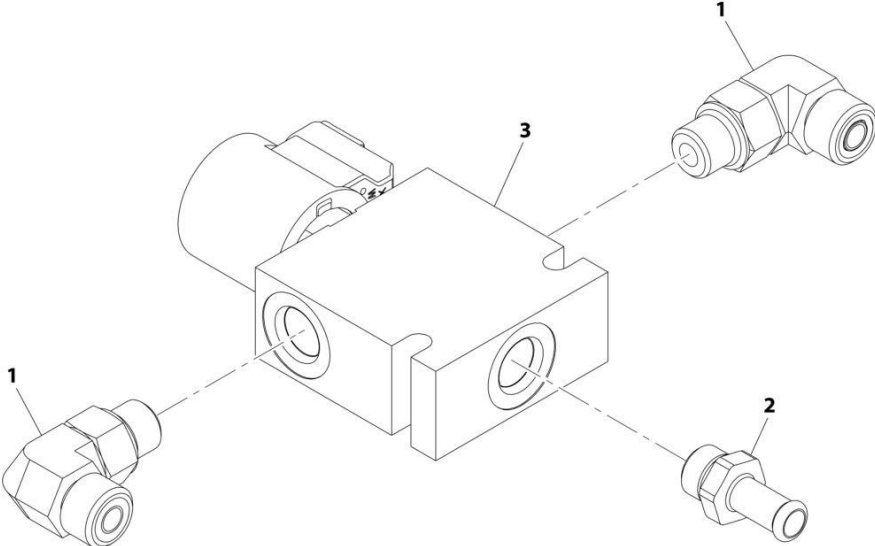
SECTION 8 - HYDRAULIC CIRCUITS

FIGURE 8-17. CAB HYDRAULICS SOLENOID INSTALLATION

ITEM	PART NUMBER	QTY	DESCRIPTION	REV
	1001221987	Ref	Solenoid Valve Installation	A
1	0700616	2	Bolt, M6X40	
2	4811700	2	Washer, M6	
3	1001221986	1	Assembly, Solenoid Valve (See Separate Breakdown in this Section)	

SECTION 8 - HYDRAULIC CIRCUITS

FIGURE 8-18. CAB HYDRAULICS SOLENOID FITTINGS INSTALLATION



ART_1001221986-A

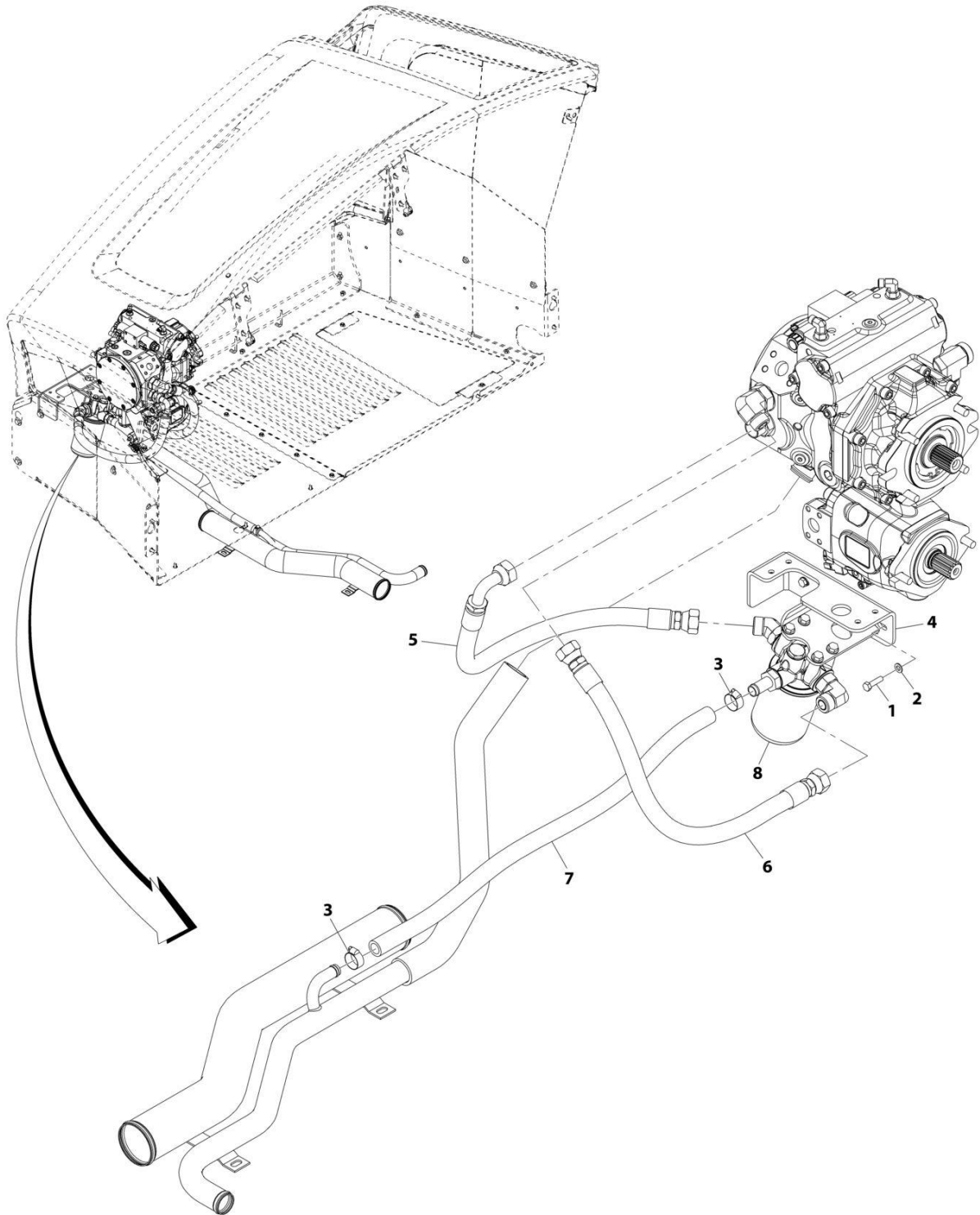
SECTION 8 - HYDRAULIC CIRCUITS

FIGURE 8-18. CAB HYDRAULICS SOLENOID FITTINGS INSTALLATION

ITEM	PART NUMBER	QTY	DESCRIPTION	REV
1	1001221986 2130606	Ref 2	Solenoid Valve/Fittings Assembly Fitting, 90 ORFS	A
2	1001168030	1	Fitting, Hose Barb	
3	1001221928	1	Valve, Solenoid (See Separate Breakdown in HYDRAULIC COMPONENTS Section)	

SECTION 8 - HYDRAULIC CIRCUITS

FIGURE 8-19. CHARGE FILTER LINES INSTALLATION



ART_1001202026-B

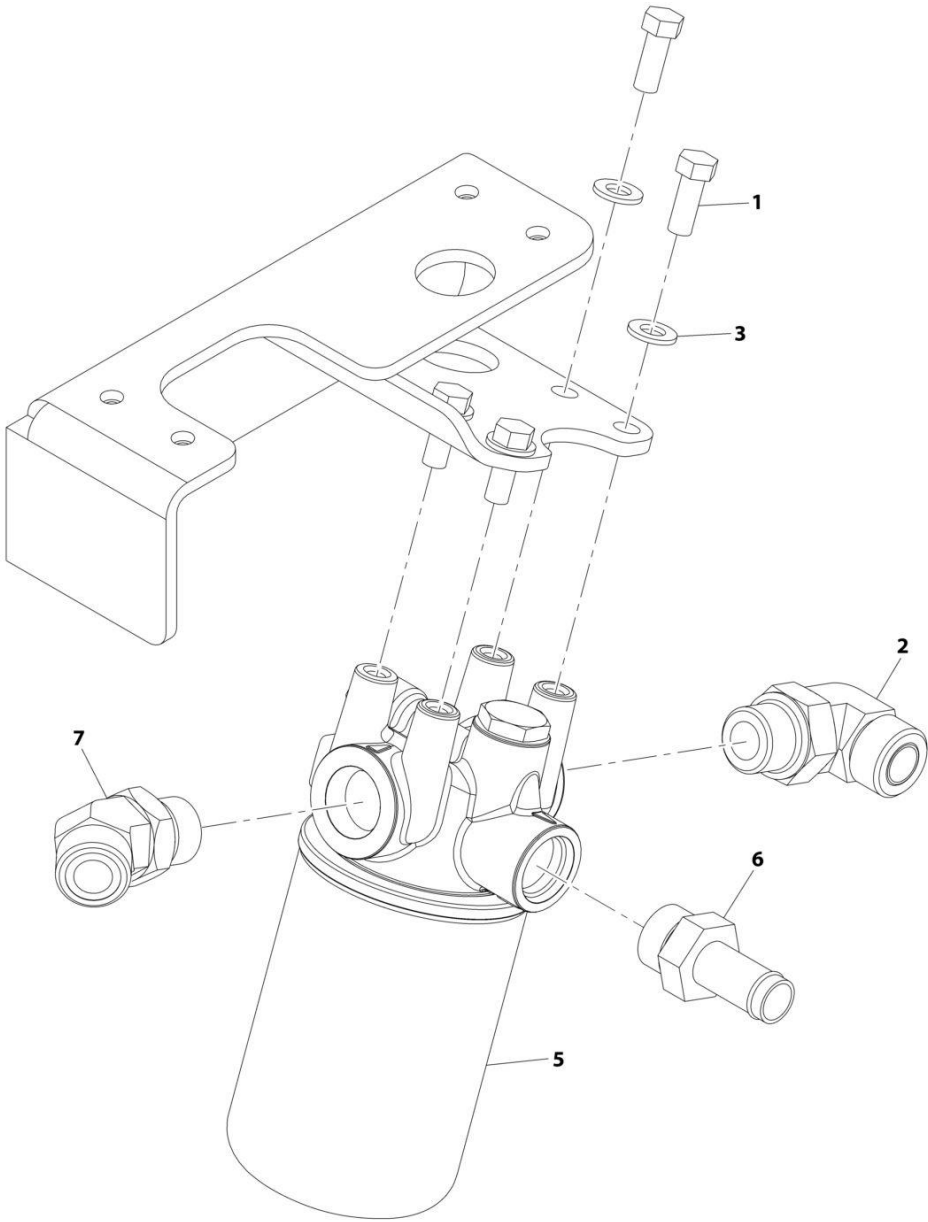
SECTION 8 - HYDRAULIC CIRCUITS

FIGURE 8-19. CHARGE FILTER LINES INSTALLATION

ITEM	PART NUMBER	QTY	DESCRIPTION	REV
	1001202026	Ref	Charge Filter Lines Installation	B
1	0700814	2	Bolt, M8X30	
2	4811900	2	Washer, M8	
3	8405007	2	Clamp	
4	1001212184	1	Bracket	
5	1001195433	1	Hose	
6	1001195434	1	Hose	
7	1001195435	1	Hose	
8	1001195430	Ref	Installation, Charge Filter (See Separate Breakdown in this Section)	

SECTION 8 - HYDRAULIC CIRCUITS

FIGURE 8-20. CHARGE FILTER INSTALLATION



ART_1001195430-C

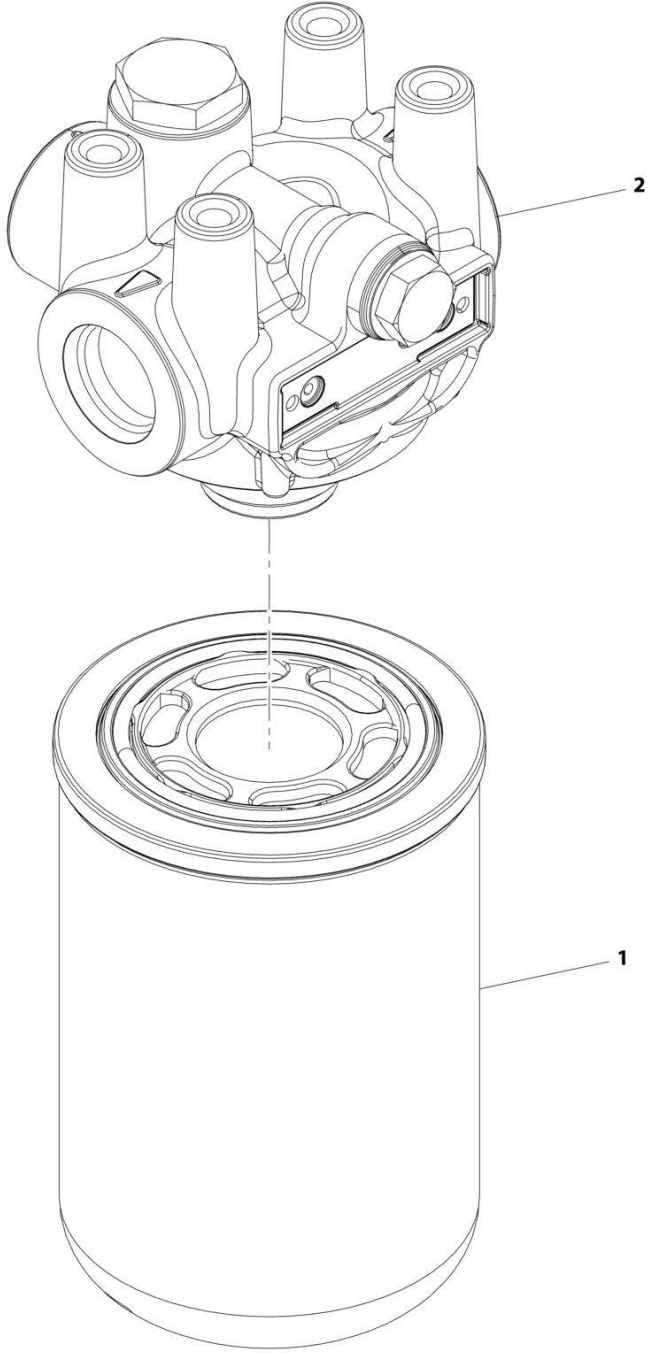
SECTION 8 - HYDRAULIC CIRCUITS

FIGURE 8-20. CHARGE FILTER INSTALLATION

ITEM	PART NUMBER	QTY	DESCRIPTION	REV
	1001195430	Ref	Charge Filter Installation	C
1	0641608	4	Bolt, 3/8-16X1	
2	2131212	1	Fitting, 90 ORFS	
3	4812000	4	Washer, M10	
5	1001141976	1	Assembly, Charge Filter (See Separate Breakdown in this Section)	
6	1001183700	1	Fitting, Barb	
7	2151212	1	Fitting, 45 ORFS	

SECTION 8 - HYDRAULIC CIRCUITS

FIGURE 8-21. CHARGE FILTER ASSEMBLY



ART_1001141976-A

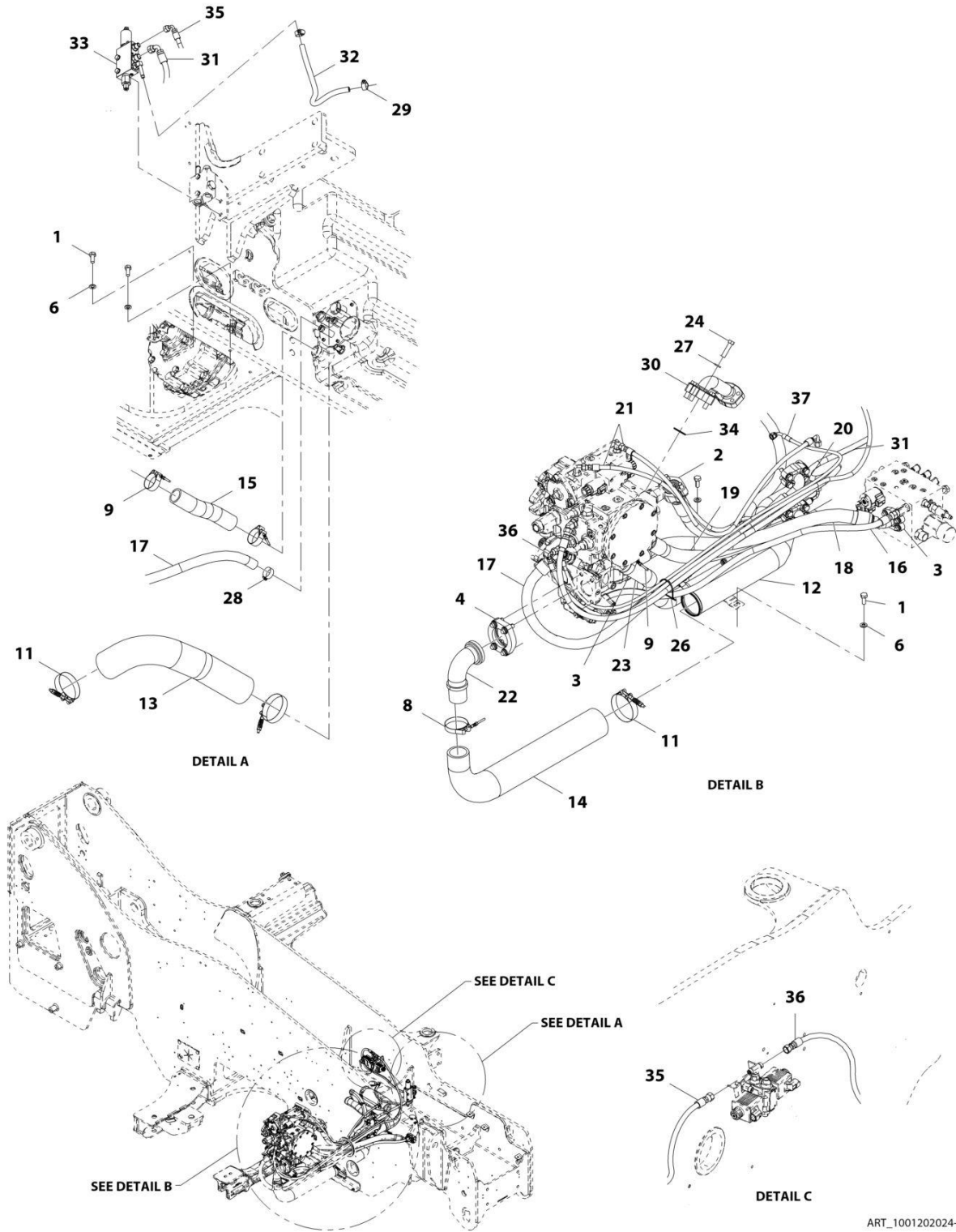
SECTION 8 - HYDRAULIC CIRCUITS

FIGURE 8-21. CHARGE FILTER ASSEMBLY

ITEM	PART NUMBER	QTY	DESCRIPTION	REV
	1001141976	Ref	Implement Pump Filter Assembly	A
1	1001141461	1	Filter	
2	1001141462	1	Pump, Filter	

SECTION 8 - HYDRAULIC CIRCUITS

FIGURE 8-22. ENGINE BAY HYDRAULIC INSTALLATION



ART_1001202024-G

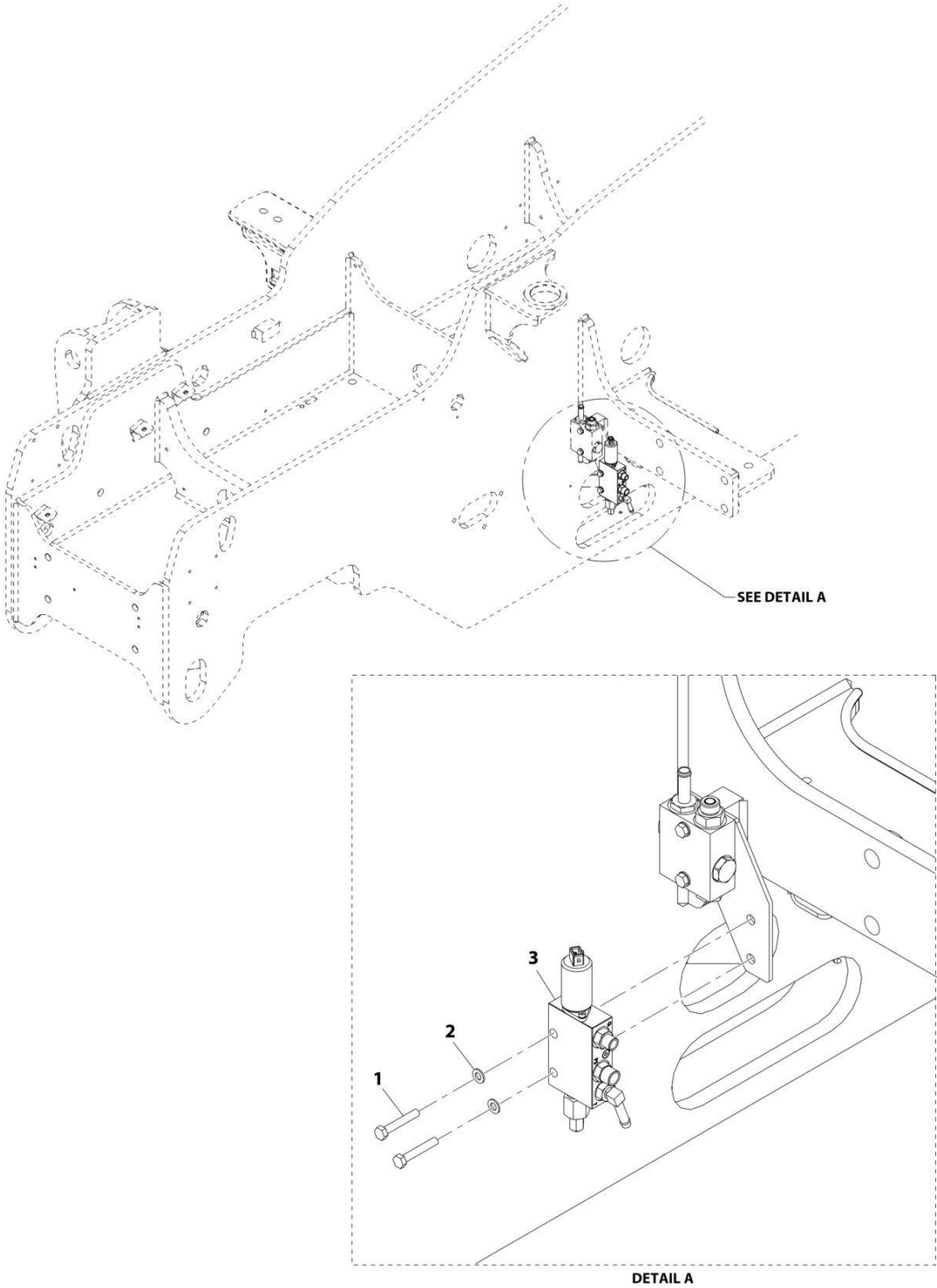
SECTION 8 - HYDRAULIC CIRCUITS

FIGURE 8-22. ENGINE BAY HYDRAULIC INSTALLATION

ITEM	PART NUMBER	QTY	DESCRIPTION	REV
	1001202024	Ref	Engine Bay Installation	G
1	0761012	4	Bolt, M10X25	
2	1001217948	4	Kit, Flange (includes mounting hardware and o-ring)	
3	2171816	2	Kit, Flange (includes mounting hardware and o-ring)	
4	2171832	1	Kit, Flange (includes mounting hardware and o-ring)	
6	4812000	4	Washer, M10	
8	1001005438	1	Clamp	
9	1001014231	4	Clamp	
11	1001186843	3	Clamp	
12	1001187272	1	Pipe	
13	1001187273	1	Hose	
14	1001187275	1	Hose	
15	1001193461	1	Hose	
16	1001196959	1	Hose	
17	1001215802	1	Hose	
18	1001214431	1	Hose	
19	1001214430	1	Hose	
20	1001214429	1	Hose	
21	1001215539	2	Hose	
22	8424233	1	Fitting, 90	
23	1001202027	1	Hose	
24	0681714	4	Bolt, 7/16-14X1 3/4 Grade 8	
26	4240099	AR	Tie, Wire	
27	4761700	4	Washer, Lock 7/16	
28	8405007	1	Clamp	
29	8410013	2	Clamp	
30	1001200870	1	Fitting, 90	
31	1001213306	1	Hose	
32	1001213307	1	Hose	
33	1001213308	1	Installation, Inching Valve (See Separate Breakdown in this Section)	
34	91083106	1	O-Ring	
35	1001215093	1	Hose	
36	1001215212	1	Hose	
37	1001223109	1	Hose	

SECTION 8 - HYDRAULIC CIRCUITS

FIGURE 8-23. ENGINE BAY INCHING VALVE INSTALLATION



ART_1001213308-A

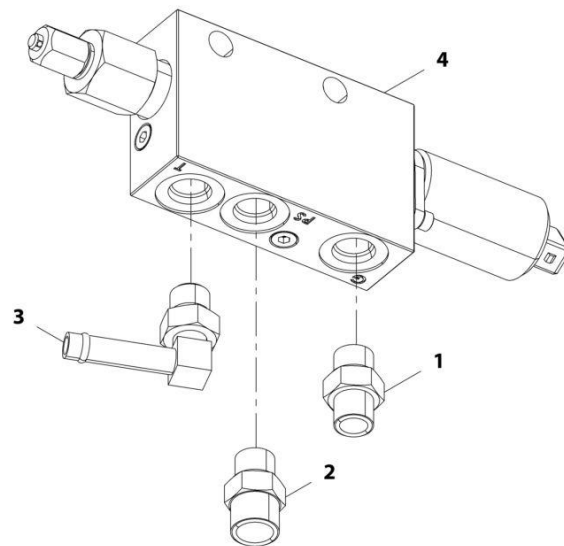
SECTION 8 - HYDRAULIC CIRCUITS

FIGURE 8-23. ENGINE BAY INCHING VALVE INSTALLATION

ITEM	PART NUMBER	QTY	DESCRIPTION	REV
	1001213308	Ref	Inching Valve Installation	A
1	0700818	2	Bolt, M8X50	
2	4811900	2	Washer, M8	
3	1001213309	1	Assembly, Inching Valve (See Separate Breakdown in this Section)	

SECTION 8 - HYDRAULIC CIRCUITS

FIGURE 8-24. ENGINE BAY INCHING VALVE/FITINGS ASSEMBLY



ART_1001213309-B

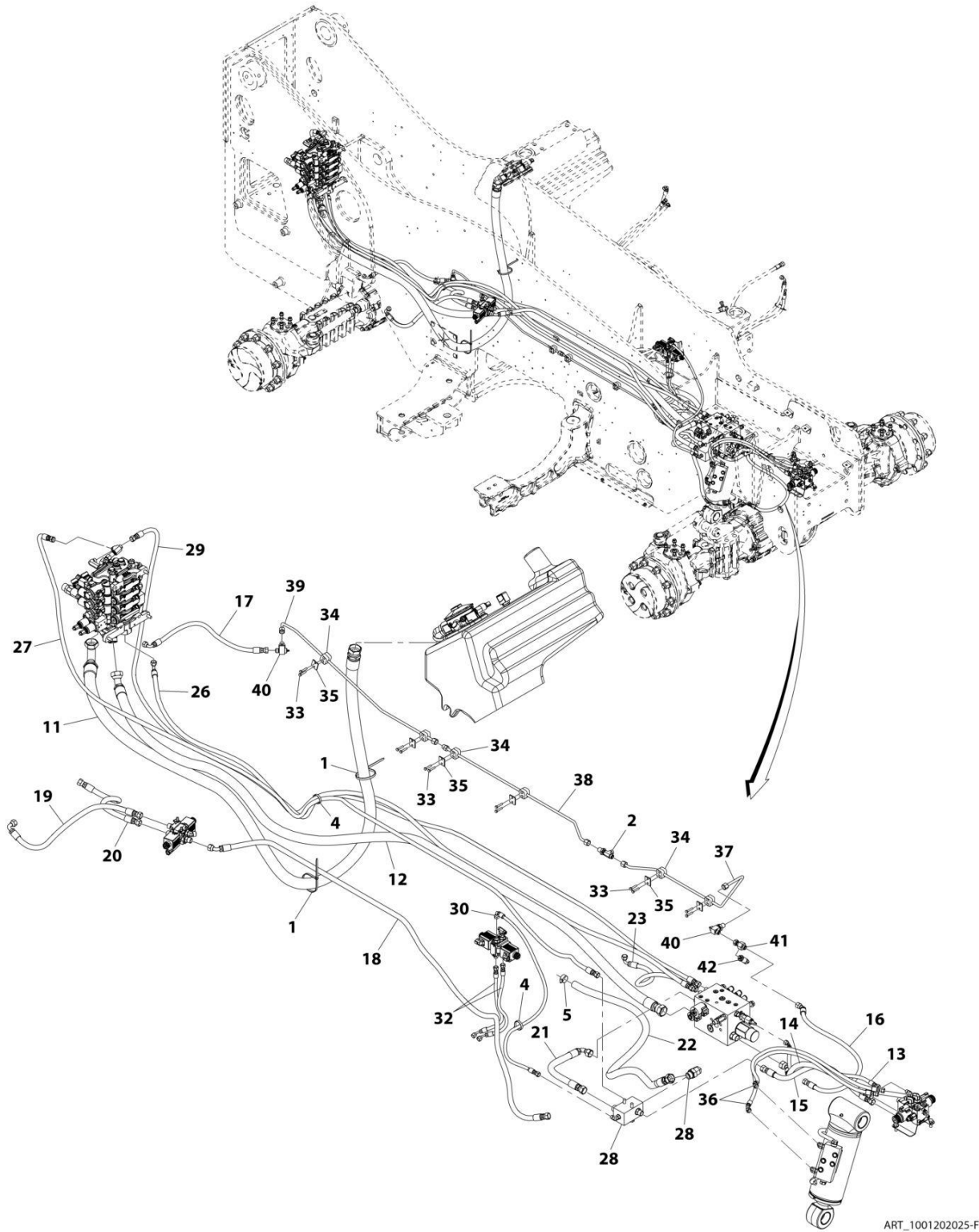
SECTION 8 - HYDRAULIC CIRCUITS

FIGURE 8-24. ENGINE BAY INCHING VALVE/FITINGS ASSEMBLY

ITEM	PART NUMBER	QTY	DESCRIPTION	REV
	1001213309	Ref	Inching Valve Assembly	B
1	2110406	1	Fitting, Straight ORFS	
2	2110606	1	Fitting, Straight ORFS	
3	8430034	1	Elbow, 90	
4	1001213311	1	Valve, Inching (See Separate Breakdown in HYDRAULIC COMPONENTS Section)	

SECTION 8 - HYDRAULIC CIRCUITS

FIGURE 8-25. FRAME HYDRAULIC INSTALLATION



ART_1001202025-F

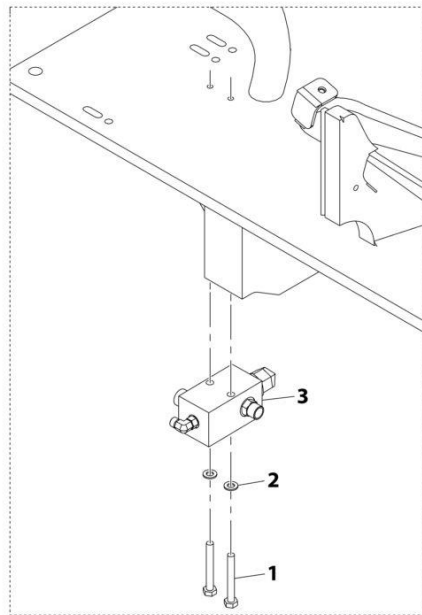
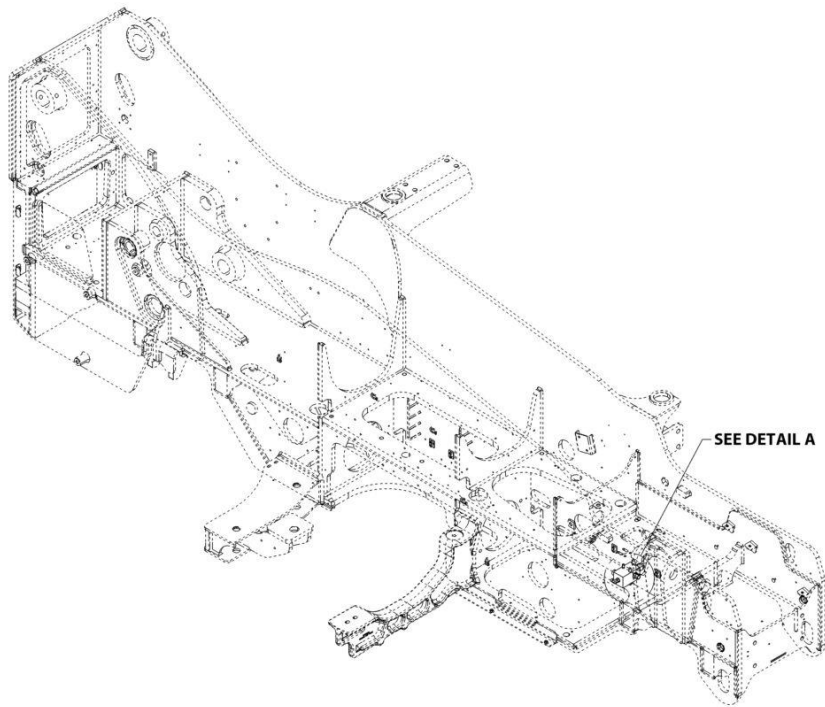
SECTION 8 - HYDRAULIC CIRCUITS

FIGURE 8-25. FRAME HYDRAULIC INSTALLATION

ITEM	PART NUMBER	QTY	DESCRIPTION	REV
	1001202025	Ref	Frame Hydraulic Installation	F
1	1062255	2	Strap, Tie	
2	88662434	1	Fitting, Tee ORFS	
4	4240018	2	Strap, Tie	
5	8405007	1	Clamp	
11	1001196964	1	Hose	
12	1001196967	1	Hose	
13	1001210635	1	Hose	
14	1001196969	1	Hose	
15	1001196970	1	Hose	
16	1001208532	1	Hose	
17	1001208534	1	Hose	
18	1001196973	1	Hose	
19	1001196974	1	Hose	
20	1001196975	1	Hose	
21	1001196976	1	Hose	
22	1001196977	1	Hose	
23	1001196978	1	Hose	
26	1001196981	1	Hose	
27	1001196982	1	Hose	
28	1001197197	Ref	Installation, Manifold (See Separate Breakdown in this Section)	
29	1001197199	1	Hose	
30	1001197200	1	Hose	
32	1001211020	2	Hose	
33	0700614	12	Bolt, M6X30	
34	9106-3040	6	Clamp	
35	9106-3039	6	Plate, Cover	
36	1001205573	2	Hose	
37	1001207788	1	Pipe	
38	1001207789	1	Pipe	
39	1001207790	1	Pipe	
40	1001210797	2	Bleeder, Brake	
41	1001111140	1	Fitting, ORFS	
42	1001147340	1	Sensor, Pressure	

SECTION 8 - HYDRAULIC CIRCUITS

FIGURE 8-26. FRAME MANIFOLD INSTALLATION



DETAIL A

ART_1001197197-B

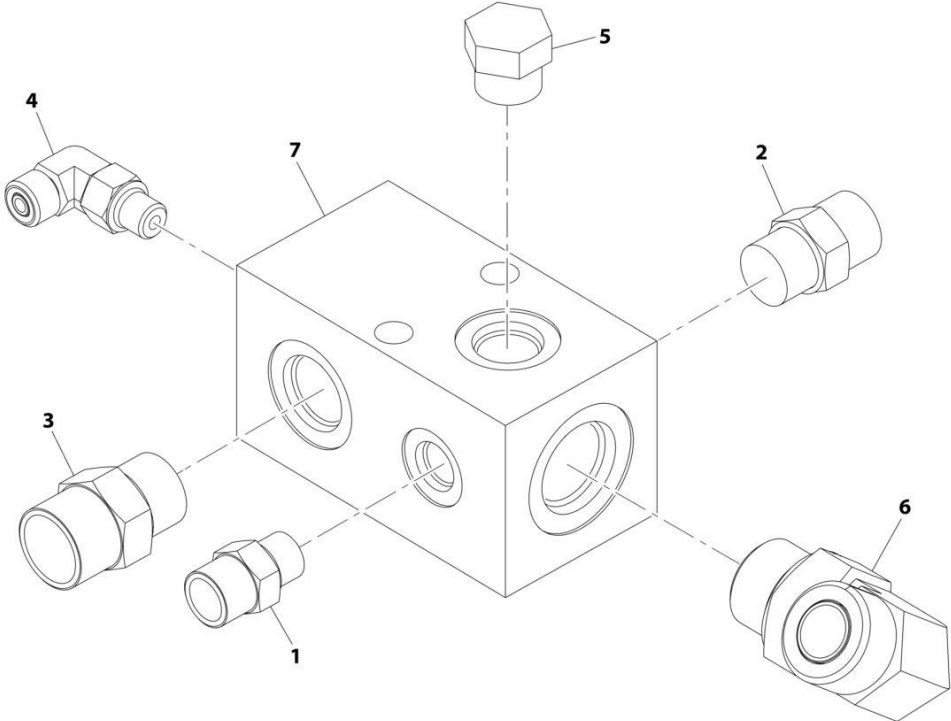
SECTION 8 - HYDRAULIC CIRCUITS

FIGURE 8-26. FRAME MANIFOLD INSTALLATION

ITEM	PART NUMBER	QTY	DESCRIPTION	REV
	1001197197	Ref	Manifold Installation	B
1	0701024	2	Bolt, M10X80	
2	4812000	2	Washer, M10	
3	1001197198	1	Assembly, Manifold (See Separate Breakdown in this Section)	

SECTION 8 - HYDRAULIC CIRCUITS

FIGURE 8-27. FRAME MANIFOLD/FITTINGS ASSEMBLY



ART_1001197198-D

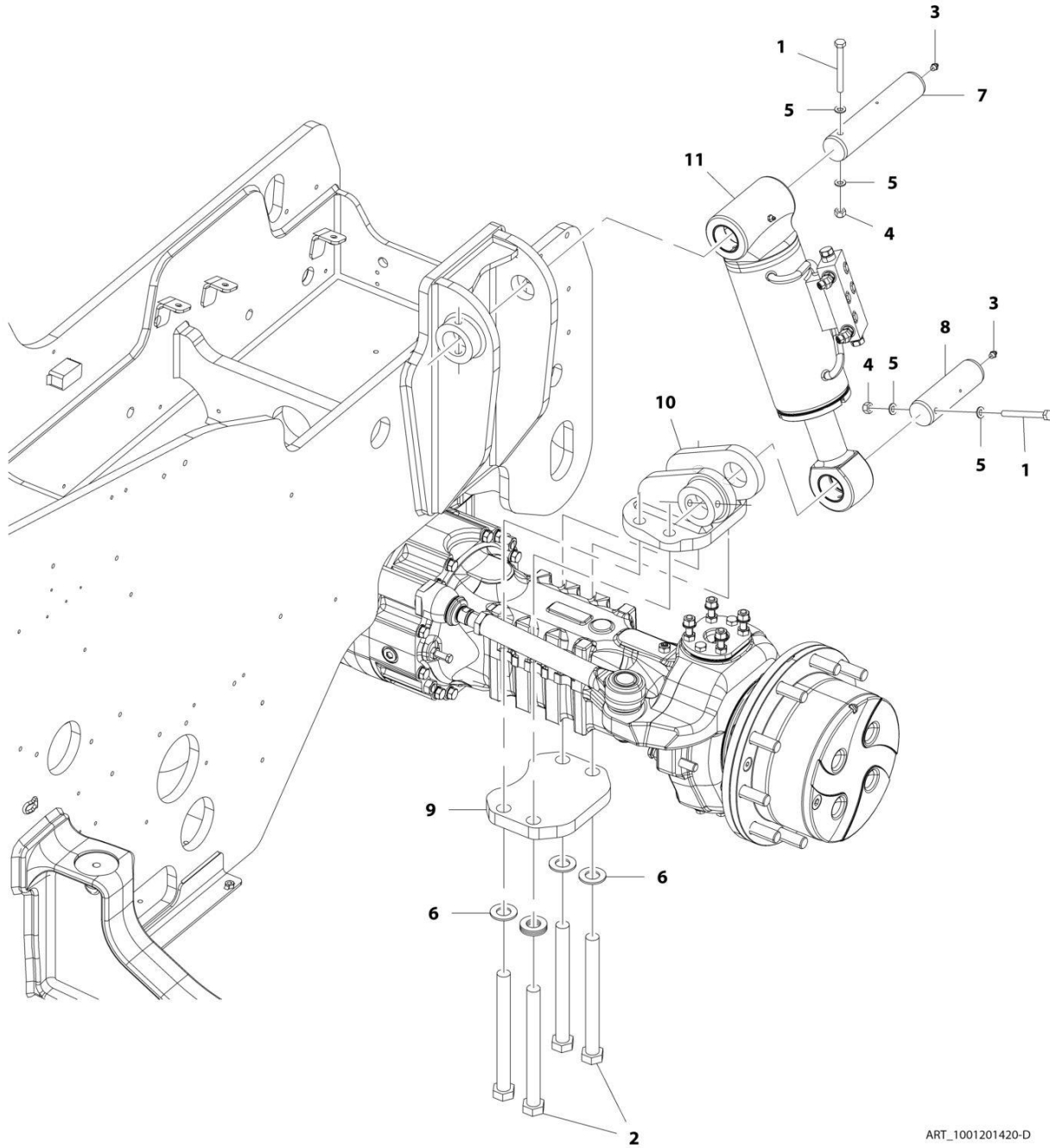
SECTION 8 - HYDRAULIC CIRCUITS

FIGURE 8-27. FRAME MANIFOLD/FITTINGS ASSEMBLY

ITEM	PART NUMBER	QTY	DESCRIPTION	REV
	1001197198	Ref	Manifold Assembly	D
1	2110606	1	Fitting, Straight ORFS	
2	2110808	1	Fitting, Straight ORFS	
3	2111010	1	Fitting, Straight ORFS	
4	2130404	1	Fitting, 90 ORFS	
5	2220238	1	Plug	
6	2131212	1	Fitting, 90 ORFS	
7	1001228504	1	Manifold	

SECTION 8 - HYDRAULIC CIRCUITS

FIGURE 8-28. FRAME LEVEL INSTALLATION



ART_1001201420-D

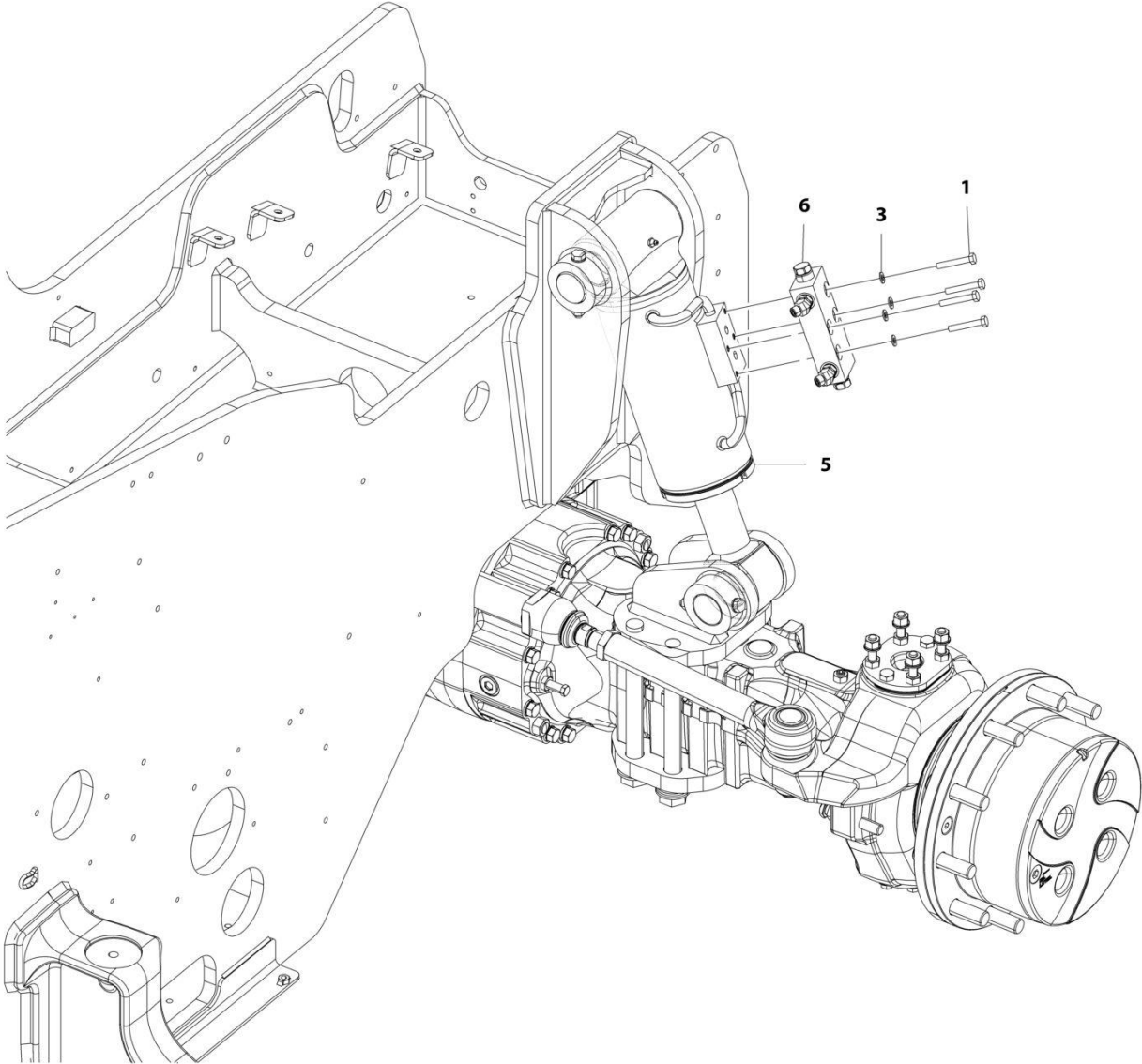
SECTION 8 - HYDRAULIC CIRCUITS

FIGURE 8-28. FRAME LEVEL INSTALLATION

ITEM	PART NUMBER	QTY	DESCRIPTION	REV
	1001201420	Ref	Frame Level Installation	D
1	0701027	2	Bolt, M10X100	
2	0712442	4	Bolt, M24X250 Grade 10.9	
3	2160016	2	Fitting, Grease	
4	3291005	2	Nut, Lock M0X1.5 Grade 8	
5	4812000	4	Washer, M10	
6	5242400	6	Washer, M24	
7	1001164971	1	Pin	
8	1001164972	1	Pin	
9	1001207325	1	Plate, Sway Bottom	
10	1001200226	1	Bracket, Axle Sway	
11	1001201074	Ref	Installation, Frame Level Cylinder (See Separate Breakdown in this Section)	

SECTION 8 - HYDRAULIC CIRCUITS

FIGURE 8-29. FRAME LEVEL CYLINDER INSTALLATION



ART_1001201074-B

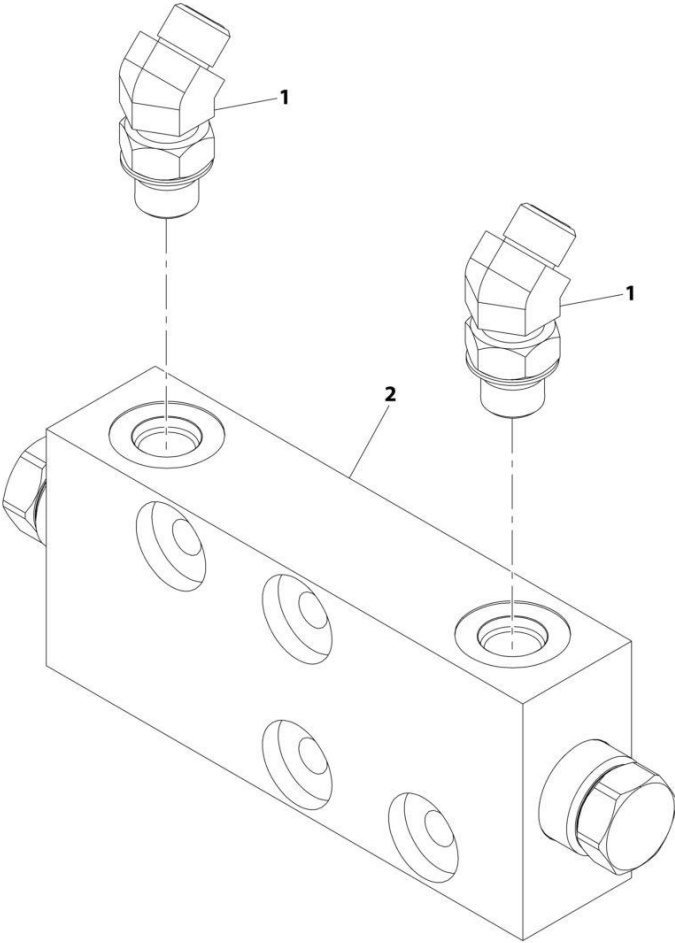
SECTION 8 - HYDRAULIC CIRCUITS

FIGURE 8-29. FRAME LEVEL CYLINDER INSTALLATION

ITEM	PART NUMBER	QTY	DESCRIPTION	REV
	1001201074	Ref	Frame Level Cylinder Installation	B
1	0700818	4	Bolt, M8X50	
3	4811900	4	Washer, M8	
5	1001201073	1	Cylinder, Frame Level (See Separate Breakdown in HYDRAULIC COMPONENTS Section)	
6	1001217482	1	Assembly, Frame Level Valve (See Separate Breakdown in this Section)	

SECTION 8 - HYDRAULIC CIRCUITS

FIGURE 8-30. FRAME LEVEL COUNTERBALANCE VALVE/FITTINGS ASSEMBLY



ART_1001217482-A

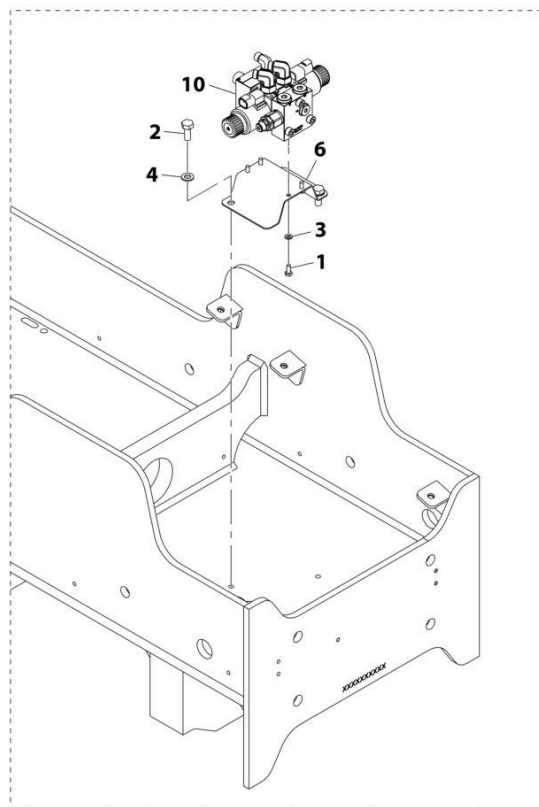
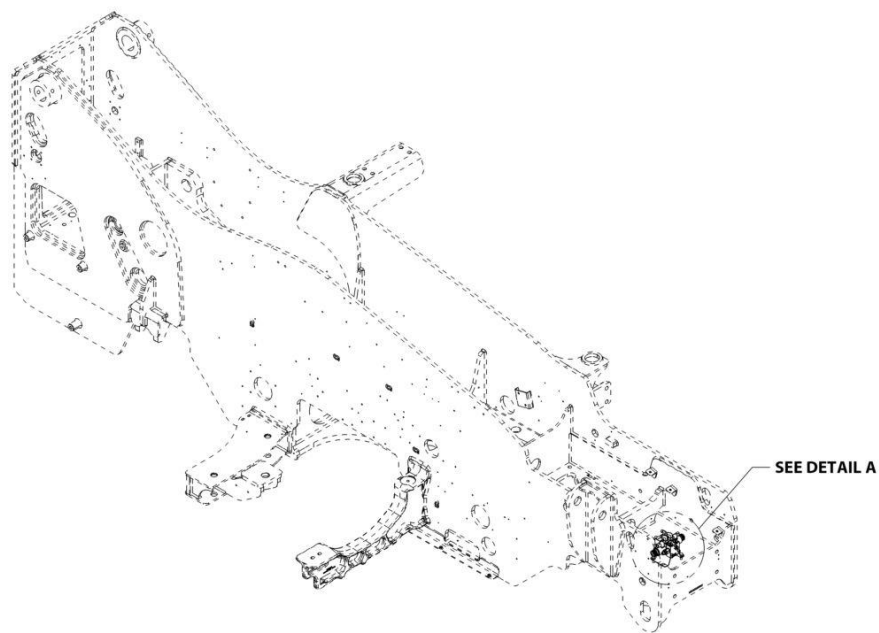
SECTION 8 - HYDRAULIC CIRCUITS

FIGURE 8-30. FRAME LEVEL COUNTERBALANCE VALVE/FITTINGS ASSEMBLY

ITEM	PART NUMBER	QTY	DESCRIPTION	REV
1	1001217482	Ref	Frame Level Valve Assembly	A
2	2150406	2	Fitting, 45 ORFS	
2	1001168599	1	Valve, Counterbalance (See Separate Breakdown in the HYDRAULIC COMPONENTS Section)	

SECTION 8 - HYDRAULIC CIRCUITS

FIGURE 8-31. FRAME LEVEL CONTROL VALVE INSTALLATION



DETAIL A

ART_1001193517-D

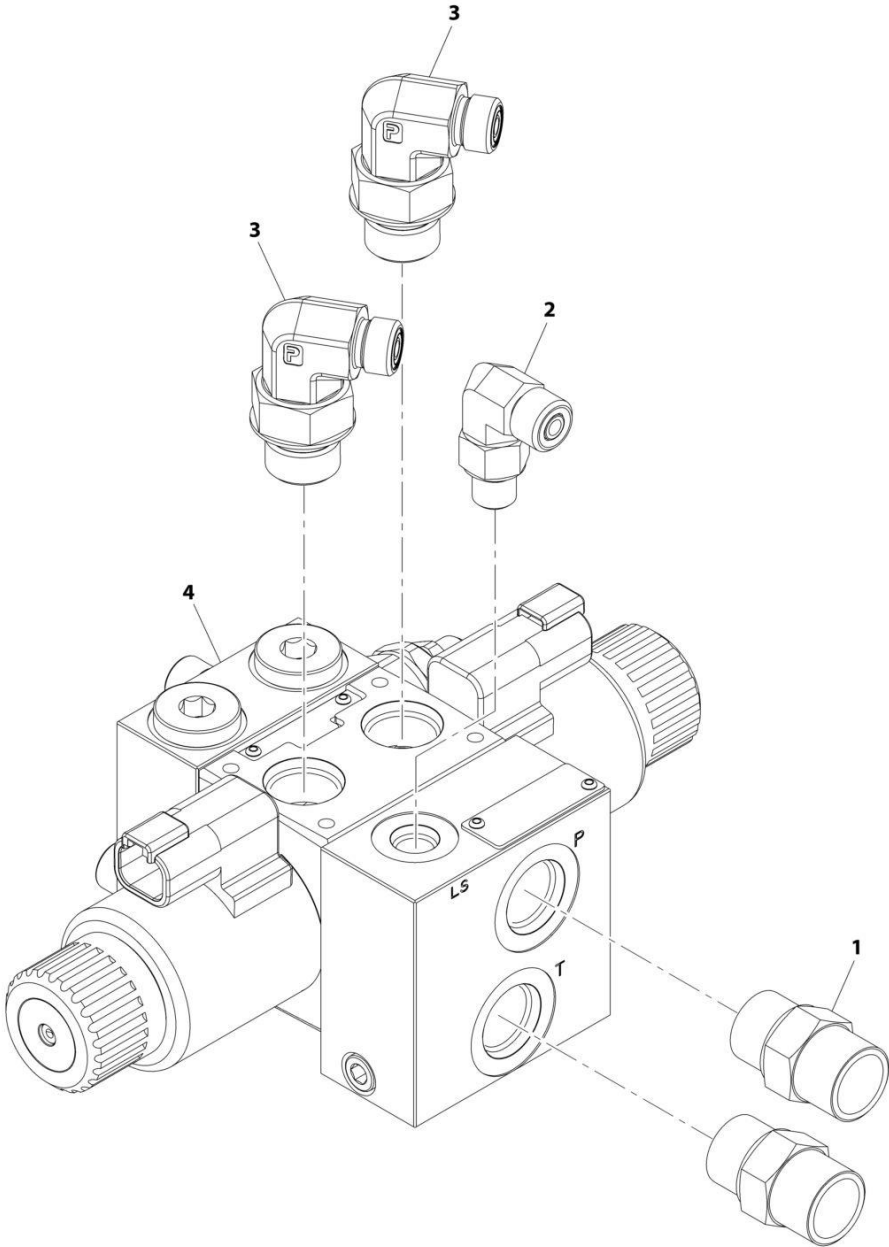
SECTION 8 - HYDRAULIC CIRCUITS

FIGURE 8-31. FRAME LEVEL CONTROL VALVE INSTALLATION

ITEM	PART NUMBER	QTY	DESCRIPTION	REV
	1001193517	Ref	Frame Level Valve Installation	D
1	0760607	4	Bolt, M6X14	
2	0761012	2	Bolt, M10X25	
3	4811700	4	Washer, M6	
4	4812000	2	Washer, M10	
6	1001195733	1	Bracket	
10	1001215341	1	Assembly, Frame Level Valve (See Separate Breakdown in this Section)	

SECTION 8 - HYDRAULIC CIRCUITS

FIGURE 8-32. FRAME LEVEL CONTROL VALVE/FITTINGS ASSEMBLY



ART_1001215341-B

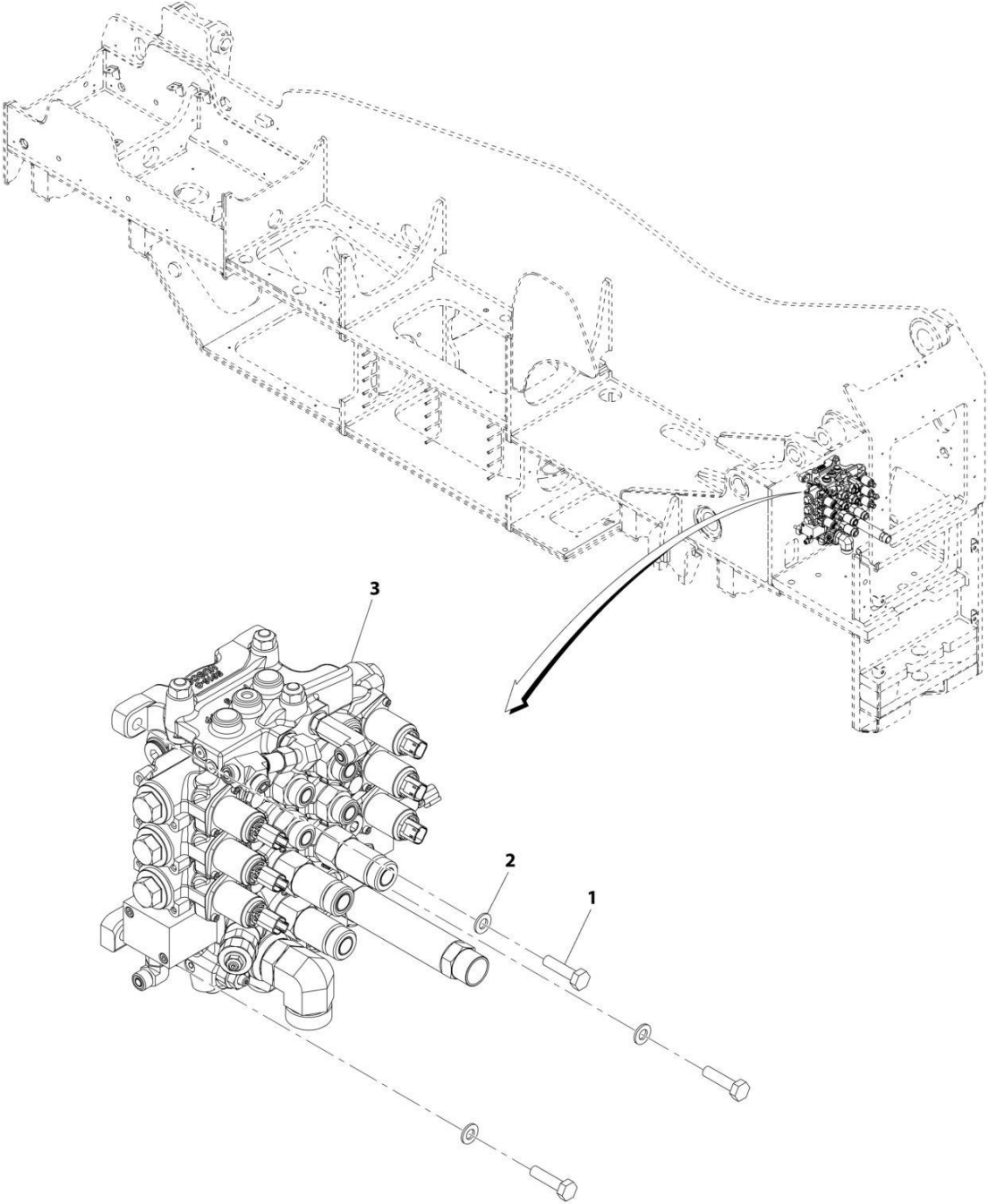
SECTION 8 - HYDRAULIC CIRCUITS

FIGURE 8-32. FRAME LEVEL CONTROL VALVE/FITTINGS ASSEMBLY

ITEM	PART NUMBER	QTY	DESCRIPTION	REV
	1001215341	Ref	Frame Level Valve Assembly	B
1	2110808	2	Fitting, Straight ORFS	
2	2130404	1	Fitting, 90 ORFS	
3	2130408	2	Fitting, 90 ORFS	
4	1001219615	1	Valve, Frame Level (See Separate Breakdown in HYDRAULIC COMPONENTS Section)	

SECTION 8 - HYDRAULIC CIRCUITS

FIGURE 8-33. MAIN CONTROL VALVE INSTALLATION



ART_1001220457-A

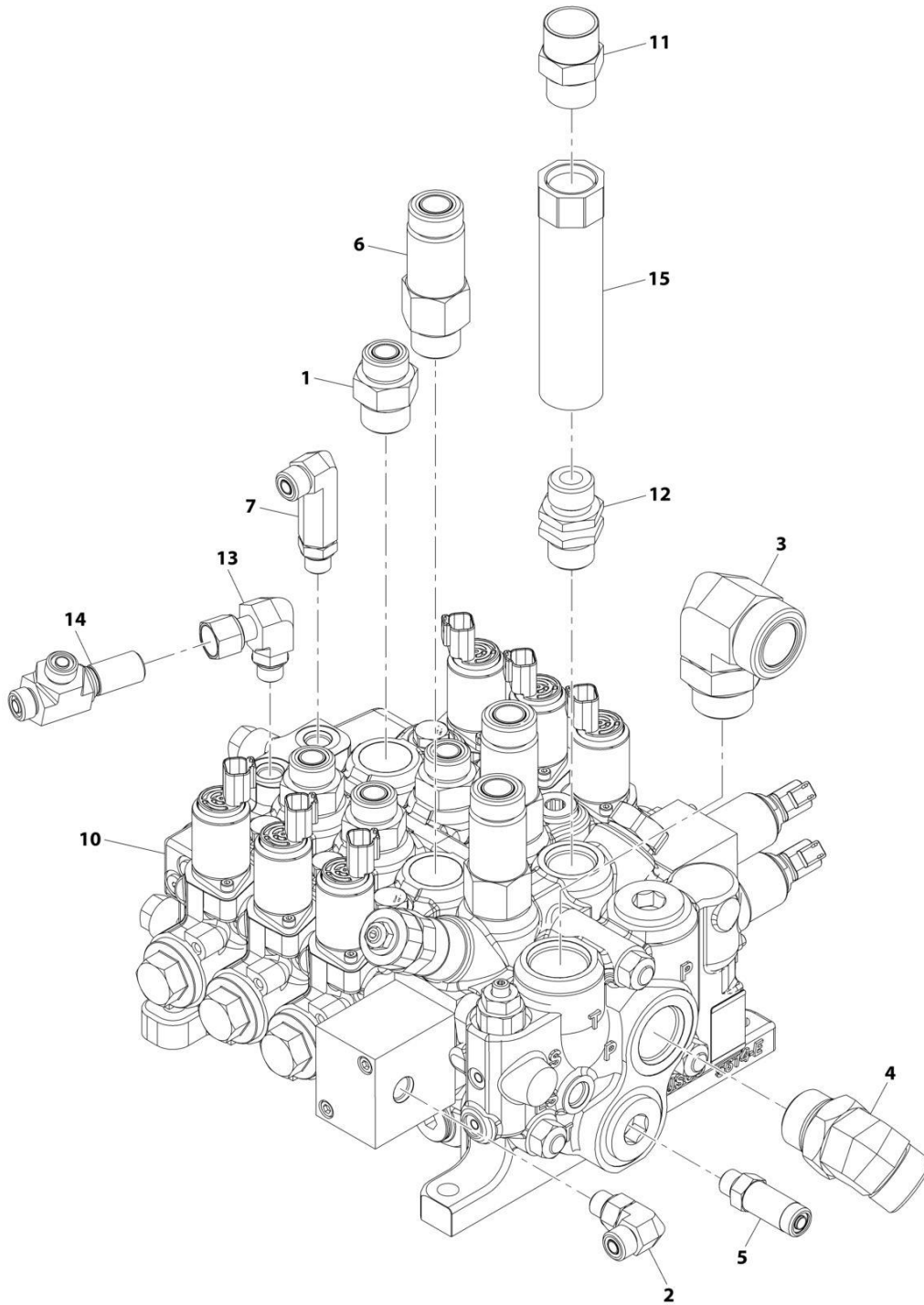
SECTION 8 - HYDRAULIC CIRCUITS

FIGURE 8-33. MAIN CONTROL VALVE INSTALLATION

ITEM	PART NUMBER	QTY	DESCRIPTION	REV
	1001220457	Ref	Main Control Valve Installation	A
1	0701016	3	Bolt, M10X40	
2	4812000	3	Washer, M10	
3	1001220456	1	Assembly, Main Control Valve (See Separate Breakdown in this Section)	

SECTION 8 - HYDRAULIC CIRCUITS

FIGURE 8-34. MAIN CONTROL VALVE/FITTINGS ASSEMBLY



ART_1001220456_C

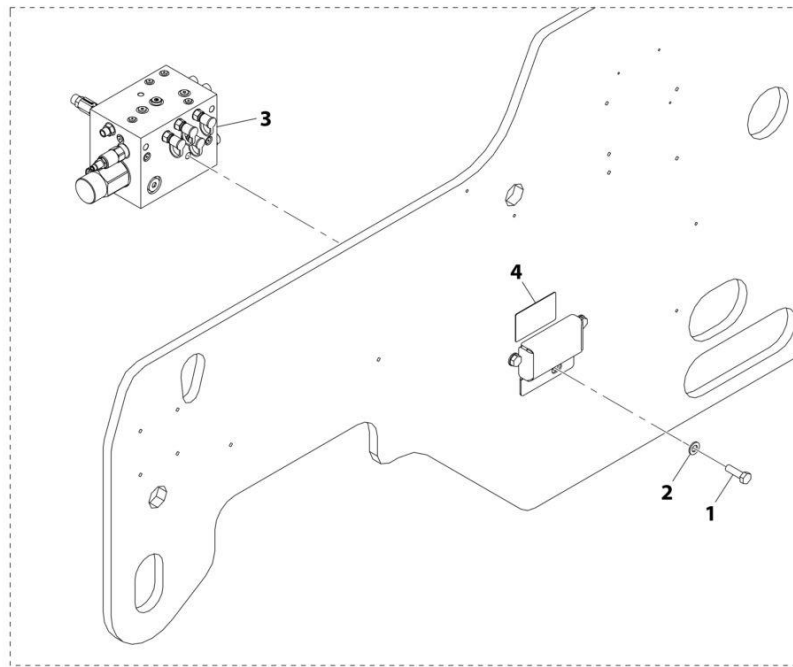
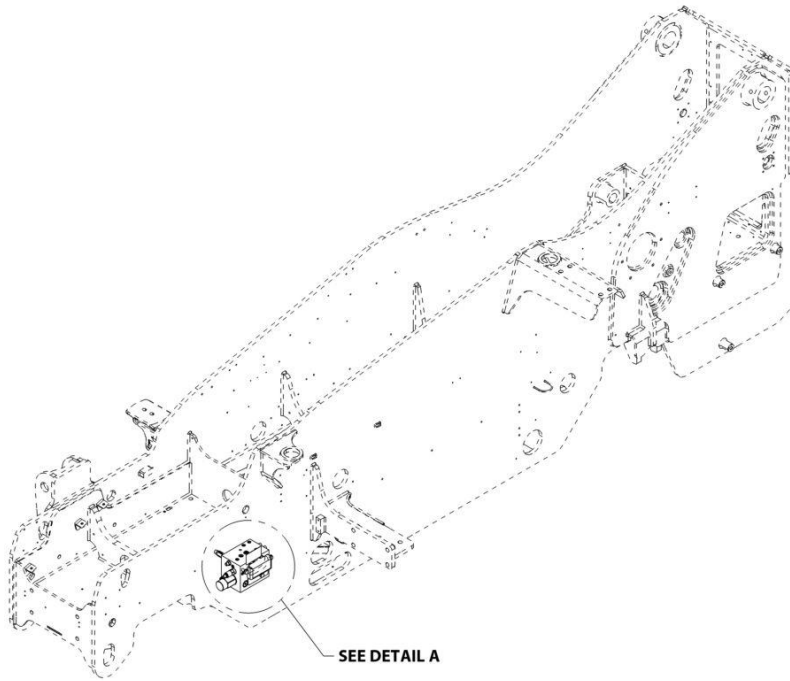
SECTION 8 - HYDRAULIC CIRCUITS

FIGURE 8-34. MAIN CONTROL VALVE/FITTINGS ASSEMBLY

ITEM	PART NUMBER	QTY	DESCRIPTION	REV
	1001220456	Ref	Main Control Valve Assembly	C
1	2111012	4	Fitting, Straight ORFS	
2	2130606	1	Fitting, 90 ORFS	
3	2132016	1	Fitting, 90 ORFS	
4	2151616	1	Fitting, 45 ORFS	
5	2170106	1	Fitting, Straight ORFS	
6	2170112	3	Fitting, Straight ORFS	
7	2170206	1	Fitting, 90 ORFS	
10	1001241881	1	Valve, Main Control (See Separate Breakdown in Hydraulic Components Section)	
11	2111212	1	Fitting, Straight ORFS	
12	8770030	1	Fitting, Straight ORFS	
13	8770104	1	Fitting, 90 ORFS	
14	8770286	1	Fitting, 90 ORFS	
15	1001224946	1	Valve, Check	

SECTION 8 - HYDRAULIC CIRCUITS

FIGURE 8-35. PRIORITY VALVE INSTALLATION



ART_1001192885-B

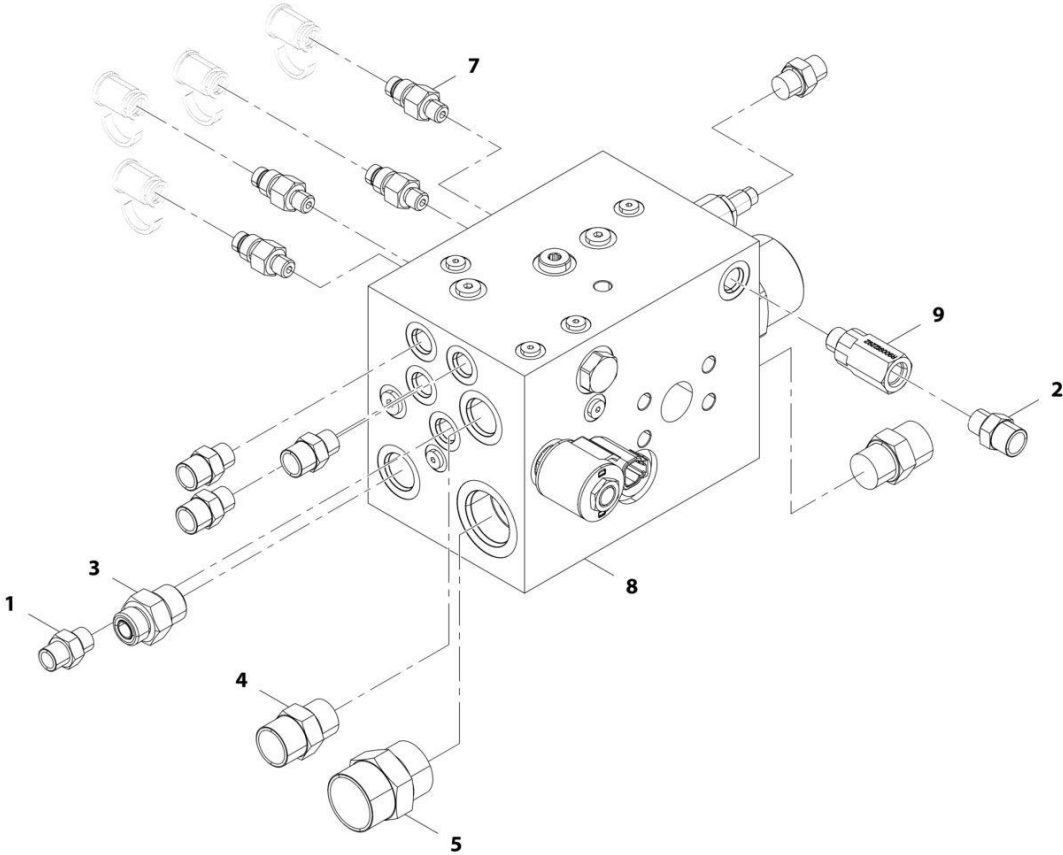
SECTION 8 - HYDRAULIC CIRCUITS

FIGURE 8-35. PRIORITY VALVE INSTALLATION

ITEM	PART NUMBER	QTY	DESCRIPTION	REV
	1001192885	Ref	Priority Manifold Installation	B
1	0701216	3	Bolt, M12X40	
2	4812100	3	Washer, M12	
3	1001192886	1	Assembly, Priority Valve (See Separate Breakdown in this Section)	
4	1001192887	1	Decal	

SECTION 8 - HYDRAULIC CIRCUITS

FIGURE 8-36. PRIORITY VALVE/FITTINGS ASSEMBLY



ART_1001192886-D

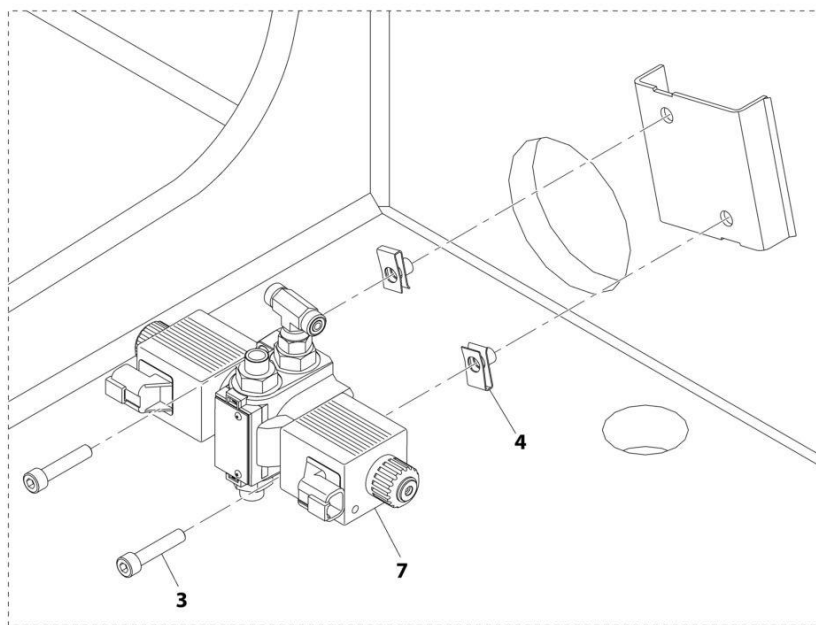
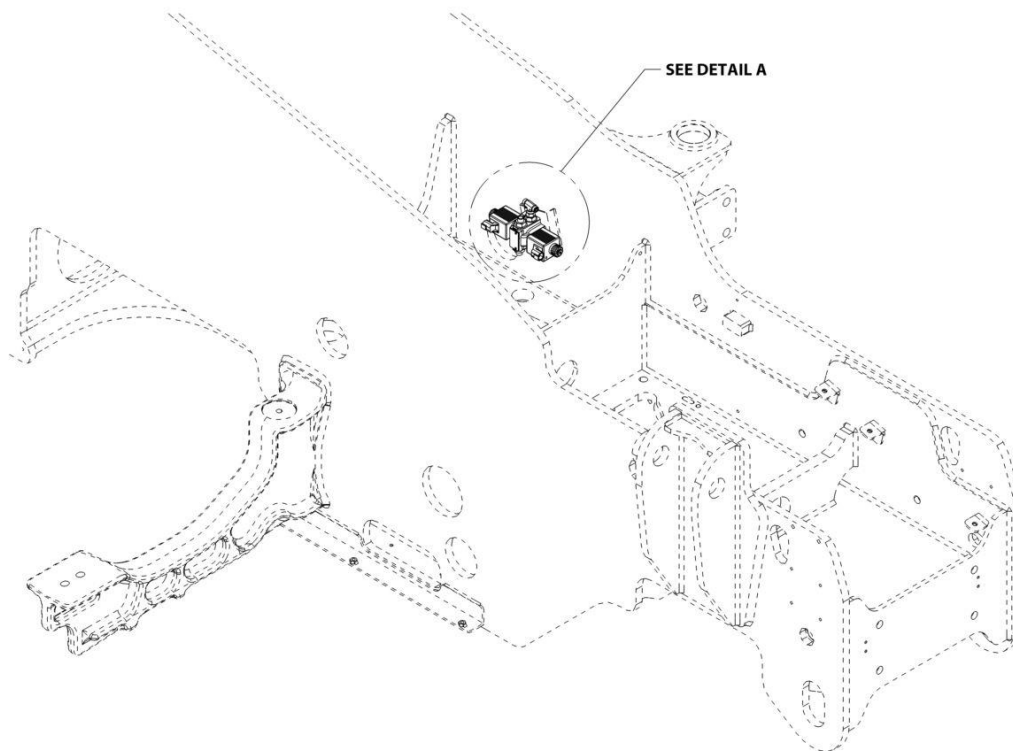
SECTION 8 - HYDRAULIC CIRCUITS

FIGURE 8-36. PRIORITY VALVE/FITTINGS ASSEMBLY

ITEM	PART NUMBER	QTY	DESCRIPTION	REV
	1001192886	Ref	Priority Valve Assembly	D
1	2110406	2	Fitting, Straight ORFS	
2	2110606	4	Fitting, Straight ORFS	
3	2110810	1	Fitting, Straight ORFS	
4	2111010	2	Fitting, Straight ORFS	
5	2111616	1	Fitting, Straight ORFS	
7	8430033	4	Fitting, Straight	
8	1001192888	1	Assembly, Priority Valve (See Separate Breakdown in HYDRAULIC COMPONENTS Section)	
9	1001187355	1	Valve, Check	

SECTION 8 - HYDRAULIC CIRCUITS

FIGURE 8-37. SPEED CONTROL VALVE INSTALLATION



DETAIL A

ART_1001197196-B

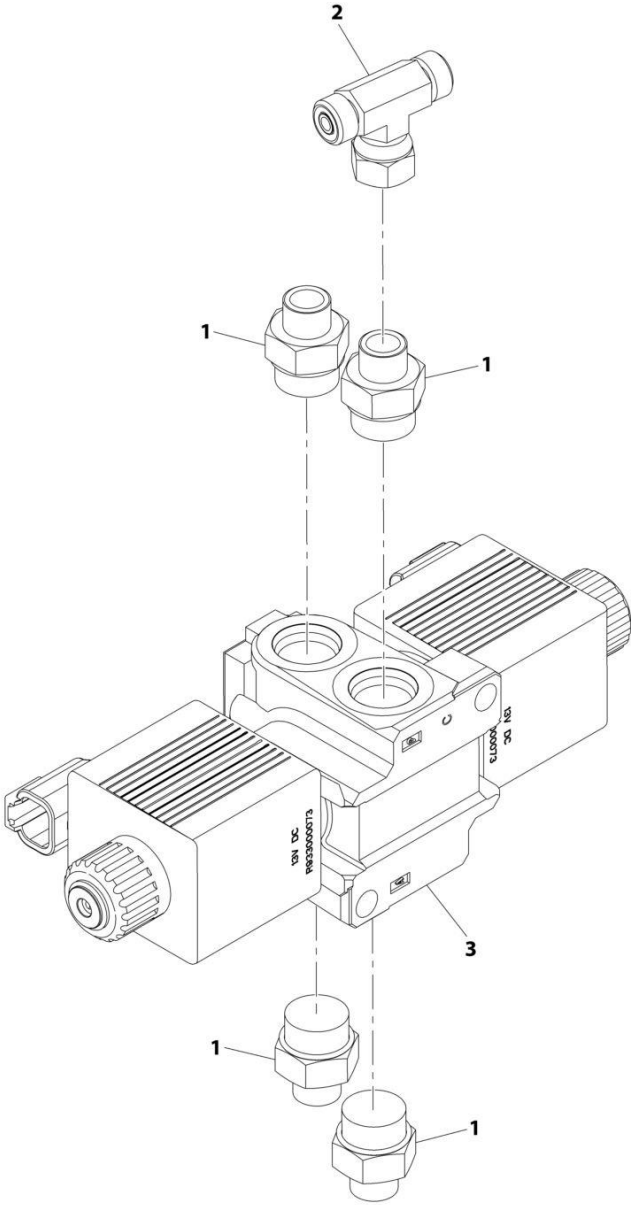
SECTION 8 - HYDRAULIC CIRCUITS

FIGURE 8-37. SPEED CONTROL VALVE INSTALLATION

ITEM	PART NUMBER	QTY	DESCRIPTION	REV
	1001197196	Ref	Speed Control Valve Installation	B
3	4031912	2	Bolt, M8X40	
4	8310686	2	Nut, M8X12.5	
7	1001220643	1	Assembly, Speed Control Valve (See Separate Breakdown in this Section)	

SECTION 8 - HYDRAULIC CIRCUITS

FIGURE 8-38. SPEED CONTROL VALVE/FITTINGS ASSEMBLY



ART_1001220643-A

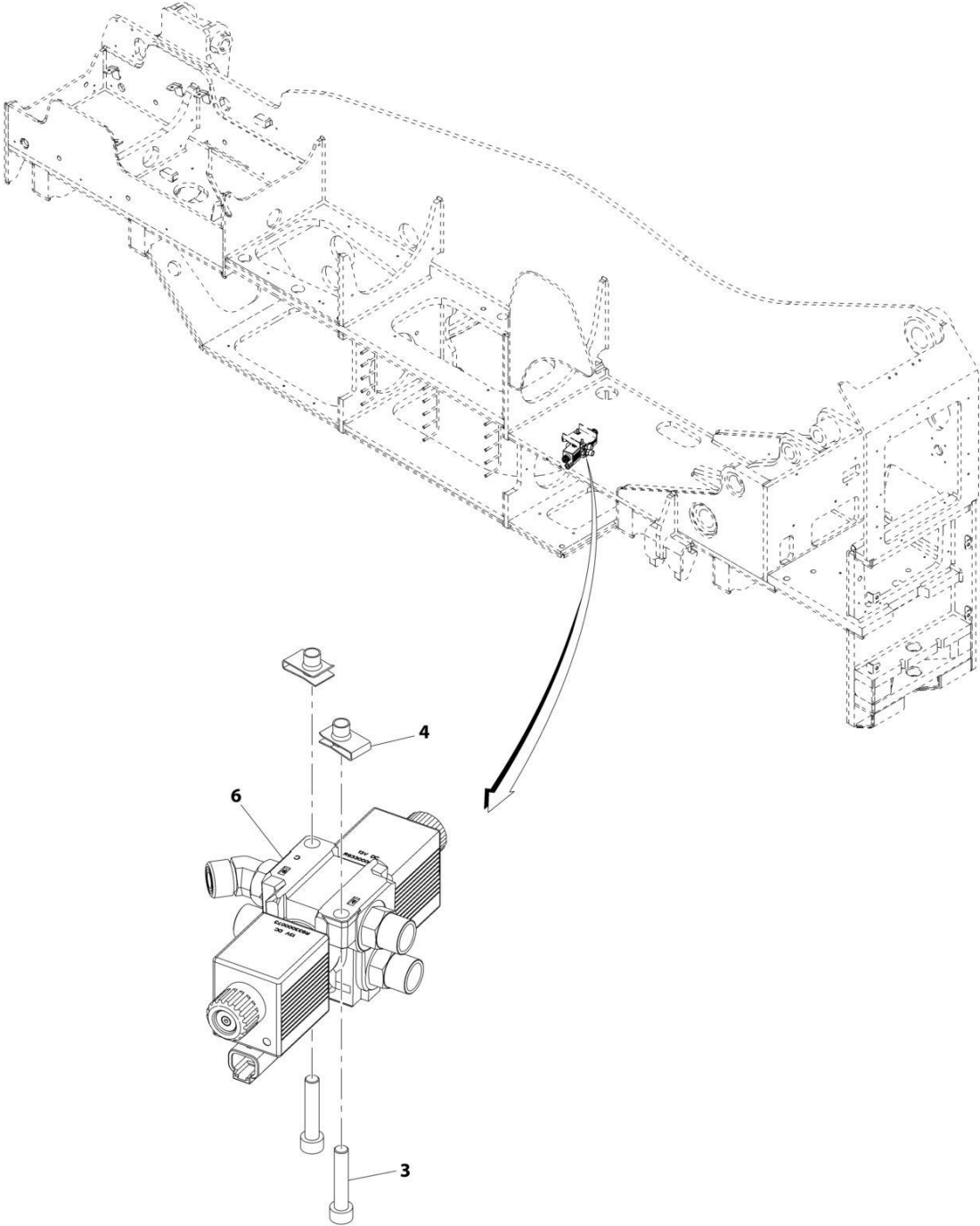
SECTION 8 - HYDRAULIC CIRCUITS

FIGURE 8-38. SPEED CONTROL VALVE/FITTINGS ASSEMBLY

ITEM	PART NUMBER	QTY	DESCRIPTION	REV
	1001220643	Ref	Speed Control Valve Assembly	A
1	2110408	4	Fitting, Straight ORFS	
2	2170804	1	Fitting, Tee	
3	4641520	1	Valve, Speed Control (See Separate Breakdown in HYDRAULIC COMPONENTS Section)	

SECTION 8 - HYDRAULIC CIRCUITS

FIGURE 8-39. STEERING SELECT VALVE INSTALLATION



ART_1001193516-B

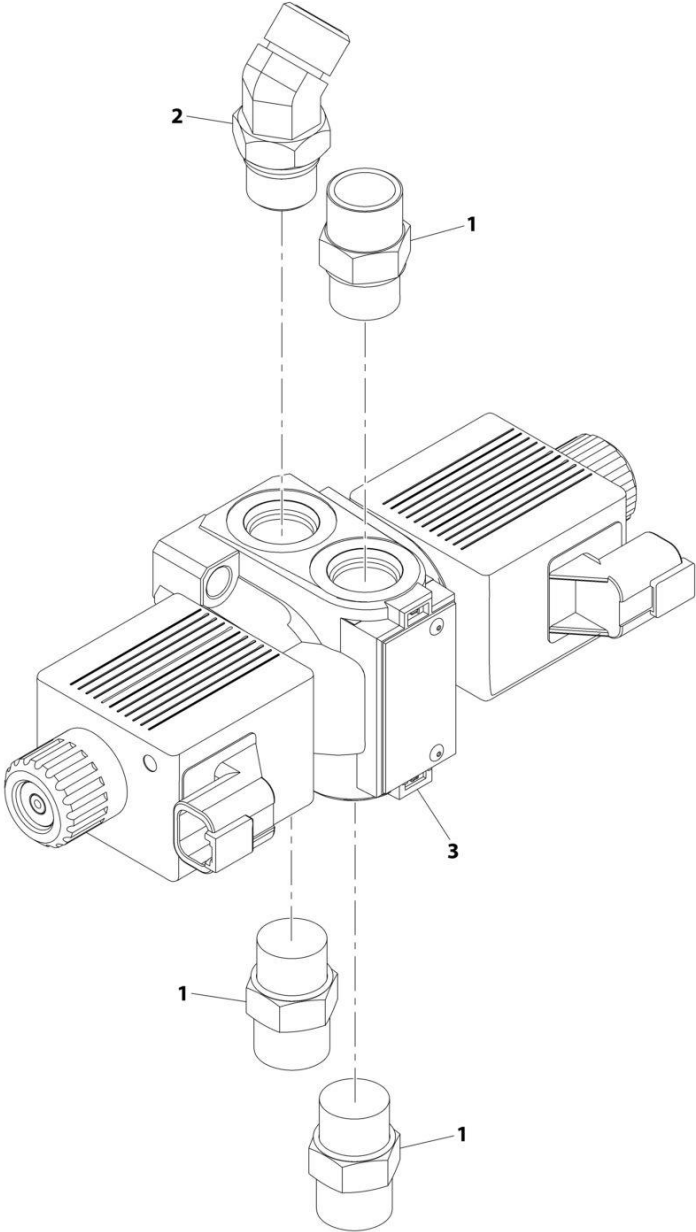
SECTION 8 - HYDRAULIC CIRCUITS

FIGURE 8-39. STEERING SELECT VALVE INSTALLATION

ITEM	PART NUMBER	QTY	DESCRIPTION	REV
	1001193516	Ref	Steering Select Valve Installation	B
3	4031912	2	Bolt, M8X40	
4	8310686	2	Nut, M8X12.5	
6	1001212418	1	Assembly, Steering Select Valve (See Separate Breakdown in this Section)	

SECTION 8 - HYDRAULIC CIRCUITS

FIGURE 8-40. STEERING SELECT VALVE/FITTINGS ASSEMBLY



ART_1001212418-A

SECTION 8 - HYDRAULIC CIRCUITS

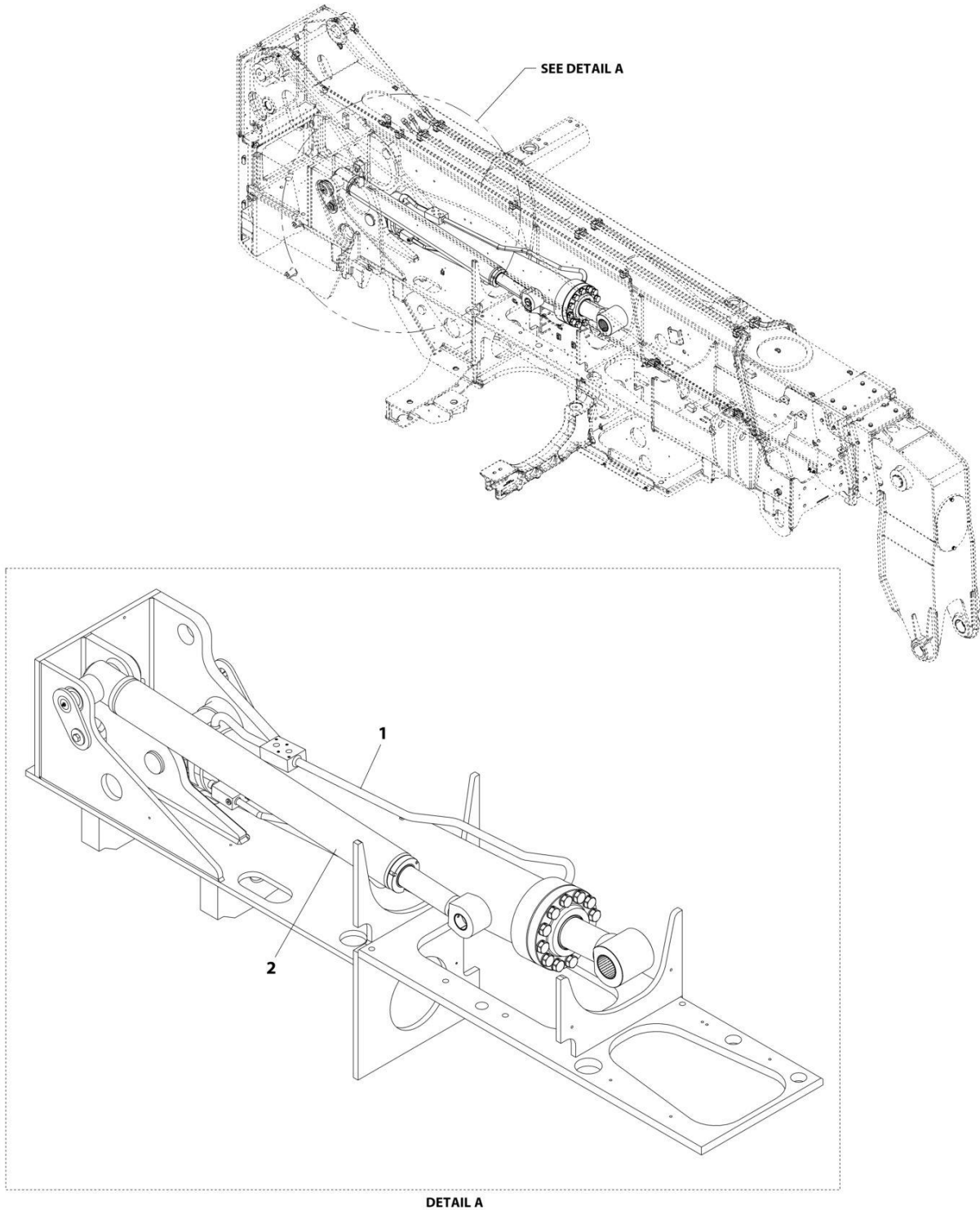
FIGURE 8-40. STEERING SELECT VALVE/FITTINGS ASSEMBLY

ITEM	PART NUMBER	QTY	DESCRIPTION	REV
	1001212418	Ref	Steering Select Valve Assembly	A
1	2110808	3	Fitting, Straight ORFS	
2	2150808	1	Fitting, 45 ORFS	
3	1001153748	1	Valve, Steering Select (See Separate Breakdown in HYDRAULIC COMPONENTS Section)	

SECTION 9 - HYDRAULIC COMPONENTS

SECTION 9 - HYDRAULIC COMPONENTS

FIGURE 9-1. CYLINDER INSTALLATION - BOOM LIFT & COMPENSATION CYLINDER



ART_1001192427-B

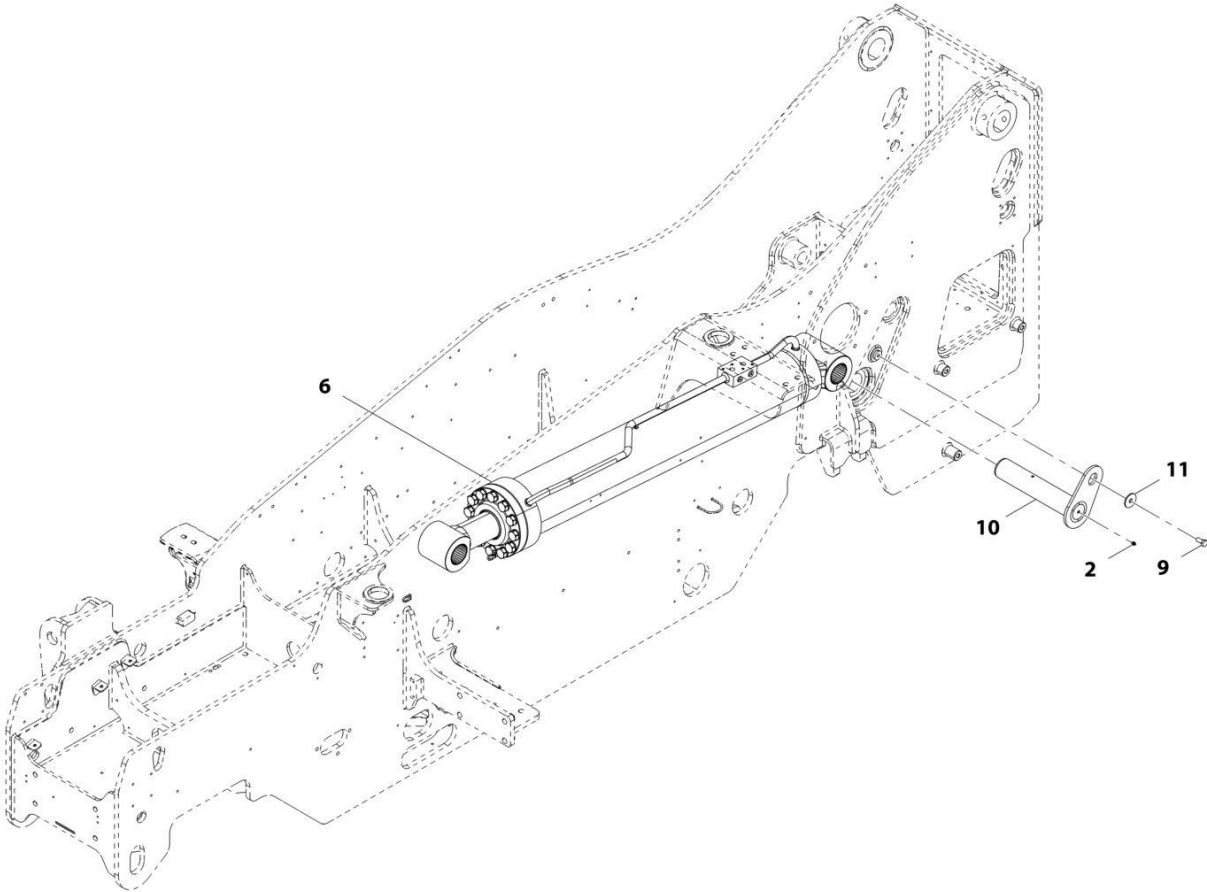
SECTION 9 - HYDRAULIC COMPONENTS

FIGURE 9-1. CYLINDER INSTALLATION - BOOM LIFT & COMPENSATION CYLINDER

ITEM	PART NUMBER	QTY	DESCRIPTION	REV
1	1001192427	Ref	Cylinder Group Installation	B
	1001198577	Ref	Installation, Lift Cylinder (See Separate Breakdown in this Section)	
	1001198578	ref	Installation, Compensation Cylinder (See Separate Breakdown in this Section)	

SECTION 9 - HYDRAULIC COMPONENTS

FIGURE 9-2. CYLINDER INSTALLATION - BOOM LIFT



ART_1001198577-C

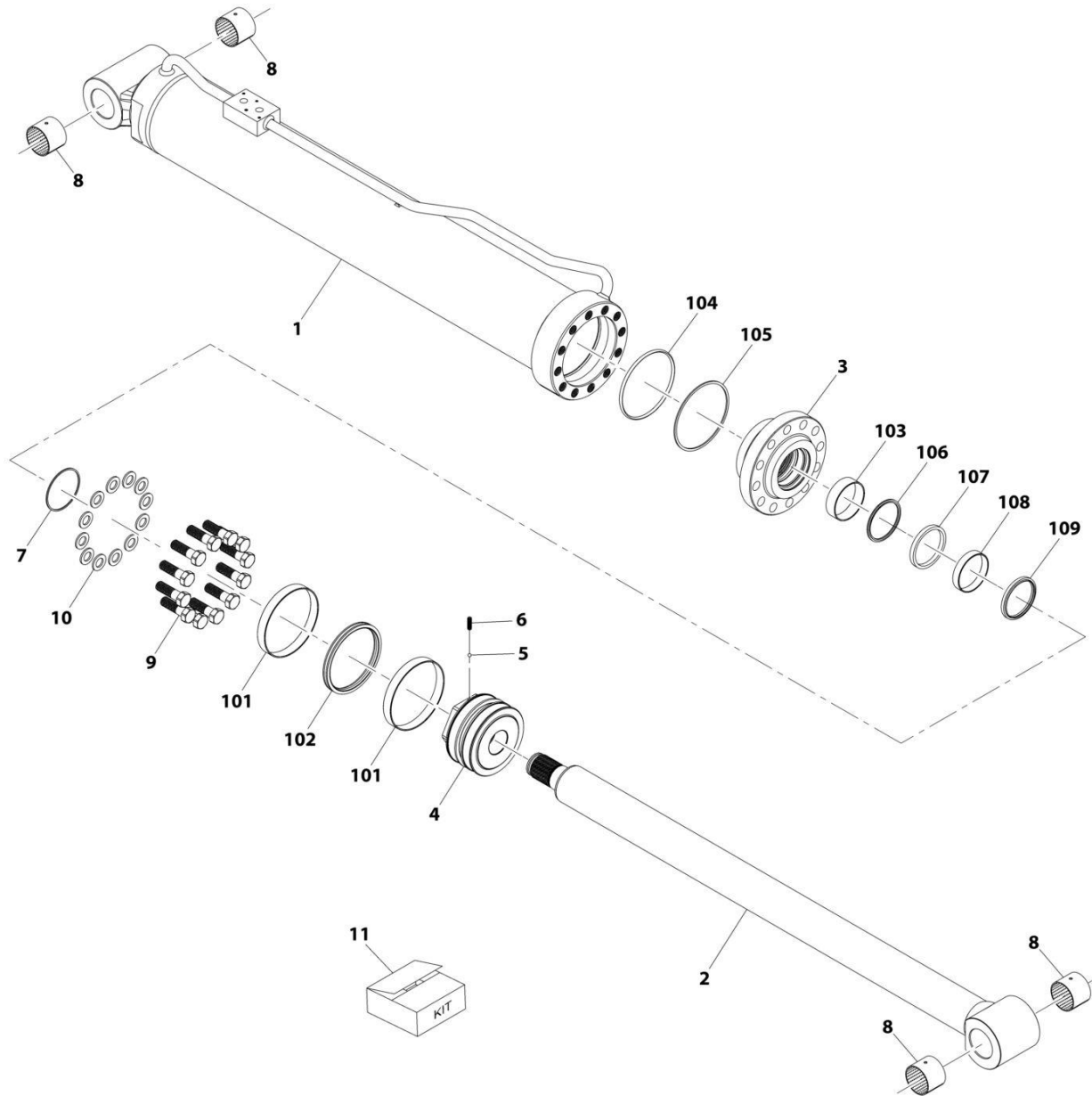
SECTION 9 - HYDRAULIC COMPONENTS

FIGURE 9-2. CYLINDER INSTALLATION - BOOM LIFT

ITEM	PART NUMBER	QTY	DESCRIPTION	REV
	1001198577	Ref	Lift Cylinder Installation	C
2	2160016	1	Fitting, Grease	
6	1001198715	1	Cylinder, Lift (See Separate Breakdown in this Section)	
9	0771414	1	Bolt, M14X30	
10	1001216331	1	Pin	
11	1001217226	1	Washer	

SECTION 9 - HYDRAULIC COMPONENTS

FIGURE 9-3. CYLINDER ASSEMBLY - BOOM LIFT



ART_1001198715-G

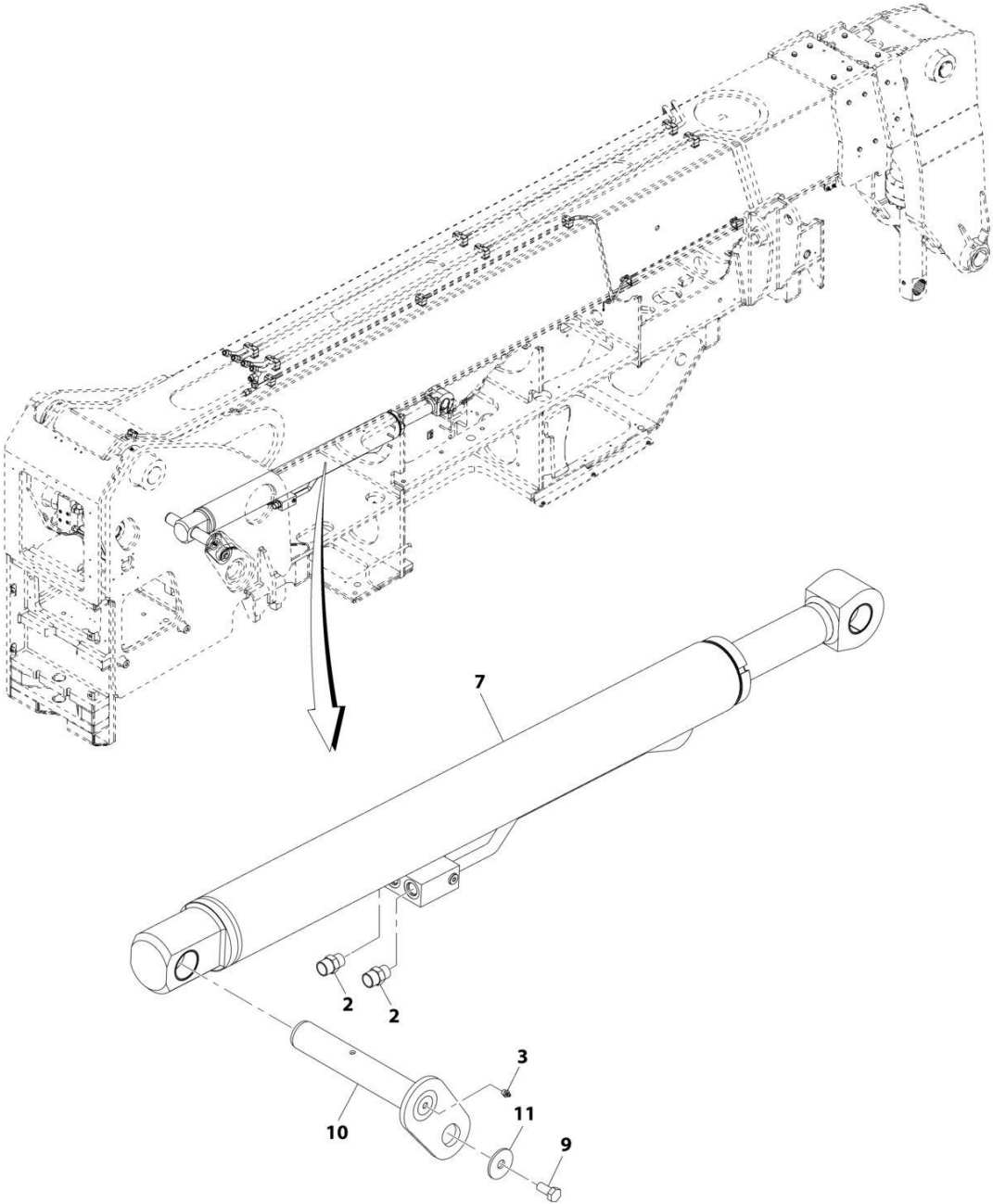
SECTION 9 - HYDRAULIC COMPONENTS

FIGURE 9-3. CYLINDER ASSEMBLY - BOOM LIFT

ITEM	PART NUMBER	QTY	DESCRIPTION	REV
	1001198715	Ref	Lift Cylinder	G
		Ref	Note: Original Cylinder May Have Been Replaced with Service Replacement. Identify PN Stamped on Cylinder Before Ordering Parts.	
1	N.S.S.	1	Barrel	
2	70028325	1	Rod	
3	70028307	1	Guide, Rod	
4	70028308	1	Piston	
5	70025614	1	Bearing	
6	70028309	1	Screw, Locking	
7	70025590	1	Ring, Snap	
8	70028310	4	Bushing	
9	70028311	12	Bolt	
10	70028312	12	Washer	
11	70028324	1	Kit, Seal (includes items 101 thru 109)	
101	Kit	2	Ring, Piston	
102	Kit	1	Seal	
103	Kit	1	Wiper, Rod	
104	Kit	1	O-Ring	
105	Kit	1	Ring, Backup	
106	Kit	1	Seal	
107	Kit	1	Seal	
108	Kit	1	Wiper, Rod	
109	Kit	1	Seal	

SECTION 9 - HYDRAULIC COMPONENTS

FIGURE 9-4. CYLINDER INSTALLATION - BOOM COMPENSATION



ART_1001198578-C

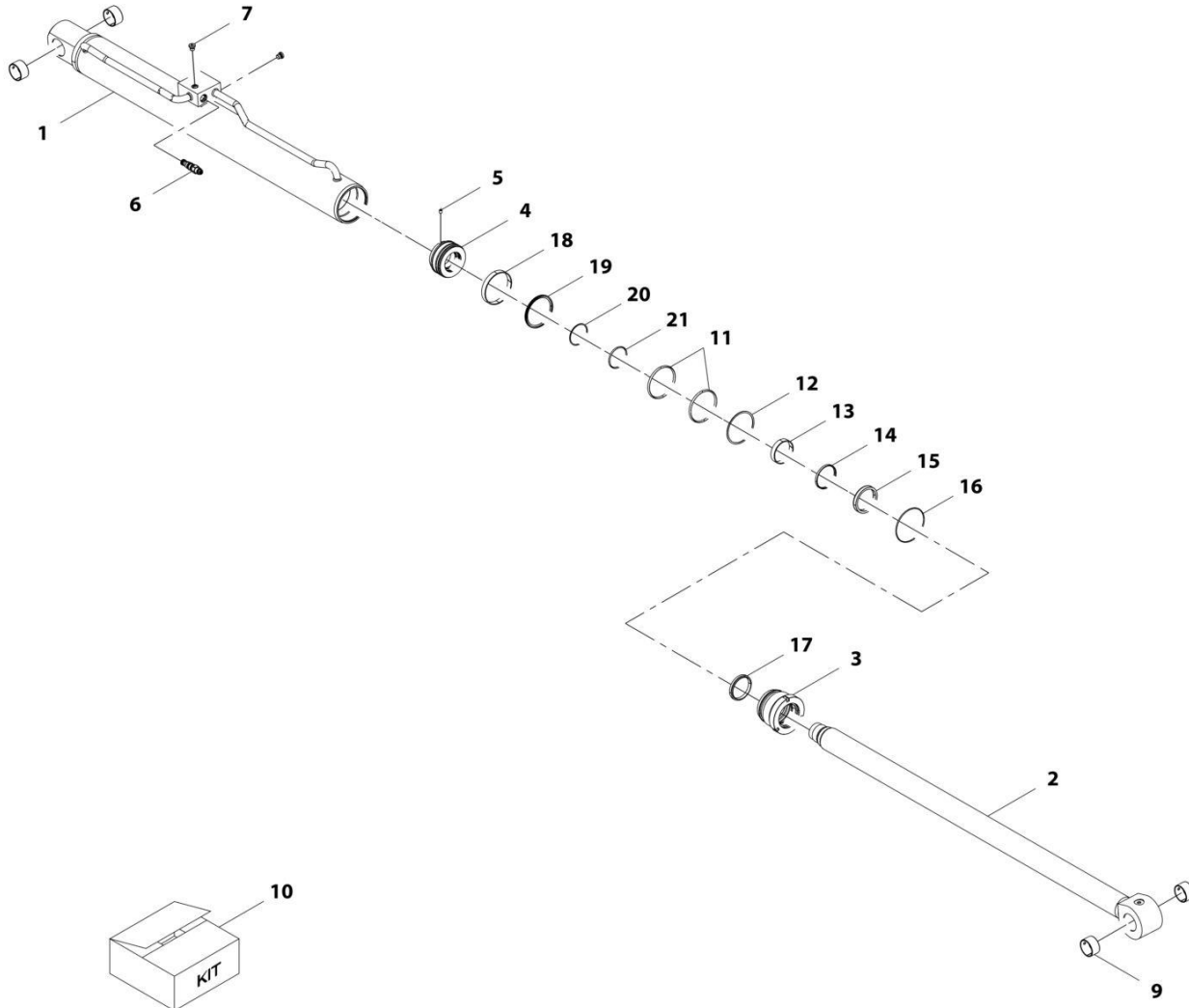
SECTION 9 - HYDRAULIC COMPONENTS

FIGURE 9-4. CYLINDER INSTALLATION - BOOM COMPENSATION

ITEM	PART NUMBER	QTY	DESCRIPTION	REV
	1001198578	Ref	Compensation Cylinder Installation	C
2	2111010	2	Fitting, Straight ORFS	
3	2160016	1	Fitting, Grease	
7	1001198717	1	Cylinder, Compensation (See Separate Breakdown in this Section)	
9	0771414	1	Bolt, M14X30	
10	1001216333	1	Pin	
11	1001217226	1	Washer	

SECTION 9 - HYDRAULIC COMPONENTS

FIGURE 9-5. CYLINDER ASSEMBLY - BOOM COMPENSATION



ART_1001198717-E

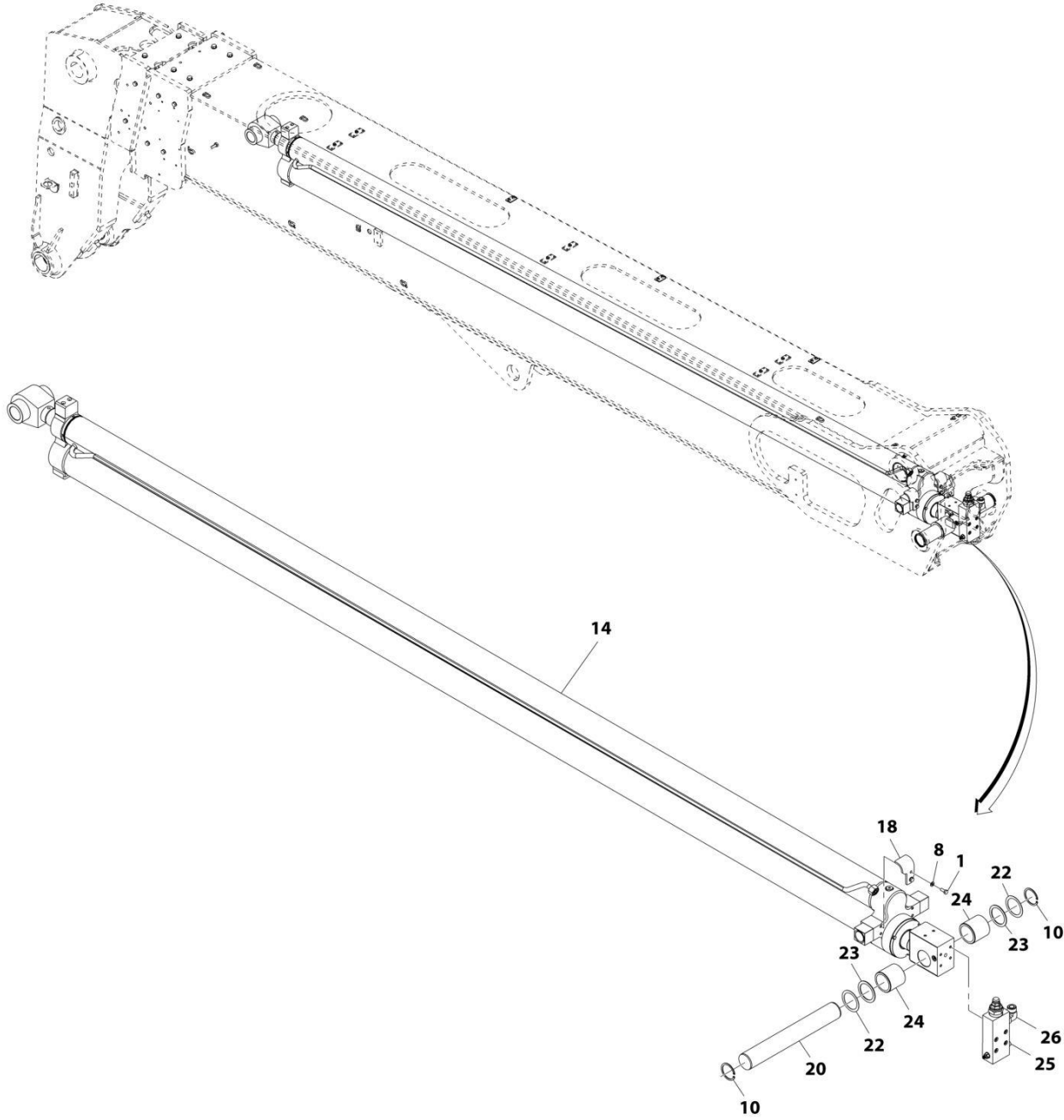
SECTION 9 - HYDRAULIC COMPONENTS

FIGURE 9-5. CYLINDER ASSEMBLY - BOOM COMPENSATION

ITEM	PART NUMBER	QTY	DESCRIPTION	REV
	1001198717	Ref	Cylinder, Compensation	E
		Ref	Note: Original Cylinder May Have Been Replaced with Service Replacement. Identify PN Stamped on Cylinder Before Ordering Parts.	
1	N.S.S.	1	Barrel	
2	70028376	1	Rod	
3	70028377	1	Guide, Rod	
4	70028378	1	Piston	
5	70026838	1	Screw	
6	70028384	1	Valve	
7	70028379	2	Plug	
9	70020476	4	Bushing	
10	70028380	1	Kit, Seal (includes items 11 thru 21)	
11	Kit	2	O-Ring	
12	Kit	1	Ring, Backup	
13	Kit	1	Bearing	
14	Kit	1	Buffer	
15	Kit	1	O-Ring	
16	Kit	1	Seal, Rod	
17	Kit	1	Wiper	
18	Kit	1	Bearing	
19	Kit	1	Seal, Piston	
20	Kit	1	Ring, Backup	
21	Kit	1	O-Ring	

SECTION 9 - HYDRAULIC COMPONENTS

FIGURE 9-6. CYLINDER INSTALLATION - BOOM EXTEND/RETRACT CYLINDER



ART_1001199325-H

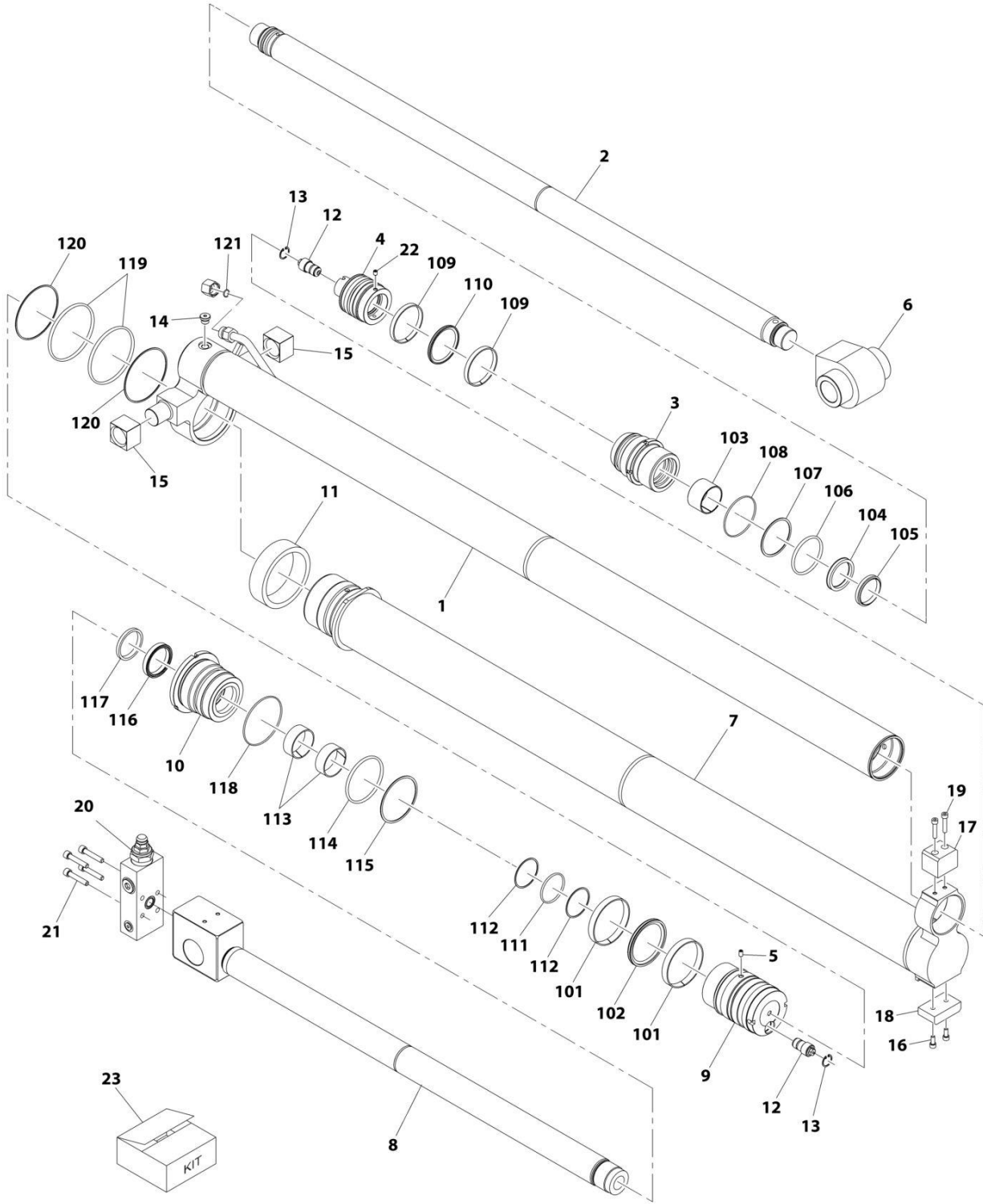
SECTION 9 - HYDRAULIC COMPONENTS

FIGURE 9-6. CYLINDER INSTALLATION - BOOM EXTEND/RETRACT CYLINDER

ITEM	PART NUMBER	QTY	DESCRIPTION	REV
	1001199325	Ref	Extend/Retract Cylinder Installation	H
1	0760810	2	Bolt, M8X20	
8	4811900	2	Washer, M8	
10	8006258	2	Ring, Retaining	
14	1001226947	1	Cylinder, Extend/Retract (See Separate Breakdown in this Section)	
18	1001213562	1	Plate	
20	1001205528	1	Pin	
22	1001100166	2	Shim	
23	1001100169	2	Shim	
24	1001208451	2	Spacer, M70X5X72	
25	2110806	1	Fitting, Straight ORFS	
26	2131212	1	Fitting, 90 ORFS	

SECTION 9 - HYDRAULIC COMPONENTS

FIGURE 9-7. CYLINDER ASSEMBLY - BOOM EXTEND/RETRACT CYLINDER



ART_1001226947-A

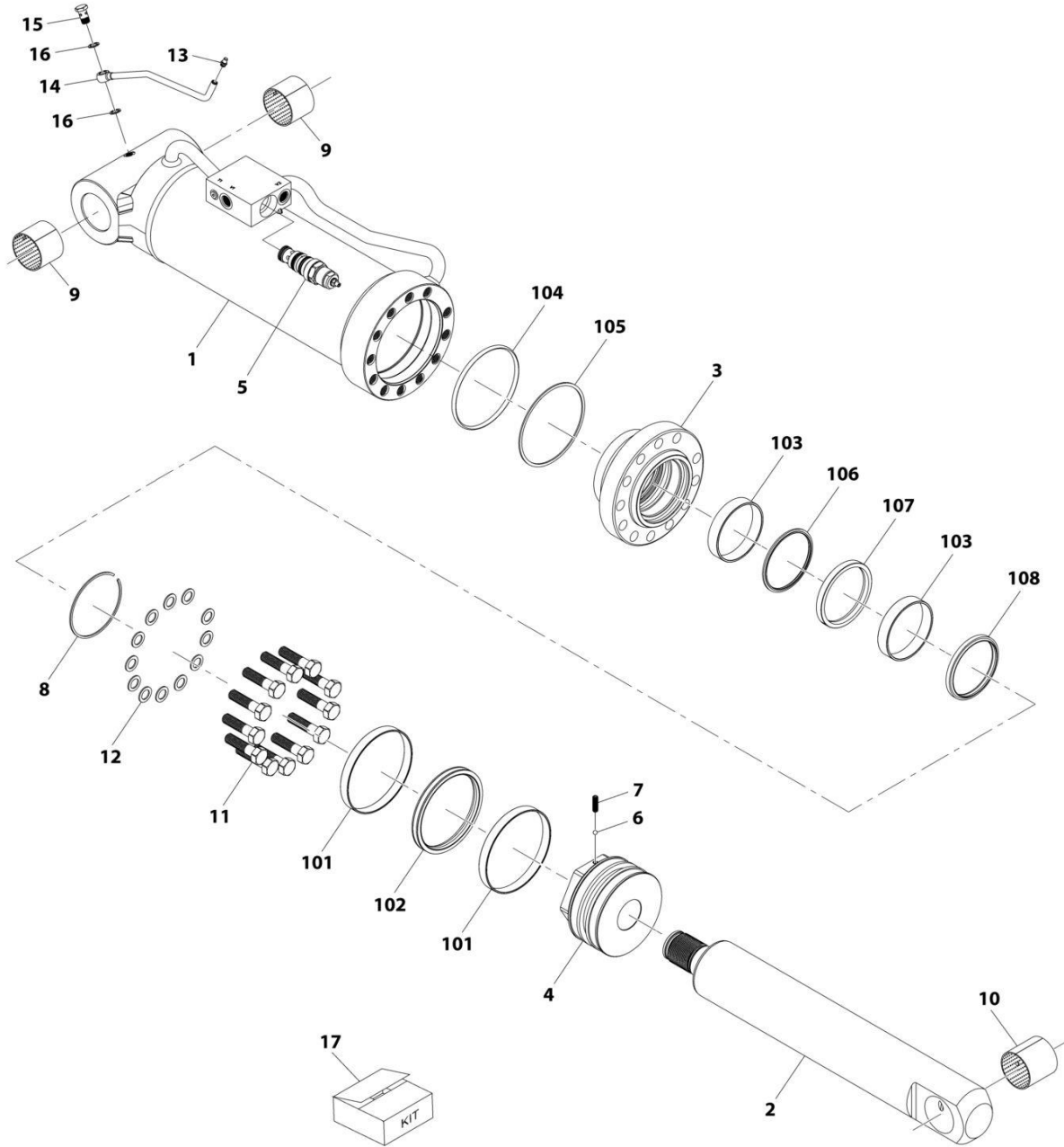
SECTION 9 - HYDRAULIC COMPONENTS

FIGURE 9-7. CYLINDER ASSEMBLY - BOOM EXTEND/RETRACT CYLINDER

ITEM	PART NUMBER	QTY	DESCRIPTION	REV
	1001226947	Ref	Extend/Retract Cylinder	A
		Ref	Note: Original Cylinder May Have Been Replaced with Service Replacement. Identify PN Stamped on Cylinder Before Ordering Parts.	
1	N.S.S.	1	Barrel Assembly	
2	70029016	1	Rod Assembly	
3	70024228	1	Rod Guide	
4	70024229	1	Piston	
5	70020438	1	Screw	
6	70028364	1	Rod Eye	
7	N.S.S.	1	Barrel Assembly	
8	70029017	1	Rod Assembly	
9	70024236	1	Piston	
10	70024235	1	Rod Guide	
11	70024234	1	Spacer	
12	70024230	2	Valve	
13	70024231	2	Circlip	
14	70024237	1	Plug	
15	70027801	2	Trunnion Bearing	
16	70029018	2	Screw	
17	70028368	1	Wear Pad	
18	70028367	1	Wear Pad	
19	70029019	2	Screw	
20	1001200111	1	Valve, Counterbalance (Sold as Assembly Only)	
20	70028422	1	O-Ring (Between Valve & Rod)	
21	70023916	4	Screw	
22	70026838	1	Screw	
23	70024224	1	Seal Kit, Cylinder	
101	Kit	2	Bearing	
102	Kit	1	Piston Seal	
103	Kit	1	Bearing	
104	Kit	1	Rod Seal	
105	Kit	1	Wiper	
106	Kit	1	O-Ring	
107	Kit	1	Back up ring	
108	Kit	1	O-Ring	
109	Kit	2	Bearing	
110	Kit	1	Piston Seal	
111	Kit	1	O-Ring	
112	Kit	2	Back up ring	
113	Kit	2	Bearing	
114	Kit	1	O-Ring	
115	Kit	1	Back up ring	
116	Kit	1	Rod Seal	
117	Kit	1	Wiper	
118	Kit	1	O-Ring	
119	Kit	2	O-Ring	
120	Kit	2	Back up ring	
121	Kit	1	O-Ring	

SECTION 9 - HYDRAULIC COMPONENTS

FIGURE 9-8. CYLINDER ASSEMBLY - BOOM TILT



ART_1001174812-F

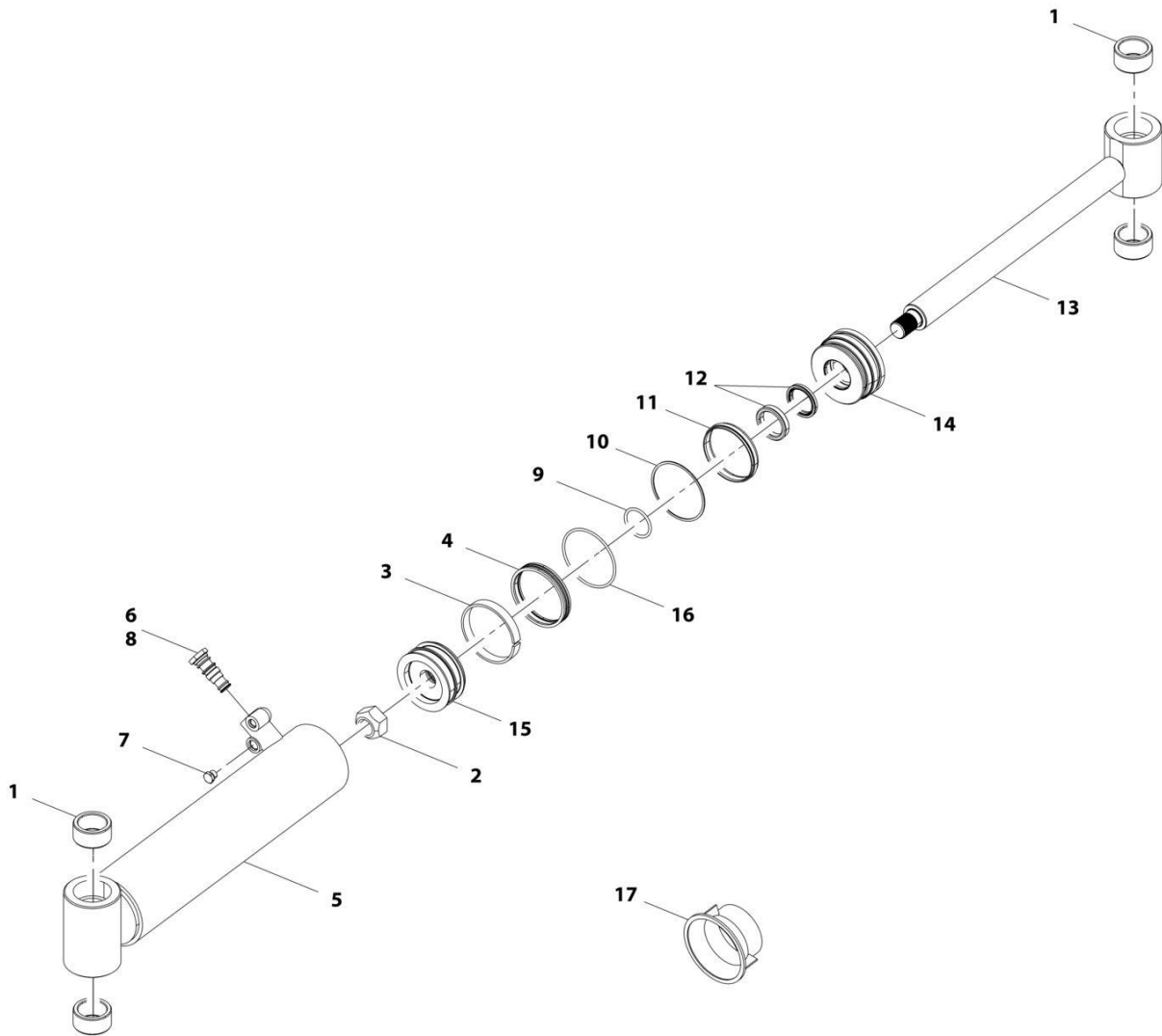
SECTION 9 - HYDRAULIC COMPONENTS

FIGURE 9-8. CYLINDER ASSEMBLY - BOOM TILT

ITEM	PART NUMBER	QTY	DESCRIPTION	REV
	1001174812	Ref	Tilt Cylinder	F
		Ref	Note: Original Cylinder May Have Been Replaced with Service Replacement. Identify PN Stamped on Cylinder Before Ordering Parts.	
1	N.S.S.	1	Barrel	
2	70028314	1	Rod	
3	70028315	1	Piston	
4	70028316	1	Head	
5	70028317	1	Valve, Counterbalance	
6	70025614	1	Bearing	
7	70028309	1	Screw, Locking	
8	70028318	1	Ring, Snap	
9	70028310	2	Bushing	
10	70028319	1	Bushing	
11	70028320	12	Bolt	
12	70028321	12	Washer	
13	70029941	2	Fitting, Grease	
14	70028322	1	Pipe	
15	70024035	1	Screw	
16	70028323	2	Washer	
17	70028324	1	Kit, Seal (includes items 101 thru 108)	
101	Kit	2	Ring, Piston	
102	Kit	1	Seal, Piston	
103	Kit	2	Ring, Rod	
104	Kit	1	"O" Ring	
105	Kit	1	Ring, Back-Up	
106	Kit	1	Seal, Rod	
107	Kit	1	Seal, Rod	
108	Kit	1	Wiper	

SECTION 9 - HYDRAULIC COMPONENTS

FIGURE 9-9. CYLINDER ASSEMBLY - BUCKET (4 IN 1 BUCKET)



ART_70028572-D

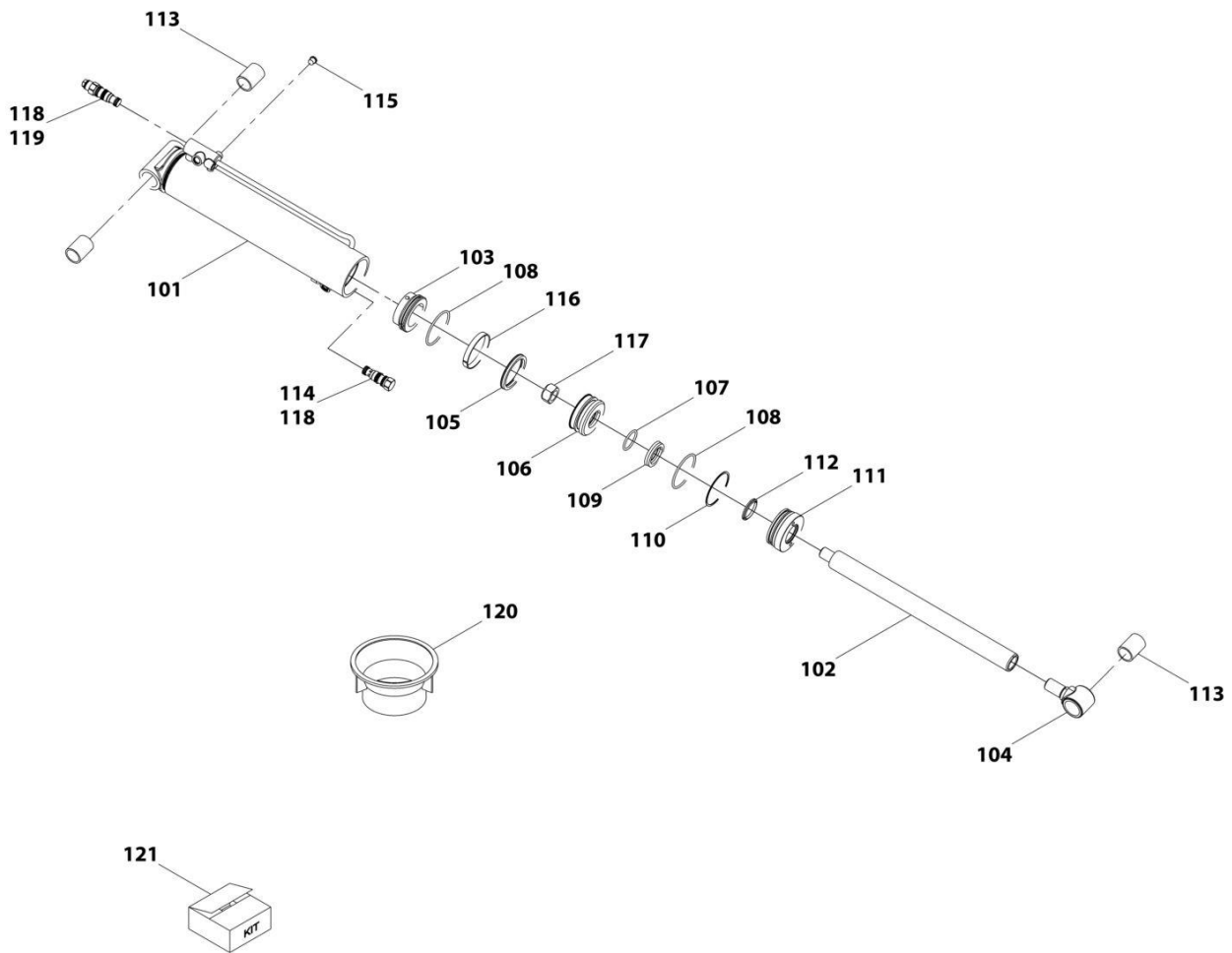
SECTION 9 - HYDRAULIC COMPONENTS

FIGURE 9-9. CYLINDER ASSEMBLY - BUCKET (4 IN 1 BUCKET)

ITEM	PART NUMBER	QTY	DESCRIPTION	REV
	70028572	Ref	Cylinder Assembly	D
		Ref	Note: Original Cylinder May Have Been Replaced with Service Replacement. Identify PN Stamped on Cylinder Before Ordering Parts.	
1	70028581	4	Bearing	
2	70028582	1	Nut	
3	N.S.S.	1	Ring, Wear	
4	N.S.S.	1	Seal	
5	N.S.S.	1	Assembly, Barrel	
6	Kit	1	Kit, Check Valve	
7	70028583	1	Fitting, Straight	
8	70028584	1	Valve, Check	
9	N.S.S.	1	O-Ring	
10	N.S.S.	1	Ring, Back-up	
11	N.S.S.	1	Seal	
12	N.S.S.	2	Wiper	
13	70028585	1	Rod	
14	70028586	1	Retainer	
15	70028587	1	Piston	
16	N.S.S.	1	O-Ring	
17	70028588	1	Tool, Seal Loader	

SECTION 9 - HYDRAULIC COMPONENTS

FIGURE 9-10. CYLINDER ASSEMBLY - BUCKET (GRAPPLE BUCKET)



ART_70026469-C

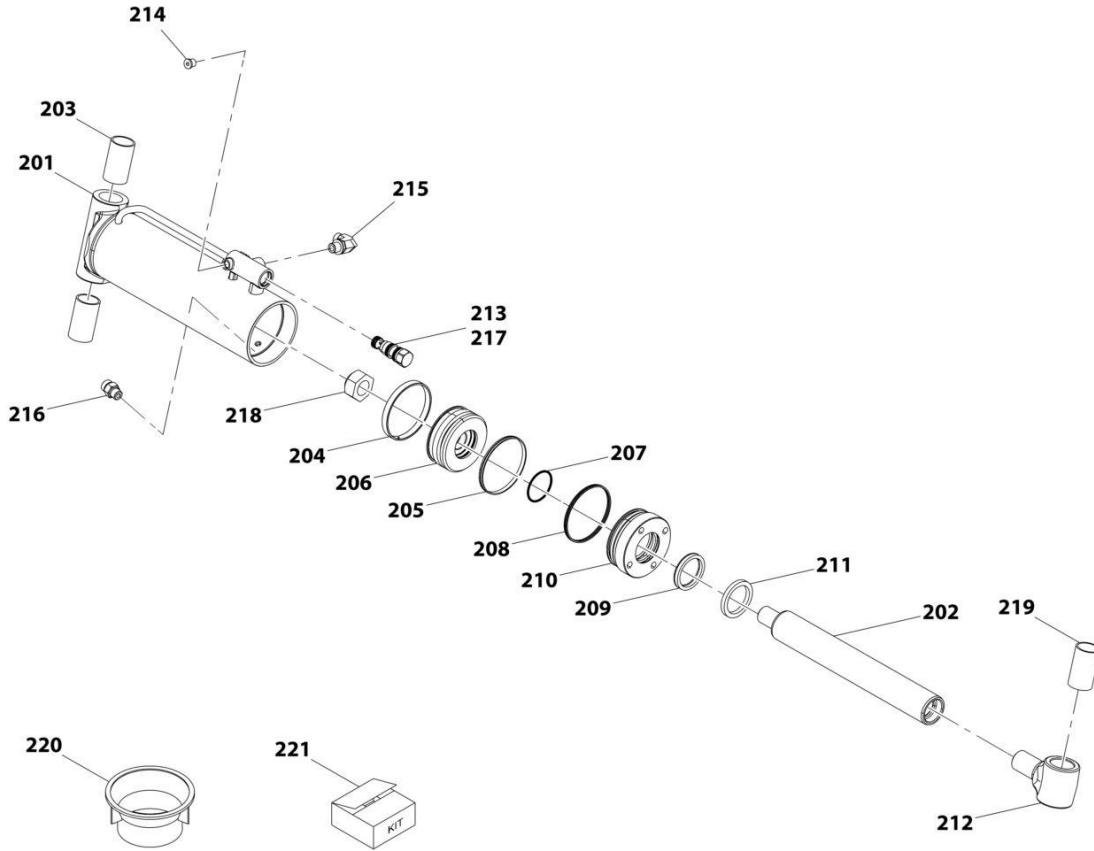
SECTION 9 - HYDRAULIC COMPONENTS

FIGURE 9-10. CYLINDER ASSEMBLY - BUCKET (GRAPPLE BUCKET)

ITEM	PART NUMBER	QTY	DESCRIPTION	REV
	70026469	Ref	Cylinder Assembly	C
		Ref	Note: Original Cylinder May Have Been Replaced with Service Replacement. Identify PN Stamped on Cylinder Before Ordering Parts.	
101	N.S.S.	1	Barrel	
102	70026496	1	Rod	
103	70026497	1	Spacer	
104	70026498	1	End, Rod	
105	Kit	1	Seal	
106	70026499	1	Piston	
107	Kit	1	O-Ring	
108	Kit	2	O-Ring	
109	Kit	1	Ring, Backup	
110	Kit	1	Seal	
111	70026500	1	Retainer	
112	Kit	1	Wiper	
113	70026501	3	Bushing	
114	70026502	1	Valve, Check	
115	70024129	4	Plug	
116	Kit	1	Ring, Wear	
117	70026503	1	Nut	
118	70024734	2	Kit, Check Valve Service	
119	70026504	1	Valve, Counterbalance	
120	70026505	1	Tool, Seal Loader	
121	70026506	1	Kit, Service	

SECTION 9 - HYDRAULIC COMPONENTS

FIGURE 9-11. CYLINDER ASSEMBLY - CARRIAGE (LOG HANDLER CYLINDER)



ART_70028704-C

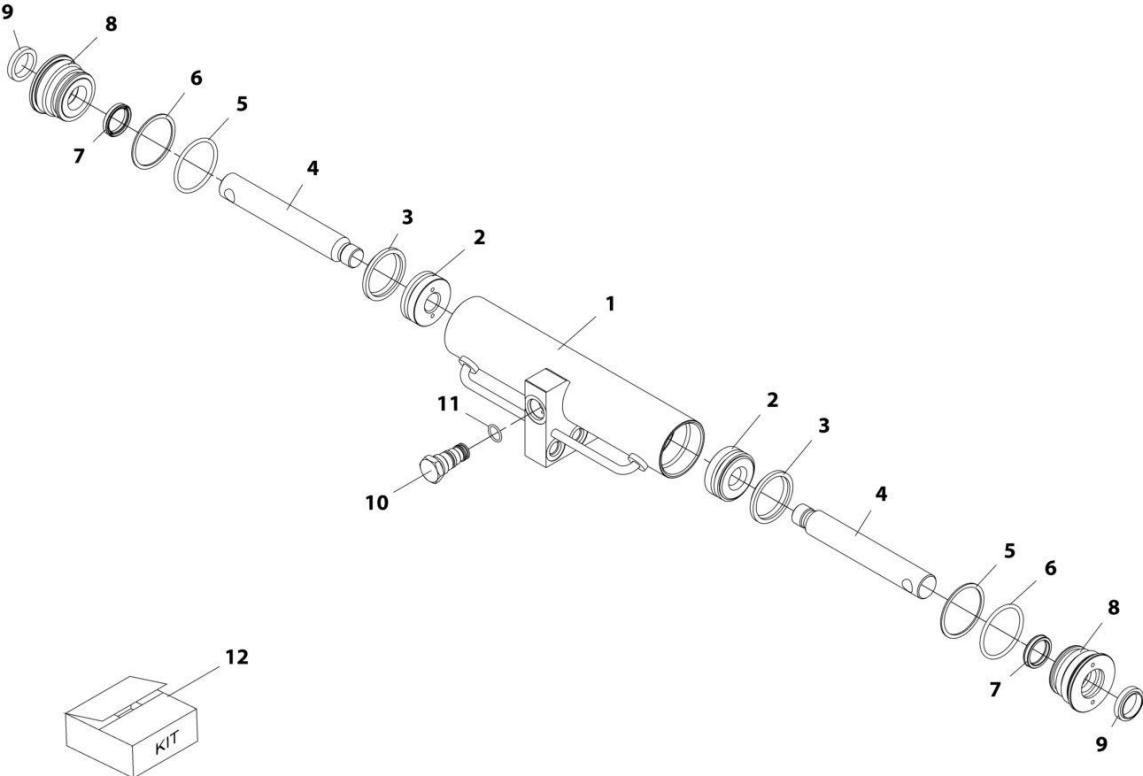
SECTION 9 - HYDRAULIC COMPONENTS

FIGURE 9-11. CYLINDER ASSEMBLY - CARRIAGE (LOG HANDLER CYLINDER)

ITEM	PART NUMBER	QTY	DESCRIPTION	REV
	70028704	Ref	Log Handler Carriage Cylinder Assembly	C
		Ref	Note: Original Cylinder May Have Been Replaced with Service Replacement. Identify PN Stamped on Cylinder Before Ordering Parts.	
201	N.S.S.	1	Barrel	
202	70028728	1	Rod	
203	70028729	2	Bushing	
204	N.S.S.	1	Ring, Wear	
205	N.S.S.	1	Seal	
206	70028730	1	Piston	
207	N.S.S.	1	O-Ring	
208	N.S.S.	1	Seal	
209	N.S.S.	1	Seal	
210	70028731	1	Retainer	
211	N.S.S.	1	Wiper	
212	N.S.S.	1	End, Rod (included with item 202)	
213	70024733	1	Valve, Check	
214	70024129	2	Plug	
215	70024123	1	Fitting, 90	
216	70024130	1	Fitting, Straight	
217	70024734	1	Kit, Check Valve	
218	70028732	1	Nut	
219	70028729	1	Bushing (included with item 202)	
220	70028588	1	Tool, Seal Loader	
221	70028733	1	Kit, Seal (includes items 204, 205, 207, 208, 208, 211, 220)	

SECTION 9 - HYDRAULIC COMPONENTS

FIGURE 9-12. CYLINDER ASSEMBLY - COUPLER LOCKING



ART_1001145390-A

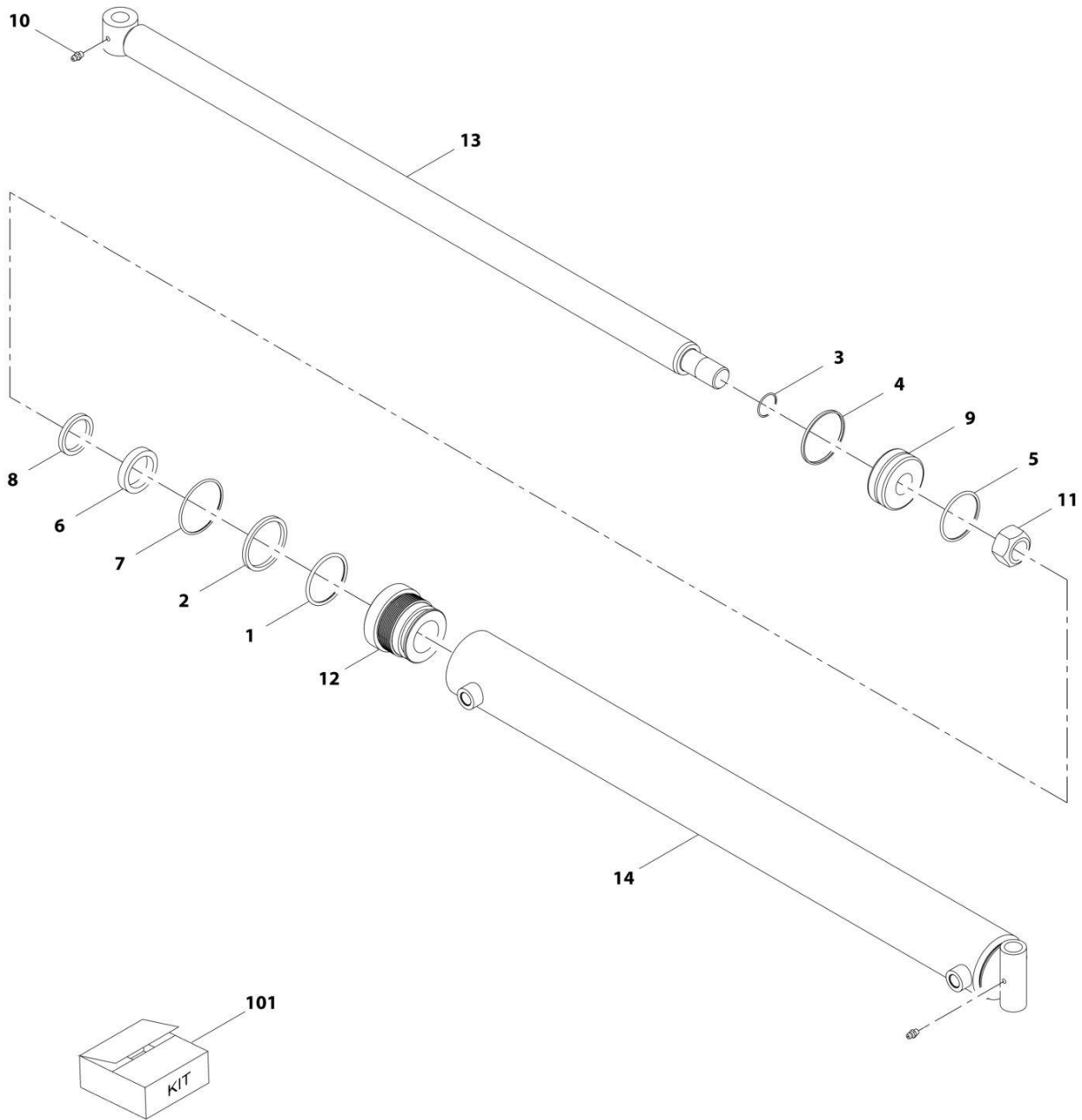
SECTION 9 - HYDRAULIC COMPONENTS

FIGURE 9-12. CYLINDER ASSEMBLY - COUPLER LOCKING

ITEM	PART NUMBER	QTY	DESCRIPTION	REV
	1001145390	Ref	Coupler Locking Cylinder	A
		Ref	Note: Original Cylinder May Have Been Replaced with Service Replacement. Identify PN Stamped on Cylinder Before Ordering Parts.	
1	70024164	2	Body	
2	70024165	2	Piston	
3	Kit	2	Seal, Piston	
4	70024166	2	Rod	
5	Kit	2	O-Ring	
6	Kit	2	Ring, Backup	
7	Kit	2	Seal, Rod	
8	70024167	2	Gland	
9	Kit	2	Seal, Wiper	
10	1001007056	1	Valve, Check	
11	91574001	1	Seal, Check Valve	
12	70024168	1	Kit, Seal (includes items 3, 5, 6, 7 & 9)	

SECTION 9 - HYDRAULIC COMPONENTS

FIGURE 9-13. CYLINDER ASSEMBLY - FORK POSITIONING



ART_70028599-C

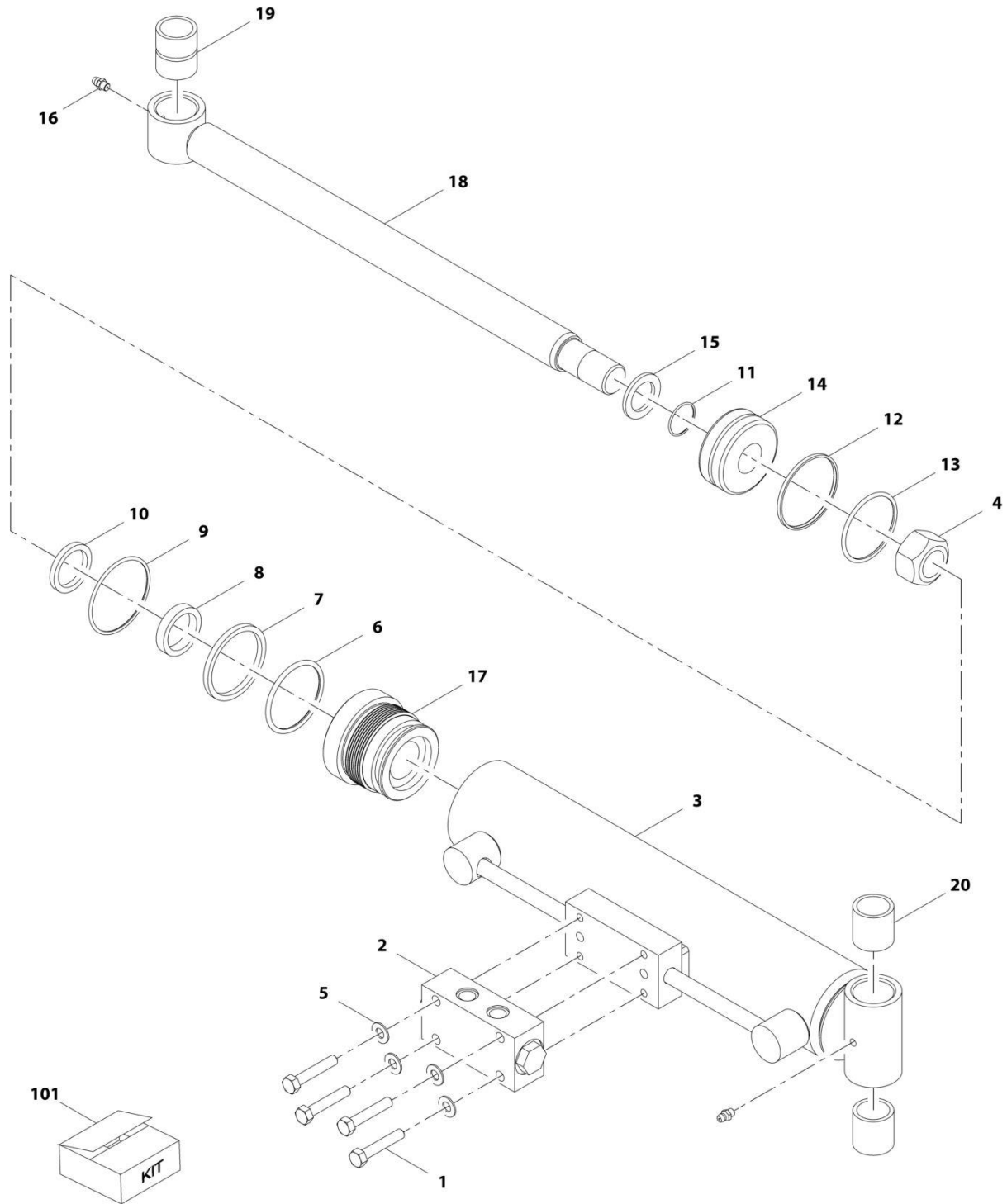
SECTION 9 - HYDRAULIC COMPONENTS

FIGURE 9-13. CYLINDER ASSEMBLY - FORK POSITIONING

ITEM	PART NUMBER	QTY	DESCRIPTION	REV
	70028599	Ref	Fork Positioning Cylinder Assembly	C
		Ref	Note: Original Cylinder May Have Been Replaced with Service Replacement. Identify PN Stamped on Cylinder Before Ordering Parts.	
1	Kit	1	O-Ring	
2	Kit	1	O-Ring	
3	Kit	1	O-Ring	
4	Kit	1	Seal	
5	Kit	1	O-Ring	
6	Kit	1	Seal	
7	Kit	1	O-Ring	
8	Kit	1	Seal	
9	70028609	1	Piston, Cylinder	
10	90554045	2	Fitting, Grease	
11	70021440	1	Nut	
12	70028610	1	Gland, Cylinder	
13	70028611	1	Rod	
14	N.S.S.	1	Tube	
101	Kit	1	Kit, Seal	

SECTION 9 - HYDRAULIC COMPONENTS

FIGURE 9-14. CYLINDER INSTALLATION - FORK POSITIONING SIDE SHIFT



ART_70028603-C

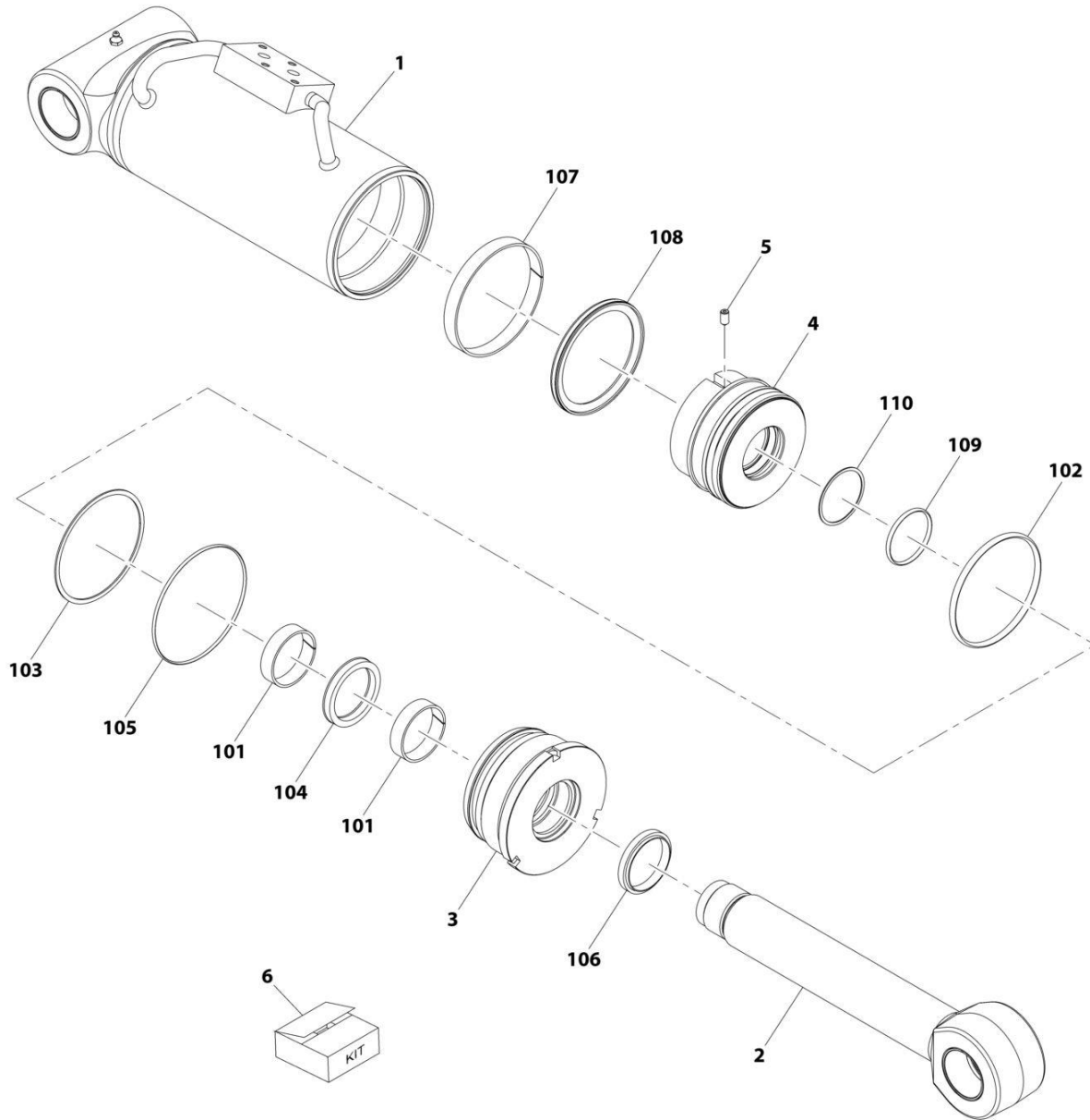
SECTION 9 - HYDRAULIC COMPONENTS

FIGURE 9-14. CYLINDER INSTALLATION - FORK POSITIONING SIDE SHIFT

ITEM	PART NUMBER	QTY	DESCRIPTION	REV
	70028603	Ref	Side Shift Cylinder Assembly	C
		Ref	Note: Original Cylinder May Have Been Replaced with Service Replacement. Identify PN Stamped on Cylinder Before Ordering Parts.	
1	70028612	4	Bolt	
2	70028613	1	Valve	
3	N.S.S.	1	Tube	
4	70021440	1	Nut	
5	70028614	4	Washer, Flat	
6	Kit	1	O-Ring	
7	Kit	1	O-Ring	
8	Kit	1	Seal	
9	Kit	1	O-Ring	
10	Kit	1	Seal	
11	Kit	1	O-Ring	
12	Kit	1	Seal	
13	Kit	1	O-Ring	
14	70021451	1	Piston	
15	70021444	1	Spacer	
16	90554045	2	Fitting, Grease	
17	70021446	1	Gland, Cylinder	
18	70021445	1	Rod	
19	70021447	1	Bushing	
20	70021448	2	Bushing	
101	70021452	1	Kit, Seal (includes items 6 thru 13)	

SECTION 9 - HYDRAULIC COMPONENTS

FIGURE 9-15. CYLINDER ASSEMBLY - FRAME LEVEL



ART_1001201073-E

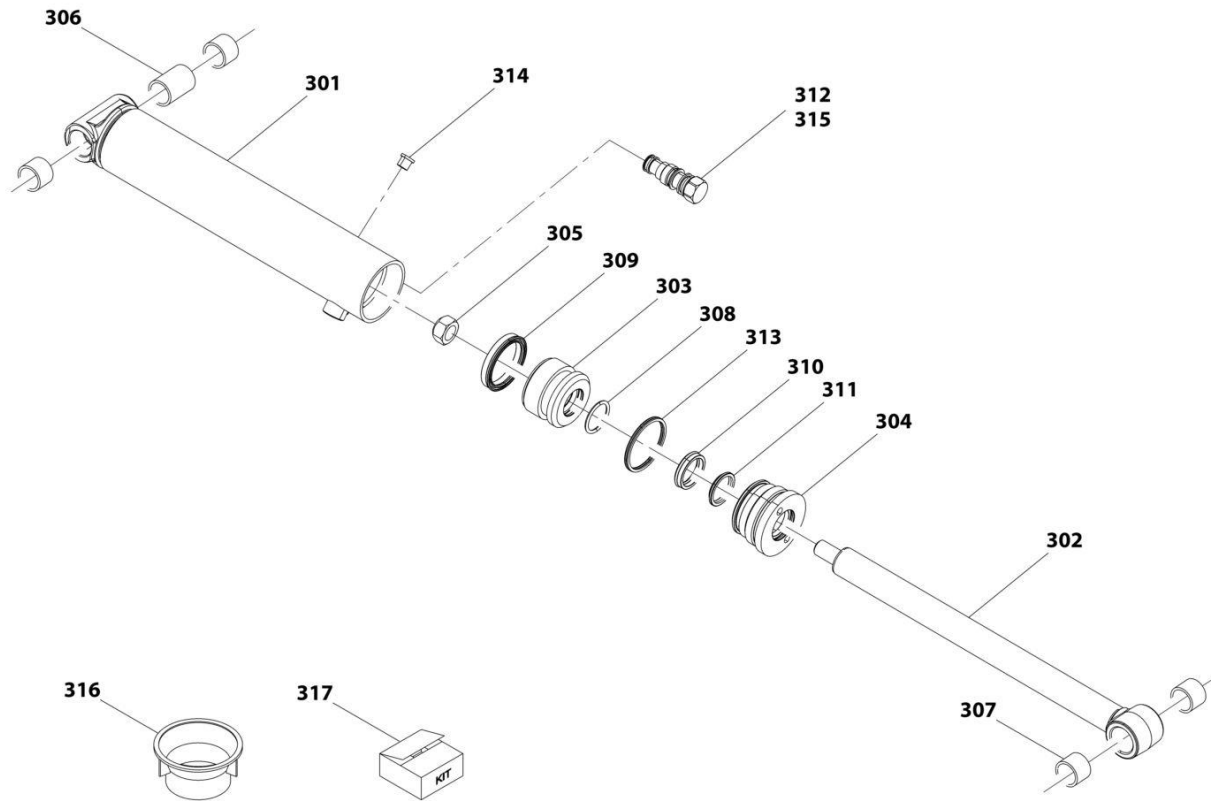
SECTION 9 - HYDRAULIC COMPONENTS

FIGURE 9-15. CYLINDER ASSEMBLY - FRAME LEVEL

ITEM	PART NUMBER	QTY	DESCRIPTION	REV
	1001201073	Ref	Frame Level Cylinder	E
		Ref	Note: Original Cylinder May Have Been Replaced with Service Replacement. Identify PN Stamped on Cylinder Before Ordering Parts.	
1	N.S.S.	1	Barrel	
2	70028362	1	Rod	
3	70026249	1	Head	
4	70026251	1	Piston	
5	70020438	1	Screw, Locking	
6	70026253	1	Seal kit (includes items 101 thru 110)	
101	Kit	2	Bearing	
102	Kit	1	O-Ring	
103	Kit	1	Backup Ring	
104	Kit	1	Rod Seal	
105	Kit	1	O-Ring	
106	Kit	1	Wiper	
107	Kit	1	Bearing	
108	Kit	1	Piston Seal	
109	Kit	1	O-Ring	
110	Kit	1	Backup Ring	

SECTION 9 - HYDRAULIC COMPONENTS

FIGURE 9-16. CYLINDER ASSEMBLY - PIPE HANDLER CARRIAGE (UPPER)



ART_70028652-D

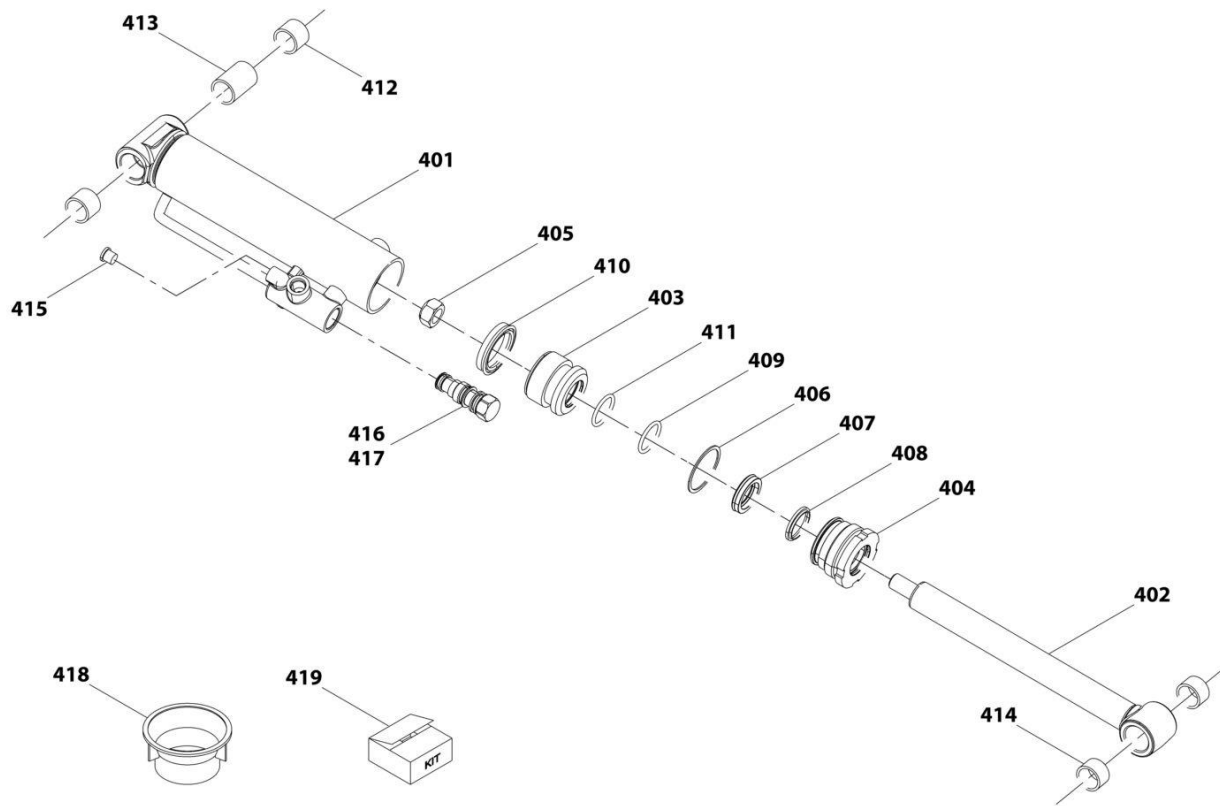
SECTION 9 - HYDRAULIC COMPONENTS

FIGURE 9-16. CYLINDER ASSEMBLY - PIPE HANDLER CARRIAGE (UPPER)

ITEM	PART NUMBER	QTY	DESCRIPTION	REV
	70028652	Ref	Upper Cylinder Assembly	D
		Ref	Note: Original Cylinder May Have Been Replaced with Service Replacement. Identify PN Stamped on Cylinder Before Ordering Parts.	
301	N.S.S.	1	Barrel	
302	70028270	1	Rod	
303	70028254	1	Piston	
304	70028255	1	Retainer	
305	70028258	1	Nut	
306	70028257	1	Spacer	
307	70028256	4	Bushing	
308	N.S.S.	1	O-Ring	
309	N.S.S.	1	Seal	
310	N.S.S.	1	Seal	
311	N.S.S.	1	Wiper	
312	70026502	1	Valve, Check	
313	N.S.S.	1	Seal	
314	70024129	2	Plug	
315	70024734	1	Kit, Check Valve	
316	70028691	1	Tool, Seal Loader	
317	70028770	1	Kit, Seal	

SECTION 9 - HYDRAULIC COMPONENTS

FIGURE 9-17. CYLINDER ASSEMBLY - PIPE HANDLER CARRIAGE (LOWER)



ART_70028653-D

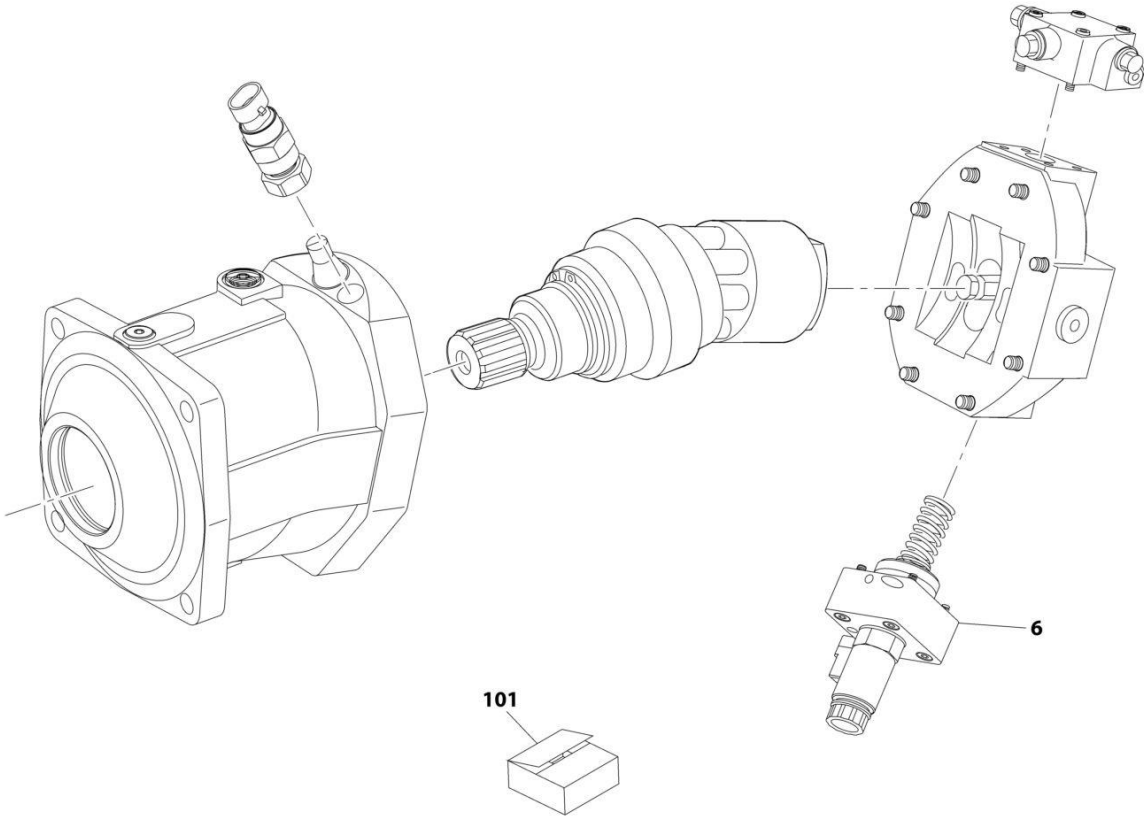
SECTION 9 - HYDRAULIC COMPONENTS

FIGURE 9-17. CYLINDER ASSEMBLY - PIPE HANDLER CARRIAGE (LOWER)

ITEM	PART NUMBER	QTY	DESCRIPTION	REV
	70028653	Ref	Lower Cylinder Assembly	D
		Ref	Note: Original Cylinder May Have Been Replaced with Service Replacement. Identify PN Stamped on Cylinder Before Ordering Parts.	
401	N.S.S.	1	Barrel	
402	70028692	1	Rod	
403	70024142	1	Piston	
404	70028693	1	Retainer	
405	70028258	1	Nut	
406	N.S.S.	1	Ring, Backup	
407	N.S.S.	1	Seal	
408	N.S.S.	1	Wiper	
409	N.S.S.	1	O-Ring	
410	N.S.S.	1	Seal	
411	N.S.S.	1	O-Ring	
412	70028256	2	Bushing	
413	70028257	1	Spacer	
414	70028694	2	Bushing	
415	70024129	2	Plug	
416	70026502	1	Valve, Check	
417	70024734	1	Kit, Check Valve	
418	70028691	1	Tool, Seal Loader	
419	70028771	1	Kit, Seal	

SECTION 9 - HYDRAULIC COMPONENTS

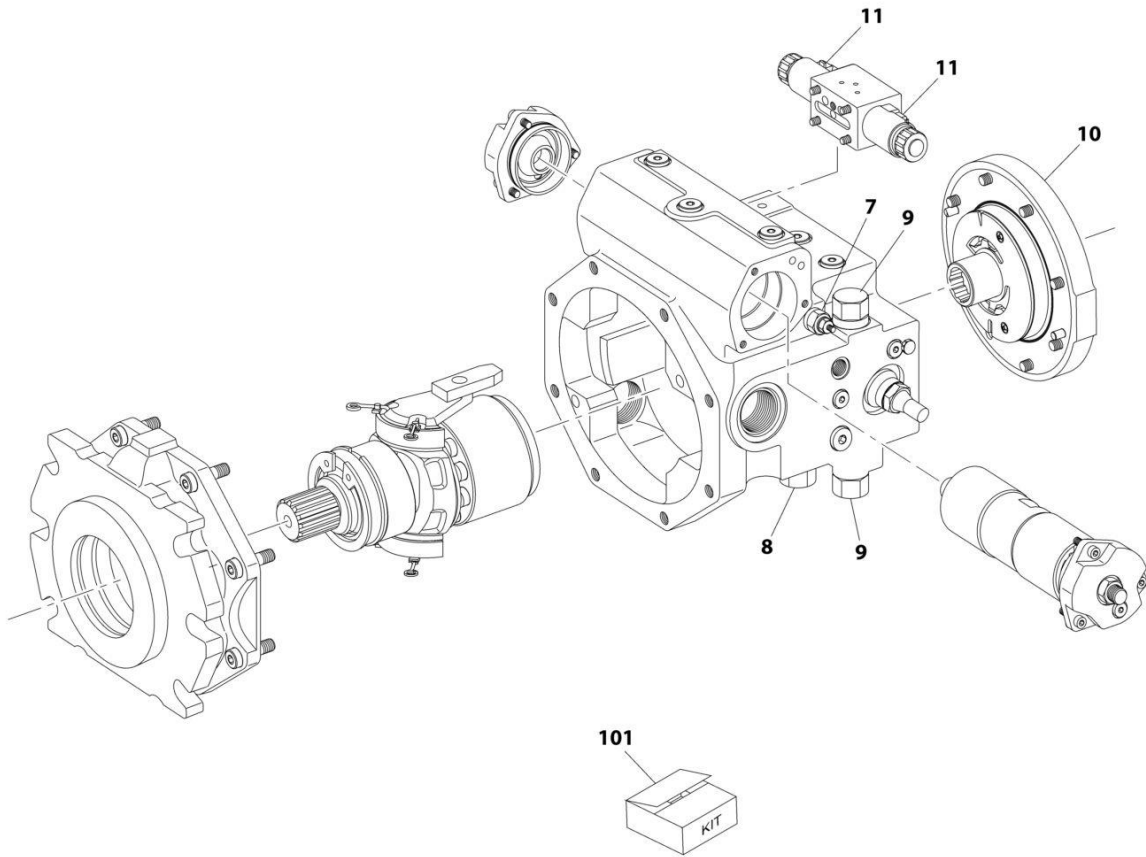
FIGURE 9-18. MOTOR ASSEMBLY - HYDROSTATIC



ART_1001193308-C

SECTION 9 - HYDRAULIC COMPONENTS

FIGURE 9-19. PUMP ASSEMBLY - HYDROSTATIC



ART_1001193307-D

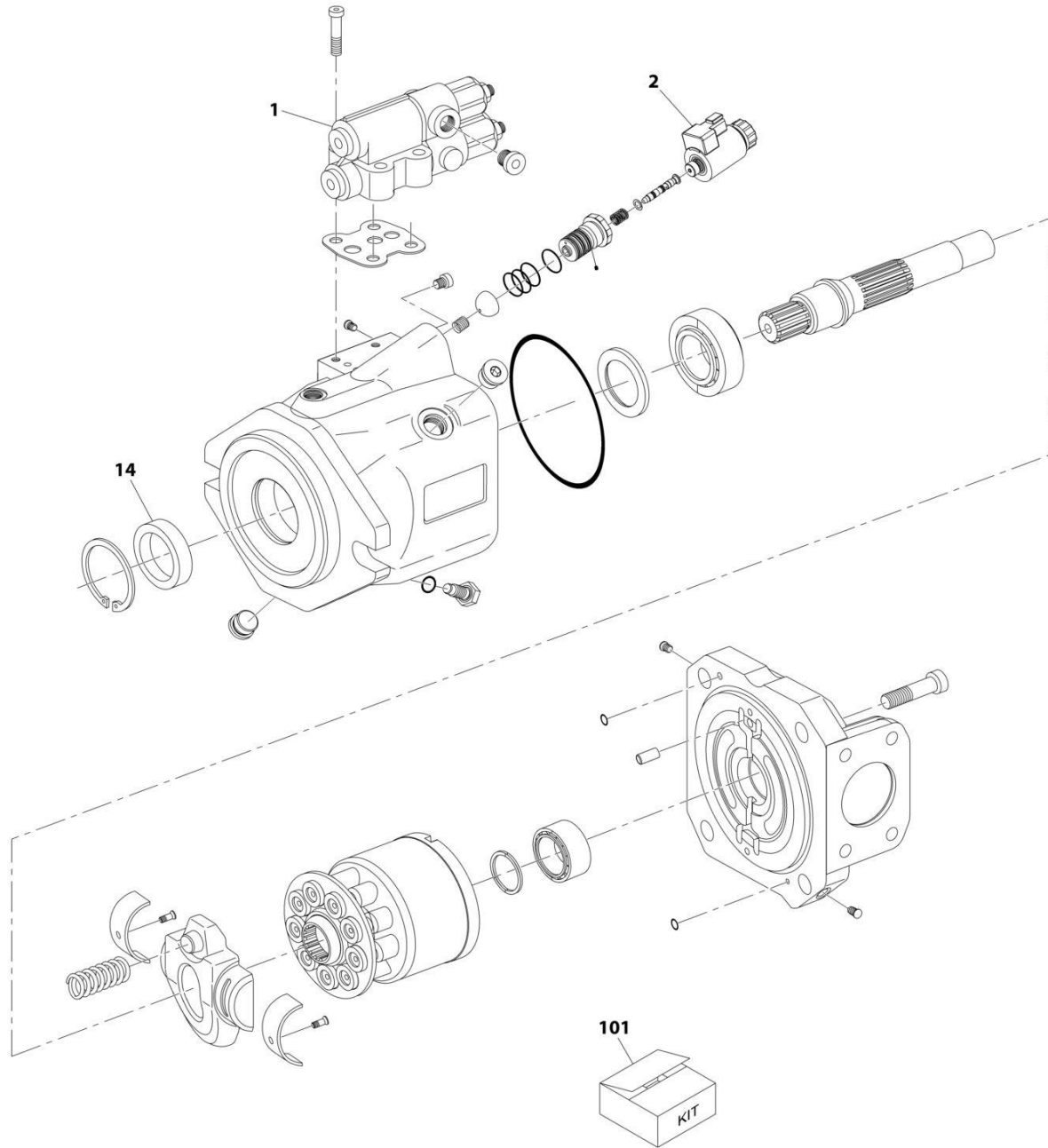
SECTION 9 - HYDRAULIC COMPONENTS

FIGURE 9-19. PUMP ASSEMBLY - HYDROSTATIC

ITEM	PART NUMBER	QTY	DESCRIPTION	REV
	1001193307	Ref	Hydrostatic Pump	D
7	70024946	1	Valve, Relief	
8	70027598	1	Valve, Pressure Override	
9	70024945	2	Valve, Relief	
10	70028411	1	Pump, Charge	
11	70022726	2	Solenoid	
101	70028410	1	Kit, Seal	
	Kit	1	Seal, Shaft	
	Kit	2	Retaining Ring	
	Kit	2	O-Ring	
	Kit	1	O-Ring	
	Kit	2	Seal, Rod	
	Kit	1	Nut, Sealing	
	Kit	3	O-Ring	
	Kit	2	O-Ring	
	Kit	1	O-Ring	
	Kit	2	Nut, Sealing	
	Kit	1	O-Ring	
	Kit	1	O-Ring	
	Kit	1	O-Ring	
	Kit	1	O-Ring	
	Kit	1	O-Ring	
	Kit	1	O-Ring	
	Kit	1	O-Ring	
	Kit	1	O-Ring	
	Kit	1	O-Ring	
	Kit	1	O-Ring	
	Kit	1	O-Ring	
	Kit	1	Kit, Seal	
	Kit	1	O-Ring	
	Kit	1	O-Ring	
	Kit	1	O-Ring	
	Kit	1	O-Ring	
	Kit	1	O-Ring	
	Kit	1	O-Ring	
	Kit	1	O-Ring	
	Kit	1	Seal	
	Kit	1	Seal	
	Kit	1	O-Ring	
	Kit	2	O-Ring	
	Kit	2	O-Ring	
	Kit	2	O-Ring	
	Kit	2	O-Ring	

SECTION 9 - HYDRAULIC COMPONENTS

FIGURE 9-20. PUMP ASSEMBLY - IMPLEMENT



ART_1001180070-F

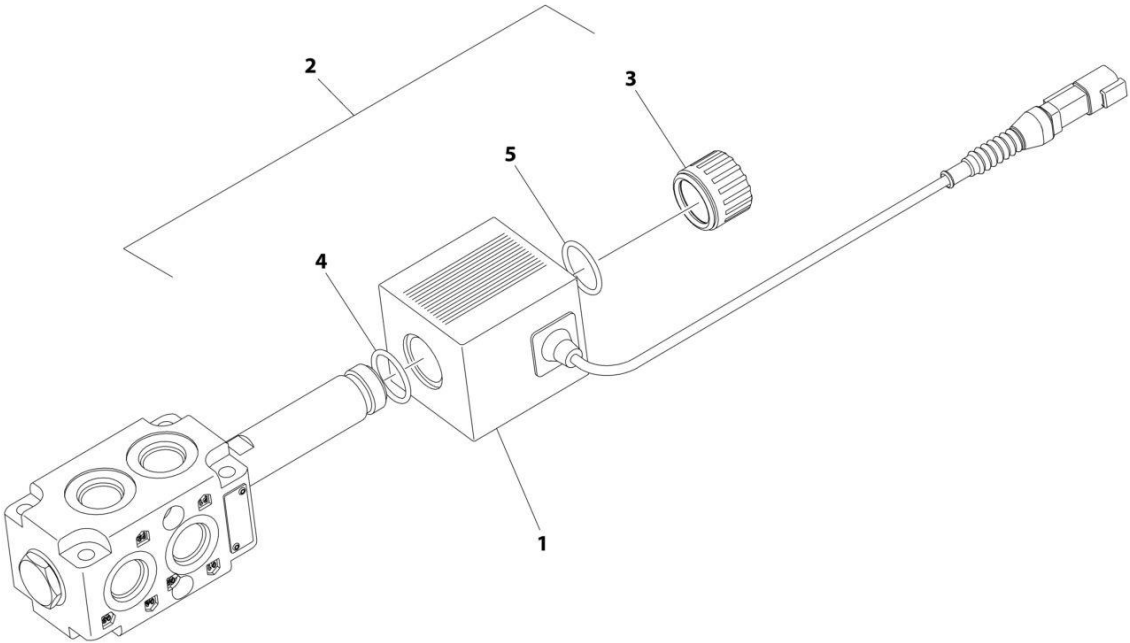
SECTION 9 - HYDRAULIC COMPONENTS

FIGURE 9-20. PUMP ASSEMBLY - IMPLEMENT

ITEM	PART NUMBER	QTY	DESCRIPTION	REV
	1001180070	1	Implement Pump	F
1	70027595	1	Controller, DSR	
2	70028412	1	Controller, EK	
14	7024947	1	Seal, Shaft	
101	70028413	1	Kit, Seal	
	Kit	1	Seal	
	Kit	1	Plug	
	Kit	2	Plug	
	Kit	2	O-Ring	
	Kit	1	O-Ring	

SECTION 9 - HYDRAULIC COMPONENTS

FIGURE 9-21. VALVE ASSEMBLY - BOOM AUX DIVERTER VALVE (HYDRAULIC - SINGLE & TWIN)



ART_1001104477

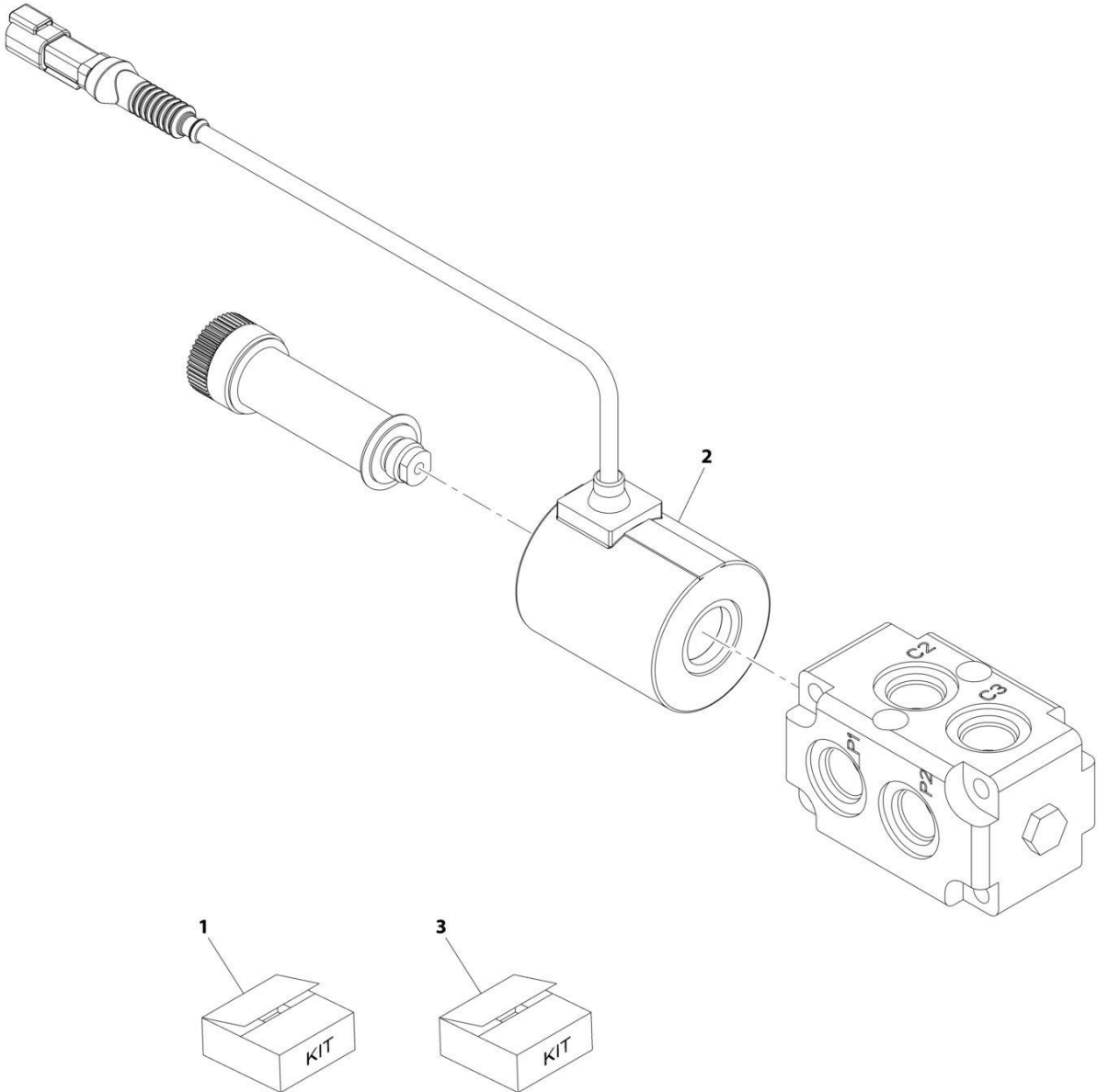
SECTION 9 - HYDRAULIC COMPONENTS

FIGURE 9-21. VALVE ASSEMBLY - BOOM AUX DIVERTER VALVE (HYDRAULIC - SINGLE & TWIN)

ITEM	PART NUMBER	QTY	DESCRIPTION	REV
	1001104477	Ref	DIVERTOR VALVE	D
1	70020764	1	Coil	
2	70021531	1	Retainer Kit (Includes Items 3-5)	
3	Kit	1	Nut	
4	Kit	1	O-Ring	
5	Kit	1	O-Ring	

SECTION 9 - HYDRAULIC COMPONENTS

FIGURE 9-22. VALVE ASSEMBLY - BOOM AUX DIVERTER VALVE (MANUAL & HYDRAULIC -TWIN)



ART_100110023-B

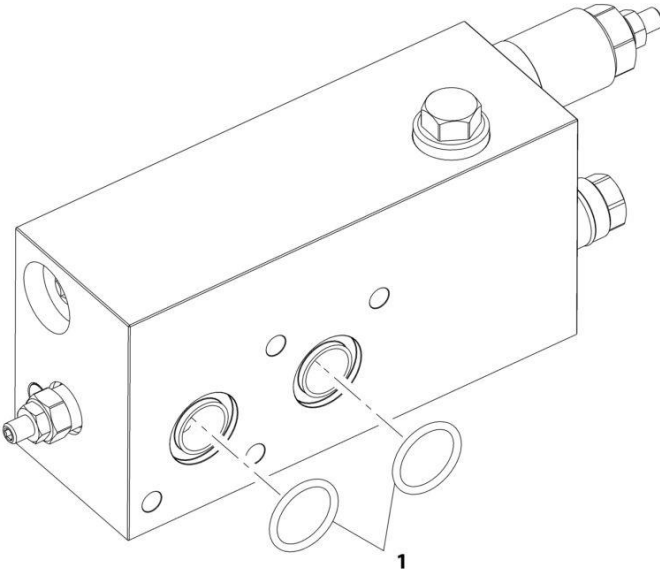
SECTION 9 - HYDRAULIC COMPONENTS

FIGURE 9-22. VALVE ASSEMBLY - BOOM AUX DIVERTER VALVE (MANUAL & HYDRAULIC -TWIN)

ITEM	PART NUMBER	QTY	DESCRIPTION	REV
	1001110023	Ref	Divertor Valve	B
1	70027596	1	Kit, Seal	
	Kit	2	O-Ring	
2	70020764	1	Coil	
3	70021531	1	Kit, Coil Nut	
	N.S.S.	1	O-Ring	
	N.S.S.	1	O-Ring	
	N.S.S.	1	Nut	

SECTION 9 - HYDRAULIC COMPONENTS

FIGURE 9-23. VALVE ASSEMBLY - BOOM RAISE COUNTERBALANCE VALVE (NO RIDE CONTROL)



ART_1001224944-C

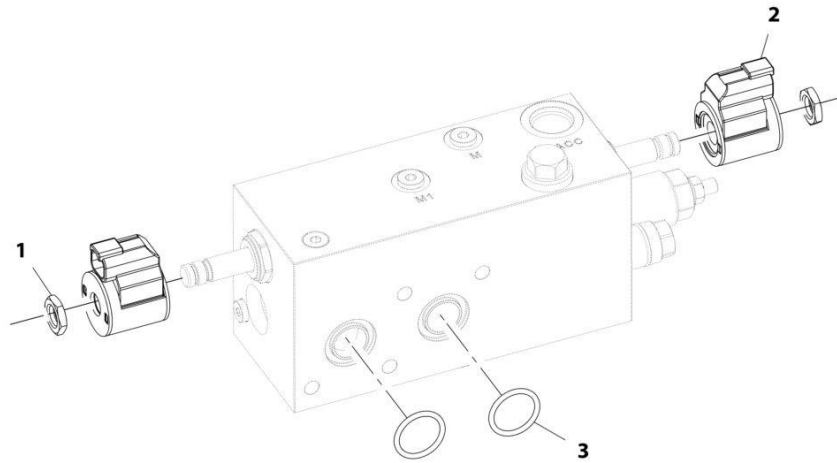
SECTION 9 - HYDRAULIC COMPONENTS

FIGURE 9-23. VALVE ASSEMBLY - BOOM RAISE COUNTERBALANCE VALVE (NO RIDE CONTROL)

ITEM	PART NUMBER	QTY	DESCRIPTION	REV
1	1001224944 70028282	Ref 1	Counterbalance Valve O-Ring	C

SECTION 9 - HYDRAULIC COMPONENTS

FIGURE 9-24. VALVE ASSEMBLY - BOOM RAISE RIDE & FLOAT VALVE (RIDE CONTROL)



ART_1001224945-C

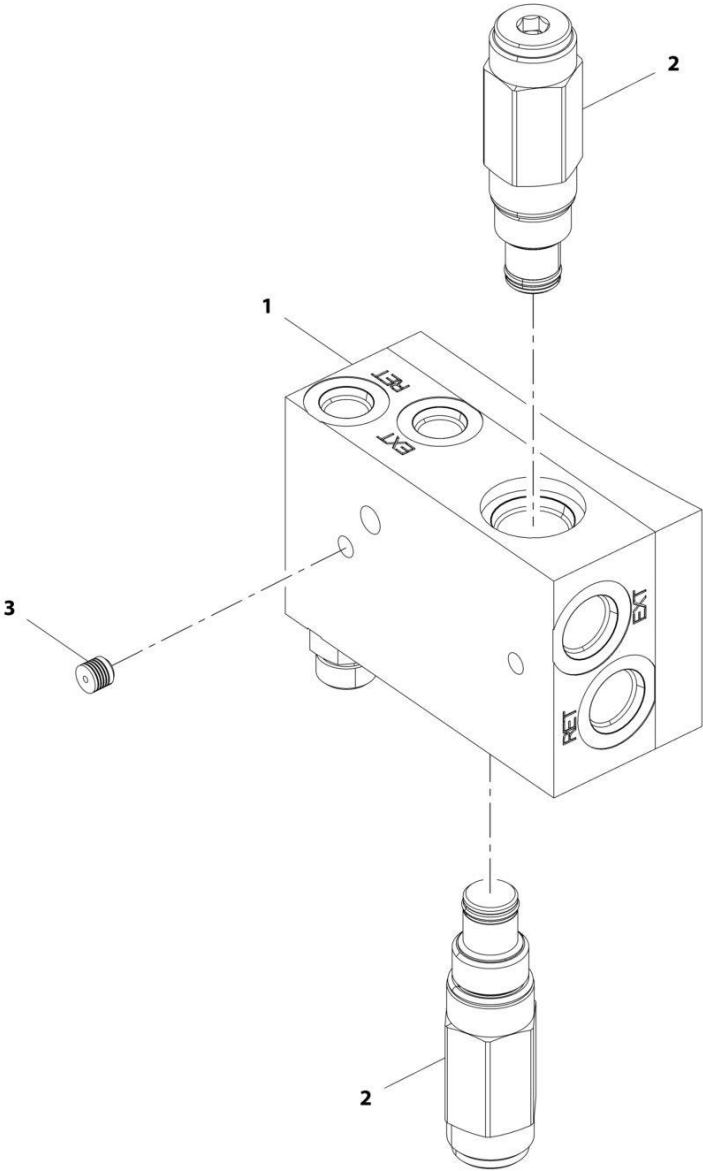
SECTION 9 - HYDRAULIC COMPONENTS

FIGURE 9-24. VALVE ASSEMBLY - BOOM RAISE RIDE & FLOAT VALVE (RIDE CONTROL)

ITEM	PART NUMBER	QTY	DESCRIPTION	REV
	1001224945	Ref	Boom Raise Valve (Ride Control)	C
1	7022390	2	Nut	
2	70028281	2	Coil	
3	70028282	2	O-Ring	

SECTION 9 - HYDRAULIC COMPONENTS

FIGURE 9-25. VALVE ASSEMBLY - BUCKET (5.23 YD³/4.0M³)



ART_70028573-D

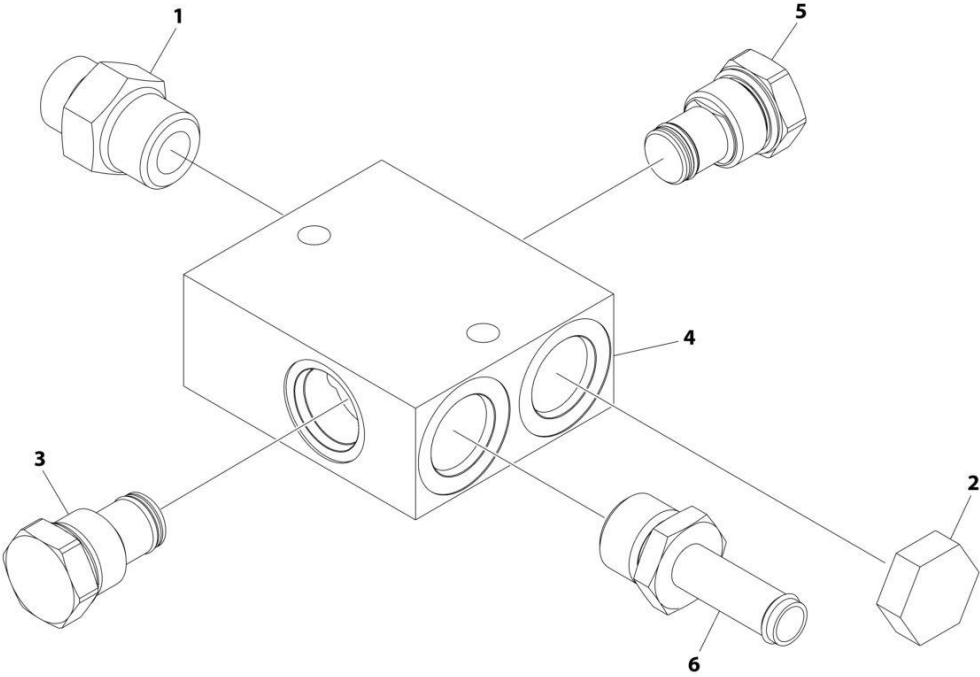
SECTION 9 - HYDRAULIC COMPONENTS

FIGURE 9-25. VALVE ASSEMBLY - BUCKET (5.23 YD³/4.0M³)

ITEM	PART NUMBER	QTY	DESCRIPTION	REV
	70028573	Ref	Valve Assembly, Bucket (5.23 YD ³ /4.0M ³)	D
1	70026477	1	Manifold	
2	70028589	2	Cartridge, Relief	
3	70026614	2	Plug	

SECTION 9 - HYDRAULIC COMPONENTS

FIGURE 9-26. VALVE ASSEMBLY - CAB HYDRAULICS CHECK VALVE



ART_1001212789

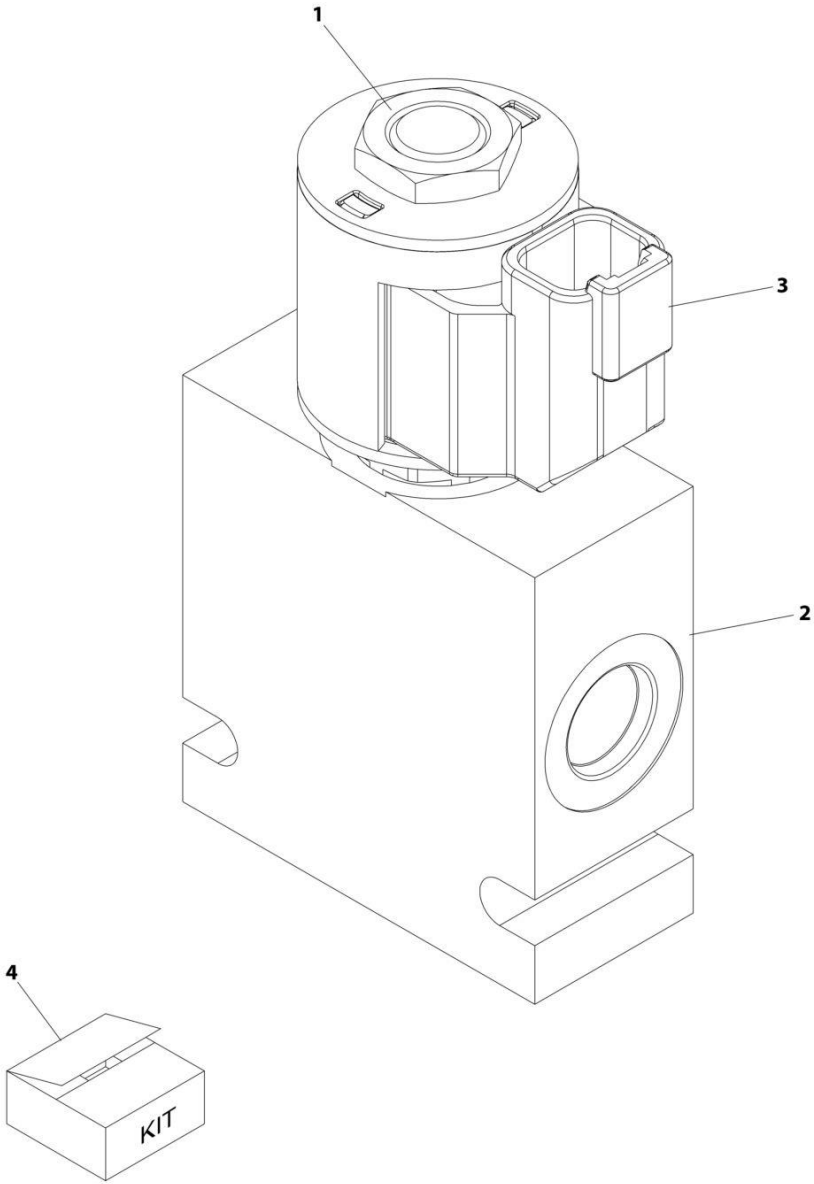
SECTION 9 - HYDRAULIC COMPONENTS

FIGURE 9-26. VALVE ASSEMBLY - CAB HYDRAULICS CHECK VALVE

ITEM	PART NUMBER	QTY	DESCRIPTION	REV
	1001212789	Ref	VALVE ASSEMBLY - CAB HYDRAULICS CHECK VALVE	E
1	2110810	1	Fitting, Straight ORFS	
2	2220239	1	Plug	
3	1001231393	1	Valve, Check	
4	1001210780	1	Manifold, Dual Check Valve	
5	1001210801	1	Valve, Check	
6	1001225656	1	Fitting, Barb	

SECTION 9 - HYDRAULIC COMPONENTS

FIGURE 9-27. VALVE ASSEMBLY - CAB HYDRAULICS SOLENOID VALVE



ART_1001221928-A

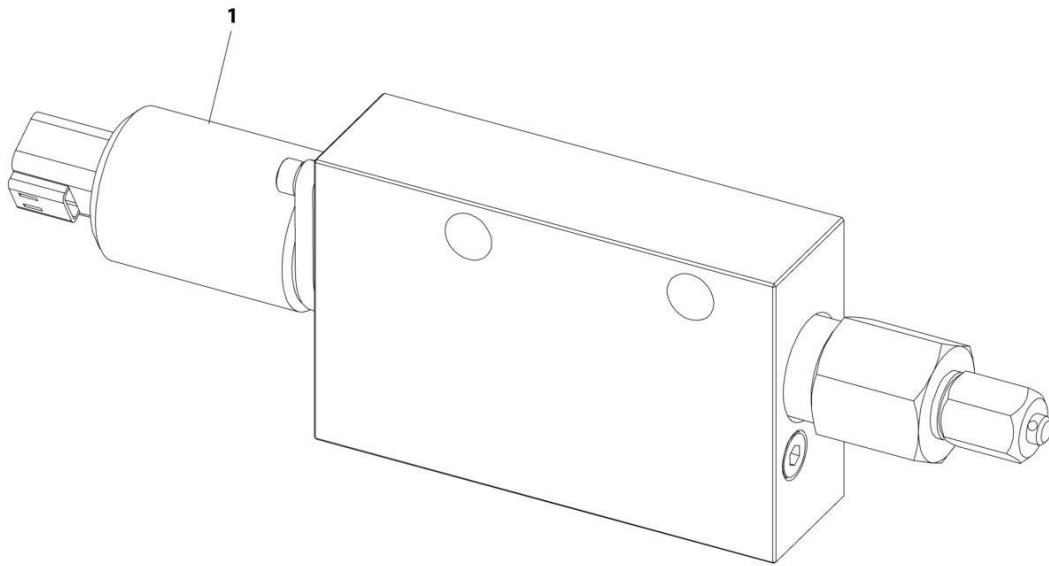
SECTION 9 - HYDRAULIC COMPONENTS

FIGURE 9-27. VALVE ASSEMBLY - CAB HYDRAULICS SOLENOID VALVE

ITEM	PART NUMBER	QTY	DESCRIPTION	REV
	1001221928	Ref	Solenoid Valve	A
1	70004387	1	Cartridge	
2	N.S.S.	Ref	Body	
3	70002963	1	Coil	
4	7010543	1	Kit, Seal	

SECTION 9 - HYDRAULIC COMPONENTS

FIGURE 9-28. VALVE ASSEMBLY - ENGINE BAY INCHING VALVE



ART_1001213311-B

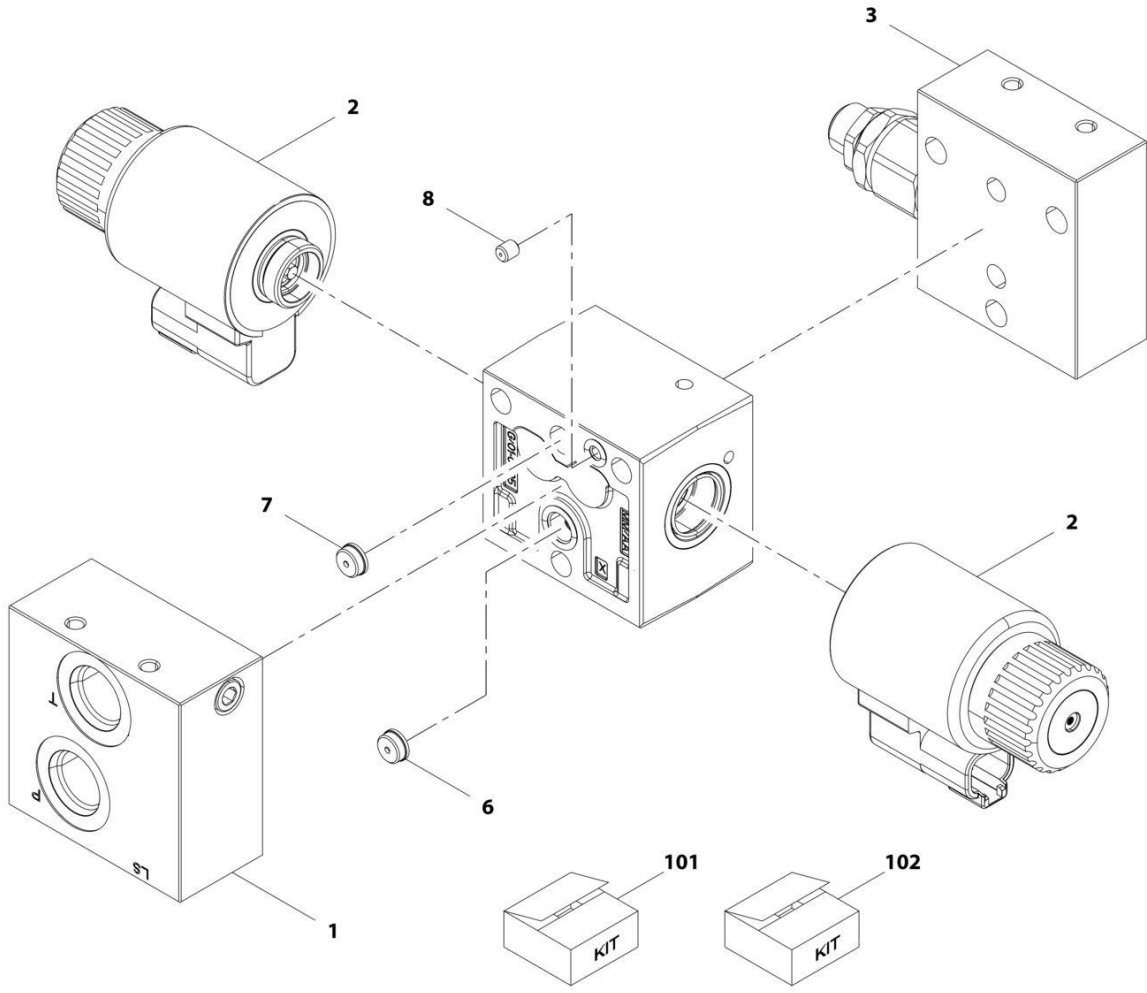
SECTION 9 - HYDRAULIC COMPONENTS

FIGURE 9-28. VALVE ASSEMBLY - ENGINE BAY INCHING VALVE

ITEM	PART NUMBER	QTY	DESCRIPTION	REV
1	1001213311 70028361	Ref 1	Inching Valve Valve, Proportional	B

SECTION 9 - HYDRAULIC COMPONENTS

FIGURE 9-29. VALVE ASSEMBLY - FRAME LEVEL CONTROL



ART_1001219615-D

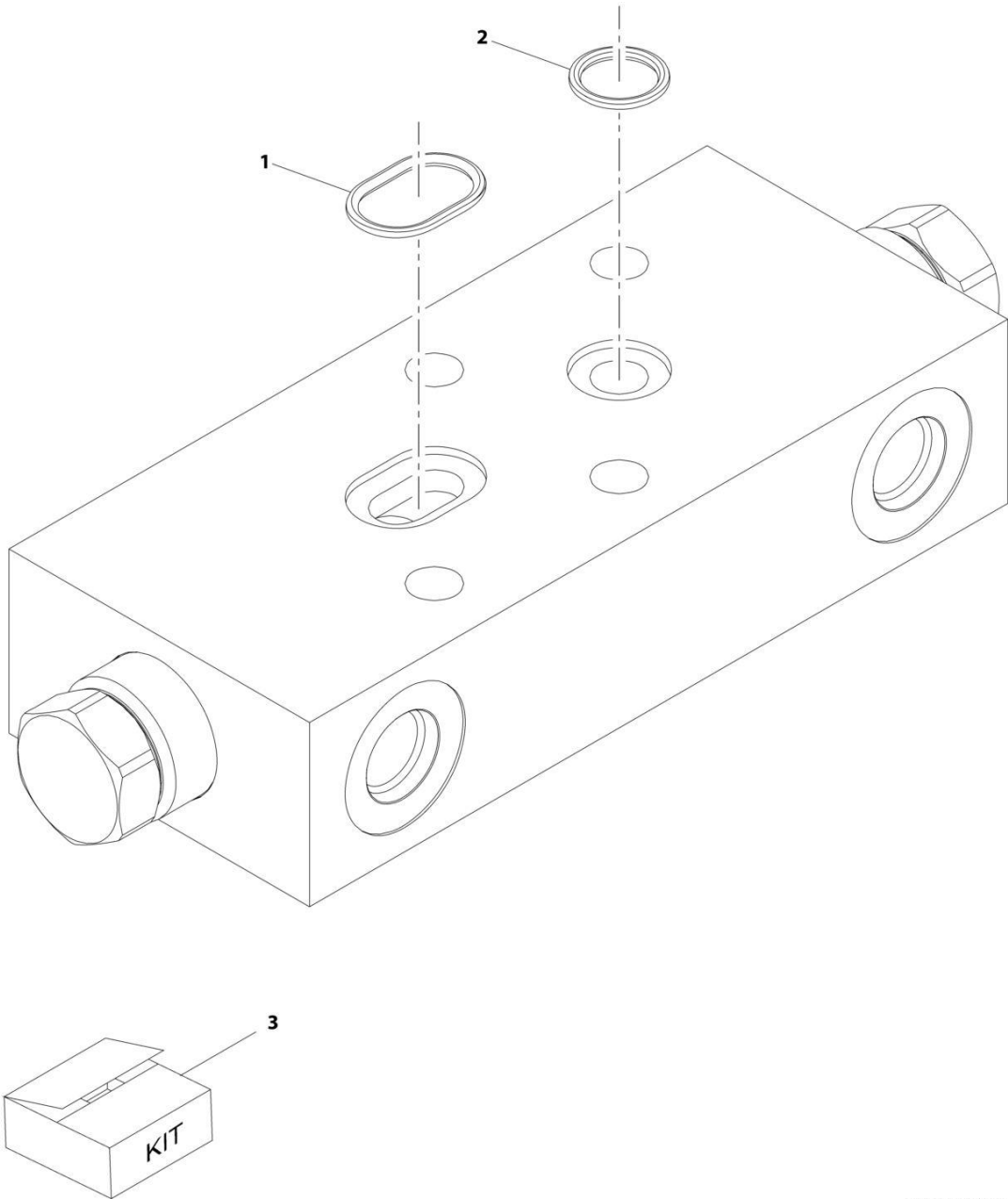
SECTION 9 - HYDRAULIC COMPONENTS

FIGURE 9-29. VALVE ASSEMBLY - FRAME LEVEL CONTROL

ITEM	PART NUMBER	QTY	DESCRIPTION	REV
	1001219615	Ref	Frame Level Valve	D
1	70028414	1	Valve, Section	
2	70004595	2	Coil	
3	70028504	1	Plate	
6	70028415	1	Screw	
7	70028243	1	Screw	
8	70028416	1	Screw	
101	70028502	2	Kit, Coil Nut	
	Kit	1	Nut	
	Kit	1	O-Ring	
102	70028503	1	Kit, Bolt and Seal	
	Kit	3	Bolt	
	Kit	3	Washer	
	Kit	2	O-Ring	
	Kit	4	O-Ring	
	Kit	2	O-Ring	

SECTION 9 - HYDRAULIC COMPONENTS

FIGURE 9-30. VALVE ASSEMBLY - FRAME LEVEL COUNTERBALANCE



ART_1001168599-C

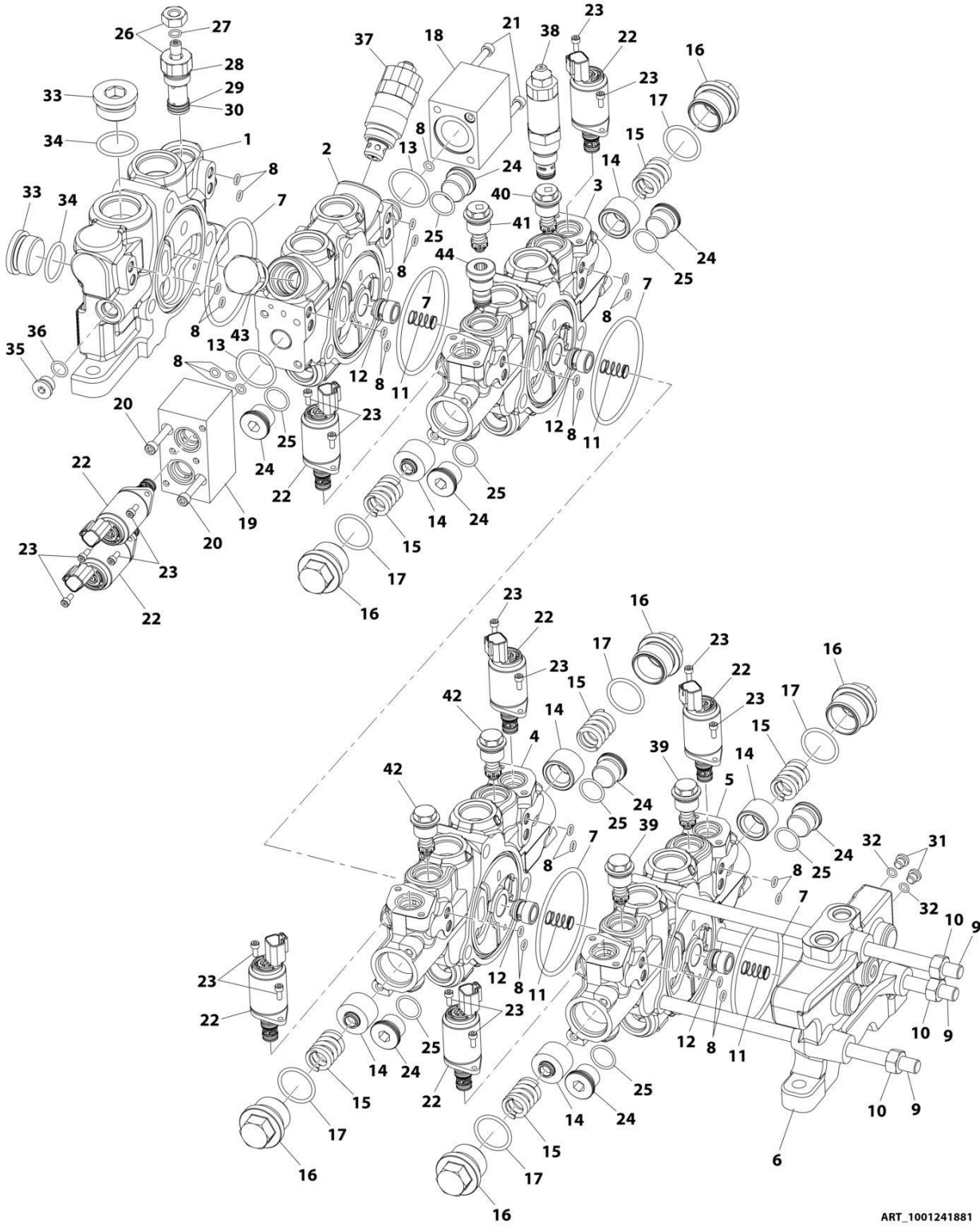
SECTION 9 - HYDRAULIC COMPONENTS

FIGURE 9-30. VALVE ASSEMBLY - FRAME LEVEL COUNTERBALANCE

ITEM	PART NUMBER	QTY	DESCRIPTION	REV
	1001168599	Ref	Counterbalance Valve	C
1	Kit	1	O-Ring	
2	Kit	1	O-Ring	
3	70028421	1	Kit, Seal (includes items 1 thru 2)	

SECTION 9 - HYDRAULIC COMPONENTS

FIGURE 9-31. VALVE ASSEMBLY - MAIN CONTROL



ART_1001241881

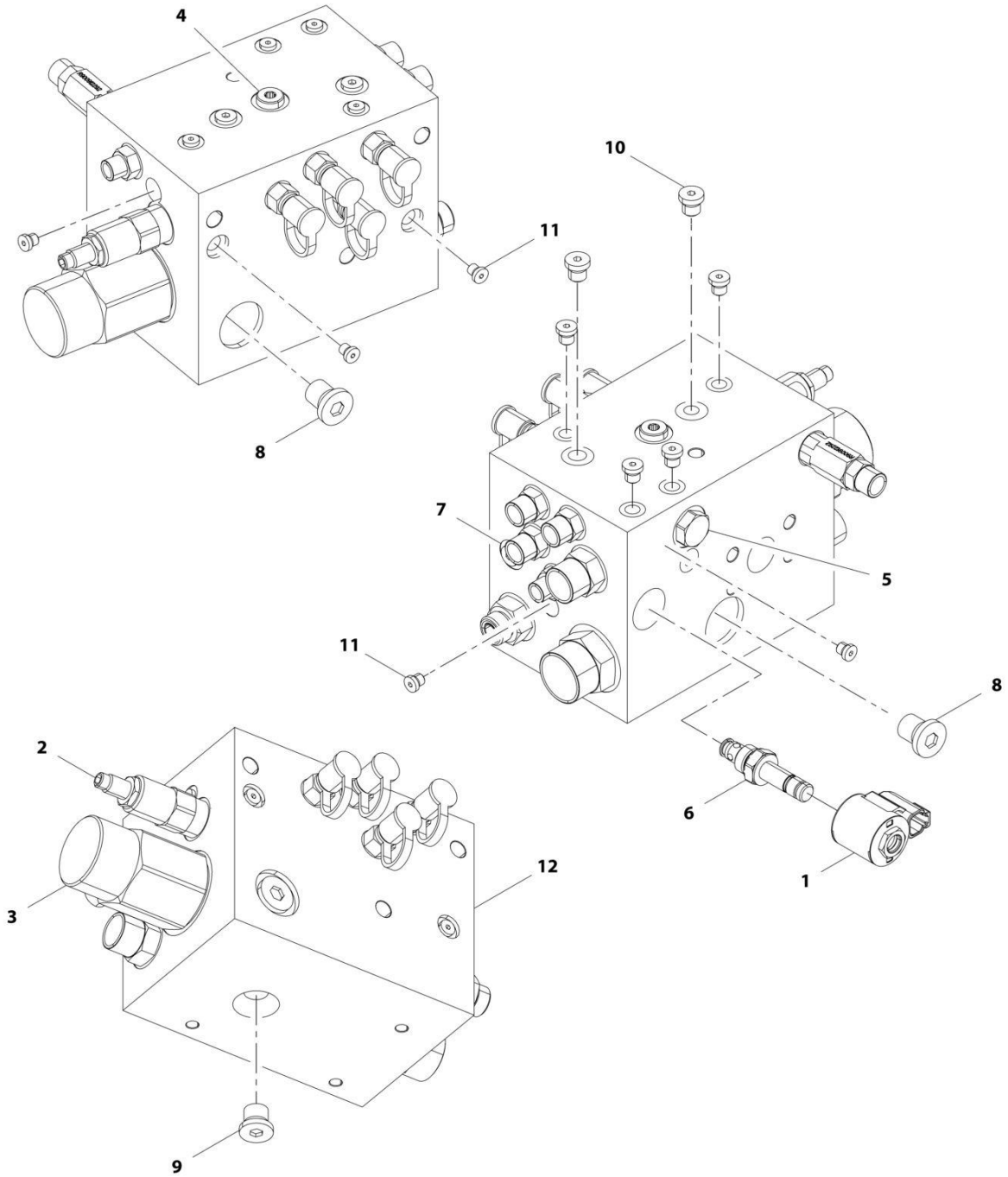
SECTION 9 - HYDRAULIC COMPONENTS

FIGURE 9-31. VALVE ASSEMBLY - MAIN CONTROL

ITEM	PART NUMBER	QTY	DESCRIPTION	REV
	1001241881	Ref	MAIN CONTROL VALVE ASSEMBLY	A
1	70028300	1	Inlet Section Assembly	
2	70029868	1	Lift Section Assembly	
3	70029870	1	Extend/Retract Section Assembly	
4	70029871	1	Tilt Section Assembly	
5	70029872	1	Aux Section Assembly	
6	70022007	1	Outlet Section Assembly	
7	8034697	5	O-Ring	
8	70026369	24	O-Ring	
9	70028299	3	Tie Rod	
10	70022019	6	Nut-Metric	
11	70025854	4	Spring	
12	70028287	4	Poppet, CV	
13	70026784	2	O-Ring	
14	70026781	6	Spring Seat	
15	70026783	6	Spring	
16	70026778	6	Plug Assembly, Special	
17	70026779	6	O-Ring	
18	70029873	1	End Cap	
19	70028295	1	End Cap Assembly, Solenoid	
20	70028298	2	Screw	
21	70026383	8	Screw	
22	70029874	8	Solenoid-Cartridge Valve	
23	70022014	16	Screw	
24	70024847	8	Plug Assembly	
25	70026777	8	O-Ring	
26	70028286	1	Drain Regulator Assembly	
27	70026373	1	O-Ring	
28	70026370	1	O-Ring	
29	70026376	1	Back-Up Ring	
30	70026370	1	O-Ring	
31	70026379	2	Plug	
32	70026372	2	O-Ring	
33	70050473	2	Plug Assembly	
34	10732931	2	O-Ring	
35	70050475	1	Plug	
36	70024201	1	O-Ring	
37	70028288	1	Relief Valve Assembly	
38	70028289	1	Relief Valve Assembly (Note: General Drawing - This part does ot to this valve)	
39	70028296	2	Relief Valve Assembly	
40	70027134	1	Relief Valve Assembly	
41	70028297	1	Relief Valve Assembly (Note: General Drawing - This part does ot to this valve)	
42	70022010	2	Relief Valve Assembly	
43	10837953	1	Shut-Off Plug Assembly	
44	70022008	1	Shut-Off Plug Assembly	

SECTION 9 - HYDRAULIC COMPONENTS

FIGURE 9-32. VALVE ASSEMBLY - PRIORITY VALVE



ART_1001192888-E

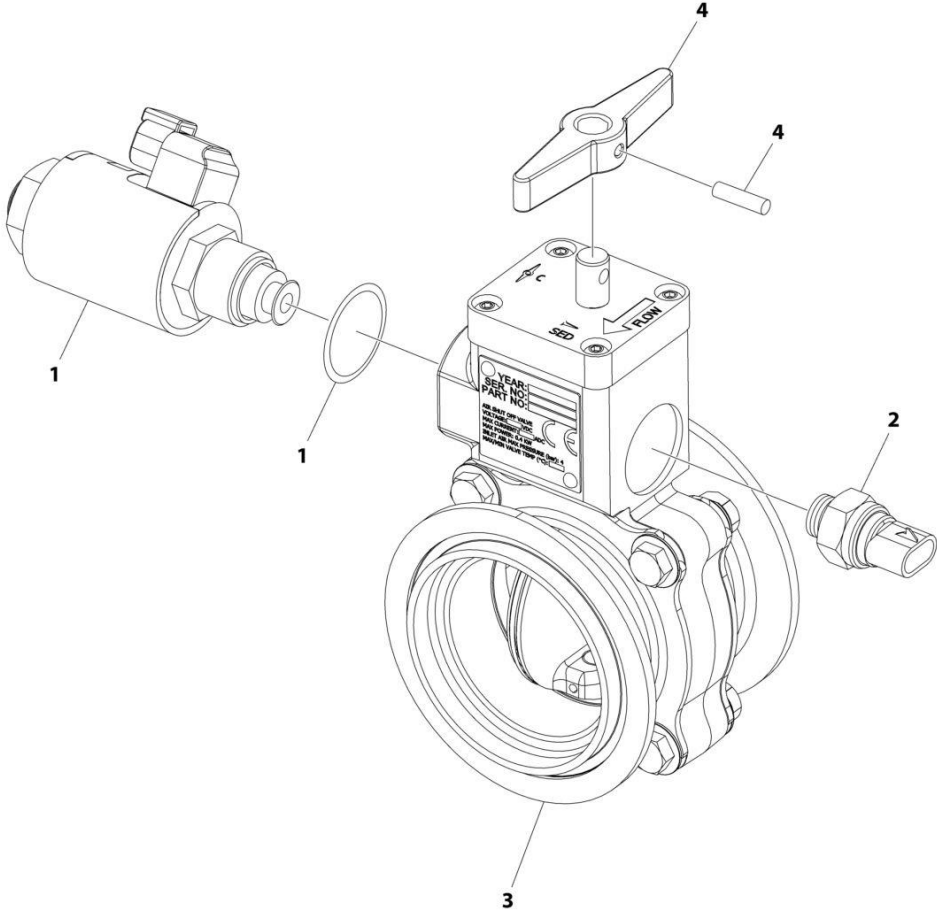
SECTION 9 - HYDRAULIC COMPONENTS

FIGURE 9-32. VALVE ASSEMBLY - PRIORITY VALVE

ITEM	PART NUMBER	QTY	DESCRIPTION	REV
	1001192888	Ref	Priority Valve Assembly	E
1	70028905	1	Cartridge	
2	70028904	1	Cartridge	
3	70028903	1	Cartridge	
4	70026312	1	Cartridge	
5	70028902	1	Cartridge	
6	70002963	1	Coil	
7	70006427	1	Orifice	
8	70026314	2	Plug	
9	2220886	1	Plug	
10	2220883	3	Plug	
11	70026315	9	Plug	
12	N.S.S.	1	Block	

SECTION 9 - HYDRAULIC COMPONENTS

FIGURE 9-33. VALVE ASSEMBLY - RADIATOR HOSE SHUT-OFF VALVE



ART_1001204032_C

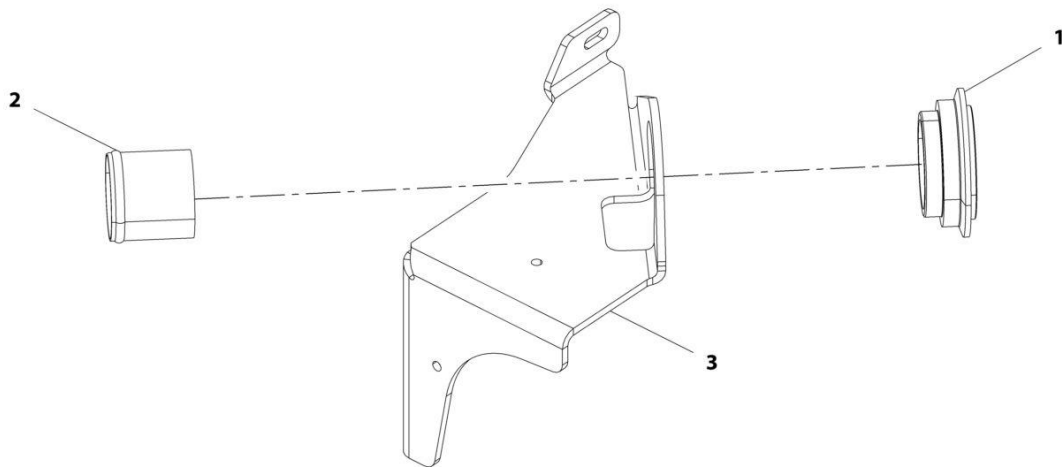
SECTION 9 - HYDRAULIC COMPONENTS

FIGURE 9-33. VALVE ASSEMBLY - RADIATOR HOSE SHUT-OFF VALVE

ITEM	PART NUMBER	QTY	DESCRIPTION	REV
	1001204032	Ref	Air Shut Off Valve	C
1	70028514	1	Kit, Solenoid 12V (Includes Solenoid, Coil, O-Ring)	
2	70028515	1	Kit, Switch (Includes Ball Switch & O-Ring)	
3	70028516	1	Kit, Flange and Hardware (Includes Flanges (Male & Female) & Mounting Hardware)	
4	70028517	1	Kit, Handle (Includes Handle & Pin)	

SECTION 9 - HYDRAULIC COMPONENTS

FIGURE 9-34. VALVE ASSEMBLY - RADIATOR HOSE ASO VALVE



ART_1001223618-A

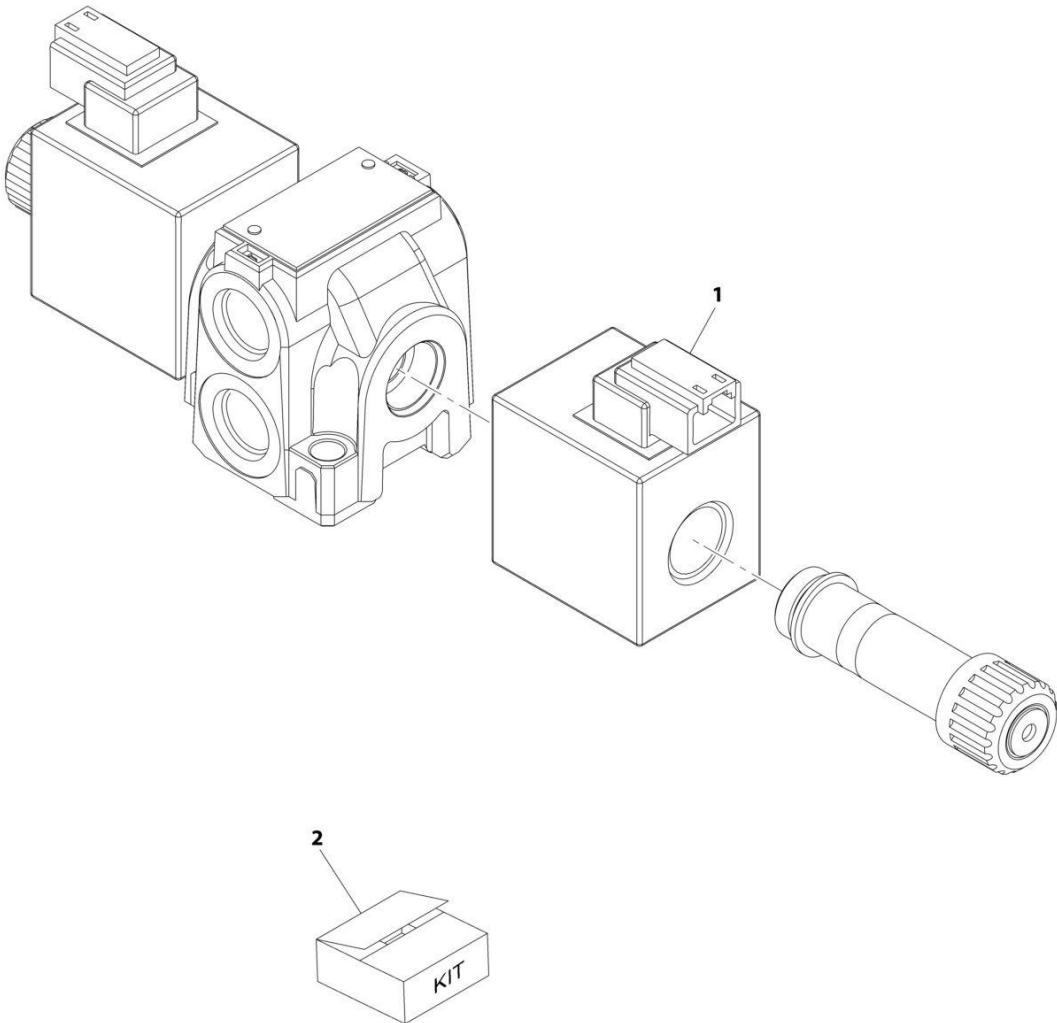
SECTION 9 - HYDRAULIC COMPONENTS

FIGURE 9-34. VALVE ASSEMBLY - RADIATOR HOSE ASO VALVE

ITEM	PART NUMBER	QTY	DESCRIPTION	REV
	1001223618	Ref	ASO Valve	A
1	1001204057	1	Plate	
2	1001206954	1	Tube	
3	1001223622	1	Bracket	

SECTION 9 - HYDRAULIC COMPONENTS

FIGURE 9-35. VALVE ASSEMBLY - SPEED CONTROL



ART_4641520-B

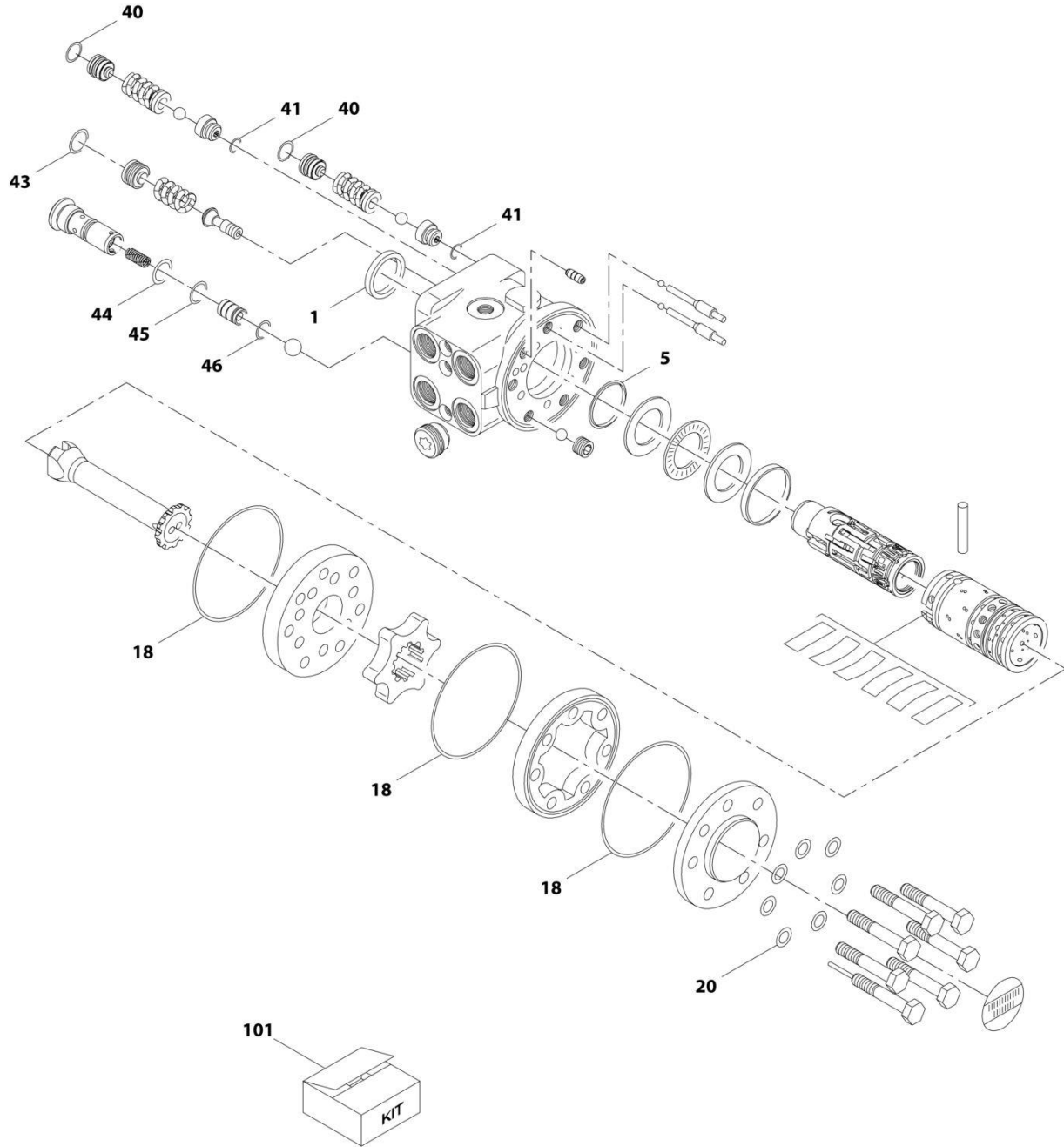
SECTION 9 - HYDRAULIC COMPONENTS

FIGURE 9-35. VALVE ASSEMBLY - SPEED CONTROL

ITEM	PART NUMBER	QTY	DESCRIPTION	REV
	4641520	Ref	Speed Control Valve	B
1	70026582	1	SOLENOID	
2	70020867	1	Kit, Coil Nut	
	N.S.S.	1	Seal	
	N.S.S.	1	Seal	
	N.S.S.	1	Nut, Coil	

SECTION 9 - HYDRAULIC COMPONENTS

FIGURE 9-36. VALVE ASSEMBLY - STEER



ART_1001178670-B

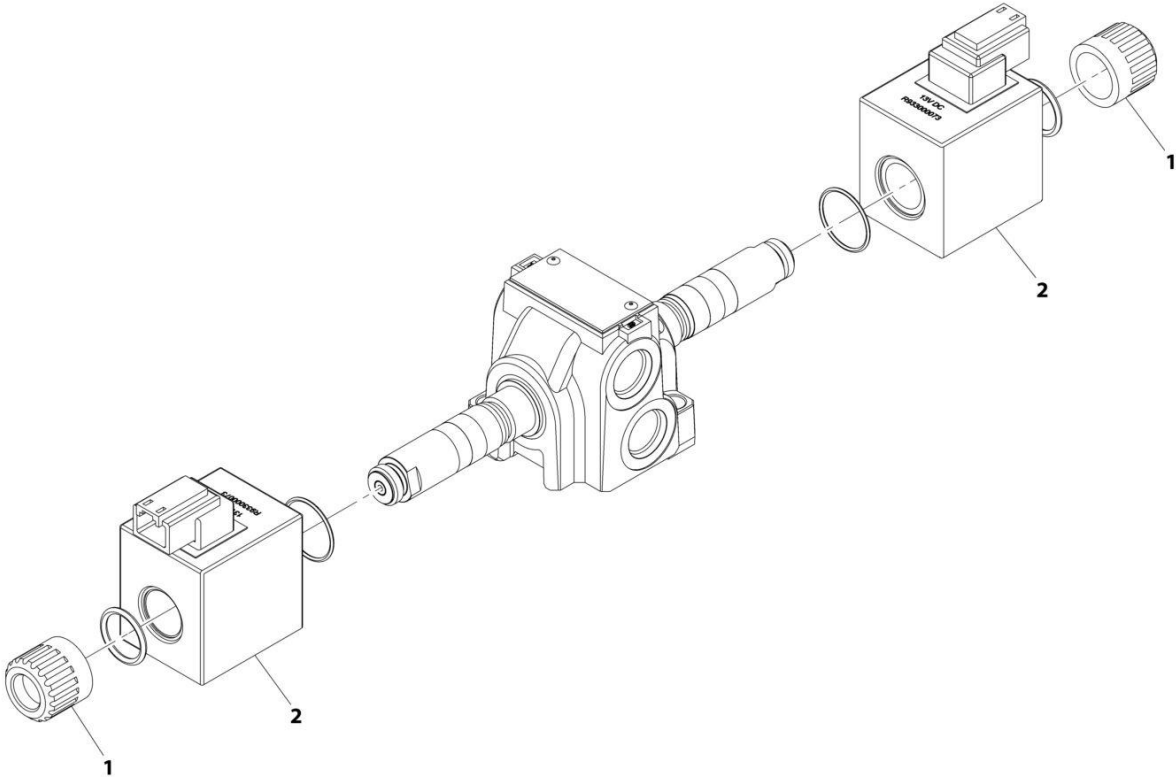
SECTION 9 - HYDRAULIC COMPONENTS

FIGURE 9-36. VALVE ASSEMBLY - STEER

ITEM	PART NUMBER	QTY	DESCRIPTION	REV
	1001178670	Ref	Steer Unit Valve	B
1	Kit	2	Ring, Dust Seal	
5	Kit	2	Seal, Shaft	
18	Kit	2	O-Ring	
20	Kit	2	Washer	
40	Kit	2	O-Ring	
41	Kit	2	O-Ring	
43	Kit	2	O-Ring	
44	Kit	2	O-Ring	
45	Kit	2	O-Ring	
46	Kit	2	O-Ring	
101	70028285	1	Kit, Seal (includes items 1, 5, 18, 20, 40, 41 and 43 thru 46)	

SECTION 9 - HYDRAULIC COMPONENTS

FIGURE 9-37. VALVE ASSEMBLY - STEERING SELECT VALVE



ART_1001153748-C

SECTION 9 - HYDRAULIC COMPONENTS

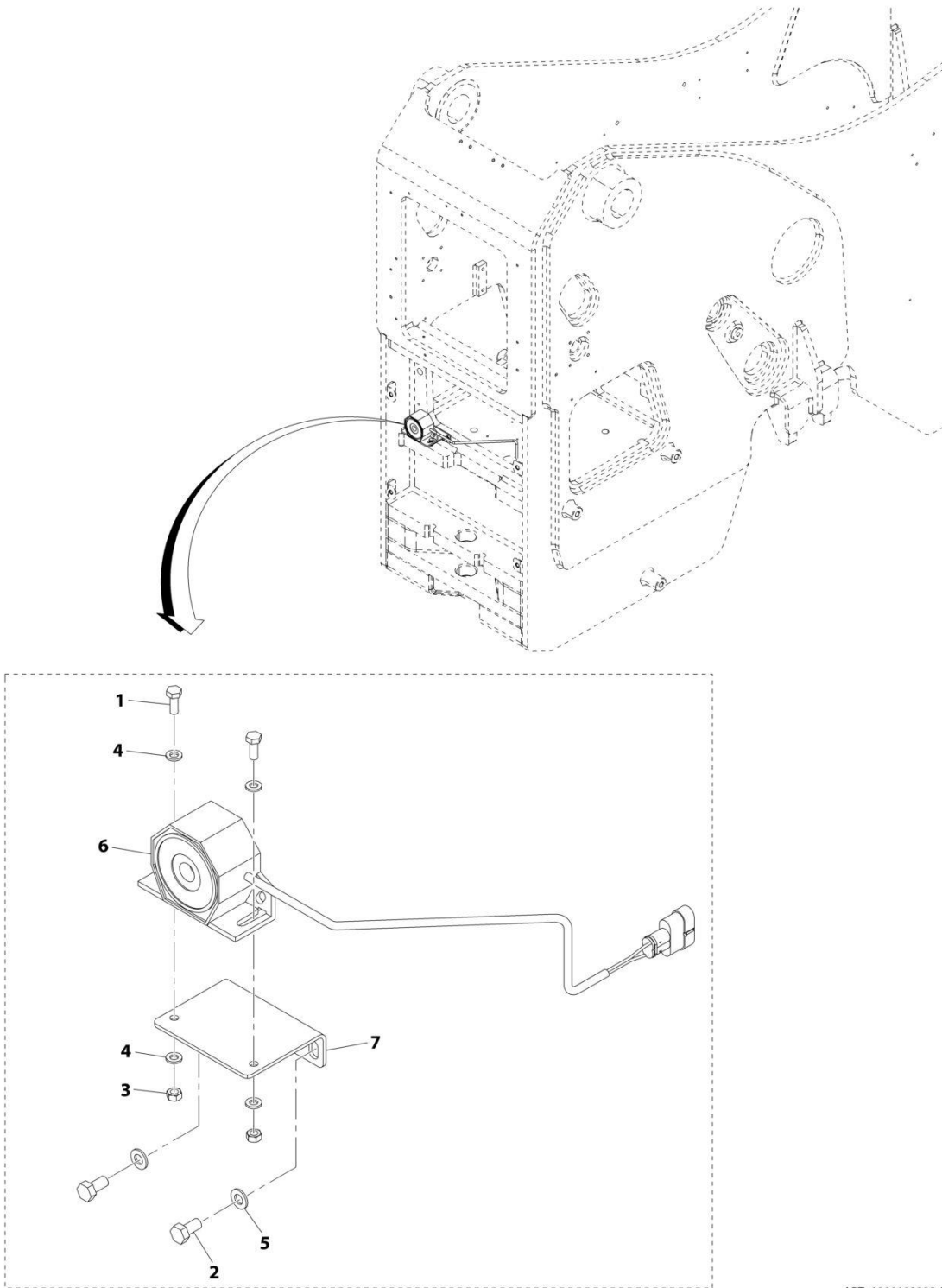
FIGURE 9-37. VALVE ASSEMBLY - STEERING SELECT VALVE

ITEM	PART NUMBER	QTY	DESCRIPTION	REV
	1001153748	Ref	Steering Select Valve	C
1	70020867	2	Nut, Coil	
2	70026582	2	Coil	

SECTION 10 - ELECTRICAL

SECTION 10 - ELECTRICAL

FIGURE 10-1. ALARM INSTALLATION - BACK UP



ART_1001192323-D

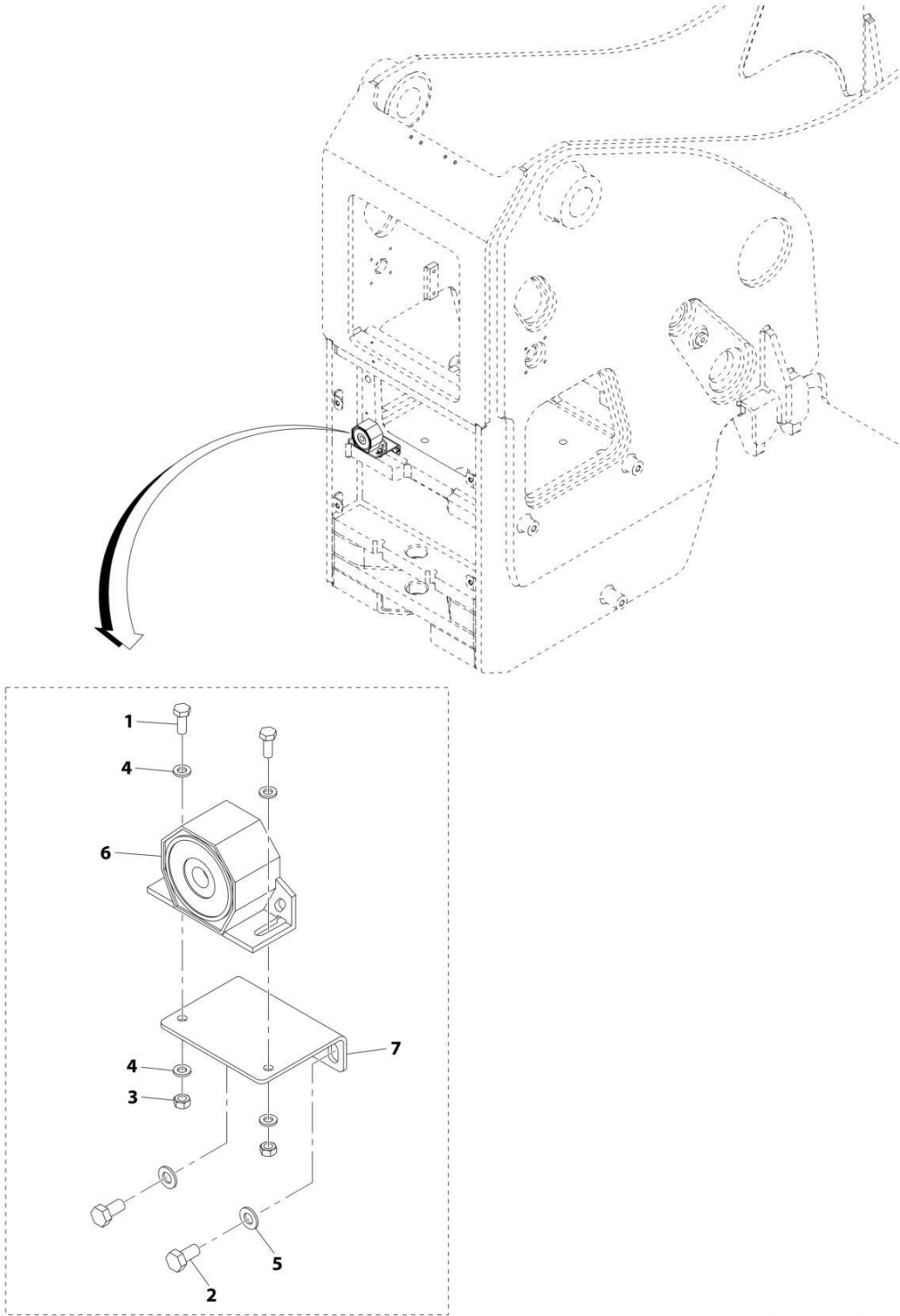
SECTION 10 - ELECTRICAL

FIGURE 10-1. ALARM INSTALLATION - BACK UP

ITEM	PART NUMBER	QTY	DESCRIPTION	REV
	1001192323	Ref	Backup Alarm Installation	D
1	0760608	2	Bolt, M6X16	
2	0760808	2	Bolt, M8X16	
3	3290601	2	Nut, M6X1	
4	4811700	4	Washer, M6	
5	4811900	2	Washer, M8	
6	1001101808	1	Alarm, Backup	
7	1001193698	1	Bracket	

SECTION 10 - ELECTRICAL

FIGURE 10-2. ALARM INSTALLATION (BACK UP - WHITE NOISE)



ART_1001195263-B

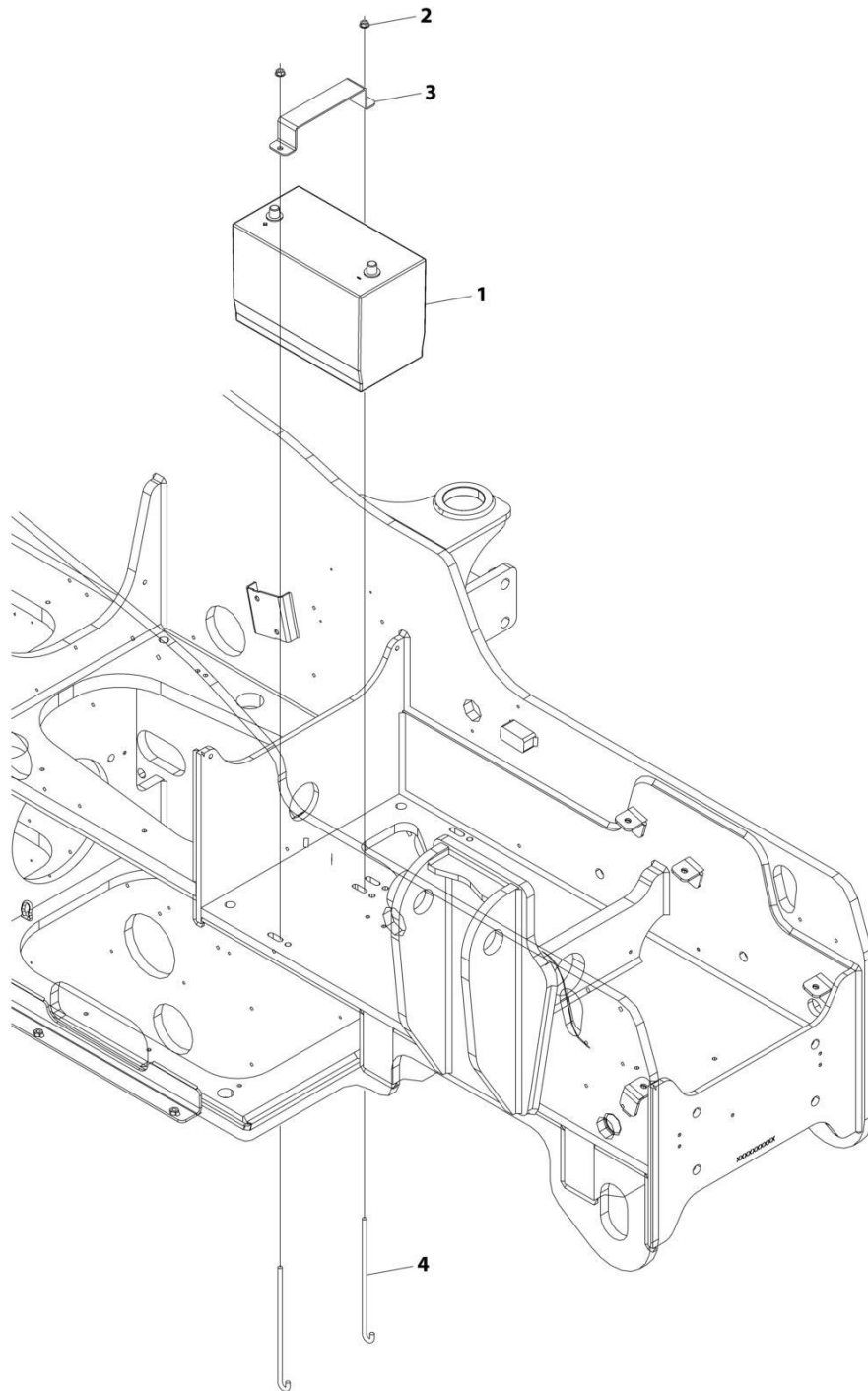
SECTION 10 - ELECTRICAL

FIGURE 10-2. ALARM INSTALLATION (BACK UP - WHITE NOISE)

ITEM	PART NUMBER	QTY	DESCRIPTION	REV
	1001195263	Ref	Backup Alarm Installation (White Noise)	B
1	0760608	2	Bolt, M6X16	
2	0760808	2	Bolt, M8X16	
3	3290601	2	Nut, M6X1	
4	4811700	4	Washer, M6	
5	4811900	2	Washer, M8	
6	1001165827	1	Alarm, Backup (White Noise)	
7	1001193698	1	Bracket	

SECTION 10 - ELECTRICAL

FIGURE 10-3. BATTERY INSTALLATION



ART_1001186855

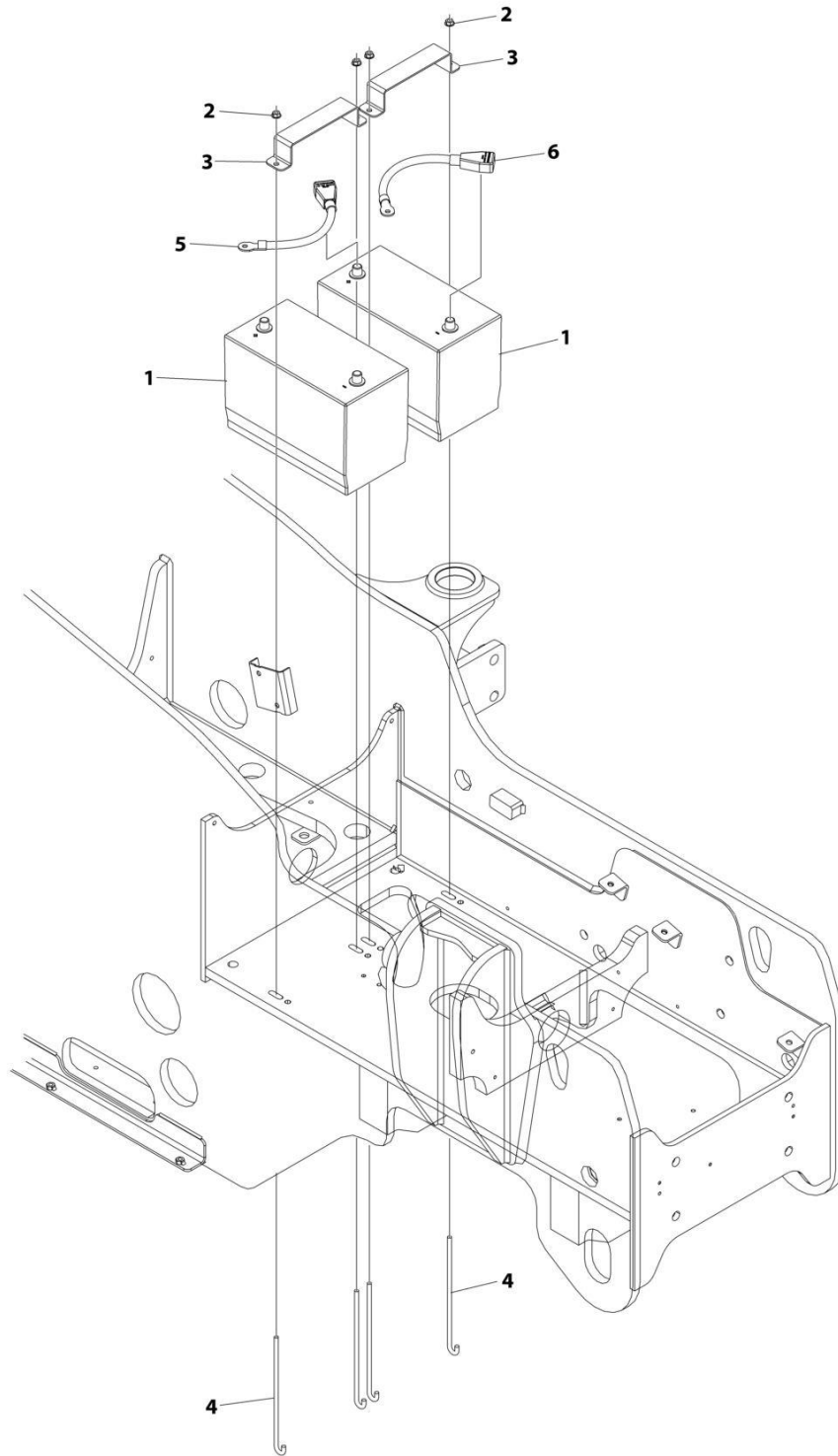
SECTION 10 - ELECTRICAL

FIGURE 10-3. BATTERY INSTALLATION

ITEM	PART NUMBER	QTY	DESCRIPTION	REV
	1001186855	Ref	Battery Installation	B
1	0400075	1	Battery, 12V	
2	5220800	2	Nut, Ripp M8	
3	1001160927	1	Plate	
4	1001160928	2	J-Bolt (270mm Length)	
4	1001181961	2	J-Bolt (220mm Length)	

SECTION 10 - ELECTRICAL

FIGURE 10-4. BATTERY (DUAL) INSTALLATION



ART_1001211445_D

SECTION 10 - ELECTRICAL

FIGURE 10-4. BATTERY (DUAL) INSTALLATION

ITEM	PART NUMBER	QTY	DESCRIPTION	REV
	1001211445	Ref	Dual Battery Installation	D
1	0400075	2	Battery, 12V	
2	5220800	4	Nut Ripp M8	
3	1001160927	2	Plate	
4	1001160928	4	J-Bolt (270mm Length)	
4	1001181961	4	J-Bolt (220mm Length)	
5	1001203557	1	Cable, Positive Battery	
6	1001203558	1	Cable, Negative Battery	

SECTION 10 - ELECTRICAL

FIGURE 10-5. BATTERY (ARCTIC) PACKAGE INSTALLATION (115V)



ART_1001186856-D

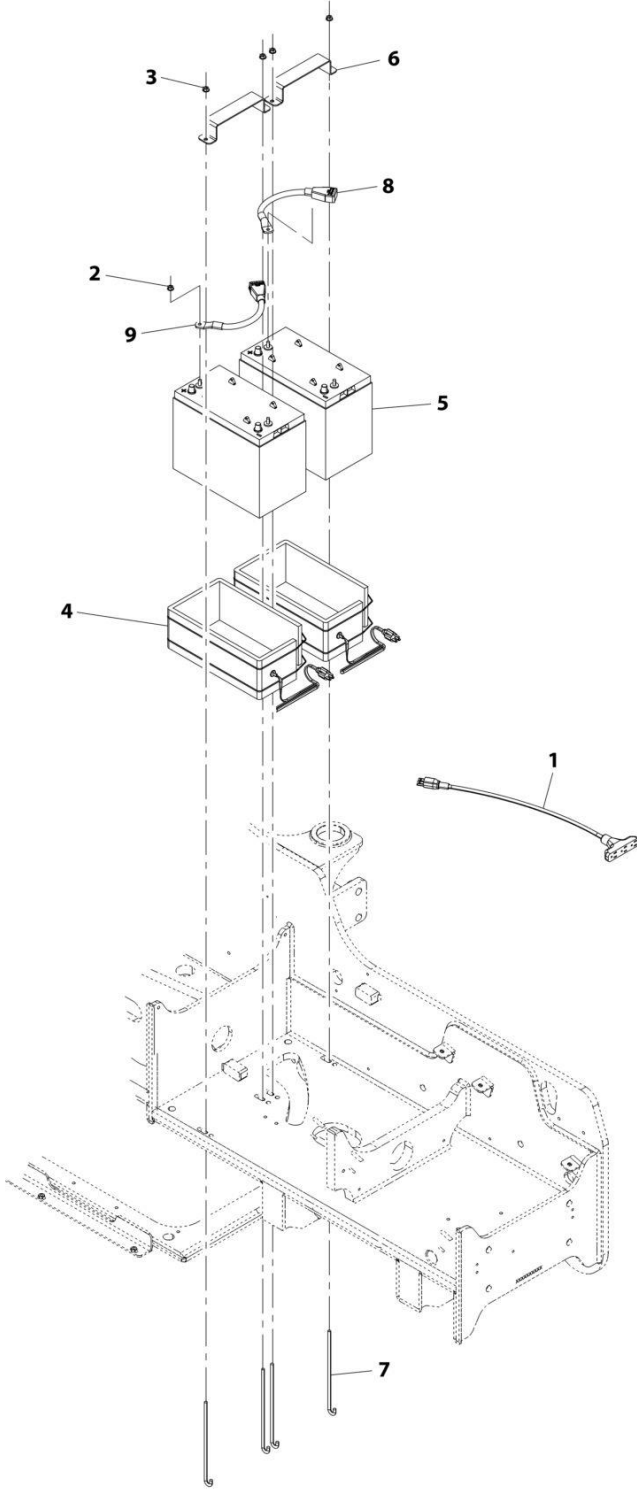
SECTION 10 - ELECTRICAL

FIGURE 10-5. BATTERY (ARCTIC) PACKAGE INSTALLATION (115V)

ITEM	PART NUMBER	QTY	DESCRIPTION	REV
	1001186856	Ref	Arctic Battery Package Installation (115V)	D
1	1001195582	1	Installation, Arctic Battery Package (115V) (See Separate Breakdown in this Section)	
2	1001195593	1	Installation, Hydraulic Tank Heater (115V) (See Separate Breakdown in this Section)	
3	2580040	1	Heater, Engine Oil Pan	
4	1062255	2	Tie, Strap	
5	1001232509	1	Tube, Heated Breather	

SECTION 10 - ELECTRICAL

FIGURE 10-6. BATTERIES (ARCTIC) INSTALLATION (115V)



ART_1001195582-B

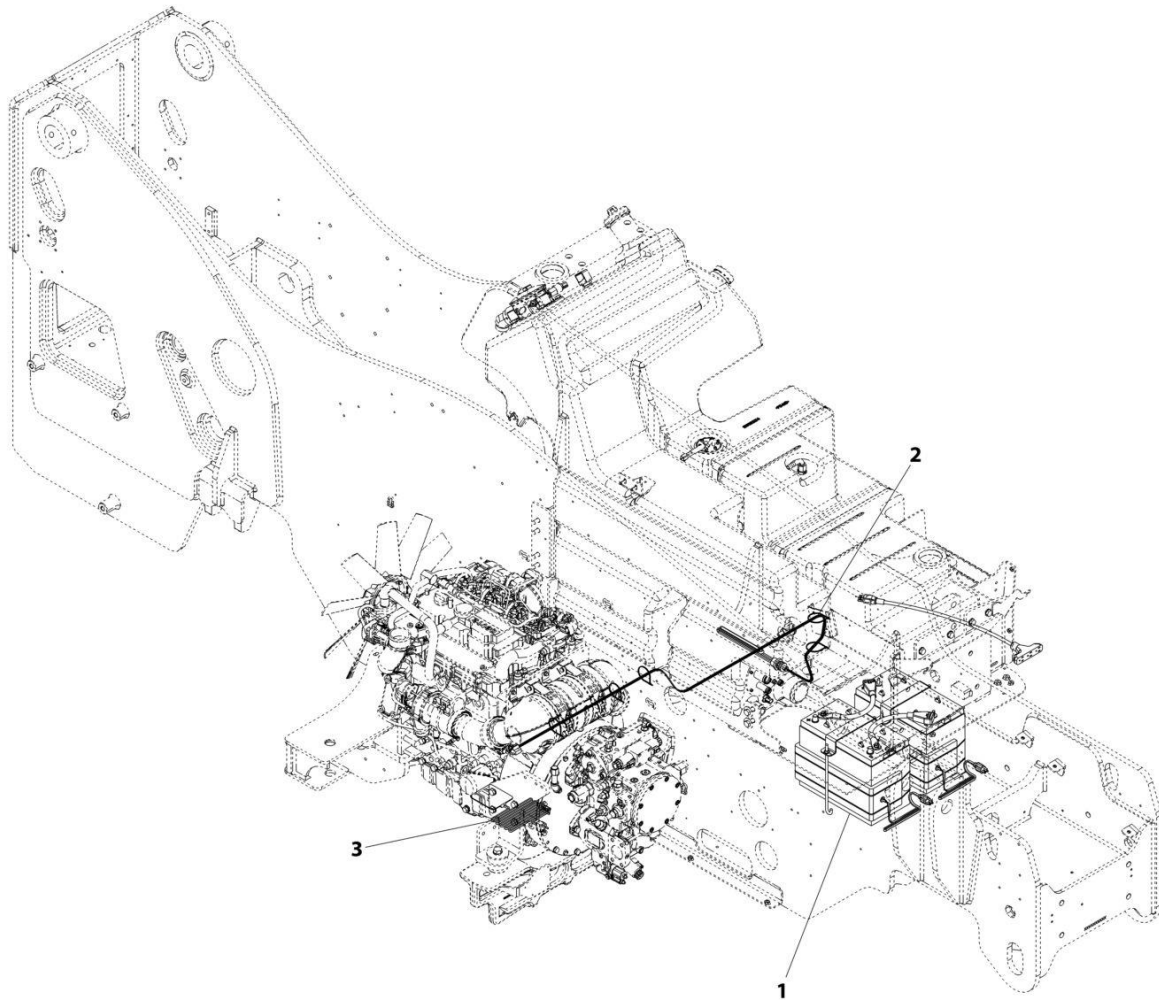
SECTION 10 - ELECTRICAL

FIGURE 10-6. BATTERIES (ARCTIC) INSTALLATION (115V)

ITEM	PART NUMBER	QTY	DESCRIPTION	REV
	1001195582	Ref	Arctic Batteries Installation (115V)	B
1	1060626	1	Cord, 3-Way Extension	
2	3311508	2	Nut 5/16	
3	5220800	4	Nut M8	
4	1001093564	2	Heater, Battery	
5	1001098762	2	Battery 12V	
6	1001160927	2	Plate, Battery Hold Down	
7	1001160928	4	J-Bolt	
8	1001172495	1	Cable, Positive Battery	
9	1001172496	1	Cable, Negative Battery	

SECTION 10 - ELECTRICAL

FIGURE 10-7. BATTERY (ARCTIC) PACKAGE INSTALLATION (230V)



ART_1001204544-C

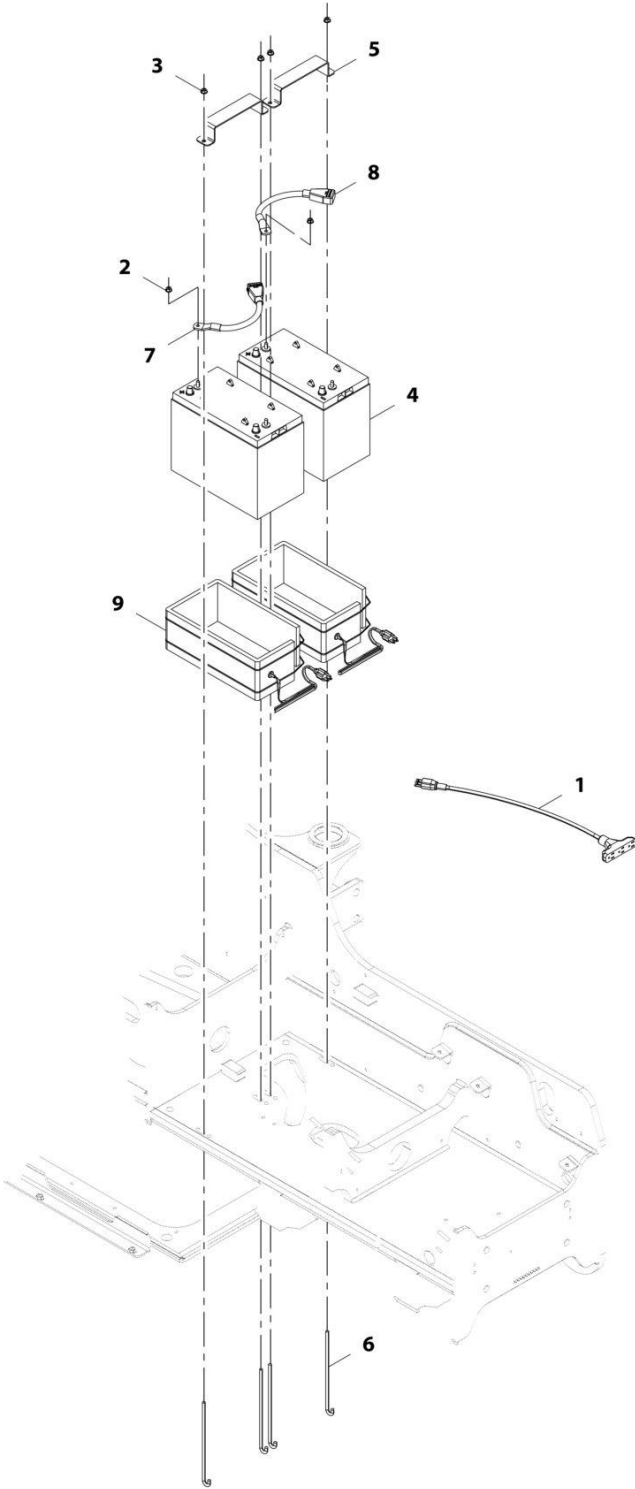
SECTION 10 - ELECTRICAL

FIGURE 10-7. BATTERY (ARCTIC) PACKAGE INSTALLATION (230V)

ITEM	PART NUMBER	QTY	DESCRIPTION	REV
1	1001204544	Ref	Arctic Package Installation (240V)	C
	1001204548	Ref	Installation, Arctic Battery, (240V) (See Separate Breakdown in this Section)	
2	1001204549	Ref	Installation, Hydraulic Tank Heater (240V) (See Separate Breakdown in this Section)	
3	1001196332	1	Heater, Oil Pan	

SECTION 10 - ELECTRICAL

FIGURE 10-8. BATTERIES (ARCTIC) INSTALLATION (230V)



ART_1001204548-A

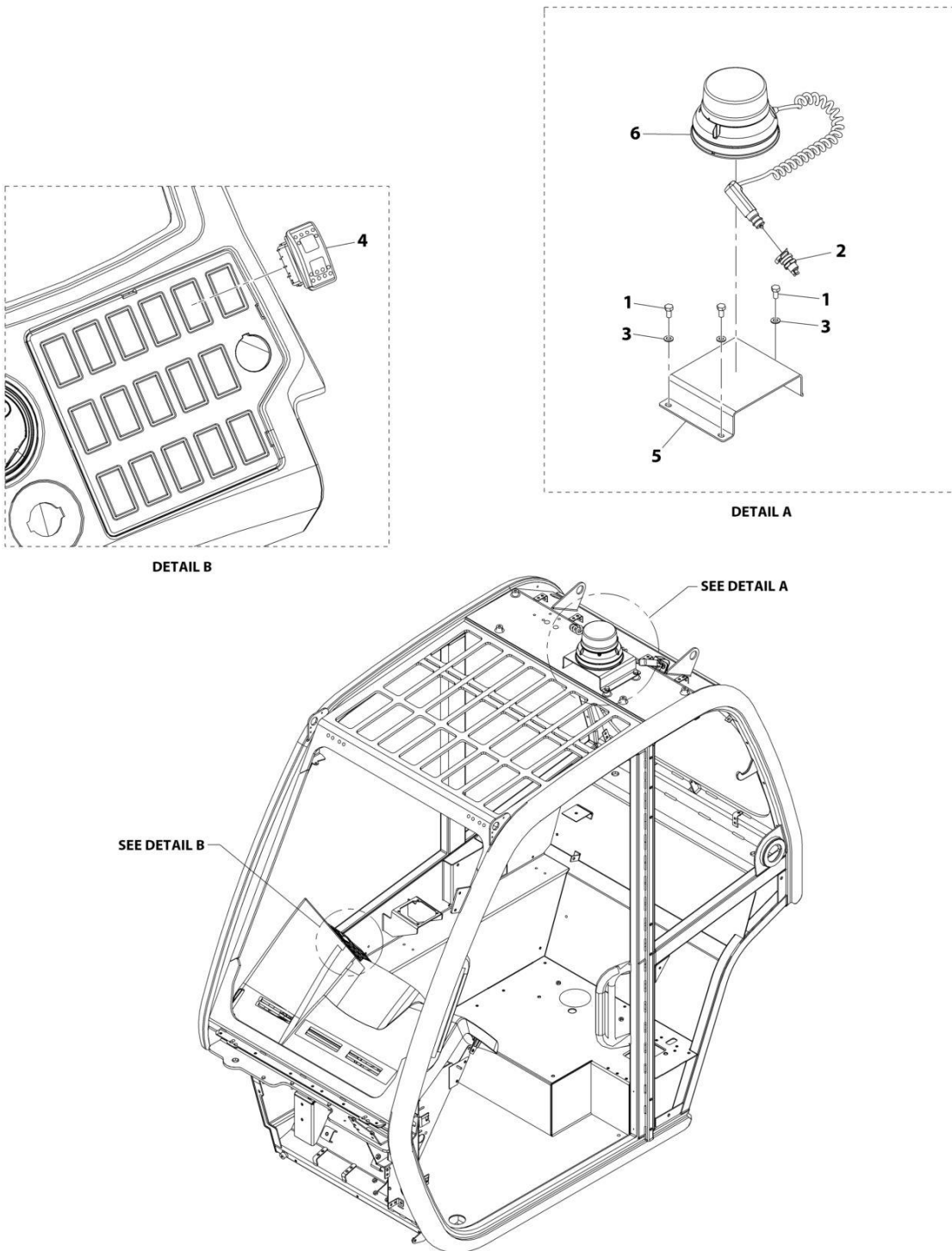
SECTION 10 - ELECTRICAL

FIGURE 10-8. BATTERIES (ARCTIC) INSTALLATION (230V)

ITEM	PART NUMBER	QTY	DESCRIPTION	REV
	1001204548	Ref	Artic Battery Package Installation (240V)	A
1	1060626	1	Cord, 3-Way Extension	
2	3311508	2	Nut, 5/16-18	
3	5220800	4	Nut, M8	
4	1001098762	2	Battery, 12V	
5	1001160927	2	Plate, Battery Hold Down	
6	1001160928	4	J-Bolt	
7	1001172495	1	Cable, Positive Battery	
8	1001172496	1	Cable, Negative Battery	
9	1001195469	2	Heater, Battery	

SECTION 10 - ELECTRICAL

FIGURE 10-9. BEACON INSTALLATION (LED)



ART_1001195883-A

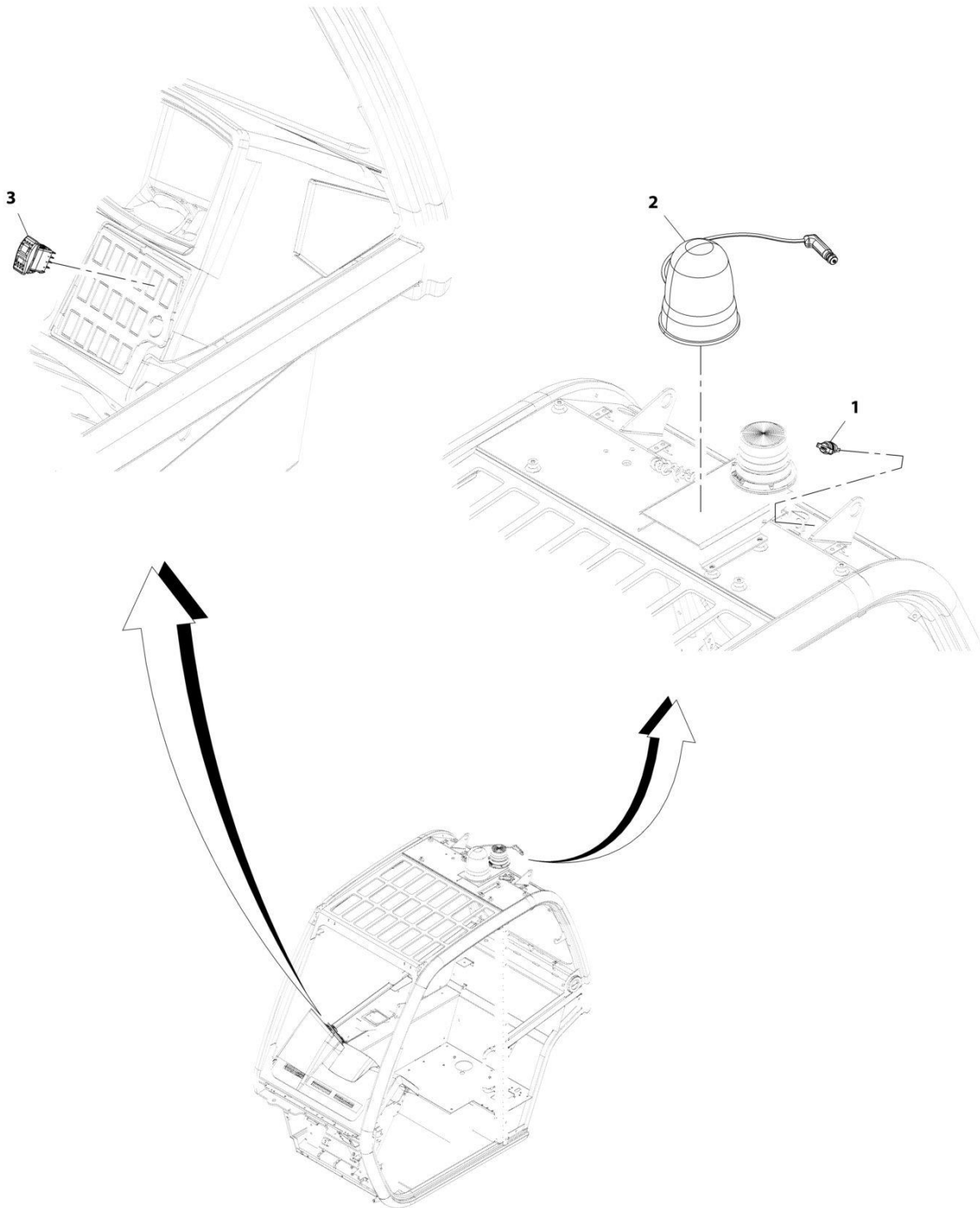
SECTION 10 - ELECTRICAL

FIGURE 10-9. BEACON INSTALLATION (LED)

ITEM	PART NUMBER	QTY	DESCRIPTION	REV
	1001195883	Ref	BEACON INSTALLATION (LED)	B
1	0760808	3	Bolt M8 x 16	
2	4461174	1	Terminal	
3	4811900	3	Washer M8	
4	1001159738	1	Switch, Beacon	
5	1001174796	1	Bracket	
	1001273075	1	Light, Beacon (LED)	

SECTION 10 - ELECTRICAL

FIGURE 10-10. BEACON (REMOTE BOOM CONTROL) INSTALLATION



ART_1001209357-B

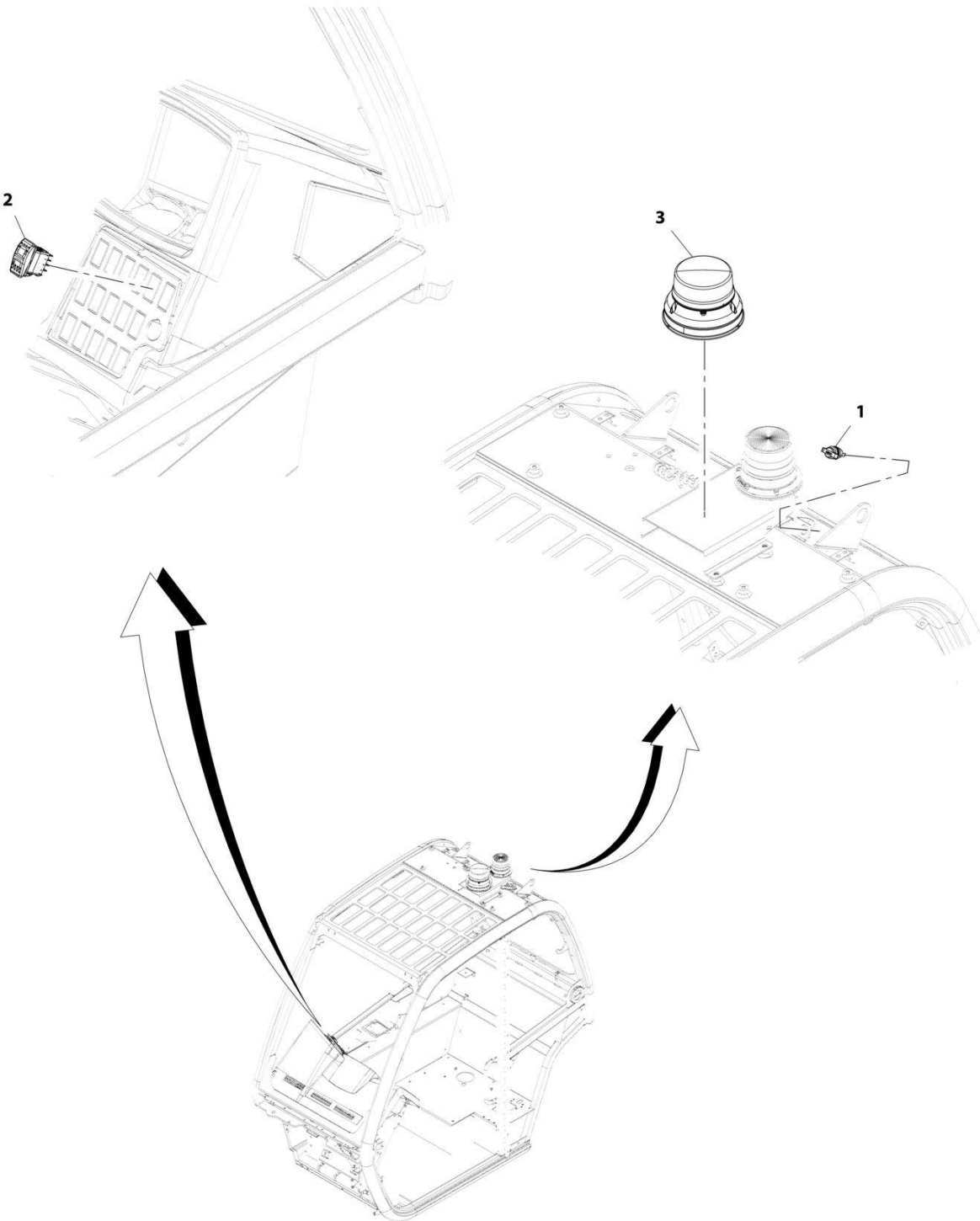
SECTION 10 - ELECTRICAL

FIGURE 10-10. BEACON (REMOTE BOOM CONTROL) INSTALLATION

ITEM	PART NUMBER	QTY	DESCRIPTION	REV
	1001209357	Ref	Beacon (Remote Boom Control) Installation	B
1	4461174	1	Terminal, 12 Volt	
2	1001217623	1	Light, Warning	
3	1001159738	1	Switch, Beacon	

SECTION 10 - ELECTRICAL

FIGURE 10-11. BEACON (LED) (REMOTE BOOM CONTROL) INSTALLATION



ART_1001209358-A

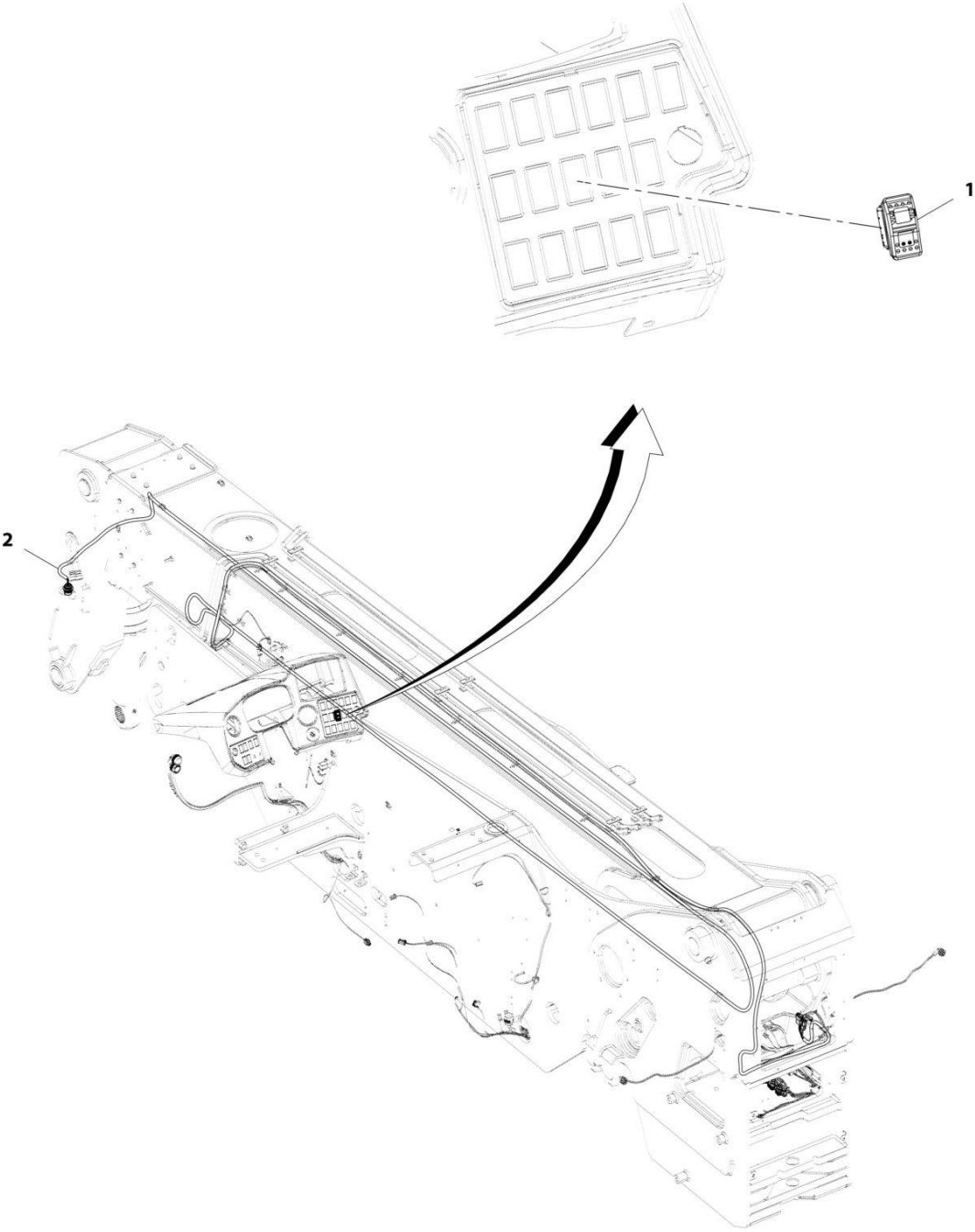
SECTION 10 - ELECTRICAL

FIGURE 10-11. BEACON (LED) (REMOTE BOOM CONTROL) INSTALLATION

ITEM	PART NUMBER	QTY	DESCRIPTION	REV
	1001209358	Ref	BEACON (LED) (REMOTE BOOM CONTROL) INSTALLATION	A
1	4461174	1	Terminal, 12 Volt	
2	1001159738	1	Switch, Beacon	
3	1001198893	1	Light, Warning	

SECTION 10 - ELECTRICAL

FIGURE 10-12. BOOM HARNESS INSTALLATION



ART_1001192575-B

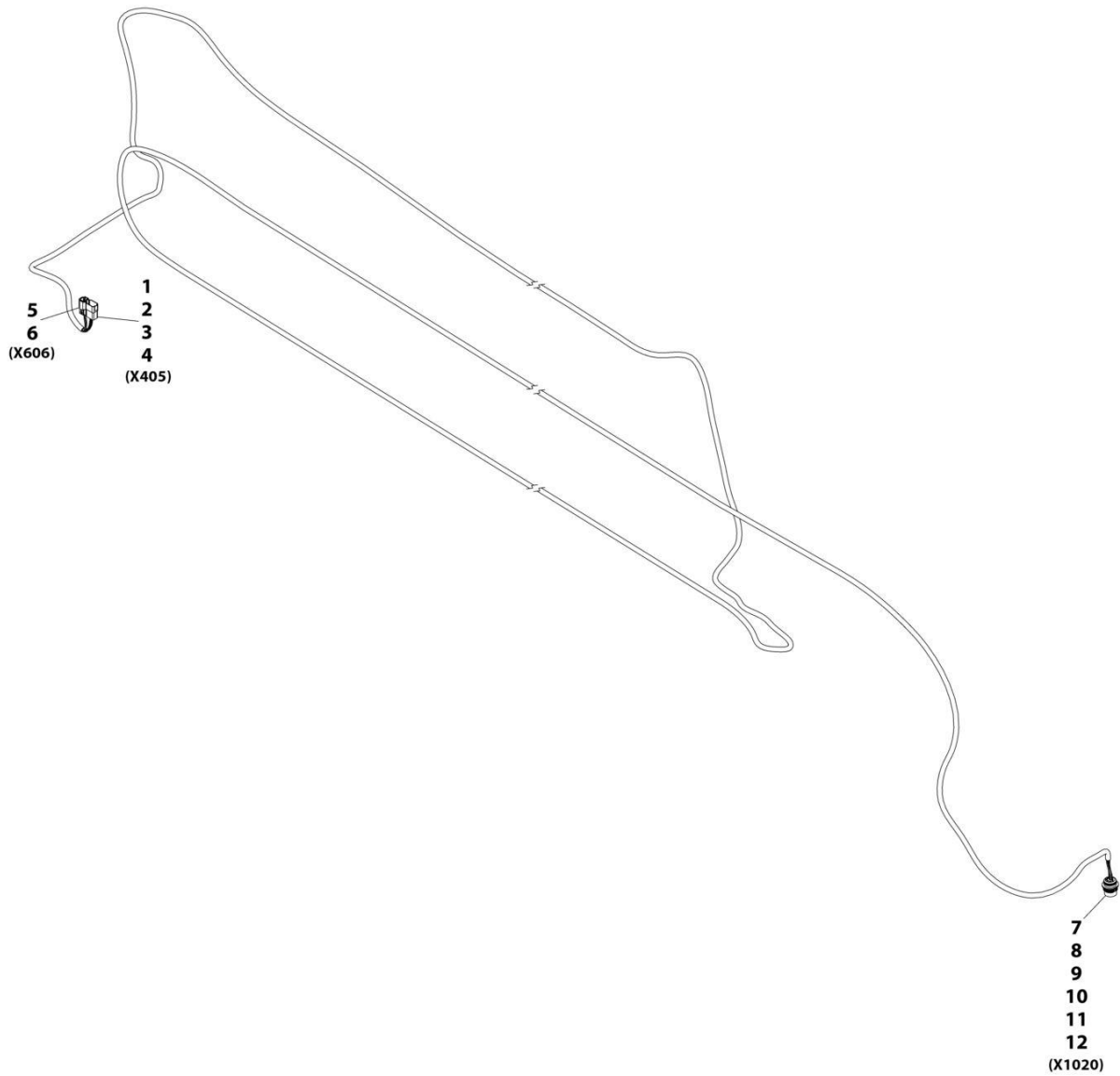
SECTION 10 - ELECTRICAL

FIGURE 10-12. BOOM HARNESS INSTALLATION

ITEM	PART NUMBER	QTY	DESCRIPTION	REV
	1001192575	Ref	Boom Harness Installation	B
1	1001159746	1	Switch, Aux Electric	
2	1001201124	1	Harness, Boom (See Separate Breakdown in this Section)	

SECTION 10 - ELECTRICAL

FIGURE 10-13. BOOM HARNESS



ART_1001201124-B

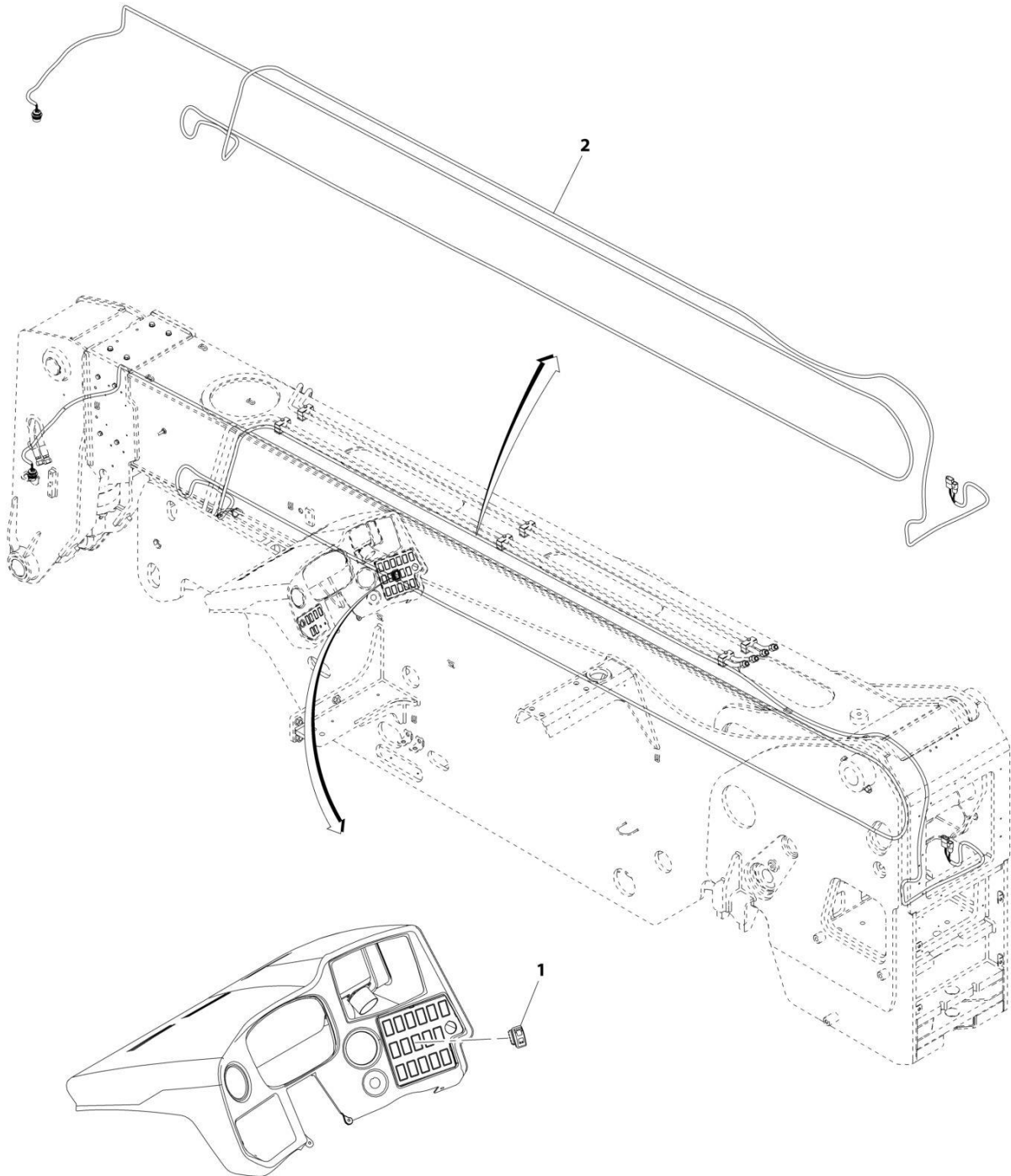
SECTION 10 - ELECTRICAL

FIGURE 10-13. BOOM HARNESS

ITEM	PART NUMBER	QTY	DESCRIPTION	REV
	1001201124	Ref	Boom Harness	B
1	4460931	1	Connector	
2	4460943	2	Terminal	
3	4460464	4	Terminal	
4	4460466	2	Plug	
5	4461017	1	Connector	
6	4460508	2	Terminal	
7	1001112612	1	Connector	
8	1001183221	1	Boot	
9	1001157891	2	Terminal	
10	4460464	4	Terminal	
11	4460943	2	Terminal	
12	4460466	1	Plug	

SECTION 10 - ELECTRICAL

FIGURE 10-14. BOOM HARNESS INSTALLATION



ART_1001228743-A

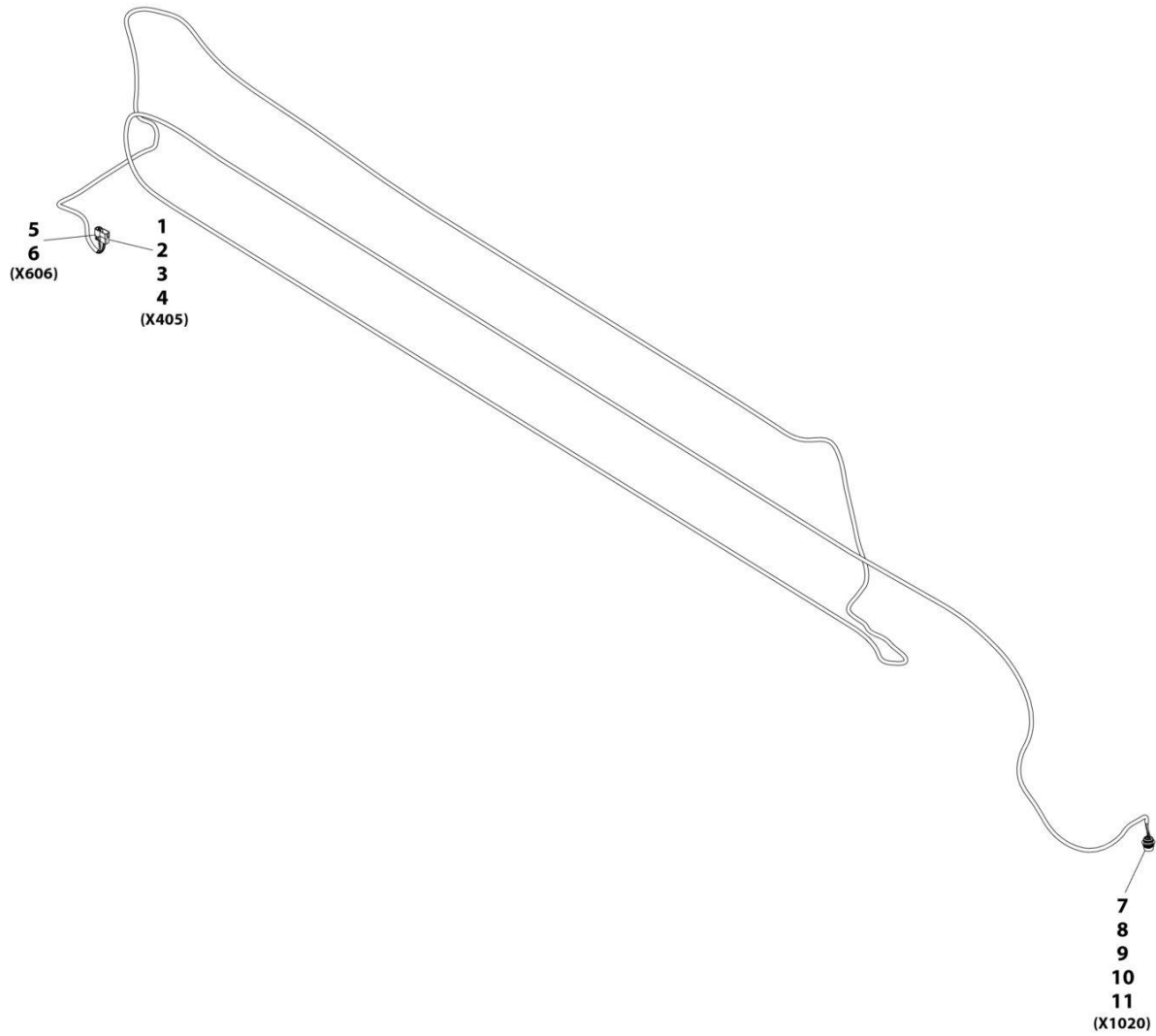
SECTION 10 - ELECTRICAL

FIGURE 10-14. BOOM HARNESS INSTALLATION

ITEM	PART NUMBER	QTY	DESCRIPTION	REV
	1001228743	Ref	Boom Harness Installation	A
1	1001159746	1	Switch, Aux Electric	
2	1001228744	1	Harness, Boom (See Separate Breakdown in this Section)	

SECTION 10 - ELECTRICAL

FIGURE 10-15. BOOM HARNESS



ART_1001228744-A

SECTION 10 - ELECTRICAL

FIGURE 10-15. BOOM HARNESS

ITEM	PART NUMBER	QTY	DESCRIPTION	REV
	1001228744	Ref	Boom Harness	A
1	4460931	1	Connector	
2	4460943	2	Terminal	
3	4460464	4	Terminal	
4	4460466	2	Plug	
5	4461017	1	Connector	
6	4460508	2	Terminal	
7	1001112612	1	Connector	
8	1001157891	2	Terminal	
9	4460464	4	Terminal	
10	4460943	2	Terminal	
11	4460466	1	Plug	

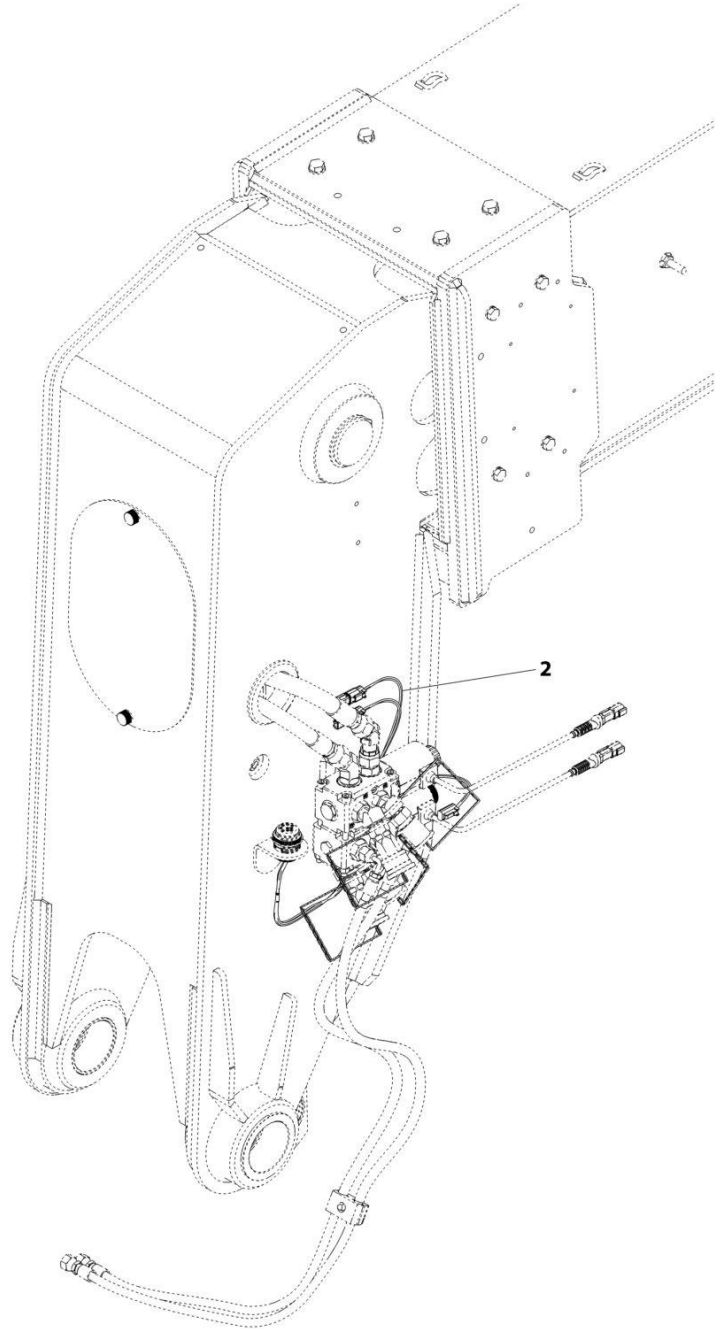
SECTION 10 - ELECTRICAL

FIGURE 10-16. BOOM ANGLE SENSOR INSTALLATION (NO LMIS)

ITEM	PART NUMBER	QTY	DESCRIPTION	REV
	1001192430	Ref	BOOM ANGLE SENSOR INSTALLATION (NO LMIS)	E
1	0761008	2	Bolt M10X16	
2	3290405	2	Nut, Lock M4	
3	3290601	2	Nut M6	
4	1001278028	1	Sensor, Angle	
5	4010610	1	Screw M6X20	
6	4811400	2	Washer M4	
7	4812000	2	Washer M10	
8	1001103156	1	Pin	
9	1001103300	1	Fitting, Ball Joint	
10	1001126837	2	Screw M4X16	
11	1001134274	1	Clevis	
12	1001213775	1	Bracket	
13	1001195731	1	Link	
14	1001195732	1	Rod	
15	3290605	1	Nut, Lock M6	
16	4811700	1	Washer M6	

SECTION 10 - ELECTRICAL

FIGURE 10-17. BOOM AUX HARNESS INSTALLATION



ART_1001192370-C

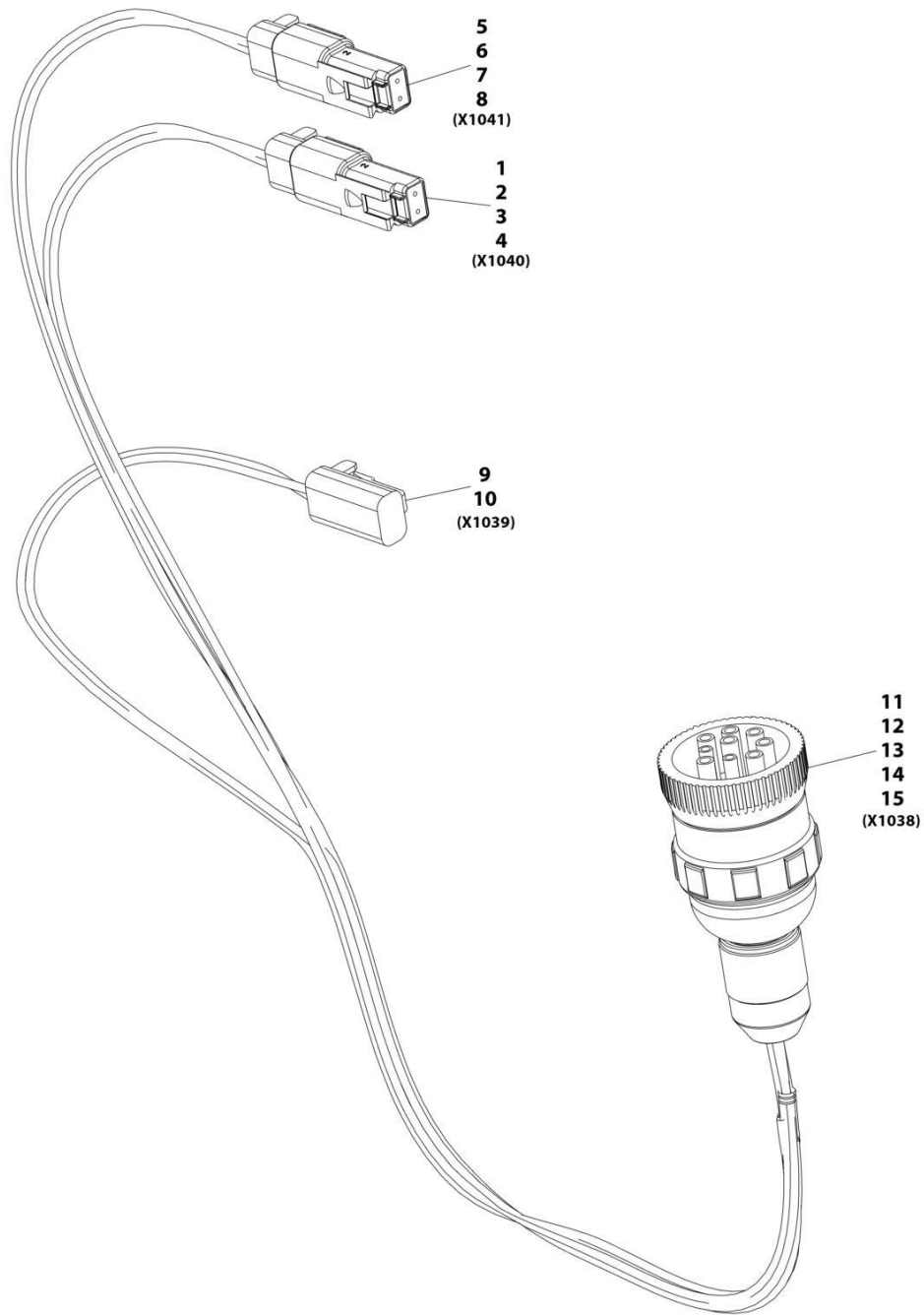
SECTION 10 - ELECTRICAL

FIGURE 10-17. BOOM AUX HARNESS INSTALLATION

ITEM	PART NUMBER	QTY	DESCRIPTION	REV
2	1001192370 1001206633	Ref 1	Boom Aux Harness Installation Harness, Boom AUX (See Separate Breakdown in this Section)	C

SECTION 10 - ELECTRICAL

FIGURE 10-18. BOOM AUX HARNESS



ART_1001206633-C

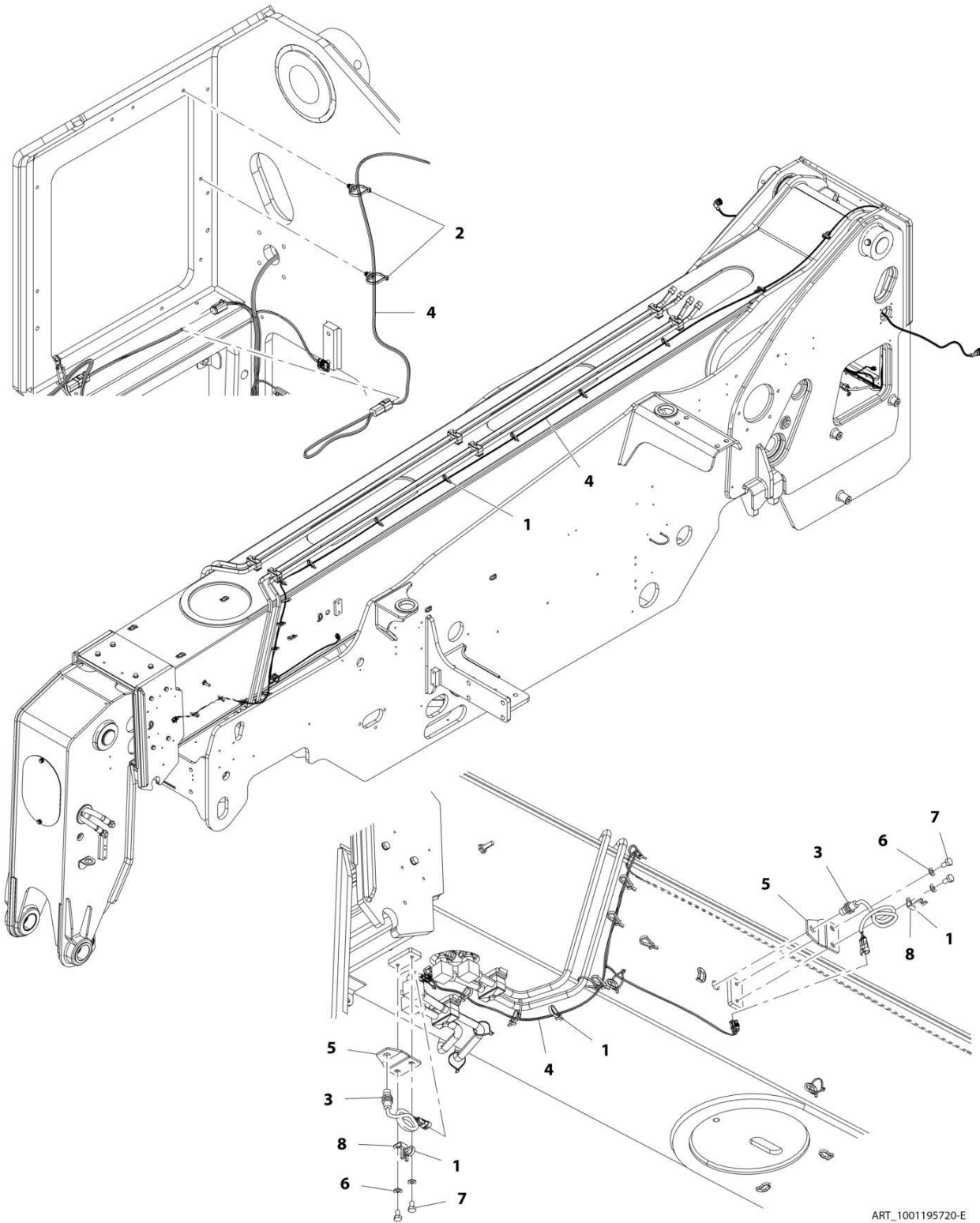
SECTION 10 - ELECTRICAL

FIGURE 10-18. BOOM AUX HARNESS

ITEM	PART NUMBER	QTY	DESCRIPTION	REV
	1001206633	Ref	Boom Aux Harness	C
1	4460891	1	Connector	
2	4460897	1	Mating Connector	
3	4460466	1	Plug	
4	4460465	2	Terminal	
5	4460891	1	Connector	
6	4460897	1	Mating Connector	
7	4460466	1	Terminal	
8	4460465	2	Terminal	
9	4460891	1	Connector	
10	4460465	2	Terminal	
11	1001112796	1	Connector	
12	4460465	4	Terminal	
13	4460466	5	Plug	
14	1001241590	1	Backshell	
15	1001241591	1	Nut	

SECTION 10 - ELECTRICAL

FIGURE 10-19. BOOM RETRACT SENSOR INSTALLATION



ART_1001195720-E

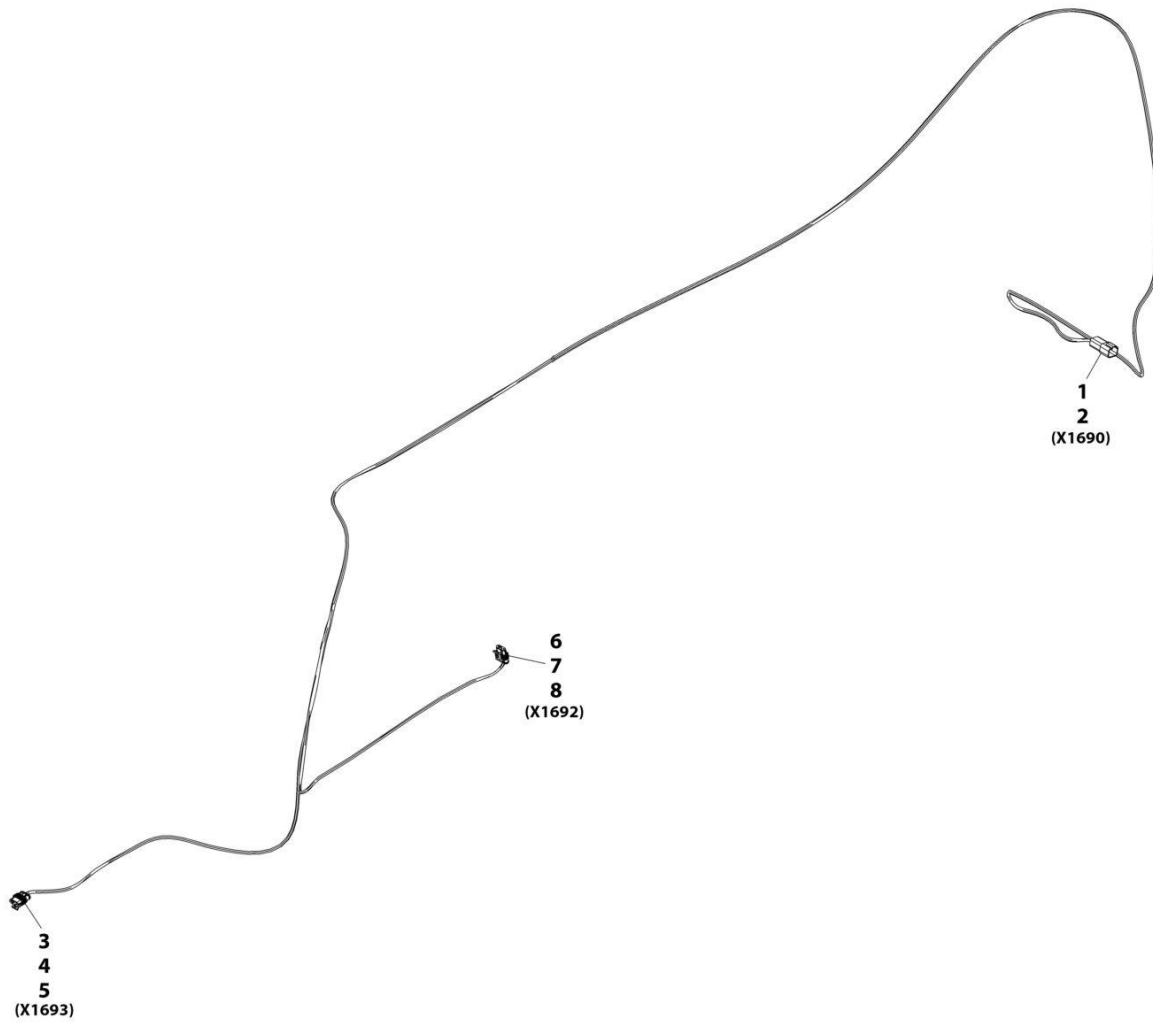
SECTION 10 - ELECTRICAL

FIGURE 10-19. BOOM RETRACT SENSOR INSTALLATION

ITEM	PART NUMBER	QTY	DESCRIPTION	REV
	1001195720	Ref	Boom Retract Sensor Installation	E
1	1001008923	19	Strap, Cable	
2	1001146588	2	Strap, Fir Tree Cable Tie	
3	1001183024	2	Sensor	
4	1001195953	1	Harness, Proximity Sensor	
5	1001210567	2	Bracket	
6	4812000	4	Washer, M10	
7	0761009	4	Bolt	
8	1001003305	2	Clip	

SECTION 10 - ELECTRICAL

FIGURE 10-20. BOOM RETRACT PROXIMITY SENSOR HARNESS



ART_1001195953-G

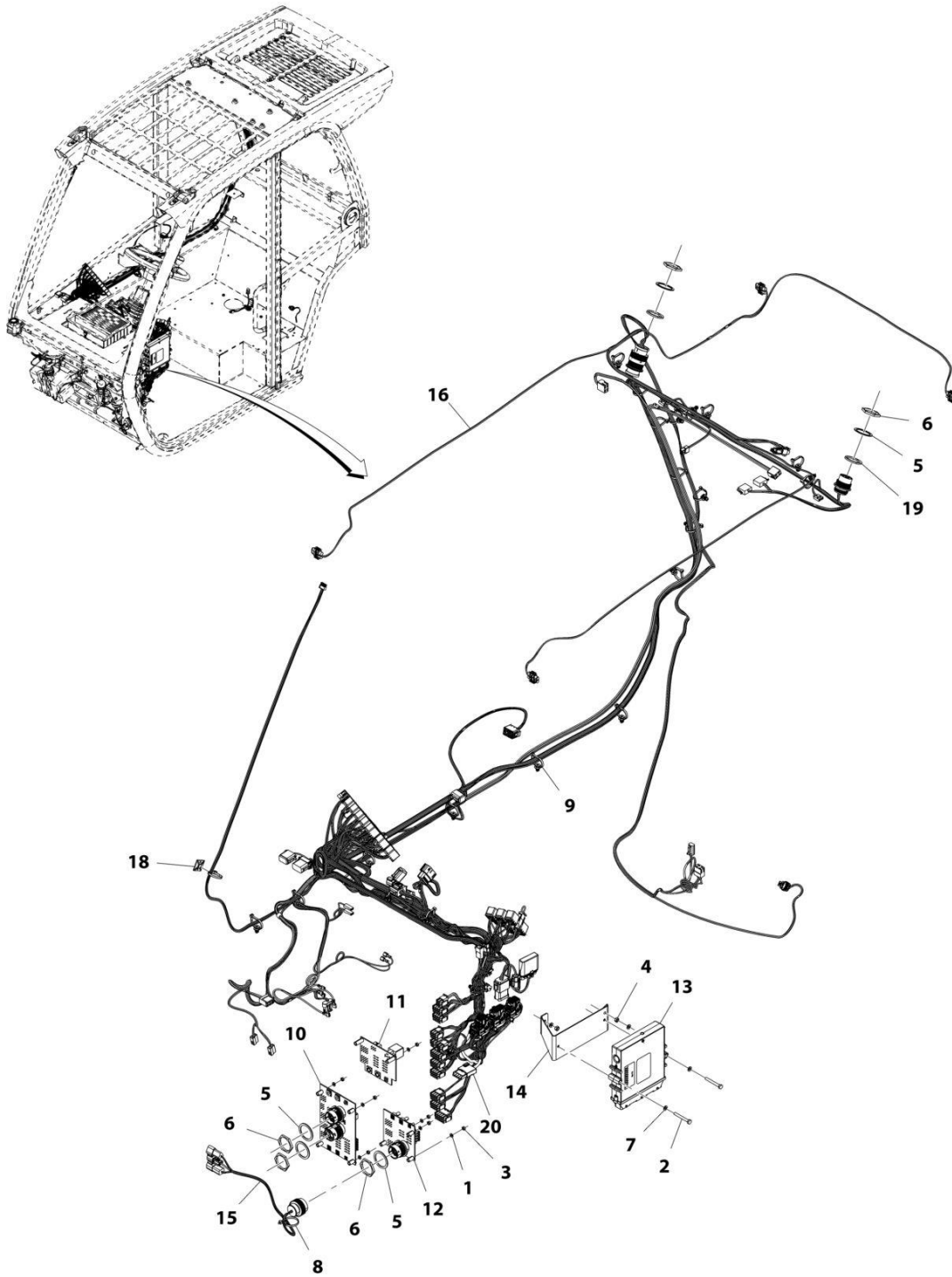
SECTION 10 - ELECTRICAL

FIGURE 10-20. BOOM RETRACT PROXIMITY SENSOR HARNESS

ITEM	PART NUMBER	QTY	DESCRIPTION	REV
	1001195953	Ref	Proximity Sensor Harness	G
1	4460932	1	Connector	
2	4460464	4	Terminal	
3	4461262	1	Connector	
4	1001107854	3	Terminal	
5	1001104498	3	Terminal Seal	
6	4461262	1	Connector	
7	1001107854	3	Terminal	
8	1001104498	3	Terminal Seal	

SECTION 10 - ELECTRICAL

FIGURE 10-21. CAB ELECTRICAL INSTALLATION (PVC1911)



ART_1001192558-J

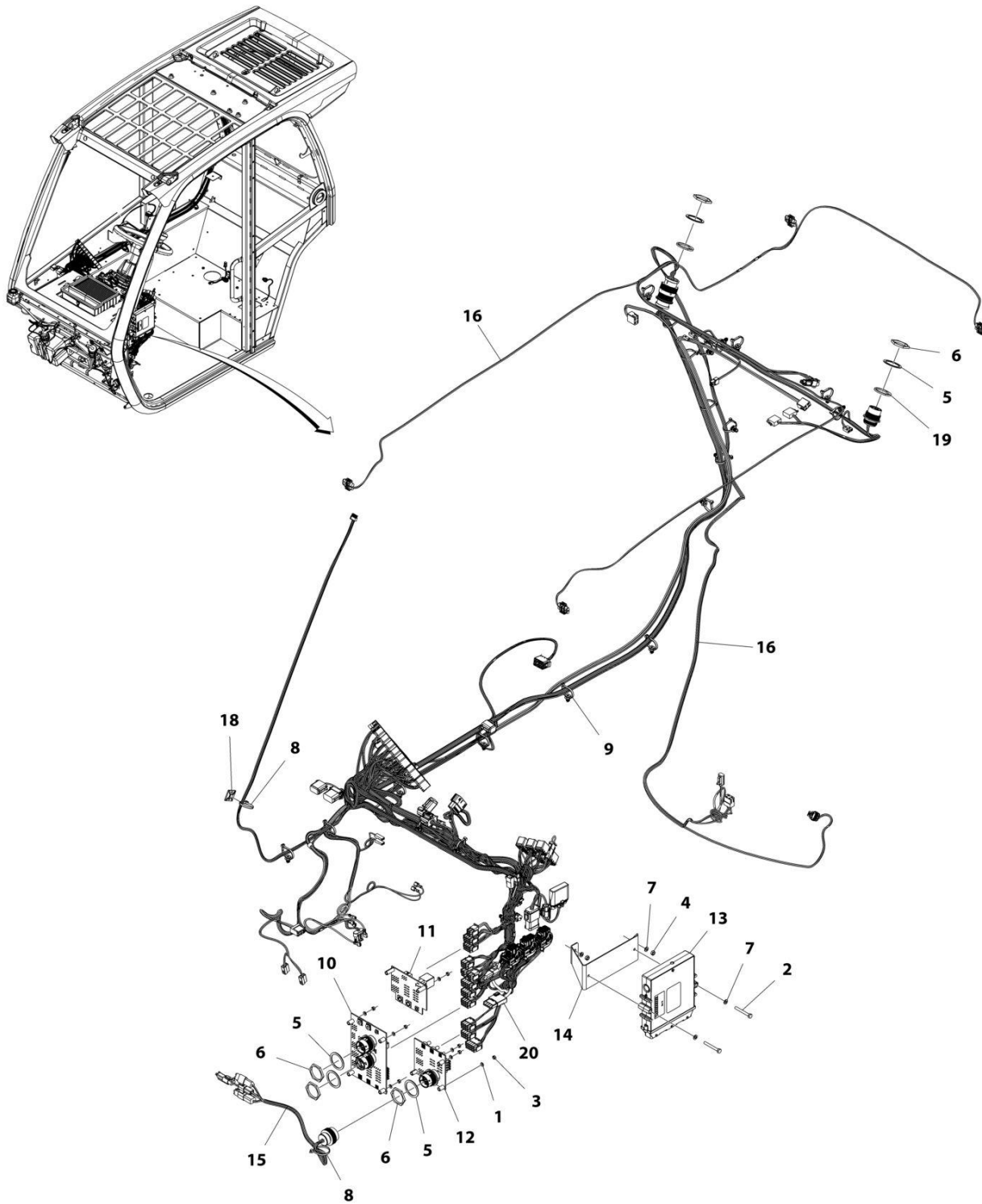
SECTION 10 - ELECTRICAL

FIGURE 10-21. CAB ELECTRICAL INSTALLATION (PVC1911)

ITEM	PART NUMBER	QTY	DESCRIPTION	REV
	1001192558	Ref	Cab Electrical Installation	J
1	120034	7	Washer, Plastic	
2	0700618	2	Bolt M6 x 50	
3	3290501	7	Nut M5 x 0.8	
4	3290601	2	Nut M6 x 1	
5	4460496	5	Washer, Terminal Lock	
6	4460497	5	Nut, Terminal	
7	4811700	4	Washer M6	
8	1001008559	2	Strap, Cable Tie	
9	1001146588	24	Strap, Cable Tie	
10	1001161769	1	Assembly, Standard Electrical Board (See Separate Breakdown in this Section)	
11	1001161770	1	Assembly, Option 1 Electrical Board (See Separate Breakdown in this Section)	
12	1001161771	1	Assembly, Option 2 Electrical Board (See Separate Breakdown in this Section)	
13	1001162249	1	Module, Cab Control	
14	1001178933	1	Bracket	
15	1001181681	1	Harness, Cab Option LBP (See Separate Breakdown in this Section)	
16	1001241611	1	Harness, Cab (See Separate Breakdown in this Section)	
18	4460234	1	Terminal, Mount Cable Tie	
19	1001211693	2	Seal	
20	1001213988	1	Cable, Communication Analyzer	

SECTION 10 - ELECTRICAL

FIGURE 10-22. CAB ELECTRICAL INSTALLATION (PVC 2005)



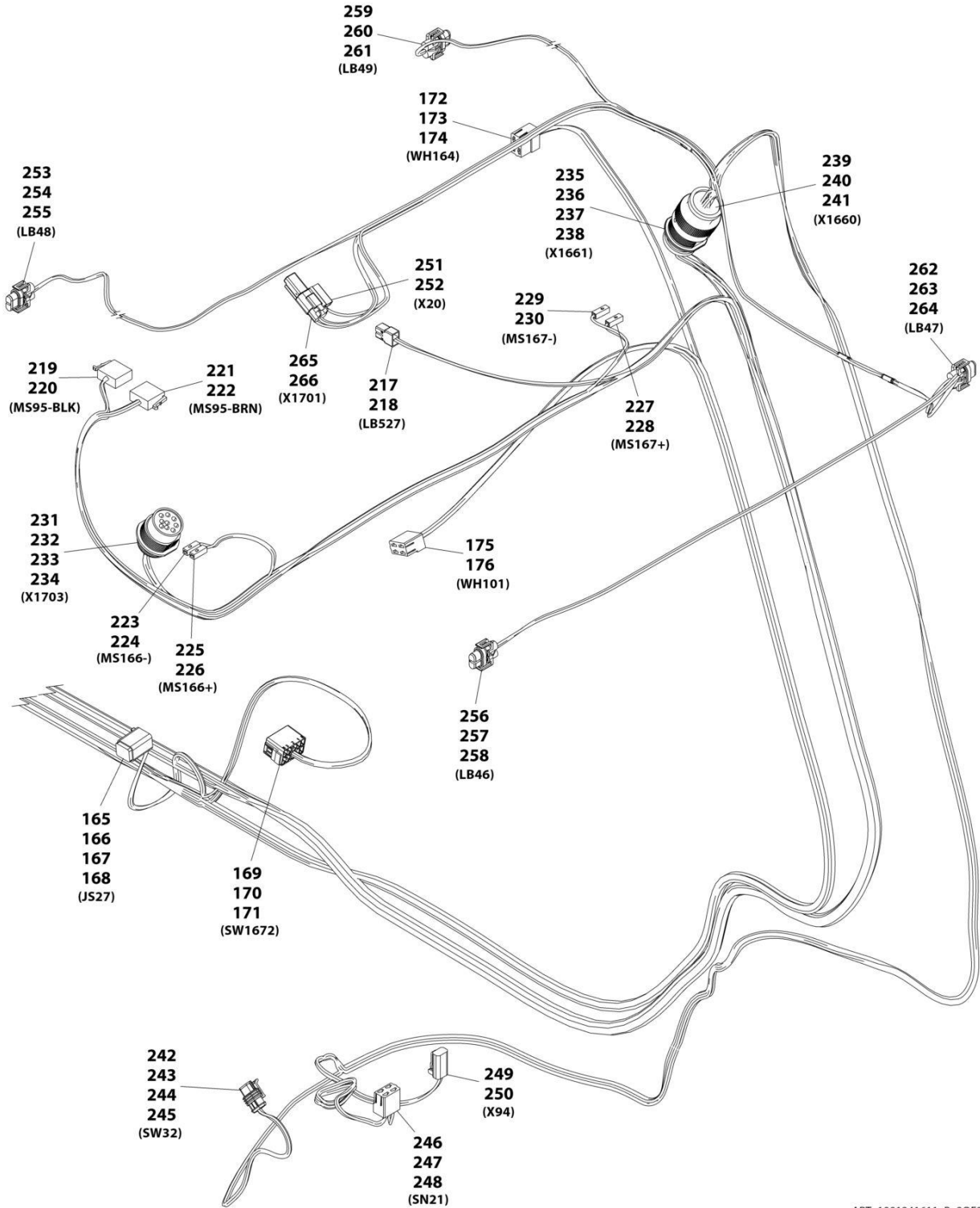
ART_1001192558_L

SECTION 10 - ELECTRICAL

FIGURE 10-22. CAB ELECTRICAL INSTALLATION (PVC 2005)

ITEM	PART NUMBER	QTY	DESCRIPTION	REV
	1001192558	Ref	CAB ELECTRICAL INSTALLATION	L
1	120034	7	Washer, Plastic	
2	0700618	2	Bolt M6 x 50	
3	3290501	7	Nut M5	
4	3290601	2	Nut M6	
5	4460496	5	Washer, Terminal Lock	
6	4460497	5	Nut, Terminal	
7	4811700	4	Washer M6	
8	1001008559	2	Strap, Cable Tie	
9	1001146588	24	Strap, Cable Tie	
10	1001161769	1	Assembly, Standard Electrical Board (See Separate Breakdown in this Section)	
11	1001161770	1	Assembly, Option 1 Electrical Board (See Separate Breakdown in this Section)	
12	1001161771	1	Assembly, Option 2 Electrical Board (See Separate Breakdown in this Section)	
13	1001270466	1	Module, Cab Control	
14	1001178933	1	Bracket	
15	1001258712	1	Harness, Cab Option LBP (See Separate Breakdown in this Section)	
16	1001258713	1	Harness, Cab (See Separate Breakdown in this Section)	
18	4460234	1	Terminal, Mount Cable Tie	
19	1001211693	2	Seal	
20	1001213988	1	Cable, Communication Analyzer	

SECTION 10 - ELECTRICAL



ART_1001241611_B_20F2

SECTION 10 - ELECTRICAL

FIGURE 10-23. CAB HARNESS (PVC 1911)

ITEM	PART NUMBER	QTY	DESCRIPTION	REV
	1001241611	Ref	Cab Harness	B
1	4460343	1	Connector	
2	4460267	3	Terminal	
3	4460434	1	Connector	
4	4460268	9	Terminal	
5	4460343	1	Connector	
6	4460268	8	Terminal	
7	10011223457	1	Terminal	
8	4460434	1	Connector	
9	4460268	15	Terminal	
10	4460343	1	Connector	
11	4460267	8	Terminal	
12	1001223456	1	Terminal	
13	4460265	1	Connector	
14	1001223457	3	Terminal	
15	4460268	6	Terminal	
16	4460225	1	Connector	
17	4460267	5	Terminal	
18	4460225	1	Connector	
19	4460268	5	Terminal	
20	4460343	1	Connector	
21	4460268	8	Terminal	
22	1001161959	1	Connector	
23	943191201	1	Cover	
24	1001161100	10	Plug	
25	1001161097	14	Terminal	
26	1001161098	1	Terminal	
27	1001161101	7	Plug	
28	1001160502	1	Connector	
29	643201301	1	Cover	
30	1001161097	19	Terminal	
31	1001161100	19	Plug	
32	1001161098	5	Terminal	
33	1001161099	1	Terminal	
34	1001161101	2	Plug	
35	1001103012	1	Connector	
36	1001116698	2	Plug	
37	1001116697	2	Terminal	
38	1001104498	2	Terminal Seal	
39	4461262	1	Connector	
40	1001107854	3	Terminal	
41	1001104498	3	Terminal Seal	
42	1001160498	1	Connector	
43	643191201	1	Cover	
44	1001161097	19	Terminal	
45	1001161100	5	Plug	
46	1001161098	5	Terminal	
47	1001161101	2	Plug	
48	1001161099	1	Terminal	
49	1001162886	1	Connector	

SECTION 10 - ELECTRICAL

ITEM	PART NUMBER	QTY	DESCRIPTION	REV
50	1001163340	13	Plug	
51	1001162887	7	Terminal	
52	1001117081	1	Connector	
53	1001116723	6	Terminal	
54	1001222455	1	Terminal	
55	1001117081	1	Connector	
56	1001116723	6	Terminal	
57	1001223455	1	Terminal	
58	1001173411	1	Connector	
59	1001116716	3	Terminal	
60	1001104519	3	Terminal	
61	1001116999	1	Connector	
62	1001116700	4	Terminal	
63	4460343	1	Connector	
64	4460267	7	Terminal	
65	1001116991	1	Connector	
66	1001116723	2	Terminal	
67	4460933	1	Connector	
68	4460466	5	Plug	
69	4460465	7	Terminal	
70	1001117081	1	Connector	
71	1001116723	6	Terminal	
72	1001223455	1	Terminal	
73	1001117081	1	Connector	
74	1001116723	4	Terminal	
75	1001118384	2	Terminal	
76	4460343	1	Connector	
77	4460268	8	Terminal	
78	4460906	1	Terminal	
79	1001223457	1	Terminal	
80	1001117081	1	Connector	
81	1001116723	6	Terminal	
82	1001223455	1	Terminal	
83	4460225	1	Connector	
84	4460267	5	Terminal	
85	4460705	1	Terminal	
86	4460836	1	Connector	
87	4460942	4	Terminal	
88	4460465	8	Terminal	
89	4460894	1	Connector	
90	4460465	4	Terminal	
91	4460466	2	Plug	
92	4460933	1	Connector	
93	1001125677	1	Mating Connector	
94	4460465	12	Terminal	
95	1001116812	1	Connector	
96	1001144296	1	Cap	
97	4460944	2	Terminal	
98	4460466	1	Plug	
99	4460320	1	Connector	
100	4460267	2	Terminal	

SECTION 10 - ELECTRICAL

ITEM	PART NUMBER	QTY	DESCRIPTION	REV
101	4460424	1	Connector	
102	4460268	2	Terminal	
103	4460897	1	Connector	
104	4460464	1	Terminal	
105	4460466	1	Plug	
106	4460744	1	Connector	
107	8220375	1	Cap	
108	4460748	2	Plug	
109	4460746	4	Terminal	
110	4460458	4	Seal	
111	1001117081	1	Connector	
112	1001116723	6	Terminal	
113	1001223455	1	Terminal	
114	1001117081	1	Connector	
115	1001116723	6	Terminal	
116	1001118384	4	Terminal	
117	1001117081	1	Connector	
118	1001116723	6	Terminal	
119	1001118384	2	Terminal	
120	1001223455	2	Terminal	
121	1001117081	1	Connector	
122	1001116723	6	Terminal	
123	1001223455	1	Terminal	
124	1001194421	1	Terminal	
125	1001194421	1	Terminal	
126	1001117081	1	Connector	
127	1001116723	6	Terminal	
128	1001223455	3	Terminal	
129	1001118384	2	Terminal	
130	1001118684	1	Connector	
131	1001116754	2	Terminal	
132	1001117081	1	Connector	
133	1001116723	4	Terminal	
134	1001118384	3	Terminal	
135	1001117081	1	Connector	
136	1001116723	5	Terminal	
137	1001223455	1	Terminal	
138	1001117081	1	Connector	
139	1001116723	6	Terminal	
140	1001118384	1	Terminal	
141	1001117081	1	Connector	
142	1001116723	6	Terminal	
143	1001223455	1	Terminal	
144	4460994	1	Connector	
145	1001118384	2	Terminal	
146	8220051	1	Terminal	
147	4460994	1	Connector	
148	1001118384	1	Terminal	
149	1001116723	2	Terminal	
150	1001194421	1	Terminal	
151	1001194421	1	Terminal	

SECTION 10 - ELECTRICAL

ITEM	PART NUMBER	QTY	DESCRIPTION	REV
152	1001116997	1	Connector	
153	1001118384	4	Terminal	
154	1001116723	1	Terminal	
155	8220051	1	Terminal	
156	8220051	1	Terminal	
157	8220051	1	Terminal	
158	8220051	1	Terminal	
159	1001116812	1	Connector	
160	4460944	2	Terminal	
161	4460466	1	Plug	
162	4460539	1	Connector	
163	4460944	2	Terminal	
164	4460466	1	Plug	
165	4460894	1	Connector	
166	4460465	3	Terminal	
167	4460466	1	Plug	
168	4460944	2	Terminal	
169	1001117081	1	Connector	
170	1001116723	2	Terminal	
171	1001223455	4	Terminal	
172	1001116986	1	Connector	
173	1001117011	1	Mating Connector	
174	1001118384	4	Terminal	
175	1001116986	1	Connector	
176	1001118384	4	Terminal	
177	1001116995	1	Connector	
178	1001118379	1	Terminal	
179	1001116995	1	Connector	
180	1001118379	1	Terminal	
181	1001230931	1	Connector	
182	1001116748	6	Terminal	
183	1001117081	1	Connector	
184	1001116723	4	Terminal	
185	1001118384	2	Terminal	
186	1001117081	1	Connector	
187	1001116723	4	Terminal	
188	1001118384	2	Terminal	
189	1001117081	1	Connector	
190	1001116723	4	Terminal	
191	1001118384	2	Terminal	
192	1001117081	1	Connector	
193	1001116723	4	Terminal	
194	1001118384	2	Terminal	
195	1001150735	1	Connector	
196	1001150737	7	Terminal	
197	1001117079	1	Connector	
198	1001223455	2	Terminal	
199	1001116723	6	Terminal	
200	1001117081	1	Connector	
201	1001116723	8	Terminal	
202	1001118384	1	Terminal	

SECTION 10 - ELECTRICAL

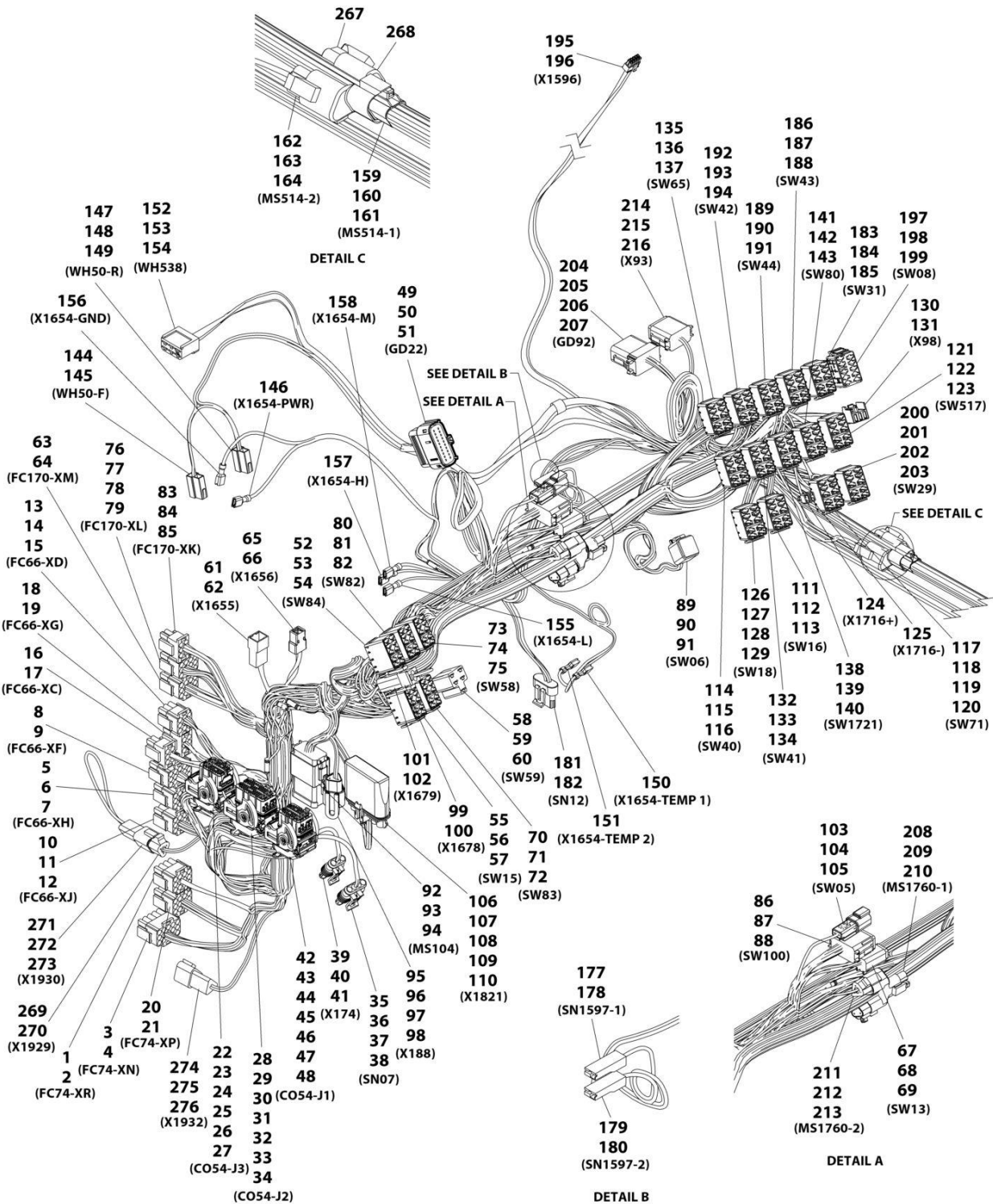
ITEM	PART NUMBER	QTY	DESCRIPTION	REV
203	1001223455	1	Terminal	
204	1001176333	1	Connector	
205	4460466	11	Plug	
206	4460465	3	Terminal	
207	4460944	4	Terminal	
208	1001116812	1	Connector	
209	4460944	2	Terminal	
210	4460466	1	Plug	
211	4460539	1	Connector	
212	4460944	2	Terminal	
213	4460466	1	Plug	
214	4460930	1	Connector	
215	4460931	1	Mating Connector	
216	4460466	6	Plug	
217	1001116991	1	Connector	
218	1001118384	2	Terminal	
219	1001116985	1	Connector	
220	1001118386	3	Terminal	
221	1001116984	1	Connector	
222	1001118386	4	Terminal	
223	1001116998	1	Connector	
224	1001118387	1	Terminal	
225	1001116998	1	Connector	
226	1001118387	1	Terminal	
227	1001116998	1	Connector	
228	1001118387	1	Terminal	
229	1001116998	1	Connector	
230	1001118387	1	Terminal	
231	1001112612	1	Connector	
232	4460464	3	Terminal	
233	4460943	2	Terminal	
234	4460466	4	Plug	
235	1001137000	1	Connector	
236	4460928	3	Terminal	
237	1001126008	12	Terminal	
238	4460518	6	Plug	
239	1001136999	1	Connector	
240	1001126011	15	Terminal	
241	4460518	6	Plug	
242	4461262	1	Connector	
243	1001107854	2	Terminal	
244	1001104499	1	Terminal	
245	1001104498	2	Terminal Seal	
246	1001116986	1	Connector	
247	1001118384	3	Terminal	
248	1001116723	1	Terminal	
249	4460891	1	Connector	
250	4460465	2	Terminal	
251	4460944	1	Connector	
252	1001118384	2	Terminal	
253	4461115	1	Connector	

SECTION 10 - ELECTRICAL

ITEM	PART NUMBER	QTY	DESCRIPTION	REV
254	4460746	2	Terminal	
255	4460458	2	Terminal Seal	
256	4461115	1	Connector	
257	4460746	2	Terminal	
258	4460458	2	Terminal Seal	
259	4461115	1	Connector	
260	4460746	2	Terminal	
261	4460458	2	Terminal Seal	
262	4461115	1	Connector	
263	4460746	2	Terminal	
264	4460458	2	Terminal Seal	
265	4460891	1	Connector	
266	4460465	2	Terminal	
267	1001116815	1	Connector	
268	4460945	1	Connector, 3 Way	

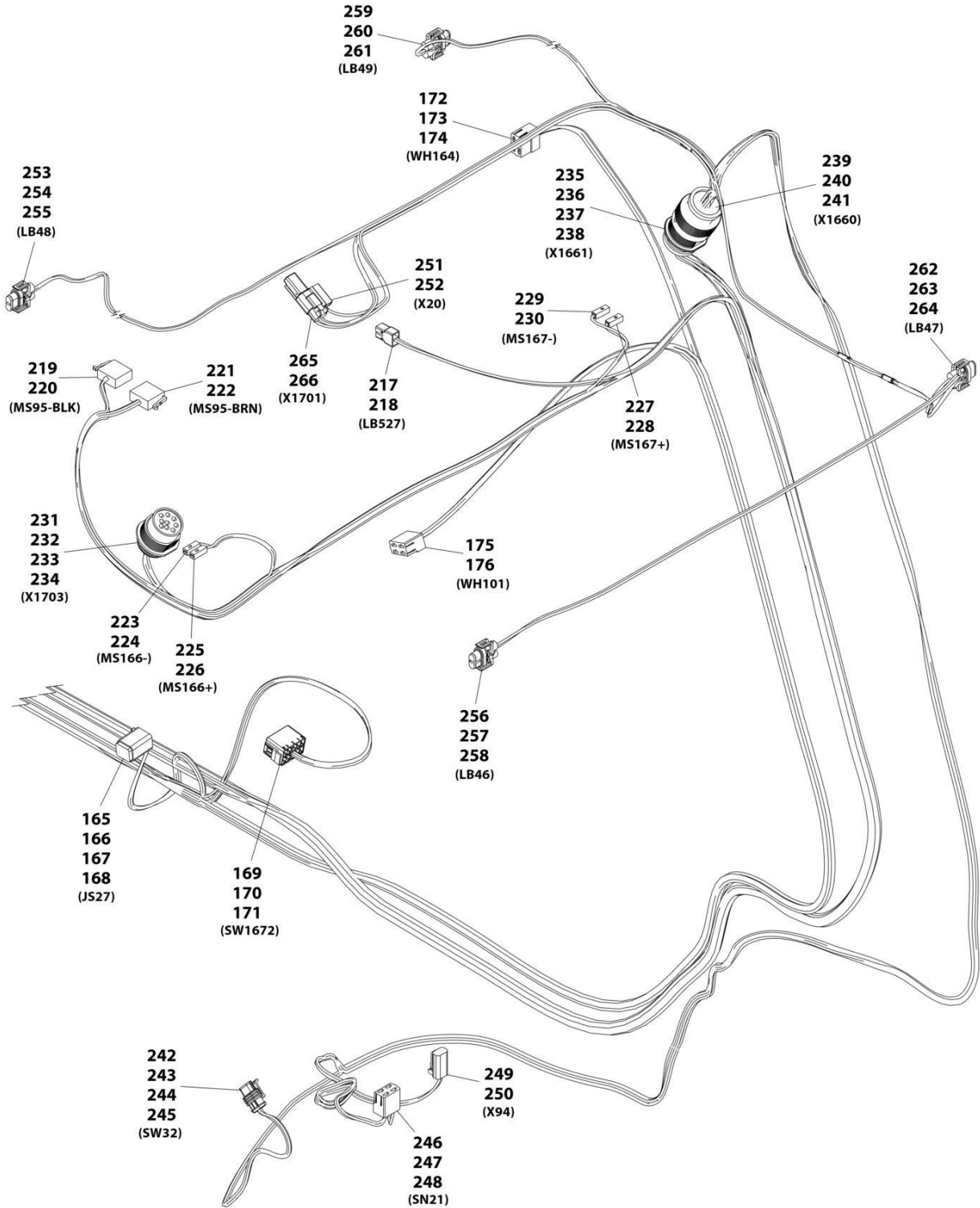
SECTION 10 - ELECTRICAL

FIGURE 10-24. CAB HARNESS (PVC 2005)



ART_1001258713_10F2

SECTION 10 - ELECTRICAL



ART_1001258713_2OF2

SECTION 10 - ELECTRICAL

FIGURE 10-24. CAB HARNESS (PVC 2005)

ITEM	PART NUMBER	QTY	DESCRIPTION	REV
	1001258713	Ref	Cab Harness	B
1	4460343	1	Connector	
2	4460267	3	Terminal	
3	4460434	1	Connector	
4	4460268	9	Terminal	
5	4460343	1	Connector	
6	4460268	8	Terminal	
7	10011223457	1	Terminal	
8	4460434	1	Connector	
9	4460268	15	Terminal	
10	4460343	1	Connector	
11	4460267	8	Terminal	
12	1001223456	1	Terminal	
13	4460265	1	Connector	
14	1001223457	3	Terminal	
15	4460268	6	Terminal	
16	4460225	1	Connector	
17	4460267	5	Terminal	
18	4460225	1	Connector	
19	4460268	5	Terminal	
20	4460343	1	Connector	
21	4460268	8	Terminal	
22	1001161959	1	Connector	
23	943191201	1	Cover	
24	1001161100	10	Plug	
25	1001161097	14	Terminal	
26	1001161098	1	Terminal	
27	1001161101	7	Plug	
28	1001160502	1	Connector	
29	643201301	1	Cover	
30	1001161097	19	Terminal	
31	1001161100	19	Plug	
32	1001161098	5	Terminal	
33	1001161099	1	Terminal	
34	1001161101	2	Plug	
35	1001103012	1	Connector	
36	1001116698	2	Plug	
37	1001116697	2	Terminal	
38	1001104498	2	Terminal Seal	
39	4461262	1	Connector	
40	1001107854	3	Terminal	
41	1001104498	3	Terminal Seal	
42	1001160498	1	Connector	
43	643191201	1	Cover	
44	1001161097	19	Terminal	
45	1001161100	5	Plug	
46	1001161098	5	Terminal	
47	1001161101	2	Plug	
48	1001161099	1	Terminal	
49	1001162886	1	Connector	

SECTION 10 - ELECTRICAL

ITEM	PART NUMBER	QTY	DESCRIPTION	REV
50	1001163340	13	Plug	
51	1001162887	7	Terminal	
52	1001117081	1	Connector	
53	1001116723	6	Terminal	
54	1001222455	1	Terminal	
55	1001117081	1	Connector	
56	1001116723	6	Terminal	
57	1001223455	1	Terminal	
58	1001173411	1	Connector	
59	1001116716	3	Terminal	
60	1001104519	3	Terminal	
61	1001116999	1	Connector	
62	1001116700	4	Terminal	
63	4460343	1	Connector	
64	4460267	7	Terminal	
65	1001116991	1	Connector	
66	1001116723	2	Terminal	
67	4460933	1	Connector	
68	4460466	5	Plug	
69	4460465	7	Terminal	
70	1001117081	1	Connector	
71	1001116723	6	Terminal	
72	1001223455	1	Terminal	
73	1001117081	1	Connector	
74	1001116723	4	Terminal	
75	1001118384	2	Terminal	
76	4460343	1	Connector	
77	4460268	8	Terminal	
78	4460906	1	Terminal	
79	1001223457	1	Terminal	
80	1001117081	1	Connector	
81	1001116723	6	Terminal	
82	1001223455	1	Terminal	
83	4460225	1	Connector	
84	4460267	5	Terminal	
85	4460705	1	Terminal	
86	4460836	1	Connector	
87	4460942	4	Terminal	
88	4460465	8	Terminal	
89	4460894	1	Connector	
90	4460465	4	Terminal	
91	4460466	2	Plug	
92	4460933	1	Connector	
93	1001125677	1	Mating Connector	
94	4460465	12	Terminal	
95	1001116812	1	Connector	
96	1001144296	1	Cap	
97	4460944	2	Terminal	
98	4460466	1	Plug	
99	4460320	1	Connector	
100	4460267	2	Terminal	

SECTION 10 - ELECTRICAL

ITEM	PART NUMBER	QTY	DESCRIPTION	REV
101	4460424	1	Connector	
102	4460268	2	Terminal	
103	4460897	1	Connector	
104	4460464	1	Terminal	
105	4460466	1	Plug	
106	4460744	1	Connector	
107	8220375	1	Cap	
108	4460748	2	Plug	
109	4460746	4	Terminal	
110	4460458	4	Seal	
111	1001117081	1	Connector	
112	1001116723	6	Terminal	
113	1001223455	1	Terminal	
114	1001117081	1	Connector	
115	1001116723	6	Terminal	
116	1001118384	4	Terminal	
117	1001117081	1	Connector	
118	1001116723	6	Terminal	
119	1001118384	2	Terminal	
120	1001223455	2	Terminal	
121	1001117081	1	Connector	
122	1001116723	6	Terminal	
123	1001223455	1	Terminal	
124	1001194421	1	Terminal	
125	1001194421	1	Terminal	
126	1001117081	1	Connector	
127	1001116723	6	Terminal	
128	1001223455	3	Terminal	
129	1001118384	2	Terminal	
130	1001118684	1	Connector	
131	1001116754	2	Terminal	
132	1001117081	1	Connector	
133	1001116723	4	Terminal	
134	1001118384	3	Terminal	
135	1001117081	1	Connector	
136	1001116723	5	Terminal	
137	1001223455	1	Terminal	
138	1001117081	1	Connector	
139	1001116723	6	Terminal	
140	1001118384	1	Terminal	
141	1001117081	1	Connector	
142	1001116723	6	Terminal	
143	1001223455	1	Terminal	
144	4460994	1	Connector	
145	1001118384	2	Terminal	
146	8220051	1	Terminal	
147	4460994	1	Connector	
148	1001118384	1	Terminal	
149	1001116723	2	Terminal	
150	1001194421	1	Terminal	
151	1001194421	1	Terminal	

SECTION 10 - ELECTRICAL

ITEM	PART NUMBER	QTY	DESCRIPTION	REV
152	1001116997	1	Connector	
153	1001118384	4	Terminal	
154	1001116723	1	Terminal	
155	8220051	1	Terminal	
156	8220051	1	Terminal	
157	8220051	1	Terminal	
158	8220051	1	Terminal	
159	1001116812	1	Connector	
160	4460944	2	Terminal	
161	4460466	1	Plug	
162	4460539	1	Connector	
163	4460944	2	Terminal	
164	4460466	1	Plug	
165	4460894	1	Connector	
166	4460465	3	Terminal	
167	4460466	1	Plug	
168	4460944	2	Terminal	
169	1001117081	1	Connector	
170	1001116723	2	Terminal	
171	1001223455	4	Terminal	
172	1001116986	1	Connector	
173	1001117011	1	Mating Connector	
174	1001118384	4	Terminal	
175	1001116986	1	Connector	
176	1001118384	4	Terminal	
177	1001116995	1	Connector	
178	1001118379	1	Terminal	
179	1001116995	1	Connector	
180	1001118379	1	Terminal	
181	1001230931	1	Connector	
182	1001116748	6	Terminal	
183	1001117081	1	Connector	
184	1001116723	4	Terminal	
185	1001118384	2	Terminal	
186	1001117081	1	Connector	
187	1001116723	4	Terminal	
188	1001118384	2	Terminal	
189	1001117081	1	Connector	
190	1001116723	4	Terminal	
191	1001118384	2	Terminal	
192	1001117081	1	Connector	
193	1001116723	4	Terminal	
194	1001118384	2	Terminal	
195	1001150735	1	Connector	
196	1001150737	7	Terminal	
197	1001117079	1	Connector	
198	1001223455	2	Terminal	
199	1001116723	6	Terminal	
200	1001117081	1	Connector	
201	1001116723	8	Terminal	
202	1001118384	1	Terminal	

SECTION 10 - ELECTRICAL

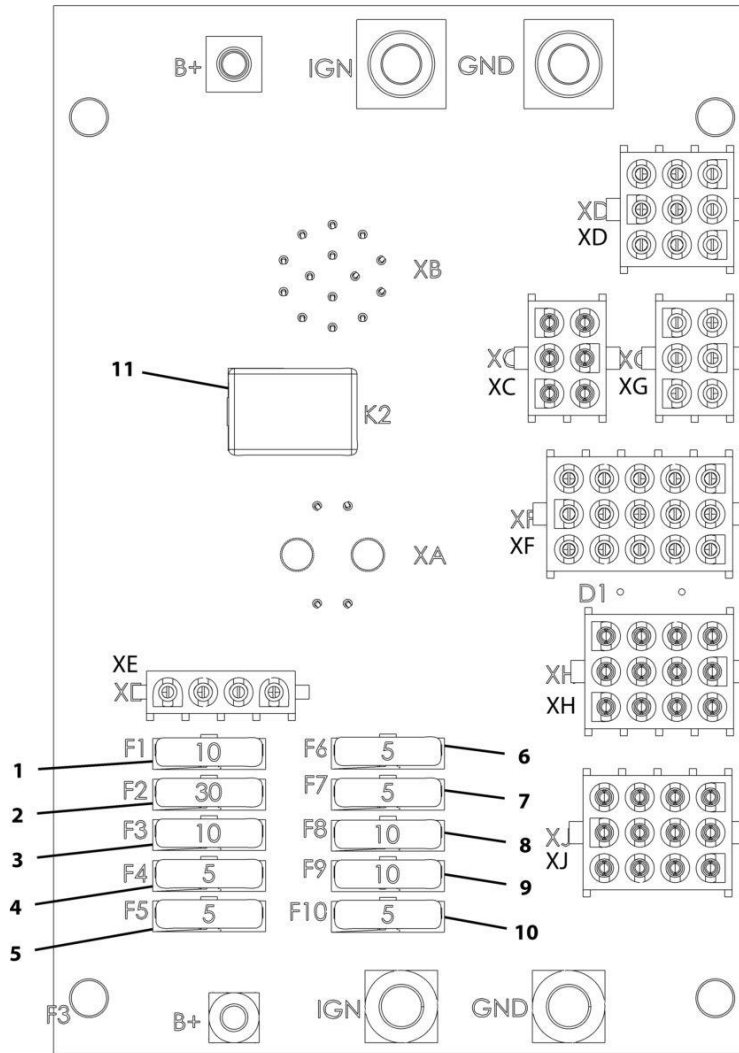
ITEM	PART NUMBER	QTY	DESCRIPTION	REV
203	1001223455	1	Terminal	
204	1001176333	1	Connector	
205	4460466	11	Plug	
206	4460465	3	Terminal	
207	4460944	4	Terminal	
208	1001116812	1	Connector	
209	4460944	2	Terminal	
210	4460466	1	Plug	
211	4460539	1	Connector	
212	4460944	2	Terminal	
213	4460466	1	Plug	
214	4460930	1	Connector	
215	4460931	1	Mating Connector	
216	4460466	6	Plug	
217	1001116991	1	Connector	
218	1001118384	2	Terminal	
219	1001116985	1	Connector	
220	1001118386	3	Terminal	
221	1001116984	1	Connector	
222	1001118386	4	Terminal	
223	1001116998	1	Connector	
224	1001118387	1	Terminal	
225	1001116998	1	Connector	
226	1001118387	1	Terminal	
227	1001116998	1	Connector	
228	1001118387	1	Terminal	
229	1001116998	1	Connector	
230	1001118387	1	Terminal	
231	1001112612	1	Connector	
232	4460464	3	Terminal	
233	4460943	2	Terminal	
234	4460466	4	Plug	
235	1001137000	1	Connector	
236	4460928	3	Terminal	
237	1001126008	12	Terminal	
238	4460518	6	Plug	
239	1001136999	1	Connector	
240	1001126011	15	Terminal	
241	4460518	6	Plug	
242	4461262	1	Connector	
243	1001107854	2	Terminal	
244	1001104499	1	Terminal	
245	1001104498	2	Terminal Seal	
246	1001116986	1	Connector	
247	1001118384	3	Terminal	
248	1001116723	1	Terminal	
249	4460891	1	Connector	
250	4460465	2	Terminal	
251	4460944	1	Connector	
252	1001118384	2	Terminal	
253	4461115	1	Connector	

SECTION 10 - ELECTRICAL

ITEM	PART NUMBER	QTY	DESCRIPTION	REV
254	4460746	2	Terminal	
255	4460458	2	Terminal Seal	
256	4461115	1	Connector	
257	4460746	2	Terminal	
258	4460458	2	Terminal Seal	
259	4461115	1	Connector	
260	4460746	2	Terminal	
261	4460458	2	Terminal Seal	
262	4461115	1	Connector	
263	4460746	2	Terminal	
264	4460458	2	Terminal Seal	
265	4460891	1	Connector	
266	4460465	2	Terminal	
267	1001116815	1	Connector	
268	4460945	1	Connector, 3 Way	
269	4460539	1	Connector	
270	4460465	2	Terminal	
271	4460536	1	Connector	
272	4460464	2	Terminal	
273	4460466	1	Plug	
274	4460536	1	Connector	
275	4460464	2	Terminal	
276	4460466	1	Plug	

SECTION 10 - ELECTRICAL

FIGURE 10-25. CAB - STANDARD ELECTRICAL BOARD ASSEMBLY



ART_1001161769-C

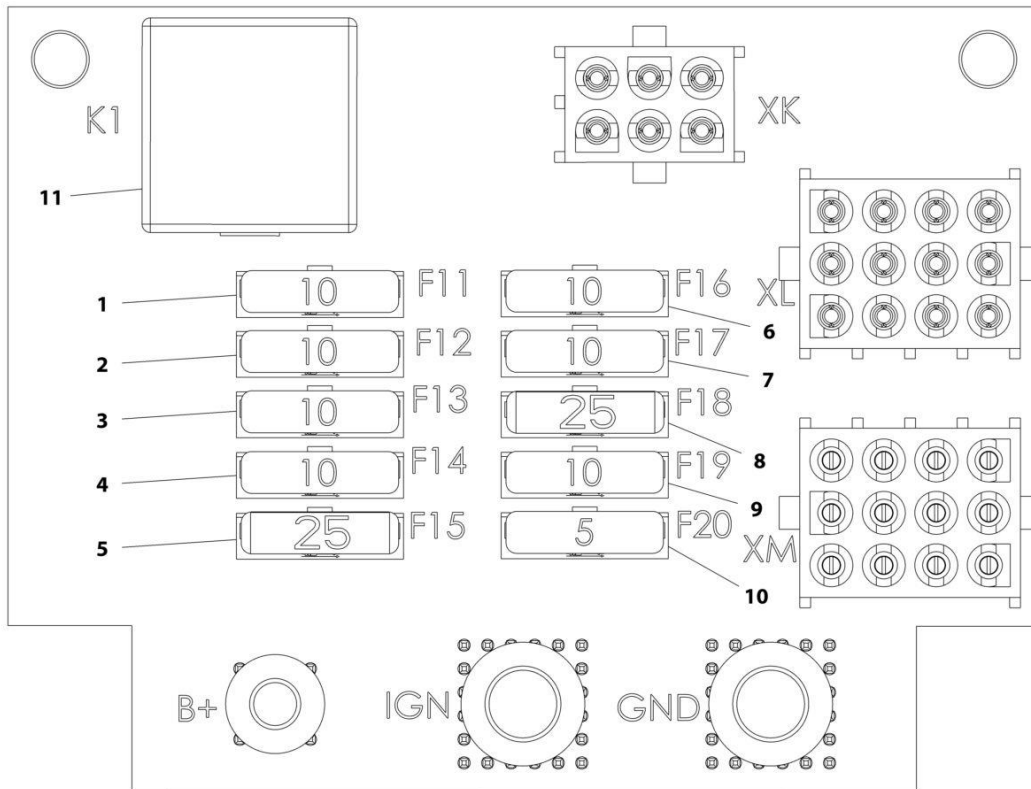
SECTION 10 - ELECTRICAL

FIGURE 10-25. CAB - STANDARD ELECTRICAL BOARD ASSEMBLY

ITEM	PART NUMBER	QTY	DESCRIPTION	REV
	1001161769	Ref	Standard Electrical Board Assembly	C
1	80983191	1	Fuse, 10AMP	
2	8229245	1	Fuse, 30AMP	
3	80983191	1	Fuse, 10AMP	
4	8229242	1	Fuse, 5AMP	
5	8229242	1	Fuse, 5AMP	
6	8229242	1	Fuse, 5AMP	
7	8229242	1	Fuse, 5AMP	
8	80983191	1	Fuse, 10AMP	
9	80983191	1	Fuse, 10AMP	
10	8229242	1	Fuse, 5AMP	
11	70026292	1	Fuse, 35AMP	

SECTION 10 - ELECTRICAL

FIGURE 10-26. CAB - OPTION 1 ELECTRICAL BOARD ASSEMBLY



ART_1001161770-C

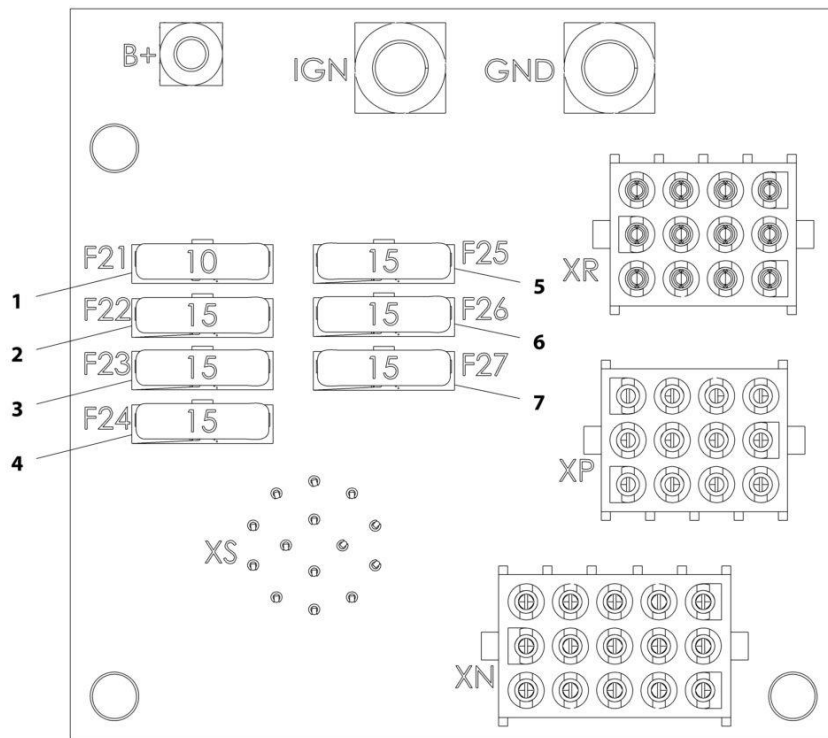
SECTION 10 - ELECTRICAL

FIGURE 10-26. CAB - OPTION 1 ELECTRICAL BOARD ASSEMBLY

ITEM	PART NUMBER	QTY	DESCRIPTION	REV
	1001161770	Ref	Option 1 Electrical Board Assembly	C
1	80983191	1	Fuse, 10AMP	
2	80983191	1	Fuse, 10AMP	
3	80983191	1	Fuse, 10AMP	
4	80983191	1	Fuse, 10AMP	
5	8229247	1	Fuse, 25AMP	
6	80983191	1	Fuse, 10AMP	
7	80983191	1	Fuse, 10AMP	
8	8229247	1	Fuse, 25AMP	
9	80983191	1	Fuse, 10AMP	
10	8229242	1	Fuse, 5AMP	
11	70026293	1	Fuse, 50AMP	

SECTION 10 - ELECTRICAL

FIGURE 10-27. CAB - OPTION 2 ELECTRICAL BOARD ASSEMBLY



ART_1001161771-B

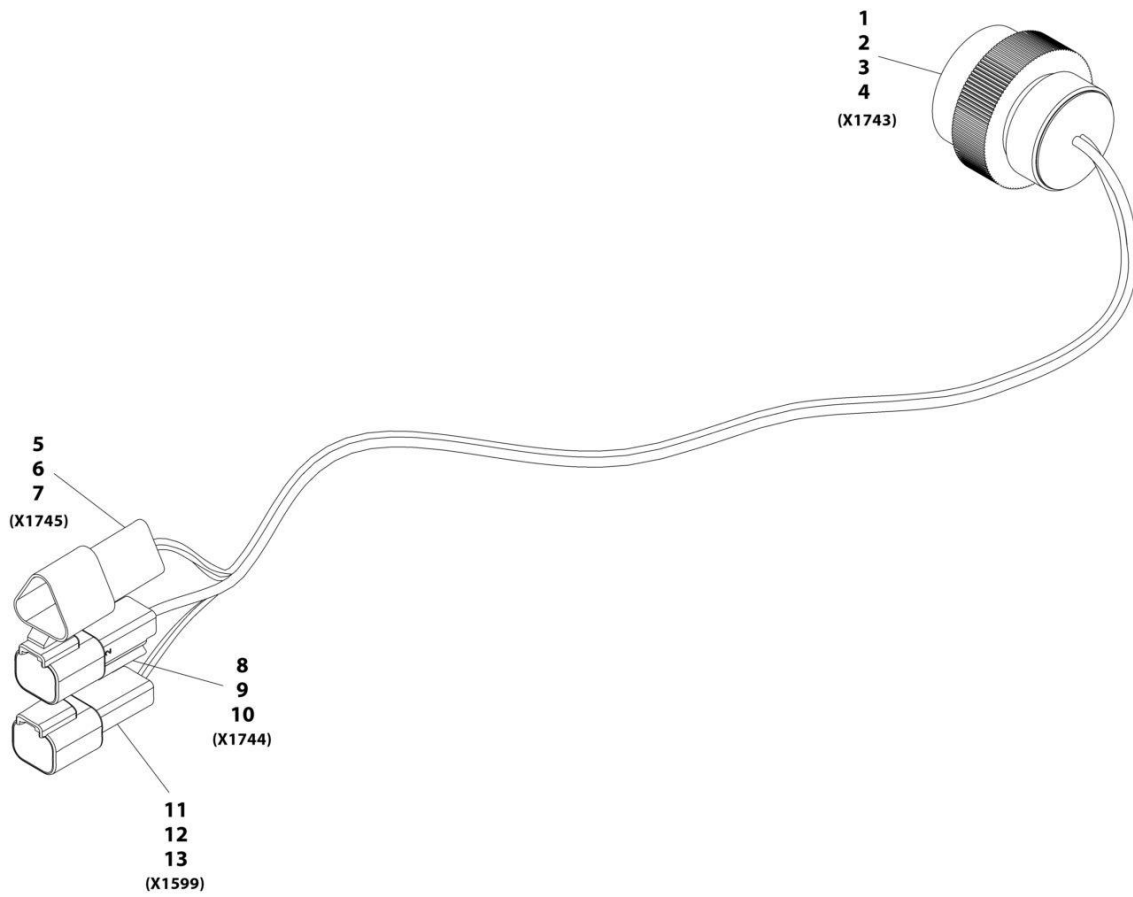
SECTION 10 - ELECTRICAL

FIGURE 10-27. CAB - OPTION 2 ELECTRICAL BOARD ASSEMBLY

ITEM	PART NUMBER	QTY	DESCRIPTION	REV
	1001161771	Ref	Option 2 Electrical Board Assembly	B
1	80983191	1	Fuse, 10AMP	
2	8229244	1	Fuse, 15AMP	
3	8229244	1	Fuse, 15AMP	
4	8229244	1	Fuse, 15AMP	
5	8229244	1	Fuse, 15AMP	
6	8229244	1	Fuse, 15AMP	
7	8229244	1	Fuse, 15AMP	

SECTION 10 - ELECTRICAL

FIGURE 10-28. CAB OPTION HARNESS (PVC 1911)



ART_1001181681-C

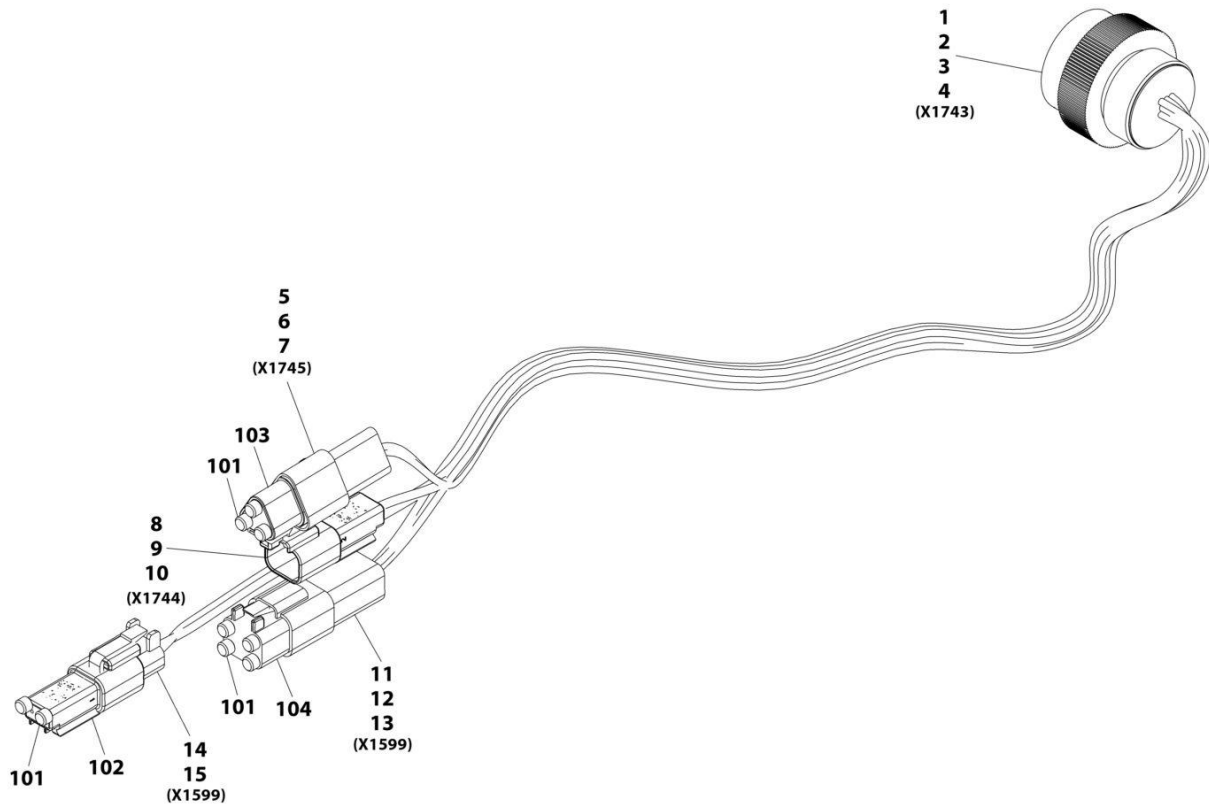
SECTION 10 - ELECTRICAL

FIGURE 10-28. CAB OPTION HARNESS (PVC 1911)

ITEM	PART NUMBER	QTY	DESCRIPTION	REV
	1001181681	Ref	Cab Option Harness	D
1	4461015	1	Connector	
2	4460465	5	Terminal	
3	4460466	8	Plug	
4	4460942	1	Terminal	
5	1001144147	1	Connector	
6	4460943	2	Terminal	
7	4460466	1	Plug	
8	4460897	1	Connector	
9	4460941	1	Terminal	
10	4460466	1	Plug	
11	4460932	1	Connector	
12	4460464	3	Terminal	
13	4460466	1	Plug	

SECTION 10 - ELECTRICAL

FIGURE 10-29. CAB OPTION HARNESS (PVC 2005)



ART_1001258712

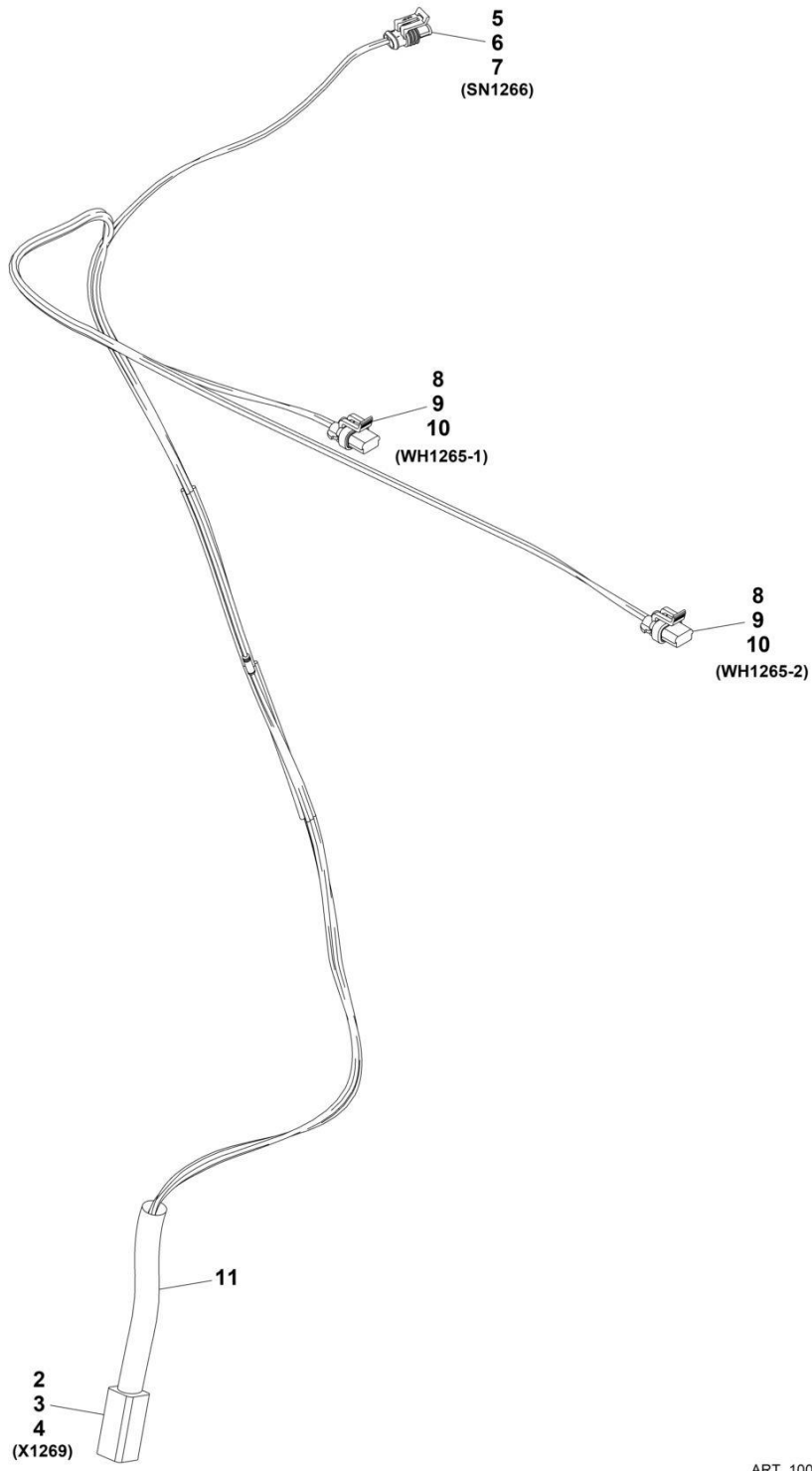
SECTION 10 - ELECTRICAL

FIGURE 10-29. CAB OPTION HARNESS (PVC 2005)

ITEM	PART NUMBER	QTY	DESCRIPTION	REV
	1001258712	Ref	Cab Option Harness	A
1	4461015	1	Connector	
2	4460465	5	Terminal	
3	4460466	6	Plug	
4	4460942	1	Terminal	
5	1001144147	1	Connector	
6	4460943	2	Terminal	
7	4460466	1	Plug	
8	4460897	1	Connector	
9	4460941	1	Terminal	
10	4460466	1	Plug	
11	4460932	1	Connector	
12	4460464	3	Terminal	
13	4460466	1	Plug	
14	4460891	1	Plug, Male	
15	4460465	2	Socket, Female	
101	4460466	9	Plug, Terminal	
102	4460884	1	Plug, Male - 4 Position	
103	1001116812	1	Plug, Male - 3 Position	
104	4460897	2	Plug, Male - 2 Position	

SECTION 10 - ELECTRICAL

FIGURE 10-30. CAB - A/C OPTION HARNESS



ART_1001169151

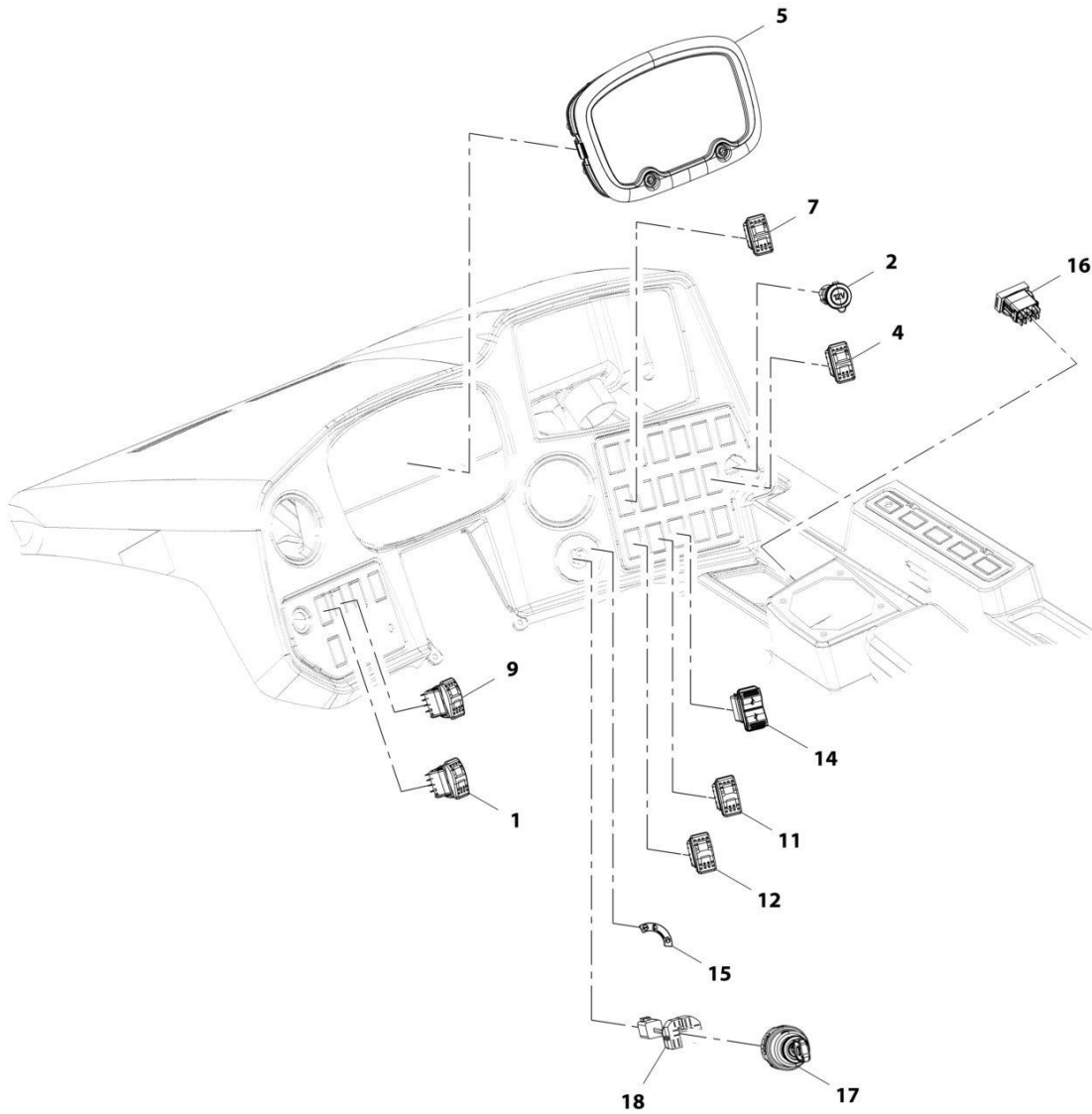
SECTION 10 - ELECTRICAL

FIGURE 10-30. CAB - A/C OPTION HARNESS

ITEM	PART NUMBER	QTY	DESCRIPTION	REV
	1001169151	Ref	A/C Option Harness	G
2	4460899	1	Connector	
3	4460941	4	Terminal	
4	4460464	2	Terminal	
5	4461118	1	Connector	
6	1001107854	2	Terminal	
7	1001116763	2	Seal	
8	1001117021	2	Connector	
9	1001116747	4	Terminal	
10	4460789	4	Seal	
11	70028546	1	Backshell	

SECTION 10 - ELECTRICAL

FIGURE 10-31. CAB - DASH ELECTRICAL INSTALLATION (ULS)



ART_1001192560-F

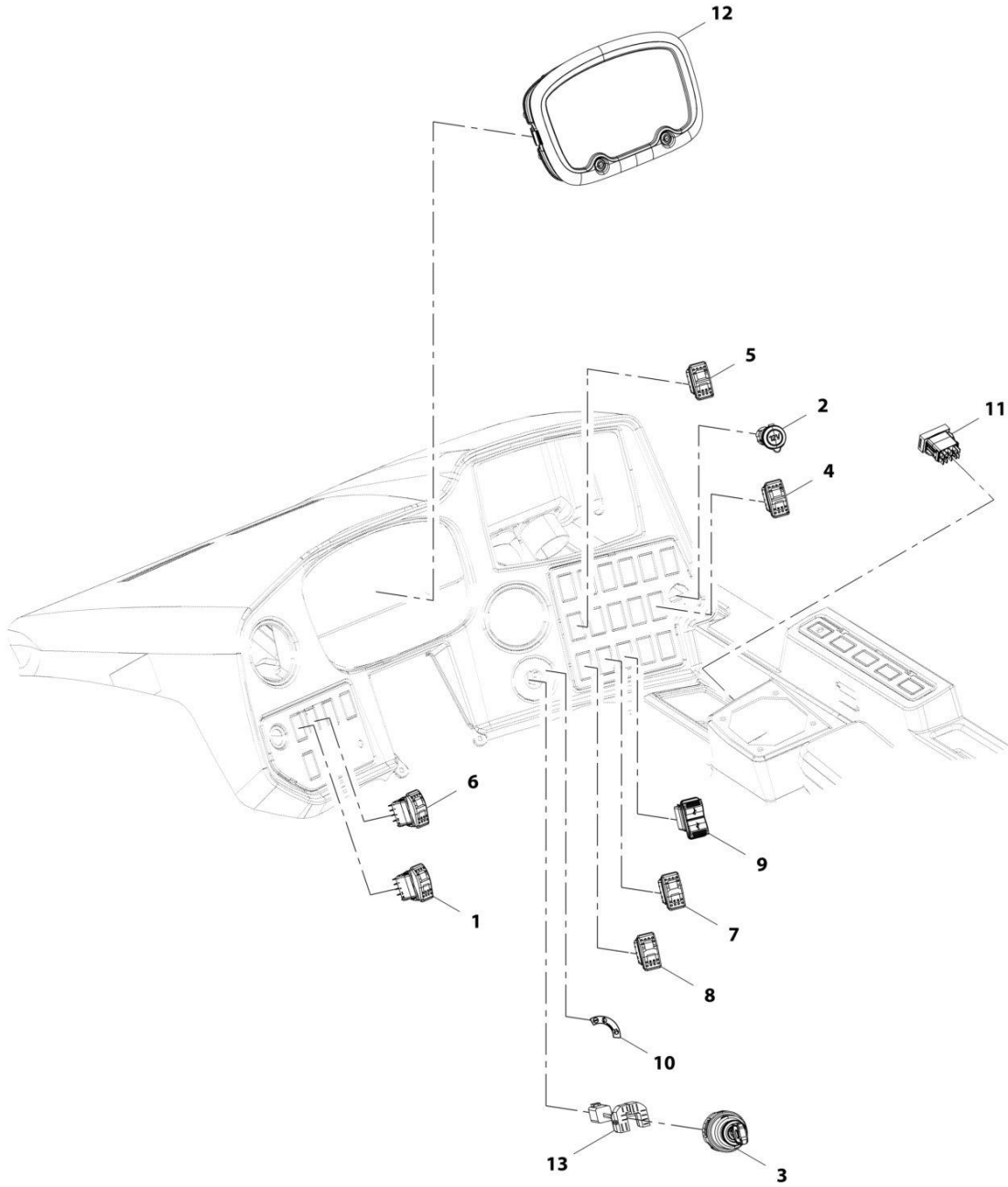
SECTION 10 - ELECTRICAL

FIGURE 10-31. CAB - DASH ELECTRICAL INSTALLATION (ULS)

ITEM	PART NUMBER	QTY	DESCRIPTION	REV
	1001192560	Ref	Dash Electrical Installation	F
1	1001080978	1	Switch, Lift/Loader	
2	1001095804	1	Connector, 12V Power Socket	
4	1001104654	1	Switch, Aux Decomp	
5	1001158146	1	Cluster, Electrical Gauge	
7	1001159735	1	Switch, Rear Wiper	
9	1001159741	1	Switch, Constant AUX	
11	1001159743	1	Switch, Road Use	
12	1001159849	1	Switch, Steer Mode	
14	1001174712	1	Charger, USB	
15	1001181531	1	Decal, Ignition Switch	
16	1001212470	1	Switch, Frame Level	
17	1001102502	1	Switch, 4 Position Key	
17	70022765	1	Key, Ignition (set of 2)	
18	1001223968	1	Harness, Ignition Switch (See Separate Breakdown in this Section)	

SECTION 10 - ELECTRICAL

FIGURE 10-32. CAB - DASH ELECTRICAL INSTALLATION (LS)



ART_1001229153-A

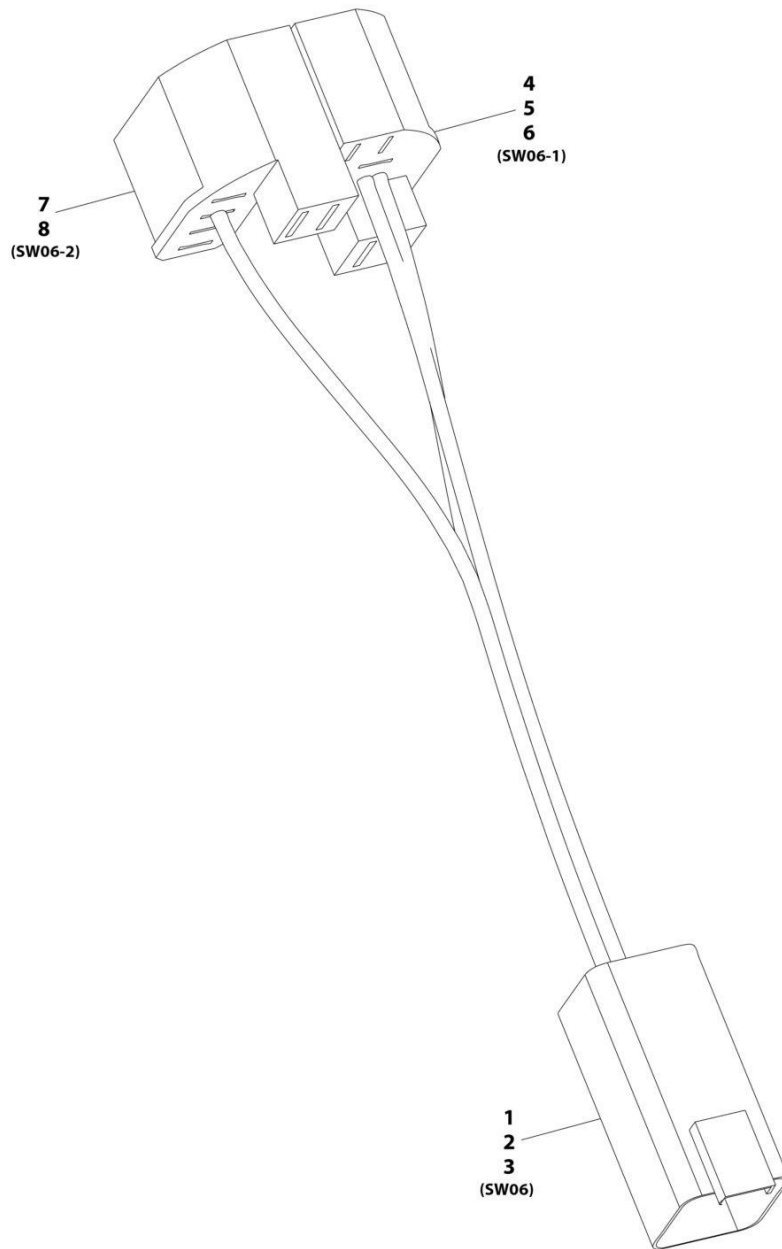
SECTION 10 - ELECTRICAL

FIGURE 10-32. CAB - DASH ELECTRICAL INSTALLATION (LS)

ITEM	PART NUMBER	QTY	DESCRIPTION	REV
	1001229153	Ref	Dash Electrical Installation (LRC)	A
1	1001080978	1	Switch, Lift/Loader	
2	1001095804	1	Connector, 12V Power Socket	
3	1001102502	1	Switch, 4 Position Key	
4	1001104654	1	Switch, AUX Decomp	
5	1001159735	1	Switch, Rear Wiper	
6	1001159741	1	Switch, Constant AUX	
7	1001159743	1	Switch, Road Use	
8	1001159849	1	Switch, Steer Mode	
9	1001174712	1	Charger, USB	
10	1001181531	1	Decal, Ignition Switch	
11	1001189876	1	Switch, Frame Level	
12	1001202454	1	Cluster, Electrical Gauge	
13	1001223968	1	Harness, Ignition Switch (See Separate Breakdown in this Section)	

SECTION 10 - ELECTRICAL

FIGURE 10-33. CAB - IGNITION SWITCH HARNESS



ART_1001223968-A

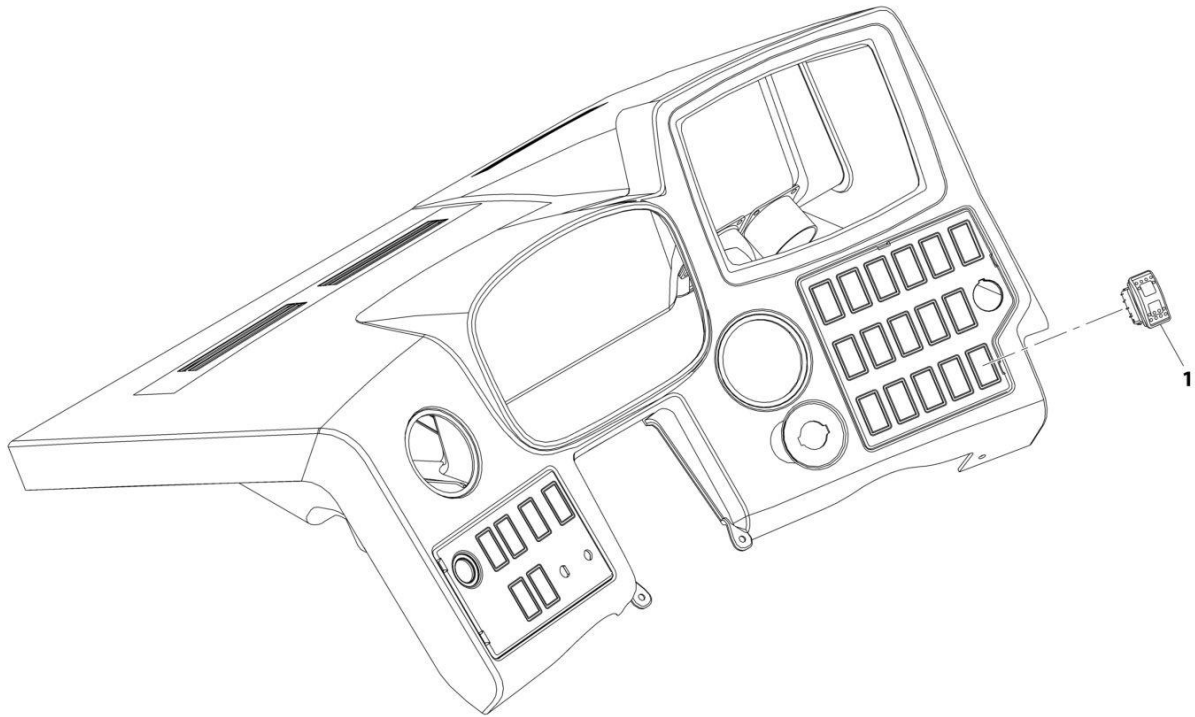
SECTION 10 - ELECTRICAL

FIGURE 10-33. CAB - IGNITION SWITCH HARNESS

ITEM	PART NUMBER	QTY	DESCRIPTION	REV
	1001223968	Ref	Ignition Switch Harness	A
1	4460899	1	Connector	
2	4460464	3	Terminal	
3	4460466	3	Plug	
4	1001118685	1	Connector	
5	1001104519	1	Terminal	
6	1001118383	1	Terminal	
7	1001117121	1	Connector	
8	1001104519	1	Terminal	

SECTION 10 - ELECTRICAL

FIGURE 10-34. CAB - LIGHT SWITCH INSTALLATION



ART_1001215121-A

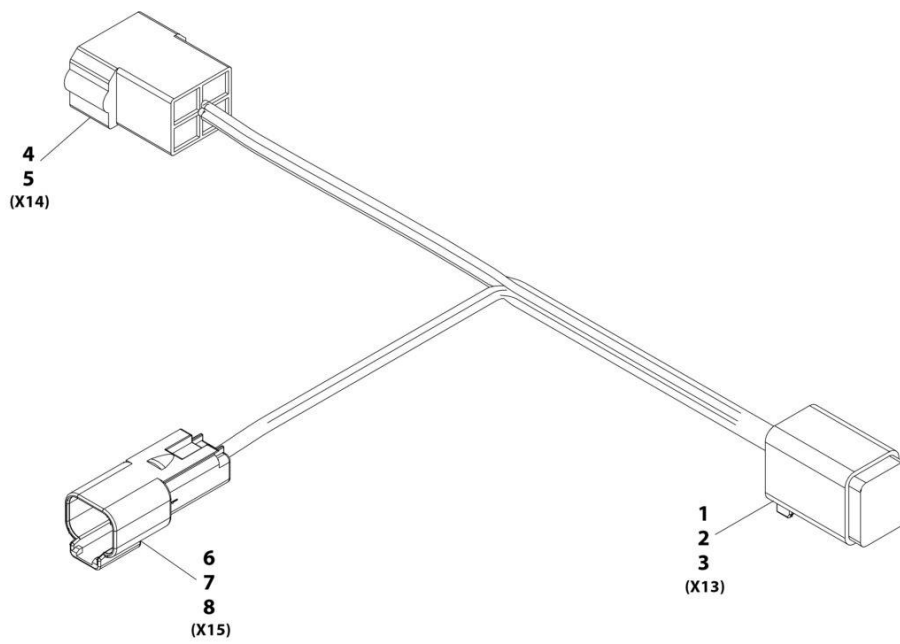
SECTION 10 - ELECTRICAL

FIGURE 10-34. CAB - LIGHT SWITCH INSTALLATION

ITEM	PART NUMBER	QTY	DESCRIPTION	REV
1	1001215121 1001163639	Ref 1	Light Switch Installation Switch, Light	A

SECTION 10 - ELECTRICAL

FIGURE 10-35. CAB - SEAT ADAPTOR HARNESS



ART_1001168531-A

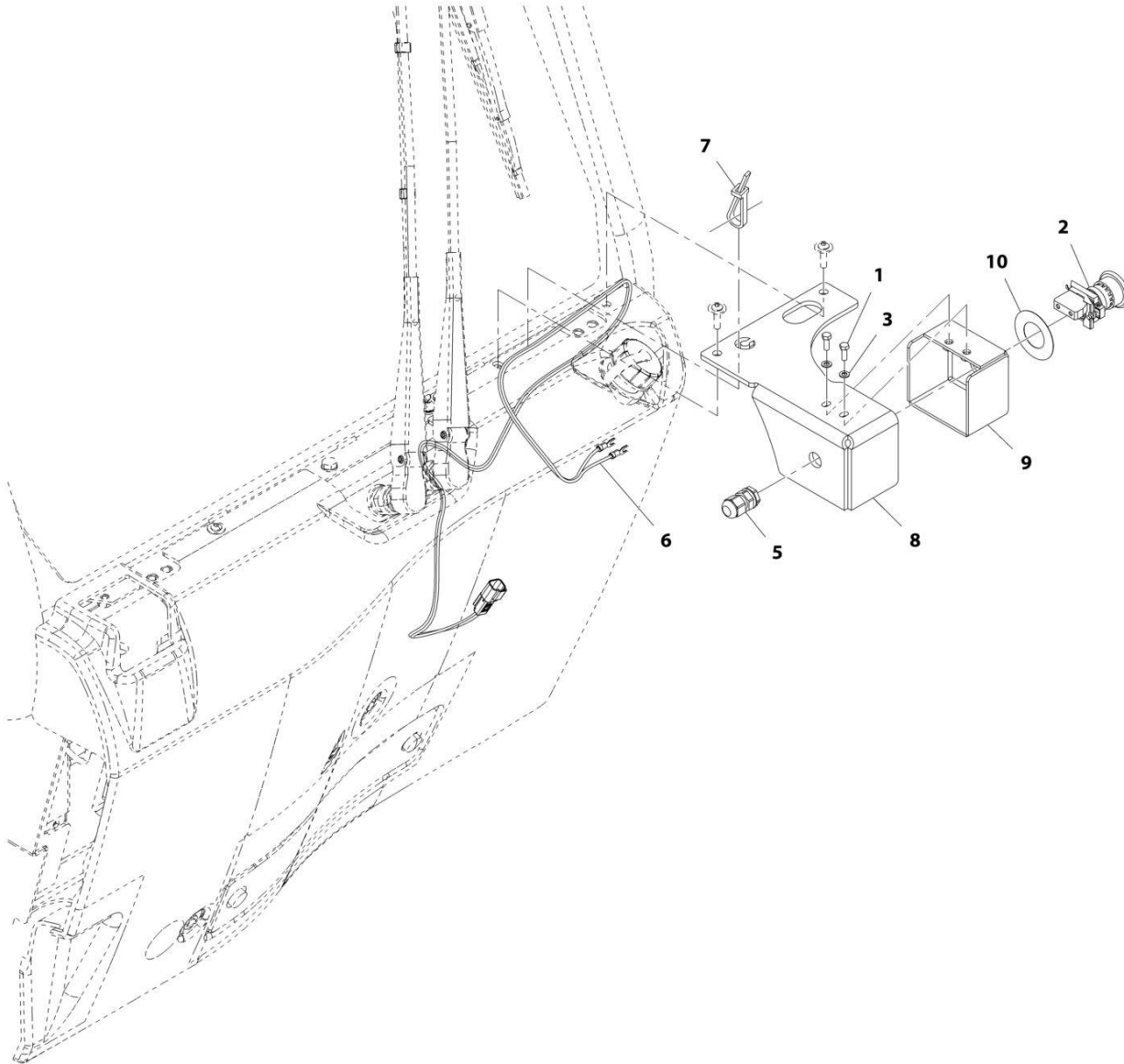
SECTION 10 - ELECTRICAL

FIGURE 10-35. CAB - SEAT ADAPTOR HARNESS

ITEM	PART NUMBER	QTY	DESCRIPTION	REV
	1001168531	Ref	Seat Adaptor Harness	A
1	4460894	1	Connector	
2	91504107	1	Lock, Connector	
3	4460465	6	Terminal	
4	1001117011	1	Connector	
5	1001116700	3	Terminal	
6	4460897	1	Connector	
7	80604017	1	Lock, Connector	
8	4460943	2	Terminal	

SECTION 10 - ELECTRICAL

FIGURE 10-36. CAB - EXTERNAL EMERGENCY STOP INSTALLATION



ART_1001195721-C

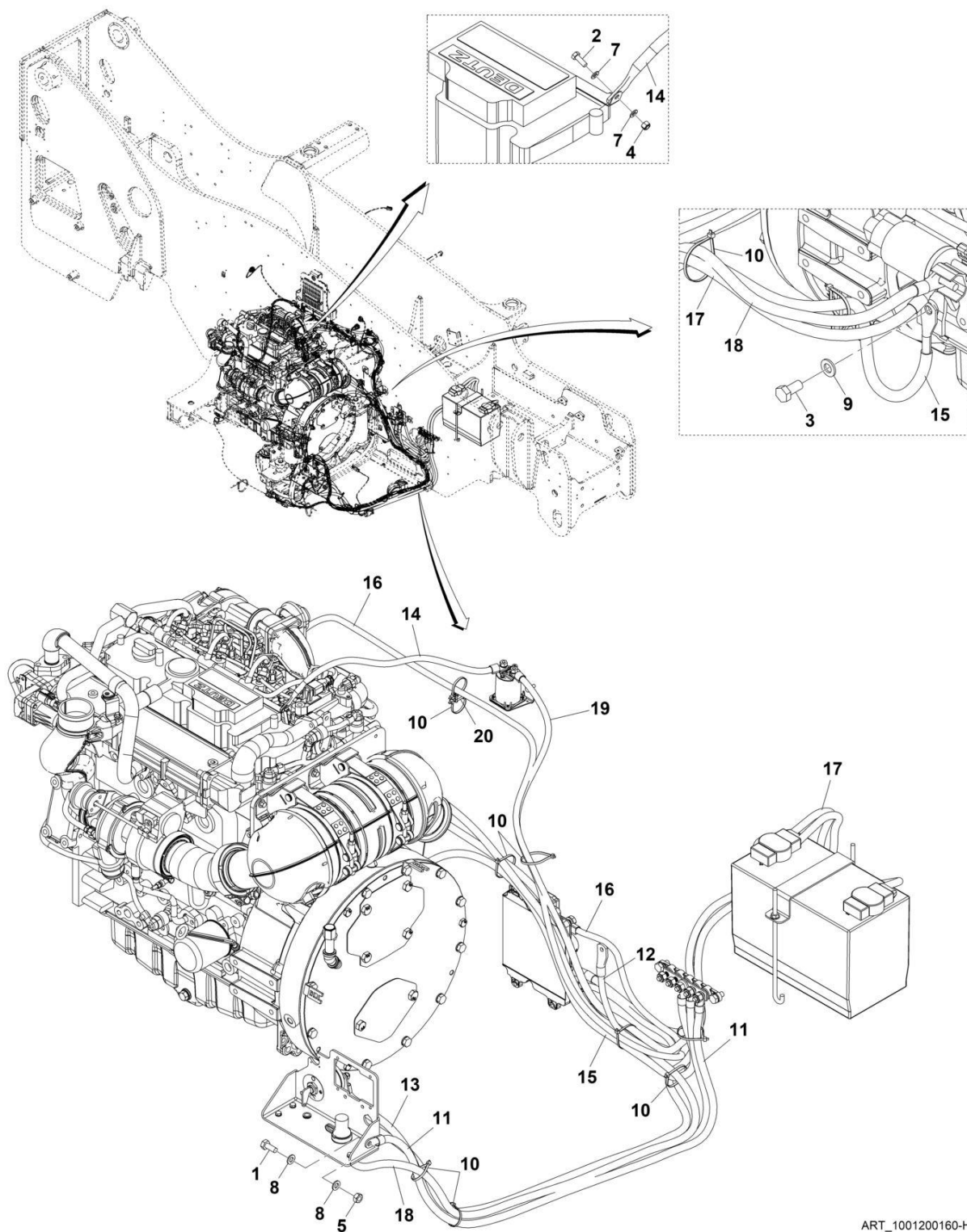
SECTION 10 - ELECTRICAL

FIGURE 10-36. CAB - EXTERNAL EMERGENCY STOP INSTALLATION

ITEM	PART NUMBER	QTY	DESCRIPTION	REV
	1001195721	Ref	Emergency Stop External Installation	C
1	0760507	2	Bolt, M5X14	
2	4360475	1	Switch, E-Stop	
3	4811600	2	Washer, M5	
5	4461000	1	Connector	
6	1001217320	1	Harness, External EMS	
7	1001008559	1	Strap, Tie	
8	1001220859	1	Bracket	
9	1001220861	1	Shield	
10	1704260	1	Decal, EMS	

SECTION 10 - ELECTRICAL

FIGURE 10-37. ENGINE - ENGINE BAY ELECTRICAL INSTALLATION (ULS)



ART_1001200160-H

SECTION 10 - ELECTRICAL

FIGURE 10-37. ENGINE - ENGINE BAY ELECTRICAL INSTALLATION (ULS)

ITEM	PART NUMBER	QTY	DESCRIPTION	REV
	1001200160	Ref	Engine Bay Electrical Installation	I
1	0761012	1	Bolt, M10X25	
2	0760507	1	Bolt, M5X14	
3	0761212	1	Bolt, M12X25	
4	3290505	1	Nut, Lock M5X0.8	
5	3291001	1	Nut, M10X1.5	
7	4811600	2	Washer, M5	
8	4812000	2	Washer, M10	
9	4812100	1	Washer, M12	
10	1001008559	10	Tie, Strap	
11	1001194103	1	Cable	
12	1001194244	1	Cable	
13	1001196502	1	Cable	
14	1001200161	1	Cable	
15	1001200162	1	Cable	
16	1001200164	1	Cable	
17	1001200165	1	Cable	
18	1001200166	1	Cable	
19	1001200167	1	Cable	
20	1001004723	1	Saddle	
21	1001293972	1	Cable, ECM Power (Not Shown)	

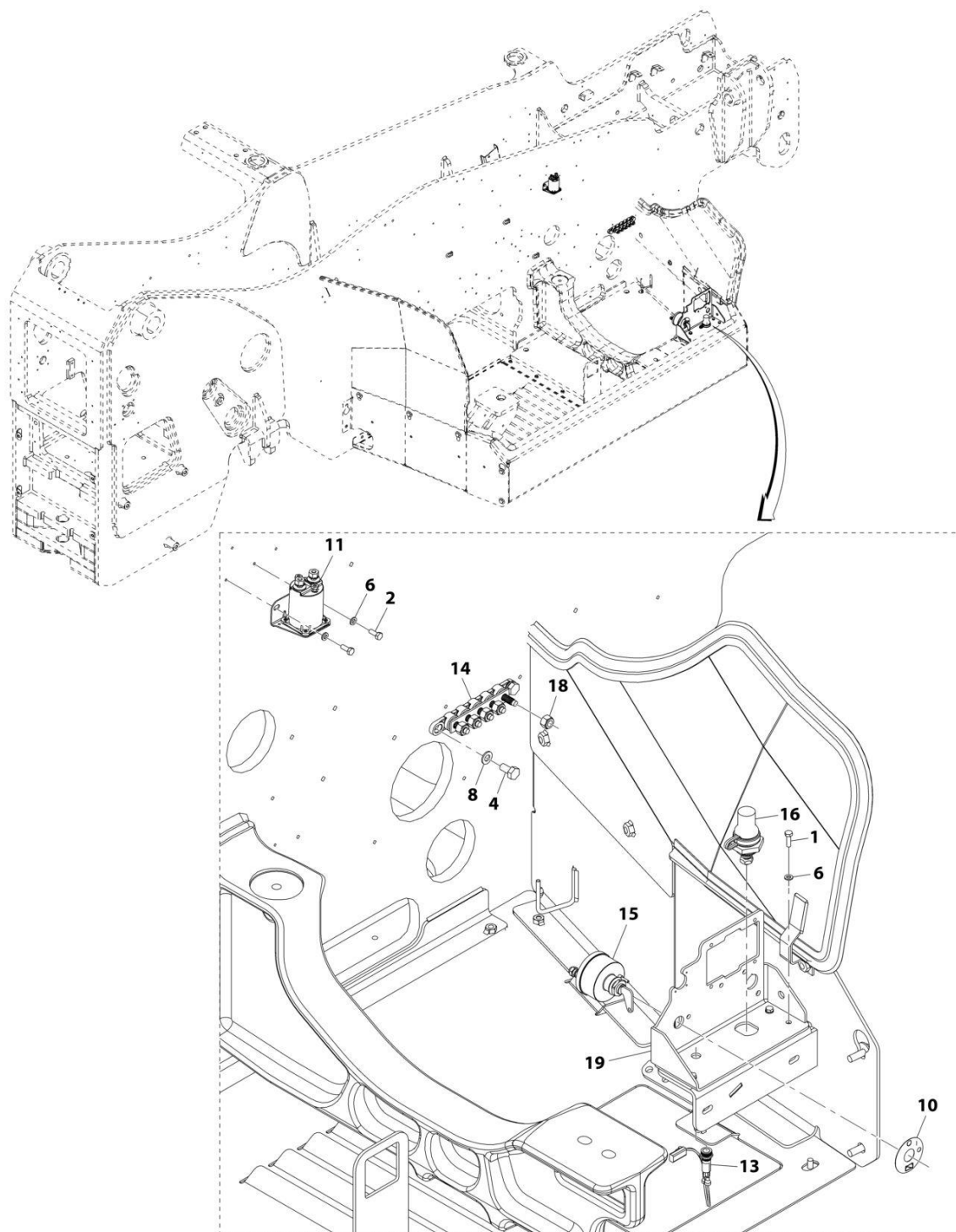
SECTION 10 - ELECTRICAL

FIGURE 10-38. ENGINE - ENGINE BAY ELECTRICAL INSTALLATION (LS)

ITEM	PART NUMBER	QTY	DESCRIPTION	REV
	1001227469	Ref	Engine Bay Electrical Installation	B
1	0760507	1	Bolt, M5X14	
2	0760812	1	Bolt, M8X25	
3	0761012	1	Bolt, M10X25	
4	0761212	1	Bolt, M12X25	
5	3290505	1	Nut, Lock M5X0.8 Grade 8	
6	3291001	1	Nut, M10X1.5 Grade 8	
7	4811600	2	Washer, M5	
8	4811902	1	Washer, M8	
9	4812000	2	Washer, M10	
10	4812100	1	Washer, M12	
11	85941018	1	Clamp	
12	1001003305	1	Clip	
13	1001008559	7	Tie, Strap	
14	1001194103	1	Cable	
15	1001196502	1	Cable	
16	1001200161	1	Cable	
17	1001200162	1	Cable	
18	1001200164	1	Cable	
19	1001200165	1	Cable	
20	1001200166	1	Cable	
21	1001200167	1	Cable	
22	1001293972	1	Cable, ECM Power (Not Shown)	

SECTION 10 - ELECTRICAL

FIGURE 10-39. ENGINE - ENGINE POD ELECTRICAL INSTALLATION (ULS)



ART_1001202172-C

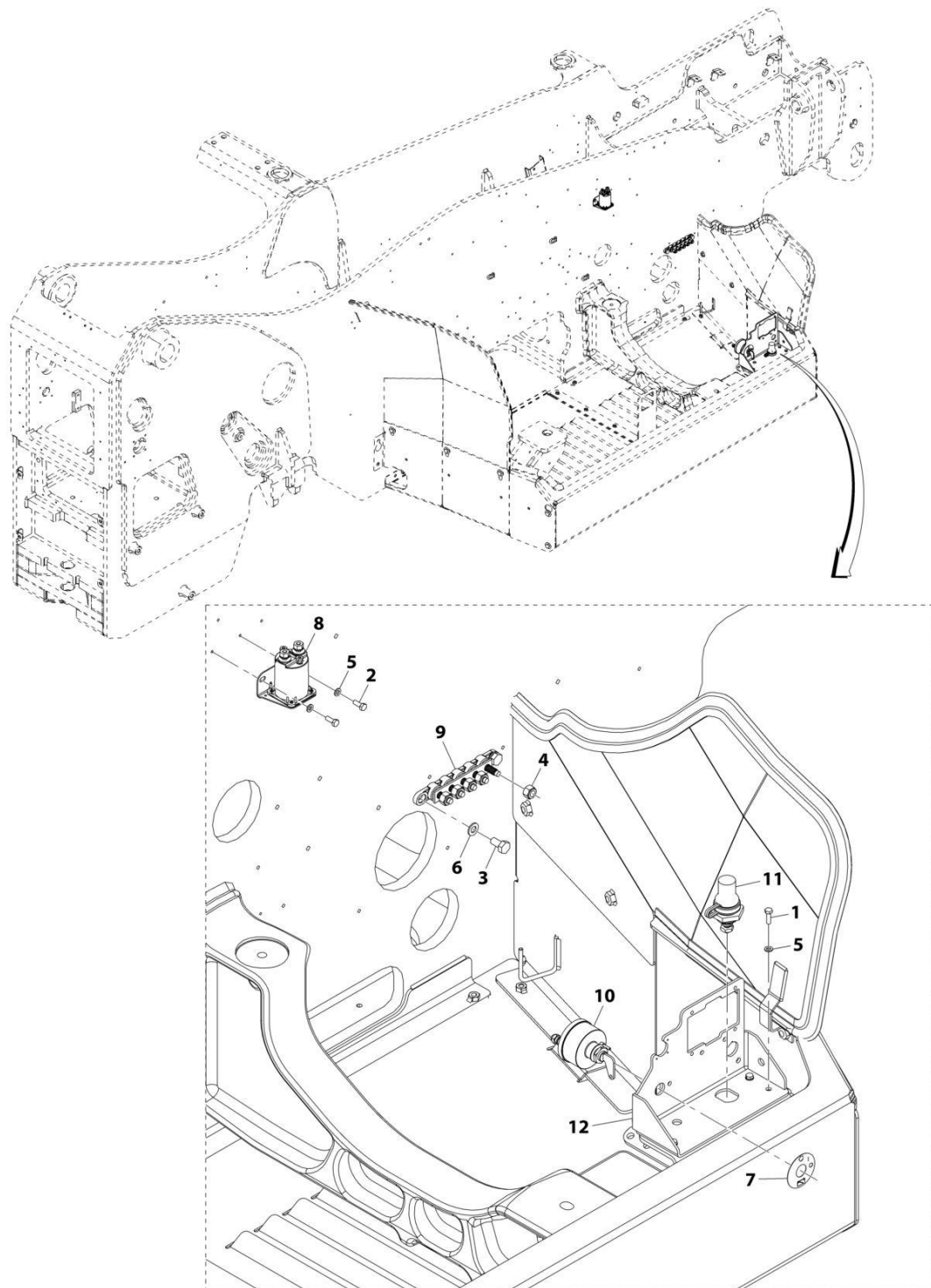
SECTION 10 - ELECTRICAL

FIGURE 10-39. ENGINE - ENGINE POD ELECTRICAL INSTALLATION (ULS)

ITEM	PART NUMBER	QTY	DESCRIPTION	REV
	1001202172	Ref	Engine Pod Electrical Installation (ULS)	C
1	0700610	4	Bolt, M6X20	
2	0760608	2	Bolt, M6X16	
4	0761010	2	Bolt, M10X20	
6	4811700	6	Washer, M6	
8	4812000	2	Washer, M10	
10	1001008540	1	Plate	
11	1001117308	1	Relay	
13	1001232288	1	Harness, DEF Purge Light (See Separate Breakdown in this Section)	
14	1001181128	1	Bussbar	
15	1001192142	1	Switch, Disconnect	
16	1001193993	1	Terminal, Battery	
18	3291005	5	Nut, Lock M10X1.5	
19	1001212886	1	Bracket	

SECTION 10 - ELECTRICAL

FIGURE 10-40. ENGINE - ENGINE POD ELECTRICAL INSTALLATION (LS)



ART_1001223066-A

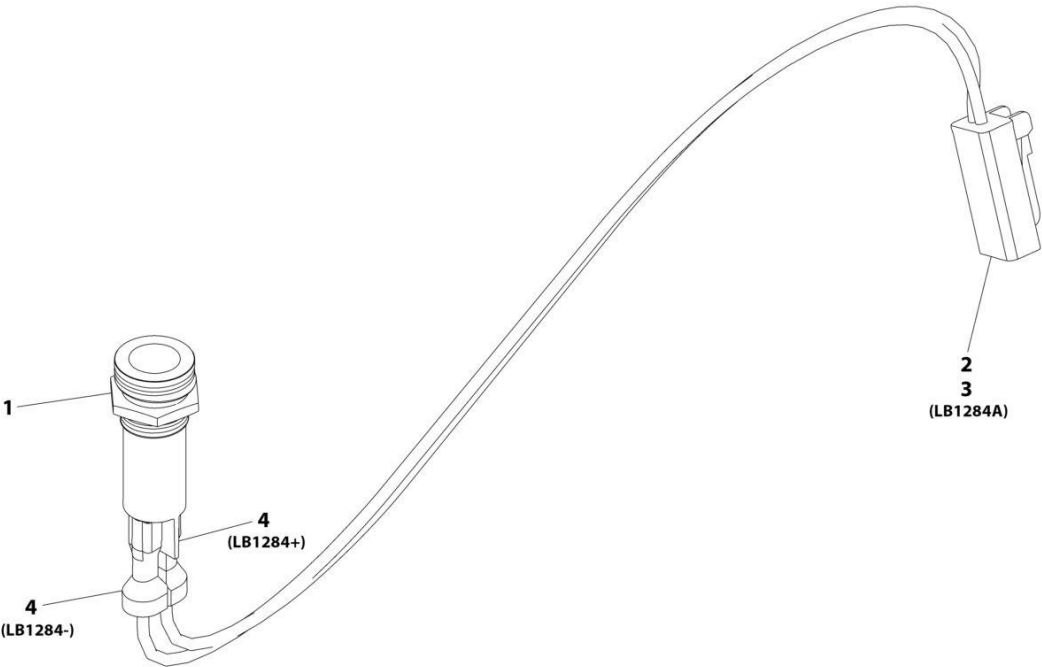
SECTION 10 - ELECTRICAL

FIGURE 10-40. ENGINE - ENGINE POD ELECTRICAL INSTALLATION (LS)

ITEM	PART NUMBER	QTY	DESCRIPTION	REV
	1001223066	Ref	Engine Pod Electrical Installation (LS)	A
1	0700610	4	Bolt, M6X20	
2	0760608	2	Bolt, M6X16	
3	0761010	2	Bolt, M10X20	
4	3291005	5	Nut, Lock M10X1.5	
5	4811700	6	Washer, M6	
6	4812000	2	Washer, M10	
7	1001008540	1	Plate	
8	1001117308	1	Relay	
9	1001181128	1	Bussbar	
10	1001192142	1	Switch, Disconnect	
11	1001193993	1	Stud, Terminal	
12	1001212886	1	Bracket	

SECTION 10 - ELECTRICAL

FIGURE 10-41. ENGINE - DEF PURGE LIGHT HARNESS



ART_1001232288-A

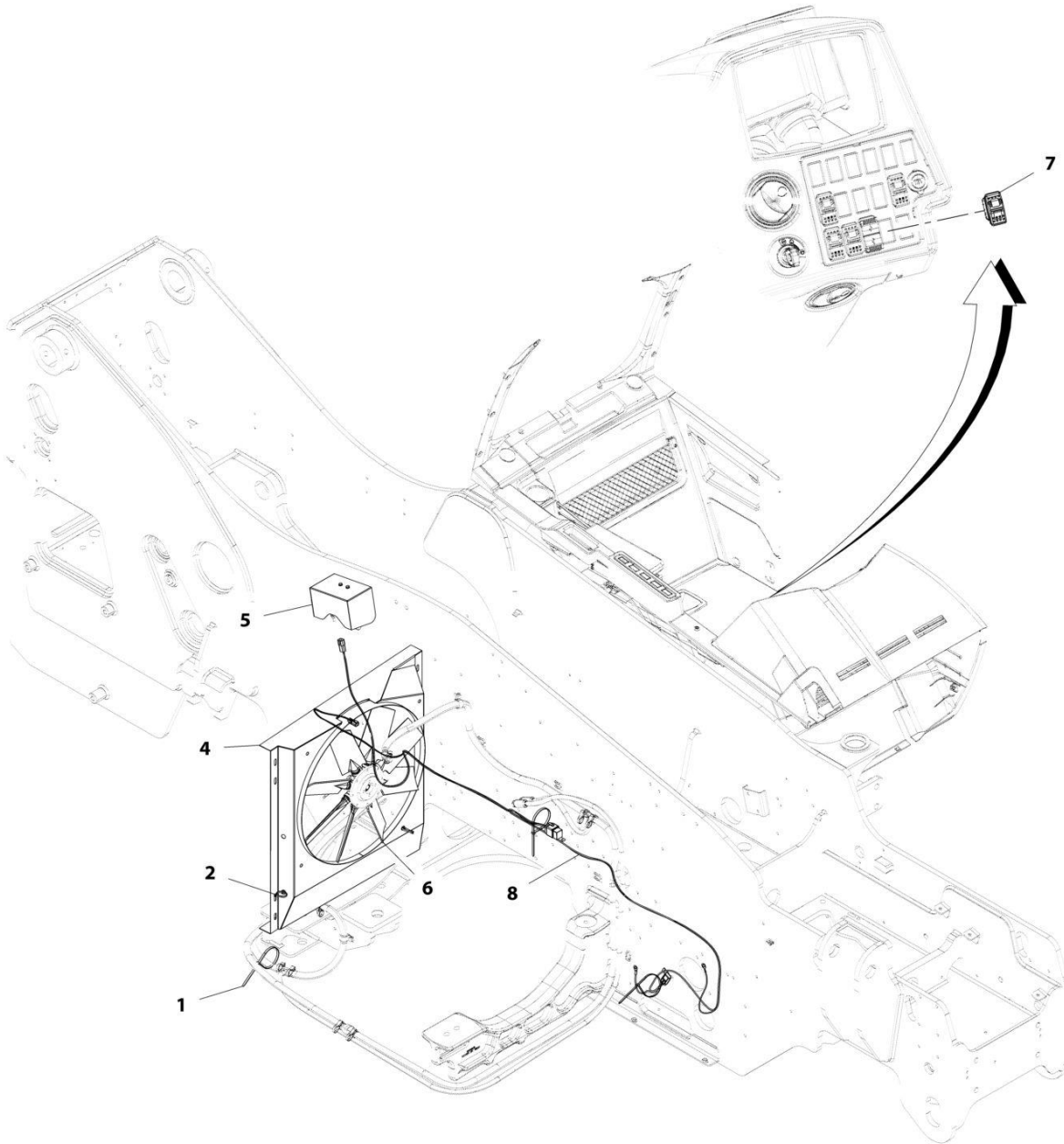
SECTION 10 - ELECTRICAL

FIGURE 10-41. ENGINE - DEF PURGE LIGHT HARNESS

ITEM	PART NUMBER	QTY	DESCRIPTION	REV
	1001232288	Ref	DEF Purge Light Harness	A
1	1001169825	1	LED Lamp 12V	
2	4461290	1	Connector	
3	1001126008	2	Terminal	
4	8220108	2	Connector	

SECTION 10 - ELECTRICAL

FIGURE 10-42. ENGINE - FAN (REVERSE COOLING) INSTALLATION



ART_1001217753-C

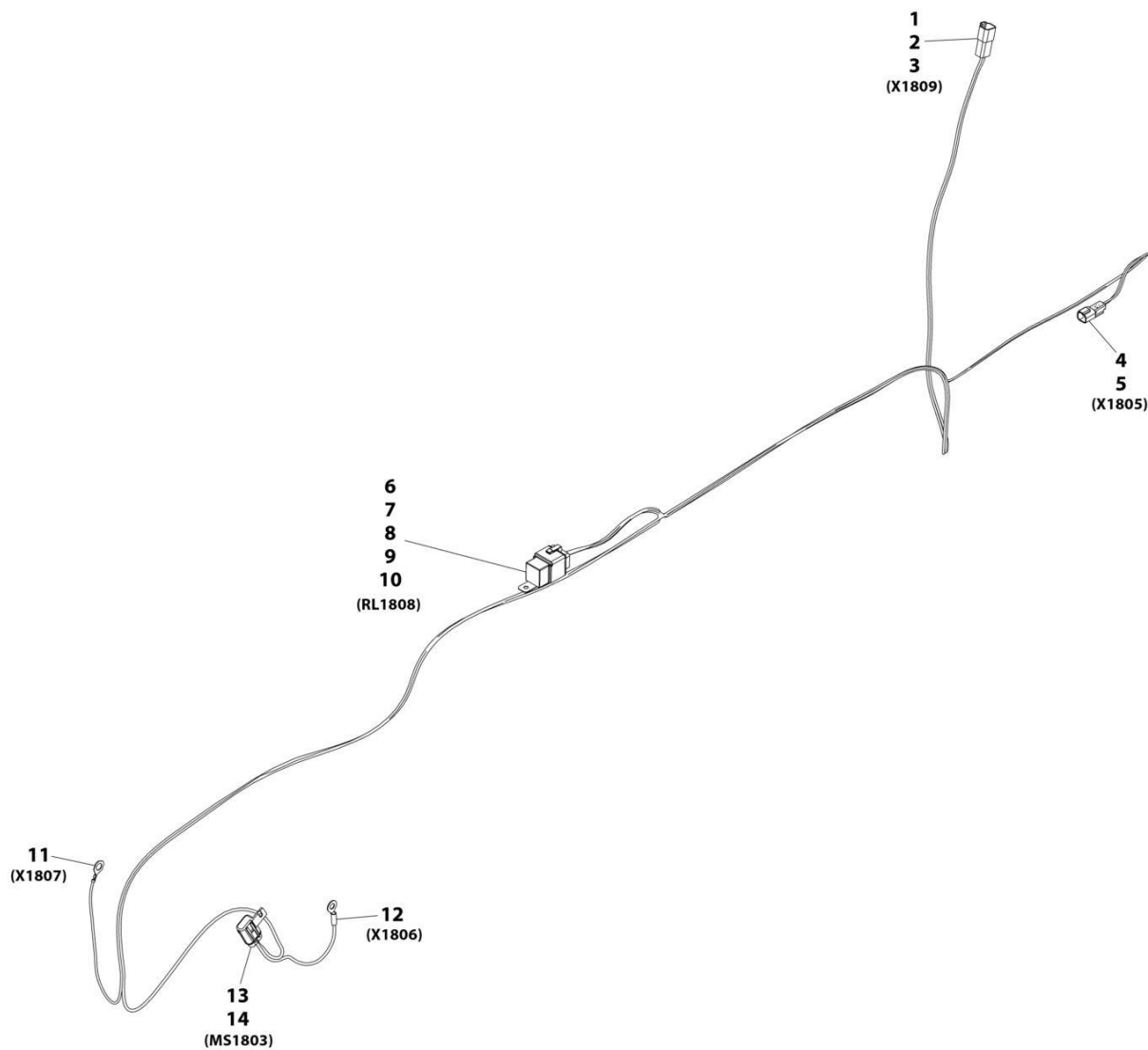
SECTION 10 - ELECTRICAL

FIGURE 10-42. ENGINE - FAN (REVERSE COOLING) INSTALLATION

ITEM	PART NUMBER	QTY	DESCRIPTION	REV
	1001217753	Ref	Reverse Cooling Fan Installation	C
1	1062255	3	Strap, Tie	
2	1001146588	2	Strap, Fir Tree Cable Tie	
4	1001217756	1	Shroud	
5	1001217757	1	Installation, Cover (See Separate Breakdown in this Section)	
6	1001217760	1	Kit, Reversing Fan	
6	70030353	1	Pneumatic Line	
6	70030355	1	Fan, Reverse	
6	70030356	1	Compressor	
7	1001145204	1	Switch	
8	1001221493	1	Harness, Reversing Fan (See Separate Breakdown in ELECTRICAL Section)	

SECTION 10 - ELECTRICAL

FIGURE 10-43. ENGINE - FAN (REVERSE COOLING) HARNESS



ART_1001221493-B

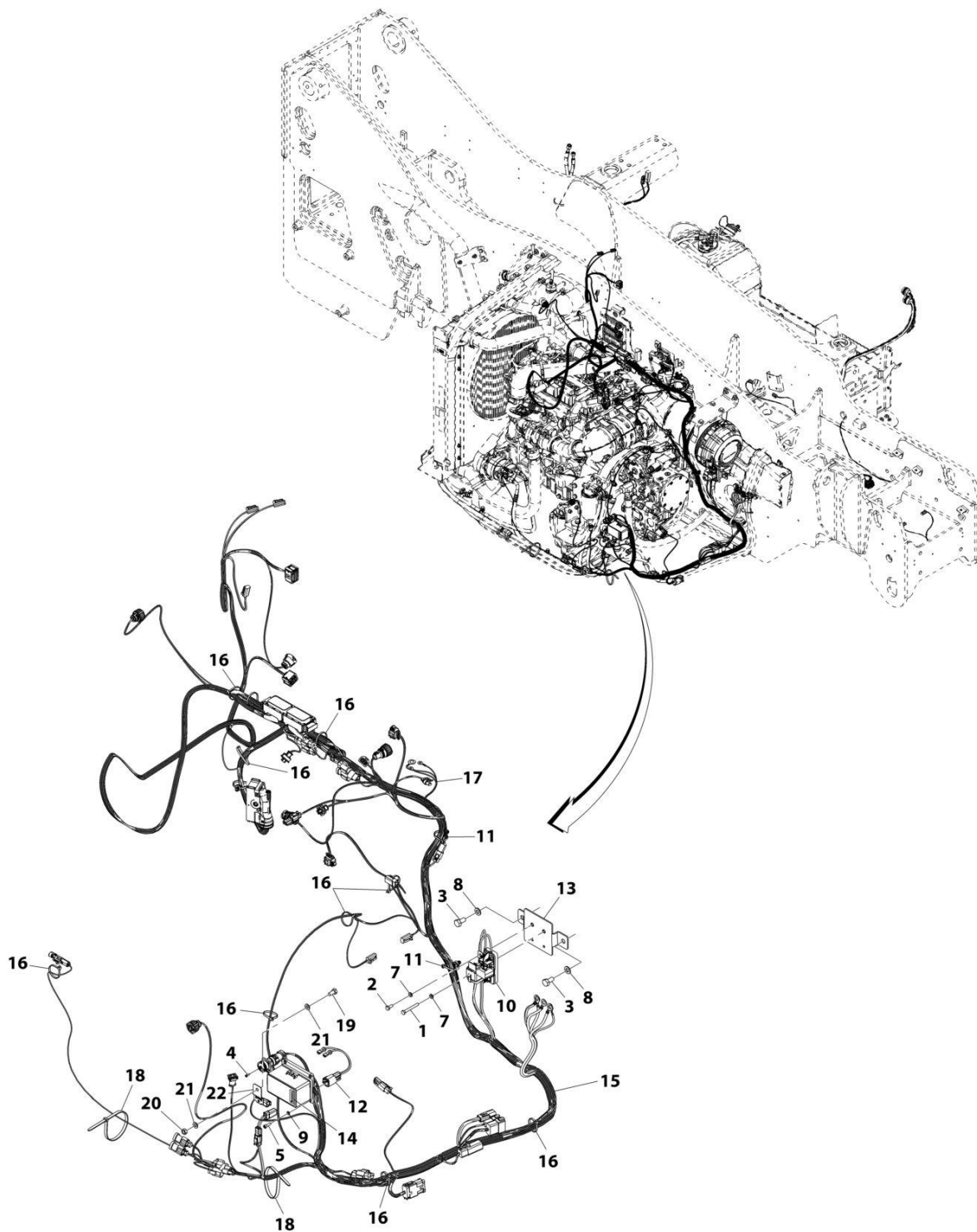
SECTION 10 - ELECTRICAL

FIGURE 10-43. ENGINE - FAN (REVERSE COOLING) HARNESS

ITEM	PART NUMBER	QTY	DESCRIPTION	REV
	1001221493	Ref	Reversing Fan Harness	B
1	4460932	1	Connector	
2	4460941	2	Terminal	
3	4460466	2	Plug	
4	4460897	1	Connector	
5	4460464	2	Terminal	
6	1001118282	1	Connector	
7	1001116734	1	Terminal	
8	1001116732	2	Terminal	
9	1001128128	1	Plug	
10	1001116733	1	Terminal	
11	1001187078	1	Ring Terminal	
12	8220045	1	Ring Terminal	
13	1001117024	1	Connector	
14	1001116734	2	Terminal	

SECTION 10 - ELECTRICAL

FIGURE 10-44. ENGINE WIRING INSTALLATION (ULS)



ART_1001200106-H

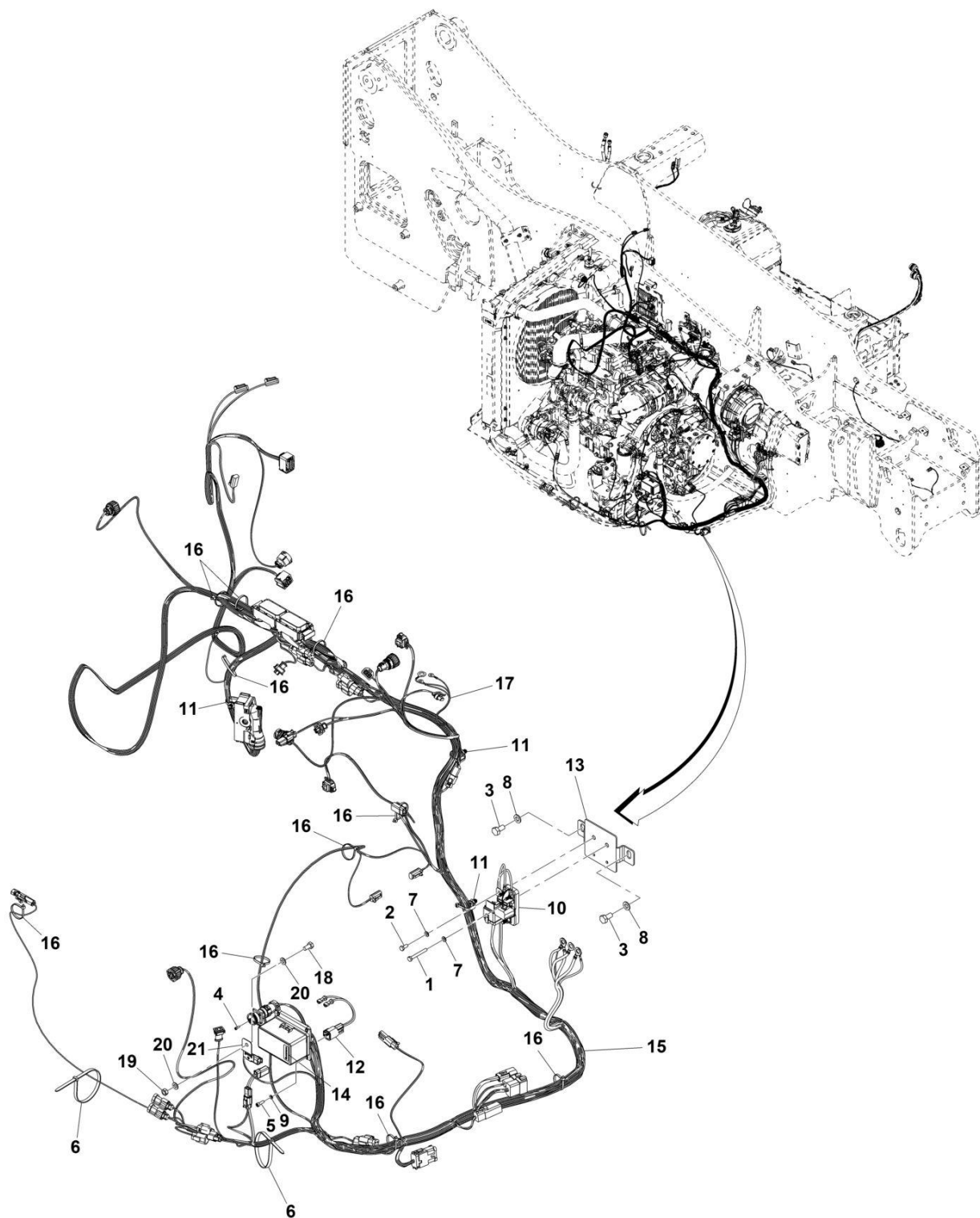
SECTION 10 - ELECTRICAL

FIGURE 10-44. ENGINE WIRING INSTALLATION (ULS)

ITEM	PART NUMBER	QTY	DESCRIPTION	REV
	1001200106	Ref	Engine Wiring Installation (ULS)	1
1	0700618	1	Bolt, M6X50	
2	0760607	1	Bolt, M6X14	
3	0761010	2	Bolt M10X20	
4	4031205	3	Bolt, M3X10	
5	4031607	4	Bolt, M5-0.8X16	
7	4811700	2	Washer, M6	
8	4812000	2	Washer, M10	
9	4831600	4	Washer, Lock M5	
10	1001131177	1	Fuse	
11	1001146588	3	Strap, Cable Tie	
12	1001182929	1	Harness, Fuel Pump (See Separate Breakdown in this Section)	
13	1001189046	1	Bracket	
14	1001191546	1	Decal, Fuse	
15	1001285934	1	Harness, Engine (See Separate Breakdown in this Section)	
16	1001008559	11	Strap, Cable	
17	1001182930	1	Harness, Glow Plug Relay (See Separate Breakdown in this Section)	
18	1062255	2	Strap, Tie	
19	0700808	1	Bolt, M8X16	
20	3290801	1	Nut, M8X1.25	
21	4811900	2	Washer, M8	
22	1001153749	1	Clip	
23	1001293972	1	Cable, ECM Power (Not Shown)	

SECTION 10 - ELECTRICAL

FIGURE 10-45. ENGINE WIRING INSTALLATION (MINING) (ULS)



ART_1001228728_C

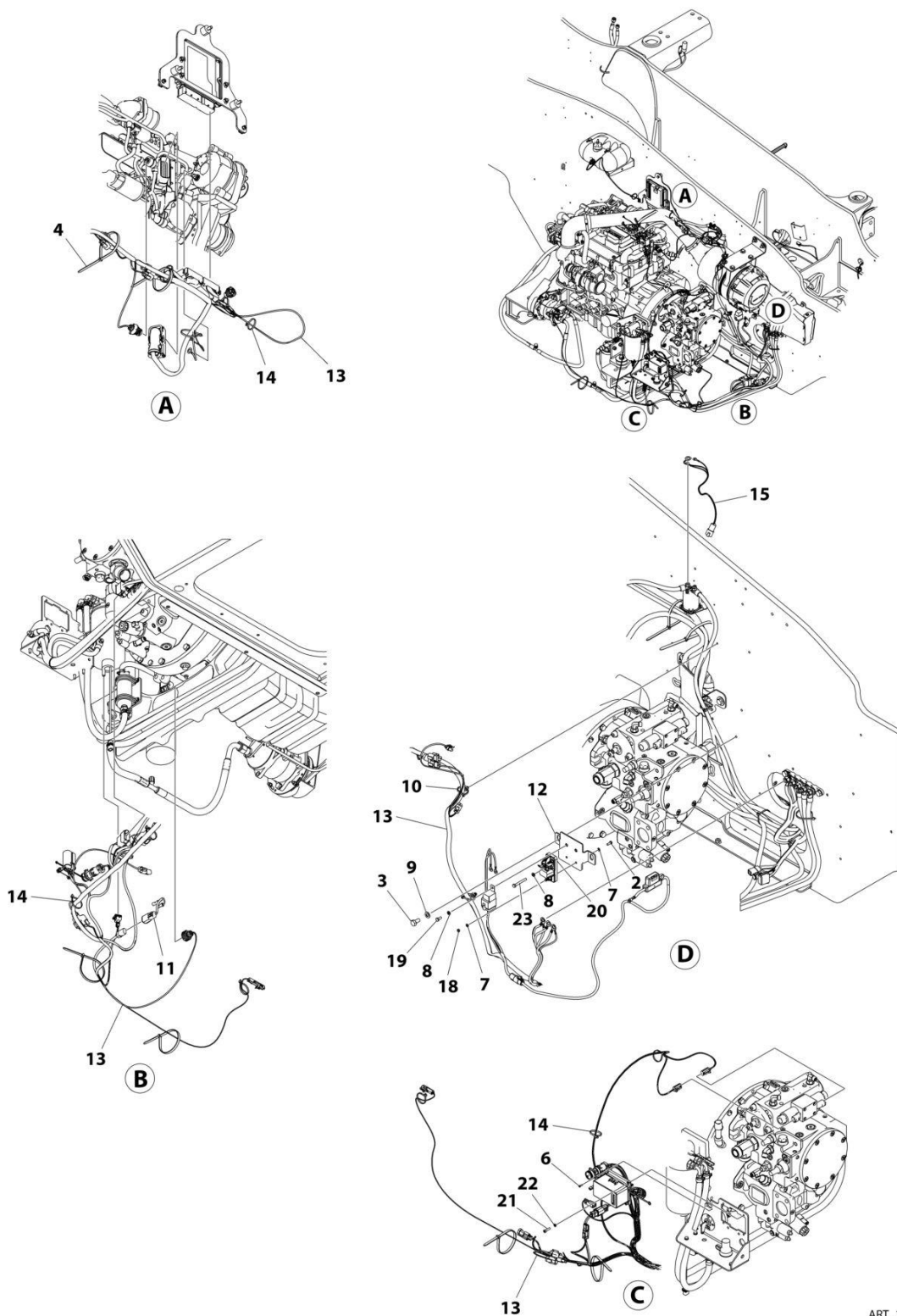
SECTION 10 - ELECTRICAL

FIGURE 10-45. ENGINE WIRING INSTALLATION (MINING) (ULS)

ITEM	PART NUMBER	QTY	DESCRIPTION	REV
	1001228728	Ref	Engine Wiring Installation (Mining) (ULS)	C
1	0700618	1	Bolt, M6X50	
2	0760607	1	Bolt, M6X14	
3	0761010	2	Bolt, M10X20	
4	4031205	3	Bolt, M3X10	
5	4031607	4	Bolt, M5X16	
6	1062255	2	Strap, Tie	
7	4811700	2	Washer, M6	
8	4812000	2	Washer, M10	
9	4831600	4	Washer, Lock M5	
10	1001131177	1	Fuse	
11	1001146588	3	Strap, Cable Tie	
12	1001228733	1	Harness, Fuel Pump (See Separate Breakdown in this Section)	
13	1001189046	1	Bracket	
14	1001191546	1	Decal, Fuse	
15	1001286174	1	Harness, Engine (Mining) (ULS) (See Separate Breakdown in this Section)	
16	1001008559	11	Strap, Cable	
17	1001228732	1	Harness, Glow Plug Relay (See Separate Breakdown in this Section)	
18	0700808	1	Bolt, M8X16	
19	3290801	1	Nut, M8X1.25	
20	4811900	2	Washer, M8	
21	1001153749	1	Clip	
22	1001293972	1	Cable, ECM Power (Not Shown)	

SECTION 10 - ELECTRICAL

FIGURE 10-46. ENGINE WIRING INSTALLATION (LS)



ART_1001217752

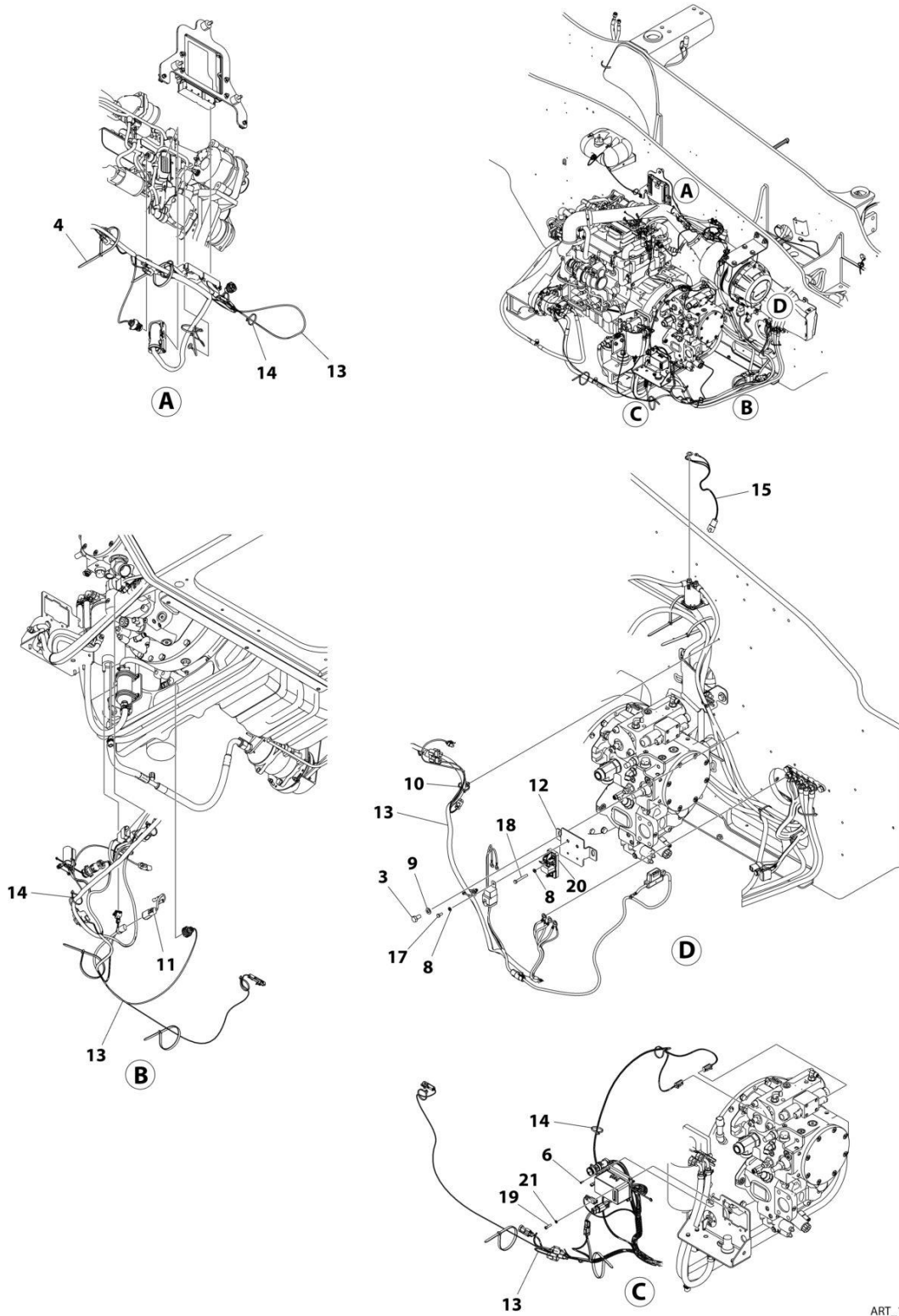
SECTION 10 - ELECTRICAL

FIGURE 10-46. ENGINE WIRING INSTALLATION (LS)

ITEM	PART NUMBER	QTY	DESCRIPTION	REV
	1001217752	Ref	ENGINE WIRING INSTALLATION	D
2	0760507	1	Bolt M5 x 14	
3	0761010	2	Bolt M10 x 20	
4	1062255	2	Strap, Tie	
6	4031205	3	Bolt M3 x 10	
7	4811600	2	Washer M5	
8	4811700	2	Washer M6	
9	4812000	2	Washer M10	
10	1001146588	2	Strap, Cable Tie	
11	1001182929	1	Harness, Fuel Pump (See Separate Breakdown in this Section)	
12	1001189046	1	Bracket	
13	1001285934	1	Harness, Engine (LS) (See Separate Breakdown in this Section)	
14	1001008559	10	Strap, Cable	
15	1001182930	1	Harness, Glow Plug Relay (See Separate Breakdown in this Section)	
18	3290501	1	Nut M5	
19	0760607	1	Bolt M6 x 14	
20	1001131177	1	Fuse	
21	4031608	4	Bolt M5 x 20	
22	4831600	4	Washer M5	
23	0700618	1	Bolt M6 x 50	
24	1001293972	1	Cable, ECM Power (Not Shown)	

SECTION 10 - ELECTRICAL

FIGURE 10-47. ENGINE WIRING INSTALLATION (MINING) (LS)



ART_1001228735

SECTION 10 - ELECTRICAL

FIGURE 10-47. ENGINE WIRING INSTALLATION (MINING) (LS)

ITEM	PART NUMBER	QTY	DESCRIPTION	REV
	1001228735	Ref	Engine Wiring Installation Mining (LS)	B
3	0761010	2	Bolt M10 x 20	
4	1062255	2	Strap, Tie	
6	4031205	3	Bolt M3 x 10	
8	4811700	2	Washer M6	
9	4812000	2	Washer M10	
10	1001146588	2	Strap, Cable Tie	
11	1001228733	1	Harness, Fuel Pump (See Separate Breakdown in this Section)	
12	1001189046	1	Bracket	
13	1001286174	1	Harness, Engine (Mining) (ULS) (See Separate Breakdown in this Section)	
14	1001008559	10	Strap, Cable	
15	1001228732	1	Harness, Glow Plug Relay (See Separate Breakdown in this Section)	
17	0760607	1	Bolt M6 x 14	
18	0700618	1	Bolt M6 x 50	
19	4031608	4	Bolt M5 x 20	
20	1001131177	1	Fuse	
21	4831600	4	Washer M5	
22	1001293972	1	Cable, ECM Power (Not Shown)	

SECTION 10 - ELECTRICAL

FIGURE 10-48. ENGINE HARNESS (ULS)

ITEM	PART NUMBER	QTY	DESCRIPTION	REV
	1001244428	Ref	Engine Harness (ULS)	A
1	1001202723	1	Connector	
2	1001167623	5	Plug	
3	1001166555	13	Terminal	
4	1001167621	50	Terminal	
5	1001167622	37	Plug	
6	4460539	1	Connector	
7	4460465	3	Terminal	
8	1001126487	1	Connector	
9	1001167635	2	Terminal	
10	1001126485	2	Terminal Seal	
11	1001167631	1	Connector	
12	1001167630	4	Terminal	
13	1001126485	4	Terminal Seal	
14	1001187070	1	Ring Terminal	
15	1001148842	1	Connector	
16	1001148841	3	Terminal	
17	1001135651	1	Plug	
18	1001135650	3	Terminal Seal	
19	1001202722	1	Connector	
20	1001166551	6	Terminal	
21	1001126353	6	Terminal Seal	
22	1001167622	58	Plug	
23	1001167621	21	Terminal	
24	1001167623	6	Plug	
25	1001138116	1	Connector	
26	1001133715	3	Terminal	
27	1001135650	4	Terminal Seal	
28	1001126487	1	Connector	
29	1001167634	2	Terminal	
30	1001126485	2	Terminal Seal	
31	1001209097	1	Connector	
32	8220124	2	Terminal	
33	4460608	2	Terminal Seal	
34	1001126362	1	Connector	
35	1001166556	26	Terminal	
36	1001126393	36	Terminal Seal	
37	1001126391	19	Plug	
38	4461008	2	Plug	
39	4461006	2	Terminal Seal	
40	4461054	2	Terminal Wire Seal	
41	1001166543	4	Terminal	
42	1001166774	10	Terminal	
43	1001126487	1	Connector	
44	1001167634	2	Terminal	
45	1001126485	2	Terminal Seal	
46	1001116812	1	Connector	
47	4460944	2	Terminal	
48	4460466	1	Plug	
49	4460539	1	Connector	

SECTION 10 - ELECTRICAL

ITEM	PART NUMBER	QTY	DESCRIPTION	REV
50	4460944	2	Terminal	
51	4460466	1	Plug	
52	4460891	1	Connector	
53	4460465	2	Terminal	
54	4460539	1	Connector	
55	4460944	2	Terminal	
56	4460466	1	Plug	
57	1001116812	1	Connector	
58	4460944	2	Terminal	
59	4460466	1	Plug	
60	1001116811	1	Connector	
61	1001150610	2	Terminal	
62	4460508	1	Terminal	
63	4460466	1	Plug	
64	1001144147	1	Connector	
65	4460464	2	Terminal	
66	4460466	1	Plug	
67	4460894	1	Connector	
68	4460466	1	Plug	
69	4460465	5	Terminal	
70	1001126245	1	Connector	
71	1001126008	2	Terminal	
72	1001167629	1	Connector	
73	1001167630	4	Terminal	
74	1001126485	4	Terminal Seal	
75	1001207171	1	Ring Terminal, (with boot)	
76	1001207171	1	Ring Terminal, (with boot)	
77	1001118282	1	Connector	
78	1001116734	2	Terminal	
79	1001116732	2	Terminal	
80	1001128128	1	Plug	
81	1001187080	1	Ring Terminal	
82	1001187080	1	Ring Terminal	
83	1001187078	1	Ring Terminal	
84	1001187080	1	Ring Terminal	
85	1001187080	1	Ring Terminal	
86	4460970	1	Connector	
87	4460464	9	Terminal	
88	4460466	3	Plug	
89	1001167616	1	Connector	
90	1001190921	1	Fuse Box Foam Seal	
91	4460748	7	Plug	
92	8220097	23	Terminal	
93	1001175265	19	Terminal Seal	
94	8220098	9	Terminal	
95	4460458	11	Terminal Seal	
96	1001116725	6	Terminal	
97	80963067	1	Terminal Seal	
98	1001190037	5	Terminal Seal	
99	1001190921	1	Fuse Box Foam Seal	
100	2902443	1	Connector	

SECTION 10 - ELECTRICAL

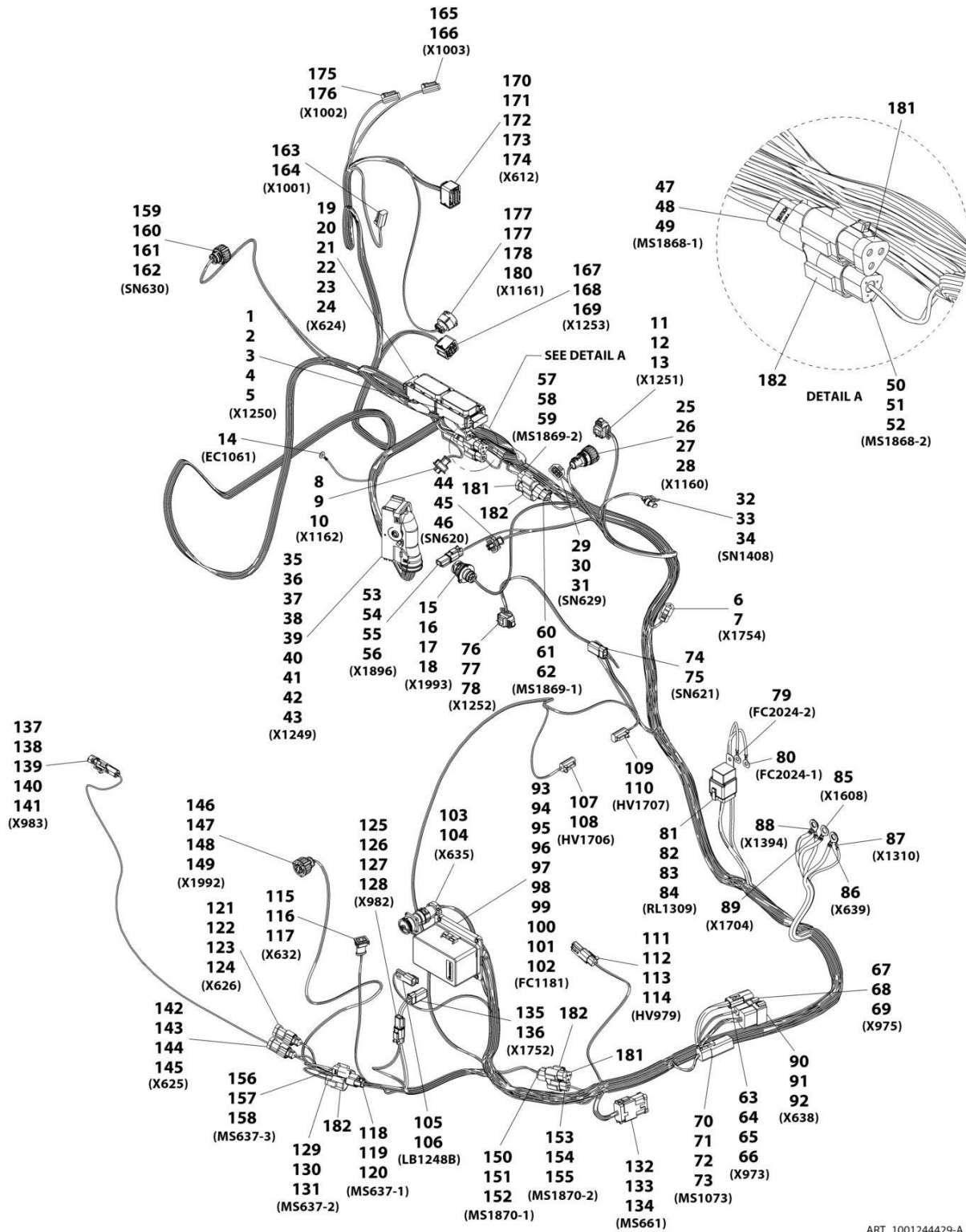
ITEM	PART NUMBER	QTY	DESCRIPTION	REV
101	4461071	6	Terminal	
102	1001153612	1	Connector	
103	1001126011	2	Terminal	
104	4460891	1	Connector	
105	4460465	2	Terminal	
106	4460891	1	Connector	
107	4460465	2	Terminal	
108	4460891	1	Connector	
109	4460465	2	Terminal	
110	1001167636	1	Connector	
111	1001166707	2	Terminal	
112	4461006	2	Terminal Seal	
113	4461095	1	Connector	
114	4460944	2	Terminal	
115	4460466	1	Plug	
116	4461095	1	Connector	
117	4460944	2	Terminal	
118	4460466	1	Plug	
119	4460891	1	Connector	
120	4460465	2	Terminal	
121	4460539	1	Connector	
122	4460944	2	Terminal	
123	4460466	1	Plug	
124	4460933	1	Connector	
125	4460465	12	Terminal	
126	4461018	1	Connector	
127	4460509	2	Terminal	
128	80963056	1	Connector	
129	4460979	1	Terminal	
130	1001175265	1	Terminal Seal	
131	4461095	1	Connector	
132	4460944	2	Terminal	
133	4460466	1	Plug	
134	1001133714	1	Connector	
135	1001133715	3	Terminal	
136	1001135650	3	Terminal Seal	
137	1001135651	1	Plug	
138	1001116812	1	Connector	
139	4460944	2	Terminal	
140	4460466	1	Plug	
141	4460539	1	Connector	
142	4460944	2	Terminal	
143	4460466	1	Plug	
144	1001116812	1	Connector	
145	4460944	2	Terminal	
146	4460466	1	Plug	
147	1001133714	1	Connector	
148	1001133715	3	Terminal	
149	1001135650	3	Terminal Seal	
150	1001135651	1	Plug	
151	4460891	1	Connector	

SECTION 10 - ELECTRICAL

ITEM	PART NUMBER	QTY	DESCRIPTION	REV
152	4460942	2	Terminal	
153	4460891	1	Connector	
154	4460942	2	Terminal	
155	1001167528	1	Connector	
156	1001167528	3	Terminal	
157	1001137578	3	Seal	
158	1001165194	1	Connector	
159	1001126391	2	Plug	
160	1001166556	8	Terminal	
161	1001166774	2	Terminal	
162	1001126393	10	Terminal Seal	
163	4460891	1	Connector	
164	4460942	2	Terminal	
165	1001167620	1	Connector	
166	1001176004	2	Terminal	
167	1001176002	2	Terminal Seal	
168	1001167624	2	Plug	
169	4460466	6	Plug	
170	4460892	1	Mating Connector	
171	4460897	3	Mating Connector	
172	4460945	4	Connector, 3 Way	
173	4461070	2	Terminator Resistor	
174	80963055	1	Mating Connector	
175	1001116727	1	Plug	
176	1001116815	3	Connector	
177	1001125677	1	Mating Connector	
178	1001187882	1	Cover	

SECTION 10 - ELECTRICAL

FIGURE 10-49. ENGINE HARNESS (MINING) (ULS)



SECTION 10 - ELECTRICAL

FIGURE 10-49. ENGINE HARNESS (MINING) (ULS)

ITEM	PART NUMBER	QTY	DESCRIPTION	REV
	1001244429	Ref	Engine Harness (Mining) (ULS)	A
1	1001202723	1	Connector	
2	1001167623	5	Plug	
3	1001166555	13	Terminal	
4	1001167621	50	Terminal	
5	1001167622	37	Plug	
6	4460539	1	Connector	
7	4460465	3	Terminal	
8	1001126487	1	Connector	
9	1001167635	2	Terminal	
10	1001126485	2	Terminal Seal	
11	1001167631	1	Connector	
12	1001167630	4	Terminal	
13	1001126485	4	Terminal Seal	
14	1001187070	1	Ring Terminal	
15	1001148842	1	Connector	
16	1001148841	3	Terminal	
17	1001135651	1	Plug	
18	1001135650	3	Terminal Seal	
19	1001202722	1	Connector	
20	1001166551	6	Terminal	
21	1001126353	6	Terminal Seal	
22	1001167622	58	Plug	
23	1001167621	21	Terminal	
24	1001167623	6	Plug	
25	1001138116	1	Connector	
26	1001187882	1	Cover	
27	1001133715	3	Terminal	
28	1001135650	4	Terminal Seal	
29	1001126487	1	Connector	
30	1001167634	2	Terminal	
31	1001126485	2	Terminal Seal	
32	1001209097	1	Connector	
33	8220124	2	Terminal	
34	4460608	2	Terminal Seal	
35	1001126362	1	Connector	
36	1001166556	26	Terminal	
37	1001126393	36	Terminal Seal	
38	1001126391	20	Plug	
39	4461008	2	Plug	
40	4461006	2	Seal	
41	4461054	2	Terminal Wire Seal	
42	1001166543	4	Terminal	
43	1001166774	10	Terminal	
44	1001126487	1	Connector	
45	1001167634	2	Terminal	
46	1001126485	2	Terminal Seal	
47	1001116812	1	Connector	
48	4460944	2	Terminal	
49	4460466	1	Plug	

SECTION 10 - ELECTRICAL

ITEM	PART NUMBER	QTY	DESCRIPTION	REV
50	4460539	1	Connector	
51	4460944	2	Terminal	
52	4460466	1	Plug	
53	4460891	1	Connector	
54	4460897	1	Mating Connector	
55	4460465	2	Terminal	
56	4460466	2	Plug	
57	4460539	1	Connector	
58	4460944	2	Terminal	
59	4460466	1	Plug	
60	1001116812	1	Connector	
61	4460944	2	Terminal	
62	4460466	1	Plug	
63	1001116811	1	Connector	
64	1001150610	2	Terminal	
65	4460508	1	Terminal	
66	4460466	1	Plug	
67	1001144147	1	Connector	
68	4460464	2	Terminal	
69	4460466	1	Plug	
70	4460894	1	Connector	
71	4460892	1	Mating Connector	
72	4460466	1	Plug	
73	4460465	5	Terminal	
74	1001126245	1	Connector	
75	1001126008	2	Terminal	
76	1001167629	1	Connector	
77	1001167630	4	Terminal	
78	1001126485	4	Terminal Seal	
79	1001207171	1	Ring Terminal, (with boot)	
80	1001207171	1	Ring Terminal, (with boot)	
81	1001118282	1	Connector	
82	1001116734	2	Terminal	
83	1001116732	2	Terminal	
84	1001128128	1	Plug	
85	1001187080	1	Ring Terminal	
86	1001187080	1	Ring Terminal	
87	1001187078	1	Ring Terminal	
88	1001187080	1	Ring Terminal	
89	1001187080	1	Ring Terminal	
90	4460970	1	Connector	
91	4460464	9	Terminal	
92	4460466	3	Plug	
93	1001167616	1	Connector	
94	1001190921	1	Fuse Box Foam Seal	
95	4460748	12	Plug	
96	8220097	23	Terminal	
97	1001175265	21	Terminal Seal	
98	8220098	9	Terminal	
99	4460458	11	Terminal Seal	
100	1001116725	6	Terminal	

SECTION 10 - ELECTRICAL

ITEM	PART NUMBER	QTY	DESCRIPTION	REV
101	80963067	1	Terminal Seal	
102	1001190037	5	Terminal Seal	
103	2902443	1	Connector	
104	4461071	6	Terminal	
105	1001153612	1	Connector	
106	1001126011	2	Terminal	
107	4460891	1	Connector	
108	4460465	2	Terminal	
109	4460891	1	Connector	
110	4460465	2	Terminal	
111	4460891	1	Connector	
112	4460465	2	Terminal	
113	4460897	1	Mating Connector	
114	4460466	2	Plug	
115	1001167636	1	Connector	
116	1001166707	2	Terminal	
117	4461006	2	Terminal Seal	
118	1001116812	1	Connector	
119	4460944	2	Terminal	
120	4460466	1	Plug	
121	4461095	1	Connector	
122	4461070	1	Terminator Resistor	
123	4460944	2	Terminal	
124	4460466	1	Plug	
125	4460891	1	Connector	
126	4460897	1	Mating Connector	
127	4460465	2	Terminal	
128	4460466	2	Plug	
129	4460539	1	Connector	
130	4460944	2	Terminal	
131	4460466	1	Plug	
132	4460933	1	Connector	
133	1001125677	1	Mating Connector	
134	4460465	12	Terminal	
135	4461018	1	Connector	
136	4460509	2	Terminal	
137	80963056	1	Connector	
138	80963055	1	Mating Connector	
139	4460979	1	Terminal	
140	1001175265	1	Terminal Seal	
141	1001116727	1	Plug	
142	4461095	1	Connector	
143	4461070	1	Terminator Resistor	
144	4460944	2	Terminal	
145	4460466	1	Plug	
146	1001133714	1	Connector	
147	1001133715	3	Terminal	
148	1001135650	3	Terminal Seal	
149	1001135651	1	Plug	
150	1001116812	1	Connector	
151	4460944	2	Terminal	

SECTION 10 - ELECTRICAL

ITEM	PART NUMBER	QTY	DESCRIPTION	REV
152	4460466	1	Plug	
153	4460539	1	Connector	
154	4460944	2	Terminal	
155	4460466	1	Plug	
156	1001116812	1	Connector	
157	4460944	2	Terminal	
158	4460466	1	Plug	
159	1001133714	1	Connector	
160	1001133715	3	Terminal	
161	1001135650	3	Terminal Seal	
162	1001135651	1	Plug	
163	4460891	1	Connector	
164	4460942	2	Terminal	
165	4460891	1	Connector	
166	4460942	2	Terminal	
167	1001167528	1	Connector	
168	1001166704	4	Terminal	
169	1001137578	4	Terminal Seal	
170	1001165194	1	Connector	
171	1001126391	2	Plug	
172	1001166556	8	Terminal	
173	1001166774	2	Terminal	
174	1001126393	10	Terminal Seal	
175	4460891	1	Connector	
176	4460942	2	Terminal	
177	1001167620	1	Connector	
178	1001176004	2	Terminal	
179	1001176002	2	Terminal Seal	
180	1001167624	2	Plug	
181	1001116815	3	Connector	
182	4460945	4	Connector, 3 Way	

SECTION 10 - ELECTRICAL

FIGURE 10-50. ENGINE HARNESS (LS)

ITEM	PART NUMBER	QTY	DESCRIPTION	REV
	1001217751	Ref	Engine Harness, (LS)	A
1	1001126360	1	Connector	
2	1001126357	11	Plug	
3	1001126351	13	Terminal	
4	1001126356	19	Plug	
5	1001126384	17	Terminal	
6	1001126362	1	Connector	
7	1001166556	24	Terminal	
8	1001166701	24	Terminal Seal	
9	1001126391	22	Plug	
10	1001166774	10	Terminal	
11	1001126393	10	Terminal Seal	
12	4461008	4	Plug	
13	1001166543	2	Terminal	
14	4461054	2	Terminal Seal	
15	1001138110	1	Connector	
16	1001138111	2	Terminal	
17	1001138113	2	Terminal Seal	
18	1001148842	1	Connector	
19	1001148841	3	Terminal	
20	1001135650	3	Terminal Seal	
21	1001135651	1	Plug	
22	1001116812	1	Connector	
23	4460944	2	Terminal	
24	4460466	1	Plug	
25	4460539	1	Connector	
26	4460944	2	Terminal	
27	4460466	1	Plug	
28	1001126349	1	Connector	
29	1001126352	6	Terminal	
30	1001126353	6	Terminal Seal	
31	1001126357	2	Plug	
32	1001126356	65	Plug	
33	1001126384	21	Terminal	
34	1001133714	1	Connector	
35	1001133715	3	Terminal	
36	1001135650	3	Terminal Seal	
37	1001135651	1	Plug	
38	1001187070	1	Ring Terminal	
39	1001187078	1	Ring Terminal	
40	1001116812	1	Connector	
41	4460944	2	Terminal	
42	4460466	1	Plug	
43	1001117068	1	Connector	
44	8220124	2	Terminal	
45	4460608	2	Terminal Seal	
46	4460539	1	Connector	
47	4460944	2	Terminal	
48	4460466	1	Plug	
49	4460539	1	Connector	

SECTION 10 - ELECTRICAL

ITEM	PART NUMBER	QTY	DESCRIPTION	REV
50	4460465	3	Terminal	
51	1001117018	1	Connector	
52	1001116734	2	Terminal	
53	1001118282	1	Connector	
54	1001116734	2	Terminal	
55	1001116733	2	Terminal	
56	1001128128	1	Plug	
57	1001187079	1	Ring Terminal	
58	1001187078	1	Ring Terminal	
59	1001187079	1	Ring Terminal	
60	1001187078	1	Ring Terminal	
61	1001116812	1	Connector	
62	4460944	2	Terminal	
63	4460466	1	Plug	
64	1001116812	1	Connector	
65	4460944	2	Terminal	
66	4460466	1	Plug	
67	4460539	1	Connector	
68	4460944	2	Terminal	
69	4460466	1	Plug	
70	1001116811	1	Connector	
71	1001150610	3	Terminal	
72	4460466	1	Plug	
73	1001144147	1	Connector	
74	4460944	2	Terminal	
75	4460466	1	Plug	
76	4460970	1	Connector	
77	4460464	8	Terminal	
78	4460466	4	Plug	
79	4460891	1	Connector	
80	4460465	2	Terminal	
81	4460891	1	Connector	
82	4460465	2	Terminal	
83	4460891	1	Connector	
84	4460465	2	Terminal	
85	4460897	1	Mating Connector	
86	80963056	1	Connector	
87	80963055	1	Mating Connector	
88	4460979	1	Terminal	
89	1001175265	1	Terminal Seal	
90	4461018	1	Connector	
91	4460509	2	Terminal	
92	1001116983	1	Connector	
93	1001116710	2	Terminal	
94	4461006	2	Terminal Seal	
95	2902443	1	Connector	
96	4461071	6	Terminal	
97	1001133714	1	Connector	
98	1001133715	3	Terminal	
99	1001135650	3	Terminal Seal	
100	1001135651	1	Plug	

SECTION 10 - ELECTRICAL

ITEM	PART NUMBER	QTY	DESCRIPTION	REV
101	4460539	1	Connector	
102	4460944	2	Terminal	
103	4460466	1	Plug	
104	1001116812	1	Connector	
105	4460944	2	Terminal	
106	4460466	1	Plug	
107	1001184551	1	Connector	
108	1001116728	8	Terminal	
109	1001175265	8	Terminal Seal	
110	4460945	4	Connector, 3 Way	

SECTION 10 - ELECTRICAL

FIGURE 10-51. ENGINE HARNESS (MINING) (LS)

ITEM	PART NUMBER	QTY	DESCRIPTION	REV
	1001228736	Ref	Engine Harness Mining, (LS)	B
1	1001202723	1	Connector	
2	1001167623	7	Plug	
3	1001166555	11	Terminal	
4	1001167622	62	Plug	
5	1001167621	24	Terminal	
6	1001126362	1	Connector	
7	1001166556	22	Terminal	
8	1001166701	22	Terminal Seal	
9	1001126391	24	Plug	
10	1001166774	10	Terminal	
11	1001126393	10	Terminal Seal	
12	4461008	4	Plug	
13	1001166543	2	Terminal	
14	4461054	2	Terminal Seal	
18	1001148842	1	Connector	
19	1001148841	3	Terminal	
20	1001135650	3	Terminal Seal	
21	1001135651	1	Plug	
22	1001116812	1	Connector	
23	4460944	2	Terminal	
24	4460466	1	Plug	
25	4460539	1	Connector	
26	4460944	2	Terminal	
27	4460466	1	Plug	
28	1001202722	1	Connector	
29	1001166551	6	Terminal	
30	1001126353	6	Terminal Seal	
31	1001167622	64	Plug	
32	1001167623	7	Plug	
33	1001167621	14	Terminal	
34	1001133714	1	Connector	
35	1001133715	3	Terminal	
36	1001135650	3	Terminal Seal	
37	1001135651	1	Plug	
38	1001187070	1	Ring Terminal	
39	1001187078	1	Ring Terminal	
40	1001116812	1	Connector	
41	4460944	2	Terminal	
42	4460466	1	Plug	
43	1001209097	1	Connector	
44	8220124	2	Terminal	
45	4460608	2	Terminal Seal	
46	4460539	1	Connector	
47	4460944	2	Terminal	
48	4460466	1	Plug	
49	4460539	1	Connector	
50	4460465	3	Terminal	
51	1001117018	1	Connector	
52	1001116734	2	Terminal	

SECTION 10 - ELECTRICAL

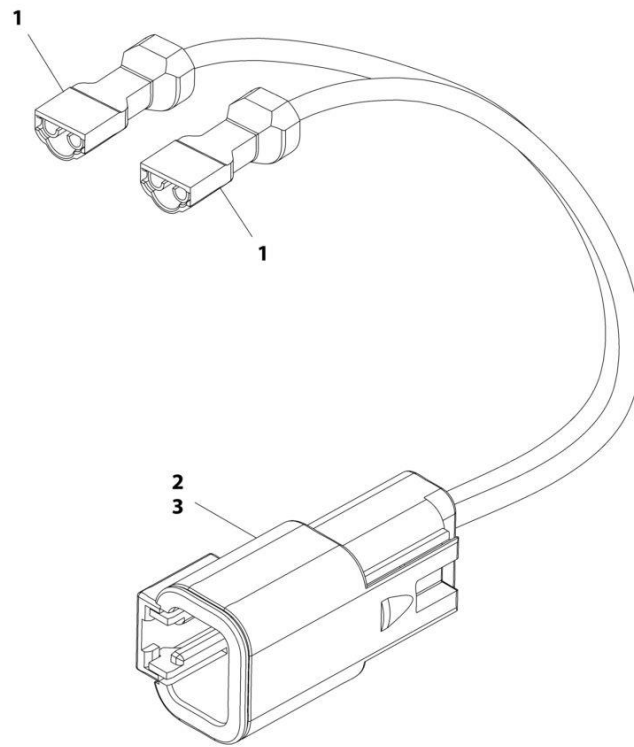
ITEM	PART NUMBER	QTY	DESCRIPTION	REV
53	1001118282	1	Connector	
54	1001116734	2	Terminal	
55	1001116733	2	Terminal	
56	1001128128	1	Plug	
57	1001187079	1	Ring Terminal	
58	1001187078	1	Ring Terminal	
59	1001187079	1	Ring Terminal	
60	1001187078	1	Ring Terminal	
61	1001116812	1	Connector	
62	4460944	2	Terminal	
63	4460466	1	Plug	
64	1001116812	1	Connector	
65	4460944	2	Terminal	
66	4460466	1	Plug	
67	4460539	1	Connector	
68	4460944	2	Terminal	
69	4460466	1	Plug	
70	1001116811	1	Connector	
71	1001150610	3	Terminal	
72	4460466	1	Plug	
73	1001144147	1	Connector	
74	4460944	2	Terminal	
75	4460466	1	Plug	
76	4460970	1	Connector	
77	4460464	8	Terminal	
78	4460466	4	Plug	
79	4460891	1	Connector	
80	4460465	2	Terminal	
81	4460891	1	Connector	
82	4460465	2	Terminal	
83	4460891	1	Connector	
84	4460465	2	Terminal	
85	4460897	1	Mating Connector	
86	80963056	1	Connector	
87	80963055	1	Mating Connector	
88	4460979	1	Terminal	
89	1001175265	1	Terminal Seal	
90	4461018	1	Connector	
91	4460509	2	Terminal	
92	1001116983	1	Connector	
93	1001116710	2	Terminal	
94	4461006	2	Terminal Seal	
95	2902443	1	Connector	
96	4461071	6	Terminal	
97	1001133714	1	Connector	
98	1001133715	3	Terminal	
99	1001135650	3	Terminal Seal	
100	1001135651	1	Plug	
101	4460539	1	Connector	
102	4460944	2	Terminal	
103	4460466	1	Plug	

SECTION 10 - ELECTRICAL

ITEM	PART NUMBER	QTY	DESCRIPTION	REV
104	1001116812	1	Connector	
105	4460944	2	Terminal	
106	4460466	1	Plug	
107	80484081	1	Connector	
108	1001116728	8	Terminal	
109	1001175265	3	Terminal Seal	
109	4460458	5	Terminal Seal	
110	4460945	4	Connector, 3 Way	
111	4460891	1	Connector	
112	4460465	1	Terminal	
113	4460897	1	Mating Connector	

SECTION 10 - ELECTRICAL

FIGURE 10-52. ENGINE - FUEL PUMP HARNESS



ART_1001182929-E

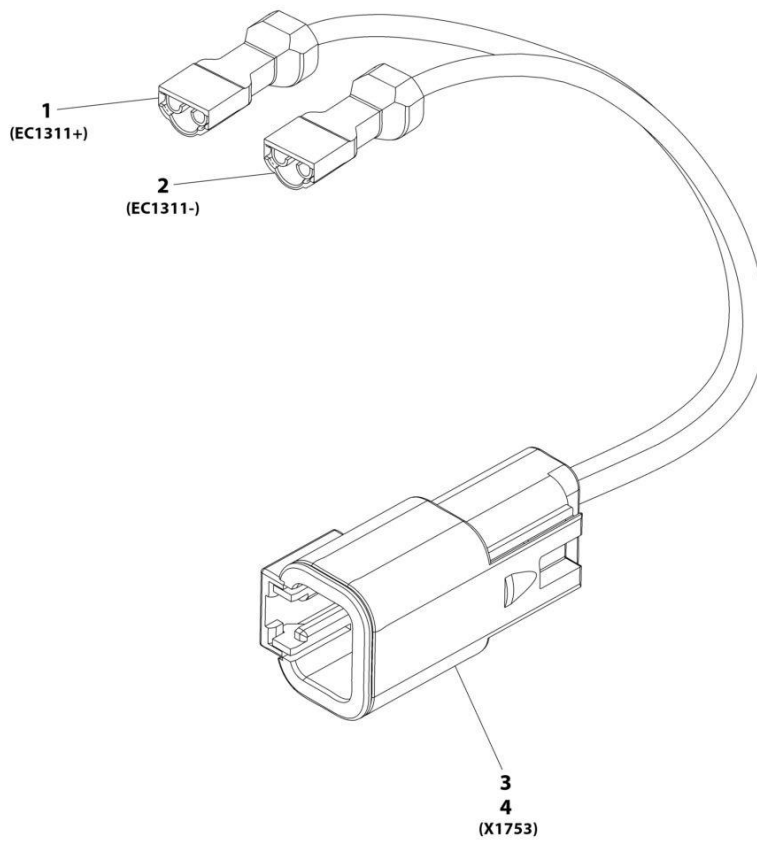
SECTION 10 - ELECTRICAL

FIGURE 10-52. ENGINE - FUEL PUMP HARNESS

ITEM	PART NUMBER	QTY	DESCRIPTION	REV
	1001182929	Ref	Fuel Pump Harness	E
1	8220043	2	Connector	
2	4461017	1	Connector	
3	4460508	2	Terminal	

SECTION 10 - ELECTRICAL

FIGURE 10-53. ENGINE - FUEL PUMP HARNESS (MINING) (ULS)



ART_1001228733-A

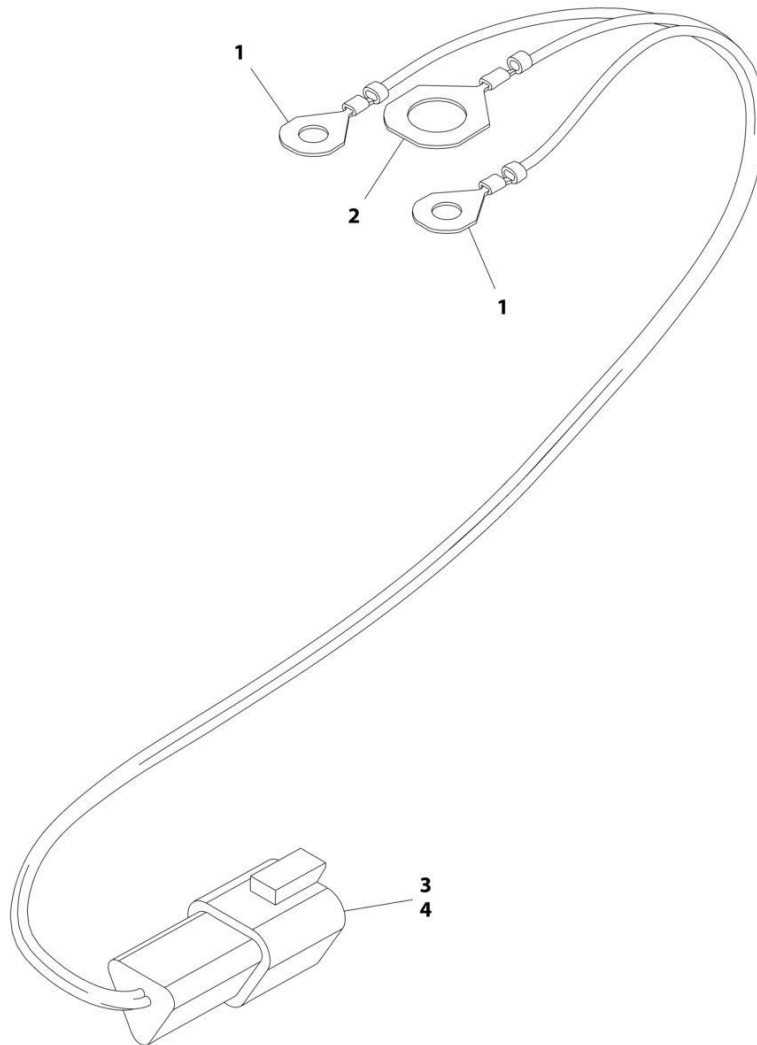
SECTION 10 - ELECTRICAL

FIGURE 10-53. ENGINE - FUEL PUMP HARNESS (MINING) (ULS)

ITEM	PART NUMBER	QTY	DESCRIPTION	REV
	1001228733	Ref	Fuel Pump Harness (Mining) (ULS)	A
1	8220043	1	Connector	
2	8220043	1	Connector	
3	4461017	1	Connector	
4	4460508	2	Terminal	

SECTION 10 - ELECTRICAL

FIGURE 10-54. ENGINE - GLOW PLUG RELAY HARNESS



ART_1001182930-C

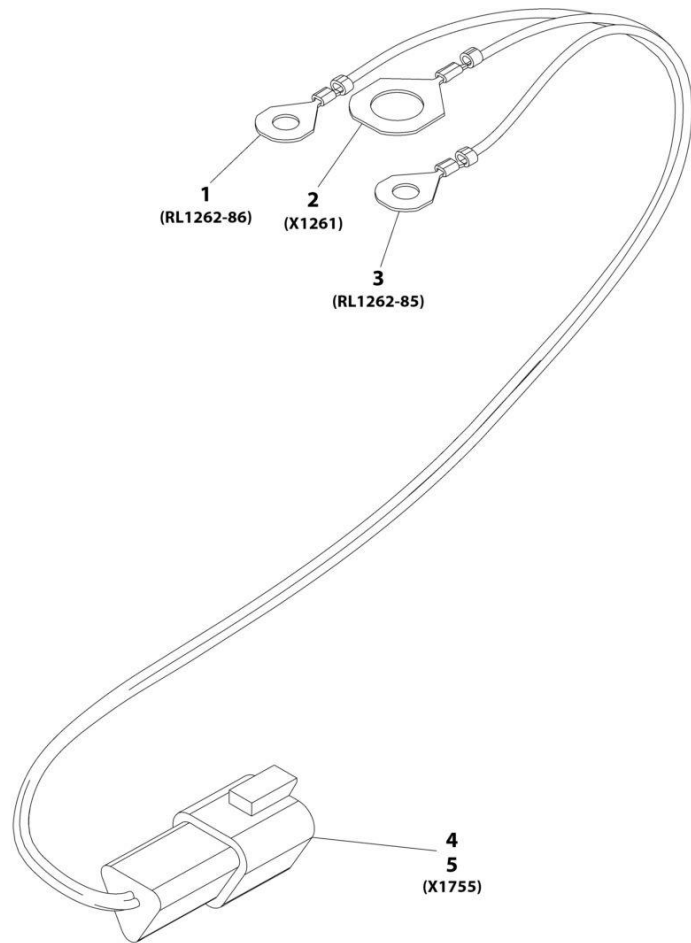
SECTION 10 - ELECTRICAL

FIGURE 10-54. ENGINE - GLOW PLUG RELAY HARNESS

ITEM	PART NUMBER	QTY	DESCRIPTION	REV
	1001182930	Ref	Glow Plug Relay Harness	C
1	1001187070	2	Ring, Terminal	
2	1001187077	1	Ring, Terminal	
3	4460536	1	Connector	
4	4460464	3	Terminal	

SECTION 10 - ELECTRICAL

FIGURE 10-55. ENGINE - GLOW PLUG RELAY HARNESS (MINING) (ULS)



ART_1001228732-A

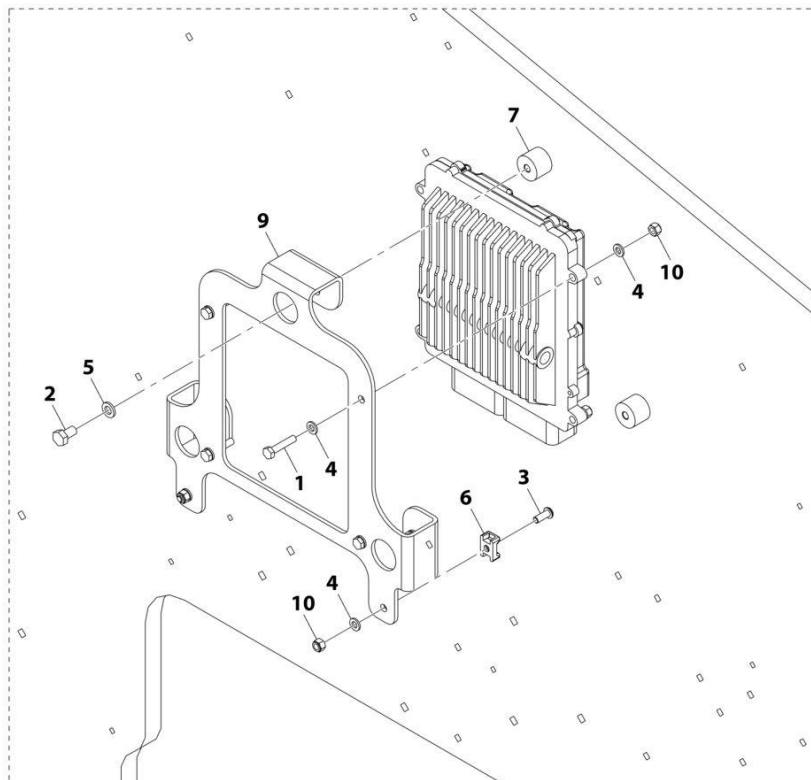
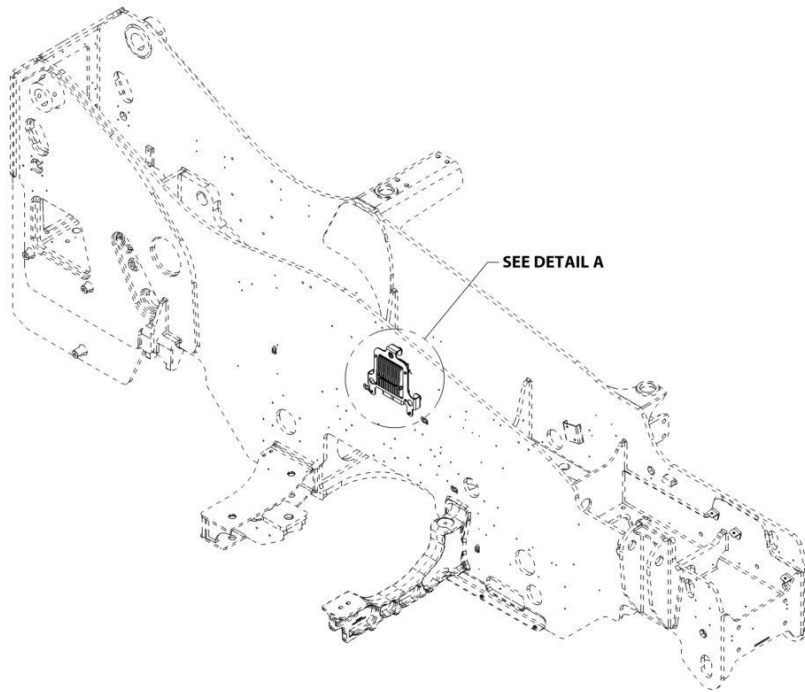
SECTION 10 - ELECTRICAL

FIGURE 10-55. ENGINE - GLOW PLUG RELAY HARNESS (MINING) (ULS)

ITEM	PART NUMBER	QTY	DESCRIPTION	REV
	1001228732	Ref	Glow Plug Relay Harness (Mining) (ULS)	A
1	1001187070	1	Ring, Terminal	
2	1001187077	1	Ring, Terminal	
3	1001187070	1	Ring, Terminal	
4	4460536	1	Connector	
5	4460464	3	Terminal	

SECTION 10 - ELECTRICAL

FIGURE 10-56. ENGINE ECU INSTALLATION



DETAIL A

ART_1001200869-B

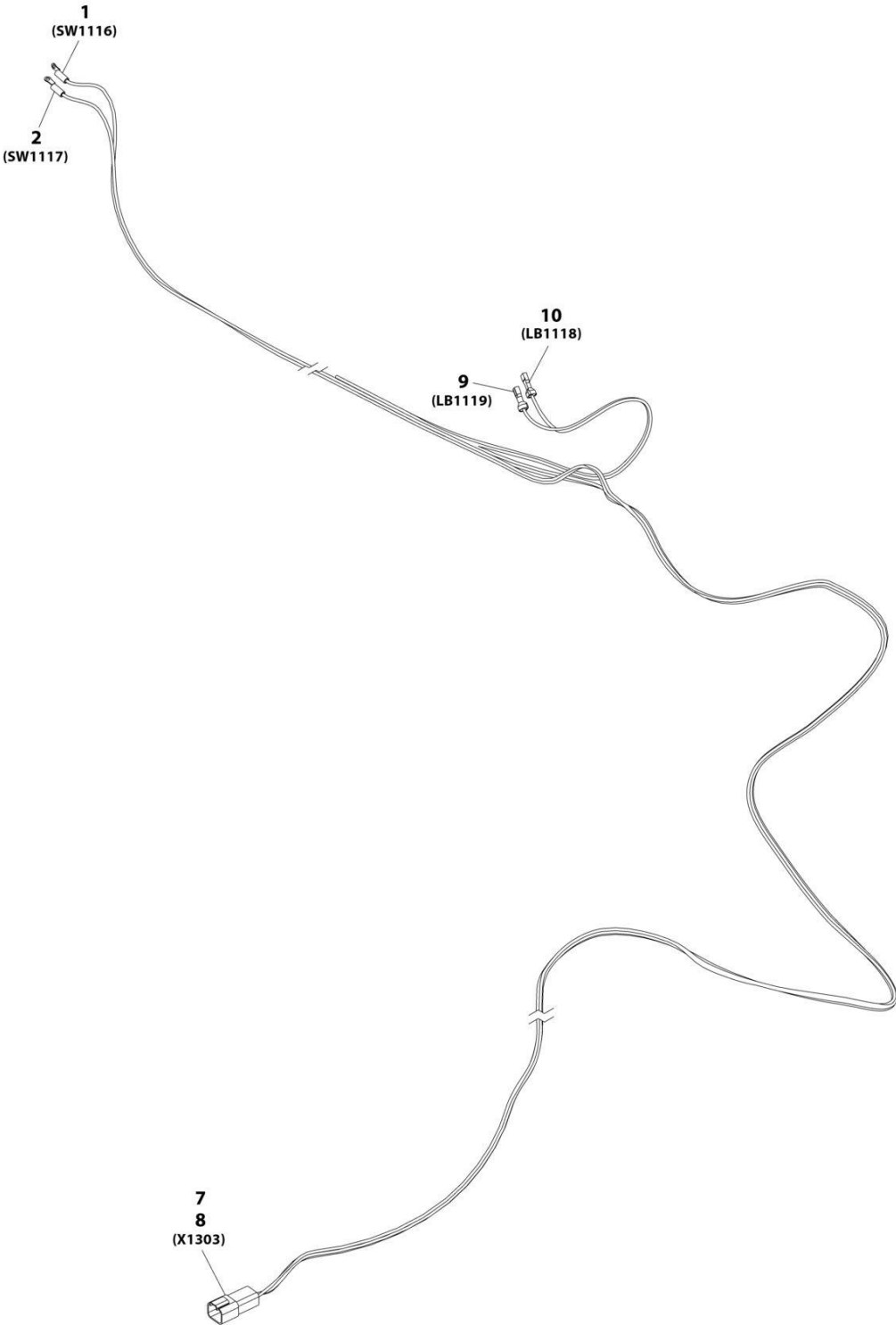
SECTION 10 - ELECTRICAL

FIGURE 10-56. ENGINE ECU INSTALLATION

ITEM	PART NUMBER	QTY	DESCRIPTION	REV
	1001200869	Ref	Engine ECU Installation	B
1	0700614	4	Bolt, M6X30	
2	0760807	3	Bolt, M8X14	
3	3900357	2	Capscrew, M6X16	
4	4811700	10	Washer, M6	
5	4831900	3	Washer, Lock M8	
6	1001138645	2	Mount, Cable Tie	
7	1001179907	3	Mount, Isolator	
9	1001210397	1	Plate	
10	3290605	6	Nut, Lock M6X1	

SECTION 10 - ELECTRICAL

FIGURE 10-57. ENGINE - AIR SHUTOFF VALVE HARNESS



ART_1001231407-C

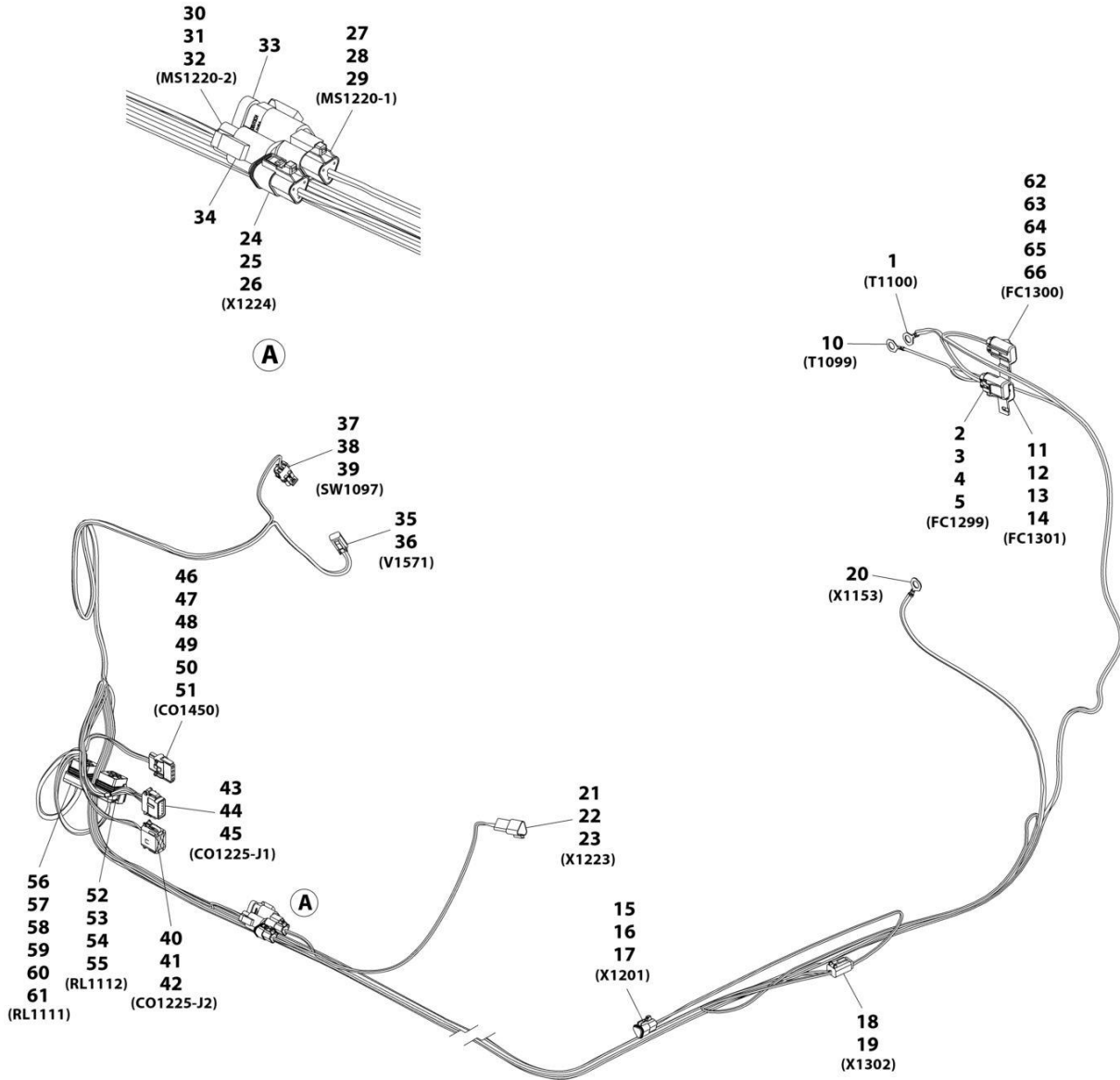
SECTION 10 - ELECTRICAL

FIGURE 10-57. ENGINE - AIR SHUTOFF VALVE HARNESS

ITEM	PART NUMBER	QTY	DESCRIPTION	REV
	1001231407	1	Air Shutoff Valve Harness	C
1	8220035	1	Terminal, Ring	
2	8220035	1	Terminal, Ring	
7	4460932	1	Connector	
8	4460464	4	Pin	
9	8220108	1	Connector, Female	
10	8220108	1	Connector, Female	

SECTION 10 - ELECTRICAL

FIGURE 10-58. ENGINE - AIR SHUT OFF VALVE HARNESS (ENGINE)



ART_1001231483_D

SECTION 10 - ELECTRICAL

FIGURE 10-58. ENGINE - AIR SHUT OFF VALVE HARNESS (ENGINE)

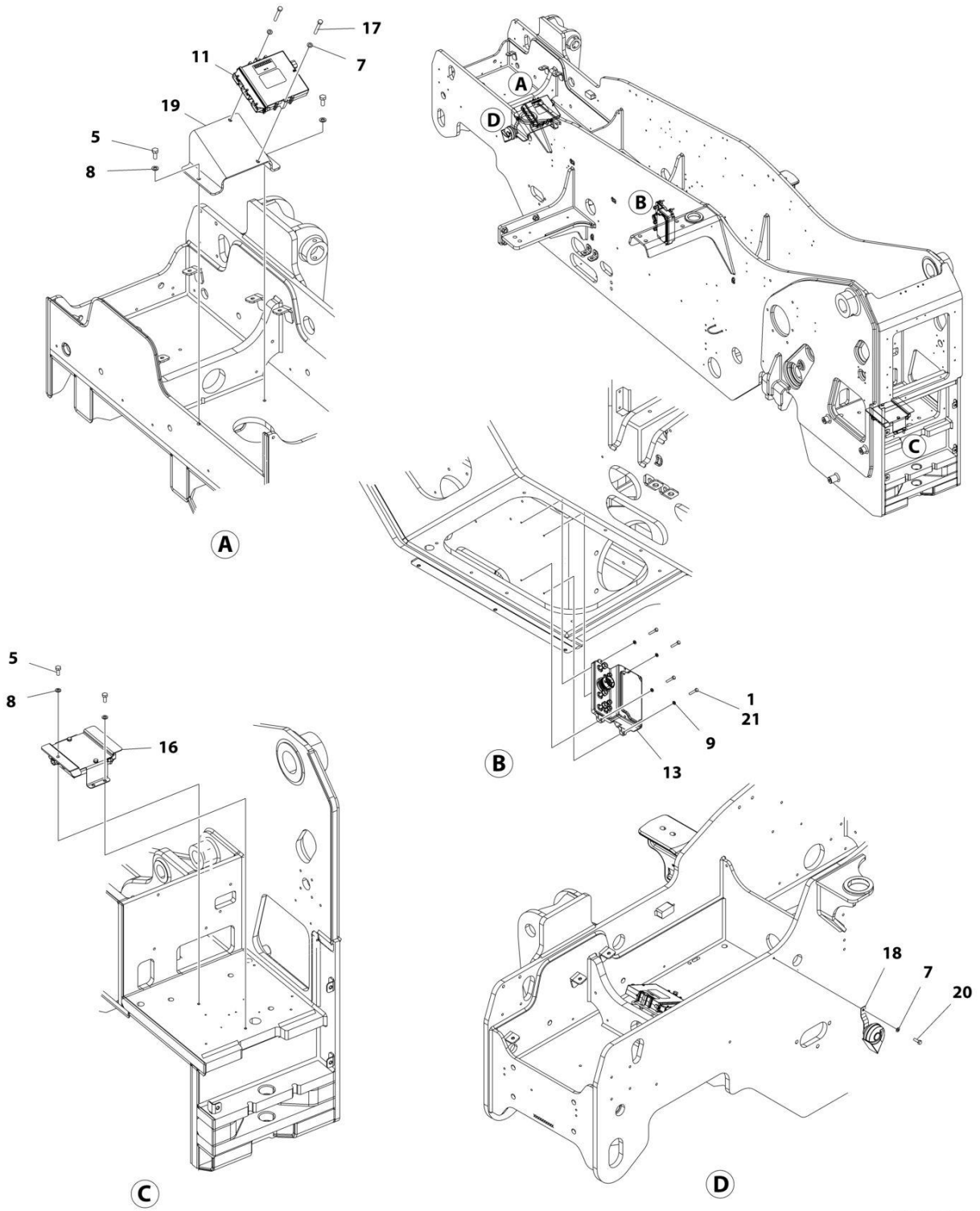
ITEM	PART NUMBER	QTY	DESCRIPTION	REV
	1001231483	Ref	Air Shut Off Valve Harness (Engine)	D
1	1001187079	1	Terminal, Ring	
2	1001231397	1	Connector	
3	8229235	1	Fuse, 20amp	
4	1001231401	2	Terminal	
5	1001230402	2	Seal	
10	1001187078	1	Terminal, Ring	
11	1001231397	1	Connector	
12	8229261	1	Fuse, 5amp	
13	1001231400	2	Terminal	
14	1001230403	2	Seal	
15	1001116812	1	Connector	
16	4460465	2	Terminal	
17	4460466	1	Plug	
18	4460884	1	Connector	
19	4460465	4	Terminal	
20	1001187079	1	Terminal, Ring	
21	1001144147	1	Connector	
22	4460464	2	Terminal	
23	4460466	1	Plug	
24	1001116812	1	Connector	
25	4460465	2	Terminal	
26	4460466	1	Plug	
27	1001116812	1	Connector	
28	4460465	2	Terminal	
29	4460466	1	Plug	
30	4460539	1	Connector	
31	4460465	2	Terminal	
32	4460466	1	Plug	
33	1001116815	1	Connector, 3 Pin	
34	4460945	1	Terminal, 3 Way "T" Receptacle	
35	4460891	1	Connector	
36	1001157890	2	Terminal	
37	4460742	1	Connector	
38	4460475	2	Terminal	
39	4460458	2	Plug	
40	1001116774	1	Connector	
41	4460518	8	Plug	
42	1001126008	4	Terminal	
43	1001116808	1	Connector	
44	1001126008	9	Terminal	
45	4460518	3	Plug	
46	4460761	1	Connector	
47	4460321	1	Terminal	
48	1001118378	4	Terminal	
49	4460809	4	Plug	
50	1001143551	1	Seal	
51	1001218358	1	Lanyard Rope	
52	1001231398	1	Connector	
53	1001231400	4	Terminal	

SECTION 10 - ELECTRICAL

ITEM	PART NUMBER	QTY	DESCRIPTION	REV
54	1001231404	4	Seal	
55	1001231406	1	Plug	
56	1001231398	1	Connector	
57	1001231401	2	Terminal	
58	1001231402	2	Seal	
59	1001231400	2	Terminal	
60	1001231404	2	Seal	
61	1001231406	1	Plug	
62	1001231397	1	Connector	
63	8229234	1	Fuse, 10amp	
64	1001231400	2	Terminal	
65	1001230403	1	Seal	
66	1001230404	1	Seal	

SECTION 10 - ELECTRICAL

FIGURE 10-59. FRAME ELECTRICAL INSTALLATION



ART_1001183272_I

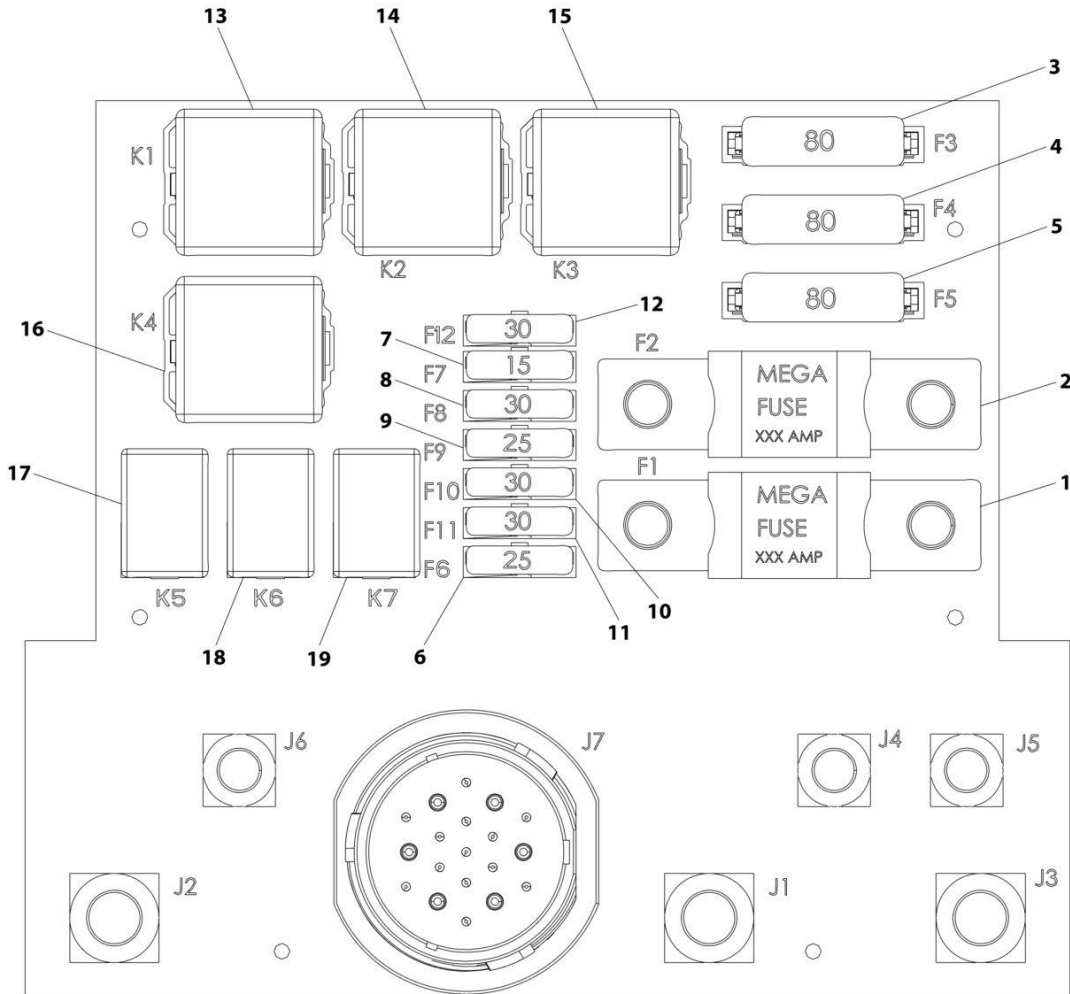
SECTION 10 - ELECTRICAL

FIGURE 10-59. FRAME ELECTRICAL INSTALLATION

ITEM	PART NUMBER	QTY	DESCRIPTION	REV
	1001183272	Ref	FRAME ELECTRICAL INSTALLATION	I
1	0700614	4	Bolt M6 x 30	
5	0761012	4	Bolt M10 x 25	
7	4811900	3	Washer M8	
8	4812000	4	Washer M10	
9	4831700	4	Washer M6	
11	1001270467	1	Control, Front Frame Module	
13	1001164402	1	Box, Power Distribution Electrical (See Separate Breakdown in this Section)	
16	1001210770	1	Installation, Rear Frame Module (See Separate Breakdown in this Section)	
17	0700820	2	Bolt M8 x 60	
18	10713707	1	Horn	
19	1001215208	1	Bracket	
20	0760812	1	Bolt M8 x 25	
21	1001180620	AR	Adhesive, Loctite	

SECTION 10 - ELECTRICAL

FIGURE 10-60. FRAME - POWER DISTRIBUTION ELECTRICAL BOX



ART_1001164402-G

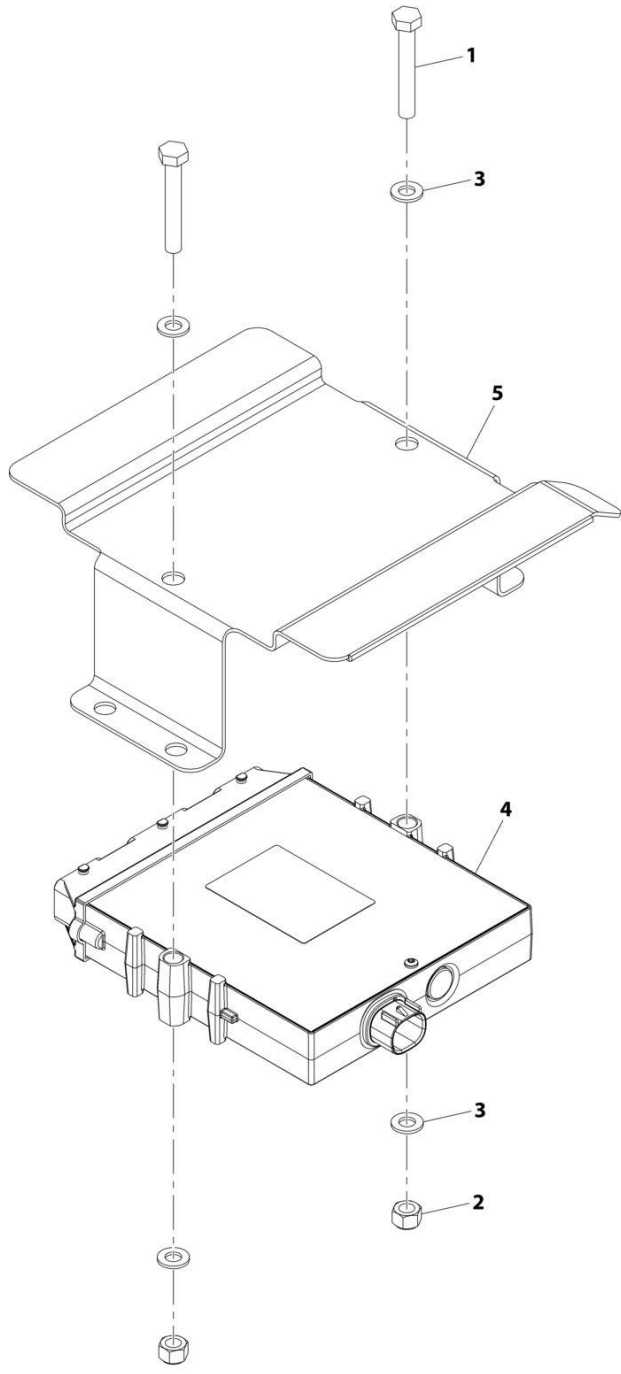
SECTION 10 - ELECTRICAL

FIGURE 10-60. FRAME - POWER DISTRIBUTION ELECTRICAL BOX

ITEM	PART NUMBER	QTY	DESCRIPTION	REV
	1001164402	Ref	Power Distribution Electrical Box	G
1	1001095336	1	Fuse, 150AMP	
2	70026296	1	Fuse, 200AMP	
3	70026297	1	Fuse, 80AMP	
4	70026297	1	Fuse, 80AMP	
5	70026297	1	Fuse, 80AMP	
6	8229247	1	Fuse, 25AMP	
7	8229244	1	Fuse, 15AMP	
8	8229245	1	Fuse, 30AMP	
9	8229247	1	Fuse, 25AMP	
10	8229245	1	Fuse, 30AMP	
11	8229245	1	Fuse, 30AMP	
12	8229245	1	Fuse, 30AMP	
13	70026294	1	Fuse, 70AMP	
14	70026294	1	Fuse, 70AMP	
15	70026294	1	Fuse, 70AMP	
16	70026294	1	Fuse, 70AMP	
17	70026295	1	Fuse, 35AMP	
18	70026295	1	Fuse, 35AMP	
19	70026295	1	Fuse, 35AMP	

SECTION 10 - ELECTRICAL

FIGURE 10-61. FRAME - REAR FRAME MODULE INSTALLATION (PVC 1911)



ART_1001210770-C

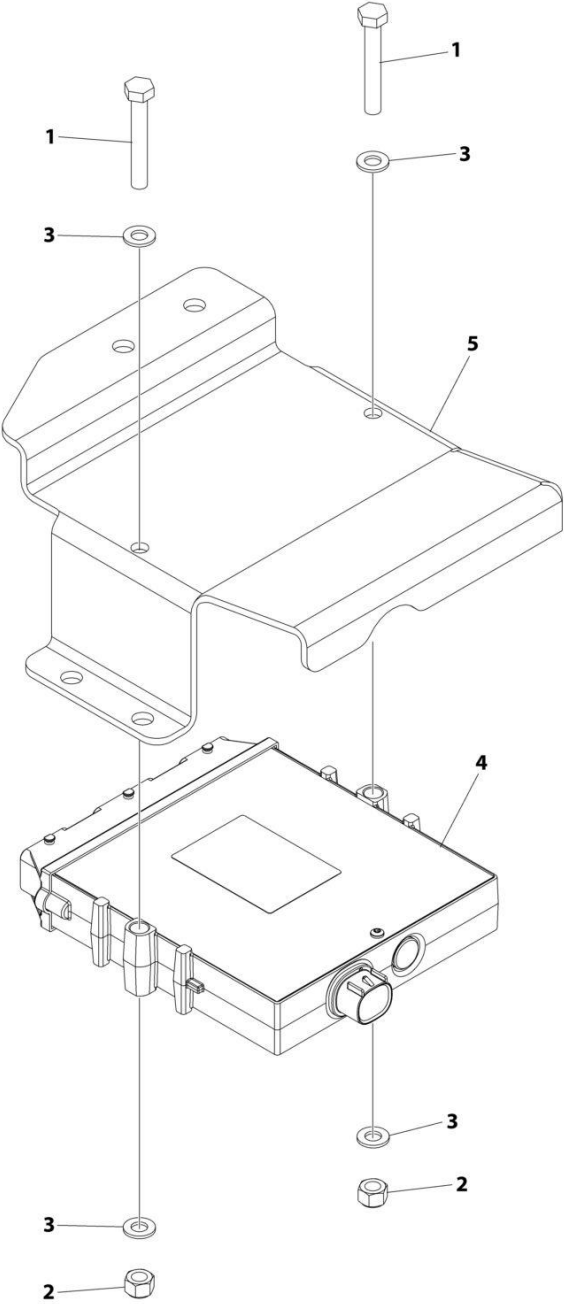
SECTION 10 - ELECTRICAL

FIGURE 10-61. FRAME - REAR FRAME MODULE INSTALLATION (PVC 1911)

ITEM	PART NUMBER	QTY	DESCRIPTION	REV
	1001210770	Ref	Rear Frame Module Installation	C
1	0700819	2	Bolt, M8X55	
2	3290805	2	Nut, Lock M8X1.25	
3	4811900	4	Washer, M8	
4	1001162256	1	Module, Rear Frame	
5	1001225980	1	Bracket	

SECTION 10 - ELECTRICAL

FIGURE 10-62. FRAME - REAR FRAME MODULE INSTALLATION (PVC 2005)



ART_1001210770_D

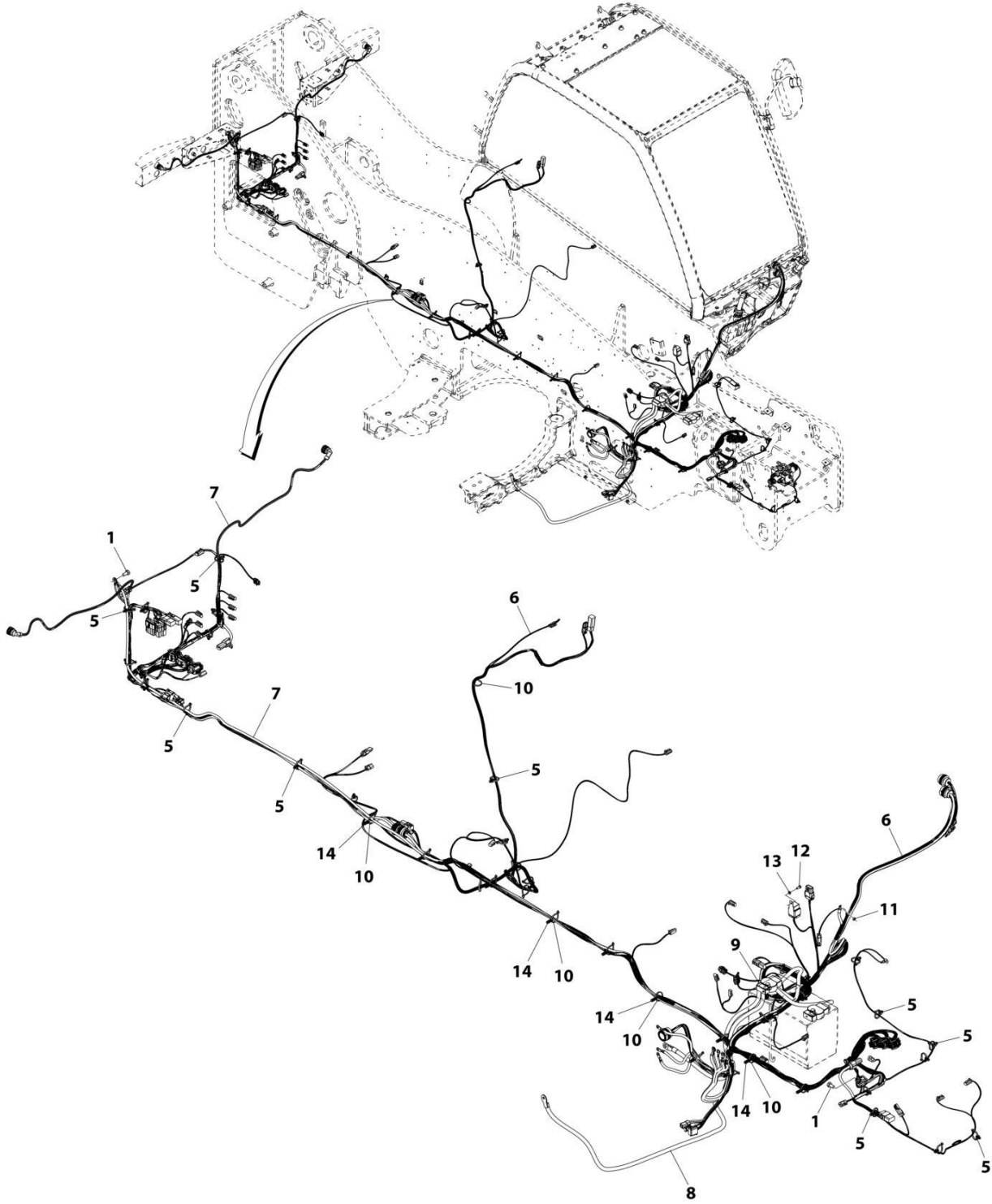
SECTION 10 - ELECTRICAL

FIGURE 10-62. FRAME - REAR FRAME MODULE INSTALLATION (PVC 2005)

ITEM	PART NUMBER	QTY	DESCRIPTION	REV
	1001210770	Ref	Rear Frame Module Installation	D
1	0700819	2	Bolt M8 x 55	
2	3290805	2	Nut M8 x 1.25	
3	4811900	4	Washer M8	
4	1001162256	1	Control, Rear Frame Module	
5	1001255581	1	Bracket	

SECTION 10 - ELECTRICAL

FIGURE 10-63. FRAME WIRING INSTALLATION (PVC 1911)



ART_1001200159-G

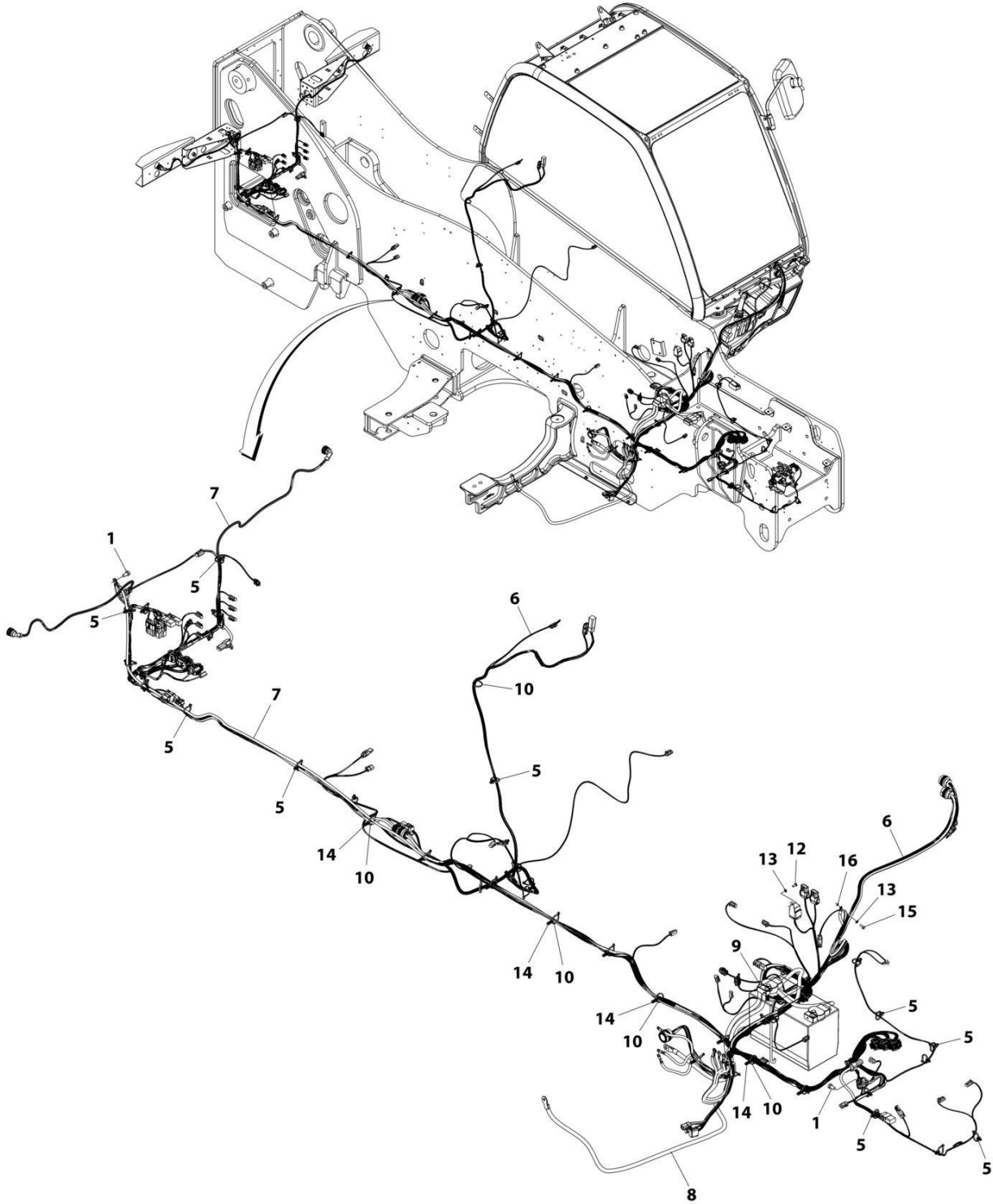
SECTION 10 - ELECTRICAL

FIGURE 10-63. FRAME WIRING INSTALLATION (PVC 1911)

ITEM	PART NUMBER	QTY	DESCRIPTION	REV
	1001200159	Ref	Frame Wiring Installation	G
1	0761010	2	Bolt M10 x 20	
5	1001146588	25	Tie, Cable	
6	1001184396	1	Harness, Front Frame (See Separate Breakdown in this Section)	
7	1001184397	1	Harness, Rear Frame (See Separate Breakdown in this Section)	
8	1001200168	1	Cable, Negative Battery	
9	1001200169	1	Cable, Positive Battery	
10	1001008559	16	Strap, Cable	
11	3290601	1	Nut M6 x 1	
12	0760607	1	Bolt M6 x 14	
13	4811700	1	Washer M6	
14	1001202986	13	Strap Push Mount	

SECTION 10 - ELECTRICAL

FIGURE 10-64. FRAME WIRING INSTALLATION (PVC 2005)



ART_1001200159_H

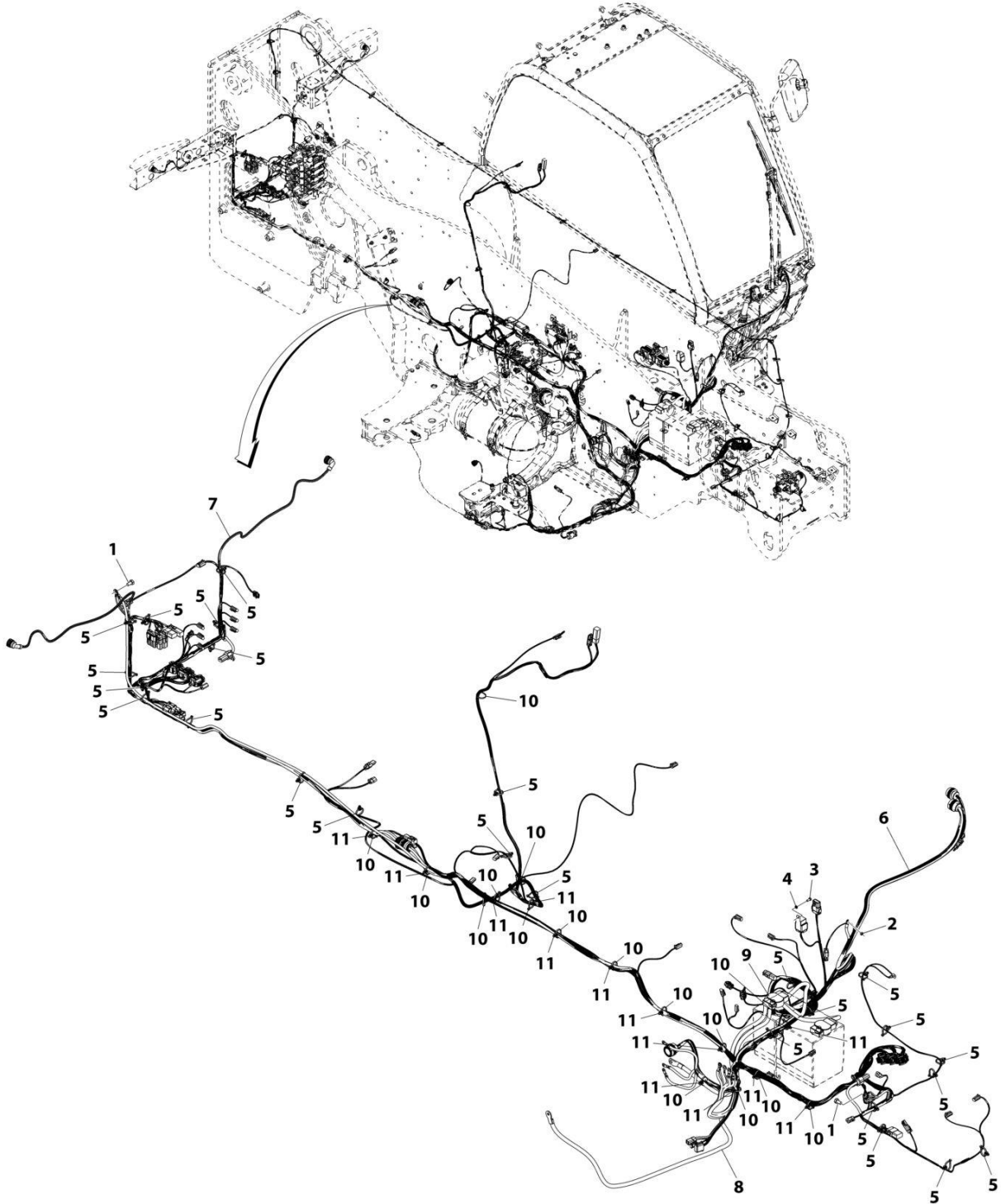
SECTION 10 - ELECTRICAL

FIGURE 10-64. FRAME WIRING INSTALLATION (PVC 2005)

ITEM	PART NUMBER	QTY	DESCRIPTION	REV
	1001200159	Ref	Frame Wiring Installation	H
1	0761010	2	Bolt M10 x 20	
5	1001146588	25	Tie, Cable	
6	1001258277	1	Harness, Front Frame (See Separate Breakdown in this Section)	
7	1001184397	1	Harness, Rear Frame (See Separate Breakdown in this Section)	
8	1001200168	1	Cable, Negative Battery	
9	1001200169	1	Cable, Positive Battery	
10	1001008559	16	Strap, Cable	
12	0760607	1	Bolt M6 x 14	
13	4811700	2	Washer M6	
14	1001202986	13	Strap Push Mount	
15	0760608	1	Bolt M6 x 16	
16	4871700	1	Washer M6	

SECTION 10 - ELECTRICAL

FIGURE 10-65. FRAME WIRING INSTALLATION, MINING (ULS) (PVC 1911)



ART_1001228739-B

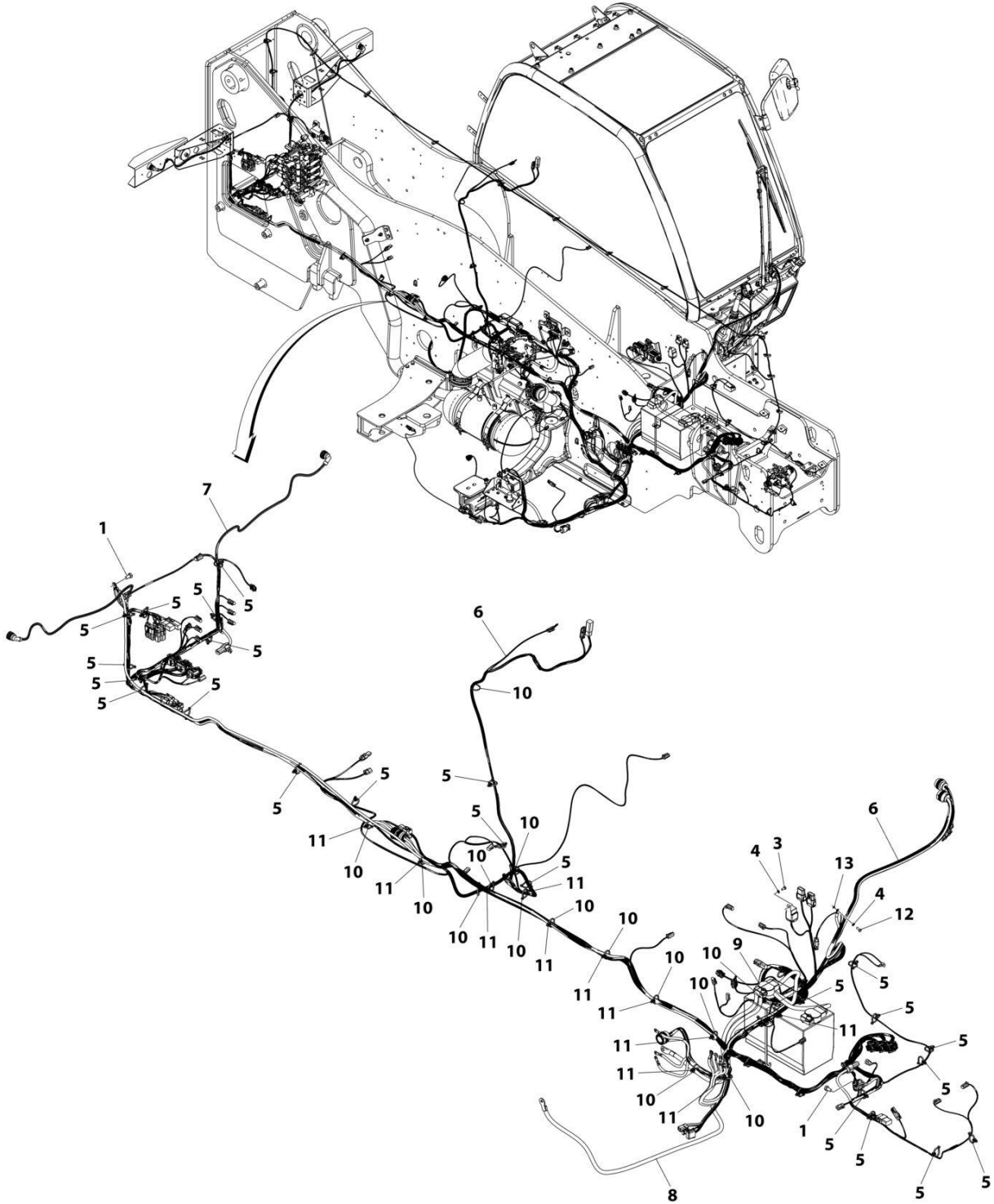
SECTION 10 - ELECTRICAL

FIGURE 10-65. FRAME WIRING INSTALLATION, MINING (ULS) (PVC 1911)

ITEM	PART NUMBER	QTY	DESCRIPTION	REV
	1001228739	Ref	Frame Wiring Installation, Mining (ULS)	B
1	0761010	2	Bolt M10 x 20	
2	3290601	1	Nut M6 x 1	
3	0760607	1	Bolt M6 x 4	
4	4811700	1	Washer M6	
5	1001146588	25	Tie, Cable	
6	1001228740	1	Harness, Front Frame (See Separate Breakdown in this Section)	
7	1001228741	1	Harness, Rear Frame (See Separate Breakdown in this Section)	
8	1001200168	1	Cable, Negative Battery	
9	1001200169	1	Cable, Positive Battery	
10	1001008559	16	Strap, Cable	
11	1001202986	13	Push Mount, Strap	

SECTION 10 - ELECTRICAL

FIGURE 10-66. FRAME WIRING INSTALLATION, MINING (ULS) (PVC 2005)



ART_1001228739_C

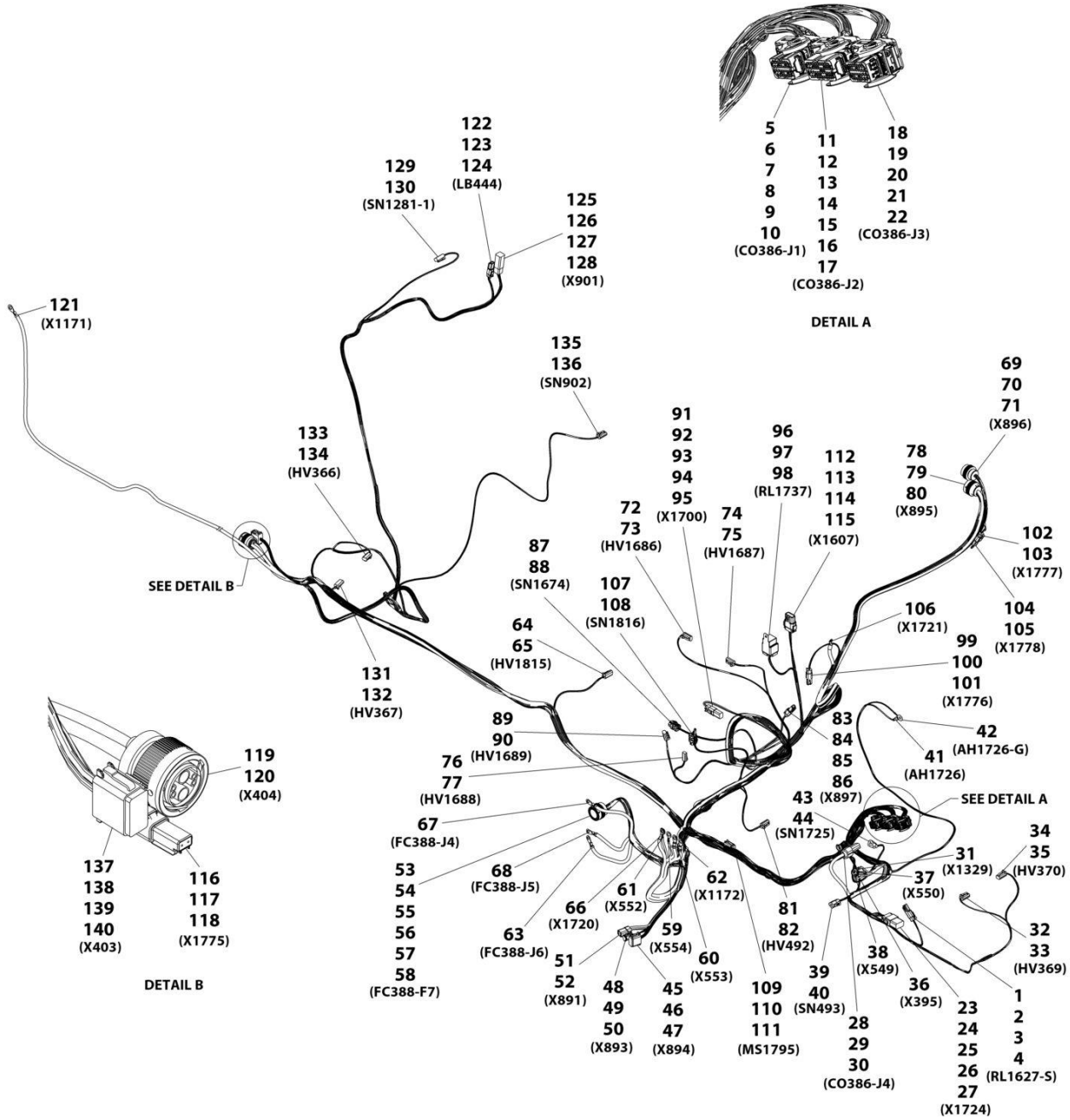
SECTION 10 - ELECTRICAL

FIGURE 10-66. FRAME WIRING INSTALLATION, MINING (ULS) (PVC 2005)

ITEM	PART NUMBER	QTY	DESCRIPTION	REV
	1001228739	Ref	Frame Wiring Installation, Mining (ULS)	C
1	0761010	2	Bolt M10 x 20	
3	0760607	1	Bolt M6 x 14	
4	4811700	2	Washer M6	
5	1001146588	25	Tie, Cable	
6	1001258278	1	Harness, Front Frame (See Separate Breakdown in this Section)	
7	1001228741	1	Harness, Rear Frame (See Separate Breakdown in this Section)	
8	1001200168	1	Cable, Negative Battery	
9	1001200169	1	Cable, Positive Battery	
10	1001008559	16	Strap, Cable	
11	1001202986	13	Push Mount, Strap	
12	0760608	1	Bolt M6 x 16	
13	4871700	1	Washer M6	

SECTION 10 - ELECTRICAL

FIGURE 10-67. FRAME - FRONT FRAME HARNESS (PVC 1911)



ART_1001184396-L

SECTION 10 - ELECTRICAL

FIGURE 10-67. FRAME - FRONT FRAME HARNESS (PVC 1911)

ITEM	PART NUMBER	QTY	DESCRIPTION	REV
	1001184396	Ref	Front Frame Harness	L
1	4460891	1	Connector	
2	4460897	1	Mating Connector	
3	4460466	2	Plug	
4	4460465	2	Terminal	
5	1001161957	1	Connector	
6	643191201	1	Cover	
7	1001161100	12	Plug	
8	1001161097	12	Terminal	
9	1001161101	5	Plug	
10	1001161098	3	Terminal	
11	1001161963	1	Connector	
12	643201301	1	Cover	
13	1001161097	21	Terminal	
14	1001161100	19	Plug	
15	1001161099	6	Terminal	
16	1001161098	1	Terminal	
17	1001161101	1	Plug	
18	1001160500	1	Connector	
19	643191201	1	Cover	
20	1001161097	10	Terminal	
21	1001161100	15	Plug	
22	1001161099	7	Terminal	
23	4460933	1	Connector	
24	4460970	1	Mating Connector	
25	4460466	2	Plug	
26	4460942	10	Terminal	
27	4460466	2	Plug	
28	1001160509	1	Connector	
29	1001160510	1	Terminal	
30	1001175267	1	Seal	
31	1001187080	1	Ring Terminal	
32	4460891	1	Connector	
33	4460465	2	Terminal	
34	4460891	1	Connector	
35	4460465	2	Terminal	
36	1001187080	1	Ring Terminal	
37	1001187079	1	Ring Terminal	
38	1001187079	1	Ring Terminal	
39	4460539	1	Connector	
40	4460465	3	Terminal	
41	8220051	1	Ring Terminal	
42	1001187073	1	Ring Terminal	
43	4460539	1	Connector	
44	4460465	3	Terminal	
45	4460933	1	Connector	
46	4460465	11	Terminal	
47	4460466	1	Plug	
48	1001116812	1	Connector	
49	4460465	2	Terminal	

SECTION 10 - ELECTRICAL

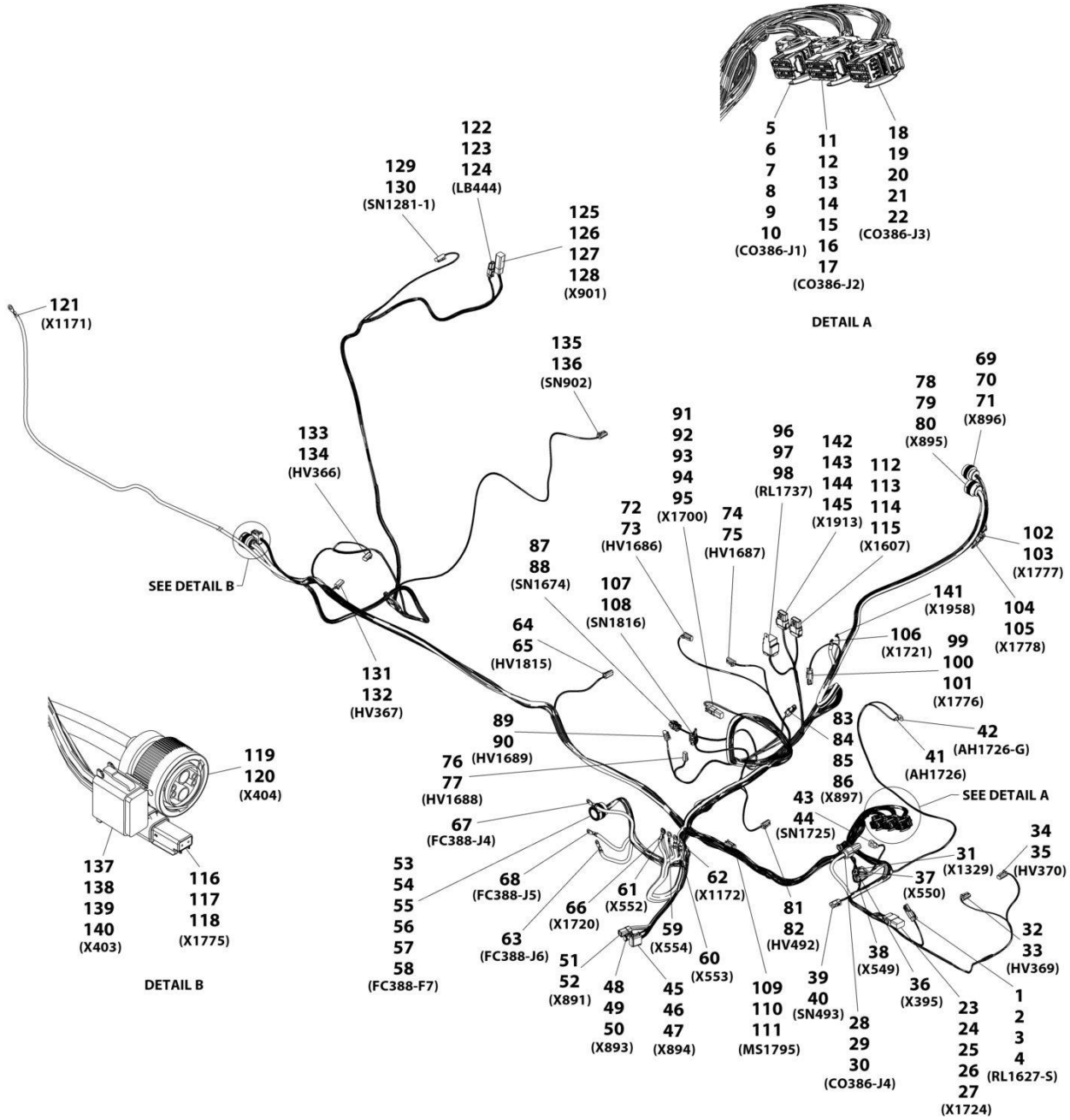
ITEM	PART NUMBER	QTY	DESCRIPTION	REV
50	4460466	1	Plug	
51	1001116810	1	Connector	
52	1001150611	4	Terminal	
53	1001165309	1	Connector	
54	4460466	2	Plug	
55	4460465	9	Terminal	
56	4460942	2	Terminal	
57	4460509	3	Terminal	
58	1001150611	3	Terminal	
59	1001187079	1	Ring Terminal	
60	1001187076	1	Ring Terminal	
61	1001187079	1	Ring Terminal	
62	1001187076	1	Ring Terminal	
63	1001187075	1	Ring Terminal	
64	4460891	1	Connector	
65	4460465	2	Terminal	
66	1001117109	1	Ring Terminal	
67	1001187075	1	Ring Terminal	
68	1001187075	1	Ring Terminal	
69	4461015	1	Connector	
70	4460465	12	Terminal	
71	4460466	2	Plug	
72	4460891	1	Connector	
73	4460465	2	Terminal	
74	4460891	1	Connector	
75	4460465	2	Terminal	
76	4461290	1	Connector	
77	4460928	2	Terminal	
78	1001118323	1	Connector	
79	4460942	4	Terminal	
80	91013192	2	Terminal	
81	4460891	1	Connector	
82	4460465	2	Terminal	
83	4460891	1	Connector	
84	4460897	1	Mating Connector	
85	4460942	1	Terminal	
86	4460466	1	Plug	
87	1001116950	1	Connector	
88	4460465	2	Terminal	
89	4460891	1	Connector	
90	4460465	2	Terminal	
91	4460884	1	Connector	
92	4460932	1	Mating Connector	
93	4460466	1	Sealing Plug	
94	4460465	3	Terminal	
95	4460942	1	Terminal	
96	1001118202	1	Connector	
97	1001116732	4	Terminal	
98	1001128128	1	Plug	
99	4460891	1	Connector	
100	4460897	1	Mating Connector	

SECTION 10 - ELECTRICAL

ITEM	PART NUMBER	QTY	DESCRIPTION	REV
101	4460465	2	Terminal	
102	4460891	1	Connector	
103	4460465	2	Terminal	
104	4460897	1	Connector	
105	4460464	2	Terminal	
106	8220116	1	Ring Terminal	
107	1001116950	1	Connector	
108	4460465	2	Terminal	
109	4460930	1	Connector	
110	4460984	1	Mating Connector	
111	4460465	8	Terminal	
112	1001116774	1	Connector	
113	1001132169	1	Mating Connector	
114	4460518	7	Plug	
115	1001126008	5	Terminal	
116	4460891	1	Connector	
117	4460897	1	Mating Connector	
118	4460465	2	Terminal	
119	1001165310	1	Connector	
120	91013192	2	Terminal	
121	1001187076	1	Ring Terminal	
122	4460891	1	Connector	
123	4460897	1	Mating Connector	
124	4460942	2	Terminal	
125	4460894	1	Connector	
126	4460899	1	Mating Connector	
127	4460465	2	Terminal	
128	4460942	4	Terminal	
129	4460891	1	Connector	
130	4460465	2	Terminal	
131	4460891	1	Connector	
132	4460465	2	Terminal	
133	4460891	1	Connector	
134	4460465	2	Terminal	
135	4460891	1	Connector	
136	4460465	2	Terminal	
137	4460933	1	Connector	
138	4460465	6	Terminal	
139	4460942	1	Terminal	
140	4460466	5	Plug	

SECTION 10 - ELECTRICAL

FIGURE 10-68. FRAME - FRONT FRAME HARNESS (PVC 2005)



ART_1001258277

SECTION 10 - ELECTRICAL

FIGURE 10-68. FRAME - FRONT FRAME HARNESS (PVC 2005)

ITEM	PART NUMBER	QTY	DESCRIPTION	REV
	1001258277	Ref	Front Frame Harness	B
1	4460891	1	Connector	
2	4460897	1	Mating Connector	
3	4460466	2	Plug	
4	4460465	2	Terminal	
5	1001161957	1	Connector	
6	643191201	1	Cover	
7	1001161100	12	Plug	
8	1001161097	12	Terminal	
9	1001161101	5	Plug	
10	1001161098	3	Terminal	
11	1001161963	1	Connector	
12	643201301	1	Cover	
13	1001161097	21	Terminal	
14	1001161100	19	Plug	
15	1001161099	6	Terminal	
16	1001161098	1	Terminal	
17	1001161101	1	Plug	
18	1001160500	1	Connector	
19	643191201	1	Cover	
20	1001161097	10	Terminal	
21	1001161100	15	Plug	
22	1001161099	7	Terminal	
23	4460933	1	Connector	
24	4460970	1	Mating Connector	
25	4460466	2	Plug	
26	4460942	10	Terminal	
27	4460466	2	Plug	
28	1001160509	1	Connector	
29	1001160510	1	Terminal	
30	1001175267	1	Seal	
31	1001187080	1	Ring Terminal	
32	4460891	1	Connector	
33	4460465	2	Terminal	
34	4460891	1	Connector	
35	4460465	2	Terminal	
36	1001187080	1	Ring Terminal	
37	1001187079	1	Ring Terminal	
38	1001187079	1	Ring Terminal	
39	4460539	1	Connector	
40	4460465	3	Terminal	
41	8220051	1	Ring Terminal	
42	1001187073	1	Ring Terminal	
43	4460539	1	Connector	
44	4460465	3	Terminal	
45	4460933	1	Connector	
46	4460465	11	Terminal	
47	4460466	1	Plug	
48	1001116812	1	Connector	
49	4460465	2	Terminal	

SECTION 10 - ELECTRICAL

ITEM	PART NUMBER	QTY	DESCRIPTION	REV
50	4460466	1	Plug	
51	1001116810	1	Connector	
52	1001150611	4	Terminal	
53	1001165309	1	Connector	
54	4460466	2	Plug	
55	4460465	9	Terminal	
56	4460942	2	Terminal	
57	4460509	3	Terminal	
58	1001150611	3	Terminal	
59	1001187079	1	Ring Terminal	
60	1001187076	1	Ring Terminal	
61	1001187079	1	Ring Terminal	
62	1001187076	1	Ring Terminal	
63	1001187075	1	Ring Terminal	
64	4460891	1	Connector	
65	4460465	2	Terminal	
66	1001117109	1	Ring Terminal	
67	1001187075	1	Ring Terminal	
68	1001187075	1	Ring Terminal	
69	4461015	1	Connector	
70	4460465	12	Terminal	
71	4460466	2	Plug	
72	4460891	1	Connector	
73	4460465	2	Terminal	
74	4460891	1	Connector	
75	4460465	2	Terminal	
76	4461290	1	Connector	
77	4460928	2	Terminal	
78	1001118323	1	Connector	
79	4460942	4	Terminal	
80	91013192	2	Terminal	
81	4460891	1	Connector	
82	4460465	2	Terminal	
83	4460891	1	Connector	
84	4460897	1	Mating Connector	
85	4460942	1	Terminal	
86	4460466	1	Plug	
87	1001116950	1	Connector	
88	4460465	2	Terminal	
89	4460891	1	Connector	
90	4460465	2	Terminal	
91	4460884	1	Connector	
92	4460932	1	Mating Connector	
93	4460466	1	Sealing Plug	
94	4460465	3	Terminal	
95	4460942	1	Terminal	
96	1001118202	1	Connector	
97	1001116732	4	Terminal	
98	1001128128	1	Plug	
99	4460891	1	Connector	
100	4460897	1	Mating Connector	

SECTION 10 - ELECTRICAL

ITEM	PART NUMBER	QTY	DESCRIPTION	REV
101	4460465	2	Terminal	
102	4460891	1	Connector	
103	4460465	2	Terminal	
104	4460897	1	Connector	
105	4460464	2	Terminal	
106	8220116	1	Ring Terminal	
107	1001116950	1	Connector	
108	4460465	2	Terminal	
109	4460930	1	Connector	
110	4460984	1	Mating Connector	
111	4460465	8	Terminal	
112	1001116774	1	Connector	
113	1001132169	1	Mating Connector	
114	4460518	7	Plug	
115	1001126008	5	Terminal	
116	4460891	1	Connector	
117	4460897	1	Mating Connector	
118	4460465	2	Terminal	
119	1001165310	1	Connector	
120	91013192	2	Terminal	
121	1001187076	1	Ring Terminal	
122	4460891	1	Connector	
123	4460897	1	Mating Connector	
124	4460942	2	Terminal	
125	4460894	1	Connector	
126	4460899	1	Mating Connector	
127	4460465	2	Terminal	
128	4460942	4	Terminal	
129	4460891	1	Connector	
130	4460465	2	Terminal	
131	4460891	1	Connector	
132	4460465	2	Terminal	
133	4460891	1	Connector	
134	4460465	2	Terminal	
135	4460891	1	Connector	
136	4460465	2	Terminal	
137	4460933	1	Connector	
138	4460465	6	Terminal	
139	4460942	1	Terminal	
140	4460466	5	Plug	
141	1001207173	1	Terminal, Ring	
142	1001116808	1	Connector	
143	1001132170	1	Mating Connector	
144	4460518	18	Plug	
145	1001126008	3	Terminal	

SECTION 10 - ELECTRICAL

FIGURE 10-69. FRAME - FRONT FRAME HARNESS, MINING (PVC 1911)

ITEM	PART NUMBER	QTY	DESCRIPTION	REV
	1001228740	Ref	Front Frame Harness, Mining	C
1	4460891	1	Connector	
2	4460897	1	Mating Connector	
3	4460466	2	Plug	
4	4460465	2	Terminal	
5	1001161957	1	Connector	
6	643191201	1	Cover	
7	1001161100	12	Plug	
8	1001161097	12	Terminal	
9	1001161101	5	Plug	
10	1001161098	3	Terminal	
11	1001161963	1	Connector	
12	643201301	1	Cover	
13	1001161097	22	Terminal	
14	1001161100	19	Plug	
15	1001161099	6	Terminal	
16	1001161098	1	Terminal	
17	1001161101	1	Plug	
18	1001160500	1	Connector	
19	643191201	1	Cover	
20	1001161097	10	Terminal	
21	1001161100	15	Plug	
22	1001161099	7	Terminal	
23	4460933	1	Connector	
24	4460970	1	Mating Connector	
25	4460466	2	Plug	
26	4460942	10	Terminal	
27	4460466	2	Plug	
28	1001160509	1	Connector	
29	1001160510	1	Terminal	
30	1001175267	1	Seal	
31	1001187080	1	Ring Terminal	
32	4460891	1	Connector	
33	4460465	2	Terminal	
34	4460891	1	Connector	
35	4460465	2	Terminal	
36	1001187080	1	Ring Terminal	
37	1001187079	1	Ring Terminal	
38	1001187079	1	Ring Terminal	
39	4460539	1	Connector	
40	4460465	3	Terminal	
41	8220051	1	Ring Terminal	
42	1001187073	1	Ring Terminal	
43	4460539	1	Connector	
44	4460465	3	Terminal	
45	4460933	1	Connector	
46	4460465	11	Terminal	
47	4460466	1	Plug	
48	1001116812	1	Connector	
49	4460465	2	Terminal	

SECTION 10 - ELECTRICAL

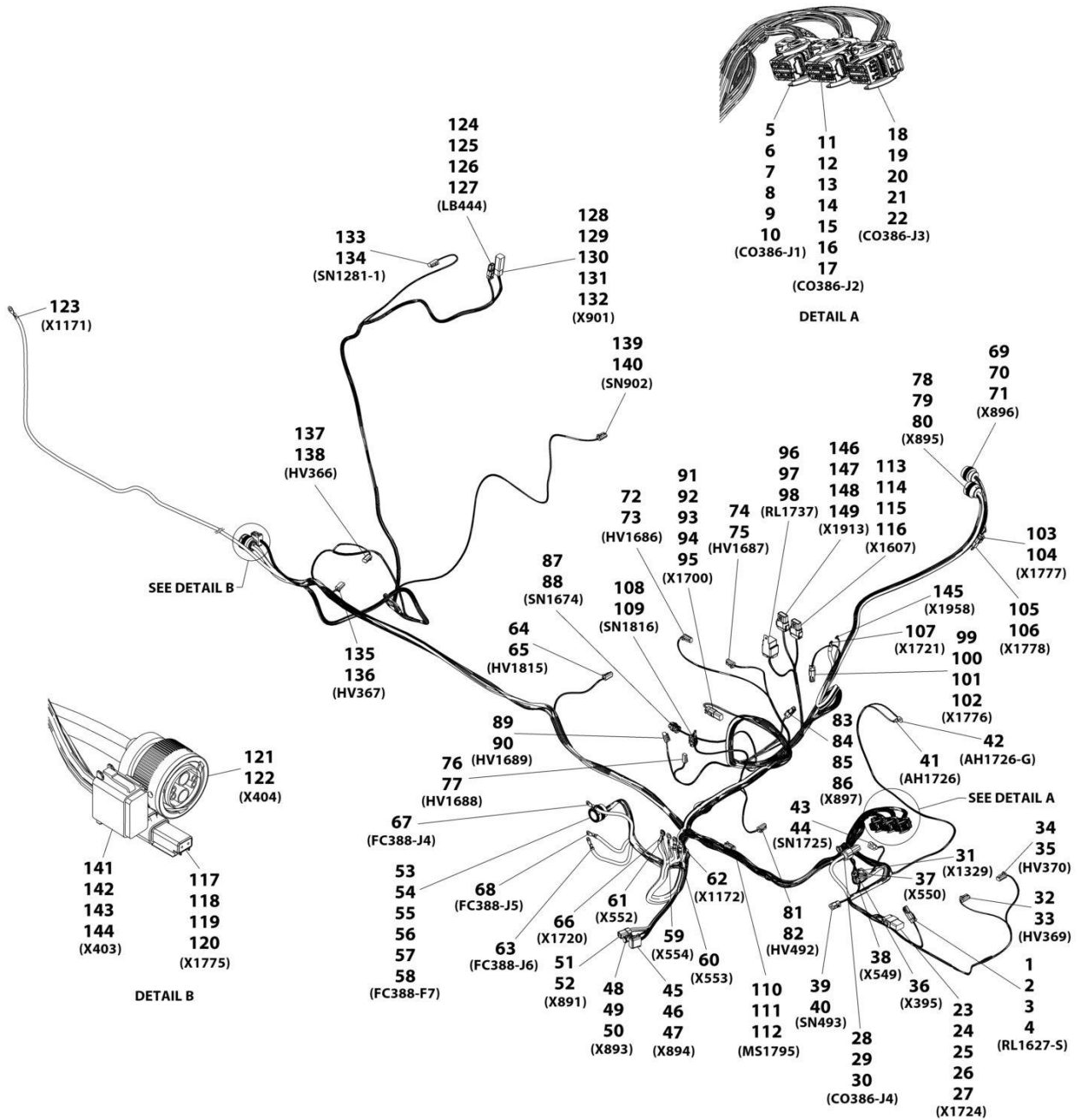
ITEM	PART NUMBER	QTY	DESCRIPTION	REV
50	4460466	1	Plug	
51	1001116810	1	Connector	
52	1001150611	4	Terminal	
53	1001165309	1	Connector	
54	4460466	2	Plug	
55	4460465	9	Terminal	
56	4460942	2	Terminal	
57	4460509	3	Terminal	
58	1001150611	3	Terminal	
59	1001187079	1	Ring Terminal	
60	1001187076	1	Ring Terminal	
61	1001187079	1	Ring Terminal	
62	1001187076	1	Ring Terminal	
63	1001187075	1	Ring Terminal	
64	4460891	1	Connector	
65	4460465	2	Terminal	
66	1001117109	1	Ring Terminal	
67	1001187075	1	Ring Terminal	
68	1001187075	1	Ring Terminal	
69	4461015	1	Connector	
70	4460465	12	Terminal	
71	4460466	2	Plug	
72	4460891	1	Connector	
73	4460465	2	Terminal	
74	4460891	1	Connector	
75	4460465	2	Terminal	
76	4461290	1	Connector	
77	4460928	2	Terminal	
78	1001118323	1	Connector	
79	4460942	4	Terminal	
80	91013192	2	Terminal	
81	4460891	1	Connector	
82	4460465	2	Terminal	
83	4460891	1	Connector	
84	4460897	1	Mating Connector	
85	4460942	1	Terminal	
86	4460466	1	Plug	
87	1001116950	1	Connector	
88	4460465	2	Terminal	
89	4460891	1	Connector	
90	4460465	2	Terminal	
91	4460884	1	Connector	
92	4460932	1	Mating Connector	
93	4460466	1	Sealing Plug	
94	4460465	3	Terminal	
95	4460942	1	Terminal	
96	1001118282	1	Connector	
97	1001116732	4	Terminal	
98	1001128128	1	Plug	
99	4460891	1	Connector	
100	4460897	1	Mating Connector	

SECTION 10 - ELECTRICAL

ITEM	PART NUMBER	QTY	DESCRIPTION	REV
101	4460465	2	Terminal	
102	4460466	1	Plug	
103	4460891	1	Connector	
104	4460465	2	Terminal	
105	4460897	1	Connector	
106	4460464	2	Terminal	
107	8220116	1	Ring Terminal	
108	1001116950	1	Connector	
109	4460465	2	Terminal	
110	4460930	1	Connector	
111	4460984	1	Mating Connector	
112	4460465	8	Terminal	
113	1001116774	1	Connector	
114	1001132169	1	Mating Connector	
115	4460518	7	Plug	
116	1001126008	5	Terminal	
117	4460891	1	Connector	
118	4460897	1	Mating Connector	
119	4460465	2	Terminal	
120	4460466	1	Plug	
121	1001165310	1	Connector	
122	91013192	2	Terminal	
123	1001187076	1	Ring Terminal	
124	4460891	1	Connector	
125	4460897	1	Mating Connector	
126	4460942	2	Terminal	
127	4460466	1	Plug	
128	4460894	1	Connector	
129	4460899	1	Mating Connector	
130	4460466	1	Plug	
131	4460465	2	Terminal	
132	4460942	4	Terminal	
133	4460891	1	Connector	
134	4460465	2	Terminal	
135	4460891	1	Connector	
136	4460465	2	Terminal	
137	4460891	1	Connector	
138	4460465	2	Terminal	
139	4460891	1	Connector	
140	4460465	2	Terminal	
141	4460933	1	Connector	
142	4460465	6	Terminal	
143	4460942	1	Terminal	
144	4460466	5	Plug	

SECTION 10 - ELECTRICAL

FIGURE 10-70. FRAME - FRONT FRAME HARNESS, MINING (PVC 2005)



ART_1001258278

SECTION 10 - ELECTRICAL

FIGURE 10-70. FRAME - FRONT FRAME HARNESS, MINING (PVC 2005)

ITEM	PART NUMBER	QTY	DESCRIPTION	REV
	1001258278	Ref	Front Frame Harness, Mining	B
1	4460891	1	Connector	
2	4460897	1	Mating Connector	
3	4460466	2	Plug	
4	4460465	2	Terminal	
5	1001161957	1	Connector	
6	643191201	1	Cover	
7	1001161100	12	Plug	
8	1001161097	12	Terminal	
9	1001161101	5	Plug	
10	1001161098	3	Terminal	
11	1001161963	1	Connector	
12	643201301	1	Cover	
13	1001161097	22	Terminal	
14	1001161100	19	Plug	
15	1001161099	6	Terminal	
16	1001161098	1	Terminal	
17	1001161101	1	Plug	
18	1001160500	1	Connector	
19	643191201	1	Cover	
20	1001161097	10	Terminal	
21	1001161100	15	Plug	
22	1001161099	7	Terminal	
23	4460933	1	Connector	
24	4460970	1	Mating Connector	
25	4460466	2	Plug	
26	4460942	10	Terminal	
27	4460466	2	Plug	
28	1001160509	1	Connector	
29	1001160510	1	Terminal	
30	1001175267	1	Seal	
31	1001187080	1	Ring Terminal	
32	4460891	1	Connector	
33	4460465	2	Terminal	
34	4460891	1	Connector	
35	4460465	2	Terminal	
36	1001187080	1	Ring Terminal	
37	1001187079	1	Ring Terminal	
38	1001187079	1	Ring Terminal	
39	4460539	1	Connector	
40	4460465	3	Terminal	
41	8220051	1	Ring Terminal	
42	1001187073	1	Ring Terminal	
43	4460539	1	Connector	
44	4460465	3	Terminal	
45	4460933	1	Connector	
46	4460465	11	Terminal	
47	4460466	1	Plug	
48	1001116812	1	Connector	
49	4460465	2	Terminal	

SECTION 10 - ELECTRICAL

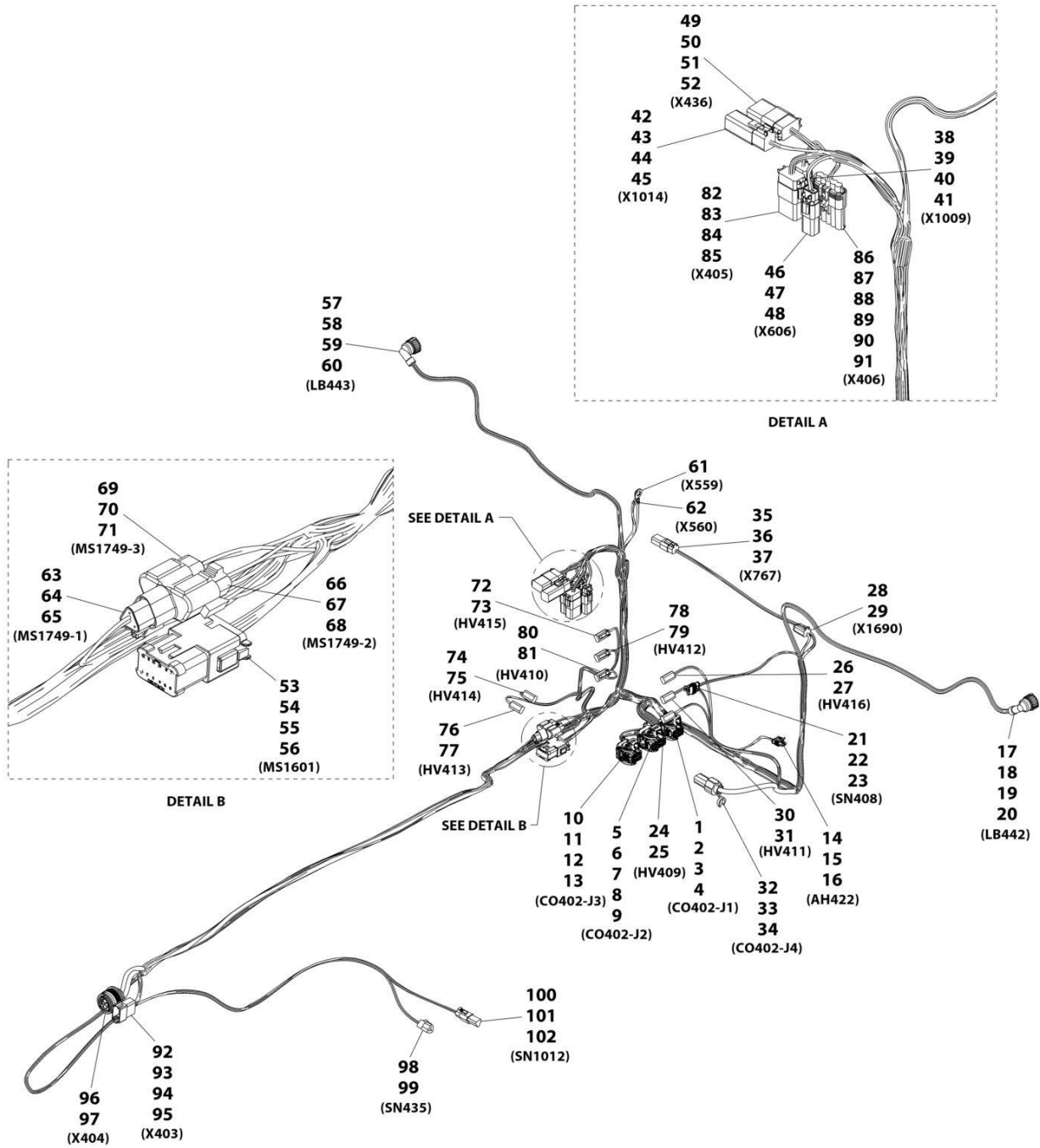
ITEM	PART NUMBER	QTY	DESCRIPTION	REV
50	4460466	1	Plug	
51	1001116810	1	Connector	
52	1001150611	4	Terminal	
53	1001165309	1	Connector	
54	4460466	2	Plug	
55	4460465	9	Terminal	
56	4460942	2	Terminal	
57	4460509	3	Terminal	
58	1001150611	3	Terminal	
59	1001187079	1	Ring Terminal	
60	1001187076	1	Ring Terminal	
61	1001187079	1	Ring Terminal	
62	1001187076	1	Ring Terminal	
63	1001187075	1	Ring Terminal	
64	4460891	1	Connector	
65	4460465	2	Terminal	
66	1001117109	1	Ring Terminal	
67	1001187075	1	Ring Terminal	
68	1001187075	1	Ring Terminal	
69	4461015	1	Connector	
70	4460465	12	Terminal	
71	4460466	2	Plug	
72	4460891	1	Connector	
73	4460465	2	Terminal	
74	4460891	1	Connector	
75	4460465	2	Terminal	
76	4461290	1	Connector	
77	4460928	2	Terminal	
78	1001118323	1	Connector	
79	4460942	4	Terminal	
80	91013192	2	Terminal	
81	4460891	1	Connector	
82	4460465	2	Terminal	
83	4460891	1	Connector	
84	4460897	1	Mating Connector	
85	4460942	1	Terminal	
86	4460466	1	Plug	
87	1001116950	1	Connector	
88	4460465	2	Terminal	
89	4460891	1	Connector	
90	4460465	2	Terminal	
91	4460884	1	Connector	
92	4460932	1	Mating Connector	
93	4460466	1	Sealing Plug	
94	4460465	3	Terminal	
95	4460942	1	Terminal	
96	1001118282	1	Connector	
97	1001116732	4	Terminal	
98	1001128128	1	Plug	
99	4460891	1	Connector	
100	4460897	1	Mating Connector	

SECTION 10 - ELECTRICAL

ITEM	PART NUMBER	QTY	DESCRIPTION	REV
101	4460465	2	Terminal	
102	4460466	1	Plug	
103	4460891	1	Connector	
104	4460465	2	Terminal	
105	4460897	1	Connector	
106	4460464	2	Terminal	
107	8220116	1	Ring Terminal	
108	1001116950	1	Connector	
109	4460465	2	Terminal	
110	4460930	1	Connector	
111	4460984	1	Mating Connector	
112	4460465	8	Terminal	
113	1001116774	1	Connector	
114	1001132169	1	Mating Connector	
115	4460518	7	Plug	
116	1001126008	5	Terminal	
117	4460891	1	Connector	
118	4460897	1	Mating Connector	
119	4460465	2	Terminal	
120	4460466	1	Plug	
121	1001165310	1	Connector	
122	91013192	2	Terminal	
123	1001187076	1	Ring Terminal	
124	4460891	1	Connector	
125	4460897	1	Mating Connector	
126	4460942	2	Terminal	
127	4460466	1	Plug	
128	4460894	1	Connector	
129	4460899	1	Mating Connector	
130	4460466	1	Plug	
131	4460465	2	Terminal	
132	4460942	4	Terminal	
133	4460891	1	Connector	
134	4460465	2	Terminal	
135	4460891	1	Connector	
136	4460465	2	Terminal	
137	4460891	1	Connector	
138	4460465	2	Terminal	
139	4460891	1	Connector	
140	4460465	2	Terminal	
141	4460933	1	Connector	
142	4460465	6	Terminal	
143	4460942	1	Terminal	
144	4460466	5	Plug	
145	1001207173	1	Terminal, Ring	
146	1001116808	1	Connector	
147	1001132170	1	Mating Connector	
148	4460518	18	Plug	
149	1001126008	3	Terminal	

SECTION 10 - ELECTRICAL

FIGURE 10-71. FRAME - REAR FRAME HARNESS



ART_1001184397-1

SECTION 10 - ELECTRICAL

FIGURE 10-71. FRAME - REAR FRAME HARNESS

ITEM	PART NUMBER	QTY	DESCRIPTION	REV
	1001184397	Ref	Rear Frame Harness	I
1	1001161957	1	Connector	
2	1001161097	6	Terminal	
3	1001161100	18	Plug	
4	1001161101	8	Plug	
5	1001161963	1	Connector	
6	1001161097	26	Terminal	
7	1001161100	14	Plug	
8	1001161099	6	Terminal	
9	1001161101	2	Plug	
10	1001160500	1	Connector	
11	1001161100	18	Plug	
12	1001161097	6	Terminal	
13	1001161099	8	Terminal	
14	4461118	1	Connector	
15	1001107854	2	Terminal	
16	1001116763	2	Terminal Seal	
17	1001116996	1	Connector	
18	1001118392	6	Terminal	
19	1001116696	1	Plug	
20	4461054	6	Terminal Seal	
21	4461262	1	Connector	
22	1001107854	3	Terminal	
23	1001104498	3	Terminal Seal	
24	4460891	1	Connector	
25	4460465	2	Terminal	
26	4460891	1	Connector	
27	4460465	2	Terminal	
28	4460884	1	Connector	
29	4460465	4	Terminal	
30	4460891	1	Connector	
31	4460465	2	Terminal	
32	1001160509	1	Connector	
33	1001160510	1	Terminal	
34	1001175267	1	Terminal Seal	
35	4460884	1	Connector	
36	4460932	1	Mating Connector	
37	4460465	4	Terminal	
38	4460884	1	Connector	
39	4460932	1	Mating Connector	
40	4460466	2	Plug	
41	4460465	2	Terminal	
42	4460894	1	Connector	
43	4460899	1	Mating Connector	
44	4460466	3	Plug	
45	4460465	3	Terminal	
46	4461018	1	Connector	
47	4461017	1	Mating Connector	
48	4460509	2	Terminal	
49	4460930	1	Connector	

SECTION 10 - ELECTRICAL

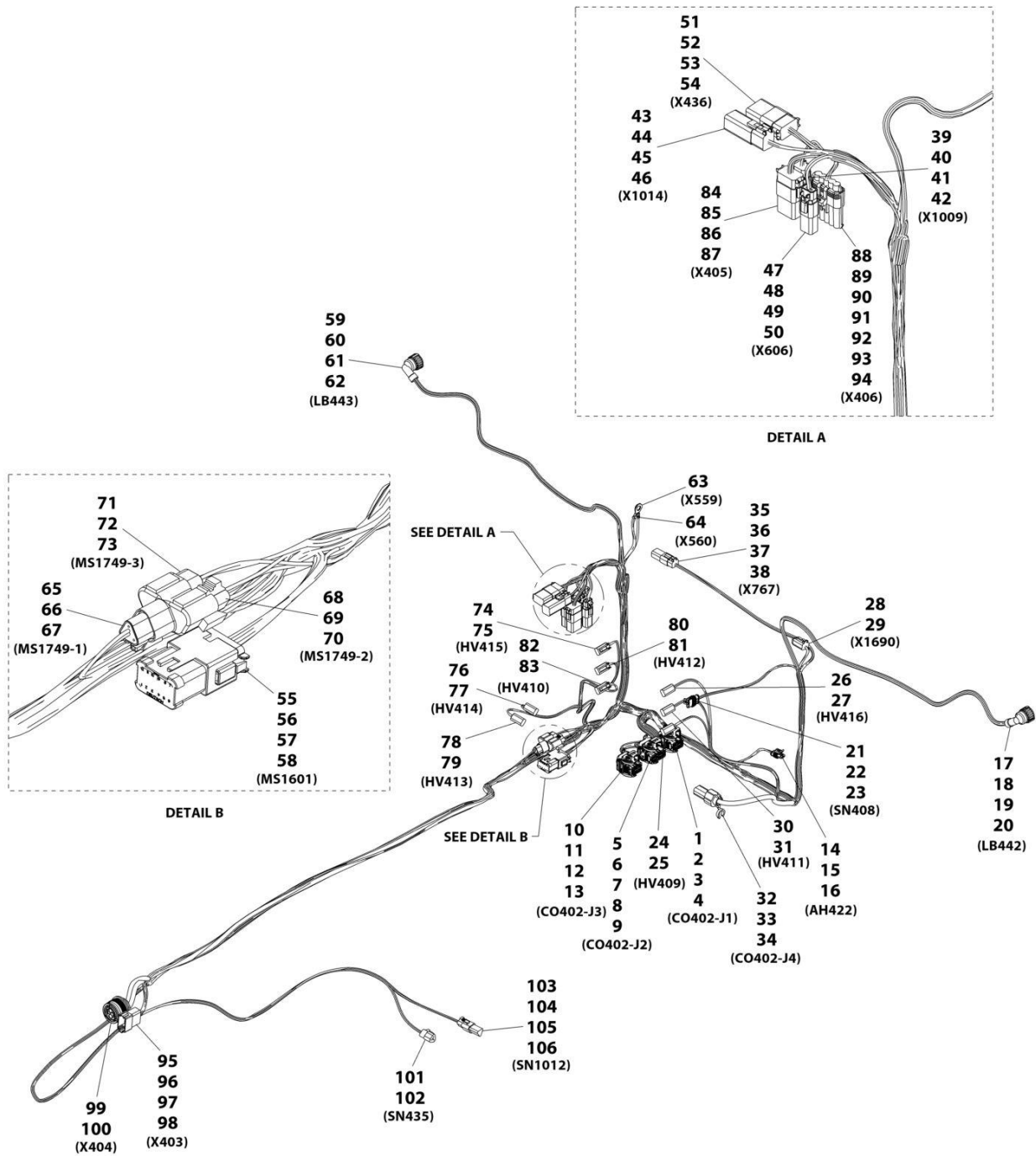
ITEM	PART NUMBER	QTY	DESCRIPTION	REV
50	4460931	1	Mating Connector	
51	4460466	2	Plug	
52	4460465	6	Terminal	
53	4460933	1	Connector	
54	1001125677	1	Bussbar Connector	
55	4460465	10	Terminal	
56	4460466	2	Plug	
57	1001116996	1	Connector	
58	1001118392	6	Terminal	
59	1001116696	1	Plug	
60	4461054	6	Terminal Seal	
61	1001187080	1	Ring Terminal	
62	1001187079	1	Ring Terminal	
63	1001116812	1	Connector	
64	4460944	2	Terminal	
65	4460466	1	Plug	
66	4460539	1	Connector	
67	4460944	2	Terminal	
68	4460466	1	Plug	
69	1001116812	1	Connector	
70	4460944	2	Terminal	
71	4460466	1	Plug	
72	4460891	1	Connector	
73	4460465	2	Terminal	
74	4460891	1	Connector	
75	4460465	2	Terminal	
76	4460891	1	Connector	
77	4460465	2	Terminal	
78	4460891	1	Connector	
79	4460465	2	Terminal	
80	4460891	1	Connector	
81	4460465	2	Terminal	
82	4460930	1	Connector	
83	4460931	1	Mating Connector	
84	4460466	2	Plug	
85	4460465	6	Terminal	
86	1001121726	1	Connector	
87	1001121727	1	Mating Connector	
88	1001116728	4	Terminal	
89	4460748	1	Plug	
90	1001175265	3	Terminal Seal	
91	4460458	1	Terminal Seal	
92	4460970	1	Connector	
93	4460464	6	Terminal	
94	4460941	1	Terminal	
95	4460466	5	Plug	
96	1001165311	1	Connector	
97	91013191	2	Terminal	
98	4460539	1	Connector	
99	4460944	3	Terminal	
100	4460539	1	Connector	

SECTION 10 - ELECTRICAL

ITEM	PART NUMBER	QTY	DESCRIPTION	REV
101	4460536	1	Mating Connector	
102	4460465	3	Terminal	

SECTION 10 - ELECTRICAL

FIGURE 10-72. FRAME - REAR FRAME HARNESS, MINING



ART_1001228741-A

SECTION 10 - ELECTRICAL

FIGURE 10-72. FRAME - REAR FRAME HARNESS, MINING

ITEM	PART NUMBER	QTY	DESCRIPTION	REV
	1001228741	Ref	Front Frame Harness, Mining	A
1	1001161957	1	Connector	
2	1001161097	6	Terminal	
3	1001161100	18	Plug	
4	1001161101	8	Plug	
5	1001161963	1	Connector	
6	1001161097	26	Terminal	
7	1001161100	14	Plug	
8	1001161099	6	Terminal	
9	1001161101	2	Plug	
10	1001160500	1	Connector	
11	1001161100	18	Plug	
12	1001161097	6	Terminal	
13	1001161099	8	Terminal	
14	4461118	1	Connector	
15	1001107854	2	Terminal	
16	1001116763	2	Terminal Seal	
17	1001116996	1	Connector	
18	1001118392	6	Terminal	
19	1001116696	1	Plug	
20	4461054	6	Terminal Seal	
21	4461262	1	Connector	
22	1001107854	3	Terminal	
23	1001104498	3	Terminal Seal	
24	4460891	1	Connector	
25	4460465	2	Terminal	
26	4460891	1	Connector	
27	4460465	2	Terminal	
28	4460884	1	Connector	
29	4460465	4	Terminal	
30	4460891	1	Connector	
31	4460465	2	Terminal	
32	1001160509	1	Connector	
33	1001160510	1	Terminal	
34	1001175267	1	Terminal Seal	
35	4460884	1	Connector	
36	4460932	1	Mating Connector	
37	4460465	4	Terminal	
38	4460466	1	Plug	
39	4460884	1	Connector	
40	4460932	1	Mating Connector	
41	4460466	2	Plug	
42	4460465	2	Terminal	
43	4460894	1	Connector	
44	4460899	1	Mating Connector	
45	4460466	3	Plug	
46	4460465	3	Terminal	
47	4461018	1	Connector	
48	4461017	1	Mating Connector	
49	4460509	2	Terminal	

SECTION 10 - ELECTRICAL

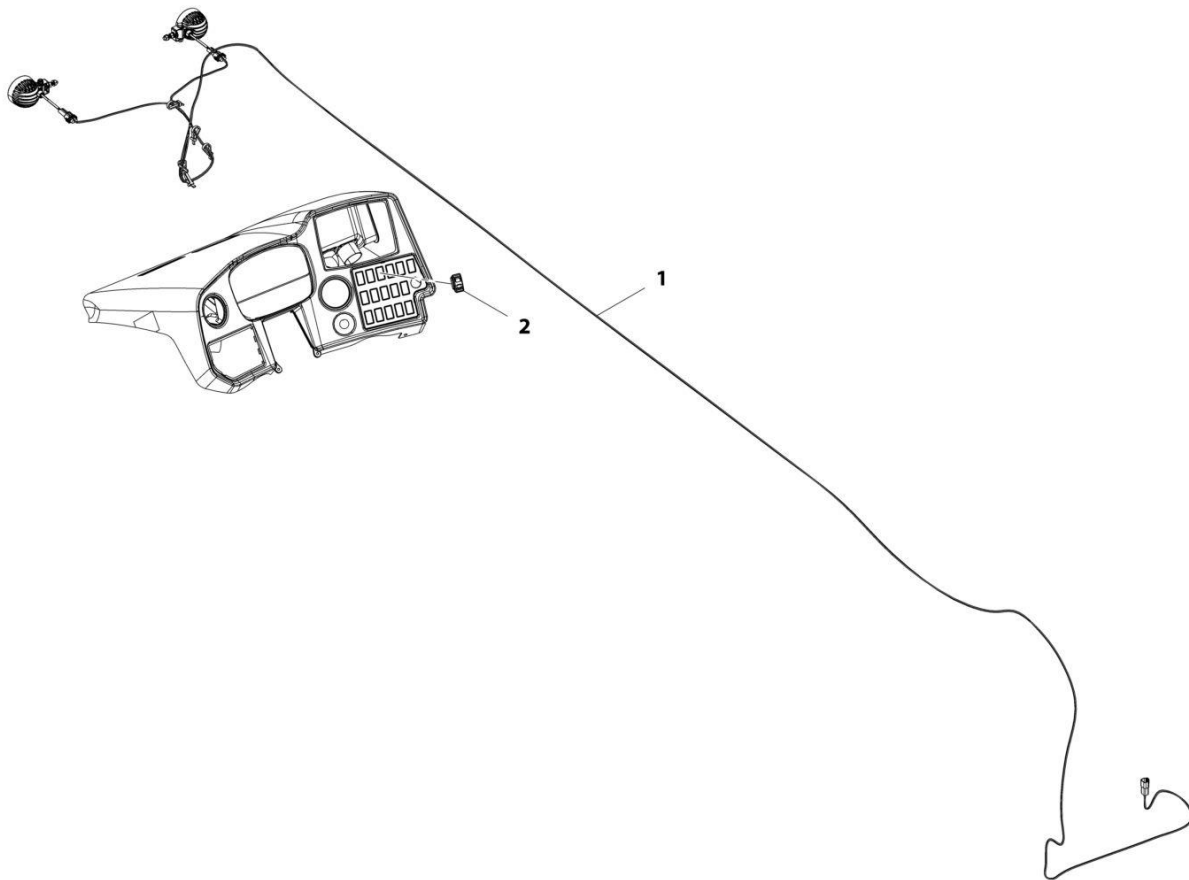
ITEM	PART NUMBER	QTY	DESCRIPTION	REV
51	4460930	1	Connector	
52	4460931	1	Mating Connector	
53	4460466	2	Plug	
54	4460465	6	Terminal	
55	4460933	1	Connector	
56	1001125677	1	Bussbar Connector	
57	4460465	10	Terminal	
58	4460466	2	Plug	
59	1001116996	1	Connector	
60	1001118392	6	Terminal	
61	1001116696	1	Plug	
62	4461054	6	Terminal Seal	
63	1001187080	1	Ring Terminal	
64	1001187079	1	Ring Terminal	
65	1001116812	1	Connector	
66	4460944	2	Terminal	
67	4460466	1	Plug	
68	4460539	1	Connector	
69	4460944	2	Terminal	
70	4460466	1	Plug	
71	1001116812	1	Connector	
72	4460944	2	Terminal	
73	4460466	1	Plug	
74	4460891	1	Connector	
75	4460465	2	Terminal	
76	4460891	1	Connector	
77	4460465	2	Terminal	
78	4460891	1	Connector	
79	4460465	2	Terminal	
80	4460891	1	Connector	
81	4460465	2	Terminal	
82	4460891	1	Connector	
83	4460465	2	Terminal	
84	4460930	1	Connector	
85	4460931	1	Mating Connector	
86	4460466	2	Plug	
87	4460465	6	Terminal	
88	1001121726	1	Connector	
89	1001121727	1	Mating Connector	
90	1001116728	4	Terminal	
91	1001116727	1	Plug	
92	4460748	1	Plug	
93	1001175265	3	Terminal Seal	
94	4460458	1	Terminal Seal	
95	4460970	1	Connector	
96	4460464	6	Terminal	
97	4460941	1	Terminal	
98	4460466	5	Plug	
99	1001165311	1	Connector	
100	91013191	2	Terminal	
101	4460539	1	Connector	

SECTION 10 - ELECTRICAL

ITEM	PART NUMBER	QTY	DESCRIPTION	REV
102	4460944	3	Terminal	
103	4460539	1	Connector	
104	4460536	1	Mating Connector	
105	4460466	1	Plug	
106	4460465	3	Terminal	

SECTION 10 - ELECTRICAL

FIGURE 10-73. LIGHTS - BOOM WORK LIGHTS (LED)



ART_1001209427-B

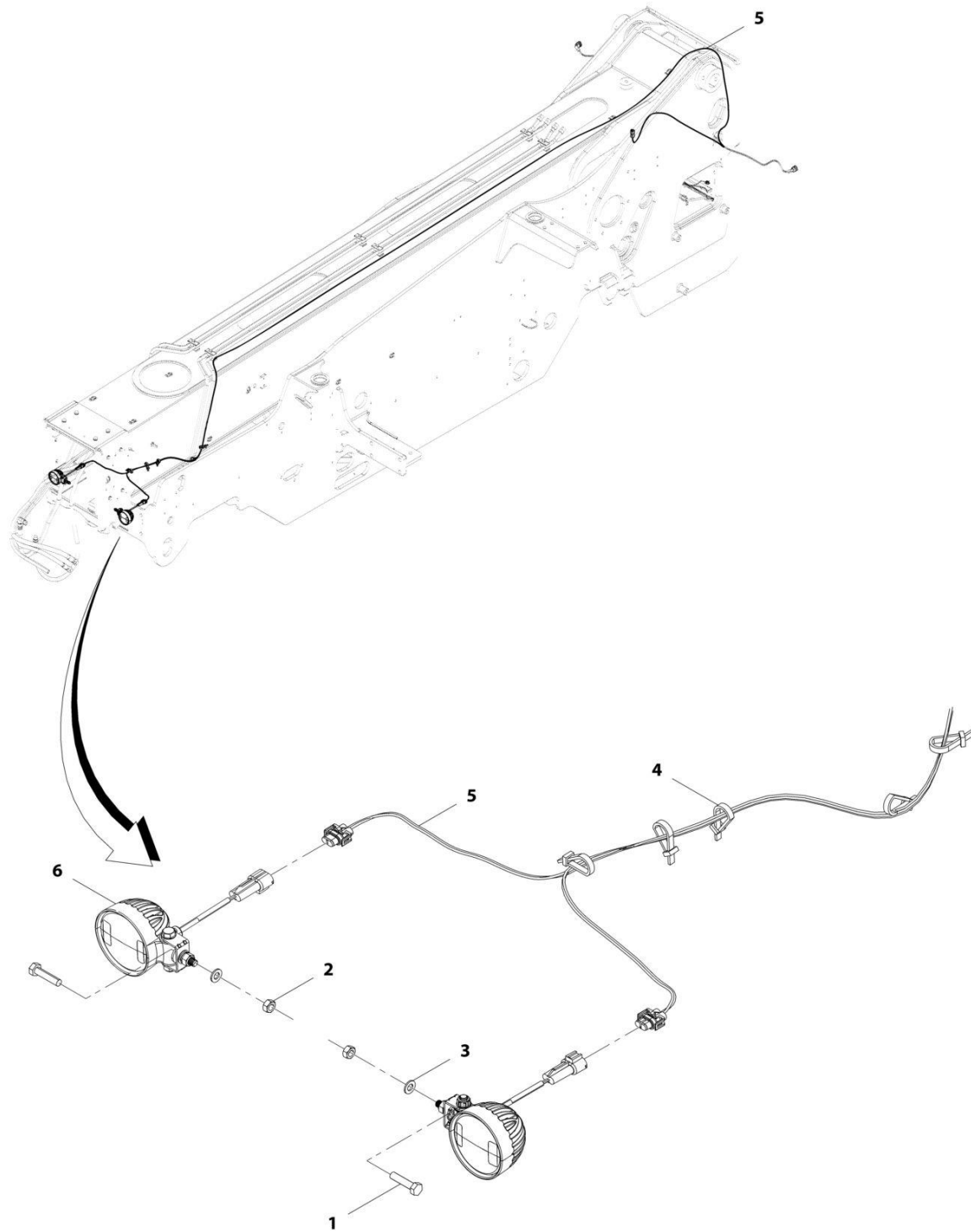
SECTION 10 - ELECTRICAL

FIGURE 10-73. LIGHTS - BOOM WORK LIGHTS (LED)

ITEM	PART NUMBER	QTY	DESCRIPTION	REV
	1001209427	Ref	Boom Work Lights (LED)	B
1	1001159739	1	Switch, Boom Worklights	
2	1001209456	1	Installation, LED Boom Work lights (See Separate Breakdown in this Section)	

SECTION 10 - ELECTRICAL

FIGURE 10-74. LIGHTS - BOOM WORK LIGHT INSTALLATION (LED)



ART_1001209456-C

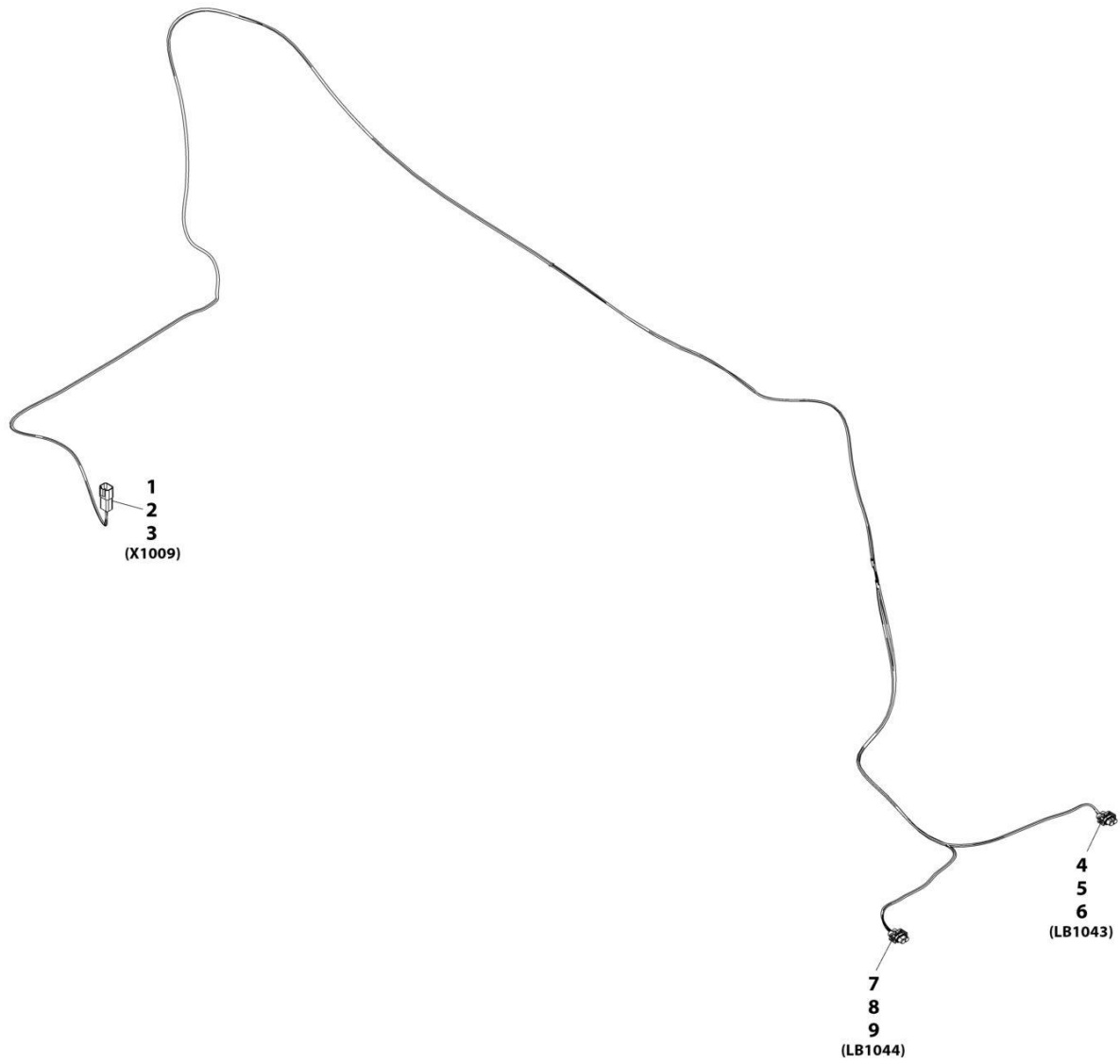
SECTION 10 - ELECTRICAL

FIGURE 10-74. LIGHTS - BOOM WORK LIGHT INSTALLATION (LED)

ITEM	PART NUMBER	QTY	DESCRIPTION	REV
	1001209456	Ref	Boom Work Light Installation (LED)	C
1	0700815	2	Bolt, M8X35	
2	3290801	2	Nut, M8X1.25	
3	4811900	2	Washer, M8	
4	1001008923	5	Strap, Cable	
5	1001184796	1	Harness, Boom Work Lights (See Separate Breakdown in this Section)	
6	1001203640	2	Lamp, LED Worklight	

SECTION 10 - ELECTRICAL

FIGURE 10-75. LIGHTS - BOOM WORKLIGHTS HARNESS



ART_1001184796-E

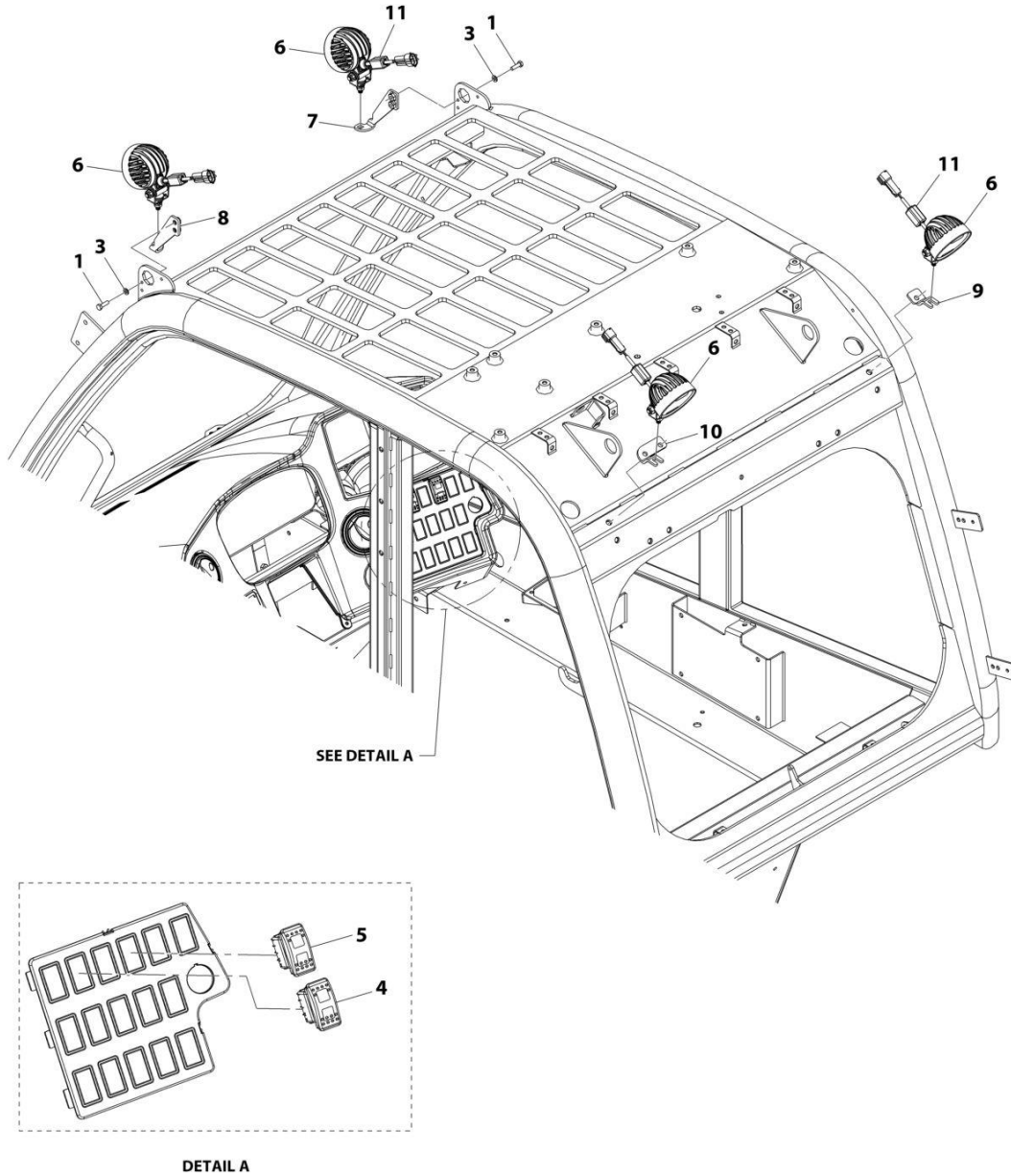
SECTION 10 - ELECTRICAL

FIGURE 10-75. LIGHTS - BOOM WORKLIGHTS HARNESS

ITEM	PART NUMBER	QTY	DESCRIPTION	REV
	1001184796	Ref	Boom Worklights Harness	E
1	4460932	1	Connector	
2	4460464	2	Terminal	
3	4460466	2	Plug	
4	4461115	1	Connector	
5	1001116728	2	Terminal	
6	4460458	2	Terminal Seal	
7	4461115	1	Connector	
8	1001116728	2	Terminal	
9	4460458	2	Terminal Seal	

SECTION 10 - ELECTRICAL

FIGURE 10-76. LIGHTS - CAB WORKLIGHTS INSTALLATION (NO A/C - LED)



ART_1001200538-D

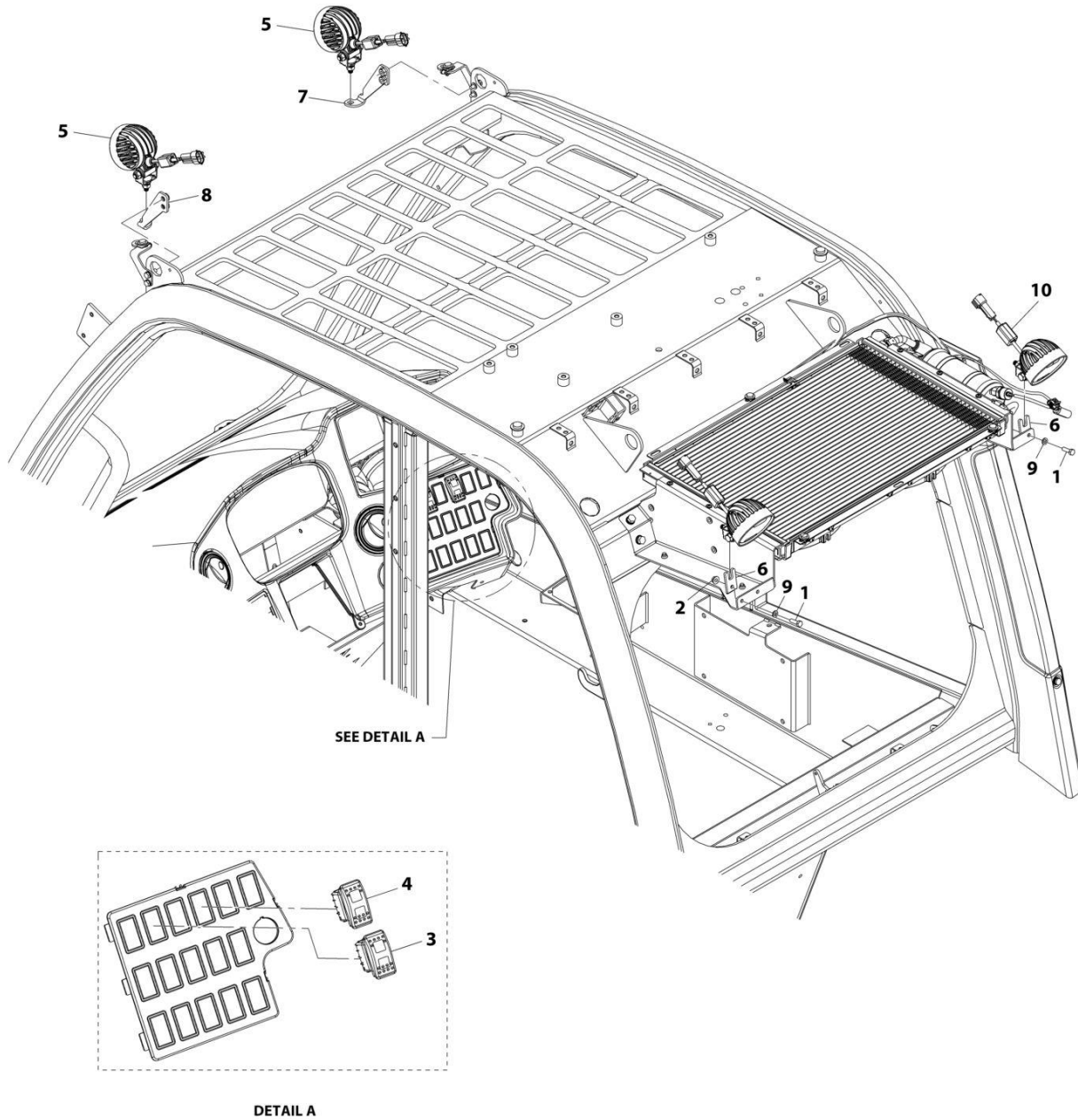
SECTION 10 - ELECTRICAL

FIGURE 10-76. LIGHTS - CAB WORKLIGHTS INSTALLATION (NO A/C - LED)

ITEM	PART NUMBER	QTY	DESCRIPTION	REV
	1001200538	Ref	Cab Worklights Installation (No A/C - LED)	D
1	0700610	4	Bolt, M6X20	
3	4811700	4	Washer, M6	
4	1001159845	1	Switch, Front Worklights	
5	1001159846	1	Switch, Rear Worklights	
6	1001203640	4	Lamp, LED Work Light	
7	1001244193	1	Support, LED Work Light RH	
8	1001244192	1	Support, LED Work Light LH	
9	1001204528	1	Support, LED Work Light RH	
10	1001204530	1	Support, LED Work Light LH	
11	1001228989	4	Harness, Ferrite	

SECTION 10 - ELECTRICAL

FIGURE 10-77. LIGHTS - CAB WORKLIGHTS INSTALLATION (A/C - LED)



ART_1001200539-D

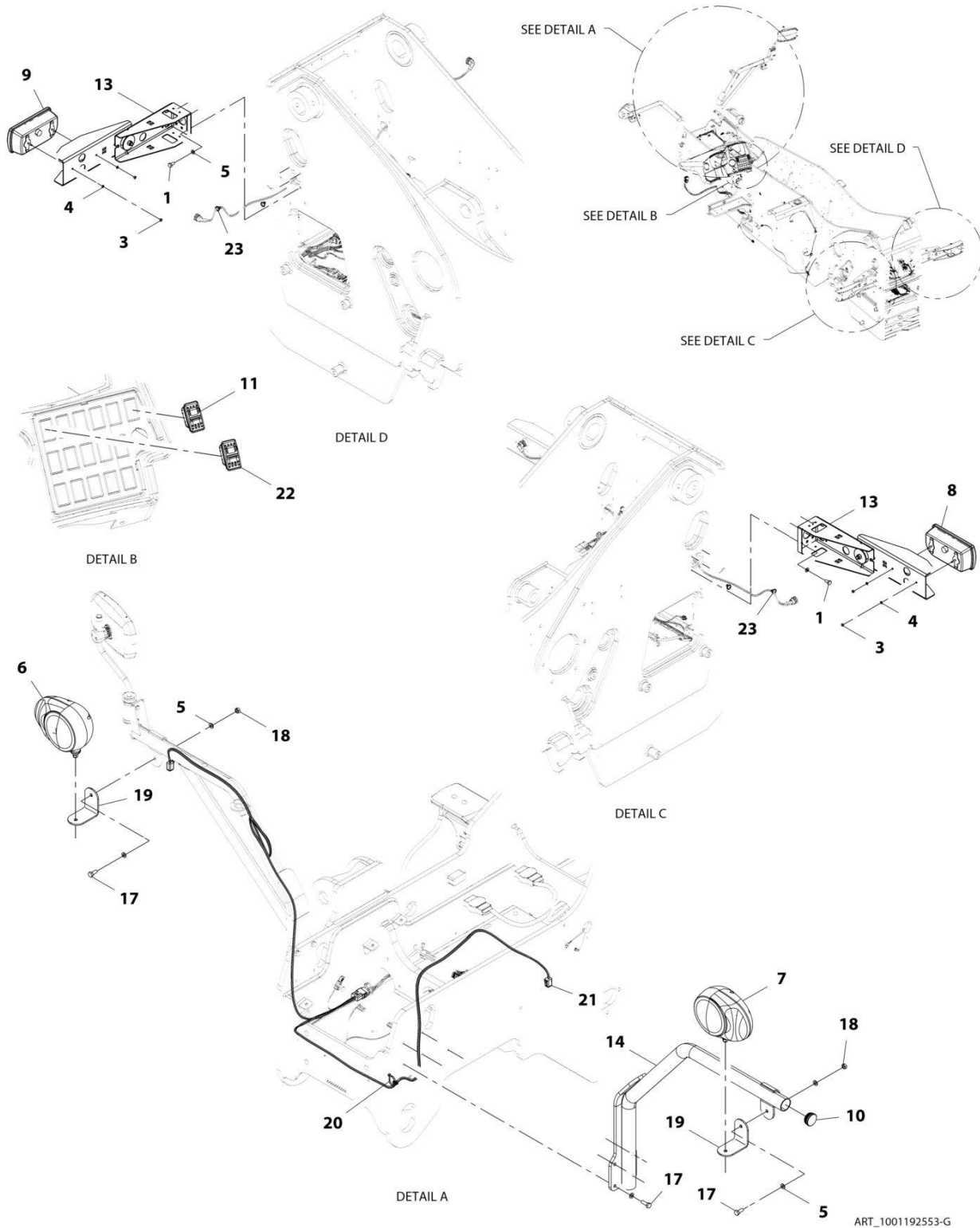
SECTION 10 - ELECTRICAL

FIGURE 10-77. LIGHTS - CAB WORKLIGHTS INSTALLATION (A/C - LED)

ITEM	PART NUMBER	QTY	DESCRIPTION	REV
	1001200539	Ref	Cab Worklights Installation (A/C - LED)	D
1	0700610	2	Bolt, M6X20	
2	5220600	2	Nut, M6	
3	1001159845	1	Switch, Front Worklights	
4	1001159846	1	Switch, Rear Worklights	
5	1001203640	4	Lamp, LED Work Light	
6	1001204060	2	Bracket	
7	1001244193	1	Support, LED Work Light RH	
8	1001244192	1	Support, LED Work Light LH	
9	4811700	2	Washer, M6	
10	1001228989	4	Harness, Ferrite	

SECTION 10 - ELECTRICAL

FIGURE 10-78. LIGHTS - DRIVING LIGHT INSTALLATION (LH DIP)



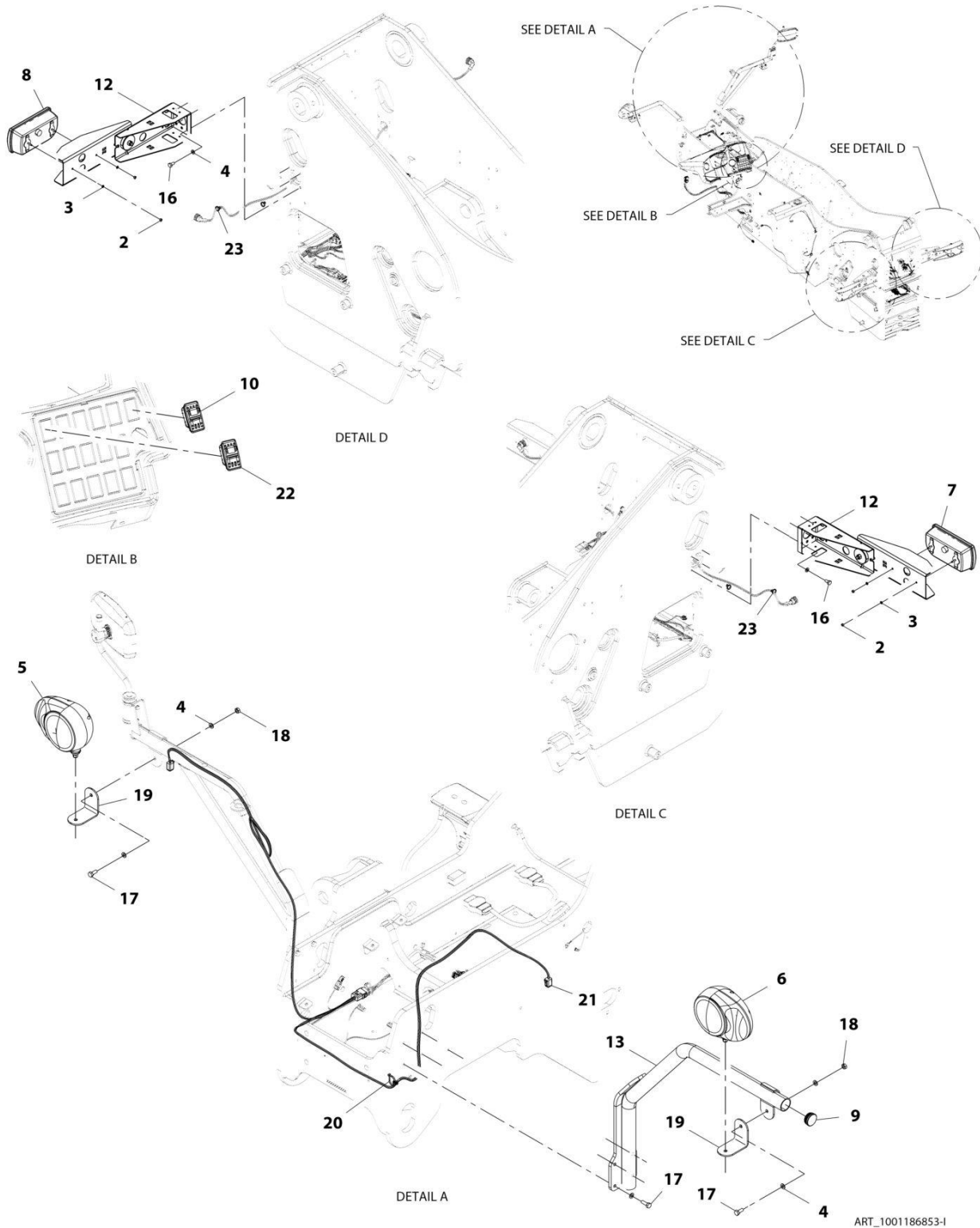
SECTION 10 - ELECTRICAL

FIGURE 10-78. LIGHTS - DRIVING LIGHT INSTALLATION (LH DIP)

ITEM	PART NUMBER	QTY	DESCRIPTION	REV
	1001192553	Ref	Driving Light Installation (LH Dip)	G
1	0761010	8	Bolt, M10X20	
3	3290607	4	Nut, Lock M6X1	
4	4811700	4	Washer, M6	
5	4812000	16	Washer, M10	
6	1001002778	1	Light, Driving (RH) (LH Dip)	
	7029969	1	Bulb, 4W	
	7029970	1	Bulb, 55W	
	7029971	1	Bulb, 21W	
7	1001002779	1	Light, Driving (LH) (LH Dip)	
	7029969	1	Bulb, 4W	
	7029970	1	Bulb, 55W	
	7029971	1	Bulb, 21W	
8	1001091715	1	Light, Rear (LH)	
	70021341	1	Bulb, 5W	
	70021340	1	Bulb, 21W	
	7029971	1	Bulb, 21W	
9	1001091716	1	Light, Rear (RH)	
	70021341	1	Bulb, 5W	
	70021340	1	Bulb, 21W	
	7029971	1	Bulb, 21W	
10	1001209697	1	Cap	
11	1001159734	1	Switch, Hazard	
13	1001183112	2	Assembly, Rear Light Bracket (See Seperate Breakdown in this Section)	
14	1001206100	1	Bracket	
17	0701014	6	Bolt, M10X30	
18	3291001	2	Nut, M10X1.5	
19	1001203368	2	Bracket	
20	1001146588	1	Strap, Cable Tie	
21	1001215693	1	Harness, Headlights (See Seperate Breakdown in this Section)	
22	1001159737	1	Switch, Fog Lights	
23	1001008559	4	Strap, Cable Tie	

SECTION 10 - ELECTRICAL

FIGURE 10-79. LIGHTS - DRIVING LIGHT INSTALLATION (RH DIP)



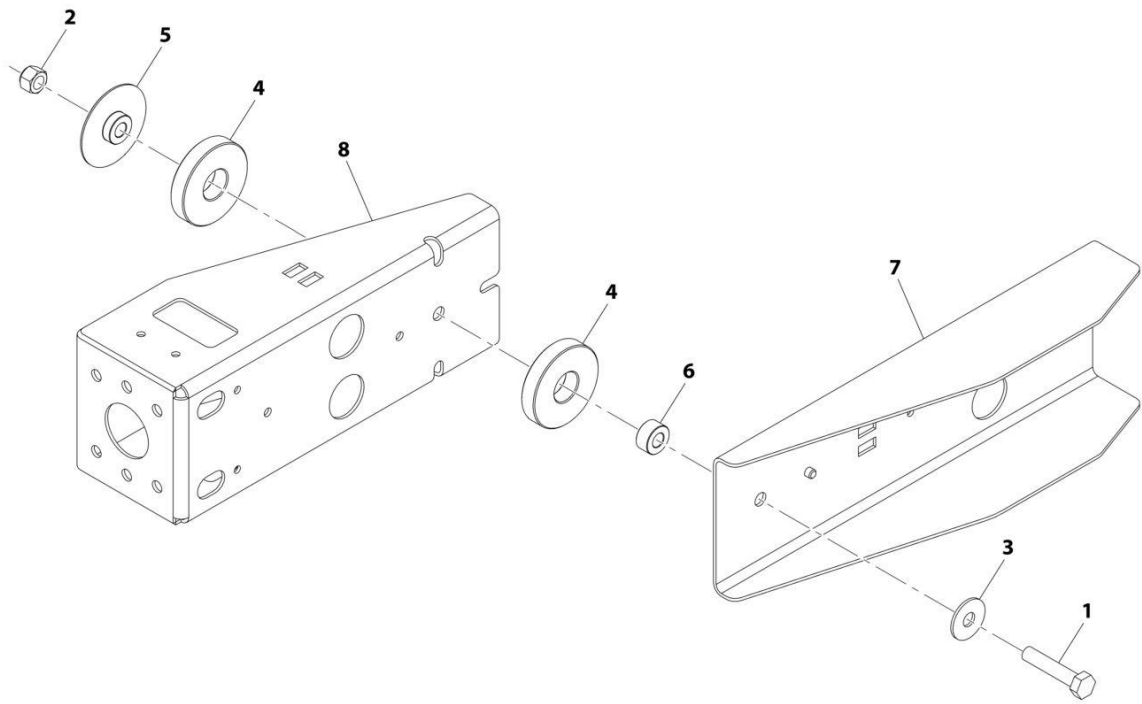
SECTION 10 - ELECTRICAL

FIGURE 10-79. LIGHTS - DRIVING LIGHT INSTALLATION (RH DIP)

ITEM	PART NUMBER	QTY	DESCRIPTION	REV
	1001186853	Ref	Driving Light Installation (RH Dip)	1
2	3290607	4	Nut, Lock M6X1	
3	4811700	4	Washer, M6	
4	4812000	16	Washer, M10	
5	2920208	1	Light, Driving (RH) (RH Dip)	
	7029969	1	Bulb, 4W	
	7029970	1	Bulb, 55W	
	7029971	1	Bulb, 21W	
6	2920207	1	Light, Driving (LH) (RH Dip)	
	7029969	1	Bulb, 4W	
	7029970	1	Bulb, 55W	
	7029971	1	Bulb, 21W	
7	1001091715	1	Light, Rear (LH)	
	70021341	1	Bulb, 5W	
	70021340	1	Bulb, 21W	
	7029971	1	Bulb, 21W	
8	1001091716	1	Light, Rear (RH)	
	70021341	1	Bulb, 5W	
	70021340	1	Bulb, 21W	
	7029971	1	Bulb, 21W	
9	1001209697	1	Cap	
10	1001159734	1	Switch, Hazard	
12	1001183112	2	Assembly, Rear Light Bracket (See Separate Breakdown in this Section)	
13	1001206100	1	Bracket	
16	0761010	8	Bolt, M10X20	
17	0701014	6	Bolt, M10X30	
18	3291001	2	Nut, M10X1.5	
19	1001203368	2	Bracket	
20	1001146588	1	Strap, Tie	
21	1001215693	1	Harness, Headlight (See Separate Breakdown in this Section)	
22	1001159737	1	Switch, Fog Lights	
23	1001008559	4	Strap, Cable	

SECTION 10 - ELECTRICAL

FIGURE 10-80. LIGHTS - DRIVING LIGHT BRACKET ASSEMBLY



ART_1001183112-C

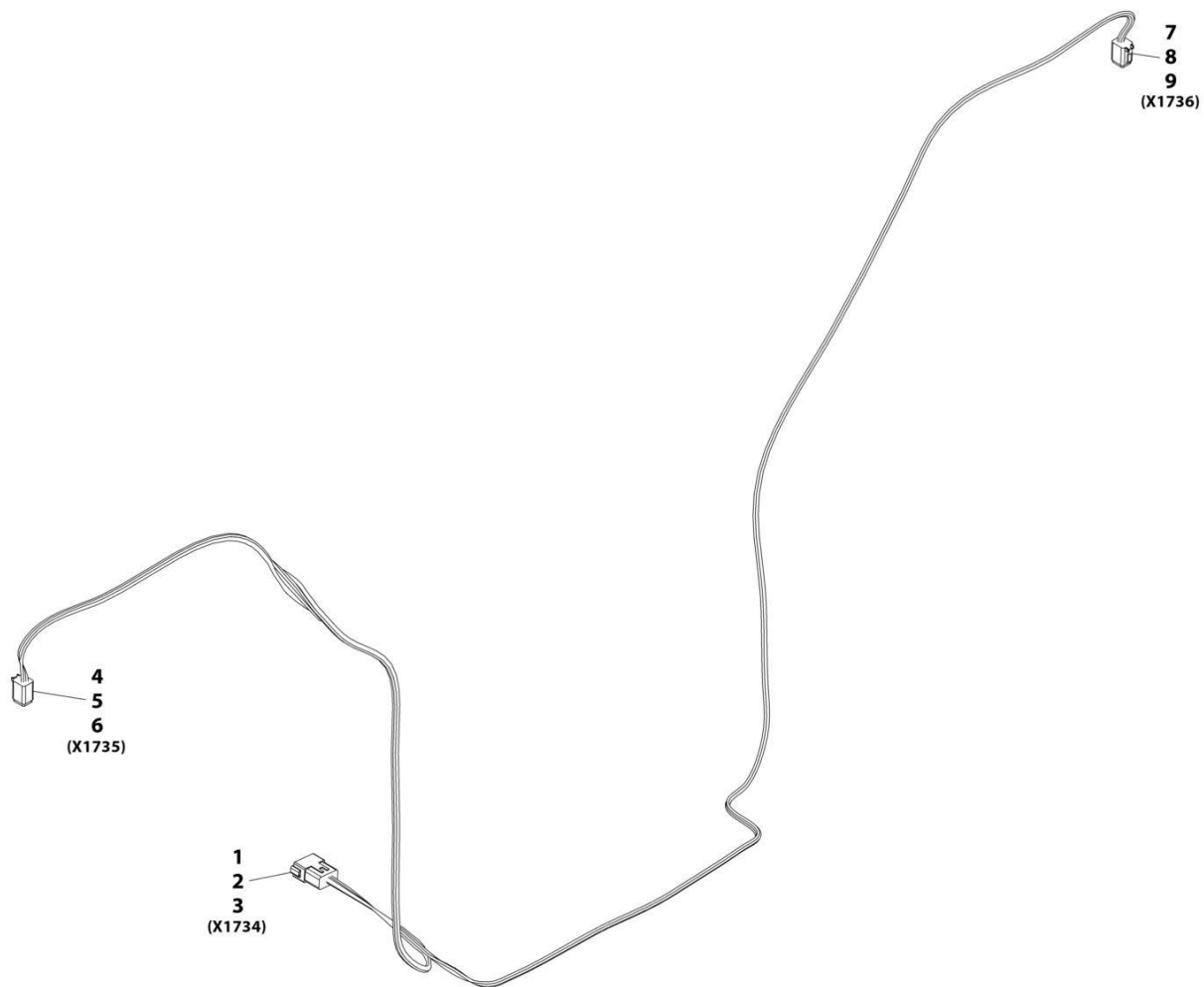
SECTION 10 - ELECTRICAL

FIGURE 10-80. LIGHTS - DRIVING LIGHT BRACKET ASSEMBLY

ITEM	PART NUMBER	QTY	DESCRIPTION	REV
	1001183112	Ref	Rear Light Bracket Assembly	C
1	0701220	1	Bolt, M12X60	
2	3291205	1	Nut, Lock M12X1.75	
3	4812102	1	Washer, M12	
4	8000565	2	Washer, Rubber	
5	1001182490	1	Washer, Top Hat	
6	1001182495	1	Washer	
7	1001196217	1	Bracket	
8	1001196100	1	Bracket	

SECTION 10 - ELECTRICAL

FIGURE 10-81. LIGHTS - DRIVING HEADLIGHT HARNESS



ART_1001215693-C

SECTION 10 - ELECTRICAL

FIGURE 10-81. LIGHTS - DRIVING HEADLIGHT HARNESS

ITEM	PART NUMBER	QTY	DESCRIPTION	REV
	1001215693	Ref	Headlight Harness	C
1	4460970	1	Connector	
2	4460941	10	Terminal	
3	4460466	2	Plug	
4	4460894	1	Connector	
5	4460942	5	Terminal	
6	4460466	1	Plug	
7	4460894	1	Connector	
8	4460942	5	Terminal	
9	4460466	1	Plug	

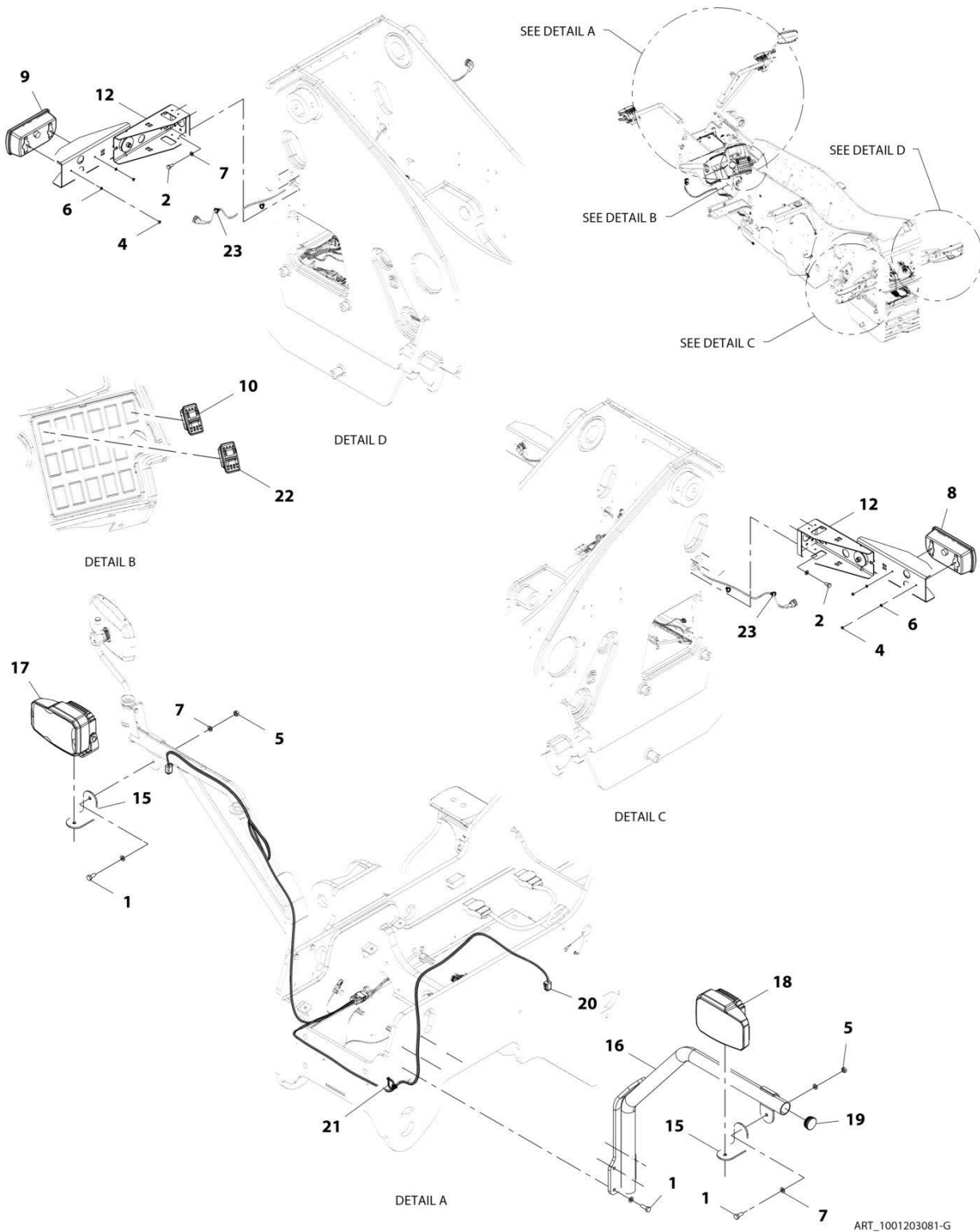
SECTION 10 - ELECTRICAL

FIGURE 10-82. LIGHTS - DRIVING LIGHT INSTALLATION (LED) (LH DIP)

ITEM	PART NUMBER	QTY	DESCRIPTION	REV
	1001203082	Ref	Driving Light Installation (LED) (LH Dip)	G
1	0701014	6	Bolt, M10X30	
2	0761010	8	Bolt, M10X20	
4	3290607	4	Nut, Lock M6X1	
5	3291001	2	Nut, M10X1.5	
6	4811700	4	Washer, M6	
7	4812000	16	Washer, M10	
8	1001091715	1	Lamp, Rear (LH)	
	70021341	1	Bulb, 5W	
	70021340	1	Bulb, 21W	
	7029971	1	Bulb, 21W	
9	1001091716	1	Lamp, Rear (RH)	
	70021341	1	Bulb, 5W	
	70021340	1	Bulb, 21W	
	7029971	1	Bulb, 21W	
10	1001159734	1	Switch, Hazard	
11	1001215693	1	Harness, Headlights (See Separate Breakdown in this Section)	
12	1001183112	2	Assembly, Rear Light Bracket (See Separate Breakdown in this Section)	
15	1001203368	2	Bracket	
16	1001206100	1	Bracket	
17	1001209692	1	Light, Driving, (RH - LED) (LH Dip)	
18	1001209693	1	Light, Driving, (LH - LED) (LH Dip)	
19	1001209697	1	Cap	
21	1001146588	1	Strap, Cable Tie	
22	1001159737	1	Switch, Fog Lights	
23	1001008559	4	Strap, Cable	

SECTION 10 - ELECTRICAL

FIGURE 10-83. LIGHTS - DRIVING LIGHT INSTALLATION (LED) (RH DIP)



ART_1001203081-G

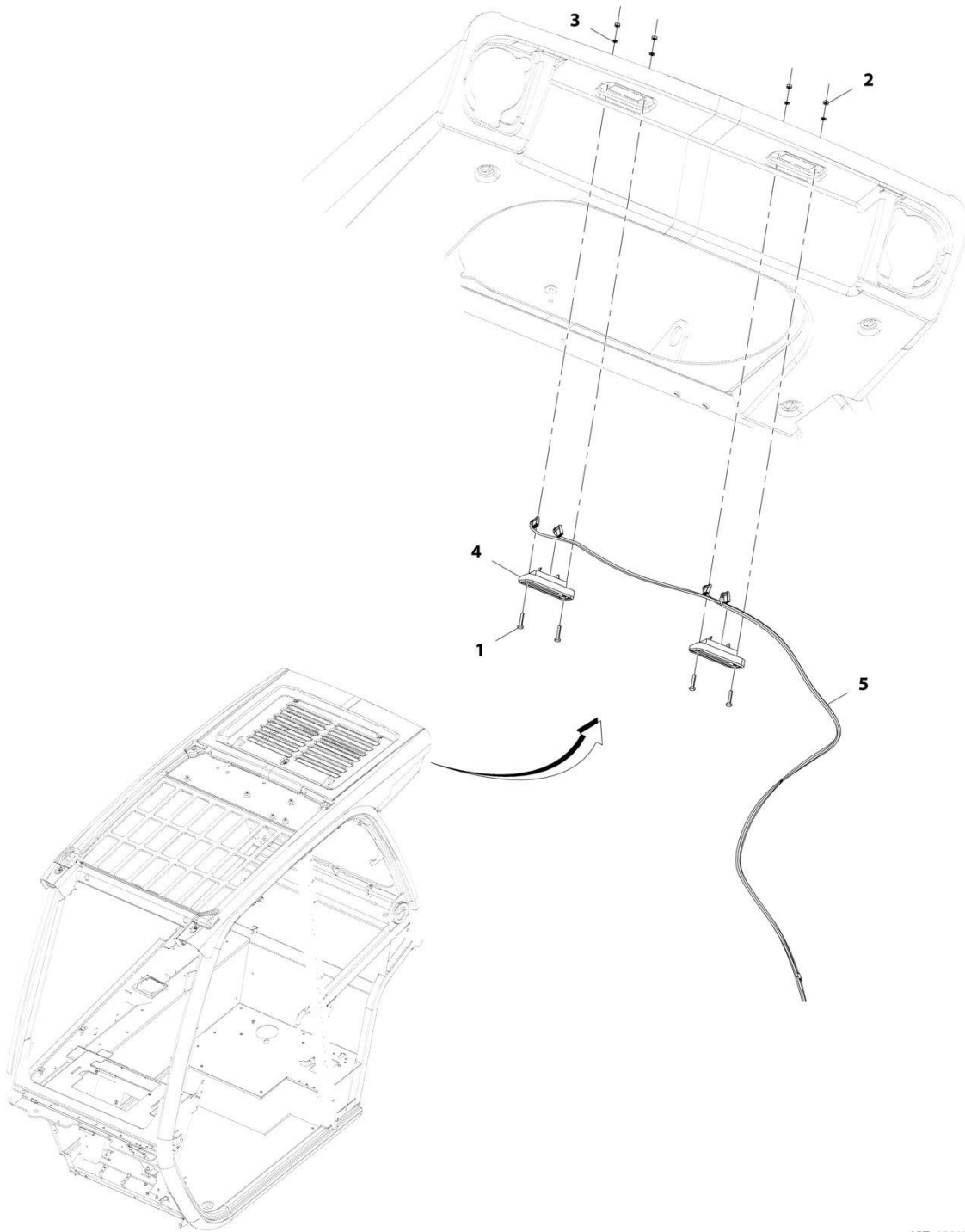
SECTION 10 - ELECTRICAL

FIGURE 10-83. LIGHTS - DRIVING LIGHT INSTALLATION (LED) (RH DIP)

ITEM	PART NUMBER	QTY	DESCRIPTION	REV
	1001203081	Ref	Driving Light Installation (LED) (RH Dip)	G
1	0701014	6	Bolt, M10X30	
2	0761010	8	Bolt, M10X20	
4	3290607	4	Bolt, M6X1	
5	3291001	2	Nut, M10X1.5	
6	4811700	4	Washer, M6	
7	4812000	16	Washer, M10	
8	1001091715	1	Light, Rear (LH)	
	70021341	1	Bulb, 5W	
	70021340	1	Bulb, 21W	
	7029971	1	Bulb, 21W	
9	1001091716	1	Light, Rear (RH)	
	70021341	1	REPLACEMENT BULB, 12V-5W	
	70021340	1	Bulb, 21W	
	7029971	1	Bulb, 21W	
10	1001159734	1	Switch, Hazard	
12	1001183112	2	Assembly, Rear Light Bracket (See Separate Breakdown in this Section)	
15	1001203368	2	Bracket	
16	1001206100	1	Bracket	
17	1001209690	1	Light, Driving (RH - LED) (RH Dip)	
18	1001209691	1	Light, Driving (LH - LED) (LH Dip)	
19	1001209697	1	Cap	
20	1001215693	1	Harness, Headlights (See Separate Breakdown in this Section)	
21	1001146588	1	Strap, Cable Tie	
22	1001159737	1	Switch, Fog Lights	
23	1001008559	4	Strap, Cable Tie	

SECTION 10 - ELECTRICAL

FIGURE 10-84. LIGHTS - LICENSE PLATE LIGHT INSTALLATION



ART_1001200383-B

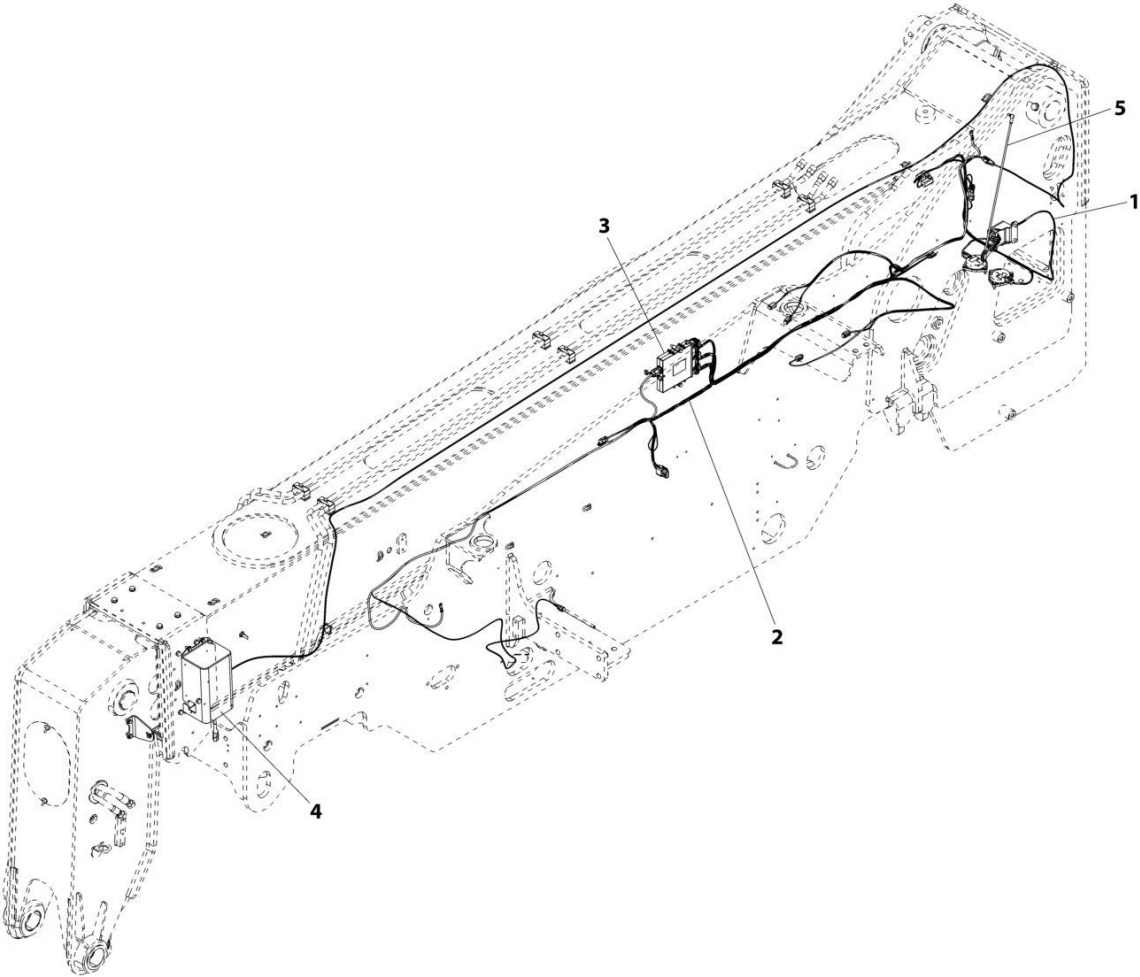
SECTION 10 - ELECTRICAL

FIGURE 10-84. LIGHTS - LICENSE PLATE LIGHT INSTALLATION

ITEM	PART NUMBER	QTY	DESCRIPTION	REV
	1001200383	Ref	License Plate Lamp Installation	B
1	0760410	4	Bolt, M4X20	
2	3290401	4	Nut, M4X0.7 Grade 8	
3	4831400	4	Washer, Lock M4	
4	1001173829	2	Lamp, License Plate	
5	1001178053	1	Harness, License Light (See Separate Breakdown in Electrical Section)	

SECTION 10 - ELECTRICAL

FIGURE 10-85. LMIS CONTROL PACKAGE INSTALLATION



ART_1001192431

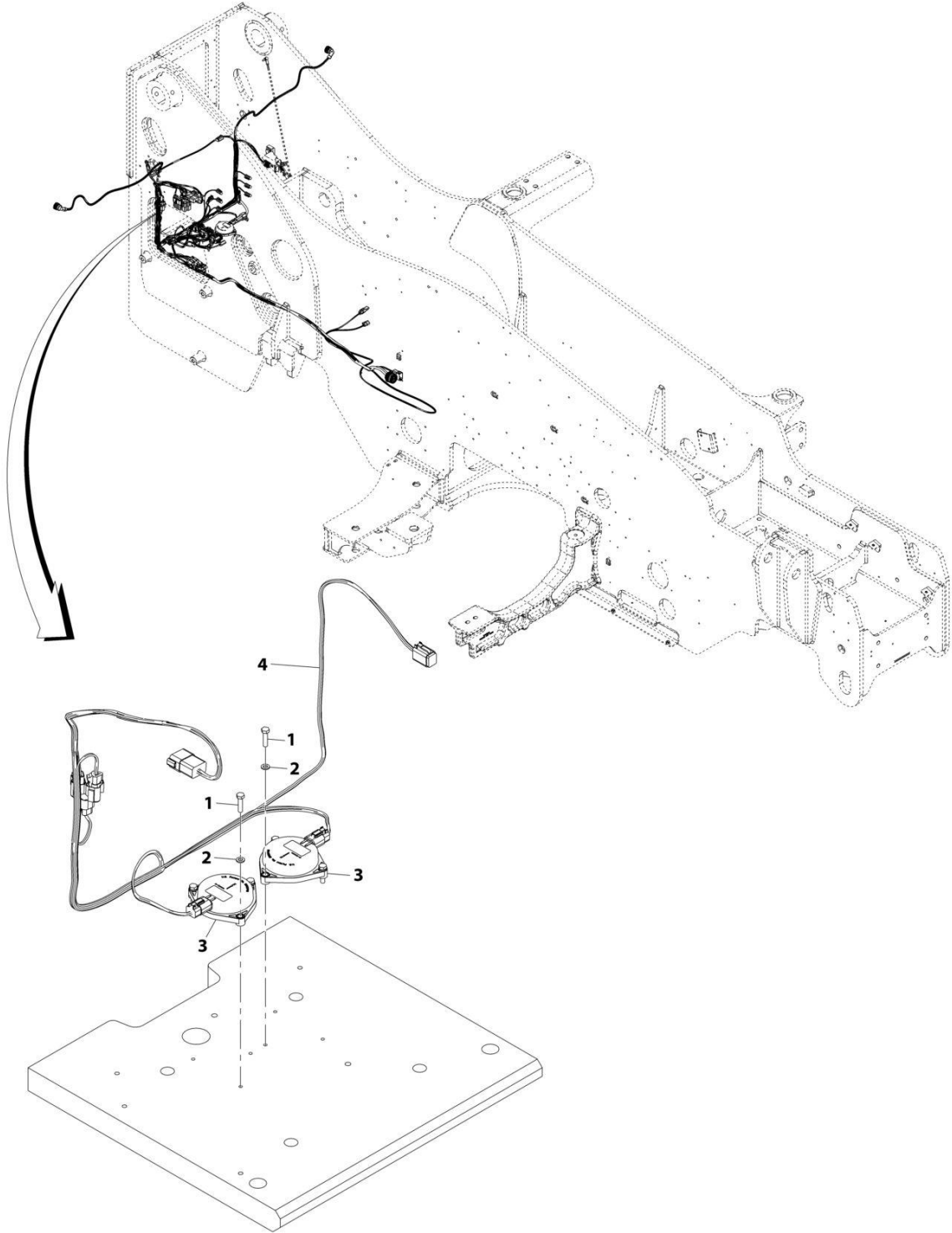
SECTION 10 - ELECTRICAL

FIGURE 10-85. LMIS CONTROL PACKAGE INSTALLATION

ITEM	PART NUMBER	QTY	DESCRIPTION	REV
	1001192431	Ref	LMIS Control Package Installation	E
1	1001195200	1	Installation, Tilt Sensor (See Separate Breakdown in this Section)	
2	1001195201	1	Installation, LMIS Wiring (See Separate Breakdown in this Section)	
3	1001195471	1	Installation, LMIS Controller (See Separate Breakdown in this Section)	
4	1001195473	1	Installation, LMIS Cable Reel (See Separate Breakdown in this Section)	
5	1001195590	1	Installation, Boom Angle Sensor (LMIS) (See Separate Breakdown in this Section)	

SECTION 10 - ELECTRICAL

FIGURE 10-86. LMIS TILT SENSOR INSTALLATION



ART_1001195200-B

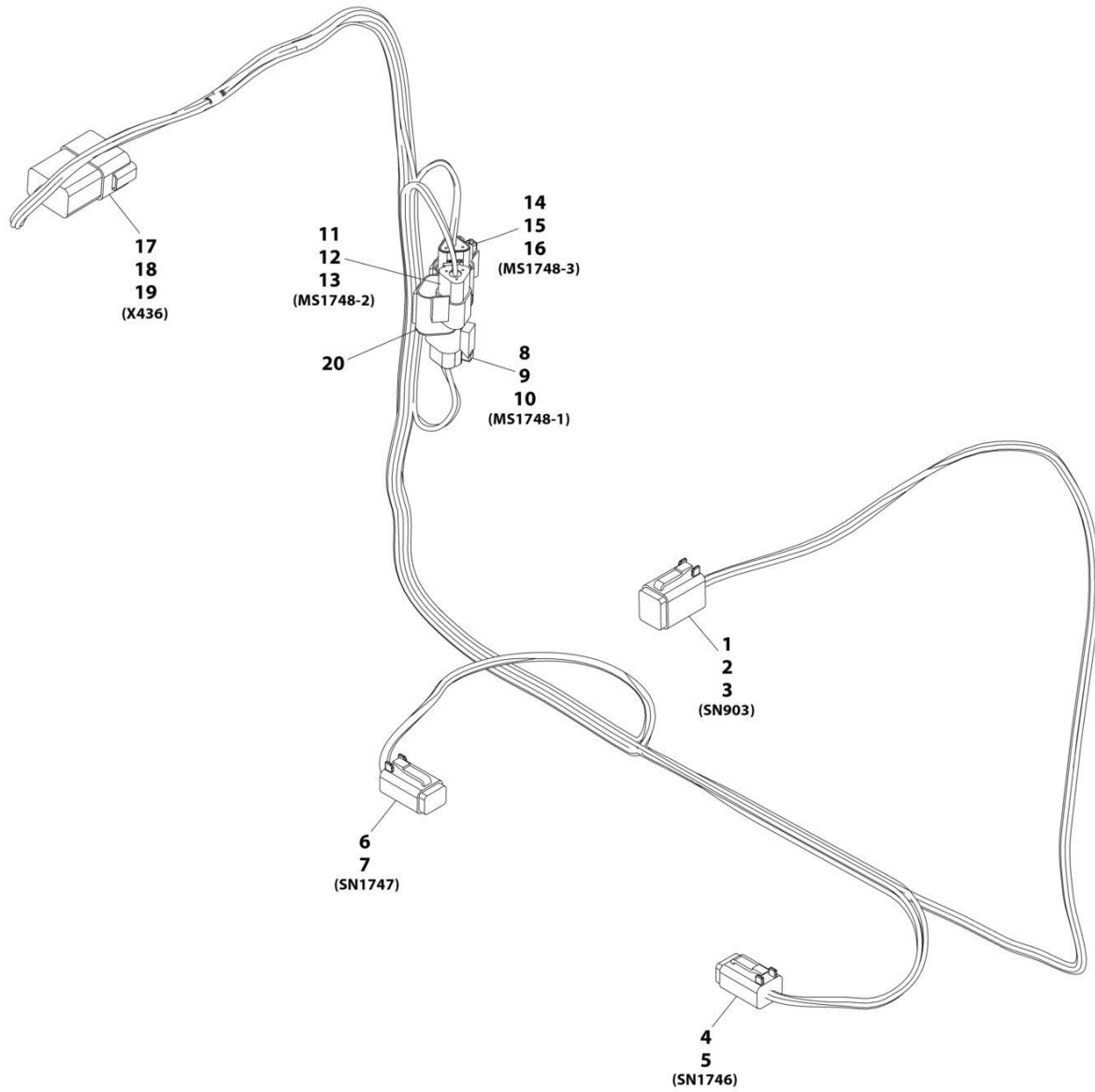
SECTION 10 - ELECTRICAL

FIGURE 10-86. LMIS TILT SENSOR INSTALLATION

ITEM	PART NUMBER	QTY	DESCRIPTION	REV
	1001195200	Ref	Tilt Sensor Installation	B
1	0700612	6	Bolt, M6X25	
2	4811700	6	Washer, M6	
3	1001163095	2	Sensor, Tilt	
4	1001195202	1	Harness, Platform Ready (See Separate Breakdown in this Section)	

SECTION 10 - ELECTRICAL

FIGURE 10-87. LMIS - PLATFORM READY HARNESS



ART_1001195202-A

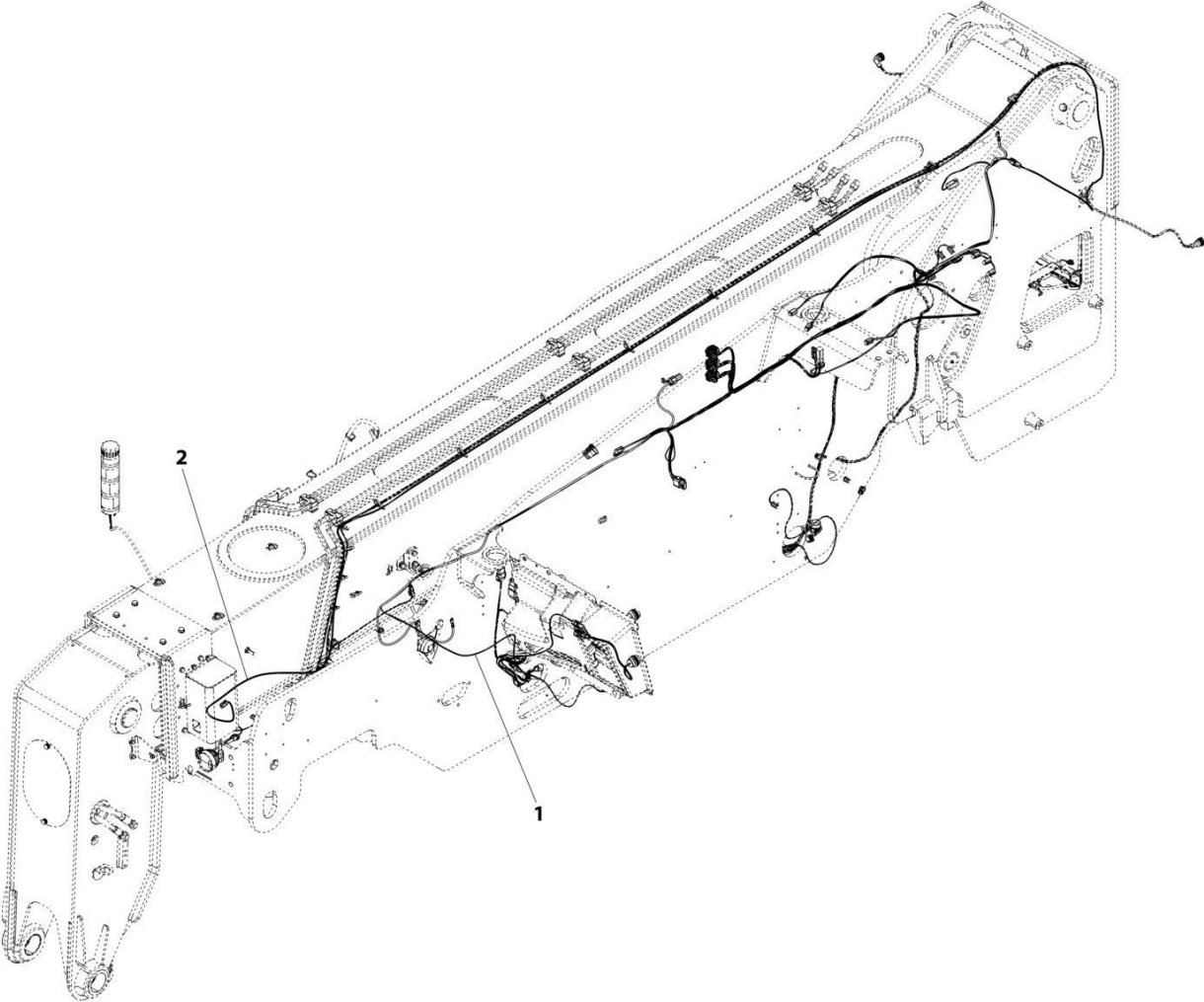
SECTION 10 - ELECTRICAL

FIGURE 10-87. LMIS - PLATFORM READY HARNESS

ITEM	PART NUMBER	QTY	DESCRIPTION	REV
	1001195202	Ref	Platform Ready Harness	A
1	4460894	1	Connector	
2	4460465	4	Terminal	
3	4460466	2	Plug	
4	4460884	1	Connector	
5	4460944	4	Terminal	
6	4460884	1	Connector	
7	4460944	4	Terminal	
8	1001116812	1	Connector	
9	4460944	2	Terminal	
10	4460466	1	Plug	
11	4460539	1	Connector	
12	4460944	2	Terminal	
13	4460466	1	Plug	
14	1001116812	1	Connector	
15	4460944	2	Terminal	
16	4460466	1	Plug	
17	4460931	1	Connector	
18	4460464	6	Terminal	
19	4460466	2	Plug	
20	4460945	1	Connector, 3 Way	

SECTION 10 - ELECTRICAL

FIGURE 10-88. LMIS WIRING INSTALLATION



ART_1001195201-F

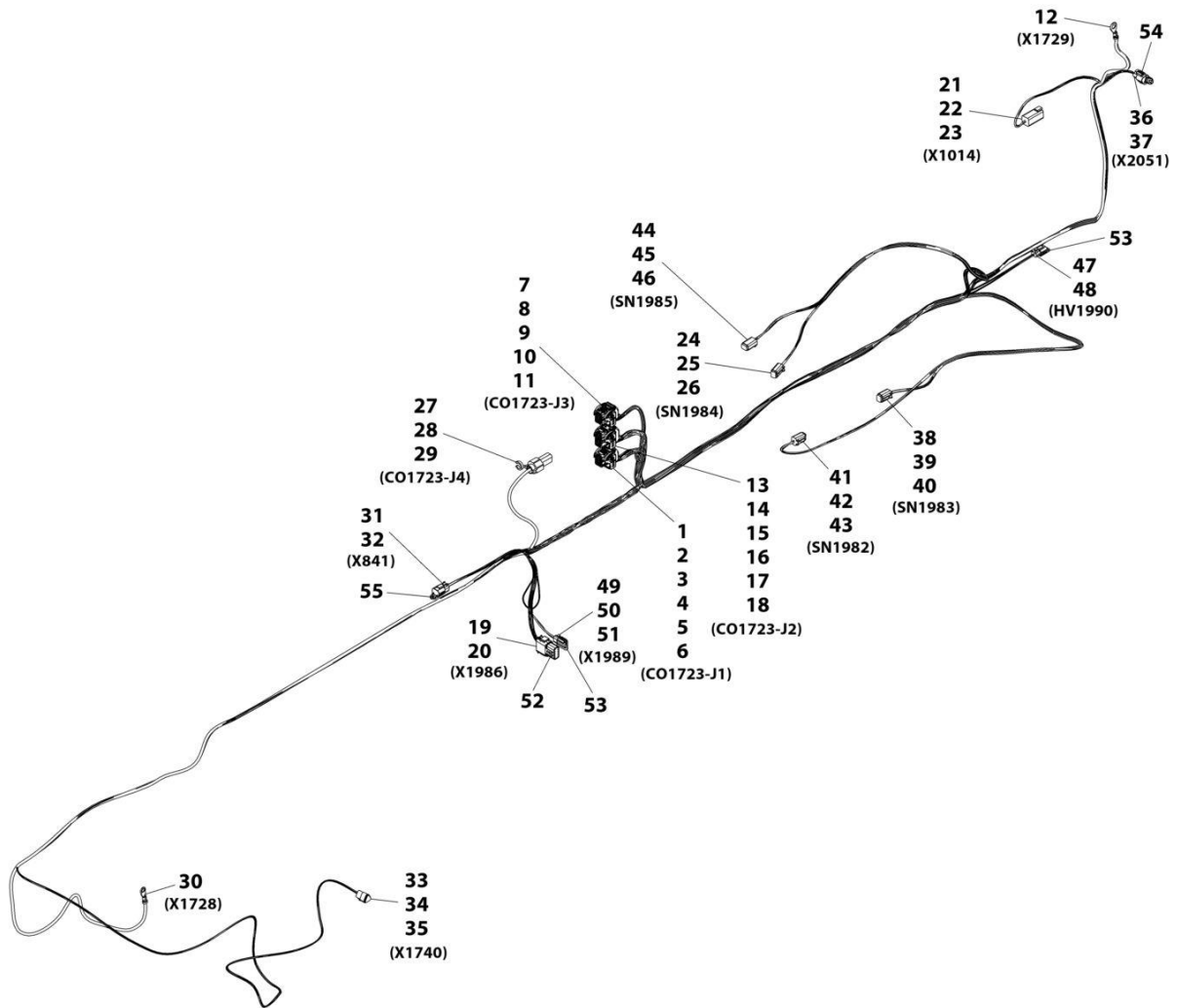
SECTION 10 - ELECTRICAL

FIGURE 10-88. LMIS WIRING INSTALLATION

ITEM	PART NUMBER	QTY	DESCRIPTION	REV
1	1001195201	Ref	LMIS Wiring Installation	F
	1001184795	1	Harness, Chassis Option (See Separate Breakdown in this Section)	
2	1001192619	1	Harness, LMIS Boom (See Separate Breakdown in this Section)	

SECTION 10 - ELECTRICAL

FIGURE 10-89. LMIS CHASSIS OPTION HARNESS



ART_1001184795-G

SECTION 10 - ELECTRICAL

FIGURE 10-89. LMIS CHASSIS OPTION HARNESS

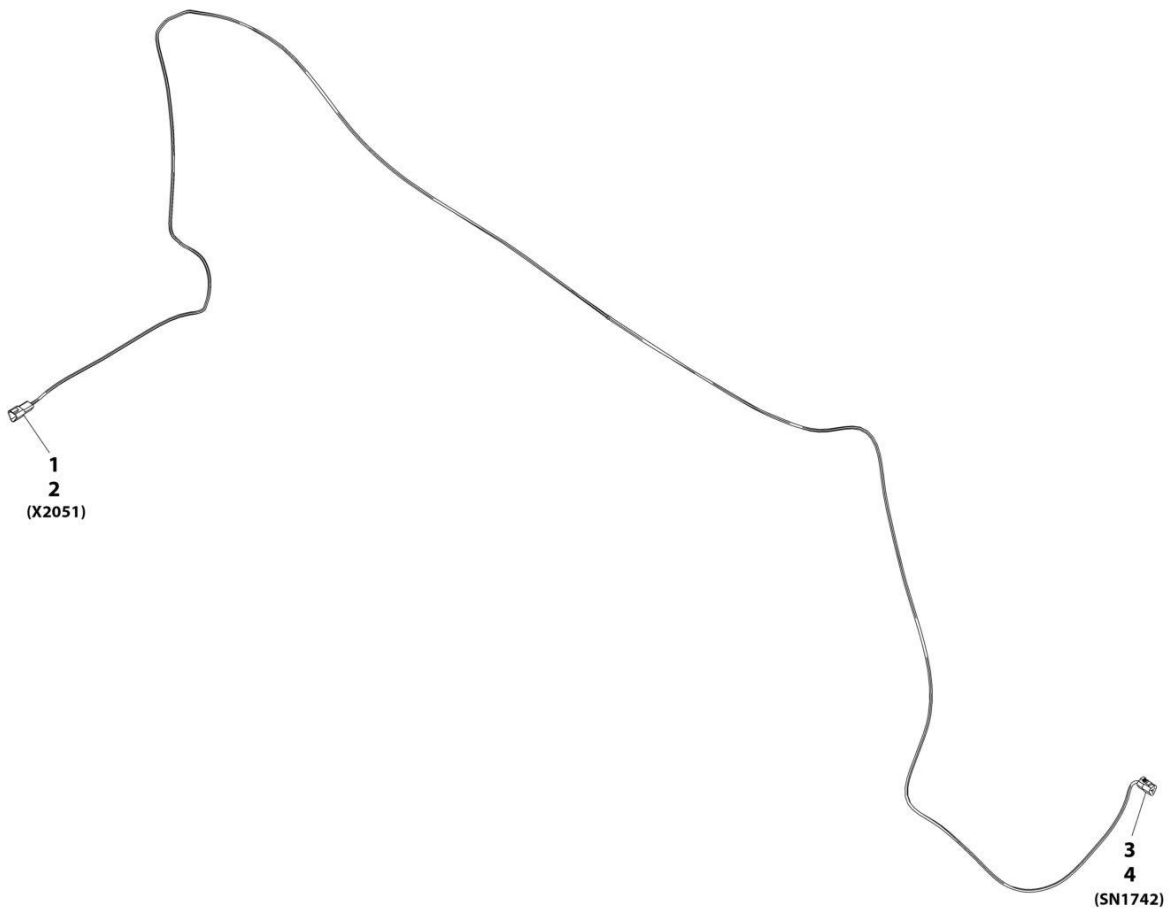
ITEM	PART NUMBER	QTY	DESCRIPTION	REV
	1001184795	Ref	LMIS Chassis Option Harness	G
1	1001161957	1	Connector	
2	1001161097	17	Terminal	
3	1001161100	7	Plug	
4	1001161101	2	Plug	
5	1001161098	2	Terminal	
6	1001161099	4	Terminal	
7	1001160500	1	Connector	
8	1001161100	16	Plug	
9	1001161097	8	Terminal	
10	1001161101	7	Plug	
11	1001161098	1	Terminal	
12	1001187076	1	Ring Terminal	
13	1001161963	1	Connector	
14	1001161097	24	Terminal	
15	1001161100	16	Plug	
16	1001161095	1	Terminal	
17	1001161099	3	Terminal	
18	1001161101	4	Plug	
19	1001116774	1	Connector	
20	4460928	12	Terminal	
21	4460899	1	Connector	
22	4460464	3	Terminal	
23	4460466	3	Plug	
24	4460884	1	Connector	
25	4460942	1	Terminal	
26	4460465	3	Terminal	
27	1001160509	1	Connector	
28	1001160510	1	Terminal	
29	1001175266	1	Terminal Seal	
30	1001187075	1	Ring Terminal	
31	4460884	1	Connector	
32	4460465	4	Terminal	
33	1001116812	1	Connector	
34	4460944	2	Terminal	
35	4460466	1	Plug	
36	4460539	1	Connector	
37	4460465	3	Terminal	
38	4460884	1	Connector	
39	4460942	1	Terminal	
40	4460465	3	Terminal	
41	4460884	1	Connector	
42	4460942	1	Terminal	
43	4460465	3	Terminal	
44	4460884	1	Connector	
45	4460942	1	Terminal	
46	4460465	3	Terminal	
47	4460891	1	Connector	
48	4460465	2	Terminal	
49	4460891	1	Connector	

SECTION 10 - ELECTRICAL

ITEM	PART NUMBER	QTY	DESCRIPTION	REV
50	4460465	1	Terminal	
51	4460942	1	Terminal	

SECTION 10 - ELECTRICAL

FIGURE 10-90. LMIS BOOM HARNESS



ART_1001192619-D

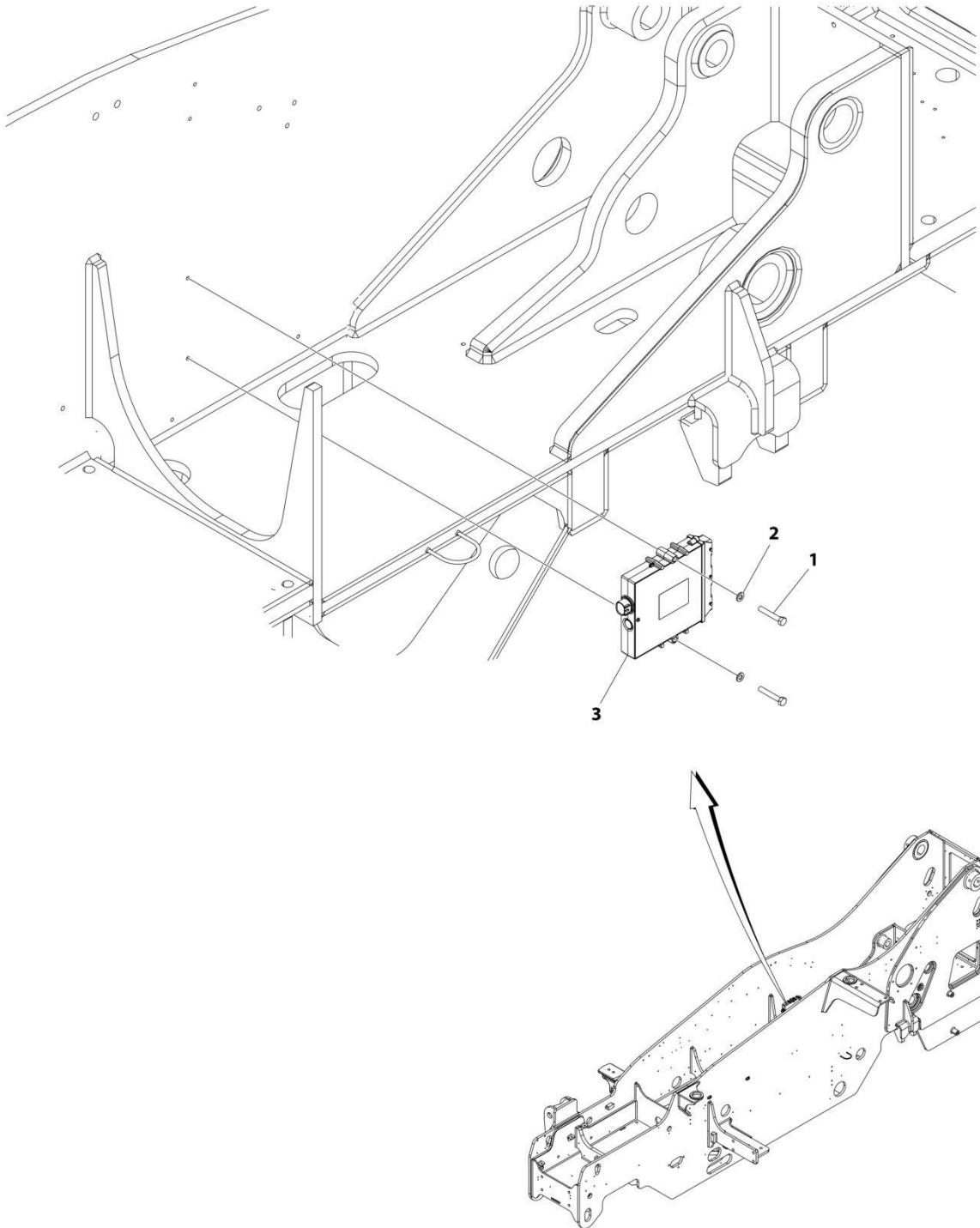
SECTION 10 - ELECTRICAL

FIGURE 10-90. LMIS BOOM HARNESS

ITEM	PART NUMBER	QTY	DESCRIPTION	REV
	1001192619	Ref	LMIS Boom Harness	D
1	4460536	1	Connector	
2	4460464	3	Terminal	
3	4460539	1	Connector	
4	4460465	3	Terminal	

SECTION 10 - ELECTRICAL

FIGURE 10-91. LMIS CONTROLLER INSTALLATION



ART_1001195471_C

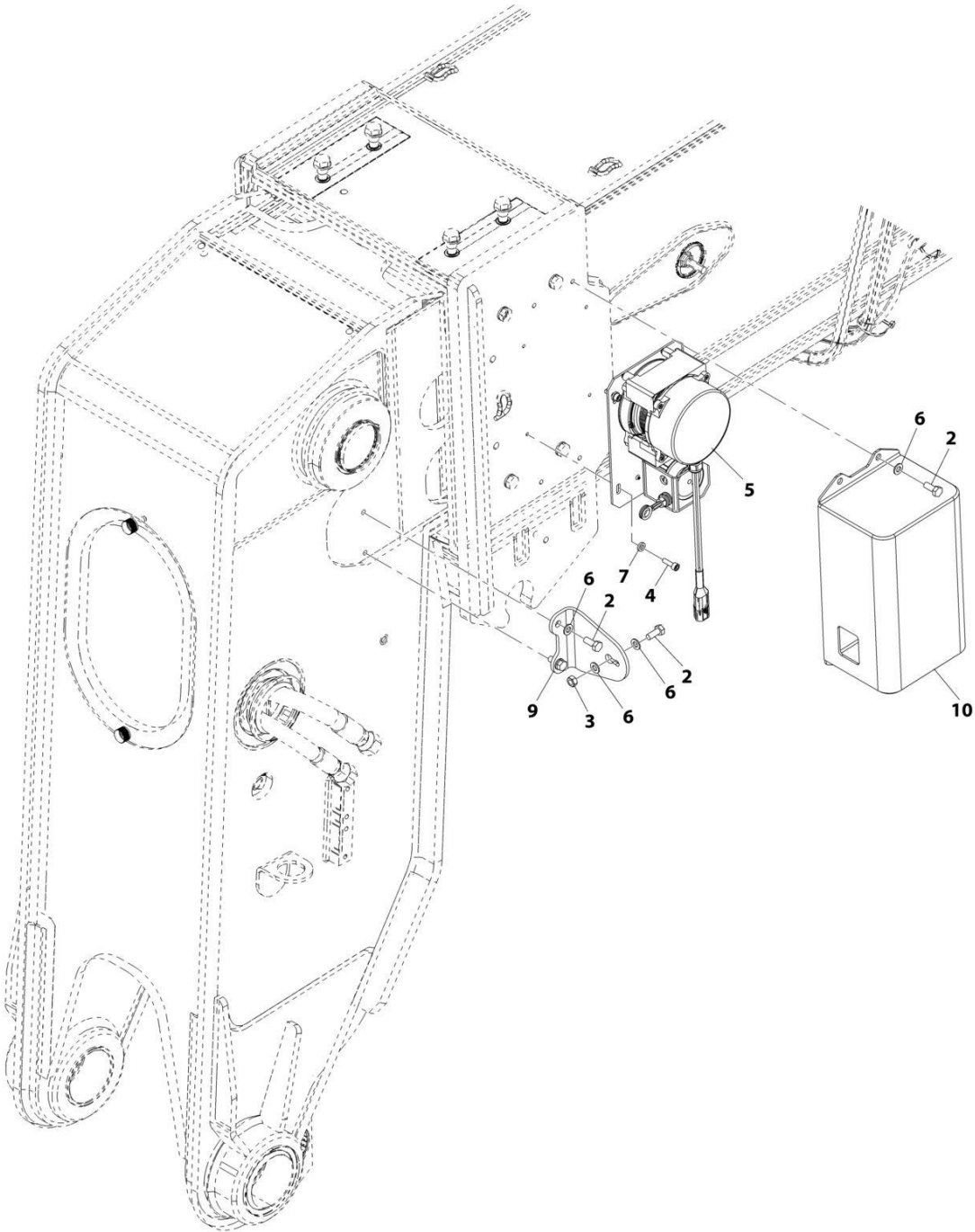
SECTION 10 - ELECTRICAL

FIGURE 10-91. LMIS CONTROLLER INSTALLATION

ITEM	PART NUMBER	QTY	DESCRIPTION	REV
	1001195471	Ref	LMIS CONTROLLER INSTALLATION	C
1	0700818	2	Bolt M8 x 50	
2	4811900	2	Washer M8	
3	1001270485	1	Module, LMIS Control	

SECTION 10 - ELECTRICAL

FIGURE 10-92. LMIS CABLE REEL INSTALLATION



ART_1001195473

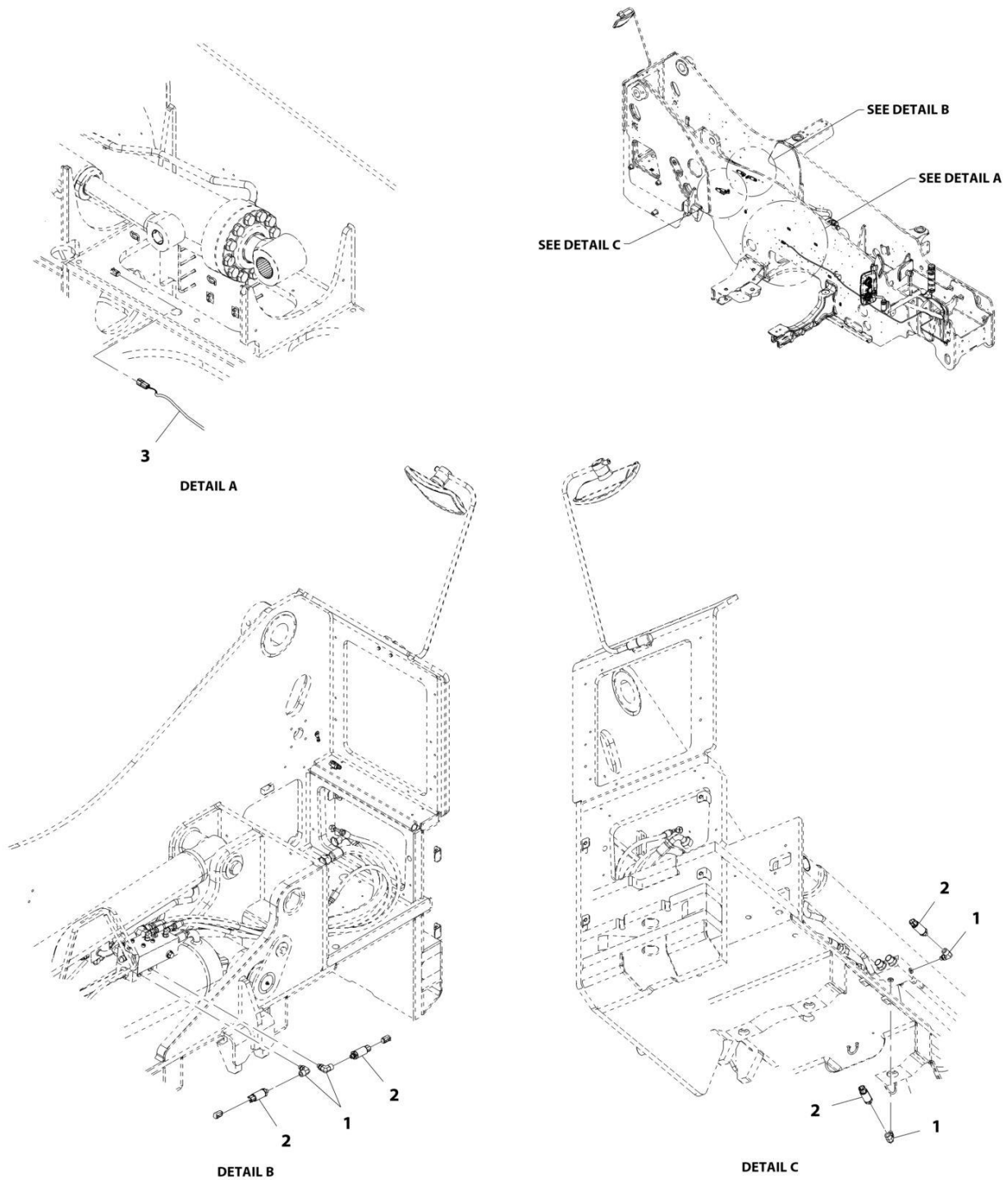
SECTION 10 - ELECTRICAL

FIGURE 10-92. LMIS CABLE REEL INSTALLATION

ITEM	PART NUMBER	QTY	DESCRIPTION	REV
	1001195473	Ref	LMIS Cable Reel Installation	E
2	0760810	7	Bolt, M8X20	
3	3290801	1	Nut, M8X1.25	
4	4031708	4	Screw, M6X20	
5	1001223903	1	Sensor, Boom Length	
6	4811900	8	Washer, M8	
7	5240600	4	Washer, M6	
9	1001224127	1	Bracket	
10	1001224128	1	Panel	

SECTION 10 - ELECTRICAL

FIGURE 10-93. LMIS INSTALLATION (HIGH END DISPLAY)



ART_1001183549-C

SECTION 10 - ELECTRICAL

FIGURE 10-93. LMIS INSTALLATION (HIGH END DISPLAY)

ITEM	PART NUMBER	QTY	DESCRIPTION	REV
	1001183549	Ref	LMIS Installation (High End Display)	C
1	1001101855	4	Fitting, 90	
2	1001162885	4	Sensor, LMIS	
3	1001195591	1	Installation, LMIS Beacon Light (See Separate Breakdown in this Section)	

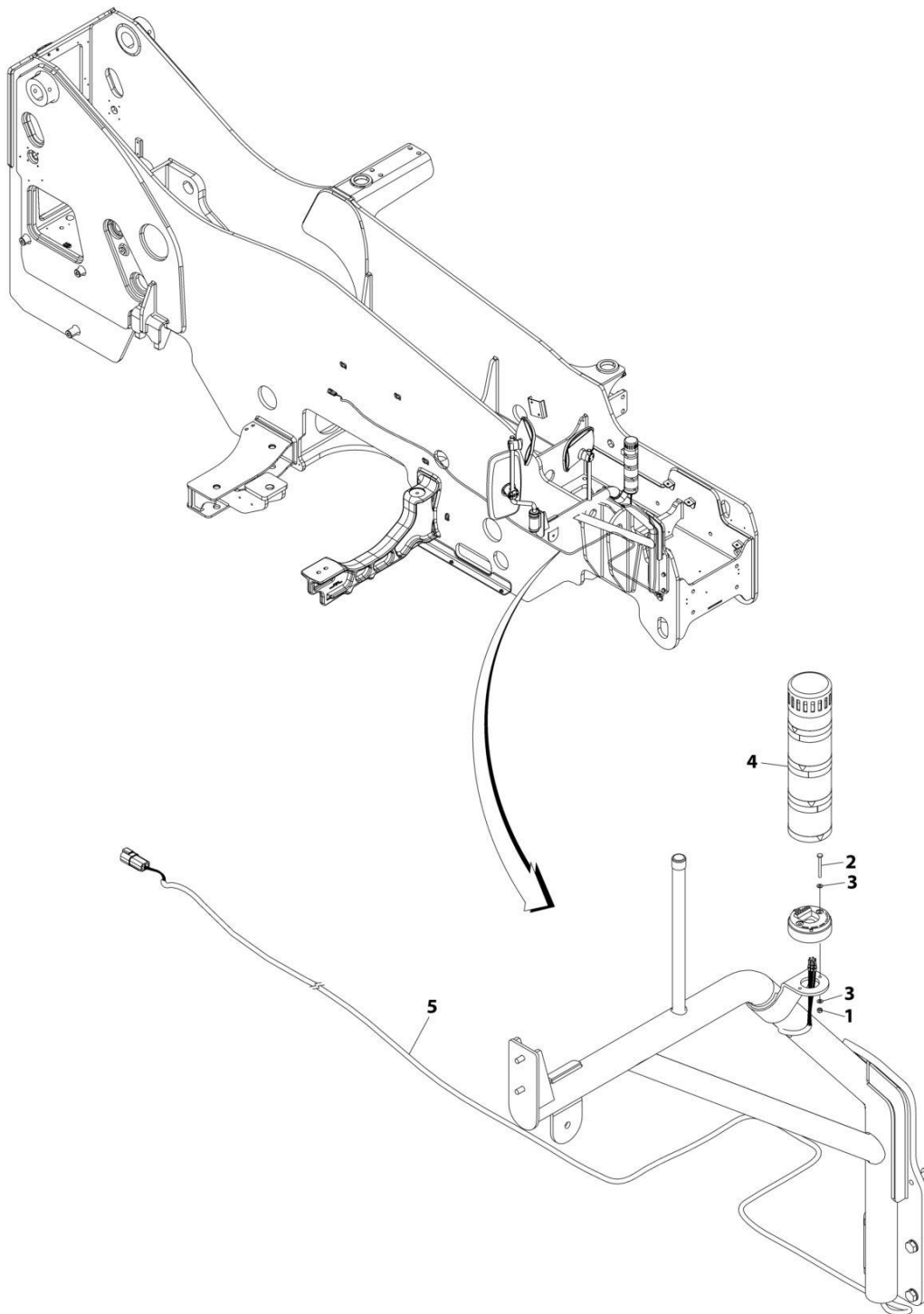
SECTION 10 - ELECTRICAL

FIGURE 10-94. LMIS BOOM ANGLE SENSOR INSTALLATION

ITEM	PART NUMBER	QTY	DESCRIPTION	REV
	1001195590	Ref	BOOM ANGLE SENSOR INSTALLATION (LMIS)	E
1	0761008	2	Bolt M10 x 16	
2	3290405	2	Nut M4	
3	3290601	2	Nut M6 x 1	
4	4010416	2	Screw M4 x 40	
5	4010610	1	Screw M6 x 20	
6	4811400	2	Washer M4	
7	4812000	2	Washer M10	
8	1001099717	1	Sensor, Boom Angle	
9	1001103156	1	Pin	
10	1001103300	1	Fitting, Ball Joint	
11	1001134274	1	Clevis	
12	1001213775	1	Bracket	
13	1001195731	1	Link, Boom Angle Sensor	
14	1001195732	1	Rod	
15	3290605	1	Nut M6 x 1	
16	4811700	1	Washer M6	
17	4761400	2	Washer 1/4	

SECTION 10 - ELECTRICAL

FIGURE 10-95. LMIS BEACON LIGHT INSTALLATION



ART_1001195591_E

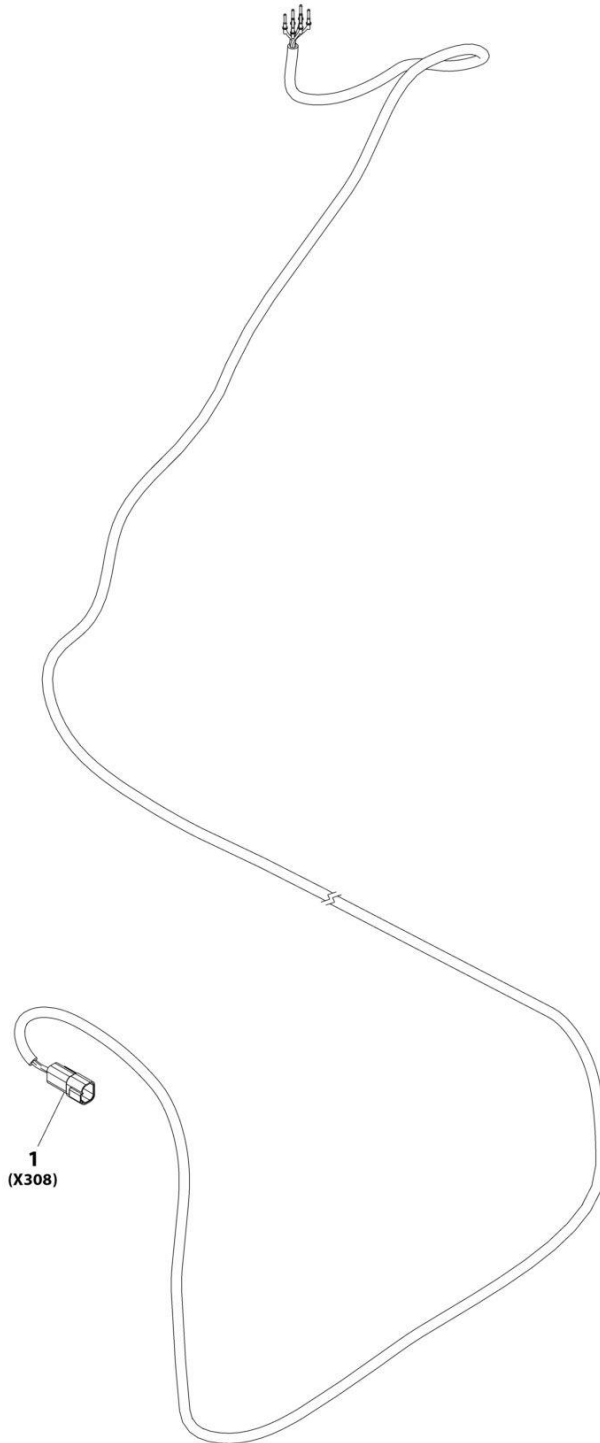
SECTION 10 - ELECTRICAL

FIGURE 10-95. LMIS BEACON LIGHT INSTALLATION

ITEM	PART NUMBER	QTY	DESCRIPTION	REV
	1001195591	Ref	LMIS Beacon Light Installation	E
1	3290405	2	Nut M4	
2	4010416	2	Screw, M4X40	
3	4811400	4	Washer, M4	
	1001265343	1	Light, LMIS Beacon	
5	1001117247	1	Harness, LMIS Beacon Option (See Separate Breakdown in this Section)	
7	1001146588	1	Tie-Strap (Not Shown)	

SECTION 10 - ELECTRICAL

FIGURE 10-96. LMIS BEACON OPTION HARNESS



ART_1001117247

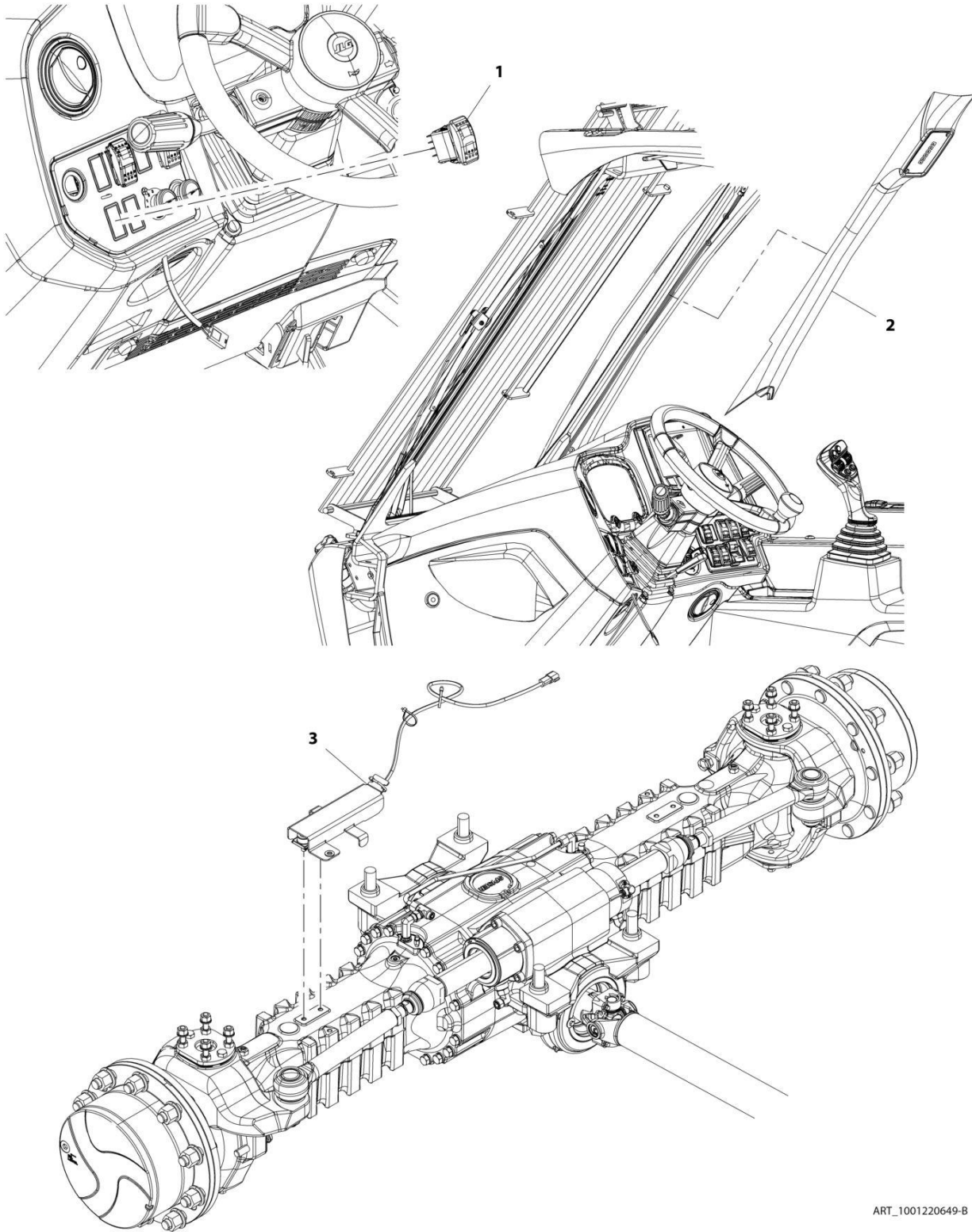
SECTION 10 - ELECTRICAL

FIGURE 10-96. LMIS BEACON OPTION HARNESS

ITEM	PART NUMBER	QTY	DESCRIPTION	REV
1	1001117247 4460932	Ref 1	LMIS Beacon Option Harness Connector	D

SECTION 10 - ELECTRICAL

FIGURE 10-97. LSI INSTALLATION



ART_1001220649-B

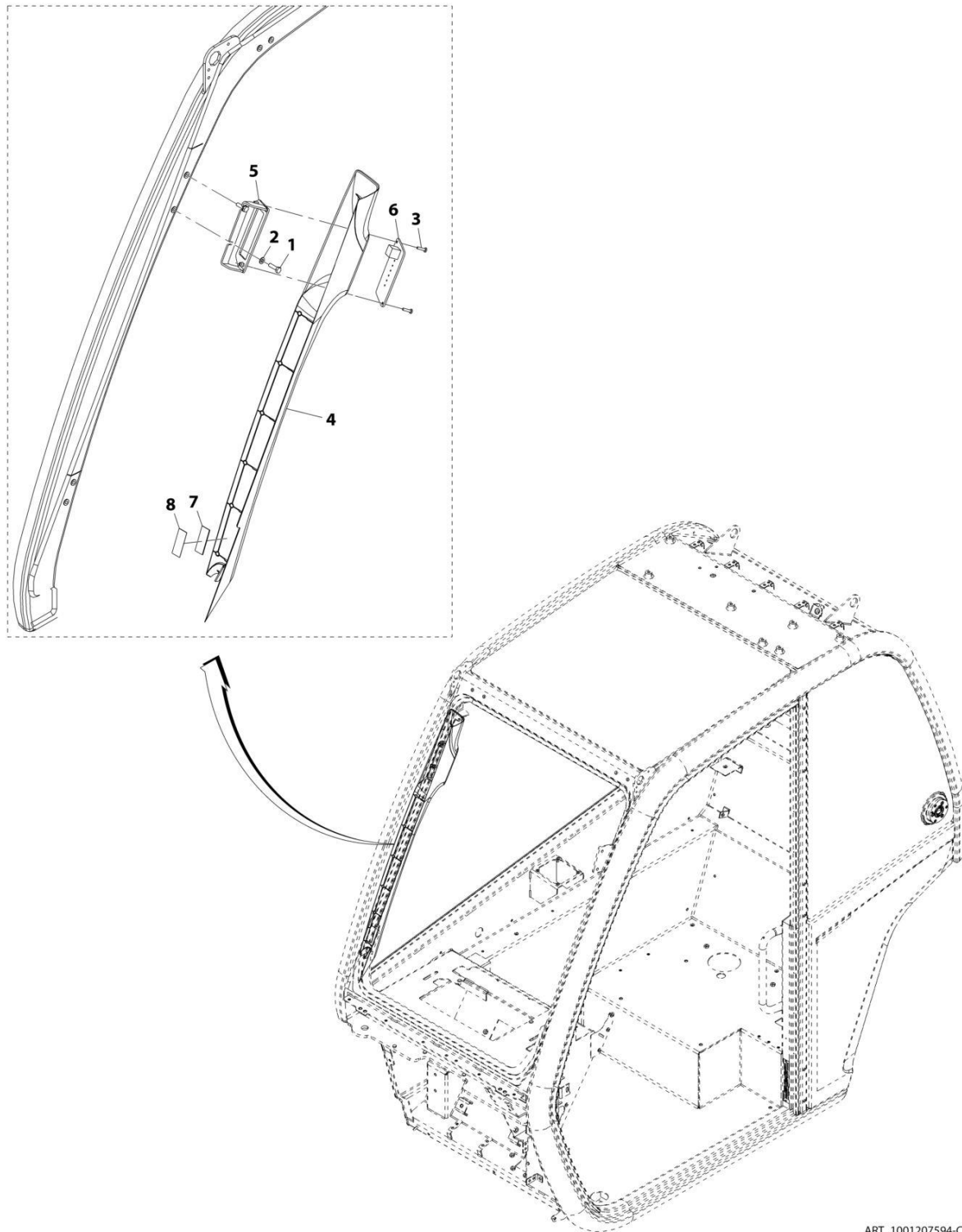
SECTION 10 - ELECTRICAL

FIGURE 10-97. LSI INSTALLATION

ITEM	PART NUMBER	QTY	DESCRIPTION	REV
	1001220649	Ref	LSI Installation	B
1	1001159742	1	Switch, LSI Override	
2	1001207594	Ref	Installation, LSI Display (See Separate Breakdown in this Section)	
3	1001220650	Ref	Installation, LSI Sensor (See Separate breakdown in this Section)	

SECTION 10 - ELECTRICAL

FIGURE 10-98. LSI DISPLAY INSTALLATION



ART_1001207594-C

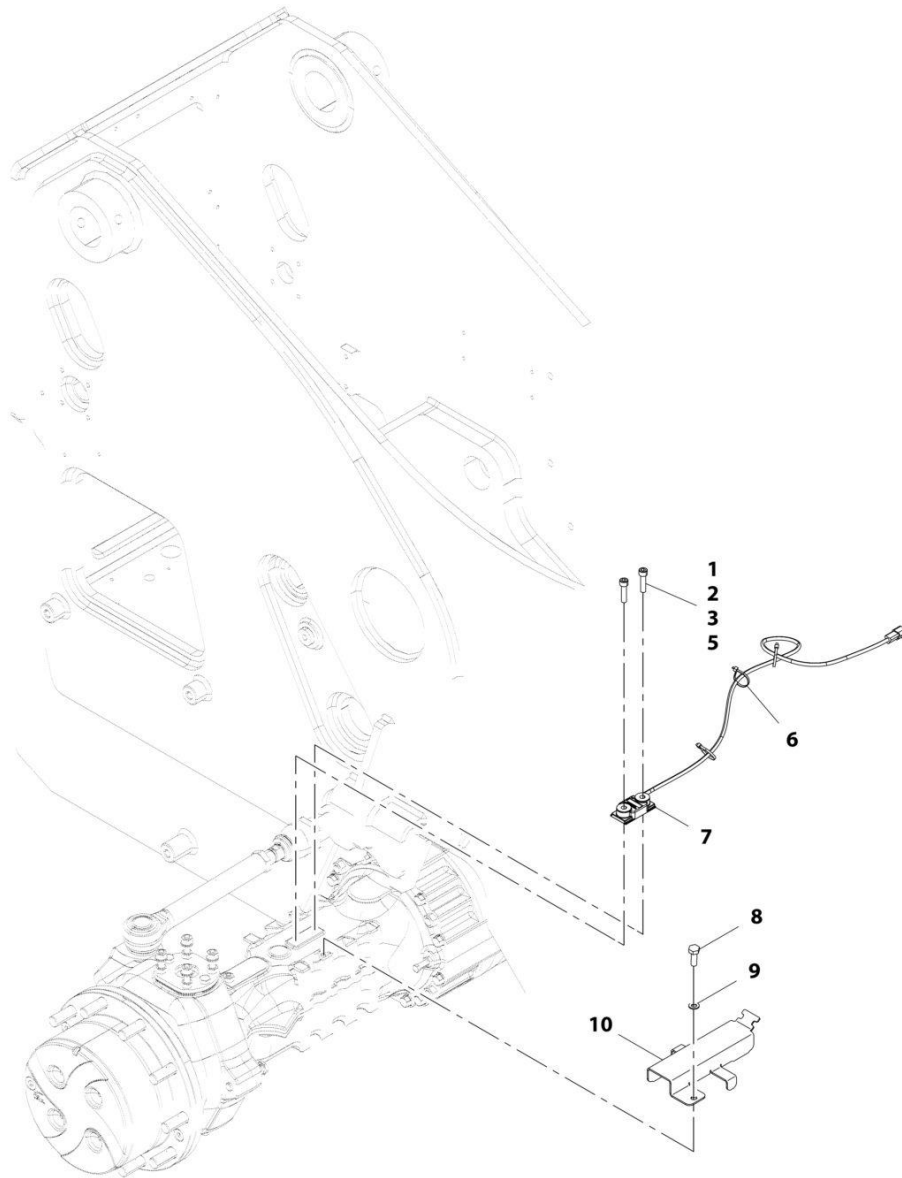
SECTION 10 - ELECTRICAL

FIGURE 10-98. LSI DISPLAY INSTALLATION

ITEM	PART NUMBER	QTY	DESCRIPTION	REV
	1001207594	Ref	LSI Display Installation	C
1	0760610	2	Bolt, M6X20	
2	4811700	2	Washer, M6	
3	1001126837	2	Screw, M4X16	
4	1001182839	1	Cover	
5	1001214401	1	Bracket	
6	1001213752	1	Display, LSI	
7	1001221318	1	Tape, Hook Fastener	
8	1001221319	1	Tape, Hook Fastener	

SECTION 10 - ELECTRICAL

FIGURE 10-99. LSI SENSOR INSTALLATION



ART_1001220650-B

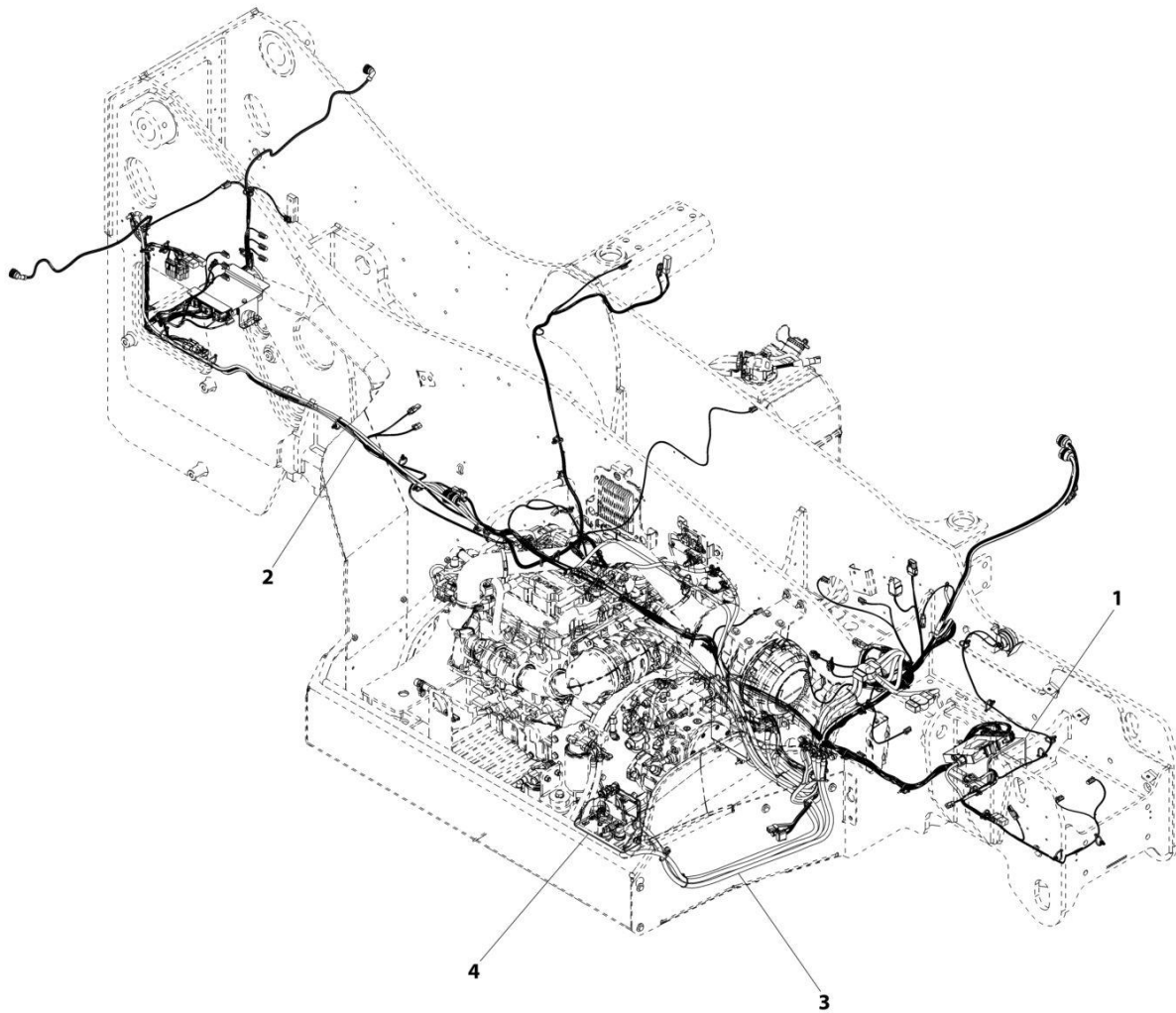
SECTION 10 - ELECTRICAL

FIGURE 10-99. LSI SENSOR INSTALLATION

ITEM	PART NUMBER	QTY	DESCRIPTION	REV
	1001220650	Ref	LSI Sensor Installation	B
1	5272012	2	Bolt, M10X40	
2	1001116128	AR	Sealant	
3	1001125465	AR	Compound, Locking	
5	1001129425	AR	Compound, Locking	
6	1001008559	3	Strap, Cable	
7	1001160730	1	Sensor, LSI	
8	0761010	1	Bolt, M10X20	
9	4812000	1	Washer, M10	
10	1001230850	1	Bracket, LSI Cover	

SECTION 10 - ELECTRICAL

FIGURE 10-100. MAIN ELECTRICAL INSTALLATION (ULS)



ART_1001192537-B

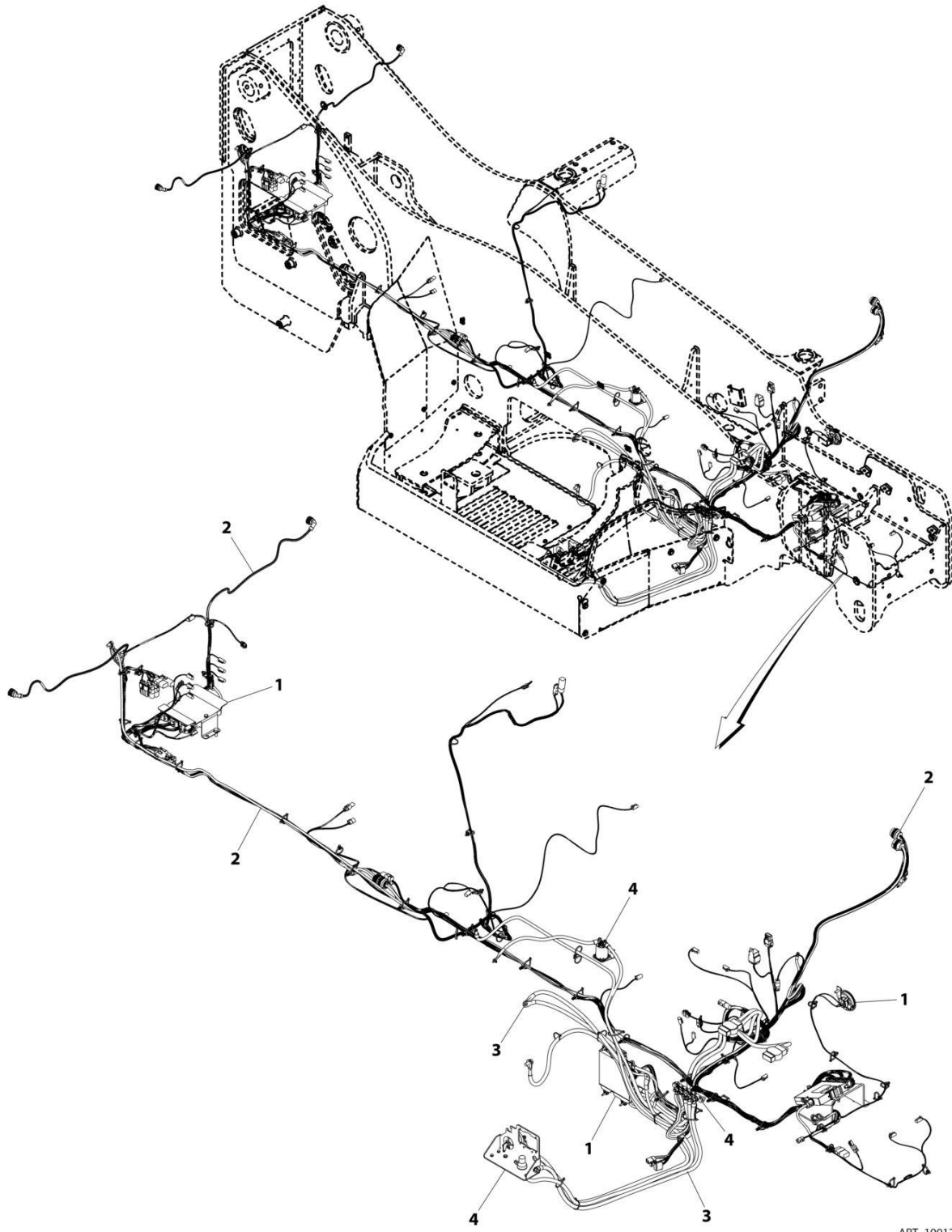
SECTION 10 - ELECTRICAL

FIGURE 10-100. MAIN ELECTRICAL INSTALLATION (ULS)

ITEM	PART NUMBER	QTY	DESCRIPTION	REV
1	1001192537	Ref	Main Electrical Installation (ULS)	B
	1001183272	Ref	Installation, Frame Electrical (See Separate Breakdown in this Section)	
2	1001200159	Ref	Installation, Frame Wiring (See Separate Breakdown in this Section)	
3	1001200160	Ref	Installation, Engine Bay Electrical	
4	1001202172	Ref	Installation, Engine Pod Electrical (ULS) (See Separate Breakdown in this Section)	

SECTION 10 - ELECTRICAL

FIGURE 10-101. MAIN ELECTRICAL INSTALLATION, MINING (ULS)



ART_1001228738-A

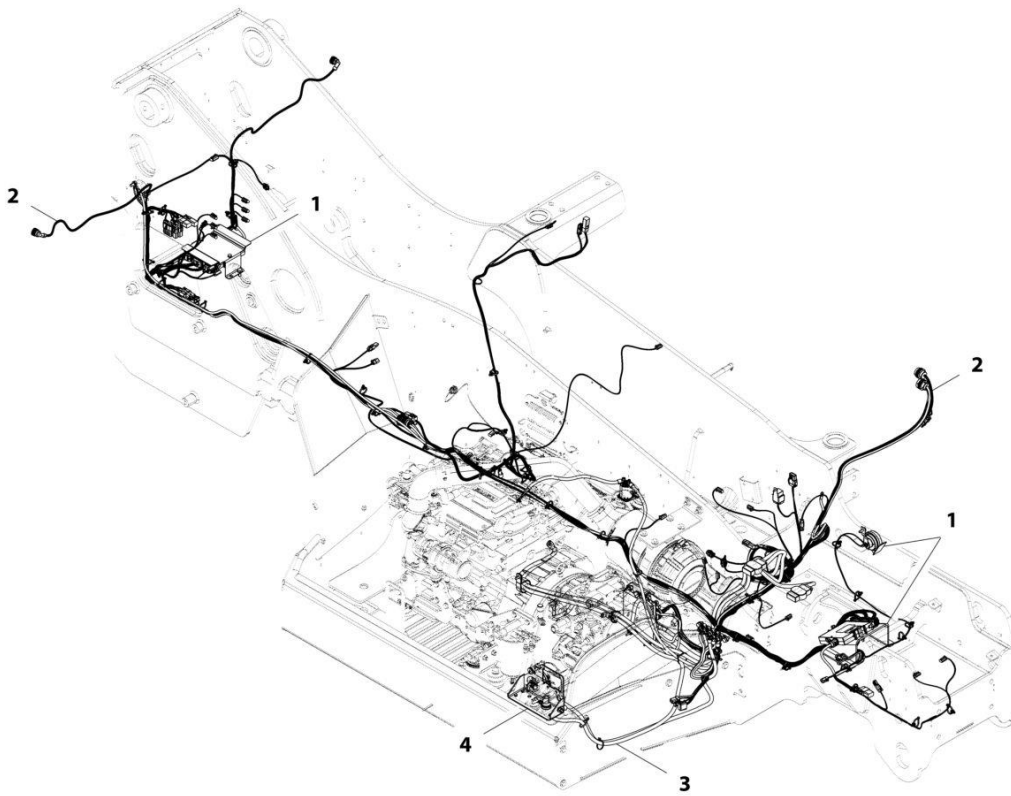
SECTION 10 - ELECTRICAL

FIGURE 10-101. MAIN ELECTRICAL INSTALLATION, MINING (ULS)

ITEM	PART NUMBER	QTY	DESCRIPTION	REV
1	1001228738	Ref	Main Electrical Installation, Mining (ULS)	A
	1001183272	Ref	Installation, Frame Electrical (See Separate Breakdown in this Section)	
2	1001228739	Ref	Installation, Frame Wiring (See Separate Breakdown in this Section)	
3	1001200160	Ref	Installation, Engine Bay Electrical	
4	1001202172	Ref	Installation, Engine Pod Electrical (ULS) (See Separate Breakdown in this Section)	

SECTION 10 - ELECTRICAL

FIGURE 10-102. MAIN ELECTRICAL INSTALLATION (LS)



ART_1001192538-C

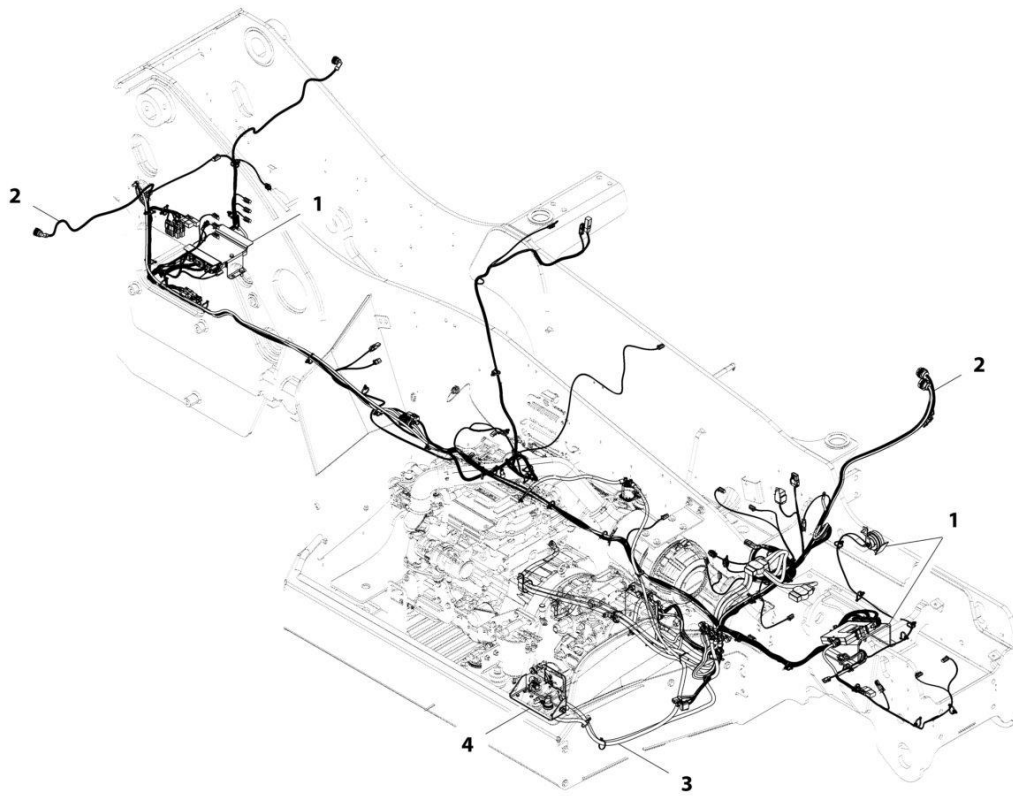
SECTION 10 - ELECTRICAL

FIGURE 10-102. MAIN ELECTRICAL INSTALLATION (LS)

ITEM	PART NUMBER	QTY	DESCRIPTION	REV
1	1001192538	Ref	Main Electrical Installation (LS)	C
	1001183272	Ref	Installation, Frame Electrical (See Separate Breakdown in this Section)	
2	1001200159	Ref	Installation, Frame Electrical (See Separate Breakdown in this Section)	
3	1001227469	Ref	Installation, Engine Bay Electrical (See Separate Breakdown in this Section)	
4	1001223066	Ref	Installation, Engine Pod Electrical (LS) (See Separate Breakdown in this Section)	

SECTION 10 - ELECTRICAL

FIGURE 10-103. MAIN ELECTRICAL INSTALLATION, MINING (LS)



ART_1001228742-A

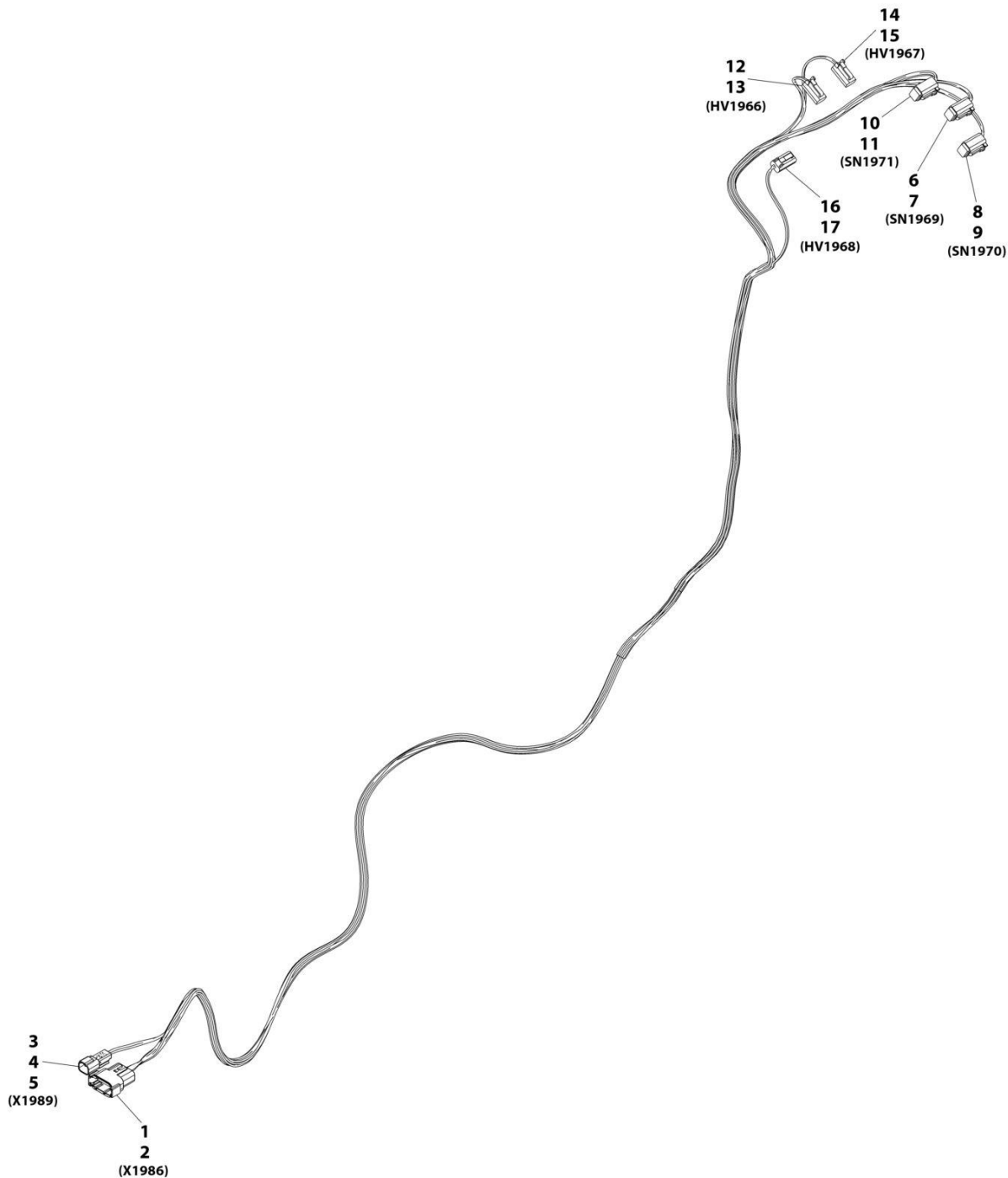
SECTION 10 - ELECTRICAL

FIGURE 10-103. MAIN ELECTRICAL INSTALLATION, MINING (LS)

ITEM	PART NUMBER	QTY	DESCRIPTION	REV
1	1001228742	Ref	Main Electrical Installation (LS) (Mining)	A
	1001183272	Ref	Installation, Frame Electrical (See Separate Breakdown in this Section)	
2	1001228739	Ref	Installation, Frame Electrical (See Separate Breakdown in this Section)	
3	1001227469	Ref	Installation, Engine Bay Electrical (See Separate Breakdown in this Section)	
4	1001223066	Ref	Installation, Engine Pod Electrical (LS) (See Separate Breakdown in this Section)	

SECTION 10 - ELECTRICAL

FIGURE 10-104. RALP PLATFORM HARNESS



ART_1001193566-C

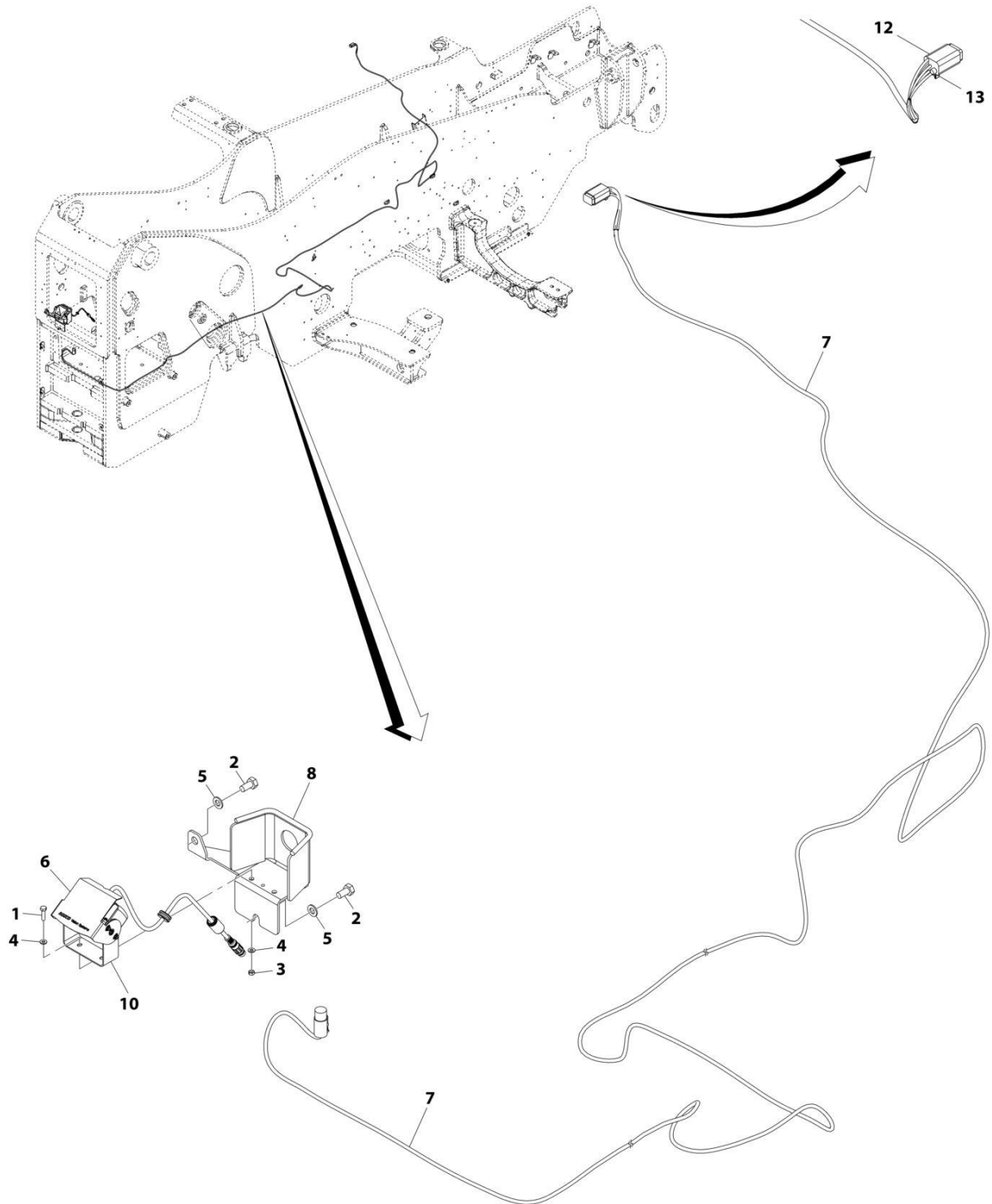
SECTION 10 - ELECTRICAL

FIGURE 10-104. RALP PLATFORM HARNESS

ITEM	PART NUMBER	QTY	DESCRIPTION	REV
	1001193566	Ref	Platform Harness (RALP)	C
1	1001132169	1	Connector	
2	4460929	12	Terminal	
3	4460897	1	Connector	
4	4460464	1	Terminal	
5	4460941	1	Terminal	
6	4460884	1	Connector	
7	4460465	4	Terminal	
8	4460884	1	Connector	
9	4460465	4	Terminal	
10	4460884	1	Connector	
11	4460465	4	Terminal	
12	4460891	1	Connector	
13	4460465	2	Terminal	
14	4460891	1	Connector	
15	4460465	2	Terminal	
16	4460891	1	Connector	
17	4460465	2	Terminal	

SECTION 10 - ELECTRICAL

FIGURE 10-105. REVERSE CAMERA INSTALLATION



ART_1001192321-G

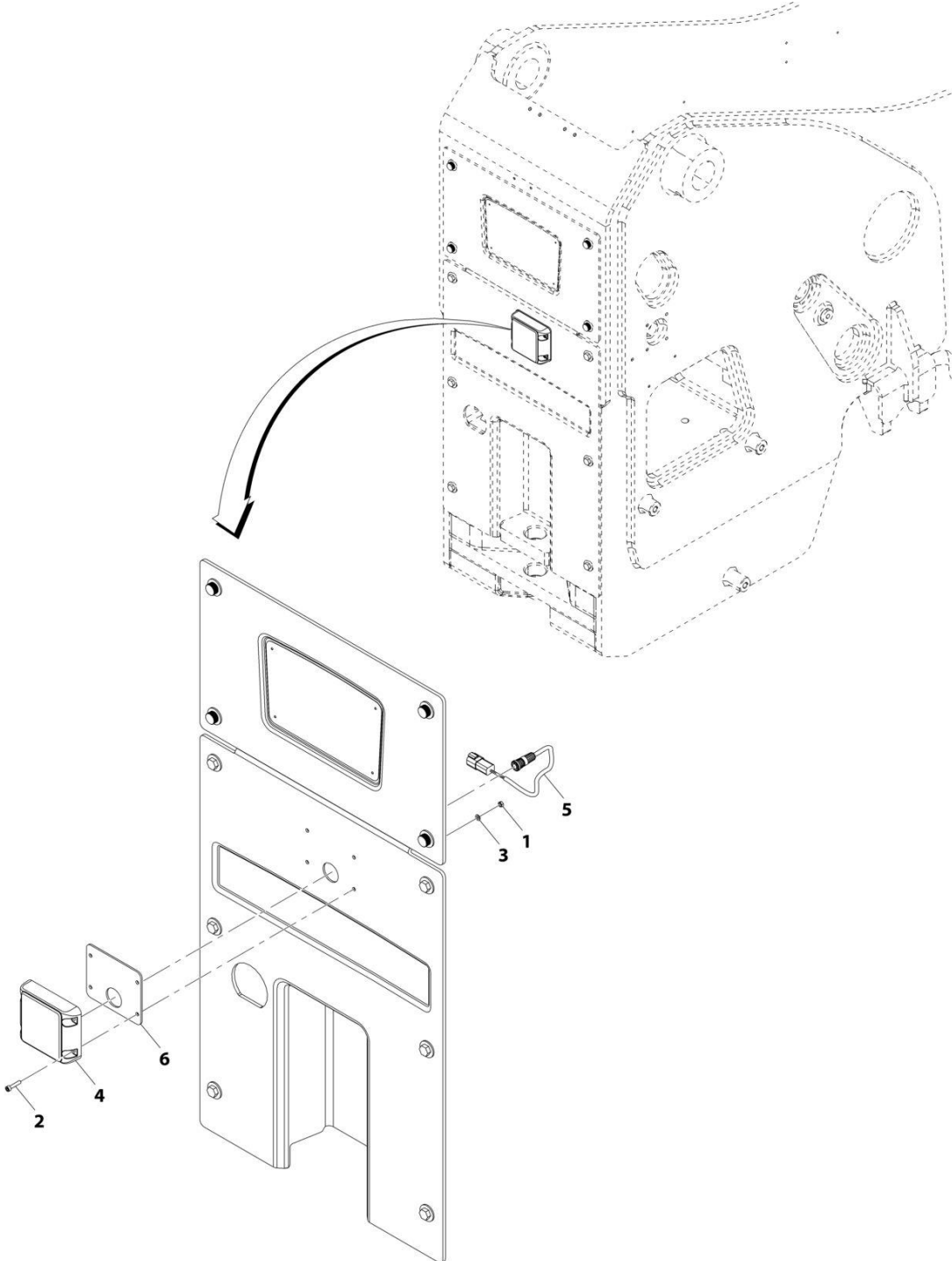
SECTION 10 - ELECTRICAL

FIGURE 10-105. REVERSE CAMERA INSTALLATION

ITEM	PART NUMBER	QTY	DESCRIPTION	REV
	1001192321	Ref	Reverse Camera Installation	G
1	0700408	2	Bolt, M4X16	
2	0760808	2	Bolt, M8X16	
3	3290401	2	Nut, M4X0.7	
4	4811400	4	Washer, M4	
5	4811900	2	Washer, M8	
6	1001167017	1	Camera, Reverse	
7	1001171962	1	Cable, Camera	
8	1001205307	1	Bracket	
10	1001202621	1	Bracket	
12	4460884	1	Connector	
13	4460466	1	Terminal	

SECTION 10 - ELECTRICAL

FIGURE 10-106. REVERSE SENSOR INSTALLATION



ART_1001192322-F

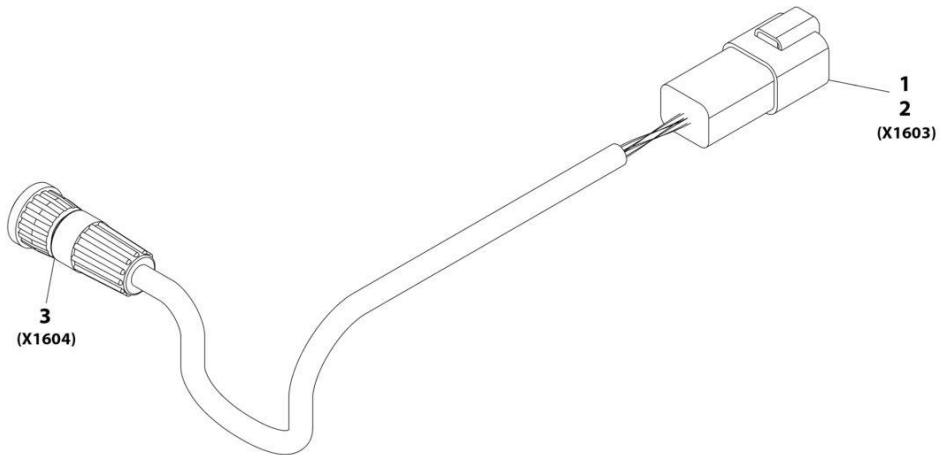
SECTION 10 - ELECTRICAL

FIGURE 10-106. REVERSE SENSOR INSTALLATION

ITEM	PART NUMBER	QTY	DESCRIPTION	REV
	1001192322	Ref	Reverse Sensor Installation	F
1	3290501	4	Nut, M5X0.8	
2	5271609	4	Screw, M5X25	
3	4811600	4	Washer, M5	
4	1001247421	1	Sensor, Reverse	
5	1001175776	1	Harness, Reverse Sensor (See Separate Breakdown in this Section)	
6	1001251518	1	Plate	

SECTION 10 - ELECTRICAL

FIGURE 10-107. REVERSE SENSOR HARNESS



ART_1001175776-C

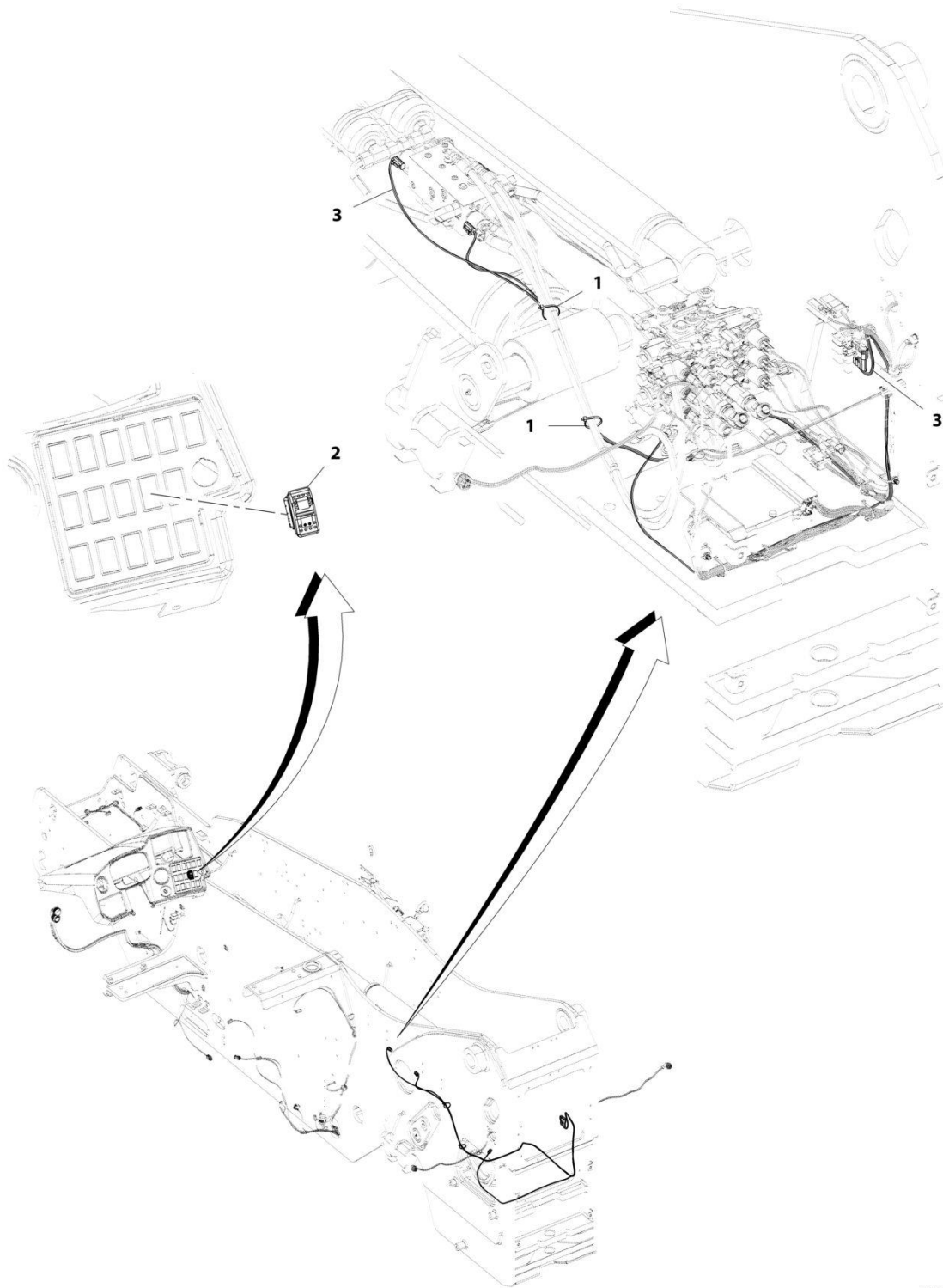
SECTION 10 - ELECTRICAL

FIGURE 10-107. REVERSE SENSOR HARNESS

ITEM	PART NUMBER	QTY	DESCRIPTION	REV
	1001175776	Ref	Reverse Sensor Harness	C
1	4460932	1	Connector	
2	4460464	4	Terminal	
3	1001175733	1	Connector	

SECTION 10 - ELECTRICAL

FIGURE 10-108. RIDE CONTROL WIRING INSTALLATION



ART_1001200105-B

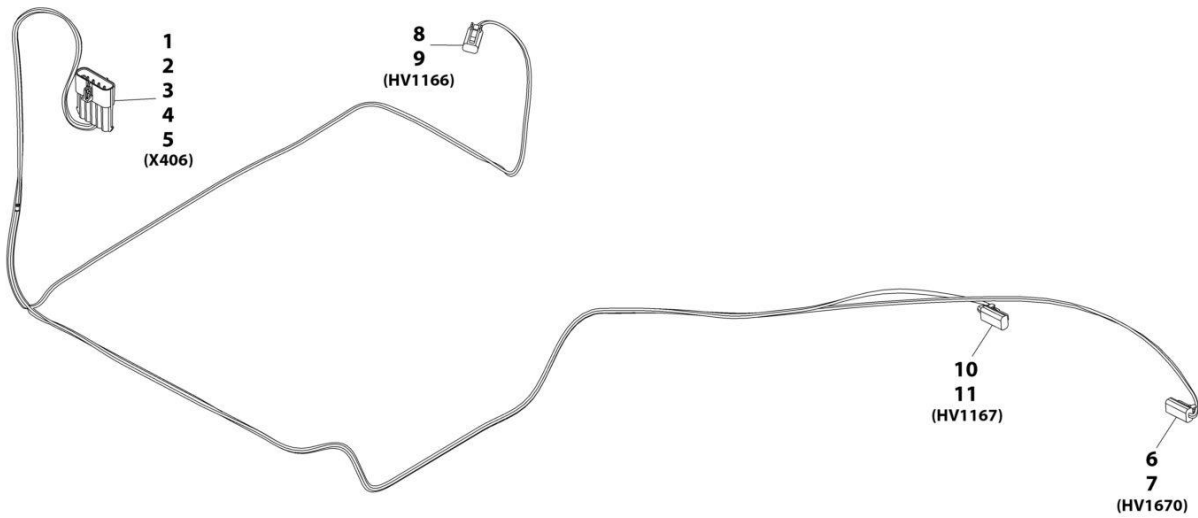
SECTION 10 - ELECTRICAL

FIGURE 10-108. RIDE CONTROL WIRING INSTALLATION

ITEM	PART NUMBER	QTY	DESCRIPTION	REV
	1001200105	Ref	Ride Control Wiring Installation	B
1	1001008559	2	Strap, Cable Tie	
2	1001159745	1	Switch, Boom Ride	
3	1001197668	1	Harness, Boom Ride Float (See Separate Breakdown in this Section)	

SECTION 10 - ELECTRICAL

FIGURE 10-109. RIDE CONTROL HARNESS (BOOM)



ART_1001197668-D

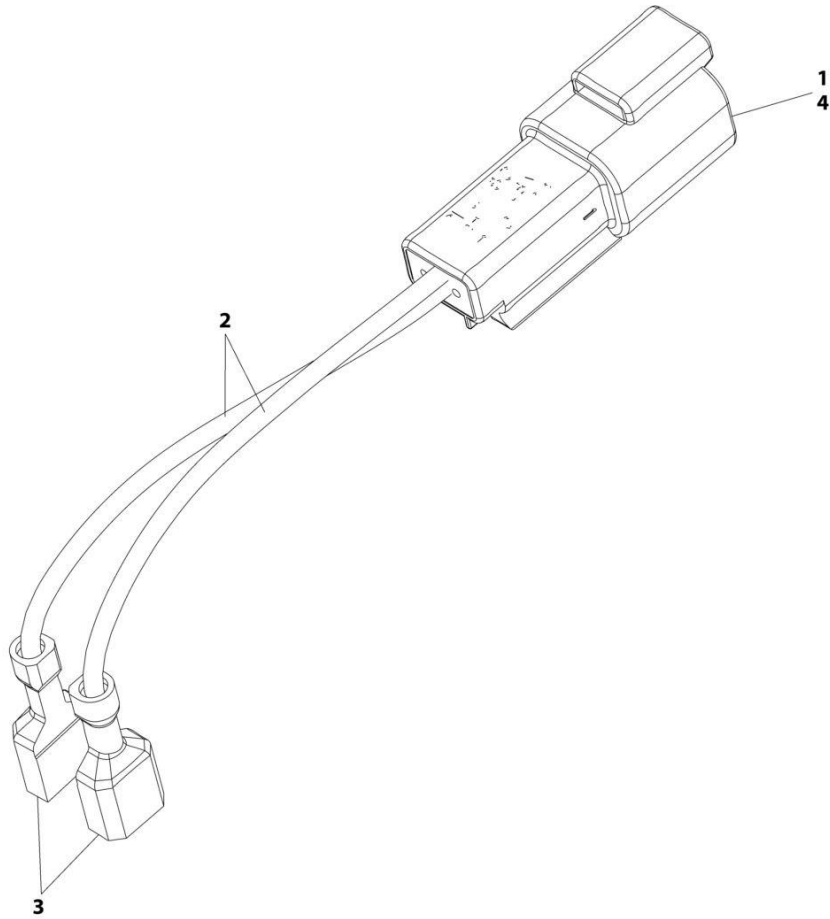
SECTION 10 - ELECTRICAL

FIGURE 10-109. RIDE CONTROL HARNESS (BOOM)

ITEM	PART NUMBER	QTY	DESCRIPTION	REV
	1001197668	Ref	Boom Ride Control Harness	D
1	1001121727	1	Connector	
2	1001116745	3	Terminal	
3	1001116729	1	Terminal	
4	4460458	4	Terminal Seal	
5	1001116727	1	Plug	
6	4460891	1	Connector	
7	4460465	2	Terminal	
8	4460891	1	Connector	
9	4460465	2	Terminal	
10	4460891	1	Connector	
11	4460465	2	Terminal	

SECTION 10 - ELECTRICAL

FIGURE 10-110. SPEED HARNESS (VEHICLE SPEED)



ART_1001229981-A

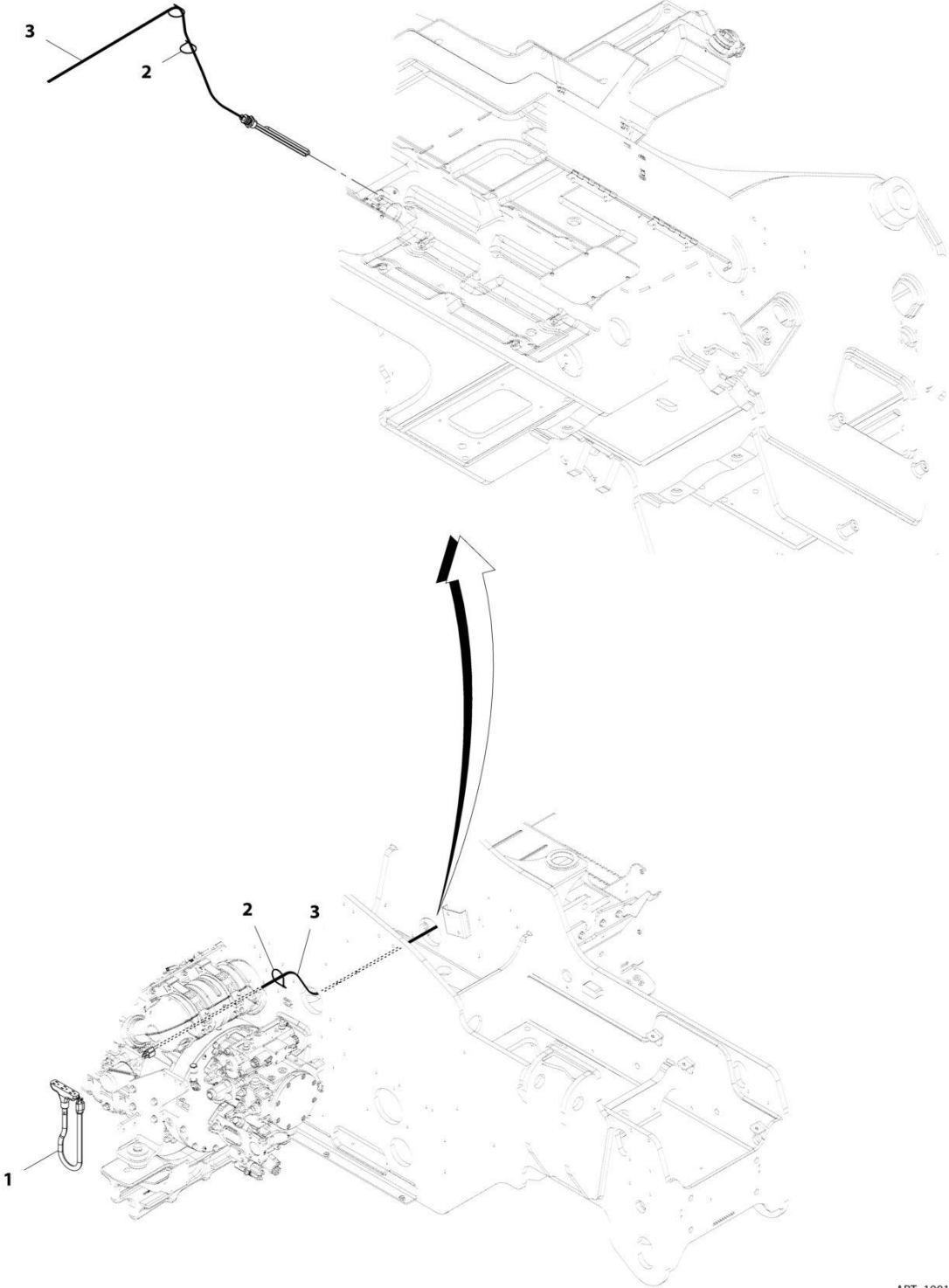
SECTION 10 - ELECTRICAL

FIGURE 10-110. SPEED HARNESS (VEHICLE SPEED)

ITEM	PART NUMBER	QTY	DESCRIPTION	REV
	1001229981	Ref	Vehicle Speed Pigtail Harness	A
1	4460464	2	Terminal	
2	4921614	200 mm	Wire, 18GA White	
3	1001194421	2	Terminal	
4	4460897	1	Connector	

SECTION 10 - ELECTRICAL

FIGURE 10-111. TANK HEATER INSTALLATION - HYDRAULIC TANK (115V)



ART_1001195593-B

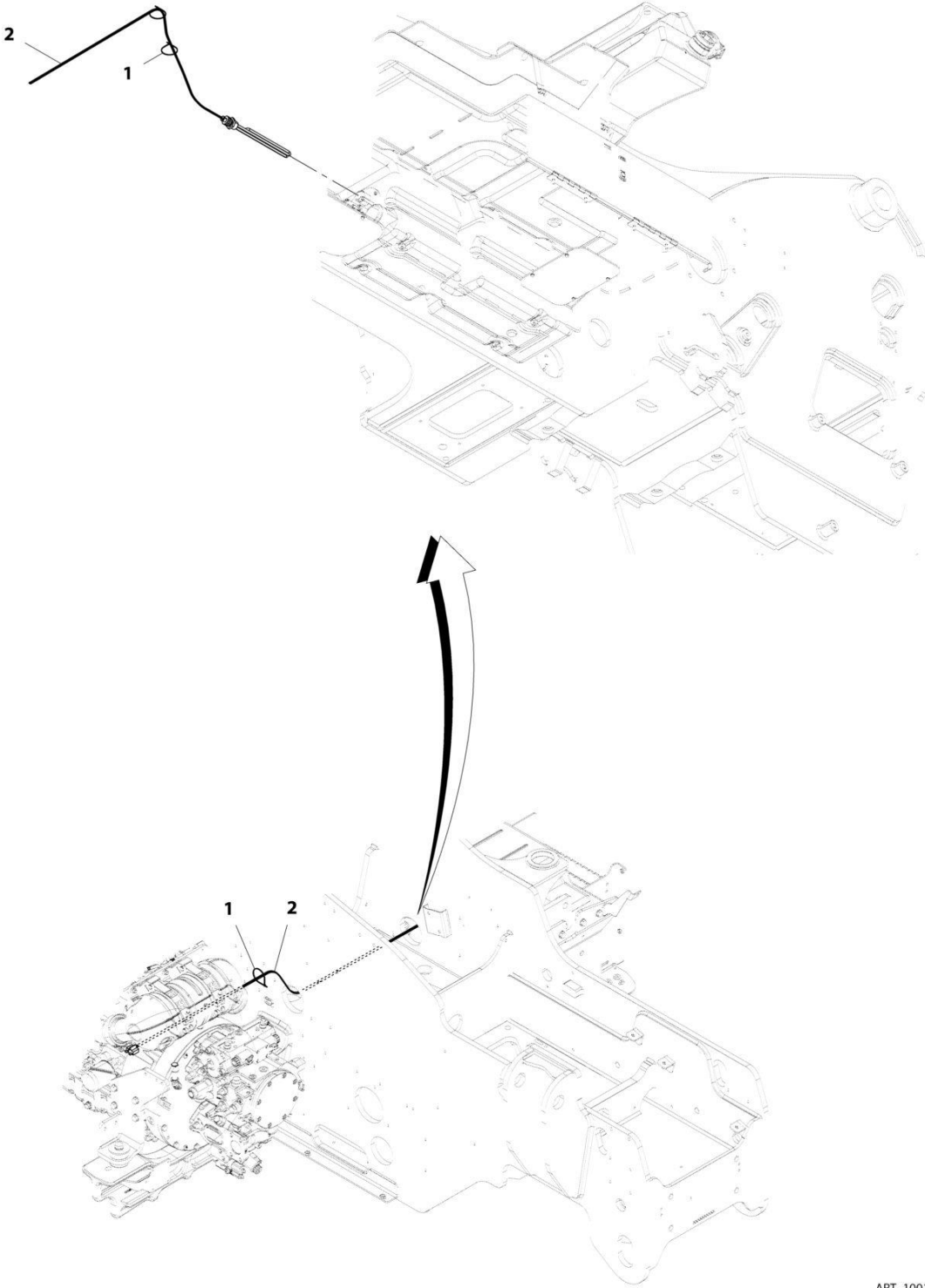
SECTION 10 - ELECTRICAL

FIGURE 10-111. TANK HEATER INSTALLATION - HYDRAULIC TANK (115V)

ITEM	PART NUMBER	QTY	DESCRIPTION	REV
	1001195593	Ref	Hydraulic Tank Heater Installation (115V)	B
1	1060626	1	Cord, 3-Way Extension	
2	4240099	AR	Tie, Wire	
3	1001105886	1	Heater, Immersion	

SECTION 10 - ELECTRICAL

FIGURE 10-112. TANK HEATER INSTALLATION - HYDRAULIC TANK (230V)



ART_1001204549-B

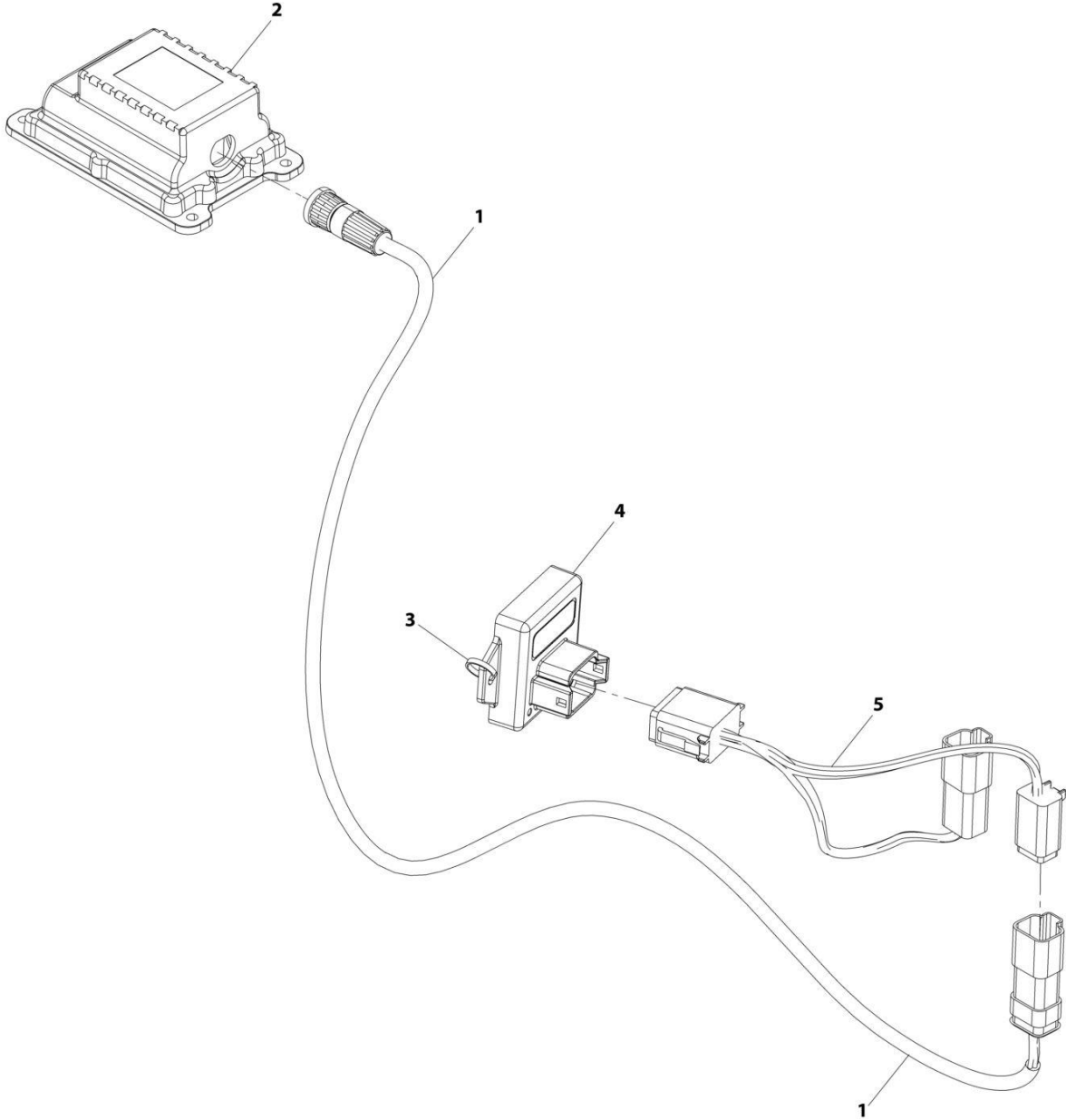
SECTION 10 - ELECTRICAL

FIGURE 10-112. TANK HEATER INSTALLATION - HYDRAULIC TANK (230V)

ITEM	PART NUMBER	QTY	DESCRIPTION	REV
1	1001204549	Ref	Hydraulic Tank Heater Installation (240V)	B
	4240099	AR	Tie, Wire	
2	1001195439	1	Heater, Immersion	

SECTION 10 - ELECTRICAL

FIGURE 10-113. TELEMATICS (CLEARSKY) INSTALLATION 3-WIRE (CE)



ART_1001233237

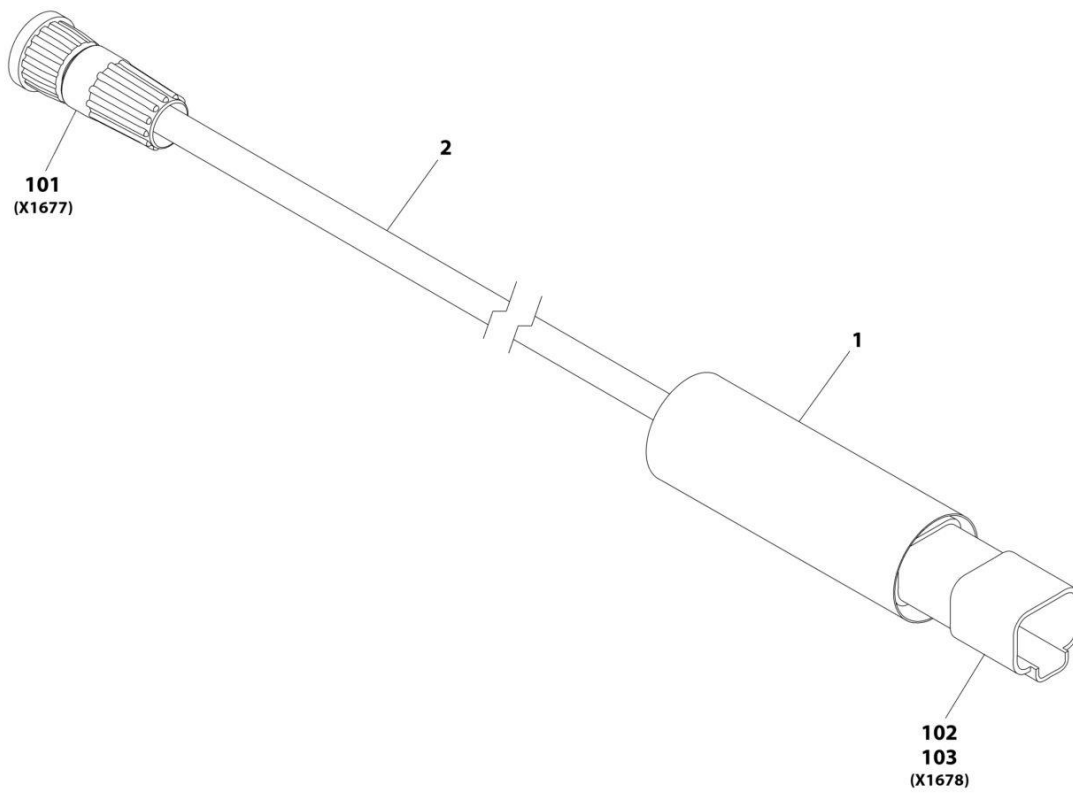
SECTION 10 - ELECTRICAL

FIGURE 10-113. TELEMATICS (CLEARSKY) INSTALLATION 3-WIRE (CE)

ITEM	PART NUMBER	QTY	DESCRIPTION	REV
	1001233237	Ref	Clearsky Installation 3-Wire (CE)	E
1	1001227066	1	Telematics Harness (See Separate Breakdown in this Section)	
2	1001233236	1	Module, 3W TCU	
3	4240032	AR	Tie Strap	
4	1001262960	1	Voltage Regulator	
5	1001262963	1	Harness, Xirgo Jumper	

SECTION 10 - ELECTRICAL

FIGURE 10-114. TELEMATICS HARNESS



ART_1001227066-A

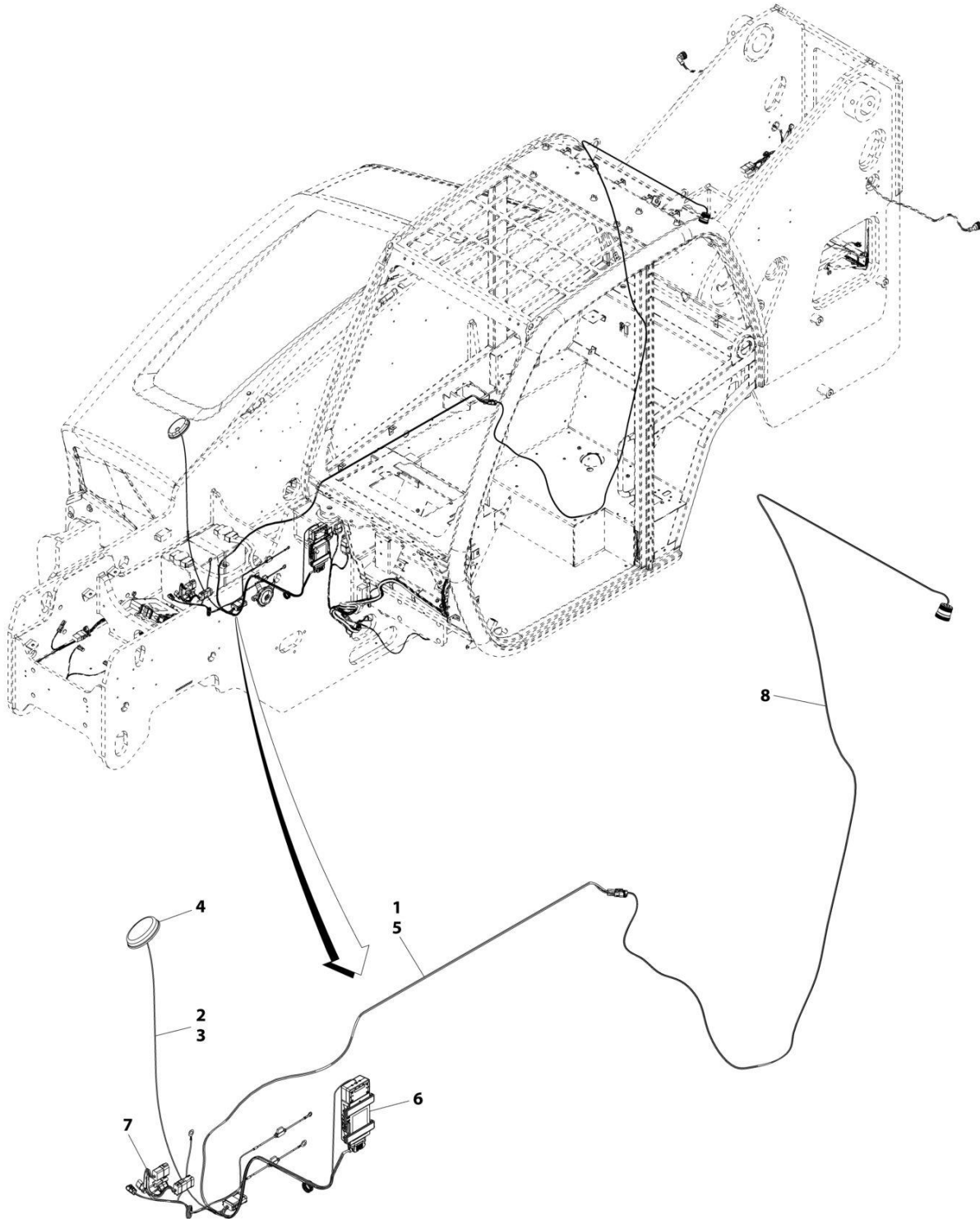
SECTION 10 - ELECTRICAL

FIGURE 10-114. TELEMATICS HARNESS

ITEM	PART NUMBER	QTY	DESCRIPTION	REV
	1001227066	Ref	CLEARSKY TELEMATICS HARNESS	A
1	1001226400	0.33 ft	Insulate, Heat Shrink	
2	1001227068	3.3 ft	Cable	
101	1001227266	1	Connector	
102	1001129407	1	Connector	
103	4460464	4	Terminal	

SECTION 10 - ELECTRICAL

FIGURE 10-115. TELEMATICS (CLEARSKY) INSTALLATION (4G CANBUS)



ART_1001232033-B

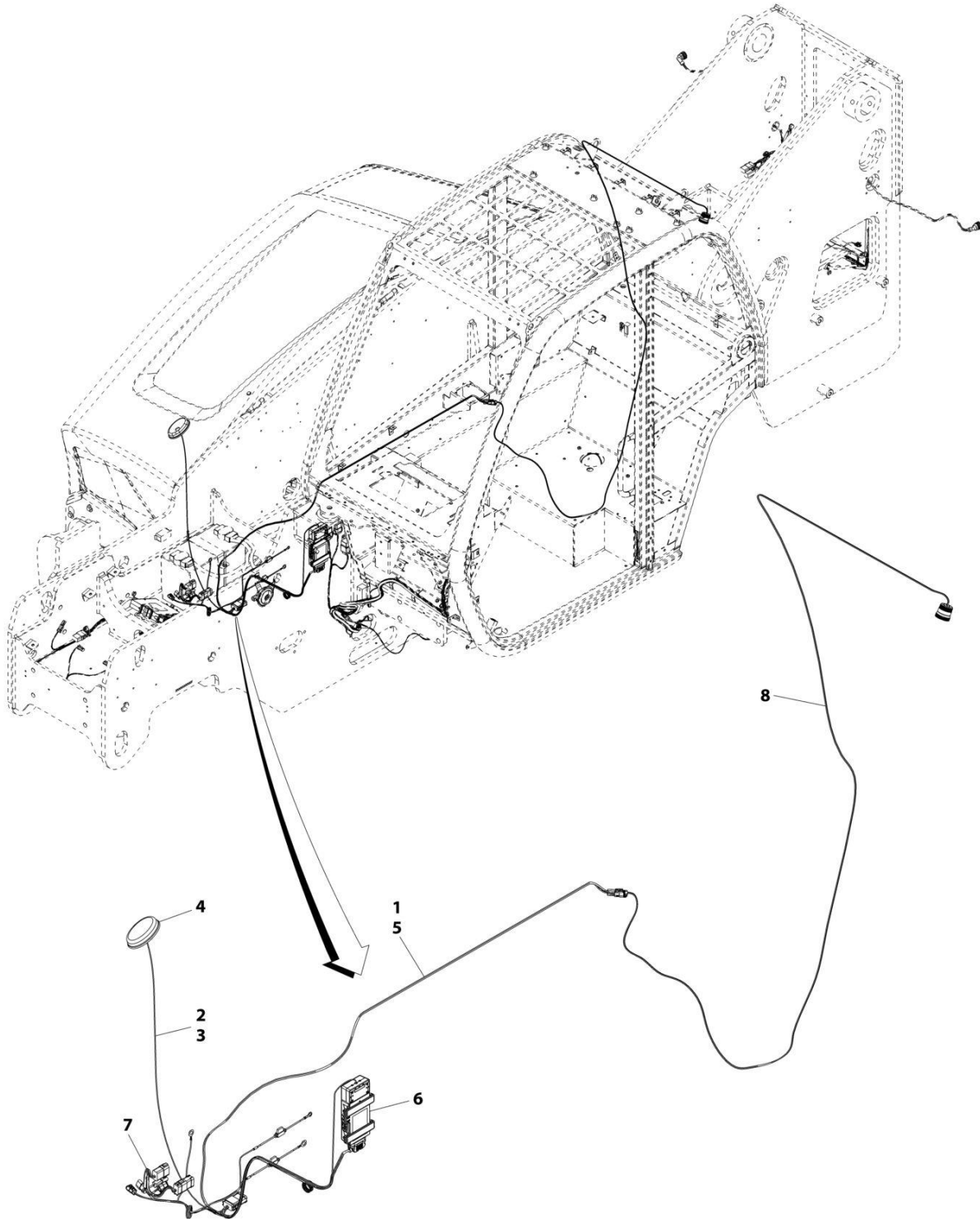
SECTION 10 - ELECTRICAL

FIGURE 10-115. TELEMATICS (CLEARSKY) INSTALLATION (4G CANBUS)

ITEM	PART NUMBER	QTY	DESCRIPTION	REV
	1001232033	Ref	Clearsky Installation	B
1	1062255	AR	Strap, Tie	
2	4240032	AR	Strap, Tie	
3	4460234	AR	Mount, Cable Tie	
4	1001226799	1	Antenna	
5	1001227297	1	Harness, Clearsky (See Separate Breakdown in this Section)	
6	1001229955	1	Module	
7	1001232298	1	Harness, Telematics Option (See Separate Breakdown in this Section)	
8	1001254185	1	Harness, Adapter (See Separate Breakdown in this Section)	

SECTION 10 - ELECTRICAL

FIGURE 10-116. TELEMATICS (CLEARSKY) INSTALLATION (3G CANBUS) (CE)



ART_10012329248

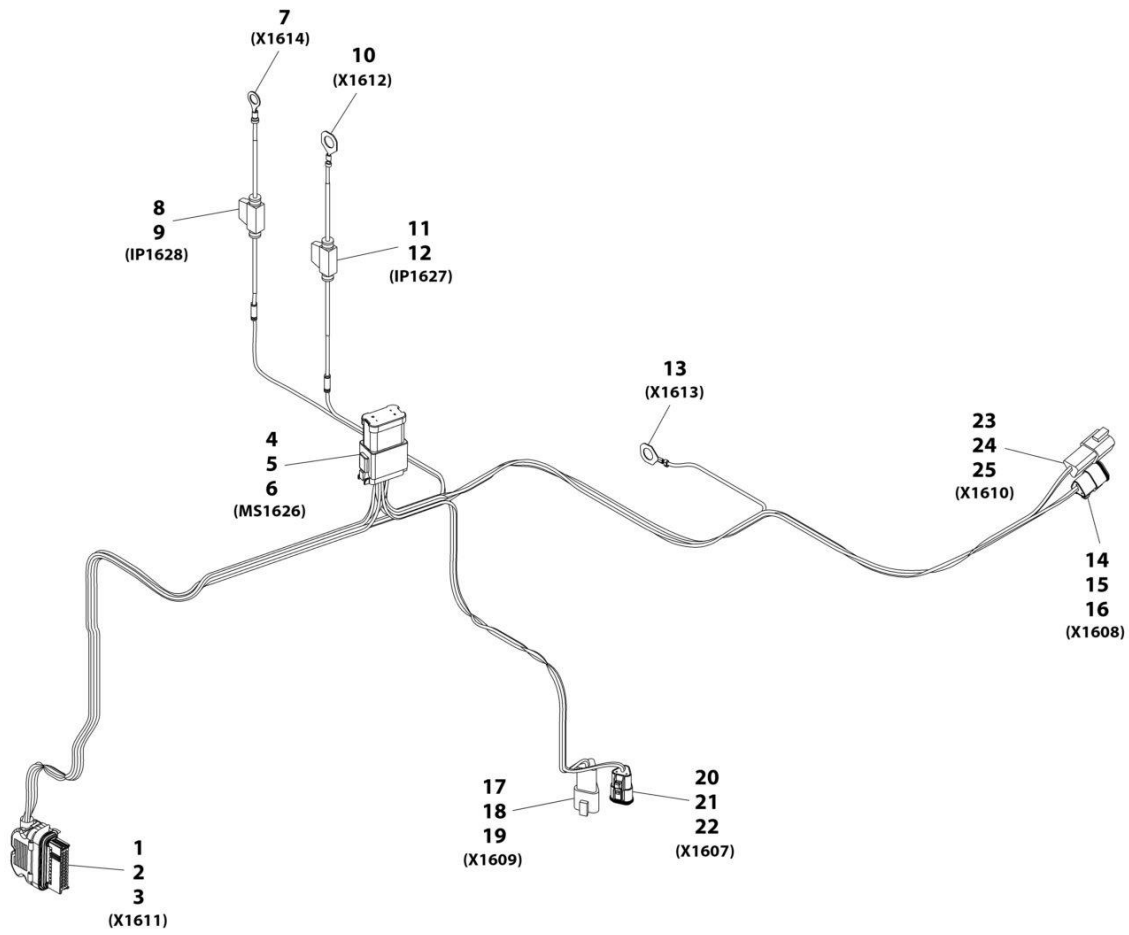
SECTION 10 - ELECTRICAL

FIGURE 10-116. TELEMATICS (CLEARSKY) INSTALLATION (3G CANBUS) (CE)

ITEM	PART NUMBER	QTY	DESCRIPTION	REV
	1001239248	Ref	Clearsky Installation	C
1	1062255	AR	Strap, Tie	
2	4240032	AR	Strap, Tie	
3	4460234	AR	Mount, Cable Tie	
4	1001226799	1	Antenna	
5	1001227297	1	Harness, Clearsky (See Separate Breakdown in this Section)	
6	1001239194	1	Module	
7	1001232298	1	Harness, Telematics Option (See Separate Breakdown in this Section)	
8	1001254185	1	Harness, Adapter (See Separate Breakdown in this Section)	

SECTION 10 - ELECTRICAL

FIGURE 10-117. TELEMATIC 4WARD HARNESS (CLEARSKY 2)



ART_1001227297

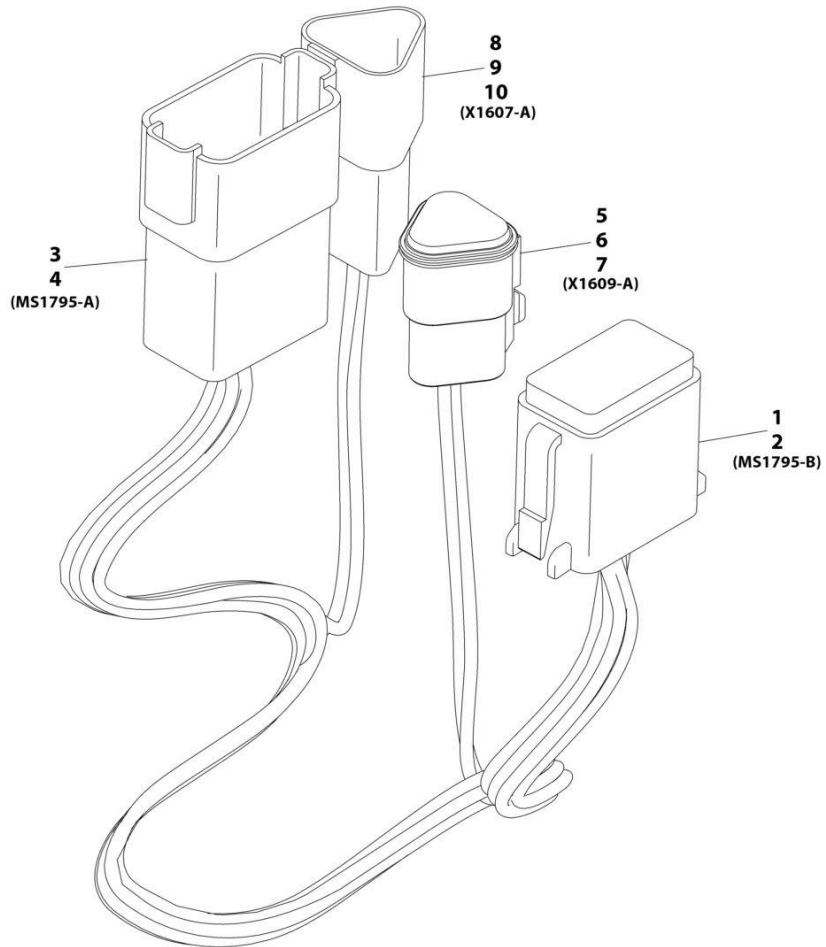
SECTION 10 - ELECTRICAL

FIGURE 10-117. TELEMATIC 4WARD HARNESS (CLEARSKY 2)

ITEM	PART NUMBER	QTY	DESCRIPTION	REV
	1001227297	Ref	TELEMATIC 4WARD HARNESS (CLEARSKY 2)	C
1	1001226636	1	Connector	
2	1001226637	7	Terminal	
3	1001116731	17	Plug	
4	4460933	1	Connector	
5	4460465	12	Terminal	
6	1001200206	1	Connector, DT 12 Pin 4X3 Buss	
7	4460670	1	Connector	
8	2400060	1	Connector	
9	8229242	1	Fuse, 5amp	
10	1001187078	1	Connector	
11	2400060	1	Connector	
12	8229242	1	Fuse, 5amp	
13	1001187077	1	Connector	
14	1001116812	1	Connector	
15	4460465	2	Terminal	
16	4460466	1	Plug	
17	1001144147	1	Connector	
18	4460464	2	Terminal	
19	4460466	1	Plug	
20	1001116812	1	Connector	
21	4460465	2	Terminal	
22	4460466	1	Plug	
23	1001144147	1	Connector	
24	4460464	2	Terminal	
25	4460466	1	Plug	

SECTION 10 - ELECTRICAL

FIGURE 10-118. TELEMATICS OPTION HARNESS



ART_1001232298-A

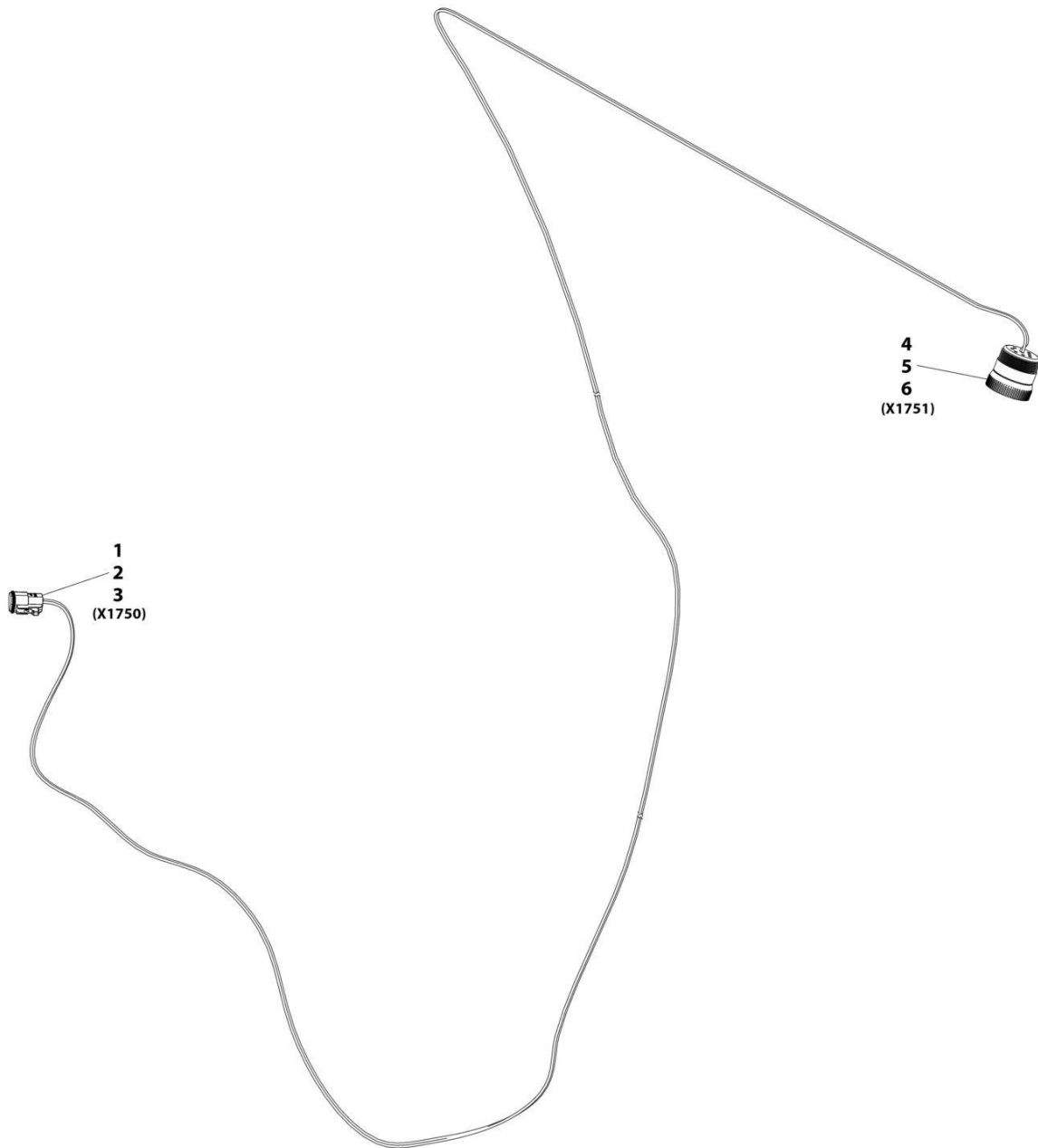
SECTION 10 - ELECTRICAL

FIGURE 10-118. TELEMATICS OPTION HARNESS

ITEM	PART NUMBER	QTY	DESCRIPTION	REV
	1001232298	Ref	Telematics Option Harness	A
1	4460930	1	Connector	
2	4460465	8	Terminal	
3	4460931	1	Mating Connector	
4	4460464	8	Terminal	
5	1001116812	1	Connector	
6	4460465	2	Terminal	
7	4460466	1	Plug	
8	1001144147	1	Connector	
9	4460464	2	Terminal	
10	4460466	1	Plug	

SECTION 10 - ELECTRICAL

FIGURE 10-119. TELEMATICS ADAPTER HARNESS



ART_1001254185-A

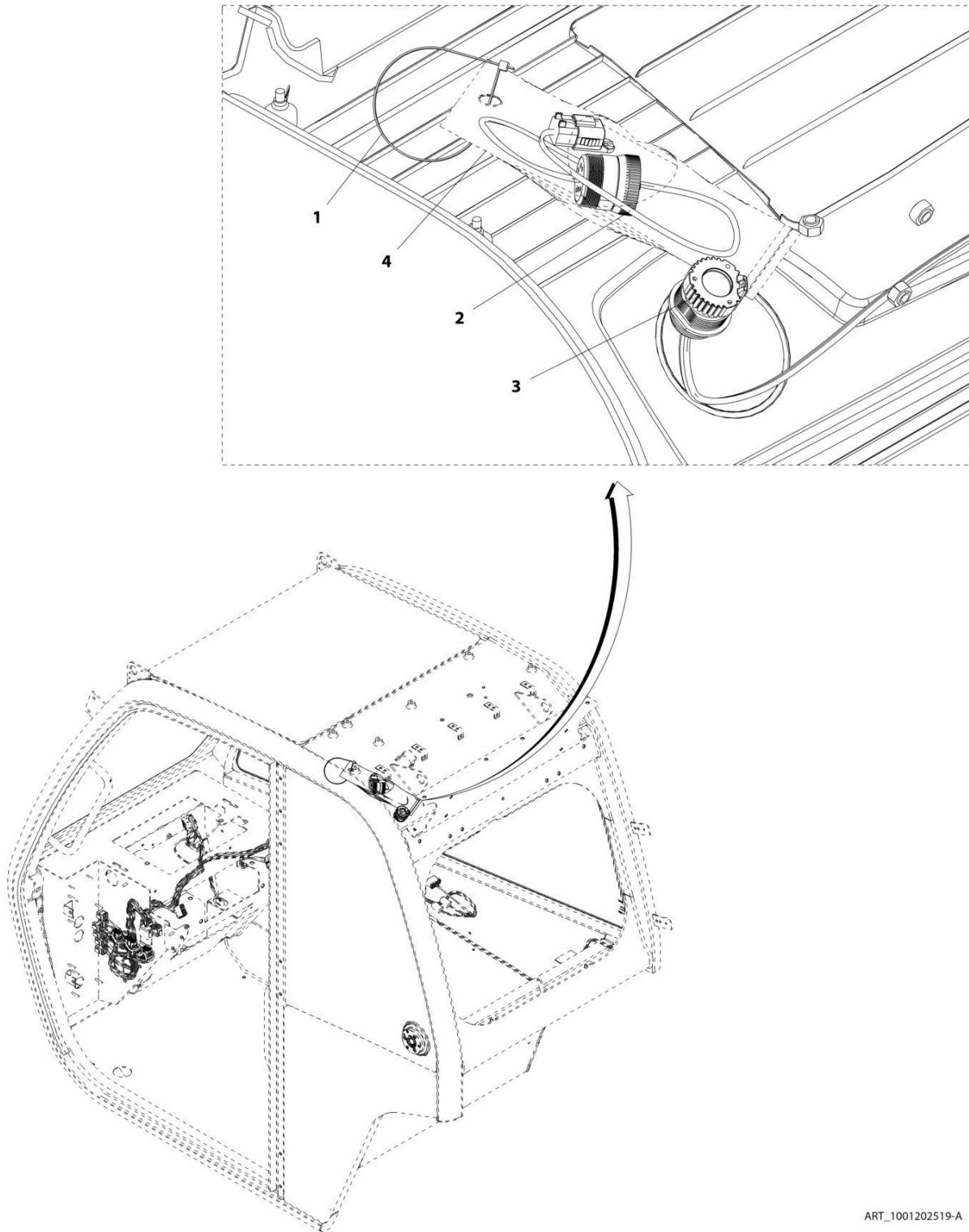
SECTION 10 - ELECTRICAL

FIGURE 10-119. TELEMATICS ADAPTER HARNESS

ITEM	PART NUMBER	QTY	DESCRIPTION	REV
	1001254185	Ref	TELEMATICS ADAPTER HARNESS	A
1	1001116812	1	Connector	
2	4460465	2	Terminal	
3	4460466	1	Plug	
4	1001112796	1	Connector	
5	4460944	2	Terminal	
6	4460466	7	Plug	

SECTION 10 - ELECTRICAL

FIGURE 10-120. TELEMATICS READY INSTALLATION



ART_1001202519-A

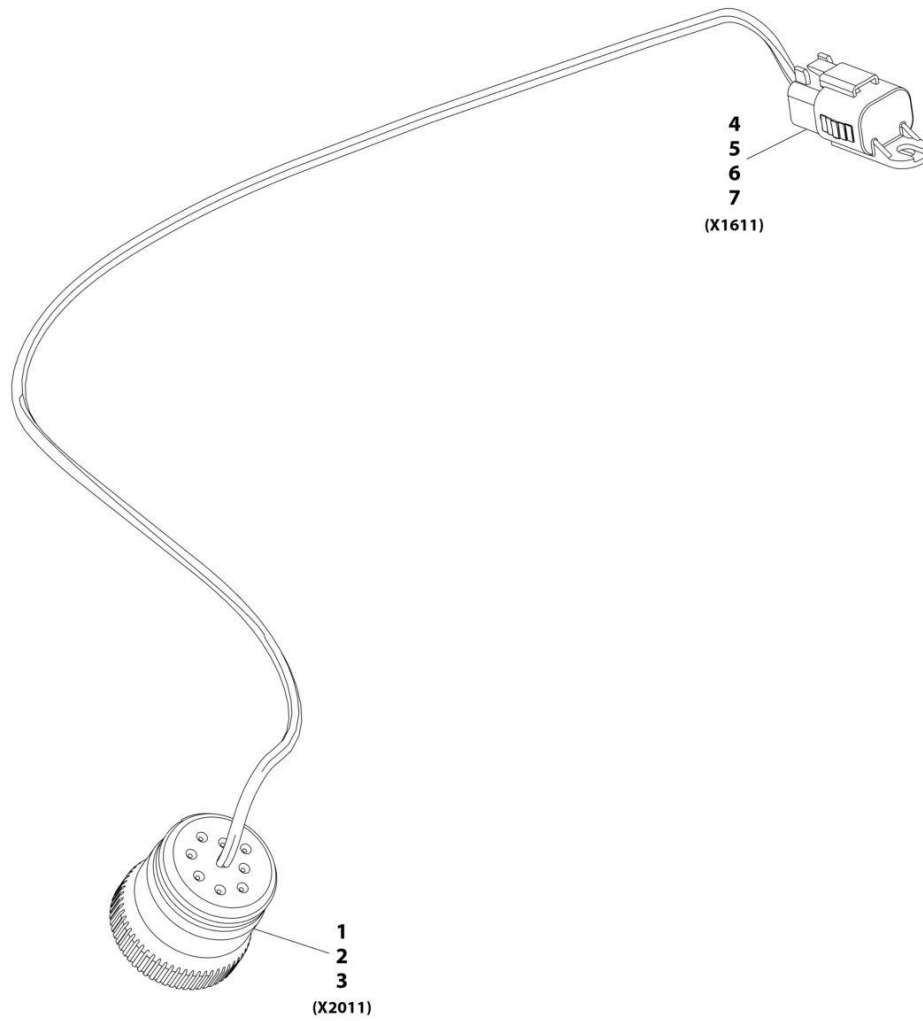
SECTION 10 - ELECTRICAL

FIGURE 10-120. TELEMATICS READY INSTALLATION

ITEM	PART NUMBER	QTY	DESCRIPTION	REV
	1001202519	Ref	Telematics Ready Installation	A
1	8584003	1	Strap, Tie	
2	1001196289	1	Harness, Telematics Ready (See Separate Breakdown in ELECTRICAL Section)	
3	1001201162	1	Cap	
4	1001202617	1	Bag	

SECTION 10 - ELECTRICAL

FIGURE 10-121. TELEMATICS READY HARNESS



ART_1001196289-A

SECTION 10 - ELECTRICAL

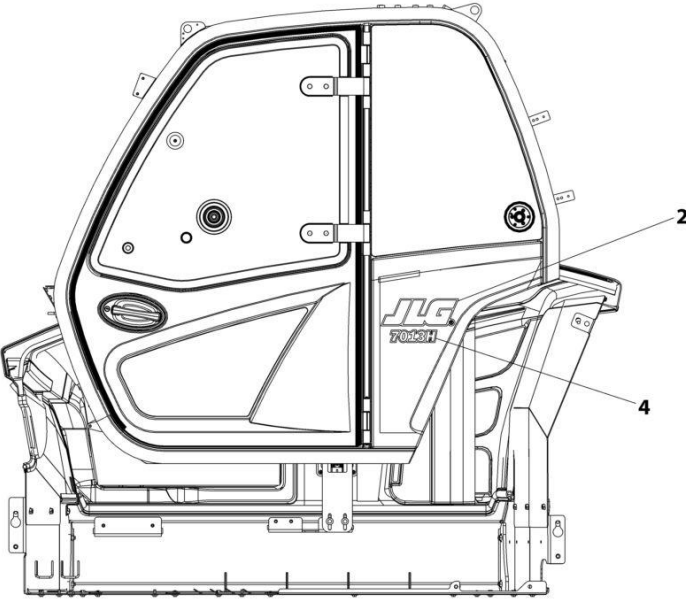
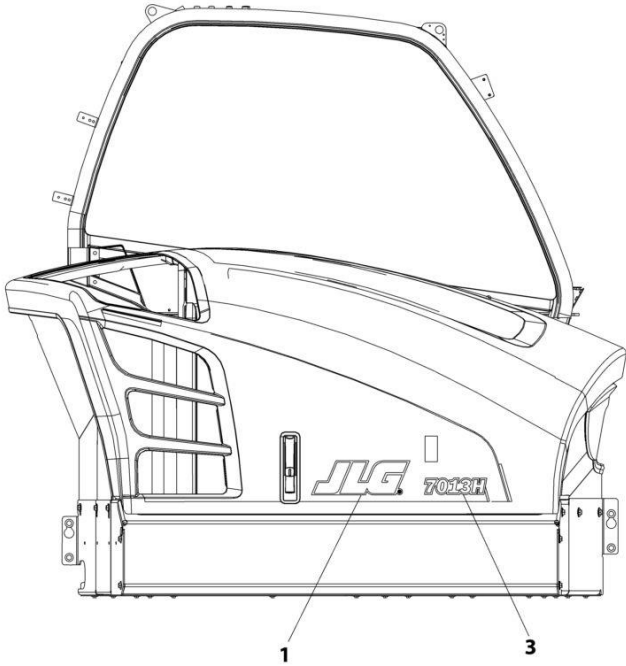
FIGURE 10-121. TELEMATICS READY HARNESS

ITEM	PART NUMBER	QTY	DESCRIPTION	REV
	1001196289	Ref	Telematics Ready Harness	A
1	1001112796	1	Connector	
2	4460465	3	Terminal	
3	4460466	6	Plug	
4	4460884	1	Connector	
5	80604021	1	Lock, Connector	
6	4460465	3	Terminal	
7	4460466	1	Terminal	

SECTION 11 - DECALS

SECTION 11 - DECALS

FIGURE 11-1. 7013H DECAL INSTALLATION



ART_1001195298-B

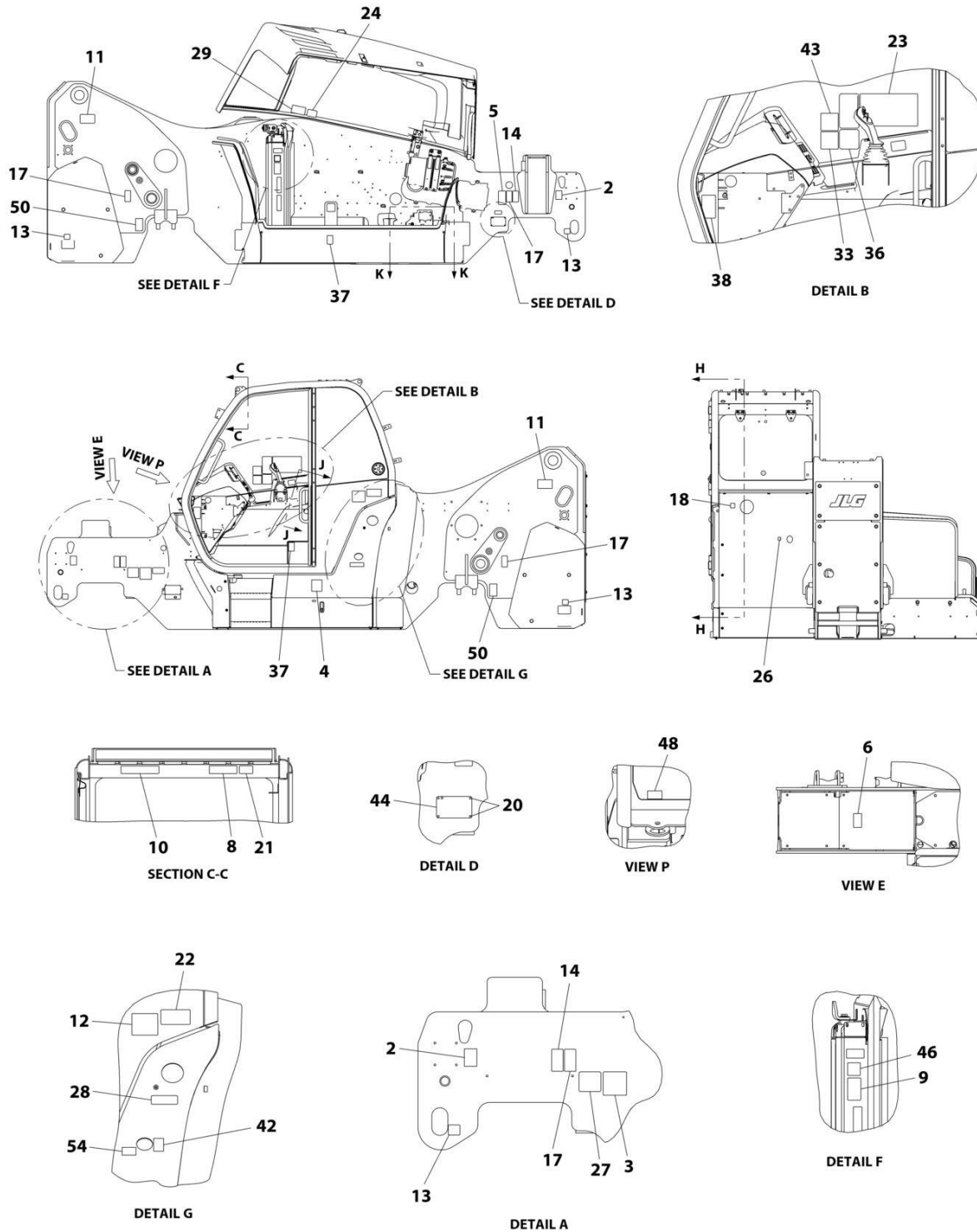
SECTION 11 - DECALS

FIGURE 11-1. 7013H DECAL INSTALLATION

ITEM	PART NUMBER	QTY	DESCRIPTION	REV
	1001195298	Ref	7013H Decal Installation	B
1	1001160775	1	Decal, JLG 5 Black	
2	1001169674	1	Decal, JLG M100X285	
3	1001211530	1	Decal, JLG 7013 Hood	
4	1001211531	1	Decal, JLG 7013 Cab	

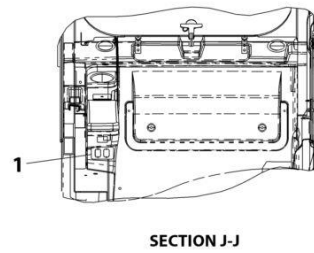
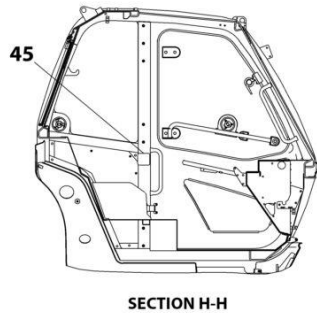
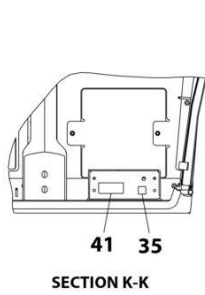
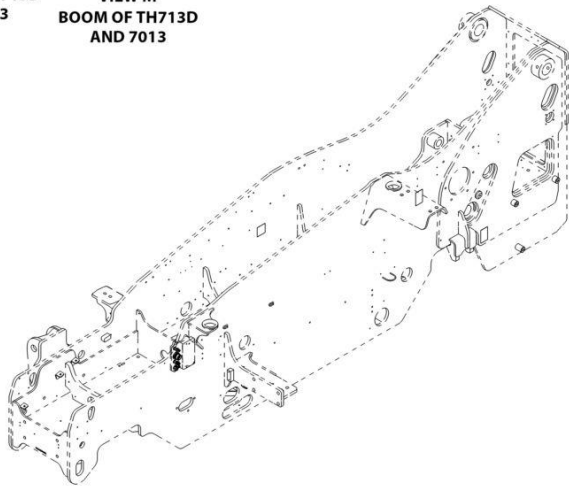
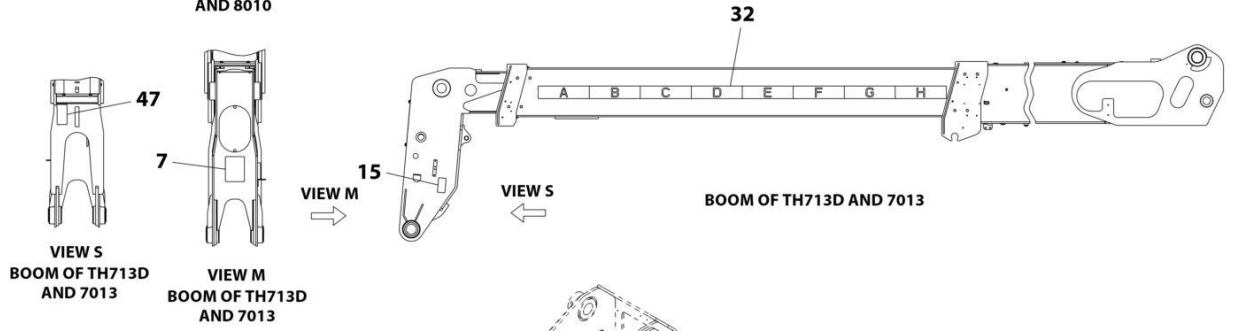
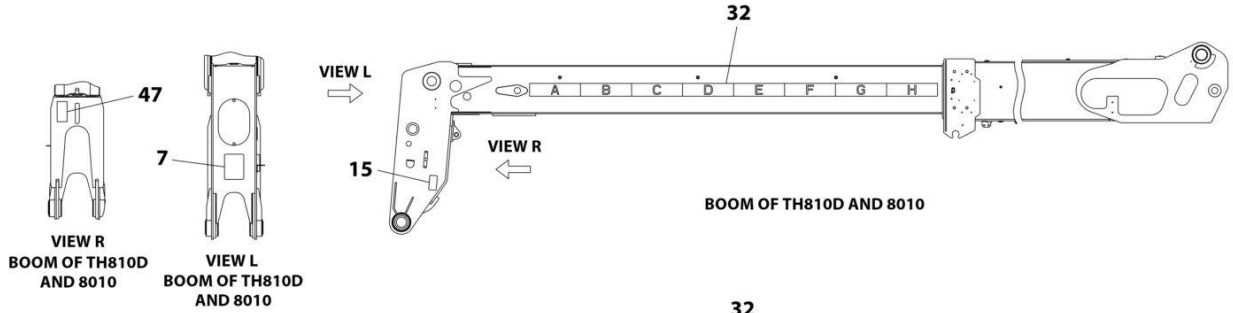
SECTION 11 - DECALS

FIGURE 11-2. DECALS INSTALLATION (ULS ISO)



ART_1001192741_F_1

SECTION 11 - DECALS



ART_1001192741_F_2

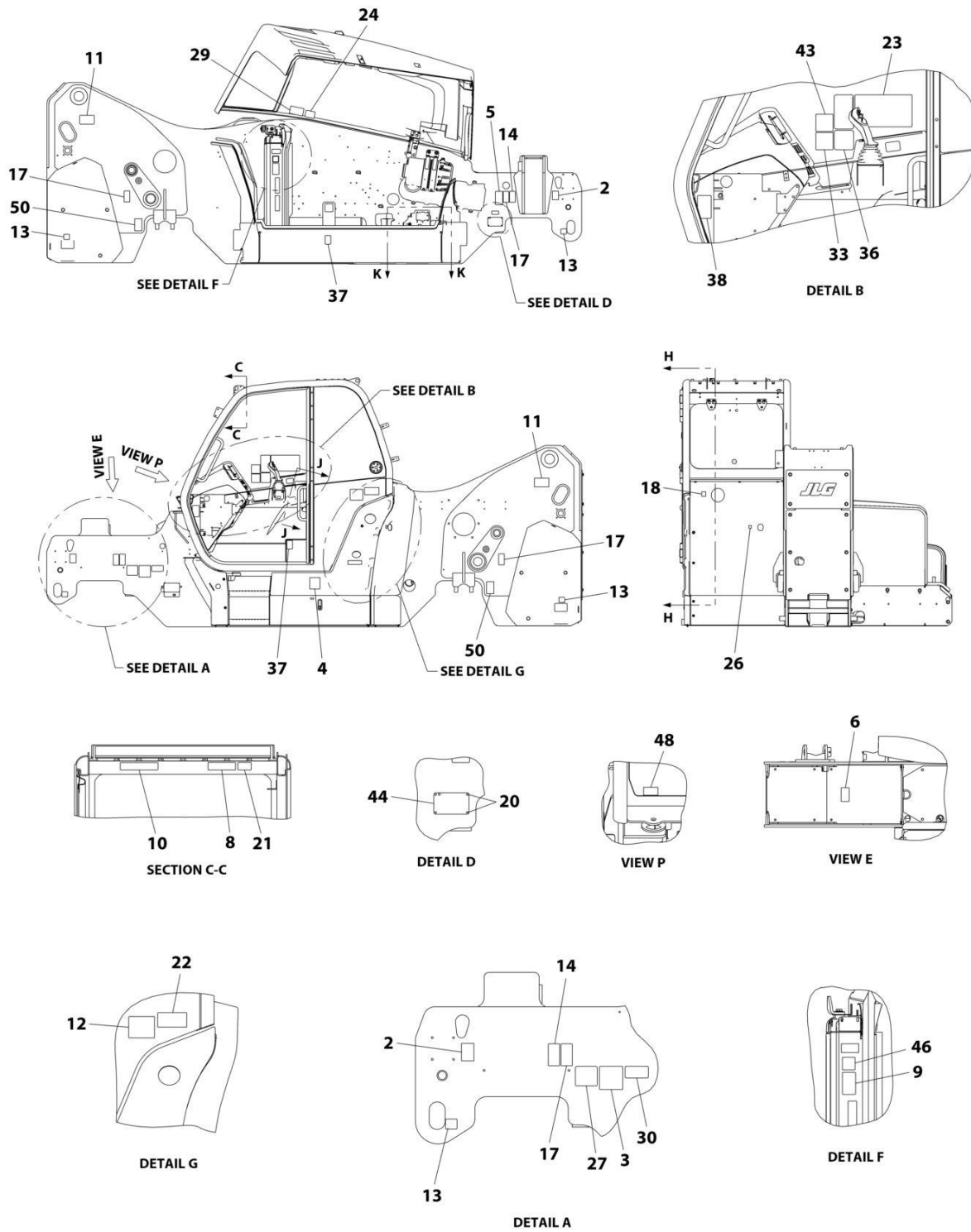
SECTION 11 - DECALS

FIGURE 11-2. DECALS INSTALLATION (ULS ISO)

ITEM	PART NUMBER	QTY	DESCRIPTION	REV
	1001192741	Ref	Decal Installation (ULS)	F
1	1670836	1	Cover, Boom	
2	1701500	2	Decal-Lift	
3	See Note	NSS	Decal, Bar Code (Note: Not Available for Purchase)	
4	1705980	1	Decal, Acoustic Power 106db	
5	1706098	1	Decal, Warning Ether Start	
6	1706281	1	Decal, Battery Warning (ISO)	
7	1706282	1	Decal, Carry Personnel (ISO)	
8	1706284	1	Decal, Electrocutation Hazard (ISO)	
9	1706285	1	Decal, Moving Parts (ISO)	
10	1706288	1	Decal, Tip Over Warning	
11	1706292	2	Decal, Pinch Point Boom Holes	
12	3251813	1	Decal, USA	
13	4109801	4	Decal, Tie Down Point	
14	8005671	2	Decal, Cylinder Lock Warning	
15	8005675	2	Decal, Watch for Raised Boom Warning	
17	8008657	4	Decal, Set Brake Lever Warning	
18	1001094708	1	Decal, Hydraulic Oil	
20	1001009178	4	Tack, Metal	
21	1001092877	1	Decal, Crush Hazard Warning	
22	1001092878	1	Decal, No Riders	
23	1001101895	1	Decal, Cab Warning	
24	1001109053	1	Decal, Coolant Fill	
26	1001130323	1	Decal, Oil Level	
27	1001131271	1	Decal, Patent Telehandlers USA/Canada	
28	1001218704	1	Decal, Ultra Low Sulfur Diesel	
29	1001139942	1	Decal, Hot Fluid Warning	
32	1001171277	1	Decal, Boom Extend	
33	1001172035	1	Decal, No Weld or Drill	
35	1001184632	1	Decal, Battery Positive	
36	1001188372	1	Decal, Sway	
37	1001189154	2	Decal, Read Operators Manual	
38	1001191229	1	Decal, Fuse Panel	
41	1001195855	1	Decal, Battery Disconnect	
42	1001196806	1	Decal, Diesel Exhaust Fluid	
43	1001227287	1	Decal, Manual	
44	See Note	NSS	SN Plate (Note: Stamped Part - Not Available for Purchase0	
45	1001214206	1	Decal, Park Brake	
46	AU2105	1	Decal, No Karcher	
47	1001207218	1	Decal, Danger Swinging Load	
48	1001219211	1	Decal, Brake Fluid	
50	1001222650	2	Decal, Axle Lift	
54	1001247646	1	Decal, DEF Minimum Refill Volume	

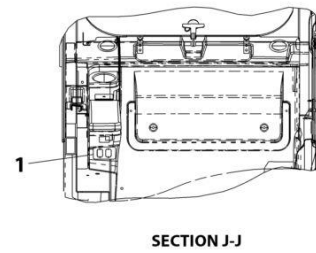
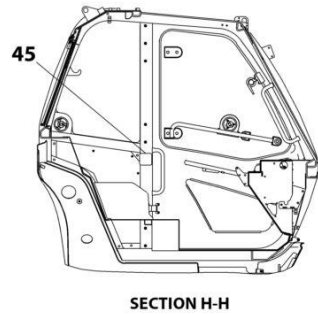
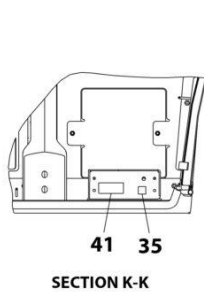
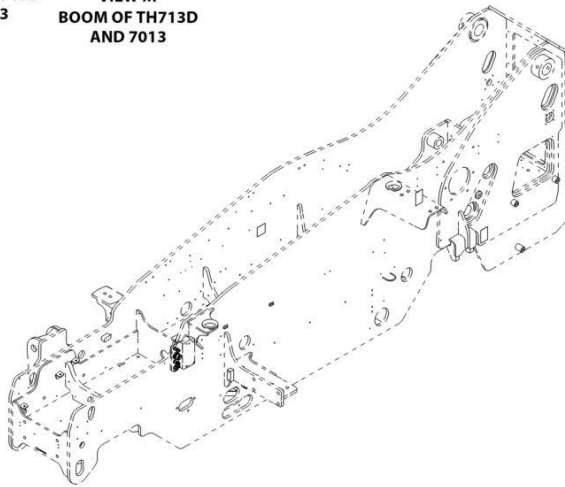
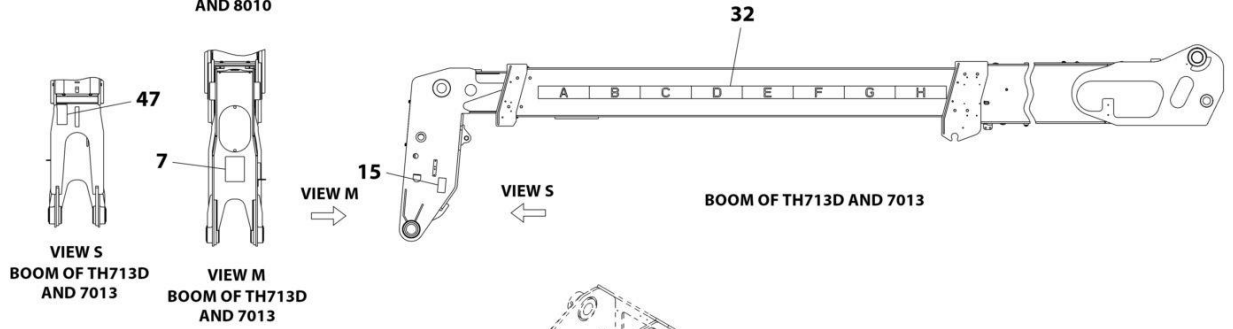
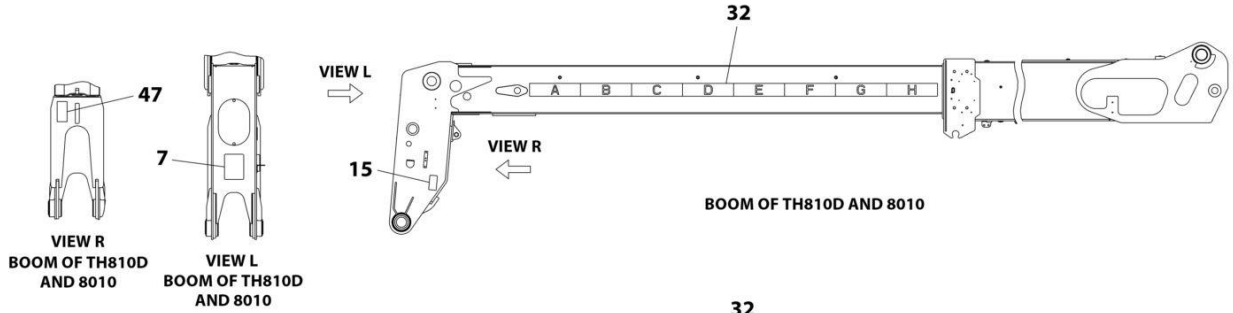
SECTION 11 - DECALS

FIGURE 11-3. DECALS INSTALLATION (LS ISO)



ART_1001220707_D_1

SECTION 11 - DECALS



ART_1001220707_D_2

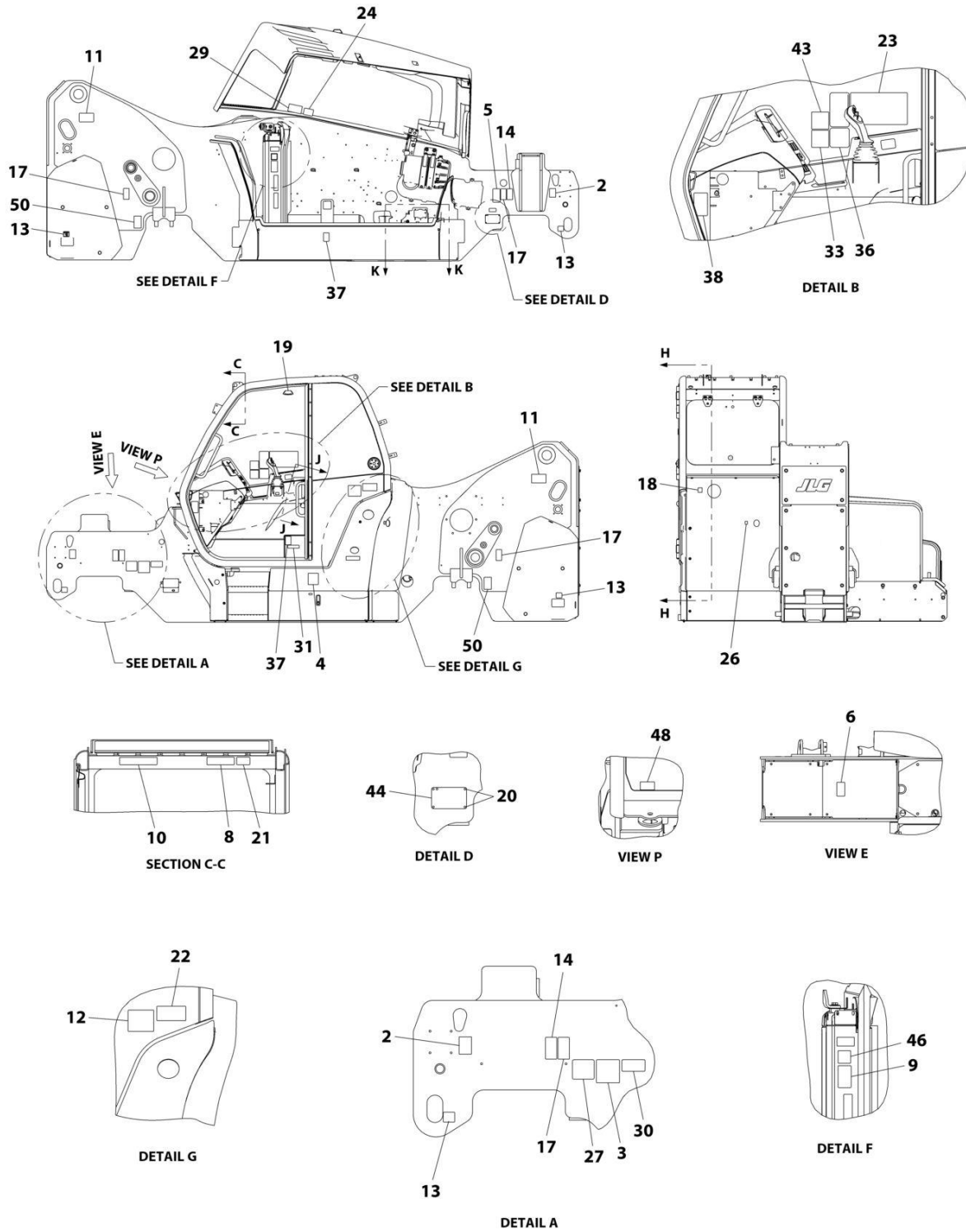
SECTION 11 - DECALS

FIGURE 11-3. DECALS INSTALLATION (LS ISO)

ITEM	PART NUMBER	QTY	DESCRIPTION	REV
	1001220707	Ref	Decal Installation (LS)	D
1	1670836	1	Cover, Boom	
2	1701500	2	Decal, Lift	
3	See Note	NSS	Decal, Bar Code (Note: Not Available for Purchase)	
4	1705980	1	Decal, Acoustic Power 106db	
5	1706098	1	Decal, Warning Ether Start	
6	1706281	1	Decal, Battery Warning (ISO)	
7	1706282	1	Decal, Carry Personnel (ISO)	
8	1706284	1	Decal, Electrocutation Hazard (ISO)	
9	1706285	1	Decal, Moving Parts (ISO)	
10	1706288	1	Decal, Tip Over Warning	
11	1706292	2	Decal, Pinch Point Boom Holes	
12	3251813	1	Decal, USA	
13	4109801	4	Decal, Tie Down Point	
14	8005671	2	Decal, Cylinder Lock Warning	
15	8005675	2	Decal, Watch for Raised Boom Warning	
17	8008657	4	Decal, Set Brake Lever Warning	
18	1001094708	1	Decal, Hydraulic Oil	
20	1001009178	4	Tack, Metal	
21	1001092877	1	Decal, Crush Hazard Warning	
22	1001092878	1	Decal, No Riders	
23	1001101895	1	Decal, Cab Warning	
24	1001109053	1	Decal, Coolant Fill	
26	1001130323	1	Decal, Oil Level	
27	1001131271	1	Decal, Patent Telehandlers USA/Canada	
29	1001139942	1	Decal, Hot Fluid Warning	
30	1001143852	1	Decal, LRC EPA	
32	1001171277	1	Decal, Boom Extend	
33	1001172035	1	Decal, No Weld or Drill	
35	1001184632	1	Decal, Battery Positive	
36	1001188372	1	Decal, Sway	
37	1001189154	2	Decal, Read Operators Manual	
38	1001191229	1	Decal, Fuse Panel	
41	1001195855	1	Decal, Battery Disconnect	
43	1001227287	1	Decal, Manual	
44	See Note	NSS	SN Plate (Note: Stamped Part - Not Available for Purchase0	
45	1001214206	1	Decal, Park Brake	
46	AU2105	1	Decal, No Karcher	
47	1001207218	1	Decal, Danger Swinging Load	
48	1001219211	1	Decal, Brake Fluid	
50	1001222650	2	Decal, Axle Lift	

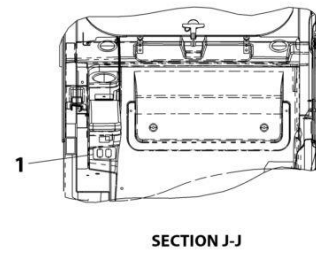
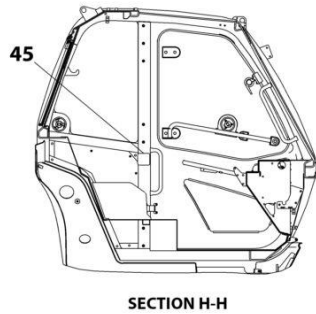
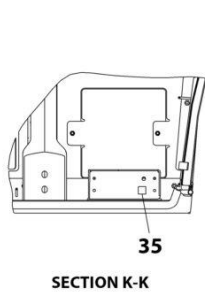
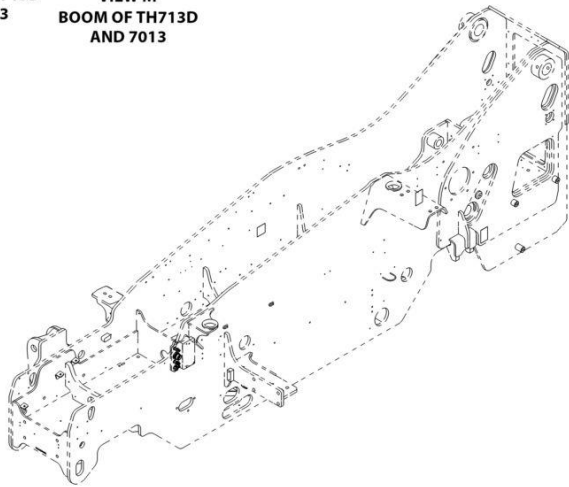
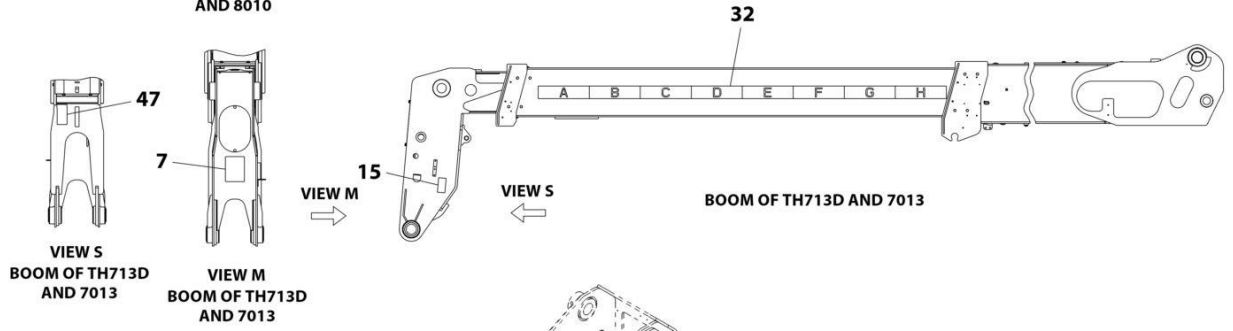
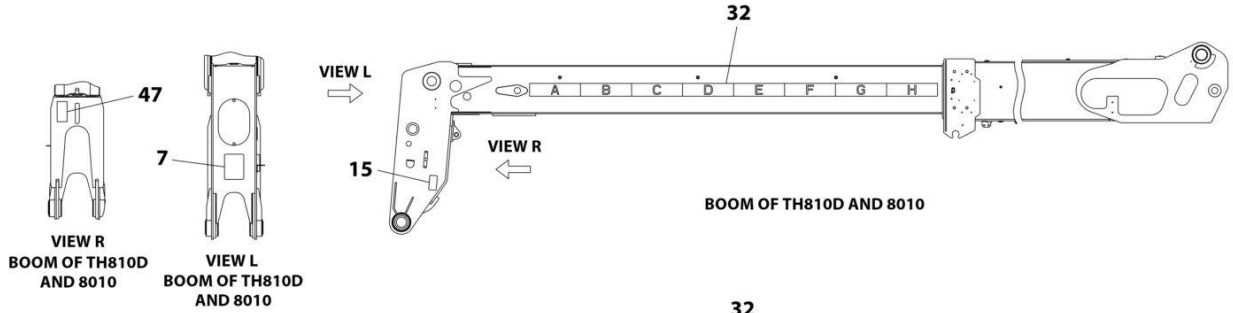
SECTION 11 - DECALS

FIGURE 11-4. DECALS INSTALLATION (LS AUS)



ART_1001192743_E_1

SECTION 11 - DECALS



ART_1001192743_E_2

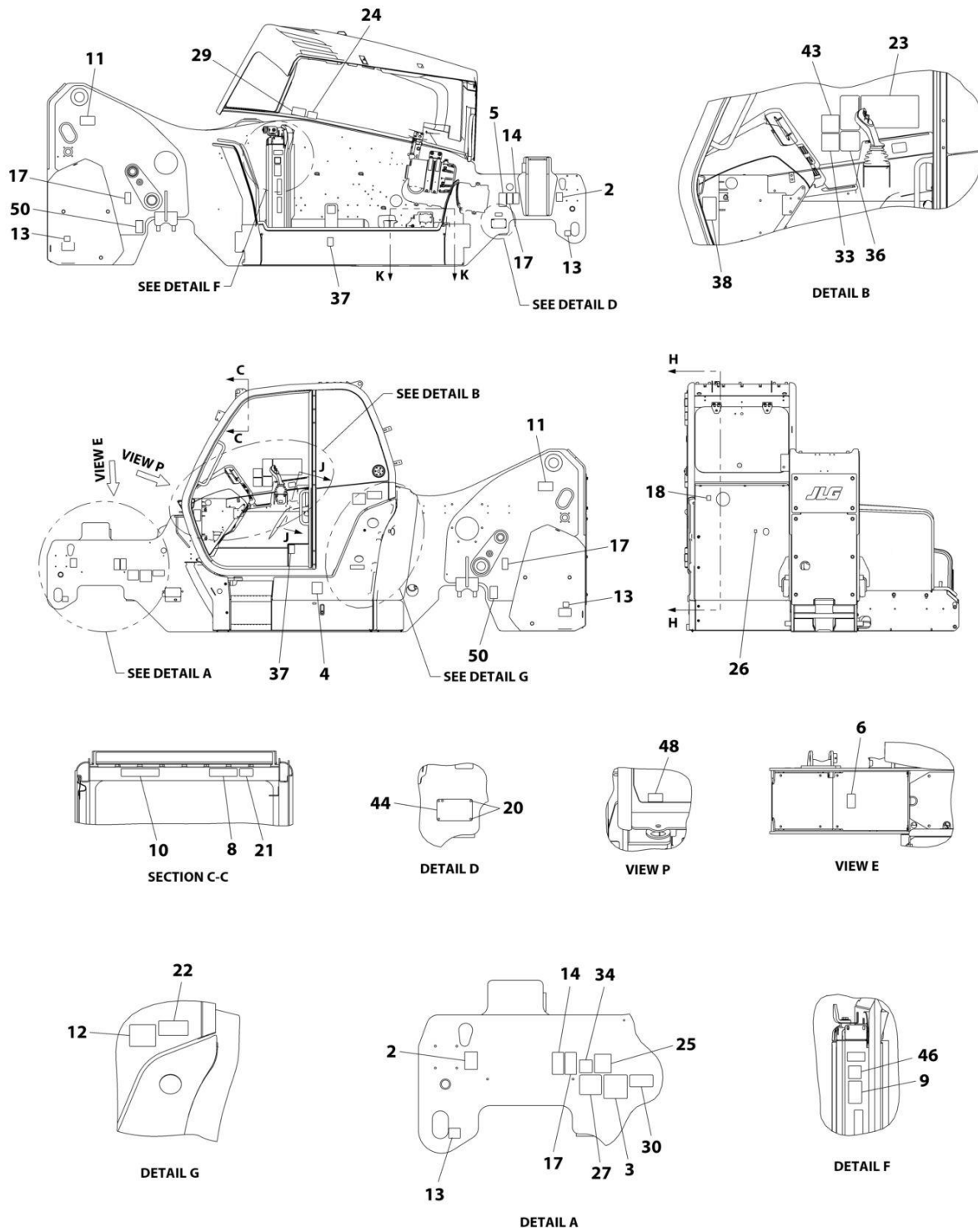
SECTION 11 - DECALS

FIGURE 11-4. DECALS INSTALLATION (LS AUS)

ITEM	PART NUMBER	QTY	DESCRIPTION	REV
	1001192743	Ref	Decal Installation (AUS)	E
1	1670836	1	Cover, Boom	
2	1701500	2	Decal, Lift	
3	See Note	NSS	Decal, Bar Code (Note: Not Available for Purchase)	
4	1705980	1	Decal, Acoustic Power 106db	
5	1706098	1	Decal, Warning Ether Start	
6	1706281	1	Decal, Battery Warning (ISO)	
7	1706282	1	Decal, Carry Personnel (ISO)	
8	1706284	1	Decal, Electrocutation Hazard (ISO)	
9	1706285	1	Decal, Moving Parts (ISO)	
10	1706288	1	Decal, Tip Over Warning	
11	1706292	2	Decal, Pinch Point Boom Holes	
12	3251813	1	Decal, USA	
13	4109801	4	Decal, Tie Down Point	
14	8005671	2	Decal, Cylinder Lock Warning	
15	8005675	2	Decal, Watch for Raised Boom Warning	
17	8008657	3	Decal, Set Brake Lever Warning	
18	1001094708	1	Decal, Hydraulic Oil	
19	8466306	1	Gauge, Tilt Angle	
20	1001009178	4	Tack, Metal	
21	1001092877	1	Decal, Crush Hazard Warning	
22	1001092878	1	Decal, No Riders	
23	1001101895	1	Decal, Cab Warning	
24	1001109053	1	Decal, Coolant Fill	
26	1001130323	1	Decal, Oil Level	
27	1001131271	1	Decal, Patent	
29	1001139942	1	Decal, Hot Fluid Warning	
30	1001143852	1	Decal, LRC EPA	
31	1001155230	1	Decal, Cab AUS Safety	
32	1001171277	1	Decal, Boom Extend	
33	1001172035	1	Decal, No Weld or Drill	
35	1001184632	1	Decal, Battery Positive	
36	1001188372	1	Decal, Sway	
37	1001189154	2	Decal, Read Operators Manual	
38	1001191229	1	Decal, Fuse Panel	
43	1001227287	1	Decal, Manual	
44	See Note	NSS	SN Plate (Note: Stamped Part - Not Available for Purchase0	
45	1001214206	1	Decal, Park Brake	
46	AU2105	1	Decal, No Karcher	
47	1001207218	1	Decal, Danger Swinging Load	
48	1001219211	1	Decal, Brake Fluid	
50	1001222650	2	Decal, Axle Lift	

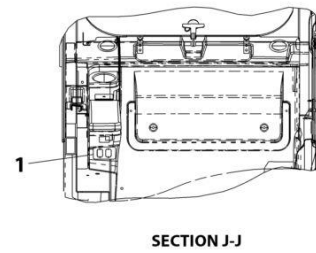
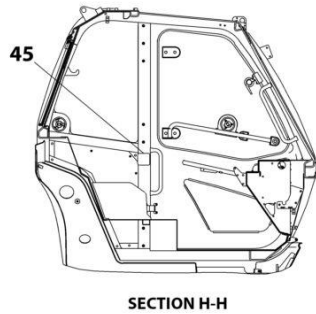
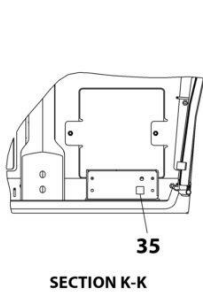
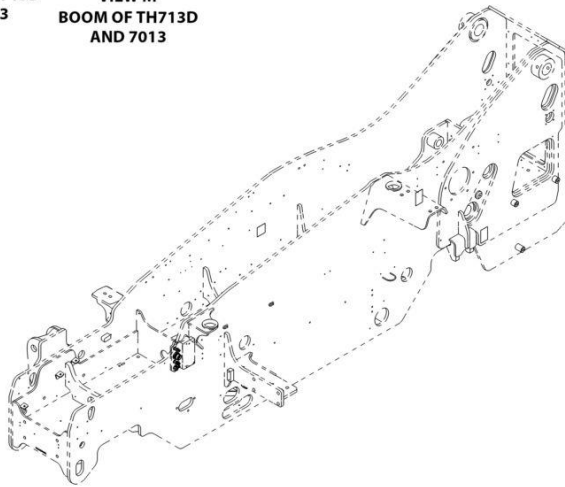
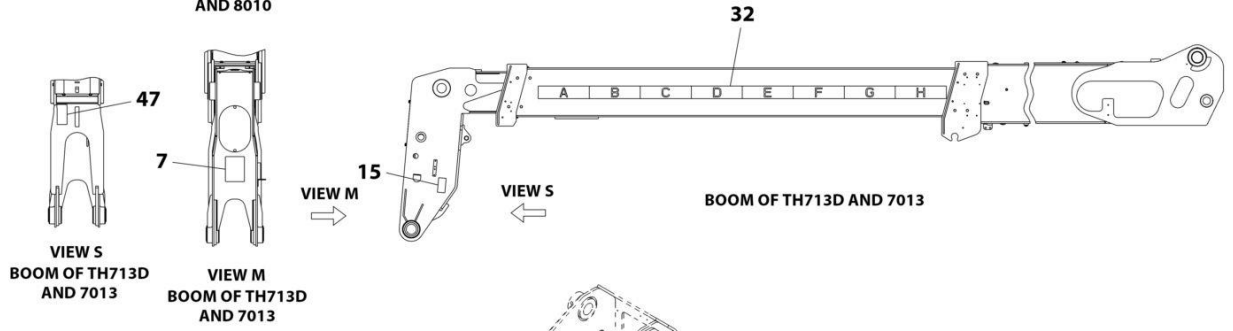
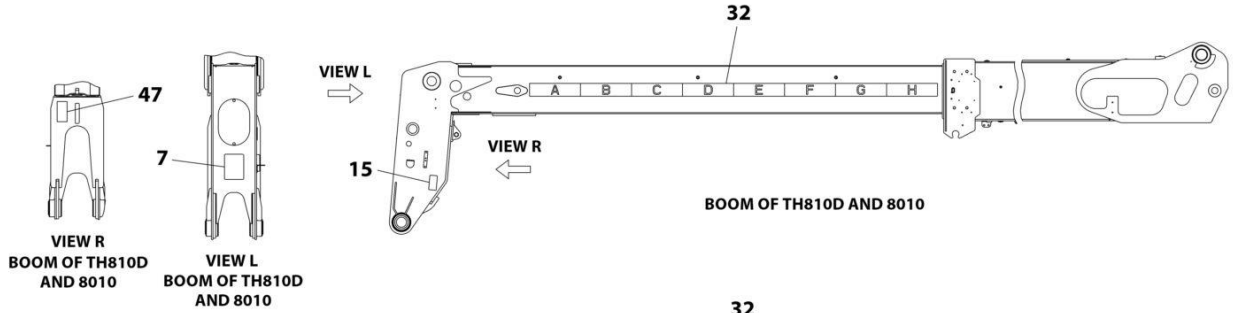
SECTION 11 - DECALS

FIGURE 11-5. DECALS INSTALLATION (LS CIS)



ART_1001195313_E_1

SECTION 11 - DECALS



ART_1001195313_E_2

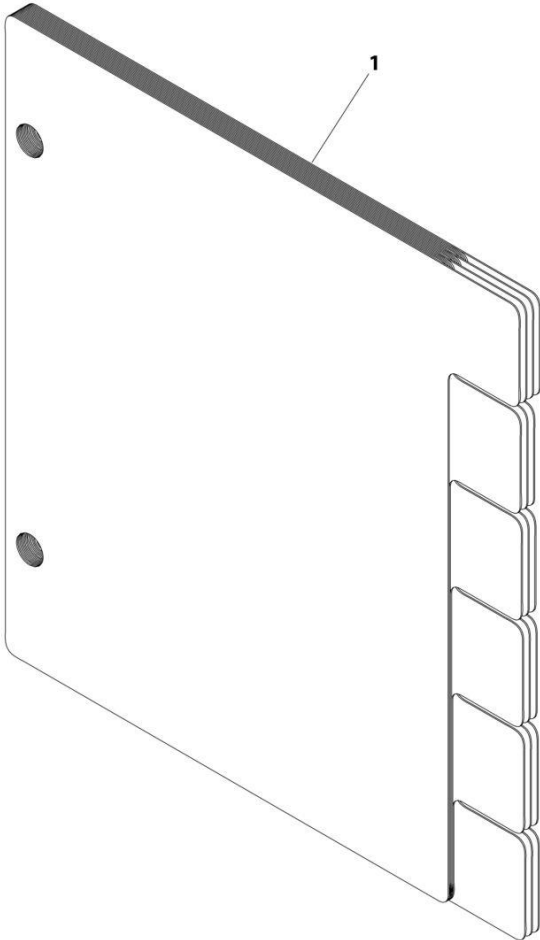
SECTION 11 - DECALS

FIGURE 11-5. DECALS INSTALLATION (LS CIS)

ITEM	PART NUMBER	QTY	DESCRIPTION	REV
	1001195313	Ref	Decal Installation (CIS)	E
1	1670836	1	Cover, Boom	
2	1701500	2	Decal, Lift	
3	See Note	NSS	Decal, Bar Code (Note: Not Available for Purchase)	
4	1705980	1	Decal, Acoustic Power 106db	
5	1706098	1	Decal, Warning Ether Start	
6	1706281	1	Decal, Battery Warning (ISO)	
7	1706282	1	Decal, Carry Personnel (ISO)	
8	1706284	1	Decal, Electrocution Hazard (ISO)	
9	1706285	1	Decal, Moving Parts (ISO)	
10	1706288	1	Decal, Tip Over Warning	
11	1706292	2	Decal, Pinch Point Boom Holes	
12	3251813	1	Decal, USA	
13	4109801	4	Decal, Tie Down Point	
14	8005671	2	Decal, Cylinder Lock Warning	
15	8005675	2	Decal, Watch for Raised Boom Warning	
17	8008657	4	Decal, Set Brake Lever Warning	
18	1001094708	1	Decal, Hydraulic Oil	
20	1001009178	4	Tack, Metal	
21	1001092877	1	Decal, Crush Hazard Warning	
22	1001092878	1	Decal, No Riders	
23	1001101895	1	Decal, Cab Warning	
24	1001109053	1	Decal, Coolant Fill	
25	1001121555	1	Decal, PCT Russia	
26	1001130323	1	Decal, Oil Level	
27	1001131271	1	Decal, Patent	
29	1001139942	1	Decal, Hot Fluid Warning	
30	1001143852	1	Decal, LRC EPA	
32	1001171277	1	Decal, Boom Extend	
33	1001172035	1	Decal, No Weld or Drill	
34	1001173703	1	Decal, EAC	
35	1001184632	1	Decal, Battery Positive	
36	1001188372	1	Decal, Sway	
37	1001189154	2	Decal, Read Operators Manual	
38	1001191229	1	Decal, Fuse Panel	
43	1001227287	1	Decal, Manual	
44	See Note	NSS	SN Plate (Note: Stamped Part - Not Available for Purchase0	
45	1001214206	1	Decal, Park Brake	
46	AU2105	1	Decal, No Karcher	
47	1001207218	1	Decal, Danger Swinging Load	
48	1001219211	1	Decal, Brake Fluid	
50	1001222650	2	Decal, Axle Lift	

SECTION 11 - DECALS

FIGURE 11-6. CAPACITY CHART (ANSI METRIC) (ULS & LS) (AFRICA, APAC, CIS, JAPAN, LATIN AMERICA MID-EAST SPECS)



ART_1001239445-A

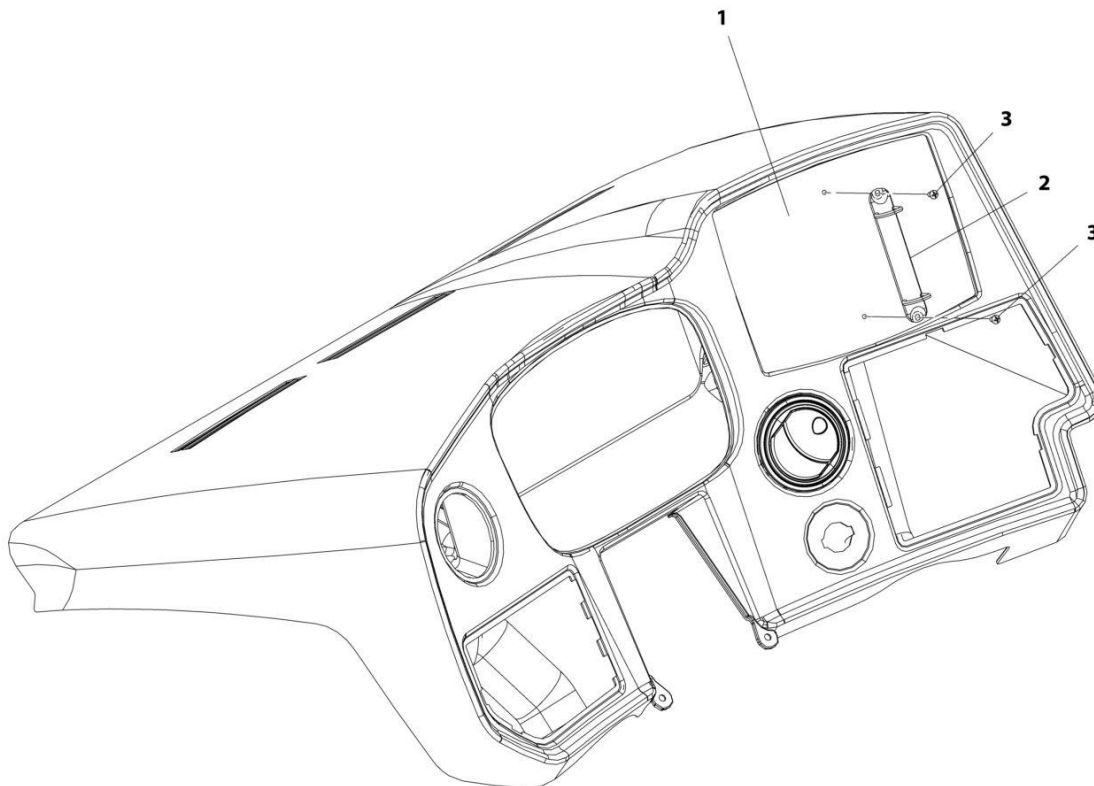
SECTION 11 - DECALS

FIGURE 11-6. CAPACITY CHART (ANSI METRIC) (ULS & LS) (AFRICA, APAC, CIS, JAPAN, LATIN AMERICA MID-EAST SPECS)

ITEM	PART NUMBER	QTY	DESCRIPTION	REV
1	1001239445	Ref	Load Chart (ISO)	

SECTION 11 - DECALS

FIGURE 11-7. CAPACITY CHART HOLDER INSTALLATION



ART_1001178706-A

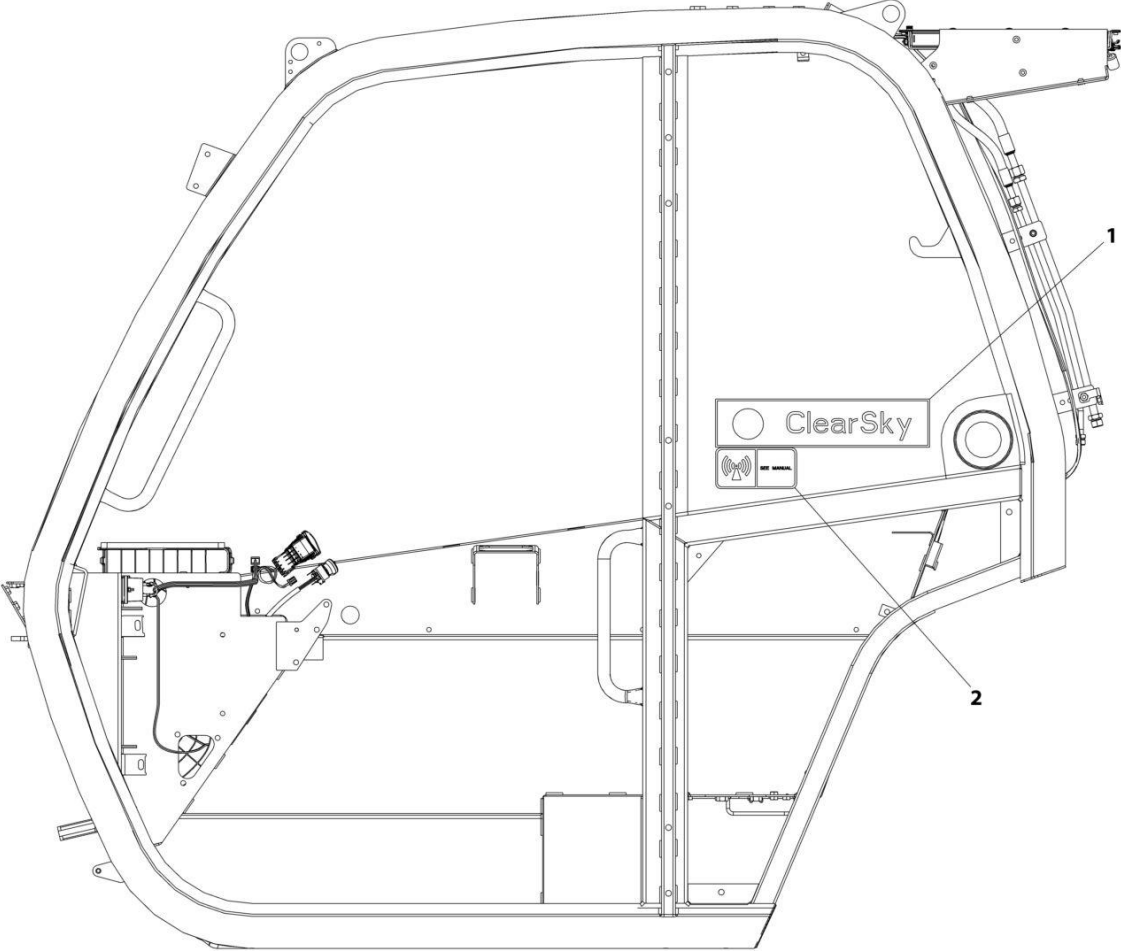
SECTION 11 - DECALS

FIGURE 11-7. CAPACITY CHART HOLDER INSTALLATION

ITEM	PART NUMBER	QTY	DESCRIPTION	REV
	1001178706	Ref	Capacity Chart Holder Installation	A
1	1001179297	1	Load Chart, Bezel	
2	1001005960	1	Holder	
3	7029486	2	Screw	

SECTION 11 - DECALS

FIGURE 11-8. CLEARSKY DECAL INSTALLATION



ART_1001229707

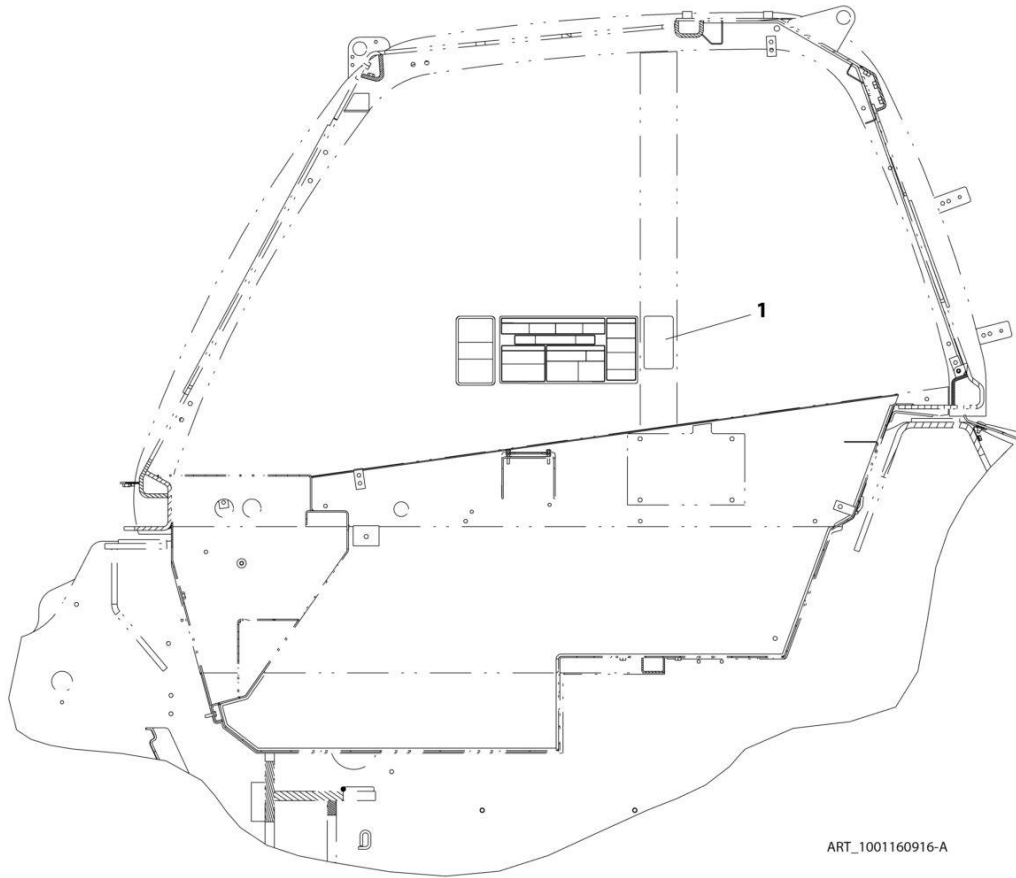
SECTION 11 - DECALS

FIGURE 11-8. CLEARSKY DECAL INSTALLATION

ITEM	PART NUMBER	QTY	DESCRIPTION	REV
	1001229707	Ref	Clearsky Decal Installation	C
1	1001294815	1	Decal - ClearSky	
2	1001120989	1	Radio Frequency Decal	

SECTION 11 - DECALS

FIGURE 11-9. REVERSE SENSOR SYSTEM DECAL



SECTION 11 - DECALS

FIGURE 11-9. REVERSE SENSOR SYSTEM DECAL

ITEM	PART NUMBER	QTY	DESCRIPTION	REV
1	1001160916	1	Reverse Sensor System Decal (ISO)	A

SECTION 12 - RECOMMENDED SERVICE PARTS STOCK

SECTION 12 - RECOMMENDED SERVICE PARTS STOCK

SECTION 12 - RECOMMENDED SERVICE PARTS STOCK

FIGURE 12-1. RECOMMENDED SERVICE PARTS STOCK

ITEM	PART NUMBER	QTY	DESCRIPTION	REV
		Ref	Note: The following list will service one machine (built to current production per date on the front cover) with emergency repair parts which can be installed in the field. Parts from the list should be replaced when inventory is depleted to keep service parts stock supplied. For further information, contact your JLG dealer or the JLG Industries Parts Department.	
		Ref	STANDARD PARTS	
	70002963	1 1	Coil	
	70004595	1 1	Coil	
	70020764	1 1	Coil	
	70026582	1 1	Coil	
	70028281	1 1	Coil	
	1001191685	1 1	Element, Filter	
	70025153	1 1	Element, Fuel Filter (Primary)	
	70004512	1 1	Element, Fuel Filter (Secondary)	
	1001141461	1 1	Filter	
	1001228872	1 1	Filter	
	1001162662	1 1	Filter, Breather	
	70025850	1 1	Filter, Cylindrical Air Primary	
	70025851	1 1	Filter, Cylindrical Air Secondary	
	70005549	1 1	Filter, DEF	
	7016331	1 1	Filter, Oil	
	1001131177	2 2	Fuse	
	8229242	2 2	Fuse, 5AMP	
	8229261	2 2	Fuse, 5AMP	
	80983191	2 2	Fuse, 10AMP	
	8229234	2 2	Fuse, 10AMP	
	8229244	2 2	Fuse, 15AMP	
	8229235	2 2	Fuse, 20AMP	
	8229247	2 2	Fuse, 25AMP	
	8229245	2 2	Fuse, 30AMP	
	70026292	2 2	Fuse, 35AMP	
	70026295	2 2	Fuse, 35AMP	
	70026294	2 2	Fuse, 70AMP	
	70026297	2 2	Fuse, 80AMP	
	1001095336	2 2	Fuse, 150AMP	
	70026296	2 2	Fuse, 200AMP	
	70022765	1 1	Key, Ignition (set of 2)	
	70028514	1 1	Kit, Solenoid 12V	
	1001117308	1 1	Relay	
	70022726	1 1	Solenoid	
	1001080375	1 1	Switch	
	1001102502	1 1	Switch, 4 Position Key	
	1001104654	1 1	Switch, Aux Decomp	
	1001159746	1 1	Switch, Aux Electric	
	1001159738	1 1	Switch, Beacon	
	4360658	1 1	Switch, Brake Light	
	1001159745	1 1	Switch, Boom Ride	
	1001159741	1 1	Switch, Constant AUX	

SECTION 12 - RECOMMENDED SERVICE PARTS STOCK

ITEM	PART NUMBER	QTY	DESCRIPTION	REV
	70025486	1 1	Switch, Contact	
	1001192142	1 1	Switch, Disconnect	
	4360475	1 1	Switch, E-Stop	
	1001212470	1 1	Switch, Frame Level	
	1001159734	1 1	Switch, Hazard	
	1001080978	1 1	Switch, Lift/Loader	
	1001163639	1 1	Switch, Light	
	1001159735	1 1	Switch, Rear Wiper	
	1001159736	1 1	Switch, Roof Wiper	
	1001159849	1 1	Switch, Steer Mode	
	1001256974	1	Wiper-Turn Switch	
		Ref	VARIABLE PARTS	
	1001203181	1 1	Accessory, Control (USL & LS ASOV)	
	1001250475	1 1	Attachment Recognition Receiver (FCC)	
	1001162253	1 1	Control, Front Frame Module	
	1001162256	1 1	Control, Rear Frame Module	
	1001209194	1 1	Control, Remote (Boom)	
	1001206112	1 1	Control, Remote Controller (Boom)	
	1001249078	1 1	Control, Voltage	
	70026293	1 2	Fuse, 50AMP (Option 1 Electrical Board)	
	1001172551	1 1	HVAC Cab Actuator	
	1001222603	1 1	Joystick (Not 2 Speed)	
	1001222606	1 1	Joystick, 2R2B (2 Speed)	
	1001172550	1 1	Knob, HVAC Control (Heater and A/C)	
	2940074	1 1	Latch (Fork Mounted Basket)	
	1001257348	1	Lever, FNR (0 Speed)	
	1001257088	1	Lever, FNR (2 Speed)	
	1001229955	1 1	Module (ClearSky CANBUS)	
	1001226328	1 1	Module, 3W TCU (ClearSky 3-Wire)	
	1001162249	1 1	Module, Cab Control	
	70027426	1 1	Module, EGR (ULS)	
	70005495	1 1	Module, Engine Control (ULS)	
	1001179901	1 1	Module, LMIS Control	
	70027986	1 1	Optical Sensor (Axles)	
	70025539	1 1	Pad, Sensor (Upper Seat)	
	3740080	1 1	Relay (Cooling Package ULS & LS ASOV)	
	70025780	1 1	Relay (ULS)	
	1001183024	1 1	Sensor (Boom Retract)	
	1001128478	1 1	Sensor (Hydrostatic Motor/Tank)	
	70005522	1 1	Sensor (ULS)	
	70005524	1 1	Sensor (ULS)	
	70028383	1 1	Sensor, Angle (Brake)	
	1001099717	1 1	Sensor, Boom Angle (LMIS)	
	4000015	1 1	Sensor, Boom Angle (No LMIS)	
	1001223903	1 1	Sensor, Boom Length	
	1001138827	1 1	Sensor, Coolant Level	
	70024918	1 1	Sensor, Coolant Temperature (ULS & LS)	
	1001188728	1 1	Sensor, HVAC Thermostat	
	1001162885	1 1	Sensor, LMIS	
	1001160730	1 1	Sensor, LSI	
	70024504	1 1	Sensor, Oil Pressure (ULS & LS)	

SECTION 12 - RECOMMENDED SERVICE PARTS STOCK

ITEM	PART NUMBER	QTY	DESCRIPTION	REV
	1001147340	1 1	Sensor, Pressure (Frame Hydraulic)	
	70005504	1 1	Sensor, Pressure (ULS & LS)	
	70024507	1 1	Sensor, Pressure (ULS & LS)	
	70005523	1 1	Sensor, Pressure (ULS)	
	1001247421	1 1	Sensor, Reverse	
	70028801	1 1	Sensor, Speed	
	70026210	1 1	Sensor, Speed (ULS)	
	70027405	1 1	Sensor, Temperature (ULS & LS)	
	70005556	1 1	Sensor, Temperature (ULS)	
	70005559	1 1	Sensor, Temperature (ULS)	
	70024505	1 1	Sensor, Temperature (ULS)	
	1001163095	1 1	Sensor, Tilt	
	70025737	1 1	Sensor, Wheel (ULS & LS)	
	1001215941	1 1	Switch (Cooling Package ULS & LS ASOV)	
	70028326	1 1	Switch (Premium Air Suspension Seat)	
	1001145204	1 1	Switch (Reversing Cooling Fan)	
	1001159739	1 1	Switch, Boom Worklights	
	1001159737	1 1	Switch, Fog Lights	
	1001159845	1 1	Switch, Front Worklights	
	70024107	1 1	Switch, Heater (Premium Air Suspension Seat)	
	1001160326	1 1	Switch, HVAC On/Off (Heater and A/C)	
	1001159925	1 1	Switch, HVAC Recycle (Heater and A/C)	
	1001172547	1 1	Switch, HVAC Rotary 3 Speed (Heater and A/C)	
	4360657	1 1	Switch, Ignition (Remote Control Boom)	
	1001159742	1 1	Switch, LSI Override	
	1001159846	1 1	Switch, Rear Worklights	

SECTION 13 - SPECIAL OPTIONS

SECTION 13 - SPECIAL OPTIONS

FIGURE 13-1. SPECIAL OPTIONS

ITEM	PART NUMBER	QTY	DESCRIPTION	REV
		Ref	Note: This list is to accommodate machines ordered with special equipment. Options may not be applicable to all models. For more specific parts information contact JLG Parts Department.	
		Ref	MISCELLANEOUS SPECIAL OPTIONS	
	1001233189	Ref	Air Shutoff Valve (ASOV) Kit	
	1001229073	Ref	Boom Kit - 1644/7013H	
	1001229212	Ref	Boom Brushes Kit - 1644/7013H	
	1001231057	Ref	Boom Prop Kit	
	1001229075	Ref	Boom Wear Pad Kit - 1644/7013H	
	1001213286	Ref	Cab Display Kit	
	1001199382	Ref	Cab Guard Kit - Roof/Front Combo	
	1001212845	Ref	Cab Guard Kit - Front	
	1001199380	Ref	Cab Guard Kit - Roof	
	1001268341	Ref	Camera (Rear View) Add-on Kit(Dealer Installed)	
	1001229811	Ref	Camera Kit - Reverse Camera	
	1001229532	Ref	Cold Weather Kit - 115V	
	1001229813	Ref	Cold Weather Kit - 230V	
	1001245694	Ref	DEF Tank/Heater Service Kit	
	1001148902	Ref	Electrical Connector Kit - Amp/Tyco Electrical Connectors	
	1001148903	Ref	Electrical Connector Kit - Deutsch DT Electrical Connectors	
	1001148904	Ref	Electrical Connector Kit - Deutsch HD Electrical Connectors	
	1001148905	Ref	Electrical Connector Kit - Packard Electrical Connectors	
	1001148906	Ref	Electrical Connector Kit - Various Electrical Connectors	
	1001230409	Ref	Emergency Stop Switch Kit - External	
	1001229812	Ref	Engine Block Heater Kit - 115V	
	1001230125	Ref	Engine Block Heater Kit - 230V	
	70027806	Ref	Extend/Retract Cylinder Seal Kit	
	1001229576	Ref	Fender Kit	
	1001258099	Ref	Fire Extinguisher Installation	
	1001239961	Ref	Fire Extinguisher Kit	
	1001230126	Ref	Heat to Heat/AC Upgrade Kit	
	1001230188	Ref	Light Kit - Beacon/Strobe (LED)	
	1001199376	Ref	Light Kit - Beacon/Strobe	
	1001231110	Ref	Light Kit - Drive/Road Lights (RH)	
	1001231138	Ref	Light Kit - Drive/Road Lights (LED) (RH)	
	1001229104	Ref	Light Kit - Work Lights	
	1001163140	Ref	Pad, M17X198X67	
	1001230699	Ref	Radio Ready Kit	
	1001199364	Ref	Reversing Sensing Kit (PVC1911)	
	1001252304	Ref	Reversing Sensing Kit (PVC2005)	
	1001199328	Ref	Roof Wiper Kit	
	1001228993	Ref	Service Kits	G
	1001229216	Ref	Telematics Kit (Long Roof) (NA)	
	1001229324	Ref	Telematics Kit (Short Roof) (NA)	
	1001254389	Ref	Telematics Kit - Canbus (NA)	
	1001254390	Ref	Telematics Kit - Canbus (CE)	
	1001254400	Ref	Telematics Kit - Canbus Extension	
		Ref	Tools:	
	1001249695	Ref	Analyzer and Cable Kit	

SECTION 13 - SPECIAL OPTIONS

ITEM	PART NUMBER	QTY	DESCRIPTION	REV
	1001249941	Ref	Analyzer and Cable Kit (Battery Powered)	
	7002821	Ref	Crimper (For Wire to Pin/Socket Connections)	
	7002823	Ref	Extractor (For Removal of Pin/Socket from Connectors)	
	8896941	Ref	Wire Stripper	
	7004275	Ref	Seal Tool 1" (For Cylinders)	
	7004276	Ref	Seal Tool 1 1/2" (For Cylinders)	
	7002826	Ref	Seal Tool 2" (For Cylinders)	
	1001214167	Ref	Window (Rear) Release Kit	
	1001262959	Ref	Voltage Regulator for ClearSky/Telematics Add-on Kit (Dealer Installed)	

PART NUMBER INDEX

SECTION 13 - SPECIAL OPTIONS

0100081.....33	0760507 ... 201, 787, 789, 791, 807	1001002957 393	1001092878.....992, 996, 1000, 1004
0400075.....709, 711	0760512 413	1001003031 67, 69, 71	1001093564.....715
0498748.....387	0760605 ... 187, 387, 515, 519	1001003043 403	1001094708.....992, 996, 1000, 1004
0630576.....47, 49	0760607 . 47, 49, 93, 253, 255, 261, 387, 607, 803, 805, 807, 809, 855, 857, 859, 861	1001003227 45	1001095301..... 197, 199
0641405.....111	0760608 ... 195, 263, 413, 417, 483, 497, 515, 519, 523, 525, 549, 705, 707, 793, 795, 857, 861	1001003301 27	1001095336.....849, 1016
0641510.....159, 209	0760610 939	1001003305 203, 205, 209, 225, 273, 741, 791	100109565085, 485, 487, 525
0641608.....585	0760615 551	1001003427 31	1001095804.....777, 779
0651607.....85	0760806 263	1001003803 73	1001095810.....111
0681714.....589	0760807 45, 575, 839	1001004640 525	1001096021.....109
0700408.....521, 953	076080845, 85, 425, 493, 495, 705, 707, 721, 953	1001004720 177, 255	1001096023.....109
0700610....29, 33, 47, 49, 53, 93, 207, 255, 273, 483, 495, 793, 795, 893, 895	0760810 ... 39, 51, 55, 57, 63, 65, 71, 83, 221, 235, 247, 249, 263, 277, 279, 281, 411, 429, 433, 441, 449, 458, 493, 503, 507, 515, 551, 553, 555, 559, 639, 927	1001004723 789	1001096025.....109
0700612...47, 49, 55, 913	0760812 25, 223, 225, 229, 255, 267, 367, 369, 393, 791, 847	1001005368 405	1001096365.....393
0700614....159, 255, 458, 595, 839, 847	0760815 393, 559, 563	1001005438 589	1001097244.....483
0700616.....551, 579	0760823 29, 257	1001005904 557, 561, 565	1001097540....47, 49, 53, 501
0700618....745, 747, 803, 805, 807, 809	0760826 263	1001005960 1009	1001097586.....403
0700808.....803, 805	0760829 29, 257	1001006730 447	1001097587.....303, 325
0700814....45, 243, 245, 255, 583	0760834 133	1001006731 445	1001098128.....549
0700815.....889	0760837 393	1001007056 77, 651	1001098150.....476
0700816....221, 239, 263	0760840 413	1001008540 793, 795	1001098762.....715, 719
0700817551	0760843 393	1001008559 177, 207, 225, 277, 279, 281, 745, 747, 787, 789, 791, 803, 805, 807, 809, 855, 857, 859, 861, 897, 899, 905, 907, 941, 959	1001098769.....81
0700818....591, 603, 925	0760846 393	1001008857 393	1001099566.....277, 279, 281
0700819.....851, 853	0760849 413	1001008923 741, 889	1001099717....931, 1017
0700820....503, 505, 507, 577, 847	0760852 413	1001008988 387	1001100166.....639
0700821.....549	0760855 413	1001008999 45	1001100169.....639
0700824.....525	0760858 413	1001009018 21	1001100319.....221
0700826.....263	0760861 413	1001009163 291	1001101041.....103, 107, 121, 123, 133, 135, 138, 142, 553, 557, 561, 565
0701014....45, 51, 55, 79, 197, 199, 255, 265, 267, 273, 549, 897, 899, 905, 907	0760864 413	1001009178 992, 996, 1000, 1004	1001101042.....103, 107, 121, 123, 133, 135, 138, 142, 553, 557, 561, 565
0701016....197, 199, 611	0760867 413	1001009325 203, 205, 207	1001101702.....523
0701018....191, 223, 225, 229, 273	0760870 413	1001010646 445, 447	1001101808.....705
0701020....25, 223, 225, 229	0760873 413	1001010647 445, 447	1001101855.....929
0701024.....597	0760876 413	1001010649 445, 447	1001101895.....992, 996, 1000, 1004
0701026.....209	0760879 413	1001010650 445, 447	1001102157.....37
0701027.....601	0760882 413	1001014231 589	1001102502.....777, 779, 1016
0701216.....29, 87, 615	0760885 413	1001028264 21	1001103012.....750, 758
0701220.....901	0760888 413	1001028291 21	1001103156.....735, 931
0701618.....185	0760891 413	1001028306 21	1001103300.....735, 931
0701626.....185	0760894 413	1001028308 21	1001104477.....561, 565, 669
0701628....127, 129, 131, 185	0760897 413	1001028377 21	1001104498.....743, 750, 754, 758, 762, 879, 883
0701630.....185	0760900 413	1001028400 21	1001104499.....754, 762
0711015.....65	0760903 413	1001047062 387	1001104519.....751, 759, 781
0711016.....69	0760906 413	1001080375 559, 563, 1016	1001104654.....777, 779, 1016
0711017.....67	0760909 413	1001080978 777, 779, 1017	1001105093.....551
0711030.....273	0760912 413	1001081085 295	1001105886.....965
0711215.....69	0760915 413	1001090343 407, 491	1001107192.....387
0711216.....67, 69, 213	0760918 413	1001091715 897, 899, 905, 907	1001107339.....273
0711217.....67	0760921 413	1001091716 897, 899, 905, 907	1001107854.....743, 750, 754, 758, 762, 775, 879, 883
0711230.....63	0760924 413	1001092877 992, 996, 1000, 1004	1001109053.....992, 996, 1000, 1004
0711635.....63	0760927 413		
0712020.....375	0760930 413		
0712022.....375	0760933 413		
0712027.....377	0760936 413		
0712442.....601	0760939 413		
0760405....127, 129, 131	0760942 413		
0760410.....909	0760945 413		

SECTION 13 - SPECIAL OPTIONS

1001109387 155	1001116950..... 864, 865, 868, 869, 872, 873, 876, 877	1001126245..... 812, 818	1001139551 491
1001110023 557, 565, 671	1001116983..... 824, 828	1001126349..... 823	1001139552 407
1001110115 565	1001116984..... 754, 762	1001126351..... 823	1001139568 405
1001111076 497	1001116985..... 754, 762	1001126352..... 823	1001139942 992, 996, 1000, 1004
1001111140 595	1001116986..... 753, 754, 761, 762	1001126353..... 811, 817, 823, 827	1001140671 267
1001111147 497	1001116991..... 751, 754, 759, 762	1001126356..... 823	1001141246 393
1001111317 383, 385, 389	1001116995..... 753, 761	1001126357..... 823	1001141281 411
1001112612 729, 733, 754, 762	1001116996..... 879, 880, 883, 884	1001126360..... 823	1001141311 491
1001112796 739, 981, 985	1001116997..... 753, 761	1001126362..... 811, 817, 823, 827	1001141312 407
1001114495 233, 235	1001116998..... 754, 762	1001126384..... 823	1001141313 491
1001114803 223, 225, 229	1001116999..... 751, 759	1001126391..... 811, 814, 817, 820, 823, 827	1001141400 207
1001116128 473, 941	1001117011..... 753, 761, 785	1001126393..... 811, 814, 817, 820, 823, 827	1001141461 587, 1016
1001116696 879, 880, 883, 884	1001117018..... 824, 827	1001126485..... 811, 812, 817, 818	1001141462 587
1001116697 750, 758	1001117021..... 775	1001126487..... 811, 817	1001141976 585, 587
1001116698 750, 758	1001117024..... 801	1001126837..... 735, 939	1001142724 55
1001116700 751, 759, 785	1001117068..... 823	1001128128..... 801, 812, 818, 824, 828, 864, 868, 872, 876	1001143200 401
1001116710 824, 828	1001117079..... 753, 761	1001128890..... 113	1001143551 843
1001116716 751, 759	1001117081..... 751, 752, 753, 759, 760, 761	1001128890..... 113	1001143852 ... 996, 1000, 1004
1001116723 751, 752, 753, 754, 759, 760, 761, 762	1001117109..... 864, 868, 872, 876	1001128890..... 113	1001144147 771, 773, 812, 818, 824, 828, 843, 977, 979
1001116725 812, 818	1001117121..... 781	1001129407..... 971	1001144296 751, 759
1001116727 814, 819, 884, 961	1001117247..... 933, 935	1001129425..... 941	1001144629J 111
1001116728 825, 829, 880, 884, 891	1001117308..... 793, 795, 1016	1001130220..... 47, 49, 53	1001145204 251, 799, 1018
1001116729 961	1001118202..... 864, 868	1001130323..... 992, 996, 1000, 1004	1001145390 77, 651
1001116731 977	1001118282..... 801, 812, 818, 824, 828, 872, 876	1001131177..... 803, 805, 807, 809, 1016	1001145391 75, 77
1001116732 801, 812, 818, 864, 868, 872, 876	1001118323..... 864, 868, 872, 876	1001131271..... 992, 996, 1000, 1004	1001145539 458
1001116733 801, 824, 828	1001118378..... 843	1001132168..... 41	1001146160 113
1001116734 801, 812, 818, 824, 827, 828	1001118379..... 753, 761	1001132169..... 865, 869, 873, 877, 951	1001146588 203, 221, 225, 237, 251, 255, 741, 745, 747, 799, 803, 805, 807, 809, 855, 857, 859, 861, 897, 899, 905, 907, 933
1001116745 961	1001118383..... 781	1001132170..... 869, 877	1001147340 595, 1018
1001116747 775	1001118384..... 751, 752, 753, 754, 759, 760, 761, 762	1001132564..... 476	1001147416 553, 557, 561, 565
1001116748 753, 761	1001118386..... 754, 762	1001133714..... 813, 819, 820, 823, 824, 827, 828	1001147449 476, 479
1001116754 752, 760	1001118387..... 754, 762	1001133715..... 811, 813, 817, 819, 820, 823, 824, 827, 828	1001148307 249
1001116763 775, 879, 883	1001118392..... 879, 880, 883, 884	1001133793..... 197, 199	1001148841 811, 817, 823, 827
1001116774 843, 865, 869, 873, 877, 919	1001118684..... 752, 760	1001134274..... 735, 931	1001148842 811, 817, 823, 827
1001116808 843, 869, 877	1001118685..... 781	1001135650..... 811, 813, 817, 819, 820, 823, 824, 827, 828	1001148902 1020
1001116810 864, 868, 872, 876	1001119467..... 429	1001135651..... 811, 813, 817, 819, 820, 823, 824, 827, 828	1001148903 1020
1001116811 812, 818, 824, 828	1001119727..... 267	1001136975..... 203, 205, 207	1001148904 1020
1001116812 751, 753, 754, 759, 761, 762, 773, 811, 812, 813, 817, 818, 819, 820, 823, 824, 825, 827, 828, 829, 843, 863, 867, 871, 875, 880, 884, 915, 919, 977, 979, 981	1001120989..... 1011	1001136999..... 754, 762	1001148905 1020
1001116815 755, 763, 814, 820, 843	1001121555..... 1004	1001137000..... 754, 762	1001148906 1020
	1001121726..... 880, 884	1001137578..... 814, 820	1001149278 476, 479
	1001121727..... 880, 884, 961	1001138110..... 823	1001150294 431
	10011223457..... 750, 758	1001138111..... 823	1001150610 812, 818, 824, 828
	1001125117..... 67, 69, 71, 87	1001138113..... 823	1001150611 864, 868, 872, 876
	1001125222..... 523	1001138116..... 811, 817	1001150735 753, 761
	1001125465..... 941	1001138645..... 839	1001150737 753, 761
	1001125677..... 751, 759, 814, 819, 880, 884	1001138827..... 239, 1017	1001152915 383, 385
	1001126008..... 754, 762, 797, 812, 818, 843, 865, 869, 873, 877	1001138945..... 273	1001152947 383, 385
	1001126011..... 754, 762, 813, 819		1001153612 813, 819

SECTION 13 - SPECIAL OPTIONS

1001155447.....379, 411	1001161097..... 750, 758, 863, 867, 871, 875, 879, 883, 919	1001165309..... 864, 868, 872, 876	1001168330.....458
1001155486.....491	1001161098..... 750, 758, 863, 867, 871, 875, 919	1001165310..... 865, 869, 873, 877	1001168331.....458
1001155540.....223, 225, 229	1001161099..... 750, 758, 863, 867, 871, 875, 879, 883, 919	1001165311..... 880, 884	1001168429.....55
1001155823.....221	1001161100..... 750, 758, 863, 867, 871, 875, 879, 883, 919	1001165327..... 415	1001168456.....458
1001156265.....525	1001161101..... 750, 758, 863, 867, 871, 875, 879, 883, 919	1001165351..... 413	1001168531.....441, 785
1001157890.....843	1001161252..... 476	1001165407..... 413	1001168599.....605, 687
1001157891.....729, 733	1001161253..... 476	1001165416..... 413	1001168758.....47
1001158146.....777	1001161499..... 379, 511	1001165455..... 413	1001169135.....441, 443
1001158596.....433	1001161672..... 525	1001165458..... 413, 483	1001169151.....458, 775
1001158601.....429	1001161769..... 745, 747, 765	1001165573..... 433, 435	1001169265.....45
1001158736C.....441	1001161770..... 745, 747, 767	1001165637..... 411	1001169268.....537
1001158738C.....429	1001161771..... 745, 747, 769	1001165827..... 707	1001169354.....533, 535
1001159028.....511, 513	1001161851..... 479	1001166091..... 453, 463	1001169355.....535
1001159734.....897, 899, 905, 907, 1017	1001161855..... 476	1001166092..... 453, 463	1001169367.....535
1001159735.....777, 779, 1017	1001161858..... 449, 451	1001166192..... 55	1001169368.....239
1001159736.....491, 1017	1001161896..... 525	1001166385..... 497	1001169454.....29
1001159737.....897, 899, 905, 907, 1018	1001161897..... 525	1001166543..... 811, 817, 823, 827	1001169603.....476
1001159738.....721, 723, 725, 1016	1001161898..... 525	1001166551..... 811, 817, 827	1001169604.....476, 479
1001159739.....887, 1018	1001161957..... 863, 867, 871, 875, 879, 883, 919	1001166555..... 811, 817, 827	1001169674.....989
1001159741.....777, 779, 1016	1001161959..... 750, 758	1001166556..... 811, 814, 817, 820, 823, 827	1001169751.....533
1001159742.....937, 1018	1001161963..... 863, 867, 871, 875, 879, 883, 919	1001166565..... 191, 193	1001169763.....537
1001159743.....777, 779	1001162062..... 523	1001166634..... 389, 393	1001169825.....797
1001159745.....959, 1016	1001162212..... 221	10011666701..... 823, 827	1001169880.....389
1001159746.....727, 731, 1016	1001162249..... 745, 1017	1001166704..... 820	1001169883.....391
1001159845.....893, 895, 1018	1001162253..... 1017	1001166707..... 813, 819	1001169885.....391
1001159846.....893, 895, 1018	1001162256..... 851, 853, 1017	1001166715..... 191	1001170106.....31
1001159849.....777, 779, 1017	1001162662..... 27, 1016	1001166754..... 377	1001170113J.....389, 391
1001159925.....449, 458, 1018	1001162789..... 379, 413	1001166755..... 377	1001170114.....387, 389
1001160042.....458	1001162885..... 929, 1017	1001166774..... 811, 814, 817, 820, 823, 827	1001170231.....515
1001160043.....449	1001162886..... 750, 758	1001167004..... 541	1001170311.....247, 249
1001160326.....458, 1018	1001162887..... 751, 759	1001167015..... 471, 473	1001170325.....501
1001160420.....243	1001162920..... 515	1001167017..... 953	1001170326.....419
1001160496.....503	1001162922..... 515	1001167186..... 243	1001170366.....379, 417
1001160498.....750, 758	1001162953..... 458, 465	1001167266..... 465, 467	1001170432.....269
1001160500.....863, 867, 871, 875, 879, 883, 919	1001163095..... 913, 1018	1001167409..... 221, 271	1001170504.....476
1001160502.....750, 758	1001163140..... 1020	1001167528..... 814, 820	1001170514.....481
1001160503.....503, 507	1001163340..... 751, 759	1001167616..... 812, 818	1001170518.....476
1001160506.....505	1001163639..... 783, 1017	1001167620..... 814, 820	1001170519.....476, 481
1001160509.....379, 425	1001164183..... 85	1001167621..... 811, 817, 827	1001170601J.....387
1001160509.....863, 867, 871, 875, 879, 883, 919	1001164402..... 847, 849	1001167622..... 811, 817, 827	1001170944.....393
1001160510.....863, 867, 871, 875, 879, 883, 919	1001164655..... 425	1001167623..... 811, 817, 827	1001170993.....421
1001160730.....941, 1017	1001164726..... 387	1001167624..... 814, 820	1001171037.....391
1001160775.....989	1001164971..... 601	1001167629..... 812, 818	1001171179.....25
1001160916.....1013	1001164972..... 601	1001167630..... 811, 812, 817, 818	1001171182.....405
1001160927.....709, 711, 715, 719	1001165035..... 203, 205, 207	1001167631..... 811, 817	1001171183.....405
1001160928.....709, 711, 715, 719	1001165194..... 814, 820	1001167633..... 811, 817	1001171277.....992, 996, 1000, 1004
1001161067.....481	1001165269..... 413, 415	1001167636..... 813, 819	1001171635.....391
1001161078.....499	1001165270..... 413	1001167937..... 397	1001171756.....413
1001161080.....499	1001165273..... 415	1001167958..... 387, 397	1001171767.....421
1001161095.....919	1001165275..... 393	1001168030..... 229, 581	1001171808.....81
	1001165276..... 389	1001168054..... 515	1001171874.....515
		1001168142..... 525	1001171885.....39
		1001168151..... 525	1001171962.....953
		1001168264..... 367, 369	1001172035.....992, 996, 1000, 1004
		1001168327..... 458	1001172088.....515
			1001172094.....515
			1001172110.....41, 43
			1001172112.....43
			1001172113.....43
			1001172114.....43
			1001172115.....43
			1001172146.....25
			1001172147.....25
			1001172193.....383, 385, 389

SECTION 13 - SPECIAL OPTIONS

1001172401 379, 423	1001176272.....401	1001182930.....803, 807, 835	1001184986 293, 295
1001172495 715, 719	1001176273.....401	1001183024.....741, 1017	1001184987 299
1001172496 715, 719	1001176333..... 754, 762	1001183112.....897, 899, 901, 905, 907	1001184988 299
1001172547 449, 458, 1018	1001176338.....427	1001183221.....729	1001185026 247
1001172550 449, 458, 1017	1001176626.....401	1001183272.....847, 943, 945, 947, 949	1001185633 493
1001172551 451, 455, 461, 1017	1001177082.....25	1001183306.....365, 367	1001185870 476
1001172553 449, 458	1001178053.....909	1001183307.....365, 369	1001185927 23
1001172693 31	1001178123.....413	1001183308.....367	1001185929 23, 29
1001172755 203, 205, 207	1001178159.....383, 385	1001183309.....369	1001185930 29, 33
1001172774 507	1001178160.....383, 385	1001183447127	1001185931 33
1001172829 49	1001178170.....458	1001183549.....929	1001185933 33
1001172995 87	1001178474.....29	1001183550.....481	1001185935 33
1001172999 87	1001178670.....525, 699	1001183597.....487	1001186843 589
1001173257 505	1001178680.....405	1001183700.....585	1001186853 899
1001173298 387	1001178681.....405	1001183827.....195	1001186855 709
1001173411 751, 759	1001178693.....29	1001183829.....195	1001186856 713
1001173452 223, 225	1001178706.....1009	1001183831.....191	1001186881 55
1001173457 223, 225, 229	1001178783.....427	1001183835.....191, 195	1001186898 191
1001173528 233, 235	1001178791.....257	1001184275.....453, 463	1001187070 811, 817, 823, 827, 835, 837
1001173679 87	1001178933.....745, 747	1001184278.....453, 463	1001187075 864, 868, 872, 876, 919
1001173703 1004	1001179008.....409	1001184280.....463	1001187076 864, 865, 868, 869, 872, 873, 876, 877, 919
1001173739 87	1001179009.....409	1001184294.....453, 463	1001187077 835, 837, 977
1001173829 909	1001179080.....465	1001184295.....453, 463	1001187079 824, 828, 843, 863, 864, 867, 868, 871, 872, 875, 876, 880, 884
1001173873 261	1001179081.....465	1001184296.....453, 463	1001187080 812, 818, 863, 867, 871, 875, 880, 884
1001173965 476	1001179130.....465, 469	1001184297.....453, 463	1001187272 589
1001174104 73	1001179297.....1009	1001184306.....455	1001187273 589
1001174129 365	1001179482.....497	1001184307.....455	1001187275 589
1001174295 387, 399	1001179483.....497	1001184309.....455	1001187355 617
1001174320 383, 385	1001179484.....485	1001184310.....455	1001187423 357, 359
1001174321 393	1001179592.....501	1001184396.....855, 863	1001187820 73, 75
1001174419 83	1001179850.....23, 25	1001184397.....855, 857, 879	1001187821 73
1001174652 479	1001179851.....25, 27	1001184403.....469	1001187847 73, 75
1001174653 479	1001179852.....27	1001184404.....469	1001187848 73, 75
1001174655 479	1001179901.....1017	1001184405.....469	1001187882 814, 817
1001174712 777, 779	1001179907.....263, 839	1001184406.....469	1001188303 458, 461
1001174741 495	1001179931.....531	1001184427.....463	1001188372 992, 996, 1000, 1004
1001174795 259	1001180070.....219, 667	1001184439.....387	1001188577 453, 463
1001174796 721	1001180263.....505, 507	1001184551825	1001188578 453, 463
1001174800 495	1001180306.....21	1001184610.....75	1001188590 449, 458
1001174801 495	1001180437.....261	1001184632.....992, 996, 1000, 1004	1001188592 463
1001174812 65, 643	1001180542.....237	1001184795.....917, 919	1001188594 453, 463
1001175058 373	1001180553.....237	1001184796.....889, 891	1001188602 453, 463
1001175201 257	1001180620.....847	1001184869.....47	1001188603 453, 463
1001175265 812, 813, 818, 819, 824, 825, 828, 829, 880, 884	1001180682.....427	1001184870.....49	1001188604 453, 463
1001175266 919	1001180683.....427	1001184871.....53	1001188610 453, 463
1001175267 863, 867, 871, 875, 879, 883	1001181128.....793, 795	1001184872.....47, 49	1001188612 453, 463
1001175347 21	1001181411.....405	1001184874.....47, 49	1001188614 453, 463
1001175470 419	1001181531.....777, 779	1001184975.....476	1001188618 463
1001175471 417, 421	1001181625.....221	1001184976.....287	1001188619 463
1001175477 387	1001181681.....745, 771	1001184977.....287, 301	1001188720 453, 463
1001175568 203, 205, 207	1001181726.....476, 483	1001184978.....287, 323	1001188725 453, 463
1001175733 957	1001181920.....401	1001184979.....287, 293	
1001175776 955, 957	1001181921.....401	1001184980.....287, 289	
1001175812 55	1001181961.....709, 711	1001184981.....287, 299	
1001175903 476	1001182123.....401	1001184982.....301, 303	
1001176002 814, 820	1001182139.....401	1001184983.....323, 325	
1001176004 814, 820	1001182330.....493	1001184984.....303, 305, 307, 309, 313, 315, 317, 319	
1001176121 417, 419	1001182490.....901	1001184985.....325, 327, 329, 331, 333, 335, 339, 345	
	1001182495.....901		
	1001182529.....441, 443		
	1001182530.....441		
	1001182824.....265		
	1001182839.....939		
	1001182881.....187, 189		
	1001182929.....803, 807, 831		

SECTION 13 - SPECIAL OPTIONS

1001188728.....463, 1017	1001192177..... 357	1001193111..... 559, 563	1001195655.....63
1001188729.....453, 463	1001192178..... 357	1001193210..... 389	1001195720.....741
1001188733.....453, 463	1001192180..... 359	1001193307..... 215, 665	1001195721.....787
1001188757.....185	1001192181..... 359	1001193308..... 291, 663	1001195731.....735, 931
1001188817.....463	1001192240..... 485	1001193393..... 165, 167, 169, 171, 173, 175, 217	1001195732.....735, 931
1001188818.....463	1001192309..... 387	1001193461..... 589	1001195733.....607
1001188855.....273	1001192318..... 39	1001193474..... 523	1001195737.....67, 69, 71
1001188856.....273	1001192321..... 953	1001193516..... 547, 623	1001195814.....381, 401
1001188971.....71	1001192322..... 955	1001193517..... 547, 607	1001195816.....476
1001189023.....463	1001192323..... 705	1001193540..... 159	1001195817.....476
1001189024.....463	1001192336..... 57	1001193566..... 951	1001195818.....476
1001189025.....453, 463	1001192339..... 131	1001193698..... 705, 707	1001195820.....471
1001189046.....803, 805, 807, 809	1001192342..... 133	1001193703..... 165, 167, 169, 171, 173, 175, 209	1001195821.....473
1001189048.....463	1001192344..... 135	1001193704..... 165, 167, 169, 171, 173, 175, 213	1001195822.....471
1001189054.....463	1001192354..... 63	1001193705..... 209, 211	1001195823.....473
1001189154.....992, 996, 1000, 1004	1001192358..... 75	1001193709..... 547, 575	1001195855.....992, 996
1001189182.....476	1001192363..... 553	1001193729..... 159	1001195878.....383, 385
1001189246.....33	1001192364..... 81	1001193797..... 273	1001195881.....91
1001189288J.....357, 359, 361, 363	1001192365..... 559	1001193887..... 83	1001195883.....721
1001189876.....779	1001192366..... 555	1001193993..... 793, 795	1001195953.....741, 743
1001189980.....455	1001192367..... 563	1001194103..... 789, 791	1001195970.....125
1001190037.....812, 819	1001192370..... 737	1001194155..... 265	1001196100.....901
1001190250.....73, 75	1001192392..... 31	1001194244..... 789	1001196191.....223, 225, 229
1001190254.....63	1001192410..... 525	1001194282..... 525	1001196193.....229
1001190256.....63	1001192427..... 629	1001194421..... 752, 760, 963	1001196217.....901
1001190257.....63	1001192430..... 735	1001194534..... 191	1001196289.....983, 985
1001190260.....63	1001192431..... 911	1001194698..... 379	1001196332.....717
1001190264.....73, 75	1001192520..... 571	1001194699..... 379, 381	1001196402.....571
1001190921.....812, 818	1001192537..... 943	1001194700..... 381, 383, 385	1001196502.....789, 791
1001191035.....83, 85	1001192538..... 947	1001194702..... 567	1001196664.....215
1001191036.....85	1001192553..... 897	1001194969..... 35	1001196778.....155
1001191039.....85	1001192558..... 745, 747	1001194981..... 27	1001196779.....155
1001191091.....399	1001192560..... 777	1001195089..... 263	1001196782.....155
1001191108.....127	1001192575..... 727	1001195194..... 67, 69, 71	1001196806.....992
1001191110.....65	1001192615..... 117	1001195200..... 911, 913	1001196879.....87
1001191157.....27	1001192616..... 119	1001195201..... 911, 917	1001196949.....153
1001191163.....27	1001192619..... 917, 923	1001195202..... 913, 915	1001196950.....151
1001191229.....992, 996, 1000, 1004	1001192622..... 39, 45	1001195254..... 523	1001196951.....149
1001191255.....373, 375	1001192623J..... 45	1001195263..... 707	1001196952.....147
1001191256.....375	1001192627..... 45	1001195298..... 989	1001196959.....589
1001191257.....375	1001192631..... 45	1001195313..... 1004	1001196964.....595
1001191281.....483, 485	1001192643..... 395	1001195342..... 467	1001196967.....595
1001191282.....485	1001192644..... 397	1001195343..... 467	1001196969.....595
1001191283.....483, 487	1001192646..... 387	1001195345..... 467	1001196970.....595
1001191284.....483, 489	1001192649..... 103	1001195346..... 467	1001196973.....595
1001191285.....483	1001192650..... 107	1001195385..... 467	1001196974.....595
1001191310.....487	1001192700..... 157	1001195386..... 467	1001196975.....595
1001191311.....489	1001192702..... 161	1001195430..... 583, 585	1001196976.....595
1001191312.....489	1001192711..... 159	1001195433..... 583	1001196977.....595
1001191313.....489	1001192720..... 159	1001195434..... 583	1001196978.....595
1001191370.....483	1001192722..... 141	1001195435..... 583	1001196981.....595
1001191546.....803, 805	1001192723..... 115	1001195437..... 467	1001196982.....595
1001191685.....27, 1016	1001192734..... 137	1001195438..... 467	1001196989.....575
1001191789.....71	1001192735..... 145	1001195439..... 967	1001196992.....575
1001191915.....523	1001192737..... 515	1001195469..... 719	1001196993.....575
1001191959.....489	1001192741..... 992	1001195471..... 911, 925	1001196995.....575
1001192096.....549	1001192743..... 1000	1001195473..... 911, 927	1001196996.....575
1001192124.....31	1001192766..... 387, 395	1001195582..... 713, 715	1001196997.....575
1001192125.....29, 31	1001192771..... 571	1001195590..... 911, 931	1001196999.....575
1001192142.....793, 795, 1017	1001192772..... 571	1001195591..... 929, 933	1001197011.....549
1001192168.....357	1001192875..... 159	1001195593..... 713, 965	1001197056.....51
1001192170.....359	1001192876..... 159		1001197057.....51
	1001192877..... 159		1001197072.....185
	1001192885..... 615		1001197139.....515
	1001192886..... 615, 617		1001197196.....547, 619
	1001192887..... 615		1001197197.....595, 597
	1001192888..... 617, 691		1001197198.....597, 599

SECTION 13 - SPECIAL OPTIONS

1001197199..... 595	1001200862..... 165, 167, 169, 171, 173, 175, 185	1001202172..... 793, 943, 945	1001205375..... 65, 551
1001197200..... 595	1001200863..... 165, 167, 187	1001202247..... 235	1001205380..... 551
1001197259..... 499	1001200864..... 165, 167, 169, 171, 173, 175, 191	1001202321..... 273, 275	1001205381..... 551
1001197262..... 65	1001200865..... 165, 167, 197	1001202325..... 275	1001205528..... 639
1001197339..... 39	1001200866..... 165, 167, 203	1001202454..... 779	1001205532..... 387, 393
1001197414..... 179	1001200867..... 261	1001202519..... 983	1001205564..... 241
1001197480..... 29	1001200869..... 839	1001202526..... 221, 269	1001205565..... 241
1001197481..... 33	1001200870..... 589	1001202617..... 983	1001205573..... 595
1001197668..... 959, 961	1001200871..... 185	1001202621..... 953	1001205618..... 549
1001197733..... 51	1001200872..... 185	1001202645..... 547	1001205619..... 87
1001197734..... 51	1001200873..... 185	1001202722..... 811, 817, 827	1001205621..... 87
1001198307..... 47, 49, 51	1001200874..... 185	1001202723..... 811, 817, 827	1001205622..... 87
1001198355..... 159	1001200875..... 185	1001202730..... 99, 101	1001205627..... 87
1001198577..... 629, 631	1001200885..... 187, 189	1001202786..... 367, 369	1001206100..... 897, 899, 905, 907
1001198578..... 629, 635	1001200886..... 187	1001202899..... 255	1001206112..... 1017
1001198715..... 631, 633	1001200887..... 205, 207	1001202901..... 177	1001206633..... 737, 739
1001198717..... 635, 637	1001200968..... 473	1001202986..... 855, 857, 859, 861	1001206709..... 575
1001198893..... 725	1001201073..... 603, 657	1001203005..... 221, 271	1001206725..... 93
1001199325..... 65, 639	1001201074..... 601, 603	1001203081..... 907	1001206744..... 523
1001199328..... 1020	1001201124..... 727, 729	1001203082..... 905	1001206954..... 695
1001199364..... 1020	1001201162..... 983	1001203181..... 225, 1017	1001207171..... 812, 818
1001199376..... 1020	1001201266..... 65, 67	1001203368..... 897, 899, 905, 907	1001207173..... 869, 877
1001199380..... 1020	1001201267J..... 67	1001203503..... 159	1001207218..... 992, 996, 1000, 1004
1001199382..... 1020	1001201269..... 67	1001203557..... 711	1001207325..... 601
1001199670..... 263	1001201298..... 221	1001203558..... 711	1001207594..... 937, 939
1001199902..... 255	1001201299..... 221	1001203640..... 889, 893, 895	1001207788..... 595
1001200105..... 571, 959	1001201300..... 221	1001203932..... 39	1001207789..... 595
1001200106..... 165, 803	1001201301..... 223, 225, 229, 231	1001203933..... 39	1001207790..... 595
1001200111..... 641	1001201302..... 223, 225, 229, 237	1001203934..... 39	1001207866..... 91, 93
1001200159..... 855, 857, 943, 947	1001201303..... 223, 229, 233	1001203947..... 223, 225, 229	1001207898..... 301, 321
1001200160..... 789, 943, 945	1001201304..... 223, 225, 229, 239	1001203948..... 223, 225, 229	1001207899..... 323, 355
1001200161..... 789, 791	1001201305..... 223, 225, 229, 241	1001203985..... 65, 71	1001207956..... 523
1001200162..... 789, 791	1001201309..... 237	1001203986..... 71	1001208037..... 523
1001200164..... 789, 791	1001201314..... 233	1001203987..... 71	1001208308..... 476
1001200165..... 789, 791	1001201315..... 233, 235	1001203988..... 65	1001208451..... 639
1001200166..... 789, 791	1001201316..... 233, 235	1001203989..... 65	1001208532..... 595
1001200167..... 789, 791	1001201317..... 239	1001203990..... 65	1001208534..... 595
1001200168..... 855, 857, 859, 861	1001201331..... 413	1001204032..... 235, 693	1001209097..... 811, 817, 827
1001200169..... 855, 857, 859, 861	1001201420..... 601	1001204057..... 695	1001209194..... 1017
1001200206..... 977	1001201425..... 165, 167, 177	1001204060..... 895	1001209200..... 551
1001200226..... 601	1001201427..... 281	1001204066..... 393	1001209202..... 551
1001200249..... 255	1001201428..... 279	1001204115..... 393	1001209203..... 551
1001200344..... 59	1001201432..... 87	1001204120..... 393	1001209345..... 55
1001200383..... 909	1001201499..... 519	1001204152..... 575	1001209357..... 723
1001200393..... 73, 75	1001201500..... 521	1001204177..... 65, 69	1001209358..... 725
1001200395..... 75	1001201501..... 519, 521	1001204178..... 69	1001209387..... 41
1001200443..... 165	1001201848..... 47, 49, 53	1001204198..... 69	1001209388..... 45
1001200444..... 169	1001201856..... 255	1001204199..... 69	1001209427..... 887
1001200445..... 223	1001201858..... 255	1001204200..... 69	1001209456..... 887, 889
1001200446..... 229	1001202018..... 255, 263	1001204411..... 255	1001209463..... 497
1001200447..... 255	1001202020..... 571	1001204413..... 255	1001209585..... 183
1001200448..... 265	1001202021..... 255	1001204414..... 255	1001209690..... 907
1001200451..... 269	1001202024..... 547, 589	1001204486..... 45	1001209691..... 907
1001200452..... 271	1001202025..... 547, 595	1001204528..... 893	1001209692..... 905
1001200453..... 273	1001202026..... 547, 583	1001204530..... 893	1001209693..... 905
1001200498..... 223, 225, 229	1001202027..... 589	1001204544..... 717	1001209697..... 897, 899, 905, 907
1001200499..... 223, 225, 229		1001204548..... 717, 719	1001209899..... 401
1001200538..... 893		1001204549..... 717, 967	1001209972..... 551
1001200539..... 895		1001205061..... 515, 519	1001210270..... 551
1001200631..... 225		1001205307..... 953	1001210271..... 549
1001200701..... 273			1001210281..... 321
			1001210282..... 575

SECTION 13 - SPECIAL OPTIONS

1001210326.....73, 75	1001213265 515, 517	1001217226 631, 635	1001220859.....787
1001210327575	1001213286 1020	1001217320 787	1001220861.....787
1001210397839	1001213306 589	1001217353 65	1001220942.....551
1001210522.....547, 549	1001213307 589	1001217482 603, 605	1001221041..... 165, 167, 169, 171, 173, 175, 201
1001210523.....549	1001213308 589, 591	1001217552 553	1001221052..... 451, 453
1001210524.....549	1001213309 591, 593	1001217553 553	1001221054..... 461, 463
1001210525.....549	1001213311 593, 683	1001217620 289, 291	1001221056..... 451, 461
1001210526.....549	1001213317 559, 561	1001217623 723	1001221057..... 453, 463
1001210567.....741	1001213318 555, 557	1001217669 291	1001221058..... 453, 463
1001210568.....551	1001213319 563, 565	1001217751 823	1001221059..... 449, 458
1001210569.....551	1001213331 393	1001217752 169, 171, 807	1001221087..... 361
1001210600..... 169, 171, 173, 175, 189	1001213462 65	1001217753 251, 799	1001221157..... 361
1001210601..... 169, 173, 205	1001213562 639	1001217754 245	1001221270..... 361
1001210602..... 169, 171, 173, 175, 199	1001213752 939	1001217755 245	1001221295..... 449, 458
1001210603..... 189	1001213775 735, 931	1001217756 251, 799	1001221318..... 939
1001210635.....595	1001213791 387	1001217757 251, 253, 799	1001221319..... 939
1001210761..... 265, 267	1001213833 47, 49	1001217758 253	1001221321..... 361
1001210769..... 321, 355	1001213834 47, 49	1001217759 253	1001221349..... 263
1001210770..... 847, 851, 853	1001213959 65	1001217760 251, 799	1001221383..... 263
1001210771..... 213, 215	1001213961 65	1001217761 237	1001221493..... 251, 799, 801
1001210780..... 679	1001213988 745, 747	1001217762 237	1001221553..... 363
1001210797.....595	1001214092 411	1001217763 237	1001221554..... 363
1001210800.....575	1001214123 247	1001217948 589	1001221695..... 363
1001210801..... 679	1001214167 1021	1001218358 843	1001221702..... 207
1001210870..... 203, 205, 207	1001214206 992, 996, 1000, 1004	1001218529 449, 458	1001221734..... 361
1001211020.....595	1001214220 515	1001218542 449, 458	1001221868..... 203, 205, 207
1001211427 63, 65	1001214254 129	1001218694 51	1001221918..... 249
1001211445..... 711	1001214349 277	1001218704 992	1001221928..... 581, 681
1001211530..... 989	1001214401 939	1001218754 131	1001221986..... 579, 581
1001211531..... 989	1001214415 129	1001218755 127, 129, 131	1001221987..... 575, 579
1001211570..... 279	1001214429 589	1001218996 449, 458	1001221988..... 575
1001211571 281	1001214430 589	1001218997 549	1001221989..... 575
1001211616 241	1001214431 589	1001219082 225	1001222163..... 171, 175, 207
1001211617 241	1001214438 267	1001219113..... 45	1001222188..... 31
1001211693..... 745, 747	1001214439 265	1001219115 45	1001222190..... 31
1001211899..... 51	1001214440 265	1001219211 992, 996, 1000, 1004	1001222454..... 171
1001211900..... 51	1001214441 265	1001219220 401	1001222455..... 751, 759
1001211907 476	1001214829 571	1001219250 45	1001222460..... 177
1001212011 399	1001215022 233, 235	1001219615 609, 685	1001222603..... 541, 1017
1001212013 279	1001215024 233, 235	1001219659 577	1001222606..... 539, 1017
1001212014 281	1001215093 589	1001219764 567, 569	1001222650..... 992, 996, 1000, 1004
1001212048 409	1001215121 783	1001219765 571, 573	1001222741..... 393
1001212050 409	1001215208 847	1001219863 476	1001223066..... 795, 947, 949
1001212054 279	1001215212 589	1001219864 476	1001223109..... 589
1001212055 281	1001215256 575	1001219865 476	1001223265..... 476
1001212057 281	1001215319 259	1001219905 63	1001223435..... 123
1001212184..... 583	1001215341 607, 609	1001219953 63	1001223455..... 751, 752, 753, 754, 759, 760, 761, 762
1001212369 411	1001215531 393	1001220248 79	1001223456..... 750, 758
1001212418 623, 625	1001215539 589	1001220286 87	1001223457..... 750, 751, 758, 759
1001212468 483	1001215693 897, 899, 903, 905, 907	1001220329 379, 407	1001223618..... 235, 695
1001212470 777, 1017	1001215802 589	1001220337 229	1001223622..... 695
1001212739 217, 219	1001215941 225, 1018	1001220338 403, 405	1001223628..... 235
1001212788 575, 577	1001216263 495	1001220339 381, 403	1001223645..... 235
1001212789 577, 679	1001216265 493	1001220456 611, 613	1001223869..... 225, 235
1001212845 1020	1001216267 495	1001220457 547, 611	1001223874..... 225
1001212880 575	1001216269 495	1001220507 529	1001223902..... 69
1001212886 793, 795	1001216270 493	1001220540 377	1001223903..... 927, 1017
1001212920 241	1001216331 631	1001220641 79	1001223920..... 69
1001212921 241	1001216333 635	1001220643 619, 621	
1001212923 257	1001216757 539	1001220649 937	
1001212924 257	1001216798 275	1001220650 937, 941	
1001212925 257	1001216799 275	1001220707 996	
1001213026 21, 547	1001216803 539	1001220760 291	
	1001216974 429, 433, 441		

SECTION 13 - SPECIAL OPTIONS

1001223948 69	1001228732..... 805, 809, 837	1001231404..... 844	1001255581 853
1001223968 777, 779, 781	1001228733..... 805, 809, 833	1001231406..... 844	1001256073 383, 385
1001223983 69	1001228734..... 173	1001231407..... 226, 841	1001256974 543, 1017
1001224127 927	1001228735..... 173, 175, 809	1001231483..... 226, 843	1001257071 543
1001224128 927	1001228736..... 827	1001231692..... 113	1001257088 529, 1017
1001224450J 45	1001228737..... 175	1001232033..... 973	1001257330 525, 527
1001224598 321	1001228738..... 945	1001232288..... 793, 797	1001257348 531, 1017
1001224938 355	1001228739..... 859, 861, 945, 949	1001232298..... 973, 975, 979	1001258099 1020
1001224944 569, 673	1001228740..... 859, 871	1001232500..... 113	1001258277 857, 867
1001224945 573, 675	1001228741..... 859, 861, 883	1001232509..... 283, 713	1001258278 861, 875
1001224946 613	1001228742..... 949	1001232850..... 203	1001258712 747, 773
1001225317 365	1001228743..... 731	1001232988..... 93	1001258713 747, 758
1001225390 571	1001228744..... 731, 733	1001233024..... 283	1001262959 1021
1001225392 567	1001228860..... 83	1001233189..... 1020	1001262960 969
1001225393 567, 571	1001228872..... 221, 1016	1001233236..... 969	1001262963 969
1001225656 679	1001228989..... 893, 895	1001233237..... 969	1001265343 933
1001225980 851	1001228993..... 1020	1001233323..... 969	1001265346 55
1001226328 1017	1001229057..... 71	1001234395..... 93	1001268341 1020
1001226400 971	1001229073..... 1020	1001234455..... 41	1001270117 419
1001226481 476	1001229075..... 1020	1001235965..... 39, 41	1001270466 747
1001226523 187, 189	1001229104..... 1020	1001237897..... 259	1001270467 847
1001226557 549	1001229153..... 779	1001238470..... 221	1001270485 925
1001226636 977	1001229201..... 357, 363	1001238560..... 111, 159	1001273075 721
1001226637 977	1001229212..... 1020	1001238565..... 109, 111	1001278028 735
1001226681 257	1001229216..... 1020	1001238566..... 159	1001284531 177
1001226797 255	1001229324..... 1020	1001238570..... 159	1001284532 169, 171, 173, 175
1001226799 973, 975	1001229422..... 551	1001238654..... 109	1001284536 255
1001226828 567	1001229532..... 1020	1001238781..... 217	1001284538 165, 167, 169, 171, 173, 175
1001226829 567, 571	1001229543..... 387	1001239194..... 975	1001285934 803, 807
1001226947 639, 641	1001229576..... 1020	1001239248..... 975	1001286174 805, 809
1001227066 969, 971	1001229609..... 39	1001239445..... 1007	1001288070 429
1001227068 971	1001229707..... 1011	1001239878..... 261	1001293067 255
1001227077 225	1001229811..... 1020	1001239879..... 261	1001293068 255
1001227090 273	1001229812..... 1020	1001239961..... 1020	1001293070 165, 167
1001227133 476	1001229813..... 1020	1001241308..... 395	1001293972 789, 791, 803, 805, 807, 809
1001227186 383, 385	1001229955..... 973, 1017	1001241590..... 739	1001294815 1011
1001227187 389	1001229981..... 293, 963	1001241591..... 739	1060379 111
1001227188 389	1001230125..... 1020	1001241611..... 745, 750	1060626 715, 719, 965
1001227266 971	1001230126..... 1020	1001241836..... 39	1062255 ... 203, 205, 207, 221, 237, 241, 251, 269, 271, 275, 283, 595, 713, 799, 803, 805, 807, 809, 973, 975
1001227287 992, 996, 1000, 1004	1001230163..... 399	1001241881..... 613, 689	10713707 847
1001227297 973, 975, 977	1001230188..... 1020	1001241950..... 541	10725554 309, 335
1001227334 67, 69, 71	1001230239..... 113	1001244192..... 893, 895	10732931 689
1001227337 67	1001230241..... 113	1001244193..... 893, 895	10837953 689
1001227440 571	1001230402..... 843	1001244428..... 811	120034 745, 747
1001227469 791, 947, 949	1001230403..... 843, 844	1001244429..... 817	1320022 458
1001227670 103, 115, 117, 119, 127, 129, 131, 133, 135, 142, 145, 161	1001230404..... 844	1001245694..... 1020	1320060 237
1001227802 387	1001230409..... 1020	1001247184..... 263	1670836 . 992, 996, 1000, 1004
1001227945 525	1001230699..... 1020	1001247279..... 257, 259	1701500 . 992, 996, 1000, 1004
1001227964 225	1001230850..... 941	1001247421 955, 1018	1701509 111
1001228132 453, 463	1001230931..... 753, 761	1001247646..... 992	1702773 109
1001228140 453, 463	1001230967..... 65	1001249078..... 93, 1017	1704260 787
1001228141 453, 463	1001230986..... 65	1001249249..... 93	1704277 111
1001228147 453, 463	1001231057..... 1020	1001249251..... 91	1704885 109
1001228174 265	1001231110..... 1020	1001249695..... 1020	1705980 . 992, 996, 1000, 1004
1001228248 203, 205	1001231138..... 1020	1001249941..... 1021	1706098 . 992, 996, 1000, 1004
1001228427 121	1001231385..... 47, 49	1001250161..... 427	
1001228504 599	1001231393..... 679	1001250276..... 91	
1001228643 225	1001231397..... 843, 844	1001250475..... 95, 1017	
1001228727 167	1001231398..... 843, 844	1001250476..... 97	
1001228728 167, 805	1001231400..... 843, 844	1001250708..... 47, 49, 71	
	1001231401..... 843, 844	1001251518..... 955	
	1001231402..... 844	1001252304..... 1020	
		1001254185..... 973, 975, 981	
		1001254389..... 1020	
		1001254390..... 1020	
		1001254400..... 1020	

SECTION 13 - SPECIAL OPTIONS

1706281..992, 996, 1000, 1004	2170806 321, 355	3311502 159	4460267.... 750, 751, 758, 759
1706282..992, 996, 1000, 1004	2171816 589	3311508 715, 719	4460268.... 750, 751, 752, 758, 759, 760
1706284..992, 996, 1000, 1004	2171832 589	3332011 377	4460320..... 751, 759
1706285..992, 996, 1000, 1004	2172110 551	3391410 159	4460321..... 843
1706288..992, 996, 1000, 1004	2172116 241	3421453 111	4460343.... 750, 751, 758, 759
1706292..992, 996, 1000, 1004	2172410 571	3440620 113	4460424..... 752, 760
1706302..... 159	2200223 223, 225, 229	3520028 523	4460434..... 750, 758
2080040..... 111	2220237 229	3520072 111	4460458.... 752, 755, 760, 763, 812, 818, 829, 843, 880, 884, 891, 961
2080078..... 405	2220238 599	3520193 67	4460464.... 729, 733, 743, 752, 754, 760, 762, 763, 771, 773, 775, 781, 801, 812, 818, 824, 828, 835, 837, 841, 843, 865, 869, 873, 877, 880, 884, 891, 915, 919, 923, 951, 957, 963, 971, 977, 979
2080086..... 383, 385	2220239 27, 679	3520198 111	4460465.... 739, 751, 753, 754, 755, 759, 761, 762, 763, 771, 773, 785, 811, 812, 813, 817, 818, 819, 824, 827, 828, 829, 843, 863, 864, 865, 867, 868, 869, 871, 872, 873, 875, 876, 877, 879, 880, 881, 883, 884, 885, 915, 919, 920, 923, 951, 961, 977, 979, 981, 985
2080087..... 383, 385	2220240 27	3700015 59	4460466.... 729, 733, 739, 751, 752, 753, 754, 759, 760, 761, 762, 763, 771, 773, 781, 801, 811, 812, 813, 814, 817, 818, 819, 820, 823, 824, 825, 827, 828, 829, 843, 863, 864, 865, 867, 868, 869, 871, 872, 873, 875, 876, 877, 879, 880, 883, 884, 885, 891, 903, 915, 919, 953, 977, 979, 981, 985
2080092..... 417	2220767 237	3700016 59	4460475..... 843
2110406..... 593, 617	2220811 291	3740080 225, 1017	4460496..... 745, 747
2110408..... 621	2220883 691	3760170 111	4460497..... 745, 747
2110410..... 215	2220886 691	3760348 515	4460508.... 729, 733, 812, 818, 831, 833
2110606..... 75, 133, 593, 599, 617	2400060 977	3790152 235	4460509.... 813, 819, 824, 828, 864, 868, 872, 876, 879, 883
2110610..... 561, 565	24921332 255	3820020 111	4460518.... 754, 762, 843, 865, 869, 873, 877
2110806..... 639	2580040 713	3900357 839	4460536.... 763, 835, 837, 881, 885, 923
2110808..... 599, 609, 625	2600281 111	3900379 53, 501	4460539.... 753, 754, 761, 762, 763, 811, 812, 813, 817, 818, 819, 820, 823, 824, 825,
2110810..... 617, 679	2720160 575	39844923 335	
2111010.... 219, 551, 557, 561, 565, 599, 617, 635	2902443 ... 812, 819, 824, 828	3986405 295	
2111012..... 613	2920207 899	3986610 443	
2111212..... 613	2920208 899	3986643 443	
2111216..... 215	2920208 899	4000015 1017	
2111616.... 241, 291, 617	2940074 111, 1017	4010416 931, 933	
2130404.... 525, 569, 573, 599, 609	3020037 289	4010510 539, 541	
2130406..... 215	31200387 109	4010608002 383, 385, 387, 476, 495, 497	
2130408..... 609	31200388 109	4010610 735, 931	
2130606..... 581, 613	314689 65	4010610002 473, 476, 495, 523	
2130808.... 321, 355, 525	3251813. 992, 996, 1000, 1004	4010612002 389, 476, 483, 487, 489	
2131010.... 551, 571, 573	3290401 ... 449, 458, 483, 909, 953	4031205 ... 803, 805, 807, 809	
2131212.... 569, 573, 585, 599, 639	3290405 ... 395, 735, 931, 933	403160727, 31, 543, 803, 805	
2131216..... 215	3290501 ... 745, 747, 807, 955	4031608 481, 807, 809	
2132016..... 613	329050587, 93, 225, 543, 789, 791	4031608001 476	
2144603..... 293	3290507 93	4031708 927	
2144606..... 197, 199	3290601 ... 159, 207, 458, 483, 495, 515, 523, 705, 707, 735, 745, 747, 855, 859, 931	4031708001 471	
2150406..... 605	3290605 41, 273, 476, 483, 489, 735, 839, 931	4031712 551	
2150606..... 133	3290606 549	4031910 229, 505, 507	
2150608..... 215	3290607 ... 897, 899, 905, 907	4031912 619, 623	
2150808.... 321, 355, 625	3290801 ... 223, 225, 229, 235, 267, 387, 511, 803, 805, 889, 927	4031918 555, 559, 563	
2151010.... 557, 561, 565	3290805 ... 221, 263, 517, 565, 851, 853	4031921 567, 571	
2151212..... 585	3290806 405	4032010 63	
2151616..... 241, 613	3291001 ... 191, 203, 205, 223, 225, 229, 273, 789, 791, 897, 899, 905, 907	4032314 65	
2152020..... 27	3291005 81, 197, 199, 223, 225, 229, 273, 601, 793, 795	4060919 21	
2160016.. 67, 73, 75, 601, 631, 635	3291201 155, 237	4105262 81	
2170104..... 219	3291205 63, 901	4109801 . 992, 996, 1000, 1004	
2170106..... 613	3291605 63, 127, 129, 131, 185	4110422 113, 161	
2170112..... 613	3311405 111	4240018 575, 595	
2170206..... 133, 613		4240032 969, 973, 975	
2170208..... 525		4240099 ... 575, 589, 965, 967	
2170216..... 241		4280307 33	
2170316..... 215		4360475 787, 1017	
2170410..... 571		4360657 1018	
2170704..... 215		4360658 521, 1016	
2170716..... 241		4460225 ... 750, 751, 758, 759	
2170804..... 621		4460234 ... 745, 747, 973, 975	
		4460265 750, 758	

SECTION 13 - SPECIAL OPTIONS

827, 828, 843, 863, 867, 871, 875, 880, 884, 885, 915, 919, 923 4460608 ... 811, 817, 823, 827 4460670 977 4460705 751, 759 4460742 235, 843 4460744 752, 760 4460746 ... 752, 755, 760, 763 4460748 ... 752, 760, 812, 818, 880, 884 4460761 843 4460789 775 4460809 843 4460836 751, 759 4460884 ... 773, 843, 864, 868, 872, 876, 879, 883, 915, 919, 951, 953, 985 4460891 ... 739, 754, 755, 762, 763, 773, 812, 813, 814, 818, 819, 820, 824, 828, 829, 843, 863, 864, 865, 867, 868, 869, 871, 872, 873, 875, 876, 877, 879, 880, 883, 884, 919, 951, 961 4460892 814, 818 4460894 ... 751, 753, 759, 761, 785, 812, 818, 865, 869, 873, 877, 879, 883, 903, 915 4460897 ... 739, 752, 760, 771, 773, 785, 801, 814, 818, 819, 824, 828, 829, 863, 864, 865, 867, 868, 869, 871, 872, 873, 875, 876, 877, 951, 963 4460899 ... 775, 781, 865, 869, 873, 877, 879, 883, 919 4460906 751, 759 4460928 ... 754, 762, 864, 868, 872, 876, 919 4460929 951 4460930 ... 754, 762, 865, 869, 873, 877, 879, 880, 884, 979 4460931 ... 729, 733, 754, 762, 880, 884, 915, 979 4460932 ... 743, 771, 773, 801, 841, 864, 868, 872, 876, 879, 883, 891, 935, 957 4460933 ... 751, 759, 813, 819, 863, 865, 867, 869, 871, 873, 875, 877, 880, 884, 977 4460941 ... 771, 773, 775, 801, 880, 884, 903, 951 4460942 ... 751, 759, 771, 773, 814, 820, 863, 864, 865, 867, 868, 869, 871, 872, 873, 875, 877, 879, 883, 884, 885, 915, 919, 923 4460943 ... 729, 733, 754, 762, 771, 773, 785 4460944 ... 751, 753, 754, 759, 761, 762, 811, 812, 813, 817, 818, 819, 820, 823, 824, 825, 827, 828, 829, 880, 884, 885, 915, 919, 981 4460945 ... 755, 763, 814, 820, 825, 829, 843, 915 4460970 ... 812, 818, 824, 828, 863, 867, 871, 875, 880, 884, 903 4460979 ... 813, 819, 824, 828 4460984 ... 865, 869, 873, 877 4460994 752, 760 4461000 787 4461006 ... 811, 813, 817, 819, 824, 828 4461008 ... 811, 817, 823, 827 4461015 ... 771, 773, 864, 868, 872, 876 4461017 ... 729, 733, 831, 833, 879, 883 4461018 ... 813, 819, 824, 828, 879, 883 4461054 ... 811, 817, 823, 827, 879, 880, 883, 884 4461070 814, 819 4461071 ... 813, 819, 824, 828 4461095 813, 819 4461115 ... 754, 755, 762, 763, 891 4461118 775, 879, 883 4461174 721, 723, 725 4461262 ... 743, 750, 754, 758, 762, 879, 883 4461290 ... 797, 864, 868, 872, 876 4641520 621, 697 4711400 111 471678 413 4740274 ... 223, 225, 229 4740532 213, 217 4740550 ... 223, 225, 229 4761400 931 4761700 589 4807718 407 4811400 ... 127, 129, 131, 449, 458, 483, 521, 735, 931, 933, 953 481160087, 93, 201, 225, 476, 787, 789, 791, 807, 955 4811700 ... 29, 33, 41, 47, 49, 53, 55, 93, 159, 187, 207, 255, 263, 273, 383, 385, 387, 413, 458, 471, 473, 483, 495, 497, 515, 519, 523, 549, 579, 607, 705, 707, 735, 745, 747, 793, 795, 803, 805, 807, 809, 839, 855, 857, 859, 861, 893, 895, 897, 899, 905, 907, 913, 931, 939 4811700001 476 4811702 ... 195, 417, 495, 515, 519, 525 4811702001 387, 389, 476, 541 4811900 ... 25, 29, 51, 55, 57, 63, 65, 83, 85, 209, 221, 223, 225, 229, 239, 247, 249, 255, 257, 263, 267, 277, 279, 281, 387, 393, 411, 425, 429, 433, 441, 458, 493, 503, 505, 507, 511, 515, 525, 549, 555, 559, 565, 575, 577, 583, 591, 603, 639, 705, 707, 721, 803, 805, 847, 851, 853, 889, 925, 927, 953 4811902 ... 39, 45, 71, 235, 243, 245, 255, 449, 458, 493, 495, 551, 791 4812000 ... 27, 41, 51, 55, 63, 65, 67, 69, 71, 73, 75, 79, 81, 93, 191, 197, 199, 209, 237, 255, 265, 267, 273, 523, 525, 549, 585, 589, 597, 601, 607, 611, 735, 741, 789, 791, 793, 795, 803, 805, 807, 809, 847, 897, 899, 905, 907, 931, 941 4812002 ... 25, 39, 45, 47, 49, 51, 73, 75, 191, 203, 205, 207, 223, 225, 229 481210029, 63, 185, 237, 255, 615, 789, 791 4812102 ... 29, 223, 225, 229, 365, 901 4812300.63, 65, 185, 289 4812500 375, 377 4831400 ... 449, 458, 483, 909 4831600 ... 27, 803, 805, 807, 809 483170047, 49, 261, 495, 523, 847 4831900 ... 243, 245, 449, 458, 515, 839 4832100 ... 223, 225, 229 4871700 857, 861 4892600 303, 325 4921614 963 5220600 895	5220800 ... 709, 711, 715, 719 5240600 927 5240800 553 5241000 273 5241200 155 5241400 293 5242400 159, 601 5250608 467 5251012 177 5271609 955 5272012 941 643191201750, 758, 863, 867, 871, 875 643201301750, 758, 863, 867, 871, 875 70002963 681, 691, 1016 70004387 681 70004512 179, 183, 1016 70004595 685, 1016 70005174 183 70005191 180 70005490 179, 183 70005492 179, 183 70005495 183, 1017 70005504 179, 183, 1018 70005505 179, 183 70005507 .. 179, 180, 183 70005510 179 70005511 179 70005513 179 70005522 180, 1017 70005523 180, 1018 70005524 180, 1017 70005544 180 70005548 180 70005549 180, 1016 70005556 180, 1018 70005557 180 70005558 180 70005559 180, 1018 70005730 179 70006144 179 70006427 691 70020276 295 70020438 641, 657 70020476 637 70020555 115, 157 70020764 669, 671, 1016 70020867 697, 701 70020922 523 70021251 431 70021252 431 70021314 437 70021316 437 70021317 435 70021318 435 70021319 435, 439 70021321 439 70021322 435 70021323 439 70021324 439 70021325 439 70021326 439 70021327 439 70021328 439 70021330 439
--	--

SECTION 13 - SPECIAL OPTIONS

70021340..897, 899, 905, 907	70024168..... 651	70025730..... 183	70026473..... 123, 141
70021341..897, 899, 905, 907	70024201..... 689	70025737 179, 183, 1018	70026474..... 123
70021349..103, 107, 135, 161	70024210..... 315, 327	70025743..... 179, 183	70026475..... 123
70021350..... 103, 107	70024213..... 315	70025755..... 179, 183	70026476..... 123, 141
70021367..... 107	70024215..... 315	70025757..... 179, 183	70026477... 121, 123, 677
70021387..... 161	70024216..... 327	70025760..... 180	70026478..... 123
70021397..... 161	70024224..... 641	70025761..... 180	70026479..... 121, 123
70021415..... 161	70024228..... 641	70025763..... 179, 183	70026480..... 121, 123
70021422..... 107	70024229..... 641	70025765..... 179, 183	70026481.. 121, 123, 137, 141
70021440..... 653, 655	70024230..... 641	70025768..... 179, 183	70026482.. 121, 123, 137, 141
70021444..... 655	70024231..... 641	70025772..... 179, 183	70026483..... 121
70021445..... 655	70024234..... 641	70025775..... 179, 183	70026496..... 647
70021446..... 655	70024235..... 641	70025780..... 180, 1017	70026497..... 647
70021447..... 655	70024236..... 641	70025786..... 179, 183	70026498..... 647
70021448..... 655	70024237..... 641	70025816..... 513	70026499..... 647
70021451..... 655	70024459..... 443	70025817..... 513	70026500..... 647
70021452..... 655	70024474..... 180	70025850..... 193, 1016	70026501..... 141, 647
70021531..... 669, 671	70024484..... 179	70025851..... 193, 1016	70026502.. 647, 659, 661
70021606..... 327	70024487..... 179, 183	70025854..... 689	70026503..... 647
70021613..... 327	70024489..... 179, 183	70025856..... 311	70026504..... 137, 647
70021979..... 161	70024493..... 179, 183	70025859..... 517	70026505..... 647
70022007..... 689	70024494..... 179, 183	70025860..... 517	70026506..... 647
70022008..... 689	70024495..... 179, 183	70025877..... 180	70026582. 697, 701, 1016
70022010..... 689	70024504 179, 183, 1017	70025884..... 319, 345	70026614... 121, 123, 677
70022014..... 689	70024505..... 180, 1018	70025887..... 309, 335	70026616..... 123
70022019..... 689	70024507 179, 183, 1018	70025970..... 315	70026631..... 295
70022034..... 431	70024538..... 141	70026002..... 313, 339	70026745..... 115, 157
70022140..... 309, 335	70024721..... 137, 142	70026011..... 179, 183	70026746..... 115, 157
70022528..... 161	70024733..... 649	70026081..... 231	70026747..... 327
70022726..... 665, 1016	70024734. 647, 649, 659, 661	70026210..... 180, 1018	70026748..... 327
70022765..... 777, 1016	70024772..... 137, 142	70026238..... 313, 339	70026750..... 311
70022773..... 317, 329	70024847..... 689	70026249..... 657	70026777..... 689
70022938.. 121, 123, 137, 142	70024848..... 315	70026251..... 657	70026778..... 689
70023179..... 443	70024849..... 315	70026253..... 657	70026779..... 689
70023181..... 443	70024856..... 443	70026260 .. 313, 339, 341	70026781..... 689
70023182..... 443	70024857..... 443	70026261 .. 313, 339, 343	70026783..... 689
70023184..... 443	70024858..... 443	70026262..... 315	70026784..... 689
70023186..... 443	70024859..... 443	70026263..... 315	70026838..... 637, 641
70023189..... 443	70024861..... 443	70026264..... 315	70026892..... 295
70023469..... 309, 335	70024881 .. 313, 339, 347	70026265..... 319, 345	70026896..... 295
70023489..... 337	70024918 179, 183, 1017	70026266 .. 319, 345, 347	70026897..... 295
70023490..... 311, 337	70024945..... 665	700262692 765, 1016	70026898..... 295
70023493..... 337	70024946..... 665	70026293..... 767, 1017	70026901..... 295
70023494..... 309, 335	70024961..... 179, 183	70026294..... 849, 1016	70026904..... 295
70023916..... 641	70025012..... 313	70026295..... 849, 1016	70026908..... 295
70024004..... 311	70025014..... 313	70026296..... 849, 1016	70026909..... 295
70024035..... 643	70025153 179, 183, 1016	70026297..... 849, 1016	70026911..... 295
70024059..... 161	70025242..... 180	70026312..... 691	70026927..... 296
70024064..... 161	70025335..... 307, 333	70026314..... 691	70027022..... 315, 327
70024107..... 443, 1018	70025337..... 337	70026315..... 691	70027092..... 315
70024123.. 123, 137, 141, 649	70025338..... 337	70026354..... 231	70027105..... 311, 337
70024129.. 647, 649, 659, 661	70025339..... 311, 337	70026359..... 231	70027109..... 295
70024130.. 121, 123, 137, 142, 649	70025483..... 431	70026369..... 689	70027110..... 295
70024142..... 661	70025485..... 431	70026370..... 689	70027134..... 689
70024146... 313, 339, 349	70025486..... 431, 1017	70026372..... 689	70027180.. 147, 149, 151, 153
70024147... 313, 339, 349	70025489..... 431	70026373..... 689	70027317..... 315, 327
70024164..... 651	70025490..... 431	70026376..... 689	70027392..... 435, 437
70024165..... 651	70025491..... 431	70026379..... 689	70027393..... 437
70024166..... 651	70025535..... 180	70026383..... 689	70027394..... 437
70024167..... 651	70025539..... 437, 1017	70026395..... 193	70027395..... 435
	70025561..... 313, 339	70026396..... 193	70027405. 179, 183, 1018
	70025562..... 313, 339	70026434..... 517	70027417..... 179, 183
	70025590..... 633	70026469..... 123, 647	70027420..... 179
	70025614..... 633, 643	70026470..... 123	70027426..... 179, 1017
	70025707..... 180	70026471..... 123, 141	
	70025722..... 179, 183	70026472..... 123, 141	

SECTION 13 - SPECIAL OPTIONS

70027567	179, 183	70028325	633	70028410	665	70028576	121
70027595	667	70028326	443, 1018	70028411	665	70028577	121
70027596	671	70028327	211	70028412	667	70028578	121
70027598	665	70028328	211	70028413	667	70028579	121
70027601	663	70028329	211	70028414	685	70028580	121
70027657	179, 183	70028330	211	70028415	685	70028581	645
70027773	103	70028331	211	70028416	685	70028582	645
70027796	315	70028332	211	70028417	179	70028583	645
70027801	641	70028333	211	70028418	179	70028584	645
70027806	1020	70028334	211	70028419	179	70028585	645
70027862	295	70028335	211	70028420	663	70028586	645
70027879	133	70028336	211	70028421	687	70028587	645
70027880	133	70028337	211	70028422	641	70028588	645, 649
70027881	133	70028338	211	70028485	103, 107, 135	70028589	121, 677
70027882	133	70028339	211	70028486	107, 135	70028591	135
70027887	133	70028340	211	70028487	107	70028592	135
70027888	133	70028341	211	70028488	107, 135	70028593	135
70027889	133	70028342	211	70028489	103, 107	70028594	135
70027890	133	70028343	211	70028490	103, 107	70028595	135
70027896	133	70028344	211	70028491	107	70028596	135
70027899	133	70028345	211	70028492	107	70028597	135
70027986	317, 329, 1017	70028346	211	70028493	107	70028598	135
70027989	135	70028347	211	70028494	107	70028599	135, 653
7002821	1021	70028348	211	70028495	103, 107, 135	70028600	135
7002823	1021	70028349	211	70028496	103, 107, 135	70028601	135
70028243	685	70028350	211	70028497	107	70028602	135
70028253	141	70028351	211	70028498	107	70028603	135, 655
70028254	659	70028352	211	70028499	107	70028604	135
70028255	659	70028353	211	70028500	107	70028605	135
70028256	659, 661	70028354	211	70028501	107	70028606	135
70028257	659, 661	70028355	211	70028502	685	70028607	135
70028258	659, 661	70028357	211	70028503	685	70028609	653
7002826	1021	70028358	211	70028504	685	70028610	653
70028262	141	70028359	211	70028505	133	70028611	653
70028263	121	70028360	211	70028506	133	70028612	655
70028267	137, 142	70028361	683	70028507	133	70028613	655
70028270	659	70028362	657	70028508	133	70028614	655
70028281	675, 1016	70028364	641	70028509	133	70028615	103
70028282	569, 673, 675	70028367	641	70028510	133	70028616	103
70028285	699	70028368	641	70028511	133	70028617	103
70028286	689	70028376	637	70028512	133	70028618	103
70028287	689	70028377	637	70028513	133	70028619	103
70028288	689	70028378	637	70028514	693, 1016	70028620	103
70028289	689	70028379	637	70028515	693	70028621	103
70028295	689	70028380	637	70028516	693	70028622	103
70028296	689	70028381	517	70028517	693	70028623	103
70028297	689	70028382	517	70028525	135	70028624	103
70028298	689	70028383	517, 1017	70028526	135	70028625	103
70028299	689	70028384	637	70028546	775	70028626	103
70028300	689	70028387	313, 339	70028548	231	70028627	103
70028307	633	70028388	307, 313, 333, 339	70028549	231	70028628	103
70028308	633			70028550	231	70028629	103
70028309	633, 643	70028389	307, 313, 333, 339	70028554	103, 115, 135, 161	70028630	103
70028310	633, 643					70028631	103
70028311	633	70028390	309, 311	70028563	121	70028632	103
70028312	633	70028391	309	70028564	121	70028633	103
70028314	643	70028392	313, 339	70028565	121	70028634	104
70028315	643	70028393	317, 329	70028566	121	70028635	103
70028316	643	70028394	317, 329	70028567	121	70028636	103
70028317	643	70028396	313, 339	70028568	121	70028637	103
70028318	643	70028397	339	70028569	121	70028638	103
70028319	643	70028398	335, 337	70028570	121	70028648	141
70028320	643	70028399	335	70028571	121	70028649	141
70028321	643	70028400	339	70028572	121, 645	70028650	141
70028322	643	70028401	309, 335	70028573	121, 677	70028651	141
70028323	643	70028405	141	70028574	121	70028652	141, 659
70028324	633, 643	70028406	141	70028575	121	70028653	141, 661

SECTION 13 - SPECIAL OPTIONS

70028654.....	141	70028724	137	70029018	641	8005671	992, 996, 1000, 1004
70028655.....	141	70028725	137	70029019	641	8005675	992, 996, 1000, 1004
70028656.....	141	70028726	137	70029868	689	8005901.....	473
70028657.....	141	70028727	137	70029870	689	8006258.....	639
70028658.....	141	70028728	649	70029871	689	8008175.....	317, 329
70028659.....	141	70028729	649	70029872	689	8008640.....	67, 69, 71
70028660.....	141	70028730	649	70029873	689	8008657	992, 996, 1000, 1004
70028661.....	141	70028731	649	70029874	689	80203020.....	295
70028662.....	141	70028732	649	70029941	643	80203021.....	295
70028663.....	141	70028733	649	70030353	251, 799	80204002.....	307, 333
70028664.....	141	70028734	138	70030355	251, 799	80204005... ..	307, 333, 351
70028665.....	141	70028749	123	70030356	251, 799	80204007.....	295
70028666.....	141	70028750	123	70030365	313	80204012.....	339
70028667.....	141	70028751	123	70031088	179	80204016.....	295
70028668.....	141	70028752	123	7004275	1021	80204033.....	309, 335
70028669.....	141	70028753	123	7004276	1021	80204035.....	309, 335
70028670.....	141	70028767	141	70050473	689	80204043.....	309, 335
70028671.....	141	70028768	141	70050475	689	80204048.....	309, 335
70028672... ..	123, 137, 141	70028770	659	7010543	681	80204060.....	315
70028673.....	141	70028771	661	70124445	179, 183	80204065.....	313, 339
70028674.....	141	70028801	296, 1018	70126616	179, 183	80204071.....	313, 339
70028675.....	141	70028817	295	7016331	179, 183, 1016	80204076.....	313, 339
70028676.....	141	70028818	295	7020208	179, 183	80204108.....	315
70028677.....	141	70028819	295	7020442	179, 183	80204117... ..	315, 327, 347
70028678.....	142	70028820	295	7022390	675	80204143.....	317, 329
70028679.....	142	70028821	295	7024947	667	80204144.....	317, 329
70028680.....	142	70028822	295	7026731	353	80204176.....	295
70028681.....	142	70028823	295	7028621	443	80204215.....	295
70028682.....	142	70028824	295	7028714	313, 339	80204281.....	315, 327
70028683.....	142	70028825	295	7028715	313, 339	80214120.....	313, 339
70028684.....	142	70028826	295	7028716	313, 339	80233218.....	515
70028685.....	142	70028827	295	7028733	313, 339	80264002.....	437
70028686.....	142	70028828	295	7029127	317, 329	80264004.....	437
70028687.....	137, 142	70028829	295	7029288	307, 333	80333151.....	515
70028688.....	137, 142	70028830	295	7029290	347	8034697.....	689
70028689.....	137, 142	70028831	295	7029307	317, 329	80363195.....	425
70028690.....	142	70028832	295	7029317	313	80484081.....	829
70028691.....	659, 661	70028833	295	7029486	471, 473, 1009	80604017.....	785
70028692.....	661	70028834	295	7029702	135	80604021.....	985
70028693.....	661	70028835	295	7029703	135	806253.....	57
70028694.....	661	70028836	295	7029704	135	806264.....	57
70028695.....	142	70028837	295	7029709	103	80963055.. ..	814, 819, 824, 828
70028696.....	142	70028838	295	7029711	103, 107, 135, 161	80963056.. ..	813, 819, 824, 828
70028697... ..	123, 138, 142	70028839	295	7029712	103	80963067.....	812, 819
70028701.....	137	70028840	295	7029733	339, 353	80983191	765, 767, 769, 1016
70028702.....	137	70028841	296	7029734	315, 327	82033995... ..	221, 269, 271
70028703.....	137	70028842	296	7029735	315, 327	8220035.....	841
70028704.....	137, 649	70028843	296	7029743	313	8220043.....	831, 833
70028705.....	137	70028844	296	7029767	431	8220045.....	801
70028706.....	137	70028845	296	7029785	327	8220051.... ..	752, 753, 760, 761, 863, 867, 871, 875
70028707.....	137	70028846	296	7029787	315	8220097.....	812, 818
70028708.....	137	70028847	296	7029969	897, 899	8220098.....	812, 818
70028709.....	137	70028848	296	7029970	897, 899	8220108.....	797, 841
70028710.....	137	70028860	161	7029971	897, 899, 905, 907	8220116.... ..	865, 869, 873, 877
70028711.....	137	70028861	161	7169541	225	8220124.... ..	811, 817, 823, 827
70028712.....	137	70028862	161	7300435	185	8220375.....	752, 760
70028713.....	137	70028863	161	77133136	551	8229234.....	844, 1016
70028714.....	137	70028864	161	77133137	551	8229235.....	843, 1016
70028715.....	137	70028865	161	77133497	551		
70028716.....	137	70028866	161	77213042	255		
70028717.....	137	70028867	161	8000565	901		
70028718.....	137	70028902	691	8000759	405		
70028719.....	137	70028903	691	8000803	387		
70028720.....	137	70028904	691	8002200	67, 69, 71		
70028721.....	137	70028905	691	8004398	405		
70028722.....	137	70029016	641				
70028723.....	137	70029017	641				

SECTION 13 - SPECIAL OPTIONS

8229242 ... 765, 767, 977, 1016	8420055 ... 103, 107, 121, 123, 133, 135, 137, 142, 161	90554054.....161	91514112..... 313, 339
8229244 .. 769, 849, 1016	8424233 589	90554065.....103	91514117 313, 339
8229245 .. 765, 849, 1016	8430032 575	90554066.....103	91514118 365
8229247 .. 767, 849, 1016	8430033 617	90554067..... 103, 135	91514123 309
8229261 843, 1016	8430034 593	91013191..... 880, 884	91514130 309, 335
8275212 255, 265	8430081 575	91013192.. 864, 865, 868, 869, 872, 873, 876, 877	91514133 309, 335
8278020 223, 225, 229	8466306 423, 1000	91043125.. 553, 557, 561, 565	91514134 309, 335
8305919 ... 195, 253, 417, 476, 495	8584003 983	91043126.. 553, 557, 561, 565	91514143 311
8307219 253	85941018 575, 791	9106-3039..... 595	91514146 295, 351
8310559 399	8769123 559, 563	9106-3040..... 595	91514147 351
8310686 619, 623	8769126 559, 563	91083106..... 589	91514148 351
8342813 37	8769146 551	91163268..... 255	91514149.. 313, 339, 351
8405006 ... 205, 207, 237, 575	8769152 551	91403193..... 287	91514151 315
8405007 ... 237, 583, 589, 595	8770030 613	91403413..... 161	91514154.. 295, 315, 327
8405009 237, 257, 515	8770075 553	91403414..... 161	91514159 315, 327
8405101 237	8770104 613	91403448..... 113	91514174 313, 339
8405102 241	8770286 613	91403530..... 85	91514175.. 313, 339, 349
8405104 237	8786549 ... 357, 359, 361, 363	91474364..... 295	91514177.. 313, 339, 349
8405201 237, 476, 479	88662434 575, 595	91474512..... 307, 333	91514178 313, 339
8405402 187, 189	8880219-OM..... 299	91504107..... 785	91514179 313, 339
8406105 185	8896941 1021	91513266..... 365	91514180 313, 339
8406112 ... 207, 277, 279, 281	90206196 51	91514081..... 313, 339	91514181 313, 339
8406201 575	90206198 575	91514082..... 313, 339	91514184 313, 353
8406202 555, 559	90206202 21	91514083..... 313	91514185 313, 353
8410009 ... 269, 271, 449, 458	90554016 157	91514084..... 313	91514186 313, 353
8410013 221, 575, 589	90554017 135	91514089.. 307, 313, 315, 333	91514189 313, 339
8420053 ... 103, 107, 121, 123, 133, 135, 137, 142, 161	90554020 135, 161	91514090..... 347	91574001 651
	90554042 . 103, 107, 135, 161	91514095..... 313, 339	943191201 750, 758
	90554045 . 103, 107, 135, 161, 653, 655	91514098..... 307, 333	AU2105.. 992, 996, 1000, 1004
		91514101..... 307, 333	N.S.S.. 127, 129, 131, 681
		91514111..... 341, 343	



**Corporate Office
JLG Industries, Inc.
1 JLG Drive
McConnellsburg, PA 17233-9533 USA
☎ (717) 485-5161 (Corporate)
☎ (877) 554-5438 (Customer Support)
📠 (717) 485-6417**

**Visit our website for JLG Worldwide Locations.
www.jlg.com**



OSHKOSH™