



Illustrated Parts Manual

Model
1732

PVC
2011

P/N
31211557

June 15, 2023 - Rev B



EFFECTIVITY PAGE

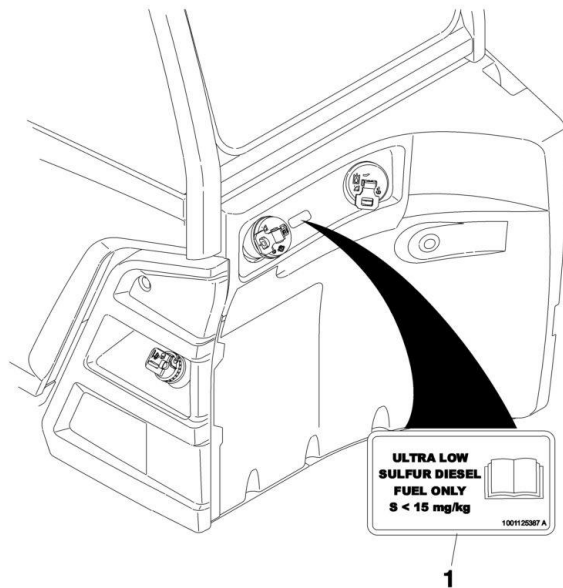
October 30, 2020 - A - Original Issue of Manual (Manual Edited to 1001195000 Revision AD)

June 15, 2023 - B - Revised Manual (Manual Edited to 1001195000 Revision AD)

Machine Configuration

Two configurations of each machine are included in this manual. Determine if machine is equipped with Ultra Sulfur Fuel Decal (1) as indicated below.

- If equipped with the Ultra Low Sulfur decal, all specific references to this machine configuration will be referred to as Ultra Low Sulfur (ULS) from this point forward.
- If not equipped with the Ultra Low Sulfur decal, all specific references to this machine configuration will be referred to as Low Sulfur (LS) from this point forward.



GENERAL INFORMATION

6) NON-SERVICED PARTS

In some instances, it is necessary to display non-serviced parts, assemblies or installations. In the case of assemblies and installations there will be a Ref in the Qty. column. In case of parts that are not available for service within assemblies or components, there will be a NSS (Not Sold Separately) or NLA (No Longer Available) listed in the Qty. column of the manual.

7) PARTS LIST ITEM NUMBERS

Numbers shown in the item# column correspond to numbers used in the associated illustration (s). Item numbers which are missing from the sequence in the parts list are not used on that page.

8) INDENTED PARTS DESCRIPTION

An indented part description is included in the item under which it is indented.

9) ABBREVIATION AND SYMBOLS

AC.....	Alternating Current	L.....	Liter
ADE.....	Advanced Design Electronics	LB(LBS).....	Pounds
AG.....	Agricultural	LCD.....	Liquid Crystal Display
ANSI.....	American National Standards Institute	LED.....	Light Emitting Diodes
AR.....	As Required	LH.....	Left Hand
ASSY.....	Assembly	LRC.....	Low Rated Countries
AUS.....	Australia	LSS.....	Load Sensing System
AUX.....	Auxiliary	M(m).....	Metric/Meter
AWG.....	American Wire Gauge	MM(mm).....	Milimeter
B/M.....	Bill of Material	mA.....	Miliamps
CAC.....	Charge Air Cooler	NLA.....	No Longer Available
CE.....	European Conformity	NPT.....	National Pipe Threads
CCW.....	Counter Clockwise	NSS.....	Not Sold Separately
CM.....	Centimeter	OD.....	Outside Diameter
CW.....	Clockwise	ORB.....	O-Ring Boss
CSA.....	Canadian Standards Association	ORFS.....	O-Ring Face Seal
CYL.....	Cylinder	OZ (oz).....	Ounces
DIA.....	Diameter	PG.....	Page
DC.....	Direct Current	PN.....	Part Number
DEF.....	Diesel Exhaust Fluid	QT/qt.).....	Quarts
EMS.....	Emergency Stop	QTY.....	Quantity
ENG.....	Engine	REF.....	Reference
FT(ft).....	Feet	REV.....	Revision Level
GA(Ga).....	Gauge	RH.....	Right Hand
HRC.....	High Rated Countries	SAE.....	Society of Automotive Engineers
HVAC.....	Heating, Ventilating, and Air Conditioning	SN.....	Serial Number
HYD.....	Hydraulic	SPEC(S).....	Specifications
Hz.....	Hertz	T/T.....	Turntable
ID.....	Inside Diameter	UGM.....	Universal Ground Module
IN.....	inches	V.....	Volts
ISO.....	International Organization for Standards	W.....	Watts
JIC.....	Joint Industry Council	#.....	Number
KG.....	Kilogram		

10) ILLUSTRATION REFERENCE LETTERS

When necessary, illustrations may contain reference letters that are intended to track information (i. e. hoses, harnesses) from one point to another or to track visual enlargement of components to show details that may be located in another area on the illustration.

Note: Due to continuous product improvements, JLG Industries, Inc. reserves the right to make specification changes without prior notification. Contact JLG Industries, Inc. for updated information.

TABLE OF CONTENTS

SECTION 1 - FRAME AND ATTACHING PARTS.....	17
FIGURE 1-1. GROMMETS INSTALLATION	18
FIGURE 1-2. TANKS INSTALLATION.....	20
FIGURE 1-3. HYDRAULIC TANK INSTALLATION	22
FIGURE 1-4. HYDRAULIC TANK ASSEMBLY.....	24
FIGURE 1-5. FUEL TANK INSTALLATION.....	26
FIGURE 1-6. FUEL TANK ASSEMBLY	28
FIGURE 1-7. TANK SUPPORT INSTALLATION.....	30
FIGURE 1-8. LOCKING FUEL CAP	32
FIGURE 1-9. PAD LOCK.....	34
FIGURE 1-10. ENGINE ENCLOSURE & HOOD INSTALLATION.....	36
FIGURE 1-11. HOOD ASSEMBLY	38
FIGURE 1-12. ENGINE ENCLOSURE ASSEMBLY	40
FIGURE 1-13. COVER INSTALLATION (ULS).....	42
FIGURE 1-14. FRAME COVER INSTALLATION	44
FIGURE 1-15. FRONT LOWER COVER INSTALLATION	46
FIGURE 1-16. MIRROR INSTALLATION.....	48
FIGURE 1-17. WHEEL CHOCK INSTALLATION.....	50
SECTION 2 - BOOM.....	53
FIGURE 2-1. BOOM INSTALLATION.....	54
FIGURE 2-2. BOOM ASSEMBLY.....	56
FIGURE 2-3. FIRST BOOM SECTION ASSEMBLY.....	58
FIGURE 2-4. SECOND BOOM SECTION ASSEMBLY.....	60
FIGURE 2-5. COUPLER INSTALLATION (MANUAL).....	62
FIGURE 2-6. COUPLER INSTALLATION (HYDRAULIC)	64
FIGURE 2-7. COUPLING LOCKING CYLINDER AND CHECK VALVE ASSEMBLY	66
FIGURE 2-8. MANUAL COUPLER PIN HOLDER INSTALLATION.....	68
FIGURE 2-9. BOOM BRUSHES INSTALLATION	70
FIGURE 2-10. BOOM PROP INSTALLATION	72
FIGURE 2-11. BOOM PROP BRACKET ASSEMBLY.....	74
SECTION 3 - ATTACHMENTS	77
FIGURE 3-1. ATTACHMENT RECOGNITION INSTALLATION - COMPLETE	78
FIGURE 3-2. ATTACHMENT RECOGNITION INSTALLATION.....	80
FIGURE 3-3. ATTACHMENT RECOGNITION RECEIVER.....	82
FIGURE 3-4. ATTACHMENT RECOGNITION ANTENNA	84
FIGURE 3-5. BALE HANDLER (ROUND BALES).....	86
FIGURE 3-6. BALE HANDLER (SQUARE BALES).....	90
FIGURE 3-7. BASKET, PERSONNEL (1.2MX2.4M) (DOMESTIC).....	92
FIGURE 3-8. BASKET, PERSONNEL (1.2MX2.4M) (FRENCH LANGUAGE)	94
FIGURE 3-9. BASKET ASSEMBLY - FORK MOUNTED	96
FIGURE 3-10. BASKET DOCKING STATION.....	98
FIGURE 3-11. BOOM - TRUSS (3.6TON FORK MOUNTED).....	100
FIGURE 3-12. BOOM - TRUSS (7.6 TON).....	102

TABLE OF CONTENTS

FIGURE 3-13. BUCKET (2.6 YD ³ /2.0M ³)	104
FIGURE 3-14. BUCKET (5.23 YD ³).....	106
FIGURE 3-15. BUCKET - 4 IN 1 (2.6 YD ³ /2.0M ³).....	108
FIGURE 3-16. BUCKET - 4 IN 1 (1.3 YD ³ /1.0M ³).....	110
FIGURE 3-17. BUCKET - GRAPPLE (1.7 YD ³ /1.3M ³)	112
FIGURE 3-18. BUCKET - GRAPPLE (2.6 YD ³ /2.0M ³)	114
FIGURE 3-19. BUCKET - FORK MOUNTED (1.0M ³).....	116
FIGURE 3-20. CARRIAGE ASSEMBLY (60IN/1524MM).....	118
FIGURE 3-21. CARRIAGE ASSEMBLY (72IN/1829MM).....	120
FIGURE 3-22. CARRIAGE ASSEMBLY (87IN/2290MM).....	122
FIGURE 3-23. CARRIAGE ASSEMBLY - DUAL FORK POSITIONING CARRIAGE (72IN/1829MM)	124
FIGURE 3-24. CARRIAGE ASSEMBLY - DUAL FORK POSITIONING SIDE SHIFT CARRIAGE (75IN/1899MM)	126
FIGURE 3-25. CARRIAGE ASSEMBLY - LOG HANDLER CARRIAGE	128
FIGURE 3-26. CARRIAGE ASSEMBLY - PIPE HANDLER CARRIAGE.....	132
FIGURE 3-27. CARRIAGE ASSEMBLY - STEEL COIL HANDLER CARRIAGE	136
FIGURE 3-28. CARRIAGE ASSEMBLY - TIRE HANDLER	138
FIGURE 3-29. FORK - PALLET (2.25X6X48).....	142
FIGURE 3-30. FORK - PALLET (2.25X6X60).....	144
FIGURE 3-31. FORK - PALLET (2.25X6X72).....	146
FIGURE 3-32. FORK - PALLET (2.25X6X96).....	148
FIGURE 3-33. FORK RETENTION INSTALLATION.....	150
FIGURE 3-34. HOOK - CRANK (7.6 TON)	152
FIGURE 3-35. HOOK ATTACH - FORK MOUNTED.....	154
FIGURE 3-36. HOPPER - TRASH	156
FIGURE 3-37. WINCH - COUPLER MOUNTED.....	158
SECTION 4 - ENGINE AND ATTACHING PARTS.....	161
FIGURE 4-1. ENGINE POD COMPONENT INSTALLATION (ULS)	162
FIGURE 4-2. ENGINE POD COMPONENT INSTALLATION (MINING) (ULS).....	164
FIGURE 4-3. ENGINE INSTALLATION (ULS)	166
FIGURE 4-4. ENGINE ASSEMBLY (ULS)	168
FIGURE 4-5. ENGINE MOUNT INSTALLATION	172
FIGURE 4-6. AIR INTAKE INSTALLATION (ULS).....	174
FIGURE 4-7. AIR CLEANER INSTALLATION	176
FIGURE 4-8. AIR CLEANER ASSEMBLY	178
FIGURE 4-9. AIR INTAKE DUCT INSTALLATION	180
FIGURE 4-10. PRIMARY FUEL FILTER INSTALLATION (ULS)	182
FIGURE 4-11. REMOTE FUEL PUMP INSTALLATION	184
FIGURE 4-12. FUEL LINES INSTALLATION (ULS)	186
FIGURE 4-13. HYDROSTATIC ADAPTOR INSTALLATION	188
FIGURE 4-14. DUAL DRIVE SUPPORT ASSEMBLY.....	190
FIGURE 4-15. HYDROSTATIC DRIVE PUMP INSTALLATION	192
FIGURE 4-16. HYDROSTATIC DRIVE PUMP ASSEMBLY	194
FIGURE 4-17. IMPLEMENT PUMP INSTALLATION.....	196
FIGURE 4-18. IMPLEMENT PUMP ASSEMBLY	198

TABLE OF CONTENTS

FIGURE 4-19. DEF COOLANT LINES INSTALLATION (ULS)	200
FIGURE 4-20. COOLING PACKAGE INSTALLATION (ULS & NO HIGH AMBIENT)	202
FIGURE 4-21. COOLING PACKAGE INSTALLATION (ULS ASOV).....	204
FIGURE 4-22. RADIATOR - COOLING PACKAGE.....	208
FIGURE 4-23. RADIATOR LINES INSTALLATION (ALL EXCEPT ULS & LS ASOV)	210
FIGURE 4-24. RADIATOR LINES INSTALLATION (ULS & LS ASOV).....	212
FIGURE 4-25. COOLANT LINES INSTALLATION	214
FIGURE 4-26. SURGE TANK INSTALLATION	216
FIGURE 4-27. TRANSMISION OIL COOLER LINES INSTALLATION.....	218
FIGURE 4-28. FAN GUARD INSTALLATION	220
FIGURE 4-29. FAN GUARD (REVERSING) INSTALLATION	222
FIGURE 4-30. COOLING FAN INSTALLATION.....	224
FIGURE 4-31. COOLING FAN (REVERSING) INSTALLATION	226
FIGURE 4-32. COOLING FAN COVER (REVERSING) INSTALLATION.....	228
FIGURE 4-33. EXHAUST INSTALLATION (ULS)	230
FIGURE 4-34. DEF TANK INSTALLATION.....	232
FIGURE 4-35. DEF TANK ASSEMBLY	234
FIGURE 4-36. DEF LINES INSTALLATION	236
FIGURE 4-37. DEF CONTROL MODULE INSTALLATION.....	238
FIGURE 4-38. HEATER LINES INSTALLATION (ULS)	240
FIGURE 4-39. A/C PUMP INSTALLATION	242
FIGURE 4-40. A/C LINES INSTALLATION	244
FIGURE 4-41. BLOCK HEATER INSTALLATION (115V) (ULS).....	246
FIGURE 4-42. HEATED BREATHER TUBE INSTALLATION	248
SECTION 5 - DRIVE TRAIN	251
FIGURE 5-1. DRIVETRAIN INSTALLATION.....	252
FIGURE 5-2. HYDROSTATIC MOTOR INSTALLATION.....	254
FIGURE 5-3. HYDROSTATIC MOTOR ASSEMBLY	256
FIGURE 5-4. GEARBOX INSTALLATION.....	258
FIGURE 5-5. GEAR BOX	260
FIGURE 5-6. DRIVE SHAFT INSTALLATION.....	264
FIGURE 5-7. FRONT AXLE INSTALLATION	266
FIGURE 5-8. FRONT AXLE MOUNTING INSTALLATION.....	268
FIGURE 5-9. FRONT AXLE	270
FIGURE 5-10. FRONT AXLE, CENTRAL HOUSING	272
FIGURE 5-11. FRONT AXLE, DIFFERENTIAL	274
FIGURE 5-12. DIFFERENTIAL KIT	276
FIGURE 5-13. FRONT AXLE, HUB REDUCTION.....	278
FIGURE 5-14. FRONT AXLE, BRAKES	280
FIGURE 5-15. FRONT AXLE, STEERING	282
FIGURE 5-16. FRONT AXLE, TRUNION	284
FIGURE 5-17. FRONT AXLE LINES INSTALLATION.....	286
FIGURE 5-18. REAR AXLE INSTALLATION	288
FIGURE 5-19. REAR AXLE MOUNTING INSTALLATION	290
FIGURE 5-20. REAR AXLE, BRAKES	292

TABLE OF CONTENTS

FIGURE 5-21. REAR AXLE, STEERING	294
FIGURE 5-22. REAR AXLE	296
FIGURE 5-23. REAR AXLE, CENTRAL HOUSING	298
FIGURE 5-24. REAR AXLE, DIFFERENTIAL	300
FIGURE 5-25. DIFFERENTIAL KIT.....	302
FIGURE 5-26. REAR AXLE, HUB REDUCTION.....	304
FIGURE 5-27. STEERING CASE ASSEMBLY (LH STEER LINK).....	306
FIGURE 5-28. STEERING CASE ASSEMBLY (RH STEER LINK).....	308
FIGURE 5-29. REAR AXLE, TRUNION	310
FIGURE 5-30. TRUNION KIT.....	312
FIGURE 5-31. RING GEAR SUPPORT KIT.....	314
FIGURE 5-32. REDUCTION BUSHING KIT	316
FIGURE 5-33. PLANET GEAR CARRIER KIT	318
FIGURE 5-34. REAR AXLE LINES INSTALLATION.....	320
FIGURE 5-35. TIRE/WHEEL SET (AIR 17.5-25 - 20 PLY)	322
FIGURE 5-36. TIRE/WHEEL SET (FOAM 17.5-25 - 20 PLY).....	324
FIGURE 5-37. TIRE/WHEEL SET (AIR 17.5 R25 - RADIAL).....	326
FIGURE 5-38. FENDER INSTALLATION	328
FIGURE 5-39. RH FENDER ASSEMBLY	330
FIGURE 5-40. LH FENDER ASSEMBLY	332
SECTION 6 - CAB	335
FIGURE 6-1. CAB MOUNTING INSTALLATION	336
FIGURE 6-2. FRONT CAB MOUNT BRACKET INSTALLATION	338
FIGURE 6-3. CAB MOUNTS INSTALLATION	340
FIGURE 6-4. CAB COMPONENTS INSTALLATION	342
FIGURE 6-5. CAB INSTALLATION.....	344
FIGURE 6-6. CAB ASSEMBLY.....	346
FIGURE 6-7. DOOR INSTALLATION	348
FIGURE 6-8. DOOR ASSEMBLY	350
FIGURE 6-9. CAB DOOR	352
FIGURE 6-10. DOOR UPPER GLASS ASSEMBLY	354
FIGURE 6-11. CAB LATCH ASSEMBLY	356
FIGURE 6-12. CAB DOOR TRIGGER ASSEMBLY	358
FIGURE 6-13. DOOR STRAP INSTALLATION	360
FIGURE 6-14. CAB PLUG GROUP	362
FIGURE 6-15. REAR WINDOW INSTALLATION	364
FIGURE 6-16. REAR WINDOW GROUP	366
FIGURE 6-17. REAR WIPER INSTALLATION	368
FIGURE 6-18. REAR WINDOW RELEASE INSTALLATION (ANSI - ENGLISH)	370
FIGURE 6-19. REAR WINDOW RELEASE INSTALLATION (ENGLISH/FREMCH).....	372
FIGURE 6-20. FRONT WIPER INSTALLATION	374
FIGURE 6-21. WASHER TANK INSTALLATION.....	376
FIGURE 6-22. WASHER BOTTLE	378
FIGURE 6-23. FRONT COVER INSTALLATION	380
FIGURE 6-24. FRONT DUCT COVER.....	382

TABLE OF CONTENTS

FIGURE 6-25. FILTER TRAY PANEL	384
FIGURE 6-26. LEVEL INDICATOR INSTALLATION.....	386
FIGURE 6-27. BASIC MIRROR INSTALLATION	388
FIGURE 6-28. MULTIFUNCTION DISPLAY INSTALLATION	390
FIGURE 6-29. SEAT INSTALLATION (CLOTH).....	392
FIGURE 6-30. SEAT ASSEMBLY	394
FIGURE 6-31. SEAT INSTALLATION (AIR SUSPENSION - STANDARD).....	396
FIGURE 6-32. SEAT ASSEMBLY (AIR SUSPENSION - STANDARD).....	398
FIGURE 6-33. UPPER SEAT ASSEMBLY	400
FIGURE 6-34. SUSPENSION KIT	402
FIGURE 6-35. SEAT INSTALLATION (AIR SUSPENSION - PREMIUM)	404
FIGURE 6-36. SEAT ASSEMBLY (AIR SUSPENSION - PREMIUM).....	406
FIGURE 6-37. SEAT BELT INSTALLATION (3IN)	408
FIGURE 6-38. SEAT BELT INSTALLATION (2IN)	410
FIGURE 6-39. HEATER INSTALLATION	412
FIGURE 6-40. HEATER ASSEMBLY	414
FIGURE 6-41. HEATER	416
FIGURE 6-42. HVAC CAB ACTUATOR.....	418
FIGURE 6-43. HEATER AND A/C INSTALLATION (CAB PARTS).....	420
FIGURE 6-44. HEATER AND A/C ASSEMBLY.....	424
FIGURE 6-45. HEATER AND A/C	426
FIGURE 6-46. CAB CONDENSER ASSEMBLY.....	428
FIGURE 6-47. CONDENSER	430
FIGURE 6-48. A/C RECEIVER DRIER.....	432
FIGURE 6-49. HEADLINER INSTALLATION	434
FIGURE 6-50. HEADLINER/RADIO READY PACKAGE INSTALLATION	436
FIGURE 6-51. CAB TRIM INSTALLATION	438
FIGURE 6-52. DASH COVER ASSEMBLY	442
FIGURE 6-53. REAR PANEL COVER ASSEMBLY	444
FIGURE 6-54. ADJUSTABLE ARMREST INSTALLATION.....	446
FIGURE 6-55. ARMREST	448
FIGURE 6-56. FIXED ARMREST BRACKET	450
FIGURE 6-57. MOVING ARMREST BRACKET	452
FIGURE 6-58. ROOF WIPER INSTALLATION	454
FIGURE 6-59. ROOF CAP INSTALLATION (NO A/C)	456
FIGURE 6-60. ROOF CAP INSTALLATION (A/C).....	458
FIGURE 6-61. RETRACTABLE SUNSCREEN INSTALLATION	460
FIGURE 6-62. FLOOR MAT INSTALLATION.....	462
FIGURE 6-63. ENCLOSED CAB FRONT COVER INSTALLATION.....	464
FIGURE 6-64. CAB GUARD INSTALLATION (TOP).....	466
FIGURE 6-65. CAB GUARD INSTALLATION (FRONT).....	468
FIGURE 6-66. CAB GUARD INSTALLATION (TOP AND FRONT).....	470
FIGURE 6-67. FIRE EXTINGUISHER INSTALLATION.....	472
SECTION 7 - CONTROLS	475
FIGURE 7-1. ACCELERATOR PEDAL INSTALLATION	476

TABLE OF CONTENTS

FIGURE 7-2. ACCELERATOR PEDAL	478
FIGURE 7-3. BRAKE PEDAL INSTALLATION	480
FIGURE 7-4. BRAKE PEDAL ASSEMBLY	482
FIGURE 7-5. BRAKE SENSOR INSTALLATION	484
FIGURE 7-6. SWITCH PLATE ASSEMBLY	486
FIGURE 7-7. PARK BRAKE INSTALLATION	488
FIGURE 7-8. TILT STEERING COLUMN INSTALLATION	490
FIGURE 7-9. TILT STEERING COLUMN	492
FIGURE 7-10. COLUMN SHIFT INSTALLATION (2 SPEED).....	494
FIGURE 7-11. COLUMN SHIFT INSTALLATION (0 SPEED).....	496
FIGURE 7-12. STEERING WHEEL INSTALLATION	498
FIGURE 7-13. STEERING WHEEL.....	500
FIGURE 7-14. HORN BUTTON INSTALLATION	502
FIGURE 7-15. JOYSTICK INSTALLATION (2 SPEED)	504
FIGURE 7-16. JOYSTICK INSTALLATION.....	506
FIGURE 7-17. WIPER-TURN SWITCH INSTALLATION	508
SECTION 8 - HYDRAULIC CIRCUITS	511
FIGURE 8-1. MAIN HYDRAULIC INSTALLATION.....	512
FIGURE 8-2. BOOM HYDRAULIC LINES INSTALLATION	514
FIGURE 8-3. BOOM HYDRAULIC INSTALLATION.....	516
FIGURE 8-4. BOOM AUX HYDRAULIC INSTALLATION (MANUAL - SINGLE).....	518
FIGURE 8-5. BOOM AUX HYDRAULIC INSTALLATION (MANUAL - TWIN).....	520
FIGURE 8-6. BOOM AUX DIVERTER VALVE/FITINGS ASSEMBLY (MANUAL - TWIN).....	522
FIGURE 8-7. BOOM AUX HYDRAULIC INSTALLATION (HYDRAULIC - SINGLE).....	524
FIGURE 8-8. BOOM AUX DIVERTER VALVE/FITINGS ASSEMBLY (HYDRAULIC - SINGLE)	526
FIGURE 8-9. BOOM AUX HYDRAULIC INSTALLATION (HYDRAULIC - TWIN).....	528
FIGURE 8-10. BOOM AUX DIVERTER VALVE/FITINGS ASSEMBLY (HYDRAULIC - TWIN)	530
FIGURE 8-11. BOOM EXTENT/RETRACT COUNTERBALANCE VALVE INSTALLATION	532
FIGURE 8-12. BOOM RAISE HOSE INSTALLATION (NO RIDE CONTROL).....	534
FIGURE 8-13. BOOM RAISE COUNTERBALANCE VALVE/FITTINGS ASSEMBLY (NO RIDE CONTROL).....	536
FIGURE 8-14. BOOM RAISE HOSE INSTALLATION (RIDE CONTROL)	538
FIGURE 8-15. BOOM RAISE RIDE & FLOAT VALVE/FITTING ASSEMBLY (RIDE CONTROL)	540
FIGURE 8-16. CAB HYDRUALIC INSTALLATION	542
FIGURE 8-17. CAB HYDRUALICS CHECK VALVE INSTALLATION.....	544
FIGURE 8-18. CAB HYDRAULICS SOLENOID INSTALLATION	546
FIGURE 8-19. CAB HYDRAULICS SOLENOID FITTINGS INSTALLATION	548
FIGURE 8-20. CHARGE FILTER LINES INSTALLATION	550
FIGURE 8-21. CHARGE FILTER INSTALLATION	552
FIGURE 8-22. CHARGE FILTER ASSEMBLY	554
FIGURE 8-23. ENGINE BAY HYDRAULIC INSTALLATION.....	556
FIGURE 8-24. ENGINE BAY INCHING VALVE INSTALLATION.....	558
FIGURE 8-25. ENGINE BAY INCHING VALVE/FITINGS ASSEMBLY	560
FIGURE 8-26. FRAME HYDRAULIC INSTALLATION	562
FIGURE 8-27. FRAME MANIFOLD INSTALLATION	564
FIGURE 8-28. FRAME MANIFOLD/FITTINGS ASSEMBLY	566

TABLE OF CONTENTS

FIGURE 8-29. FRAME LEVEL INSTALLATION.....	568
FIGURE 8-30. FRAME LEVEL CYLINDER INSTALLATION.....	570
FIGURE 8-31. FRAME LEVEL COUNTERBALANCE VALVE/FITTINGS ASSEMBLY	572
FIGURE 8-32. FRAME LEVEL CONTROL VALVE INSTALLATION.....	574
FIGURE 8-33. FRAME LEVEL CONTROL VALVE/FITTINGS ASSEMBLY.....	576
FIGURE 8-34. MAIN CONTROL VALVE INSTALLATION.....	578
FIGURE 8-35. MAIN CONTROL VALVE/FITTINGS ASSEMBLY	580
FIGURE 8-36. MANUAL PUMP (LIFT/TELE) INSTALLATION - REMOTE CONTROL EMERGENCY LOWERING	582
FIGURE 8-37. VALVE & FITTING ASSEMBLY - MANUAL LIFT/TELE.....	584
FIGURE 8-38. VALVE ASSEMBLY - MANUAL LIFT/TELE.....	586
FIGURE 8-39. PRIORITY VALVE INSTALLATION.....	588
FIGURE 8-40. PRIORITY VALVE/FITTINGS ASSEMBLY.....	590
FIGURE 8-41. REMOTE GREASE FITTINGS INSTALLATION.....	592
FIGURE 8-42. SPEED CONTROL VALVE INSTALLATION	594
FIGURE 8-43. SPEED CONTROL VALVE/FITTINGS ASSEMBLY	596
FIGURE 8-44. STEERING SELECT VALVE INSTALLATION.....	598
FIGURE 8-45. STEERING SELECT VALVE/FITTINGS ASSEMBLY.....	600
SECTION 9 - HYDRAULIC COMPONENTS.....	603
FIGURE 9-1. CYLINDER INSTALLATION - BOOM LIFT & COMPENSATION CYLINDER.....	604
FIGURE 9-2. CYLINDER INSTALLATION - BOOM LIFT	606
FIGURE 9-3. CYLINDER ASSEMBLY - BOOM LIFT	608
FIGURE 9-4. CYLINDER INSTALLATION - BOOM COMPENSATION	610
FIGURE 9-5. CYLINDER ASSEMBLY - BOOM COMPENSATION.....	612
FIGURE 9-6. CYLINDER INSTALLATION - BOOM EXTEND/RETRACT CYLINDER.....	614
FIGURE 9-7. CYLINDER ASSEMBLY - BOOM EXTEND/RETRACT CYLINDER	616
FIGURE 9-8. CYLINDER ASSEMBLY - BOOM TILT	618
FIGURE 9-9. CYLINDER ASSEMBLY - BUCKET (4 IN 1 BUCKET).....	620
FIGURE 9-10. CYLINDER ASSEMBLY - BUCKET (GRAPPLE BUCKET)	622
FIGURE 9-11. CYLINDER ASSEMBLY - CARRIAGE (LOG HANDLER CYLINDER).....	624
FIGURE 9-12. CYLINDER ASSEMBLY - COUPLER LOCKING	626
FIGURE 9-13. CYLINDER ASSEMBLY - FORK POSITIONING	628
FIGURE 9-14. CYLINDER INSTALLATION - FORK POSITIONING SIDE SHIFT	630
FIGURE 9-15. CYLINDER ASSEMBLY - FRAME LEVEL.....	632
FIGURE 9-16. CYLINDER ASSEMBLY - PIPE HANDLER CARRIAGE (UPPER).....	634
FIGURE 9-17. CYLINDER ASSEMBLY - PIPE HANDLER CARRIAGE (LOWER)	636
FIGURE 9-18. MOTOR ASSEMBLY - HYDROSTATIC.....	638
FIGURE 9-19. PUMP ASSEMBLY - HYDROSTATIC.....	640
FIGURE 9-20. PUMP ASSEMBLY - IMPLEMENT	642
FIGURE 9-21. VALVE ASSEMBLY - BOOM AUX DIVERTER VALVE (HYDRAULIC - SINGLE & TWIN)	644
FIGURE 9-22. VALVE ASSEMBLY - BOOM AUX DIVERTER VALVE (MANUAL & HYDRAULIC -TWIN).....	646
FIGURE 9-23. VALVE ASSEMBLY - BOOM EXTEND/RETRACT COUNTERBALANCE VALVE	648
FIGURE 9-24. VALVE ASSEMBLY - BOOM RAISE COUNTERBALANCE VALVE (NO RIDE CONTROL).....	650
FIGURE 9-25. VALVE ASSEMBLY - BOOM RAISE RIDE & FLOAT VALVE (RIDE CONTROL)	652
FIGURE 9-26. VALVE ASSEMBLY - BUCKET (5.23 YD ³ /4.0M ³).....	654
FIGURE 9-27. VALVE ASSEMBLY - CAB HYDRAULICS CHECK VALVE.....	656

TABLE OF CONTENTS

FIGURE 9-28. VALVE ASSEMBLY - CAB HYDRAULICS SOLENOID VALVE	658
FIGURE 9-29. VALVE ASSEMBLY - ENGINE BAY INCHING VALVE	660
FIGURE 9-30. VALVE ASSEMBLY - FRAME LEVEL CONTROL	662
FIGURE 9-31. VALVE ASSEMBLY - FRAME LEVEL COUNTERBALANCE.....	664
FIGURE 9-32. VALVE ASSEMBLY - MAIN CONTROL	666
FIGURE 9-33. VALVE ASSEMBLY - PRIORITY VALVE	668
FIGURE 9-34. VALVE ASSEMBLY - RADIATOR HOSE SHUT-OFF VALVE	670
FIGURE 9-35. VALVE ASSEMBLY - RADIATOR HOSE ASO VALVE	672
FIGURE 9-36. VALVE ASSEMBLY - SPEED CONTROL	674
FIGURE 9-37. VALVE ASSEMBLY - STEER.....	676
FIGURE 9-38. VALVE ASSEMBLY - STEERING SELECT VALVE	678
SECTION 10 - ELECTRICAL.....	681
FIGURE 10-1. ALARM INSTALLATION - BACK UP.....	682
FIGURE 10-2. ALARM INSTALLATION (BACK UP - WHITE NOISE)	684
FIGURE 10-3. BATTERY INSTALLATION.....	686
FIGURE 10-4. BATTERY (DUAL) INSTALLATION.....	688
FIGURE 10-5. BATTERY (ARCTIC) PACKAGE INSTALLATION (115V)	690
FIGURE 10-6. BATTERIES (ARCTIC) INSTALLATION (115V).....	692
FIGURE 10-7. BEACON INSTALLATION (LED).....	694
FIGURE 10-8. BEACON (REMOTE BOOM CONTROL) INSTALLATION	696
FIGURE 10-9. BEACON (LED) (REMOTE BOOM CONTROL) INSTALLATION.....	698
FIGURE 10-10. BOOM HARNESS INSTALLATION.....	700
FIGURE 10-11. BOOM HARNESS	702
FIGURE 10-12. BOOM HARNESS INSTALLATION.....	704
FIGURE 10-13. BOOM HARNESS	706
FIGURE 10-14. BOOM ANGLE SENSOR INSTALLATION (NO LMIS)	708
FIGURE 10-15. BOOM AUX HARNESS INSTALLATION.....	710
FIGURE 10-16. BOOM AUX HARNESS	712
FIGURE 10-17. BOOM RETRACT SENSOR INSTALLATION	714
FIGURE 10-18. BOOM RETRACT PROXIMITY SENSOR HARNESS.....	716
FIGURE 10-19. CAB ELECTRICAL INSTALLATION.....	718
FIGURE 10-20. CAB HARNESS.....	720
FIGURE 10-21. CAB - STANDARD ELECTRICAL BOARD ASSEMBLY	728
FIGURE 10-22. CAB - OPTION 1 ELECTRICAL BOARD ASSEMBLY	730
FIGURE 10-23. CAB - OPTION 2 ELECTRICAL BOARD ASSEMBLY	732
FIGURE 10-24. CAB OPTION HARNESS	734
FIGURE 10-25. CAB - A/C OPTION HARNESS	736
FIGURE 10-26. CAB - DASH ELECTRICAL INSTALLATION.....	738
FIGURE 10-27. CAB - IGNITION SWITCH HARNESS.....	740
FIGURE 10-28. CAB - LIGHT SWITCH INSTALLATION.....	742
FIGURE 10-29. CAB - SEAT ADAPTOR HARNESS	744
FIGURE 10-30. CAB - EXTERNAL EMERGENCY STOP INSTALLATION.....	746
FIGURE 10-31. ENGINE - ENGINE BAY ELECTRICAL INSTALLATION (ULS)	748
FIGURE 10-32. ENGINE - ENGINE POD ELECTRICAL INSTALLATION (ULS)	750
FIGURE 10-33. ENGINE - DEF PURGE LIGHT HARNESS	752

TABLE OF CONTENTS

FIGURE 10-34. ENGINE - FAN (REVERSE COOLING) INSTALLATION.....	754
FIGURE 10-35. ENGINE - FAN (REVERSE COOLING) HARNESS.....	756
FIGURE 10-36. ENGINE WIRING INSTALLATION (ULS).....	758
FIGURE 10-37. ENGINE WIRING INSTALLATION (MINING) (ULS).....	760
FIGURE 10-38. ENGINE HARNESS (ULS).....	762
FIGURE 10-39. ENGINE HARNESS (MINING) (ULS).....	768
FIGURE 10-40. ENGINE - FUEL PUMP HARNESS.....	774
FIGURE 10-41. ENGINE - FUEL PUMP HARNESS (MINING) (ULS).....	776
FIGURE 10-42. ENGINE - GLOW PLUG RELAY HARNESS.....	778
FIGURE 10-43. ENGINE - GLOW PLUG RELAY HARNESS (MINING) (ULS).....	780
FIGURE 10-44. ENGINE ECU INSTALLATION.....	782
FIGURE 10-45. ENGINE - AIR SHUTOFF VALVE HARNESS.....	784
FIGURE 10-46. ENGINE - AIR SHUT OFF VALVE HARNESS (ENGINE).....	786
FIGURE 10-47. FRAME ELECTRICAL INSTALLATION.....	790
FIGURE 10-48. FRAME - POWER DISTRIBUTION ELECTRICAL BOX.....	792
FIGURE 10-49. FRAME - REAR FRAME MODULE INSTALLATION.....	794
FIGURE 10-50. FRAME WIRING INSTALLATION.....	796
FIGURE 10-51. FRAME WIRING INSTALLATION, MINING (ULS).....	798
FIGURE 10-52. FRAME - FRONT FRAME HARNESS.....	800
FIGURE 10-53. FRAME - FRONT FRAME HARNESS, MINING.....	804
FIGURE 10-54. FRAME - REAR FRAME HARNESS.....	808
FIGURE 10-55. FRAME - REAR FRAME HARNESS, MINING.....	812
FIGURE 10-56. LIGHTS - BOOM WORK LIGHTS (LED).....	816
FIGURE 10-57. LIGHTS - BOOM WORK LIGHT INSTALLATION (LED).....	818
FIGURE 10-58. LIGHTS - BOOM WORKLIGHTS HARNESS.....	820
FIGURE 10-59. LIGHTS - CAB WORKLIGHTS INSTALLATION (NO A/C - LED).....	822
FIGURE 10-60. LIGHTS - CAB WORKLIGHTS INSTALLATION (A/C - LED).....	824
FIGURE 10-61. LIGHTS - DRIVING LIGHT INSTALLATION (RH DIP).....	826
FIGURE 10-62. LIGHTS - DRIVING LIGHT BRACKET ASSEMBLY (RH DIP).....	828
FIGURE 10-63. LIGHTS - DRIVING HEADLIGHT HARNESS.....	830
FIGURE 10-64. LIGHTS - DRIVING LIGHT INSTALLATION (LED) (RH DIP).....	832
FIGURE 10-65. LMIS CONTROL PACKAGE INSTALLATION.....	834
FIGURE 10-66. LMIS TILT SENSOR INSTALLATION.....	836
FIGURE 10-67. LMIS - PLATFORM READY HARNESS.....	838
FIGURE 10-68. LMIS WIRING INSTALLATION.....	840
FIGURE 10-69. LMIS CHASSIS OPTION HARNESS.....	842
FIGURE 10-70. LMIS BOOM HARNESS.....	846
FIGURE 10-71. LMIS CONTROLLER INSTALLATION.....	848
FIGURE 10-72. LMIS CABLE REEL INSTALLATION.....	850
FIGURE 10-73. LMIS INSTALLATION (HIGH END DISPLAY).....	852
FIGURE 10-74. LMIS BOOM ANGLE SENSOR INSTALLATION.....	854
FIGURE 10-75. LMIS BEACON LIGHT INSTALLATION.....	856
FIGURE 10-76. LMIS BEACON OPTION HARNESS.....	858
FIGURE 10-77. LSI INSTALLATION.....	860
FIGURE 10-78. LSI DISPLAY INSTALLATION.....	862

TABLE OF CONTENTS

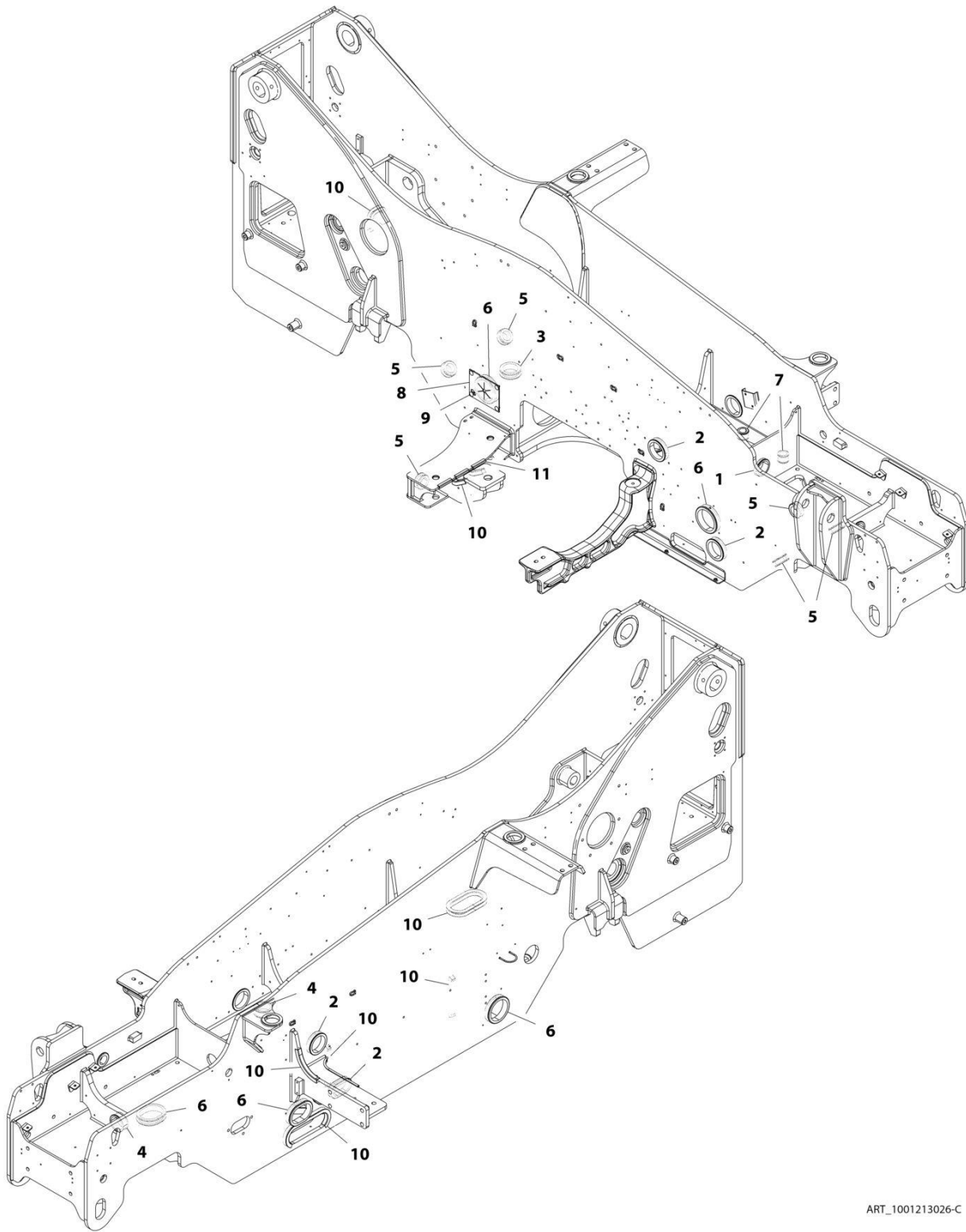
FIGURE 10-79. LSI SENSOR INSTALLATION.....	864
FIGURE 10-80. MAIN ELECTRICAL INSTALLATION (ULS).....	866
FIGURE 10-81. MAIN ELECTRICAL INSTALLATION, MINING (ULS).....	868
FIGURE 10-82. RALP PLATFORM HARNESS	870
FIGURE 10-83. REMOTE CONTROL (BOOM)	872
FIGURE 10-84. REMOTE CONTROL EMERGENCY STOP SWITCH INSTALLATION.....	874
FIGURE 10-85. REMOTE CONTROL KEY HARNESS	876
FIGURE 10-86. REMOTE CONTROL POWER HARNESS	878
FIGURE 10-87. REMOTE CONTROL EMERGENCY LOWERING HARNESS	880
FIGURE 10-88. REVERSE CAMERA INSTALLATION.....	882
FIGURE 10-89. REVERSE SENSOR INSTALLATION.....	884
FIGURE 10-90. REVERSE SENSOR HARNESS	886
FIGURE 10-91. RIDE CONTROL WIRING INSTALLATION.....	888
FIGURE 10-92. RIDE CONTROL HARNESS (BOOM).....	890
FIGURE 10-93. SPEED HARNESS (VEHICLE SPEED)	892
FIGURE 10-94. TANK HEATER INSTALLATION - HYDRAULIC TANK (115V).....	894
FIGURE 10-95. TELEMATICS (CLEARSKY) INSTALLATION 3-WIRE (ANSI).....	896
FIGURE 10-96. TELEMATICS HARNESS.....	898
FIGURE 10-97. TELEMATICS (CLEARSKY) INSTALLATION (CANBUS) (ANSI).....	900
FIGURE 10-98. TELEMATIC 4WARD HARNESS (CLEARSKY 2).....	902
FIGURE 10-99. TELEMATICS OPTION HARNESS	904
FIGURE 10-100. TELEMATICS ADAPTER HARNESS	906
FIGURE 10-101. TELEMATICS READY INSTALLATION	908
FIGURE 10-102. TELEMATICS READY HARNESS.....	910
SECTION 11 - DECALS	913
FIGURE 11-1. 1732 DECAL INSTALLATION	914
FIGURE 11-2. DECAL INSTALLATION (ENGLISH).....	916
FIGURE 11-3. DECAL INSTALLATION (ENGLISH/FRENCH)	920
FIGURE 11-4. CAPACITY CHART	924
FIGURE 11-5. CAPACITY CHART HOLDER INSTALLATION	926
FIGURE 11-6. CLEARSKY DECAL INSTALLATION	928
FIGURE 11-7. REVERSE SENSOR SYSTEM DECAL (ENGLISH).....	930
FIGURE 11-8. REVERSE SENSING SYSTEM DECAL (ENGLISH/FRENCH).....	932
SECTION 12 - RECOMMENDED SERVICE PARTS STOCK	935
FIGURE 12-1. RECOMMENDED SERVICE PARTS STOCK.....	936
SECTION 13 - SPECIAL OPTIONS	939
FIGURE 13-1. SPECIAL OPTIONS	940
PART NUMBER INDEX.....	943

SECTION 1 - FRAME AND ATTACHING PARTS

SECTION 1 - FRAME AND ATTACHING PARTS

SECTION 1 - FRAME AND ATTACHING PARTS

FIGURE 1-1. GROMMETS INSTALLATION



ART_1001213026-C

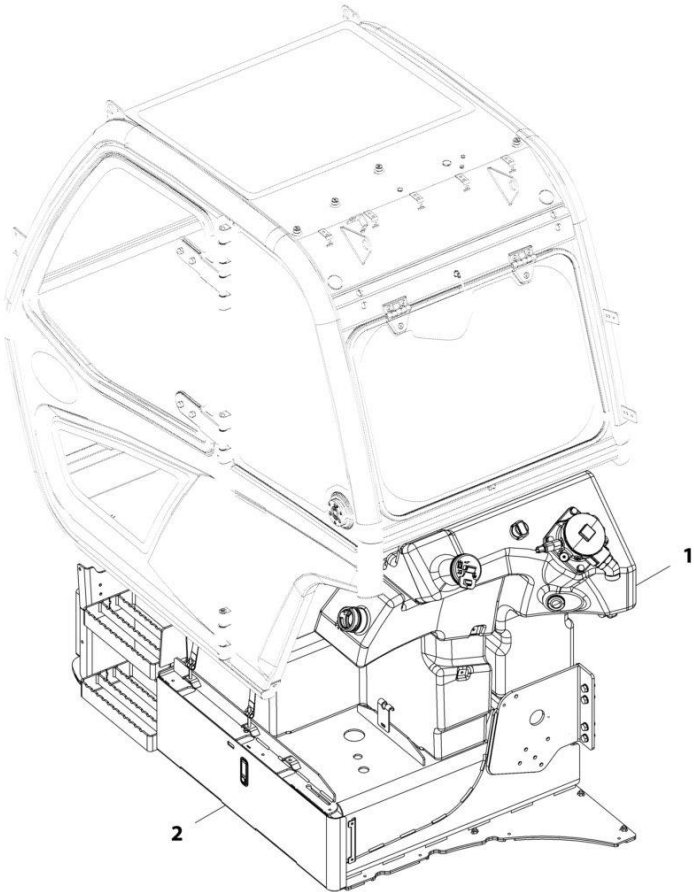
SECTION 1 - FRAME AND ATTACHING PARTS

FIGURE 1-1. GROMMETS INSTALLATION

ITEM	PART NUMBER	QTY	DESCRIPTION	REV
	1001213026	Ref	Grommets Installation	C
1	1001009018	1	Grommet	
2	1001028264	4	Grommet	
3	1001028291	1	Grommet	
4	1001028306	2	Grommet	
5	1001028308	6	Grommet	
6	1001028377	5	Grommet	
7	1001028400	2	Grommet	
8	1001175347	1	Grommet	
9	1001180306	4	Screw	
10	4060919	2030 mm	Trim,Hose Protection	
11	90206202	270 mm	Trim Lock	

SECTION 1 - FRAME AND ATTACHING PARTS

FIGURE 1-2. TANKS INSTALLATION



ART_1001185927-C

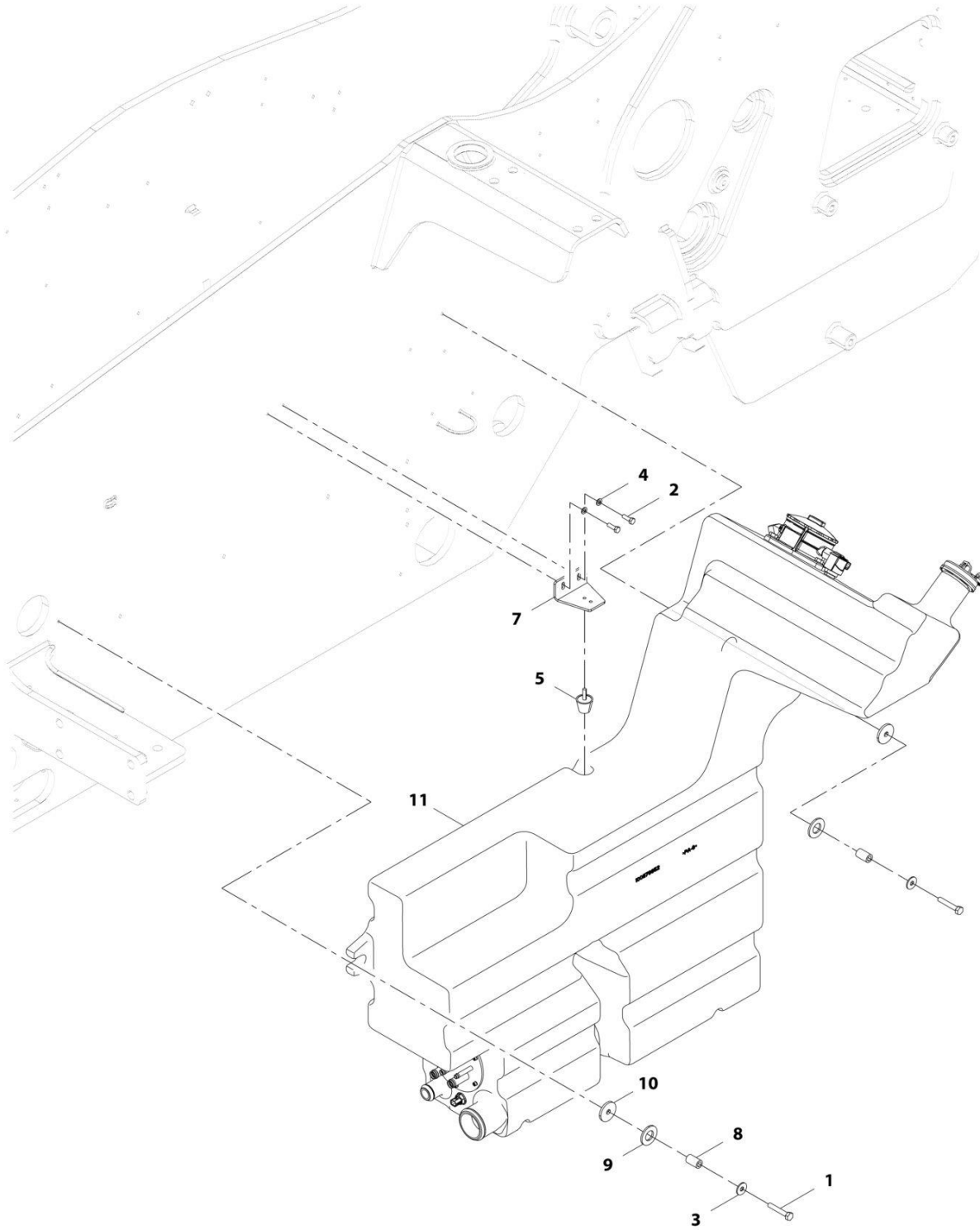
SECTION 1 - FRAME AND ATTACHING PARTS

FIGURE 1-2. TANKS INSTALLATION

ITEM	PART NUMBER	QTY	DESCRIPTION	REV
1	1001185927	Ref	Tank Installation	C
	1001179850	Ref	Installation, Hydraulic Tank (See Separate Breakdown in this Section)	
2	1001185929	Ref	Installation, Fuel Tank (See Separate Breakdown in this Section)	

SECTION 1 - FRAME AND ATTACHING PARTS

FIGURE 1-3. HYDRAULIC TANK INSTALLATION



ART_1001179850-C

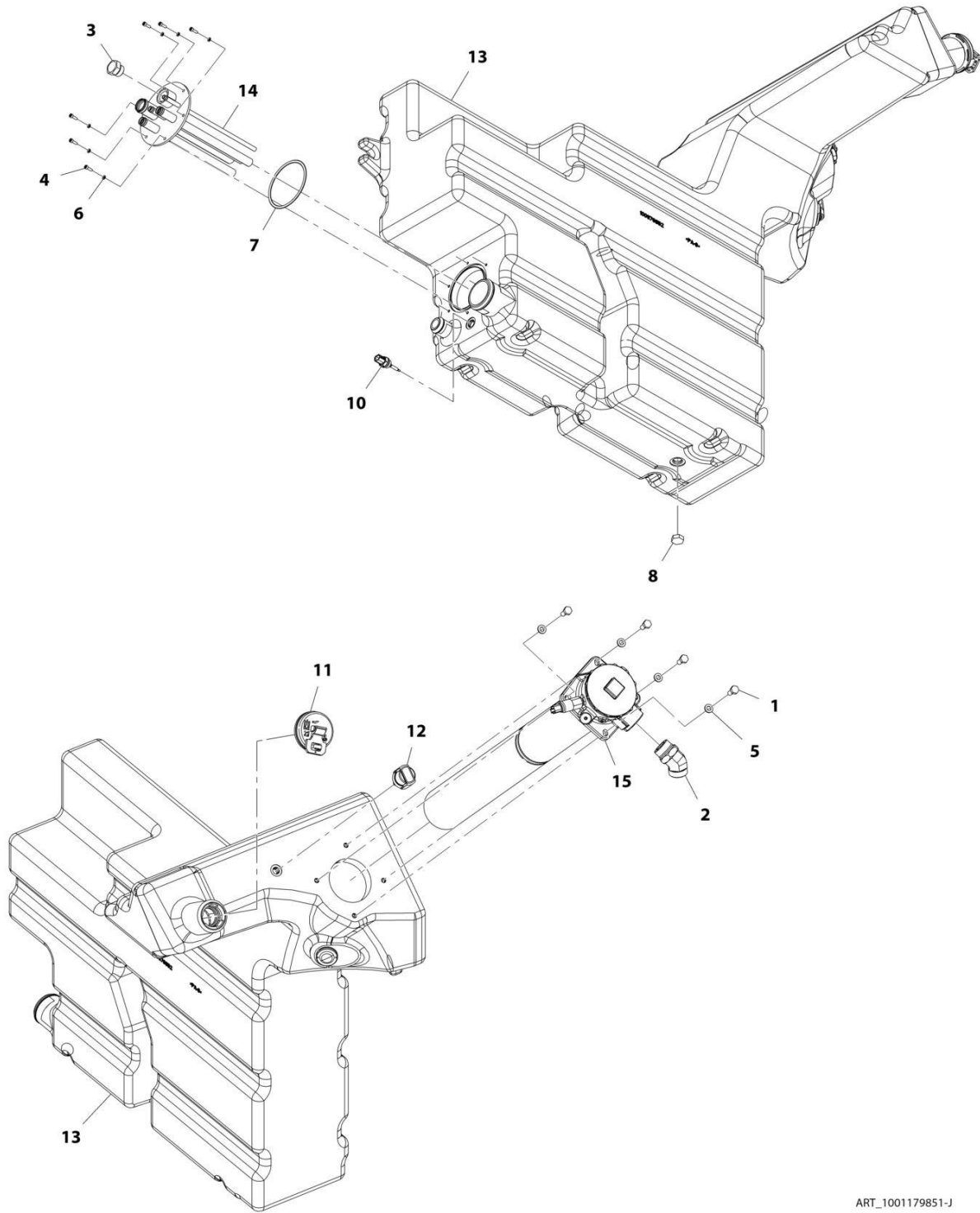
SECTION 1 - FRAME AND ATTACHING PARTS

FIGURE 1-3. HYDRAULIC TANK INSTALLATION

ITEM	PART NUMBER	QTY	DESCRIPTION	REV
	1001179850	Ref	Hydraulic Tank Installation	C
1	0701020	2	Bolt, M10X60	
2	0760812	2	Bolt, M8X25	
3	4812002	2	Washer, M10	
4	4811900	2	Washer, M8	
5	1001008575	1	Bumper, Conical	
7	1001177082	1	Bracket	
8	1001171179	2	Spacer	
9	1001172146	2	Washer, Rubber	
10	1001172147	2	Washer, M10	
11	1001179851	1	Assembly, Hydraulic Tank (See Separate Breakdown in this Section)	

SECTION 1 - FRAME AND ATTACHING PARTS

FIGURE 1-4. HYDRAULIC TANK ASSEMBLY



ART_1001179851-J

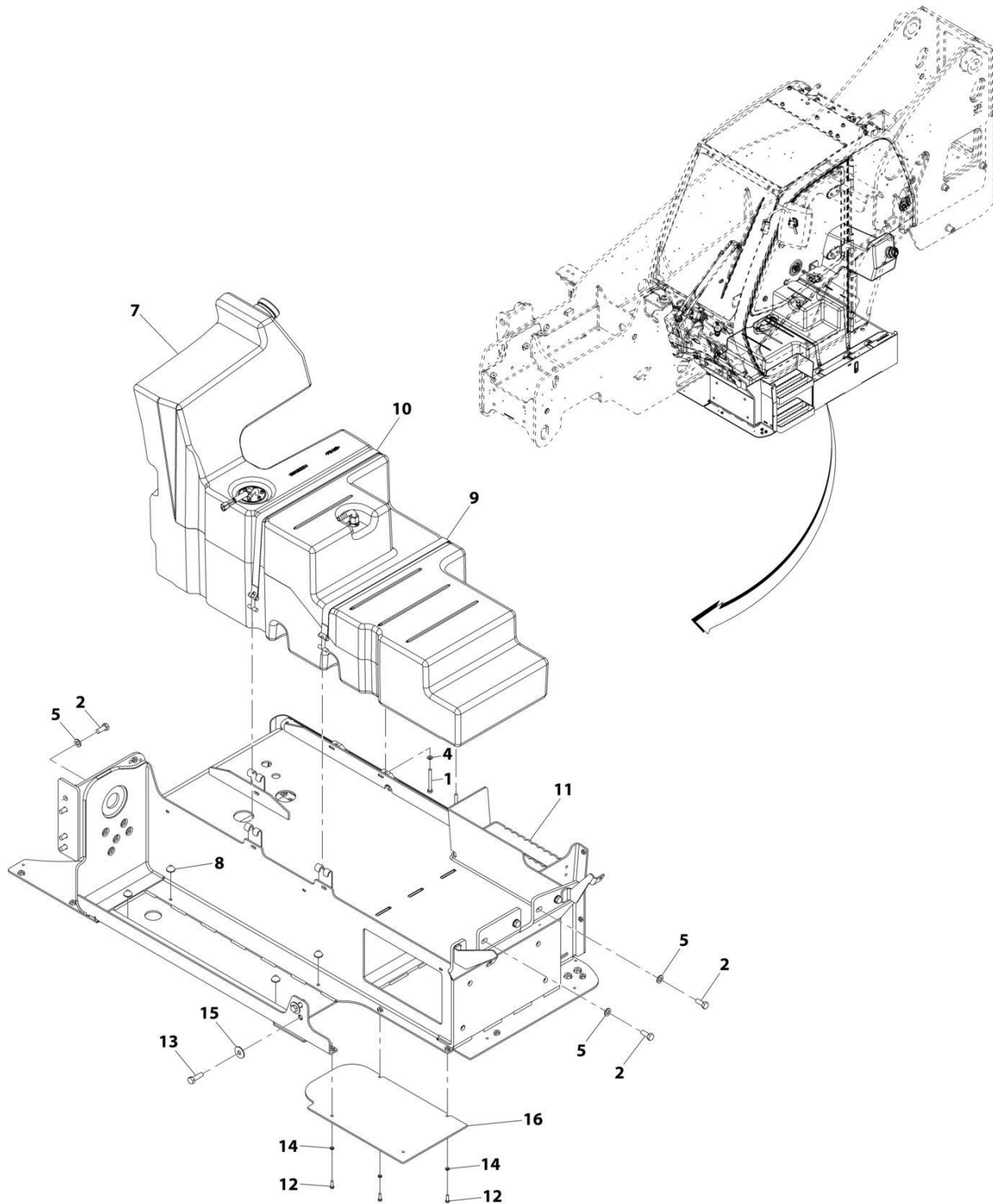
SECTION 1 - FRAME AND ATTACHING PARTS

FIGURE 1-4. HYDRAULIC TANK ASSEMBLY

ITEM	PART NUMBER	QTY	DESCRIPTION	REV
	1001179851	Ref	Hydraulic Tank Assembly	J
1	0761012	4	Bolt, M10X25	
2	2152020	1	Fitting, 45 ORFS	
3	2220240	1	Fitting, Straight	
4	4031607	6	Bolt, M5-.8X16	
5	4812000	4	Washer, M10	
6	4831600	6	Washer, Lock M5	
7	1001003301	1	Seal O-Ring	
8	2220239	1	Plug	
10	1001128478	1	Sensor	
11	1001194981	1	Cap, Hydraulic	
12	1001162662	1	Filter, Breather	
13	1001179852	1	Tank, Hydraulic	
14	1001191157	1	Manifold, Hydraulic Return	
15	1001191163	1	Filter	
15	1001191685	1	Element, Filter	

SECTION 1 - FRAME AND ATTACHING PARTS

FIGURE 1-5. FUEL TANK INSTALLATION



ART_1001185929-G

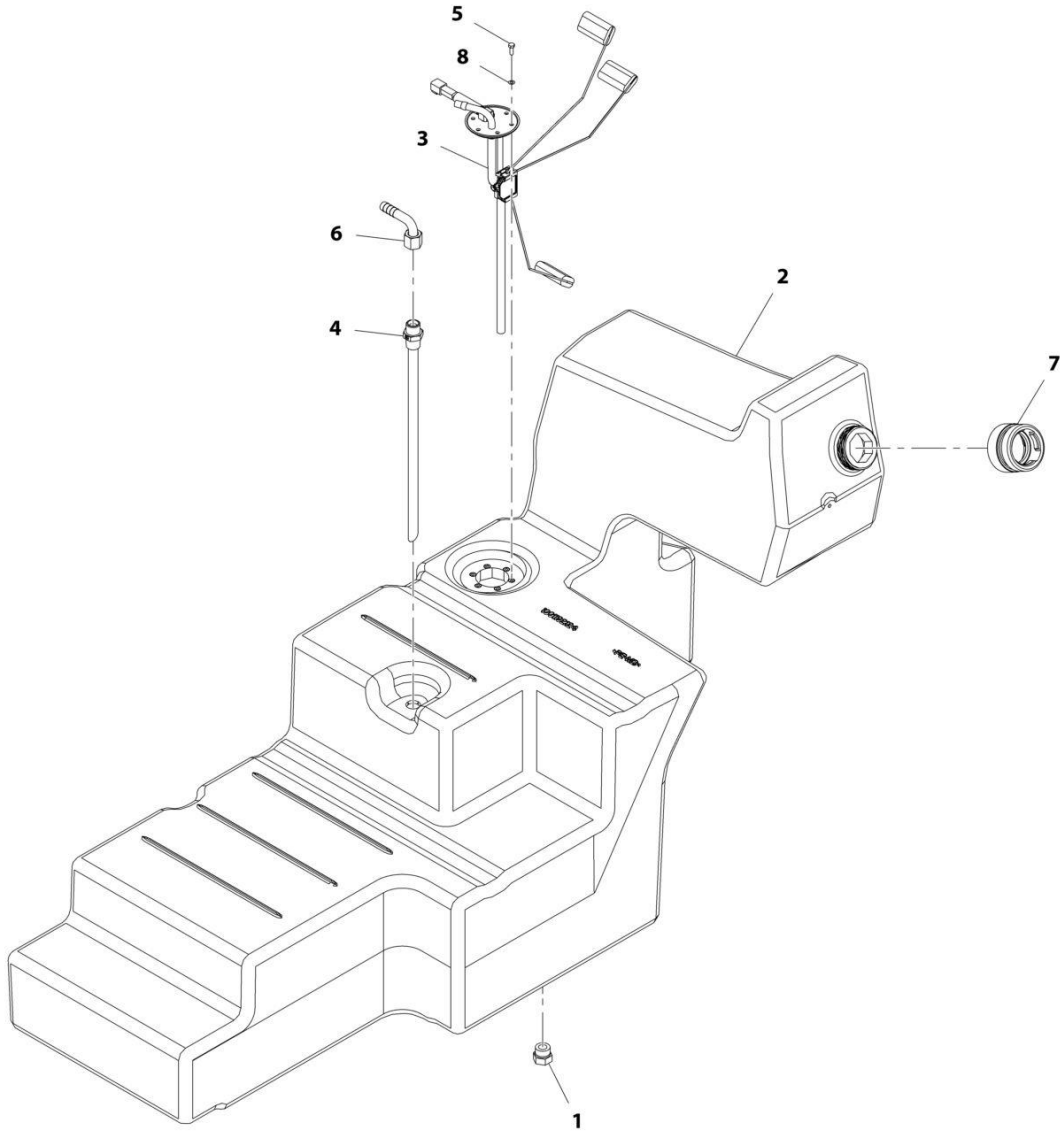
SECTION 1 - FRAME AND ATTACHING PARTS

FIGURE 1-5. FUEL TANK INSTALLATION

ITEM	PART NUMBER	QTY	DESCRIPTION	REV
	1001185929	Ref	Fuel Tank Installation	G
1	0760823	2	Bolt, M8X75	
2	0761214	8	Bolt, M12X30	
4	4811900	2	Washer, M8	
5	4812100	8	Washer, M12	
7	1001192125	1	Assembly, Fuel Tank (See Separate Breakdown in this Section)	
8	1001169454	4	Buffer	
9	1001178474	1	Strap	
10	1001178693	1	Strap	
11	1001185930	1	Installation, Tank Support (See Separate Breakdown in this Section)	
12	0700610	3	Bolt, M6X20	
13	0701216	2	Bolt, M12X40	
14	4811700	3	Washer, M6	
15	4812102	2	Washer, M12	
16	1001197480	1	Plate	

SECTION 1 - FRAME AND ATTACHING PARTS

FIGURE 1-6. FUEL TANK ASSEMBLY



ART_1001192125-C

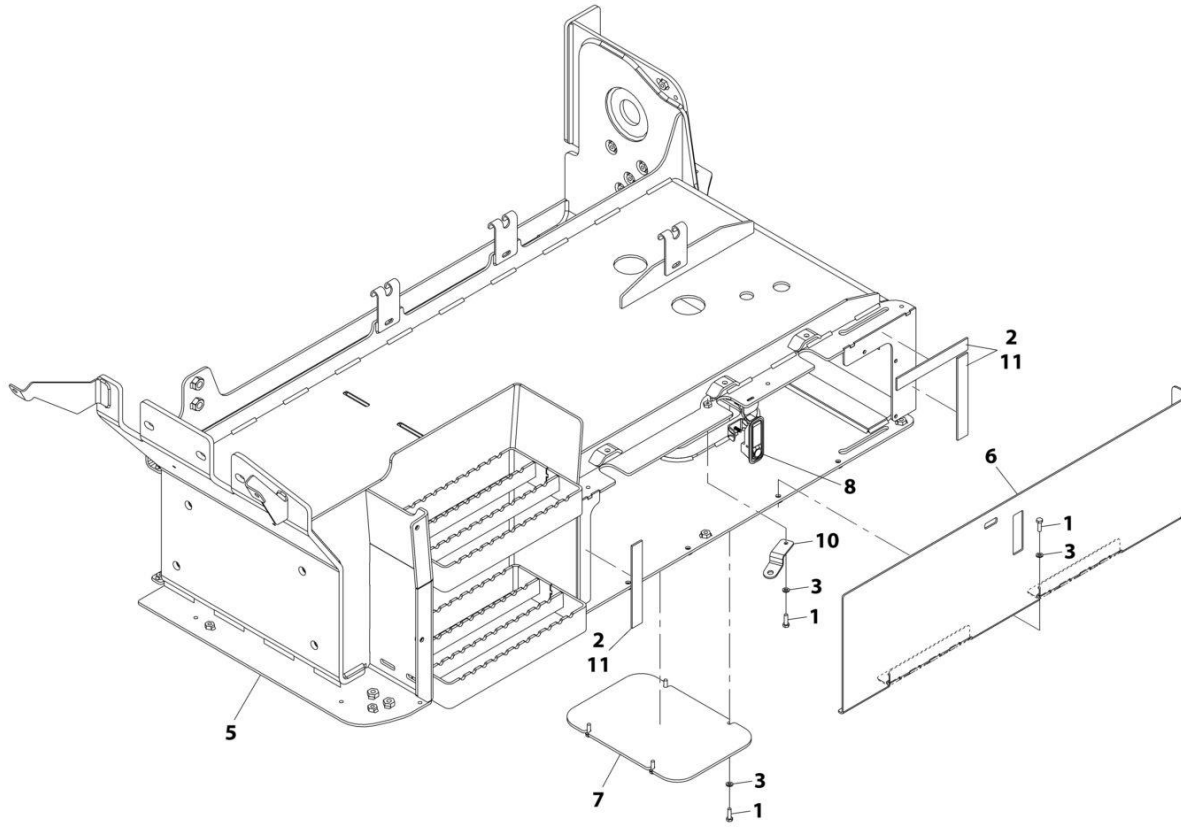
SECTION 1 - FRAME AND ATTACHING PARTS

FIGURE 1-6. FUEL TANK ASSEMBLY

ITEM	PART NUMBER	QTY	DESCRIPTION	REV
	1001192125	Ref	FUEL TANK ASSEMBLY	C
1	1001003427	1	Plug	
2	1001192124	1	Tank, Fuel	
3	1001222188	1	Pump, Fuel	
4	1001170106	1	Pipe, Fuel Supply	
5	4031607	6	Bolt, M5X16	
6	1001172693	1	Fitting, 90	
7	1001192392	1	Adapter	
8	1001222190	6	Washer	

SECTION 1 - FRAME AND ATTACHING PARTS

FIGURE 1-7. TANK SUPPORT INSTALLATION



ART_1001185930-K

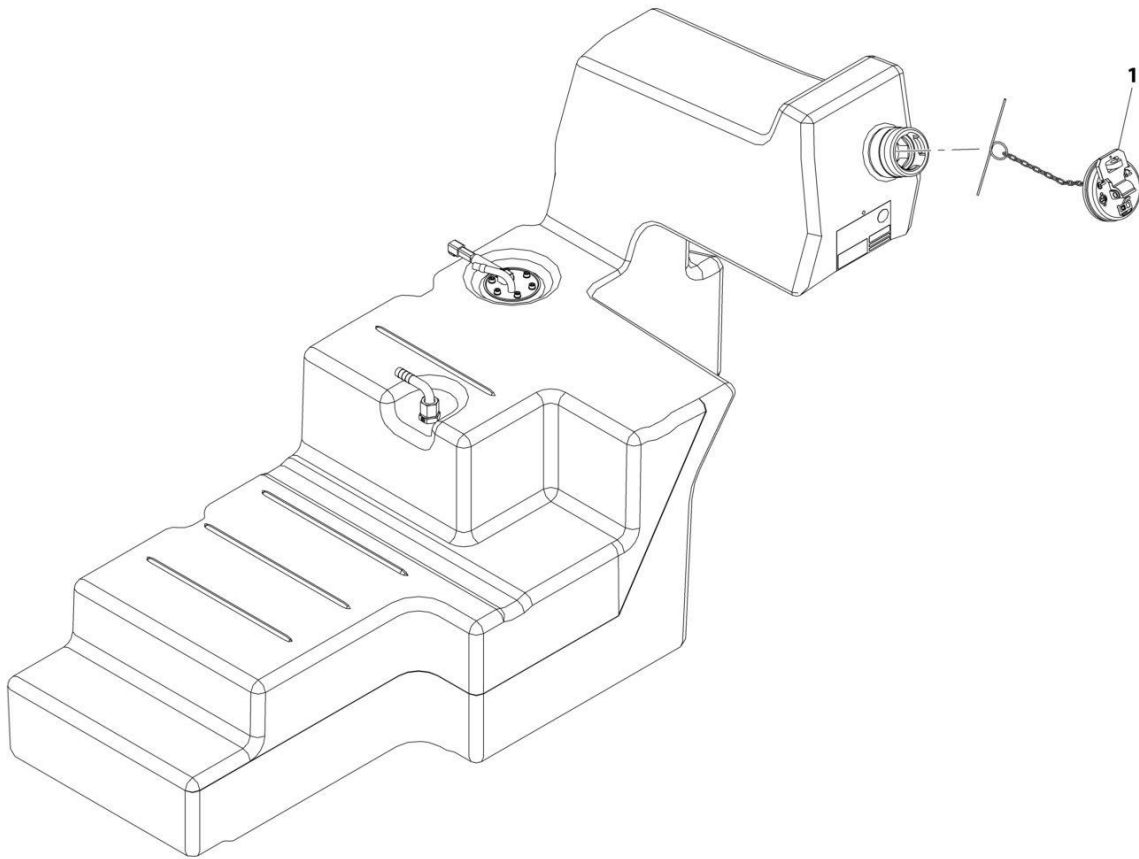
SECTION 1 - FRAME AND ATTACHING PARTS

FIGURE 1-7. TANK SUPPORT INSTALLATION

ITEM	PART NUMBER	QTY	DESCRIPTION	REV
	1001185930	Ref	Tank Support Installation	K
1	0700610	9	Bolt, M6X20	
2	4280307	3	Strip	
3	4811700	9	Washer, M6	
5	1001185931	1	Plate, Support	
6	1001185933	1	Cover	
7	1001185935	1	Cover	
8	1001189246	1	Latch, Locking	
10	1001197481	1	Plate	
11	0100081	AR	Compound, Locking	

SECTION 1 - FRAME AND ATTACHING PARTS

FIGURE 1-8. LOCKING FUEL CAP



ART_1001194980

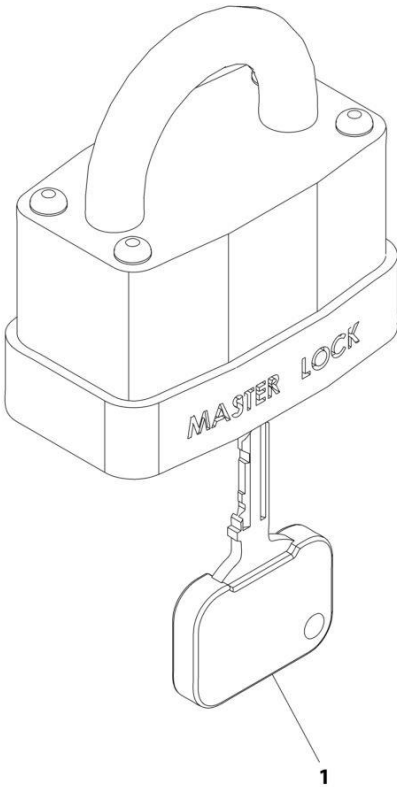
SECTION 1 - FRAME AND ATTACHING PARTS

FIGURE 1-8. LOCKING FUEL CAP

ITEM	PART NUMBER	QTY	DESCRIPTION	REV
1	1001194980	Ref	Locking Fuel Cap	A

SECTION 1 - FRAME AND ATTACHING PARTS

FIGURE 1-9. PAD LOCK



ART_1001102157-A

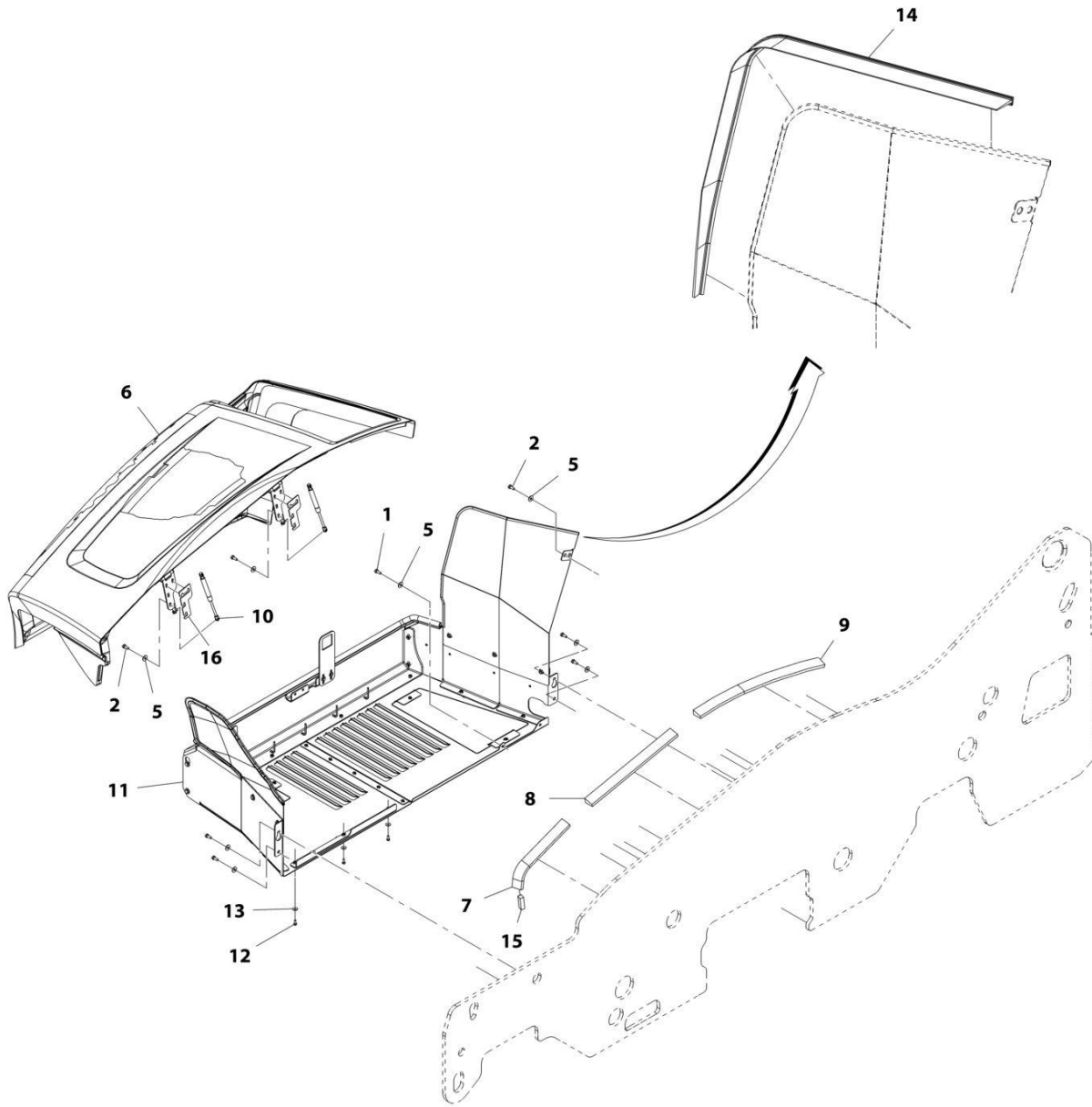
SECTION 1 - FRAME AND ATTACHING PARTS

FIGURE 1-9. PAD LOCK

ITEM	PART NUMBER	QTY	DESCRIPTION	REV
1	1001102157 8342813	Ref 1	Pad Lock Key	A

SECTION 1 - FRAME AND ATTACHING PARTS

FIGURE 1-10. ENGINE ENCLOSURE & HOOD INSTALLATION



ART_1001192320-J

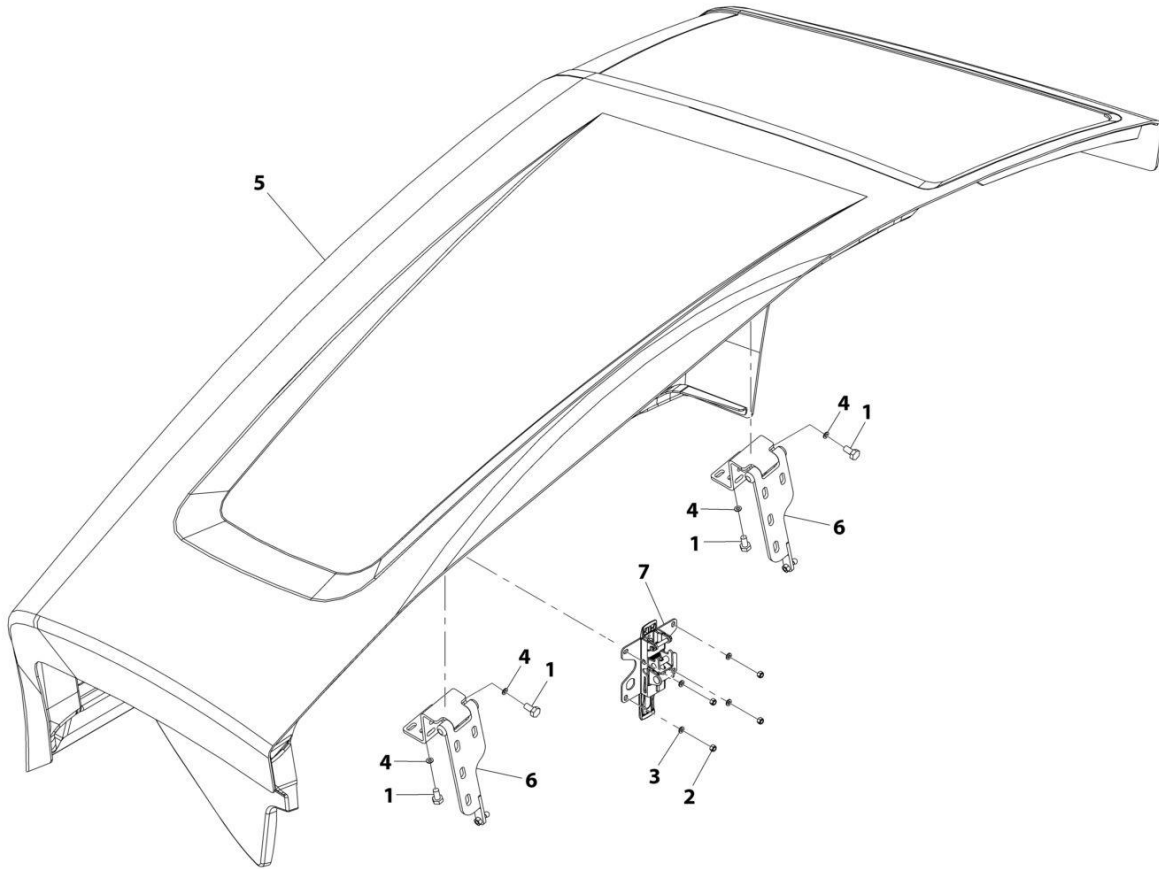
SECTION 1 - FRAME AND ATTACHING PARTS

FIGURE 1-10. ENGINE ENCLOSURE & HOOD INSTALLATION

ITEM	PART NUMBER	QTY	DESCRIPTION	REV
	1001192320	Ref	Engine Enclosure Installation	J
1	0761010	1	Bolt, M10X20	
2	0761012	11	Bolt, M10X25	
5	4812002	12	Washer, M10	
6	1001235963	1	Assembly, Hood (See Separate Breakdown in this Section)	
7	1001203932	1	Seal	
8	1001203933	1	Seal	
9	1001203934	1	Seal	
10	1001171885	2	Spring, Gas	
11	1001192622	1	Assembly, Engine Enclosure (See Separate Breakdown in this Section)	
12	0760810	3	Bolt, M8X20	
13	4811902	3	Washer, M8	
14	1001197339	1	Seal	
15	1001229609	1	Seal, Foam Gasket	
16	1001241836	AR	Shim	

SECTION 1 - FRAME AND ATTACHING PARTS

FIGURE 1-11. HOOD ASSEMBLY



ART_1001235963-B

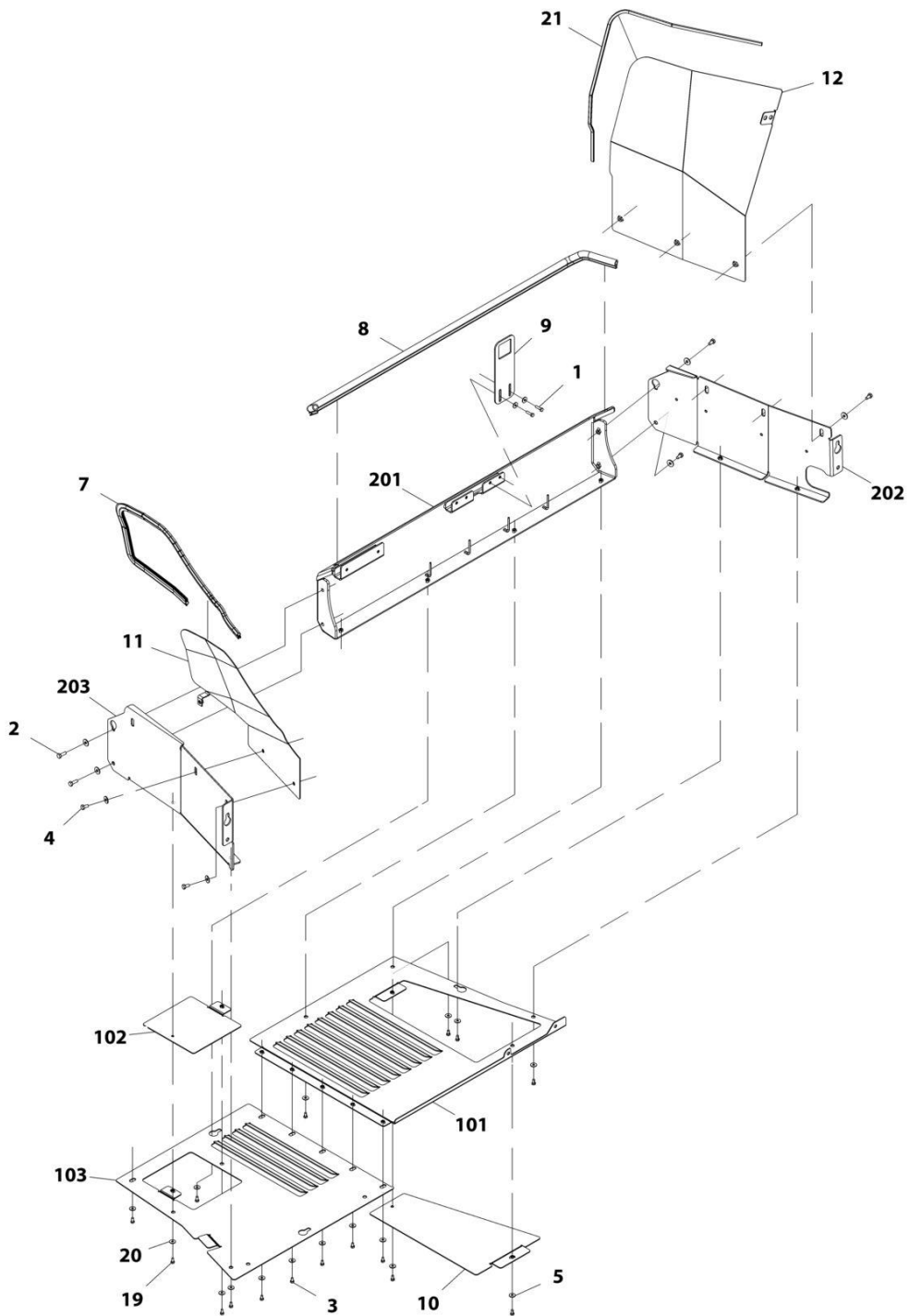
SECTION 1 - FRAME AND ATTACHING PARTS

FIGURE 1-11. HOOD ASSEMBLY

ITEM	PART NUMBER	QTY	DESCRIPTION	REV
	1001235963	Ref	Hood Assembly	B
1	0761010	8	Bolt, M10X20	
2	3290605	4	Nut, Lock M6X1	
3	4811700	4	Washer, M6	
4	4812000	8	Washer, M10	
5	1001234455	1	Hood	
6	1001209387	2	Hinge, Hood	
7	1001132168	1	Latch, Hood	

SECTION 1 - FRAME AND ATTACHING PARTS

FIGURE 1-12. ENGINE ENCLOSURE ASSEMBLY



ART_1001192622-I

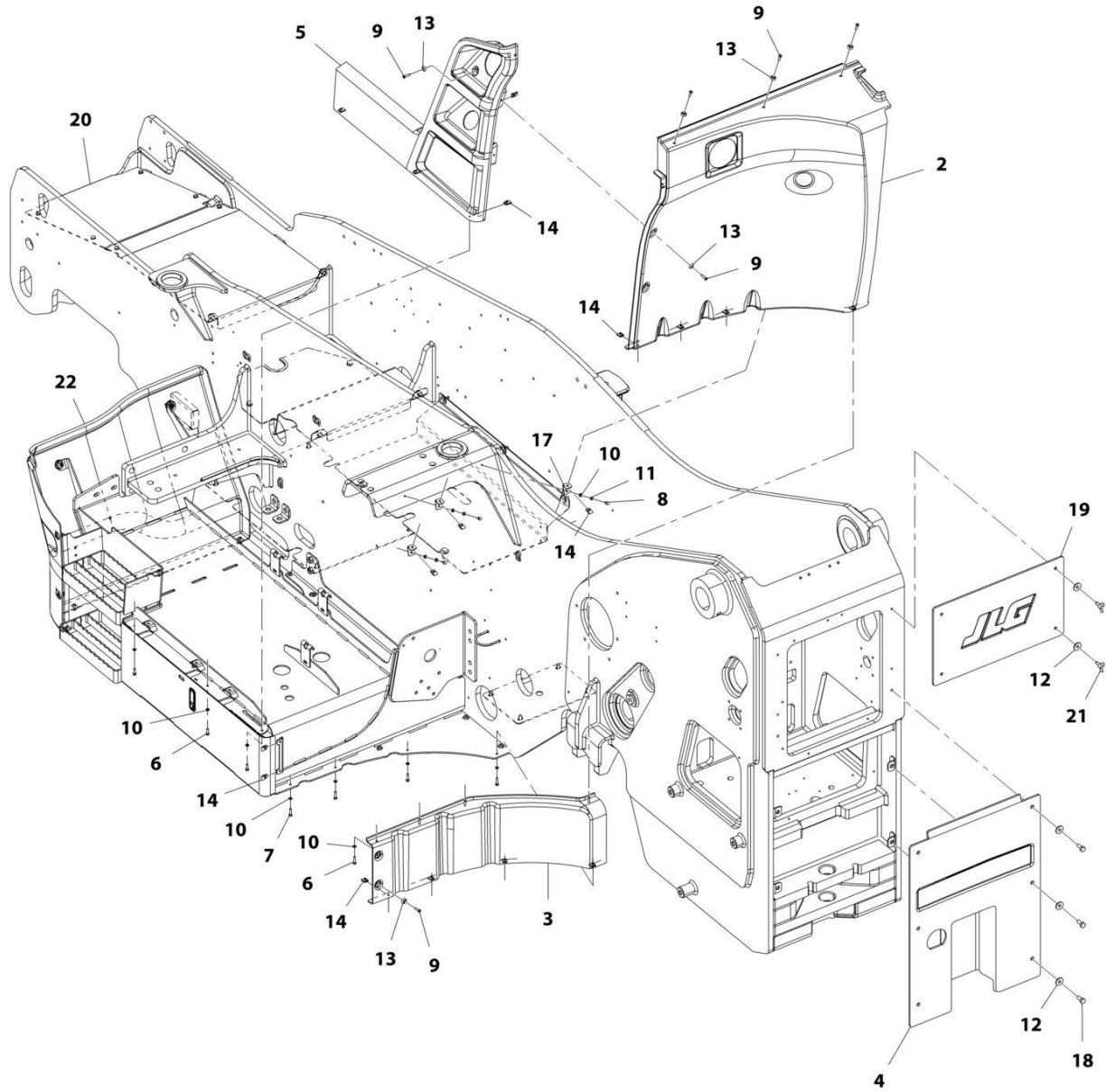
SECTION 1 - FRAME AND ATTACHING PARTS

FIGURE 1-12. ENGINE ENCLOSURE ASSEMBLY

ITEM	PART NUMBER	QTY	DESCRIPTION	REV
	1001192622	Ref	Engine Enclosure Assembly	I
1	0700814	2	Bolt, M8X30	
2	0701014	4	Bolt, M10X30	
3	0760807	5	Bolt, M8X14	
4	0761010	6	Bolt, M10X20	
5	4811902	19	Washer, M8	
7	1001003227	1573 mm	Seal	
8	1001204486	1785 mm	Seal	
9	1001209388	1	Latch, Hood	
10	1001169265	1	Plate, Access Panel	
11	1001219115	1	Panel, Front Wheel	
12	1001192627	1	Panel, Rear Cover	
19	0760808	12	Bolt, M8X16	
20	4812002	10	Washer, M10	
21	1001008999	1381 mm	Trim, Edge	
101	1001192631	1	Panel, Bottom Cover	
102	1001194969	1	Panel, Access	
103	1001219250	1	Panel, Bottom Front Cover	
201	1001192623J	1	Panel, Side Skirt	
202	1001224450J	1	Panel, Rear Skirt	
203	1001219113J	1	Panel, Front Skirt	

SECTION 1 - FRAME AND ATTACHING PARTS

FIGURE 1-13. COVER INSTALLATION (ULS)



ART_1001184869-J

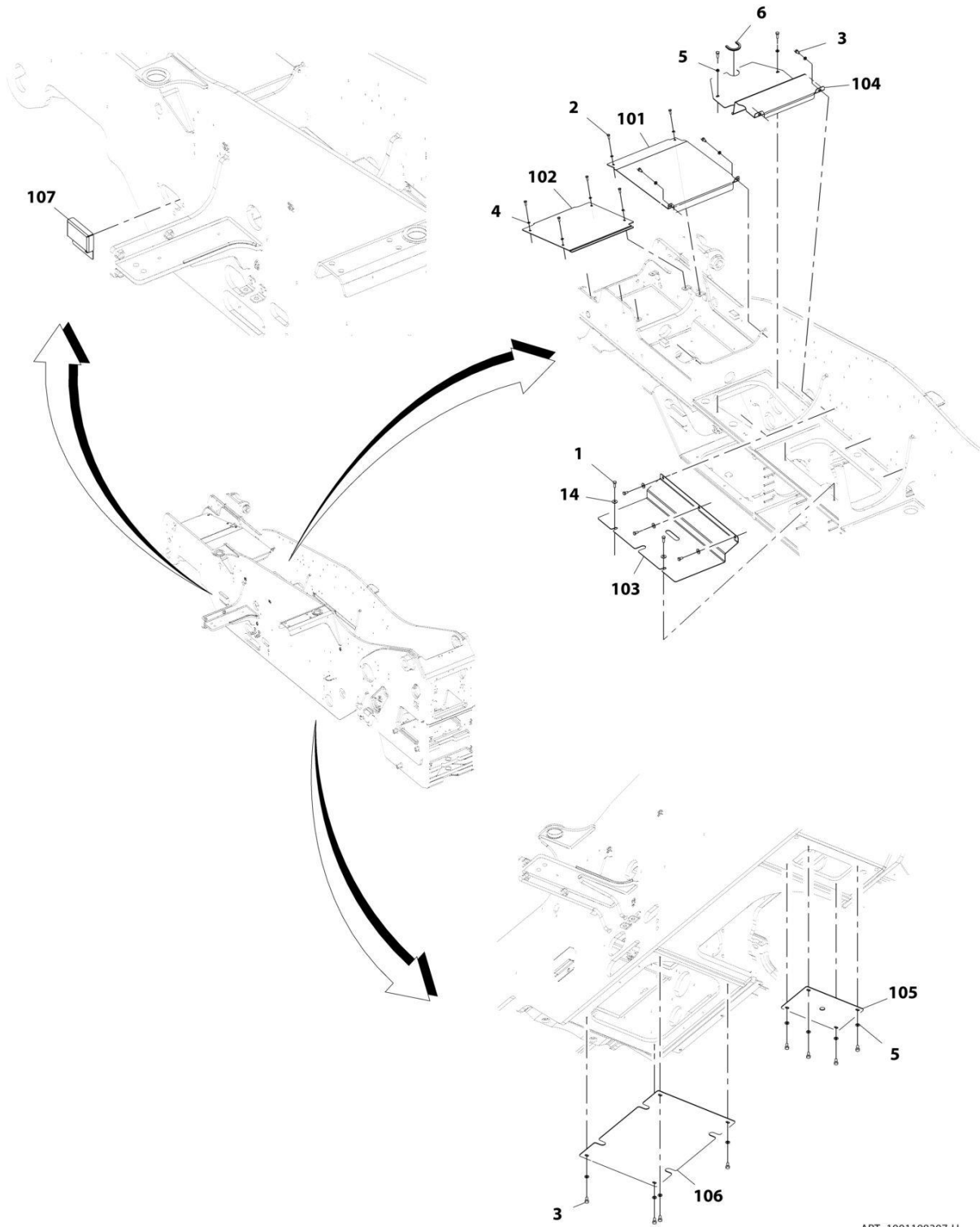
SECTION 1 - FRAME AND ATTACHING PARTS

FIGURE 1-13. COVER INSTALLATION (ULS)

ITEM	PART NUMBER	QTY	DESCRIPTION	REV
	1001184869	Ref	Cover Installation (ULS)	J
2	1001184872	1	Cover, Rear Tank	
3	1001184874	1	Cover, Lower Rear Tank	
4	1001213834	1	Cover, Rear Frame	
5	1001168758	1	Cover, Side Tank	
6	0700610	7	Bolt, M6X20	
7	0700612	4	Bolt, M6X25	
8	0760607	3	Bolt, M6X14	
9	0630576	9	Screw, M6X20	
10	4811700	14	Washer, M6	
11	4831700	3	Washer, Lock M6	
12	4812002	10	Washer, M10	
13	1001097540	9	Washer, M6	
14	1001130220	19	Nut, M6	
17	1001231385	3	Plate, Angle Mount	
18	0761012	6	Bolt, M10X25	
19	1001213833	1	Cover, Rear Frame	
20	1001198307	1	Installation, Frame Cover (See Separate Breakdown in this Section)	
21	1001250708	4	Bolt, M8X20	
22	1001201848	1	Installation, Front Lower Cover (See Separate Breakdown in this Section)	

SECTION 1 - FRAME AND ATTACHING PARTS

FIGURE 1-14. FRAME COVER INSTALLATION



ART_1001198307-H

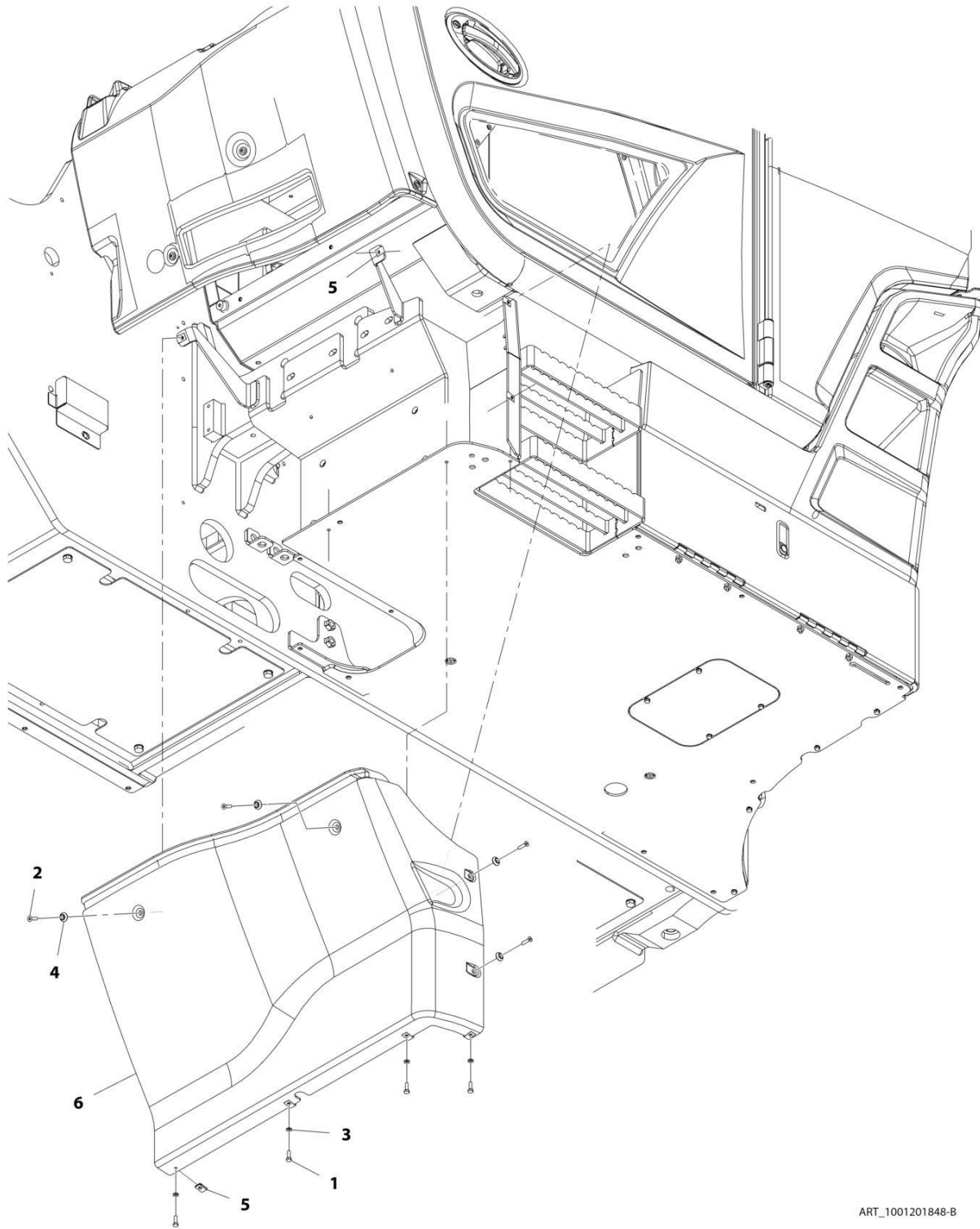
SECTION 1 - FRAME AND ATTACHING PARTS

FIGURE 1-14. FRAME COVER INSTALLATION

ITEM	PART NUMBER	QTY	DESCRIPTION	REV
	1001198307	Ref	Frame Cover Installation	H
1	0701014	4	Bolt, M10X30	
2	0760810	6	Bolt, M8X20	
3	0761010	15	Bolt, M10X20	
4	4811900	6	Washer, M8	
5	4812000	14	Washer, M10	
6	90206196	0.15 m	Gasket	
14	4812002	5	Washer, M10	
101	1001197056	1	Cover, Battery	
102	1001197057	1	Plate, Valve Cover	
103	1001197733	1	Plate, Frame Cover	
104	1001197734	1	Plate, Frame Cover	
105	1001211899	1	Plate, Frame Cover	
106	1001211900	1	Plate, Frame Cover	
107	1001218694	1	Cover	

SECTION 1 - FRAME AND ATTACHING PARTS

FIGURE 1-15. FRONT LOWER COVER INSTALLATION



ART_1001201848-B

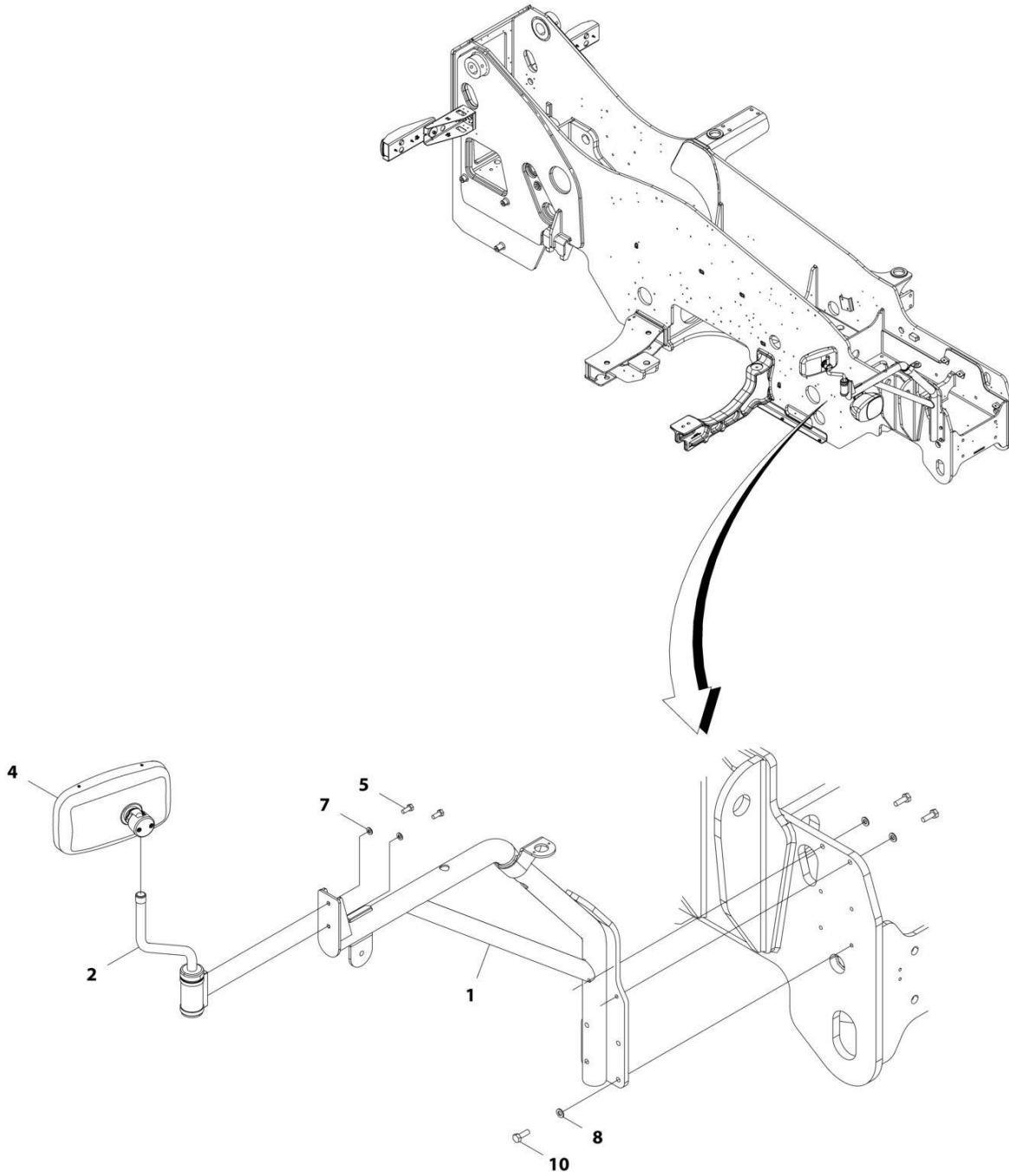
SECTION 1 - FRAME AND ATTACHING PARTS

FIGURE 1-15. FRONT LOWER COVER INSTALLATION

ITEM	PART NUMBER	QTY	DESCRIPTION	REV
	1001201848	Ref	Front Lower Cover Installation	B
1	0700610	4	Bolt, M6X20	
2	3900379	4	Screw, M6-1.00X25	
3	4811700	4	Washer, M6	
4	1001097540	4	Washer, M6	
5	1001130220	6	Nut, M6	
6	1001184871	1	Cover, Front Lower	

SECTION 1 - FRAME AND ATTACHING PARTS

FIGURE 1-16. MIRROR INSTALLATION



ART_1001192324_F

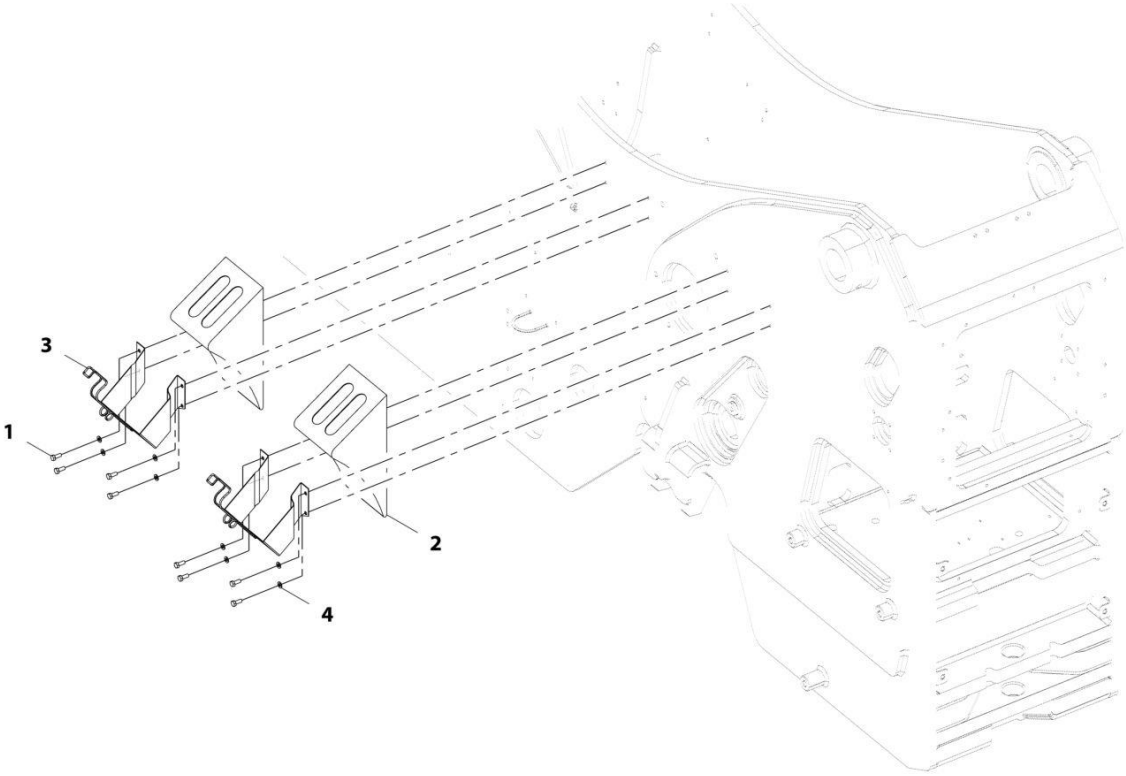
SECTION 1 - FRAME AND ATTACHING PARTS

FIGURE 1-16. MIRROR INSTALLATION

ITEM	PART NUMBER	QTY	DESCRIPTION	REV
	1001192324	Ref	Mirror Installation	F
1	1001265344	1	Bracket	
2	1001209346	1	Bracket	
4	1001191635	1	Mirror, Convex	
5	0760810	2	Bolt, M8X20	
7	4811900	2	Bolt, M8X20	
8	4812000	6	Washer, M10	
10	0701014	6	Bolt, M10X30	

SECTION 1 - FRAME AND ATTACHING PARTS

FIGURE 1-17. WHEEL CHOCK INSTALLATION



ART_1001192336-B

SECTION 1 - FRAME AND ATTACHING PARTS

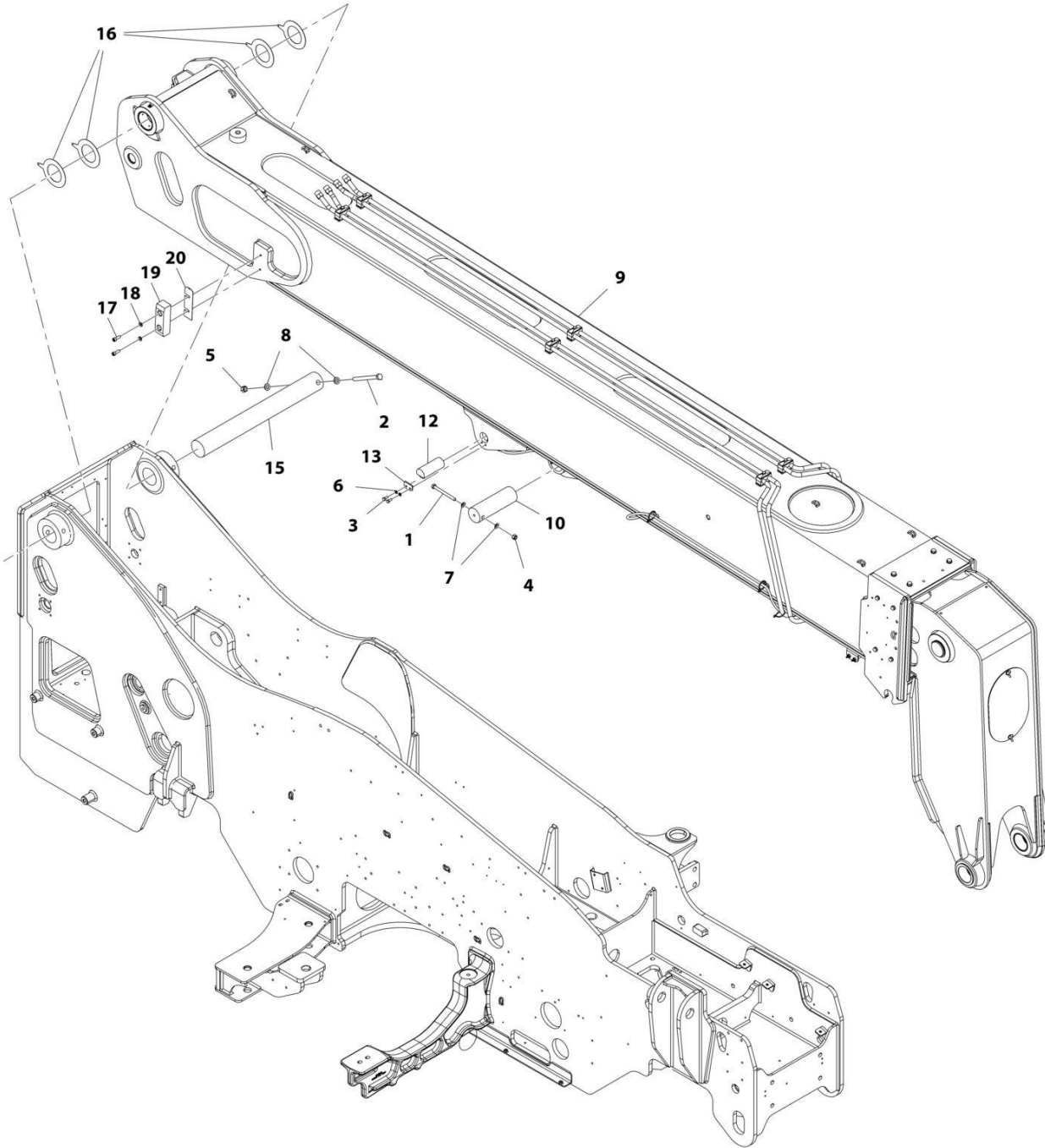
FIGURE 1-17. WHEEL CHOCK INSTALLATION

ITEM	PART NUMBER	QTY	DESCRIPTION	REV
	1001192336	Ref	Wheel Chock Installation	B
1	0760810	8	Bolt, M8X20	
2	806253	2	Wedge	
3	806264	2	Holder, Wedge	
4	4811900	8	Washer, M8	

SECTION 2 - BOOM

SECTION 2 - BOOM

FIGURE 2-1. BOOM INSTALLATION



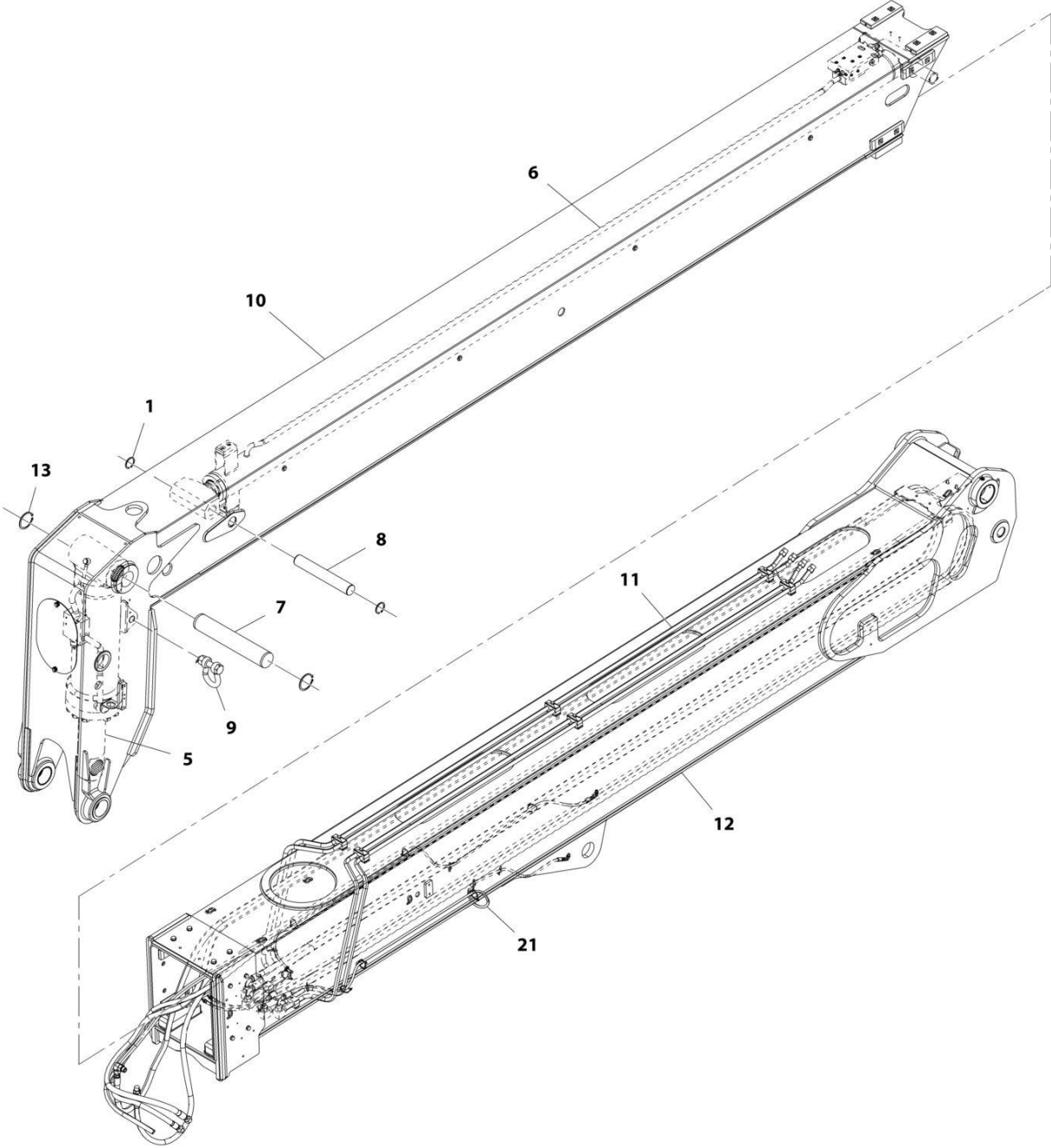
ART_1001192352-D

FIGURE 2-1. BOOM INSTALLATION

ITEM	PART NUMBER	QTY	DESCRIPTION	REV
	1001192352	Ref	Boom Installation	D
1	0701230	1	Bolt, M12X130	
2	0711635	1	Bolt, M16X180 Grade 10.9	
3	0760810	2	Bolt, M8X20	
4	3291205	1	Nut, Lock M12X1.75 Grade 8	
5	3291605	1	Nut, Lock M16X2 Grade 8	
6	4811900	2	Washer, M8	
7	4812100	2	Washer, M12	
8	4812300	2	Washer, M16	
9	1001174103	1	Assembly, Boom Section (See Separate Breakdown in this Section)	
10	1001190254	1	Pin	
12	1001190256	1	Pin	
13	1001190257	1	Plate	
15	1001190260	1	Pin	
16	1001219953	4	Shim	
17	4032010	4	Bolt, M10X30	
18	4812000	4	Washer, M10	
19	1001195655	2	Pad, M44X50X160	
20	1001219905	AR	Shim	

SECTION 2 - BOOM

FIGURE 2-2. BOOM ASSEMBLY



ART_1001174103-F

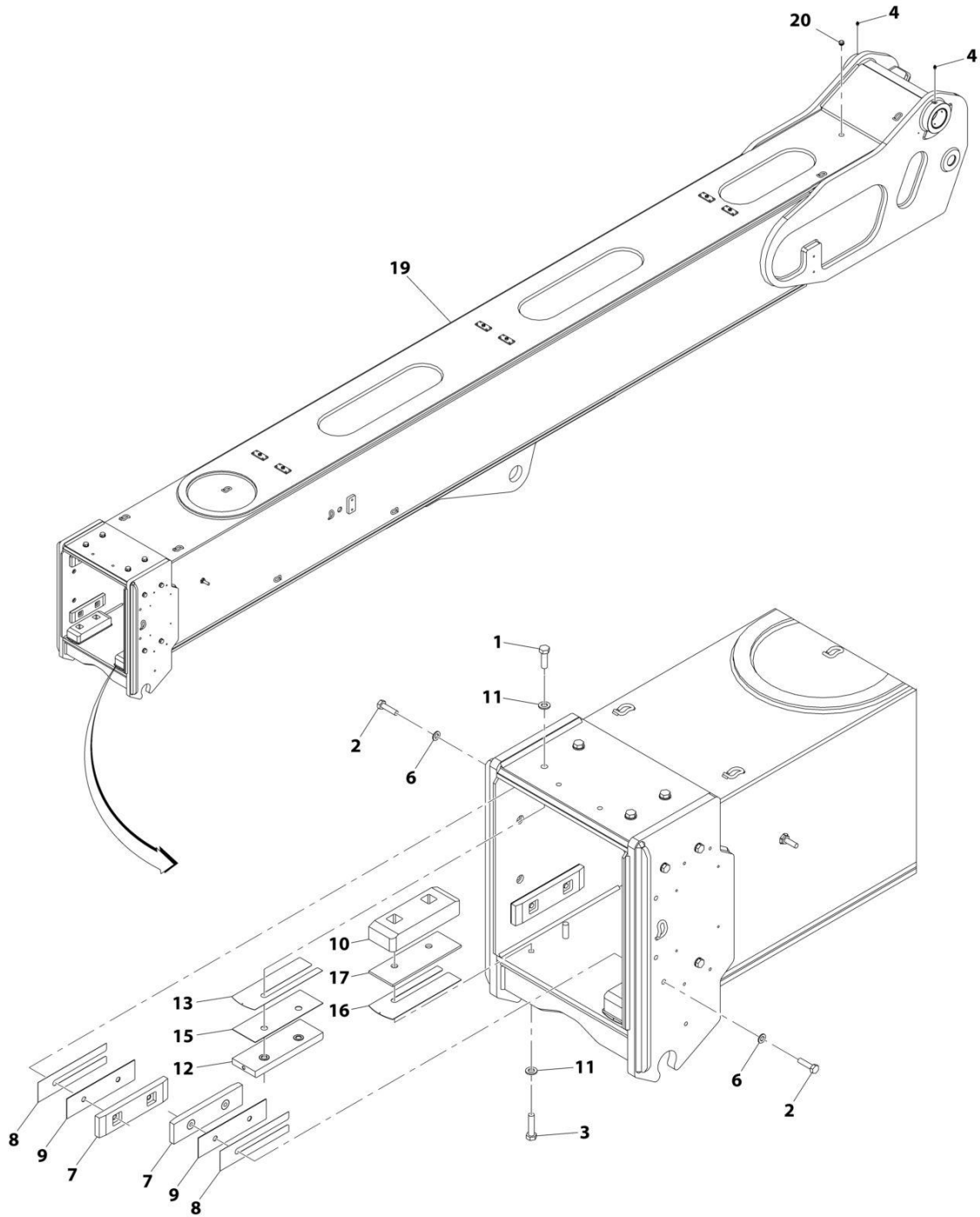
SECTION 2 - BOOM

FIGURE 2-2. BOOM ASSEMBLY

ITEM	PART NUMBER	QTY	DESCRIPTION	REV
	1001174103	Ref	Boom Assembly	F
1	314689	2	Ring, Retaining M50	
5	1001174812	1	Cylinder, Tilt (See Separate Breakdown in HYDRAULIC COMPONENTS Section)	
6	1001178157	1	Cylinder Installation - Extend/Retract (See Separate Breakdown in HYDRAULIC COMPONENTS Section)	
7	1001203989	1	Pin	
8	1001190253	1	Pin	
9	1001191110	1	Shackle, M25	
10	1001191752	1	Assembly, Boom Section (See Separate Breakdown in this Section)	
11	1001193100	1	Installation, Boom Hydraulic Tubes (See Separate Breakdown in HYDRAULIC CIRCUITS Section)	
12	1001195636	1	Assembly, First Boom Section (See Separate Breakdown in this Section)	
13	1001197262	2	Ring, Retaining	
21	1001217352	1	Installation, Boom Remote Grease (See Separate Breakdown in HYDRAULIC CIRCUITS Section)	

SECTION 2 - BOOM

FIGURE 2-3. FIRST BOOM SECTION ASSEMBLY



ART_1001195636-H

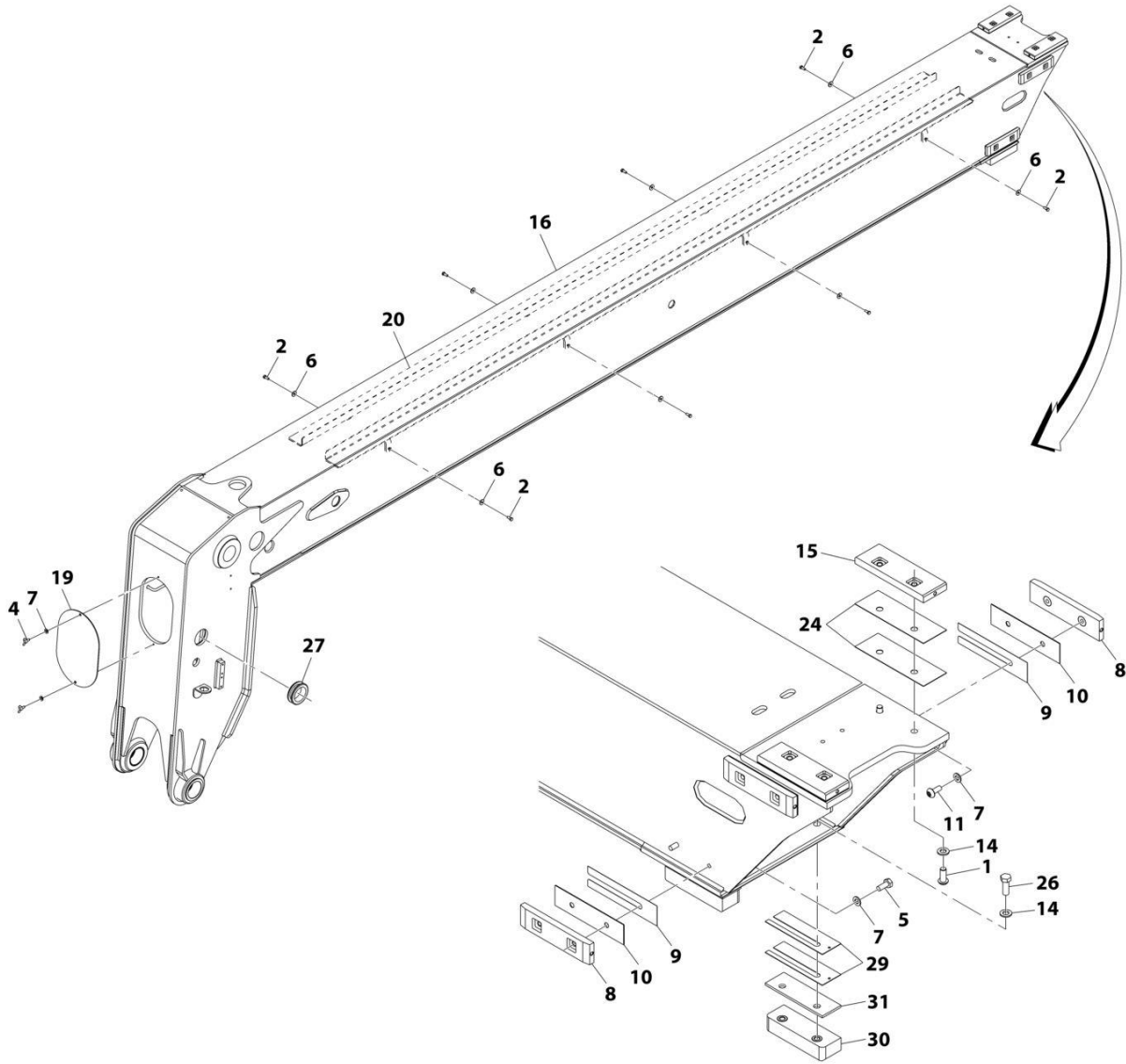
SECTION 2 - BOOM

FIGURE 2-3. FIRST BOOM SECTION ASSEMBLY

ITEM	PART NUMBER	QTY	DESCRIPTION	REV
	1001195636	Ref	First Boom Section Assembly	H
1	0711216	4	Bolt, M12X40 Grade 10.9	
2	0711016	8	Bolt, M10X40 Grade 10.9	
3	0711218	4	Bolt, M12X50 Grade 10.9	
4	2160016	2	Fitting, Grease	
6	4812000	AR	Washer, M10	
7	8002200	4	Pad	
8	8008640	AR	Shim	
9	1001003031	4	Shim	
10	1001227337	2	Pad	
11	1001125117	AR	Washer, M12	
12	1001227334	2	Pad	
13	1001195194	AR	Shim	
15	1001195737	2	Shim	
16	1001195738	AR	Shim	
17	1001195739	2	Shim	
19	1001195637J	1	Boom	
20	3520193	1	Plug	

SECTION 2 - BOOM

FIGURE 2-4. SECOND BOOM SECTION ASSEMBLY



ART_1001191752-M

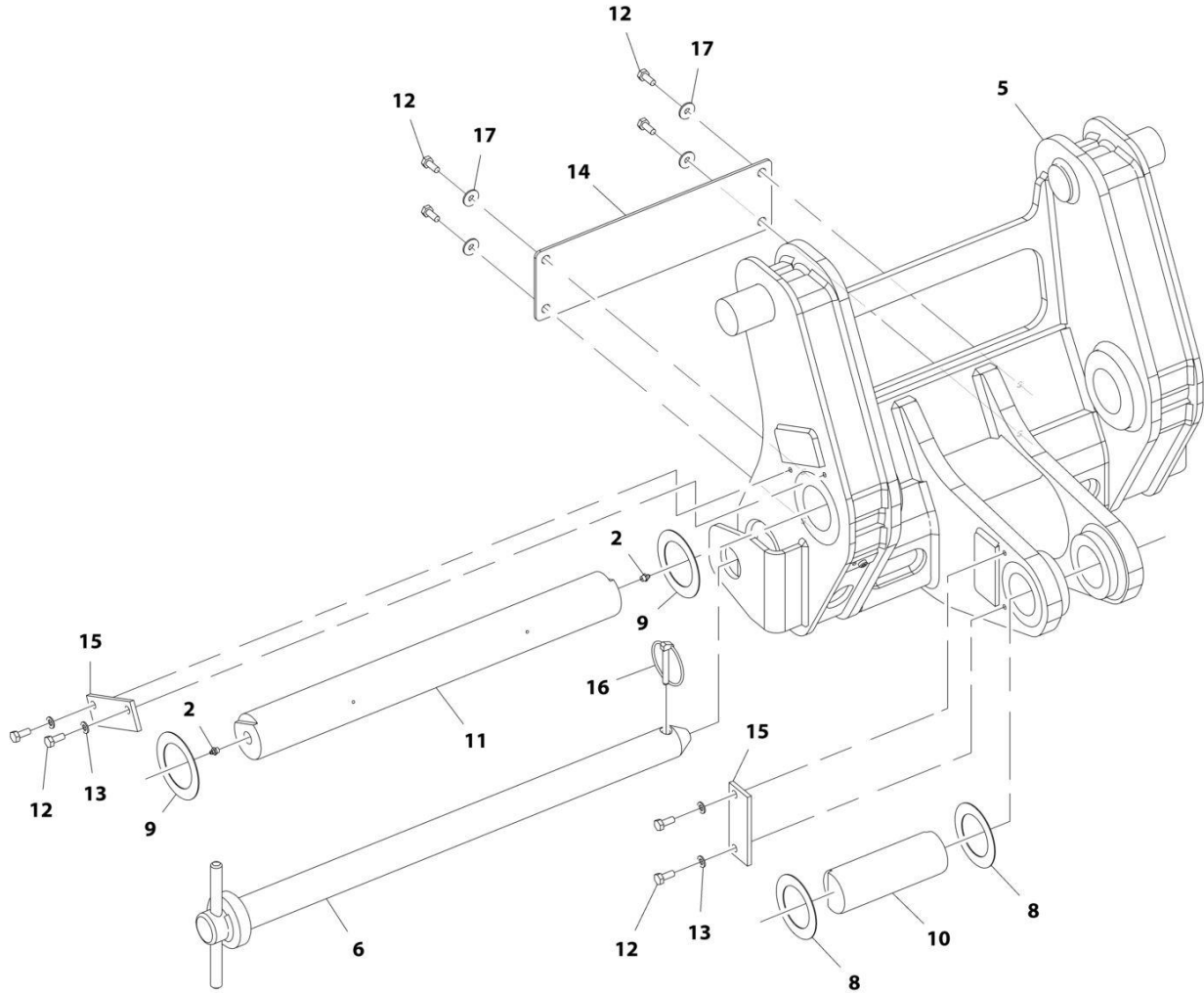
SECTION 2 - BOOM

FIGURE 2-4. SECOND BOOM SECTION ASSEMBLY

ITEM	PART NUMBER	QTY	DESCRIPTION	REV
	1001191752	Ref	Second Boom Section Assembly	M
1	1001229056	1	Screw, M12X30	
2	0760810	8	Bolt, M8X20	
4	1001250708	2	Bolt, M8X20	
5	0771012	4	Bolt, M10X25 Grade 10.9	
6	4811902	8	Washer, M8	
7	4812000	AR	Washer, M10	
8	8002200	4	Pad	
9	8008640	AR	Shim	
10	1001003031	4	Shim	
11	1001009325	4	Screw	
14	1001125117	AR	Washer, M12	
15	1001227334	2	Pad	
16	1001191753	1	Boom	
19	1001191789	1	Plate	
20	1001203987	2	Bracket	
24	1001195737	4	Shim	
26	0711215	4	Bolt, M12X35 Grade 10.9	
27	1001028415	1	Grommet	
29	1001163104	AR	Plate	
30	1001165175	2	Pad	
31	1001215464	2	Shim	

SECTION 2 - BOOM

FIGURE 2-5. COUPLER INSTALLATION (MANUAL)



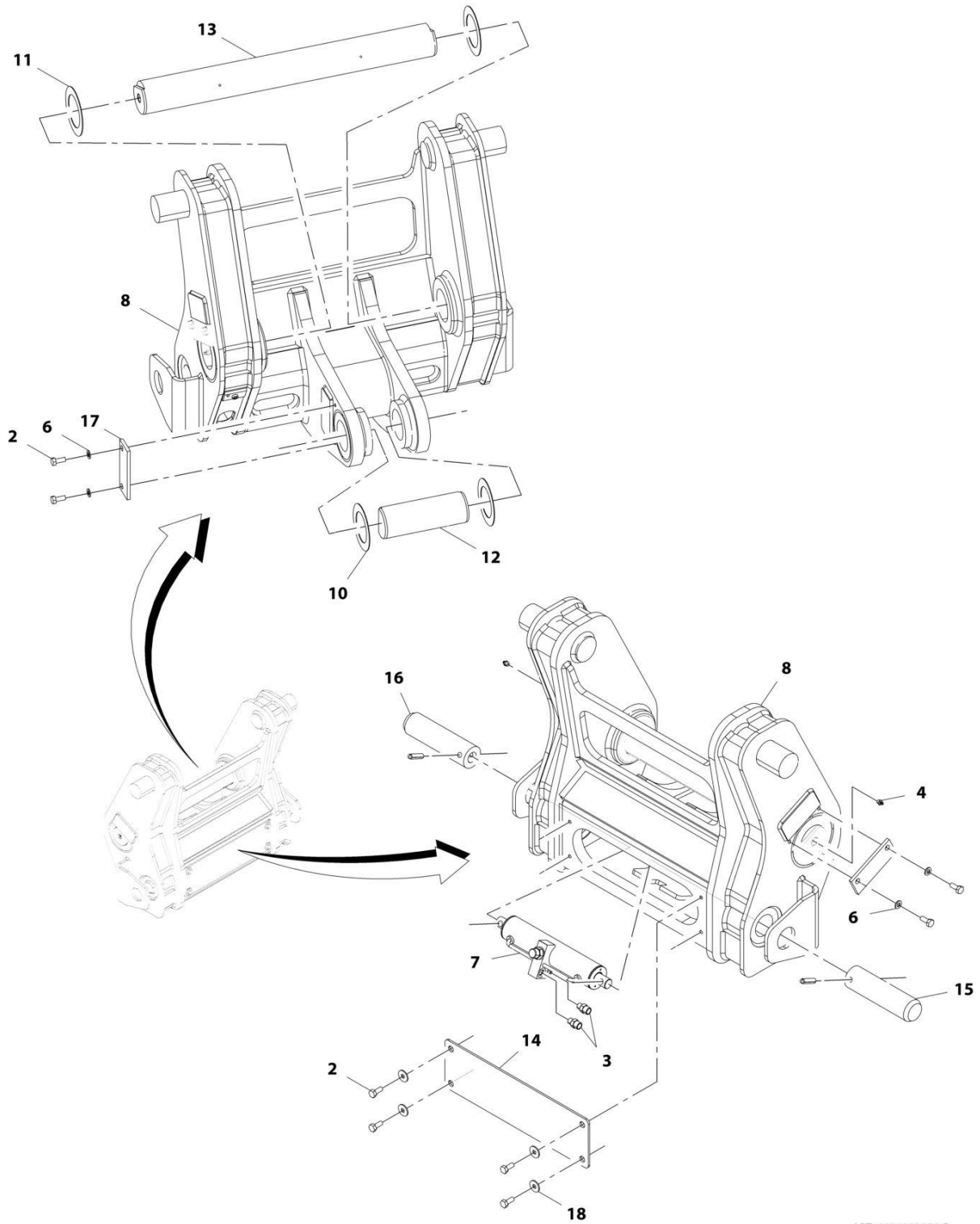
ART_1001174104-G

FIGURE 2-5. COUPLER INSTALLATION (MANUAL)

ITEM	PART NUMBER	QTY	DESCRIPTION	REV
	1001174104	Ref	Coupler Installation (Manual)	G
2	2160016	2	Fitting, Grease	
5	1001187820	1	Coupling, Manual	
6	1001187821	1	Pin	
8	1001187847	AR	Shim	
9	1001187848	AR	Shim	
10	1001190250	1	Pin, Tilt	
11	1001190264	1	Pin	
12	0761012	8	Bolt, M10X25	
13	4812000	4	Washer, M10	
14	1001200393	1	Plate, Front Cover	
15	1001210326	2	Plate	
16	1001003803	1	Pin	
17	4812002	4	Washer, M10	

SECTION 2 - BOOM

FIGURE 2-6. COUPLER INSTALLATION (HYDRAULIC)



ART_1001192358-D

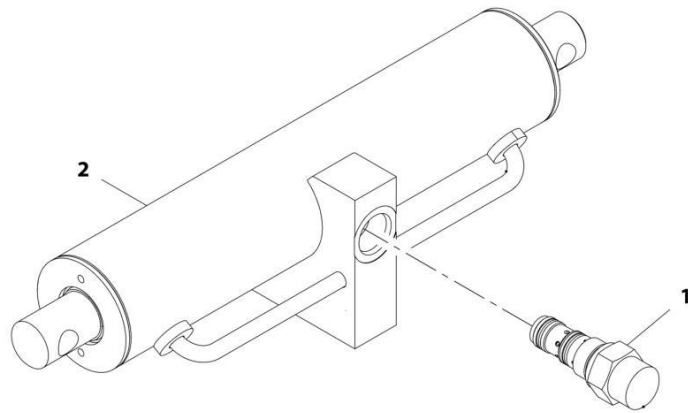
SECTION 2 - BOOM

FIGURE 2-6. COUPLER INSTALLATION (HYDRAULIC)

ITEM	PART NUMBER	QTY	DESCRIPTION	REV
	1001192358	Ref	Coupler Installation (Hydraulic)	D
2	0761012	8	Bolt, M10X25	
3	2110606	2	Fitting, Straight ORFS	
4	2160016	2	Fitting, Grease	
6	4812000	4	Washer, M10	
7	1001145391	1	Assembly, Coupler Locking Cylinder (See Separate Breakdown in this Section)	
8	1001187820	1	Carriage	
10	1001187847	AR	Shim, M76X115X1.5	
11	1001187848	AR	Shim, M81X120X1.5	
12	1001190250	1	Pin, Tilt	
13	1001190264	1	Pin, Coupler	
14	1001200393	1	Plate, Front Cover	
15	1001200395	2	Pin	
16	1001184610	2	Pin	
17	1001210326	2	Plate, Pin Retention	
18	4812002	4	Washer, M10	

SECTION 2 - BOOM

FIGURE 2-7. COUPLING LOCKING CYLINDER AND CHECK VALVE ASSEMBLY



ART_1001145391-A

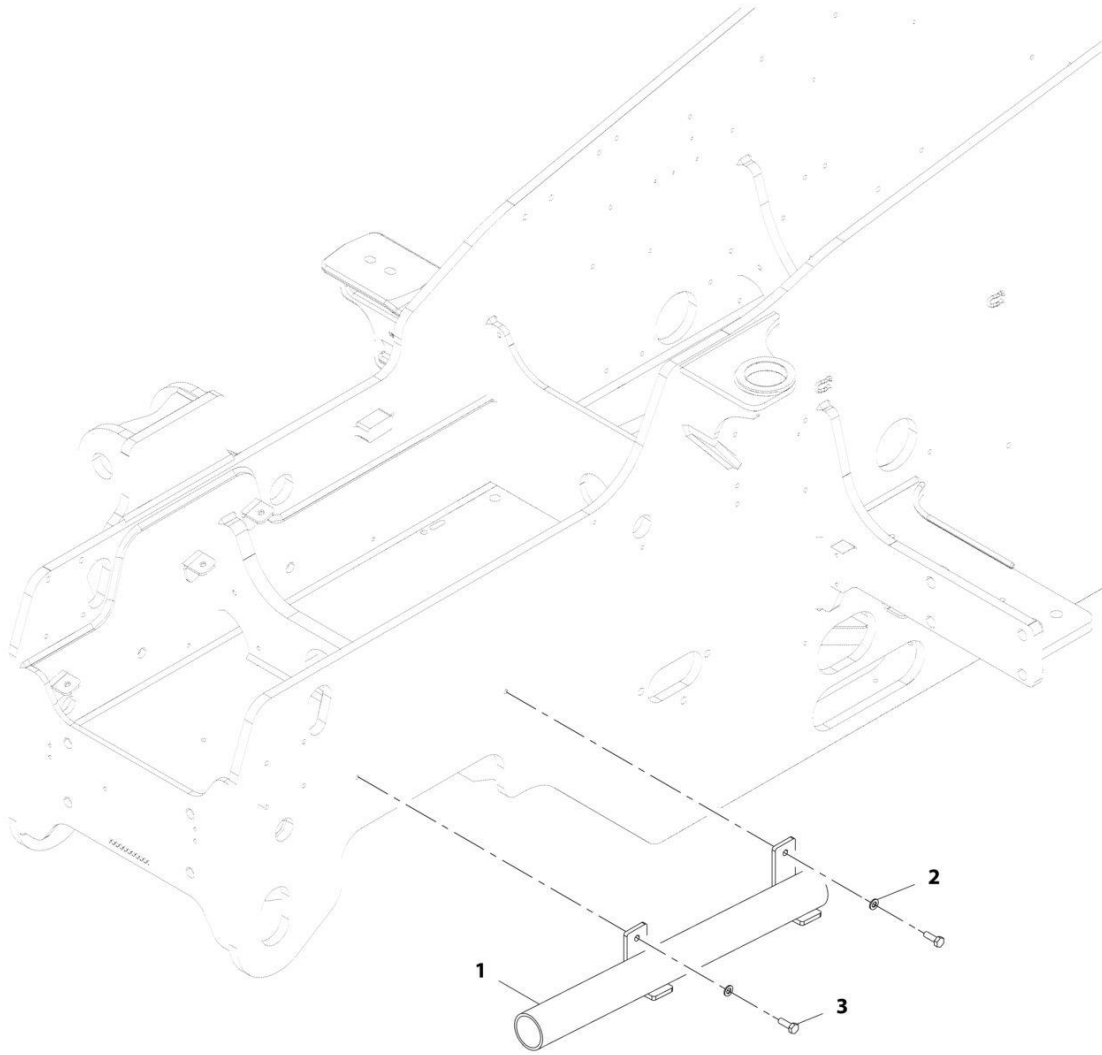
SECTION 2 - BOOM

FIGURE 2-7. COUPLING LOCKING CYLINDER AND CHECK VALVE ASSEMBLY

ITEM	PART NUMBER	QTY	DESCRIPTION	REV
1	1001145391	Ref	Coupler Locking Cylinder Assembly	A
	1001007056	1	Valve, Check	
2	1001145390	1	Cylinder, Coupler Locking (See Separate Breakdown in Hydraulic Components Section)	

SECTION 2 - BOOM

FIGURE 2-8. MANUAL COUPLER PIN HOLDER INSTALLATION



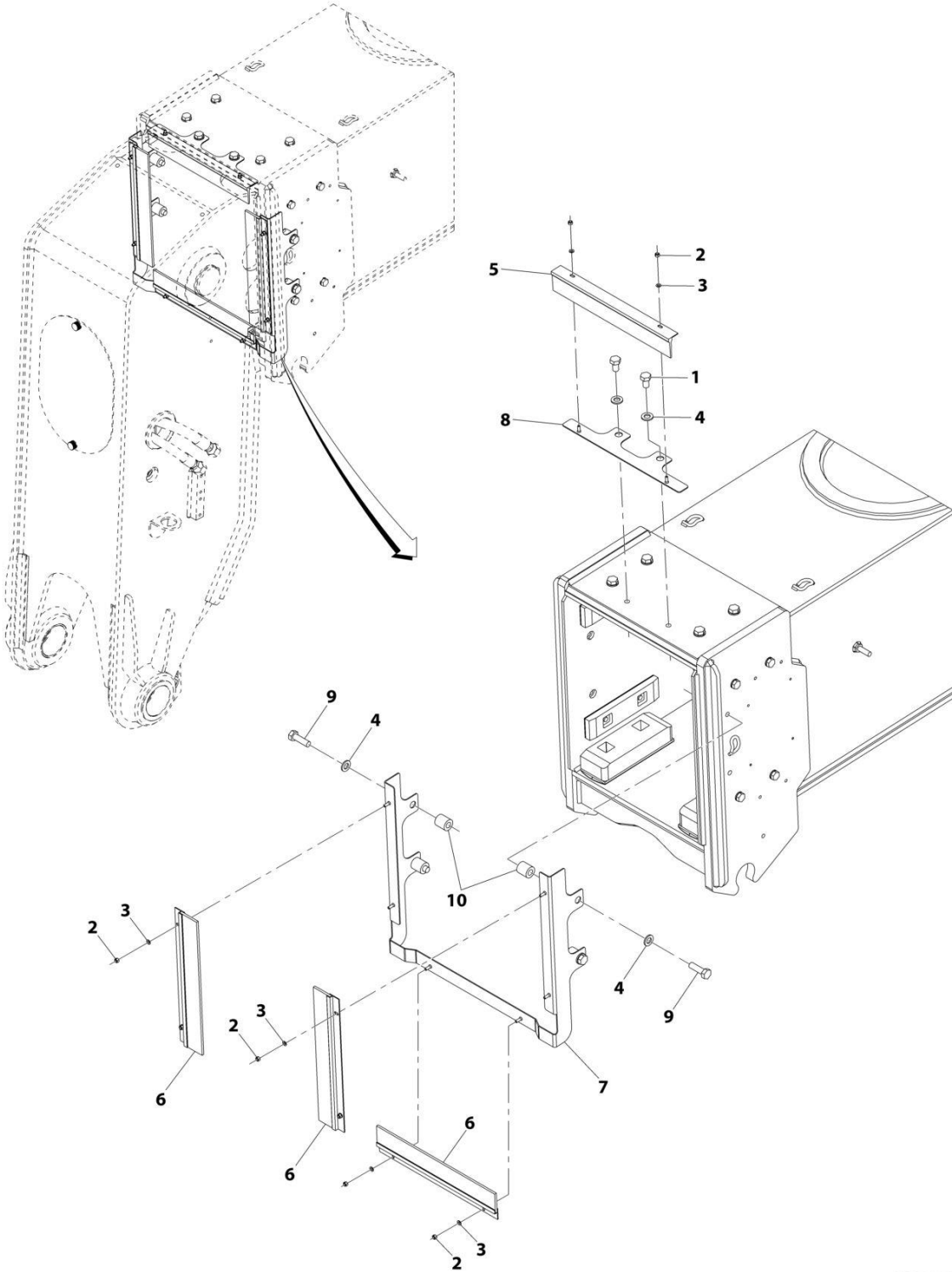
ART_1001220641-A

FIGURE 2-8. MANUAL COUPLER PIN HOLDER INSTALLATION

ITEM	PART NUMBER	QTY	DESCRIPTION	REV
	1001220641	Ref	Manual Coupler Pin Holder Installation	A
1	1001220248	1	Bracket, Pin Holder	
2	4812000	2	Washer, M10	
3	0701014	2	Bolt, M10X30	

SECTION 2 - BOOM

FIGURE 2-9. BOOM BRUSHES INSTALLATION



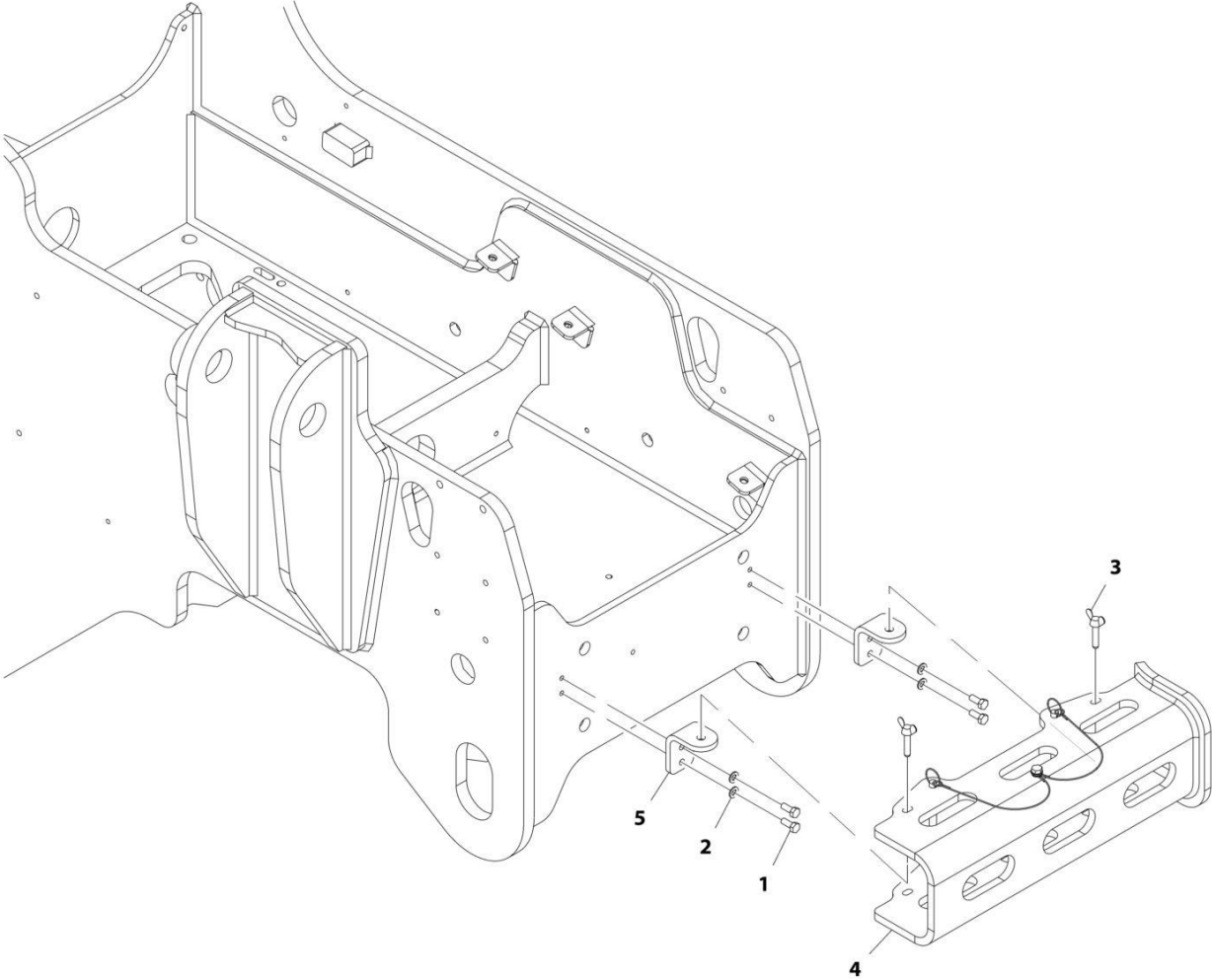
ART_1001174431-C

FIGURE 2-9. BOOM BRUSHES INSTALLATION

ITEM	PART NUMBER	QTY	DESCRIPTION	REV
	1001174431	Ref	Boom Brushes Installation	C
1	0761210	2	Bolt, M12X20	
2	3290505	8	Nut, Lock M5X0.8 Grade 8	
3	4811600	8	Washer, M5	
4	1001125117	6	Washer, M12	
5	1001172999	1	Brush	
6	1001173679	3	Brush	
7	1001196878	1	Bracket	
8	1001196879	1	Bracket	
9	0701216	4	Bolt, M12X40	
10	1001220286	4	Tube	

SECTION 2 - BOOM

FIGURE 2-10. BOOM PROP INSTALLATION



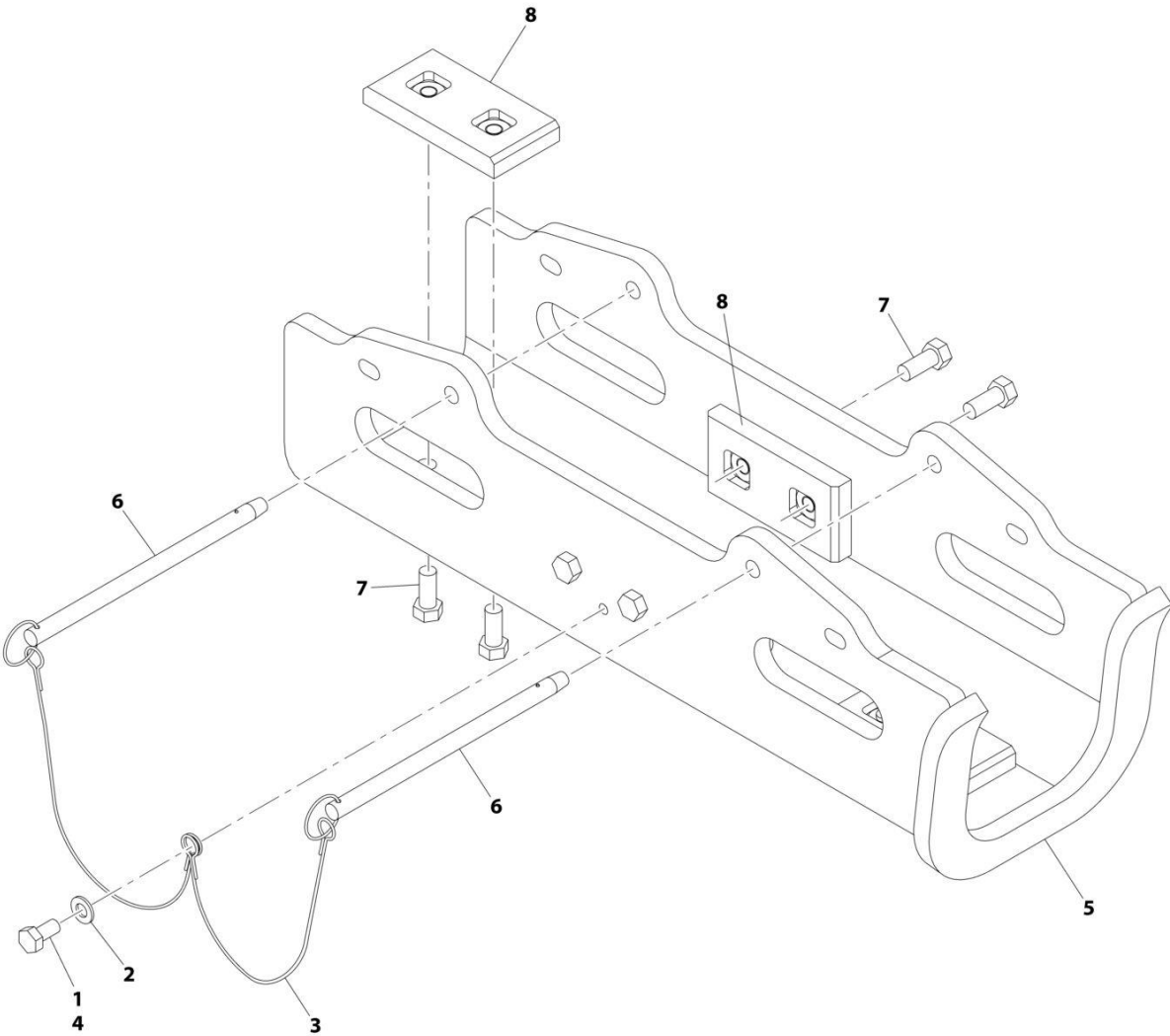
ART_1001174419-C

FIGURE 2-10. BOOM PROP INSTALLATION

ITEM	PART NUMBER	QTY	DESCRIPTION	REV
	1001174419	Ref	Boom Prop Installation	C
1	0760810	4	Bolt, M8X20	
2	4811900	4	Washer, M8	
3	1001228860	2	Bolt, Wing M8X30	
4	1001191035	1	Bracket, Boom Prop (See Separate Breakdown in this Section)	
5	1001193887	2	Bracket	

SECTION 2 - BOOM

FIGURE 2-11. BOOM PROP BRACKET ASSEMBLY



ART_1001191035-B

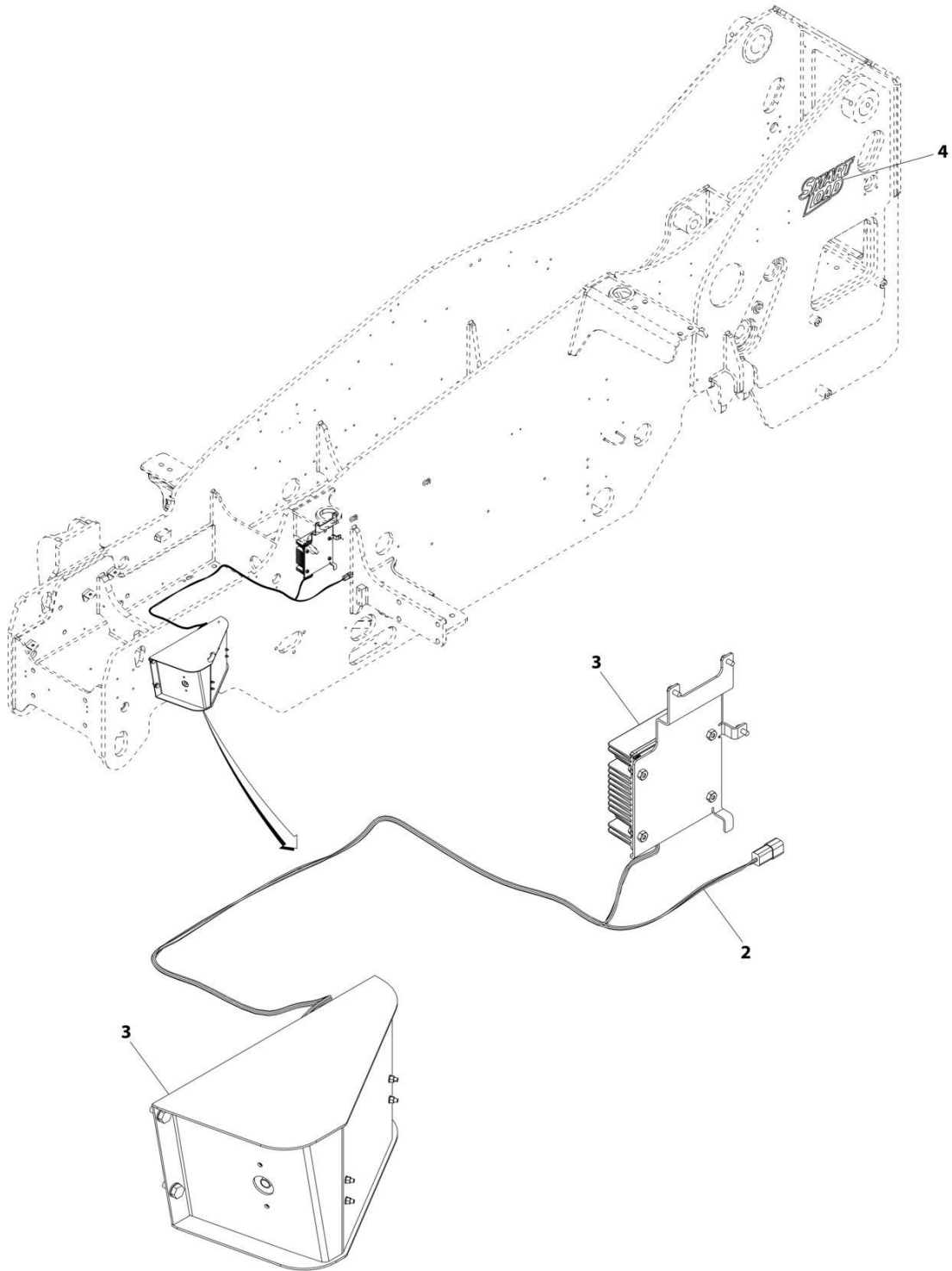
FIGURE 2-11. BOOM PROP BRACKET ASSEMBLY

ITEM	PART NUMBER	QTY	DESCRIPTION	REV
	1001191035	Ref	Boom Prop Bracket Assembly	B
1	0760808	1	Bolt, M8X16	
2	4811900	1	Washer, M8	
3	1001164183	2	Lanyard, Boom Prop	
4	1001095650	AR	Adhesive, Loctite	
5	1001191036	1	Support, Boom Prop	
6	1001191039	2	Pin	
7	0651607	8	Bolt, 3/8-24 X 7/8	
8	91403530	4	Bearing	

SECTION 3 - ATTACHMENTS

SECTION 3 - ATTACHMENTS

FIGURE 3-1. ATTACHMENT RECOGNITION INSTALLATION - COMPLETE



ART_1001195881

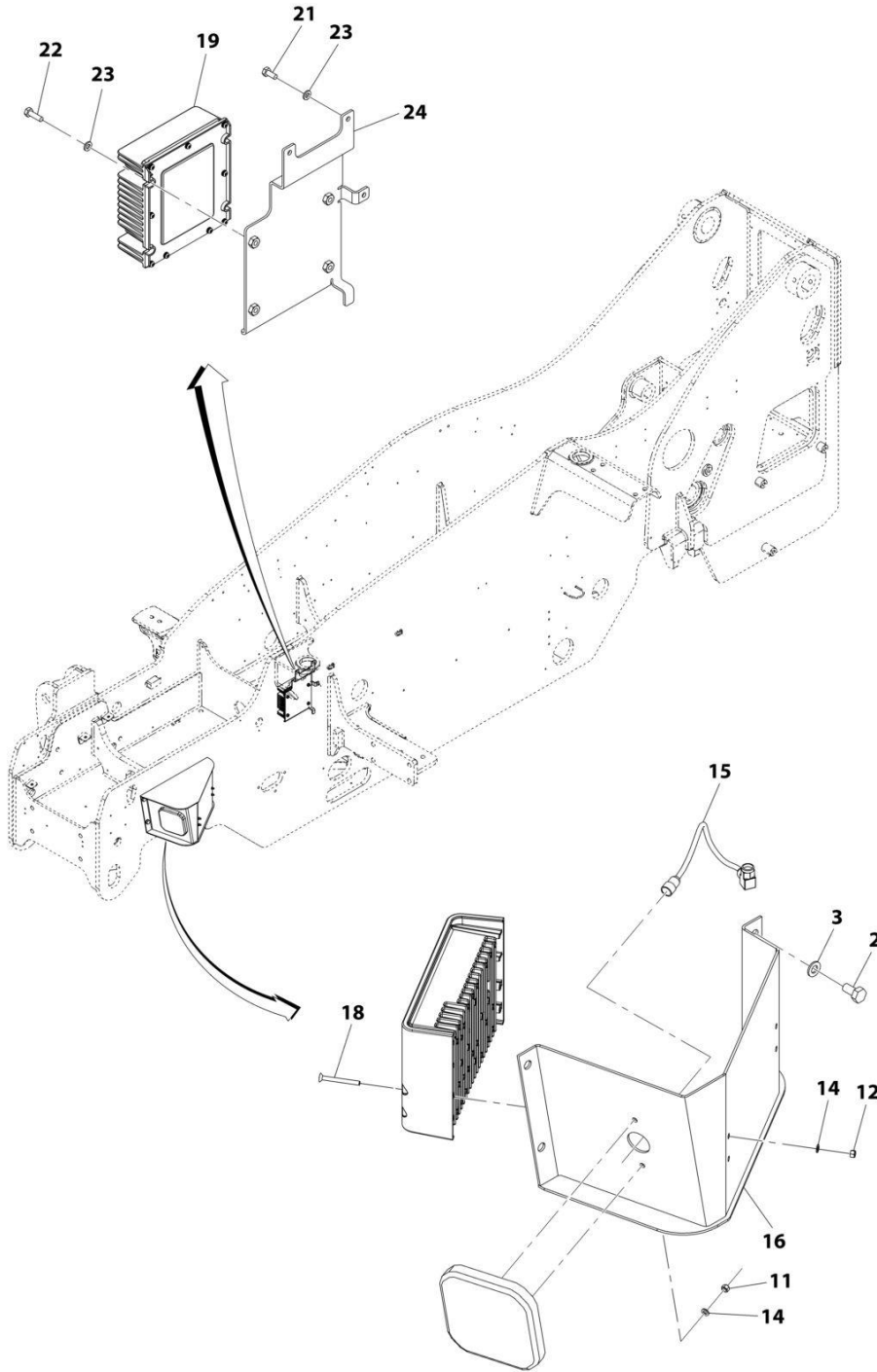
SECTION 3 - ATTACHMENTS

FIGURE 3-1. ATTACHMENT RECOGNITION INSTALLATION - COMPLETE

ITEM	PART NUMBER	QTY	DESCRIPTION	REV
	1001195881	Ref	Attachment Recognition Installation	F
2	1001249251	1	Cable	
3	1001207866	1	Installation, Components Attachment Recognition (See Separate Breakdown in this Section)	
4	1001250276	2	Decal, Smart Load	

SECTION 3 - ATTACHMENTS

FIGURE 3-2. ATTACHMENT RECOGNITION INSTALLATION



ART_1001207866_G

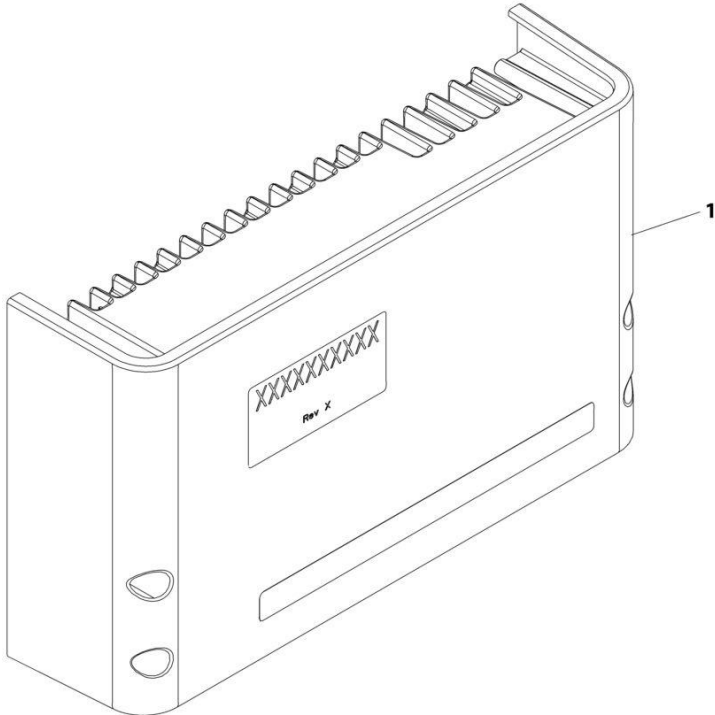
SECTION 3 - ATTACHMENTS

FIGURE 3-2. ATTACHMENT RECOGNITION INSTALLATION

ITEM	PART NUMBER	QTY	DESCRIPTION	REV
	1001207866	Ref	Components Attachment Recognition Installation	G
2	0761010	4	Bolt, M10X20	
3	4812000	4	Washer, M10	
11	3290505	2	Nut, Lock M5X0.8 Grade 8	
12	3290507	4	Nut, Lock M5X0.8	
14	4811600	6	Washer, M5	
15	1001206725	1	Cable	
16	1001232988	1	Bracket, Attachment Recognition	
18	1001234395	4	Screw, M5X50	
19	1001249078	1	Control, Voltage	
21	0760607	3	Bolt, M6X14	
22	0700610	4	Bolt, M6X20	
23	4811700	7	Washer M6	
24	1001249249	1	Bracket, Converter Support	

SECTION 3 - ATTACHMENTS

FIGURE 3-3. ATTACHMENT RECOGNITION RECEIVER



ART_1001250475-B

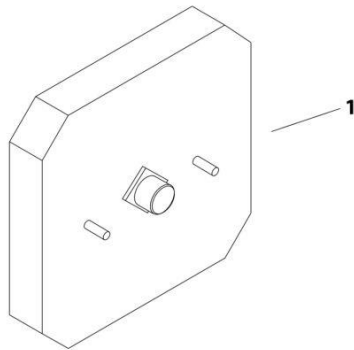
SECTION 3 - ATTACHMENTS

FIGURE 3-3. ATTACHMENT RECOGNITION RECEIVER

ITEM	PART NUMBER	QTY	DESCRIPTION	REV
	1001250475	1 Ref	ATTACHMENT RECOGNITION RECEIVER (FCC) No Serviceable Parts. Purchase complete assembly	B

SECTION 3 - ATTACHMENTS

FIGURE 3-4. ATTACHMENT RECOGNITION ANTENNA



ART_1001202730

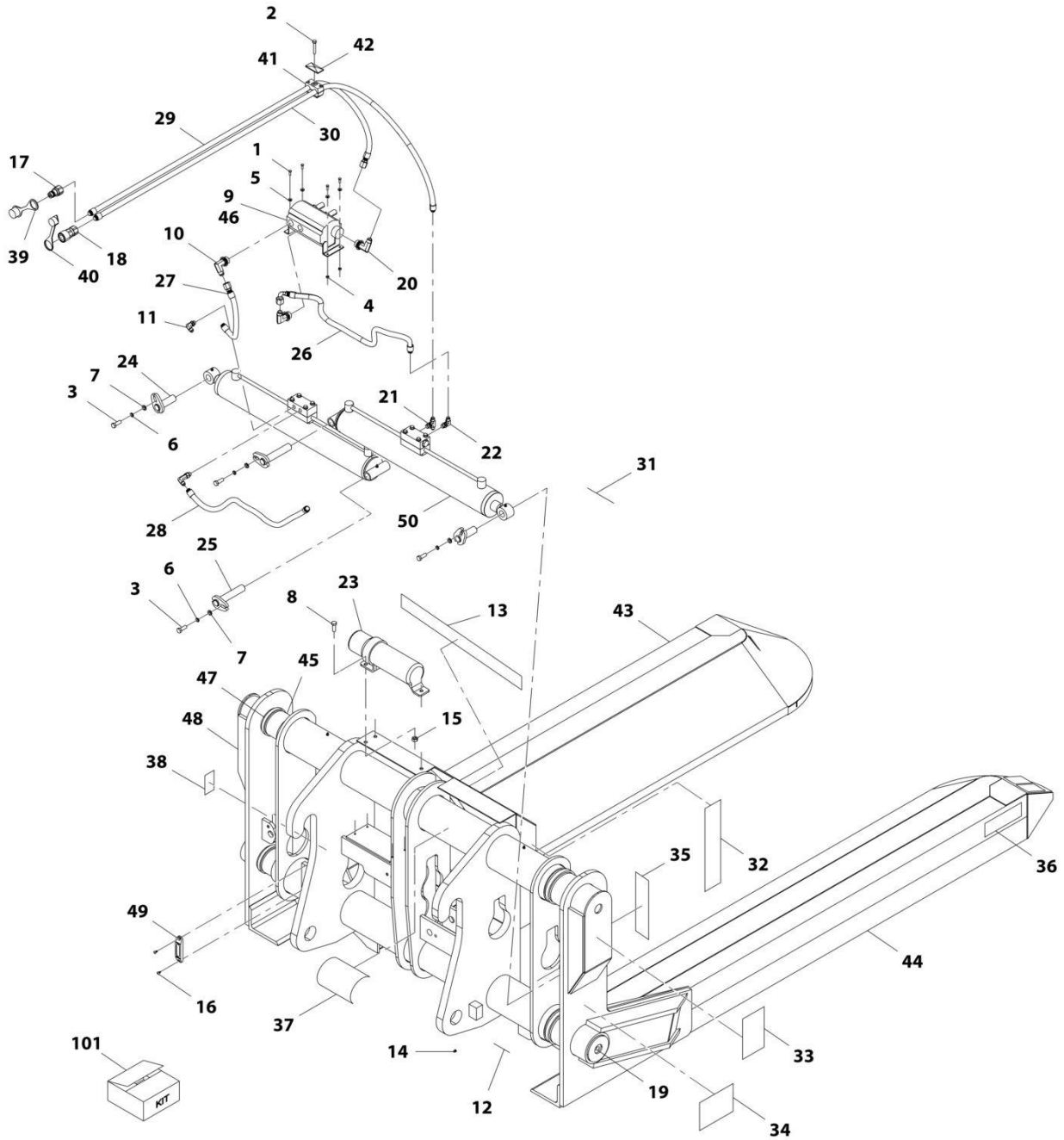
SECTION 3 - ATTACHMENTS

FIGURE 3-4. ATTACHMENT RECOGNITION ANTENNA

ITEM	PART NUMBER	QTY	DESCRIPTION	REV
	1001202730	1	ATTACHMENT RECOGNITION ANTENNA (FCC)	

SECTION 3 - ATTACHMENTS

FIGURE 3-5. BALE HANDLER (ROUND BALES)



ART_1001192649-D

SECTION 3 - ATTACHMENTS

FIGURE 3-5. BALE HANDLER (ROUND BALES)

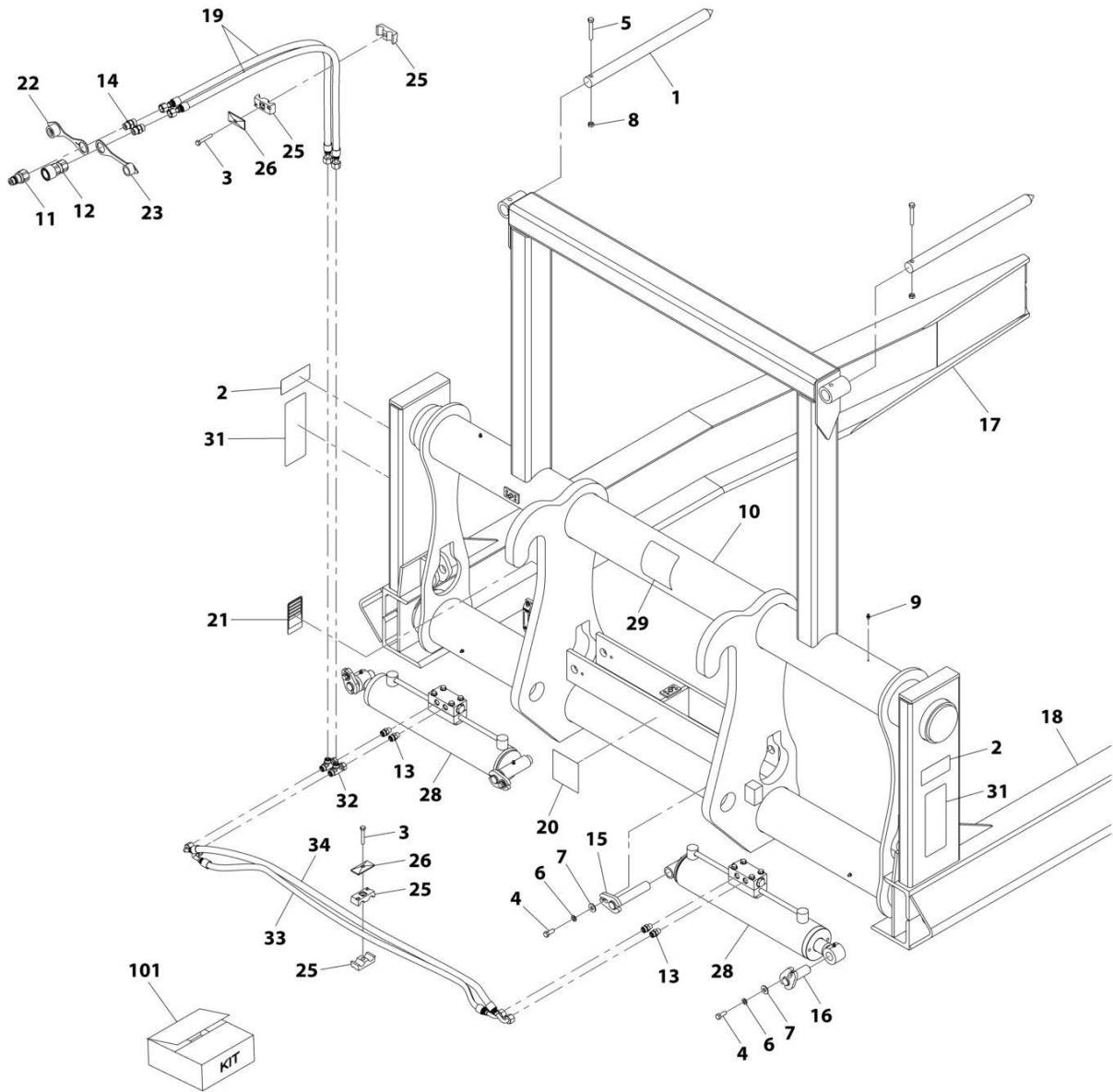
ITEM	PART NUMBER	QTY	DESCRIPTION	REV
	1001192649	Ref	Bale Handler (round)	E
1	70027773	4	Bolt	
2	70028485	1	Screw	
3	70021349	4	Bolt, 3/8X1	
4	90554066	4	Nut	
5	90554067	4	Washer, Lock	
6	90554042	4	Washer, Lock	
7	70021350	4	Washer	
8	70028635	3	Bolt	
9	70028636	1	Plug w/O-Ring	
10	70028637	2	Fitting, 90	
11	90554065	1	Fitting, 90	
12	7029712	4	Decal, Grease	
13	70028638	1	Decal, Stand Clear Warning	
14	90554045	4	Fitting, Grease	
15	70028615	3	Nut	
16	70028554	2	Screw	
17	1001101041	1	Adapter, Male Quick Disconnect	
18	70028616	1	Fitting, Straight	
19	70028617	4	Plug	
20	70028618	1	Fitting, 90	
21	70028619	1	Fitting, Tee	
22	70028620	1	Fitting, 90	
23	1001101042	1	Adapter, Female Quick Disconnect	
24	70028489	2	Pin	
25	70028490	2	Pin	
26	70028621	1	Hose	
27	70028622	1	Hose	
28	70028623	1	Hose	
29	70028624	1	Hose	
30	7029709	1	Hose	
31	7029711	1	Decal, High Pressure Warning	
32	70028625	2	Decal, Pinch Point	
33	70028626	1	Decal, Transport Warning	
34	70028627	1	Decal, Safety Warning	
35	70028628	6	Decal, Red Reflexite	
36	70028629	6	Decal, Amber Reflexite	
37	70028630	1	Decal, Module Staging	
38	N.S.S.	1	Plate, Serial Number	
39	8420053	1	Cap, Dust	
40	8420055	1	Cap, Dust	
41	70028495	1	Clamp	
42	70028496	1	Plate, Clamp	
43	N.S.S.	1	Arm, RH	
44	N.S.S.	1	Arm, LH	
45	70028631	4	Wrap	
46	70028632	1	Valve, Flow Divider	
47	70028633	8	Clamp	
48	N.S.S.	1	Weldment	
49	1001227670	1	Tag, RFID	

SECTION 3 - ATTACHMENTS

ITEM	PART NUMBER	QTY	DESCRIPTION	REV
50	70028634	2	Assembly, Cylinder	
101	Kit	1	Kit, Seal	

SECTION 3 - ATTACHMENTS

FIGURE 3-6. BALE HANDLER (SQUARE BALES)



ART_1001192650-E

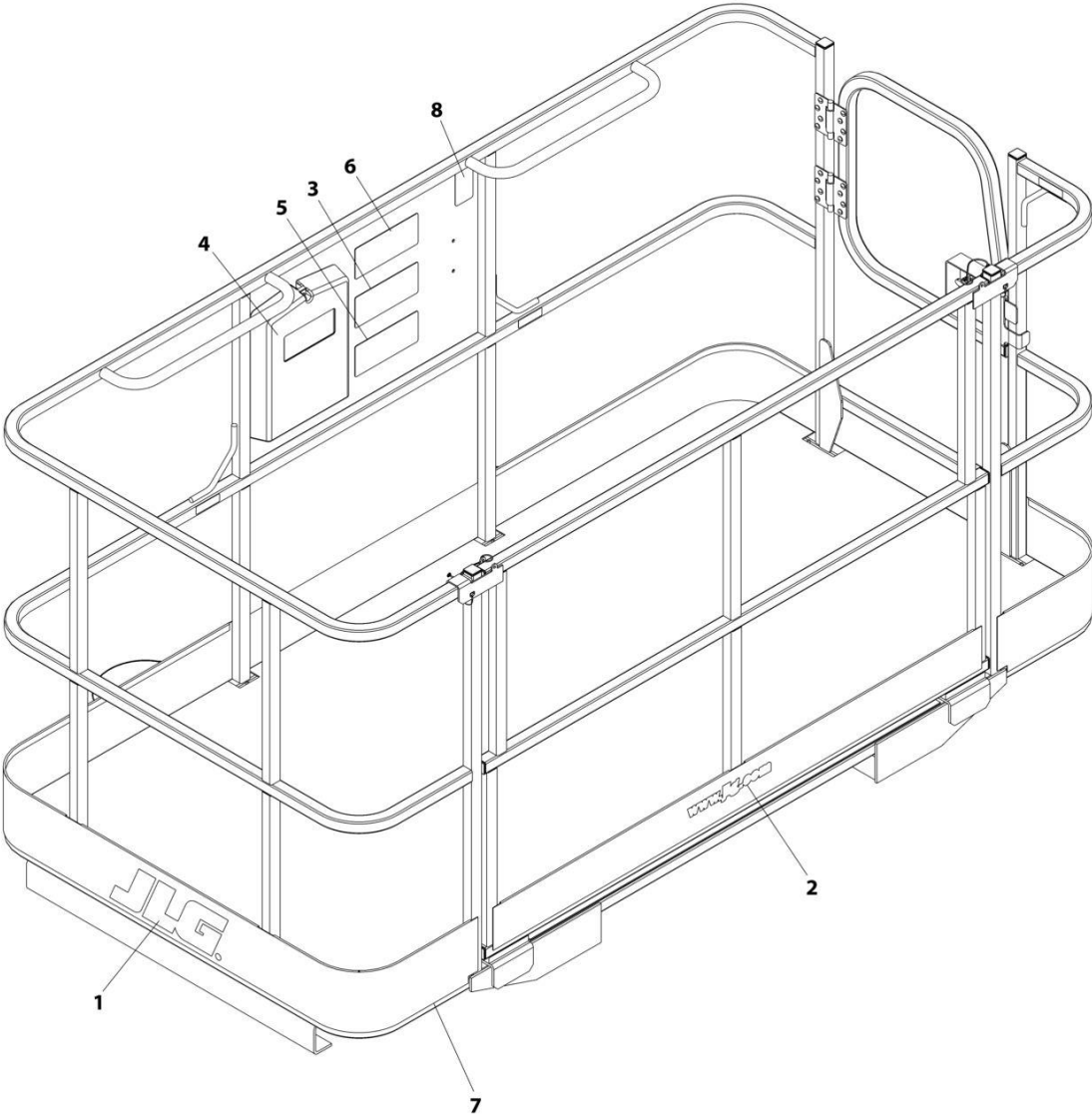
SECTION 3 - ATTACHMENTS

FIGURE 3-6. BALE HANDLER (SQUARE BALES)

ITEM	PART NUMBER	QTY	DESCRIPTION	REV
	1001192650	Ref	Bale Handler (square)	F
1	70028499	2	Spear	
2	70028500	2	Decal, Pinch Point	
3	70028485	2	Screw	
4	70021349	4	Bolt, 3/8X1	
5	70021422	2	Screw	
6	90554042	4	Washer, Lock 3/8	
7	70021350	4	Washer, Flat	
8	70021367	2	Nut, Lock 3/8	
9	90554045	4	Fitting, Grease	
10	N.S.S.	1	Weldment, Main Frame	
11	1001101041	1	Coupler, Male Hydraulic	
12	1001101042	1	Coupler, Female Hydraulic	
13	70028486	4	Fitting	
14	70028488	2	Fitting	
15	70028489	2	Pin	
16	70028490	2	Pin	
17	N.S.S.	1	Weldment, Left Bale Arm	
18	N.S.S.	1	Weldment, Right Bale Arm	
19	70028491	2	Hose	
20	7029711	1	Decal, High Pressure Warning	
21	N.S.S.	1	Plate, Serial Number	
22	8420053	1	Cap, Dust	
23	8420055	1	Cap, Dust	
25	70028495	2	Clamp	
26	70028496	2	Plate, Clamp	
28	70028497	2	Assembly, Cylinder	
29	70028498	1	Decal, Read Manual	
31	70028501	2	Decal, Falling Load	
32	70028487	2	Fitting, Tee	
33	70028492	1	Hose	
34	70028493	1	Hose	
101	70028494	1	Kit, Seal	

SECTION 3 - ATTACHMENTS

FIGURE 3-7. BASKET, PERSONNEL (1.2MX2.4M) (DOMESTIC)



ART_1001238653-A

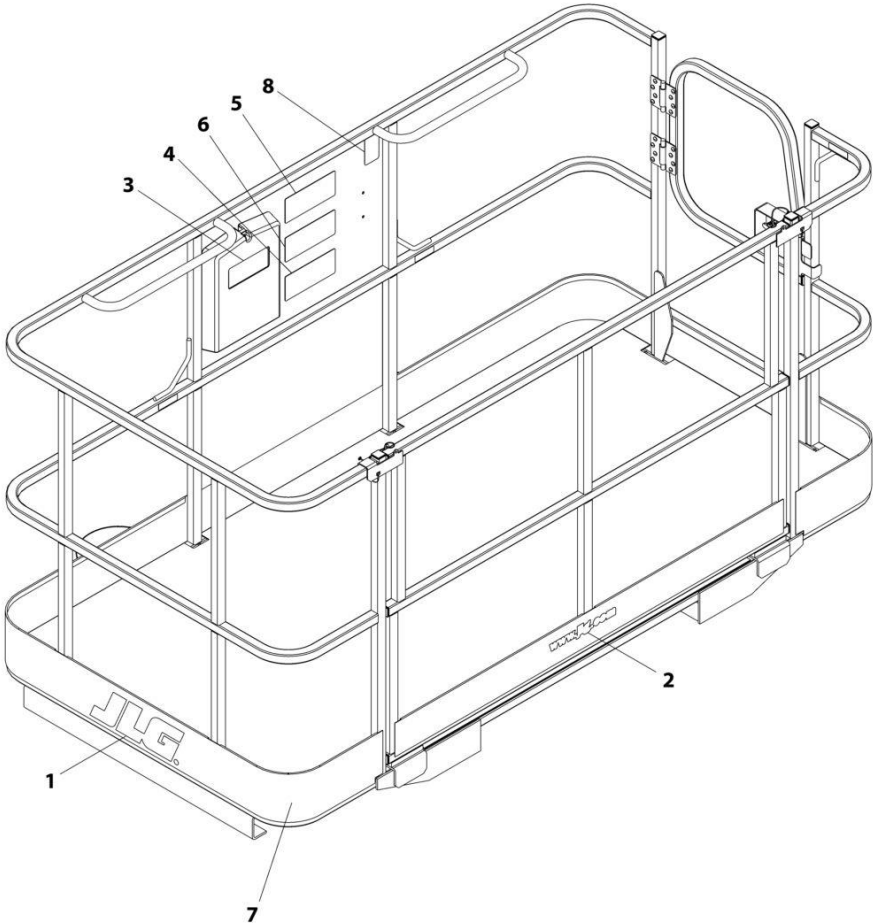
SECTION 3 - ATTACHMENTS

FIGURE 3-7. BASKET, PERSONNEL (1.2MX2.4M) (DOMESTIC)

ITEM	PART NUMBER	QTY	DESCRIPTION	REV
	1001238653	Ref	FORK MOUNTED PLATFORM	B
1	1702773	2	Decal, JLG	
2	1704885	1	Decal, Website	
3	1706892	1	Decal, Platform Warning	
4	31200160	1	Manual, Personnel Work Platform Operation and Safety	
5	1001092481	1	Decal, Warning Attachment	
6	1001092482	1	Decal, Platform Capacity	
7	1001238565	1	Platform, Fork Mounted (See Separate Breakdown in this Section)	
8	See Note	NSS	SN Plate (Note: Stamped Part - Not Available for Purchase)	

SECTION 3 - ATTACHMENTS

FIGURE 3-8. BASKET, PERSONNEL (1.2MX2.4M) (FRENCH LANGUAGE)



ART_1001238655-A

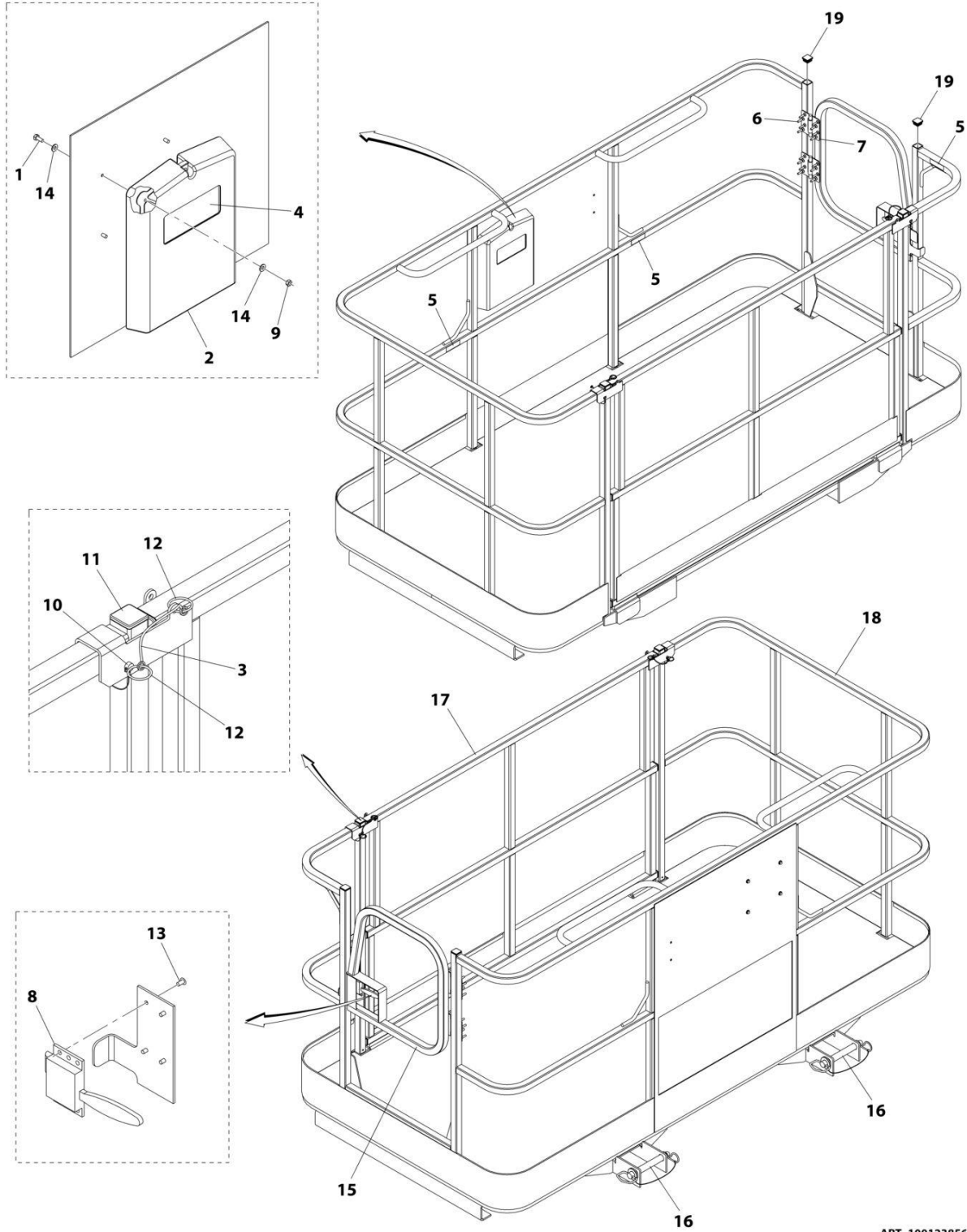
SECTION 3 - ATTACHMENTS

FIGURE 3-8. BASKET, PERSONNEL (1.2MX2.4M) (FRENCH LANGUAGE)

ITEM	PART NUMBER	QTY	DESCRIPTION	REV
	1001238655	Ref	BASKET, PERSONNEL	B
1	1702773	2	Decal, JLG	
2	1704885	1	Decal, Website	
3	31200386	1	Manual, Operation and Safety (French)	
4	1001096019	1	Decal, Warning Attachment (French)	
5	1001096020	1	Decal, Platform Capacity (French)	
6	1001096024	1	Decal, Platform Warning (French)	
7	1001238565	1	Platform, Fork Mounted (ANSI) (See Separate Breakdown in this Section)	
8	See Note	NSS	SN Plate (Note: Stamped Part - Not Available for Purchase)	

SECTION 3 - ATTACHMENTS

FIGURE 3-9. BASKET ASSEMBLY - FORK MOUNTED



ART_1001238565

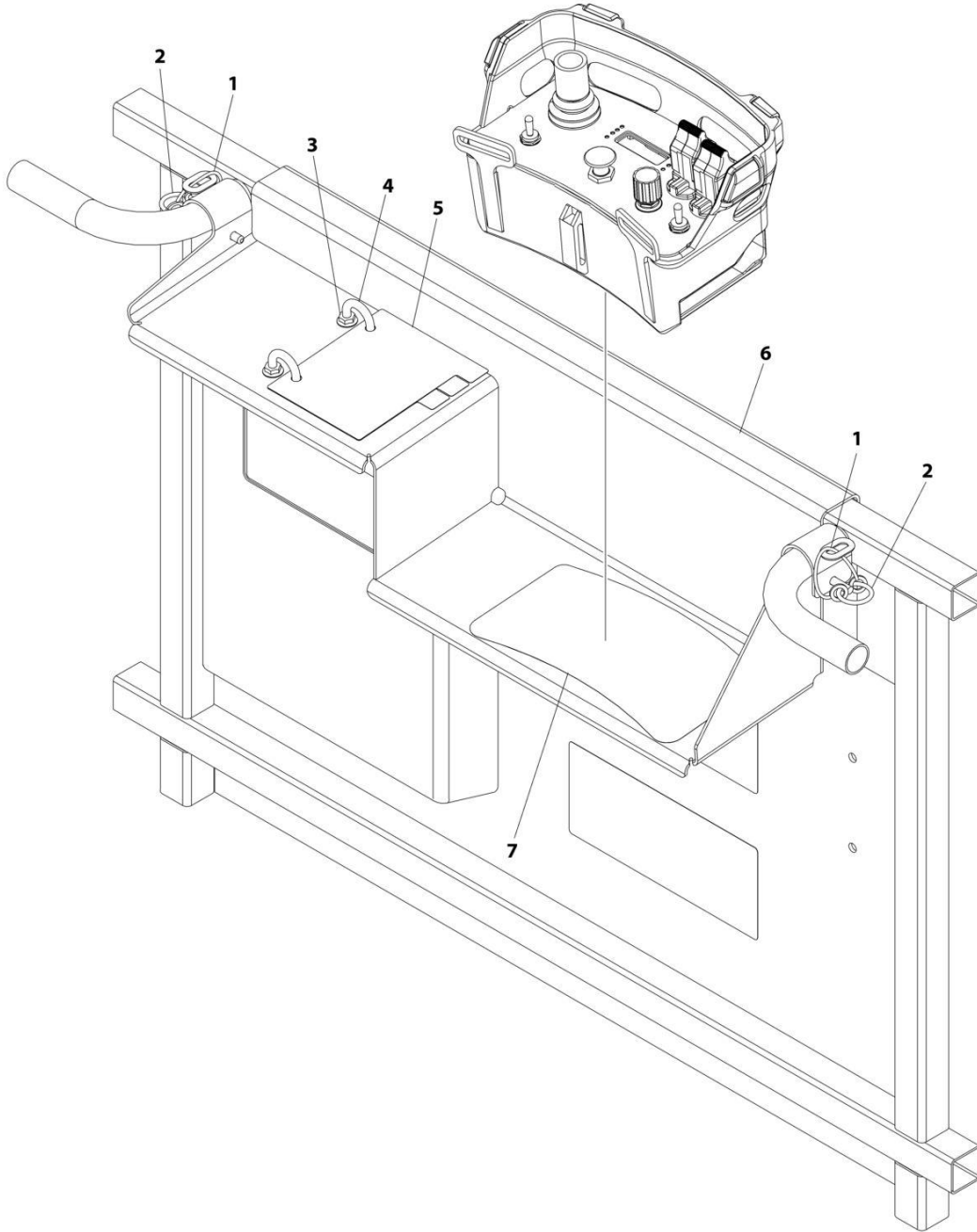
SECTION 3 - ATTACHMENTS

FIGURE 3-9. BASKET ASSEMBLY - FORK MOUNTED

ITEM	PART NUMBER	QTY	DESCRIPTION	REV
	1001238565	Ref	FORK MOUNTED PLATFORM ASSEMBLY	F
1	0641405	4	Bolt 1/4 x 5/8	
2	0860520	1	Box, Manual Storage	
3	1060379	2	Cable, Lanyard	
4	1701509	1	Decal, Manual	
5	1704277	3	Decal, Lanyard Attach	
6	2080040	16	Fastener	
7	2600281	2	Hinge	
8	2940074	1	Latch	
9	3311405	4	Nut 1/4	
10	3421453	2	Pin	
11	3520072	7	Plug	
12	3760170	4	Ring	
13	3820020	4	Rivet	
14	4711400	8	Washer 1/4	
15	1001144629J	1	Gate	
16	1001238560	2	Pin, Hitch	
17	1001095810	1	Gate	
18	See Note	NSS	Platform, Fork Mounted	
19	3520198	4	Plug	

SECTION 3 - ATTACHMENTS

FIGURE 3-10. BASKET DOCKING STATION



ART_1001258664

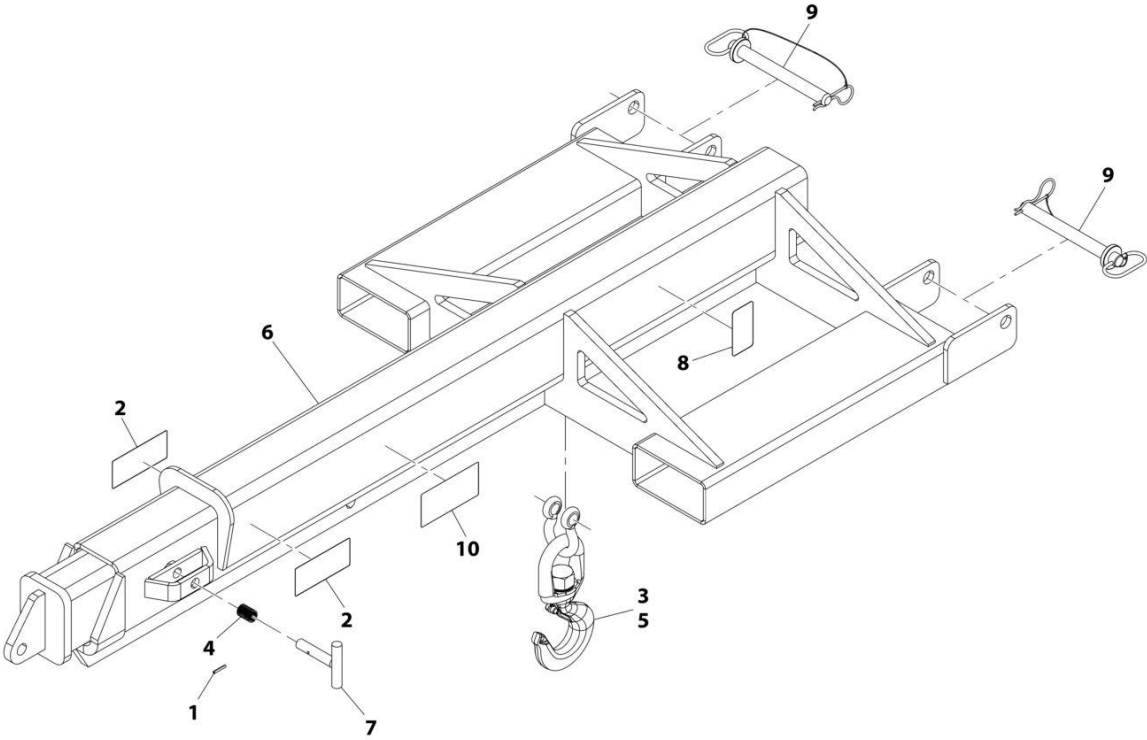
SECTION 3 - ATTACHMENTS

FIGURE 3-10. BASKET DOCKING STATION

ITEM	PART NUMBER	QTY	DESCRIPTION	REV
	1001258664	Ref	Basket Docking Station	A
1	1060379	2	Cable, Lanyard	
2	3422661	2	Pin, Quick Release	
3	8310382	8	Nut 1/4	
4	1001102844	2	U-Bolt 1/4X1-1/4	
5	1001258512	1	Load, Booklet Fork Platform	
6	1001259214	1	Bracket, Control Mount Weld	
7	1001259225	1	Decal, Remote Control	

SECTION 3 - ATTACHMENTS

FIGURE 3-11. BOOM - TRUSS (3.6TON FORK MOUNTED)



ART_1001230241-H

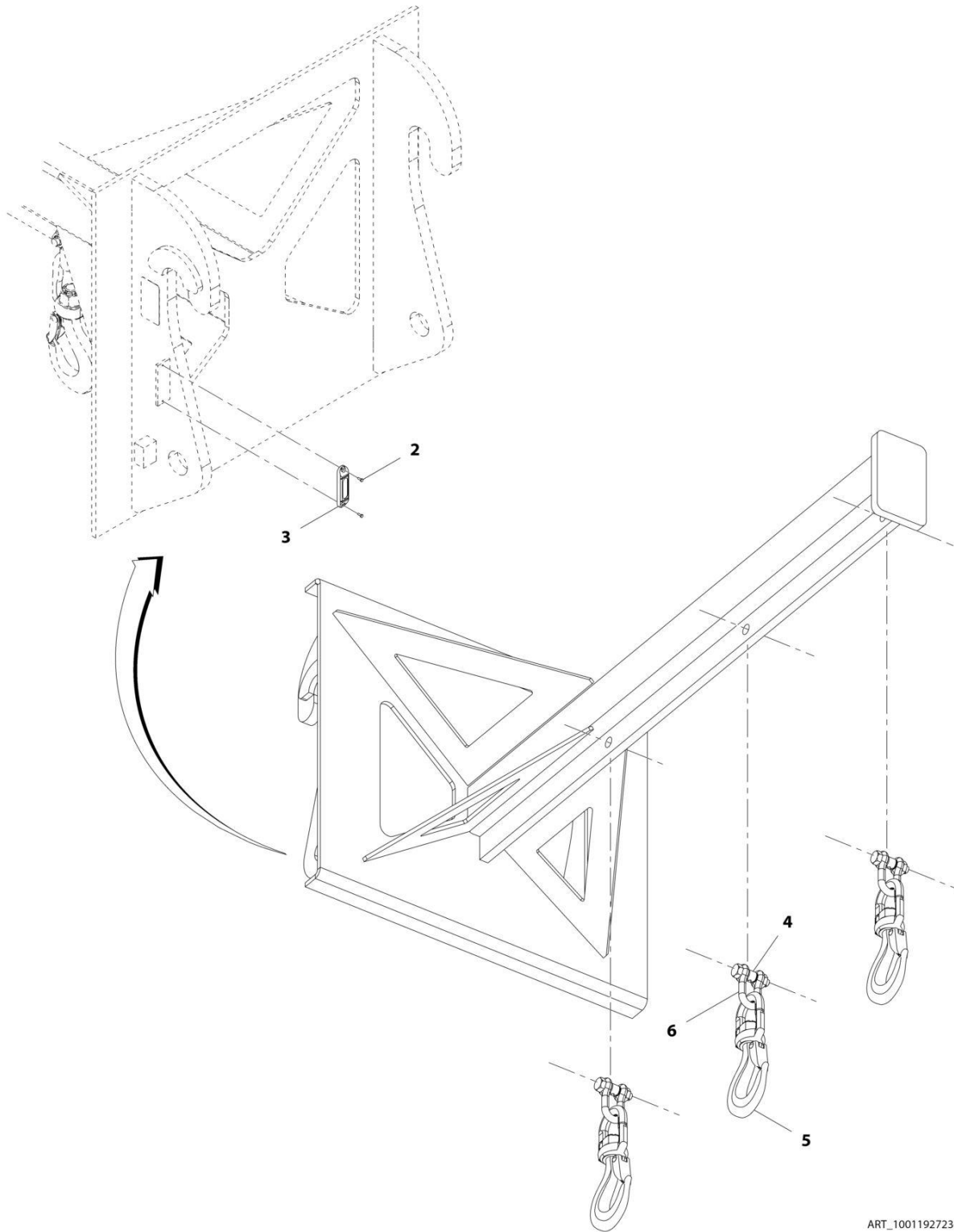
SECTION 3 - ATTACHMENTS

FIGURE 3-11. BOOM - TRUSS (3.6TON FORK MOUNTED)

ITEM	PART NUMBER	QTY	DESCRIPTION	REV
	1001230241	Ref	Adjustable Truss Boom Installation (Fork Mounted)	J
1	3440620	1	Pin	
2	4110422	2	Decal, Danger Swinging Loads	
3	91403448	1	Hook, Swivel	
4	1001128890	1	Spring	
5	1001146160	1	Shackle	
6	See Note	NSS	Boom, Truss - Adjustable (Note: Purchase Complete Assembly)	
7	1001230239	1	Pin	
8	See Note	NSS	SN Plate (Note:Stamped Part - Not Available for Purchase)	
9	1001231692	2	Pin	
10	1001232500	1	Decal, Load Capacities	

SECTION 3 - ATTACHMENTS

FIGURE 3-12. BOOM - TRUSS (7.6 TON)



ART_1001192723-F

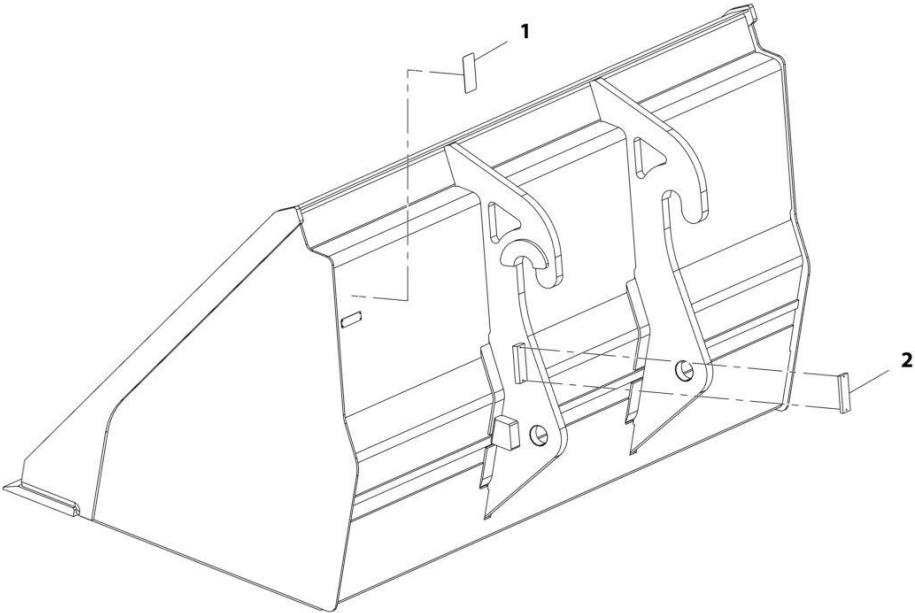
SECTION 3 - ATTACHMENTS

FIGURE 3-12. BOOM - TRUSS (7.6 TON)

ITEM	PART NUMBER	QTY	DESCRIPTION	REV
	1001192723	1	Truss Boom (7.6 ton)	G
2	70028554	2	Screw	
3	1001227670	1	Tag, RFID	
4	70020555	3	Bushing	
5	70026745	3	Hook	
6	70026746	3	Shackle, Chain	

SECTION 3 - ATTACHMENTS

FIGURE 3-13. BUCKET (2.6 YD³/2.0M³)



ART_1001192615-F

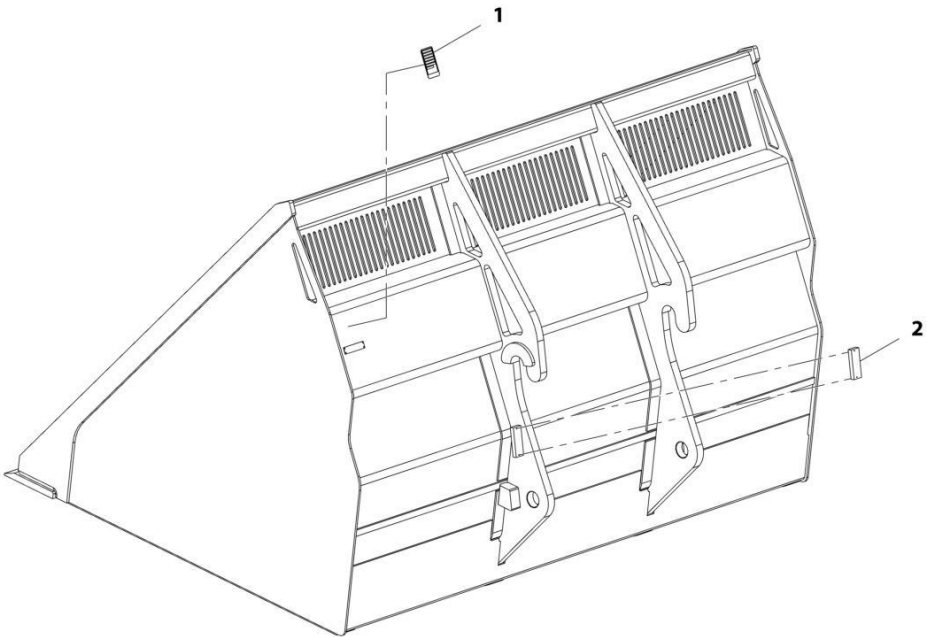
SECTION 3 - ATTACHMENTS

FIGURE 3-13. BUCKET (2.6 YD³/2.0M³)

ITEM	PART NUMBER	QTY	DESCRIPTION	REV
	1001192615	Ref	Bucket (2.6 yd ³ /2.0m ³)	G
1	N.S.S.	1	S/N Plate	
2	1001227670	1	Tag, RFID	

SECTION 3 - ATTACHMENTS

FIGURE 3-14. BUCKET (5.23 YD³)



ART_1001192616-E

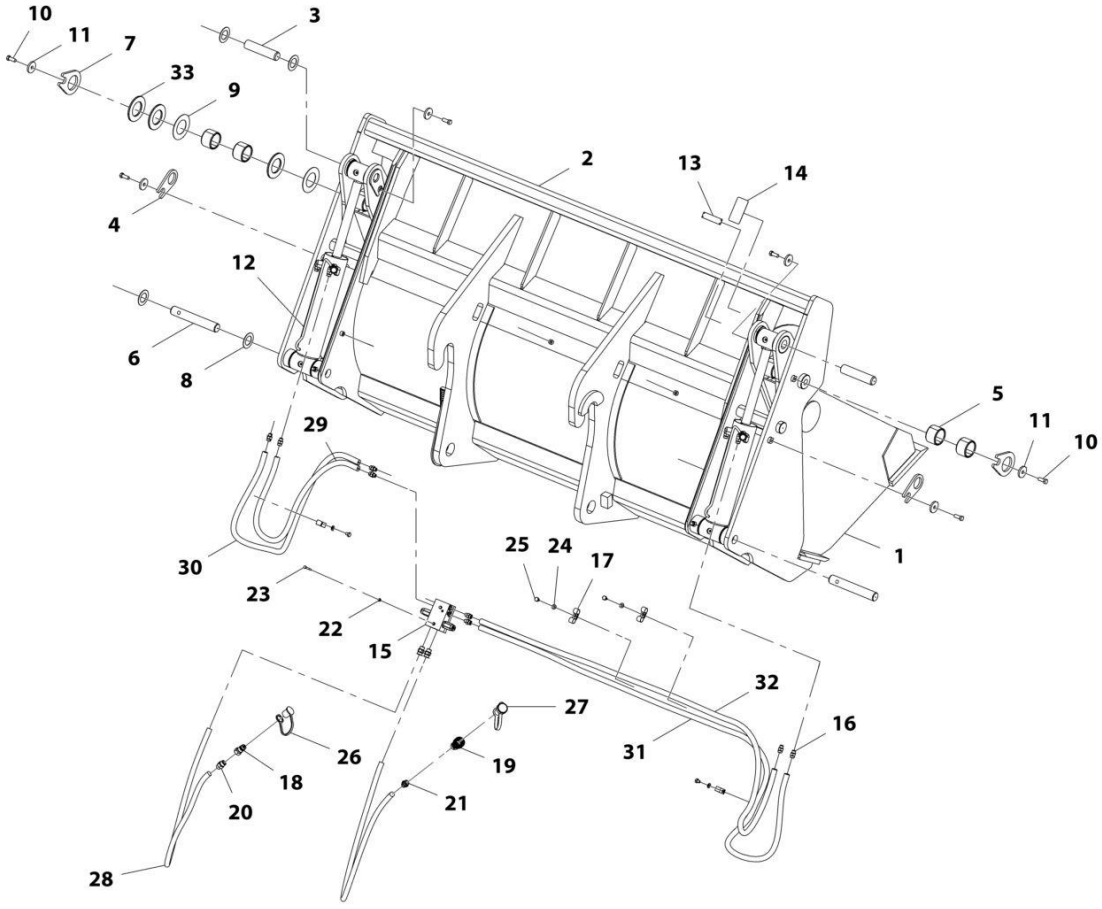
SECTION 3 - ATTACHMENTS

FIGURE 3-14. BUCKET (5.23 YD³)

ITEM	PART NUMBER	QTY	DESCRIPTION	REV
	1001192616	Ref	Bucket (5.23 yd ³ /4.0m ³)	F
1	N.S.S.	1	S/N Plate	
2	1001227670	1	Tag, RFID	

SECTION 3 - ATTACHMENTS

FIGURE 3-15. BUCKET - 4 IN 1 (2.6 YD³/2.0M³)



ART_1001192614-E

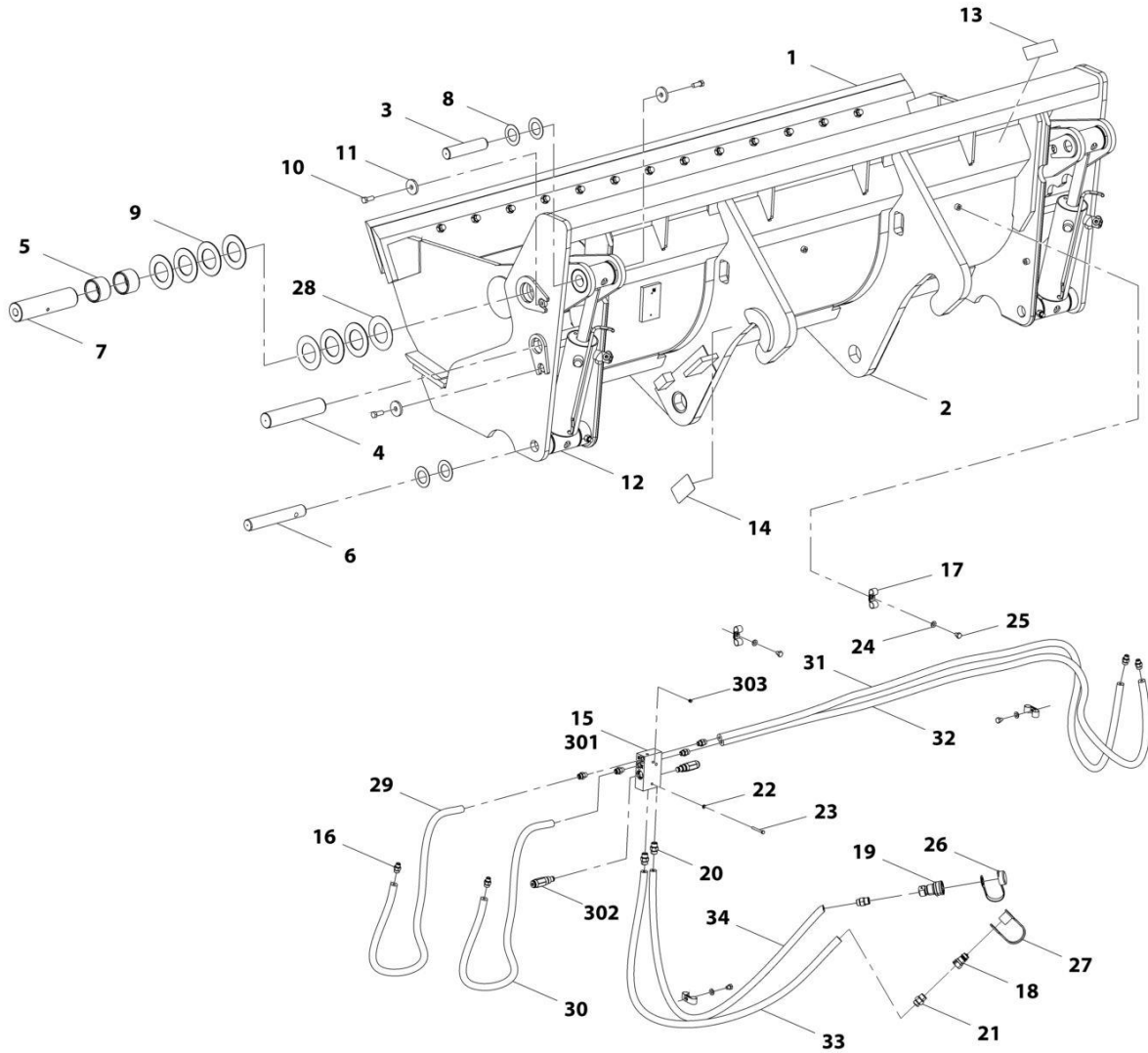
SECTION 3 - ATTACHMENTS

FIGURE 3-15. BUCKET - 4 IN 1 (2.6 YD³/2.0M³)

ITEM	PART NUMBER	QTY	DESCRIPTION	REV
	1001192614	Ref	4 in 1 Bucket (2.6 yd ³ /2.0m ³)	F
1	N.S.S.	1	Assembly, Scarifier	
2	N.S.S.	1	Assembly, Bucket	
3	70028563	2	Pin	
4	70028564	2	Pin	
5	70028565	4	Bushing	
6	70028566	2	Pin	
7	70028567	2	Pin	
8	70028568	8	Shim	
9	70028569	6	Shim	
10	70028570	6	Capscrew	
11	70028571	6	Washer	
12	70028572	2	Cylinder, 4 in 1 Bucket (See Separate Breakdown in HYDRAULIC COMPONENTS Section)	
13	N.S.S.	1	Plate, Serial Number	
14	N.S.S.	1	Plate, Serial Number JLG	
15	70028573	1	Valve Assembly, 4 in 1 Bucket (See Separate Breakdown in HYDRAULIC CIRCUITS Section)	
16	70024130	8	Fitting	
17	70026481	8	Clamp	
18	1001101041	1	Adapter, Male Quick Disconnect	
19	1001101042	1	Adapter, Female Quick Disconnect	
20	70022938	2	Fitting, Straight	
21	70028263	2	Fitting, Straight	
22	70026480	2	Fitting, Straight	
23	70026479	2	Bolt, M6X50	
24	70026482	4	Washer, M10	
25	70026483	4	Bolt, M10X16	
26	8420055	1	Cap, Dust	
27	8420053	1	Cap, Dust	
28	70028744	1	Hose	
29	70028745	1	Hose	
30	70028746	1	Hose	
31	70028747	1	Hose	
32	70028748	1	Hose	
33	70028574	12	Shim	

SECTION 3 - ATTACHMENTS

FIGURE 3-16. BUCKET - 4 IN 1 (1.3 YD³/1.0M³)



ART_1001228427-B

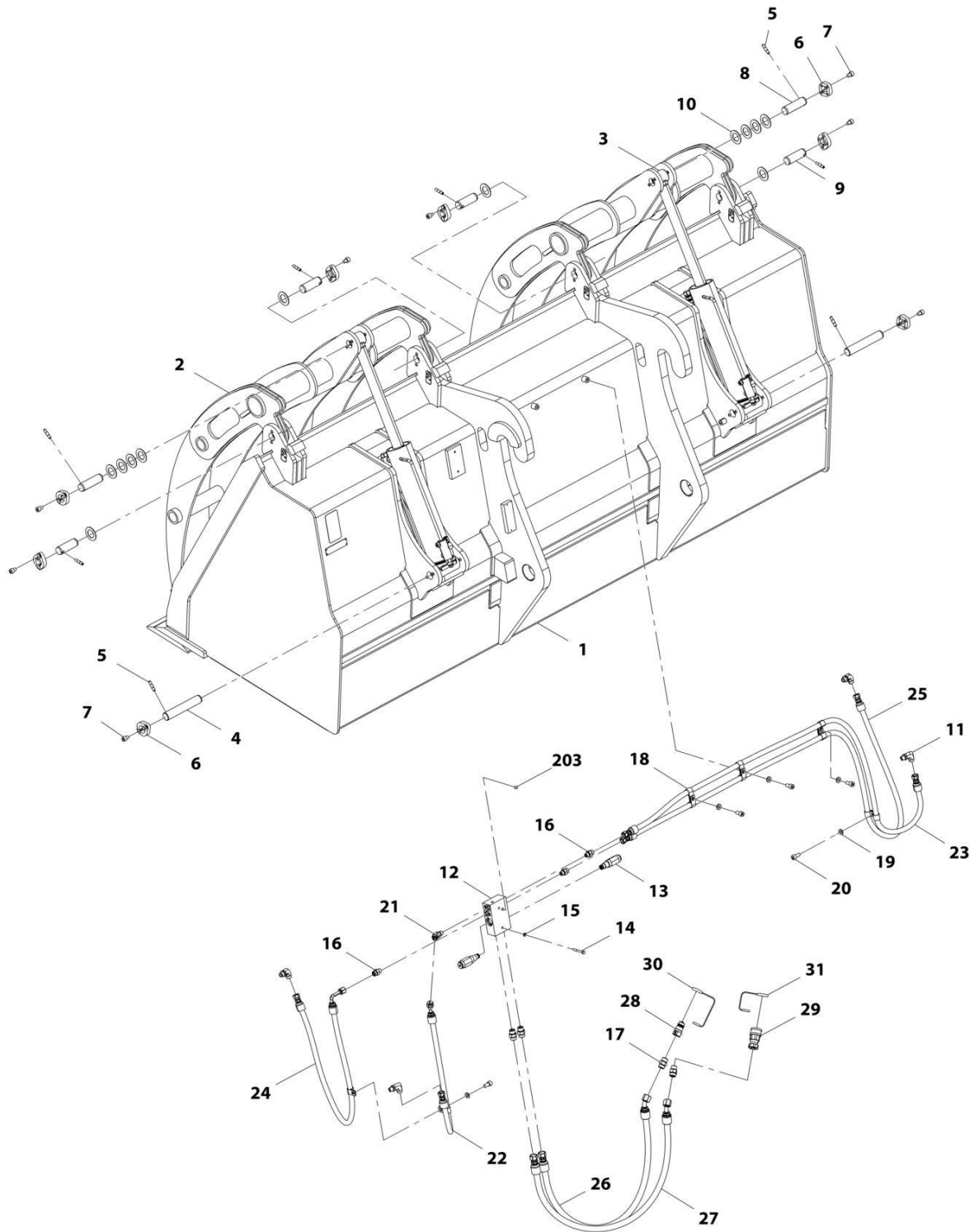
SECTION 3 - ATTACHMENTS

FIGURE 3-16. BUCKET - 4 IN 1 (1.3 YD³/1.0M³)

ITEM	PART NUMBER	QTY	DESCRIPTION	REV
	1001228427	Ref	4 in 1 Bucket (1.3 yd ³ /1.0m ³)	C
1	N.S.S.	1	Assembly, Front Bucket	
2	N.S.S.	1	Assembly, Back Bucket	
3	70028563	2	Pin	
4	70028564	2	Pin	
5	70028565	4	Bushing	
6	70028566	2	Pin	
7	70028567	2	Pin	
8	70028568	8	Shim	
9	70028569	6	Shim	
10	70028570	6	Capscrew	
11	70028571	6	Washer	
12	70028572	2	Assembly, 4 In 1 Bucket Cylinder (5.23 yd ³ /4.0m ³) (See Separate Breakdown in HYDRAULIC COMPONENTS Section)	
13	N.S.S.	1	Plate, Name	
14	N.S.S.	1	Plate, Serial Number	
15	70028573	1	Assembly, 4 In 1 Bucket Valve (5.23 yd ³ /4.0m ³)	
16	70024130	8	Fitting, Straight	
17	70026481	8	Clamp, Hose	
18	1001101041	1	Adapter, Male Quick Disconnect	
19	1001101042	1	Adapter, Female Quick Disconnect	
20	70022938	2	Fitting, Straight	
21	70028263	2	Fitting, Straight	
22	70026480	2	Washer, M6	
23	70026479	2	Bolt, M6X50	
24	70026482	4	Washer, M10	
25	70026483	4	Bolt, M10X16	
26	8420055	1	Plug, Dust	
27	8420053	1	Plug, Cap	
28	70028574	12	Shim	
29	70028575	1	Hose	
30	70028576	1	Hose	
31	70028577	1	Hose	
32	70028578	1	Hose	
33	70028579	1	Hose	
34	70028580	1	Hose	
301	70026477	1	Manifold	
302	70028589	2	Cartridge, Relief	
303	70026614	2	Plug	

SECTION 3 - ATTACHMENTS

FIGURE 3-17. BUCKET - GRAPPLE (1.7 YD³/1.3M³)



ART_1001223435-C

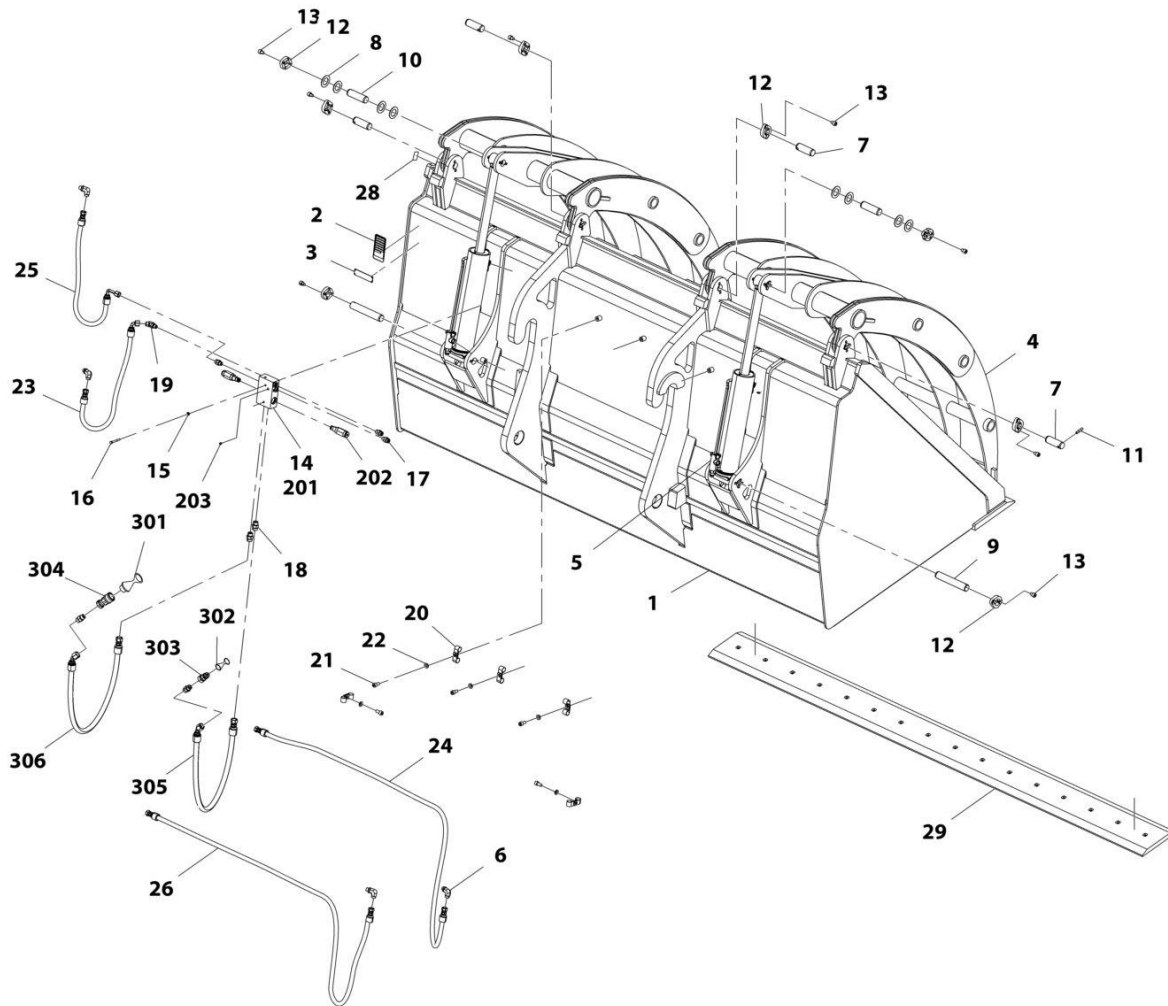
SECTION 3 - ATTACHMENTS

FIGURE 3-17. BUCKET - GRAPPLE (1.7 YD³/1.3M³)

ITEM	PART NUMBER	QTY	DESCRIPTION	REV
	1001223435	Ref	Grapple Bucket (1.7 yd ³ /1.3m ³)	D
1	N.S.S.	1	Bucket	
2	N.S.S.	1	Grapple	
3	70026469	2	Assembly, Cylinder, (See Separate Breakdown in HYDRAULIC COMPONENTS Section)	
4	70026470	2	Pin	
5	70026471	8	Pin Drive - Lock	
6	70026472	8	Retainer	
7	70026473	16	Capscrew, M10X12	
8	70026474	2	Pin	
9	70026475	4	Pin	
10	70026476	32	Shim	
11	70024123	4	Fitting, 90	
12	70026477	1	Manifold	
13	70026478	2	Cartridge, Relief Valve	
14	70026479	2	Bolt, M6X50	
15	70026480	2	Washer, M6	
16	70024130	3	Fitting, Straight	
17	70022938	4	Fitting, Straight	
18	70026481	10	Clamp, Hose	
19	70026482	5	Washer, M10	
20	70028672	5	Bolt, M10X20	
21	70026616	1	Fitting, 45	
22	70028749	1	Hose	
23	70028750	1	Hose	
24	70028751	1	Hose	
25	70028752	1	Hose	
26	70028753	1	Hose	
27	70028697	1	Hose	
28	1001101041	1	Adapter, Male Quick Disconnect	
29	1001101042	1	Adapter, Female Quick Disconnect	
30	8420053	1	Cap, Dust	
31	8420055	1	Plug, Dust	
203	70026614	2	Plug	

SECTION 3 - ATTACHMENTS

FIGURE 3-18. BUCKET - GRAPPLE (2.6 YD³/2.0M³)



ART_1001192617-D

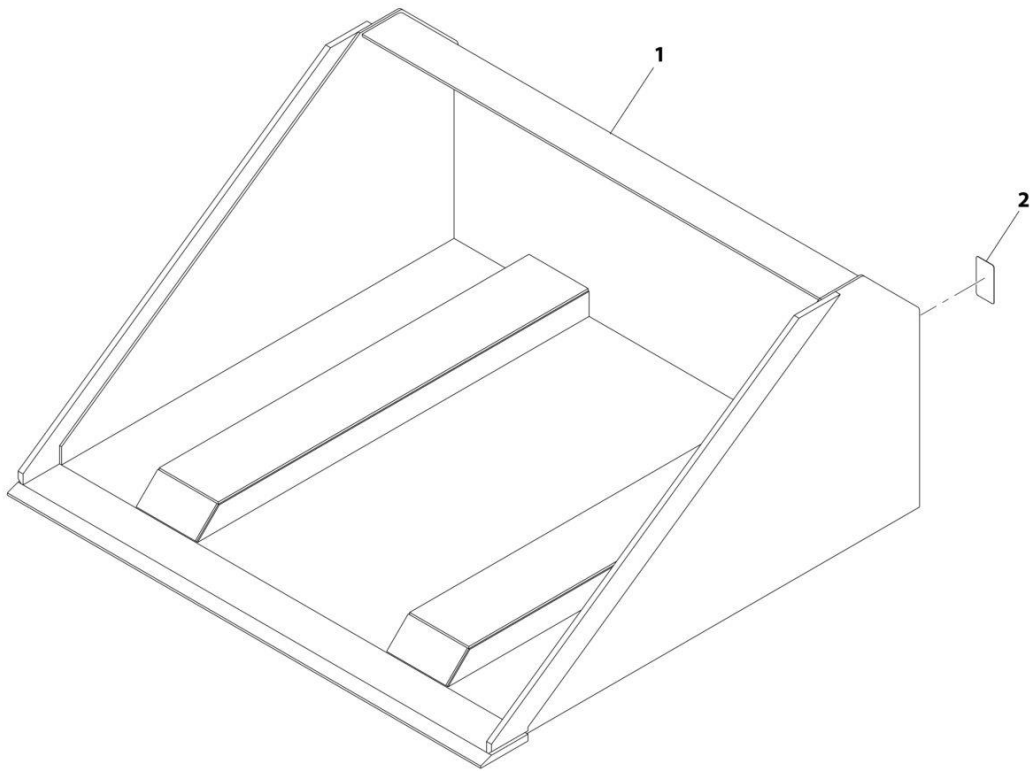
SECTION 3 - ATTACHMENTS

FIGURE 3-18. BUCKET - GRAPPLE (2.6 YD³/2.0M³)

ITEM	PART NUMBER	QTY	DESCRIPTION	REV
	1001192617	Ref	Grapple Bucket (2.6 yd ³ /2.0m ³)	E
1	N.S.S.	1	Bucket	
2	N.S.S.	1	Plate, Serial Number	
3	N.S.S.	1	Nameplate	
4	N.S.S.	1	Grapple	
5	70026469	2	Assembly, Cylinder (See Separate Breakdown in HYDRAULIC COMPONENTS Section)	
6	70024123	4	Fitting, 90	
7	70026475	4	Pin	
8	70026476	12	Shim	
9	70026470	2	Pin	
10	70026474	2	Pin	
11	70026471	8	Pin, Lock	
12	70026472	8	Retainer	
13	70026473	16	Capscrew, M10X12	
14	N.S.S.	1	Valve, Relief	
15	70026480	2	Washer, M6	
16	70026479	2	Bolt, M6X50	
17	70024130	3	Fitting, Straight	
18	70022938	4	Fitting, Straight	
19	70026616	1	Fitting, 45	
20	70026481	10	Clamp, Hose	
21	70028672	5	Bolt, M10X20	
22	70026482	5	Washer, M10	
23	70028738	1	Hose	
24	70028739	1	Hose	
25	70028740	1	Hose	
26	70028741	1	Hose	
28	70024538	8	Decal, Pinch Point	
29	70028742	1	Guard, Edge	
201	70026477	1	Manifold	
202	70026478	2	Cartridge, Relief Valve	
203	70026614	2	Plug	
301	8420055	1	Plug, Dust	
302	8420053	1	Cap, Dust	
303	1001101041	1	Coupler, Male Hydraulic	
304	1001101042	1	Coupler, Female Hydraulic	
305	70028743	1	Hose	
306	70028734	1	Hose	

SECTION 3 - ATTACHMENTS

FIGURE 3-19. BUCKET - FORK MOUNTED (1.0M³)



ART_1001195970-D

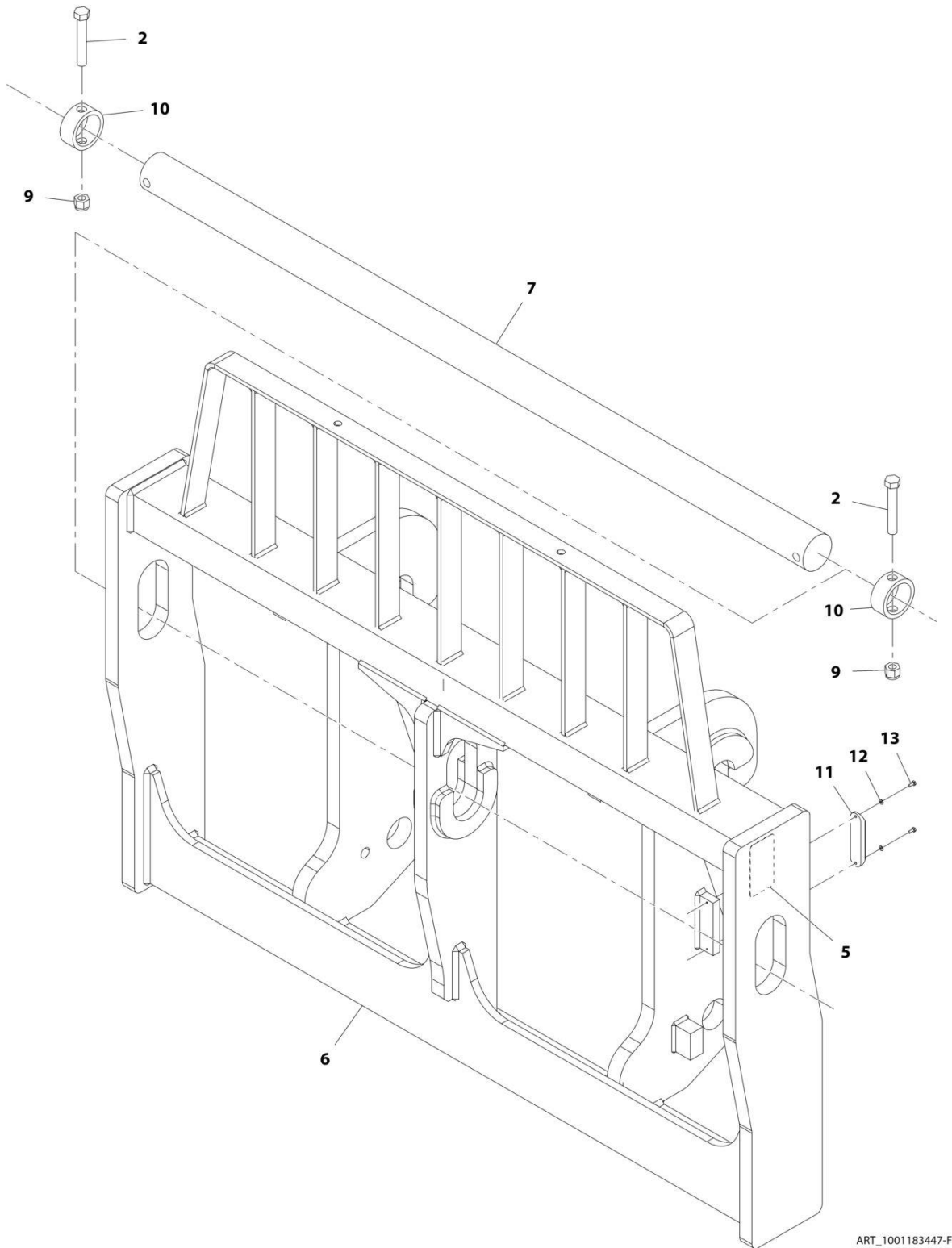
SECTION 3 - ATTACHMENTS

FIGURE 3-19. BUCKET - FORK MOUNTED (1.0M³)

ITEM	PART NUMBER	QTY	DESCRIPTION	REV
1	1001195970	Ref	Bucket 1.0 m ³ (Fork Mounted)	E
2	See Note	NSS	S/N Plate (Note: Stamped Part - Not Available for Purchase)	

SECTION 3 - ATTACHMENTS

FIGURE 3-20. CARRIAGE ASSEMBLY (60IN/1524MM)



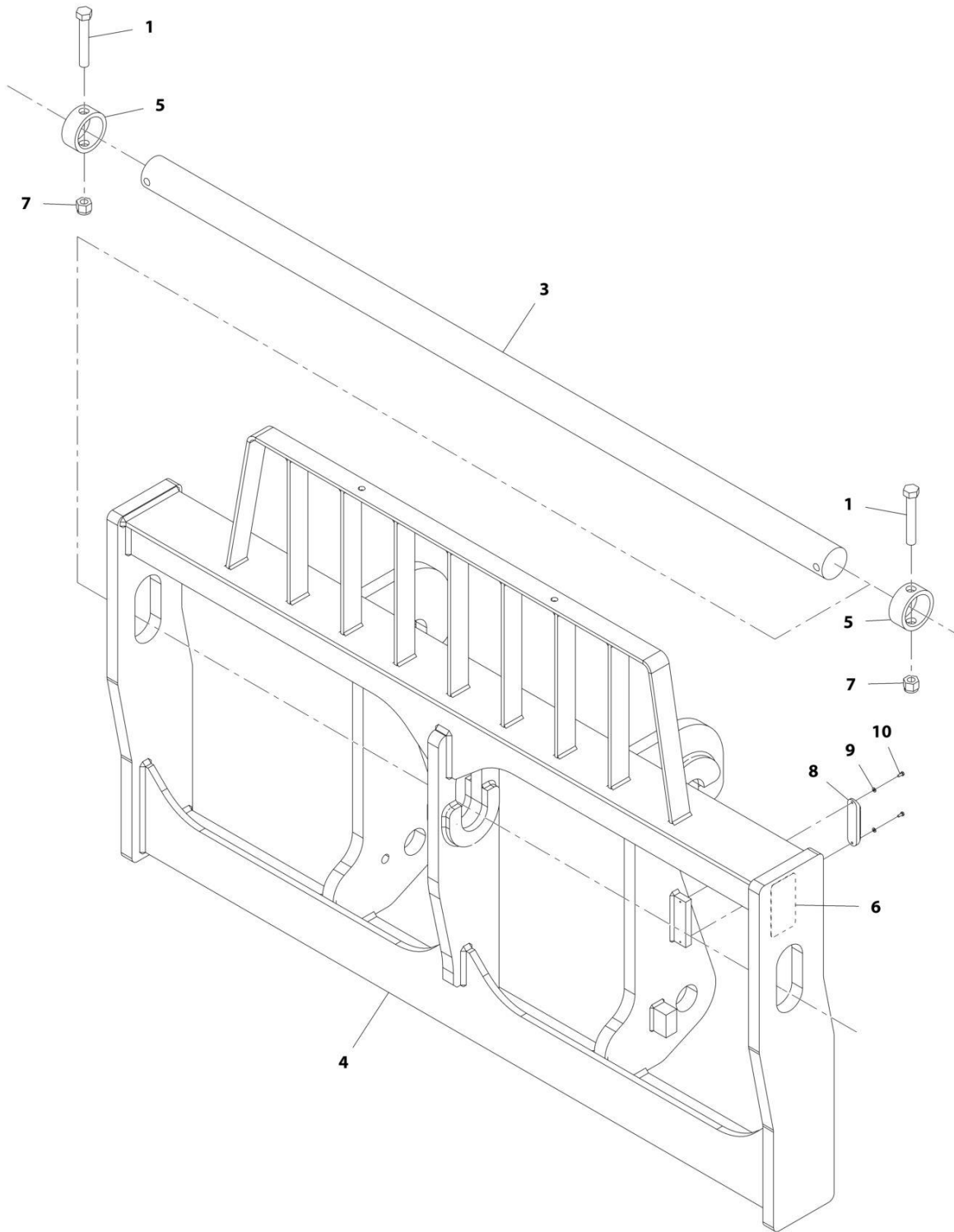
SECTION 3 - ATTACHMENTS

FIGURE 3-20. CARRIAGE ASSEMBLY (60IN/1524MM)

ITEM	PART NUMBER	QTY	DESCRIPTION	REV
	1001183447	1	Carriage Assembly (60in/1524mm)	F
2	0701628	2	Bolt, M16X110	
5	N.S.S.	1	S/N Plate	
6	N.S.S.	1	Weldment, Carriage	
7	1001191108	1	Pin	
9	3291605	2	Nut, Lock M16X2 Grade 8	
10	1001218755	2	Collar, Shaft	
11	1001227670	1	Tag, RFID	
12	4811400	2	Washer, M4	
13	0760405	2	Bolt, M4X10	

SECTION 3 - ATTACHMENTS

FIGURE 3-21. CARRIAGE ASSEMBLY (72IN/1829MM)



ART_1001214415-E

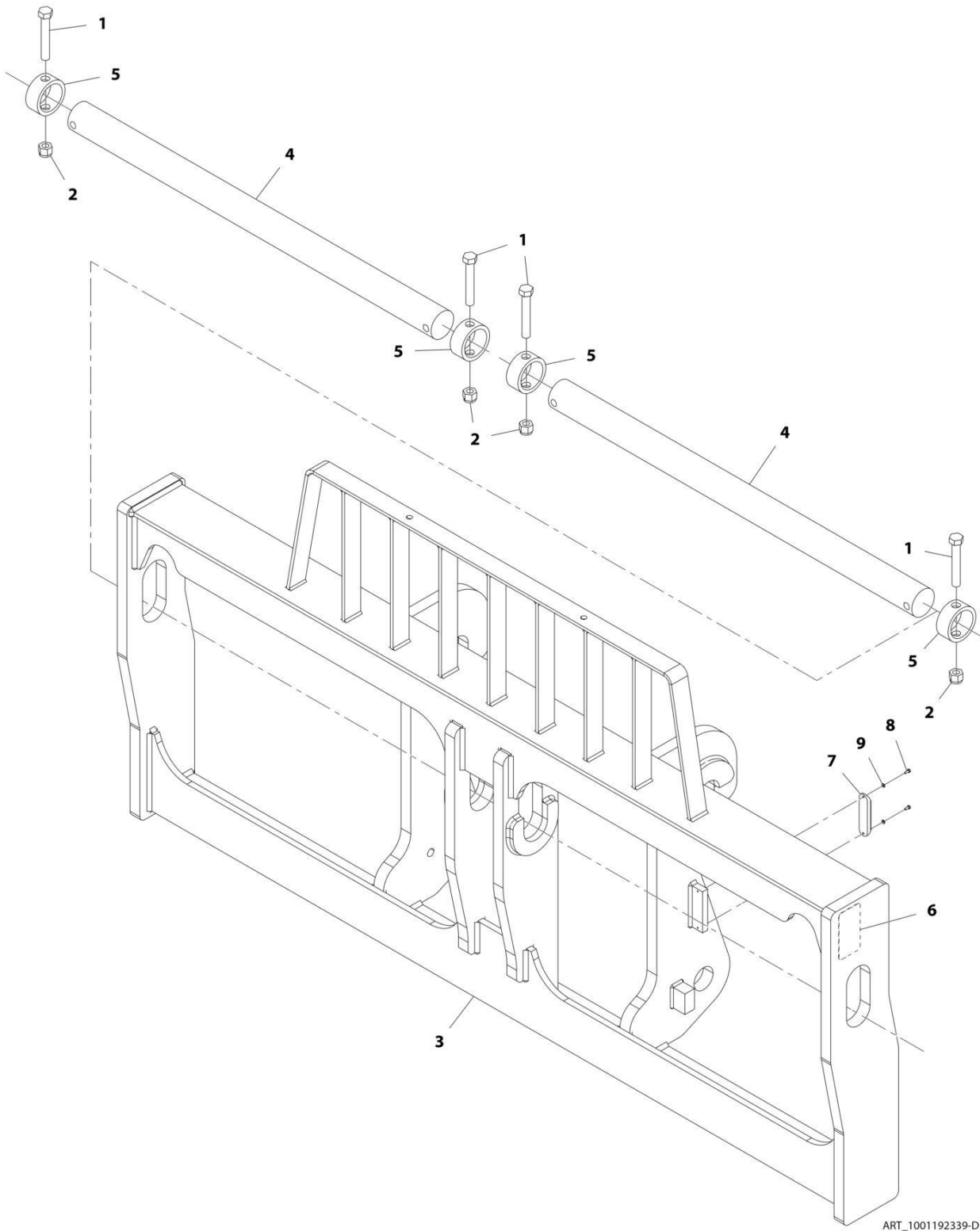
SECTION 3 - ATTACHMENTS

FIGURE 3-21. CARRIAGE ASSEMBLY (72IN/1829MM)

ITEM	PART NUMBER	QTY	DESCRIPTION	REV
	1001214415	Ref	Carriage Assembly (72in/1829mm)	E
1	0701628	2	Bolt, M16X110	
3	1001214254	1	Pin	
4	N.S.S.	1	Weldment, Carriage	
5	1001218755	2	Collar, Shaft	
6	N.S.S.	1	Plate, Serial Number	
7	3291605	2	Nut, Lock M16X2 Grade 8	
8	1001227670	1	Tag, RFID	
9	4811400	2	Washer, M4	
10	0760405	2	Bolt, M4X10	

SECTION 3 - ATTACHMENTS

FIGURE 3-22. CARRIAGE ASSEMBLY (87IN/2290MM)



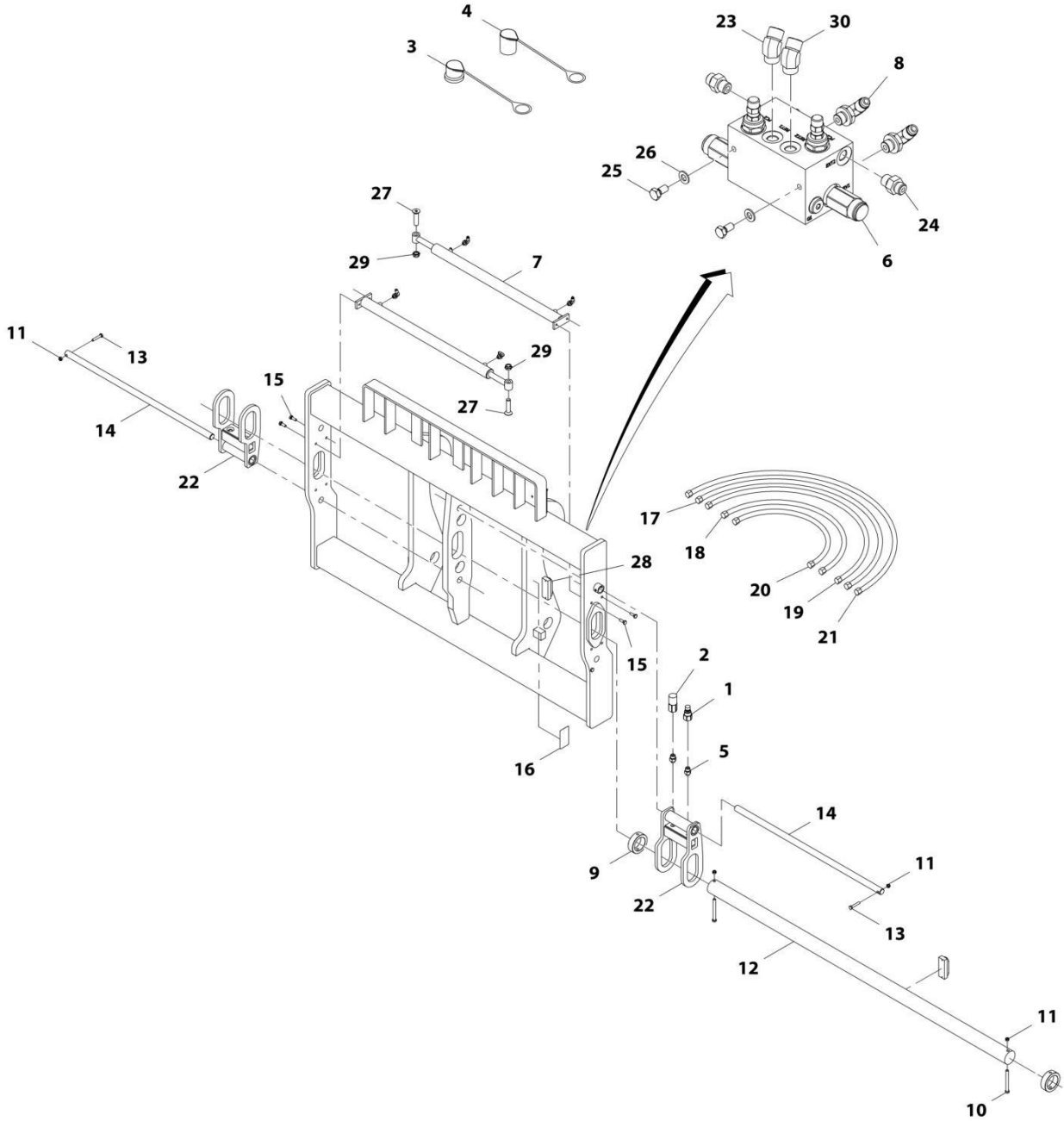
SECTION 3 - ATTACHMENTS

FIGURE 3-22. CARRIAGE ASSEMBLY (87IN/2290MM)

ITEM	PART NUMBER	QTY	DESCRIPTION	REV
	1001192339	1	Carriage Assembly (87in/2290mm)	D
1	0701628	4	Bolt, M16X110	
2	3291605	4	Nut, Lock M16X2 Grade 8	
3	N.S.S.	1	Weldment, Carriage	
4	1001218754	2	Pin	
5	1001218755	4	Collar, Shaft	
6	N.S.S.	1	Plate, Serial Number	
7	1001227670	1	Tag, RFID	
8	0760405	2	Bolt, M4X10	
9	4811400	2	Washer, M4	

SECTION 3 - ATTACHMENTS

FIGURE 3-23. CARRIAGE ASSEMBLY - DUAL FORK POSITIONING CARRIAGE (72IN/1829MM)



ART_1001192342-E

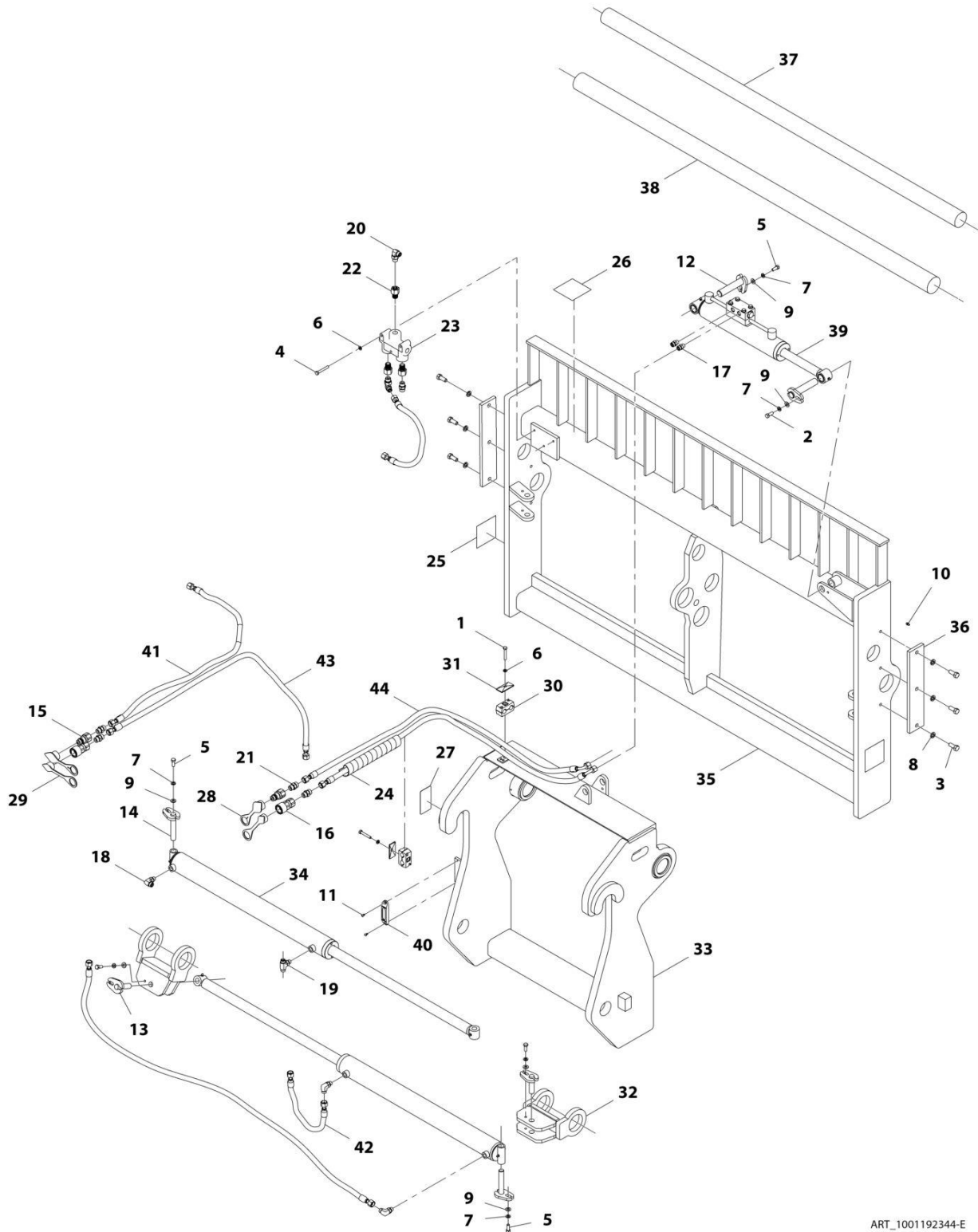
SECTION 3 - ATTACHMENTS

FIGURE 3-23. CARRIAGE ASSEMBLY - DUAL FORK POSITIONING CARRIAGE (72IN/1829MM)

ITEM	PART NUMBER	QTY	DESCRIPTION	REV
	1001192342	1	Dual Fork Positioning Carriage (72in/1829mm)	E
1	1001101041	1	Coupler, Male Hydraulic	
2	1001101042	1	Coupler, Female Hydraulic	
3	8420053	1	Cap	
4	8420055	1	Cap	
5	1001008834	2	Fitting, Straight	
6	70027896	1	Valve	
7	70028505	2	Cylinder, Forkpositioner	
8	2150606	4	Fitting, 45 ORFS	
9	70028506	2	Collar	
10	70027889	2	Bolt, M10x120	
11	70027890	4	Nut M10	
12	70028507	1	Shaft, Floating	
13	70027881	2	Bolt, M10x55	
14	70028508	2	Shaft, Forkpositioner	
15	70027880	4	Bolt, M10x30	
16	N.S.S.	1	S/N Plate	
17	70028509	1	Hose	
18	70028510	1	Hose	
19	70028511	1	Hose	
20	70028512	1	Hose	
21	70027899	2	Hose	
22	70028513	2	Cage, Fork	
23	2150606	1	Fitting, 45 ORFS	
24	2110606	2	Fitting, Straight ORFS	
25	70027882	2	Bolt, M8X16	
26	70027879	2	Washer	
27	70027888	3	Screw, Countersunk M20x80	
28	1001227670	1	Tag, RFID	
29	70027887	2	Nut, M20	
30	2170206	1	Fitting, 90 ORFS	

SECTION 3 - ATTACHMENTS

FIGURE 3-24. CARRIAGE ASSEMBLY - DUAL FORK POSITIONING SIDE SHIFT CARRIAGE (75IN/1899MM)



ART_1001192344-E

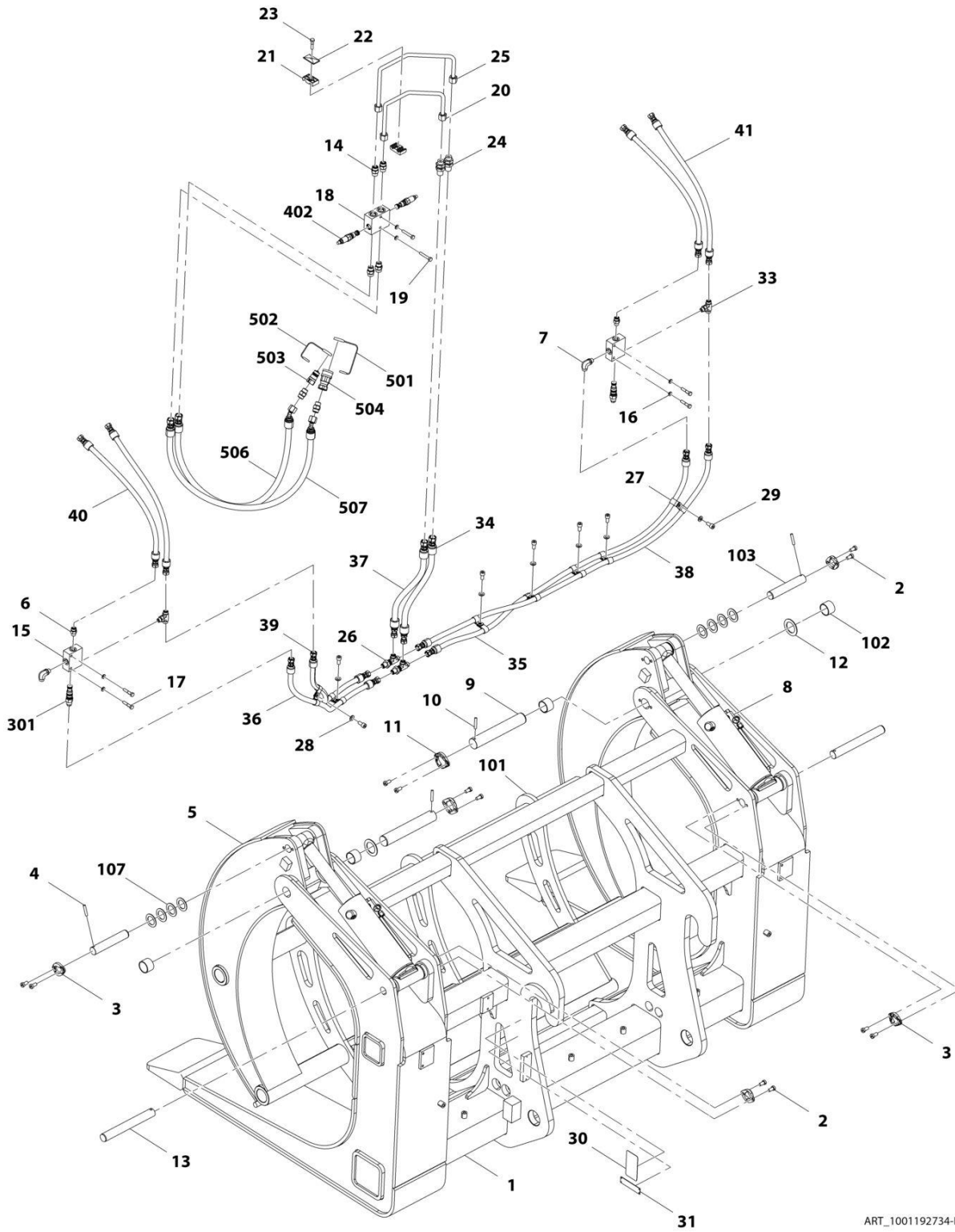
SECTION 3 - ATTACHMENTS

**FIGURE 3-24. CARRIAGE ASSEMBLY - DUAL FORK POSITIONING SIDE SHIFT CARRIAGE
(75IN/1899MM)**

ITEM	PART NUMBER	QTY	DESCRIPTION	REV
	1001192344	1	Dual Fork Positioning Side Shift Carriage (75in/1899mm)	F
1	70028485	2	Bolt	
2	70021349	1	Bolt, 3/8X1	
3	70027989	6	Bolt	
4	70028591	3	Bolt	
5	7029704	5	Bolt, 3/8-24X1	
6	90554067	5	Washer, Lock 5/16	
7	90554042	6	Washer, Lock 3/8	
8	90554020	6	Washer, Lock 1/2	
9	7029703	6	Washer, Flat	
10	90554045	1	Zerk, Grease	
11	70028554	2	Screw	
12	7029702	2	Pin	
13	70028592	2	Pin	
14	70028593	2	Pin	
15	1001101041	2	Adapter, Male Quick Disconnect	
16	1001101042	2	Adapter, Female Quick Disconnect	
17	70028486	2	Fitting	
18	70028525	3	Elbow, 90	
19	70028594	1	Fitting	
20	70028526	2	Elbow, 90	
21	70028488	5	Fitting	
22	70028595	3	Fitting	
23	70028596	1	Valve	
24	70028597	1	Protector, Hose	
25	90554017	2	Decal, Danger Pinch Point	
26	7029711	1	Decal, High Pressure	
27	N.S.S.	1	S/N Plate	
28	8420053	2	Plug, Dust	
29	8420055	2	Plug, Dust	
30	70028495	2	Clamp	
31	70028496	2	Plate, Clamp	
32	70028598	2	Clevis	
33	N.S.S.	1	Weldment	
34	70028599	2	Assembly, Fork Positioning Cylinder (See Separate Breakdown in HYDRAULIC COMPONENTS Section)	
35	N.S.S.	1	Weldment	
36	70028600	2	Pin	
37	70028601	1	Pin	
38	70028602	1	Pin	
39	70028603	1	Assembly, Side Shift Cylinder (See Separate Breakdown in HYDRAULIC COMPONENTS Section)	
40	1001227670	1	Tag, RFID	
41	70028604	2	Hose	
42	70028605	2	Hose	
43	70028606	1	Hose	
44	70028607	2	Hose	

SECTION 3 - ATTACHMENTS

FIGURE 3-25. CARRIAGE ASSEMBLY - LOG HANDLER CARRIAGE



ART_1001192734-D

SECTION 3 - ATTACHMENTS

FIGURE 3-25. CARRIAGE ASSEMBLY - LOG HANDLER CARRIAGE

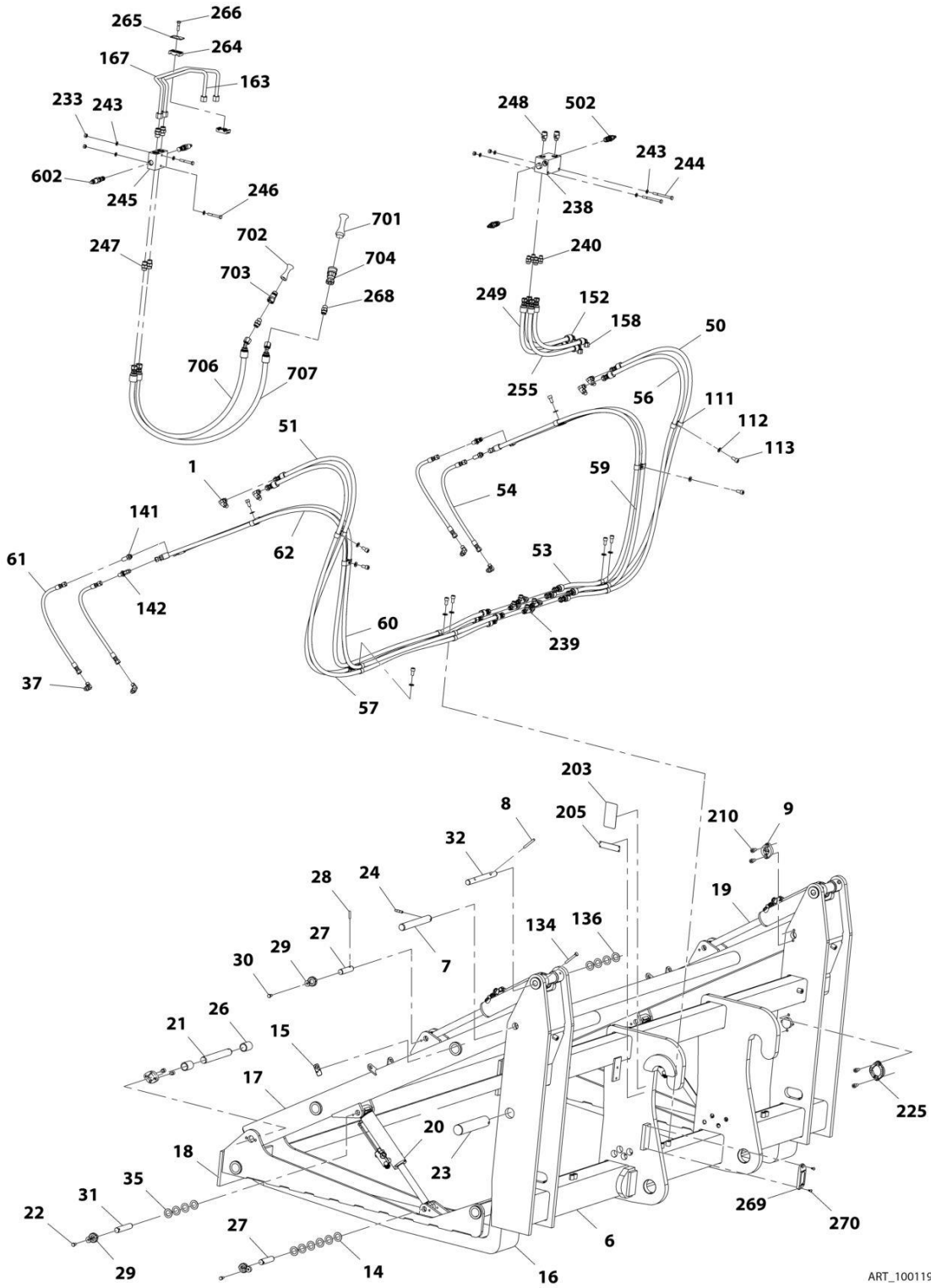
ITEM	PART NUMBER	QTY	DESCRIPTION	REV
	1001192734	Ref	Log Handler Carriage	E
1	N.S.S.	1	Frame	
2	70028701	8	Capscrew, M10X20	
3	70028702	2	Retainer	
4	70028703	4	Pin	
5	N.S.S.	1	Grapple	
6	70024130	2	Fitting, Straight	
7	70024123	2	Fitting, 90	
8	70028704	2	Assembly, Log Handler Carriage Cylinder (See Separate Breakdown in HYDRAULIC COMPONENTS Section)	
9	70028705	2	Pin	
10	70028706	2	Pin	
11	70028707	2	Retainer	
12	70028708	2	Shim	
13	70028709	2	Pin	
14	70022938	4	Fitting, Straight	
15	N.S.S.	2	Valve	
16	70024721	6	Washer, M8	
17	70028710	4	Capscrew	
18	N.S.S.	1	Valve, Relief	
19	70028711	2	Capscrew	
20	70028712	1	Pipe	
21	70028687	1	Clamp	
22	70028688	1	Plate, Cover	
23	70028689	1	Bolt, M8X35	
24	70028713	2	Fitting, Straight	
25	70028714	1	Pipe	
26	70028267	2	Fitting, Tee	
27	70026481	14	Clamp, Hose	
28	70026482	7	Washer, M10	
29	70028672	7	Bolt, M10X20	
30	N.S.S.	1	Plate, Serial Number	
31	N.S.S.	1	Plate, Name	
33	70028715	2	Fitting, Tee	
34	70028716	1	Hose	
35	70028717	1	Hose	
36	70028718	1	Hose	
37	70028719	1	Hose	
38	70028720	1	Hose	
39	70028721	1	Hose	
40	70028722	2	Hose	
41	70028723	2	Hose	
101	70028724	1	Arm	
102	70028725	4	Bearing	
103	70028726	2	Pin	
107	70028727	8	Shim	
301	70026504	2	Valve, Counterbalance	
402	70024772	2	Valve, Relief	
501	8420055	1	Plug, Dust	
502	8420053	1	Plug, Cap	

SECTION 3 - ATTACHMENTS

ITEM	PART NUMBER	QTY	DESCRIPTION	REV
503	1001101041	1	Adapter, Male Quick Disconnect	
504	1001101042	1	Adapter, Female Quick Disconnect	
506	70028734	1	Hose	
507	70028697	1	Hose	

SECTION 3 - ATTACHMENTS

FIGURE 3-26. CARRIAGE ASSEMBLY - PIPE HANDLER CARRIAGE



ART_1001192722-E

SECTION 3 - ATTACHMENTS

FIGURE 3-26. CARRIAGE ASSEMBLY - PIPE HANDLER CARRIAGE

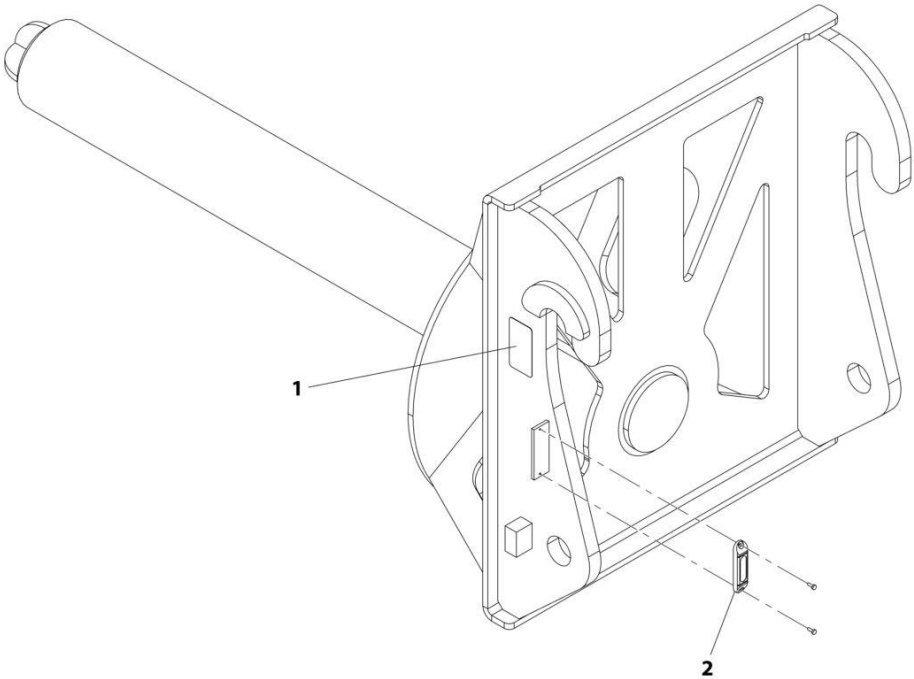
ITEM	PART NUMBER	QTY	DESCRIPTION	REV
	1001192722	Ref	Pipe Handler Carriage	F
1	70024123	4	Adapter, 90 (includes o-ring)	
6	N.S.S.	1	Carriage	
7	70028648	2	Pin	
8	70026471	4	Pin	
9	70026472	4	Retainer	
14	70026476	12	Shim	
15	70024538	2	Decal, Pinch Point	
16	70028649	2	Fork	
17	70028650	1	Arm	
18	70028651	1	Pad, Contact	
19	70028652	1	Assembly, Upper Cylinder (See Separate Breakdown in HYDRAULIC COMPONENTS Section)	
20	70028653	1	Assembly, Lower Cylinder (See Separate Breakdown in HYDRAULIC COMPONENTS Section)	
21	70028654	2	Pin	
22	70026473	4	Capscrew, M10X12	
23	70028655	2	Pin	
24	70028405	2	Pin	
26	70026501	8	Bushing	
27	70028656	4	Pin	
28	70028253	6	Pin	
29	70028262	6	Retainer	
30	70028657	6	Bolt, M8X16	
31	70028658	2	Pin	
32	70028659	2	Pin	
35	70028660	8	Shim	
37	70028661	4	Fittin, 90	
50	70028662	1	Hose	
51	70028663	1	Hose	
53	70028664	1	Hose	
54	70028665	2	Hose	
56	70028666	1	Hose	
57	70028667	1	Hose	
59	70028668	1	Hose	
60	70028669	1	Hose	
61	70028670	2	Hose	
62	70028671	1	Hose	
111	70026481	24	Clamp, Hose	
112	70026482	12	Washer	
113	70028672	12	Bolt, M10X20	
134	70028406	2	Capscrew	
136	70028767	4	Shim	
141	70028768	2	Fitting, Straight	
142	70028673	2	Fitting, 45	
152	70028674	1	Hose	
158	70028675	1	Hose	
163	70028676	1	Pipe	
167	70028677	1	Pipe	
203	N.S.S.	1	Plate, Serial Number	

SECTION 3 - ATTACHMENTS

ITEM	PART NUMBER	QTY	DESCRIPTION	REV
205	N.S.S.	1	Plate, Name	
210	70028678	8	Bolt	
225	70028679	2	Retainer	
233	70028680	6	Nut, M8	
238	N.S.S.	1	Valve	
239	70028267	4	Fitting, Straight	
240	70024130	4	Fitting, Straight	
243	70024721	8	Washer, M8	
244	70028681	2	Bolt, M8X90	
245	N.S.S.	1	Valve, Relief	
246	70028682	2	Bolt, M8X60	
247	70028683	2	Fitting, Straight	
248	70028684	2	Fitting, Straight	
249	70028685	1	Hose	
255	70028686	1	Hose	
264	70028687	1	Clamp	
265	70028688	1	Cover	
266	70028689	1	Bolt, M8X35	
268	70022938	4	Fitting, Straight	
269	1001227670	1	Tag, RFID	
270	70028690	2	Bolt, M4X16	
501	N.S.S.	1	Valve, Relief	
502	70024772	2	Valve, Cartridge	
601	N.S.S.	1	Valve, Sequence	
602	70028695	2	Valve, Cartridge	
701	8420055	1	Plug, Dust	
702	8420053	1	Plug, Cap	
703	1001101041	1	Adapter, Male Quick Disconnect	
704	1001101042	1	Adapter, Female Quick Disconnect	
706	70028696	1	Hose	
707	70028697	1	Hose	

SECTION 3 - ATTACHMENTS

FIGURE 3-27. CARRIAGE ASSEMBLY - STEEL COIL HANDLER CARRIAGE



ART_1001192735-F

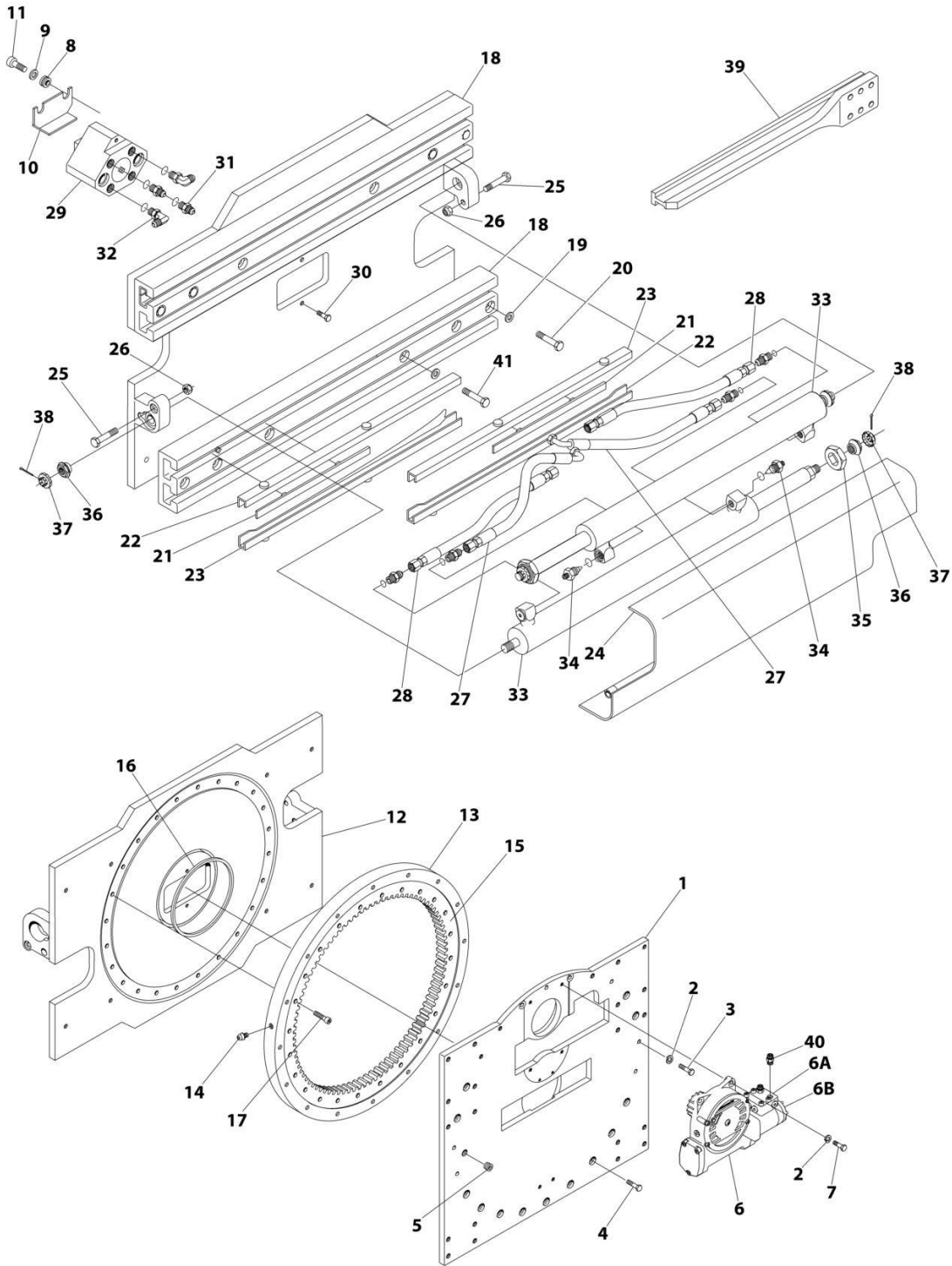
SECTION 3 - ATTACHMENTS

FIGURE 3-27. CARRIAGE ASSEMBLY - STEEL COIL HANDLER CARRIAGE

ITEM	PART NUMBER	QTY	DESCRIPTION	REV
	1001192735	1	Steel Coil Handler Carriage	G
1	N.S.S.	1	Plate, Serial Number	
2	1001227670	1	Tag, RFID	

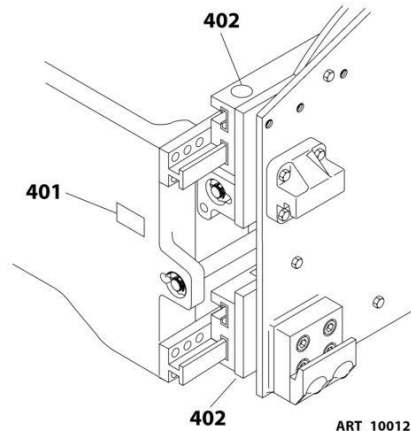
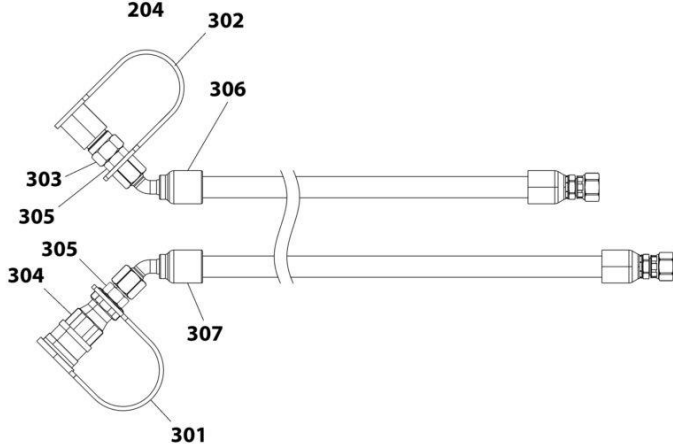
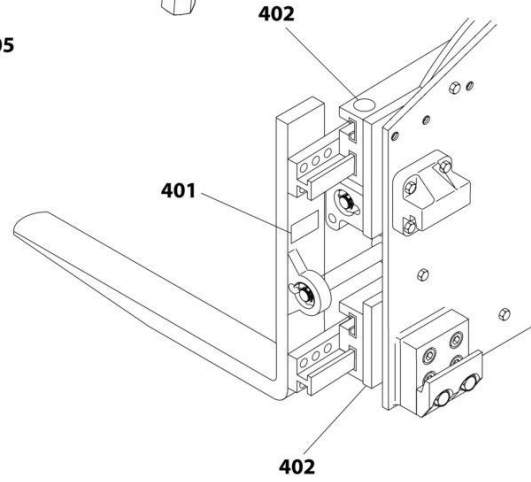
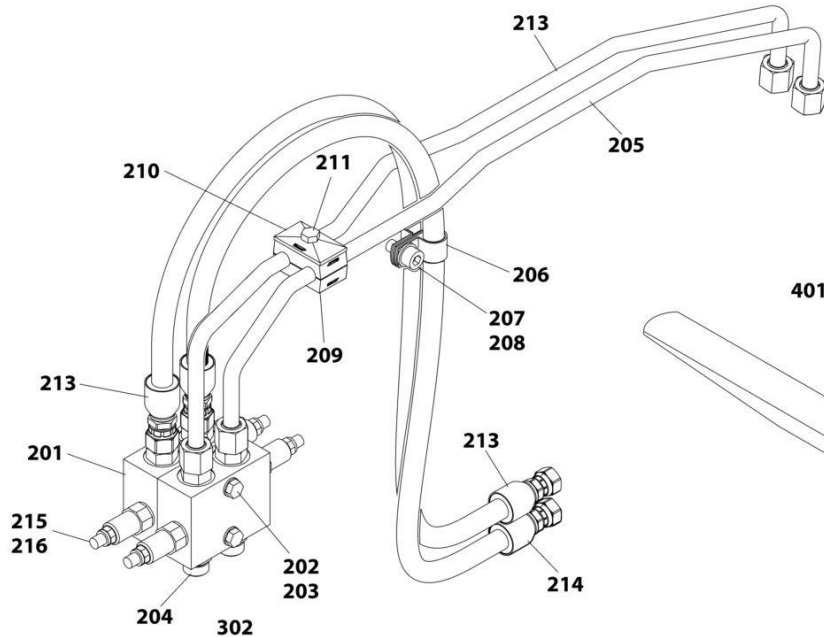
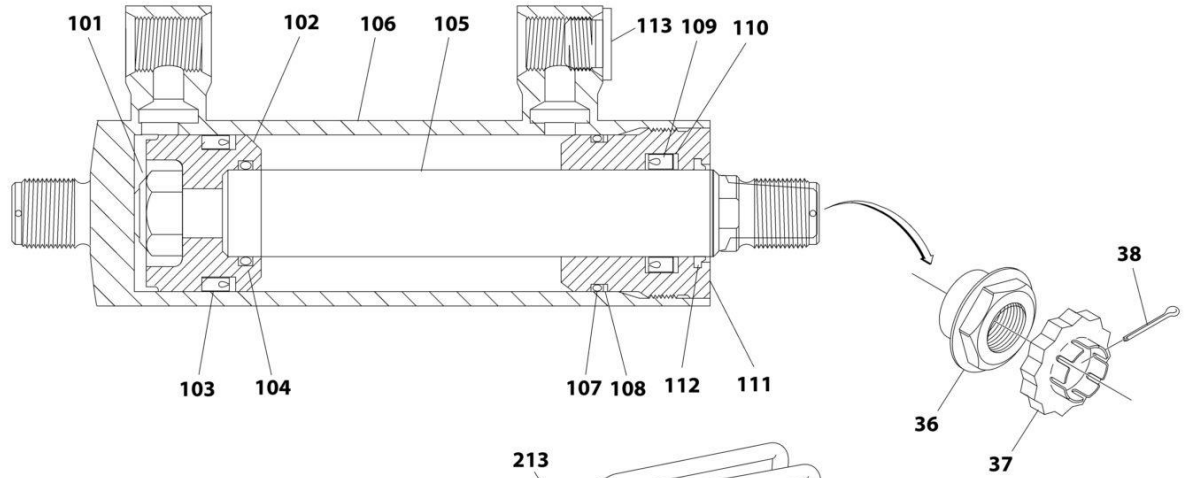
SECTION 3 - ATTACHMENTS

FIGURE 3-28. CARRIAGE ASSEMBLY - TIRE HANDLER



ART_1001258523_10F2

SECTION 3 - ATTACHMENTS



ART_1001258523_20F2

SECTION 3 - ATTACHMENTS

FIGURE 3-28. CARRIAGE ASSEMBLY - TIRE HANDLER

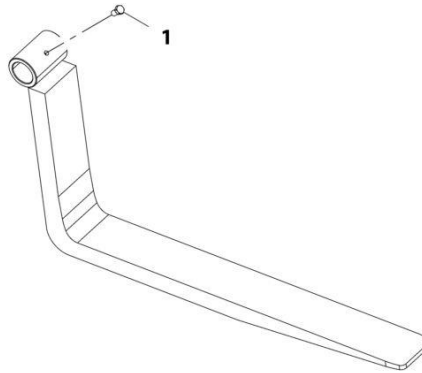
ITEM	PART NUMBER	QTY	DESCRIPTION	REV
	1001258523	Ref	TIRE HANDLER ASSEMBLY	C
		Ref	Base Unit Assembly	
1		Ref	Baseplate	
2		Ref	Lockwasher 1/2	
3		Ref	Capscrew 1/2 NC x 1-3/4 G8	
4		Ref	Capscrew 1/2 NC x 1-1/2 G8	
5		Ref	Pipe Plug	
6		Ref	Drive Assembly	
6A	70024731	1	Check Valve Assembly	
6A	70030105	2	Cartridge, Check Valve	
6A	70024734	2	Seal Kit - Check Valve	
6B	70028786	1	Drive Motor Assembly	
6B	70028114	1	Service Kit - Drive Motor	
7		Ref	Capscrew 1/2 NC x 1-1/4 G5	
8		Ref	Grommet	
9		Ref	Washer M10	
10		Ref	Bracket	
11		Ref	Shoulder Bolt	
12		Ref	Faceplate	
13		Ref	Bearing Assembly	
14		Ref	Grease Fitting	
15		Ref	Bearing Seal	
16		Ref	Felt Seal	
17		Ref	Capscrew 1/2 NC x 1-1/2 G8	
18		Ref	Frame	
19		Ref	Washer	
20		Ref	Capscrew M20 x 100	
21		Ref	Bearing	
22		Ref	Bearing	
23		Ref	Bearing	
24		Ref	Bumper	
25		Ref	Capscrew M12 x 80	
26		Ref	Nut M12	
27		Ref	Hose, 305 mm	
28		Ref	Hose, 525 mm	
29		Ref	Revolving Connection	
30		Ref	Capscrew M8 x 30	
31		Ref	Fitting, 8-6	
32		Ref	Fitting, 8-6	
33	70030106	2	Cylinder Assembly (See Items 101-117 for Breakdown)	
34	70028787	2	Restrictor Cartridge	
35		Ref	Washer	
36	See Note	4	Cylinder Nut (Note: Use P/N 70028793)	
37	See Note	4	Retainer (Note: Use P/N 70028793)	
38	See Note	4	Cotter Pin (Note: Use P/N 70028793)	
39		Ref	Arm Bar	
40	70022938	2	Fitting	
41		Ref	Capscrew M20 x 95	
	70030106	Ref	Cylinder Assembly	
101	70026503	1	Nut	

SECTION 3 - ATTACHMENTS

ITEM	PART NUMBER	QTY	DESCRIPTION	REV
102	70028789	1	Piston	
103	See Note	NSS	Seal (Note: Use Item 117)	
104	See Note	NSS	O-Ring (Note: Use Item 117)	
105	70030107	1	Rod	
106	See Note	NSS	Barrel (Note: Use P/N 70030106)	
107	See Note	NSS	O-Ring (Note: Use Item 117)	
108	See Note	NSS	Back-Up Ring (Note: Use Item 117)	
109	See Note	NSS	Seal (Note: Use Item 117)	
110	See Note	NSS	Nylon Ring (Note: Use Item 117)	
111	70028791	1	Retainer	
112	See Note	NSS	Wiper (Note: Use Item 117)	
113	70028119	1	Plug	
117	70028792	1	Seal Kit (Includes 103,104,107-110 & 112)	
		Ref	Hydraulics Group	
201	70028794	2	Valve, Pressure Control	
202	70024721	2	Washer	
203	70028681	2	Bolt	
204	70022938	8	Fitting	
205	70028795	1	Tube	
206	70026481	2	Hose Clamp	
207	70026482	1	Washer	
208	70028672	1	Bolt	
209	70028687	1	Clamp Body	
210	70028688	1	Cover	
211	70028689	1	Bolt	
212	70028796	1	Tube	
213		Ref	Hose	
214		Ref	Hose	
215	70024772	4	Cartridge, Pressure Control	
216	70028115	4	Seal Kit, Cartridge	
		Ref	Hydraulic Supply Group	
301	8420055	2	Plug, Dust	
302	8420053	2	Cap, Dust	
303	1001101041	2	Quick Disconnect (Male)	
304	1001101042	2	Quick Disconnect (Female)	
305		Ref	Fitting	
306		Ref	Hose	
307		Ref	Hose	
		Ref	Decal Group	
401	70024538	2	Decal - Pinch Point	
402	70024787	2	Decal - No Step	
403	70028785	1	Decal - Quick Change Hook (Not Shown)	

SECTION 3 - ATTACHMENTS

FIGURE 3-29. FORK - PALLET (2.25X6X48)



ART_1001196952-B

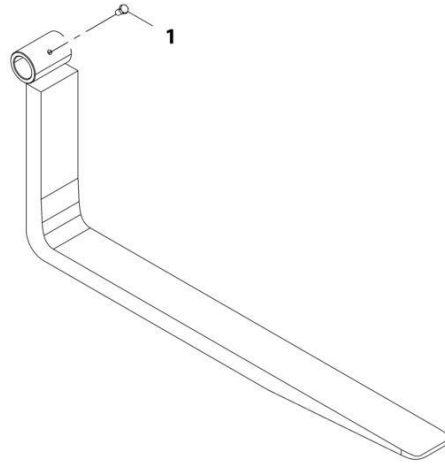
SECTION 3 - ATTACHMENTS

FIGURE 3-29. FORK - PALLET (2.25X6X48)

ITEM	PART NUMBER	QTY	DESCRIPTION	REV
1	1001196952	1	Pallet Fork (2.25X6X48)	B
	70027180	1	Screw, M16X30	
	Note	Ref	<p>FORKS RATED LESS THAN THE ATTACHMENT OR MACHINE'S CAPACITY DECREASES CAPACITY OF THE ATTACHMENT OR MACHINE TO THAT OF THE FORKS. FORKS RATED MORE THAN THE ATTACHMENT OR MACHINE'S CAPACITY DO NOT INCREASE ATTACHMENT OR MACHINE'S CAPACITY.</p>	
	Note	Ref	<p>PLEASE CONSULT JLG PARTS DEPARTMENT TO DETERMINE THE CORRECT FORKS APPLICABLE TO YOUR SPECIFIC CARRIAGE ASSEMBLY AND APPLICATION.</p>	

SECTION 3 - ATTACHMENTS

FIGURE 3-30. FORK - PALLET (2.25X6X60)



ART_1001196951-B

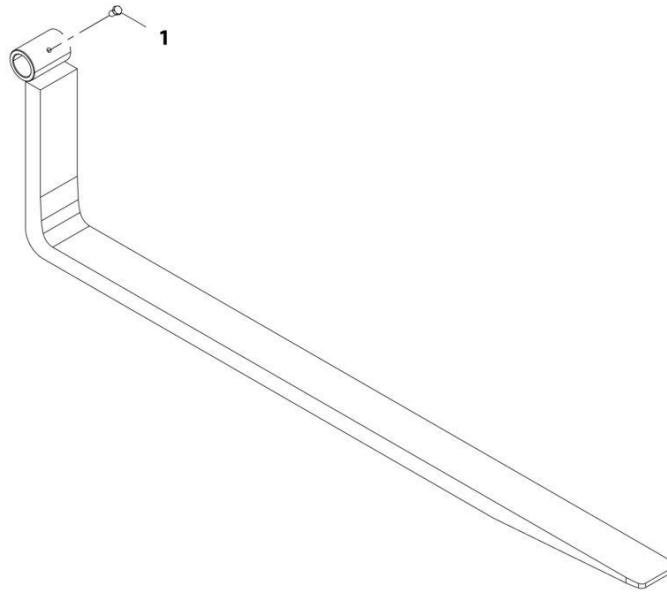
SECTION 3 - ATTACHMENTS

FIGURE 3-30. FORK - PALLET (2.25X6X60)

ITEM	PART NUMBER	QTY	DESCRIPTION	REV
1	1001196951	1	Pallet Fork (2.25X6X60)	B
	70027180	1	Screw, M16X30	
	Note	Ref	<p>FORKS RATED LESS THAN THE ATTACHMENT OR MACHINE'S CAPACITY DECREASES CAPACITY OF THE ATTACHMENT OR MACHINE TO THAT OF THE FORKS. FORKS RATED MORE THAN THE ATTACHMENT OR MACHINE'S CAPACITY DO NOT INCREASE ATTACHMENT OR MACHINE'S CAPACITY.</p>	
	Note	Ref	<p>PLEASE CONSULT JLG PARTS DEPARTMENT TO DETERMINE THE CORRECT FORKS APPLICABLE TO YOUR SPECIFIC CARRIAGE ASSEMBLY AND APPLICATION.</p>	

SECTION 3 - ATTACHMENTS

FIGURE 3-31. FORK - PALLET (2.25X6X72)



ART_1001196950-B

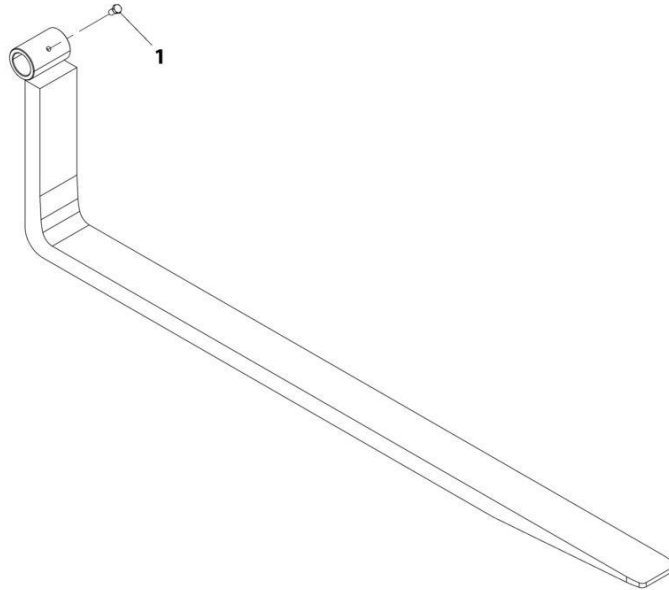
SECTION 3 - ATTACHMENTS

FIGURE 3-31. FORK - PALLET (2.25X6X72)

ITEM	PART NUMBER	QTY	DESCRIPTION	REV
1	1001196950	1	Pallet Fork (2.25X6X72)	B
	70027180	1 2	Screw, M16X30	
	Note	Ref	<p>FORKS RATED LESS THAN THE ATTACHMENT OR MACHINE'S CAPACITY DECREASES CAPACITY OF THE ATTACHMENT OR MACHINE TO THAT OF THE FORKS. FORKS RATED MORE THAN THE ATTACHMENT OR MACHINE'S CAPACITY DO NOT INCREASE ATTACHMENT OR MACHINE'S CAPACITY.</p>	
	Note	Ref	<p>PLEASE CONSULT JLG PARTS DEPARTMENT TO DETERMINE THE CORRECT FORKS APPLICABLE TO YOUR SPECIFIC CARRIAGE ASSEMBLY AND APPLICATION.</p>	

SECTION 3 - ATTACHMENTS

FIGURE 3-32. FORK - PALLET (2.25X6X96)



ART_1001196949-B

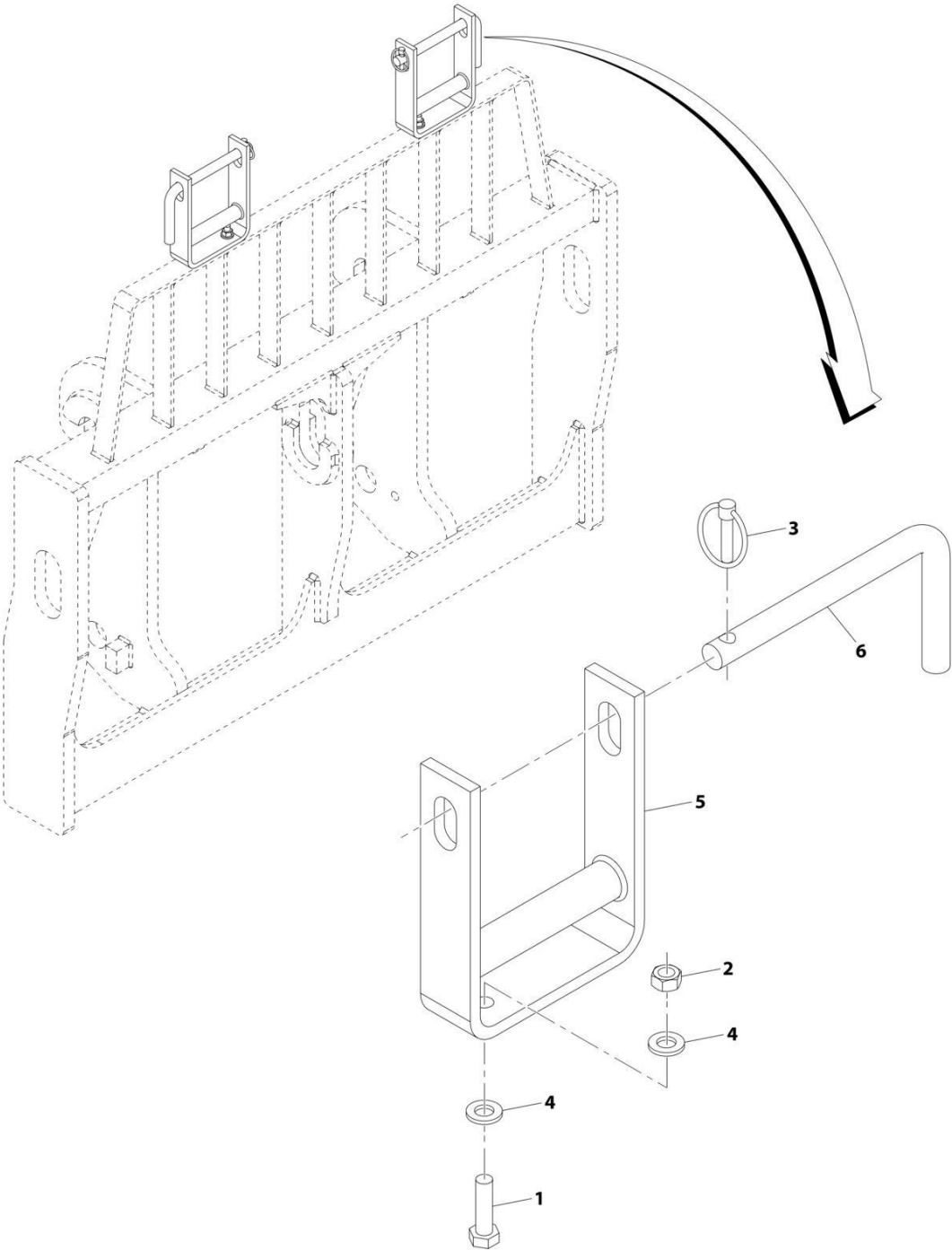
SECTION 3 - ATTACHMENTS

FIGURE 3-32. FORK - PALLET (2.25X6X96)

ITEM	PART NUMBER	QTY	DESCRIPTION	REV
1	1001196949	1	Pallet Fork (2.25X6X96)	B
	70027180	1 2	Screw, M16X30	
	Note	Ref	<p>FORKS RATED LESS THAN THE ATTACHMENT OR MACHINE'S CAPACITY DECREASES CAPACITY OF THE ATTACHMENT OR MACHINE TO THAT OF THE FORKS. FORKS RATED MORE THAN THE ATTACHMENT OR MACHINE'S CAPACITY DO NOT INCREASE ATTACHMENT OR MACHINE'S CAPACITY.</p>	
	Note	Ref	<p>PLEASE CONSULT JLG PARTS DEPARTMENT TO DETERMINE THE CORRECT FORKS APPLICABLE TO YOUR SPECIFIC CARRIAGE ASSEMBLY AND APPLICATION.</p>	

SECTION 3 - ATTACHMENTS

FIGURE 3-33. FORK RETENTION INSTALLATION



ART_1001196778-C

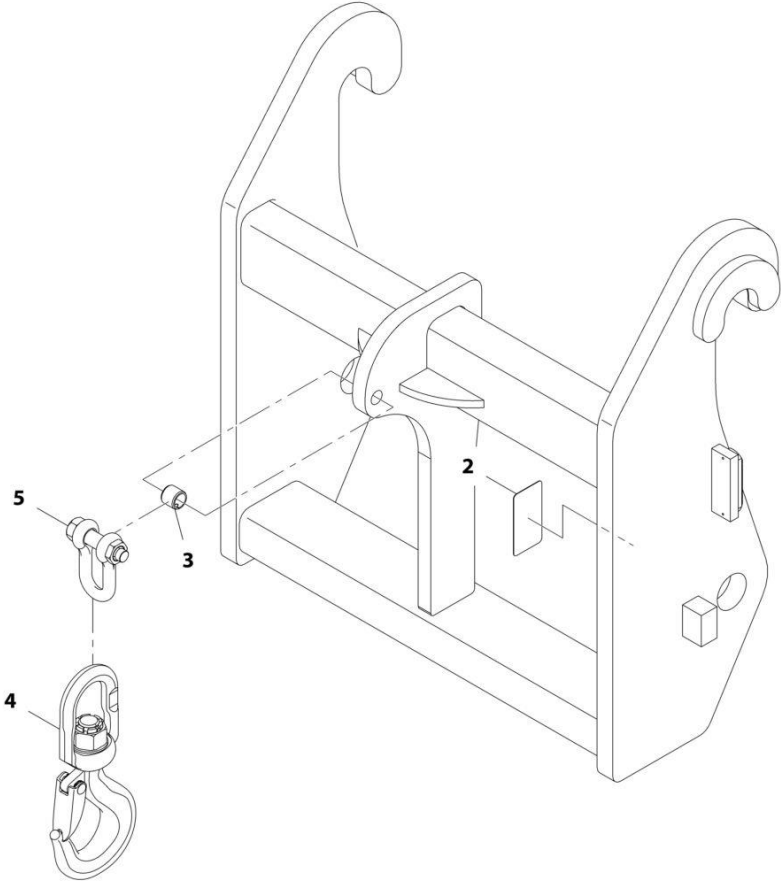
SECTION 3 - ATTACHMENTS

FIGURE 3-33. FORK RETENTION INSTALLATION

ITEM	PART NUMBER	QTY	DESCRIPTION	REV
	1001196778	Ref	Fork Retention Installation	C
1	0761217	1	Bolt, M12X45	
2	3291201	1	Nut, M12X1.75	
3	1001109387	1	Pin, Linch	
4	5241200	2	Washer, M12	
5	1001196779	1	Bracket, Fork Retention	
6	1001196782	1	Pin, Fork Retention	

SECTION 3 - ATTACHMENTS

FIGURE 3-34. HOOK - CRANK (7.6 TON)



ART_1001192700-E

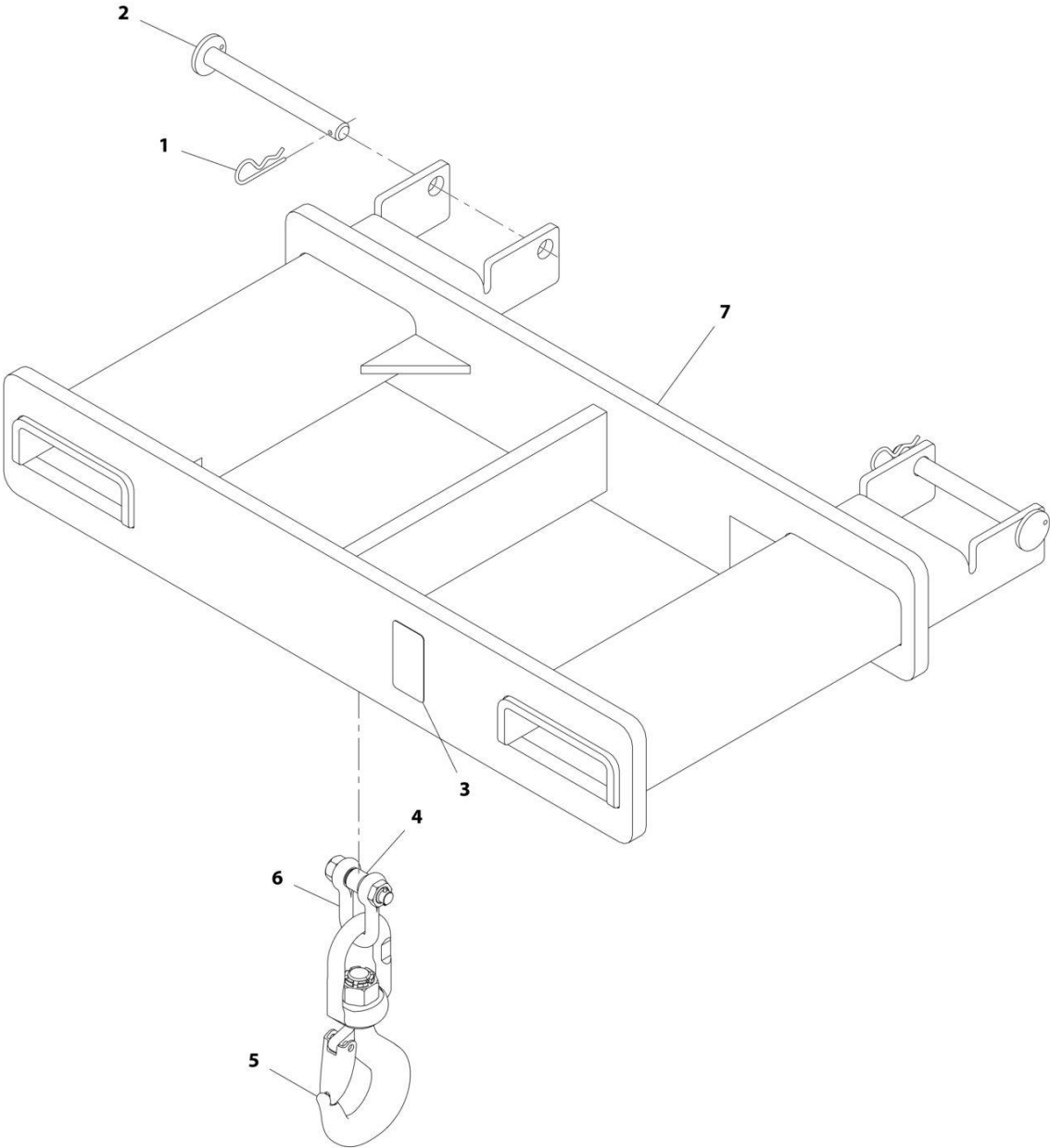
SECTION 3 - ATTACHMENTS

FIGURE 3-34. HOOK - CRANK (7.6 TON)

ITEM	PART NUMBER	QTY	DESCRIPTION	REV
	1001192700	1	Crane Hook (7.6 ton)	F
2	90554016	1	Decal, Made in USA	
3	70020555	1	Bushing	
4	70026745	1	Hook, Swivel	
5	70026746	1	Shackle, Chain	

SECTION 3 - ATTACHMENTS

FIGURE 3-35. HOOK ATTACH - FORK MOUNTED



ART_1001193803-C

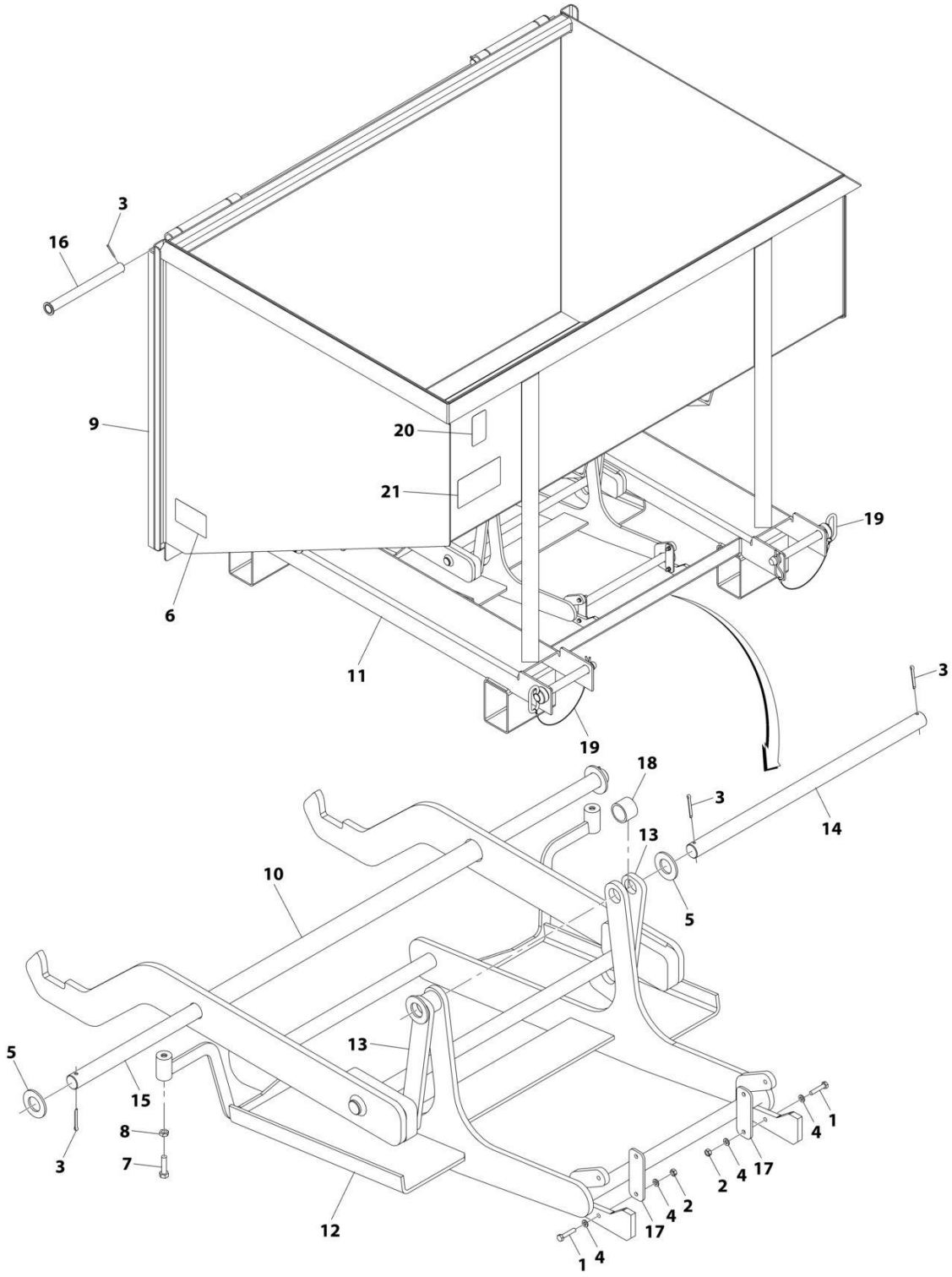
SECTION 3 - ATTACHMENTS

FIGURE 3-35. HOOK ATTACH - FORK MOUNTED

ITEM	PART NUMBER	QTY	DESCRIPTION	REV
	1001193803	Ref	Hook Attach, Fork Mounted	D
1	7029520	2	Pin, Cotter	
2	1001093171	2	Pin	
3	N.S.S.	1	S/N Plate	
4	70020555	1	Bushing	
5	70026745	1	Hook	
6	70026746	1	Shackle, Chain	
7	N.S.S.	1	Weldment, Crane Hook	

SECTION 3 - ATTACHMENTS

FIGURE 3-36. HOPPER - TRASH



ART_1001238566-B

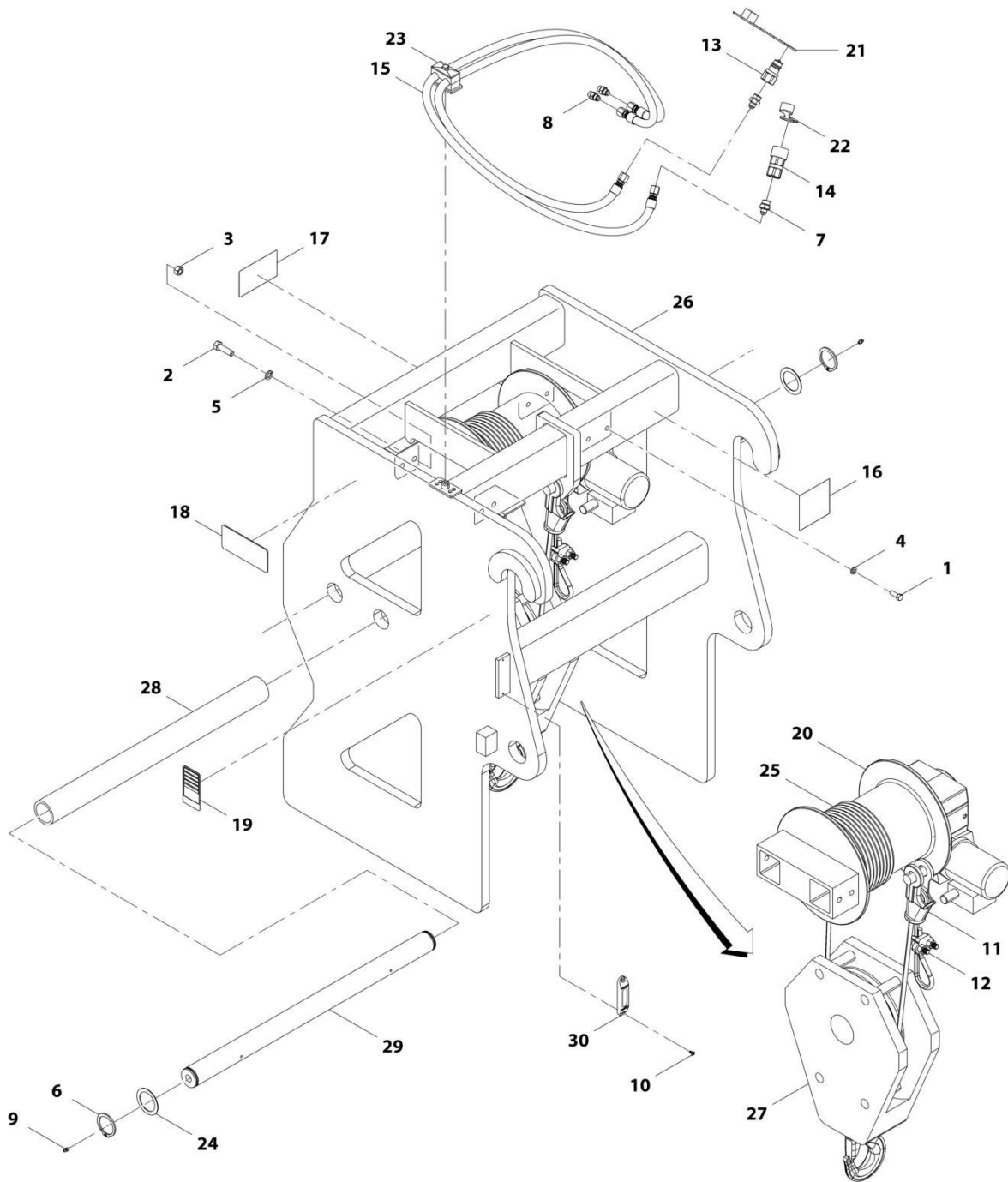
SECTION 3 - ATTACHMENTS

FIGURE 3-36. HOPPER - TRASH

ITEM	PART NUMBER	QTY	DESCRIPTION	REV
	1001238566	Ref	FORK MOUNTED TRASH HOPPER	C
1	0700614	4	Bolt M6 x 30	
2	3290601	4	Nut M6 x 1	
3	3391410	6	Pin	
4	4811700	8	Washer M6	
5	5242400	4	Washer M24	
6	1706302	2	Decal, Pinch Point	
7	0641510	2	Bolt 5/16 x 1-1/4	
8	3311502	2	Nut 5/16	
9	1001192711	1	Door Assembly	
10	1001192720	1	Hook Assembly	
11	See Note	NSS	Hopper, Trash (Note: Purchase Complete Assembly)	
12	1001192875	1	Tray Assembly	
13	1001192876	2	Arm, Swing	
14	1001192877	1	Rod, Swing	
15	1001238570	1	Bar	
16	1001193540	2	Pin	
17	1001193729	2	Plate	
18	1001198355	2	Spacer	
19	1001238560	2	Pin	
20	See Note	NSS	SN Plate (Note: Stamped Part - Not Available for Purchase)	
21	1001203503	1	Decal, Trash Hopper Operation	

SECTION 3 - ATTACHMENTS

FIGURE 3-37. WINCH - COUPLER MOUNTED



ART_1001192702-C

SECTION 3 - ATTACHMENTS

FIGURE 3-37. WINCH - COUPLER MOUNTED

ITEM	PART NUMBER	QTY	DESCRIPTION	REV
	1001192702	Ref	Coupler Mounted Winch	D
1	70021349	4	Bolt, 3/8X1	
2	70024059	4	Bolt, 1/2X1-3/4	
3	90554054	4	Nut, 1/2	
4	90554042	4	Washer, Lock 3/8	
5	90554020	4	Washer, Lock 1/2	
6	70028860	4	Ring, Snap	
7	70021397	2	Fitting, Straight	
8	70021415	2	Fitting, Straight	
9	90554045	4	Grease, Fitting	
10	70028554	2	Screw	
11	70021979	1	Assembly, Socket (includes pin and cotter pin)	
12	70022528	1	Clamp	
13	91403414	1	Adapter, Male Quick Disconnect	
14	91403413	1	Adapter, Female Quick Disconnect	
15	70028861	2	Hose	
16	7029711	1	Decal, High Pressure	
17	70024064	1	Decal, Do Not Tow	
18	4110422	2	Decal, Warning Swinging Loads	
19	N.S.S.	1	Plate, Serial Number	
20	70028862	1	Winch	
21	8420053	1	Cap, Dust	
22	8420055	1	Cap, Dust	
23	70021387	1	Clamp, Hose	
24	70028863	4	Washer	
25	70028864	1	Cable	
26	N.S.S.	1	Weldment, Frame	
27	70028865	1	Hook	
28	70028866	2	Roller Tube, Winch	
29	70028867	2	Roller Bar, Winch	
30	1001227670	1	Tag, RFID	

SECTION 4 - ENGINE AND ATTACHING PARTS

SECTION 4 - ENGINE AND ATTACHING PARTS

SECTION 4 - ENGINE AND ATTACHING PARTS

FIGURE 4-1. ENGINE POD COMPONENT INSTALLATION (ULS)



ART_1001200443-D

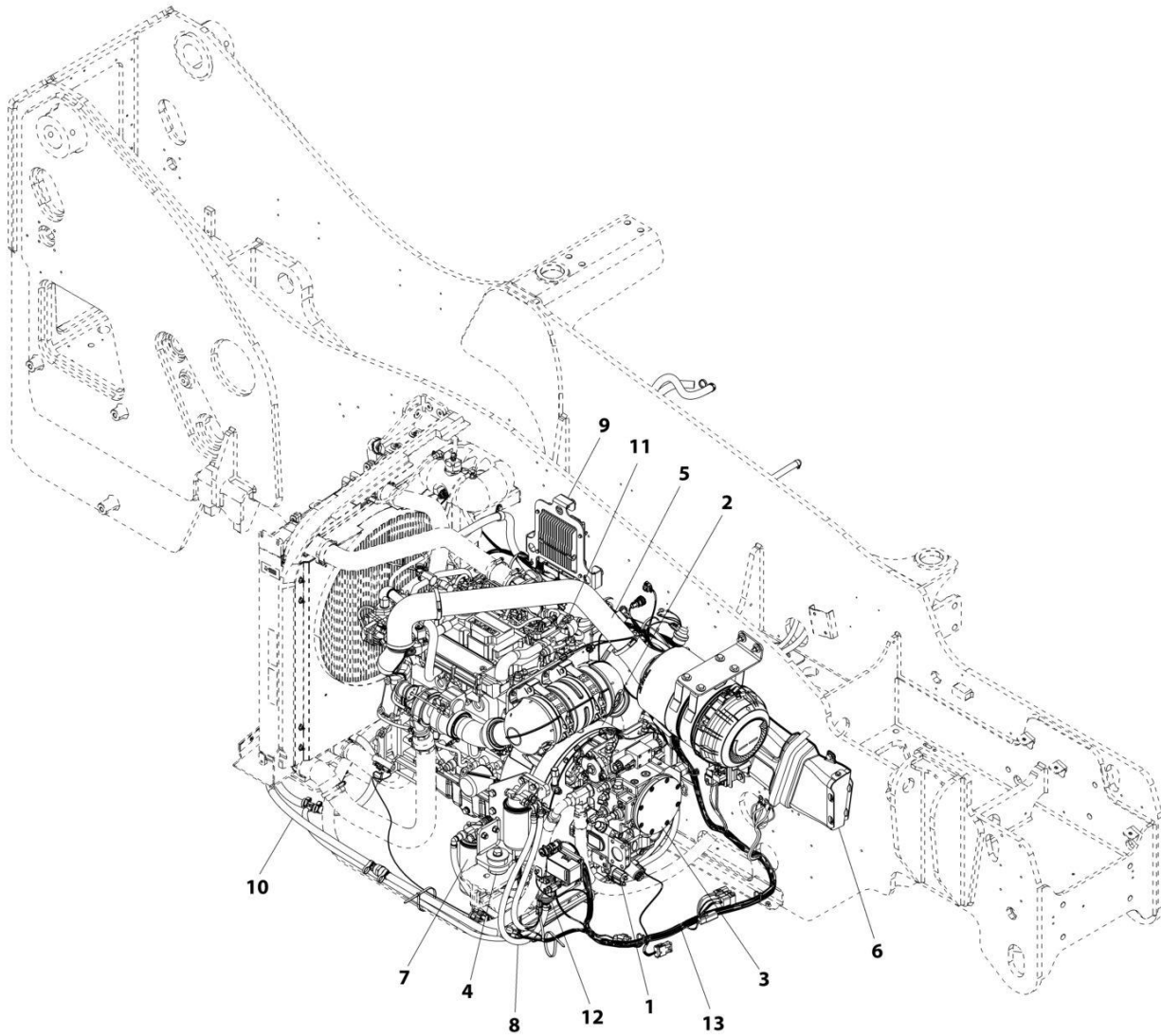
SECTION 4 - ENGINE AND ATTACHING PARTS

FIGURE 4-1. ENGINE POD COMPONENT INSTALLATION (ULS)

ITEM	PART NUMBER	QTY	DESCRIPTION	REV
	1001200443	Ref	Engine Pod Component Installation (ULS)	E
2	1001221041	1	Installation, Remote Fuel Pump (See Separate Breakdown in this Section)	
4	1001193393	1	Installation, Implement Pump (See Separate Breakdown in this Section)	
5	1001193703	1	Installation, Hydrostatic Adaptor (See Separate Breakdown in this Section)	
6	1001193704	1	Installation, Hydrostatic Drive Pump (See Separate Breakdown in this Section)	
7	1001200106	1	Installation, Engine Wiring (See Separate Breakdown in ELECTRICAL Section)	
8	1001200862	1	Installation, Engine Mount (See Separate Breakdown in this Section)	
9	1001200863	1	Installation, Air Intake (See Separate Breakdown in this Section)	
10	1001200864	1	Installation, Air Cleaner (See Separate Breakdown in this Section)	
11	1001200865	1	Installation, Primary Fuel Filter (See Separate Breakdown in this Section)	
12	1001200866	1	Installation, Fuel Lines (See Separate Breakdown in this Section)	
13	1001284538	1	Installation, Engine ECU (See Separate Breakdown in ELECTRICAL Section)	
14	1001293070	1	Installation, DEF Coolant Lines (See Separate Breakdown in this Section)	
15	1001201425	1	Installation, Engine (See Separate Breakdown in this Section)	

SECTION 4 - ENGINE AND ATTACHING PARTS

FIGURE 4-2. ENGINE POD COMPONENT INSTALLATION (MINING) (ULS)



ART_1001228727-A

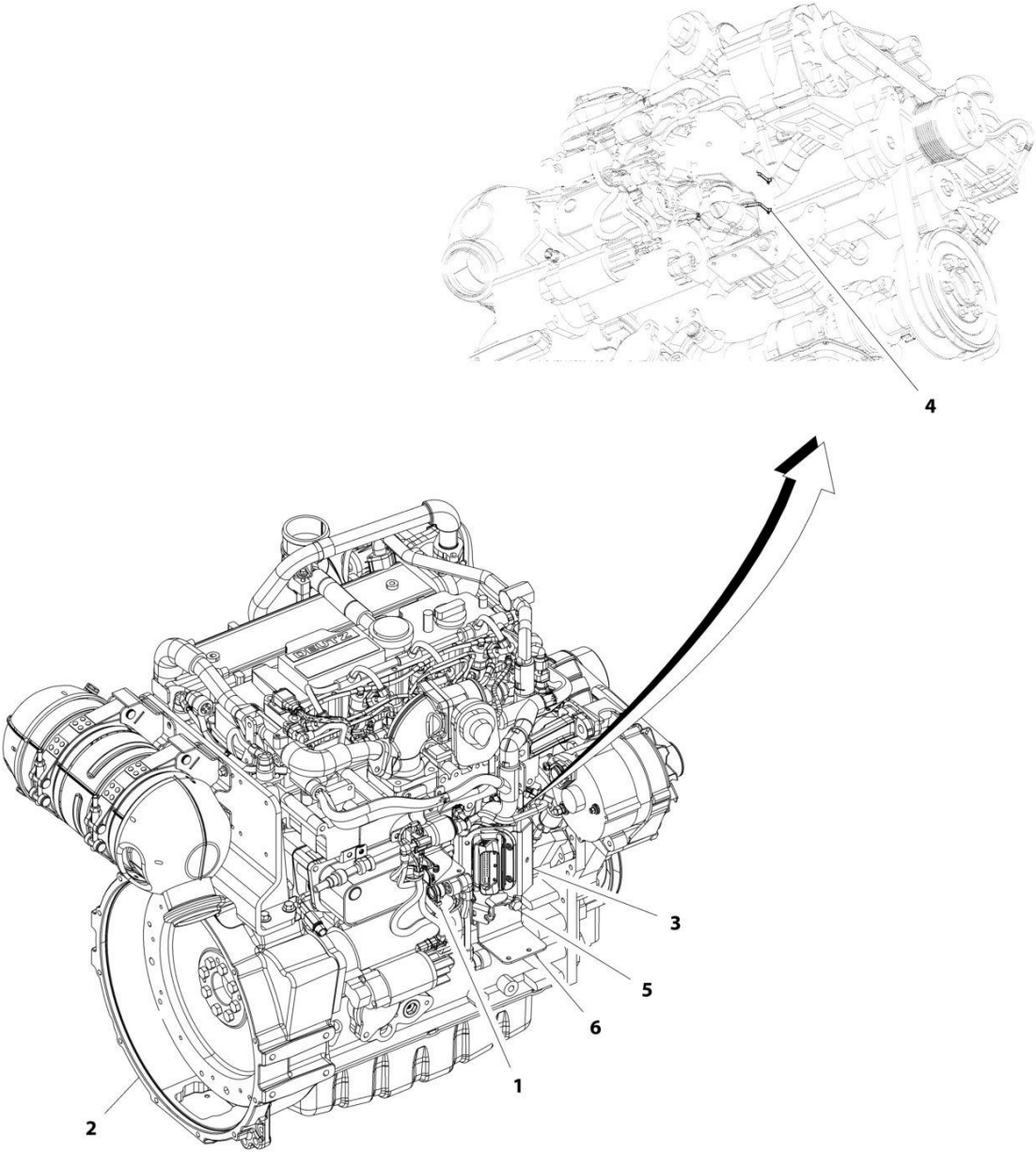
SECTION 4 - ENGINE AND ATTACHING PARTS

FIGURE 4-2. ENGINE POD COMPONENT INSTALLATION (MINING) (ULS)

ITEM	PART NUMBER	QTY	DESCRIPTION	REV
	1001228727	Ref	Engine Pod Component Installation (Mining) (ULS)	B
1	1001193393	1	Installation, Implement Pump (See Separate Breakdown in this Section)	
2	1001193703	1	Installation, Hydrostatic Adaptor (See Separate Breakdown in this Section)	
3	1001193704	1	Installation, Hydrostatic Drive Pump (See Separate Breakdown in this Section)	
4	1001200862	1	Installation, Engine Mount (See Separate Breakdown in this Section)	
5	1001200863	1	Installation, Air Intake (See Separate Breakdown in this Section)	
6	1001200864	1	Installation, Air Cleaner (See Separate Breakdown in this Section)	
7	1001200865	1	Installation, Primary Fuel Filter (See Separate Breakdown in this Section)	
8	1001200866	1	Installation, Fuel Lines (See Separate Breakdown in this Section)	
9	1001284538	1	Installation, Engine ECU (See Separate Breakdown in ELECTRICAL Section)	
10	1001293070	1	Installation, DEF Coolant Lines (See Separate Breakdown in this Section)	
11	1001201425	1	Installation, Engine (See Separate Breakdown in this Section)	
12	1001221041	1	Installation, Remote Fuel Pump (See Separate Breakdown in this Section)	
13	1001228728	1	Installation, Engine Wiring (See Separate Breakdown in ELECTRICAL Section)	

SECTION 4 - ENGINE AND ATTACHING PARTS

FIGURE 4-3. ENGINE INSTALLATION (ULS)



ART_1001201425-D

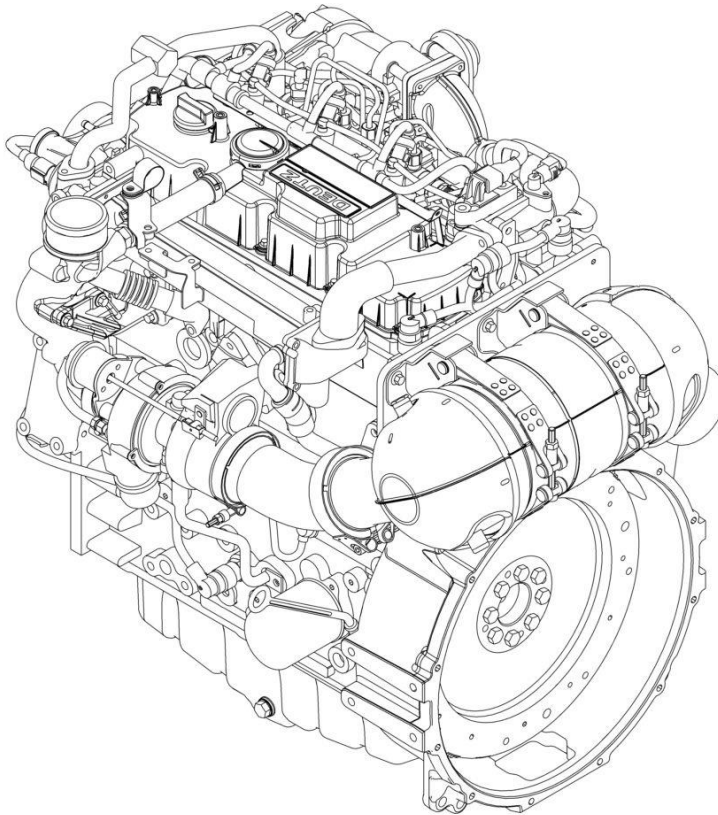
SECTION 4 - ENGINE AND ATTACHING PARTS

FIGURE 4-3. ENGINE INSTALLATION (ULS)

ITEM	PART NUMBER	QTY	DESCRIPTION	REV
	1001201425	Ref	Engine Installation (ULS)	F
1	1001004720	4	Strap, Cable	
2	1001284531	1	Engine (See Separate breakdown in this Section)	
3	1001202901	1	Bracket, ECU Connector	
4	1001008559	2	Strap, Cable	
5	5251012	2	Bolt, M10X25	
6	1001222460	1	Bracket, Fuel Supply	

SECTION 4 - ENGINE AND ATTACHING PARTS

FIGURE 4-4. ENGINE ASSEMBLY (ULS)



ART_1001197414_O

SECTION 4 - ENGINE AND ATTACHING PARTS

FIGURE 4-4. ENGINE ASSEMBLY (ULS)

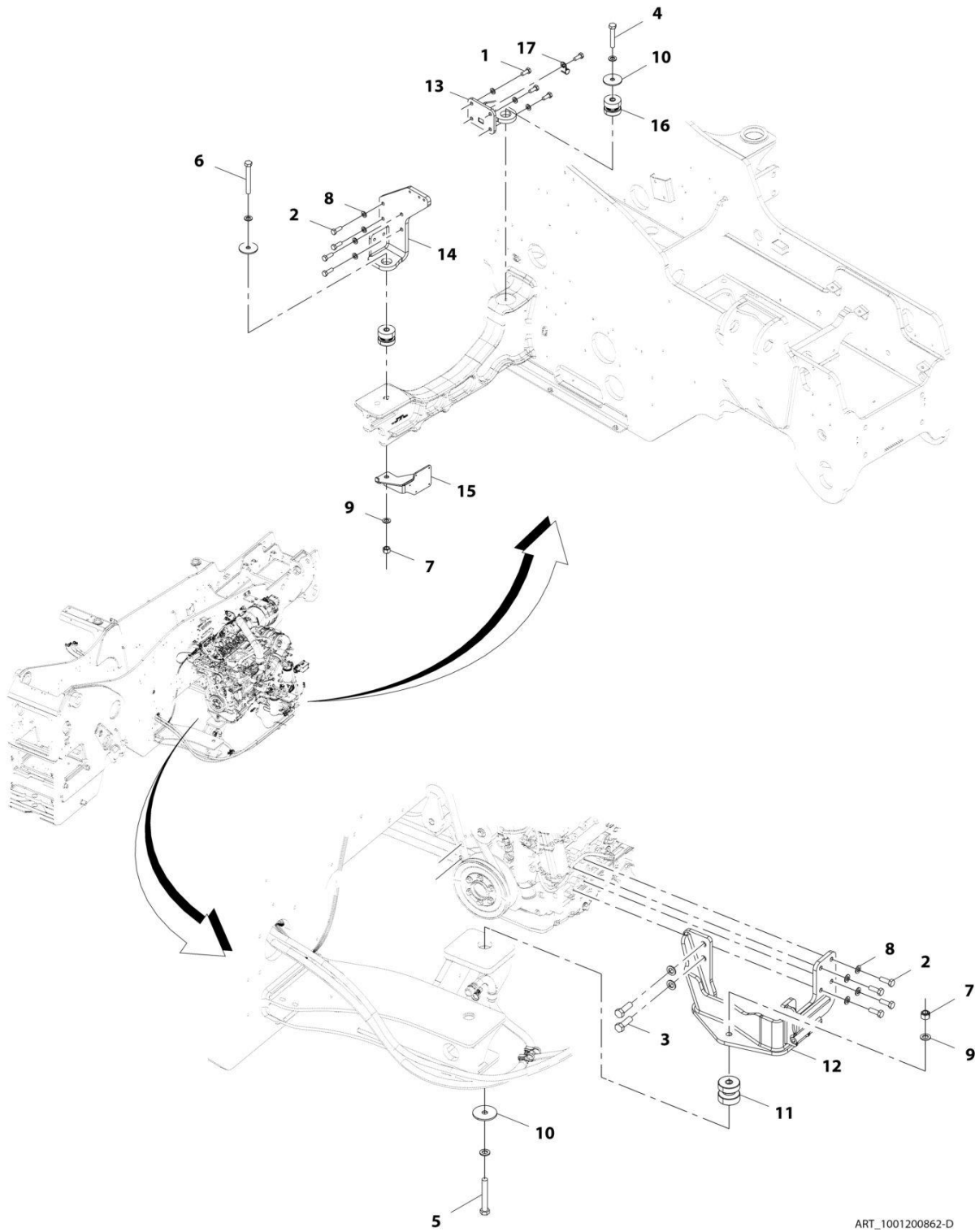
ITEM	PART NUMBER	QTY	DESCRIPTION	REV
	1001197414	Ref	ENGINE (100kW - ULS)	O
	70027657	1	Dipstick	
	7020442	1	O-Ring	
	70025755	1	Tube, Dipstick	
	70025765	1	Pan, Oil	
	70025786	1	Plug	
	70025757	1	Flywheel	
	7020208	1	Gear, Ring	
	70126616	1	Bearing	
	70027567	1	Belt	
	70025737	1	Sensor, Wheel	
	70025743	1	Pulley, V-Groove	
	70124445	1	Crankcase	
	70025763	1	Pump, Oil	
	70024494	1	Cooler, Oil	
	70024495	1	Gasket	
	7016331	1	Filter, Oil	
	70024504	1	Sensor, Pressure	
	70024489	1	Line, Lube	
	70005490	1	Line, Return	
	70005730	1	Pipe, Transfer	
	70025722	1	Line, Oil Suction	
	70024487	1	Pump, Fuel Injector	
	70027417	1	Filter, Fuel (Secondary)	
	70004512	1	Element, Fuel Filter (Secondary)	
	70024961	1	Filter, Fuel (Primary)	
	70025153	1	Element, Fuel Filter (Primary)	
	70006144	1	Pump, Fuel	
	70024507	1	Sensor, Pressure	
	70005492	1	Valve, Throttle	
	70025772	1	Manifold, Air Charge	
	70027420	1	Module, ECU	
	70026011	1	Pump, Water	
	70025775	1	Pulley, V-Ribbed Belt	
	70024918	1	Sensor, Temperature	
	70024493	1	Gasket	
	70005504	1	Sensor, Pressure	
	70005505	1	O-Ring	
	70027405	2	Sensor, Temperature	
	70005507	2	O-Ring	
	70005510	1	Manifold, Exhaust	
	70005511	1	Gasket	
	70027426	1	Module, EGR	
	70005513	1	Valve, Control	
	70025768	1	Valve, Shuttle	
	70028417	1	Turbocharger	
	70024484	1	Roller, Idler	
	70028418	1	Tensioner, Belt	
	70028419	1	Belt, V-Ribbed	
	70031088	1	Alternator	

SECTION 4 - ENGINE AND ATTACHING PARTS

ITEM	PART NUMBER	QTY	DESCRIPTION	REV
	70025535	1	Starter	
	70025780	1	Relay	
	70026210	1	Sensor, Speed	
	70005191	1	O-Ring	
	70025761	1	Connector	
	70024474	1	Plug, Glow	
	70025760	1	Rail, Connecting	
	70005544	1	Unit, Metering	
	70005548	1	Pump, DEF Supply	
	70005549	1	Filter, DEF	
	70005523	1	Sensor, Pressure	
	70024505	1	Sensor, Temperature	
	70005556	1	Sensor, Temperature	
	70005522	1	Sensor	
	70005524	1	Sensor	
	70005559	1	Sensor, Temperature	
	70005507	1	O-Ring	
	70005557	1	Pipe	
	70005558	1	Clip	
	70025877	3	Clamp	
	70025242	3	Gasket	
	70025707	1	Set, Gasket	

SECTION 4 - ENGINE AND ATTACHING PARTS

FIGURE 4-5. ENGINE MOUNT INSTALLATION



ART_1001200862-D

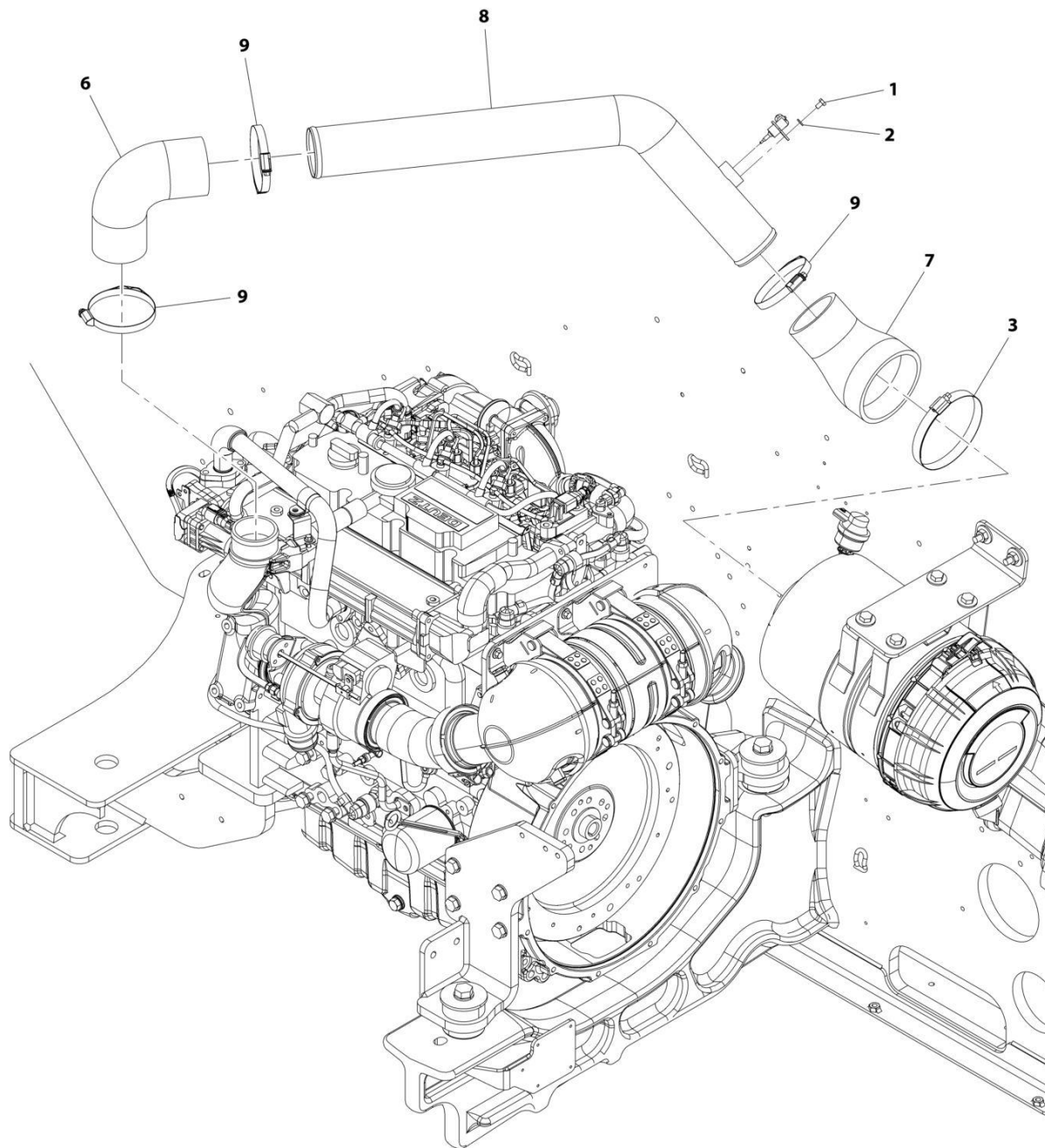
SECTION 4 - ENGINE AND ATTACHING PARTS

FIGURE 4-5. ENGINE MOUNT INSTALLATION

ITEM	PART NUMBER	QTY	DESCRIPTION	REV
	1001200862	Ref	Engine Mount Installation	D
1	0761214	4	Bolt, M12X30	
2	0761215	8	Bolt, M12X35	
3	0701618	2	Bolt M16 X 50	
4	0701626	1	Bolt, M16X90	
5	0701628	1	Bolt, M16X110	
6	0701630	1	Bolt, M16X130	
7	3291605	2	Nut, Lock M16X2	
8	4812100	11	Washer, M12	
9	4812300	7	Washer, M16	
10	7300435	3	Washer	
11	1001188757	1	Mount, Engine	
12	1001200871	1	Bracket, Engine Mount	
13	1001200872	1	Bracket, Engine Mount	
14	1001200873	1	Bracket, Engine Mount	
15	1001200874	1	Bracket, Fuel Pump	
16	1001197072	2	Mount, Engine	
17	8406105	1	Clip, Tube	

SECTION 4 - ENGINE AND ATTACHING PARTS

FIGURE 4-6. AIR INTAKE INSTALLATION (ULS)



ART_1001200863-B

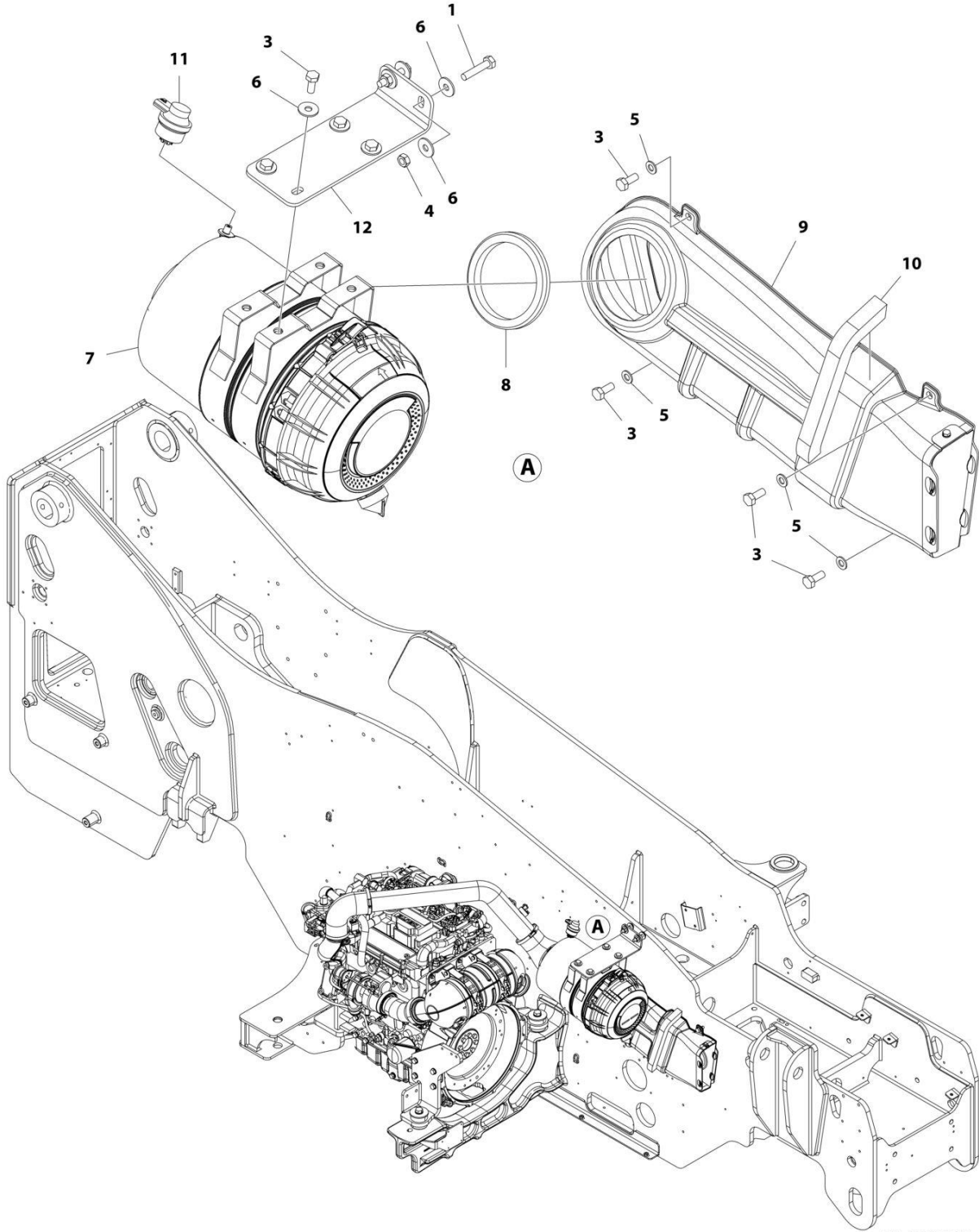
SECTION 4 - ENGINE AND ATTACHING PARTS

FIGURE 4-6. AIR INTAKE INSTALLATION (ULS)

ITEM	PART NUMBER	QTY	DESCRIPTION	REV
	1001200863	Ref	Air Intake Installation (ULS)	B
1	0760605	1	Bolt, M6X10	
2	4811700	1	Washer, M6	
3	8405402	1	Clamp	
6	1001182881	1	Hose	
7	1001200885	1	Hose	
8	1001200886	1	Tube	
9	1001226523	3	Clamp	

SECTION 4 - ENGINE AND ATTACHING PARTS

FIGURE 4-7. AIR CLEANER INSTALLATION



ART_1001200864

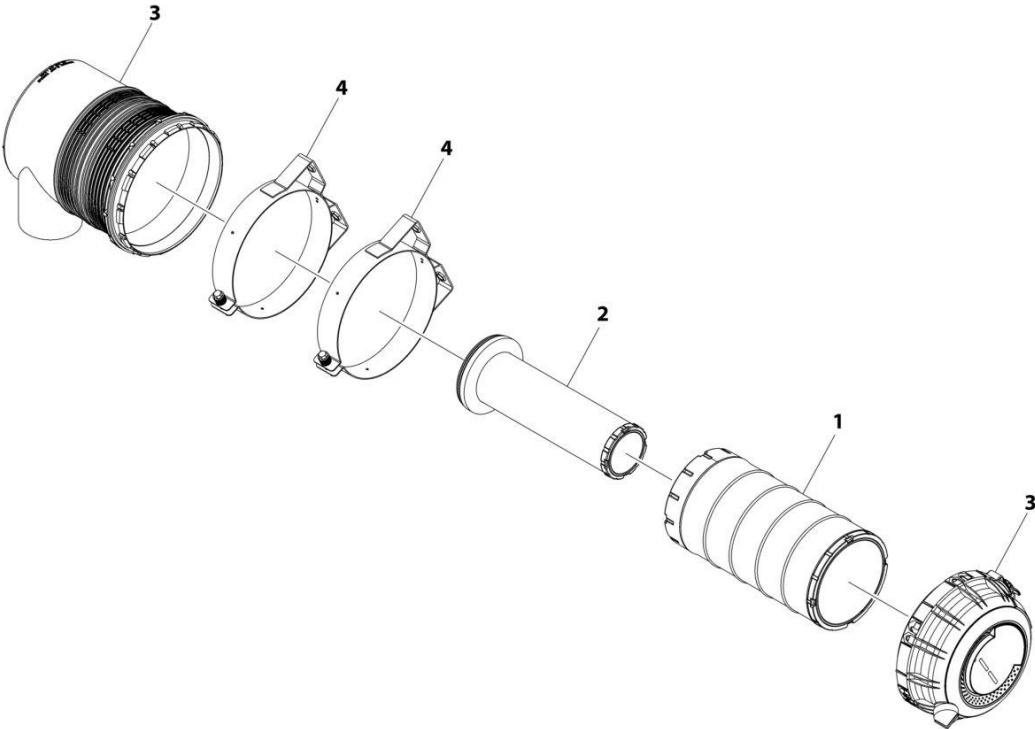
SECTION 4 - ENGINE AND ATTACHING PARTS

FIGURE 4-7. AIR CLEANER INSTALLATION

ITEM	PART NUMBER	QTY	DESCRIPTION	REV
	1001200864	Ref	AIR CLEANER INSTALLATION	D
1	0701018	2	Bolt M10 x 50	
3	0761012	8	Bolt M10 x 25	
4	3291001	2	Nut M10 x 1.5	
5	4812000	4	Washer M10	
6	4812002	8	Washer M10	
7	1001166565	1	Filter, Air Cleaner (See Separate Breakdown in this Section)	
8	1001183831	1	Grommet	
9	1001183835	1	Air Intake Duct Installation (See Separate Breakdown in this Section)	
10	1001186898	1	Seal	
11	1001166715	1	Indicator	
12	1001194534	1	Bracket, Air Cleaner Mount	

SECTION 4 - ENGINE AND ATTACHING PARTS

FIGURE 4-8. AIR CLEANER ASSEMBLY



ART_1001166565

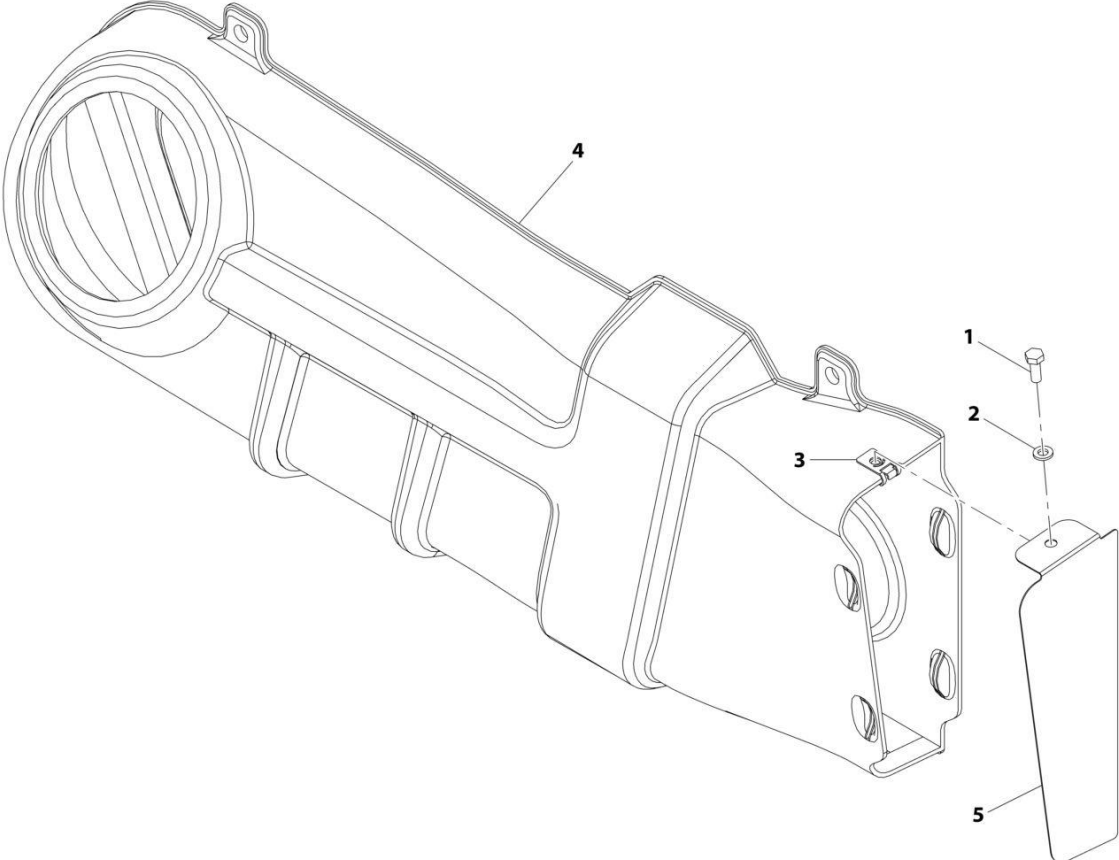
SECTION 4 - ENGINE AND ATTACHING PARTS

FIGURE 4-8. AIR CLEANER ASSEMBLY

ITEM	PART NUMBER	QTY	DESCRIPTION	REV
	1001166565	Ref	AIR FILTER ASSEMBLY (90/100KW)	F
1	70025850	1	Filter, Cylindrical Air Primary	
2	70025851	1	Filter, Cylindrical Air Secondary	
3	70026395	1	Cover	
4	70026396	2	Bracket	

SECTION 4 - ENGINE AND ATTACHING PARTS

FIGURE 4-9. AIR INTAKE DUCT INSTALLATION



ART_1001183835-C

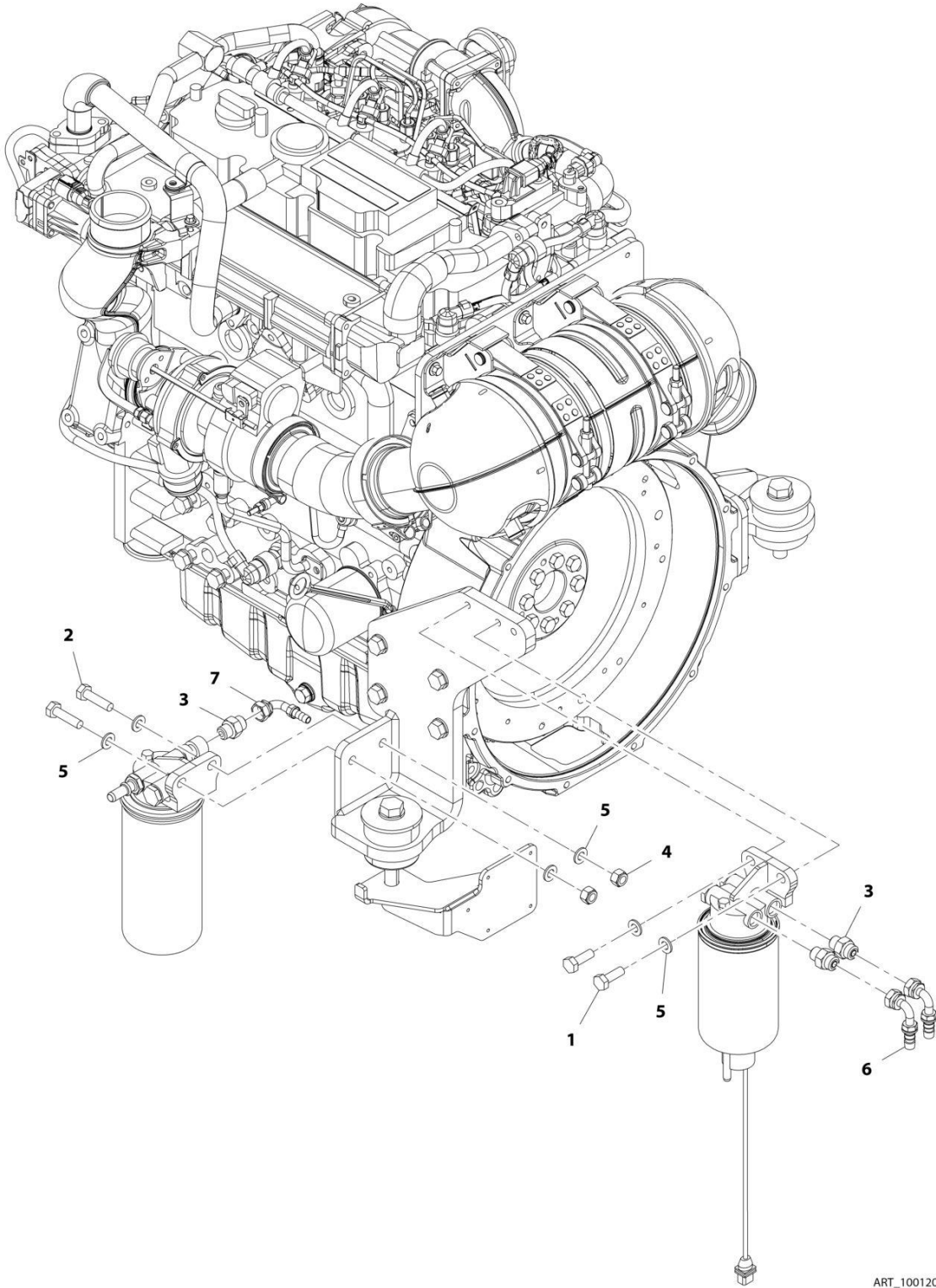
SECTION 4 - ENGINE AND ATTACHING PARTS

FIGURE 4-9. AIR INTAKE DUCT INSTALLATION

ITEM	PART NUMBER	QTY	DESCRIPTION	REV
	1001183835	Ref	Air Intake Duct Installation	C
1	0760608	1	Bolt, M6X16	
2	4811702	1	Washer, M6	
3	8305919	1	Nut	
4	1001183827	1	Duct	
5	1001183829	1	Plate	

SECTION 4 - ENGINE AND ATTACHING PARTS

FIGURE 4-10. PRIMARY FUEL FILTER INSTALLATION (ULS)



ART_1001200865-C

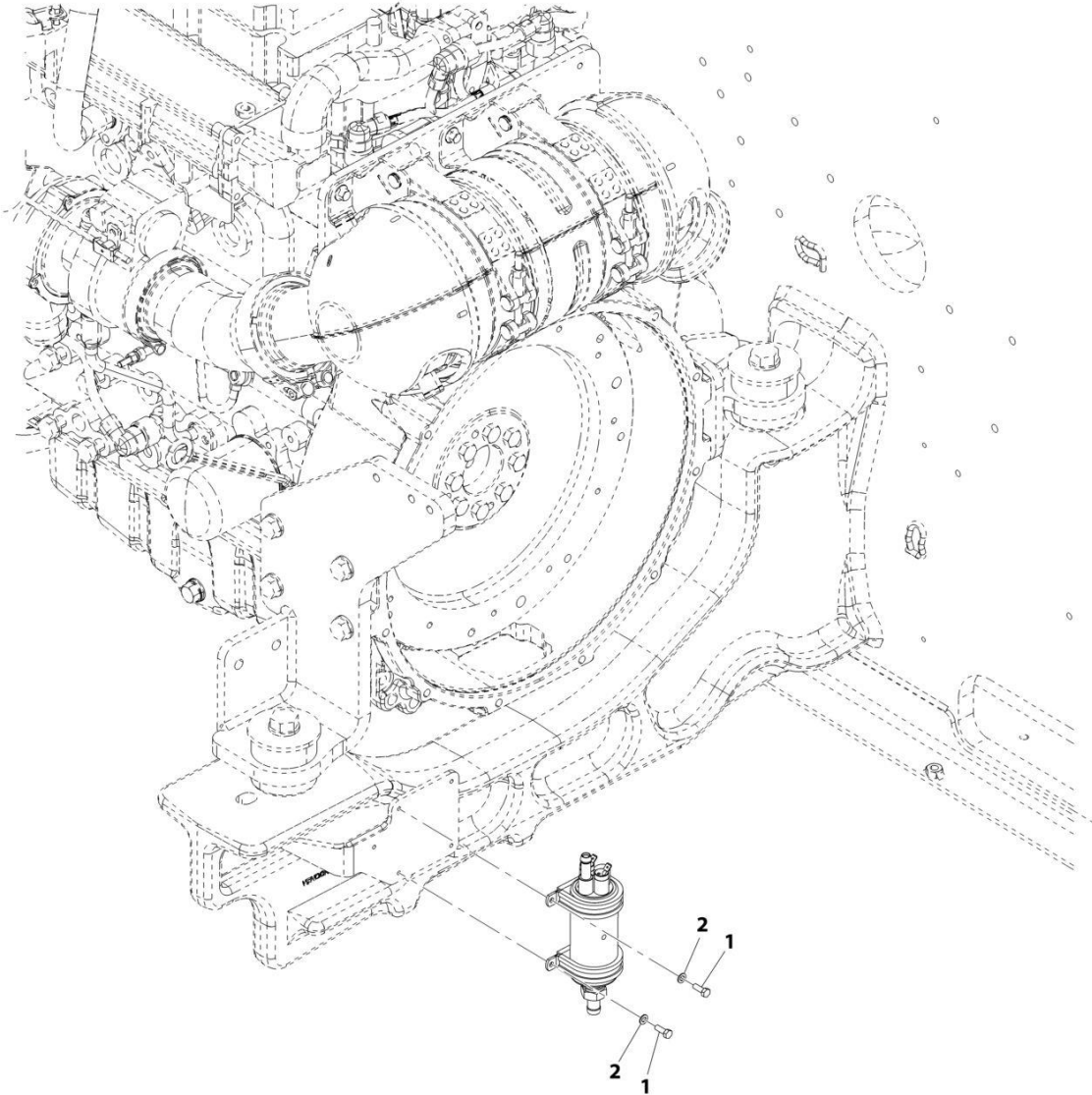
SECTION 4 - ENGINE AND ATTACHING PARTS

FIGURE 4-10. PRIMARY FUEL FILTER INSTALLATION (ULS)

ITEM	PART NUMBER	QTY	DESCRIPTION	REV
	1001200865	Ref	Primary Fuel Filter Installation	C
1	0701014	2	Bolt, M10X30	
2	0701016	2	Bolt, M10X40	
3	2144606	3	Fitting, Straight ORFS	
4	3291005	2	Nut, Lock M10X1.5	
5	4812000	6	Washer, M10	
6	1001095301	2	Fitting, 90 ORFS	
7	1001133793	1	Fitting, 90 ORFS	

SECTION 4 - ENGINE AND ATTACHING PARTS

FIGURE 4-11. REMOTE FUEL PUMP INSTALLATION



ART_1001221041-B

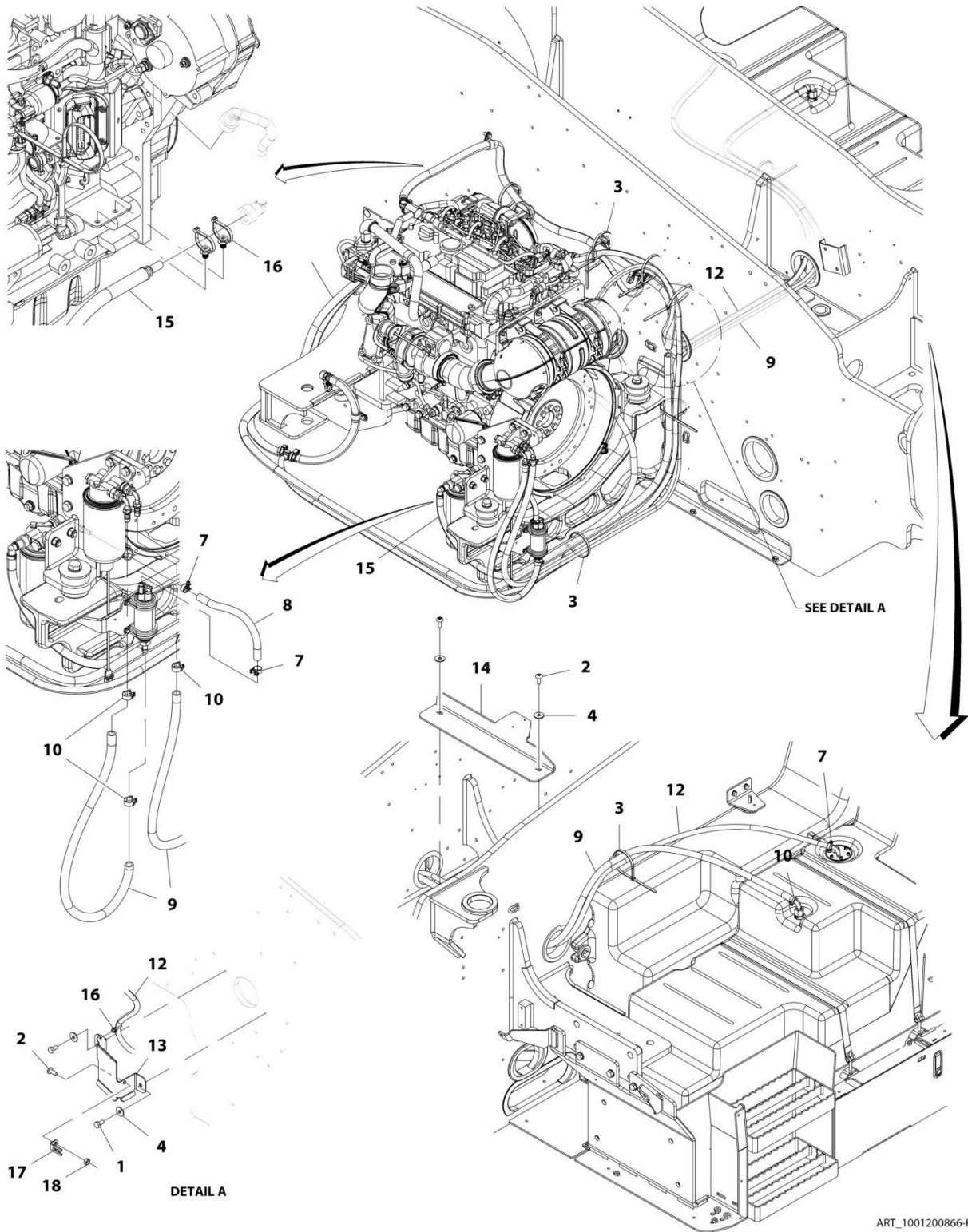
SECTION 4 - ENGINE AND ATTACHING PARTS

FIGURE 4-11. REMOTE FUEL PUMP INSTALLATION

ITEM	PART NUMBER	QTY	DESCRIPTION	REV
	1001221041	Ref	Remote Fuel Pump Installation	B
1	0760507	4	Bolt, M5X14	
2	4811600	4	Washer, M5	

SECTION 4 - ENGINE AND ATTACHING PARTS

FIGURE 4-12. FUEL LINES INSTALLATION (ULS)



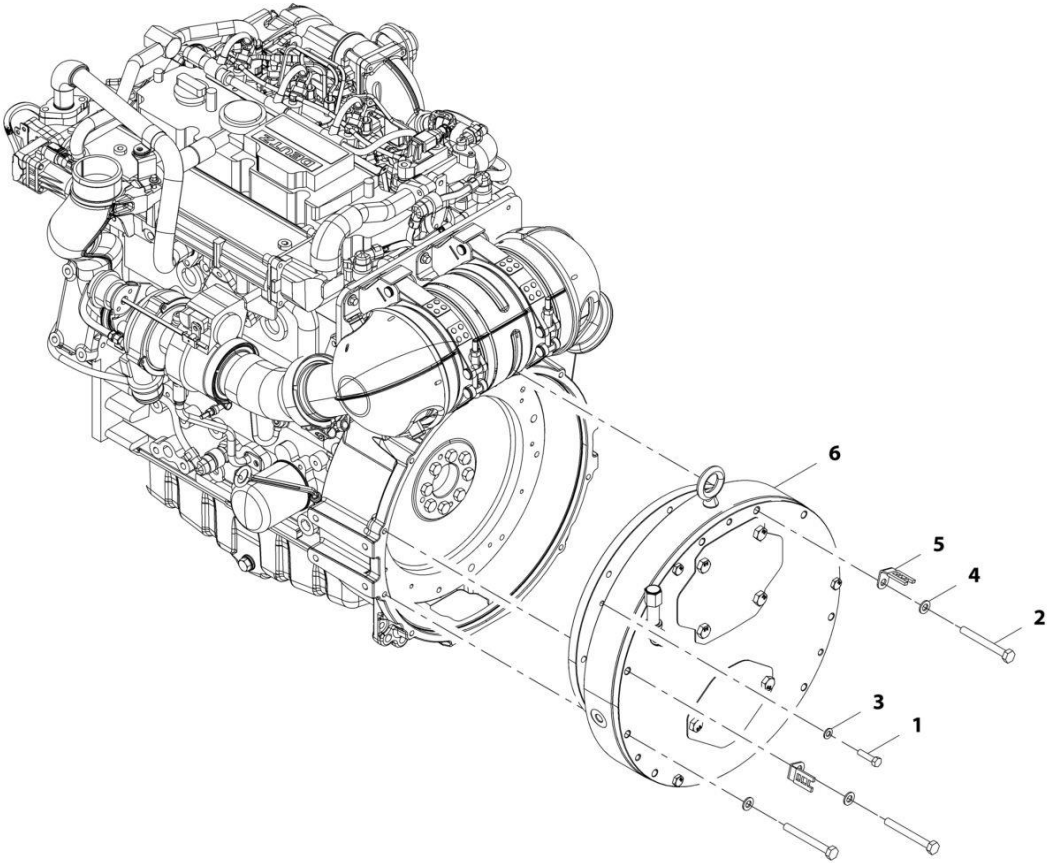
SECTION 4 - ENGINE AND ATTACHING PARTS

FIGURE 4-12. FUEL LINES INSTALLATION (ULS)

ITEM	PART NUMBER	QTY	DESCRIPTION	REV
	1001200866	Ref	Fuel Lines Installation	K
1	0761010	2	Bolt, M10X20	
2	1001009325	3	Screw	
3	1062255	6	Strap, Tie	
4	4812002	4	Washer, M10	
7	1001136975	3	Clamp	
8	1001165035	260 mm	Hose	
9	1001172755	4060 mm	Hose	
10	1001175568	4	Clip	
12	1001228248	1	Hose	
13	1001210870	1	Plate	
14	1001221868	1	Channel, Frame	
15	1001232850	1	Hose	
16	1001146588	3	Strap, Tie	
17	1001003305	1	Clip	
18	3291001	1	Nut, M10X1.5 Grade 8	

SECTION 4 - ENGINE AND ATTACHING PARTS

FIGURE 4-13. HYDROSTATIC ADAPTOR INSTALLATION



ART_1001193703-D

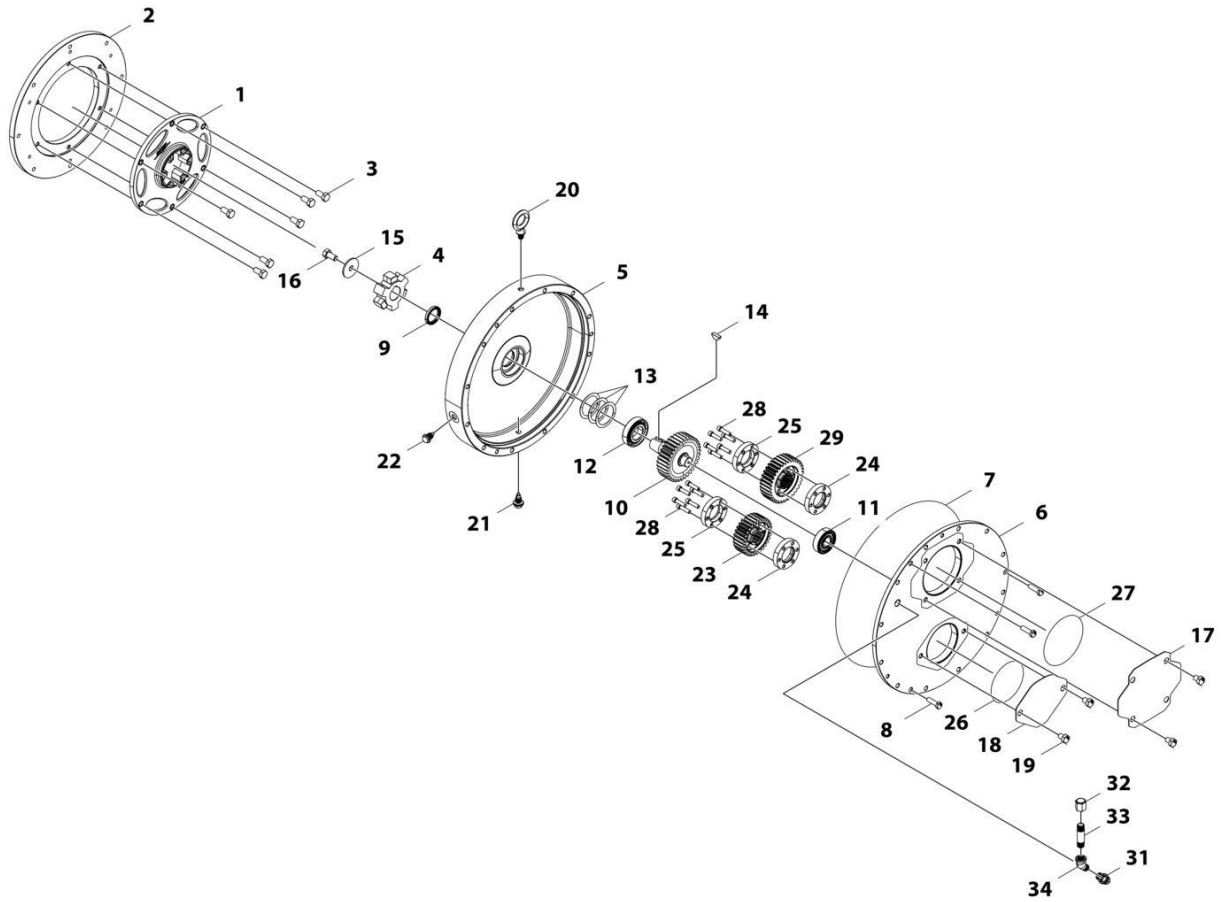
SECTION 4 - ENGINE AND ATTACHING PARTS

FIGURE 4-13. HYDROSTATIC ADAPTOR INSTALLATION

ITEM	PART NUMBER	QTY	DESCRIPTION	REV
	1001193703	Ref	Hydrostatic Adaptor Installation	D
1	0641510	6	Bolt, 5/16-18X1.25	
2	0701026	12	Bolt, M10X90	
3	4811900	6	Washer, M8	
4	4812000	10	Washer, M10	
5	1001003305	2	Clip	
6	1001193705	1	Assembly, Dual Drive Support (See Separate Breakdown in this Section)	

SECTION 4 - ENGINE AND ATTACHING PARTS

FIGURE 4-14. DUAL DRIVE SUPPORT ASSEMBLY



ART_1001193705

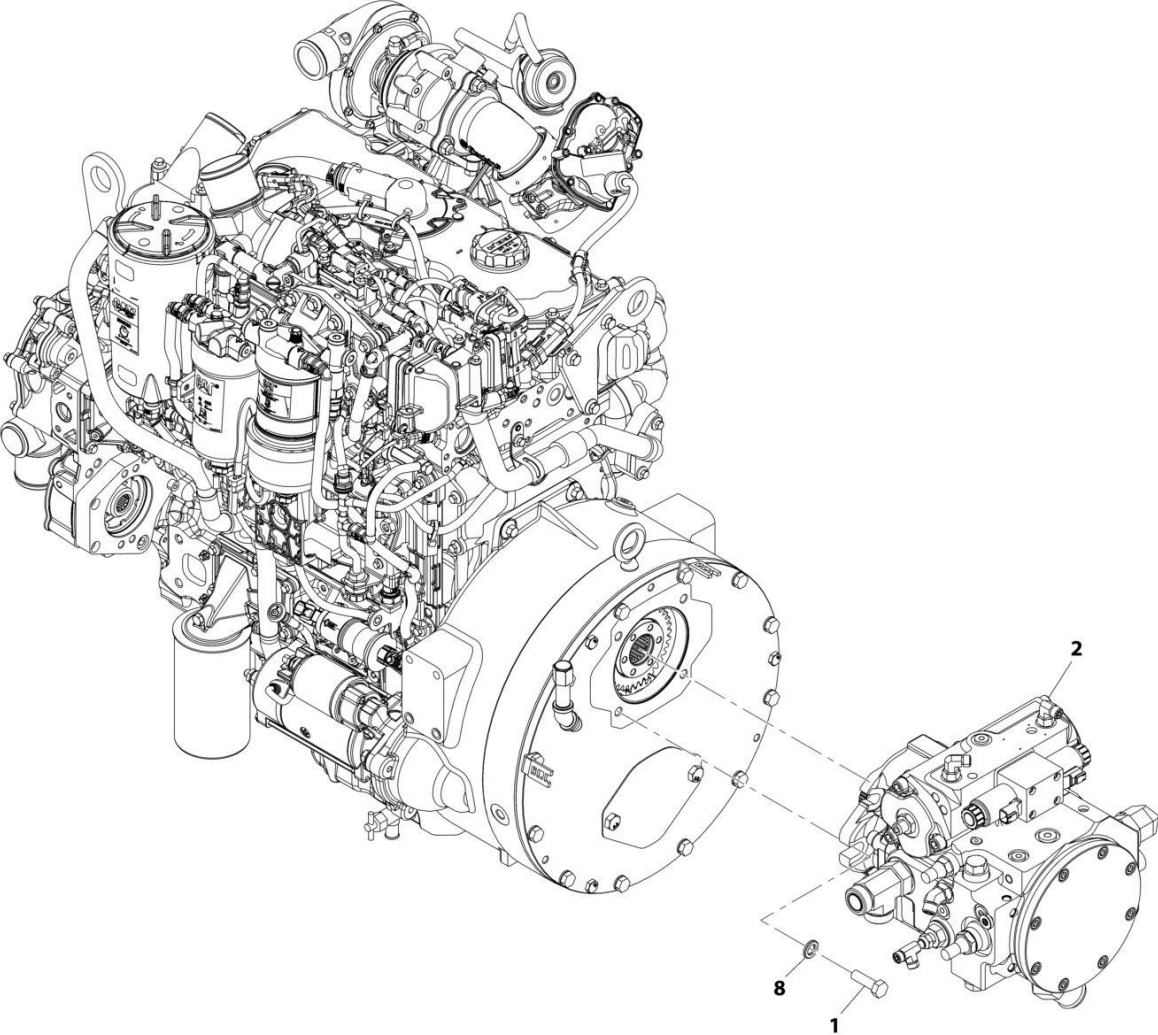
SECTION 4 - ENGINE AND ATTACHING PARTS

FIGURE 4-14. DUAL DRIVE SUPPORT ASSEMBLY

ITEM	PART NUMBER	QTY	DESCRIPTION	REV
	1001193705	Ref	Dual Drive Support Assembly	E
1	70028327	1	Plate, Flex	
2	70028328	1	Plate, Flywheel Adapter	
3	70028329	6	Bolt	
4	70028330	1	Hub, Flex	
5	70028331	1	Gear Box Half, Input Side	
6	70028332	1	Gear Box Half, Output Side	
7	70028333	1	O-Ring	
8	70028334	3	Bolt	
9	70028335	1	Seal, Shaft	
10	70028336	1	Gear, Input Shaft	
11	70028337	1	Bearing, Angular Contact	
12	70028338	1	Bearing, Angular Contact	
13	70028339	3	Washer	
14	70028340	1	Key	
15	70028341	1	Washer	
16	70028342	1	Bolt	
17	70028343	1	Cover, Pump Mount Implement	
18	70028344	1	Cover, Pump Mount Hydrastat	
19	70028345	6	Bolt	
20	70028346	1	Eyebolt, Modified	
21	70028347	1	Plug	
22	70028348	1	Plug	
23	70028349	1	Pump, Gear,30 Tooth	
24	70028350	2	Locking Ring, Tapered	
25	70028351	2	Locking Ring, Tapered	
26	70028352	1	O-Ring	
27	70028353	1	O-Ring	
28	70028354	12	Bolt	
29	70028355	1	Pump, Gear, 35 Tooth	
31	70028357	1	Adapter, 90	
32	70028358	1	Breather	
33	70028359	1	Nipple	
34	70028360	1	Adapter, 45	

SECTION 4 - ENGINE AND ATTACHING PARTS

FIGURE 4-15. HYDROSTATIC DRIVE PUMP INSTALLATION



ART-1001193704-D

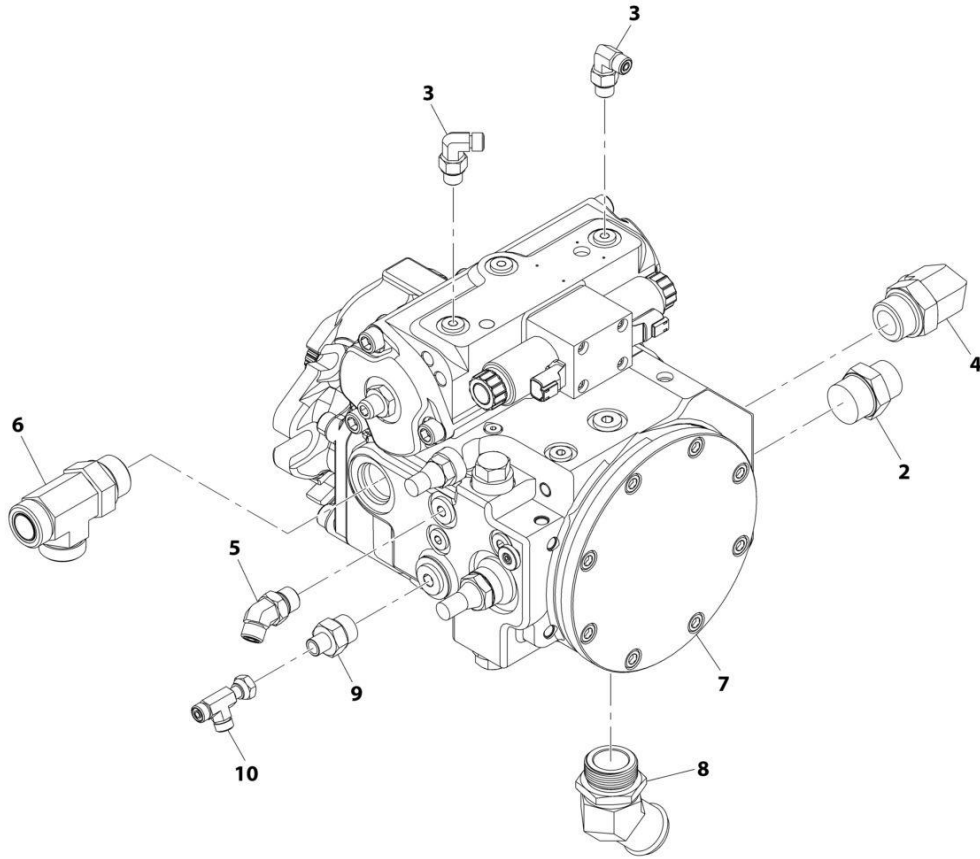
SECTION 4 - ENGINE AND ATTACHING PARTS

FIGURE 4-15. HYDROSTATIC DRIVE PUMP INSTALLATION

ITEM	PART NUMBER	QTY	DESCRIPTION	REV
	1001193704	Ref	Hydrostatic Drive Pump Installation	D
1	0711216	4	Bolt, M12X40	
2	1001210771	1	Assembly, Hydrostatic Drive Pump (See Separate Breakdown in this Section)	
8	4740532	4	Washer, M12	

SECTION 4 - ENGINE AND ATTACHING PARTS

FIGURE 4-16. HYDROSTATIC DRIVE PUMP ASSEMBLY



ART_1001210771-C

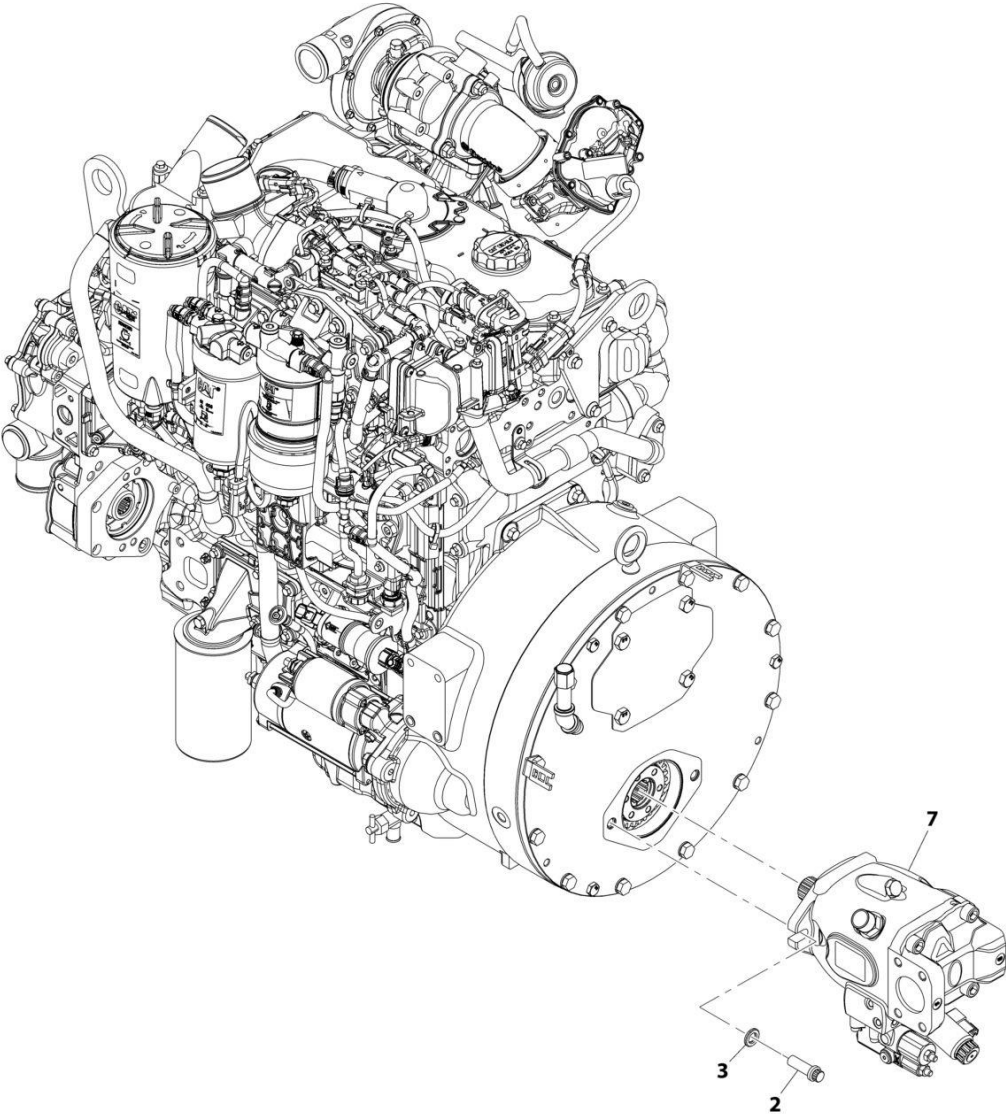
SECTION 4 - ENGINE AND ATTACHING PARTS

FIGURE 4-16. HYDROSTATIC DRIVE PUMP ASSEMBLY

ITEM	PART NUMBER	QTY	DESCRIPTION	REV
	1001210771	Ref	Hydrostatic Drive Pump Assembly	C
2	2111216	1	Fitting, Straight ORFS	
3	2130406	2	Fitting, 90 ORFS	
4	2131216	1	Fitting, 90 ORFS	
5	2150608	1	Fitting, 45 ORFS	
6	2170316	1	Fitting, TEE ORFS	
7	1001193307	1	Pump, Hydrostatic Drive (See Separate Breakdown in HYDRAULIC COMPONENTS Section)	
8	1001196664	1	Fitting, 45	
9	2110410	1	Fitting, Straight ORFS	
10	2170704	1	Fitting, Tee ORFS	

SECTION 4 - ENGINE AND ATTACHING PARTS

FIGURE 4-17. IMPLEMENT PUMP INSTALLATION



ART_1001193393-E

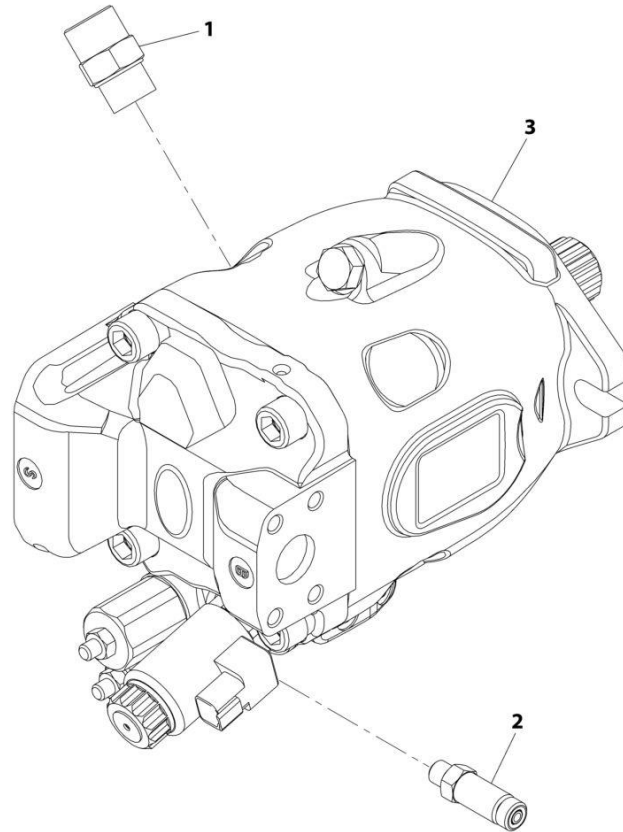
SECTION 4 - ENGINE AND ATTACHING PARTS

FIGURE 4-17. IMPLEMENT PUMP INSTALLATION

ITEM	PART NUMBER	QTY	DESCRIPTION	REV
	1001193393	Ref	Implement Pump Installation	E
2	1001238781	2	Screw Flange	
3	4740532	2	Washer	
7	1001212739	1	Assembly, Implement Pump (See Separate Breakdown in this Section)	

SECTION 4 - ENGINE AND ATTACHING PARTS

FIGURE 4-18. IMPLEMENT PUMP ASSEMBLY



ART_1001212739-A

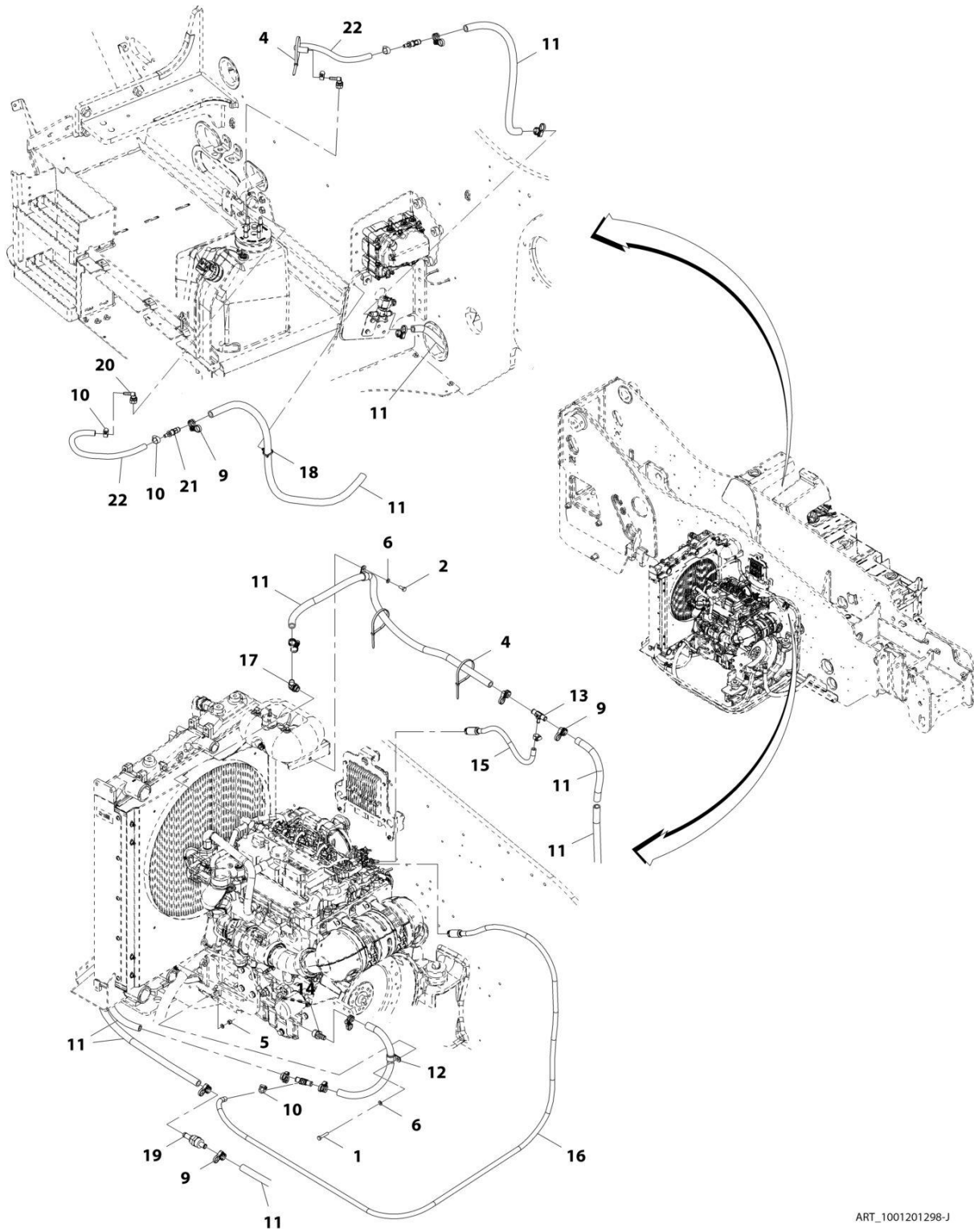
SECTION 4 - ENGINE AND ATTACHING PARTS

FIGURE 4-18. IMPLEMENT PUMP ASSEMBLY

ITEM	PART NUMBER	QTY	DESCRIPTION	REV
	1001212739	Ref	Implement Pump Assembly	A
1	2111010	1	Fitting, Straight ORFS	
2	2170104	1	Fitting, Straight ORFS	
3	1001180070	1	Pump, Implement (See Separate Breakdown in HYDRAULIC COMPONENTS Section)	

SECTION 4 - ENGINE AND ATTACHING PARTS

FIGURE 4-19. DEF COOLANT LINES INSTALLATION (ULS)



ART_1001201298-J

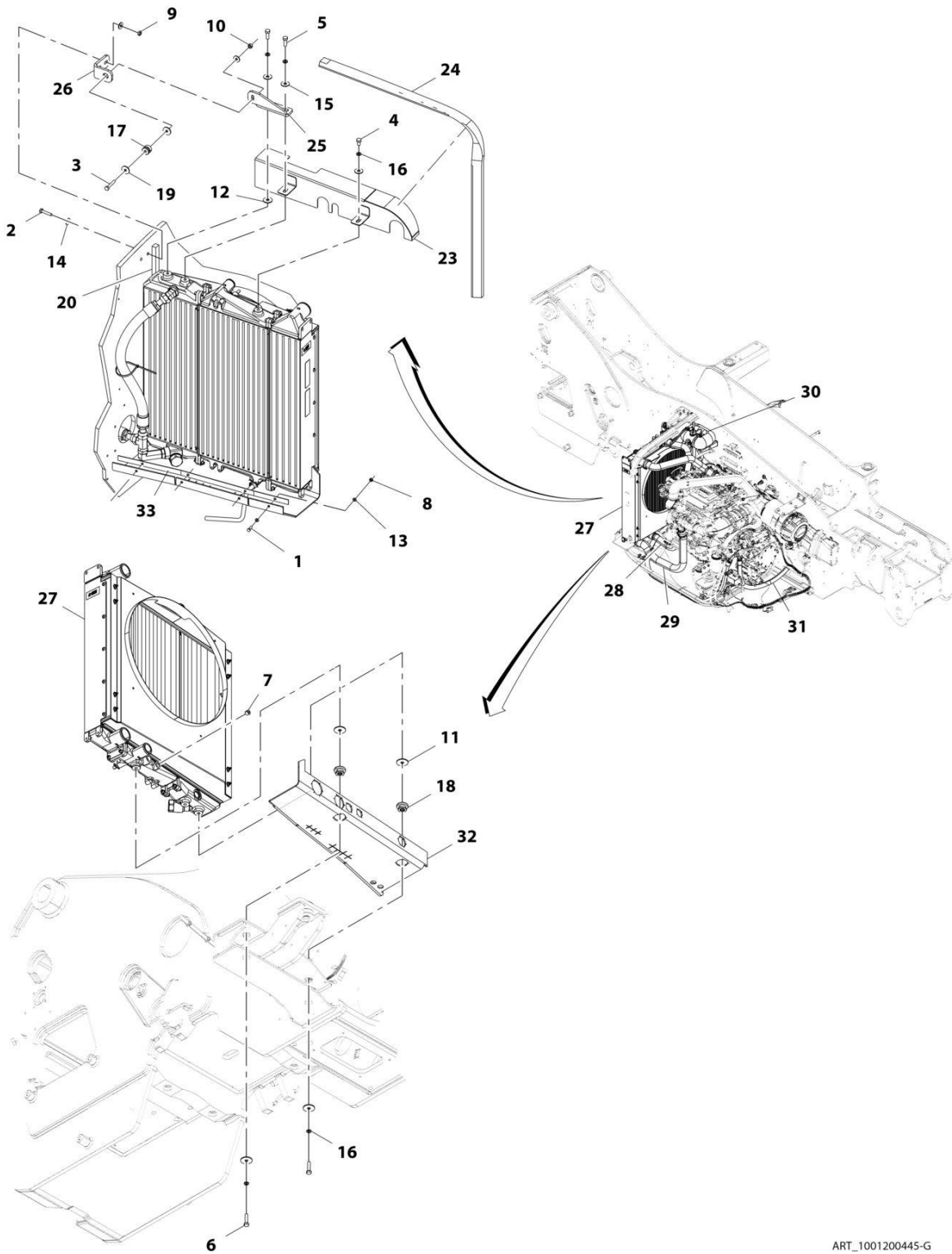
SECTION 4 - ENGINE AND ATTACHING PARTS

FIGURE 4-19. DEF COOLANT LINES INSTALLATION (ULS)

ITEM	PART NUMBER	QTY	DESCRIPTION	REV
	1001201298	Ref	DEF Coolant Lines Installation (ULS)	J
1	0700816	1	Bolt, M8X40	
2	0760810	1	Bolt, M8X20	
4	1062255	AR	Strap, Tie	
5	3290805	1	Nut, M8X1.25	
6	4811900	3	Washer, M8	
9	1001202526	12	Clamp	
10	8410013	6	Clamp	
11	82033995	9365 mm	Hose	
12	1001100319	2	Clip	
13	1001162212	2	Pipe	
14	1001167409	1	Pipe	
15	1001201299	1	Hose	
16	1001201300	1	Hose	
17	1001203005	1	Fitting, 45	
18	1001146588	1	Strap, Tie	
19	1001228872	1	Filter	
20	1001155823	2	Coupling	
21	1001238470	2	Adapter	
22	1001181625	870 mm	Hose	

SECTION 4 - ENGINE AND ATTACHING PARTS

FIGURE 4-20. COOLING PACKAGE INSTALLATION (ULS & NO HIGH AMBIENT)



ART_1001200445-G

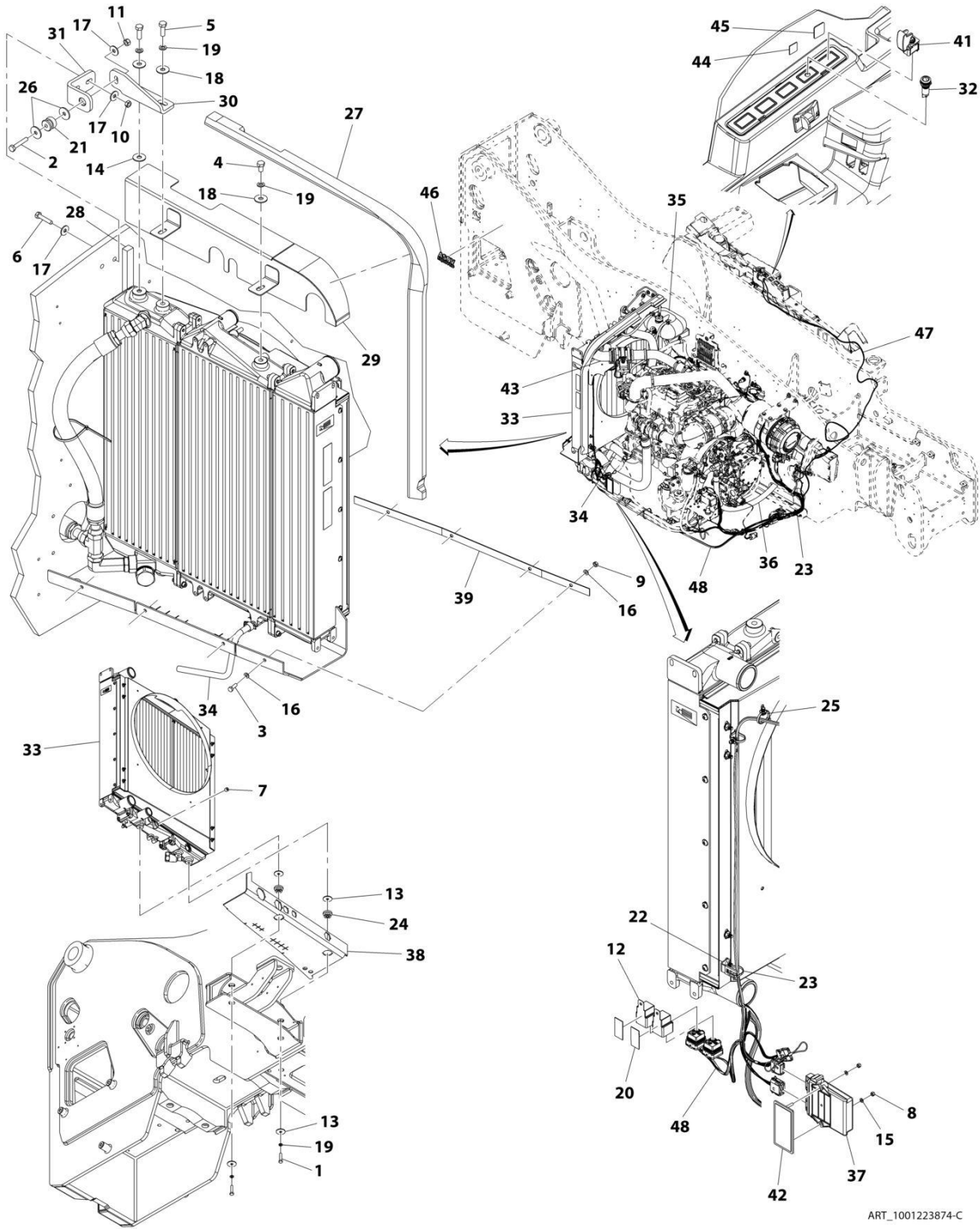
SECTION 4 - ENGINE AND ATTACHING PARTS

FIGURE 4-20. COOLING PACKAGE INSTALLATION (ULS & NO HIGH AMBIENT)

ITEM	PART NUMBER	QTY	DESCRIPTION	REV
	1001200445	Ref	Cooling Package Installation	G
1	0760812	4	Bolt,M8X25	
2	0701018	2	Bolt, M10X50	
3	0701020	1	Bolt, M10X60	
4	0761210	1	Bolt, M12X20	
5	0761215	2	Bolt, M12X35	
6	0761218	2	Bolt, M12X50	
7	2200223	1	Plug	
8	3290801	4	Nut, M8X1.25	
9	3291001	2	Nut, M10X1.5	
10	3291005	1	Nut, Lock M10X1.5	
11	4740274	4	Washer	
12	4740550	1	Washer, M12	
13	4811900	8	Washer, M8	
14	4812002	5	Washer, M10	
15	4812102	3	Washer, M12	
16	4832100	5	Washer, Lock M12	
17	8278020	1	Mount	
18	1001114803	2	Mount	
19	1001155540	2	Washer	
20	1001173457	1	Seal	
23	1001196191	1	Bracket, Air Baffle	
24	1001173452	1	Seal	
25	1001200498	1	Bracket, Radiator	
26	1001200499	1	Bracket, Frame	
27	1001201301	1	Radiator, (See Separate Breakdown in this Section)	
28	1001201302	Ref	Installation, Coolant Lines (See Separate Breakdown in this Section)	
29	1001201303	Ref	Installation, Radiator Lines (See Separate Breakdown in this Section)	
30	1001201304	Ref	Installation, Surge Tank (See Separate Breakdown in this Section)	
31	1001201305	Ref	Installation, Transmission Oil Cooler Lines (See Separate Breakdown in this Section)	
32	1001203947	1	Panel, Air Dam	
33	1001203948	1	Plate, Air Dam	

SECTION 4 - ENGINE AND ATTACHING PARTS

FIGURE 4-21. COOLING PACKAGE INSTALLATION (ULS ASOV)



SECTION 4 - ENGINE AND ATTACHING PARTS

FIGURE 4-21. COOLING PACKAGE INSTALLATION (ULS ASOV)

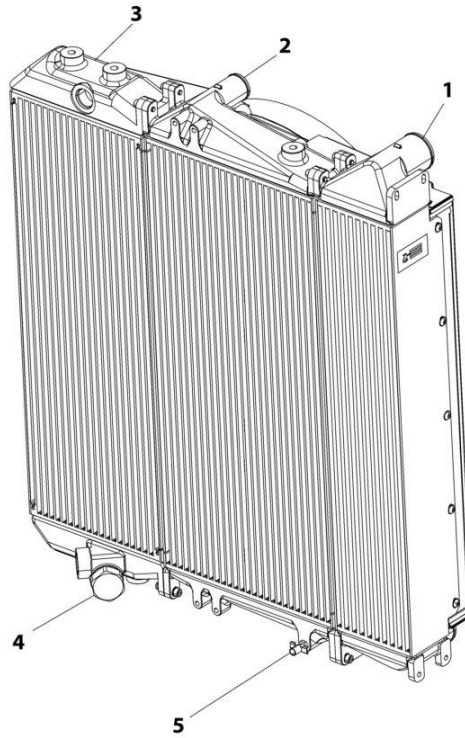
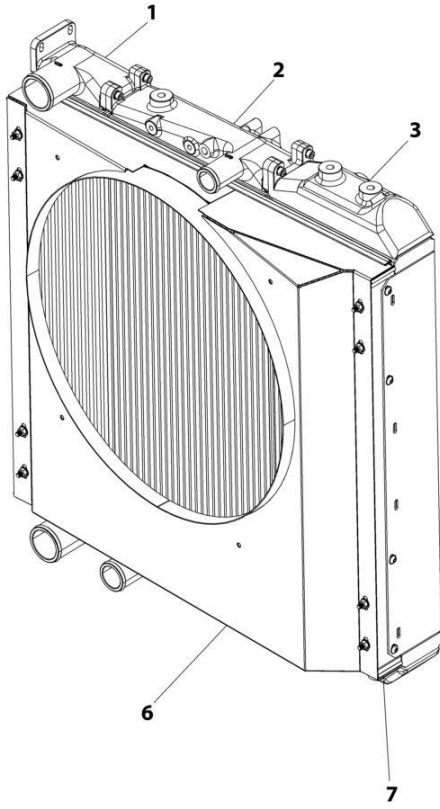
ITEM	PART NUMBER	QTY	DESCRIPTION	REV
	1001223874	Ref	Cooling Package Installation	C
1	0701018	2	Bolt, M10X50	
2	0701020	1	Bolt, M10X60	
3	0760812	4	Bolt, M8X25	
4	0761210	1	Bolt, M12X20	
5	0761215	2	Bolt, M12X35	
6	0761218	2	Bolt, M12X50	
7	2200223	1	Plug	
8	3290505	2	Nut, M5X0.8	
9	3290801	4	Nut, M8X1.25	
10	3291001	2	Nut, M10X1.5	
11	3291005	1	Nut, Lock M10X1.5	
12	3740080	2	Relay	
13	4740274	4	Washer	
14	4740550	1	Washer, M12	
15	4811600	2	Washer, M5	
16	4811900	8	Washer, M8	
17	4812002	5	Washer, M10	
18	4812102	3	Washer, M12	
19	4832100	5	Washer, Lock M12	
20	7169541	AR	Tape	
21	8278020	1	Mount	
22	1001003305	1	Clip	
23	1001008559	4	Strap, Cable	
24	1001114803	2	Mount	
25	1001146588	2	Strap, Cable	
26	1001155540	2	Washer	
27	1001173452	1	Seal, Foam Gasket	
28	1001173457	1	Seal	
29	1001196191	1	Bracket, Air Baffle	
30	1001200498	1	Bracket, Radiator	
31	1001200499	1	Bracket, Frame	
32	1001200631	1	Lamp, LED Indicator	
33	1001201301	1	Radiator, (See Separate Breakdown in this Section)	
34	1001201302	Ref	Installation, Coolant Lines (See Separate Breakdown in this Section)	
35	1001201304	Ref	Installation, Surge Tank (See Separate Breakdown in this Section)	
36	1001201305	Ref	Installation, Transmission Oil Cooler Lines (See Separate Breakdown in this Section)	
37	1001203181	1	Accessory, Control	
38	1001203947	1	Panel, Air Dam	
39	1001203948	1	Plate, Air Dam	
41	1001215941	1	Switch	
42	1001219082	1	Bracket	
43	1001223869	1	Installation, Radiator Lines (See Separate Breakdown in this Section)	
44	1001227077	1	Decal, Air Shut Off	
45	1001227964	1	Decal, ASOV Test	
46	1001228643	1	Decal, ASOV Equipped	

SECTION 4 - ENGINE AND ATTACHING PARTS

ITEM	PART NUMBER	QTY	DESCRIPTION	REV
47	1001231407	1	Harness, POSI Air Shutoff (See Separate Breakdown in Electrical Section)	
48	1001231483	1	Harness, POSI Air Shutoff (See Separate Breakdown in Electrical Section)	

SECTION 4 - ENGINE AND ATTACHING PARTS

FIGURE 4-22. RADIATOR - COOLING PACKAGE



ART_1001201301

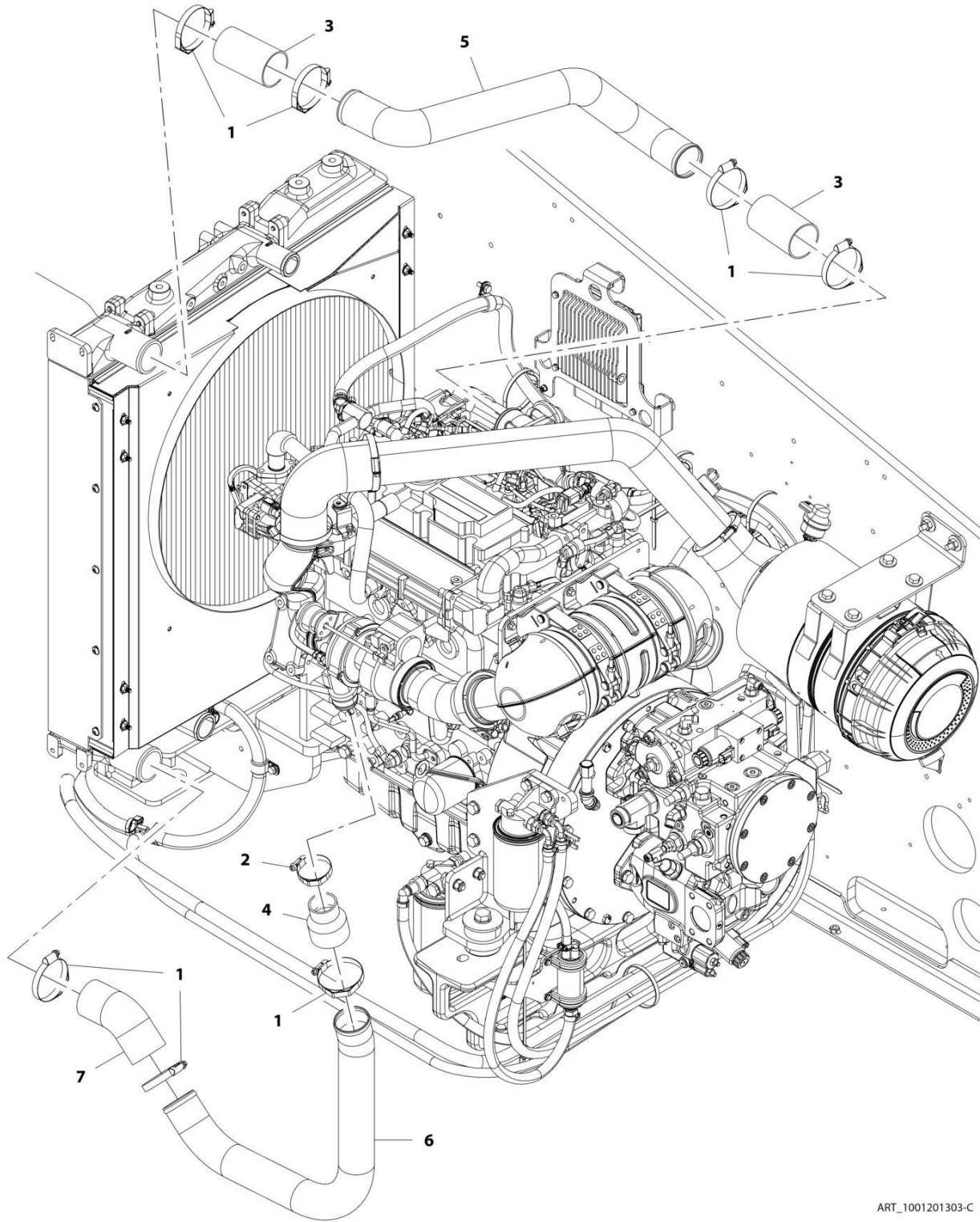
SECTION 4 - ENGINE AND ATTACHING PARTS

FIGURE 4-22. RADIATOR - COOLING PACKAGE

ITEM	PART NUMBER	QTY	DESCRIPTION	REV
	1001201301	Ref	RADIATOR COOLLING PACKAGE	D
1	70026353	1	Cooler, Air Charge	
2	70026354	1	Radiator	
3	70028550	1	Cooler, Hydraulic Oil	
4	70028548	1	Valve, Bypass	
5	70026081	1	Petcock	
6	70028549	1	Shroud	
7	70026359	2	Bracket, Shroud Mounting	

SECTION 4 - ENGINE AND ATTACHING PARTS

FIGURE 4-23. RADIATOR LINES INSTALLATION (ALL EXCEPT ULS & LS ASOV)



ART_1001201303-C

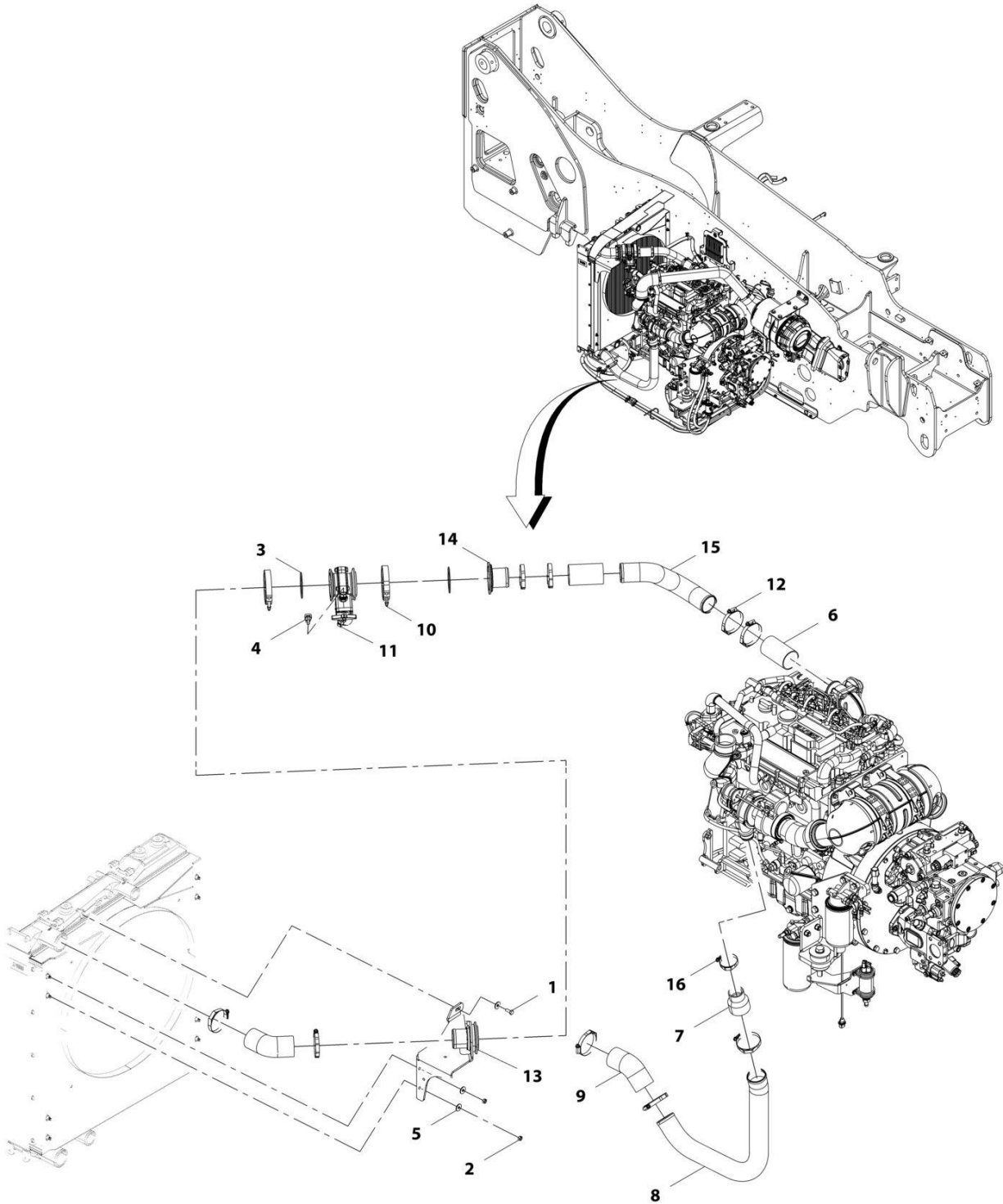
SECTION 4 - ENGINE AND ATTACHING PARTS

FIGURE 4-23. RADIATOR LINES INSTALLATION (ALL EXCEPT ULS & LS ASOV)

ITEM	PART NUMBER	QTY	DESCRIPTION	REV
	1001201303	Ref	Radiator Lines Installation	C
1	1001215022	7	Clamp	
2	1001215024	1	Clamp	
3	1001114495	2	Hose	
4	1001173528	1	Coupling, Reducer	
5	1001201314	1	Pipe	
6	1001201315	1	Pipe	
7	1001201316	1	Elbow, 45	

SECTION 4 - ENGINE AND ATTACHING PARTS

FIGURE 4-24. RADIATOR LINES INSTALLATION (ULS & LS ASOV)



ART_1001223869-B

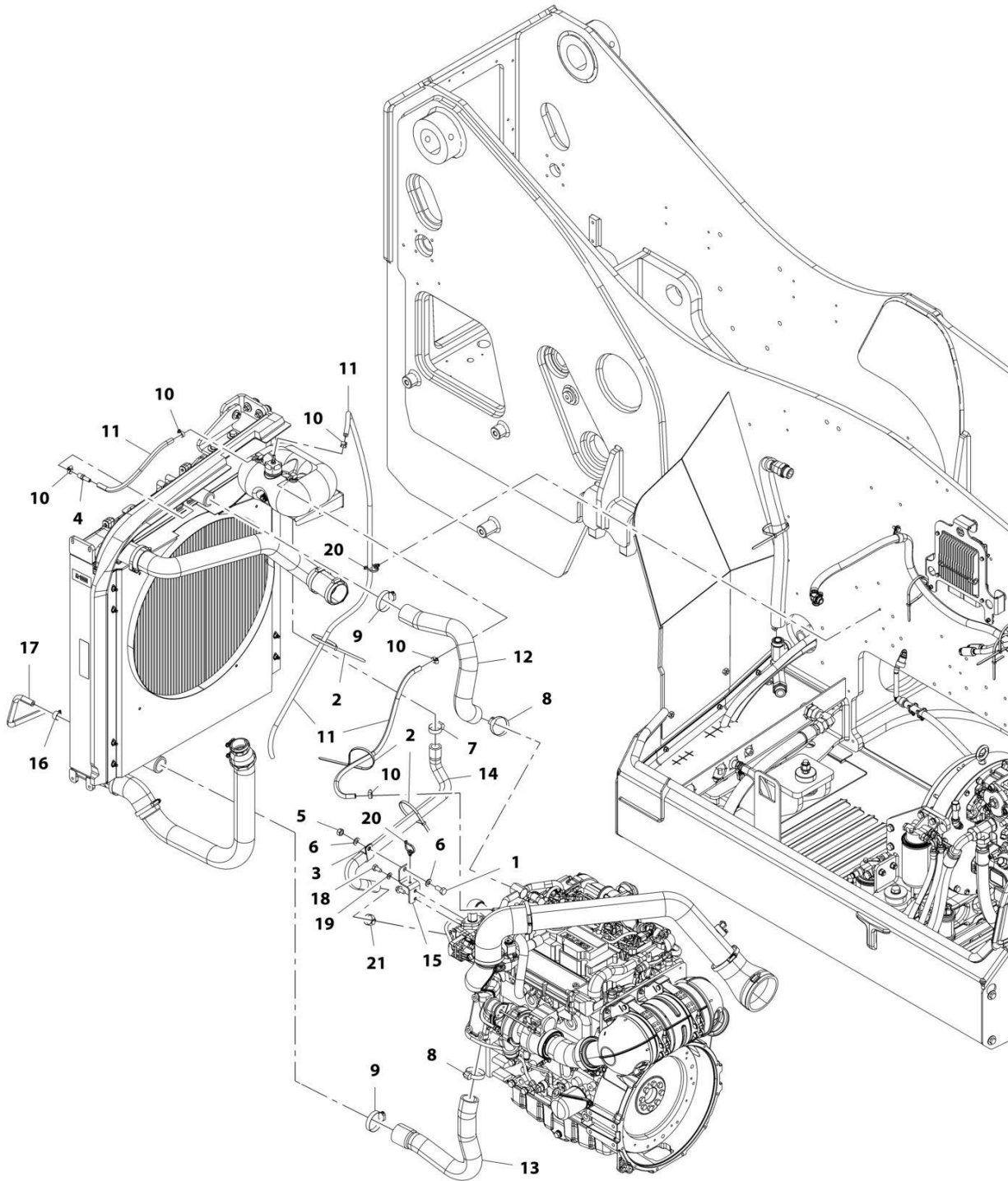
SECTION 4 - ENGINE AND ATTACHING PARTS

FIGURE 4-24. RADIATOR LINES INSTALLATION (ULS & LS ASOV)

ITEM	PART NUMBER	QTY	DESCRIPTION	REV
	1001223869	Ref	CAC Lines Installation	B
1	0760810	1	Bolt, M8X20	
2	3290801	2	Nut, M8X1.25	
3	3790152	2	Ring	
4	4460742	1	Connector	
5	4811902	3	Washer, M8	
6	1001114495	2	Hose	
7	1001173528	1	Fitting, Straight	
8	1001201315	1	Pipe	
9	1001201316	2	Hose	
10	1001202247	2	Clamp	
11	1001204032	1	Valve, Shut Off (See Separate Breakdown in HYDRAULIC COMPONENTS Section)	
12	1001215022	9	Clamp	
13	1001223618	1	Valve, ASO (See Separate Breakdown in HYDRAULIC COMPONENTS Section)	
14	1001223628	1	Valve, ASO	
15	1001223645	1	Pipe	
16	1001215024	1	Clamp	

SECTION 4 - ENGINE AND ATTACHING PARTS

FIGURE 4-25. COOLANT LINES INSTALLATION



ART_1001201302-E

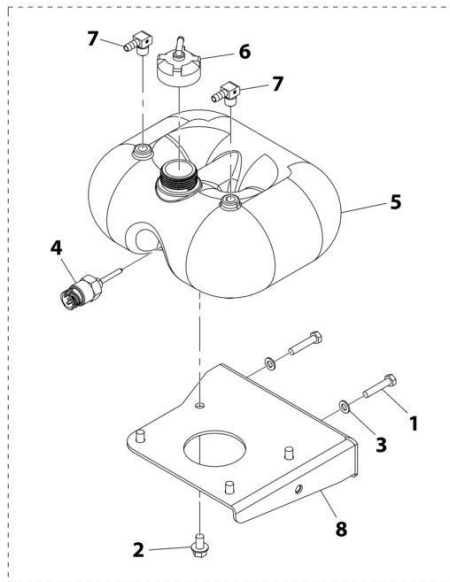
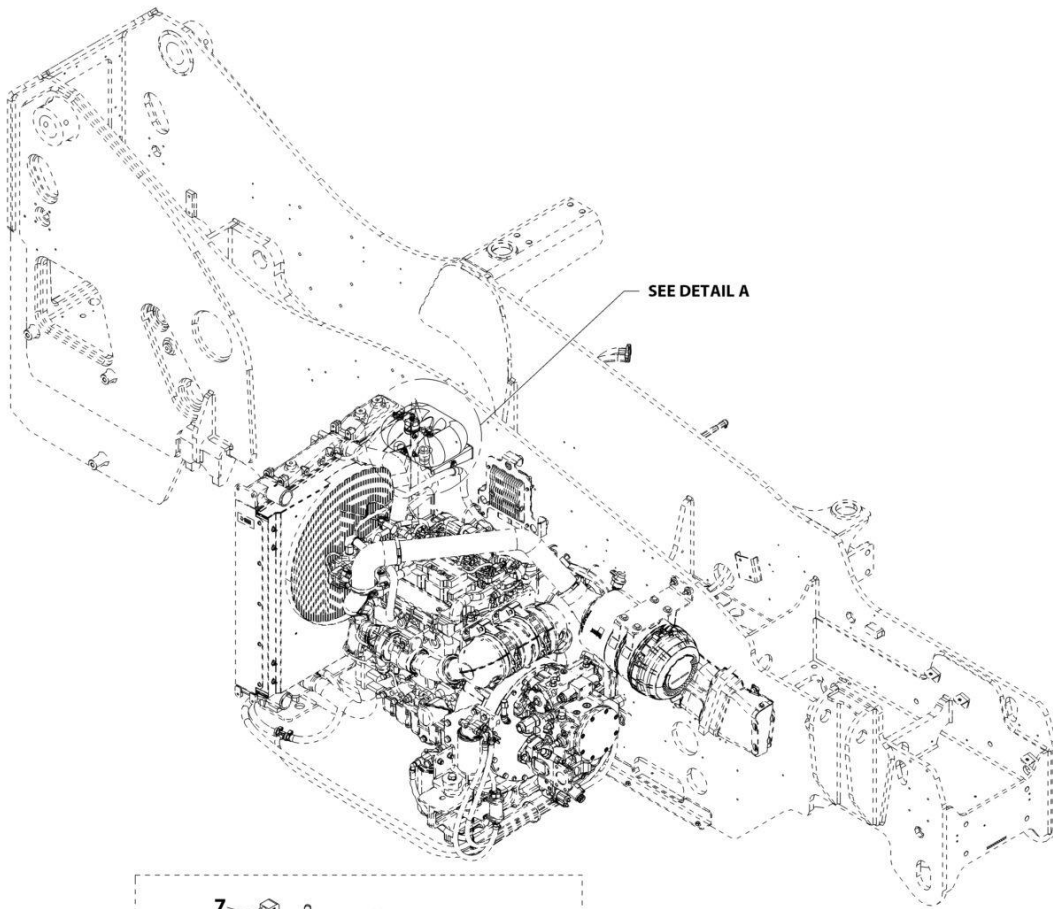
SECTION 4 - ENGINE AND ATTACHING PARTS

FIGURE 4-25. COOLANT LINES INSTALLATION

ITEM	PART NUMBER	QTY	DESCRIPTION	REV
	1001201302	Ref	Coolant Lines Installation	E
1	0761212	1	Bolt, M12X25	
2	1062255	3	Strap, Tie	
3	1320060	1	Clamp, Hose	
4	2220767	1	Fitting	
5	3291201	1	Nut, M12	
6	4812100	2	Washer, M12	
7	8405101	1	Clamp, Gear	
8	8405104	2	Clamp, Gear	
9	8405201	2	Clamp, Gear	
10	8405009	5	Clamp, Gear	
11	1001180542	2465 mm	Hose	
12	1001217762	1	Hose	
13	1001201309	1	Hose	
14	1001217763	1	Hose	
15	1001217761	1	Bracket	
16	8405006	1	Clamp, Gear	
17	1001180553	370 mm	Hose	
18	0761010	1	Bolt, M12X20	
19	4812000	1	Washer, M10	
20	1001146588	2	Strap, Tie	
21	8405007	1	Clamp, Gear	

SECTION 4 - ENGINE AND ATTACHING PARTS

FIGURE 4-26. SURGE TANK INSTALLATION



DETAIL A

ART_1001201304-B

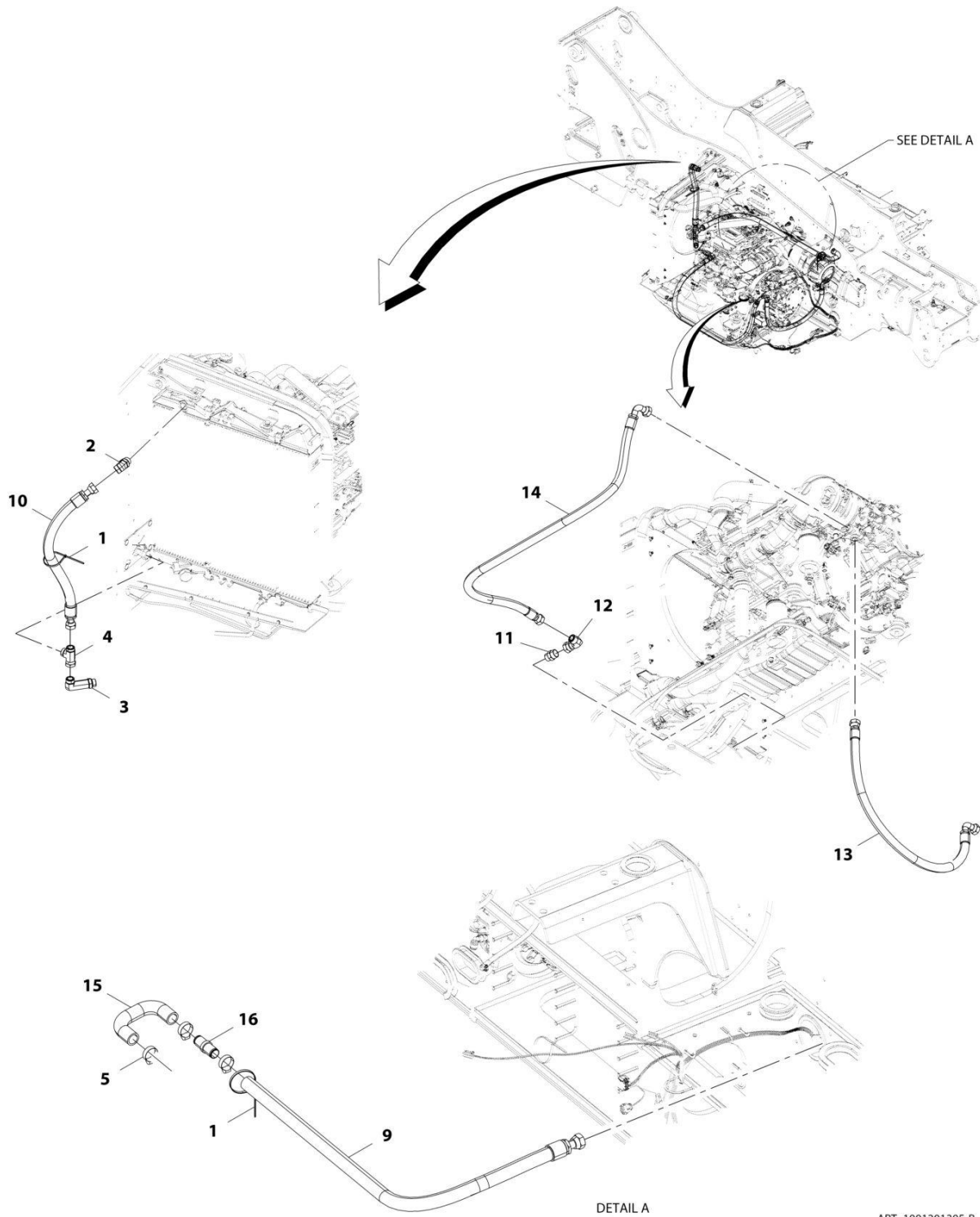
SECTION 4 - ENGINE AND ATTACHING PARTS

FIGURE 4-26. SURGE TANK INSTALLATION

ITEM	PART NUMBER	QTY	DESCRIPTION	REV
	1001201304	Ref	Surge Tank Installation	B
1	0700816	2	Bolt, M8X40	
2	0791605	4	Screw	
3	4811900	2	Washer, M8	
4	1001138827	1	Sensor, Coolant Level	
5	1001128144	1	Tank, Coolant	
6	1001128341	1	Cap	
7	1001169368	2	Fitting, Hose Barb	
8	1001201317	1	Bracket, Coolant Tank	

SECTION 4 - ENGINE AND ATTACHING PARTS

FIGURE 4-27. TRANSMISION OIL COOLER LINES INSTALLATION



DETAIL A

ART_1001201305-B

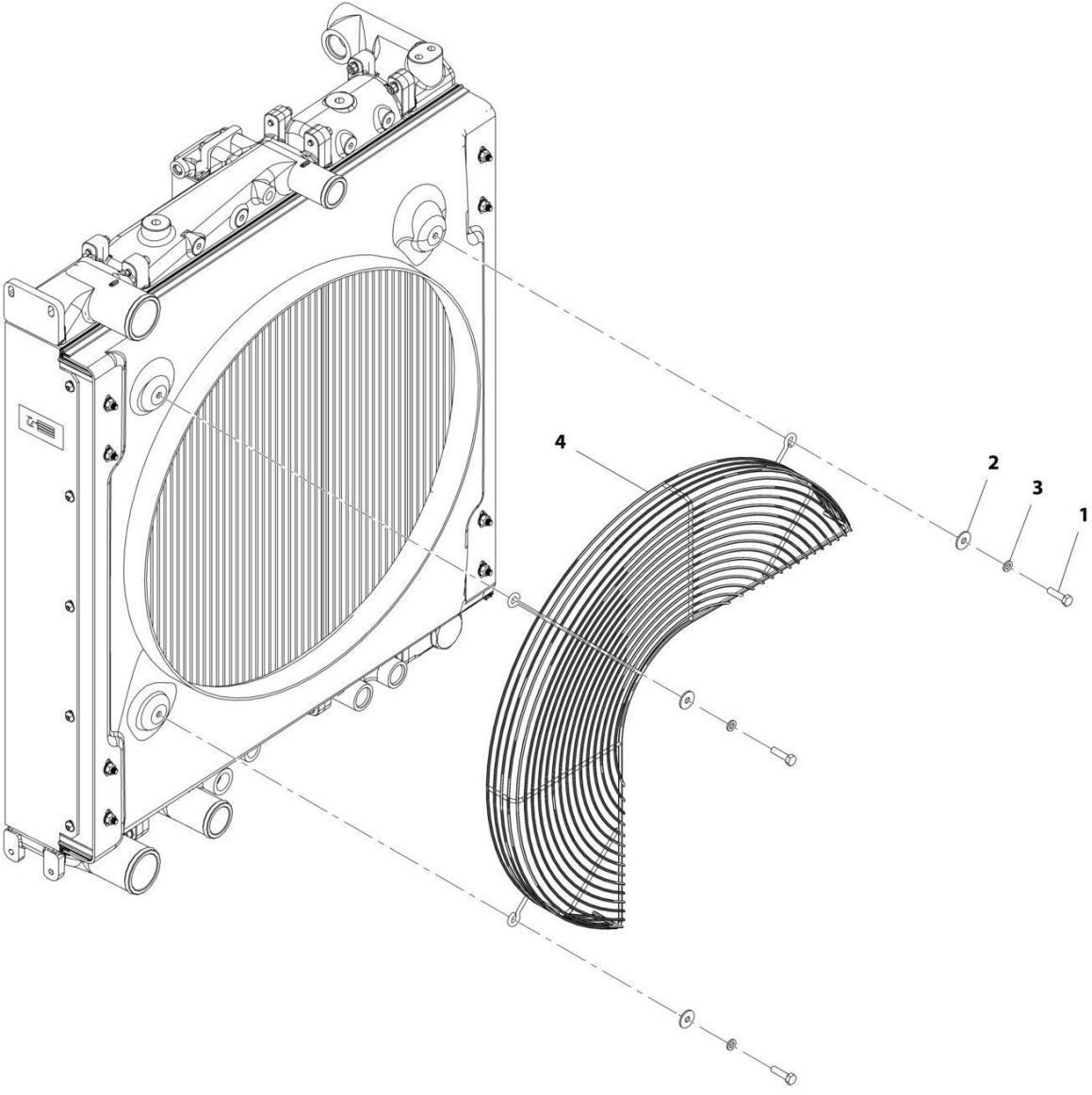
SECTION 4 - ENGINE AND ATTACHING PARTS

FIGURE 4-27. TRANSMISION OIL COOLER LINES INSTALLATION

ITEM	PART NUMBER	QTY	DESCRIPTION	REV
	1001201305	Ref	Transmission Oil Cooler Lines Installation	B
1	1062255	AR	Strap, Tie	
2	2151616	1	Fitting, 45 ORFS	
3	2170216	1	Fitting, 90 ORFS	
4	2170716	1	Fitting, Tee ORFS	
5	8405102	3	Clamp, Gear	
9	1001205564	1	Hose	
10	1001205565	1	Hose	
11	2111616	1	Fitting, Straight ORFS	
12	2172116	1	Fitting, 90 ORFS	
13	1001211616	1	Hose	
14	1001211617	1	Hose	
15	1001212920	1	Hose	
16	1001212921	1	Fitting, Straight	

SECTION 4 - ENGINE AND ATTACHING PARTS

FIGURE 4-28. FAN GUARD INSTALLATION



ART_1001160420-D

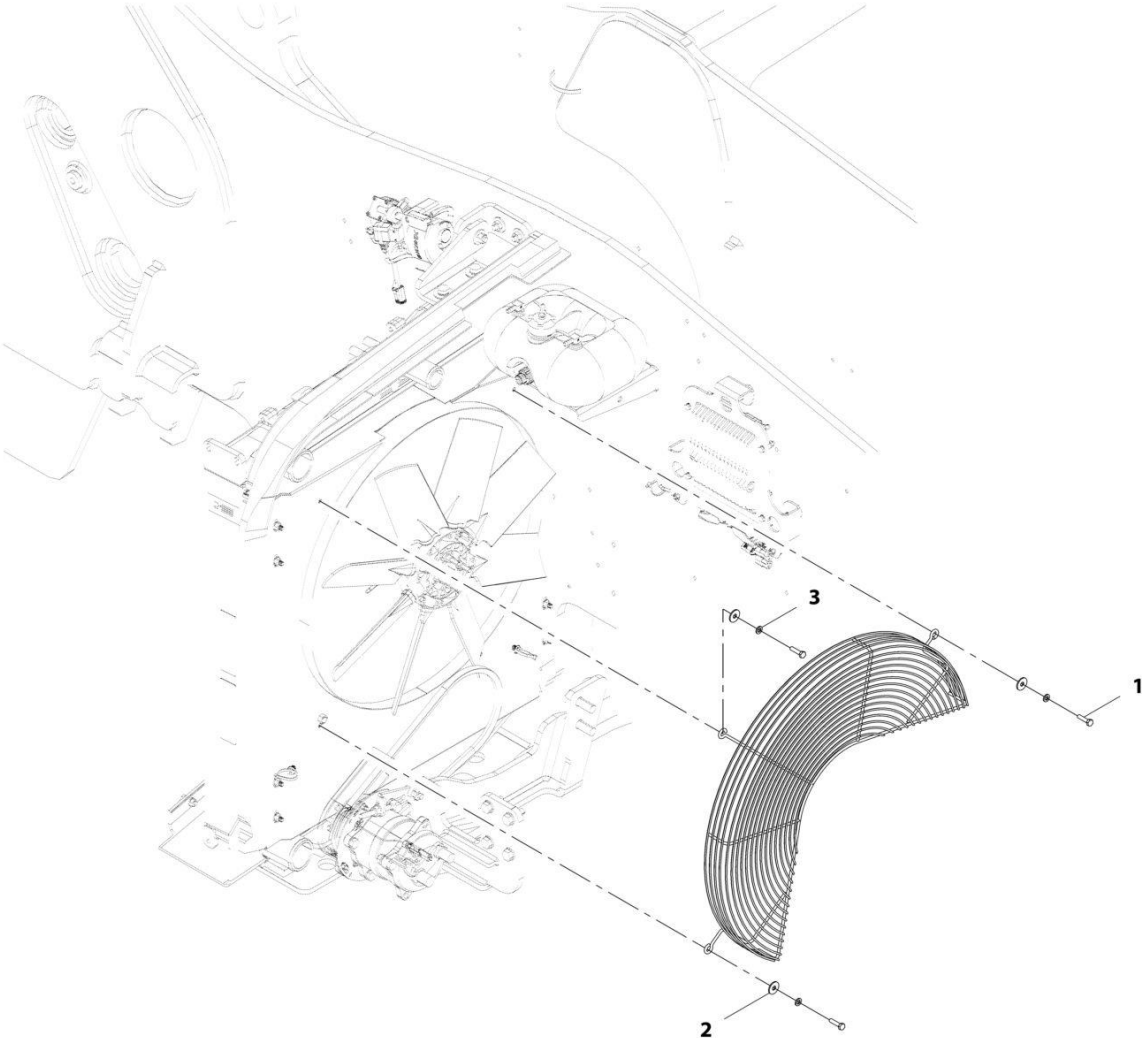
SECTION 4 - ENGINE AND ATTACHING PARTS

FIGURE 4-28. FAN GUARD INSTALLATION

ITEM	PART NUMBER	QTY	DESCRIPTION	REV
	1001160420	Ref	Fan Guard Installation	D
1	0700814	3	Bolt, M8X30	
2	4811902	3	Washer, M8	
3	4831900	3	Washer, Lock M8	
4	1001167186	1	Grill	

SECTION 4 - ENGINE AND ATTACHING PARTS

FIGURE 4-29. FAN GUARD (REVERSING) INSTALLATION



ART_1001217754-B

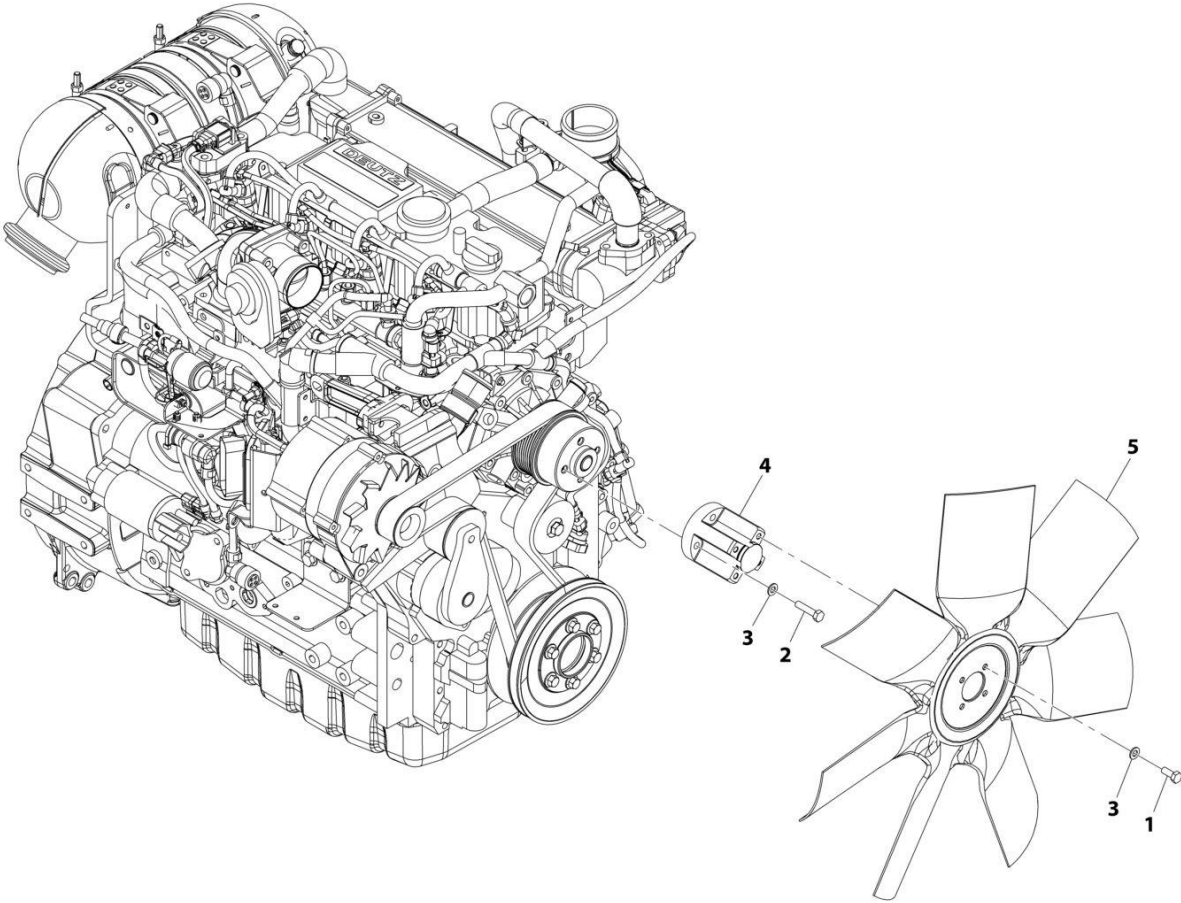
SECTION 4 - ENGINE AND ATTACHING PARTS

FIGURE 4-29. FAN GUARD (REVERSING) INSTALLATION

ITEM	PART NUMBER	QTY	DESCRIPTION	REV
	1001217754	1	Fan Guard (Reversing) Installation	B
1	0700814	3	Bolt, M8X30	
2	4811902	3	Washer, M8	
3	4831900	3	Washer, Lock M8	
4	1001217755	1	Grill	

SECTION 4 - ENGINE AND ATTACHING PARTS

FIGURE 4-30. COOLING FAN INSTALLATION



ART_1001214123-A

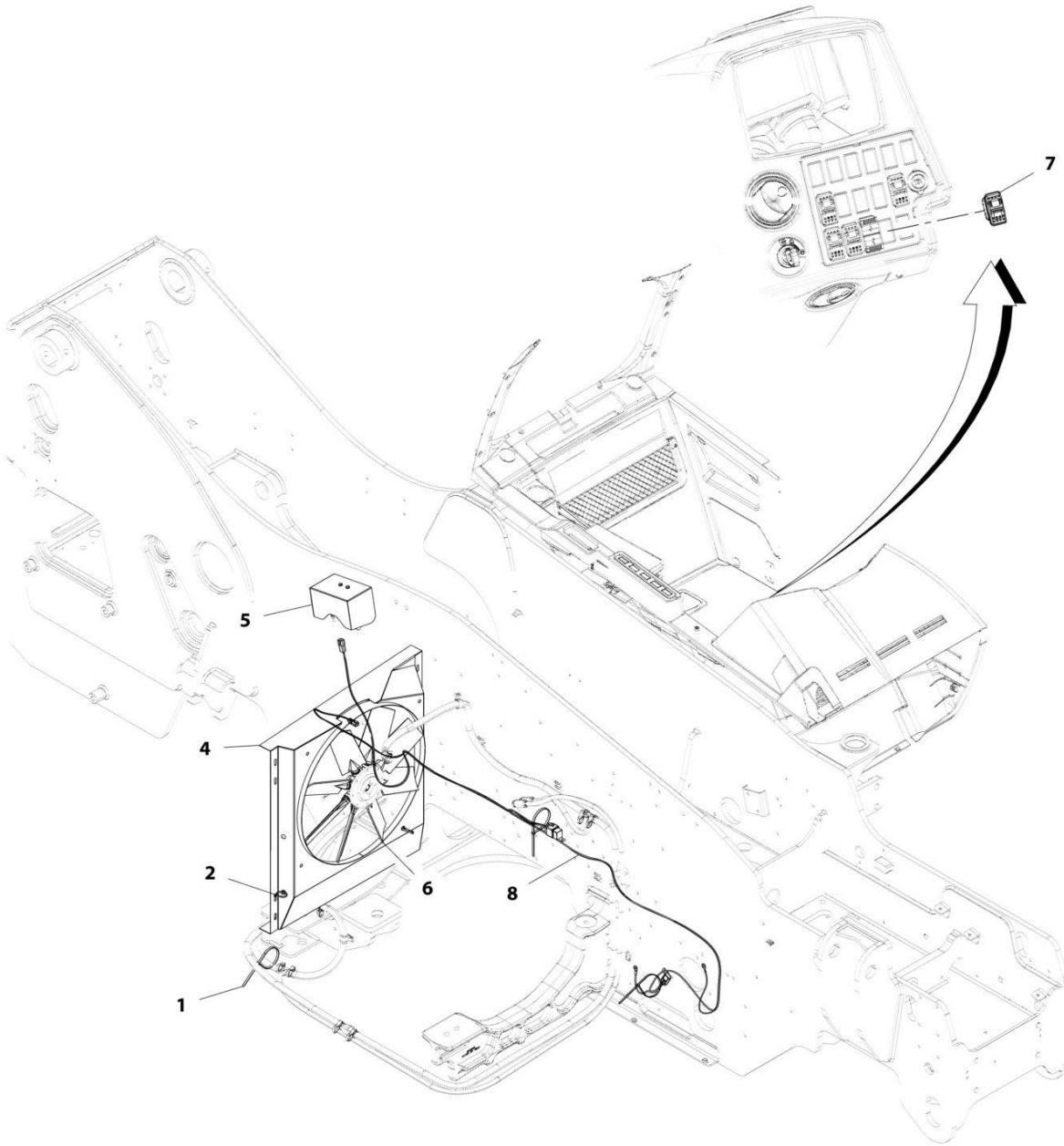
SECTION 4 - ENGINE AND ATTACHING PARTS

FIGURE 4-30. COOLING FAN INSTALLATION

ITEM	PART NUMBER	QTY	DESCRIPTION	REV
	1001214123	Ref	Cooling Fan Installation	A
1	0760810	4	Bolt, M8X20	
2	0770815	4	Bolt, M8X35 Grade 10.9	
3	4811900	8	Washer, M8	
4	1001170311	1	Adapter, Fan	
5	1001185026	1	Fan	

SECTION 4 - ENGINE AND ATTACHING PARTS

FIGURE 4-31. COOLING FAN (REVERSING) INSTALLATION



ART_1001217753-C

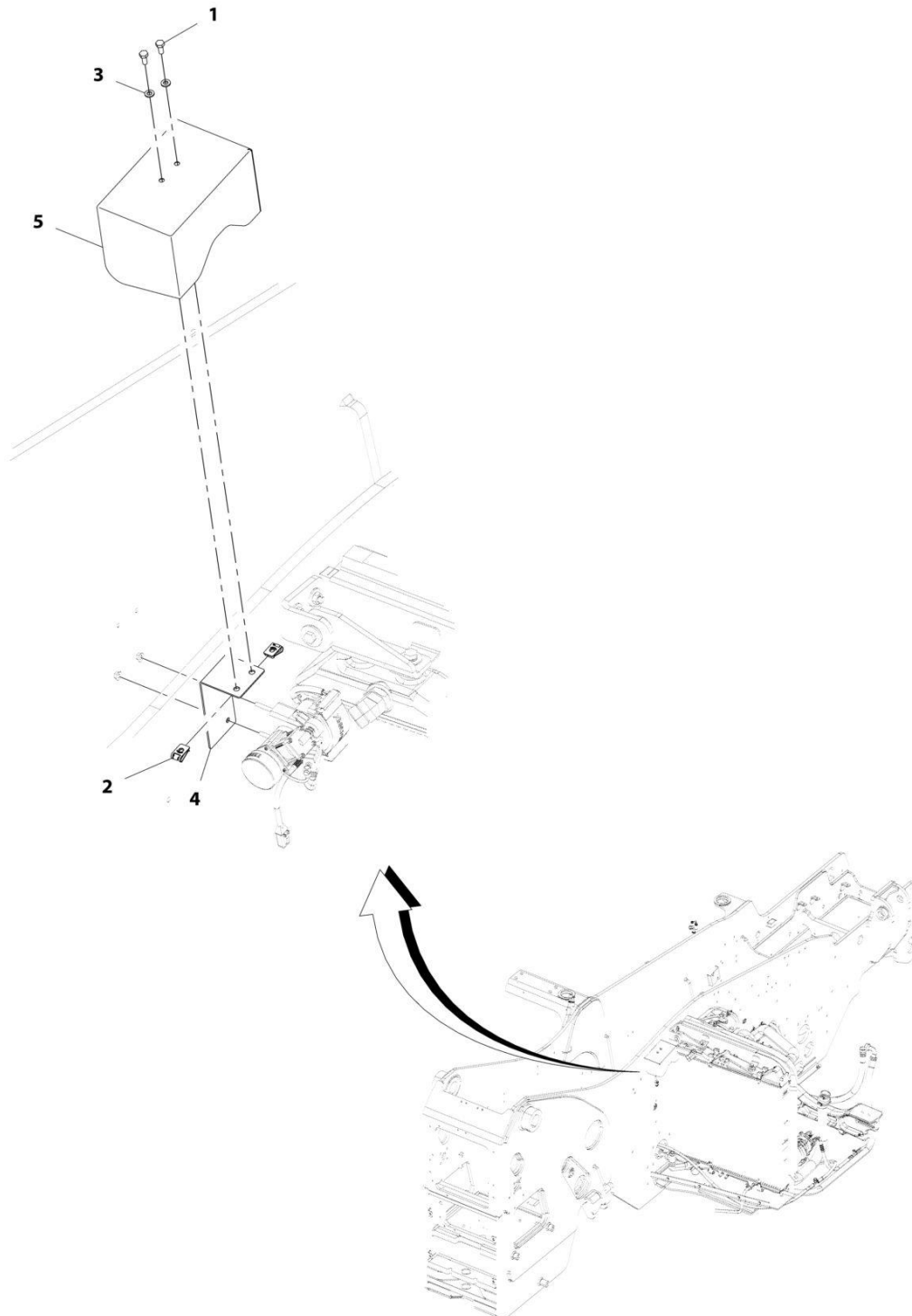
SECTION 4 - ENGINE AND ATTACHING PARTS

FIGURE 4-31. COOLING FAN (REVERSING) INSTALLATION

ITEM	PART NUMBER	QTY	DESCRIPTION	REV
	1001217753	Ref	Reverse Cooling Fan Installation	C
1	1062255	3	Strap, Tie	
2	1001146588	2	Strap, Fir Tree Cable Tie	
4	1001217756	1	Shroud	
5	1001217757	1	Installation, Cover (See Separate Breakdown in this Section)	
6	1001217760	1	Kit, Reversing Fan	
6	70030353	1	Pneumatic Line	
6	70030355	1	Fan, Reverse	
6	70030356	1	Compressor	
7	1001145204	1	Switch	
8	1001221493	1	Harness, Reversing Fan (See Separate Breakdown in ELECTRICAL Section)	

SECTION 4 - ENGINE AND ATTACHING PARTS

FIGURE 4-32. COOLING FAN COVER (REVERSING) INSTALLATION



ART_1001217757-A

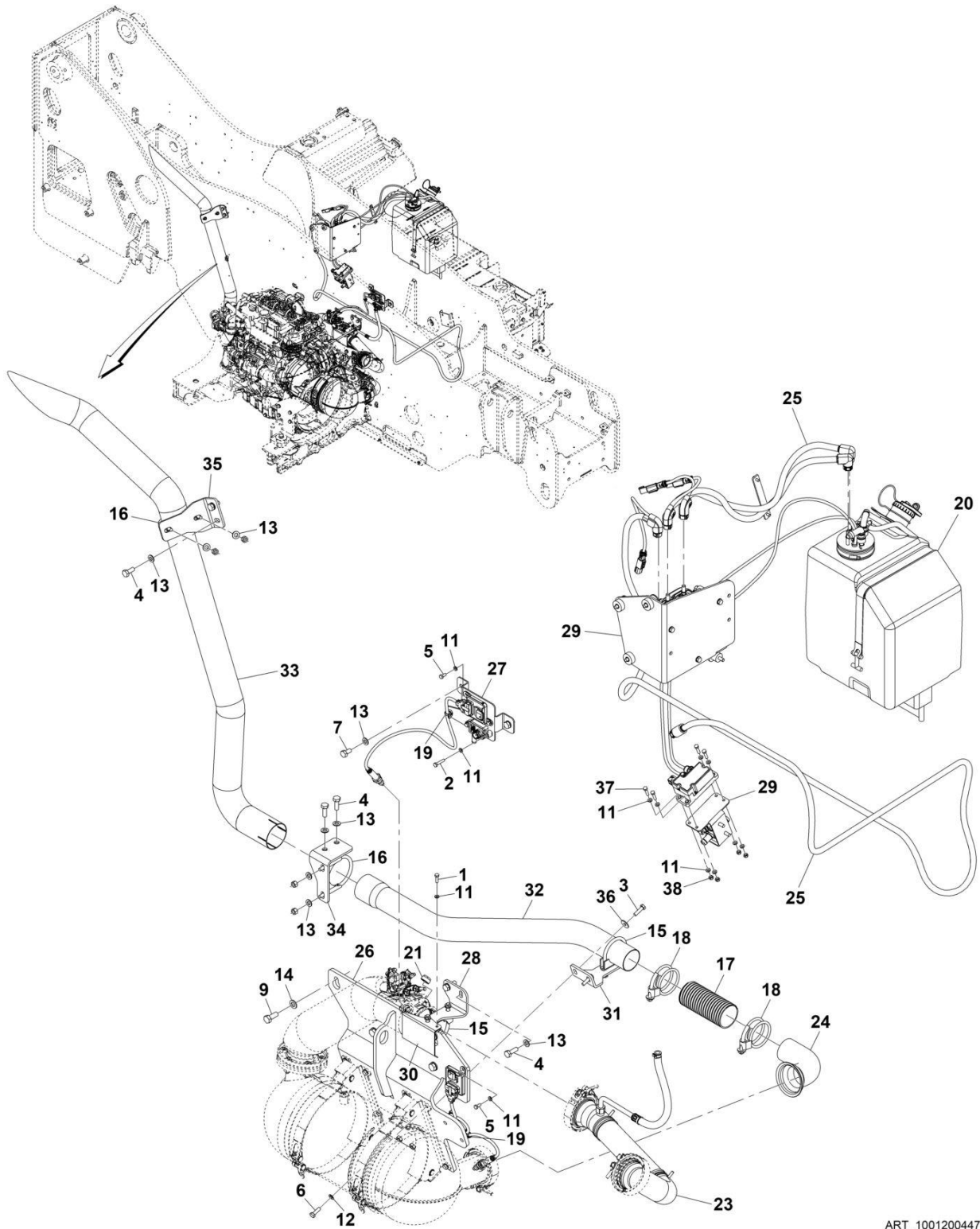
SECTION 4 - ENGINE AND ATTACHING PARTS

FIGURE 4-32. COOLING FAN COVER (REVERSING) INSTALLATION

ITEM	PART NUMBER	QTY	DESCRIPTION	REV
	1001217757	Ref	Compressor Cover Installation	A
1	0760607	2	Bolt, M6X14	
2	8305919	2	Nut, M6	
3	8307219	2	Washer, M6	
4	1001217758	1	Bracket	
5	1001217759	1	Cover	

SECTION 4 - ENGINE AND ATTACHING PARTS

FIGURE 4-33. EXHAUST INSTALLATION (ULS)



ART_1001200447-I

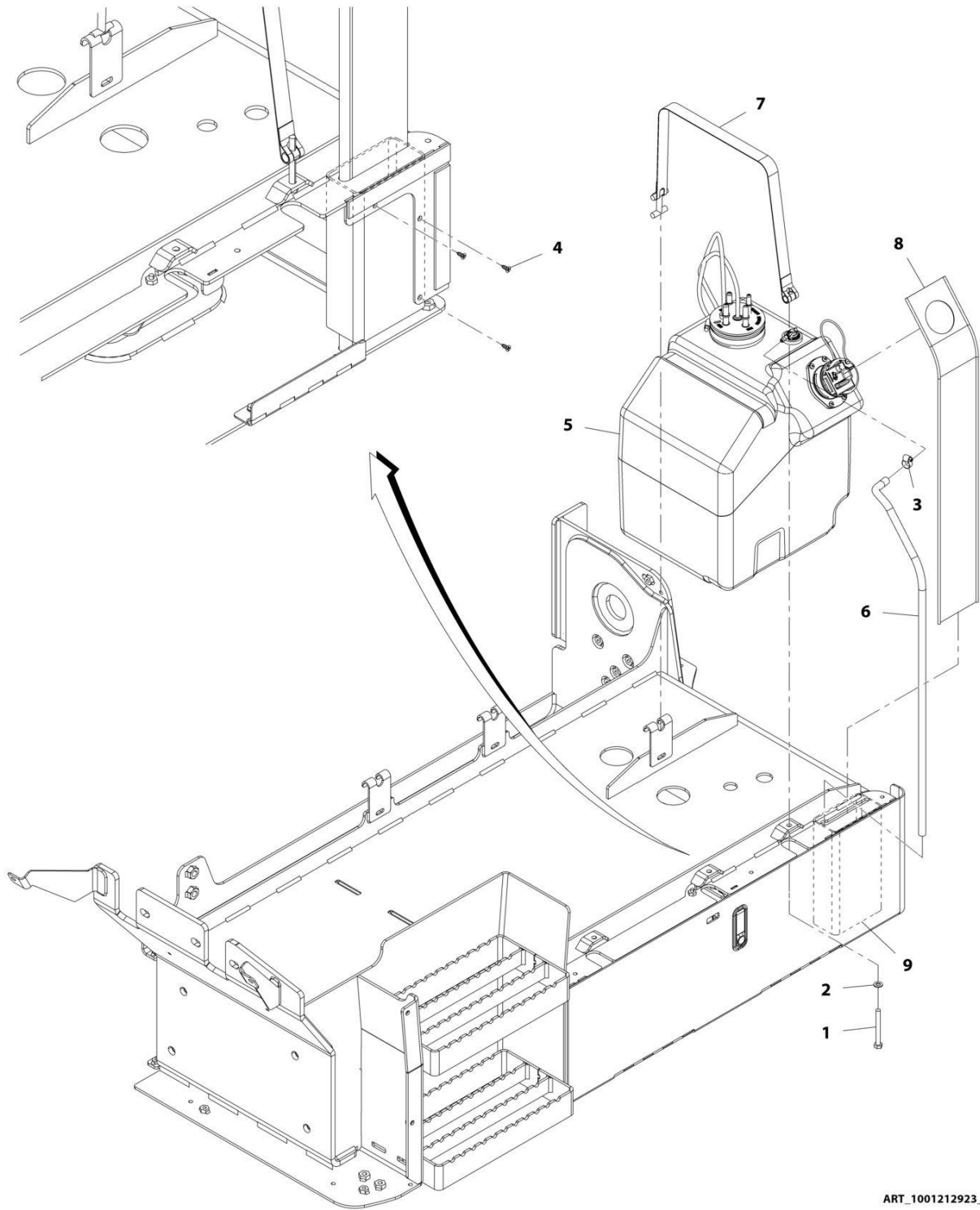
SECTION 4 - ENGINE AND ATTACHING PARTS

FIGURE 4-33. EXHAUST INSTALLATION (ULS)

ITEM	PART NUMBER	QTY	DESCRIPTION	REV
	1001200447	Ref	EXHAUST INSTALLATION (ULS)	K
1	0700610	1	Bolt M6 x 20	
2	0700614	1	Bolt M6 x 30	
3	0700814	2	Bolt M8 x 30	
4	0701014	6	Bolt M10 x 30	
5	0760607	4	Bolt M6 x 14	
6	0760812	8	Bolt M8 x 25	
7	0761010	2	Bolt M10 x 20	
9	0761214	4	Bolt M12 x 30	
11	4811700	6	Washer M6	
12	4811900	8	Washer M8	
13	4812000	12	Washer M10	
14	4812100	4	Washer M12	
15	8275212	2	Clamp	
16	24921332	2	Clamp	
17	77213042	1	Tube, Flexible	
18	91163268	2	Clamp	
19	1001146588	3	Tie-Strap	
20	1001293067	Ref	Installation, DEF Tank (See Separate Breakdown in this Section)	
23	1001199902	1	Pipe	
24	1001200249	1	Pipe	
25	1001293068	Ref	Installation, DEF Lines (See Separate Breakdown in this Section)	
26	1001201856	1	Bracket	
27	1001284536	1	Bracket	
28	1001201858	1	Support	
29	1001202018	Ref	Installation, DEF Control Module (See Separate Breakdown in this Section)	
30	1001202021	1	Plate	
31	1001202899	1	Bracket	
32	1001204411	1	Pipe	
33	1001226797	1	Pipe, Tail	
34	1001204413	1	Bracket	
35	1001204414	1	Bracket	
36	4811902	2	Washer M8	
39	1001004720	AR	Tie-Strap	

SECTION 4 - ENGINE AND ATTACHING PARTS

FIGURE 4-34. DEF TANK INSTALLATION



ART_1001212923_F

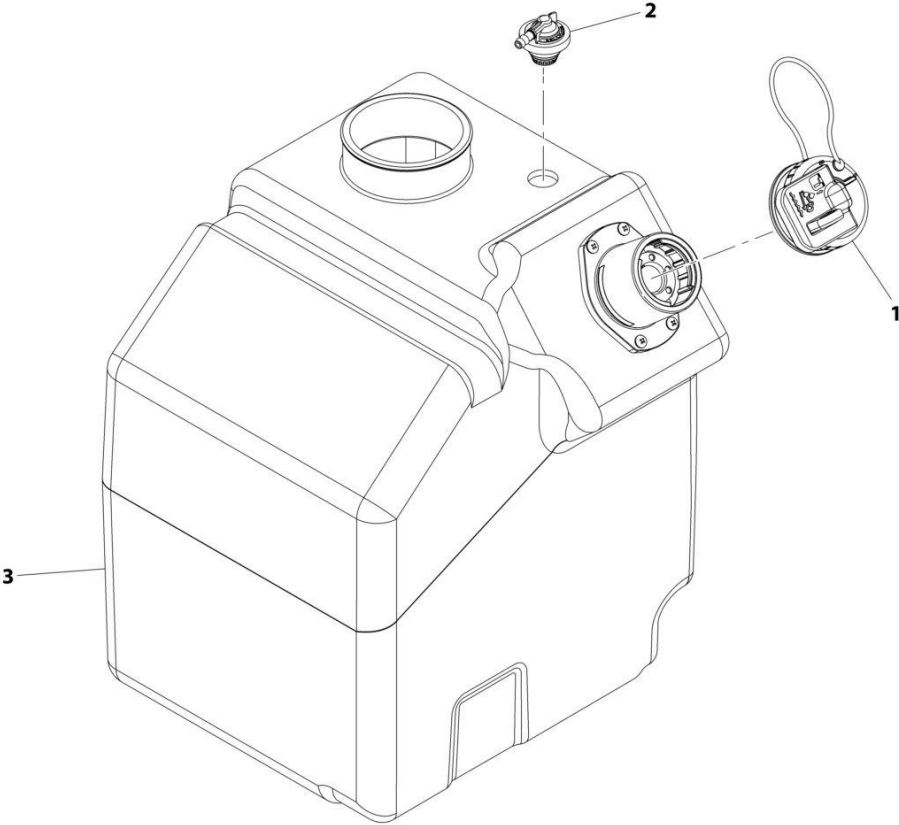
SECTION 4 - ENGINE AND ATTACHING PARTS

FIGURE 4-34. DEF TANK INSTALLATION

ITEM	PART NUMBER	QTY	DESCRIPTION	REV
	1001212923	Ref	DEF Tank Installation	F
1	0760823	1	Bolt, M8X75	
2	4811900	1	Washer, M8	
3	8405009	1	Clamp	
4	1001226681	3	Screw	
5	1001247279	1	Assembly, DEF Tank (See Separate Breakdown in this Section)	
6	1001175201	813 mm	Hose	
7	1001178791	1	Strap, Tank	
8	1001212924	1	Guard, Spill	
9	1001212925	1	Tube, Drain	

SECTION 4 - ENGINE AND ATTACHING PARTS

FIGURE 4-35. DEF TANK ASSEMBLY



ART_1001247279-B

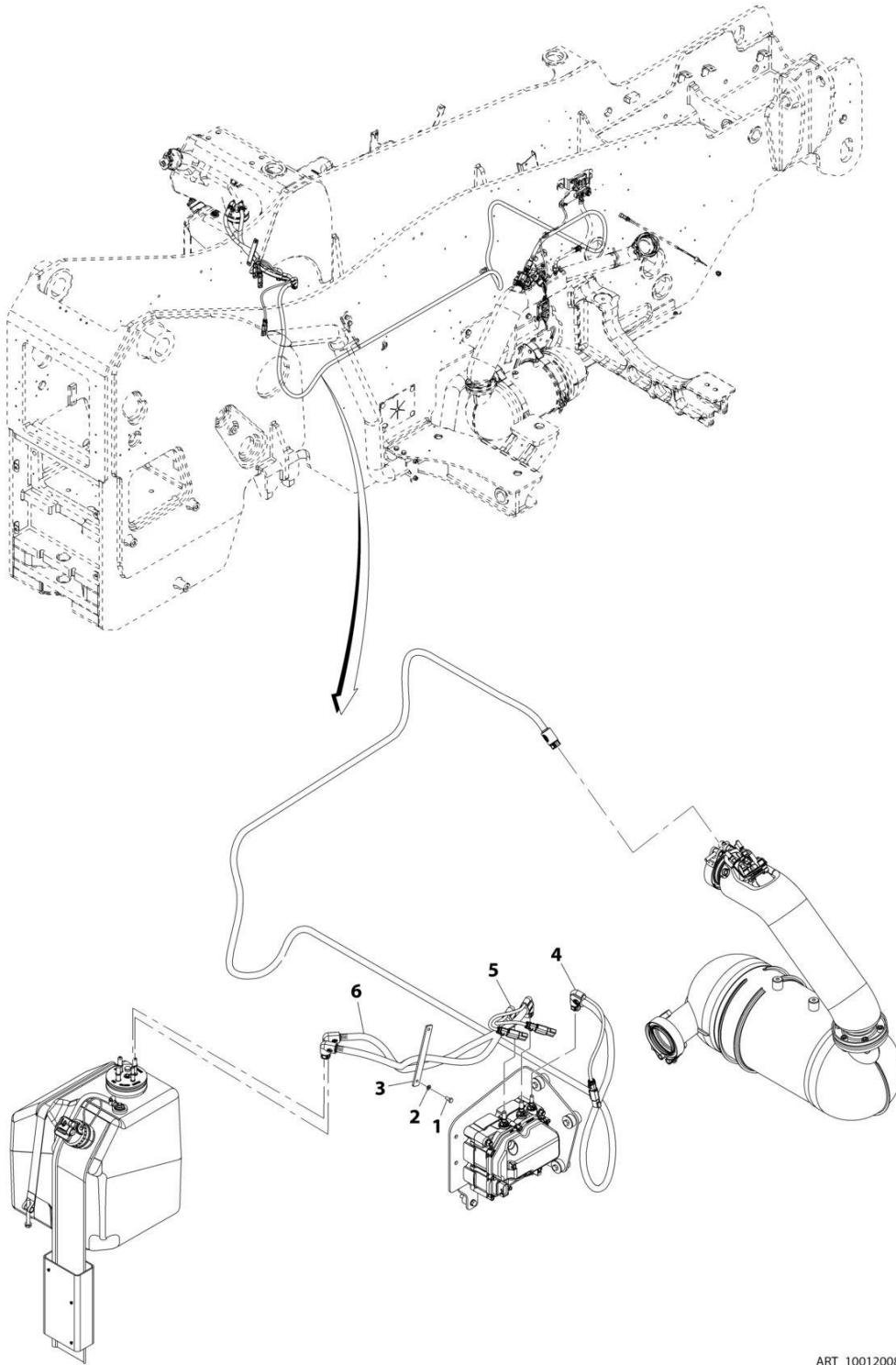
SECTION 4 - ENGINE AND ATTACHING PARTS

FIGURE 4-35. DEF TANK ASSEMBLY

ITEM	PART NUMBER	QTY	DESCRIPTION	REV
	1001247279	Ref	DEF Tank Assembly	B
1	1001174795	1	Reutter Cap Assembly	
2	1001215319	1	DEF Breather Valve	
3	1001237897	NLA	DEF Tank (Use PN 1001247279)	

SECTION 4 - ENGINE AND ATTACHING PARTS

FIGURE 4-36. DEF LINES INSTALLATION



ART_1001200867-E

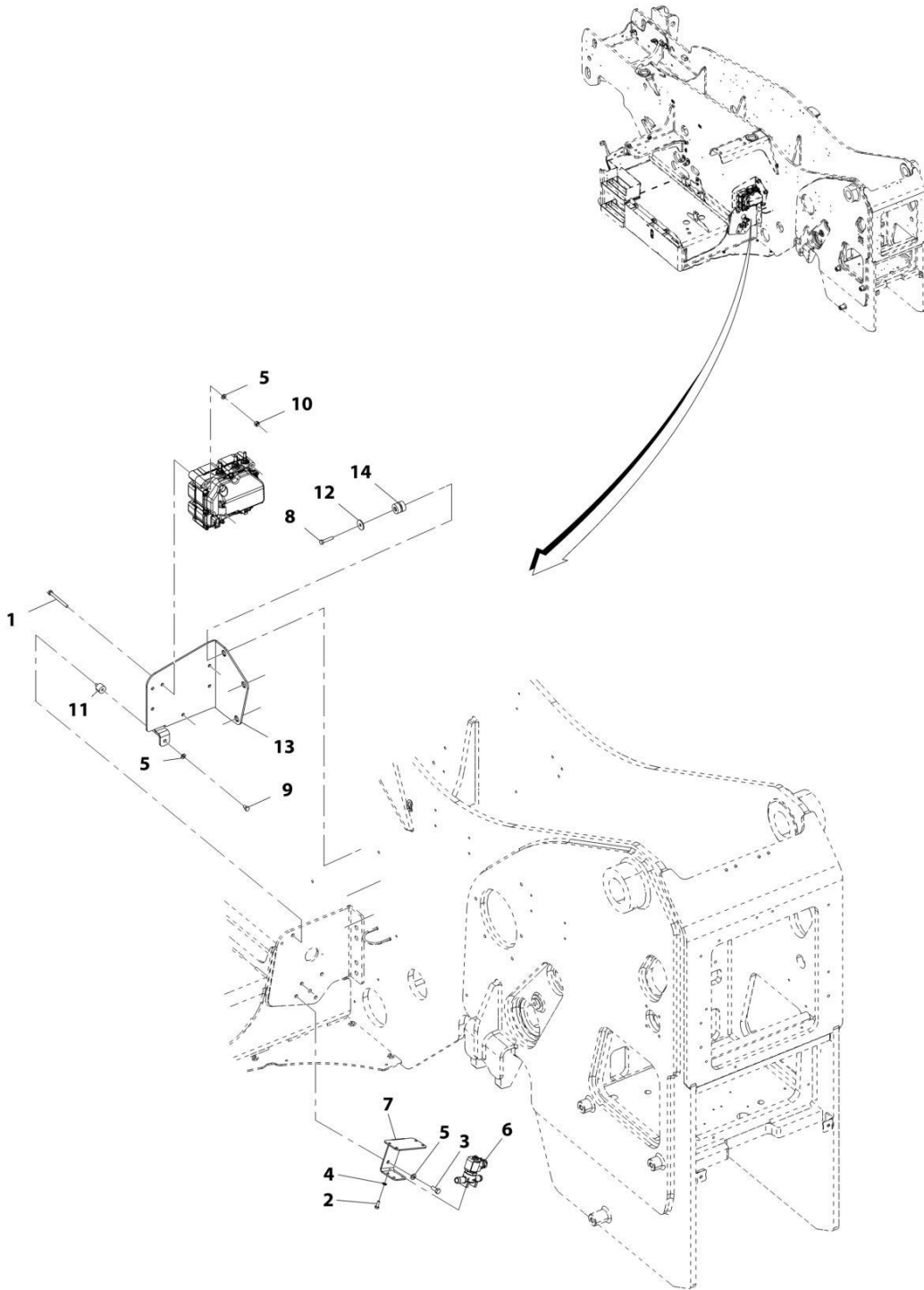
SECTION 4 - ENGINE AND ATTACHING PARTS

FIGURE 4-36. DEF LINES INSTALLATION

ITEM	PART NUMBER	QTY	DESCRIPTION	REV
	1001200867	Ref	DEF Lines Installation	E
1	0760607	2	Bolt, M6X14	
2	4831700	2	Washer, Lock M6	
3	1001173873	1	Plate	
4	1001180437	1	Hose	
5	1001239879	1	Hose	
6	1001239878	1	Hose	

SECTION 4 - ENGINE AND ATTACHING PARTS

FIGURE 4-37. DEF CONTROL MODULE INSTALLATION



ART_1001202018-F

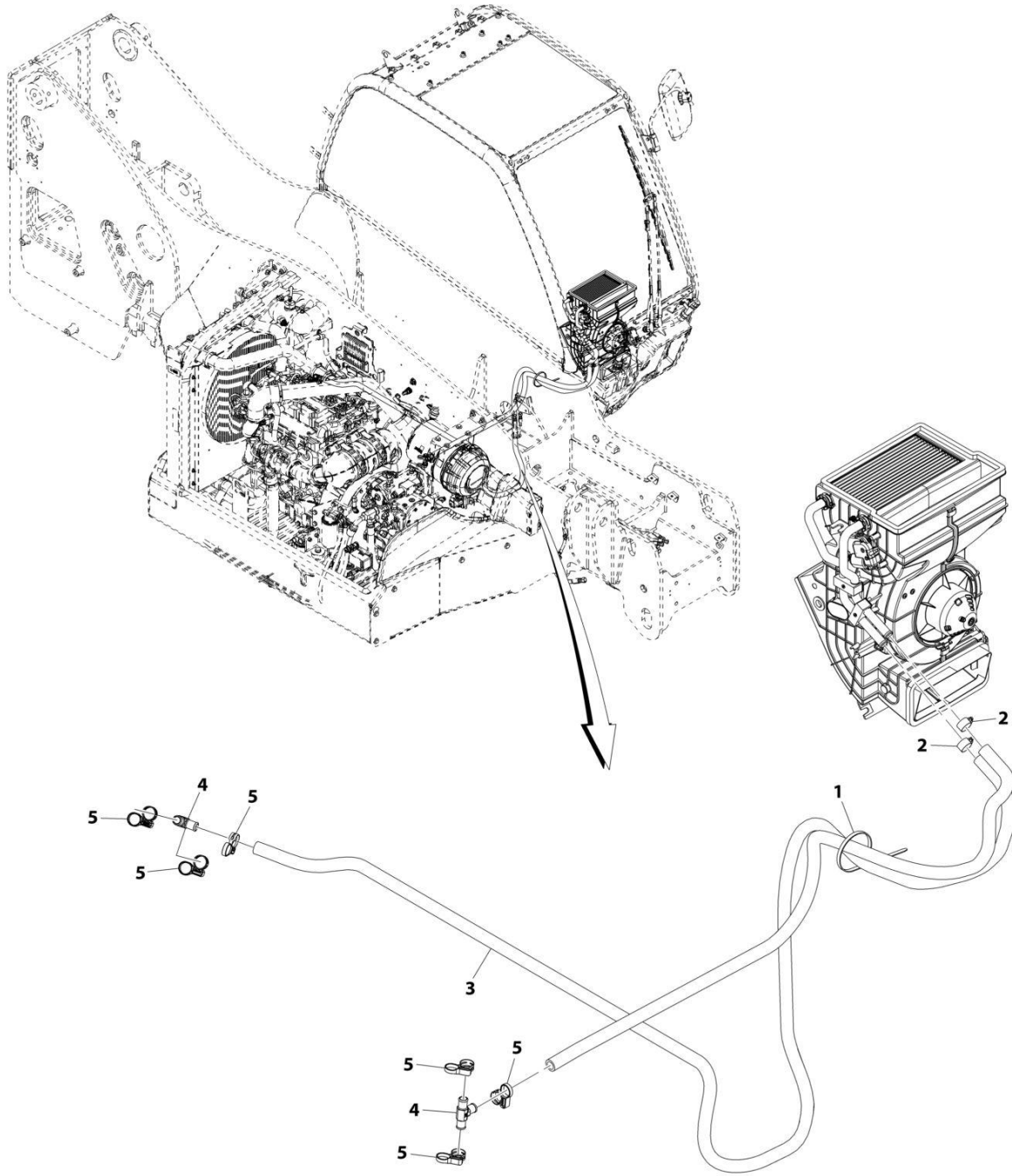
SECTION 4 - ENGINE AND ATTACHING PARTS

FIGURE 4-37. DEF CONTROL MODULE INSTALLATION

ITEM	PART NUMBER	QTY	DESCRIPTION	REV
	1001202018	Ref	DEF Control Module Installation	F
1	0700826	3	Bolt, M8X90	
2	0760608	4	Bolt, M6X16	
3	0760810	2	Bolt, M8X20	
4	4811700	4	Washer, M6	
5	4811900	9	Washer, M8	
6	1001199670	1	Valve, DEF Tank Coolant Flow	
7	1001247184	1	Bracket	
8	0700816	3	Bolt, M8X40	
9	0760806	1	Bolt, M8X12	
10	3290805	3	Nut, Lock M8X1.25 Grade 8	
11	1001179907	1	Mount, Isolator	
12	1001195089	3	Washer	
13	1001221349	1	Bracket	
14	1001221383	3	Mount, Isolator	

SECTION 4 - ENGINE AND ATTACHING PARTS

FIGURE 4-38. HEATER LINES INSTALLATION (ULS)



ART_1001200451-D

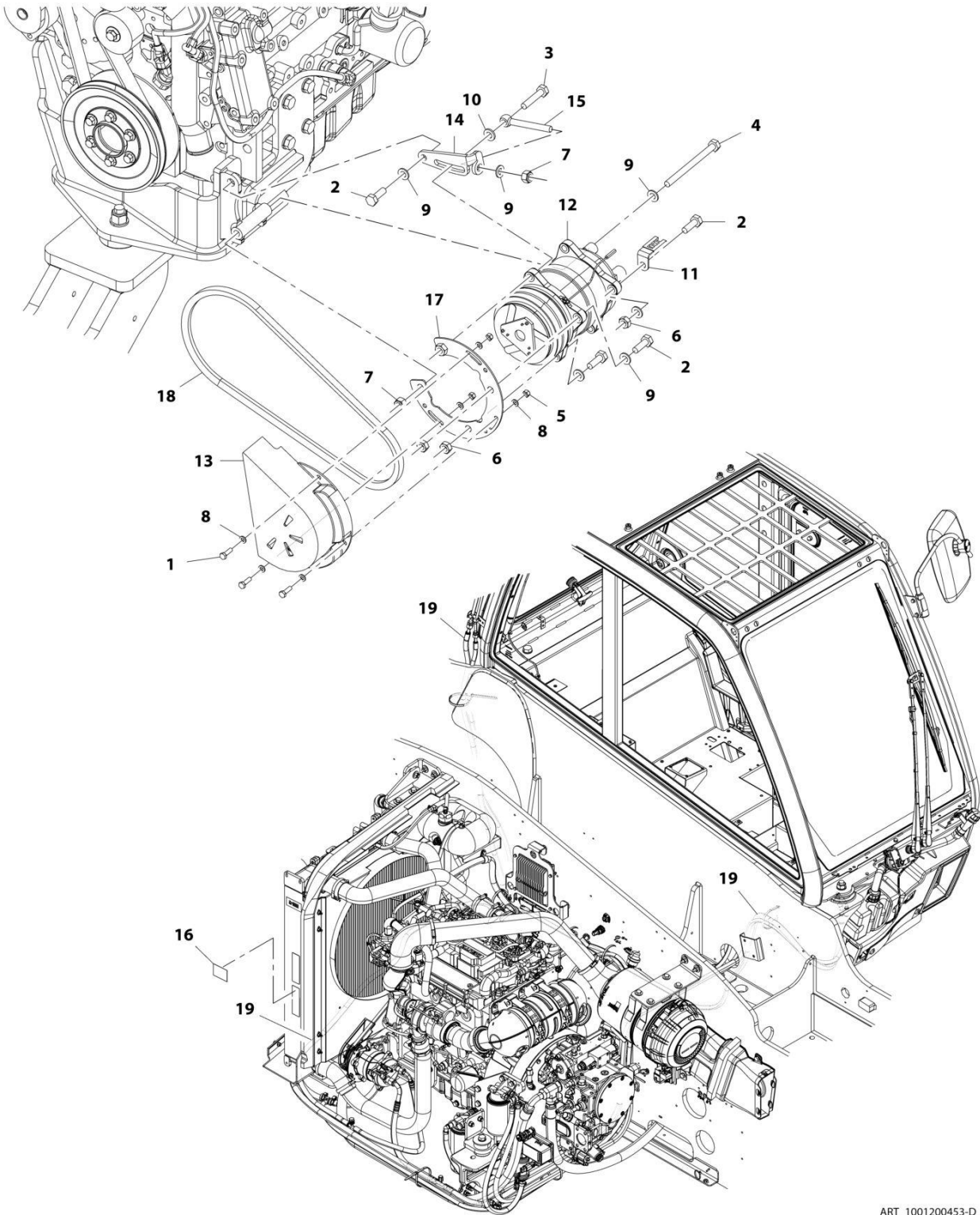
SECTION 4 - ENGINE AND ATTACHING PARTS

FIGURE 4-38. HEATER LINES INSTALLATION (ULS)

ITEM	PART NUMBER	QTY	DESCRIPTION	REV
	1001200451	Ref	Heater Lines Installation (ULS)	D
1	1062255	AR	Strap, Tie	
2	8410009	2	Clamp	
3	82033995	4620 mm	Hose	
4	1001170432	2	Fitting, Tee	
5	1001202526	6	Clamp	

SECTION 4 - ENGINE AND ATTACHING PARTS

FIGURE 4-39. A/C PUMP INSTALLATION



ART_1001200453-D

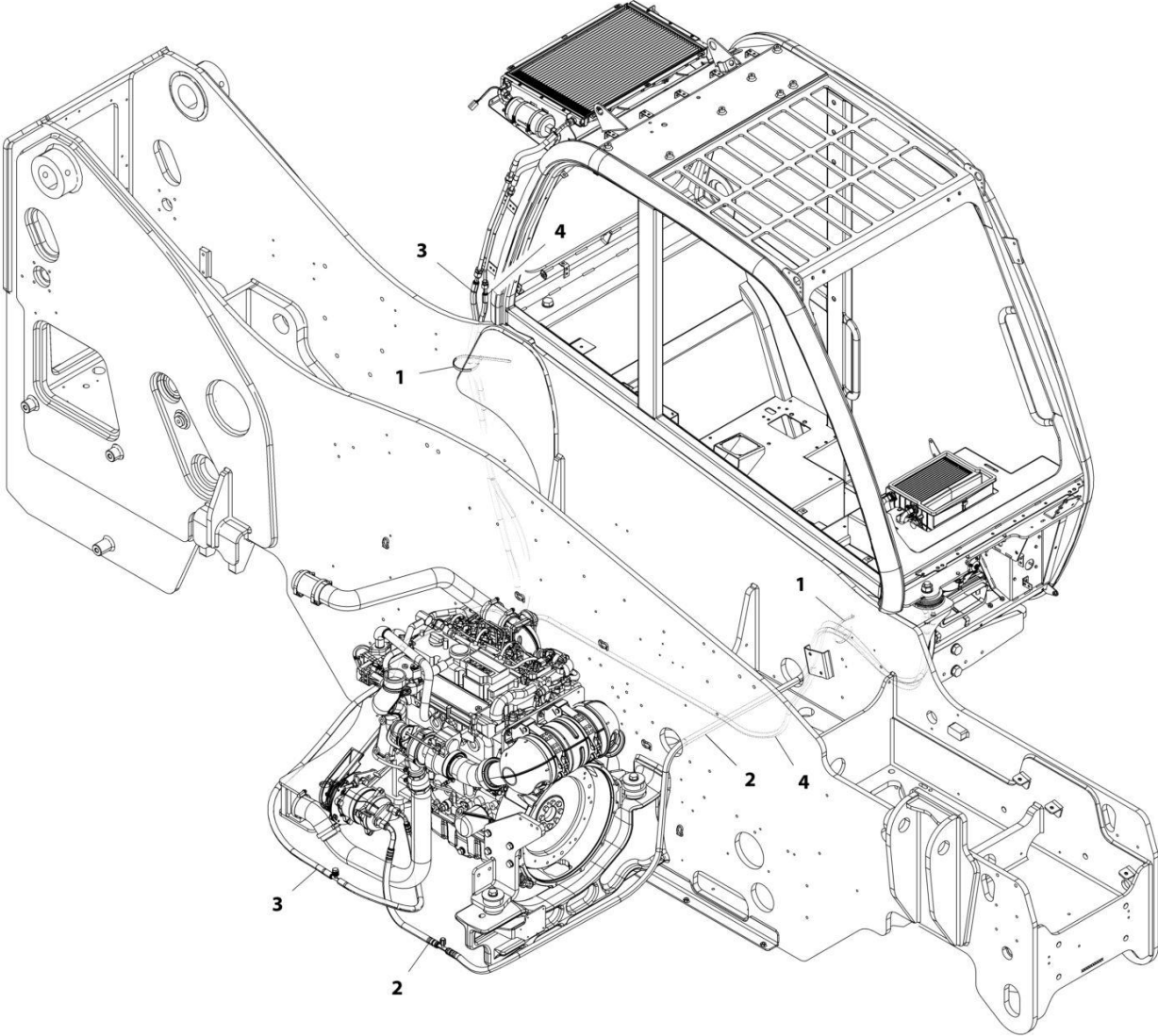
SECTION 4 - ENGINE AND ATTACHING PARTS

FIGURE 4-39. A/C PUMP INSTALLATION

ITEM	PART NUMBER	QTY	DESCRIPTION	REV
	1001200453	Ref	A/C Pump Installation	D
1	0700610	3	Bolt, M6X20	
2	0701014	4	Bolt, M10X30	
3	0701018	1	Bolt, M10X50	
4	0711030	1	Bolt, M10X130 Grade 10.9	
5	3290605	3	Nut, Lock M6X1	
6	3291001	3	Nut, M10X1.5	
7	3291005	2	Nut, lock M10X1.5	
8	4811700	6	Washer, M6	
9	4812000	6	Washer, M10	
10	5241000	1	Washer, M10	
11	1001003305	1	Clip	
12	1001107339	1	Compressor, A/C Clutch	
13	1001138945	1	Cover, Compressor	
14	1001188855	1	Plate, A/C Belt Tensioner	
15	1001188856	1	Rod, Tensioner	
16	1001227090	1	Decal, A/C Installation	
17	1001193797	1	Support, Cover	
18	1001200701	1	Belt, Drive	
19	1001202321	1	A/C Lines Installation (See Separate Breakdown in this Section)	

SECTION 4 - ENGINE AND ATTACHING PARTS

FIGURE 4-40. A/C LINES INSTALLATION



ART_1001202321-D

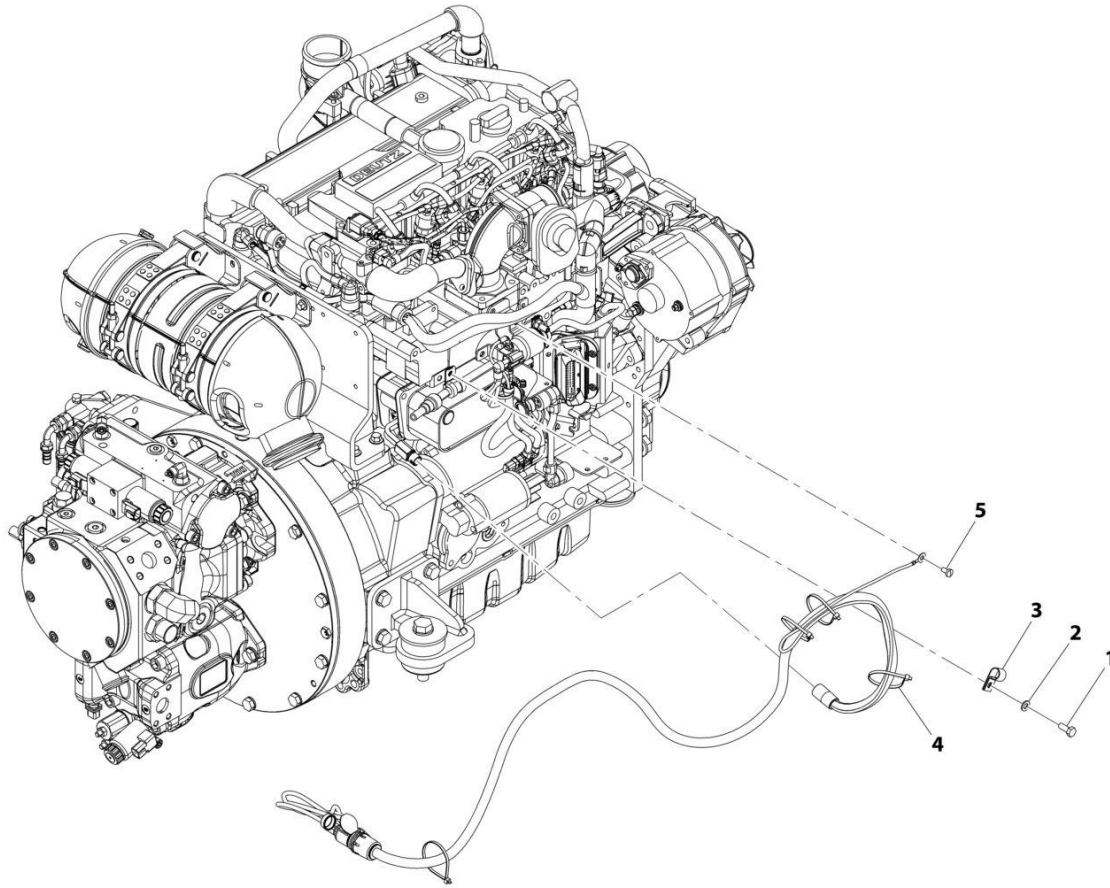
SECTION 4 - ENGINE AND ATTACHING PARTS

FIGURE 4-40. A/C LINES INSTALLATION

ITEM	PART NUMBER	QTY	DESCRIPTION	REV
	1001202321	Ref	A/C Lines Installation	D
1	1062255	2	Strap, Tie	
2	1001216798	1	Hose	
3	1001216799	1	Hose	
4	1001202325	1	Hose	

SECTION 4 - ENGINE AND ATTACHING PARTS

FIGURE 4-41. BLOCK HEATER INSTALLATION (115V) (ULS)



ART_1001214349-C

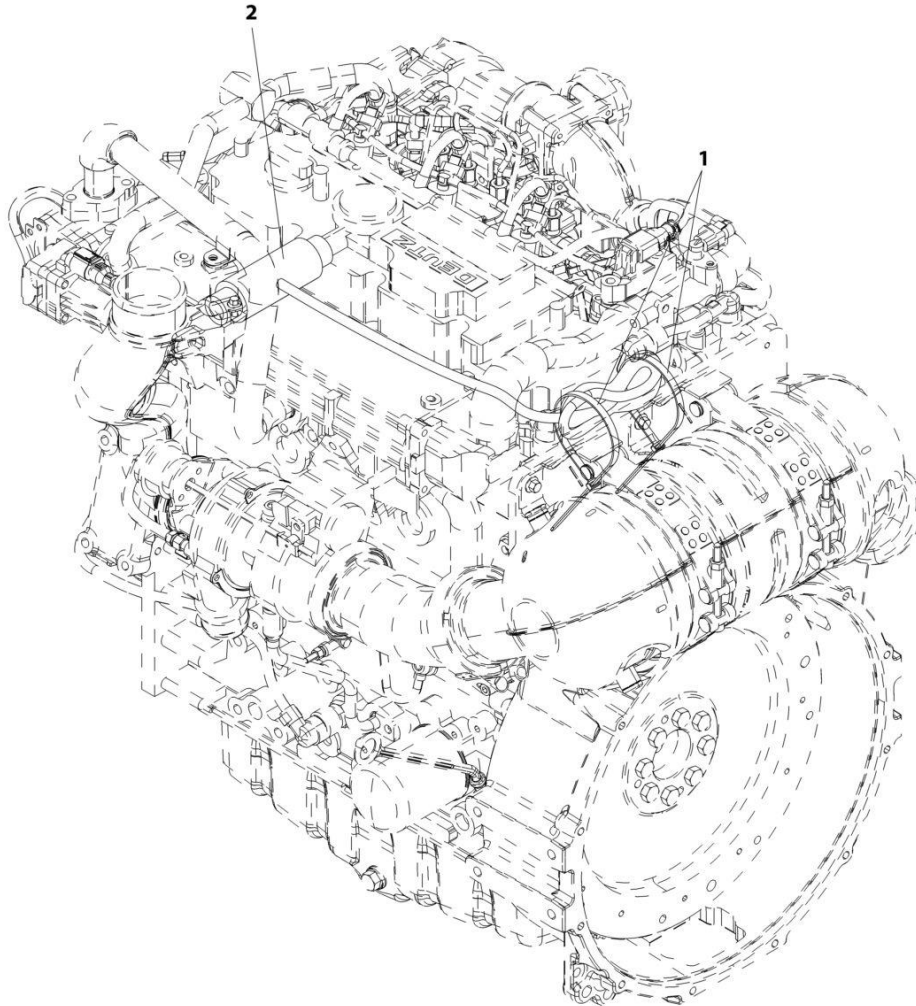
SECTION 4 - ENGINE AND ATTACHING PARTS

FIGURE 4-41. BLOCK HEATER INSTALLATION (115V) (ULS)

ITEM	PART NUMBER	QTY	DESCRIPTION	REV
	1001214349	Ref	Block Heater Installation (115V) (ULS)	C
1	0760810	1	Bolt, M8X20	
2	4811900	1	Washer, M8	
3	8406112	1	Clip	
4	1001008559	4	Strap, Cable	
5	1001099566	1	Screw, M6-1X12	

SECTION 4 - ENGINE AND ATTACHING PARTS

FIGURE 4-42. HEATED BREATHER TUBE INSTALLATION



ART_1001233024-A

SECTION 4 - ENGINE AND ATTACHING PARTS

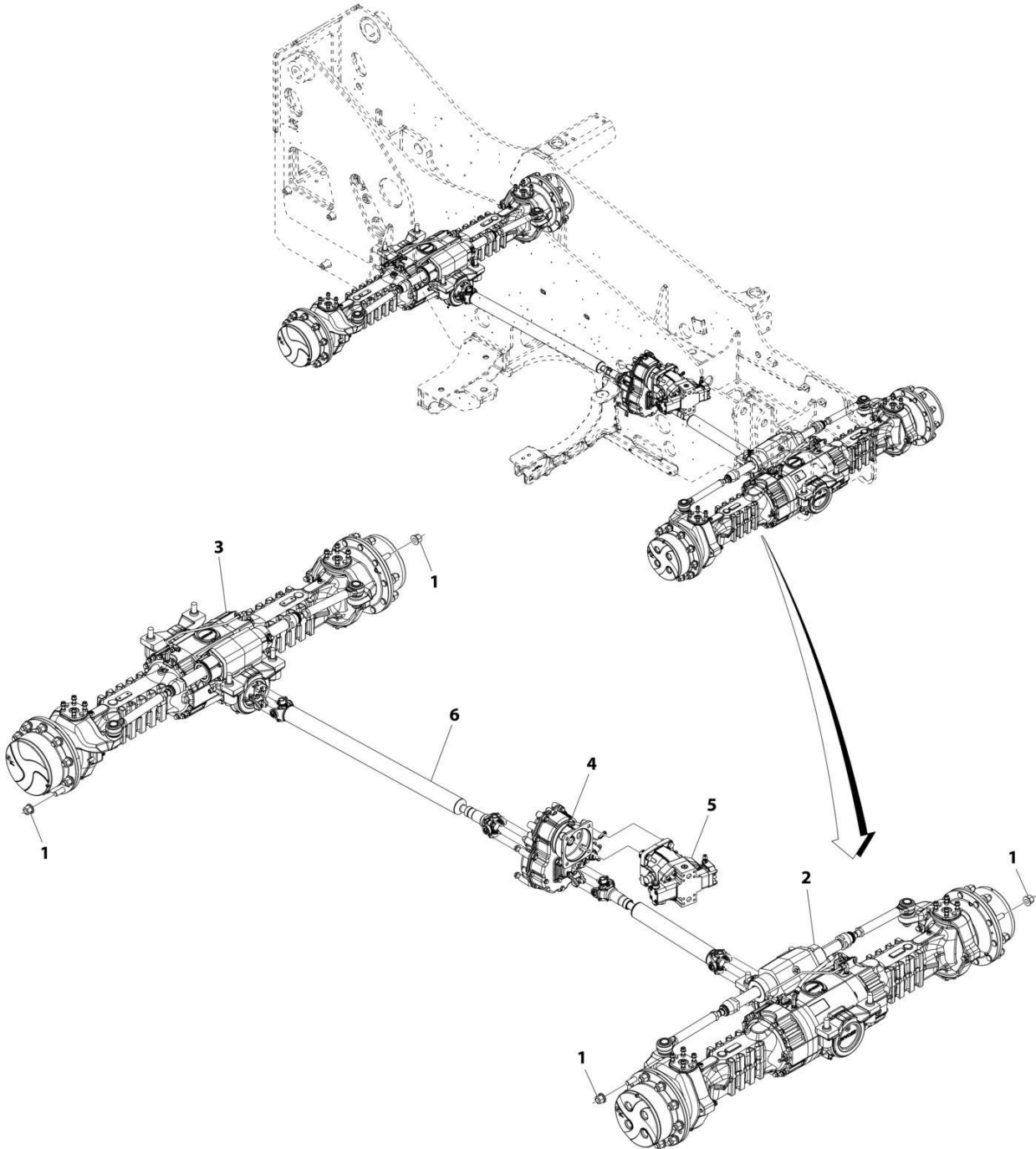
FIGURE 4-42. HEATED BREATHER TUBE INSTALLATION

ITEM	PART NUMBER	QTY	DESCRIPTION	REV
	1001233024	Ref	Heated Breather Tube Installation	A
1	1062255	2	Strap, Tie	
2	1001232509	1	Hose	

SECTION 5 - DRIVE TRAIN

SECTION 5 - DRIVE TRAIN

FIGURE 5-1. DRIVETRAIN INSTALLATION



ART_1001184976-B

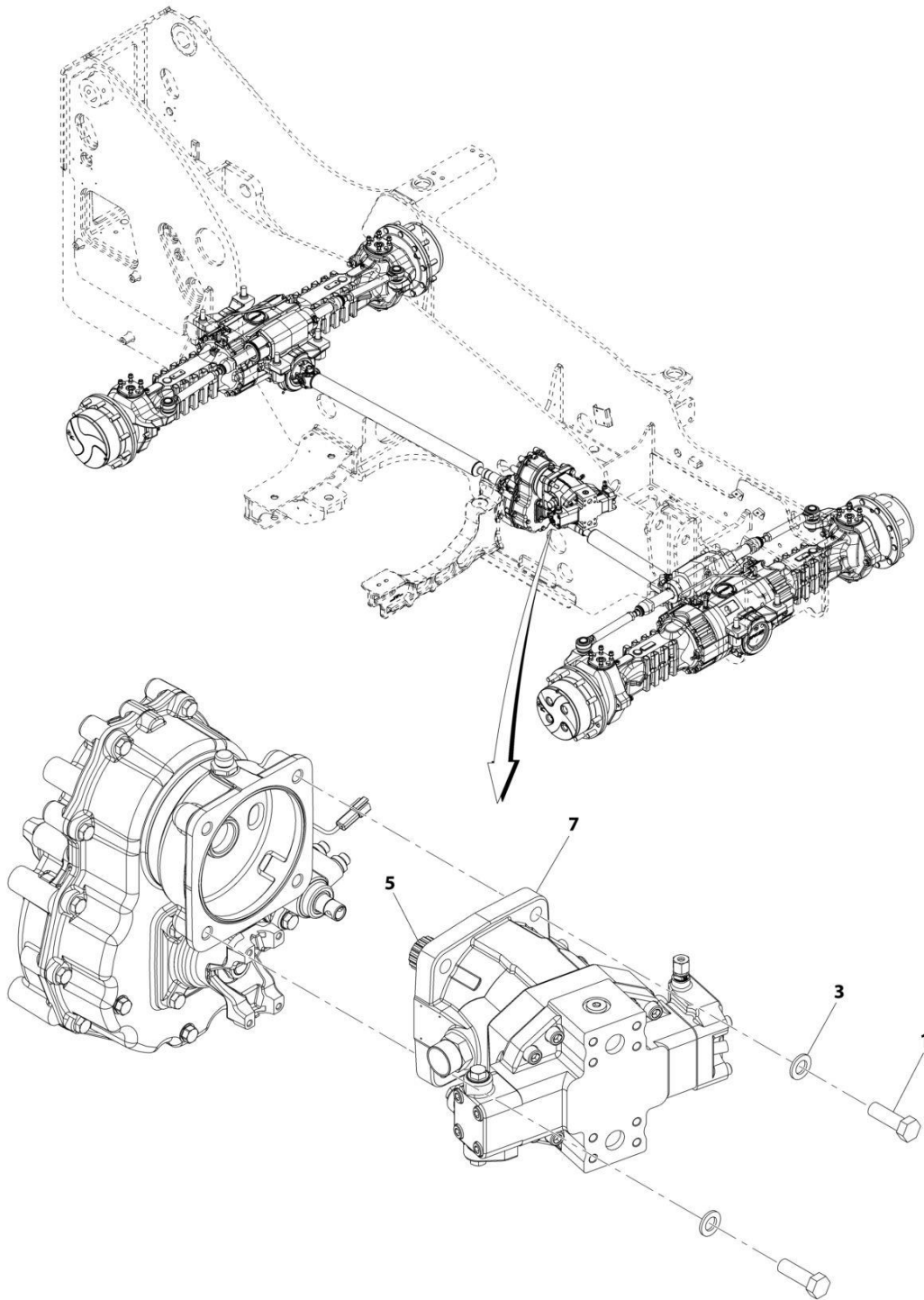
SECTION 5 - DRIVE TRAIN

FIGURE 5-1. DRIVETRAIN INSTALLATION

ITEM	PART NUMBER	QTY	DESCRIPTION	REV
	1001184976	Ref	Drivetrain Installation	B
1	91403193	40	Nut, Lug M22X1.5	
2	1001184977	Ref	Installation, Front Axle (See Separate Breakdown in this Section)	
3	1001184978	Ref	Installation, Rear Axle (See Separate Breakdown in this Section)	
4	1001184979	Ref	Installation, Gearbox (See Separate Breakdown in this Section)	
5	1001184980	Ref	Installation, Hydrostatic Motor (See Separate Breakdown in this Section)	
6	1001184981	Ref	Installation, Drive Shaft (See Separate Breakdown in this Section)	

SECTION 5 - DRIVE TRAIN

FIGURE 5-2. HYDROSTATIC MOTOR INSTALLATION



ART_1001184980-D

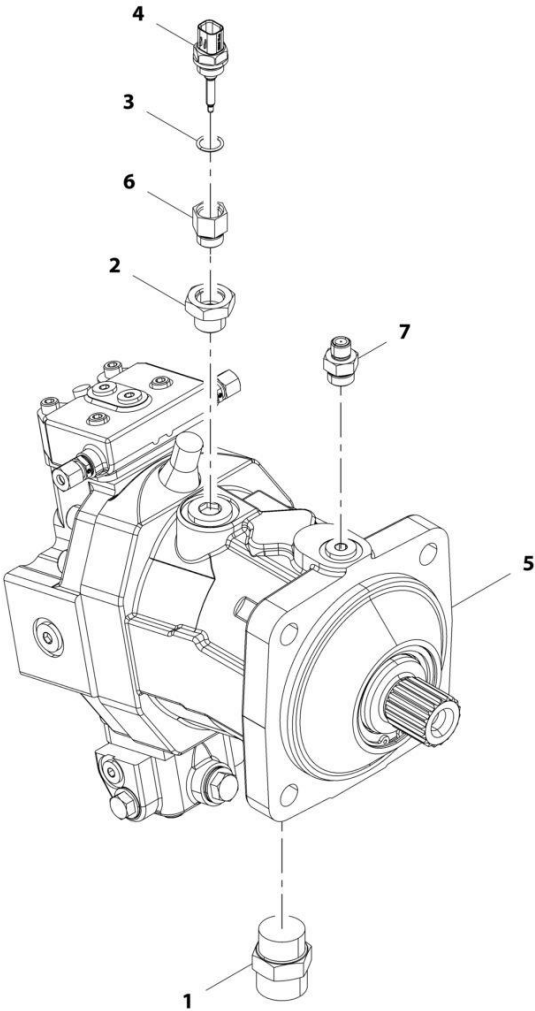
SECTION 5 - DRIVE TRAIN

FIGURE 5-2. HYDROSTATIC MOTOR INSTALLATION

ITEM	PART NUMBER	QTY	DESCRIPTION	REV
	1001184980	Ref	Hydrostatic Motor Installation	D
1	0771618	4	Bolt, M16X50	
3	4812300	4	Washer, M16	
5	3020037	AR	Lube, Grease	
7	1001217620	1	Assembly, Hydrostatic Drive Motor (See Separate Breakdown in this Section)	

SECTION 5 - DRIVE TRAIN

FIGURE 5-3. HYDROSTATIC MOTOR ASSEMBLY



ART_1001217620-B

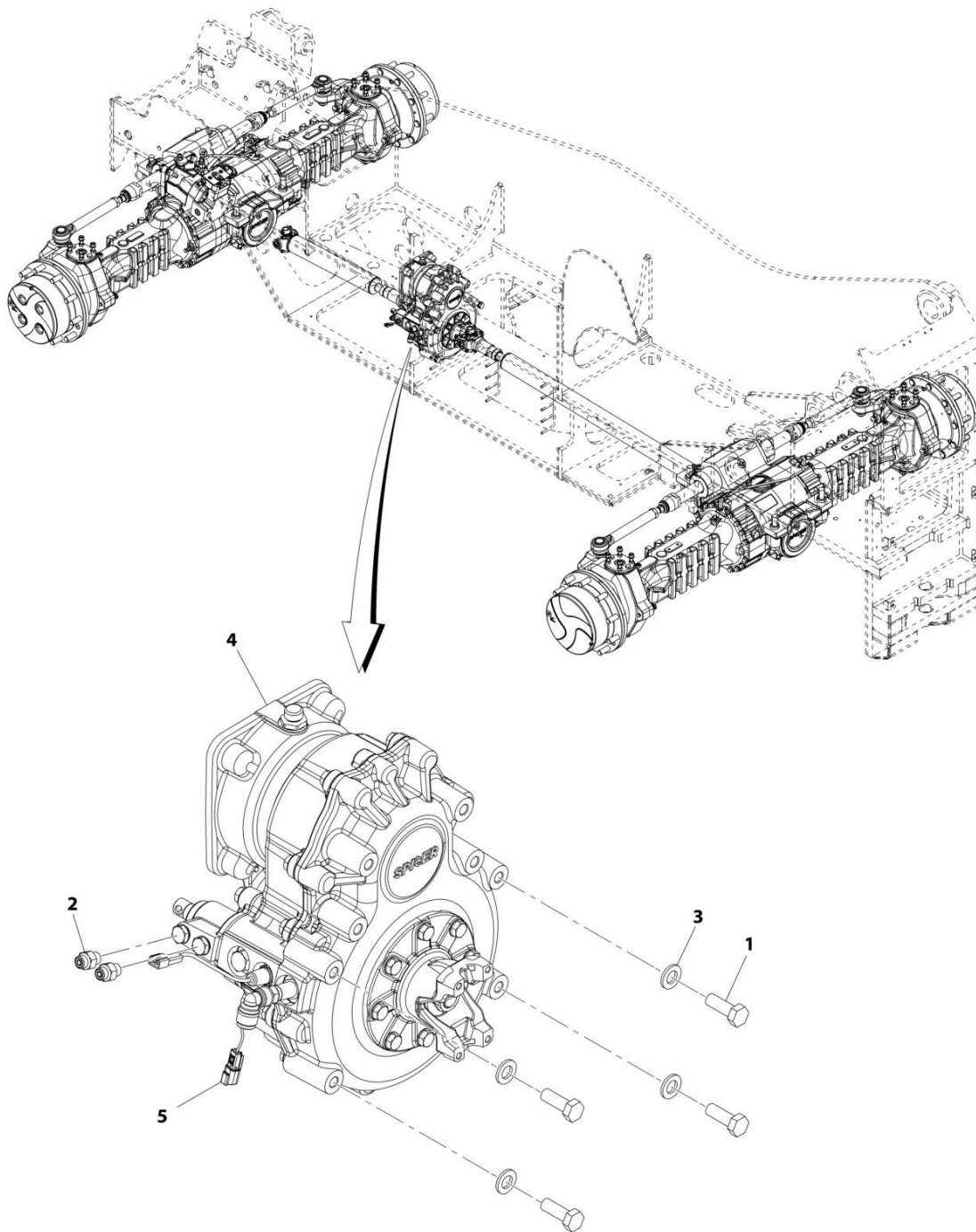
SECTION 5 - DRIVE TRAIN

FIGURE 5-3. HYDROSTATIC MOTOR ASSEMBLY

ITEM	PART NUMBER	QTY	DESCRIPTION	REV
	1001217620	Ref	Hydrostatic Motor Assembly	B
1	2111616	1	Fitting, Straight ORFS	
2	2220811	1	Fitting, Straight	
3	1001009163	1	O-Ring	
4	1001128478	1	Sensor	
5	1001193308	1	Motor, Hydrostatic (See Separate Breakdown in HYDRAULIC COMPONENTS Section)	
6	1001220760	1	Fitting, Straight	
7	1001217669	1	Fitting, Straight	

SECTION 5 - DRIVE TRAIN

FIGURE 5-4. GEARBOX INSTALLATION



ART_1001184979-E

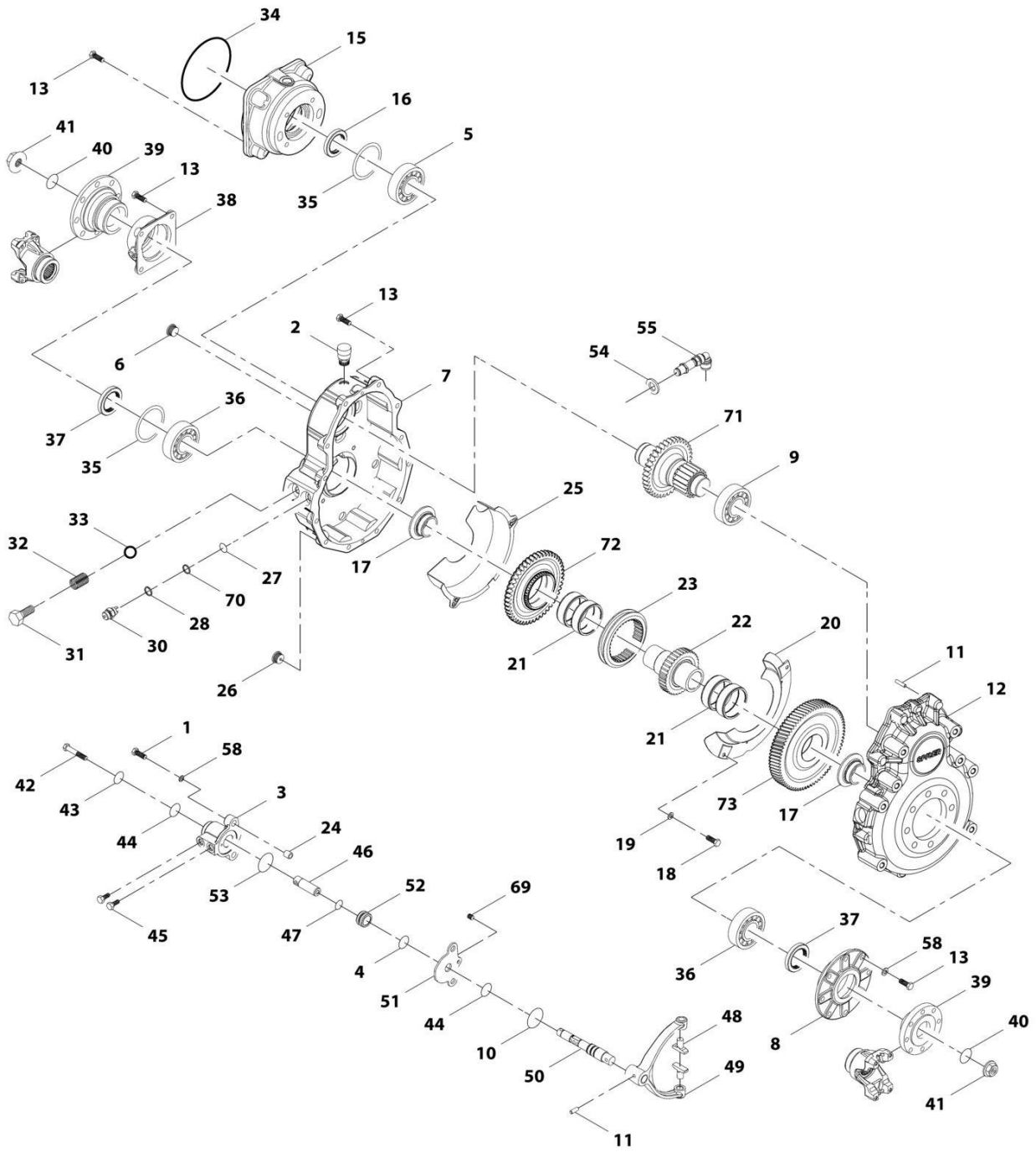
SECTION 5 - DRIVE TRAIN

FIGURE 5-4. GEARBOX INSTALLATION

ITEM	PART NUMBER	QTY	DESCRIPTION	REV
	1001184979	Ref	Gearbox Installation	E
1	0771416	4	Bolt, M14-2X40 Grade 10.9	
2	2144603	1	Fitting, Straight ORFS	
3	5241400	4	Washer, M14	
4	1001184986	1	Gearbox (See Separate Breakdown in this Section)	
5	1001229981	1	Harness, Vehicle Speed Pigtail (See Separate Breakdown in ELECTRICAL Section)	

SECTION 5 - DRIVE TRAIN

FIGURE 5-5. GEAR BOX



ART_1001184986-D

SECTION 5 - DRIVE TRAIN

FIGURE 5-5. GEAR BOX

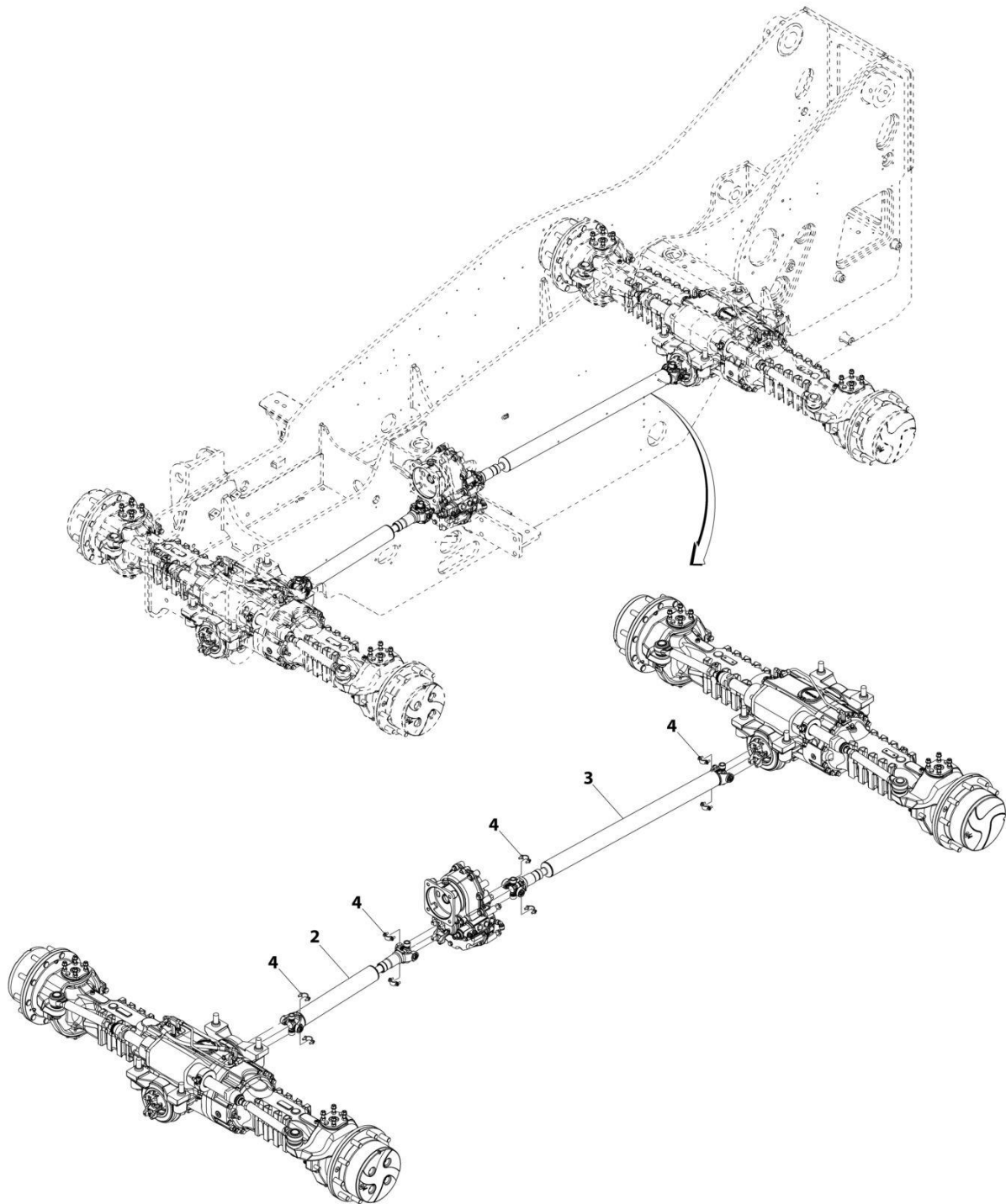
ITEM	PART NUMBER	QTY	DESCRIPTION	REV
	1001184986	Ref	Gear box	D
1	70028817	2	Bolt	
2	70028818	1	Plug	
3	70028819	1	Cylinder	
4	70028820	1	O-Ring	
5	91514146	1	Bearing, Ball	
6	80204016	1	Plug	
7	70028821	1	Housing	
8	70028822	1	Cover	
9	70026904	1	Bearing, Ball	
10	3986405	1	O-Ring	
11	70026892	3	Dowel	
12	70028823	1	Housing	
13	70026911	28	Bolt	
15	70026897	1	Cover	
16	70026896	1	Seal	
17	70028824	2	Spacer	
18	70026909	2	Bolt	
19	70027110	2	Washer, Lock	
20	70028825	1	Plate, Cover	
21	70028826	4	Bearing	
22	70028827	1	Shaft	
23	70028828	1	Sleeve	
24	70028829	2	Pin	
25	70026908	1	Sheet	
26	80204007	1	Plug	
27	1001081085	1	O-Ring	
28	80203020	1	Washer	
30	70028830	1	Switch	
31	70028831	1	Bolt	
32	80203021	1	Spring	
33	70020276	1	Ball, Detend	
34	80204176	1	O-Ring	
35	70027862	2	Kit, Shim	
36	91474364	2	Bearing, Ball	
37	70026901	2	Seal	
38	70028832	1	Cover	
39	70026898	2	Flange	
40	80204215	2	O-Ring	
41	70026631	2	Nut	
42	70028833	1	Bolt	
43	70028834	1	O-Ring	
44	70028835	2	Sleeve	
45	91514154	2	Bolt	
46	70028836	1	Bar	
47	70027109	1	O-Ring	
48	70028837	2	Pin	
49	70028838	1	Fork, Selector	
50	70028839	1	Shaft	
51	70028840	1	Plate, Cover	

SECTION 5 - DRIVE TRAIN

ITEM	PART NUMBER	QTY	DESCRIPTION	REV
52	70028841	1	Piston	
53	70028842	1	O-Ring	
54	70028844	1	Washer	
55	70028801	1	Sensor, Speed	
58	70028843	10	Washer	
69	70028845	1	Bolt	
70	70026927	1	Washer, Seal	
71	70028846	1	Shaft, Input	
72	70028847	1	Gear	
73	70028848	1	Gear	

SECTION 5 - DRIVE TRAIN

FIGURE 5-6. DRIVE SHAFT INSTALLATION



ART_1001184981-B

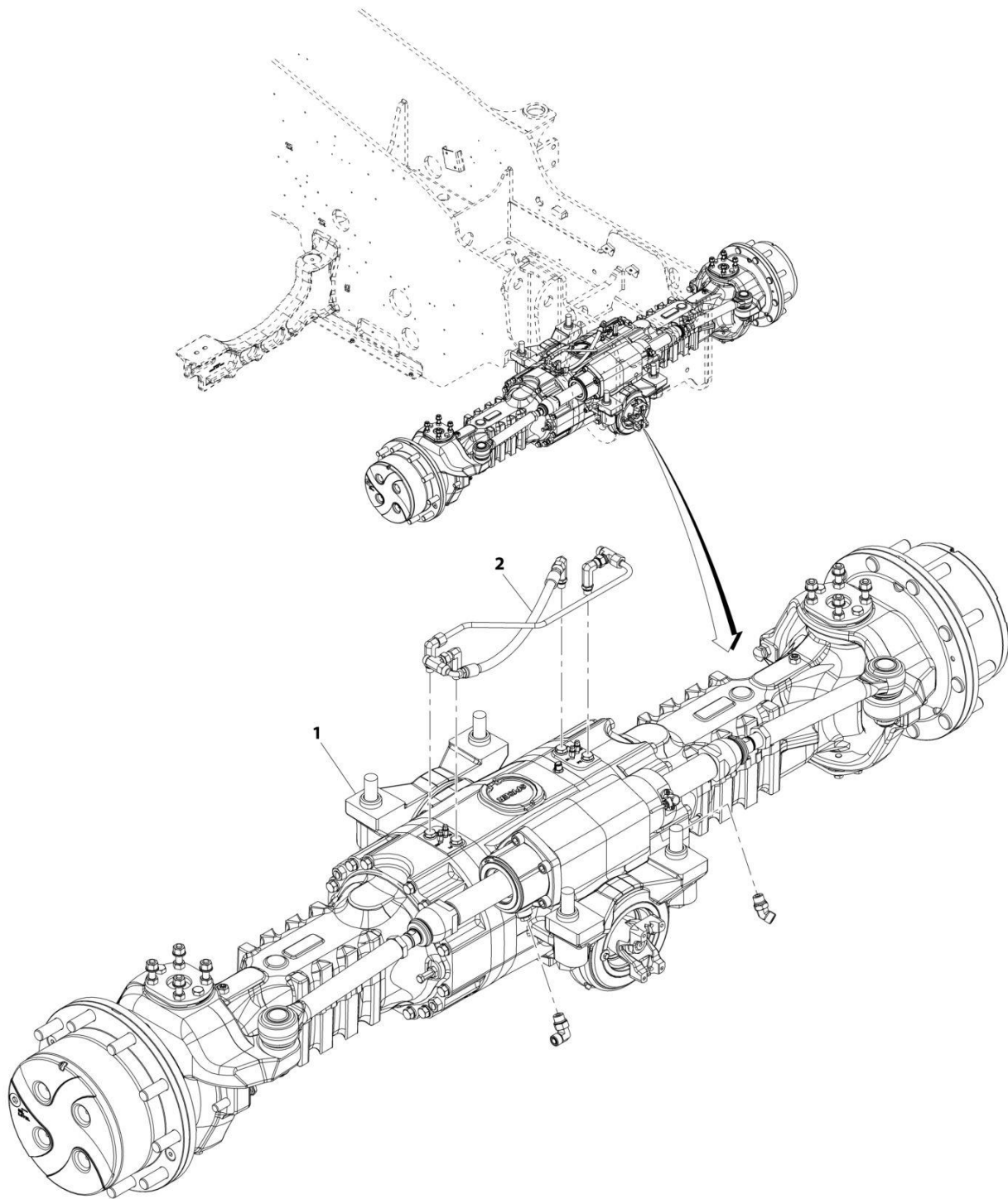
SECTION 5 - DRIVE TRAIN

FIGURE 5-6. DRIVE SHAFT INSTALLATION

ITEM	PART NUMBER	QTY	DESCRIPTION	REV
	1001184981	Ref	Drive Shaft Installation	B
2	1001184987	1	Assembly, Drive Shaft	
3	1001184988	1	Assembly, Drive Shaft	
4	8880219-OM	4	Kit, Strap	

SECTION 5 - DRIVE TRAIN

FIGURE 5-7. FRONT AXLE INSTALLATION



ART_1001184977-B

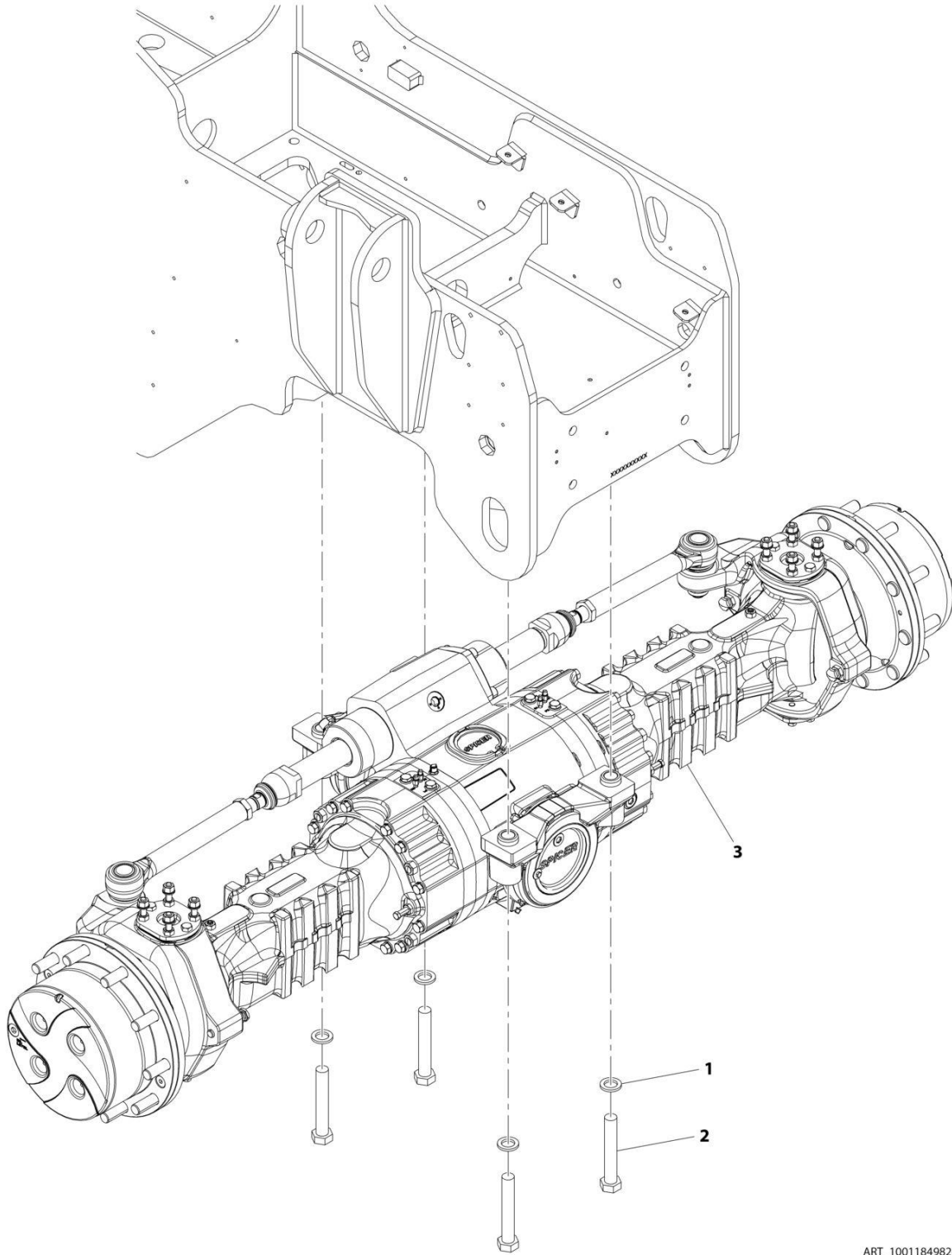
SECTION 5 - DRIVE TRAIN

FIGURE 5-7. FRONT AXLE INSTALLATION

ITEM	PART NUMBER	QTY	DESCRIPTION	REV
1	1001184977	Ref	Front Axle Installation	B
	1001184982	Ref	Installation, Front Axle Mounting (See Separate Breakdown in this Section)	
2	1001207898	Ref	Installation, Front Axle Lines (See Separate Breakdown in this Section)	

SECTION 5 - DRIVE TRAIN

FIGURE 5-8. FRONT AXLE MOUNTING INSTALLATION



ART_1001184982-B

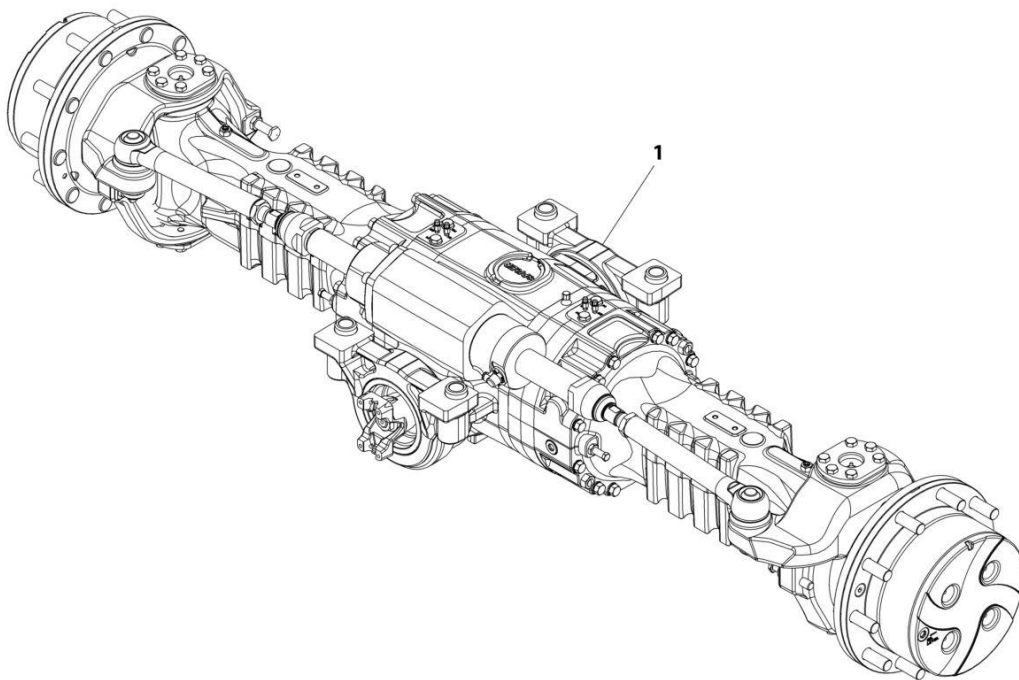
SECTION 5 - DRIVE TRAIN

FIGURE 5-8. FRONT AXLE MOUNTING INSTALLATION

ITEM	PART NUMBER	QTY	DESCRIPTION	REV
	1001184982	Ref	Front Axle Mounting Installation	B
1	4892600	4	Washer	
2	1001097587	4	Bolt, M24-3X150 Grade 10.9	
3	1001184984	1	Axle, Front (See Separate Breakdown in this Section)	

SECTION 5 - DRIVE TRAIN

FIGURE 5-9. FRONT AXLE



ART_1001184984-F

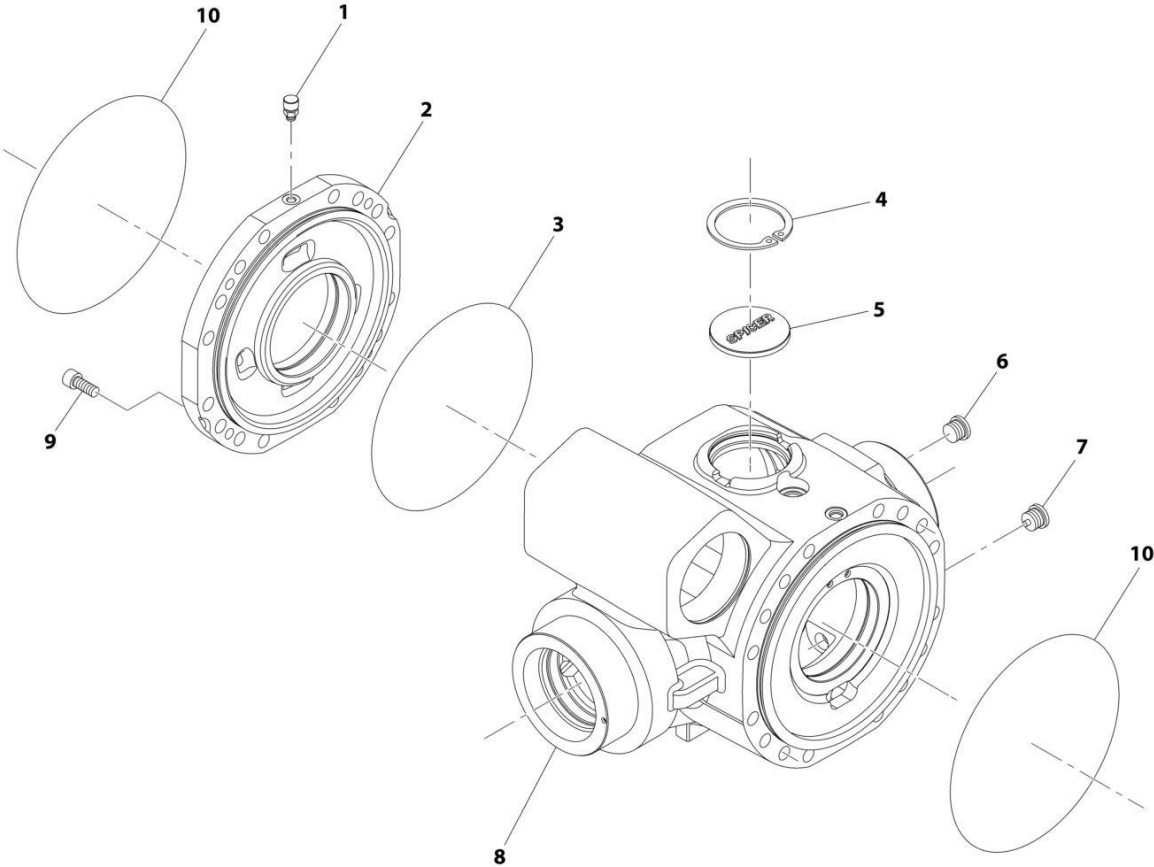
SECTION 5 - DRIVE TRAIN

FIGURE 5-9. FRONT AXLE

ITEM	PART NUMBER	QTY	DESCRIPTION	REV
	1001184984	Ref	Front Axle	F
		Ref	Front Axle, Central Housing (See Separate Breakdown in this Section)	
		Ref	Front Axle, Differential (See Separate Breakdown in this Section)	
		Ref	Front Axle, Hub Reduction (See Separate Breakdown in this Section)	
		Ref	Front Axle, Brakes (See Separate Breakdown in this Section)	
		Ref	Front Axle, Steering (See Separate Breakdown in this Section)	
		Ref	Front Axle, Trunnion (See Separate Breakdown in this Section)	

SECTION 5 - DRIVE TRAIN

FIGURE 5-10. FRONT AXLE, CENTRAL HOUSING



ART_1001184984_1-F

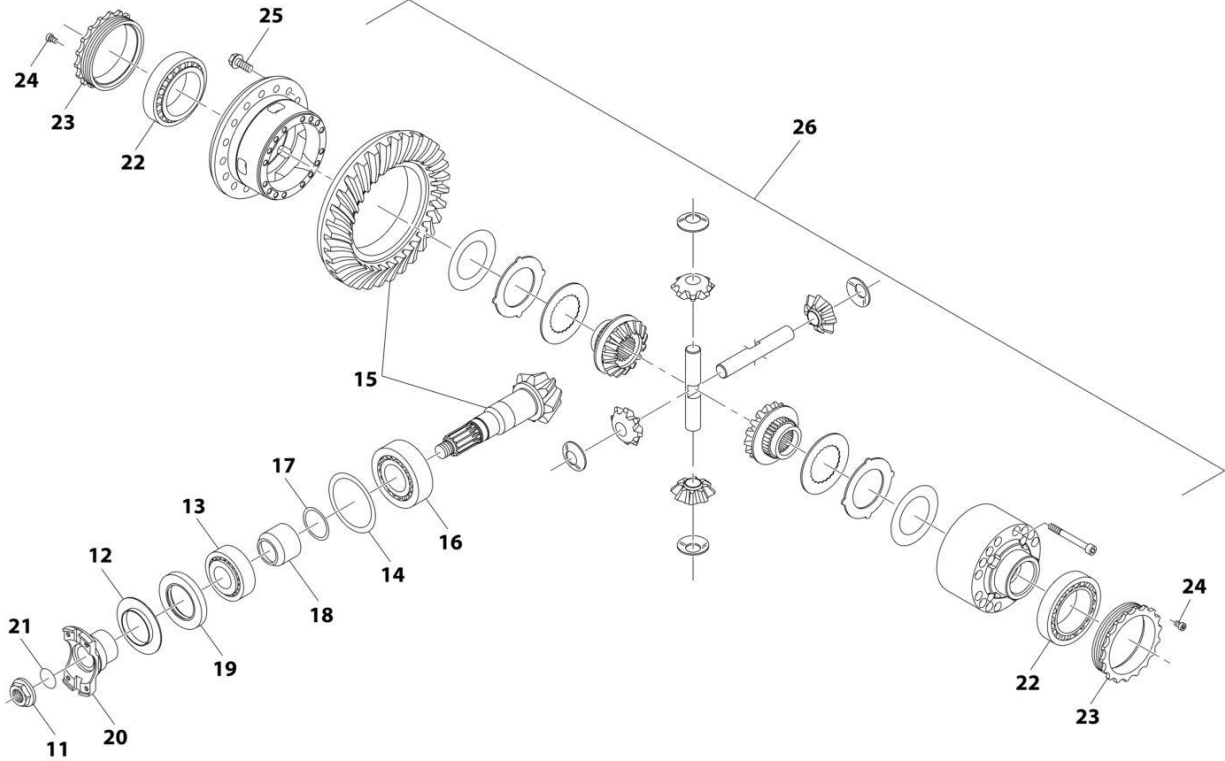
SECTION 5 - DRIVE TRAIN

FIGURE 5-10. FRONT AXLE, CENTRAL HOUSING

ITEM	PART NUMBER	QTY	DESCRIPTION	REV
	1001184984	Ref	Front Axle, Central Housing	F
1	91474512	1	Vent	
2	7029288	1	Cover, Intermediate	
3	80204002	1	O-Ring	
4	80204005	1	Circlip	
5	91514098	1	Plug	
6	70028389	1	Plug	
7	70028388	1	Plug	
8	70025335	1	Housing	
9	91514101	4	Bolt	
10	91514089	2	O-Ring	

SECTION 5 - DRIVE TRAIN

FIGURE 5-11. FRONT AXLE, DIFFERENTIAL



ART_1001184984_2-F

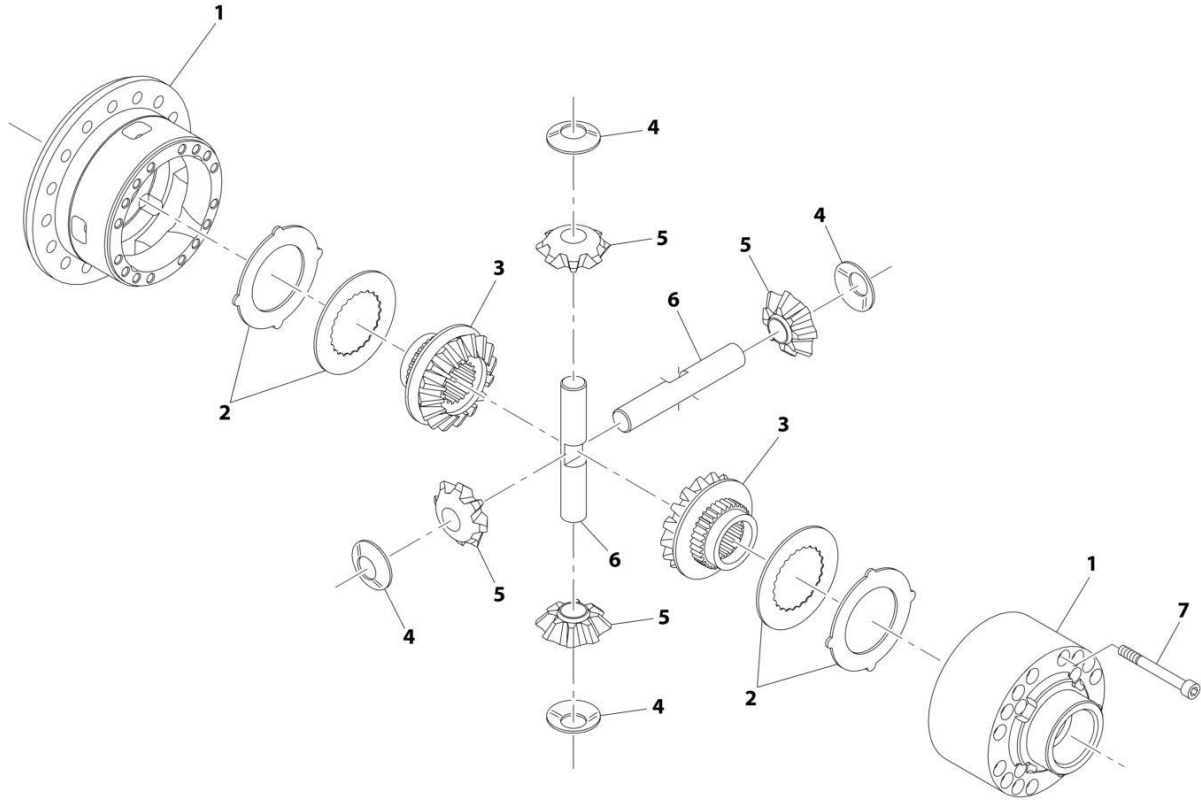
SECTION 5 - DRIVE TRAIN

FIGURE 5-11. FRONT AXLE, DIFFERENTIAL

ITEM	PART NUMBER	QTY	DESCRIPTION	REV
	1001184984	Ref	Front Axle, Differential	F
11	80204043	1	Nut	
12	91514130	1	Plate, Cover	
13	80204048	1	Bearing, Tape Roller	
14	70023469	1	Shim	
15	70028391	1	Gear, Bevel Set	
16	80204035	1	Bearing, Tape Roller	
17	70023494	1	Ring	
18	70022140	1	Spacer	
19	70025887	1	Seal	
20	70028401	1	Flange	
21	10725554	1	O-Ring	
22	80204033	2	Bearing, Tape Roller	
23	91514133	2	Nut, Ring	
24	91514134	2	Bolt	
25	91514123	16	Bolt	
26	70028390	1	Kit, Differential (See Separate Breakdown in this Section)	

SECTION 5 - DRIVE TRAIN

FIGURE 5-12. DIFFERENTIAL KIT



ART_70028390

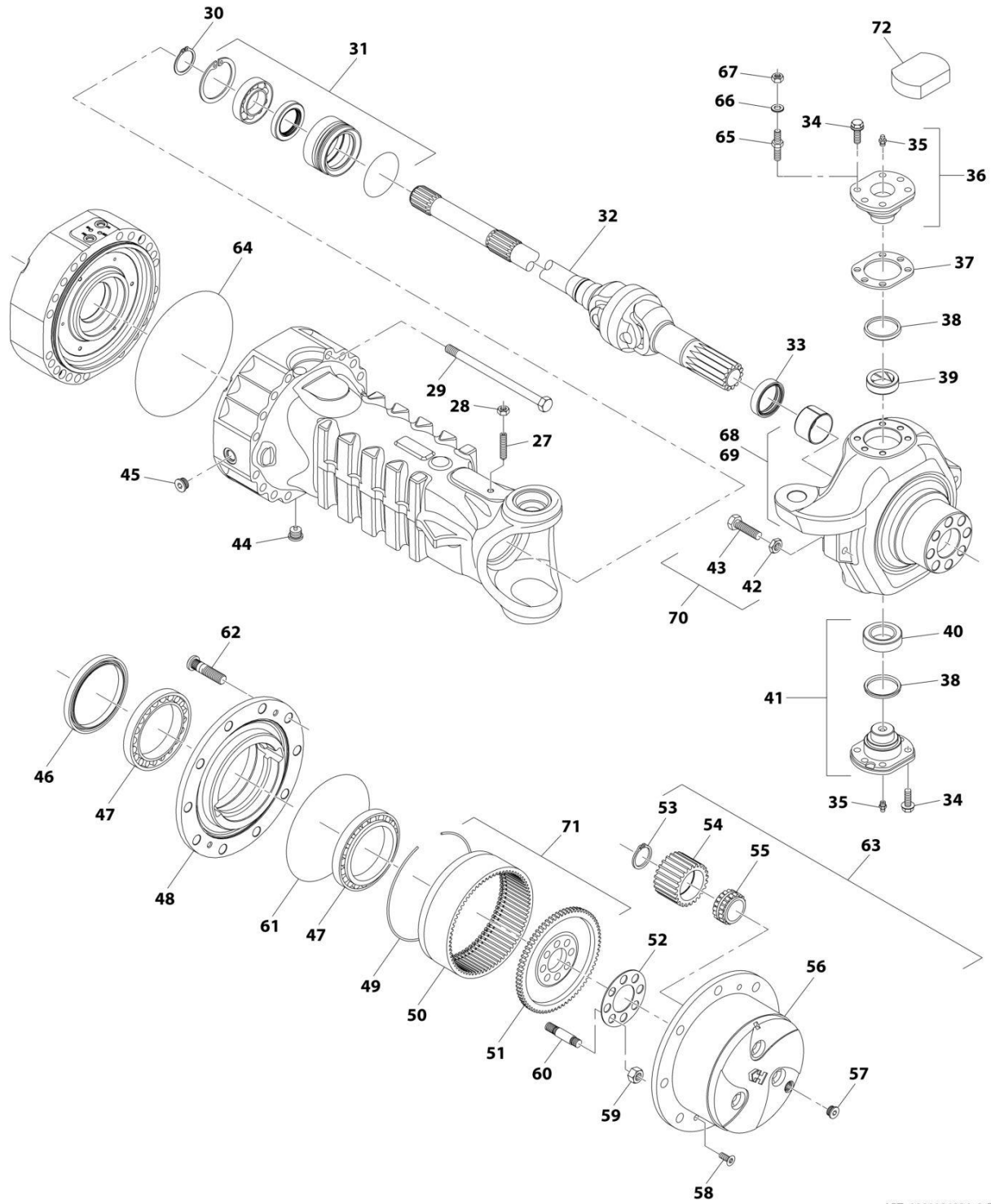
SECTION 5 - DRIVE TRAIN

FIGURE 5-12. DIFFERENTIAL KIT

ITEM	PART NUMBER	QTY	DESCRIPTION	REV
	70028390	Ref	Differential Kit	
1	70024004	2	Carrier, Differential	
2	70026750	2	Disc, Clutch	
3	70025856	2	Gear, Differential Side	
4	70027105	4	Washer, Friction	
5	70025339	4	Pinion, Differential	
6	70023490	2	Shaft, Differential	
7	91514143	15	Bolt	

SECTION 5 - DRIVE TRAIN

FIGURE 5-13. FRONT AXLE, HUB REDUCTION



ART_1001184984_3-F

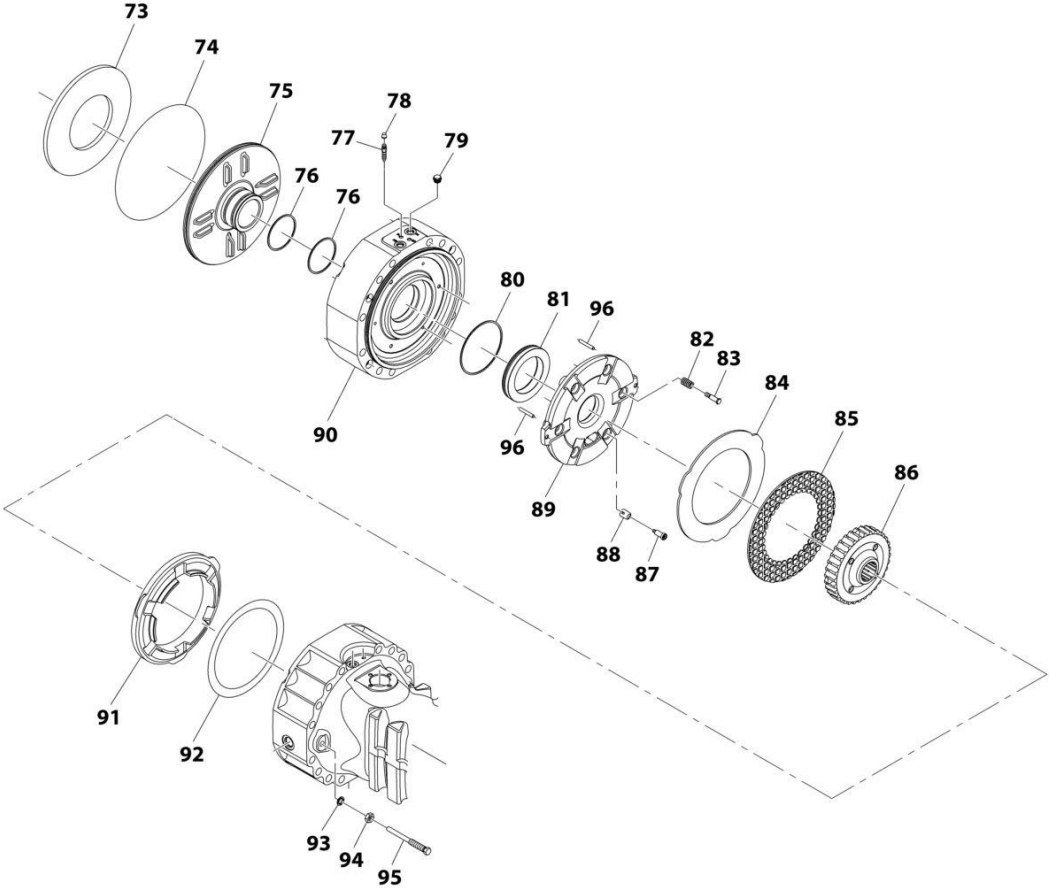
SECTION 5 - DRIVE TRAIN

FIGURE 5-13. FRONT AXLE, HUB REDUCTION

ITEM	PART NUMBER	QTY	DESCRIPTION	REV
	1001184984	Ref	Front Axle, Hub Reduction	F
27	91514081	2	Bolt	
28	91514082	2	Nut	
29	70025012	24	Bolt	
30	80204071	2	Circlip	
31	91514149	2	Kit, Reduction Bushing (See Separate Breakdown in this Section)	
32	70028396	2	Joint, Double Universal	
33	70026238	2	Seal	
34	70025562	20	Bolt	
35	70024881	2	Fitting, Grease	
36	91514112	2	Pin	
37	70025561	1	Shim	
38	7028716	2	Seal, Dust	
39	7028714	2	Bushing	
40	91514095	2	Bearing	
41	7028715	2	Pin	
42	80204065	4	Nut	
43	91514117	4	Bolt	
44	70028388	2	Plug	
45	70028389	2	Plug	
46	70026002	2	Seal	
47	80204076	4	Bearing, Taper Roller	
48	91514174	2	Hub, Wheel	
49	91514175	2	Circlip	
50	70024147	2	Gear, Ring	
51	91514177	2	Support, Ring Gear	
52	91514178	2	Plate	
53	91514184	8	Circlip	
54	91514185	8	Gear, Planet	
55	91514186	8	Bearing	
56	7029317	2	Carrier, Planet Gear	
57	70028387	2	Plug	
58	91514189	4	Bolt, Countersunk	
59	91514179	16	Nut	
60	91514180	16	Stud	
61	91514181	2	O-Ring	
62	80214120	NLA	Stud, Wheel (Use PN 70030365)	
62	70030365	20	Stud, Wheel	
63	7029743	2	Kit, Planet Gear Carrier	
64	91514089	2	O-Ring	
65	70025014	8	Stud	
66	91514084	8	Washer	
67	91514083	8	Nut	
68	70026260	1	Steering Case Assembly (LH Steer Link) (See Separate Breakdown in this Section)	
69	70026261	1	Steering Case Assembly (RH Steer Link) (See Separate Breakdown in this Section)	
70	7028733	4	Bolt, Steering Adjust	
71	70024146	2	Kit, Ring Gear Support (See Separate Breakdown in this Section)	
72	70028392	2	Cover	

SECTION 5 - DRIVE TRAIN

FIGURE 5-14. FRONT AXLE, BRAKES



ART_1001184984_4-F

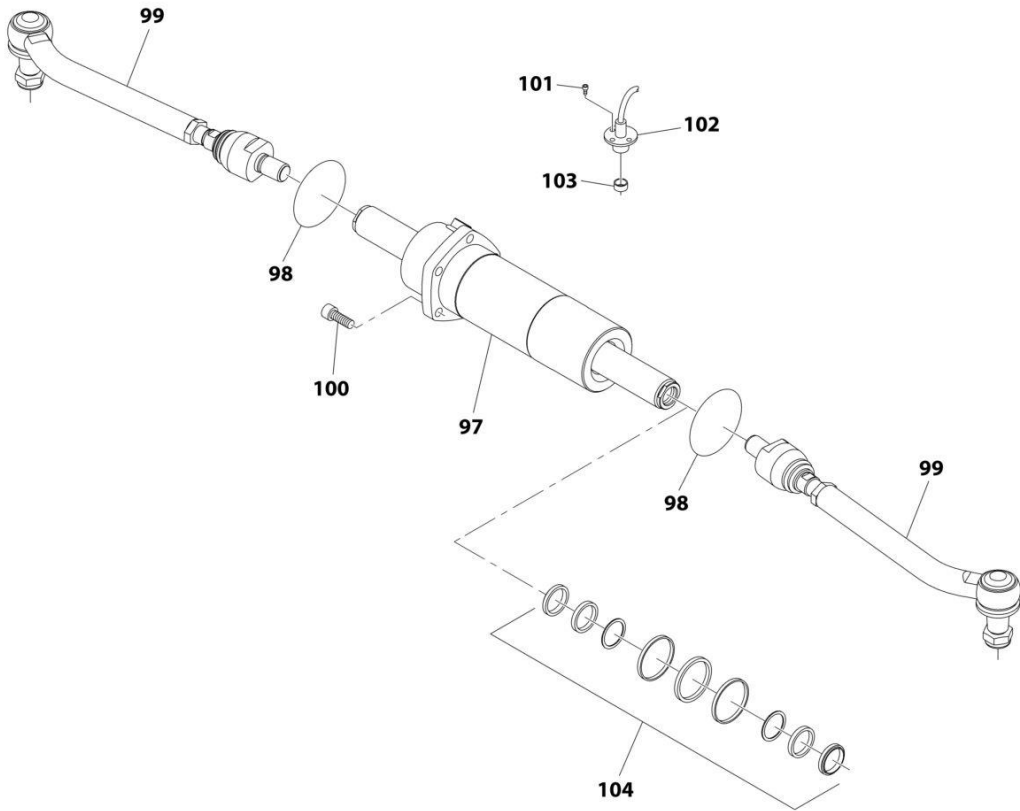
SECTION 5 - DRIVE TRAIN

FIGURE 5-14. FRONT AXLE, BRAKES

ITEM	PART NUMBER	QTY	DESCRIPTION	REV
	1001184984	Ref	Front Axle, Brakes	F
73	91514151	2	Washer	
74	91514089	2	O-Ring	
75	70027092	2	Piston	
76	70026262	4	Seal	
77	80204281	4	Bolt, Bleeding	
78	80204117	4	Plug	
79	91514154	4	Plug	
80	70026263	2	Seal	
81	70027796	2	Piston	
82	91514159	6	Spring	
83	70024210	6	Bolt, Adjusting	
84	70027022	6	Disc, Intermediate Brake	
85	7029735	6	Disc, Brake	
86	7029734	2	Bushing, Reduction	
87	7029787	6	Bolt, Adjusting	
88	70027317	6	Spring	
89	70024849	2	Disc, Intermediate Brake	
90	70024848	2	Cover	
91	70026264	2	Spacer	
92	70025970	1	Shim	
93	80204108	4	Washer, Lock	
94	80204060	4	Nut	
95	70024213	4	Bolt	
96	70024215	4	Dowel	

SECTION 5 - DRIVE TRAIN

FIGURE 5-15. FRONT AXLE, STEERING



ART_1001184984_5-F

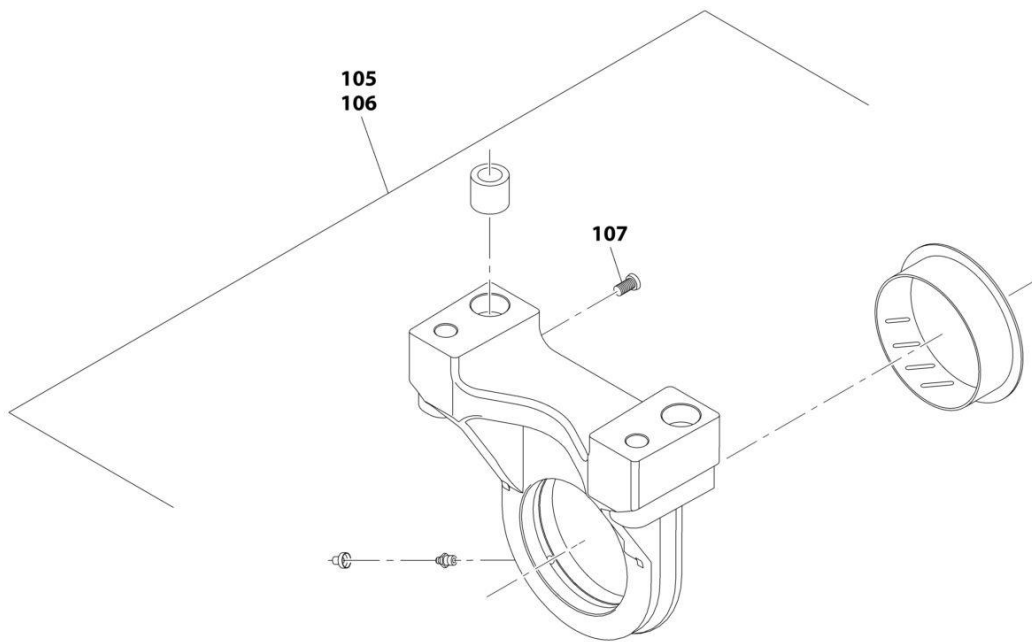
SECTION 5 - DRIVE TRAIN

FIGURE 5-15. FRONT AXLE, STEERING

ITEM	PART NUMBER	QTY	DESCRIPTION	REV
	1001184984	Ref	Front Axle, Steering	F
97	70028393	1	Cylinder	
98	80204143	2	O-Ring	
99	70028394	2	Rod, Articulated Tie	
99	70022773	2	Nut	
100	80204144	5	Bolt	
101	8008175	2	Bolt	
102	70027986	1	Optical Sensor	
103	7029307	1	Plug	
104	7029127	1	Kit, Seal	

SECTION 5 - DRIVE TRAIN

FIGURE 5-16. FRONT AXLE, TRUNION



ART_1001184984_6-F

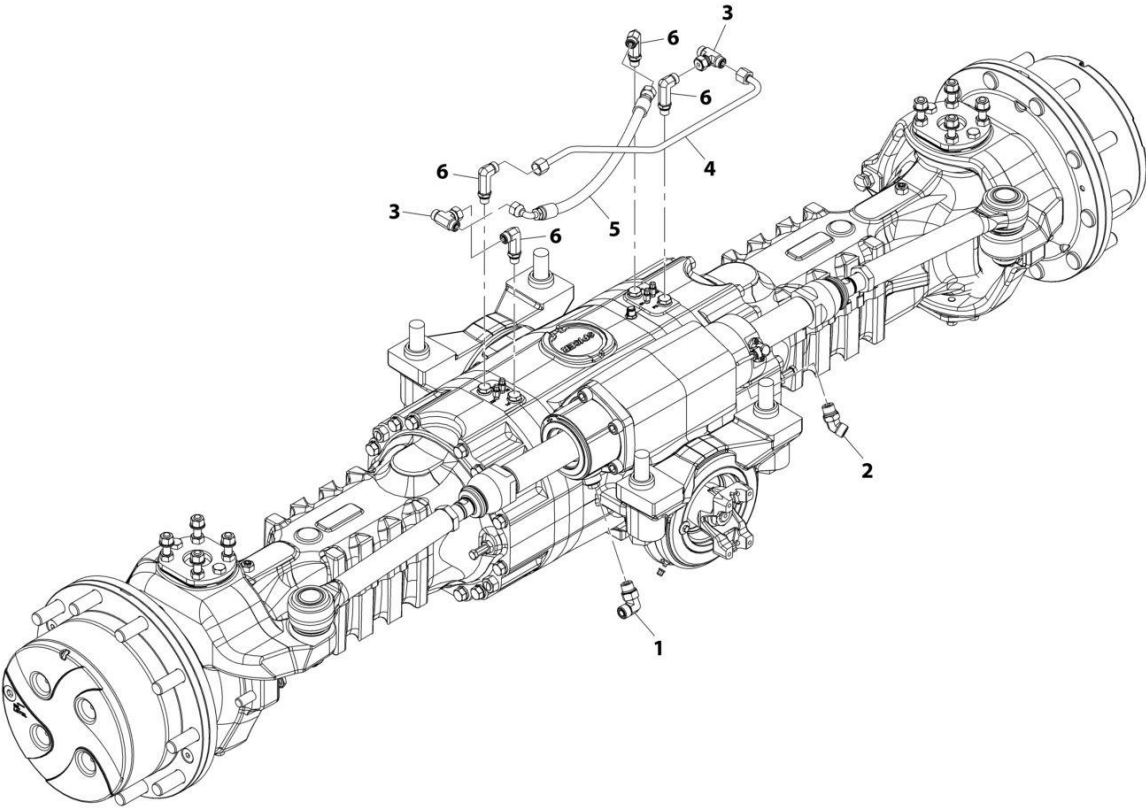
SECTION 5 - DRIVE TRAIN

FIGURE 5-16. FRONT AXLE, TRUNION

ITEM	PART NUMBER	QTY	DESCRIPTION	REV
	1001184984	Ref	Front Axle, Trunion	F
105	70026266	1	Kit, Trunion (See Separate Breakdown in this Section)	
106	70026265	1	Support	
107	70025884	1	Bolt	

SECTION 5 - DRIVE TRAIN

FIGURE 5-17. FRONT AXLE LINES INSTALLATION



ART_1001207898-C

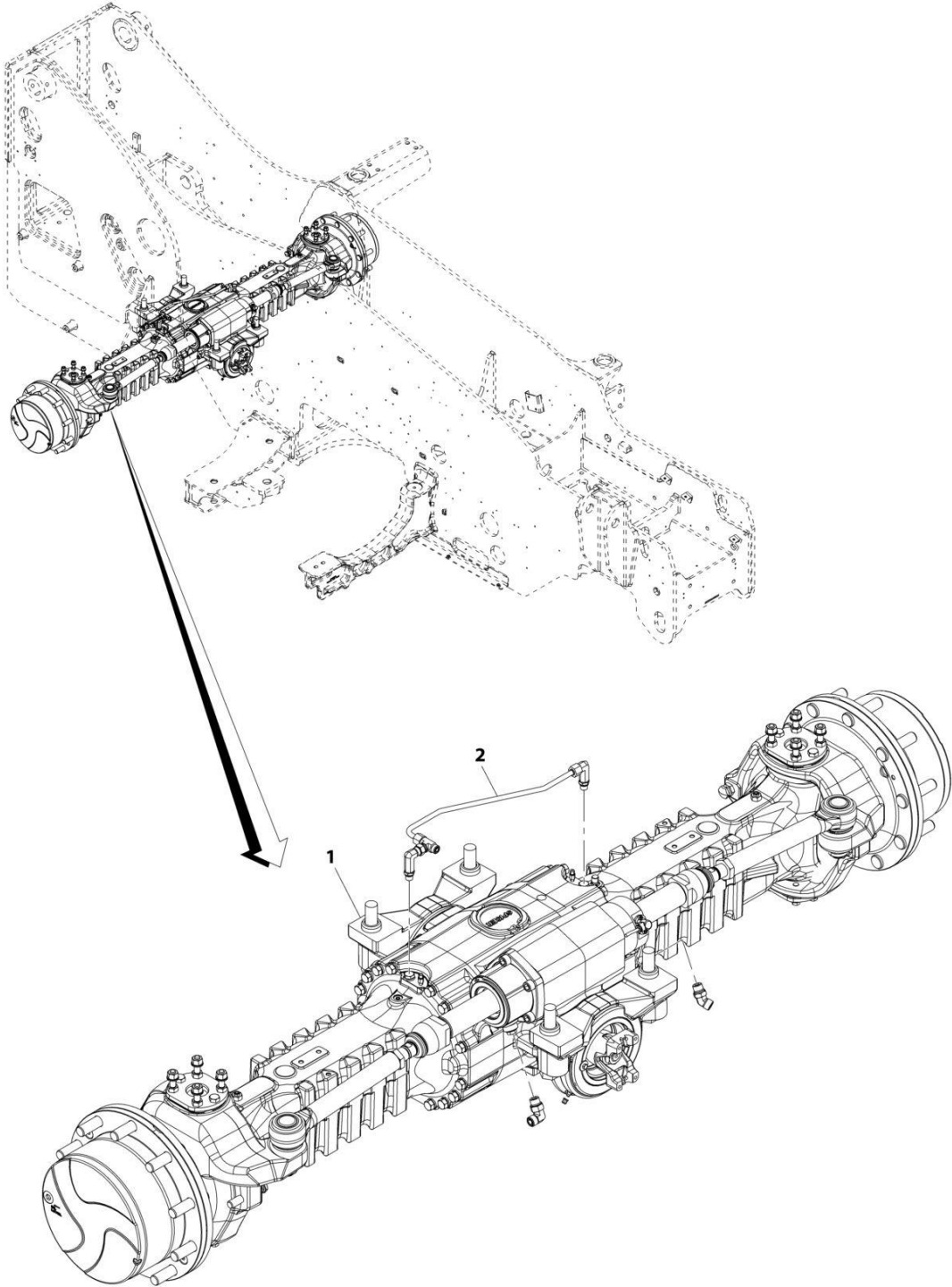
SECTION 5 - DRIVE TRAIN

FIGURE 5-17. FRONT AXLE LINES INSTALLATION

ITEM	PART NUMBER	QTY	DESCRIPTION	REV
	1001207898	Ref	Front Axle Lines Installation	C
1	2130808	1	Fitting, 90 ORFS	
2	2150808	1	Fitting, 45 ORFS	
3	2170806	2	Fitting, Tee ORFS	
4	1001224598	1	Tube	
5	1001210281	1	Hose	
6	1001210769	4	Fitting, 90 ORFS	

SECTION 5 - DRIVE TRAIN

FIGURE 5-18. REAR AXLE INSTALLATION



ART_1001184978-B

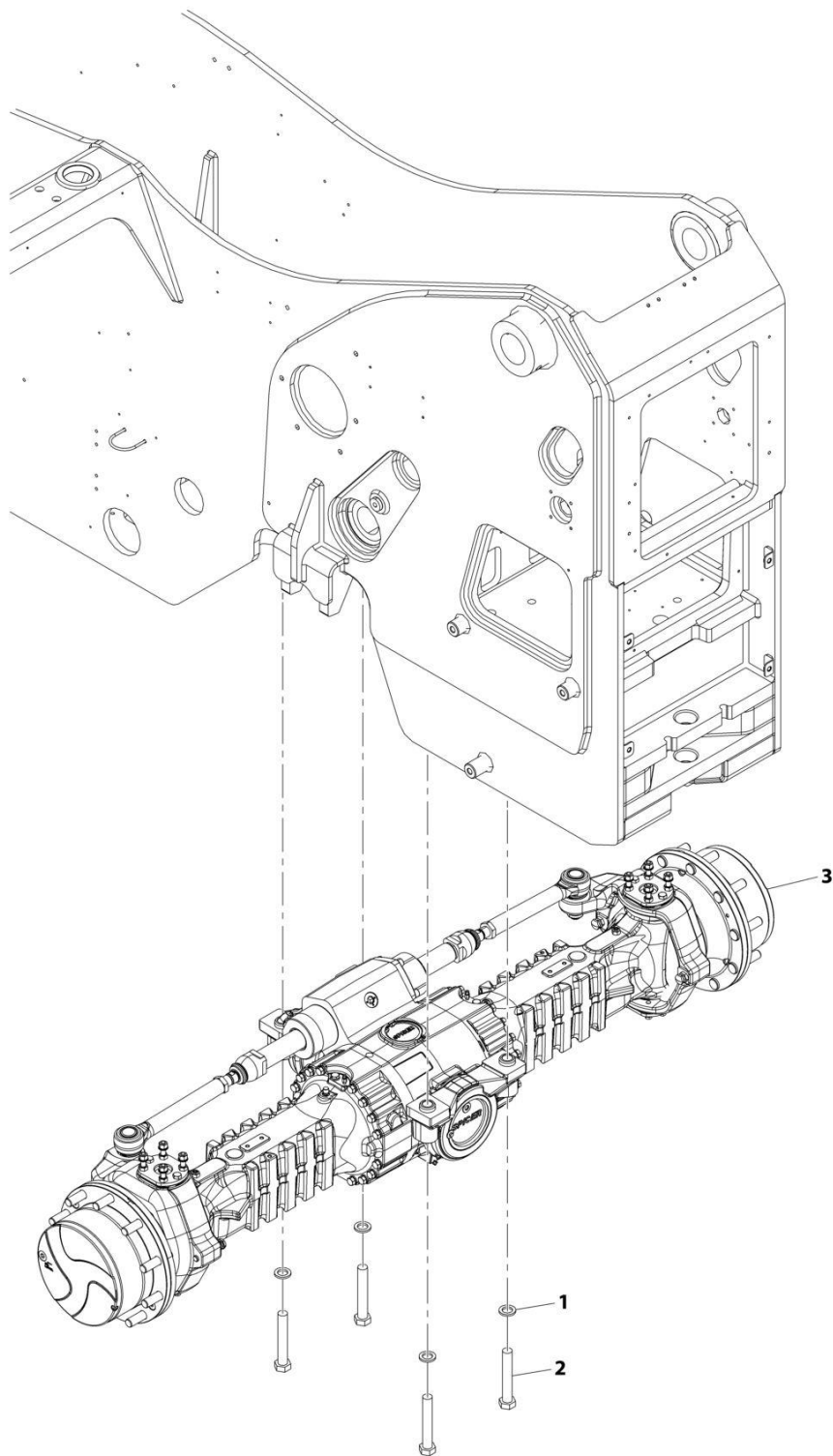
SECTION 5 - DRIVE TRAIN

FIGURE 5-18. REAR AXLE INSTALLATION

ITEM	PART NUMBER	QTY	DESCRIPTION	REV
1	1001184978	Ref	Rear Axle Installation	B
	1001184983	Ref	Installation, Rear Axle Mounting (See Separate Breakdown in this Section)	
2	1001207899	Ref	Installation, Rear Axle Lines (See Separate Breakdown in this Section)	

SECTION 5 - DRIVE TRAIN

FIGURE 5-19. REAR AXLE MOUNTING INSTALLATION



ART_1001184983-B

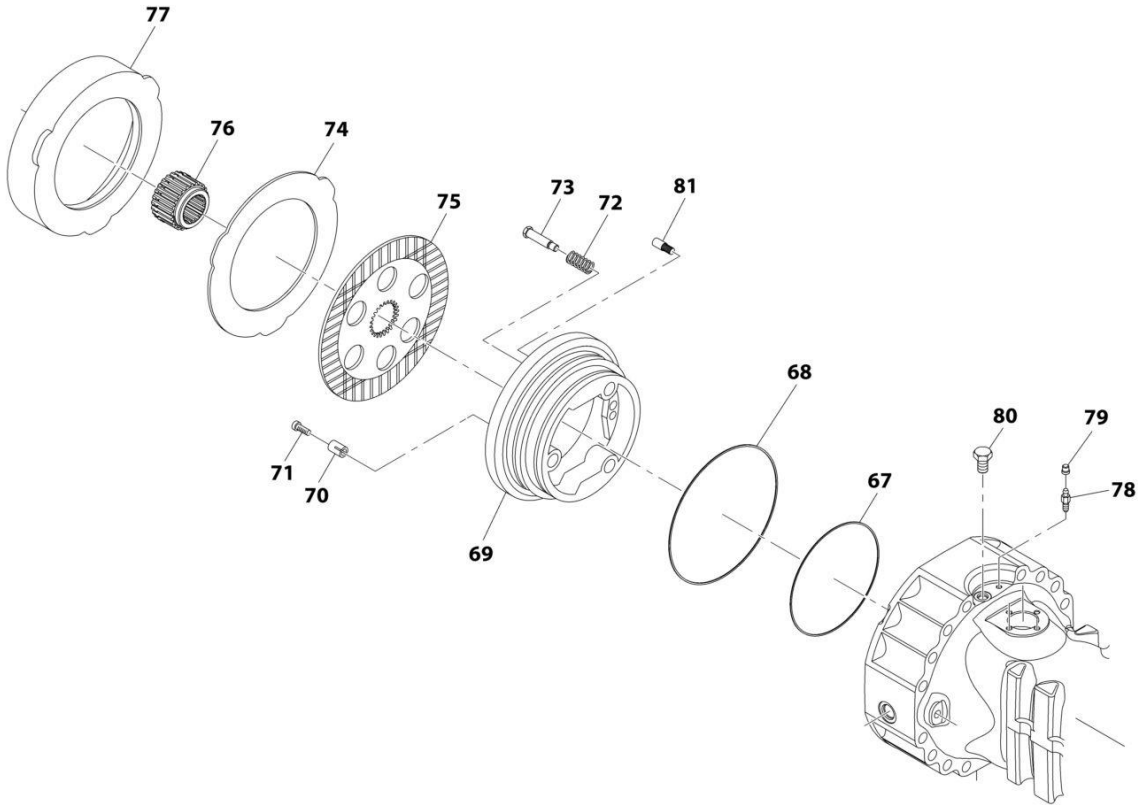
SECTION 5 - DRIVE TRAIN

FIGURE 5-19. REAR AXLE MOUNTING INSTALLATION

ITEM	PART NUMBER	QTY	DESCRIPTION	REV
	1001184983	Ref	Rear Axle Mounting Installation	B
1	4892600	4	Washer	
2	1001097587	4	Bolt, M24-3X150 Grade 10.9	
3	1001184985	Ref	Axle, Rear (See Separate Breakdown in this Section)	

SECTION 5 - DRIVE TRAIN

FIGURE 5-20. REAR AXLE, BRAKES



ART_1001184985_4-F

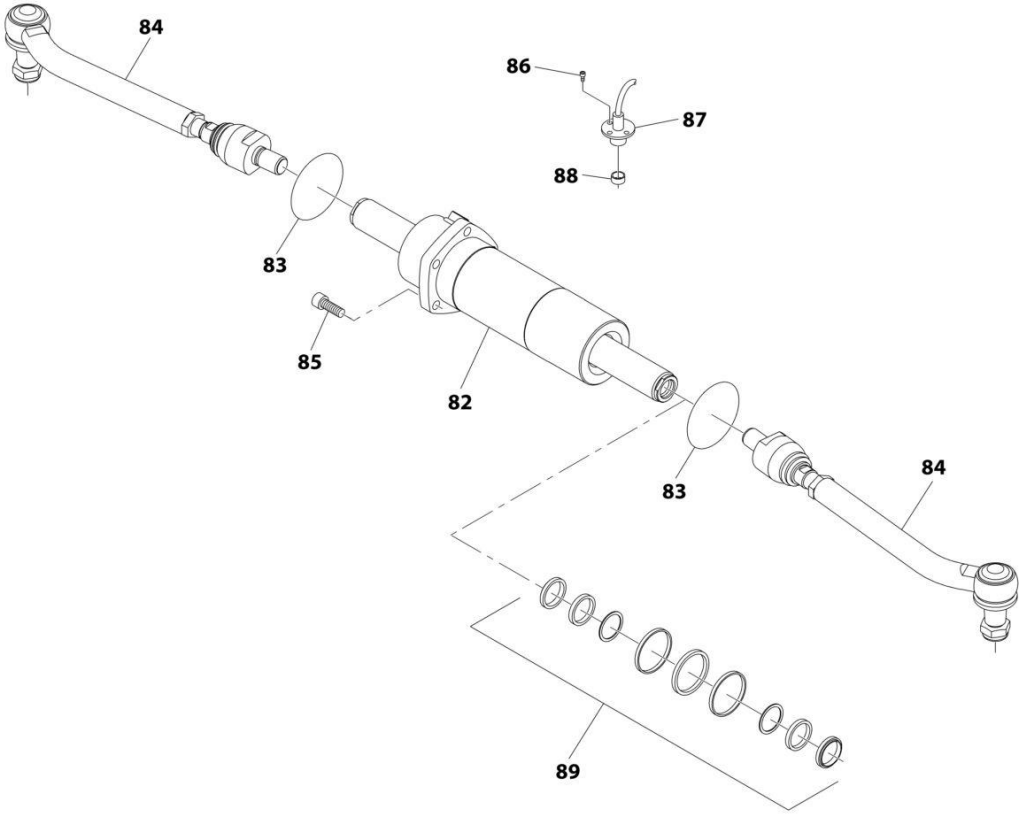
SECTION 5 - DRIVE TRAIN

FIGURE 5-20. REAR AXLE, BRAKES

ITEM	PART NUMBER	QTY	DESCRIPTION	REV
	1001184985	Ref	Rear Axle, Brakes	F
67	70026747	2	Seal	
68	70026748	2	Seal	
69	70024216	2	Piston	
70	70027317	6	Spring	
71	7029785	6	Bolt, Adjusting	
72	91514159	6	Spring	
73	70024210	6	Bolt, Adjusting	
74	70027022	6	Disc, Intermediate Brake	
75	7029735	6	Disc, Brake	
76	7029734	2	Bushing, Reduction	
77	70021606	2	Spacer	
78	80204281	2	Bolt, Bleeding	
79	80204117	2	Plug	
80	91514154	2	Bolt	
81	70021613	2	Bolt, Pilot	

SECTION 5 - DRIVE TRAIN

FIGURE 5-21. REAR AXLE, STEERING



ART_1001184985_5-F

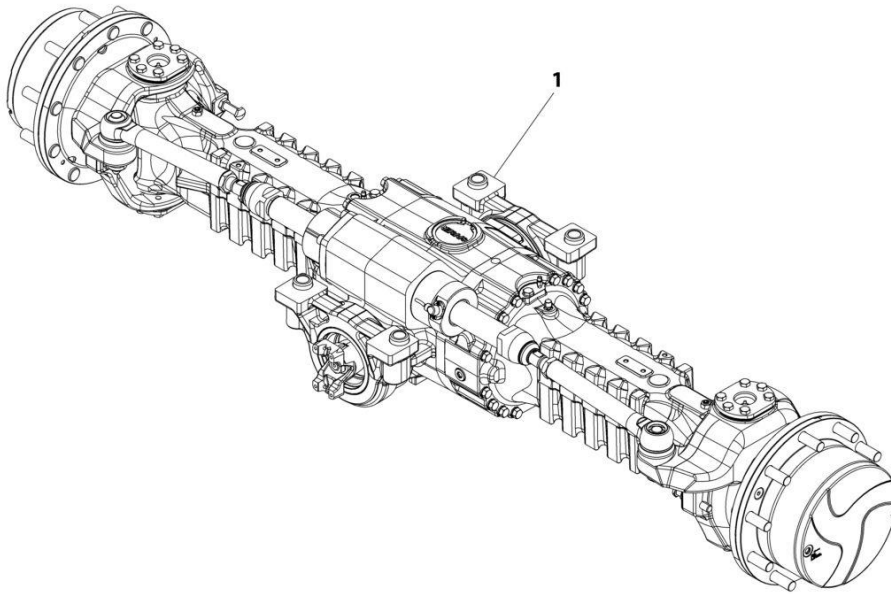
SECTION 5 - DRIVE TRAIN

FIGURE 5-21. REAR AXLE, STEERING

ITEM	PART NUMBER	QTY	DESCRIPTION	REV
	1001184985	Ref	Rear Axle, Steering	F
82	70028393	1	Cylinder	
83	80204143	2	O-Ring	
84	70028394	2	Rod, Articulated Tie	
84	70022773	2	Nut	
85	80204144	5	Bolt	
86	8008175	2	Bolt	
87	70027986	1	Sensor, Optical	
88	7029307	1	Plug	
89	7029127	1	Kit, Seal	

SECTION 5 - DRIVE TRAIN

FIGURE 5-22. REAR AXLE



ART_1001184985-F

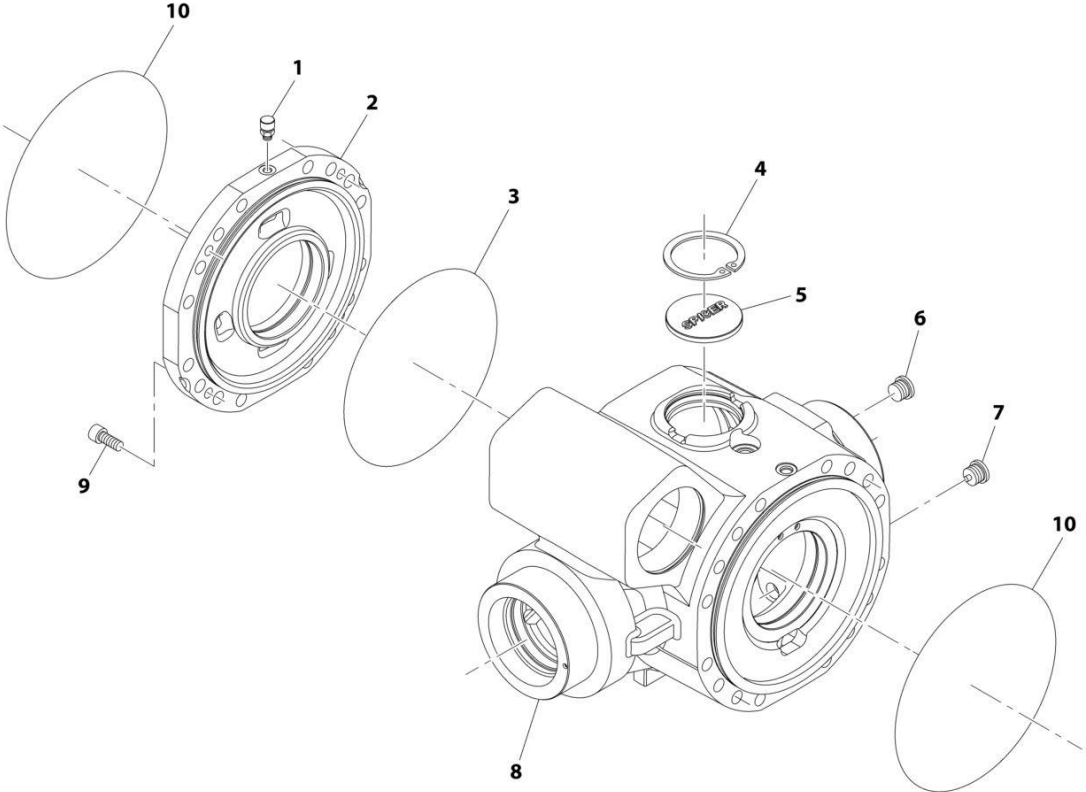
SECTION 5 - DRIVE TRAIN

FIGURE 5-22. REAR AXLE

ITEM	PART NUMBER	QTY	DESCRIPTION	REV
1	1001184985	Ref	Rear Axle	F
		Ref	Rear Axle, Central Housing (See Separate Breakdown in this Section)	
		Ref	Rear Axle, Differential (See Separate Breakdown in this Section)	
		Ref	Rear Axle, Hub Reduction (See Separate Breakdown in this Section)	
		Ref	Rear Axle, Brakes (See Separate Breakdown in this Section)	
		Ref	Rear Axle, Steering (See Separate Breakdown in this Section)	
		Ref	Rear Axle, Trunnion (See Separate Breakdown in this Section)	

SECTION 5 - DRIVE TRAIN

FIGURE 5-23. REAR AXLE, CENTRAL HOUSING



ART_1001184985_1-F

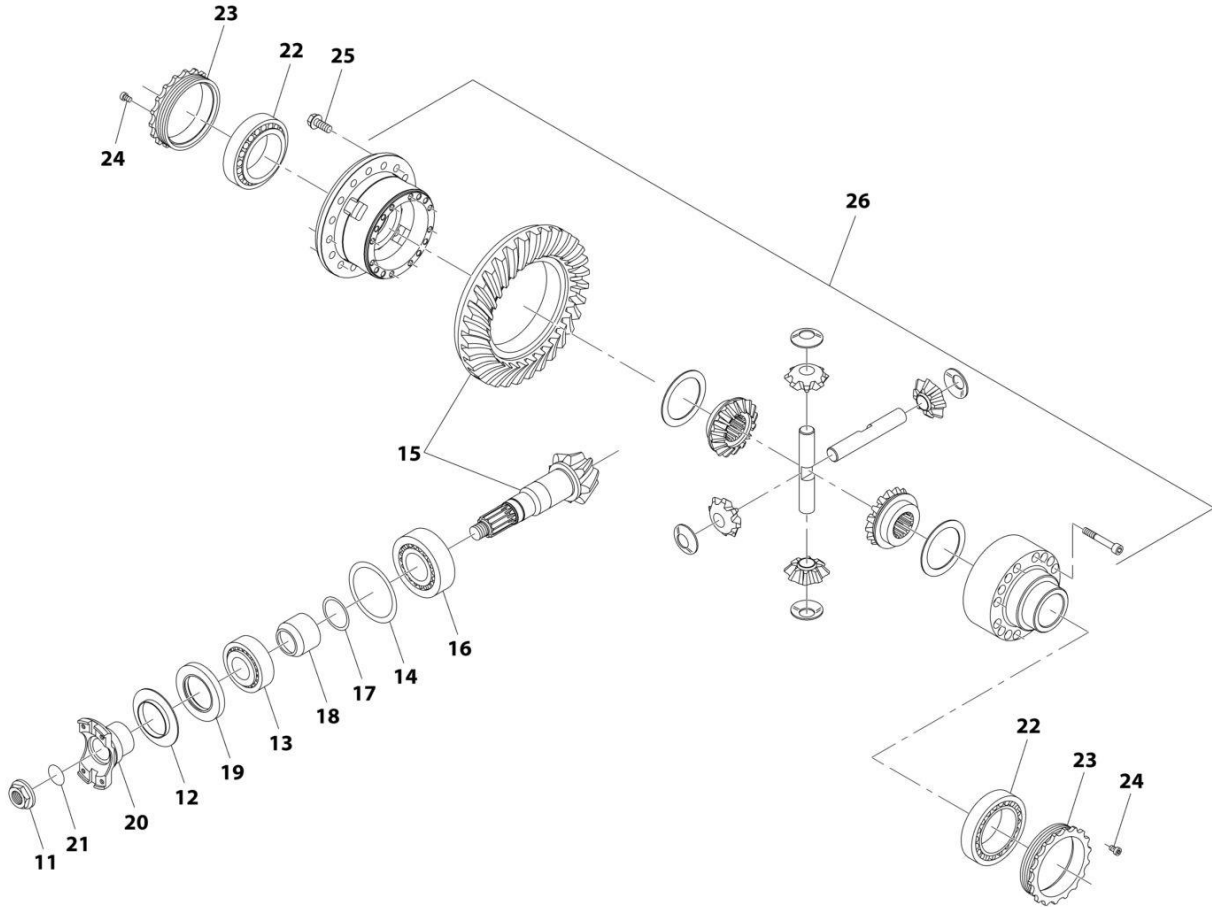
SECTION 5 - DRIVE TRAIN

FIGURE 5-23. REAR AXLE, CENTRAL HOUSING

ITEM	PART NUMBER	QTY	DESCRIPTION	REV
	1001184985	Ref	Rear Axle, Central Housing	F
1	91474512	1	Vent	
2	7029288	1	Cover, Intermediate	
3	80204002	1	O-Ring	
4	80204005	1	Circlip	
5	91514098	1	Plug	
6	70028389	1	Plug	
7	70028388	1	Plug	
8	70025335	1	Housing	
9	91514101	4	Bolt	
10	91514089	2	O-Ring	

SECTION 5 - DRIVE TRAIN

FIGURE 5-24. REAR AXLE, DIFFERENTIAL



ART_1001184985_2-F

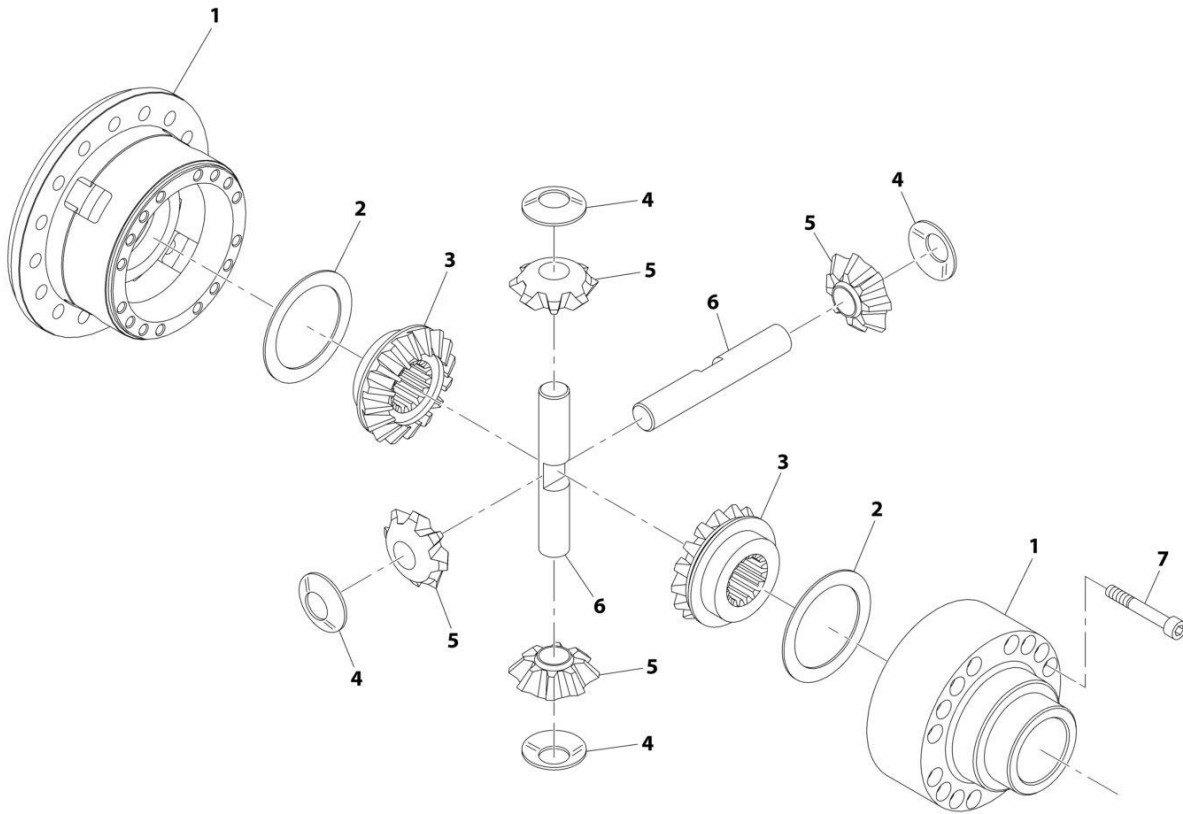
SECTION 5 - DRIVE TRAIN

FIGURE 5-24. REAR AXLE, DIFFERENTIAL

ITEM	PART NUMBER	QTY	DESCRIPTION	REV
	1001184985	Ref	Rear Axle, Differential	F
11	80204043	1	Nut	
12	91514130	1	Plate, Cover	
13	80204048	1	Bearing, Taper Roller	
14	70023469	1	Shim	
15	70028399	1	Gear, Bevel Set	
16	80204035	1	Bearing, Taper Roller	
17	70023494	1	Ring	
18	70022140	1	Spacer	
19	70025887	1	Seal	
20	70028401	1	Flange	
21	10725554	1	O-Ring	
22	80204033	2	Bearing, Taper Roller	
23	91514133	2	Nut, Ring	
24	91514134	2	Bolt	
25	39844923	16	Bolt	
26	70028398	1	Kit, Differential (See Separate Breakdown in this Section)	

SECTION 5 - DRIVE TRAIN

FIGURE 5-25. DIFFERENTIAL KIT



ART_70028398

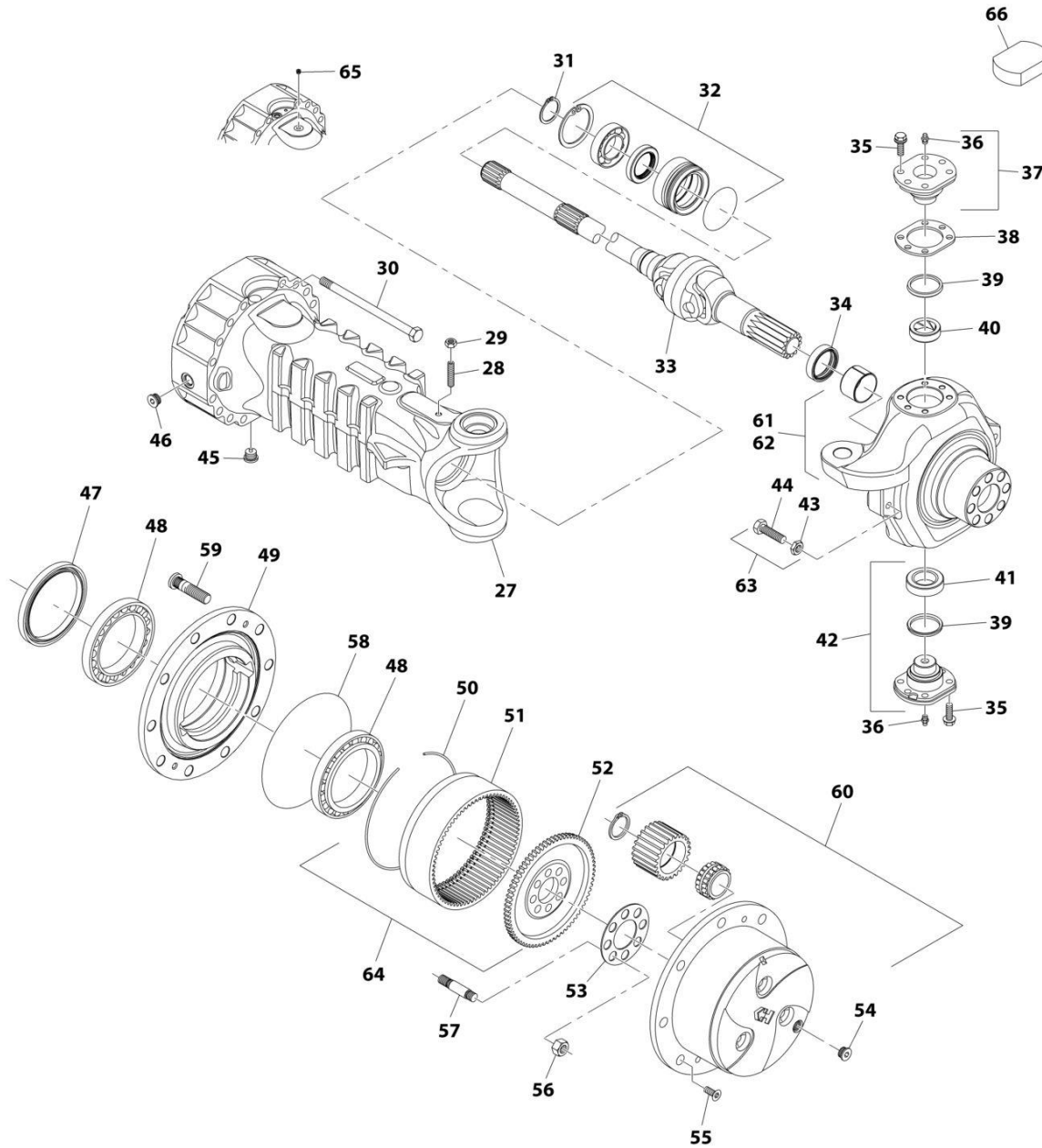
SECTION 5 - DRIVE TRAIN

FIGURE 5-25. DIFFERENTIAL KIT

ITEM	PART NUMBER	QTY	DESCRIPTION	REV
	70028398	Ref	Differential Kit	
1	70025337	1	Carrier, Differential	
2	70023493	2	Washer, Friction	
3	70025338	2	Gear, Differential Side	
4	70027105	4	Washer, Friction	
5	70025339	4	Pinion, Differential	
6	70023490	2	Shaft, Differential	
7	70023489	15	Bolt	

SECTION 5 - DRIVE TRAIN

FIGURE 5-26. REAR AXLE, HUB REDUCTION



ART_1001184985_3-F

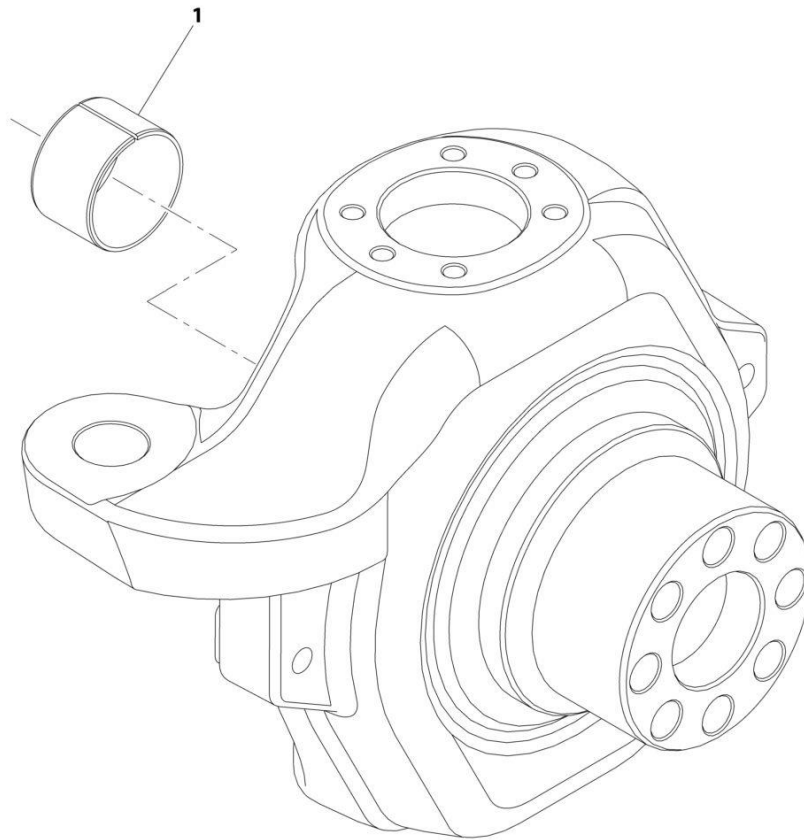
SECTION 5 - DRIVE TRAIN

FIGURE 5-26. REAR AXLE, HUB REDUCTION

ITEM	PART NUMBER	QTY	DESCRIPTION	REV
	1001184985	Ref	Rear Axle, Hub Reduction	F
27	70028400	2	Case, Axle	
28	91514081	2	Bolt	
29	91514082	2	Nut	
30	70028397	32	Bolt	
31	80204071	2	Circlip	
32	91514149	2	Kit, Reduction Bushing (See Separate Breakdown in this Section)	
33	70028396	2	Joint, Double Universal	
34	70026238	2	Seal	
35	70025562	20	Bolt	
36	70024881	2	Fitting, Grease	
37	91514112	2	Pin	
38	70025561	1	Shim	
39	7028716	2	Seal, Dust	
40	7028714	2	Bushing	
41	91514095	2	Bearing	
42	7028715	2	Pin	
43	80204065	4	Nut	
44	91514117	4	Bolt	
45	70028388	2	Plug	
46	70028387	2	Plug	
47	70026002	2	Seal	
48	80204076	4	Bearing, Taper Roller	
49	91514174	2	Hub, Wheel	
50	91514175	2	Circlip	
51	70024147	2	Gear, Ring	
52	91514177	2	Gear, Ring Support	
53	91514178	2	Plate, Locking	
54	70028389	2	Plug	
55	91514189	4	Bolt, Countersunk	
56	91514179	16	Nut	
57	91514180	16	Stud	
58	91514181	2	O-Ring	
59	80214120	20	Stud	
60	7029733	2	Kit, Planet Gear Carrier (See Separate Breakdown in this Section)	
61	70026260	1	Steering Case Assembly (LH Steer Link) (See Separate Breakdown in this Section)	
62	70026261	1	Steering Case Assembly (RH Steer Link) (See Separate Breakdown in this Section)	
63	7028733	4	Bolt, Steering Adjust	
64	70024146	2	Kit, Ring Gear Support (See Separate Breakdown in this Section)	
65	80204012	2	Plug	
66	70028392	2	Cover	

SECTION 5 - DRIVE TRAIN

FIGURE 5-27. STEERING CASE ASSEMBLY (LH STEER LINK)



ART_70026260

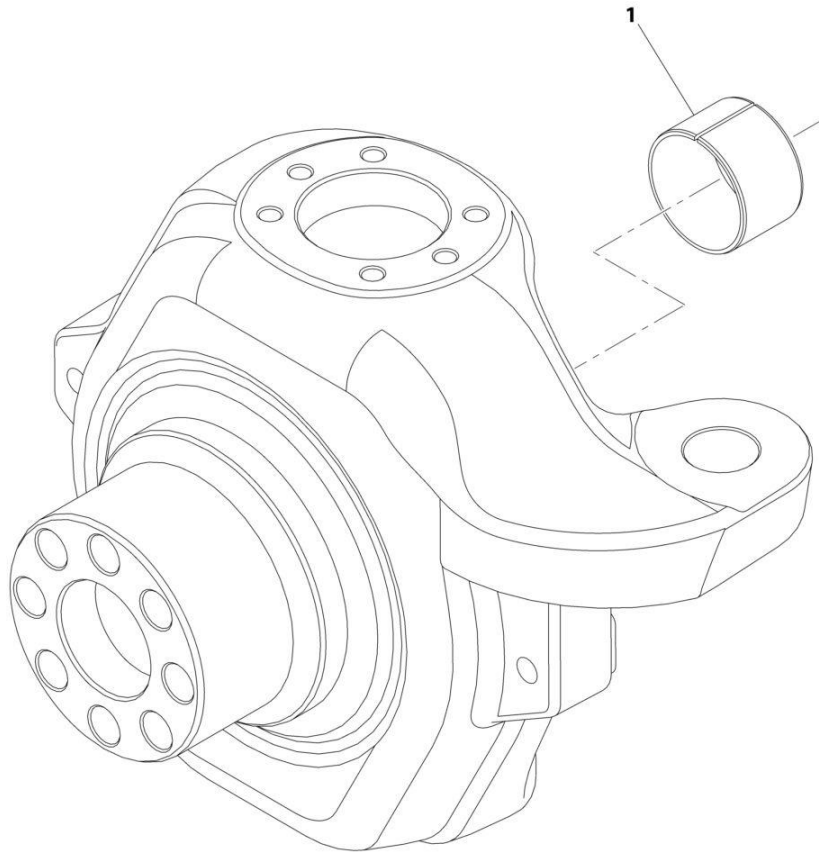
SECTION 5 - DRIVE TRAIN

FIGURE 5-27. STEERING CASE ASSEMBLY (LH STEER LINK)

ITEM	PART NUMBER	QTY	DESCRIPTION	REV
1	70026260 91514111	Ref 1	STEERING CASE ASSEMBLY (LH STEER LINK) Bushing, Thrust	

SECTION 5 - DRIVE TRAIN

FIGURE 5-28. STEERING CASE ASSEMBLY (RH STEER LINK)



ART_70026261

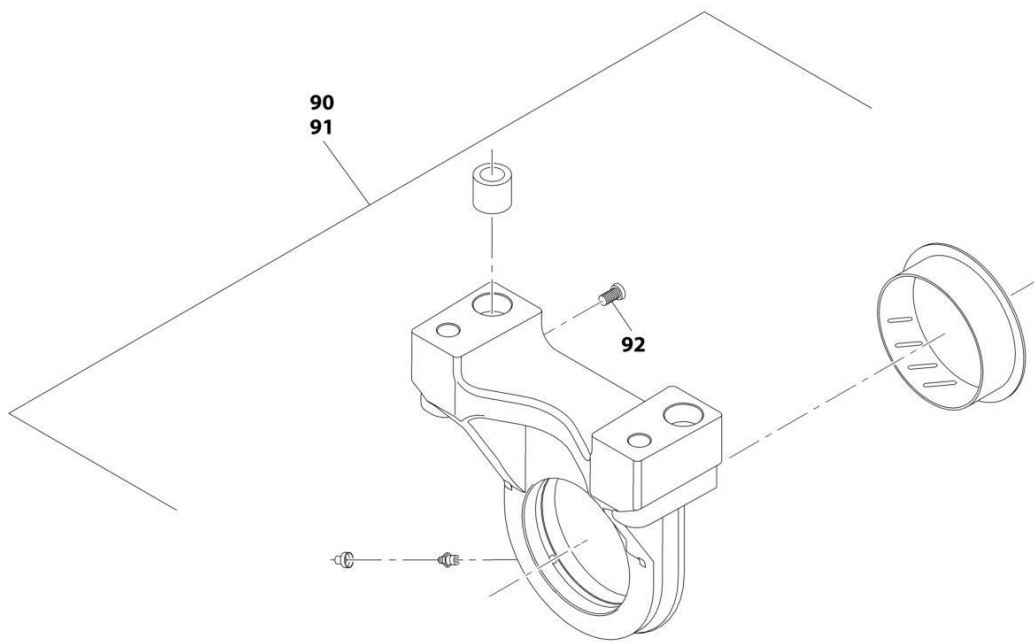
SECTION 5 - DRIVE TRAIN

FIGURE 5-28. STEERING CASE ASSEMBLY (RH STEER LINK)

ITEM	PART NUMBER	QTY	DESCRIPTION	REV
1	70026261 91514111	Ref 1	STEERING CASE ASSEMBLY (RH STEER LINK) Bushing, Thrust	

SECTION 5 - DRIVE TRAIN

FIGURE 5-29. REAR AXLE, TRUNION



ART_1001184985_6-F

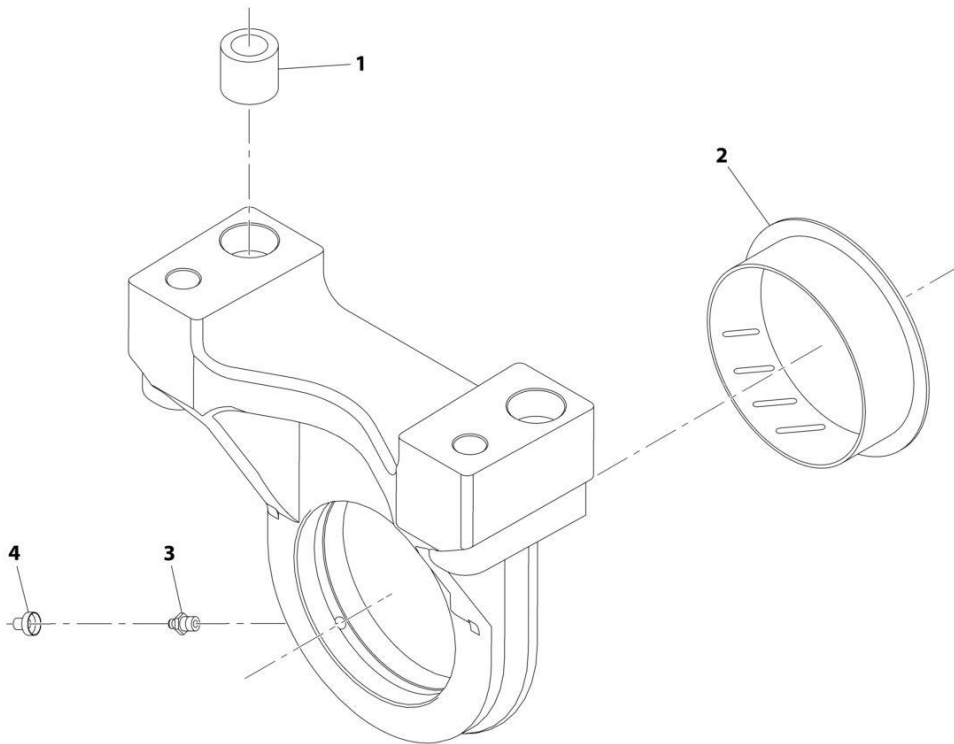
SECTION 5 - DRIVE TRAIN

FIGURE 5-29. REAR AXLE, TRUNION

ITEM	PART NUMBER	QTY	DESCRIPTION	REV
	1001184985	Ref	Rear Axle, Trunion	F
90	70026266	1	Kit, Trunion (See Separate Breakdown in this Section)	
91	70026265	1	Support	
92	70025884	1	Bolt	

SECTION 5 - DRIVE TRAIN

FIGURE 5-30. TRUNION KIT



ART_70026266

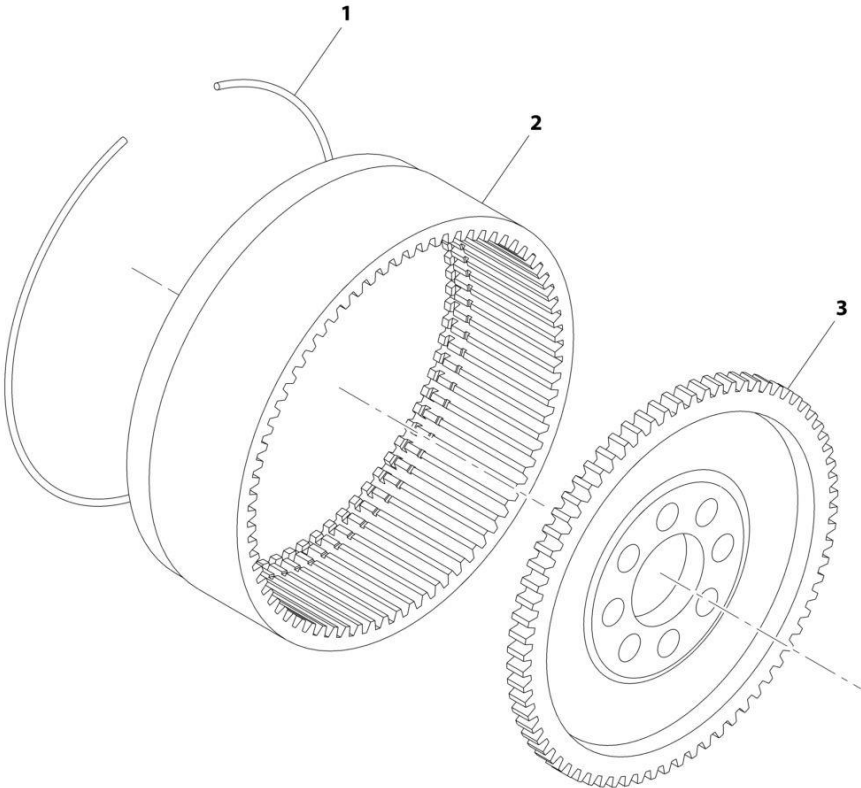
SECTION 5 - DRIVE TRAIN

FIGURE 5-30. TRUNION KIT

ITEM	PART NUMBER	QTY	DESCRIPTION	REV
	70026266	Ref	Trunion Kit	
1	7029290	2	Bushing, Reduction	
2	91514090	1	Bushing, Thrust	
3	70024881	1	Fitting, Grease	
4	80204117	1	Plug	

SECTION 5 - DRIVE TRAIN

FIGURE 5-31. RING GEAR SUPPORT KIT



ART_70024146

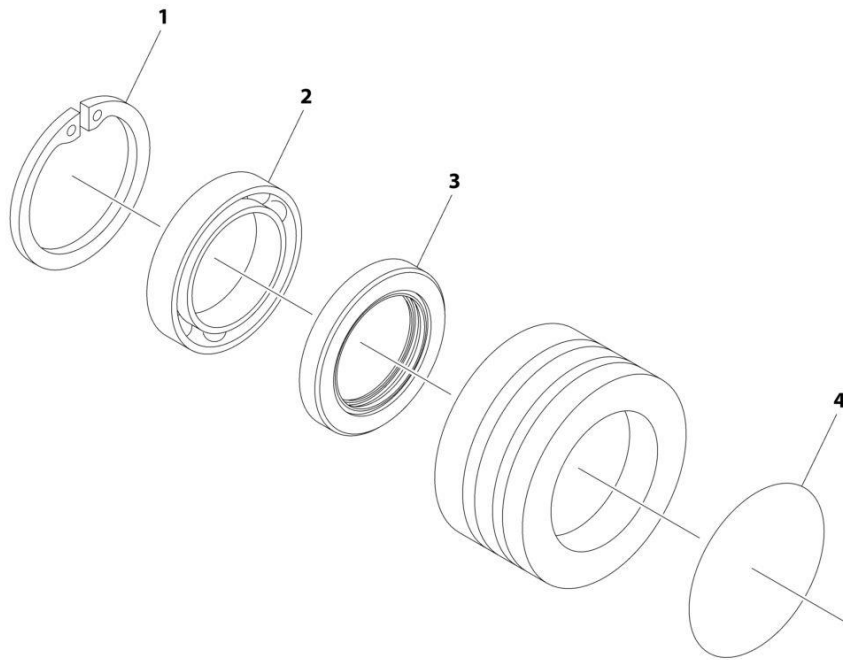
SECTION 5 - DRIVE TRAIN

FIGURE 5-31. RING GEAR SUPPORT KIT

ITEM	PART NUMBER	QTY	DESCRIPTION	REV
	70024146	Ref	Ring Gear Support Kit	
1	91514175	1	Circlip	
2	70024147	1	Gear, Ring	
3	91514177	1	Gear, Ring Support	

SECTION 5 - DRIVE TRAIN

FIGURE 5-32. REDUCTION BUSHING KIT



ART_91514149

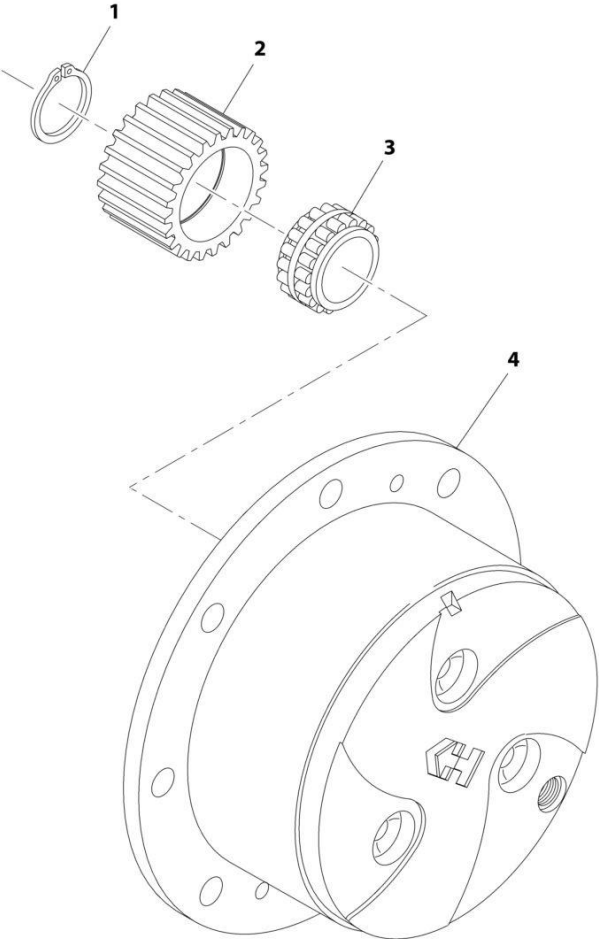
SECTION 5 - DRIVE TRAIN

FIGURE 5-32. REDUCTION BUSHING KIT

ITEM	PART NUMBER	QTY	DESCRIPTION	REV
	91514149	Ref	Reduction Bushing Kit	
1	80204005	2	Circlip	
2	91514146	2	Bearing, Ball	
3	91514147	2	Seal	
4	91514148	2	O-Ring	

SECTION 5 - DRIVE TRAIN

FIGURE 5-33. PLANET GEAR CARRIER KIT



ART_7029733

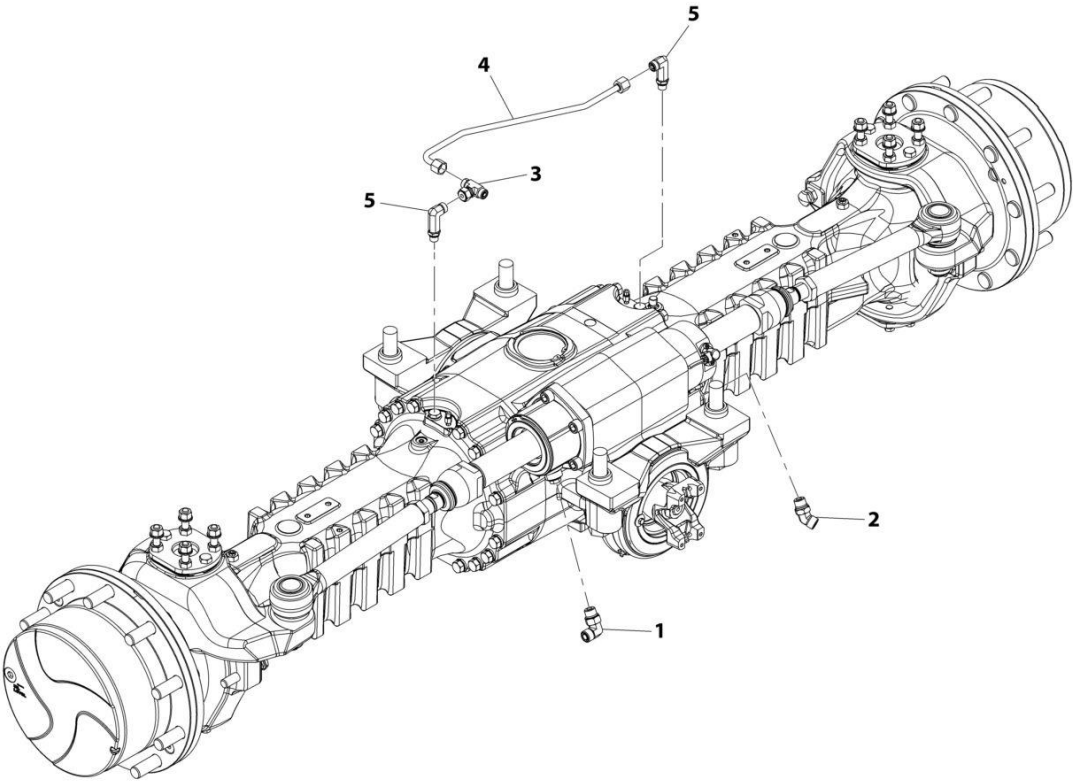
SECTION 5 - DRIVE TRAIN

FIGURE 5-33. PLANET GEAR CARRIER KIT

ITEM	PART NUMBER	QTY	DESCRIPTION	REV
	7029733	Ref	Planet Gear Carrier Kit	
1	91514184	3	Circlip	
2	91514185	6	Gear, Planet	
3	91514186	6	Bearing	
4	7026731	1	Carrier, Planet Gear	

SECTION 5 - DRIVE TRAIN

FIGURE 5-34. REAR AXLE LINES INSTALLATION



ART_1001207899-C

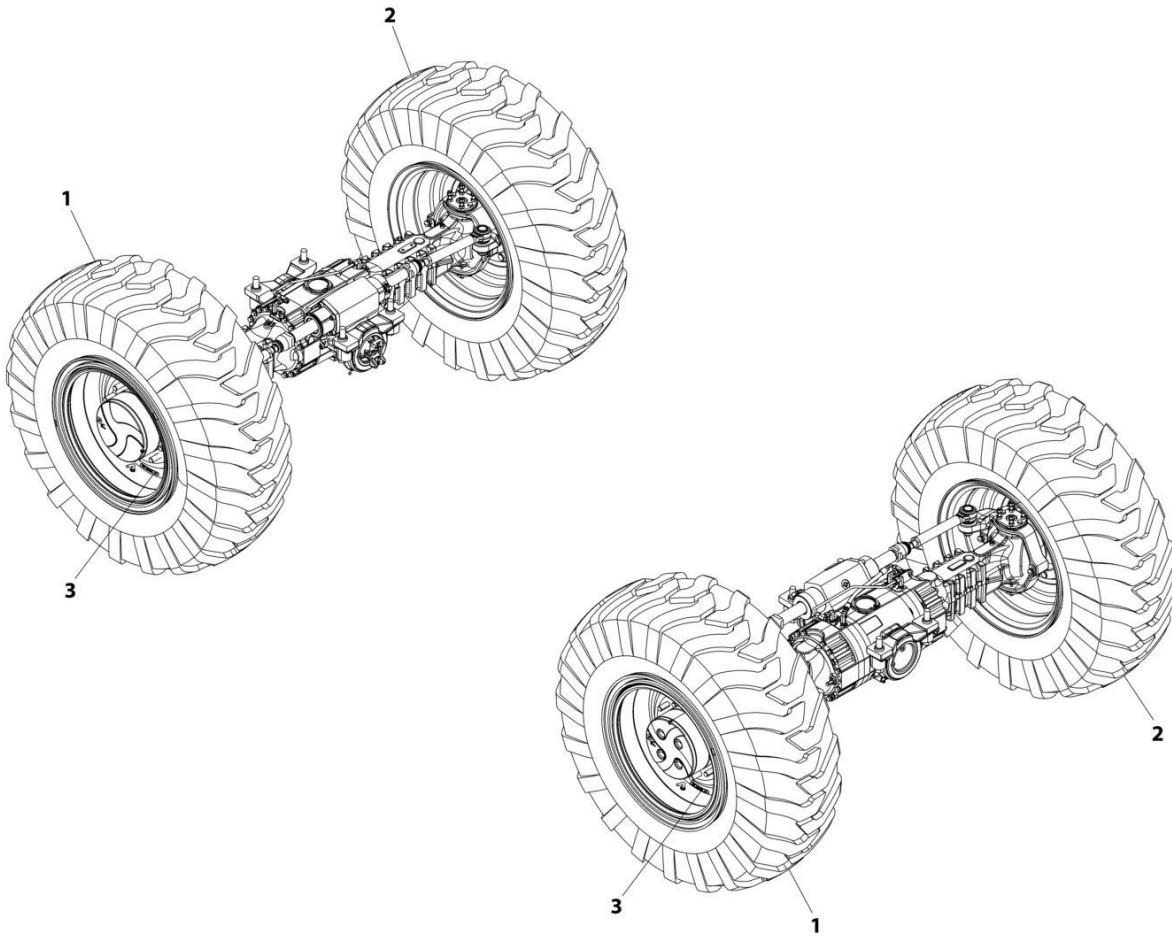
SECTION 5 - DRIVE TRAIN

FIGURE 5-34. REAR AXLE LINES INSTALLATION

ITEM	PART NUMBER	QTY	DESCRIPTION	REV
	1001207899	Ref	Rear Axle Lines Installation	C
1	2130808	1	Fitting, 90 ORFS	
2	2150808	1	Fitting, 45 ORFS	
3	2170806	1	Fitting, Tee ORFS	
4	1001224938	1	Tube	
5	1001210769	2	Fitting, 90 ORFS	

SECTION 5 - DRIVE TRAIN

FIGURE 5-35. TIRE/WHEEL SET (AIR 17.5-25 - 20 PLY)



ART_1001192168-C

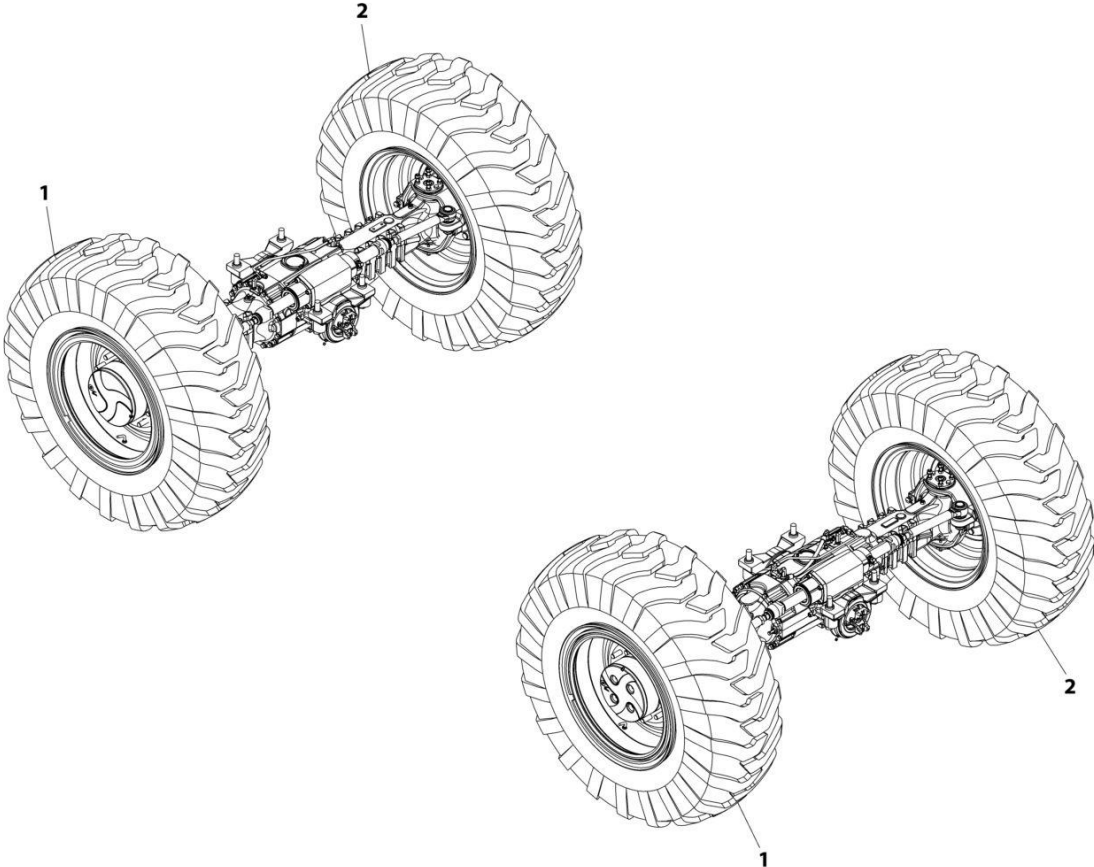
SECTION 5 - DRIVE TRAIN

FIGURE 5-35. TIRE/WHEEL SET (AIR 17.5-25 - 20 PLY)

ITEM	PART NUMBER	QTY	DESCRIPTION	REV
	1001192168	1	Tire/Wheel Set (Air 17.5-25 - 20 PLY)	C
1	1001192177	2	Assembly, Right Tire/Wheel (Air 17.5-25 - 20 PLY)	
1	8786549	1	Valve, Stem	
1	1001187423	1	Tire, 17.5-25 20 PLY	
1	1001189288J	1	Wheel, 25X14.0 DTU 10 Hole	
2	1001192178	2	Assembly, Left Tire/Wheel (Air 17.5-25 - 20 PLY)	
2	8786549	1	Valve, Stem	
2	1001187423	1	Tire, 17.5-25 20 PLY	
2	1001189288J	1	Wheel, 25X14.0 DTU 10 Hole	
3	1001229201	4	Decal	

SECTION 5 - DRIVE TRAIN

FIGURE 5-36. TIRE/WHEEL SET (FOAM 17.5-25 - 20 PLY)



ART_1001192170-A

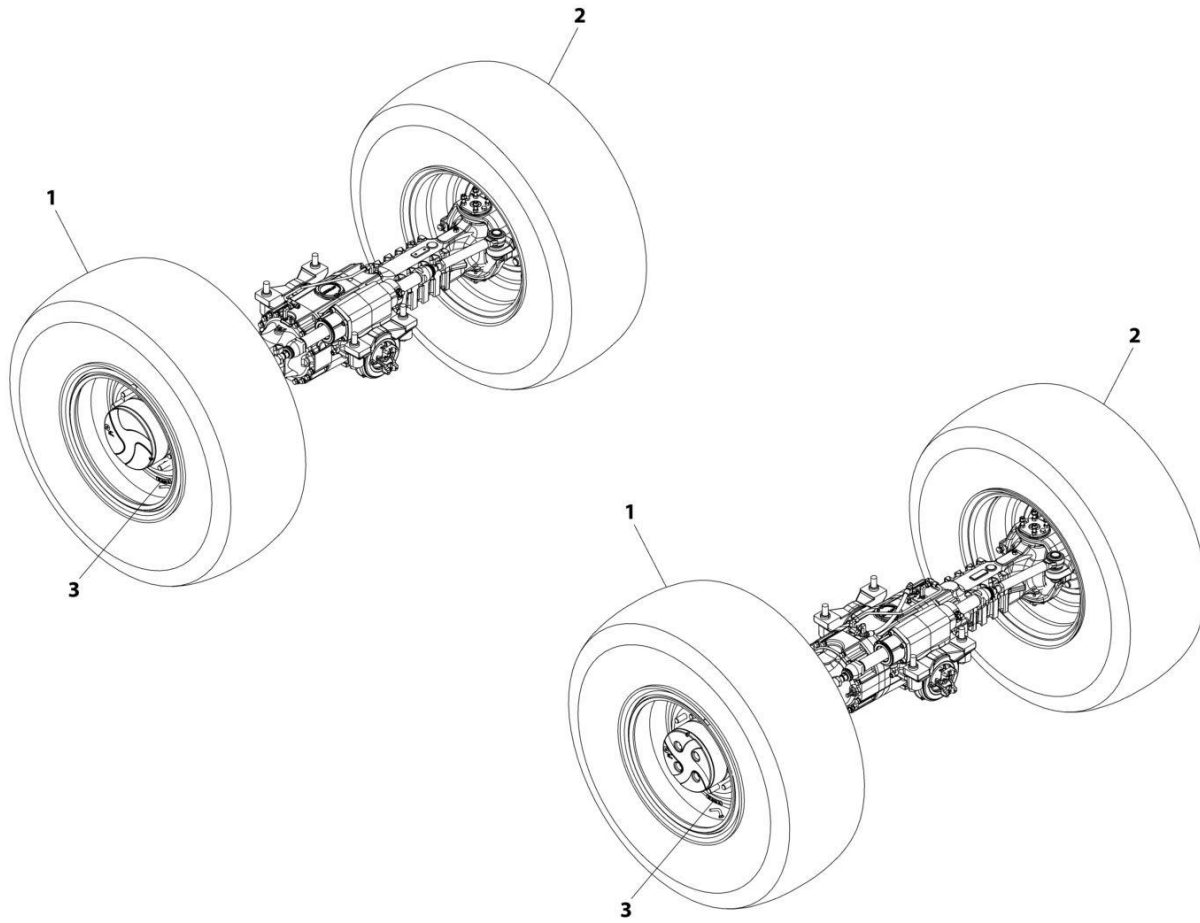
SECTION 5 - DRIVE TRAIN

FIGURE 5-36. TIRE/WHEEL SET (FOAM 17.5-25 - 20 PLY)

ITEM	PART NUMBER	QTY	DESCRIPTION	REV
	1001192170	1	Tire/Wheel Set (Foam 17.5-25 - 20 PLY)	A
		Ref	Note: Requires ballast/foam filling to manufacturer's specifications prior to installing on a machine. Refer to Service and Maintenance Manuals. Purchase individual tire and/or rim only if able to foam fill tire and wheel assembly, otherwise, purchase complete.	
1	1001192180	2	Assembly, Right Tire/Wheel (Foam 17.5-25 - 20 PLY)	
1	8786549	1	Valve, Stem	
1	1001187423	1	Tire, 17.5-25 20 PLY	
1	1001189288J	1	Wheel, 25X14.0 DTU 10 Hole	
2	1001192181	2	Assembly, Left Tire/Wheel (Foam 17.5-25 - 20 PLY)	
2	8786549	1	Valve, Stem	
2	1001187423	1	Tire, 17.5-25 20 PLY	
2	1001189288J	1	Wheel, 25X14.0 DTU 10 Hole	

SECTION 5 - DRIVE TRAIN

FIGURE 5-37. TIRE/WHEEL SET (AIR 17.5 R25 - RADIAL)



ART_1001221270-A

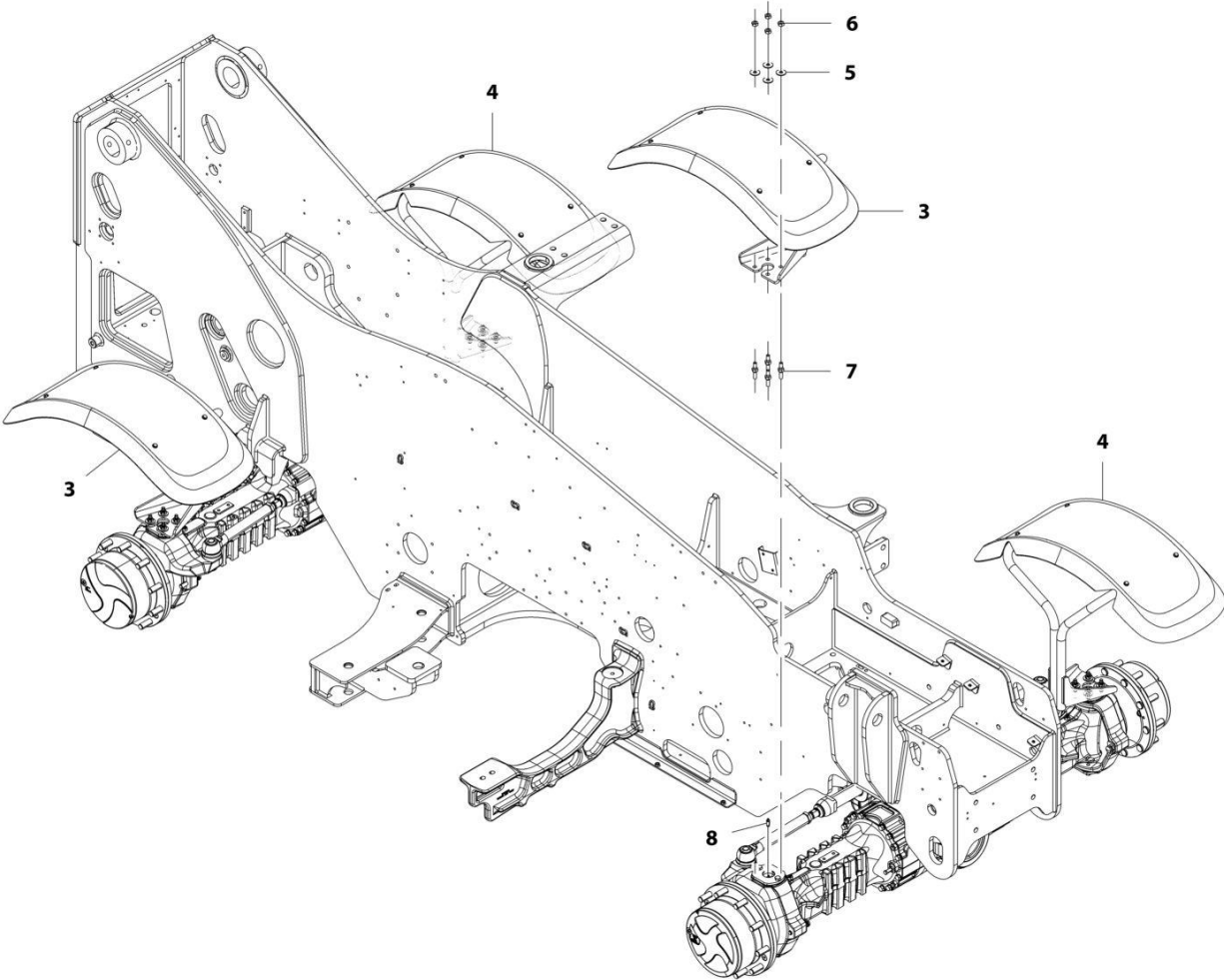
SECTION 5 - DRIVE TRAIN

FIGURE 5-37. TIRE/WHEEL SET (AIR 17.5 R25 - RADIAL)

ITEM	PART NUMBER	QTY	DESCRIPTION	REV
	1001221270	1	Tire/Wheel Set (Air 17.5 R25 - Radial)	A
1	1001221157	2	Assembly, Right Tire/Wheel (Air 17.5 R25 - Radial)	
1	8786549	1	Valve, Stem	
1	1001221087	1	Tire, 17.5 R25 Radial	
1	1001189288J	1	Wheel, 25X14.0 DTU 10 Hole	
2	1001221321	2	Assembly, Left Tire/Wheel (Air 17.5 R25 - Radial)	
2	8786549	1	Valve, Stem	
2	1001221087	1	Tire, 17.5 R25 Radial	
2	1001189288J	1	Wheel, 25X14.0 DTU 10 Hole	
3	1001221734	4	Decal	

SECTION 5 - DRIVE TRAIN

FIGURE 5-38. FENDER INSTALLATION



ART_1001174129-E

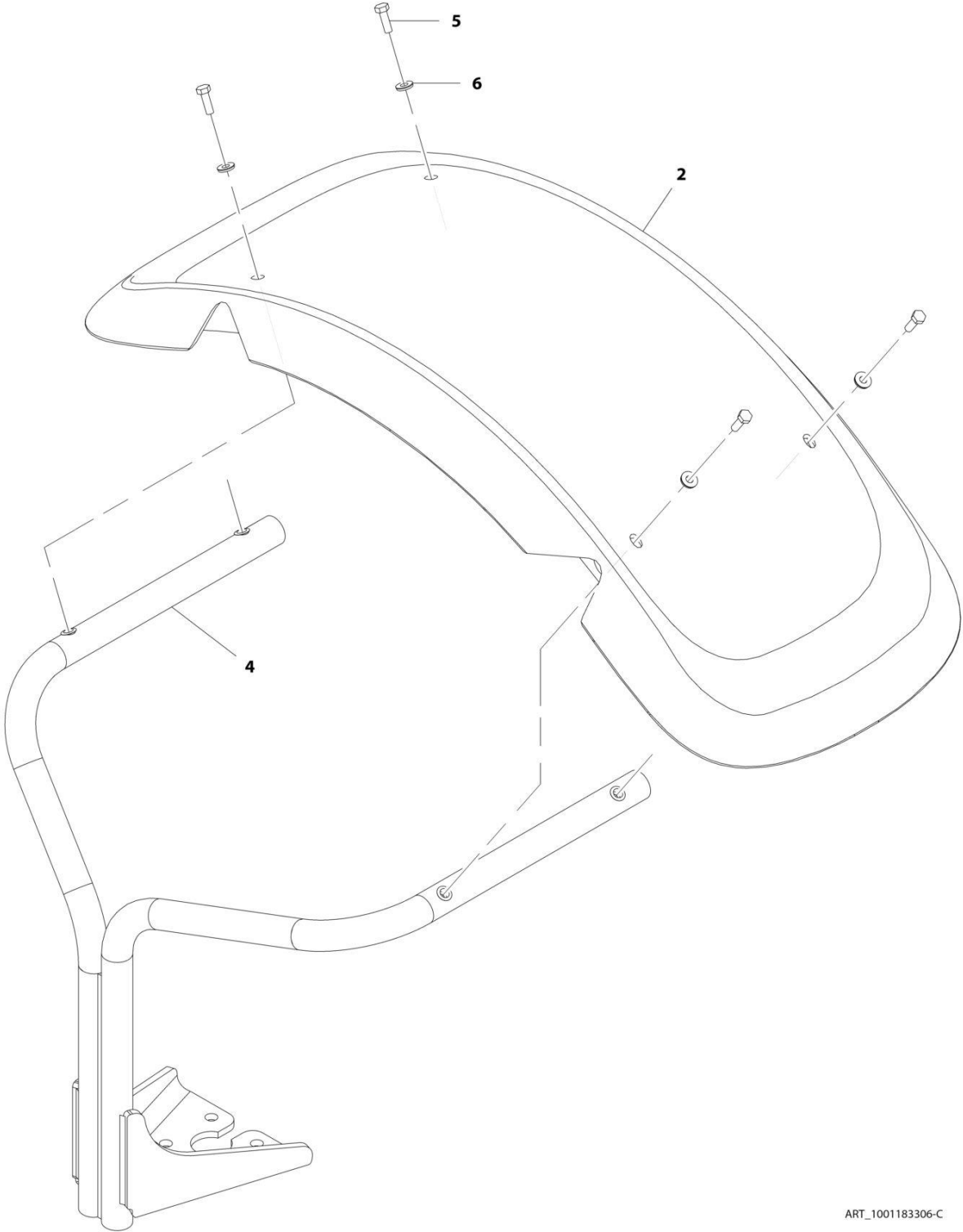
SECTION 5 - DRIVE TRAIN

FIGURE 5-38. FENDER INSTALLATION

ITEM	PART NUMBER	QTY	DESCRIPTION	REV
	1001174129	Ref	Fender Installation	E
3	1001183306	2	Assembly, RH Fender (See Separate Breakdown in this Section)	
4	1001183307	2	Assembly, LH Fender (See Separate Breakdown in this Section)	
5	4812102	16	Washer, M12	
6	91513266	16	Nut, M12X1.25	
7	91514118	16	Stud, Fender	
8	1001225317	4	Fitting, Grease	

SECTION 5 - DRIVE TRAIN

FIGURE 5-39. RH FENDER ASSEMBLY



ART_1001183306-C

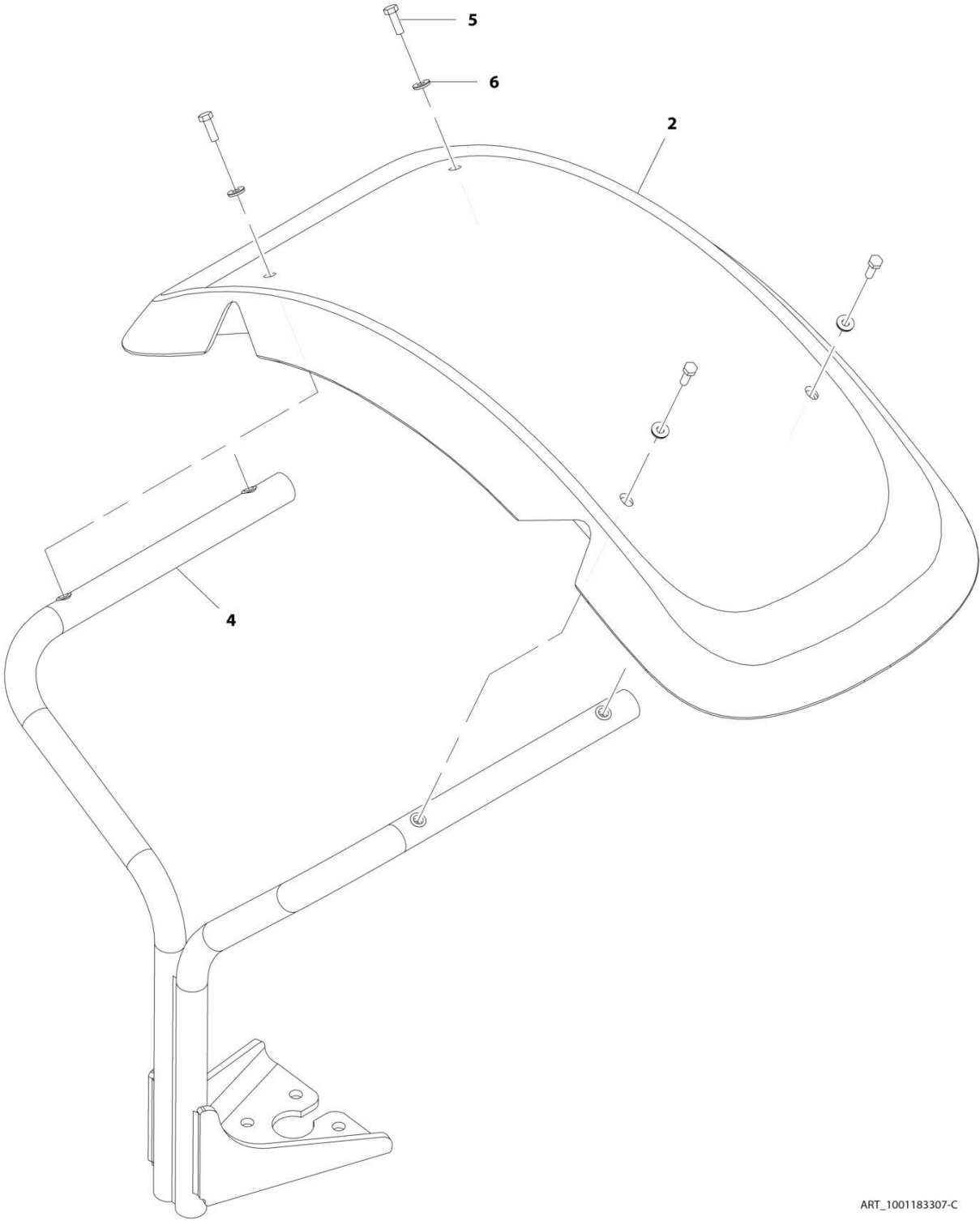
SECTION 5 - DRIVE TRAIN

FIGURE 5-39. RH FENDER ASSEMBLY

ITEM	PART NUMBER	QTY	DESCRIPTION	REV
	1001183306	Ref	RH Fender Assembly	C
2	1001168264	1	Fender	
4	1001183308	1	Bracket	
5	0760812	4	Bolt, M8X25	
6	1001202786	4	Washer	

SECTION 5 - DRIVE TRAIN

FIGURE 5-40. LH FENDER ASSEMBLY



ART_1001183307-C

SECTION 5 - DRIVE TRAIN

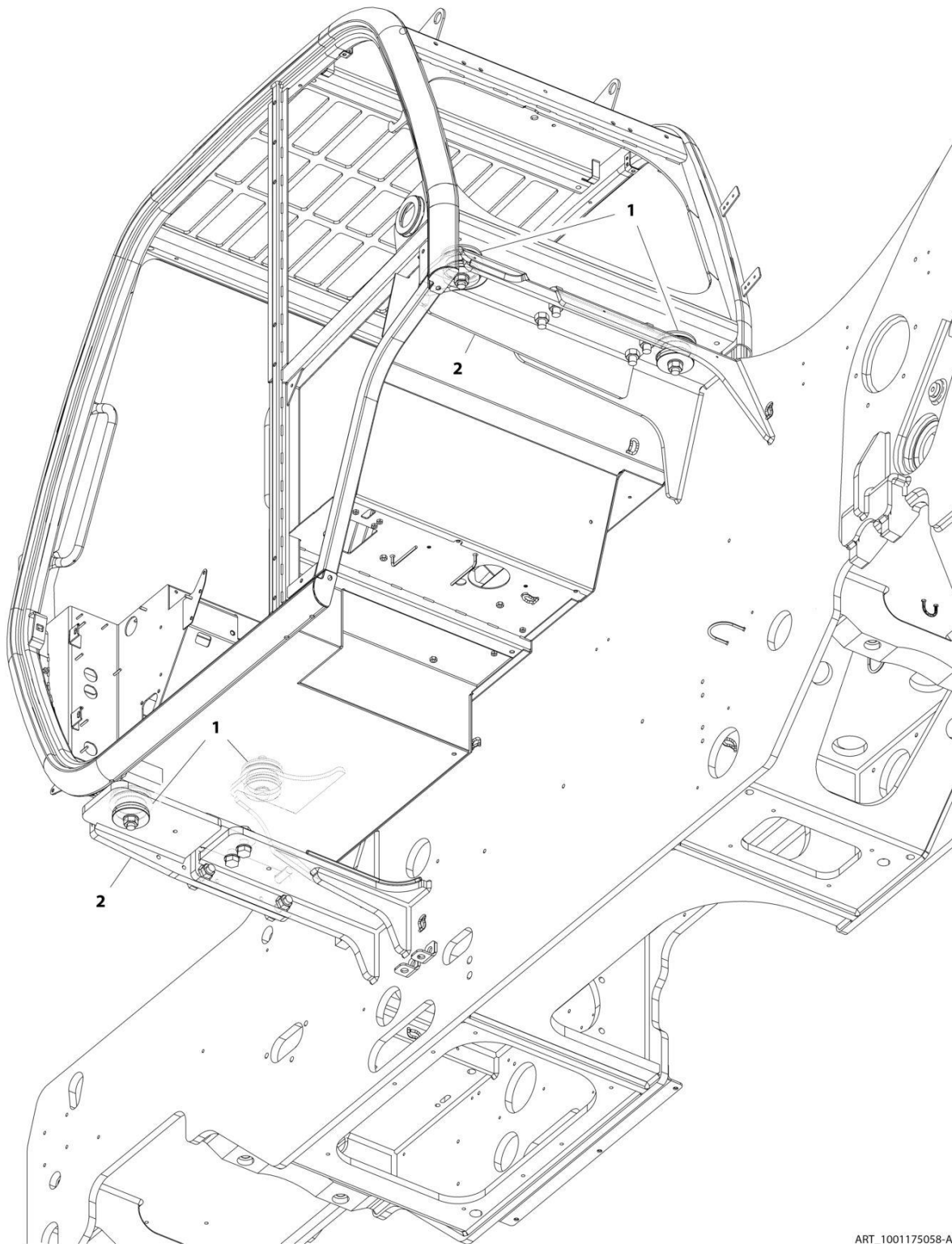
FIGURE 5-40. LH FENDER ASSEMBLY

ITEM	PART NUMBER	QTY	DESCRIPTION	REV
	1001183307	Ref	LH Fender Assembly	C
2	1001168264	1	Fender	
4	1001183309	1	Bracket	
5	0760812	4	Bolt, M8X25	
6	1001202786	4	Washer	

SECTION 6 - CAB

SECTION 6 - CAB

FIGURE 6-1. CAB MOUNTING INSTALLATION



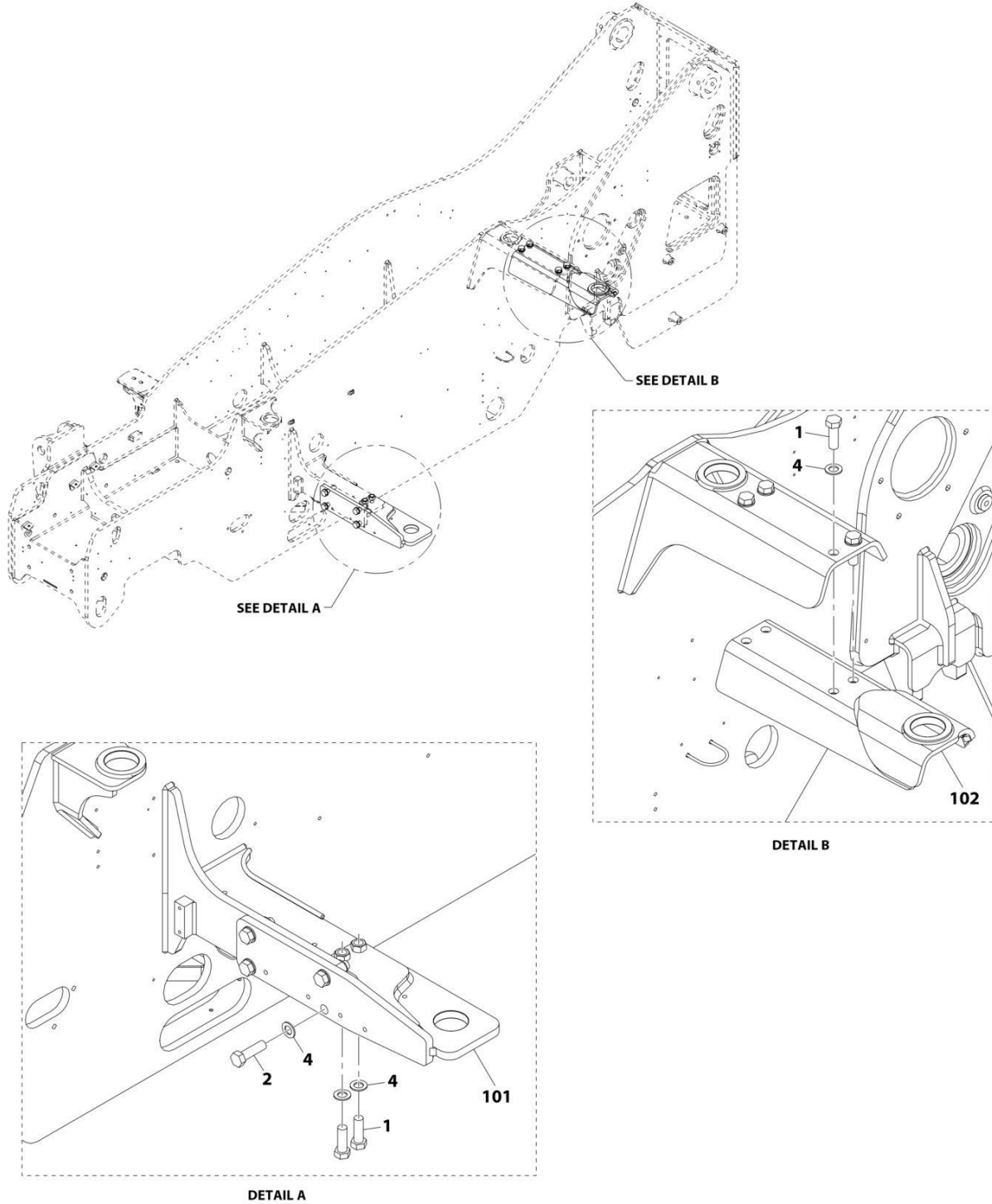
ART_1001175058-A

FIGURE 6-1. CAB MOUNTING INSTALLATION

ITEM	PART NUMBER	QTY	DESCRIPTION	REV
1	1001175058	Ref	Cab Mounting Installation	A
	1001155446	Ref	Installation, Cab Mount (See Separate Breakdown in this Section)	
	1001191255	Ref	Installation, Front Cab Mount Bracket (See Separate Breakdown in this Section)	

SECTION 6 - CAB

FIGURE 6-2. FRONT CAB MOUNT BRACKET INSTALLATION



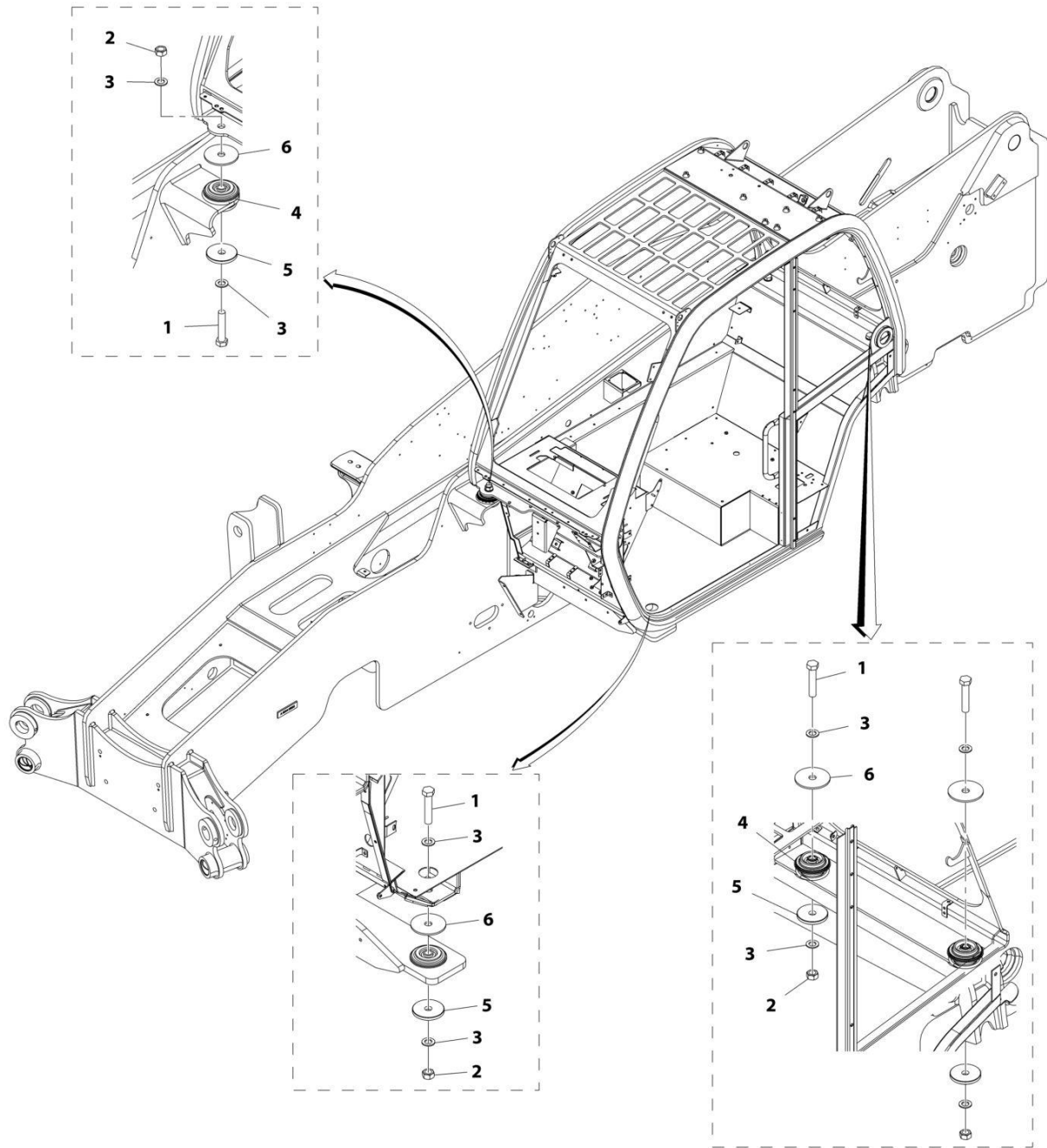
ART_1001191255-E

FIGURE 6-2. FRONT CAB MOUNT BRACKET INSTALLATION

ITEM	PART NUMBER	QTY	DESCRIPTION	REV
	1001191255	Ref	Front Cab Mount Bracket Installation	E
1	0712020	6	Bolt, M20X60	
2	0712022	4	Bolt, M20X70	
4	4812500	10	Washer, M20	
101	1001191256	1	Bracket	
102	1001191257	1	Bracket	

SECTION 6 - CAB

FIGURE 6-3. CAB MOUNTS INSTALLATION



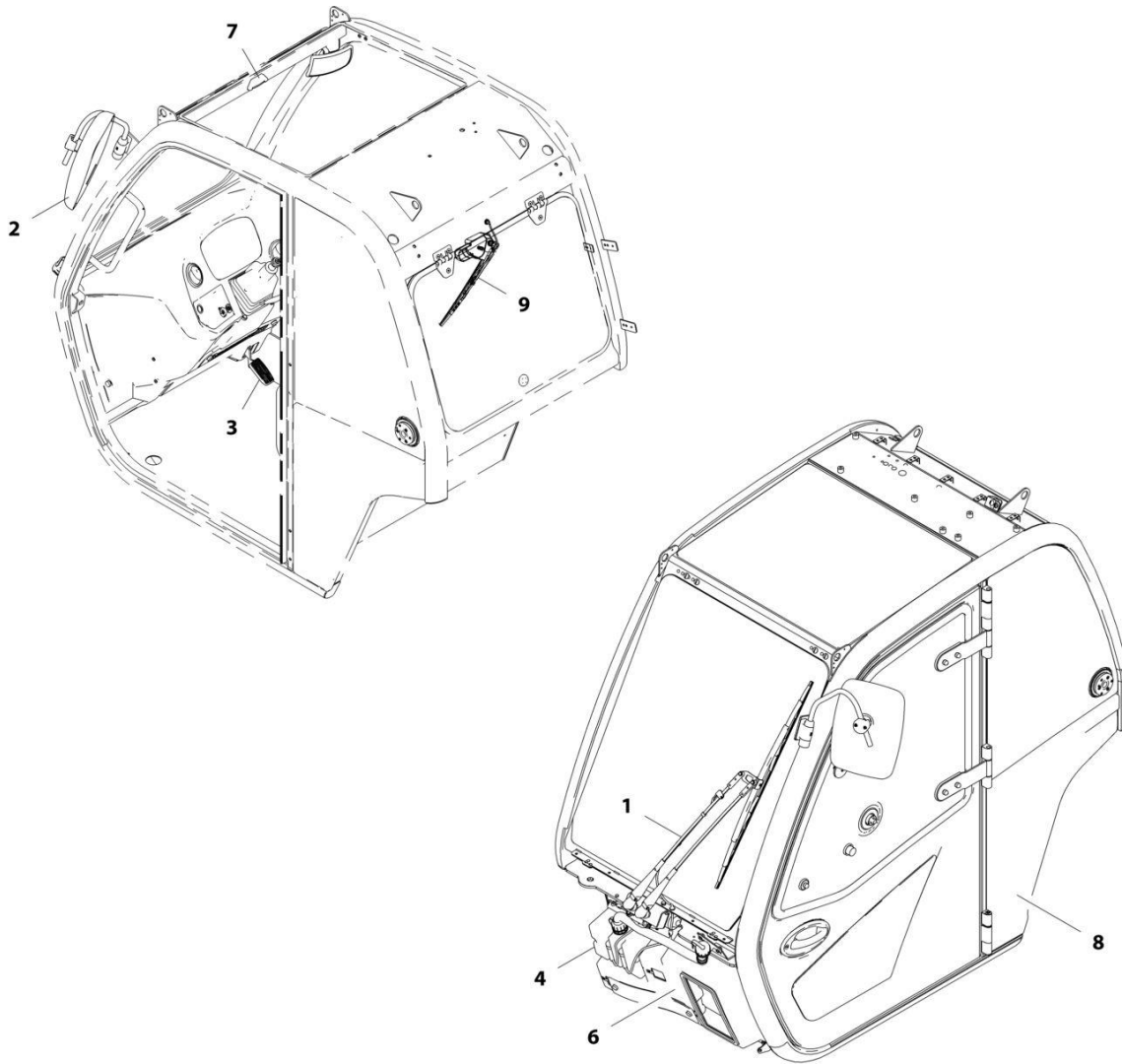
ART_1001155446-E

FIGURE 6-3. CAB MOUNTS INSTALLATION

ITEM	PART NUMBER	QTY	DESCRIPTION	REV
	1001155446	Ref	Cab Mounts Installation	E
1	0712027	4	Bolt, M20X100	
2	3332011	4	Nut, M20X2.5	
3	4812500	8	Washer, M20	
4	1001166754	4	Mount, Cab Isolation	
5	1001166755	4	Washer, Cab Rebound	
6	1001220540	4	Washer, Cab Mount	

SECTION 6 - CAB

FIGURE 6-4. CAB COMPONENTS INSTALLATION



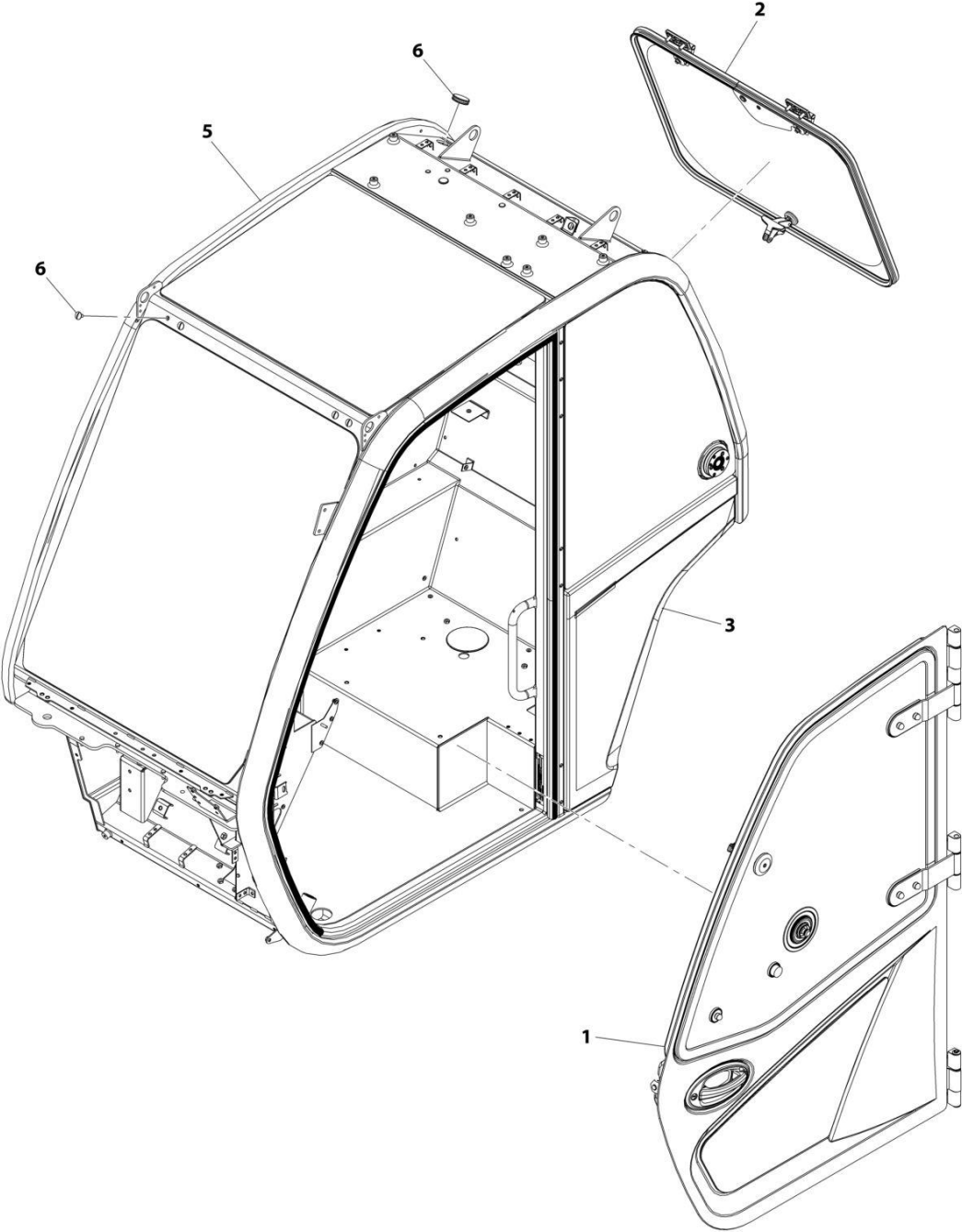
ART_1001194698

FIGURE 6-4. CAB COMPONENTS INSTALLATION

ITEM	PART NUMBER	QTY	DESCRIPTION	REV
	1001194698	Ref	Cab Components Installation	G
1	1001155447	Ref	Installation, Front Wiper (See Separate Breakdown in this Section)	
2	1001160508	Ref	Installation, Basic Mirror (See Separate Breakdown in this Section)	
3	1001161499	Ref	Installation, Accelerator Pedal (See Separate Breakdown in CONTROLS Section)	
4	1001162789	Ref	Installation, Washer Tank (See Separate Breakdown in this Section)	
6	1001170366	Ref	Installation, Front Cover (See Separate Breakdown in this Section)	
7	1001172401	Ref	Installation, Level Indicator (See Separate Breakdown in this Section)	
8	1001194699	Ref	Installation, Cab (See Separate Breakdown in this Section)	
9	1001220329	Ref	Installation, Rear Wiper (See Separate Breakdown in this Section)	

SECTION 6 - CAB

FIGURE 6-5. CAB INSTALLATION



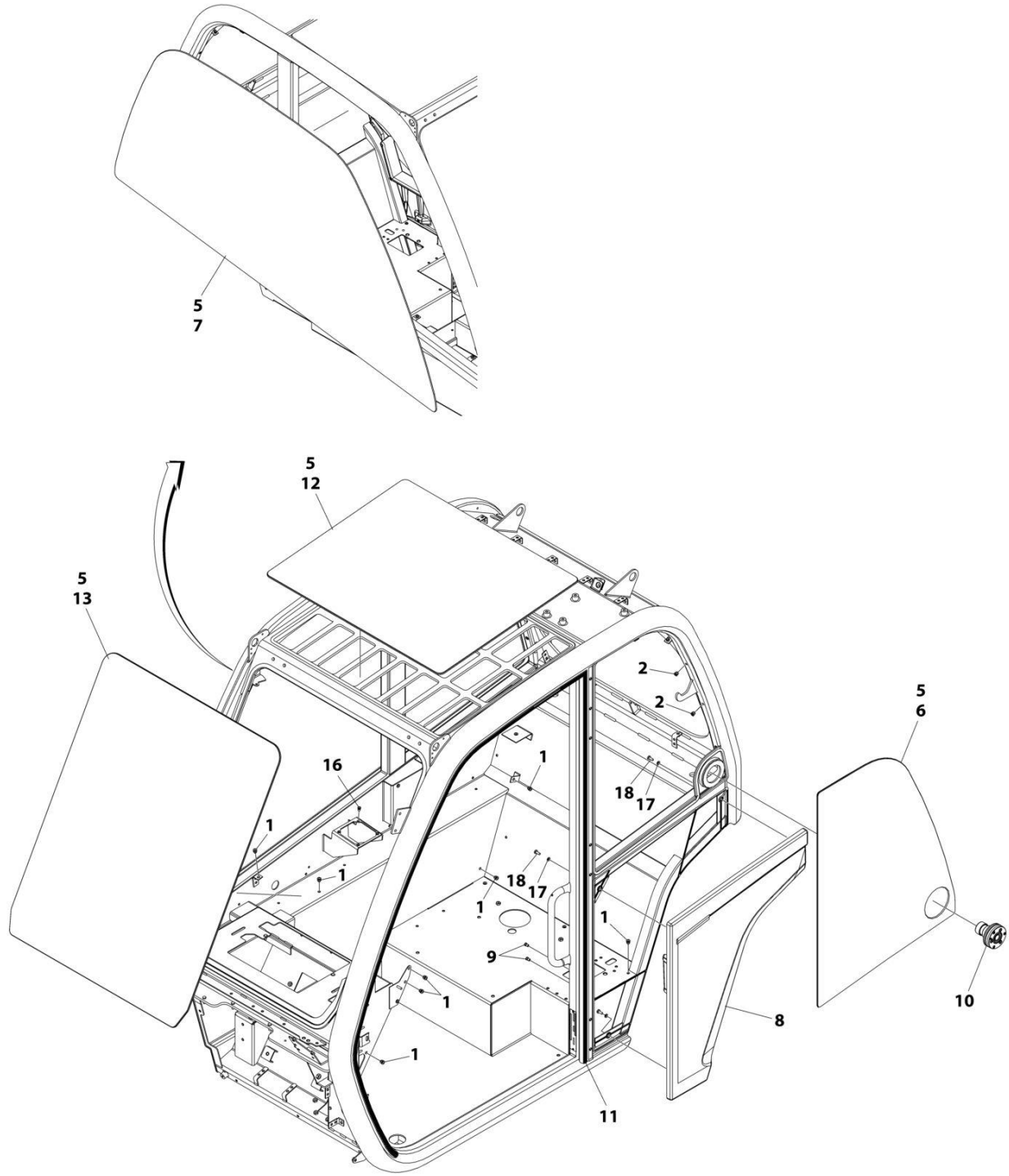
ART_1001194699

FIGURE 6-5. CAB INSTALLATION

ITEM	PART NUMBER	QTY	DESCRIPTION	REV
	1001194699	Ref	Cab Installation	L
1	1001155228	1	Installation, Cab Door (See Separate Breakdown in this Section)	
2	1001220339	1	Installation, Rear Window (See Separate Breakdown in this Section)	
3	1001194700	1	Assembly, Cab Group (See Separate Breakdown in this Section)	
5	N.S.S.	1	Weldment, Cab	
6	1001195814	1	Group, Cab Plug (See Separate Breakdown in this Section)	

SECTION 6 - CAB

FIGURE 6-6. CAB ASSEMBLY



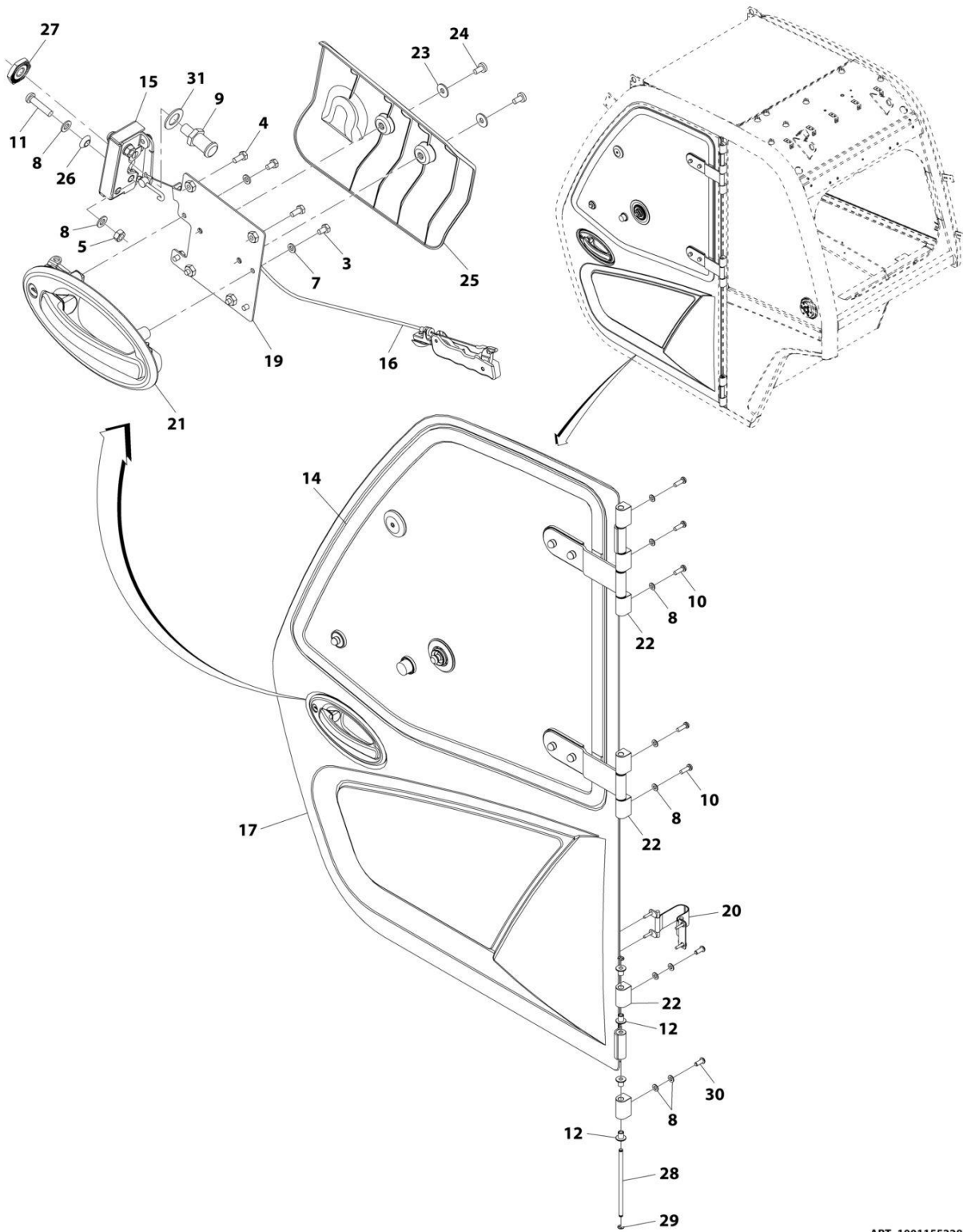
ART_1001194700_G

FIGURE 6-6. CAB ASSEMBLY

ITEM	PART NUMBER	QTY	DESCRIPTION	REV
	1001194700	Ref	Cab Assembly	G
1	2080086	25	Rivnut M6 x 1	
2	2080087	16	Rivnut M8 x 1.25	
5	1001111317	AR	Compound, Locking	
6	1001152915	1	Glass, LH Screen	
7	1001152947	1	Glass, RH Screen	
8	1001256073	1	Panel, Cab Quarter	
9	1001172193	2	Rivnut M5 x 0.8	
10	1001174320	1	Latch, Top Window	
11	1001227186	1	Seal, Cab Door	
12	1001178159	1	Glass, Roof Laminated	
13	1001178160	1	Glass, Front Laminated	
16	1001195878	4	Rivnut M5 x 0.8	
17	4811700	3	Washer M6	
18	4010608002	3	Screw M6 x 16	

SECTION 6 - CAB

FIGURE 6-7. DOOR INSTALLATION



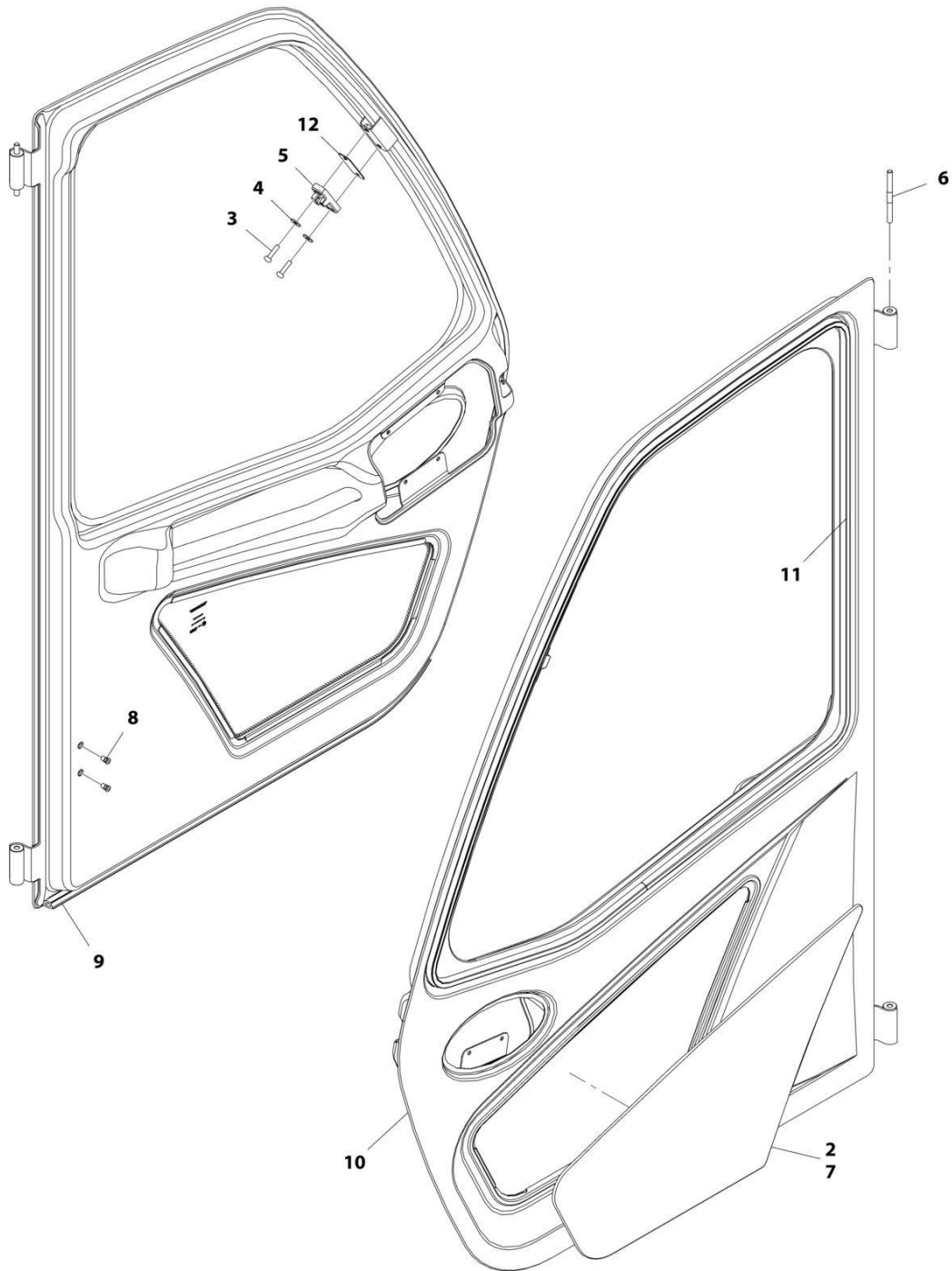
ART_1001155228

FIGURE 6-7. DOOR INSTALLATION

ITEM	PART NUMBER	QTY	DESCRIPTION	REV
	1001155228	Ref	Door Installation	Q
3	0760605	4	Bolt, M6X10	
4	0760607	4	Bolt, M6X14	
5	3290801	2	Nut, M8X1.25 Grade 8	
7	4811700	4	Washer, M6	
8	4811900	13	Washer, M8	
9	8000803	1	Pin, Door Striker	
10	1001008988	5	Screw M8X25	
11	1001047062	2	Screw, M8X35	
12	1001107192	10	Sleeve, Hinge	
14	1001205532	1	Assembly, Door Upper Glass (See Separate Breakdown in this Section)	
15	1001192766	1	Assembly, Cab Latch (See Separate Breakdown in this Section)	
16	1001167958	1	Assembly, Cab Door Trigger (See Separate Breakdown in this Section)	
17	1001170114	1	Assembly, Door (See Separate Breakdown in this Section)	
19	1001173298	1	Bracket	
20	1001174295	1	Installation, Door Strap (See Separate Breakdown in this Section)	
21	1001192646	1	Handle, Exterior Door	
22	1001229543	7	Block, Hinge (Rounded Top/Bottom Edge)	
22	1001170601J	7	Block, Hinge (Square Top/Bottom Edge)	
23	4811702001	2	Washer, M6	
24	4010608002	2	Screw, Posi-Drive, M6X16	
25	1001175477	1	Cover, Cab Door Interior	
26	1001184439	2	Bushing	
27	1001192309	1	Nut, M12X1	
28	1001213791	1	Pin	
29	0498748	2	Washer, Lock M7	
30	1001164726	2	Bolt, M8X20	
31	1001227802	1	Washer	

SECTION 6 - CAB

FIGURE 6-8. DOOR ASSEMBLY



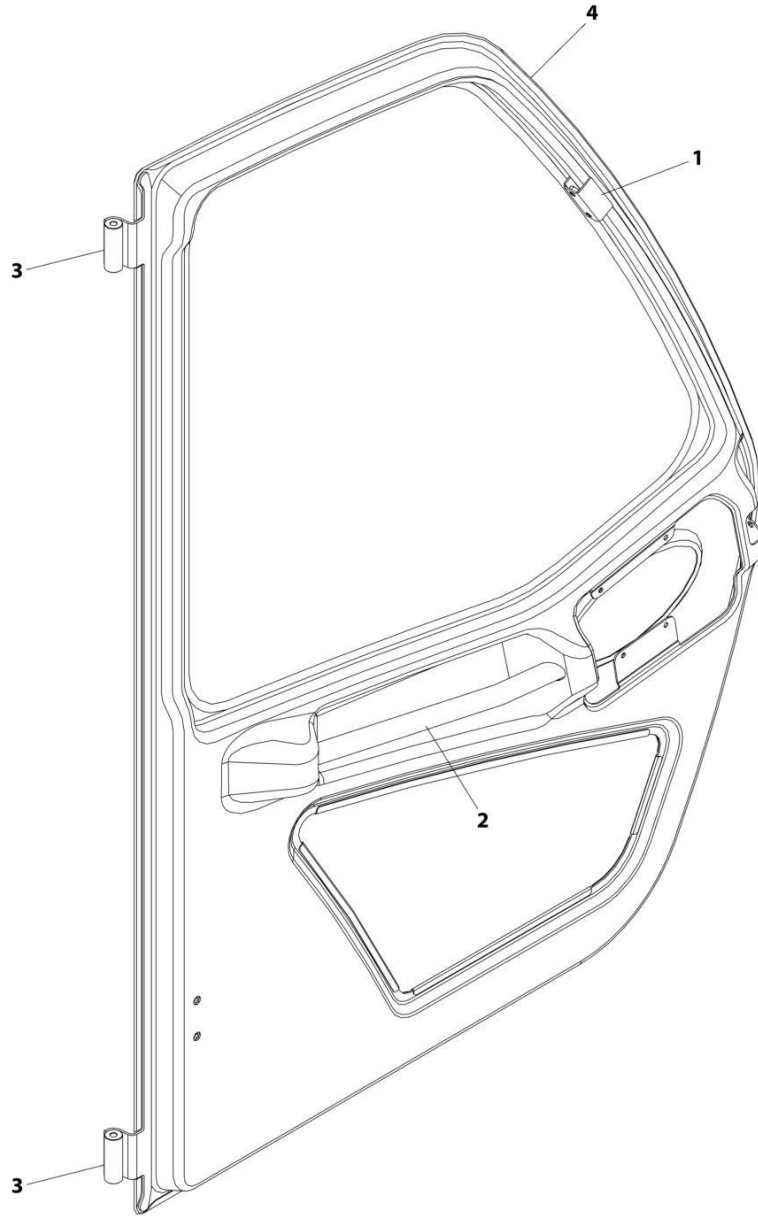
ART_1001170114

FIGURE 6-8. DOOR ASSEMBLY

ITEM	PART NUMBER	QTY	DESCRIPTION	REV
	1001170114	Ref	Door Assembly	K
2	1001111317	AR	Compound, Locking	
3	4010612002	2	Screw, M6X25	
4	4811702001	2	Washer, M6	
5	1001165276	1	Plate, Window Latch Striker	
6	1001166634	1	Pin, Hinge	
7	1001169880	1	Window, Lower Glass	
8	1001172193	2	Rivnut, M5X0.8	
9	1001227188	1	Seal, Cab Door	
10	1001170113J	1	Door, Cab (See Separate Breakdown in this Section)	
11	1001227187	1	Seal, Cab Door Window	
12	1001193210	AR	Shim, Window Latch	

SECTION 6 - CAB

FIGURE 6-9. CAB DOOR



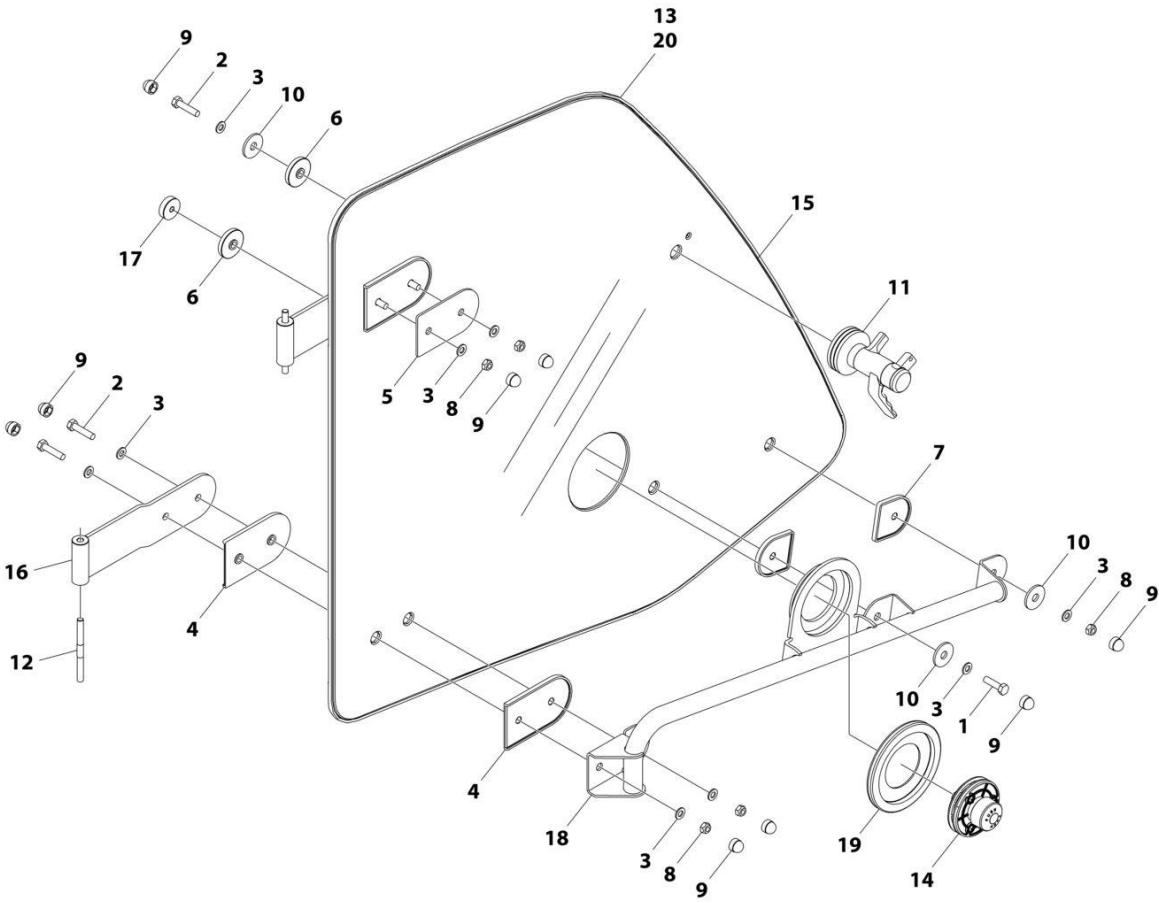
ART_1001170113J-E

FIGURE 6-9. CAB DOOR

ITEM	PART NUMBER	QTY	DESCRIPTION	REV
	1001170113J	Ref	Cab Door	E
1	1001169883	1	Bracket, Window Latch	
2	1001169885	1	Handle, Interior Door	
3	1001171037	1	Plate, Hinge	
4	1001171635	1	Frame, Door	

SECTION 6 - CAB

FIGURE 6-10. DOOR UPPER GLASS ASSEMBLY



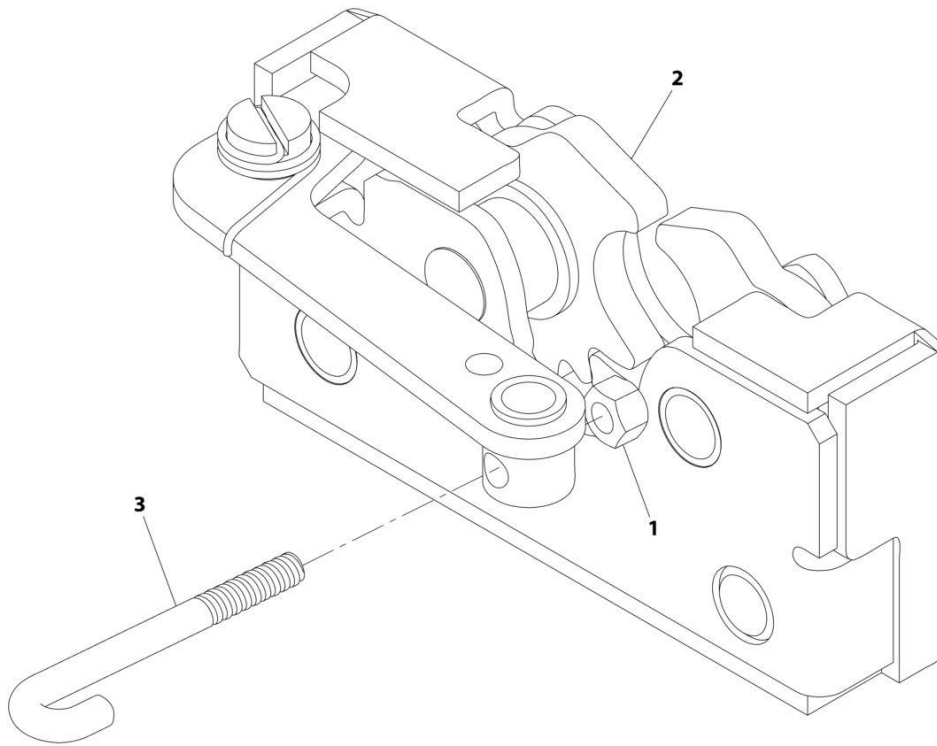
ART_1001205532

FIGURE 6-10. DOOR UPPER GLASS ASSEMBLY

ITEM	PART NUMBER	QTY	DESCRIPTION	REV
	1001205532	Ref	Door Upper Glass Assembly	G
1	0760812	1	Bolt, M8X25	
2	0760815	5	Bolt, M8X35	
3	4811900	11	Washer, 8MM	
4	1001002946	4	Mount, Hinge	
5	1001002947	1	Mount, Hinge	
6	1001002953	2	Mount, Rubber	
7	1001002957	2	Mount, Latch	
8	1001008857	5	Nut, Lock	
9	1001096365	11	Cap, M8	
10	1001141246	3	Mount, Rubber	
11	1001165275	1	Latch, Window	
12	1001166634	2	Pin, Hinge	
13	1001170944	1	Panel, Window Surround	
14	1001174321	1	Striker, Top Window	
15	1001204066	1	Glass, Window	
16	1001204115	2	Hinge	
17	1001222741	1	Buffer, Cab	
18	1001204120	1	Handle	
19	1001213331	1	Gasket	
20	1001215531	AR	Adhesive	

SECTION 6 - CAB

FIGURE 6-11. CAB LATCH ASSEMBLY



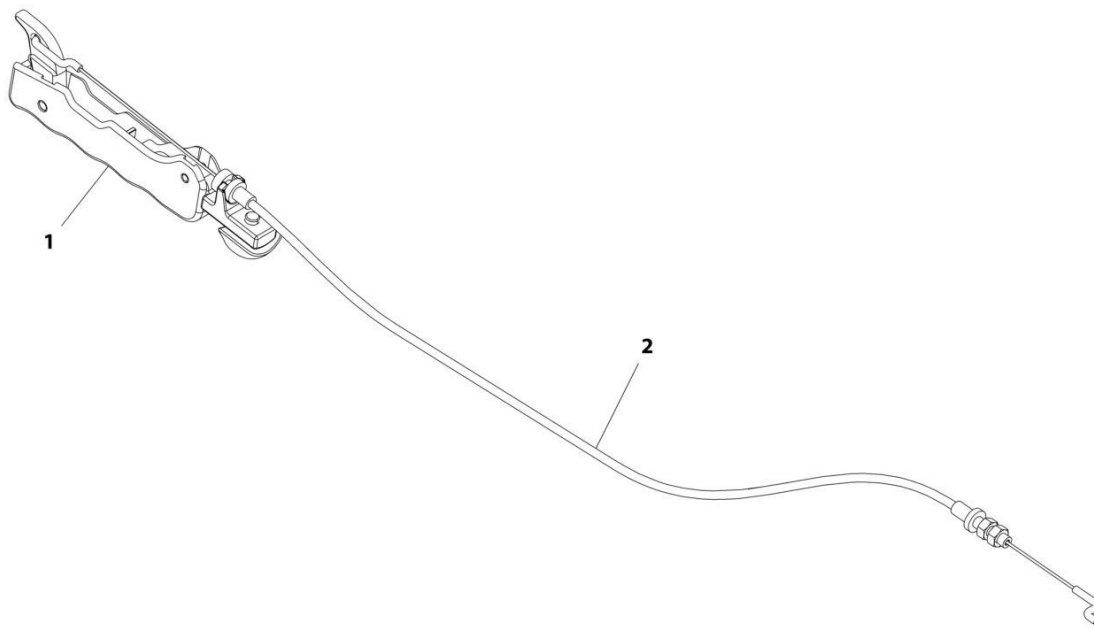
ART_1001192766_C

FIGURE 6-11. CAB LATCH ASSEMBLY

ITEM	PART NUMBER	QTY	DESCRIPTION	REV
	1001192766	Ref	Cab Latch Assembly	C
1	3290405	1	Nut, M4X0.7 Grade 8	
2	1001192643	1	Latch	
3	1001241308	1	Link, Door Handle	

SECTION 6 - CAB

FIGURE 6-12. CAB DOOR TRIGGER ASSEMBLY



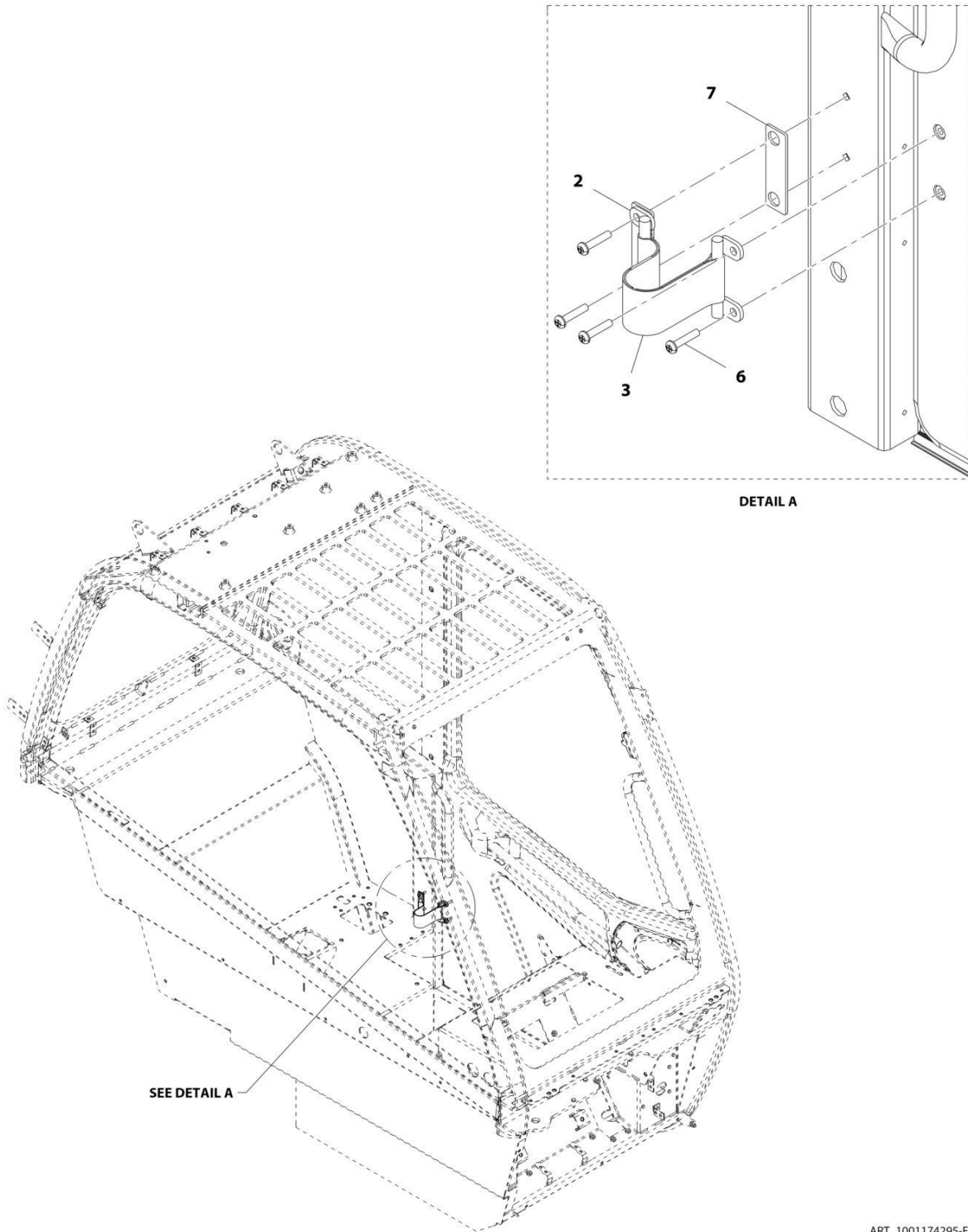
ART_1001167958-E

FIGURE 6-12. CAB DOOR TRIGGER ASSEMBLY

ITEM	PART NUMBER	QTY	DESCRIPTION	REV
	1001167958	Ref	Cab Door Trigger Assembly	E
1	1001167937	1	Trigger, Cab Interior Release	
2	1001192644	1	Cable, Cab Latch Release	

SECTION 6 - CAB

FIGURE 6-13. DOOR STRAP INSTALLATION



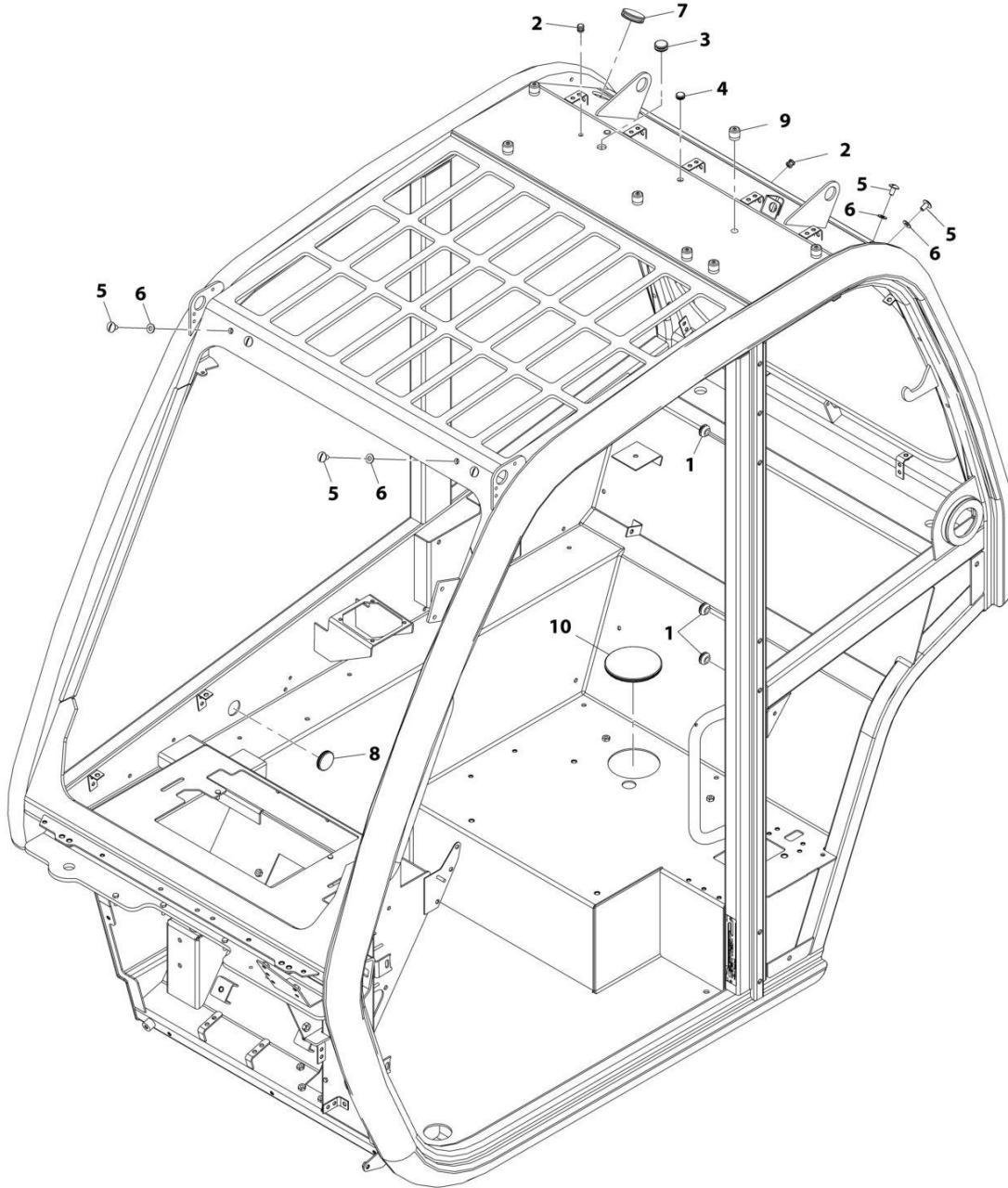
ART_1001174295-F

FIGURE 6-13. DOOR STRAP INSTALLATION

ITEM	PART NUMBER	QTY	DESCRIPTION	REV
	1001174295	Ref	Door Strap Installation	F
2	1001230163	2	Bracket, Strap Holder	
3	1001212011	1	Strap, Door Hold Open	
6	8310559	4	Screw	
7	1001191091	1	Plate, Cab Door Strap	

SECTION 6 - CAB

FIGURE 6-14. CAB PLUG GROUP



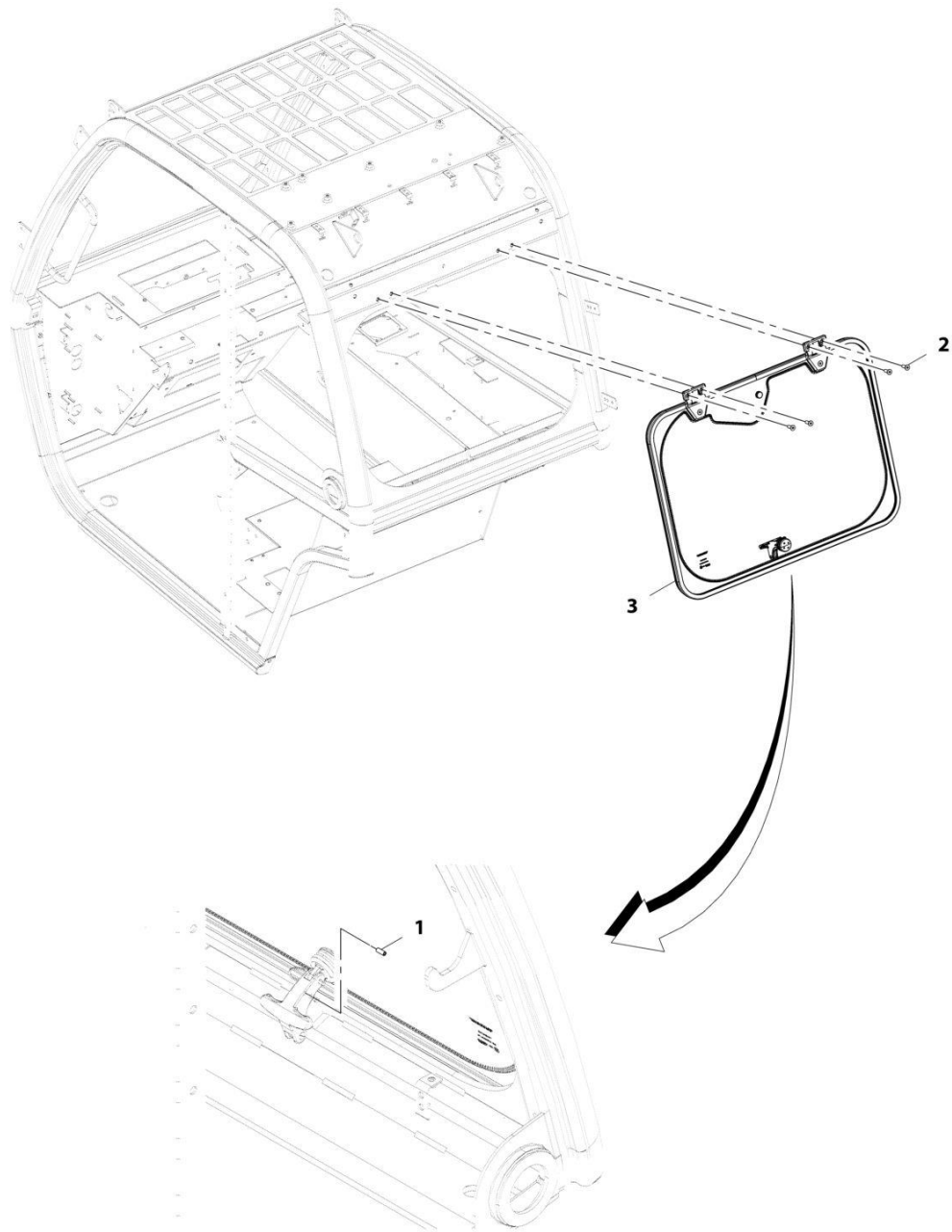
ART_1001195814-C

FIGURE 6-14. CAB PLUG GROUP

ITEM	PART NUMBER	QTY	DESCRIPTION	REV
	1001195814	Ref	Cab Plug Group	C
1	1001143200	7	Plug	
2	1001176272	3	Plug	
3	1001176273	1	Plug	
4	1001176626	1	Plug	
5	1001181920	8	Screw, Nylon M8X16	
6	1001181921	8	Washer, Rubber M8	
7	1001182123	2	Plug	
8	1001182139	1	Plug	
9	1001219220	7	Plug	
10	1001209899	1	Plug	

SECTION 6 - CAB

FIGURE 6-15. REAR WINDOW INSTALLATION



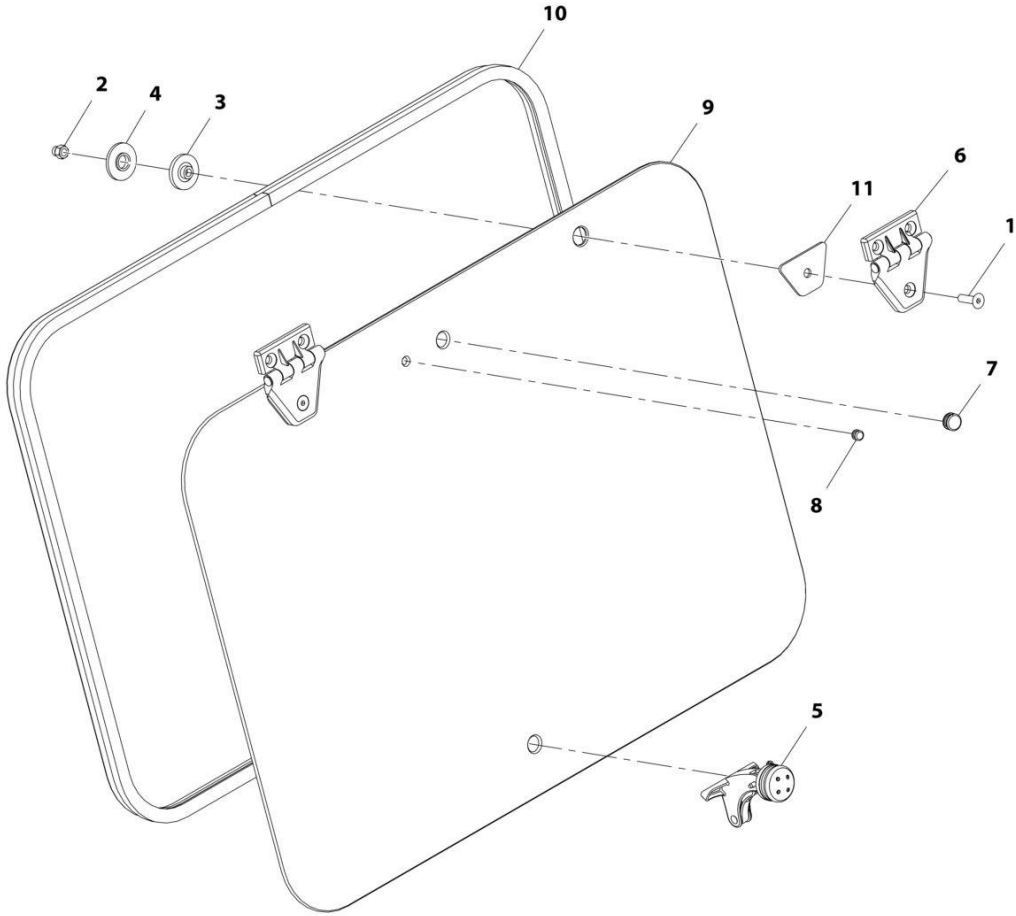
ART_1001220339-A

FIGURE 6-15. REAR WINDOW INSTALLATION

ITEM	PART NUMBER	QTY	DESCRIPTION	REV
	1001220339	Ref	Rear Window Installation	A
1	1001003043	1	Pin, Spring	
2	1001097586	4	Screw, M8X1.25	
3	1001220338	1	Assembly, Rear Window (See Separate Breakdown in this Section)	

SECTION 6 - CAB

FIGURE 6-16. REAR WINDOW GROUP



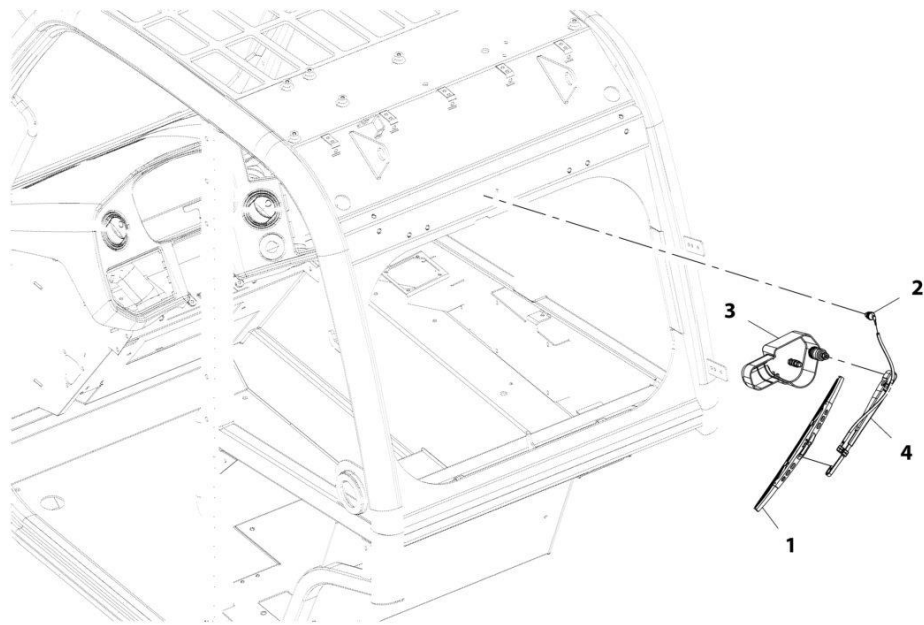
ART_1001220338-A

FIGURE 6-16. REAR WINDOW GROUP

ITEM	PART NUMBER	QTY	DESCRIPTION	REV
	1001220338	Ref	Rear Window Group	A
1	2080078	2	Fastener, M8X30	
2	3290806	2	Nut, M8X1.25 Grade 8	
3	8000759	2	Spacer	
4	8004398	2	Spacer	
5	1001005368	1	Latch, Window	
6	1001139568	2	Hinge	
7	1001171182	1	Grommet	
8	1001171183	1	Grommet	
9	1001178680	1	Glass, Rear Window	
10	1001178681	1	Seal	
11	1001181411	2	Gasket, Rear Window Hinge	

SECTION 6 - CAB

FIGURE 6-17. REAR WIPER INSTALLATION



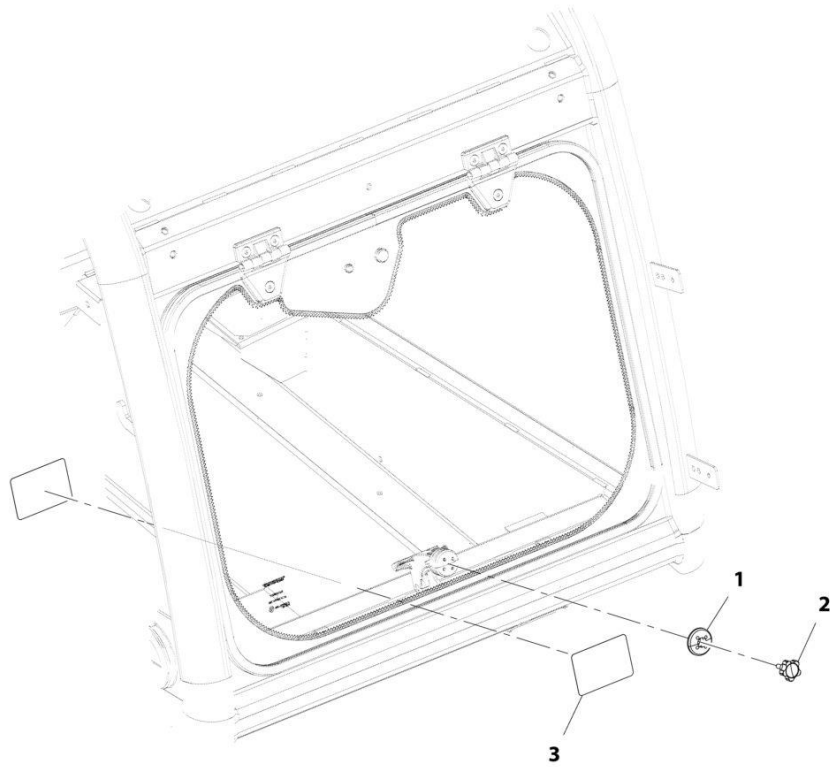
ART_1001220329-A

FIGURE 6-17. REAR WIPER INSTALLATION

ITEM	PART NUMBER	QTY	DESCRIPTION	REV
	1001220329	Ref	Rear Wiper Installation	A
1	4807718	1	Wiper Blade, Oslv Italia	
2	1001090343	1	Connector	
3	1001139552	1	Motor, Wiper, Rear Window	
4	1001141312	1	Blade, Arm, Rear Window	

SECTION 6 - CAB

FIGURE 6-18. REAR WINDOW RELEASE INSTALLATION (ANSI - ENGLISH)



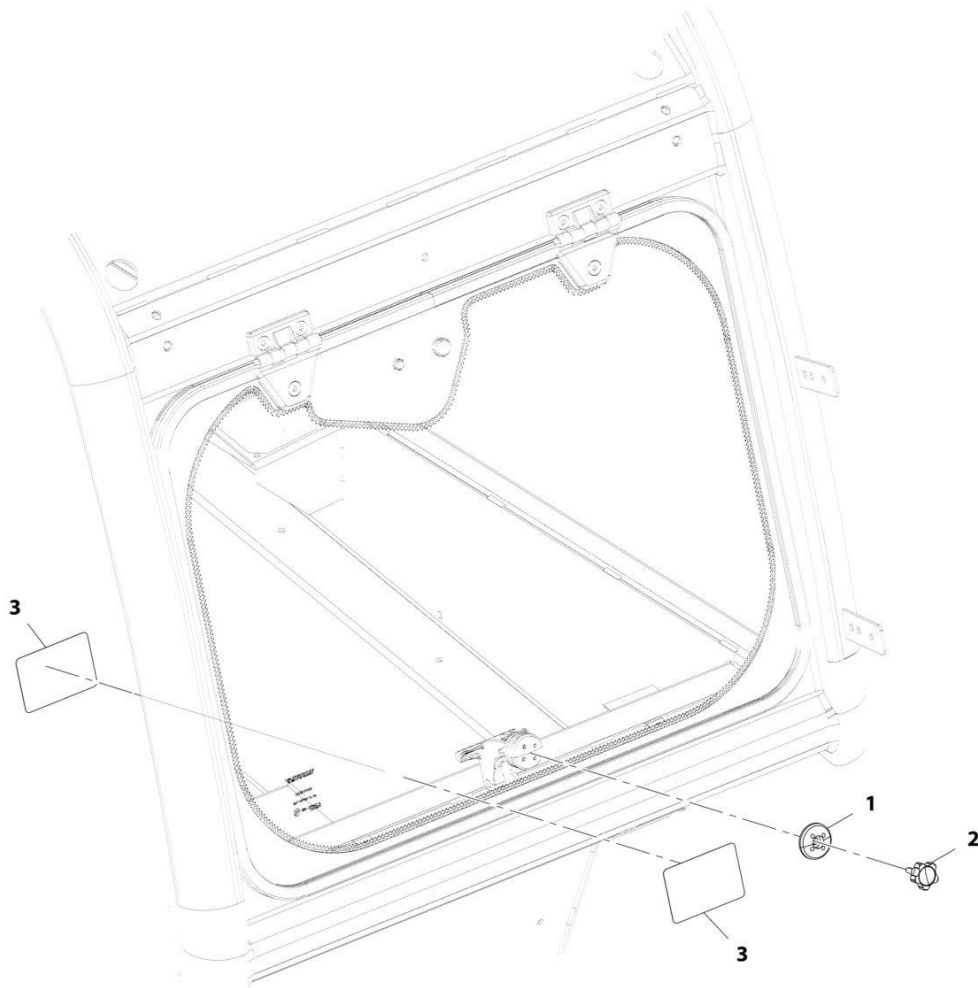
ART_1001212047-A

FIGURE 6-18. REAR WINDOW RELEASE INSTALLATION (ANSI - ENGLISH)

ITEM	PART NUMBER	QTY	DESCRIPTION	REV
	1001212047	Ref	External Window Release Installation (ANSI)	A
1	1001179008	1	Cap, Latch Window	
2	1001179009	1	Cap, Knob M6	
3	1001212049	2	Decal, Emergency Exit	

SECTION 6 - CAB

FIGURE 6-19. REAR WINDOW RELEASE INSTALLATION (ENGLISH/FRENCH)



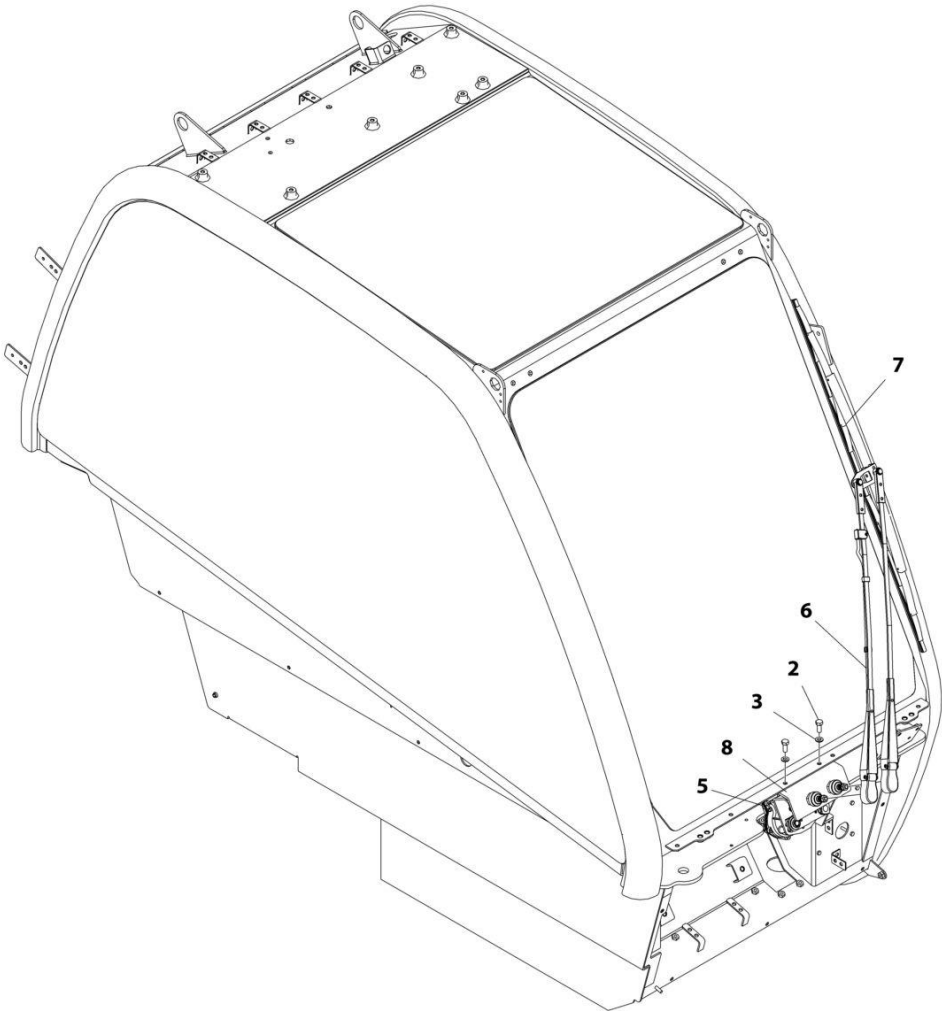
ART_1001178826-C

FIGURE 6-19. REAR WINDOW RELEASE INSTALLATION (ENGLISH/FRENCH)

ITEM	PART NUMBER	QTY	DESCRIPTION	REV
	1001178826	Ref	External Window Release Installation (English/French)	C
1	1001179008	1	Cap, Latch Window	
2	1001179009	1	Knob	
3	1001204709	2	Decal, Emergency Exit (English/French)	

SECTION 6 - CAB

FIGURE 6-20. FRONT WIPER INSTALLATION



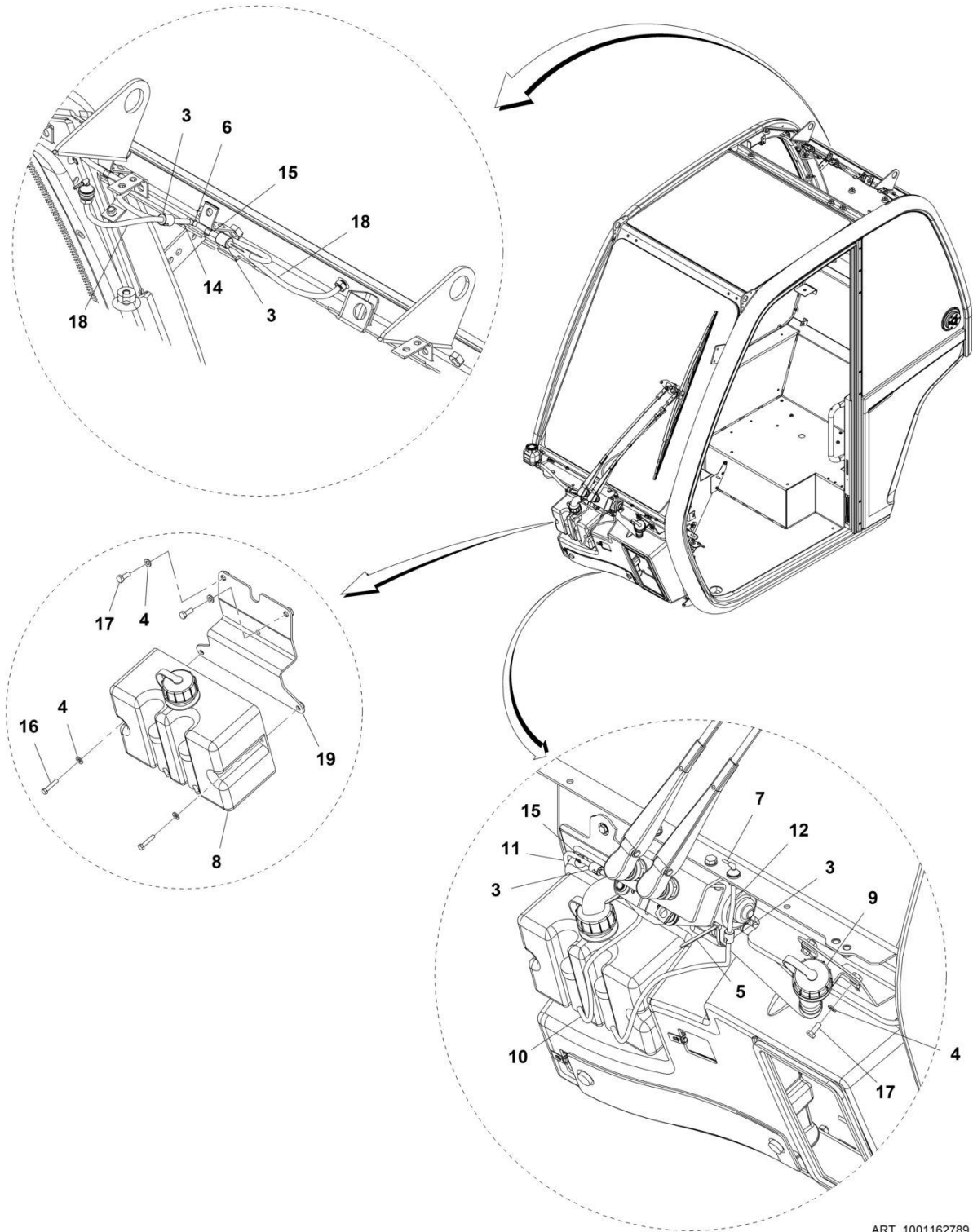
ART_1001155447-G

FIGURE 6-20. FRONT WIPER INSTALLATION

ITEM	PART NUMBER	QTY	DESCRIPTION	REV
	1001155447	Ref	Front Wiper Installation	G
2	0760810	2	Bolt, M8X20	
3	4811900	2	Washer, M8	
5	1001214092	1	Motor, Front Wiper	
6	1001212369	1	Arm, Front Wiper	
7	1001141281	1	Blade, Wiper	
8	1001165637	1	Bracket	

SECTION 6 - CAB

FIGURE 6-21. WASHER TANK INSTALLATION



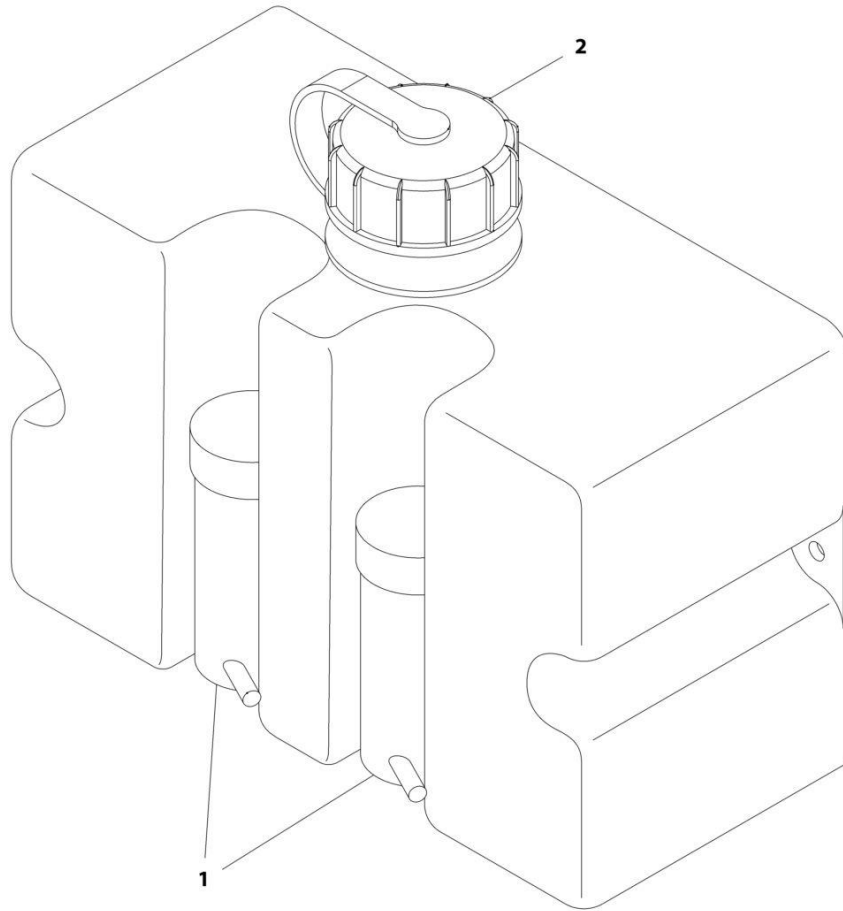
ART_1001162789

FIGURE 6-21. WASHER TANK INSTALLATION

ITEM	PART NUMBER	QTY	DESCRIPTION	REV
	1001162789	Ref	Washer Tank Installation	M
3	1001201331	4	Valve, Check	
4	4811700	6	Washer, M6	
5	471678	2	Strap, Tie	
6	1001008742	1	Coupling, Tee	
8	1001165269	1	Bottle, Washer (See Separate Breakdown in this Section)	
9	1001165270	1	Hose, Washer Filler	
10	1001165351	2	Hose	
11	1001165407	1	Hose	
12	1001165416	1	Hose	
14	1001165455	2	Hose	
15	1001165458	16	Hose	
16	0760512	2	Bolt M5X25	
17	0760608	4	Bolt, M6X16	
18	1001178123	2	Hose	
19	1001171756	1	Bracket	

SECTION 6 - CAB

FIGURE 6-22. WASHER BOTTLE



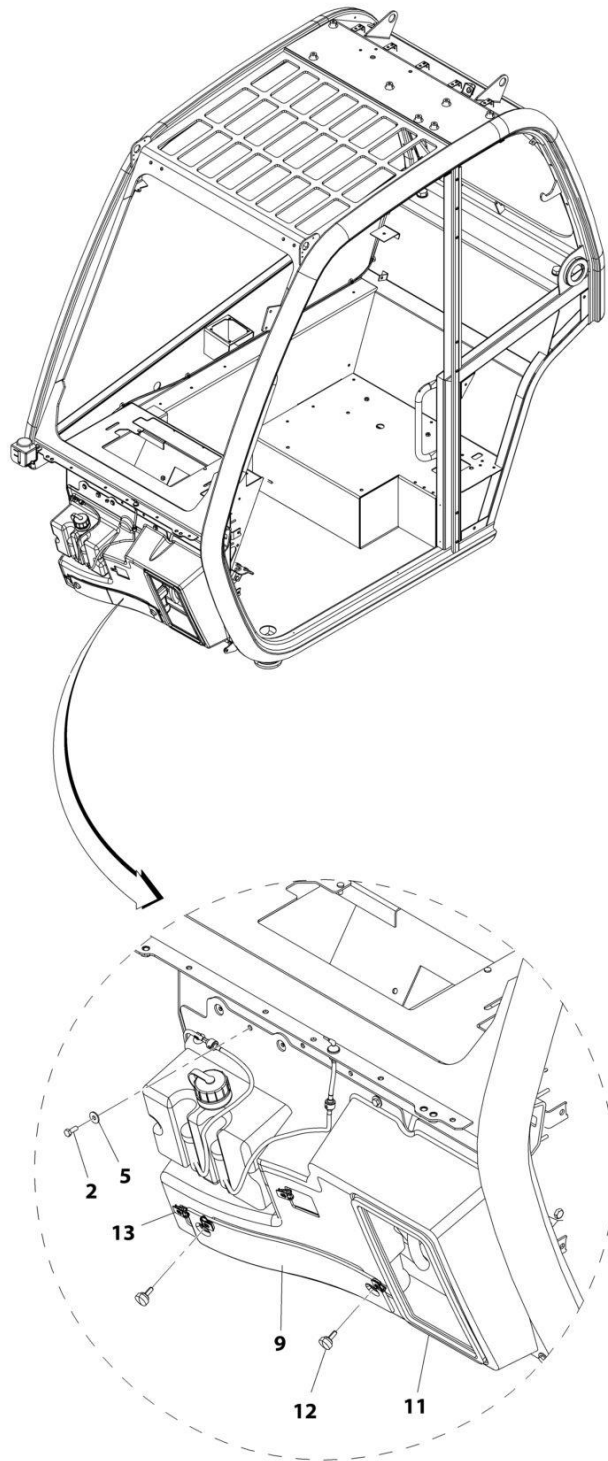
ART_1001165269-B

FIGURE 6-22. WASHER BOTTLE

ITEM	PART NUMBER	QTY	DESCRIPTION	REV
	1001165269	Ref	Washer Bottle	B
1	1001165327	2	Pump, Washer	
2	1001165273	1	Cap, Washer	

SECTION 6 - CAB

FIGURE 6-23. FRONT COVER INSTALLATION



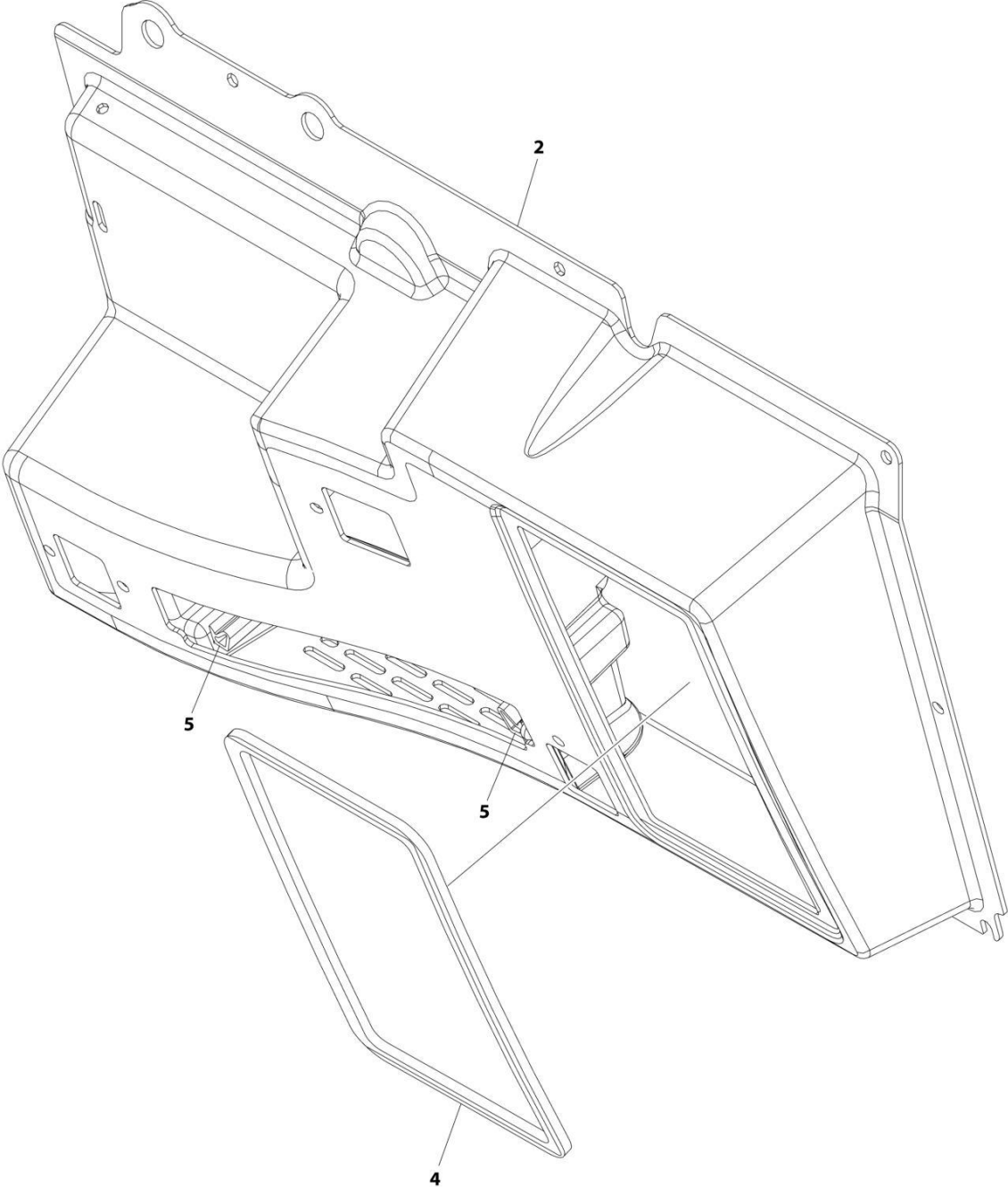
ART_1001170366-G

FIGURE 6-23. FRONT COVER INSTALLATION

ITEM	PART NUMBER	QTY	DESCRIPTION	REV
	1001170366	Ref	Front Cover Installation	G
2	0760608	7	Bolt, M6X16	
5	4811702	7	Washer, M6	
9	1001175471	1	Panel, Filter Tray (See Separate Breakdown in this Section)	
11	1001176121	1	Cover, Front Duct (See Separate Breakdown in this Section)	
12	2080092	2	Thumb Screw, M6X16	
13	8305919	4	Nut, M6	

SECTION 6 - CAB

FIGURE 6-24. FRONT DUCT COVER



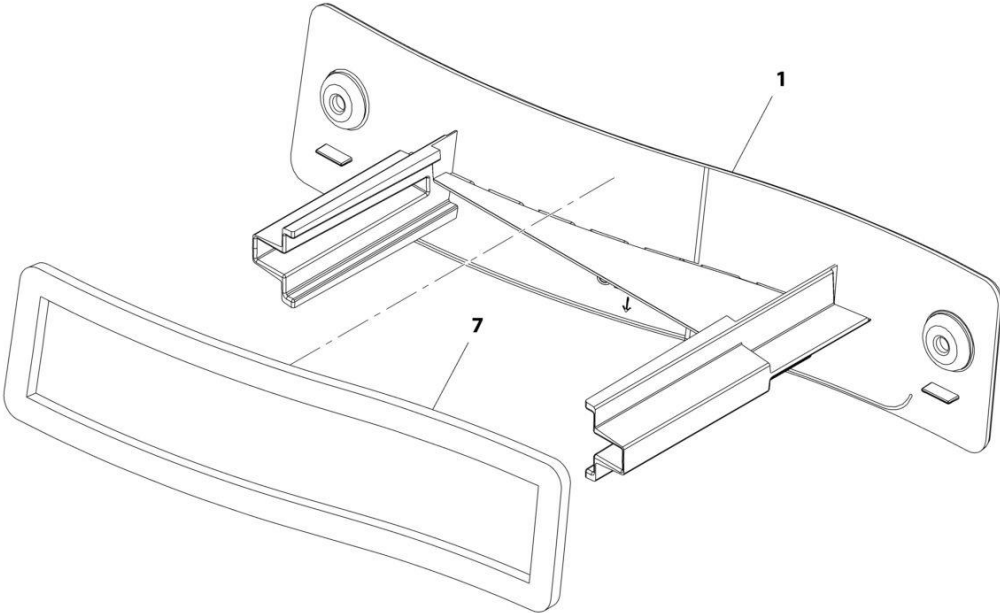
ART_1001176121

FIGURE 6-24. FRONT DUCT COVER

ITEM	PART NUMBER	QTY	DESCRIPTION	REV
	1001176121	Ref	FRONT DUCT COVER	H
2	1001170326	1	Cover, Front	
4	1001175470	1	Seal, Front Cab Panel	
5	1001270117	AR	Seal, Bulb	

SECTION 6 - CAB

FIGURE 6-25. FILTER TRAY PANEL



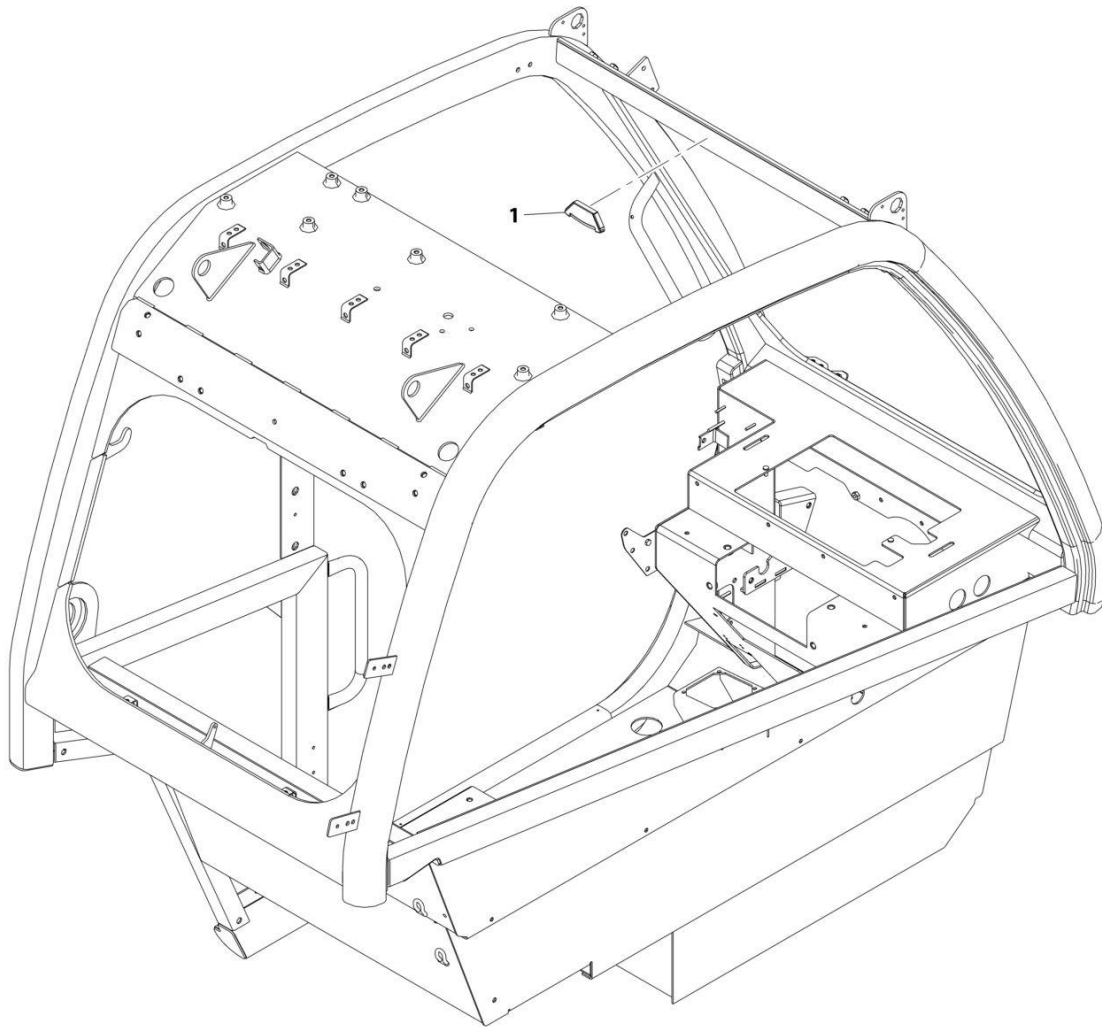
ART_1001175471-D

FIGURE 6-25. FILTER TRAY PANEL

ITEM	PART NUMBER	QTY	DESCRIPTION	REV
	1001175471	Ref	Filter Tray Panel	D
1	1001170993	1	Panel, Front Inlet	
7	1001171767	1	Cab, Front Panel Seal	

SECTION 6 - CAB

FIGURE 6-26. LEVEL INDICATOR INSTALLATION



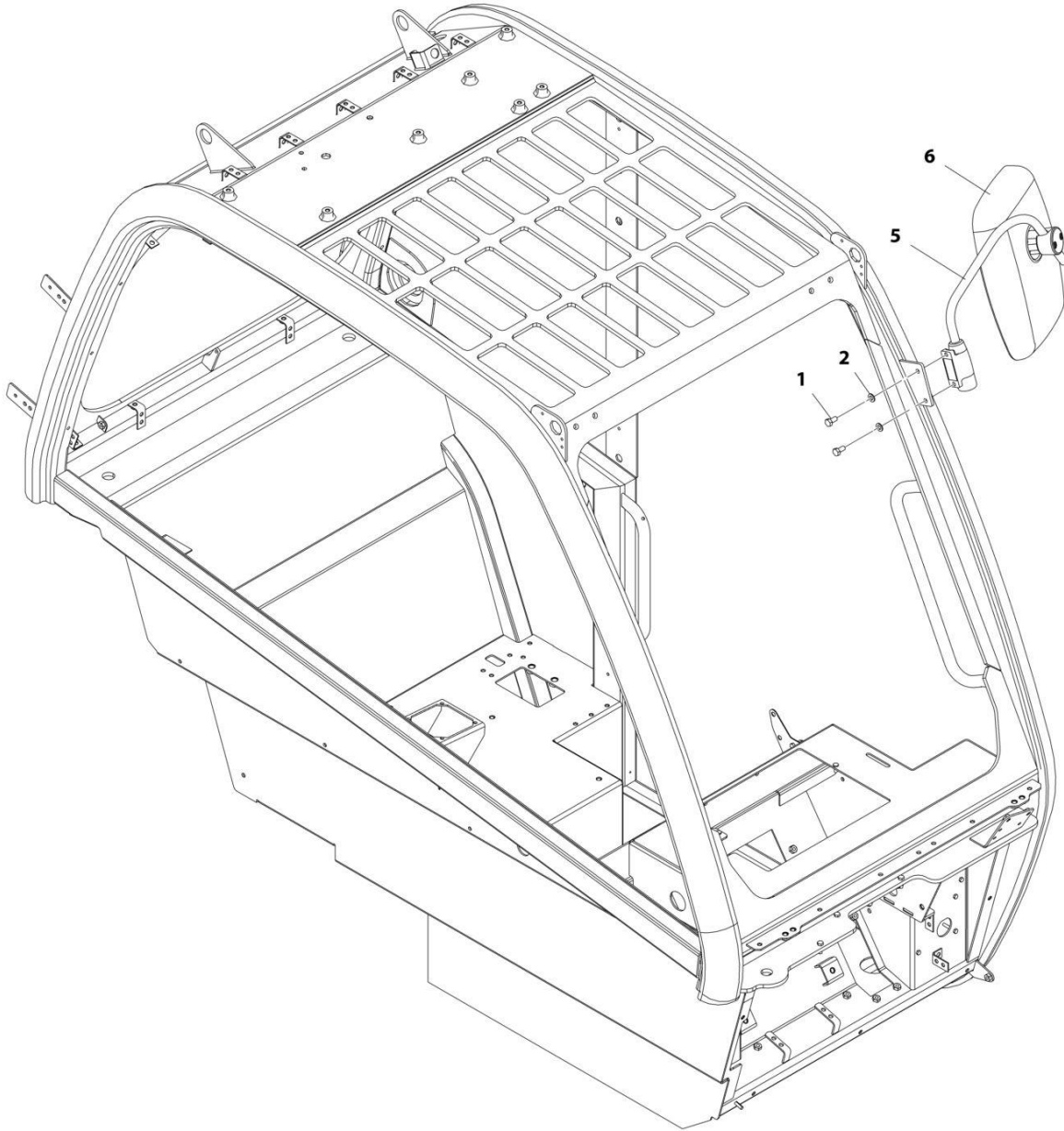
ART_1001172401-C

FIGURE 6-26. LEVEL INDICATOR INSTALLATION

ITEM	PART NUMBER	QTY	DESCRIPTION	REV
1	1001172401 8466306	Ref 1	Level Indicator Installation Gauge, Tilt Angle	C

SECTION 6 - CAB

FIGURE 6-27. BASIC MIRROR INSTALLATION



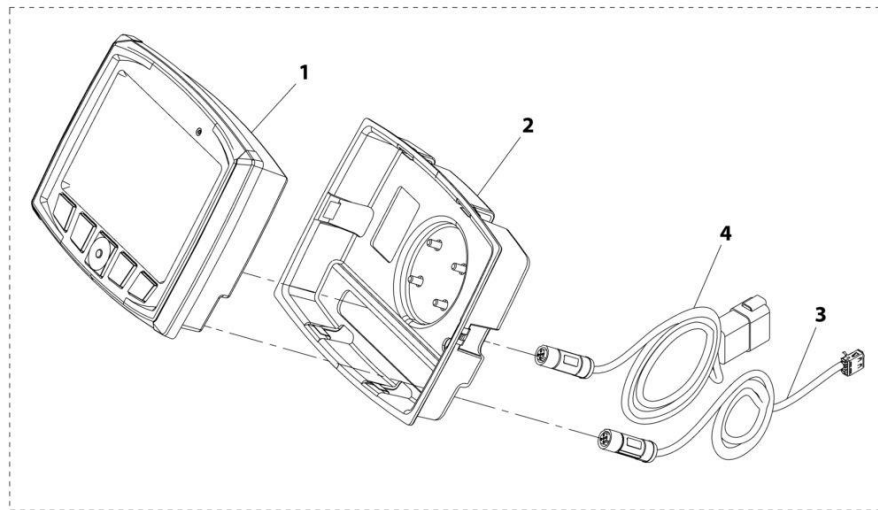
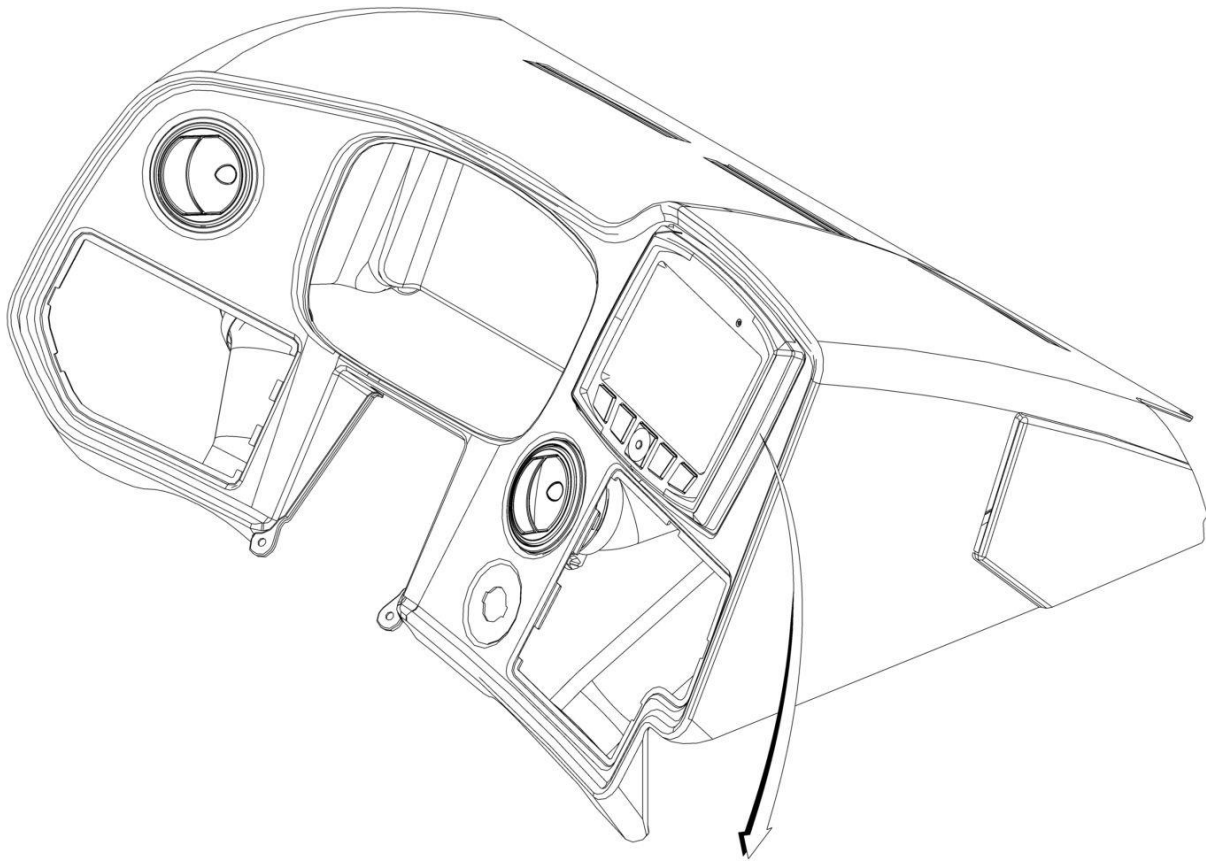
ART_1001160508-E

FIGURE 6-27. BASIC MIRROR INSTALLATION

ITEM	PART NUMBER	QTY	DESCRIPTION	REV
	1001160508	Ref	Basic Mirror Installation	E
1	0760808	2	Bolt, M8X16	
2	4811900	2	Washer, M8	
5	1001164655	1	Bracket	
6	80363195	1	Mirror	

SECTION 6 - CAB

FIGURE 6-28. MULTIFUNCTION DISPLAY INSTALLATION



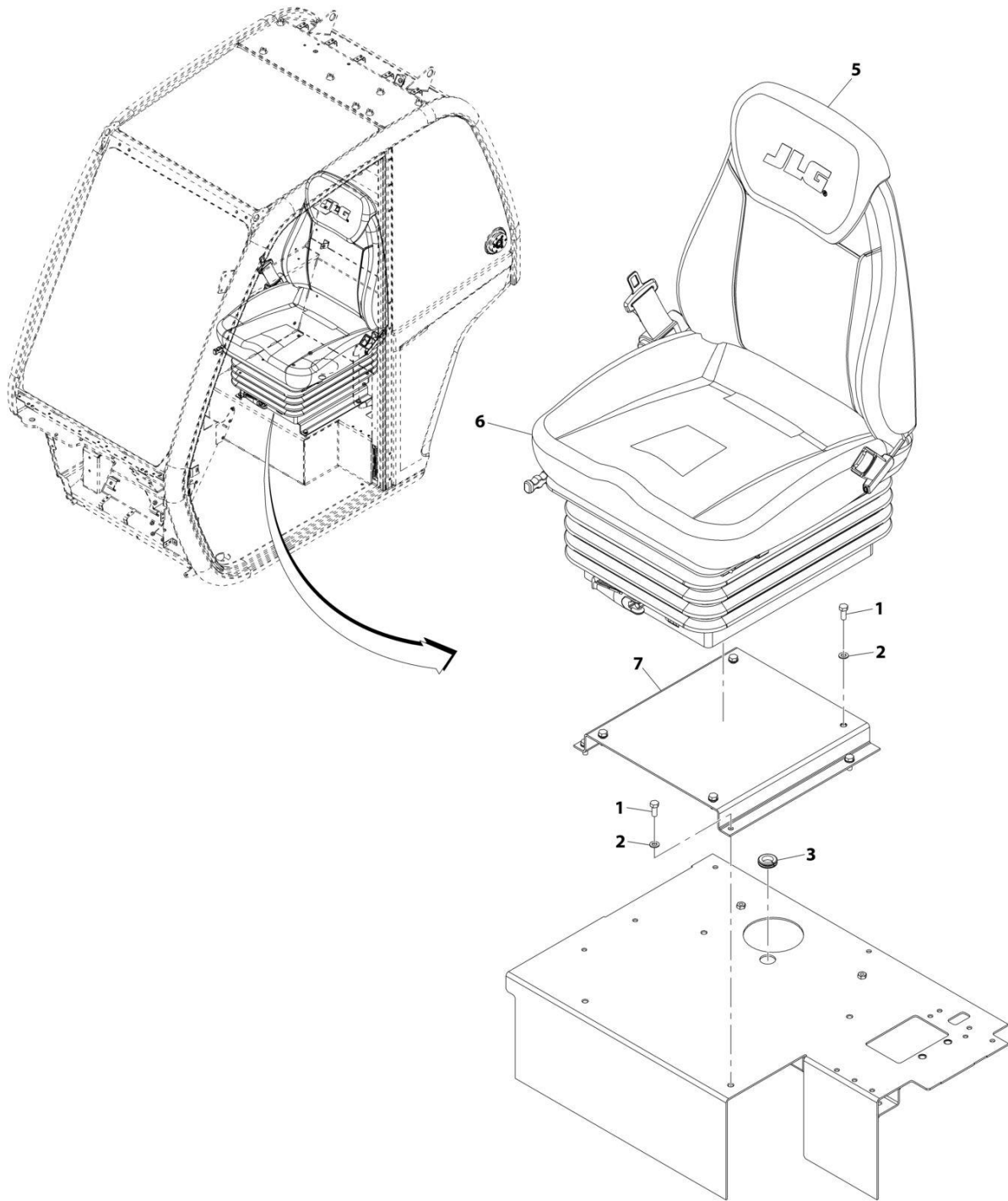
ART_1001176338-C

FIGURE 6-28. MULTIFUNCTION DISPLAY INSTALLATION

ITEM	PART NUMBER	QTY	DESCRIPTION	REV
	1001176338	Ref	Multifunction Display Installation	C
1	1001250161	1	Display	
2	1001178783	1	Bezel	
3	1001180682	1	Cable	
4	1001180683	1	Cable, Video	

SECTION 6 - CAB

FIGURE 6-29. SEAT INSTALLATION (CLOTH)



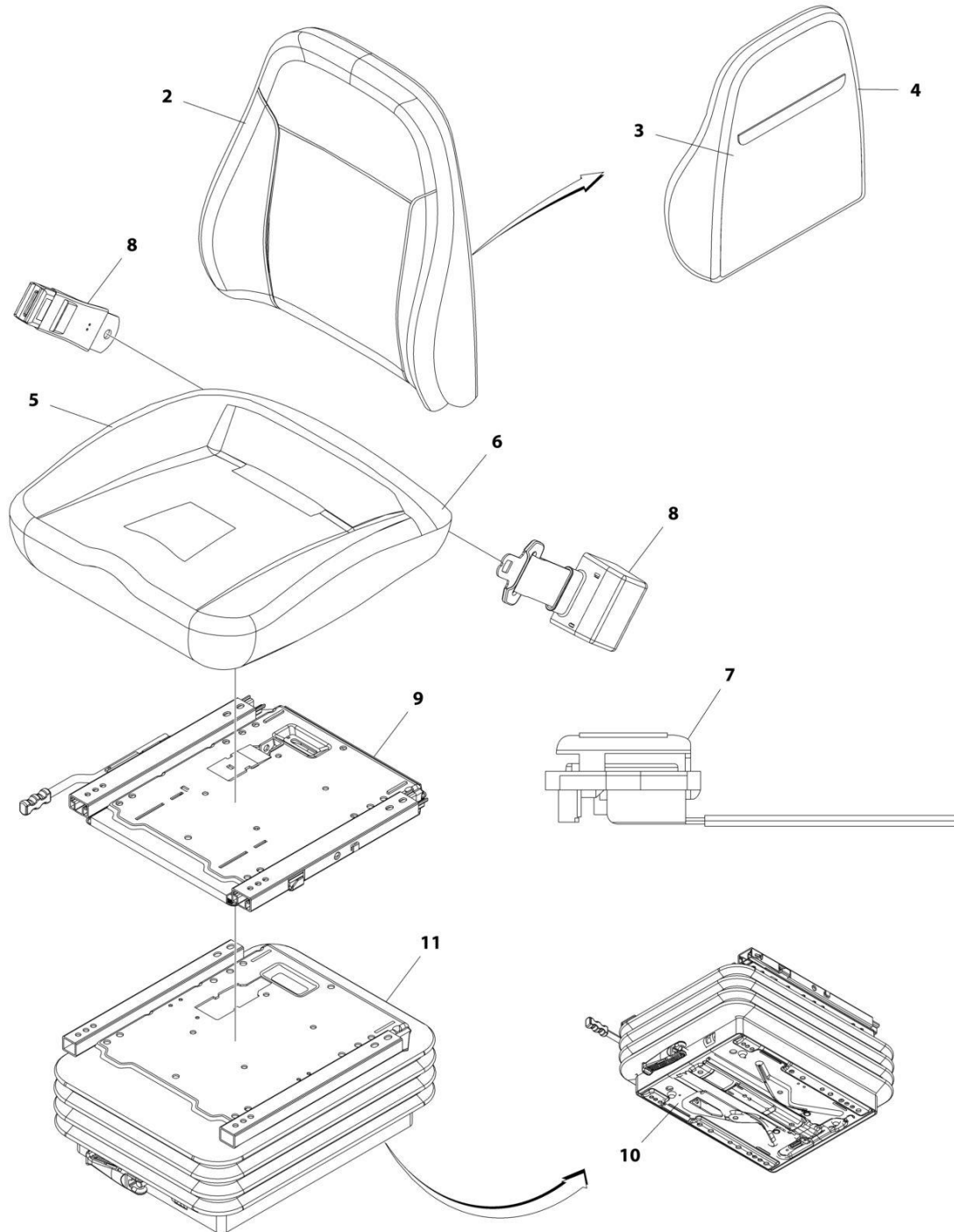
ART_1001158601-D

FIGURE 6-29. SEAT INSTALLATION (CLOTH)

ITEM	PART NUMBER	QTY	DESCRIPTION	REV
	1001158601	Ref	Seat Installation (Cloth)	E
1	0760810	8	Bolt, M8X20	
2	4811900	8	Washer, M8	
3	1001216974	1	Grommet	
5	1001119467	1	Headrest, Cloth	
6	1001288070	1	Assembly, Seat (See Separate Breakdown in this Section)	
7	1001158738C	1	Plinth, Seat	

SECTION 6 - CAB

FIGURE 6-30. SEAT ASSEMBLY



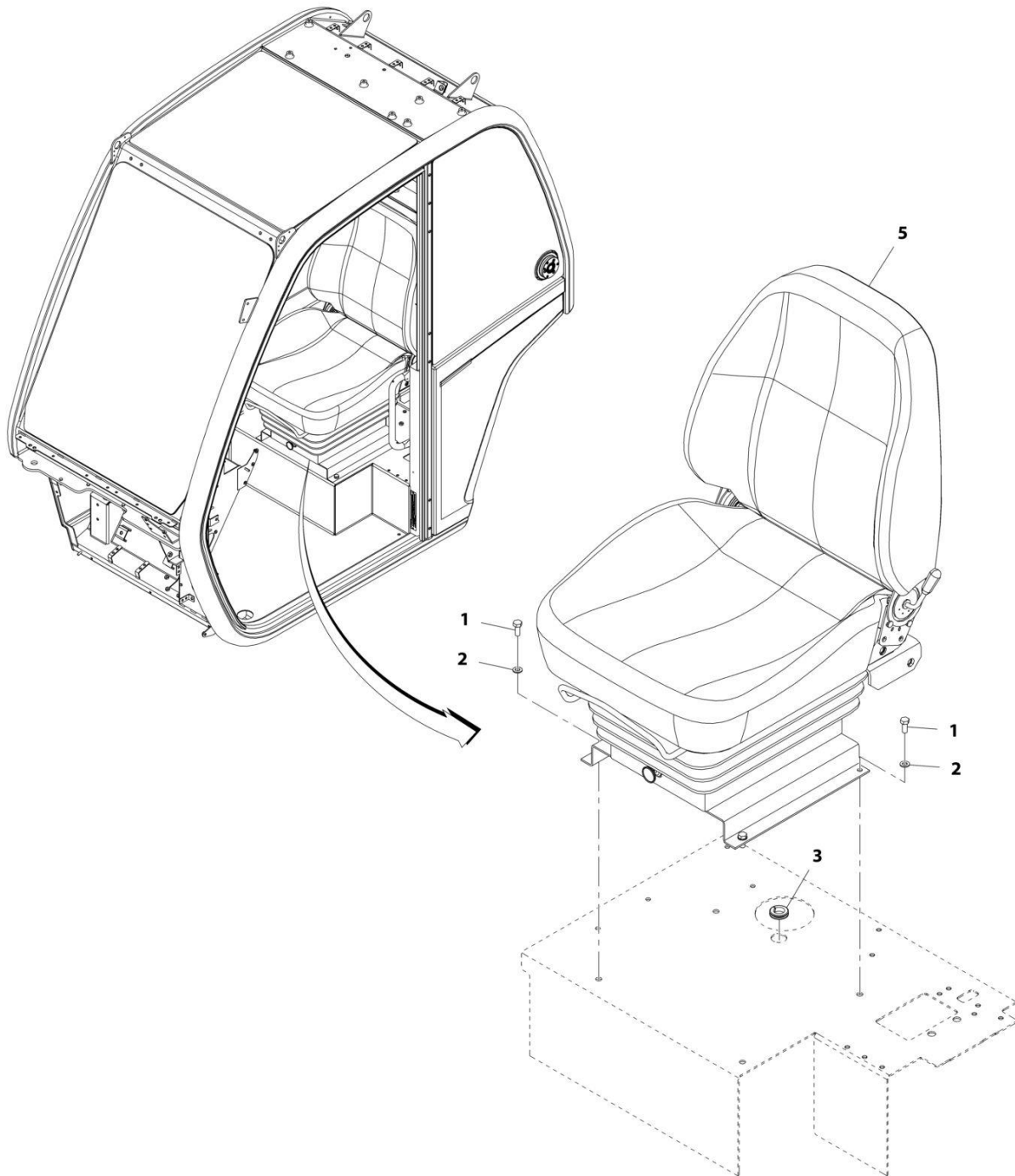
ART_1001150294

FIGURE 6-30. SEAT ASSEMBLY

ITEM	PART NUMBER	QTY	DESCRIPTION	REV
	1001150294	Ref	CLOTH SEAT	F
2	70025489	1	Fabric, Upper Seat	
3	70025490	1	Cover, Back	
4	70025483	1	Foam, Back	
5	70025491	1	Cover, Seat	
6	70025485	1	Foam, Seat	
7	70025486	1	Switch, Contact	
8	7029767	1	Belt, Seat	
9	70021252	1	Rail, Slide	
10	70021251	1	Unit, Suspension	
11	70022034	1	Cover, Rubber	

SECTION 6 - CAB

FIGURE 6-31. SEAT INSTALLATION (AIR SUSPENSION - STANDARD)



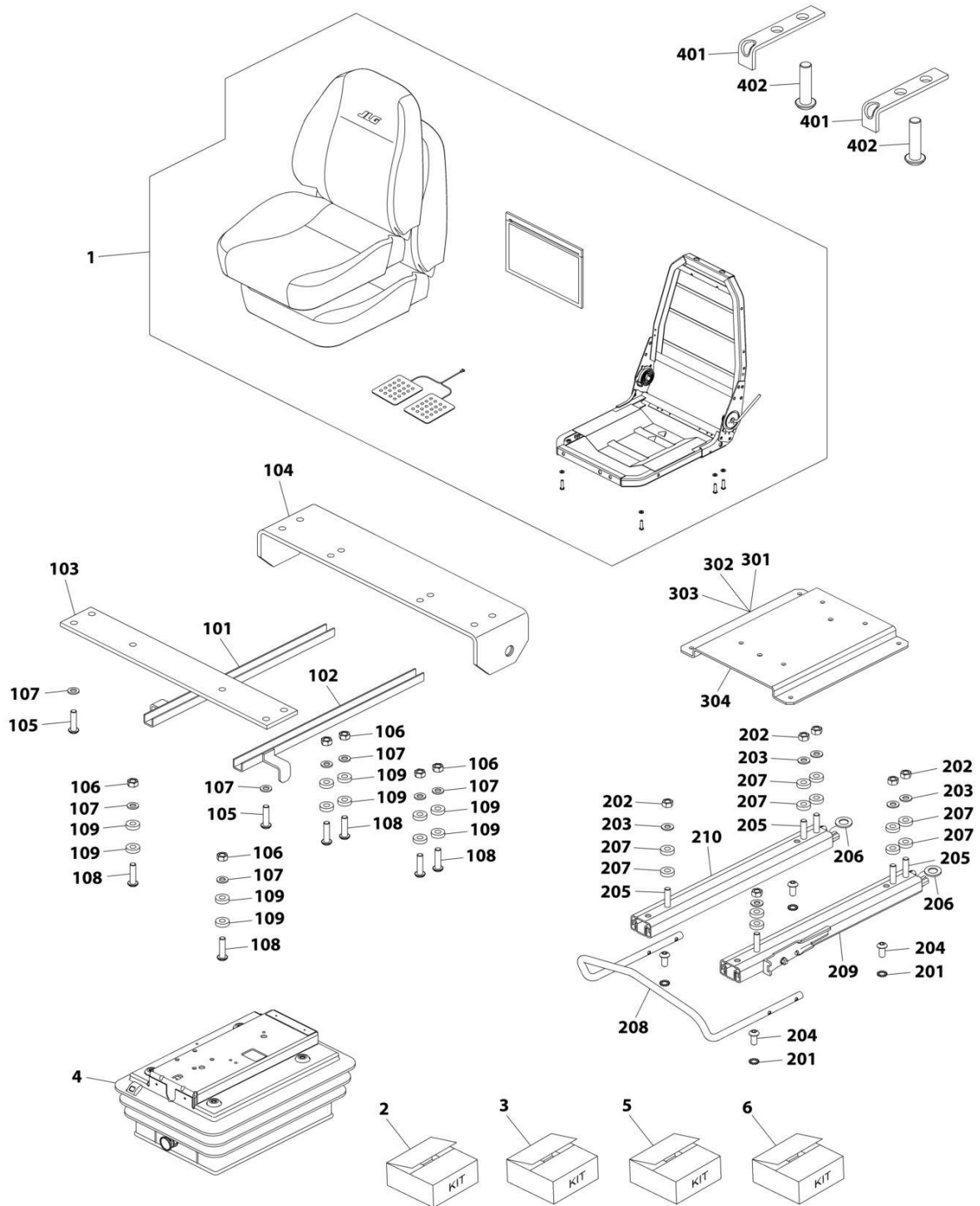
ART_1001158596-D

FIGURE 6-31. SEAT INSTALLATION (AIR SUSPENSION - STANDARD)

ITEM	PART NUMBER	QTY	DESCRIPTION	REV
	1001158596	Ref	Seat Installation (Air Suspension - Standard)	D
1	0760810	4	Bolt, M8X20	
2	4811900	4	Washer, M8	
3	1001216974	1	Grommet	
5	1001165573	1	Assembly, Seat (See Separate Breakdown in this Section)	

SECTION 6 - CAB

FIGURE 6-32. SEAT ASSEMBLY (AIR SUSPENSION - STANDARD)



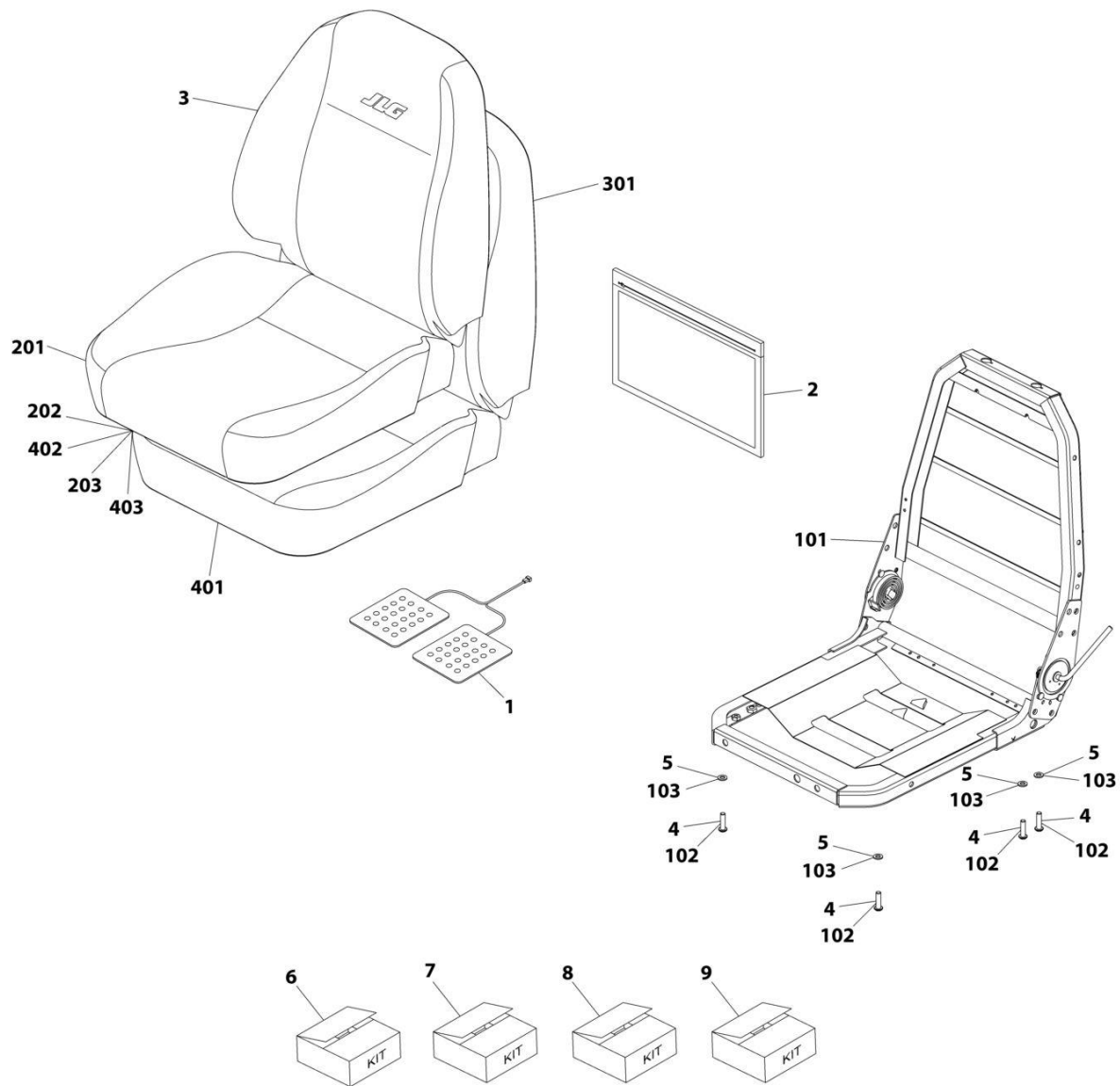
ART_1001165573-C

FIGURE 6-32. SEAT ASSEMBLY (AIR SUSPENSION - STANDARD)

ITEM	PART NUMBER	QTY	DESCRIPTION	REV
	1001165573	Ref	Seat Assembly (Air Suspension - Standard)	C
1	70027392	1	Assembly, Upper Seat (See Separate Breakdown in this Section)	
2	70021317	1	Kit, Cross Strap (includes items 101 thru 109)	
3	70021318	1	Kit, Fore and Aft Adjustment (includes items 201 thru 210)	
4	70021319	1	Kit, Suspension (See Separate Breakdown in this Section)	
5	70027395	1	Kit, Adapter Plate (includes items 301 thru 304)	
6	70021322	1	Kit, Slide Rail Stop (includes items 401 & 402)	
101	N.S.S.	1	Channel	
102	N.S.S.	1	Channel	
103	N.S.S.	1	Plate, Strap	
104	N.S.S.	1	Plate, Strap	
105	N.S.S.	4	Bolt, M8X25	
106	N.S.S.	6	Nut, M8	
107	N.S.S.	10	Washer	
108	N.S.S.	6	Bolt, M8X30	
109	N.S.S.	12	Spacer	
201	N.S.S.	4	Washer, Spring M8	
202	N.S.S.	1	Nut, M8	
203	N.S.S.	1	Washer	
204	N.S.S.	1	Bolt, M8X16	
205	N.S.S.	1	Bolt, M8X30	
206	N.S.S.	1	Washer	
207	N.S.S.	1	Spacer	
208	N.S.S.	1	Handle	
209	N.S.S.	1	Rail, Slide	
210	N.S.S.	1	Rail, Slide	
301	N.S.S.	1	Bolt, M8X25	
302	N.S.S.	1	Bolt, M8X16	
303	N.S.S.	1	Washer	
304	N.S.S.	1	Plate, Adapter	
401	N.S.S.	1	Stop, Sliderrail	
402	N.S.S.	1	Bolt, M8X16	

SECTION 6 - CAB

FIGURE 6-33. UPPER SEAT ASSEMBLY



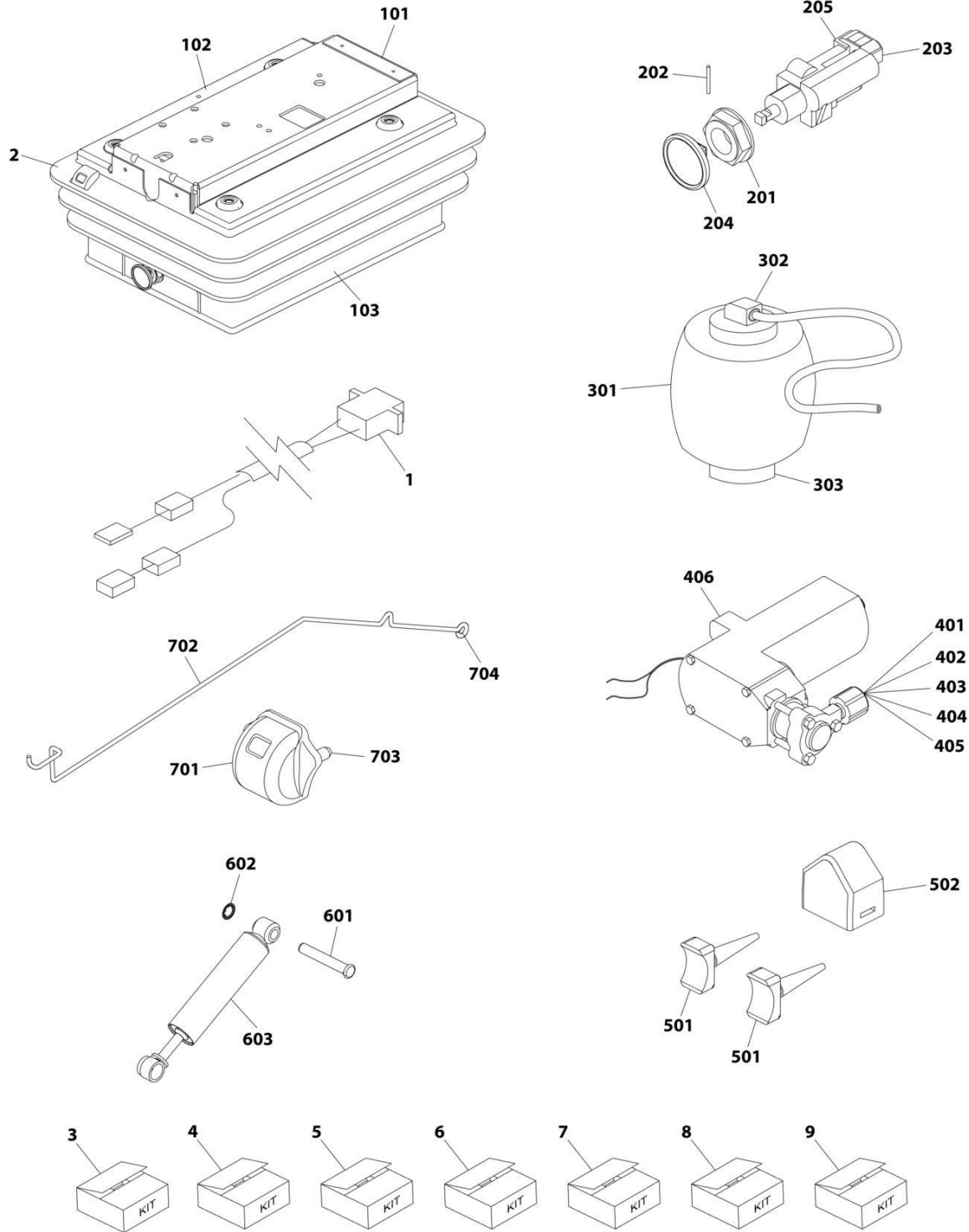
ART_70027392

FIGURE 6-33. UPPER SEAT ASSEMBLY

ITEM	PART NUMBER	QTY	DESCRIPTION	REV
	70027392	Ref	Upper Seat Assembly	
1	70025539	1	Pad, Sensor	
2	70021316	1	Bag	
3	70027393	1	Cover, Back	
4	N.S.S.	4	Bolt, M8X25	
5	N.S.S.	4	Washer	
6	70021314	1	Kit, Frame (includes items 101 thru 103)	
7	70027394	1	Kit, Bottom Seat Cover (includes items 201 thru 203)	
8	80264002	1	Kit, Back Foam (includes items 301 thru 303)	
9	80264004	1	Kit, Seat Foam (includes items 401 thru 403)	
101	N.S.S.	1	Frame, Seat	
102	N.S.S.	4	Bolt, M8X25	
103	N.S.S.	4	Washer	
201	N.S.S.	1	Cover, Seat	
202	N.S.S.	2	Clip	
203	N.S.S.	17	Clip	
301	N.S.S.	1	Foam, Back	
302	N.S.S.	3	Bar, Trim	
303	N.S.S.	4	Ring	
401	N.S.S.	1	Foam, Seat	
402	N.S.S.	2	Clip	
403	N.S.S.	17	Clip	

SECTION 6 - CAB

FIGURE 6-34. SUSPENSION KIT



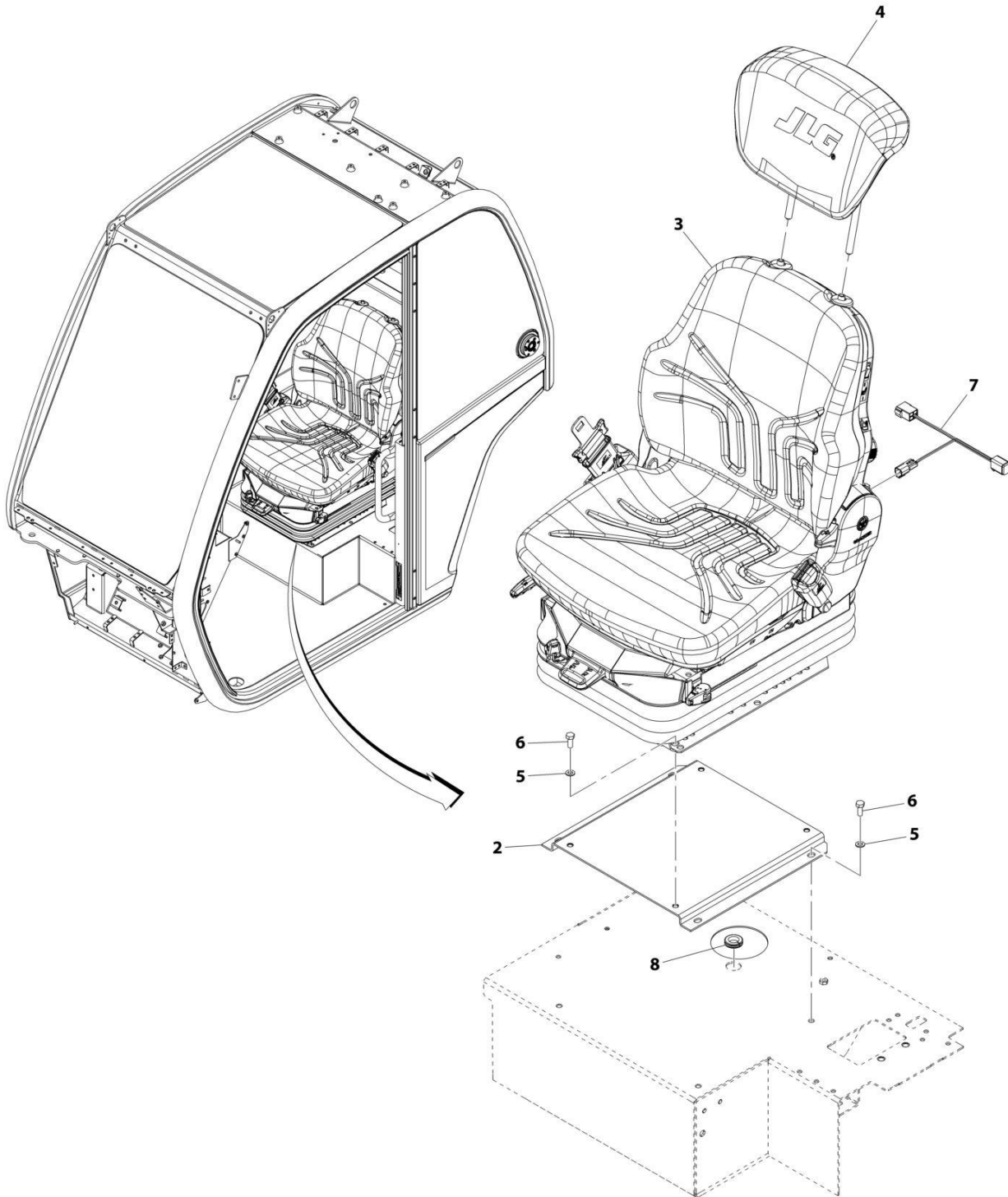
ART_70021319

FIGURE 6-34. SUSPENSION KIT

ITEM	PART NUMBER	QTY	DESCRIPTION	REV
	70021319	Ref	Suspension Kit	
1	70021330	1	Lead, Fly	
2	N.S.S.	1	Suspension	
3	70021321	1	Kit, Suspension Cover (includes items 101 thru 103)	
4	70021323	1	Kit, Air Valve (includes items 201 thru 205)	
5	70021324	1	Kit, Air Spring (includes items 301 thru 303)	
6	70021325	1	Kit, Compressor (includes items 401 thru 406)	
7	70021326	1	Kit, Upstop/Bumpstop (includes items 501 & 502)	
8	70021327	1	Kit, Damper (includes items 601 thru 603)	
9	70021328	1	Kit, Ride Indicator (includes items 701 thru 704)	
101	N.S.S.	6	Clip, Cover	
102	N.S.S.	1	Cover, Suspension	
103	N.S.S.	5	Clip, Cover	
201	N.S.S.	1	Nut, Air Valve	
202	N.S.S.	1	Pin, Retaining	
203	N.S.S.	1	Valve, Combination	
204	N.S.S.	1	Knob	
205	N.S.S.	2	Tie, Plastic	
301	N.S.S.	1	Spring, Air	
302	N.S.S.	1	Clip	
303	N.S.S.	1	Screw, Countersunk Self Tapping	
401	N.S.S.	1	Clip	
402	N.S.S.	1	Pad	
403	N.S.S.	1	Loom	
404	N.S.S.	2	Tie, Cable	
405	N.S.S.	3	Tie, Plastic	
406	N.S.S.	1	Compressor (with Elbow)	
501	N.S.S.	2	Upstop	
502	N.S.S.	1	Bumpstop	
601	N.S.S.	2	Pin	
602	N.S.S.	2	Washer, Starlock	
603	N.S.S.	1	Damper	
701	N.S.S.	1	Indicator, Ride	
702	N.S.S.	1	Wire, Ride Indicator	
703	N.S.S.	2	Washer, Starlock	
704	N.S.S.	1	Washer, Grip M4	

SECTION 6 - CAB

FIGURE 6-35. SEAT INSTALLATION (AIR SUSPENSION - PREMIUM)



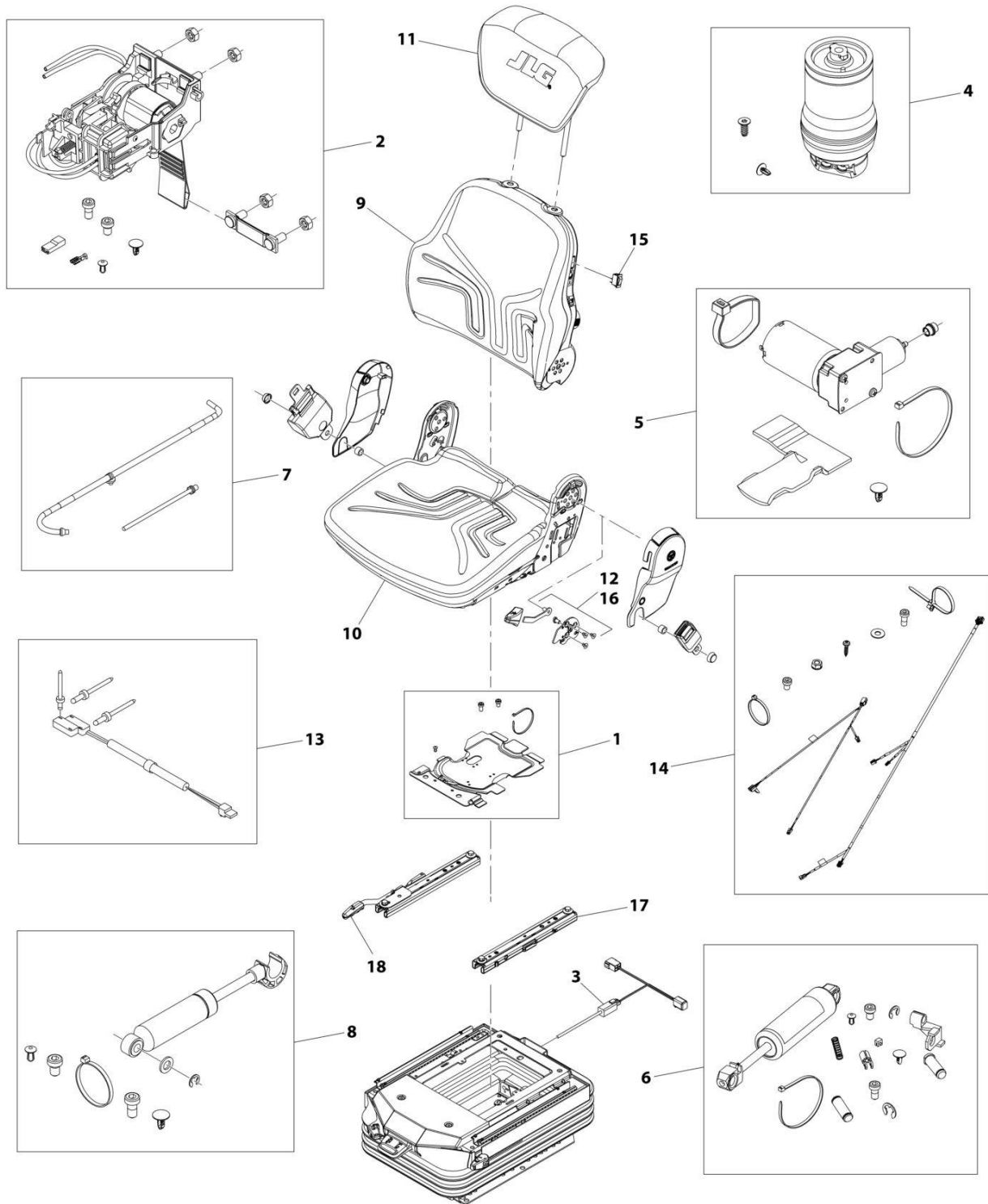
ART_1001182530-F

FIGURE 6-35. SEAT INSTALLATION (AIR SUSPENSION - PREMIUM)

ITEM	PART NUMBER	QTY	DESCRIPTION	REV
	1001182530	Ref	Seat Installation (Air Suspension - Premium)	F
2	1001158736C	1	Plinth, Seat	
3	1001169135	1	Assembly, Seat (See Separate Breakdown in this Section)	
4	1001182529	1	Headrest	
5	4811900	8	Washer, M8	
6	0760810	8	Bolt, M8X20	
7	1001168531	1	Harness, Seat Adaptor (See Separate Breakdown in ELECTRICAL Section)	
8	1001216974	1	Grommet	

SECTION 6 - CAB

FIGURE 6-36. SEAT ASSEMBLY (AIR SUSPENSION - PREMIUM)



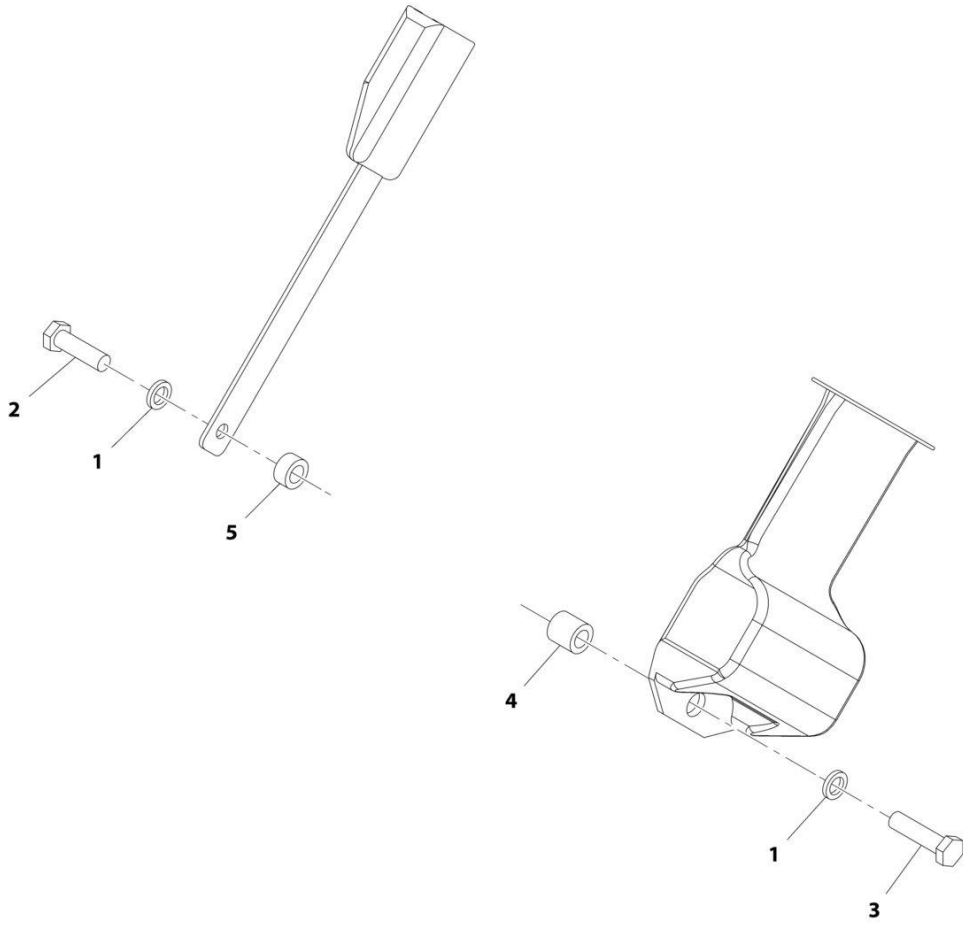
ART_1001169135-B

FIGURE 6-36. SEAT ASSEMBLY (AIR SUSPENSION - PREMIUM)

ITEM	PART NUMBER	QTY	DESCRIPTION	REV
	1001169135	Ref	Seat Assembly (Air Suspension - Premium)	B
1	70024856	1	Cover	
2	70023182	1	Control Level Kit	
3	70023186	1	Wiring Harness, Air/Safeswitch	
4	70023184	1	Air Spring Kit	
5	70024857	1	Compressor, 12V	
6	70023181	1	Shock Absorber Kit	
7	70024459	1	Air Tubes Kit	
8	70023189	2	Shock Absorber Kit	
9	70023179	1	Back Cushion Kit	
10	70024858	1	Seat Cushion Kit	
11	1001182529	1	Headrest, Cloth	
12	70024859	1	Backrest Actuator	
13	70028326	1	Switch	
14	70024861	1	Wiring Harness	
15	70024107	1	Switch, Heater	
16	7028621	1	Handle, Backrest Angle Adjust	
17	3986643	1	Adjust Slide Kit	
18	3986610	1	Handle	

SECTION 6 - CAB

FIGURE 6-37. SEAT BELT INSTALLATION (3IN)



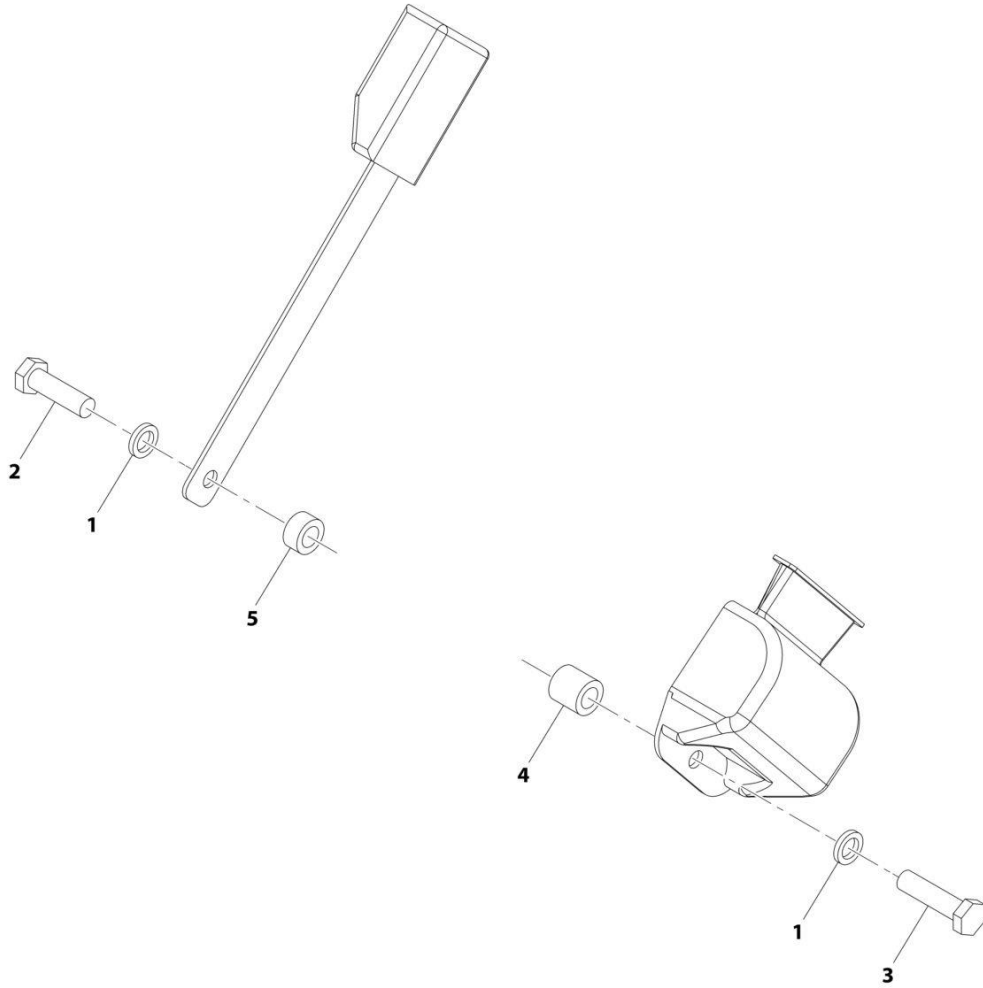
ART_1001006731-B

FIGURE 6-37. SEAT BELT INSTALLATION (3IN)

ITEM	PART NUMBER	QTY	DESCRIPTION	REV
	1001006731	Ref	Seat Belt Installation (3IN)	B
1	1001010646	2	Washer	
2	1001010647	1	Bolt	
3	1001010648	1	Bolt	
4	1001010649	1	Spacer	
5	1001010650	1	Spacer	

SECTION 6 - CAB

FIGURE 6-38. SEAT BELT INSTALLATION (2IN)



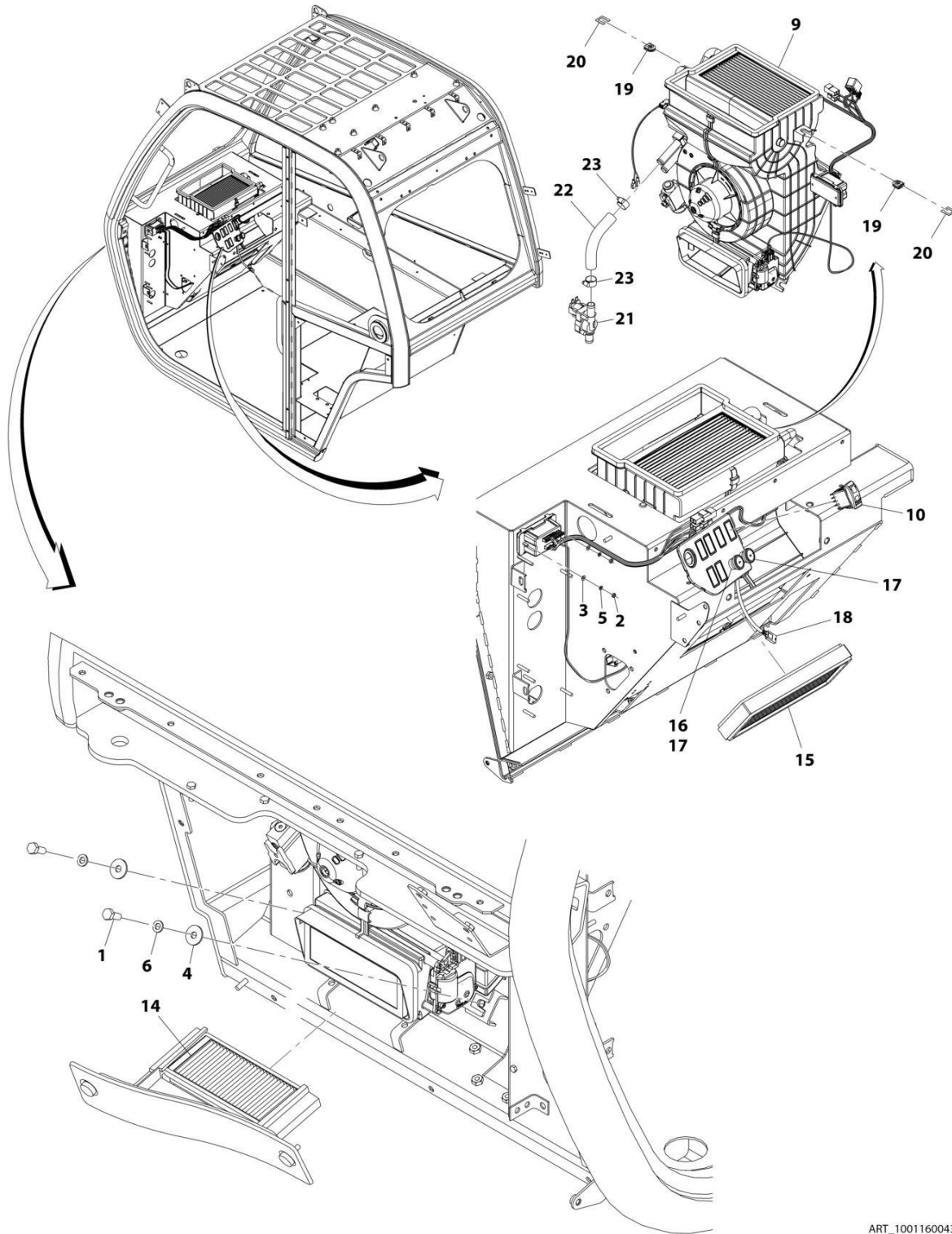
ART_1001006730

FIGURE 6-38. SEAT BELT INSTALLATION (2IN)

ITEM	PART NUMBER	QTY	DESCRIPTION	REV
	1001006730	Ref	Seat Belt Installation (2IN)	H
1	1001010646	2	Washer	
2	1001010647	1	Bolt	
3	1001010648	1	Bolt	
4	1001010649	1	Spacer, Shim	
5	1001010650	1	Spacer, Shim	

SECTION 6 - CAB

FIGURE 6-39. HEATER INSTALLATION



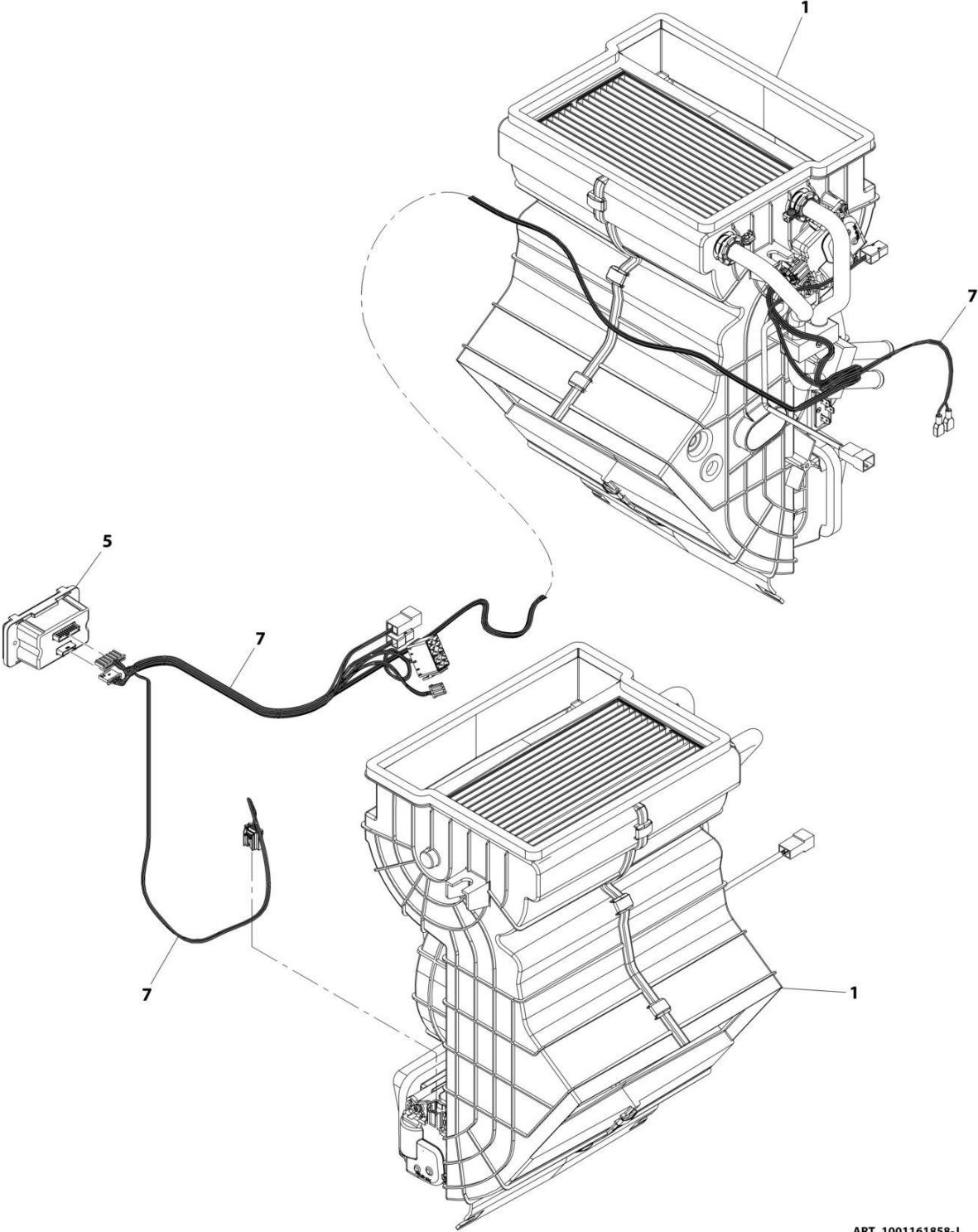
ART_1001160043-K

FIGURE 6-39. HEATER INSTALLATION

ITEM	PART NUMBER	QTY	DESCRIPTION	REV
	1001160043	Ref	Heater Installation	K
1	0760810	2	Bolt, M8X20	
2	3290401	2	Nut, M4X0.7	
3	4811400	2	Washer, M4	
4	4811902	2	Washer, M8	
5	4831400	2	Washer, Lock M4	
6	4831900	2	Washer, M8	
9	1001161858	1	Assembly, Heater (See Separate Breakdown in this Section)	
10	1001159925	1	Switch, HVAC Recycle	
14	1001218996	1	Filter, HVAC Air	
15	1001172553	1	Filter, HVAC Recirculation Air	
16	1001172547	1	Switch, HVAC Rotary 3 Speed	
17	1001172550	2	Knob, HVAC Control	
18	1001218529	1	Cable, HVAC	
19	1001188590	2	Grommet	
20	1001218542	2	Shim	
21	1001221059	1	Valve, Water	
22	1001221295	1	House	
23	8410009	2	Clamp	

SECTION 6 - CAB

FIGURE 6-40. HEATER ASSEMBLY



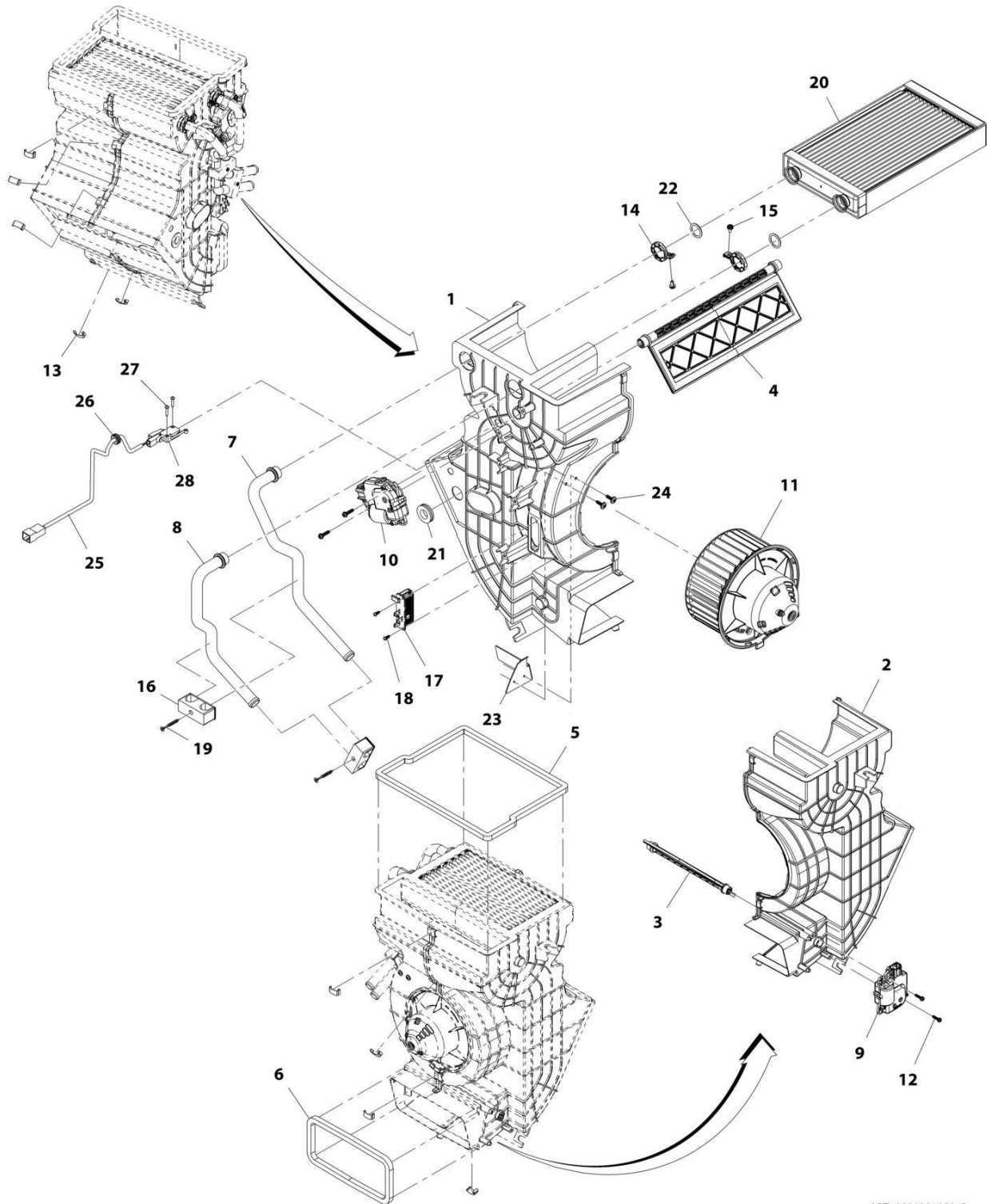
ART_1001161858-J

FIGURE 6-40. HEATER ASSEMBLY

ITEM	PART NUMBER	QTY	DESCRIPTION	REV
	1001161858	Ref	Heater Assembly	J
1	1001221052	1	Heater, Cab (See Separate Breakdown in this Section)	
5	1001172551	1	Actuator, HVAC Cab	
7	1001221056	1	Harness, HVAC Actuator (See Separate Breakdown in ELECTRICAL Section)	

SECTION 6 - CAB

FIGURE 6-41. HEATER



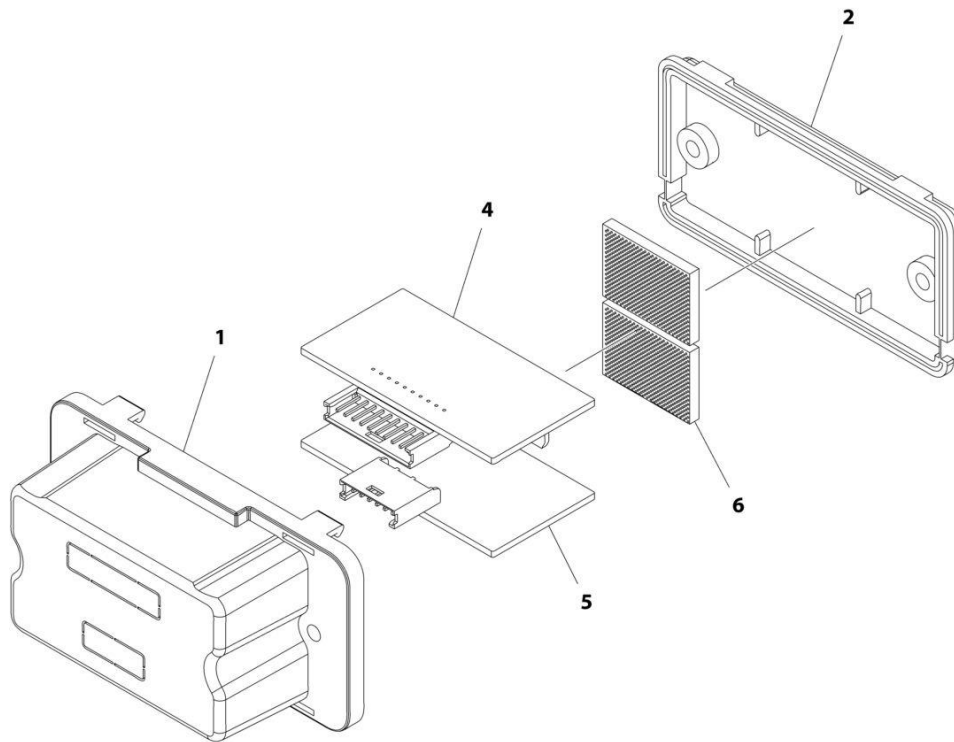
ART_1001221052-C

FIGURE 6-41. HEATER

ITEM	PART NUMBER	QTY	DESCRIPTION	REV
	1001221052	Ref	Heater	D
1	1001166091	1	Housing, RH	
2	1001166092	1	Housing, LH	
3	1001184275	1	Flap, Recirculation with Foam	
4	1001184278	1	Flap, Mixing with Foam	
5	1001184294	1	Foam, Air Outlet	
6	1001184295	1	Foam, Air Inlet	
7	1001184296	1	Pipe, Water	
8	1001184297	1	Pipe, Water	
9	1001188577	1	Actuator, Fresh/Recirculation Air	
10	1001188578	1	Actuator, Hot/Cold	
11	1001188594	1	Fan, 12V	
12	1001188602	4	Screw	
13	1001188603	9	Clamp	
14	1001188604	2	Clamp	
15	1001188610	2	Screw	
16	1001188612	2	Clamp	
17	1001188614	1	Resistor	
18	1001188720	2	Screw	
19	1001188725	2	Screw	
20	1001188729	1	Radiator, Heater Core	
21	1001188733	1	Grommet	
22	1001189025	2	O-Ring	
23	1001221057	1	Plate	
24	1001221058	2	Screw	
25	1001228132	1	Harness, HVAC Sensor	
26	1001228140	1	Grommet	
27	1001228141	2	Screw	
28	1001228147	1	Valve, Water	

SECTION 6 - CAB

FIGURE 6-42. HVAC CAB ACTUATOR



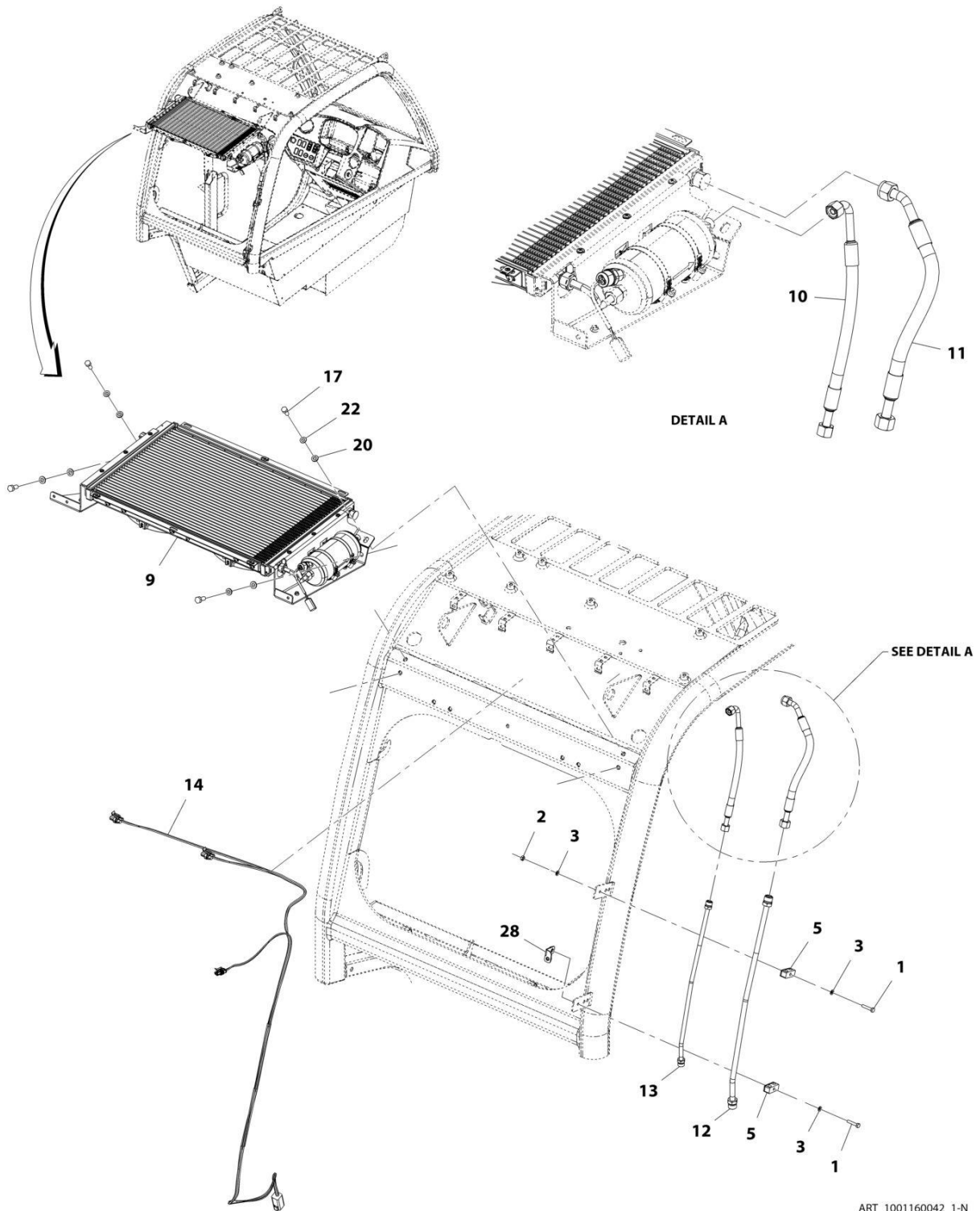
ART_1001172551

FIGURE 6-42. HVAC CAB ACTUATOR

ITEM	PART NUMBER	QTY	DESCRIPTION	REV
	1001172551	Ref	HVAC CAB ACTUATOR	E
1	1001184306	1	Box, Heater Controller	
2	1001184307	1	Base, Heater Controller Box	
4	1001184309	1	Board, Heater Control	
5	1001184310	1	Board, Heater Control	
6	1001189980	2	Insulator, Heater Controller Box	

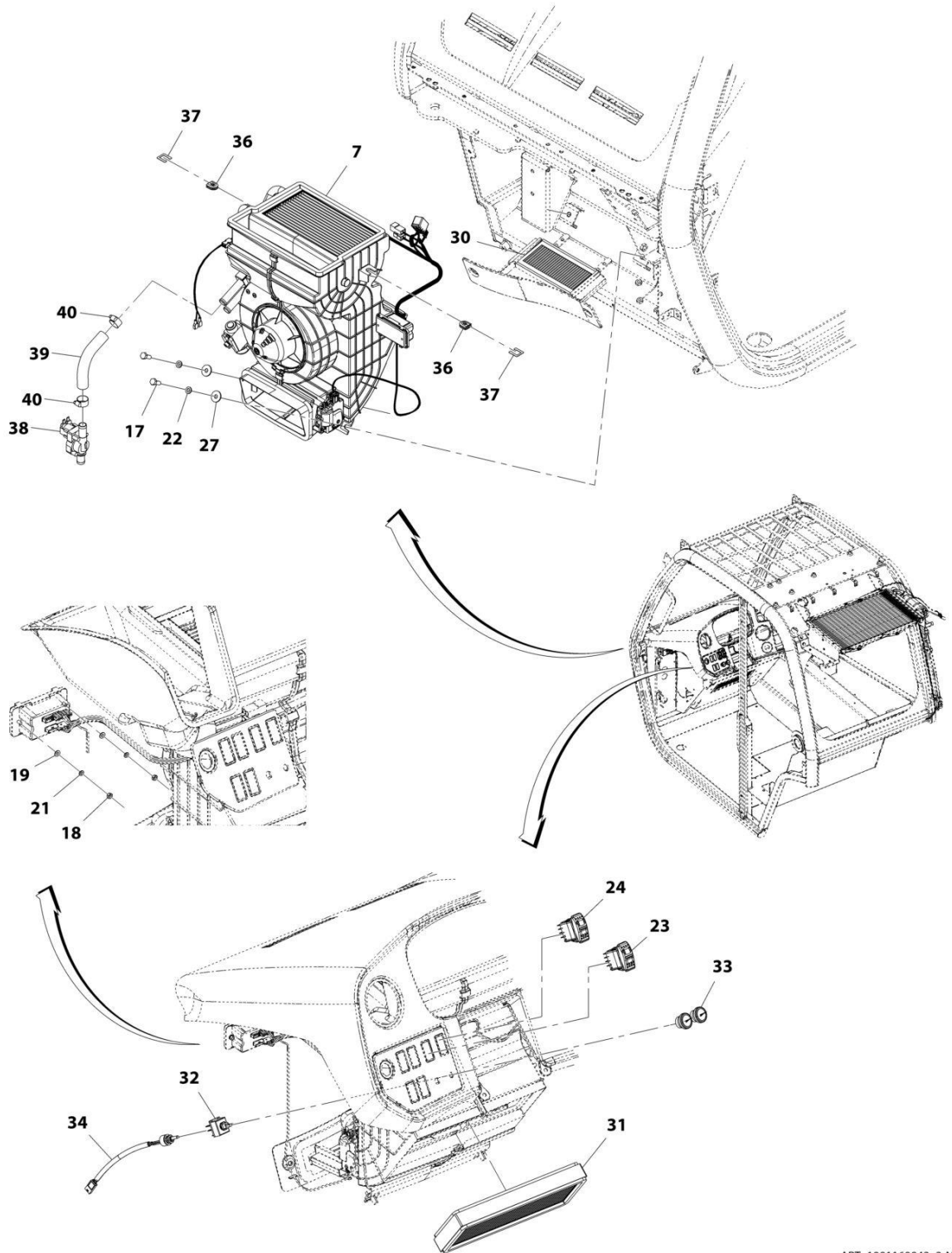
SECTION 6 - CAB

FIGURE 6-43. HEATER AND A/C INSTALLATION (CAB PARTS)



ART_1001160042_1-N

SECTION 6 - CAB



ART_1001160042_2-N

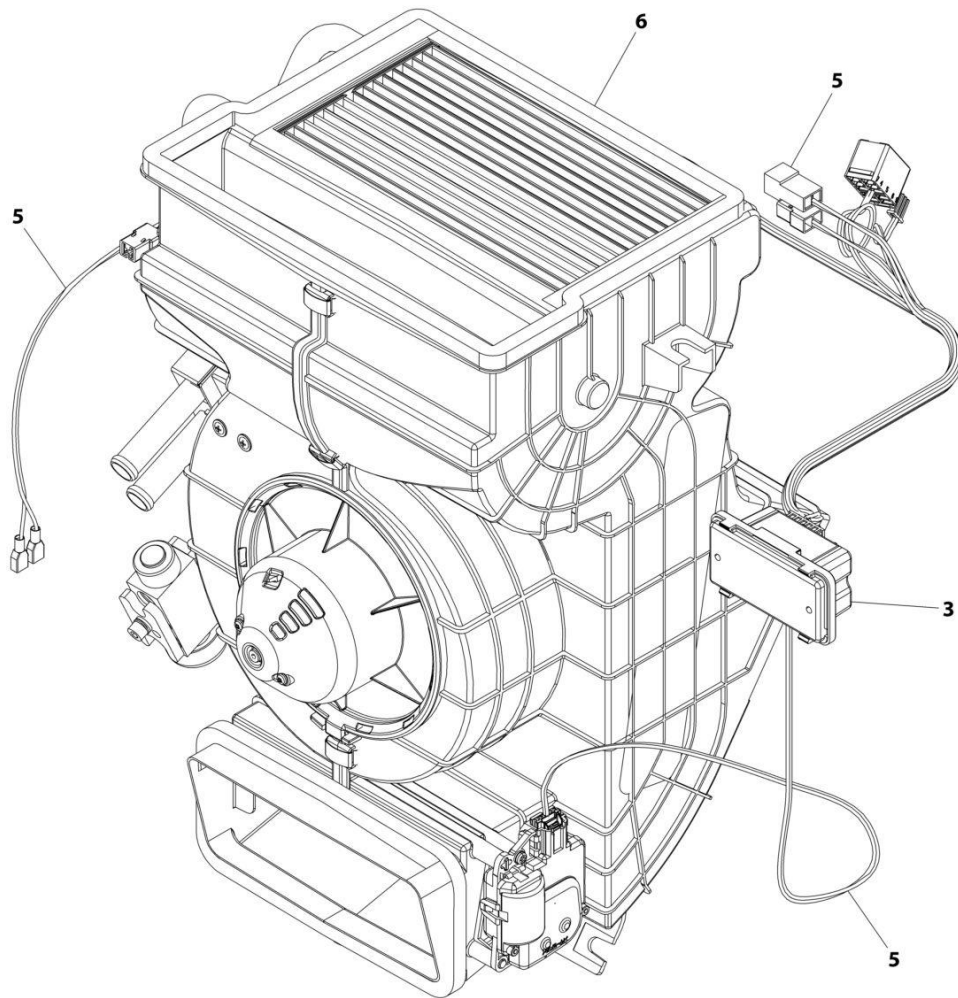
SECTION 6 - CAB

FIGURE 6-43. HEATER AND A/C INSTALLATION (CAB PARTS)

ITEM	PART NUMBER	QTY	DESCRIPTION	REV
	1001160042	Ref	Heater and A/C Installation (Cab Parts)	N
1	0700614	2	Bolt, M6X30	
2	3290601	1	Nut, M6X1	
3	4811700	3	Washer, M6	
5	1001145539	2	Support, Pipe	
7	1001188303	1	Assembly, Heater and A/C (See Separate Breakdown in this Section)	
9	1001162953	1	Assembly, Cab Condenser (See Separate Breakdown in this Section)	
10	1001168327	1	Hose	
11	1001168330	1	Hose	
12	1001168331	1	Tube	
13	1001168456	1	Tube	
14	1001169151	1	Harness, A/C Option (See Separate Breakdown in ELECTRICAL Section)	
17	0760810	6	Bolt, M8X20 GR8.8	
18	3290401	2	Nut, M4X0.7	
19	4811400	2	Washer, M4	
20	4811900	4	Washer, M8	
21	4831400	2	Washer, Lock M4	
22	4831900	6	Washer, Lock M8	
23	1001159925	1	Switch, HVAC Recycle	
24	1001160326	1	Switch, HVAC On/Off	
27	4811902	2	Washer, M8	
28	1001178170	1	Bracket	
30	1001218996	1	Filter, HVAC Fresh Air	
31	1001172553	1	Filter, HVAC Air Recirculation	
32	1001172547	1	Switch, HVAC Rotary 3 Speed	
33	1001172550	2	Knob, HVAC Control	
34	1001218529	1	Cable, HVAC	
35	1320022	1	Clamp	
36	1001188590	2	Grommet	
37	1001218542	2	Shim	
38	1001221059	1	Valve, Water	
39	1001221295	1	Hose	
40	8410009	2	Clamp	

SECTION 6 - CAB

FIGURE 6-44. HEATER AND A/C ASSEMBLY



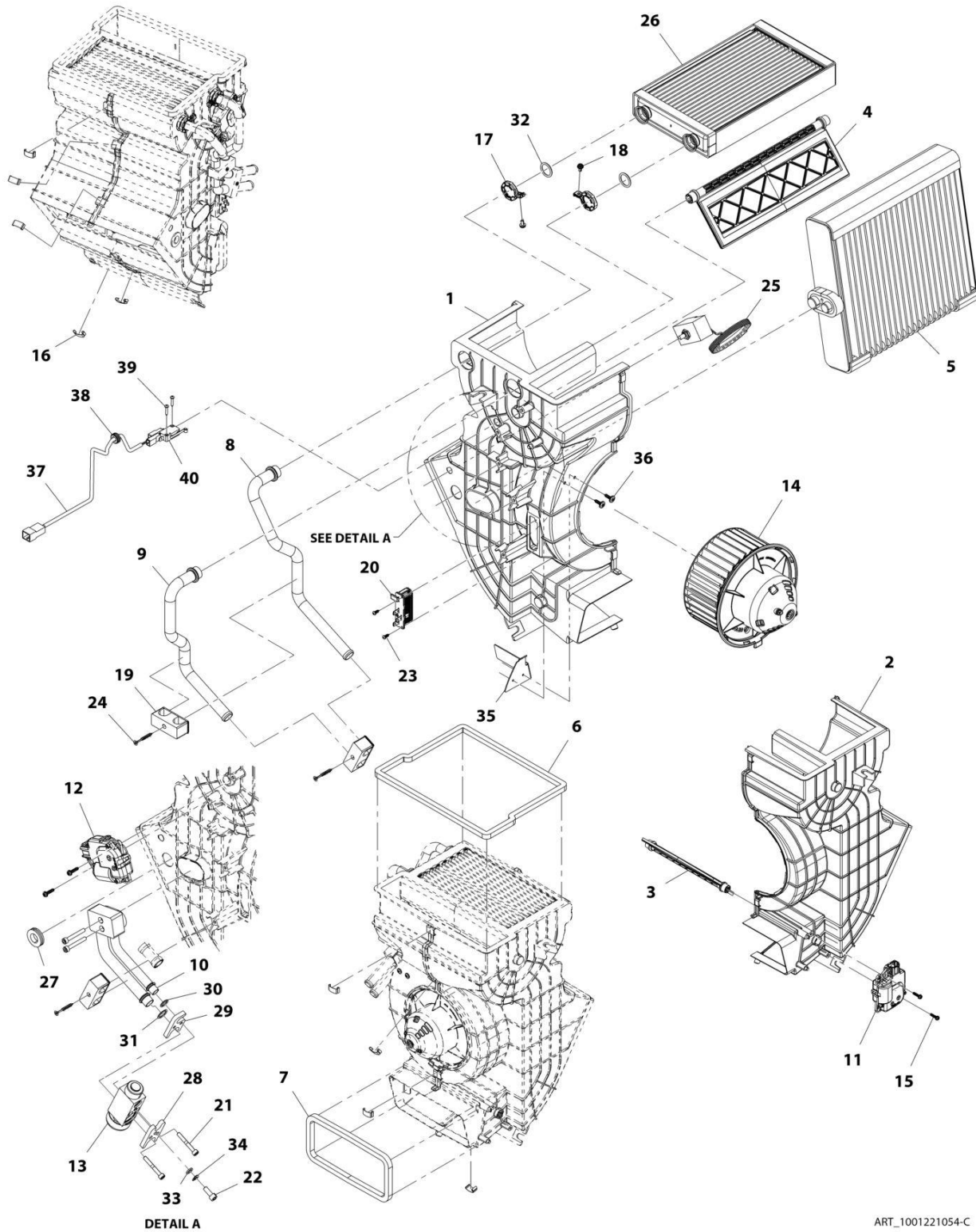
ART_1001188303-G

FIGURE 6-44. HEATER AND A/C ASSEMBLY

ITEM	PART NUMBER	QTY	DESCRIPTION	REV
	1001188303	Ref	Heater and A/C Assembly	H
3	1001172551	1	Actuator, HVAC Cab	
5	1001221056	1	Harness, HVAC Actuator (See Separate Breakdown in ELECTRICAL Section)	
6	1001221054	1	Heater and A/C (See Separate Breakdown in this Section)	

SECTION 6 - CAB

FIGURE 6-45. HEATER AND A/C



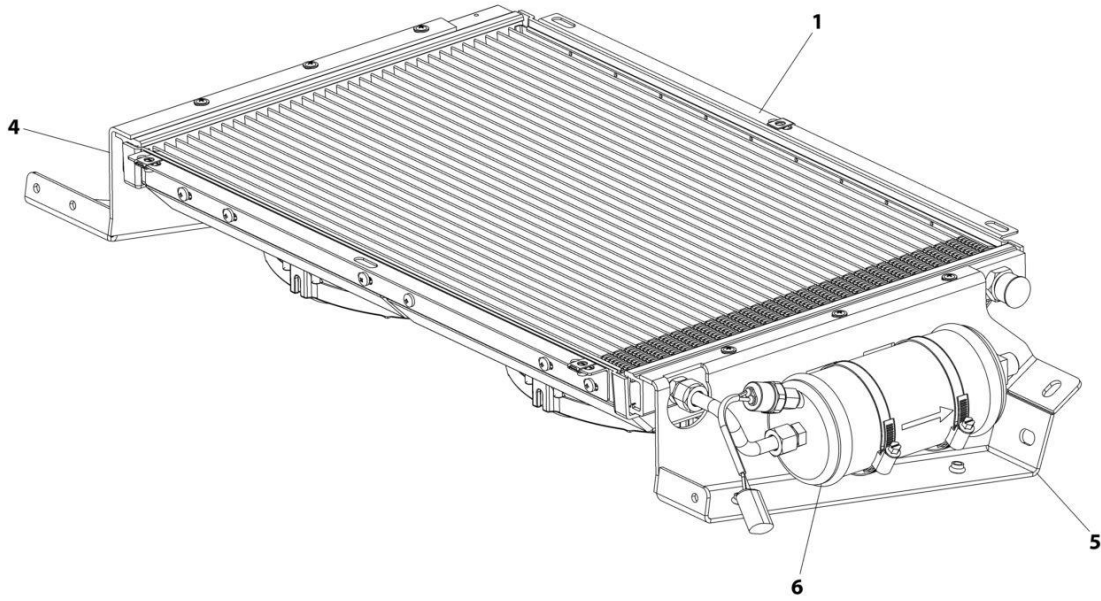
ART_1001221054-C

FIGURE 6-45. HEATER AND A/C

ITEM	PART NUMBER	QTY	DESCRIPTION	REV
	1001221054	Ref	Heater and A/C	D
1	1001166091	1	Housing, HVAC RH	
2	1001166092	1	Housing, HVAC LH	
3	1001184275	1	Foam, Heater Flap	
4	1001184278	1	Foam, Heater Mixing Flap	
5	1001184280	1	Evaporator, Heater	
6	1001184294	1	Seal, Heater Foam	
7	1001184295	1	Seal, Air Inlet Foam	
8	1001184296	1	Pipe, Heater Water	
9	1001184297	1	Pipe, Heater Water	
10	1001184427	1	Pipe, Heater	
11	1001188577	1	Actuator, Fresh/Recirculation Air	
12	1001188578	1	Actuator, Hot/Cold Mixing	
13	1001188592	1	Valve, HVAC Expansion	
14	1001188594	1	Fan, HVAC Centrifugal 12V	
15	1001188602	4	Screw, M4	
16	1001188603	9	Clamp, HVAC Case	
17	1001188604	2	Clamp, HVAC Pipe	
18	1001188610	2	Screw, M4X0.7	
19	1001188612	3	Clamp, Pipe	
20	1001188614	1	Resistor	
21	1001188618	4	Screw, M5	
22	1001188619	1	Screw, M6	
23	1001188720	2	Screw, M2.9X9.5	
24	1001188725	3	Screw, M4X35	
25	1001188728	1	Sensor, HVAC Thermostat	
26	1001188729	1	Radiator, Heater Core	
27	1001188733	1	Grommet	
28	1001188817	1	Clamp, Hose	
29	1001188818	1	Clamp, HVAC EVAP/Valve	
30	1001189023	1	O-Ring	
31	1001189024	1	O-Ring	
32	1001189025	2	O-Ring	
33	1001189048	1	Washer	
34	1001189054	1	Washer, Spring	
35	1001221057	1	Plate	
36	1001221058	2	Screw	
37	1001228132	1	Harness, HVAC Sensor	
38	1001228140	1	Grommet	
39	1001228141	2	Screw	
40	1001228147	1	Valve, Water Sensor	

SECTION 6 - CAB

FIGURE 6-46. CAB CONDENSER ASSEMBLY



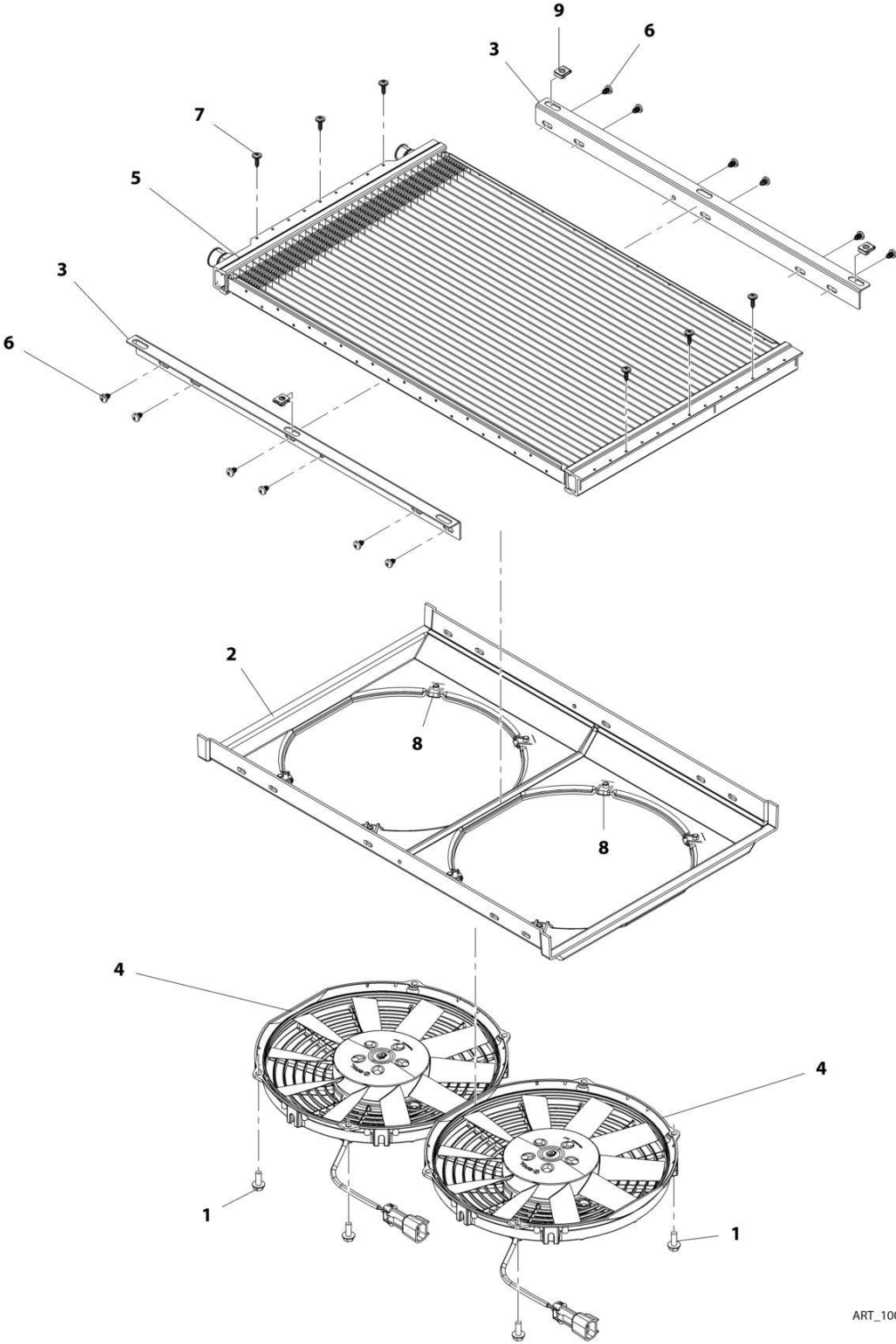
ART_1001162953

FIGURE 6-46. CAB CONDENSER ASSEMBLY

ITEM	PART NUMBER	QTY	DESCRIPTION	REV
	1001162953	Ref	Cab Condenser Assembly	G
1	1001167266	1	Condenser (See Separate Breakdown in this Section)	
4	1001179080	1	Bracket	
5	1001179081	1	Bracket	
6	1001179130	1	Drier, A/C Receiver (See Separate Breakdown in this Section)	

SECTION 6 - CAB

FIGURE 6-47. CONDENSER



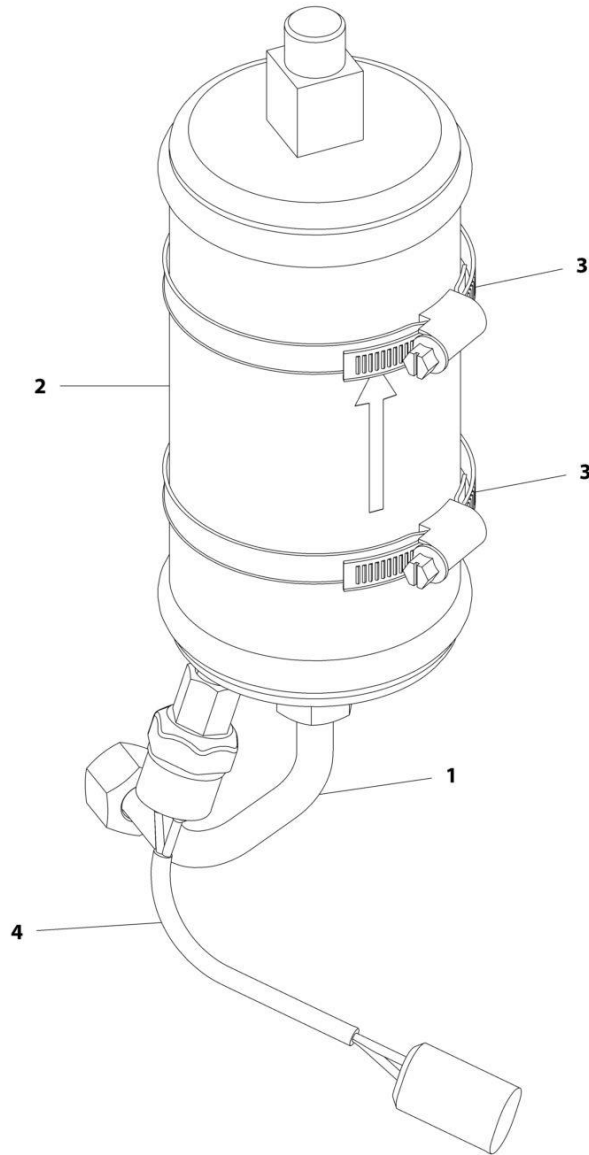
ART_1001167266-C

FIGURE 6-47. CONDENSER

ITEM	PART NUMBER	QTY	DESCRIPTION	REV
	1001167266	Ref	Condenser	C
1	5250608	8	Bolt, M6X16	
2	1001195342	1	Bracket, Condenser Fan Mount	
3	1001195343	2	Support, Condenser	
4	1001195345	2	Fan, Condenser	
5	1001195346	1	Condenser	
6	1001195385	12	Screw, M3.9X9.5	
7	1001195386	6	Screw, M4.2X16	
8	1001195437	8	Clip, M6X1	
9	1001195438	3	Clip, M6X1	

SECTION 6 - CAB

FIGURE 6-48. A/C RECEIVER DRIER



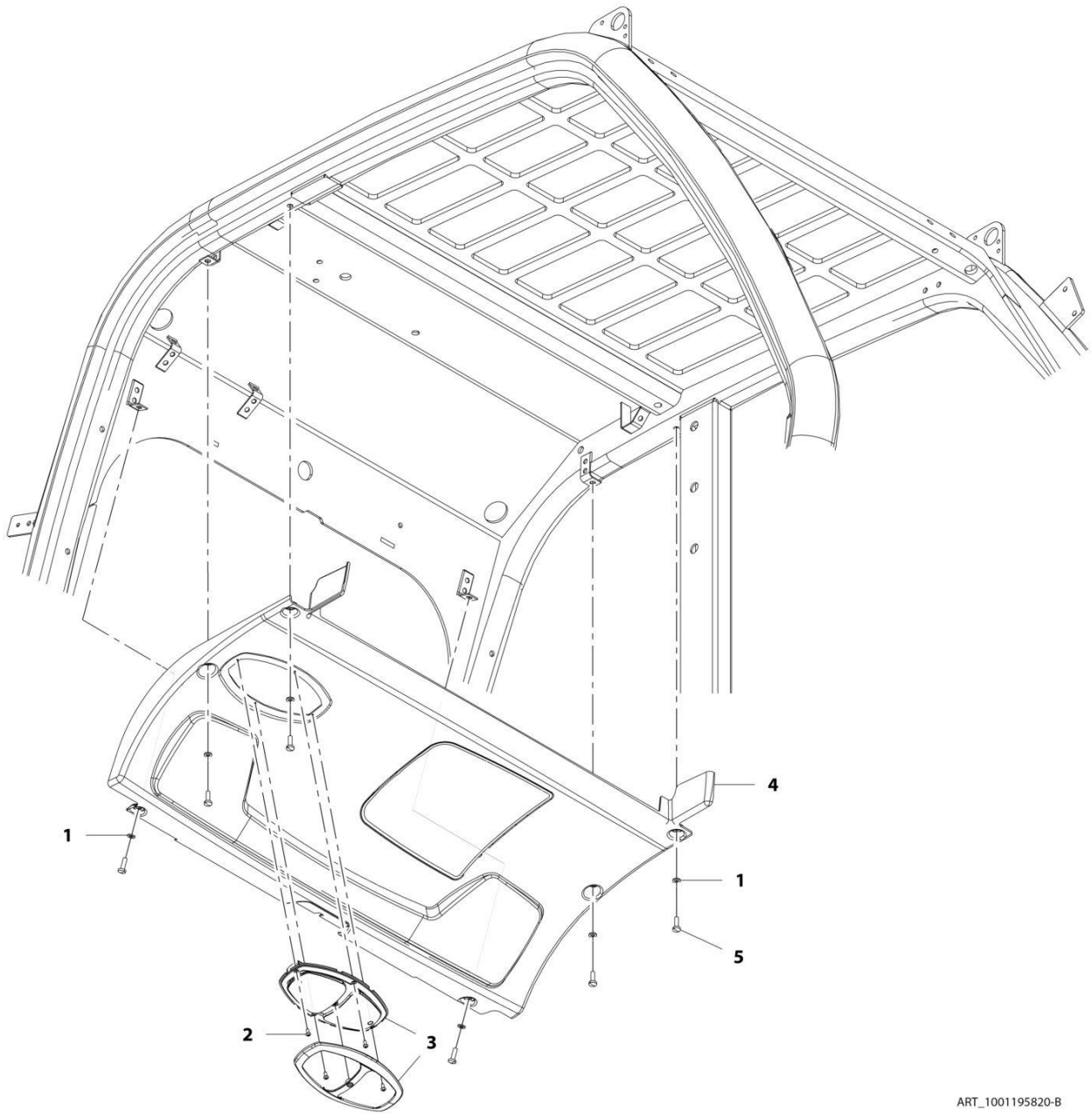
ART_1001179130-B

FIGURE 6-48. A/C RECEIVER DRIER

ITEM	PART NUMBER	QTY	DESCRIPTION	REV
	1001179130	Ref	A/C Receiver Drier	B
1	1001184403	1	Tube, Heater	
2	1001184404	1	Receiver, Heater Drier	
3	1001184405	2	Clamp	
4	1001184406	1	Connector, Heater	

SECTION 6 - CAB

FIGURE 6-49. HEADLINER INSTALLATION



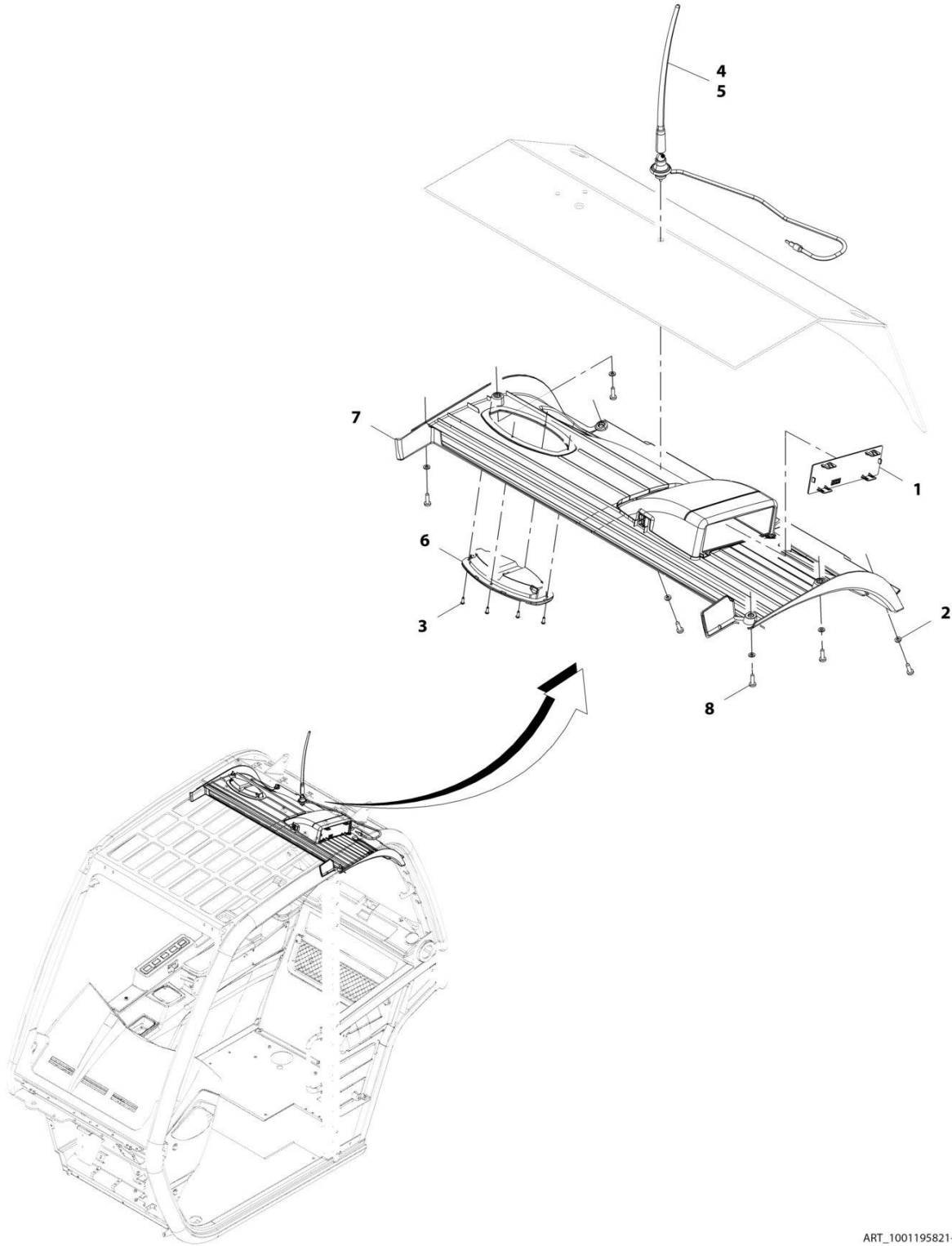
ART_1001195820-B

FIGURE 6-49. HEADLINER INSTALLATION

ITEM	PART NUMBER	QTY	DESCRIPTION	REV
	1001195820	Ref	Headliner Installation	C
1	4811700	6	Washer, M6	
2	7029486	4	Screw	
3	1001167015	1	Lamp, Dome	
4	1001195822	1	Panel, Headliner	
5	4031708001	1	Cap Screw M6 x 20	

SECTION 6 - CAB

FIGURE 6-50. HEADLINER/RADIO READY PACKAGE INSTALLATION



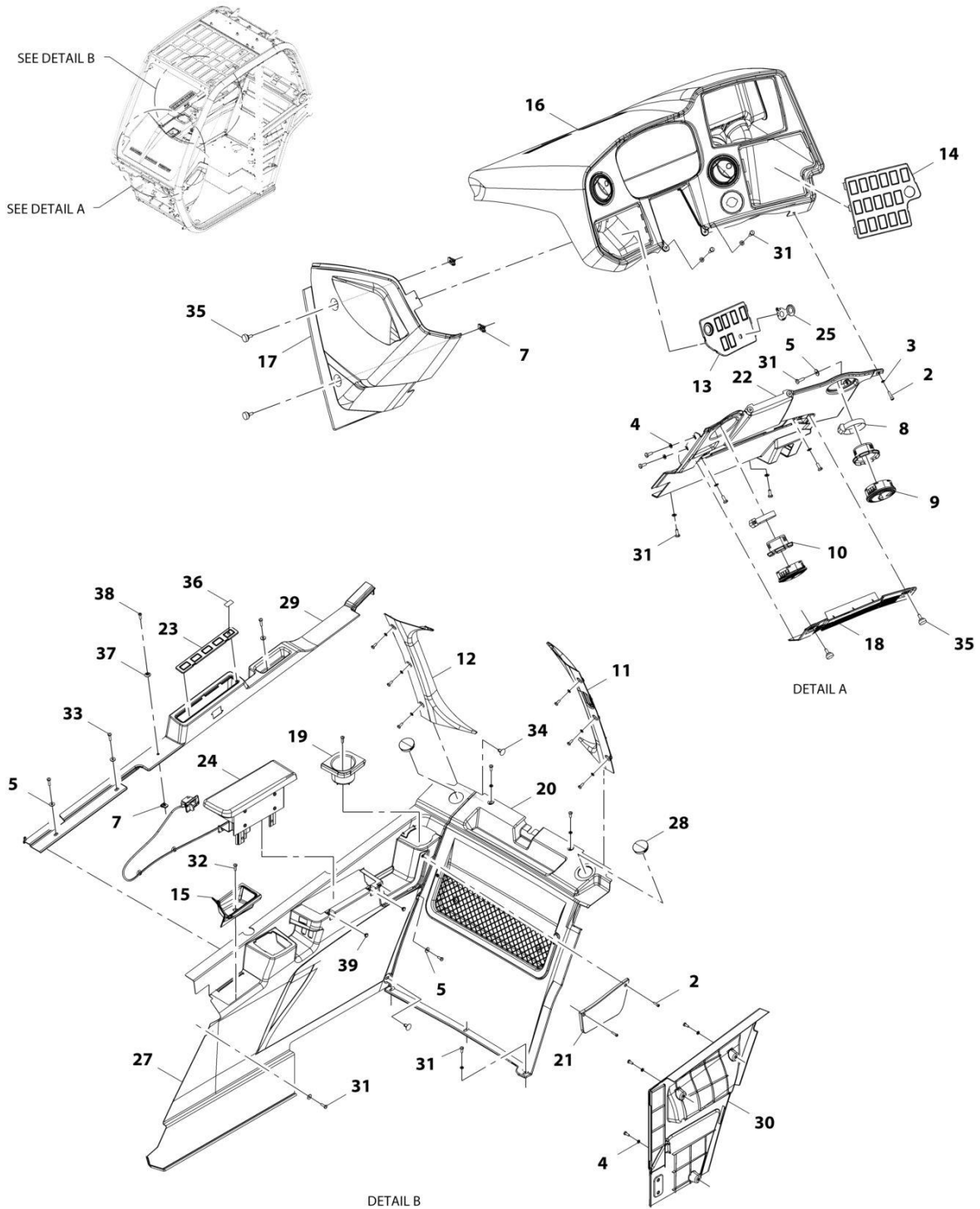
ART_1001195821-B

FIGURE 6-50. HEADLINER/RADIO READY PACKAGE INSTALLATION

ITEM	PART NUMBER	QTY	DESCRIPTION	REV
	1001195821	Ref	Headliner/Radio Ready Package Installation	B
1	1001200968	1	Plate	
2	4811700	6	Washer, 6M	
3	7029486	4	Screw	
4	8005901	1	Antenna	
5	1001116128	AR	Sealant, Polysiloxane	
6	1001167015	1	Lamp	
7	1001195823	1	Cover, Headliner	
8	4010610002	6	Screw, M6X20	

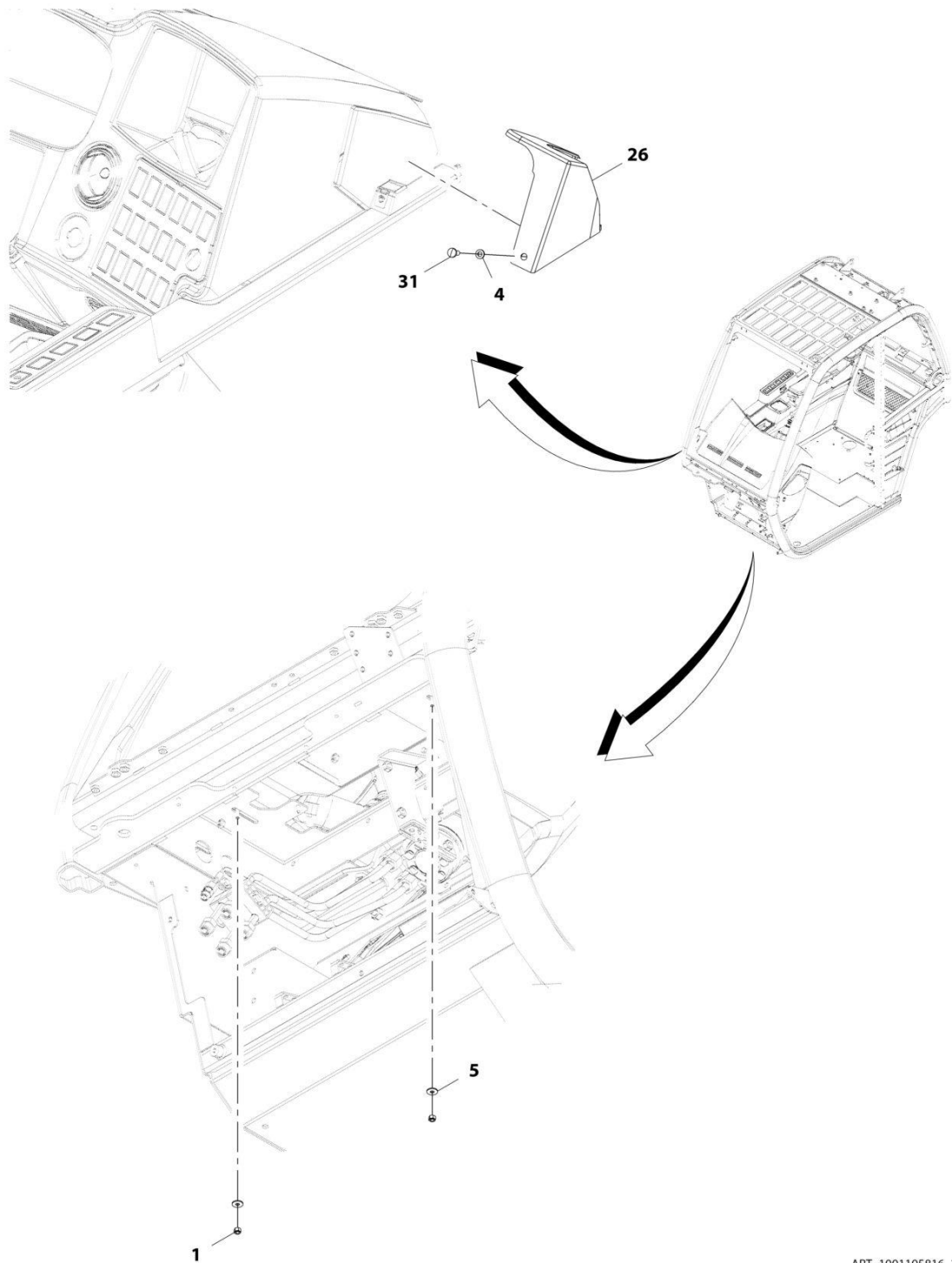
SECTION 6 - CAB

FIGURE 6-51. CAB TRIM INSTALLATION



ART_1001195816_1-I

SECTION 6 - CAB



ART_1001195816_2-I

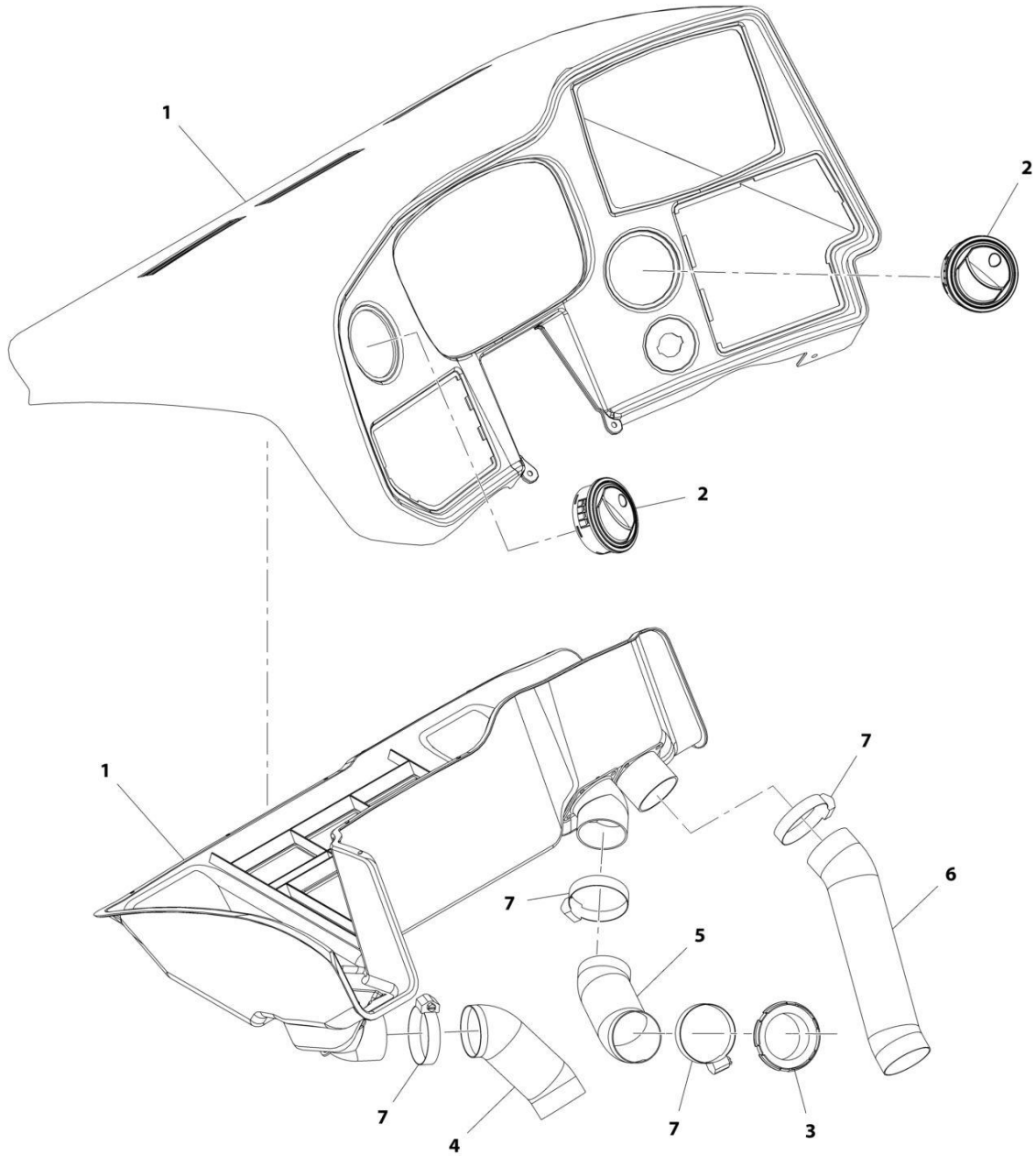
SECTION 6 - CAB

FIGURE 6-51. CAB TRIM INSTALLATION

ITEM	PART NUMBER	QTY	DESCRIPTION	REV
	1001195816	Ref	Cab Trim Installation	I
1	3290605	2	Nut, Lock M6X1	
2	4031608001	3	Screw, M5X20	
3	4811600	1	Washer, M5	
4	4811700001	23	Washer, M6	
5	4811702001	7	Washer, M6	
7	8305919	2	Nut, M6	
8	8405201	2	Clamp	
9	1001147449	2	Vent	
10	1001149278	2	Connector, Vent	
11	1001161252	1	Cover, LH C-Post	
12	1001161253	1	Cover, RH C-Post	
13	1001219864	1	Plate, Switch	
14	1001219865	1	Plate, Switch	
15	1001169603	1	Tray	
16	1001169604	1	Assembly, Dash Cover (See Separate Breakdown in this Section)	
17	1001161855	1	Cover, Side Dash	
18	1001170504	1	Cover, Recirculation Grille	
19	1001170518	1	Holder, Cup	
20	1001170519	1	Assembly, Rear Panel Cover (See Separate Breakdown in this Section)	
21	1001173965	1	Bezel, Net	
22	1001175903	1	Cover, Lower Dash	
23	1001219863	1	Plate, Switch	
24	1001181726	1	Installation, Armrest (See Separate Breakdown in this Section)	
25	1001184975	1	Decal, HVAC	
26	1001185870	1	Cover, Lower A-Post	
27	1001189182	1	Cover, RH Side	
28	1001223265	2	Grommet	
29	1001195817	1	Cover, RH Extension	
30	1001195818	1	Panel, LH Side	
31	4010608002	26	Screw, M6X16	
32	4010610002	1	Screw, M6X20	
33	4010612002	3	Screw, M6X25	
34	1001211907	2	Screw	
35	1001208308	4	Thumb Screw, M6X15	
36	1001226481	1	Decal, Blank	
37	1001098150	1	Washer, M6	
38	1001132564	1	Screw, M6X20	
39	1001227133	2	Grommet	

SECTION 6 - CAB

FIGURE 6-52. DASH COVER ASSEMBLY



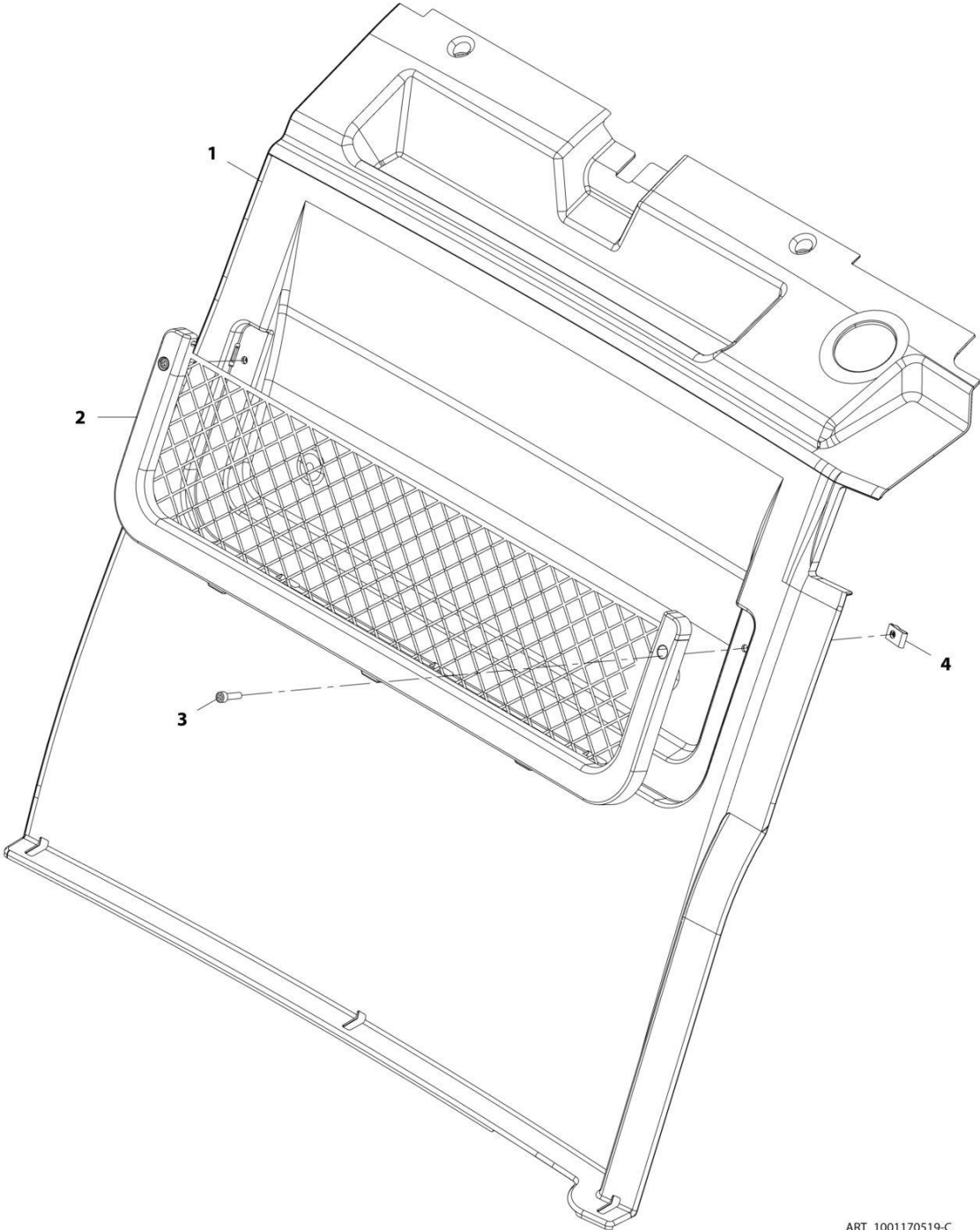
ART_1001169604-B

FIGURE 6-52. DASH COVER ASSEMBLY

ITEM	PART NUMBER	QTY	DESCRIPTION	REV
	1001169604	Ref	Dash Cover Assembly (Construction)	B
1	1001161851	1	Panel, Top Dash	
2	1001147449	2	Vent, Air	
3	1001149278	1	Vent, Connector	
4	1001174652	1	Hose	
5	1001174653	1	Hose	
6	1001174655	1	Hose	
7	8405201	4	Clamp, Gear	

SECTION 6 - CAB

FIGURE 6-53. REAR PANEL COVER ASSEMBLY



ART_1001170519-C

FIGURE 6-53. REAR PANEL COVER ASSEMBLY

ITEM	PART NUMBER	QTY	DESCRIPTION	REV
	1001170519	Ref	Rear Panel Cover Assembly	C
1	1001161067	1	Panel, Rear	
2	1001170514	1	Storage Net, Rear Panel	
3	4031608	2	Bolt, M5X20	
4	1001183550	2	Nut, Cage M5	

SECTION 6 - CAB

FIGURE 6-54. ADJUSTABLE ARMREST INSTALLATION

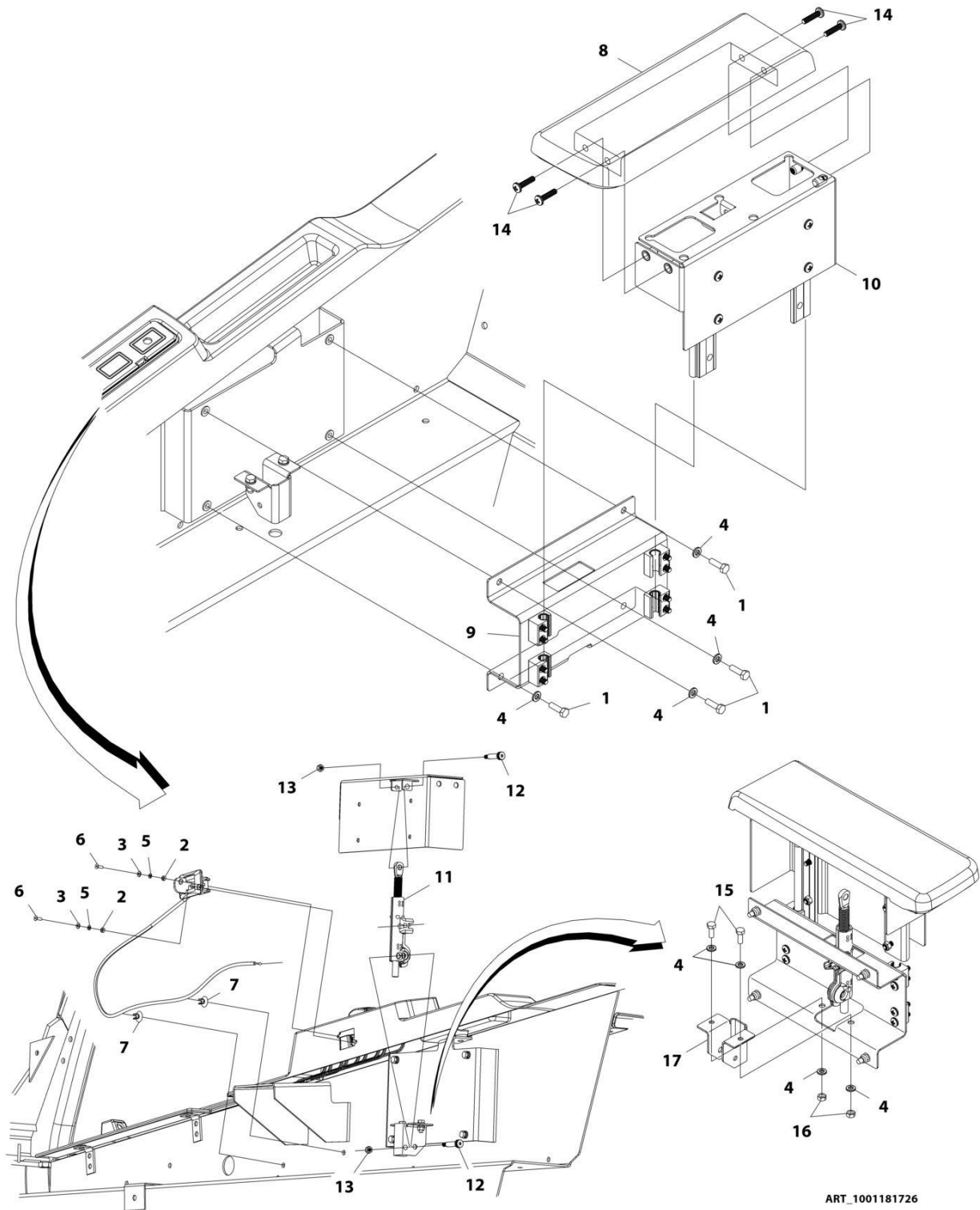
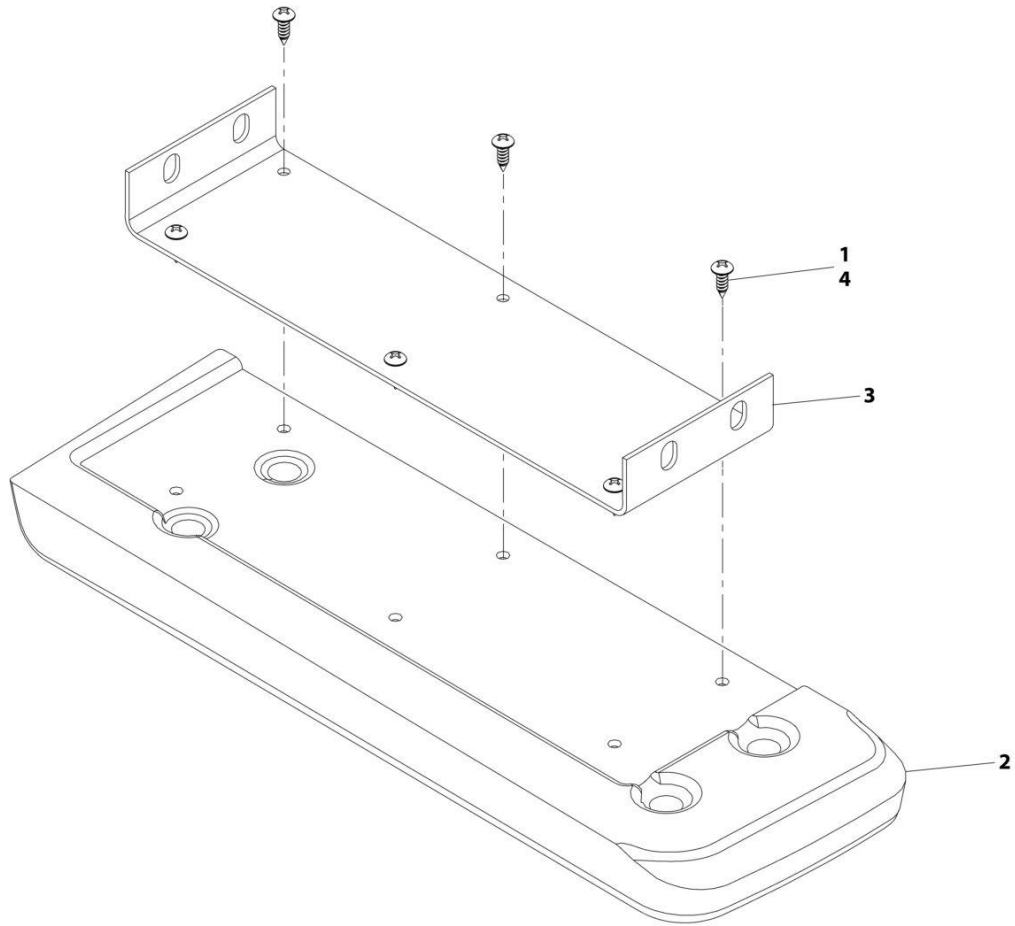


FIGURE 6-54. ADJUSTABLE ARMREST INSTALLATION

ITEM	PART NUMBER	QTY	DESCRIPTION	REV
	1001181726	Ref	Adjustable Armrest Installation	F
1	0700610	4	Bolt, M6X20	
2	3290401	2	Nut, M4X0.7	
3	4811400	2	Washer, M4	
4	4811700	8	Washer, M6	
5	4831400	2	Washer, Lock M4	
6	1001097244	2	Screw, M4X12	
7	1001165458	4	Hose	
8	1001191281	1	Armrest (See Separate Breakdown in this Section)	
9	1001191283	1	Bracket, Fixed Armrest (See Separate Breakdown in this Section)	
10	1001191284	1	Bracket, Moving Armrest (See Separate Breakdown in this Section)	
11	1001191285	1	Spring	
12	1001191370	2	Screw, M6	
13	3290605	2	Nut, M6X1 Grade 8	
14	4010612002	4	Screw, M6X25	
15	0760608	2	Bolt, M6X16	
16	3290601	2	Nut, M6X1	
17	1001212468	1	Bracket, Locking Spring Mount	

SECTION 6 - CAB

FIGURE 6-55. ARMREST



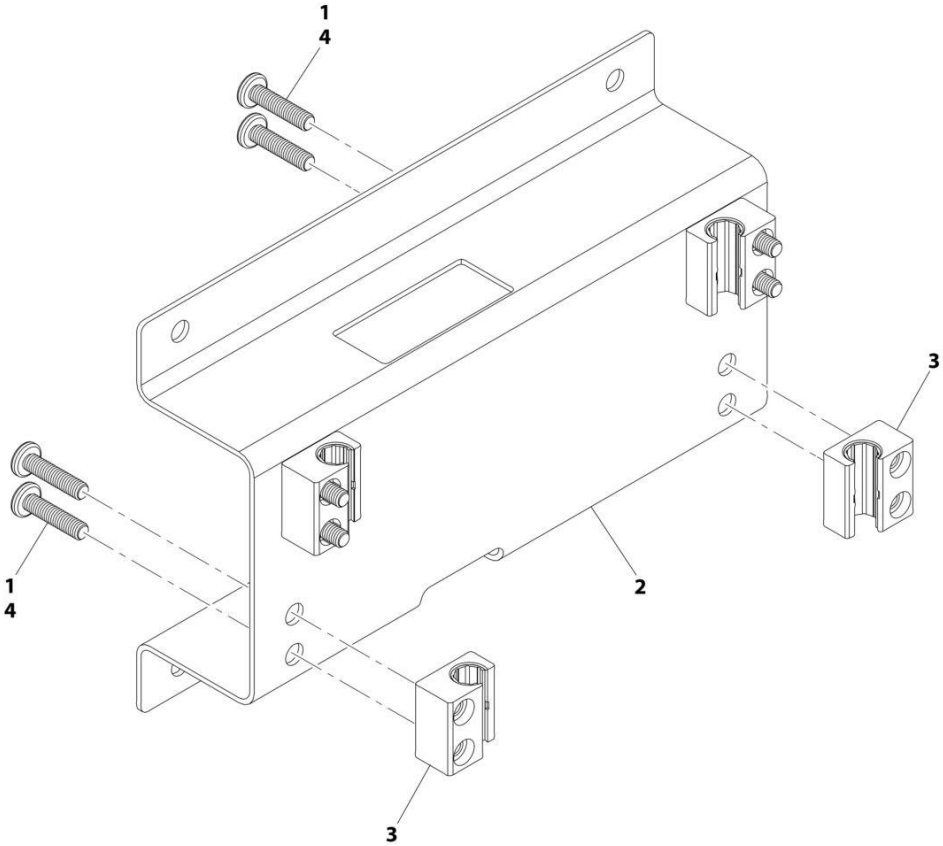
ART_1001191281

FIGURE 6-55. ARMREST

ITEM	PART NUMBER	QTY	DESCRIPTION	REV
	1001191281	Ref	Armrest	E
1	1001095650	AR	Adhesive	
2	1001179484	1	Armrest, Cab	
3	1001191282	1	Bracket, Armrest Pad	
4	1001192240	6	Screw	

SECTION 6 - CAB

FIGURE 6-56. FIXED ARMREST BRACKET



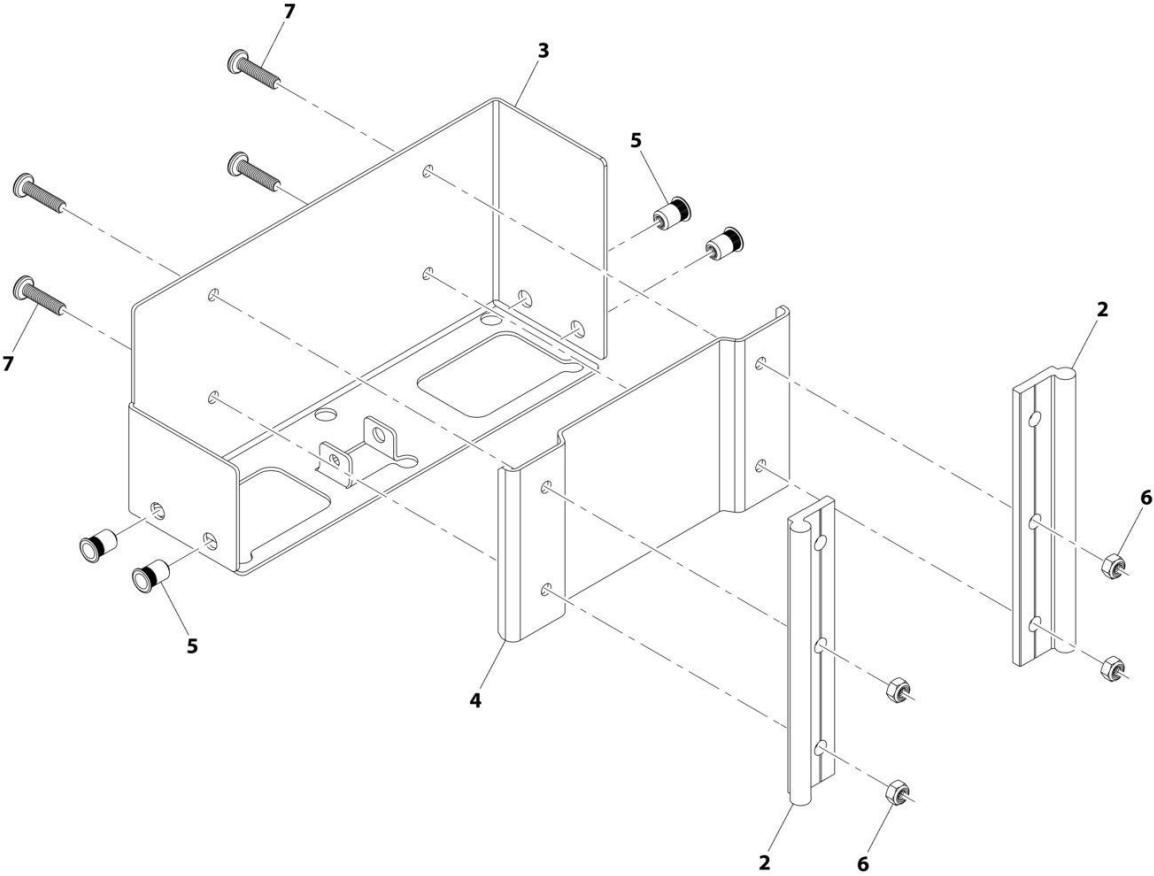
ART_1001191283-B

FIGURE 6-56. FIXED ARMREST BRACKET

ITEM	PART NUMBER	QTY	DESCRIPTION	REV
	1001191283	Ref	Fixed Armrest Bracket	B
1	1001095650	AR	Adhesive	
2	1001183597	1	Armrest Bracket	
3	1001191310	4	Slide Block	
4	4010612002	8	Screw	

SECTION 6 - CAB

FIGURE 6-57. MOVING ARMREST BRACKET



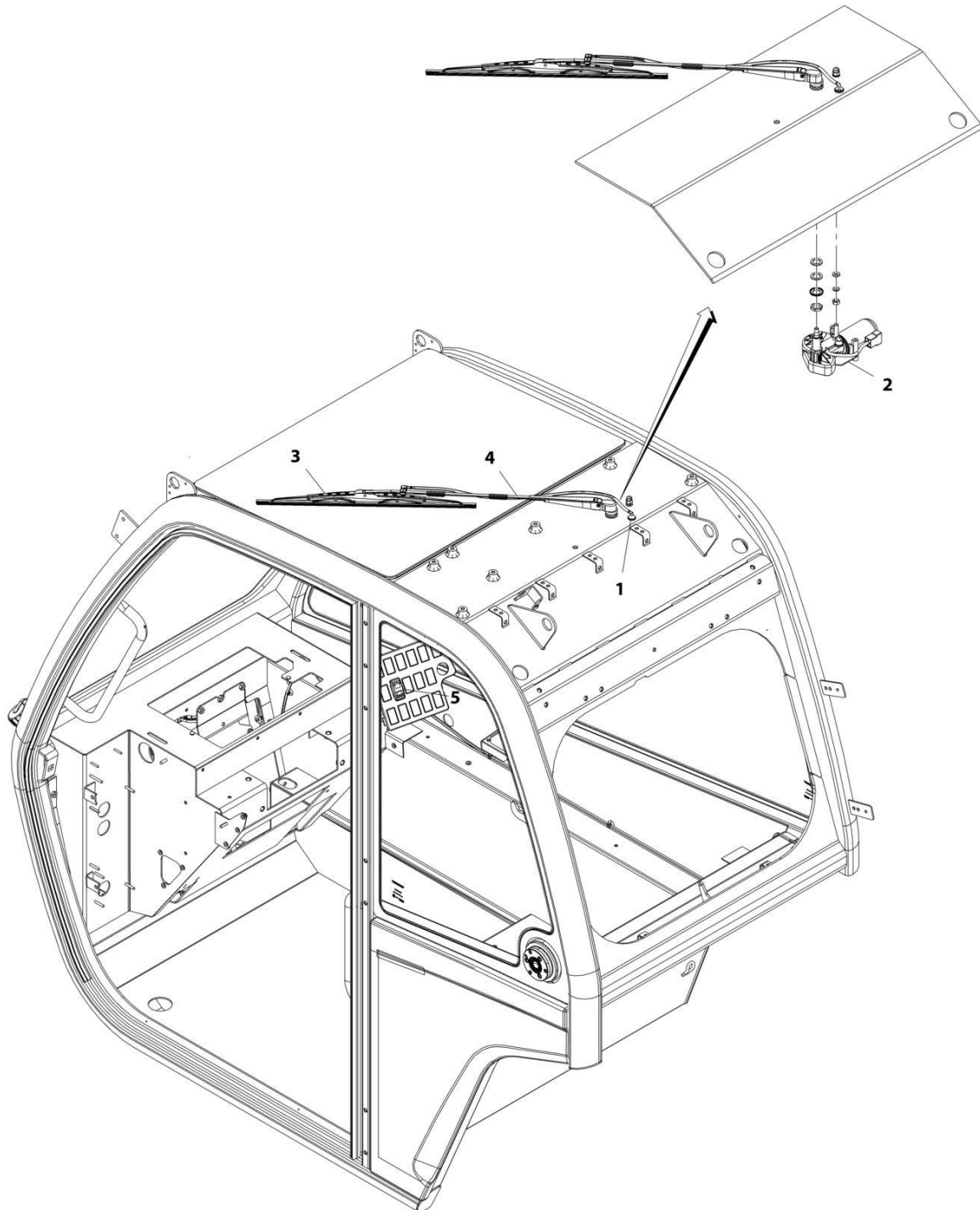
ART_1001191284-B

FIGURE 6-57. MOVING ARMREST BRACKET

ITEM	PART NUMBER	QTY	DESCRIPTION	REV
	1001191284	Ref	Moving Armrest Bracket	B
2	1001191311	2	Side Rail	
3	1001191312	1	Armrest Mount Bracket	
4	1001191313	1	Spacer Block Plate	
5	1001191959	4	Rivenut M6 X 1	
6	3290605	4	Nut, Lock M6X1	
7	4010612002	4	Screw, M6X25	

SECTION 6 - CAB

FIGURE 6-58. ROOF WIPER INSTALLATION



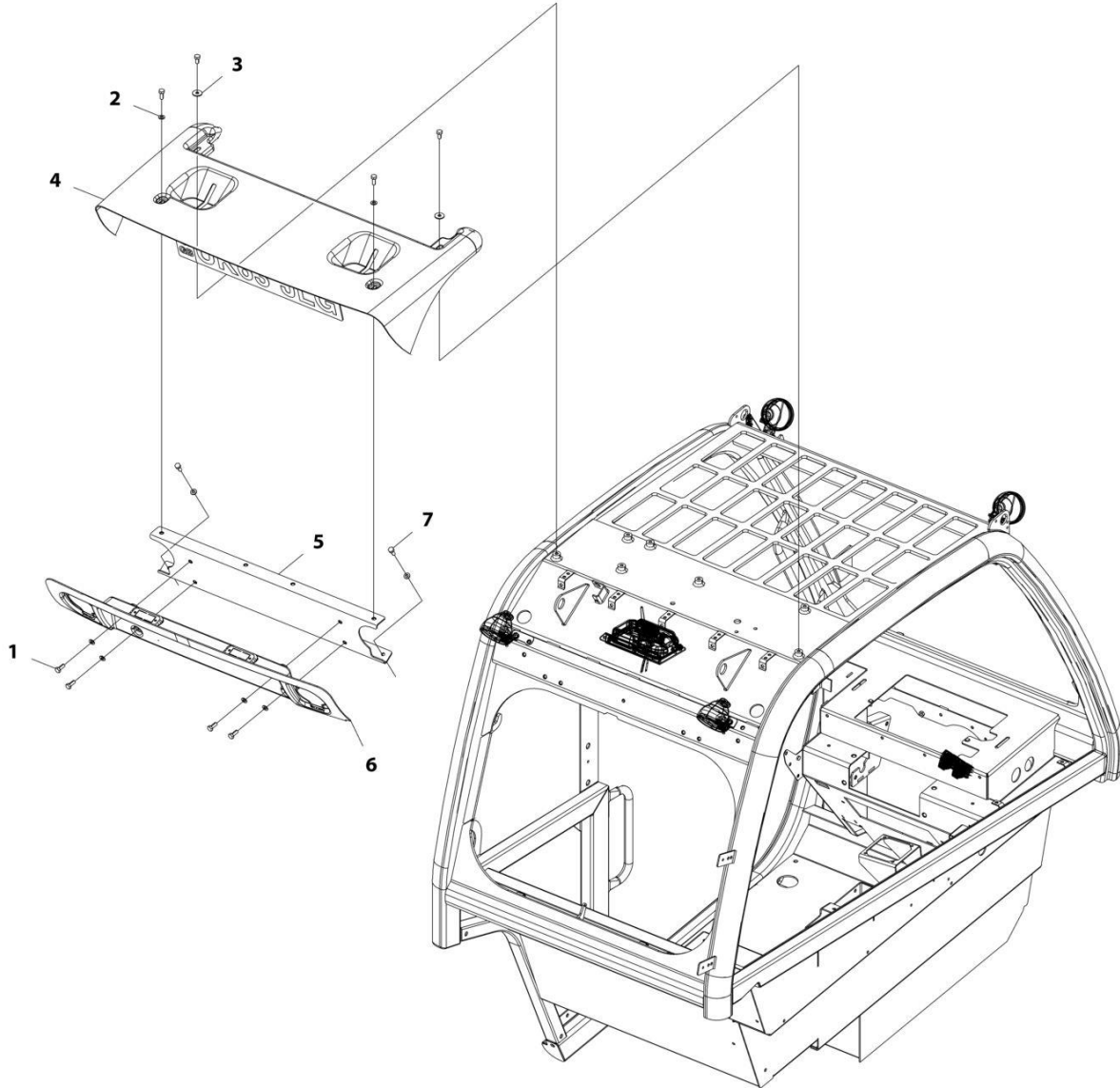
ART_1001155486-B

FIGURE 6-58. ROOF WIPER INSTALLATION

ITEM	PART NUMBER	QTY	DESCRIPTION	REV
	1001155486	Ref	Roof Wiper Installation	B
1	1001090343	1	Connector	
2	1001139551	1	Motor, Roof Wiper	
3	1001141313	1	Blade, Roof Wiper	
4	1001141311	1	Arm, Roof Wiper Blade	
5	1001159736	1	Switch, Roof Wiper	

SECTION 6 - CAB

FIGURE 6-59. ROOF CAP INSTALLATION (NO A/C)



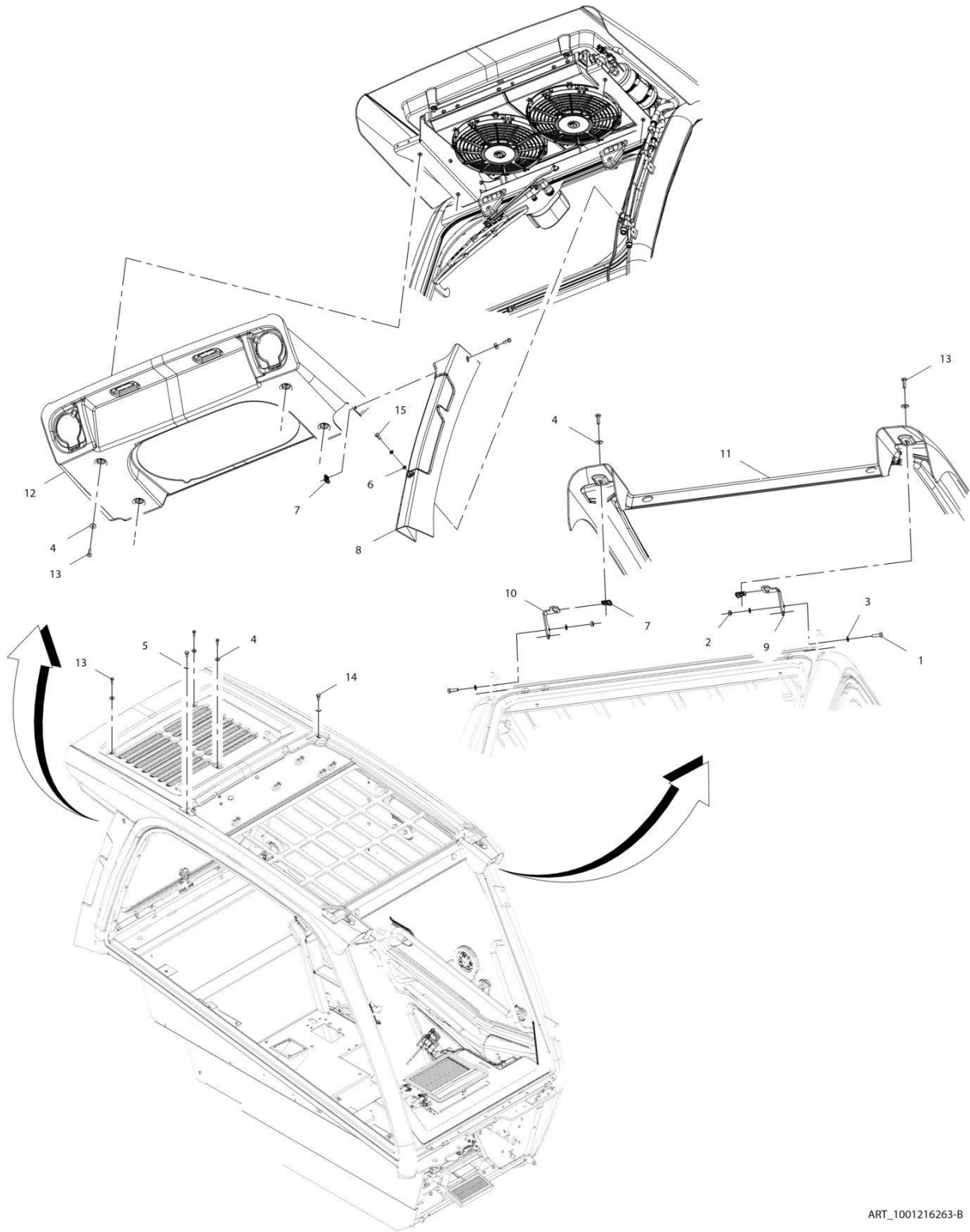
ART_1001216265

FIGURE 6-59. ROOF CAP INSTALLATION (NO A/C)

ITEM	PART NUMBER	QTY	DESCRIPTION	REV
	1001216265	Ref	Roof Cap Installation (No A/C)	B
1	0760810	8	Bolt, M8X20	
2	4811900	8	Washer, M8	
3	4811902	2	Washer, M8	
4	1001182330	1	Cover, Short Upper Roof Cap	
5	1001185633	1	Bracket, Roof Cap Mount	
6	1001216270	1	Cover, Short Lower Roof Cap	
7	0760808	2	Bolt, M8X16	

SECTION 6 - CAB

FIGURE 6-60. ROOF CAP INSTALLATION (A/C)



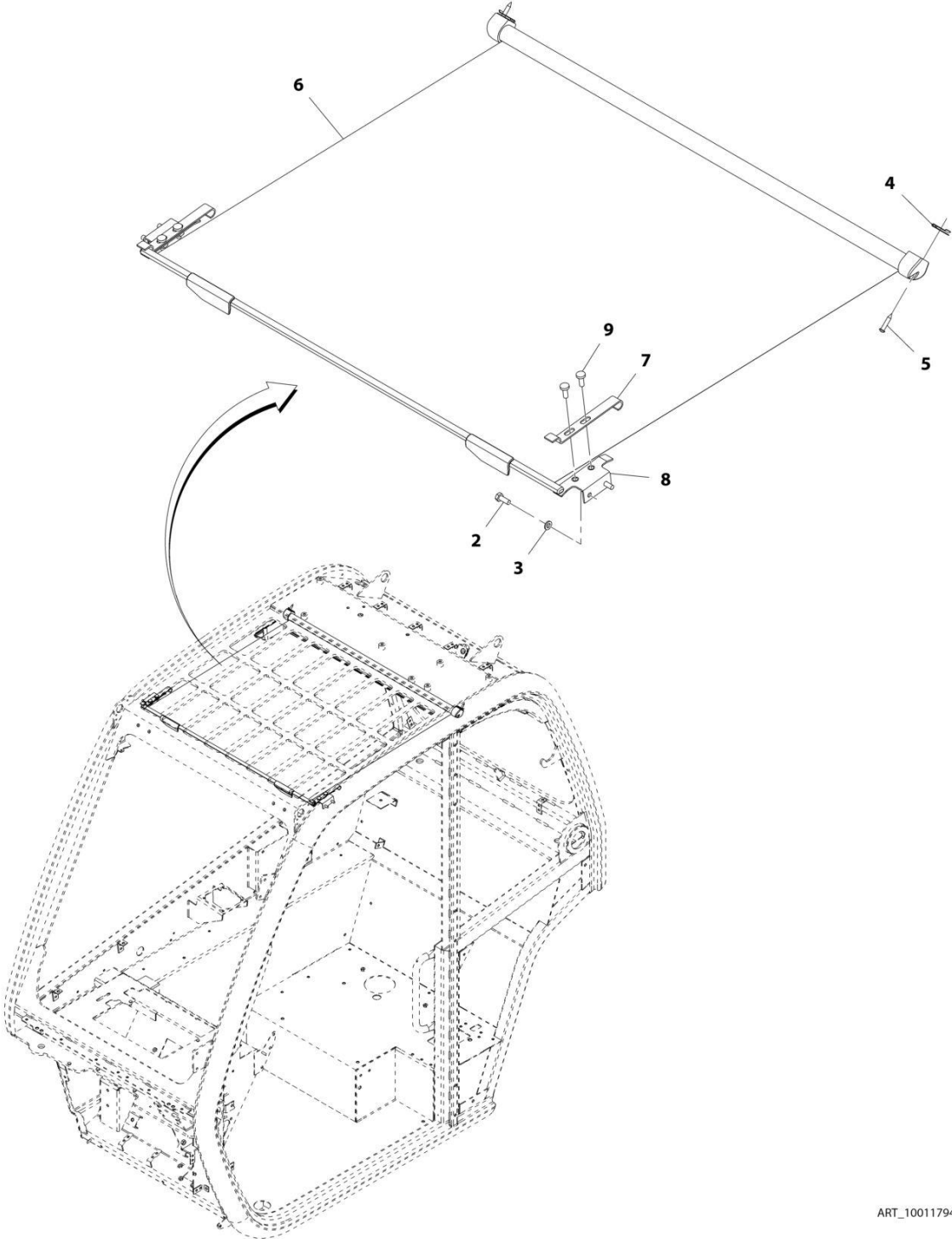
ART_1001216263-B

FIGURE 6-60. ROOF CAP INSTALLATION (A/C)

ITEM	PART NUMBER	QTY	DESCRIPTION	REV
	1001216263	Ref	Roof Cap (A/C) Installation	B
1	0700610	4	Bolt, M6X20	
2	3290601	4	Nut, M6X1	
3	4811700	9	Washer, M6	
4	4811702	10	Washer, M6	
5	4811902	2	Washer, M8	
6	4831700	1	Washer, Lock M6	
7	8305919	3	Nut, M6	
8	1001174741	1	Cover	
9	1001174800	1	Bracket	
10	1001174801	1	Bracket	
11	1001216267	1	Cover, Upper Roof Cap	
12	1001216269	1	Cover, Lower Roof Cap	
13	4010610002	10	Screw, Posi-Drive M6X20	
14	0760808	2	Bolt, M8X16	
15	4010608002	1	Screw, M6X16	

SECTION 6 - CAB

FIGURE 6-61. RETRACTABLE SUNSCREEN INSTALLATION



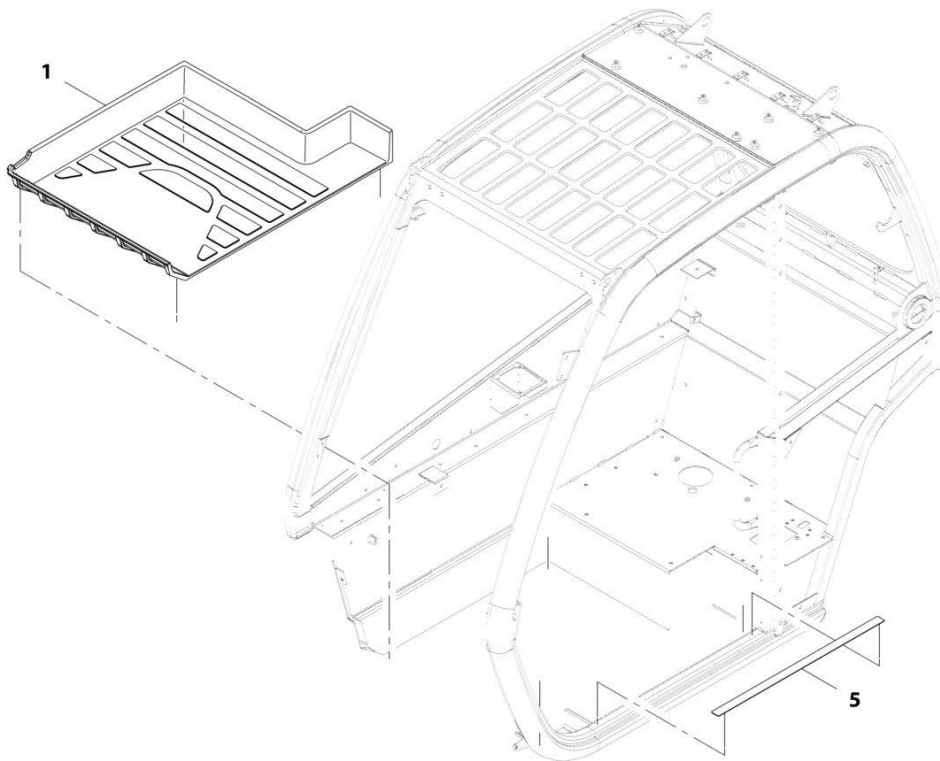
ART_1001179482-D

FIGURE 6-61. RETRACTABLE SUNSCREEN INSTALLATION

ITEM	PART NUMBER	QTY	DESCRIPTION	REV
	1001179482	Ref	Retractable Sunscreen Installation	D
2	0760608	4	Bolt, M6X16	
3	4811700	4	Washer, M6	
4	1001111076	2	Nut, Spire	
5	1001111147	2	Screw, Self Tapping	
6	1001179483	1	Cab, Sun Blind	
7	1001209463	2	Bracket	
8	1001166385	2	Bracket	
9	4010608002	4	Screw, Posi-Drive M6X16	

SECTION 6 - CAB

FIGURE 6-62. FLOOR MAT INSTALLATION



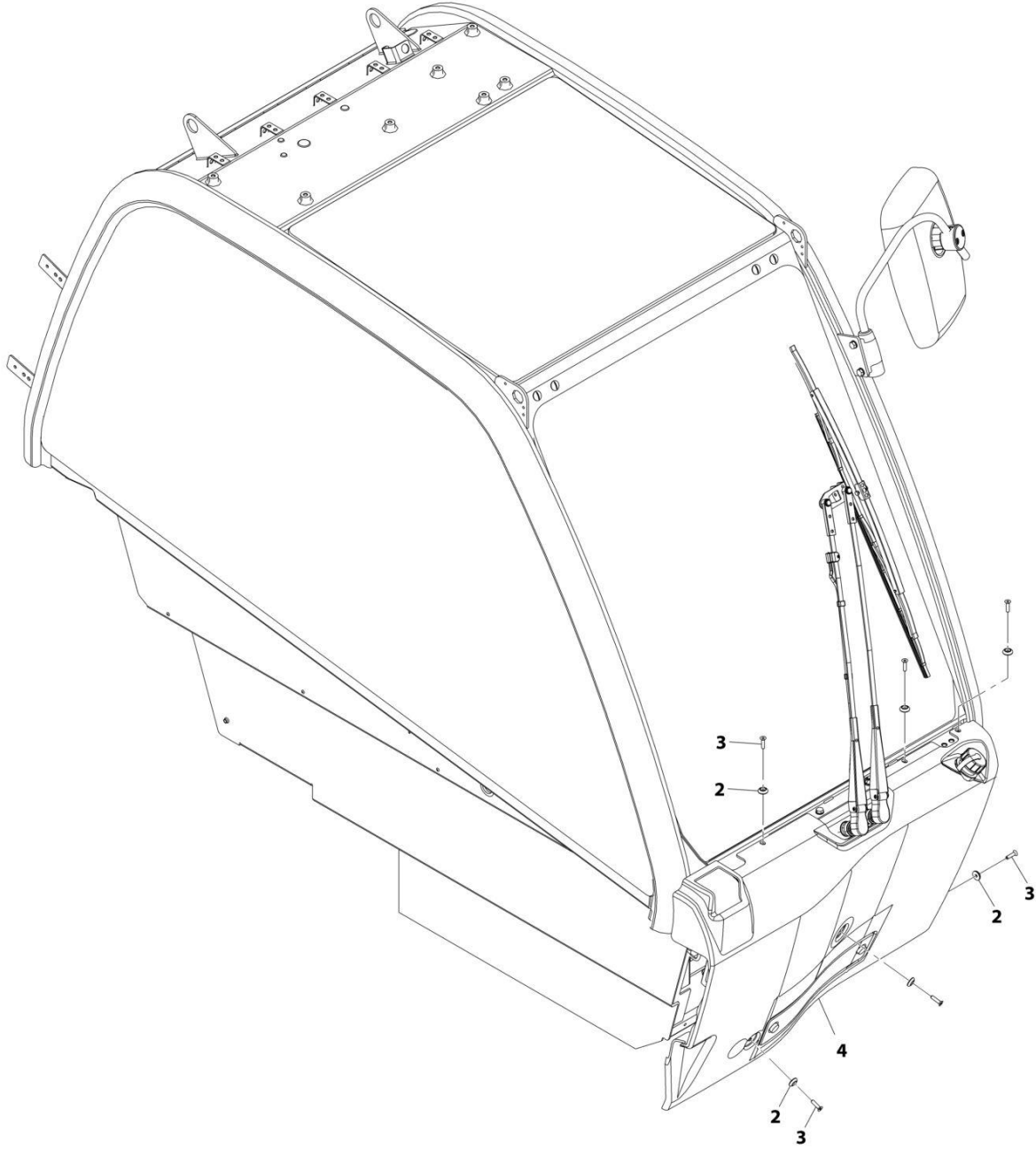
ART_1001161080-E

FIGURE 6-62. FLOOR MAT INSTALLATION

ITEM	PART NUMBER	QTY	DESCRIPTION	REV
	1001161080	Ref	Floor Mat Installation	E
1	1001161078	1	Cab, Floor Mat	
5	1001197259	1	Tape, Frame Non Skid	

SECTION 6 - CAB

FIGURE 6-63. ENCLOSED CAB FRONT COVER INSTALLATION



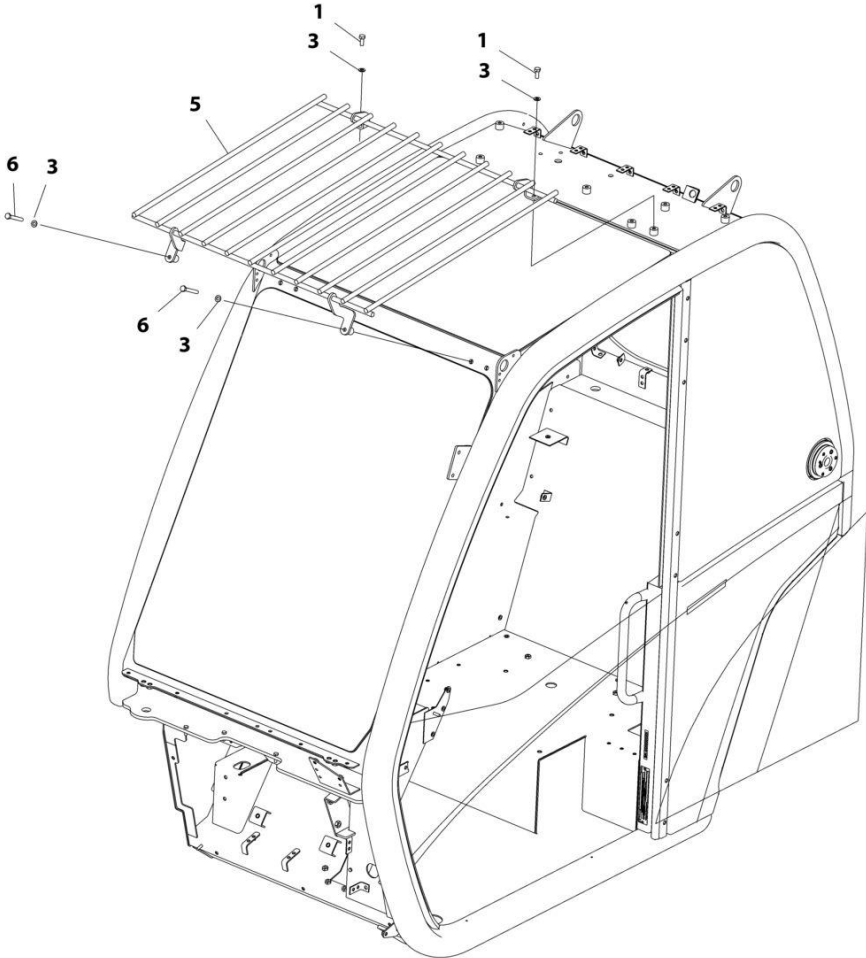
ART_1001179592-G

FIGURE 6-63. ENCLOSED CAB FRONT COVER INSTALLATION

ITEM	PART NUMBER	QTY	DESCRIPTION	REV
	1001179592	Ref	Enclosed Cab Front Cover Installation	G
2	1001097540	6	Washer, M6	
3	3900379	6	Screw, M6-1X25 Grade 10.9	
4	1001170325	1	Cover, Front	

SECTION 6 - CAB

FIGURE 6-64. CAB GUARD INSTALLATION (TOP)



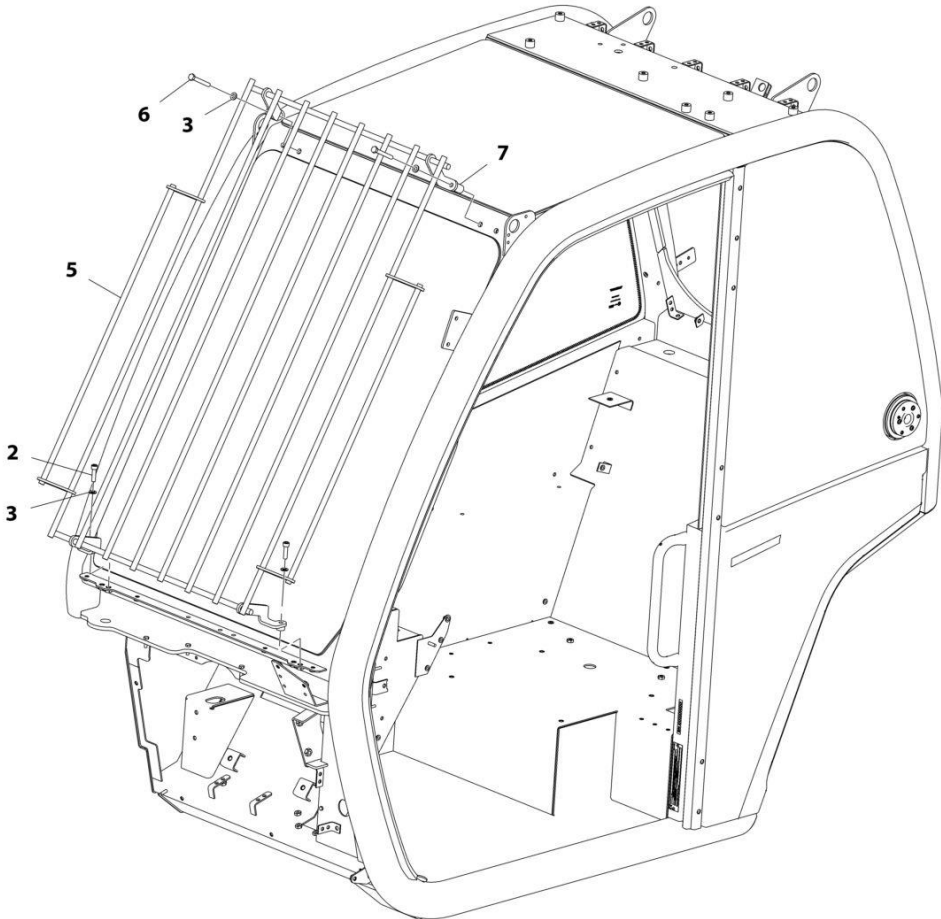
ART_1001160496

FIGURE 6-64. CAB GUARD INSTALLATION (TOP)

ITEM	PART NUMBER	QTY	DESCRIPTION	REV
	1001160496	Ref	Cab Guard Installation (Top)	G
1	0760810	2	Bolt, M8X20	
3	4811900	4	Washer, M8	
5	1001160503	1	Guard, Top Screen	
6	0700820	2	Bolt, M8X60	

SECTION 6 - CAB

FIGURE 6-65. CAB GUARD INSTALLATION (FRONT)



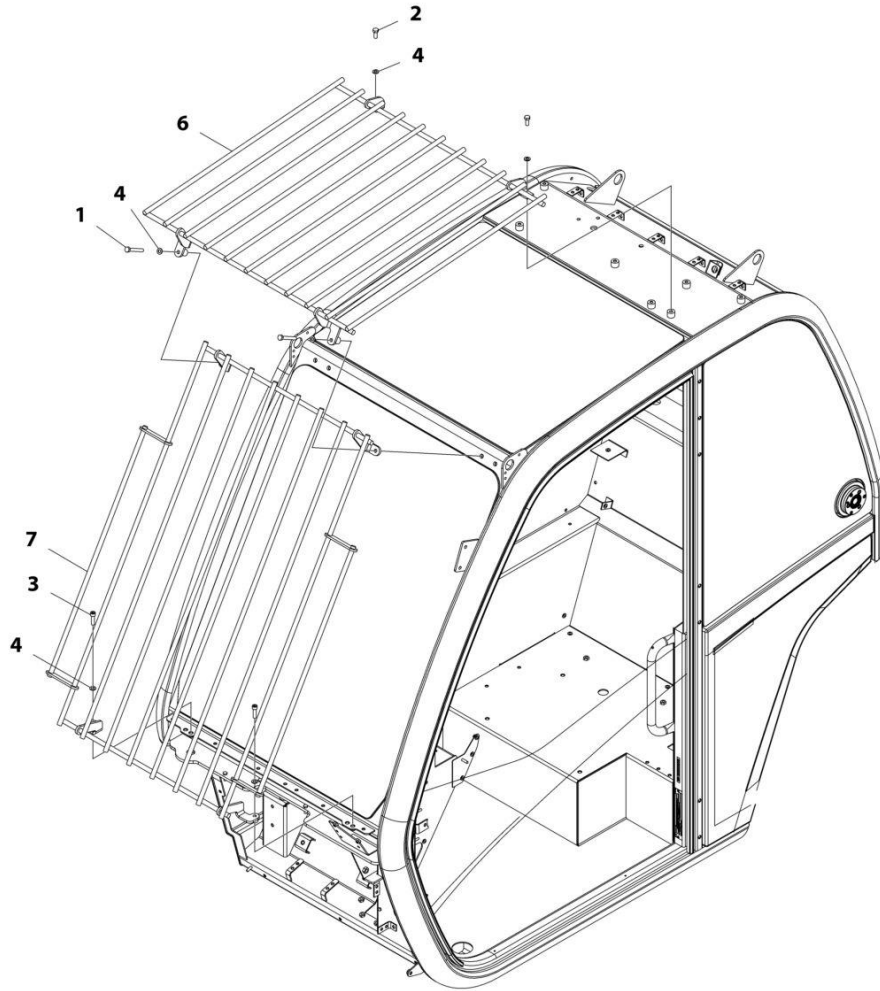
ART_1001160506-G

FIGURE 6-65. CAB GUARD INSTALLATION (FRONT)

ITEM	PART NUMBER	QTY	DESCRIPTION	REV
	1001160506	Ref	Cab Guard Installation (Front)	G
2	4031910	2	Bolt, M8X30	
3	4811900	4	Washer, M8	
5	1001180263	1	Guard, Front Screen	
6	0700820	2	Bolt, M8X60	
7	1001173257	2	Spacer	

SECTION 6 - CAB

FIGURE 6-66. CAB GUARD INSTALLATION (TOP AND FRONT)



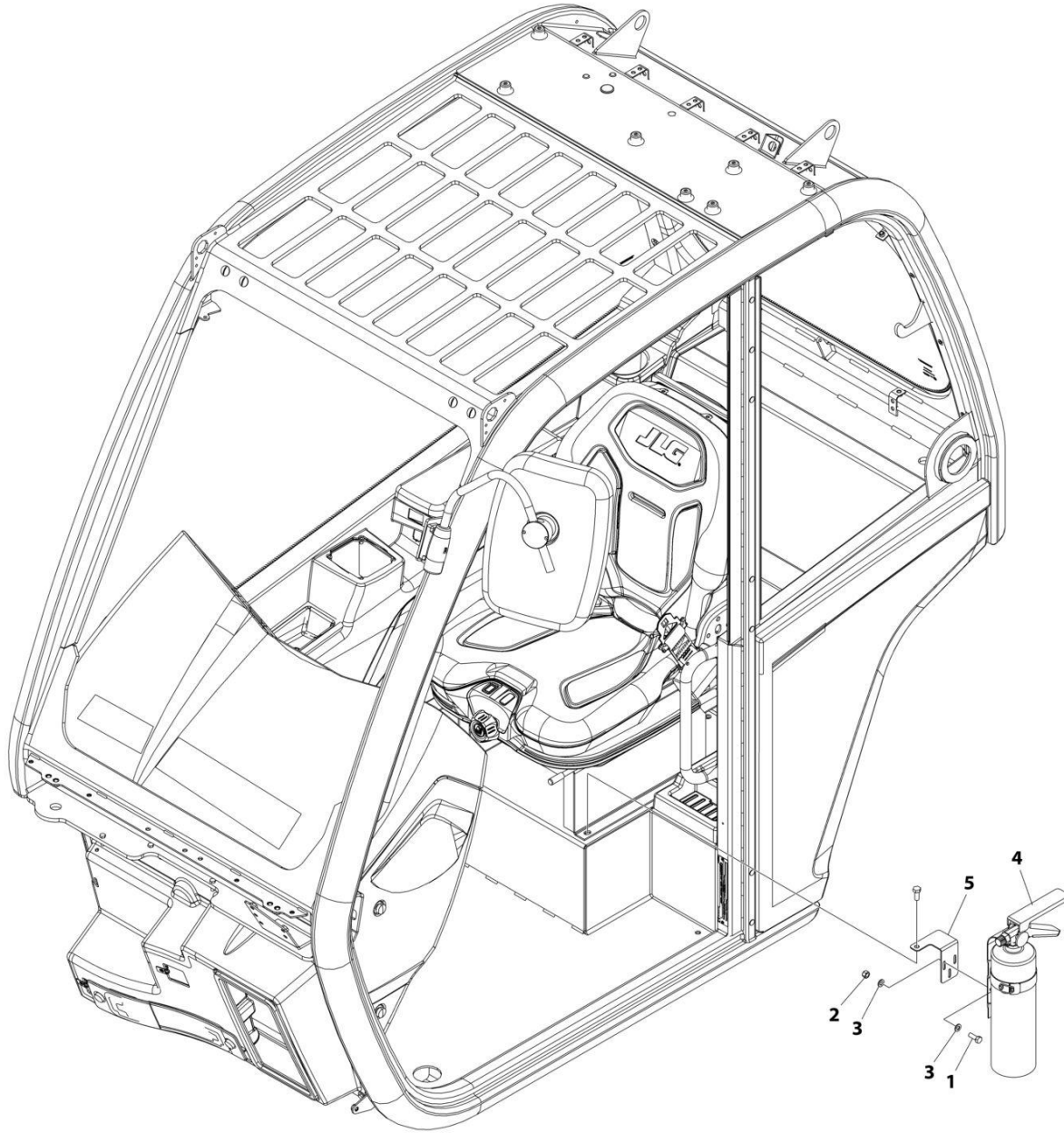
ART_1001172774

FIGURE 6-66. CAB GUARD INSTALLATION (TOP AND FRONT)

ITEM	PART NUMBER	QTY	DESCRIPTION	REV
	1001172774	Ref	CAB GUARD INSTALLATION (TOP AND FRONT)	G
1	0700820	2	Bolt M8 x 60	
2	0760810	2	Bolt M8 x 20	
3	4031910	2	Bolt M8 x 30	
4	4811900	6	Washer M8	
6	1001160503	1	Guard, Top Screen	
7	1001180263	1	Guard, Front Screen	

SECTION 6 - CAB

FIGURE 6-67. FIRE EXTINGUISHER INSTALLATION



ART_1001258099

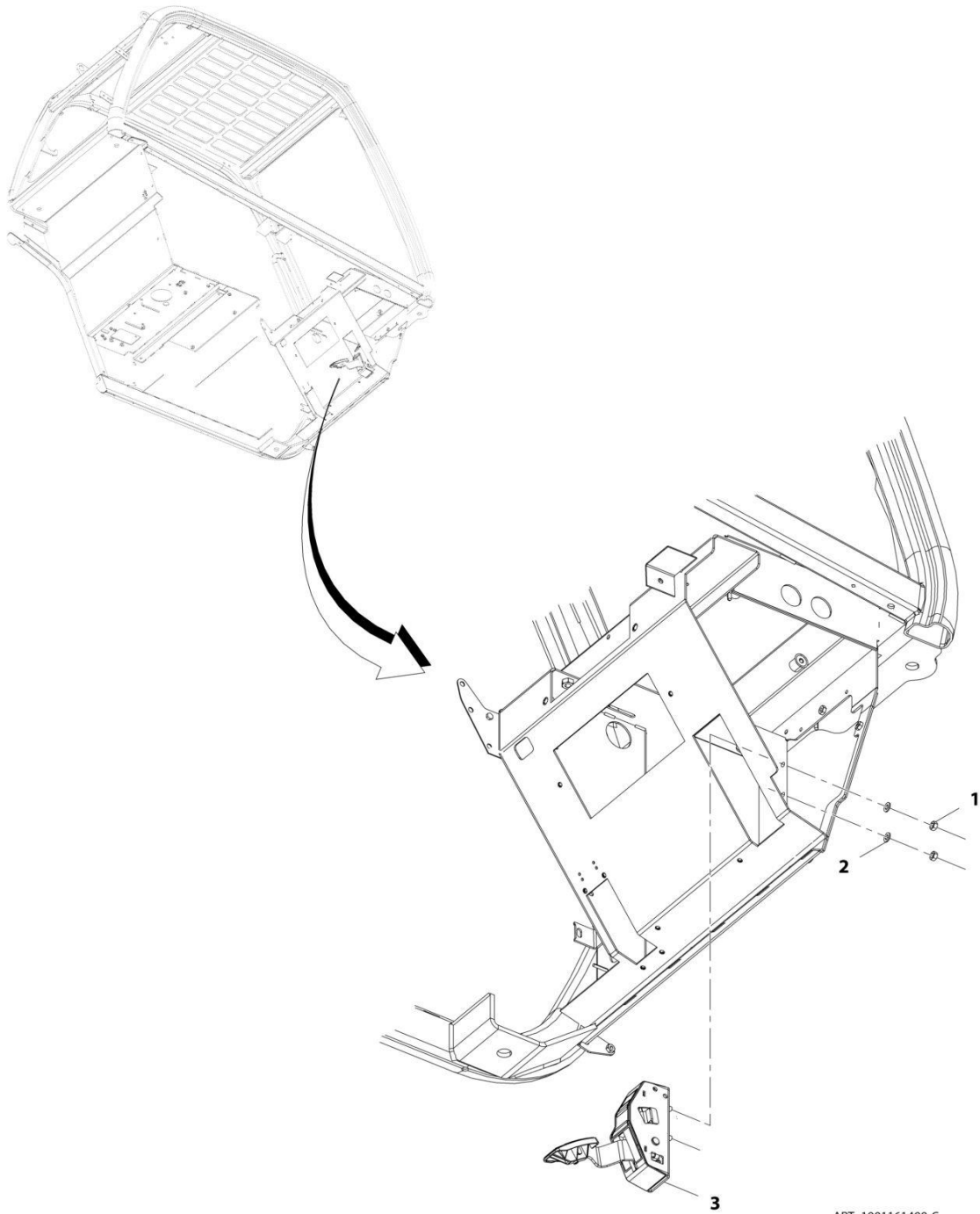
FIGURE 6-67. FIRE EXTINGUISHER INSTALLATION

ITEM	PART NUMBER	QTY	DESCRIPTION	REV
	1001258099	Ref	FIRE EXTINGUISHER INSTALLATION	A
1	0760507	3	Bolt M5X14	
2	3290505	3	Nut M5	
3	4811600	6	Washer M5	
4	1001099699	1	Fire Extinguisher Assy	
5	1001241337	1	Bracket	

SECTION 7 - CONTROLS

SECTION 7 - CONTROLS

FIGURE 7-1. ACCELERATOR PEDAL INSTALLATION



ART_1001161499-C

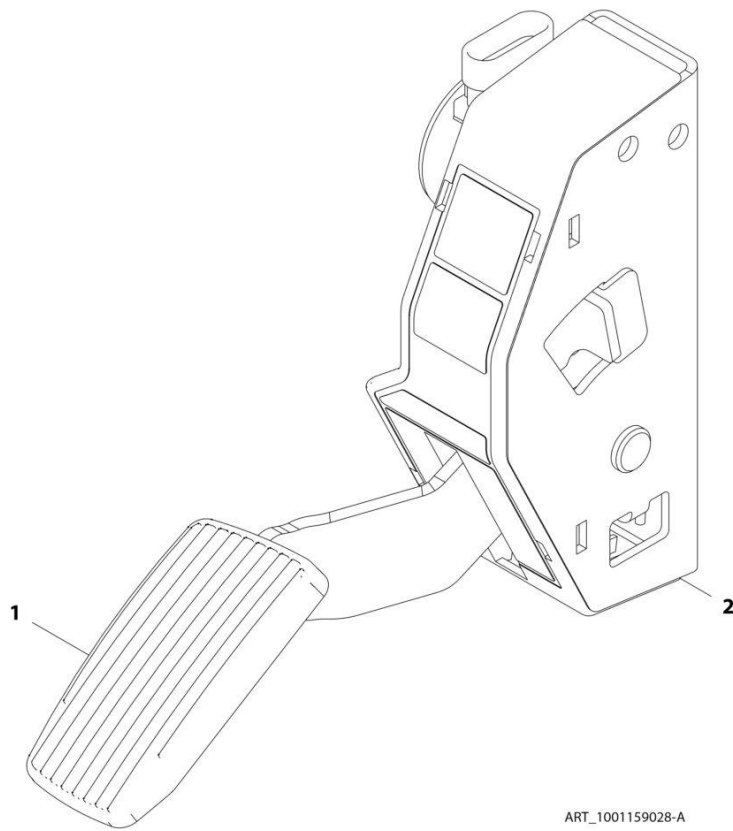
SECTION 7 - CONTROLS

FIGURE 7-1. ACCELERATOR PEDAL INSTALLATION

ITEM	PART NUMBER	QTY	DESCRIPTION	REV
	1001161499	Ref	Accelerator Pedal Installation	C
1	3290801	2	Nut, M8X1.25	
2	4811900	2	Washer, M8	
3	1001159028	1	Pedal, Accelerator (See Separate Breakdown in this Section)	

SECTION 7 - CONTROLS

FIGURE 7-2. ACCELERATOR PEDAL



ART_1001159028-A

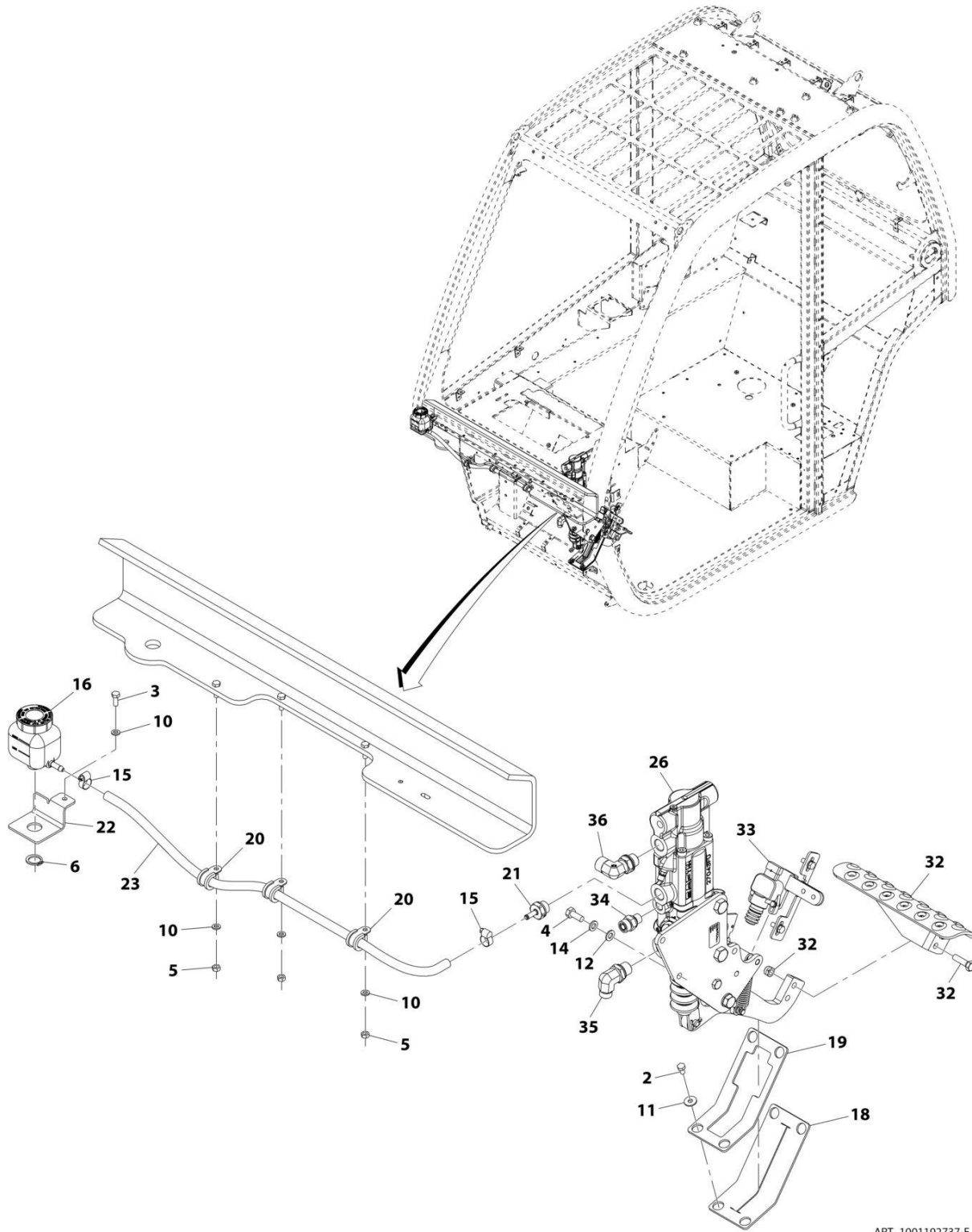
SECTION 7 - CONTROLS

FIGURE 7-2. ACCELERATOR PEDAL

ITEM	PART NUMBER	QTY	DESCRIPTION	REV
	1001159028	Ref	Accelerator Pedal	A
1	70025816	1	Pad, Rubber	
2	70025817	1	Cover, Rubber	

SECTION 7 - CONTROLS

FIGURE 7-3. BRAKE PEDAL INSTALLATION



ART_1001192737-E

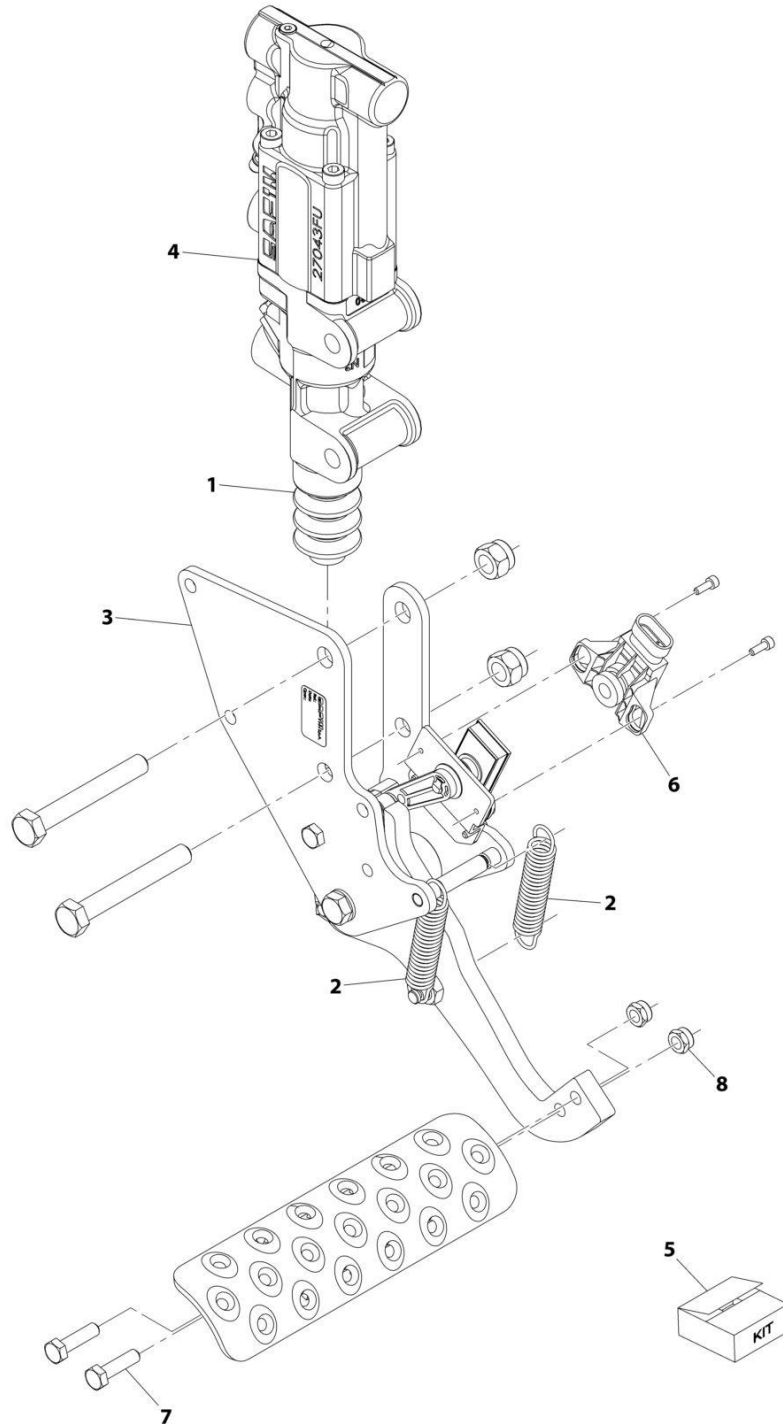
SECTION 7 - CONTROLS

FIGURE 7-3. BRAKE PEDAL INSTALLATION

ITEM	PART NUMBER	QTY	DESCRIPTION	REV
	1001192737	Ref	Brake Pedal Installation	E
2	0760605	4	Bolt, M6X10	
3	0760608	1	Bolt, M6X16	
4	0760810	3	Bolt, M8X20	
5	3290601	3	Nut, M6X1	
6	3760348	1	Ring, Retaining	
10	4811700	4	Washer, M6	
11	4811702	4	Washer, M6	
12	4811900	3	Washer, M8	
14	4831900	3	Washer, Lock M8	
15	8405009	2	Clamp	
16	1001214220	1	Reservoir, Brake	
18	1001162920	1	Seal	
19	1001162922	1	Plate	
20	1001170231	3	Clip	
21	1001171874	1	Fitting, Straight	
22	1001172088	1	Bracket	
23	1001172094	1	Hose	
26	1001213265	1	Assembly, Brake Pedal (See Separate Breakdown in this Section)	
32	1001197139	1	Plate, Brake Pedal	
33	1001205061	Ref	Installation, Brake Sensor (See Separate Breakdown in this Section)	
34	80233218	1	Fitting, Straight ORFS	
35	80333151	1	Fitting, 90 ORFS	
36	1001168054	1	Fitting, 90 ORFS	

SECTION 7 - CONTROLS

FIGURE 7-4. BRAKE PEDAL ASSEMBLY



ART_1001213265-A

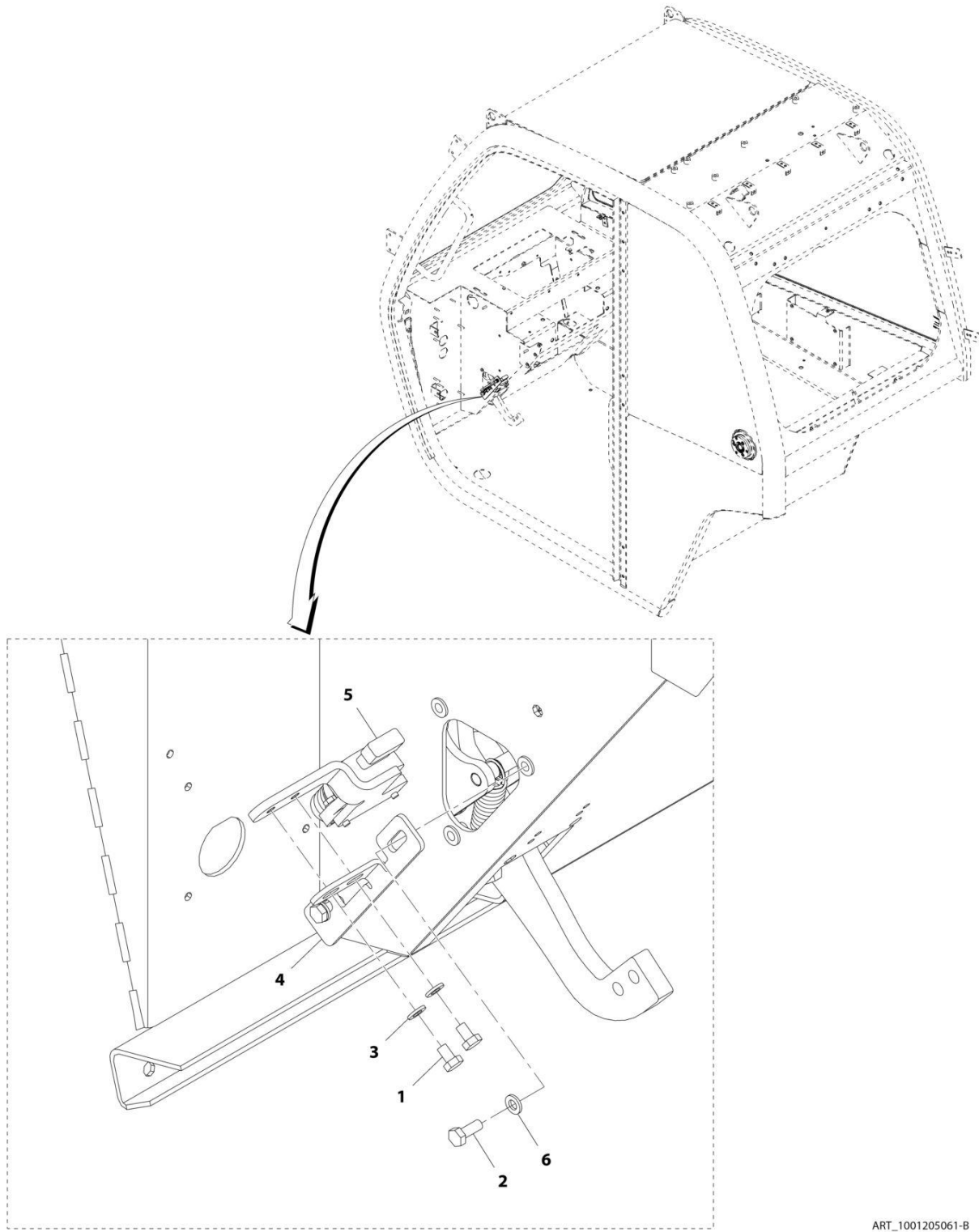
SECTION 7 - CONTROLS

FIGURE 7-4. BRAKE PEDAL ASSEMBLY

ITEM	PART NUMBER	QTY	DESCRIPTION	REV
	1001213265	Ref	Brake Pedal Assembly	A
1	70025859	1	Cover, Dust	
2	70025860	2	Spring, Return	
3	70028381	1	Support, Pedal	
4	70028382	1	Cylinder, Master	
5	70026434	1	Kit, Seal	
6	70028383	1	Sensor, Angle	
7	0770814	2	Bolt, M8X30 Grade 10.9	
8	3290805	2	Nut, Lock M8X1.25 Grade 8	

SECTION 7 - CONTROLS

FIGURE 7-5. BRAKE SENSOR INSTALLATION



ART_1001205061-B

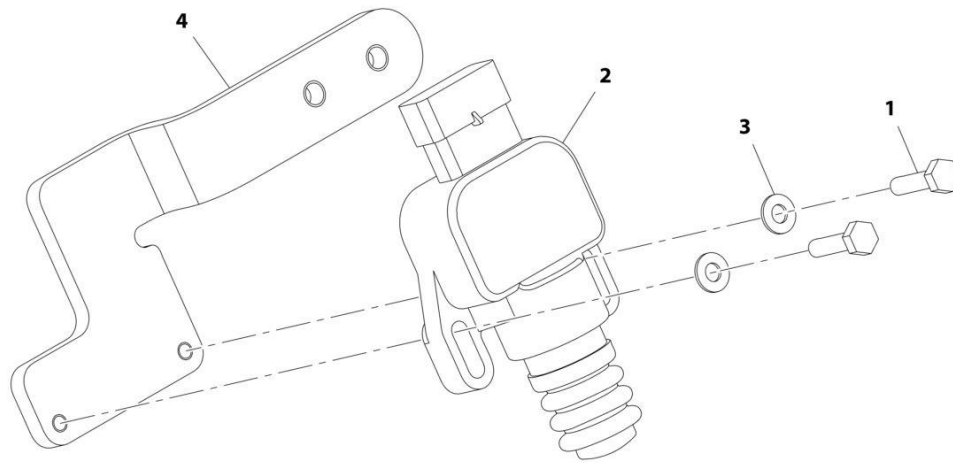
SECTION 7 - CONTROLS

FIGURE 7-5. BRAKE SENSOR INSTALLATION

ITEM	PART NUMBER	QTY	DESCRIPTION	REV
	1001205061	Ref	Brake Sensor Installation	B
1	0760605	2	Bolt, M6X10	
2	0760608	2	Bolt, M6X16	
3	4811700	2	Washer, M6	
4	1001201499	1	Plate, Switch Adjustment	
5	1001201501	1	Assembly, Switch Plate (See Separate Breakdown in this Section)	
6	4811702	2	Washer, M6	

SECTION 7 - CONTROLS

FIGURE 7-6. SWITCH PLATE ASSEMBLY



ART_1001201501-A

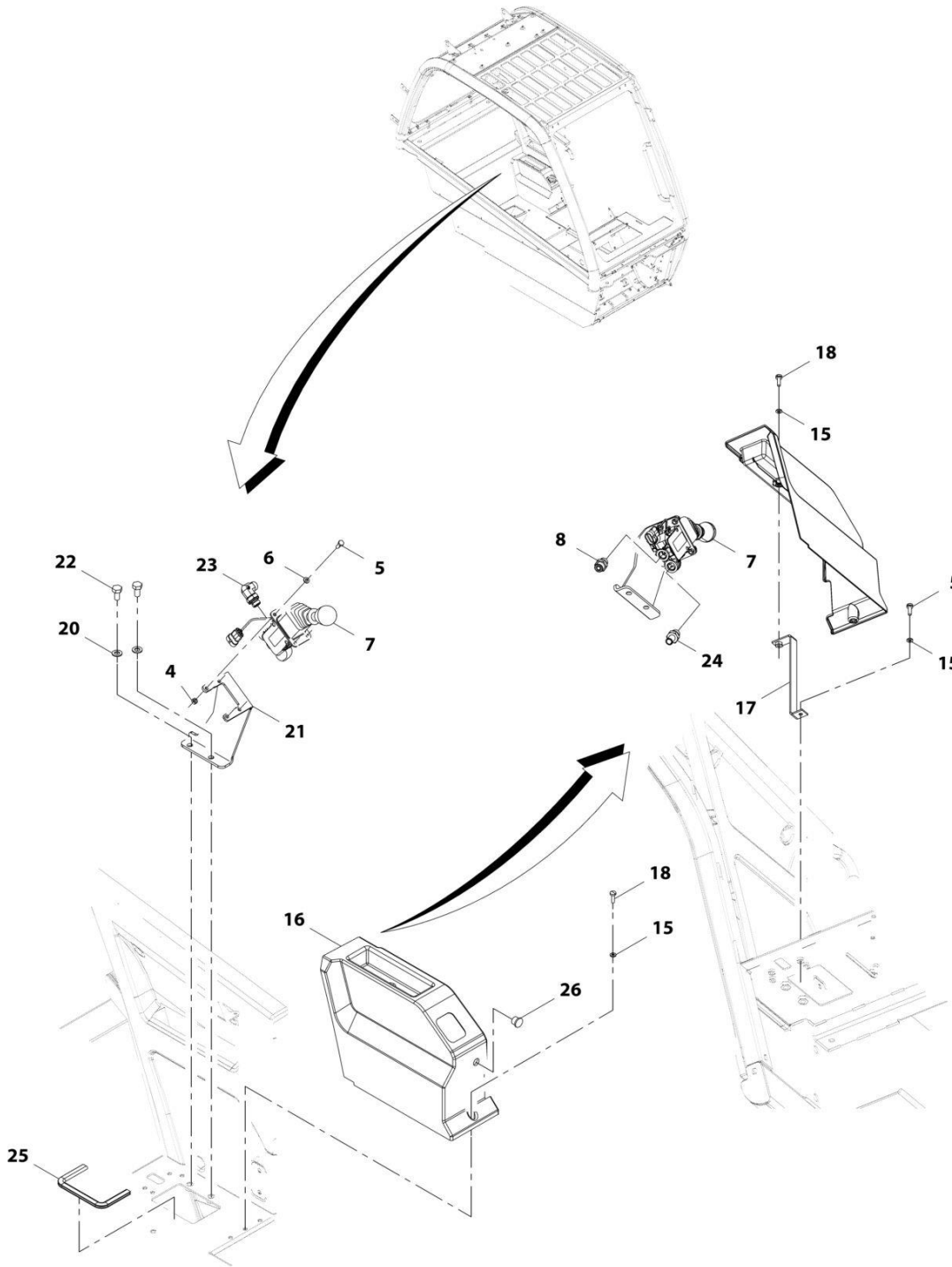
SECTION 7 - CONTROLS

FIGURE 7-6. SWITCH PLATE ASSEMBLY

ITEM	PART NUMBER	QTY	DESCRIPTION	REV
	1001201501	Ref	Switch Plate Assembly	A
1	0700408	2	Bolt, M4X16	
2	4360658	1	Sensor, Brake	
3	4811400	2	Washer, M4	
4	1001201500	1	Plate	

SECTION 7 - CONTROLS

FIGURE 7-7. PARK BRAKE INSTALLATION



ART_1001162062-M

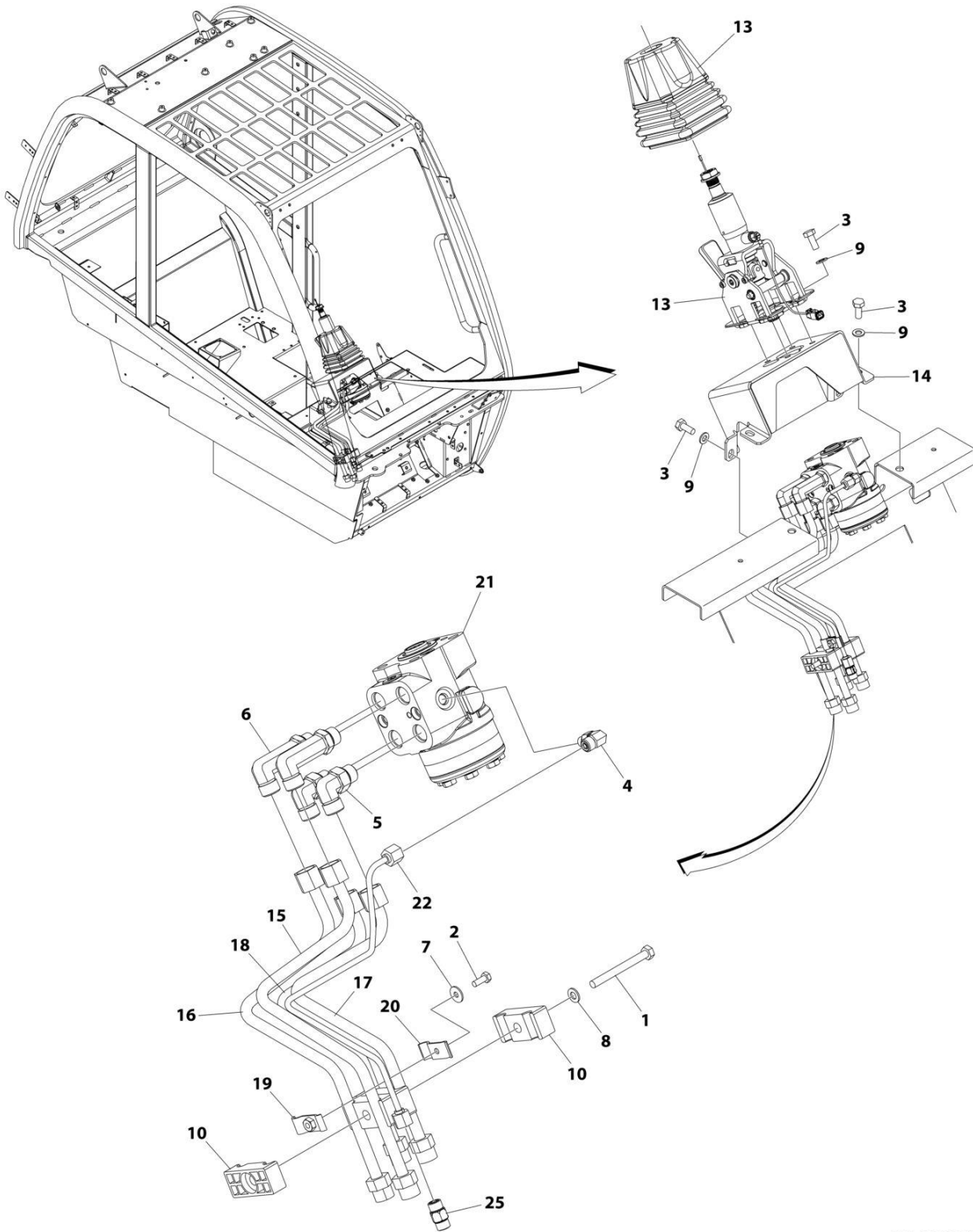
SECTION 7 - CONTROLS

FIGURE 7-7. PARK BRAKE INSTALLATION

ITEM	PART NUMBER	QTY	DESCRIPTION	REV
	1001162062	Ref	Park Brake Installation	M
4	3290601	4	Nut, M6X1	
5	0760608	5	Bolt, M6X16	
6	4831700	4	Washer, Lock M6	
7	1001207956	1	Hydraulic Hand Brake	
7	70020922	1	Kit, Seal	
8	1001101702	1	Fitting, Straight ORFS	
15	4811700	3	Washer, M6	
16	1001193474	1	Panel	
17	1001195254	1	Bracket	
18	4010610002	2	Screw, M6X20	
20	4812000	2	Washer, M10	
21	1001191915	1	Bracket	
22	0761010	2	Bolt, M10X20	
23	1001125222	1	Fitting, 90 ORFS	
24	1001206744	1	Fitting, Grease	
25	1001208037	1	Seal	
26	3520028	1	Plug	

SECTION 7 - CONTROLS

FIGURE 7-8. TILT STEERING COLUMN INSTALLATION



ART_1001192410_I

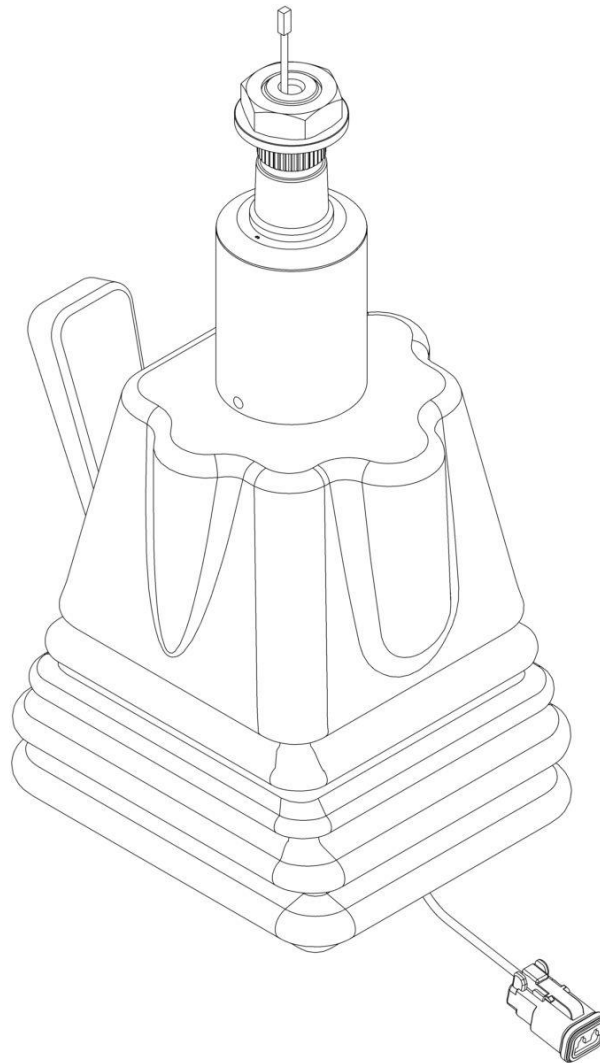
SECTION 7 - CONTROLS

FIGURE 7-8. TILT STEERING COLUMN INSTALLATION

ITEM	PART NUMBER	QTY	DESCRIPTION	REV
	1001192410	Ref	Tilt Steering Column Installation	1
1	0700824	1	Bolt M8 x 80	
2	0760608	1	Bolt M6 x 16	
3	0761012	8	Bolt M10 x 25	
4	2130404	1	Fitting, 90 ORFS	
5	2130808	2	Fitting, 90 ORFS	
6	2170208	2	Fitting, 90 ORFS	
7	4811702	1	Washer M6	
8	4811900	1	Washer M8	
9	4812000	8	Washer M10	
10	1001004640	4	Clamp	
11	1001095650	AR	Adhesive (Not Shown)	
13	1001257330	1	Column, Tilt Steering (See Separate Breakdown in this Section)	
14	1001156265	1	Bracket, Support	
15	1001161672	1	Pipe	
16	1001161896	1	Pipe	
17	1001161897	1	Pipe	
18	1001161898	1	Pipe	
19	1001168142	1	Bracket	
20	1001168151	1	Bracket	
21	1001178670	1	Valve, Steer (See Separate Breakdown in HYDRAULICS COMPONENTS Section)	
22	1001194282	1	Pipe	
25	1001227945	1	Valve, Check	

SECTION 7 - CONTROLS

FIGURE 7-9. TILT STEERING COLUMN



ART_1001257330

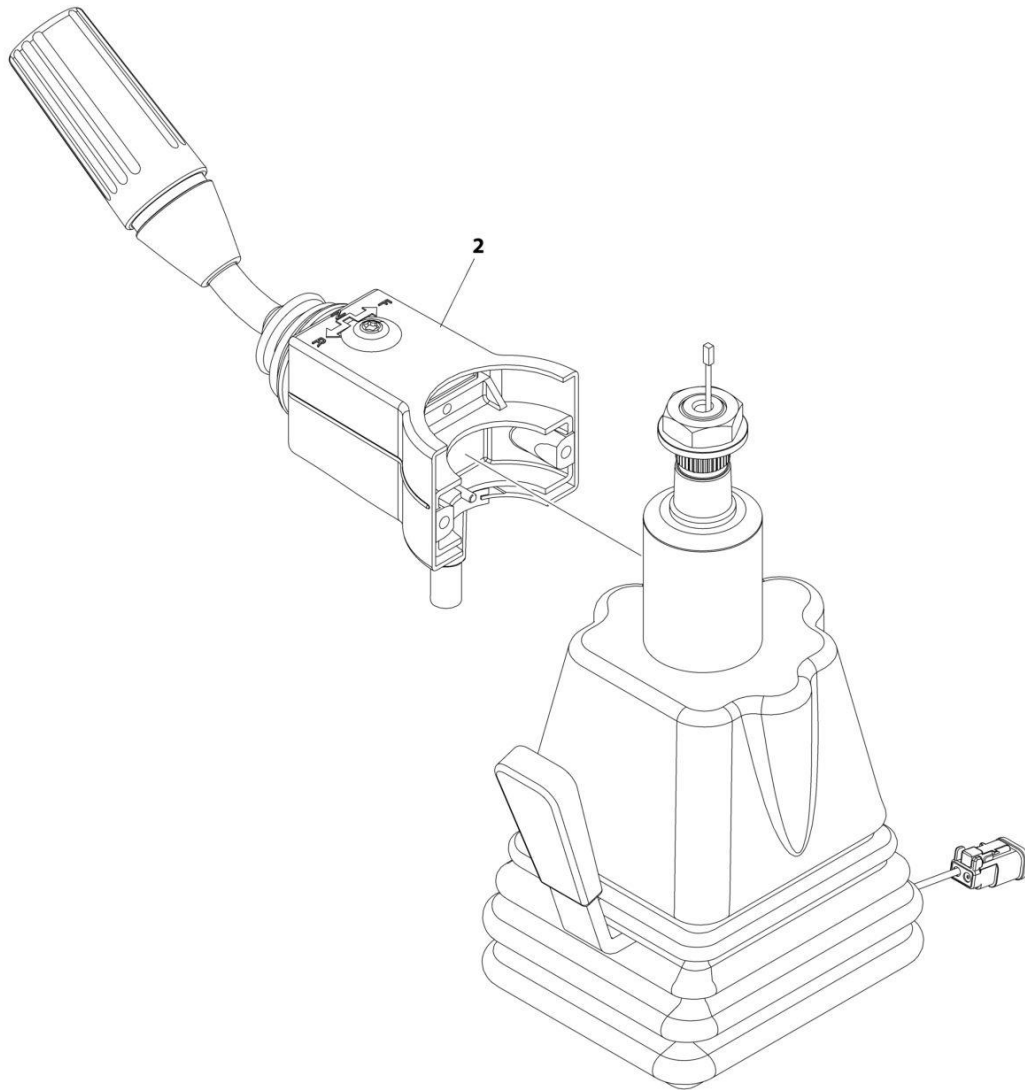
SECTION 7 - CONTROLS

FIGURE 7-9. TILT STEERING COLUMN

ITEM	PART NUMBER	QTY	DESCRIPTION	REV
	1001257330	Ref Ref	TILT STEERING COLUMN Note: No Service Parts Available - Purchase Complete Assembly	A

SECTION 7 - CONTROLS

FIGURE 7-10. COLUMN SHIFT INSTALLATION (2 SPEED)



ART_1001220507_B

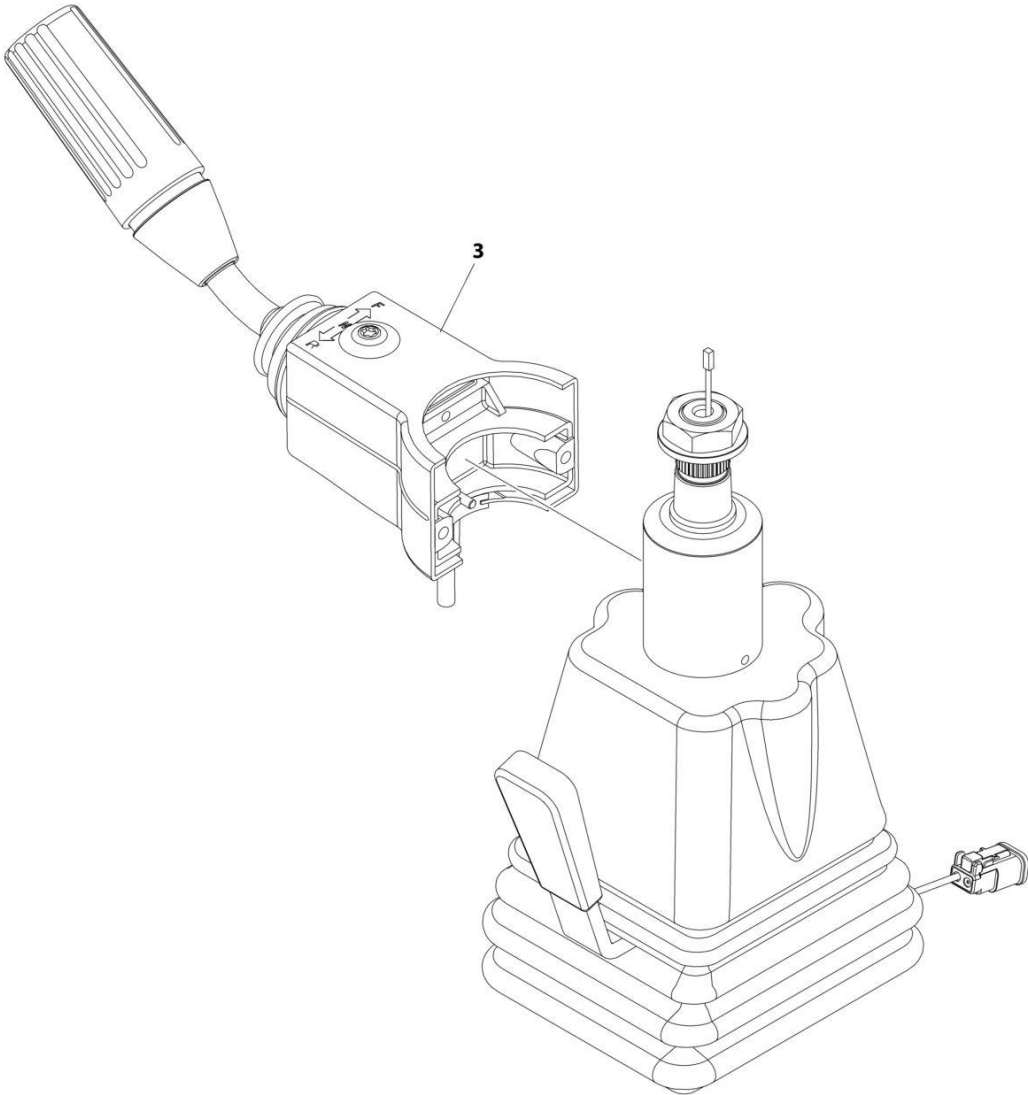
SECTION 7 - CONTROLS

FIGURE 7-10. COLUMN SHIFT INSTALLATION (2 SPEED)

ITEM	PART NUMBER	QTY	DESCRIPTION	REV
2	1001220507 1001257088	Ref 1	Column Shift Installation (2 Speed) Lever, FNR (2 Speed)	B

SECTION 7 - CONTROLS

FIGURE 7-11. COLUMN SHIFT INSTALLATION (0 SPEED)



ART_1001179931_D

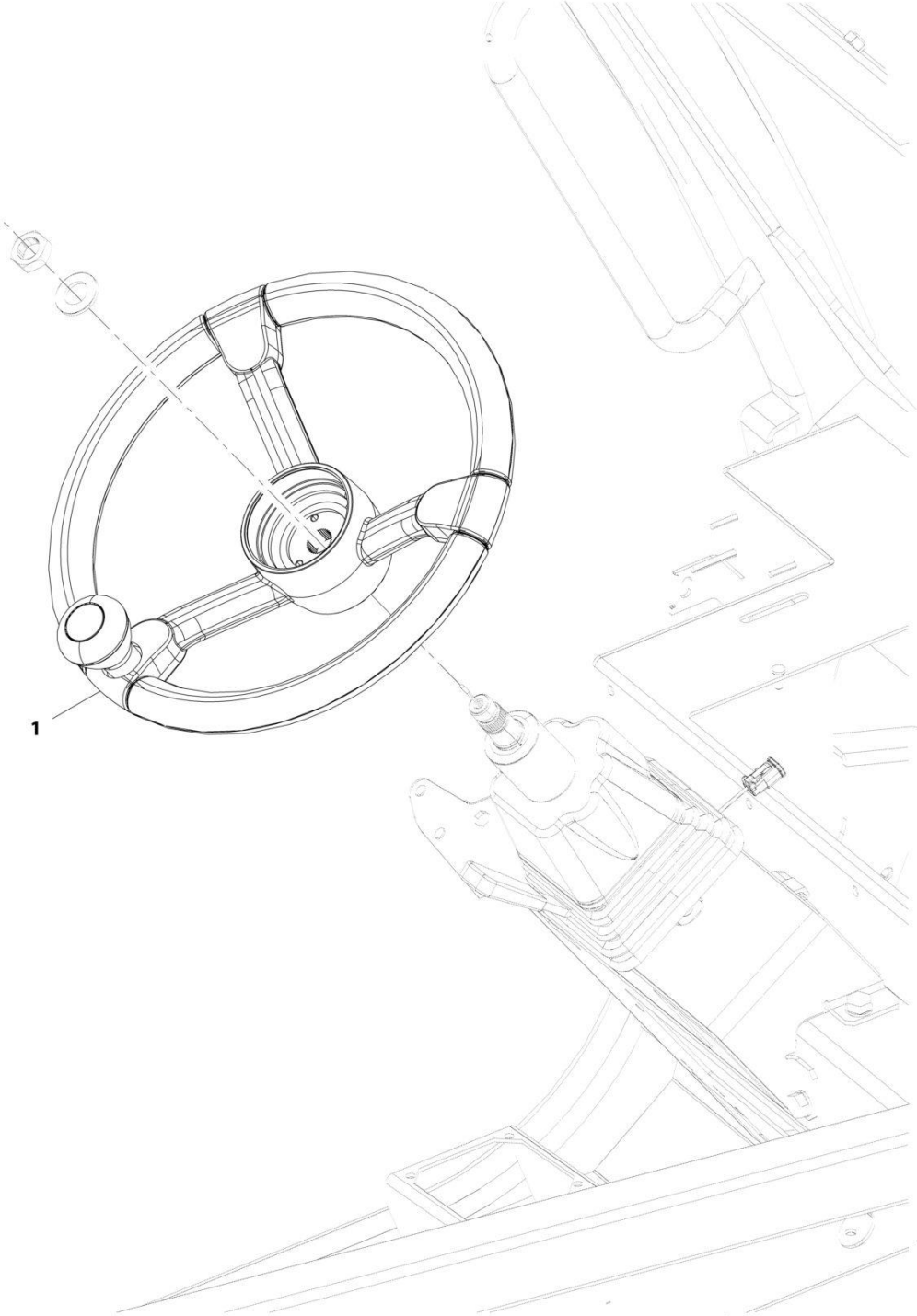
SECTION 7 - CONTROLS

FIGURE 7-11. COLUMN SHIFT INSTALLATION (0 SPEED)

ITEM	PART NUMBER	QTY	DESCRIPTION	REV
3	1001179931 1001257348	Ref 1	Column Shift Installation (0 Speed) Lever, FNR (0 Speed)	D

SECTION 7 - CONTROLS

FIGURE 7-12. STEERING WHEEL INSTALLATION



ART_1001169751-C

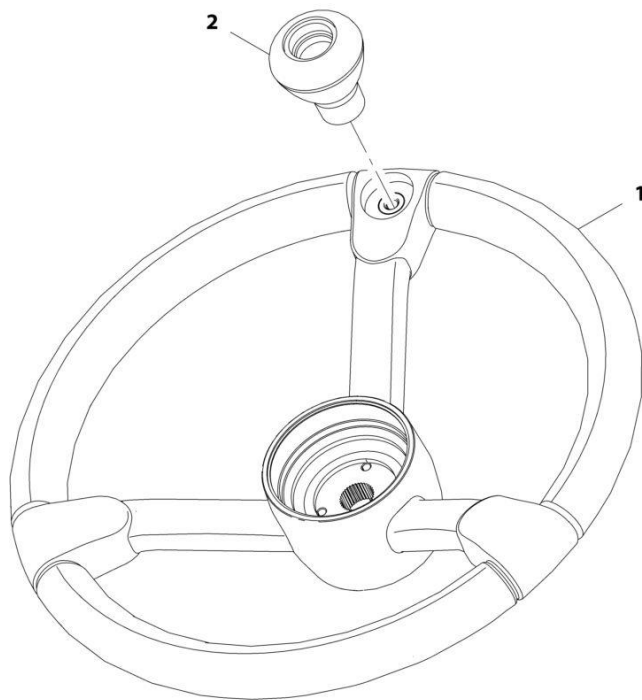
SECTION 7 - CONTROLS

FIGURE 7-12. STEERING WHEEL INSTALLATION

ITEM	PART NUMBER	QTY	DESCRIPTION	REV
1	1001169751 1001169354	Ref 1	Steering Wheel Installation Wheel, Steering (See Separate Breakdown in this Section)	C

SECTION 7 - CONTROLS

FIGURE 7-13. STEERING WHEEL



ART_1001169354-D

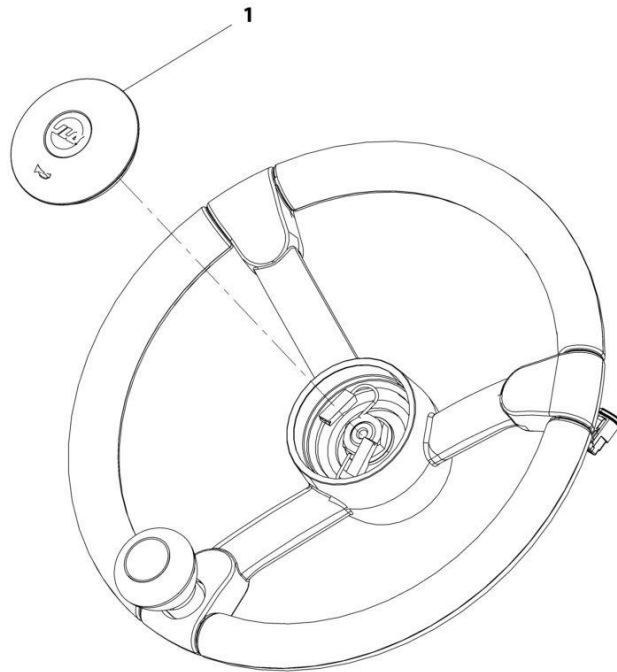
SECTION 7 - CONTROLS

FIGURE 7-13. STEERING WHEEL

ITEM	PART NUMBER	QTY	DESCRIPTION	REV
	1001169354	Ref	Steering Wheel	D
1	1001169367	1	Wheel, Steering	
2	1001169355	1	Handle, Steer Spinner	

SECTION 7 - CONTROLS

FIGURE 7-14. HORN BUTTON INSTALLATION



ART_1001169763-A

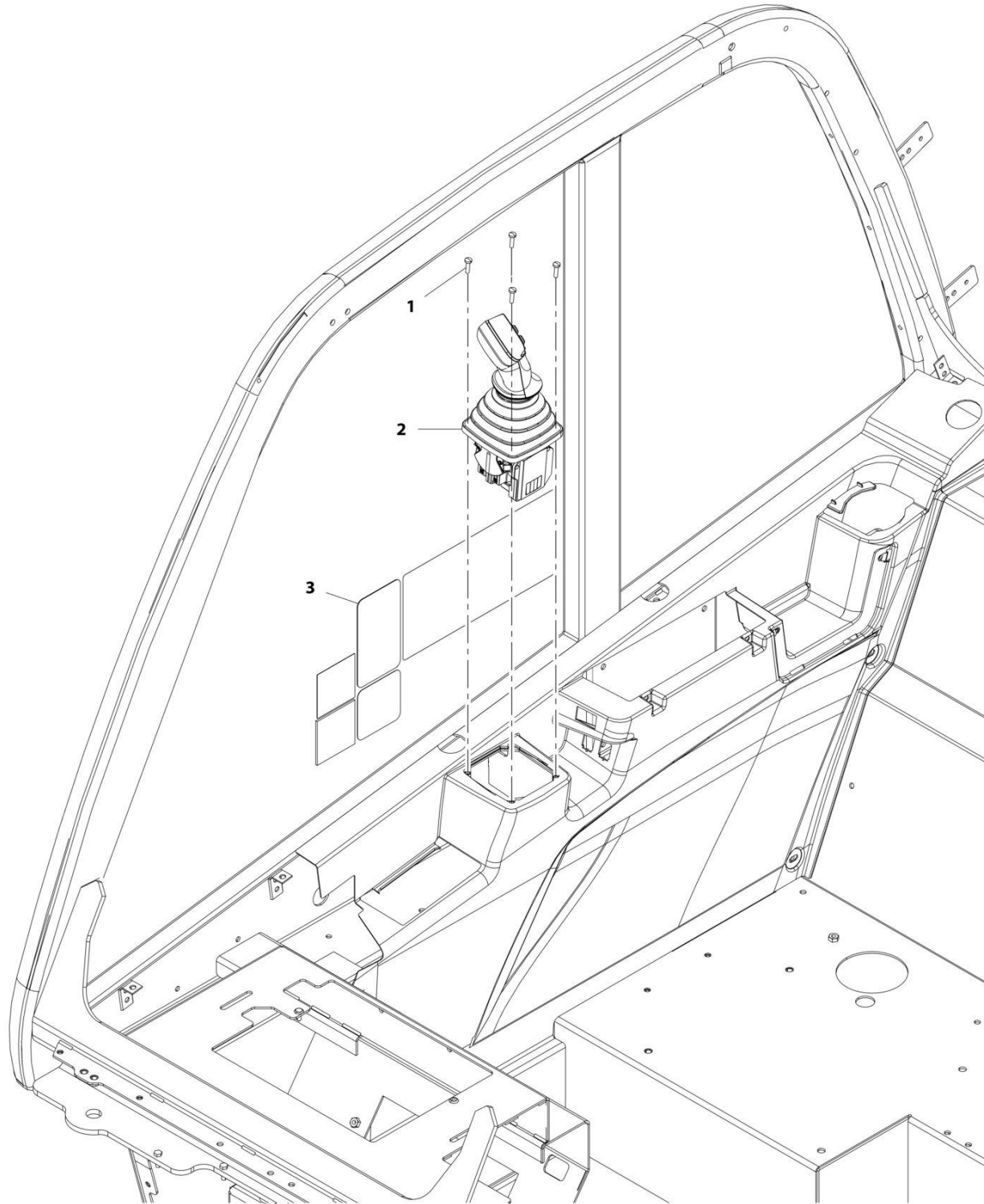
SECTION 7 - CONTROLS

FIGURE 7-14. HORN BUTTON INSTALLATION

ITEM	PART NUMBER	QTY	DESCRIPTION	REV
1	1001169763 1001169268	Ref 1	Horn Button Installation Button, Horn	A

SECTION 7 - CONTROLS

FIGURE 7-15. JOYSTICK INSTALLATION (2 SPEED)



ART_1001216757-B

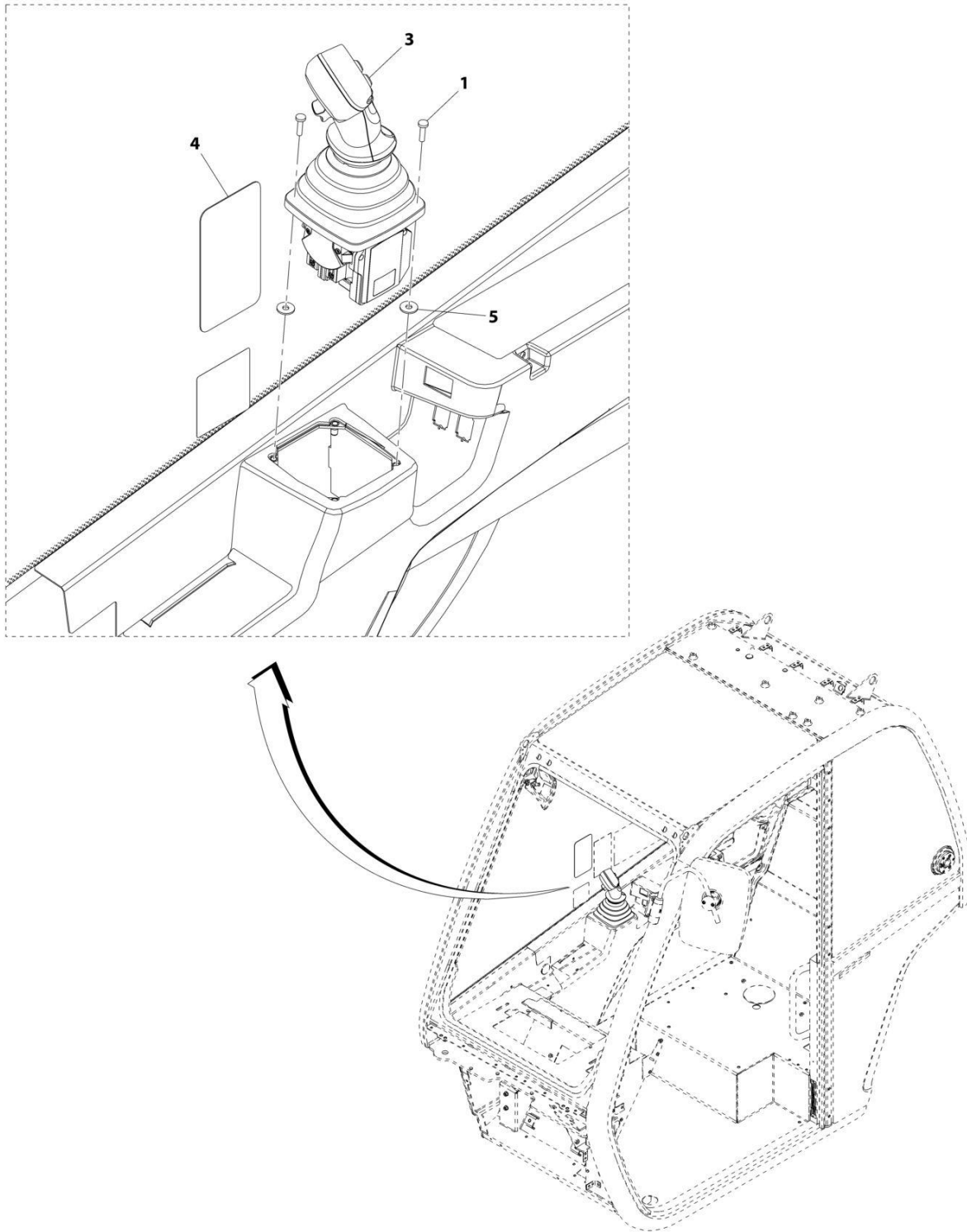
SECTION 7 - CONTROLS

FIGURE 7-15. JOYSTICK INSTALLATION (2 SPEED)

ITEM	PART NUMBER	QTY	DESCRIPTION	REV
	1001216757	Ref	Joystick Installation (2 Speed)	C
1	4010510	4	Screw, M5X20	
2	1001222606	1	Joystick, 2R2B	
3	1001216803	1	Decal	

SECTION 7 - CONTROLS

FIGURE 7-16. JOYSTICK INSTALLATION



ART_1001167004-G

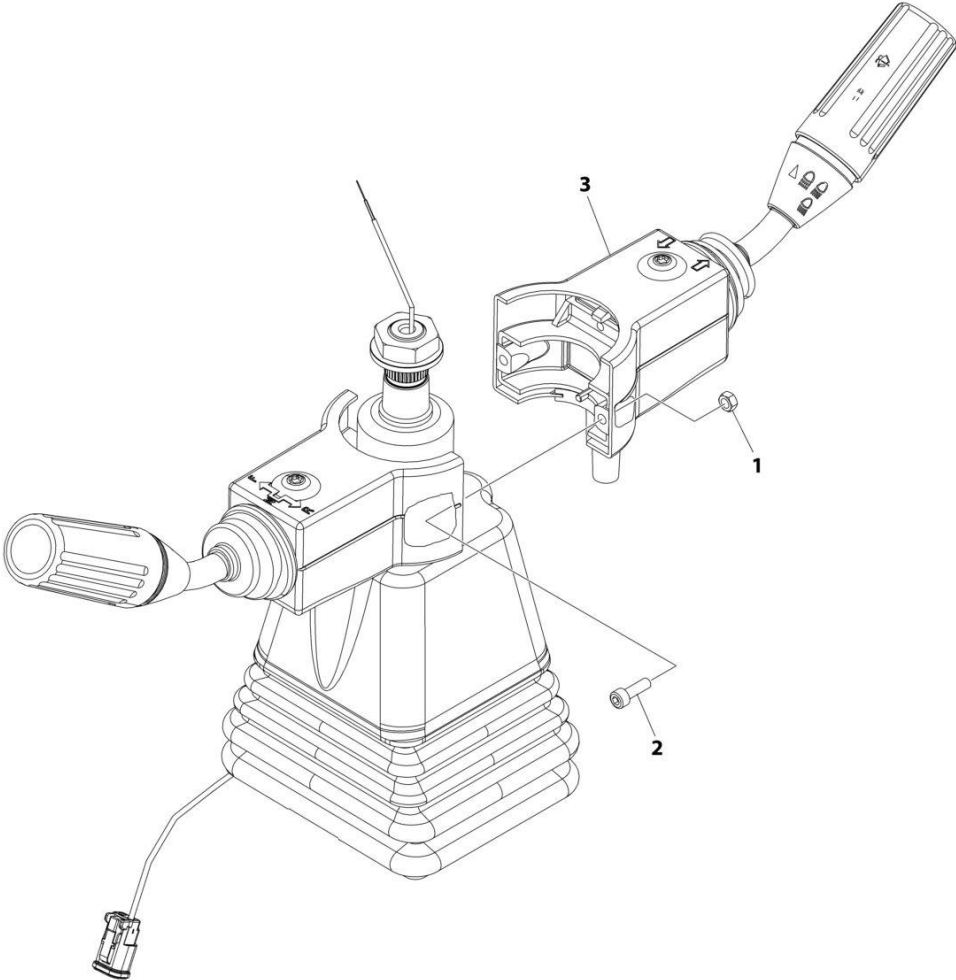
SECTION 7 - CONTROLS

FIGURE 7-16. JOYSTICK INSTALLATION

ITEM	PART NUMBER	QTY	DESCRIPTION	REV
	1001167004	Ref	Joystick Installation	G
1	4010510	4	Screw, M5X20	
3	1001222603	1	Joystick	
4	1001241950	1	Decal, Joystick	
5	4811702001	AR	Washer, M6	

SECTION 7 - CONTROLS

FIGURE 7-17. WIPER-TURN SWITCH INSTALLATION



ART_1001257071

SECTION 7 - CONTROLS

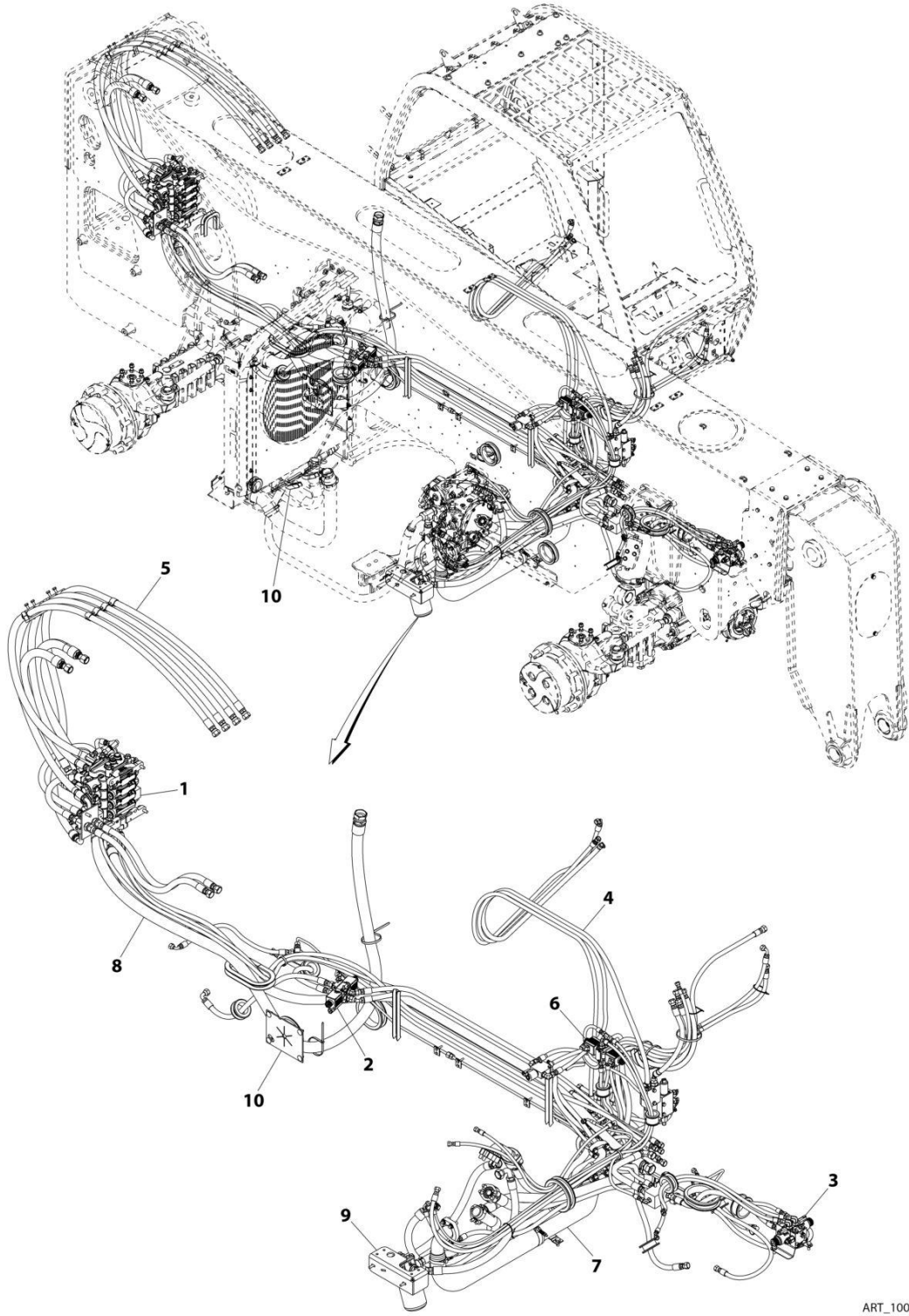
FIGURE 7-17. WIPER-TURN SWITCH INSTALLATION

ITEM	PART NUMBER	QTY	DESCRIPTION	REV
	1001257071	Ref	Wiper-Turn Switch Installation	B
1	3290505	2	Nut, Lock M5	
2	4031607	2	Capscrew M5 x 16	
3	1001256974	1	Switch, Turn-Wiper	

SECTION 8 - HYDRAULIC CIRCUITS

SECTION 8 - HYDRAULIC CIRCUITS

FIGURE 8-1. MAIN HYDRAULIC INSTALLATION



ART_1001201812-D

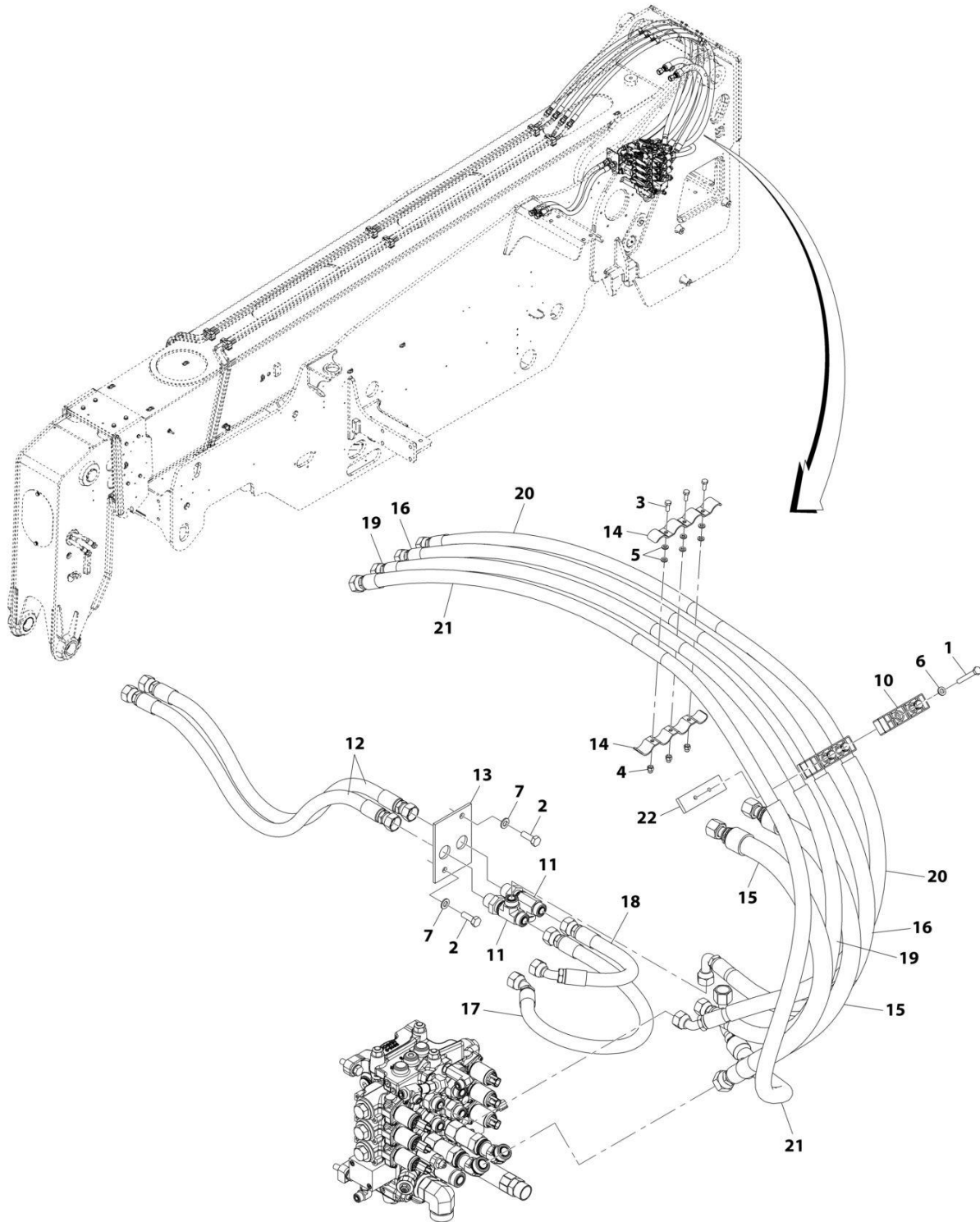
SECTION 8 - HYDRAULIC CIRCUITS

FIGURE 8-1. MAIN HYDRAULIC INSTALLATION

ITEM	PART NUMBER	QTY	DESCRIPTION	REV
1	1001201812	Ref	Main Hydraulic Installation	D
	1001192889	Ref	Installation, Main Control Valve (See Separate Breakdown in this Section)	
2	1001193516	Ref	Installation, Steering Select Valve (See Separate Breakdown in this Section)	
3	1001193517	Ref	Installation, Frame Level Valve (See Separate Breakdown in this Section)	
4	1001193709	Ref	Installation, Cab Hydraulics (See Separate Breakdown in this Section)	
5	1001211606	Ref	Installation, Boom Lines (See Separate Breakdown in this Section)	
6	1001197196	Ref	Installation, Speed Control Valve (See Separate Breakdown in this Section)	
7	1001202024	Ref	Installation, Engine Bay Hydraulic (See Separate Breakdown in this Section)	
8	1001202025	Ref	Installation, Frame Hydraulics (See Separate Breakdown in this Section)	
9	1001202026	Ref	Installation, Charge Filter Lines	
10	1001213026	Ref	Installation, Grommets (See Separate Breakdown in FRAME AND ATTACHING PARTS Section)	

SECTION 8 - HYDRAULIC CIRCUITS

FIGURE 8-2. BOOM HYDRAULIC LINES INSTALLATION



ART_1001211606-F

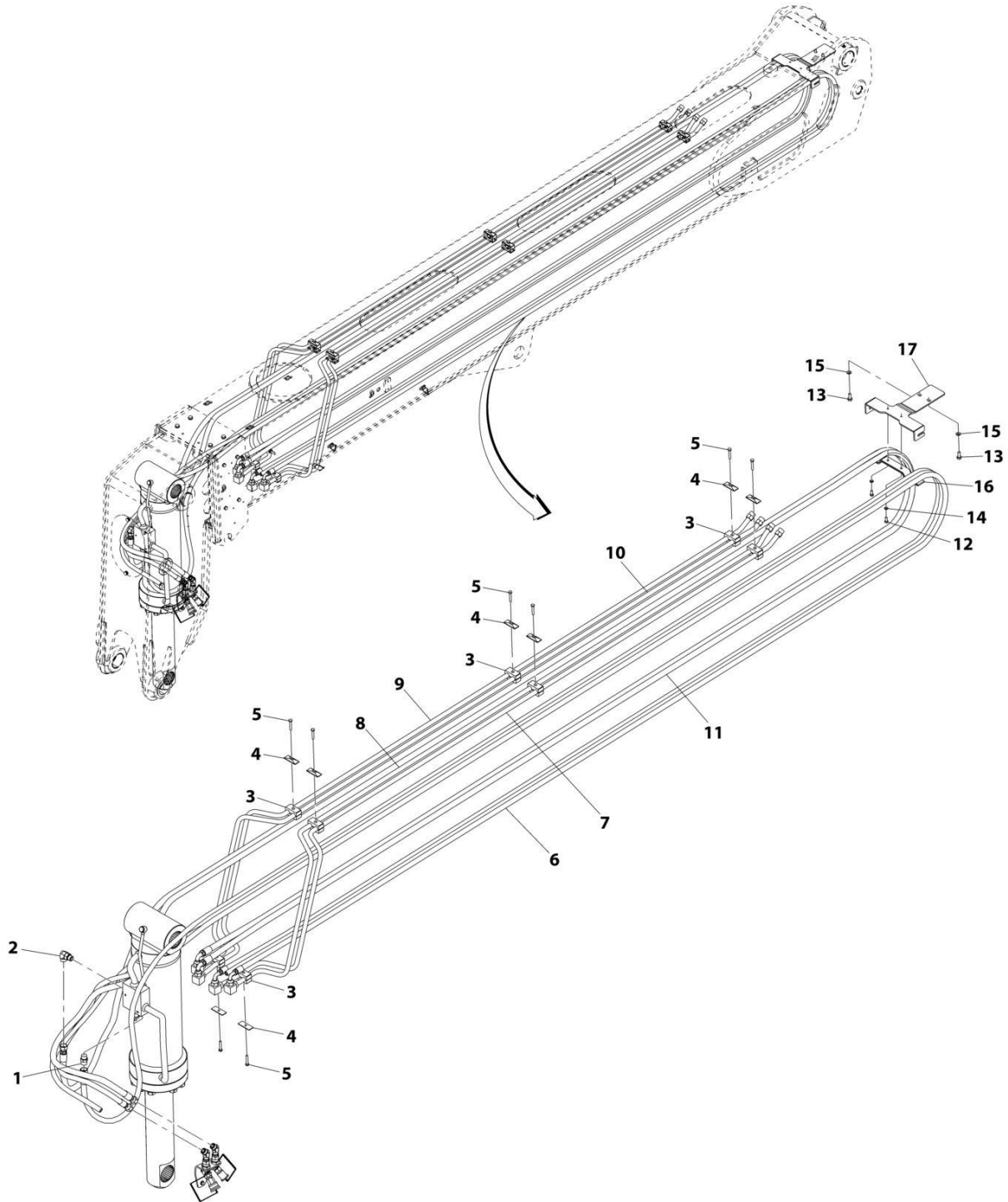
SECTION 8 - HYDRAULIC CIRCUITS

FIGURE 8-2. BOOM HYDRAULIC LINES INSTALLATION

ITEM	PART NUMBER	QTY	DESCRIPTION	REV
	1001211606	Ref	Boom Hydraulic Line Installation	F
1	0700821	4	Bolt, M8X65	
2	0701014	2	Bolt, M10X30	
3	0760608	3	Bolt, M6X16	
4	3290606	3	Nut, M6X1 Grade 8	
5	4811700	6	Washer, M6	
6	4811900	4	Washer, M8	
7	4812000	2	Washer, M10	
10	1001098128	2	Clamp, Triple	
11	1001192096	2	Fitting, Tee ORFS	
12	1001210525	2	Hose, M16 ORFS	
13	1001197011	1	Plate	
14	1001205618	2	Clamp, Hoses	
15	1001220473	2	Hose, M19 ORFS	
16	1001210524	1	Hose, M16 ORFS	
17	1001209418	1	Hose, M16 ORFS	
18	1001209419	1	Hose, M16 ORFS	
19	1001210526	1	Hose, M16 ORFS	
20	1001215859	1	Hose, M16 ORFS	
21	1001215860	1	Hose, M16 ORFS	
22	1001226557	2	Plate	

SECTION 8 - HYDRAULIC CIRCUITS

FIGURE 8-3. BOOM HYDRAULIC INSTALLATION



ART_1001193100-F

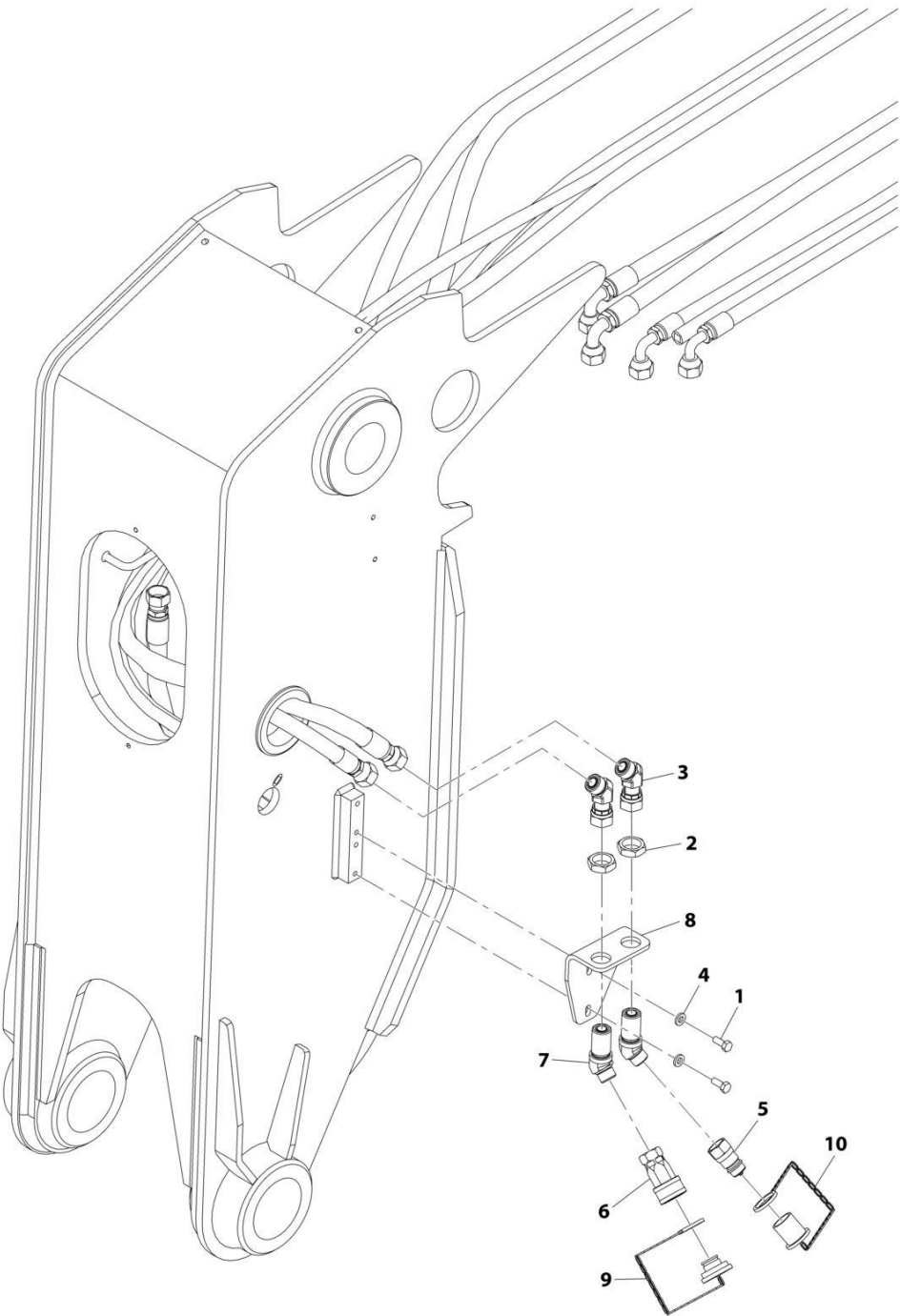
SECTION 8 - HYDRAULIC CIRCUITS

FIGURE 8-3. BOOM HYDRAULIC INSTALLATION

ITEM	PART NUMBER	QTY	DESCRIPTION	REV
	1001193100	Ref	Boom Hydraulic Installation	F
1	2111010	1	Fitting, Straight ORFS	
2	2131010	1	Fitting, ORFS	
3	77133136	8	Clamp	
4	77133137	8	Plate, Twin Hose Cover	
5	0700817	8	Bolt, M8X45	
6	1001206242	1	Hose	
7	1001209200	1	Pipe	
8	1001209201	1	Pipe	
9	1001209202	1	Pipe	
10	1001209203	1	Pipe	
11	1001193465	1	Hose	
12	0760810	2	Bolt, M8X20	
13	0761012	2	Bolt, M10X25	
14	4811900	2	Washer, M8	
15	4812000	2	Washer, M10	
16	1001214661	1	Plate	
17	1001215470	1	Support, Hose	

SECTION 8 - HYDRAULIC CIRCUITS

FIGURE 8-4. BOOM AUX HYDRAULIC INSTALLATION (MANUAL - SINGLE)



ART_1001192363-D

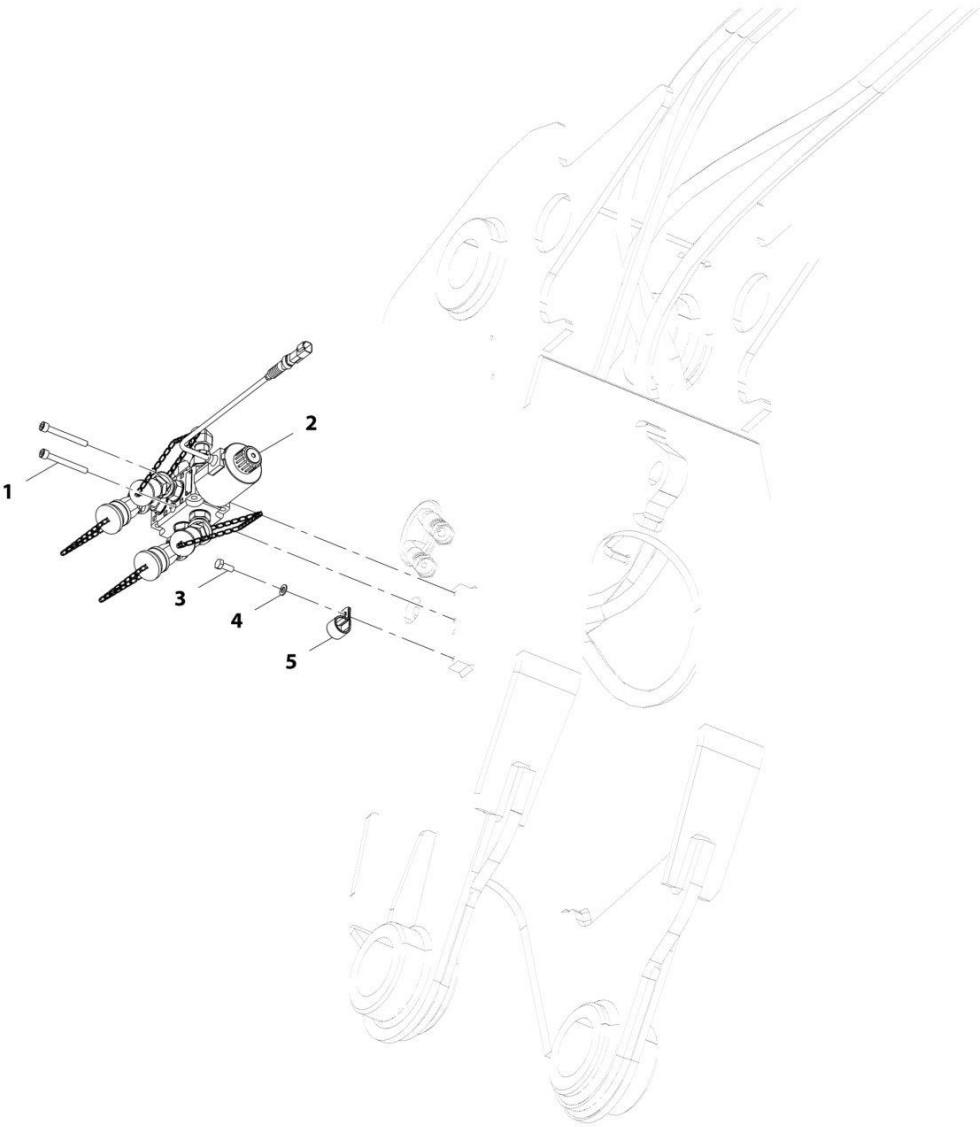
SECTION 8 - HYDRAULIC CIRCUITS

FIGURE 8-4. BOOM AUX HYDRAULIC INSTALLATION (MANUAL - SINGLE)

ITEM	PART NUMBER	QTY	DESCRIPTION	REV
	1001192363	Ref	Boom Aux Hydraulic Installation (Manual - Single)	D
1	0760810	2	Bolt, M8X20	
2	8770075	2	Fitting, ORFS	
3	1001147416	2	Fitting, 45 ORFS	
4	5240800	2	Washer, M8	
5	1001101041	1	Coupling, Male Quick Disconnect	
6	1001101042	1	Coupling, Female Quick Disconnect	
7	1001217553	2	Fitting, 45 ORFS	
8	1001217552	1	Bracket	
9	91043125	1	Plug	
10	91043126	1	Cap, Dust	

SECTION 8 - HYDRAULIC CIRCUITS

FIGURE 8-5. BOOM AUX HYDRAULIC INSTALLATION (MANUAL - TWIN)



ART_1001192366-C

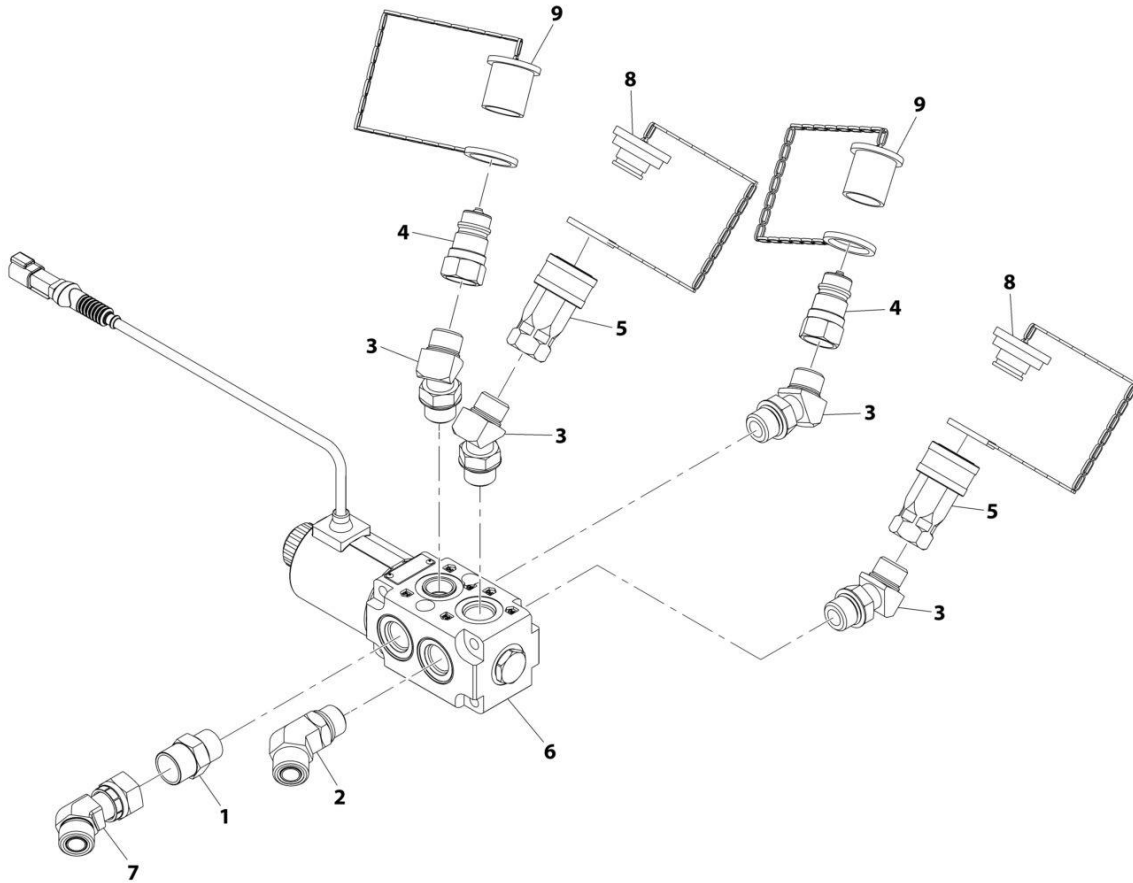
SECTION 8 - HYDRAULIC CIRCUITS

FIGURE 8-5. BOOM AUX HYDRAULIC INSTALLATION (MANUAL - TWIN)

ITEM	PART NUMBER	QTY	DESCRIPTION	REV
	1001192366	Ref	Boom Aux Hydraulic Installation (Manual - Twin)	C
1	4031918	2	Bolt, M8X70	
2	1001213318	1	Assembly, Diverter Valve (manual - twin) (See Separate Breakdown in this Section)	
3	0760810	1	Bolt, M8X20	
4	4811900	1	Washer, M8	
5	8406202	1	CLIP,TUBE 7/8"	

SECTION 8 - HYDRAULIC CIRCUITS

FIGURE 8-6. BOOM AUX DIVERTER VALVE/FITINGS ASSEMBLY (MANUAL - TWIN)



ART_1001213318-B

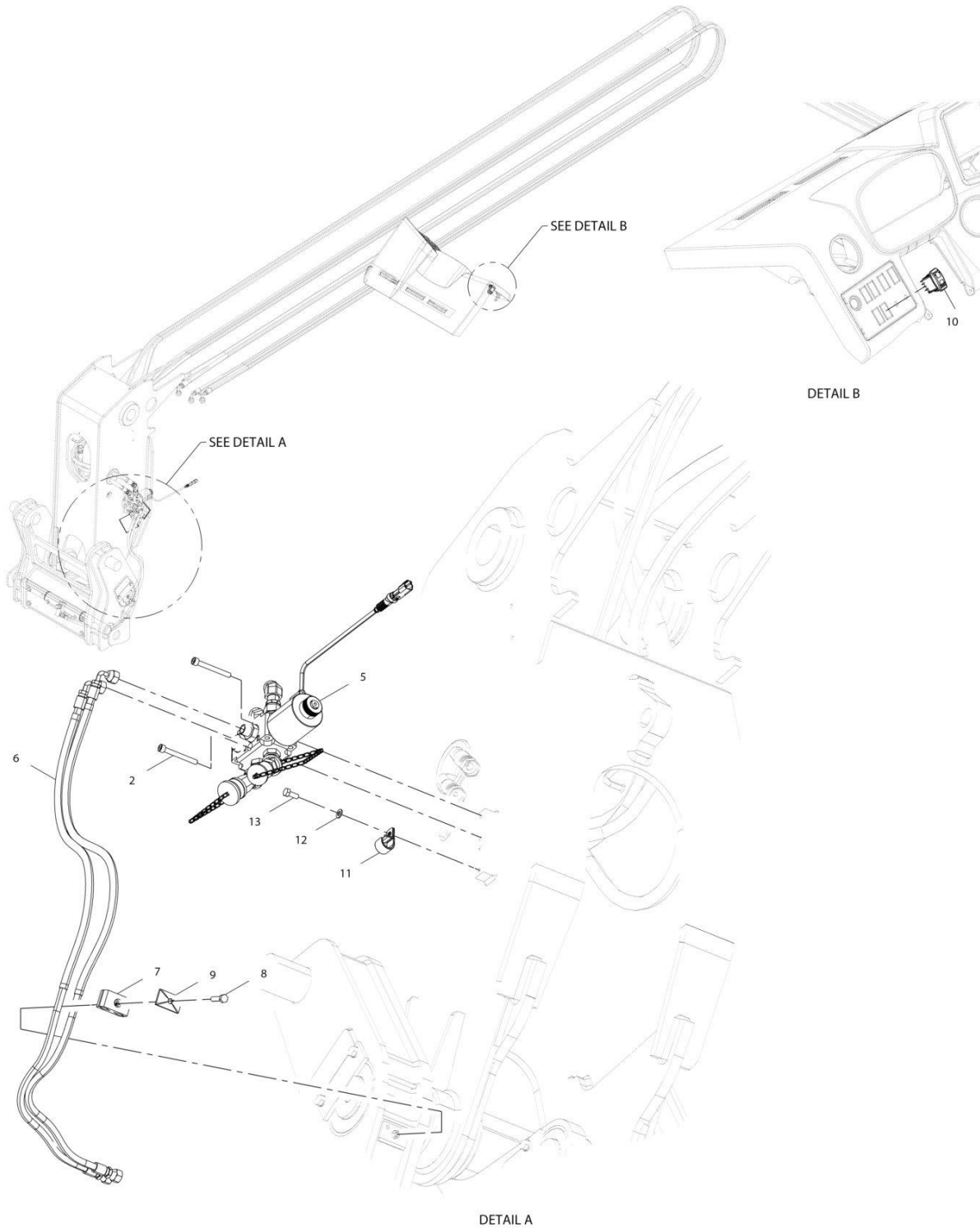
SECTION 8 - HYDRAULIC CIRCUITS

FIGURE 8-6. BOOM AUX DIVERTER VALVE/FITINGS ASSEMBLY (MANUAL - TWIN)

ITEM	PART NUMBER	QTY	DESCRIPTION	REV
	1001213318	Ref	Diverter Valve Assembly	B
1	2111010	1	Fitting, Straight ORFS	
2	2151010	1	Fitting, 45 ORFS	
3	1001005904	4	Fitting, 45	
4	1001101041	2	Adapter, Male Quick Disconnect	
5	1001101042	2	Adapter, Female Quick Disconnect	
6	1001110023	1	Valve, Diverter (See Separate Breakdown in HYDRAULIC COMPONENTS Section)	
7	1001147416	1	Fitting, 45 ORFS	
8	91043125	2	Plug	
9	91043126	2	Cap	

SECTION 8 - HYDRAULIC CIRCUITS

FIGURE 8-7. BOOM AUX HYDRAULIC INSTALLATION (HYDRAULIC - SINGLE)



ART_1001192365-E

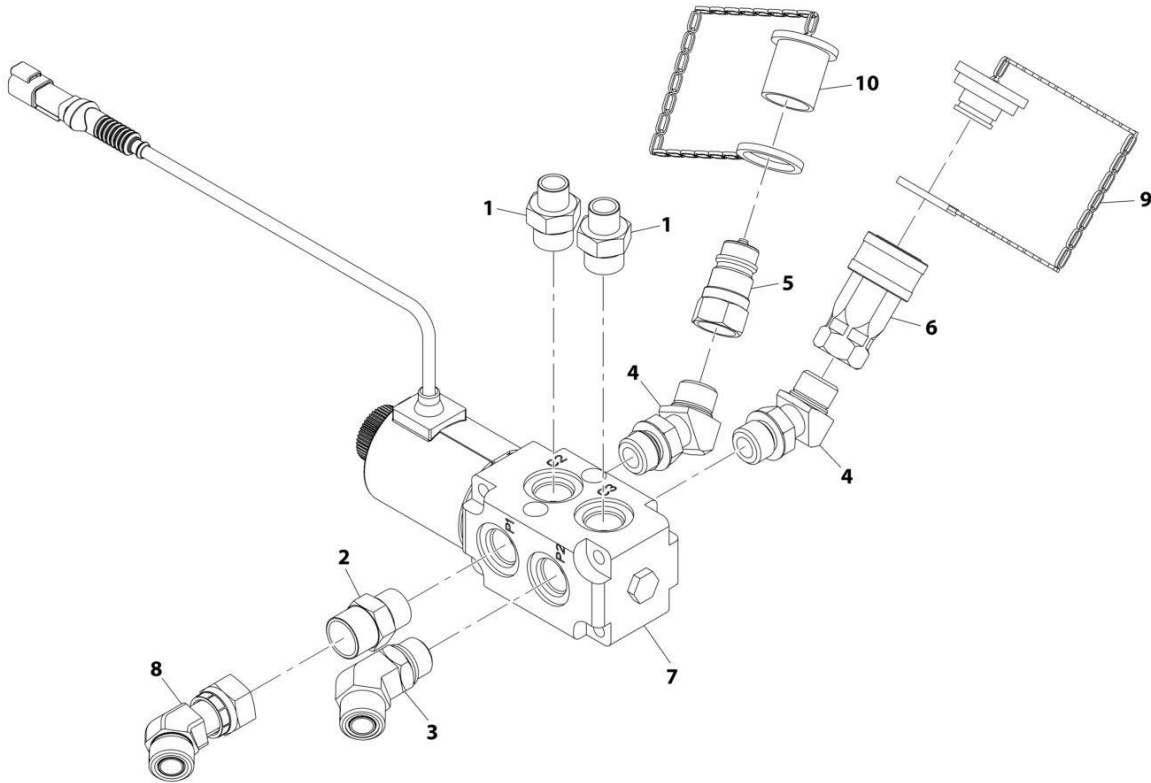
SECTION 8 - HYDRAULIC CIRCUITS

FIGURE 8-7. BOOM AUX HYDRAULIC INSTALLATION (HYDRAULIC - SINGLE)

ITEM	PART NUMBER	QTY	DESCRIPTION	REV
	1001192365	Ref	Boom Aux Hydraulic Installation (Hydraulic - Single)	E
2	4031918	2	Bolt, M8X70	
5	1001213317	1	Assembly, Diverter Valve (Hydraulic - Single) (See Separate Breakdown in this Section)	
6	1001193111	2	Hose	
7	8769126	1	Clamp	
8	0760815	1	Bolt, M8X35	
9	8769123	1	Plate, Cover	
10	1001080375	1	Switch	
11	8406202	1	CLIP,TUBE 7/8"	
12	4811900	1	Washer, M8	
13	0760810	1	Bolt, M8X20	

SECTION 8 - HYDRAULIC CIRCUITS

FIGURE 8-8. BOOM AUX DIVERTER VALVE/FITINGS ASSEMBLY (HYDRAULIC - SINGLE)



ART_1001213317-B

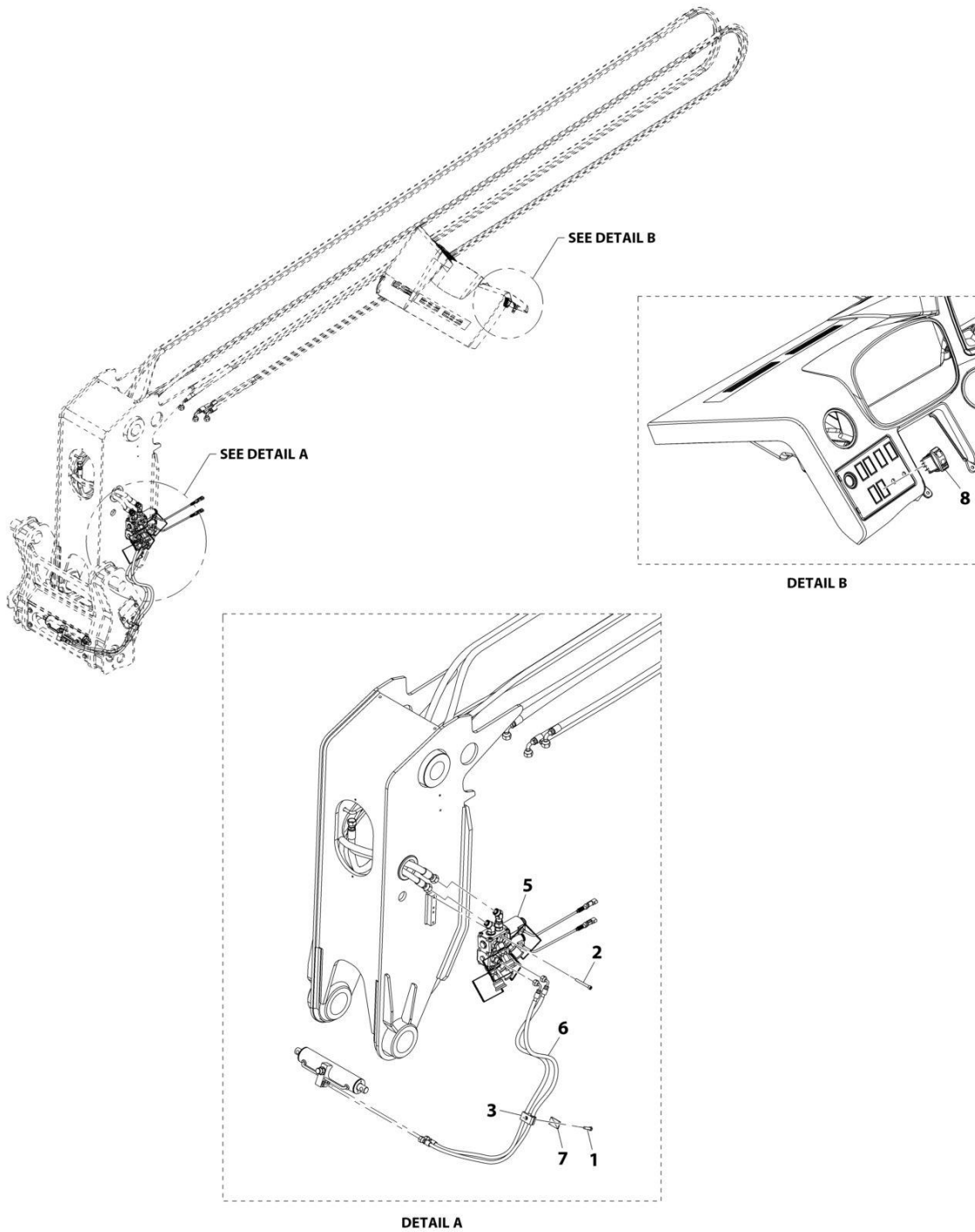
SECTION 8 - HYDRAULIC CIRCUITS

FIGURE 8-8. BOOM AUX DIVERTER VALVE/FITINGS ASSEMBLY (HYDRAULIC - SINGLE)

ITEM	PART NUMBER	QTY	DESCRIPTION	REV
	1001213317	Ref	Diverter Valve Assembly	B
1	2110610	2	Fitting, Straight ORFS	
2	2111010	1	Fitting, Straight ORFS	
3	2151010	1	Fitting, 45 ORFS	
4	1001005904	2	Fitting, 45	
5	1001101041	1	Fitting, Male Quick Disconnect	
6	1001101042	1	Fitting, Female Quick Disconnect	
7	1001104477	1	Valve, Divertor (See Separate Breakdown in HYDRAULIC COMPONENTS Section)	
8	1001147416	1	Fitting, 45 ORFS	
9	91043125	1	Plug	
10	91043126	1	Cap, Dust	

SECTION 8 - HYDRAULIC CIRCUITS

FIGURE 8-9. BOOM AUX HYDRAULIC INSTALLATION (HYDRAULIC - TWIN)



ART_1001192367-C

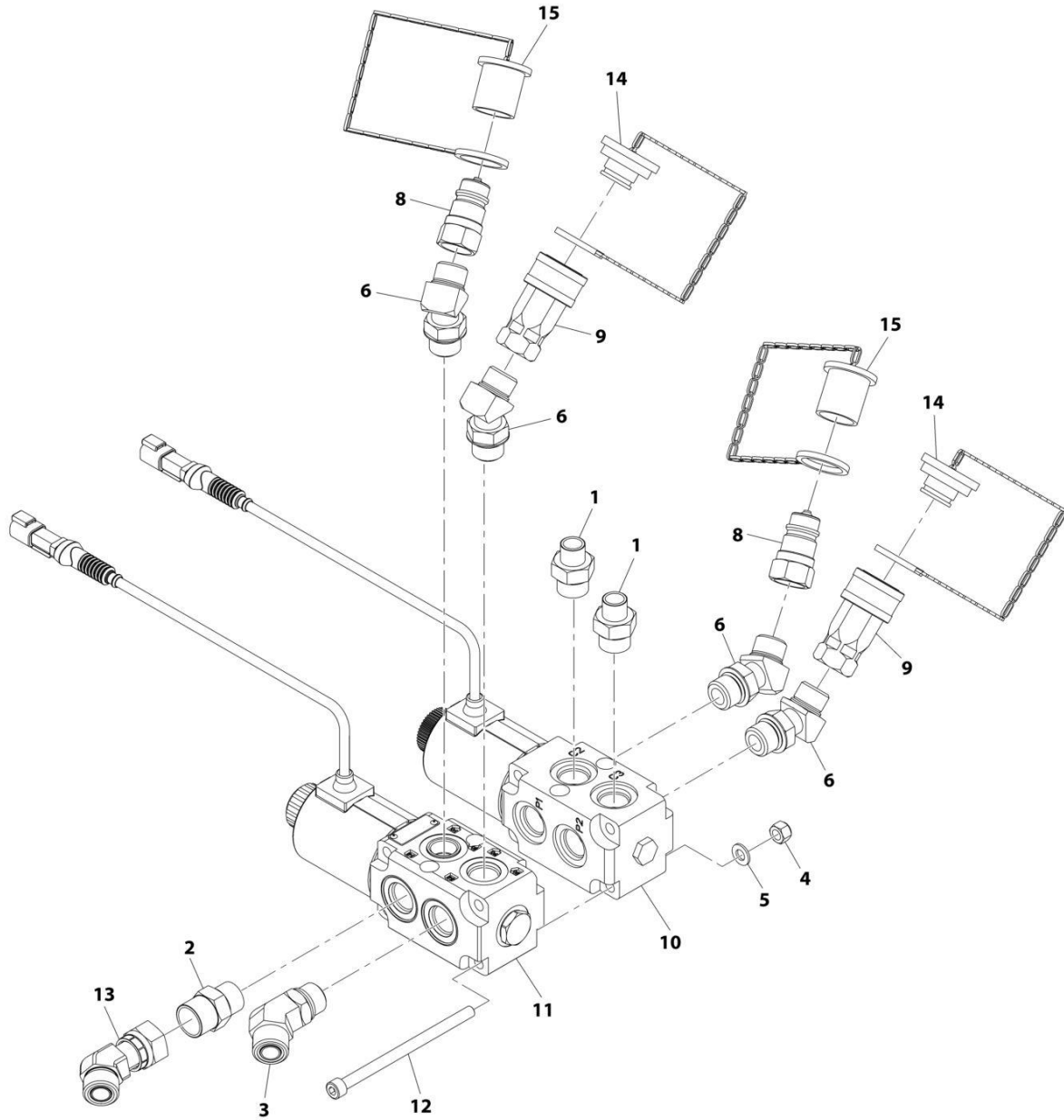
SECTION 8 - HYDRAULIC CIRCUITS

FIGURE 8-9. BOOM AUX HYDRAULIC INSTALLATION (HYDRAULIC - TWIN)

ITEM	PART NUMBER	QTY	DESCRIPTION	REV
	1001192367	Ref	Boom Aux Hydraulic Installation (Hydraulic - Twin)	C
1	0760815	1	Bolt, M8X35	
2	4031918	3	Bolt, M8X70	
3	8769126	1	Clamp	
5	1001213319	1	Assembly, Diverter Valve (Hydraulic - Twin) (See Separate Breakdown in this Section)	
6	1001193111	2	Hose	
7	8769123	1	Plate, Cover	
8	1001080375	1	Switch	

SECTION 8 - HYDRAULIC CIRCUITS

FIGURE 8-10. BOOM AUX DIVERTER VALVE/FITINGS ASSEMBLY (HYDRAULIC - TWIN)



ART_1001213319-C

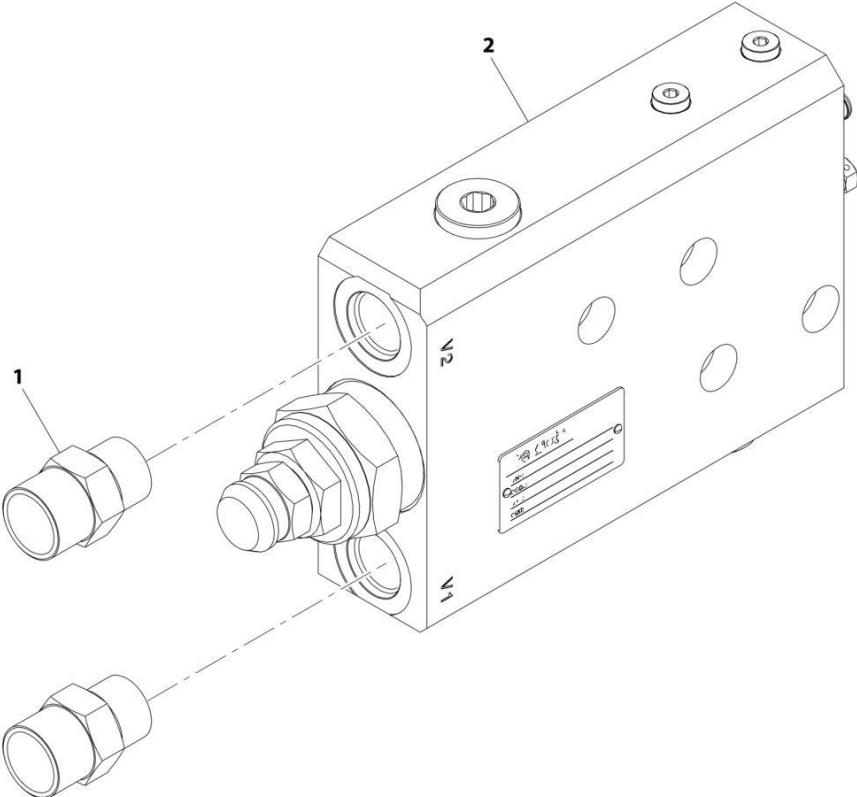
SECTION 8 - HYDRAULIC CIRCUITS

FIGURE 8-10. BOOM AUX DIVERTER VALVE/FITINGS ASSEMBLY (HYDRAULIC - TWIN)

ITEM	PART NUMBER	QTY	DESCRIPTION	REV
	1001213319	Ref	Diverter Valve Assembly	C
1	2110610	2	Fitting, Straight ORFS	
2	2111010	1	Fitting, Straight ORFS	
3	2151010	1	Fitting, 45 ORFS	
4	3290805	4	Nut, Lock M8X1.25	
5	4811900	4	Washer, M8	
6	1001005904	4	Fitting, 45	
8	1001101041	2	Fitting, Male Quick Disconnect	
9	1001101042	2	Fitting, Female Quick Disconnect	
10	1001104477	1	Valve, Divertor (See Separate Breakdown in HYDRAULIC COMPONENTS Section)	
11	1001110023	1	Valve, Divertor (See Separate Breakdown in HYDRAULIC COMPONENTS Section)	
12	1001110115	4	Bolt, M8X100	
13	1001147416	1	Fitting, 45 ORFS	
14	91043125	2	Plug	
15	91043126	2	Cap	

SECTION 8 - HYDRAULIC CIRCUITS

FIGURE 8-11. BOOM EXTENT/RETRACT COUNTERBALANCE VALVE INSTALLATION



ART_1001212312-A

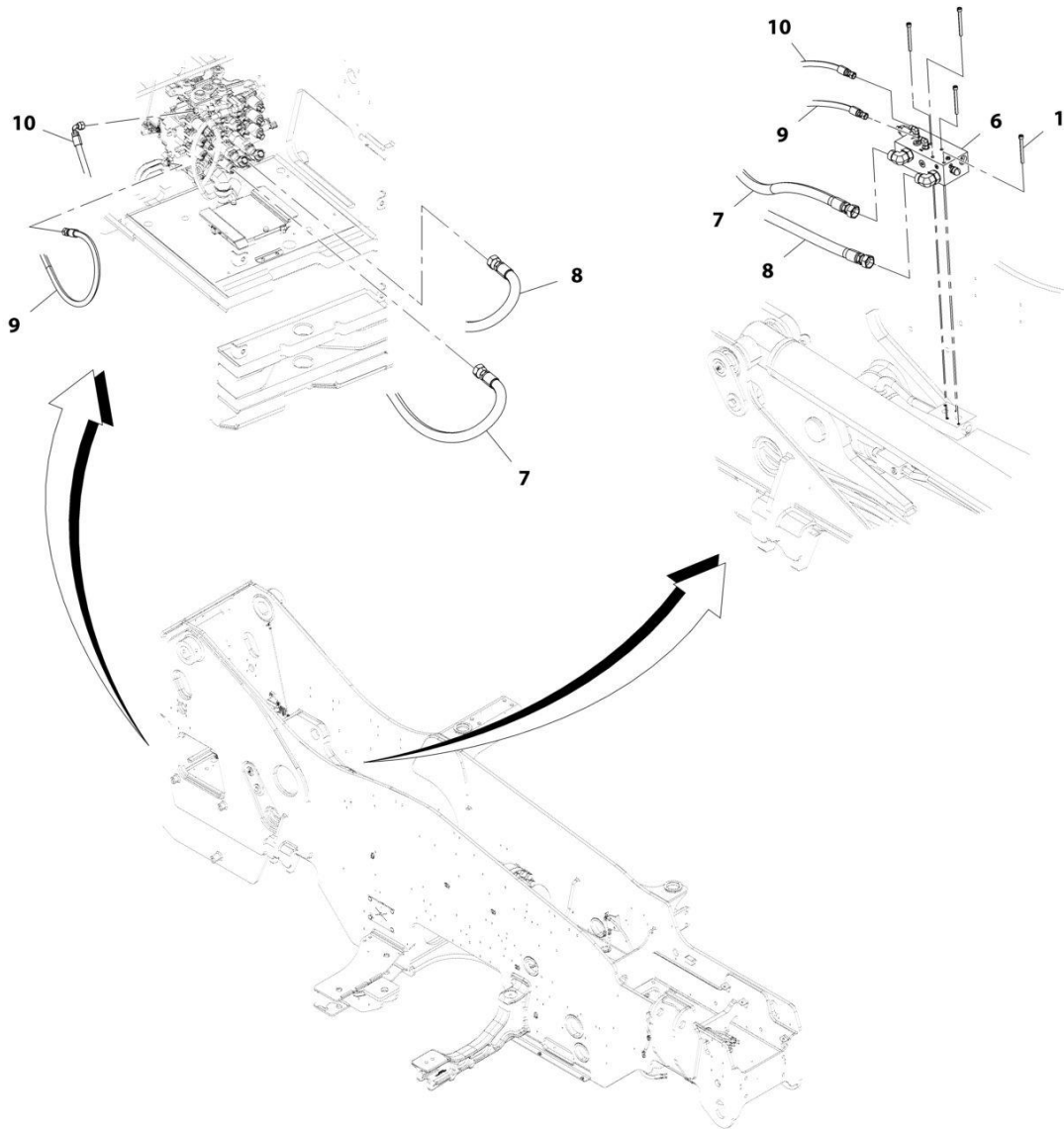
SECTION 8 - HYDRAULIC CIRCUITS

FIGURE 8-11. BOOM EXTENT/RETRACT COUNTERBALANCE VALVE INSTALLATION

ITEM	PART NUMBER	QTY	DESCRIPTION	REV
	1001212312	Ref	Counterbalance Valve & Fittings Sub-Assembly	A
1	2111010	2	Fitting, Straight ORFS	
2	1001209862	1	Valve, Counterbalance (See Separate Breakdown in this Section)	

SECTION 8 - HYDRAULIC CIRCUITS

FIGURE 8-12. BOOM RAISE HOSE INSTALLATION (NO RIDE CONTROL)



ART_1001194702-F

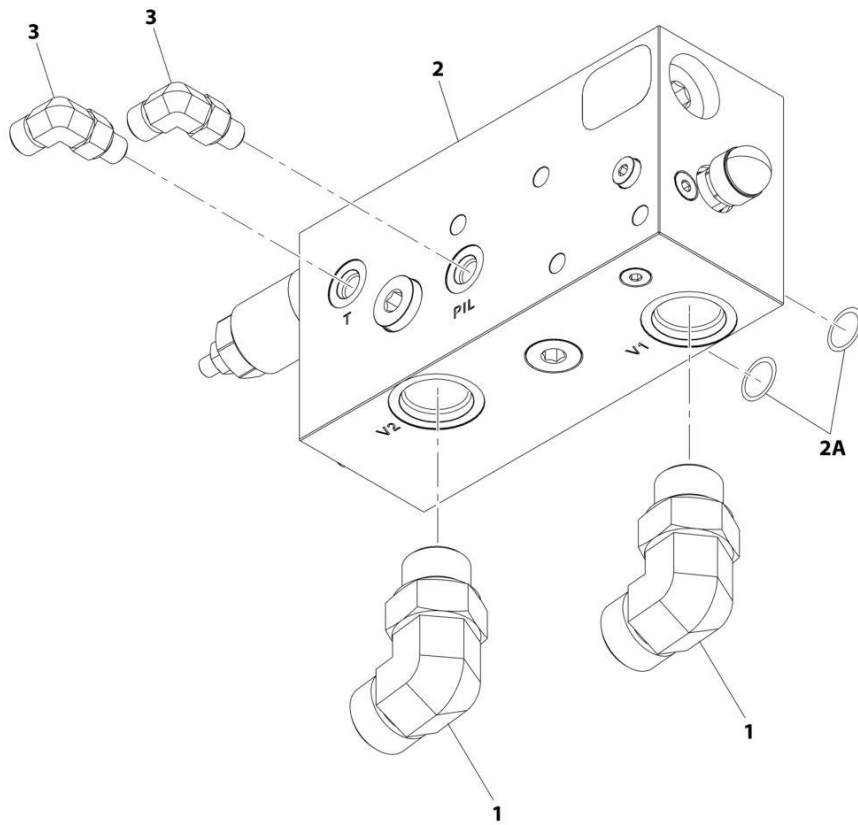
SECTION 8 - HYDRAULIC CIRCUITS

FIGURE 8-12. BOOM RAISE HOSE INSTALLATION (NO RIDE CONTROL)

ITEM	PART NUMBER	QTY	DESCRIPTION	REV
	1001194702	Ref	Boom Raise Hose Installation (no Ride Control)	F
1	4031921	4	Bolt, M8X85	
6	1001219764	1	Valve, Boom Raise Counterbalance (no Ride Control) (See Separate Breakdown in this Section)	
7	1001225392	1	Hose, ORFS	
8	1001225393	1	Hose, ORFS	
9	1001226828	1	Hose, ORFS	
10	1001226829	1	Hose, ORFS	

SECTION 8 - HYDRAULIC CIRCUITS

FIGURE 8-13. BOOM RAISE COUNTERBALANCE VALVE/FITTINGS ASSEMBLY (NO RIDE CONTROL)



ART_1001219764-C

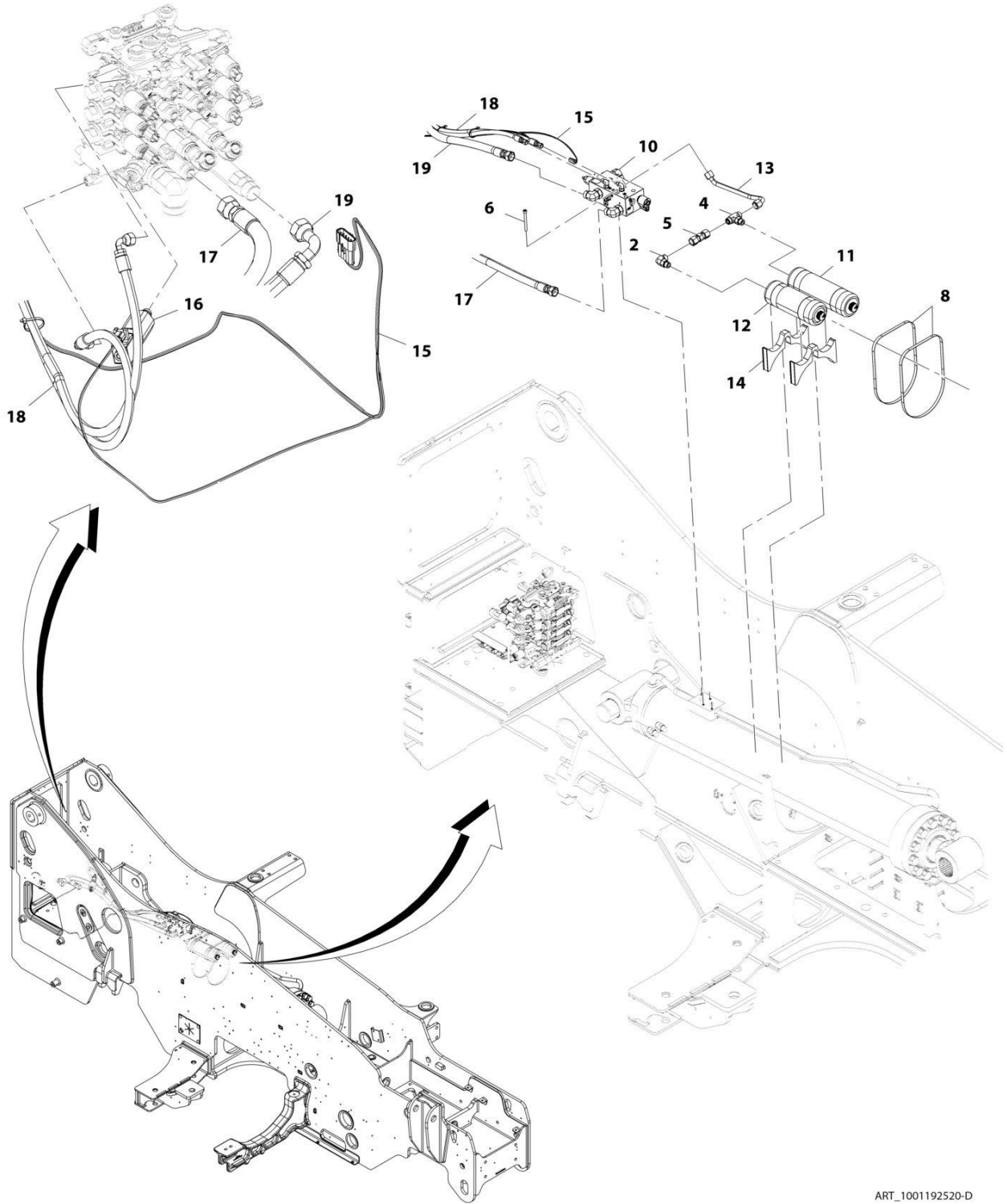
SECTION 8 - HYDRAULIC CIRCUITS

FIGURE 8-13. BOOM RAISE COUNTERBALANCE VALVE/FITTINGS ASSEMBLY (NO RIDE CONTROL)

ITEM	PART NUMBER	QTY	DESCRIPTION	REV
	1001219764	Ref	Boom Raise Counterbalance Valve (no Ride Control)	C
1	2131212	2	Fitting, 90 ORFS	
2	1001224944	1	Valve, GLS	
2A	70028282	2	O-ring	
3	2130404	2	Fitting, 90 ORFS	

SECTION 8 - HYDRAULIC CIRCUITS

FIGURE 8-14. BOOM RAISE HOSE INSTALLATION (RIDE CONTROL)



ART_1001192520-D

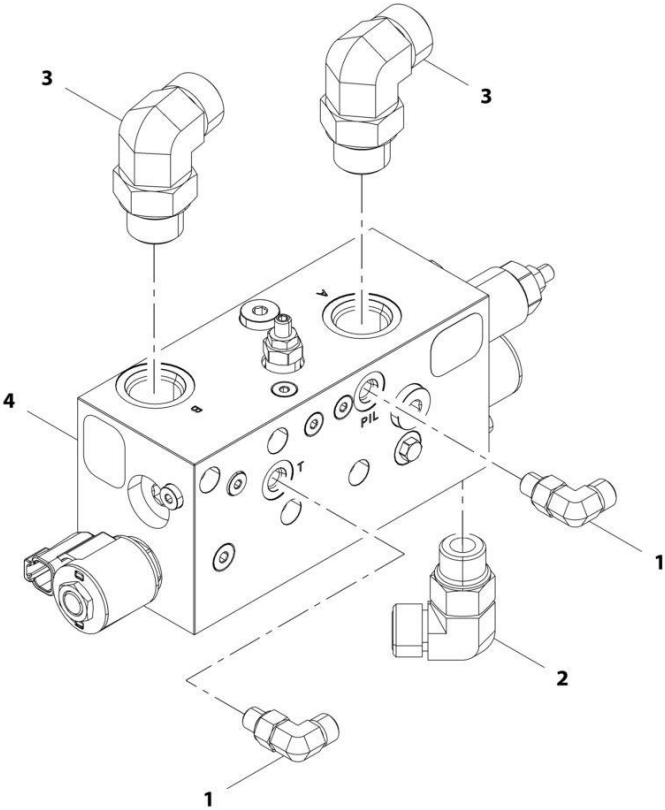
SECTION 8 - HYDRAULIC CIRCUITS

FIGURE 8-14. BOOM RAISE HOSE INSTALLATION (RIDE CONTROL)

ITEM	PART NUMBER	QTY	DESCRIPTION	REV
	1001192520	Ref	Boom Raise Hose Installation (Ride Control)	D
2	2131010	1	Fitting, 90 ORFS	
4	2170410	1	Fitting, Tee ORFS	
5	2172410	1	Fitting, Straight ORFS	
6	4031921	4	Bolt, M8X85	
8	1001214829	2	Clamp	
10	1001219765	1	Assembly, Ride and Float Valve (See Separate Breakdown in this Section)	
11	1001192771	1	Cylinder, Piston	
12	1001192772	1	Cylinder, Piston	
13	1001225390	1	Pipe	
14	1001196402	2	Bumper	
15	1001200105	1	Installation, Ride Control Wiring (See Separate Breakdown in ELECTRICAL Section)	
16	1001202020	1	Valve, MCV Tank Cartridge	
17	1001225393	1	Hose	
18	1001226829	2	Hose	
19	1001227440	1	Hose	

SECTION 8 - HYDRAULIC CIRCUITS

FIGURE 8-15. BOOM RAISE RIDE & FLOAT VALVE/FITTING ASSEMBLY (RIDE CONTROL)



ART_1001219765-B

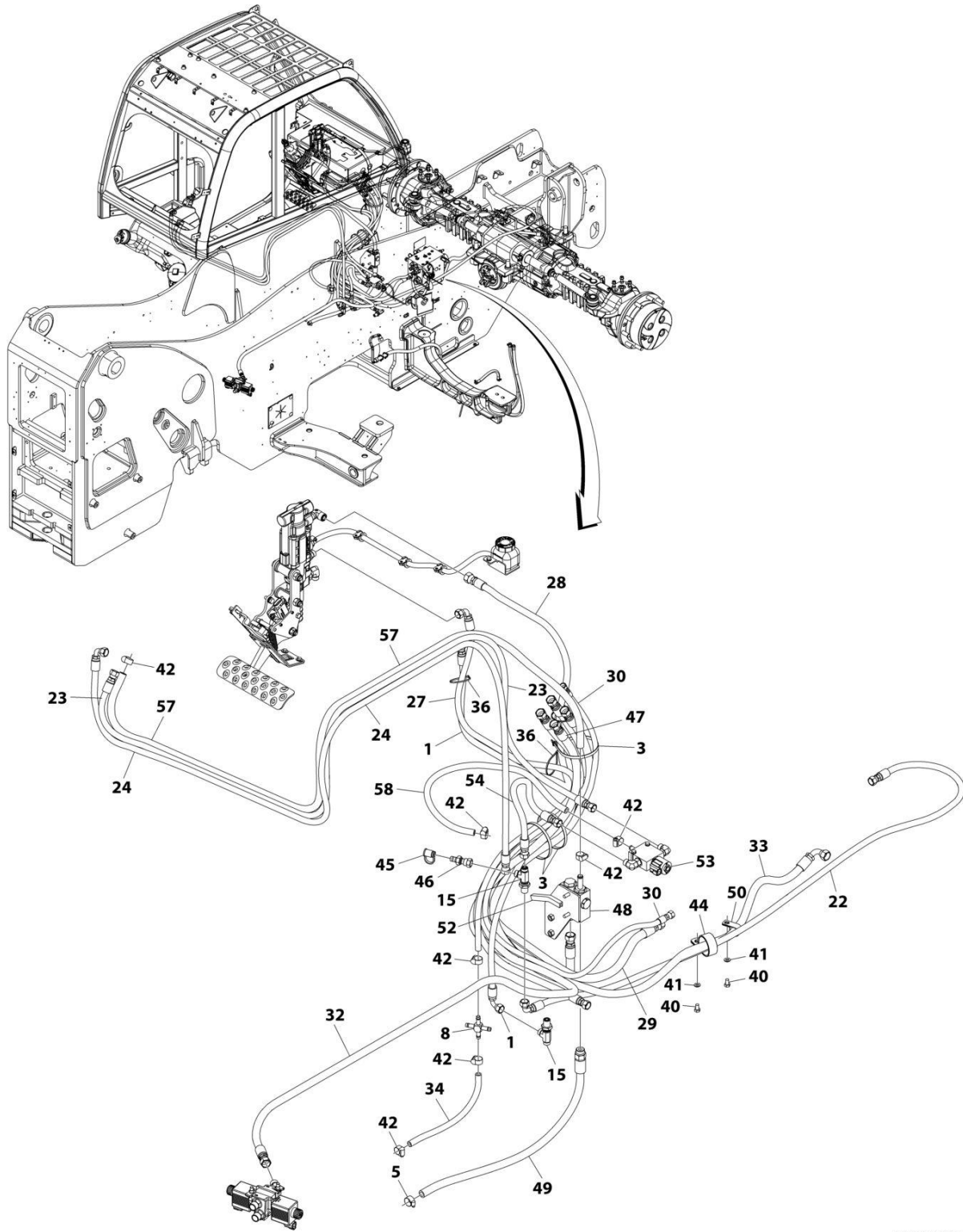
SECTION 8 - HYDRAULIC CIRCUITS

FIGURE 8-15. BOOM RAISE RIDE & FLOAT VALVE/FITTING ASSEMBLY (RIDE CONTROL)

ITEM	PART NUMBER	QTY	DESCRIPTION	REV
	1001219765	Ref	Ride and Float Valve Assembly	B
1	2130404	2	Fitting, 90 ORFS	
2	2131010	1	Fitting, 90 ORFS	
3	2131212	2	Fitting, 90 ORFS	
4	1001224945	1	Valve, Boom Raise (See Separate Breakdown in HYDRAULIC COMPONENTS Section)	

SECTION 8 - HYDRAULIC CIRCUITS

FIGURE 8-16. CAB HYDRUALIC INSTALLATION



ART_1001193709

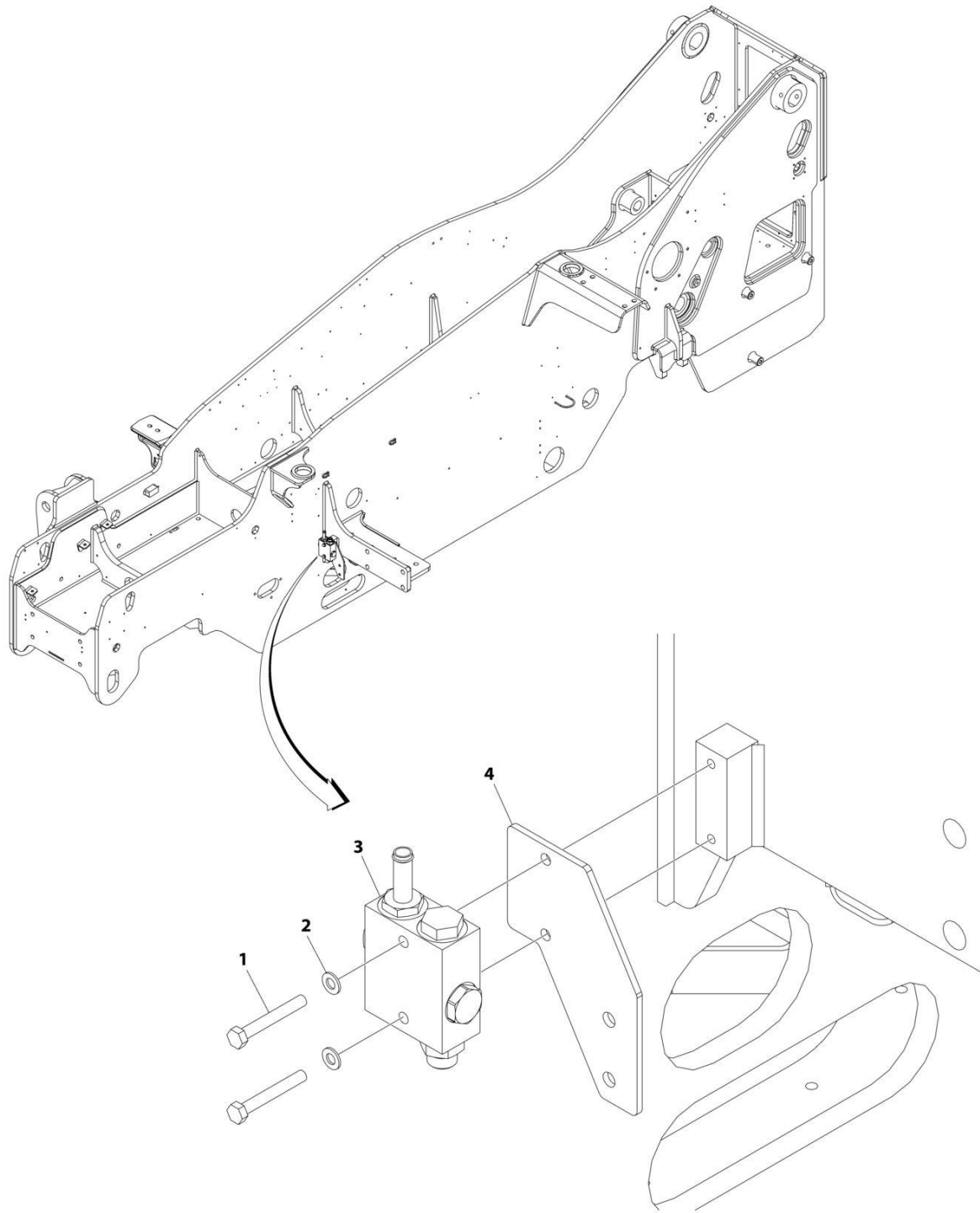
SECTION 8 - HYDRAULIC CIRCUITS

FIGURE 8-16. CAB HYDRUALIC INSTALLATION

ITEM	PART NUMBER	QTY	DESCRIPTION	REV
	1001193709	Ref	CAB HYDRUALIC INSTALLATION	J
1	1001196989	1	Hose	
3	4240018	3	Strap, Cable	
5	8405006	1	Clamp	
8	1001215256	1	Fitting, Cross Barb	
15	88662434	2	Fitting, Tee ORFS	
22	1001210800	1	Hose	
23	1001221989	1	Hose	
24	1001210327	1	Hose	
27	1001206709	1	Hose	
28	1001210282	1	Hose	
29	1001196992	1	Hose	
30	1001196993	1	Hose	
32	1001196995	1	Hose	
33	1001196996	1	Hose	
34	1001196997	1	Hose	
36	4240099	3	Tie, Wire	
40	0760807	2	Bolt M8 x 14	
41	4811900	2	Washer M8	
42	8410013	7	Clamp	
44	85941018	1	Clamp	
45	8430032	1	Plug	
46	8430081	1	Fitting, Straight ORFS	
47	1001204152	1	Hose	
48	1001212788	Ref	Installation, Check Valve (See Separate Breakdown in this Section)	
49	1001212880	1	Hose	
50	8406201	1	Clip	
52	90206198	186 mm	Compound, Locking	
53	1001221987	Ref	Installation, Solenoid Valve (See Separate Breakdown in this Section)	
54	1001221988	1	Hose	
57	2720160	2290 mm	Hose	
58	1001008654	750 mm	Hose	

SECTION 8 - HYDRAULIC CIRCUITS

FIGURE 8-17. CAB HYDRUALICS CHECK VALVE INSTALLATION



ART_1001212788

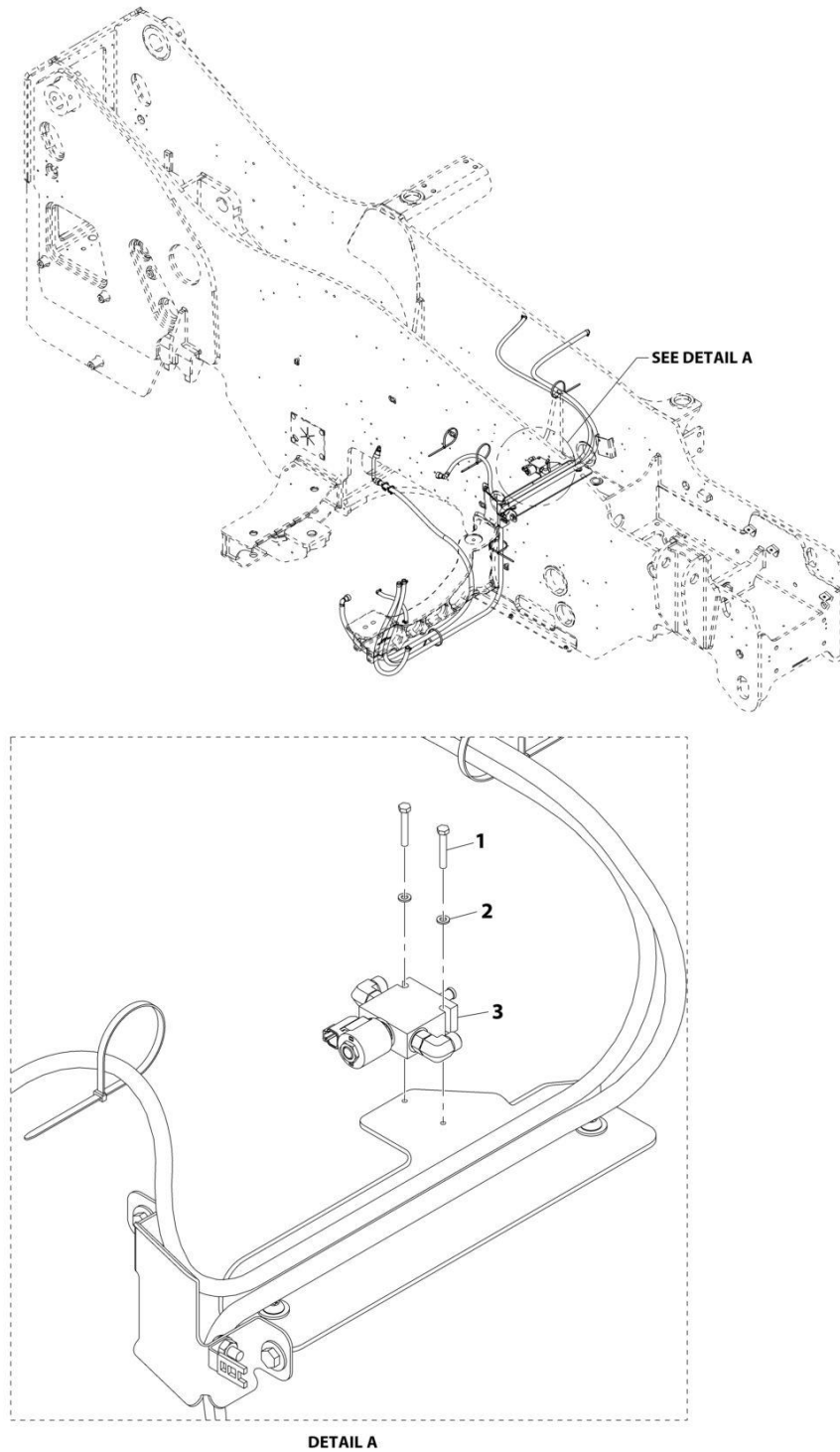
SECTION 8 - HYDRAULIC CIRCUITS

FIGURE 8-17. CAB HYDRUALICS CHECK VALVE INSTALLATION

ITEM	PART NUMBER	QTY	DESCRIPTION	REV
	1001212788	Ref	CAB HYDRUALICS CHECK VALVE INSTALLATION	B
1	0700820	2	Bolt M8 x 60	
2	4811900	2	Washer M8	
3	1001212789	1	Assembly, Check Valve (See Separate Breakdown in HYDRAULIC COMPONENTS Section)	
4	1001219659	1	Plate	

SECTION 8 - HYDRAULIC CIRCUITS

FIGURE 8-18. CAB HYDRAULICS SOLENOID INSTALLATION



ART_1001221987-A

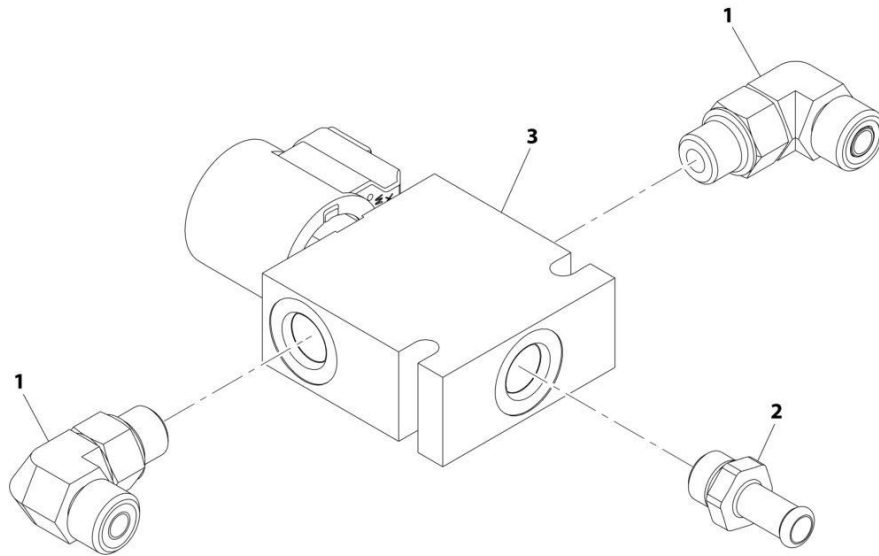
SECTION 8 - HYDRAULIC CIRCUITS

FIGURE 8-18. CAB HYDRAULICS SOLENOID INSTALLATION

ITEM	PART NUMBER	QTY	DESCRIPTION	REV
	1001221987	Ref	Solenoid Valve Installation	A
1	0700616	2	Bolt, M6X40	
2	4811700	2	Washer, M6	
3	1001221986	1	Assembly, Solenoid Valve (See Separate Breakdown in this Section)	

SECTION 8 - HYDRAULIC CIRCUITS

FIGURE 8-19. CAB HYDRAULICS SOLENOID FITTINGS INSTALLATION



ART_1001221986-A

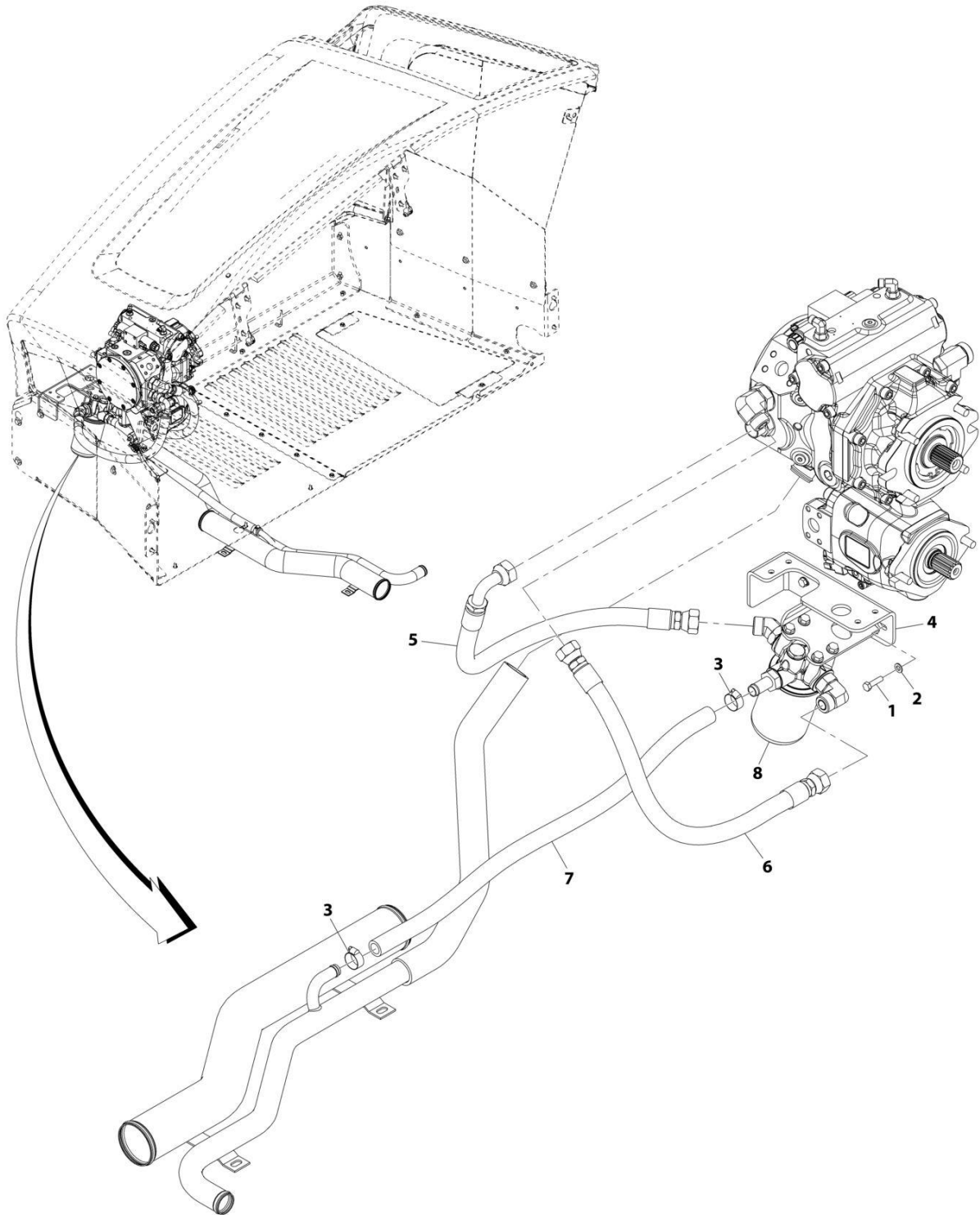
SECTION 8 - HYDRAULIC CIRCUITS

FIGURE 8-19. CAB HYDRAULICS SOLENOID FITTINGS INSTALLATION

ITEM	PART NUMBER	QTY	DESCRIPTION	REV
1	1001221986 2130606	Ref 2	Solenoid Valve/Fittings Assembly Fitting, 90 ORFS	A
2	1001168030	1	Fitting, Hose Barb	
3	1001221928	1	Valve, Solenoid (See Separate Breakdown in HYDRAULIC COMPONENTS Section)	

SECTION 8 - HYDRAULIC CIRCUITS

FIGURE 8-20. CHARGE FILTER LINES INSTALLATION



ART_1001202026-B

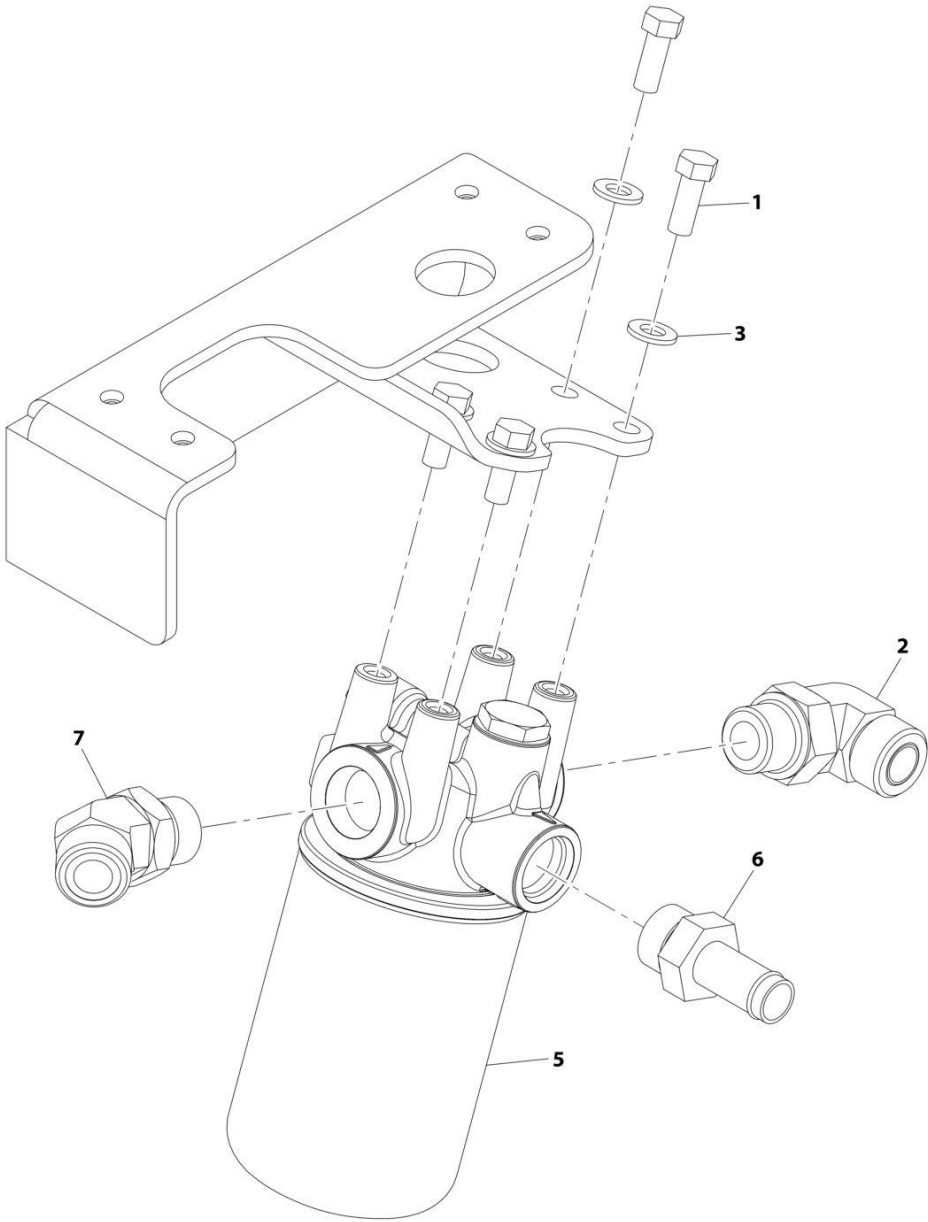
SECTION 8 - HYDRAULIC CIRCUITS

FIGURE 8-20. CHARGE FILTER LINES INSTALLATION

ITEM	PART NUMBER	QTY	DESCRIPTION	REV
	1001202026	Ref	Charge Filter Lines Installation	B
1	0700814	2	Bolt, M8X30	
2	4811900	2	Washer, M8	
3	8405007	2	Clamp	
4	1001212184	1	Bracket	
5	1001195433	1	Hose	
6	1001195434	1	Hose	
7	1001195435	1	Hose	
8	1001195430	Ref	Installation, Charge Filter (See Separate Breakdown in this Section)	

SECTION 8 - HYDRAULIC CIRCUITS

FIGURE 8-21. CHARGE FILTER INSTALLATION



ART_1001195430-C

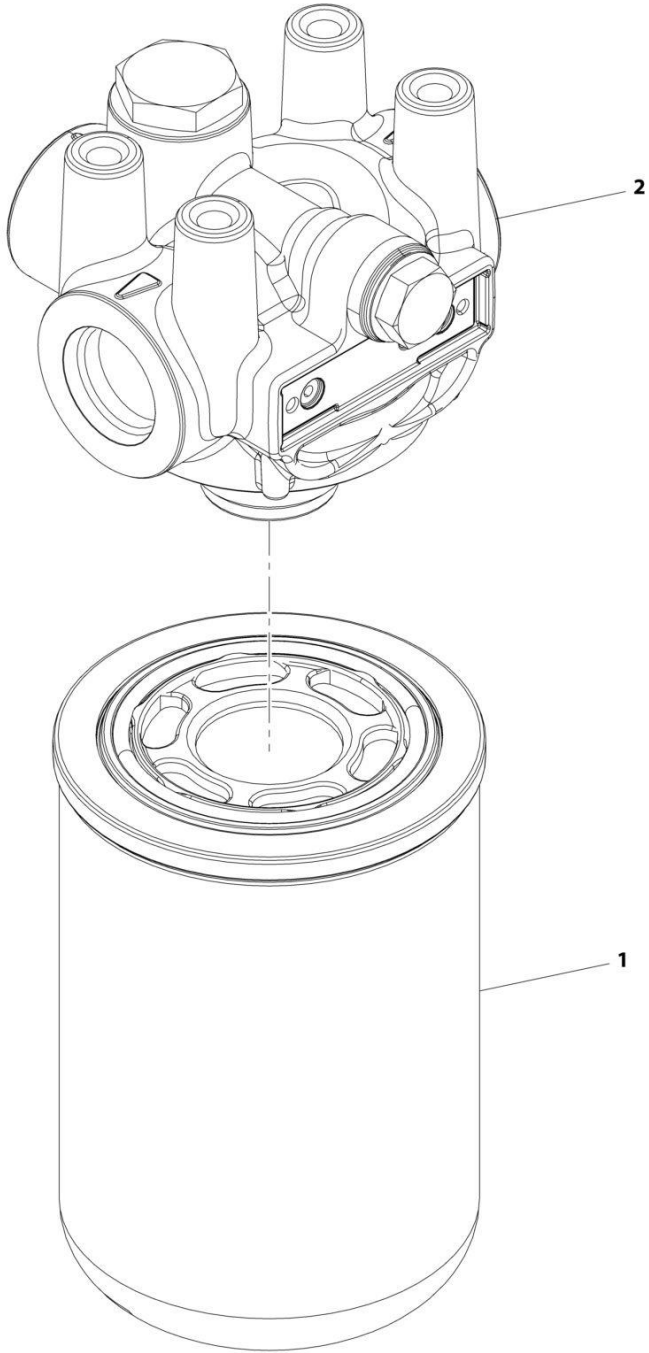
SECTION 8 - HYDRAULIC CIRCUITS

FIGURE 8-21. CHARGE FILTER INSTALLATION

ITEM	PART NUMBER	QTY	DESCRIPTION	REV
	1001195430	Ref	Charge Filter Installation	C
1	0641608	4	Bolt, 3/8-16X1	
2	2131212	1	Fitting, 90 ORFS	
3	4812000	4	Washer, M10	
5	1001141976	1	Assembly, Charge Filter (See Separate Breakdown in this Section)	
6	1001183700	1	Fitting, Barb	
7	2151212	1	Fitting, 45 ORFS	

SECTION 8 - HYDRAULIC CIRCUITS

FIGURE 8-22. CHARGE FILTER ASSEMBLY



ART_1001141976-A

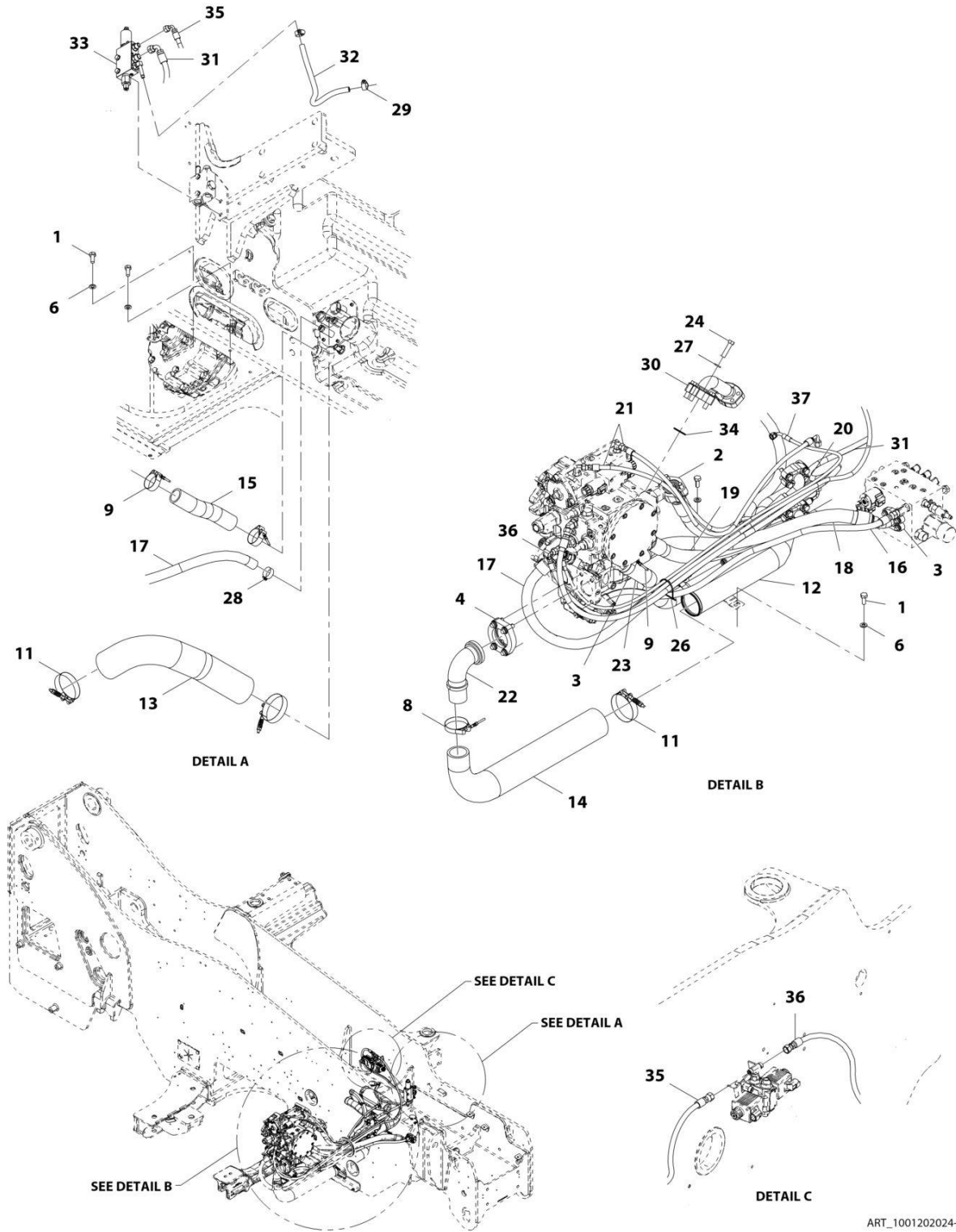
SECTION 8 - HYDRAULIC CIRCUITS

FIGURE 8-22. CHARGE FILTER ASSEMBLY

ITEM	PART NUMBER	QTY	DESCRIPTION	REV
	1001141976	Ref	Implement Pump Filter Assembly	A
1	1001141461	1	Filter	
2	1001141462	1	Pump, Filter	

SECTION 8 - HYDRAULIC CIRCUITS

FIGURE 8-23. ENGINE BAY HYDRAULIC INSTALLATION



ART_1001202024-G

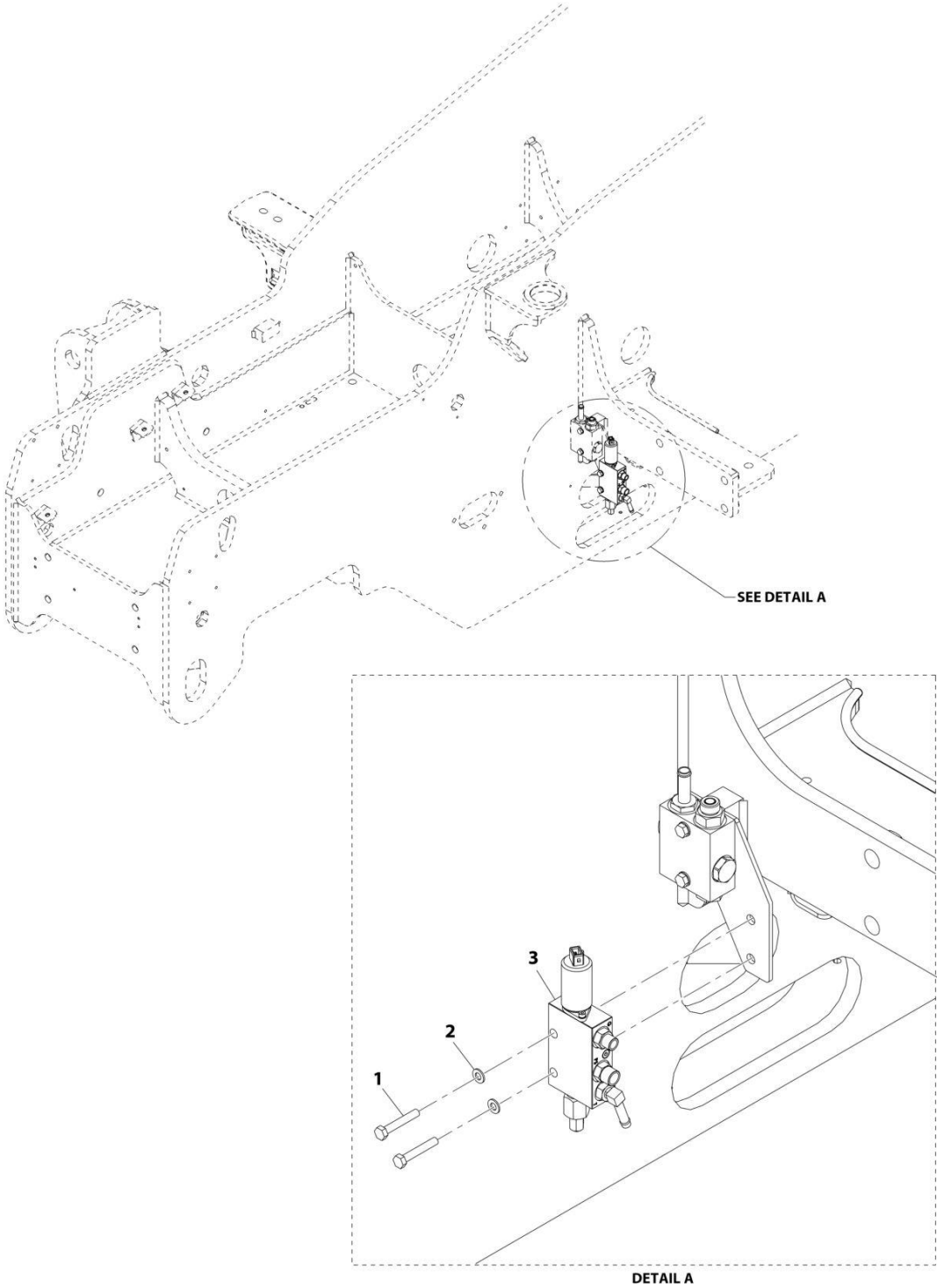
SECTION 8 - HYDRAULIC CIRCUITS

FIGURE 8-23. ENGINE BAY HYDRAULIC INSTALLATION

ITEM	PART NUMBER	QTY	DESCRIPTION	REV
	1001202024	Ref	Engine Bay Installation	G
1	0761012	4	Bolt, M10X25	
2	1001217948	4	Kit, Flange (includes mounting hardware and o-ring)	
3	2171816	2	Kit, Flange (includes mounting hardware and o-ring)	
4	2171832	1	Kit, Flange (includes mounting hardware and o-ring)	
6	4812000	4	Washer, M10	
8	1001005438	1	Clamp	
9	1001014231	4	Clamp	
11	1001186843	3	Clamp	
12	1001187272	1	Pipe	
13	1001187273	1	Hose	
14	1001187275	1	Hose	
15	1001193461	1	Hose	
16	1001196959	1	Hose	
17	1001215802	1	Hose	
18	1001214431	1	Hose	
19	1001214430	1	Hose	
20	1001214429	1	Hose	
21	1001215539	2	Hose	
22	8424233	1	Fitting, 90	
23	1001202027	1	Hose	
24	0681714	4	Bolt, 7/16-14X1 3/4 Grade 8	
26	4240099	AR	Tie, Wire	
27	4761700	4	Washer, Lock 7/16	
28	8405007	1	Clamp	
29	8410013	2	Clamp	
30	1001200870	1	Fitting, 90	
31	1001213306	1	Hose	
32	1001213307	1	Hose	
33	1001213308	1	Installation, Inching Valve (See Separate Breakdown in this Section)	
34	91083106	1	O-Ring	
35	1001215093	1	Hose	
36	1001215212	1	Hose	
37	1001223109	1	Hose	

SECTION 8 - HYDRAULIC CIRCUITS

FIGURE 8-24. ENGINE BAY INCHING VALVE INSTALLATION



ART_1001213308-A

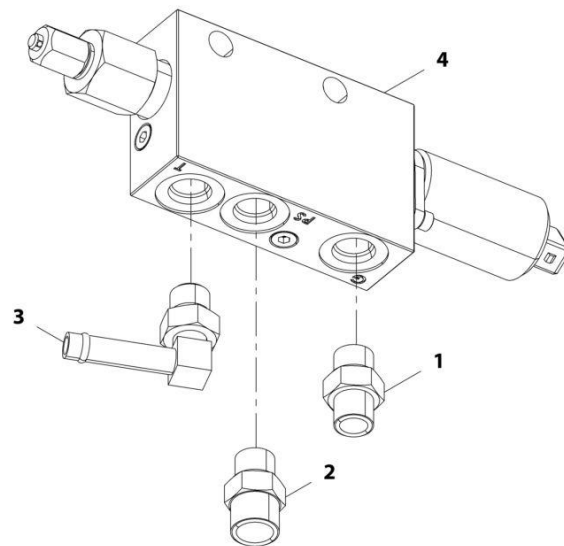
SECTION 8 - HYDRAULIC CIRCUITS

FIGURE 8-24. ENGINE BAY INCHING VALVE INSTALLATION

ITEM	PART NUMBER	QTY	DESCRIPTION	REV
	1001213308	Ref	Inching Valve Installation	A
1	0700818	2	Bolt, M8X50	
2	4811900	2	Washer, M8	
3	1001213309	1	Assembly, Inching Valve (See Separate Breakdown in this Section)	

SECTION 8 - HYDRAULIC CIRCUITS

FIGURE 8-25. ENGINE BAY INCHING VALVE/FITINGS ASSEMBLY



ART_1001213309-B

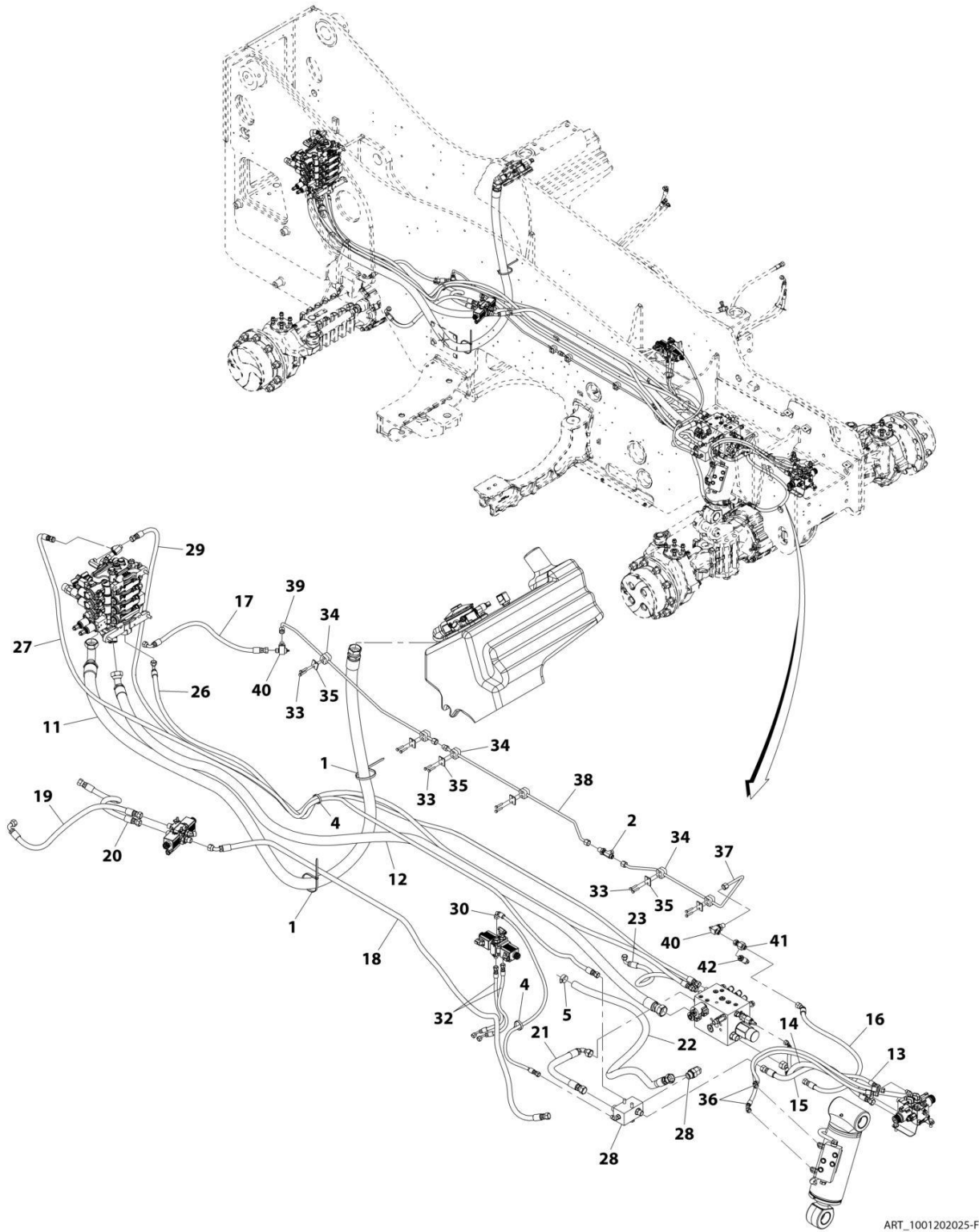
SECTION 8 - HYDRAULIC CIRCUITS

FIGURE 8-25. ENGINE BAY INCHING VALVE/FITINGS ASSEMBLY

ITEM	PART NUMBER	QTY	DESCRIPTION	REV
	1001213309	Ref	Inching Valve Assembly	B
1	2110406	1	Fitting, Straight ORFS	
2	2110606	1	Fitting, Straight ORFS	
3	8430034	1	Elbow, 90	
4	1001213311	1	Valve, Inching (See Separate Breakdown in HYDRAULIC COMPONENTS Section)	

SECTION 8 - HYDRAULIC CIRCUITS

FIGURE 8-26. FRAME HYDRAULIC INSTALLATION



ART_1001202025-F

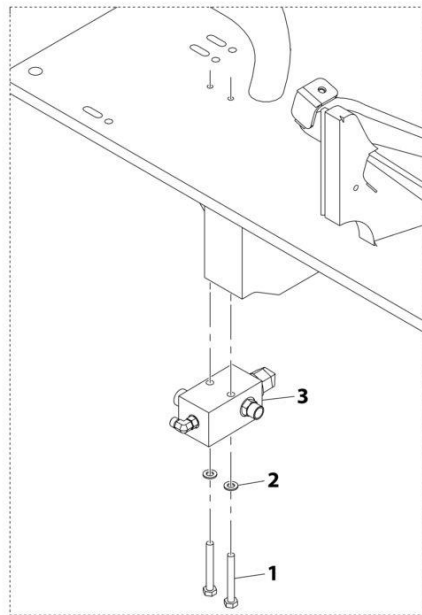
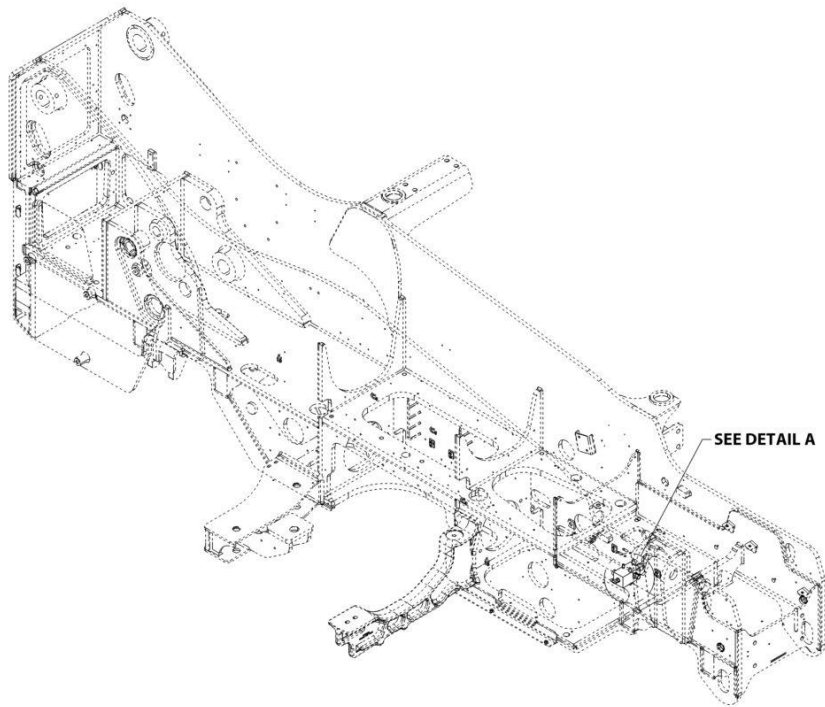
SECTION 8 - HYDRAULIC CIRCUITS

FIGURE 8-26. FRAME HYDRAULIC INSTALLATION

ITEM	PART NUMBER	QTY	DESCRIPTION	REV
	1001202025	Ref	Frame Hydraulic Installation	F
1	1062255	2	Strap, Tie	
2	88662434	1	Fitting, Tee ORFS	
4	4240018	2	Strap, Tie	
5	8405007	1	Clamp	
11	1001196964	1	Hose	
12	1001196967	1	Hose	
13	1001210635	1	Hose	
14	1001196969	1	Hose	
15	1001196970	1	Hose	
16	1001208532	1	Hose	
17	1001208534	1	Hose	
18	1001196973	1	Hose	
19	1001196974	1	Hose	
20	1001196975	1	Hose	
21	1001196976	1	Hose	
22	1001196977	1	Hose	
23	1001196978	1	Hose	
26	1001196981	1	Hose	
27	1001196982	1	Hose	
28	1001197197	Ref	Installation, Manifold (See Separate Breakdown in this Section)	
29	1001197199	1	Hose	
30	1001197200	1	Hose	
32	1001211020	2	Hose	
33	0700614	12	Bolt, M6X30	
34	9106-3040	6	Clamp	
35	9106-3039	6	Plate, Cover	
36	1001205573	2	Hose	
37	1001207788	1	Pipe	
38	1001207789	1	Pipe	
39	1001207790	1	Pipe	
40	1001210797	2	Bleeder, Brake	
41	1001111140	1	Fitting, ORFS	
42	1001147340	1	Sensor, Pressure	

SECTION 8 - HYDRAULIC CIRCUITS

FIGURE 8-27. FRAME MANIFOLD INSTALLATION



DETAIL A

ART_1001197197-B

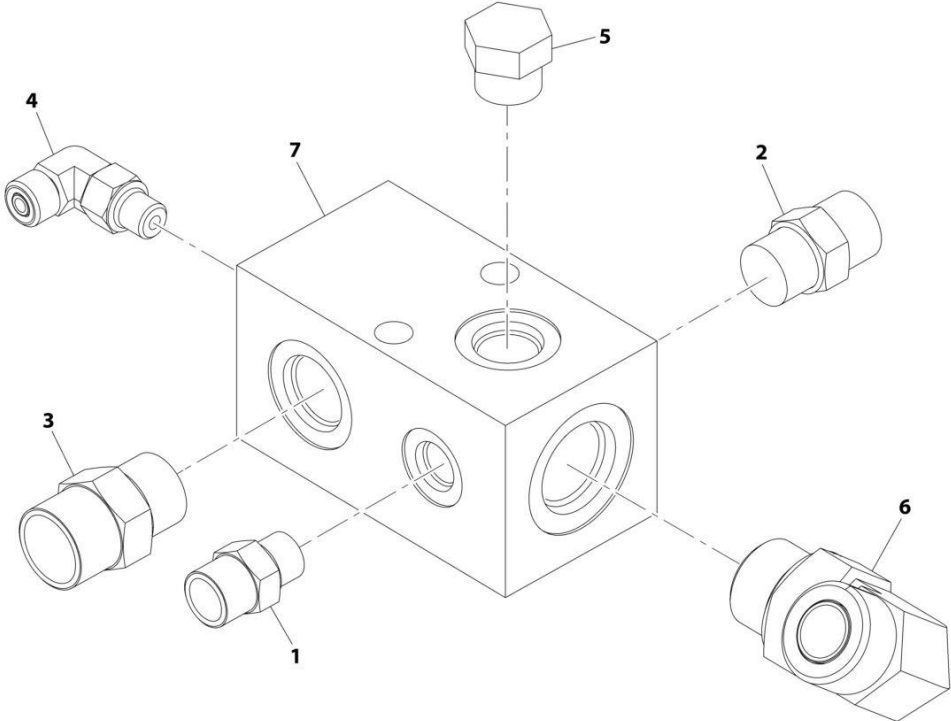
SECTION 8 - HYDRAULIC CIRCUITS

FIGURE 8-27. FRAME MANIFOLD INSTALLATION

ITEM	PART NUMBER	QTY	DESCRIPTION	REV
	1001197197	Ref	Manifold Installation	B
1	0701024	2	Bolt, M10X80	
2	4812000	2	Washer, M10	
3	1001197198	1	Assembly, Manifold (See Separate Breakdown in this Section)	

SECTION 8 - HYDRAULIC CIRCUITS

FIGURE 8-28. FRAME MANIFOLD/FITTINGS ASSEMBLY



ART_1001197198-D

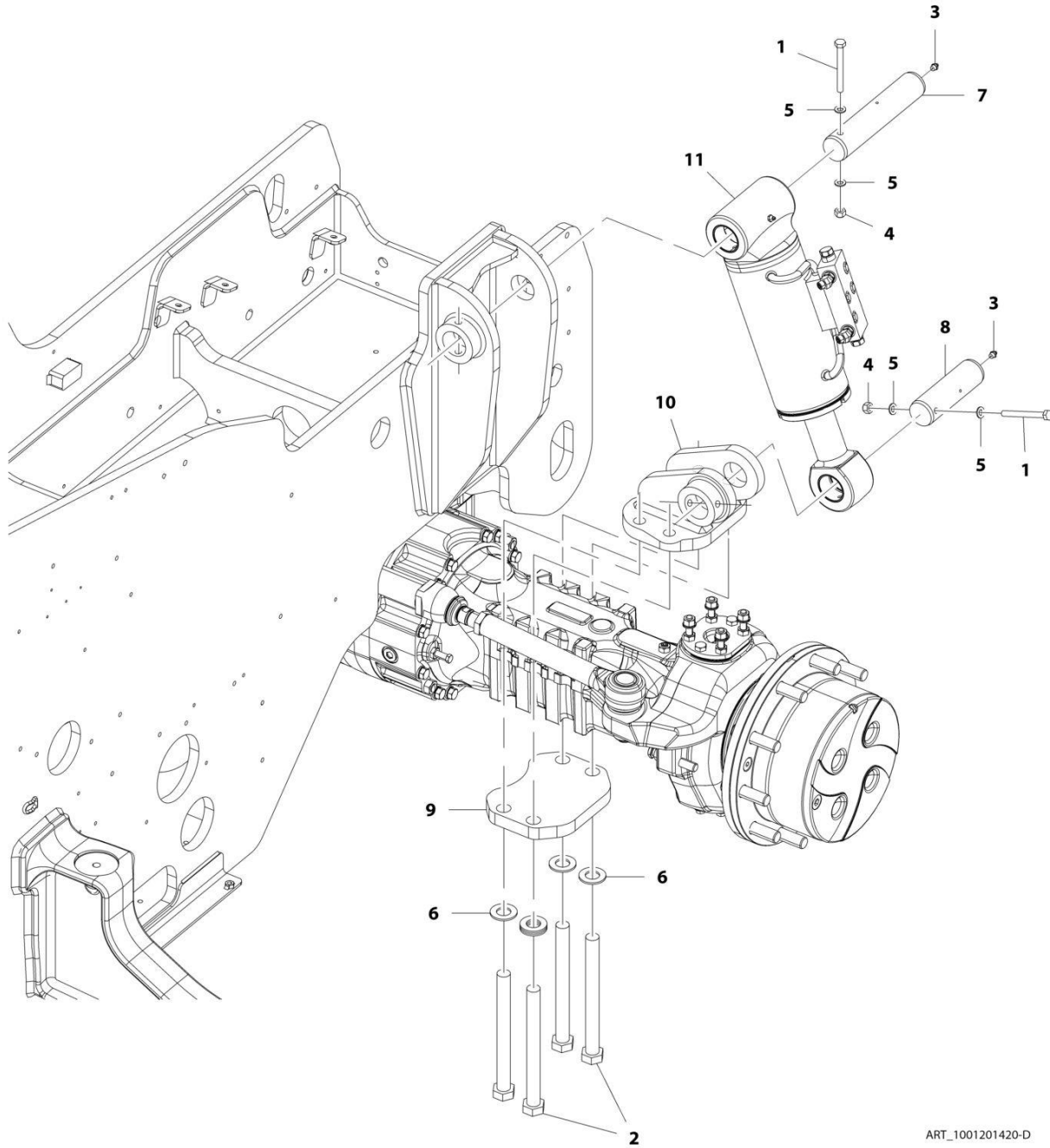
SECTION 8 - HYDRAULIC CIRCUITS

FIGURE 8-28. FRAME MANIFOLD/FITTINGS ASSEMBLY

ITEM	PART NUMBER	QTY	DESCRIPTION	REV
	1001197198	Ref	Manifold Assembly	D
1	2110606	1	Fitting, Straight ORFS	
2	2110808	1	Fitting, Straight ORFS	
3	2111010	1	Fitting, Straight ORFS	
4	2130404	1	Fitting, 90 ORFS	
5	2220238	1	Plug	
6	2131212	1	Fitting, 90 ORFS	
7	1001228504	1	Manifold	

SECTION 8 - HYDRAULIC CIRCUITS

FIGURE 8-29. FRAME LEVEL INSTALLATION



ART_1001201420-D

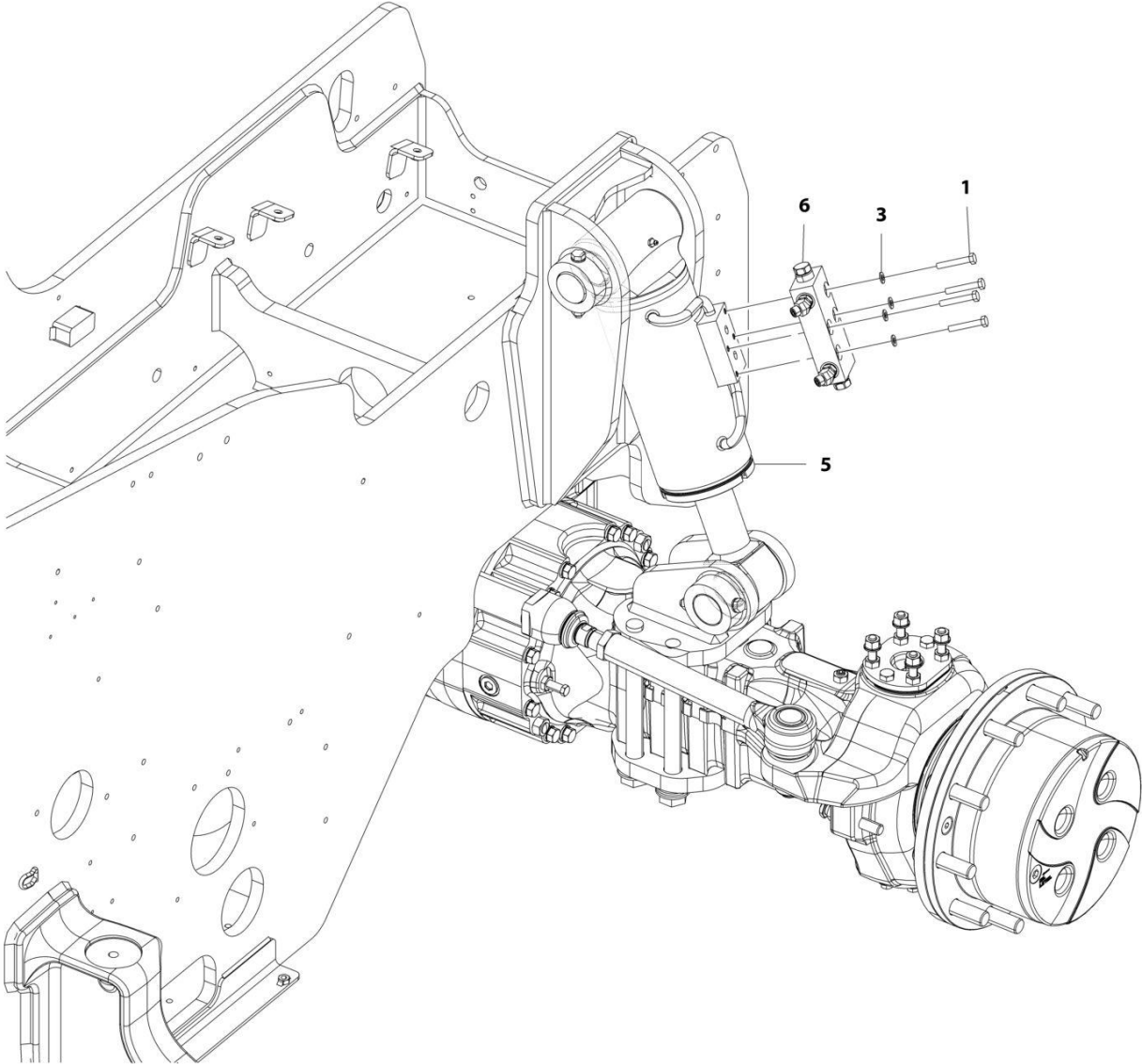
SECTION 8 - HYDRAULIC CIRCUITS

FIGURE 8-29. FRAME LEVEL INSTALLATION

ITEM	PART NUMBER	QTY	DESCRIPTION	REV
	1001201420	Ref	Frame Level Installation	D
1	0701027	2	Bolt, M10X100	
2	0712442	4	Bolt, M24X250 Grade 10.9	
3	2160016	2	Fitting, Grease	
4	3291005	2	Nut, Lock M0X1.5 Grade 8	
5	4812000	4	Washer, M10	
6	5242400	6	Washer, M24	
7	1001164971	1	Pin	
8	1001164972	1	Pin	
9	1001207325	1	Plate, Sway Bottom	
10	1001200226	1	Bracket, Axle Sway	
11	1001201074	Ref	Installation, Frame Level Cylinder (See Separate Breakdown in this Section)	

SECTION 8 - HYDRAULIC CIRCUITS

FIGURE 8-30. FRAME LEVEL CYLINDER INSTALLATION



ART_1001201074-B

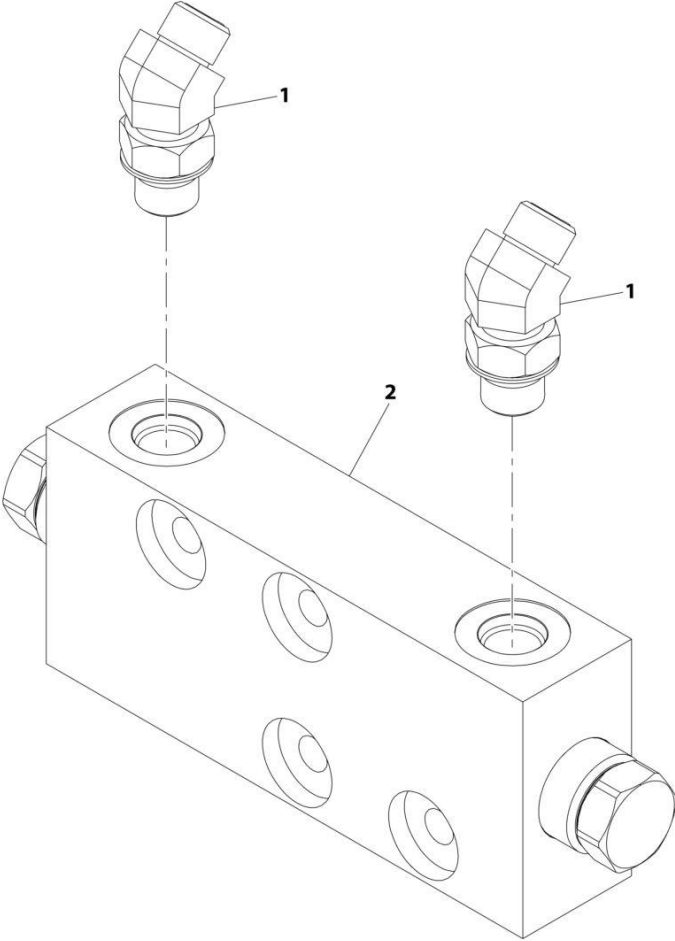
SECTION 8 - HYDRAULIC CIRCUITS

FIGURE 8-30. FRAME LEVEL CYLINDER INSTALLATION

ITEM	PART NUMBER	QTY	DESCRIPTION	REV
	1001201074	Ref	Frame Level Cylinder Installation	B
1	0700818	4	Bolt, M8X50	
3	4811900	4	Washer, M8	
5	1001201073	1	Cylinder, Frame Level (See Separate Breakdown in HYDRAULIC COMPONENTS Section)	
6	1001217482	1	Assembly, Frame Level Valve (See Separate Breakdown in this Section)	

SECTION 8 - HYDRAULIC CIRCUITS

FIGURE 8-31. FRAME LEVEL COUNTERBALANCE VALVE/FITTINGS ASSEMBLY



ART_1001217482-A

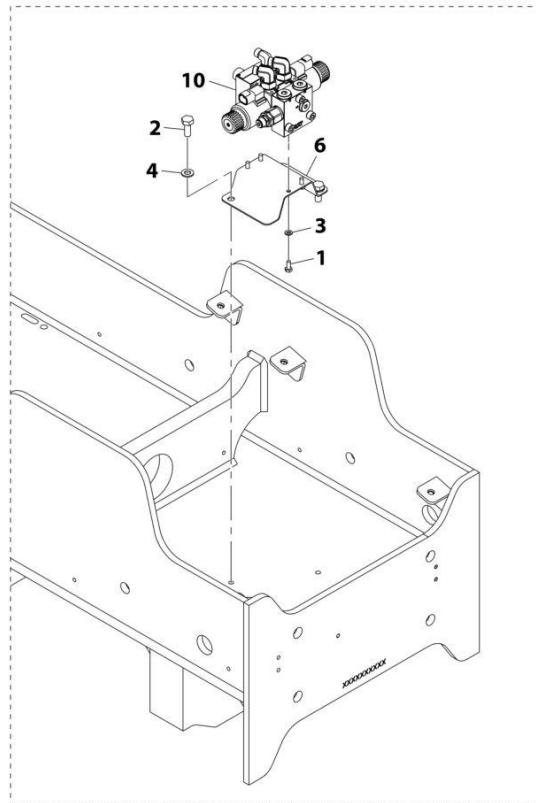
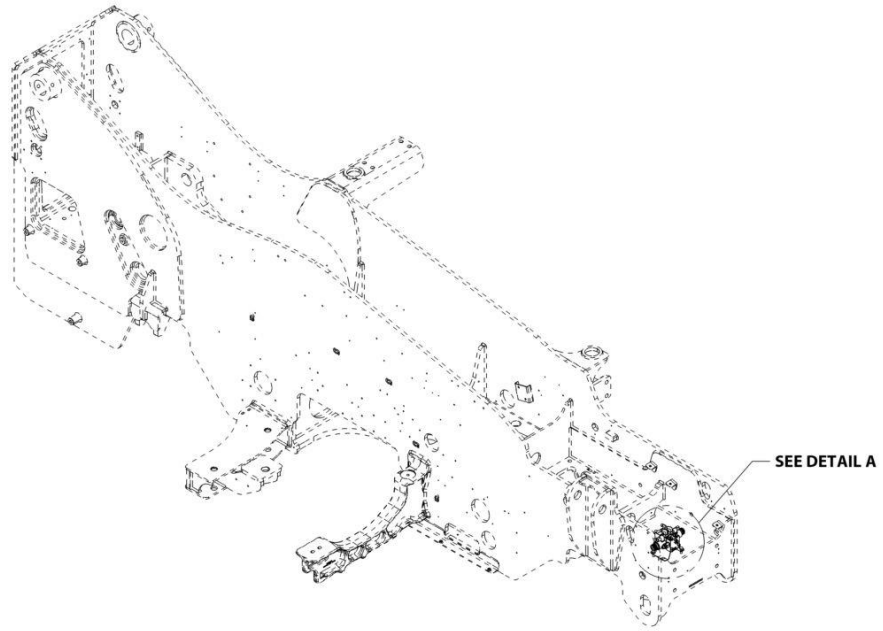
SECTION 8 - HYDRAULIC CIRCUITS

FIGURE 8-31. FRAME LEVEL COUNTERBALANCE VALVE/FITTINGS ASSEMBLY

ITEM	PART NUMBER	QTY	DESCRIPTION	REV
1	1001217482	Ref	Frame Level Valve Assembly	A
2	2150406	2	Fitting, 45 ORFS	
2	1001168599	1	Valve, Counterbalance (See Separate Breakdown in the HYDRAULIC COMPONENTS Section)	

SECTION 8 - HYDRAULIC CIRCUITS

FIGURE 8-32. FRAME LEVEL CONTROL VALVE INSTALLATION



DETAIL A

ART_1001193517-D

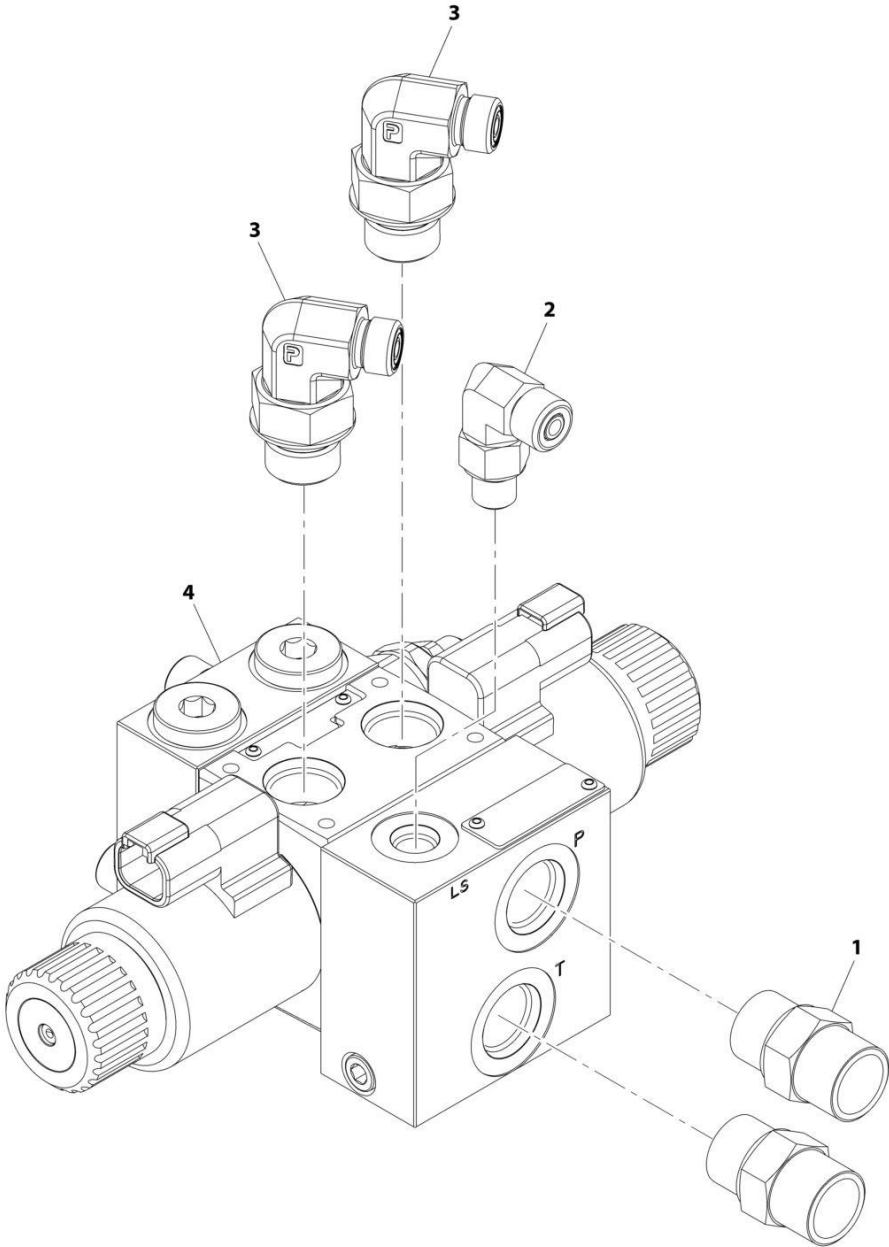
SECTION 8 - HYDRAULIC CIRCUITS

FIGURE 8-32. FRAME LEVEL CONTROL VALVE INSTALLATION

ITEM	PART NUMBER	QTY	DESCRIPTION	REV
	1001193517	Ref	Frame Level Valve Installation	D
1	0760607	4	Bolt, M6X14	
2	0761012	2	Bolt, M10X25	
3	4811700	4	Washer, M6	
4	4812000	2	Washer, M10	
6	1001195733	1	Bracket	
10	1001215341	1	Assembly, Frame Level Valve (See Separate Breakdown in this Section)	

SECTION 8 - HYDRAULIC CIRCUITS

FIGURE 8-33. FRAME LEVEL CONTROL VALVE/FITTINGS ASSEMBLY



ART_1001215341-B

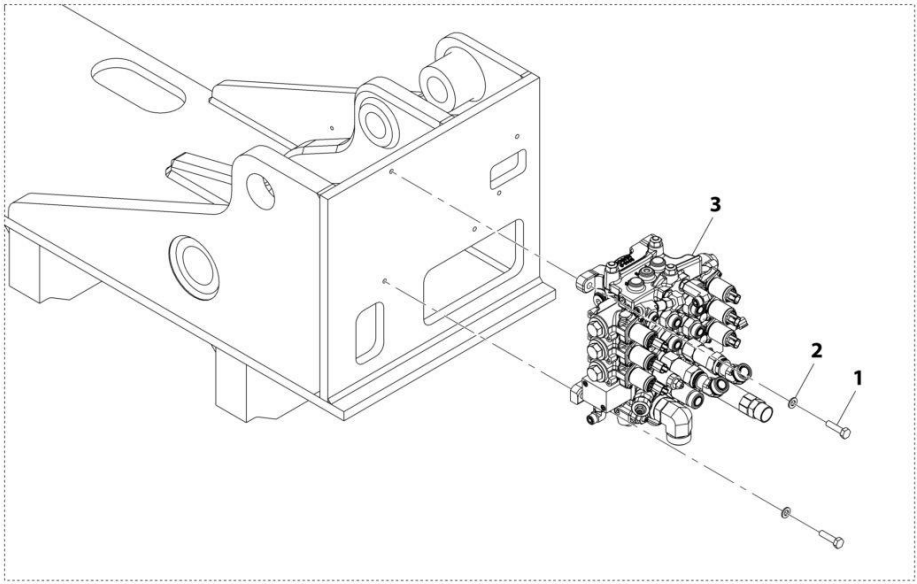
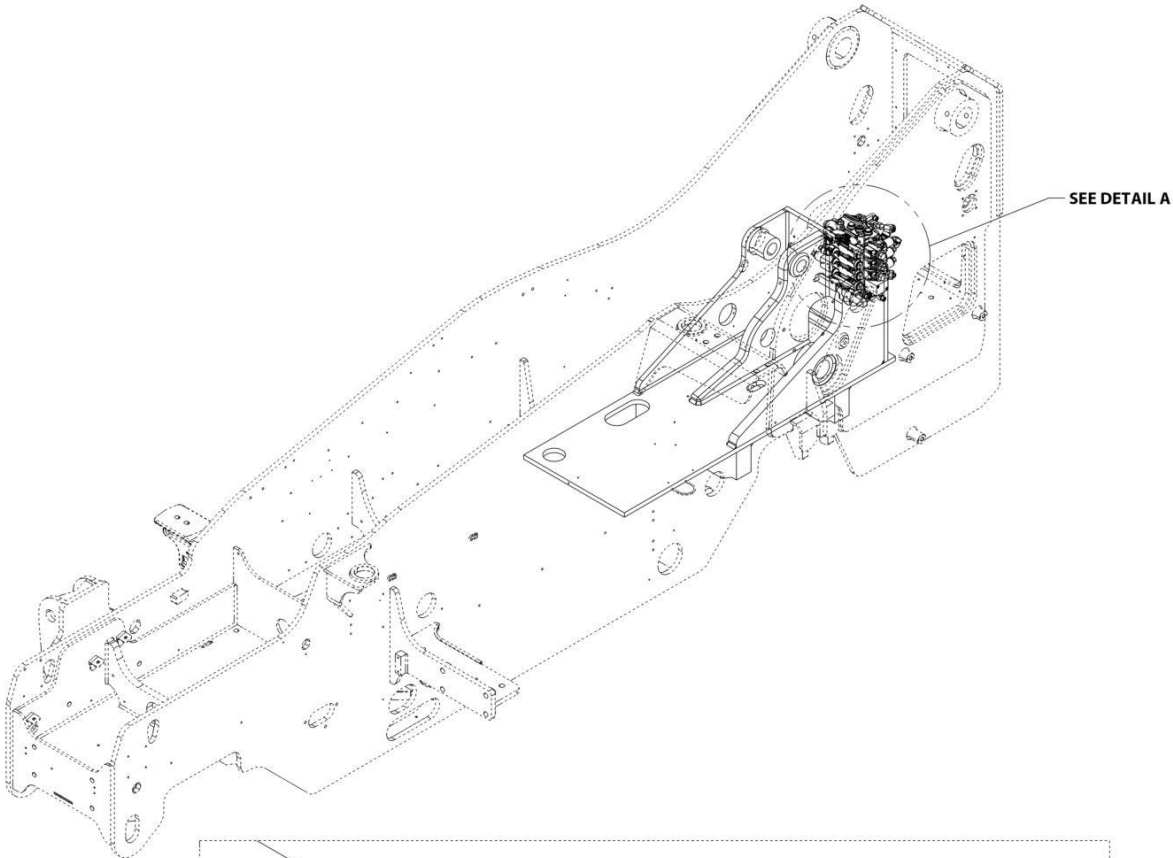
SECTION 8 - HYDRAULIC CIRCUITS

FIGURE 8-33. FRAME LEVEL CONTROL VALVE/FITTINGS ASSEMBLY

ITEM	PART NUMBER	QTY	DESCRIPTION	REV
	1001215341	Ref	Frame Level Valve Assembly	B
1	2110808	2	Fitting, Straight ORFS	
2	2130404	1	Fitting, 90 ORFS	
3	2130408	2	Fitting, 90 ORFS	
4	1001219615	1	Valve, Frame Level (See Separate Breakdown in HYDRAULIC COMPONENTS Section)	

SECTION 8 - HYDRAULIC CIRCUITS

FIGURE 8-34. MAIN CONTROL VALVE INSTALLATION



DETAIL A

ART_1001192889-C

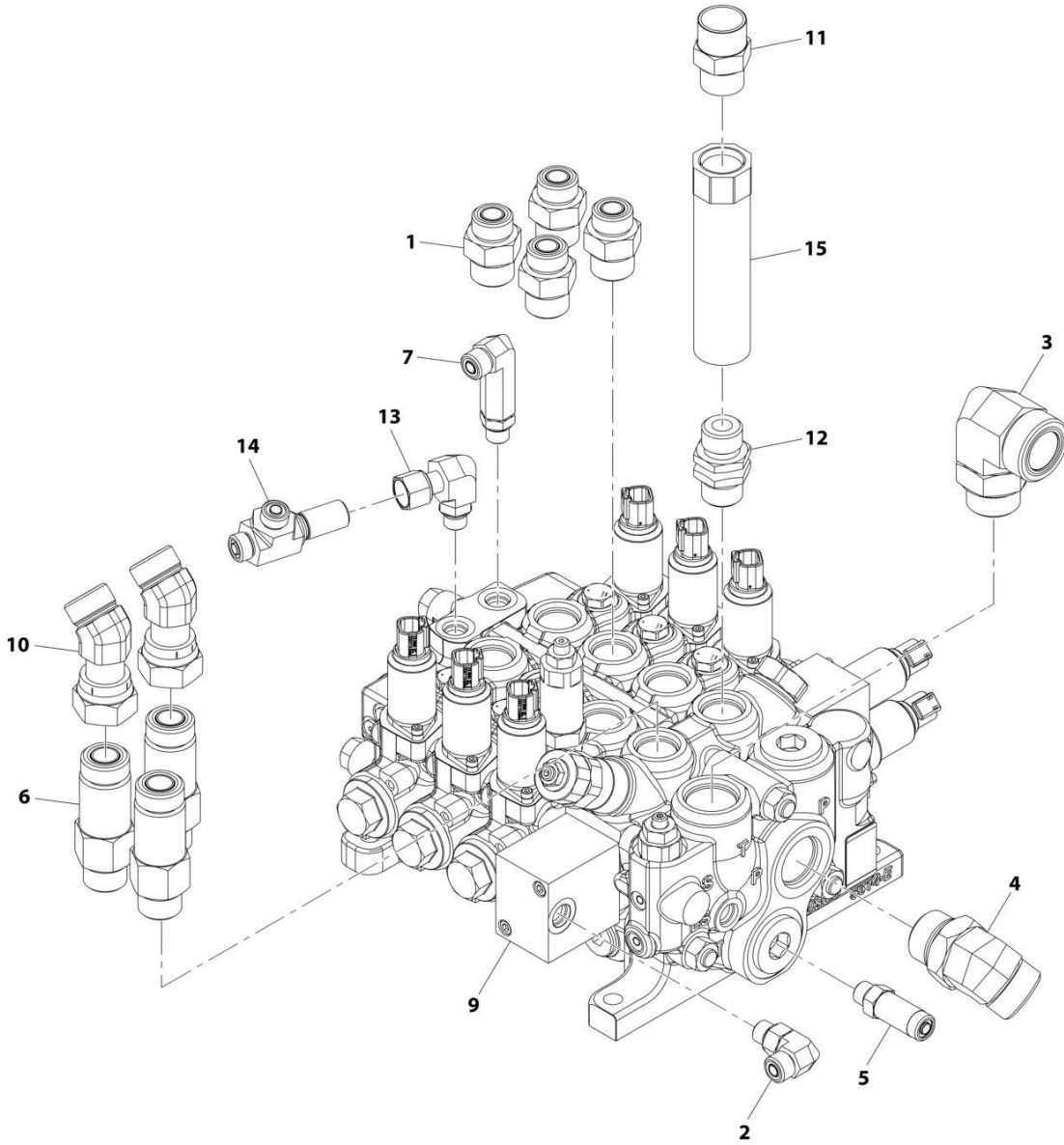
SECTION 8 - HYDRAULIC CIRCUITS

FIGURE 8-34. MAIN CONTROL VALVE INSTALLATION

ITEM	PART NUMBER	QTY	DESCRIPTION	REV
	1001192889	Ref	Main Control Valve Installation	C
1	0701016	3	Bolt, M10X40	
2	4812000	3	Washer, M10	
3	1001192890	1	Assembly, Main Control Valve (See Separate Breakdown in this Section)	

SECTION 8 - HYDRAULIC CIRCUITS

FIGURE 8-35. MAIN CONTROL VALVE/FITTINGS ASSEMBLY



ART_1001192890-E

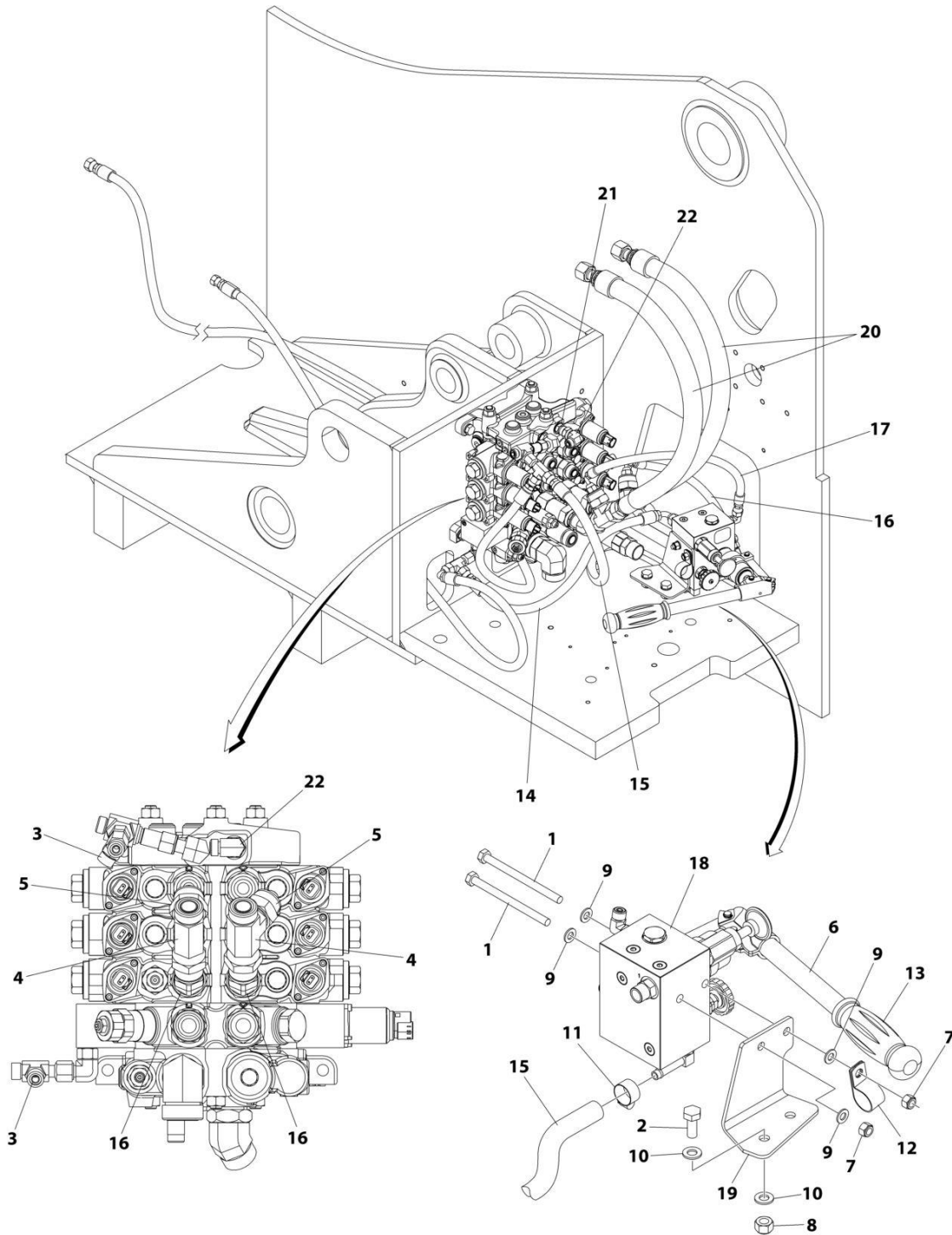
SECTION 8 - HYDRAULIC CIRCUITS

FIGURE 8-35. MAIN CONTROL VALVE/FITTINGS ASSEMBLY

ITEM	PART NUMBER	QTY	DESCRIPTION	REV
	1001192890	Ref	Main Control Valve Assembly	E
1	2111012	4	Fitting, Straight ORFS	
2	2130606	1	Fitting, 90 ORFS	
3	2132016	1	Fitting, 90 ORFS	
4	2151616	1	Fitting, 45 ORFS	
5	2170106	1	Fitting, Straight ORFS	
6	2170112	3	Fitting, Straight ORFS	
7	2170206	1	Fitting, 90 ORFS	
9	1001241880	1	Valve, Main Control (See Separate Breakdown in HYDRAULIC COMPONENTS Section)	
10	1001151238	2	Fitting, 45 ORFS	
11	2111212	1	Fitting, Straight ORFS	
12	8770030	1	Fitting, Straight ORFS	
13	8770104	1	Fitting, 90 ORFS	
14	8770286	1	Fitting, Tee ORFS	
15	1001224946	1	Valve, Check	

SECTION 8 - HYDRAULIC CIRCUITS

FIGURE 8-36. MANUAL PUMP (LIFT/TELE) INSTALLATION - REMOTE CONTROL EMERGENCY LOWERING



ART_1001253671

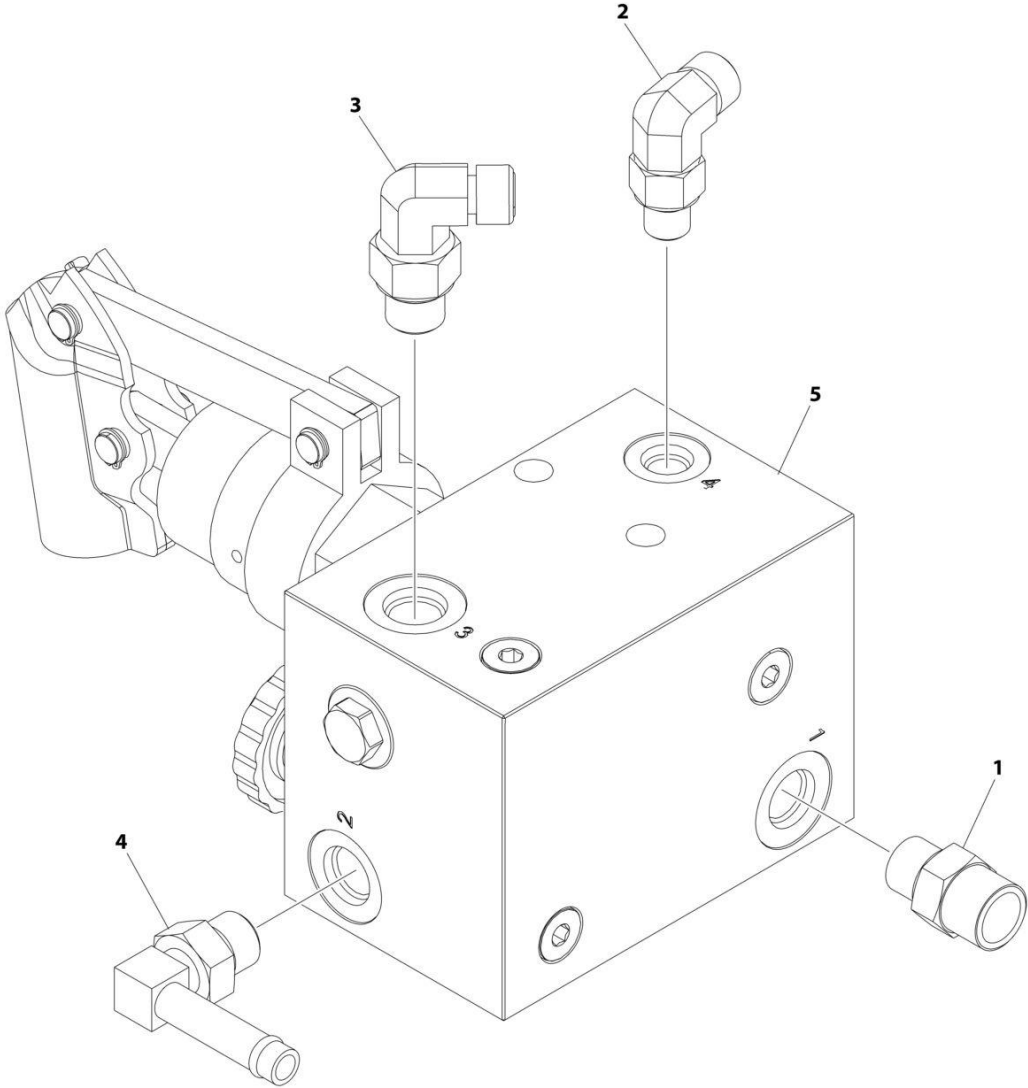
SECTION 8 - HYDRAULIC CIRCUITS

FIGURE 8-36. MANUAL PUMP (LIFT/TELE) INSTALLATION - REMOTE CONTROL EMERGENCY LOWERING

ITEM	PART NUMBER	QTY	DESCRIPTION	REV
	1001253671	Ref	Manual Pump (Lift/Tele) Installation	A
1	0700828	2	Bolt M8 x 110	
2	0761012	2	Bolt M10 x 25	
3	2170706	2	Fitting, Tee ORFS/FSORFS/ORFS	
4	2170712	2	Fitting, Tee ORFS/FSORFS/ORFS	
5	2221221	2	Fitting, Straight ORFS/FSORFS	
6	2560122	1	Handle	
7	3290805	2	Nut M8	
8	3291005	2	Nut M10	
9	4811900	4	Washer M8	
10	4812000	4	Washer M10	
11	8405006	1	Clamp	
12	8406201	1	Clip	
13	1001114761	1	Grip, Handle	
14	1001255519	1	Hose	
15	1001255520	1	Hose	
16	1001255521	1	Hose	
17	1001255522	1	Hose	
18	1001255536	1	Valve and Fittings Assembly (Manual Lift/Tele) (See Separate Breakdown in this Section)	
19	1001255568	1	Plate	
20	1001255567	2	Hose	
21	80333184	1	Fitting, Check	
22	2172106	1	Fitting, 90 ORFS/FSORFS	

SECTION 8 - HYDRAULIC CIRCUITS

FIGURE 8-37. VALVE & FITTING ASSEMBLY - MANUAL LIFT/TELE



ART_1001255536

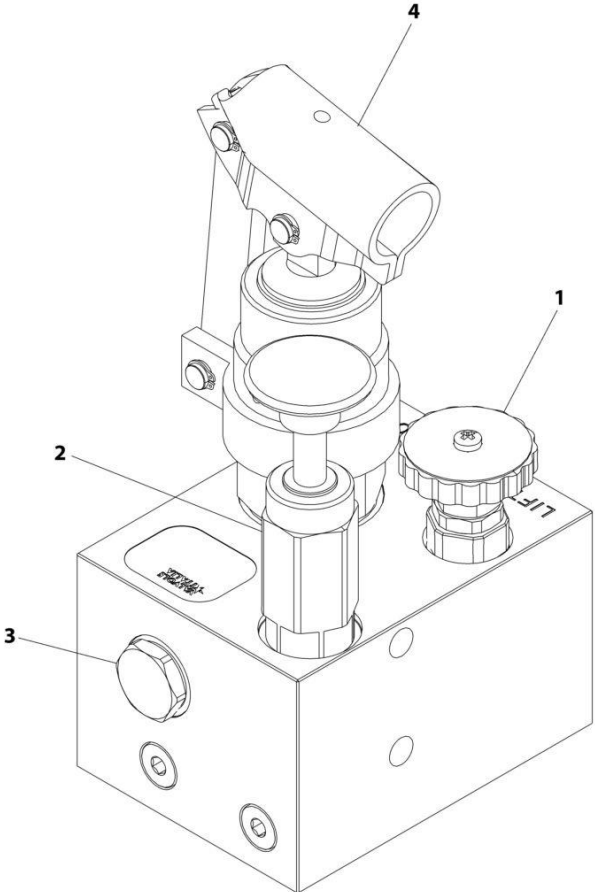
SECTION 8 - HYDRAULIC CIRCUITS

FIGURE 8-37. VALVE & FITTING ASSEMBLY - MANUAL LIFT/TELE

ITEM	PART NUMBER	QTY	DESCRIPTION	REV
	1001255536	Ref	Valve & Fitting Assembly - Manual Lift/Tele	A
1	2110606	1	Fitting, Straight ORFS/ORB	
2	2130404	1	Fitting, 90 ORFS/ORB	
3	2130406	1	Fitting, 90 ORFS/ORB	
4	8430034	1	Fitting, 90	
5	1001253661	1	Valve Assembly - Lift/Tele (See Separate Breakdown in this Section)	

SECTION 8 - HYDRAULIC CIRCUITS

FIGURE 8-38. VALVE ASSEMBLY - MANUAL LIFT/TELE



ART_1001253661

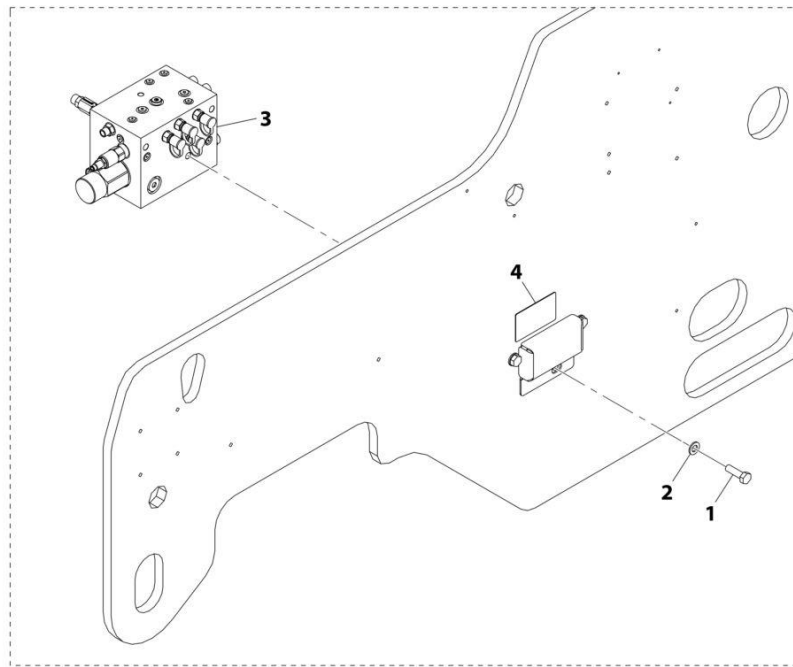
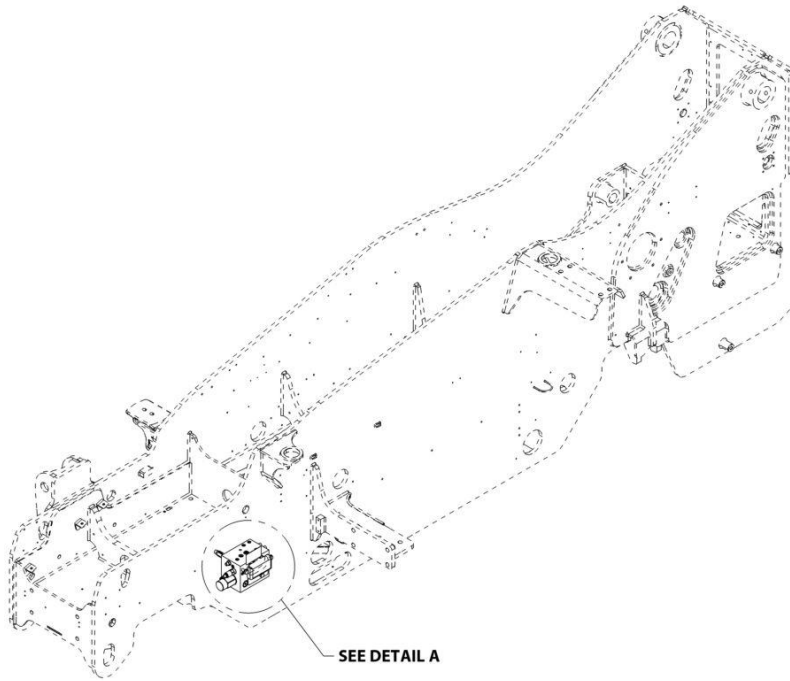
SECTION 8 - HYDRAULIC CIRCUITS

FIGURE 8-38. VALVE ASSEMBLY - MANUAL LIFT/TELE

ITEM	PART NUMBER	QTY	DESCRIPTION	REV
	1001253661	Ref	VALVE ASSEMBLY - MANUAL LIFT/TELE	A
1	70030102	1	Valve, Poppet	
2	70030104	1	Cartridge, Hand Pump	
3	70030103	1	Valve, Check	
4	70005440	1	Cartridge, Hand Pump	

SECTION 8 - HYDRAULIC CIRCUITS

FIGURE 8-39. PRIORITY VALVE INSTALLATION



DETAIL A

ART_1001192885-B

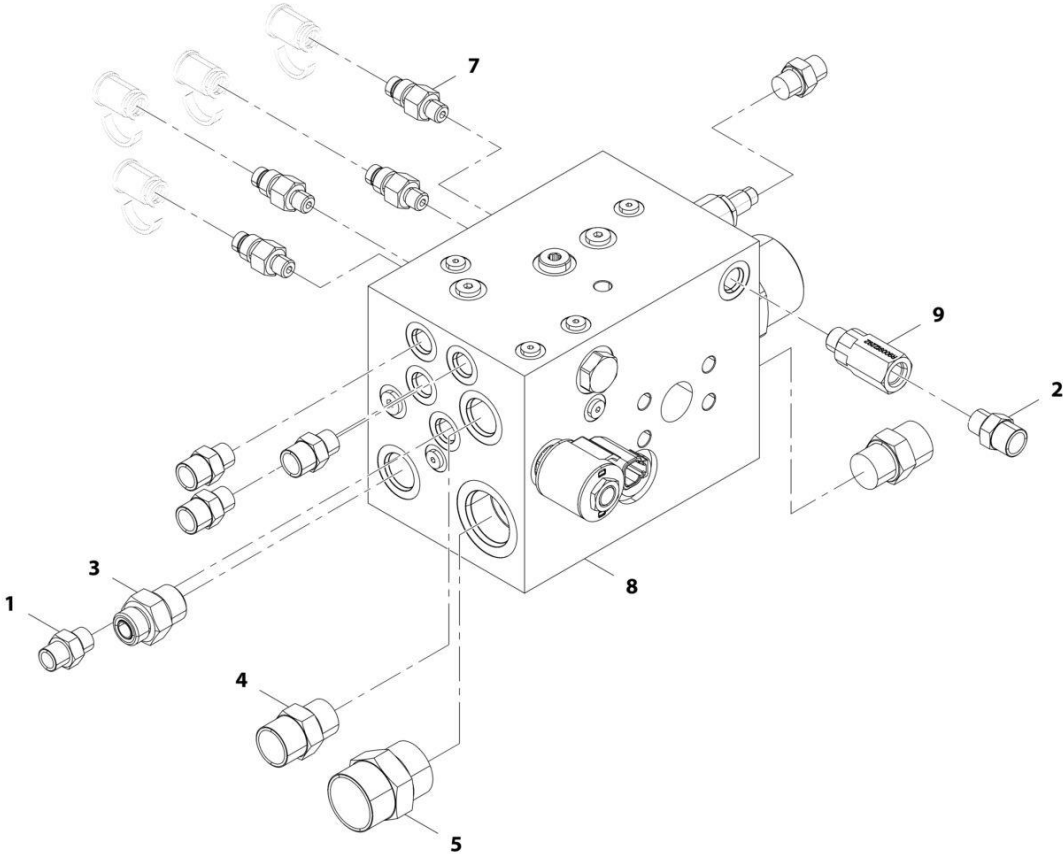
SECTION 8 - HYDRAULIC CIRCUITS

FIGURE 8-39. PRIORITY VALVE INSTALLATION

ITEM	PART NUMBER	QTY	DESCRIPTION	REV
	1001192885	Ref	Priority Manifold Installation	B
1	0701216	3	Bolt, M12X40	
2	4812100	3	Washer, M12	
3	1001192886	1	Assembly, Priority Valve (See Separate Breakdown in this Section)	
4	1001192887	1	Decal	

SECTION 8 - HYDRAULIC CIRCUITS

FIGURE 8-40. PRIORITY VALVE/FITTINGS ASSEMBLY



ART_1001192886-D

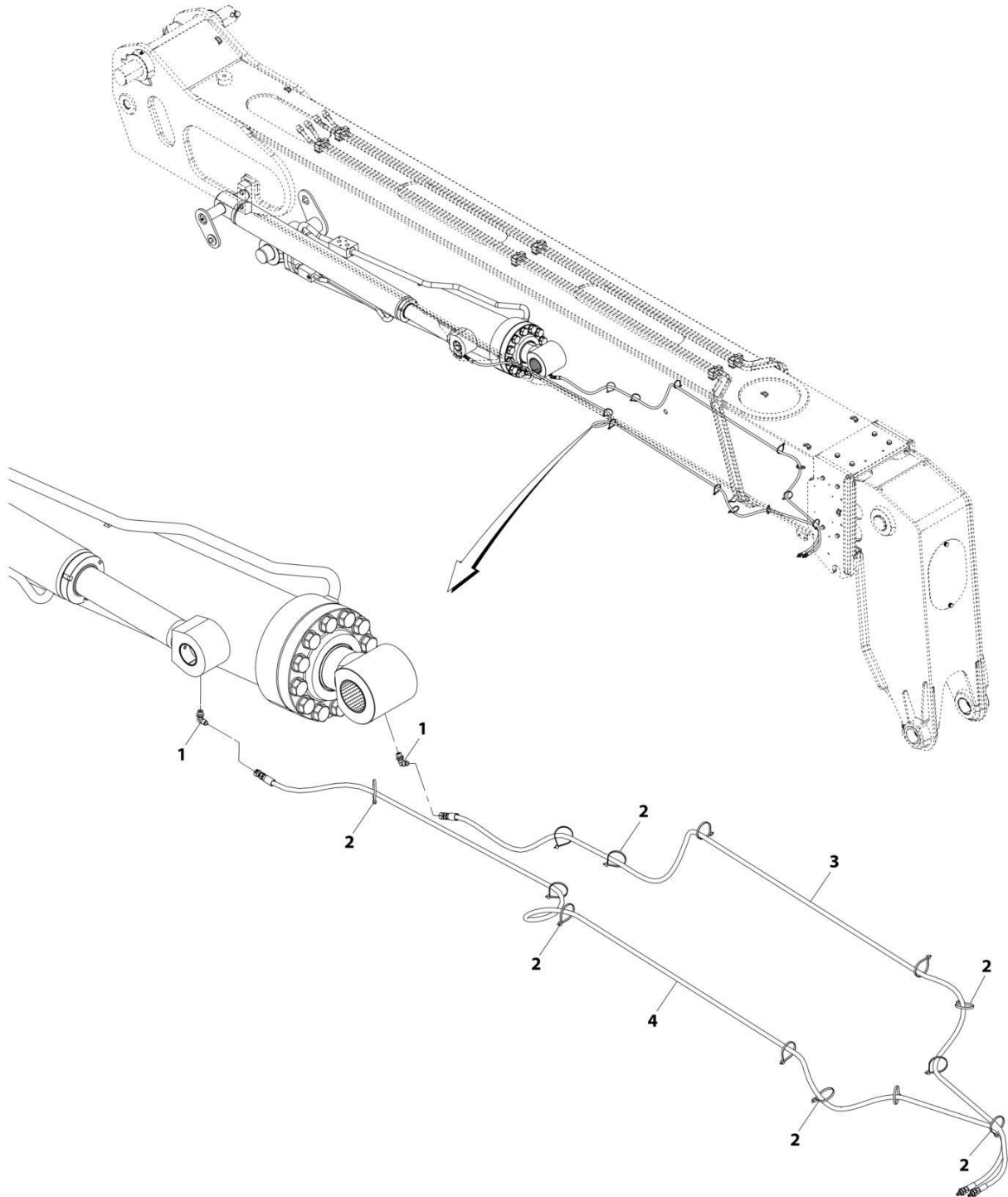
SECTION 8 - HYDRAULIC CIRCUITS

FIGURE 8-40. PRIORITY VALVE/FITTINGS ASSEMBLY

ITEM	PART NUMBER	QTY	DESCRIPTION	REV
	1001192886	Ref	Priority Valve Assembly	D
1	2110406	2	Fitting, Straight ORFS	
2	2110606	4	Fitting, Straight ORFS	
3	2110810	1	Fitting, Straight ORFS	
4	2111010	2	Fitting, Straight ORFS	
5	2111616	1	Fitting, Straight ORFS	
7	8430033	4	Fitting, Straight	
8	1001192888	1	Assembly, Priority Valve (See Separate Breakdown in HYDRAULIC COMPONENTS Section)	
9	1001187355	1	Valve, Check	

SECTION 8 - HYDRAULIC CIRCUITS

FIGURE 8-41. REMOTE GREASE FITTINGS INSTALLAATION



ART_1001217352-B

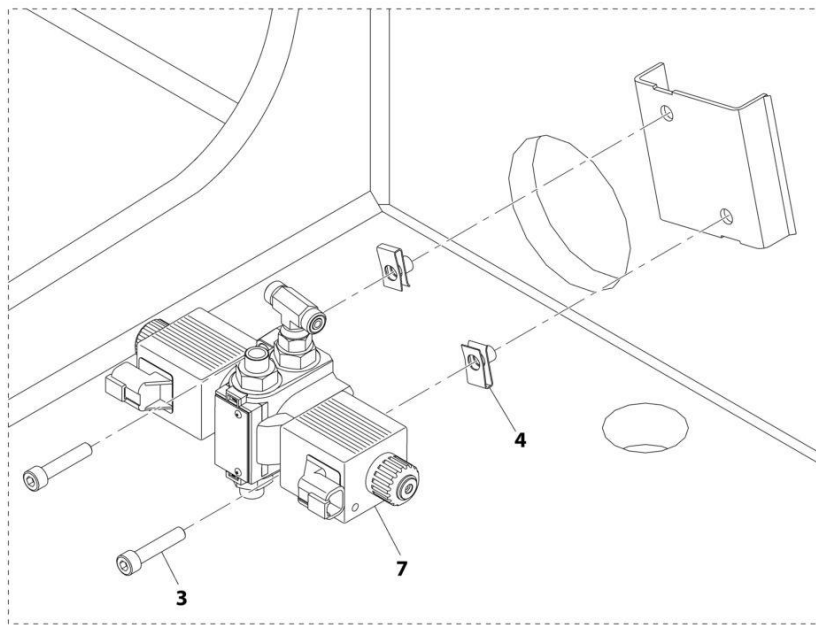
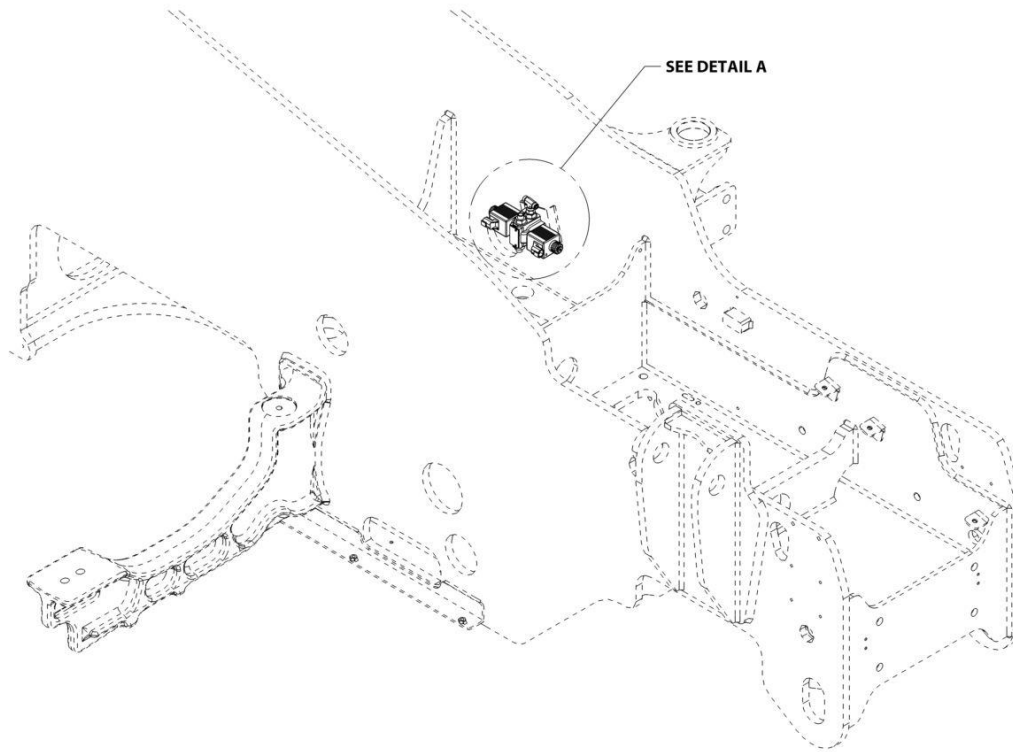
SECTION 8 - HYDRAULIC CIRCUITS

FIGURE 8-41. REMOTE GREASE FITTINGS INSTALLATION

ITEM	PART NUMBER	QTY	DESCRIPTION	REV
	1001217352	Ref	Remote Grease Installation	B
1	8770215	2	Fitting, 90 ORFS	
2	1001008559	13	Strap, Cable	
3	1001217354	1	Hose	
4	1001217355	1	Hose	

SECTION 8 - HYDRAULIC CIRCUITS

FIGURE 8-42. SPEED CONTROL VALVE INSTALLATION



DETAIL A

ART_1001197196-B

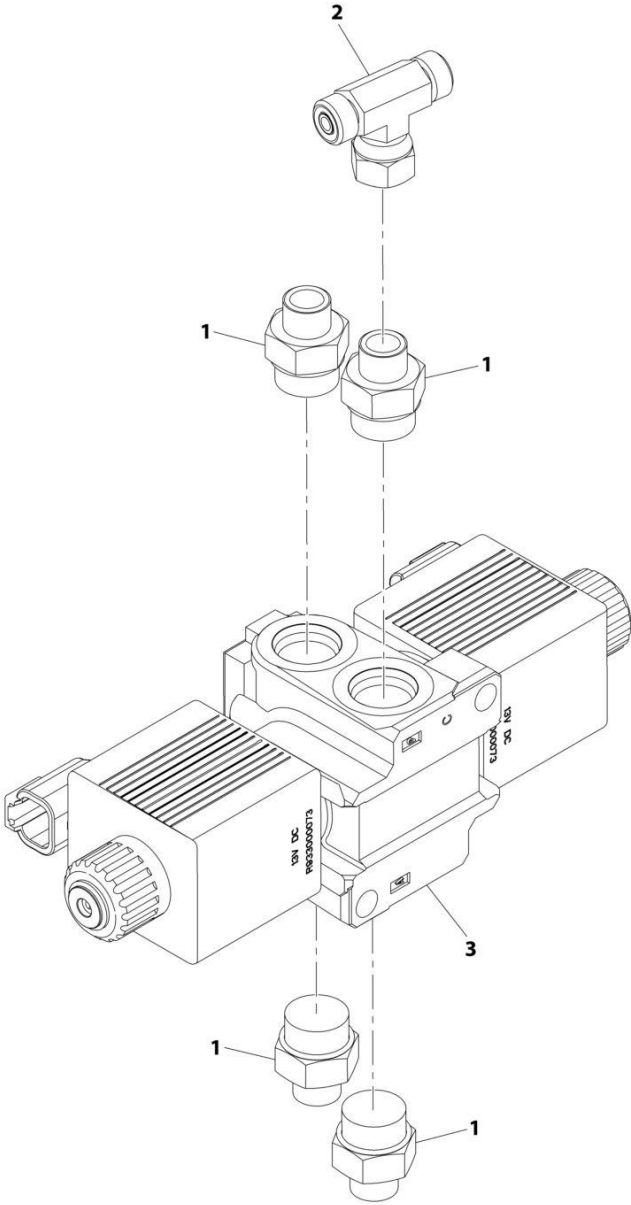
SECTION 8 - HYDRAULIC CIRCUITS

FIGURE 8-42. SPEED CONTROL VALVE INSTALLATION

ITEM	PART NUMBER	QTY	DESCRIPTION	REV
	1001197196	Ref	Speed Control Valve Installation	B
3	4031912	2	Bolt, M8X40	
4	8310686	2	Nut, M8X12.5	
7	1001220643	1	Assembly, Speed Control Valve (See Separate Breakdown in this Section)	

SECTION 8 - HYDRAULIC CIRCUITS

FIGURE 8-43. SPEED CONTROL VALVE/FITTINGS ASSEMBLY



ART_1001220643-A

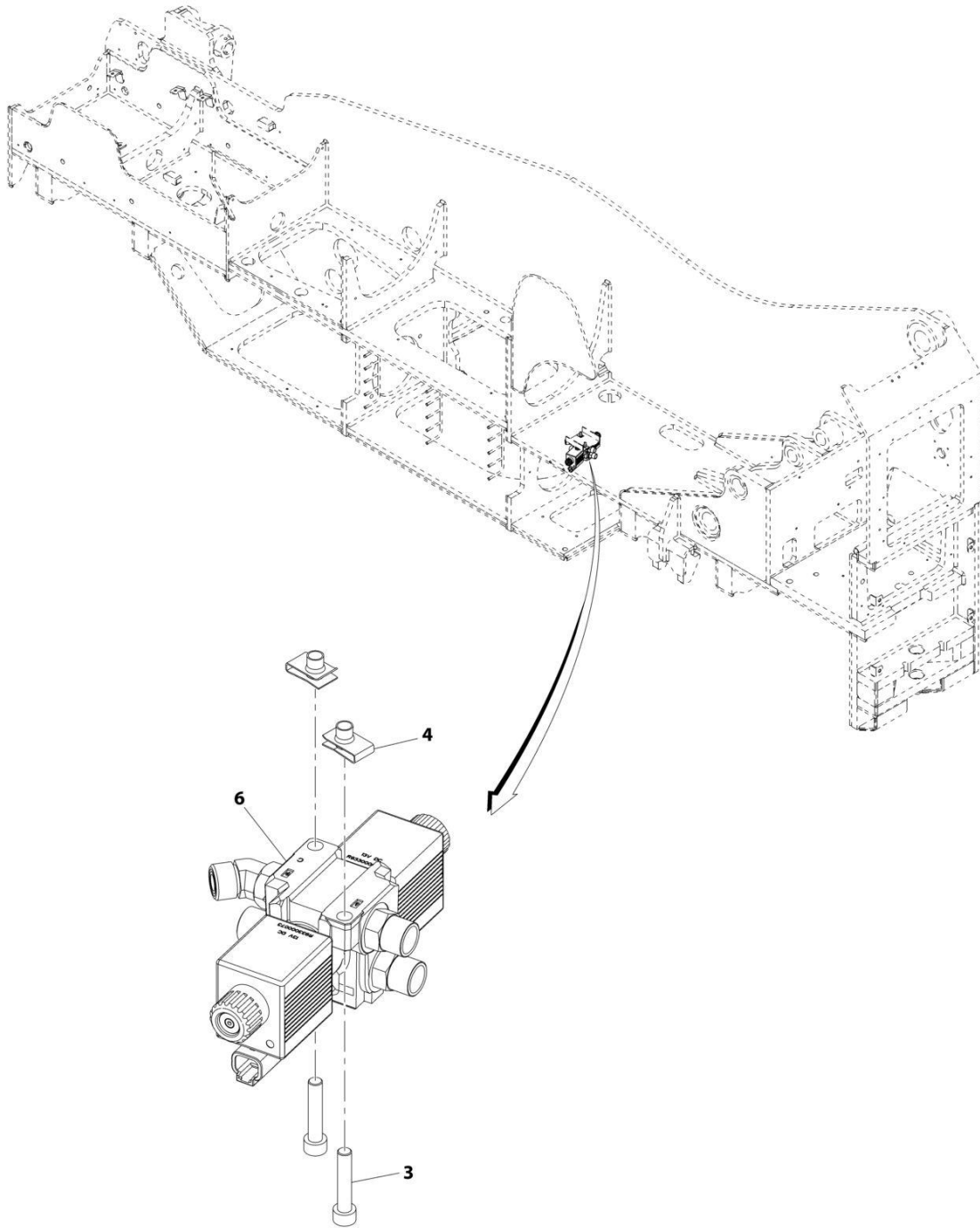
SECTION 8 - HYDRAULIC CIRCUITS

FIGURE 8-43. SPEED CONTROL VALVE/FITTINGS ASSEMBLY

ITEM	PART NUMBER	QTY	DESCRIPTION	REV
	1001220643	Ref	Speed Control Valve Assembly	A
1	2110408	4	Fitting, Straight ORFS	
2	2170804	1	Fitting, Tee	
3	4641520	1	Valve, Speed Control (See Separate Breakdown in HYDRAULIC COMPONENTS Section)	

SECTION 8 - HYDRAULIC CIRCUITS

FIGURE 8-44. STEERING SELECT VALVE INSTALLATION



ART_1001193516-B

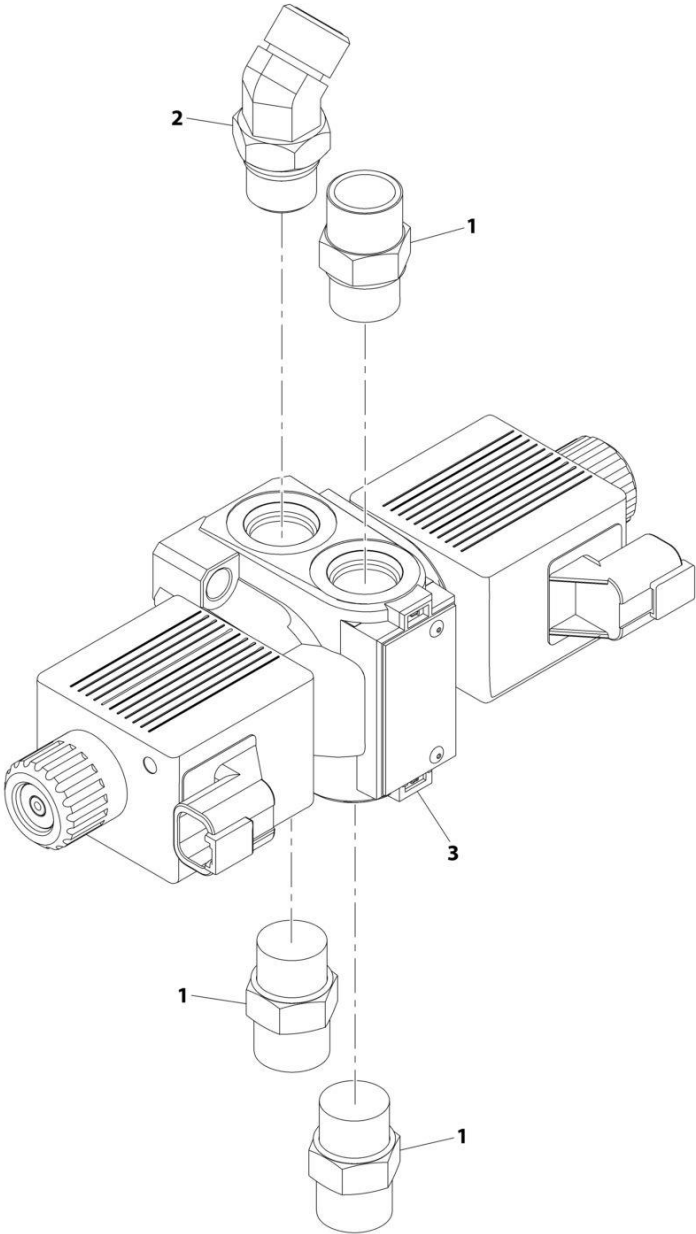
SECTION 8 - HYDRAULIC CIRCUITS

FIGURE 8-44. STEERING SELECT VALVE INSTALLATION

ITEM	PART NUMBER	QTY	DESCRIPTION	REV
	1001193516	Ref	Steering Select Valve Installation	B
3	4031912	2	Bolt, M8X40	
4	8310686	2	Nut, M8X12.5	
6	1001212418	1	Assembly, Steering Select Valve (See Separate Breakdown in this Section)	

SECTION 8 - HYDRAULIC CIRCUITS

FIGURE 8-45. STEERING SELECT VALVE/FITTINGS ASSEMBLY



ART_1001212418-A

SECTION 8 - HYDRAULIC CIRCUITS

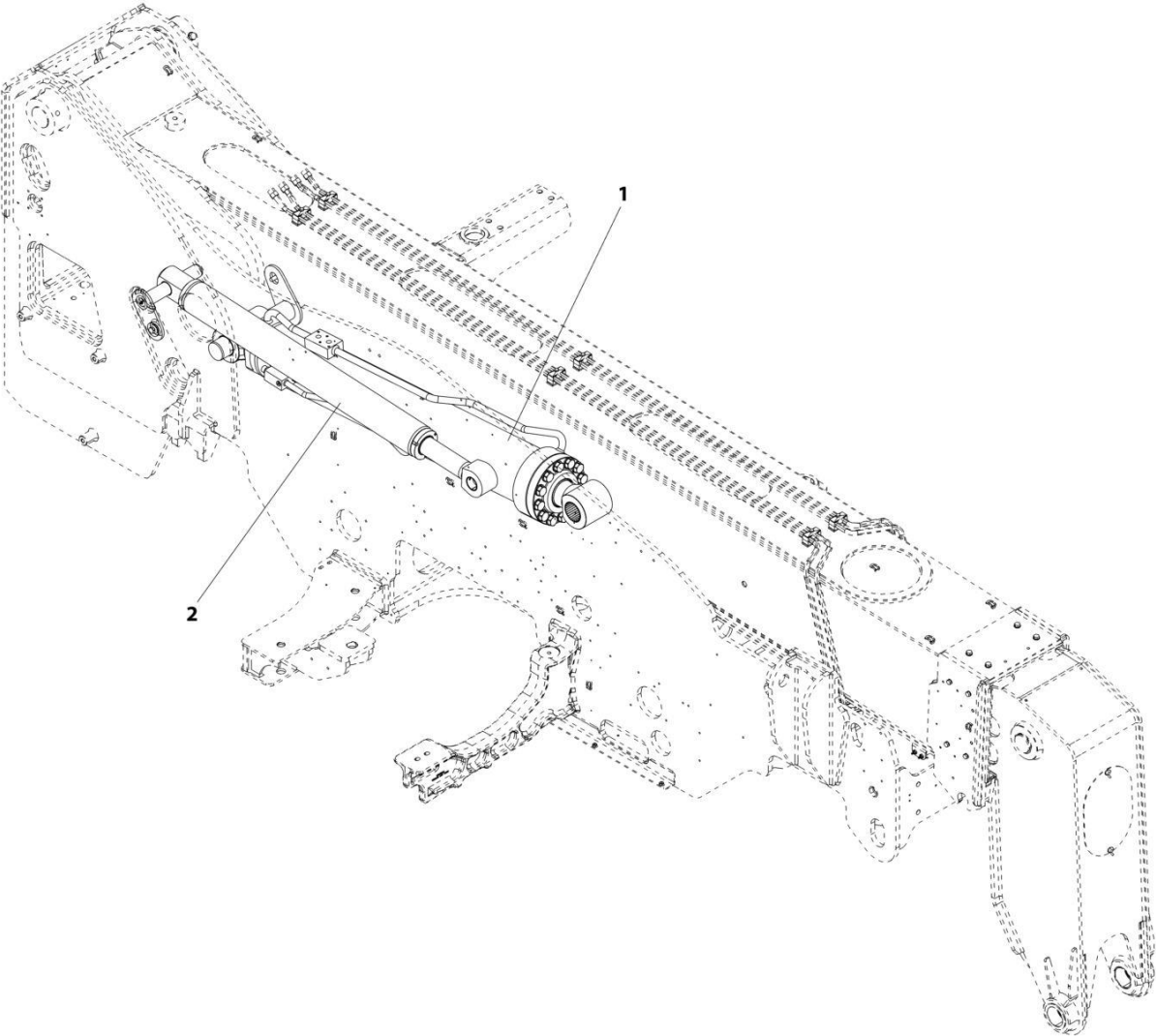
FIGURE 8-45. STEERING SELECT VALVE/FITTINGS ASSEMBLY

ITEM	PART NUMBER	QTY	DESCRIPTION	REV
	1001212418	Ref	Steering Select Valve Assembly	A
1	2110808	3	Fitting, Straight ORFS	
2	2150808	1	Fitting, 45 ORFS	
3	1001153748	1	Valve, Steering Select (See Separate Breakdown in HYDRAULIC COMPONENTS Section)	

SECTION 9 - HYDRAULIC COMPONENTS

SECTION 9 - HYDRAULIC COMPONENTS

FIGURE 9-1. CYLINDER INSTALLATION - BOOM LIFT & COMPENSATION CYLINDER



ART_1001174107-C

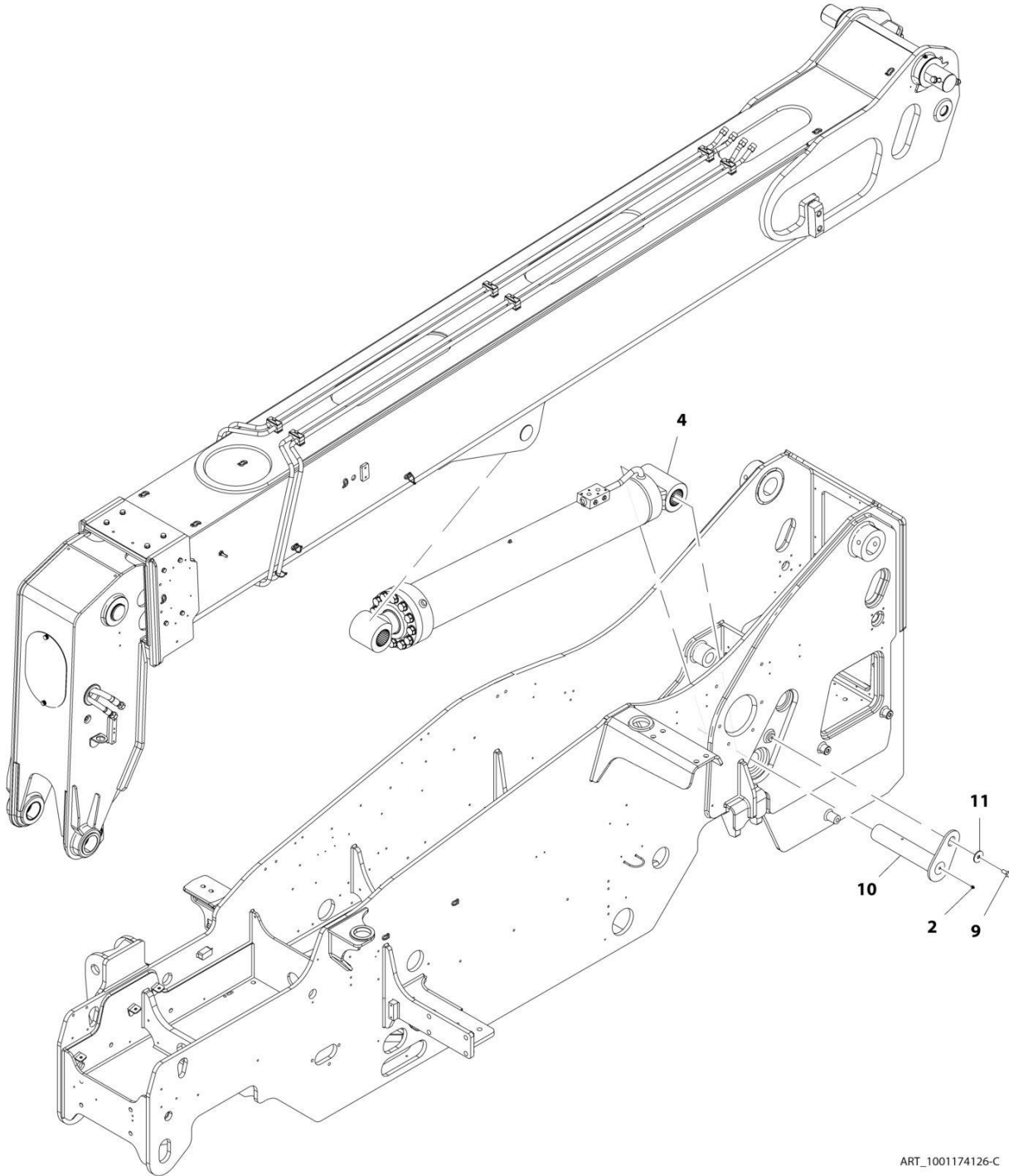
SECTION 9 - HYDRAULIC COMPONENTS

FIGURE 9-1. CYLINDER INSTALLATION - BOOM LIFT & COMPENSATION CYLINDER

ITEM	PART NUMBER	QTY	DESCRIPTION	REV
1	1001174107	Ref	Cylinder Group Installation	C
	1001174126	Ref	Installation, Lift Cylinder (See Separate Breakdown in this Section)	
2	1001198578	Ref	Installation, Compensation Cylinder (See Separate Breakdown in this Section)	

SECTION 9 - HYDRAULIC COMPONENTS

FIGURE 9-2. CYLINDER INSTALLATION - BOOM LIFT



ART_1001174126-C

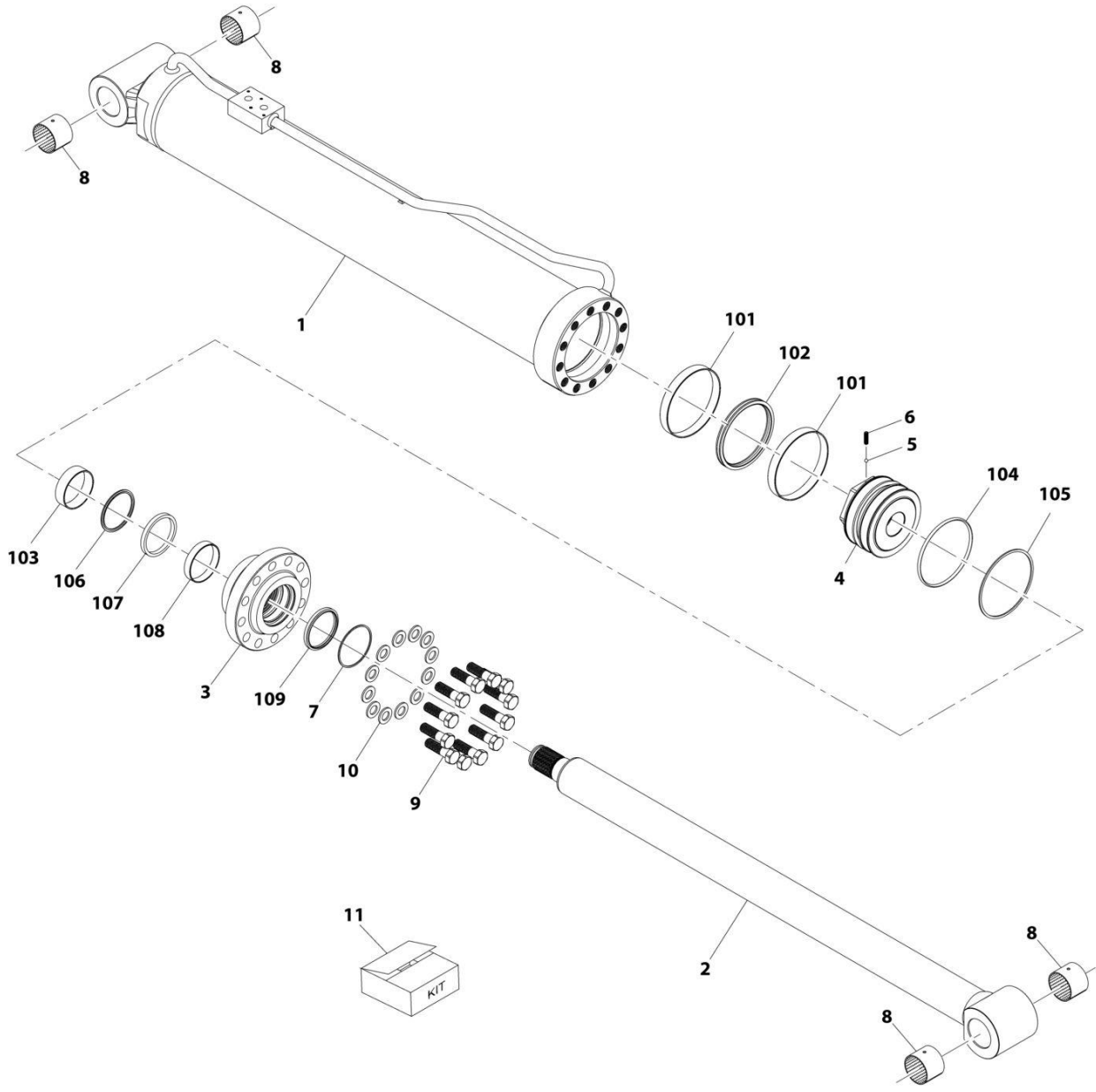
SECTION 9 - HYDRAULIC COMPONENTS

FIGURE 9-2. CYLINDER INSTALLATION - BOOM LIFT

ITEM	PART NUMBER	QTY	DESCRIPTION	REV
	1001174126	Ref	Lift Cylinder Installation	C
2	2160016	1	Fitting, Grease	
4	1001174811	1	Cylinder, Lift (See Separate Breakdown in this Section)	
9	0771414	1	Bolt, M14X30 Grade 10.9	
10	1001216331	1	Pin	
11	1001217226	1	Washer	

SECTION 9 - HYDRAULIC COMPONENTS

FIGURE 9-3. CYLINDER ASSEMBLY - BOOM LIFT



ART_1001174811-E

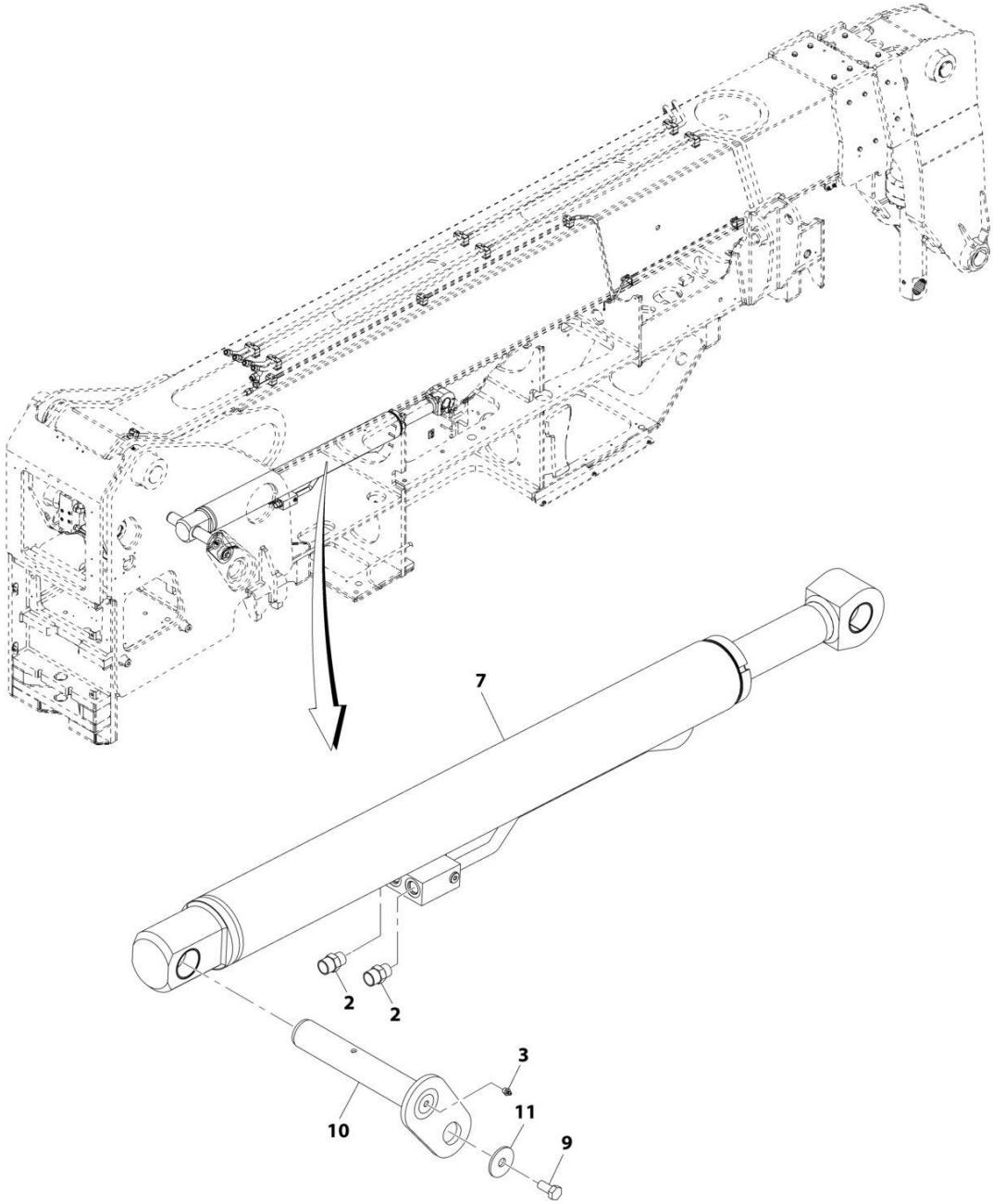
SECTION 9 - HYDRAULIC COMPONENTS

FIGURE 9-3. CYLINDER ASSEMBLY - BOOM LIFT

ITEM	PART NUMBER	QTY	DESCRIPTION	REV
	1001174811	Ref	Lift Cylinder	E
		Ref	Note: Original Cylinder May Have Been Replaced with Service Replacement. Identify PN Stamped on Cylinder Before Ordering Parts.	
1	N.S.S.	1	Barrel	
2	70028306	1	Rod	
3	70028307	1	Head	
4	70028308	1	Piston	
5	70025614	1	Bearing	
6	70028309	1	Screw, Locking	
7	70025590	1	Ring, Snap	
8	70028310	4	Bushing	
9	70028311	12	Bearing	
10	70028312	12	Washer	
11	70028313	1	Kit, Seal (includes items 101 thru 109)	
101	Kit	2	Ring, Wear	
102	Kit	1	Seal, Piston	
103	Kit	1	Ring, Wear	
104	Kit	1	O-Ring	
105	Kit	1	Ring, Back-up	
106	Kit	1	Seal, Rod	
107	Kit	1	Seal, Rod	
108	Kit	1	Ring, Wear	
109	Kit	1	Wiper	

SECTION 9 - HYDRAULIC COMPONENTS

FIGURE 9-4. CYLINDER INSTALLATION - BOOM COMPENSATION



ART_1001198578-C

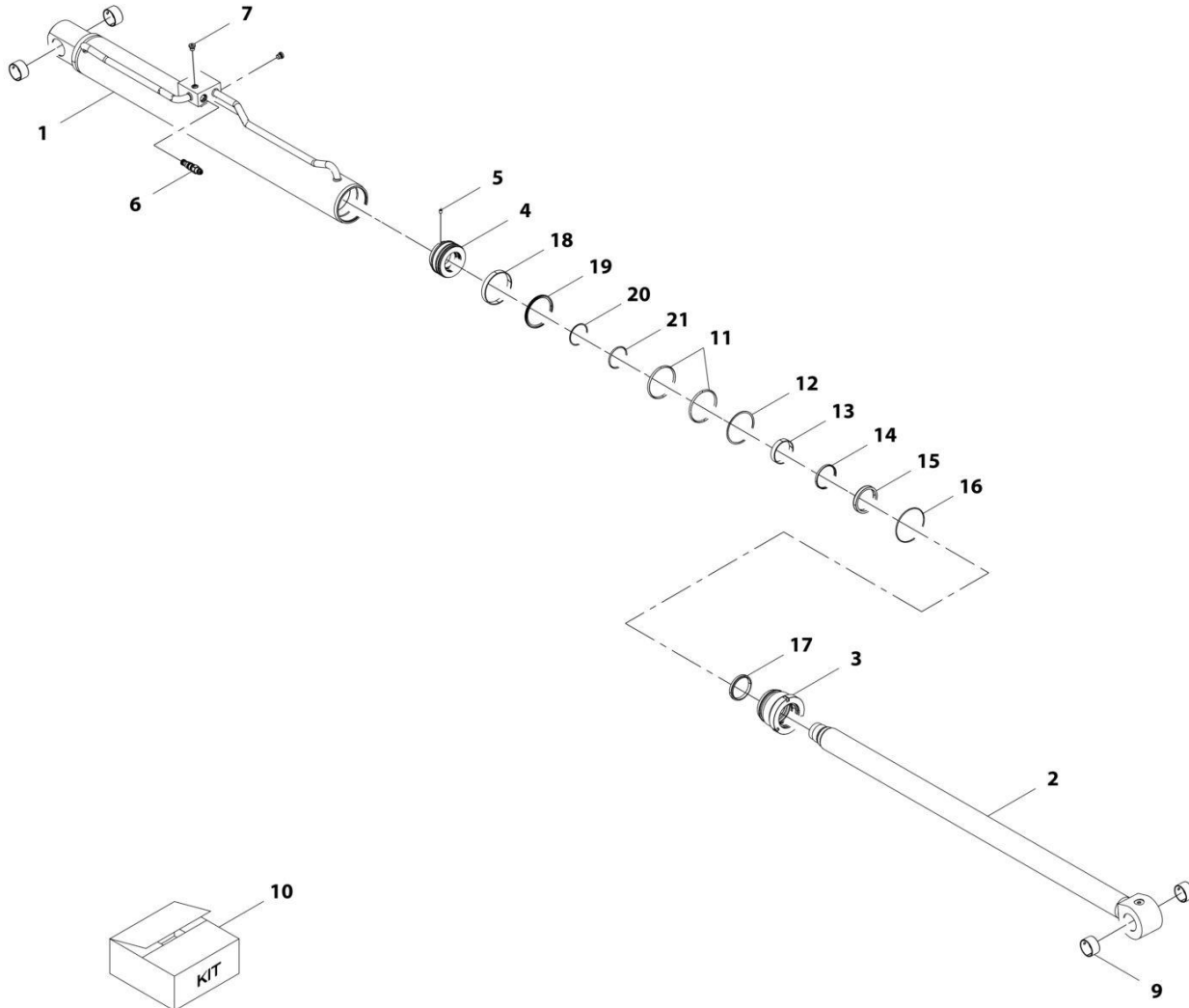
SECTION 9 - HYDRAULIC COMPONENTS

FIGURE 9-4. CYLINDER INSTALLATION - BOOM COMPENSATION

ITEM	PART NUMBER	QTY	DESCRIPTION	REV
	1001198578	Ref	Compensation Cylinder Installation	C
2	2111010	2	Fitting, Straight ORFS	
3	2160016	1	Fitting, Grease	
7	1001198717	1	Cylinder, Compensation (See Separate Breakdown in this Section)	
9	0771414	1	Bolt, M14X30	
10	1001216333	1	Pin	
11	1001217226	1	Washer	

SECTION 9 - HYDRAULIC COMPONENTS

FIGURE 9-5. CYLINDER ASSEMBLY - BOOM COMPENSATION



ART_1001198717-E

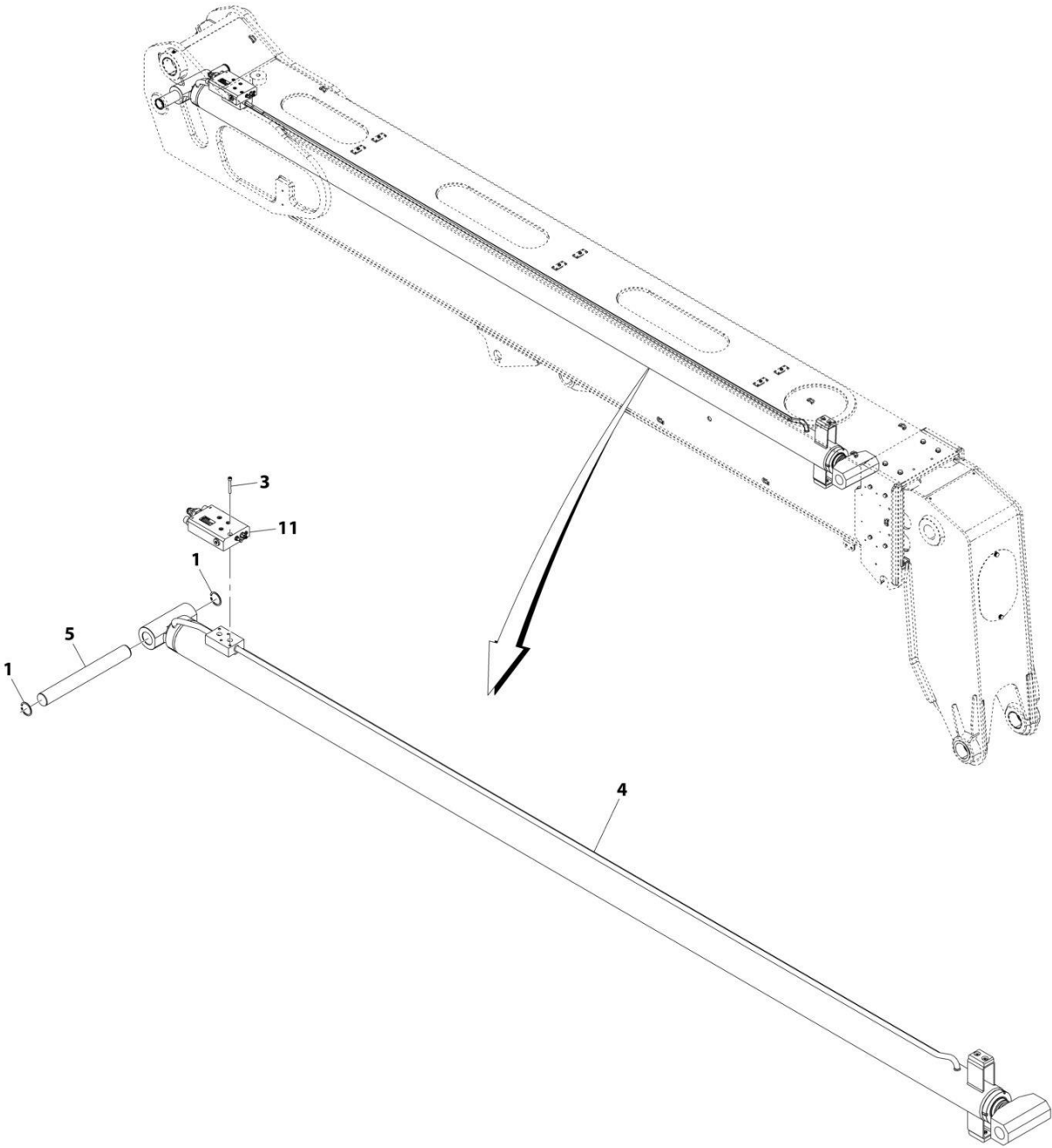
SECTION 9 - HYDRAULIC COMPONENTS

FIGURE 9-5. CYLINDER ASSEMBLY - BOOM COMPENSATION

ITEM	PART NUMBER	QTY	DESCRIPTION	REV
	1001198717	Ref	Cylinder, Compensation	E
		Ref	Note: Original Cylinder May Have Been Replaced with Service Replacement. Identify PN Stamped on Cylinder Before Ordering Parts.	
1	N.S.S.	1	Barrel	
2	70028376	1	Rod	
3	70028377	1	Guide, Rod	
4	70028378	1	Piston	
5	70026838	1	Screw	
6	70028384	1	Valve	
7	70028379	2	Plug	
9	70020476	4	Bushing	
10	70028380	1	Kit, Seal (includes items 11 thru 21)	
11	Kit	2	O-Ring	
12	Kit	1	Ring, Backup	
13	Kit	1	Bearing	
14	Kit	1	Buffer	
15	Kit	1	O-Ring	
16	Kit	1	Seal, Rod	
17	Kit	1	Wiper	
18	Kit	1	Bearing	
19	Kit	1	Seal, Piston	
20	Kit	1	Ring, Backup	
21	Kit	1	O-Ring	

SECTION 9 - HYDRAULIC COMPONENTS

FIGURE 9-6. CYLINDER INSTALLATION - BOOM EXTEND/RETRACT CYLINDER



ART_1001178157-D

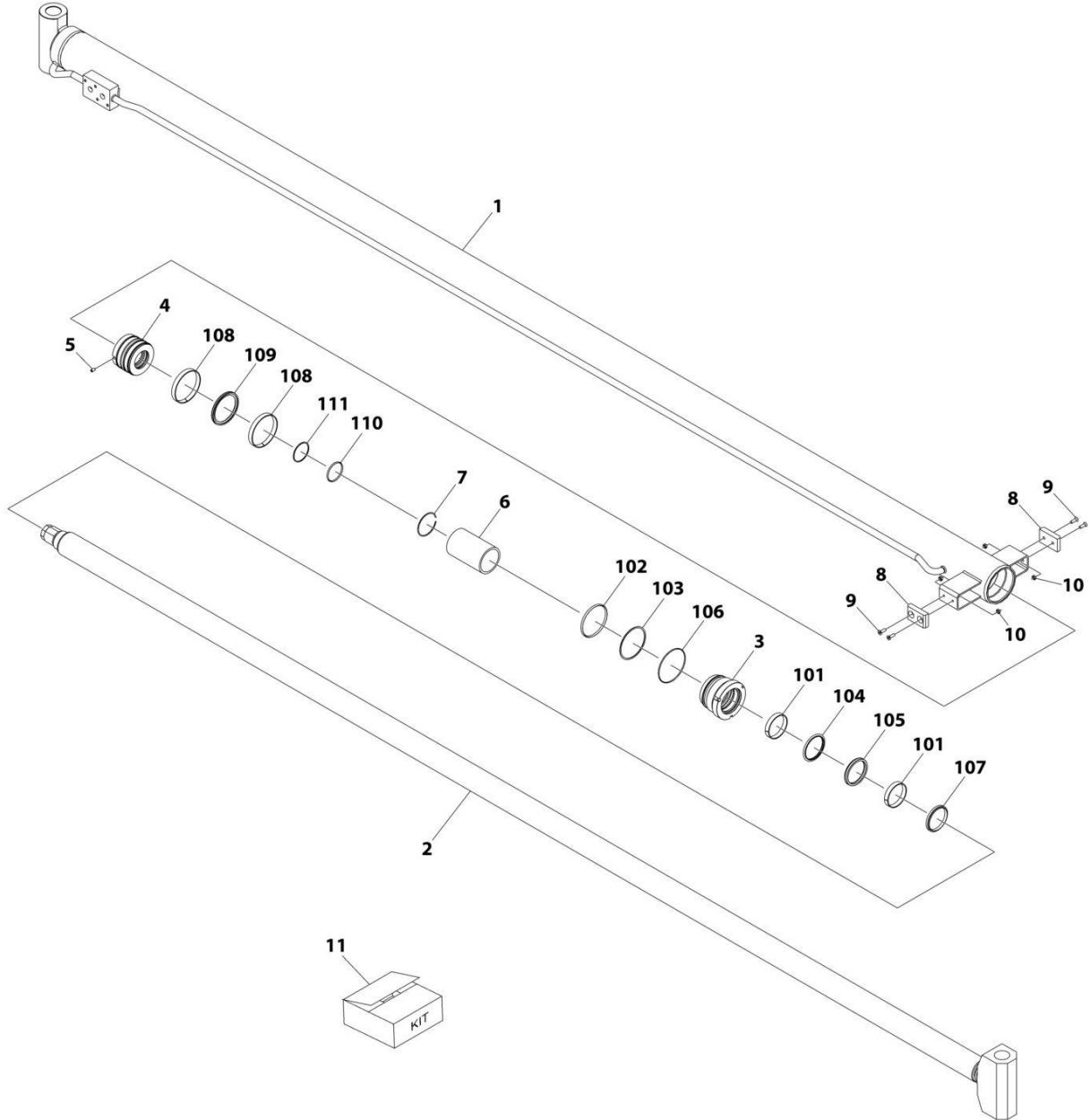
SECTION 9 - HYDRAULIC COMPONENTS

FIGURE 9-6. CYLINDER INSTALLATION - BOOM EXTEND/RETRACT CYLINDER

ITEM	PART NUMBER	QTY	DESCRIPTION	REV
	1001178157	Ref	Extend/Retract Cylinder Installation	D
1	314689	2	Ring, Retaining	
3	4031916	4	Bolt, M8X60	
4	1001174814	1	Cylinder, Extend/Retract (See Separate Breakdown in this Section)	
5	1001190259	1	Pin	
11	1001212312	1	Counterbalance Valve & Fittings Sub-Assembly (see Separate Breakdown in this Section)	

SECTION 9 - HYDRAULIC COMPONENTS

FIGURE 9-7. CYLINDER ASSEMBLY - BOOM EXTEND/RETRACT CYLINDER



ART_1001174814

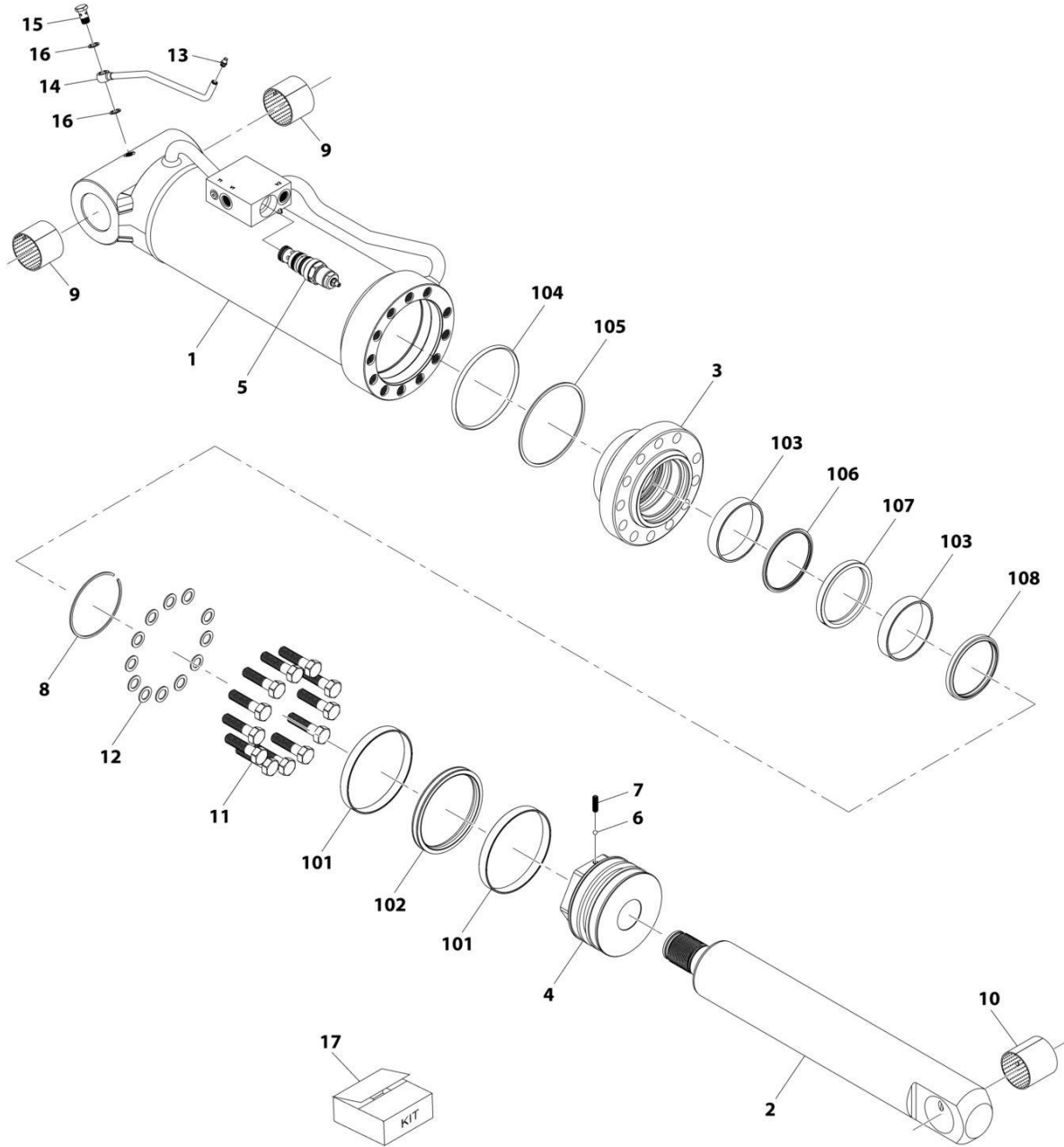
SECTION 9 - HYDRAULIC COMPONENTS

FIGURE 9-7. CYLINDER ASSEMBLY - BOOM EXTEND/RETRACT CYLINDER

ITEM	PART NUMBER	QTY	DESCRIPTION	REV
	1001174814	Ref	EXTEND/RETRACT CYLINDER	I
		Ref	Note: Original Cylinder May Have Been Replaced with Service Replacement. Identify PN Stamped on Cylinder Before Ordering Parts.	
1	See Note	NSS	Barrel (Note: Purchase Complete Assembly)	
2	70028371	1	Rod	
3	70028372	1	Head	
4	70026408	1	Piston	
5	70020438	1	Screw	
6	70026407	1	Spacer	
7	70026411	1	Ring	
8	70027811	2	Pad, Wear	
9	70028373	4	Screw	
10	70028374	4	Nut	
11	70028375	1	Seal kit (includes items 101 thru 111)	
101	Kit	NSS	Bearing (Purchase Item 11)	
102	Kit	NSS	O-Ring (Purchase Item 11)	
103	Kit	NSS	Ring, Backup (Purchase Item 11)	
104	Kit	NSS	Ring, Wear (Purchase Item 11)	
105	Kit	NSS	Seal, Rod (Purchase Item 11)	
106	Kit	NSS	O-Ring (Purchase Item 11)	
107	Kit	NSS	Wiper (Purchase Item 11)	
108	Kit	NSS	Bearing (Purchase Item 11)	
109	Kit	NSS	Seal, Piston (Purchase Item 11)	
110	Kit	NSS	O-Ring (Purchase Item 11)	
111	Kit	NSS	Ring, Backup (Purchase Item 11)	

SECTION 9 - HYDRAULIC COMPONENTS

FIGURE 9-8. CYLINDER ASSEMBLY - BOOM TILT



ART_1001174812-F

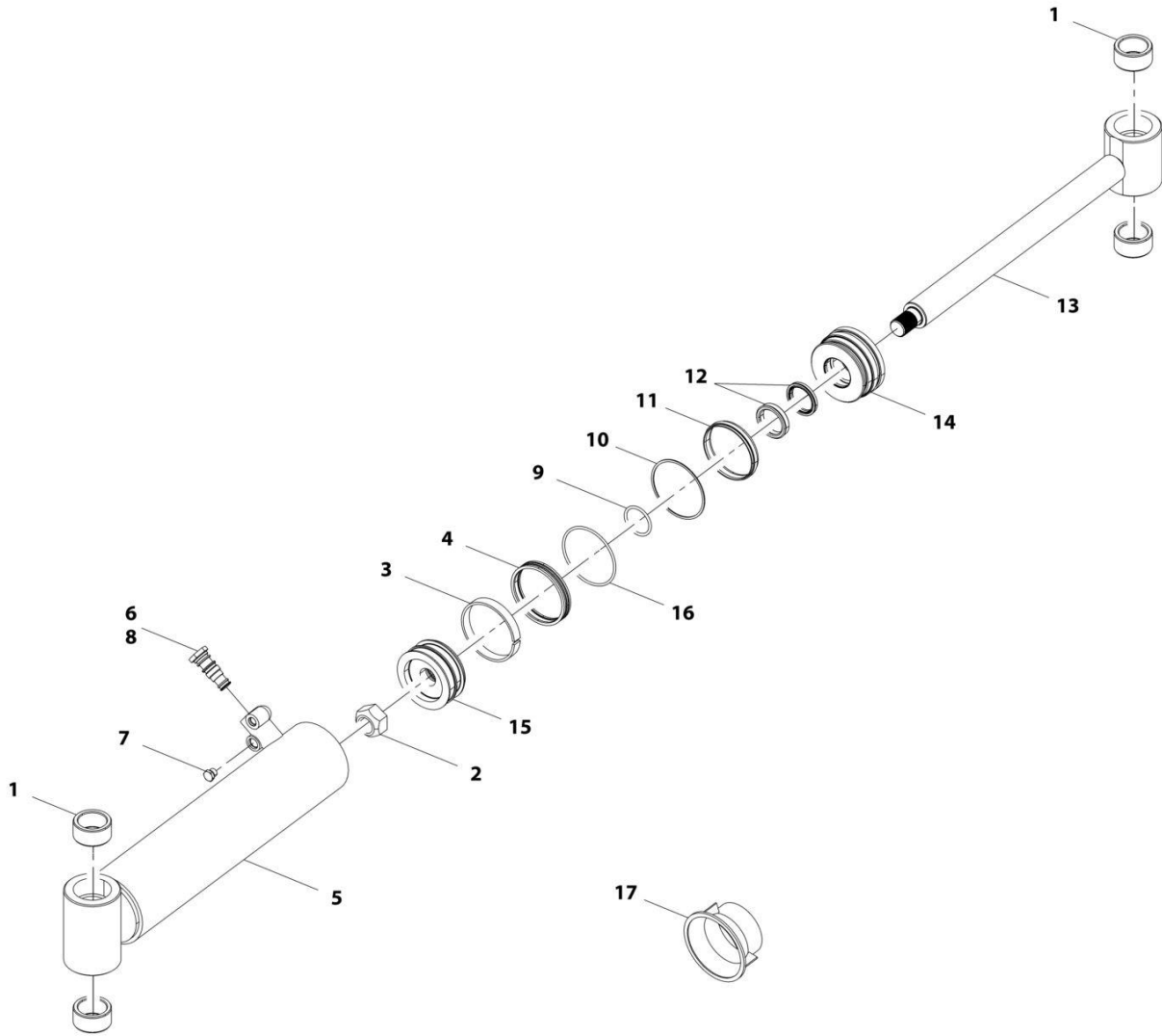
SECTION 9 - HYDRAULIC COMPONENTS

FIGURE 9-8. CYLINDER ASSEMBLY - BOOM TILT

ITEM	PART NUMBER	QTY	DESCRIPTION	REV
	1001174812	Ref	Tilt Cylinder	F
		Ref	Note: Original Cylinder May Have Been Replaced with Service Replacement. Identify PN Stamped on Cylinder Before Ordering Parts.	
1	N.S.S.	1	Barrel	
2	70028314	1	Rod	
3	70028315	1	Piston	
4	70028316	1	Head	
5	70028317	1	Valve, Counterbalance	
6	70025614	1	Bearing	
7	70028309	1	Screw, Locking	
8	70028318	1	Ring, Snap	
9	70028310	2	Bushing	
10	70028319	1	Bushing	
11	70028320	12	Bolt	
12	70028321	12	Washer	
13	70029941	2	Fitting, Grease	
14	70028322	1	Pipe	
15	70024035	1	Screw	
16	70028323	2	Washer	
17	70028324	1	Kit, Seal (includes items 101 thru 108)	
101	Kit	2	Ring, Piston	
102	Kit	1	Seal, Piston	
103	Kit	2	Ring, Rod	
104	Kit	1	"O" Ring	
105	Kit	1	Ring, Back-Up	
106	Kit	1	Seal, Rod	
107	Kit	1	Seal, Rod	
108	Kit	1	Wiper	

SECTION 9 - HYDRAULIC COMPONENTS

FIGURE 9-9. CYLINDER ASSEMBLY - BUCKET (4 IN 1 BUCKET)



ART_70028572-D

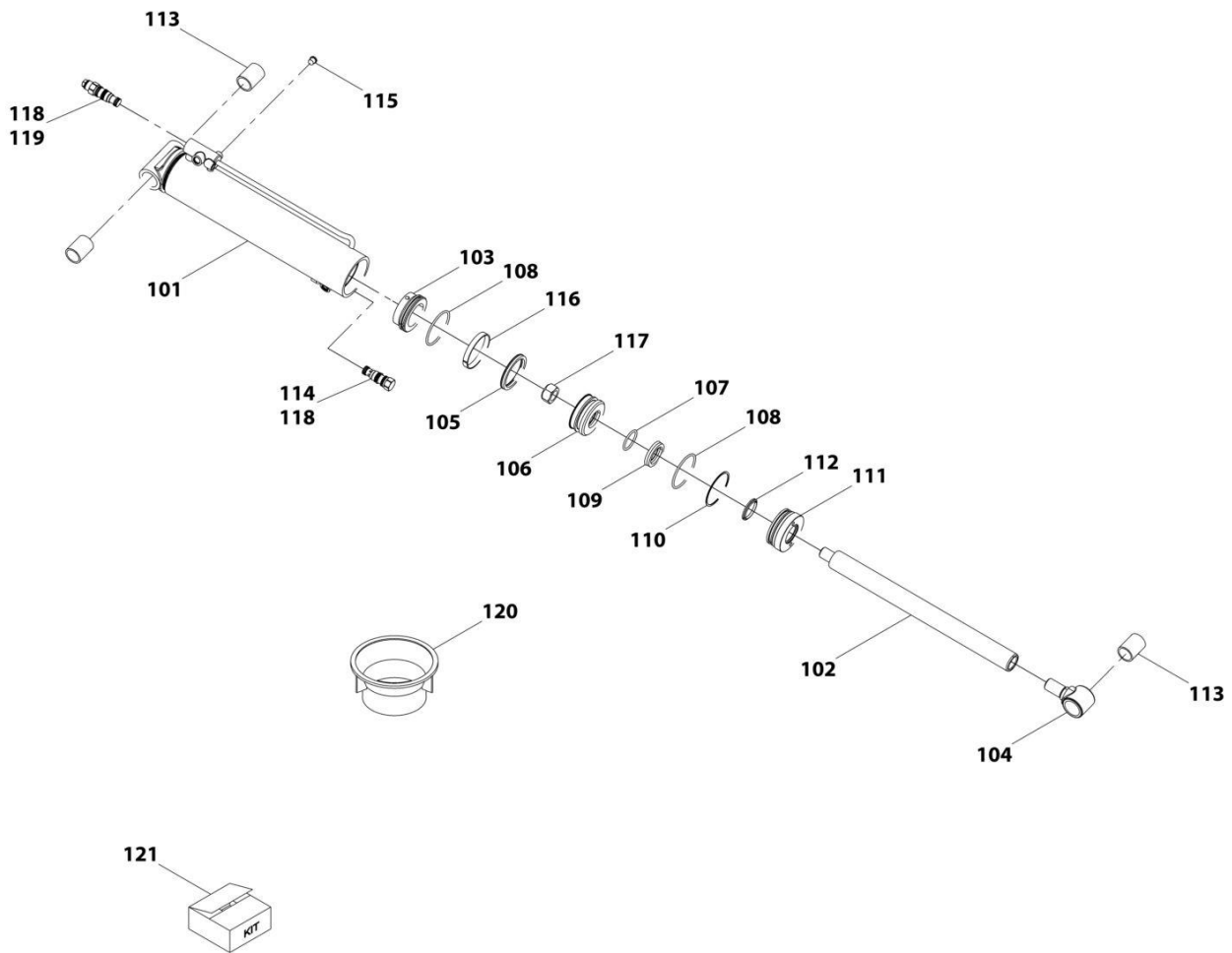
SECTION 9 - HYDRAULIC COMPONENTS

FIGURE 9-9. CYLINDER ASSEMBLY - BUCKET (4 IN 1 BUCKET)

ITEM	PART NUMBER	QTY	DESCRIPTION	REV
	70028572	Ref	Cylinder Assembly	D
		Ref	Note: Original Cylinder May Have Been Replaced with Service Replacement. Identify PN Stamped on Cylinder Before Ordering Parts.	
1	70028581	4	Bearing	
2	70028582	1	Nut	
3	N.S.S.	1	Ring, Wear	
4	N.S.S.	1	Seal	
5	N.S.S.	1	Assembly, Barrel	
6	Kit	1	Kit, Check Valve	
7	70028583	1	Fitting, Straight	
8	70028584	1	Valve, Check	
9	N.S.S.	1	O-Ring	
10	N.S.S.	1	Ring, Back-up	
11	N.S.S.	1	Seal	
12	N.S.S.	2	Wiper	
13	70028585	1	Rod	
14	70028586	1	Retainer	
15	70028587	1	Piston	
16	N.S.S.	1	O-Ring	
17	70028588	1	Tool, Seal Loader	

SECTION 9 - HYDRAULIC COMPONENTS

FIGURE 9-10. CYLINDER ASSEMBLY - BUCKET (GRAPPLE BUCKET)



ART_70026469-C

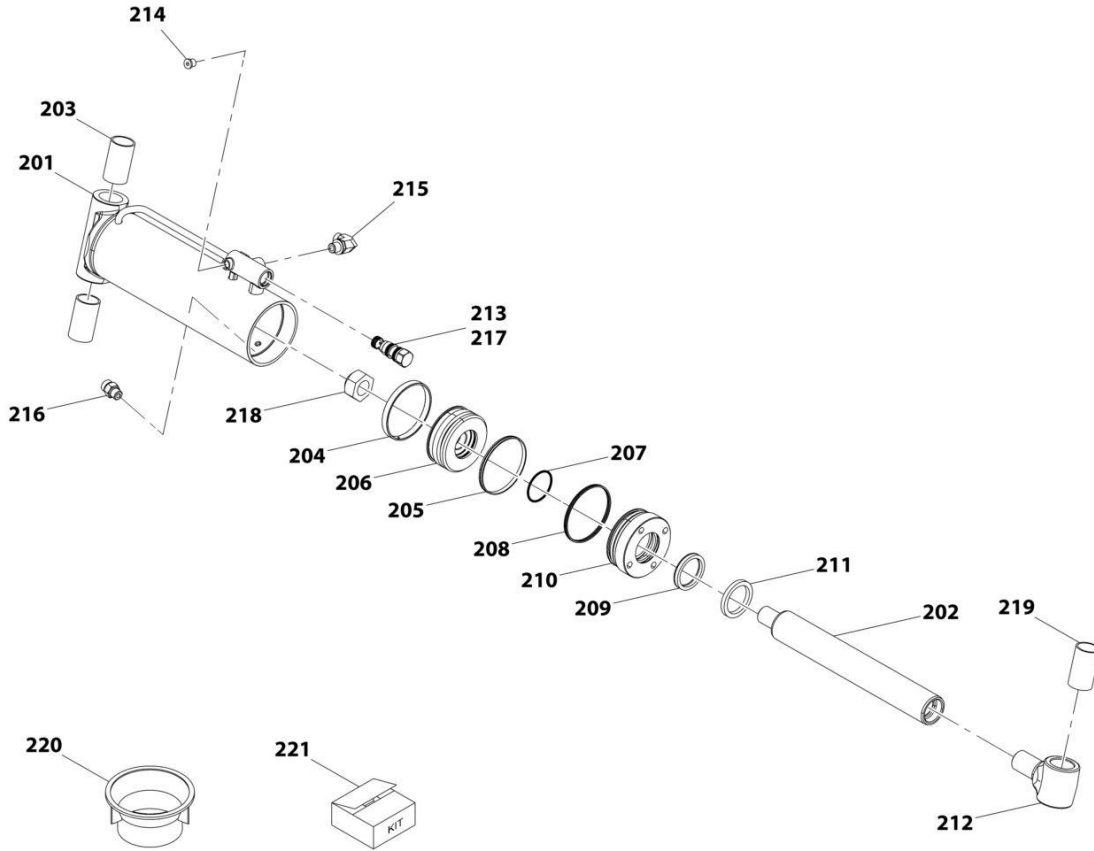
SECTION 9 - HYDRAULIC COMPONENTS

FIGURE 9-10. CYLINDER ASSEMBLY - BUCKET (GRAPPLE BUCKET)

ITEM	PART NUMBER	QTY	DESCRIPTION	REV
	70026469	Ref	Cylinder Assembly	C
		Ref	Note: Original Cylinder May Have Been Replaced with Service Replacement. Identify PN Stamped on Cylinder Before Ordering Parts.	
101	N.S.S.	1	Barrel	
102	70026496	1	Rod	
103	70026497	1	Spacer	
104	70026498	1	End, Rod	
105	Kit	1	Seal	
106	70026499	1	Piston	
107	Kit	1	O-Ring	
108	Kit	2	O-Ring	
109	Kit	1	Ring, Backup	
110	Kit	1	Seal	
111	70026500	1	Retainer	
112	Kit	1	Wiper	
113	70026501	3	Bushing	
114	70026502	1	Valve, Check	
115	70024129	4	Plug	
116	Kit	1	Ring, Wear	
117	70026503	1	Nut	
118	70024734	2	Kit, Check Valve Service	
119	70026504	1	Valve, Counterbalance	
120	70026505	1	Tool, Seal Loader	
121	70026506	1	Kit, Service	

SECTION 9 - HYDRAULIC COMPONENTS

FIGURE 9-11. CYLINDER ASSEMBLY - CARRIAGE (LOG HANDLER CYLINDER)



ART_70028704-C

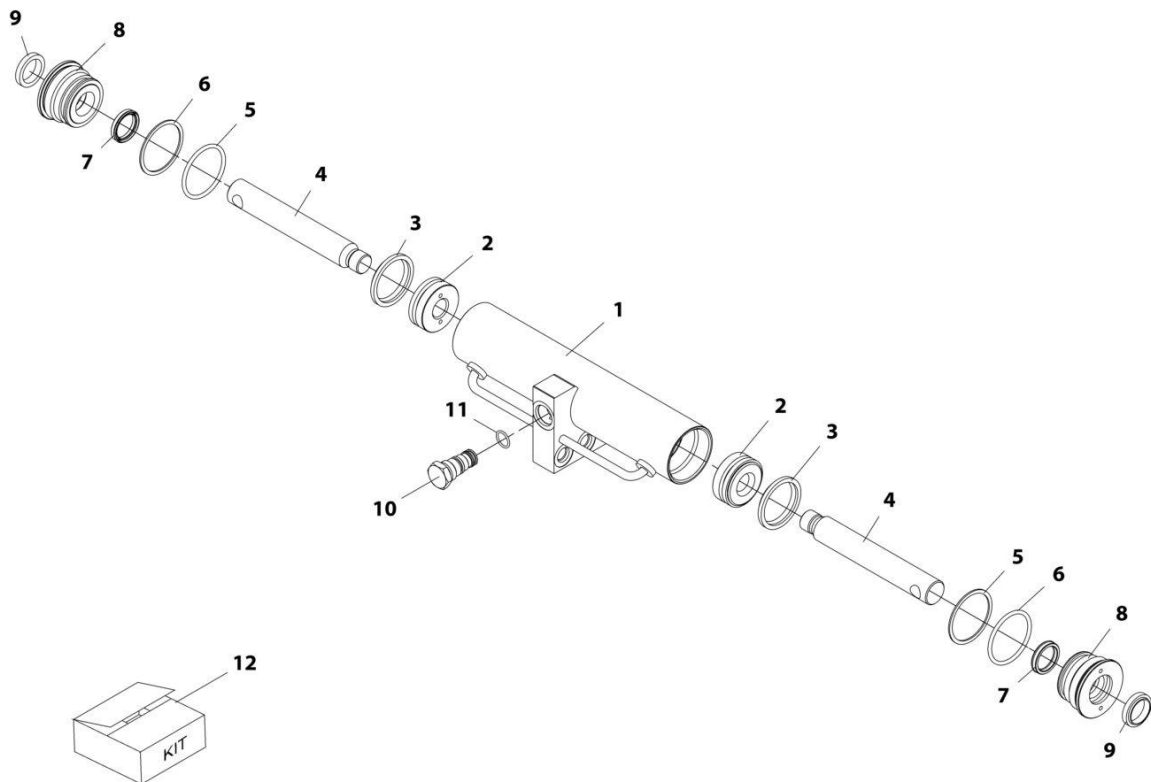
SECTION 9 - HYDRAULIC COMPONENTS

FIGURE 9-11. CYLINDER ASSEMBLY - CARRIAGE (LOG HANDLER CYLINDER)

ITEM	PART NUMBER	QTY	DESCRIPTION	REV
	70028704	Ref	Log Handler Carriage Cylinder Assembly	C
		Ref	Note: Original Cylinder May Have Been Replaced with Service Replacement. Identify PN Stamped on Cylinder Before Ordering Parts.	
201	N.S.S.	1	Barrel	
202	70028728	1	Rod	
203	70028729	2	Bushing	
204	N.S.S.	1	Ring, Wear	
205	N.S.S.	1	Seal	
206	70028730	1	Piston	
207	N.S.S.	1	O-Ring	
208	N.S.S.	1	Seal	
209	N.S.S.	1	Seal	
210	70028731	1	Retainer	
211	N.S.S.	1	Wiper	
212	N.S.S.	1	End, Rod (included with item 202)	
213	70024733	1	Valve, Check	
214	70024129	2	Plug	
215	70024123	1	Fitting, 90	
216	70024130	1	Fitting, Straight	
217	70024734	1	Kit, Check Valve	
218	70028732	1	Nut	
219	70028729	1	Bushing (included with item 202)	
220	70028588	1	Tool, Seal Loader	
221	70028733	1	Kit, Seal (includes items 204, 205, 207, 208, 208, 211, 220)	

SECTION 9 - HYDRAULIC COMPONENTS

FIGURE 9-12. CYLINDER ASSEMBLY - COUPLER LOCKING



ART_1001145390-A

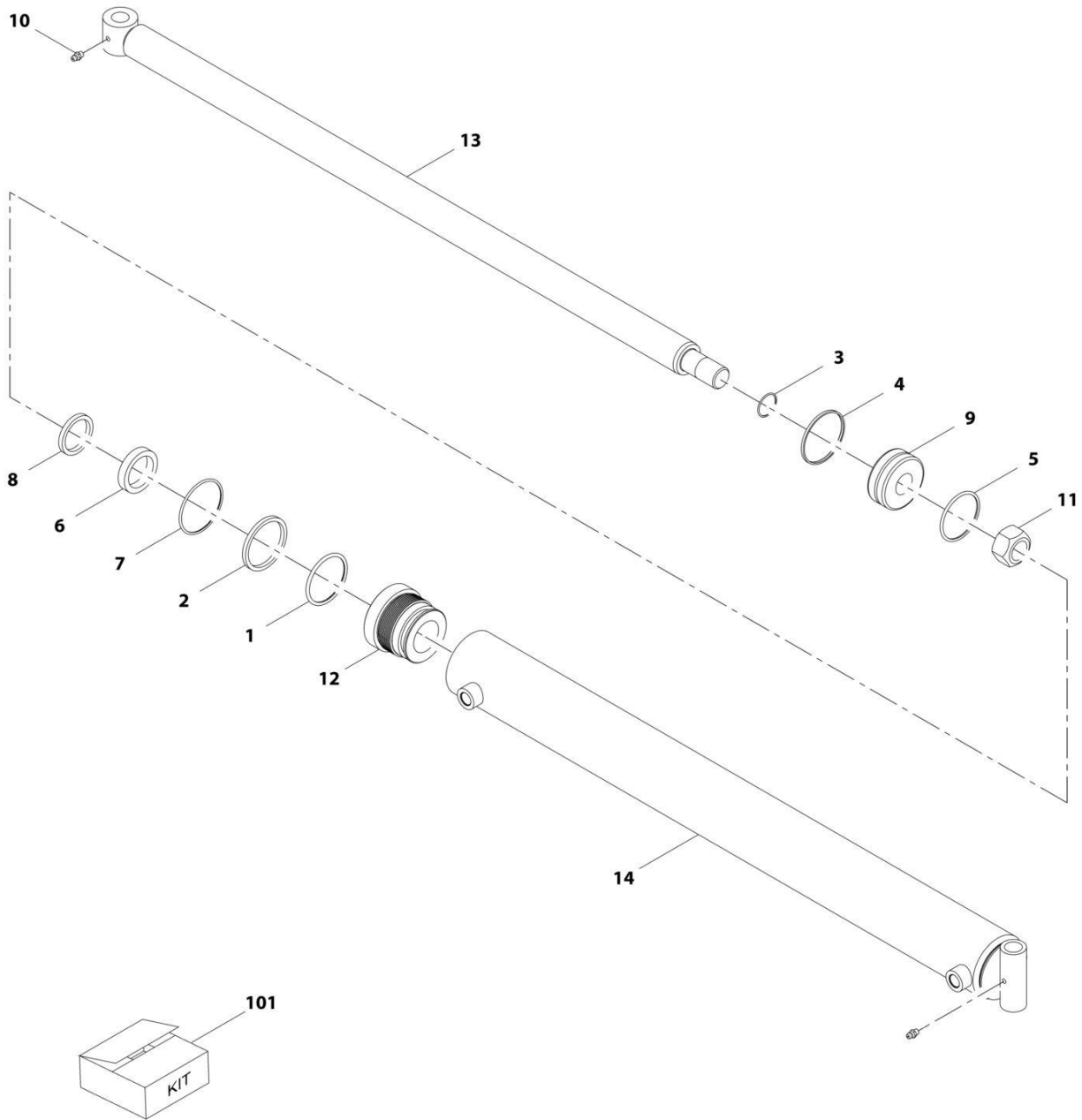
SECTION 9 - HYDRAULIC COMPONENTS

FIGURE 9-12. CYLINDER ASSEMBLY - COUPLER LOCKING

ITEM	PART NUMBER	QTY	DESCRIPTION	REV
	1001145390	Ref	Coupler Locking Cylinder	A
		Ref	Note: Original Cylinder May Have Been Replaced with Service Replacement. Identify PN Stamped on Cylinder Before Ordering Parts.	
1	70024164	2	Body	
2	70024165	2	Piston	
3	Kit	2	Seal, Piston	
4	70024166	2	Rod	
5	Kit	2	O-Ring	
6	Kit	2	Ring, Backup	
7	Kit	2	Seal, Rod	
8	70024167	2	Gland	
9	Kit	2	Seal, Wiper	
10	1001007056	1	Valve, Check	
11	91574001	1	Seal, Check Valve	
12	70024168	1	Kit, Seal (includes items 3, 5, 6, 7 & 9)	

SECTION 9 - HYDRAULIC COMPONENTS

FIGURE 9-13. CYLINDER ASSEMBLY - FORK POSITIONING



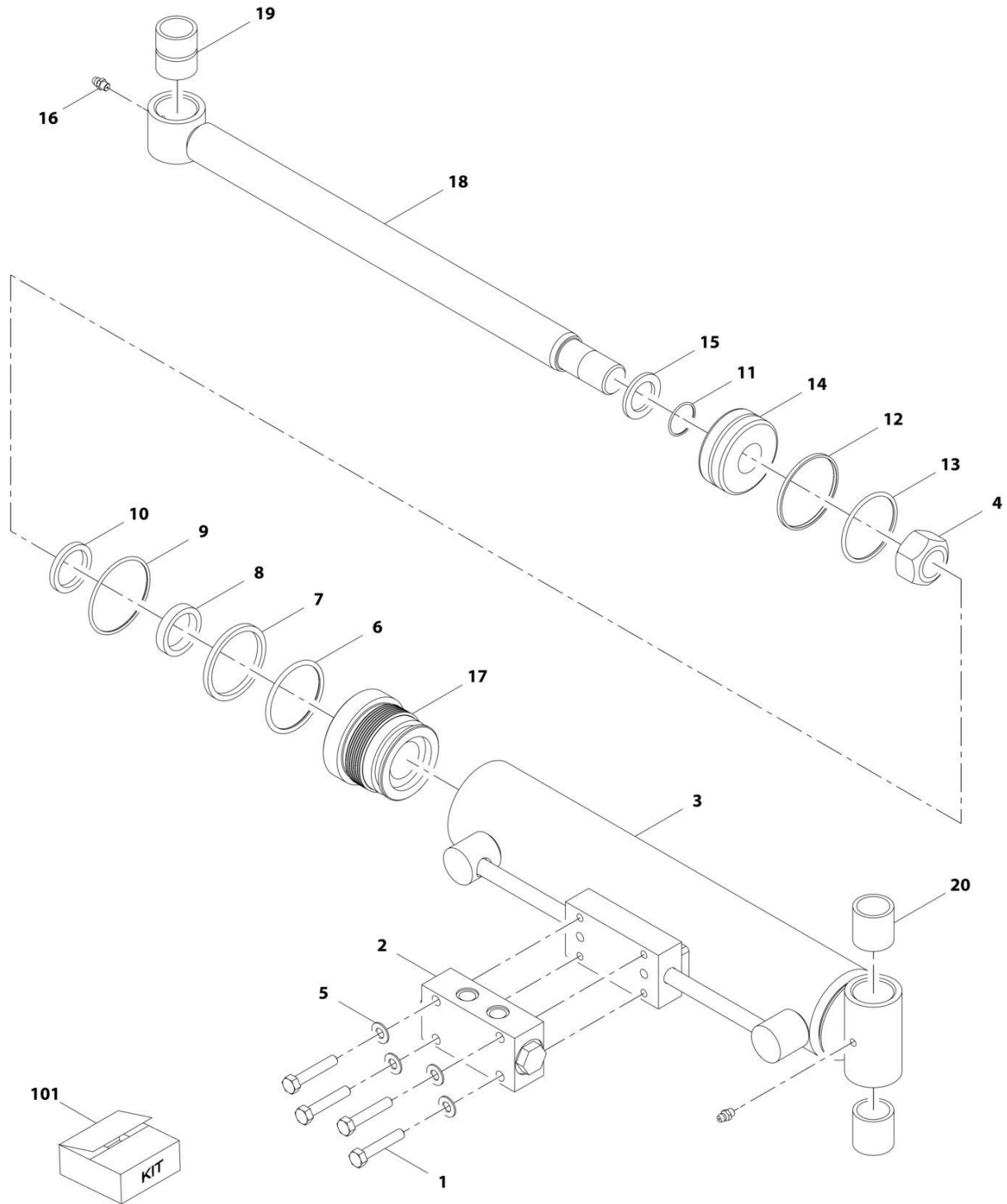
SECTION 9 - HYDRAULIC COMPONENTS

FIGURE 9-13. CYLINDER ASSEMBLY - FORK POSITIONING

ITEM	PART NUMBER	QTY	DESCRIPTION	REV
	70028599	Ref	Fork Positioning Cylinder Assembly	C
		Ref	Note: Original Cylinder May Have Been Replaced with Service Replacement. Identify PN Stamped on Cylinder Before Ordering Parts.	
1	Kit	1	O-Ring	
2	Kit	1	O-Ring	
3	Kit	1	O-Ring	
4	Kit	1	Seal	
5	Kit	1	O-Ring	
6	Kit	1	Seal	
7	Kit	1	O-Ring	
8	Kit	1	Seal	
9	70028609	1	Piston, Cylinder	
10	90554045	2	Fitting, Grease	
11	70021440	1	Nut	
12	70028610	1	Gland, Cylinder	
13	70028611	1	Rod	
14	N.S.S.	1	Tube	
101	Kit	1	Kit, Seal	

SECTION 9 - HYDRAULIC COMPONENTS

FIGURE 9-14. CYLINDER INSTALLATION - FORK POSITIONING SIDE SHIFT



ART_70028603-C

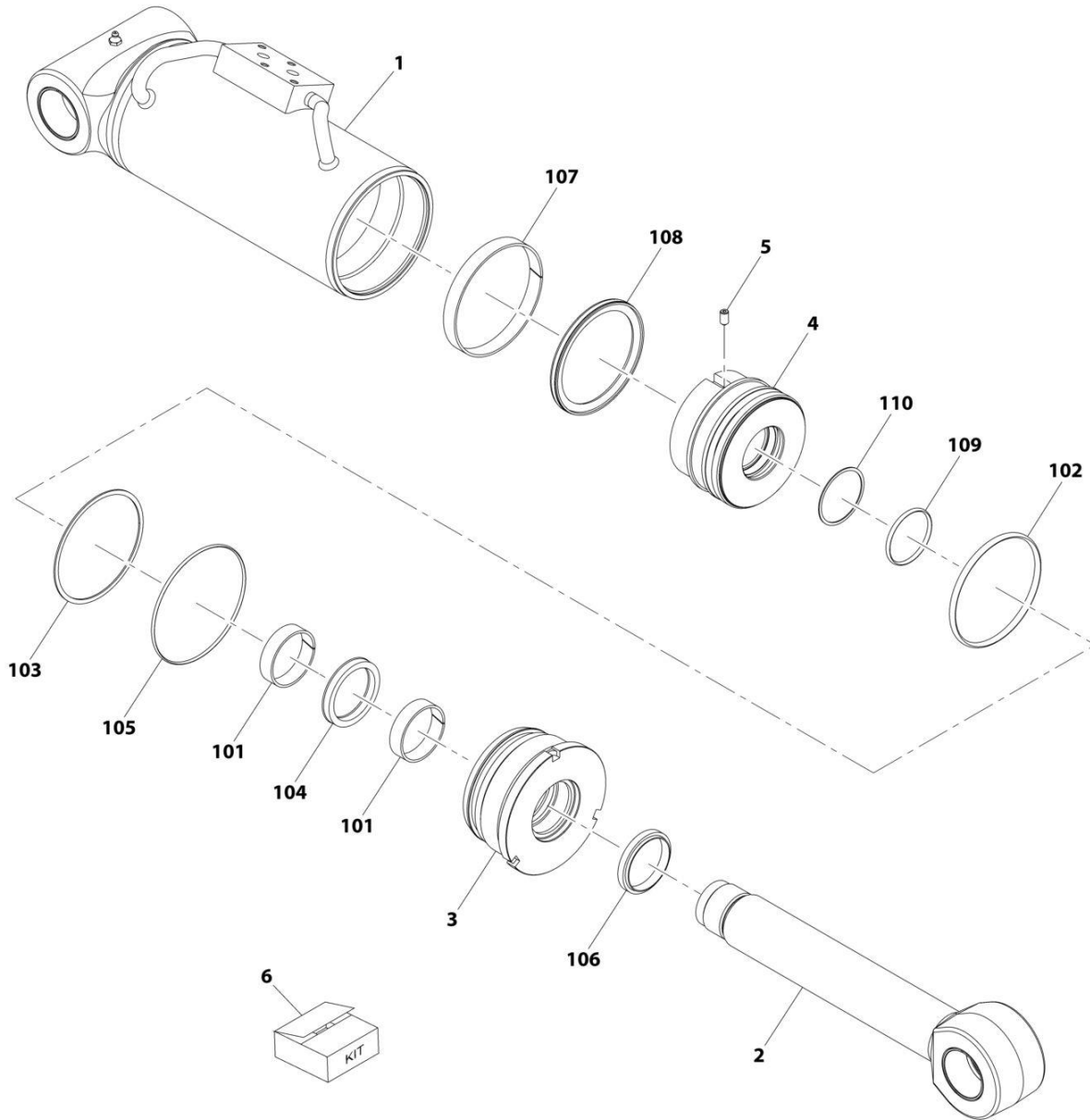
SECTION 9 - HYDRAULIC COMPONENTS

FIGURE 9-14. CYLINDER INSTALLATION - FORK POSITIONING SIDE SHIFT

ITEM	PART NUMBER	QTY	DESCRIPTION	REV
	70028603	Ref	Side Shift Cylinder Assembly	C
		Ref	Note: Original Cylinder May Have Been Replaced with Service Replacement. Identify PN Stamped on Cylinder Before Ordering Parts.	
1	70028612	4	Bolt	
2	70028613	1	Valve	
3	N.S.S.	1	Tube	
4	70021440	1	Nut	
5	70028614	4	Washer, Flat	
6	Kit	1	O-Ring	
7	Kit	1	O-Ring	
8	Kit	1	Seal	
9	Kit	1	O-Ring	
10	Kit	1	Seal	
11	Kit	1	O-Ring	
12	Kit	1	Seal	
13	Kit	1	O-Ring	
14	70021451	1	Piston	
15	70021444	1	Spacer	
16	90554045	2	Fitting, Grease	
17	70021446	1	Gland, Cylinder	
18	70021445	1	Rod	
19	70021447	1	Bushing	
20	70021448	2	Bushing	
101	70021452	1	Kit, Seal (includes items 6 thru 13)	

SECTION 9 - HYDRAULIC COMPONENTS

FIGURE 9-15. CYLINDER ASSEMBLY - FRAME LEVEL



ART_1001201073-E

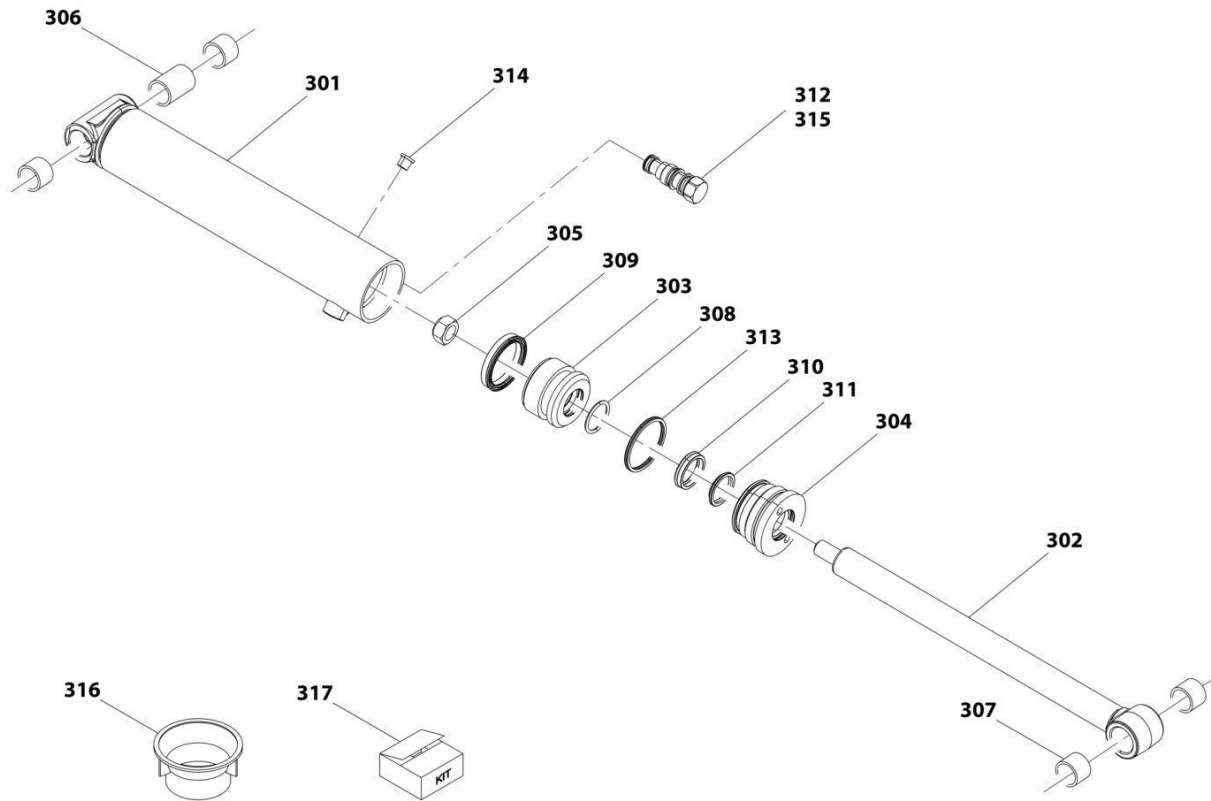
SECTION 9 - HYDRAULIC COMPONENTS

FIGURE 9-15. CYLINDER ASSEMBLY - FRAME LEVEL

ITEM	PART NUMBER	QTY	DESCRIPTION	REV
	1001201073	Ref	Frame Level Cylinder	E
		Ref	Note: Original Cylinder May Have Been Replaced with Service Replacement. Identify PN Stamped on Cylinder Before Ordering Parts.	
1	N.S.S.	1	Barrel	
2	70028362	1	Rod	
3	70026249	1	Head	
4	70026251	1	Piston	
5	70020438	1	Screw, Locking	
6	70026253	1	Seal kit (includes items 101 thru 110)	
101	Kit	2	Bearing	
102	Kit	1	O-Ring	
103	Kit	1	Backup Ring	
104	Kit	1	Rod Seal	
105	Kit	1	O-Ring	
106	Kit	1	Wiper	
107	Kit	1	Bearing	
108	Kit	1	Piston Seal	
109	Kit	1	O-Ring	
110	Kit	1	Backup Ring	

SECTION 9 - HYDRAULIC COMPONENTS

FIGURE 9-16. CYLINDER ASSEMBLY - PIPE HANDLER CARRIAGE (UPPER)



ART_70028652-D

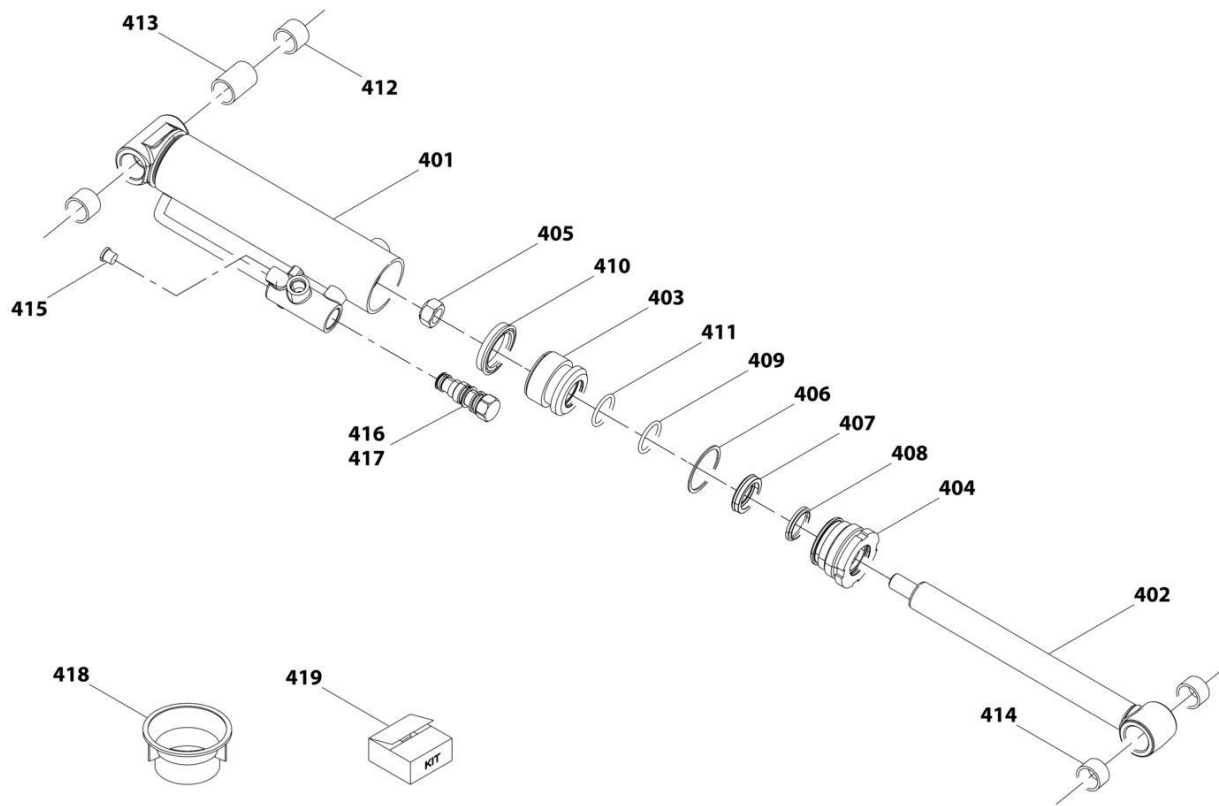
SECTION 9 - HYDRAULIC COMPONENTS

FIGURE 9-16. CYLINDER ASSEMBLY - PIPE HANDLER CARRIAGE (UPPER)

ITEM	PART NUMBER	QTY	DESCRIPTION	REV
	70028652	Ref	Upper Cylinder Assembly	D
		Ref	Note: Original Cylinder May Have Been Replaced with Service Replacement. Identify PN Stamped on Cylinder Before Ordering Parts.	
301	N.S.S.	1	Barrel	
302	70028270	1	Rod	
303	70028254	1	Piston	
304	70028255	1	Retainer	
305	70028258	1	Nut	
306	70028257	1	Spacer	
307	70028256	4	Bushing	
308	N.S.S.	1	O-Ring	
309	N.S.S.	1	Seal	
310	N.S.S.	1	Seal	
311	N.S.S.	1	Wiper	
312	70026502	1	Valve, Check	
313	N.S.S.	1	Seal	
314	70024129	2	Plug	
315	70024734	1	Kit, Check Valve	
316	70028691	1	Tool, Seal Loader	
317	70028770	1	Kit, Seal	

SECTION 9 - HYDRAULIC COMPONENTS

FIGURE 9-17. CYLINDER ASSEMBLY - PIPE HANDLER CARRIAGE (LOWER)



ART_70028653-D

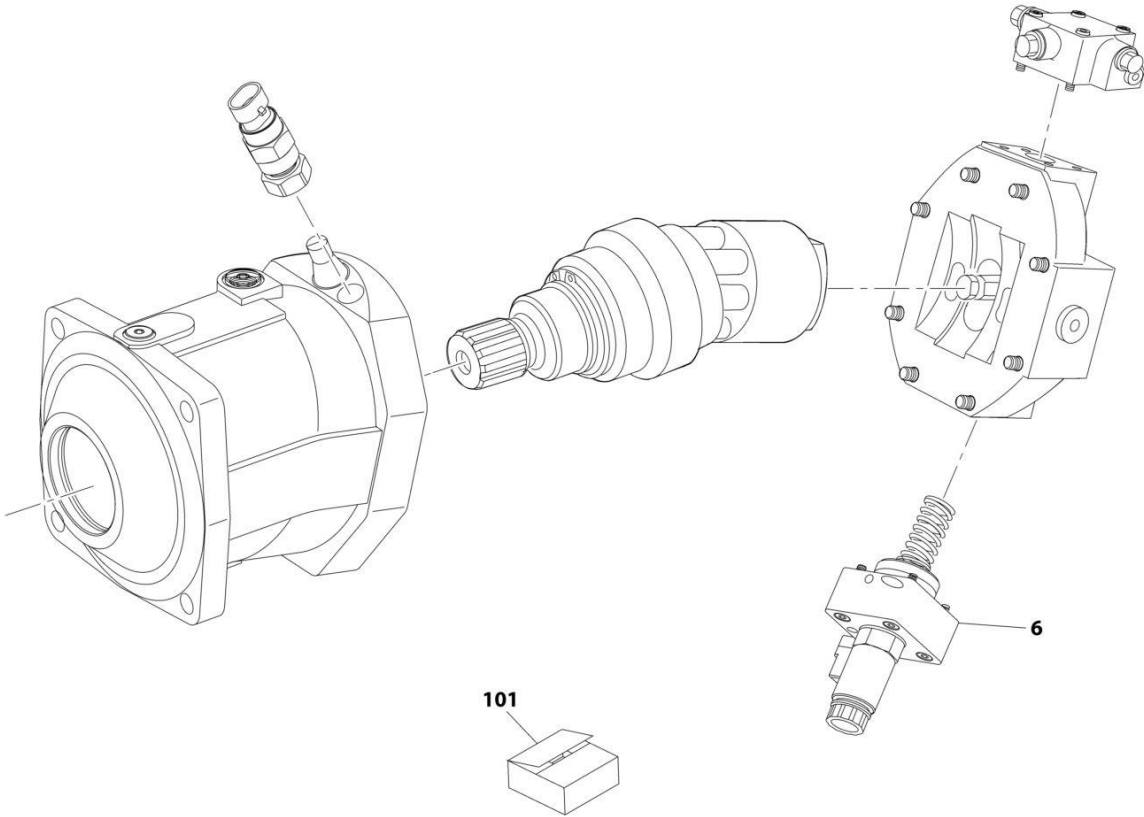
SECTION 9 - HYDRAULIC COMPONENTS

FIGURE 9-17. CYLINDER ASSEMBLY - PIPE HANDLER CARRIAGE (LOWER)

ITEM	PART NUMBER	QTY	DESCRIPTION	REV
	70028653	Ref	Lower Cylinder Assembly	D
		Ref	Note: Original Cylinder May Have Been Replaced with Service Replacement. Identify PN Stamped on Cylinder Before Ordering Parts.	
401	N.S.S.	1	Barrel	
402	70028692	1	Rod	
403	70024142	1	Piston	
404	70028693	1	Retainer	
405	70028258	1	Nut	
406	N.S.S.	1	Ring, Backup	
407	N.S.S.	1	Seal	
408	N.S.S.	1	Wiper	
409	N.S.S.	1	O-Ring	
410	N.S.S.	1	Seal	
411	N.S.S.	1	O-Ring	
412	70028256	2	Bushing	
413	70028257	1	Spacer	
414	70028694	2	Bushing	
415	70024129	2	Plug	
416	70026502	1	Valve, Check	
417	70024734	1	Kit, Check Valve	
418	70028691	1	Tool, Seal Loader	
419	70028771	1	Kit, Seal	

SECTION 9 - HYDRAULIC COMPONENTS

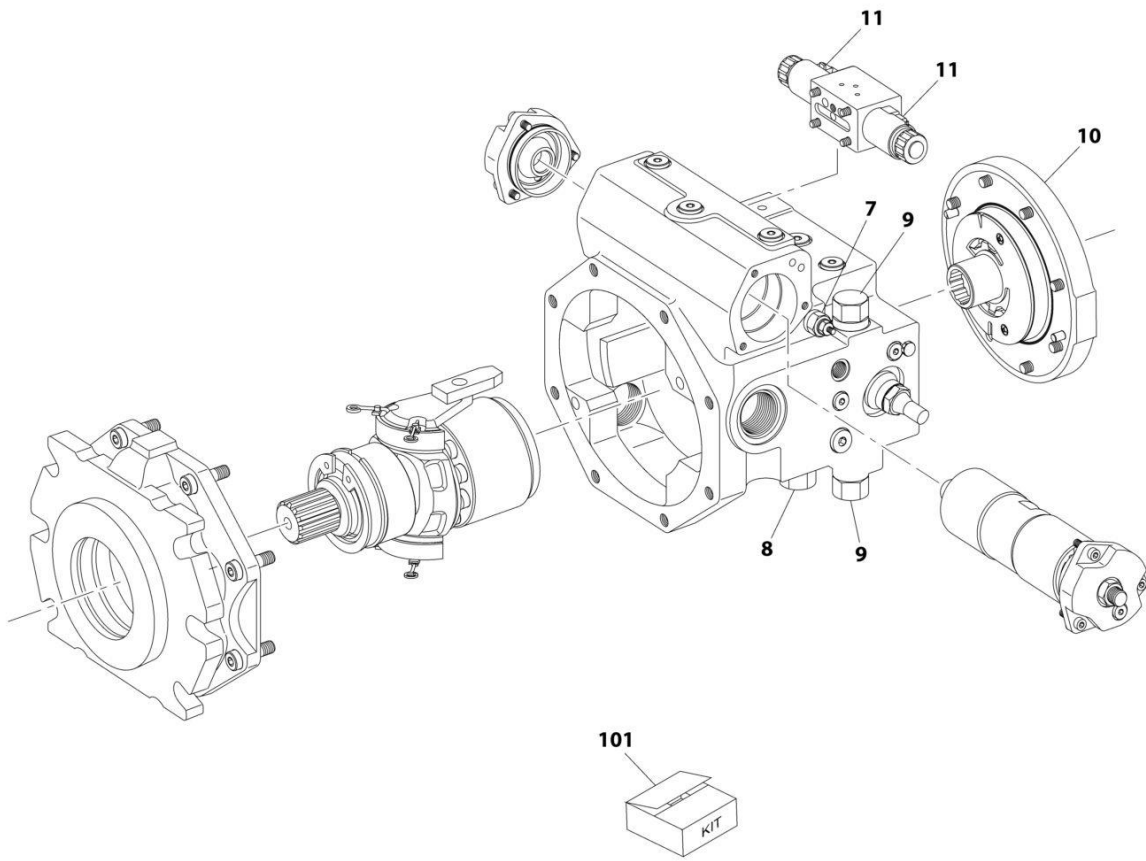
FIGURE 9-18. MOTOR ASSEMBLY - HYDROSTATIC



ART_1001193308-C

SECTION 9 - HYDRAULIC COMPONENTS

FIGURE 9-19. PUMP ASSEMBLY - HYDROSTATIC



ART_1001193307-D

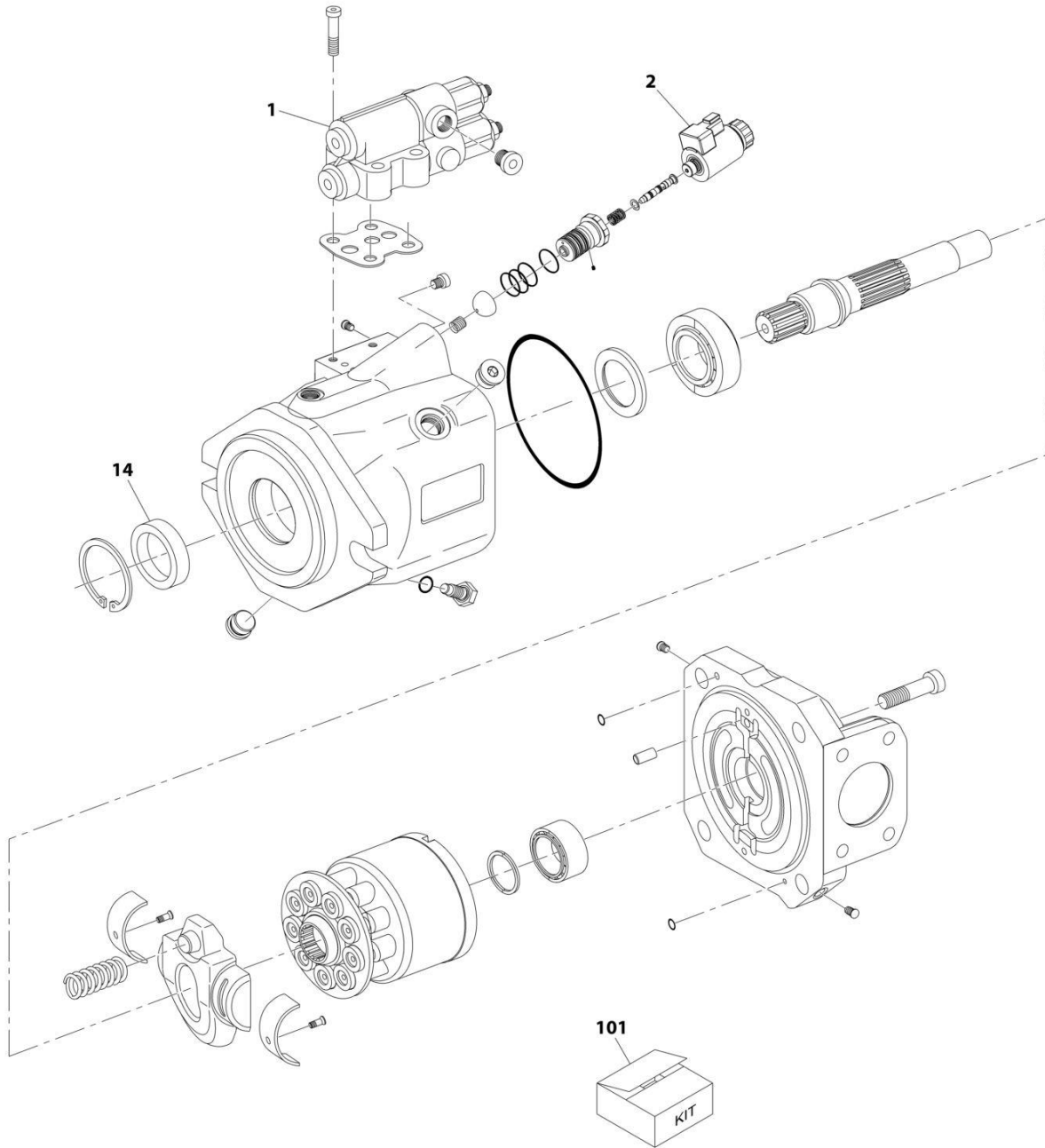
SECTION 9 - HYDRAULIC COMPONENTS

FIGURE 9-19. PUMP ASSEMBLY - HYDROSTATIC

ITEM	PART NUMBER	QTY	DESCRIPTION	REV
	1001193307	Ref	Hydrostatic Pump	D
7	70024946	1	Valve, Relief	
8	70027598	1	Valve, Pressure Override	
9	70024945	2	Valve, Relief	
10	70028411	1	Pump, Charge	
11	70022726	2	Solenoid	
101	70028410	1	Kit, Seal	
	Kit	1	Seal, Shaft	
	Kit	2	Retaining Ring	
	Kit	2	O-Ring	
	Kit	1	O-Ring	
	Kit	2	Seal, Rod	
	Kit	1	Nut, Sealing	
	Kit	3	O-Ring	
	Kit	2	O-Ring	
	Kit	1	O-Ring	
	Kit	2	Nut, Sealing	
	Kit	1	O-Ring	
	Kit	1	O-Ring	
	Kit	1	O-Ring	
	Kit	1	O-Ring	
	Kit	1	O-Ring	
	Kit	1	O-Ring	
	Kit	1	O-Ring	
	Kit	1	O-Ring	
	Kit	1	O-Ring	
	Kit	1	O-Ring	
	Kit	1	O-Ring	
	Kit	1	Kit, Seal	
	Kit	1	O-Ring	
	Kit	1	O-Ring	
	Kit	1	O-Ring	
	Kit	1	O-Ring	
	Kit	1	O-Ring	
	Kit	1	O-Ring	
	Kit	1	Seal	
	Kit	1	Seal	
	Kit	1	O-Ring	
	Kit	2	O-Ring	
	Kit	2	O-Ring	
	Kit	2	O-Ring	
	Kit	2	O-Ring	

SECTION 9 - HYDRAULIC COMPONENTS

FIGURE 9-20. PUMP ASSEMBLY - IMPLEMENT



ART_1001180070-F

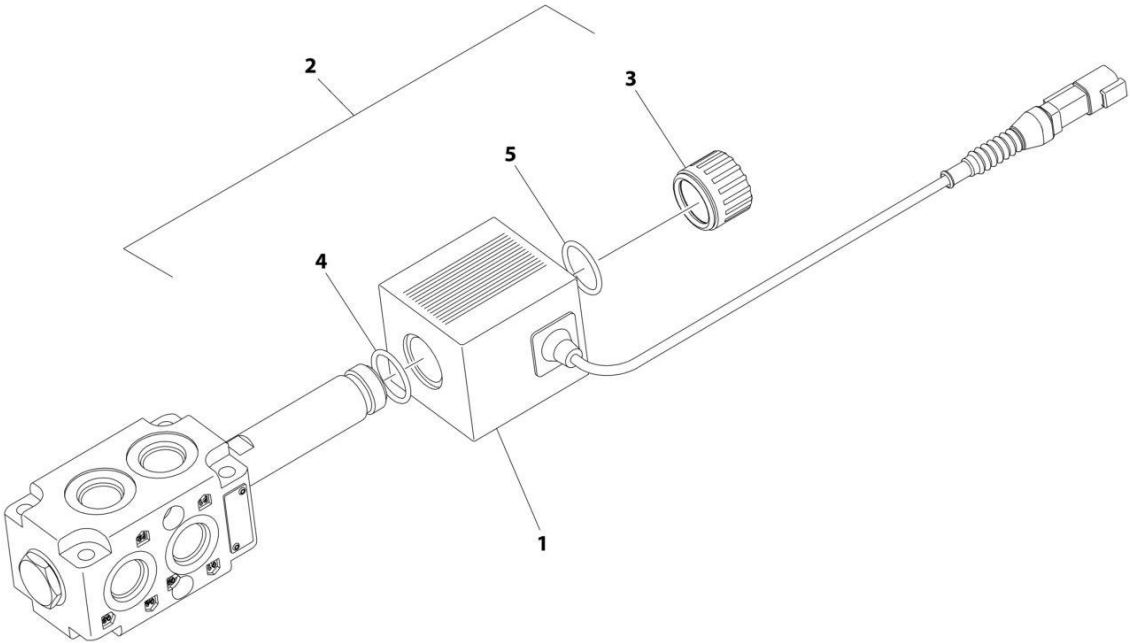
SECTION 9 - HYDRAULIC COMPONENTS

FIGURE 9-20. PUMP ASSEMBLY - IMPLEMENT

ITEM	PART NUMBER	QTY	DESCRIPTION	REV
	1001180070	1	Implement Pump	F
1	70027595	1	Controller, DSR	
2	70028412	1	Controller, EK	
14	7024947	1	Seal, Shaft	
101	70028413	1	Kit, Seal	
	Kit	1	Seal	
	Kit	1	Plug	
	Kit	2	Plug	
	Kit	2	O-Ring	
	Kit	1	O-Ring	

SECTION 9 - HYDRAULIC COMPONENTS

FIGURE 9-21. VALVE ASSEMBLY - BOOM AUX DIVERTER VALVE (HYDRAULIC - SINGLE & TWIN)



ART_1001104477

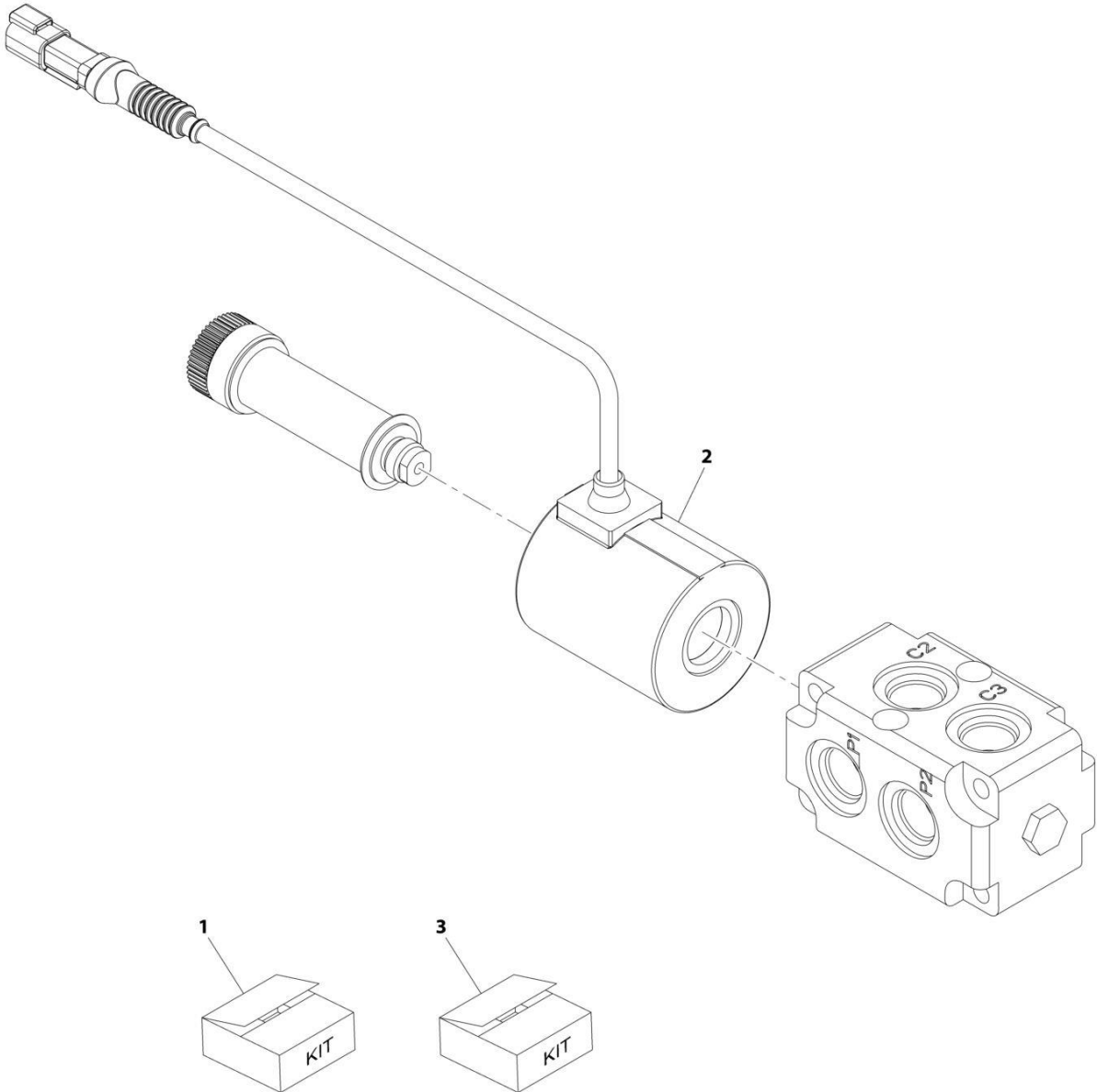
SECTION 9 - HYDRAULIC COMPONENTS

FIGURE 9-21. VALVE ASSEMBLY - BOOM AUX DIVERTER VALVE (HYDRAULIC - SINGLE & TWIN)

ITEM	PART NUMBER	QTY	DESCRIPTION	REV
	1001104477	Ref	DIVERTOR VALVE	D
1	70020764	1	Coil	
2	70021531	1	Retainer Kit (Includes Items 3-5)	
3	Kit	1	Nut	
4	Kit	1	O-Ring	
5	Kit	1	O-Ring	

SECTION 9 - HYDRAULIC COMPONENTS

FIGURE 9-22. VALVE ASSEMBLY - BOOM AUX DIVERTER VALVE (MANUAL & HYDRAULIC -TWIN)



ART_100110023-B

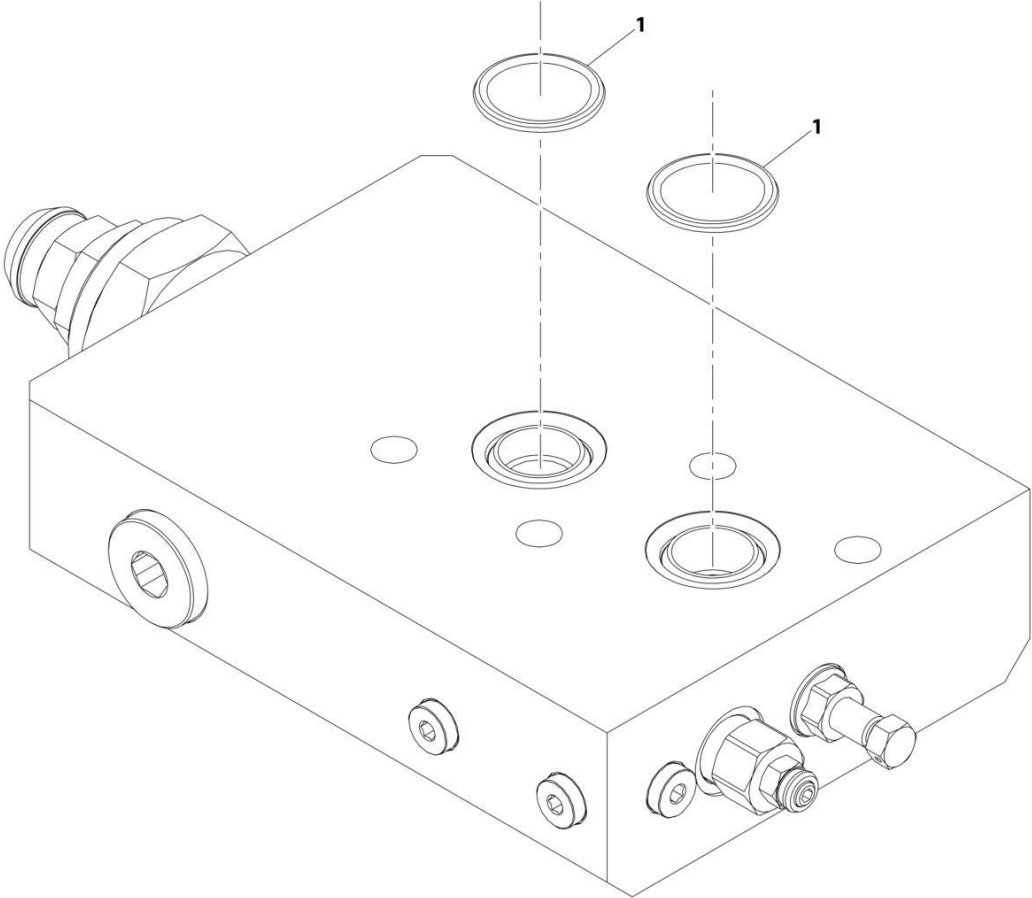
SECTION 9 - HYDRAULIC COMPONENTS

FIGURE 9-22. VALVE ASSEMBLY - BOOM AUX DIVERTER VALVE (MANUAL & HYDRAULIC -TWIN)

ITEM	PART NUMBER	QTY	DESCRIPTION	REV
	1001110023	Ref	Divertor Valve	B
1	70027596	1	Kit, Seal	
	Kit	2	O-Ring	
2	70020764	1	Coil	
3	70021531	1	Kit, Coil Nut	
	N.S.S.	1	O-Ring	
	N.S.S.	1	O-Ring	
	N.S.S.	1	Nut	

SECTION 9 - HYDRAULIC COMPONENTS

FIGURE 9-23. VALVE ASSEMBLY - BOOM EXTEND/RETRACT COUNTERBALANCE VALVE



ART_1001209862-E

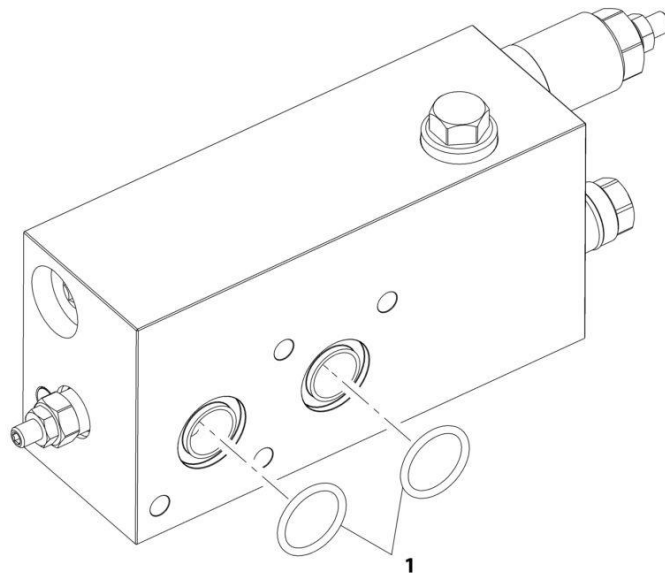
SECTION 9 - HYDRAULIC COMPONENTS

FIGURE 9-23. VALVE ASSEMBLY - BOOM EXTEND/RETRACT COUNTERBALANCE VALVE

ITEM	PART NUMBER	QTY	DESCRIPTION	REV
1	1001209862 70028422	Ref 2	Counterbalance Valve O-Ring	E

SECTION 9 - HYDRAULIC COMPONENTS

FIGURE 9-24. VALVE ASSEMBLY - BOOM RAISE COUNTERBALANCE VALVE (NO RIDE CONTROL)



ART_1001224944-C

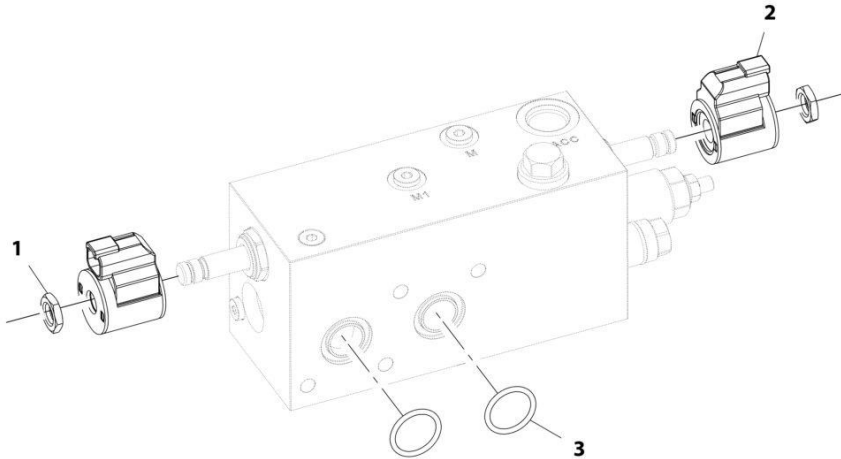
SECTION 9 - HYDRAULIC COMPONENTS

FIGURE 9-24. VALVE ASSEMBLY - BOOM RAISE COUNTERBALANCE VALVE (NO RIDE CONTROL)

ITEM	PART NUMBER	QTY	DESCRIPTION	REV
1	1001224944 70028282	Ref 1	Counterbalance Valve O-Ring	C

SECTION 9 - HYDRAULIC COMPONENTS

FIGURE 9-25. VALVE ASSEMBLY - BOOM RAISE RIDE & FLOAT VALVE (RIDE CONTROL)



ART_1001224945-C

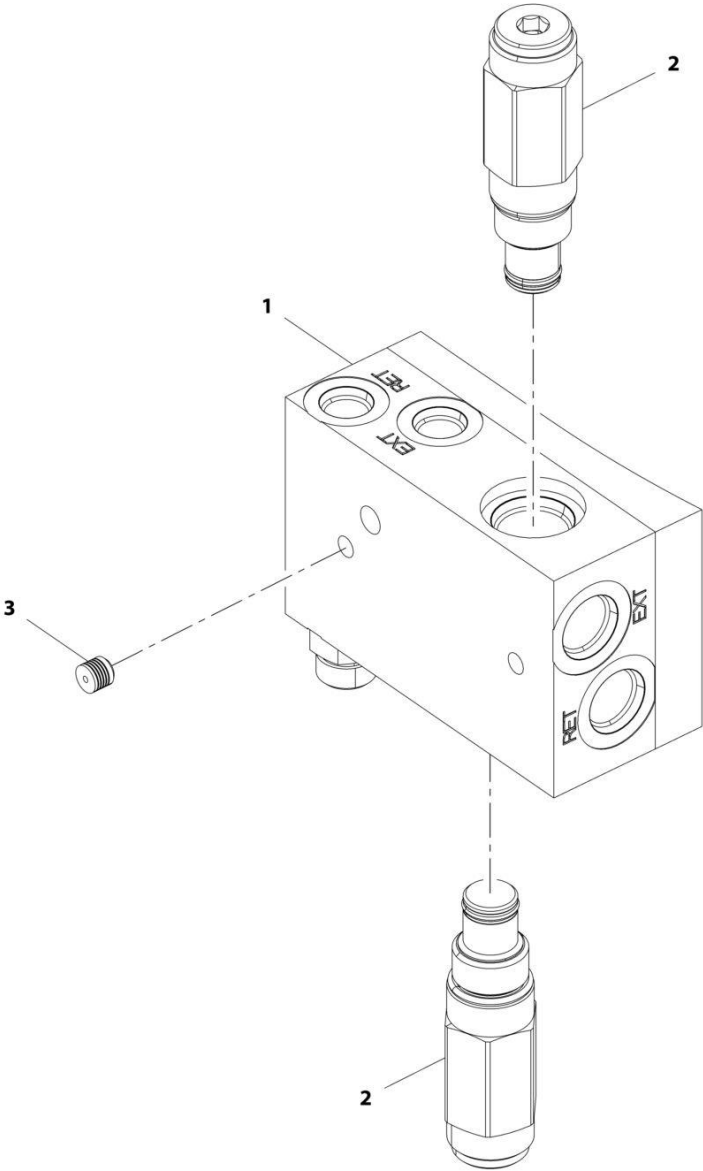
SECTION 9 - HYDRAULIC COMPONENTS

FIGURE 9-25. VALVE ASSEMBLY - BOOM RAISE RIDE & FLOAT VALVE (RIDE CONTROL)

ITEM	PART NUMBER	QTY	DESCRIPTION	REV
	1001224945	Ref	Boom Raise Valve (Ride Control)	C
1	7022390	2	Nut	
2	70028281	2	Coil	
3	70028282	2	O-Ring	

SECTION 9 - HYDRAULIC COMPONENTS

FIGURE 9-26. VALVE ASSEMBLY - BUCKET (5.23 YD³/4.0M³)



ART_70028573-D

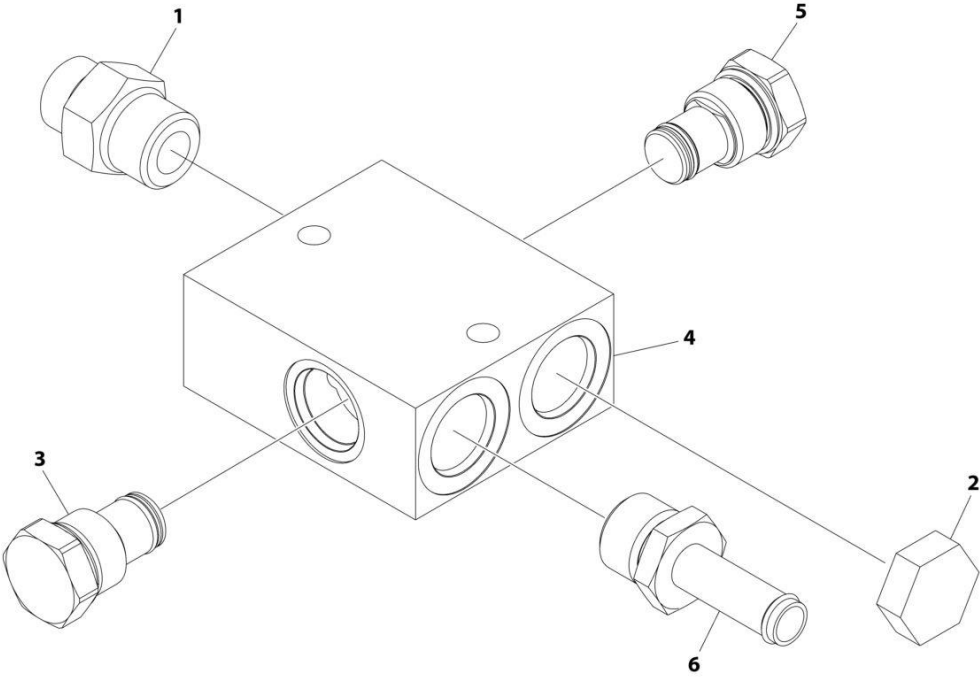
SECTION 9 - HYDRAULIC COMPONENTS

FIGURE 9-26. VALVE ASSEMBLY - BUCKET (5.23 YD³/4.0M³)

ITEM	PART NUMBER	QTY	DESCRIPTION	REV
	70028573	Ref	Valve Assembly, Bucket (5.23 YD ³ /4.0M ³)	D
1	70026477	1	Manifold	
2	70028589	2	Cartridge, Relief	
3	70026614	2	Plug	

SECTION 9 - HYDRAULIC COMPONENTS

FIGURE 9-27. VALVE ASSEMBLY - CAB HYDRAULICS CHECK VALVE



ART_1001212789

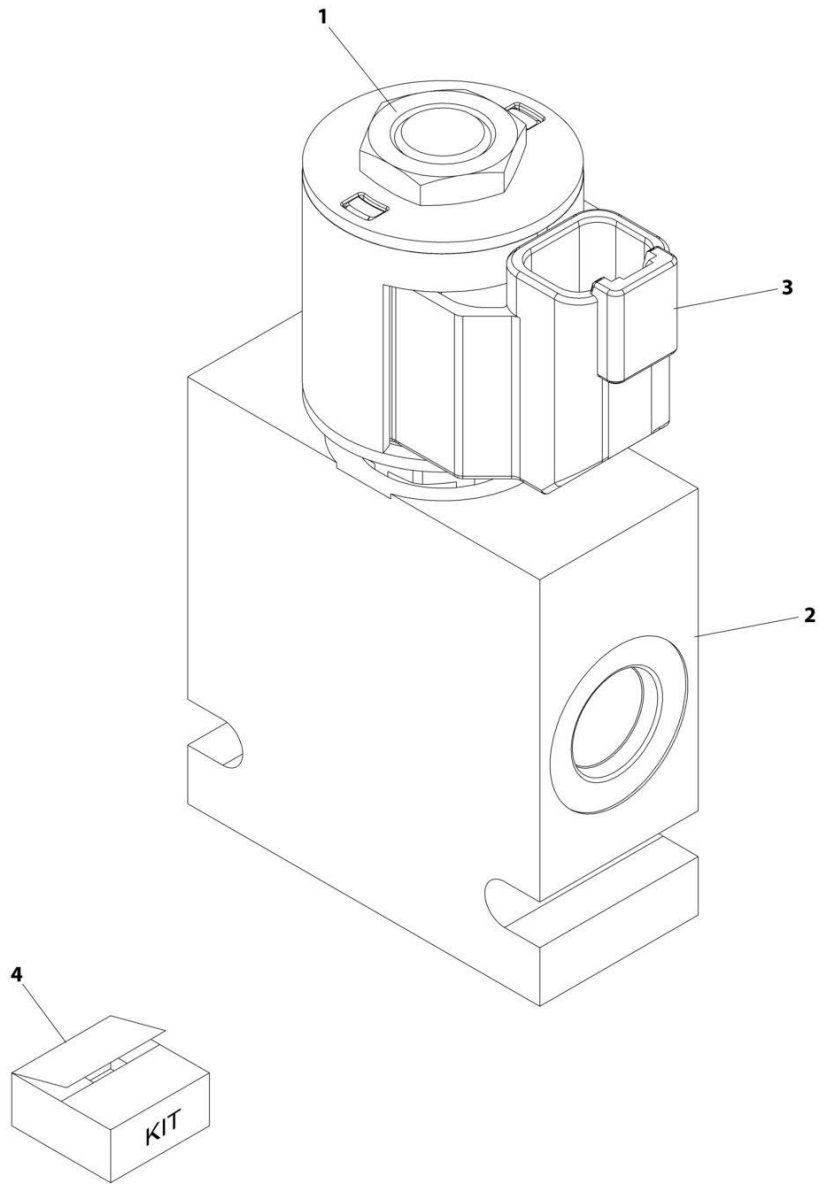
SECTION 9 - HYDRAULIC COMPONENTS

FIGURE 9-27. VALVE ASSEMBLY - CAB HYDRAULICS CHECK VALVE

ITEM	PART NUMBER	QTY	DESCRIPTION	REV
	1001212789	Ref	VALVE ASSEMBLY - CAB HYDRAULICS CHECK VALVE	E
1	2110810	1	Fitting, Straight ORFS	
2	2220239	1	Plug	
3	1001231393	1	Valve, Check	
4	1001210780	1	Manifold, Dual Check Valve	
5	1001210801	1	Valve, Check	
6	1001225656	1	Fitting, Barb	

SECTION 9 - HYDRAULIC COMPONENTS

FIGURE 9-28. VALVE ASSEMBLY - CAB HYDRAULICS SOLENOID VALVE



ART_1001221928-A

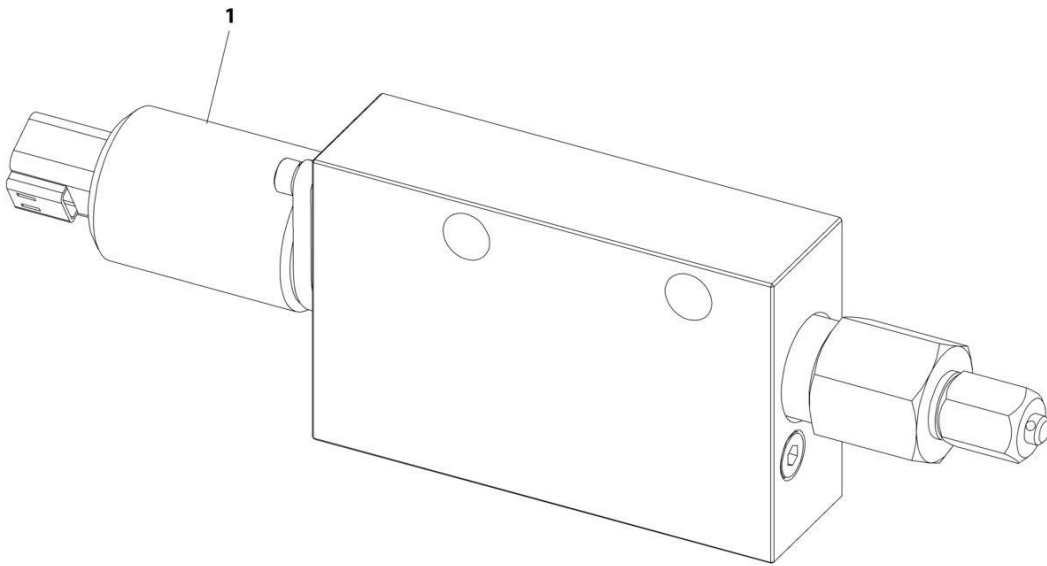
SECTION 9 - HYDRAULIC COMPONENTS

FIGURE 9-28. VALVE ASSEMBLY - CAB HYDRAULICS SOLENOID VALVE

ITEM	PART NUMBER	QTY	DESCRIPTION	REV
	1001221928	Ref	Solenoid Valve	A
1	70004387	1	Cartridge	
2	N.S.S.	Ref	Body	
3	70002963	1	Coil	
4	7010543	1	Kit, Seal	

SECTION 9 - HYDRAULIC COMPONENTS

FIGURE 9-29. VALVE ASSEMBLY - ENGINE BAY INCHING VALVE



ART_1001213311-B

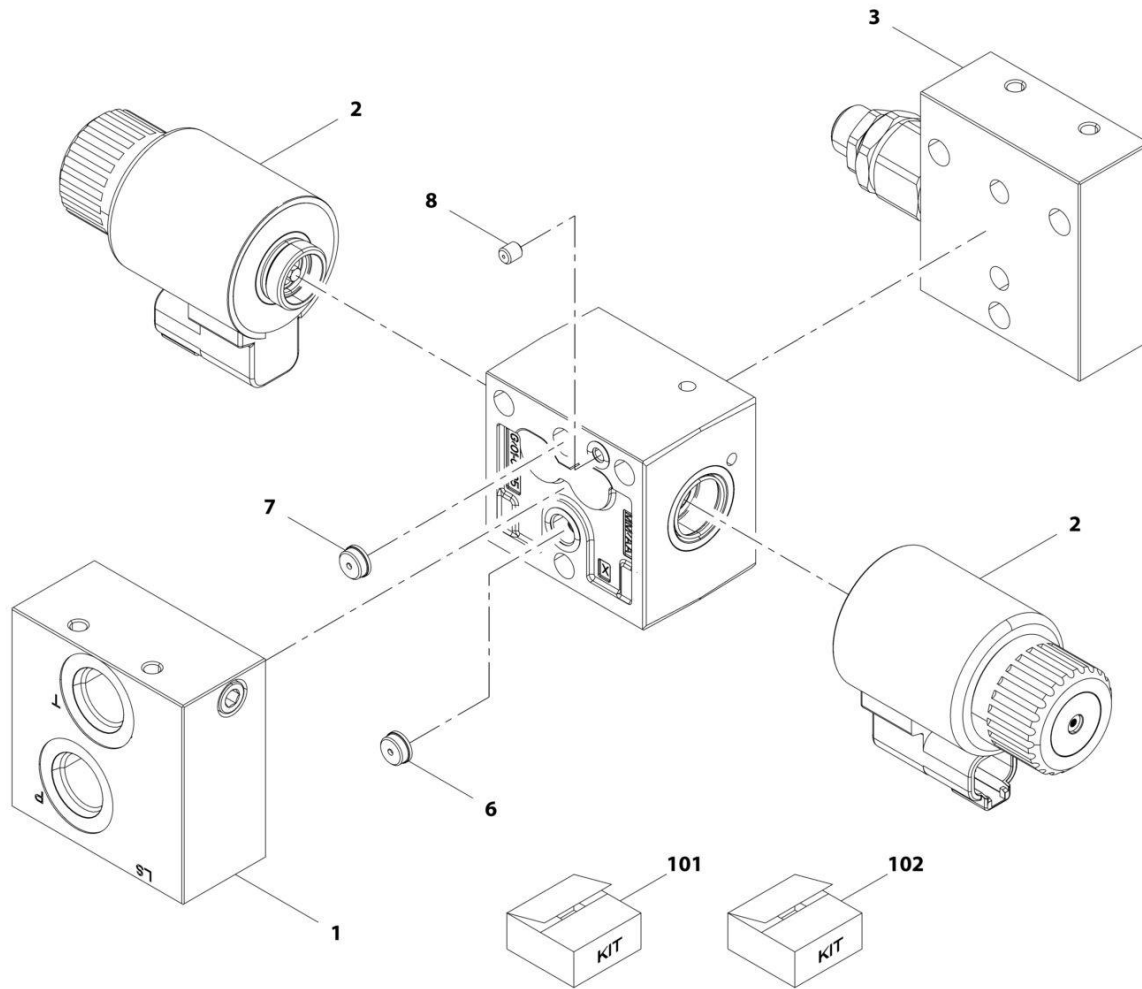
SECTION 9 - HYDRAULIC COMPONENTS

FIGURE 9-29. VALVE ASSEMBLY - ENGINE BAY INCHING VALVE

ITEM	PART NUMBER	QTY	DESCRIPTION	REV
1	1001213311 70028361	Ref 1	Inching Valve Valve, Proportional	B

SECTION 9 - HYDRAULIC COMPONENTS

FIGURE 9-30. VALVE ASSEMBLY - FRAME LEVEL CONTROL



ART_1001219615-D

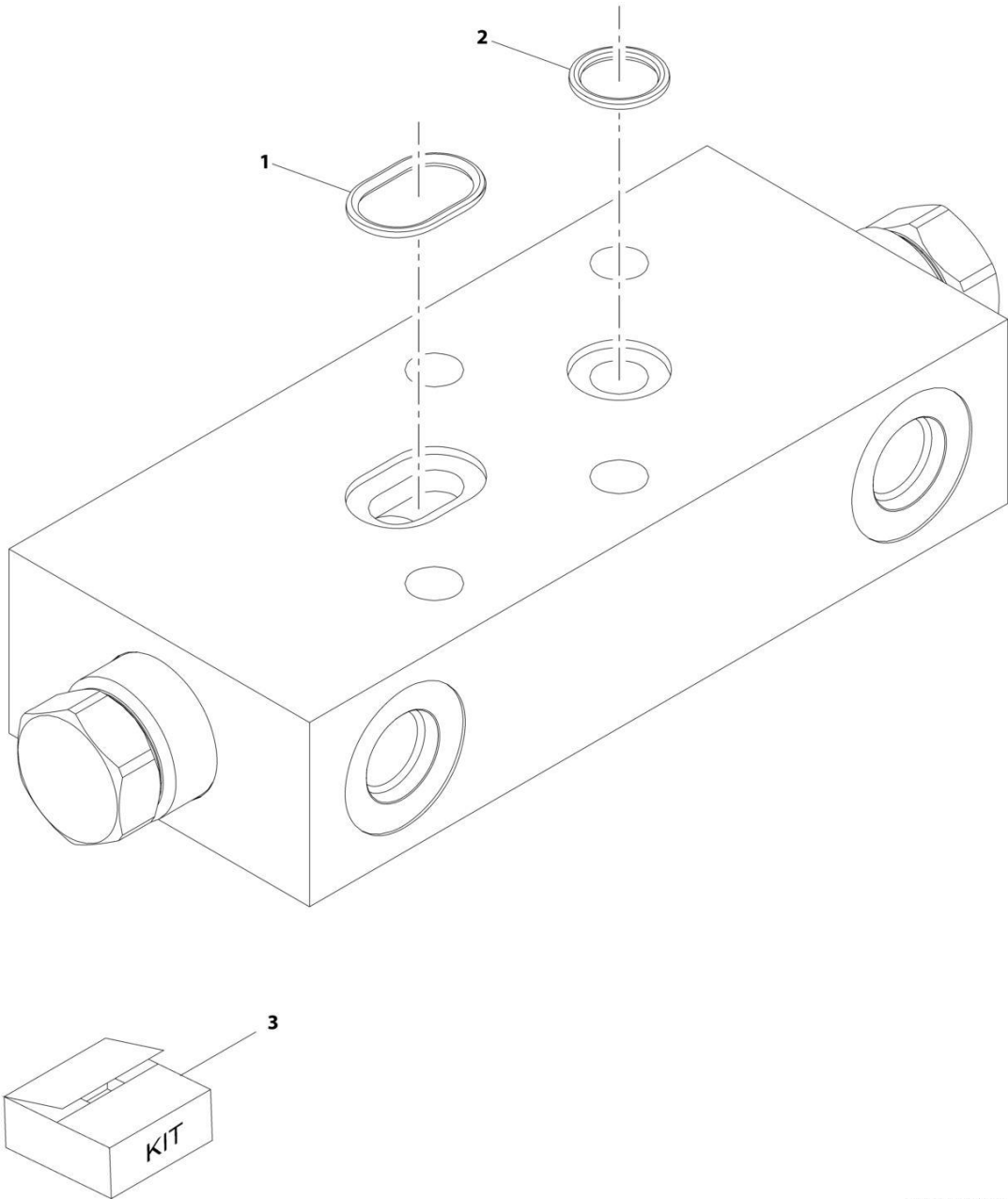
SECTION 9 - HYDRAULIC COMPONENTS

FIGURE 9-30. VALVE ASSEMBLY - FRAME LEVEL CONTROL

ITEM	PART NUMBER	QTY	DESCRIPTION	REV
	1001219615	Ref	Frame Level Valve	D
1	70028414	1	Valve, Section	
2	70004595	2	Coil	
3	70028504	1	Plate	
6	70028415	1	Screw	
7	70028243	1	Screw	
8	70028416	1	Screw	
101	70028502	2	Kit, Coil Nut	
	Kit	1	Nut	
	Kit	1	O-Ring	
102	70028503	1	Kit, Bolt and Seal	
	Kit	3	Bolt	
	Kit	3	Washer	
	Kit	2	O-Ring	
	Kit	4	O-Ring	
	Kit	2	O-Ring	

SECTION 9 - HYDRAULIC COMPONENTS

FIGURE 9-31. VALVE ASSEMBLY - FRAME LEVEL COUNTERBALANCE



ART_1001168599-C

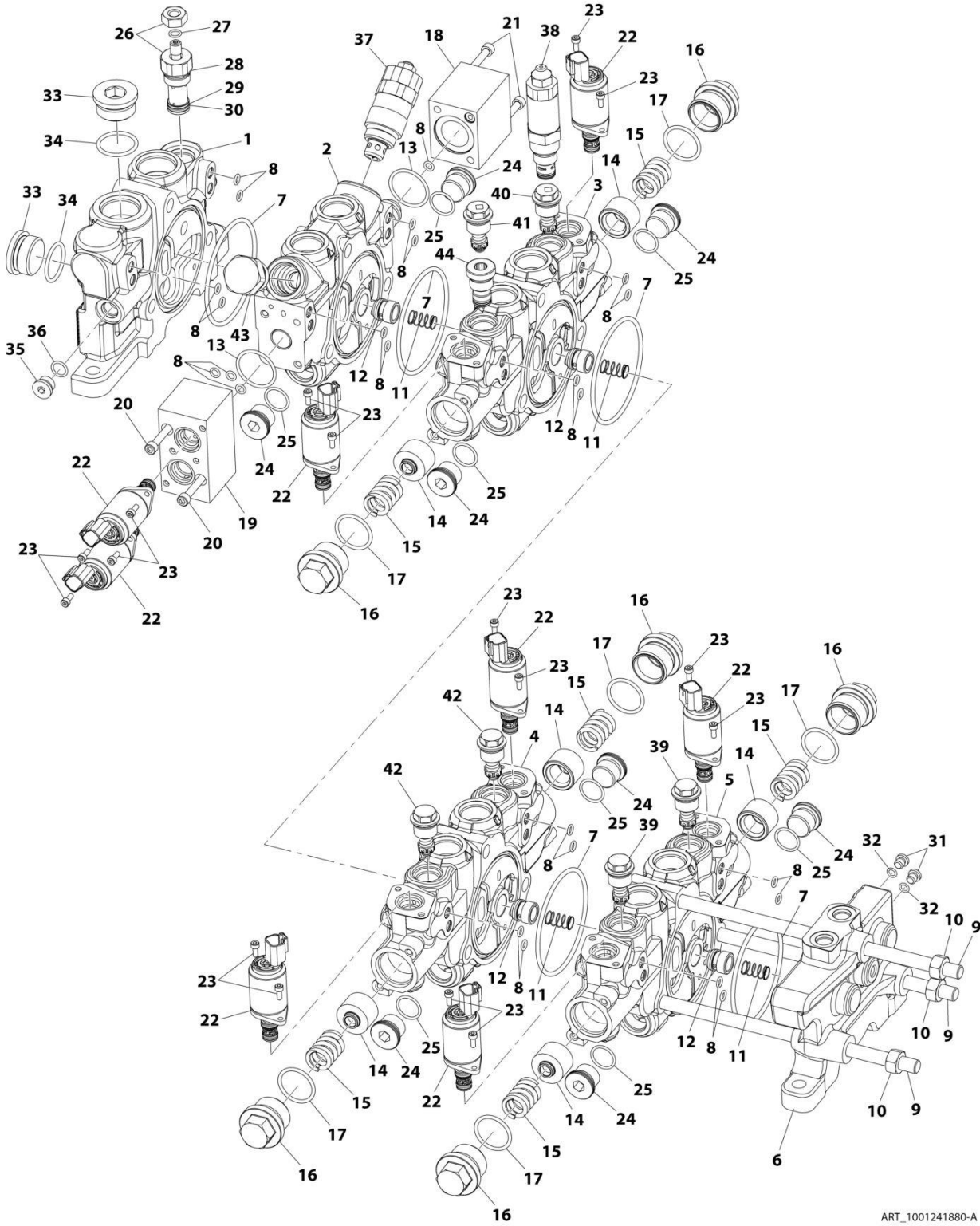
SECTION 9 - HYDRAULIC COMPONENTS

FIGURE 9-31. VALVE ASSEMBLY - FRAME LEVEL COUNTERBALANCE

ITEM	PART NUMBER	QTY	DESCRIPTION	REV
	1001168599	Ref	Counterbalance Valve	C
1	Kit	1	O-Ring	
2	Kit	1	O-Ring	
3	70028421	1	Kit, Seal (includes items 1 thru 2)	

SECTION 9 - HYDRAULIC COMPONENTS

FIGURE 9-32. VALVE ASSEMBLY - MAIN CONTROL



ART_1001241880-A

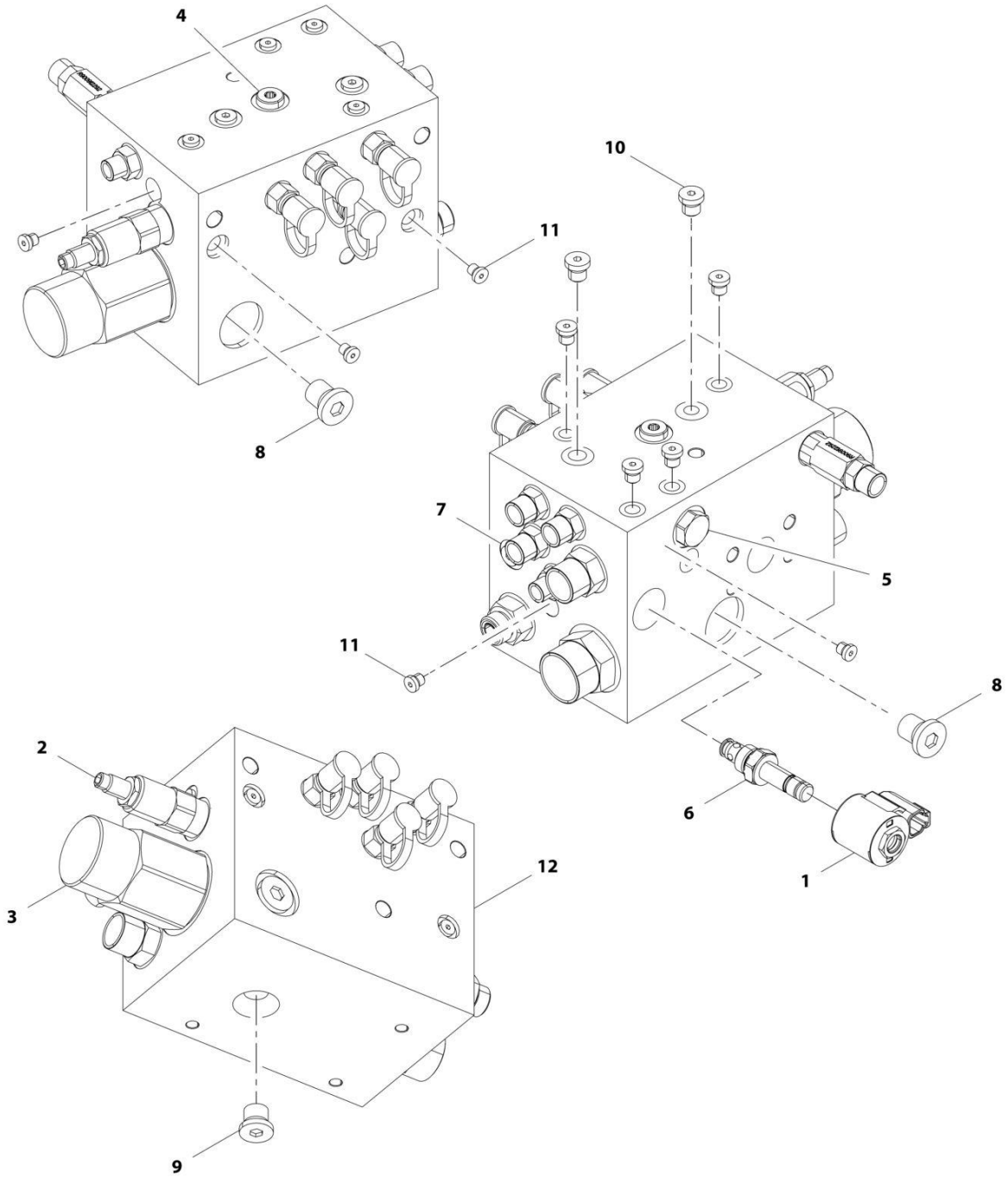
SECTION 9 - HYDRAULIC COMPONENTS

FIGURE 9-32. VALVE ASSEMBLY - MAIN CONTROL

ITEM	PART NUMBER	QTY	DESCRIPTION	REV
	1001241880	Ref	Main Control Valve	A
1	70028300	1	Inlet Section Assembly	
2	70029868	1	Lift Section Assembly	
3	70029870	1	Extend/Retract Section Assembly	
4	70029871	1	Tilt Section Assembly	
5	70029872	1	Aux Section Assembly	
6	70022007	1	Outlet Section Assembly	
7	8034697	5	O-Ring	
8	70026369	24	O-Ring	
9	70028299	3	Tie Rod	
10	70022019	6	Nut-Metric	
11	70025854	4	Spring	
12	70028287	4	Poppet, CV	
13	70026784	2	O-Ring	
14	70026781	6	Spring Seat	
15	70026783	6	Spring	
16	70026778	6	Plug Assembly, Special	
17	70026779	6	O-Ring	
18	70029873	1	End Cap	
19	70028295	1	End Cap Assembly, Solenoid	
20	70028298	2	Screw	
21	70026383	8	Screw	
22	70029874	8	Solenoid-Cartridge Valve	
23	70022014	16	Screw	
24	70024847	8	Plug Assembly	
25	70026777	8	O-Ring	
26	70028286	1	Drain Regulator Assembly	
27	70026373	1	O-Ring	
28	70026370	1	O-Ring	
29	70026376	1	Back-Up Ring	
30	70026370	1	O-Ring	
31	70026379	2	Plug	
32	70026372	2	O-Ring	
33	70050473	2	Plug Assembly	
34	10732931	2	O-Ring	
35	70050475	1	Plug	
36	70024201	1	O-Ring	
37	70028288	1	Relief Valve Assembly	
38	70028289	1	Relief Valve Assembly	
39	70028296	2	Relief Valve Assembly	
40	70027134	1	Relief Valve Assembly (Note: General Drawing - This part does ot to this valve)	
41	70028297	1	Relief Valve Assembly	
42	70022010	2	Relief Valve Assembly	
43	10837953	1	Shut-Off Plug Assembly	
44	70022008	1	Shut-Off Plug Assembly (Note: General Drawing - This part does ot to this valve)	

SECTION 9 - HYDRAULIC COMPONENTS

FIGURE 9-33. VALVE ASSEMBLY - PRIORITY VALVE



ART_1001192888-E

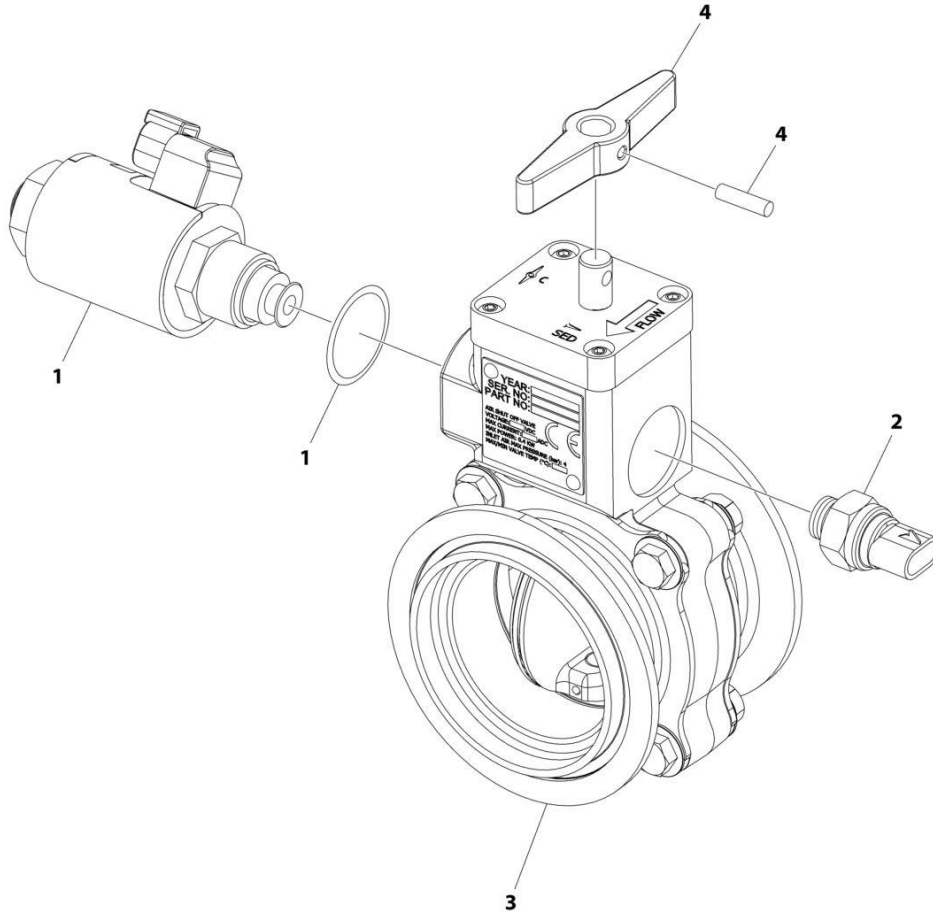
SECTION 9 - HYDRAULIC COMPONENTS

FIGURE 9-33. VALVE ASSEMBLY - PRIORITY VALVE

ITEM	PART NUMBER	QTY	DESCRIPTION	REV
	1001192888	Ref	Priority Valve Assembly	E
1	70028905	1	Cartridge	
2	70028904	1	Cartridge	
3	70028903	1	Cartridge	
4	70026312	1	Cartridge	
5	70028902	1	Cartridge	
6	70002963	1	Coil	
7	70006427	1	Orifice	
8	70026314	2	Plug	
9	2220886	1	Plug	
10	2220883	3	Plug	
11	70026315	9	Plug	
12	N.S.S.	1	Block	

SECTION 9 - HYDRAULIC COMPONENTS

FIGURE 9-34. VALVE ASSEMBLY - RADIATOR HOSE SHUT-OFF VALVE



ART_1001204032_C

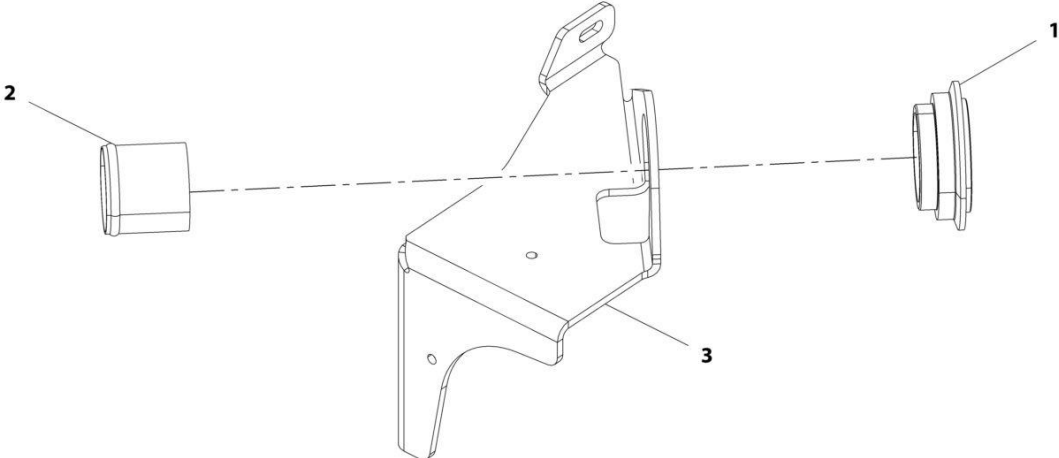
SECTION 9 - HYDRAULIC COMPONENTS

FIGURE 9-34. VALVE ASSEMBLY - RADIATOR HOSE SHUT-OFF VALVE

ITEM	PART NUMBER	QTY	DESCRIPTION	REV
	1001204032	Ref	Air Shut Off Valve	C
1	70028514	1	Kit, Solenoid 12V (Includes Solenoid, Coil, O-Ring)	
2	70028515	1	Kit, Switch (Includes Ball Switch & O-Ring)	
3	70028516	1	Kit, Flange and Hardware (Includes Flanges (Male & Female) & Mounting Hardware)	
4	70028517	1	Kit, Handle (Includes Handle & Pin)	

SECTION 9 - HYDRAULIC COMPONENTS

FIGURE 9-35. VALVE ASSEMBLY - RADIATOR HOSE ASO VALVE



ART_1001223618-A

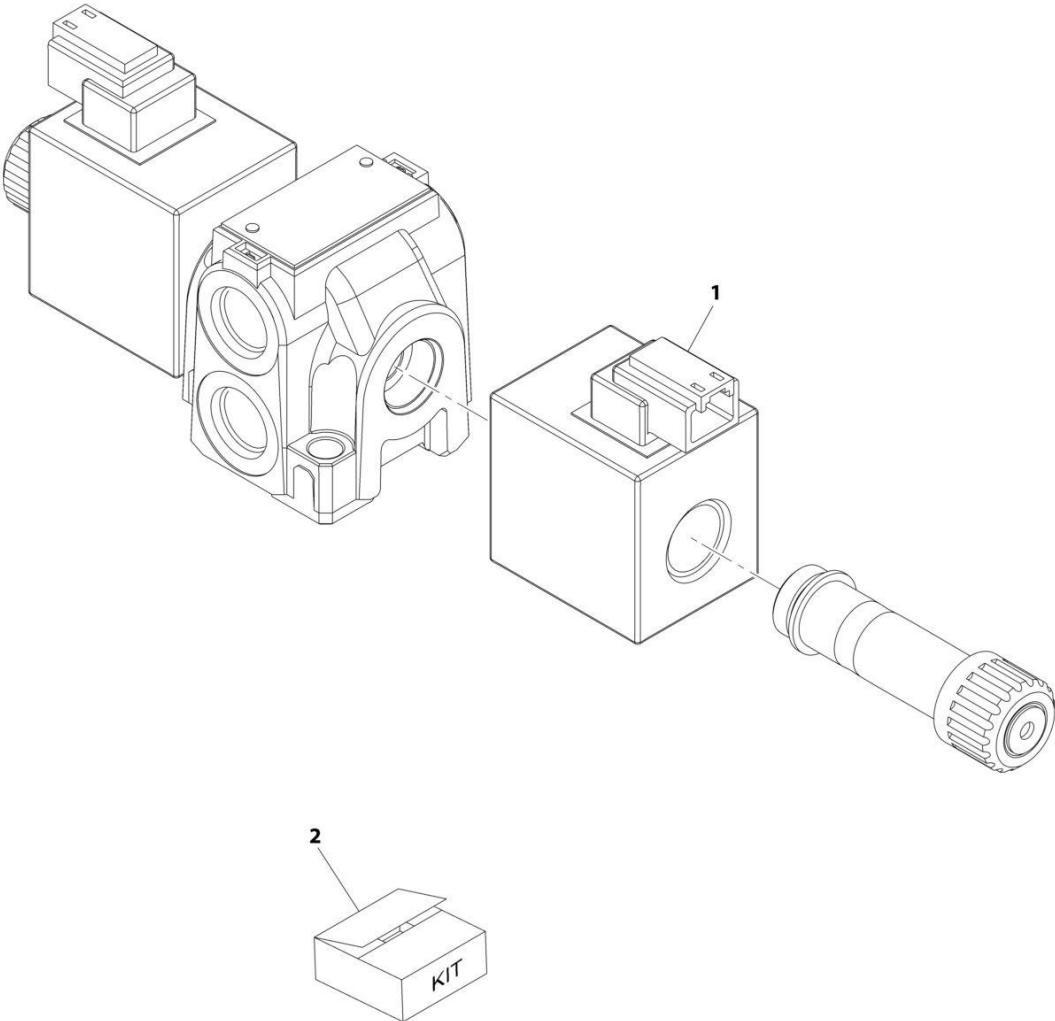
SECTION 9 - HYDRAULIC COMPONENTS

FIGURE 9-35. VALVE ASSEMBLY - RADIATOR HOSE ASO VALVE

ITEM	PART NUMBER	QTY	DESCRIPTION	REV
	1001223618	Ref	ASO Valve	A
1	1001204057	1	Plate	
2	1001206954	1	Tube	
3	1001223622	1	Bracket	

SECTION 9 - HYDRAULIC COMPONENTS

FIGURE 9-36. VALVE ASSEMBLY - SPEED CONTROL



ART_4641520-B

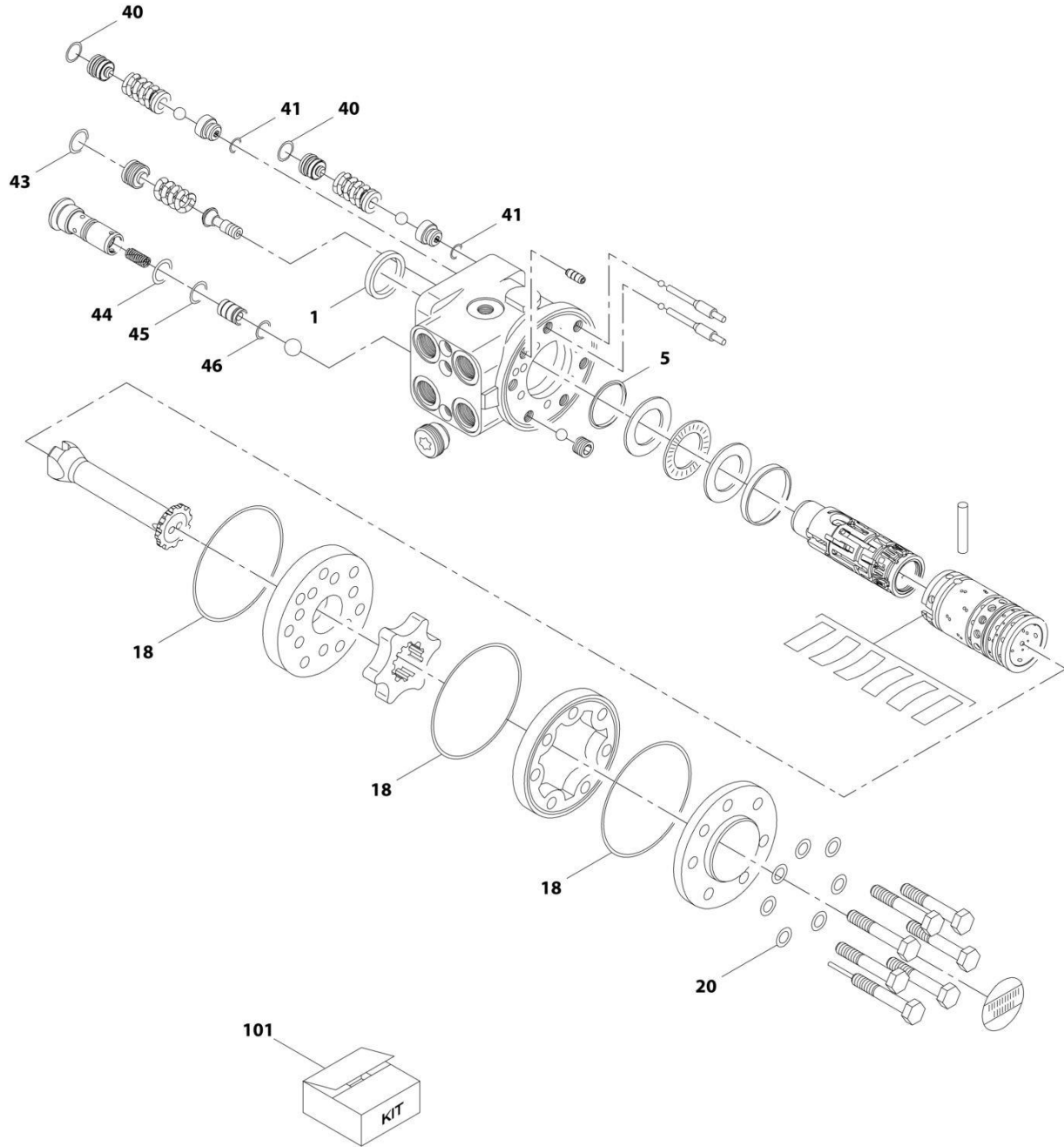
SECTION 9 - HYDRAULIC COMPONENTS

FIGURE 9-36. VALVE ASSEMBLY - SPEED CONTROL

ITEM	PART NUMBER	QTY	DESCRIPTION	REV
	4641520	Ref	Speed Control Valve	B
1	70026582	1	SOLENOID	
2	70020867	1	Kit, Coil Nut	
	N.S.S.	1	Seal	
	N.S.S.	1	Seal	
	N.S.S.	1	Nut, Coil	

SECTION 9 - HYDRAULIC COMPONENTS

FIGURE 9-37. VALVE ASSEMBLY - STEER



ART_1001178670-B

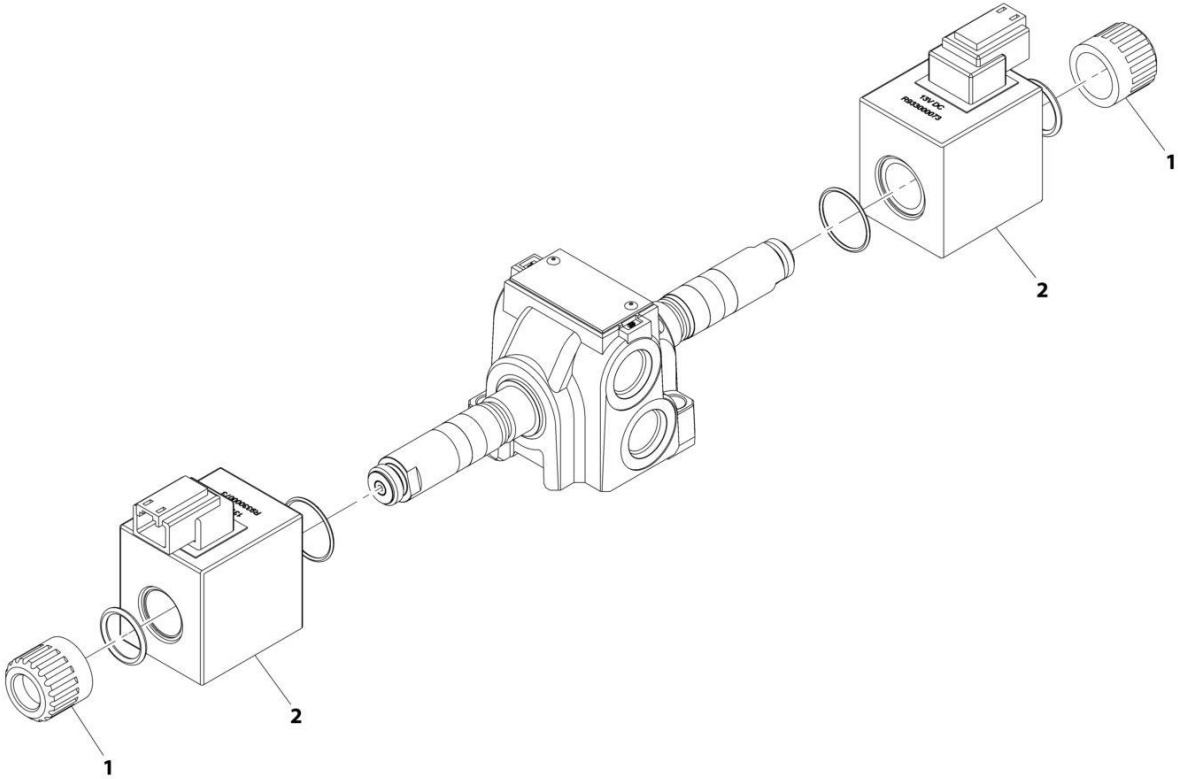
SECTION 9 - HYDRAULIC COMPONENTS

FIGURE 9-37. VALVE ASSEMBLY - STEER

ITEM	PART NUMBER	QTY	DESCRIPTION	REV
	1001178670	Ref	Steer Unit Valve	B
1	Kit	2	Ring, Dust Seal	
5	Kit	2	Seal, Shaft	
18	Kit	2	O-Ring	
20	Kit	2	Washer	
40	Kit	2	O-Ring	
41	Kit	2	O-Ring	
43	Kit	2	O-Ring	
44	Kit	2	O-Ring	
45	Kit	2	O-Ring	
46	Kit	2	O-Ring	
101	70028285	1	Kit, Seal (includes items 1, 5, 18, 20, 40, 41 and 43 thru 46)	

SECTION 9 - HYDRAULIC COMPONENTS

FIGURE 9-38. VALVE ASSEMBLY - STEERING SELECT VALVE



ART_1001153748-C

SECTION 9 - HYDRAULIC COMPONENTS

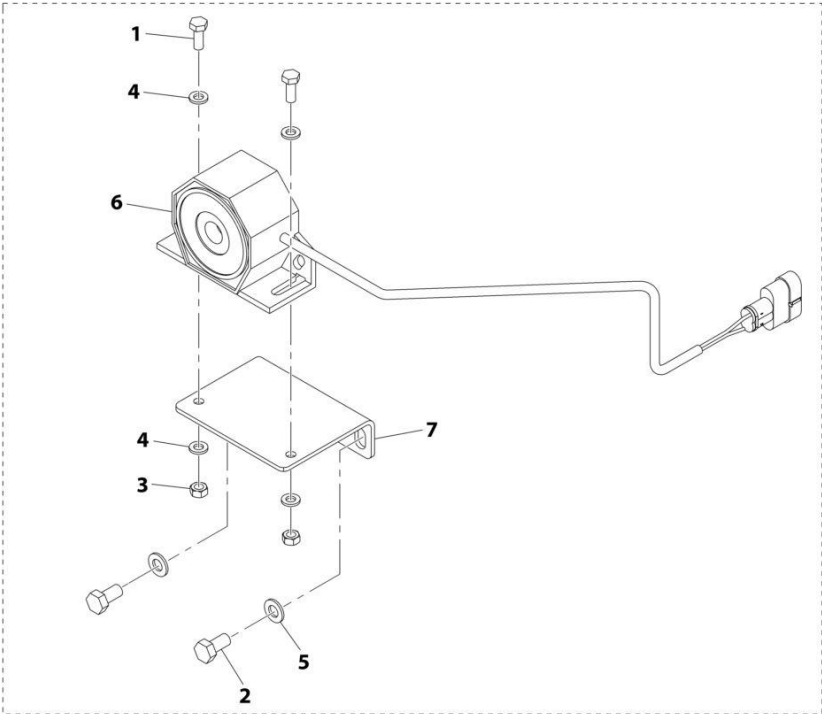
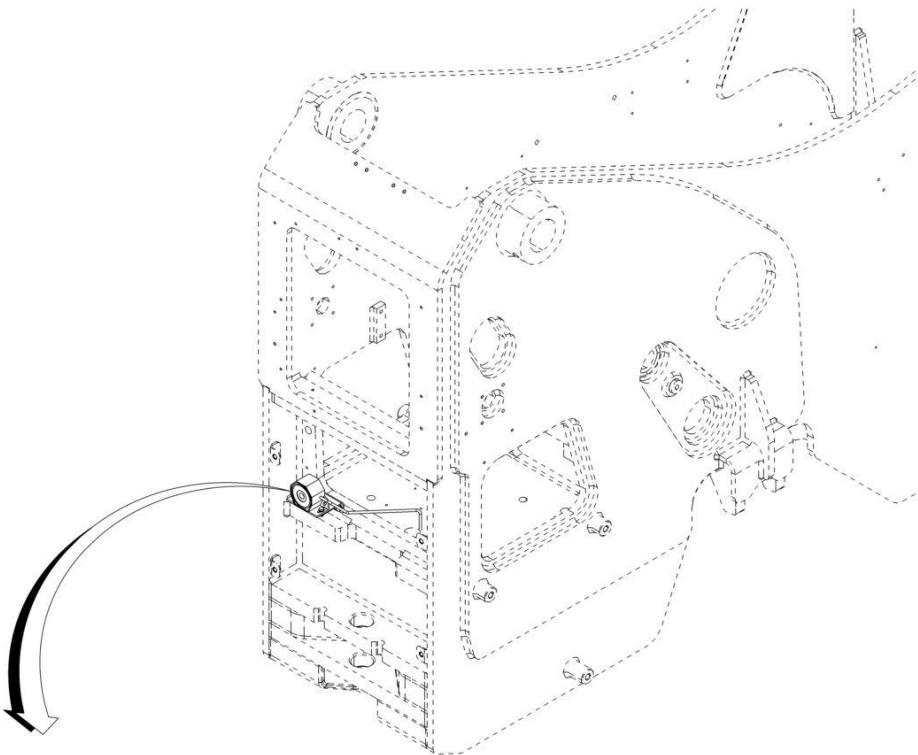
FIGURE 9-38. VALVE ASSEMBLY - STEERING SELECT VALVE

ITEM	PART NUMBER	QTY	DESCRIPTION	REV
	1001153748	Ref	Steering Select Valve	C
1	70020867	2	Nut, Coil	
2	70026582	2	Coil	

SECTION 10 - ELECTRICAL

SECTION 10 - ELECTRICAL

FIGURE 10-1. ALARM INSTALLATION - BACK UP



ART_1001192323-D

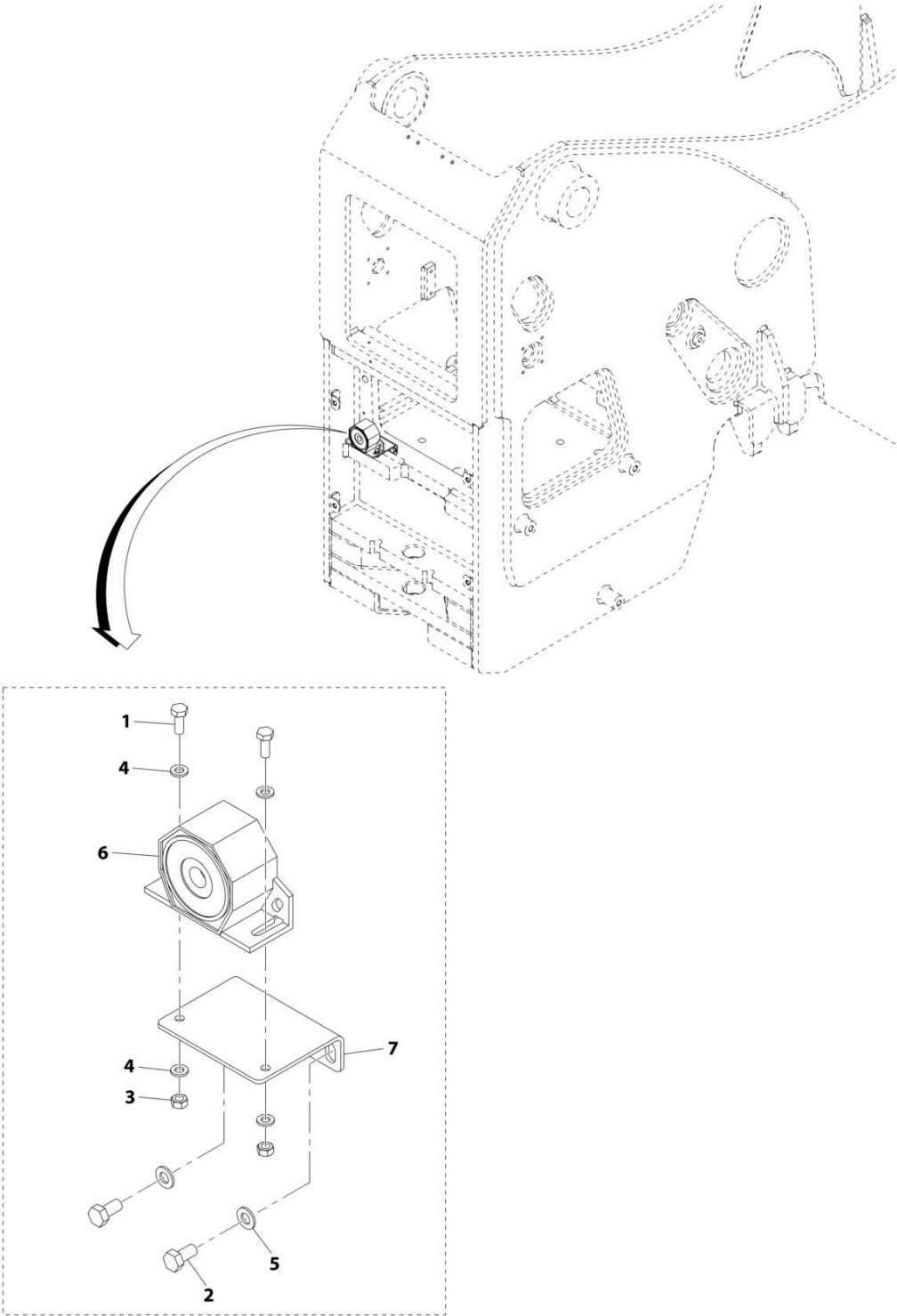
SECTION 10 - ELECTRICAL

FIGURE 10-1. ALARM INSTALLATION - BACK UP

ITEM	PART NUMBER	QTY	DESCRIPTION	REV
	1001192323	Ref	Backup Alarm Installation	D
1	0760608	2	Bolt, M6X16	
2	0760808	2	Bolt, M8X16	
3	3290601	2	Nut, M6X1	
4	4811700	4	Washer, M6	
5	4811900	2	Washer, M8	
6	1001101808	1	Alarm, Backup	
7	1001193698	1	Bracket	

SECTION 10 - ELECTRICAL

FIGURE 10-2. ALARM INSTALLATION (BACK UP - WHITE NOISE)



ART_1001195263-B

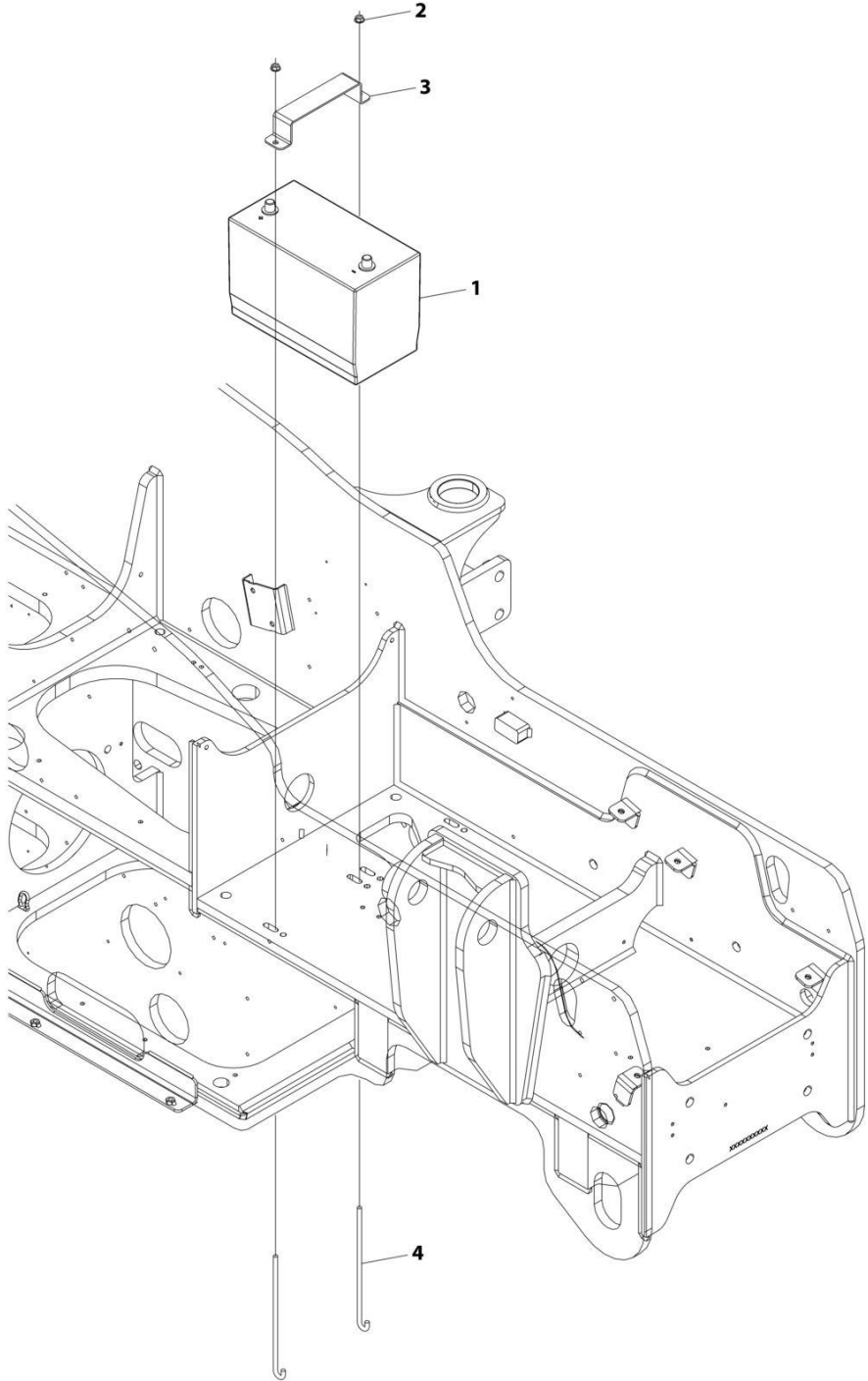
SECTION 10 - ELECTRICAL

FIGURE 10-2. ALARM INSTALLATION (BACK UP - WHITE NOISE)

ITEM	PART NUMBER	QTY	DESCRIPTION	REV
	1001195263	Ref	Backup Alarm Installation (White Noise)	B
1	0760608	2	Bolt, M6X16	
2	0760808	2	Bolt, M8X16	
3	3290601	2	Nut, M6X1	
4	4811700	4	Washer, M6	
5	4811900	2	Washer, M8	
6	1001165827	1	Alarm, Backup (White Noise)	
7	1001193698	1	Bracket	

SECTION 10 - ELECTRICAL

FIGURE 10-3. BATTERY INSTALLATION



ART_1001186855

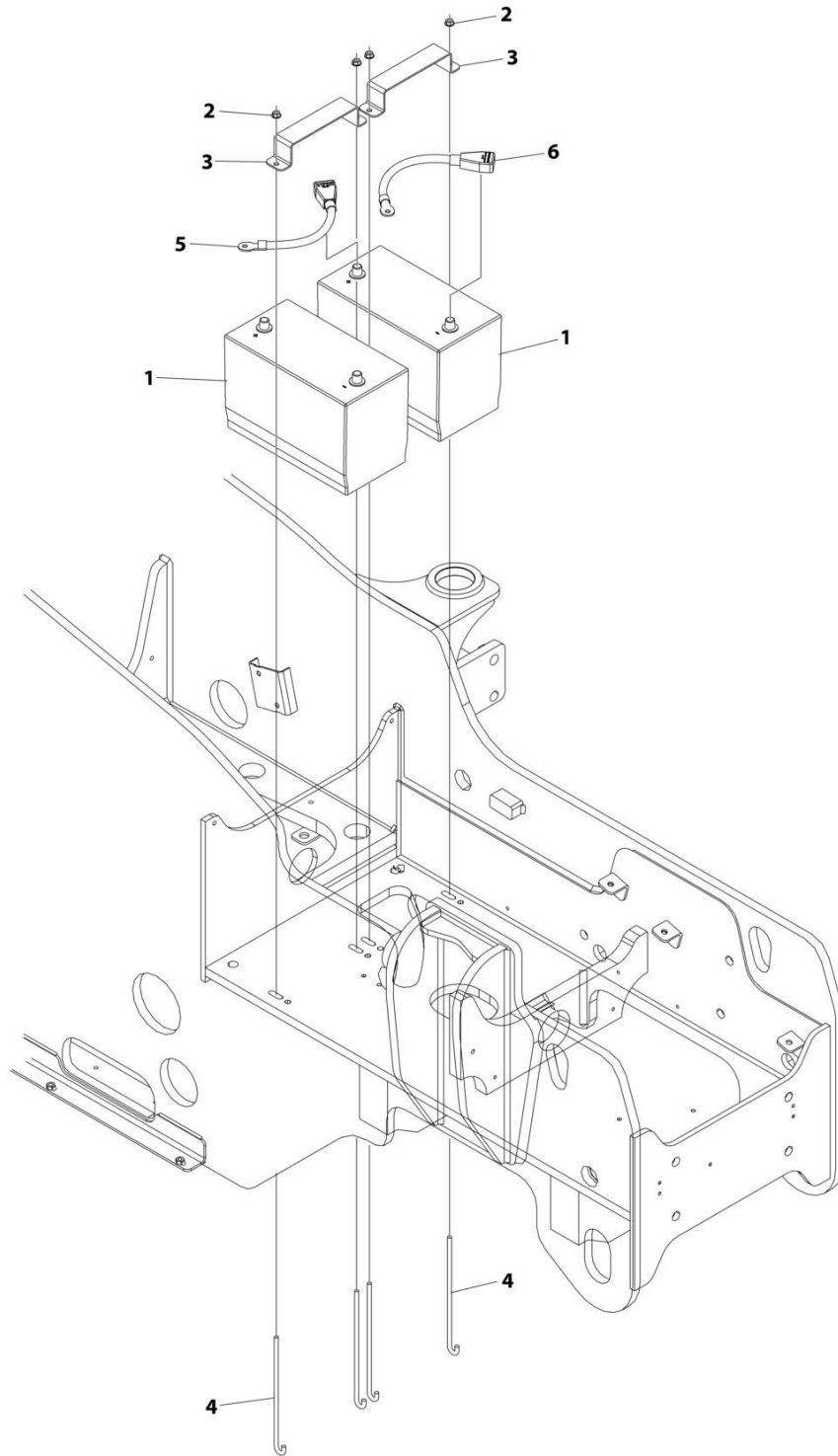
SECTION 10 - ELECTRICAL

FIGURE 10-3. BATTERY INSTALLATION

ITEM	PART NUMBER	QTY	DESCRIPTION	REV
	1001186855	Ref	Battery Installation	B
1	0400075	1	Battery, 12V	
2	5220800	2	Nut, Ripp M8	
3	1001160927	1	Plate	
4	1001160928	2	J-Bolt (270mm Length)	
4	1001181961	2	J-Bolt (220mm Length)	

SECTION 10 - ELECTRICAL

FIGURE 10-4. BATTERY (DUAL) INSTALLATION



ART_1001211445_D

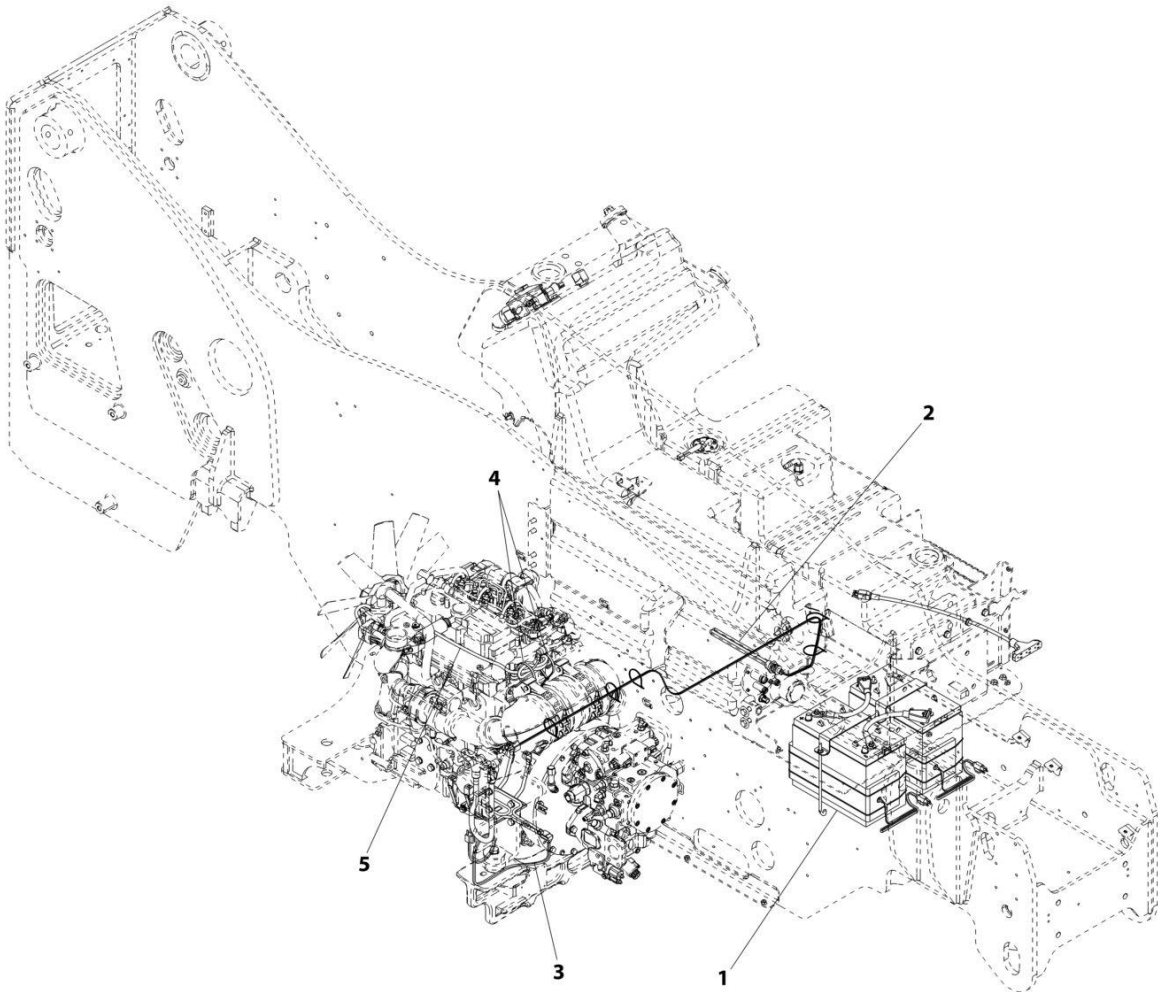
SECTION 10 - ELECTRICAL

FIGURE 10-4. BATTERY (DUAL) INSTALLATION

ITEM	PART NUMBER	QTY	DESCRIPTION	REV
	1001211445	Ref	Dual Battery Installation	D
1	0400075	2	Battery, 12V	
2	5220800	4	Nut Ripp M8	
3	1001160927	2	Plate	
4	1001160928	4	J-Bolt (270mm Length)	
4	1001181961	4	J-Bolt (220mm Length)	
5	1001203557	1	Cable, Positive Battery	
6	1001203558	1	Cable, Negative Battery	

SECTION 10 - ELECTRICAL

FIGURE 10-5. BATTERY (ARCTIC) PACKAGE INSTALLATION (115V)



ART_1001186856-D

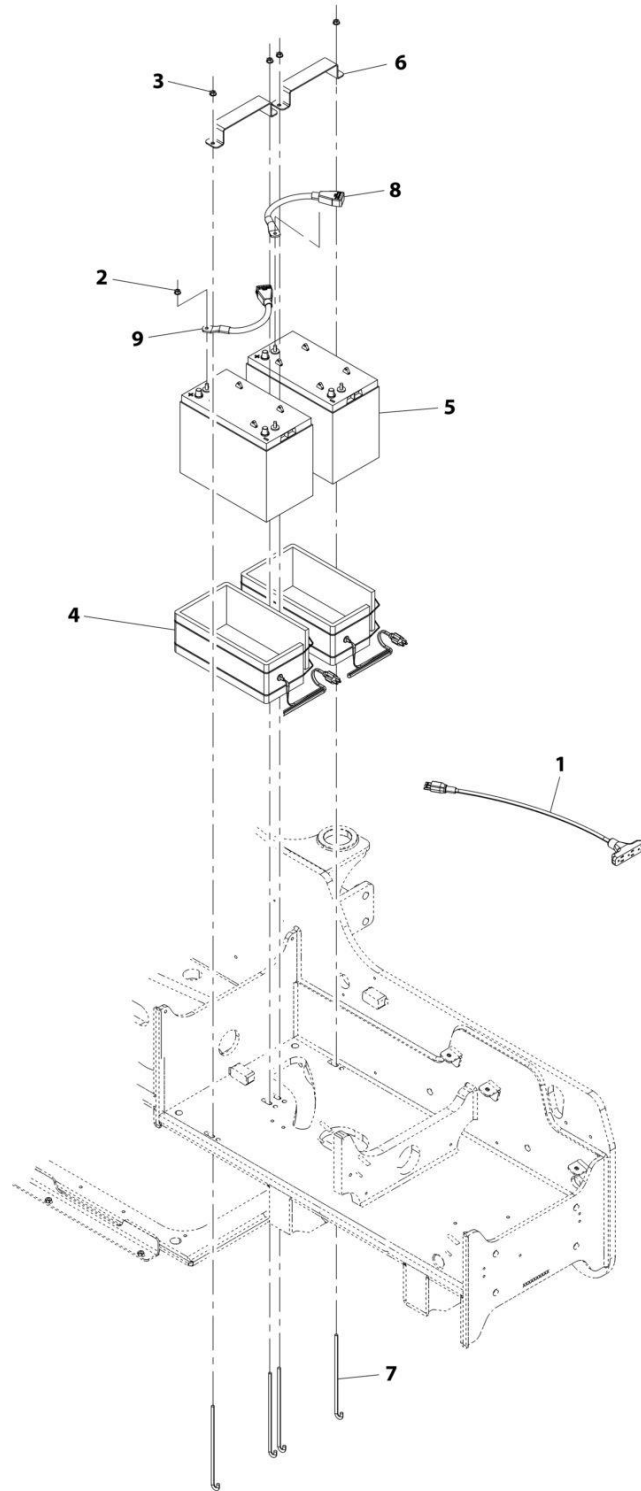
SECTION 10 - ELECTRICAL

FIGURE 10-5. BATTERY (ARCTIC) PACKAGE INSTALLATION (115V)

ITEM	PART NUMBER	QTY	DESCRIPTION	REV
	1001186856	Ref	Arctic Battery Package Installation (115V)	D
1	1001195582	1	Installation, Arctic Battery Package (115V) (See Separate Breakdown in this Section)	
2	1001195593	1	Installation, Hydraulic Tank Heater (115V) (See Separate Breakdown in this Section)	
3	2580040	1	Heater, Engine Oil Pan	
4	1062255	2	Tie, Strap	
5	1001232509	1	Tube, Heated Breather	

SECTION 10 - ELECTRICAL

FIGURE 10-6. BATTERIES (ARCTIC) INSTALLATION (115V)



ART_1001195582-B

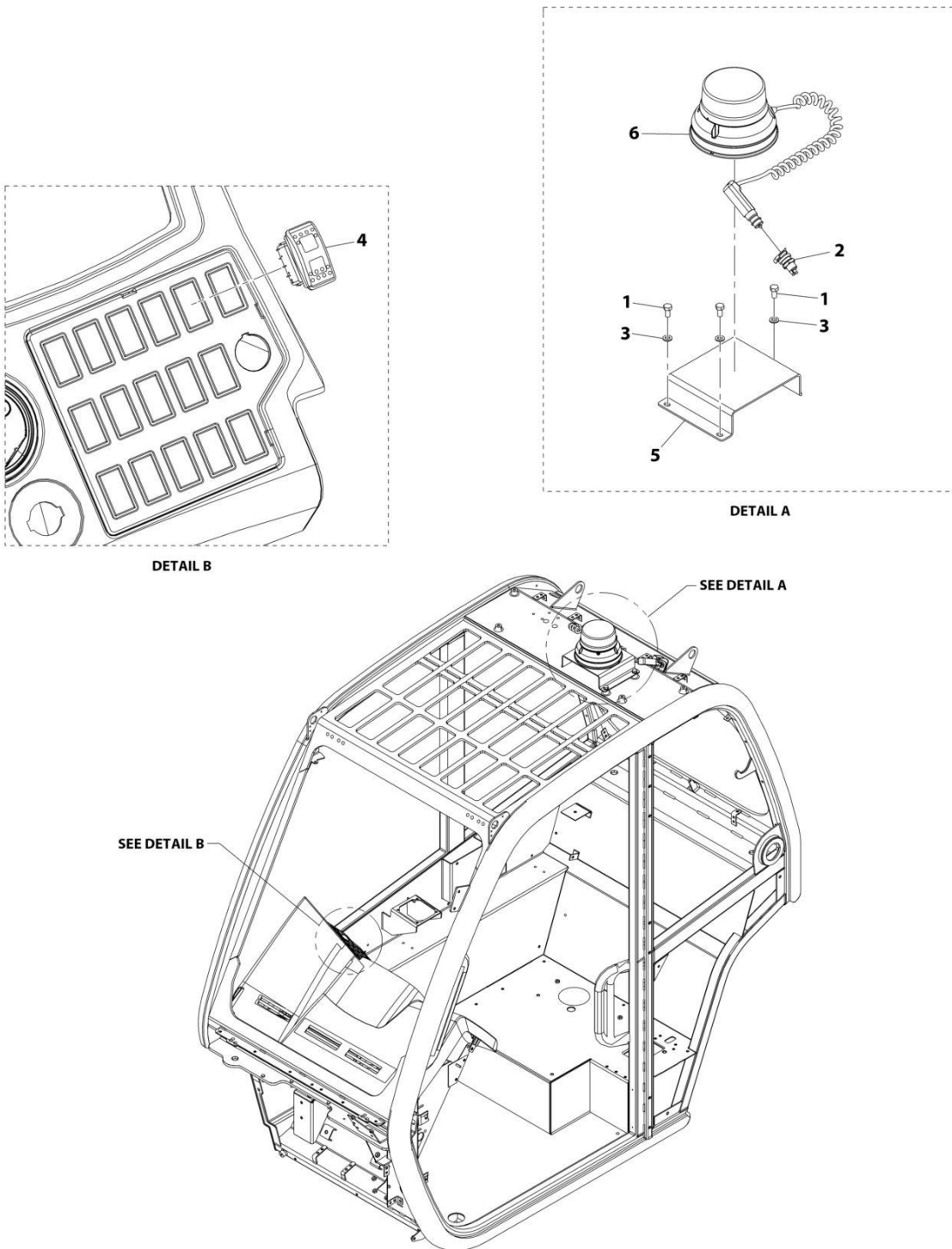
SECTION 10 - ELECTRICAL

FIGURE 10-6. BATTERIES (ARCTIC) INSTALLATION (115V)

ITEM	PART NUMBER	QTY	DESCRIPTION	REV
	1001195582	Ref	Arctic Batteries Installation (115V)	B
1	1060626	1	Cord, 3-Way Extension	
2	3311508	2	Nut 5/16	
3	5220800	4	Nut M8	
4	1001093564	2	Heater, Battery	
5	1001098762	2	Battery 12V	
6	1001160927	2	Plate, Battery Hold Down	
7	1001160928	4	J-Bolt	
8	1001172495	1	Cable, Positive Battery	
9	1001172496	1	Cable, Negative Battery	

SECTION 10 - ELECTRICAL

FIGURE 10-7. BEACON INSTALLATION (LED)



ART_1001195883-A

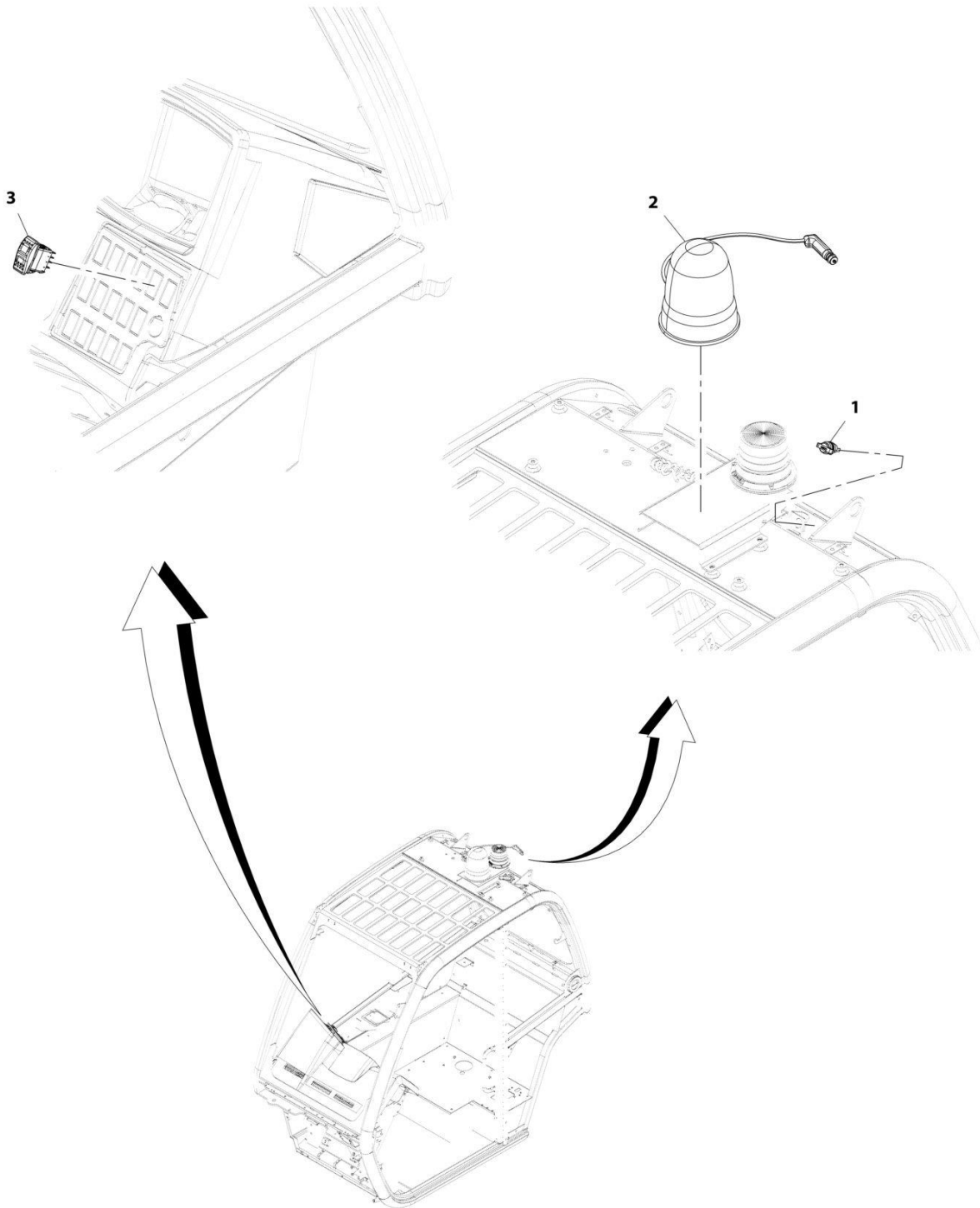
SECTION 10 - ELECTRICAL

FIGURE 10-7. BEACON INSTALLATION (LED)

ITEM	PART NUMBER	QTY	DESCRIPTION	REV
	1001195883	Ref	BEACON INSTALLATION (LED)	B
1	0760808	3	Bolt M8 x 16	
2	4461174	1	Terminal	
3	4811900	3	Washer M8	
4	1001159738	1	Switch, Beacon	
5	1001174796	1	Bracket	
	1001273075	1	Light, Beacon (LED)	

SECTION 10 - ELECTRICAL

FIGURE 10-8. BEACON (REMOTE BOOM CONTROL) INSTALLATION



ART_1001209357-B

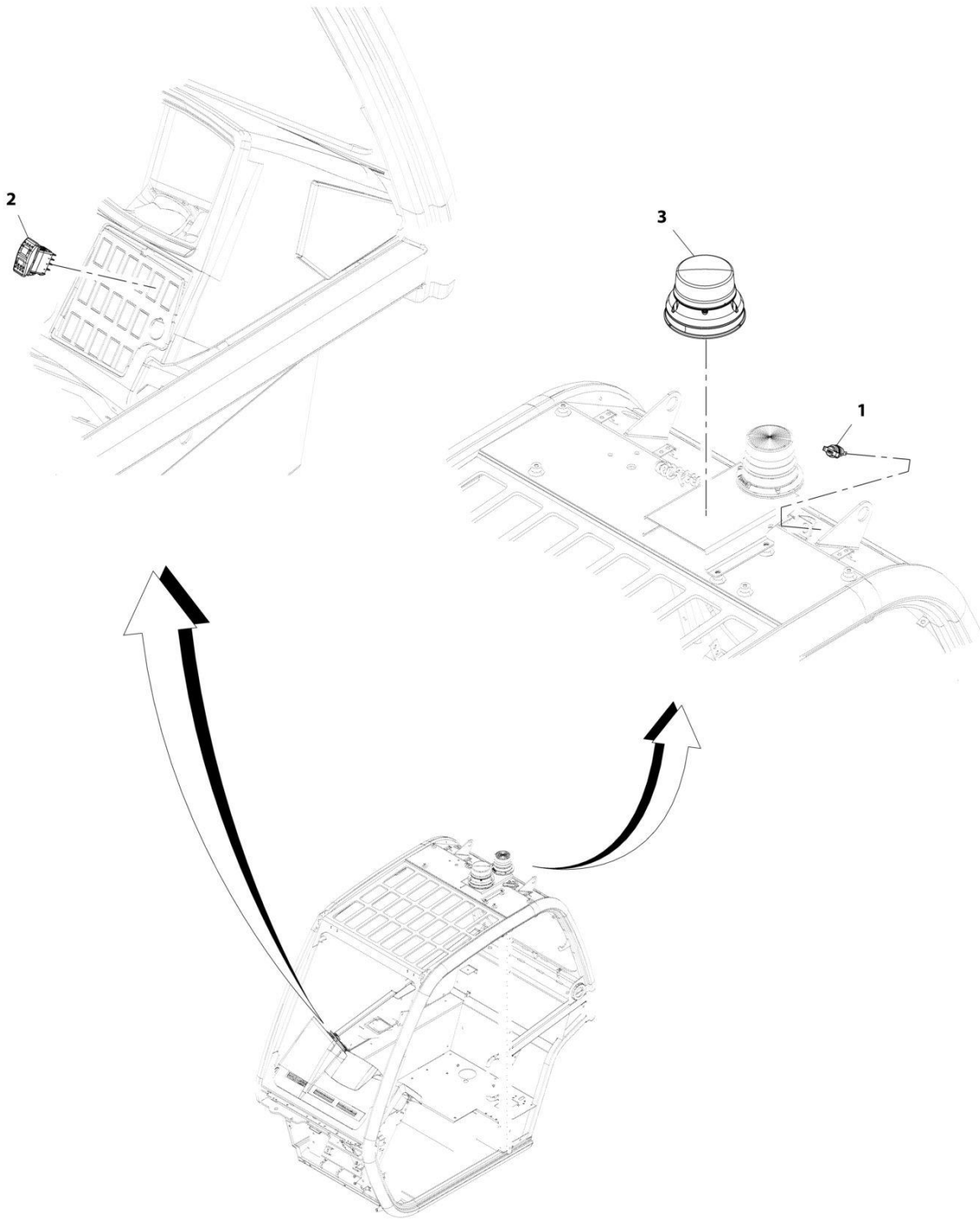
SECTION 10 - ELECTRICAL

FIGURE 10-8. BEACON (REMOTE BOOM CONTROL) INSTALLATION

ITEM	PART NUMBER	QTY	DESCRIPTION	REV
	1001209357	Ref	Beacon (Remote Boom Control) Installation	B
1	4461174	1	Terminal, 12 Volt	
2	1001217623	1	Light, Warning	
3	1001159738	1	Switch, Beacon	

SECTION 10 - ELECTRICAL

FIGURE 10-9. BEACON (LED) (REMOTE BOOM CONTROL) INSTALLATION



ART_1001209358-A

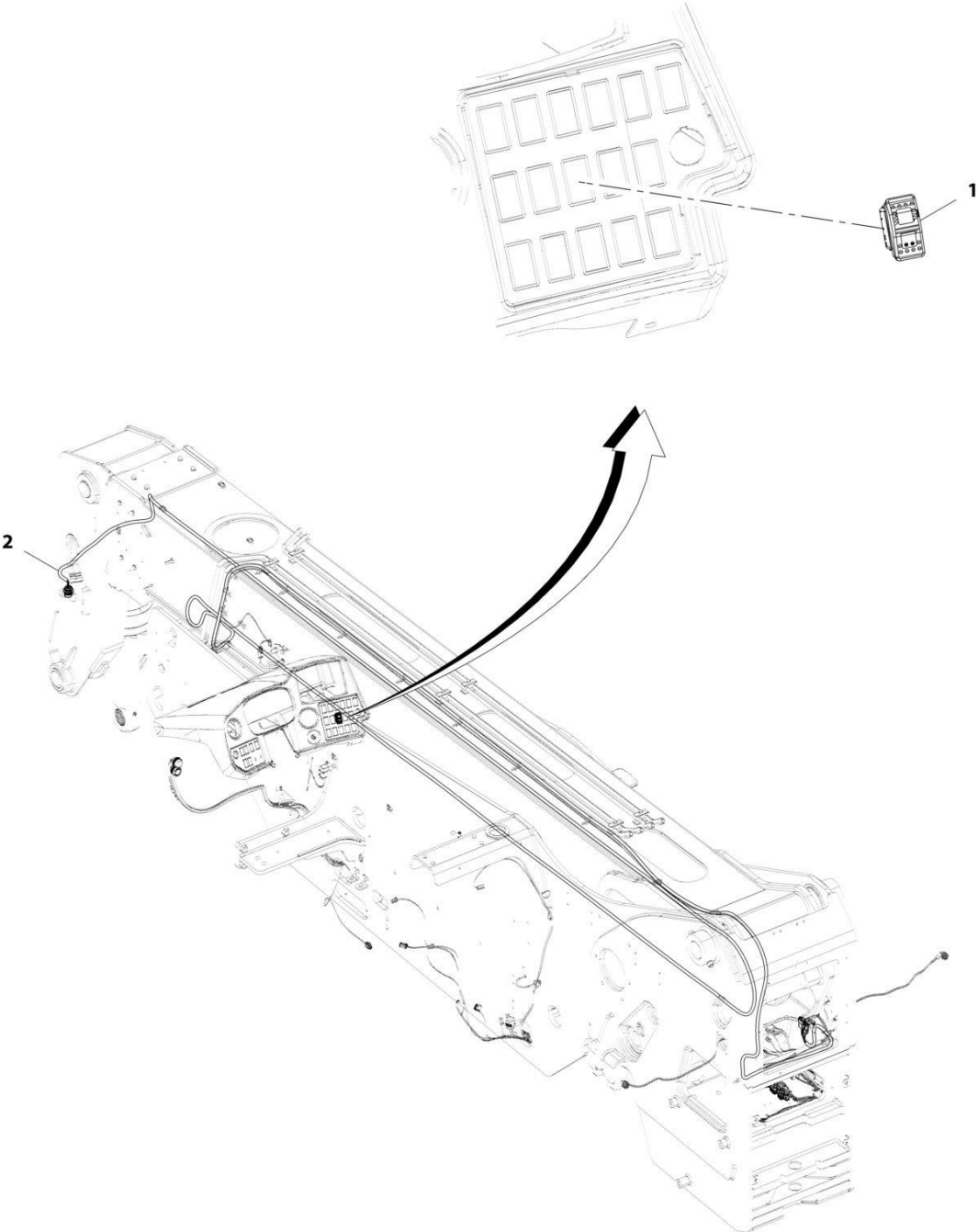
SECTION 10 - ELECTRICAL

FIGURE 10-9. BEACON (LED) (REMOTE BOOM CONTROL) INSTALLATION

ITEM	PART NUMBER	QTY	DESCRIPTION	REV
	1001209358	Ref	BEACON (LED) (REMOTE BOOM CONTROL) INSTALLATION	A
1	4461174	1	Terminal, 12 Volt	
2	1001159738	1	Switch, Beacon	
3	1001198893	1	Light, Warning	

SECTION 10 - ELECTRICAL

FIGURE 10-10. BOOM HARNESS INSTALLATION



ART_1001192575-B

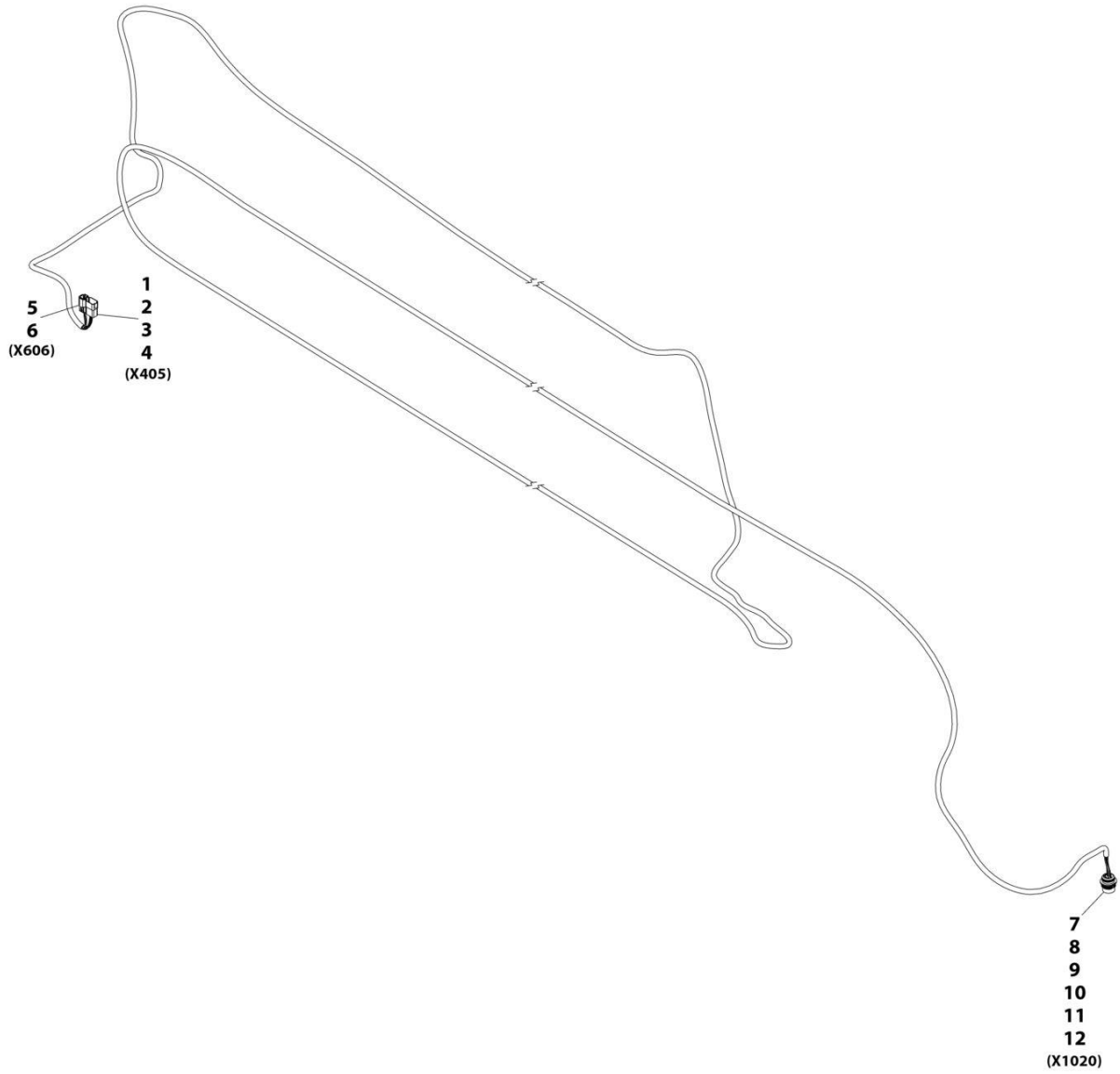
SECTION 10 - ELECTRICAL

FIGURE 10-10. BOOM HARNESS INSTALLATION

ITEM	PART NUMBER	QTY	DESCRIPTION	REV
	1001192575	Ref	Boom Harness Installation	B
1	1001159746	1	Switch, Aux Electric	
2	1001201124	1	Harness, Boom (See Separate Breakdown in this Section)	

SECTION 10 - ELECTRICAL

FIGURE 10-11. BOOM HARNESS



ART_1001201124-B

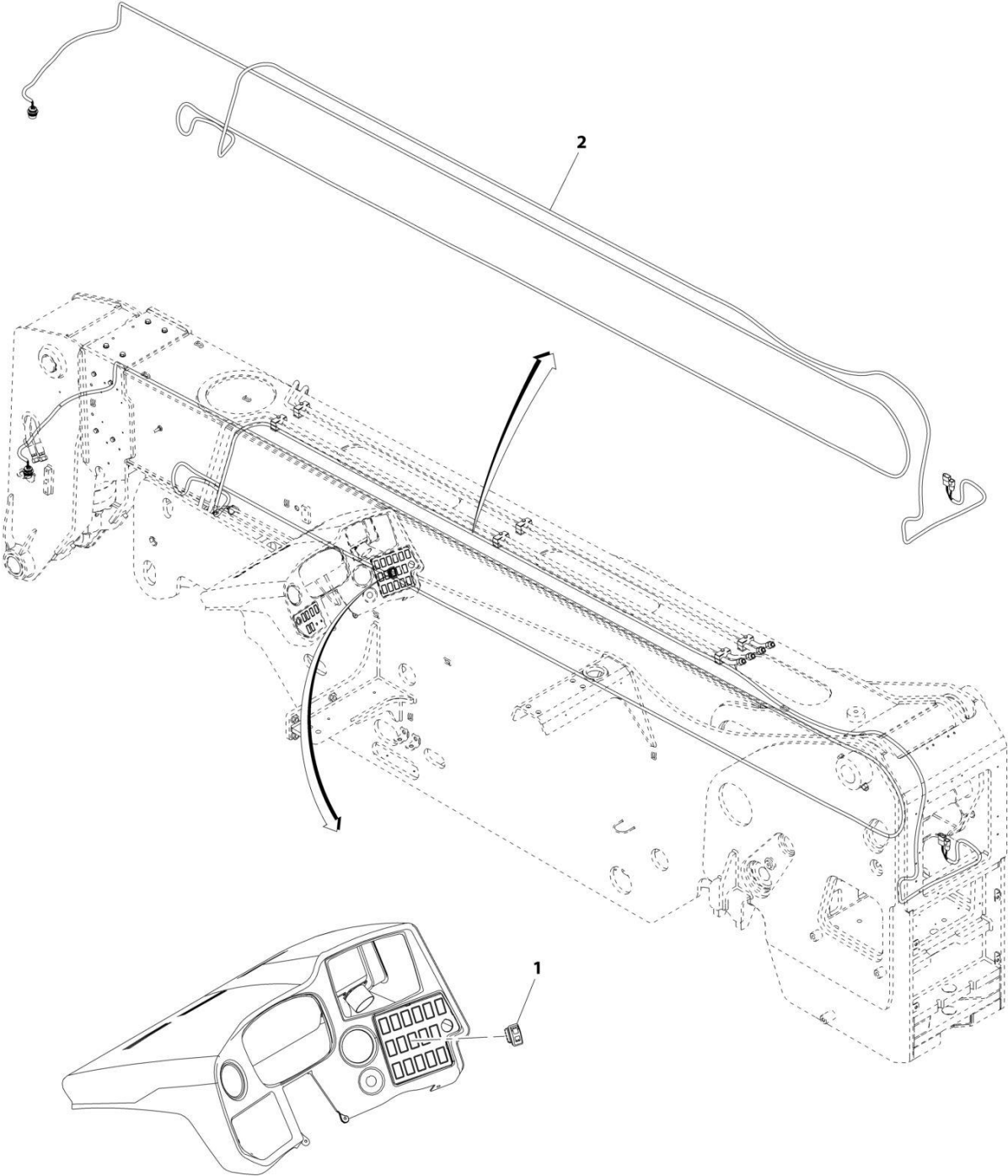
SECTION 10 - ELECTRICAL

FIGURE 10-11. BOOM HARNESS

ITEM	PART NUMBER	QTY	DESCRIPTION	REV
	1001201124	Ref	Boom Harness	B
1	4460931	1	Connector	
2	4460943	2	Terminal	
3	4460464	4	Terminal	
4	4460466	2	Plug	
5	4461017	1	Connector	
6	4460508	2	Terminal	
7	1001112612	1	Connector	
8	1001183221	1	Boot	
9	1001157891	2	Terminal	
10	4460464	4	Terminal	
11	4460943	2	Terminal	
12	4460466	1	Plug	

SECTION 10 - ELECTRICAL

FIGURE 10-12. BOOM HARNESS INSTALLATION



ART_1001228743-A

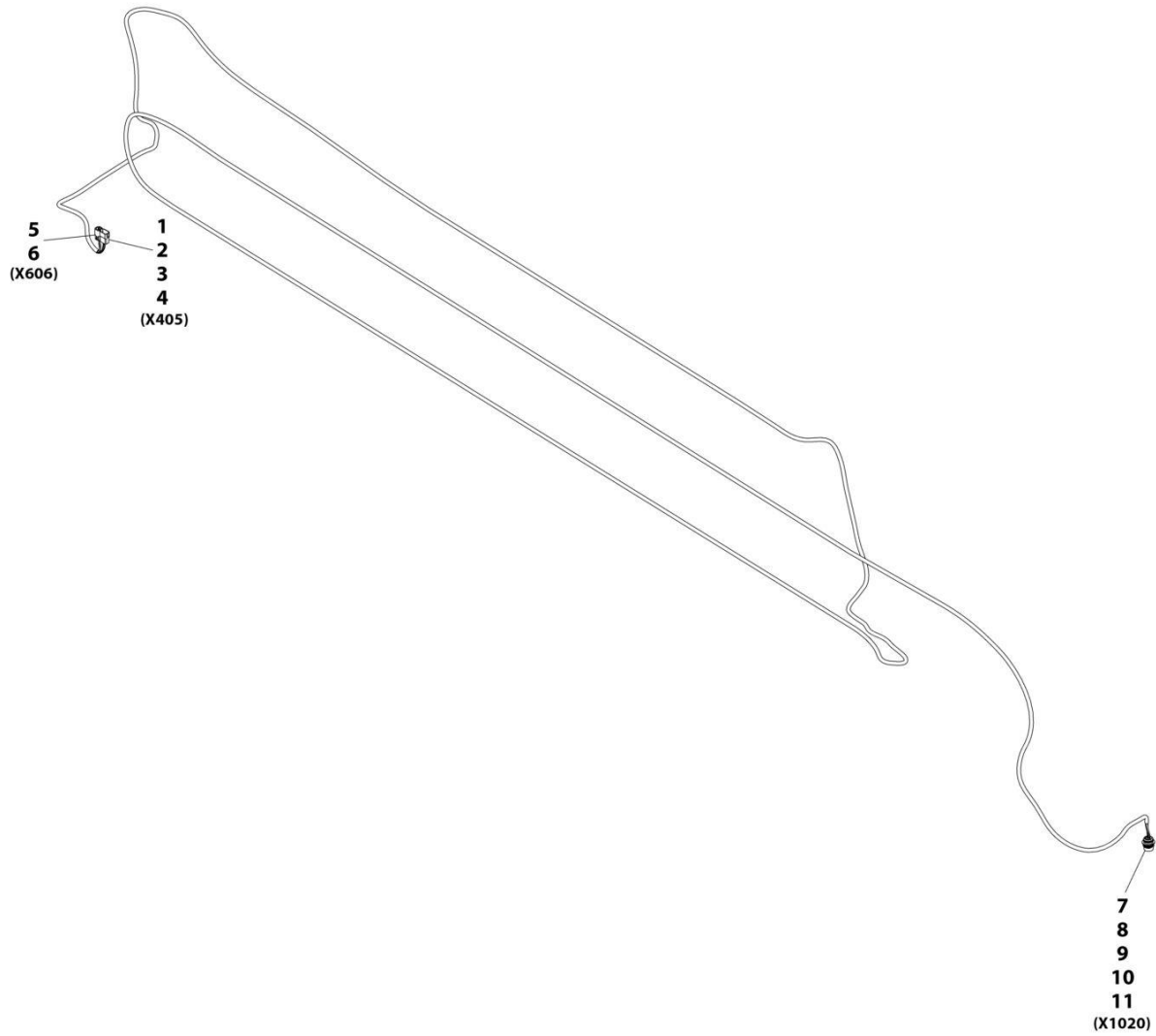
SECTION 10 - ELECTRICAL

FIGURE 10-12. BOOM HARNESS INSTALLATION

ITEM	PART NUMBER	QTY	DESCRIPTION	REV
	1001228743	Ref	Boom Harness Installation	A
1	1001159746	1	Switch, Aux Electric	
2	1001228744	1	Harness, Boom (See Separate Breakdown in this Section)	

SECTION 10 - ELECTRICAL

FIGURE 10-13. BOOM HARNESS



ART_1001228744-A

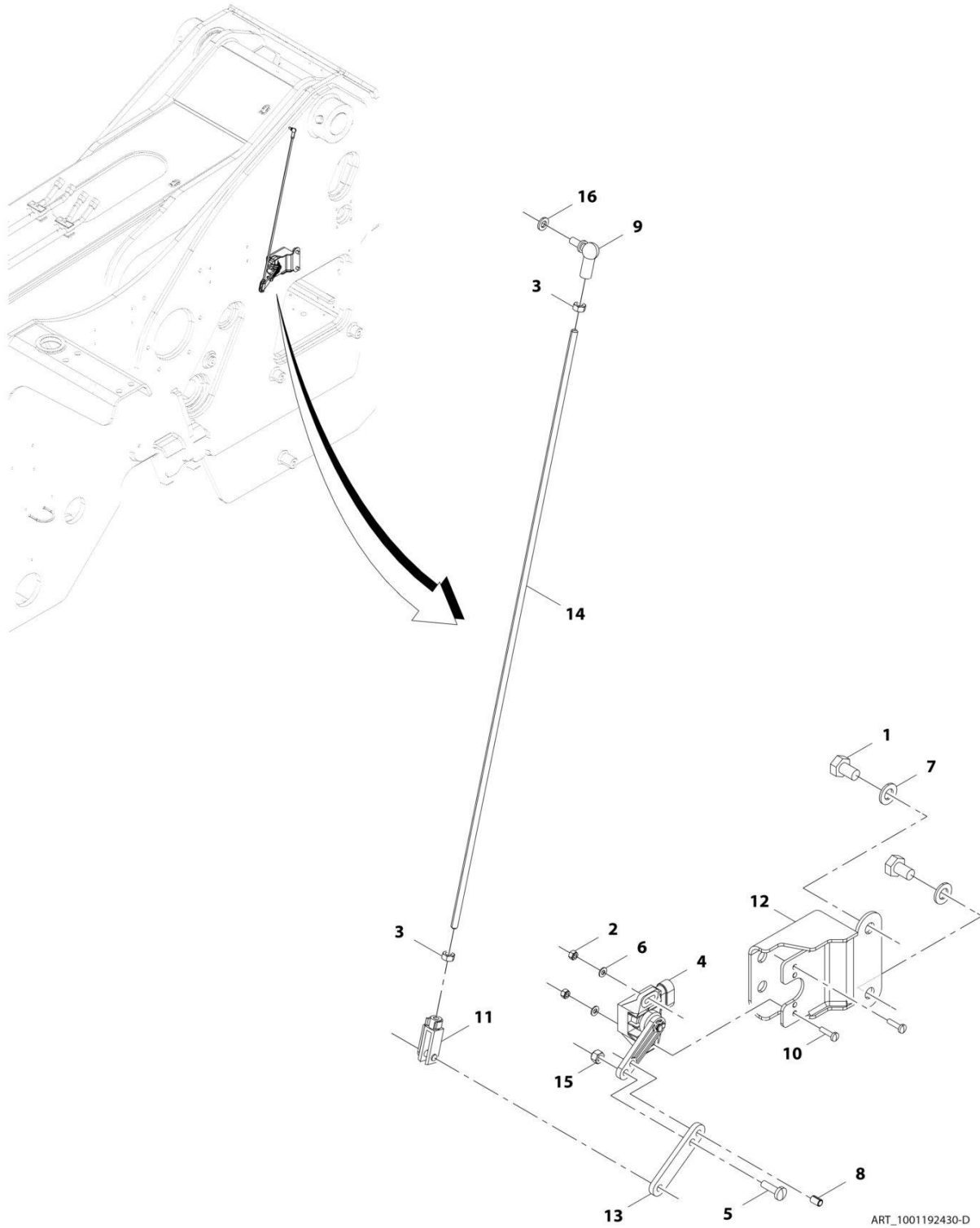
SECTION 10 - ELECTRICAL

FIGURE 10-13. BOOM HARNESS

ITEM	PART NUMBER	QTY	DESCRIPTION	REV
	1001228744	Ref	Boom Harness	A
1	4460931	1	Connector	
2	4460943	2	Terminal	
3	4460464	4	Terminal	
4	4460466	2	Plug	
5	4461017	1	Connector	
6	4460508	2	Terminal	
7	1001112612	1	Connector	
8	1001157891	2	Terminal	
9	4460464	4	Terminal	
10	4460943	2	Terminal	
11	4460466	1	Plug	

SECTION 10 - ELECTRICAL

FIGURE 10-14. BOOM ANGLE SENSOR INSTALLATION (NO LMIS)



ART_1001192430-D

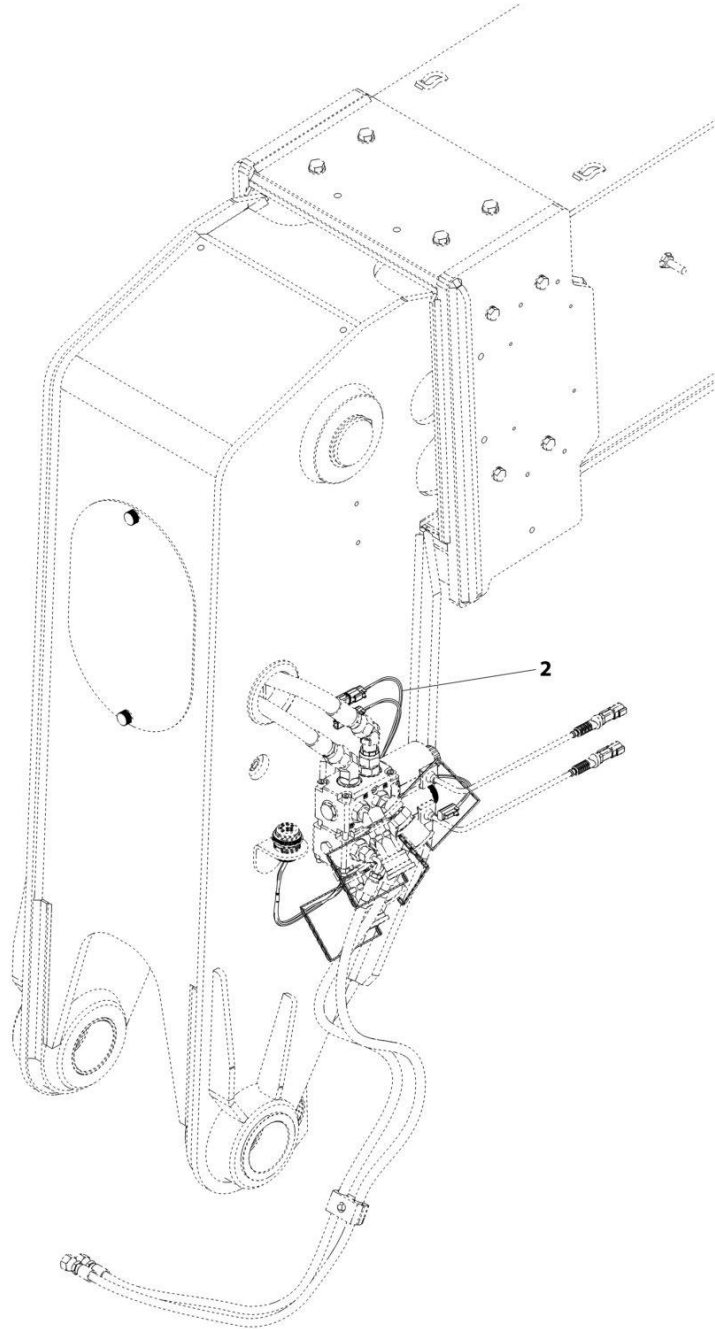
SECTION 10 - ELECTRICAL

FIGURE 10-14. BOOM ANGLE SENSOR INSTALLATION (NO LMIS)

ITEM	PART NUMBER	QTY	DESCRIPTION	REV
	1001192430	Ref	BOOM ANGLE SENSOR INSTALLATION (NO LMIS)	E
1	0761008	2	Bolt M10X16	
2	3290405	2	Nut, Lock M4	
3	3290601	2	Nut M6	
4	1001278028	1	Sensor, Angle	
5	4010610	1	Screw M6X20	
6	4811400	2	Washer M4	
7	4812000	2	Washer M10	
8	1001103156	1	Pin	
9	1001103300	1	Fitting, Ball Joint	
10	1001126837	2	Screw M4X16	
11	1001134274	1	Clevis	
12	1001213775	1	Bracket	
13	1001195731	1	Link	
14	1001195732	1	Rod	
15	3290605	1	Nut, Lock M6	
16	4811700	1	Washer M6	

SECTION 10 - ELECTRICAL

FIGURE 10-15. BOOM AUX HARNESS INSTALLATION



ART_1001192370-C

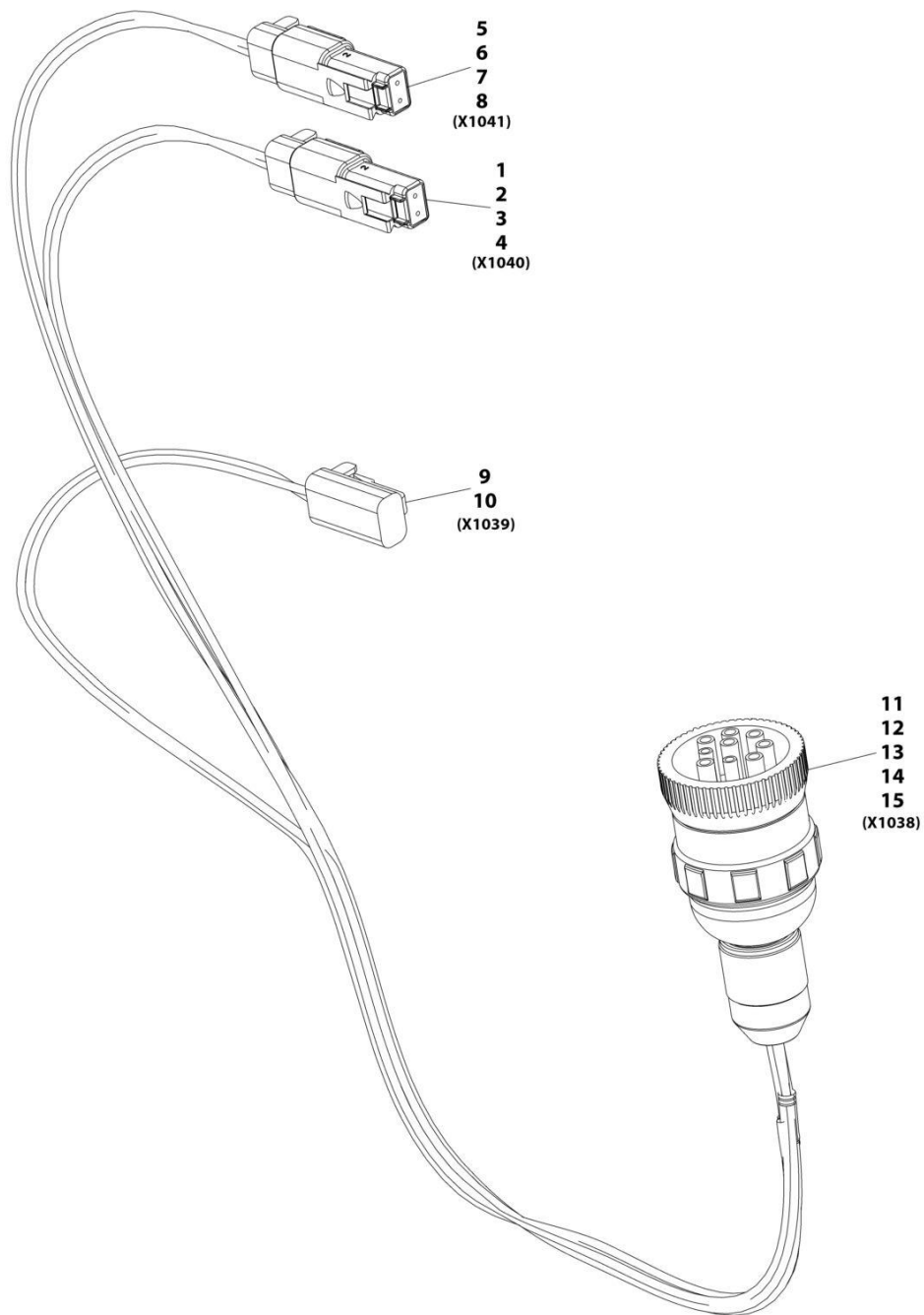
SECTION 10 - ELECTRICAL

FIGURE 10-15. BOOM AUX HARNESS INSTALLATION

ITEM	PART NUMBER	QTY	DESCRIPTION	REV
2	1001192370	Ref	Boom Aux Harness Installation	C
	1001206633	1	Harness, Boom AUX (See Separate Breakdown in this Section)	

SECTION 10 - ELECTRICAL

FIGURE 10-16. BOOM AUX HARNESS



ART_1001206633-C

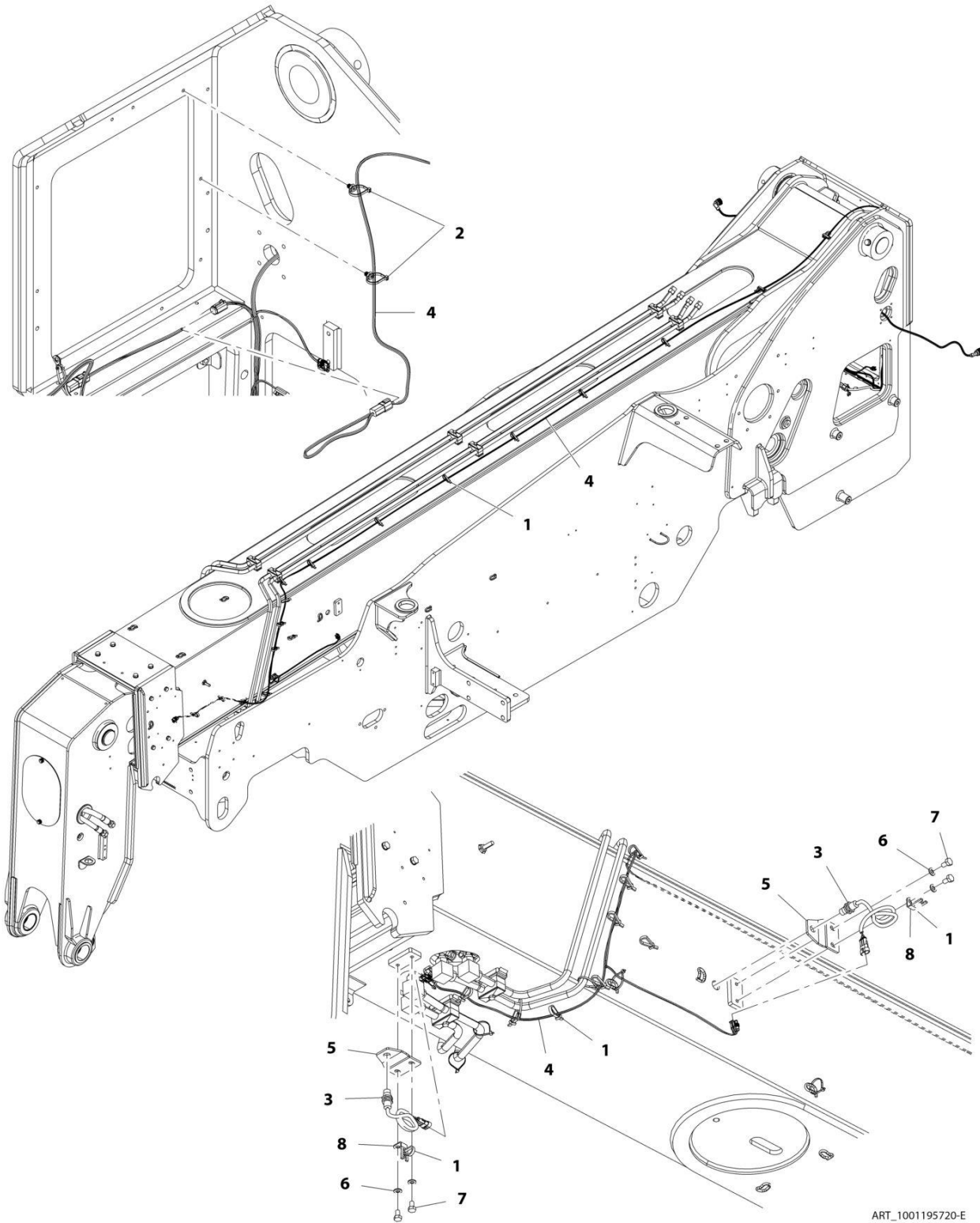
SECTION 10 - ELECTRICAL

FIGURE 10-16. BOOM AUX HARNESS

ITEM	PART NUMBER	QTY	DESCRIPTION	REV
	1001206633	Ref	Boom Aux Harness	C
1	4460891	1	Connector	
2	4460897	1	Mating Connector	
3	4460466	1	Plug	
4	4460465	2	Terminal	
5	4460891	1	Connector	
6	4460897	1	Mating Connector	
7	4460466	1	Terminal	
8	4460465	2	Terminal	
9	4460891	1	Connector	
10	4460465	2	Terminal	
11	1001112796	1	Connector	
12	4460465	4	Terminal	
13	4460466	5	Plug	
14	1001241590	1	Backshell	
15	1001241591	1	Nut	

SECTION 10 - ELECTRICAL

FIGURE 10-17. BOOM RETRACT SENSOR INSTALLATION



ART_1001195720-E

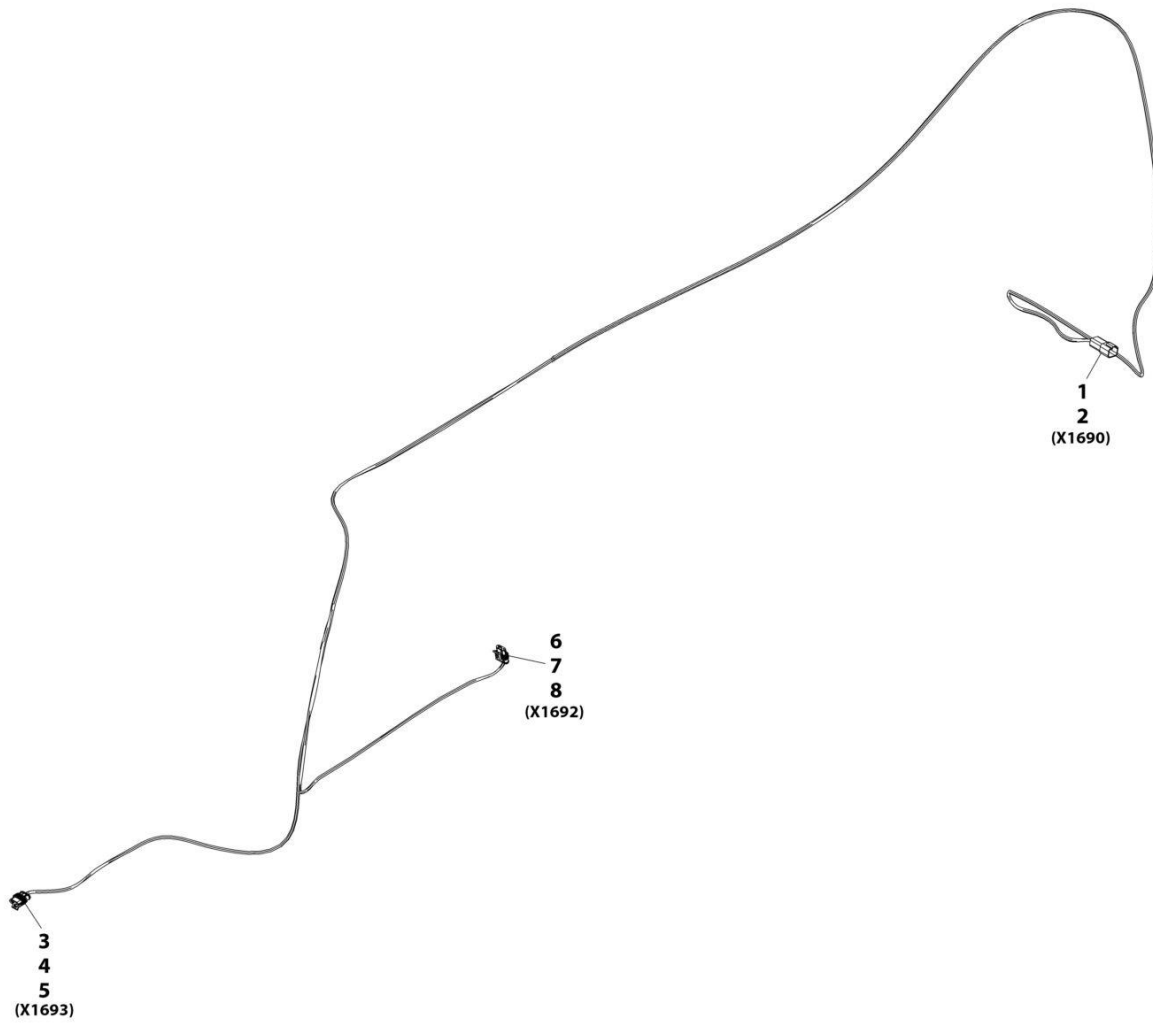
SECTION 10 - ELECTRICAL

FIGURE 10-17. BOOM RETRACT SENSOR INSTALLATION

ITEM	PART NUMBER	QTY	DESCRIPTION	REV
	1001195720	Ref	Boom Retract Sensor Installation	E
1	1001008923	19	Strap, Cable	
2	1001146588	2	Strap, Fir Tree Cable Tie	
3	1001183024	2	Sensor	
4	1001195953	1	Harness, Proximity Sensor	
5	1001210567	2	Bracket	
6	4812000	4	Washer, M10	
7	0761009	4	Bolt	
8	1001003305	2	Clip	

SECTION 10 - ELECTRICAL

FIGURE 10-18. BOOM RETRACT PROXIMITY SENSOR HARNESS



ART_1001195953-G

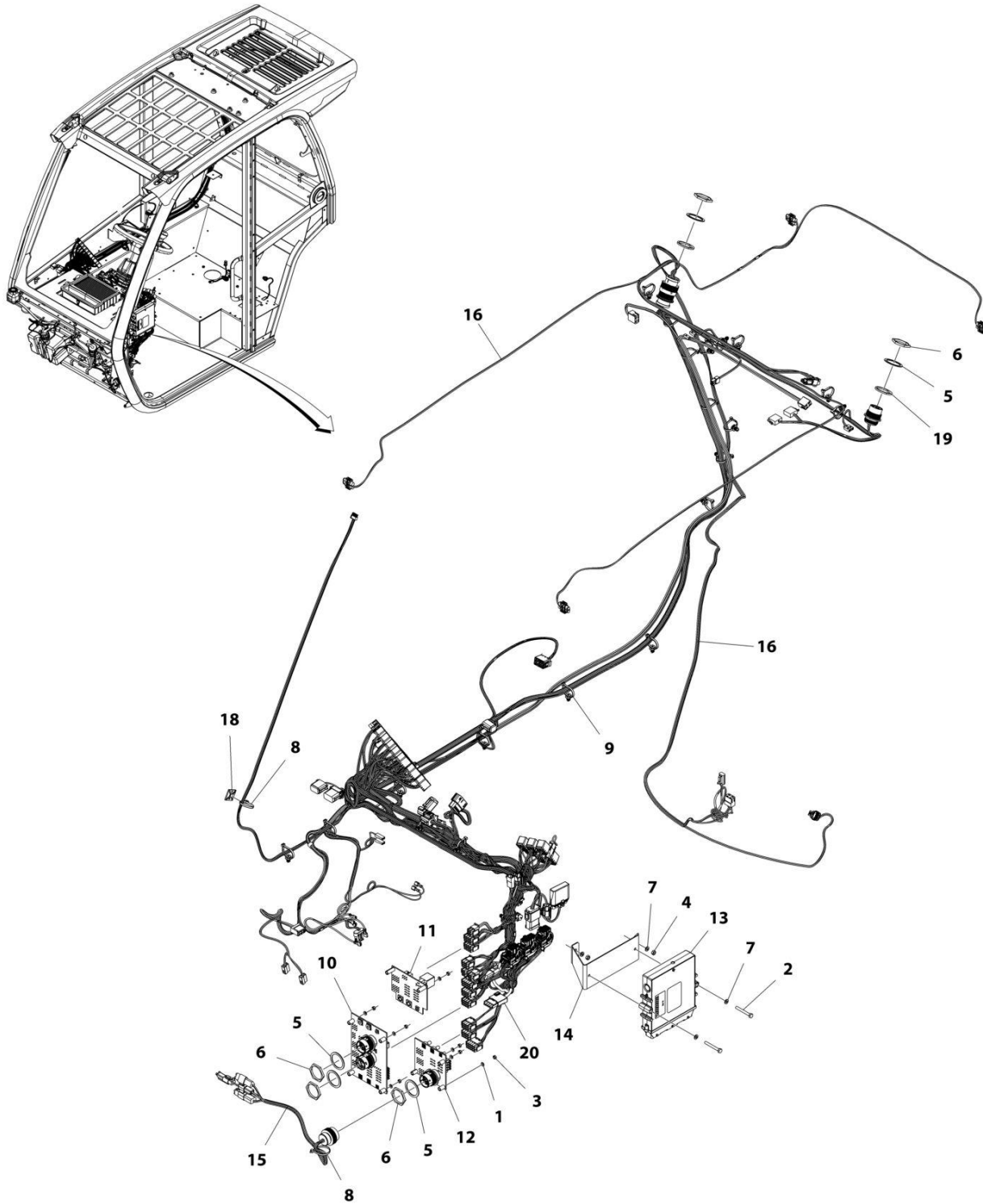
SECTION 10 - ELECTRICAL

FIGURE 10-18. BOOM RETRACT PROXIMITY SENSOR HARNESS

ITEM	PART NUMBER	QTY	DESCRIPTION	REV
	1001195953	Ref	Proximity Sensor Harness	G
1	4460932	1	Connector	
2	4460464	4	Terminal	
3	4461262	1	Connector	
4	1001107854	3	Terminal	
5	1001104498	3	Terminal Seal	
6	4461262	1	Connector	
7	1001107854	3	Terminal	
8	1001104498	3	Terminal Seal	

SECTION 10 - ELECTRICAL

FIGURE 10-19. CAB ELECTRICAL INSTALLATION



ART_1001192558_L

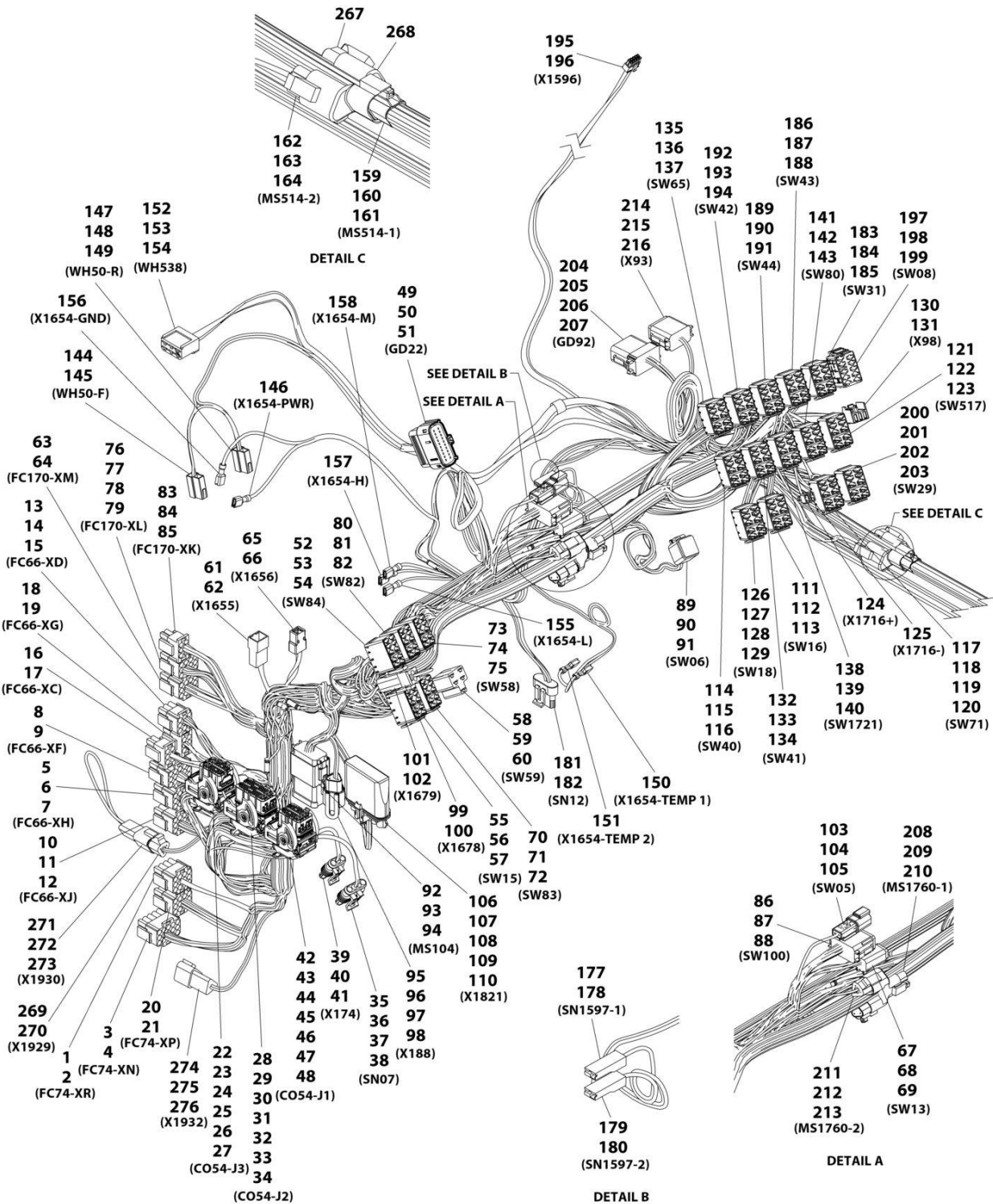
SECTION 10 - ELECTRICAL

FIGURE 10-19. CAB ELECTRICAL INSTALLATION

ITEM	PART NUMBER	QTY	DESCRIPTION	REV
	1001192558	Ref	CAB ELECTRICAL INSTALLATION	L
1	120034	7	Washer, Plastic	
2	0700618	2	Bolt M6 x 50	
3	3290501	7	Nut M5	
4	3290601	2	Nut M6	
5	4460496	5	Washer, Terminal Lock	
6	4460497	5	Nut, Terminal	
7	4811700	4	Washer M6	
8	1001008559	2	Strap, Cable Tie	
9	1001146588	24	Strap, Cable Tie	
10	1001161769	1	Assembly, Standard Electrical Board (See Separate Breakdown in this Section)	
11	1001161770	1	Assembly, Option 1 Electrical Board (See Separate Breakdown in this Section)	
12	1001161771	1	Assembly, Option 2 Electrical Board (See Separate Breakdown in this Section)	
13	1001270466	1	Module, Cab Control	
14	1001178933	1	Bracket	
15	1001258712	1	Harness, Cab Option LBP (See Separate Breakdown in this Section)	
16	1001258713	1	Harness, Cab (See Separate Breakdown in this Section)	
18	4460234	1	Terminal, Mount Cable Tie	
19	1001211693	2	Seal	
20	1001213988	1	Cable, Communication Analyzer	

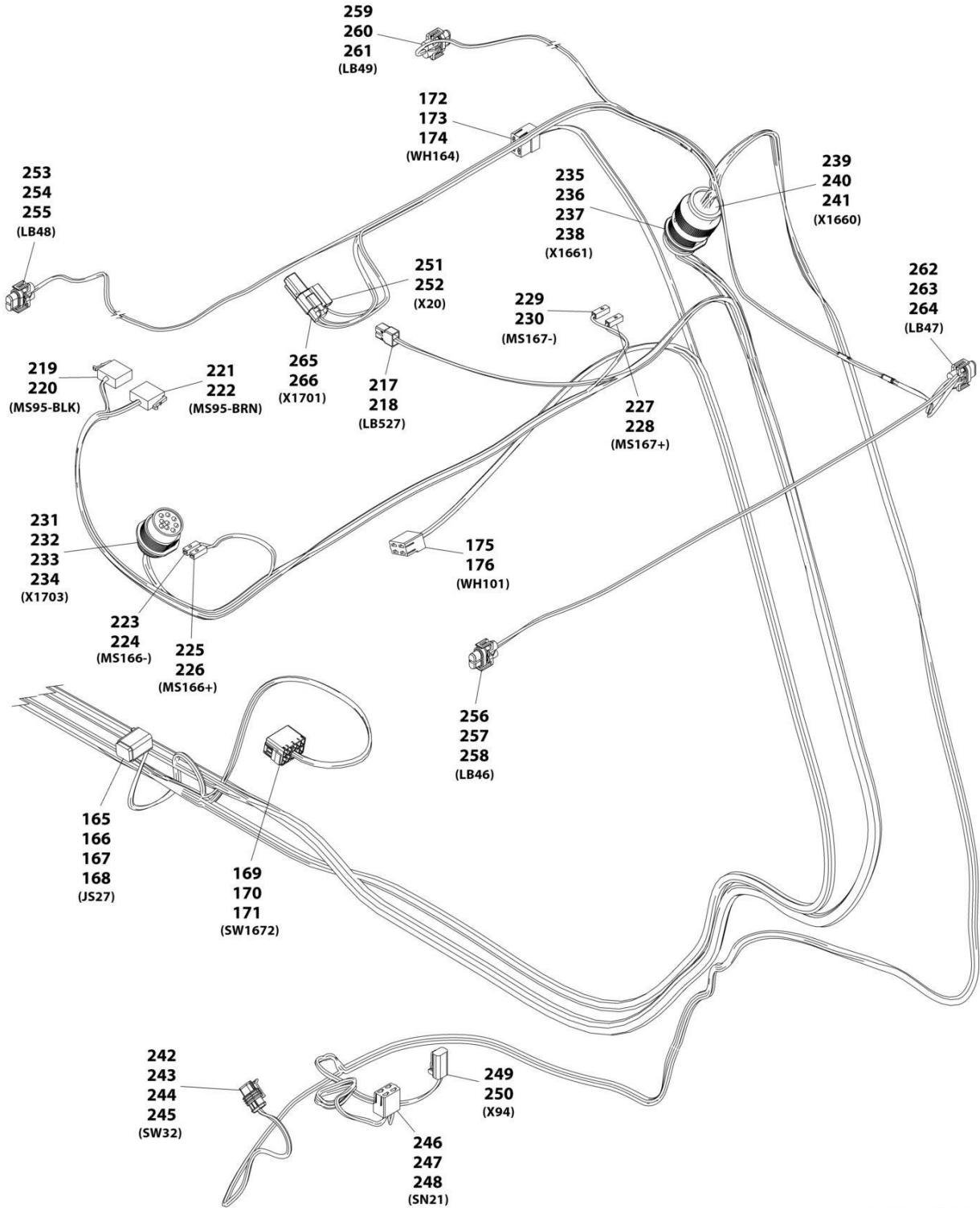
SECTION 10 - ELECTRICAL

FIGURE 10-20. CAB HARNESS



ART_1001258713_10F2

SECTION 10 - ELECTRICAL



ART_1001258713_2OF2

SECTION 10 - ELECTRICAL

FIGURE 10-20. CAB HARNESS

ITEM	PART NUMBER	QTY	DESCRIPTION	REV
	1001258713	Ref	Cab Harness	B
1	4460343	1	Connector	
2	4460267	3	Terminal	
3	4460434	1	Connector	
4	4460268	9	Terminal	
5	4460343	1	Connector	
6	4460268	8	Terminal	
7	10011223457	1	Terminal	
8	4460434	1	Connector	
9	4460268	15	Terminal	
10	4460343	1	Connector	
11	4460267	8	Terminal	
12	1001223456	1	Terminal	
13	4460265	1	Connector	
14	1001223457	3	Terminal	
15	4460268	6	Terminal	
16	4460225	1	Connector	
17	4460267	5	Terminal	
18	4460225	1	Connector	
19	4460268	5	Terminal	
20	4460343	1	Connector	
21	4460268	8	Terminal	
22	1001161959	1	Connector	
23	943191201	1	Cover	
24	1001161100	10	Plug	
25	1001161097	14	Terminal	
26	1001161098	1	Terminal	
27	1001161101	7	Plug	
28	1001160502	1	Connector	
29	643201301	1	Cover	
30	1001161097	19	Terminal	
31	1001161100	19	Plug	
32	1001161098	5	Terminal	
33	1001161099	1	Terminal	
34	1001161101	2	Plug	
35	1001103012	1	Connector	
36	1001116698	2	Plug	
37	1001116697	2	Terminal	
38	1001104498	2	Terminal Seal	
39	4461262	1	Connector	
40	1001107854	3	Terminal	
41	1001104498	3	Terminal Seal	
42	1001160498	1	Connector	
43	643191201	1	Cover	
44	1001161097	19	Terminal	
45	1001161100	5	Plug	
46	1001161098	5	Terminal	
47	1001161101	2	Plug	
48	1001161099	1	Terminal	
49	1001162886	1	Connector	

SECTION 10 - ELECTRICAL

ITEM	PART NUMBER	QTY	DESCRIPTION	REV
50	1001163340	13	Plug	
51	1001162887	7	Terminal	
52	1001117081	1	Connector	
53	1001116723	6	Terminal	
54	1001222455	1	Terminal	
55	1001117081	1	Connector	
56	1001116723	6	Terminal	
57	1001223455	1	Terminal	
58	1001173411	1	Connector	
59	1001116716	3	Terminal	
60	1001104519	3	Terminal	
61	1001116999	1	Connector	
62	1001116700	4	Terminal	
63	4460343	1	Connector	
64	4460267	7	Terminal	
65	1001116991	1	Connector	
66	1001116723	2	Terminal	
67	4460933	1	Connector	
68	4460466	5	Plug	
69	4460465	7	Terminal	
70	1001117081	1	Connector	
71	1001116723	6	Terminal	
72	1001223455	1	Terminal	
73	1001117081	1	Connector	
74	1001116723	4	Terminal	
75	1001118384	2	Terminal	
76	4460343	1	Connector	
77	4460268	8	Terminal	
78	4460906	1	Terminal	
79	1001223457	1	Terminal	
80	1001117081	1	Connector	
81	1001116723	6	Terminal	
82	1001223455	1	Terminal	
83	4460225	1	Connector	
84	4460267	5	Terminal	
85	4460705	1	Terminal	
86	4460836	1	Connector	
87	4460942	4	Terminal	
88	4460465	8	Terminal	
89	4460894	1	Connector	
90	4460465	4	Terminal	
91	4460466	2	Plug	
92	4460933	1	Connector	
93	1001125677	1	Mating Connector	
94	4460465	12	Terminal	
95	1001116812	1	Connector	
96	1001144296	1	Cap	
97	4460944	2	Terminal	
98	4460466	1	Plug	
99	4460320	1	Connector	
100	4460267	2	Terminal	

SECTION 10 - ELECTRICAL

ITEM	PART NUMBER	QTY	DESCRIPTION	REV
101	4460424	1	Connector	
102	4460268	2	Terminal	
103	4460897	1	Connector	
104	4460464	1	Terminal	
105	4460466	1	Plug	
106	4460744	1	Connector	
107	8220375	1	Cap	
108	4460748	2	Plug	
109	4460746	4	Terminal	
110	4460458	4	Seal	
111	1001117081	1	Connector	
112	1001116723	6	Terminal	
113	1001223455	1	Terminal	
114	1001117081	1	Connector	
115	1001116723	6	Terminal	
116	1001118384	4	Terminal	
117	1001117081	1	Connector	
118	1001116723	6	Terminal	
119	1001118384	2	Terminal	
120	1001223455	2	Terminal	
121	1001117081	1	Connector	
122	1001116723	6	Terminal	
123	1001223455	1	Terminal	
124	1001194421	1	Terminal	
125	1001194421	1	Terminal	
126	1001117081	1	Connector	
127	1001116723	6	Terminal	
128	1001223455	3	Terminal	
129	1001118384	2	Terminal	
130	1001118684	1	Connector	
131	1001116754	2	Terminal	
132	1001117081	1	Connector	
133	1001116723	4	Terminal	
134	1001118384	3	Terminal	
135	1001117081	1	Connector	
136	1001116723	5	Terminal	
137	1001223455	1	Terminal	
138	1001117081	1	Connector	
139	1001116723	6	Terminal	
140	1001118384	1	Terminal	
141	1001117081	1	Connector	
142	1001116723	6	Terminal	
143	1001223455	1	Terminal	
144	4460994	1	Connector	
145	1001118384	2	Terminal	
146	8220051	1	Terminal	
147	4460994	1	Connector	
148	1001118384	1	Terminal	
149	1001116723	2	Terminal	
150	1001194421	1	Terminal	
151	1001194421	1	Terminal	

SECTION 10 - ELECTRICAL

ITEM	PART NUMBER	QTY	DESCRIPTION	REV
152	1001116997	1	Connector	
153	1001118384	4	Terminal	
154	1001116723	1	Terminal	
155	8220051	1	Terminal	
156	8220051	1	Terminal	
157	8220051	1	Terminal	
158	8220051	1	Terminal	
159	1001116812	1	Connector	
160	4460944	2	Terminal	
161	4460466	1	Plug	
162	4460539	1	Connector	
163	4460944	2	Terminal	
164	4460466	1	Plug	
165	4460894	1	Connector	
166	4460465	3	Terminal	
167	4460466	1	Plug	
168	4460944	2	Terminal	
169	1001117081	1	Connector	
170	1001116723	2	Terminal	
171	1001223455	4	Terminal	
172	1001116986	1	Connector	
173	1001117011	1	Mating Connector	
174	1001118384	4	Terminal	
175	1001116986	1	Connector	
176	1001118384	4	Terminal	
177	1001116995	1	Connector	
178	1001118379	1	Terminal	
179	1001116995	1	Connector	
180	1001118379	1	Terminal	
181	1001230931	1	Connector	
182	1001116748	6	Terminal	
183	1001117081	1	Connector	
184	1001116723	4	Terminal	
185	1001118384	2	Terminal	
186	1001117081	1	Connector	
187	1001116723	4	Terminal	
188	1001118384	2	Terminal	
189	1001117081	1	Connector	
190	1001116723	4	Terminal	
191	1001118384	2	Terminal	
192	1001117081	1	Connector	
193	1001116723	4	Terminal	
194	1001118384	2	Terminal	
195	1001150735	1	Connector	
196	1001150737	7	Terminal	
197	1001117079	1	Connector	
198	1001223455	2	Terminal	
199	1001116723	6	Terminal	
200	1001117081	1	Connector	
201	1001116723	8	Terminal	
202	1001118384	1	Terminal	

SECTION 10 - ELECTRICAL

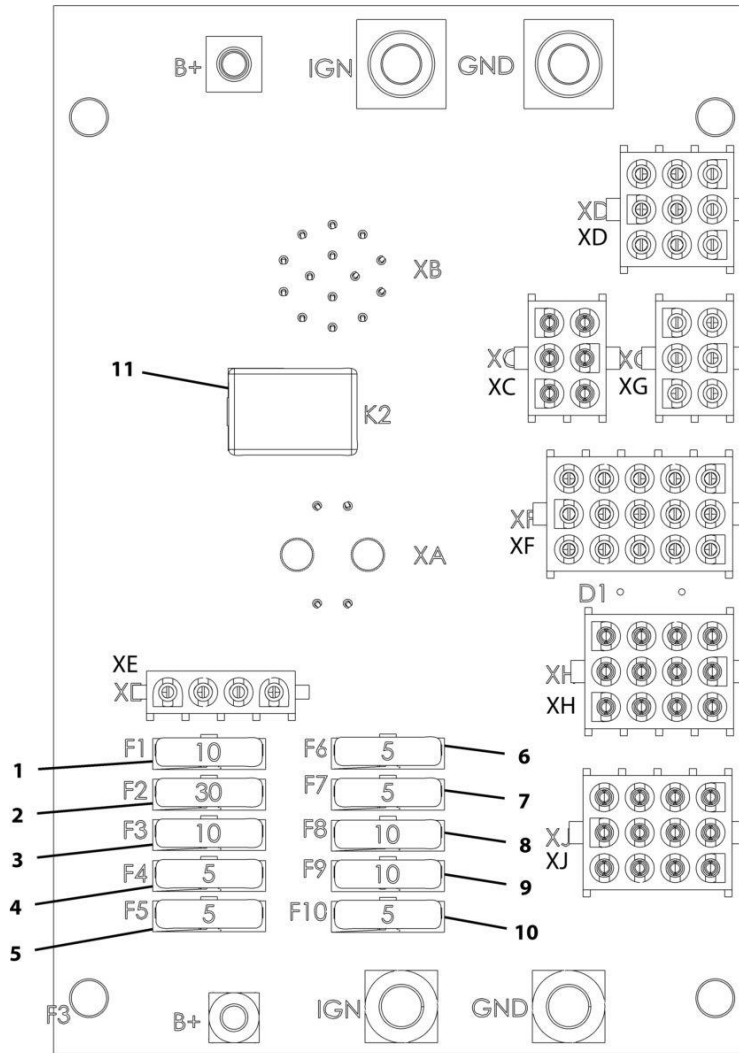
ITEM	PART NUMBER	QTY	DESCRIPTION	REV
203	1001223455	1	Terminal	
204	1001176333	1	Connector	
205	4460466	11	Plug	
206	4460465	3	Terminal	
207	4460944	4	Terminal	
208	1001116812	1	Connector	
209	4460944	2	Terminal	
210	4460466	1	Plug	
211	4460539	1	Connector	
212	4460944	2	Terminal	
213	4460466	1	Plug	
214	4460930	1	Connector	
215	4460931	1	Mating Connector	
216	4460466	6	Plug	
217	1001116991	1	Connector	
218	1001118384	2	Terminal	
219	1001116985	1	Connector	
220	1001118386	3	Terminal	
221	1001116984	1	Connector	
222	1001118386	4	Terminal	
223	1001116998	1	Connector	
224	1001118387	1	Terminal	
225	1001116998	1	Connector	
226	1001118387	1	Terminal	
227	1001116998	1	Connector	
228	1001118387	1	Terminal	
229	1001116998	1	Connector	
230	1001118387	1	Terminal	
231	1001112612	1	Connector	
232	4460464	3	Terminal	
233	4460943	2	Terminal	
234	4460466	4	Plug	
235	1001137000	1	Connector	
236	4460928	3	Terminal	
237	1001126008	12	Terminal	
238	4460518	6	Plug	
239	1001136999	1	Connector	
240	1001126011	15	Terminal	
241	4460518	6	Plug	
242	4461262	1	Connector	
243	1001107854	2	Terminal	
244	1001104499	1	Terminal	
245	1001104498	2	Terminal Seal	
246	1001116986	1	Connector	
247	1001118384	3	Terminal	
248	1001116723	1	Terminal	
249	4460891	1	Connector	
250	4460465	2	Terminal	
251	4460944	1	Connector	
252	1001118384	2	Terminal	
253	4461115	1	Connector	

SECTION 10 - ELECTRICAL

ITEM	PART NUMBER	QTY	DESCRIPTION	REV
254	4460746	2	Terminal	
255	4460458	2	Terminal Seal	
256	4461115	1	Connector	
257	4460746	2	Terminal	
258	4460458	2	Terminal Seal	
259	4461115	1	Connector	
260	4460746	2	Terminal	
261	4460458	2	Terminal Seal	
262	4461115	1	Connector	
263	4460746	2	Terminal	
264	4460458	2	Terminal Seal	
265	4460891	1	Connector	
266	4460465	2	Terminal	
267	1001116815	1	Connector	
268	4460945	1	Connector, 3 Way	
269	4460539	1	Connector	
270	4460465	2	Terminal	
271	4460536	1	Connector	
272	4460464	2	Terminal	
273	4460466	1	Plug	
274	4460536	1	Connector	
275	4460464	2	Terminal	
276	4460466	1	Plug	

SECTION 10 - ELECTRICAL

FIGURE 10-21. CAB - STANDARD ELECTRICAL BOARD ASSEMBLY



ART_1001161769-C

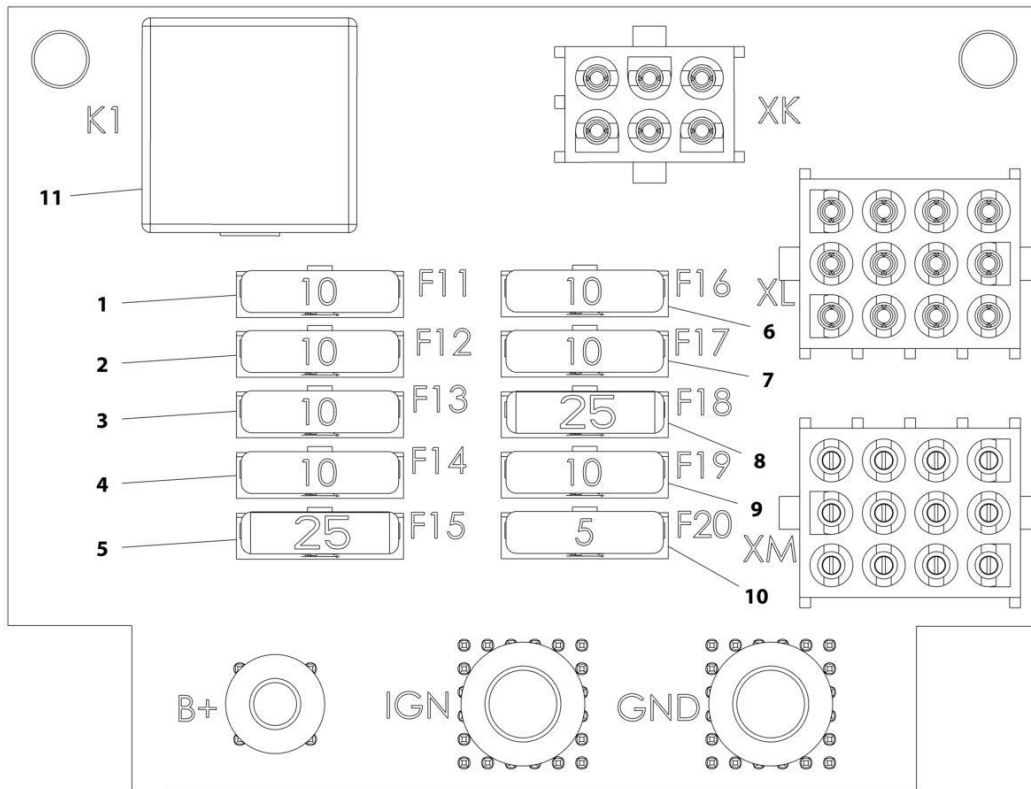
SECTION 10 - ELECTRICAL

FIGURE 10-21. CAB - STANDARD ELECTRICAL BOARD ASSEMBLY

ITEM	PART NUMBER	QTY	DESCRIPTION	REV
	1001161769	Ref	Standard Electrical Board Assembly	C
1	80983191	1	Fuse, 10AMP	
2	8229245	1	Fuse, 30AMP	
3	80983191	1	Fuse, 10AMP	
4	8229242	1	Fuse, 5AMP	
5	8229242	1	Fuse, 5AMP	
6	8229242	1	Fuse, 5AMP	
7	8229242	1	Fuse, 5AMP	
8	80983191	1	Fuse, 10AMP	
9	80983191	1	Fuse, 10AMP	
10	8229242	1	Fuse, 5AMP	
11	70026292	1	Fuse, 35AMP	

SECTION 10 - ELECTRICAL

FIGURE 10-22. CAB - OPTION 1 ELECTRICAL BOARD ASSEMBLY



ART_1001161770-C

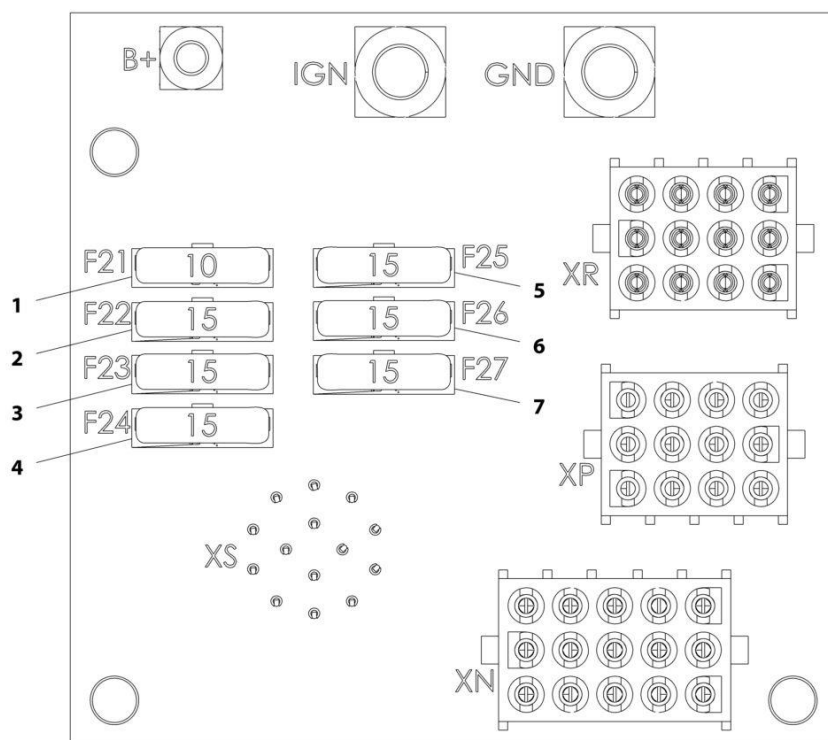
SECTION 10 - ELECTRICAL

FIGURE 10-22. CAB - OPTION 1 ELECTRICAL BOARD ASSEMBLY

ITEM	PART NUMBER	QTY	DESCRIPTION	REV
	1001161770	Ref	Option 1 Electrical Board Assembly	C
1	80983191	1	Fuse, 10AMP	
2	80983191	1	Fuse, 10AMP	
3	80983191	1	Fuse, 10AMP	
4	80983191	1	Fuse, 10AMP	
5	8229247	1	Fuse, 25AMP	
6	80983191	1	Fuse, 10AMP	
7	80983191	1	Fuse, 10AMP	
8	8229247	1	Fuse, 25AMP	
9	80983191	1	Fuse, 10AMP	
10	8229242	1	Fuse, 5AMP	
11	70026293	1	Fuse, 50AMP	

SECTION 10 - ELECTRICAL

FIGURE 10-23. CAB - OPTION 2 ELECTRICAL BOARD ASSEMBLY



ART_1001161771-B

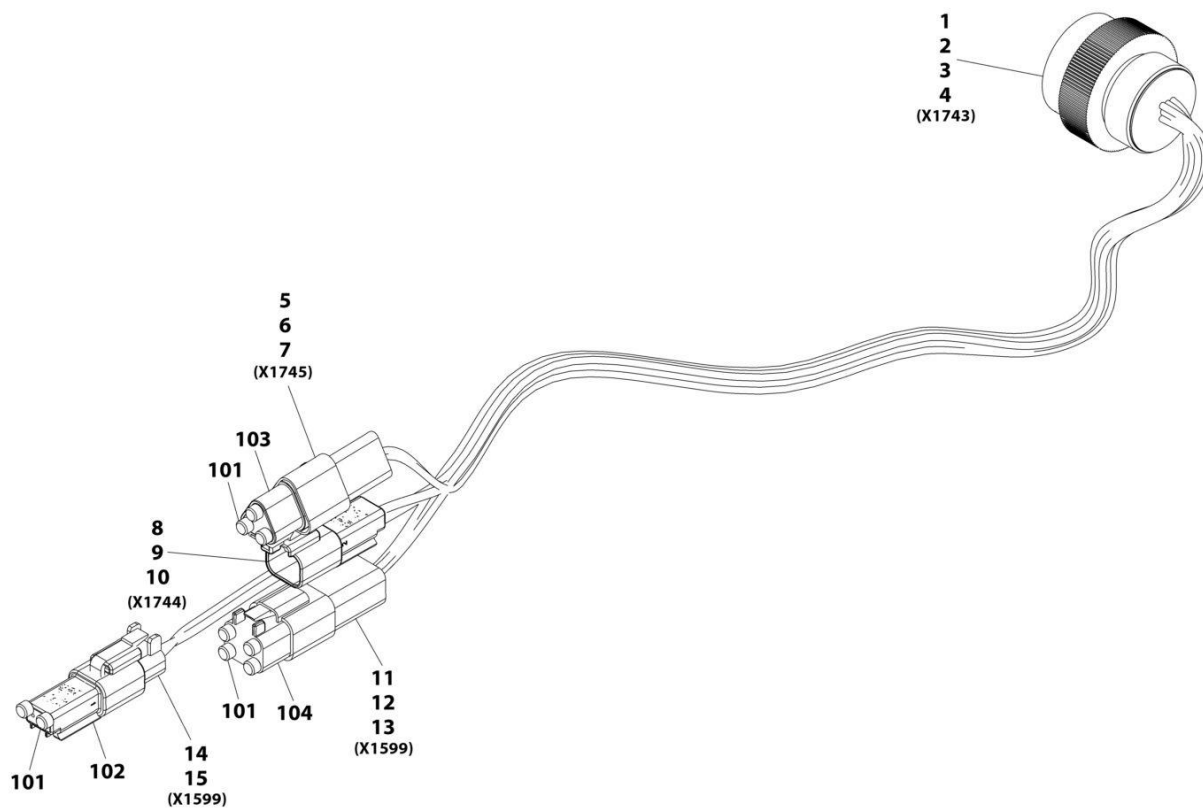
SECTION 10 - ELECTRICAL

FIGURE 10-23. CAB - OPTION 2 ELECTRICAL BOARD ASSEMBLY

ITEM	PART NUMBER	QTY	DESCRIPTION	REV
	1001161771	Ref	Option 2 Electrical Board Assembly	B
1	80983191	1	Fuse, 10AMP	
2	8229244	1	Fuse, 15AMP	
3	8229244	1	Fuse, 15AMP	
4	8229244	1	Fuse, 15AMP	
5	8229244	1	Fuse, 15AMP	
6	8229244	1	Fuse, 15AMP	
7	8229244	1	Fuse, 15AMP	

SECTION 10 - ELECTRICAL

FIGURE 10-24. CAB OPTION HARNESS



ART_1001258712

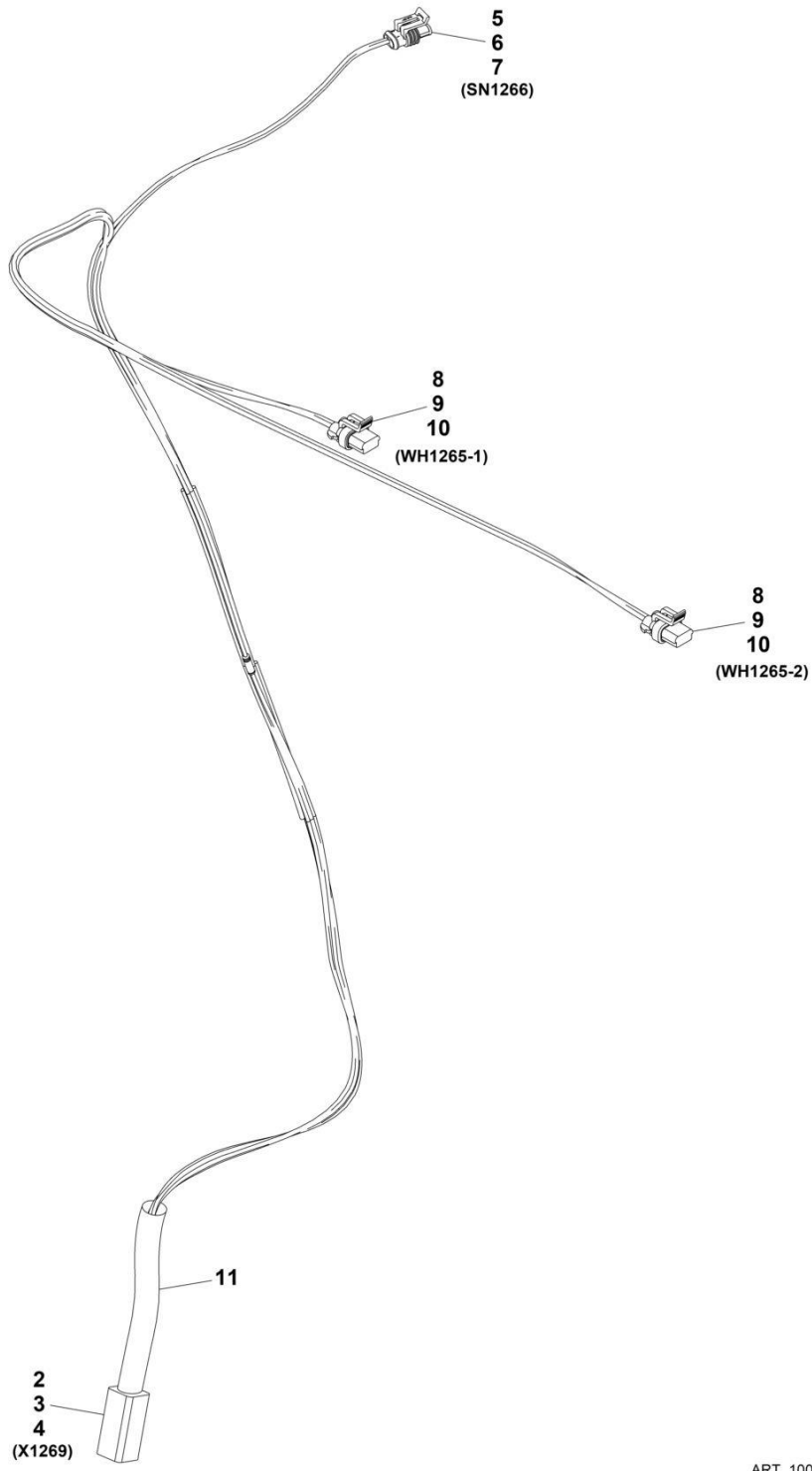
SECTION 10 - ELECTRICAL

FIGURE 10-24. CAB OPTION HARNESS

ITEM	PART NUMBER	QTY	DESCRIPTION	REV
	1001258712	Ref	Cab Option Harness	A
1	4461015	1	Connector	
2	4460465	5	Terminal	
3	4460466	6	Plug	
4	4460942	1	Terminal	
5	1001144147	1	Connector	
6	4460943	2	Terminal	
7	4460466	1	Plug	
8	4460897	1	Connector	
9	4460941	1	Terminal	
10	4460466	1	Plug	
11	4460932	1	Connector	
12	4460464	3	Terminal	
13	4460466	1	Plug	
14	4460891	1	Plug, Male	
15	4460465	2	Socket, Female	
101	4460466	9	Plug, Terminal	
102	4460884	1	Plug, Male - 4 Position	
103	1001116812	1	Plug, Male - 3 Position	
104	4460897	2	Plug, Male - 2 Position	

SECTION 10 - ELECTRICAL

FIGURE 10-25. CAB - A/C OPTION HARNESS



ART_1001169151

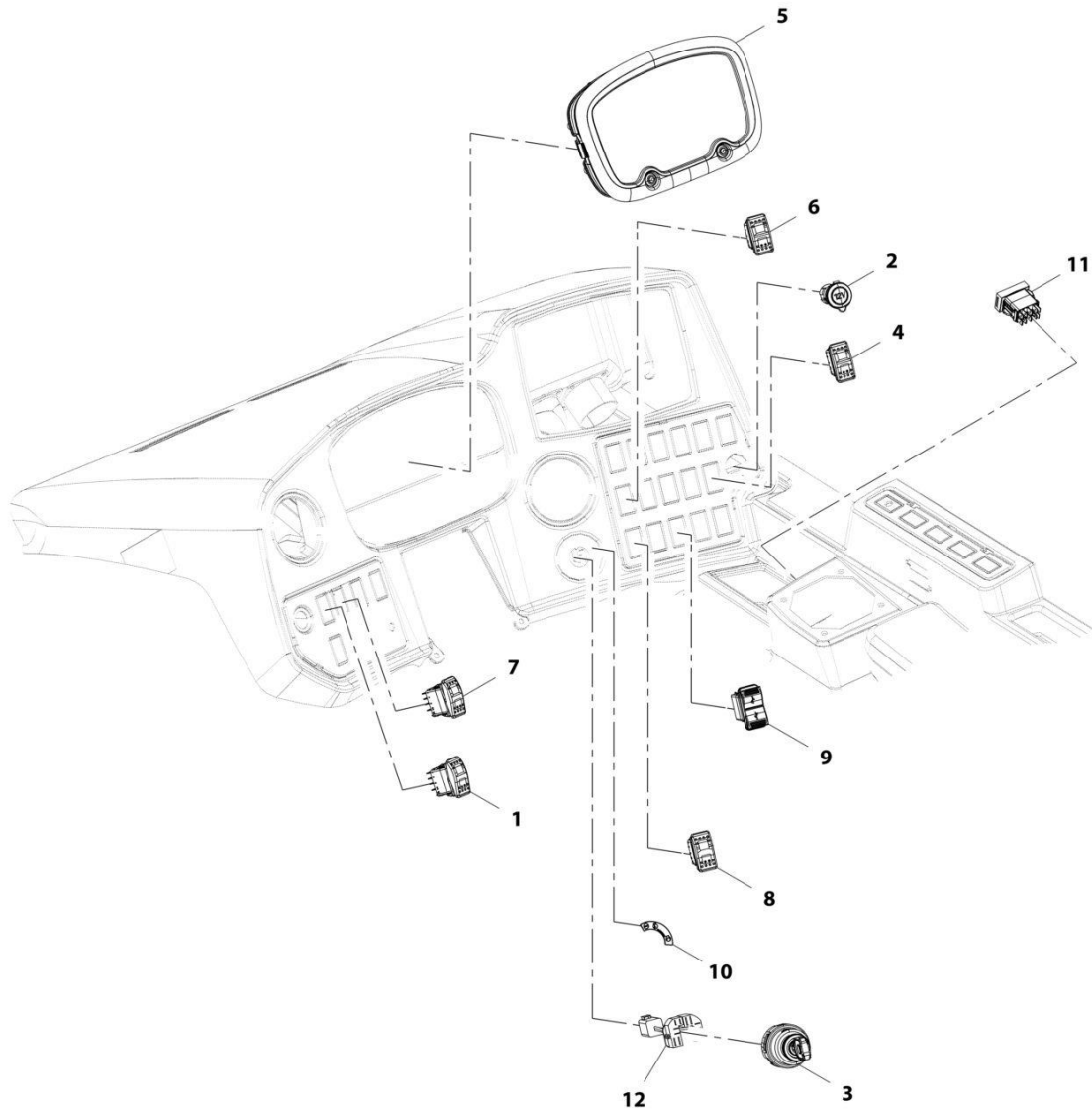
SECTION 10 - ELECTRICAL

FIGURE 10-25. CAB - A/C OPTION HARNESS

ITEM	PART NUMBER	QTY	DESCRIPTION	REV
	1001169151	Ref	A/C Option Harness	G
2	4460899	1	Connector	
3	4460941	4	Terminal	
4	4460464	2	Terminal	
5	4461118	1	Connector	
6	1001107854	2	Terminal	
7	1001116763	2	Seal	
8	1001117021	2	Connector	
9	1001116747	4	Terminal	
10	4460789	4	Seal	
11	70028546	1	Backshell	

SECTION 10 - ELECTRICAL

FIGURE 10-26. CAB - DASH ELECTRICAL INSTALLATION



ART_1001220717-C

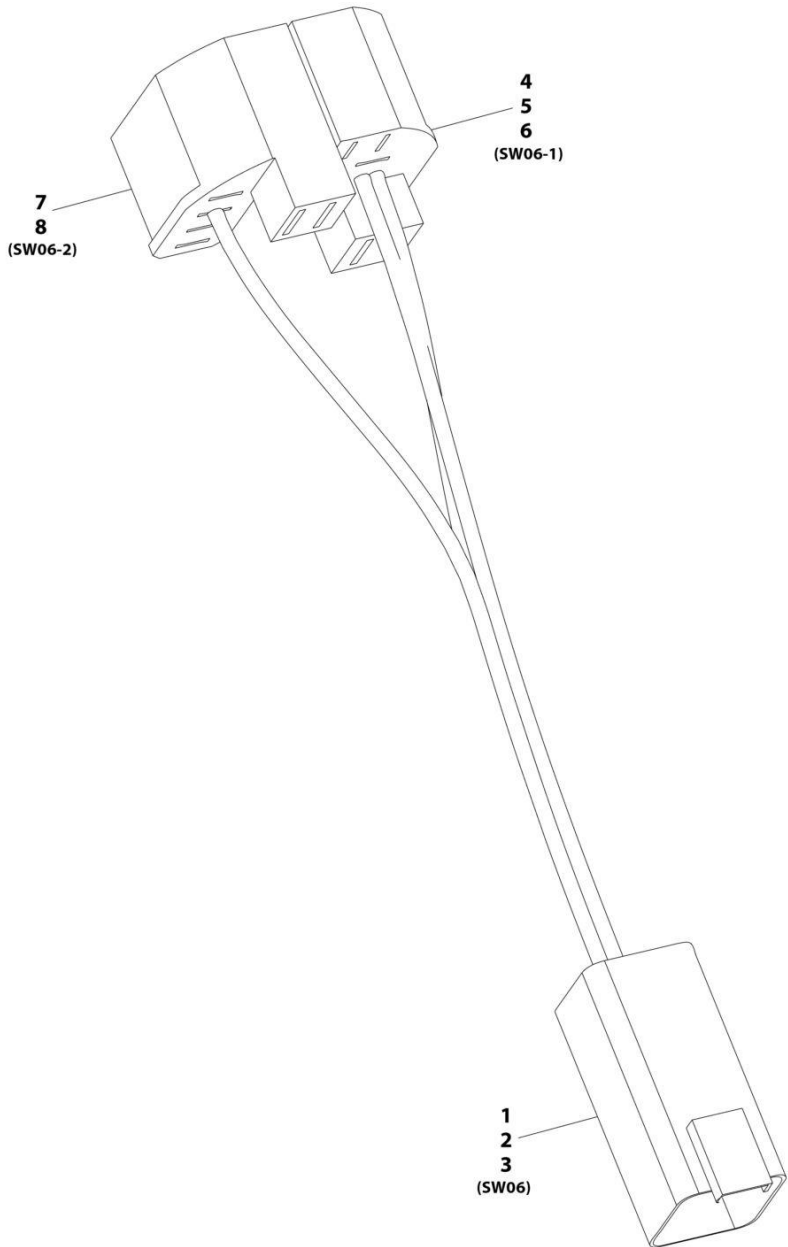
SECTION 10 - ELECTRICAL

FIGURE 10-26. CAB - DASH ELECTRICAL INSTALLATION

ITEM	PART NUMBER	QTY	DESCRIPTION	REV
	1001220717	Ref	Dash Electrical Installation	C
1	1001080978	1	Switch, Lift/Loader	
2	1001095804	1	Connector, 12V Power Socket	
3	1001102502	1	Switch, 4 Position Key	
3	70022765	1	Key, Ignition (set of 2)	
4	1001104654	1	Switch, AUX Decomp	
5	1001158146	1	Cluster, Electrical Gauge	
6	1001159735	1	Switch, Rear Wiper	
7	1001159741	1	Switch, Constant AUX	
8	1001159849	1	Switch, Steer Mode	
9	1001174712	1	Charger, USB	
10	1001181531	1	Decal, Ignition Switch	
11	1001212470	1	Switch, Frame Level	
12	1001223968	1	Harness, Ignition Switch (See Separate Breakdown in this Section)	

SECTION 10 - ELECTRICAL

FIGURE 10-27. CAB - IGNITION SWITCH HARNESS



ART_1001223968-A

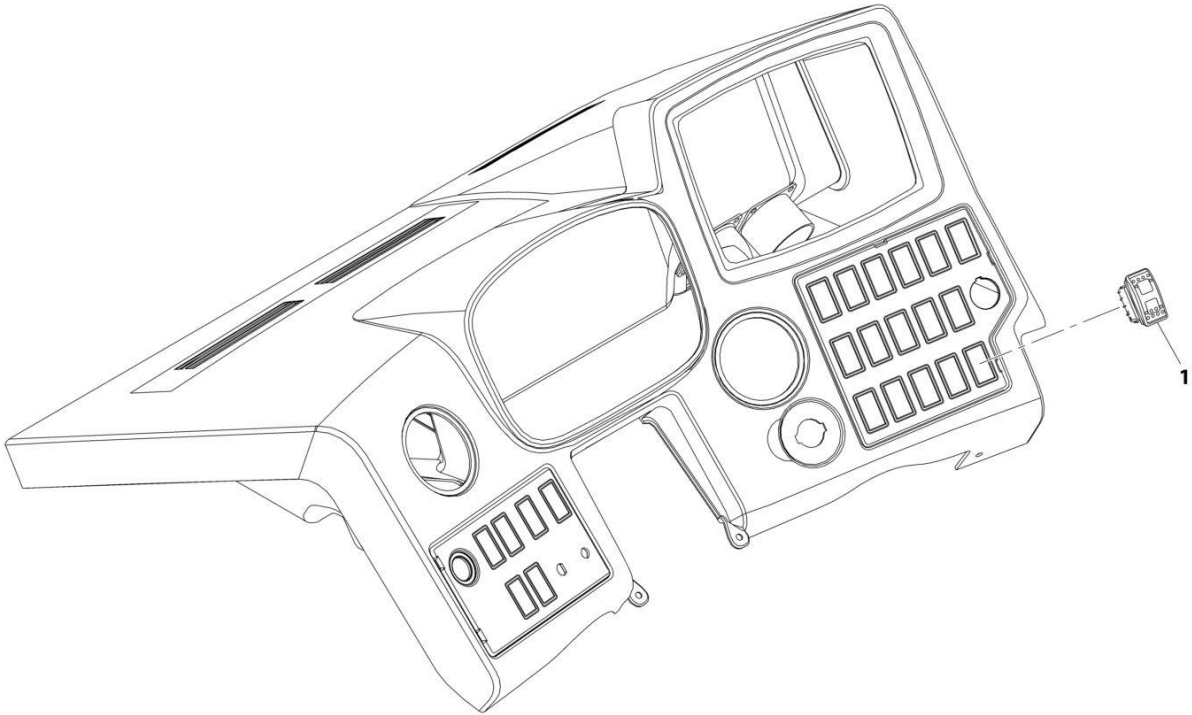
SECTION 10 - ELECTRICAL

FIGURE 10-27. CAB - IGNITION SWITCH HARNESS

ITEM	PART NUMBER	QTY	DESCRIPTION	REV
	1001223968	Ref	Ignition Switch Harness	A
1	4460899	1	Connector	
2	4460464	3	Terminal	
3	4460466	3	Plug	
4	1001118685	1	Connector	
5	1001104519	1	Terminal	
6	1001118383	1	Terminal	
7	1001117121	1	Connector	
8	1001104519	1	Terminal	

SECTION 10 - ELECTRICAL

FIGURE 10-28. CAB - LIGHT SWITCH INSTALLATION



ART_1001215121-A

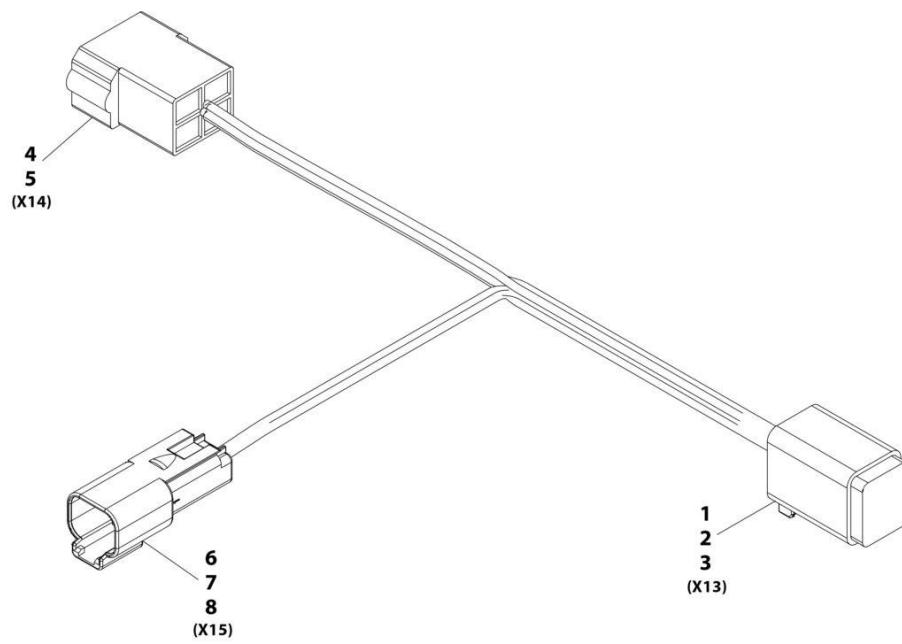
SECTION 10 - ELECTRICAL

FIGURE 10-28. CAB - LIGHT SWITCH INSTALLATION

ITEM	PART NUMBER	QTY	DESCRIPTION	REV
1	1001215121 1001163639	Ref 1	Light Switch Installation Switch, Light	A

SECTION 10 - ELECTRICAL

FIGURE 10-29. CAB - SEAT ADAPTOR HARNESS



ART_1001168531-A

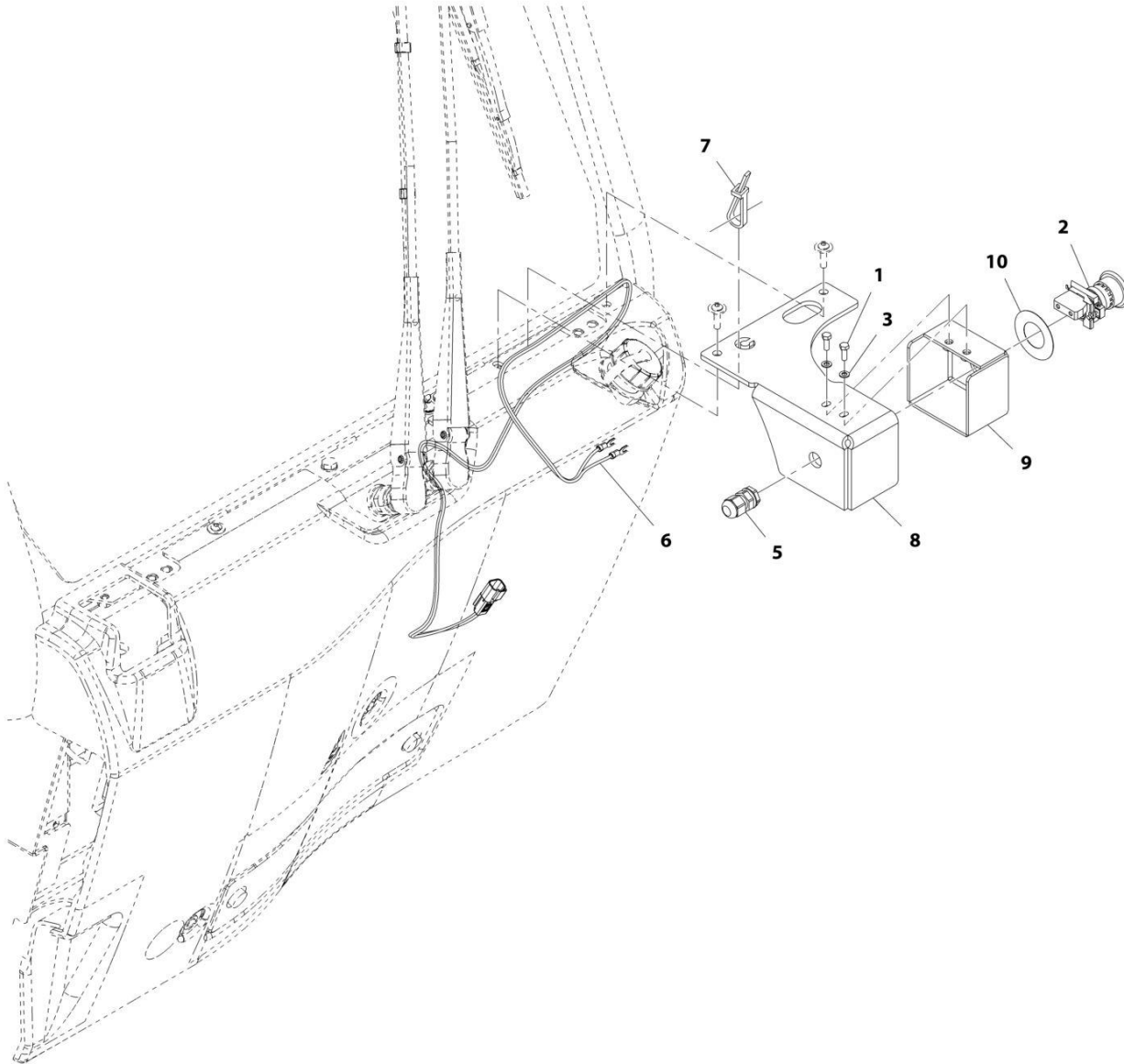
SECTION 10 - ELECTRICAL

FIGURE 10-29. CAB - SEAT ADAPTOR HARNESS

ITEM	PART NUMBER	QTY	DESCRIPTION	REV
	1001168531	Ref	Seat Adaptor Harness	A
1	4460894	1	Connector	
2	91504107	1	Lock, Connector	
3	4460465	6	Terminal	
4	1001117011	1	Connector	
5	1001116700	3	Terminal	
6	4460897	1	Connector	
7	80604017	1	Lock, Connector	
8	4460943	2	Terminal	

SECTION 10 - ELECTRICAL

FIGURE 10-30. CAB - EXTERNAL EMERGENCY STOP INSTALLATION



ART_1001195721-C

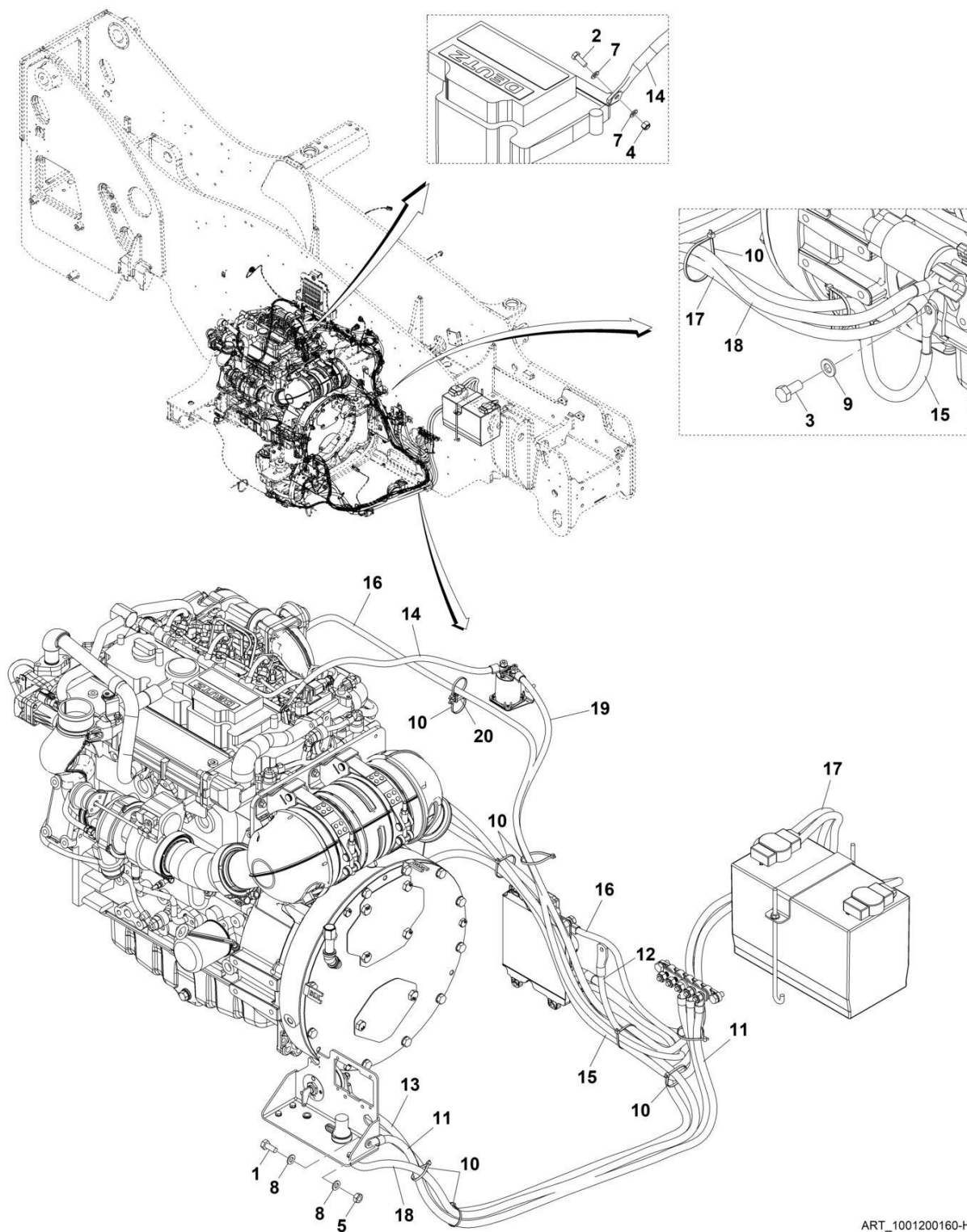
SECTION 10 - ELECTRICAL

FIGURE 10-30. CAB - EXTERNAL EMERGENCY STOP INSTALLATION

ITEM	PART NUMBER	QTY	DESCRIPTION	REV
	1001195721	Ref	Emergency Stop External Installation	C
1	0760507	2	Bolt, M5X14	
2	4360475	1	Switch, E-Stop	
3	4811600	2	Washer, M5	
5	4461000	1	Connector	
6	1001217320	1	Harness, External EMS	
7	1001008559	1	Strap, Tie	
8	1001220859	1	Bracket	
9	1001220861	1	Shield	
10	1704260	1	Decal, EMS	

SECTION 10 - ELECTRICAL

FIGURE 10-31. ENGINE - ENGINE BAY ELECTRICAL INSTALLATION (ULS)



ART_1001200160-H

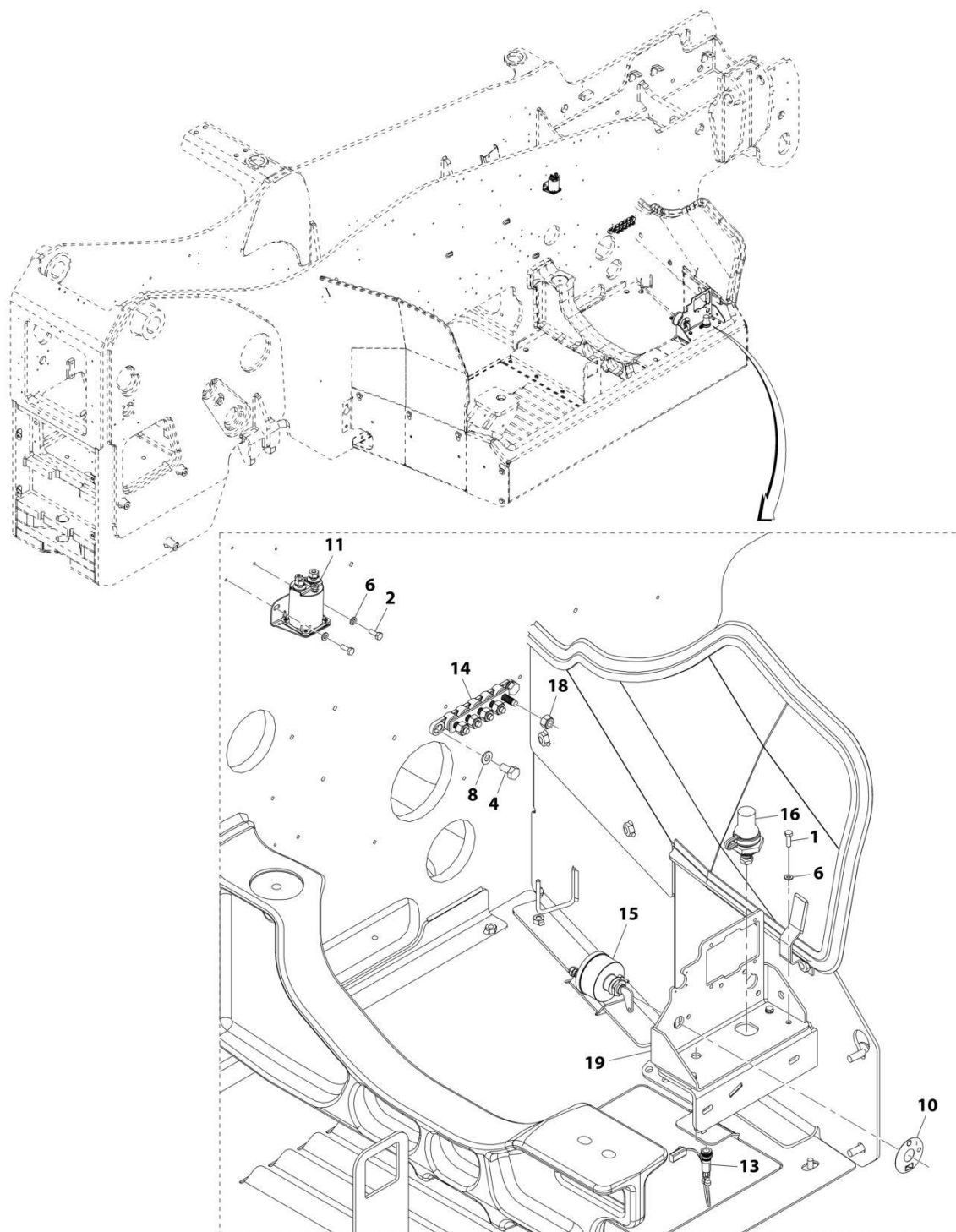
SECTION 10 - ELECTRICAL

FIGURE 10-31. ENGINE - ENGINE BAY ELECTRICAL INSTALLATION (ULS)

ITEM	PART NUMBER	QTY	DESCRIPTION	REV
	1001200160	Ref	Engine Bay Electrical Installation	I
1	0761012	1	Bolt, M10X25	
2	0760507	1	Bolt, M5X14	
3	0761212	1	Bolt, M12X25	
4	3290505	1	Nut, Lock M5X0.8	
5	3291001	1	Nut, M10X1.5	
7	4811600	2	Washer, M5	
8	4812000	2	Washer, M10	
9	4812100	1	Washer, M12	
10	1001008559	10	Tie, Strap	
11	1001194103	1	Cable	
12	1001194244	1	Cable	
13	1001196502	1	Cable	
14	1001200161	1	Cable	
15	1001200162	1	Cable	
16	1001200164	1	Cable	
17	1001200165	1	Cable	
18	1001200166	1	Cable	
19	1001200167	1	Cable	
20	1001004723	1	Saddle	
21	1001293972	1	Cable, ECM Power (Not Shown)	

SECTION 10 - ELECTRICAL

FIGURE 10-32. ENGINE - ENGINE POD ELECTRICAL INSTALLATION (ULS)



ART_1001202172-C

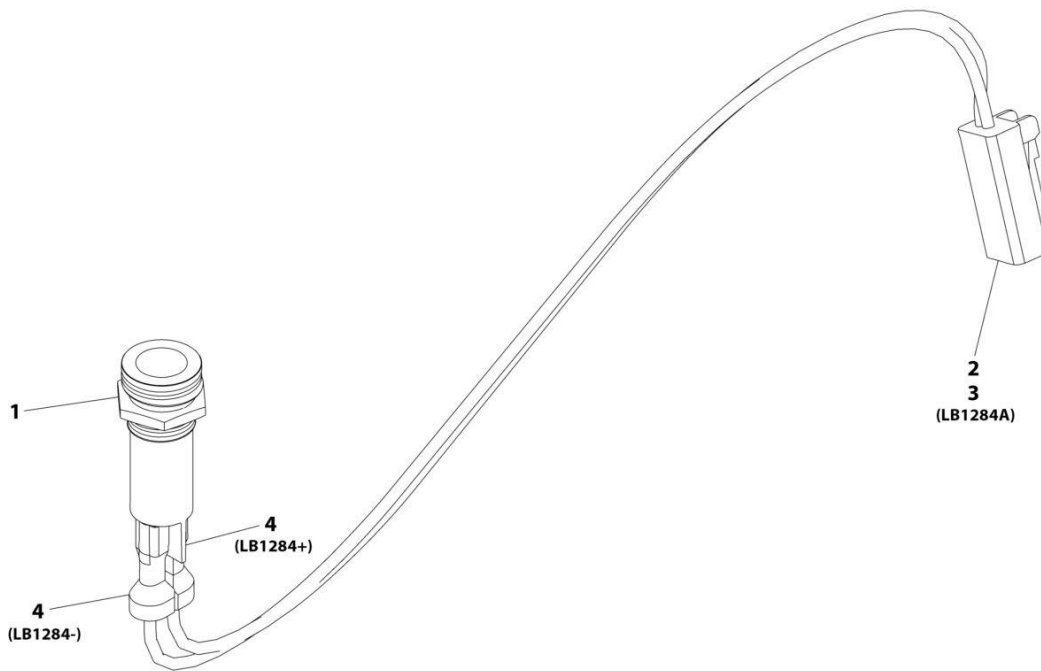
SECTION 10 - ELECTRICAL

FIGURE 10-32. ENGINE - ENGINE POD ELECTRICAL INSTALLATION (ULS)

ITEM	PART NUMBER	QTY	DESCRIPTION	REV
	1001202172	Ref	Engine Pod Electrical Installation (ULS)	C
1	0700610	4	Bolt, M6X20	
2	0760608	2	Bolt, M6X16	
4	0761010	2	Bolt, M10X20	
6	4811700	6	Washer, M6	
8	4812000	2	Washer, M10	
10	1001008540	1	Plate	
11	1001117308	1	Relay	
13	1001232288	1	Harness, DEF Purge Light (See Separate Breakdown in this Section)	
14	1001181128	1	Bussbar	
15	1001192142	1	Switch, Disconnect	
16	1001193993	1	Terminal, Battery	
18	3291005	5	Nut, Lock M10X1.5	
19	1001212886	1	Bracket	

SECTION 10 - ELECTRICAL

FIGURE 10-33. ENGINE - DEF PURGE LIGHT HARNESS



ART_1001232288-A

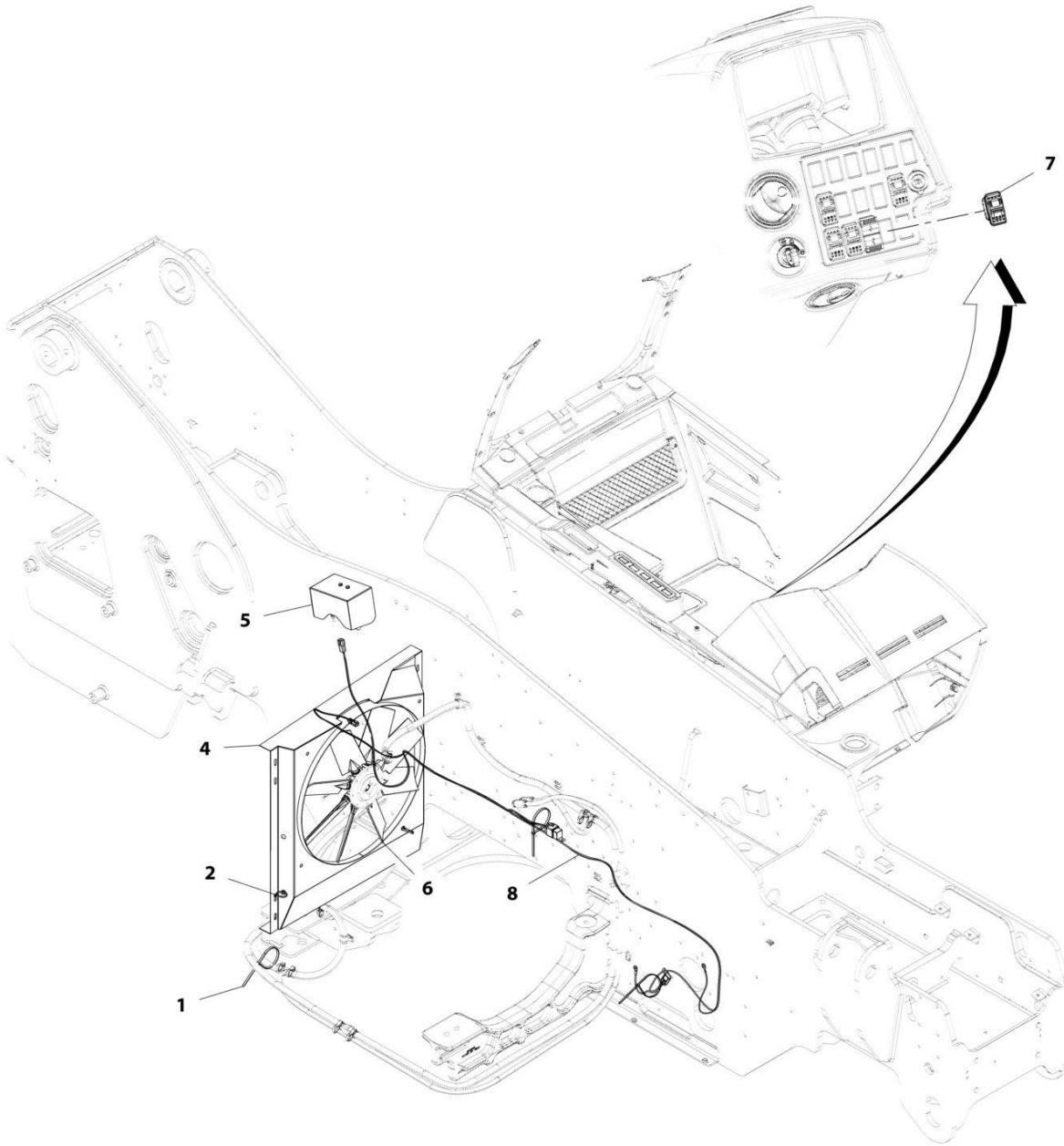
SECTION 10 - ELECTRICAL

FIGURE 10-33. ENGINE - DEF PURGE LIGHT HARNESS

ITEM	PART NUMBER	QTY	DESCRIPTION	REV
	1001232288	Ref	DEF Purge Light Harness	A
1	1001169825	1	LED Lamp 12V	
2	4461290	1	Connector	
3	1001126008	2	Terminal	
4	8220108	2	Connector	

SECTION 10 - ELECTRICAL

FIGURE 10-34. ENGINE - FAN (REVERSE COOLING) INSTALLATION



ART_1001217753-C

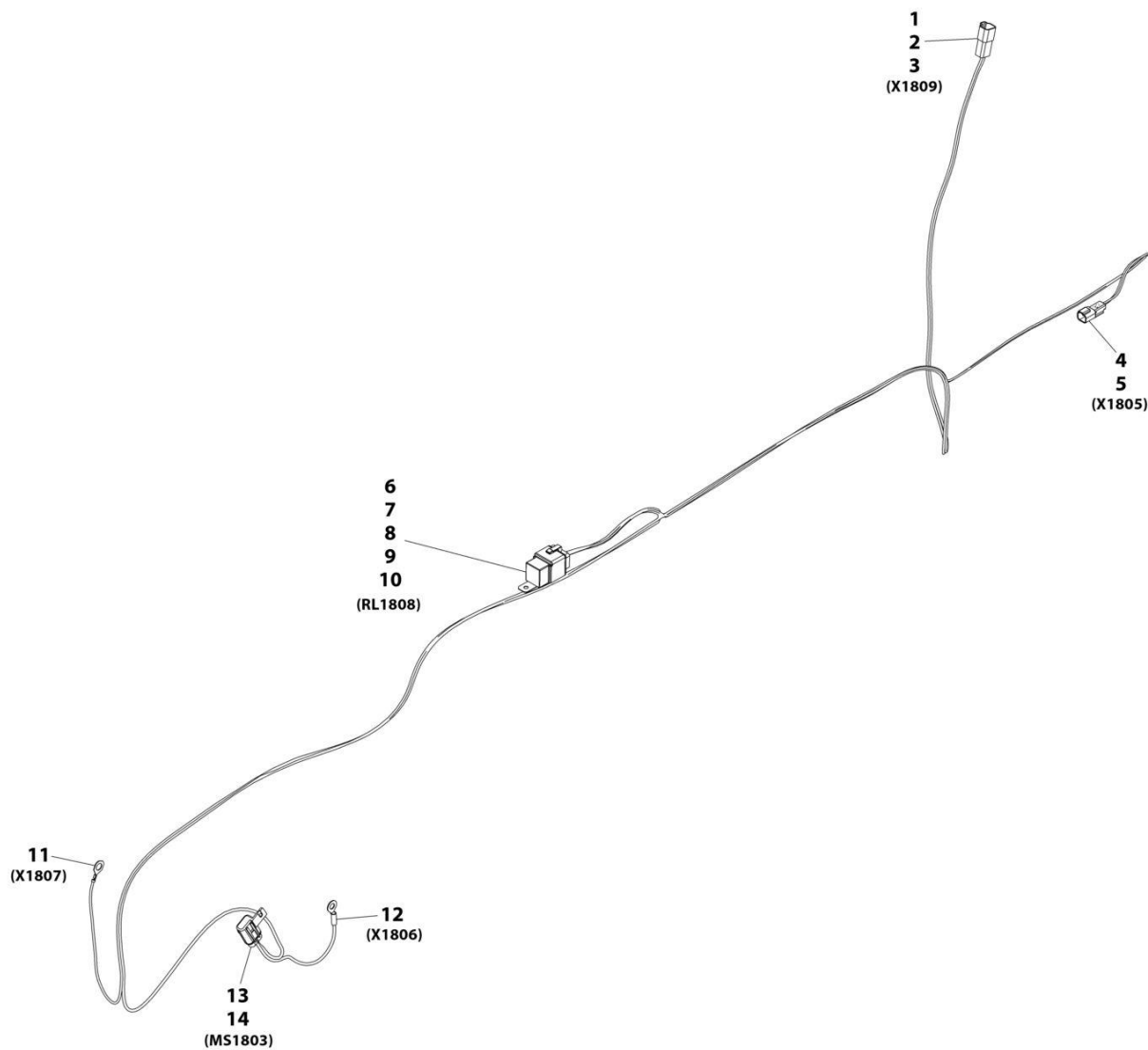
SECTION 10 - ELECTRICAL

FIGURE 10-34. ENGINE - FAN (REVERSE COOLING) INSTALLATION

ITEM	PART NUMBER	QTY	DESCRIPTION	REV
	1001217753	Ref	Reverse Cooling Fan Installation	C
1	1062255	3	Strap, Tie	
2	1001146588	2	Strap, Fir Tree Cable Tie	
4	1001217756	1	Shroud	
5	1001217757	1	Installation, Cover (See Separate Breakdown in this Section)	
6	1001217760	1	Kit, Reversing Fan	
6	70030353	1	Pneumatic Line	
6	70030355	1	Fan, Reverse	
6	70030356	1	Compressor	
7	1001145204	1	Switch	
8	1001221493	1	Harness, Reversing Fan (See Separate Breakdown in ELECTRICAL Section)	

SECTION 10 - ELECTRICAL

FIGURE 10-35. ENGINE - FAN (REVERSE COOLING) HARNESS



ART_1001221493-B

SECTION 10 - ELECTRICAL

FIGURE 10-35. ENGINE - FAN (REVERSE COOLING) HARNESS

ITEM	PART NUMBER	QTY	DESCRIPTION	REV
	1001221493	Ref	Reversing Fan Harness	B
1	4460932	1	Connector	
2	4460941	2	Terminal	
3	4460466	2	Plug	
4	4460897	1	Connector	
5	4460464	2	Terminal	
6	1001118282	1	Connector	
7	1001116734	1	Terminal	
8	1001116732	2	Terminal	
9	1001128128	1	Plug	
10	1001116733	1	Terminal	
11	1001187078	1	Ring Terminal	
12	8220045	1	Ring Terminal	
13	1001117024	1	Connector	
14	1001116734	2	Terminal	

SECTION 10 - ELECTRICAL

FIGURE 10-36. ENGINE WIRING INSTALLATION (ULS)



ART_1001200106-H

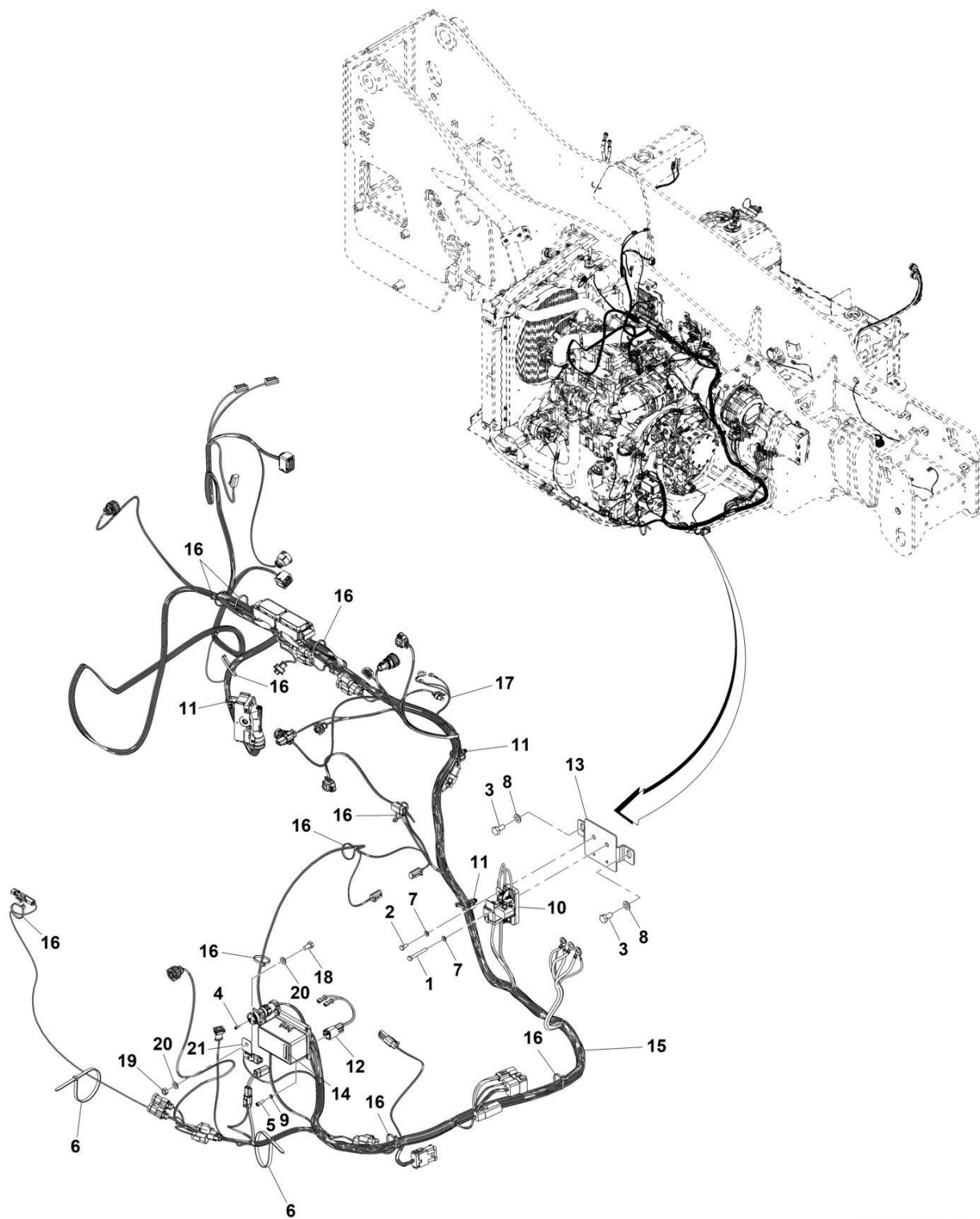
SECTION 10 - ELECTRICAL

FIGURE 10-36. ENGINE WIRING INSTALLATION (ULS)

ITEM	PART NUMBER	QTY	DESCRIPTION	REV
	1001200106	Ref	Engine Wiring Installation (ULS)	1
1	0700618	1	Bolt, M6X50	
2	0760607	1	Bolt, M6X14	
3	0761010	2	Bolt M10X20	
4	4031205	3	Bolt, M3X10	
5	4031607	4	Bolt, M5-0.8X16	
7	4811700	2	Washer, M6	
8	4812000	2	Washer, M10	
9	4831600	4	Washer, Lock M5	
10	1001131177	1	Fuse	
11	1001146588	3	Strap, Cable Tie	
12	1001182929	1	Harness, Fuel Pump (See Separate Breakdown in this Section)	
13	1001189046	1	Bracket	
14	1001191546	1	Decal, Fuse	
15	1001285934	1	Harness, Engine (See Separate Breakdown in this Section)	
16	1001008559	11	Strap, Cable	
17	1001182930	1	Harness, Glow Plug Relay (See Separate Breakdown in this Section)	
18	1062255	2	Strap, Tie	
19	0700808	1	Bolt, M8X16	
20	3290801	1	Nut, M8X1.25	
21	4811900	2	Washer, M8	
22	1001153749	1	Clip	
23	1001293972	1	Cable, ECM Power (Not Shown)	

SECTION 10 - ELECTRICAL

FIGURE 10-37. ENGINE WIRING INSTALLATION (MINING) (ULS)



ART_1001228728_C

SECTION 10 - ELECTRICAL

FIGURE 10-37. ENGINE WIRING INSTALLATION (MINING) (ULS)

ITEM	PART NUMBER	QTY	DESCRIPTION	REV
	1001228728	Ref	Engine Wiring Installation (Mining) (ULS)	C
1	0700618	1	Bolt, M6X50	
2	0760607	1	Bolt, M6X14	
3	0761010	2	Bolt, M10X20	
4	4031205	3	Bolt, M3X10	
5	4031607	4	Bolt, M5X16	
6	1062255	2	Strap, Tie	
7	4811700	2	Washer, M6	
8	4812000	2	Washer, M10	
9	4831600	4	Washer, Lock M5	
10	1001131177	1	Fuse	
11	1001146588	3	Strap, Cable Tie	
12	1001228733	1	Harness, Fuel Pump (See Separate Breakdown in this Section)	
13	1001189046	1	Bracket	
14	1001191546	1	Decal, Fuse	
15	1001286174	1	Harness, Engine (Mining) (ULS) (See Separate Breakdown in this Section)	
16	1001008559	11	Strap, Cable	
17	1001228732	1	Harness, Glow Plug Relay (See Separate Breakdown in this Section)	
18	0700808	1	Bolt, M8X16	
19	3290801	1	Nut, M8X1.25	
20	4811900	2	Washer, M8	
21	1001153749	1	Clip	
22	1001293972	1	Cable, ECM Power (Not Shown)	

SECTION 10 - ELECTRICAL

FIGURE 10-38. ENGINE HARNESS (ULS)

ITEM	PART NUMBER	QTY	DESCRIPTION	REV
	1001244428	Ref	Engine Harness (ULS)	A
1	1001202723	1	Connector	
2	1001167623	5	Plug	
3	1001166555	13	Terminal	
4	1001167621	50	Terminal	
5	1001167622	37	Plug	
6	4460539	1	Connector	
7	4460465	3	Terminal	
8	1001126487	1	Connector	
9	1001167635	2	Terminal	
10	1001126485	2	Terminal Seal	
11	1001167631	1	Connector	
12	1001167630	4	Terminal	
13	1001126485	4	Terminal Seal	
14	1001187070	1	Ring Terminal	
15	1001148842	1	Connector	
16	1001148841	3	Terminal	
17	1001135651	1	Plug	
18	1001135650	3	Terminal Seal	
19	1001202722	1	Connector	
20	1001166551	6	Terminal	
21	1001126353	6	Terminal Seal	
22	1001167622	58	Plug	
23	1001167621	21	Terminal	
24	1001167623	6	Plug	
25	1001138116	1	Connector	
26	1001133715	3	Terminal	
27	1001135650	4	Terminal Seal	
28	1001126487	1	Connector	
29	1001167634	2	Terminal	
30	1001126485	2	Terminal Seal	
31	1001209097	1	Connector	
32	8220124	2	Terminal	
33	4460608	2	Terminal Seal	
34	1001126362	1	Connector	
35	1001166556	26	Terminal	
36	1001126393	36	Terminal Seal	
37	1001126391	19	Plug	
38	4461008	2	Plug	
39	4461006	2	Terminal Seal	
40	4461054	2	Terminal Wire Seal	
41	1001166543	4	Terminal	
42	1001166774	10	Terminal	
43	1001126487	1	Connector	
44	1001167634	2	Terminal	
45	1001126485	2	Terminal Seal	
46	1001116812	1	Connector	
47	4460944	2	Terminal	
48	4460466	1	Plug	
49	4460539	1	Connector	

SECTION 10 - ELECTRICAL

ITEM	PART NUMBER	QTY	DESCRIPTION	REV
50	4460944	2	Terminal	
51	4460466	1	Plug	
52	4460891	1	Connector	
53	4460465	2	Terminal	
54	4460539	1	Connector	
55	4460944	2	Terminal	
56	4460466	1	Plug	
57	1001116812	1	Connector	
58	4460944	2	Terminal	
59	4460466	1	Plug	
60	1001116811	1	Connector	
61	1001150610	2	Terminal	
62	4460508	1	Terminal	
63	4460466	1	Plug	
64	1001144147	1	Connector	
65	4460464	2	Terminal	
66	4460466	1	Plug	
67	4460894	1	Connector	
68	4460466	1	Plug	
69	4460465	5	Terminal	
70	1001126245	1	Connector	
71	1001126008	2	Terminal	
72	1001167629	1	Connector	
73	1001167630	4	Terminal	
74	1001126485	4	Terminal Seal	
75	1001207171	1	Ring Terminal, (with boot)	
76	1001207171	1	Ring Terminal, (with boot)	
77	1001118282	1	Connector	
78	1001116734	2	Terminal	
79	1001116732	2	Terminal	
80	1001128128	1	Plug	
81	1001187080	1	Ring Terminal	
82	1001187080	1	Ring Terminal	
83	1001187078	1	Ring Terminal	
84	1001187080	1	Ring Terminal	
85	1001187080	1	Ring Terminal	
86	4460970	1	Connector	
87	4460464	9	Terminal	
88	4460466	3	Plug	
89	1001167616	1	Connector	
90	1001190921	1	Fuse Box Foam Seal	
91	4460748	7	Plug	
92	8220097	23	Terminal	
93	1001175265	19	Terminal Seal	
94	8220098	9	Terminal	
95	4460458	11	Terminal Seal	
96	1001116725	6	Terminal	
97	80963067	1	Terminal Seal	
98	1001190037	5	Terminal Seal	
99	1001190921	1	Fuse Box Foam Seal	
100	2902443	1	Connector	

SECTION 10 - ELECTRICAL

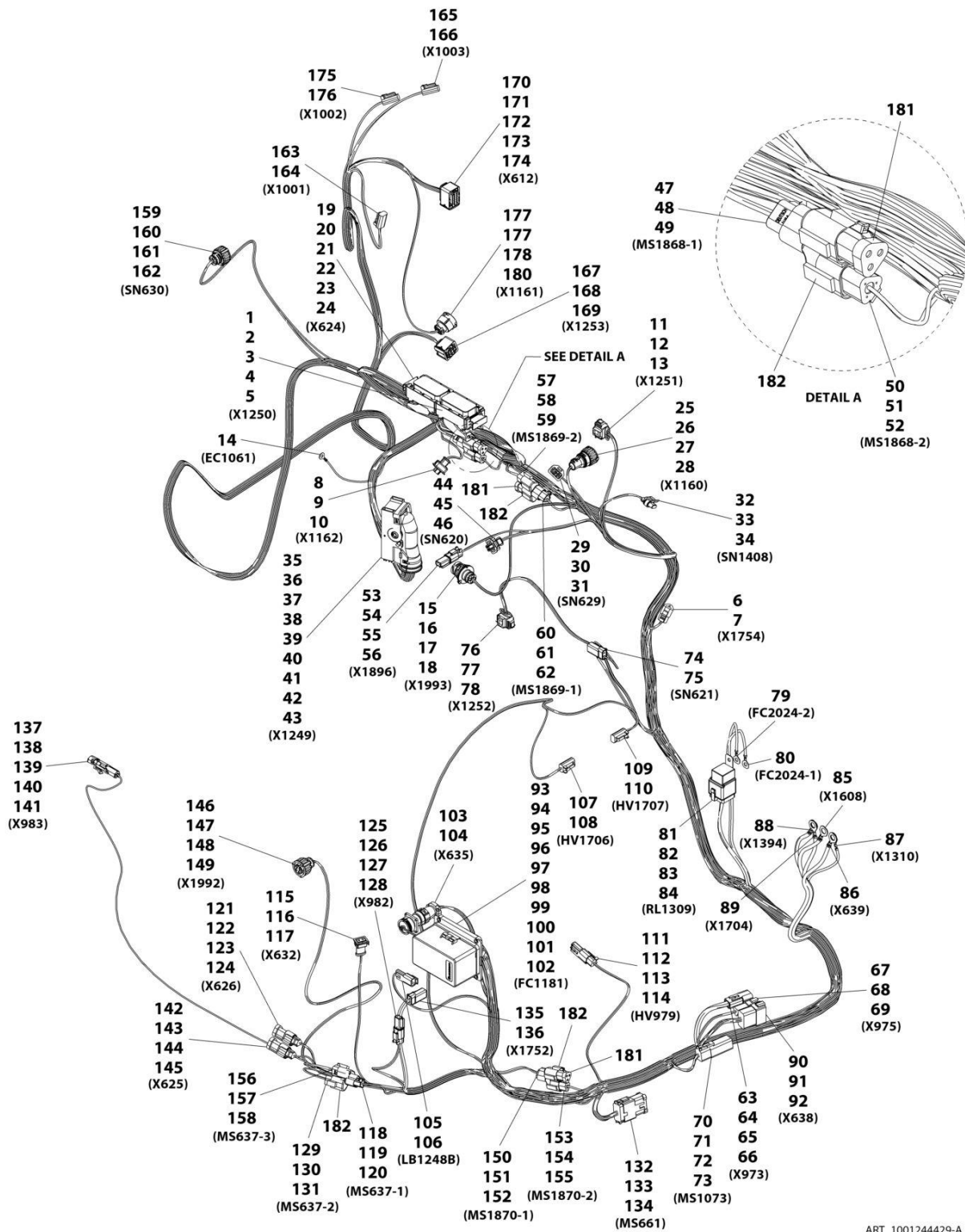
ITEM	PART NUMBER	QTY	DESCRIPTION	REV
101	4461071	6	Terminal	
102	1001153612	1	Connector	
103	1001126011	2	Terminal	
104	4460891	1	Connector	
105	4460465	2	Terminal	
106	4460891	1	Connector	
107	4460465	2	Terminal	
108	4460891	1	Connector	
109	4460465	2	Terminal	
110	1001167636	1	Connector	
111	1001166707	2	Terminal	
112	4461006	2	Terminal Seal	
113	4461095	1	Connector	
114	4460944	2	Terminal	
115	4460466	1	Plug	
116	4461095	1	Connector	
117	4460944	2	Terminal	
118	4460466	1	Plug	
119	4460891	1	Connector	
120	4460465	2	Terminal	
121	4460539	1	Connector	
122	4460944	2	Terminal	
123	4460466	1	Plug	
124	4460933	1	Connector	
125	4460465	12	Terminal	
126	4461018	1	Connector	
127	4460509	2	Terminal	
128	80963056	1	Connector	
129	4460979	1	Terminal	
130	1001175265	1	Terminal Seal	
131	4461095	1	Connector	
132	4460944	2	Terminal	
133	4460466	1	Plug	
134	1001133714	1	Connector	
135	1001133715	3	Terminal	
136	1001135650	3	Terminal Seal	
137	1001135651	1	Plug	
138	1001116812	1	Connector	
139	4460944	2	Terminal	
140	4460466	1	Plug	
141	4460539	1	Connector	
142	4460944	2	Terminal	
143	4460466	1	Plug	
144	1001116812	1	Connector	
145	4460944	2	Terminal	
146	4460466	1	Plug	
147	1001133714	1	Connector	
148	1001133715	3	Terminal	
149	1001135650	3	Terminal Seal	
150	1001135651	1	Plug	
151	4460891	1	Connector	

SECTION 10 - ELECTRICAL

ITEM	PART NUMBER	QTY	DESCRIPTION	REV
152	4460942	2	Terminal	
153	4460891	1	Connector	
154	4460942	2	Terminal	
155	1001167528	1	Connector	
156	1001167528	3	Terminal	
157	1001137578	3	Seal	
158	1001165194	1	Connector	
159	1001126391	2	Plug	
160	1001166556	8	Terminal	
161	1001166774	2	Terminal	
162	1001126393	10	Terminal Seal	
163	4460891	1	Connector	
164	4460942	2	Terminal	
165	1001167620	1	Connector	
166	1001176004	2	Terminal	
167	1001176002	2	Terminal Seal	
168	1001167624	2	Plug	
169	4460466	6	Plug	
170	4460892	1	Mating Connector	
171	4460897	3	Mating Connector	
172	4460945	4	Connector, 3 Way	
173	4461070	2	Terminator Resistor	
174	80963055	1	Mating Connector	
175	1001116727	1	Plug	
176	1001116815	3	Connector	
177	1001125677	1	Mating Connector	
178	1001187882	1	Cover	

SECTION 10 - ELECTRICAL

FIGURE 10-39. ENGINE HARNESS (MINING) (ULS)



ART_1001244429-A

SECTION 10 - ELECTRICAL

FIGURE 10-39. ENGINE HARNESS (MINING) (ULS)

ITEM	PART NUMBER	QTY	DESCRIPTION	REV
	1001244429	Ref	Engine Harness (Mining) (ULS)	A
1	1001202723	1	Connector	
2	1001167623	5	Plug	
3	1001166555	13	Terminal	
4	1001167621	50	Terminal	
5	1001167622	37	Plug	
6	4460539	1	Connector	
7	4460465	3	Terminal	
8	1001126487	1	Connector	
9	1001167635	2	Terminal	
10	1001126485	2	Terminal Seal	
11	1001167631	1	Connector	
12	1001167630	4	Terminal	
13	1001126485	4	Terminal Seal	
14	1001187070	1	Ring Terminal	
15	1001148842	1	Connector	
16	1001148841	3	Terminal	
17	1001135651	1	Plug	
18	1001135650	3	Terminal Seal	
19	1001202722	1	Connector	
20	1001166551	6	Terminal	
21	1001126353	6	Terminal Seal	
22	1001167622	58	Plug	
23	1001167621	21	Terminal	
24	1001167623	6	Plug	
25	1001138116	1	Connector	
26	1001187882	1	Cover	
27	1001133715	3	Terminal	
28	1001135650	4	Terminal Seal	
29	1001126487	1	Connector	
30	1001167634	2	Terminal	
31	1001126485	2	Terminal Seal	
32	1001209097	1	Connector	
33	8220124	2	Terminal	
34	4460608	2	Terminal Seal	
35	1001126362	1	Connector	
36	1001166556	26	Terminal	
37	1001126393	36	Terminal Seal	
38	1001126391	20	Plug	
39	4461008	2	Plug	
40	4461006	2	Seal	
41	4461054	2	Terminal Wire Seal	
42	1001166543	4	Terminal	
43	1001166774	10	Terminal	
44	1001126487	1	Connector	
45	1001167634	2	Terminal	
46	1001126485	2	Terminal Seal	
47	1001116812	1	Connector	
48	4460944	2	Terminal	
49	4460466	1	Plug	

SECTION 10 - ELECTRICAL

ITEM	PART NUMBER	QTY	DESCRIPTION	REV
50	4460539	1	Connector	
51	4460944	2	Terminal	
52	4460466	1	Plug	
53	4460891	1	Connector	
54	4460897	1	Mating Connector	
55	4460465	2	Terminal	
56	4460466	2	Plug	
57	4460539	1	Connector	
58	4460944	2	Terminal	
59	4460466	1	Plug	
60	1001116812	1	Connector	
61	4460944	2	Terminal	
62	4460466	1	Plug	
63	1001116811	1	Connector	
64	1001150610	2	Terminal	
65	4460508	1	Terminal	
66	4460466	1	Plug	
67	1001144147	1	Connector	
68	4460464	2	Terminal	
69	4460466	1	Plug	
70	4460894	1	Connector	
71	4460892	1	Mating Connector	
72	4460466	1	Plug	
73	4460465	5	Terminal	
74	1001126245	1	Connector	
75	1001126008	2	Terminal	
76	1001167629	1	Connector	
77	1001167630	4	Terminal	
78	1001126485	4	Terminal Seal	
79	1001207171	1	Ring Terminal, (with boot)	
80	1001207171	1	Ring Terminal, (with boot)	
81	1001118282	1	Connector	
82	1001116734	2	Terminal	
83	1001116732	2	Terminal	
84	1001128128	1	Plug	
85	1001187080	1	Ring Terminal	
86	1001187080	1	Ring Terminal	
87	1001187078	1	Ring Terminal	
88	1001187080	1	Ring Terminal	
89	1001187080	1	Ring Terminal	
90	4460970	1	Connector	
91	4460464	9	Terminal	
92	4460466	3	Plug	
93	1001167616	1	Connector	
94	1001190921	1	Fuse Box Foam Seal	
95	4460748	12	Plug	
96	8220097	23	Terminal	
97	1001175265	21	Terminal Seal	
98	8220098	9	Terminal	
99	4460458	11	Terminal Seal	
100	1001116725	6	Terminal	

SECTION 10 - ELECTRICAL

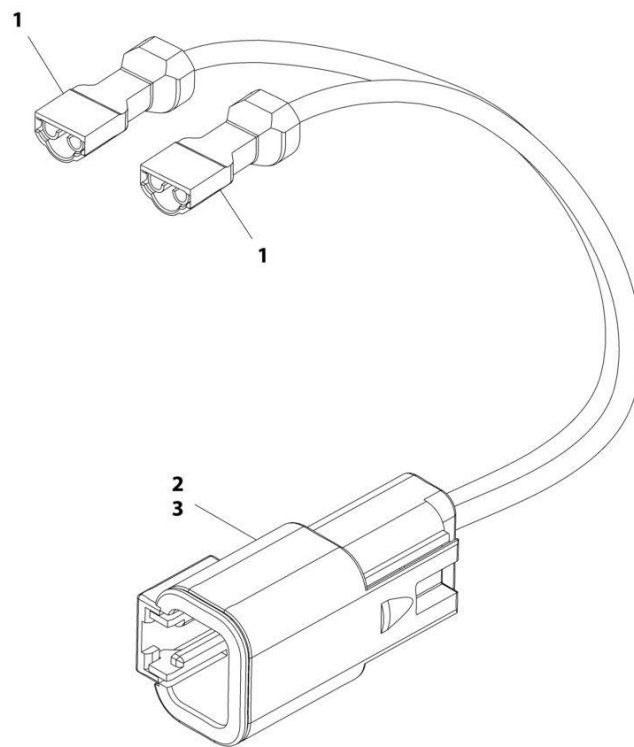
ITEM	PART NUMBER	QTY	DESCRIPTION	REV
101	80963067	1	Terminal Seal	
102	1001190037	5	Terminal Seal	
103	2902443	1	Connector	
104	4461071	6	Terminal	
105	1001153612	1	Connector	
106	1001126011	2	Terminal	
107	4460891	1	Connector	
108	4460465	2	Terminal	
109	4460891	1	Connector	
110	4460465	2	Terminal	
111	4460891	1	Connector	
112	4460465	2	Terminal	
113	4460897	1	Mating Connector	
114	4460466	2	Plug	
115	1001167636	1	Connector	
116	1001166707	2	Terminal	
117	4461006	2	Terminal Seal	
118	1001116812	1	Connector	
119	4460944	2	Terminal	
120	4460466	1	Plug	
121	4461095	1	Connector	
122	4461070	1	Terminator Resistor	
123	4460944	2	Terminal	
124	4460466	1	Plug	
125	4460891	1	Connector	
126	4460897	1	Mating Connector	
127	4460465	2	Terminal	
128	4460466	2	Plug	
129	4460539	1	Connector	
130	4460944	2	Terminal	
131	4460466	1	Plug	
132	4460933	1	Connector	
133	1001125677	1	Mating Connector	
134	4460465	12	Terminal	
135	4461018	1	Connector	
136	4460509	2	Terminal	
137	80963056	1	Connector	
138	80963055	1	Mating Connector	
139	4460979	1	Terminal	
140	1001175265	1	Terminal Seal	
141	1001116727	1	Plug	
142	4461095	1	Connector	
143	4461070	1	Terminator Resistor	
144	4460944	2	Terminal	
145	4460466	1	Plug	
146	1001133714	1	Connector	
147	1001133715	3	Terminal	
148	1001135650	3	Terminal Seal	
149	1001135651	1	Plug	
150	1001116812	1	Connector	
151	4460944	2	Terminal	

SECTION 10 - ELECTRICAL

ITEM	PART NUMBER	QTY	DESCRIPTION	REV
152	4460466	1	Plug	
153	4460539	1	Connector	
154	4460944	2	Terminal	
155	4460466	1	Plug	
156	1001116812	1	Connector	
157	4460944	2	Terminal	
158	4460466	1	Plug	
159	1001133714	1	Connector	
160	1001133715	3	Terminal	
161	1001135650	3	Terminal Seal	
162	1001135651	1	Plug	
163	4460891	1	Connector	
164	4460942	2	Terminal	
165	4460891	1	Connector	
166	4460942	2	Terminal	
167	1001167528	1	Connector	
168	1001166704	4	Terminal	
169	1001137578	4	Terminal Seal	
170	1001165194	1	Connector	
171	1001126391	2	Plug	
172	1001166556	8	Terminal	
173	1001166774	2	Terminal	
174	1001126393	10	Terminal Seal	
175	4460891	1	Connector	
176	4460942	2	Terminal	
177	1001167620	1	Connector	
178	1001176004	2	Terminal	
179	1001176002	2	Terminal Seal	
180	1001167624	2	Plug	
181	1001116815	3	Connector	
182	4460945	4	Connector, 3 Way	

SECTION 10 - ELECTRICAL

FIGURE 10-40. ENGINE - FUEL PUMP HARNESS



ART_1001182929-E

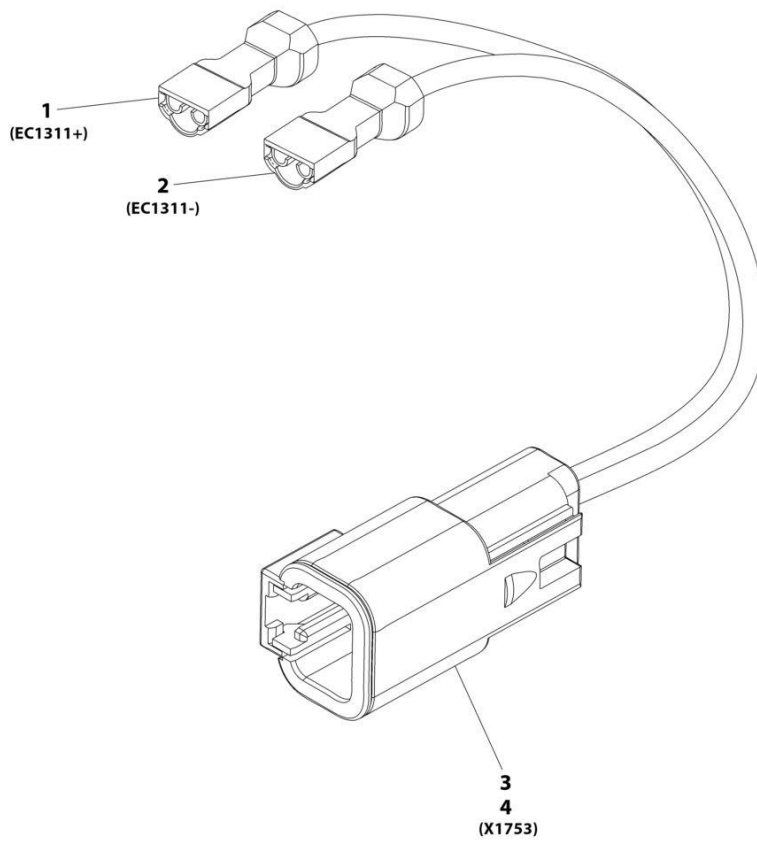
SECTION 10 - ELECTRICAL

FIGURE 10-40. ENGINE - FUEL PUMP HARNESS

ITEM	PART NUMBER	QTY	DESCRIPTION	REV
	1001182929	Ref	Fuel Pump Harness	E
1	8220043	2	Connector	
2	4461017	1	Connector	
3	4460508	2	Terminal	

SECTION 10 - ELECTRICAL

FIGURE 10-41. ENGINE - FUEL PUMP HARNESS (MINING) (ULS)



ART_1001228733-A

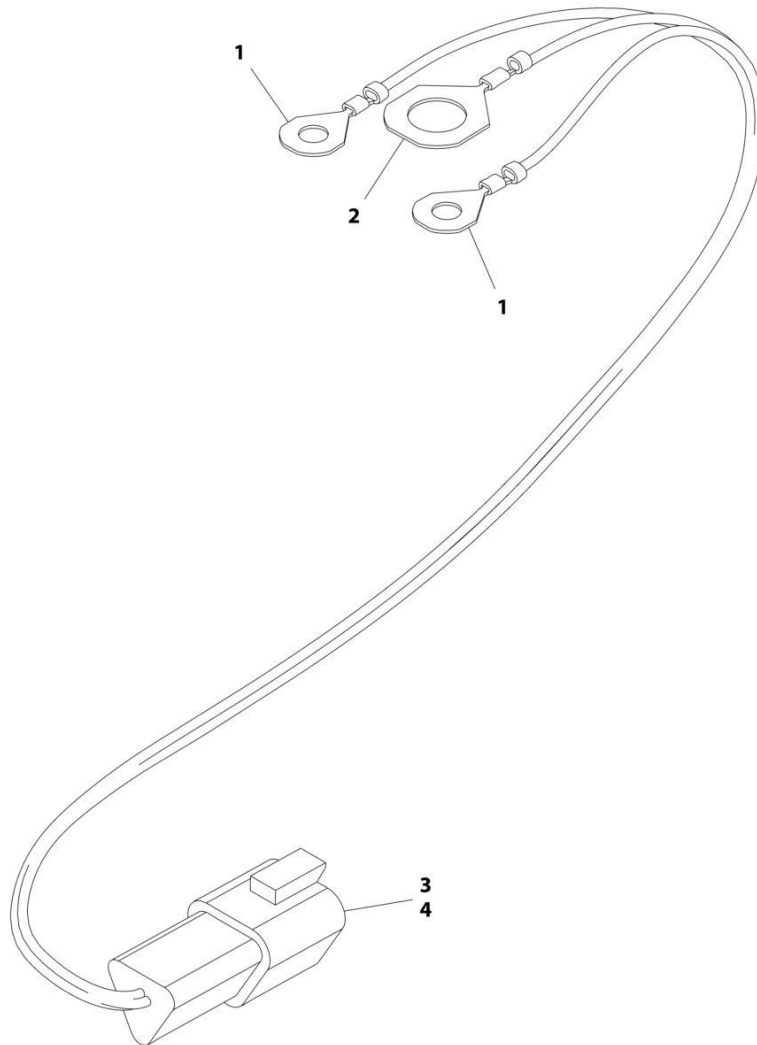
SECTION 10 - ELECTRICAL

FIGURE 10-41. ENGINE - FUEL PUMP HARNESS (MINING) (ULS)

ITEM	PART NUMBER	QTY	DESCRIPTION	REV
	1001228733	Ref	Fuel Pump Harness (Mining) (ULS)	A
1	8220043	1	Connector	
2	8220043	1	Connector	
3	4461017	1	Connector	
4	4460508	2	Terminal	

SECTION 10 - ELECTRICAL

FIGURE 10-42. ENGINE - GLOW PLUG RELAY HARNESS



ART_1001182930-C

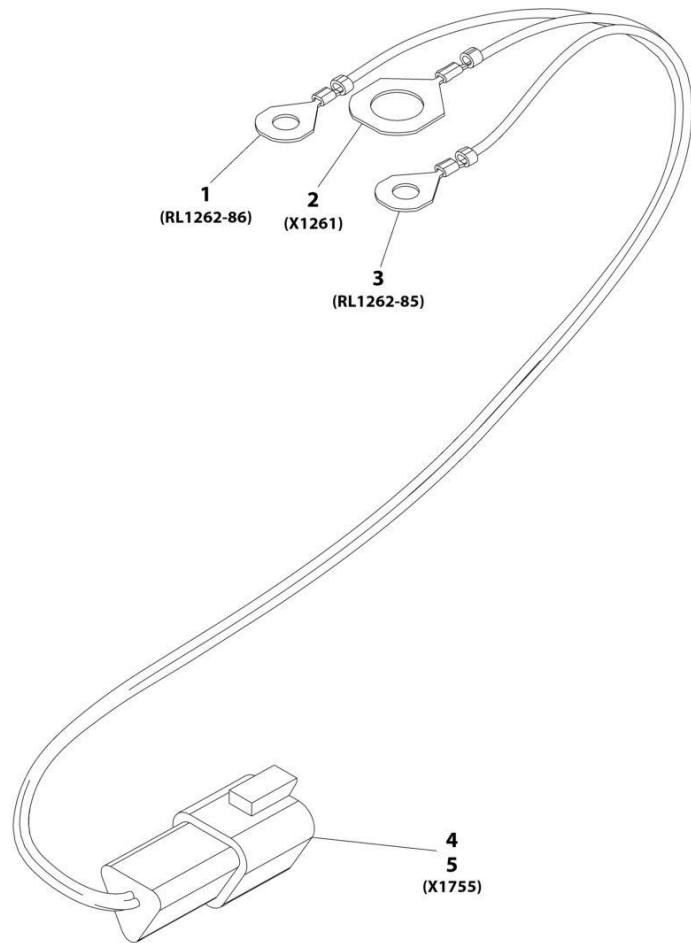
SECTION 10 - ELECTRICAL

FIGURE 10-42. ENGINE - GLOW PLUG RELAY HARNESS

ITEM	PART NUMBER	QTY	DESCRIPTION	REV
	1001182930	Ref	Glow Plug Relay Harness	C
1	1001187070	2	Ring, Terminal	
2	1001187077	1	Ring, Terminal	
3	4460536	1	Connector	
4	4460464	3	Terminal	

SECTION 10 - ELECTRICAL

FIGURE 10-43. ENGINE - GLOW PLUG RELAY HARNESS (MINING) (ULS)



ART_1001228732-A

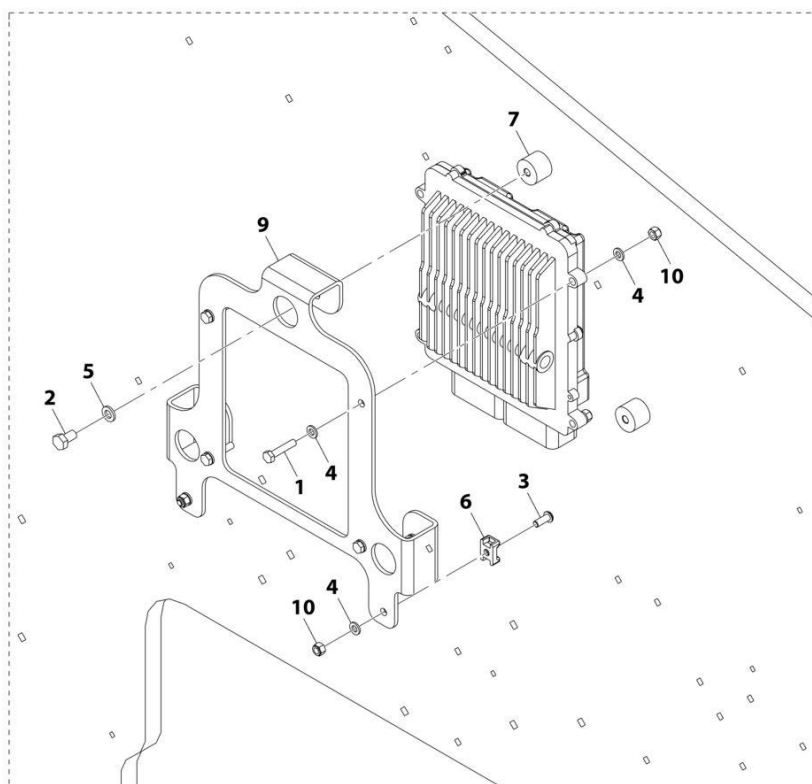
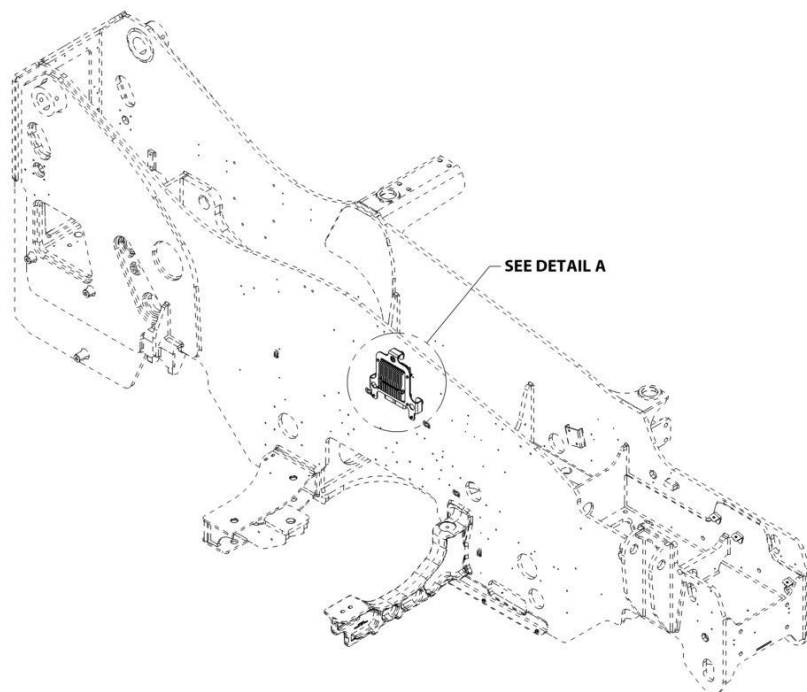
SECTION 10 - ELECTRICAL

FIGURE 10-43. ENGINE - GLOW PLUG RELAY HARNESS (MINING) (ULS)

ITEM	PART NUMBER	QTY	DESCRIPTION	REV
	1001228732	Ref	Glow Plug Relay Harness (Mining) (ULS)	A
1	1001187070	1	Ring, Terminal	
2	1001187077	1	Ring, Terminal	
3	1001187070	1	Ring, Terminal	
4	4460536	1	Connector	
5	4460464	3	Terminal	

SECTION 10 - ELECTRICAL

FIGURE 10-44. ENGINE ECU INSTALLATION



DETAIL A

ART_1001200869-B

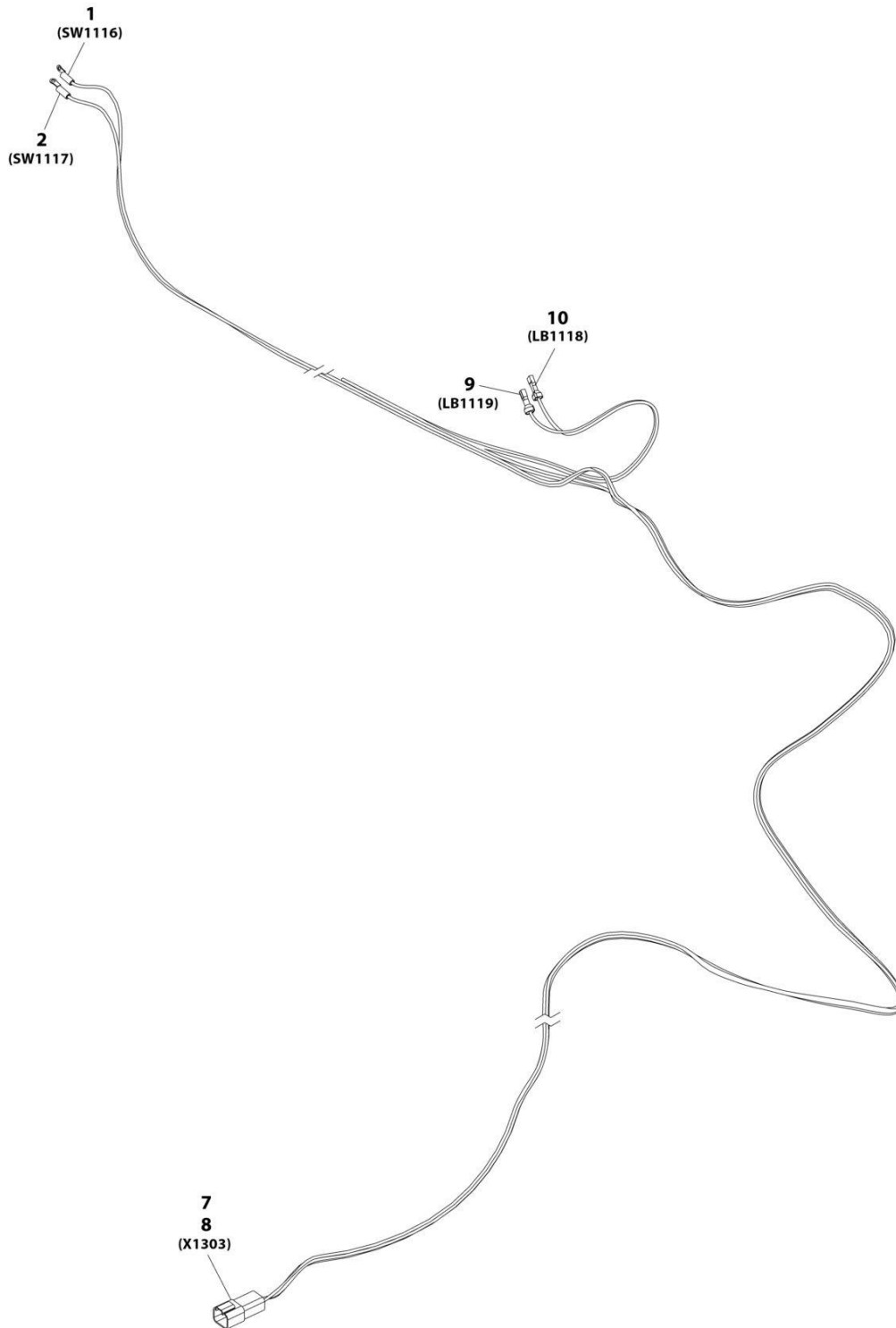
SECTION 10 - ELECTRICAL

FIGURE 10-44. ENGINE ECU INSTALLATION

ITEM	PART NUMBER	QTY	DESCRIPTION	REV
	1001200869	Ref	Engine ECU Installation	B
1	0700614	4	Bolt, M6X30	
2	0760807	3	Bolt, M8X14	
3	3900357	2	Capscrew, M6X16	
4	4811700	10	Washer, M6	
5	4831900	3	Washer, Lock M8	
6	1001138645	2	Mount, Cable Tie	
7	1001179907	3	Mount, Isolator	
9	1001210397	1	Plate	
10	3290605	6	Nut, Lock M6X1	

SECTION 10 - ELECTRICAL

FIGURE 10-45. ENGINE - AIR SHUTOFF VALVE HARNESS



ART_1001231407-C

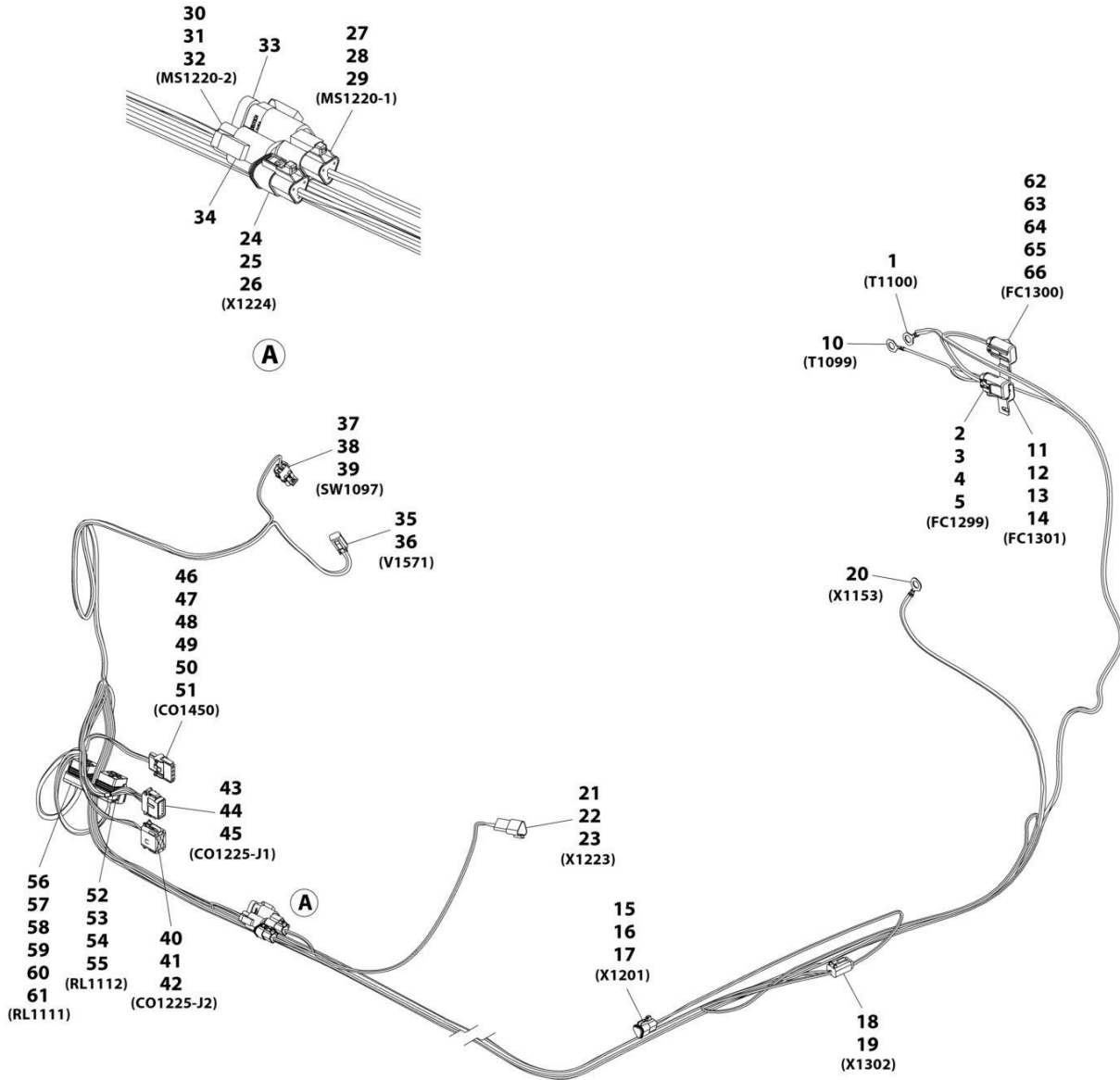
SECTION 10 - ELECTRICAL

FIGURE 10-45. ENGINE - AIR SHUTOFF VALVE HARNESS

ITEM	PART NUMBER	QTY	DESCRIPTION	REV
	1001231407	1	Air Shutoff Valve Harness	C
1	8220035	1	Terminal, Ring	
2	8220035	1	Terminal, Ring	
7	4460932	1	Connector	
8	4460464	4	Pin	
9	8220108	1	Connector, Female	
10	8220108	1	Connector, Female	

SECTION 10 - ELECTRICAL

FIGURE 10-46. ENGINE - AIR SHUT OFF VALVE HARNESS (ENGINE)



ART_1001231483_D

SECTION 10 - ELECTRICAL

FIGURE 10-46. ENGINE - AIR SHUT OFF VALVE HARNESS (ENGINE)

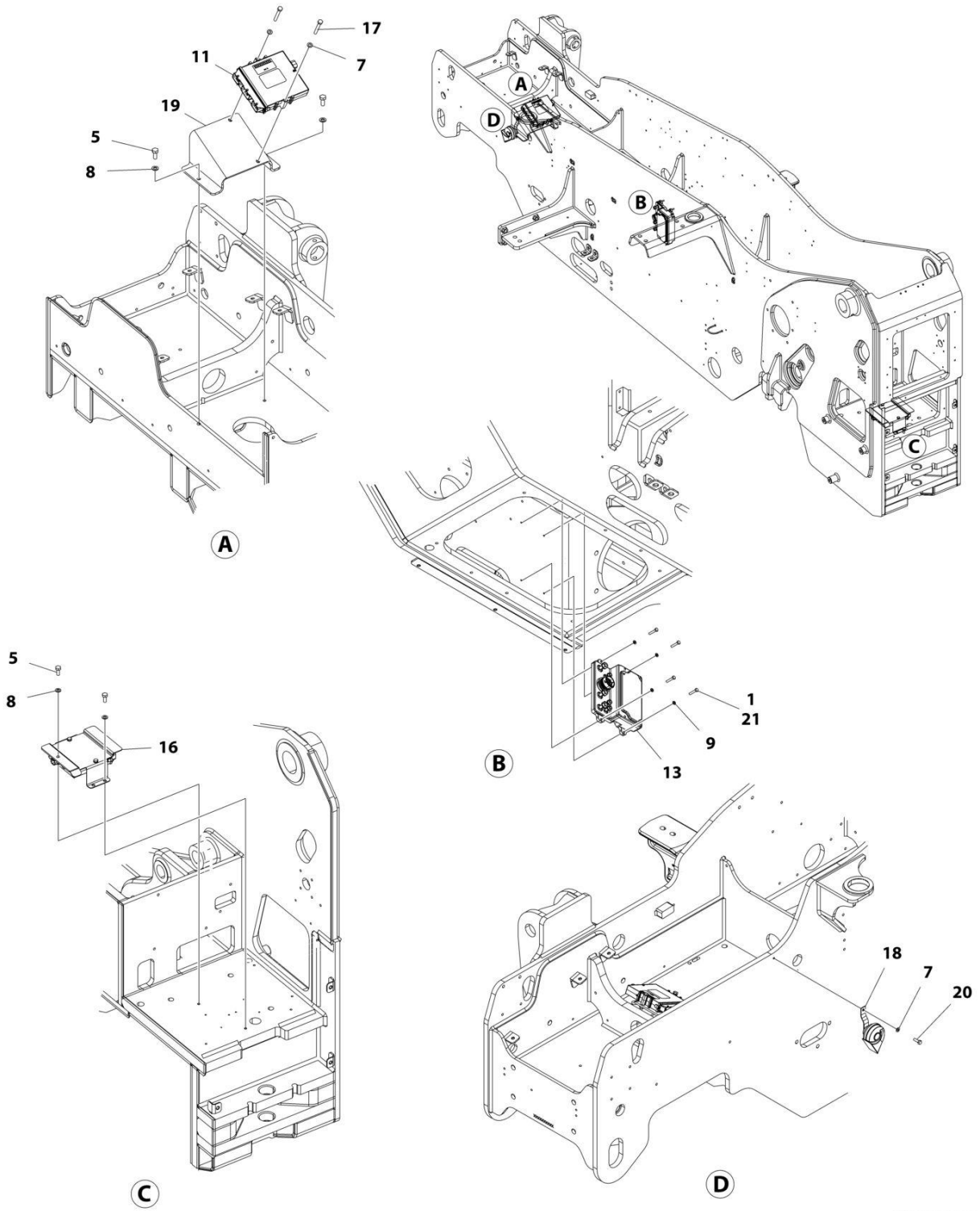
ITEM	PART NUMBER	QTY	DESCRIPTION	REV
	1001231483	Ref	Air Shut Off Valve Harness (Engine)	D
1	1001187079	1	Terminal, Ring	
2	1001231397	1	Connector	
3	8229235	1	Fuse, 20amp	
4	1001231401	2	Terminal	
5	1001230402	2	Seal	
10	1001187078	1	Terminal, Ring	
11	1001231397	1	Connector	
12	8229261	1	Fuse, 5amp	
13	1001231400	2	Terminal	
14	1001230403	2	Seal	
15	1001116812	1	Connector	
16	4460465	2	Terminal	
17	4460466	1	Plug	
18	4460884	1	Connector	
19	4460465	4	Terminal	
20	1001187079	1	Terminal, Ring	
21	1001144147	1	Connector	
22	4460464	2	Terminal	
23	4460466	1	Plug	
24	1001116812	1	Connector	
25	4460465	2	Terminal	
26	4460466	1	Plug	
27	1001116812	1	Connector	
28	4460465	2	Terminal	
29	4460466	1	Plug	
30	4460539	1	Connector	
31	4460465	2	Terminal	
32	4460466	1	Plug	
33	1001116815	1	Connector, 3 Pin	
34	4460945	1	Terminal, 3 Way "T" Receptacle	
35	4460891	1	Connector	
36	1001157890	2	Terminal	
37	4460742	1	Connector	
38	4460475	2	Terminal	
39	4460458	2	Plug	
40	1001116774	1	Connector	
41	4460518	8	Plug	
42	1001126008	4	Terminal	
43	1001116808	1	Connector	
44	1001126008	9	Terminal	
45	4460518	3	Plug	
46	4460761	1	Connector	
47	4460321	1	Terminal	
48	1001118378	4	Terminal	
49	4460809	4	Plug	
50	1001143551	1	Seal	
51	1001218358	1	Lanyard Rope	
52	1001231398	1	Connector	
53	1001231400	4	Terminal	

SECTION 10 - ELECTRICAL

ITEM	PART NUMBER	QTY	DESCRIPTION	REV
54	1001231404	4	Seal	
55	1001231406	1	Plug	
56	1001231398	1	Connector	
57	1001231401	2	Terminal	
58	1001231402	2	Seal	
59	1001231400	2	Terminal	
60	1001231404	2	Seal	
61	1001231406	1	Plug	
62	1001231397	1	Connector	
63	8229234	1	Fuse, 10amp	
64	1001231400	2	Terminal	
65	1001230403	1	Seal	
66	1001230404	1	Seal	

SECTION 10 - ELECTRICAL

FIGURE 10-47. FRAME ELECTRICAL INSTALLATION



ART_1001183272_I

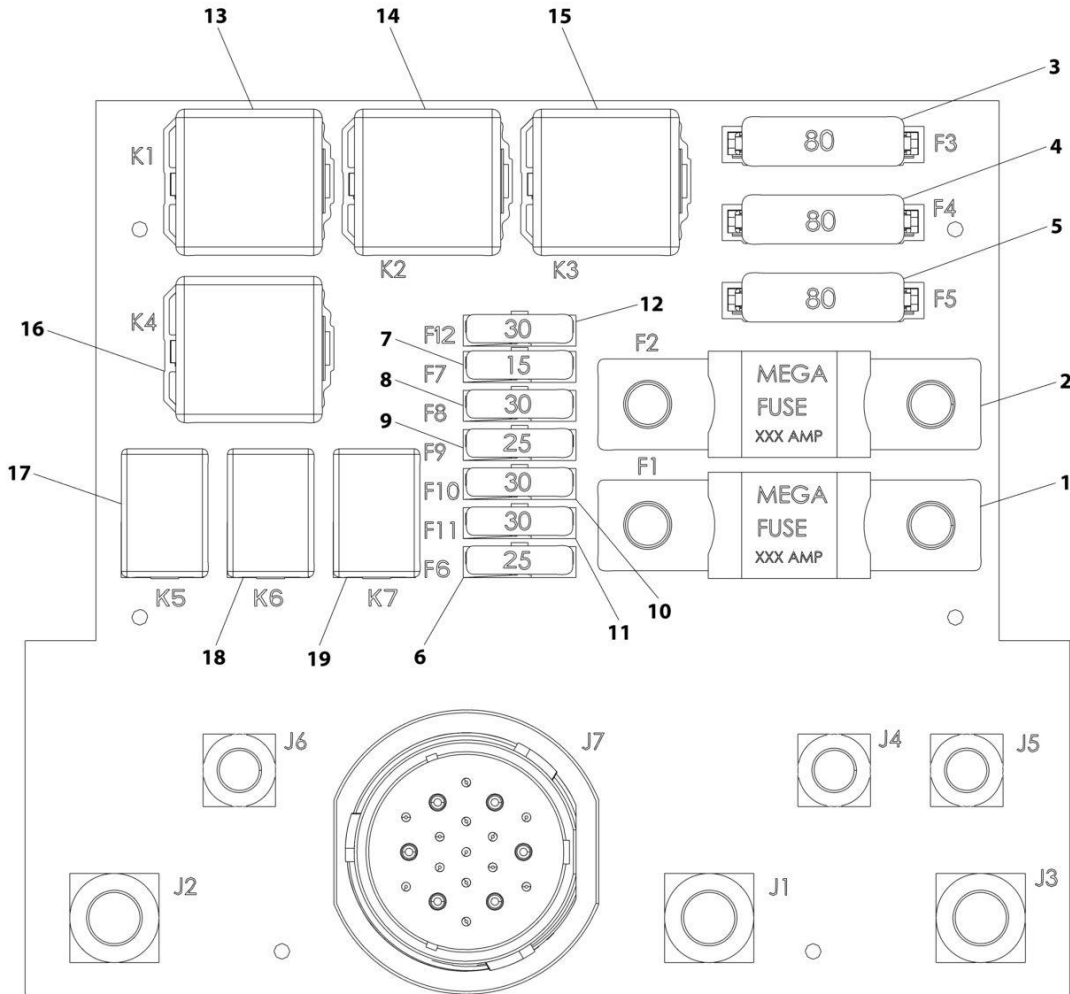
SECTION 10 - ELECTRICAL

FIGURE 10-47. FRAME ELECTRICAL INSTALLATION

ITEM	PART NUMBER	QTY	DESCRIPTION	REV
	1001183272	Ref	FRAME ELECTRICAL INSTALLATION	I
1	0700614	4	Bolt M6 x 30	
5	0761012	4	Bolt M10 x 25	
7	4811900	3	Washer M8	
8	4812000	4	Washer M10	
9	4831700	4	Washer M6	
11	1001270467	1	Control, Front Frame Module	
13	1001164402	1	Box, Power Distribution Electrical (See Separate Breakdown in this Section)	
16	1001210770	1	Installation, Rear Frame Module (See Separate Breakdown in this Section)	
17	0700820	2	Bolt M8 x 60	
18	10713707	1	Horn	
19	1001215208	1	Bracket	
20	0760812	1	Bolt M8 x 25	
21	1001180620	AR	Adhesive, Loctite	

SECTION 10 - ELECTRICAL

FIGURE 10-48. FRAME - POWER DISTRIBUTION ELECTRICAL BOX



ART_1001164402-G

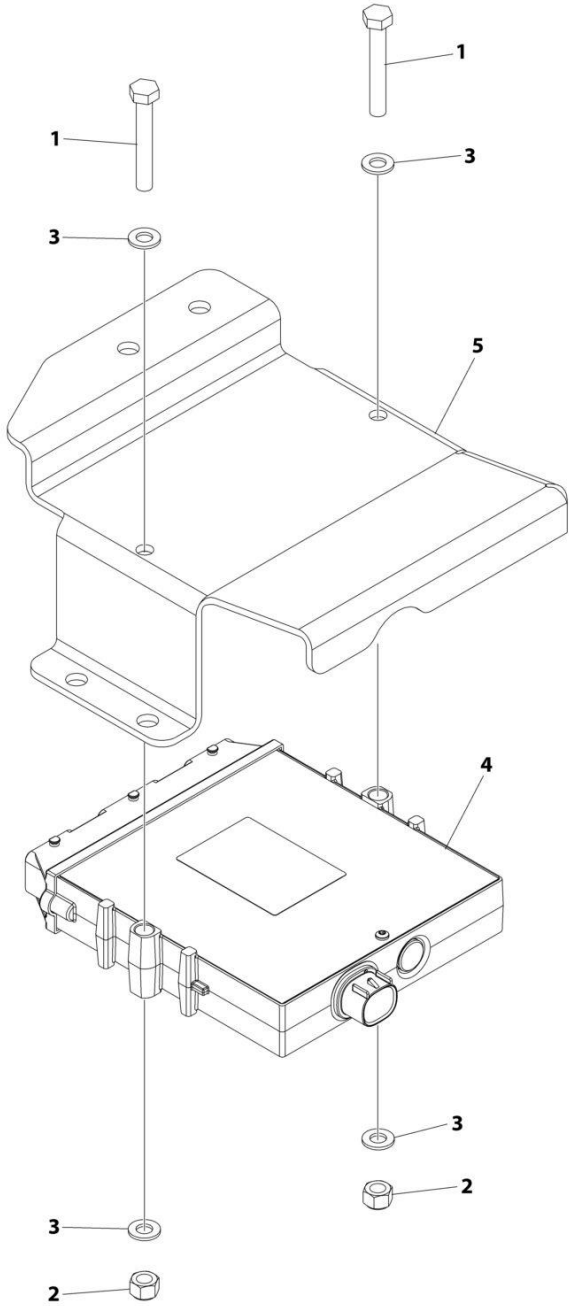
SECTION 10 - ELECTRICAL

FIGURE 10-48. FRAME - POWER DISTRIBUTION ELECTRICAL BOX

ITEM	PART NUMBER	QTY	DESCRIPTION	REV
	1001164402	Ref	Power Distribution Electrical Box	G
1	1001095336	1	Fuse, 150AMP	
2	70026296	1	Fuse, 200AMP	
3	70026297	1	Fuse, 80AMP	
4	70026297	1	Fuse, 80AMP	
5	70026297	1	Fuse, 80AMP	
6	8229247	1	Fuse, 25AMP	
7	8229244	1	Fuse, 15AMP	
8	8229245	1	Fuse, 30AMP	
9	8229247	1	Fuse, 25AMP	
10	8229245	1	Fuse, 30AMP	
11	8229245	1	Fuse, 30AMP	
12	8229245	1	Fuse, 30AMP	
13	70026294	1	Fuse, 70AMP	
14	70026294	1	Fuse, 70AMP	
15	70026294	1	Fuse, 70AMP	
16	70026294	1	Fuse, 70AMP	
17	70026295	1	Fuse, 35AMP	
18	70026295	1	Fuse, 35AMP	
19	70026295	1	Fuse, 35AMP	

SECTION 10 - ELECTRICAL

FIGURE 10-49. FRAME - REAR FRAME MODULE INSTALLATION



ART_1001210770_D

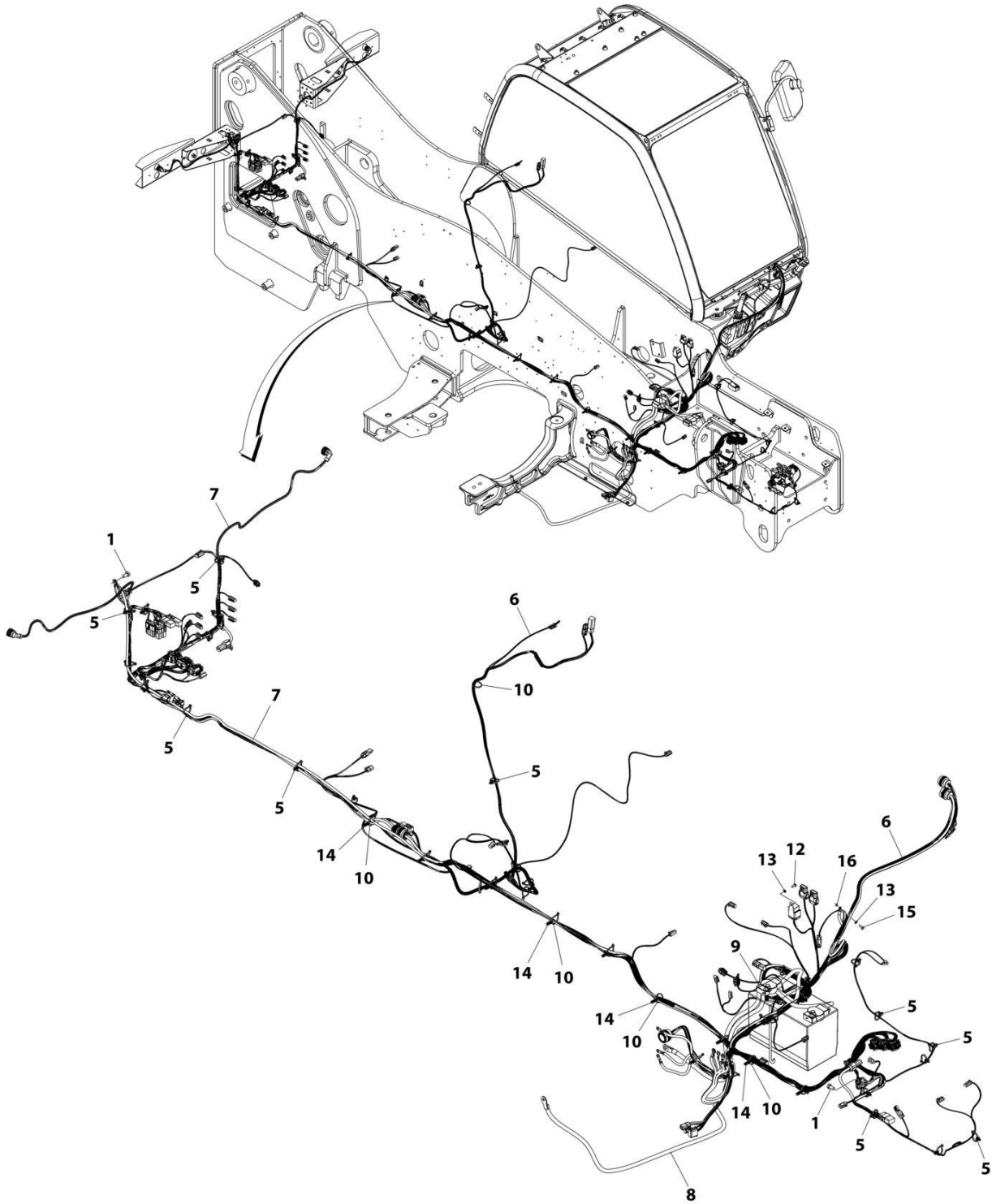
SECTION 10 - ELECTRICAL

FIGURE 10-49. FRAME - REAR FRAME MODULE INSTALLATION

ITEM	PART NUMBER	QTY	DESCRIPTION	REV
	1001210770	Ref	Rear Frame Module Installation	D
1	0700819	2	Bolt M8 x 55	
2	3290805	2	Nut M8 x 1.25	
3	4811900	4	Washer M8	
4	1001162256	1	Control, Rear Frame Module	
5	1001255581	1	Bracket	

SECTION 10 - ELECTRICAL

FIGURE 10-50. FRAME WIRING INSTALLATION



ART_1001200159_H

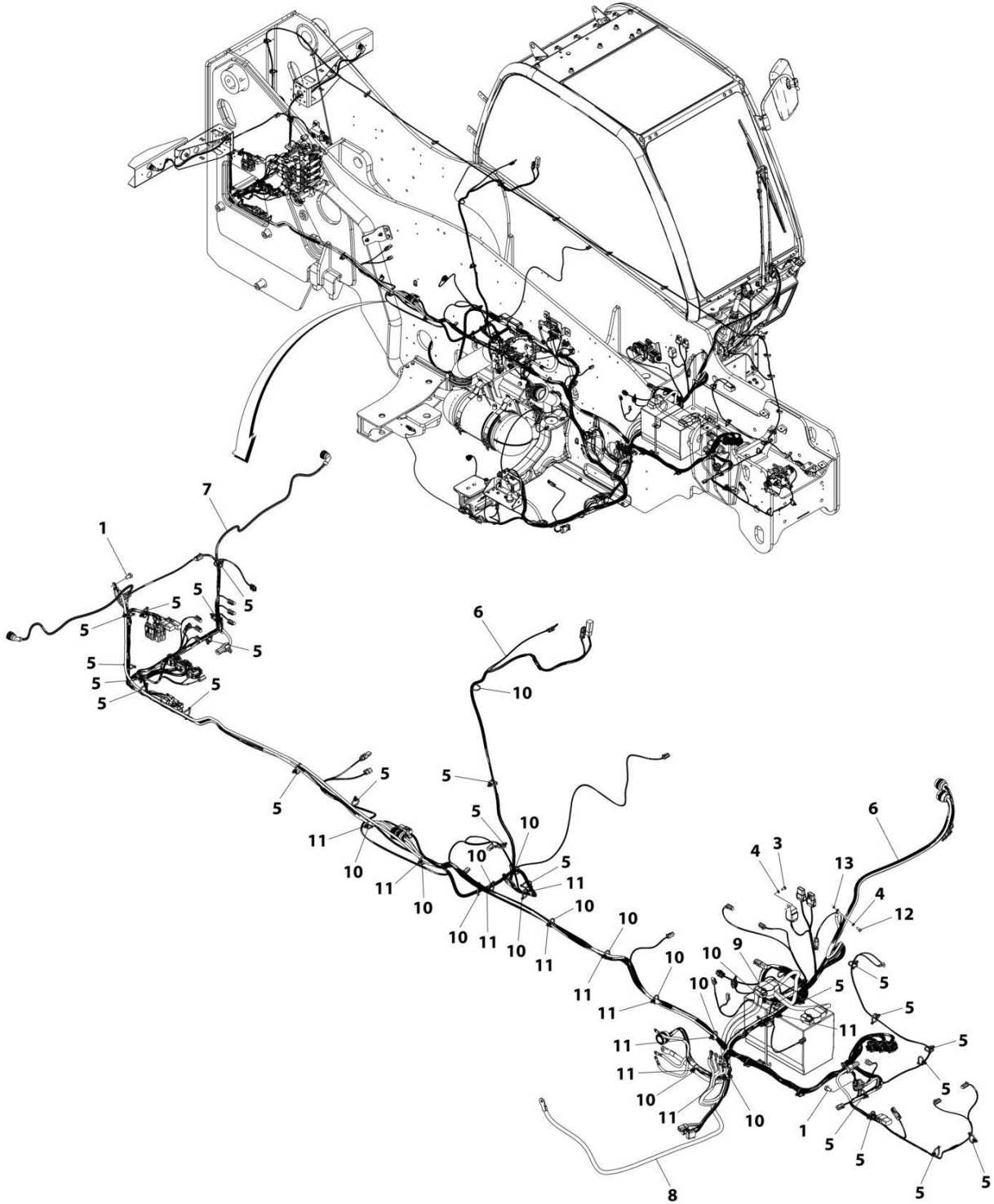
SECTION 10 - ELECTRICAL

FIGURE 10-50. FRAME WIRING INSTALLATION

ITEM	PART NUMBER	QTY	DESCRIPTION	REV
	1001200159	Ref	Frame Wiring Installation	H
1	0761010	2	Bolt M10 x 20	
5	1001146588	25	Tie, Cable	
6	1001258277	1	Harness, Front Frame (See Separate Breakdown in this Section)	
7	1001184397	1	Harness, Rear Frame (See Separate Breakdown in this Section)	
8	1001200168	1	Cable, Negative Battery	
9	1001200169	1	Cable, Positive Battery	
10	1001008559	16	Strap, Cable	
12	0760607	1	Bolt M6 x 14	
13	4811700	2	Washer M6	
14	1001202986	13	Strap Push Mount	
15	0760608	1	Bolt M6 x 16	
16	4871700	1	Washer M6	

SECTION 10 - ELECTRICAL

FIGURE 10-51. FRAME WIRING INSTALLATION, MINING (ULS)



ART_1001228739_C

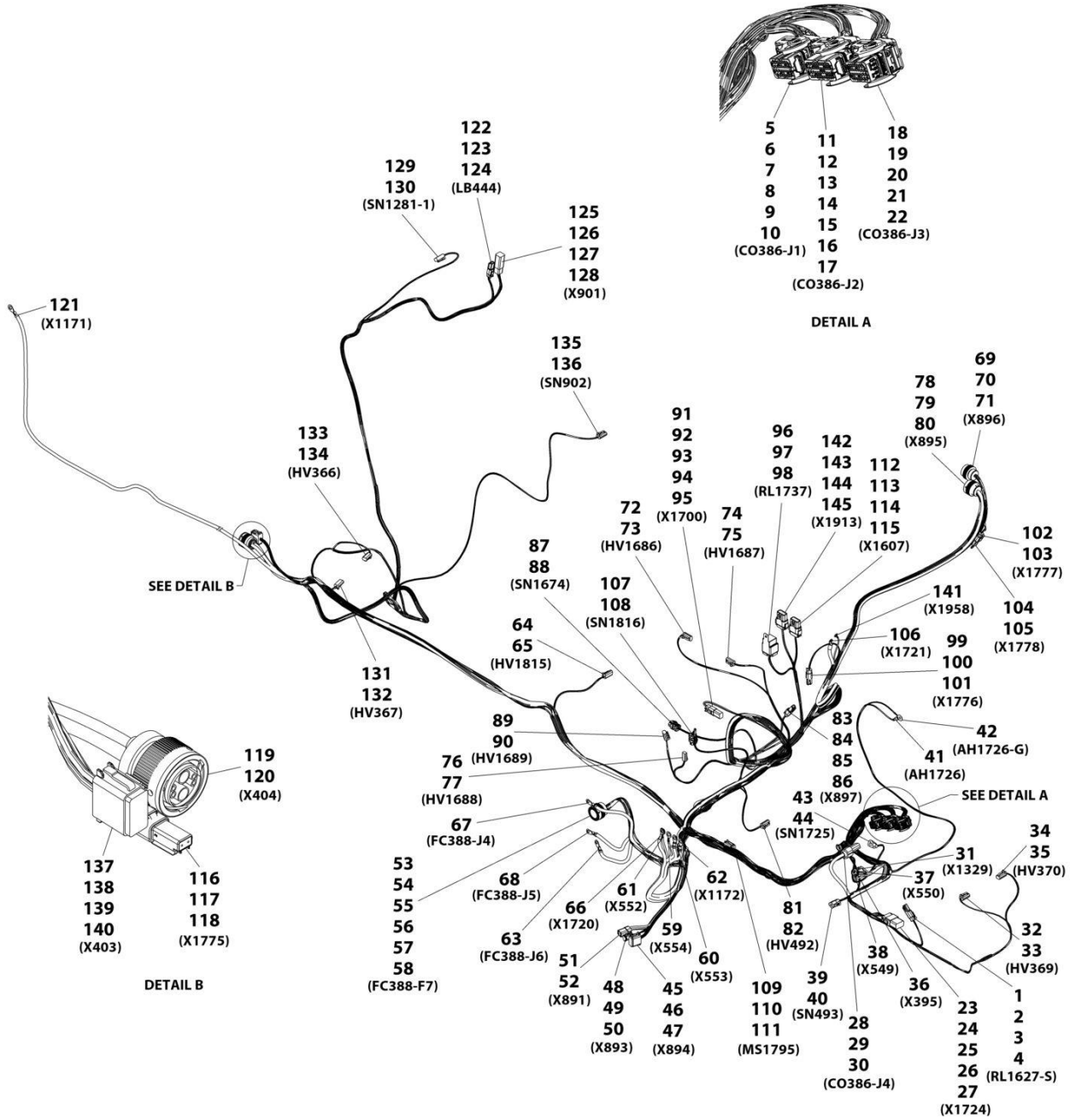
SECTION 10 - ELECTRICAL

FIGURE 10-51. FRAME WIRING INSTALLATION, MINING (ULS)

ITEM	PART NUMBER	QTY	DESCRIPTION	REV
	1001228739	Ref	Frame Wiring Installation, Mining (ULS)	C
1	0761010	2	Bolt M10 x 20	
3	0760607	1	Bolt M6 x 14	
4	4811700	2	Washer M6	
5	1001146588	25	Tie, Cable	
6	1001258278	1	Harness, Front Frame (See Separate Breakdown in this Section)	
7	1001228741	1	Harness, Rear Frame (See Separate Breakdown in this Section)	
8	1001200168	1	Cable, Negative Battery	
9	1001200169	1	Cable, Positive Battery	
10	1001008559	16	Strap, Cable	
11	1001202986	13	Push Mount, Strap	
12	0760608	1	Bolt M6 x 16	
13	4871700	1	Washer M6	

SECTION 10 - ELECTRICAL

FIGURE 10-52. FRAME - FRONT FRAME HARNESS



ART_1001258277

SECTION 10 - ELECTRICAL

FIGURE 10-52. FRAME - FRONT FRAME HARNESS

ITEM	PART NUMBER	QTY	DESCRIPTION	REV
	1001258277	Ref	Front Frame Harness	B
1	4460891	1	Connector	
2	4460897	1	Mating Connector	
3	4460466	2	Plug	
4	4460465	2	Terminal	
5	1001161957	1	Connector	
6	643191201	1	Cover	
7	1001161100	12	Plug	
8	1001161097	12	Terminal	
9	1001161101	5	Plug	
10	1001161098	3	Terminal	
11	1001161963	1	Connector	
12	643201301	1	Cover	
13	1001161097	21	Terminal	
14	1001161100	19	Plug	
15	1001161099	6	Terminal	
16	1001161098	1	Terminal	
17	1001161101	1	Plug	
18	1001160500	1	Connector	
19	643191201	1	Cover	
20	1001161097	10	Terminal	
21	1001161100	15	Plug	
22	1001161099	7	Terminal	
23	4460933	1	Connector	
24	4460970	1	Mating Connector	
25	4460466	2	Plug	
26	4460942	10	Terminal	
27	4460466	2	Plug	
28	1001160509	1	Connector	
29	1001160510	1	Terminal	
30	1001175267	1	Seal	
31	1001187080	1	Ring Terminal	
32	4460891	1	Connector	
33	4460465	2	Terminal	
34	4460891	1	Connector	
35	4460465	2	Terminal	
36	1001187080	1	Ring Terminal	
37	1001187079	1	Ring Terminal	
38	1001187079	1	Ring Terminal	
39	4460539	1	Connector	
40	4460465	3	Terminal	
41	8220051	1	Ring Terminal	
42	1001187073	1	Ring Terminal	
43	4460539	1	Connector	
44	4460465	3	Terminal	
45	4460933	1	Connector	
46	4460465	11	Terminal	
47	4460466	1	Plug	
48	1001116812	1	Connector	
49	4460465	2	Terminal	

SECTION 10 - ELECTRICAL

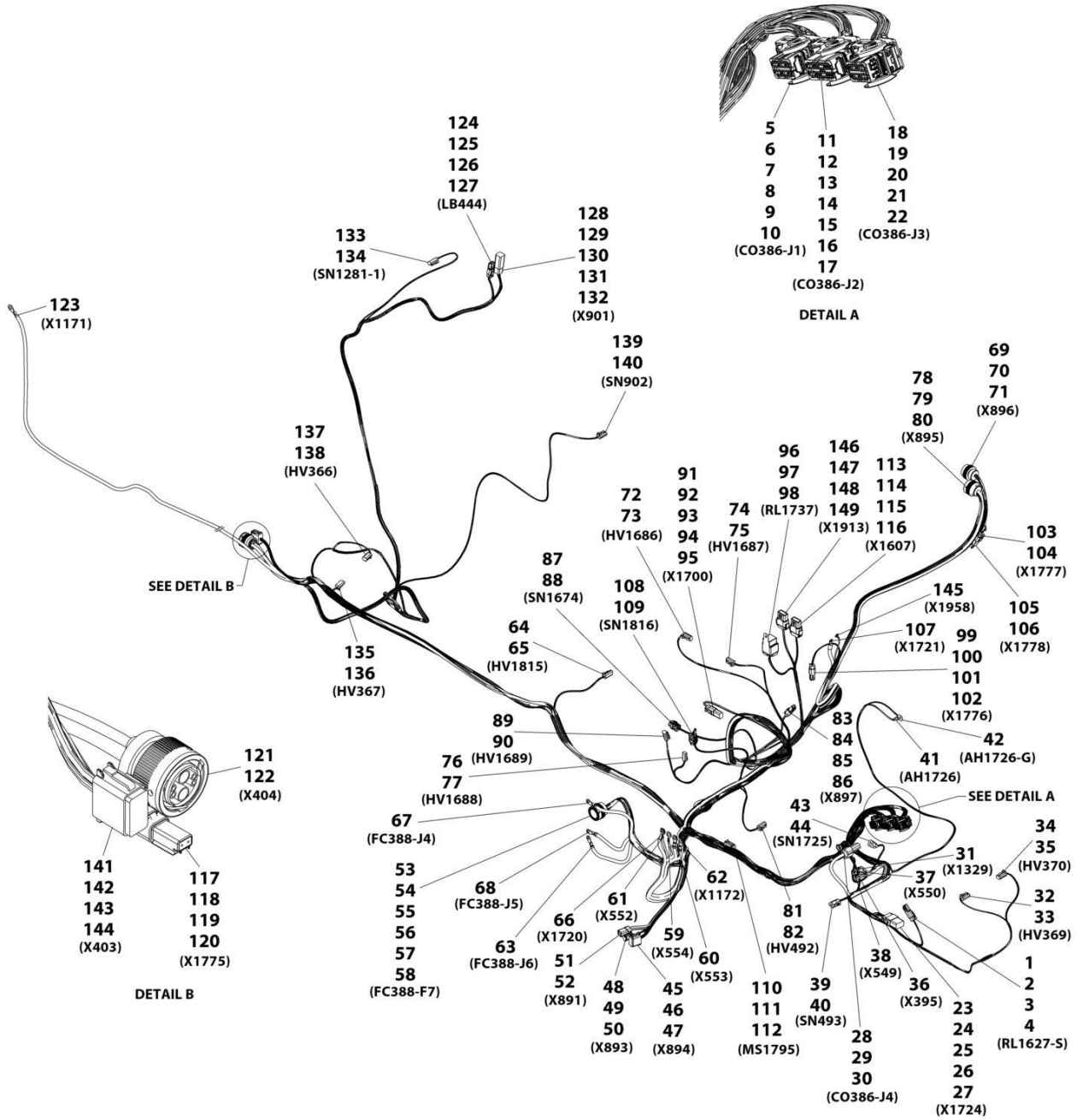
ITEM	PART NUMBER	QTY	DESCRIPTION	REV
50	4460466	1	Plug	
51	1001116810	1	Connector	
52	1001150611	4	Terminal	
53	1001165309	1	Connector	
54	4460466	2	Plug	
55	4460465	9	Terminal	
56	4460942	2	Terminal	
57	4460509	3	Terminal	
58	1001150611	3	Terminal	
59	1001187079	1	Ring Terminal	
60	1001187076	1	Ring Terminal	
61	1001187079	1	Ring Terminal	
62	1001187076	1	Ring Terminal	
63	1001187075	1	Ring Terminal	
64	4460891	1	Connector	
65	4460465	2	Terminal	
66	1001117109	1	Ring Terminal	
67	1001187075	1	Ring Terminal	
68	1001187075	1	Ring Terminal	
69	4461015	1	Connector	
70	4460465	12	Terminal	
71	4460466	2	Plug	
72	4460891	1	Connector	
73	4460465	2	Terminal	
74	4460891	1	Connector	
75	4460465	2	Terminal	
76	4461290	1	Connector	
77	4460928	2	Terminal	
78	1001118323	1	Connector	
79	4460942	4	Terminal	
80	91013192	2	Terminal	
81	4460891	1	Connector	
82	4460465	2	Terminal	
83	4460891	1	Connector	
84	4460897	1	Mating Connector	
85	4460942	1	Terminal	
86	4460466	1	Plug	
87	1001116950	1	Connector	
88	4460465	2	Terminal	
89	4460891	1	Connector	
90	4460465	2	Terminal	
91	4460884	1	Connector	
92	4460932	1	Mating Connector	
93	4460466	1	Sealing Plug	
94	4460465	3	Terminal	
95	4460942	1	Terminal	
96	1001118202	1	Connector	
97	1001116732	4	Terminal	
98	1001128128	1	Plug	
99	4460891	1	Connector	
100	4460897	1	Mating Connector	

SECTION 10 - ELECTRICAL

ITEM	PART NUMBER	QTY	DESCRIPTION	REV
101	4460465	2	Terminal	
102	4460891	1	Connector	
103	4460465	2	Terminal	
104	4460897	1	Connector	
105	4460464	2	Terminal	
106	8220116	1	Ring Terminal	
107	1001116950	1	Connector	
108	4460465	2	Terminal	
109	4460930	1	Connector	
110	4460984	1	Mating Connector	
111	4460465	8	Terminal	
112	1001116774	1	Connector	
113	1001132169	1	Mating Connector	
114	4460518	7	Plug	
115	1001126008	5	Terminal	
116	4460891	1	Connector	
117	4460897	1	Mating Connector	
118	4460465	2	Terminal	
119	1001165310	1	Connector	
120	91013192	2	Terminal	
121	1001187076	1	Ring Terminal	
122	4460891	1	Connector	
123	4460897	1	Mating Connector	
124	4460942	2	Terminal	
125	4460894	1	Connector	
126	4460899	1	Mating Connector	
127	4460465	2	Terminal	
128	4460942	4	Terminal	
129	4460891	1	Connector	
130	4460465	2	Terminal	
131	4460891	1	Connector	
132	4460465	2	Terminal	
133	4460891	1	Connector	
134	4460465	2	Terminal	
135	4460891	1	Connector	
136	4460465	2	Terminal	
137	4460933	1	Connector	
138	4460465	6	Terminal	
139	4460942	1	Terminal	
140	4460466	5	Plug	
141	1001207173	1	Terminal, Ring	
142	1001116808	1	Connector	
143	1001132170	1	Mating Connector	
144	4460518	18	Plug	
145	1001126008	3	Terminal	

SECTION 10 - ELECTRICAL

FIGURE 10-53. FRAME - FRONT FRAME HARNESS, MINING



ART_1001258278

SECTION 10 - ELECTRICAL

FIGURE 10-53. FRAME - FRONT FRAME HARNESS, MINING

ITEM	PART NUMBER	QTY	DESCRIPTION	REV
	1001258278	Ref	Front Frame Harness, Mining	B
1	4460891	1	Connector	
2	4460897	1	Mating Connector	
3	4460466	2	Plug	
4	4460465	2	Terminal	
5	1001161957	1	Connector	
6	643191201	1	Cover	
7	1001161100	12	Plug	
8	1001161097	12	Terminal	
9	1001161101	5	Plug	
10	1001161098	3	Terminal	
11	1001161963	1	Connector	
12	643201301	1	Cover	
13	1001161097	22	Terminal	
14	1001161100	19	Plug	
15	1001161099	6	Terminal	
16	1001161098	1	Terminal	
17	1001161101	1	Plug	
18	1001160500	1	Connector	
19	643191201	1	Cover	
20	1001161097	10	Terminal	
21	1001161100	15	Plug	
22	1001161099	7	Terminal	
23	4460933	1	Connector	
24	4460970	1	Mating Connector	
25	4460466	2	Plug	
26	4460942	10	Terminal	
27	4460466	2	Plug	
28	1001160509	1	Connector	
29	1001160510	1	Terminal	
30	1001175267	1	Seal	
31	1001187080	1	Ring Terminal	
32	4460891	1	Connector	
33	4460465	2	Terminal	
34	4460891	1	Connector	
35	4460465	2	Terminal	
36	1001187080	1	Ring Terminal	
37	1001187079	1	Ring Terminal	
38	1001187079	1	Ring Terminal	
39	4460539	1	Connector	
40	4460465	3	Terminal	
41	8220051	1	Ring Terminal	
42	1001187073	1	Ring Terminal	
43	4460539	1	Connector	
44	4460465	3	Terminal	
45	4460933	1	Connector	
46	4460465	11	Terminal	
47	4460466	1	Plug	
48	1001116812	1	Connector	
49	4460465	2	Terminal	

SECTION 10 - ELECTRICAL

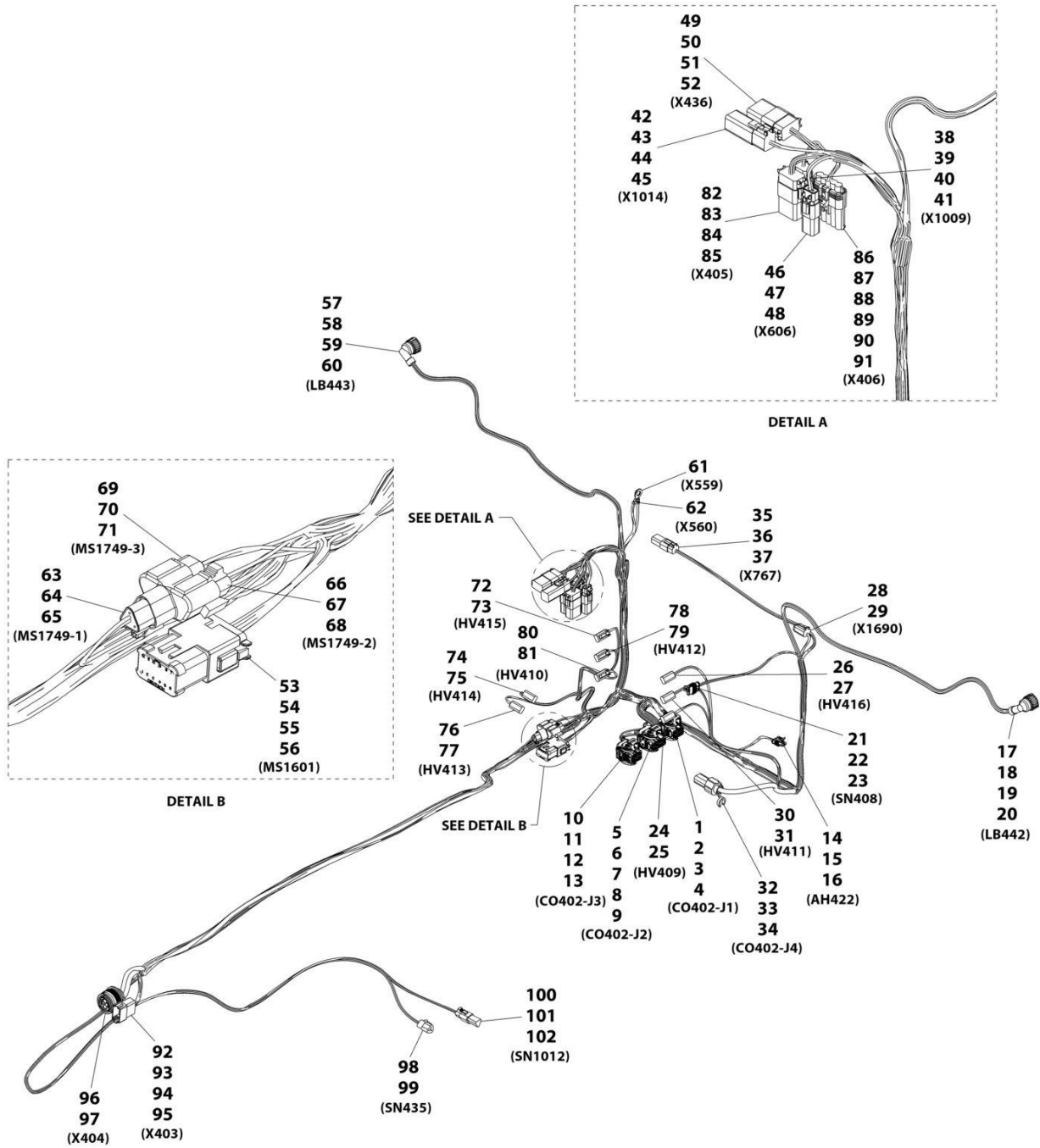
ITEM	PART NUMBER	QTY	DESCRIPTION	REV
50	4460466	1	Plug	
51	1001116810	1	Connector	
52	1001150611	4	Terminal	
53	1001165309	1	Connector	
54	4460466	2	Plug	
55	4460465	9	Terminal	
56	4460942	2	Terminal	
57	4460509	3	Terminal	
58	1001150611	3	Terminal	
59	1001187079	1	Ring Terminal	
60	1001187076	1	Ring Terminal	
61	1001187079	1	Ring Terminal	
62	1001187076	1	Ring Terminal	
63	1001187075	1	Ring Terminal	
64	4460891	1	Connector	
65	4460465	2	Terminal	
66	1001117109	1	Ring Terminal	
67	1001187075	1	Ring Terminal	
68	1001187075	1	Ring Terminal	
69	4461015	1	Connector	
70	4460465	12	Terminal	
71	4460466	2	Plug	
72	4460891	1	Connector	
73	4460465	2	Terminal	
74	4460891	1	Connector	
75	4460465	2	Terminal	
76	4461290	1	Connector	
77	4460928	2	Terminal	
78	1001118323	1	Connector	
79	4460942	4	Terminal	
80	91013192	2	Terminal	
81	4460891	1	Connector	
82	4460465	2	Terminal	
83	4460891	1	Connector	
84	4460897	1	Mating Connector	
85	4460942	1	Terminal	
86	4460466	1	Plug	
87	1001116950	1	Connector	
88	4460465	2	Terminal	
89	4460891	1	Connector	
90	4460465	2	Terminal	
91	4460884	1	Connector	
92	4460932	1	Mating Connector	
93	4460466	1	Sealing Plug	
94	4460465	3	Terminal	
95	4460942	1	Terminal	
96	1001118282	1	Connector	
97	1001116732	4	Terminal	
98	1001128128	1	Plug	
99	4460891	1	Connector	
100	4460897	1	Mating Connector	

SECTION 10 - ELECTRICAL

ITEM	PART NUMBER	QTY	DESCRIPTION	REV
101	4460465	2	Terminal	
102	4460466	1	Plug	
103	4460891	1	Connector	
104	4460465	2	Terminal	
105	4460897	1	Connector	
106	4460464	2	Terminal	
107	8220116	1	Ring Terminal	
108	1001116950	1	Connector	
109	4460465	2	Terminal	
110	4460930	1	Connector	
111	4460984	1	Mating Connector	
112	4460465	8	Terminal	
113	1001116774	1	Connector	
114	1001132169	1	Mating Connector	
115	4460518	7	Plug	
116	1001126008	5	Terminal	
117	4460891	1	Connector	
118	4460897	1	Mating Connector	
119	4460465	2	Terminal	
120	4460466	1	Plug	
121	1001165310	1	Connector	
122	91013192	2	Terminal	
123	1001187076	1	Ring Terminal	
124	4460891	1	Connector	
125	4460897	1	Mating Connector	
126	4460942	2	Terminal	
127	4460466	1	Plug	
128	4460894	1	Connector	
129	4460899	1	Mating Connector	
130	4460466	1	Plug	
131	4460465	2	Terminal	
132	4460942	4	Terminal	
133	4460891	1	Connector	
134	4460465	2	Terminal	
135	4460891	1	Connector	
136	4460465	2	Terminal	
137	4460891	1	Connector	
138	4460465	2	Terminal	
139	4460891	1	Connector	
140	4460465	2	Terminal	
141	4460933	1	Connector	
142	4460465	6	Terminal	
143	4460942	1	Terminal	
144	4460466	5	Plug	
145	1001207173	1	Terminal, Ring	
146	1001116808	1	Connector	
147	1001132170	1	Mating Connector	
148	4460518	18	Plug	
149	1001126008	3	Terminal	

SECTION 10 - ELECTRICAL

FIGURE 10-54. FRAME - REAR FRAME HARNESS



ART_1001184397-1

SECTION 10 - ELECTRICAL

FIGURE 10-54. FRAME - REAR FRAME HARNESS

ITEM	PART NUMBER	QTY	DESCRIPTION	REV
	1001184397	Ref	Rear Frame Harness	I
1	1001161957	1	Connector	
2	1001161097	6	Terminal	
3	1001161100	18	Plug	
4	1001161101	8	Plug	
5	1001161963	1	Connector	
6	1001161097	26	Terminal	
7	1001161100	14	Plug	
8	1001161099	6	Terminal	
9	1001161101	2	Plug	
10	1001160500	1	Connector	
11	1001161100	18	Plug	
12	1001161097	6	Terminal	
13	1001161099	8	Terminal	
14	4461118	1	Connector	
15	1001107854	2	Terminal	
16	1001116763	2	Terminal Seal	
17	1001116996	1	Connector	
18	1001118392	6	Terminal	
19	1001116696	1	Plug	
20	4461054	6	Terminal Seal	
21	4461262	1	Connector	
22	1001107854	3	Terminal	
23	1001104498	3	Terminal Seal	
24	4460891	1	Connector	
25	4460465	2	Terminal	
26	4460891	1	Connector	
27	4460465	2	Terminal	
28	4460884	1	Connector	
29	4460465	4	Terminal	
30	4460891	1	Connector	
31	4460465	2	Terminal	
32	1001160509	1	Connector	
33	1001160510	1	Terminal	
34	1001175267	1	Terminal Seal	
35	4460884	1	Connector	
36	4460932	1	Mating Connector	
37	4460465	4	Terminal	
38	4460884	1	Connector	
39	4460932	1	Mating Connector	
40	4460466	2	Plug	
41	4460465	2	Terminal	
42	4460894	1	Connector	
43	4460899	1	Mating Connector	
44	4460466	3	Plug	
45	4460465	3	Terminal	
46	4461018	1	Connector	
47	4461017	1	Mating Connector	
48	4460509	2	Terminal	
49	4460930	1	Connector	

SECTION 10 - ELECTRICAL

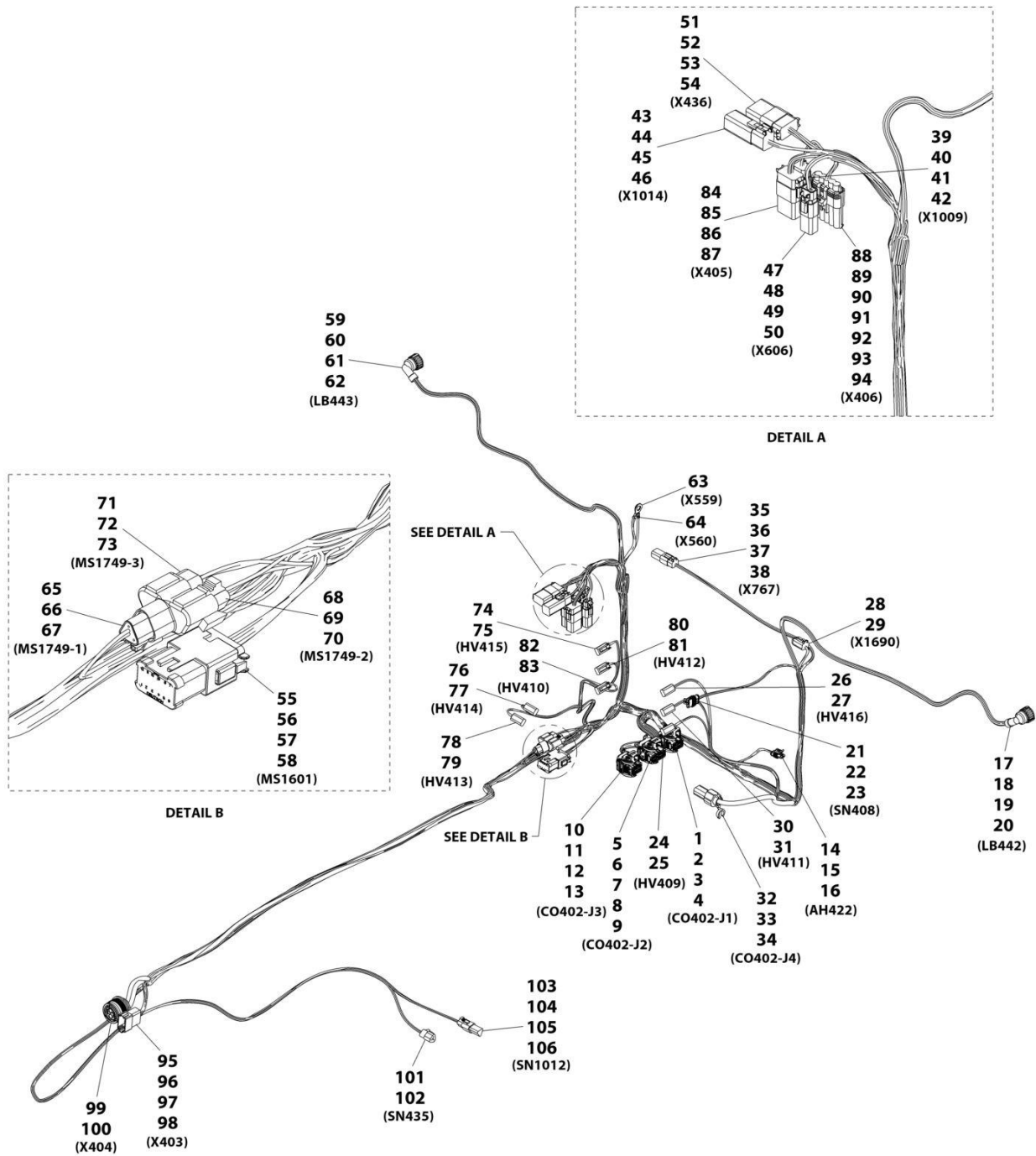
ITEM	PART NUMBER	QTY	DESCRIPTION	REV
50	4460931	1	Mating Connector	
51	4460466	2	Plug	
52	4460465	6	Terminal	
53	4460933	1	Connector	
54	1001125677	1	Bussbar Connector	
55	4460465	10	Terminal	
56	4460466	2	Plug	
57	1001116996	1	Connector	
58	1001118392	6	Terminal	
59	1001116696	1	Plug	
60	4461054	6	Terminal Seal	
61	1001187080	1	Ring Terminal	
62	1001187079	1	Ring Terminal	
63	1001116812	1	Connector	
64	4460944	2	Terminal	
65	4460466	1	Plug	
66	4460539	1	Connector	
67	4460944	2	Terminal	
68	4460466	1	Plug	
69	1001116812	1	Connector	
70	4460944	2	Terminal	
71	4460466	1	Plug	
72	4460891	1	Connector	
73	4460465	2	Terminal	
74	4460891	1	Connector	
75	4460465	2	Terminal	
76	4460891	1	Connector	
77	4460465	2	Terminal	
78	4460891	1	Connector	
79	4460465	2	Terminal	
80	4460891	1	Connector	
81	4460465	2	Terminal	
82	4460930	1	Connector	
83	4460931	1	Mating Connector	
84	4460466	2	Plug	
85	4460465	6	Terminal	
86	1001121726	1	Connector	
87	1001121727	1	Mating Connector	
88	1001116728	4	Terminal	
89	4460748	1	Plug	
90	1001175265	3	Terminal Seal	
91	4460458	1	Terminal Seal	
92	4460970	1	Connector	
93	4460464	6	Terminal	
94	4460941	1	Terminal	
95	4460466	5	Plug	
96	1001165311	1	Connector	
97	91013191	2	Terminal	
98	4460539	1	Connector	
99	4460944	3	Terminal	
100	4460539	1	Connector	

SECTION 10 - ELECTRICAL

ITEM	PART NUMBER	QTY	DESCRIPTION	REV
101	4460536	1	Mating Connector	
102	4460465	3	Terminal	

SECTION 10 - ELECTRICAL

FIGURE 10-55. FRAME - REAR FRAME HARNESS, MINING



ART_1001228741-A

SECTION 10 - ELECTRICAL

FIGURE 10-55. FRAME - REAR FRAME HARNESS, MINING

ITEM	PART NUMBER	QTY	DESCRIPTION	REV
	1001228741	Ref	Front Frame Harness, Mining	A
1	1001161957	1	Connector	
2	1001161097	6	Terminal	
3	1001161100	18	Plug	
4	1001161101	8	Plug	
5	1001161963	1	Connector	
6	1001161097	26	Terminal	
7	1001161100	14	Plug	
8	1001161099	6	Terminal	
9	1001161101	2	Plug	
10	1001160500	1	Connector	
11	1001161100	18	Plug	
12	1001161097	6	Terminal	
13	1001161099	8	Terminal	
14	4461118	1	Connector	
15	1001107854	2	Terminal	
16	1001116763	2	Terminal Seal	
17	1001116996	1	Connector	
18	1001118392	6	Terminal	
19	1001116696	1	Plug	
20	4461054	6	Terminal Seal	
21	4461262	1	Connector	
22	1001107854	3	Terminal	
23	1001104498	3	Terminal Seal	
24	4460891	1	Connector	
25	4460465	2	Terminal	
26	4460891	1	Connector	
27	4460465	2	Terminal	
28	4460884	1	Connector	
29	4460465	4	Terminal	
30	4460891	1	Connector	
31	4460465	2	Terminal	
32	1001160509	1	Connector	
33	1001160510	1	Terminal	
34	1001175267	1	Terminal Seal	
35	4460884	1	Connector	
36	4460932	1	Mating Connector	
37	4460465	4	Terminal	
38	4460466	1	Plug	
39	4460884	1	Connector	
40	4460932	1	Mating Connector	
41	4460466	2	Plug	
42	4460465	2	Terminal	
43	4460894	1	Connector	
44	4460899	1	Mating Connector	
45	4460466	3	Plug	
46	4460465	3	Terminal	
47	4461018	1	Connector	
48	4461017	1	Mating Connector	
49	4460509	2	Terminal	

SECTION 10 - ELECTRICAL

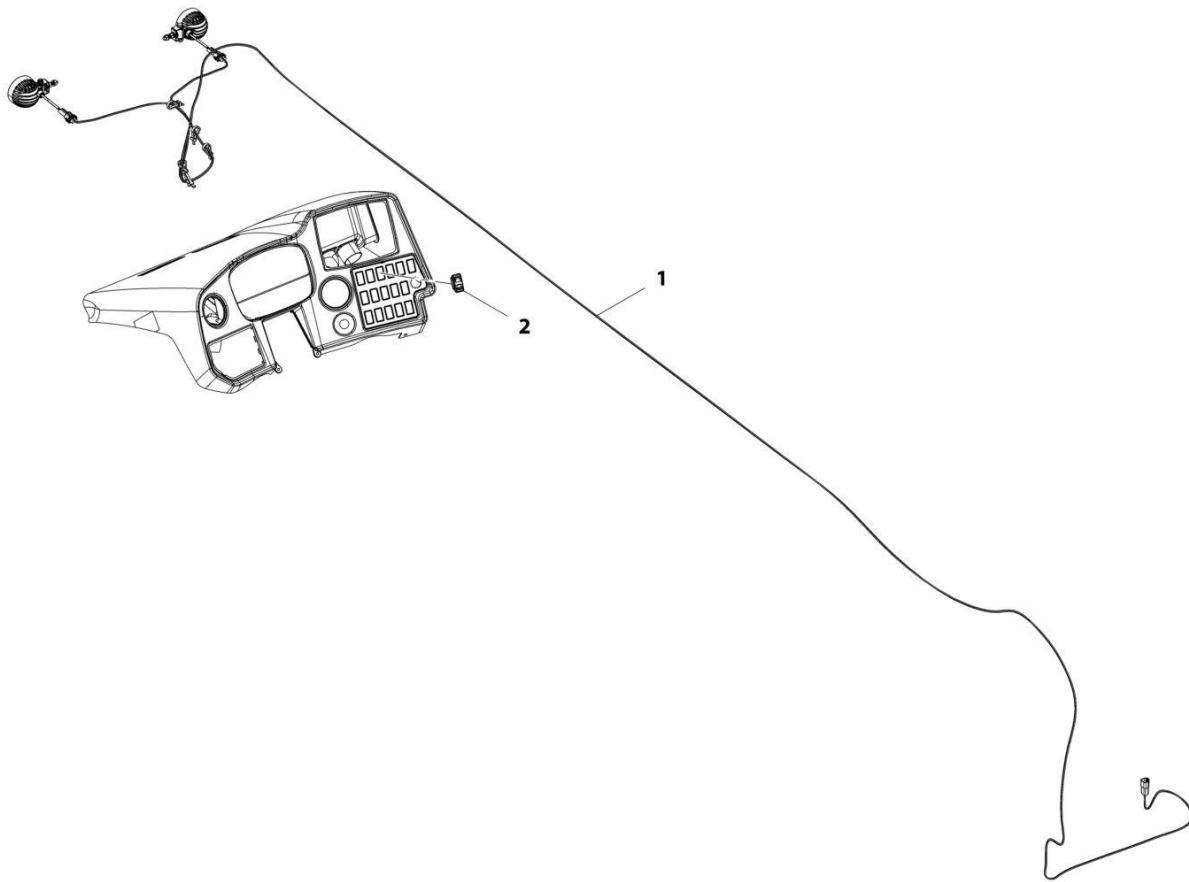
ITEM	PART NUMBER	QTY	DESCRIPTION	REV
51	4460930	1	Connector	
52	4460931	1	Mating Connector	
53	4460466	2	Plug	
54	4460465	6	Terminal	
55	4460933	1	Connector	
56	1001125677	1	Bussbar Connector	
57	4460465	10	Terminal	
58	4460466	2	Plug	
59	1001116996	1	Connector	
60	1001118392	6	Terminal	
61	1001116696	1	Plug	
62	4461054	6	Terminal Seal	
63	1001187080	1	Ring Terminal	
64	1001187079	1	Ring Terminal	
65	1001116812	1	Connector	
66	4460944	2	Terminal	
67	4460466	1	Plug	
68	4460539	1	Connector	
69	4460944	2	Terminal	
70	4460466	1	Plug	
71	1001116812	1	Connector	
72	4460944	2	Terminal	
73	4460466	1	Plug	
74	4460891	1	Connector	
75	4460465	2	Terminal	
76	4460891	1	Connector	
77	4460465	2	Terminal	
78	4460891	1	Connector	
79	4460465	2	Terminal	
80	4460891	1	Connector	
81	4460465	2	Terminal	
82	4460891	1	Connector	
83	4460465	2	Terminal	
84	4460930	1	Connector	
85	4460931	1	Mating Connector	
86	4460466	2	Plug	
87	4460465	6	Terminal	
88	1001121726	1	Connector	
89	1001121727	1	Mating Connector	
90	1001116728	4	Terminal	
91	1001116727	1	Plug	
92	4460748	1	Plug	
93	1001175265	3	Terminal Seal	
94	4460458	1	Terminal Seal	
95	4460970	1	Connector	
96	4460464	6	Terminal	
97	4460941	1	Terminal	
98	4460466	5	Plug	
99	1001165311	1	Connector	
100	91013191	2	Terminal	
101	4460539	1	Connector	

SECTION 10 - ELECTRICAL

ITEM	PART NUMBER	QTY	DESCRIPTION	REV
102	4460944	3	Terminal	
103	4460539	1	Connector	
104	4460536	1	Mating Connector	
105	4460466	1	Plug	
106	4460465	3	Terminal	

SECTION 10 - ELECTRICAL

FIGURE 10-56. LIGHTS - BOOM WORK LIGHTS (LED)



ART_1001209427-B

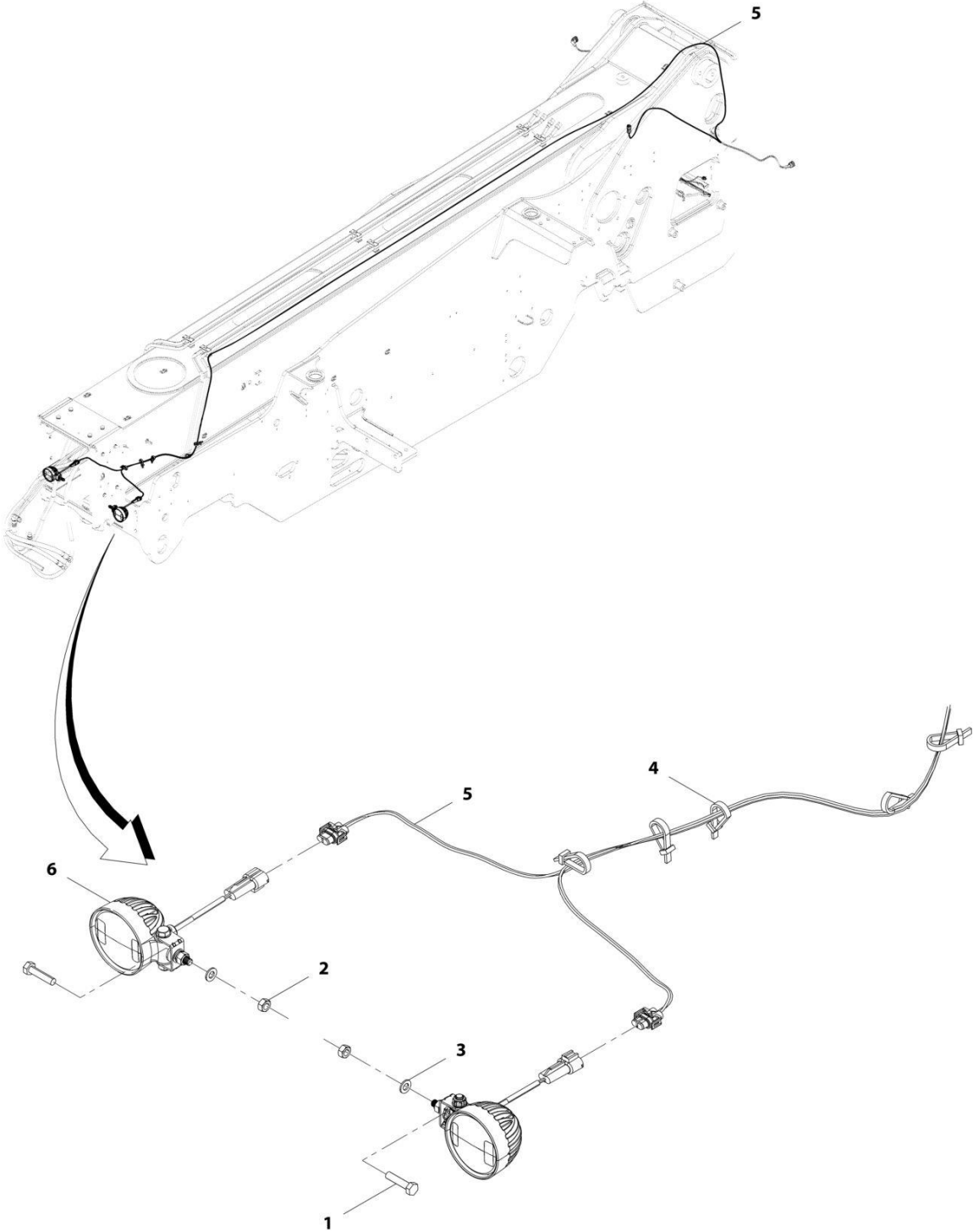
SECTION 10 - ELECTRICAL

FIGURE 10-56. LIGHTS - BOOM WORK LIGHTS (LED)

ITEM	PART NUMBER	QTY	DESCRIPTION	REV
	1001209427	Ref	Boom Work Lights (LED)	B
1	1001159739	1	Switch, Boom Worklights	
2	1001209456	1	Installation, LED Boom Work lights (See Separate Breakdown in this Section)	

SECTION 10 - ELECTRICAL

FIGURE 10-57. LIGHTS - BOOM WORK LIGHT INSTALLATION (LED)



ART_1001209456-C

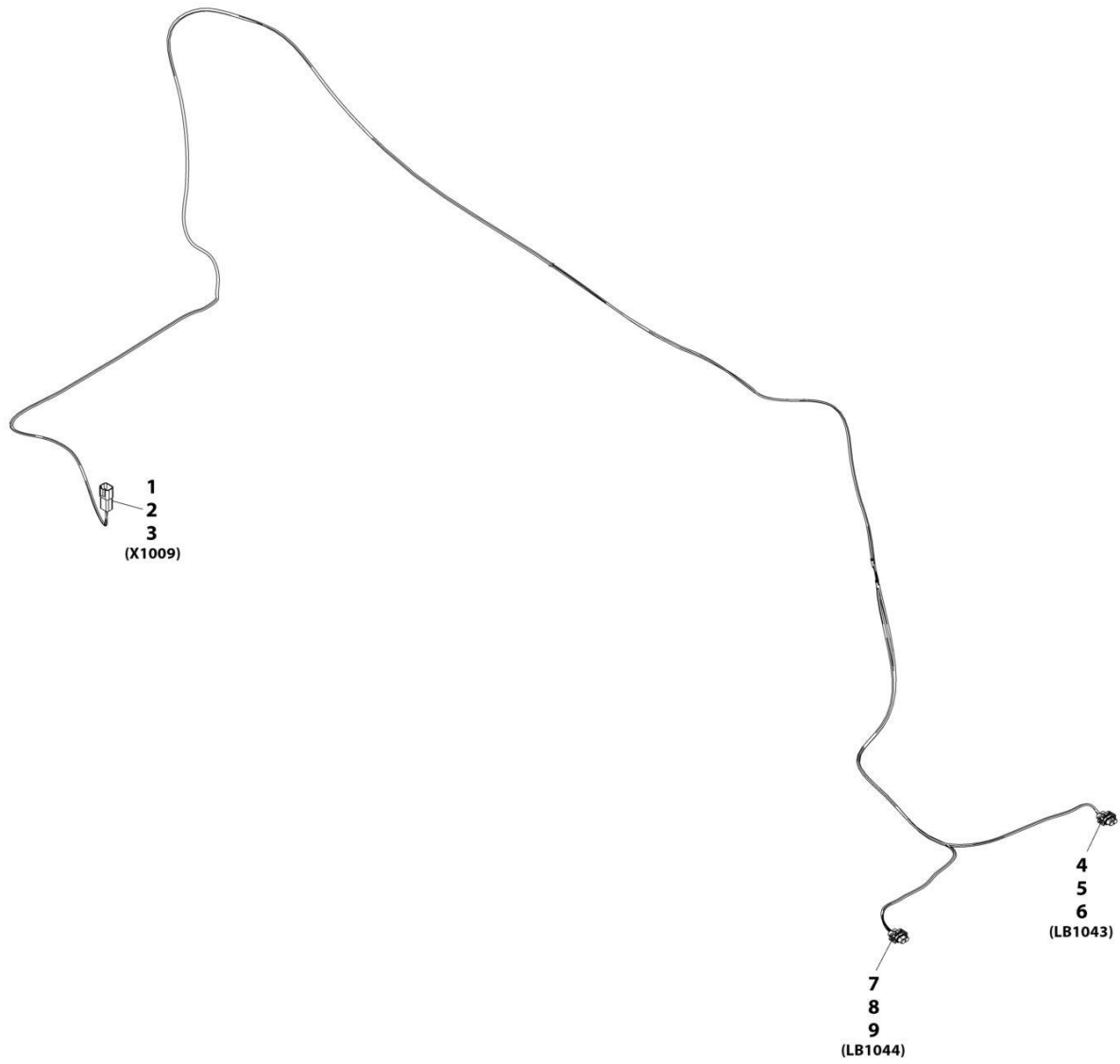
SECTION 10 - ELECTRICAL

FIGURE 10-57. LIGHTS - BOOM WORK LIGHT INSTALLATION (LED)

ITEM	PART NUMBER	QTY	DESCRIPTION	REV
	1001209456	Ref	Boom Work Light Installation (LED)	C
1	0700815	2	Bolt, M8X35	
2	3290801	2	Nut, M8X1.25	
3	4811900	2	Washer, M8	
4	1001008923	5	Strap, Cable	
5	1001184796	1	Harness, Boom Work Lights (See Separate Breakdown in this Section)	
6	1001203640	2	Lamp, LED Worklight	

SECTION 10 - ELECTRICAL

FIGURE 10-58. LIGHTS - BOOM WORKLIGHTS HARNESS



ART_1001184796-E

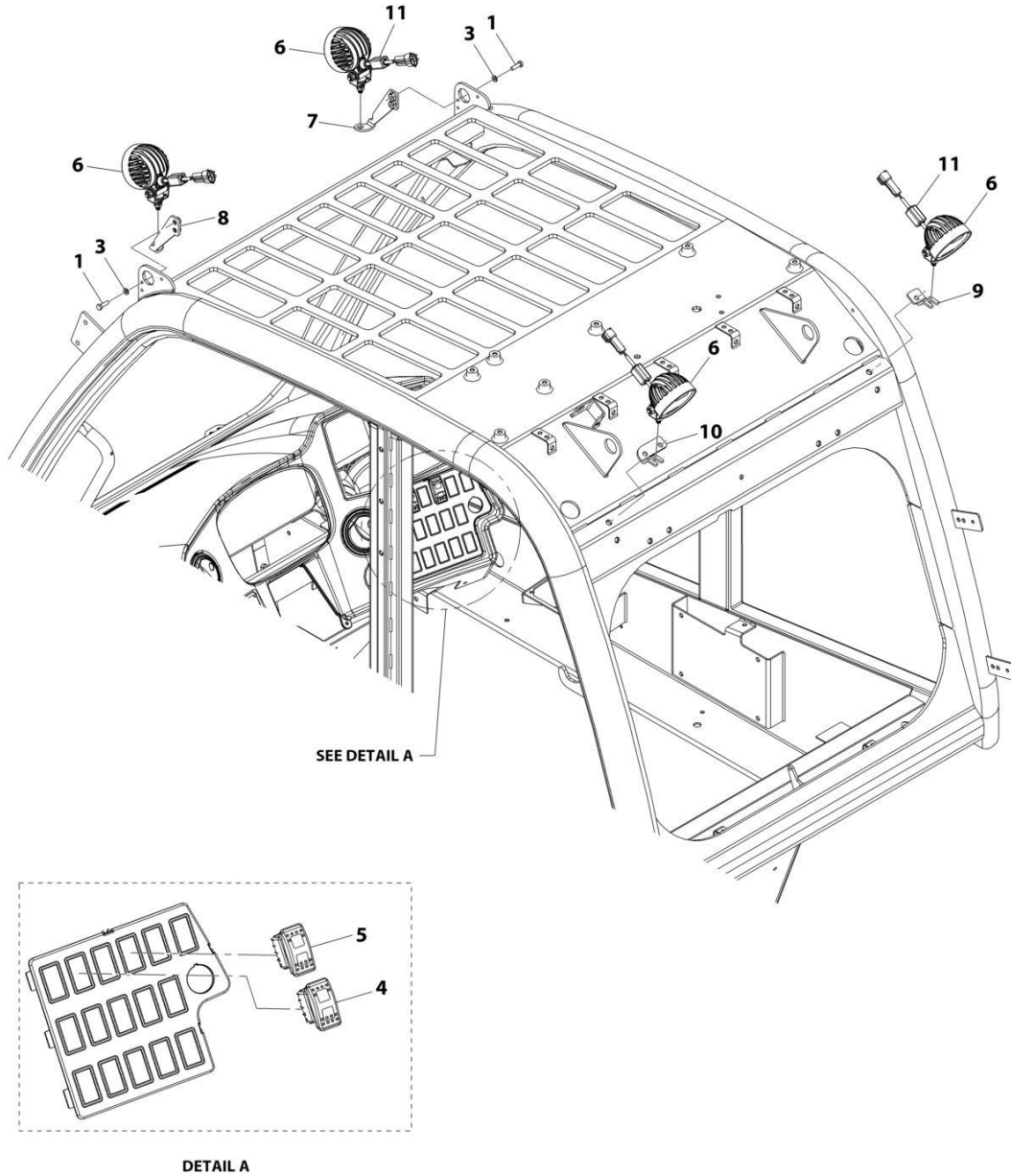
SECTION 10 - ELECTRICAL

FIGURE 10-58. LIGHTS - BOOM WORKLIGHTS HARNESS

ITEM	PART NUMBER	QTY	DESCRIPTION	REV
	1001184796	Ref	Boom Worklights Harness	E
1	4460932	1	Connector	
2	4460464	2	Terminal	
3	4460466	2	Plug	
4	4461115	1	Connector	
5	1001116728	2	Terminal	
6	4460458	2	Terminal Seal	
7	4461115	1	Connector	
8	1001116728	2	Terminal	
9	4460458	2	Terminal Seal	

SECTION 10 - ELECTRICAL

FIGURE 10-59. LIGHTS - CAB WORKLIGHTS INSTALLATION (NO A/C - LED)



ART_1001200538-D

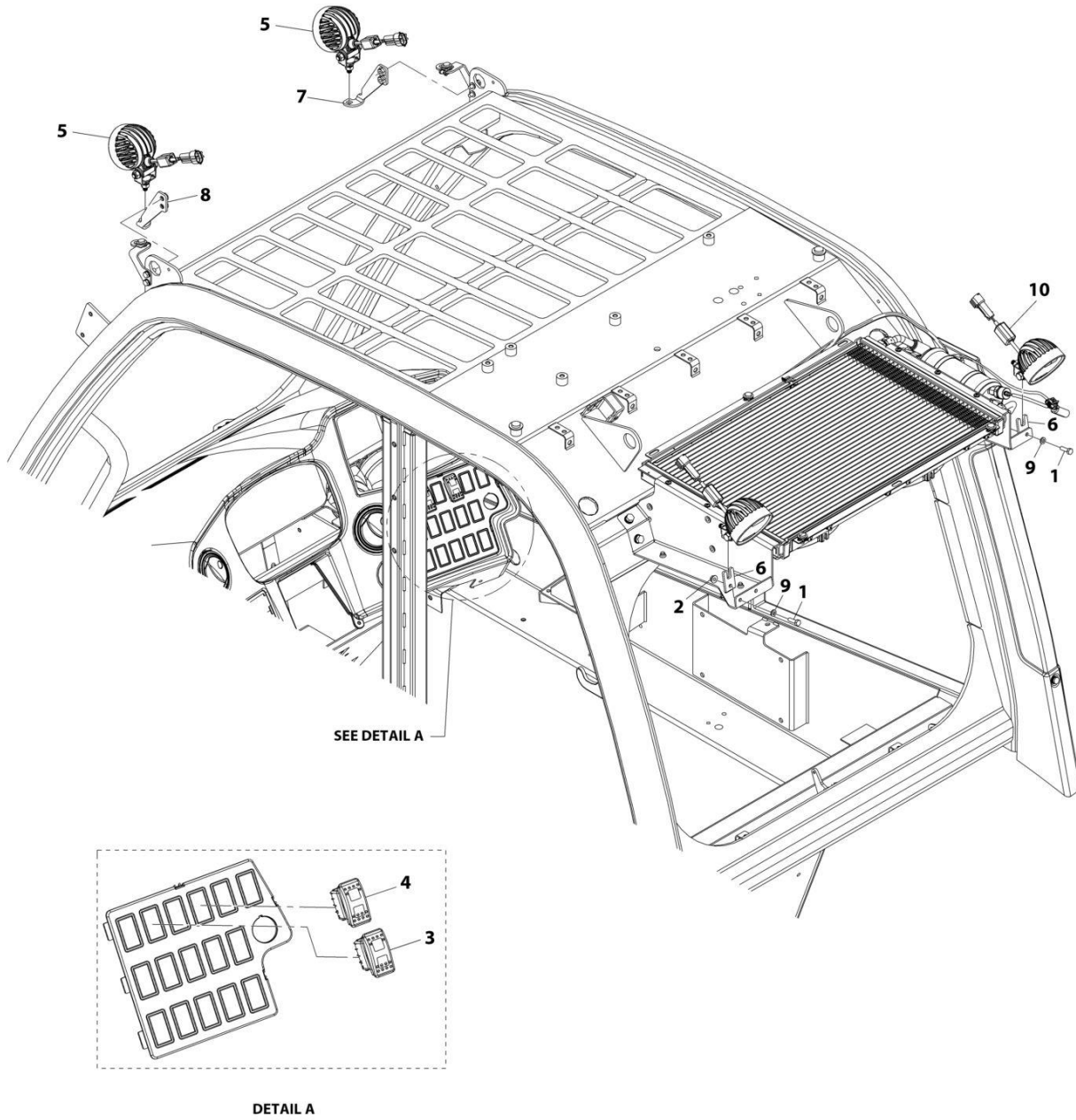
SECTION 10 - ELECTRICAL

FIGURE 10-59. LIGHTS - CAB WORKLIGHTS INSTALLATION (NO A/C - LED)

ITEM	PART NUMBER	QTY	DESCRIPTION	REV
	1001200538	Ref	Cab Worklights Installation (No A/C - LED)	D
1	0700610	4	Bolt, M6X20	
3	4811700	4	Washer, M6	
4	1001159845	1	Switch, Front Worklights	
5	1001159846	1	Switch, Rear Worklights	
6	1001203640	4	Lamp, LED Work Light	
7	1001244193	1	Support, LED Work Light RH	
8	1001244192	1	Support, LED Work Light LH	
9	1001204528	1	Support, LED Work Light RH	
10	1001204530	1	Support, LED Work Light LH	
11	1001228989	4	Harness, Ferrite	

SECTION 10 - ELECTRICAL

FIGURE 10-60. LIGHTS - CAB WORKLIGHTS INSTALLATION (A/C - LED)



ART_1001200539-D

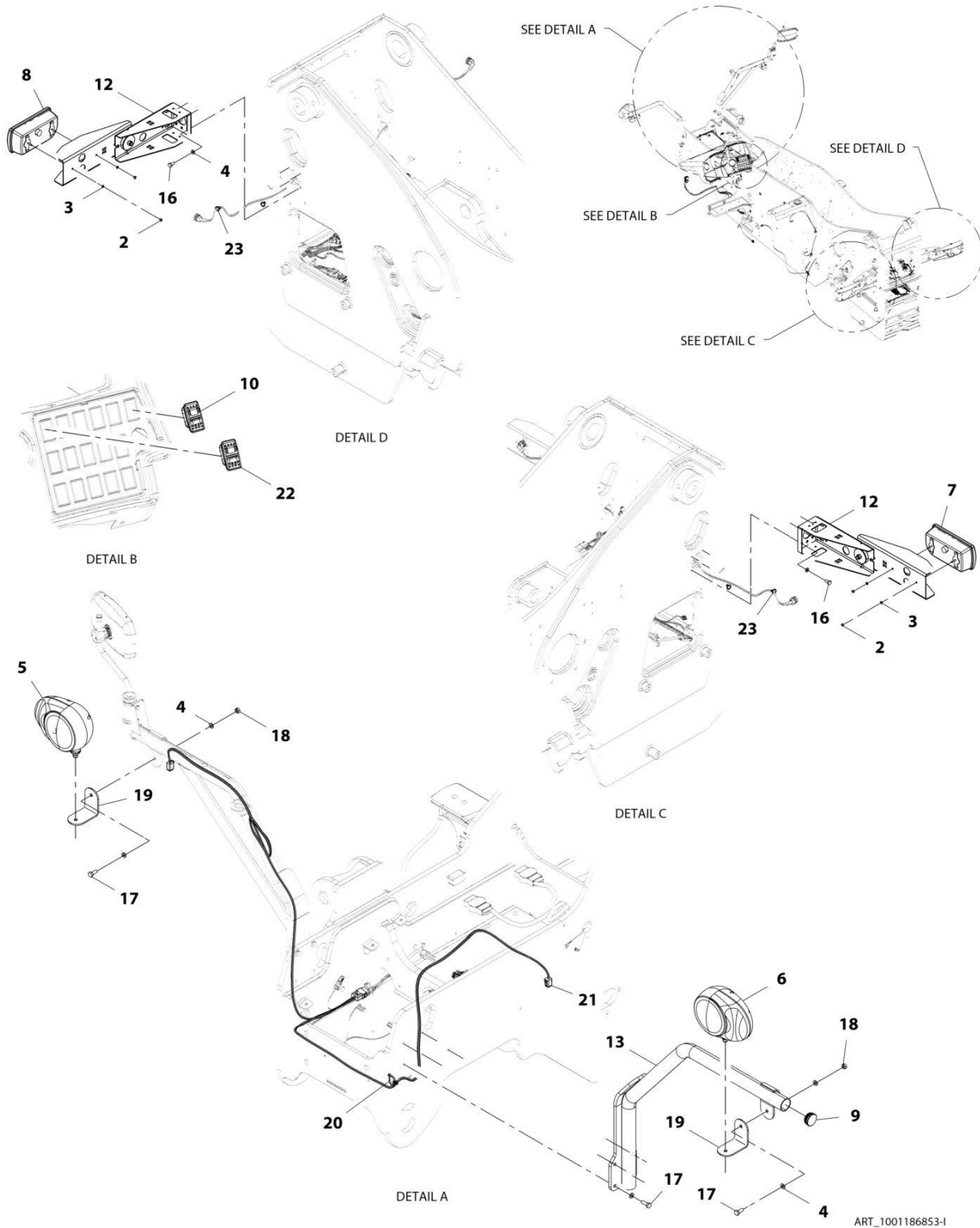
SECTION 10 - ELECTRICAL

FIGURE 10-60. LIGHTS - CAB WORKLIGHTS INSTALLATION (A/C - LED)

ITEM	PART NUMBER	QTY	DESCRIPTION	REV
	1001200539	Ref	Cab Worklights Installation (A/C - LED)	D
1	0700610	2	Bolt, M6X20	
2	5220600	2	Nut, M6	
3	1001159845	1	Switch, Front Worklights	
4	1001159846	1	Switch, Rear Worklights	
5	1001203640	4	Lamp, LED Work Light	
6	1001204060	2	Bracket	
7	1001244193	1	Support, LED Work Light RH	
8	1001244192	1	Support, LED Work Light LH	
9	4811700	2	Washer, M6	
10	1001228989	4	Harness, Ferrite	

SECTION 10 - ELECTRICAL

FIGURE 10-61. LIGHTS - DRIVING LIGHT INSTALLATION (RH DIP)



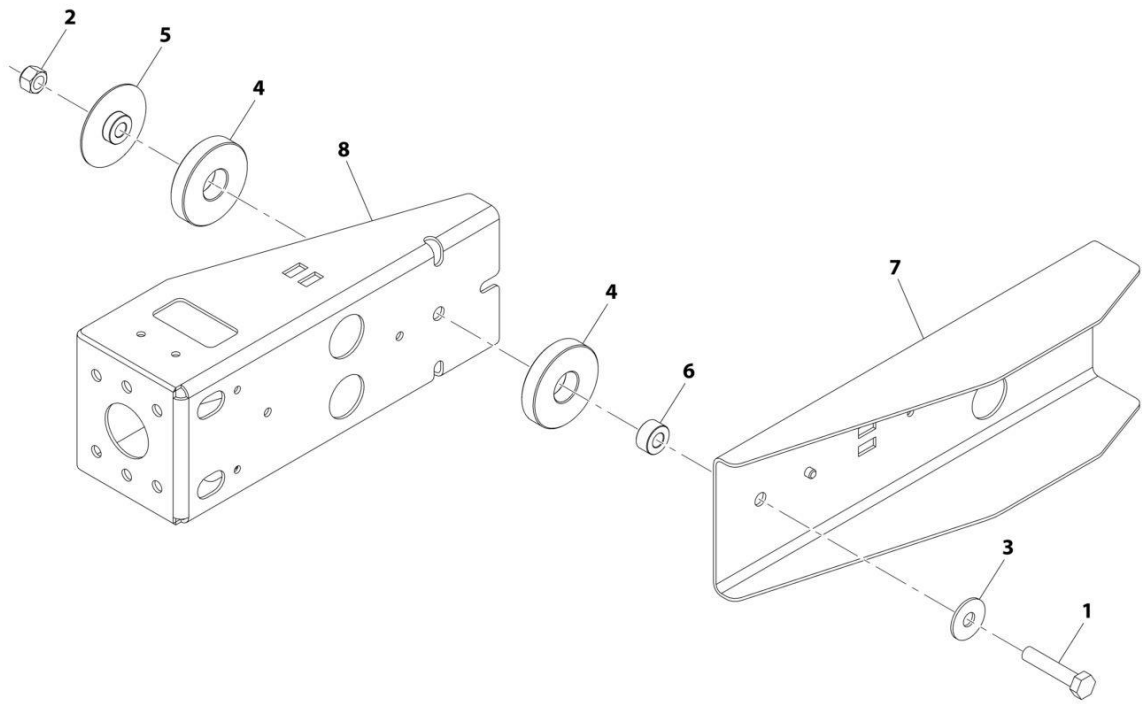
SECTION 10 - ELECTRICAL

FIGURE 10-61. LIGHTS - DRIVING LIGHT INSTALLATION (RH DIP)

ITEM	PART NUMBER	QTY	DESCRIPTION	REV
	1001186853	Ref	Driving Light Installation (RH Dip)	1
2	3290607	4	Nut, Lock M6X1	
3	4811700	4	Washer, M6	
4	4812000	16	Washer, M10	
5	2920208	1	Light, Driving (RH) (RH Dip)	
	7029969	1	Bulb, 4W	
	7029970	1	Bulb, 55W	
	7029971	1	Bulb, 21W	
6	2920207	1	Light, Driving (LH) (RH Dip)	
	7029969	1	Bulb, 4W	
	7029970	1	Bulb, 55W	
	7029971	1	Bulb, 21W	
7	1001091715	1	Light, Rear (LH)	
	70021341	1	Bulb, 5W	
	70021340	1	Bulb, 21W	
	7029971	1	Bulb, 21W	
8	1001091716	1	Light, Rear (RH)	
	70021341	1	Bulb, 5W	
	70021340	1	Bulb, 21W	
	7029971	1	Bulb, 21W	
9	1001209697	1	Cap	
10	1001159734	1	Switch, Hazard	
12	1001183112	2	Assembly, Rear Light Bracket (See Separate Breakdown in this Section)	
13	1001206100	1	Bracket	
16	0761010	8	Bolt, M10X20	
17	0701014	6	Bolt, M10X30	
18	3291001	2	Nut, M10X1.5	
19	1001203368	2	Bracket	
20	1001146588	1	Strap, Tie	
21	1001215693	1	Harness, Headlight (See Separate Breakdown in this Section)	
22	1001159737	1	Switch, Fog Lights	
23	1001008559	4	Strap, Cable	

SECTION 10 - ELECTRICAL

FIGURE 10-62. LIGHTS - DRIVING LIGHT BRACKET ASSEMBLY (RH DIP)



ART_1001183112-C

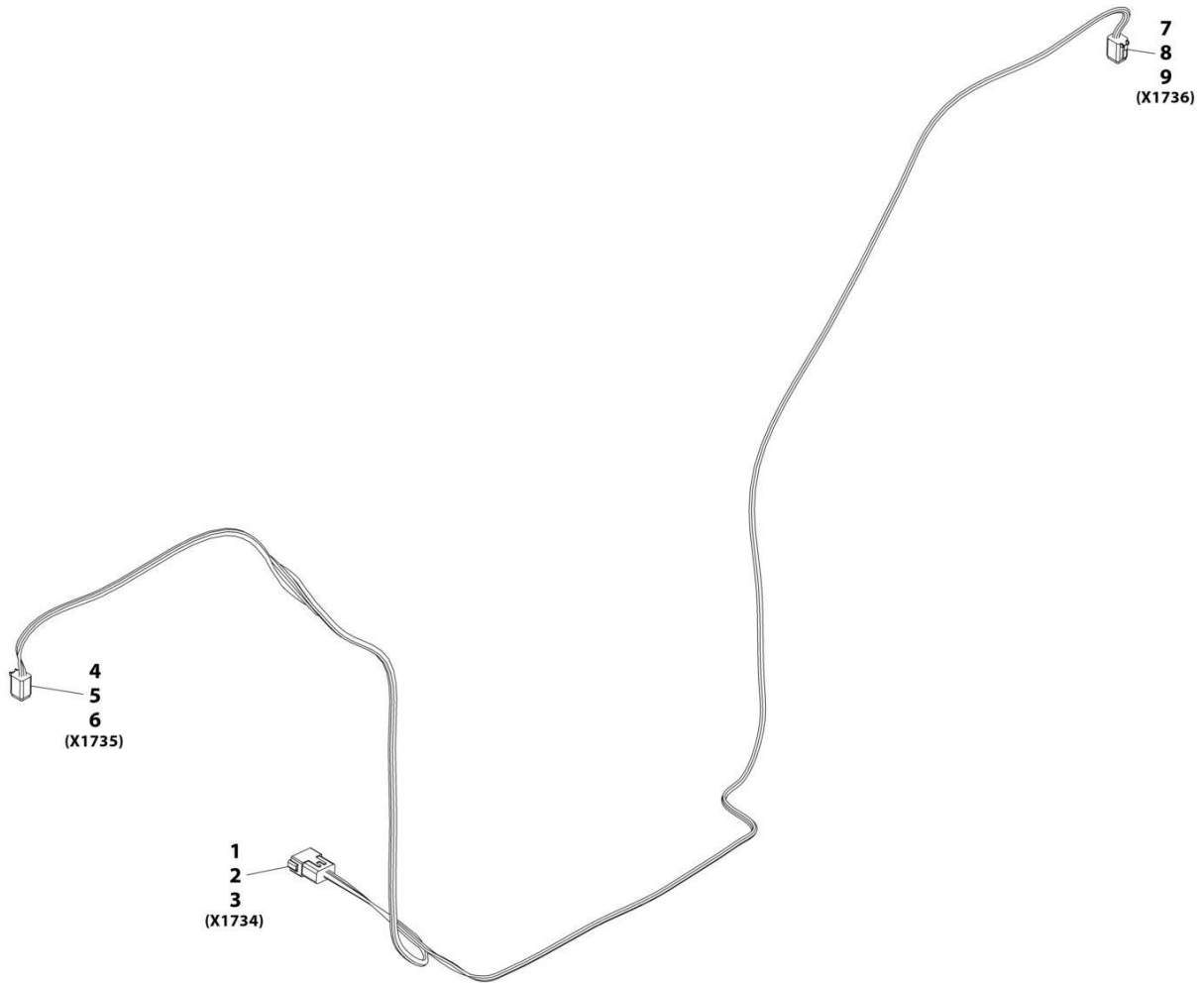
SECTION 10 - ELECTRICAL

FIGURE 10-62. LIGHTS - DRIVING LIGHT BRACKET ASSEMBLY (RH DIP)

ITEM	PART NUMBER	QTY	DESCRIPTION	REV
	1001183112	Ref	Rear Light Bracket Assembly	C
1	0701220	1	Bolt, M12X60	
2	3291205	1	Nut, Lock M12X1.75	
3	4812102	1	Washer, M12	
4	8000565	2	Washer, Rubber	
5	1001182490	1	Washer, Top Hat	
6	1001182495	1	Washer	
7	1001196217	1	Bracket	
8	1001196100	1	Bracket	

SECTION 10 - ELECTRICAL

FIGURE 10-63. LIGHTS - DRIVING HEADLIGHT HARNESS



ART_1001215693-C

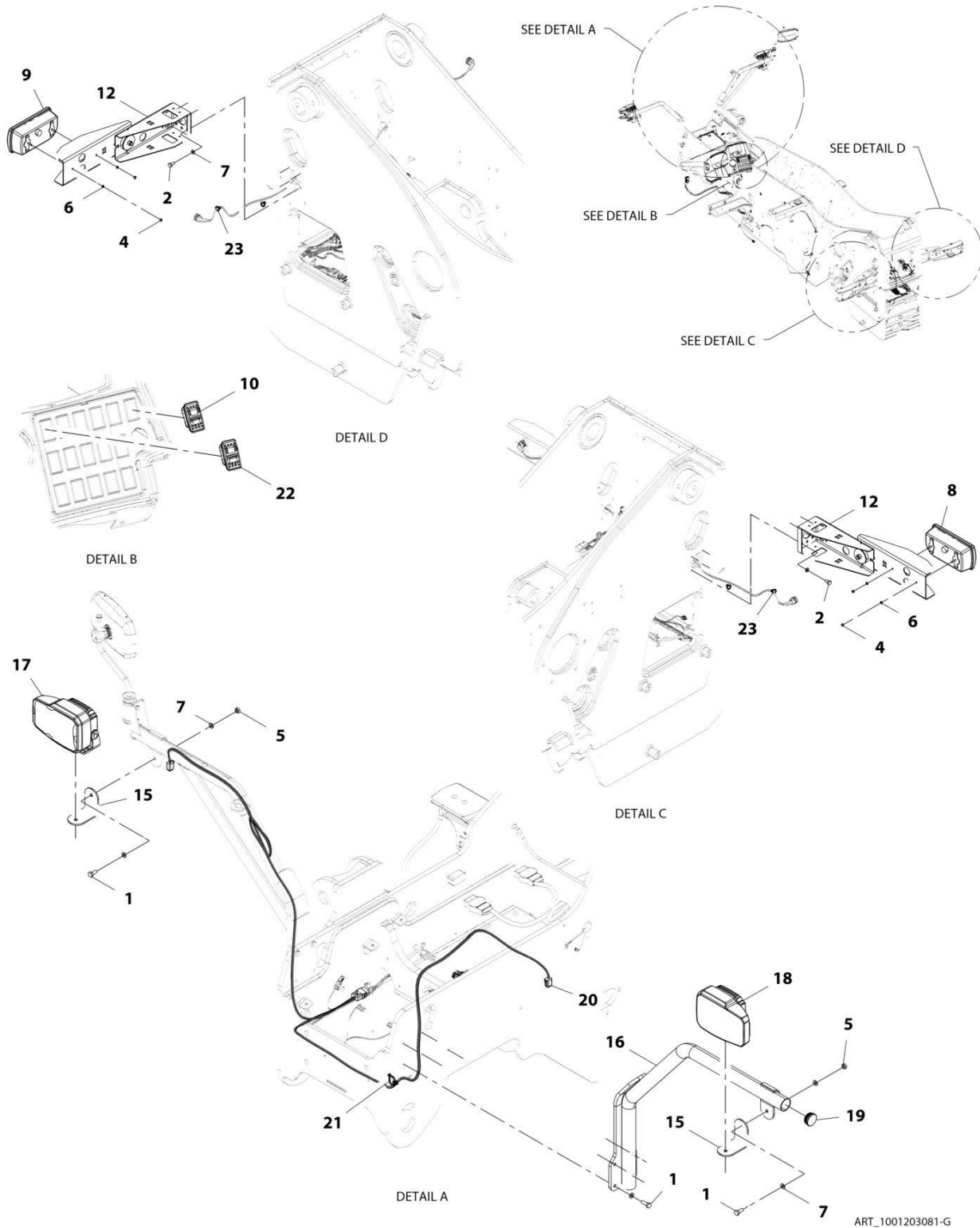
SECTION 10 - ELECTRICAL

FIGURE 10-63. LIGHTS - DRIVING HEADLIGHT HARNESS

ITEM	PART NUMBER	QTY	DESCRIPTION	REV
	1001215693	Ref	Headlight Harness	C
1	4460970	1	Connector	
2	4460941	10	Terminal	
3	4460466	2	Plug	
4	4460894	1	Connector	
5	4460942	5	Terminal	
6	4460466	1	Plug	
7	4460894	1	Connector	
8	4460942	5	Terminal	
9	4460466	1	Plug	

SECTION 10 - ELECTRICAL

FIGURE 10-64. LIGHTS - DRIVING LIGHT INSTALLATION (LED) (RH DIP)



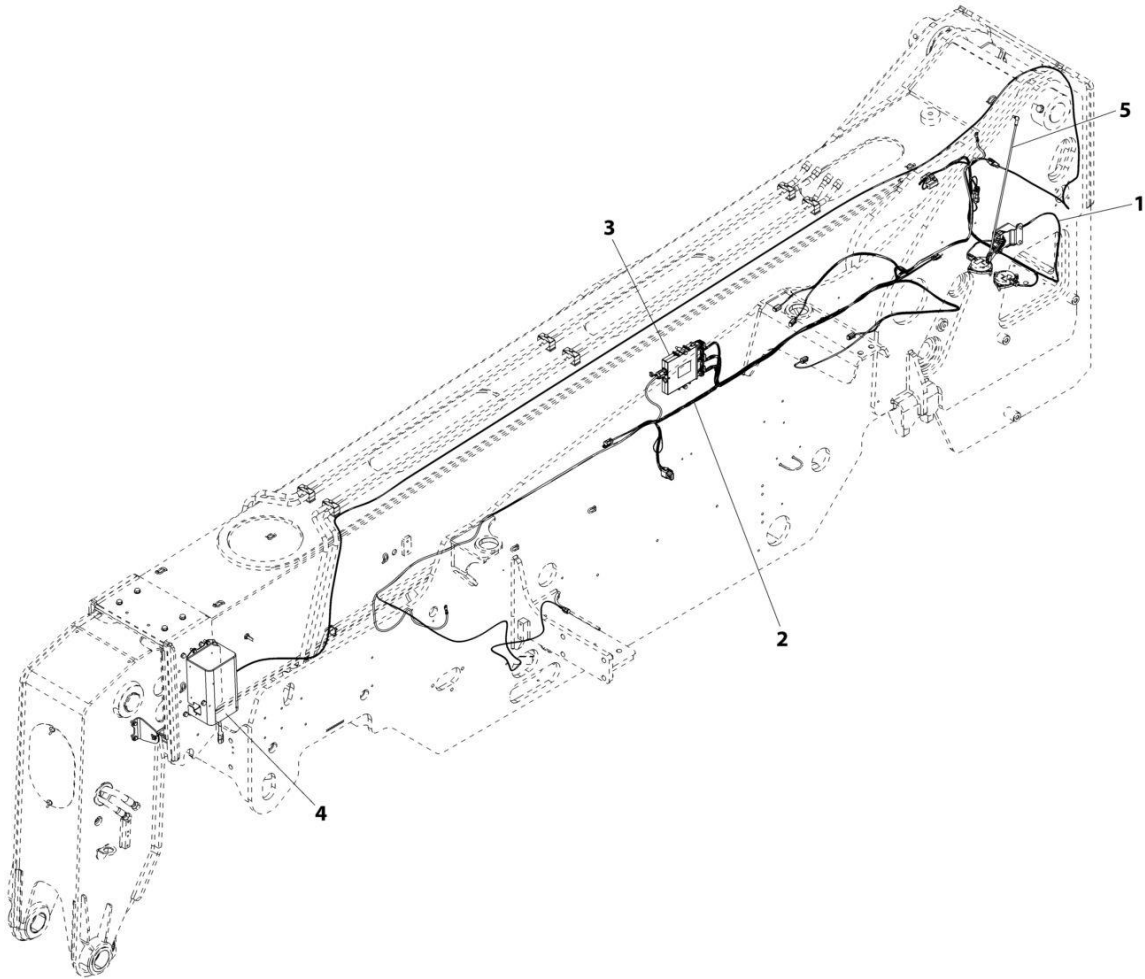
SECTION 10 - ELECTRICAL

FIGURE 10-64. LIGHTS - DRIVING LIGHT INSTALLATION (LED) (RH DIP)

ITEM	PART NUMBER	QTY	DESCRIPTION	REV
	1001203081	Ref	Driving Light Installation (LED) (RH Dip)	G
1	0701014	6	Bolt, M10X30	
2	0761010	8	Bolt, M10X20	
4	3290607	4	Bolt, M6X1	
5	3291001	2	Nut, M10X1.5	
6	4811700	4	Washer, M6	
7	4812000	16	Washer, M10	
8	1001091715	1	Light, Rear (LH)	
	70021341	1	Bulb, 5W	
	70021340	1	Bulb, 21W	
	7029971	1	Bulb, 21W	
9	1001091716	1	Light, Rear (RH)	
	70021341	1	REPLACEMENT BULB, 12V-5W	
	70021340	1	Bulb, 21W	
	7029971	1	Bulb, 21W	
10	1001159734	1	Switch, Hazard	
12	1001183112	2	Assembly, Rear Light Bracket (See Separate Breakdown in this Section)	
15	1001203368	2	Bracket	
16	1001206100	1	Bracket	
17	1001209690	1	Light, Driving (RH - LED) (RH Dip)	
18	1001209691	1	Light, Driving (LH - LED) (LH Dip)	
19	1001209697	1	Cap	
20	1001215693	1	Harness, Headlights (See Separate Breakdown in this Section)	
21	1001146588	1	Strap, Cable Tie	
22	1001159737	1	Switch, Fog Lights	
23	1001008559	4	Strap, Cable Tie	

SECTION 10 - ELECTRICAL

FIGURE 10-65. LMIS CONTROL PACKAGE INSTALLATION



ART_1001192431

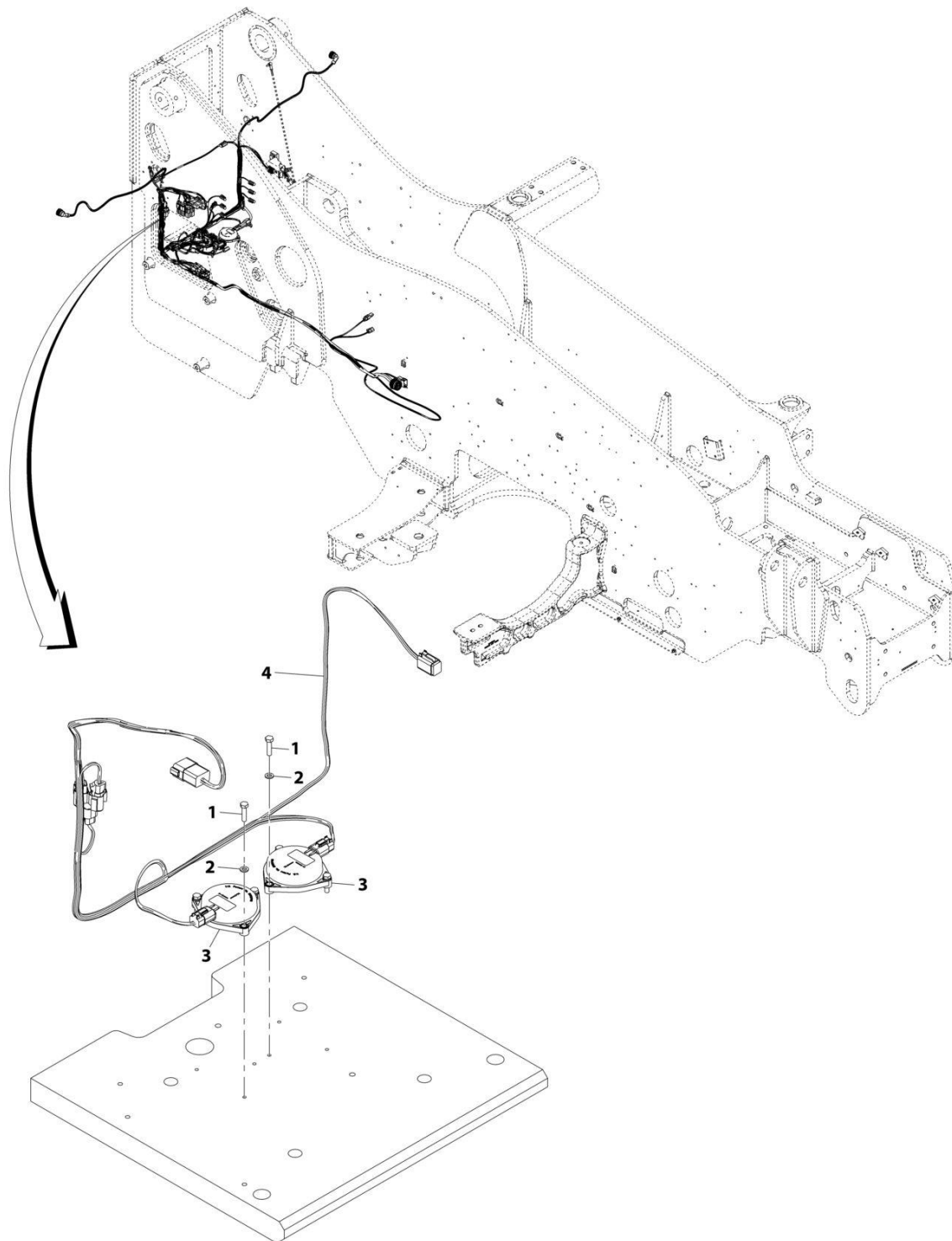
SECTION 10 - ELECTRICAL

FIGURE 10-65. LMIS CONTROL PACKAGE INSTALLATION

ITEM	PART NUMBER	QTY	DESCRIPTION	REV
	1001192431	Ref	LMIS Control Package Installation	E
1	1001195200	1	Installation, Tilt Sensor (See Separate Breakdown in this Section)	
2	1001195201	1	Installation, LMIS Wiring (See Separate Breakdown in this Section)	
3	1001195471	1	Installation, LMIS Controller (See Separate Breakdown in this Section)	
4	1001195473	1	Installation, LMIS Cable Reel (See Separate Breakdown in this Section)	
5	1001195590	1	Installation, Boom Angle Sensor (LMIS) (See Separate Breakdown in this Section)	

SECTION 10 - ELECTRICAL

FIGURE 10-66. LMIS TILT SENSOR INSTALLATION



ART_1001195200-B

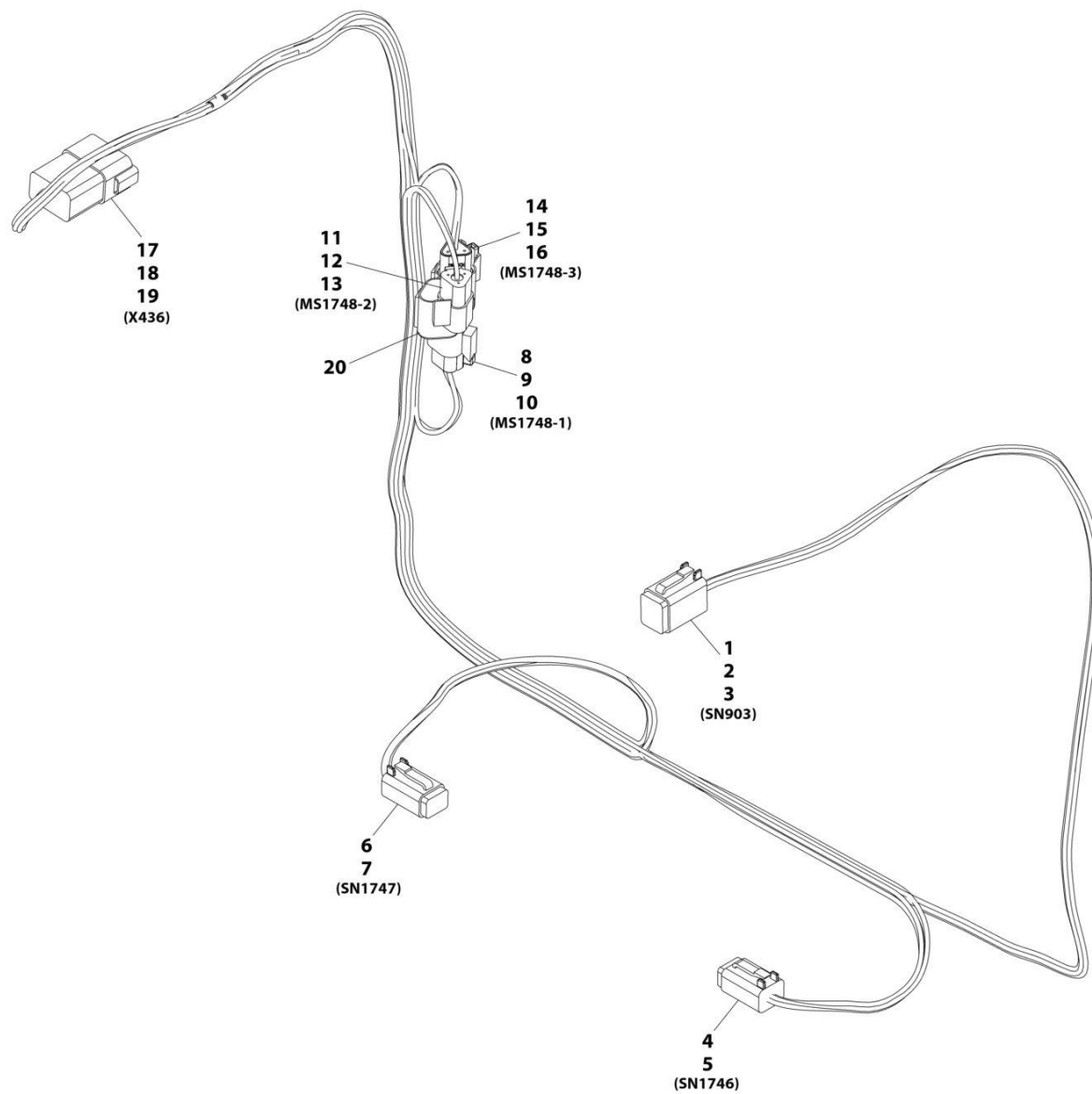
SECTION 10 - ELECTRICAL

FIGURE 10-66. LMIS TILT SENSOR INSTALLATION

ITEM	PART NUMBER	QTY	DESCRIPTION	REV
	1001195200	Ref	Tilt Sensor Installation	B
1	0700612	6	Bolt, M6X25	
2	4811700	6	Washer, M6	
3	1001163095	2	Sensor, Tilt	
4	1001195202	1	Harness, Platform Ready (See Separate Breakdown in this Section)	

SECTION 10 - ELECTRICAL

FIGURE 10-67. LMIS - PLATFORM READY HARNESS



ART_1001195202-A

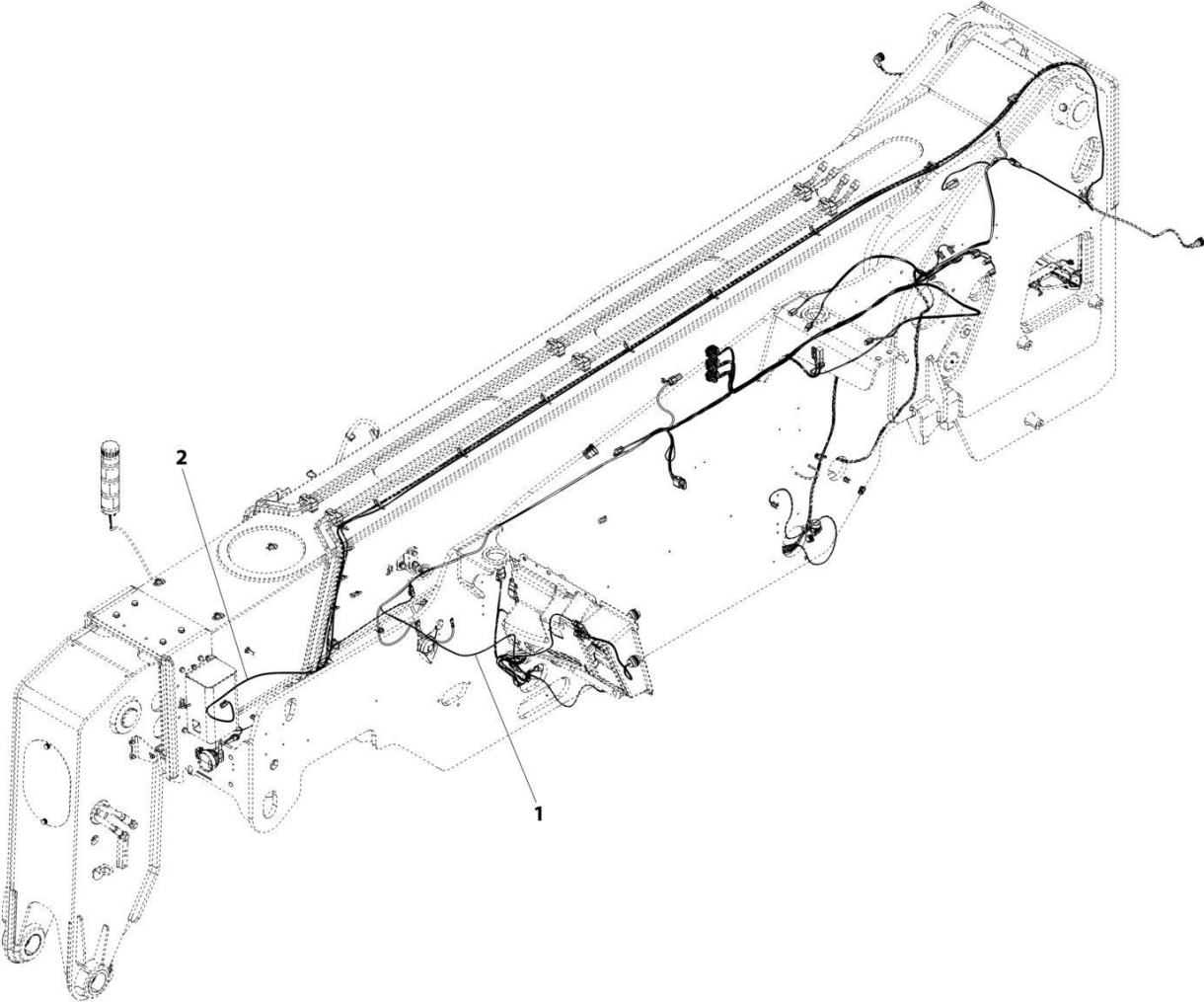
SECTION 10 - ELECTRICAL

FIGURE 10-67. LMIS - PLATFORM READY HARNESS

ITEM	PART NUMBER	QTY	DESCRIPTION	REV
	1001195202	Ref	Platform Ready Harness	A
1	4460894	1	Connector	
2	4460465	4	Terminal	
3	4460466	2	Plug	
4	4460884	1	Connector	
5	4460944	4	Terminal	
6	4460884	1	Connector	
7	4460944	4	Terminal	
8	1001116812	1	Connector	
9	4460944	2	Terminal	
10	4460466	1	Plug	
11	4460539	1	Connector	
12	4460944	2	Terminal	
13	4460466	1	Plug	
14	1001116812	1	Connector	
15	4460944	2	Terminal	
16	4460466	1	Plug	
17	4460931	1	Connector	
18	4460464	6	Terminal	
19	4460466	2	Plug	
20	4460945	1	Connector, 3 Way	

SECTION 10 - ELECTRICAL

FIGURE 10-68. LMIS WIRING INSTALLATION



ART_1001195201-F

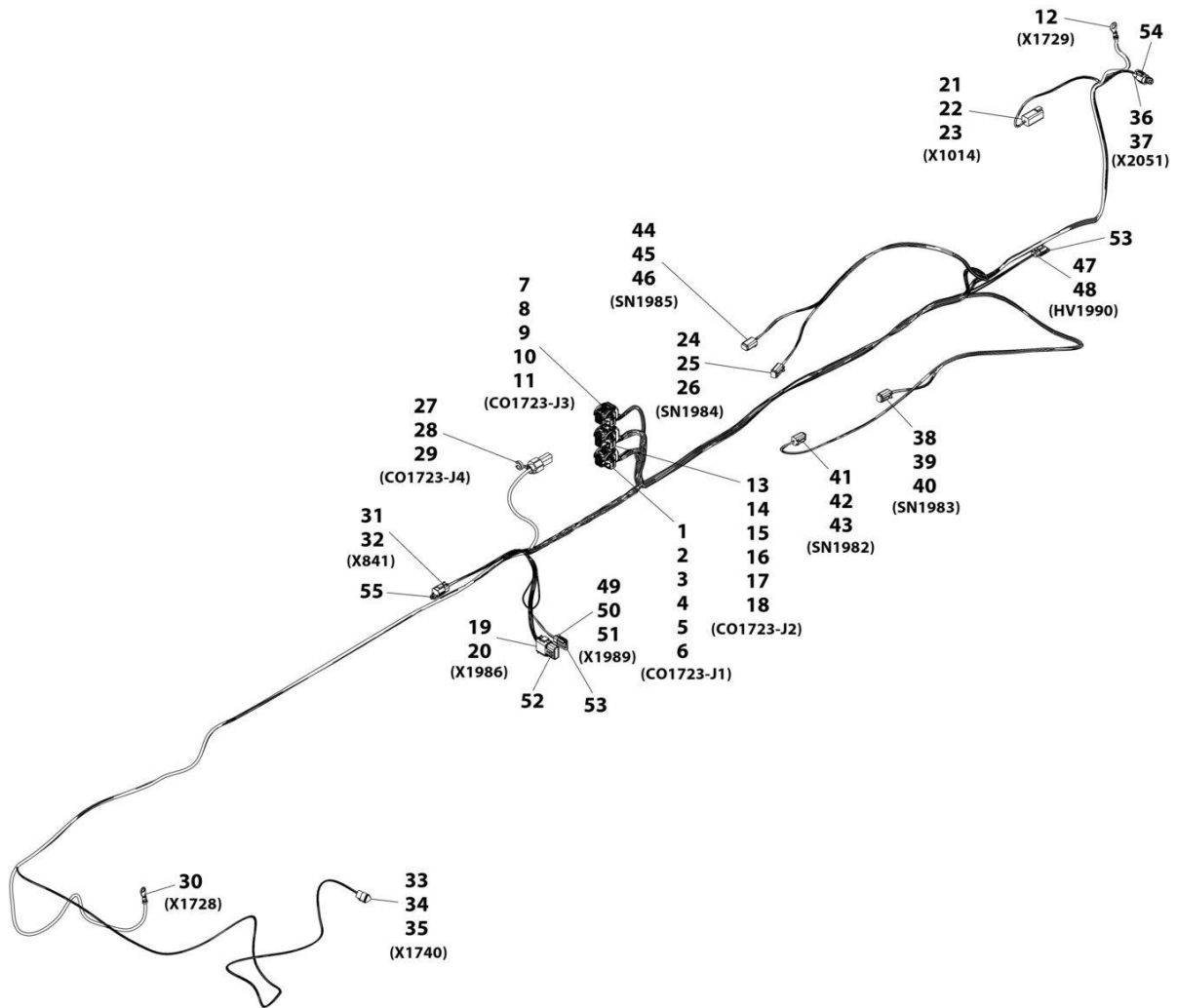
SECTION 10 - ELECTRICAL

FIGURE 10-68. LMIS WIRING INSTALLATION

ITEM	PART NUMBER	QTY	DESCRIPTION	REV
1	1001195201	Ref	LMIS Wiring Installation	F
	1001184795	1	Harness, Chassis Option (See Separate Breakdown in this Section)	
2	1001192619	1	Harness, LMIS Boom (See Separate Breakdown in this Section)	

SECTION 10 - ELECTRICAL

FIGURE 10-69. LMIS CHASSIS OPTION HARNESS



ART_1001184795-G

SECTION 10 - ELECTRICAL

FIGURE 10-69. LMIS CHASSIS OPTION HARNESS

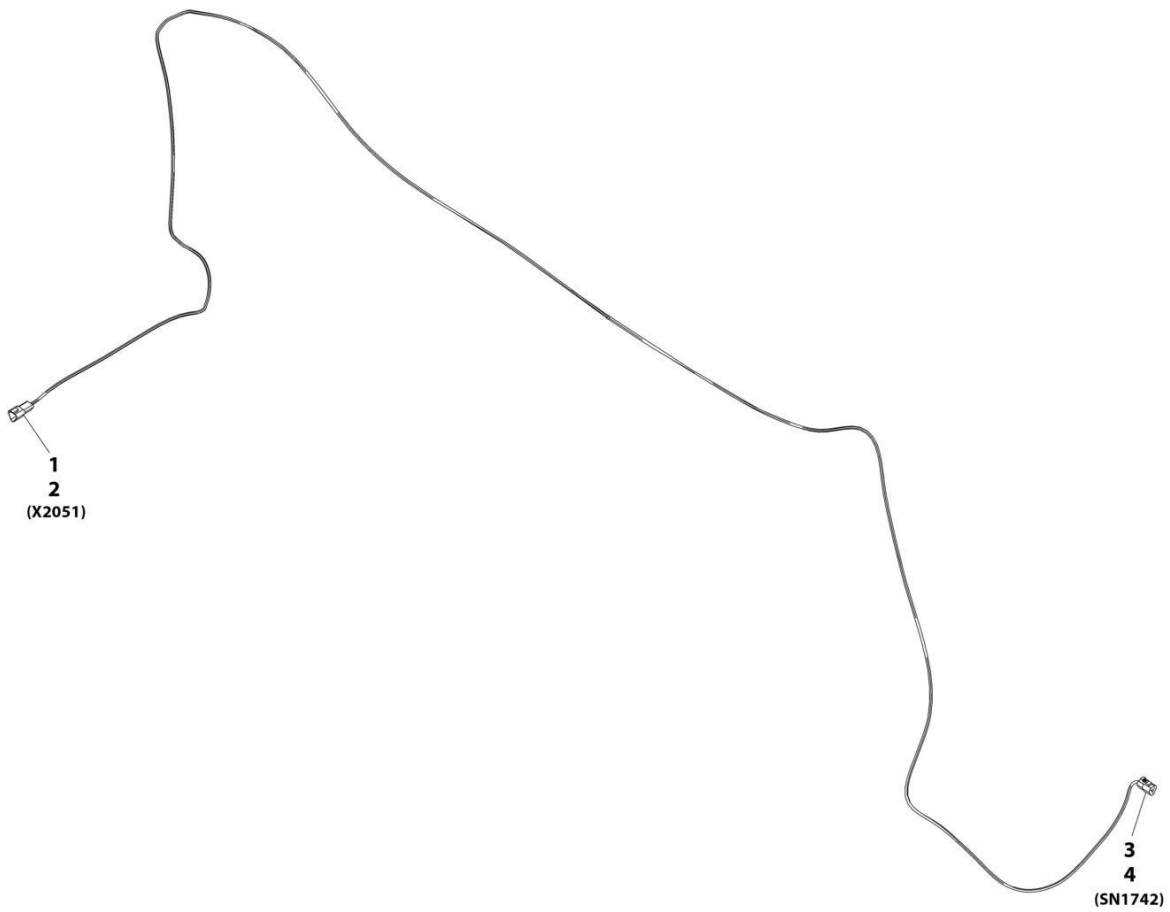
ITEM	PART NUMBER	QTY	DESCRIPTION	REV
	1001184795	Ref	LMIS Chassis Option Harness	G
1	1001161957	1	Connector	
2	1001161097	17	Terminal	
3	1001161100	7	Plug	
4	1001161101	2	Plug	
5	1001161098	2	Terminal	
6	1001161099	4	Terminal	
7	1001160500	1	Connector	
8	1001161100	16	Plug	
9	1001161097	8	Terminal	
10	1001161101	7	Plug	
11	1001161098	1	Terminal	
12	1001187076	1	Ring Terminal	
13	1001161963	1	Connector	
14	1001161097	24	Terminal	
15	1001161100	16	Plug	
16	1001161095	1	Terminal	
17	1001161099	3	Terminal	
18	1001161101	4	Plug	
19	1001116774	1	Connector	
20	4460928	12	Terminal	
21	4460899	1	Connector	
22	4460464	3	Terminal	
23	4460466	3	Plug	
24	4460884	1	Connector	
25	4460942	1	Terminal	
26	4460465	3	Terminal	
27	1001160509	1	Connector	
28	1001160510	1	Terminal	
29	1001175266	1	Terminal Seal	
30	1001187075	1	Ring Terminal	
31	4460884	1	Connector	
32	4460465	4	Terminal	
33	1001116812	1	Connector	
34	4460944	2	Terminal	
35	4460466	1	Plug	
36	4460539	1	Connector	
37	4460465	3	Terminal	
38	4460884	1	Connector	
39	4460942	1	Terminal	
40	4460465	3	Terminal	
41	4460884	1	Connector	
42	4460942	1	Terminal	
43	4460465	3	Terminal	
44	4460884	1	Connector	
45	4460942	1	Terminal	
46	4460465	3	Terminal	
47	4460891	1	Connector	
48	4460465	2	Terminal	
49	4460891	1	Connector	

SECTION 10 - ELECTRICAL

ITEM	PART NUMBER	QTY	DESCRIPTION	REV
50	4460465	1	Terminal	
51	4460942	1	Terminal	

SECTION 10 - ELECTRICAL

FIGURE 10-70. LMIS BOOM HARNESS



ART_1001192619-D

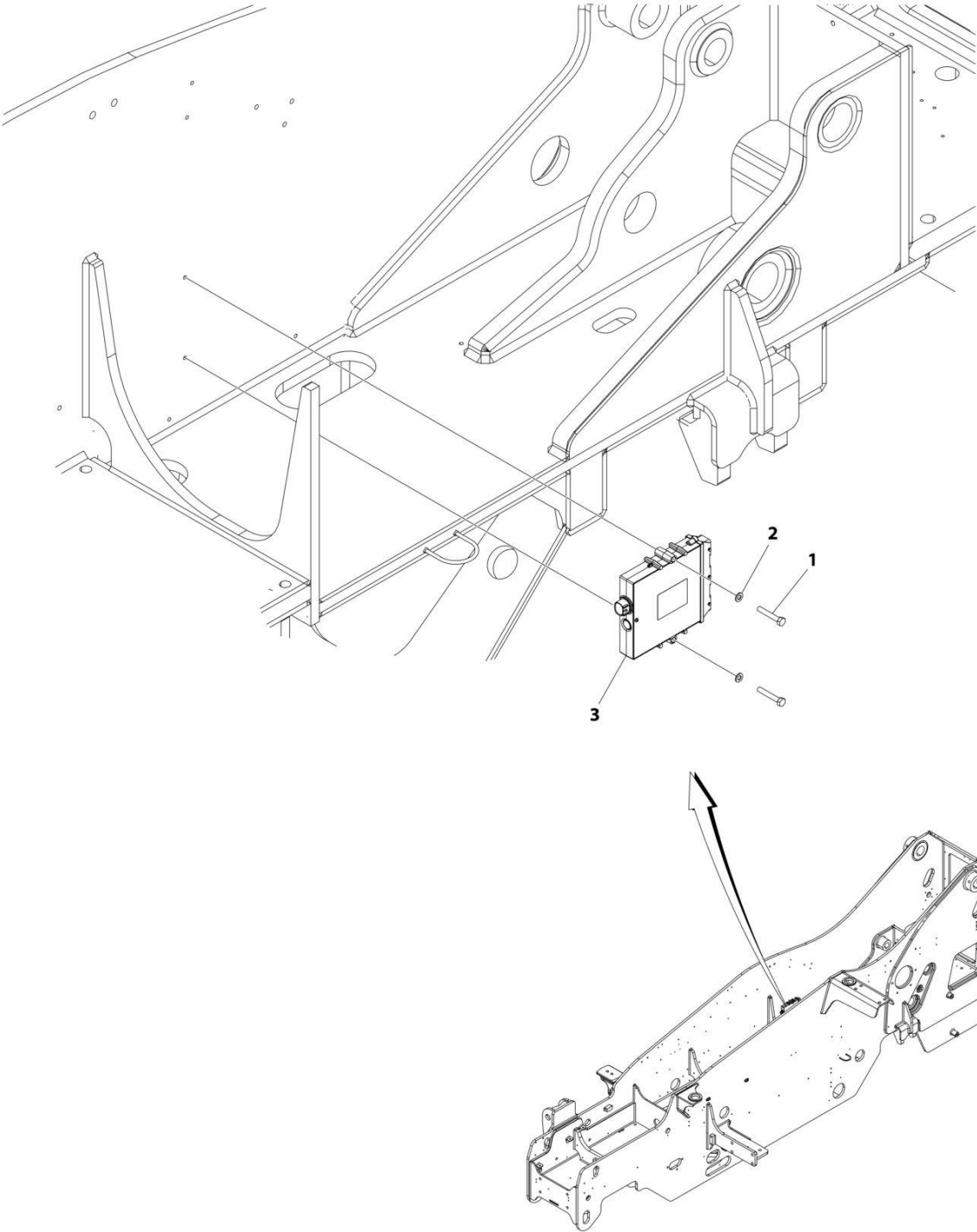
SECTION 10 - ELECTRICAL

FIGURE 10-70. LMIS BOOM HARNESS

ITEM	PART NUMBER	QTY	DESCRIPTION	REV
	1001192619	Ref	LMIS Boom Harness	D
1	4460536	1	Connector	
2	4460464	3	Terminal	
3	4460539	1	Connector	
4	4460465	3	Terminal	

SECTION 10 - ELECTRICAL

FIGURE 10-71. LMIS CONTROLLER INSTALLATION



ART_1001195471_C

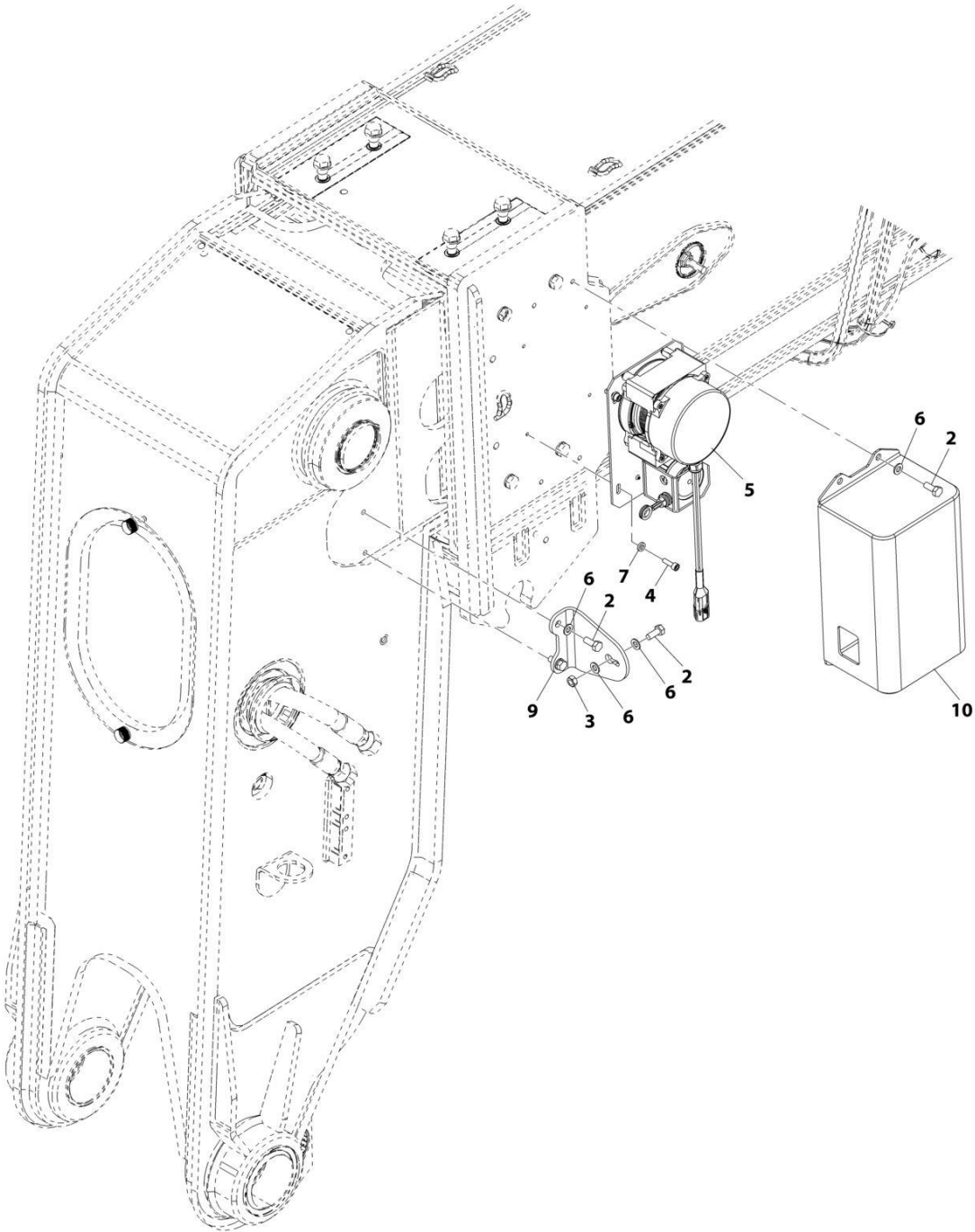
SECTION 10 - ELECTRICAL

FIGURE 10-71. LMIS CONTROLLER INSTALLATION

ITEM	PART NUMBER	QTY	DESCRIPTION	REV
	1001195471	Ref	LMIS CONTROLLER INSTALLATION	C
1	0700818	2	Bolt M8 x 50	
2	4811900	2	Washer M8	
3	1001270485	1	Module, LMIS Control	

SECTION 10 - ELECTRICAL

FIGURE 10-72. LMIS CABLE REEL INSTALLATION



ART_1001195473

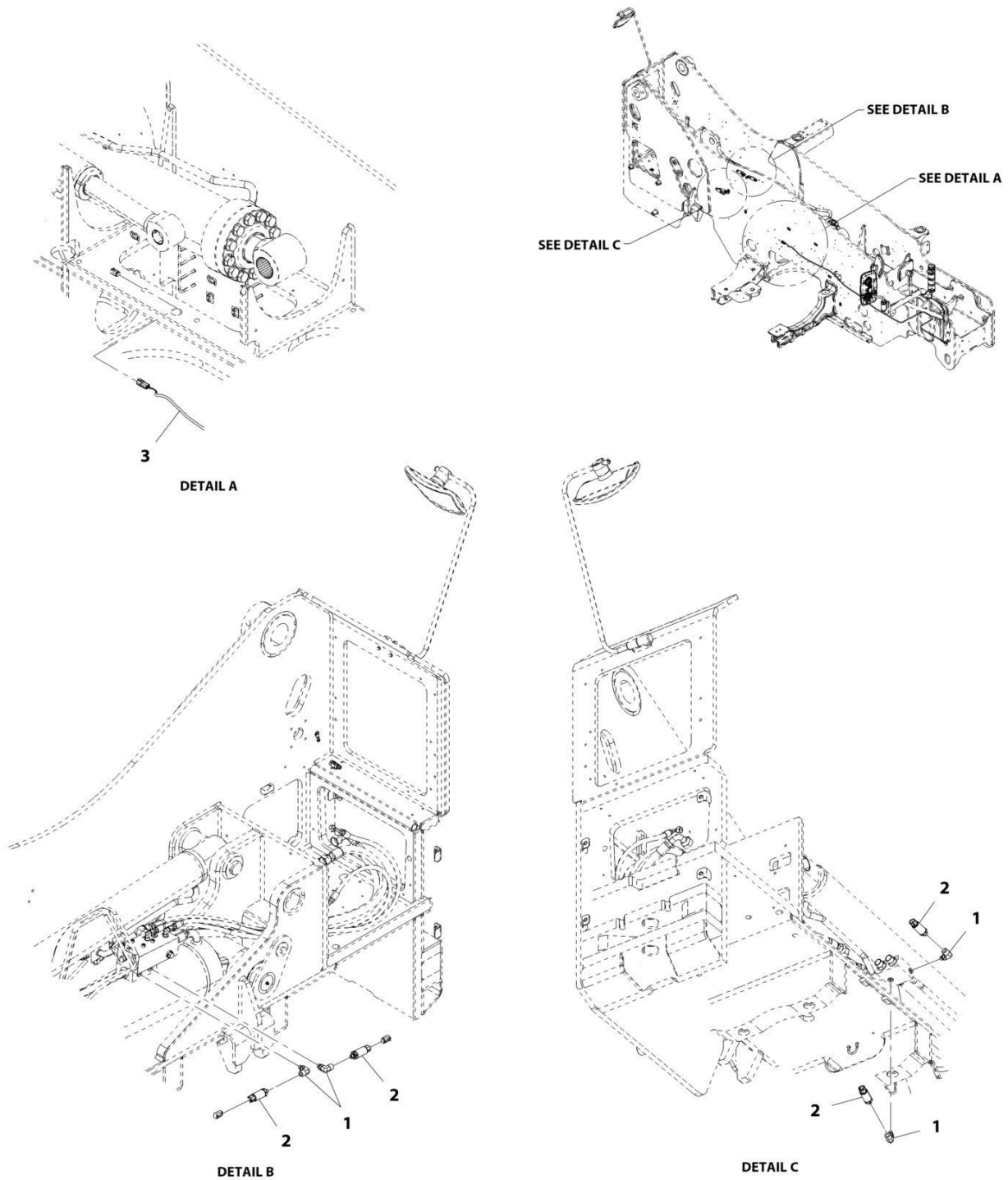
SECTION 10 - ELECTRICAL

FIGURE 10-72. LMIS CABLE REEL INSTALLATION

ITEM	PART NUMBER	QTY	DESCRIPTION	REV
	1001195473	Ref	LMIS Cable Reel Installation	E
2	0760810	7	Bolt, M8X20	
3	3290801	1	Nut, M8X1.25	
4	4031708	4	Screw, M6X20	
5	1001223903	1	Sensor, Boom Length	
6	4811900	8	Washer, M8	
7	5240600	4	Washer, M6	
9	1001224127	1	Bracket	
10	1001224128	1	Panel	

SECTION 10 - ELECTRICAL

FIGURE 10-73. LMIS INSTALLATION (HIGH END DISPLAY)



ART_1001183549-C

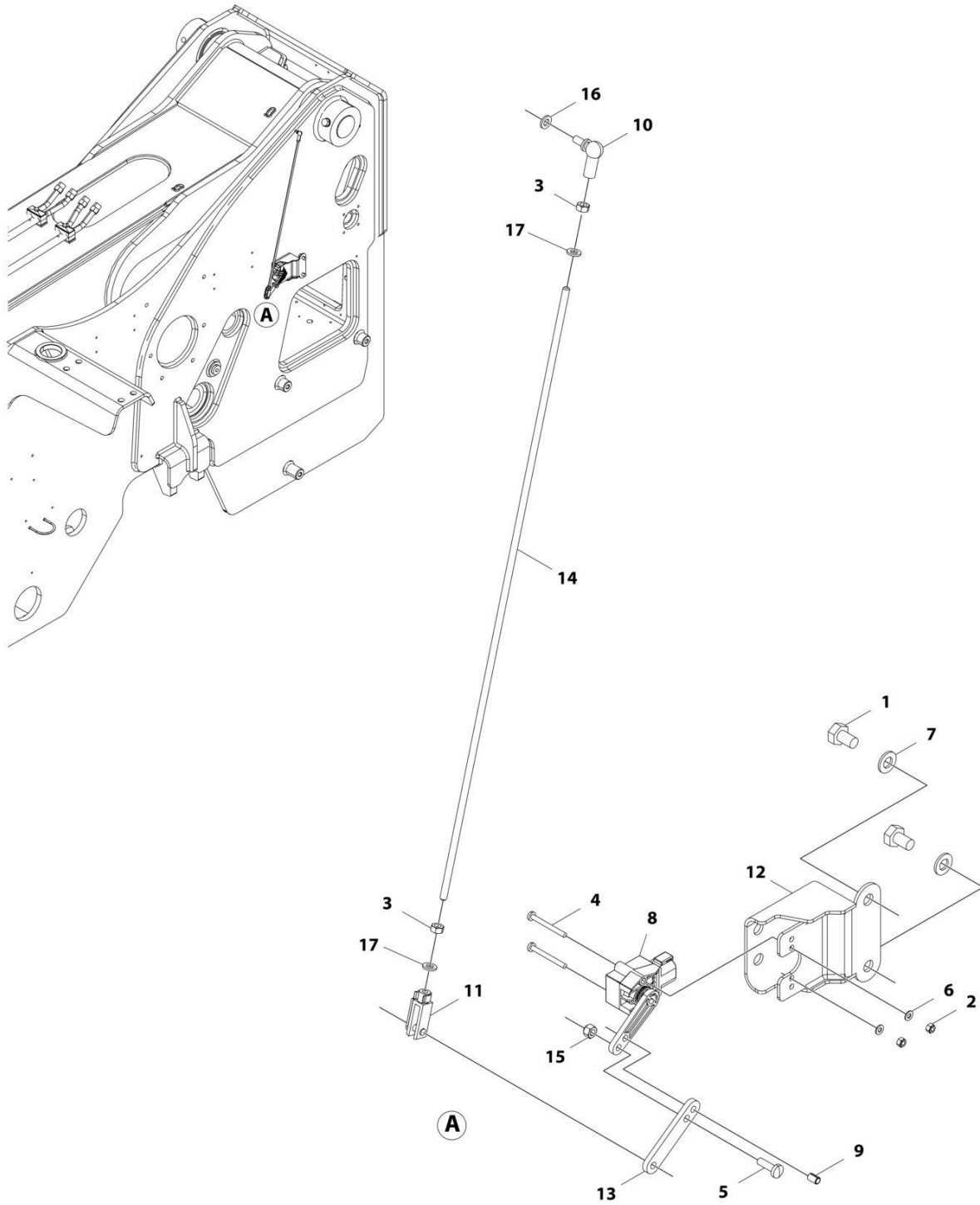
SECTION 10 - ELECTRICAL

FIGURE 10-73. LMIS INSTALLATION (HIGH END DISPLAY)

ITEM	PART NUMBER	QTY	DESCRIPTION	REV
	1001183549	Ref	LMIS Installation (High End Display)	C
1	1001101855	4	Fitting, 90	
2	1001162885	4	Sensor, LMIS	
3	1001195591	1	Installation, LMIS Beacon Light (See Separate Breakdown in this Section)	

SECTION 10 - ELECTRICAL

FIGURE 10-74. LMIS BOOM ANGLE SENSOR INSTALLATION



ART_1001195590

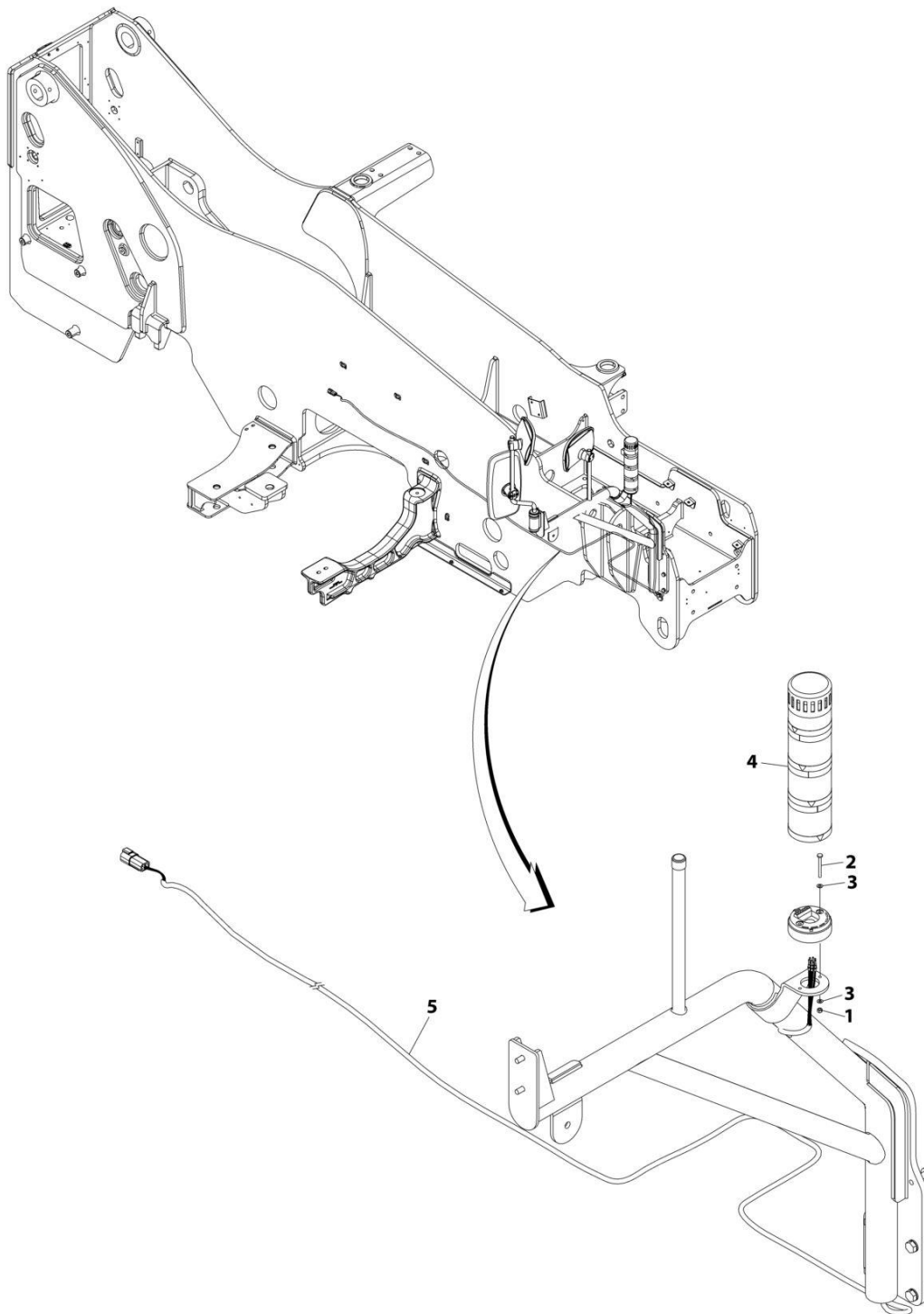
SECTION 10 - ELECTRICAL

FIGURE 10-74. LMIS BOOM ANGLE SENSOR INSTALLATION

ITEM	PART NUMBER	QTY	DESCRIPTION	REV
	1001195590	Ref	BOOM ANGLE SENSOR INSTALLATION (LMIS)	E
1	0761008	2	Bolt M10 x 16	
2	3290405	2	Nut M4	
3	3290601	2	Nut M6 x 1	
4	4010416	2	Screw M4 x 40	
5	4010610	1	Screw M6 x 20	
6	4811400	2	Washer M4	
7	4812000	2	Washer M10	
8	1001099717	1	Sensor, Boom Angle	
9	1001103156	1	Pin	
10	1001103300	1	Fitting, Ball Joint	
11	1001134274	1	Clevis	
12	1001213775	1	Bracket	
13	1001195731	1	Link, Boom Angle Sensor	
14	1001195732	1	Rod	
15	3290605	1	Nut M6 x 1	
16	4811700	1	Washer M6	
17	4761400	2	Washer 1/4	

SECTION 10 - ELECTRICAL

FIGURE 10-75. LMIS BEACON LIGHT INSTALLATION



ART_1001195591_E

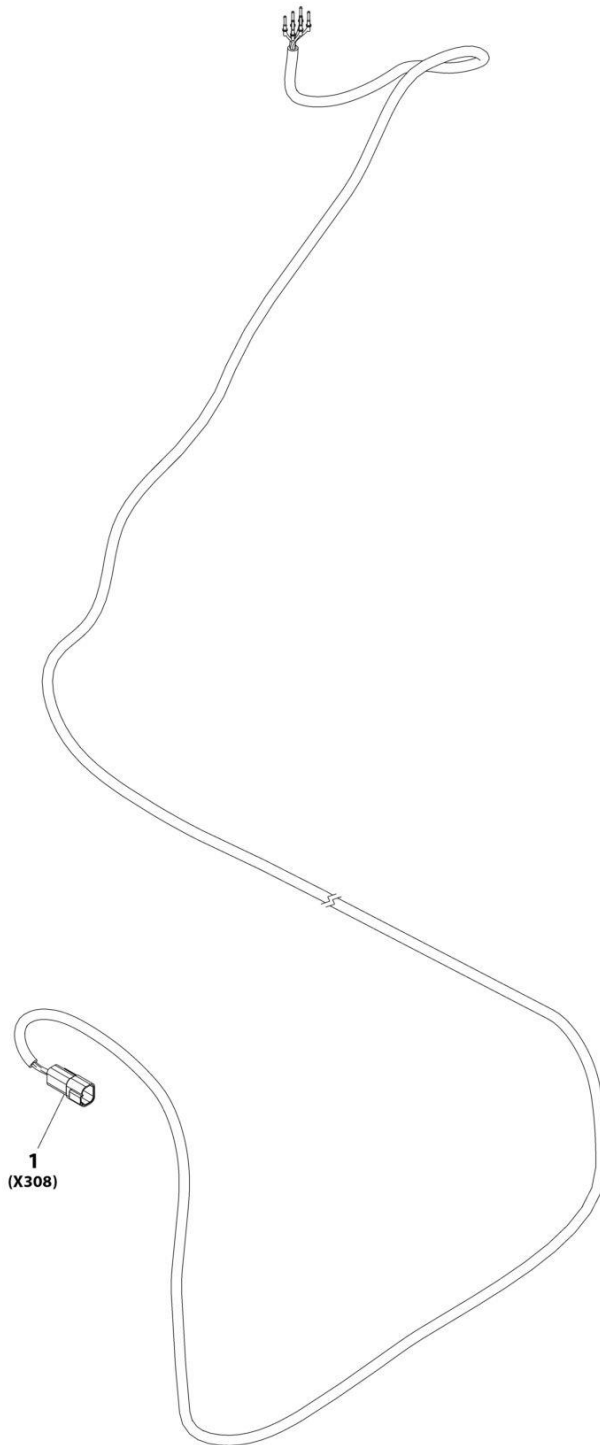
SECTION 10 - ELECTRICAL

FIGURE 10-75. LMIS BEACON LIGHT INSTALLATION

ITEM	PART NUMBER	QTY	DESCRIPTION	REV
	1001195591	Ref	LMIS Beacon Light Installation	E
1	3290405	2	Nut M4	
2	4010416	2	Screw, M4X40	
3	4811400	4	Washer, M4	
	1001265343	1	Light, LMIS Beacon	
5	1001117247	1	Harness, LMIS Beacon Option (See Separate Breakdown in this Section)	
7	1001146588	1	Tie-Strap (Not Shown)	

SECTION 10 - ELECTRICAL

FIGURE 10-76. LMIS BEACON OPTION HARNESS



ART_1001117247

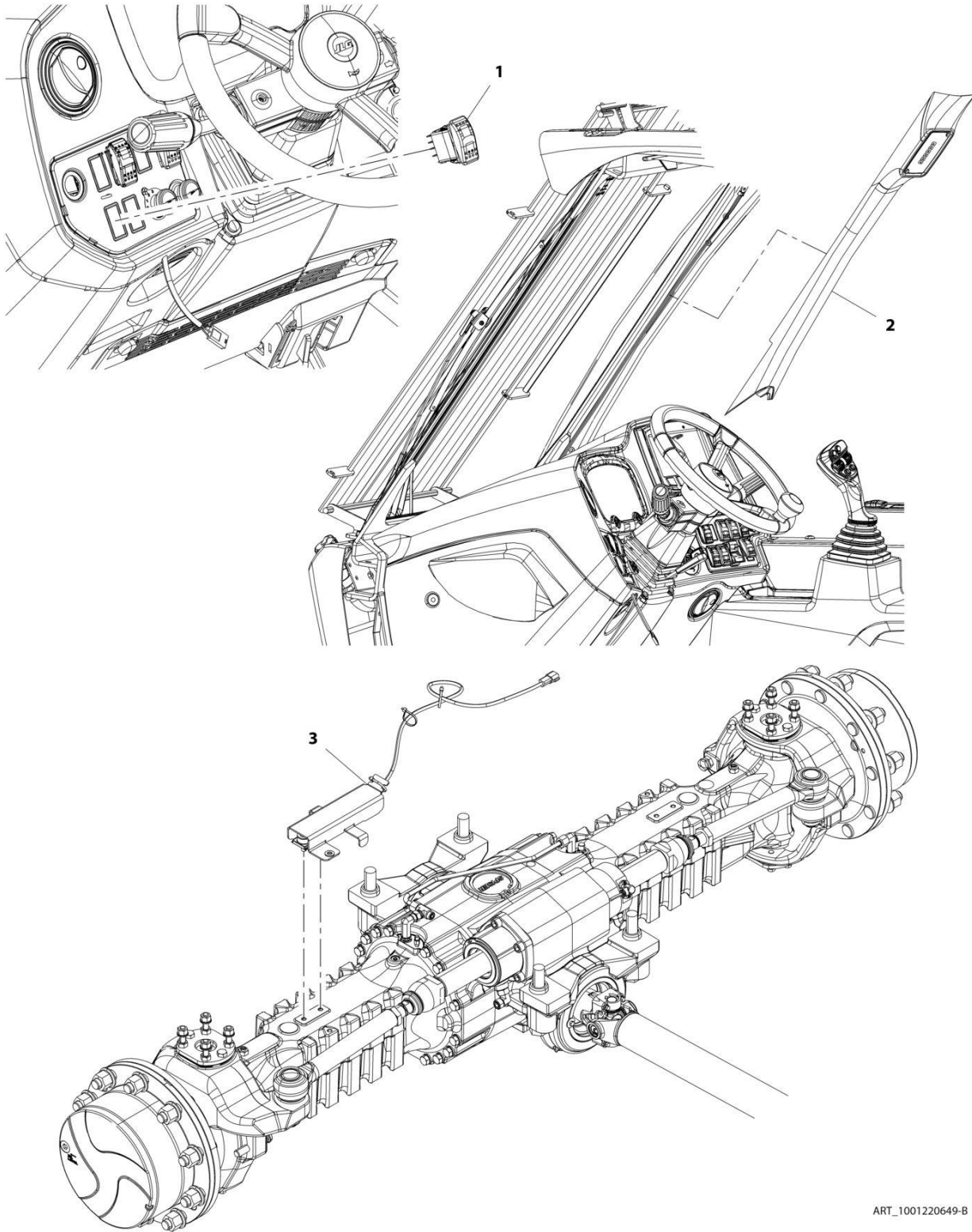
SECTION 10 - ELECTRICAL

FIGURE 10-76. LMIS BEACON OPTION HARNESS

ITEM	PART NUMBER	QTY	DESCRIPTION	REV
1	1001117247 4460932	Ref 1	LMIS Beacon Option Harness Connector	D

SECTION 10 - ELECTRICAL

FIGURE 10-77. LSI INSTALLATION



ART_1001220649-B

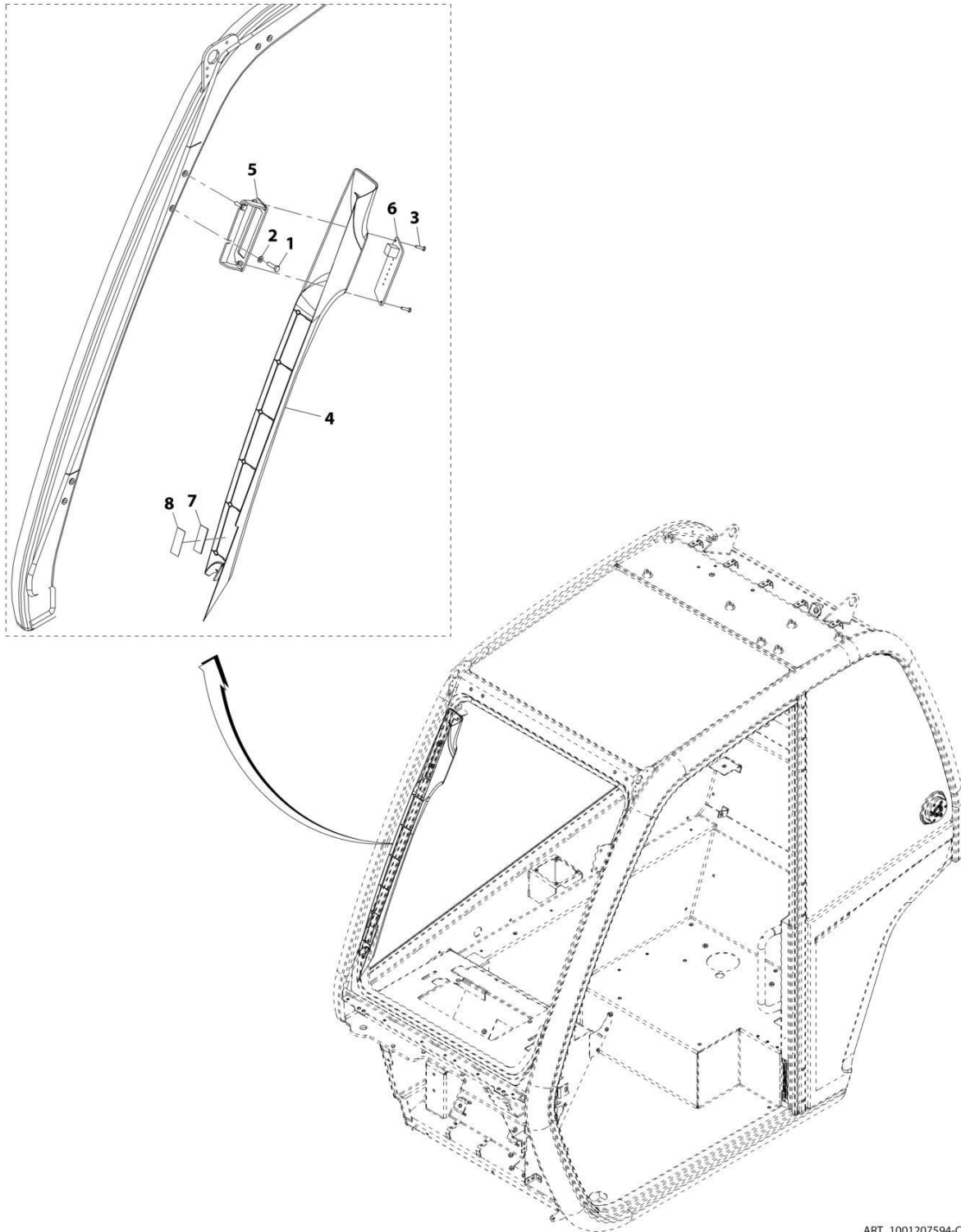
SECTION 10 - ELECTRICAL

FIGURE 10-77. LSI INSTALLATION

ITEM	PART NUMBER	QTY	DESCRIPTION	REV
	1001220649	Ref	LSI Installation	B
1	1001159742	1	Switch, LSI Override	
2	1001207594	Ref	Installation, LSI Display (See Separate Breakdown in this Section)	
3	1001220650	Ref	Installation, LSI Sensor (See Separate breakdown in this Section)	

SECTION 10 - ELECTRICAL

FIGURE 10-78. LSI DISPLAY INSTALLATION



ART_1001207594-C

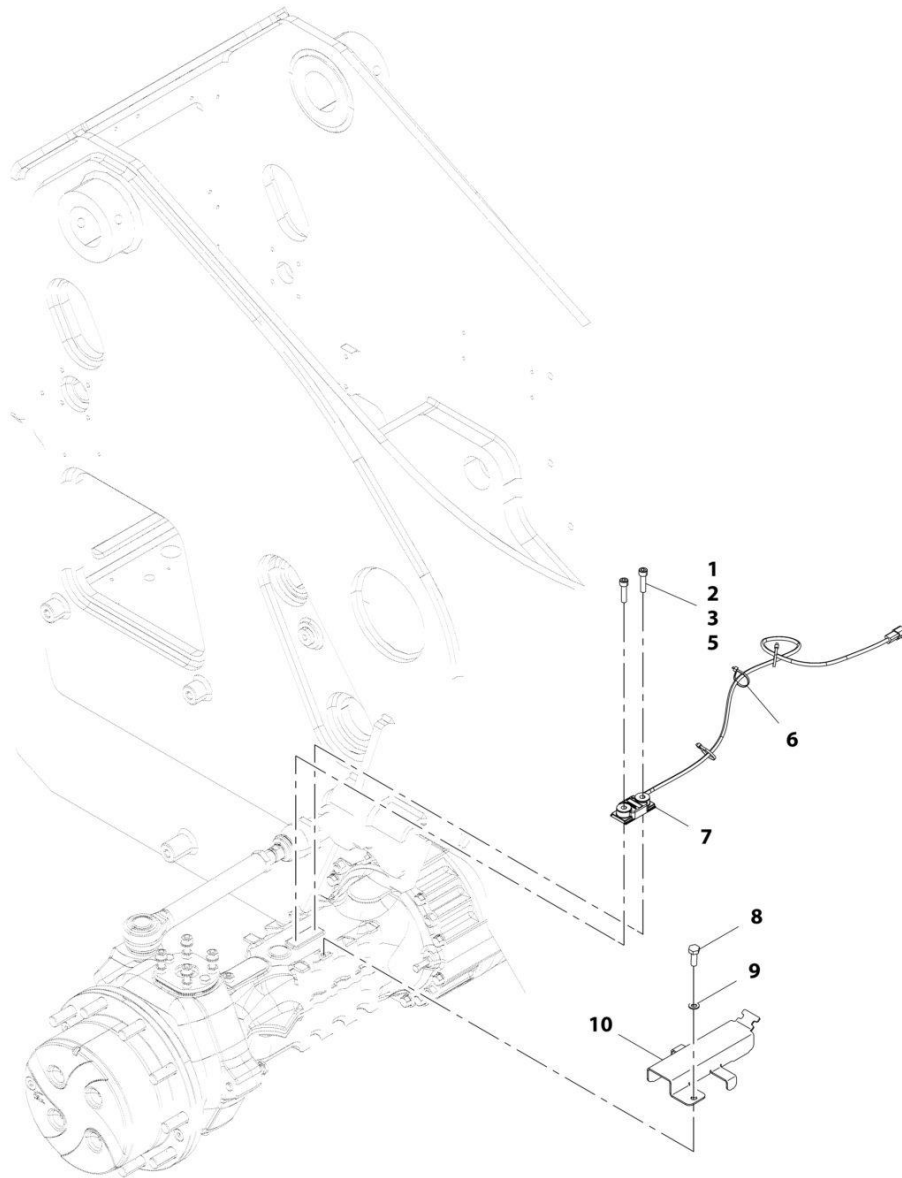
SECTION 10 - ELECTRICAL

FIGURE 10-78. LSI DISPLAY INSTALLATION

ITEM	PART NUMBER	QTY	DESCRIPTION	REV
	1001207594	Ref	LSI Display Installation	C
1	0760610	2	Bolt, M6X20	
2	4811700	2	Washer, M6	
3	1001126837	2	Screw, M4X16	
4	1001182839	1	Cover	
5	1001214401	1	Bracket	
6	1001213752	1	Display, LSI	
7	1001221318	1	Tape, Hook Fastener	
8	1001221319	1	Tape, Hook Fastener	

SECTION 10 - ELECTRICAL

FIGURE 10-79. LSI SENSOR INSTALLATION



ART_1001220650-B

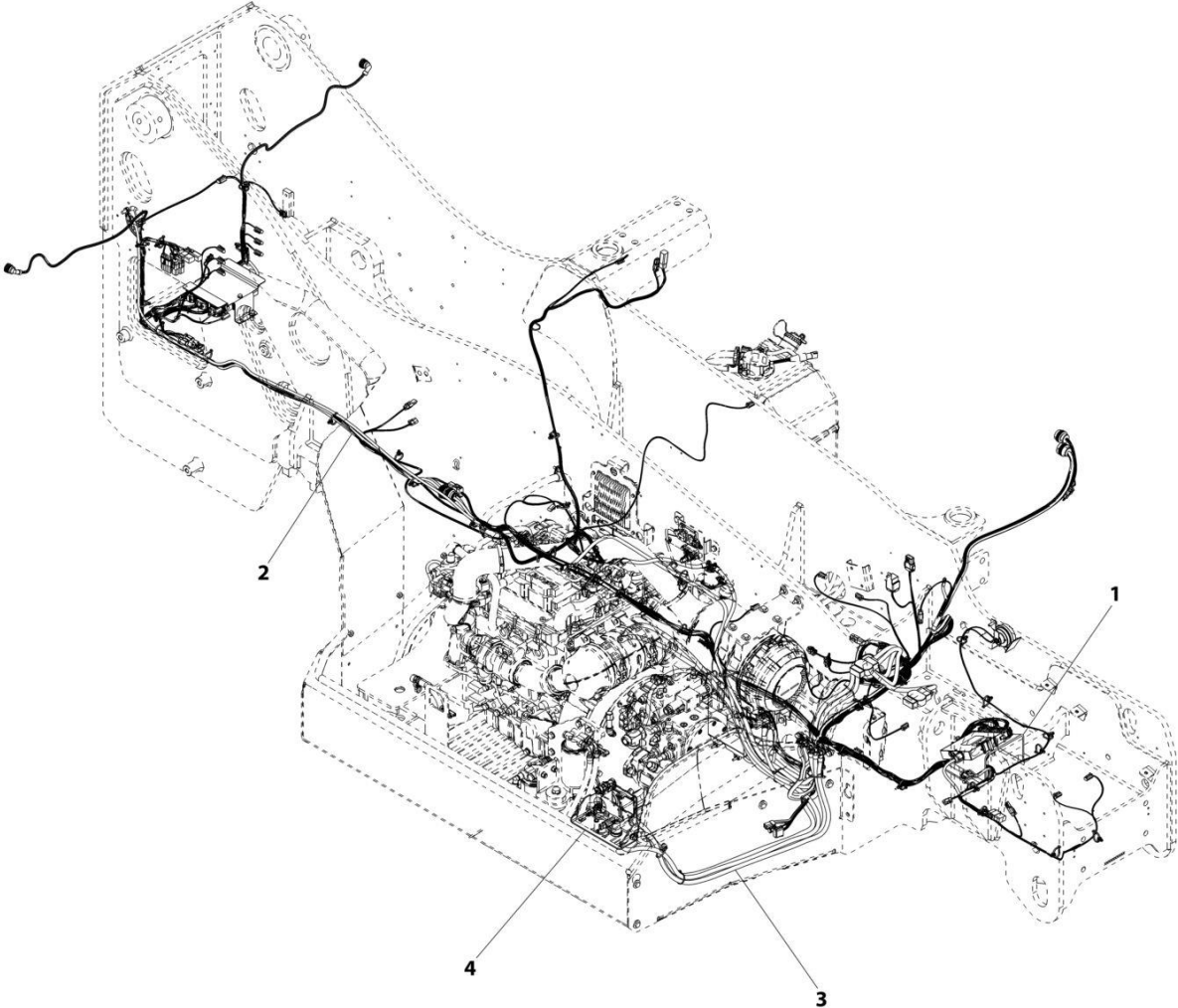
SECTION 10 - ELECTRICAL

FIGURE 10-79. LSI SENSOR INSTALLATION

ITEM	PART NUMBER	QTY	DESCRIPTION	REV
	1001220650	Ref	LSI Sensor Installation	B
1	5272012	2	Bolt, M10X40	
2	1001116128	AR	Sealant	
3	1001125465	AR	Compound, Locking	
5	1001129425	AR	Compound, Locking	
6	1001008559	3	Strap, Cable	
7	1001160730	1	Sensor, LSI	
8	0761010	1	Bolt, M10X20	
9	4812000	1	Washer, M10	
10	1001230850	1	Bracket, LSI Cover	

SECTION 10 - ELECTRICAL

FIGURE 10-80. MAIN ELECTRICAL INSTALLATION (ULS)



ART_1001192537-B

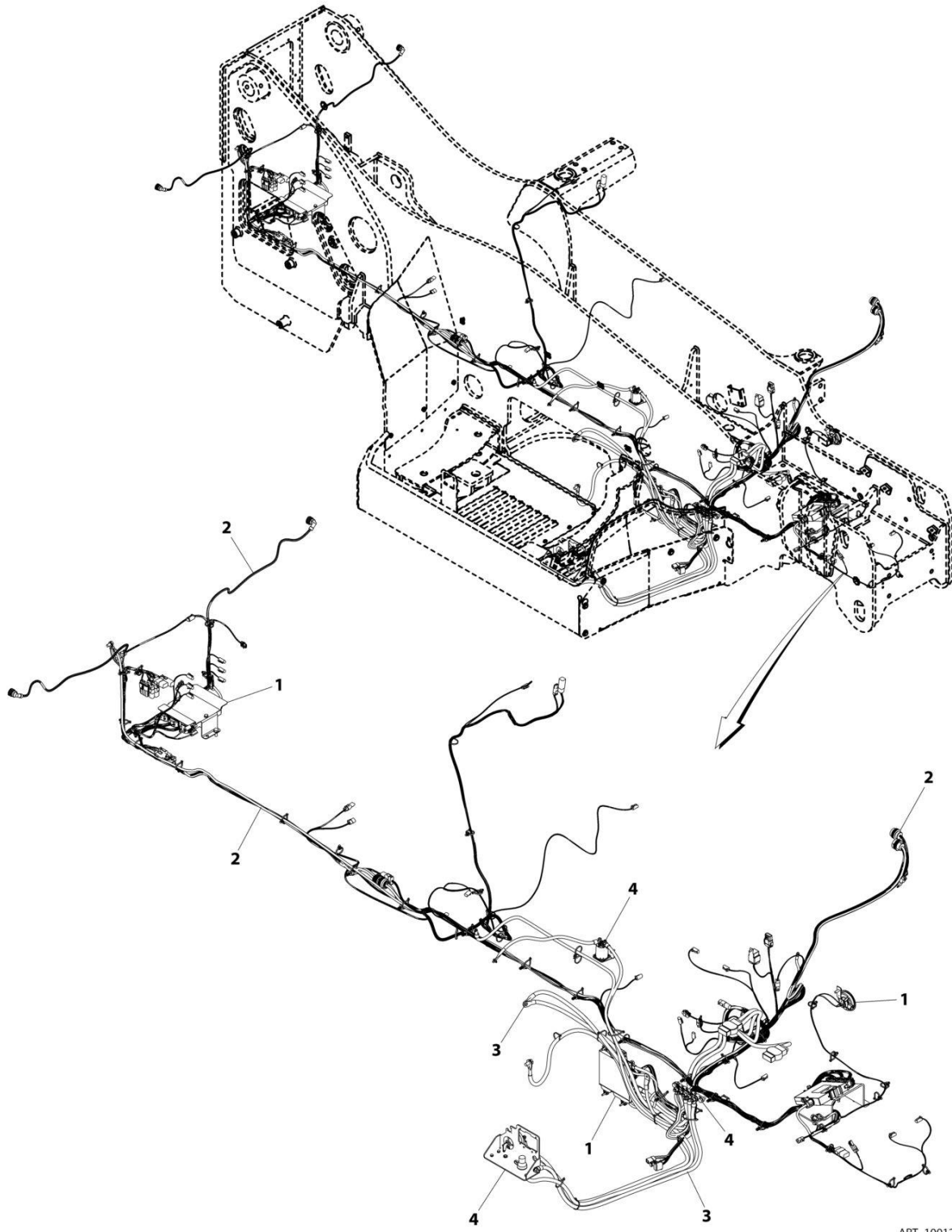
SECTION 10 - ELECTRICAL

FIGURE 10-80. MAIN ELECTRICAL INSTALLATION (ULS)

ITEM	PART NUMBER	QTY	DESCRIPTION	REV
1	1001192537	Ref	Main Electrical Installation (ULS)	B
	1001183272	Ref	Installation, Frame Electrical (See Separate Breakdown in this Section)	
2	1001200159	Ref	Installation, Frame Wiring (See Separate Breakdown in this Section)	
3	1001200160	Ref	Installation, Engine Bay Electrical	
4	1001202172	Ref	Installation, Engine Pod Electrical (ULS) (See Separate Breakdown in this Section)	

SECTION 10 - ELECTRICAL

FIGURE 10-81. MAIN ELECTRICAL INSTALLATION, MINING (ULS)



ART_1001228738-A

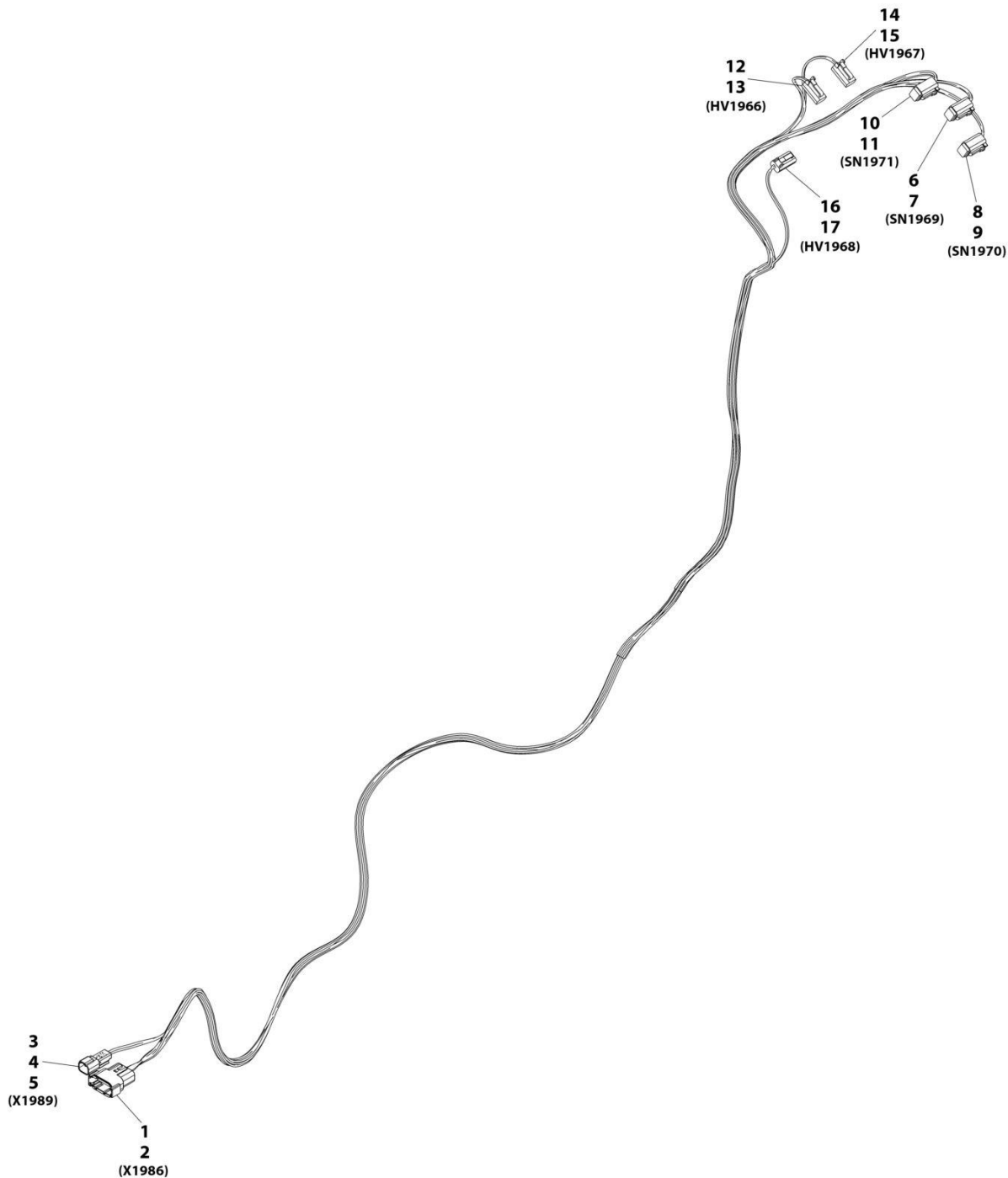
SECTION 10 - ELECTRICAL

FIGURE 10-81. MAIN ELECTRICAL INSTALLATION, MINING (ULS)

ITEM	PART NUMBER	QTY	DESCRIPTION	REV
1	1001228738	Ref	Main Electrical Installation, Mining (ULS)	A
	1001183272	Ref	Installation, Frame Electrical (See Separate Breakdown in this Section)	
2	1001228739	Ref	Installation, Frame Wiring (See Separate Breakdown in this Section)	
3	1001200160	Ref	Installation, Engine Bay Electrical	
4	1001202172	Ref	Installation, Engine Pod Electrical (ULS) (See Separate Breakdown in this Section)	

SECTION 10 - ELECTRICAL

FIGURE 10-82. RALP PLATFORM HARNESS



ART_1001193566-C

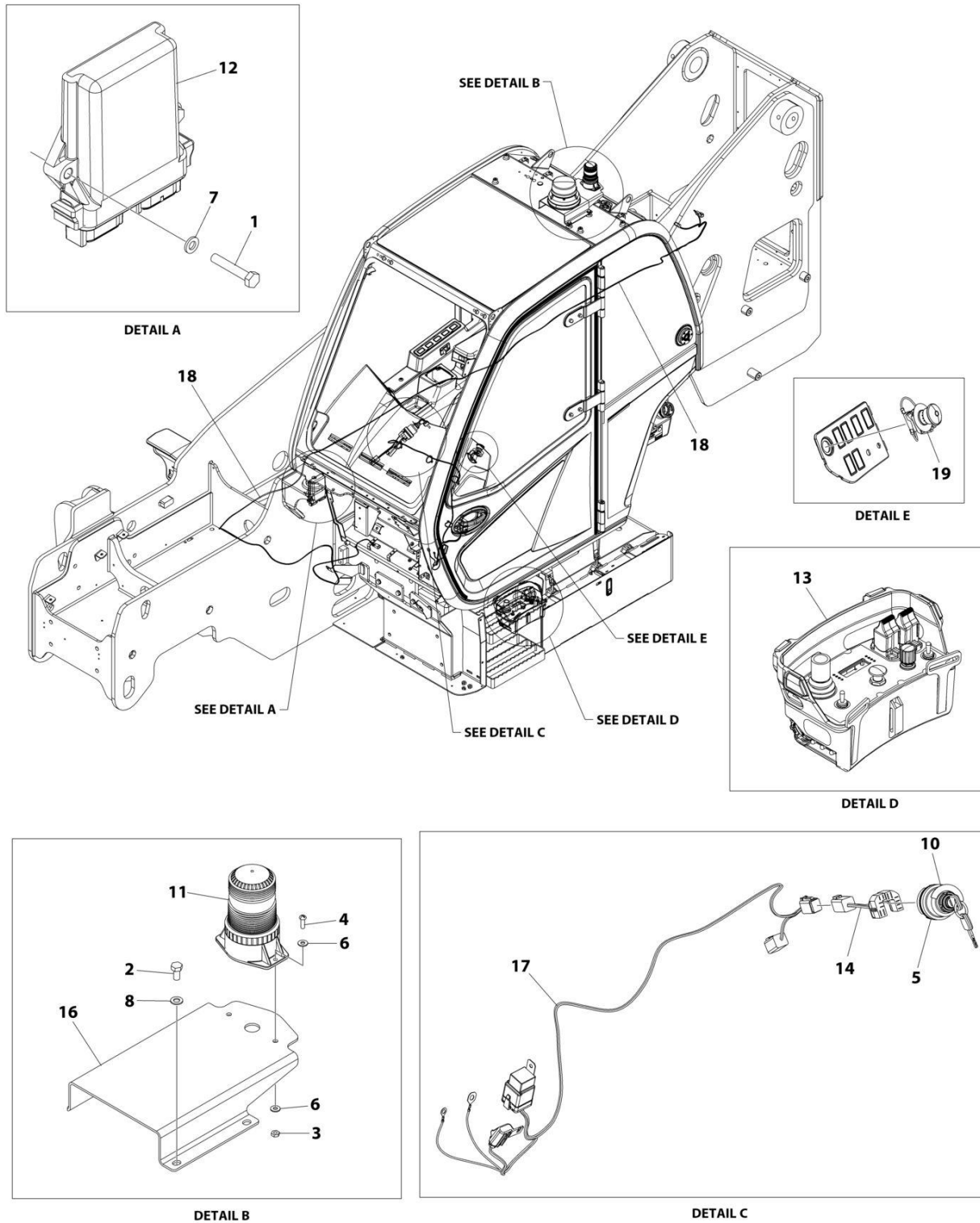
SECTION 10 - ELECTRICAL

FIGURE 10-82. RALP PLATFORM HARNESS

ITEM	PART NUMBER	QTY	DESCRIPTION	REV
	1001193566	Ref	Platform Harness (RALP)	C
1	1001132169	1	Connector	
2	4460929	12	Terminal	
3	4460897	1	Connector	
4	4460464	1	Terminal	
5	4460941	1	Terminal	
6	4460884	1	Connector	
7	4460465	4	Terminal	
8	4460884	1	Connector	
9	4460465	4	Terminal	
10	4460884	1	Connector	
11	4460465	4	Terminal	
12	4460891	1	Connector	
13	4460465	2	Terminal	
14	4460891	1	Connector	
15	4460465	2	Terminal	
16	4460891	1	Connector	
17	4460465	2	Terminal	

SECTION 10 - ELECTRICAL

FIGURE 10-83. REMOTE CONTROL (BOOM)



ART_1001258731

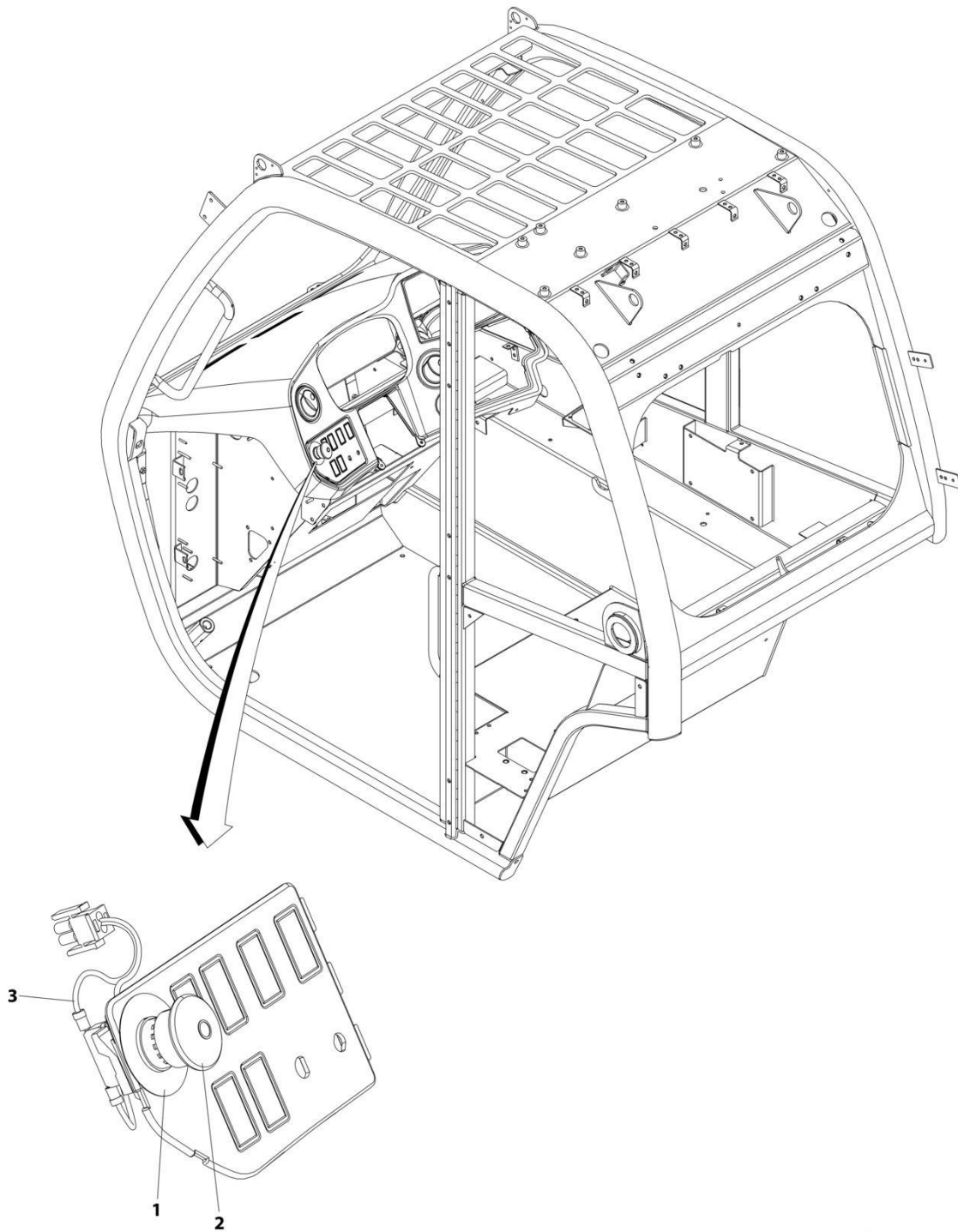
SECTION 10 - ELECTRICAL

FIGURE 10-83. REMOTE CONTROL (BOOM)

ITEM	PART NUMBER	QTY	DESCRIPTION	REV
	1001258731	Ref	REMOTE CONTROL (BOOM)	A
1	0760615	2	Bolt M6 x 35	
2	0760808	3	Bolt, M8X16	
3	3311005	2	Nut #10	
4	3911010	2	Screw #10X5/8	
5	4360657	1	Switch, Ignition	
6	4711000	4	Washer #10	
7	4811700	2	Washer M6	
8	4811900	3	Washer M8	
9	1001008559	4	Strap, As-Cable	
10	1001181516	1	Decal - Platform Ignition Switch	
11	1001200910	1	Light, Beacon (Blue)	
12	1001206112	1	Control, Remote Controller	
13	1001209194	1	Control, Remote	
14	1001241610	1	Harness, Key (See Separate Breakdown in this Section)	
15	1001253671	1	Installation, Manual Pump (Lift/Tele) (Not Shown) (See Separate Breakdown in HYDRAULIC Section)	
16	1001258749	1	Bracket, Roof Beacon	
17	1001259205	1	Harness, Remote Control Power (See Separate Breakdown in this Section)	
18	1001259231	1	Installation, Harness (Emergency Lowering - Frame)	
18	1001008559	1	Strap, As-Cable (Not Shown)	
18	1001258719	1	Harness, Emergency Lowering - Frame (See Separate Breakdown in this Section)	
19	1001259246	1	Installation, Emergency Stop Switch (See Separate Breakdown in this Section)	

SECTION 10 - ELECTRICAL

FIGURE 10-84. REMOTE CONTROL EMERGENCY STOP SWITCH INSTALLATION



ART_1001259246

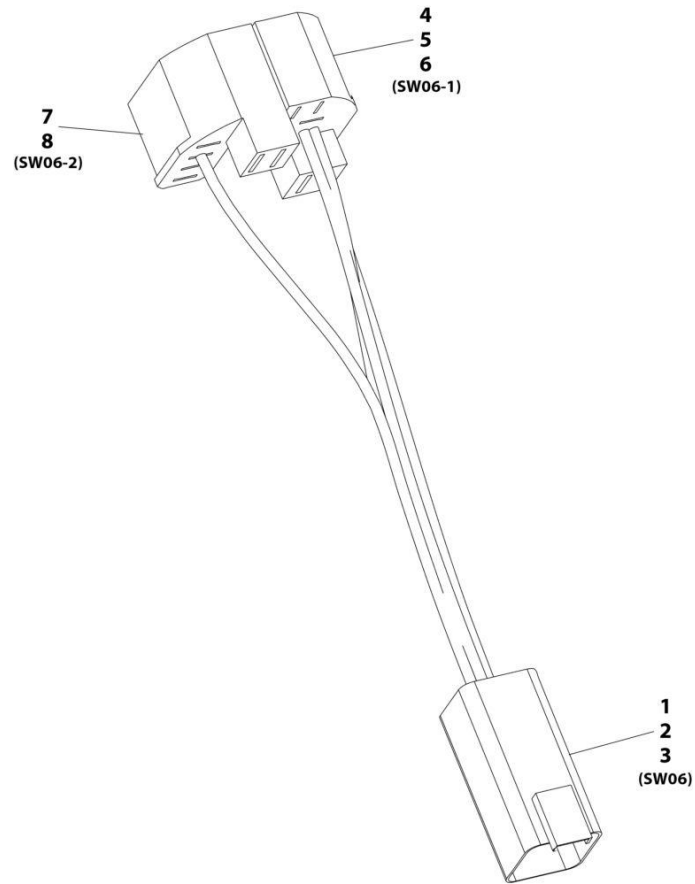
SECTION 10 - ELECTRICAL

FIGURE 10-84. REMOTE CONTROL EMERGENCY STOP SWITCH INSTALLATION

ITEM	PART NUMBER	QTY	DESCRIPTION	REV
	1001259246	Ref	Remote Control Emergency Stop Switch Installation	A
1	1704260	1	Decal - Emergency Stop	
2	4360475	1	Switch, Emergency Stop	
3	1001259224	1	Harness, EMS Switch	
3	4460320	1	Connector	
3	4460183	2	Terminal	

SECTION 10 - ELECTRICAL

FIGURE 10-85. REMOTE CONTROL KEY HARNESS



ART_1001241610-A

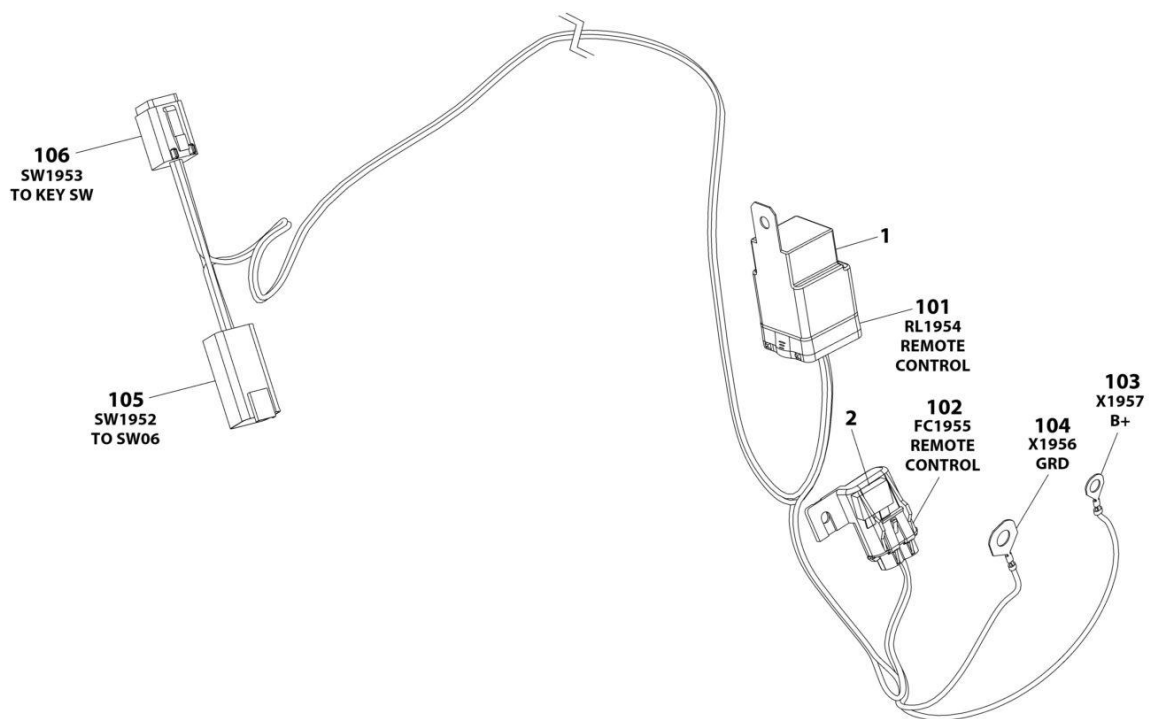
SECTION 10 - ELECTRICAL

FIGURE 10-85. REMOTE CONTROL KEY HARNESS

ITEM	PART NUMBER	QTY	DESCRIPTION	REV
	1001241610	Ref	Key Harness	A
1	4460899	1	Connector	
2	4460464	4	Terminal	
3	4460466	2	Plug	
4	1001118685	1	Connector	
5	1001104519	2	Terminal	
6	1001118383	1	Terminal	
7	1001117121	1	Connector	
8	1001104519	1	Terminal	

SECTION 10 - ELECTRICAL

FIGURE 10-86. REMOTE CONTROL POWER HARNESS



ART_1001259205

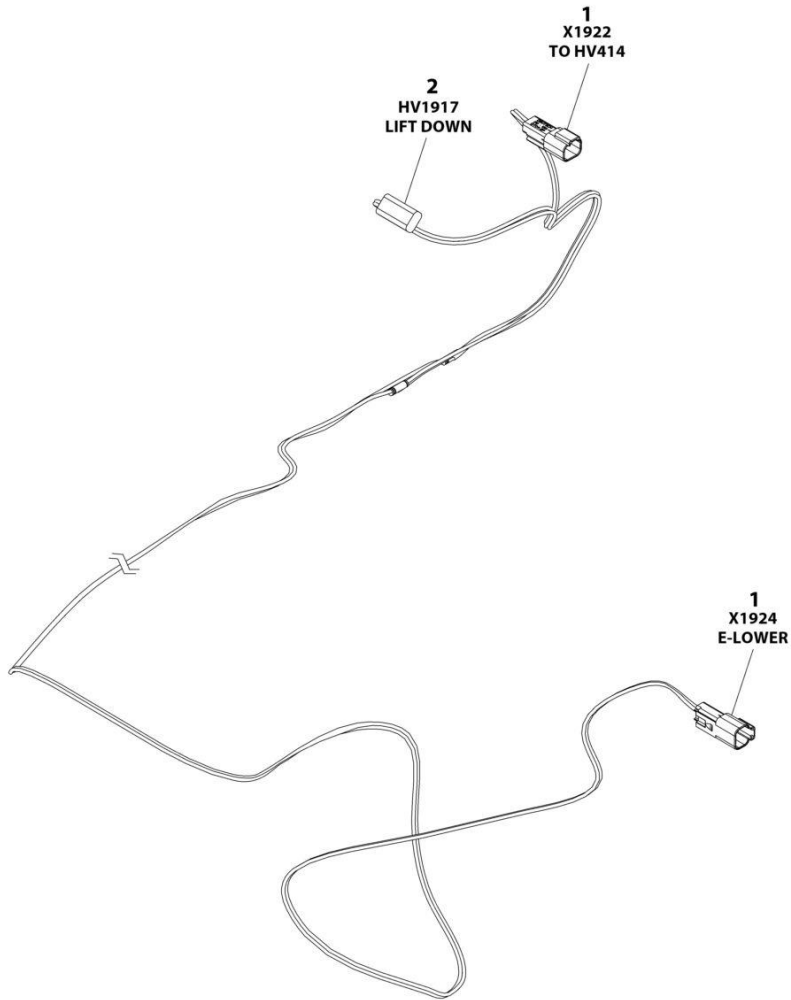
SECTION 10 - ELECTRICAL

FIGURE 10-86. REMOTE CONTROL POWER HARNESS

ITEM	PART NUMBER	QTY	DESCRIPTION	REV
	1001259205	Ref	Remote Control Power Harness	A
1	3740080	1	Relay	
2	8229234	1	Fuse, 10Amp	
101	1001231398	1	Connector, Relay	
101	1001231400	4	Terminal	
101	1001231404	4	Seal, Terminal	
101	1001231406	1	Plug, Terminal	
102	1001231397	1	Connector - 2 Position	
102	1001231400	2	Terminal	
102	1001231404	2	Seal, Terminal	
103	1001207173	1	Terminal, Ring	
104	1001211775	1	Terminal, Ring	
105	4460899	1	Receptacle, Female - 6 Position	
105	4460464	4	Pin, Male	
105	4460466	2	Plug, Terminal	
106	4460894	1	Plug, Male - 6 Position	
106	4460465	4	Socket, Female	
106	4460466	2	Plug, Terminal	

SECTION 10 - ELECTRICAL

FIGURE 10-87. REMOTE CONTROL EMERGENCY LOWERING HARNESS



ART_1001258719

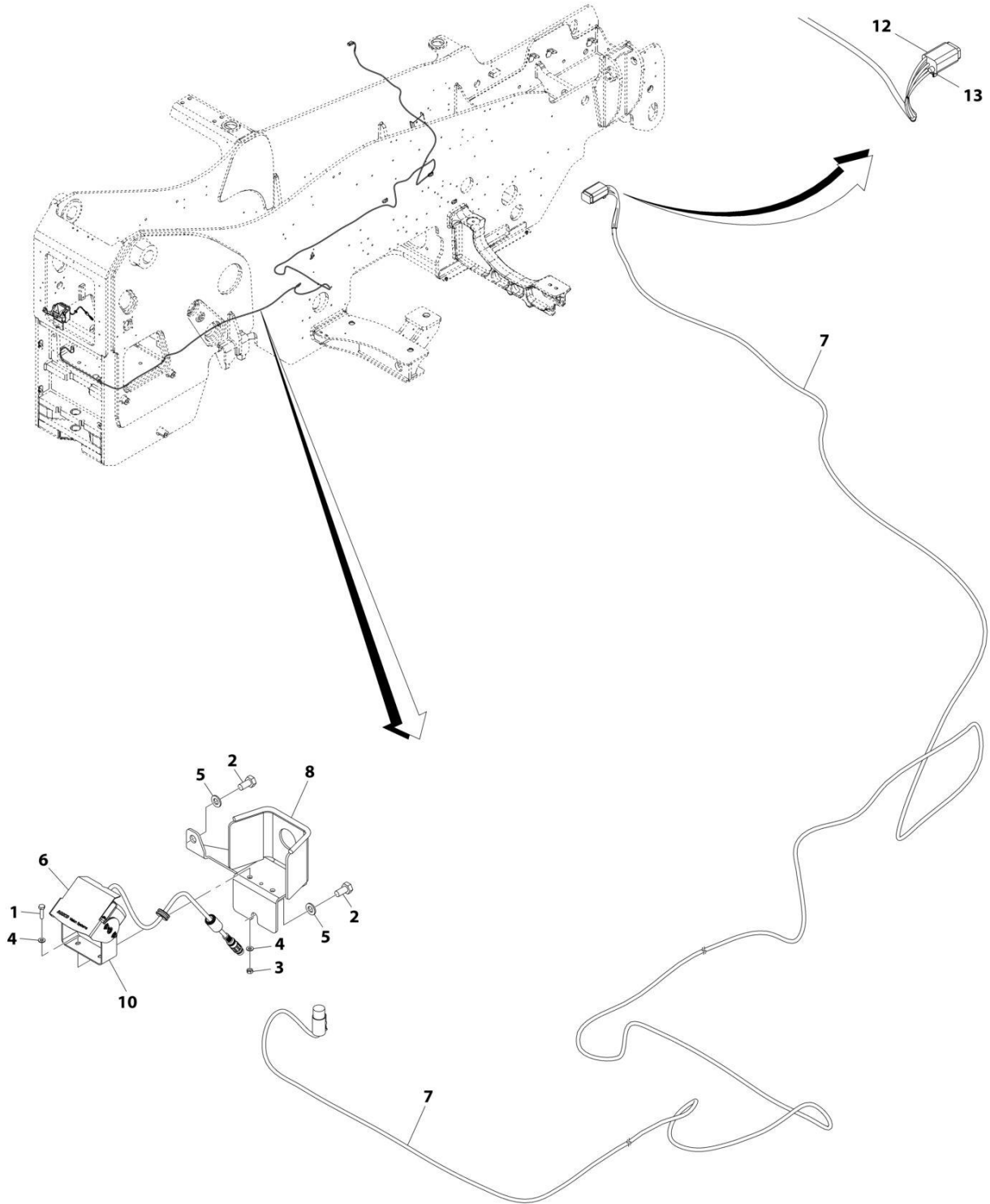
SECTION 10 - ELECTRICAL

FIGURE 10-87. REMOTE CONTROL EMERGENCY LOWERING HARNESS

ITEM	PART NUMBER	QTY	DESCRIPTION	REV
	1001258719	Ref	Remote Control Emergency Lowering Harness	A
1	4460897	2	Receptacle, Female - 2 Position	
1	4460464	4	Pin, Male	
2	4460891	1	Plug, Male - 2 Position	
2	4460465	2	Socket, Male	

SECTION 10 - ELECTRICAL

FIGURE 10-88. REVERSE CAMERA INSTALLATION



ART_1001192321-G

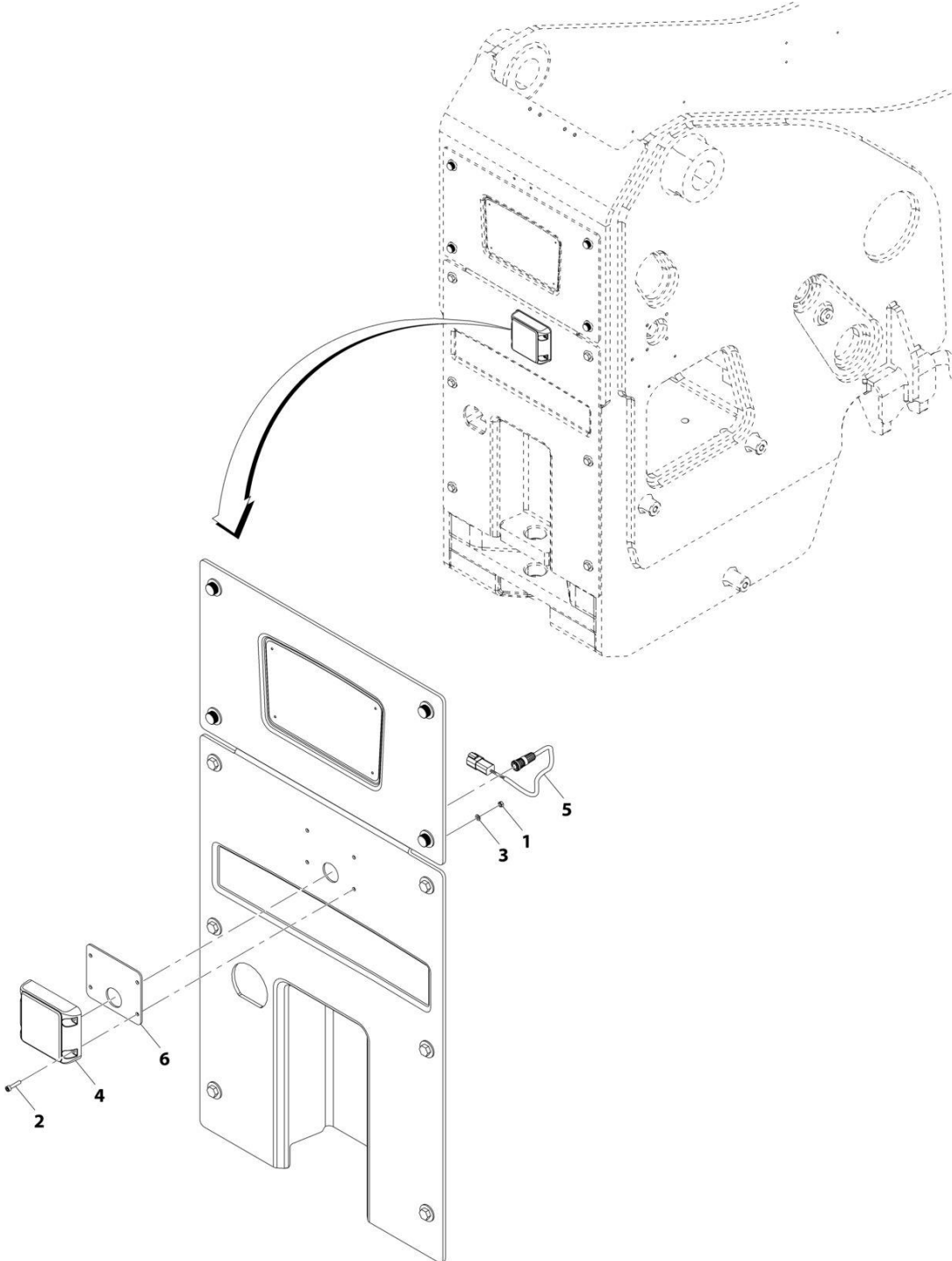
SECTION 10 - ELECTRICAL

FIGURE 10-88. REVERSE CAMERA INSTALLATION

ITEM	PART NUMBER	QTY	DESCRIPTION	REV
	1001192321	Ref	Reverse Camera Installation	G
1	0700408	2	Bolt, M4X16	
2	0760808	2	Bolt, M8X16	
3	3290401	2	Nut, M4X0.7	
4	4811400	4	Washer, M4	
5	4811900	2	Washer, M8	
6	1001167017	1	Camera, Reverse	
7	1001171962	1	Cable, Camera	
8	1001205307	1	Bracket	
10	1001202621	1	Bracket	
12	4460884	1	Connector	
13	4460466	1	Terminal	

SECTION 10 - ELECTRICAL

FIGURE 10-89. REVERSE SENSOR INSTALLATION



ART_1001192322-F

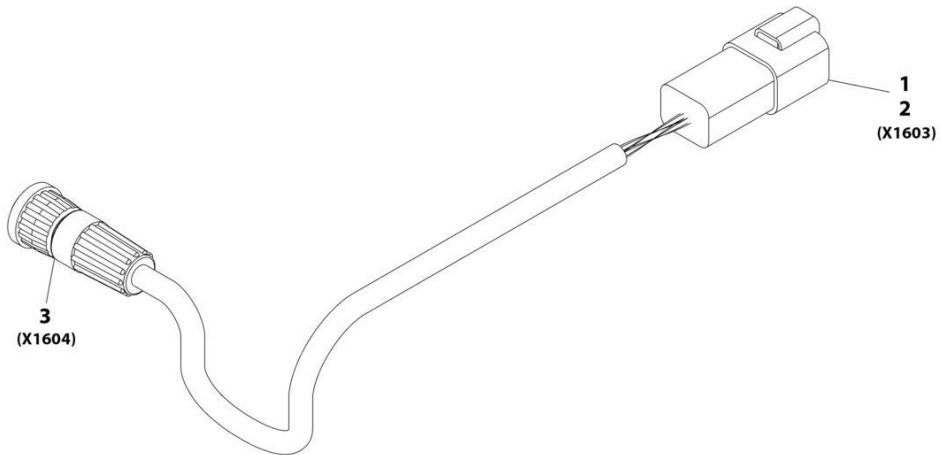
SECTION 10 - ELECTRICAL

FIGURE 10-89. REVERSE SENSOR INSTALLATION

ITEM	PART NUMBER	QTY	DESCRIPTION	REV
	1001192322	Ref	Reverse Sensor Installation	F
1	3290501	4	Nut, M5X0.8	
2	5271609	4	Screw, M5X25	
3	4811600	4	Washer, M5	
4	1001247421	1	Sensor, Reverse	
5	1001175776	1	Harness, Reverse Sensor (See Separate Breakdown in this Section)	
6	1001251518	1	Plate	

SECTION 10 - ELECTRICAL

FIGURE 10-90. REVERSE SENSOR HARNESS



ART_1001175776-C

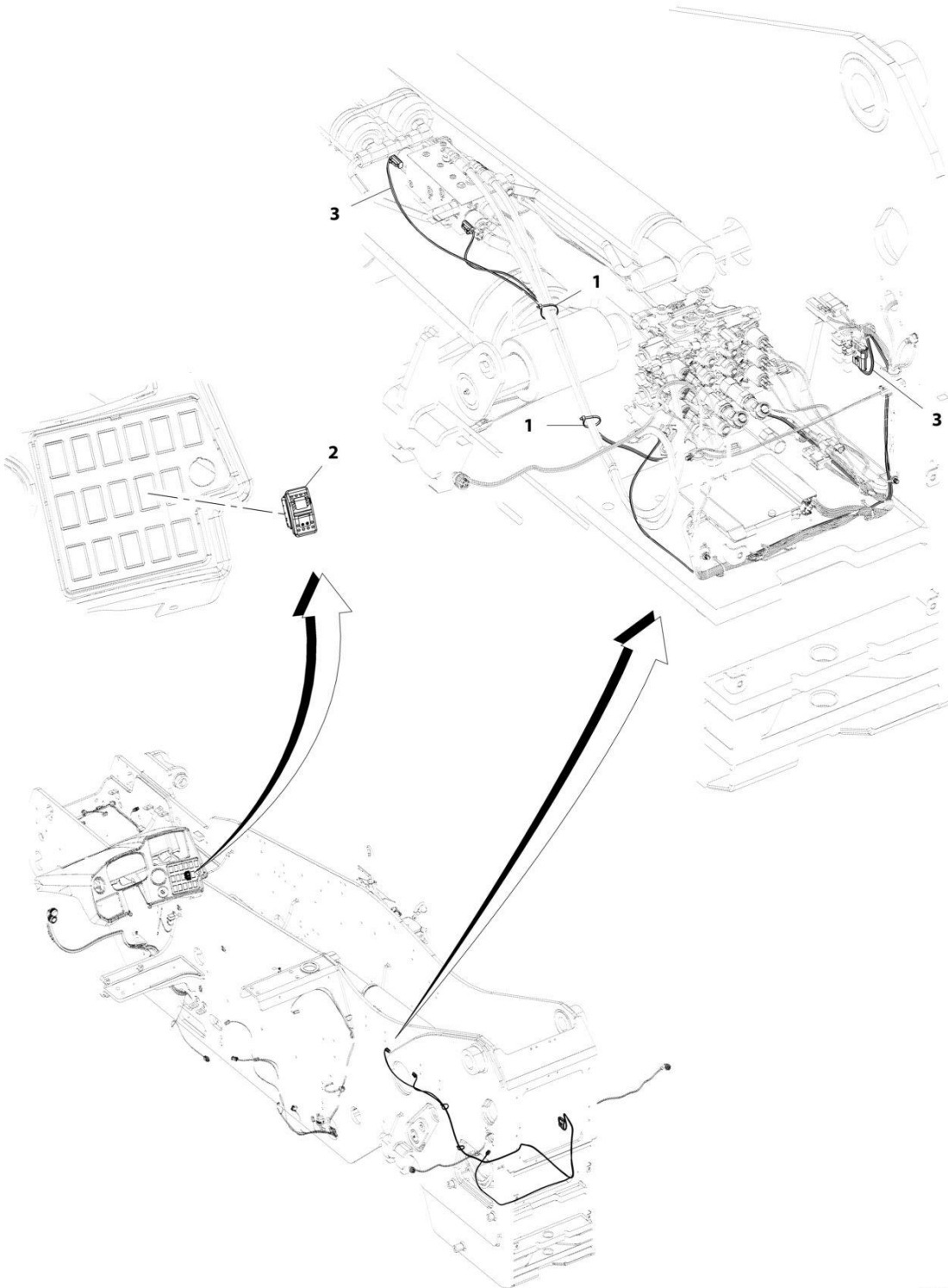
SECTION 10 - ELECTRICAL

FIGURE 10-90. REVERSE SENSOR HARNESS

ITEM	PART NUMBER	QTY	DESCRIPTION	REV
	1001175776	Ref	Reverse Sensor Harness	C
1	4460932	1	Connector	
2	4460464	4	Terminal	
3	1001175733	1	Connector	

SECTION 10 - ELECTRICAL

FIGURE 10-91. RIDE CONTROL WIRING INSTALLATION



ART_1001200105-B

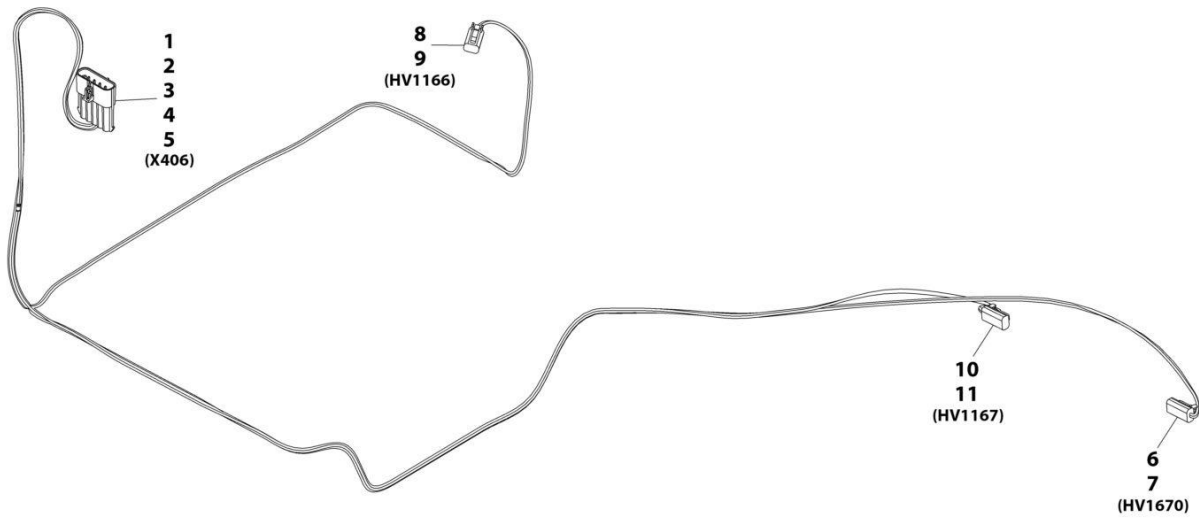
SECTION 10 - ELECTRICAL

FIGURE 10-91. RIDE CONTROL WIRING INSTALLATION

ITEM	PART NUMBER	QTY	DESCRIPTION	REV
	1001200105	Ref	Ride Control Wiring Installation	B
1	1001008559	2	Strap, Cable Tie	
2	1001159745	1	Switch, Boom Ride	
3	1001197668	1	Harness, Boom Ride Float (See Separate Breakdown in this Section)	

SECTION 10 - ELECTRICAL

FIGURE 10-92. RIDE CONTROL HARNESS (BOOM)



ART_1001197668-D

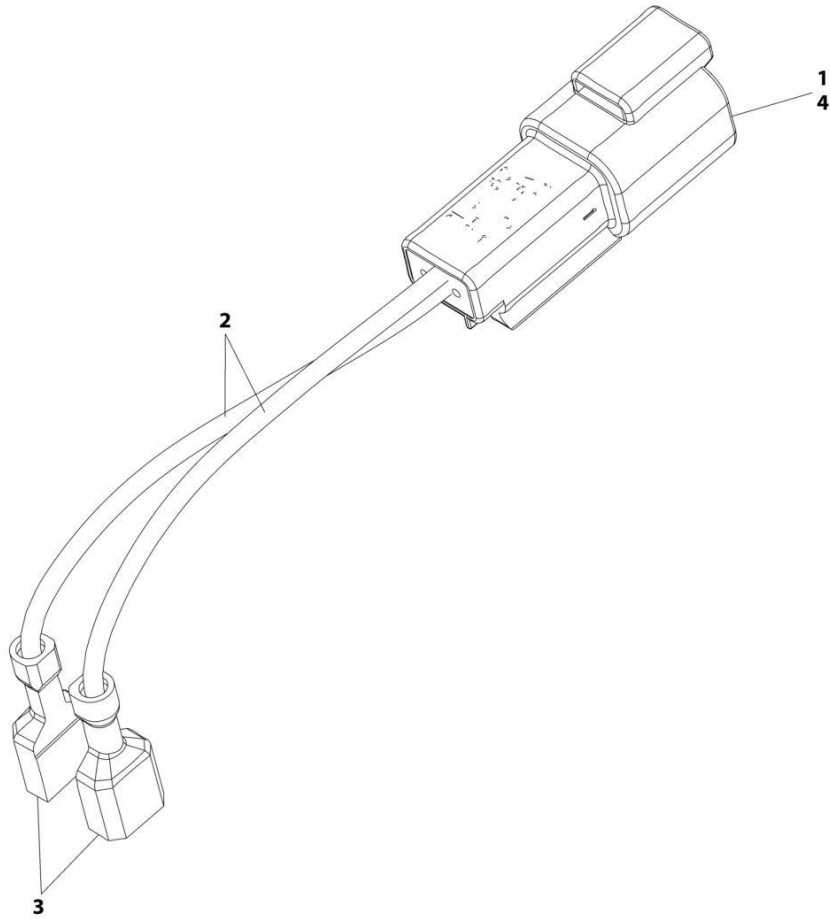
SECTION 10 - ELECTRICAL

FIGURE 10-92. RIDE CONTROL HARNESS (BOOM)

ITEM	PART NUMBER	QTY	DESCRIPTION	REV
	1001197668	Ref	Boom Ride Control Harness	D
1	1001121727	1	Connector	
2	1001116745	3	Terminal	
3	1001116729	1	Terminal	
4	4460458	4	Terminal Seal	
5	1001116727	1	Plug	
6	4460891	1	Connector	
7	4460465	2	Terminal	
8	4460891	1	Connector	
9	4460465	2	Terminal	
10	4460891	1	Connector	
11	4460465	2	Terminal	

SECTION 10 - ELECTRICAL

FIGURE 10-93. SPEED HARNESS (VEHICLE SPEED)



ART_1001229981-A

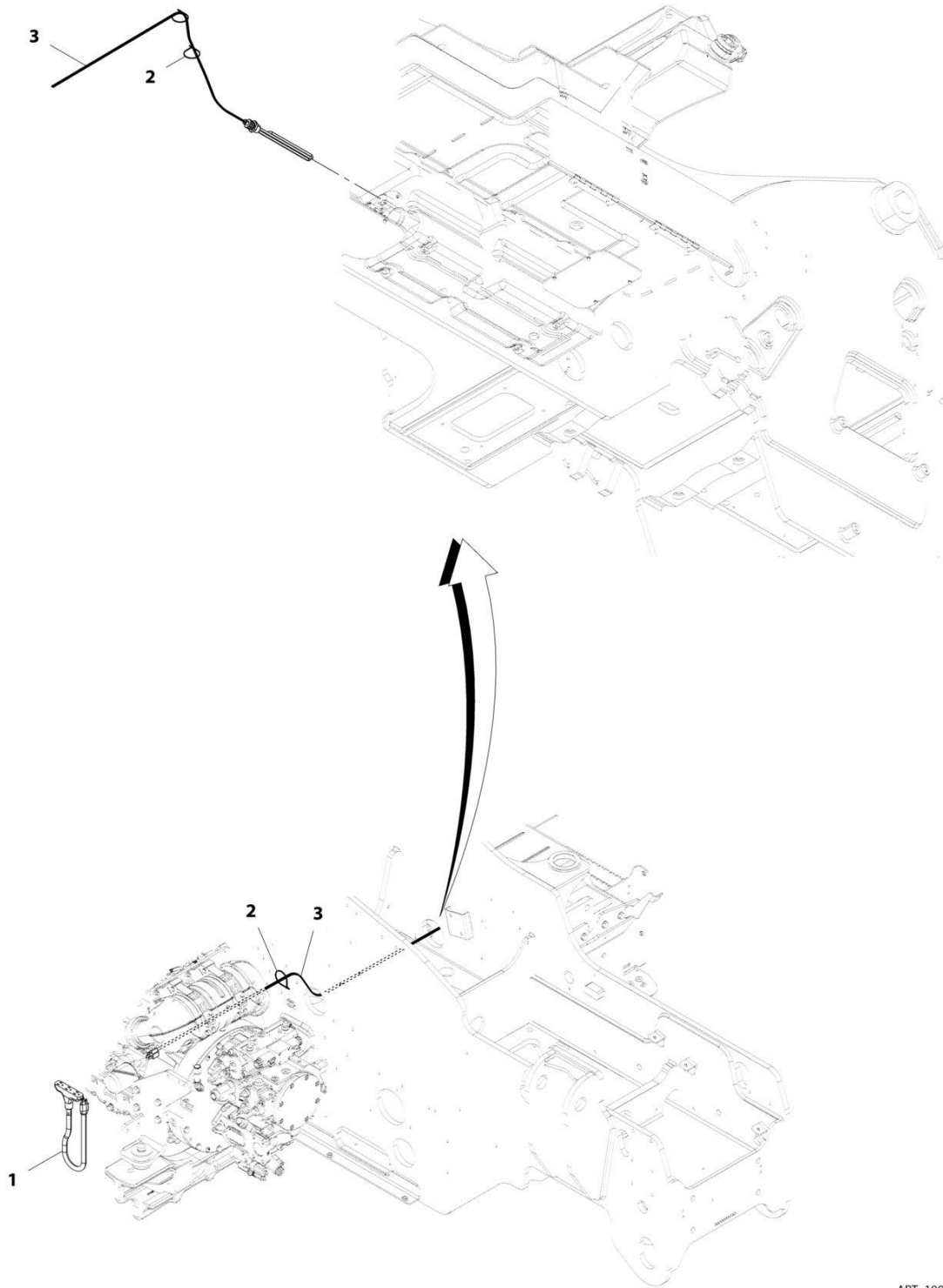
SECTION 10 - ELECTRICAL

FIGURE 10-93. SPEED HARNESS (VEHICLE SPEED)

ITEM	PART NUMBER	QTY	DESCRIPTION	REV
	1001229981	Ref	Vehicle Speed Pigtail Harness	A
1	4460464	2	Terminal	
2	4921614	200 mm	Wire, 18GA White	
3	1001194421	2	Terminal	
4	4460897	1	Connector	

SECTION 10 - ELECTRICAL

FIGURE 10-94. TANK HEATER INSTALLATION - HYDRAULIC TANK (115V)



ART_1001195593-B

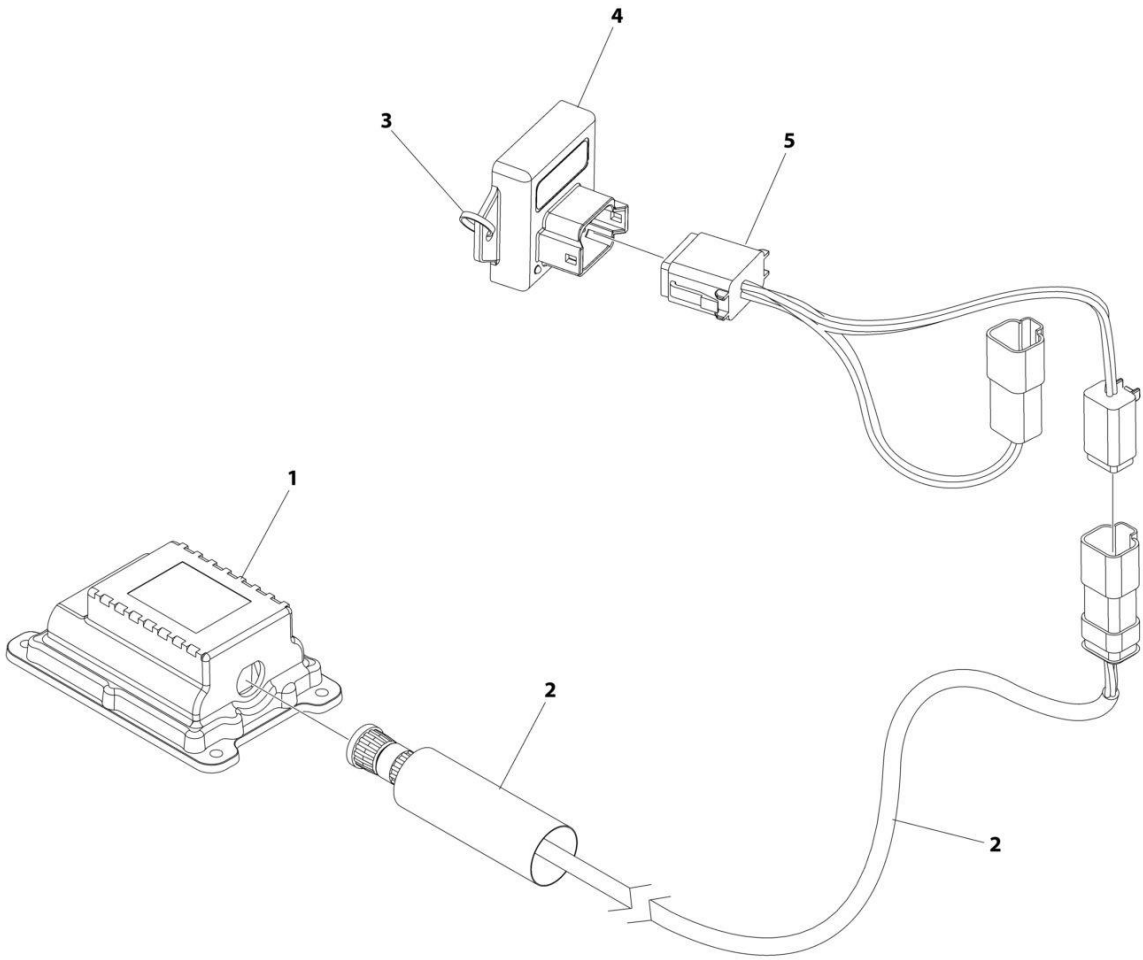
SECTION 10 - ELECTRICAL

FIGURE 10-94. TANK HEATER INSTALLATION - HYDRAULIC TANK (115V)

ITEM	PART NUMBER	QTY	DESCRIPTION	REV
	1001195593	Ref	Hydraulic Tank Heater Installation (115V)	B
1	1060626	1	Cord, 3-Way Extension	
2	4240099	AR	Tie, Wire	
3	1001105886	1	Heater, Immersion	

SECTION 10 - ELECTRICAL

FIGURE 10-95. TELEMATICS (CLEARSKY) INSTALLATION 3-WIRE (ANSI)



ART_1001229107

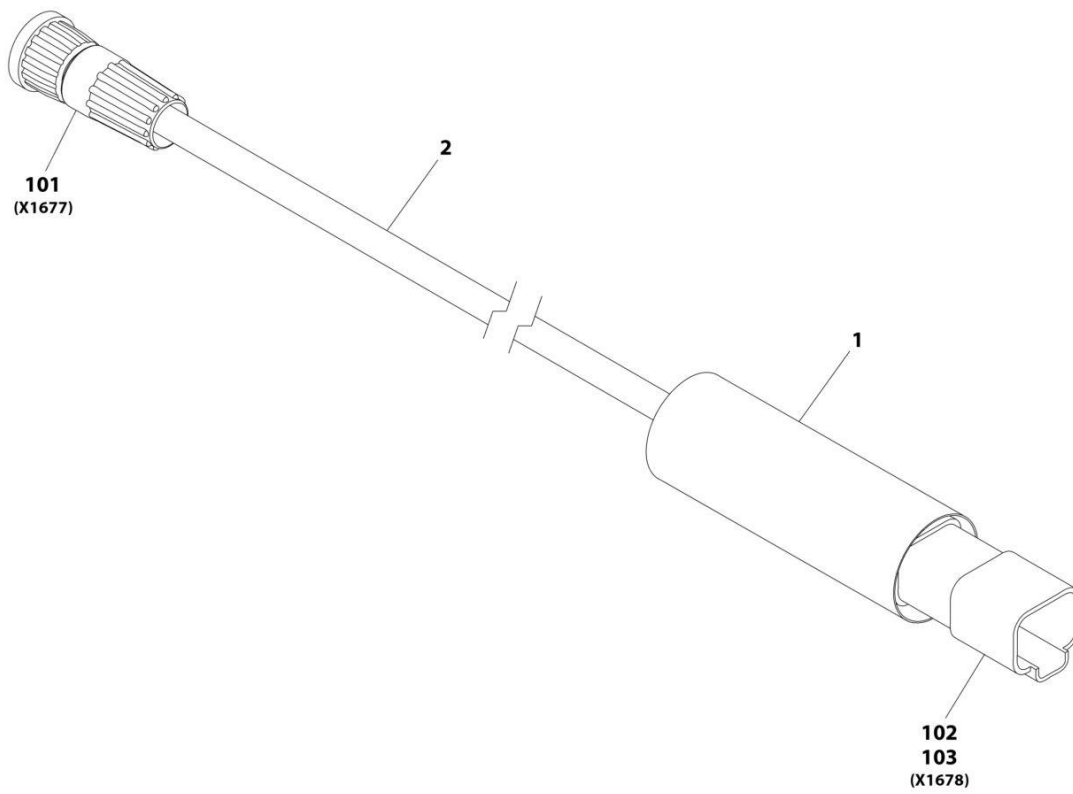
SECTION 10 - ELECTRICAL

FIGURE 10-95. TELEMATICS (CLEARSKY) INSTALLATION 3-WIRE (ANSI)

ITEM	PART NUMBER	QTY	DESCRIPTION	REV
	1001229107	Ref	CLEARSKY INSTALLATION 3-WIRE	D
1	1001226328	1	Module, 3W TCU	
2	1001227066	1	Telematics ClearSky Harness (See Separate Breakdown in this Section)	
3	4240032	AR	Tie-Strap	
4	1001262960	1	Voltage Regulator	
5	1001262963	1	Harness, Xirgo Jumper	

SECTION 10 - ELECTRICAL

FIGURE 10-96. TELEMATICS HARNESS



ART_1001227066-A

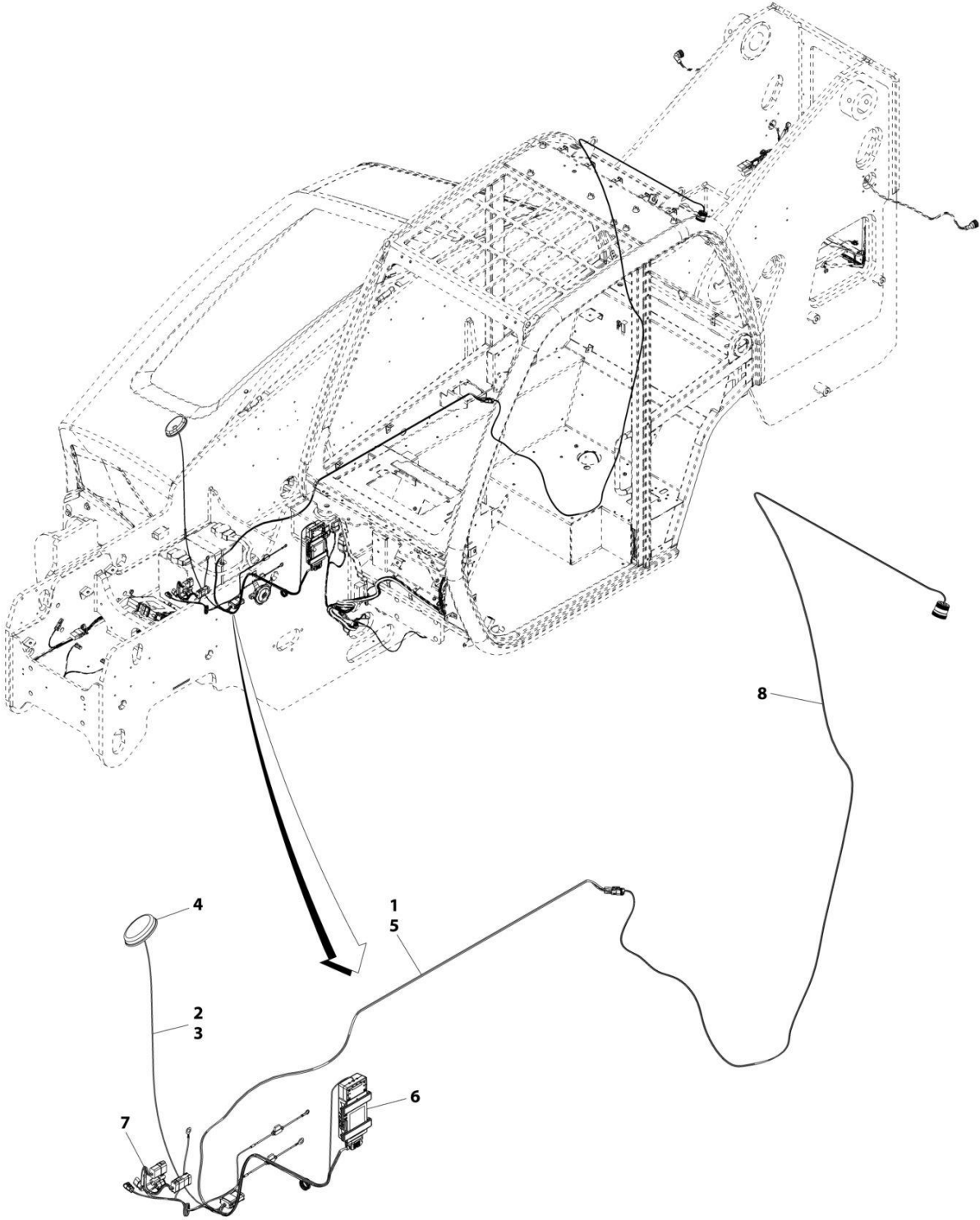
SECTION 10 - ELECTRICAL

FIGURE 10-96. TELEMATICS HARNESS

ITEM	PART NUMBER	QTY	DESCRIPTION	REV
	1001227066	Ref	CLEARSKY TELEMATICS HARNESS	A
1	1001226400	0.33 ft	Insulate, Heat Shrink	
2	1001227068	3.3 ft	Cable	
101	1001227266	1	Connector	
102	1001129407	1	Connector	
103	4460464	4	Terminal	

SECTION 10 - ELECTRICAL

FIGURE 10-97. TELEMATICS (CLEARSKY) INSTALLATION (CANBUS) (ANSI)



ART_1001232033-B

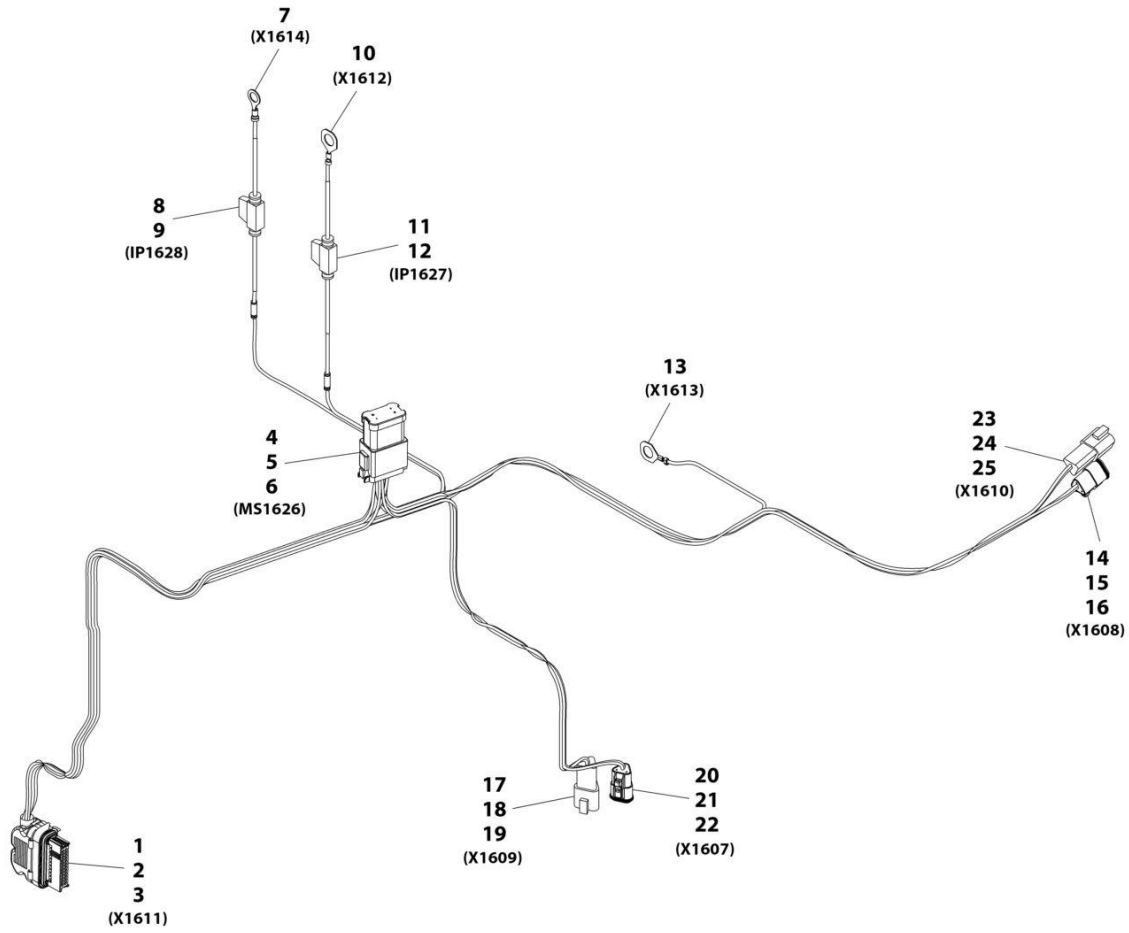
SECTION 10 - ELECTRICAL

FIGURE 10-97. TELEMATICS (CLEARSKY) INSTALLATION (CANBUS) (ANSI)

ITEM	PART NUMBER	QTY	DESCRIPTION	REV
	1001232033	Ref	Clearsky Installation	B
1	1062255	AR	Strap, Tie	
2	4240032	AR	Strap, Tie	
3	4460234	AR	Mount, Cable Tie	
4	1001226799	1	Antenna	
5	1001227297	1	Harness, Clearsky (See Separate Breakdown in this Section)	
6	1001229955	1	Module	
7	1001232298	1	Harness, Telematics Option (See Separate Breakdown in this Section)	
8	1001254185	1	Harness, Adapter (See Separate Breakdown in this Section)	

SECTION 10 - ELECTRICAL

FIGURE 10-98. TELEMATIC 4WARD HARNESS (CLEARSKY 2)



ART_1001227297

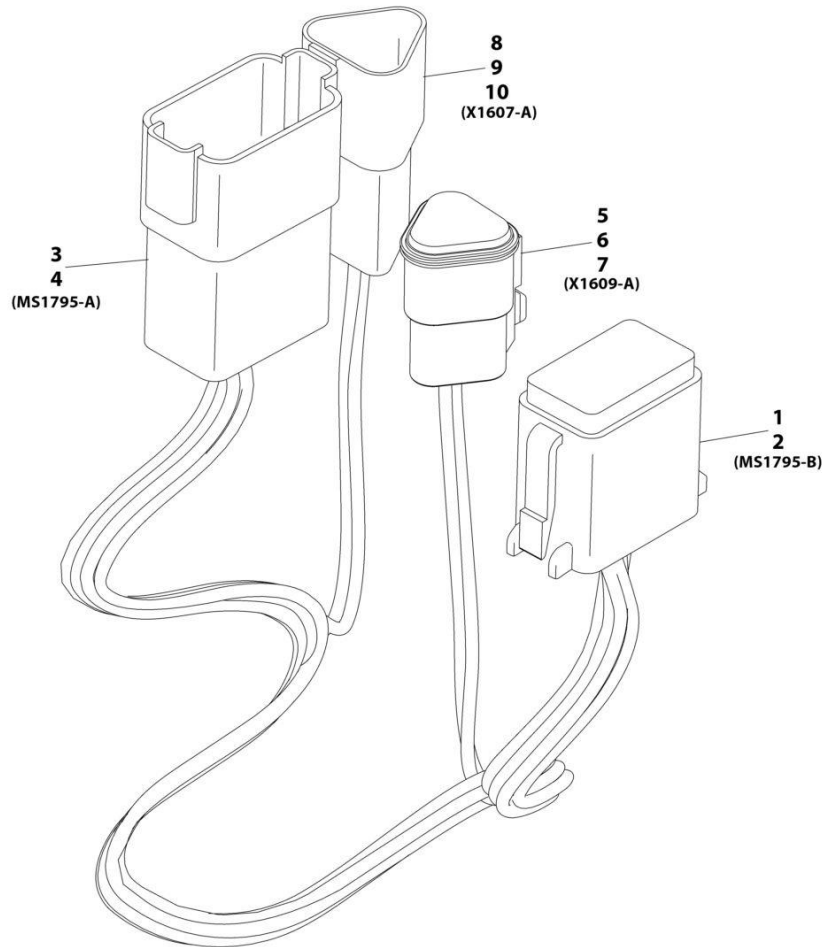
SECTION 10 - ELECTRICAL

FIGURE 10-98. TELEMATIC 4WARD HARNESS (CLEARSKY 2)

ITEM	PART NUMBER	QTY	DESCRIPTION	REV
	1001227297	Ref	TELEMATIC 4WARD HARNESS (CLEARSKY 2)	C
1	1001226636	1	Connector	
2	1001226637	7	Terminal	
3	1001116731	17	Plug	
4	4460933	1	Connector	
5	4460465	12	Terminal	
6	1001200206	1	Connector, DT 12 Pin 4X3 Buss	
7	4460670	1	Connector	
8	2400060	1	Connector	
9	8229242	1	Fuse, 5amp	
10	1001187078	1	Connector	
11	2400060	1	Connector	
12	8229242	1	Fuse, 5amp	
13	1001187077	1	Connector	
14	1001116812	1	Connector	
15	4460465	2	Terminal	
16	4460466	1	Plug	
17	1001144147	1	Connector	
18	4460464	2	Terminal	
19	4460466	1	Plug	
20	1001116812	1	Connector	
21	4460465	2	Terminal	
22	4460466	1	Plug	
23	1001144147	1	Connector	
24	4460464	2	Terminal	
25	4460466	1	Plug	

SECTION 10 - ELECTRICAL

FIGURE 10-99. TELEMATICS OPTION HARNESS



ART_1001232298-A

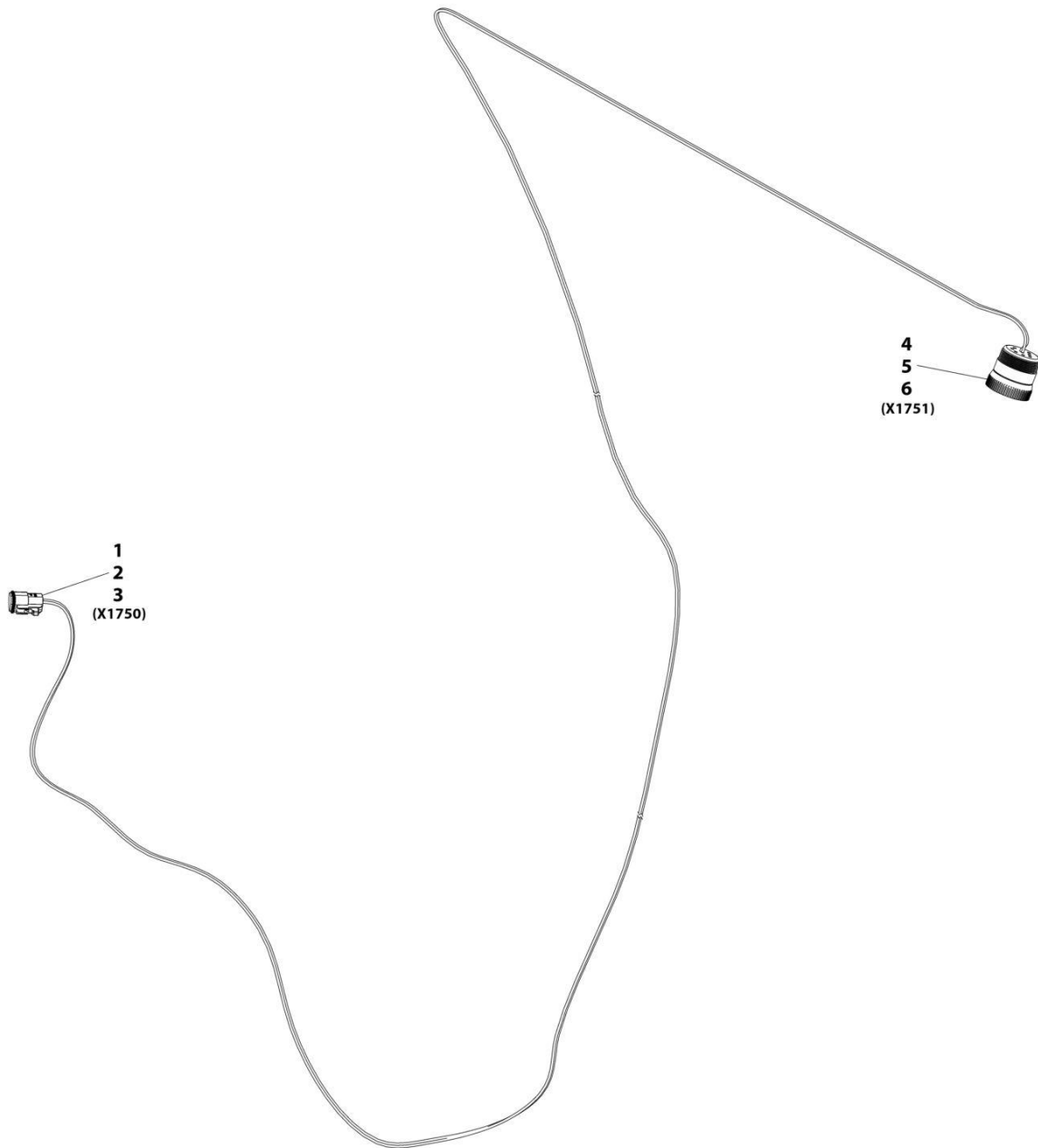
SECTION 10 - ELECTRICAL

FIGURE 10-99. TELEMATICS OPTION HARNESS

ITEM	PART NUMBER	QTY	DESCRIPTION	REV
	1001232298	Ref	Telematics Option Harness	A
1	4460930	1	Connector	
2	4460465	8	Terminal	
3	4460931	1	Mating Connector	
4	4460464	8	Terminal	
5	1001116812	1	Connector	
6	4460465	2	Terminal	
7	4460466	1	Plug	
8	1001144147	1	Connector	
9	4460464	2	Terminal	
10	4460466	1	Plug	

SECTION 10 - ELECTRICAL

FIGURE 10-100. TELEMATICS ADAPTER HARNESS



ART_1001254185-A

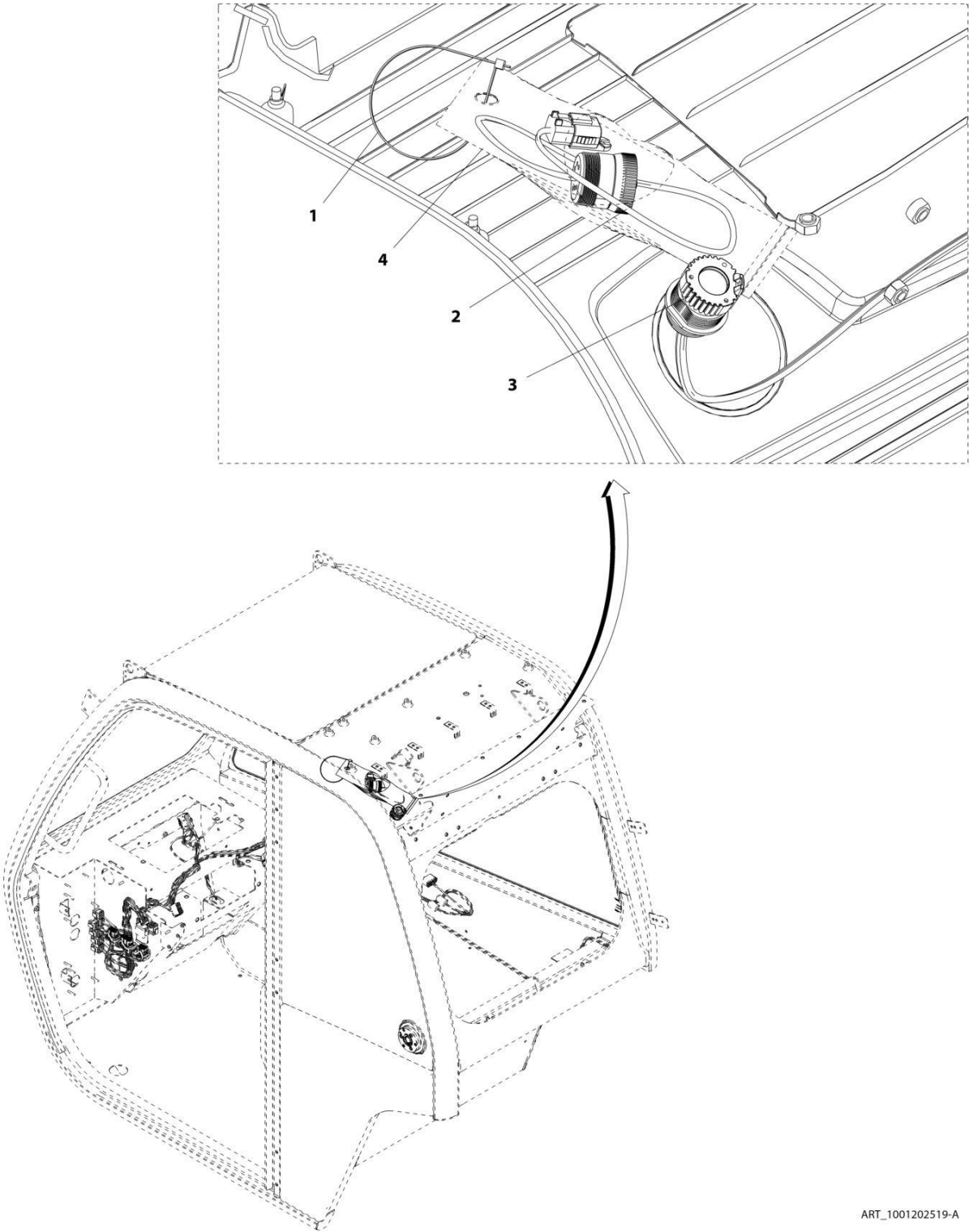
SECTION 10 - ELECTRICAL

FIGURE 10-100. TELEMATICS ADAPTER HARNESS

ITEM	PART NUMBER	QTY	DESCRIPTION	REV
	1001254185	Ref	TELEMATICS ADAPTER HARNESS	A
1	1001116812	1	Connector	
2	4460465	2	Terminal	
3	4460466	1	Plug	
4	1001112796	1	Connector	
5	4460944	2	Terminal	
6	4460466	7	Plug	

SECTION 10 - ELECTRICAL

FIGURE 10-101. TELEMATICS READY INSTALLATION



ART_1001202519-A

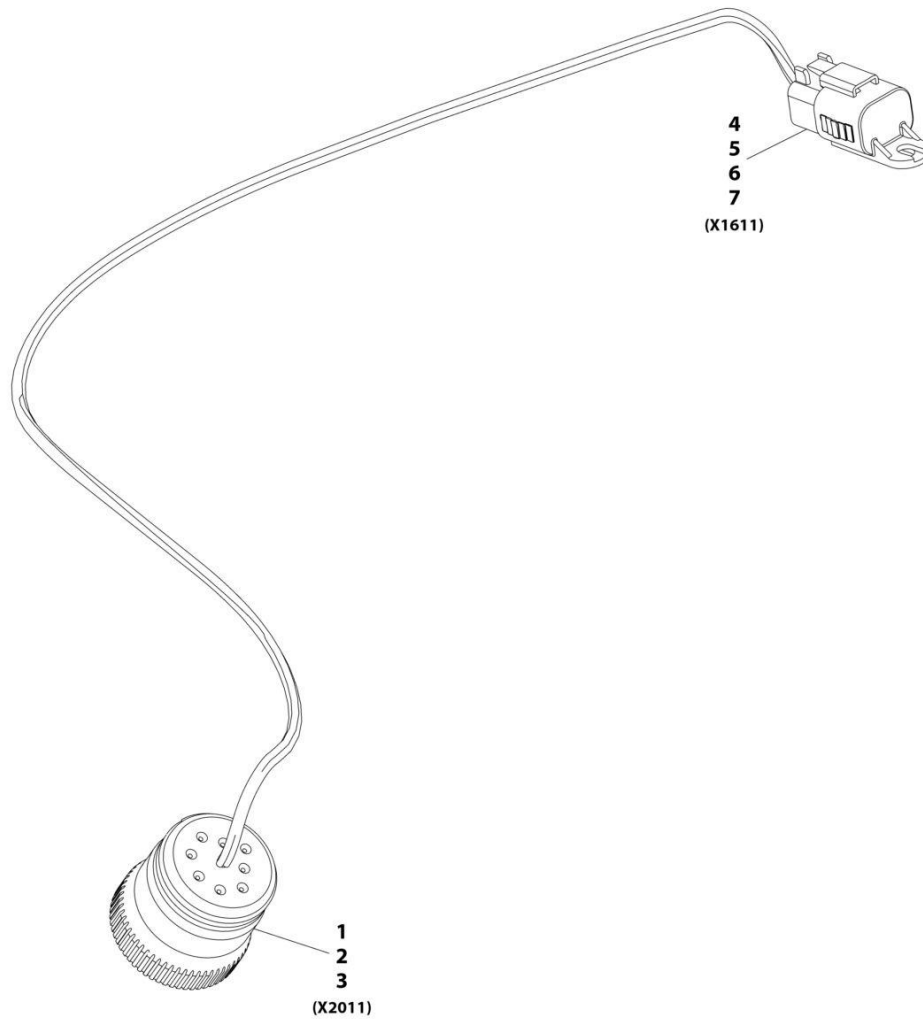
SECTION 10 - ELECTRICAL

FIGURE 10-101. TELEMATICS READY INSTALLATION

ITEM	PART NUMBER	QTY	DESCRIPTION	REV
	1001202519	Ref	Telematics Ready Installation	A
1	8584003	1	Strap, Tie	
2	1001196289	1	Harness, Telematics Ready (See Separate Breakdown in ELECTRICAL Section)	
3	1001201162	1	Cap	
4	1001202617	1	Bag	

SECTION 10 - ELECTRICAL

FIGURE 10-102. TELEMATICS READY HARNESS



ART_1001196289-A

SECTION 10 - ELECTRICAL

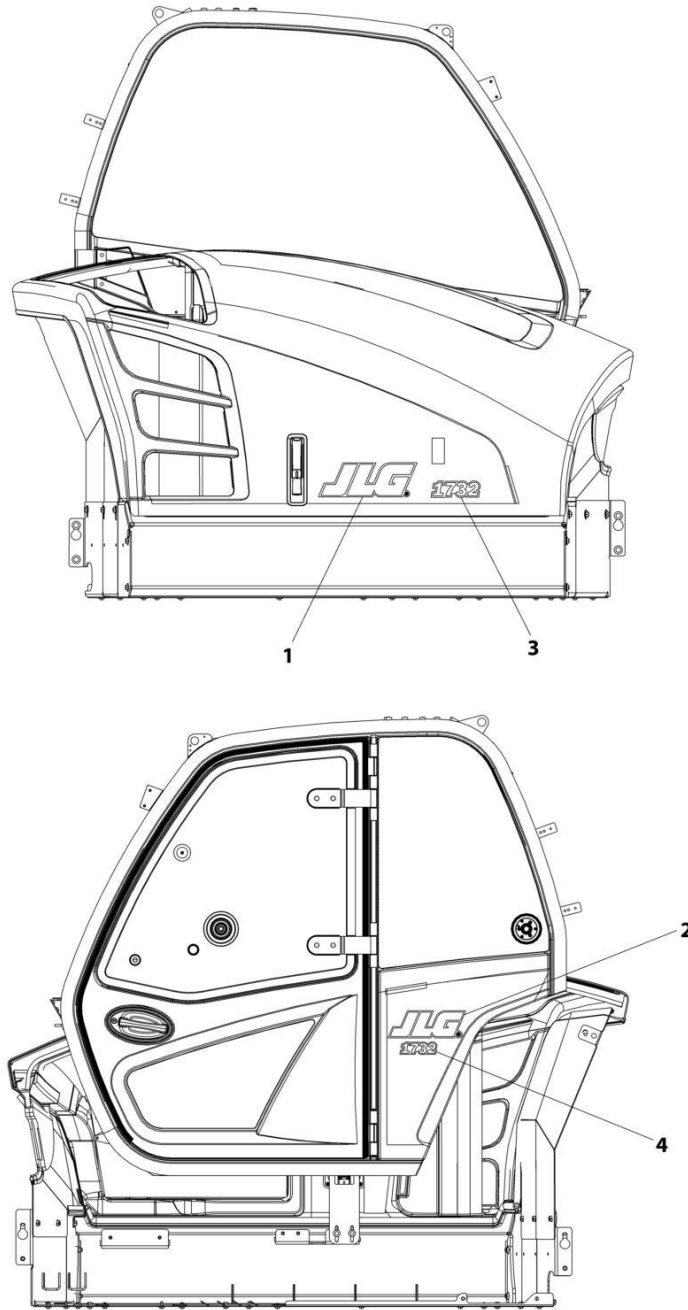
FIGURE 10-102. TELEMATICS READY HARNESS

ITEM	PART NUMBER	QTY	DESCRIPTION	REV
	1001196289	Ref	Telematics Ready Harness	A
1	1001112796	1	Connector	
2	4460465	3	Terminal	
3	4460466	6	Plug	
4	4460884	1	Connector	
5	80604021	1	Lock, Connector	
6	4460465	3	Terminal	
7	4460466	1	Terminal	

SECTION 11 - DECALS

SECTION 11 - DECALS

FIGURE 11-1. 1732 DECAL INSTALLATION



ART_1001226532-A

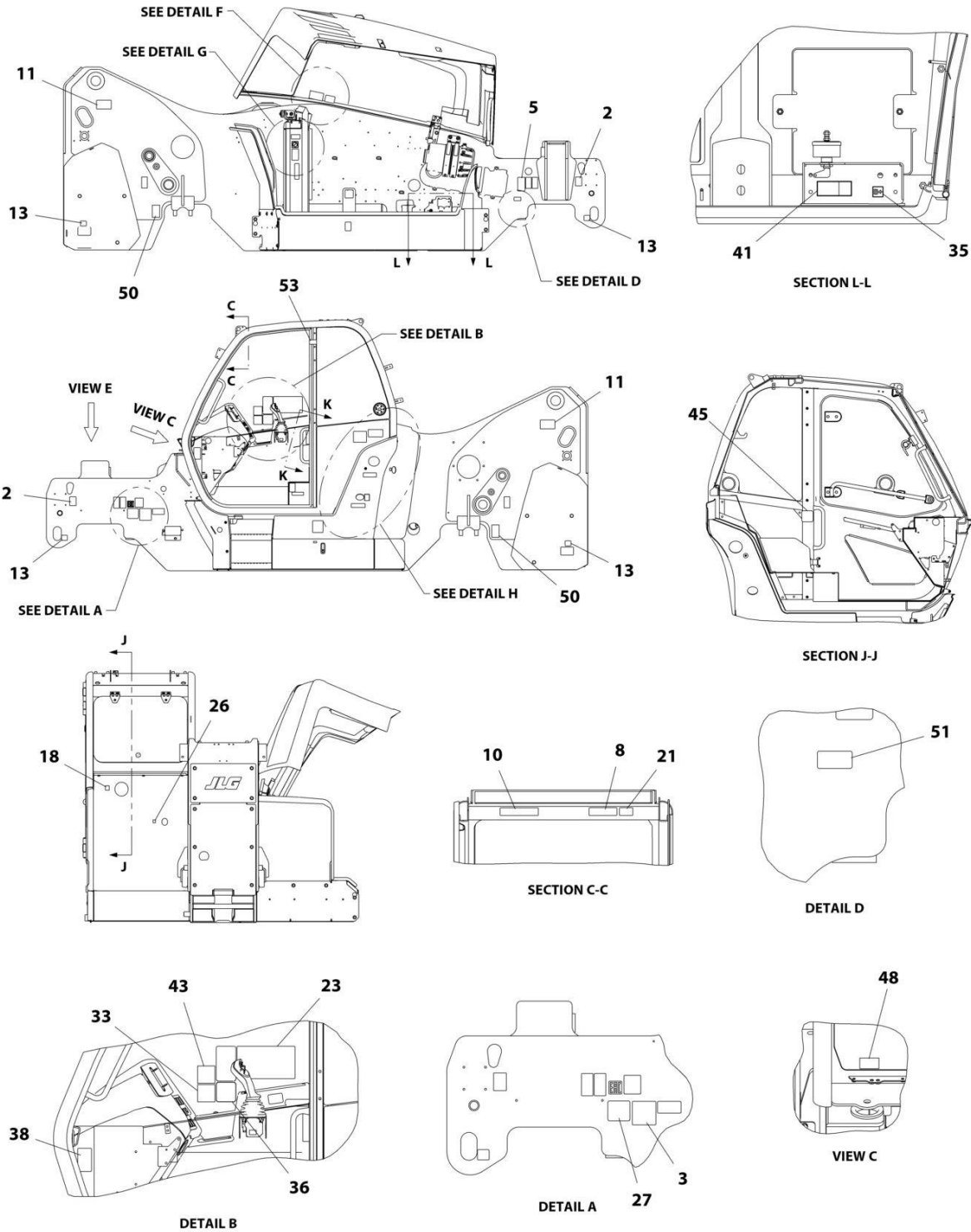
SECTION 11 - DECALS

FIGURE 11-1. 1732 DECAL INSTALLATION

ITEM	PART NUMBER	QTY	DESCRIPTION	REV
	1001226532	Ref	1732 Decal Installation	A
1	1001160775	1	Decal, JLG 5 Black	
2	1001169674	1	Decal, JLG M100X285	
3	1001226534	1	Decal, JLG 1732 Hood	
4	1001226535	1	Decal, JLG 1732 Cab	

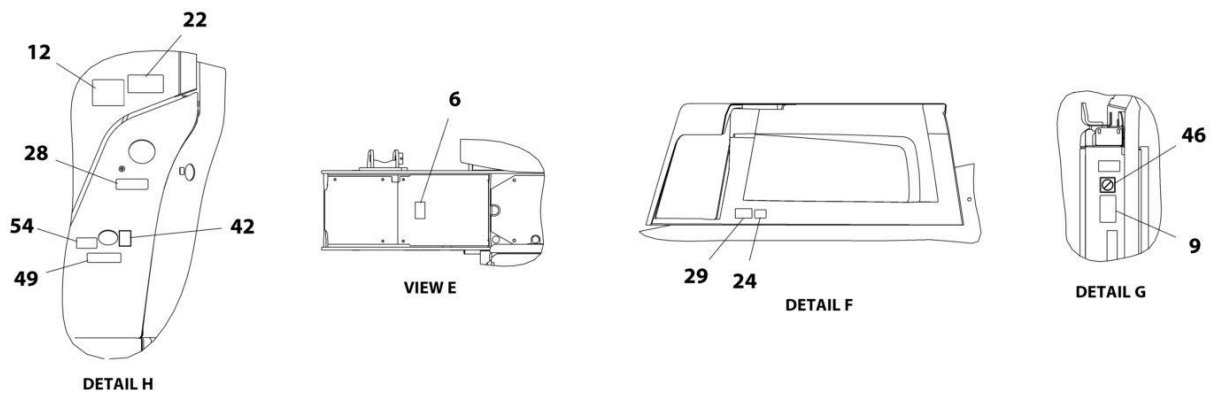
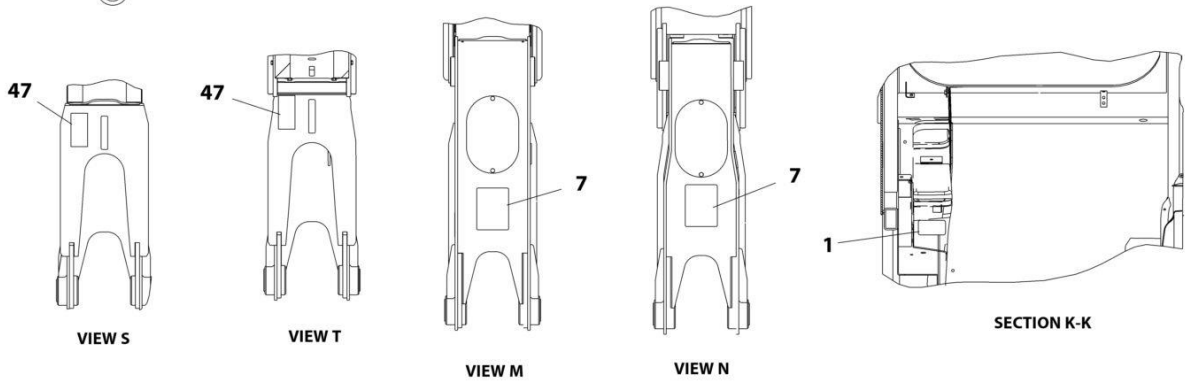
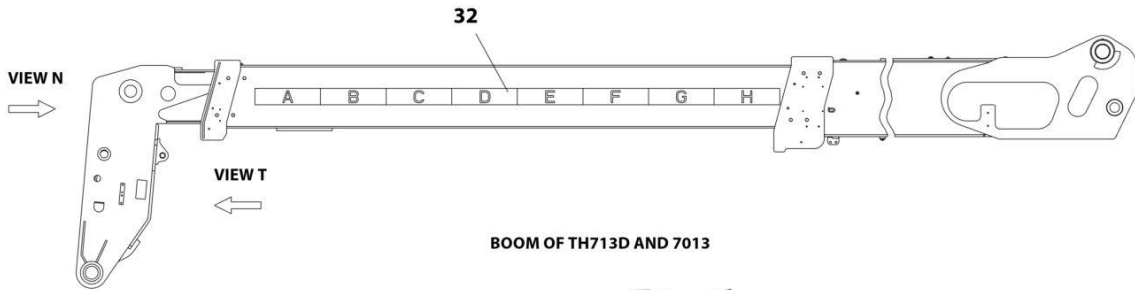
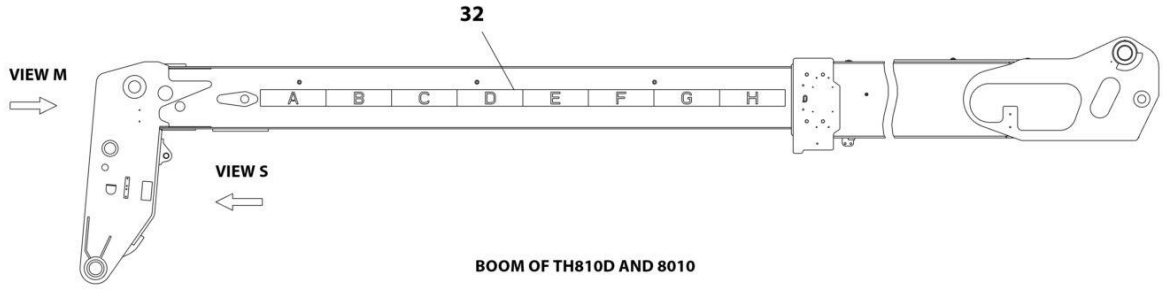
SECTION 11 - DECALS

FIGURE 11-2. DECAL INSTALLATION (ENGLISH)



ART_1001192745_1-K

SECTION 11 - DECALS



ART_1001192745_2-K

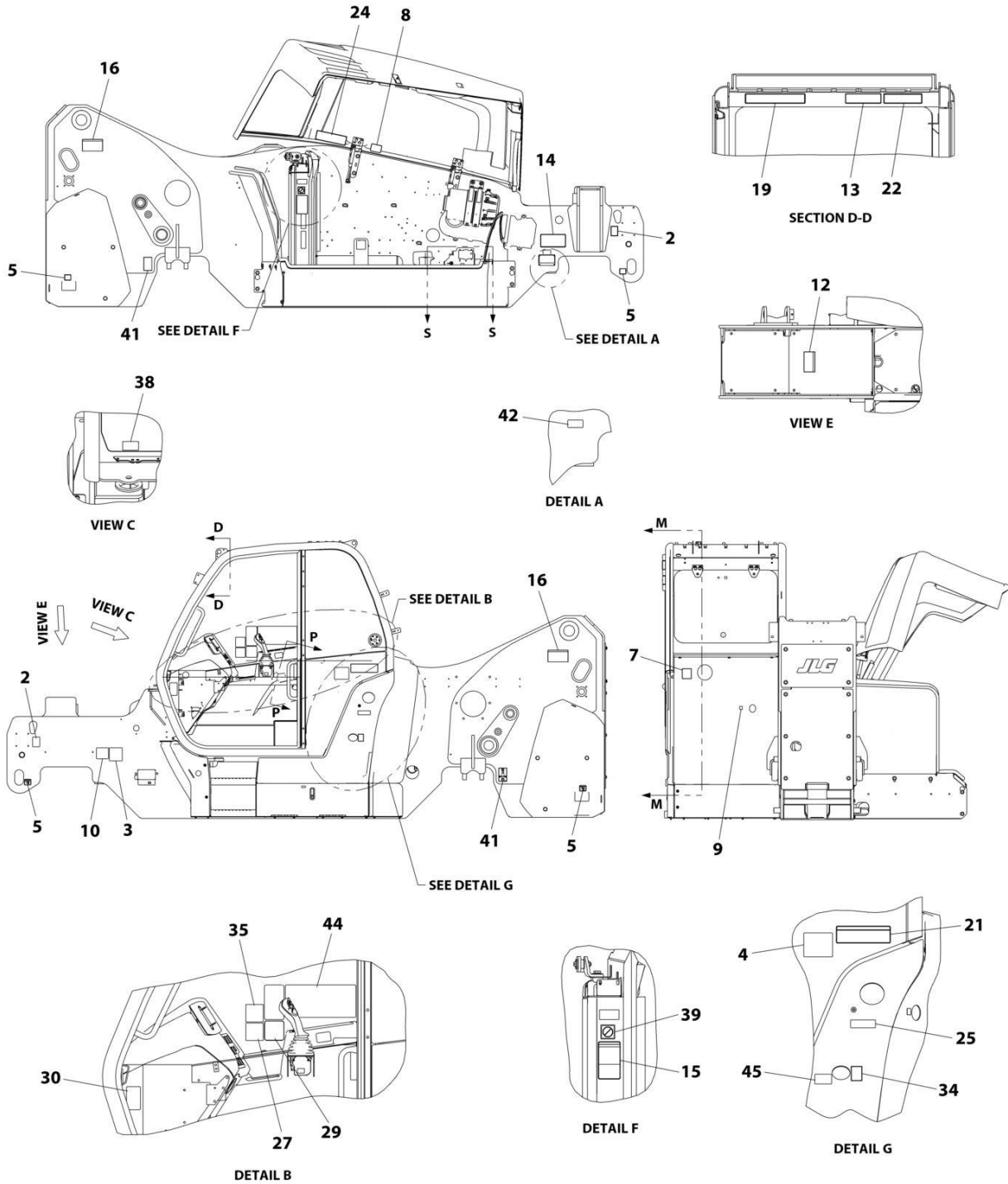
SECTION 11 - DECALS

FIGURE 11-2. DECAL INSTALLATION (ENGLISH)

ITEM	PART NUMBER	QTY	DESCRIPTION	REV
	1001192745	Ref	Decal Installation (English)	K
1	1670836	1	Cover, Boom	
2	1701500	2	Decal, Lift	
3	See Note	NSS	Decal, Bar Code (Note: Not Available for Purchase)	
5	1706300	1	Decal, Ether Warning	
6	1706296	1	Decal, Battery Warning	
7	1001195849	1	Decal, Carry Personnel	
8	1706299	1	Decal, Contacting Power Lines Warning	
9	1706301	1	Decal, Keep Clear Of Rotating Parts Warning	
10	1706306	1	Decal, Tip Over Warning	
11	1706302	2	Decal, Pinch Point Boom Holes	
12	3251813	1	Decal, USA	
13	4109801	4	Decal, Tie Down Point	
18	1001094708	1	Decal, Hydraulic Oil	
21	1706850	1	Decal, Crush Hazard Warning	
22	1706768	1	Decal, Vehicle Roll Away	
23	1707078	1	Decal, Warning/Danger	
24	1001109053	1	Decal, Coolant Fill	
26	1001130323	1	Decal, Oil Level	
27	1001131271	1	Decal, Patent	
28	1001218704	1	Decal, Ultra Low Sulfur Diesel	
29	1001139578	1	Decal, Hot Fluid Warning	
32	1001171277	1	Decal, Boom Extend	
33	1001172035	1	Decal, No Weld or Drill	
35	1001184632	1	Decal, Battery Positive	
36	1001188372	1	Decal, Sway	
38	1001191229	1	Decal, Fuse Panel	
41	1001195855	1	Decal, Battery Disconnect	
42	1001196806	1	Decal, Diesel Exhaust Fluid	
43	1001227287	1	Decal, Manual	
45	1001214206	1	Decal, Park Brake	
46	AU2105	1	Decal, No Karcher	
47	1001207217	1	Decal, Danger Swinging Loads	
48	1001218659	1	Decal, Brake Fluid	
49	1001219212	1	Decal, DEF Fluid	
50	1001222650	2	Decal, Axle Lift	
51	1001223453	1	DECAL,ICES (CAN)	
53	1001231801	1	Decal, Warning Prop 65	
54	1001247646	1	Decal, DEF Min. Refill Volume	

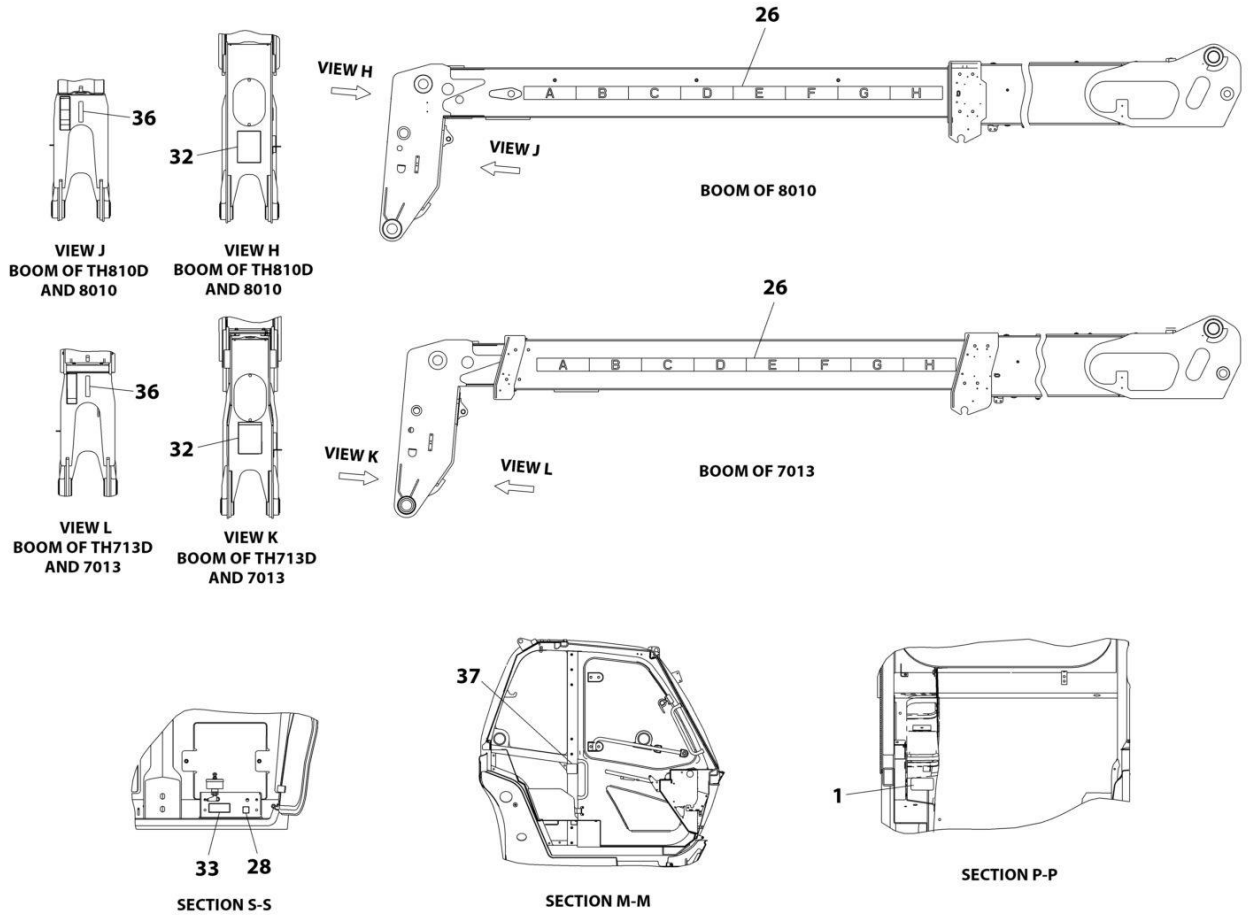
SECTION 11 - DECALS

FIGURE 11-3. DECAL INSTALLATION (ENGLISH/FRENCH)



ART_1001220230_1-J

SECTION 11 - DECALS



ART_1001220230_2-J

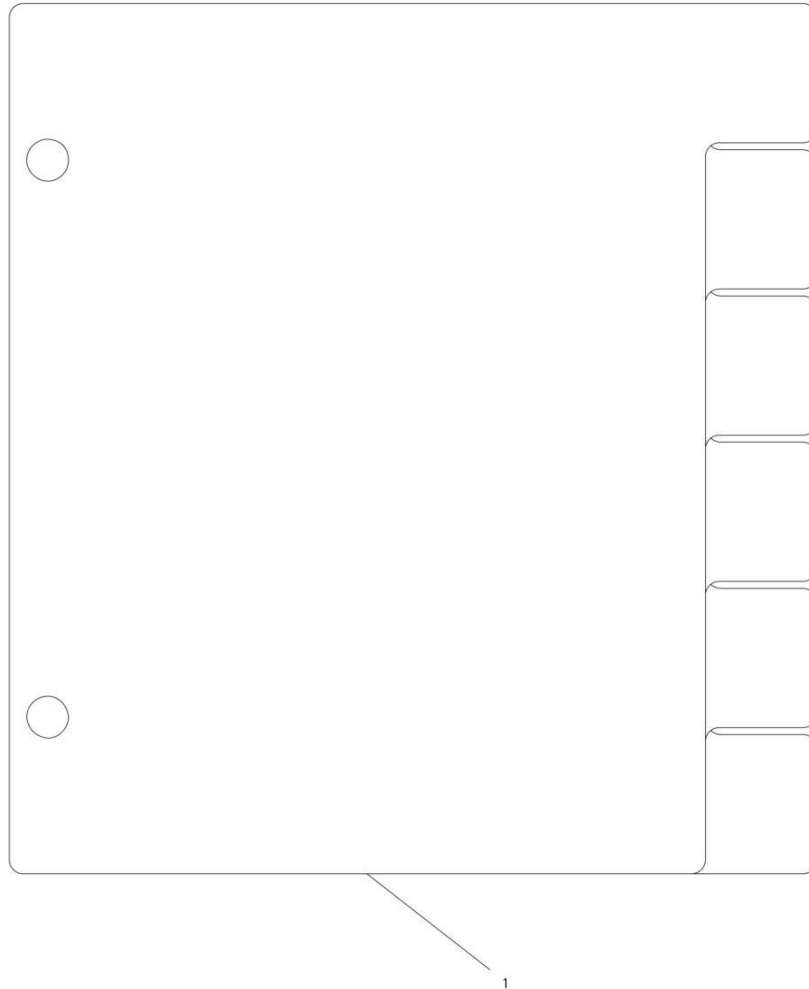
SECTION 11 - DECALS

FIGURE 11-3. DECAL INSTALLATION (ENGLISH/FRENCH)

ITEM	PART NUMBER	QTY	DESCRIPTION	REV
	1001220230	Ref	Decal Installation (English/French)	J
1	1670836	1	Cover, Boom	
2	1701500	2	Decal, Lift	
3	See Note	NSS	Decal, Bar Code (Note: Not Available for Purchase)	
4	3251813	1	Decal, USA	
5	4109801	4	Decal, Tie Down Point	
7	1001094708	1	Decal, Hydraulic Oil	
8	1001109053	1	Decal, Coolant Fill	
9	1001130323	1	Decal, Oil Level	
10	1001131271	1	Decal, Patent Telehandlers USA/Canada	
12	1001163174	1	Decal, Battery Warning	
13	1001163210	1	Decal, Electrocutation Hazard	
14	1001163212	1	Decal, Warning No Either	
15	1001163222	1	Decal, Moving Parts	
16	1001163223	2	Decal, Pinch Point	
19	1001163285	1	Decal, Warning Tip Over	
21	1001163300	1	Decal, No Riders	
22	1001163304	1	Decal, Warning Crushing Hazard	
24	1001163323	1	Decal, Warning Hot Fluid	
25	1001163355	1	Decal, Ultra Low Sulfur Diesel	
26	1001171277	1	Decal, Boom Extend	
27	1001172035	1	Decal, No Weld or Drill	
28	1001184632	1	Decal, Battery Positive	
29	1001188372	1	Decal, Sway	
30	1001191229	1	Decal, Fuse Panel	
32	1001195851	1	Decal, Carry Personnel	
33	1001195855	1	Decal, Battery Disconnect	
34	1001196806	1	Decal, Diesel Exhaust Fluid	
35	1001227287	1	Decal, Manual	
36	1001209625	1	Decal, Danger Swinging Loads	
37	1001214206	1	Decal, Park Brake	
38	1001219211	1	Decal, Brake Fluid	
39	AU2105	1	Decal, No Karcher	
41	1001222650	2	Decal, Axle Lift	
42	1001223453	1	Decal, ICES	
44	1001233558	1	Decal, Warning/Danger - Cab	
45	1001247646	1	Decal, DEF Min. Refill Volume	

SECTION 11 - DECALS

FIGURE 11-4. CAPACITY CHART



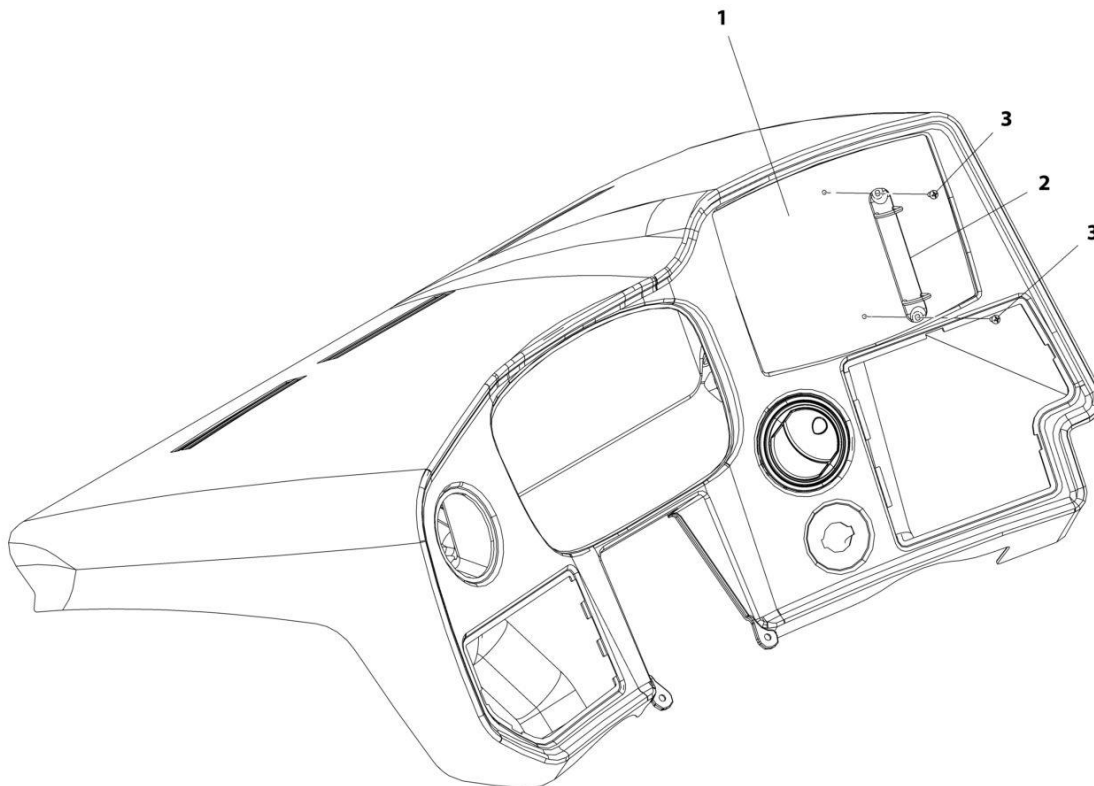
ART_1001233431-B

FIGURE 11-4. CAPACITY CHART

ITEM	PART NUMBER	QTY	DESCRIPTION	REV
1	1001233431	1	Capacity Chart	

SECTION 11 - DECALS

FIGURE 11-5. CAPACITY CHART HOLDER INSTALLATION



ART_1001178706-A

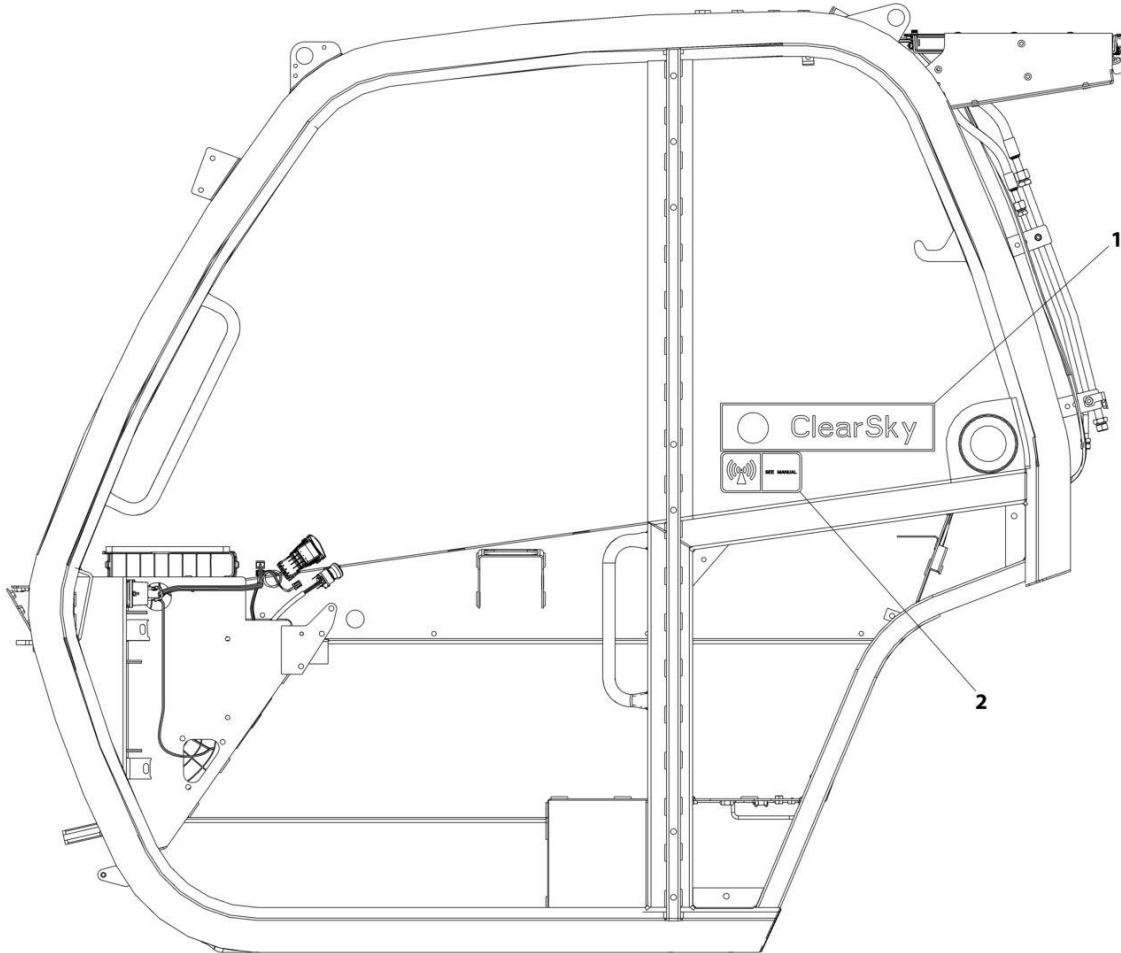
SECTION 11 - DECALS

FIGURE 11-5. CAPACITY CHART HOLDER INSTALLATION

ITEM	PART NUMBER	QTY	DESCRIPTION	REV
	1001178706	Ref	Capacity Chart Holder Installation	A
1	1001179297	1	Load Chart, Bezel	
2	1001005960	1	Holder	
3	7029486	2	Screw	

SECTION 11 - DECALS

FIGURE 11-6. CLEARSKY DECAL INSTALLATION



ART_1001229707

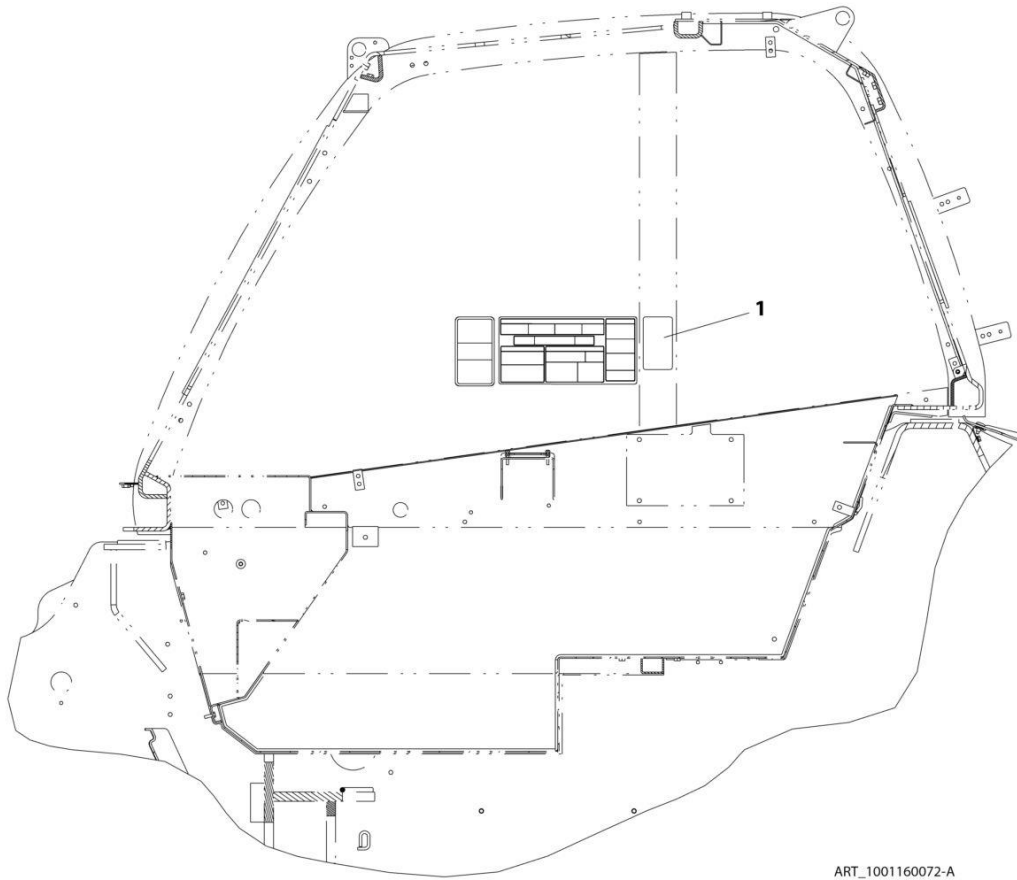
SECTION 11 - DECALS

FIGURE 11-6. CLEARSKY DECAL INSTALLATION

ITEM	PART NUMBER	QTY	DESCRIPTION	REV
	1001229707	Ref	Clearsky Decal Installation	C
1	1001294815	1	Decal - ClearSky	
2	1001120989	1	Radio Frequency Decal	

SECTION 11 - DECALS

FIGURE 11-7. REVERSE SENSOR SYSTEM DECAL (ENGLISH)



ART_1001160072-A

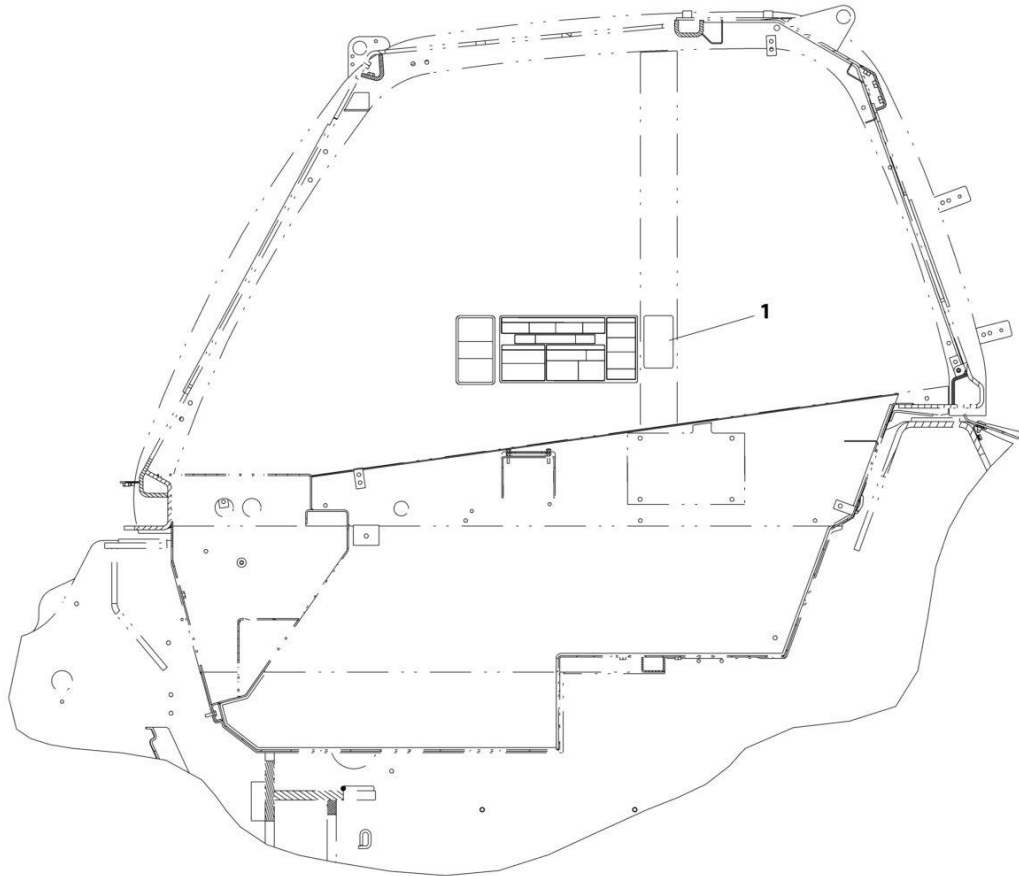
SECTION 11 - DECALS

FIGURE 11-7. REVERSE SENSOR SYSTEM DECAL (ENGLISH)

ITEM	PART NUMBER	QTY	DESCRIPTION	REV
1	1001160072	1	Reverse Sensor System Decal (English)	A

SECTION 11 - DECALS

FIGURE 11-8. REVERSE SENSING SYSTEM DECAL (ENGLISH/FRENCH)



ART_1001160945-A

SECTION 11 - DECALS

FIGURE 11-8. REVERSE SENSING SYSTEM DECAL (ENGLISH/FRENCH)

ITEM	PART NUMBER	QTY	DESCRIPTION	REV
1	1001160945	1	Reverse Sensor System Decal (ENGLISH/FRENCH)	A

SECTION 12 - RECOMMENDED SERVICE PARTS STOCK

SECTION 12 - RECOMMENDED SERVICE PARTS STOCK

SECTION 12 - RECOMMENDED SERVICE PARTS STOCK

FIGURE 12-1. RECOMMENDED SERVICE PARTS STOCK

ITEM	PART NUMBER	QTY	DESCRIPTION	REV
		Ref	Note: The following list will service one machine (built to current production per date on the front cover) with emergency repair parts which can be installed in the field. Parts from the list should be replaced when inventory is depleted to keep service parts stock supplied. For further information, contact your JLG dealer or the JLG Industries Parts Department.	
		Ref	STANDARD PARTS	
	70002963	1 1	Coil	
	70004595	1 1	Coil	
	70020764	1 1	Coil	
	70026582	1 1	Coil	
	70028281	1 1	Coil	
	1001191685	1 1	Element, Filter	
	70025153	1 1	Element, Fuel Filter (Primary)	
	70004512	1 1	Element, Fuel Filter (Secondary)	
	1001141461	1 1	Filter	
	1001228872	1 1	Filter	
	1001162662	1 1	Filter, Breather	
	70025850	1 1	Filter, Cylindrical Air Primary	
	70025851	1 1	Filter, Cylindrical Air Secondary	
	70005549	1 1	Filter, DEF	
	7016331	1 1	Filter, Oil	
	1001131177	2 2	Fuse	
	8229242	2 2	Fuse, 5AMP	
	8229261	2 2	Fuse, 5AMP	
	80983191	2 2	Fuse, 10AMP	
	8229234	2 2	Fuse, 10AMP	
	8229244	2 2	Fuse, 15AMP	
	8229235	2 2	Fuse, 20AMP	
	8229247	2 2	Fuse, 25AMP	
	8229245	2 2	Fuse, 30AMP	
	70026292	2 2	Fuse, 35AMP	
	70026295	2 2	Fuse, 35AMP	
	70026294	2 2	Fuse, 70AMP	
	70026297	2 2	Fuse, 80AMP	
	1001095336	2 2	Fuse, 150AMP	
	70026296	2 2	Fuse, 200AMP	
	70022765	1 1	Key, Ignition (set of 2)	
	70028514	1 1	Kit, Solenoid 12V	
	1001117308	1 1	Relay	
	70022726	1 1	Solenoid	
	1001080375	1 1	Switch	
	1001102502	1 1	Switch, 4 Position Key	
	1001104654	1 1	Switch, Aux Decomp	
	1001159746	1 1	Switch, Aux Electric	
	1001159738	1 1	Switch, Beacon	
	4360658	1 1	Switch, Brake Light	
	1001159745	1 1	Switch, Boom Ride	
	1001159741	1 1	Switch, Constant AUX	

SECTION 12 - RECOMMENDED SERVICE PARTS STOCK

ITEM	PART NUMBER	QTY	DESCRIPTION	REV
	70025486	1 1	Switch, Contact	
	1001192142	1 1	Switch, Disconnect	
	4360475	1 1	Switch, E-Stop	
	1001212470	1 1	Switch, Frame Level	
	1001159734	1 1	Switch, Hazard	
	1001080978	1 1	Switch, Lift/Loader	
	1001163639	1 1	Switch, Light	
	1001159735	1 1	Switch, Rear Wiper	
	1001159736	1 1	Switch, Roof Wiper	
	1001159849	1 1	Switch, Steer Mode	
	1001256974	1 1	Switch, Turn-Wiper	
	Ref		VARIABLE PARTS	
	1001203181	1 1	Accessory, Control (USL & LS ASOV)	
	1001250475	1 1	Attachment Recognition Receiver (FCC)	
	1001162253	1 1	Control, Front Frame Module	
	1001162256	1 1	Control, Rear Frame Module	
	1001209194	1 1	Control, Remote (Boom)	
	1001206112	1 1	Control, Remote Controller (Boom)	
	1001249078	1 1	Control, Voltage	
	70026293	1 2	Fuse, 50AMP (Option 1 Electrical Board)	
	1001172551	1 1	HVAC Cab Actuator	
	1001222603	1 1	Joystick (Not 2 Speed)	
	1001222606	1 1	Joystick, 2R2B (2 Speed)	
	1001172550	1 1	Knob, HVAC Control (Heater and A/C)	
	2940074	1 1	Latch (Fork Mounted Basket)	
	1001257348	1 1	Lever, FNR (0 Speed)	
	1001257088	1 1	Lever, FNR (2 Speed)	
	1001229955	1 1	Module (ClearSky CANBUS)	
	1001226328	1 1	Module, 3W TCU (ClearSky 3-Wire)	
	1001162249	1 1	Module, Cab Control	
	70027426	1 1	Module, EGR (ULS)	
	70005495	1 1	Module, Engine Control (ULS)	
	1001179901	1 1	Module, LMIS Control	
	70027986	1 1	Optical Sensor (Axles)	
	70025539	1 1	Pad, Sensor (Upper Seat)	
	3740080	1 1	Relay (Cooling Package ULS & LS ASOV)	
	70025780	1 1	Relay (ULS)	
	1001183024	1 1	Sensor (Boom Retract)	
	1001128478	1 1	Sensor (Hydrostatic Motor/Tank)	
	70005522	1 1	Sensor (ULS)	
	70005524	1 1	Sensor (ULS)	
	70028383	1 1	Sensor, Angle (Brake)	
	1001099717	1 1	Sensor, Boom Angle (LMIS)	
	4000015	1 1	Sensor, Boom Angle (No LMIS)	
	1001223903	1 1	Sensor, Boom Length	
	1001138827	1 1	Sensor, Coolant Level	
	70024918	1 1	Sensor, Coolant Temperature (ULS & LS)	
	1001188728	1 1	Sensor, HVAC Thermostat	
	1001162885	1 1	Sensor, LMIS	
	1001160730	1 1	Sensor, LSI	
	70024504	1 1	Sensor, Oil Pressure (ULS & LS)	

SECTION 12 - RECOMMENDED SERVICE PARTS STOCK

ITEM	PART NUMBER	QTY	DESCRIPTION	REV
	1001147340	1 1	Sensor, Pressure (Frame Hydraulic)	
	70005504	1 1	Sensor, Pressure (ULS & LS)	
	70024507	1 1	Sensor, Pressure (ULS & LS)	
	70005523	1 1	Sensor, Pressure (ULS)	
	1001247421	1 1	Sensor, Reverse	
	70028801	1 1	Sensor, Speed	
	70026210	1 1	Sensor, Speed (ULS)	
	70027405	1 1	Sensor, Temperature (ULS & LS)	
	70005556	1 1	Sensor, Temperature (ULS)	
	70005559	1 1	Sensor, Temperature (ULS)	
	70024505	1 1	Sensor, Temperature (ULS)	
	1001163095	1 1	Sensor, Tilt	
	70025737	1 1	Sensor, Wheel (ULS & LS)	
	1001215941	1 1	Switch (Cooling Package ULS & LS ASOV)	
	70028326	1 1	Switch (Premium Air Suspension Seat)	
	1001145204	1 1	Switch (Reversing Cooling Fan)	
	1001159739	1 1	Switch, Boom Worklights	
	1001159737	1 1	Switch, Fog Lights	
	1001159845	1 1	Switch, Front Worklights	
	70024107	1 1	Switch, Heater (Premium Air Suspension Seat)	
	1001160326	1 1	Switch, HVAC On/Off (Heater and A/C)	
	1001159925	1 1	Switch, HVAC Recycle (Heater and A/C)	
	1001172547	1 1	Switch, HVAC Rotary 3 Speed (Heater and A/C)	
	4360657	1 1	Switch, Ignition (Remote Control Boom)	
	1001159742	1 1	Switch, LSI Override	
	1001159846	1 1	Switch, Rear Worklights	

SECTION 13 - SPECIAL OPTIONS

SECTION 13 - SPECIAL OPTIONS

FIGURE 13-1. SPECIAL OPTIONS

ITEM	PART NUMBER	QTY	DESCRIPTION	REV
		Ref	Note: This list is to accommodate machines ordered with special equipment. Options may not be applicable to all models. For more specific parts information contact JLG Parts Department.	
		Ref	MISCELLANEOUS SPECIAL OPTIONS	
	1001233189	Ref	Air Shutoff Valve (ASOV) Kit	
	1001229072	Ref	Boom Kit - 1732/8010H	
	1001229213	Ref	Boom Brushes Kit - 1732/8010H	
	1001231057	Ref	Boom Prop Kit	
	1001229074	Ref	Boom Wear Pad Kit - 1732/8010H	
	1001213286	Ref	Cab Display Kit	
	1001199382	Ref	Cab Guard Kit - Roof/Front Combo	
	1001212845	Ref	Cab Guard Kit - Front	
	1001199380	Ref	Cab Guard Kit - Roof	
	1001268341	Ref	Camera (Rear View) Add-on Kit(Dealer Installed)	
	1001229811	Ref	Camera Kit - Reverse Camera	
	1001229532	Ref	Cold Weather Kit - 115V	
	1001229813	Ref	Cold Weather Kit - 230V	
	1001245694	Ref	DEF Tank/Heater Service Kit	
	1001148902	Ref	Electrical Connector Kit - Amp/Tyco Electrical Connectors	
	1001148903	Ref	Electrical Connector Kit - Deutsch DT Electrical Connectors	
	1001148904	Ref	Electrical Connector Kit - Deutsch HD Electrical Connectors	
	1001148905	Ref	Electrical Connector Kit - Packard Electrical Connectors	
	1001148906	Ref	Electrical Connector Kit - Various Electrical Connectors	
	1001230409	Ref	Emergency Stop Switch Kit - External	
	1001229812	Ref	Engine Block Heater Kit - 115V	
	1001230125	Ref	Engine Block Heater Kit - 230V	
	1001229576	Ref	Fender Kit	
	1001239961	Ref	Fire Extinguisher Kit	
	1001230126	Ref	Heat to Heat/AC Upgrade Kit	
	1001230188	Ref	Light Kit - Beacon/Strobe (LED)	
	1001199376	Ref	Light Kit - Beacon/Strobe	
	1001231110	Ref	Light Kit - Drive/Road Lights (RH)	
	1001231138	Ref	Light Kit - Drive/Road Lights (LED) (RH)	
	1001229104	Ref	Light Kit - Work Lights	
	1001230699	Ref	Radio Ready Kit	
	1001252304	Ref	Reversing Sensing Kit	
	1001199328	Ref	Roof Wiper Kit	
	1001228993	Ref	Service Kits	G
	1001229216	Ref	Telematics Kit (Long Roof) (NA)	
	1001229324	Ref	Telematics Kit (Short Roof) (NA)	
	1001265372	Ref	Telematics Kit - Canbus (NA)	
	1001254390	Ref	Telematics Kit - Canbus (CE)	
	1001254400	Ref	Telematics Kit - Canbus Extension	
		Ref	Tools:	
	1001249695	Ref	Analyzer and Cable Kit	
	1001249941	Ref	Analyzer and Cable Kit (Battery Powered)	
	7002821	Ref	Crimper (For Wire to Pin/Socket Connections)	
	7002823	Ref	Extractor (For Removal of Pin/Socket from Connectors)	
	8896941	Ref	Wire Stripper	

SECTION 13 - SPECIAL OPTIONS

ITEM	PART NUMBER	QTY	DESCRIPTION	REV
	7004275	Ref	Seal Tool 1" (For Cylinders)	
	7004276	Ref	Seal Tool 1 1/2" (For Cylinders)	
	7002826	Ref	Seal Tool 2" (For Cylinders)	
	1001262959	Ref	Voltage Regulator Add-on Kit (Dealer Installed)	
	1001214167	Ref	Window (Rear) Release Kit	

PART NUMBER INDEX

SECTION 13 - SPECIAL OPTIONS

0100081.....31	0760607 43, 81, 229, 231,	1001005960 927	1001100319.....201
0400075.....687, 689	237, 349, 575, 759,	1001006730 411	1001101041..87, 91, 109,
0498748.....349	761, 797, 799	1001006731 409	111, 113, 115, 125,
0630576.....43	0760608 ... 181, 239, 377,	1001007056 67, 627	127, 130, 134, 141,
0641405.....97	381, 447, 461, 481,	1001008540 751	519, 523, 527, 531
0641510.....157, 189	485, 489, 491, 515,	1001008559 167, 205,	1001101042..87, 91, 109,
0641608.....553	683, 685, 751, 797, 799	247, 593, 719, 747,	111, 113, 115, 125,
0651607.....75	0760610 863	749, 759, 761, 797,	127, 130, 134, 141,
0681714.....557	0760615 873	799, 827, 833, 865,	519, 523, 527, 531
0700408.....487, 883	0760806 239	873, 889	1001101702.....489
0700610....27, 31, 43, 47,	0760807 41, 543, 783	1001008575 23	1001101808.....683
81, 231, 243, 447, 459,	0760808 41, 75, 389, 457,	1001008654 543	1001101855.....853
751, 823, 825	459, 683, 685, 695,	1001008742 377	1001102157.....35
0700612.....43, 837	873, 883	1001008834 125	1001102502.....739, 936
0700614....157, 231, 422,	0760810 ... 37, 45, 49, 51,	1001008857 355	1001102844.....99
563, 783, 791	55, 61, 73, 201, 213,	1001008923 715, 819	1001103012.....722
0700616.....547	225, 239, 247, 375,	1001008988 349	1001103156.....709, 855
0700618....719, 759, 761	393, 397, 405, 413,	1001008999 41	1001103300.....709, 855
0700808.....759, 761	422, 457, 467, 471,	1001009018 19	1001104477.....527, 531,
0700814.....41, 221, 223,	481, 517, 519, 521,	1001009163 257	645
231, 551	525, 851	1001009325 61, 187	1001104498.....717, 722,
0700815.....819	0760812 23, 203, 205,	1001010646 409, 411	726, 809, 813
0700816....201, 217, 239	231, 331, 333, 355, 791	1001010647 409, 411	1001104499.....726
0700817.....517	0760815 355, 525, 529	1001010648 409, 411	1001104519.....723, 741,
0700818....559, 571, 849	0760823 27, 233	1001010649 409, 411	877
0700819.....795	0761008 709, 855	1001010650 409, 411	1001104654.....739, 936
0700820....467, 469, 471,	0761009 715	1001014231 557	1001105886.....895
545, 791	0761010 ... 37, 39, 41, 45,	1001028264 19	1001107192.....349
0700821515	81, 187, 215, 231, 489,	1001028291 19	1001107339.....243
0700824.....491	751, 759, 761, 797,	1001028306 19	1001107854.....717, 722,
0700826.....239	799, 827, 833, 865	1001028308 19	726, 737, 809, 813
0700828.....583	0761012 ... 25, 37, 43, 63,	1001028377 19	1001109053.....918, 922
0701014....41, 45, 49, 69,	65, 177, 491, 517, 557,	1001028400 19	1001109387.....151
183, 231, 243, 515,	575, 583, 749, 791	1001028415 61	1001110023.....523, 531,
827, 833	0761210 71, 203, 205	1001047062 349	647
0701016.....183, 579	0761212 215, 749	1001080375 525, 529,	1001110115.....531
0701018....177, 203, 205,	0761214 27, 173, 231	936	1001111076.....461
243	0761215 173, 203, 205	1001080978 739, 937	1001111140.....563
0701020.....23, 203, 205	0761217 151	1001081085 261	1001111147.....461
0701024.....565	0761218 203, 205	1001090343 369, 455	1001111317.....347, 351
0701026.....189	0770814 483	1001091715 827, 833	1001112612.....703, 707,
0701027569	0770815 225	1001091716 827, 833	726
0701216.....27, 71, 589	0771012 61	1001092481 93	1001112796.....713, 907,
0701220.....829	0771414 607, 611	1001092482 93	911
0701230.....55	0771416 259	1001093171 155	1001114495.....211, 213
0701618.....173	0771618 255	1001093564 693	1001114761.....583
0701626.....173	0791605 217	1001094708 918, 922	1001114803.....203, 205
0701628....119, 121, 123,	0860520 97	1001095301 183	1001116128.....437, 865
173	1001002946 355	1001095336 793, 936	1001116696.....809, 810,
0701630.....173	1001002947 355	1001095650 75, 449, 451,	813, 814
0711016.....59	1001002953 355	491	1001116697.....722
0711030.....243	1001002957 355	1001095804 739	1001116698.....722
0711215.....61	1001003031 59, 61	1001095810 97	1001116700.....723, 745
0711216.....59, 193	1001003043 365	1001096019 95	1001116716.....723
0711218.....59	1001003227 41	1001096020 95	1001116723.....723, 724,
0711635.....55	1001003301 25	1001096024 95	725, 726
0712020.....339	1001003305 187, 189,	1001096365 355	1001116725.....764, 770
0712022.....339	205, 243, 715	1001097244 447	1001116727.....766, 771,
0712027.....341	1001003427 29	1001097540 .. 43, 47, 465	814, 891
0712442.....569	1001003803 63	1001097586 365	1001116728.....810, 814,
0760405....119, 121, 123	1001004640 491	1001097587 269, 291	821
0760507....185, 473, 747,	1001004720 167, 231	1001098128 515	1001116729.....891
749	1001004723 749	1001098150 440	1001116731.....903
0760512.....377	1001005368 367	1001098762 693	1001116732.....757, 764,
0760605....175, 349, 481,	1001005438 557	1001099566 247	770, 802, 806
485	1001005904 523, 527,	1001099699 473	1001116733.....757
	531	1001099717 855, 937	

SECTION 13 - SPECIAL OPTIONS

1001116734 757, 764, 770	1001125465..... 865	1001143551..... 787	1001159746 701, 705, 936
1001116745 891	1001125677..... 723, 766, 771, 810, 814	1001144147 735, 764, 770, 787, 903, 905	1001159845 823, 825, 938
1001116747 737	1001126008..... 726, 753, 764, 770, 787, 803, 807	1001144296..... 723	1001159846 823, 825, 938
1001116748 725	1001126011..... 726, 765, 771	1001144629J..... 97	1001159849 739, 937
1001116754 724	1001126245..... 764, 770	1001145204..... 227, 755, 938	1001159925 413, 422, 938
1001116763 737, 809, 813	1001126353..... 763, 769	1001145390..... 67, 627	1001160042 422
1001116774 787, 803, 807, 843	1001126362..... 763, 769	1001145391..... 65, 67	1001160043 413
1001116808 787, 803, 807	1001126391..... 763, 766, 769, 772	1001145539..... 422	1001160072 931
1001116810 802, 806	1001126393..... 763, 766, 769, 772	1001146160..... 101	1001160326 422, 938
1001116811 764, 770	1001126485..... 763, 764, 769, 770	1001146588..... 187, 201, 205, 215, 227, 231, 715, 719, 755, 759, 761, 797, 799, 827, 833, 857	1001160420 221
1001116812 723, 725, 726, 735, 763, 764, 765, 769, 770, 771, 772, 787, 801, 805, 810, 814, 839, 843, 903, 905, 907	1001126487..... 763, 769	1001147340..... 563, 938	1001160496 467
1001116815 727, 766, 772, 787	1001126837..... 709, 863	1001147416..... 519, 523, 527, 531	1001160498 722
1001116950 802, 803, 806, 807	1001128128..... 757, 764, 770, 802, 806	1001147449..... 440, 443	1001160500 801, 805, 809, 813, 843
1001116984 726	1001128144..... 217	1001148841..... 763, 769	1001160502 722
1001116985 726	1001128341..... 217	1001148842..... 763, 769	1001160503 467, 471
1001116986 725, 726	1001128478. 25, 257, 937	1001148902..... 940	1001160506 469
1001116991 723, 726	1001128890..... 101	1001148903..... 940	1001160508 801, 805, 809, 813, 843
1001116995 725	1001129407..... 899	1001148904..... 940	1001160510 801, 805, 809, 813, 843
1001116996 809, 810, 813, 814	1001129425..... 865	1001148905..... 940	1001160730 865, 937
1001116997 725	1001130220..... 43, 47	1001148906..... 940	1001160775 915
1001116998 726	1001130323..... 918, 922	1001149278..... 440, 443	1001160927 687, 689, 693
1001116999 723	1001131177..... 759, 761, 936	1001150294..... 395	1001160928 687, 689, 693
1001117011 725, 745	1001131271..... 918, 922	1001150610..... 764, 770	1001160945 933
1001117021 737	1001132168..... 39	1001150611 802, 806	1001161067 445
1001117024 757	1001132169..... 803, 807, 871	1001150735 725	1001161078 463
1001117079 725	1001132170..... 803, 807	1001150737 725	1001161080 463
1001117081 723, 724, 725	1001132564..... 440	1001151238..... 581	1001161095 843
1001117109 802, 806	1001133714..... 765, 771, 772	1001152915..... 347	1001161097 722, 801, 805, 809, 813, 843
1001117121 741, 877	1001133715..... 763, 765, 769, 771, 772	1001152947..... 347	1001161098 722, 801, 805, 843
1001117247 857, 859	1001133793..... 183	1001153612..... 765, 771	1001161099 722, 801, 805, 809, 813, 843
1001117308 751, 936	1001134274..... 709, 855	1001153748..... 601, 679	1001161100 722, 801, 805, 809, 813, 843
1001118202 802	1001135650..... 763, 765, 769, 771, 772	1001153749..... 759, 761	1001161101 722, 801, 805, 809, 813, 843
1001118282 757, 764, 770, 806	1001135651..... 763, 765, 769, 771, 772	1001155228..... 345, 349	1001161109 722, 801, 805, 843
1001118323 802, 806	1001136975..... 187	1001155446..... 337, 341	1001161109 722, 801, 805, 809, 813, 843
1001118378 787	1001136999..... 726	1001155447 343, 375	1001161100 722, 801, 805, 809, 813, 843
1001118379 725	1001137000..... 726	1001155486..... 455	1001161101 722, 801, 805, 809, 813, 843
1001118383 741, 877	1001137578..... 766, 772	1001155540..... 203, 205	1001161109 722, 801, 805, 843
1001118384 723, 724, 725, 726	1001138116..... 763, 769	1001155523..... 201	1001161100 722, 801, 805, 809, 813, 843
1001118386 726	1001138645..... 783	1001155820..... 201	1001161101 722, 801, 805, 809, 813, 843
1001118387 726	1001138827..... 217, 937	1001156265..... 491	1001161109 722, 801, 805, 843
1001118392 809, 810, 813, 814	1001138945..... 243	1001157890..... 787	1001161098 722, 801, 805, 843
1001118684 724	1001139551..... 455	1001157891 703, 707	1001161099 722, 801, 805, 809, 813, 843
1001118685 741, 877	1001139552..... 369	1001158146..... 739	1001161100 722, 801, 805, 809, 813, 843
1001119467 393	1001139568..... 367	1001158596..... 397	1001161101 722, 801, 805, 809, 813, 843
1001120989 929	1001139578..... 918	1001158601..... 393	1001161098 722, 801, 805, 843
1001121726 810, 814	1001141246..... 355	1001158736C 405	1001161099 722, 801, 805, 843
1001121727 810, 814, 891	1001141281..... 375	1001158738C 393	1001161100 722, 801, 805, 809, 813, 843
10011223457 722	1001141311..... 455	1001159028..... 477, 479	1001161101 722, 801, 805, 809, 813, 843
1001125117 59, 61, 71	1001141312..... 369	1001159734..... 827, 833, 937	1001161109 722, 801, 805, 843
1001125222 489	1001141313..... 455	1001159735..... 739, 937	1001161100 722, 801, 805, 809, 813, 843
	1001141461..... 555, 936	1001159736..... 455, 937	1001161101 722, 801, 805, 809, 813, 843
	1001141462..... 555	1001159737 827, 833, 938	1001161109 722, 801, 805, 843
	1001141976..... 553, 555	1001159738..... 695, 697, 699, 936	1001161100 722, 801, 805, 809, 813, 843
	1001143200..... 363	1001159739..... 817, 938	1001161109 722, 801, 805, 843
		1001159741 739, 936	1001161100 722, 801, 805, 809, 813, 843
		1001159742..... 861, 938	1001161109 722, 801, 805, 843
		1001159745..... 889, 936	1001161100 722, 801, 805, 809, 813, 843

SECTION 13 - SPECIAL OPTIONS

1001162249.....937	1001166774.....763, 766, 769, 772	1001170601J.....349	1001175265.....764, 765, 770, 771, 810, 814
1001162253.....937	1001167004.....507	1001170944.....355	1001175266.....843
1001162256.....795, 937	1001167015.....435, 437	1001170993.....385	1001175267.....801, 805, 809, 813
1001162662.....25, 936	1001167017.....883	1001171037.....353	1001175347.....19
1001162789.....343, 377	1001167186.....221	1001171179.....23	1001175470.....383
1001162885.....853, 937	1001167266.....429, 431	1001171182.....367	1001175471.....381, 385
1001162886.....722	1001167409.....201	1001171183.....367	1001175477.....349
1001162887.....723	1001167528.....766, 772	1001171277.....918, 922	1001175568.....187
1001162920.....481	1001167616.....764, 770	1001171635.....353	1001175733.....887
1001162922.....481	1001167620.....766, 772	1001171756.....377	1001175776.....885, 887
1001162953.....422, 429	1001167621.....763, 769	1001171767.....385	1001175903.....440
1001163095.....837, 938	1001167622.....763, 769	1001171874.....481	1001176002.....766, 772
1001163104.....61	1001167623.....763, 769	1001171885.....37	1001176004.....766, 772
1001163174.....922	1001167624.....766, 772	1001171962.....883	1001176121.....381, 383
1001163210.....922	1001167629.....764, 770	1001172035.....918, 922	1001176272.....363
1001163212.....922	1001167630.....763, 764, 769, 770	1001172088.....481	1001176273.....363
1001163222.....922	1001167631.....763, 769	1001172094.....481	1001176333.....726
1001163223.....922	1001167634.....763, 769	1001172146.....23	1001176338.....391
1001163285.....922	1001167635.....763, 769	1001172147.....23	1001176626.....363
1001163300.....922	1001167636.....765, 771	1001172193.....347, 351	1001177082.....23
1001163304.....922	1001167937.....359	1001172401.....343, 387	1001178123.....377
1001163323.....922	1001167958.....349, 359	1001172495.....693	1001178157.....57, 615
1001163340.....723	1001168030.....549	1001172496.....693	1001178159.....347
1001163355.....922	1001168054.....481	1001172547.....413, 422, 938	1001178160.....347
1001163639.....743, 937	1001168142.....491	1001172550.....413, 422, 937	1001178170.....422
1001164183.....75	1001168151.....491	1001172551.....415, 419, 425, 937	1001178474.....27
1001164402.....791, 793	1001168264.....331, 333	1001172553.....413, 422	1001178670.....491, 677
1001164655.....389	1001168327.....422	1001172693.....29	1001178680.....367
1001164726.....349	1001168330.....422	1001172755.....187	1001178681.....367
1001164971.....569	1001168331.....422	1001172774.....471	1001178693.....27
1001164972.....569	1001168456.....422	1001172999.....71	1001178706.....927
1001165035.....187	1001168531.....405, 745	1001173257.....469	1001178783.....391
1001165175.....61	1001168599.....573, 665	1001173298.....349	1001178791.....233
1001165194.....766, 772	1001168758.....43	1001173411.....723	1001178826.....373
1001165269.....377, 379	1001169135.....405, 407	1001173452.....203, 205	1001178933.....719
1001165270.....377	1001169151.....422, 737	1001173457.....203, 205	1001179008.....371, 373
1001165273.....379	1001169265.....41	1001173528.....211, 213	1001179009.....371, 373
1001165275.....355	1001169268.....503	1001173679.....71	1001179080.....429
1001165276.....351	1001169354.....499, 501	1001173873.....237	1001179081.....429
1001165309.....802, 806	1001169355.....501	1001173965.....440	1001179130.....429, 433
1001165310.....803, 807	1001169367.....501	1001174103.....55, 57	1001179297.....927
1001165311.....810, 814	1001169368.....217	1001174104.....63	1001179482.....461
1001165327.....379	1001169454.....27	1001174107.....605	1001179483.....461
1001165351.....377	1001169603.....440	1001174126.....605, 607	1001179484.....449
1001165357.....377	1001169604.....440, 443	1001174129.....329	1001179592.....465
1001165407.....377	1001169674.....915	1001174295.....349, 361	1001179850.....21, 23
1001165416.....377	1001169751.....499	1001174320.....347	1001179851.....23, 25
1001165455.....377	1001169763.....503	1001174321.....355	1001179852.....25
1001165458.....377, 447	1001169825.....753	1001174419.....73	1001179901.....937
1001165573.....397, 399	1001169880.....351	1001174431.....71	1001179907.....239, 783
1001165637.....375	1001169883.....353	1001174652.....443	1001179931.....497
1001165682.....685	1001169885.....353	1001174653.....443	1001180070.....199, 643
1001166091.....417, 427	1001170106.....29	1001174655.....443	1001180263.....469, 471
1001166092.....417, 427	1001170113J.....351, 353	1001174712.....739	1001180306.....19
1001166385.....461	1001170114.....349, 351	1001174741.....459	1001180437.....237
1001166543.....763, 769	1001170231.....481	1001174795.....235	1001180542.....215
1001166551.....763, 769	1001170311.....225	1001174796.....695	1001180553.....215
1001166555.....763, 769	1001170325.....465	1001174800.....459	1001180620.....791
1001166556.....763, 766, 769, 772	1001170326.....383	1001174801.....459	1001180682.....391
1001166565.....177, 179	1001170366.....343, 381	1001174811.....607, 609	1001180683.....391
1001166634.....351, 355	1001170432.....241	1001174812.....57, 619	1001181128.....751
1001166704.....772	1001170504.....440	1001174814.....615, 617	1001181411.....367
1001166707.....765, 771	1001170514.....445	1001175058.....337	1001181516.....873
1001166715.....177	1001170518.....440	1001175201.....233	1001181531.....739
1001166754.....341	1001170519.....440, 445		1001181625.....201
1001166755.....341			

SECTION 13 - SPECIAL OPTIONS

1001181726 440, 447	1001184982.....267, 269	1001188728.....427, 937	1001192180 325
1001181920 363	1001184983.....289, 291	1001188729.....417, 427	1001192181 325
1001181921 363	1001184984.....269, 271,	1001188733.....417, 427	1001192240 449
1001181961 687, 689	273, 275, 279, 281,	1001188757.....173	1001192309 349
1001182123 363	283, 285	1001188817.....427	1001192320 37
1001182139 363	1001184985.....291, 293,	1001188818.....427	1001192321 883
1001182330 457	295, 297, 299, 301,	1001188855.....243	1001192322 885
1001182490 829	305, 311	1001188856.....243	1001192323 683
1001182495 829	1001184986.....259, 261	1001189023.....427	1001192324 49
1001182529 405, 407	1001184987.....265	1001189024.....427	1001192336 51
1001182530 405	1001184988.....265	1001189025.....417, 427	1001192339 123
1001182839 863	1001185026.....225	1001189046.....759, 761	1001192342 125
1001182881 175	1001185633.....457	1001189048.....427	1001192344 127
1001182929 759, 775	1001185870.....440	1001189054.....427	1001192352 55
1001182930 759, 779	1001185927.....21	1001189182.....440	1001192358 65
1001183024 715, 937	1001185929.....21, 27	1001189246.....31	1001192363 519
1001183112 827, 829,	1001185930.....27, 31	1001189288J...323, 325,	1001192365 525
833	1001185931.....31	327	1001192366 521
1001183221 703	1001185933.....31	1001189980.....419	1001192367 529
1001183272 791, 867,	1001185935.....31	1001190037.....764, 771	1001192370 711
869	1001186843.....557	1001190250.....63, 65	1001192392 29
1001183306 329, 331	1001186853.....827	1001190253.....57	1001192410 491
1001183307 329, 333	1001186855.....687	1001190254.....55	1001192430 709
1001183308 331	1001186856.....691	1001190256.....55	1001192431 835
1001183309 333	1001186898.....177	1001190257.....55	1001192520 539
1001183447 119	1001187070.....763, 769,	1001190259.....615	1001192537 867
1001183549 853	779, 781	1001190260.....55	1001192558 719
1001183550 445	1001187073.....801, 805	1001190264.....63, 65	1001192575 701
1001183597 451	1001187075.....802, 806,	1001190921.....764, 770	1001192614 109
1001183700 553	843	1001191035.....73, 75	1001192615 105
1001183827 181	1001187076.....802, 803,	1001191036.....75	1001192616 107
1001183829 181	806, 807, 843	1001191039.....75	1001192617 115
1001183831 177	1001187077.....779, 781,	1001191091.....361	1001192619 841, 847
1001183835 177, 181	903	1001191108.....119	1001192622 37, 41
1001184275 417, 427	1001187078.....757, 764,	1001191110.....57	1001192623J 41
1001184278 417, 427	770, 787, 903	1001191157.....25	1001192627 41
1001184280 427	1001187079.....787, 801,	1001191163.....25	1001192631 41
1001184294 417, 427	802, 805, 806, 810, 814	1001191229.....918, 922	1001192643 357
1001184295 417, 427	1001187080.....764, 770,	1001191255.....337, 339	1001192644 359
1001184296 417, 427	801, 805, 810, 814	1001191256.....339	1001192646 349
1001184297 417, 427	1001187272.....557	1001191257.....339	1001192649 87
1001184306 419	1001187273.....557	1001191281.....447, 449	1001192650 91
1001184307 419	1001187275.....557	1001191282.....449	1001192700 153
1001184309 419	1001187355.....591	1001191283.....447, 451	1001192702 159
1001184310 419	1001187423.....323, 325	1001191284.....447, 453	1001192711 157
1001184397 797, 809	1001187820.....63, 65	1001191285.....447	1001192720 157
1001184403 433	1001187821.....63	1001191310.....451	1001192722 133
1001184404 433	1001187847.....63, 65	1001191311.....453	1001192723 103
1001184405 433	1001187848.....63, 65	1001191312.....453	1001192734 129
1001184406 433	1001187882.....766, 769	1001191313.....453	1001192735 137
1001184427 427	1001188303.....422, 425	1001191370.....447	1001192737 481
1001184439 349	1001188372.....918, 922	1001191546.....759, 761	1001192745 918
1001184610 65	1001188577.....417, 427	1001191635.....49	1001192766 349, 357
1001184632 918, 922	1001188578.....417, 427	1001191685.....25, 936	1001192771 539
1001184795 841, 843	1001188590.....413, 422	1001191752.....57, 61	1001192772 539
1001184796 819, 821	1001188592.....427	1001191753.....61	1001192875 157
1001184869 43	1001188594.....417, 427	1001191789.....61	1001192876 157
1001184871 47	1001188602.....417, 427	1001191915.....489	1001192877 157
1001184872 43	1001188603.....417, 427	1001191959.....453	1001192885 589
1001184874 43	1001188604.....417, 427	1001192096.....515	1001192886 589, 591
1001184975 440	1001188610.....417, 427	1001192124.....29	1001192887 589
1001184976 253	1001188612.....417, 427	1001192125.....27, 29	1001192888 591, 669
1001184977 253, 267	1001188614.....417, 427	1001192142.....751, 937	1001192889 513, 579
1001184978 253, 289	1001188618.....427	1001192168.....323	1001192890 579, 581
1001184979 253, 259	1001188619.....427	1001192170.....325	1001193100 57, 517
1001184980 253, 255	1001188720.....417, 427	1001192177.....323	1001193111 525, 529
1001184981 253, 265	1001188725.....417, 427	1001192178.....323	1001193210 351

SECTION 13 - SPECIAL OPTIONS

1001193307.....195, 641	1001195733.....575	1001197262.....57	1001200910.....873
1001193308.....257, 639	1001195737.....59, 61	1001197339.....37	1001200968.....437
1001193393.....163, 165, 197	1001195738.....59	1001197414.....169	1001201073.....571, 633
1001193461.....557	1001195739.....59	1001197480.....27	1001201074.....569, 571
1001193465.....517	1001195814.....345, 363	1001197481.....31	1001201124.....701, 703
1001193474.....489	1001195816.....440	1001197668.....889, 891	1001201162.....909
1001193516.....513, 599	1001195817.....440	1001197733.....45	1001201298.....201
1001193517.....513, 575	1001195818.....440	1001197734.....45	1001201299.....201
1001193540.....157	1001195820.....435	1001198307.....43, 45	1001201300.....201
1001193566.....871	1001195821.....437	1001198355.....157	1001201301.....203, 205, 209
1001193698.....683, 685	1001195822.....435	1001198578.....605, 611	1001201302.....203, 205, 215
1001193703.....163, 165, 189	1001195823.....437	1001198717.....611, 613	1001201303.....203, 211
1001193704.....163, 165, 193	1001195849.....918	1001198893.....699	1001201304.....203, 205, 217
1001193705.....189, 191	1001195851.....922	1001199328.....940	1001201305.....203, 205, 219
1001193709.....513, 543	1001195855.....918, 922	1001199376.....940	1001201309.....215
1001193729.....157	1001195878.....347	1001199380.....940	1001201314.....211
1001193797.....243	1001195881.....79	1001199382.....940	1001201315.....211, 213
1001193803.....155	1001195883.....695	1001199670.....239	1001201316.....211, 213
1001193887.....73	1001195953.....715, 717	1001199902.....231	1001201317.....217
1001193993.....751	1001195970.....117	1001200105.....539, 889	1001201331.....377
1001194103.....749	1001196100.....829	1001200106.....163, 759	1001201420.....569
1001194244.....749	1001196191.....203, 205	1001200159.....797, 867	1001201425.....163, 165, 167
1001194282.....491	1001196217.....829	1001200160.....749, 867, 869	1001201499.....485
1001194421.....724, 893	1001196289.....909, 911	1001200161.....749	1001201500.....487
1001194534.....177	1001196402.....539	1001200162.....749	1001201501.....485, 487
1001194698.....343	1001196502.....749	1001200164.....749	1001201812.....513
1001194699.....343, 345	1001196664.....195	1001200165.....749	1001201848.....43, 47
1001194700.....345, 347	1001196778.....151	1001200166.....749	1001201856.....231
1001194702.....535	1001196779.....151	1001200167.....749	1001201858.....231
1001194969.....41	1001196782.....151	1001200168.....797, 799	1001202018.....231, 239
1001194980.....33	1001196806.....918, 922	1001200169.....797, 799	1001202020.....539
1001194981.....25	1001196878.....71	1001200206.....903	1001202021.....231
1001195089.....239	1001196879.....71	1001200226.....569	1001202024.....513, 557
1001195194.....59	1001196899.....149	1001200249.....231	1001202025.....513, 563
1001195200.....835, 837	1001196950.....147	1001200393.....63, 65	1001202026.....513, 551
1001195201.....835, 841	1001196952.....143	1001200395.....65	1001202027.....557
1001195202.....837, 839	1001196959.....557	1001200443.....163	1001202172.....751, 867, 869
1001195254.....489	1001196964.....563	1001200445.....203	1001202247.....213
1001195263.....685	1001196967.....563	1001200447.....231	1001202321.....243, 245
1001195342.....431	1001196969.....563	1001200451.....241	1001202325.....245
1001195343.....431	1001196970.....563	1001200453.....243	1001202519.....909
1001195345.....431	1001196973.....563	1001200498.....203, 205	1001202526.....201, 241
1001195346.....431	1001196974.....563	1001200499.....203, 205	1001202617.....909
1001195385.....431	1001196975.....563	1001200538.....823	1001202621.....883
1001195386.....431	1001196976.....563	1001200539.....825	1001202722.....763, 769
1001195430.....551, 553	1001196977.....563	1001200631.....205	1001202723.....763, 769
1001195433.....551	1001196978.....563	1001200701.....243	1001202730.....85
1001195434.....551	1001196981.....563	1001200862.....163, 165, 173	1001202786.....331, 333
1001195435.....551	1001196982.....563	1001200863.....163, 165, 175	1001202899.....231
1001195437.....431	1001196989.....543	1001200864.....163, 165, 177	1001202901.....167
1001195438.....431	1001196992.....543	1001200865.....163, 165, 183	1001202986.....797, 799
1001195471.....835, 849	1001196993.....543	1001200866.....163, 165, 187	1001203005.....201
1001195473.....835, 851	1001196995.....543	1001200867.....237	1001203081.....833
1001195582.....691, 693	1001196996.....543	1001200869.....783	1001203181.....205, 937
1001195590.....835, 855	1001196997.....543	1001200870.....557	1001203368.....827, 833
1001195591.....853, 857	1001197011.....515	1001200871.....173	1001203503.....157
1001195593.....691, 895	1001197056.....45	1001200872.....173	1001203557.....689
1001195636.....57, 59	1001197072.....173	1001200873.....173	1001203558.....689
1001195637J.....59	1001197139.....481	1001200874.....173	1001203640.....819, 823, 825
1001195655.....55	1001197196.....513, 595	1001200885.....175	1001203932.....37
1001195720.....715	1001197197.....563, 565	1001200886.....175	
1001195721.....747	1001197198.....565, 567		
1001195731.....709, 855	1001197199.....563		
1001195732.....709, 855	1001197200.....563		
	1001197259.....463		

SECTION 13 - SPECIAL OPTIONS

1001203933	37	1001209463.....	461	1001213752.....	863	1001217757	227, 229, 755
1001203934	37	1001209625.....	922	1001213775.....	709, 855	1001217758	229
1001203947	203, 205	1001209690.....	833	1001213791.....	349	1001217759	229
1001203948	203, 205	1001209691.....	833	1001213833.....	43	1001217760	227, 755
1001203987	61	1001209697.....	827, 833	1001213834.....	43	1001217761	215
1001203989	57	1001209862.....	533, 649	1001213988.....	719	1001217762	215
1001204032	213, 671	1001209899.....	363	1001214092.....	375	1001217763	215
1001204057	673	1001210281.....	287	1001214123.....	225	1001217948	557
1001204060	825	1001210282.....	543	1001214167.....	941	1001218358	787
1001204066	355	1001210326.....	63, 65	1001214206.....	918, 922	1001218529	413, 422
1001204115	355	1001210327.....	543	1001214220.....	481	1001218542	413, 422
1001204120	355	1001210397.....	783	1001214254.....	121	1001218659	918
1001204152	543	1001210524.....	515	1001214349.....	247	1001218694	45
1001204411	231	1001210525.....	515	1001214401.....	863	1001218704	918
1001204413	231	1001210526.....	515	1001214415.....	121	1001218754	123
1001204414	231	1001210567.....	715	1001214429.....	557	1001218755	119, 121, 123
1001204486	41	1001210635.....	563	1001214430.....	557	1001218996	413, 422
1001204528	823	1001210769.....	287, 321	1001214431.....	557	1001219082	205
1001204530	823	1001210770.....	791, 795	1001214661.....	517	1001219113J	41
1001204709	373	1001210771.....	193, 195	1001214829.....	539	1001219115	41
1001205061	481, 485	1001210780.....	657	1001215022.....	211, 213	1001219121	922
1001205307	883	1001210797.....	563	1001215024.....	211, 213	1001219212	918
1001205532	349, 355	1001210800.....	543	1001215093.....	557	1001219220	363
1001205564	219	1001210801.....	657	1001215121.....	743	1001219250	41
1001205565	219	1001210870.....	187	1001215208.....	791	1001219615	577, 663
1001205573	563	1001211020.....	563	1001215212.....	557	1001219659	545
1001205618	515	1001211445.....	689	1001215256.....	543	1001219764	535, 537
1001206100	827, 833	1001211606.....	513, 515	1001215319.....	235	1001219765	539, 541
1001206112	873, 937	1001211616.....	219	1001215341.....	575, 577	1001219863	440
1001206242	517	1001211617.....	219	1001215464.....	61	1001219864	440
1001206633	711, 713	1001211693.....	719	1001215470.....	517	1001219865	440
1001206709	543	1001211775.....	879	1001215531.....	355	1001219905	55
1001206725	81	1001211899.....	45	1001215539.....	557	1001219953	55
1001206744	489	1001211900.....	45	1001215693.....	827, 831, 833	1001220230	922
1001206954	673	1001211907.....	440	1001215802.....	557	1001220248	69
1001207171	764, 770	1001212011.....	361	1001215859.....	515	1001220286	71
1001207173	803, 807, 879	1001212047.....	371	1001215860.....	515	1001220329	343, 369
1001207217	918	1001212049.....	371	1001215941.....	205, 938	1001220338	365, 367
1001207325	569	1001212184.....	551	1001216263.....	459	1001220339	345, 365
1001207594	861, 863	1001212312.....	533, 615	1001216265.....	457	1001220473	515
1001207788	563	1001212369.....	375	1001216267.....	459	1001220507	495
1001207789	563	1001212418.....	599, 601	1001216269.....	459	1001220540	341
1001207790	563	1001212468.....	447	1001216270.....	457	1001220641	69
1001207866	79, 81	1001212470.....	739, 937	1001216331.....	607	1001220643	595, 597
1001207898	267, 287	1001212739.....	197, 199	1001216333.....	611	1001220649	861
1001207899	289, 321	1001212788.....	543, 545	1001216757.....	505	1001220650	861, 865
1001207956	489	1001212789.....	545, 657	1001216798.....	245	1001220717	739
1001207957	489	1001212845.....	940	1001216799.....	245	1001220760	257
1001208037	489	1001212880.....	543	1001216803.....	505	1001220859	747
1001208308	440	1001212886.....	751	1001216974.....	393, 397, 405	1001220861	747
1001208532	563	1001212920.....	219	1001217226.....	607, 611	1001221041	163, 165, 185
1001208534	563	1001212921.....	219	1001217320.....	747	1001221052	415, 417
1001209097	763, 769	1001212923.....	233	1001217352.....	57, 593	1001221054	425, 427
1001209194	873, 937	1001212924.....	233	1001217354.....	593	1001221056	415, 425
1001209200	517	1001212925.....	233	1001217355.....	593	1001221057	417, 427
1001209201	517	1001213026.....	19, 513	1001217482.....	571, 573	1001221058	417, 427
1001209202	517	1001213265.....	481, 483	1001217552.....	519	1001221059	413, 422
1001209203	517	1001213286.....	940	1001217553.....	519	1001221087	327
1001209346	49	1001213306.....	557	1001217620.....	255, 257	1001221157	327
1001209357	697	1001213307.....	557	1001217623.....	697	1001221270	327
1001209358	699	1001213308.....	557, 559	1001217669.....	257	1001221295	413, 422
1001209387	39	1001213309.....	559, 561	1001217753.....	227, 755	1001221318	863
1001209388	41	1001213311.....	561, 661	1001217754.....	223	1001221319	863
1001209418	515	1001213317.....	525, 527	1001217755.....	223	1001221321	327
1001209419	515	1001213318.....	521, 523	1001217756.....	227, 755		
1001209427	817	1001213319.....	529, 531				
1001209456	817, 819	1001213331.....	355				

SECTION 13 - SPECIAL OPTIONS

1001221349.....239	1001227133.....440	1001230850.....865	1001249695.....940
1001221383.....239	1001227186.....347	1001230931.....725	1001249941.....940
1001221493.....227, 755, 757	1001227187.....351	1001231057.....940	1001250161.....391
1001221734.....327	1001227188.....351	1001231110.....940	1001250276.....79
1001221868.....187	1001227266.....899	1001231138.....940	1001250475.....83, 937
1001221928.....549, 659	1001227287.....918, 922	1001231385.....43	1001250708.....43, 61
1001221986.....547, 549	1001227297.....901, 903	1001231393.....657	1001251518.....885
1001221987.....543, 547	1001227334.....59, 61	1001231397.....787, 788, 879	1001252304.....940
1001221988.....543	1001227440.....539	1001231398.....787, 788, 879	1001253661.....585, 587
1001221989.....543	100122767087, 103, 105, 107, 119, 121, 123, 125, 127, 134, 137, 159	1001231400.....787, 788, 879	1001253671.....583, 873
1001222188.....29	1001227802.....349	1001231401.....787, 788	1001254185.....901, 907
1001222190.....29	1001227945.....491	1001231402.....788	1001254390.....940
1001222455.....723	1001227964.....205	1001231404.....788, 879	1001254400.....940
1001222460.....167	1001228132.....417, 427	1001231406.....788, 879	1001255519.....583
1001222603.....507, 937	1001228140.....417, 427	1001231407.....206, 785	1001255520.....583
1001222606.....505, 937	1001228141.....417, 427	1001231483.....206, 787	1001255522.....583
1001222650.....918, 922	1001228147.....417, 427	1001231692.....101	1001255536.....583, 585
1001222741.....355	1001228248.....187	1001231801.....918	1001255567.....583
1001223109.....557	1001228427.....111	1001231803.....901	1001255568.....583
1001223265.....440	1001228504.....567	1001232033.....901	1001255581.....795
1001223435.....113	1001228643.....205	1001232288.....751, 753	1001256073.....347
1001223453.....918, 922	1001228727.....165	1001232298.....901, 905	1001256974.....509, 937
1001223455.....723, 724, 725, 726	1001228728.....165, 761	1001232500.....101	1001257071.....509
1001223456.....722	1001228732.....761, 781	1001232509.....249, 691	1001257088.....495, 937
1001223457.....722, 723	1001228733.....761, 777	1001232850.....187	1001257330.....491, 493
1001223618.....213, 673	1001228738.....869	1001232988.....81	1001257348.....497, 937
1001223622.....673	1001228739.....799, 869	1001233024.....249	1001258099.....473
1001223628.....213	1001228741.....799, 813	1001233189.....940	1001258277.....797, 801
1001223645.....213	1001228743.....705	1001233431.....925	1001258278.....799, 805
1001223869.....205, 213	1001228744.....705, 707	1001233558.....922	1001258512.....99
1001223874.....205	1001228860.....73	1001234395.....81	1001258523.....140
1001223903.....851, 937	1001228872.....201, 936	1001234455.....39	1001258664.....99
1001223968.....739, 741	1001228989.....823, 825	1001235963.....37, 39	1001258712.....719, 735
1001224127.....851	1001228993.....940	1001237897.....235	1001258713.....719, 722
1001224128.....851	1001229056.....61	1001238470.....201	1001258719.....873, 881
1001224450J.....41	1001229072.....940	1001238560.....97, 157	1001258731.....873
1001224598.....287	1001229074.....940	1001238565.....93, 95, 97	1001258749.....873
1001224938.....321	1001229104.....940	1001238566.....157	1001259205.....873, 879
1001224944.....537, 651	1001229107.....897	1001238570.....157	1001259214.....99
1001224945.....541, 653	1001229201.....323	1001238653.....93	1001259224.....875
1001224946.....581	1001229213.....940	1001238655.....95	1001259225.....99
1001225317.....329	1001229216.....940	1001238781.....197	1001259231.....873
1001225390.....539	1001229324.....940	1001238788.....237	1001259246.....873, 875
1001225392.....535	1001229532.....940	1001239879.....237	1001262959.....941
1001225393.....535, 539	1001229543.....349	1001239961.....940	1001262960.....897
1001225656.....657	1001229576.....940	1001241308.....357	1001262963.....897
1001226328.....897, 937	1001229609.....37	1001241337.....473	1001265343.....857
1001226400.....899	1001229707.....929	1001241590.....713	1001265344.....49
1001226481.....440	1001229811.....940	1001241591.....713	1001265372.....940
1001226523.....175	1001229812.....940	1001241610.....873, 877	1001268341.....940
1001226532.....915	1001229813.....940	1001241836.....37	1001270117.....383
1001226534.....915	1001229955.....901, 937	1001241880.....581, 667	1001270466.....719
1001226535.....915	1001229981.....259, 893	1001241950.....507	1001270467.....791
1001226557.....515	1001230125.....940	1001244192.....823, 825	1001270485.....849
1001226636.....903	1001230126.....940	1001244193.....823, 825	1001273075.....695
1001226637.....903	1001230163.....361	1001244428.....763	1001278028.....709
1001226681.....233	1001230188.....940	1001244429.....769	1001284531.....167
1001226797.....231	1001230239.....101	1001245694.....940	1001284536.....231
1001226799.....901	1001230241.....101	1001247184.....239	1001284538.....163, 165
1001226828.....535	1001230402.....787	1001247279.....233, 235	1001285934.....759
1001226829.....535, 539	1001230403.....787, 788	1001247421.....885, 938	1001286174.....761
1001227066.....897, 899	1001230404.....788	1001247646.....918, 922	1001288070.....393
1001227068.....899	1001230409.....940	1001249078.....81, 937	1001293067.....231
1001227077.....205	1001230699.....940	1001249249.....81	1001293068.....231
1001227090.....243		1001249251.....79	1001293070.....163, 165

SECTION 13 - SPECIAL OPTIONS

1001293972 749, 759, 761	2150606 125	3290801.....203, 205, 213, 349, 477, 759, 761, 819, 851	4240099 543, 557, 895
1001294815 929	2150608 195	3290805.....201, 239, 483, 531, 583, 795	4280307 31
1060379 97, 99	2150808 287, 321, 601	3290806.....367	4360475 747, 875, 937
1060626 693, 895	2151010 523, 527, 531	3291001.....177, 187, 203, 205, 243, 749, 827, 833	4360657 873, 938
1062255 ... 187, 201, 215, 219, 227, 241, 245, 249, 563, 691, 755, 759, 761, 901	2151212 553	3291005.....183, 203, 205, 243, 569, 583, 751	4360658 487, 936
10713707 791	2151616 219, 581	3311005.....873	4460183 875
10725554 275, 301	2152020 25	3311405.....97	4460225 722, 723
10732931 667	2160016 .59, 63, 65, 569, 607, 611	3311502.....157	4460234 719, 901
10837953 667	2170104 199	3311508.....693	4460265 722
120034 719	2170106 581	3332011.....341	4460267 722, 723
1320022 422	2170112 581	3391410.....157	4460268 722, 723, 724
1320060 215	2170206 125, 581	3421453.....97	4460320 723, 875
1670836 918, 922	2170208 491	3422661.....99	4460321 787
1701500 918, 922	2170216 219	3440620.....101	4460343 722, 723
1701509 97	2170316 195	3520028.....489	4460424 724
1702773 93, 95	2170410 539	3520072.....97	4460434 722
1704260 747, 875	2170704 195	3520193.....59	4460458 ... 724, 727, 764, 770, 787, 810, 814, 821, 891
1704277 97	2170706 583	3520198.....97	4460464 ... 703, 707, 717, 724, 726, 727, 735, 737, 741, 757, 764, 770, 779, 781, 785, 787, 803, 807, 810, 814, 821, 839, 843, 847, 871, 877, 879, 881, 887, 893, 899, 903, 905
1704885 93, 95	2170712 583	3740080.....205, 879, 937	4460465 ... 713, 723, 725, 726, 727, 735, 745, 763, 764, 765, 769, 770, 771, 787, 801, 802, 803, 805, 806, 807, 809, 810, 811, 813, 814, 815, 839, 843, 844, 847, 871, 879, 881, 891, 903, 905, 907, 911
1706296 918	2170716 219	3760170.....97	4460466 ... 703, 707, 713, 723, 724, 725, 726, 727, 735, 741, 757, 763, 764, 765, 766, 769, 770, 771, 772, 787, 801, 802, 803, 805, 806, 807, 809, 810, 813, 814, 815, 821, 831, 839, 843, 877, 879, 883, 903, 905, 907, 911
1706299 918	2170804 597	3760348.....481	4460475 787
1706300 918	2170806 287, 321	3790152.....213	4460496 719
1706301 918	2171816 557	3820020.....97	4460497 719
1706302 157, 918	2171832 557	3900357.....783	4460508 ... 703, 707, 764, 770, 775, 777
1706306 918	2172106 583	3900379.....47, 465	4460509 ... 765, 771, 802, 806, 809, 813
1706768 918	2172116 219	3911010.....873	4460518 ... 726, 787, 803, 807
1706850 918	2172410 539	39844923.....301	4460536 ... 727, 779, 781, 811, 815, 847
1706892 93	2200223 203, 205	3986405.....261	4460539 ... 725, 726, 727, 763, 764, 765, 769, 770, 771, 772, 787, 801, 805, 810, 814, 815, 839, 843, 847
1707078 918	2220238 567	3986610.....407	4460608 763, 769
2080040 97	2220239 25, 657	3986643.....407	4460670 903
2080078 367	2220240 25	4000015.....937	
2080086 347	2220767 215	4010416.....855, 857	
2080087 347	2220811 257	4010510.....505, 507	
2080092 381	2220883 669	4010608002.....347, 349, 440, 459, 461	
2110406 561, 591	2220886 669	4010610.....709, 855	
2110408 597	2221221 583	4010610002.....437, 440, 459, 489	
2110410 195	2400060 903	4010612002.....351, 440, 447, 451, 453	
2110606 65, 125, 561, 567, 585, 591	24921332 231	4031205.....759, 761	
2110610 527, 531	2560122 583	4031607 25, 29, 509, 759, 761	
2110808 567, 577, 601	2580040 691	4031608.....445	
2110810 591, 657	2600281 97	4031608001.....440	
2111010 ... 199, 517, 523, 527, 531, 533, 567, 591, 611	2720160 543	4031708.....851	
2111012 581	2902443 764, 771	4031708001.....435	
2111212 581	2920207 827	4031910.....469, 471	
2111216 195	2920208 827	4031912.....595, 599	
2111616 219, 257, 591	2940074 97, 937	4031916.....615	
2130404 ... 491, 537, 541, 567, 577, 585	3020037 255	4031918.....521, 525, 529	
2130406 195, 585	31200160 93	4031921.....535, 539	
2130408 577	31200386 95	4032010.....55	
2130606 549, 581	314689 57, 615	4060919.....19	
2130808 287, 321, 491	3251813 918, 922	4109801.....918, 922	
2131010 517, 539, 541	3290401 ... 413, 422, 447, 883	4110422.....101, 159	
2131212 ... 537, 541, 553, 567	3290405 ... 357, 709, 855, 857	4240018.....543, 563	
2131216 195	3290501 719, 885	4240032.....897, 901	
2132016 581	3290505 71, 81, 205, 473, 509, 749		
2144603 259	3290507 81		
2144606 183	3290601 ... 157, 422, 447, 459, 481, 489, 683, 685, 709, 719, 855		
2150406 573	3290605 39, 243, 440, 447, 453, 709, 783, 855		
	3290606 515		
	3290607 827, 833		

SECTION 13 - SPECIAL OPTIONS

4460705.....723	4461006 ... 763, 765, 769, 771	4812000 ... 25, 39, 45, 49, 55, 59, 61, 63, 65, 69, 81, 177, 183, 189, 215, 231, 243, 489, 491, 515, 517, 553, 557, 565, 569, 575, 579, 583, 709, 715, 749, 751, 759, 761, 791, 827, 833, 855, 865	70005730.....169
4460742.....213, 787	4461008 763, 769	4812002 ... 23, 37, 41, 43, 45, 63, 65, 177, 187, 203, 205	70006144.....169
4460744.....724	4461015 735, 802, 806	4812100 27, 55, 173, 215, 231, 589, 749	70006427.....669
4460746.....724, 727	4461017 ... 703, 707, 775, 777, 809, 813	4812102 27, 203, 205, 329, 829	70020276.....261
4460748....724, 764, 770, 810, 814	4461018 ... 765, 771, 809, 813	4812300 55, 173, 255	70020438.....617, 633
4460761787	4461054 ... 763, 769, 809, 810, 813, 814	4812500 339, 341	70020476.....613
4460789737	4461070 766, 771	4831400 413, 422, 447	70020555... 103, 153, 155
4460809.....787	4461071 765, 771	4831600 25, 759, 761	70020764... 645, 647, 936
4460836.....723	4461095 765, 771	4831700 43, 237, 459, 489, 791	70020867.....675, 679
4460884....735, 787, 802, 806, 809, 813, 839, 843, 871, 883, 911	4461115 726, 727, 821	4832100 203, 205	70020922.....489
4460891713, 726, 727, 735, 764, 765, 766, 770, 771, 772, 787, 801, 802, 803, 805, 806, 807, 809, 810, 813, 814, 843, 871, 881, 891	4461118 737, 809, 813	4871700 797, 799	70021251.....395
4460892.....766, 770	4461174 695, 697, 699	4892600 269, 291	70021252.....395
4460894....723, 725, 745, 764, 770, 803, 807, 809, 813, 831, 839, 879	4461262 ... 717, 722, 726, 809, 813	4921614 893	70021314.....401
4460897713, 724, 735, 745, 757, 766, 770, 771, 801, 802, 803, 805, 806, 807, 871, 881, 893	4461290 753, 802, 806	5220600 825	70021316.....401
4460899....737, 741, 803, 807, 809, 813, 843, 877, 879	4641520 597, 675	5220800 687, 689, 693	70021317.....399
4460906.....723	4711000 873	5240600 851	70021318.....399
4460928....726, 802, 806, 843	4711400 97	5240800 519	70021319.....399, 403
4460929.....871	471678 377	5241000 243	70021321.....403
4460930....726, 803, 807, 809, 810, 814, 905	4740274 203, 205	5241200 151	70021322.....399
4460931703, 707, 726, 810, 814, 839, 905	4740532 193, 197	5241400 259	70021323.....403
4460932....717, 735, 757, 785, 802, 806, 809, 813, 821, 859, 887	4740550 203, 205	5242400 157, 569	70021324.....403
4460933....723, 765, 771, 801, 803, 805, 807, 810, 814, 903	4761400 855	5250608 431	70021325.....403
4460941735, 737, 757, 810, 814, 831, 871	4761700 557	5251012 167	70021326.....403
4460942....723, 735, 766, 772, 801, 802, 803, 805, 806, 807, 831, 843, 844	4807718 369	5271609 885	70021327.....403
4460943....703, 707, 726, 735, 745	4811400 ... 119, 121, 123, 413, 422, 447, 487, 709, 855, 857, 883	5272012 865	70021328.....403
4460944....723, 725, 726, 763, 764, 765, 769, 770, 771, 772, 810, 814, 815, 839, 843, 907	4811600 71, 81, 185, 205, 440, 473, 747, 749, 885	643191201 722, 801, 805	70021330.....403
4460945....727, 766, 772, 787, 839	4811700 ... 27, 31, 39, 43, 47, 81, 157, 175, 231, 239, 243, 347, 349, 377, 422, 435, 437, 447, 459, 461, 481, 485, 489, 515, 547, 575, 683, 685, 709, 719, 751, 759, 761, 783, 797, 799, 823, 825, 827, 833, 837, 855, 863, 873	643201301 722, 801, 805	70021340.....827, 833
4460970....764, 770, 801, 805, 810, 814, 831	4811700001 440	70002963 .. 659, 669, 936	70021341.....827, 833
4460979.....765, 771	4811702 ... 181, 381, 459, 481, 485, 491	70004387 659	70021349..... 87, 91, 127, 159
4460984.....803, 807	4811702001 349, 351, 440, 507	70004512 169, 936	70021350..... 87, 91
4460994.....724	4811900 ... 23, 27, 45, 49, 51, 55, 73, 75, 189, 201, 203, 205, 217, 225, 231, 233, 239, 247, 349, 355, 375, 389, 393, 397, 405, 422, 457, 467, 469, 471, 477, 481, 491, 515, 517, 521, 525, 531, 543, 545, 551, 559, 571, 583, 683, 685, 695, 759, 761, 791, 795, 819, 849, 851, 873, 883	70004595 663, 936	70021367..... 91
4461000.....747	4811902 . 37, 41, 61, 213, 221, 223, 231, 413, 422, 457, 459	70005191 170	70021387..... 159
		70005440 587	70021397..... 159
		70005490 169	70021415..... 159
		70005492 169	70021422..... 91
		70005495 937	70021440..... 629, 631
		70005504 169, 938	70021444..... 631
		70005505 169	70021445..... 631
		70005507 169, 170	70021446..... 631
		70005510 169	70021447..... 631
		70005511 169	70021448..... 631
		70005513 169	70021451..... 631
		70005522 170, 937	70021452..... 631
		70005523 170, 938	70021531..... 645, 647
		70005524 170, 937	70021606..... 293
		70005544 170	70021613..... 293
		70005548 170	70021979..... 159
		70005549 170, 936	70022007..... 667
		70005556 170, 938	70022008..... 667
		70005557 170	70022010..... 667
		70005558 170	70022014..... 667
		70005559 170, 938	70022019..... 667
			70022034..... 395
			70022140..... 275, 301
			70022528..... 159
			70022726..... 641, 936
			70022765..... 739, 936
			70022773..... 283, 295
			70022938.. 109, 111, 113, 115, 129, 134, 140, 141
			70023179..... 407
			70023181..... 407
			70023182..... 407
			70023184..... 407
			70023186..... 407
			70023189..... 407

SECTION 13 - SPECIAL OPTIONS

70023469	275, 301	70025338	303	70026359.....	209	70026904.....	261
70023489	303	70025339	277, 303	70026369.....	667	70026908.....	261
70023490	277, 303	70025483	395	70026370.....	667	70026909.....	261
70023493	303	70025485	395	70026372.....	667	70026911.....	261
70023494	275, 301	70025486	395, 937	70026373.....	667	70026927.....	262
70024004	277	70025489	395	70026376.....	667	70027022.....	281, 293
70024035	619	70025490	395	70026379.....	667	70027092.....	281
70024059	159	70025491	395	70026383.....	667	70027105.....	277, 303
70024064	159	70025535	170	70026395.....	179	70027109.....	261
70024107	407, 938	70025539	401, 937	70026396.....	179	70027110.....	261
70024123	113, 115, 129, 133, 625	70025561	279, 305	70026407.....	617	70027134.....	667
70024129	623, 625, 635, 637	70025562	279, 305	70026408.....	617	70027180	143, 145, 147, 149
70024130	109, 111, 113, 115, 129, 134, 625	70025590	609	70026411.....	617	70027317.....	281, 293
70024142	637	70025614	609, 619	70026434.....	483	70027392.....	399, 401
70024146	279, 305, 315	70025707	170	70026469... ..	113, 115, 623	70027393.....	401
70024147	279, 305, 315	70025722	169	70026470.....	113, 115	70027394.....	401
70024164	627	70025737	169, 938	70026471... ..	113, 115, 133	70027395.....	399
70024165	627	70025743	169	70026472... ..	113, 115, 133	70027405.....	169, 938
70024166	627	70025755	169	70026473... ..	113, 115, 133	70027417.....	169
70024167	627	70025757	169	70026474.....	113, 115	70027420.....	169
70024168	627	70025760	170	70026475.....	113, 115	70027426.....	169, 937
70024201	667	70025761	170	70026476... ..	113, 115, 133	70027567.....	169
70024210	281, 293	70025763	169	70026477... ..	111, 113, 115, 655	70027595.....	643
70024213	281	70025765	169	70026478.....	113, 115	70027596.....	647
70024215	281	70025768	169	70026479... ..	109, 111, 113, 115	70027598.....	641
70024216	293	70025772	169	70026480... ..	109, 111, 113, 115	70027601.....	639
70024459	407	70025775	169	70026481... ..	109, 111, 113, 115, 129, 133, 141	70027657.....	169
70024474	170	70025780	170, 937	70026482... ..	109, 111, 113, 115, 129, 133, 141	70027773.....	87
70024484	169	70025786	169	70026483.....	109, 111	70027796.....	281
70024487	169	70025817	479	70026484.....	623	70027811.....	617
70024489	169	70025850	179, 936	70026485.....	623	70027862.....	261
70024493	169	70025851	179, 936	70026486.....	623	70027879.....	125
70024494	169	70025854	667	70026487.....	623	70027880.....	125
70024495	169	70025856	277	70026488.....	623	70027881.....	125
70024504	169, 937	70025859	483	70026489.....	623	70027882.....	125
70024505	170, 938	70025860	483	70026497.....	623	70027887.....	125
70024507	169, 938	70025877	170	70026499.....	623	70027888.....	125
70024538	115, 133, 141	70025884	285, 311	70026500.....	623	70027889.....	125
70024721	129, 134, 141	70025887	275, 301	70026501.....	133, 623	70027890.....	125
70024731	140	70025970	281	70026502... ..	623, 635, 637	70027896.....	125
70024733	625	70026002	279, 305	70026503.....	140, 623	70027899.....	125
70024734	140, 623, 625, 635, 637	70026011	169	70026504.....	129, 623	70027986... ..	283, 295, 937
70024772	129, 134, 141	70026081	209	70026505.....	623	70027989.....	127
70024787	141	70026210	170, 938	70026506.....	623	70028114.....	140
70024847	667	70026238	279, 305	70026582... ..	675, 679, 936	70028115.....	141
70024848	281	70026249	633	70026614... ..	111, 113, 115, 655	70028119.....	141
70024849	281	70026251	633	70026616.....	113, 115	7002821.....	940
70024856	407	70026253	633	70026631.....	261	7002823.....	940
70024857	407	70026260	279, 305, 307	70026745... ..	103, 153, 155	70028243.....	663
70024858	407	70026261	279, 305, 309	70026746... ..	103, 153, 155	70028253.....	133
70024859	407	70026262	281	70026747.....	293	70028254.....	635
70024861	407	70026263	281	70026748.....	293	70028255.....	635
70024881	279, 305, 313	70026264	281	70026748.....	293	70028256.....	635, 637
70024918	169, 937	70026265	285, 311	70026750.....	277	70028257.....	635, 637
70024945	641	70026266	285, 311, 313	70026777.....	667	70028258.....	635, 637
70024946	641	70026292	729, 936	70026778.....	667	7002826.....	941
70024961	169	70026293	731, 937	70026779.....	667	70028262.....	133
70025012	279	70026294	793, 936	70026781.....	667	70028263.....	109, 111
70025014	279	70026295	793, 936	70026783.....	667	70028267.....	129, 134
70025153	169, 936	70026296	793, 936	70026784.....	667	70028270.....	635
70025242	170	70026297	793, 936	70026838.....	613	70028281.....	653, 936
70025335	273, 299	70026312	669	70026892.....	261	70028282... ..	537, 651, 653
70025337	303	70026314	669	70026896.....	261	70028285.....	677
		70026315	669	70026897.....	261	70028286.....	667
		70026353	209	70026898.....	261	70028287.....	667
		70026354	209	70026901.....	261	70028288.....	667

SECTION 13 - SPECIAL OPTIONS

70028289.....	667	70028376.....	613	70028512.....	125	70028618.....	87
70028295.....	667	70028377.....	613	70028513.....	125	70028619.....	87
70028296.....	667	70028378.....	613	70028514.....	671, 936	70028620.....	87
70028297.....	667	70028379.....	613	70028515.....	671	70028621.....	87
70028298.....	667	70028380.....	613	70028516.....	671	70028622.....	87
70028299.....	667	70028381.....	483	70028517.....	671	70028623.....	87
70028300.....	667	70028382.....	483	70028525.....	127	70028624.....	87
70028306.....	609	70028383.....	483, 937	70028526.....	127	70028625.....	87
70028307.....	609	70028384.....	613	70028546.....	737	70028626.....	87
70028308.....	609	70028387.....	279, 305	70028548.....	209	70028627.....	87
70028309.....	609, 619	70028388.....	273, 279, 299, 305	70028549.....	209	70028628.....	87
70028310.....	609, 619	70028389.....	273, 279, 299, 305	70028550.....	209	70028629.....	87
70028311.....	609	70028390.....	275, 277	70028554.....	87, 103, 127, 159	70028630.....	87
70028312.....	609	70028391.....	275	70028563.....	109, 111	70028631.....	87
70028313.....	609	70028392.....	279, 305	70028564.....	109, 111	70028632.....	87
70028314.....	619	70028393.....	283, 295	70028565.....	109, 111	70028633.....	87
70028315.....	619	70028394.....	283, 295	70028566.....	109, 111	70028634.....	88
70028316.....	619	70028396.....	279, 305	70028567.....	109, 111	70028635.....	87
70028317.....	619	70028397.....	305	70028568.....	109, 111	70028636.....	87
70028318.....	619	70028398.....	301, 303	70028569.....	109, 111	70028637.....	87
70028319.....	619	70028399.....	301	70028570.....	109, 111	70028638.....	87
70028320.....	619	70028400.....	305	70028571.....	109, 111	70028648.....	133
70028321.....	619	70028401.....	275, 301	70028572.....	109, 111, 621	70028649.....	133
70028322.....	619	70028405.....	133	70028573.....	109, 111, 655	70028650.....	133
70028323.....	619	70028406.....	133	70028574.....	109, 111	70028651.....	133
70028324.....	619	70028410.....	641	70028575.....	111	70028652.....	133, 635
70028326.....	407, 938	70028411.....	641	70028576.....	111	70028653.....	133, 637
70028327.....	191	70028412.....	643	70028577.....	111	70028654.....	133
70028328.....	191	70028413.....	643	70028578.....	111	70028655.....	133
70028329.....	191	70028414.....	663	70028579.....	111	70028656.....	133
70028330.....	191	70028415.....	663	70028580.....	111	70028657.....	133
70028331.....	191	70028416.....	663	70028581.....	621	70028658.....	133
70028332.....	191	70028417.....	169	70028582.....	621	70028659.....	133
70028333.....	191	70028418.....	169	70028583.....	621	70028660.....	133
70028334.....	191	70028419.....	169	70028584.....	621	70028661.....	133
70028335.....	191	70028420.....	639	70028585.....	621	70028662.....	133
70028336.....	191	70028421.....	665	70028586.....	621	70028663.....	133
70028337.....	191	70028422.....	649	70028587.....	621	70028664.....	133
70028338.....	191	70028485.....	87, 91, 127	70028588.....	621, 625	70028665.....	133
70028339.....	191	70028486.....	91, 127	70028589.....	111, 655	70028666.....	133
70028340.....	191	70028487.....	91	70028591.....	127	70028667.....	133
70028341.....	191	70028488.....	91, 127	70028592.....	127	70028668.....	133
70028342.....	191	70028489.....	87, 91	70028593.....	127	70028669.....	133
70028343.....	191	70028490.....	87, 91	70028594.....	127	70028670.....	133
70028344.....	191	70028491.....	91	70028595.....	127	70028671.....	133
70028345.....	191	70028492.....	91	70028596.....	127	70028672.....	113, 115, 129, 133, 141
70028346.....	191	70028493.....	91	70028597.....	127	70028673.....	133
70028347.....	191	70028494.....	91	70028598.....	127	70028674.....	133
70028348.....	191	70028495.....	87, 91, 127	70028599.....	127, 629	70028675.....	133
70028349.....	191	70028496.....	87, 91, 127	70028600.....	127	70028676.....	133
70028350.....	191	70028497.....	91	70028601.....	127	70028677.....	133
70028351.....	191	70028498.....	91	70028602.....	127	70028678.....	134
70028352.....	191	70028499.....	91	70028603.....	127, 631	70028679.....	134
70028353.....	191	70028500.....	91	70028604.....	127	70028680.....	134
70028354.....	191	70028501.....	91	70028605.....	127	70028681.....	134, 141
70028355.....	191	70028502.....	663	70028606.....	127	70028682.....	134
70028357.....	191	70028503.....	663	70028607.....	127	70028683.....	134
70028358.....	191	70028504.....	663	70028609.....	629	70028684.....	134
70028359.....	191	70028505.....	125	70028610.....	629	70028685.....	134
70028360.....	191	70028506.....	125	70028611.....	629	70028686.....	134
70028361.....	661	70028507.....	125	70028612.....	631	70028687.....	129, 134, 141
70028362.....	633	70028508.....	125	70028613.....	631	70028688.....	129, 134, 141
70028371.....	617	70028509.....	125	70028614.....	631	70028689.....	129, 134, 141
70028372.....	617	70028510.....	125	70028615.....	87	70028690.....	134
70028373.....	617	70028511.....	125	70028616.....	87	70028691.....	635, 637
70028374.....	617			70028617.....	87	70028692.....	637
70028375.....	617						

SECTION 13 - SPECIAL OPTIONS

70028693	637	70028796	141	70050475.....	667	80204117 ..	281, 293, 313
70028694	637	70028801	262, 938	7010543.....	659	80204143	283, 295
70028695	134	70028817	261	70124445.....	169	80204144	283, 295
70028696	134	70028818	261	70126616.....	169	80204176	261
70028697 ..	113, 130, 134	70028819	261	7016331.....	169, 936	80204215	261
70028701	129	70028820	261	7020208.....	169	80204281	281, 293
70028702	129	70028821	261	7020442.....	169	80214120	279, 305
70028703	129	70028822	261	7022390.....	653	80233218	481
70028704	129, 625	70028823	261	7024947.....	643	80264002	401
70028705	129	70028824	261	7026731.....	319	80264004	401
70028706	129	70028825	261	7028621.....	407	80333151	481
70028707	129	70028826	261	7028714.....	279, 305	80333184	583
70028708	129	70028827	261	7028715.....	279, 305	8034697	667
70028709	129	70028828	261	7028716.....	279, 305	80363195	389
70028710	129	70028829	261	7028733.....	279, 305	80604017	745
70028711	129	70028830	261	7029127.....	283, 295	80604021	911
70028712	129	70028831	261	7029288.....	273, 299	806253	51
70028713	129	70028832	261	7029290.....	313	806264	51
70028714	129	70028833	261	7029307.....	283, 295	80963055	766, 771
70028715	129	70028834	261	7029317.....	279	80963056	765, 771
70028716	129	70028835	261	7029486.....	435, 437, 927	80963067	764, 771
70028717	129	70028836	261	7029520.....	155	80983191 ..	729, 731, 733, 936
70028718	129	70028837	261	7029702.....	127	82033995	201, 241
70028719	129	70028838	261	7029703.....	127	8220035	785
70028720	129	70028839	261	7029704.....	127	8220043	775, 777
70028721	129	70028840	261	7029709.....	87	8220045	757
70028722	129	70028841	262	7029711 ..	87, 91, 127, 159	8220051 ...	724, 725, 801, 805
70028723	129	70028842	262	7029712.....	87	8220097	764, 770
70028724	129	70028843	262	7029733.....	305, 319	8220098	764, 770
70028725	129	70028844	262	7029734.....	281, 293	8220108	753, 785
70028726	129	70028845	262	7029735.....	281, 293	8220116	803, 807
70028727	129	70028846	262	7029743.....	279	8220124	763, 769
70028728	625	70028847	262	7029767.....	395	8220375	724
70028729	625	70028848	262	7029767.....	395	8229234	788, 879, 936
70028730	625	70028848	262	7029785.....	293	8229235	787, 936
70028731	625	70028860	159	7029787.....	281	8229242 ...	729, 731, 903, 936
70028732	625	70028861	159	7029969.....	827	8229244	733, 793, 936
70028733	625	70028862	159	7029970.....	827	8229245	729, 793, 936
70028734	115, 130	70028863	159	7029971.....	827, 833	8229247 ...	731, 793, 936
70028738	115	70028864	159	7169541.....	205	8229261	787, 936
70028739	115	70028865	159	7300435.....	173	8275212	231
70028740	115	70028866	159	77133136.....	517	8278020	203, 205
70028741	115	70028867	159	77133137.....	517	8305919 ...	181, 229, 381, 440, 459
70028742	115	70028902	669	77213042.....	231	8307219	229
70028743	115	70028903	669	8000565.....	829	8310382	99
70028744	109	70028904	669	8000759.....	367	8310559	361
70028745	109	70028905	669	8000803.....	349	8310686	595, 599
70028746	109	70029868	667	8002200.....	59, 61	8342813	35
70028747	109	70029870	667	8004398.....	367	8405006 ...	215, 543, 583
70028748	109	70029871	667	8005901.....	437	8405007 ...	215, 551, 557, 563
70028749	113	70029872	667	8008175.....	283, 295	8405009 ...	215, 233, 481
70028750	113	70029873	667	8008640.....	59, 61	8405101	215
70028751	113	70029874	667	80203020.....	261	8405102	219
70028752	113	70029941	619	80203021.....	261	8405104	215
70028753	113	70030102	587	80204002.....	273, 299	8405201 ...	215, 440, 443
70028767	133	70030103	587	80204005...	273, 299, 317	8405402	175
70028768	133	70030104	587	80204007.....	261	8406105	173
70028770	635	70030105	140	80204012.....	305	8406112	247
70028771	637	70030106	140	80204016.....	261	8406201	543, 583
70028785	141	70030107	141	80204016.....	261	8406202	521, 525
70028786	140	70030353	227, 755	80204033.....	275, 301	8410009	241, 413, 422
70028787	140	70030355	227, 755	80204035.....	275, 301	8410013	201, 543, 557
70028788	140	70030356	227, 755	80204043.....	275, 301		
70028789	141	70030356	227, 755	80204048.....	275, 301		
70028791	141	70030365	279	80204060.....	281		
70028792	141	70031088	169	80204065.....	279, 305		
70028794	141	7004275	941	80204071.....	279, 305		
70028795	141	7004276	941	80204076.....	279, 305		
		70050473	667	80204108.....	281		

SECTION 13 - SPECIAL OPTIONS

842005387, 91, 109, 111, 113, 115, 125, 127, 129, 134, 141, 159	90206196 45	91403193 253	91514133.....275, 301
842005587, 91, 109, 111, 113, 115, 125, 127, 129, 134, 141, 159	90206198 543	91403413 159	91514134.....275, 301
8424233.....557	90206202 19	91403414 159	91514143.....277
8430032.....543	90554016 153	91403448 101	91514146.....261, 317
8430033.....591	90554017 127	91403530 75	91514147.....317
8430034.....561, 585	90554020 127, 159	91474364 261	91514148.....317
8430081543	90554042 87, 91, 127, 159	91474512 273, 299	91514149...279, 305, 317
8466306.....387	90554045 87, 91, 127, 159, 629, 631	91504107 745	91514151.....281
8584003.....909	90554054 159	91513266 329	91514154...261, 281, 293
85941018.....543	90554065 87	91514081 279, 305	91514159.....281, 293
8769123.....525, 529	90554066 87	91514082 279, 305	91514174.....279, 305
8769126.....525, 529	90554067 87, 127	91514083 279	91514175...279, 305, 315
8770030.....581	91013191 810, 814	91514084 279	91514177...279, 305, 315
8770075.....519	91013192 . 802, 803, 806, 807	91514089 . 273, 279, 281, 299	91514178.....279, 305
8770104.....581	91043125 . 519, 523, 527, 531	91514090 313	91514179.....279, 305
8770215.....593	91043126 . 519, 523, 527, 531	91514095 279, 305	91514180.....279, 305
8770286.....581	9106-3039..... 563	91514098 273, 299	91514181279, 305
8786549.....323, 325, 327	9106-3040..... 563	91514101 273, 299	91514184.....279, 319
88662434.....543, 563	91083106..... 557	91514111 307, 309	91514185.....279, 319
8880219-OM.....265	91163268 231	91514112 279, 305	91514186.....279, 319
8896941940		91514117 279, 305	91514189.....279, 305
		91514118 329	91574001.....627
		91514123 275	943191201.....722
		91514130 275, 301	AU2105.....918, 922
			N.S.S. 119, 121, 123, 659



**Corporate Office
JLG Industries, Inc.
1 JLG Drive
McConnellsburg, PA 17233-9533 USA
☎ (717) 485-5161 (Corporate)
☎ (877) 554-5438 (Customer Support)
📠 (717) 485-6417**

**Visit our website for JLG Worldwide Locations.
www.jlg.com**



OSHKOSH™