



Illustrated Parts Manual

Models
3614RS
4017RS

PVC
2011

P/N
31211573

October 30, 2020 - Rev A



EFFECTIVITY PAGE

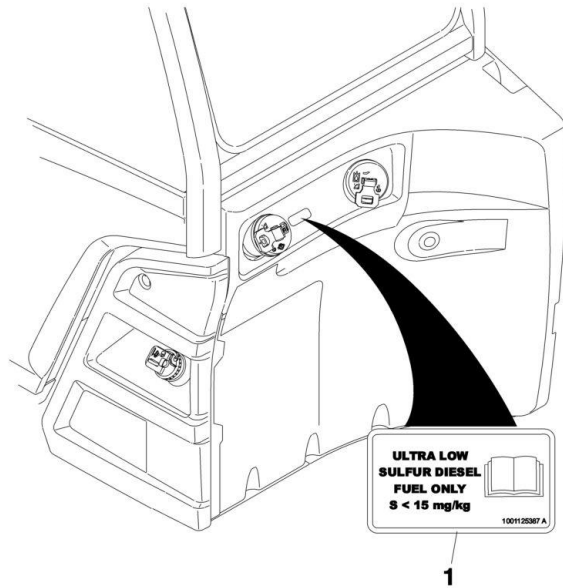
October 30, 2020 - A - Original Issue of Manual (Edited toB/M 1001203000 Revision AD)

March 31, 2024 - B - Revised Manual (Edited toB/M 1001203000 Revision AD)

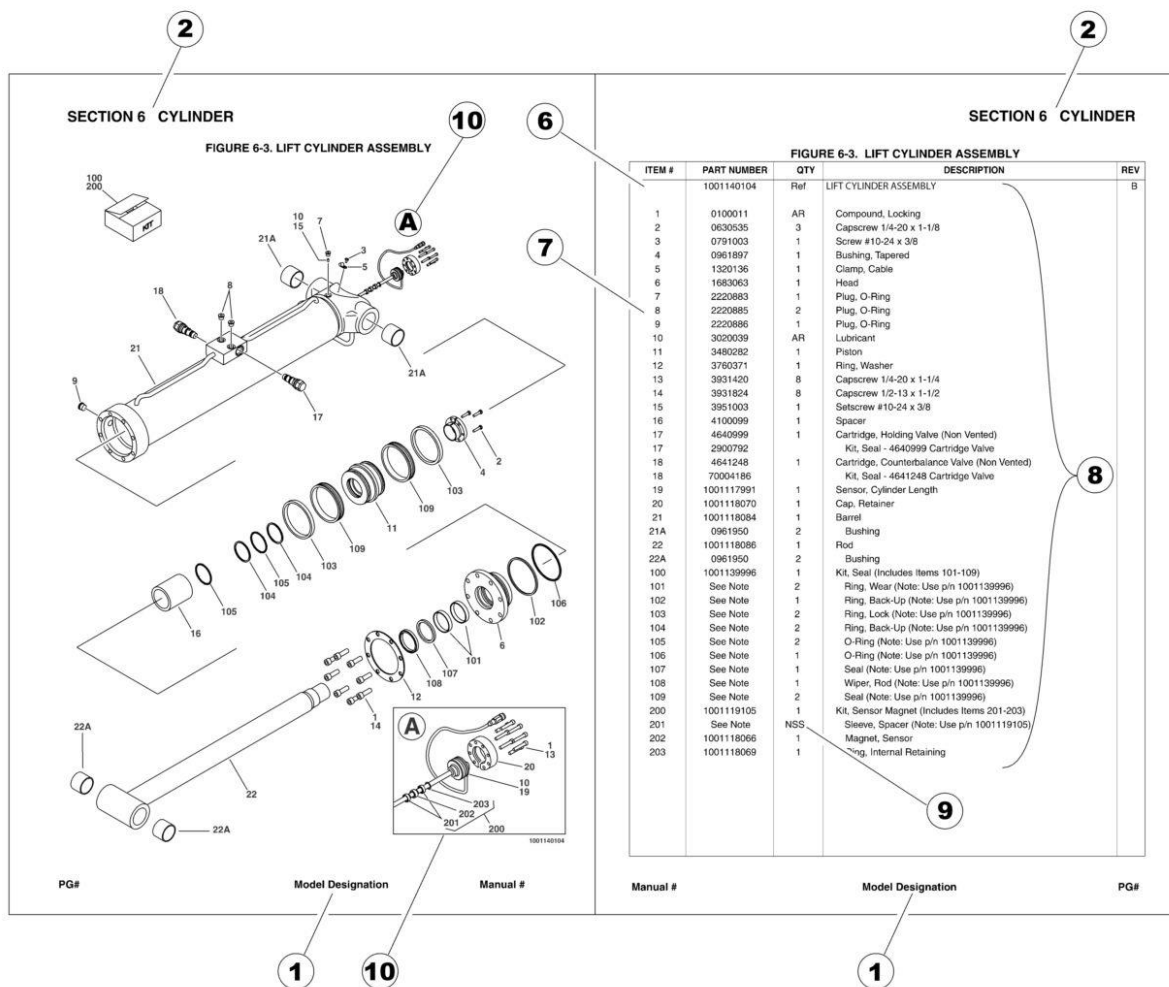
Machine Configuration

Two configurations of each machine are included in this manual. Determine if machine is equipped with Ultra Sulfur Fuel Decal (1) as indicated below.

- If equipped with the Ultra Low Sulfur decal, all specific references to this machine configuration will be referred to as Ultra Low Sulfur (ULS) from this point forward.
- If not equipped with the Ultra Low Sulfur decal, all specific references to this machine configuration will be referred to as Low Sulfur (LS) from this point forward.



GENERAL INFORMATION



1) MACHINE IDENTIFICATION

Machines are identified by model and in some cases a combination of models, serial number (SN) or regional standard (i.e ANSI, CE, CSA). Components may also be identified by SN or manufacturer. Common components that may be identified by these characteristics are engines and hydraulic components.

2) PARTS MANUAL ORGANIZATION

Product information in this manual is organized under section titles. Frame, Cylinder, Hydraulic and Electrical are a few examples. Each section is organized by figure and page number. The information within the Figure is then organized by item number, part number, description and corresponding illustration (s).

3) TABLE OF CONTENTS (NOT SHOWN)

A table of contents is found toward the beginning of the manual. Figure number, description and page number are provided for quick reference to the page containing the related information.

4) RECOMMENDED SPARE PARTS (NOT SHOWN)

The Recommended Spare Parts List, located near the end of the manual, reference most frequently used maintenance parts.

5) PART NUMBER INDEX (NOT SHOWN)

A numerical index listing all part numbers and the corresponding page number(s) appears at the back of the manual.

GENERAL INFORMATION

6) NON-SERVICED PARTS

In some instances, it is necessary to display non-serviced parts, assemblies or installations. In the case of assemblies and installations there will be a Ref in the Qty. column. In case of parts that are not available for service within assemblies or components, there will be a NSS (Not Sold Separately) or NLA (No Longer Available) listed in the Qty. column of the manual.

7) PARTS LIST ITEM NUMBERS

Numbers shown in the item# column correspond to numbers used in the associated illustration (s). Item numbers which are missing from the sequence in the parts list are not used on that page.

8) INDENTED PARTS DESCRIPTION

An indented part description is included in the item under which it is indented.

9) ABBREVIATION AND SYMBOLS

AC.....	Alternating Current	L.....	Liter
ADE.....	Advanced Design Electronics	LB(LBS).....	Pounds
AG.....	Agricultural	LCD.....	Liquid Crystal Display
ANSI.....	American National Standards Institute	LED.....	Light Emitting Diodes
AR.....	As Required	LH.....	Left Hand
ASSY.....	Assembly	LRC.....	Low Rated Countries
AUS.....	Australia	LSS.....	Load Sensing System
AUX.....	Auxiliary	M(m).....	Metric/Meter
AWG.....	American Wire Gauge	MM(mm).....	Milimeter
B/M.....	Bill of Material	mA.....	Miliamps
CAC.....	Charge Air Cooler	NLA.....	No Longer Available
CE.....	European Conformity	NPT.....	National Pipe Threads
CCW.....	Counter Clockwise	NSS.....	Not Sold Separately
CM.....	Centimeter	OD.....	Outside Diameter
CW.....	Clockwise	ORB.....	O-Ring Boss
CSA.....	Canadian Standards Association	ORFS.....	O-Ring Face Seal
CYL.....	Cylinder	OZ (oz).....	Ounces
DIA.....	Diameter	PG.....	Page
DC.....	Direct Current	PN.....	Part Number
DEF.....	Diesel Exhaust Fluid	QT(qt.).....	Quarts
EMS.....	Emergency Stop	QTY.....	Quantity
ENG.....	Engine	REF.....	Reference
FT(ft).....	Feet	REV.....	Revision Level
GA(Ga).....	Gauge	RH.....	Right Hand
HRC.....	High Rated Countries	SAE.....	Society of Automotive Engineers
HVAC.....	Heating, Ventilating, and Air Conditioning	SN.....	Serial Number
HYD.....	Hydraulic	SPEC(S).....	Specifications
Hz.....	Hertz	T/T.....	Turntable
ID.....	Inside Diameter	UGM.....	Universal Ground Module
IN.....	inches	V.....	Volts
ISO.....	International Organization for Standards	W.....	Watts
JIC.....	Joint Industry Council	#.....	Number
KG.....	Kilogram		

10) ILLUSTRATION REFERENCE LETTERS

When necessary, illustrations may contain reference letters that are intended to track information (i. e. hoses, harnesses) from one point to another or to track visual enlargement of components to show details that may be located in another area on the illustration.

Note: Due to continuous product improvements, JLG Industries, Inc. reserves the right to make specification changes without prior notification. Contact JLG Industries, Inc. for updated information.

TABLE OF CONTENTS

SECTION 1 - FRAME AND ATTACHING PARTS.....	19
FIGURE 1-1. FRAME INSTALLATION (3614RS).....	20
FIGURE 1-2. FRAME INSTALLATION (4017RS).....	22
FIGURE 1-3. FRAME INSTALLATION (HIGH CAB) (4017RS).....	24
FIGURE 1-4. ENCLOSURE GROUP INSTALLATION	26
FIGURE 1-5. MIRROR INSTALLATION (3614RS).....	28
FIGURE 1-6. MIRROR INSTALLATION (4017RS).....	30
FIGURE 1-7. MIRROR INSTALLATION	32
FIGURE 1-8. REAR MIRROR INSTALLATION	34
FIGURE 1-9. MIRROR ASSEMBLY (CONVEX).....	36
FIGURE 1-10. BOOM PROP INSTALLATION	38
FIGURE 1-11. WHEEL CHOCK INSTALLATION.....	40
FIGURE 1-12. HOOD ASSEMBLY	42
FIGURE 1-13. SOUND SUPPRESSION INSTALLATION - 74KW (LS) (LCAD, AFRICA AND MID EAST, PAC RIM, CIS)	44
FIGURE 1-14. SOUND SUPPRESSION INSTALLATION - 74KW (LS) (EU, GERMANY, FRANCE, UK AND IRELAND)	46
FIGURE 1-15. SOUND SUPPRESSION INSTALLATION - 55KW (ULS) (EU, GERMANY, FRANCE, UK AND IRELAND).....	48
FIGURE 1-16. CHASSIS COVER PLATE INSTALLATION (3614RS).....	50
FIGURE 1-17. CHASSIS COVER PLATE INSTALLATION (4017RS).....	52
FIGURE 1-18. LICENSE PLATE INSTALLATION.....	54
FIGURE 1-19. RETRIEVAL HITCH INSTALLATION.....	56
FIGURE 1-20. HYDRAULIC TANK INSTALLATION	58
FIGURE 1-21. PAD LOCK.....	60
SECTION 2 - BOOM	63
FIGURE 2-1. BOOM INSTALLATION (NO AUXILIARY HYDRAULICS) (3614RS).....	64
FIGURE 2-2. BOOM INSTALLATION (AUXILIARY HYDRAULICS) (3614RS)	66
FIGURE 2-3. BOOM INSTALLATION (NO AUXILIARY HYDRAULICS) (4017RS).....	68
FIGURE 2-4. BOOM INSTALLATION (AUXILIARY HYDRAULICS) (4017RS)	70
FIGURE 2-5. BOOM ASSEMBLY (NO AUXILIARY HYDRAULICS) (3614RS)	72
FIGURE 2-6. BOOM ASSEMBLY (AUXILIARY HYDRAULICS) (3614RS)	74
FIGURE 2-7. BOOM ASSEMBLY (NO AUXILIARY HYDRAULICS) (4017RS)	76
FIGURE 2-8. BOOM ASSEMBLY (AUXILIARY HYDRAULICS) (4017RS)	78
FIGURE 2-9. EXTEND CHAIN ASSEMBLY (3614RS).....	82
FIGURE 2-10. EXTEND CHAIN ASSEMBLY (1) (4017RS)	84
FIGURE 2-11. EXTEND CHAIN ASSEMBLY (2) (4017RS)	86
FIGURE 2-12. RETRACT CHAIN ASSEMBLY (3614RS)	88
FIGURE 2-13. RETRACT CHAIN ASSEMBLY (1) (4017RS)	90
FIGURE 2-14. RETRACT CHAIN ASSEMBLY (2) (4017RS)	92
FIGURE 2-15. COVER PLATE INSTALLATION (3614RS)	94
FIGURE 2-16. COVER PLATE INSTALLATION (4017RS)	96
FIGURE 2-17. FIRST BOOM SECTION (3614RS).....	98
FIGURE 2-18. FIRST BOOM SECTION (4017RS).....	100
FIGURE 2-19. SECOND BOOM SECTION (3614RS).....	102
FIGURE 2-20. SECOND BOOM SECTION (4017RS).....	104
FIGURE 2-21. THIRD BOOM SECTION (3614RS).....	106

TABLE OF CONTENTS

FIGURE 2-22. THIRD BOOM SECTION (4017RS).....	108
FIGURE 2-23. FOURTH BOOM SECTION (4017RS).....	110
FIGURE 2-24. HOSE SUPPORT ASSEMBLY (4017RS).....	112
FIGURE 2-25. MANUAL QUICK ATTACH.....	114
FIGURE 2-26. HYDRAULICS INSTALLATION (NO AUXILIARY HYDRAULICS) (3614RS)	116
FIGURE 2-27. HYDRAULICS INSTALLATION (AUXILIARY HYDRAULICS) (3614RS).....	118
FIGURE 2-28. HYDRAULICS INSTALLATION (4017RS).....	120
FIGURE 2-29. HYDRAULICS ASSEMBLY (4017RS).....	122
FIGURE 2-30. HYDRAULICS INSTALLATION (AUXILIARY HYDRAULICS) (4017RS).....	124
FIGURE 2-31. AUXILIARY LINES INSTALLATION	126
FIGURE 2-32. BOOM BRUSH INSTALLATION (3614RS)	128
FIGURE 2-33. BOOM BRUSH INSTALLATION (4017RS)	130
FIGURE 2-34. BOOM BRUSH BRACKET ASSEMBLY (1).....	132
FIGURE 2-35. BOOM BRUSH BRACKET ASSEMBLY (2).....	134
FIGURE 2-36. BOOM BRUSH BRACKET ASSEMBLY (3).....	136
FIGURE 2-37. BOOM BRUSH BRACKET ASSEMBLY (4) (3614RS)	138
FIGURE 2-38. BOOM BRUSH BRACKET ASSEMBLY (5) (3614RS)	140
FIGURE 2-39. BOOM BRUSH BRACKET ASSEMBLY (6).....	142
FIGURE 2-40. BOOM BRUSH BRACKET ASSEMBLY (7) (4017RS)	144
FIGURE 2-41. BOOM BRUSH BRACKET ASSEMBLY (8) (4017RS)	146
FIGURE 2-42. BOOM BRUSH BRACKET ASSEMBLY (9) (4017RS)	148
FIGURE 2-43. BOOM BRUSH BRACKET ASSEMBLY (10) (4017RS)	150
FIGURE 2-44. BOOM BRUSH BRACKET ASSEMBLY (11) (4017RS)	152
SECTION 3 - ATTACHMENTS.....	155
FIGURE 3-1. BALE HANDLER (TUBE CLAMP)	156
FIGURE 3-2. BALE HANDLER KIT (TUBE CLAMP).....	158
FIGURE 3-3. BALE HANDLER (SPIKE CLAMP).....	160
FIGURE 3-4. BALE HANDLER KIT (SPIKE CLAMP).....	162
FIGURE 3-5. BUCKET 0.9M ³	164
FIGURE 3-6. BUCKET 4 IN 1 (1.0 M ³).....	166
FIGURE 3-7. BUCKET 1.8M ³	168
FIGURE 3-8. BUCKET EDGE (BOLT-ON) (2450 MM)	170
FIGURE 3-9. CARRIAGE ASSEMBLY (500MM)	172
FIGURE 3-10. CARRIAGE INSTALLATION WITH LIFT LUG (3614RS)	174
FIGURE 3-11. CARRIAGE INSTALLATION WITH LIFT LUG (4017RS)	176
FIGURE 3-12. CARRIAGE INSTALLATION - FORK POSTIONING (3614RS).....	178
FIGURE 3-13. CARRIAGE INSTALLATION - FORK POSTIONING (4017RS).....	180
FIGURE 3-14. CARRIAGE INSTALLATION - FORK POSTIONING WITH FORKS (4.0 TON).....	182
FIGURE 3-15. CARRIAGE INSTALLATION - JCB (3614RS)	184
FIGURE 3-16. CARRIAGE INSTALLATION - JCB (4017RS)	186
FIGURE 3-17. CARRIAGE INSTALLATION - MANITOU (3614RS)	188
FIGURE 3-18. CARRIAGE INSTALLATION - MANITOU (4017RS)	190
FIGURE 3-19. CARRIAGE ASSEMBLY - MANITOU FIT.....	192
FIGURE 3-20. CARRIAGE ASSEMBLY (JCB FIT)	194

TABLE OF CONTENTS

FIGURE 3-21. CARRIAGE - SIDE SHIFT (4.0 TON - 1255 MM).....	196
FIGURE 3-22. CARRIAGE INSTALLATION - SIDE SHIFT (3614RS).....	198
FIGURE 3-23. CARRIAGE - SIDE SHIFT INSTALLATION (4017RS).....	200
FIGURE 3-24. COUPLER INSTALLATION - JCB	202
FIGURE 3-25. JCB COUPLING.....	204
FIGURE 3-26. COUPLER INSTALLATION - MANITOU.....	206
FIGURE 3-27. FORK - PALLET (50X100X1200)	208
FIGURE 3-28. FORK - PALLET (50X120X1200) (IF EQUIPPED WITH SIDE SHIFT CARRIAGE (4.0 TON - 1225MM)	210
FIGURE 3-29. FORK - PALLET (50X120X1200)	212
FIGURE 3-30. FORK TRANSPORT LATCH INSTALLATION.....	214
FIGURE 3-31. FORK AND HOOK INSTALLATION (3614RS)	216
FIGURE 3-32. FORK AND HOOK INSTALLATION (4017RS)	218
FIGURE 3-33. FORK MOUNTED HOOK (4 TON).....	220
FIGURE 3-34. FORK AND HOOK CARRIAGE - 4FT.....	222
FIGURE 3-35. TRUSS BOOM (1 TON - 3.4M).....	224
FIGURE 3-36. TRUSS BOOM (4000 KG)	226
FIGURE 3-37. TRUSS BOOM (4000 KG) (3614RS).....	228
FIGURE 3-38. TRUSS BOOM (4000 KG) (4017RS).....	230
SECTION 4 - ENGINE AND ATTACHING PARTS	233
FIGURE 4-1. ENGINE INSTALLATION - 55KW (ULS).....	234
FIGURE 4-2. ENGINE INSTALLATION - 74KW (LS)	236
FIGURE 4-3. ENGINE AND TRANSMISSION INSTALLATION - 55KW (ULS).....	238
FIGURE 4-4. ENGINE AND TRANSMISSION INSTALLATION - 74KW (LS)	240
FIGURE 4-5. ENGINE, DEUTZ - 55 KW (ULS)	242
FIGURE 4-6. ENGINE, DEUTZ - 74.4KW (LS).....	244
FIGURE 4-7. FUEL LINES INSTALLATION	246
FIGURE 4-8. AIR SYSTEM INSTALLATION - 55KW (ULS).....	248
FIGURE 4-9. AIR SYSTEM INSTALLATION - 74KW	250
FIGURE 4-10. AIR FILTER ASSEMBLY	252
FIGURE 4-11. AIR INTAKE FILTER.....	254
FIGURE 4-12. EXHAUST SYSTEM INSTALLATION - 55KW (ULS).....	256
FIGURE 4-13. EXHAUST SYSTEM INSTALLATION - 74KW (LS)	258
FIGURE 4-14. COOLING SYSTEM INSTALLATION - 55KW (ULS)	260
FIGURE 4-15. COOLING SYSTEM INSTALLATION - 74KW (LS).....	262
FIGURE 4-16. EXPANSION TANK.....	264
FIGURE 4-17. RADIATOR ASSEMBLY - 55KW (ULS).....	266
FIGURE 4-18. RADIATOR ASSEMBLY - 74KW (LS).....	268
FIGURE 4-19. ENGINE MOUNTING INSTALLATION	270
FIGURE 4-20. HYDRAULIC PUMP INSTALLATION.....	272
FIGURE 4-21. TURBO SHIELD INSTALLATION	274
FIGURE 4-22. FUEL TANK INSTALLATION.....	276
FIGURE 4-23. FUEL TANK	278
FIGURE 4-24. RADIATOR LINES INSTALLATION.....	280
FIGURE 4-25. RADIATOR LINES INSTALLATION - ARCTIC	282
FIGURE 4-26. TRANSMISSION COOLING INSTALLATION.....	284

TABLE OF CONTENTS

FIGURE 4-27. THERMAL BYPASS INSTALLATION - ARCTIC	286
FIGURE 4-28. HEATER LINES INSTALLATION	288
FIGURE 4-29. HEATER BLOCK INSTALLATION - ARCTIC	290
FIGURE 4-30. ENGINE COOLANT HOSE INSTALLATION	292
FIGURE 4-31. ENGINE OIL DRAIN INSTALLATION.....	294
SECTION 5 - DRIVE TRAIN	297
FIGURE 5-1. AXLE INSTALLATION (74KW) (3614RS).....	298
FIGURE 5-2. AXLE INSTALLATION, (NO FOAM FILL) (74KW) (4017RS)	300
FIGURE 5-3. AXLE INSTALLATION (FOAM FILL) (74KW) (4017RS).....	302
FIGURE 5-4. AXLE INSTALLATION (55KW) (3614RS).....	304
FIGURE 5-5. AXLE INSTALLATION (55KW) (4017RS).....	306
FIGURE 5-6. DRIVE SHAFT INSTALLATION (3614RS)	308
FIGURE 5-7. DRIVE SHAFT INSTALLATION (4017RS)	310
FIGURE 5-8. FRONT AXLE (3614RS).....	312
FIGURE 5-9. FRONT AXLE, CENTRAL HOUSING (3614RS)	314
FIGURE 5-10. FRONT AXLE, DIFFERENTIAL (3614RS)	316
FIGURE 5-11. FRONT AXLE, HUB REDUCTION (3614RS)	318
FIGURE 5-12. FRONT AXLE, BRAKES (3614RS)	322
FIGURE 5-13. FRONT AXLE, STEERING (3614RS).....	324
FIGURE 5-14. FRONT AXLE, TRUNION (3614RS)	326
FIGURE 5-15. FRONT AXLE, TRUNION KIT (3614RS).....	328
FIGURE 5-16. DIFFERENTIAL KIT.....	330
FIGURE 5-17. FRONT AXLE (4017RS).....	332
FIGURE 5-18. FRONT AXLE, CENTRAL HOUSING (4017RS)	334
FIGURE 5-19. FRONT AXLE, DIFFERENTIAL (4017RS)	336
FIGURE 5-20. FRONT AXLE, HUB REDUCTION (4017RS)	338
FIGURE 5-21. FRONT AXLE, BRAKES (4017RS)	340
FIGURE 5-22. FRONT AXLE, STEERING (4017RS).....	342
FIGURE 5-23. FRONT AXLE, TRUNION (4017RS)	344
FIGURE 5-24. DIFFERENTIAL KIT.....	346
FIGURE 5-25. REDUCTION BUSHING	348
FIGURE 5-26. STEERING CASE KIT LH	350
FIGURE 5-27. STEERING CASE KIT RH.....	352
FIGURE 5-28. STEERING ADJUST BOLT KIT	354
FIGURE 5-29. RING GEAR SUPPORT KIT.....	356
FIGURE 5-30. PLANET GEAR CARRIER KIT	358
FIGURE 5-31. TRUNION KIT.....	360
FIGURE 5-32. REAR AXLE (NO FOAM FILL)	362
FIGURE 5-33. REAR AXLE, CENTRAL HOUSING (NO FOAM FILL)	364
FIGURE 5-34. REAR AXLE, DIFFERENTIAL (NO FOAM FILL).....	366
FIGURE 5-35. REAR AXLE, HUB REDUCTION (NO FOAM FILL)	368
FIGURE 5-36. REAR AXLE, BRAKES (NO FOAM FILL).....	370
FIGURE 5-37. REAR AXLE, STEERING (NO FOAM FILL).....	372
FIGURE 5-38. REAR AXLE, TRUNION (NO FOAM FILL)	374
FIGURE 5-39. REAR AXLE, TRUNION KIT (NO FOAM FILL)	376

TABLE OF CONTENTS

FIGURE 5-40. PISTON KIT	378
FIGURE 5-41. REAR AXLE (FOAM FILL) (4017RS).....	380
FIGURE 5-42. REAR AXLE, CENTRAL HOUSING (4017RS)	382
FIGURE 5-43. REAR AXLE, DIFFERENTIAL (4017RS)	384
FIGURE 5-44. REAR AXLE, HUB REDUCTION (4017RS).....	386
FIGURE 5-45. REAR AXLE, BRAKES (4017RS)	388
FIGURE 5-46. REAR AXLE, STEERING (4017RS)	390
FIGURE 5-47. REAR AXLE, TRUNION (4017RS)	392
FIGURE 5-48. DIFFERENTIAL KIT	394
FIGURE 5-49. REDUCTION BUSHING	396
FIGURE 5-50. STEERING CASE KIT LH.....	398
FIGURE 5-51. STEERING CASE KIT RH	400
FIGURE 5-52. STEERING ADJUST BOLT KIT	402
FIGURE 5-53. RING GEAR SUPPORT KIT	404
FIGURE 5-54. PLANET GEAR CARRIER KIT	406
FIGURE 5-55. PISTON.....	408
FIGURE 5-56. TRUNION KIT	410
FIGURE 5-57. FRONT AXLE (3614RS)	412
FIGURE 5-58. FRONT AXLE, CENTRAL HOUSING (3614RS).....	414
FIGURE 5-59. FRONT AXLE, DIFFERENTIAL (3614RS).....	416
FIGURE 5-60. FRONT AXLE, HUB REDUCTION (3614RS)	418
FIGURE 5-61. FRONT AXLE, BRAKES (3614RS).....	422
FIGURE 5-62. FRONT AXLE, STEERING (3614RS).....	424
FIGURE 5-63. FRONT AXLE, TRUNION (3614RS).....	426
FIGURE 5-64. DIFFERENTIAL KIT	428
FIGURE 5-65. BRAKES PISTON KIT (LH).....	430
FIGURE 5-66. BRAKES PISTON KIT (RH).....	432
FIGURE 5-67. FRONT AXLE (55KW) (4017RS)	434
FIGURE 5-68. FRONT AXLE, CENTRAL HOUSING (4017RS).....	436
FIGURE 5-69. FRONT AXLE, DIFFERENTIAL (4017RS).....	438
FIGURE 5-70. FRONT AXLE, HUB REDUCTION (4017RS)	440
FIGURE 5-71. FRONT AXLE, BRAKES (4017RS).....	442
FIGURE 5-72. FRONT AXLE, STEERING (4017RS).....	444
FIGURE 5-73. FRONT AXLE, TRUNION (4017RS).....	446
FIGURE 5-74. STEERING CASE KIT (LH)	448
FIGURE 5-75. STEERING CASE KIT (RH).....	450
FIGURE 5-76. PLANET GEAR CARRIER KIT	452
FIGURE 5-77. RING GEAR SUPPORT KIT	454
FIGURE 5-78. REAR AXLE.....	456
FIGURE 5-79. REAR AXLE, CENTRAL HOUSING.....	458
FIGURE 5-80. REAR AXLE, DIFFERENTIAL	460
FIGURE 5-81. REAR AXLE, HUB REDUCTION	462
FIGURE 5-82. REAR AXLE, BRAKES	464
FIGURE 5-83. REAR AXLE, STEERING.....	466
FIGURE 5-84. REAR AXLE, TRUNION.....	468

TABLE OF CONTENTS

FIGURE 5-85. STEERING CASE KIT, (RF, LR)	470
FIGURE 5-86. STEERING CASE KIT, (LF, RR)	472
FIGURE 5-87. PLANET GEAR CARRIER KIT	474
FIGURE 5-88. PLANET GEAR KIT	476
FIGURE 5-89. RING GEAR SUPPORT KIT.....	478
FIGURE 5-90. STEERING ADJUST BOLT KIT	480
FIGURE 5-91. TRUNION KIT.....	482
FIGURE 5-92. POWERSHIFT TRANSMISSION	484
FIGURE 5-93. POWERSHIFT TRANSMISSION, CONVERTER HOUSING	486
FIGURE 5-94. POWERSHIFT TRANSMISSION, TRANSMISSION PLATE	488
FIGURE 5-95. POWERSHIFT TRANSMISSION, TORQUE CONVERTER.....	490
FIGURE 5-96. POWERSHIFT TRANSMISSION, GEAR GROUP	492
FIGURE 5-97. POWERSHIFT TRANSMISSION, PUMP DRIVE	494
FIGURE 5-98. POWERSHIFT TRANSMISSION, CHARGE PUMP.....	496
FIGURE 5-99. POWERSHIFT TRANSMISSION, REVERSE IDLER	498
FIGURE 5-100. POWERSHIFT TRANSMISSION, FORWARD AND REVERSE SHAFT.....	500
FIGURE 5-101. POWERSHIFT TRANSMISSION, 3RD SHAFT.....	502
FIGURE 5-102. POWERSHIFT TRANSMISSION, 1ST & 2ND SHAFT	504
FIGURE 5-103. POWERSHIFT TRANSMISSION, OUTPUT SHAFT	506
FIGURE 5-104. POWERSHIFT TRANSMISSION, DROP BOX.....	508
FIGURE 5-105. POWERSHIFT TRANSMISSION, CONTROL	510
FIGURE 5-106. POWERSHIFT TRANSMISSION, MODULATION VALVE	512
FIGURE 5-107. POWERSHIFT TRANSMISSION, DRIVE PLATE	514
FIGURE 5-108. POWERSHIFT TRANSMISSION	516
FIGURE 5-109. POWERSHIFT TRANSMISSION, CONVERTER HOUSING	518
FIGURE 5-110. POWERSHIFT TRANSMISSION, TRANSMISSION CASE.....	520
FIGURE 5-111. POWERSHIFT TRANSMISSION, TORQUE CONVERTER.....	522
FIGURE 5-112. POWERSHIFT TRANSMISSION, GEAR GROUP	524
FIGURE 5-113. POWERSHIFT TRANSMISSION, PUMP DRIVE	526
FIGURE 5-114. POWERSHIFT TRANSMISSION, CHARGING PUMP	528
FIGURE 5-115. POWERSHIFT TRANSMISSION, REVERSE IDLER.....	530
FIGURE 5-116. POWERSHIFT TRANSMISSION, FORWARD AND REVERSE SHAFT.....	532
FIGURE 5-117. POWERSHIFT TRANSMISSION, 3RD SHAFT.....	534
FIGURE 5-118. POWERSHIFT TRANSMISSION, 1ST & 2ND SHAFT.....	536
FIGURE 5-119. POWERSHIFT TRANSMISSION, OUTPUT SHAFT	538
FIGURE 5-120. POWERSHIFT TRANSMISSION, DROP BOX.....	540
FIGURE 5-121. POWERSHIFT TRANSMISSION, CONTROL	542
FIGURE 5-122. POWERSHIFT TRANSMISSION, MODULATION VALVE	544
FIGURE 5-123. POWERSHIFT TRANSMISSION, DRIVE PLATE	546
FIGURE 5-124. TIRE WHEEL SET, MITAS 15.5/80-24 (3614RS)	548
FIGURE 5-125. TIRE WHEEL SET, PNEMATIC MITAS 14.00-24 (4017RS).....	550
FIGURE 5-126. TIRE WHEEL SET, PNEMATIC GOODYEAR 15.5-25 SGL (3614RS).....	552
FIGURE 5-127. TIRE WHEEL SET, PNEMATIC GOODYEAR 14.00-24 (4017RS).....	554
FIGURE 5-128. TIRE WHEEL SET, PNEMATIC MICHELIN 400/80-24 POWER CL (3614RS).....	556
FIGURE 5-129. TIRE WHEEL SET, PNEMATIC MICHELIN (4017RS).....	558

TABLE OF CONTENTS

FIGURE 5-130. TIRE WHEEL SET, PNEUMATIC FIRESTONE 370/75-28 (3614RS).....	560
FIGURE 5-131. TIRE WHEEL SET, PNEUMATIC FIRESTONE 400/75-28 16 PLY (4017RS).....	562
FIGURE 5-132. TIRE WHEEL SET, FOAM FILLED (3614RS).....	564
FIGURE 5-133. TIRE WHEEL SET, FOAM FILLED (4017RS).....	566
FIGURE 5-134. FENDER INSTALLATION (3614RS).....	568
FIGURE 5-135. FENDER ASSEMBLY, RH (3614RS).....	570
FIGURE 5-136. FENDER ASSEMBLY, LH (3614RS).....	572
FIGURE 5-137. FENDER INSTALLATION (4017RS).....	574
FIGURE 5-138. FENDER ASSEMBLY, RH (4017RS).....	576
FIGURE 5-139. FENDER ASSEMBLY, LH (4017RS).....	578
SECTION 6 - CAB.....	581
FIGURE 6-1. CAB MOUNT INSTALLATION.....	582
FIGURE 6-2. CAB INSTALLATION (FNR LEVER).....	584
FIGURE 6-3. CAB INSTALLATION (NO FNR LEVER).....	586
FIGURE 6-4. CAB ASSEMBLY.....	588
FIGURE 6-5. CAB GROUP.....	590
FIGURE 6-6. CAB.....	592
FIGURE 6-7. FUEL DOOR INSTALLATION.....	594
FIGURE 6-8. DOOR STRAP INSTALLATION.....	596
FIGURE 6-9. INTERIOR MIRROR INSTALLATION.....	598
FIGURE 6-10. INTERIOR MIRROR.....	600
FIGURE 6-11. MIRROR GROUP INSTALLATION.....	602
FIGURE 6-12. TRIM INSTALLATION.....	604
FIGURE 6-13. DASH COVER ASSEMBLY.....	606
FIGURE 6-14. REAR PANEL ASSEMBLY.....	608
FIGURE 6-15. COVER PANEL INSTALLATION.....	610
FIGURE 6-16. GASKET INSTALLATION.....	612
FIGURE 6-17. FRONT COVER INSTALLATION.....	614
FIGURE 6-18. FRONT COVER ASSEMBLY.....	616
FIGURE 6-19. HEADLINER INSTALLATION.....	618
FIGURE 6-20. FRONT PANEL INSTALLATION.....	620
FIGURE 6-21. REAR COVER PANEL INSTALLATION.....	622
FIGURE 6-22. REAR WINDOW INSTALLATION.....	624
FIGURE 6-23. REAR WINDOW.....	626
FIGURE 6-24. CAB DOOR INSTALLATION.....	628
FIGURE 6-25. WINDOW INSTALLATION.....	630
FIGURE 6-26. DOOR ASSEMBLY.....	632
FIGURE 6-27. VINYL SEAT INSTALLATION.....	634
FIGURE 6-28. VINYL SEAT.....	636
FIGURE 6-29. CLOTH SEAT INSTALLATION.....	638
FIGURE 6-30. CLOTH SEAT.....	640
FIGURE 6-31. FRONT WIPER INSTALLATION.....	642
FIGURE 6-32. FRONT WIPER INSTALLATION.....	644
FIGURE 6-33. ROOF WIPER INSTALLATION.....	646
FIGURE 6-34. HEATER INSTALLATION.....	648

TABLE OF CONTENTS

FIGURE 6-35. HEATER (NO A/C)	650
FIGURE 6-36. AIR CONDITIONING INSTALLATION.....	652
FIGURE 6-37. HEATER (WITH A/C).....	656
FIGURE 6-38. CAB SCREEN (GP) SUN BLIND.....	658
FIGURE 6-39. STEP INSTALLATION.....	660
FIGURE 6-40. STEP INSTALLATION (HIGH-CAB) (EU) (4017RS)	662
FIGURE 6-41. HYDRAULIC COVER INSTALLATION.....	664
FIGURE 6-42. A/C CONDENSER COVER INSTALLATION.....	666
FIGURE 6-43. TOP SCREEN GUARD INSTALLATION.....	668
FIGURE 6-44. FRONT SCREEN GUARD INSTALLATION	670
FIGURE 6-45. TOOLBOX INSTALLATION.....	672
FIGURE 6-46. FRONT LICENSE PLATE INSTALLATION	674
SECTION 7 - CONTROLS.....	677
FIGURE 7-1. BRAKE PEDAL INSTALLATION	678
FIGURE 7-2. BRAKE PEDAL INSTALLATION	680
FIGURE 7-3. BRAKE PEDAL ASSEMBLY	682
FIGURE 7-4. ACCELERATOR PEDAL INSTALLATION.....	684
FIGURE 7-5. ACCELERATOR PEDAL INSTALLATION.....	686
FIGURE 7-6. ACCELERATOR PEDAL.....	688
FIGURE 7-7. ACCELERATOR PEDAL.....	690
FIGURE 7-8. STEERING COLUMN INSTALLATION	692
FIGURE 7-9. STEERING COLUMN SWITCH.....	694
FIGURE 7-10. STEERING COLUMN SWITCH (NO FNR LEVER).....	696
FIGURE 7-11. MECHANICAL HANDBRAKE INSTALLATION (3614RS)	698
FIGURE 7-12. HYDRAULIC HANDBRAKE INSTALLATION (4017RS).....	700
FIGURE 7-13. JOYSTICK INSTALLATION (FNR LEVER)	702
FIGURE 7-14. JOYSTICK INSTALLATION (NO FNR LEVER).....	704
FIGURE 7-15. JOYSTICK INSTALLATION (AUX, FNR LEVER).....	706
FIGURE 7-16. JOYSTICK INSTALLATION (AUX, NO FNR LEVER).....	708
FIGURE 7-17. ELECTRIC JOYSTICK, (FNR LEVER).....	710
FIGURE 7-18. JOYSTICK, (NO FNR LEVER)	712
FIGURE 7-19. ELECTRIC JOYSTICK, (FNR LEVER).....	714
FIGURE 7-20. JOYSTICK, (AUX, NO FNR LEVER).....	716
FIGURE 7-21. STEERING WHEEL.....	718
SECTION 8 - HYDRAULIC CIRCUITS.....	721
FIGURE 8-1. BRAKE LINES INSTALLATION - LOWER (3614RS)	722
FIGURE 8-2. BRAKE LINES INSTALLATION - LOWER (4017RS).....	724
FIGURE 8-3. BRAKE LINES INSTALLATION - UPPER (3614RS).....	726
FIGURE 8-4. BRAKE LINES INSTALLATION - UPPER (4017RS).....	728
FIGURE 8-5. BREATHER INSTALLATION.....	730
FIGURE 8-6. IMPLEMENT LINES INSTALLATION (NO AUX HYDRAULICS) (3614RS).....	732
FIGURE 8-7. IMPLEMENT LINES INSTALLATION (AUXILIARY HYDRAULICS) (3614RS).....	734
FIGURE 8-8. IMPLEMENT LINES INSTALLATION (NO AUX HYDRAULICS) (4017RS).....	736
FIGURE 8-9. IMPLEMENT LINES INSTALLATION (AUXILIARY HYDRAULICS) (4017RS).....	738

TABLE OF CONTENTS

FIGURE 8-10. LEVELING AND OUTRIGGERS INSTALLATION (3614RS)	740
FIGURE 8-11. LEVELING AND OUTRIGGERS INSTALLATION (4017RS)	742
FIGURE 8-12. OUTRIGGER LEG ASSEMBLY	744
FIGURE 8-13. PUMP LINES INSTALLATION (NO AUXILIARY HYDRAULICS) (3614RS)	746
FIGURE 8-14. PUMP LINES INSTALLATION (AUXILIARY HYDRAULICS) (3614RS).....	748
FIGURE 8-15. PUMP LINES INSTALLATION (NO AUXILIARY HYDRAULICS) (4017RS)	750
FIGURE 8-16. PUMP LINES INSTALLATION (AUXILIARY HYDRAULICS) (4017RS).....	752
FIGURE 8-17. PUMP LINES NO AUXILIARY INSTALLATION - 17M (HIGH VIS CAB)	754
FIGURE 8-18. PUMP LINES AUXILIARY INSTALLATION - 17M (HIGH VIS CAB).....	756
FIGURE 8-19. REMOTE GREASE SYSTEM INSTALLATION.....	758
FIGURE 8-20. REMOTE GREASE INSTALLATION - BOOM (3614RS)	760
FIGURE 8-21. REMOTE GREASE INSTALLATION - BOOM (4017RS)	762
FIGURE 8-22. REMOTE GREASE FITTING	764
FIGURE 8-23. STEERING INSTALLATION (3614RS)	766
FIGURE 8-24. STEERING INSTALLATION (4017RS)	768
FIGURE 8-25. SUCTION LINES INSTALLATION - 17M (HIGH VIS CAB).....	770
FIGURE 8-26. SUPPLY LINES INSTALLATION (3614RS).....	772
FIGURE 8-27. SUPPLY LINES INSTALLATION (4017RS).....	774
SECTION 9 - HYDRAULIC COMPONENTS	777
FIGURE 9-1. CYLINDER ASSEMBLY - COMPENSATION	778
FIGURE 9-2. CYLINDER ASSEMBLY - EXTEND/RETRACT (3614RS).....	780
FIGURE 9-3. CYLINDER ASSEMBLY - EXTEND/RETRACT (4017RS).....	782
FIGURE 9-4. CYLINDER ASSEMBLY - FRAME LEVEL.....	784
FIGURE 9-5. CYLINDER ASSEMBLY - LIFT (3614RS).....	786
FIGURE 9-6. CYLINDER ASSEMBLY - LIFT (4017RS).....	788
FIGURE 9-7. CYLINDER ASSEMBLY - OUTRIGGER	790
FIGURE 9-8. CYLINDER ASSEMBLY - TILT	792
FIGURE 9-9. CYLINDER ASSEMBLY - TILT	794
FIGURE 9-10. FILTER ASSEMBLY - HYDRAULIC OIL.....	796
FIGURE 9-11. PUMP ASSEMBLY - GEAR PUMP	798
FIGURE 9-12. TANK ASSEMBLY _ HYDRAULIC.....	800
FIGURE 9-13. VALVE ASSEMBLY - MAIN CONTROL (NO AUXILIARY HYDRAULICS)	802
FIGURE 9-14. VALVE ASSEMBLY - MAIN CONTROL (AUXILIARY HYDRAULICS).....	806
FIGURE 9-15. VALVE ASSEMBLY - OUTRIGGER	810
FIGURE 9-16. VALVE ASSEMBLY - PARK BRAKE RELEASE (4017RS)	812
FIGURE 9-17. VALVE ASSEMBLY - STEERING SELECT.....	814
SECTION 10 - ELECTRICAL	817
FIGURE 10-1. ALARM INSTALLATION - BACK-UP (FOLDING LIGHTS)	818
FIGURE 10-2. ALARM INSTALLATION - BACK-UP (FOLDING LIGHTS AND WHITE NOISE)	820
FIGURE 10-3. BATTERY INSTALLATION	822
FIGURE 10-4. BATTERY INSTALLATION - ARCTIC.....	824
FIGURE 10-5. BOOM ANGLE SENSOR INSTALLATION, (WITH FOLDING LIGHTS) (3614RS)	826
FIGURE 10-6. BOOM ANGLE SENSOR INSTALLATION, (WITH FOLDING LIGHTS) (4017RS)	828
FIGURE 10-7. BOOM RETRACT SENSOR INSTALLATION (3614RS)	830

TABLE OF CONTENTS

FIGURE 10-8. BOOM RETRACT SENSOR INSTALLATION (4017RS).....	832
FIGURE 10-9. CAB EARTH INSTALLATION.....	834
FIGURE 10-10. CAB ELECTRICAL INSTALLATION.....	836
FIGURE 10-11. CAB HARNESS.....	838
FIGURE 10-12. CAB - DASH ELECTRICAL INSTALLATION.....	842
FIGURE 10-13. CHASSIS HARNESS INSTALLATION (3614RS).....	844
FIGURE 10-14. CHASSIS HARNESS INSTALLATION (4017RS).....	846
FIGURE 10-15. CLEARSKY INSTALLATION 3-WIRE (CE).....	848
FIGURE 10-16. CLEARSKY - 3-WIRE HARNESS.....	850
FIGURE 10-17. CLEARSKY CANBUS 3G INSTALLATION (CE).....	852
FIGURE 10-18. CLEARSKY CANBUS 4G INSTALLATION (CE).....	854
FIGURE 10-19. CLEARSKY - CANBUS HARNESS.....	856
FIGURE 10-20. CLEARSKY UNIVERSAL INSTALLATION.....	858
FIGURE 10-21. CLEARSKY - UNIVERSAL HARNESS.....	860
FIGURE 10-22. ENGINE ELECTRICAL INSTALLATION - 55 KW.....	862
FIGURE 10-23. ENGINE ELECTRICAL INSTALLATION - 74 KW.....	864
FIGURE 10-24. ENGINE HARNESS - 55KW.....	866
FIGURE 10-25. ENGINE HARNESS - 74KW.....	870
FIGURE 10-26. ENGINE - RELAY INSTALLATION - 200 AMP.....	874
FIGURE 10-27. FRAME HARNESS - FRONT.....	876
FIGURE 10-28. FRAME HARNESS - REAR.....	878
FIGURE 10-29. HAC CAB HARNESS.....	882
FIGURE 10-30. HAC CHASSIS HARNESS.....	884
FIGURE 10-31. HORN INSTALLATION.....	886
FIGURE 10-32. LIGHTS - BEACON INSTALLATION.....	888
FIGURE 10-33. LIGHTS - BEACON HARNESS.....	890
FIGURE 10-34. LIGHTS - BEACON READY INSTALLATION.....	892
FIGURE 10-35. LIGHTS - CAB WORKLIGHTS INSTALLATION (NO HAC).....	894
FIGURE 10-36. LIGHTS - CAB WORKLIGHTS INSTALLATION (HAC).....	896
FIGURE 10-37. LIGHTS - CAB WORKLIGHTS INSTALLATION (LED) (NO HAC).....	898
FIGURE 10-38. LIGHTS - CAB WORKLIGHTS INSTALLATION (LED).....	900
FIGURE 10-39. LIGHTS - CAB WORKLIGHTS HARNESS.....	902
FIGURE 10-40. LIGHTS - CAB WORKLIGHTS EXTENSION HARNESS.....	904
FIGURE 10-41. LIGHTS - DRIVING LIGHTS INSTALLATION (GERMANY AND CE).....	906
FIGURE 10-42. LIGHTS - DRIVING LIGHTS INSTALLATION (UK/IRELAND).....	908
FIGURE 10-43. LIGHTS - REAR LIGHTS INSTALLATION.....	910
FIGURE 10-44. LSI INSTALLATION.....	912
FIGURE 10-45. LSI SENSOR INSTALLATION.....	914
FIGURE 10-46. OUTRIGGERS DEPLOYED INSTALLATION (4017RS).....	916
FIGURE 10-47. OUTRIGGERS DEPLOYED HARNESS (4017RS).....	918
FIGURE 10-48. RADIO INSTALLATION.....	920
FIGURE 10-49. RADIO HARNESS.....	922
FIGURE 10-50. ROOF WIPER HARNESS.....	924
SECTION 11 - DECALS.....	927
FIGURE 11-1. DECAL LOCATION INSTALLATION (ULS).....	928

TABLE OF CONTENTS

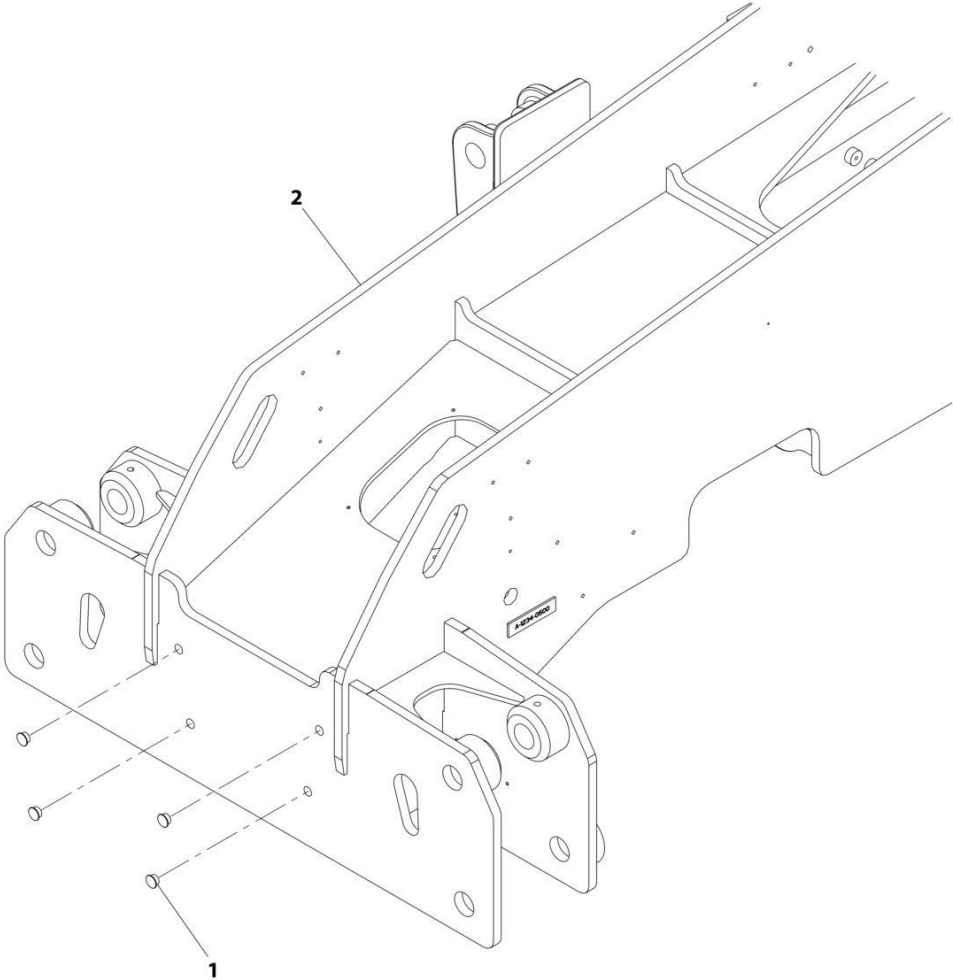
FIGURE 11-2. DECAL LOCATION INSTALLATION (LS).....	930
FIGURE 11-3. JOYSTICK DECAL INSTALLATION, BUCKET.....	932
FIGURE 11-4. JOYSTICK DECAL INSTALLATION, FORK	934
FIGURE 11-5. BOOM DECAL INSTALLATION.....	936
FIGURE 11-6. SOUND PLATE INSTALLATION, 74KW (106DB)	938
FIGURE 11-7. SOUND PLATE INSTALLATION, 55KW (104DB)	940
FIGURE 11-8. DECAL INSTALLATION (3614RS)	942
FIGURE 11-9. DECAL INSTALLATION (4017RS)	946
FIGURE 11-10. BOOM DECAL INSTALLATION.....	950
FIGURE 11-11. BOOM DECAL INSTALLATION WITH CUSTOMER WINDOW	952
FIGURE 11-12. BOOM POSITION DECAL INSTALLATION (UK)	954
FIGURE 11-13. CLEARSKY DECAL INSTALLATION.....	956
FIGURE 11-14. CONSTRUCTION INSTALLATION (GERMANY) (3614RS)	958
FIGURE 11-15. CONSTRUCTION INSTALLATION (UK/IRELAND).....	960
FIGURE 11-16. CONSTRUCTION INSTALLATION (CE)	962
FIGURE 11-17. CONSTRUCTION INSTALLATION (FRANCE).....	964
FIGURE 11-18. CONSTRUCTION INSTALLATION (GERMANY) (4017RS)	966
FIGURE 11-19. EAC DECAL INSTALLATION	968
FIGURE 11-20. HOMOLOGATION INSTALLATION (GERMANY) (3614RS)	970
FIGURE 11-21. HOMOLOGATION PLATE INSTALLATION (GERMANY) (3614RS)	972
FIGURE 11-22. HOMOLOGATION WARNING PANEL INSTALLATION (GERMANY) (3614RS)	974
FIGURE 11-23. LOAD CHART (3614RS).....	976
FIGURE 11-24. LOAD CHART (4017RS).....	978
FIGURE 11-25. REFLECTOR INSTALLATION.....	980
FIGURE 11-26. SPEED - 20KPH SPEED DECAL INSTALLATION (GERMANY) (3614RS)	982
FIGURE 11-27. SPEED - 25KPH SPEED DECAL INSTALLATION	984
FIGURE 11-28. SUNVISOR INSTALLATION - 3614RS (GERMANY)	986
SECTION 12 - RECOMMENDED SPARE PARTS	989
FIGURE 12-1. RECOMMENDED SERVICE PARTS STOCK	990
SECTION 13 - SPECIAL OPTIONS	993
FIGURE 13-1. SPECIAL OPTIONS.....	994
PART NUMBER INDEX	995

SECTION 1 - FRAME AND ATTACHING PARTS

SECTION 1 - FRAME AND ATTACHING PARTS

SECTION 1 - FRAME AND ATTACHING PARTS

FIGURE 1-1. FRAME INSTALLATION (3614RS)



ART_1001237050-A

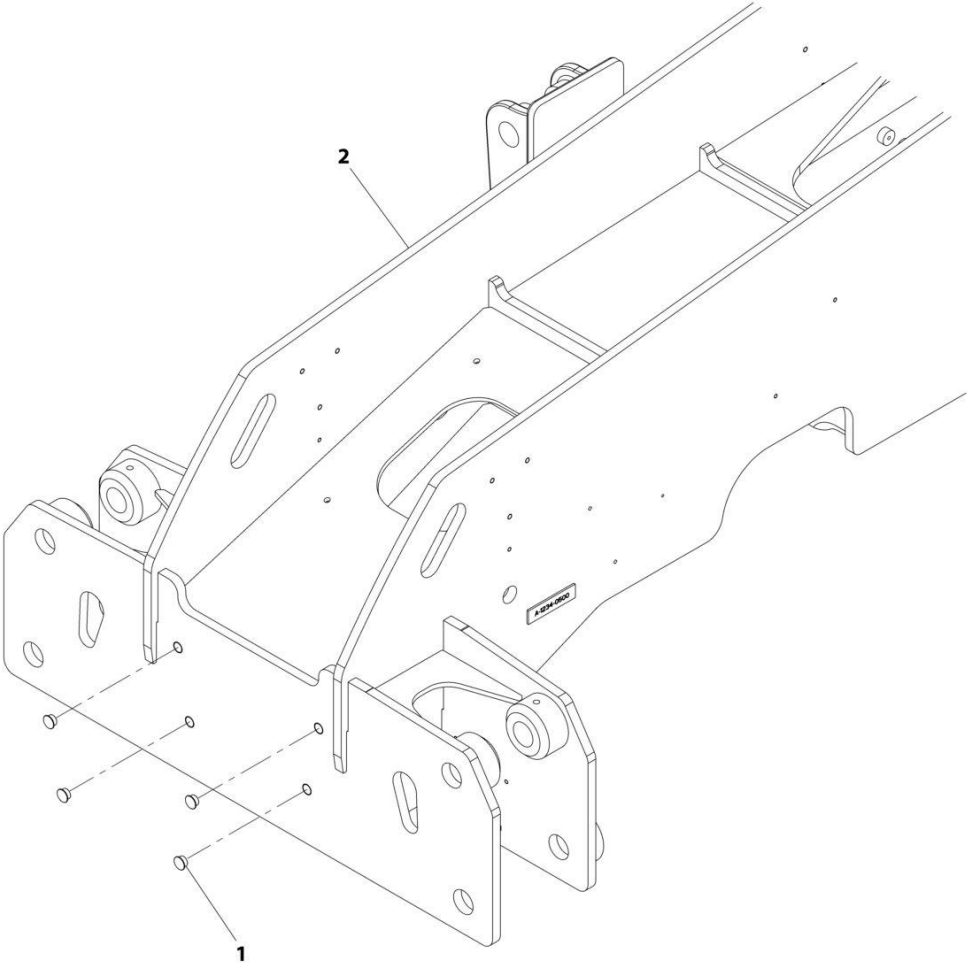
SECTION 1 - FRAME AND ATTACHING PARTS

FIGURE 1-1. FRAME INSTALLATION (3614RS)

ITEM	PART NUMBER	QTY	DESCRIPTION	REV
1	1001237050	Ref	Frame Installation	A
1	1001091126	4	Plug	
2	N.S.S.	1	Weldment, Frame	

SECTION 1 - FRAME AND ATTACHING PARTS

FIGURE 1-2. FRAME INSTALLATION (4017RS)



ART_1001237053-A

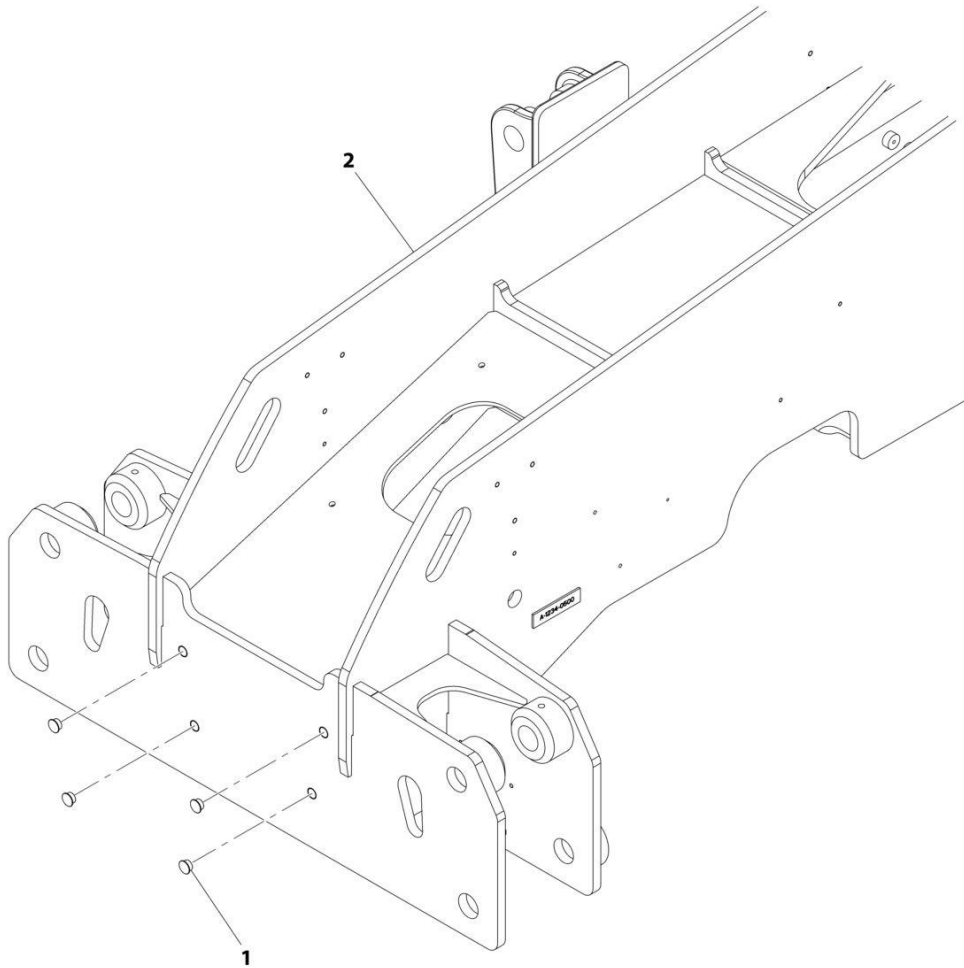
SECTION 1 - FRAME AND ATTACHING PARTS

FIGURE 1-2. FRAME INSTALLATION (4017RS)

ITEM	PART NUMBER	QTY	DESCRIPTION	REV
1	1001237053 1001091126	Ref 4	Frame Installation Plug	A
2	N.S.S.	1	Weldment, Frame	

SECTION 1 - FRAME AND ATTACHING PARTS

FIGURE 1-3. FRAME INSTALLATION (HIGH CAB) (4017RS)



ART_1001237578-A

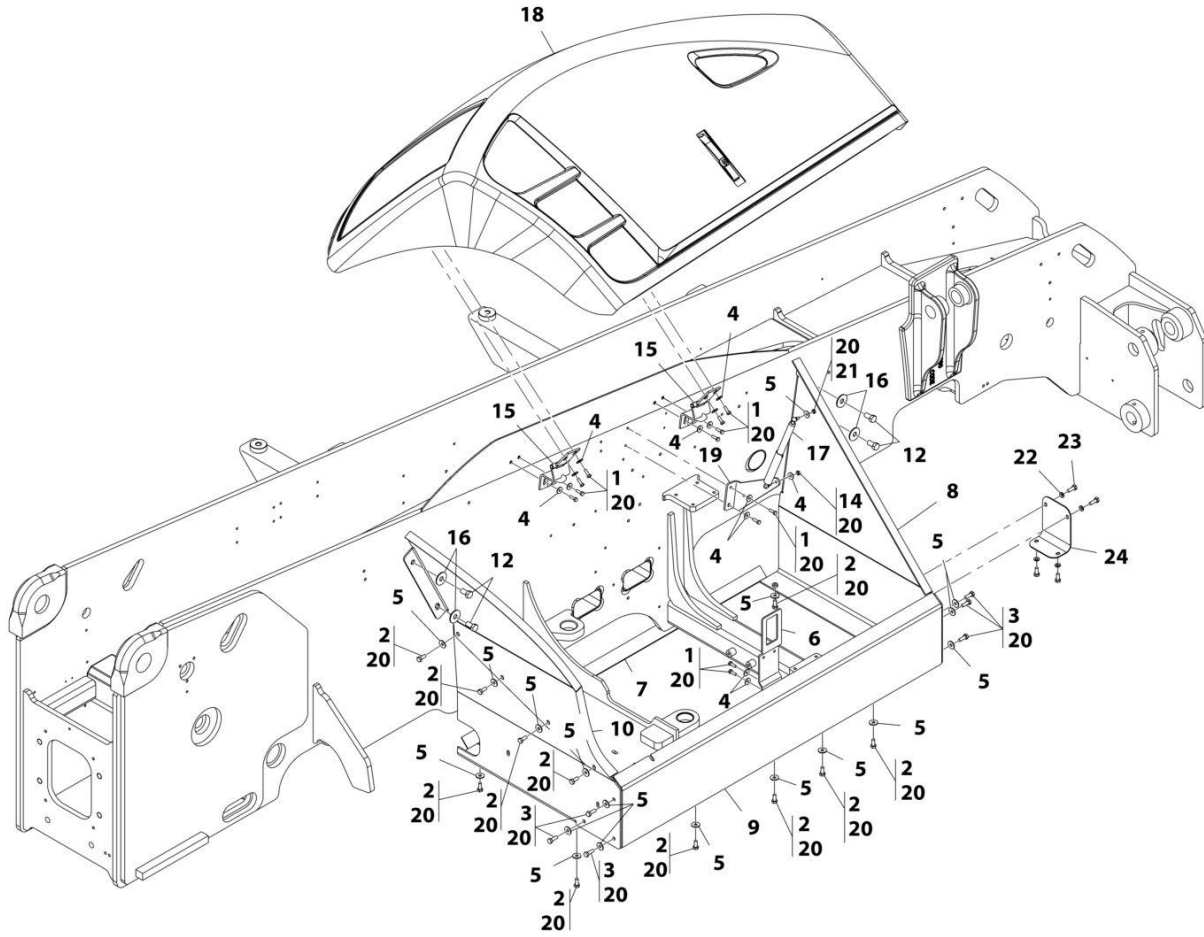
SECTION 1 - FRAME AND ATTACHING PARTS

FIGURE 1-3. FRAME INSTALLATION (HIGH CAB) (4017RS)

ITEM	PART NUMBER	QTY	DESCRIPTION	REV
1	1001237578	Ref	Frame Installation (High Cab)	A
1	1001091126	4	Plug	
2	N.S.S.	1	Weldment, Frame	

SECTION 1 - FRAME AND ATTACHING PARTS

FIGURE 1-4. ENCLOSURE GROUP INSTALLATION



ART_1001145381-H

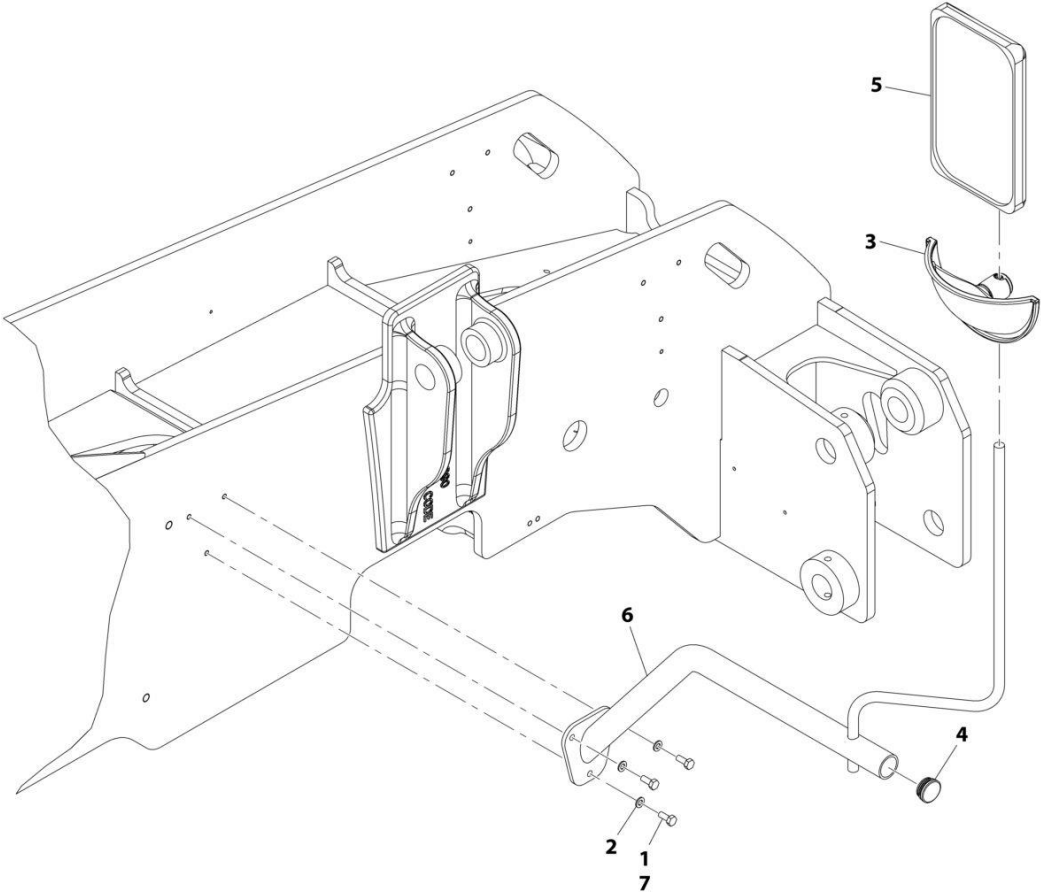
SECTION 1 - FRAME AND ATTACHING PARTS

FIGURE 1-4. ENCLOSURE GROUP INSTALLATION

ITEM	PART NUMBER	QTY	DESCRIPTION	REV
	1001145381	Ref	Enclosure Group Installation	H
1	0760812	12	Bolt, M8X25	
2	0761012	11	Bolt, M10X25	
3	0761014	6	Bolt, M10X30	
4	4811902	13	Washer, M8	
5	4812002	18	Washer, M10	
6	1001154688	1	Plate, Latch	
7	1001145307	1	Plate, Belly Pan	
8	1001179944	1	Panel, Front	
9	1001145313	1	Panel, Side	
10	1001149046	1	Panel, Rear	
12	0761614	4	Bolt, M16X30	
14	3290801	1	Nut, M8X1.25	
15	4806433	2	Hinge, Hood	
16	1001092256	4	Washer, M17	
17	1001237046	1	Spring, Hood	
18	1001150144	1	Assembly, Hood (See Separate Breakdown in this Section)	
19	1001150624	1	Bracket, Hood	
20	1001095650	AR	Compound, Locking	
21	3291001	1	Nut, M10X1.5	
22	4811700	4	Washer, M6	
23	0760608	4	Bolt, M6X16	
24	1001180582J	1	Drain, Panel	

SECTION 1 - FRAME AND ATTACHING PARTS

FIGURE 1-5. MIRROR INSTALLATION (3614RS)



ART_1001144111-D

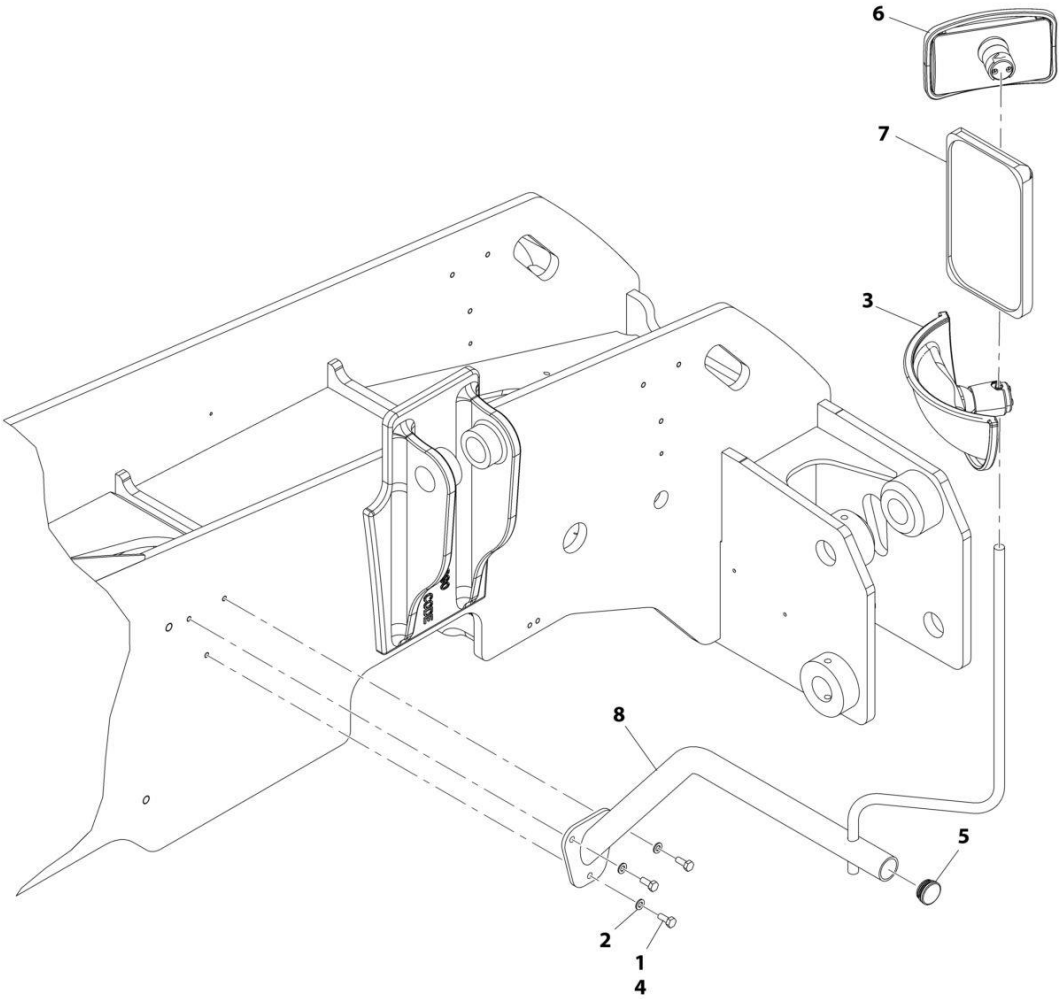
SECTION 1 - FRAME AND ATTACHING PARTS

FIGURE 1-5. MIRROR INSTALLATION (3614RS)

ITEM	PART NUMBER	QTY	DESCRIPTION	REV
	1001144111	Ref	Mirror Installation	D
1	0761012	3	Bolt, M10X25	
2	4812000	3	Washer, M10 (3614RS)	
3	1001008436	1	Mirror, (See Separate Breakdown in this Section)	
4	1001096913	1	Cap, Lamp Bracket (3614RS)	
5	1001150306	1	Mirror, Convex	
6	1001144430	1	Bracket, Mirror (3614RS)	
7	1001095650	AR	Compound, Locking (3614RS)	

SECTION 1 - FRAME AND ATTACHING PARTS

FIGURE 1-6. MIRROR INSTALLATION (4017RS)



ART_1001171098-C

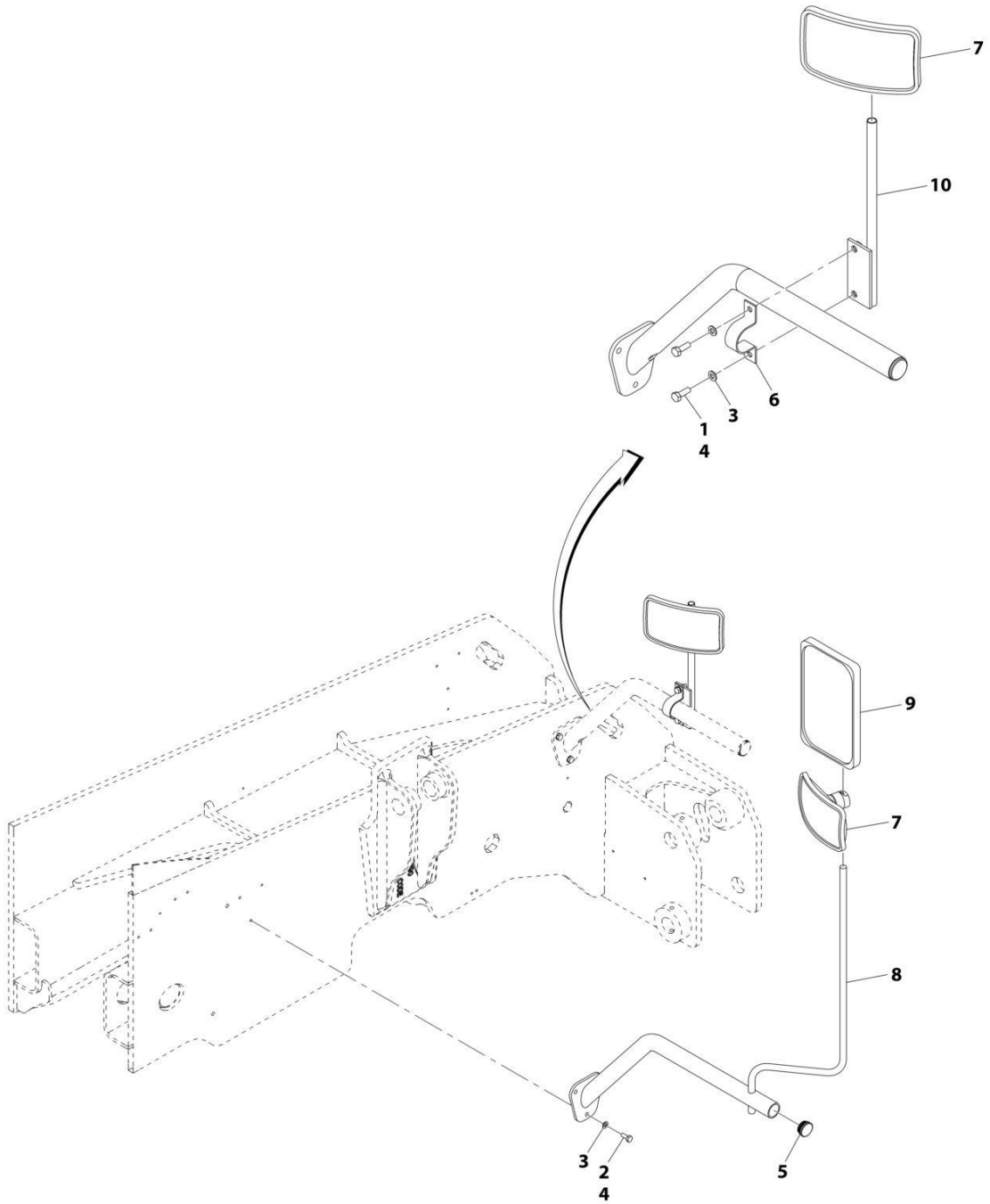
SECTION 1 - FRAME AND ATTACHING PARTS

FIGURE 1-6. MIRROR INSTALLATION (4017RS)

ITEM	PART NUMBER	QTY	DESCRIPTION	REV
	1001171098	Ref	Mirror Installation	C
1	0761012	3	Bolt, M10X25	
2	4812000	3	Washer, M10	
3	1001008436	1	Assembly, Mirror (See Separate Breakdown in this Section)	
4	1001095650	AR	Compound, Locking	
5	1001096913	1	Cap, Lamp Bracket	
6	1001142724	1	Mirror, Convex	
7	1001150306	1	Mirror, Convex	
8	1001144430	1	Bracket, Mirror	

SECTION 1 - FRAME AND ATTACHING PARTS

FIGURE 1-7. MIRROR INSTALLATION



ART_1001210655-A

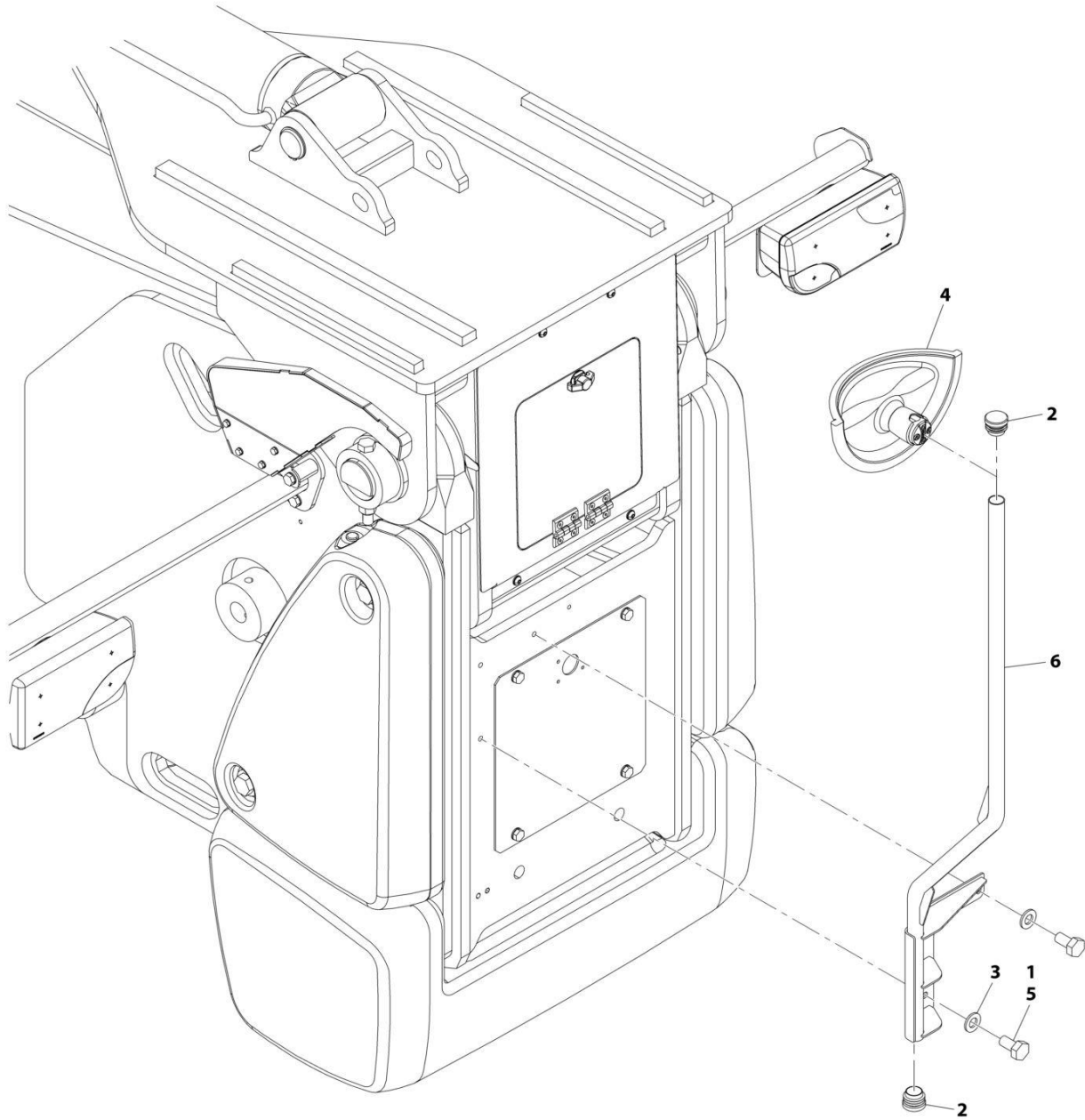
SECTION 1 - FRAME AND ATTACHING PARTS

FIGURE 1-7. MIRROR INSTALLATION

ITEM	PART NUMBER	QTY	DESCRIPTION	REV
	1001210655	Ref	Mirror Installation	A
1	0701014	2	Bolt, M10X30	
2	0761012	3	Bolt, M10X25	
3	4812000	5	Washer, M10	
4	1001095650	AR	Compound, Locking	
5	1001096913	1	Cap, Lamp Bracket	
6	1001097973	1	Clip	
7	1001142724	2	Mirror, Convex	
8	1001144430	1	Bracket, Mirror	
9	1001150306	1	Mirror, Convex	
10	1001210658	1	Assembly, Mirror	

SECTION 1 - FRAME AND ATTACHING PARTS

FIGURE 1-8. REAR MIRROR INSTALLATION



ART_1001179993-A

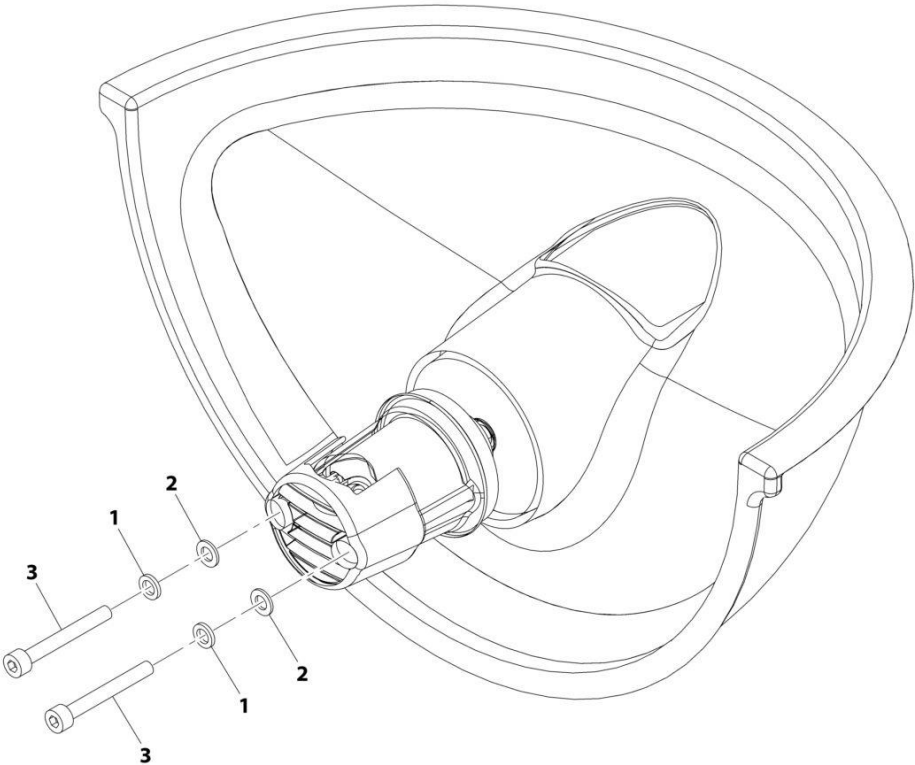
SECTION 1 - FRAME AND ATTACHING PARTS

FIGURE 1-8. REAR MIRROR INSTALLATION

ITEM	PART NUMBER	QTY	DESCRIPTION	REV
	1001179993	Ref	Rear Mirror Installation	A
1	0701010	3	Screw, M10X20	
2	1120592	2	Cap	
3	4812000	3	Washer, M10	
4	1001008436	1	Assembly, Mirror (See Separate Breakdown in this Section)	
5	1001095650	AR	Compound, Locking	
6	1001179994	1	Bracket	

SECTION 1 - FRAME AND ATTACHING PARTS

FIGURE 1-9. MIRROR ASSEMBLY (CONVEX)



ART_1001008436-D

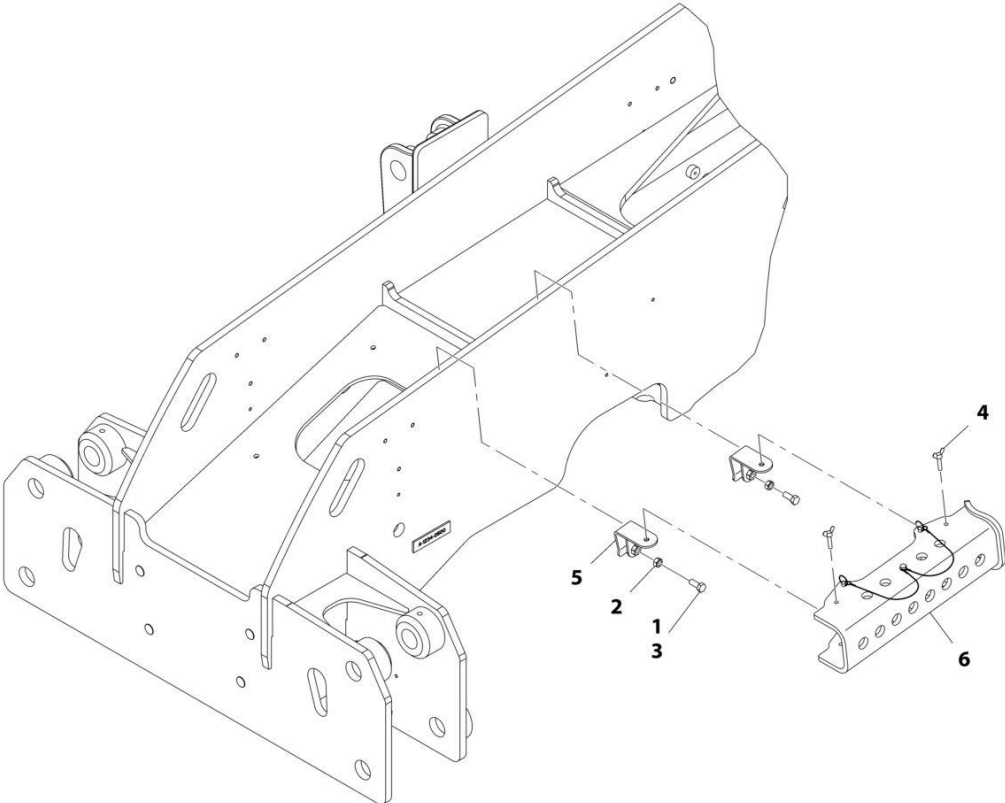
SECTION 1 - FRAME AND ATTACHING PARTS

FIGURE 1-9. MIRROR ASSEMBLY (CONVEX)

ITEM	PART NUMBER	QTY	DESCRIPTION	REV
	1001008436	Ref	Mirror Assembly (Convex)	D
1	1001008475	2	Washer, Lock	
2	1001009062	2	Washer	
3	1001010838	2	Bolt	

SECTION 1 - FRAME AND ATTACHING PARTS

FIGURE 1-10. BOOM PROP INSTALLATION



ART_1001164211-B

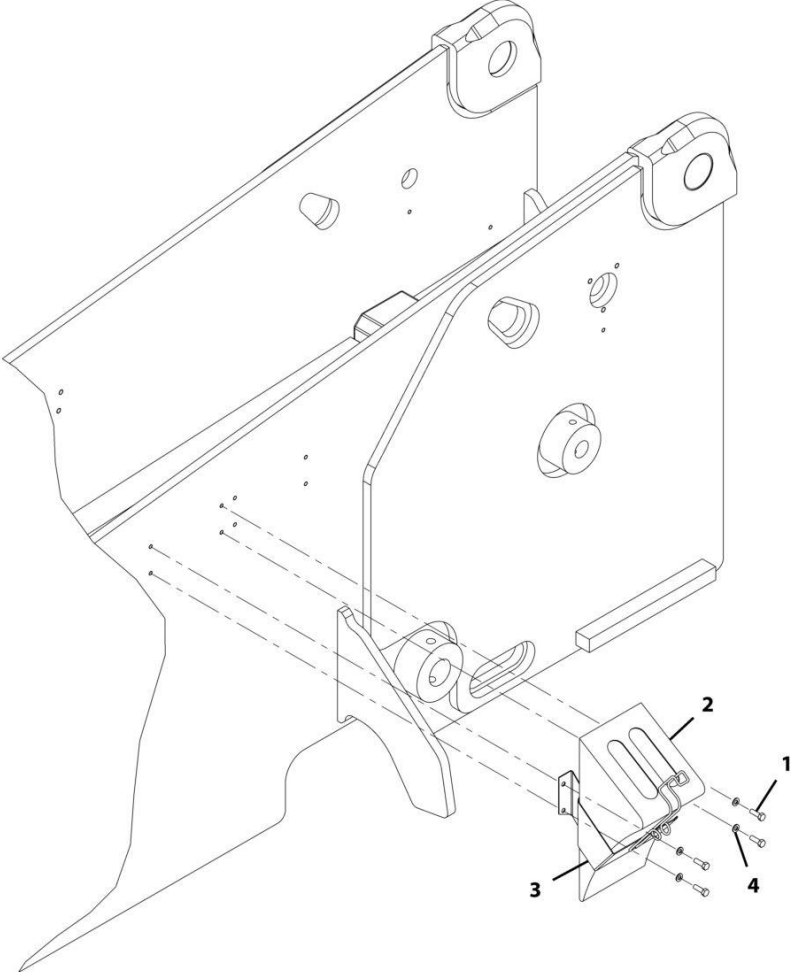
SECTION 1 - FRAME AND ATTACHING PARTS

FIGURE 1-10. BOOM PROP INSTALLATION

ITEM	PART NUMBER	QTY	DESCRIPTION	REV
	1001164211	Ref	Boom Prop Installation	B
1	0761214	2	Bolt, M12X30	
2	3291201	2	Nut, M12X1.75	
3	1001095650	AR	Compound, Locking	
4	1001101458	2	Bolt, Wing M8X40	
5	1001101628	2	Bracket, Boom Prop Mount	
6	1001164018	1	Bracket, Boom Prop	

SECTION 1 - FRAME AND ATTACHING PARTS

FIGURE 1-11. WHEEL CHOCK INSTALLATION



ART_1001157868-A

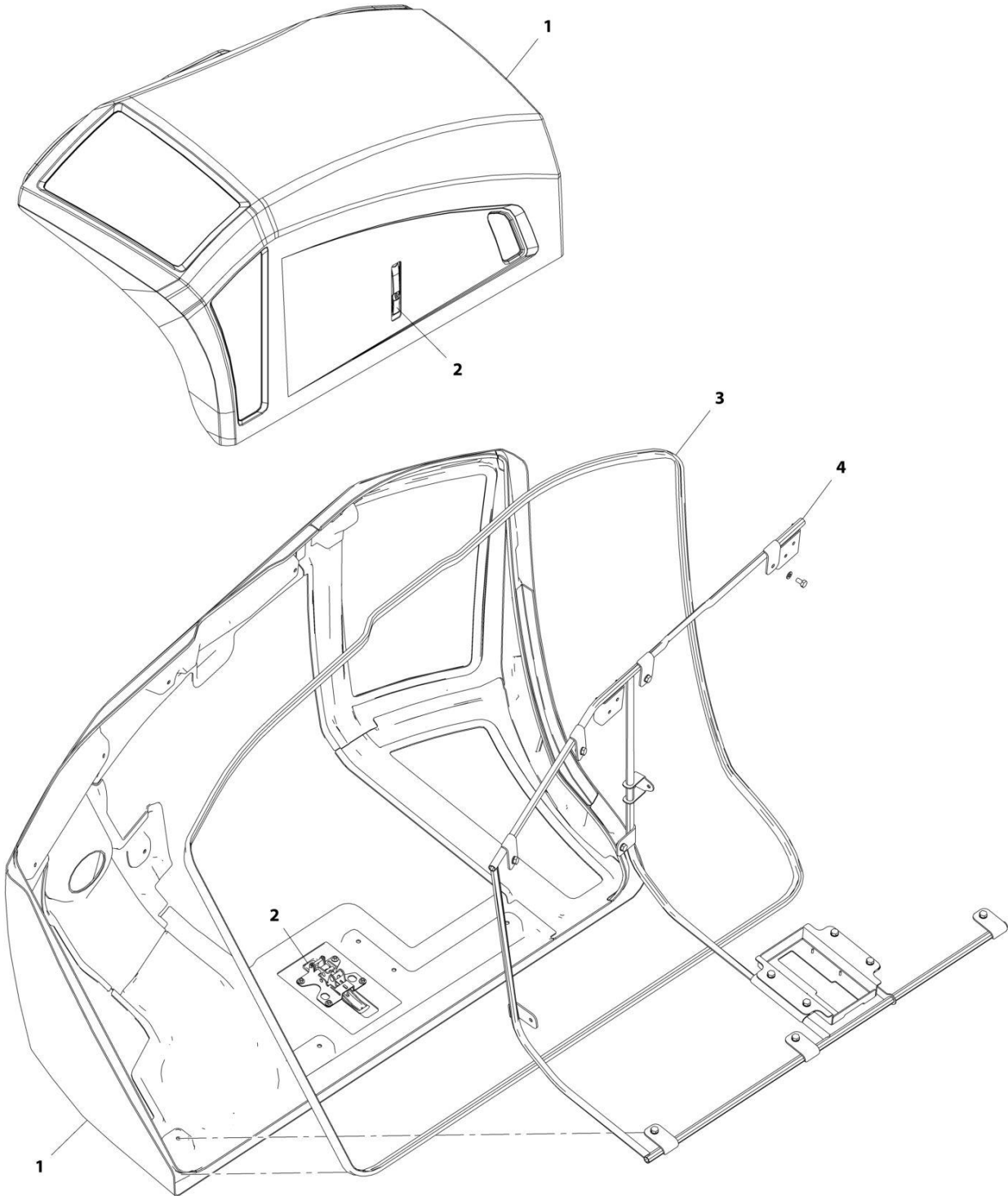
SECTION 1 - FRAME AND ATTACHING PARTS

FIGURE 1-11. WHEEL CHOCK INSTALLATION

ITEM	PART NUMBER	QTY	DESCRIPTION	REV
	1001157868	Ref	Wheel Chock Installation	A
1	0760812	4	Bolt, M8X25	
2	806253	1	Wedge	
3	806264	1	Holder, Wedge	
4	4811900	4	Washer, M8	

SECTION 1 - FRAME AND ATTACHING PARTS

FIGURE 1-12. HOOD ASSEMBLY



ART_1001150144-D

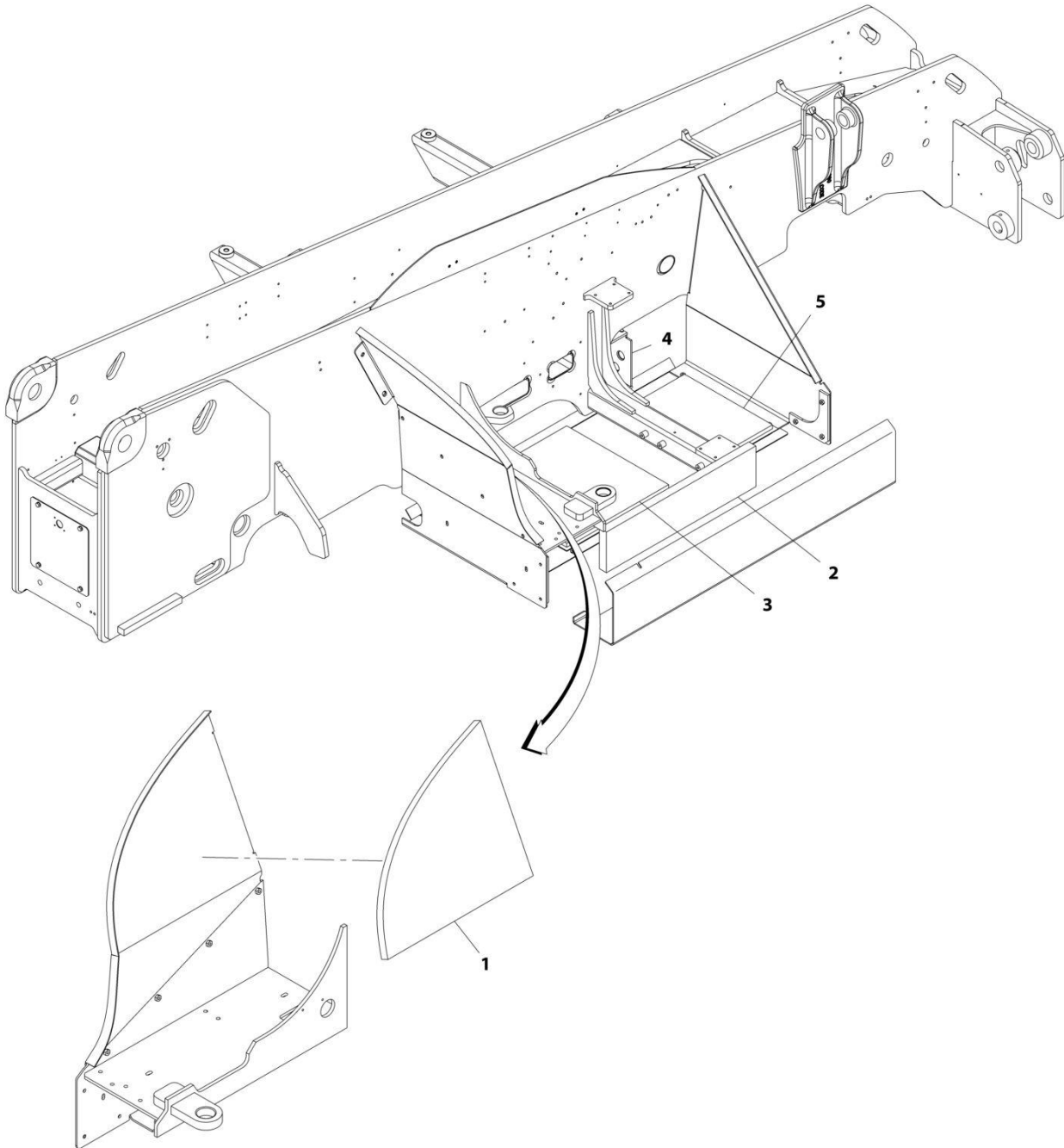
SECTION 1 - FRAME AND ATTACHING PARTS

FIGURE 1-12. HOOD ASSEMBLY

ITEM	PART NUMBER	QTY	DESCRIPTION	REV
	1001150144	Ref	Hood Assembly	D
1	70026744	1	Hood	
2	1001132873	1	Latch, Hood	
3	1001180728	1	Seal	
4	70025649	1	Frame	

SECTION 1 - FRAME AND ATTACHING PARTS

FIGURE 1-13. SOUND SUPPRESSION INSTALLATION - 74KW (LS) (LCAD, AFRICA AND MID EAST, PAC RIM, CIS)



ART_1001162775-C

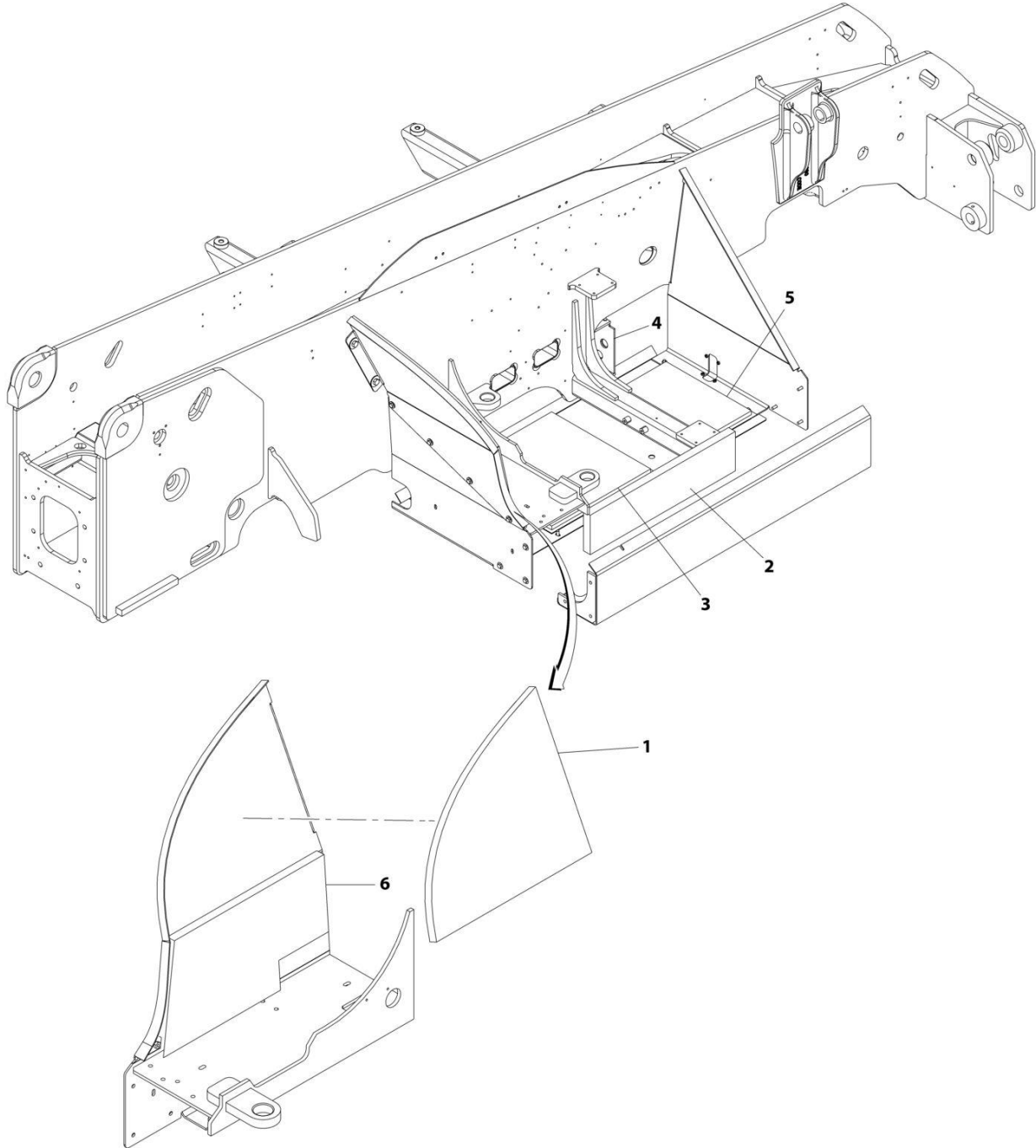
SECTION 1 - FRAME AND ATTACHING PARTS

FIGURE 1-13. SOUND SUPPRESSION INSTALLATION - 74KW (LS) (LCAD, AFRICA AND MID EAST, PAC RIM, CIS)

ITEM	PART NUMBER	QTY	DESCRIPTION	REV
	1001162775	Ref	Sound Suppression Installation	C
1	1001162776	1	Insulate, Rear Panel Enclosure	
2	1001162778	1	Insulate, Side Skirt Enclosure	
3	1001162779	1	Insulate, Belly Pan Enclosure	
4	1001162780	1	Insulate, Transmission Cover	
5	1001162872	1	Insulate, Belly Pan Enclosure	

SECTION 1 - FRAME AND ATTACHING PARTS

FIGURE 1-14. SOUND SUPPRESSION INSTALLATION - 74KW (LS) (EU, GERMANY, FRANCE, UK AND IRELAND)



ART_1001216730-A

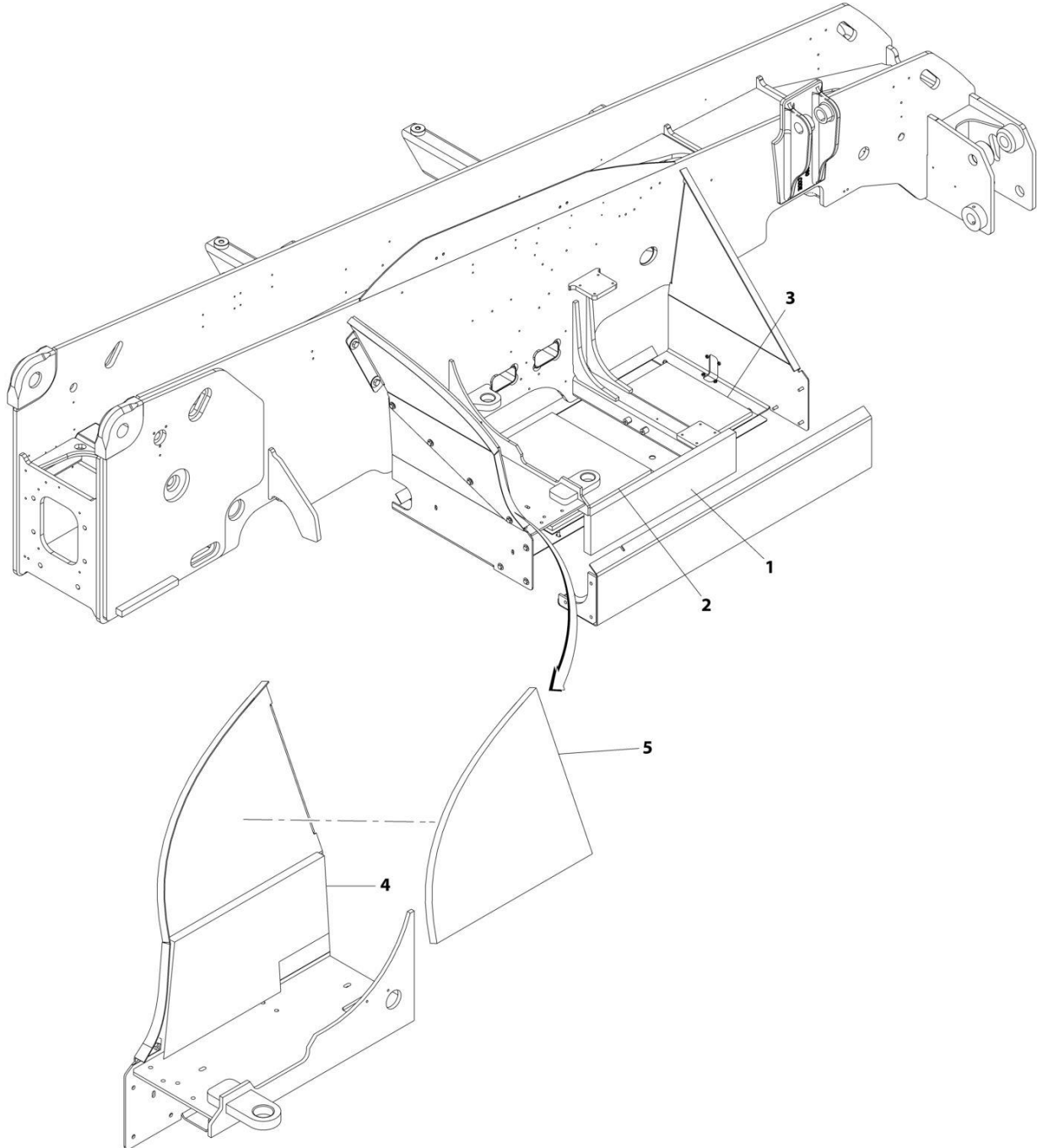
SECTION 1 - FRAME AND ATTACHING PARTS

FIGURE 1-14. SOUND SUPPRESSION INSTALLATION - 74KW (LS) (EU, GERMANY, FRANCE, UK AND IRELAND)

ITEM	PART NUMBER	QTY	DESCRIPTION	REV
	1001216730	Ref	Sound Suppression Installation	A
1	1001215649	1	Insulate, Rear Panel Enclosure	
2	1001162778	1	Insulate, Side Skirt Enclosure	
3	1001162779	1	Insulate, Belly Pan Enclosure	
4	1001162780	1	Insulate, Transmission Cover	
5	1001162872	1	Insulate, Belly Pan Enclosure	
6	1001215331	1	Insulate, Lower Rear Panel	

SECTION 1 - FRAME AND ATTACHING PARTS

FIGURE 1-15. SOUND SUPPRESSION INSTALLATION - 55KW (ULS) (EU, GERMANY, FRANCE, UK AND IRELAND)



ART_1001247526-A

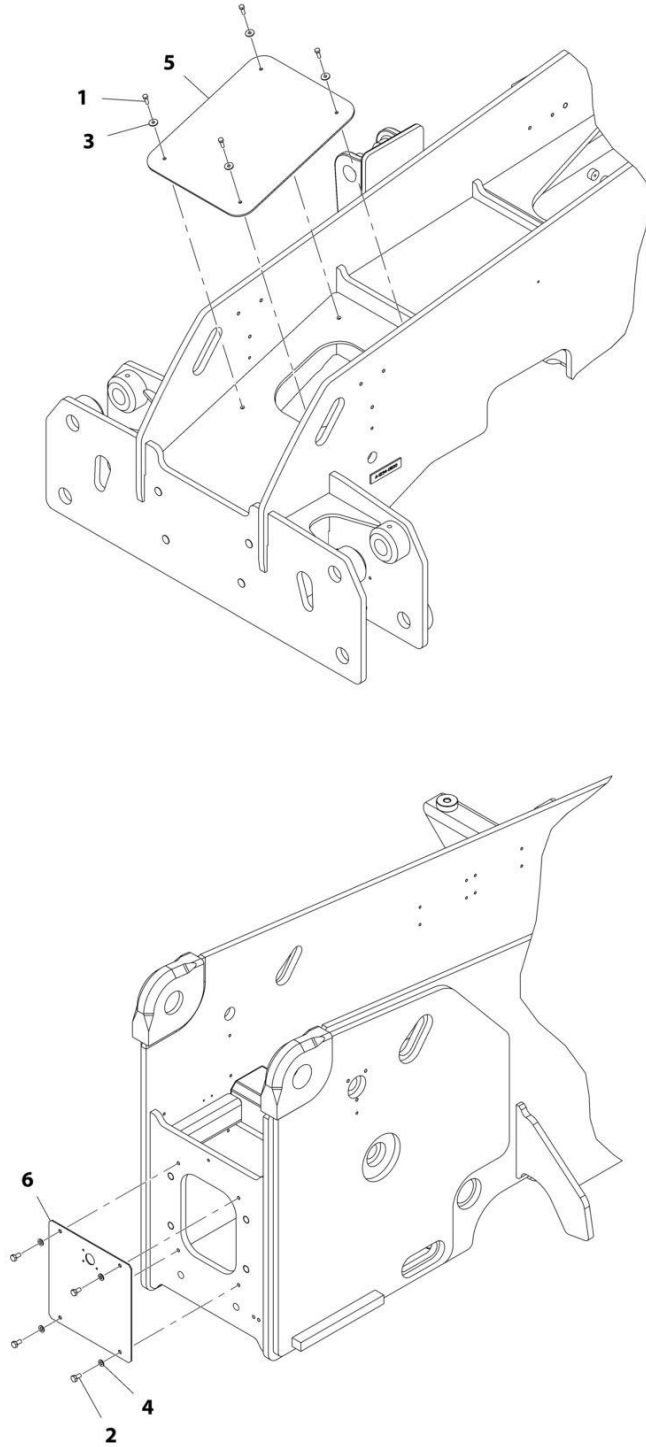
SECTION 1 - FRAME AND ATTACHING PARTS

FIGURE 1-15. SOUND SUPPRESSION INSTALLATION - 55KW (ULS) (EU, GERMANY, FRANCE, UK AND IRELAND)

ITEM	PART NUMBER	QTY	DESCRIPTION	REV
	1001247526	Ref	Sound Suppression Installation	A
1	1001162778	1	Insulate, Side Skirt Enclosure	
2	1001162779	1	Insulate, Belly Pan Enclosure	
3	1001162872	1	Insulate, Belly Pan Enclosure	
4	1001215331	1	Insulate, LWR Rear Panel	
5	1001215649	1	Insulate, Rear Panel Enclosure	

SECTION 1 - FRAME AND ATTACHING PARTS

FIGURE 1-16. CHASSIS COVER PLATE INSTALLATION (3614RS)



ART_1001145333-C

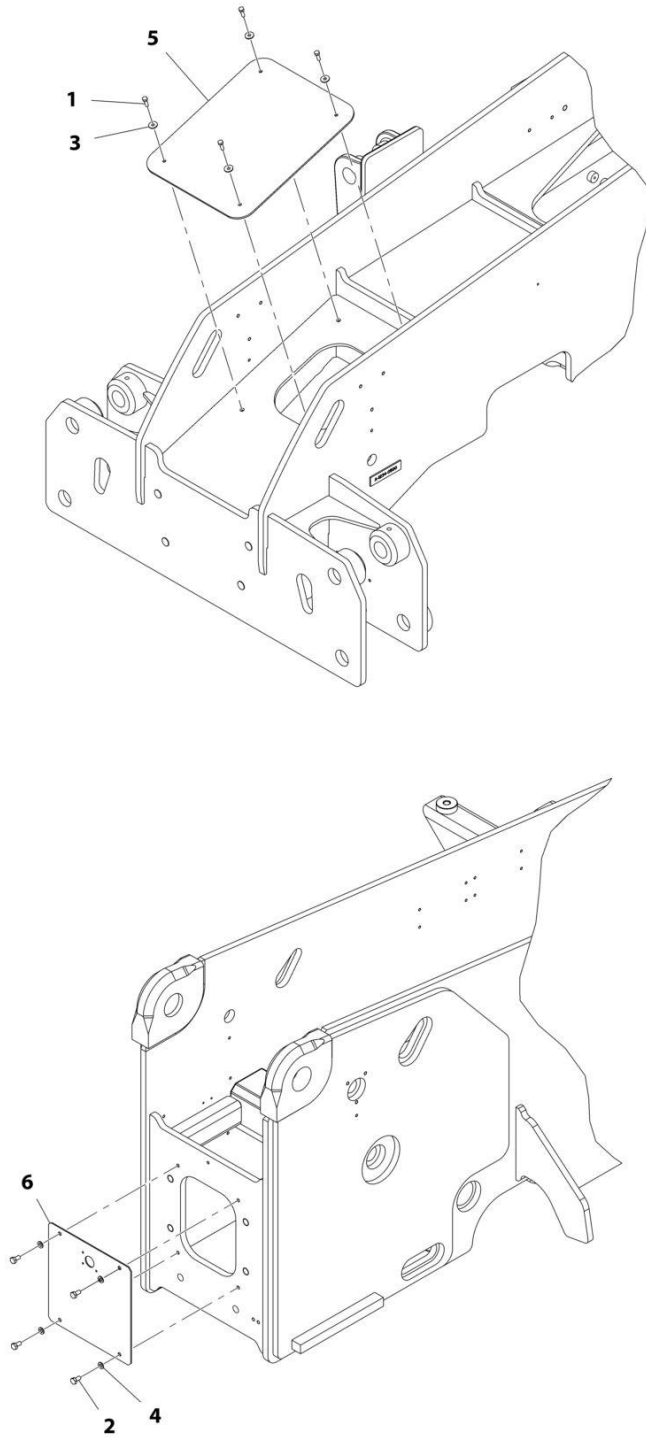
SECTION 1 - FRAME AND ATTACHING PARTS

FIGURE 1-16. CHASSIS COVER PLATE INSTALLATION (3614RS)

ITEM	PART NUMBER	QTY	DESCRIPTION	REV
	1001145333	Ref	Chassis Cover Plate Installation	C
1	0760812	4	Bolt, M8X25	
2	0761010	4	Bolt, M10X20	
3	4811902	4	Washer, M8	
4	4812000	4	Washer, M10	
5	1001112130J	1	Plate, Cover	
6	1001139272J	1	Plate, Access	

SECTION 1 - FRAME AND ATTACHING PARTS

FIGURE 1-17. CHASSIS COVER PLATE INSTALLATION (4017RS)



ART_1001150350-C

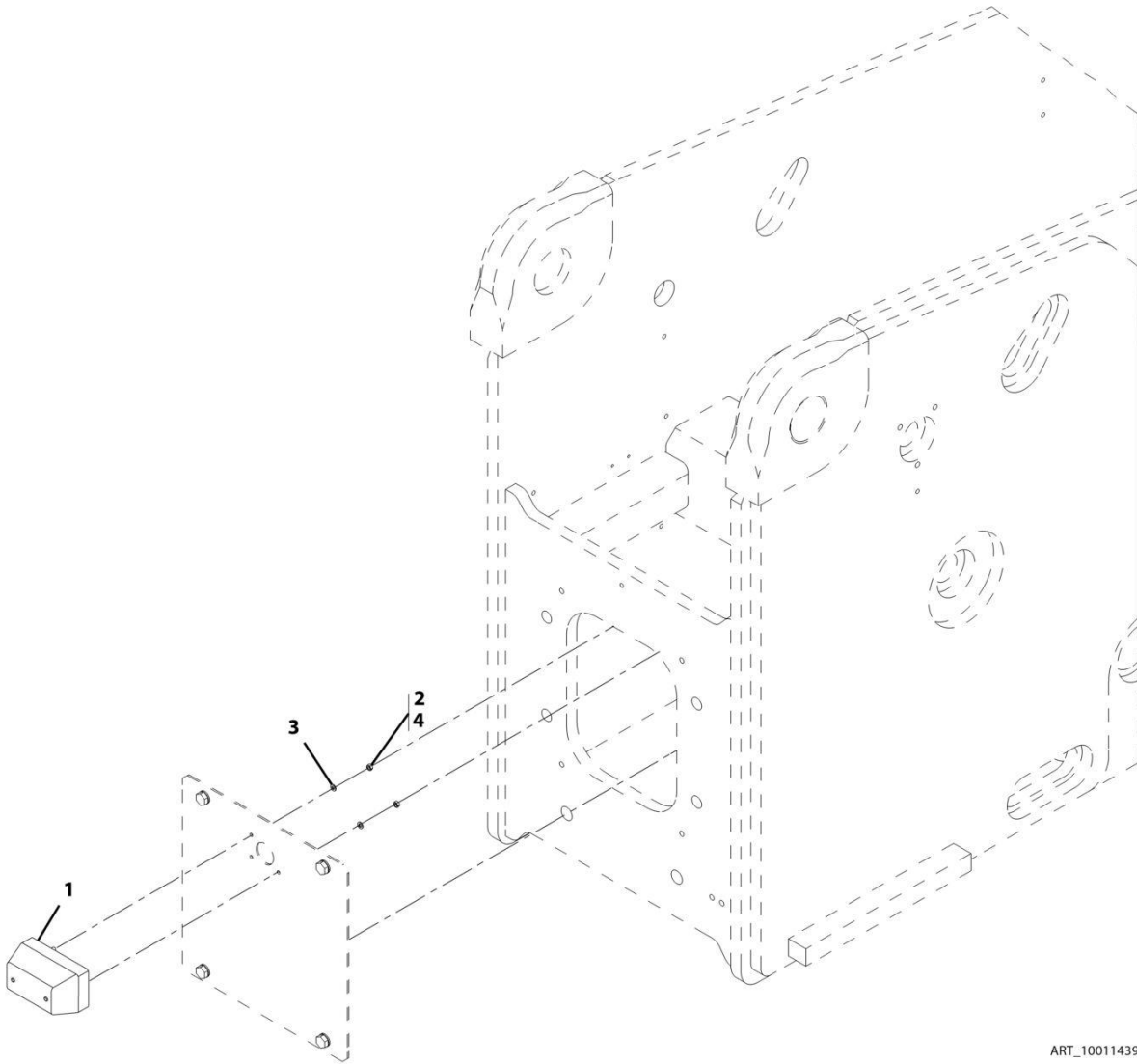
SECTION 1 - FRAME AND ATTACHING PARTS

FIGURE 1-17. CHASSIS COVER PLATE INSTALLATION (4017RS)

ITEM	PART NUMBER	QTY	DESCRIPTION	REV
	1001150350	Ref	Chassis Cover Plate Installation	C
1	0760812	4	Bolt, M8X25	
2	0761010	4	Bolt, M10X20	
3	4811902	4	Washer, M8	
4	4812000	4	Washer, M10	
5	1001112130J	1	Plate, Cover	
6	1001139272J	1	Plate, Access	

SECTION 1 - FRAME AND ATTACHING PARTS

FIGURE 1-18. LICENSE PLATE INSTALLATION



ART_1001143959-C

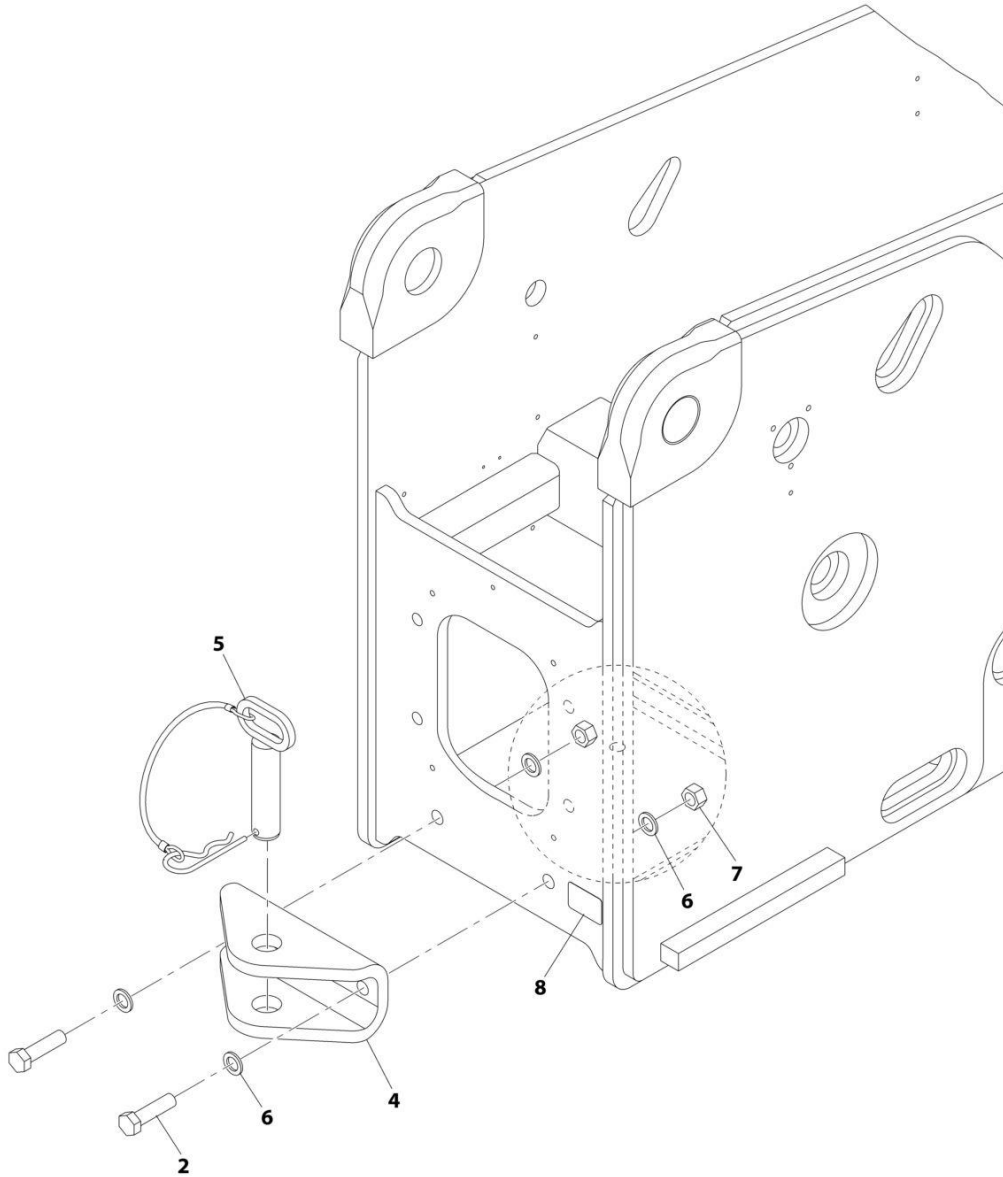
SECTION 1 - FRAME AND ATTACHING PARTS

FIGURE 1-18. LICENSE PLATE INSTALLATION

ITEM	PART NUMBER	QTY	DESCRIPTION	REV
	1001143959	Ref	License Plate Installation	C
1	2920204	1	Light, License Plate	
1	70021341	1	Bulb, 12V-5W	
2	3290501	2	Nut, M5X0.8	
3	4811600	2	Washer, M5	
4	1001095650	AR	Compound, Locking	

SECTION 1 - FRAME AND ATTACHING PARTS

FIGURE 1-19. RETRIEVAL HITCH INSTALLATION



ART_1001145332-D

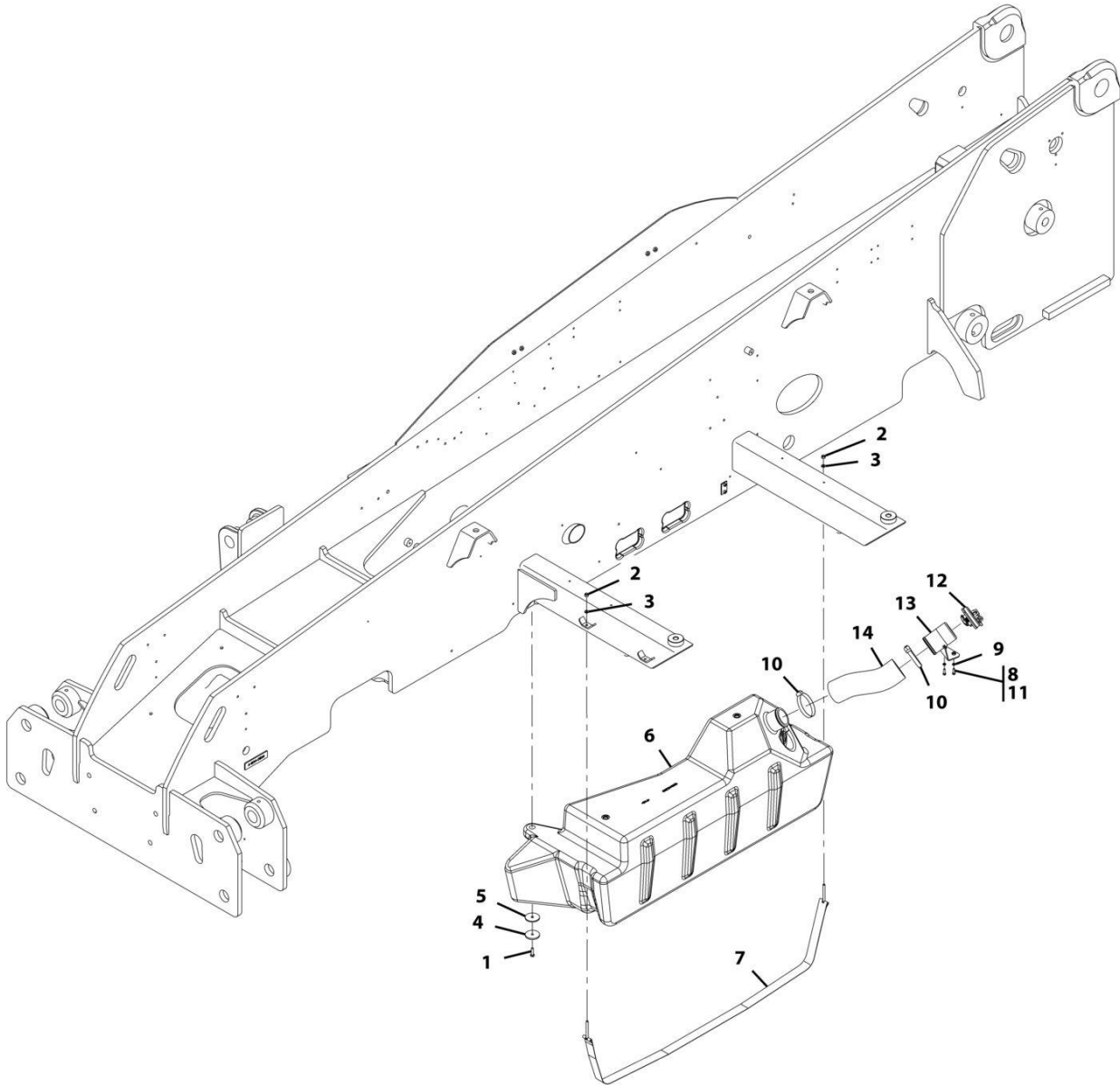
SECTION 1 - FRAME AND ATTACHING PARTS

FIGURE 1-19. RETRIEVAL HITCH INSTALLATION

ITEM	PART NUMBER	QTY	DESCRIPTION	REV
	1001145332	Ref	Hitch Retrieval Installation	D
2	1001151044	2	Bolt, M20X75	
4	1001237489	1	Hitch, Retrieval	
5	1001005267	1	Pin	
6	1001009094	4	Washer	
7	1001009095	2	Nut	
8	1001241674	1	Decal, Retrieval Point	

SECTION 1 - FRAME AND ATTACHING PARTS

FIGURE 1-20. HYDRAULIC TANK INSTALLATION



ART_1001145060-E

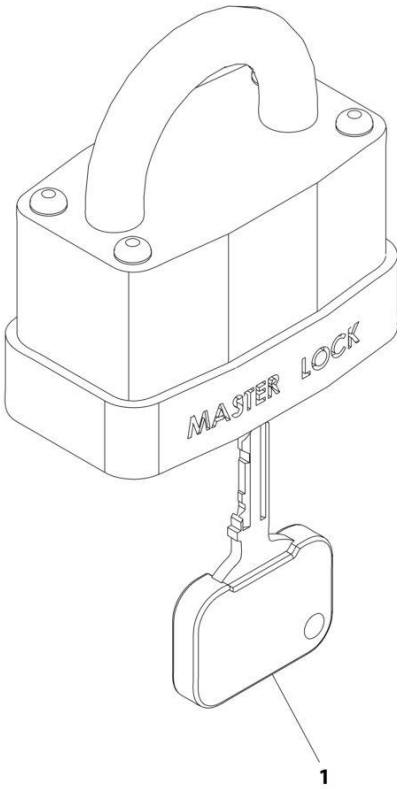
SECTION 1 - FRAME AND ATTACHING PARTS

FIGURE 1-20. HYDRAULIC TANK INSTALLATION

ITEM	PART NUMBER	QTY	DESCRIPTION	REV
	1001145060	Ref	Hydraulic Tank Installation	E
1	0760814	1	Bolt, M8X30	
2	3290805	2	Nut, Lock M8X1.25	
3	4811900	2	Washer, M8	
4	1001006259	1	Washer	
5	1001166897	1	Washer	
6	1001146380	1	Tank, Hydraulic (See Separate Breakdown in HYDRAULIC COMPONENTS Section)	
7	1001147729	1	Strap, Tank	
8	0760610	2	Bolt, M6X20	
9	4811700	2	Washer, M6	
10	8410011	2	Gear Clamp, 3.75	
11	1001095650	AR	Compound, Locking	
12	1001142659	1	Cap, Hydraulic	
13	1001151591	1	Tube, Hydraulic Fill	
14	1001155483	1	Hose, Hydraulic Tank	

SECTION 1 - FRAME AND ATTACHING PARTS

FIGURE 1-21. PAD LOCK



ART_1001102157-A

SECTION 1 - FRAME AND ATTACHING PARTS

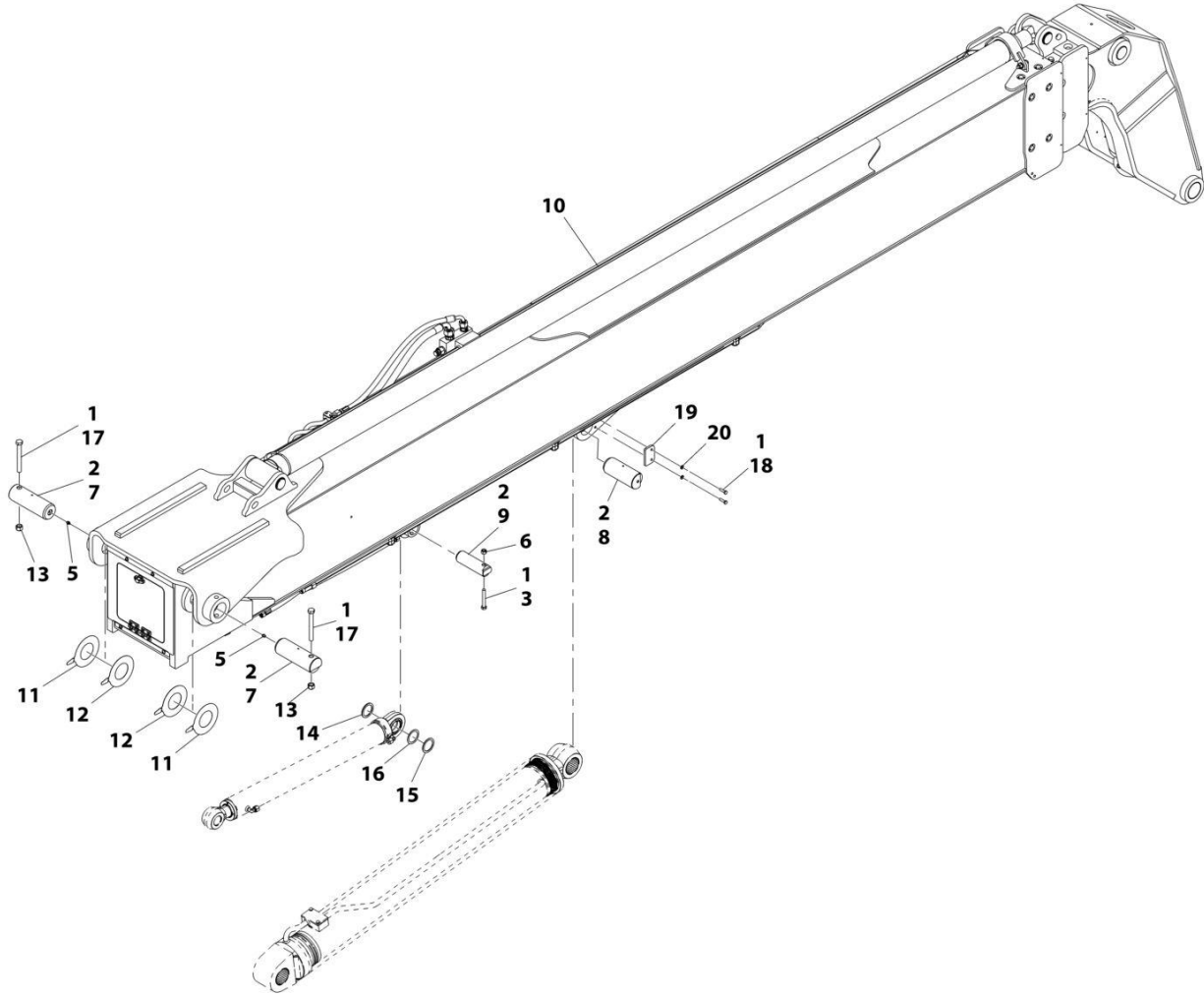
FIGURE 1-21. PAD LOCK

ITEM	PART NUMBER	QTY	DESCRIPTION	REV
1	1001102157 8342813	Ref 1	Pad Lock Key	A

SECTION 2 - BOOM

SECTION 2 - BOOM

FIGURE 2-1. BOOM INSTALLATION (NO AUXILIARY HYDRAULICS) (3614RS)



ART_1001153613-K

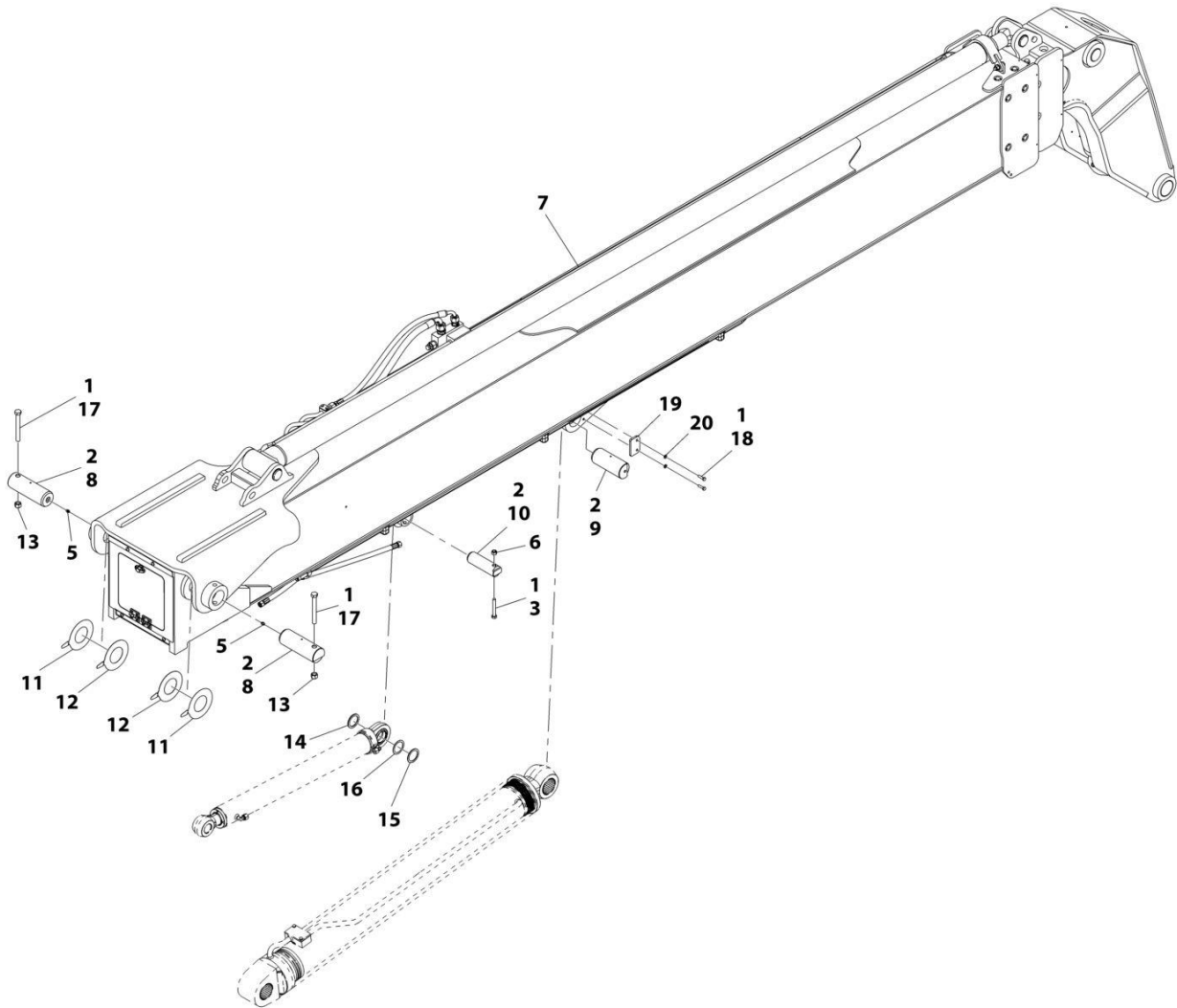
SECTION 2 - BOOM

FIGURE 2-1. BOOM INSTALLATION (NO AUXILIARY HYDRAULICS) (3614RS)

ITEM	PART NUMBER	QTY	DESCRIPTION	REV
	1001153613	Ref	Boom Installation - 3614RS (no auxiliary hydraulics)	K
1	1001095650	AR	Compound, Locking	
2	1001098457	AR	Lube, Lithium Grease	
3	0711225	1	Bolt, M12X85, Grade 10.9	
5	2160016	2	Fitting, Grease	
6	3291205	1	Nut, Lock, M12X1.75	
7	1001168549	2	Pin	
8	1001169068	1	Pin, Lift	
9	1001169040	1	Pin, Compensation	
10	1001148523	Ref	Assembly, Boom (See Separate Breakdown in this Section)	
11	1001169049	2	Shim, 0.5	
12	1001169048	2	Shim, 1	
13	3291605	2	Nut, Lock, M16X2	
14	1001155958	AR	Shim, 3	
15	1001155959	AR	Shim, 2	
16	1001155960	AR	Shim, 1	
17	0701631	2	Bolt, M16X140, Grade 10.9	
18	0700814	2	Bolt, M8X30	
19	1001184996	1	Plate, Pin Keeper	
20	4811900	2	Washer, M8	

SECTION 2 - BOOM

FIGURE 2-2. BOOM INSTALLATION (AUXILIARY HYDRAULICS) (3614RS)



ART_1001153614-K

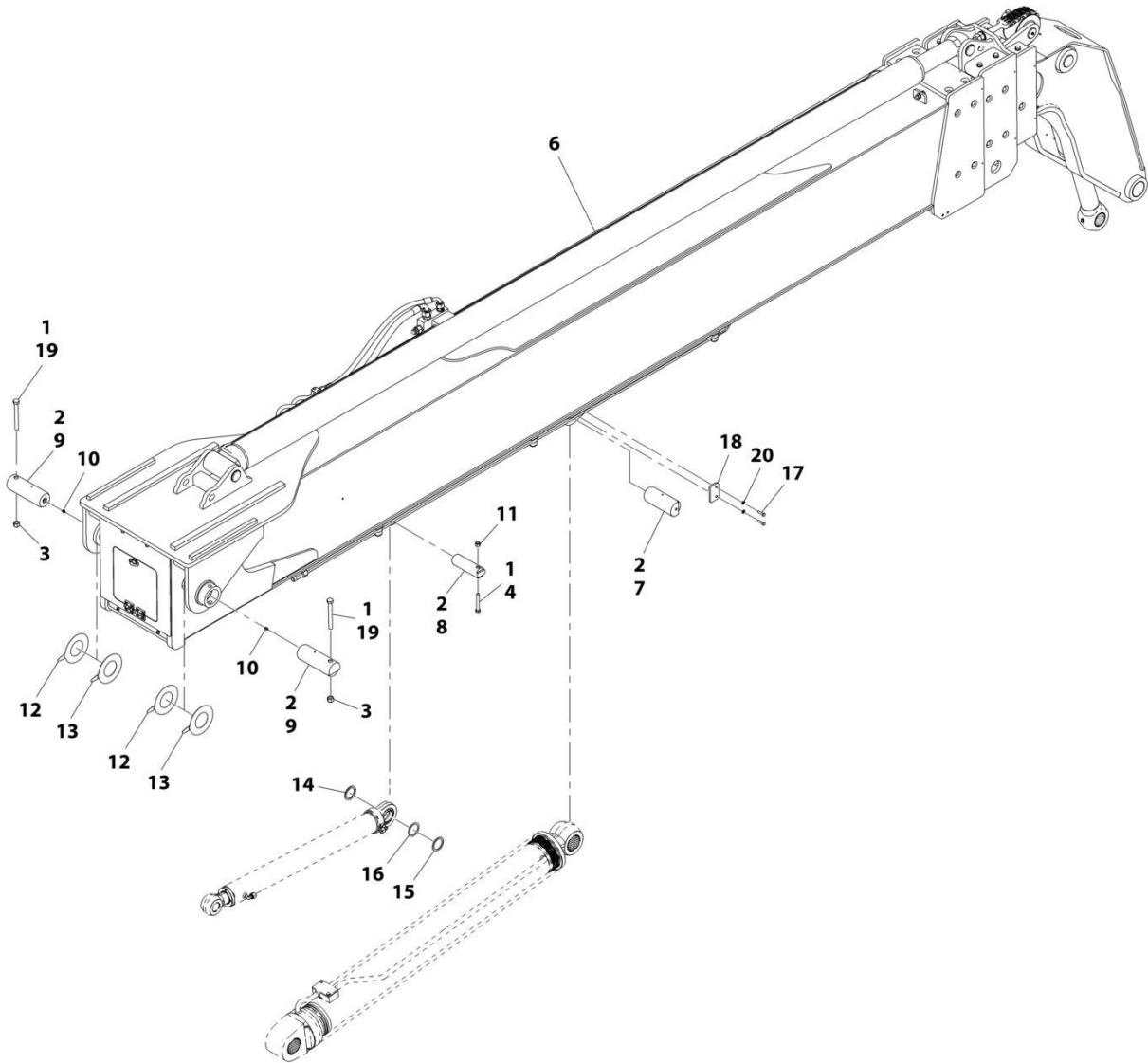
SECTION 2 - BOOM

FIGURE 2-2. BOOM INSTALLATION (AUXILIARY HYDRAULICS) (3614RS)

ITEM	PART NUMBER	QTY	DESCRIPTION	REV
	1001153614	Ref	Boom Installation (auxiliary hydraulics)	K
1	1001095650	AR	Compound, Locking	
2	1001098457	AR	Lube, Lithium Grease	
3	0711225	1	Bolt, M12X85, Grade 10.9	
5	2160016	2	Fitting, Grease	
6	3291205	1	Nut, Lock, M12X1.75	
7	1001144747	Ref	Assembly, Boom (See Separate Breakdown in this Section)	
8	1001168549	2	Pin	
9	1001169068	1	Pin, Lift	
10	1001169040	1	Pin, Compensation	
11	1001169049	2	Shim, 0.5	
12	1001169048	2	Shim, 1	
13	3291605	2	Nut, Lock, M16X2	
14	1001155958	AR	Shim, 3	
15	1001155959	AR	Shim, 2	
16	1001155960	AR	Shim, 1	
17	0711631	2	Bolt, M16X140, Grade 10.9	
18	0700814	2	Bolt, M8X30	
19	1001184996	1	Plate, Pin Keeper	
20	4811900	2	Washer, M8	

SECTION 2 - BOOM

FIGURE 2-3. BOOM INSTALLATION (NO AUXILIARY HYDRAULICS) (4017RS)



ART_1001154017-I

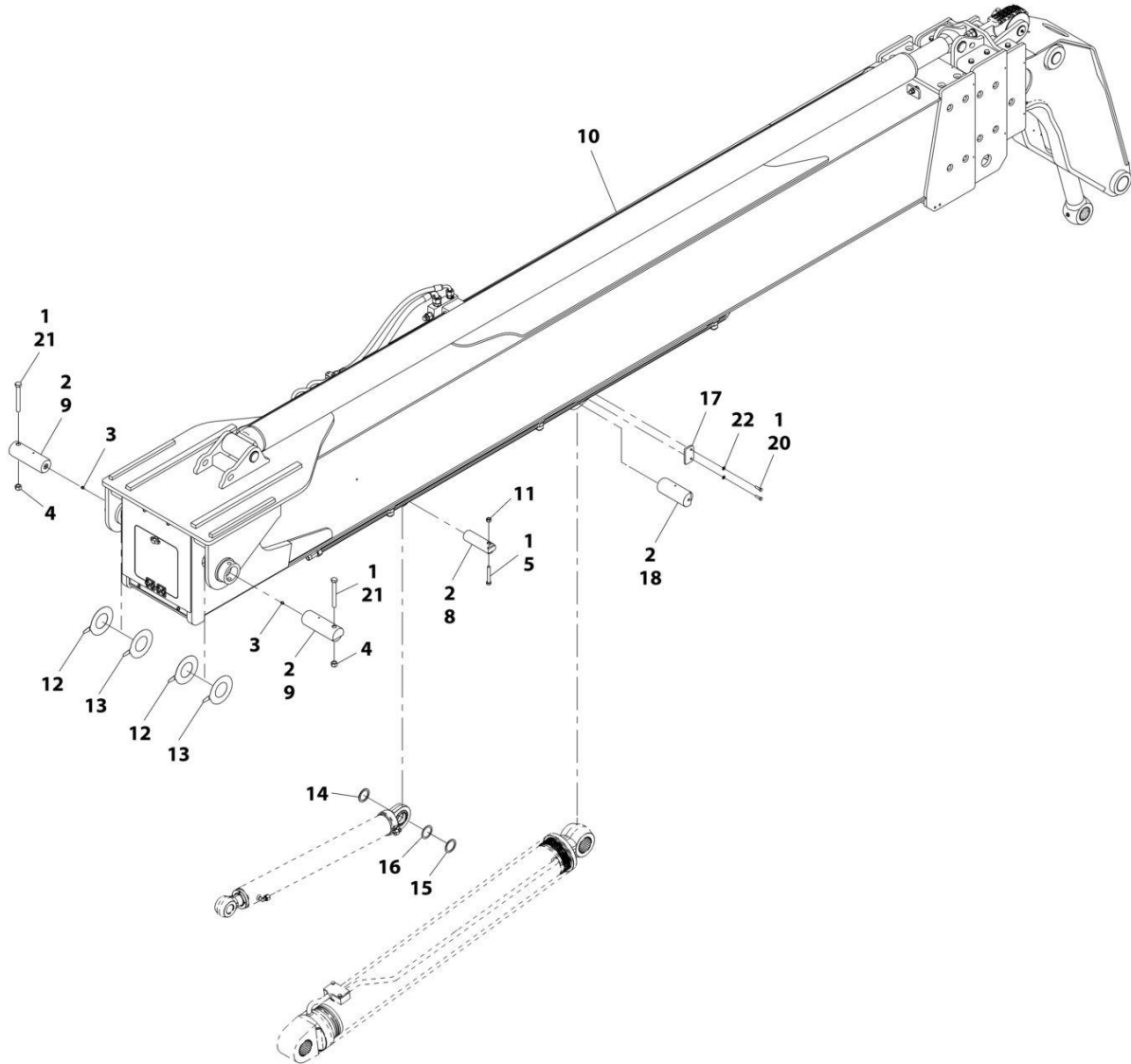
SECTION 2 - BOOM

FIGURE 2-3. BOOM INSTALLATION (NO AUXILIARY HYDRAULICS) (4017RS)

ITEM	PART NUMBER	QTY	DESCRIPTION	REV
	1001154017	Ref	Boom Installation (no auxiliary hydraulics)	1
1	1001095650	AR	Compound, Locking	
2	1001098457	AR	Lube, Lithium Grease	
3	3291605	2	Nut, Lock, M16X2	
4	0711225	1	Bolt, M12X85, Grade 10.9	
6	1001144686	1	Assembly, Boom (See Separate Breakdown in this Section)	
7	1001169068	1	Pin, Lift	
8	1001169040	1	Pin, Compensation	
9	1001168593	2	Pin	
10	2160016	2	Fitting, Grease	
11	3291205	1	Nut, Lock, M12X1.75	
12	1001169049	AR	Shim, 0.5	
13	1001169048	AR	Shim, 1	
14	1001155958	AR	Shim, 3	
15	1001155959	AR	Shim, 2	
16	1001155960	AR	Shim, 1	
17	0700814	2	Bolt, M8X30	
18	1001184996	1	Plate, Pin Keeper	
19	0711631	2	Bolt, M16X140, Grade 10.9	
20	4811900	2	Washer, M8	

SECTION 2 - BOOM

FIGURE 2-4. BOOM INSTALLATION (AUXILIARY HYDRAULICS) (4017RS)



ART_1001154018-I

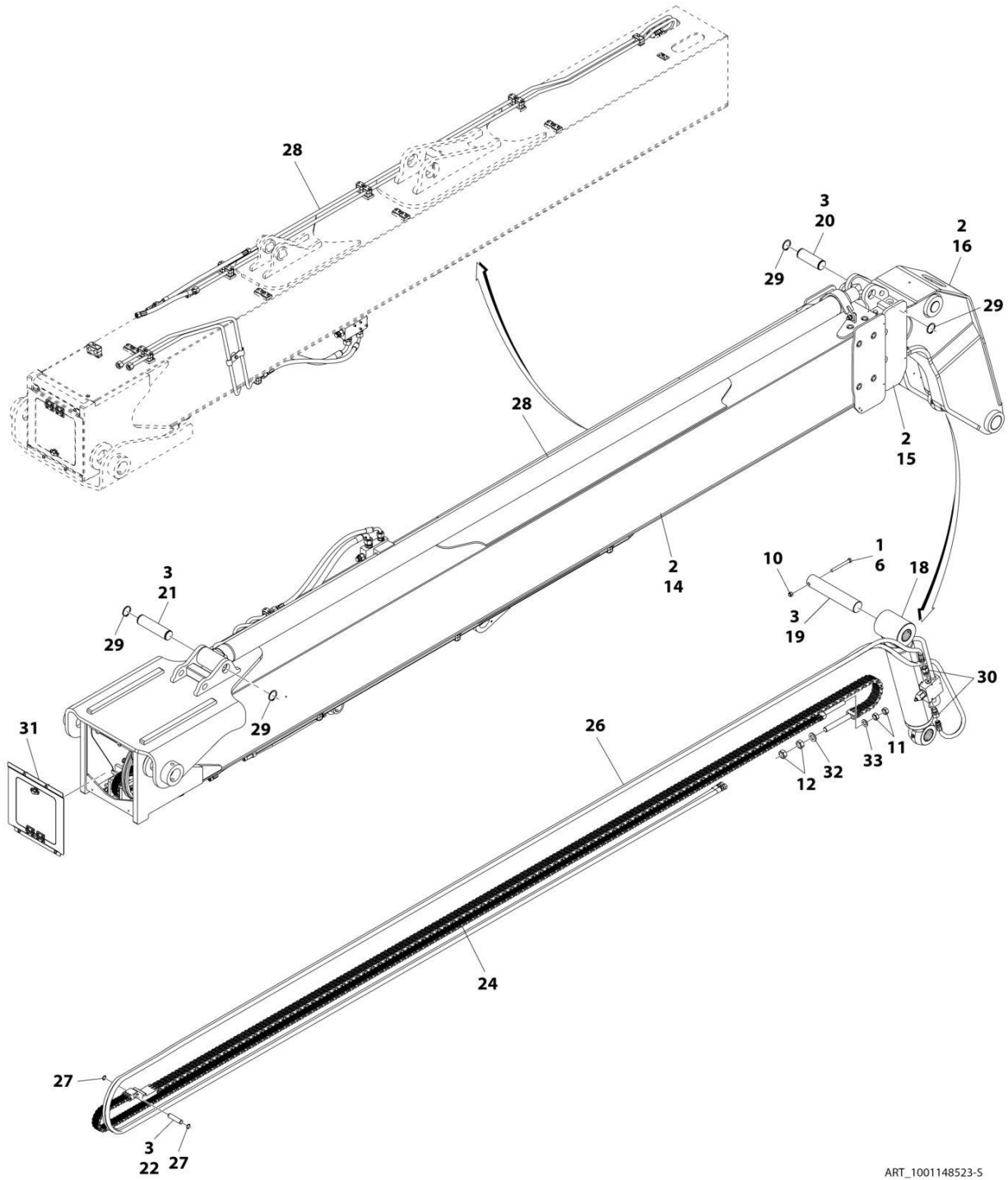
SECTION 2 - BOOM

FIGURE 2-4. BOOM INSTALLATION (AUXILIARY HYDRAULICS) (4017RS)

ITEM	PART NUMBER	QTY	DESCRIPTION	REV
	1001154018	Ref	Boom Installation (auxiliary hydraulics)	I
1	1001095650	AR	Compound, Locking	
2	1001098457	AR	Lube, Lithium Grease	
3	2160016	2	Fitting, Grease	
4	3291605	2	Nut, Lock, M16X2	
5	0711225	1	Bolt, M12X85, Grade 10.9	
8	1001169040	1	Pin, Compensation	
9	1001168593	2	Pin	
10	1001149547	1	Assembly, Boom (See Separate Breakdown in this Section)	
11	3291205	1	Nut, Lock, M12X1.75	
12	1001169049	AR	Shim, 0.5	
13	1001169048	AR	Shim, 1	
14	1001155958	AR	Shim, 3	
15	1001155959	AR	Shim, 2	
16	1001155960	AR	Shim, 1	
17	1001184996	1	Plate, Pin Keeper	
18	1001169068	1	Pin, Lift	
20	0700814	2	Bolt, M8X30	
21	0711631	2	Bolt, M16X140, Grade 10.9	
22	4811900	2	Washer, M8	

SECTION 2 - BOOM

FIGURE 2-5. BOOM ASSEMBLY (NO AUXILIARY HYDRAULICS) (3614RS)



ART_1001148523-S

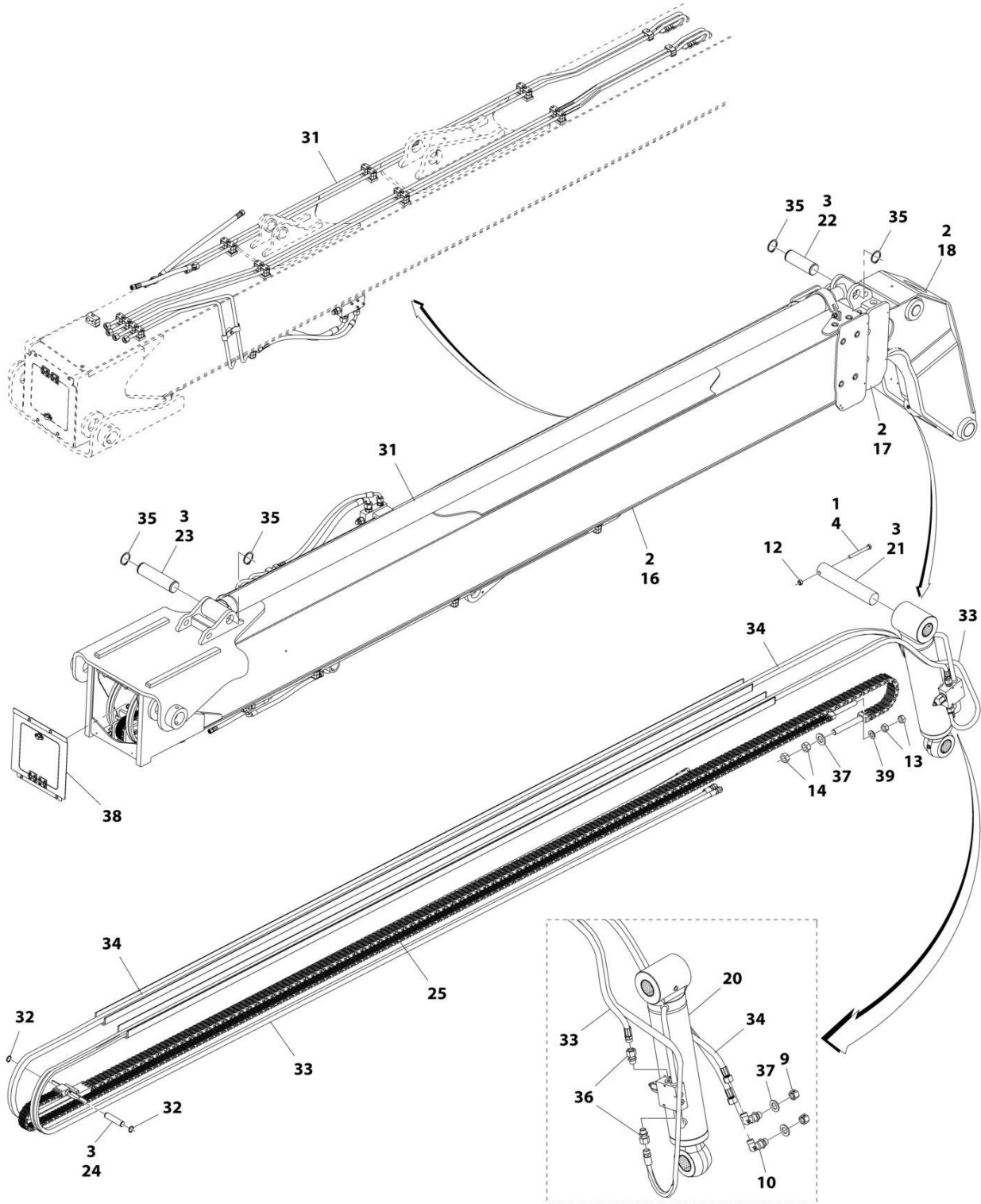
SECTION 2 - BOOM

FIGURE 2-5. BOOM ASSEMBLY (NO AUXILIARY HYDRAULICS) (3614RS)

ITEM	PART NUMBER	QTY	DESCRIPTION	REV
	1001148523	Ref	Boom Assembly (no auxiliary hydraulics)	S
1	1001095650	AR	Compound, Locking	
2	1001098457	AR	Lube, Lithium Grease	
3	3020040	AR	Lubricant, Moly Paste	
6	0711229	1	Bolt, M12X120, Grade 10.9	
10	3291205	1	Nut, Lock, M12X1.75	
11	3332011	2	Nut, M20X2.5	
12	3332411	2	Nut, M24X3	
14	1001143146	1	Section, First Boom (See Separate Breakdown in this Section)	
15	1001143352	1	Section, Second Boom (See Separate Breakdown in this Section)	
16	1001143400	1	Section, Third Boom (See Separate Breakdown in this Section)	
18	1001144198	1	Cylinder, Tilt (See Separate Breakdown in this Section)	
19	1001147527	1	Pin, Tilt Cylinder	
20	1001147596	1	Pin, Extend/Retract Cylinder, Rod End	
21	1001147597	1	Pin, Extend/Retract Cylinder, Barrel End	
22	1001149555	1	Pin, Clevis	
24	1001147839	1	Assembly, Retract Chain (See Separate Breakdown in this Section)	
26	1001180501	1	Hose (3614RS)	
27	1001149581	2	Ring, Snap	
28	1001149652	1	Installation, Boom Hydraulics (See Separate Breakdown in this Section)	
29	3760493	4	Ring, Retaining	
30	2142816	2	Connector, Swivel	
31	1001161951	1	Installation, Cover Plate (See Separate Breakdown in this Section)	
32	4812700	1	Washer, M24	
33	4812500	1	Washer, M20	

SECTION 2 - BOOM

FIGURE 2-6. BOOM ASSEMBLY (AUXILIARY HYDRAULICS) (3614RS)



ART_1001144747-R

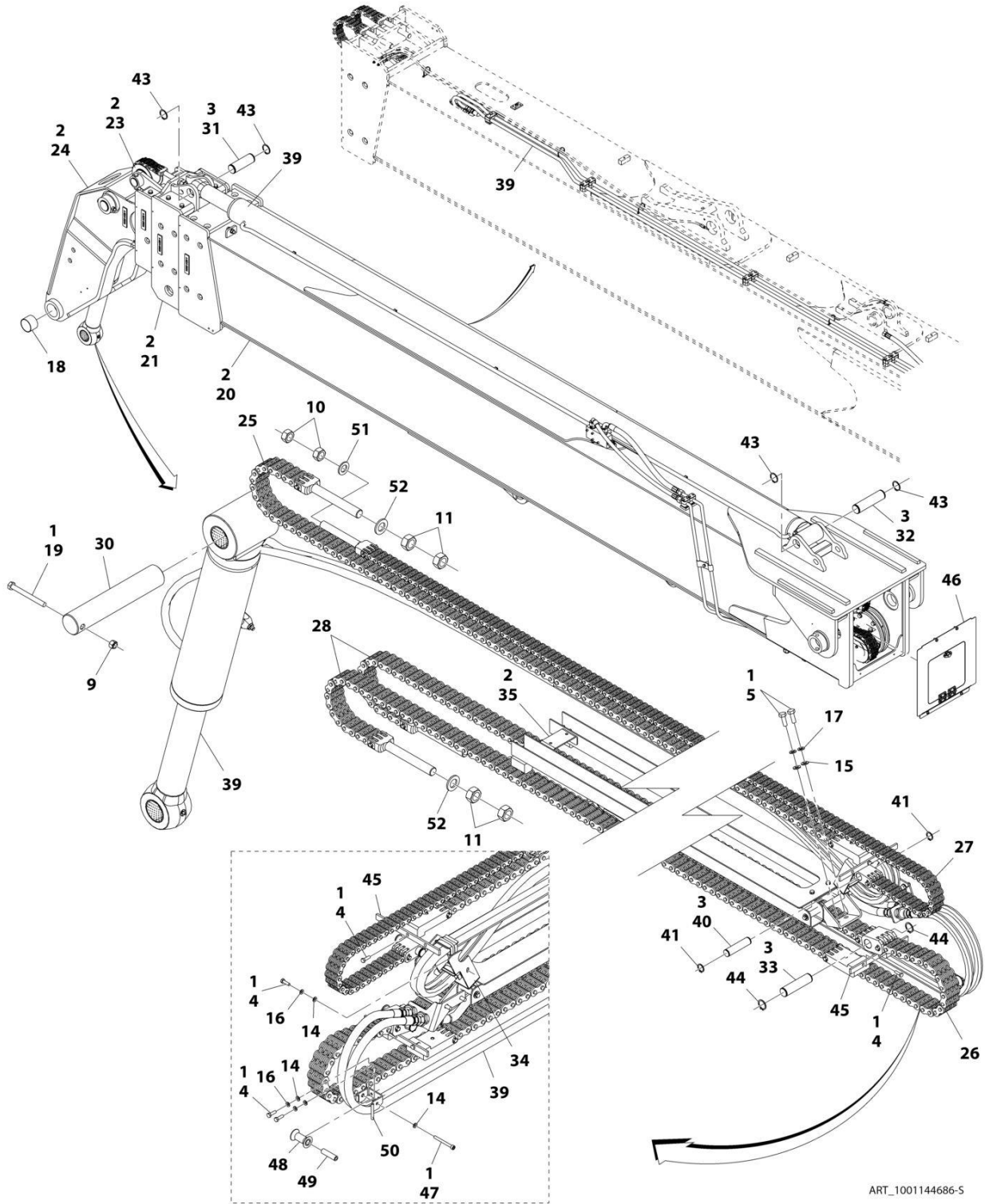
SECTION 2 - BOOM

FIGURE 2-6. BOOM ASSEMBLY (AUXILIARY HYDRAULICS) (3614RS)

ITEM	PART NUMBER	QTY	DESCRIPTION	REV
	1001144747	Ref	Boom Assembly (auxiliary hydraulics)	R
1	1001095650	AR	Compound, Locking	
2	1001098457	AR	Lube, Lithium Grease	
3	3020040	AR	Lubricant, Moly Paste	
4	0711229	1	Bolt, M12X120, Grade 10.9	
9	2142516	2	Adapter, Cap	
10	2143316	2	Fitting, Elbow	
12	3291205	1	Nut, Lock, M12X1.75	
13	3332011	2	Nut, M20X2.5	
14	3332411	2	Nut, M24X3	
16	1001143146	1	Section, First Boom (See Separate Breakdown in this Section)	
17	1001143352	1	Section, Second Boom (See Separate Breakdown in this Section)	
18	1001143400	1	Section, Third Boom (See Separate Breakdown in this Section)	
20	1001144198	1	Cylinder, Tilt (See Separate Breakdown in HYDRAULIC COMPONENTS Section)	
21	1001147527	1	Pin, Tilt Cylinder	
22	1001147596	1	Pin, Extend/Retract, Rod End	
23	1001147597	1	Pin, Extend/Retract, Barrel End	
24	1001149555	1	Pin, Clevis	
25	1001147839	1	Assembly, Retract Chain (See Separate Breakdown in this Section)	
31	1001147622	1	Installation, Boom Hydraulics (See Separate Breakdown in this Section)	
32	1001149581	2	Ring, Snap	
33	1001180501	1	Hose (3614RS)	
34	1001180502	1	Hose (auxiliary hydraulics) (3614RS)	
35	3760493	4	Ring, Retaining	
36	2142816	2	Connector, Swivel	
37	4812700	3	Washer, M24	
38	1001161951	1	Installation, Cover Plate (See Separate Breakdown in this Section)	
39	4812500	1	Washer, M20	

SECTION 2 - BOOM

FIGURE 2-7. BOOM ASSEMBLY (NO AUXILIARY HYDRAULICS) (4017RS)



ART_1001144686-S

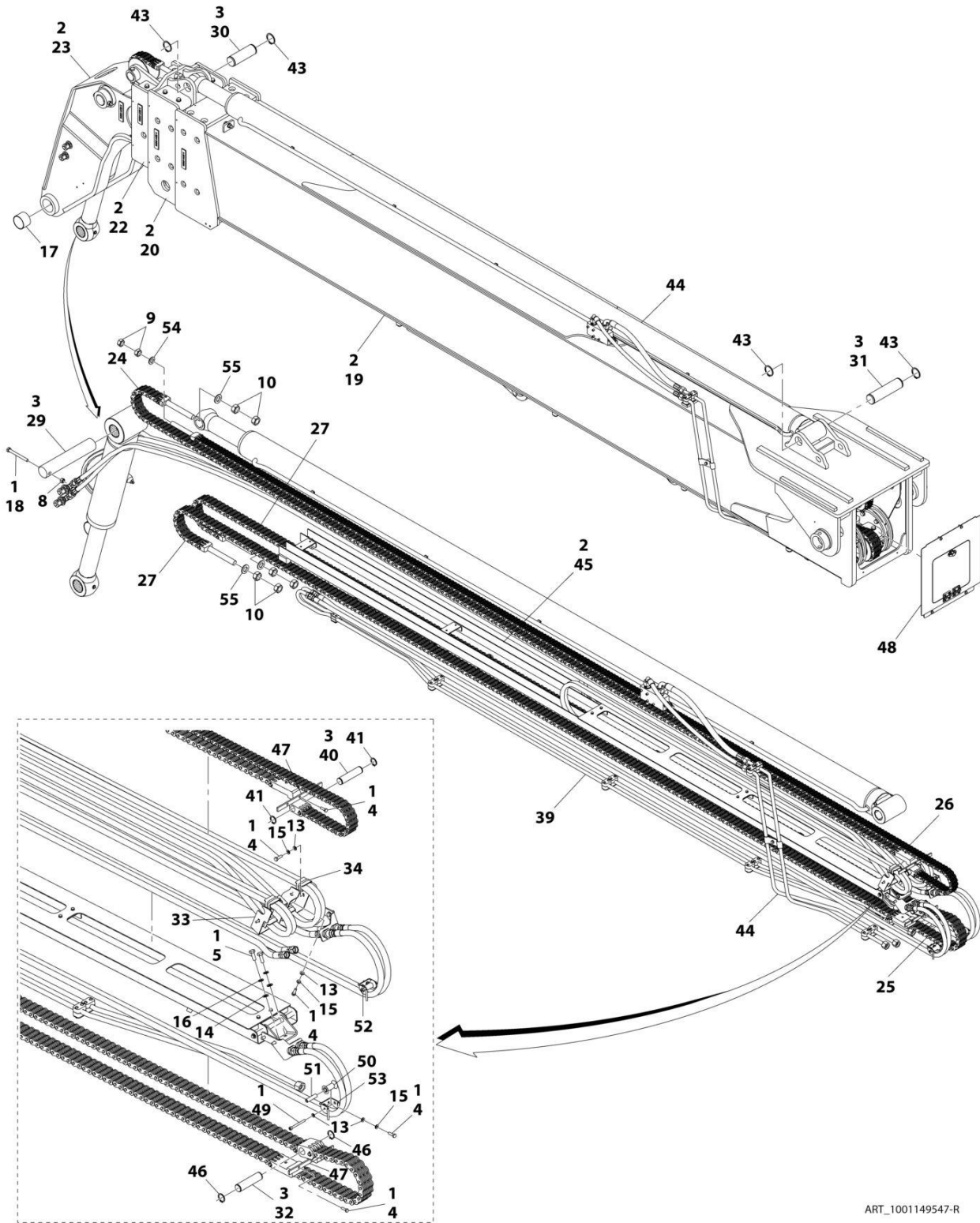
SECTION 2 - BOOM

FIGURE 2-7. BOOM ASSEMBLY (NO AUXILIARY HYDRAULICS) (4017RS)

ITEM	PART NUMBER	QTY	DESCRIPTION	REV
	1001144686	Ref	Boom Assembly - 4017RS (no auxiliary hydraulics)	S
1	1001095650	AR	Compound, Locking	
2	1001098457	AR	Lube, Lithium Grease	
3	3020040	AR	Lubricant, Moly Paste	
4	0760610	7	Bolt, M6X20	
5	0701013	2	Bolt, M8X20	
9	3291205	1	Nut, Lock M12X1.75	
10	3332011	2	Nut, M20X2.5	
11	3332411	8	Nut, M24X3	
14	4811700	5	Washer, M6	
15	4812000	2	Washer, M8	
16	4831700	4	Washer, Lock 6	
17	4832000	2	Washer, Lock 8	
18	1001090150	2	Bearing	
19	0711229	1	Bolt, M12X120, Grade 10.9	
20	1001144158	1	Section, First Boom (See Separate Breakdown in this Section)	
21	1001144181	1	Section, Second Boom (See Separate Breakdown in this Section)	
23	1001144218	1	Section, Third Boom (See Separate Breakdown in this Section)	
24	1001144244	1	Section, Fourth Boom (See Separate Breakdown in this Section)	
25	1001144713	1	Assembly, Extend Chain (See Separate Breakdown in this Section)	
26	1001144758	1	Assembly, Retract Chain (See Separate Breakdown in this Section)	
27	1001144771	1	Assembly, Retract Chain (See Separate Breakdown in this Section)	
28	1001144780	2	Assembly, Extend Chain (See Separate Breakdown in this Section)	
30	1001147527	1	Pin, Tilt Cylinder	
31	1001147596	1	Pin, Extend/Retract Cylinder, Rod End	
32	1001147597	1	Pin, Extend/Retract Cylinder, Barrel End	
33	1001147640	1	Pin, Chain Clevis	
34	1001147899	1	Bracket, Clamp	
35	1001151879	1	Assembly, Hose Support (See Separate Breakdown in this Section)	
39	1001149653	1	Installation, Boom Hydraulics (See Separate Breakdown in this Section)	
40	1001149555	1	Pin, Clevis	
41	1001149581	2	Ring, Snap	
43	3760493	4	Ring, Retaining	
44	1001155805	2	Ring, Snap	
45	1001156947	2	Plate, Clevis	
46	1001165887	1	Installation, Cover Plate (See Separate Breakdown in this Section)	
47	4031716	1	Bolt, M6X60	
48	1001174034	1	Pulley, Hose Sheave	
49	1001174036	1	Spindle, Hose Sheave	
50	1001174042	1	Bracket, Hose Pulley	
51	4812500	1	Washer, M20	
52	4812700	4	Washer, M24	

SECTION 2 - BOOM

FIGURE 2-8. BOOM ASSEMBLY (AUXILIARY HYDRAULICS) (4017RS)



ART_1001149547-R

SECTION 2 - BOOM

FIGURE 2-8. BOOM ASSEMBLY (AUXILIARY HYDRAULICS) (4017RS)

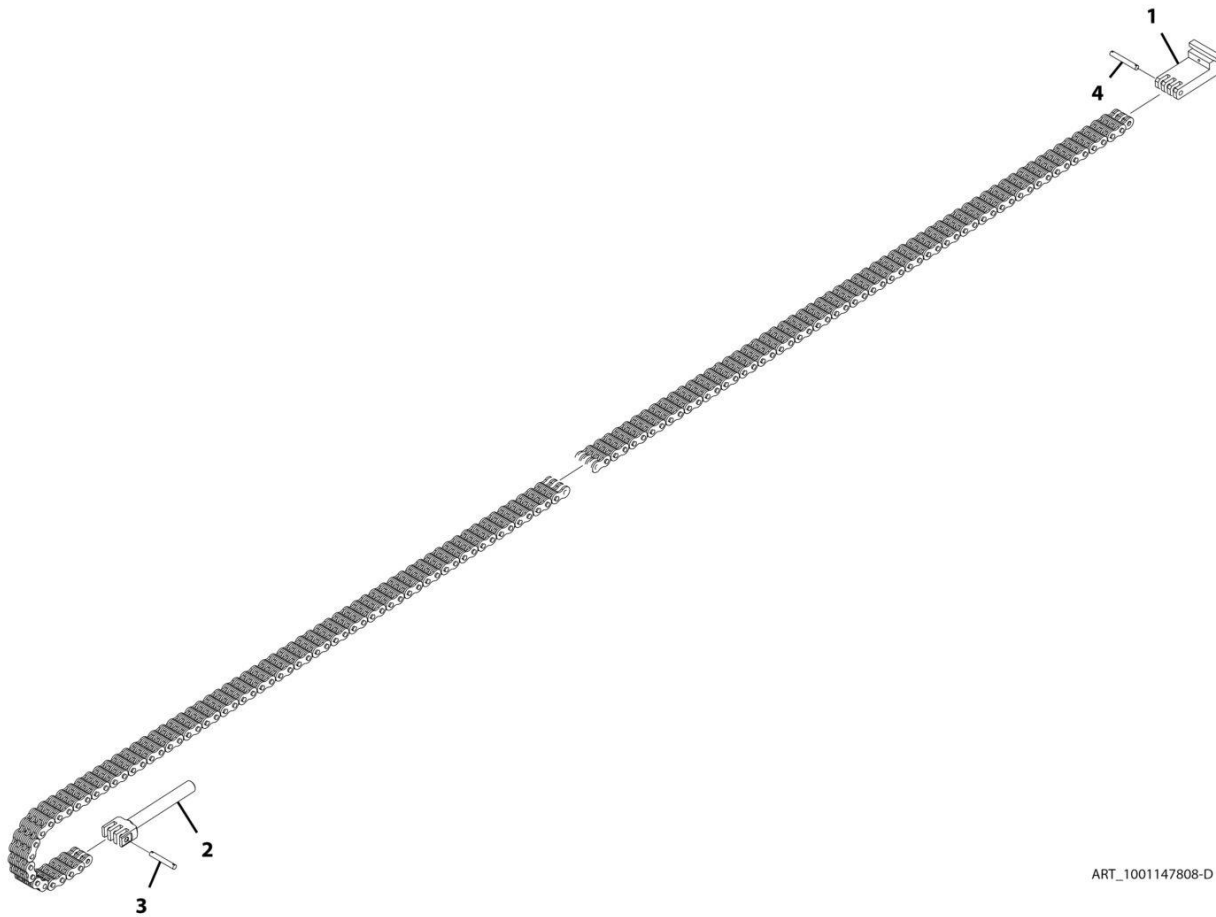
ITEM	PART NUMBER	QTY	DESCRIPTION	REV
	1001149547	Ref	Boom Assembly (auxiliary hydraulics)	R
1	1001095650	AR	Compound, Locking	
2	1001098457	AR	Lube, Lithium Grease	
3	3020040	AR	Lubricant, Moly Paste	
4	0760610	11	Bolt, M6X20	
5	0701013	2	Bolt, M10X28	
8	3291205	1	Nut, Lock M12X1.75	
9	3332011	2	Nut, M20X2.5	
10	3332411	8	Nut, M24X3	
13	4811700	10	Washer, M6	
14	4812000	2	Washer, M10	
15	4831700	8	Washer, Lock 6	
16	4832000	2	Washer, Lock 10	
17	1001090150	2	Bearing	
18	0711229	1	Bolt, M12X120, Grade 10.9	
19	1001144158	1	Section, First Boom (See Separate Breakdown in this Section)	
20	1001144181	1	Section, Second Boom (See Separate Breakdown in this Section)	
22	1001144218	1	Section, Third Boom (See Separate Breakdown in this Section)	
23	1001144244	1	Section, Fourth Boom (See Separate Breakdown in this Section)	
24	1001144713	1	Assembly, Extend Chain (See Separate Breakdown in this Section)	
25	1001144758	1	Assembly, Retract Chain (See Separate Breakdown in this Section)	
26	1001144771	1	Assembly, Retract Chain (See Separate Breakdown in this Section)	
27	1001144780	2	Assembly, Extend Chain (See Separate Breakdown in this Section)	
29	1001147527	1	Pin, Tilt Cylinder	
30	1001147596	1	Pin, Extend/Retract Cylinder, Rod End	
31	1001147597	1	Pin, Extend/Retract Cylinder, Barrel End	
32	1001147640	1	Pin, Chain Clevis	
33	1001147894	1	Bracket, Clamp	
34	1001147899	1	Bracket, Clamp	
39	1001149133	1	Installation, Boom Hydraulics (See Separate Breakdown in this Section)	
40	1001149555	1	Pin, Clevis	
41	1001149581	2	Ring, Snap	
43	3760493	4	Ring, Retaining	
44	1001149653	1	Installation, Boom Hydraulics (See Separate Breakdown in this Section)	
45	1001151879	1	Assembly, Hose Support (See Separate Breakdown in this Section)	
46	1001155805	2	Ring, Snap	
47	1001156947	2	Plate, Clevis	
48	1001165887	1	Installation, Cover Plate (See Separate Breakdown in this Section)	
49	4031716	2	Bolt, M6X60	
50	1001174034	2	Pulley, Hose Sheave	
51	1001174036	2	Spindle, Hose Sheave	
52	1001174042	1	Bracket, Hose Pulley	
53	1001175475	1	Bracket, Hose Pulley	
54	4812500	1	Washer, M20	

SECTION 2 - BOOM

ITEM	PART NUMBER	QTY	DESCRIPTION	REV
55	4812700	4	Washer, M24	

SECTION 2 - BOOM

FIGURE 2-9. EXTEND CHAIN ASSEMBLY (3614RS)



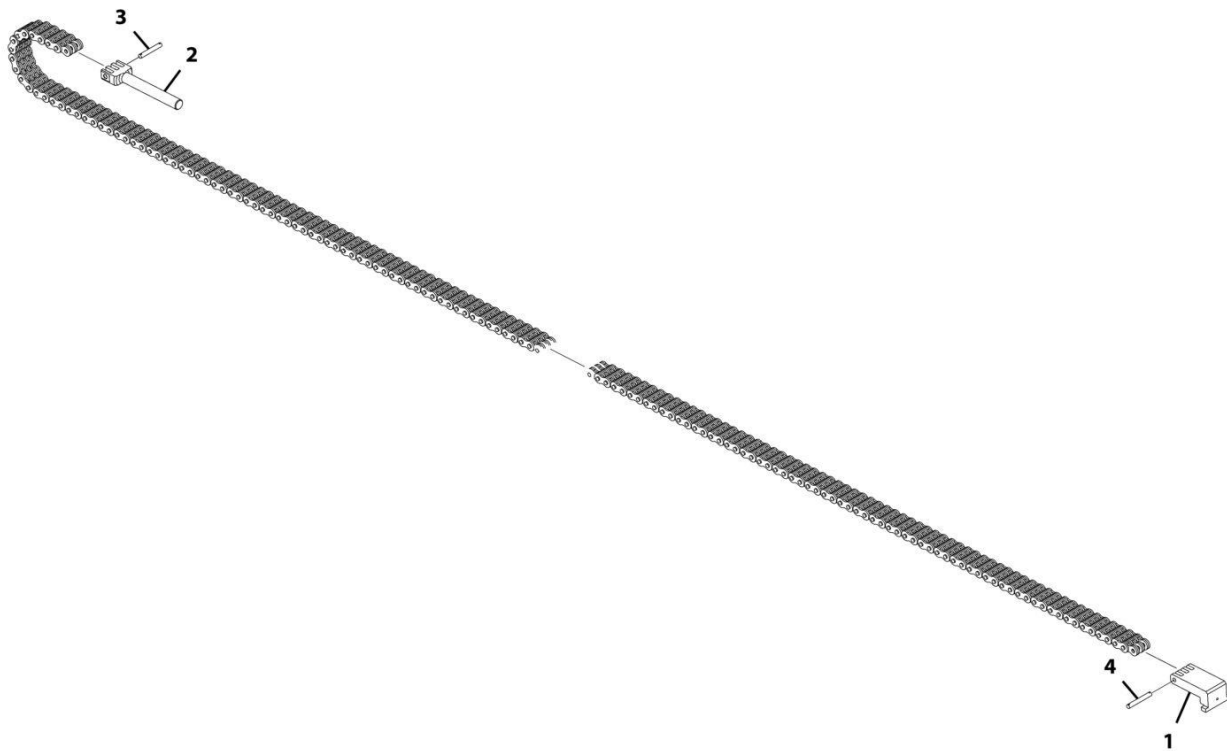
ART_1001147808-D

FIGURE 2-9. EXTEND CHAIN ASSEMBLY (3614RS)

ITEM	PART NUMBER	QTY	DESCRIPTION	REV
	1001147808	Ref	Extend Chain Assembly	D
1	1001147695	1	Clevis, Chain	
2	1001148317	1	Clevis, Chain	
3	1001149163	1	Pin, Anchor	
4	1001149164	1	Pin, Anchor	

SECTION 2 - BOOM

FIGURE 2-10. EXTEND CHAIN ASSEMBLY (1) (4017RS)



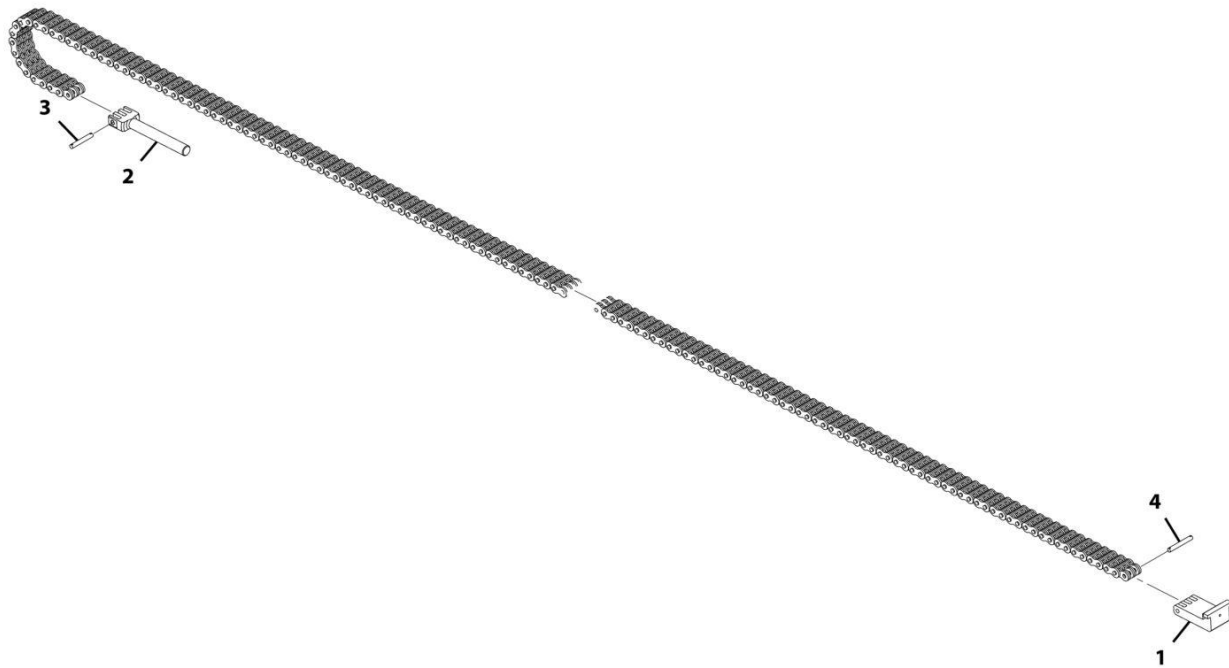
ART_1001144713-A

FIGURE 2-10. EXTEND CHAIN ASSEMBLY (1) (4017RS)

ITEM	PART NUMBER	QTY	DESCRIPTION	REV
	1001144713	Ref	Extend Chain Assembly	A
1	1001147695	1	Clevis, Chain	
2	1001148317	1	Clevis, Chain	
3	1001149163	1	Pin, Anchor	
4	1001149164	1	Pin, Anchor	

SECTION 2 - BOOM

FIGURE 2-11. EXTEND CHAIN ASSEMBLY (2) (4017RS)



ART_1001144780-A

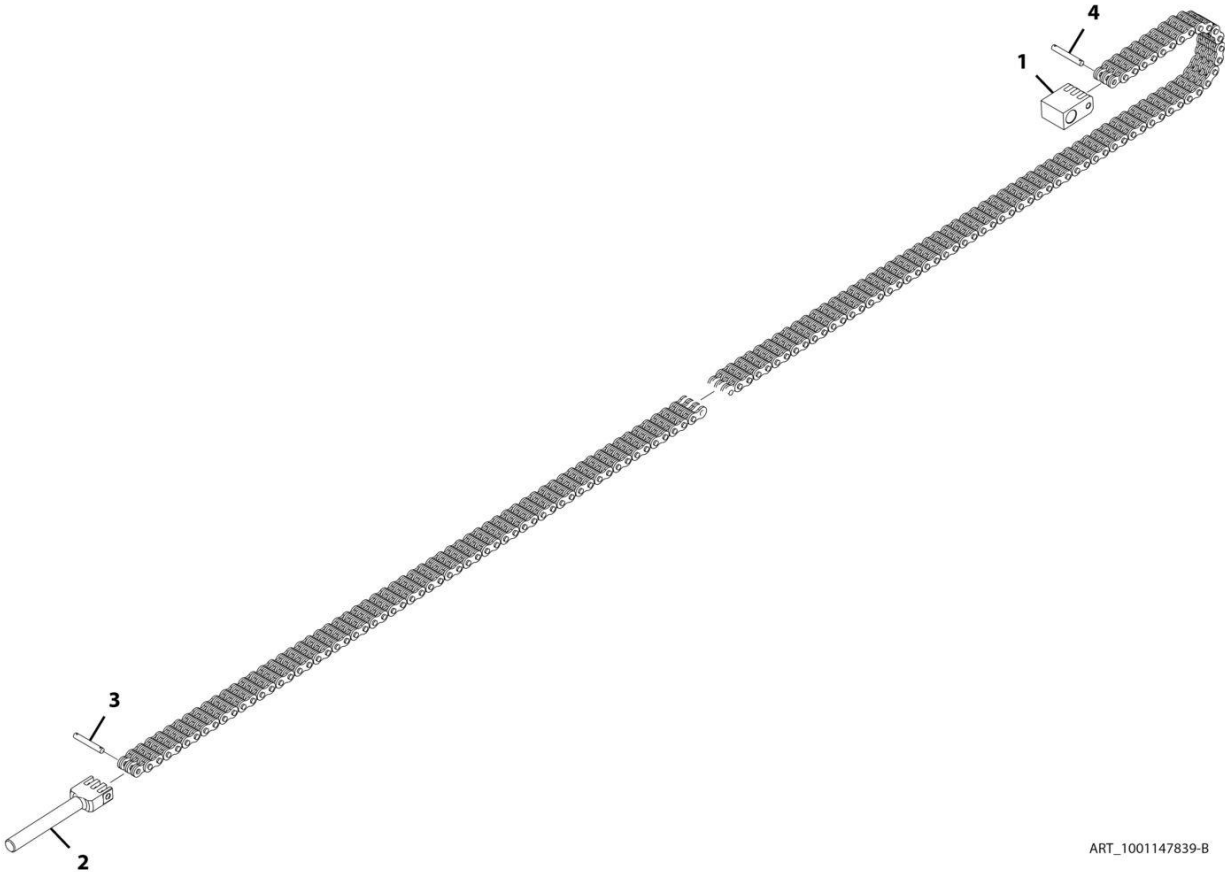
SECTION 2 - BOOM

FIGURE 2-11. EXTEND CHAIN ASSEMBLY (2) (4017RS)

ITEM	PART NUMBER	QTY	DESCRIPTION	REV
	1001144780	Ref	Extend Chain Assembly	A
1	1001147695	1	Clevis, Chain	
2	1001148317	1	Clevis, Chain	
3	1001149163	1	Pin, Anchor	
4	1001149164	1	Pin, Anchor	

SECTION 2 - BOOM

FIGURE 2-12. RETRACT CHAIN ASSEMBLY (3614RS)



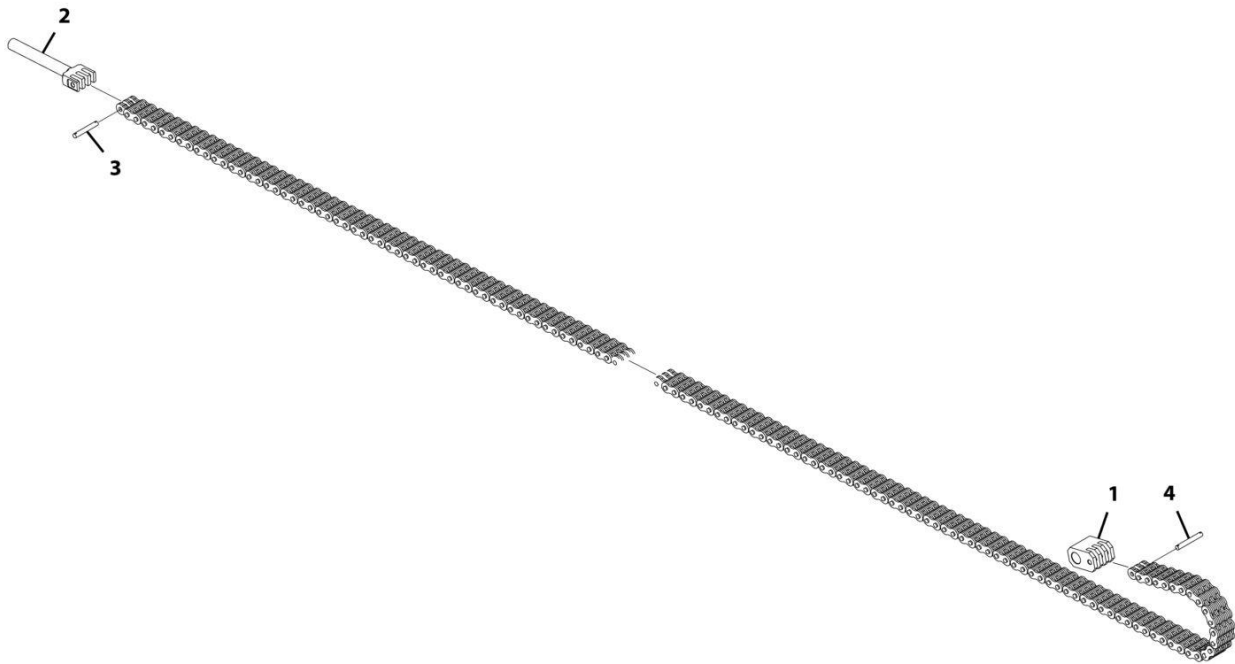
ART_1001147839-B

FIGURE 2-12. RETRACT CHAIN ASSEMBLY (3614RS)

ITEM	PART NUMBER	QTY	DESCRIPTION	REV
	1001147839	Ref	Retract Chain Assembly	B
1	1001147641	1	Clevis, Chain	
2	1001147739	1	Clevis, Chain	
3	1001149156	1	Pin, Anchor	
4	1001149699	1	Pin, Anchor	

SECTION 2 - BOOM

FIGURE 2-13. RETRACT CHAIN ASSEMBLY (1) (4017RS)



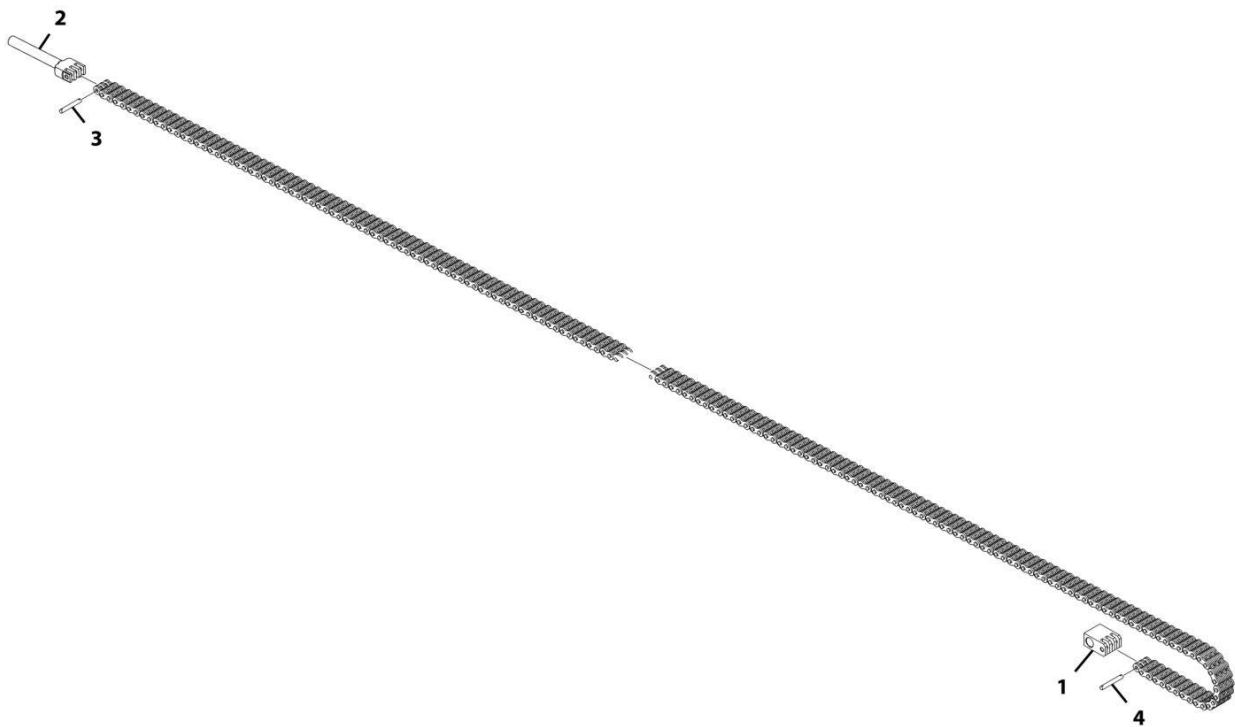
ART_1001144758-A

FIGURE 2-13. RETRACT CHAIN ASSEMBLY (1) (4017RS)

ITEM	PART NUMBER	QTY	DESCRIPTION	REV
	1001144758	Ref	Retract Chain Assembly	A
1	1001147623	1	Clevis, Chain	
2	1001148317	1	Clevis, Chain	
3	1001149163	1	Pin, Anchor	
4	1001149164	1	Pin, Anchor	

SECTION 2 - BOOM

FIGURE 2-14. RETRACT CHAIN ASSEMBLY (2) (4017RS)



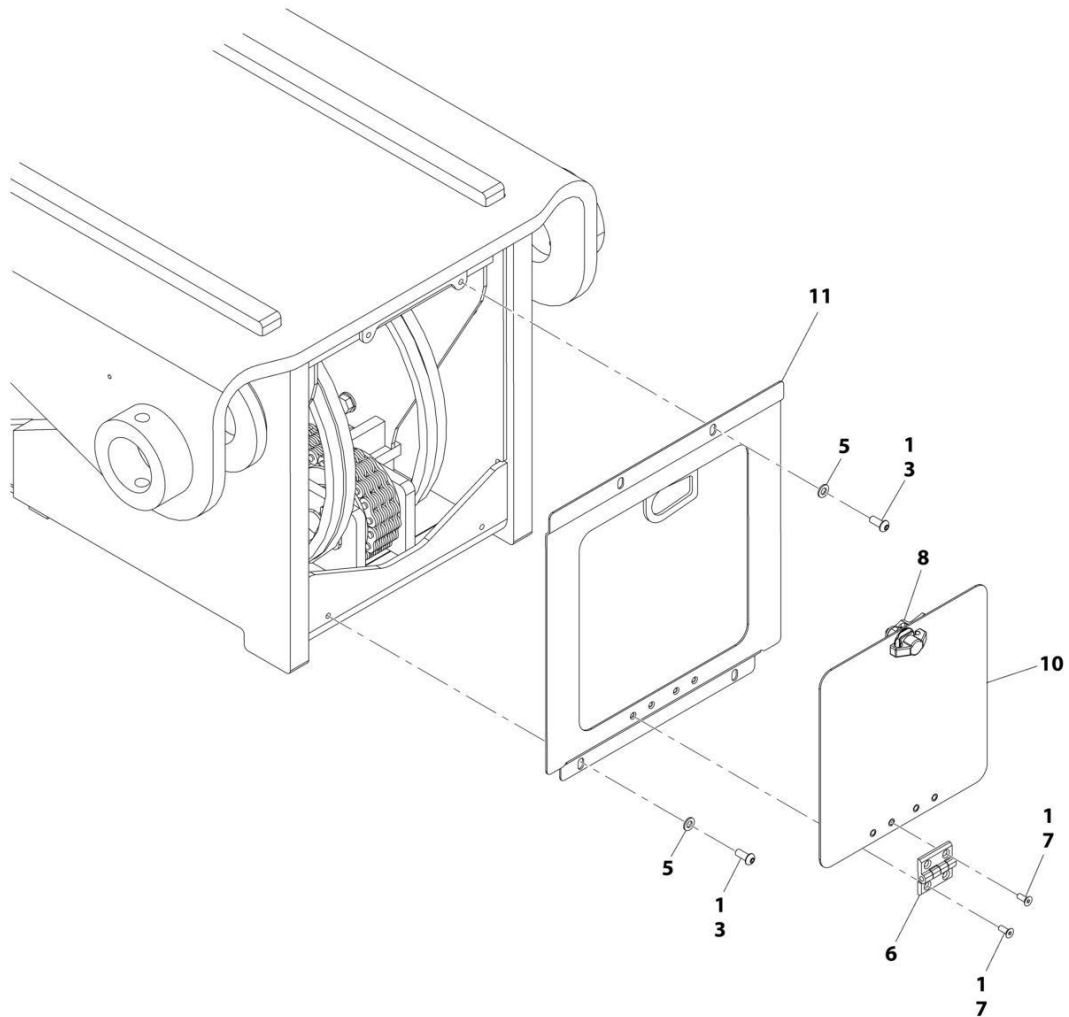
ART_1001144771-A

FIGURE 2-14. RETRACT CHAIN ASSEMBLY (2) (4017RS)

ITEM	PART NUMBER	QTY	DESCRIPTION	REV
	1001144771	Ref	Retract Chain Assembly	A
1	1001147641	1	Clevis, Chain	
2	1001147739	1	Clevis, Chain	
3	1001149156	1	Pin, Anchor	
4	1001149699	1	Pin, Anchor	

SECTION 2 - BOOM

FIGURE 2-15. COVER PLATE INSTALLATION (3614RS)



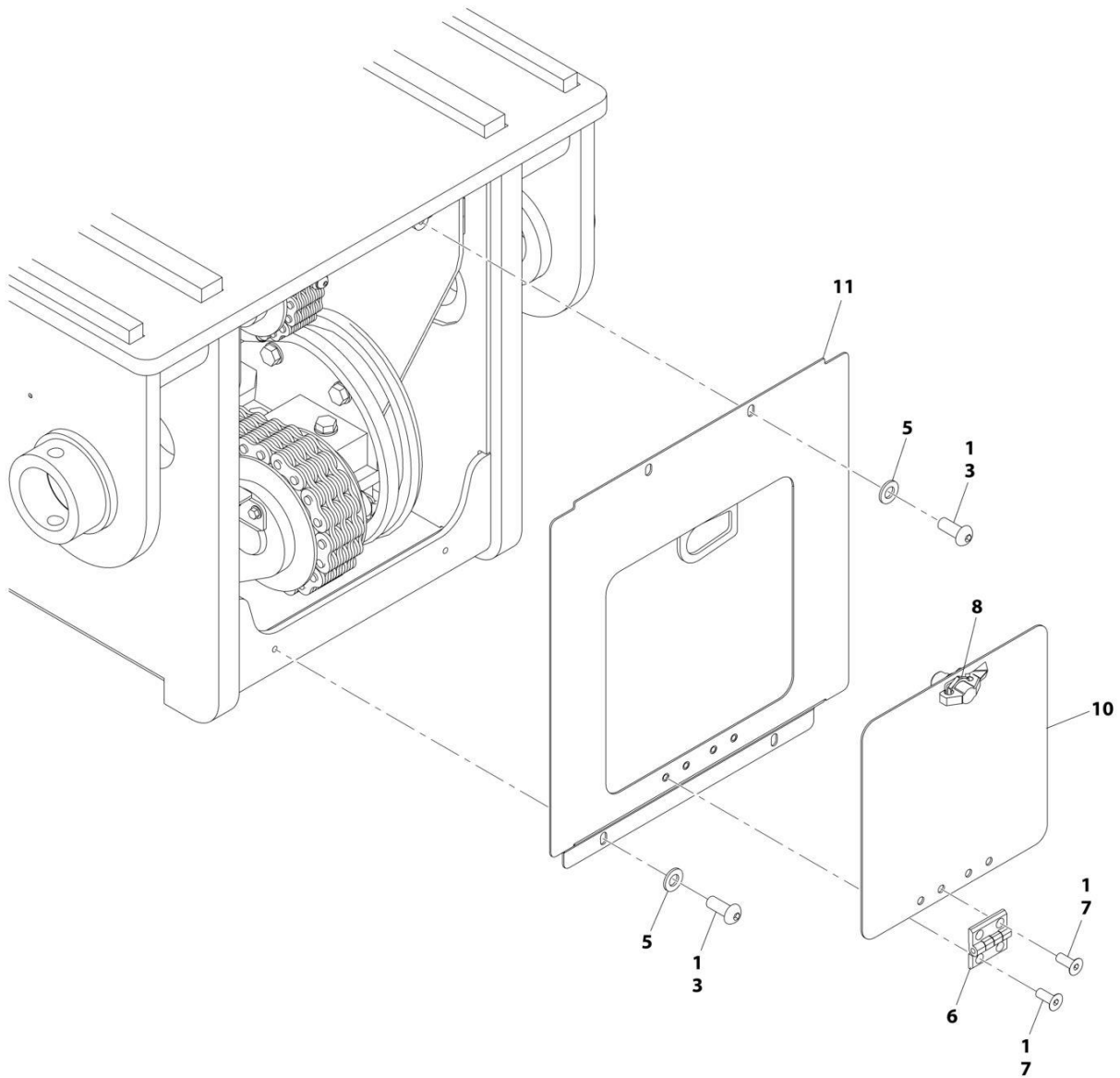
ART_1001161951-E

SECTION 2 - BOOM**FIGURE 2-15. COVER PLATE INSTALLATION (3614RS)**

ITEM	PART NUMBER	QTY	DESCRIPTION	REV
	1001161951	Ref	Cover Plate Installation	E
1	1001095650	AR	Compound, Locking	
3	1001164726	4	Bolt, M8X20	
5	4811900	4	Washer, M8	
6	8006105	2	Joint, Hinge	
7	1001162246	8	Screw, M6X16	
8	1001162375	1	Latch, Wing Knob	
10	1001175165J	1	Bracket, Door Cover	
11	1001189957J	1	Bracket, Cover	

SECTION 2 - BOOM

FIGURE 2-16. COVER PLATE INSTALLATION (4017RS)



ART_1001165887-E

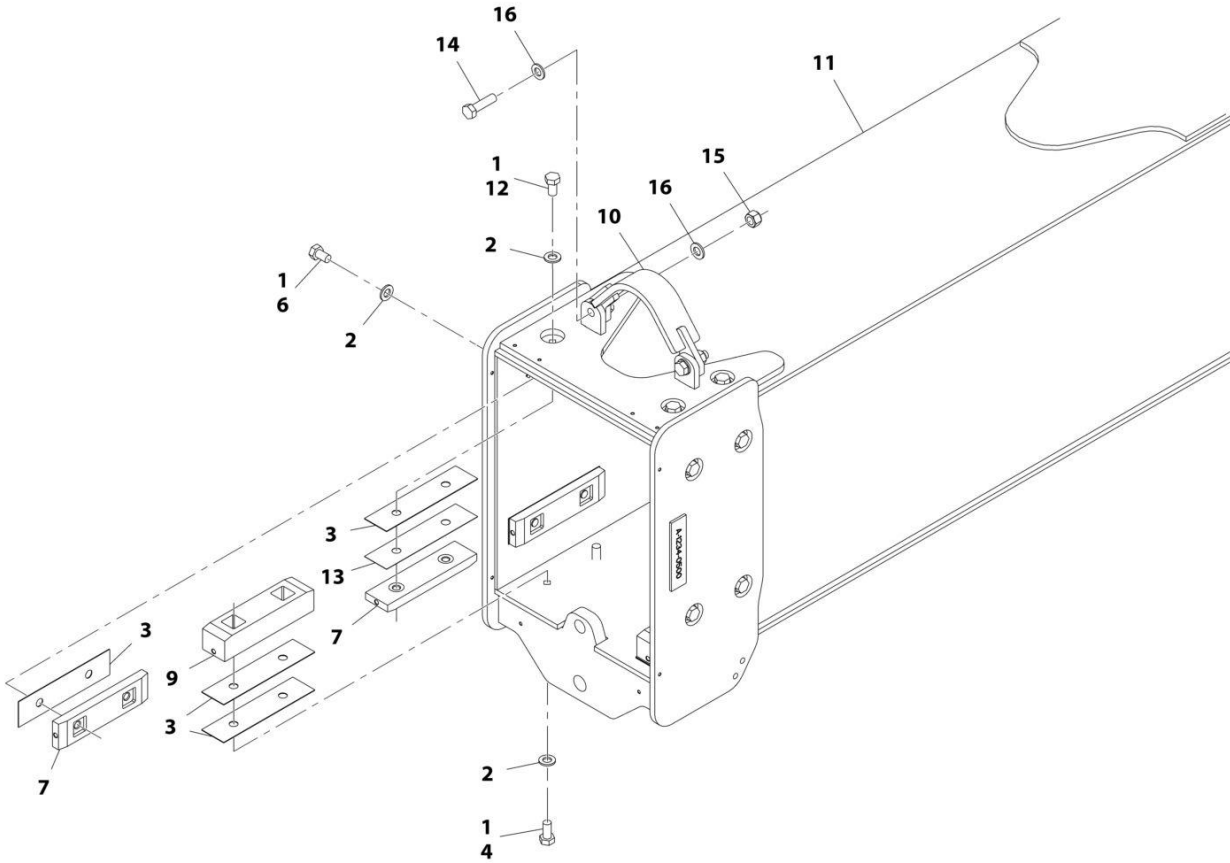
SECTION 2 - BOOM

FIGURE 2-16. COVER PLATE INSTALLATION (4017RS)

ITEM	PART NUMBER	QTY	DESCRIPTION	REV
	1001165887	Ref	Cover Plate Installation	E
1	1001095650	AR	Compound, Locking	
3	1001164726	4	Bolt, M8X20	
5	4811900	4	Washer, M8	
6	8006105	2	Joint, Hinge	
7	1001162246	8	Screw, M6X16	
8	1001162375	1	Latch, Wing Knob	
10	1001175165J	1	Bracket, Door Cover	
11	1001175234J	1	Panel, Boom Door	

SECTION 2 - BOOM

FIGURE 2-17. FIRST BOOM SECTION (3614RS)



ART_1001143146-O

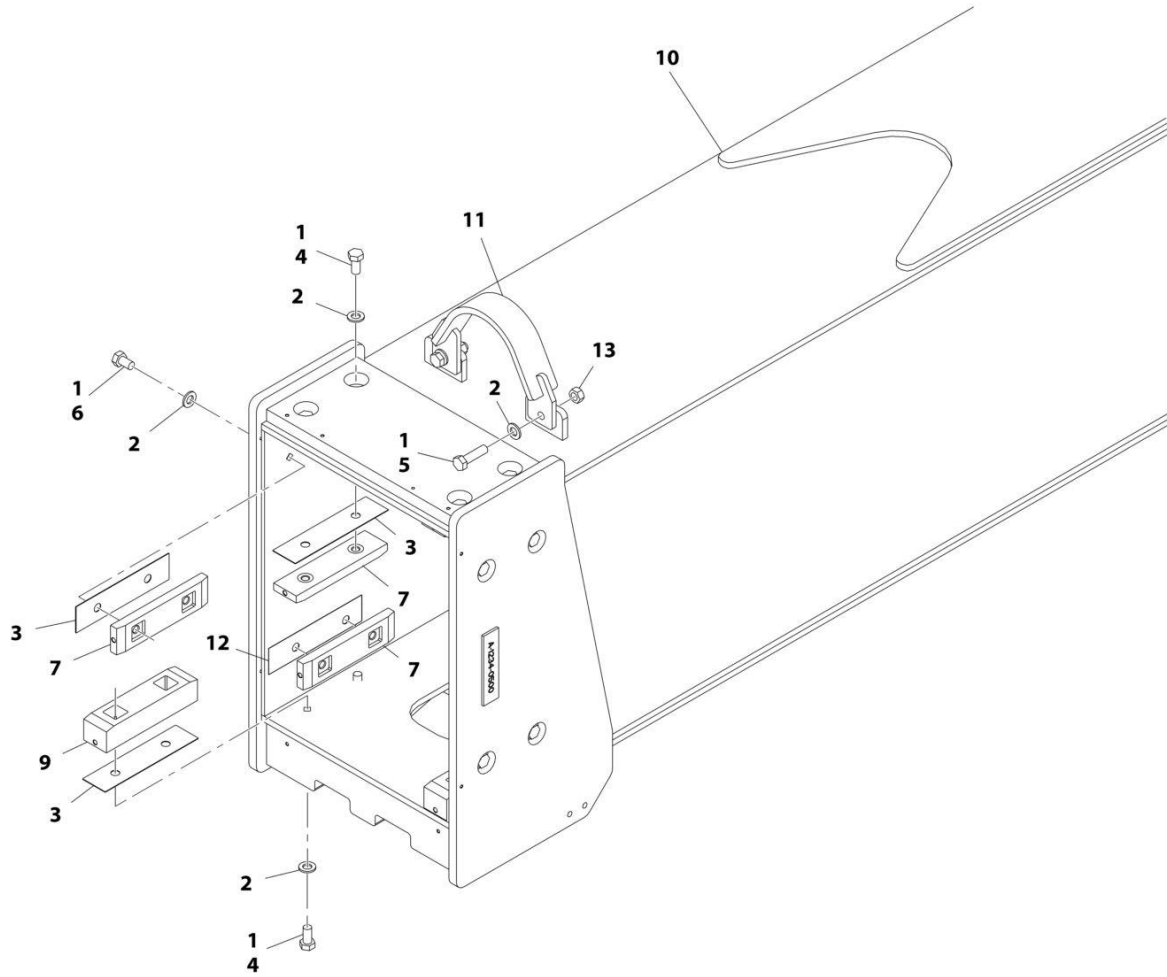
SECTION 2 - BOOM

FIGURE 2-17. FIRST BOOM SECTION (3614RS)

ITEM	PART NUMBER	QTY	DESCRIPTION	REV
	1001143146	Ref	First Boom Section	O
1	1001095650	AR	Compound, Locking	
2	1001125117	AR	Washer	
3	1001147731	AR	Shim, 1X45X185	
4	0771212	4	Bolt, M12X25, Grade 10.9	
6	0771210	8	Bolt, M12X20, Grade 10.9	
7	1001147657	6	Pad, 15X45X181	
9	1001147668	2	Pad, 39X45X181	
10	1001172206	1	Brace, Extend/Retract Cylinder	
11	1001192959J	1	Weldment	
12	0771211	4	Bolt, M12X22, Grade 10.9	
13	1001154174	AR	Shim, 0.5X45X185	
14	0711217	2	Bolt, M12X45, Grade 10.9	
15	3291205	2	Hex Lock Nut, M12X1.75	
16	4812100	4	Washer, M12	

SECTION 2 - BOOM

FIGURE 2-18. FIRST BOOM SECTION (4017RS)



ART_1001144158-N

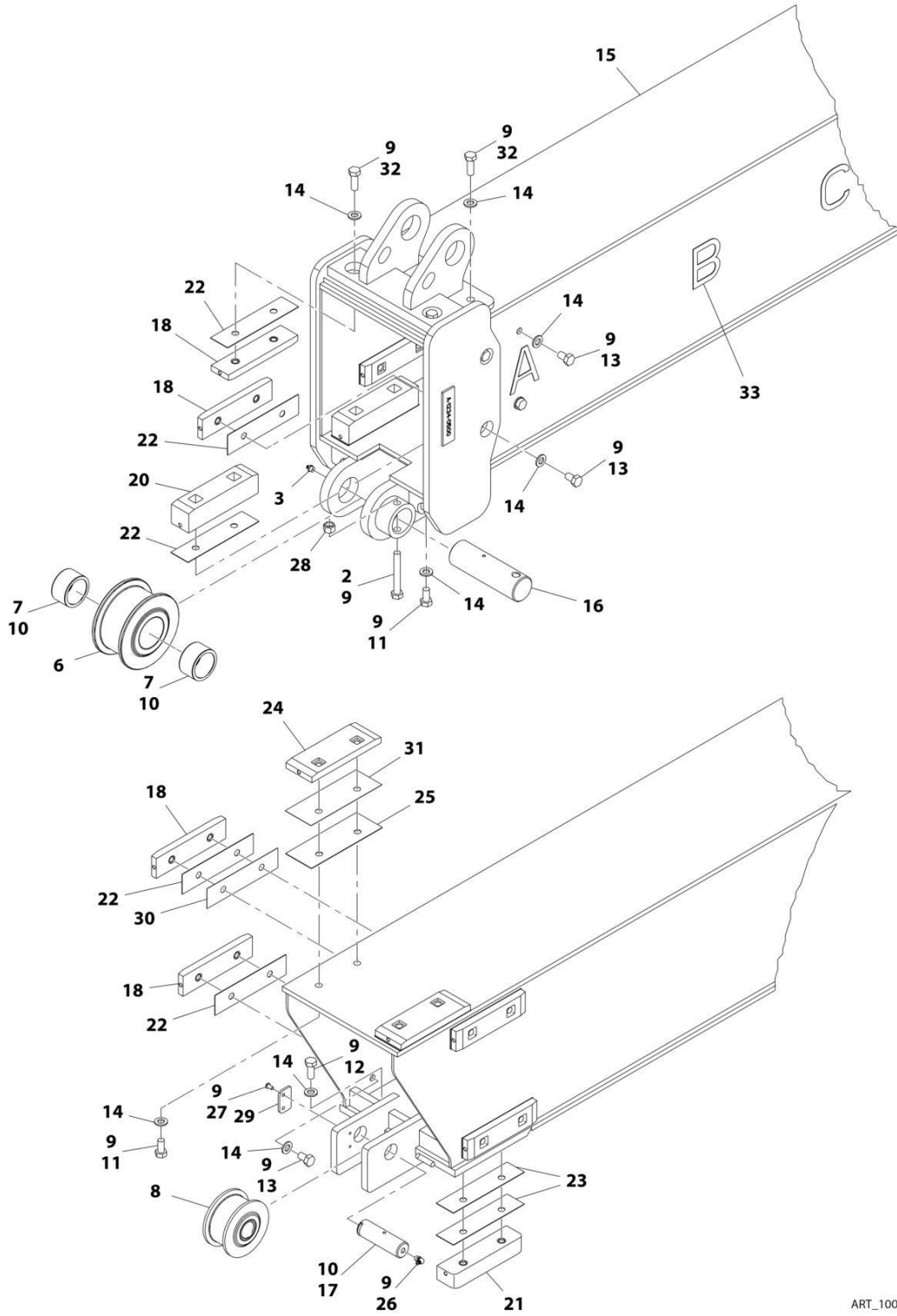
SECTION 2 - BOOM

FIGURE 2-18. FIRST BOOM SECTION (4017RS)

ITEM	PART NUMBER	QTY	DESCRIPTION	REV
	1001144158	Ref	First Boom Section	N
1	1001095650	AR	Compound, Locking	
2	1001125117	AR	Washer	
3	1001147731	AR	Shim, 1X45X185	
4	0771212	8	Bolt, M12X25, Grade 10.9	
5	0771217	2	Bolt, M12X45, Grade 10.9	
6	0771210	8	Bolt, M12X20, Grade 10.9	
7	1001147657	6	Pad, 15X45X181	
9	1001147668	2	Pad, 39X45X181	
10	1001192566J	1	Weldment	
11	1001161015	1	Bracket, Extend/Retract Cylinder	
12	1001154174	AR	Shim, 0.5X45X185	
13	3291201	2	Nut, M12X1.75	

SECTION 2 - BOOM

FIGURE 2-19. SECOND BOOM SECTION (3614RS)



ART_1001143352-L

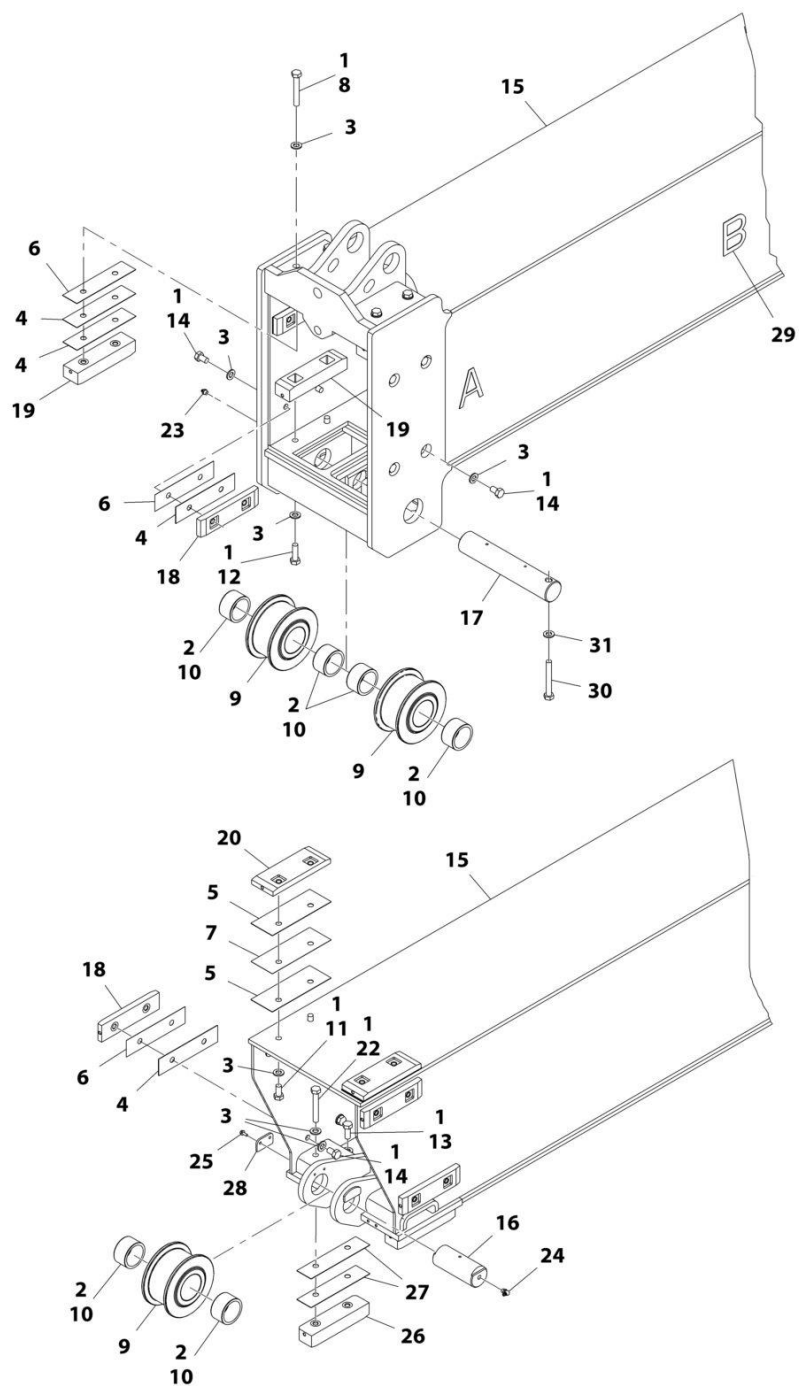
SECTION 2 - BOOM

FIGURE 2-19. SECOND BOOM SECTION (3614RS)

ITEM	PART NUMBER	QTY	DESCRIPTION	REV
	1001143352	Ref	Second Boom Section	L
2	0701226	1	Bolt, M12X90	
3	2160016	1	Fitting, Grease	
6	7114032	1	Sheave, Extend Chain	
7	7117502	2	Bushing, Sheave, Extend Chain	
8	7138986	1	Sheave, Retract Chain	
9	1001095650	AR	Compound, Locking	
10	1001098457	AR	Lube, Lithium Grease	
11	0771212	8	Bolt, M12X25, Grade 10.9	
12	0711214	4	Bolt, M12X30, Grade 10.9	
13	0771210	16	Bolt, M12X20, Grade 10.9	
14	1001125117	AR	Washer	
15	1001143354	1	Weldment	
16	1001147562	1	Pin, Sheave, Extend Chain	
17	1001147595	1	Pin, Sheave, Retract Chain	
18	1001147657	10	Pad, 15X45X181	
20	1001147670	2	Pad, 46X45X181	
21	1001147730	2	Pad, 34X45X181	
22	1001147731	AR	Shim, 1X45X185	
23	1001147802	AR	Shim, 1X45X185	
24	1001148103	2	Pad, 15X67.5X181	
25	1001148147	AR	Shim, 1X67.5X185	
26	2160018	1	Fitting, Grease	
27	3900362	2	Screw, M6-1X12	
28	3291205	1	Nut, Lock M12X1.75	
29	1001153960	1	Bracket, Pin Retainer	
30	1001154174	AR	Shim, 0.5X45X185	
31	1001154176	AR	Shim, 0.5X67.5X185	
32	0711215	4	Bolt, M12X35, Grade 10.9	
33	1001171798	1	Installation, Boom Decal (See Separate Breakdown in DECAL Section)	

SECTION 2 - BOOM

FIGURE 2-20. SECOND BOOM SECTION (4017RS)



ART_1001144181-L

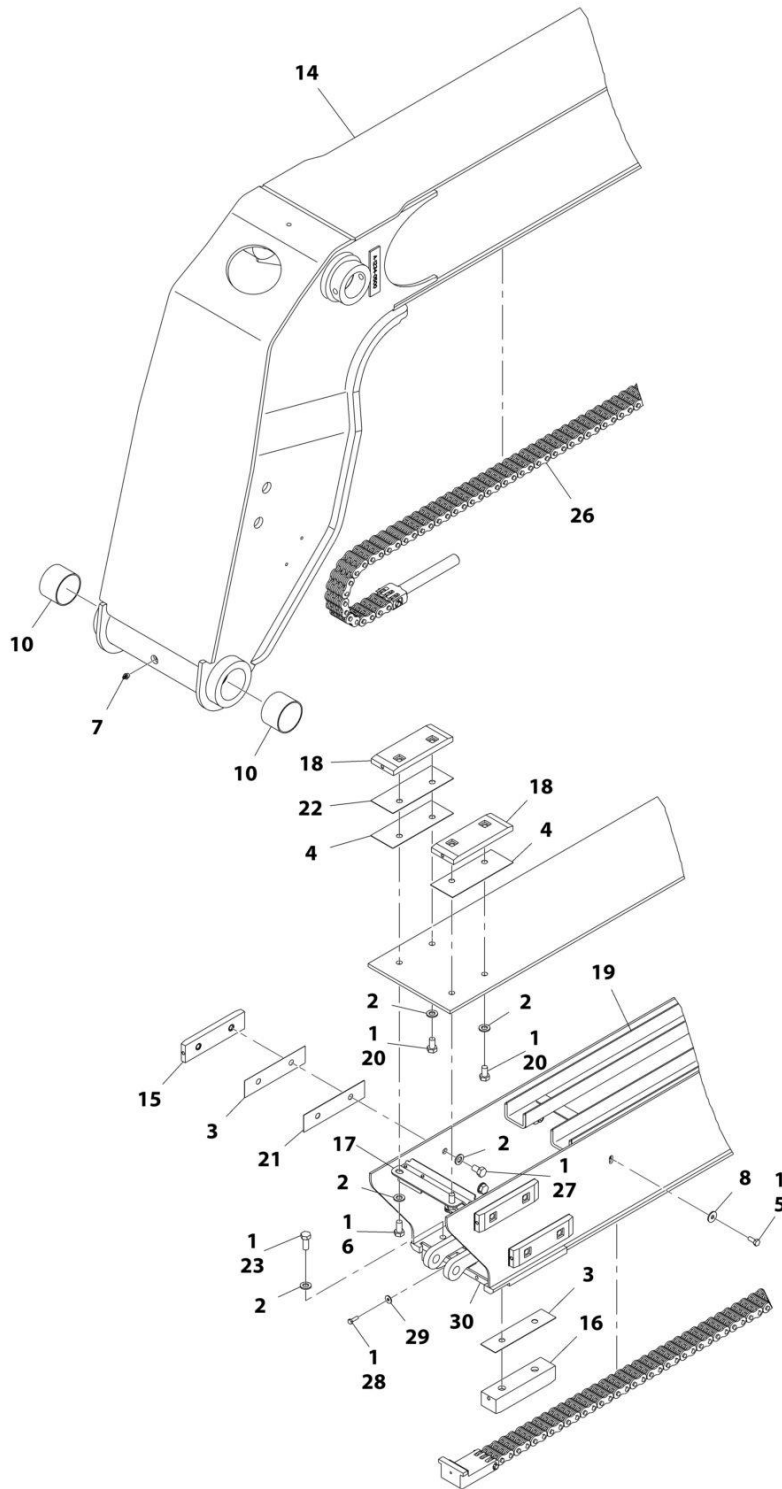
SECTION 2 - BOOM

FIGURE 2-20. SECOND BOOM SECTION (4017RS)

ITEM	PART NUMBER	QTY	DESCRIPTION	REV
	1001144181	Ref	Second Boom Section	L
1	1001095650	AR	Compound, Locking	
2	1001098457	AR	Lube, Lithium Grease	
3	1001125117	AR	Washer	
4	1001147731	AR	Shim, 1X45X185	
5	1001148147	AR	Shim, 1X67.5X185	
6	1001154174	AR	Shim, 0.5X45X185	
7	1001154176	AR	Shim, 0.5X67.5X185	
8	0711225	4	Bolt, M12X85, Grade 10.9	
9	7114032	3	Sheave, Extend Chain	
10	7117502	6	Bushing, Sheave, Extend Chain	
11	0771212	4	Bolt, M12X25, Grade 10.9	
12	0711216	4	Bolt, M12X40, Grade 10.9	
13	0711214	2	Bolt, M12X30, Grade 10.9	
14	0771210	16	Bolt, M12X20, Grade 10.9	
15	1001144182	1	Weldment	
16	1001147601	1	Pin, Sheave	
17	1001147602	1	Pin, Sheave	
18	1001147657	8	Pad, 15X45X181	
19	1001148101	4	Pad, 34X45X181	
20	1001148103	2	Pad, 15X67.5X181	
22	0711224	2	Bolt, M12X80, Grade 10.9	
23	2160016	1	Fitting, Grease	
24	2160018	1	Fitting, Grease	
25	0780608	2	Screw, M6-1X12	
26	1001147730	2	Pad, 34X45X181	
27	1001147802	AR	Shim, 1X45X185	
28	1001153960	1	Bracket, Pin Retainer	
29	1001171798	1	Installation, Boom Decal (See Separate Breakdown in DECAL Section)	
30	0711226	1	Screw, M12X90	
31	4812100	1	Washer, M12	

SECTION 2 - BOOM

FIGURE 2-21. THIRD BOOM SECTION (3614RS)



ART_1001143400-P

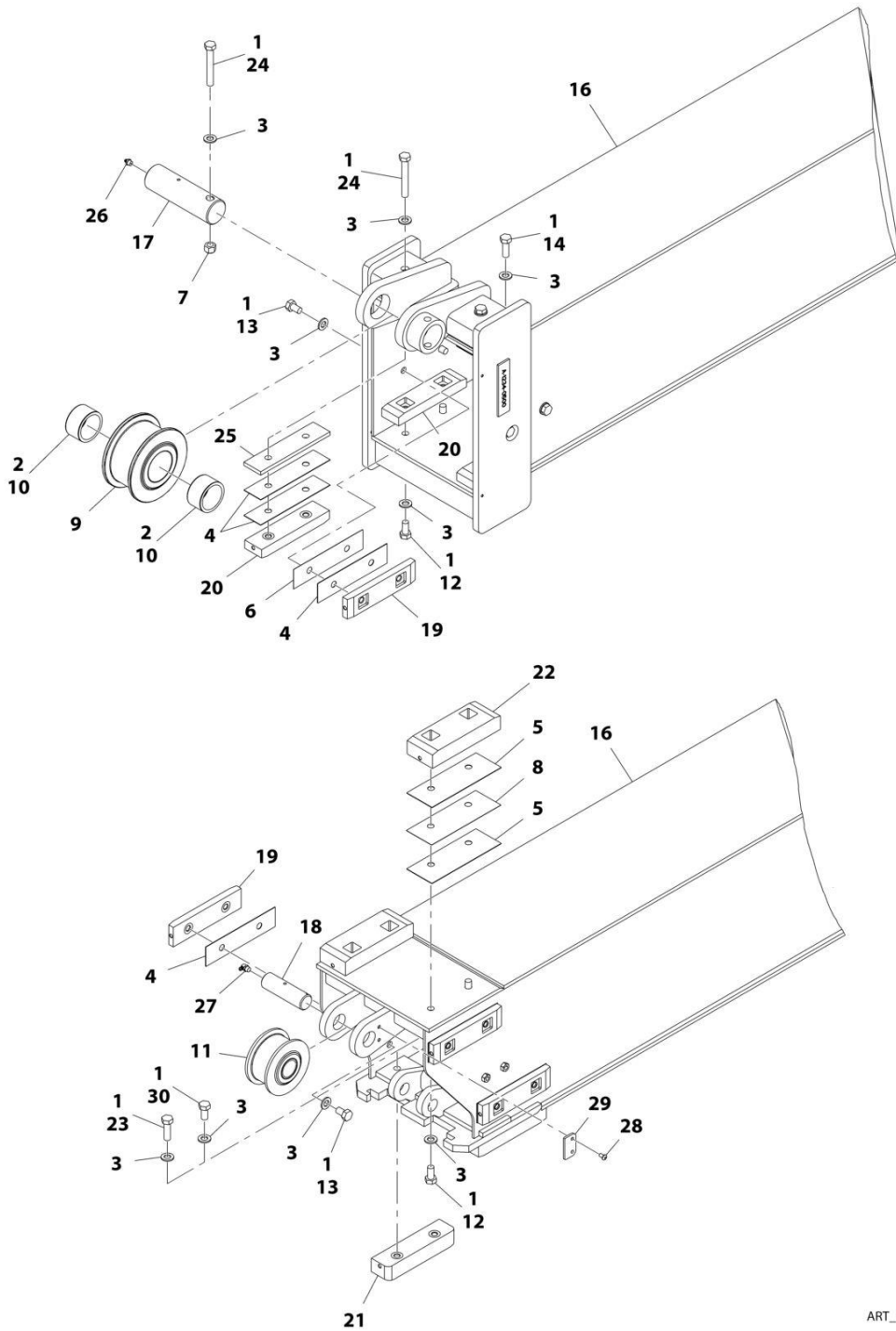
SECTION 2 - BOOM

FIGURE 2-21. THIRD BOOM SECTION (3614RS)

ITEM	PART NUMBER	QTY	DESCRIPTION	REV
	1001143400	Ref	Third Boom Section - 3614RS	P
1	1001095650	AR	Compound, Locking	
2	1001125117	AR	Washer	
3	1001147731	AR	Shim, 1X45X185	
4	1001148147	AR	Shim, 1X67.5X185	
5	0760810	10	Bolt, M8X20	
6	0771212	2	Bolt, M12X25, Grade 10.9	
7	2160016	1	Fitting, Grease	
8	4811902	10	Washer, M8	
10	1001090150	2	Bearing	
14	1001143401	1	Weldment	
15	1001147657	4	Pad, 15X45X181	
16	1001147668	2	Pad, 39X45X181	
17	1001152188	1	Bracket, Hose Clamp	
18	1001148103	2	Pad, 15X67.5X181	
19	1001152330	1	Bracket, Hose Tray	
20	0771211	2	Bolt, M12X22, Grade 10.9	
21	1001154174	AR	Shim, 0.5X45X185	
22	1001154176	AR	Shim, 0.5X67.5X185	
23	0711214	4	Bolt, M12X30, Grade 10.9	
26	1001147808	1	Assembly, Extend Chain (See Separate Breakdown in this Section)	
27	0771210	8	Bolt, M12X20, Grade 10.9	
28	0700610	1	Bolt, M6X20	
29	4811702	1	Washer, M6	
30	1001156947	1	Plate, Clevis	

SECTION 2 - BOOM

FIGURE 2-22. THIRD BOOM SECTION (4017RS)



ART_1001144218-J

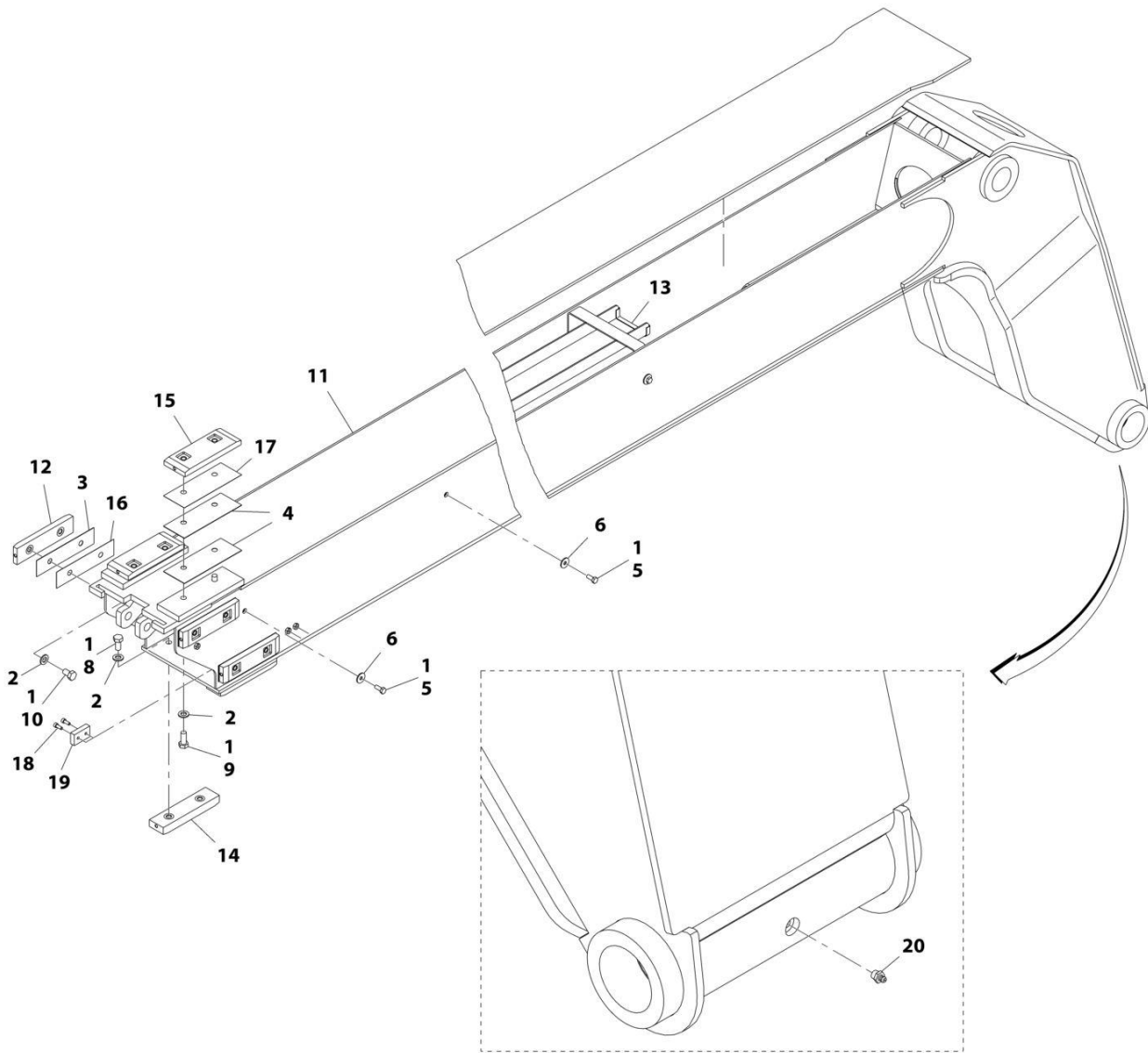
SECTION 2 - BOOM

FIGURE 2-22. THIRD BOOM SECTION (4017RS)

ITEM	PART NUMBER	QTY	DESCRIPTION	REV
	1001144218	Ref	Third Boom Section	J
1	1001095650	AR	Compound, Locking	
2	1001098457	AR	Lube, Lithium	
3	1001125117	AR	Washer	
4	1001147731	AR	Shim, 1X45X185	
5	1001148147	AR	Shim, 1X67.5X185	
6	1001154174	AR	Shim, 0.5X45X185	
7	3291205	1	Nut, Lock M12X1.75	
8	1001154176	AR	Shim, 0.5X67.5X185	
9	7114032	1	Sheave, Extend Chain	
10	7117502	2	Bushing, Sheave, Extend Chain	
11	7138986	1	Sheave, Retract Chain	
12	0771212	8	Bolt, M12X25, Grade 10.9	
13	0771210	12	Bolt, M12X20, Grade 10.9	
14	0711215	2	Bolt, M12X35, Grade 10.9	
16	1001192534	1	Weldment	
17	1001147562	1	Pin, Sheave, Extend Chain	
18	1001147595	1	Pin, Sheave, Retract Chain	
19	1001147657	6	Pad, 15X45X181	
20	1001148100	4	Pad, 22X45X181	
21	1001147730	2	Pad, 34X45X 181	
22	1001148105	2	Pad, 34X67.5X181	
23	0711216	2	Bolt, M12X40, Grade 10.9	
24	0711225	3	Bolt, M12X85, Grade 10.9	
25	1001149327	2	Pad, Spacer	
26	2160016	1	Fitting, Grease	
27	2160018	1	Fitting, Grease	
28	3900362	2	Screw, M6-1X12	
29	1001153960	1	Bracket, Pin Retainer	
30	0711214	2	Capscrew, 12X30	

SECTION 2 - BOOM

FIGURE 2-23. FOURTH BOOM SECTION (4017RS)



ART_1001144244-N

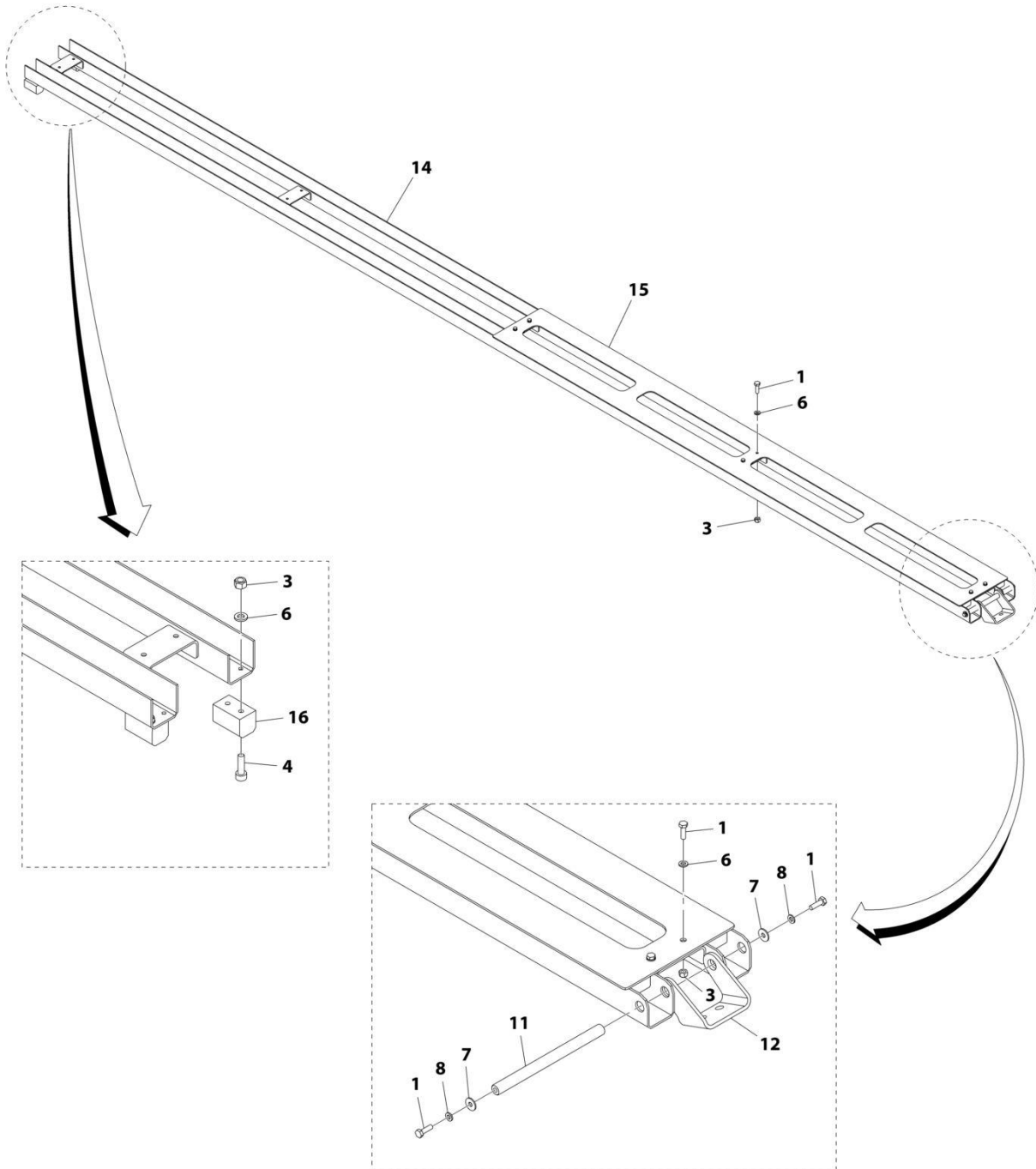
SECTION 2 - BOOM

FIGURE 2-23. FOURTH BOOM SECTION (4017RS)

ITEM	PART NUMBER	QTY	DESCRIPTION	REV
	1001144244	Ref	Fourth Boom Section	N
1	1001095650	AR	Compound, Locking	
2	1001125117	AR	Washer	
3	1001147731	AR	Shim, 1X45X185	
4	1001148147	AR	Shim, 1X67.5X185	
5	0760808	12	Bolt, M8X20	
6	4811902	12	Washer, M8	
8	0771212	4	Bolt, M12X25, Grade 10.9	
9	0711214	4	Bolt, M12X30, Grade 10.9	
10	0771210	8	Bolt, M12X20, Grade 10.9	
11	1001144245	1	Weldment	
12	1001147657	4	Pad, 15X45X181	
13	1001147902	1	Support, Hose	
14	1001148100	2	Pad, 22X45X181	
15	1001148103	2	Pad, 15X67.5X181	
16	1001154174	AR	Shim, 0.5X45X185	
17	1001154176	AR	Shim, 0.5X67.5X185	
18	4031707	8	Screw, M6X16	
19	1001147914	4	Pad, Hose Support	
20	2160016	1	Fitting, Grease	

SECTION 2 - BOOM

FIGURE 2-24. HOSE SUPPORT ASSEMBLY (4017RS)



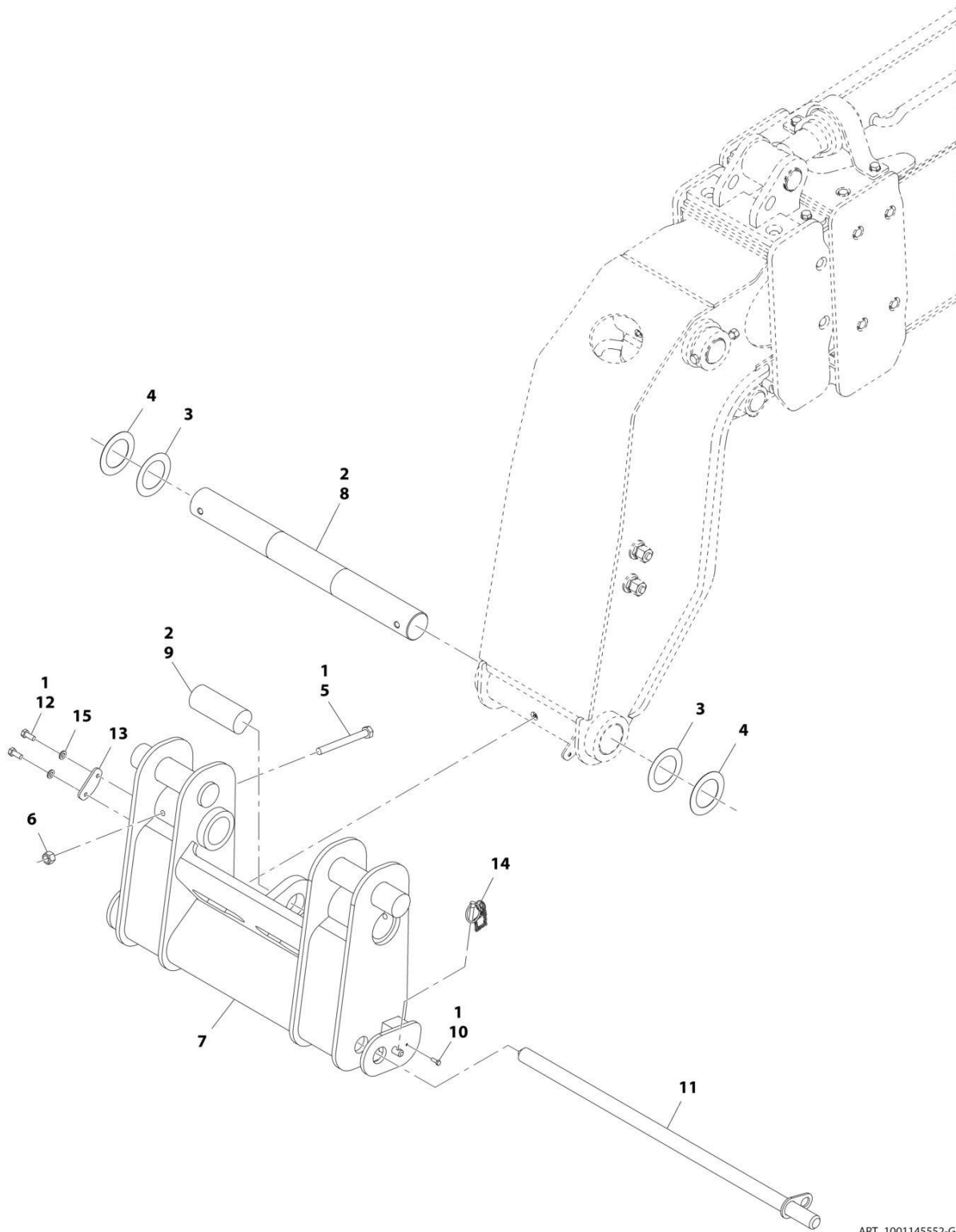
ART_1001151879-H

FIGURE 2-24. HOSE SUPPORT ASSEMBLY (4017RS)

ITEM	PART NUMBER	QTY	DESCRIPTION	REV
	1001151879	Ref	Hose Support Assembly	H
1	0760610	8	Bolt, M6X20	
3	3290605	10	Nut, Lock M6X1	
4	4031708	4	Bolt, M6X20	
6	4811700	16	Washer, M6	
7	4811702	2	Washer, M6	
8	4831700	2	Washer, Lock 6	
11	1001174625	1	Bar, Support	
12	1001174627	1	Bracket, Support	
14	1001177122	1	Support, Hose	
15	1001163539	1	Panel, Tray	
16	1001166995	2	Pad, Hose Tray	

SECTION 2 - BOOM

FIGURE 2-25. MANUAL QUICK ATTACH



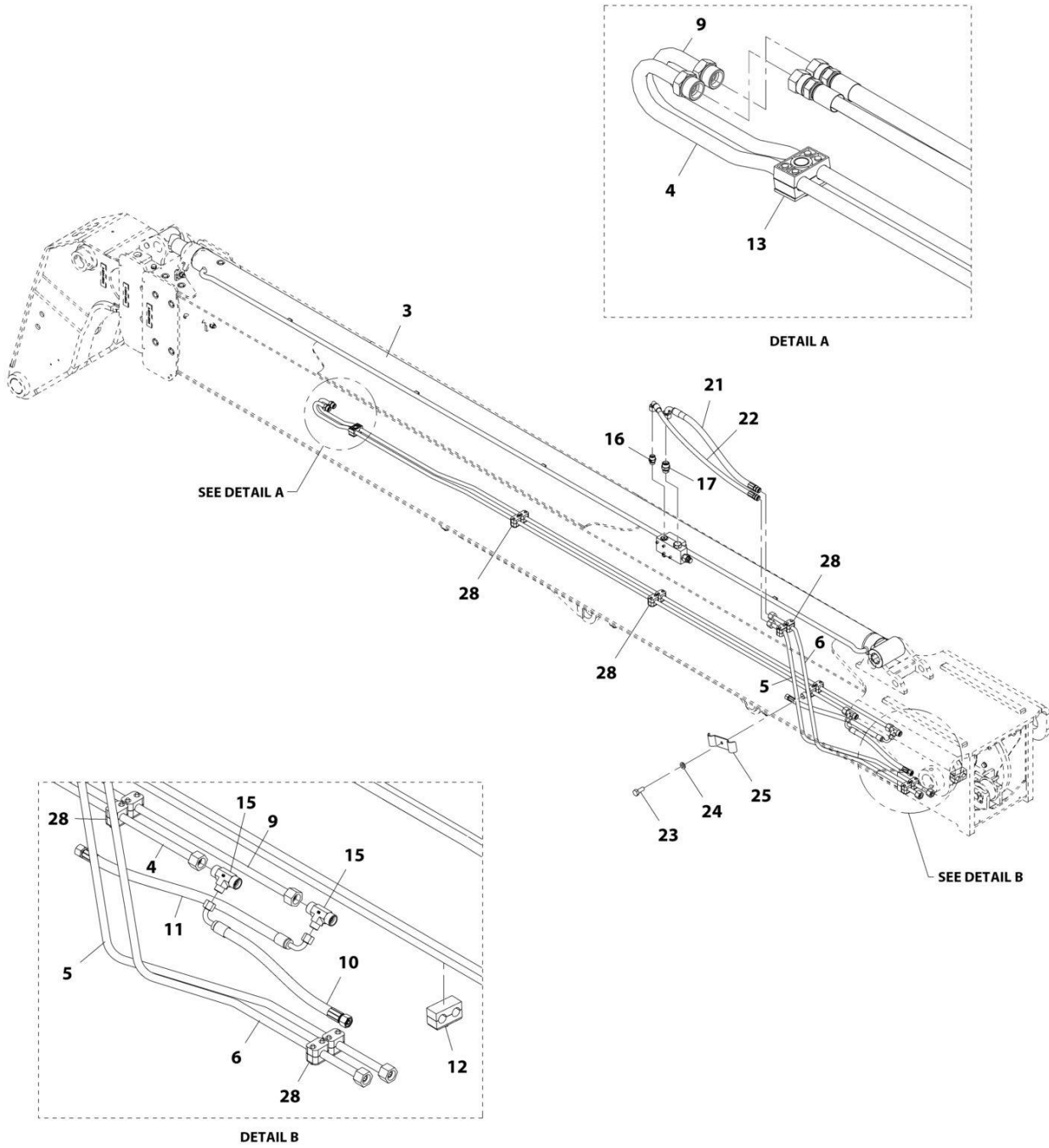
ART_1001145552-G

FIGURE 2-25. MANUAL QUICK ATTACH

ITEM	PART NUMBER	QTY	DESCRIPTION	REV
	1001145552	Ref	Manual Quick Attach	G
1	1001095650	AR	Compound, Locking	
2	1001098457	AR	Lube, Lithium Grease	
3	1001098146	AR	Shim, 72X110X 0.5	
4	1001098147	AR	Shim, 72X110X1.0	
5	0711229	2	Bolt, M12X120, Grade 10.9	
6	3291205	2	Nut, Lock M12X1.75	
7	N.S.S.	1	Weldment	
8	1001147843	1	Pin, Coupler	
9	1001147844	1	Pin, Coupler	
10	0700507	1	Bolt, M5X14	
11	1001162636	1	Pin, Coupler	
12	0760810	2	Bolt, M8X20	
13	1001192350	1	Plate, Pin Retention	
14	1001149923	1	Chain, Retaining Pin	
15	4811900	2	Washer, M8	

SECTION 2 - BOOM

FIGURE 2-26. HYDRAULICS INSTALLATION (NO AUXILIARY HYDRAULICS) (3614RS)



ART_1001149652-I

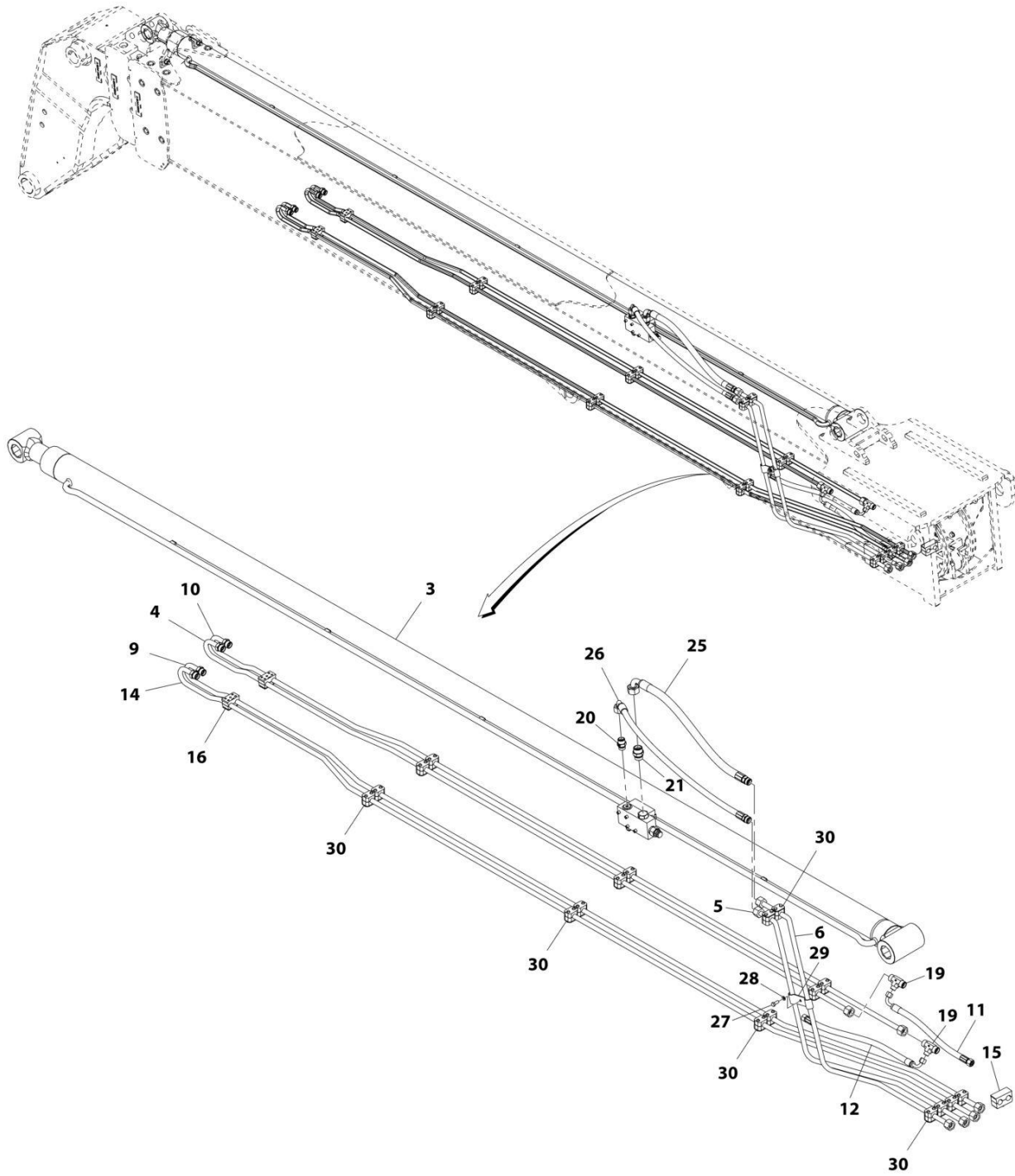
SECTION 2 - BOOM

FIGURE 2-26. HYDRAULICS INSTALLATION (NO AUXILIARY HYDRAULICS) (3614RS)

ITEM	PART NUMBER	QTY	DESCRIPTION	REV
	1001149652	Ref	Hydraulics Installation (no auxiliary hydraulics)	1
3	1001144195	1	Cylinder, Extend/Retract (See Separate Breakdown in HYDRAULIC COMPONENTS Section)	
4	1001180495	1	Tube, Boom	
5	1001180503	1	Tube, Boom	
6	1001180504	1	Tube, Boom	
9	1001180496	1	Tube, Boom	
10	1001166932	1	Hose	
11	1001166931	1	Hose	
12	1001148371	1	Clamp, Tube	
13	1001148372	1	Clamp, Tube	
15	1001162852	2	Adapter	
16	2144823	1	Connector	
17	2144826	1	Connector	
21	1001168924	1	Hose	
22	1001180506	1	Hose	
23	0700810	1	Bolt, M8X20	
24	4831900	1	Washer, Lock 8	
25	1001178098	1	Bracket, Pipe Guide	
28	1001211353	10	Clamp Kit	

SECTION 2 - BOOM

FIGURE 2-27. HYDRAULICS INSTALLATION (AUXILIARY HYDRAULICS) (3614RS)



ART_1001147622-M

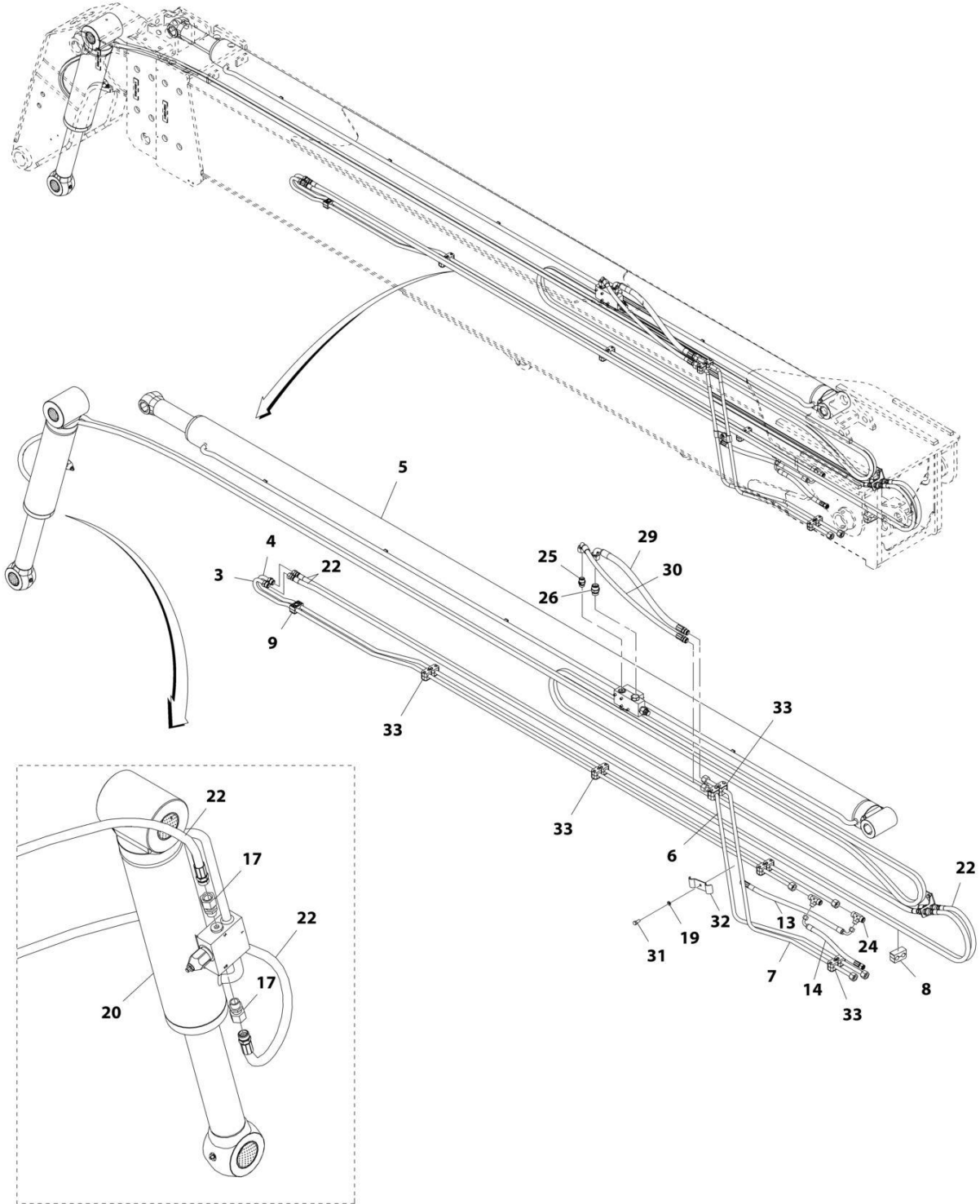
SECTION 2 - BOOM

FIGURE 2-27. HYDRAULICS INSTALLATION (AUXILIARY HYDRAULICS) (3614RS)

ITEM	PART NUMBER	QTY	DESCRIPTION	REV
	1001147622	Ref	Hydraulics Installation (auxiliary hydraulics)	M
3	1001144195	1	Cylinder, Extend/Retract (See Separate Breakdown in HYDRAULIC COMPONENTS Section)	
4	1001180495	1	Tube, Boom	
5	1001180503	1	Tube, Boom	
6	1001180504	1	Tube, Boom	
9	1001180499	1	Tube, Boom	
10	1001180496	1	Tube, Boom	
11	1001166932	1	Hose	
12	1001166931	1	Hose	
14	1001180500	1	Tube, Boom	
15	1001148371	1	Clamp, Tube	
16	1001148372	2	Clamp, Tube	
19	1001162852	2	Adapter	
20	2144823	1	Connector	
21	2144826	1	Connector	
25	1001168924	1	Hose	
26	1001180506	1	Hose	
27	0700810	1	Bolt, M8X20	
28	4831900	1	Washer, Lock 8	
29	1001178098	1	Bracket, Pipe Guide	
30	1001211353	18	Clamp Kit	

SECTION 2 - BOOM

FIGURE 2-28. HYDRAULICS INSTALLATION (4017RS)



ART_1001149653-L

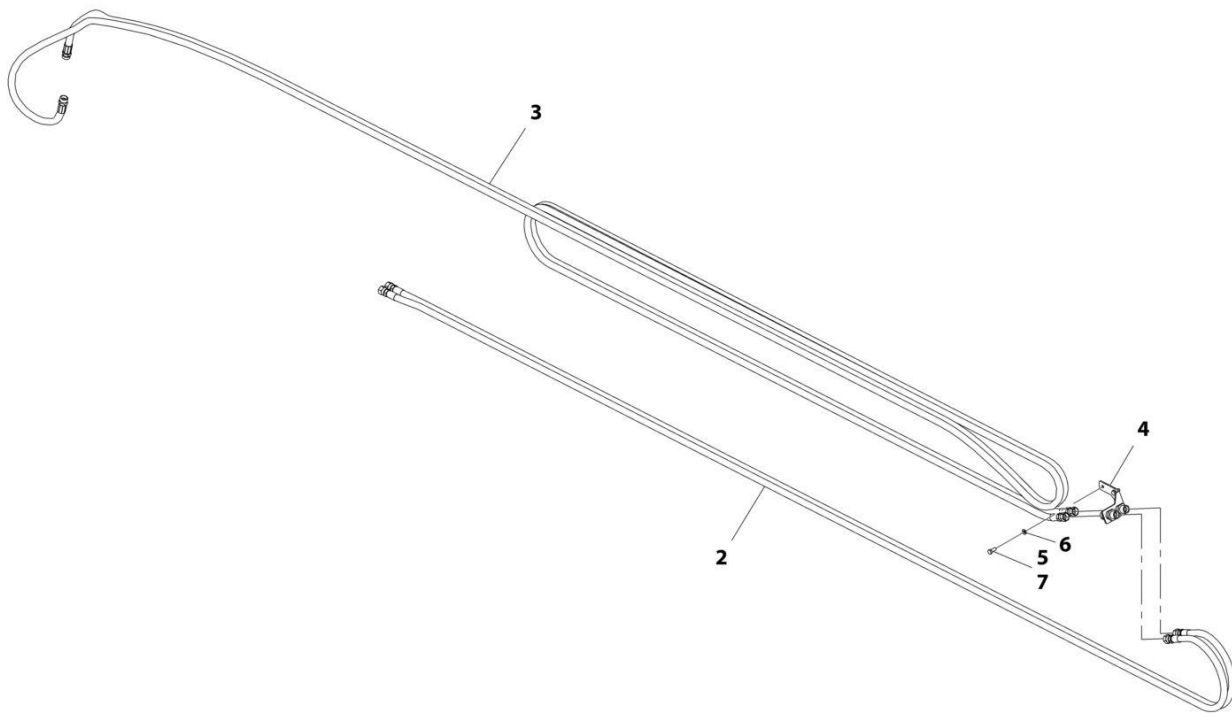
SECTION 2 - BOOM

FIGURE 2-28. HYDRAULICS INSTALLATION (4017RS)

ITEM	PART NUMBER	QTY	DESCRIPTION	REV
	1001149653	Ref	Hydraulics Installation	L
3	1001186405	1	Tube, Boom	
4	1001186406	1	Tube, Boom	
5	1001146579	1	Cylinder, Extend/Retract (See Separate Breakdown in HYDRAULIC COMPONENTS Section)	
6	1001180507	1	Tube, Boom	
7	1001180508	1	Tube, Boom	
8	1001148371	1	Clamp, Tube	
9	1001148372	1	Clamp, Tube	
13	1001166931	1	Hose	
14	1001166932	1	Hose	
17	2142816	2	Connector	
19	4831900	1	Washer, Lock 8	
20	1001174556	1	Cylinder, Tilt (See Separate Breakdown in HYDRAULIC COMPONENTS Section)	
22	1001149536	1	Assembly, Boom Hydraulics (See Separate Breakdown in this Section)	
24	1001162852	2	Adapter	
25	2144823	1	Connector	
26	2144826	1	Connector	
29	1001168924	1	Hose	
30	1001180506	1	Hose	
31	0700810	1	Bolt, M8X20	
32	1001178098	1	Bracket, Pipe Guide	
33	1001211353	10	Clamp Kit	

SECTION 2 - BOOM

FIGURE 2-29. HYDRAULICS ASSEMBLY (4017RS)



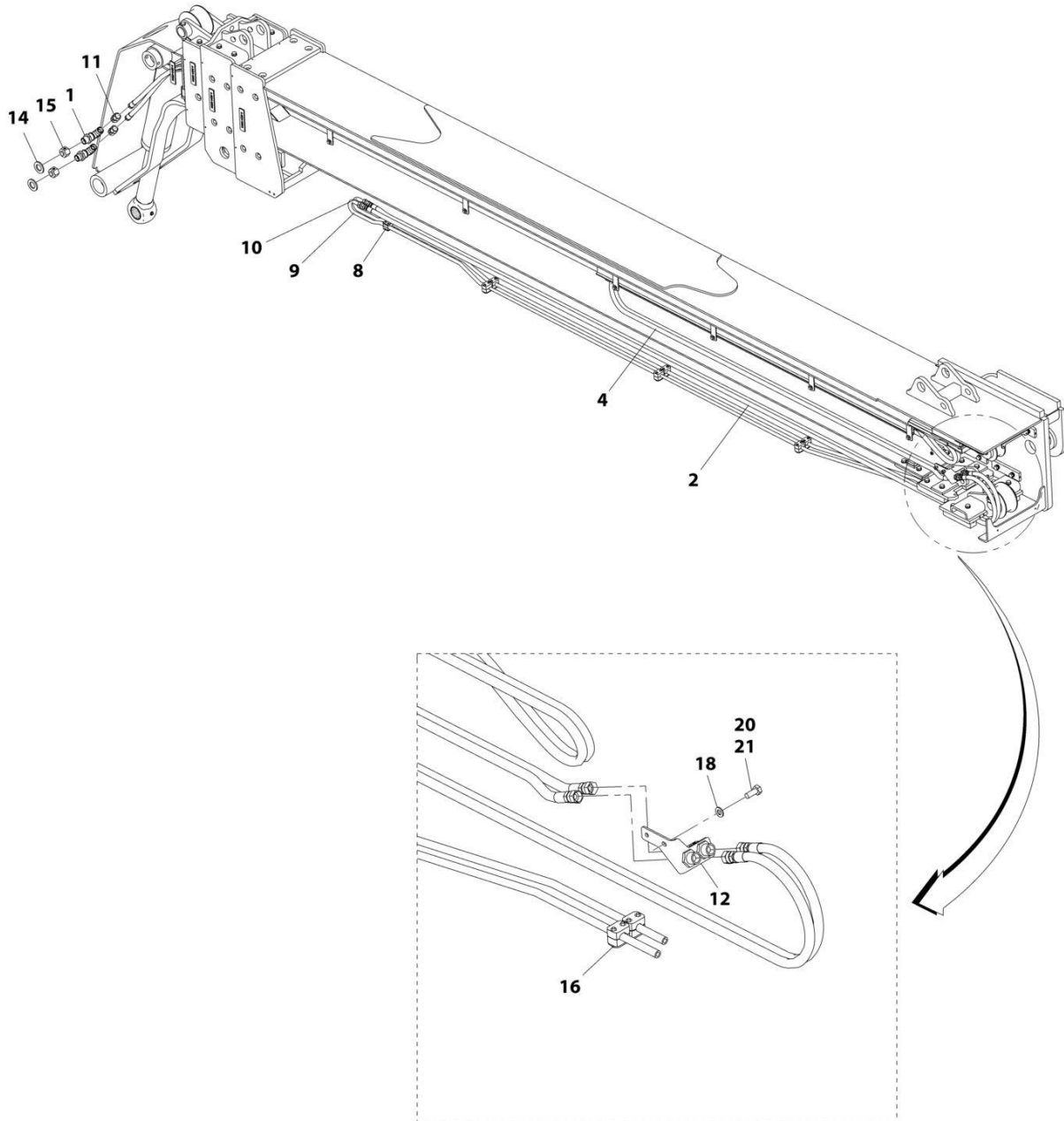
ART_1001149536-F

SECTION 2 - BOOM**FIGURE 2-29. HYDRAULICS ASSEMBLY (4017RS)**

ITEM	PART NUMBER	QTY	DESCRIPTION	REV
	1001149536	Ref	Hydraulics Assembly	F
2	1001180512	1	Hose	
3	1001191367	1	Hose	
4	1001189881	1	Bracket	
5	0700810	2	Bolt, M8X20	
6	4811900	2	Washer, M8	
7	1001095650	AR	Compound, Locking	

SECTION 2 - BOOM

FIGURE 2-30. HYDRAULICS INSTALLATION (AUXILIARY HYDRAULICS) (4017RS)



ART_1001149133-K

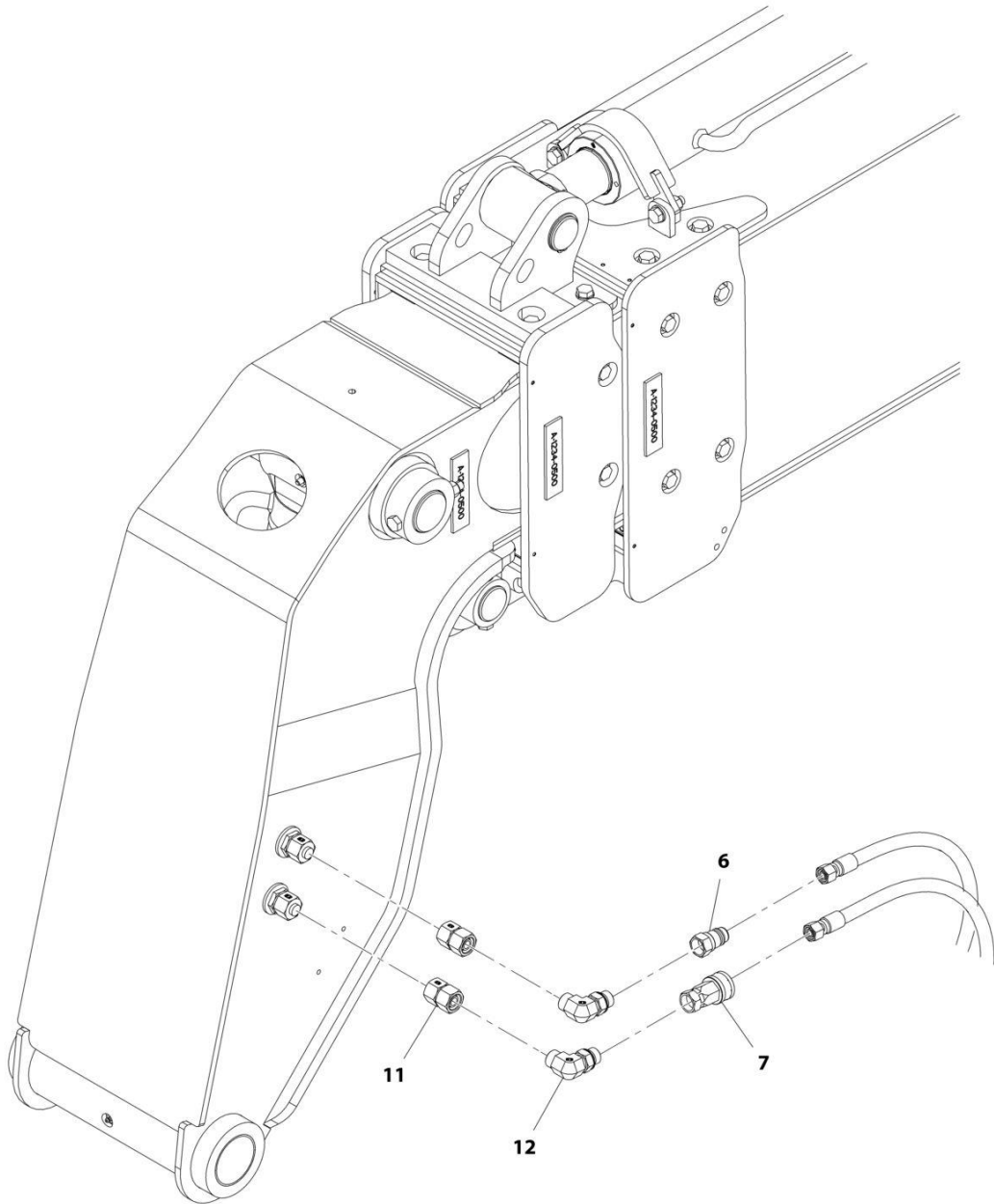
SECTION 2 - BOOM

FIGURE 2-30. HYDRAULICS INSTALLATION (AUXILIARY HYDRAULICS) (4017RS)

ITEM	PART NUMBER	QTY	DESCRIPTION	REV
	1001149133	Ref	Hydraulics Installation (auxiliary hydraulics)	K
1	2143316	2	Connector	
2	1001180512	1	Hose	
4	1001191363	1	Hose	
8	1001148372	1	Clamp, Tube	
9	1001180500	1	Tube, Boom	
10	1001180499	1	Tube, Boom	
11	2143616	2	Connector	
12	1001189953	1	Pipe	
14	4812700	2	Washer, M24	
15	2142516	2	Adapter, Cap	
16	1001211353	8	Clamp Kit	
18	4811900	2	Washer, M8	
20	0700810	2	Bolt, M8X20	
21	1001095650	AR	Compound, Locking	

SECTION 2 - BOOM

FIGURE 2-31. AUXILIARY LINES INSTALLATION



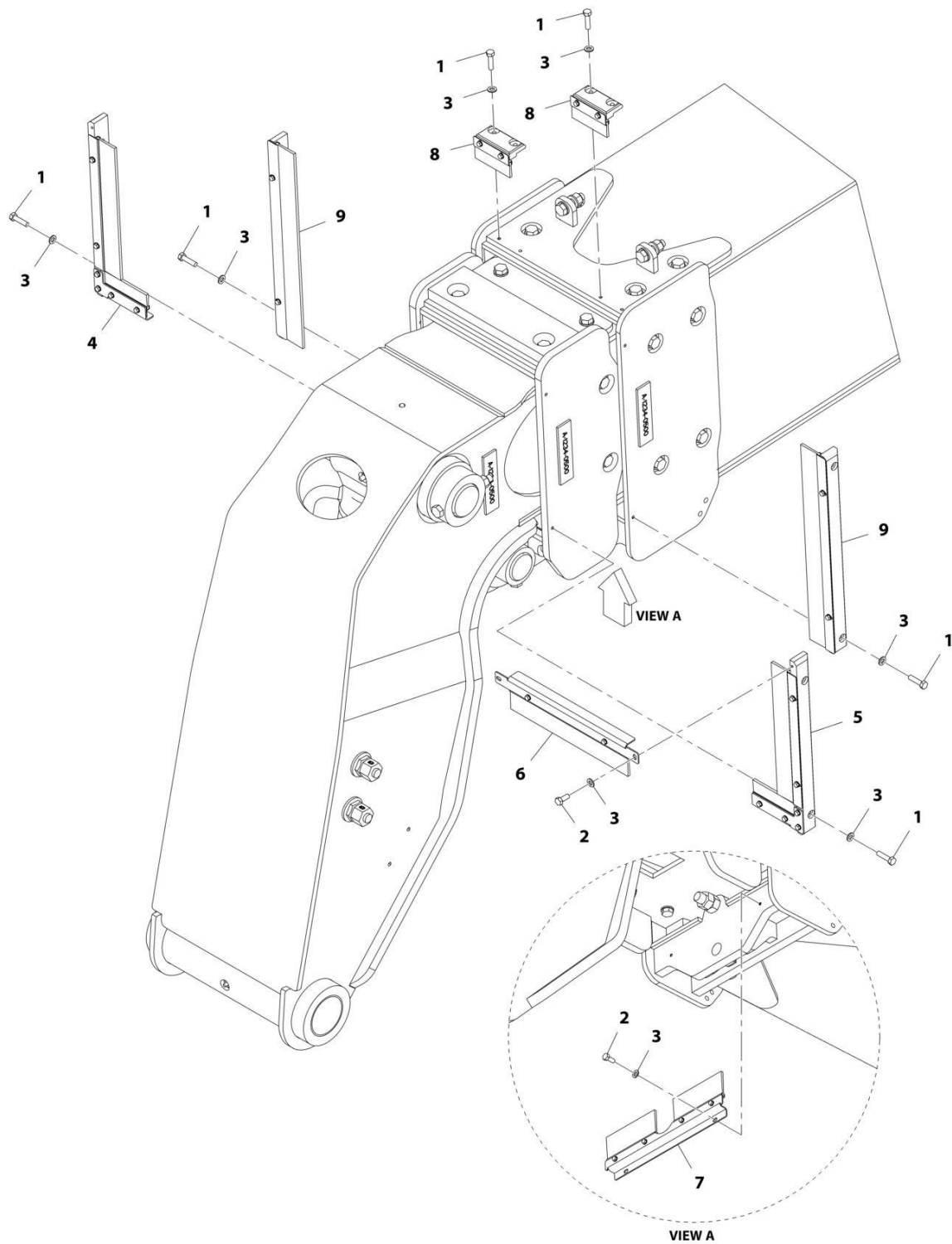
ART_1001172106-B

FIGURE 2-31. AUXILIARY LINES INSTALLATION

ITEM	PART NUMBER	QTY	DESCRIPTION	REV
	1001172106	Ref	Auxiliary Lines Installation	B
6	1001101041	1	Coupling, Male	
7	1001101042	1	Coupling, Female	
11	2143616	2	Connector	
12	1001201043	2	Adaptor	

SECTION 2 - BOOM

FIGURE 2-32. BOOM BRUSH INSTALLATION (3614RS)



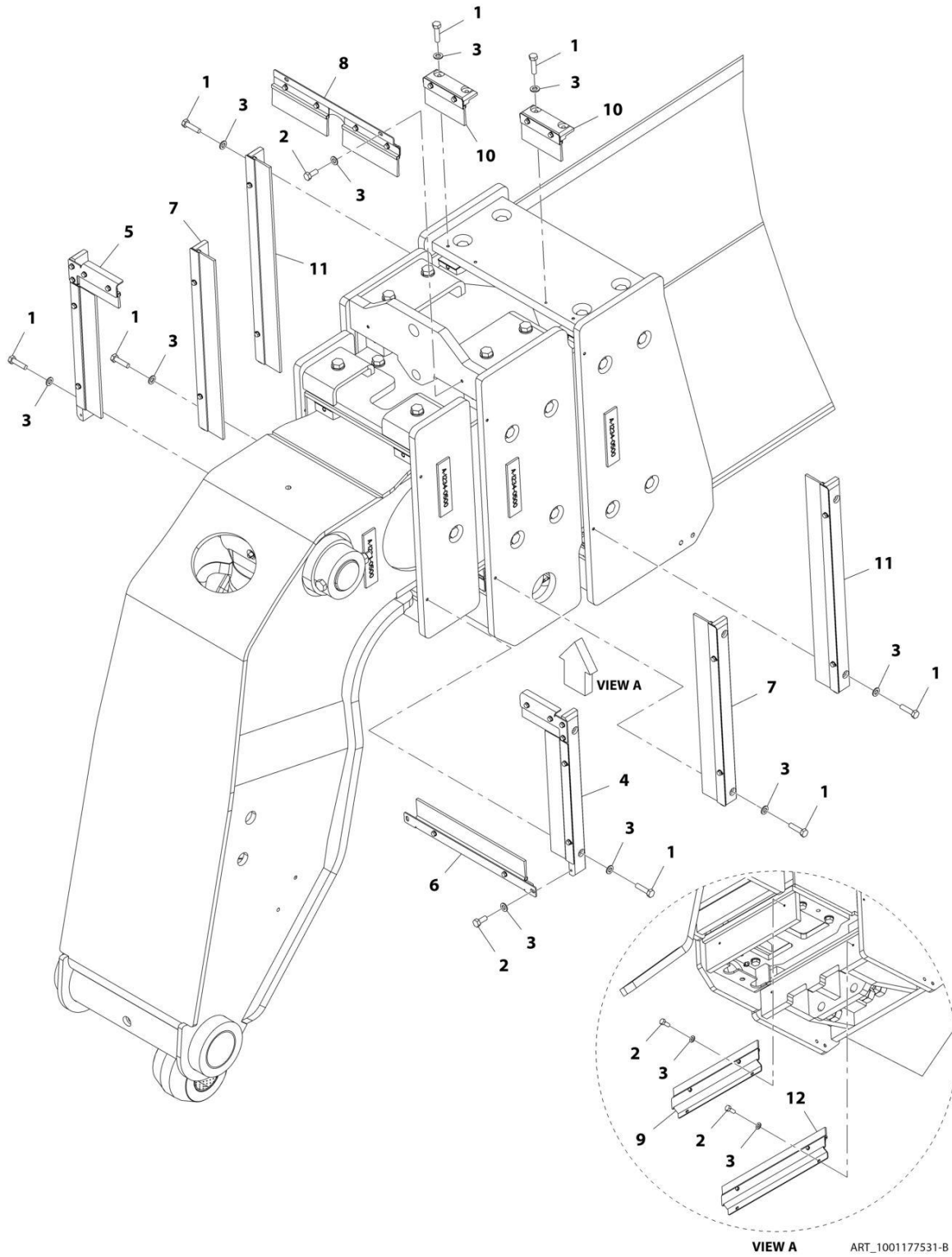
ART_1001177532-B

FIGURE 2-32. BOOM BRUSH INSTALLATION (3614RS)

ITEM	PART NUMBER	QTY	DESCRIPTION	REV
	1001177532	Ref	Boom Brush Installation (If equipped)	B
1	0700510	12	Screw, M5X20	
2	0760506	4	Screw, M5X12	
3	4811600	16	Washer, M5	
4	1001176776	1	Bracket, Boom Brush (See Separate Breakdown in this Section)	
5	1001176803	1	Bracket, Boom Brush (See Separate Breakdown in this Section)	
6	1001176903	1	Bracket, Boom Brush (See Separate Breakdown in this Section)	
7	1001176944	1	Bracket, Boom Brush (See Separate Breakdown in this Section)	
8	1001177274	2	Bracket, Boom Brush (See Separate Breakdown in this Section)	
9	1001177320	2	Bracket, Boom Brush (See Separate Breakdown in this Section)	

SECTION 2 - BOOM

FIGURE 2-33. BOOM BRUSH INSTALLATION (4017RS)



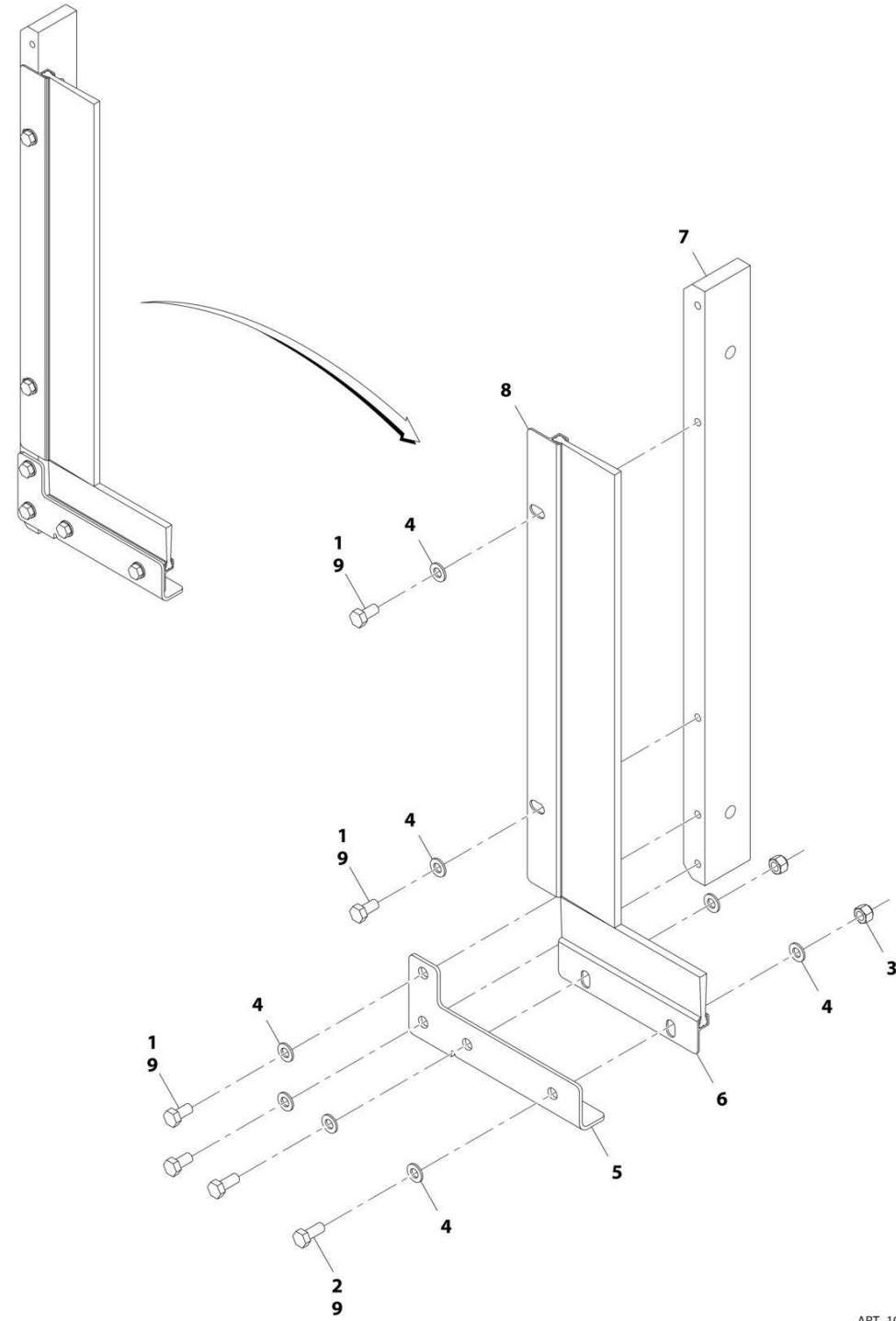
VIEW A ART_1001177531-B

FIGURE 2-33. BOOM BRUSH INSTALLATION (4017RS)

ITEM	PART NUMBER	QTY	DESCRIPTION	REV
	1001177531	Ref	Boom Brush Installation (If equipped)	B
1	0700510	16	Bolt, M5X20	
2	0760506	8	Bolt, M5X12	
3	4811600	24	Washer, M5	
4	1001176776	1	Bracket, Boom Brush (See Separate Breakdown in this Section)	
5	1001176803	1	Bracket, Boom Brush (See Separate Breakdown in this Section)	
6	1001176903	1	Bracket, Boom Brush (See Separate Breakdown in this Section)	
7	1001177320	2	Bracket, Boom Brush (See Separate Breakdown in this Section)	
8	1001177342	1	Bracket, Boom Brush (See Separate Breakdown in this Section)	
9	1001177396	1	Bracket, Boom Brush (See Separate Breakdown in this Section)	
10	1001177411	2	Bracket, Boom Brush (See Separate Breakdown in this Section)	
11	1001177439	2	Bracket, Boom Brush (See Separate Breakdown in this Section)	
12	1001177445	1	Bracket, Boom Brush (See Separate Breakdown in this Section)	

SECTION 2 - BOOM

FIGURE 2-34. BOOM BRUSH BRACKET ASSEMBLY (1)



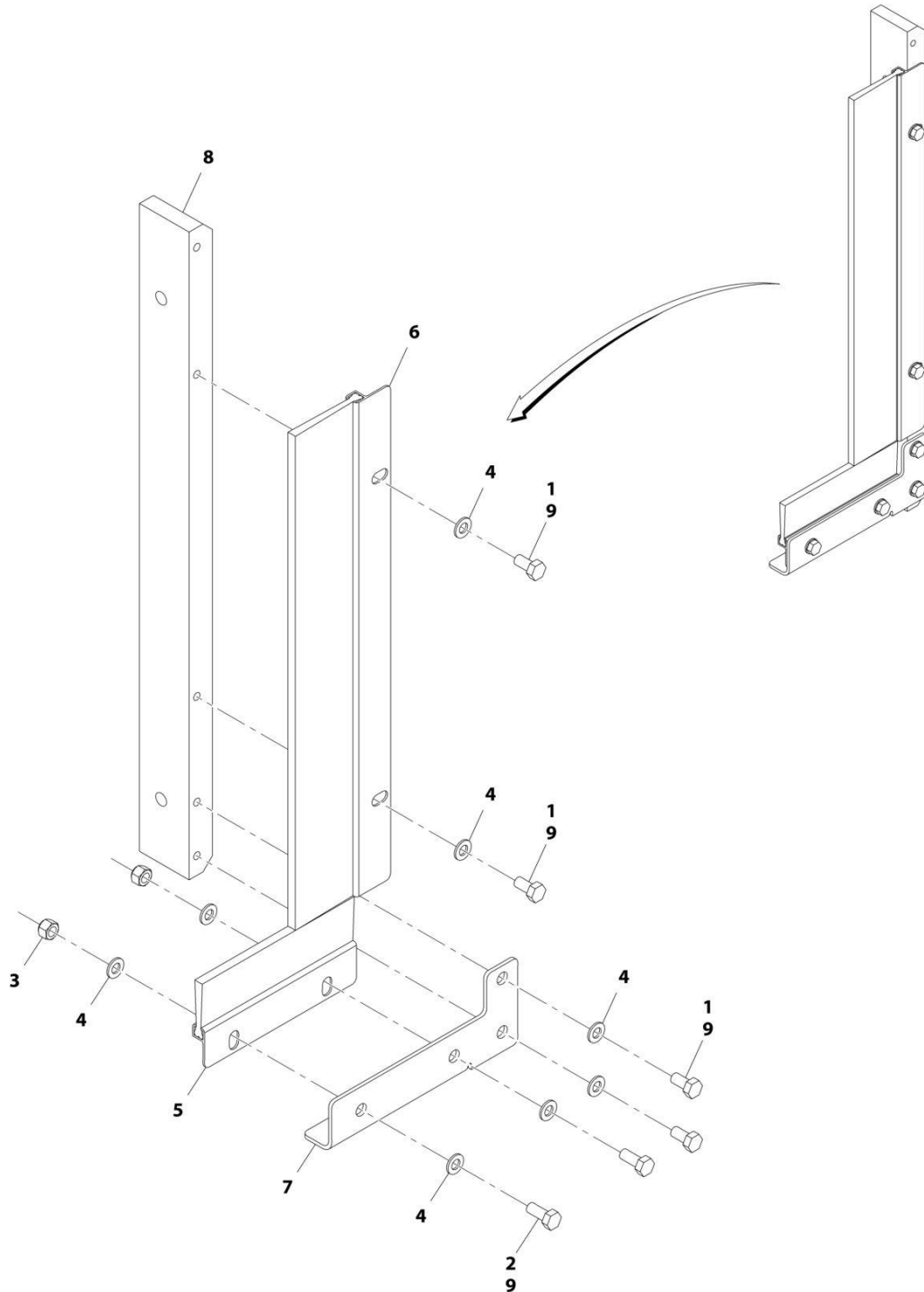
ART_1001176776-B

FIGURE 2-34. BOOM BRUSH BRACKET ASSEMBLY (1)

ITEM	PART NUMBER	QTY	DESCRIPTION	REV
	1001176776	Ref	Boom Brush Bracket Assembly	B
1	0760505	4	Bolt, M5X10	
2	0760506	2	Bolt, M5X12	
3	3290505	2	Nut, Lock M5X0.8	
4	4811600	8	Washer, M5	
5	1001176714	1	Bracket	
6	1001176763	1	Seal	
7	1001176768	1	Bracket	
8	1001176773	1	Seal	
9	1001095650	AR	Compound, Locking	

SECTION 2 - BOOM

FIGURE 2-35. BOOM BRUSH BRACKET ASSEMBLY (2)



ART_1001176803-B

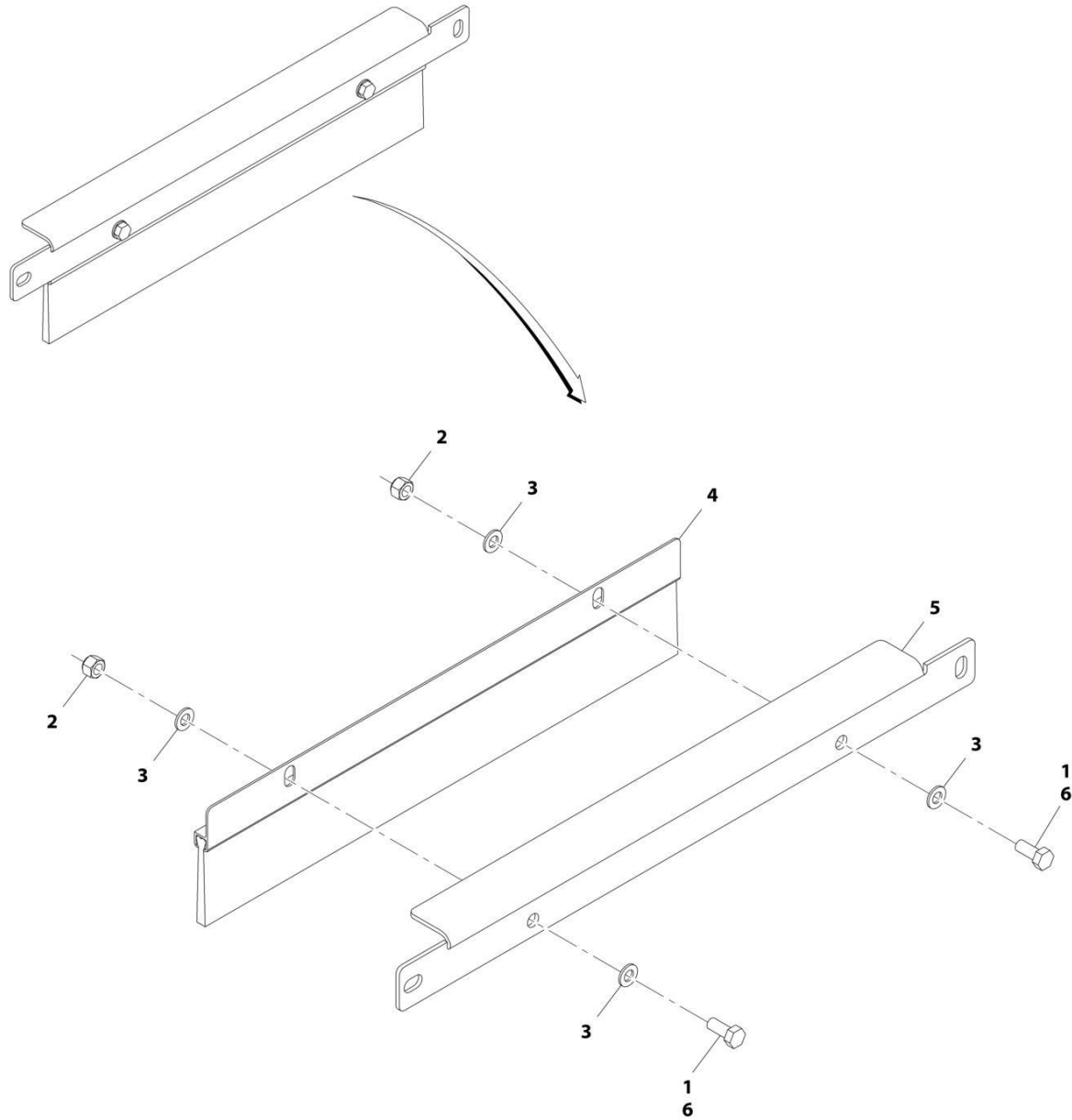
SECTION 2 - BOOM

FIGURE 2-35. BOOM BRUSH BRACKET ASSEMBLY (2)

ITEM	PART NUMBER	QTY	DESCRIPTION	REV
	1001176803	Ref	Boom Brush Bracket Assembly	B
1	0760505	4	Bolt, M5X10	
2	0760506	2	Bolt, M5X12	
3	3290505	2	Nut, Lock M5X0.8	
4	4811600	8	Washer, M5	
5	1001176763	1	Seal	
6	1001176773	1	Seal	
7	1001176791	1	Bracket	
8	1001176798	1	Bracket	
9	1001095650	AR	Compound, Locking	

SECTION 2 - BOOM

FIGURE 2-36. BOOM BRUSH BRACKET ASSEMBLY (3)



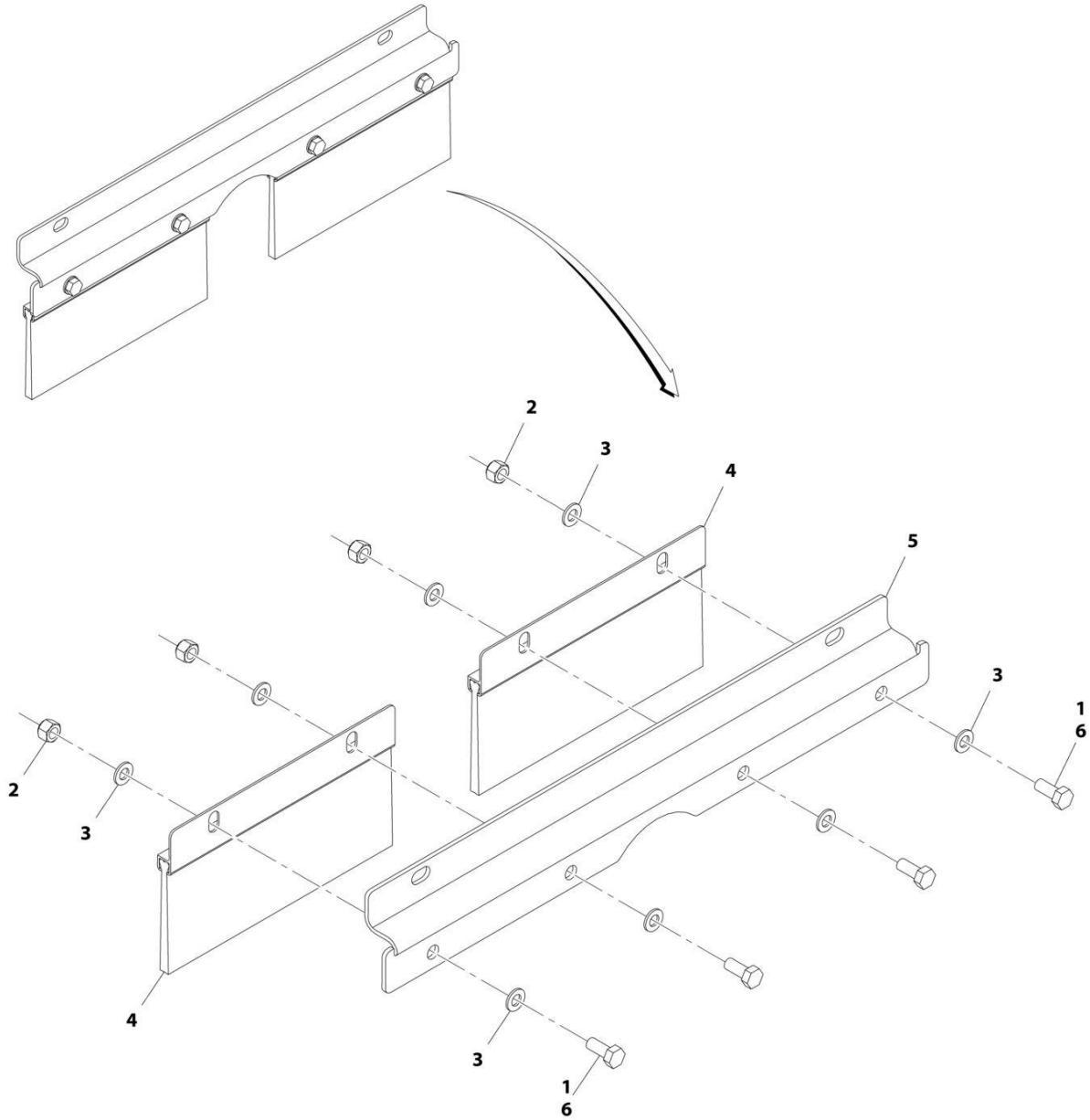
ART_1001176903-A

FIGURE 2-36. BOOM BRUSH BRACKET ASSEMBLY (3)

ITEM	PART NUMBER	QTY	DESCRIPTION	REV
	1001176903	Ref	Boom Brush Bracket Assembly	A
1	0760506	2	Bolt, M5X12	
2	3290505	2	Nut, Lock M5X0.8	
3	4811600	4	Washer, M5	
4	1001176773	1	Seal	
5	1001176904	1	Bracket	
6	1001095650	AR	Compound, Locking	

SECTION 2 - BOOM

FIGURE 2-37. BOOM BRUSH BRACKET ASSEMBLY (4) (3614RS)



ART_1001176944-A

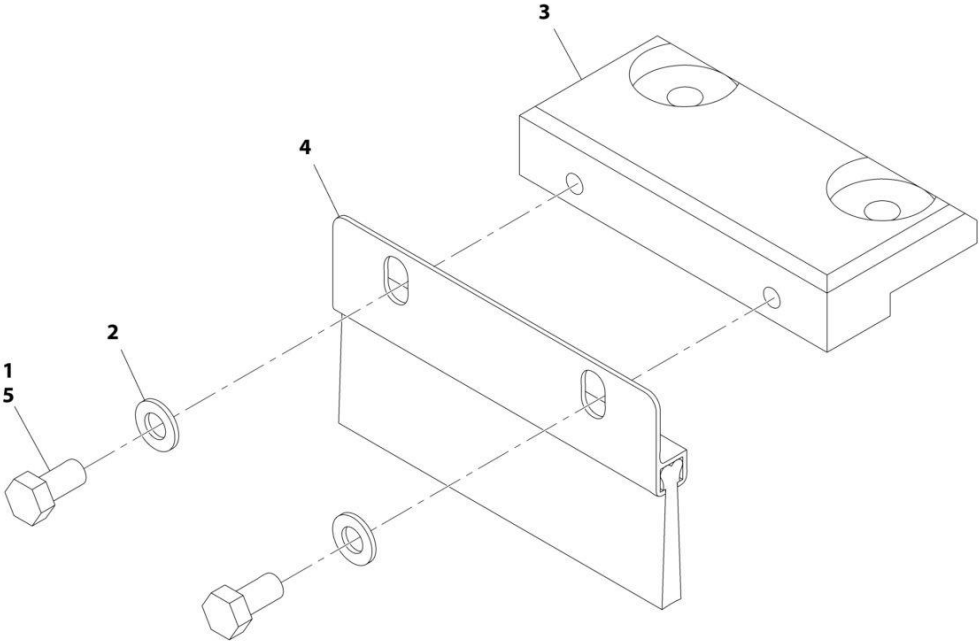
SECTION 2 - BOOM

FIGURE 2-37. BOOM BRUSH BRACKET ASSEMBLY (4) (3614RS)

ITEM	PART NUMBER	QTY	DESCRIPTION	REV
	1001176944	Ref	Boom Brush Bracket Assembly	A
1	0760506	4	Bolt, M5X12	
2	3290505	4	Nut, Lock M5X0.8	
3	4811600	8	Washer, M5	
4	1001177265	2	Seal	
5	1001177266	1	Bracket	
6	1001095650	AR	Compound, Locking	

SECTION 2 - BOOM

FIGURE 2-38. BOOM BRUSH BRACKET ASSEMBLY (5) (3614RS)



ART_1001177274-B

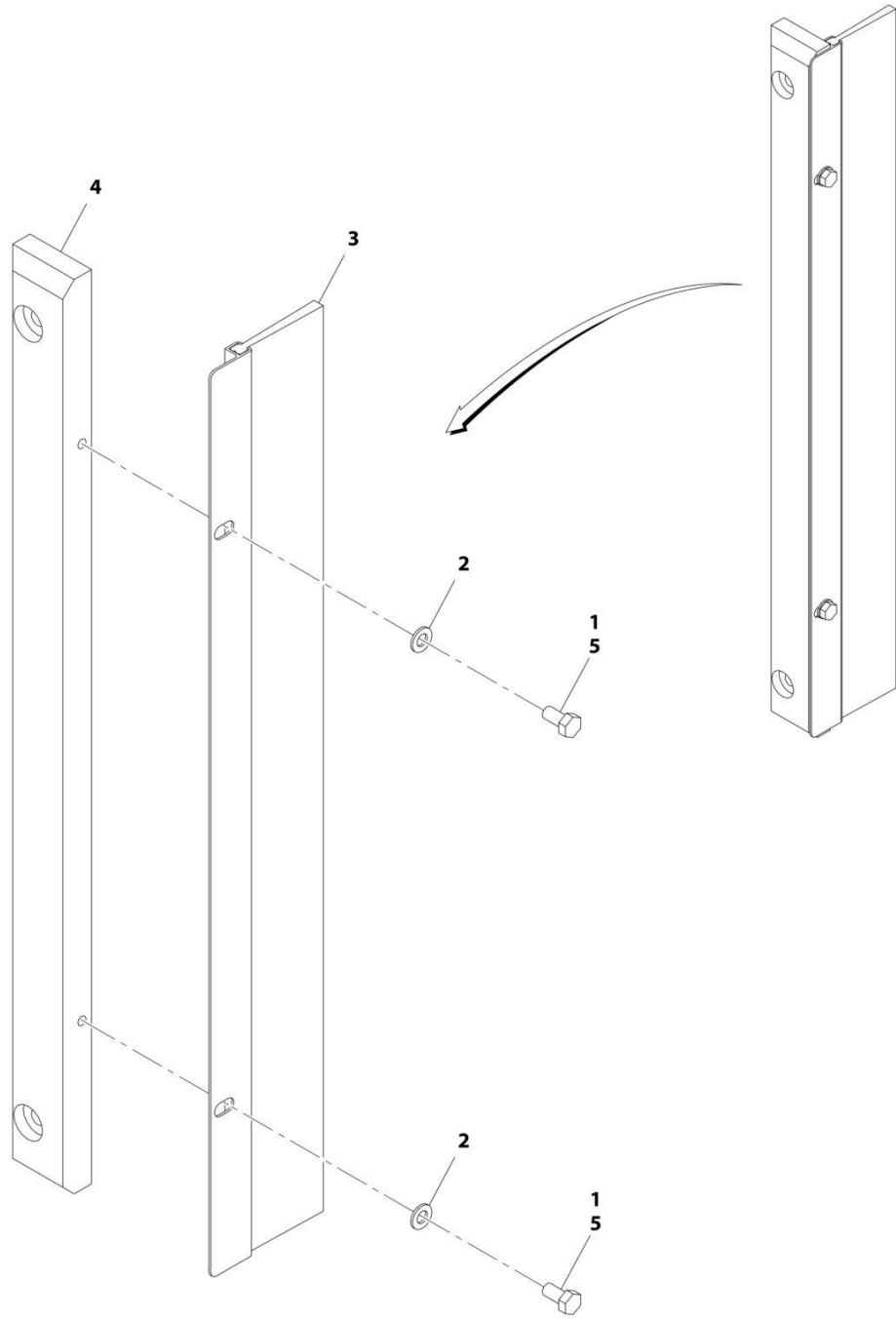
SECTION 2 - BOOM

FIGURE 2-38. BOOM BRUSH BRACKET ASSEMBLY (5) (3614RS)

ITEM	PART NUMBER	QTY	DESCRIPTION	REV
	1001177274	Ref	Boom Brush Bracket Assembly	B
1	0760505	2	Bolt, M5X10	
2	4811600	2	Washer, M5	
3	1001177275	1	Bracket	
4	1001177276	1	Seal	
5	1001095650	AR	Compound, Locking	

SECTION 2 - BOOM

FIGURE 2-39. BOOM BRUSH BRACKET ASSEMBLY (6)



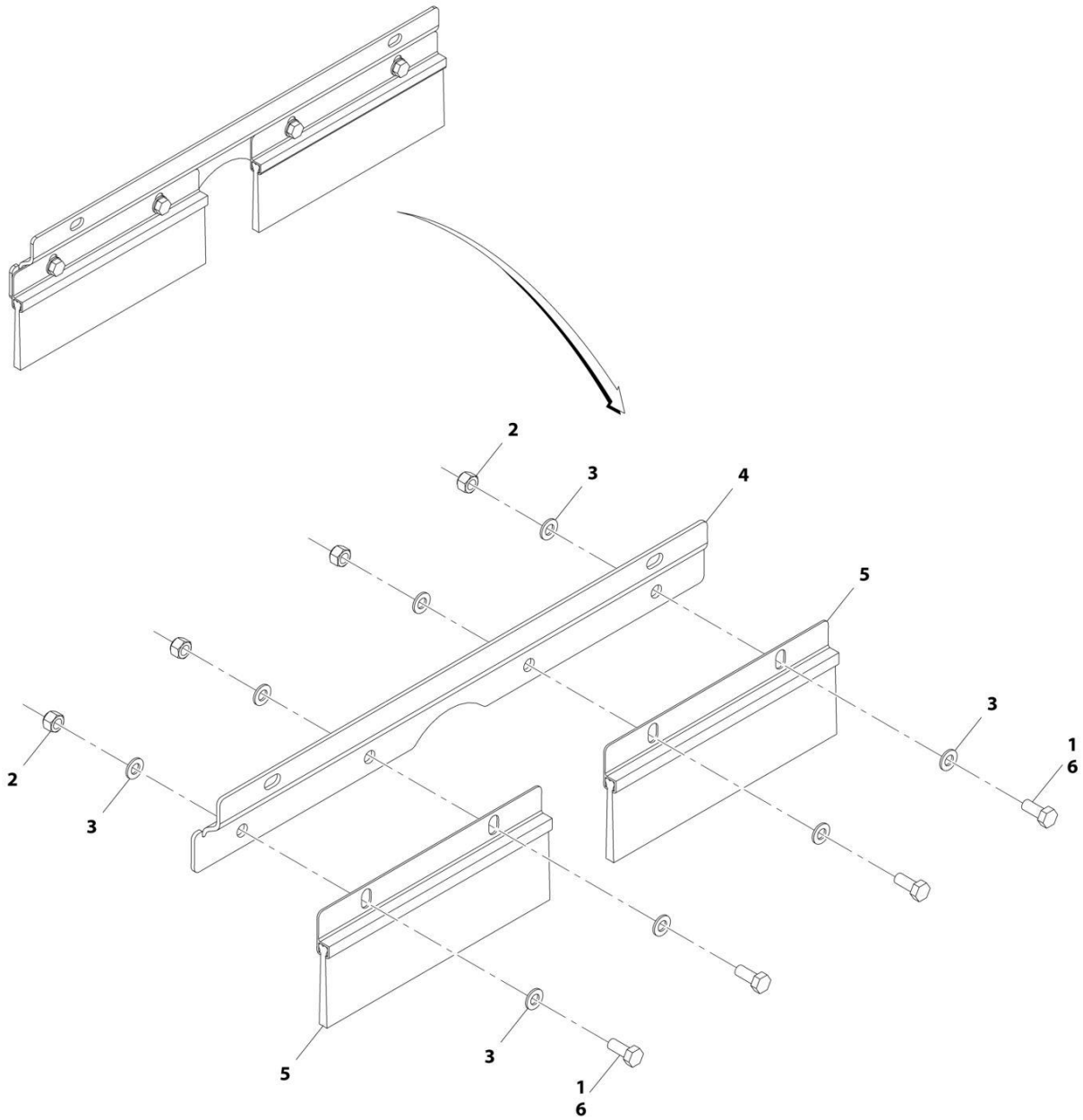
ART_1001177320-A

FIGURE 2-39. BOOM BRUSH BRACKET ASSEMBLY (6)

ITEM	PART NUMBER	QTY	DESCRIPTION	REV
	1001177320	Ref	Boom Brush Bracket Assembly	A
1	0760505	2	Bolt, M5X10	
2	4811600	2	Washer, M5	
3	1001177319	1	Seal	
4	1001177321	1	Bracket	
5	1001095650	AR	Compound, Locking	

SECTION 2 - BOOM

FIGURE 2-40. BOOM BRUSH BRACKET ASSEMBLY (7) (4017RS)



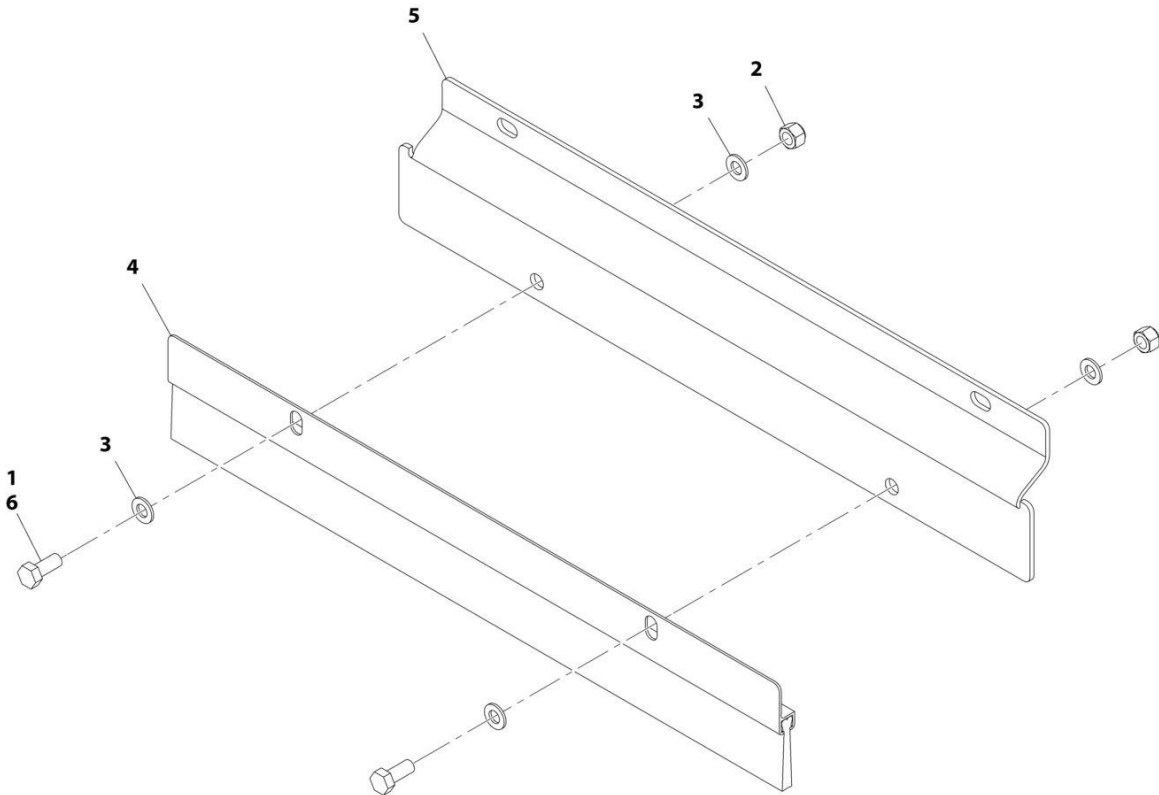
ART_1001177342-A

SECTION 2 - BOOM**FIGURE 2-40. BOOM BRUSH BRACKET ASSEMBLY (7) (4017RS)**

ITEM	PART NUMBER	QTY	DESCRIPTION	REV
	1001177342	Ref	Boom Brush Bracket Assembly	A
1	0760506	4	Bolt, M5X12	
2	3290505	4	Nut, Lock M5X0.8	
3	4811600	8	Washer, M5	
4	1001177343	1	Bracket	
5	1001177344	2	Seal	
6	1001095650	AR	Compound, Locking	

SECTION 2 - BOOM

FIGURE 2-41. BOOM BRUSH BRACKET ASSEMBLY (8) (4017RS)



ART_1001177396-A

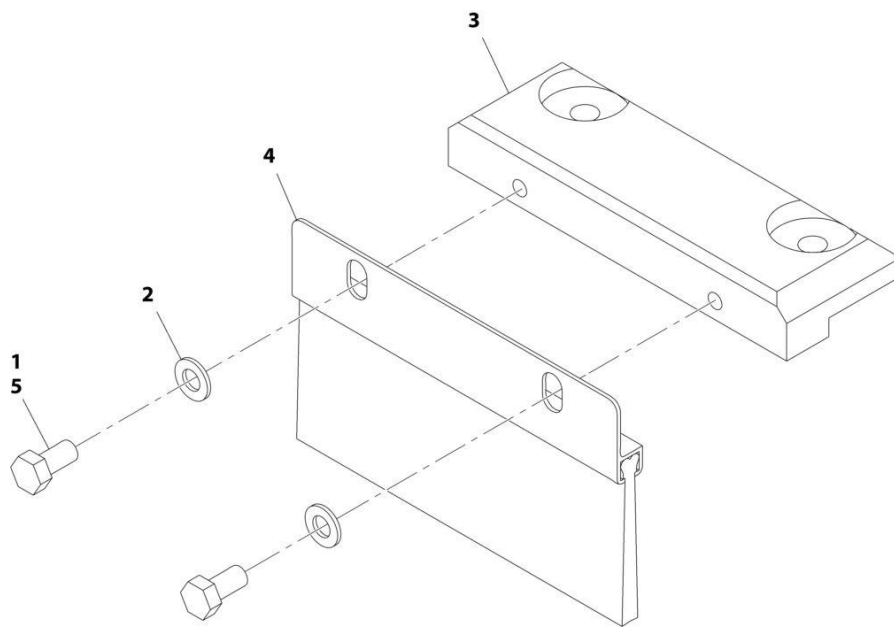
SECTION 2 - BOOM

FIGURE 2-41. BOOM BRUSH BRACKET ASSEMBLY (8) (4017RS)

ITEM	PART NUMBER	QTY	DESCRIPTION	REV
	1001177396	Ref	Boom Brush Bracket Assembly	A
1	0760506	2	Bolt, M5X12	
2	3290505	2	Nut, Lock M5X0.8	
3	4811600	4	Washer, M5	
4	1001177395	1	Seal	
5	1001177397	1	Bracket	
6	1001095650	AR	Compound, Locking	

SECTION 2 - BOOM

FIGURE 2-42. BOOM BRUSH BRACKET ASSEMBLY (9) (4017RS)



ART_1001177411-A

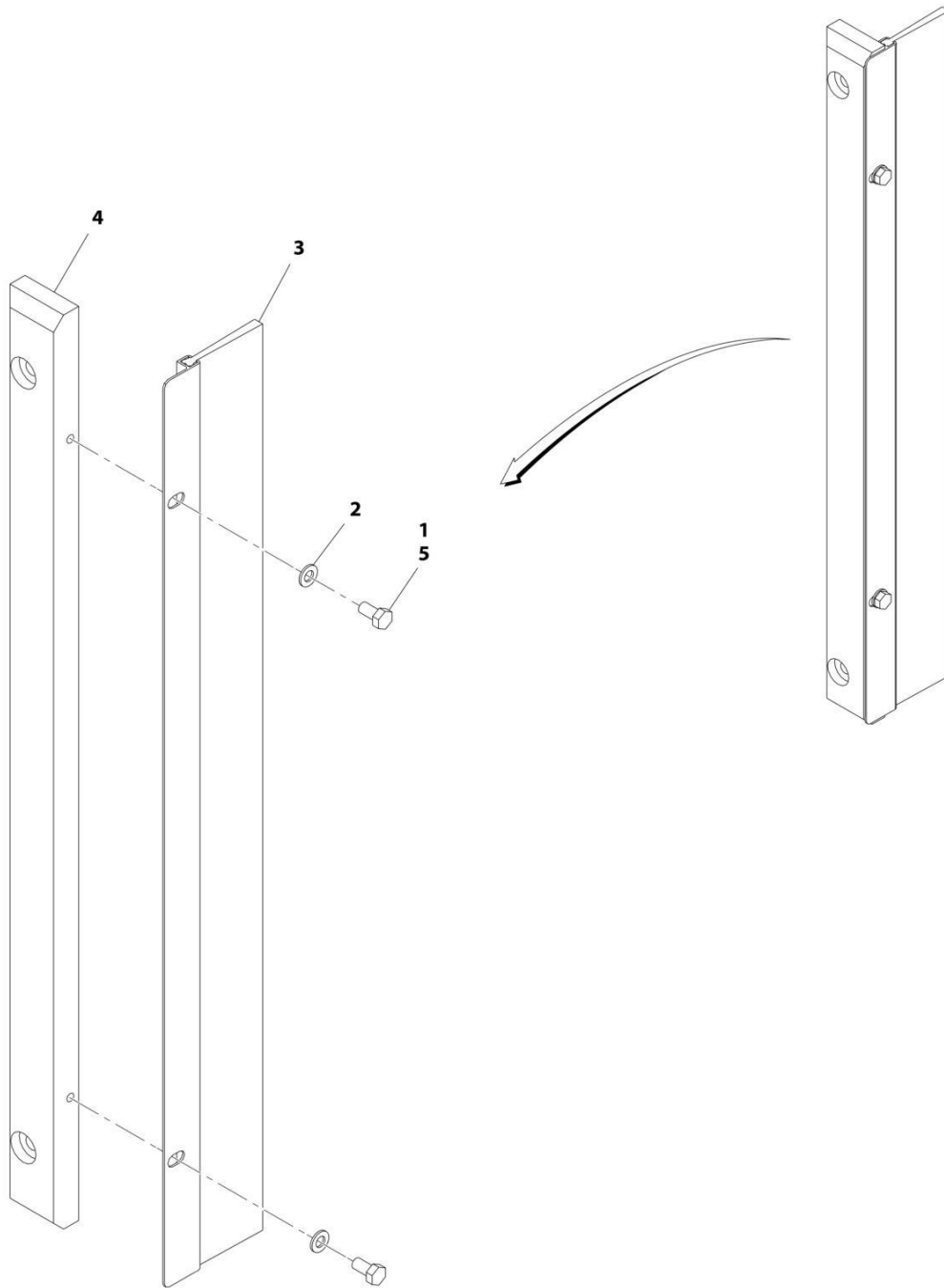
SECTION 2 - BOOM

FIGURE 2-42. BOOM BRUSH BRACKET ASSEMBLY (9) (4017RS)

ITEM	PART NUMBER	QTY	DESCRIPTION	REV
	1001177411	Ref	Boom Brush Bracket Assembly	A
1	0760505	2	Bolt, M5X10	
2	4811600	2	Washer, M5	
3	1001177413	1	Bracket	
4	1001177414	1	Seal	
5	1001095650	AR	Compound, Locking	

SECTION 2 - BOOM

FIGURE 2-43. BOOM BRUSH BRACKET ASSEMBLY (10) (4017RS)



ART_1001177439-A

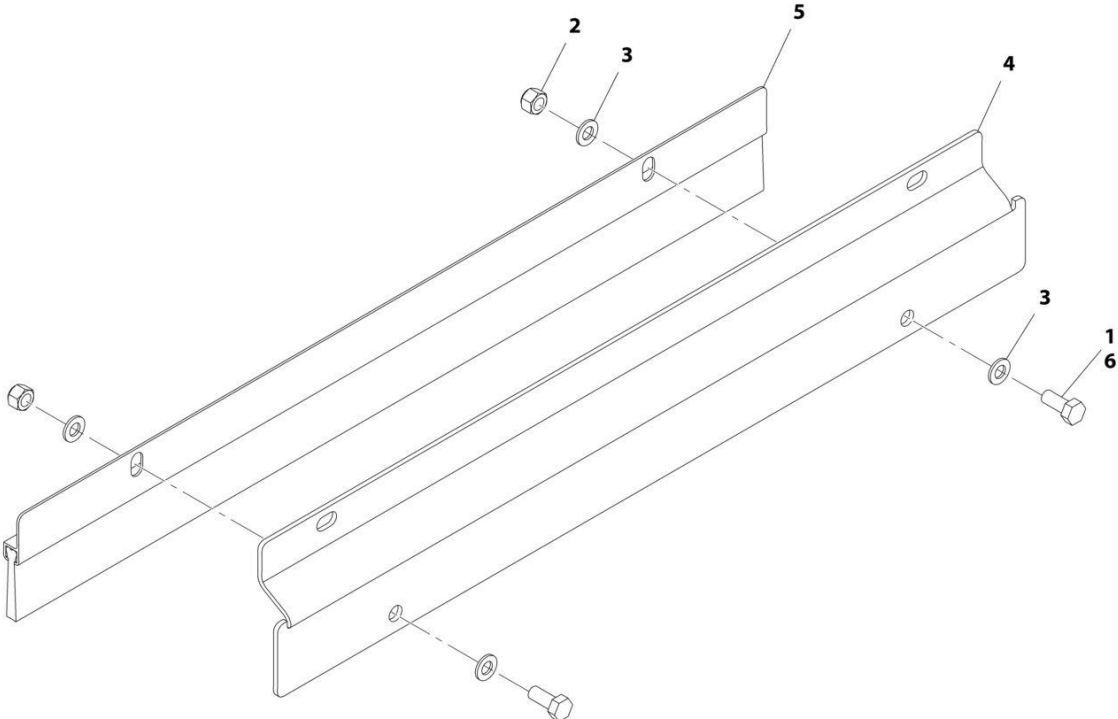
SECTION 2 - BOOM

FIGURE 2-43. BOOM BRUSH BRACKET ASSEMBLY (10) (4017RS)

ITEM	PART NUMBER	QTY	DESCRIPTION	REV
	1001177439	Ref	Boom Brush Bracket Assembly	A
1	0760505	2	Bolt, M5X10	
2	4811600	2	Washer, M5	
3	1001177438	1	Seal	
4	1001177440	1	Bracket	
5	1001095650	AR	Compound, Locking	

SECTION 2 - BOOM

FIGURE 2-44. BOOM BRUSH BRACKET ASSEMBLY (11) (4017RS)



ART_1001177445-A

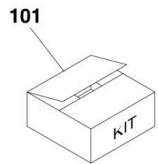
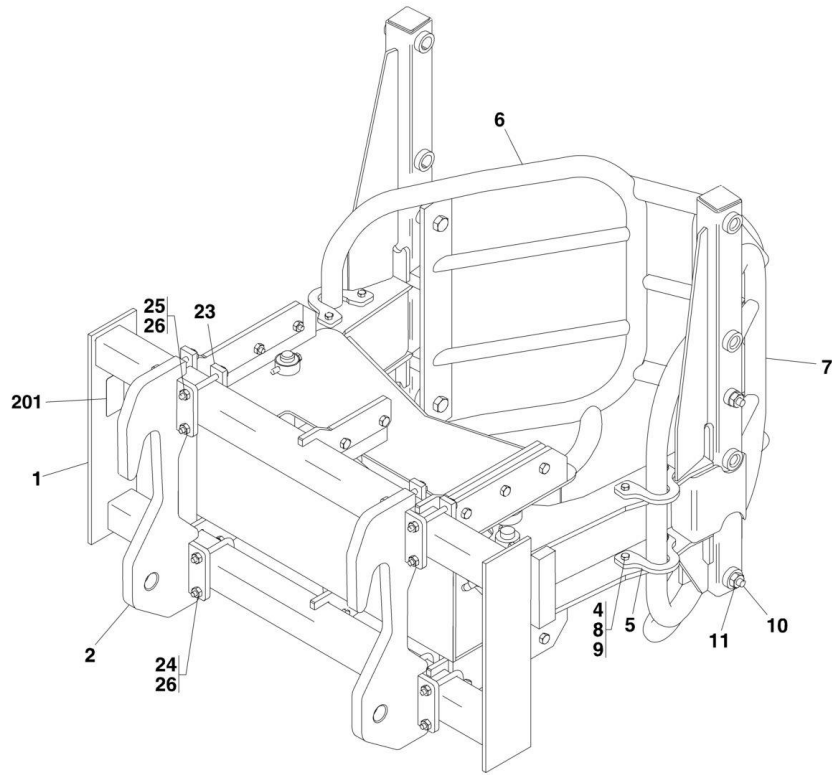
SECTION 2 - BOOM**FIGURE 2-44. BOOM BRUSH BRACKET ASSEMBLY (11) (4017RS)**

ITEM	PART NUMBER	QTY	DESCRIPTION	REV
	1001177445	Ref	Boom Brush Bracket Assembly	A
1	0760506	2	Bolt, M5X12	
2	3290505	2	Nut, Lock M5X0.8	
3	4811600	4	Washer, M5	
4	1001177446	1	Bracket	
5	1001177447	1	Seal	
6	1001095650	AR	Compound, Locking	

SECTION 3 - ATTACHMENTS

SECTION 3 - ATTACHMENTS

FIGURE 3-1. BALE HANDLER (TUBE CLAMP)



ART_0240117-E

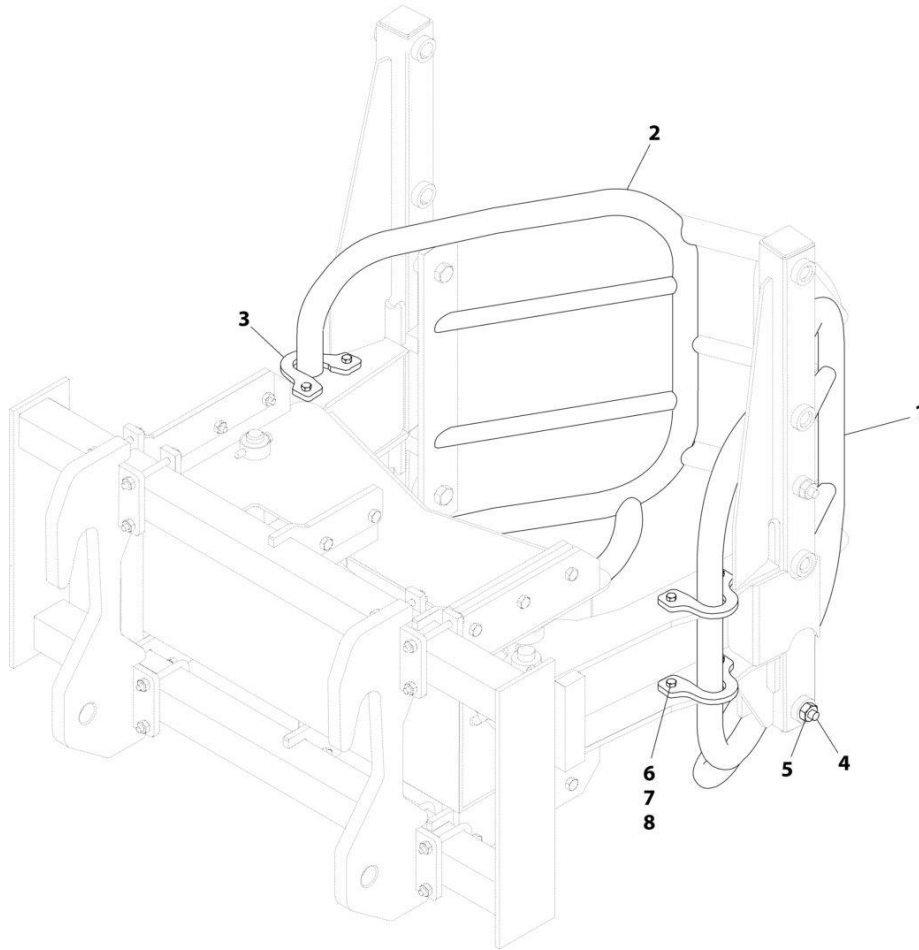
SECTION 3 - ATTACHMENTS

FIGURE 3-1. BALE HANDLER (TUBE CLAMP)

ITEM	PART NUMBER	QTY	DESCRIPTION	REV
	0240117	1	Bale Handler (Tube Clamp)	E
1	N.S.S.	1	Weldment	
2	7029344	1	Weldment, Attach (includes items 23 thru 26)	
4	7029345	8	Bolt, M12X45	
5	7029346	4	Strap	
6	7029347	1	Arm, Left Tube	
7	7029348	1	Arm, Right Tube	
8	7029349	8	Washer, M12	
9	7029350	8	Locknut, M12X8	
10	7029351	4	Bolt, M22X180	
11	7029352	4	Locknut, M22X8	
23	7029353	4	Plate	
24	7029354	4	U-Bolt	
25	7029355	8	Bolt, M16X130	
26	7029356	16	Locknut, M16X8	
101	2902440	1	Kit, Bale Handler (Spikes to Tube) (CE & AUS) (includes items 4 thru 11) (See Separate Breakdown in this Section)	
201	N.S.S.	AR	SN Plate	

SECTION 3 - ATTACHMENTS

FIGURE 3-2. BALE HANDLER KIT (TUBE CLAMP)



ART_2902440-A

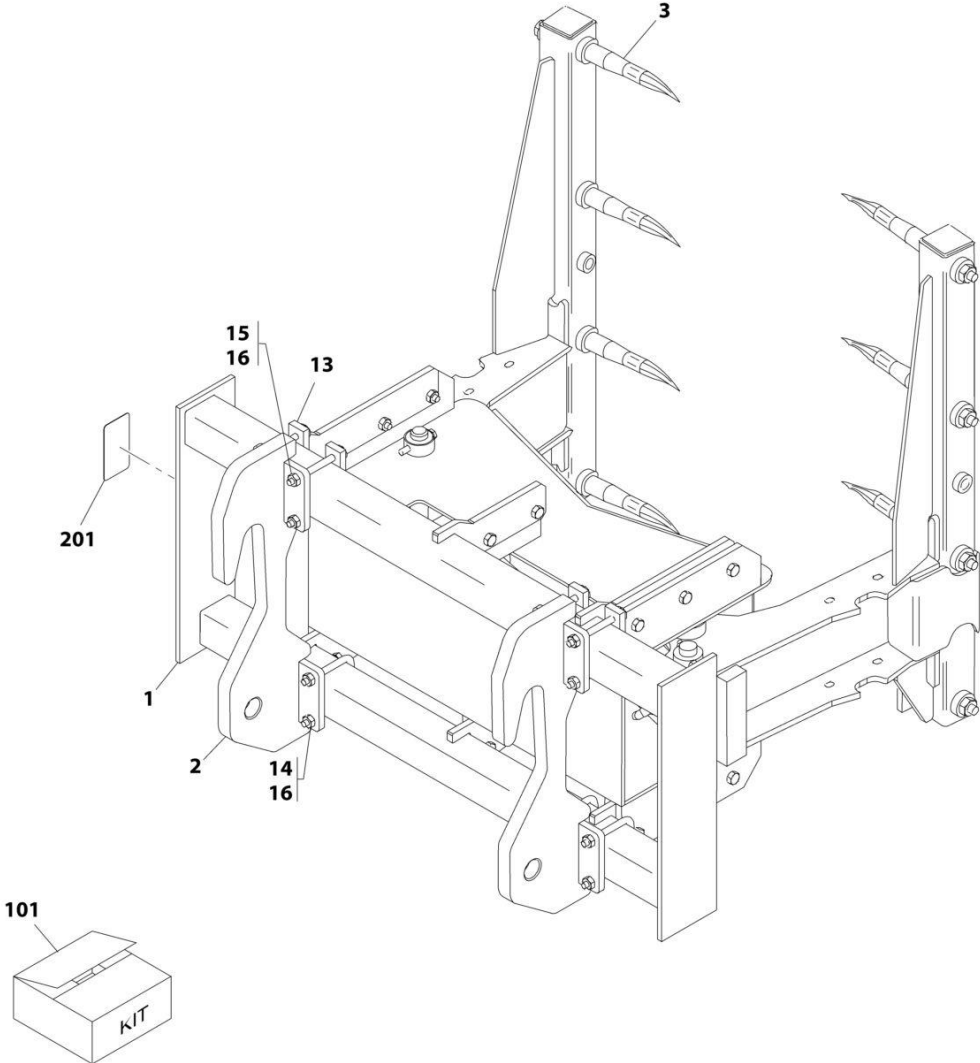
SECTION 3 - ATTACHMENTS

FIGURE 3-2. BALE HANDLER KIT (TUBE CLAMP)

ITEM	PART NUMBER	QTY	DESCRIPTION	REV
	2902440	Ref	Bale Handler Kit (Spikes to Tube)	A
1	7029348	1	Bent Arm, Right	
2	7029347	1	Bent Arm, Left	
3	7029346	4	Strap	
4	7029351	4	Bolt, M22X180-8.8	
5	7029352	4	Locknut, M22-8	
6	7029345	8	Bolt, M12X45-8.8	
7	7029350	8	Locknut, M12-8	
8	7029349	8	Washer, M12	

SECTION 3 - ATTACHMENTS

FIGURE 3-3. BALE HANDLER (SPIKE CLAMP)



ART_0240118-E

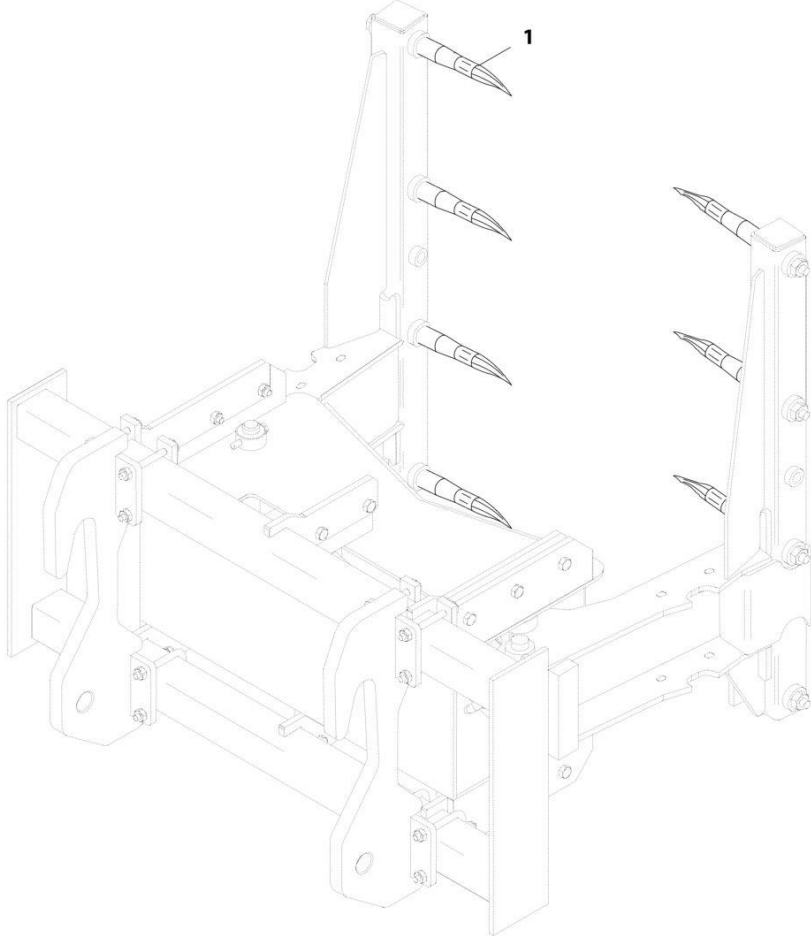
SECTION 3 - ATTACHMENTS

FIGURE 3-3. BALE HANDLER (SPIKE CLAMP)

ITEM	PART NUMBER	QTY	DESCRIPTION	REV
	0240118	1	Bale Handler (Spike Clamp)	E
1	N.S.S.	1	Weldment	
2	7029344	1	Weldment, Attach (includes items 13 thru 16)	
3	7029357	8	Spike	
13	7029353	4	Plate	
14	7029354	4	U-Bolt	
15	7029355	8	Bolt, M16X130	
16	7029356	16	Locknut, M16X8	
101	2902441	1	Kit, Bale Handler Kit (Spikes) (CE & AUS) (includes item 3) (See Separate Breakdown in this Section)	
201	N.S.S.	AR	SN Plate	

SECTION 3 - ATTACHMENTS

FIGURE 3-4. BALE HANDLER KIT (SPIKE CLAMP)



ART_2902441-A

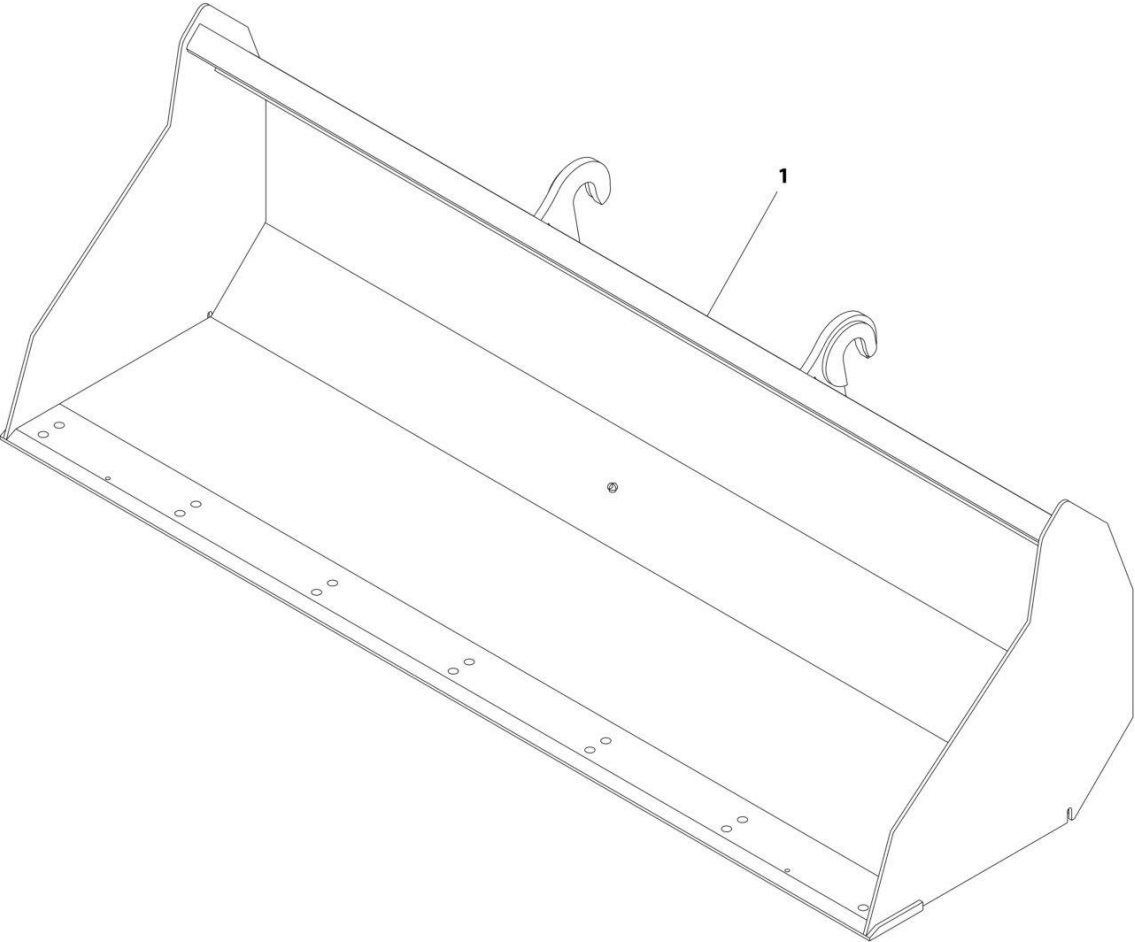
SECTION 3 - ATTACHMENTS

FIGURE 3-4. BALE HANDLER KIT (SPIKE CLAMP)

ITEM	PART NUMBER	QTY	DESCRIPTION	REV
1	2902441 Kit	1 1	Bale Handler Kit (Spikes) Kit	A

SECTION 3 - ATTACHMENTS

FIGURE 3-5. BUCKET 0.9M³



ART_0930015-C

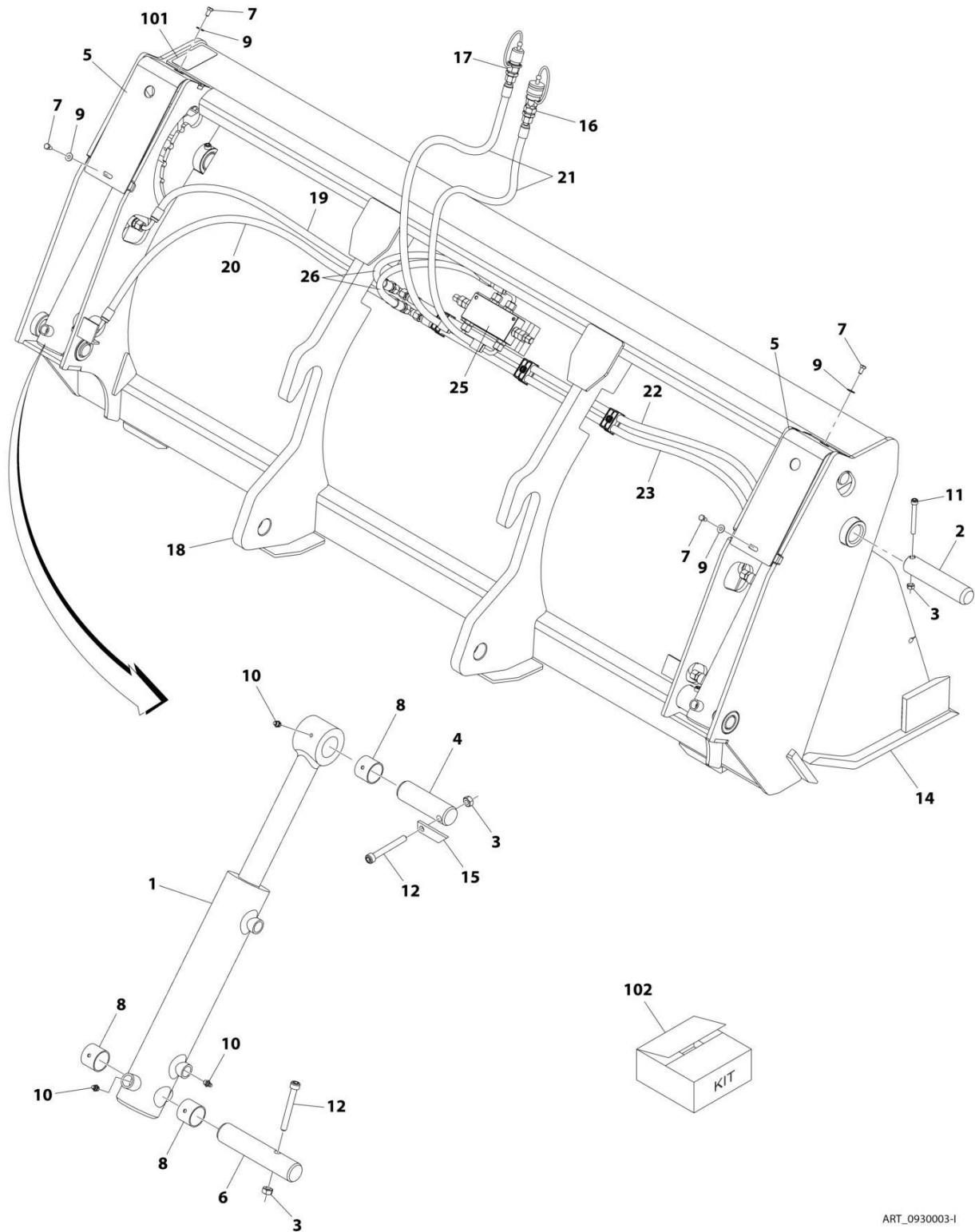
SECTION 3 - ATTACHMENTS

FIGURE 3-5. BUCKET 0.9M³

ITEM	PART NUMBER	QTY	DESCRIPTION	REV
	0930015	Ref	Bucket, 0.9m ³	C

SECTION 3 - ATTACHMENTS

FIGURE 3-6. BUCKET 4 IN 1 (1.0 M³)



ART_0930003-1

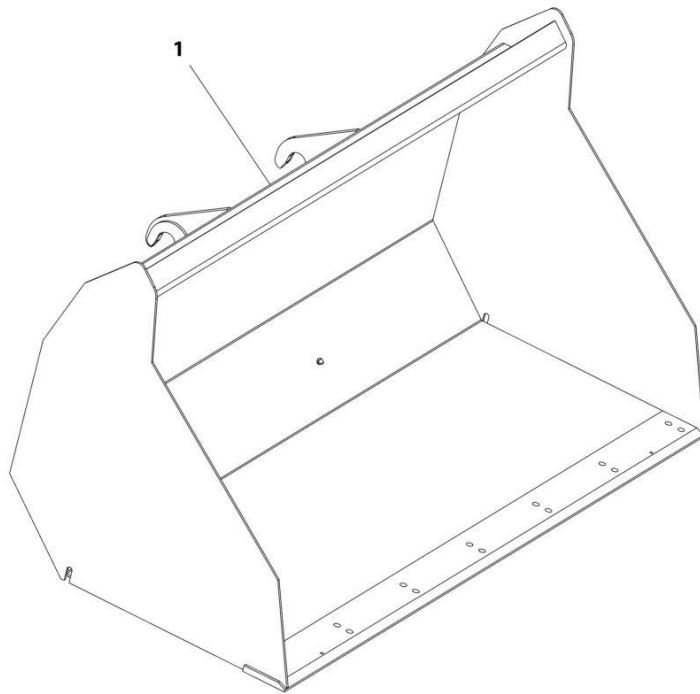
SECTION 3 - ATTACHMENTS

FIGURE 3-6. BUCKET 4 IN 1 (1.0 M³)

ITEM	PART NUMBER	QTY	DESCRIPTION	REV
	0930003	Ref	4 in 1 Bucket (1.0 m ³)	1
1	7028990	2	Cylinder	
	7028910	AR	Kit, Seal, Cylinder	
2	7028911	2	Pin	
3	7028912	6	Nut, (not shown)	
4	7028913	2	Pin	
5	N.S.S.	2	Plate	
6	7028915	2	Pin	
7	7028916	4	Bolt	
8	7028131	6	Bushing	
9	7028917	4	Washer	
10	7028918	6	Nipple, Grease	
11	7028920	2	Screw	
12	7028919	4	Screw	
14	N.S.S.	1	Weldment	
15	7028923	1	Gauge	
16	1001094555	1	Coupling, Female Quick Disconnect	
17	1001094556	1	Coupling, Male Quick Disconnect	
18	N.S.S.	1	Weldment	
19	7028982	1	Hose	
20	7028983	1	Hose	
21	7028984	2	Hose	
22	7028995	1	Hose	
23	7028991	1	Hose	
24	70027291	1	Balancing Valve	
26	70029011	2	Hose	
101	N.S.S.	1	S/N Plate	
102	1001097287	1	Quick Disconnect Coupling Kit, (includes items 16, 17 dust cap and dust plug)	

SECTION 3 - ATTACHMENTS

FIGURE 3-7. BUCKET 1.8M³



ART_0930016-C

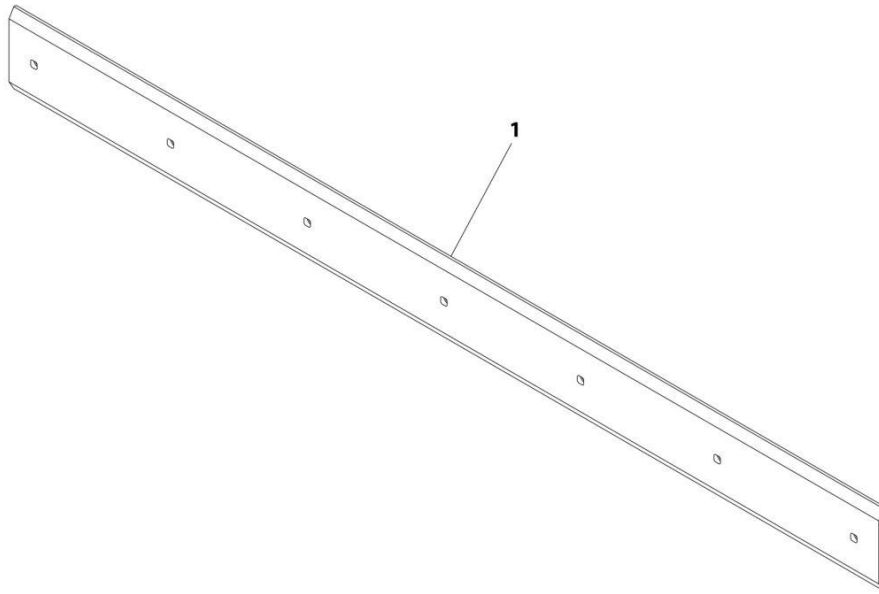
SECTION 3 - ATTACHMENTS

FIGURE 3-7. BUCKET 1.8M³

ITEM	PART NUMBER	QTY	DESCRIPTION	REV
	0930016	Ref	Bucket, 1.8m ³	C

SECTION 3 - ATTACHMENTS

FIGURE 3-8. BUCKET EDGE (BOLT-ON) (2450 MM)



ART_70020392-A

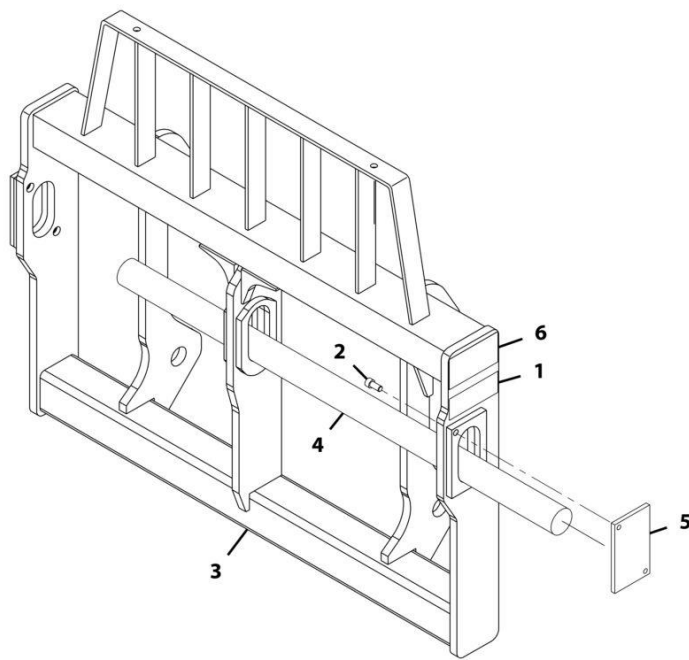
SECTION 3 - ATTACHMENTS

FIGURE 3-8. BUCKET EDGE (BOLT-ON) (2450 MM)

ITEM	PART NUMBER	QTY	DESCRIPTION	REV
1	70020392	Ref	Bolt-on Edge (2450 MM)	A
	N.S.S.	7	Bolt	
	N.S.S.	7	Nut	

SECTION 3 - ATTACHMENTS

FIGURE 3-9. CARRIAGE ASSEMBLY (500MM)



ART_1001107333-A

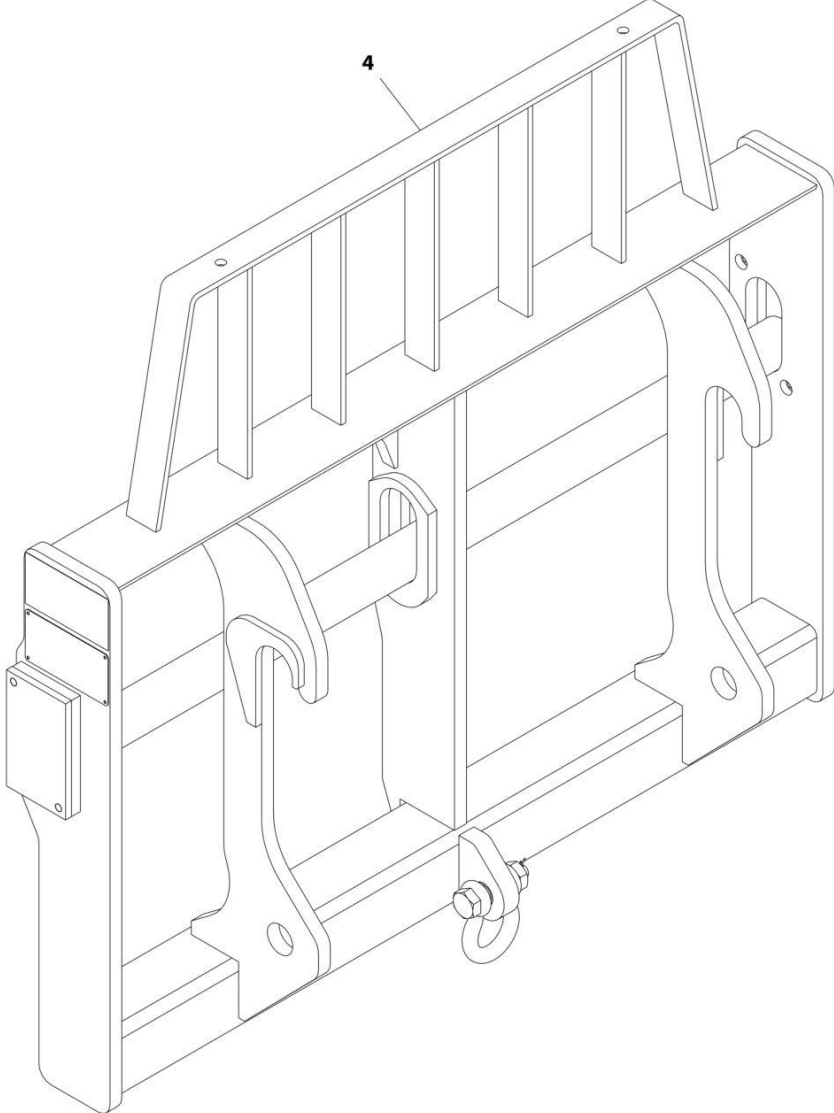
SECTION 3 - ATTACHMENTS

FIGURE 3-9. CARRIAGE ASSEMBLY (500MM)

ITEM	PART NUMBER	QTY	DESCRIPTION	REV
	1001107333	Ref	Carriage Assembly (500mm)	A
1	N.S.S.	1	S/N Plate	
2	4032109	4	Bolt, M12X25	
3	N.S.S.	1	Weldment, Carriage	
4	1001107336	1	Shaft, Carriage	
5	1001107338	2	Cover, Shaft	
6	N.S.S.	1	Name Plate, Carriage	

SECTION 3 - ATTACHMENTS

FIGURE 3-10. CARRIAGE INSTALLATION WITH LIFT LUG (3614RS)



ART_1001184289-A

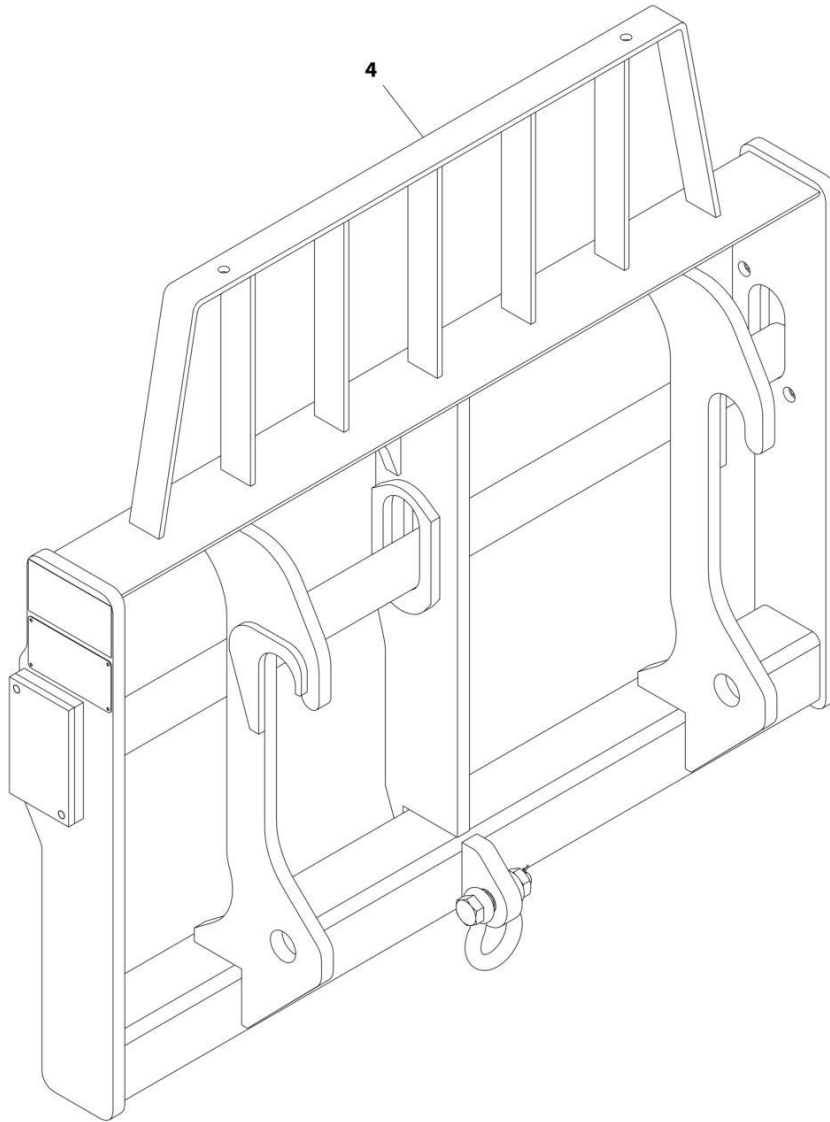
SECTION 3 - ATTACHMENTS

FIGURE 3-10. CARRIAGE INSTALLATION WITH LIFT LUG (3614RS)

ITEM	PART NUMBER	QTY	DESCRIPTION	REV
1	1001184289	Ref	Standard Carriage Installation with Lift Lug (If equipped)	A
	1001183289	1	Chart, Load Standard Carriage with Lift Lug (not shown) (See Separate Breakdown in this Section) (3614RS)	
2	1001183290	1	Chart, Load Standard Carriage with Lift Lug (Outriggers) (not shown) (See Separate Breakdown in this Section) (3614RS)	
3	1001185116	1	Chart, 4T Fork and Hook Standard Carriage with Lift Lug (Traveling) (not shown) (See Separate Breakdown in this Section) (3614RS)	
4	1001181380	1	Carriage, 4T Fork and Hook (See Separate Breakdown in this Section)	

SECTION 3 - ATTACHMENTS

FIGURE 3-11. CARRIAGE INSTALLATION WITH LIFT LUG (4017RS)



ART_1001184290-A

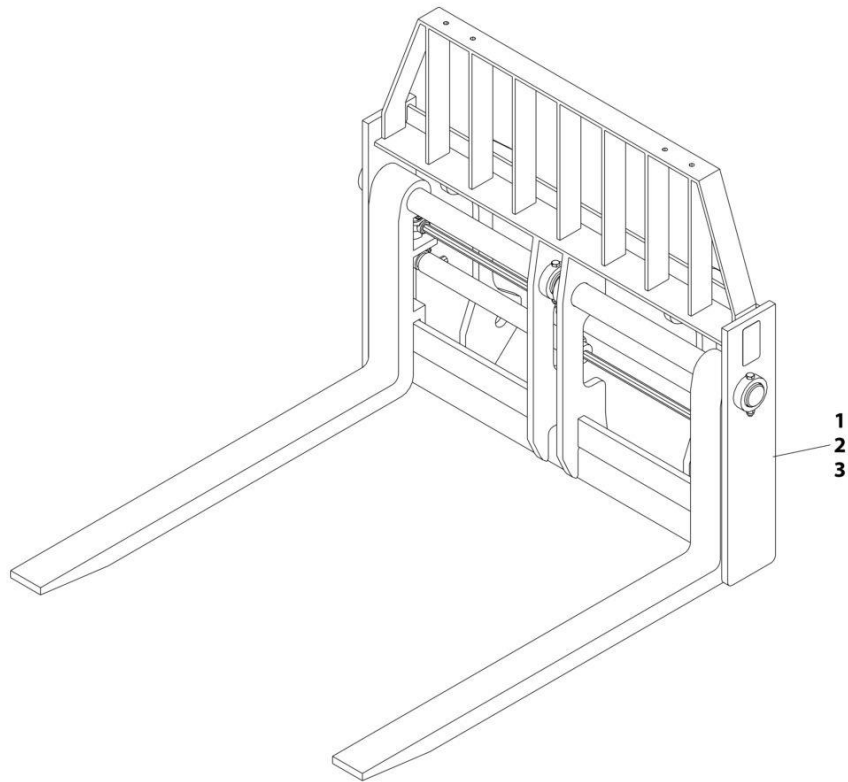
SECTION 3 - ATTACHMENTS

FIGURE 3-11. CARRIAGE INSTALLATION WITH LIFT LUG (4017RS)

ITEM	PART NUMBER	QTY	DESCRIPTION	REV
1	1001184290 1001183291	Ref 1	Standard Carriage Installation with Lift Lug (If equipped) Chart, Load Standard Carriage with Lift Lug (not shown) (See Separate Breakdown in DECAL Section) (4017RS)	A
2	1001183292	1	Chart, Load Standard Carriage with Lift Lug (Outriggers) (not shown) (See Separate Breakdown in DECAL Section) (4017RS)	
3	1001185116	1	Chart, 4T Fork and Hook Standard Carriage with Lift Lug (Traveling) (not shown) (See Separate Breakdown in DECAL Section) (4017RS)	
4	1001181380	1	Carriage, 4T Fork and Hook (See Separate Breakdown in this Section)	

SECTION 3 - ATTACHMENTS

FIGURE 3-12. CARRIAGE INSTALLATION - FORK POSITIONING (3614RS)



ART_1001177547-A

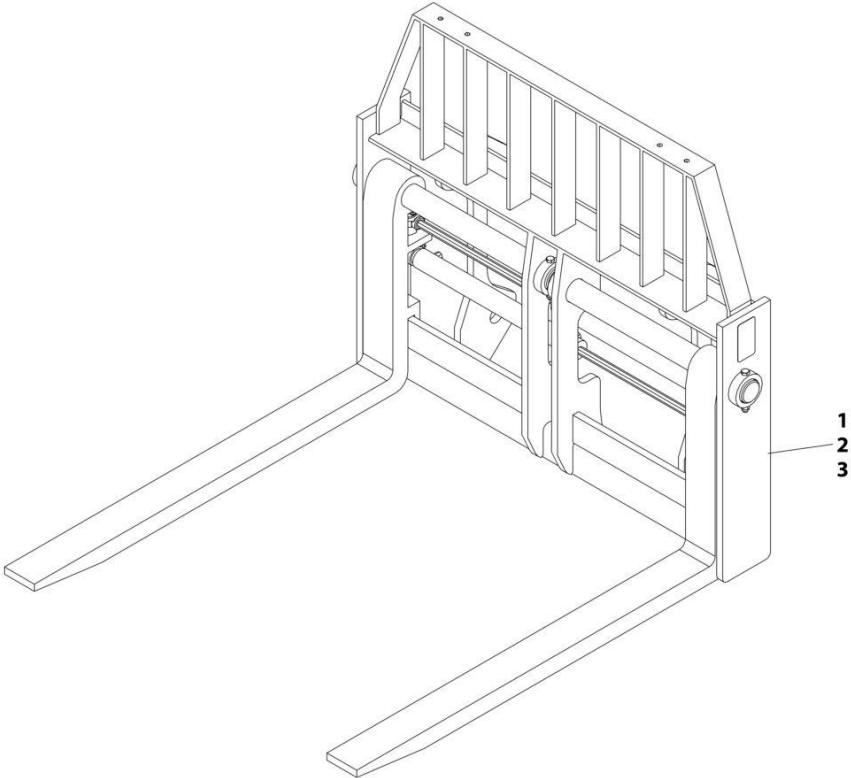
SECTION 3 - ATTACHMENTS

FIGURE 3-12. CARRIAGE INSTALLATION - FORK POSITIONING (3614RS)

ITEM	PART NUMBER	QTY	DESCRIPTION	REV
1	1001177547	Ref	Installation, Carriage Fork Positioning	A
	1001091313	1	Carriage Fork Positioning (See Separate Breakdown in this Section)	
2	1001175218	1	Chart, Load Metric Fork Positioning (3614RS)	
3	1001175219	1	Chart, Load Metric Fork Positioning Stab (3614RS)	

SECTION 3 - ATTACHMENTS

FIGURE 3-13. CARRIAGE INSTALLATION - FORK POSITIONING (4017RS)



ART_1001177548-A

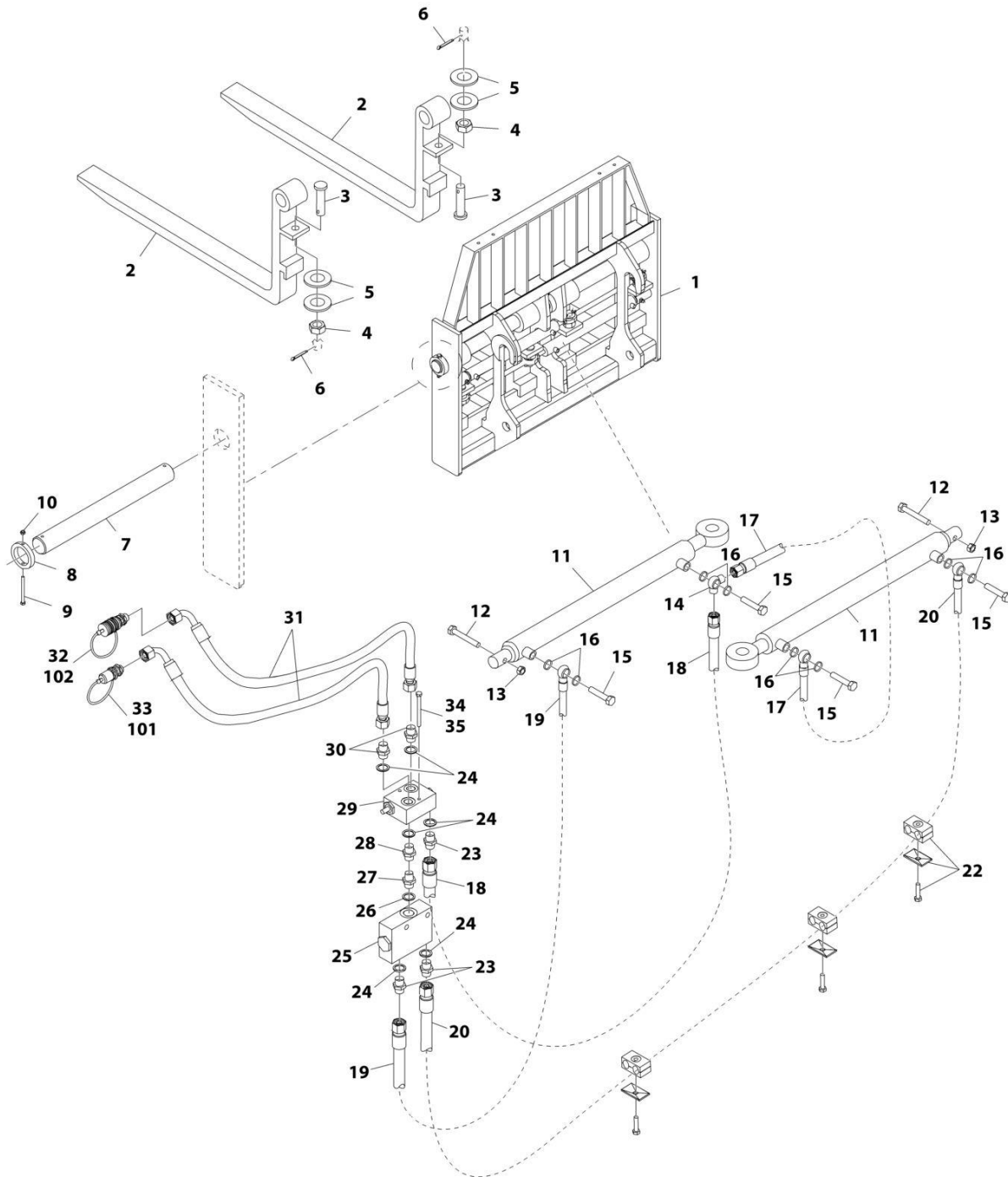
SECTION 3 - ATTACHMENTS

FIGURE 3-13. CARRIAGE INSTALLATION - FORK POSITIONING (4017RS)

ITEM	PART NUMBER	QTY	DESCRIPTION	REV
1	1001177548	Ref	Installation, Carriage Fork Positioning	A
	1001091313	1	Carriage Fork Positioning (See Separate Breakdown in this Section)	
2	1001175220	1	Chart, Load Metric Fork Positioning (4017RS)	
3	1001175221	1	Chart, Load Metric Fork Positioning Stab (4017RS)	

SECTION 3 - ATTACHMENTS

FIGURE 3-14. CARRIAGE INSTALLATION - FORK POSITIONING WITH FORKS (4.0 TON)



ART_1001091313-C

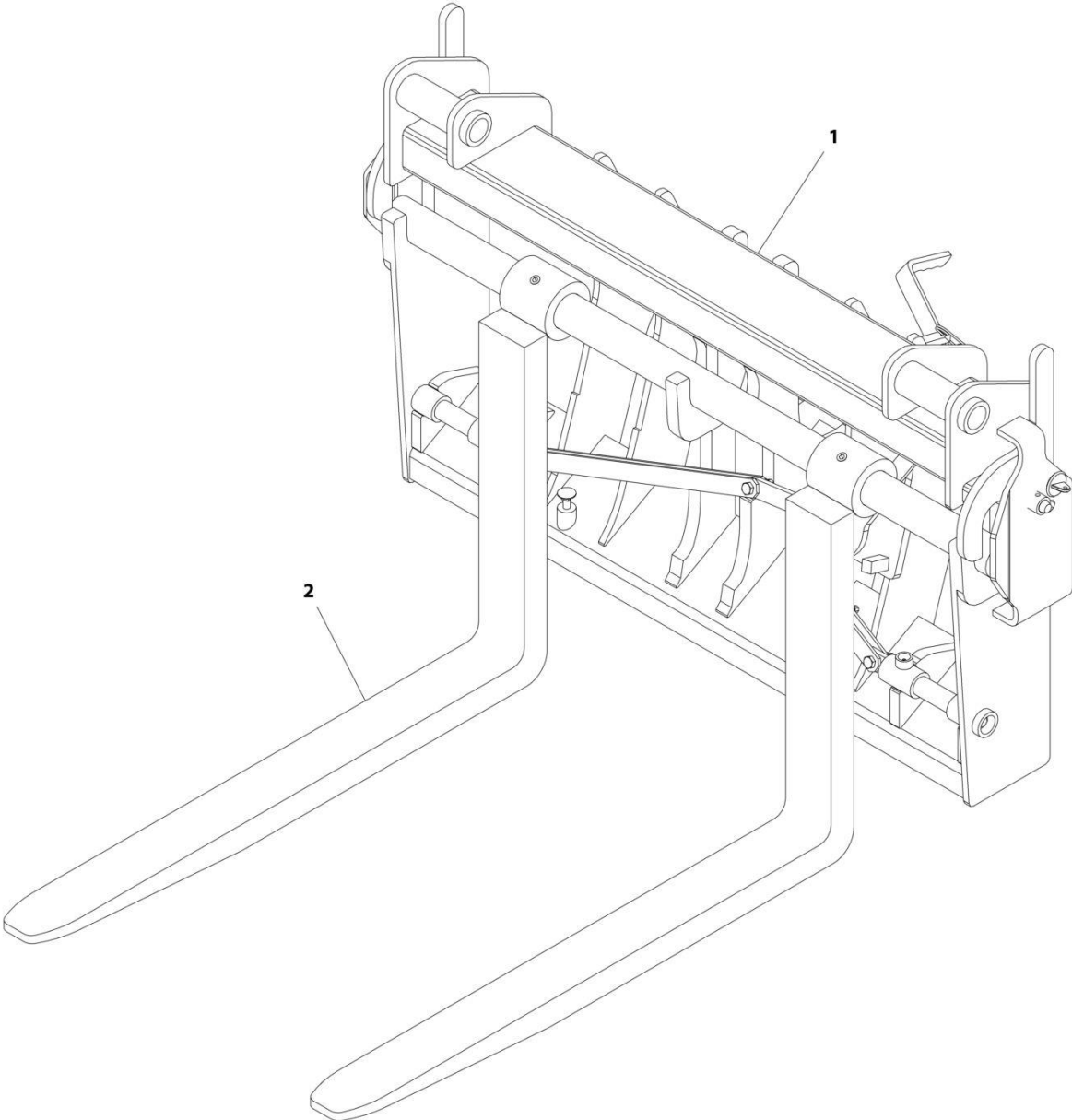
SECTION 3 - ATTACHMENTS

FIGURE 3-14. CARRIAGE INSTALLATION - FORK POSTIONING WITH FORKS (4.0 TON)

ITEM	PART NUMBER	QTY	DESCRIPTION	REV
	1001091313	Ref	Fork Positioning Carriage with Forks (4.0 ton)	D
1	N.S.S.	1	Weldment	
2	70022922	2	Forks, (100X50X1200), (2000kg per fork)	
3	70021835	2	Rod Pin	
4	70026018	2	Nut	
5	70028978	4	Washer	
6	70021836	2	Split Pin	
7	70022923	2	Carriage Shaft	
8	70022924	4	Shaft Collar	
9	70028979	4	Bolt	
10	70021241	4	Hex Locknut, M12	
11	70023276	2	Cylinder	
11	70023278	AR	Seal Kit, (use with cylinders marked 1.3351.01C.02.01)	
11	70023277	AR	Seal Kit, (use with cylinders marked 1.3351.01C.02.02)	
13	70028031	2	Locknut	
12	70028028	2	Bolt	
14	70022925	1	Elbow, 90	
15	1001103530	4	Bolt	
16	70020730	8	O-Ring	
17	70021838	1	Hose	
18	70021839	1	Hose	
19	70021840	1	Hose	
20	70021841	1	Hose	
22	1001103533	3	Clamp Set, (includes screw and plate)	
23	70020731	3	Fitting	
24	70022907	6	O-Ring	
25	70021842	1	Counter Valve	
26	70022927	1	O-Ring	
27	70022928	1	Fitting	
28	70022929	1	Fitting	
29	70021843	1	Pressure Valve	
30	70022906	2	Adapter	
31	70022930	2	Pipe	
32	1001094555	1	Female Quick Disconnect Coupling	
33	1001094556	1	Male Quick Disconnect Coupling	
34	70028980	2	Bolt	
35	70022912	2	Nut	
101	1001093826	1	Dust Cap	
102	1001093827	1	Dust Plug	

SECTION 3 - ATTACHMENTS

FIGURE 3-15. CARRIAGE INSTALLATION - JCB (3614RS)



ART_1001179689-A

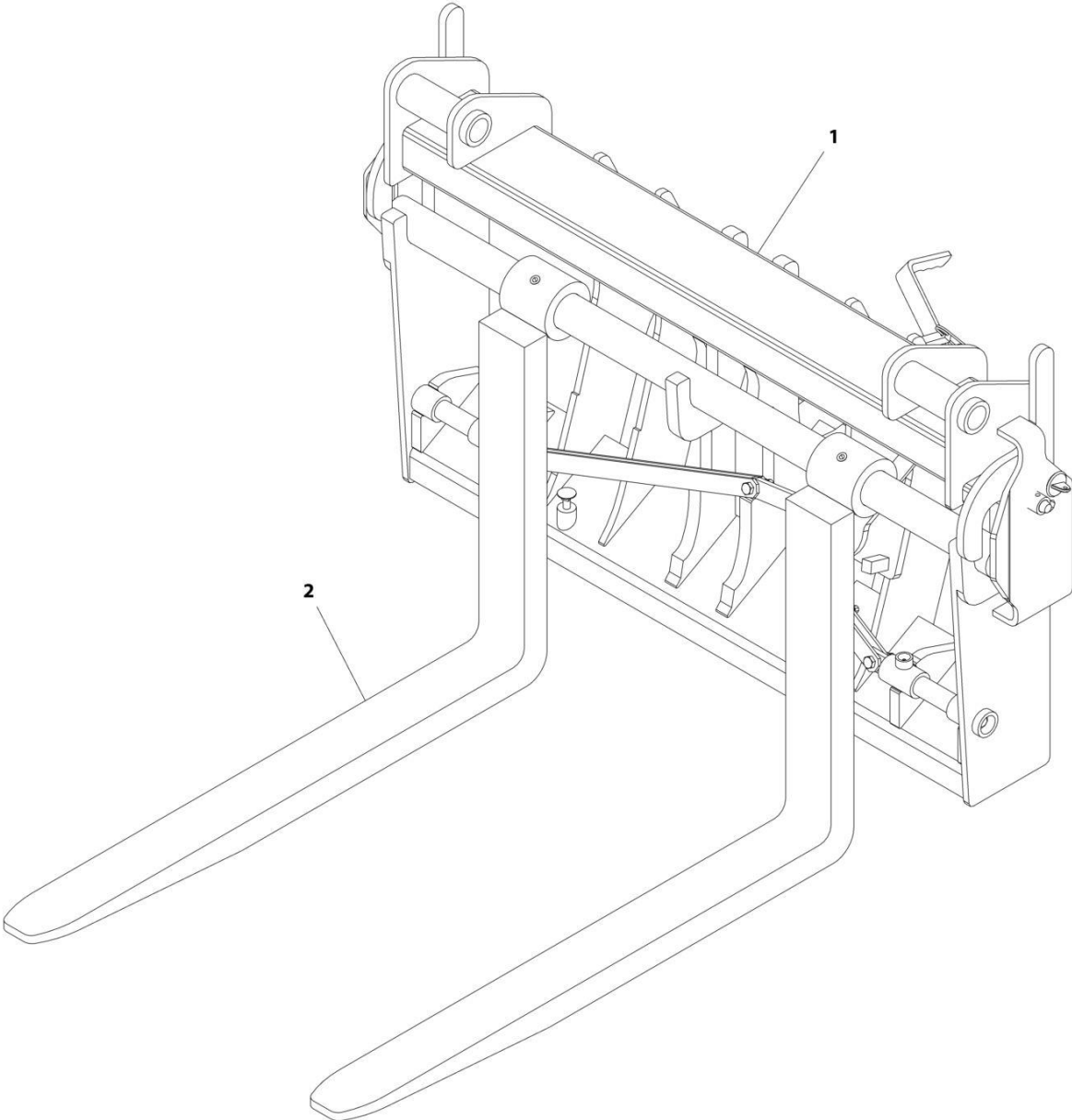
SECTION 3 - ATTACHMENTS

FIGURE 3-15. CARRIAGE INSTALLATION - JCB (3614RS)

ITEM	PART NUMBER	QTY	DESCRIPTION	REV
1	1001179689	Ref	JCB Carriage Installation	A
	1001177869	1	Installation, JCB Coupler (See Separate Breakdown in this Section)	
2	1001111758	1	Assembly, JCB Fork (See Separate Breakdown in this Section)	
3	1001179683	1	Chart, Load Metric JCB Coupler (not shown) (See Separate Breakdown in DECAL Section) (3614RS)	
4	1001179684	1	Chart, Load Metric JCB Coupler (Outriggers) (not shown) (See Separate Breakdown in DECAL Section) (3614RS)	

SECTION 3 - ATTACHMENTS

FIGURE 3-16. CARRIAGE INSTALLATION - JCB (4017RS)



ART_1001179690-A

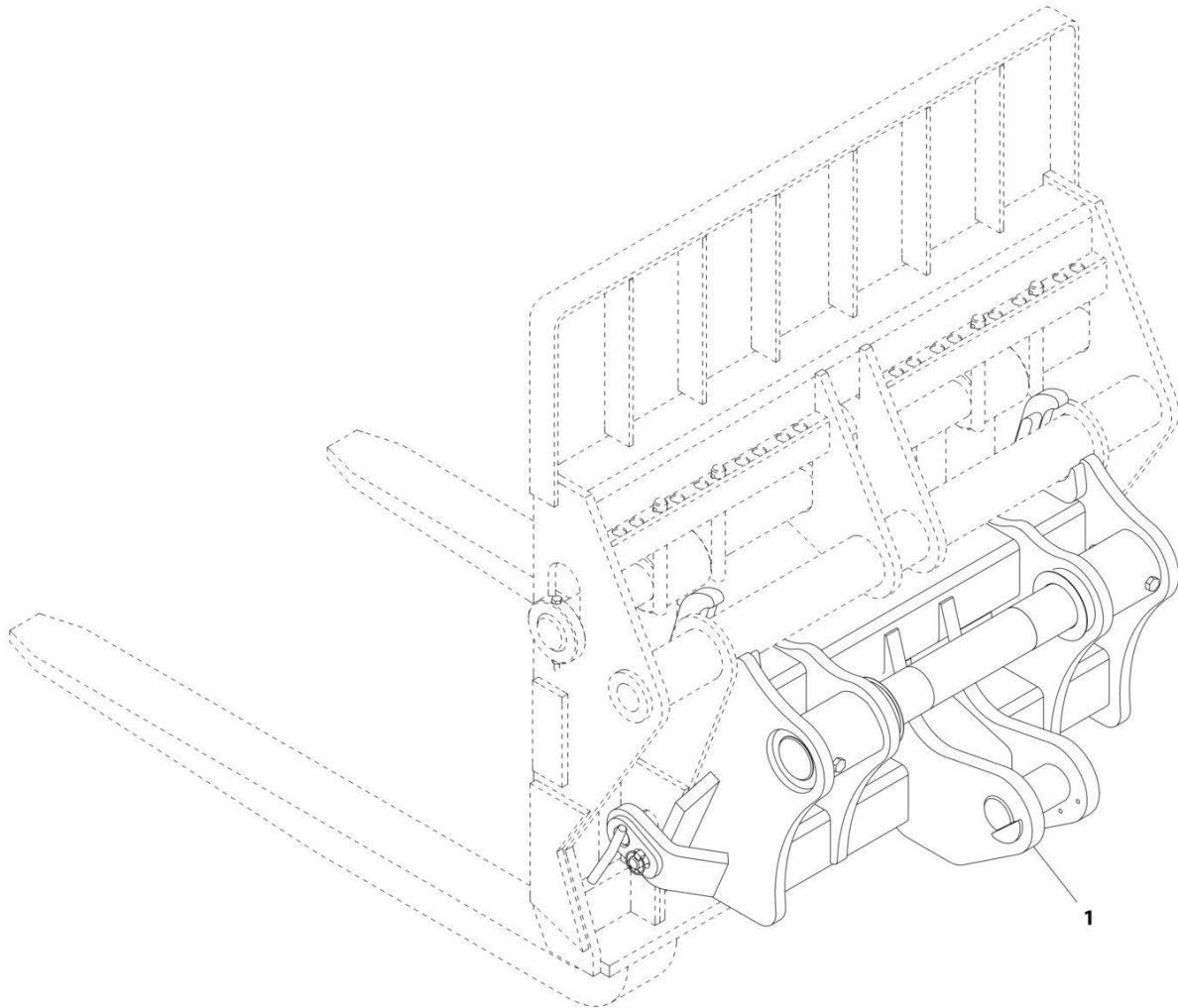
SECTION 3 - ATTACHMENTS

FIGURE 3-16. CARRIAGE INSTALLATION - JCB (4017RS)

ITEM	PART NUMBER	QTY	DESCRIPTION	REV
1	1001179690	Ref	JCB Carriage Installation	A
	1001177869	1	Installation, JCB Coupler (See Separate Breakdown in this Section)	
2	1001111758	1	Assembly, JCB Fork (See Separate Breakdown in this Section)	
3	1001179685	1	Chart, Load Metric JCB Coupler (not shown) (See Separate Breakdown in DECAL Section) (4017RS)	
4	1001179686	1	Chart, Load Metric JCB Coupler (Outriggers) (not shown) (See Separate Breakdown in DECAL Section) (4017RS)	

SECTION 3 - ATTACHMENTS

FIGURE 3-17. CARRIAGE INSTALLATION - MANITOU (3614RS)



ART_1001179687-A

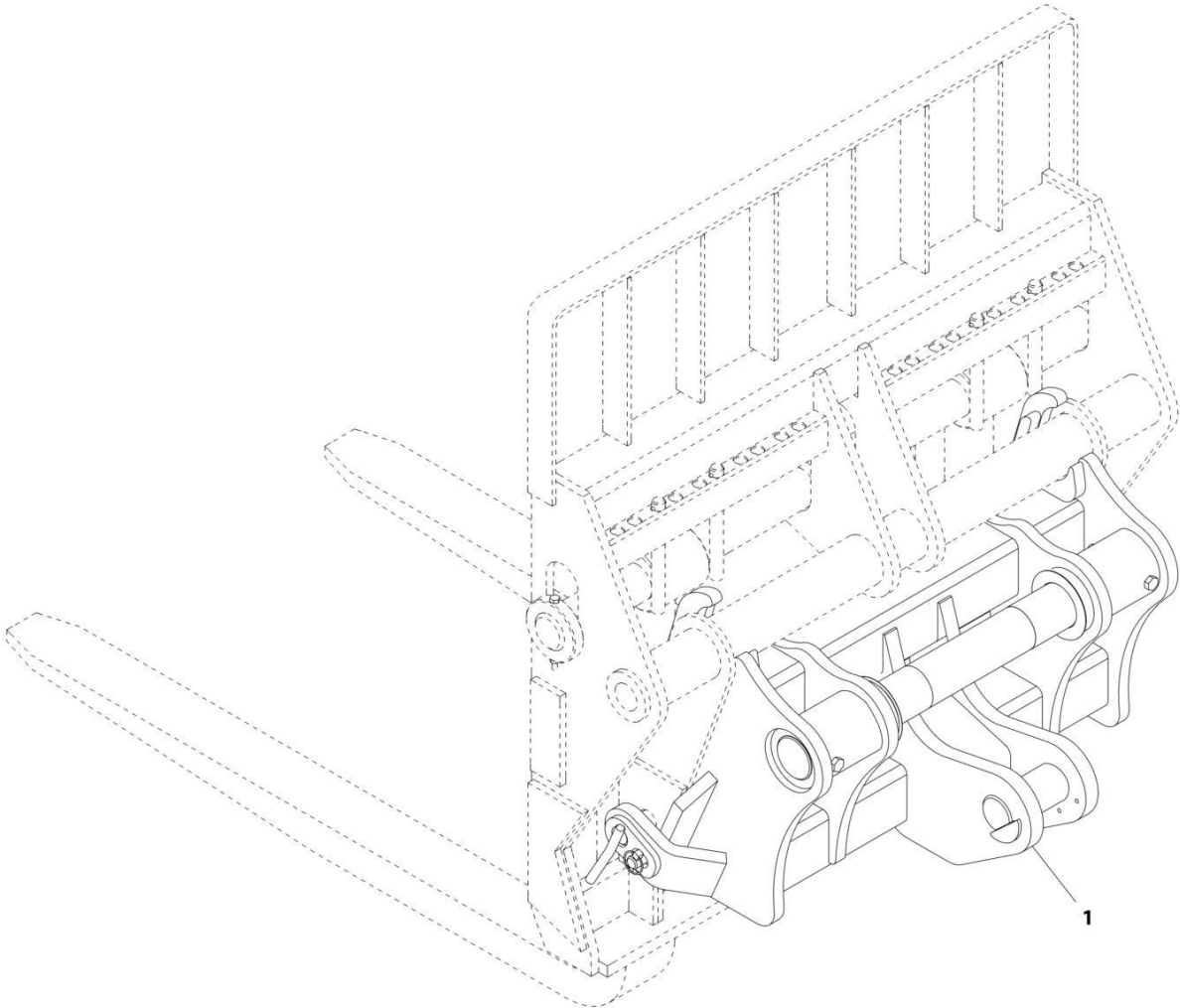
SECTION 3 - ATTACHMENTS

FIGURE 3-17. CARRIAGE INSTALLATION - MANITOU (3614RS)

ITEM	PART NUMBER	QTY	DESCRIPTION	REV
1	1001179687	Ref	Manitou Carriage Installation	A
	1001177868	1	Installation, Manitou Coupler (See Separate Breakdown in this Section)	
2	1001179679	1	Chart, Load Manitou Carriage (not shown) (See Separate Breakdown in DECAL Section) (3614RS)	
3	1001179680	1	Chart, Load Manitou Carriage (Outriggers) (not shown) (See Separate Breakdown in DECAL Section) (3614RS)	

SECTION 3 - ATTACHMENTS

FIGURE 3-18. CARRIAGE INSTALLATION - MANITOU (4017RS)



ART_1001179688-A

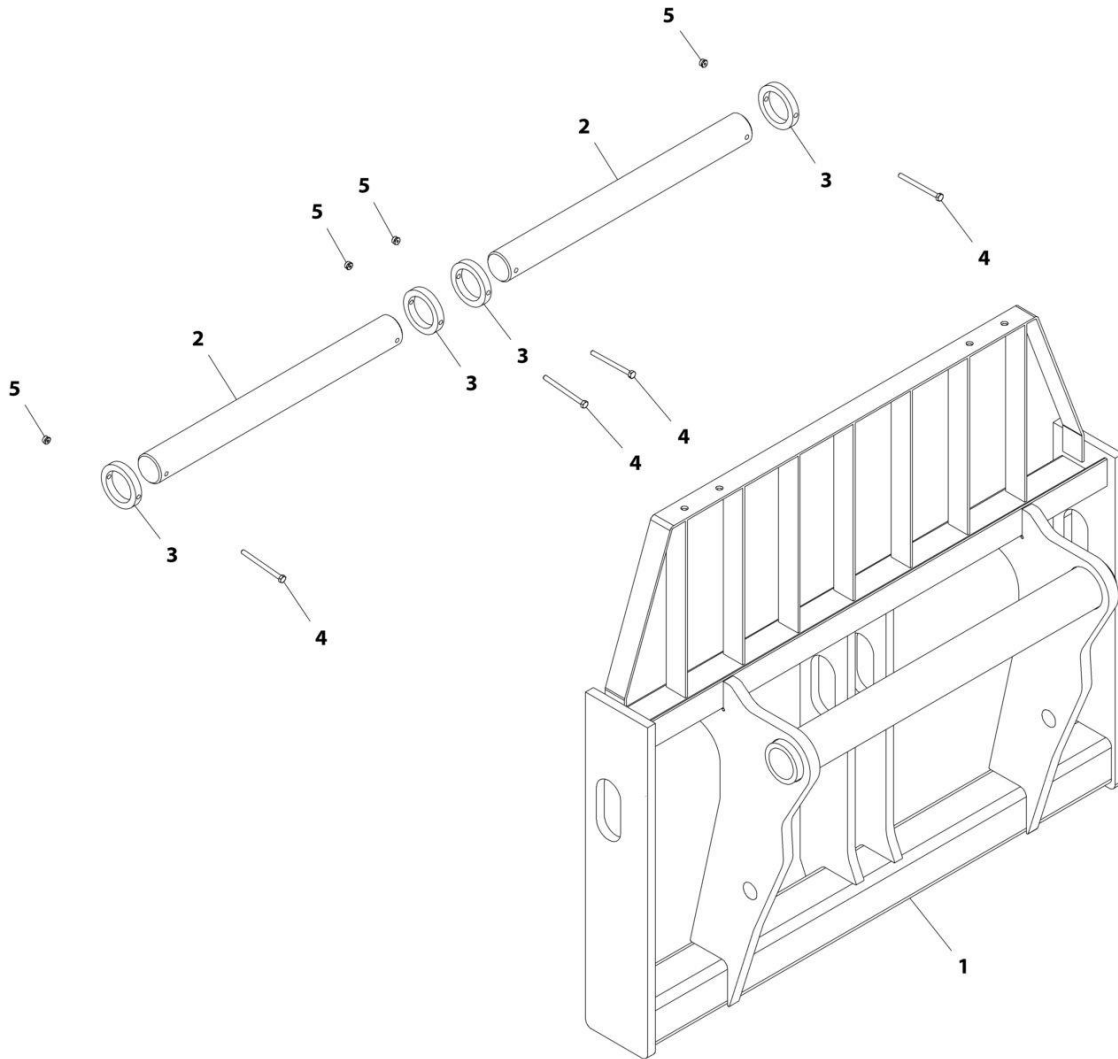
SECTION 3 - ATTACHMENTS

FIGURE 3-18. CARRIAGE INSTALLATION - MANITOU (4017RS)

ITEM	PART NUMBER	QTY	DESCRIPTION	REV
1	1001179688	Ref	Manitou Carriage Installation	A
	1001177868	1	Installation, Manitou Coupler (See Separate Breakdown in this Section)	
2	1001179681	1	Chart, Load Manitou Carriage (not shown) (See Separate Breakdown in DECAL Section) (4017RS)	
3	1001179682	1	Chart, Load Manitou Carriage (Outriggers) (not shown) (See Separate Breakdown in DECAL Section) (4017RS)	

SECTION 3 - ATTACHMENTS

FIGURE 3-19. CARRIAGE ASSEMBLY - MANITOU FIT



ART_1001102553-B

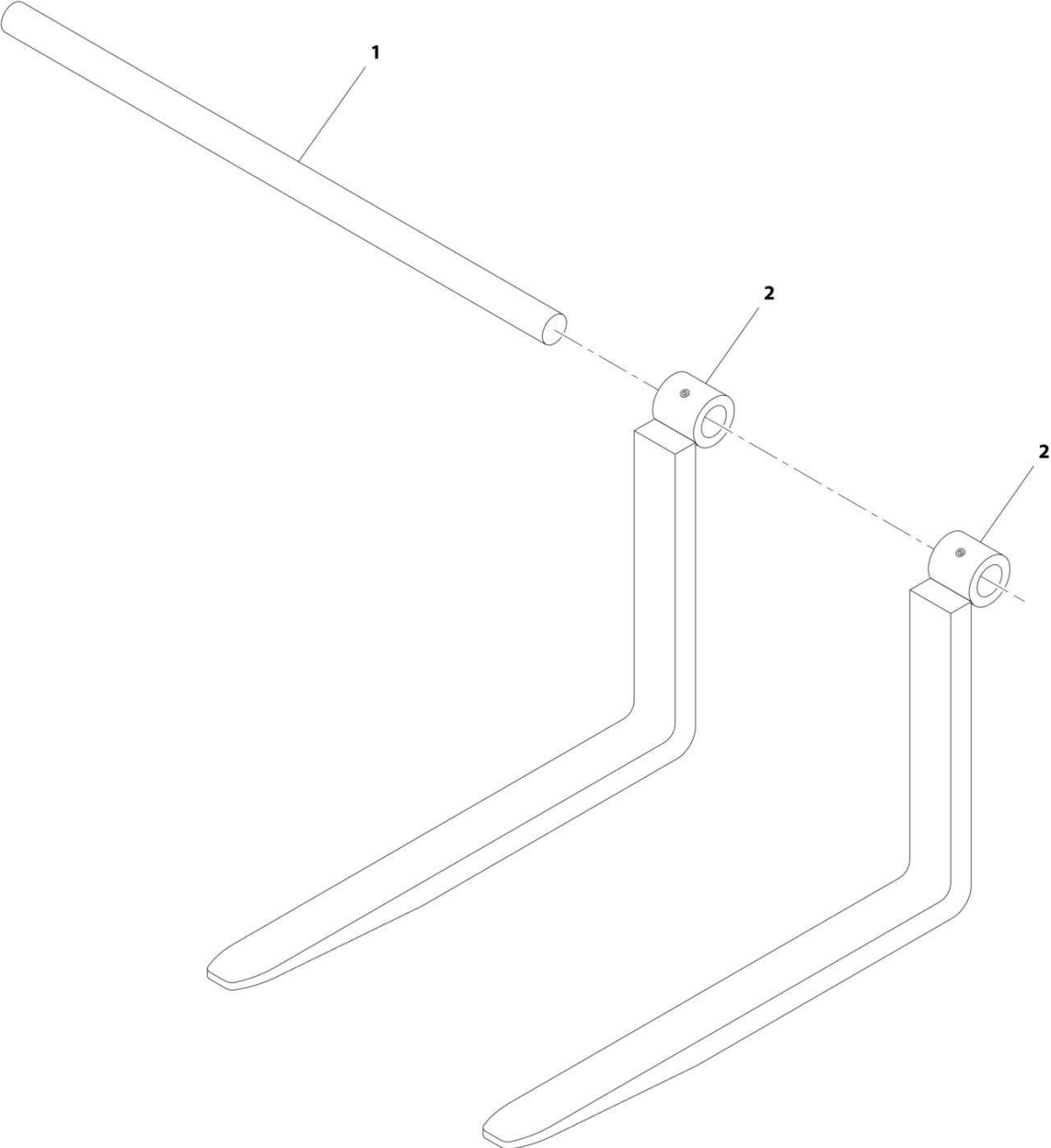
SECTION 3 - ATTACHMENTS

FIGURE 3-19. CARRIAGE ASSEMBLY - MANITOU FIT

ITEM	PART NUMBER	QTY	DESCRIPTION	REV
	1001102553	Ref	Carriage Assembly (Manitou Fit)	B
1	NSS	1	Weldment, Carriage	
2	4040283	2	Shaft, Carriage	
3	3760508	4	Collar, Shaft	
4	0700827	4	Bolt, M8X100	
5	3290805	4	Nut, M8X1.25 Grade 8	

SECTION 3 - ATTACHMENTS

FIGURE 3-20. CARRIAGE ASSEMBLY (JCB FIT)



ART_1001111758-E

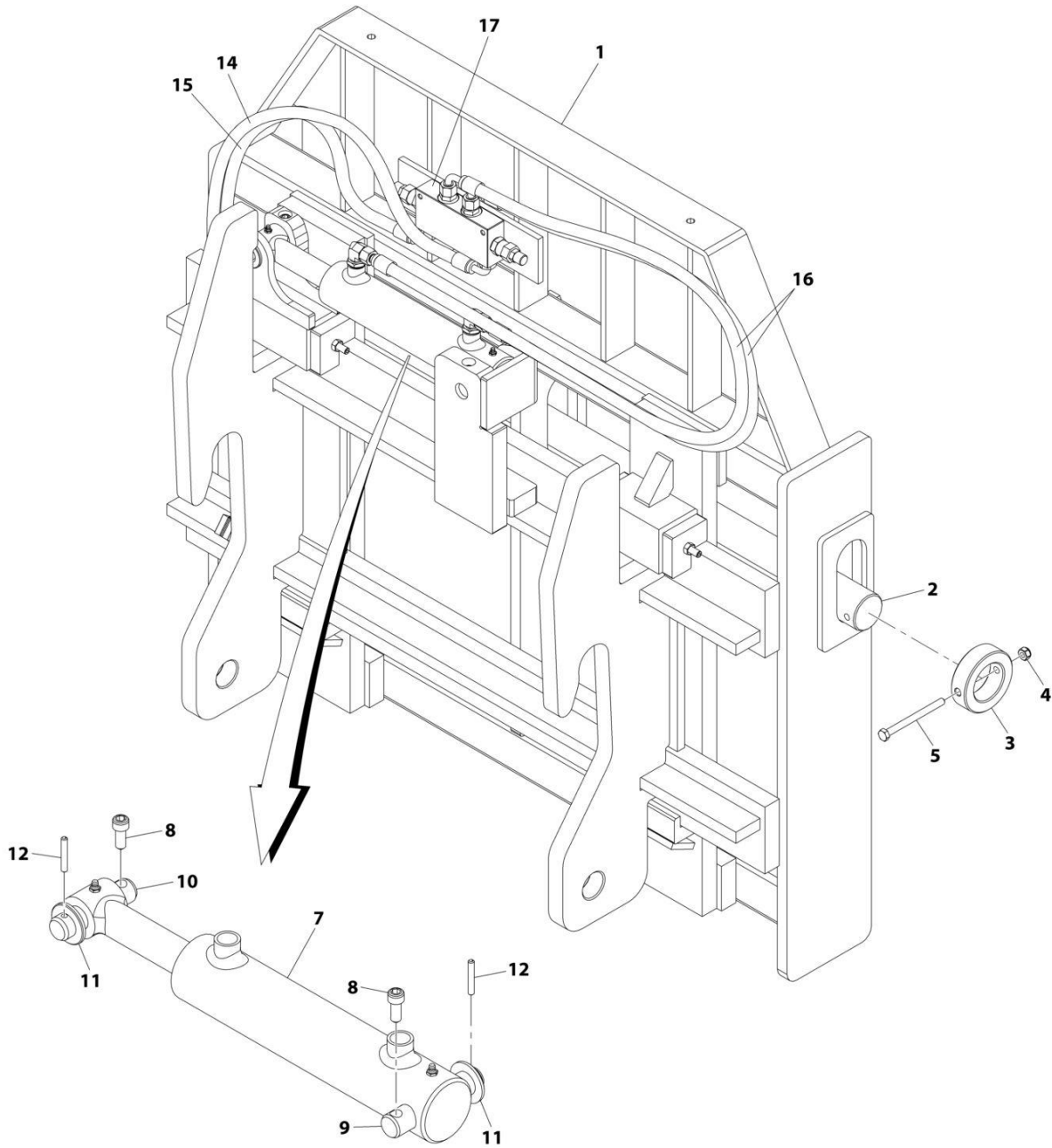
SECTION 3 - ATTACHMENTS

FIGURE 3-20. CARRIAGE ASSEMBLY (JCB FIT)

ITEM	PART NUMBER	QTY	DESCRIPTION	REV
	1001111758	Ref	Fork Assembly (JCB Fit)	E
1	1001108133	1	Fork Bar	
2	1001111757	2	Fork	

SECTION 3 - ATTACHMENTS

FIGURE 3-21. CARRIAGE - SIDE SHIFT (4.0 TON - 1255 MM)



ART_1170002-L

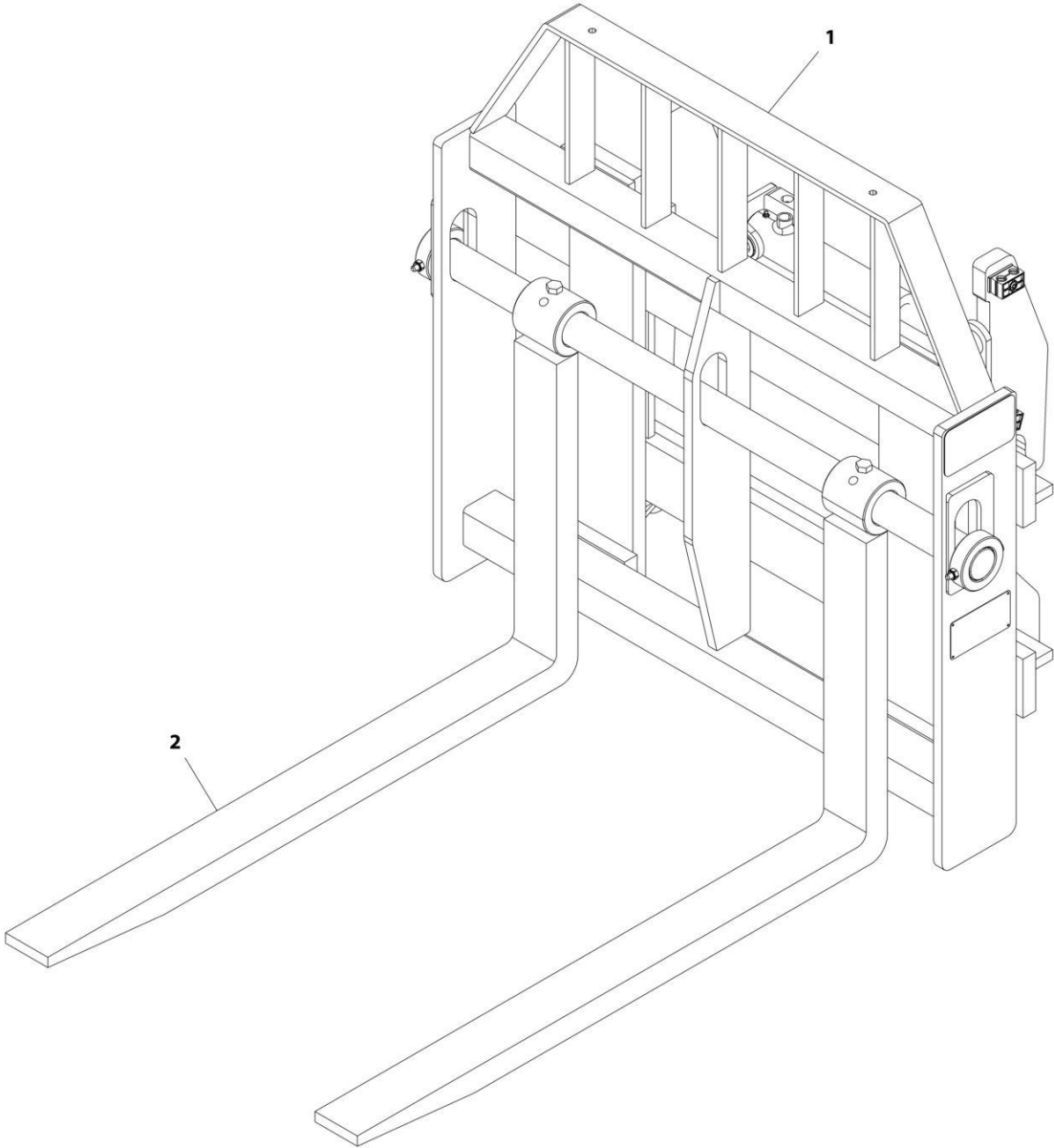
SECTION 3 - ATTACHMENTS

FIGURE 3-21. CARRIAGE - SIDE SHIFT (4.0 TON - 1255 MM)

ITEM	PART NUMBER	QTY	DESCRIPTION	REV
	1170002	Ref	Side Shift Carriage (4.0 ton - 1255 MM)	L
1	N.S.S.	1	Carriage, Side Shift	
2	7028136	1	Bar, Fork Carrier	
3	7028137	2	Collar	
4	3291005	2	Nut, Lock M10X1.5	
5	0701029	2	Bolt, M10X120	
7	70021558	1	Cylinder	
8	70021559	2	Bolt	
9	70021560	1	Pin	
10	70021561	1	Pin	
11	70021562	2	Washer	
12	70021563	2	Pin	
13	N.S.S.	1	Plate, Serial Number, (not shown)	
14	70029011	3	Hose	
15	70029012	1	Hose	
16	70029013	2	Hose	
17	70027291	1	Balancing Valve	

SECTION 3 - ATTACHMENTS

FIGURE 3-22. CARRIAGE INSTALLATION - SIDE SHIFT (3614RS)



ART_1001201185-A

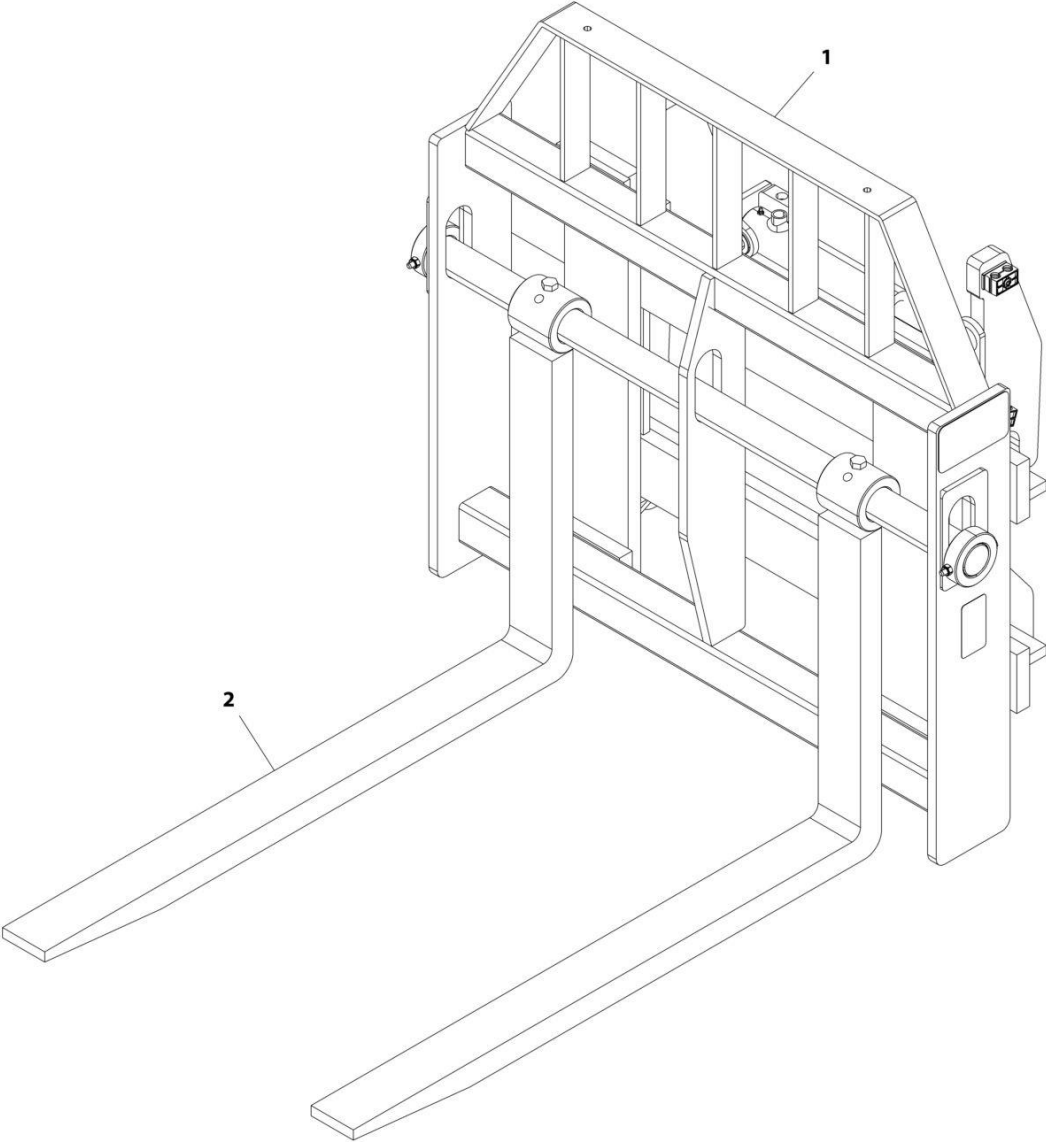
SECTION 3 - ATTACHMENTS

FIGURE 3-22. CARRIAGE INSTALLATION - SIDE SHIFT (3614RS)

ITEM	PART NUMBER	QTY	DESCRIPTION	REV
	1001201185	Ref	Side Shift Carriage Installation	A
1	1170002	1	Carriage, Side Shift (See Separate Breakdown in this Section)	
2	2340030	1	Assembly, Fork Tine (See Separate Breakdown in this Section)	
3	1001201187	1	Chart, Load Metric Side Shift (not shown) (See Separate Breakdown in DECAL Section) (3614RS)	
4	1001201188	1	Chart, Load Metric Side Shift (Outriggers) (not shown) (See Separate Breakdown in DECAL Section) (3614RS)	

SECTION 3 - ATTACHMENTS

FIGURE 3-23. CARRIAGE - SIDE SHIFT INSTALLATION (4017RS)



ART_1001201189-A

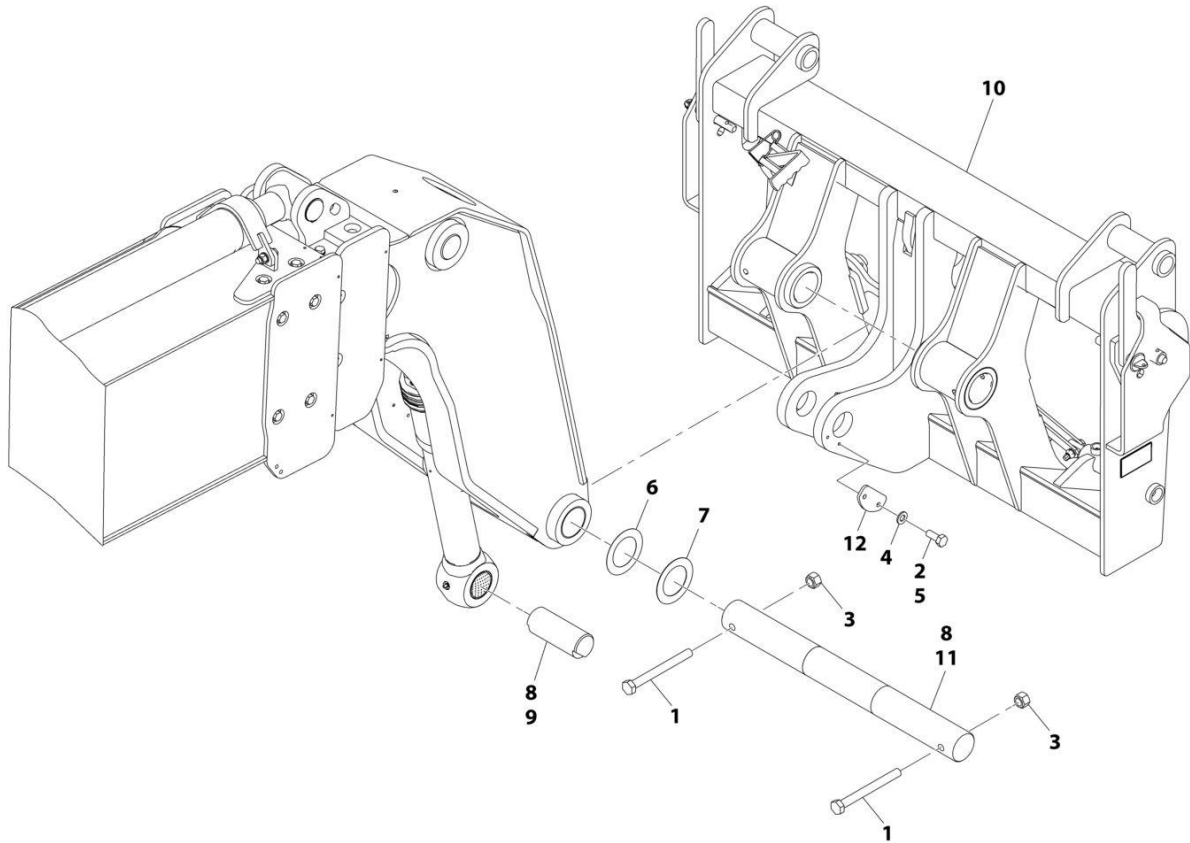
SECTION 3 - ATTACHMENTS

FIGURE 3-23. CARRIAGE - SIDE SHIFT INSTALLATION (4017RS)

ITEM	PART NUMBER	QTY	DESCRIPTION	REV
	1001201189	Ref	Side Shift Carriage Installation	A
1	1170002	1	Carriage, Side Shift (See Separate Breakdown in this Section)	
2	2340030	1	Assembly, Fork Tine (See Separate Breakdown in this Section)	
3	1001201190	1	Chart, Load Metric Side Shift (not shown) (See Separate Breakdown in DECAL Section) (4017RS)	
4	1001201191	1	Chart, Load Metric Side Shift (Outriggers) (not shown) (See Separate Breakdown in DECAL Section) (4017RS)	

SECTION 3 - ATTACHMENTS

FIGURE 3-24. COUPLER INSTALLATION - JCB



ART_1001177869-B

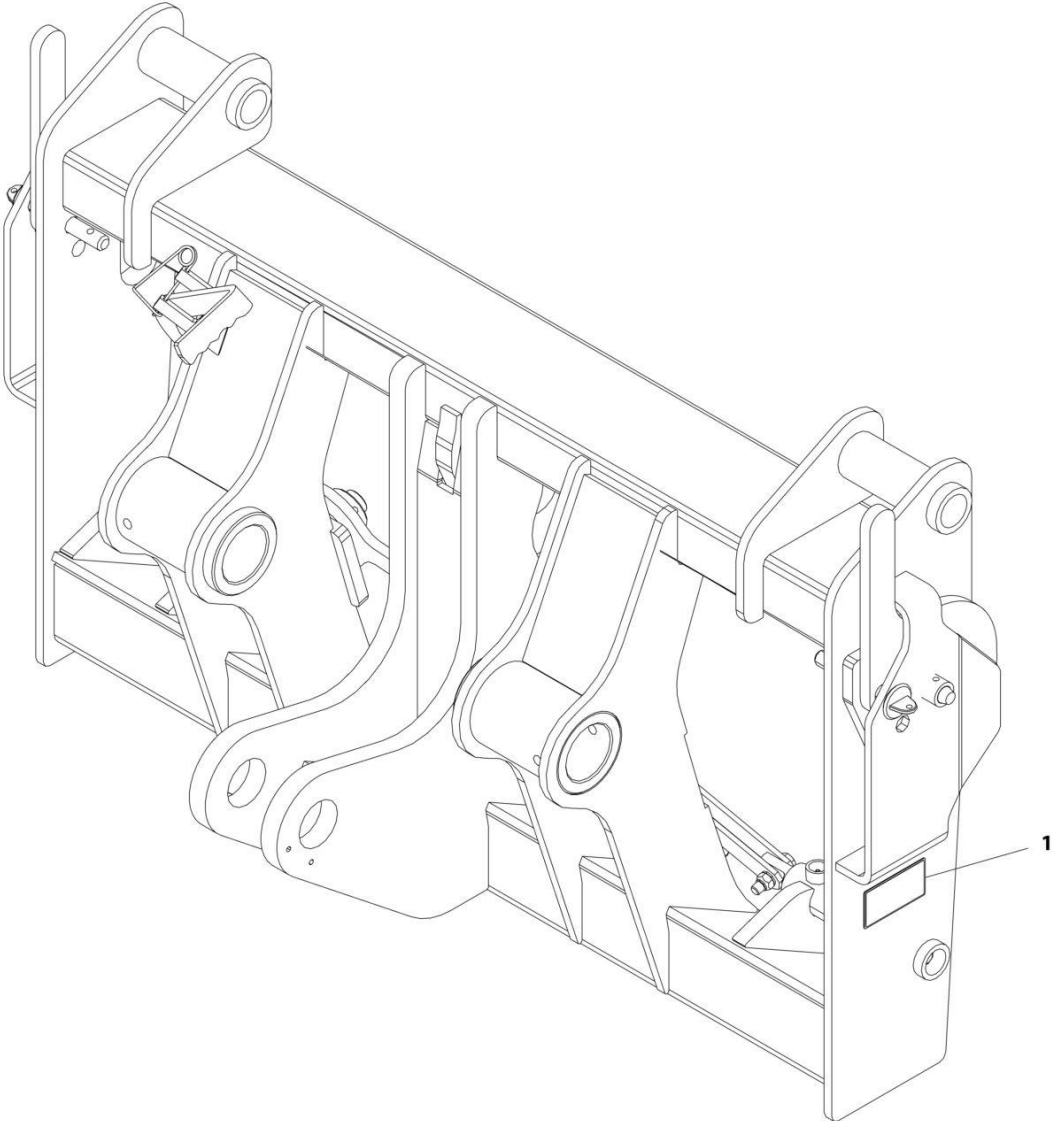
SECTION 3 - ATTACHMENTS

FIGURE 3-24. COUPLER INSTALLATION - JCB

ITEM	PART NUMBER	QTY	DESCRIPTION	REV
	1001177869	Ref	JCB Coupler Installation	B
1	0711229	2	Bolt, M12X120	
2	0760810	2	Bolt, M8X20	
3	3291205	2	Nut, Lock M12X1.75	
4	4811900	2	Washer, M8	
5	1001095650	AR	Compound, Locking	
6	1001098146	AR	Shim, 72X110X0.5	
7	1001098147	AR	Shim, 72X110X1.0	
8	1001098457	AR	Lube, Lithium Grease	
9	1001147844	1	Pin	
10	1001199290	1	Coupling, JCB (See Separate Breakdown in this Section)	
11	1001147843	1	Pin	
12	1001192350	1	Plate, Pin Retention	

SECTION 3 - ATTACHMENTS

FIGURE 3-25. JCB COUPLING



ART_1001199290-A

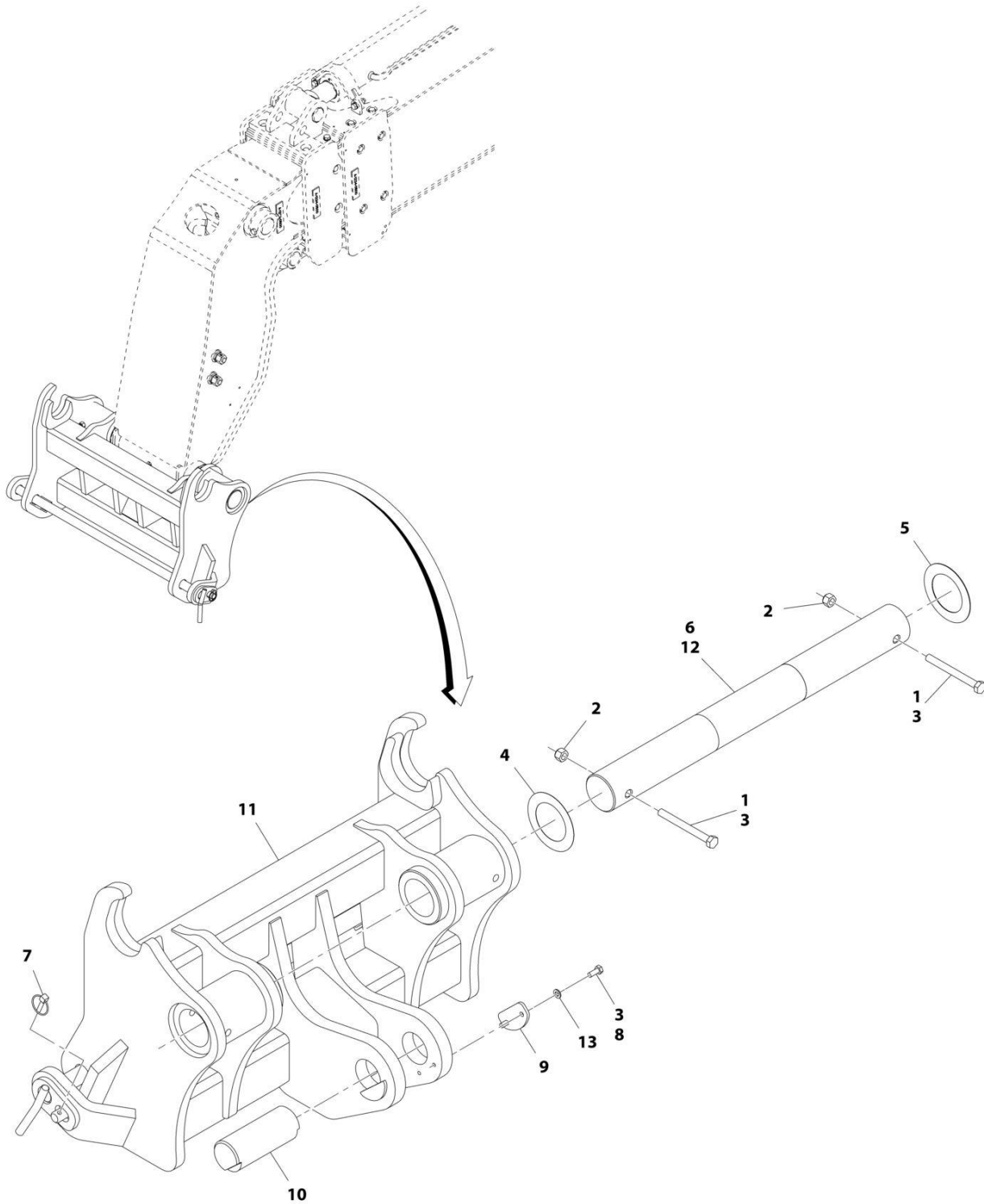
SECTION 3 - ATTACHMENTS

FIGURE 3-25. JCB COUPLING

ITEM	PART NUMBER	QTY	DESCRIPTION	REV
1	1001199290 1001199259	Ref 1	JCB Coupling Decal	A

SECTION 3 - ATTACHMENTS

FIGURE 3-26. COUPLER INSTALLATION - MANITOU



ART_1001177868-C

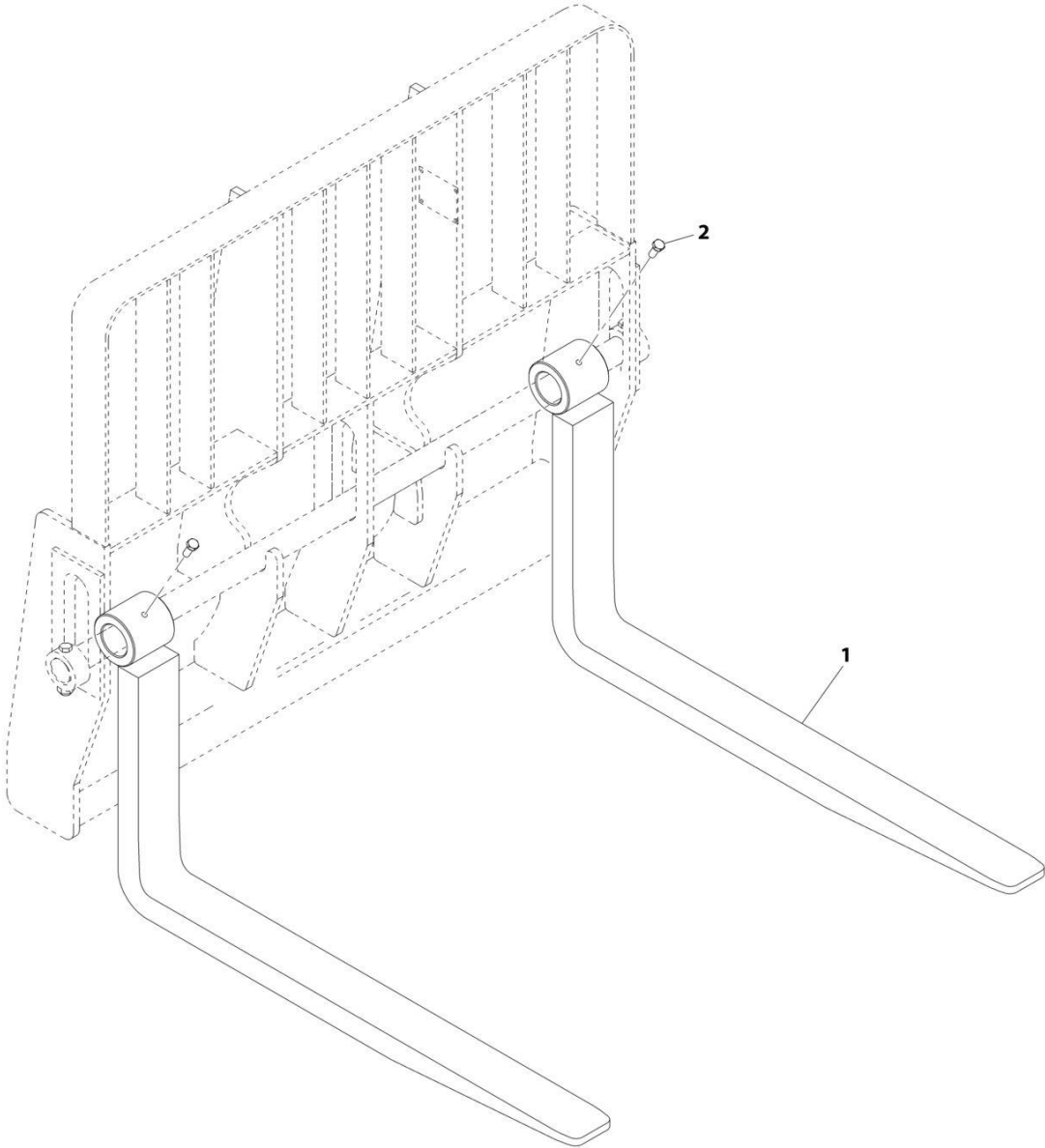
SECTION 3 - ATTACHMENTS

FIGURE 3-26. COUPLER INSTALLATION - MANITOU

ITEM	PART NUMBER	QTY	DESCRIPTION	REV
	1001177868	Ref	Manitou Coupler Installation	C
1	0711229	2	Bolt, M12X120	
2	3291205	2	Nut, Lock, M12X1.75	
3	1001095650	AR	Compound, Locking	
4	1001098146	AR	Shim, 72X110X0.5	
5	1001098147	AR	Shim, 72X110X1.0	
6	1001098457	AR	Cat Multipurpose Grease - NLGI Grade 2	
7	1001104350	1	Pin	
8	0760810	2	Bolt, M8X20	
9	1001192350	1	Plate, Pin Retention	
10	1001147844	1	Pin, Coupler	
11	1001171794	1	Manitou Coupler	
12	1001147843	1	Pin, Coupler	
13	4811900	2	Washer, M8	

SECTION 3 - ATTACHMENTS

FIGURE 3-27. FORK - PALLET (50X100X1200)



ART_1001100911-E

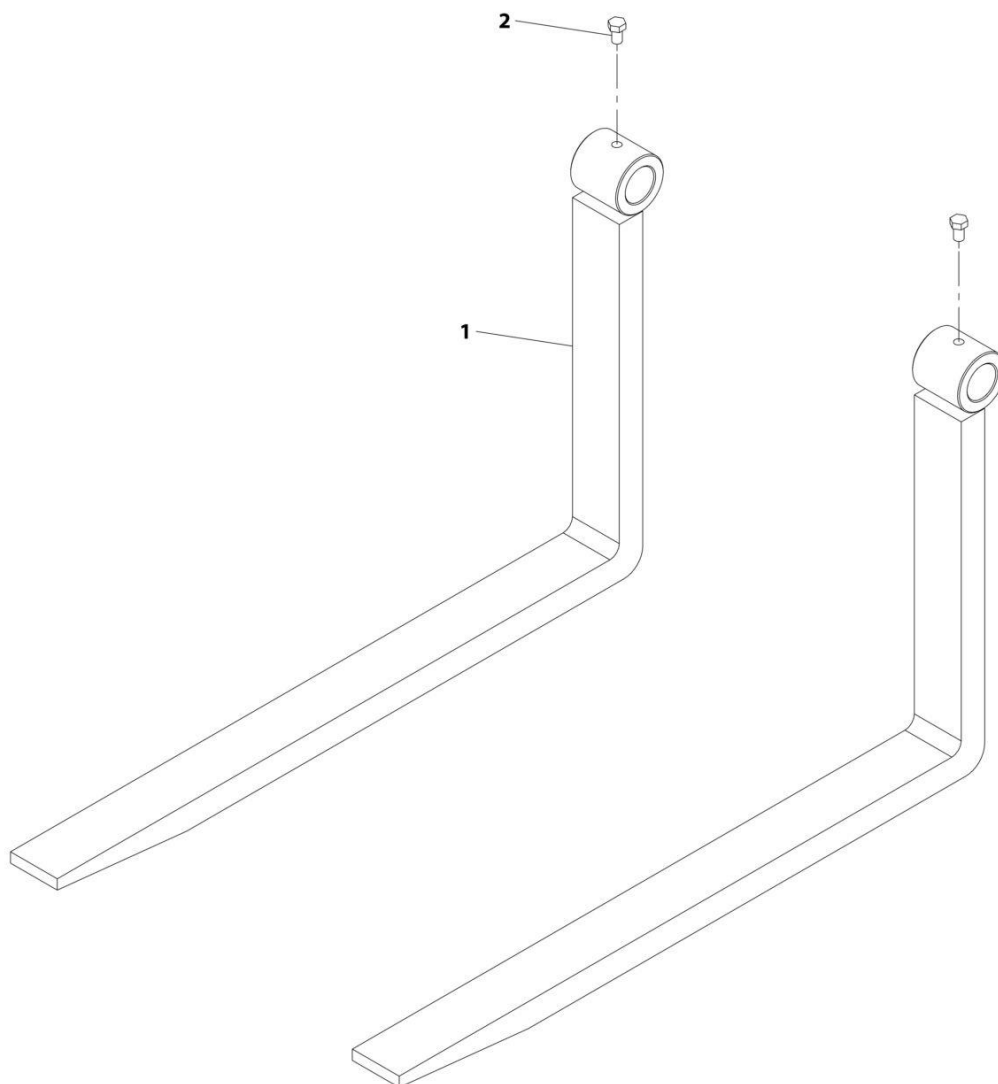
SECTION 3 - ATTACHMENTS

FIGURE 3-27. FORK - PALLET (50X100X1200)

ITEM	PART NUMBER	QTY	DESCRIPTION	REV
1	1001100911	1 pr	Pallet Fork (50X100X1220)	E
2	70027179	2	Screw	
	Note	Ref	<p>FORKS RATED LESS THAN THE ATTACHMENT OR MACHINE'S CAPACITY DECREASES CAPACITY OF THE ATTACHMENT OR MACHINE TO THAT OF THE FORKS. FORKS RATED MORE THAN THE ATTACHMENT OR MACHINE'S CAPACITY DO NOT INCREASE ATTACHMENT OR MACHINE'S CAPACITY.</p>	
	Note	Ref	<p>PLEASE CONSULT JLG PARTS DEPARTMENT TO DETERMINE THE CORRECT FORKS APPLICABLE TO YOUR SPECIFIC CARRIAGE ASSEMBLY AND APPLICATION.</p>	

SECTION 3 - ATTACHMENTS

FIGURE 3-28. FORK - PALLET (50X120X1200) (IF EQUIPPED WITH SIDE SHIFT CARRIAGE (4.0 TON - 1225MM))



ART_2340030-D

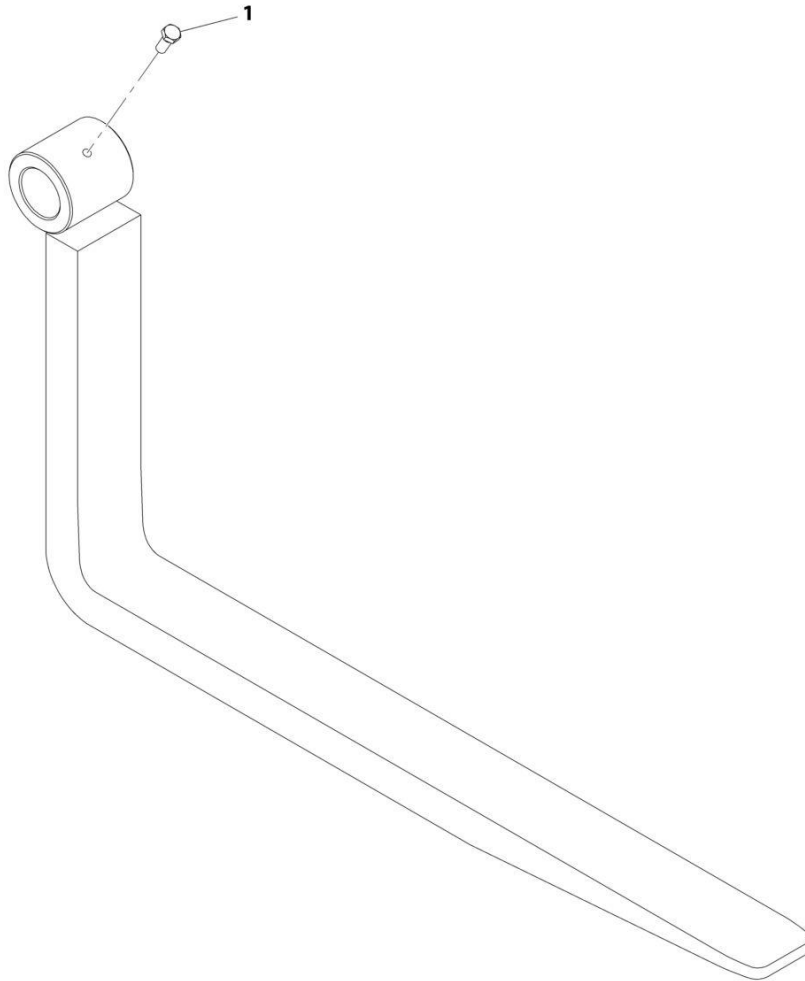
SECTION 3 - ATTACHMENTS

FIGURE 3-28. FORK - PALLET (50X120X1200) (IF EQUIPPED WITH SIDE SHIFT CARRIAGE (4.0 TON - 1225MM))

ITEM	PART NUMBER	QTY	DESCRIPTION	REV
1	2340030	2 pr	Pallet Fork (50X120X1200)	D
2	0761612	2	Bolt, M16X25	
	Note	Ref	<p>FORKS RATED LESS THAN THE ATTACHMENT OR MACHINE'S CAPACITY DECREASES CAPACITY OF THE ATTACHMENT OR MACHINE TO THAT OF THE FORKS. FORKS RATED MORE THAN THE ATTACHMENT OR MACHINE'S CAPACITY DO NOT INCREASE ATTACHMENT OR MACHINE'S CAPACITY.</p>	
	Note	Ref	<p>PLEASE CONSULT JLG PARTS DEPARTMENT TO DETERMINE THE CORRECT FORKS APPLICABLE TO YOUR SPECIFIC CARRIAGE ASSEMBLY AND APPLICATION.</p>	

SECTION 3 - ATTACHMENTS

FIGURE 3-29. FORK - PALLET (50X120X1200)



ART_1001117945-C

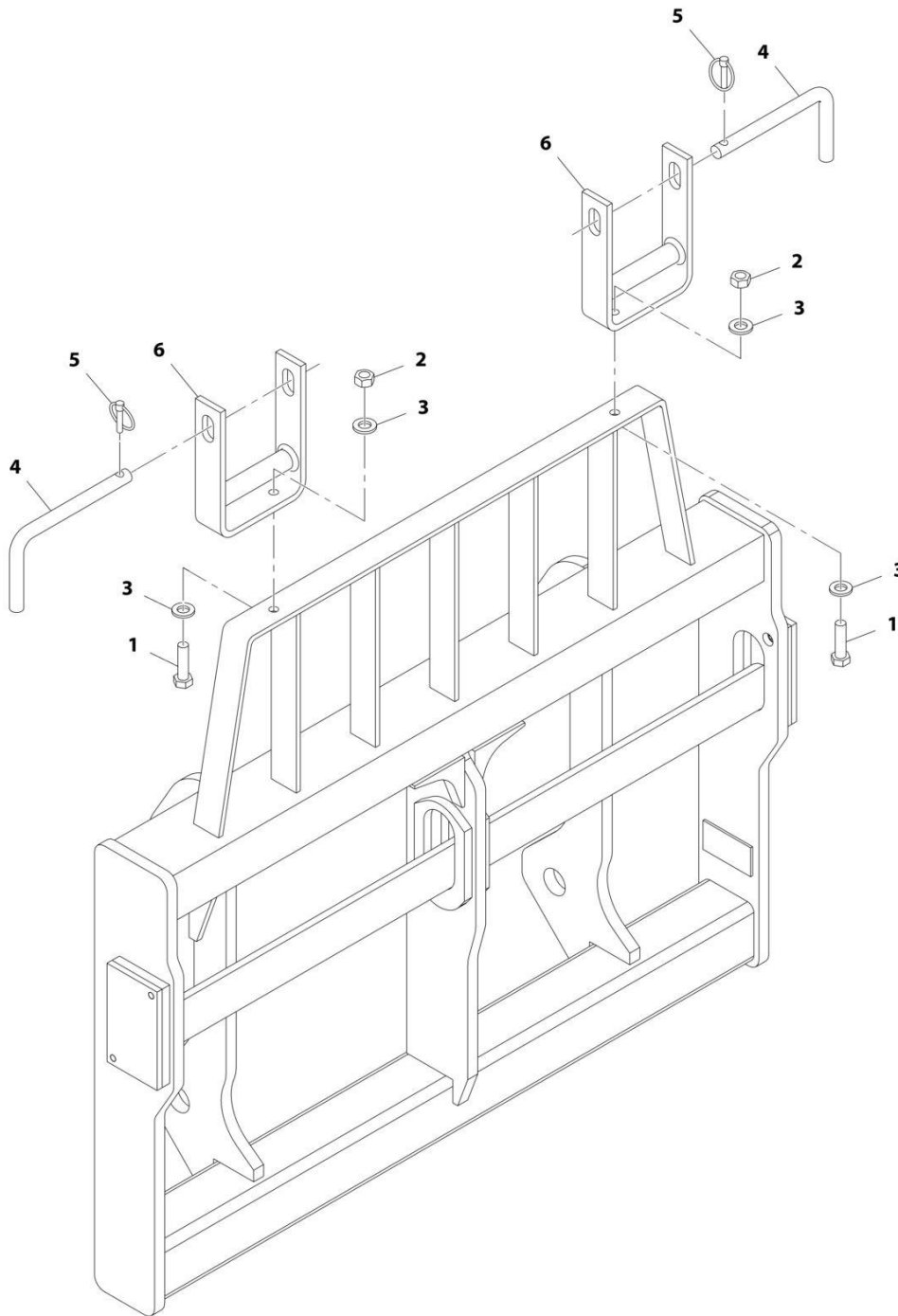
SECTION 3 - ATTACHMENTS

FIGURE 3-29. FORK - PALLET (50X120X1200)

ITEM	PART NUMBER	QTY	DESCRIPTION	REV
1	1001117945 0761612 Note	1 pr 2 Ref	Pallet Fork (50X120X1200) Bolt, M16X25 FORKS RATED LESS THAN THE ATTACHMENT OR MACHINE'S CAPACITY DECREASES CAPACITY OF THE ATTACHMENT OR MACHINE TO THAT OF THE FORKS. FORKS RATED MORE THAN THE ATTACHMENT OR MACHINE'S CAPACITY DO NOT INCREASE ATTACHMENT OR MACHINE'S CAPACITY.	C
	Note	Ref	PLEASE CONSULT JLG PARTS DEPARTMENT TO DETERMINE THE CORRECT FORKS APPLICABLE TO YOUR SPECIFIC CARRIAGE ASSEMBLY AND APPLICATION.	

SECTION 3 - ATTACHMENTS

FIGURE 3-30. FORK TRANSPORT LATCH INSTALLATION



ART_1001185346-C

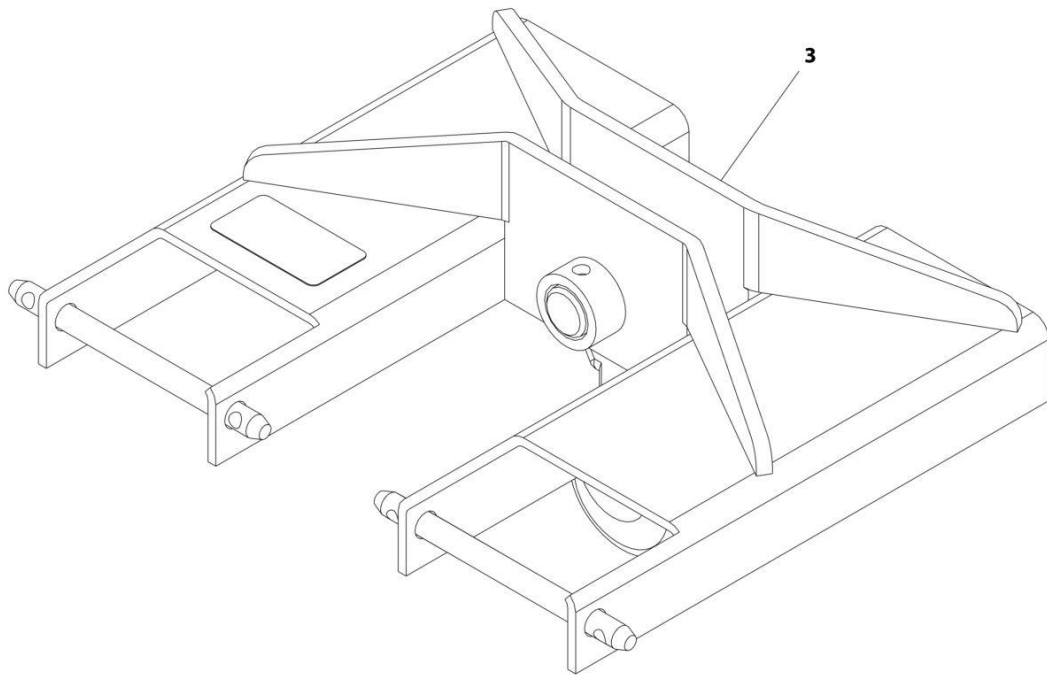
SECTION 3 - ATTACHMENTS

FIGURE 3-30. FORK TRANSPORT LATCH INSTALLATION

ITEM	PART NUMBER	QTY	DESCRIPTION	REV
	1001185346	Ref	Fork Transport Latch Installation	C
1	0701217	2	Bolt, M12X45	
2	3291201	2	Nut, M12X1.75	
3	5241200	4	Washer, M12	
4	1001218462	2	Pin, Carriage Fork Retainer	
5	1001109387	2	Pin, Linch	
6	1001218452	2	Bracket	

SECTION 3 - ATTACHMENTS

FIGURE 3-31. FORK AND HOOK INSTALLATION (3614RS)



ART_1001180971-A

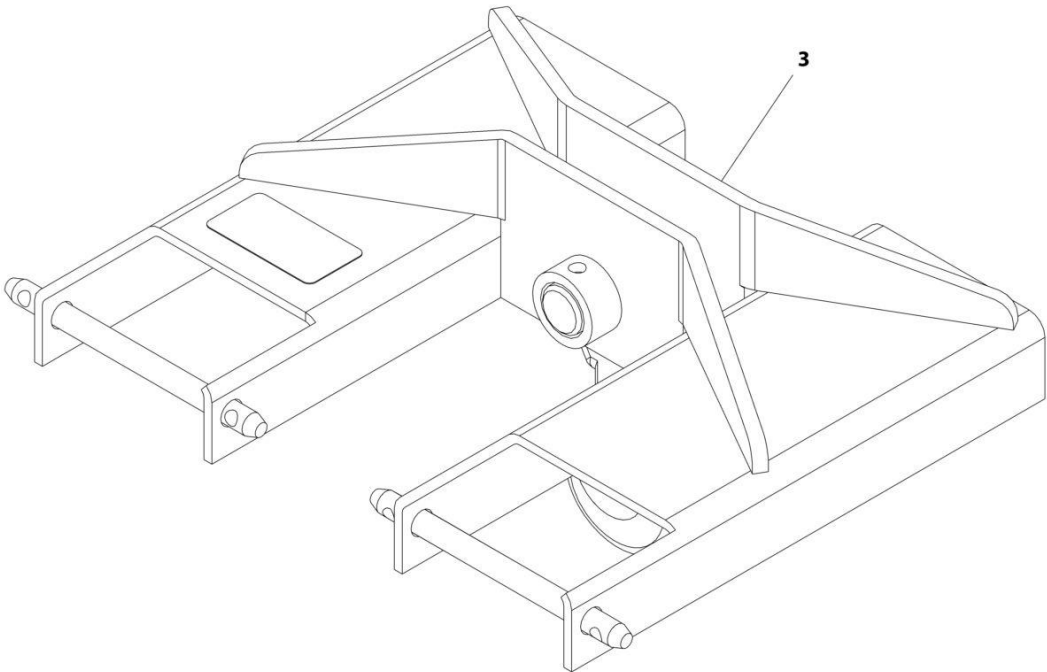
SECTION 3 - ATTACHMENTS

FIGURE 3-31. FORK AND HOOK INSTALLATION (3614RS)

ITEM	PART NUMBER	QTY	DESCRIPTION	REV
	1001180971	Ref	Installation, Fork and Hook	A
1	1001180963	1	Chart, Load Metric Fork Hook (not shown) (See Separate Breakdown in DECAL Section) (3614RS)	
2	1001180964	1	Chart, Load Metric Fork Hook (Outriggers) (not shown) (See Separate Breakdown in DECAL Section) (3614RS)	
3	2700118	1	Hook, 4 Ton Fork (See Separate Breakdown in this Section)	

SECTION 3 - ATTACHMENTS

FIGURE 3-32. FORK AND HOOK INSTALLATION (4017RS)



ART_1001180972-A

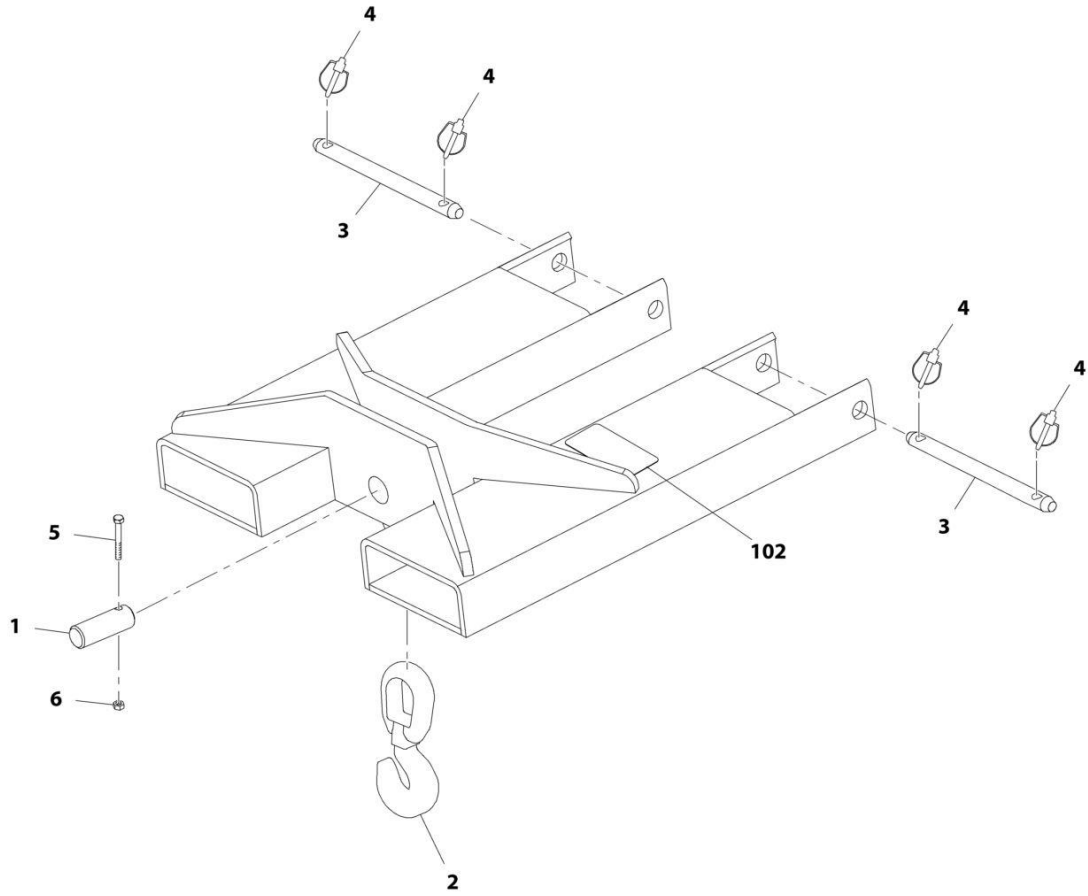
SECTION 3 - ATTACHMENTS

FIGURE 3-32. FORK AND HOOK INSTALLATION (4017RS)

ITEM	PART NUMBER	QTY	DESCRIPTION	REV
	1001180972	Ref	Installation, Fork and Hook	A
1	1001180965	1	Chart, Load Metric Fork Hook (not shown) (See Separate Breakdown in DECAL Section) (4017RS)	
2	1001180966	1	Chart, Load Metric Fork Hook (Outriggers) (not shown) (See Separate Breakdown in DECAL Section) (4017RS)	
3	2700118	1	Hook, 4 Ton Fork (See Separate Breakdown in this Section)	

SECTION 3 - ATTACHMENTS

FIGURE 3-33. FORK MOUNTED HOOK (4 TON)



ART_2700118-E

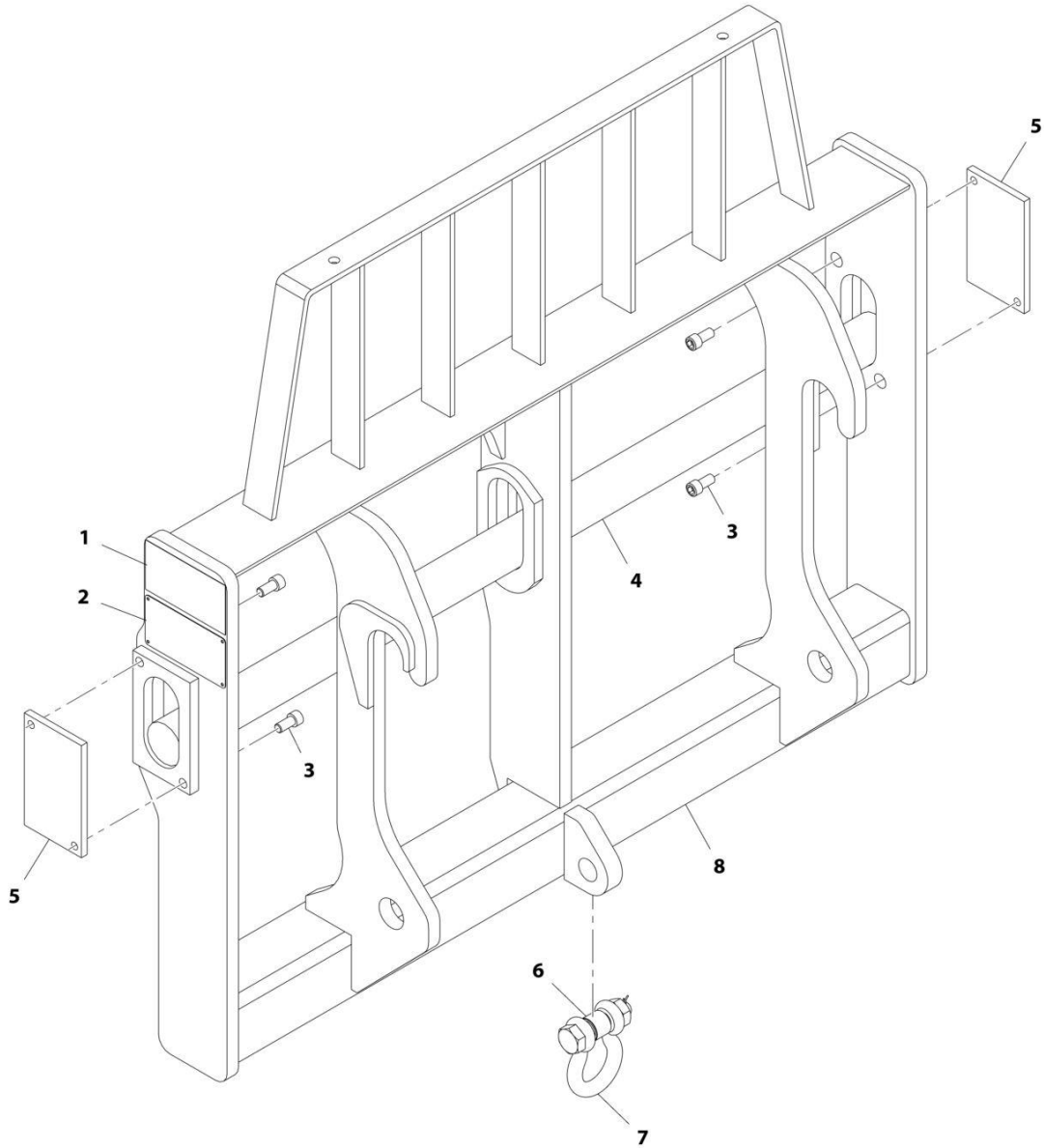
SECTION 3 - ATTACHMENTS

FIGURE 3-33. FORK MOUNTED HOOK (4 TON)

ITEM	PART NUMBER	QTY	DESCRIPTION	REV
	2700118	Ref	Fork Mounted Hook (4 Ton)	E
1	70020201	1	Pin	
2	70020202	1	Hook	
3	70020203	2	Pin	
4	70020204	4	Pin, Retaining	
5	70020205	1	Bolt	
6	70020206	1	Nut, Self Locking	
102	N.S.S.	1	S/N Plate	

SECTION 3 - ATTACHMENTS

FIGURE 3-34. FORK AND HOOK CARRIAGE - 4FT



ART_1001181380-A

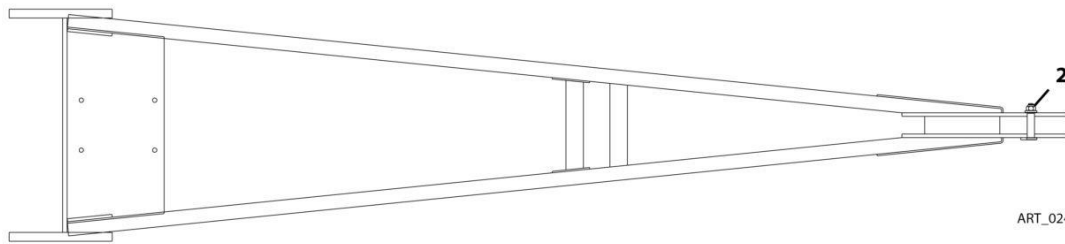
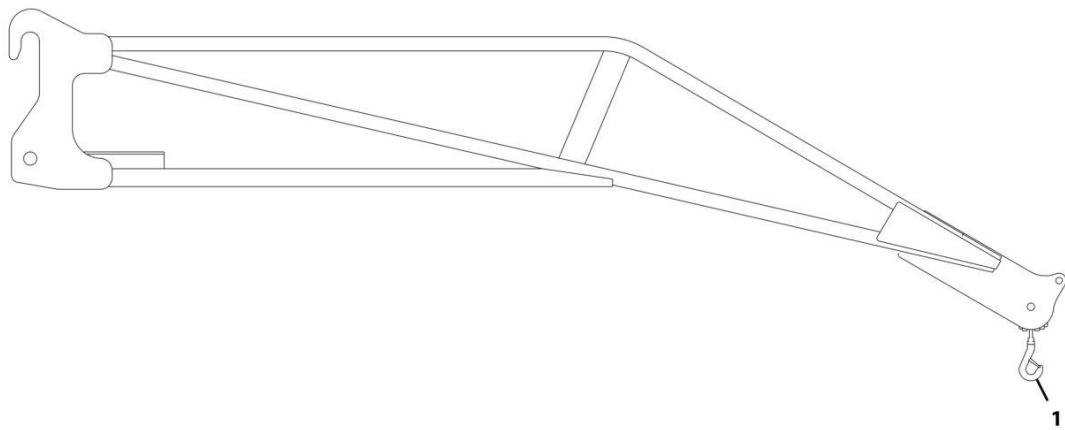
SECTION 3 - ATTACHMENTS

FIGURE 3-34. FORK AND HOOK CARRIAGE - 4FT

ITEM	PART NUMBER	QTY	DESCRIPTION	REV
	1001181380	Ref	4T Fork and Hook Carriage	A
1	N.S.S.	1	Name Plate, Carriage	
2	N.S.S.	1	S/N Plate	
3	4032109	4	Bolt, M12X25	
4	1001107336	1	Shaft, Carriage	
5	1001107338	2	Shaft Cover	
6	1001146159	1	Sleeve	
7	1001146160	1	Shackle	
8	N.S.S.	1	Weldment, Carriage	

SECTION 3 - ATTACHMENTS

FIGURE 3-35. TRUSS BOOM (1 TON - 3.4M)



ART_0240063-D

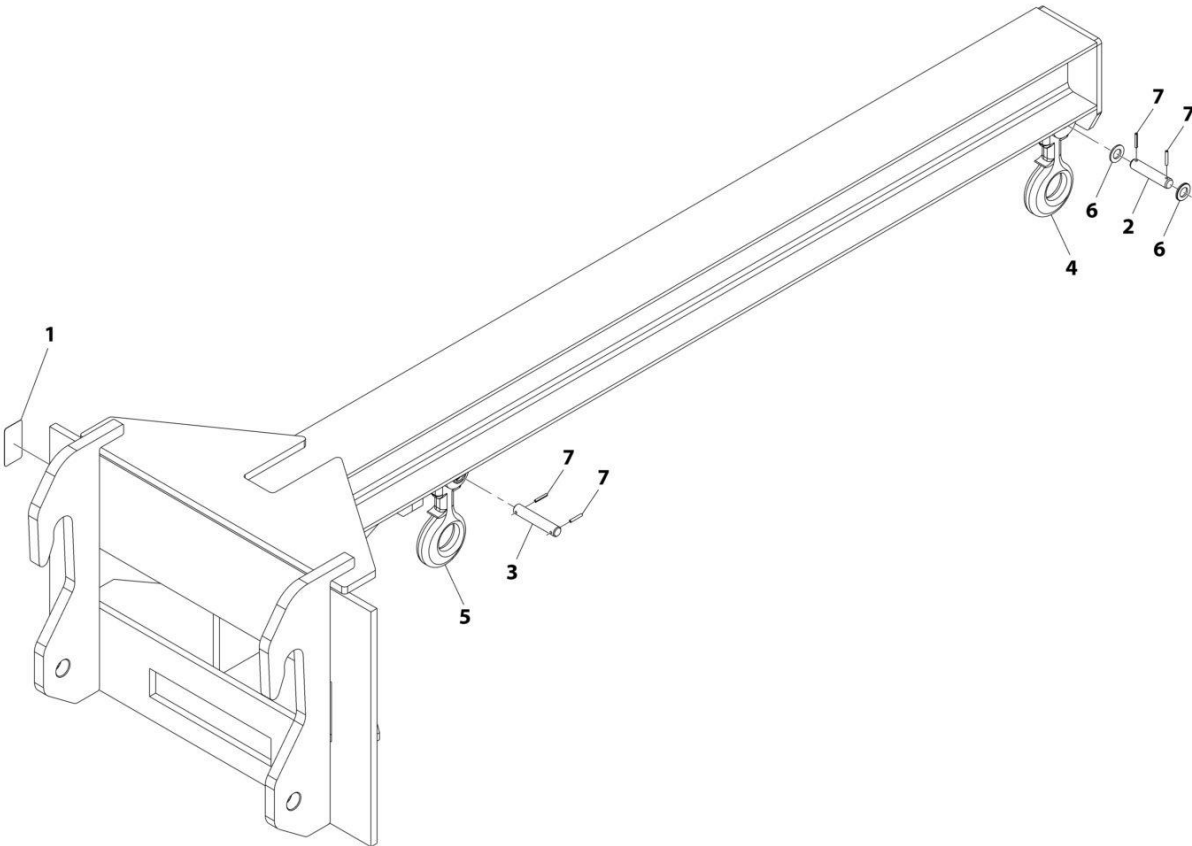
SECTION 3 - ATTACHMENTS

FIGURE 3-35. TRUSS BOOM (1 TON - 3.4M)

ITEM	PART NUMBER	QTY	DESCRIPTION	REV
	0240063	Ref	Truss Boom (1 Ton - 3.4M)	D
1	70020421	1	Hook	
2	70020422	1	Bolt	

SECTION 3 - ATTACHMENTS

FIGURE 3-36. TRUSS BOOM (4000 KG)



ART_1001223184-B

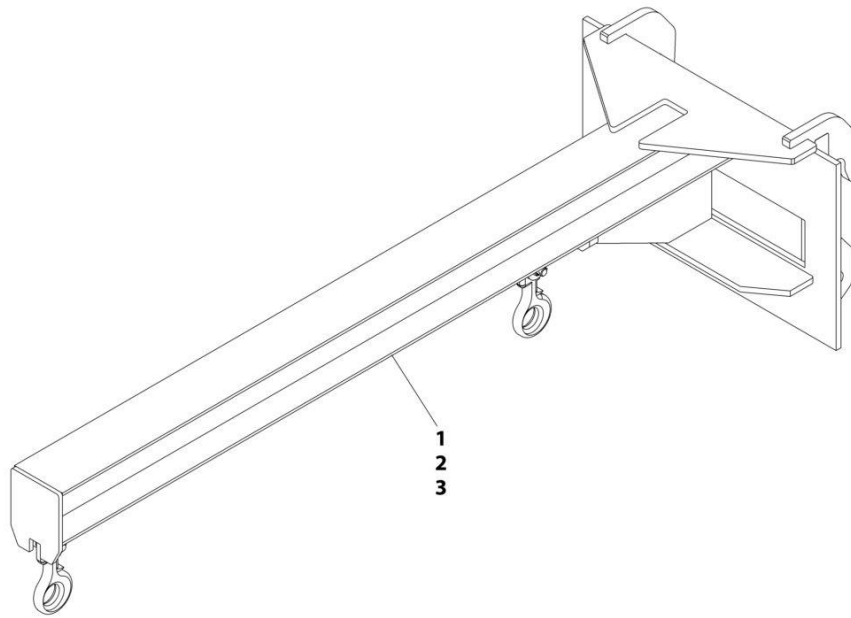
SECTION 3 - ATTACHMENTS

FIGURE 3-36. TRUSS BOOM (4000 KG)

ITEM	PART NUMBER	QTY	DESCRIPTION	REV
	1001223184	Ref	Truss Boom (4000KG)	B
1	N.S.S.	1	S/N Plate	
2	70029263	1	Pin, End Of Truss Boom	
3	70029264	1	Pin, Base Of Truss Boom	
4	70030033	1	Hook, Swivel (Truss End)	
5	70030032	1	Hook, Swivel (Truss Base)	
6	70030034	2	Washer, Flat	
7	70021563	4	Roll Pin	

SECTION 3 - ATTACHMENTS

FIGURE 3-37. TRUSS BOOM (4000 KG) (3614RS)



ART_1001234005-A

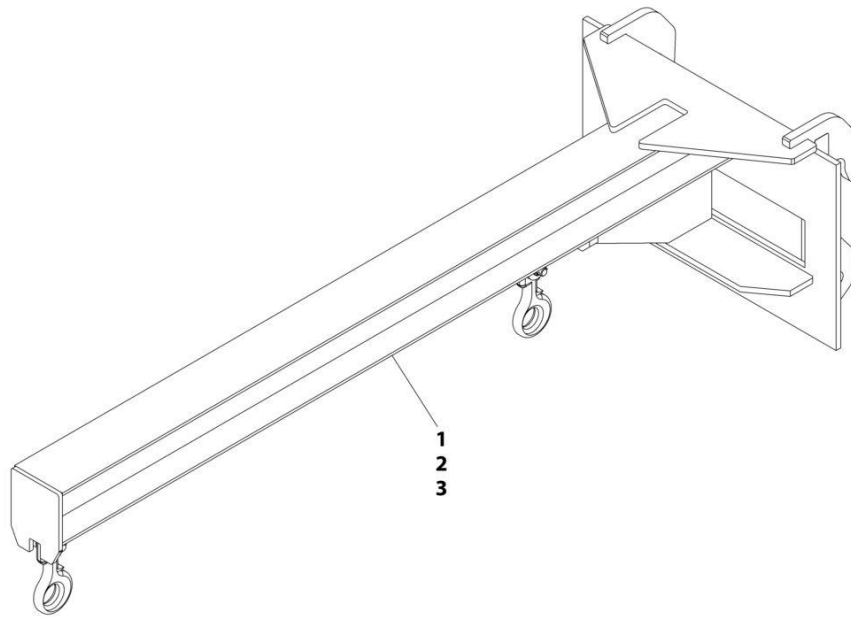
SECTION 3 - ATTACHMENTS

FIGURE 3-37. TRUSS BOOM (4000 KG) (3614RS)

ITEM	PART NUMBER	QTY	DESCRIPTION	REV
	1001234005	Ref	Truss Boom 4000 KG	A
1	1001223184	1	Truss Boom (See Separate Breakdown in this Section)	
2	1001225859	1	Chart, Load Metric Truss Boom 4000 KG (3614RS)	
3	1001225860	1	Chart, Load Metric Truss Boom 4000 KG Stab (3614RS)	

SECTION 3 - ATTACHMENTS

FIGURE 3-38. TRUSS BOOM (4000 KG) (4017RS)



ART_1001234055-A

SECTION 3 - ATTACHMENTS

FIGURE 3-38. TRUSS BOOM (4000 KG) (4017RS)

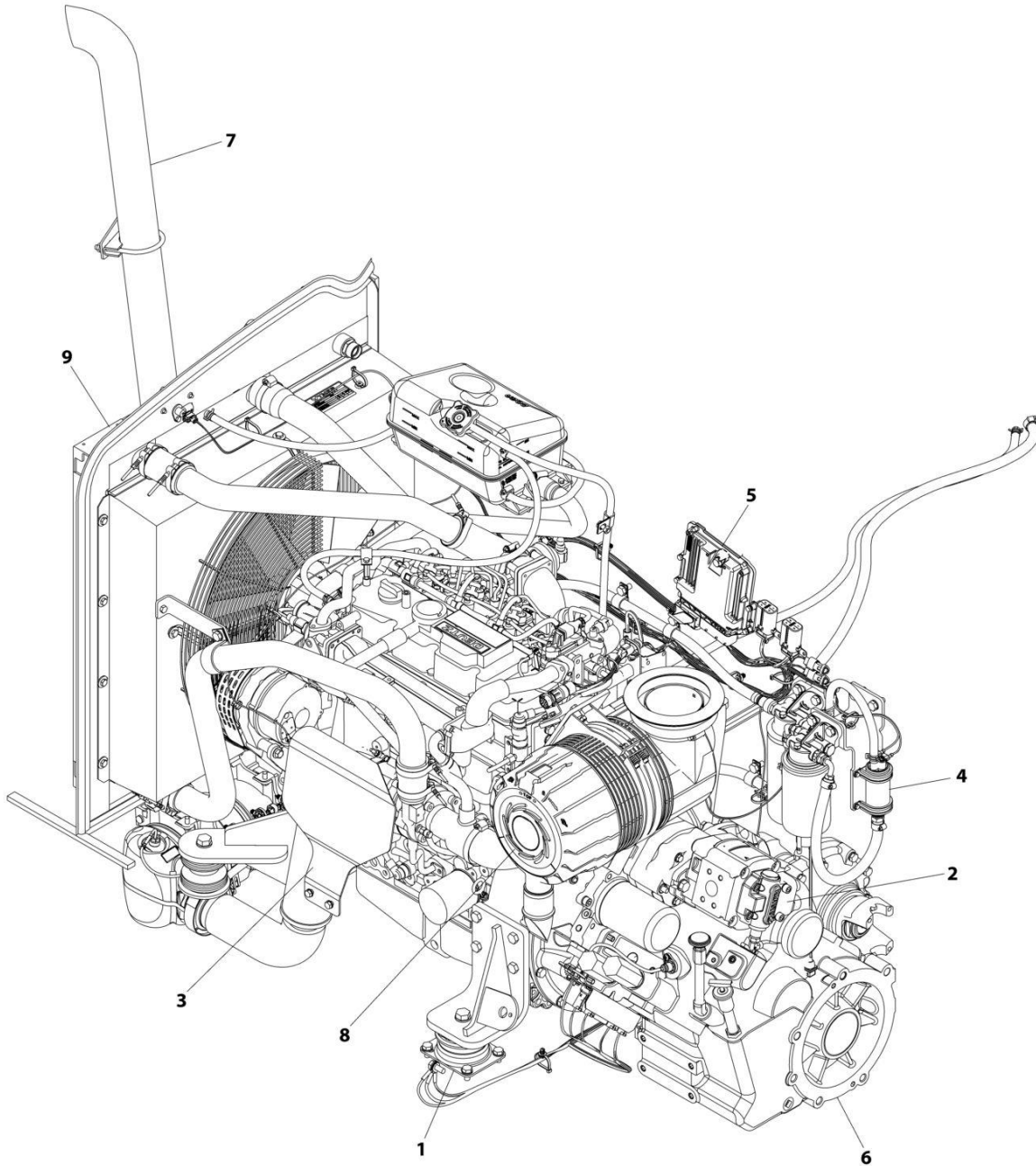
ITEM	PART NUMBER	QTY	DESCRIPTION	REV
	1001234055	Ref	Truss Boom 4000 KG	A
1	1001223184	1	Truss Boom (See Separate Breakdown in this Section)	
2	1001225861	1	Load Chart	
3	1001225862	1	Chart, Load Metric Truss Boom 4000 KG Stab (4017RS)	

SECTION 4 - ENGINE AND ATTACHING PARTS

SECTION 4 - ENGINE AND ATTACHING PARTS

SECTION 4 - ENGINE AND ATTACHING PARTS

FIGURE 4-1. ENGINE INSTALLATION - 55KW (ULS)



ART_1001236939-B

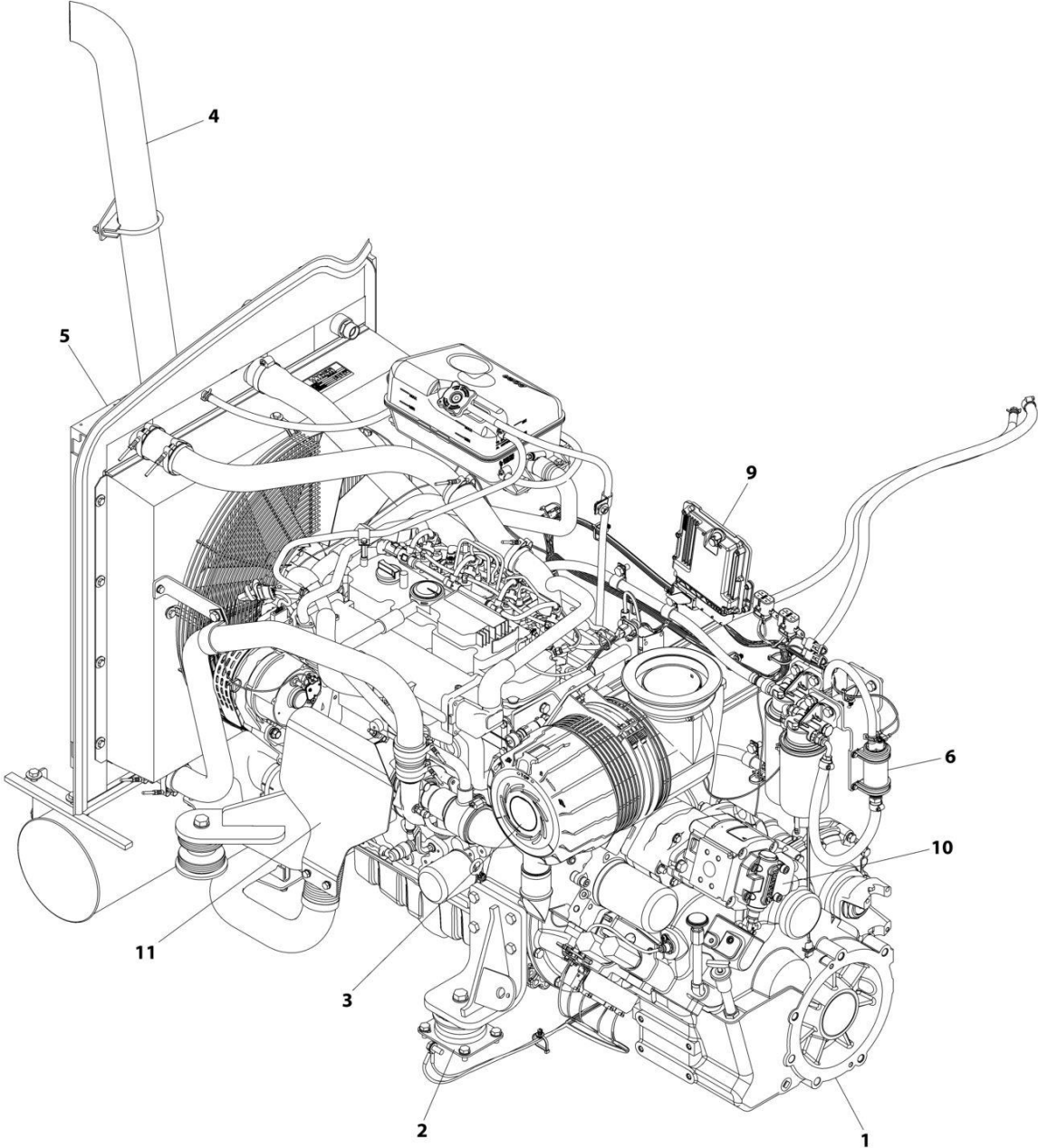
SECTION 4 - ENGINE AND ATTACHING PARTS

FIGURE 4-1. ENGINE INSTALLATION - 55KW (ULS)

ITEM	PART NUMBER	QTY	DESCRIPTION	REV
	1001236939	Ref	Engine Installation, 55KW	B
1	1001141152	1	Engine Mounting Installation (See Separate Breakdown in this Section)	
2	1001147693	1	Hydraulic Pump Installation (See Separate Breakdown in this Section)	
3	1001150208	1	Turbo Shield Installation (See Separate Breakdown in this Section)	
4	1001171302	1	Fuel Lines Installation (See Separate Breakdown in this Section)	
5	1001236915	1	Engine Electrical Installation (See Separate Breakdown in ELECTRICAL Section)	
6	1001236919	1	Engine & Transmission Installation (See Separate Breakdown in this Section)	
7	1001236929	1	Exhaust System Installation (See Separate Breakdown in this Section)	
8	1001236938	1	Air System 55KW Installation (See Separate Breakdown in this Section)	
9	1001237153	1	Cooling System 55KW Installation (See Separate Breakdown in this Section)	

SECTION 4 - ENGINE AND ATTACHING PARTS

FIGURE 4-2. ENGINE INSTALLATION - 74KW (LS)



ART_1001144456-E

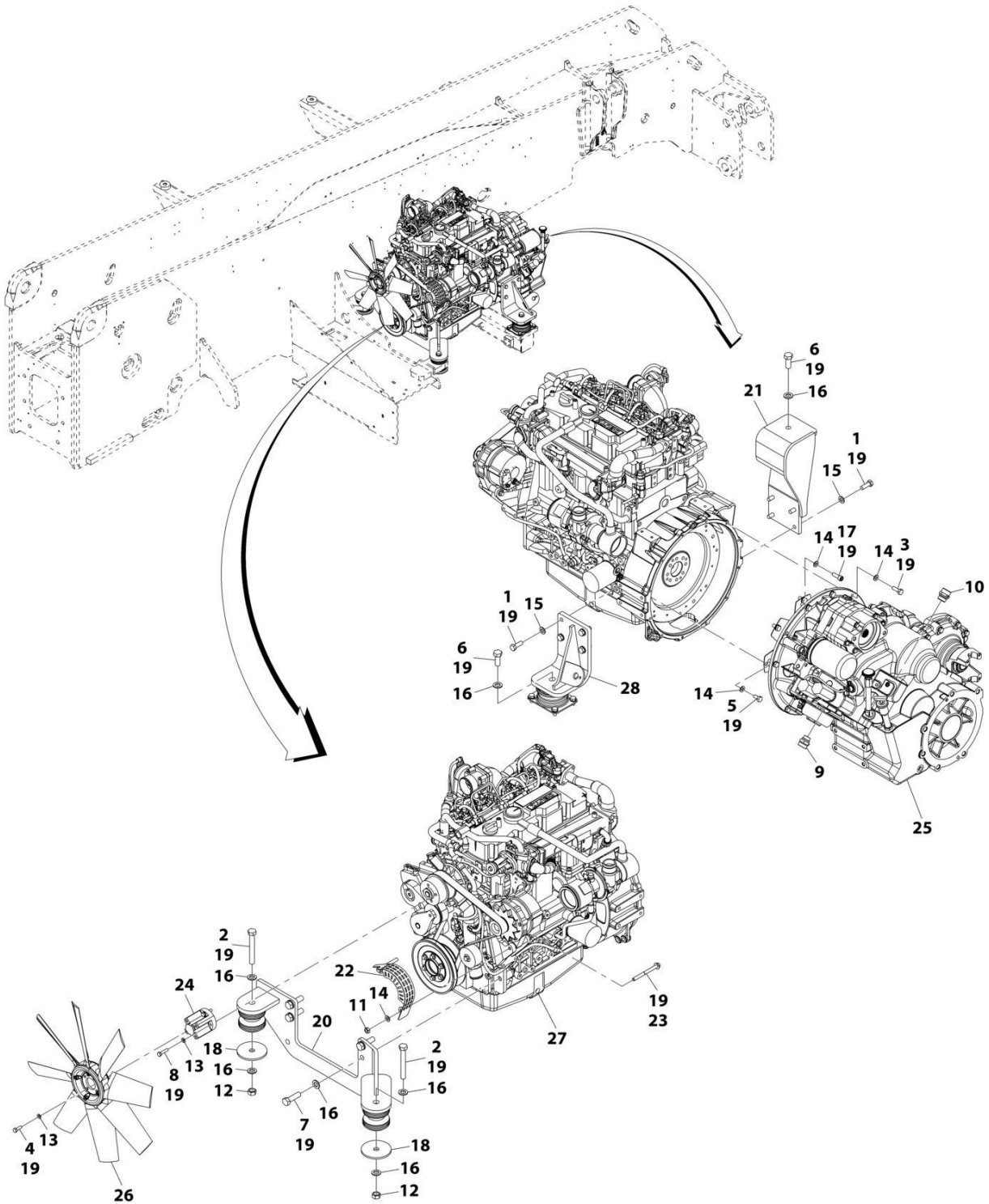
SECTION 4 - ENGINE AND ATTACHING PARTS

FIGURE 4-2. ENGINE INSTALLATION - 74KW (LS)

ITEM	PART NUMBER	QTY	DESCRIPTION	REV
	1001144456	Ref	Engine Installation, 74KW (LS)	E
1	1001171221	1	Engine and Transmission Installation (See Separate Breakdown in this Section)	
2	1001141152	1	Engine Mounting Installation (See Separate Breakdown in this Section)	
3	1001141199	1	Air System Installation (See Separate Breakdown in this Section)	
4	1001157438	1	Exhaust System Installation (See Separate Breakdown in this Section)	
5	1001141612	1	Cooling System Installation (See Separate Breakdown in this Section)	
6	1001171302	1	Fuel Lines Installation (See Separate Breakdown in this Section)	
9	1001239322	1	Engine Electrical Installation (See Separate Breakdown in ELECTRICAL Section)	
10	1001147693	1	Hydraulic Pump Installation (See Separate Breakdown in this Section)	
11	1001150208	1	Turbo Shield Installation (See Separate Breakdown in this Section)	

SECTION 4 - ENGINE AND ATTACHING PARTS

FIGURE 4-3. ENGINE AND TRANSMISSION INSTALLATION - 55KW (ULS)



ART_1001236919-A

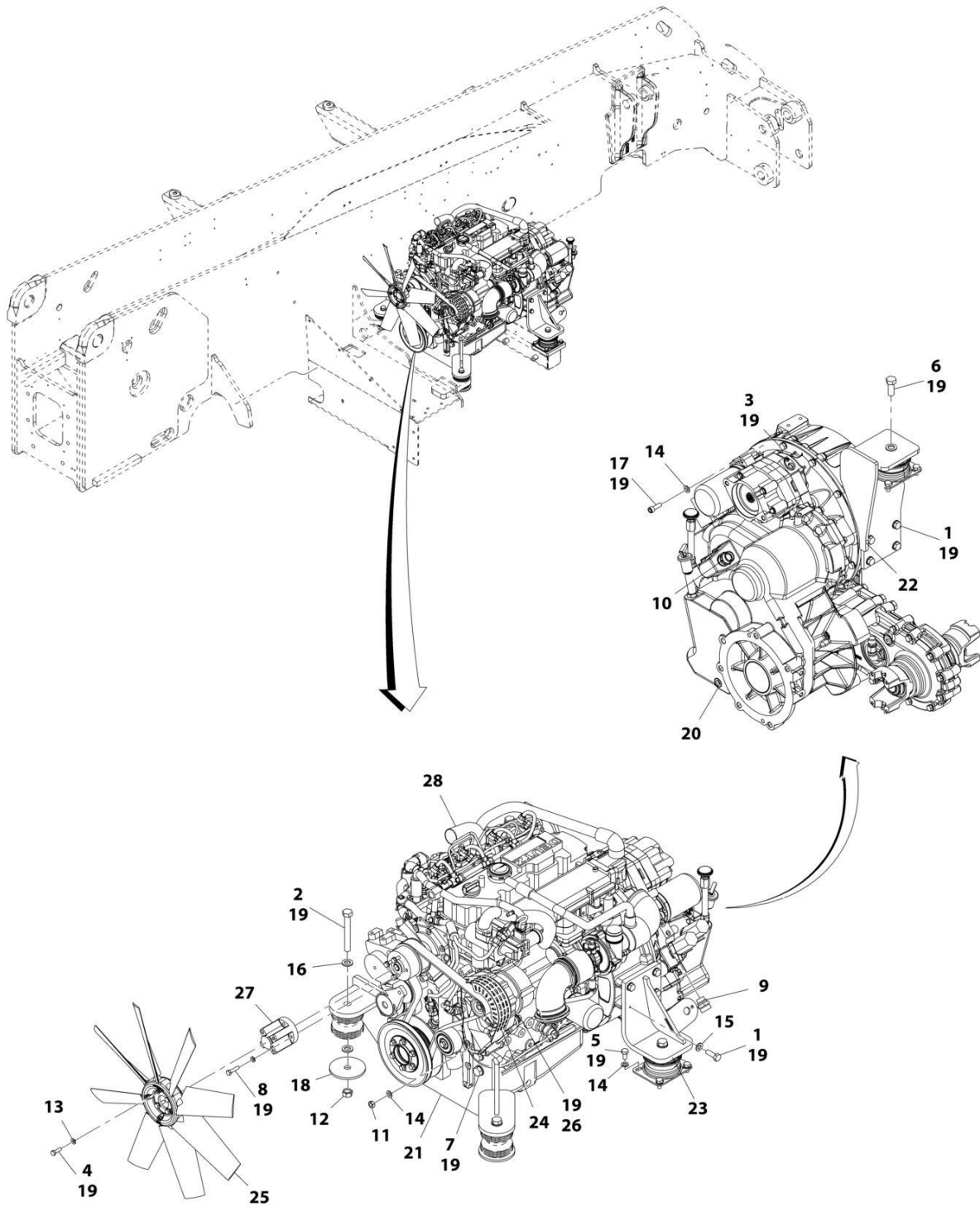
SECTION 4 - ENGINE AND ATTACHING PARTS

FIGURE 4-3. ENGINE AND TRANSMISSION INSTALLATION - 55KW (ULS)

ITEM	PART NUMBER	QTY	DESCRIPTION	REV
	1001236919	Ref	Engine and Transmission Installation - 55KW	A
1	0701215	8	Bolt, M12X35	
2	0701629	2	Bolt, M16X120	
3	0711014	9	Bolt, M10X30	
4	0760812	4	Bolt, M8X25	
5	0761010	8	Bolt, M10X20	
6	0761616	2	Bolt, M16X40	
7	0761619	4	Bolt, M16X55	
8	0770815	4	Bolt, M8X35	
9	2144810	1	Connector, Male	
10	2144811	1	Adapter, Straight	
11	3291001	1	Nut, M10X1.5	
12	3291601	2	Nut, M16X2	
13	4811900	8	Washer, M8	
14	4812000	19	Washer, M10	
15	4812100	8	Washer, M12	
16	4812300	10	Washer, M16	
17	91513234	1	Bolt, M10X30, Grade 10.9	
18	1001008506	2	Washer	
19	1001095650	AR	Compound, Locking	
20	1001141093	1	Bracket, Engine Mount	
21	1001141097	1	Bracket, Engine Mount	
22	1001150630	1	Shield, Alternator	
23	1001152378	1	Bolt, M10X110	
24	1001170311	1	Adapter, Fan	
25	1001192001	1	Assembly, Transmission DANA (See Separate Breakdown in DRIVETRAIN Section)	
26	1001204872	1	Fan	
27	1001236164	1	Engine, Deutz 55.4KW TCD3.6 (See Separate Breakdown in this Section)	
28	1001242118	1	Bracket	

SECTION 4 - ENGINE AND ATTACHING PARTS

FIGURE 4-4. ENGINE AND TRANSMISSION INSTALLATION - 74KW (LS)



ART_1001171221-B

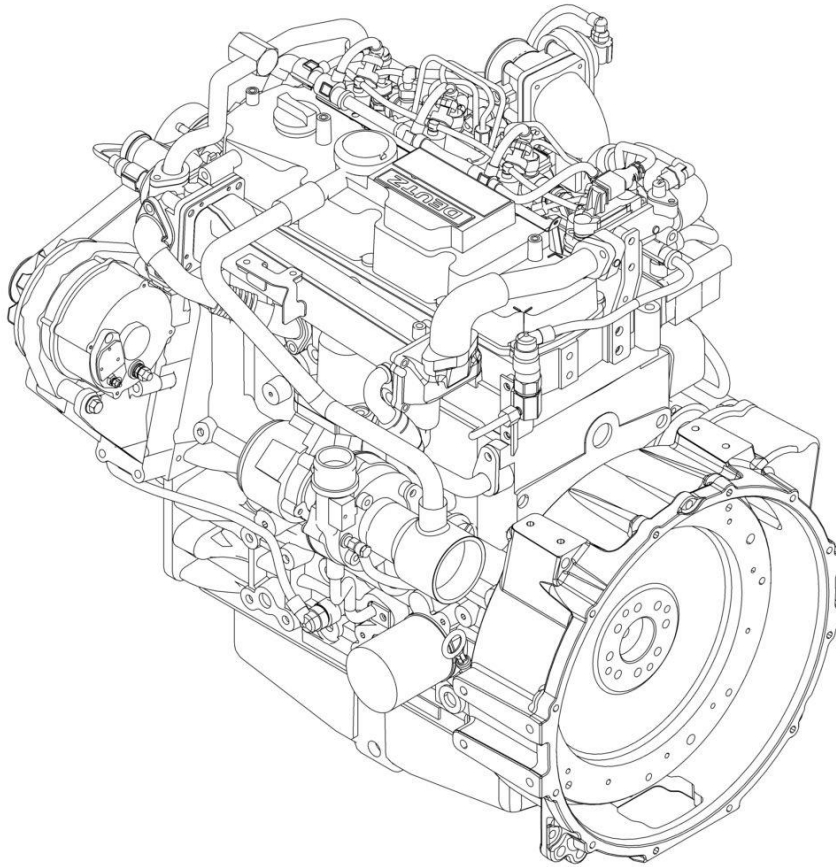
SECTION 4 - ENGINE AND ATTACHING PARTS

FIGURE 4-4. ENGINE AND TRANSMISSION INSTALLATION - 74KW (LS)

ITEM	PART NUMBER	QTY	DESCRIPTION	REV
	1001171221	Ref	Engine and Transmission Installation (LS) - 74KW	B
1	0701215	8	Bolt, M12X35	
2	0701629	2	Bolt, M16X120	
3	0711014	9	Bolt, M10X30, Grade 10.9	
4	0760812	4	Bolt, M8X25	
5	0761010	8	Bolt, M10X20	
6	0761616	2	Bolt, M16X40	
7	0761619	4	Bolt, M16X55	
8	0770815	4	Bolt, M8X35, Grade 10.9	
9	2144810	1	Connector	
10	2144811	1	Adapter, Straight	
11	3291001	1	Nut, M10X1.5	
12	3291601	2	Nut, M16X2	
13	4811900	8	Washer, M8	
14	4812000	19	Washer, M10	
15	4812100	8	Washer, M12	
16	4812300	10	Washer, M16	
17	91513234	1	Bolt, M10X30, Grade 10.9	
18	1001008506	2	Washer	
19	1001095650	AR	Compound, Locking	
20	1001141036	1	Transmission (See Separate Breakdown in DRIVETRAIN Section)	
21	1001141093	1	Bracket, Engine Mount	
22	1001141097	1	Bracket, Engine Mount	
23	1001242118	1	Bracket, Engine Mount	
24	1001150630	1	Shield, Alternator	
25	1001150752	1	Fan	
26	1001152378	1	Bolt, M10X110	
27	1001170311	1	Adapter, Fan	
28	1001171223	1	Engine, Deutz TCD 3.6 L4 (FOR ENGINE PARTS INFORMATION REFER TO DEUTZ ENGINE PARTS MANUAL 31211006 AND 31211007)	D

SECTION 4 - ENGINE AND ATTACHING PARTS

FIGURE 4-5. ENGINE, DEUTZ - 55 KW (ULS)



ART_1001236164-B

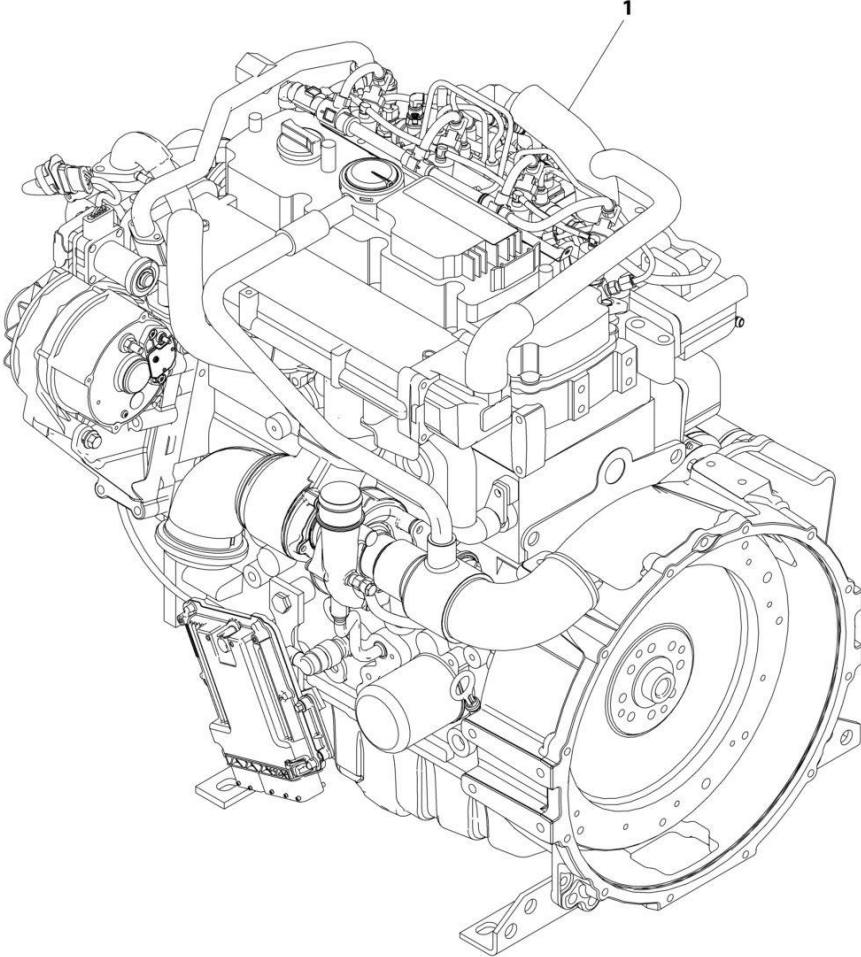
SECTION 4 - ENGINE AND ATTACHING PARTS

FIGURE 4-5. ENGINE, DEUTZ - 55 KW (ULS)

ITEM	PART NUMBER	QTY	DESCRIPTION	REV
	1001236164	Ref	Deutz Engine 55 KW	B
	70024961	1	Fuel Filter	
	1001225430	1	Fuel Filter	
	70029438	1	Assembly, Flywheel Housing	
	70025765	1	Oil Pan	
	70005941	1	Plug, Oil	
	7020404	1	Washer, Oil Pan	
	70025535	1	Starter	
	70029440	1	Plain Washer	
	70102979	1	Hex Nut	
	7020465	1	Cap, Filler	
	70029435	1	V-Ribbed Belt	
	70025775	1	Belt Pully	
	70029477	1	Fuel Filter	
	1001225432	1	Fuel Filter	
	70025745	1	Dipstick	
	70028850	1	Fuel Filter Plug	
	7016331	1	Spin-On Filter	
	70024483	1	Cylinder Head Gasket	
	70024485	4	Injector, Fuel	
	70026011	1	Pump, Water	
	70024493	1	Gasket	
	70028540	1	Temperature Sensor	
	70028698	1	Turbocharger	
	70024480	1	Gasket	
	70026210	1	Speed Sensor	
	70028764	1	Flywheel	
	70025733	1	V-Belt Pulley, Alternator	

SECTION 4 - ENGINE AND ATTACHING PARTS

FIGURE 4-6. ENGINE, DEUTZ - 74.4KW (LS)



ART_1001171223-D

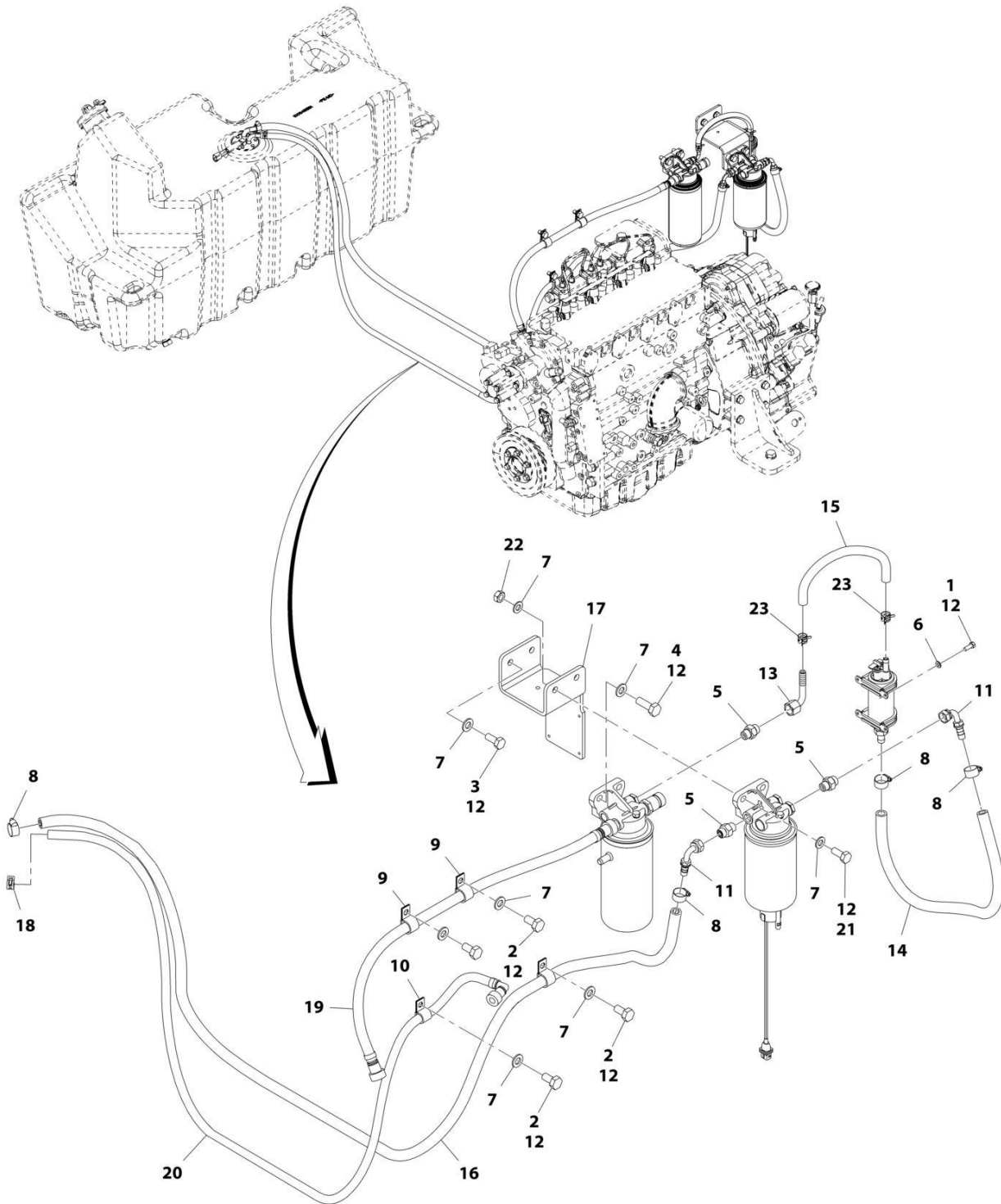
SECTION 4 - ENGINE AND ATTACHING PARTS

FIGURE 4-6. ENGINE, DEUTZ - 74.4KW (LS)

ITEM	PART NUMBER	QTY	DESCRIPTION	REV
	1001171223	Ref	Engine, Deutz TCD 3.6 L4 (FOR ENGINE PARTS INFORMATION REFER TO DEUTZ ENGINE PARTS MANUAL 31211006 AND 31211007)	D

SECTION 4 - ENGINE AND ATTACHING PARTS

FIGURE 4-7. FUEL LINES INSTALLATION



ART_1001171302-H

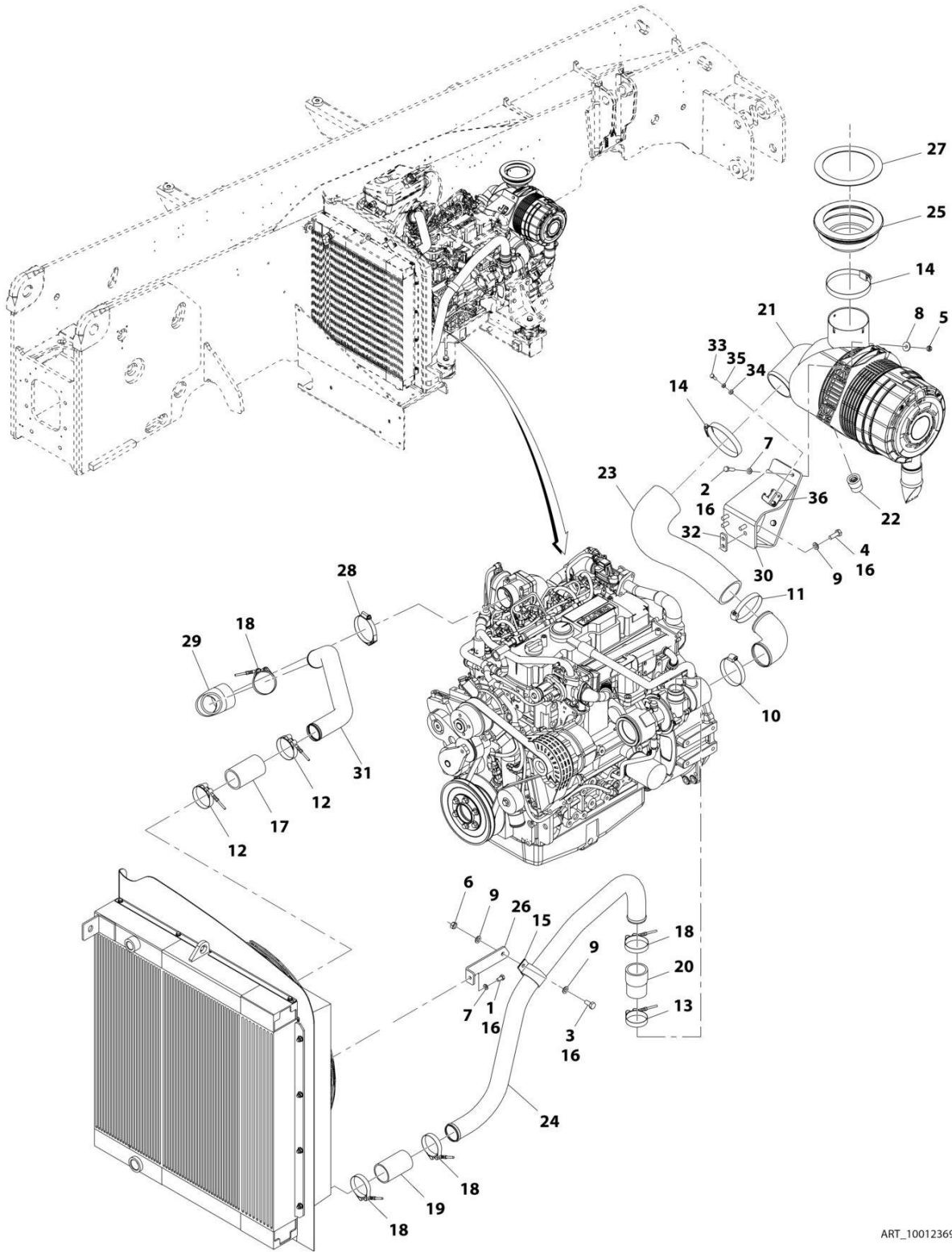
SECTION 4 - ENGINE AND ATTACHING PARTS

FIGURE 4-7. FUEL LINES INSTALLATION

ITEM	PART NUMBER	QTY	DESCRIPTION	REV
	1001171302	Ref	Fuel Lines Installation	H
1	0700507	4	Bolt, M5X14	
2	0761010	4	Bolt, M10X20	
3	0761012	2	Bolt, M10X25	
4	0761014	2	Bolt, M10X30	
5	2144606	3	Fitting, Straight ORFS	
6	4811600	4	Washer, M5	
7	4812000	12	Washer, M10	
8	8405006	4	Gear Clamp	
9	1001004144	3	Clip	
10	1001009207	1	Clip	
11	1001095301	2	Fitting, 90 ORFS	
12	1001095650	AR	Compound, Locking	
13	1001002852	1	Fitting, 90 ORFS	
14	1001145166	1	Hose	
15	1001177862	1	Hose	
16	1001145169	1	Hose	
17	1001241861	1	Bracket, Fuel Filter	
18	1001195443	1	Clamp	
19	1001171109	1	Hose	
20	1001171110	1	Hose	
21	0761015	2	Bolt, M10X35	
22	3291001	2	Nut, M10X1.5	
23	1001140296	2	Clamp	

SECTION 4 - ENGINE AND ATTACHING PARTS

FIGURE 4-8. AIR SYSTEM INSTALLATION - 55KW (ULS)



ART_1001236938-B

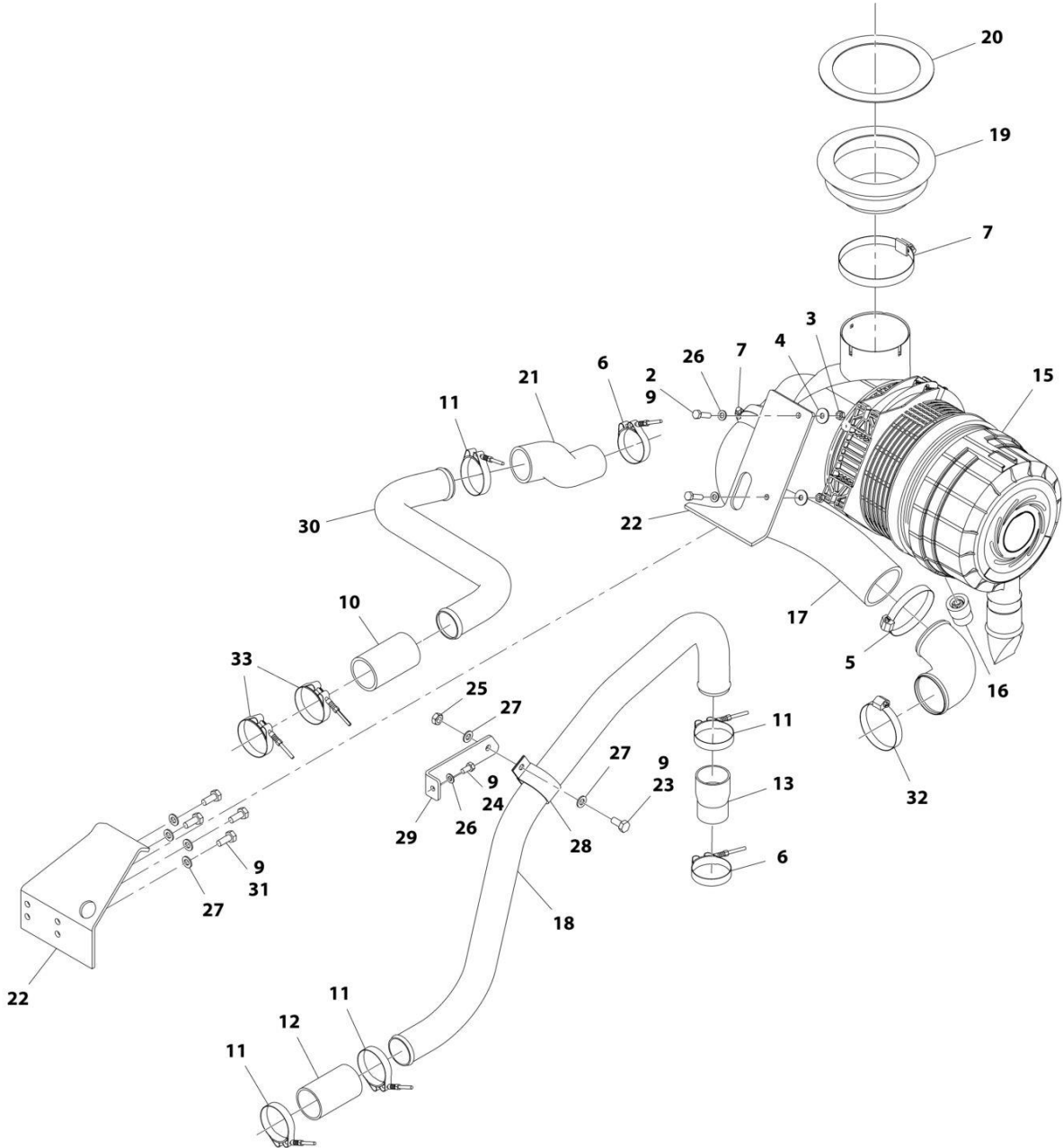
SECTION 4 - ENGINE AND ATTACHING PARTS

FIGURE 4-8. AIR SYSTEM INSTALLATION - 55KW (ULS)

ITEM	PART NUMBER	QTY	DESCRIPTION	REV
	1001236938	Ref	Air System Installation - 55KW	B
1	0760808	1	Bolt, M8X16	
2	0760814	2	Bolt, M8X30	
3	0761011	1	Bolt, M10X22	
4	0771014	4	Bolt, M10X30	
5	3290801	2	Nut, M8X1.25	
6	3291001	1	Nut, M10X1.5	
7	4811900	3	Washer, M8	
8	4811902	2	Washer, M8	
9	4812000	6	Washer, M10	
10	8405204	1	Gear Clamp	
11	8410011	1	Gear Clamp	
12	1001005438	2	Clamp, Band	
13	1001006072	1	Clamp, Band, T-Bolt	
14	1001009154	2	Clamp, Hose	
15	1001025902	1	Clip	
16	1001095650	AR	Compound, Locking	
17	1001100117	1	Hose	
18	1001120904	4	Clamp, Band	
19	1001126737	1	Hose	
20	1001131642	1	Pipe, Charge Air Reducer	
21	1001141205	1	Assembly, Air Filter (See Separate Breakdown in this Section)	
22	1001141952	1	Indicator, Restriction	
23	1001143462	1	Hose	
24	1001143463	1	Pipe, Charge Air	
25	1001144016	1	Boot, Air Filter Intake	
26	1001148298	1	Bracket, Support	
27	1001154682	1	Plate, Seal	
28	1001215022	1	Clamp	
29	1001236931	1	Hose	
30	1001236934	1	Bracket, Air Cleaner	
31	1001236936	1	Pipe, Charge Air	
32	1001237228	1	Plate, Seal	
33	0760610	2	Bolt, M6X20	
34	4811700	2	Washer, M6	
35	4831700	2	Washer, Lock 6	
36	1001236914	1	Bracket	

SECTION 4 - ENGINE AND ATTACHING PARTS

FIGURE 4-9. AIR SYSTEM INSTALLATION - 74KW



ART_1001141199-H

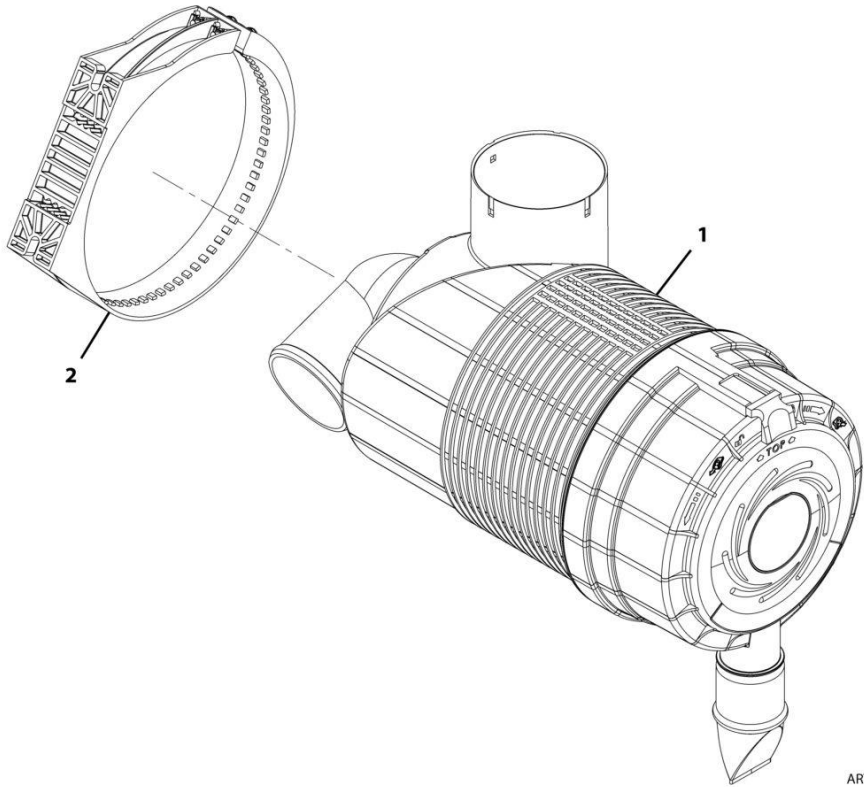
SECTION 4 - ENGINE AND ATTACHING PARTS

FIGURE 4-9. AIR SYSTEM INSTALLATION - 74KW

ITEM	PART NUMBER	QTY	DESCRIPTION	REV
	1001141199	Ref	Air System Installation - 74KW	H
2	0760814	2	Bolt, M8X30	
3	3290801	2	Nut, M8X1.25	
4	4811902	2	Washer, M8	
5	8410011	1	Gear Clamp	
6	1001006072	2	Clamp, Band, T-Bolt	
7	1001009154	1	Clamp, Hose	
9	1001095650	AR	Compound, Locking	
10	1001100117	1	Hose	
11	1001120904	4	Clamp, Band	
12	1001126737	1	Hose	
13	1001131642	1	Pipe, Charge Air Reducer	
15	1001141205	1	Assembly, Air Filter (See Separate Breakdown in this Section)	
16	1001141952	1	Indicator, Restriction	
17	1001143462	1	Hose	
18	1001143463	1	Pipe, Charge Air	
19	1001144016	1	Boot, Air Filter Intake	
20	1001154682	1	Plate, Seal	
21	1001145062	1	Hose	
22	1001145221	1	Bracket, Air Cleaner	
23	0761011	1	Bolt, M10X22	
24	0760808	1	Bolt, M8X16	
25	3291001	1	Nut, M10X1.5	
26	4811900	3	Washer, M8	
27	4812000	6	Washer, M10	
28	1001025902	1	Clip	
29	1001148298	1	Bracket, Support	
30	1001141202	1	Pipe, Charge Air	
31	0761012	4	Bolt, M10X25	
32	8405204	1	Gear Clamp	
33	1001005438	1	Clamp, Band	

SECTION 4 - ENGINE AND ATTACHING PARTS

FIGURE 4-10. AIR FILTER ASSEMBLY



ART_1001141205-D

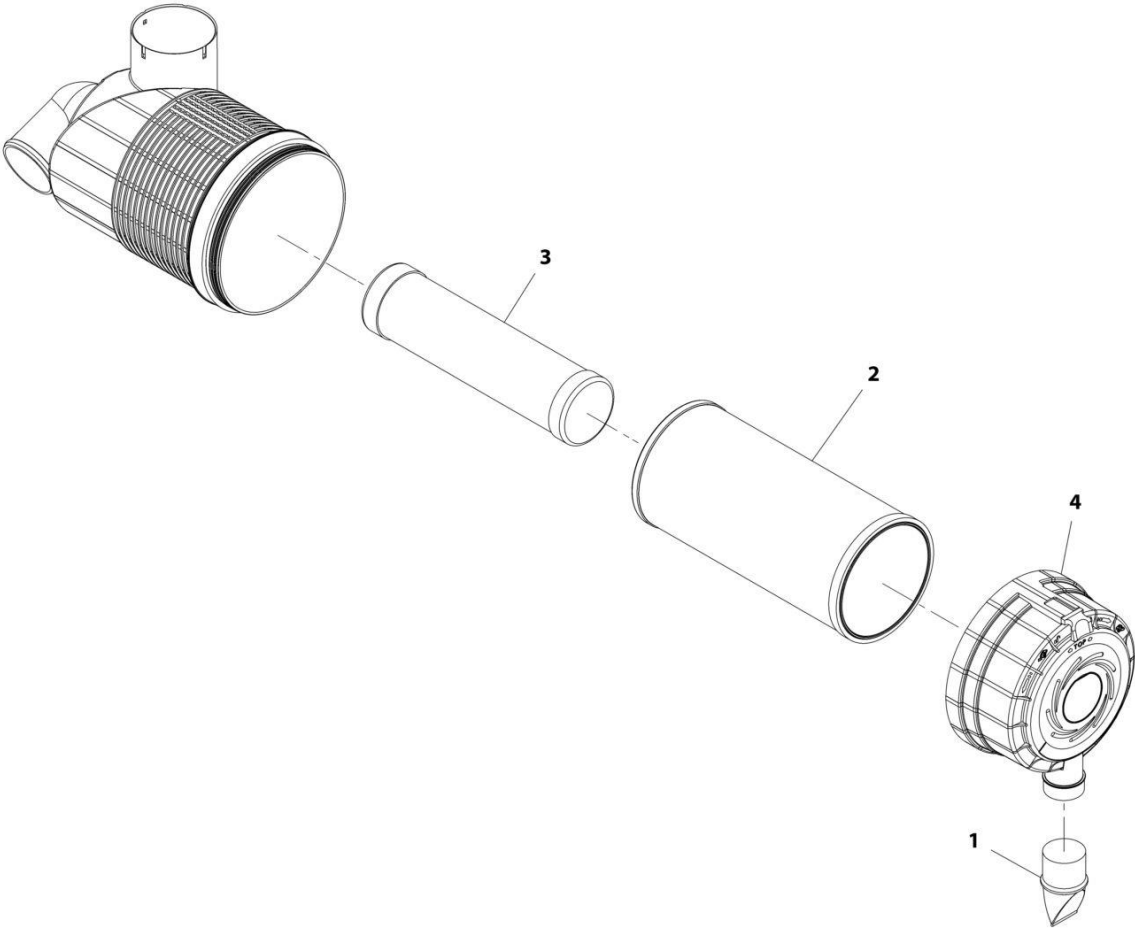
SECTION 4 - ENGINE AND ATTACHING PARTS

FIGURE 4-10. AIR FILTER ASSEMBLY

ITEM	PART NUMBER	QTY	DESCRIPTION	REV
	1001141205	Ref	Air Filter Assembly	D
1	1001143500	1	Filter, Air Intake (See Separate Breakdown in this Section)	
2	1001143745	1	Clamp, Air Filter	

SECTION 4 - ENGINE AND ATTACHING PARTS

FIGURE 4-11. AIR INTAKE FILTER



ART_1001143500-B

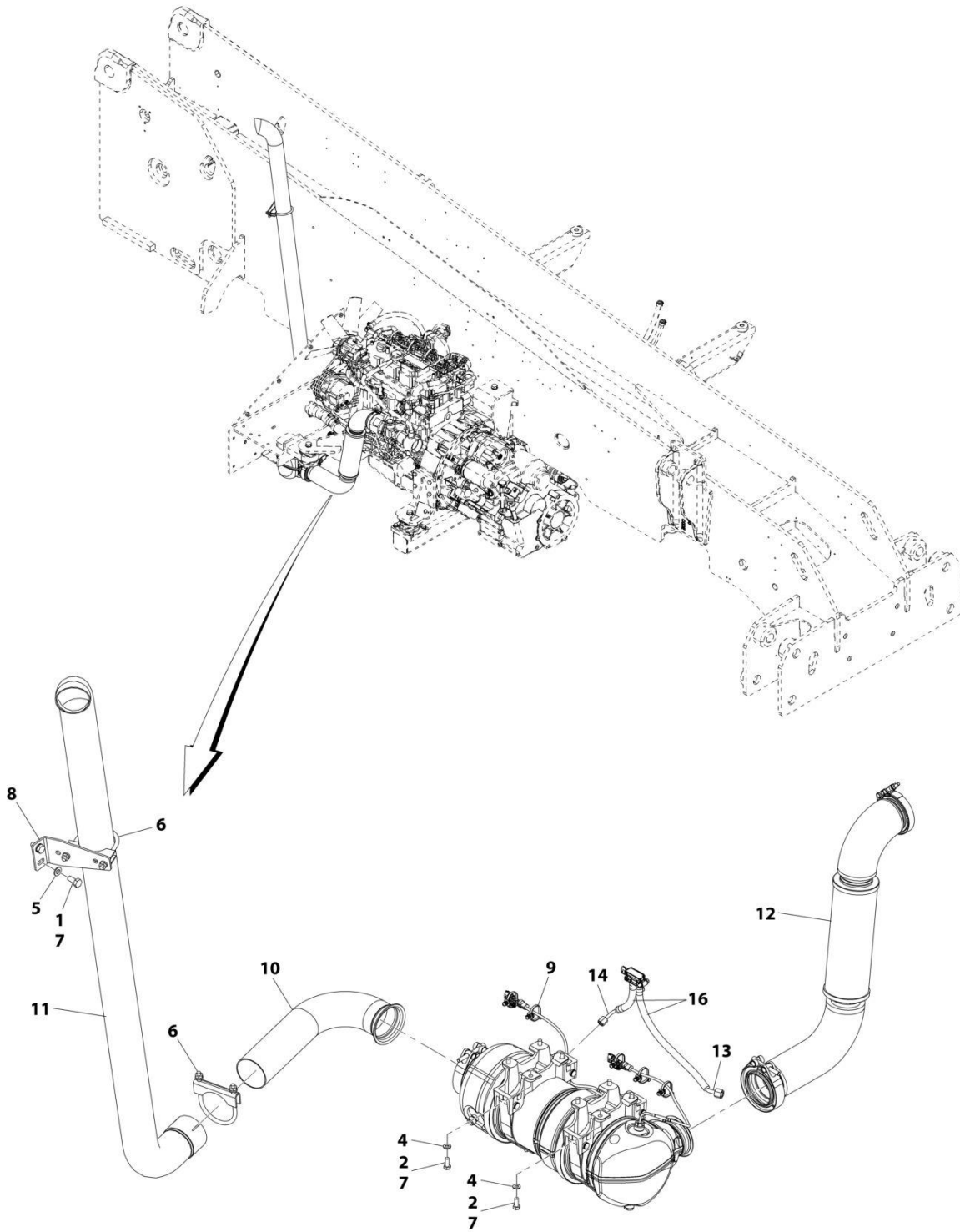
SECTION 4 - ENGINE AND ATTACHING PARTS

FIGURE 4-11. AIR INTAKE FILTER

ITEM	PART NUMBER	QTY	DESCRIPTION	REV
	1001143500	Ref	Air Intake Filter	B
1	80373094	1	Valve, Vacuator	
2	1101312	1	Element, Primary	
3	1101313	1	Element, Safety	
4	1001001408	1	Cover	

SECTION 4 - ENGINE AND ATTACHING PARTS

FIGURE 4-12. EXHAUST SYSTEM INSTALLATION - 55KW (ULS)



ART_1001236929-D

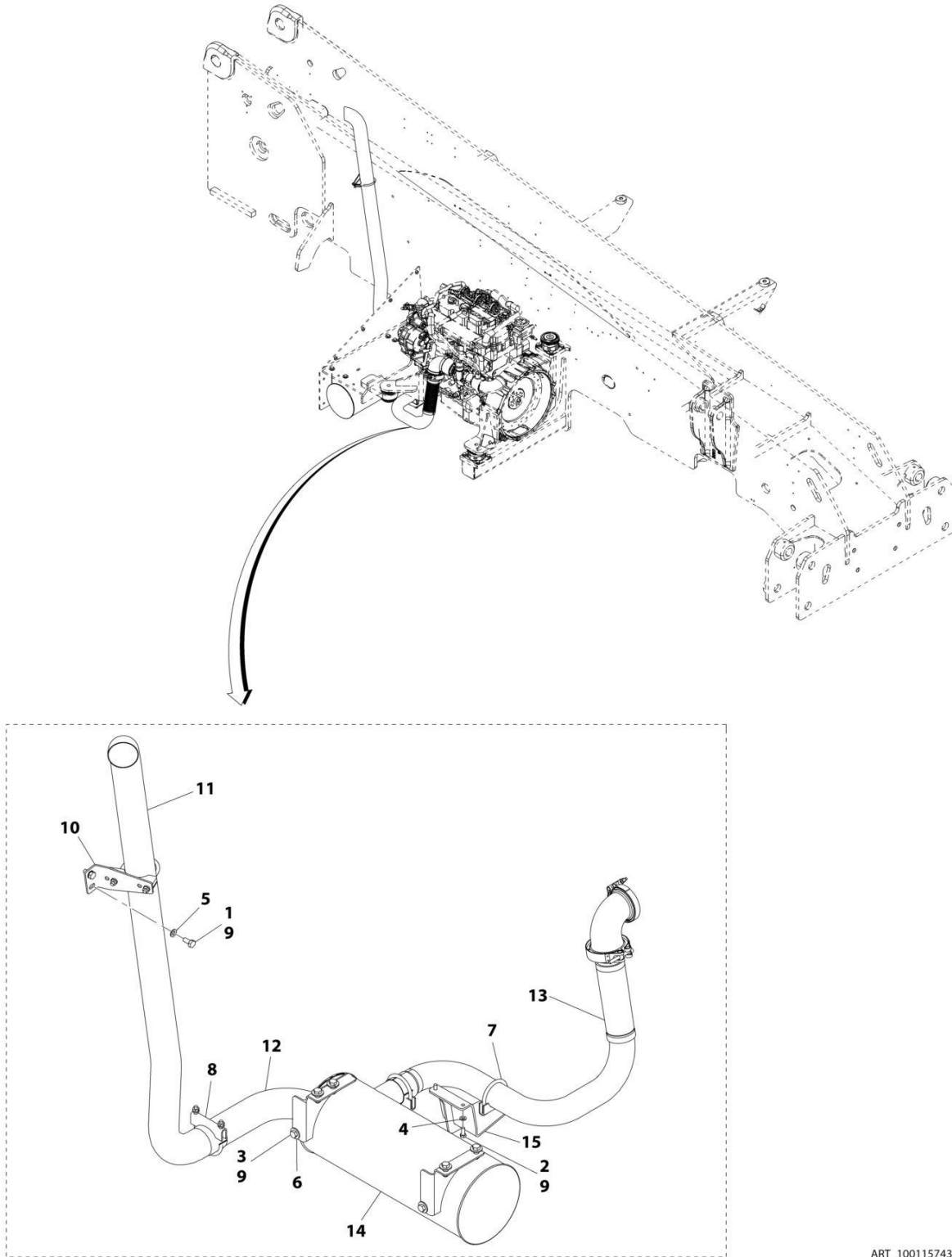
SECTION 4 - ENGINE AND ATTACHING PARTS

FIGURE 4-12. EXHAUST SYSTEM INSTALLATION - 55KW (ULS)

ITEM	PART NUMBER	QTY	DESCRIPTION	REV
	1001236929	Ref	Exhaust System Installation (ULS) - 55KW	D
1	0761011	2	Bolt, M10X22	
2	0760810	8	Bolt, M8X20	
4	4811900	2	Washer, M8	
5	4812000	2	Washer, M10	
6	8275247	2	Clamp, Muffler	
7	1001095650	AR	Compound, Locking	
8	1001125286	1	Bracket, Exhaust	
9	1001146588	5	Tie Strap	
10	1001236926	1	Pipe	
11	1001236927	1	Pipe	
12	1001236928	1	Pipe	
13	1001237563	1	Tube	
14	1001246455	1	Tube	
16	1001237571	425 mm	Hose	

SECTION 4 - ENGINE AND ATTACHING PARTS

FIGURE 4-13. EXHAUST SYSTEM INSTALLATION - 74KW (LS)



ART_1001157438-C

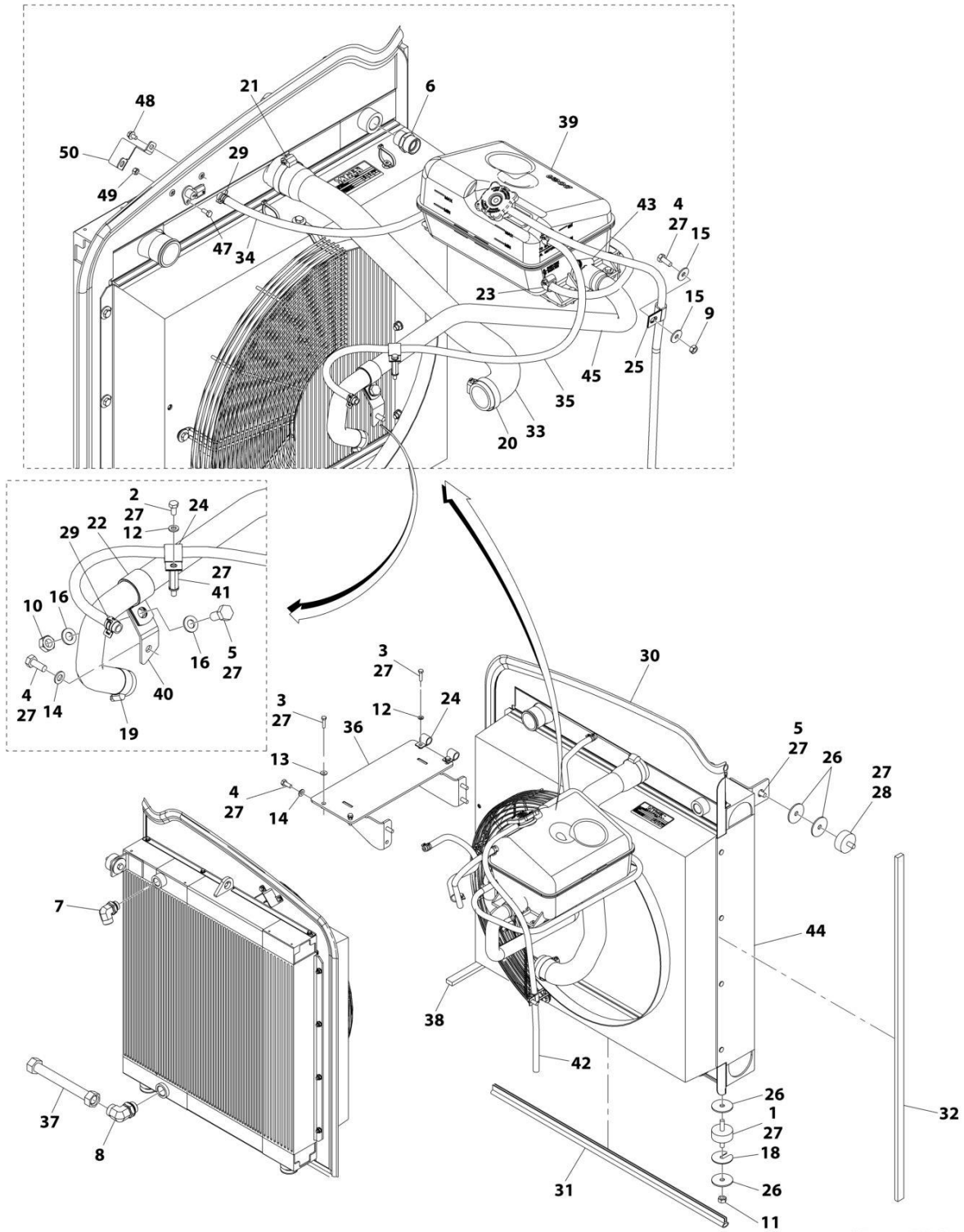
SECTION 4 - ENGINE AND ATTACHING PARTS

FIGURE 4-13. EXHAUST SYSTEM INSTALLATION - 74KW (LS)

ITEM	PART NUMBER	QTY	DESCRIPTION	REV
	1001157438	Ref	Exhaust System Installation (LS)	C
1	0761011	2	Bolt, M10X22	
2	0760810	2	Bolt, M8X20	
3	0761014	6	Bolt, M10X30	
4	4811900	2	Washer, M8	
5	4812000	2	Washer, M10	
6	4812002	6	Washer, M10	
7	8275212	2	Clamp, Muffler	
8	8275247	3	Clamp, Muffler	
9	1001095650	AR	Compound, Locking	
10	1001125286	1	Bracket, Exhaust	
11	1001141391	1	Pipe, Exhaust	
12	1001157018	1	Pipe, Exhaust	
13	1001157020	1	Pipe, Exhaust, Flexible	
14	1001157409	1	Muffler	
15	1001157434	1	Bracket, Exhaust	

SECTION 4 - ENGINE AND ATTACHING PARTS

FIGURE 4-14. COOLING SYSTEM INSTALLATION - 55KW (ULS)



ART_1001237153-B

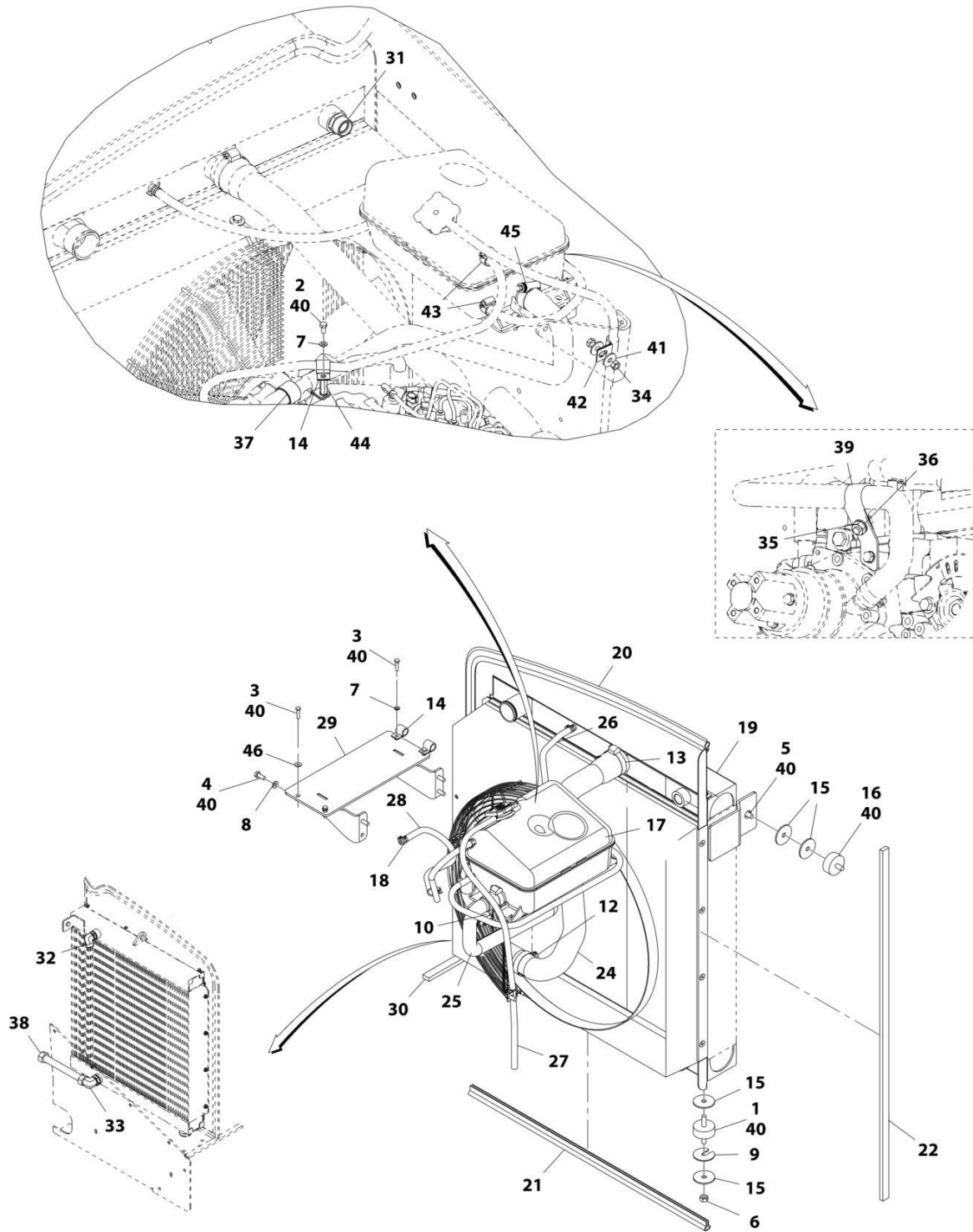
SECTION 4 - ENGINE AND ATTACHING PARTS

FIGURE 4-14. COOLING SYSTEM INSTALLATION - 55KW (ULS)

ITEM	PART NUMBER	QTY	DESCRIPTION	REV
	1001237153	Ref	Cooling System Installation - 55KW	B
1	429063	2	Pad, Rubber Buffer	
2	0760606	1	Bolt, M6X12	
3	0760612	4	Bolt, M6X25	
4	0760810	6	Bolt, M8X20	
5	0761011	2	Bolt, M10X22	
6	2142718	2	Connector	
7	2143009	1	Elbow	
8	2143010	1	Elbow	
9	3290801	1	Nut, M8X1.25	
10	3291001	1	Nut, M10X1.5	
11	3291007	2	Nut, Lock M10X1.5	
12	4811700	4	Washer, M6	
13	4811702	2	Washer, M6	
14	4811900	5	Washer, M8	
15	4811902	2	Washer, M8	
16	4812000	2	Washer, M10	
18	8005743	2	Washer, Spacer, 10	
19	8405007	1	Gear Clamp, 1.25	
20	8405104	1	Gear Clamp, 2.25	
21	8405201	1	Gear Clamp, 2.5	
22	8406302	1	Clamp, Hose	
23	8410013	2	Gear Clamp, 0.78	
24	1001003048	3	Clip	
25	1001008721	1	Clip	
26	1001091685	7	Washer, Special	
27	1001095650	AR	Compound, Locking	
28	1001113669	1	Pad, Rubber Buffer	
29	1001140296	2	Clamp, Spring Band	
30	1001141615	1	Seal, Edge Trim	
31	1001141616	1	Seal, Edge Trim	
32	1001141617	1	Seal, Baffle	
33	1001142084	1	Hose	
34	1001142183	1	Hose	
35	1001142185	1	Hose	
36	1001142833	1	Plate, Expansion Tank Support	
37	1001146256	1	Tube, Oil Cooling	
38	1001147497	1	Seal, Cooling Pack	
39	1001149375	1	Tank, Expansion (See Separate Breakdown in this Section)	
40	1001154043	1	Bracket, Retaining	
41	1001172192	1	Stud	
42	1001178604	1	Hose	
43	1001200709	1	Clamp	
44	1001205849	1	Assembly, Radiator (See Separate Breakdown in this Section)	
45	1001237152	1	Hose	
47	0760607	1	Nut, M6X14	
48	0780605	2	Bolt, M6X1	
49	3290605	1	Nut, M6X1	
50	1001247469	1	Cover	

SECTION 4 - ENGINE AND ATTACHING PARTS

FIGURE 4-15. COOLING SYSTEM INSTALLATION - 74KW (LS)



ART_1001141612-F

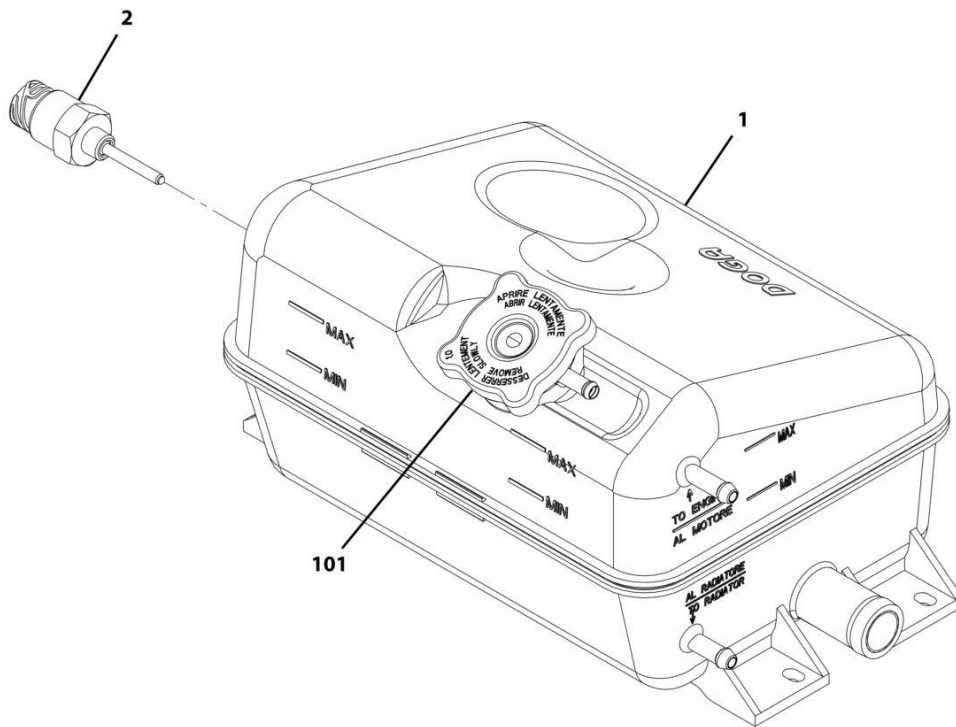
SECTION 4 - ENGINE AND ATTACHING PARTS

FIGURE 4-15. COOLING SYSTEM INSTALLATION - 74KW (LS)

ITEM	PART NUMBER	QTY	DESCRIPTION	REV
	1001141612	Ref	Cooling System Installation - 74KW	F
1	429063	2	Pad, Rubber Buffer	
2	0760606	1	Bolt, M6X12	
3	0760612	4	Bolt, M6X25	
4	0760810	6	Bolt, M8X20	
5	0761011	2	Bolt, M10X22	
6	3291007	2	Nut, Lock M10X1.5	
7	4811700	4	Washer, M6	
8	4811900	5	Washer, M8	
9	8005743	2	Washer, Spacer, 10	
10	8405007	1	Gear Clamp, 1.25	
12	8405104	1	Gear Clamp, 2.25	
13	8405201	1	Gear Clamp, 2.5	
14	1001003048	3	Clip	
15	1001091685	7	Washer, Special	
16	1001113669	1	Pad, Rubber Buffer	
17	1001149375	1	Tank, Expansion (See Separate Breakdown in this Section)	
18	1001140296	2	Clamp, Spring Band	
19	1001141611	1	Assembly, Radiator (See Separate Breakdown in this Section)	
20	1001141615	1	Seal, Edge Trim	
21	1001141616	1	Seal, Edge Trim	
22	1001141617	1	Seal, Baffle	
24	1001142084	1	Hose	
25	1001142085	1	Hose	
26	1001142183	1	Hose	
27	1001178604	1	Hose	
28	1001142185	1	Hose	
29	1001142833	1	Plate, Expansion Tank Support	
30	1001147497	1	Seal, Cooling Pack	
31	2142718	2	Connector	
32	2143009	1	Elbow	
33	2143010	1	Elbow	
34	3290801	1	Nut, M8X1.25	
35	3291001	1	Nut, M10X1.5	
36	4812000	2	Washer, M10	
37	8406302	1	Clamp, Hose	
38	1001146256	1	Tube, Oil Cooling	
39	1001154043	1	Bracket, Retaining	
40	1001095650	AR	Compound, Locking	
41	4811902	2	Washer, M8	
42	1001008721	1	Clip	
43	8410013	2	Gear Clamp, 0.78	
44	1001172192	1	Stud	
45	1001200709	1	Clamp	
46	4811702	1	Washer, M8	

SECTION 4 - ENGINE AND ATTACHING PARTS

FIGURE 4-16. EXPANSION TANK



ART_1001149375-B

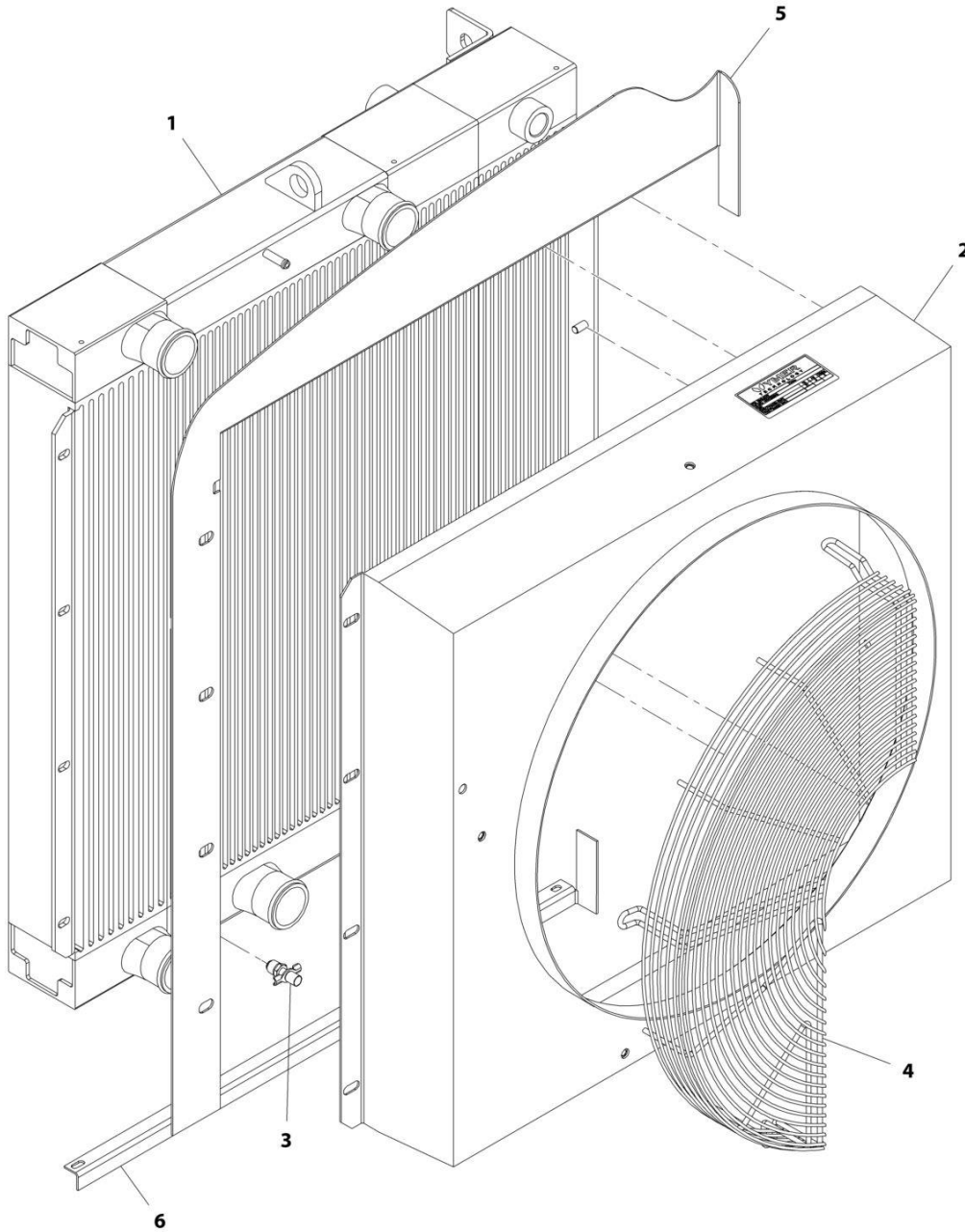
SECTION 4 - ENGINE AND ATTACHING PARTS

FIGURE 4-16. EXPANSION TANK

ITEM	PART NUMBER	QTY	DESCRIPTION	REV
	1001149375	Ref	EXPANSION TANK	B
1	1001149308	1	Tank, Expansion	
2	1001149376	1	Sensor, Coolant Level	
101	70026997	1	Cap	

SECTION 4 - ENGINE AND ATTACHING PARTS

FIGURE 4-17. RADIATOR ASSEMBLY - 55KW (ULS)



ART_1001205849-E

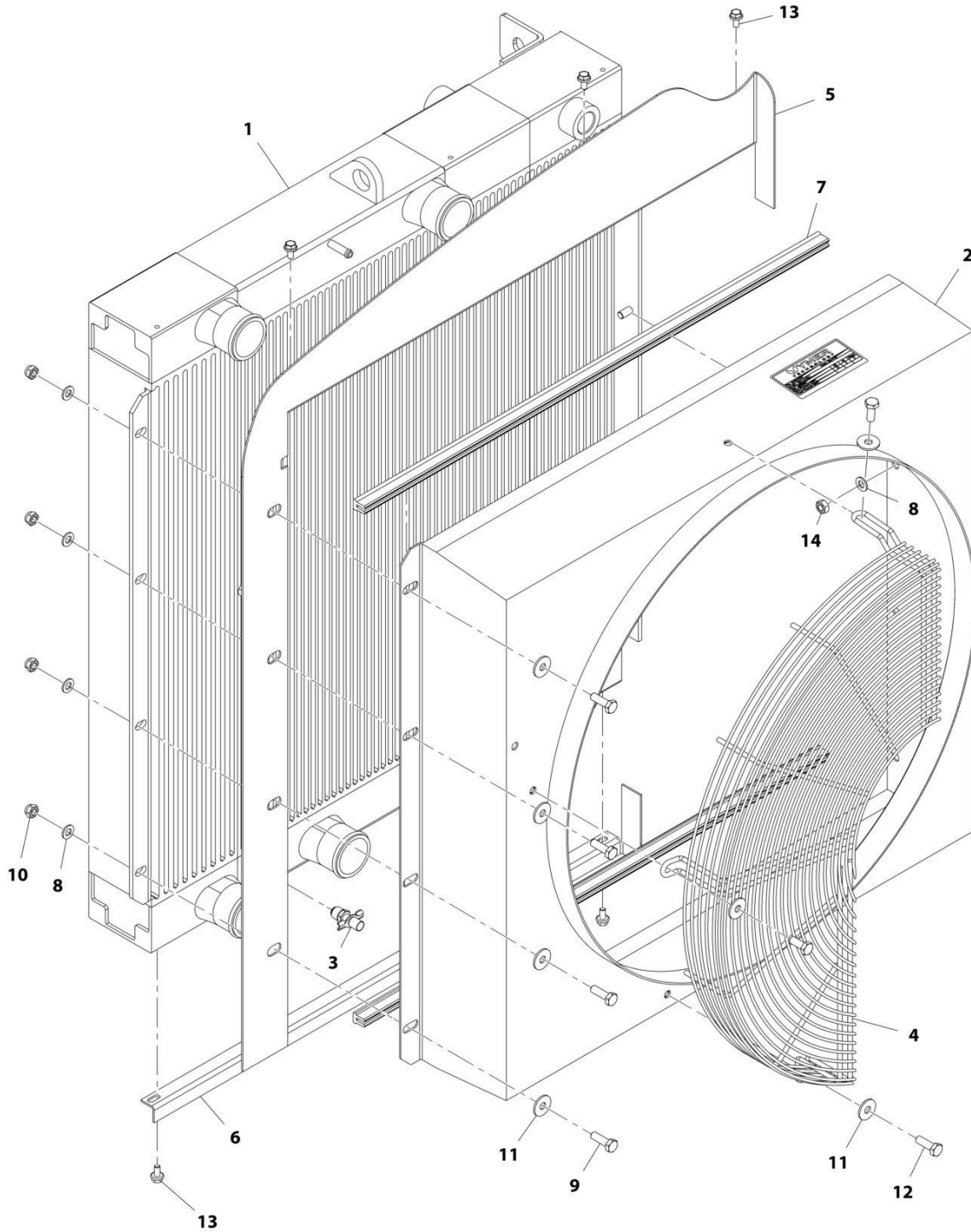
SECTION 4 - ENGINE AND ATTACHING PARTS

FIGURE 4-17. RADIATOR ASSEMBLY - 55KW (ULS)

ITEM	PART NUMBER	QTY	DESCRIPTION	REV
	1001205849	Ref	Radiator Assembly - 55KW	E
1	70025642	1	Cooler	
2		Ref	Shroud	
3	70025644	1	Drain Valve	
4	70025645	1	Fan Guard	
5	70025647	1	Baffle Plate	
6	70025646	1	Baffle Plate	

SECTION 4 - ENGINE AND ATTACHING PARTS

FIGURE 4-18. RADIATOR ASSEMBLY - 74KW (LS)



ART_1001141611-G

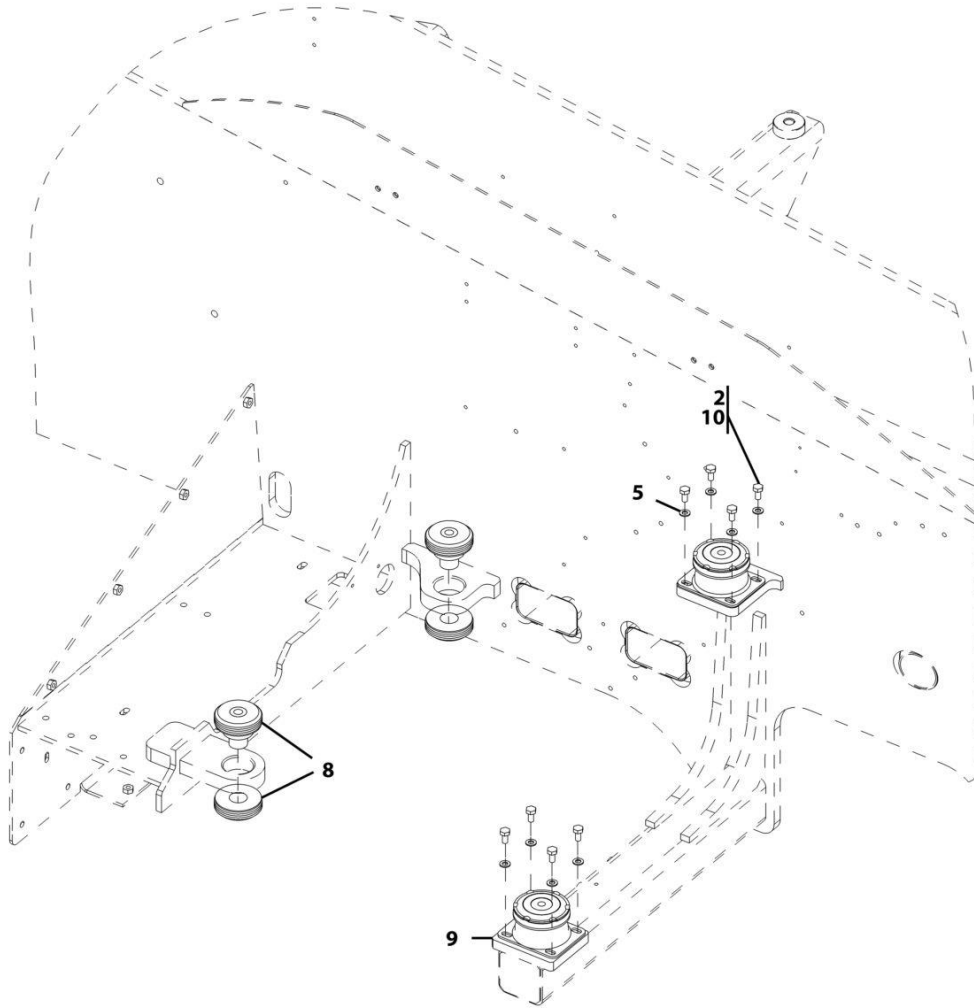
SECTION 4 - ENGINE AND ATTACHING PARTS

FIGURE 4-18. RADIATOR ASSEMBLY - 74KW (LS)

ITEM	PART NUMBER	QTY	DESCRIPTION	REV
	1001141611	Ref	Radiator Assembly - 74KW	G
1	70025642	1	Cooler, Radiator	
2	70025643	1	House, Fan	
3	70025644	1	Valve, Drain	
4	70025645	1	Guard, Fan	
5	70025646	1	Plate, Baffle	
6	70025647	1	Plate, Baffle	
7	70022396	2	Seal, Hatch	
8	70025653	8	Washer	
9	70025654	4	Bolt	
10	70025655	4	Nut	
11	70025656	7	Washer	
12	70025657	3	Bolt	
13	70025658	6	Bolt	
14	70025659	4	Nut	

SECTION 4 - ENGINE AND ATTACHING PARTS

FIGURE 4-19. ENGINE MOUNTING INSTALLATION



ART_1001141152-C

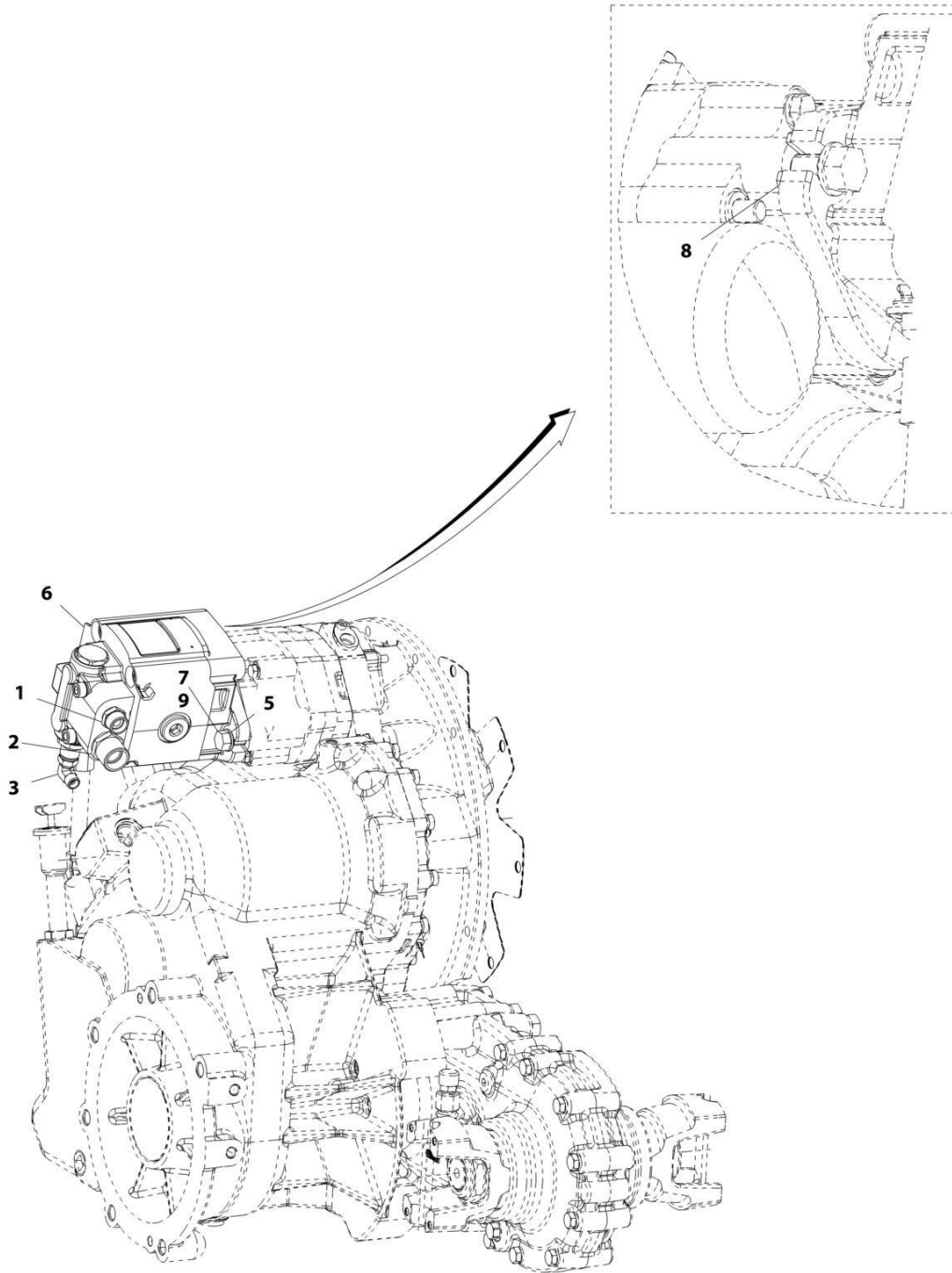
SECTION 4 - ENGINE AND ATTACHING PARTS

FIGURE 4-19. ENGINE MOUNTING INSTALLATION

ITEM	PART NUMBER	QTY	DESCRIPTION	REV
	1001141152	1	Engine Mounting Installation	C
2	0761010	8	Bolt, M10X20	
5	4812000	8	Washer, M10	
8	1001120523	2	Mount, Engine	
9	1001134127	2	Mount, Engine	
10	1001095650	AR	Compound, Locking	

SECTION 4 - ENGINE AND ATTACHING PARTS

FIGURE 4-20. HYDRAULIC PUMP INSTALLATION



ART_1001147693-E

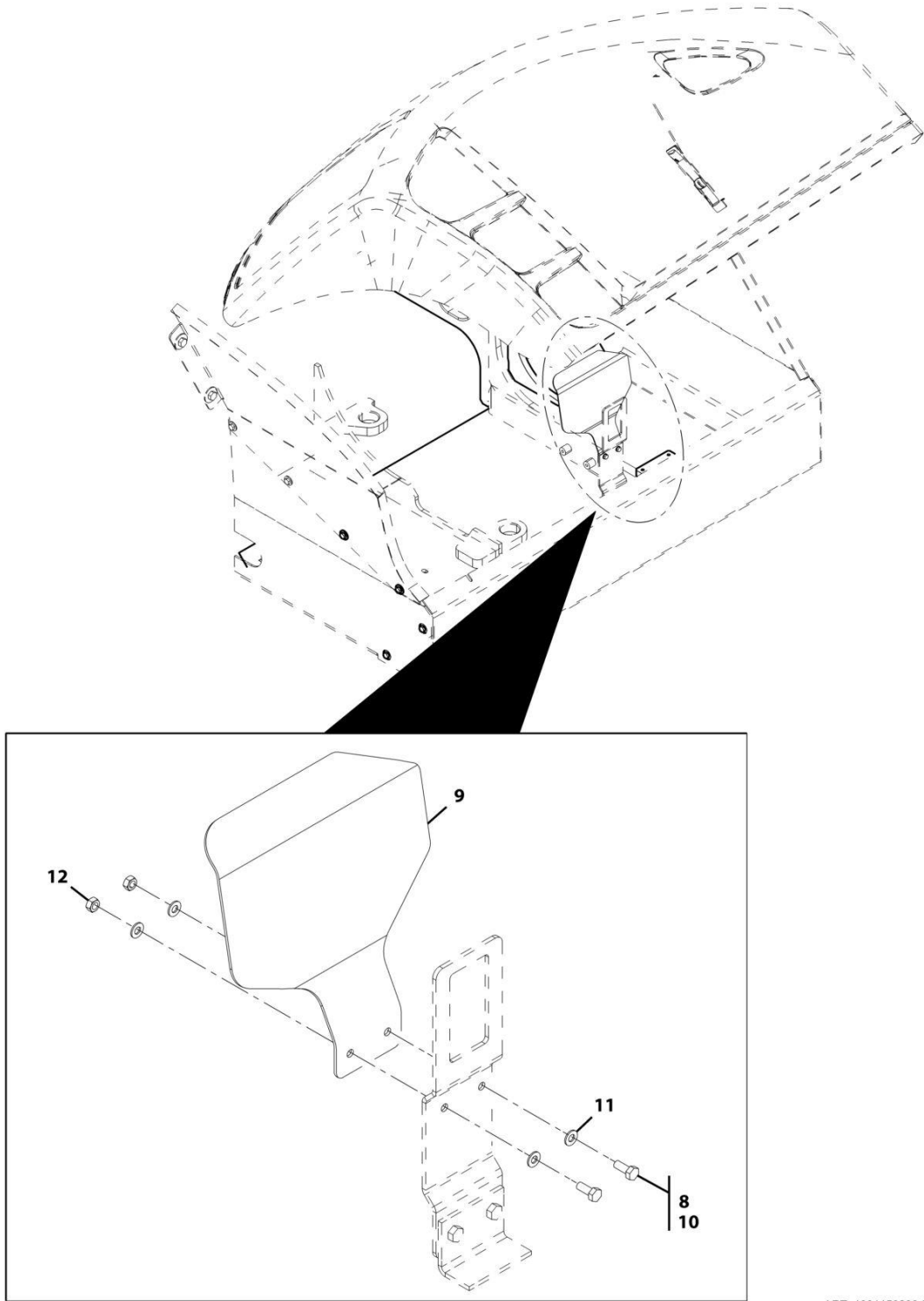
SECTION 4 - ENGINE AND ATTACHING PARTS

FIGURE 4-20. HYDRAULIC PUMP INSTALLATION

ITEM	PART NUMBER	QTY	DESCRIPTION	REV
	1001147693	1	Hydraulic Pump Installation	E
1	2142714	1	Connector	
2	2142735	1	Connector	
3	2143004	1	Fitting, 90 ORFS	
5	4740532	2	Washer	
6	1001142980	1	Pump, Gear (See Separate Breakdown in HYDRAULIC COMPONENTS Section)	
7	0681812	2	Bolt, 1/2-13X1-1/2	
8	8526056	AR	Compound, Locking	
9	0100019	AR	Compound, Locking	

SECTION 4 - ENGINE AND ATTACHING PARTS

FIGURE 4-21. TURBO SHIELD INSTALLATION



ART_1001150208-B

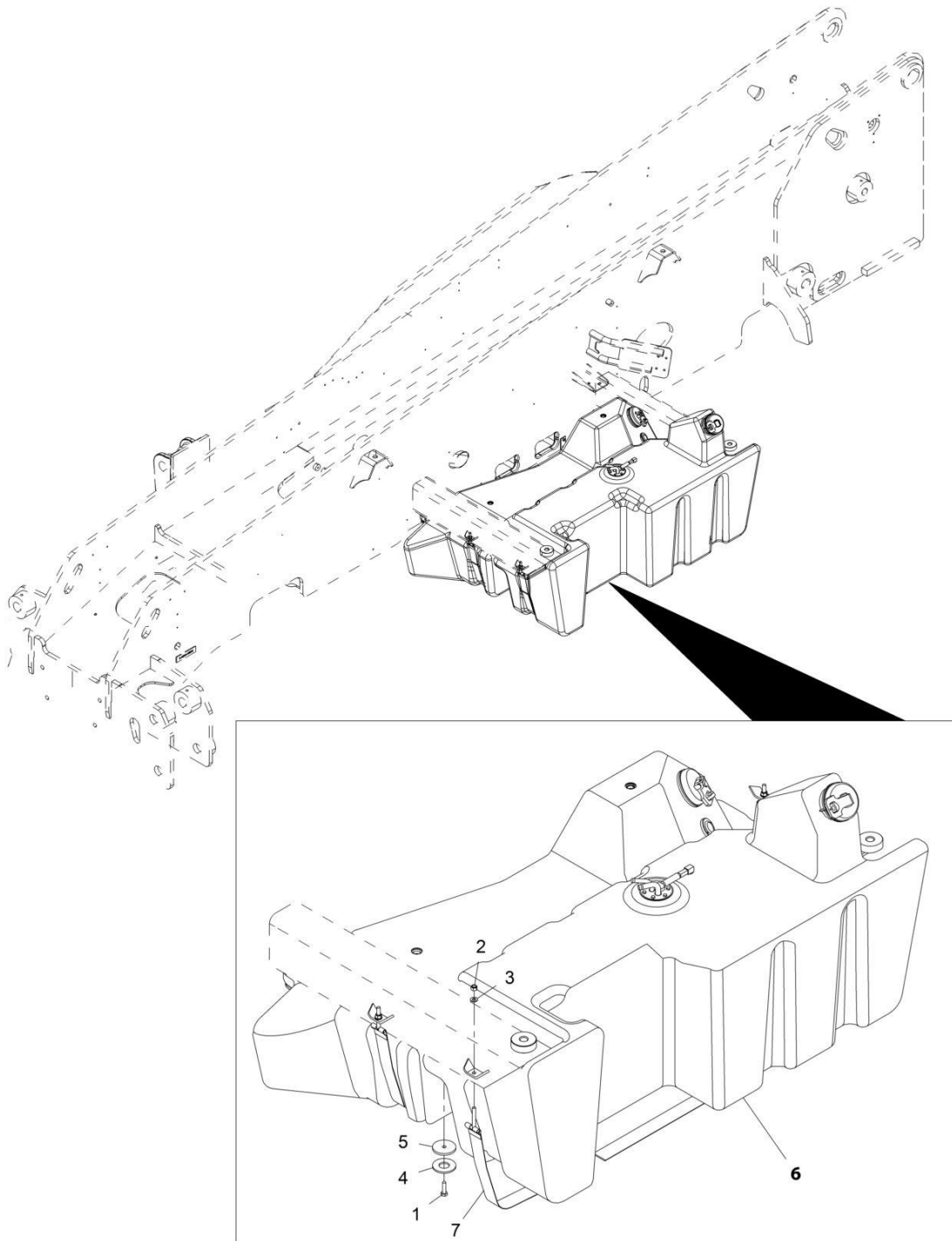
SECTION 4 - ENGINE AND ATTACHING PARTS

FIGURE 4-21. TURBO SHIELD INSTALLATION

ITEM	PART NUMBER	QTY	DESCRIPTION	REV
	1001150208	1	Turbo Shield Installation	B
8	1001095650	AR	Compound, Locking	
9	1001152589	1	Shield, Turbo	
10	0760810	2	Bolt, M8X20	
11	4811900	4	Washer, M8	
12	3290801	2	Nut, M8X1.25	

SECTION 4 - ENGINE AND ATTACHING PARTS

FIGURE 4-22. FUEL TANK INSTALLATION



ART_1001145061-G

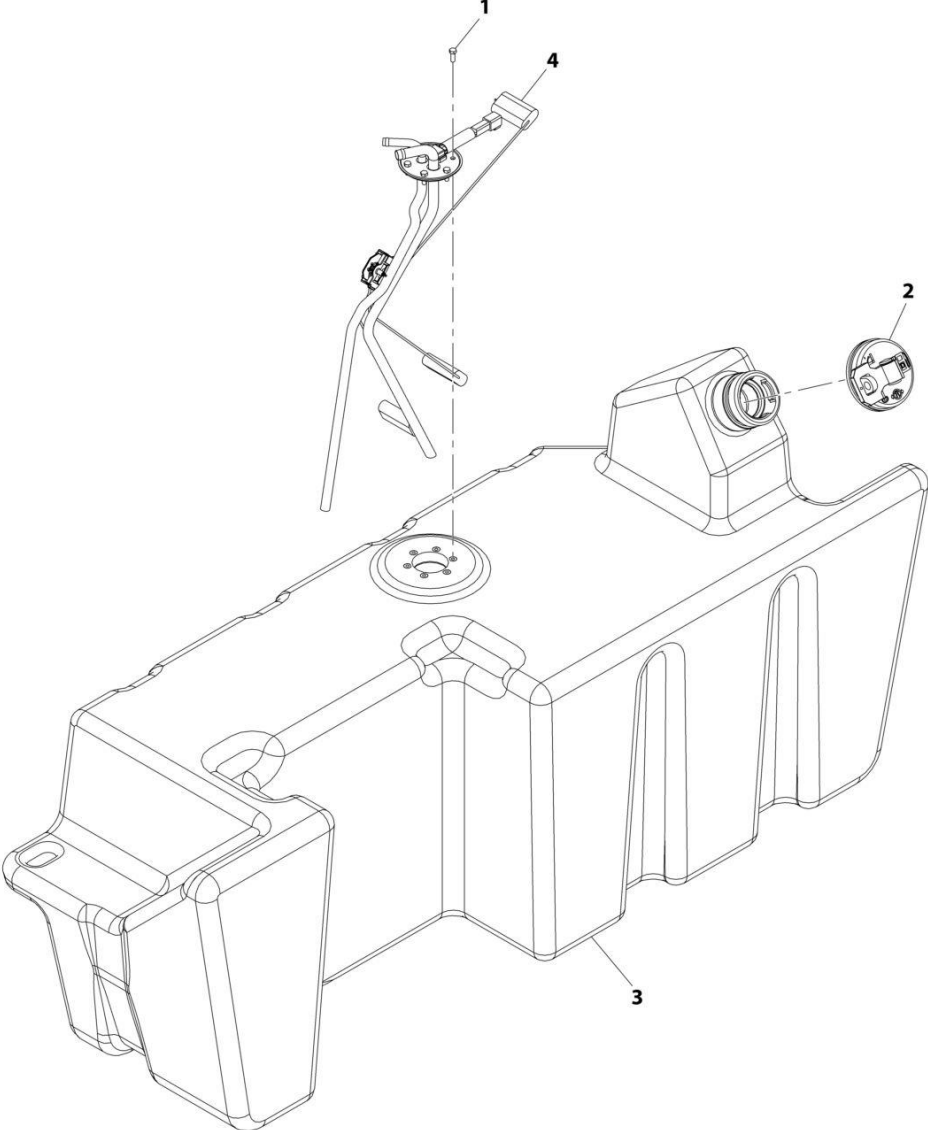
SECTION 4 - ENGINE AND ATTACHING PARTS

FIGURE 4-22. FUEL TANK INSTALLATION

ITEM	PART NUMBER	QTY	DESCRIPTION	REV
	1001145061	Ref	Fuel Tank Installation	G
1	0760814	2	Bolt, M8X30	
2	3290805	2	Nut, Lock M8X1.25	
3	4811900	2	Washer, M8	
4	1001006259	2	Washer	
5	1001166897	2	Washer	
6	1001145549	1	Tank, Fuel (See Separate Breakdown in this Section)	
7	1001147729	1	Strap, Tank	

SECTION 4 - ENGINE AND ATTACHING PARTS

FIGURE 4-23. FUEL TANK



ART_1001145549-I

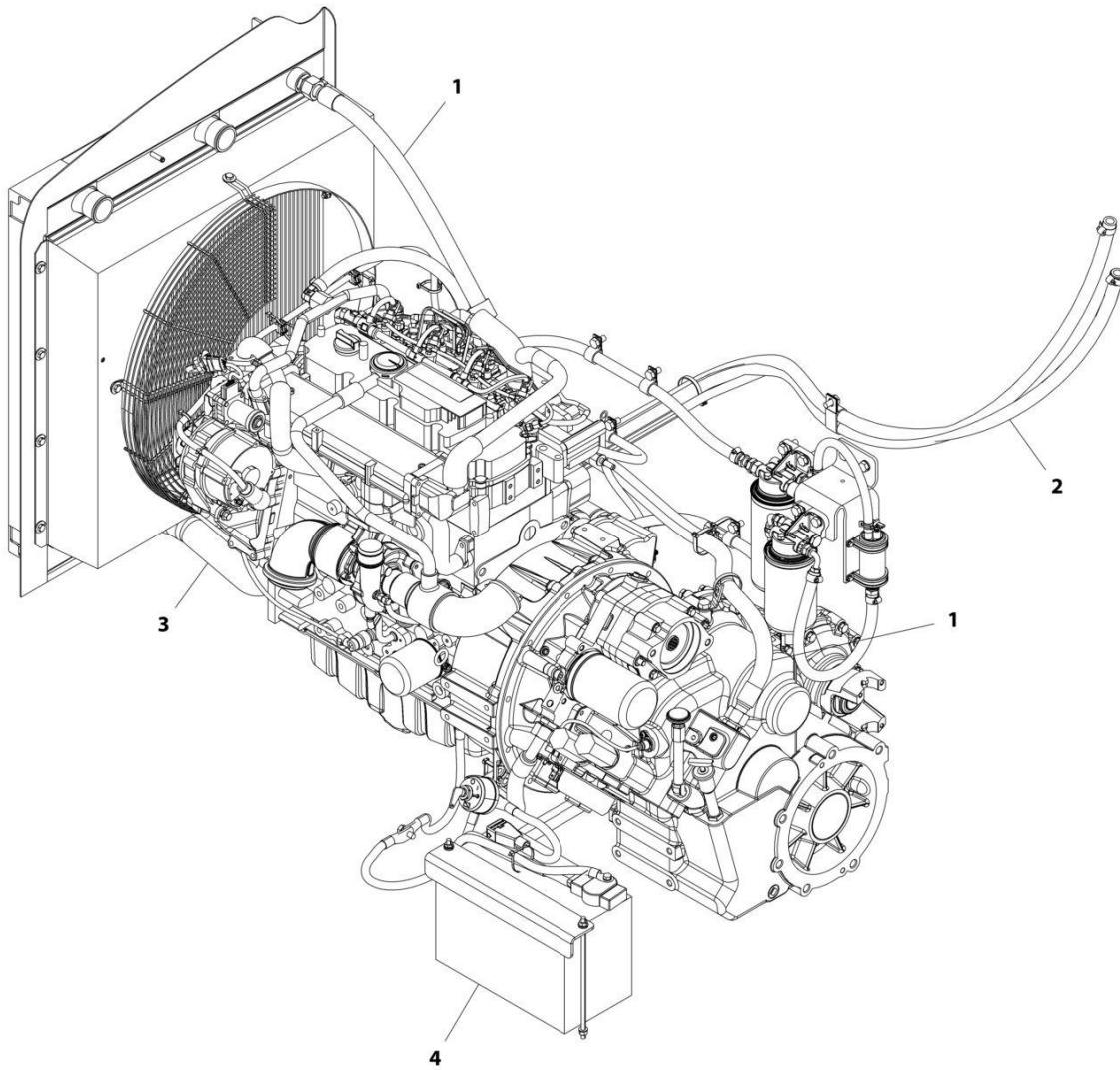
SECTION 4 - ENGINE AND ATTACHING PARTS

FIGURE 4-23. FUEL TANK

ITEM	PART NUMBER	QTY	DESCRIPTION	REV
	1001145549	Ref	Fuel Tank	I
1	0760507	6	Bolt, M5X14	
2	1001142658	1	Cap, Fuel (Fits PNs 1001145551 & 1001213084 Tanks)	
2	1001145551	NLA	Tank, Fuel (Note: Use PN 1001213084)	
3	1001213084	1	Tank, Fuel	
4	1001147737	1	Gauge, Fuel Level	

SECTION 4 - ENGINE AND ATTACHING PARTS

FIGURE 4-24. RADIATOR LINES INSTALLATION



ART_1001178702-B

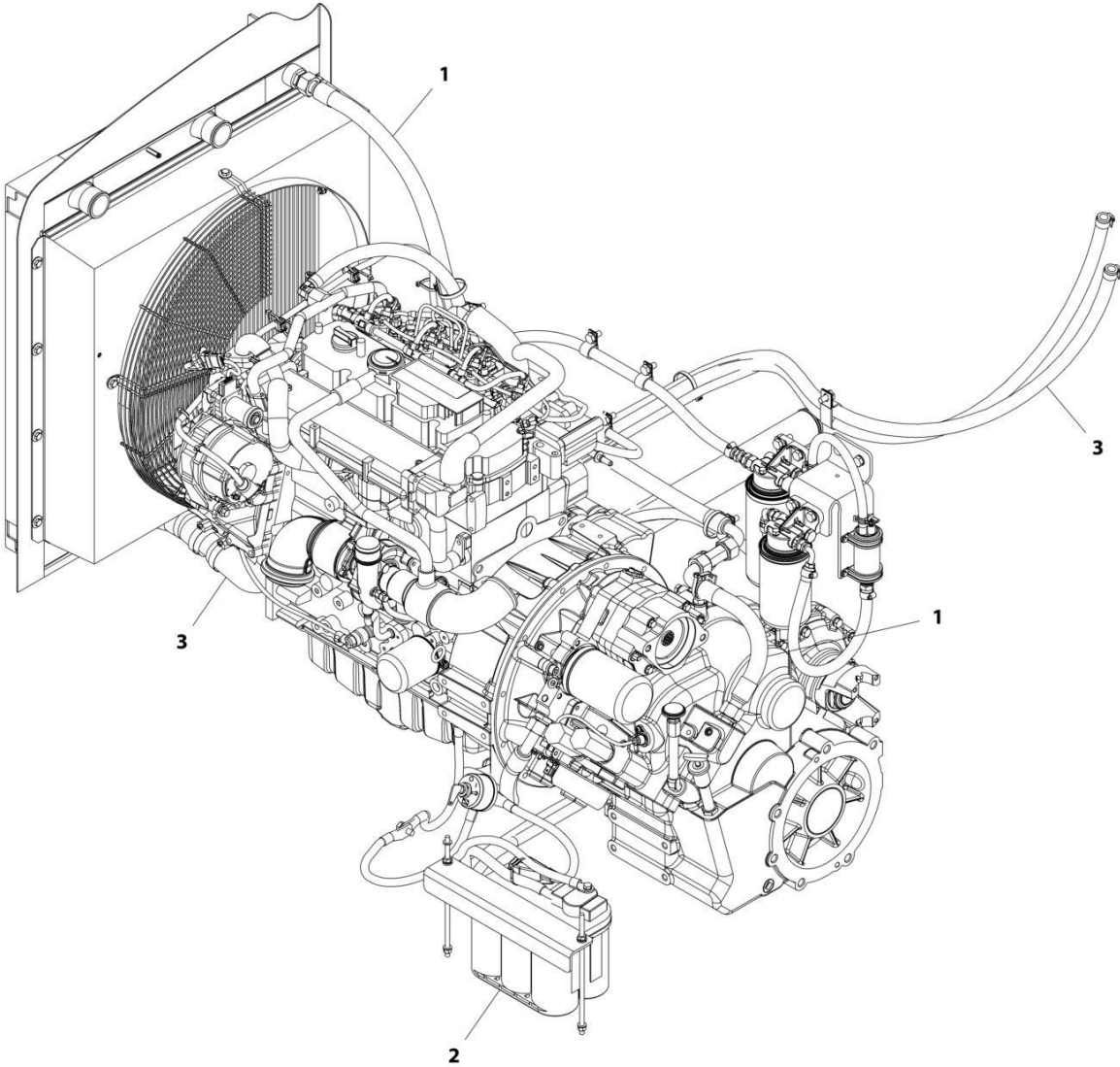
SECTION 4 - ENGINE AND ATTACHING PARTS

FIGURE 4-24. RADIATOR LINES INSTALLATION

ITEM	PART NUMBER	QTY	DESCRIPTION	REV
1	1001178702	Ref	Radiator Lines Installation	B
	1001144787	Ref	Installation, Cooling Transmission (See Separate Breakdown in this Section)	
2	1001145073	Ref	Installation, Heater Lines (See Separate Breakdown in this Section)	
3	1001178605	Ref	Installation, Engine Coolant Hose (See Separate Breakdown in this Section)	
4	1001239516	Ref	Installation, Battery (See Separate Breakdown in ELECTRICAL Section)	

SECTION 4 - ENGINE AND ATTACHING PARTS

FIGURE 4-25. RADIATOR LINES INSTALLATION - ARCTIC



ART_1001160980-B

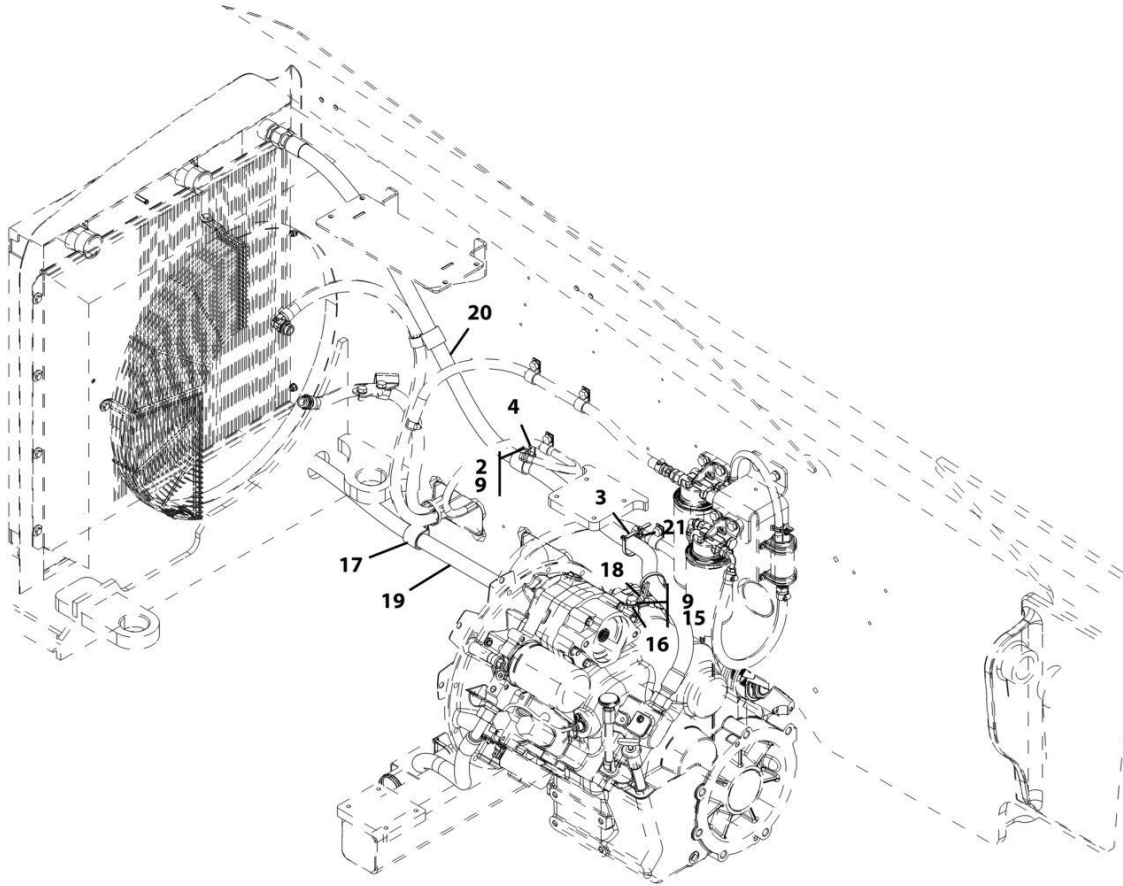
SECTION 4 - ENGINE AND ATTACHING PARTS

FIGURE 4-25. RADIATOR LINES INSTALLATION - ARCTIC

ITEM	PART NUMBER	QTY	DESCRIPTION	REV
1	1001160980	Ref	Radiator Lines Installation - ARCTIC	B
	1001159326	1	Installation, Thermal Bypass (See Separate Breakdown in this Section)	
2	1001246126	1	Installation, Battery (See Separate Breakdown in ELECTRICAL Section)	
3	1001167591	1	Installation, Heater Block (See Separate Breakdown in this Section)	

SECTION 4 - ENGINE AND ATTACHING PARTS

FIGURE 4-26. TRANSMISSION COOLING INSTALLATION



ART_1001144787-E

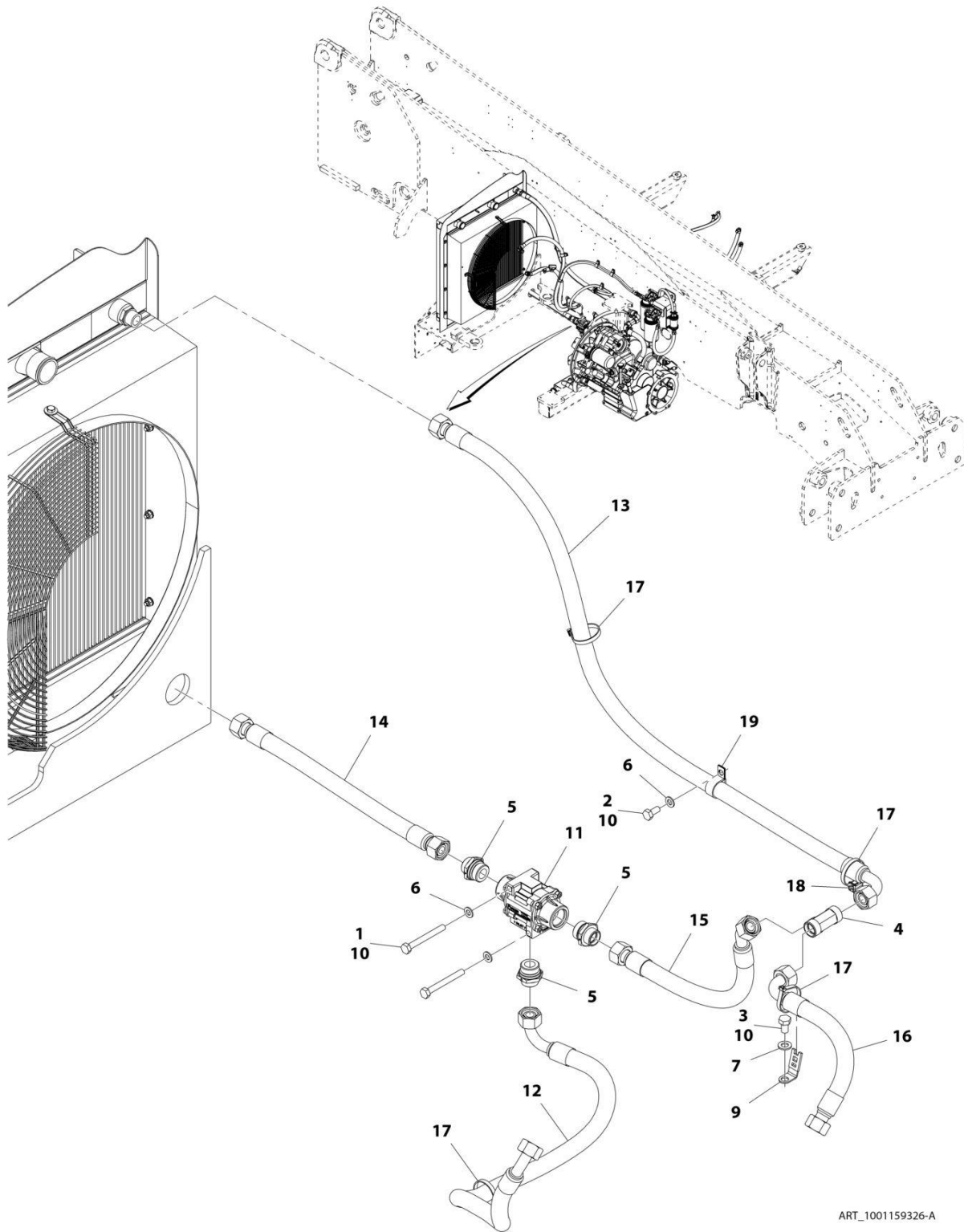
SECTION 4 - ENGINE AND ATTACHING PARTS

FIGURE 4-26. TRANSMISSION COOLING INSTALLATION

ITEM	PART NUMBER	QTY	DESCRIPTION	REV
	1001144787	Ref	Transmission Cooling Installation	E
2	0761011	3	Bolt, M10X22	
3	1062255	4	Tie, Strap	
4	4812000	3	Washer, M10	
9	1001095650	AR	Compound, Locking	
15	0761210	1	Bolt, M12X20	
16	4812100	1	Washer, M12	
17	1001008572	4	Clip	
18	1001025751	1	Clip	
19	1001161471	1	Hose	
20	1001155051	1	Hose	
21	1001004723	1	Saddle	

SECTION 4 - ENGINE AND ATTACHING PARTS

FIGURE 4-27. THERMAL BYPASS INSTALLATION - ARCTIC



ART_1001159326-A

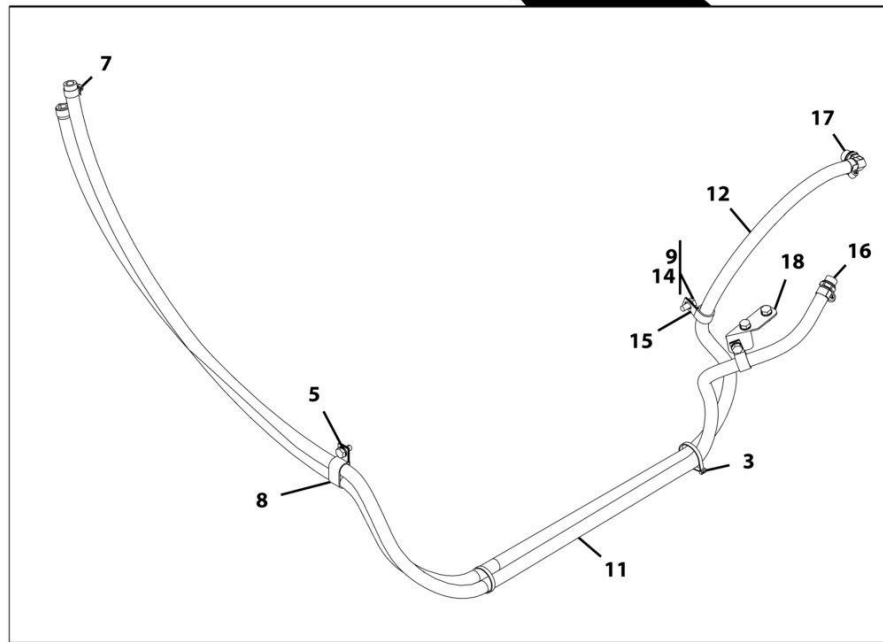
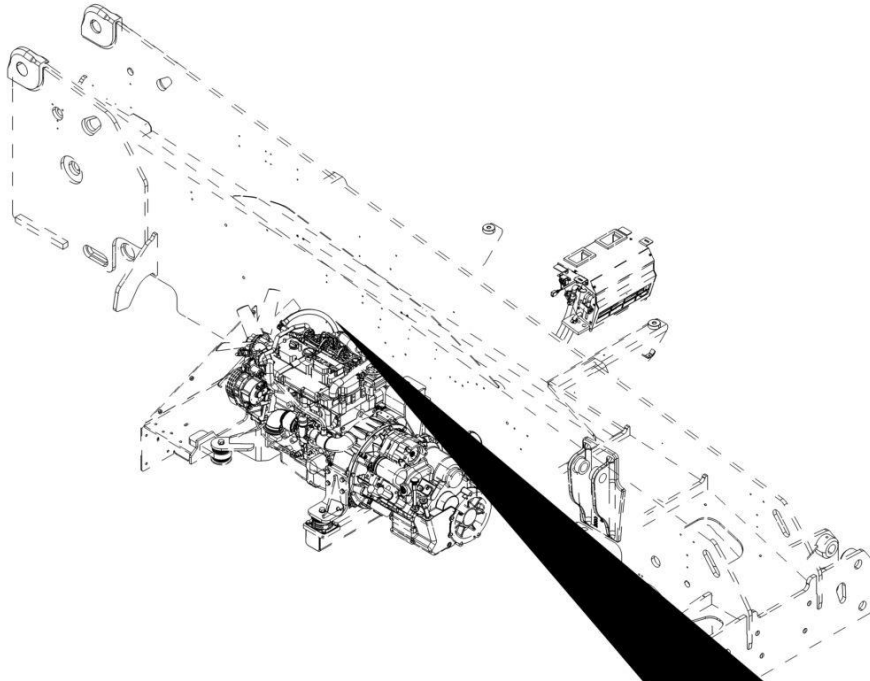
SECTION 4 - ENGINE AND ATTACHING PARTS

FIGURE 4-27. THERMAL BYPASS INSTALLATION - ARCTIC

ITEM	PART NUMBER	QTY	DESCRIPTION	REV
	1001159326	Ref	Thermal Bypass Installation - ARCTIC	A
1	0701026	2	Bolt, M10X90	
2	0761011	1	Bolt, M10X22	
3	0761210	1	Bolt, M12X20	
4	2141912	1	Fitting, Union Tee	
5	2144812	3	Adapter	
6	4812000	3	Washer, M10	
7	4812100	1	Washer, M12	
9	1001025751	1	Clip	
10	1001095650	AR	Compound, Locking	
11	1001119801	1	Valve, Thermal Bypass	
12	1001159327	1	Hose	
13	1001159328	1	Hose	
14	1001159329	1	Hose	
15	1001159330	1	Hose	
16	1001159331	1	Hose	
17	1062255	4	Tie, Strap	
18	1001004723	1	Saddle	
19	1001008572	2	Clip	

SECTION 4 - ENGINE AND ATTACHING PARTS

FIGURE 4-28. HEATER LINES INSTALLATION



ART_1001145073-C

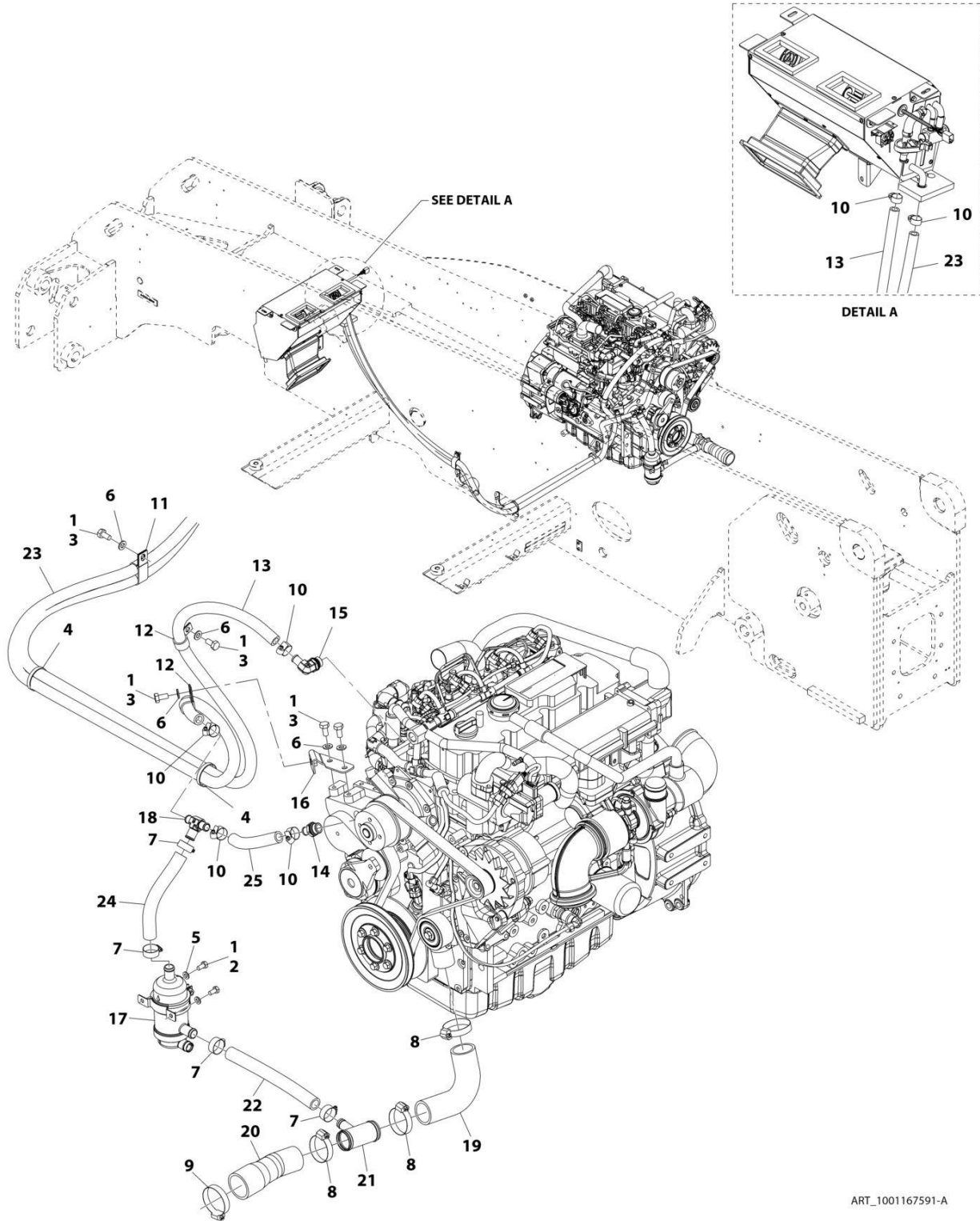
SECTION 4 - ENGINE AND ATTACHING PARTS

FIGURE 4-28. HEATER LINES INSTALLATION

ITEM	PART NUMBER	QTY	DESCRIPTION	REV
	1001145073	Ref	Heater Lines Installation	C
3	1062255	2	Tie, Strap	
5	4812000	5	Washer, M10	
7	1001008609	4	Clamp	
8	1001008720	1	Clip	
9	1001095650	AR	Compound, Locking	
11	1001145071	1	Hose	
12	1001145072	1	Hose	
14	0761010	5	Bolt, M10X20	
15	1001009384	2	Clip	
16	1001154262	1	Adapter	
17	1001154263	1	Adapter	
18	1001155013	1	Bracket, Heater Hose	

SECTION 4 - ENGINE AND ATTACHING PARTS

FIGURE 4-29. HEATER BLOCK INSTALLATION - ARCTIC



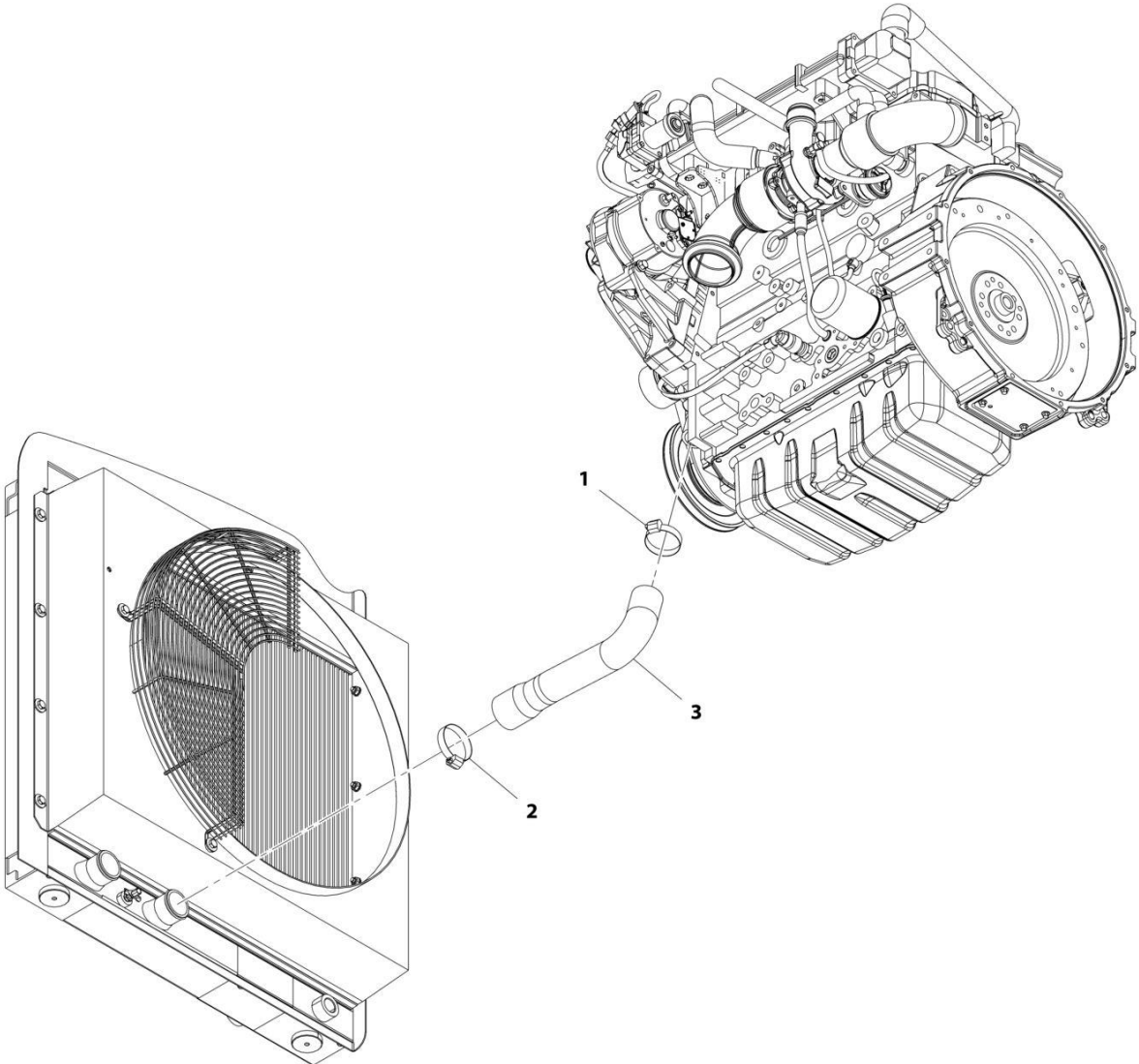
SECTION 4 - ENGINE AND ATTACHING PARTS

FIGURE 4-29. HEATER BLOCK INSTALLATION - ARCTIC

ITEM	PART NUMBER	QTY	DESCRIPTION	REV
	1001167591	Ref	Heater Block Installation - ARCTIC	A
1	1001095650	AR	Compound, Locking	
2	0760808	2	Bolt, M8X16	
3	0761010	5	Bolt, M10X20	
4	1062255	2	Tie, Strap	
5	4811900	2	Washer, M8	
6	4812000	5	Washer, M10	
7	8405007	4	Gear Clamp, 1.25	
8	8405104	3	Gear Clamp, 2.25	
9	8405201	1	Gear Clamp, 2.5	
10	1001008609	6	Clamp	
11	1001008720	1	Clip	
12	1001009384	2	Clip	
13	1001145072	1	Hose	
14	1001154262	1	Adapter	
15	1001154263	1	Adapter	
16	1001155013	1	Bracket, Heater Hose	
17	1001165069	1	Heater, Engine	
18	1001167773	1	Fitting	
19	1001167976	1	Hose	
20	1001167977	1	Hose	
21	1001170437	1	Pipe	
22	1001170489	1	Hose	
23	1001170490	1	Hose	
24	1001170491	1	Hose	
25	1001170492	1	Hose	

SECTION 4 - ENGINE AND ATTACHING PARTS

FIGURE 4-30. ENGINE COOLANT HOSE INSTALLATION



ART_1001178605-A

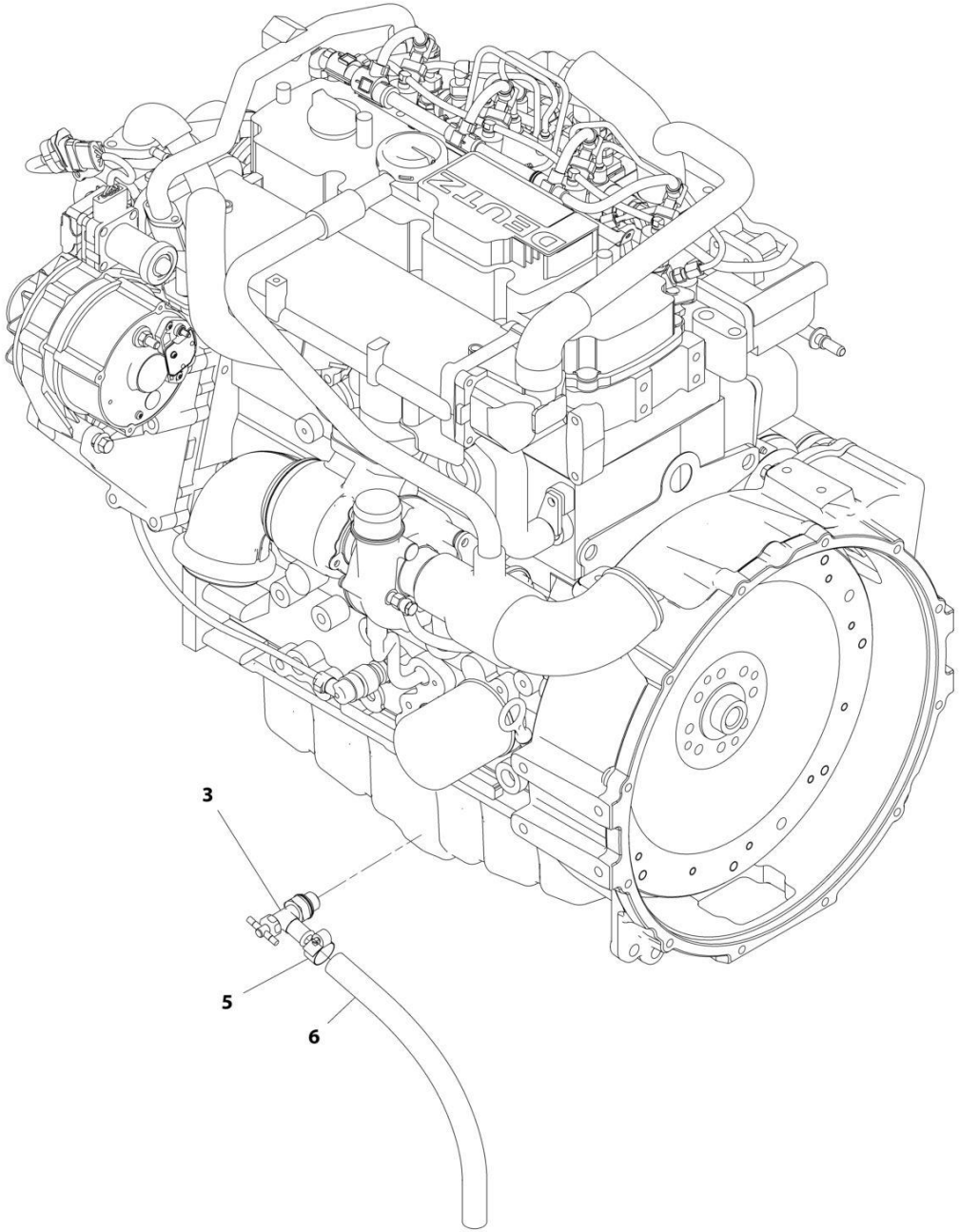
SECTION 4 - ENGINE AND ATTACHING PARTS

FIGURE 4-30. ENGINE COOLANT HOSE INSTALLATION

ITEM	PART NUMBER	QTY	DESCRIPTION	REV
	1001178605	Ref	Engine Coolant Hose Installation	A
1	8405104	1	Gear Clamp, 2.25	
2	8405201	1	Gear Clamp, 2.5	
3	1001142083	1	Hose	

SECTION 4 - ENGINE AND ATTACHING PARTS

FIGURE 4-31. ENGINE OIL DRAIN INSTALLATION



ART_1001169871-C

SECTION 4 - ENGINE AND ATTACHING PARTS

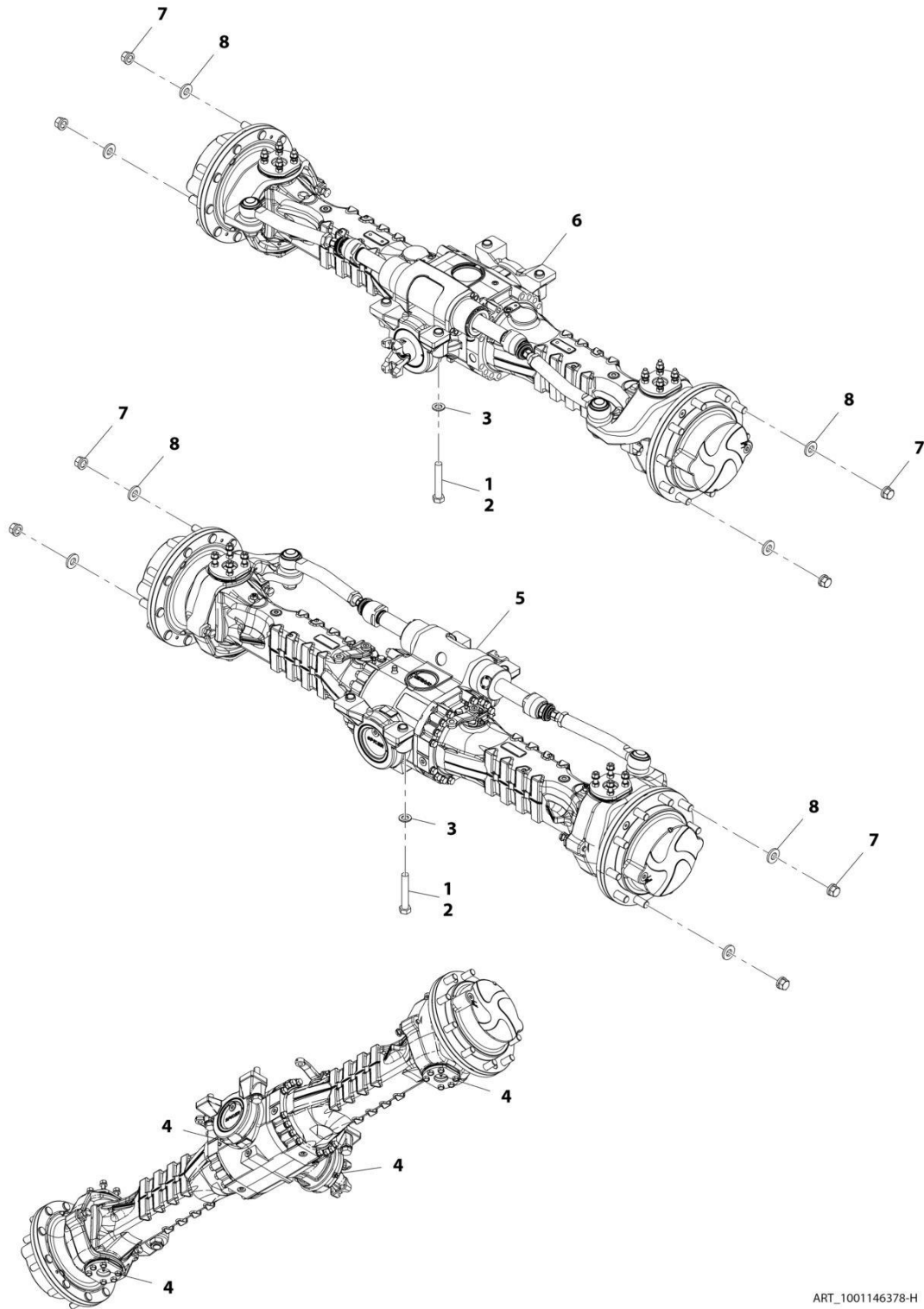
FIGURE 4-31. ENGINE OIL DRAIN INSTALLATION

ITEM	PART NUMBER	QTY	DESCRIPTION	REV
	1001169871	Ref	Engine Oil Drain Installation	C
3	1001144669	1	Oil Drain Valve	
5	1001008609	1	Clamp	
6	1001187260	1	Oil Drain Hose	

SECTION 5 - DRIVE TRAIN

SECTION 5 - DRIVE TRAIN

FIGURE 5-1. AXLE INSTALLATION (74KW) (3614RS)



ART_1001146378-H

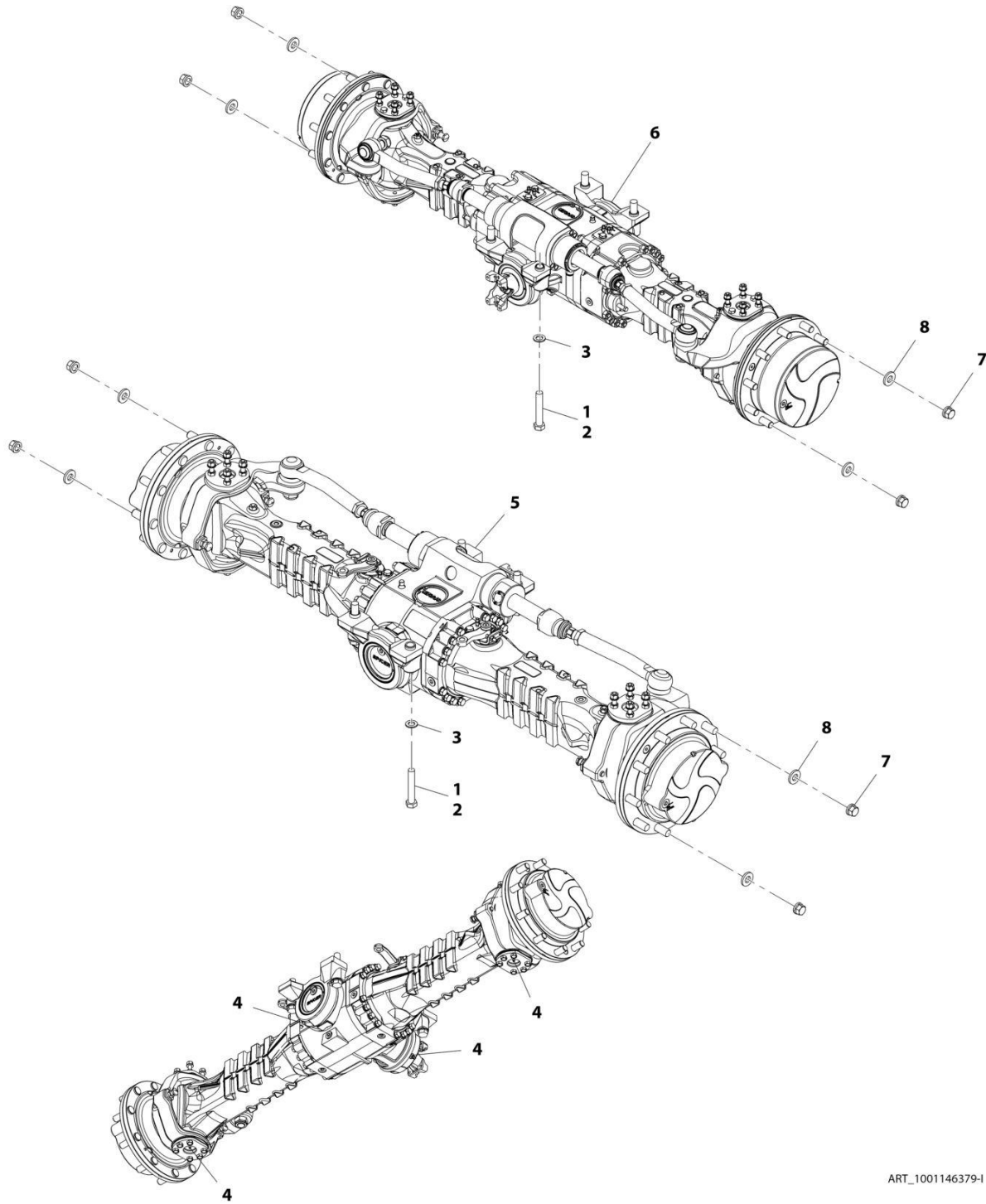
SECTION 5 - DRIVE TRAIN

FIGURE 5-1. AXLE INSTALLATION (74KW) (3614RS)

ITEM	PART NUMBER	QTY	DESCRIPTION	REV
	1001146378	Ref	Axle Installation (74KW)	H
1	1001198326	AR	Compound, Locking	
2	0712029	8	Bolt, M20X120	
3	1001197130	8	Washer, M20	
4	1001008462	AR	Lube, Grease	
5	1001135441	1	Axle, Front (See Separate Breakdown in this Section)	
6	1001135442	1	Axle, Rear (See Separate Breakdown in this Section)	
7	3300479	40	Nut, Wheel M22X1.5	
8	1001114802	40	Washer	

SECTION 5 - DRIVE TRAIN

FIGURE 5-2. AXLE INSTALLATION, (NO FOAM FILL) (74KW) (4017RS)



ART_1001146379-I

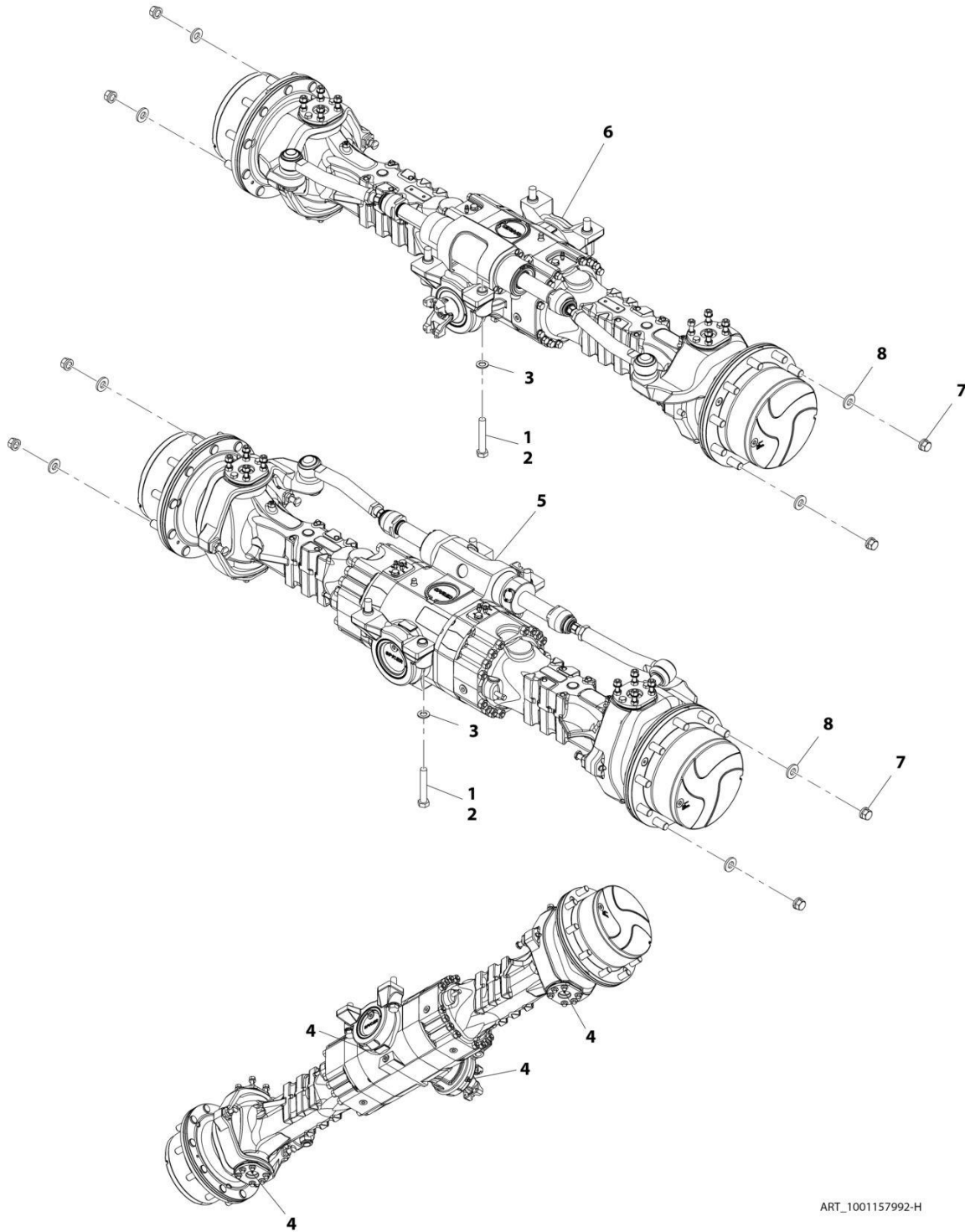
SECTION 5 - DRIVE TRAIN

FIGURE 5-2. AXLE INSTALLATION, (NO FOAM FILL) (74KW) (4017RS)

ITEM	PART NUMBER	QTY	DESCRIPTION	REV
	1001146379	Ref	Axle Installation, (No Foam Fill) (74KW)	I
1	1001198326	AR	Compound, Locking	
2	0712029	8	Bolt, M20X120	
3	1001197130	8	Washer, M20	
4	1001008462	AR	Lube, Multipurpose Grease	
5	1001135442	1	Axle, Rear (See Separate Breakdown in this Section)	
6	1001182621	1	Axle, Front (See Separate Breakdown in this Section)	
7	3300479	40	Nut, Wheel M22X1.5	
8	1001114802	40	Washer	

SECTION 5 - DRIVE TRAIN

FIGURE 5-3. AXLE INSTALLATION (FOAM FILL) (74KW) (4017RS)



ART_1001157992-H

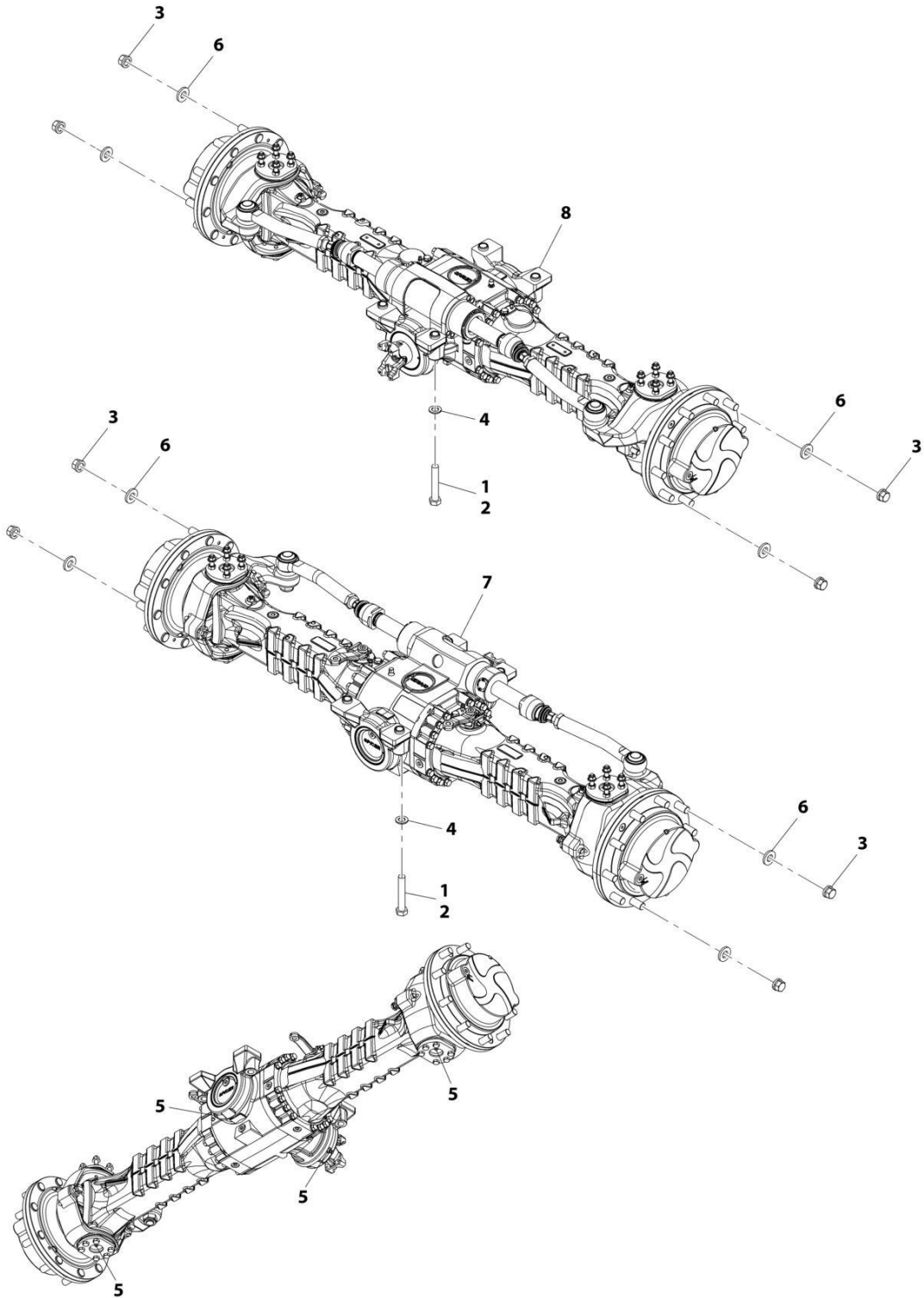
SECTION 5 - DRIVE TRAIN

FIGURE 5-3. AXLE INSTALLATION (FOAM FILL) (74KW) (4017RS)

ITEM	PART NUMBER	QTY	DESCRIPTION	REV
	1001157992	Ref	Axle Installation (Foam Fill) (74KW)	H
1	1001198326	AR	Compound, Locking	
2	0712029	8	Bolt, M20X120	
3	1001197130	8	Washer, M20	
4	1001008462	AR	Lube, Multipurpose Grease	
5	1001182621	1	Axle, Front (See Separate Breakdown in this Section)	
6	1001182622	1	Axle, Rear (See Separate Breakdown in this Section)	
7	3300479	40	Nut, Wheel M22X1.5	
8	1001114802	40	Washer	

SECTION 5 - DRIVE TRAIN

FIGURE 5-4. AXLE INSTALLATION (55KW) (3614RS)



ART_1001191921-D

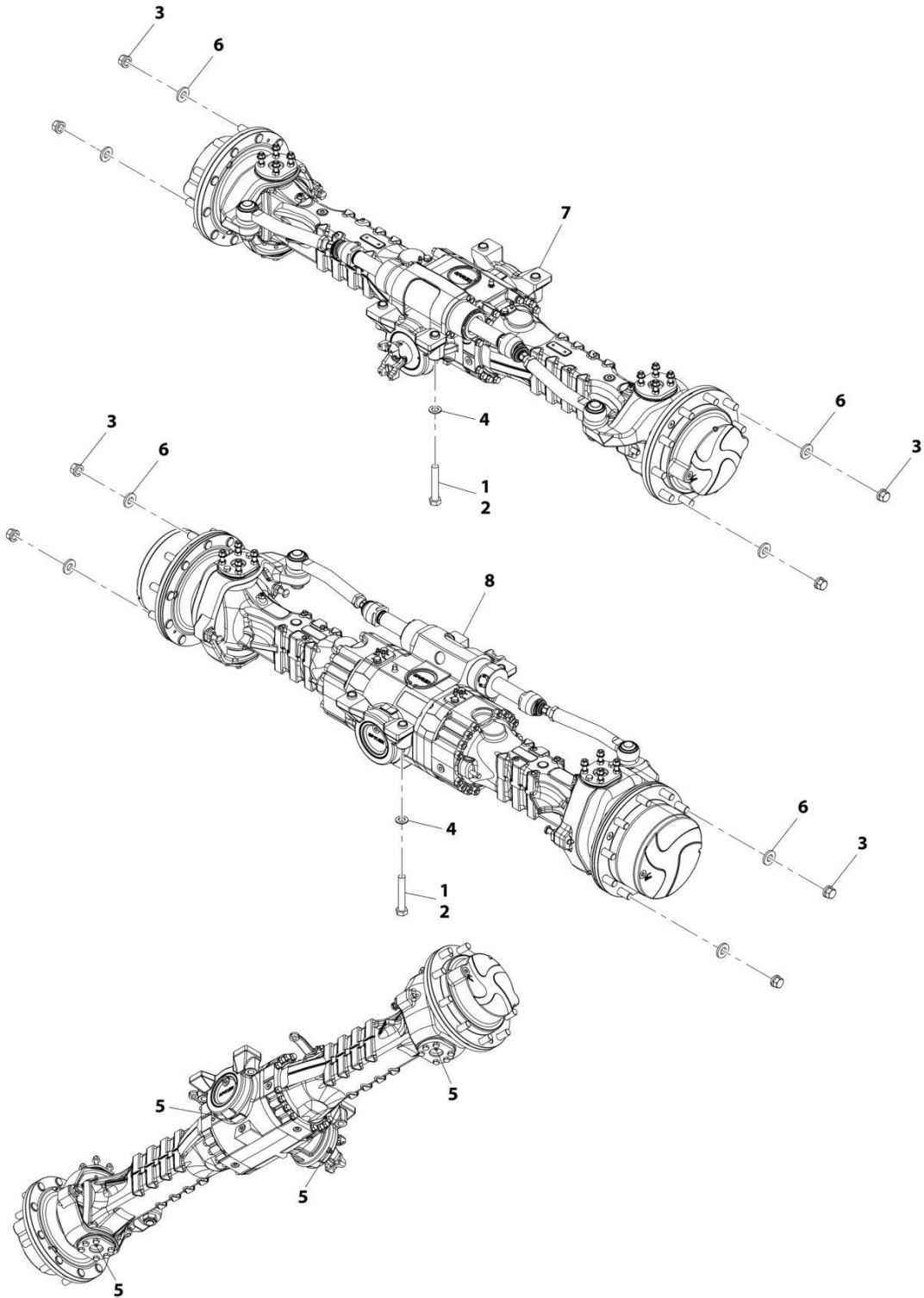
SECTION 5 - DRIVE TRAIN

FIGURE 5-4. AXLE INSTALLATION (55KW) (3614RS)

ITEM	PART NUMBER	QTY	DESCRIPTION	REV
	1001191921	Ref	Axle Installation (55KW)	D
1	1001198326	AR	Compound, Locking	
2	0712029	8	Bolt, M20X120	
3	3300479	40	Nut, Wheel M22X1.5	
4	1001197130	8	Washer, M20	
5	1001008462	AR	Lube, Grease	
6	1001114802	40	Washer	
7	1001191919	1	Axle, Front (See Separate Breakdown in this Section)	
8	1001191920	1	Axle, Rear (See Separate Breakdown in this Section)	

SECTION 5 - DRIVE TRAIN

FIGURE 5-5. AXLE INSTALLATION (55KW) (4017RS)



ART_1001191926-D

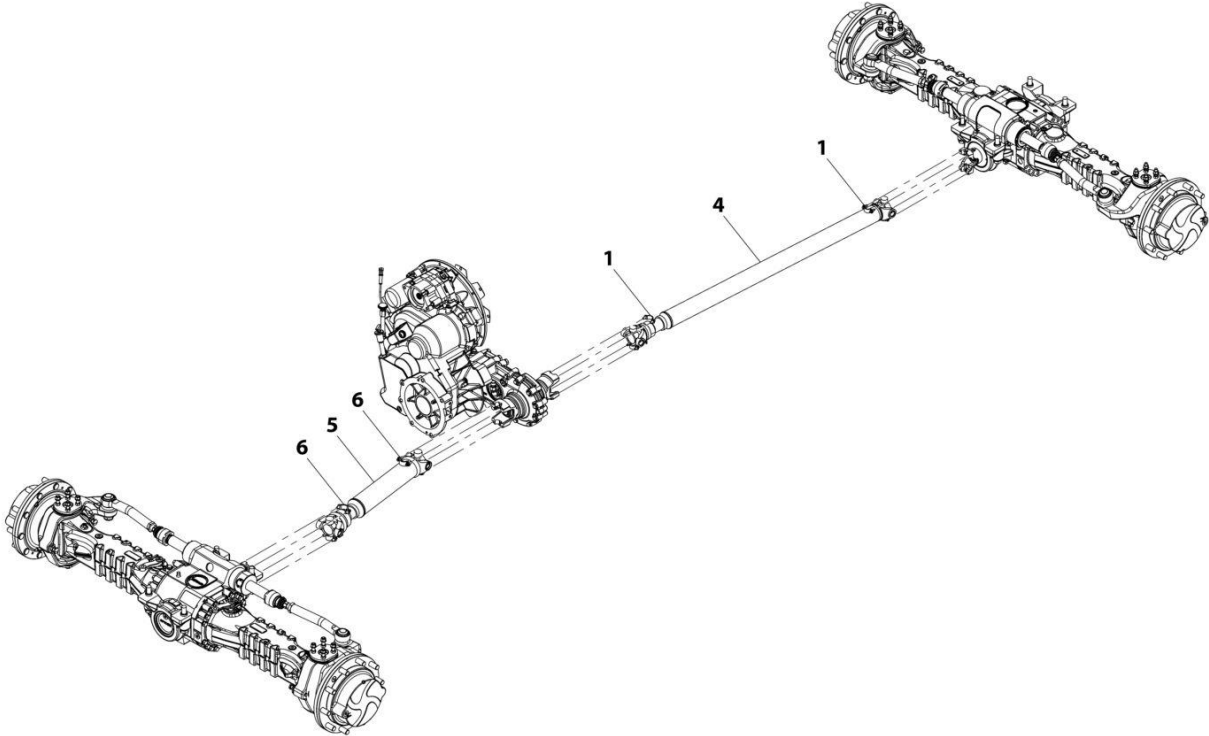
SECTION 5 - DRIVE TRAIN

FIGURE 5-5. AXLE INSTALLATION (55KW) (4017RS)

ITEM	PART NUMBER	QTY	DESCRIPTION	REV
	1001191926	Ref	Axle Installation (55KW)	D
1	1001198326	AR	Compound, Locking	
2	0712029	8	Bolt, M20X120	
3	3300479	40	Nut, Wheel M22X1.5	
4	1001197130	8	Washer, M20	
5	1001008462	AR	Lube, Grease	
6	1001114802	40	Washer	
7	1001191920	1	Axle, Rear (See Separate Breakdown in this Section)	
8	1001191930	1	Axle, Front (See Separate Breakdown in this Section)	

SECTION 5 - DRIVE TRAIN

FIGURE 5-6. DRIVE SHAFT INSTALLATION (3614RS)



ART_1001144458-C

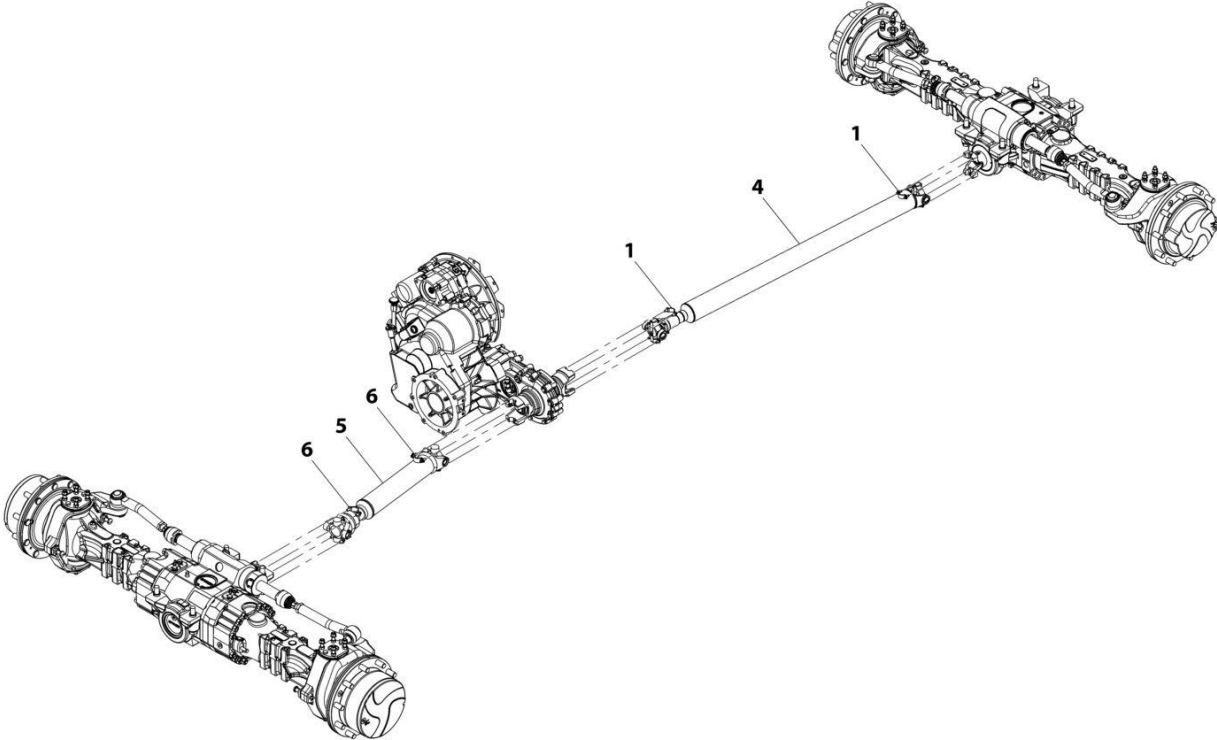
SECTION 5 - DRIVE TRAIN

FIGURE 5-6. DRIVE SHAFT INSTALLATION (3614RS)

ITEM	PART NUMBER	QTY	DESCRIPTION	REV
	1001144458	Ref	Driveshaft Installation	C
1	8005079	4	Clampset	
4	1001145432	1	Shaft, Rear Drive	
4	7029271	2	Cross and Bearing Kit	
5	1001145433	1	Shaft, Front Drive	
5	91474035	2	Cross and Bearing Kit	
6	8880218-OM	2	Kit, Strap (includes items 101 & 102)	

SECTION 5 - DRIVE TRAIN

FIGURE 5-7. DRIVE SHAFT INSTALLATION (4017RS)



ART_1001144459-D

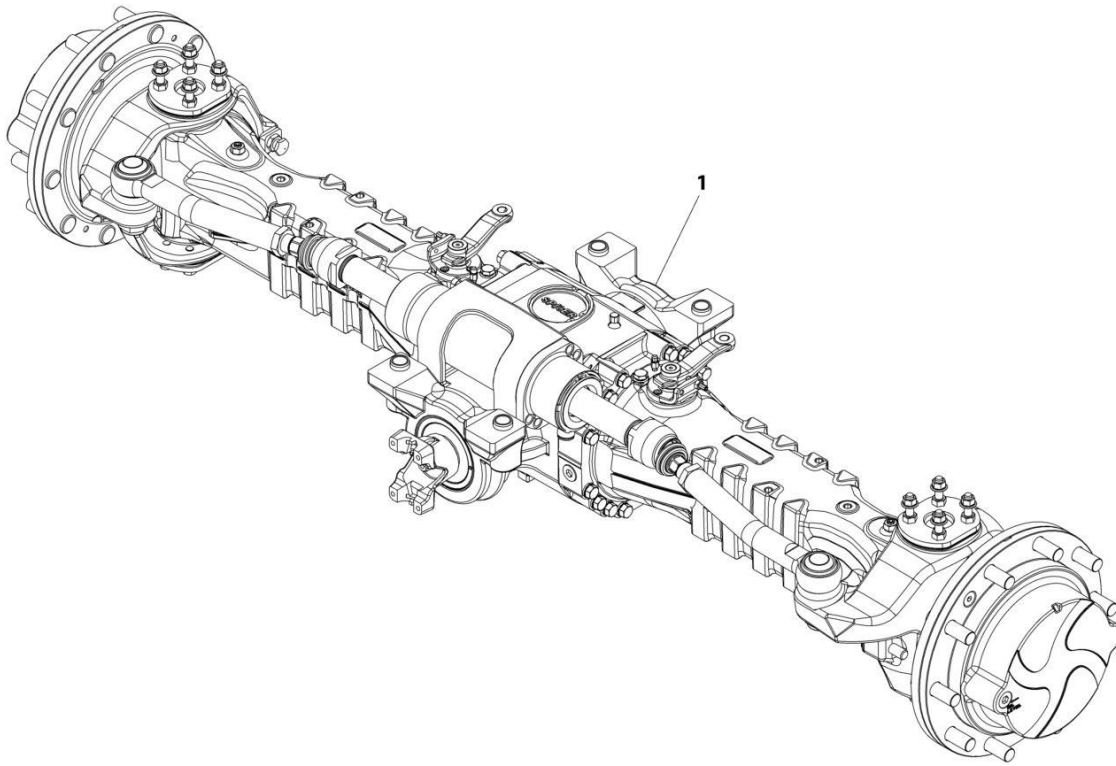
SECTION 5 - DRIVE TRAIN

FIGURE 5-7. DRIVE SHAFT INSTALLATION (4017RS)

ITEM	PART NUMBER	QTY	DESCRIPTION	REV
	1001144459	Ref	Driveshaft Installation	D
1	8005079	4	Clampset	
4	1001137323	1	Shaft, Rear Drive	
4	7029271	2	Cross and Bearing Kit	
5	1001146399	1	Shaft, Front Drive	
5	91474035	2	Cross and Bearing Kit	
6	8880218-OM	2	Kit, Strap	

SECTION 5 - DRIVE TRAIN

FIGURE 5-8. FRONT AXLE (3614RS)



ART_1001135441-E

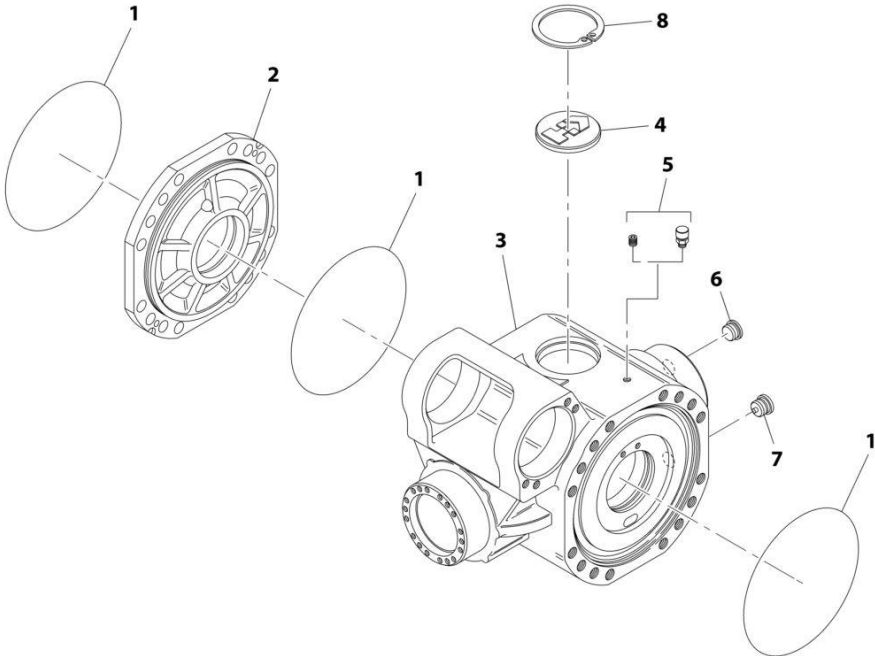
SECTION 5 - DRIVE TRAIN

FIGURE 5-8. FRONT AXLE (3614RS)

ITEM	PART NUMBER	QTY	DESCRIPTION	REV
1	1001135441	Ref	Front Axle	E
		Ref	Front Axle, Central Housing (See Separate Breakdown in this Section)	
		Ref	Front Axle, Differential (See Separate Breakdown in this Section) (3614RS)	
		Ref	Front Axle, Hub Reduction (See Separate Breakdown in this Section) (3614RS)	
		Ref	Front Axle, Brakes (See Separate Breakdown in this Section) (3614RS)	
		Ref	Front Axle, Steering (See Separate Breakdown in this Section) (3614RS)	
		Ref	Front Axle, Trunion (See Separate Breakdown in this Section) (3614RS)	

SECTION 5 - DRIVE TRAIN

FIGURE 5-9. FRONT AXLE, CENTRAL HOUSING (3614RS)



ART_1001135441_1-E

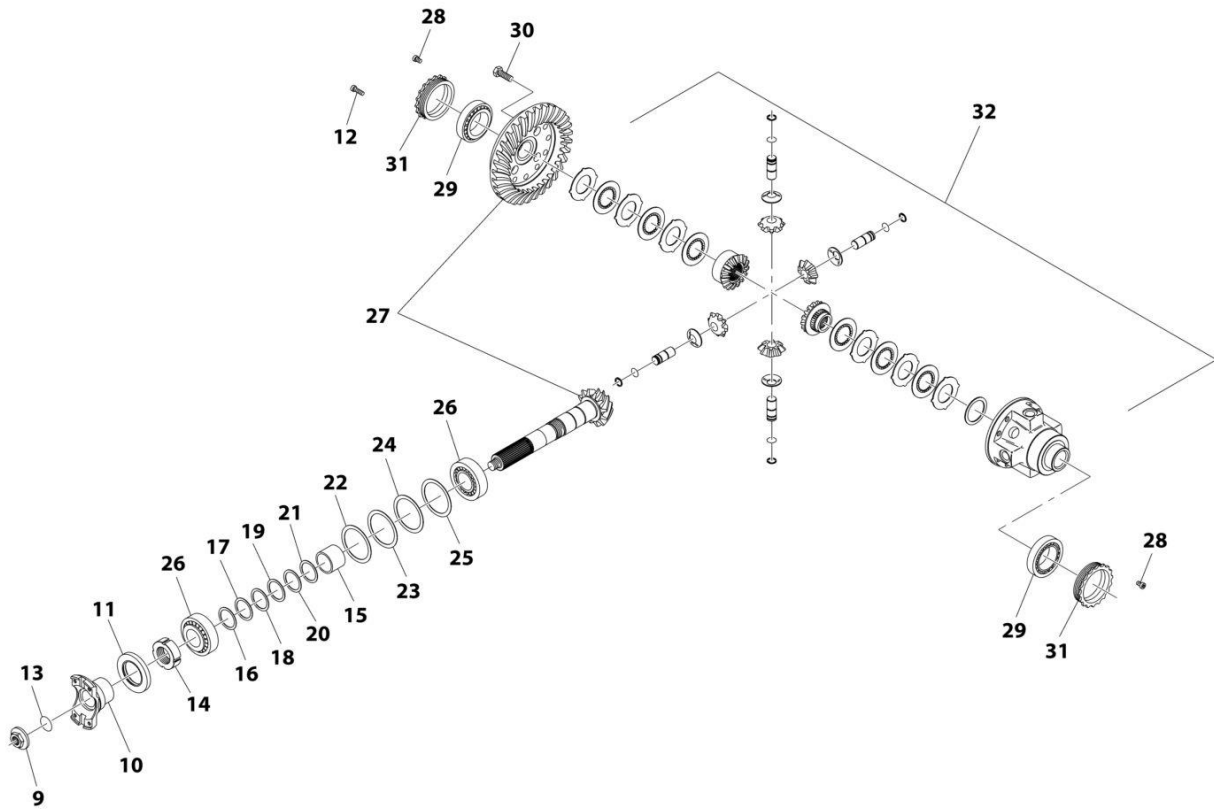
SECTION 5 - DRIVE TRAIN

FIGURE 5-9. FRONT AXLE, CENTRAL HOUSING (3614RS)

ITEM	PART NUMBER	QTY	DESCRIPTION	REV
	1001135441	Ref	FRONT AXLE, CENTRAL HOUSING	
1	91474507	3	O-Ring	
2	70024519	1	Cover	
3	70026977	1	Housing	
4	91514098	1	Plug	
5	91474512	1	Vent	
6	91514188	1	Plug	
7	91474513	1	Plug, Magnet	
8	80204005	1	Circlip	

SECTION 5 - DRIVE TRAIN

FIGURE 5-10. FRONT AXLE, DIFFERENTIAL (3614RS)



ART_1001135441_2-E

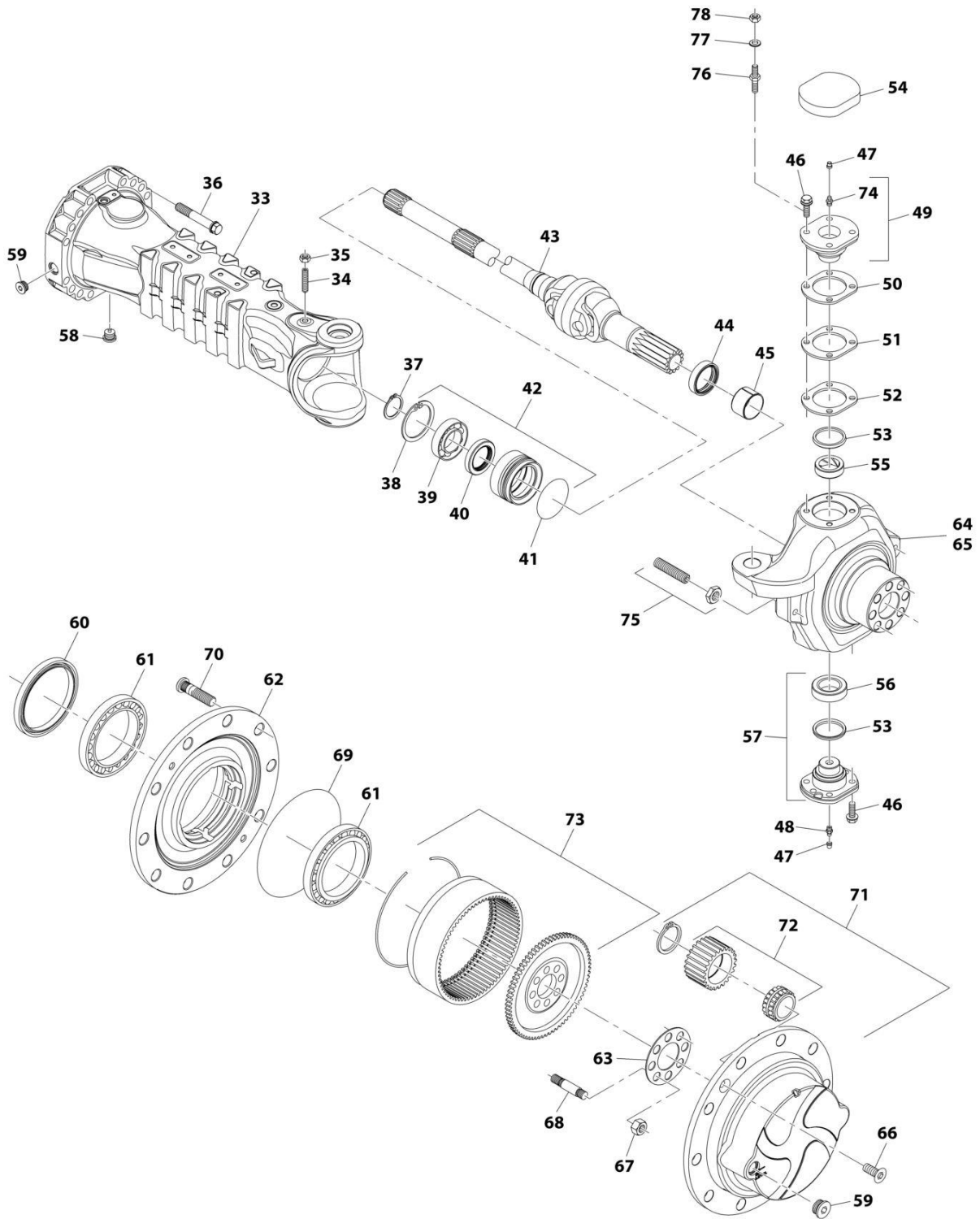
SECTION 5 - DRIVE TRAIN

FIGURE 5-10. FRONT AXLE, DIFFERENTIAL (3614RS)

ITEM	PART NUMBER	QTY	DESCRIPTION	REV
	1001135441	Ref	FRONT AXLE, DIFFERENTIAL	
9	70026631	1	Nut	
10	70022797	1	Flange	
11	91474532	1	Seal	
12	91474591	4	Bolt	
13	91474529	1	O-Ring	
14	91474533	1	Nut, Ring	
15	91474539	1	Spacer	
16	91474535	1	Shim	
17	91474536	1	Shim	
18	91474537	1	Shim	
19	91474538	1	Shim	
20	70024520	1	Shim	
21	70024521	1	Shim	
22	91474540	1	Shim	
23	91474541	1	Shim	
24	91474542	1	Shim	
25	91474543	1	Shim	
26	3968141	2	Bearing, Taper Roller	
27	70025547	1	Set, Bevel Gear	
28	91514134	2	Bolt	
29	70026031	2	Bearing, Taper Roller	
30	91514123	12	Bolt	
31	91474547	2	Nut, Ring	
32	7028710	1	Differential Kit, (See Separate Breakdown in this Section)	

SECTION 5 - DRIVE TRAIN

FIGURE 5-11. FRONT AXLE, HUB REDUCTION (3614RS)



ART_1001135441_3-E

SECTION 5 - DRIVE TRAIN

FIGURE 5-11. FRONT AXLE, HUB REDUCTION (3614RS)

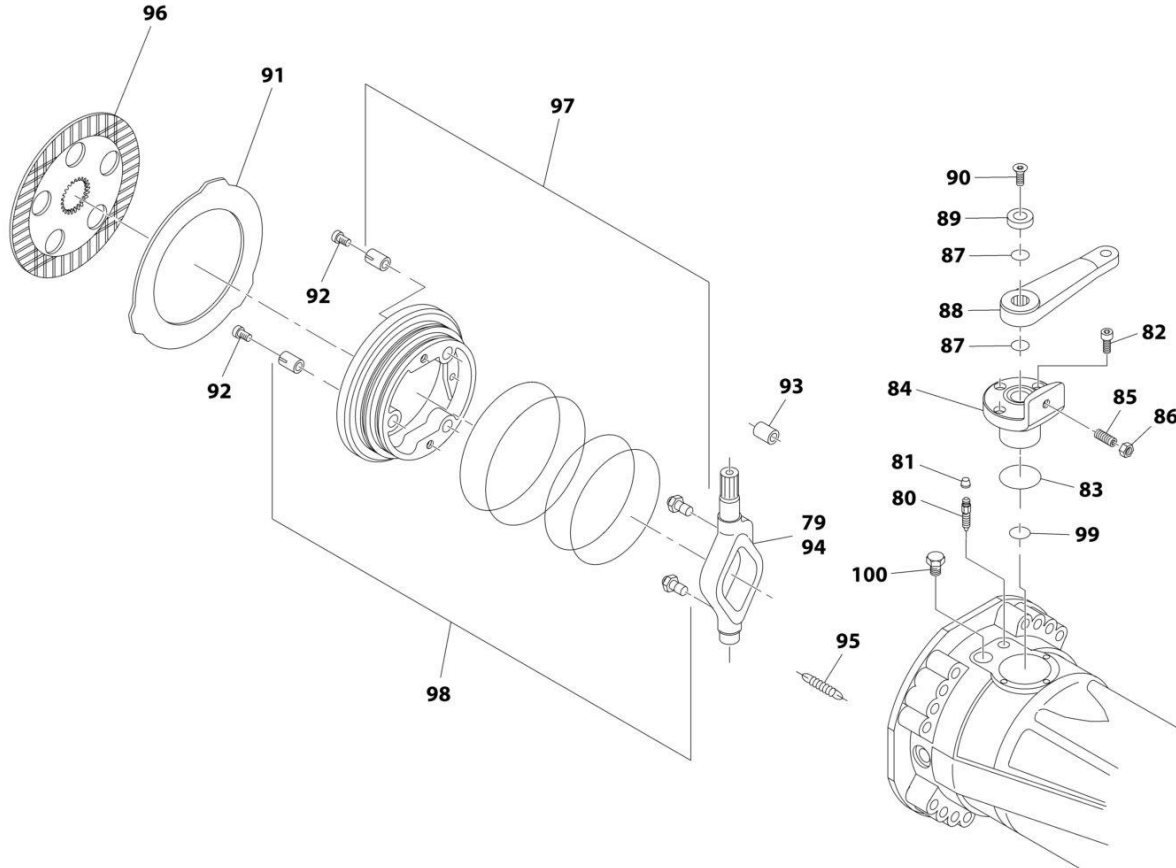
ITEM	PART NUMBER	QTY	DESCRIPTION	REV
	1001135441	Ref	FRONT AXLE, HUB REDUCTION	
33	8007758	2	Case, Axle	
34	2400600	2	Bolt	
35	91514082	2	Nut	
36	7029428	32	Bolt	
37	80204071	2	Circlip	
38	80204005	2	Circlip	
39	91514146	2	Bearing, Ball	
40	91514147	2	Seal	
41	91514148	2	O-Ring	
42	91514149	2	Bushing, Reduction (See Separate Breakdown in this Section)	
43	70025928	2	Joint, Double Universal	
44	8007771	2	Seal	
45	8004468	1	Bushing, Thrust	
46	70025562	12	Bolt	
47	80204117	4	Plug	
48	91514099	2	Fitting, Grease	
49	70025567	2	Pin, Pivot	
50	8007779	2	Shim	
51	8007780	2	Shim	
52	8007782	2	Shim	
53	2401043	4	Seal	
54	70025549	2	Cover	
55	70020173	2	Bushing	
56	2401258	2	Bearing	
57	8006605	2	Pin, Pivot	
58	91474513	2	Plug, Magnet	
59	91514188	4	Plug	
60	7029430	2	Seal	
61	3984301	4	Bearing	
62	8005801	2	Wheel Hub	
63	3983731	2	Locking Plate	
64	8007774	1	Steering Case Kit (RF, LR) (See Separate Breakdown in this Section)	
65	8007777	1	Steering Case Kit (LF, RR) (See Separate Breakdown in this Section)	
66	91514189	4	Bolt, Countersunk	
67	91474584	16	Nut	
68	70027315	16	Stud	
69	80204002	2	O-Ring	
70	8000877	20	Stud, Wheel	
71	7029431	2	Assembly, Planet Gear Carrier (See Separate Breakdown in this Section)	
72	70023900	8	Assembly, Planet Gear and Bearing (See Separate Breakdown in this Section)	
73	7029432	2	Assembly, Ring Gear Support (See Separate Breakdown in this Section)	
74	7028115	2	Fitting, Grease	
75	7028733	4	Assembly, Steering Adjust Bolt (See Separate Breakdown in this Section)	
76	70025819	8	Stud	

SECTION 5 - DRIVE TRAIN

ITEM	PART NUMBER	QTY	DESCRIPTION	REV
77	91514119	8	Washer	
78	91514120	8	Nut	

SECTION 5 - DRIVE TRAIN

FIGURE 5-12. FRONT AXLE, BRAKES (3614RS)



ART_1001135441_4-E

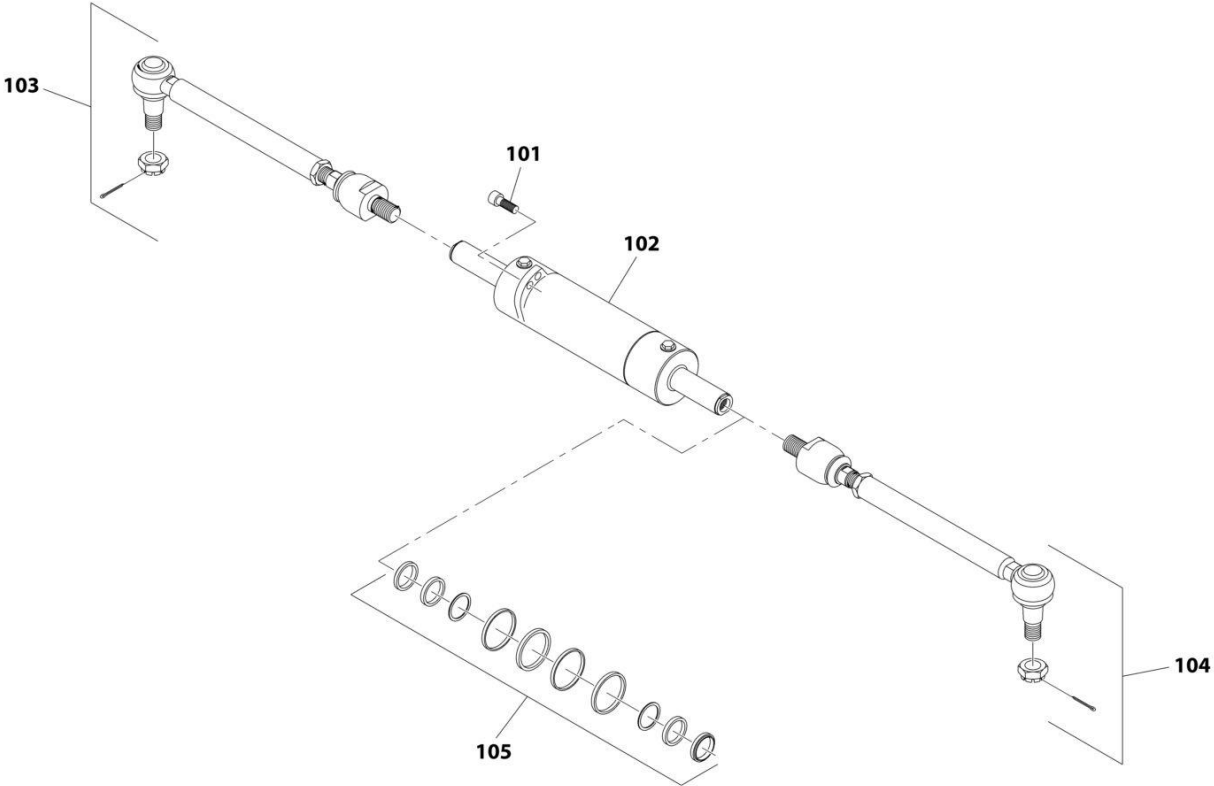
SECTION 5 - DRIVE TRAIN

FIGURE 5-12. FRONT AXLE, BRAKES (3614RS)

ITEM	PART NUMBER	QTY	DESCRIPTION	REV
	1001135441	Ref	FRONT AXLE, BRAKES	
79	8007785	1	Lever, Right	
80	80204281	2	Bolt, Bleeding	
81	80204117	2	Plug	
82	2401736	6	Bolt, Cylinder	
83	3986405	2	O-Ring	
84	70027106	2	Reduction Bushing	
85	8002798	2	Grub Bolt	
86	8008168	2	Nut	
87	7028038	2	O-Ring	
88	70025568	2	Lever	
89	7028039	2	Washer	
90	8008169	2	Bolt, Countersunk	
91	70025823	10	Disc, Intermediate Brake	
92	7029785	6	Bolt, Adjusting	
93	7029433	2	Dowel	
94	8007786	1	Lever	
95	3984425	6	Spring	
96	91474568	8	Disc	
97	70026069	1	Kit Piston (See Separate Breakdown in this Section)	
98	70026068	1	Kit Piston (See Separate Breakdown in this Section)	
99	8007802	2	O-Ring	
100	91514154	2	Bolt	

SECTION 5 - DRIVE TRAIN

FIGURE 5-13. FRONT AXLE, STEERING (3614RS)



ART_1001135441_5-E

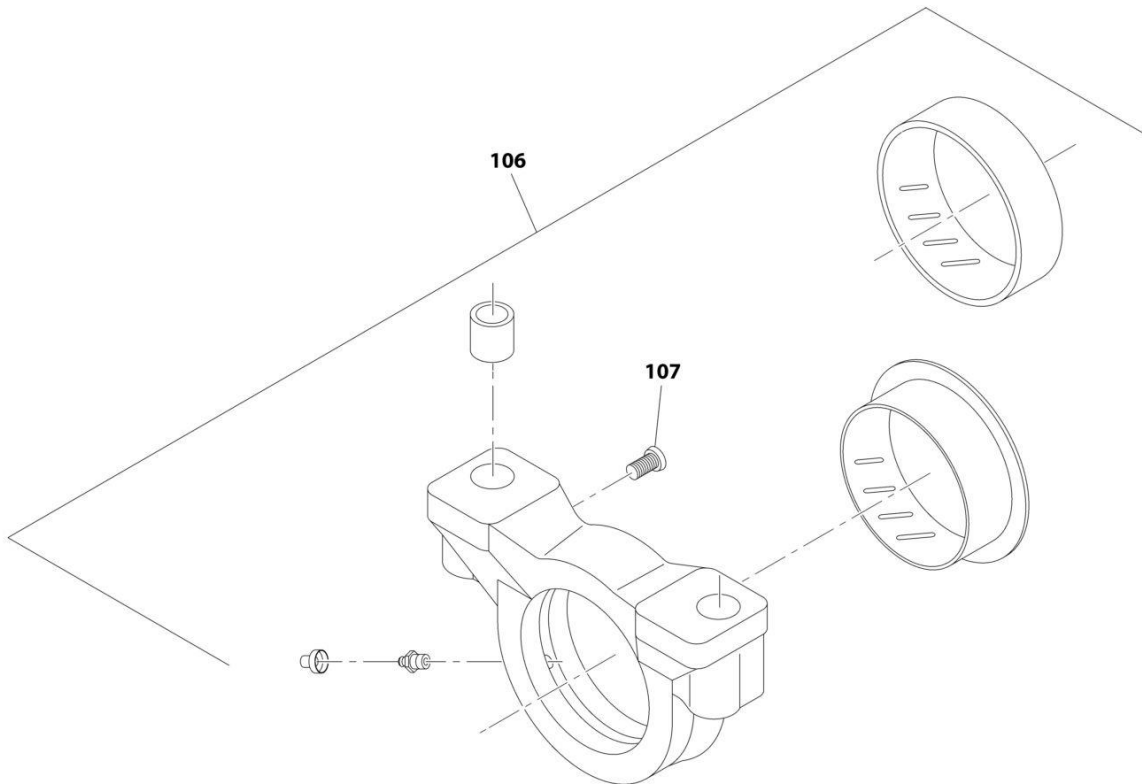
SECTION 5 - DRIVE TRAIN

FIGURE 5-13. FRONT AXLE, STEERING (3614RS)

ITEM	PART NUMBER	QTY	DESCRIPTION	REV
	1001135441	Ref	FRONT AXLE, STEERING	
101	91474522	4	Bolt	
102	70025566	1	Cylinder	
103	70026752	1	Bar	
103	70022773	1	Nut	
104	70026751	1	Bar	
104	70022773	1	Nut	
105	70025842	1	Seal Kit	

SECTION 5 - DRIVE TRAIN

FIGURE 5-14. FRONT AXLE, TRUNION (3614RS)



ART_1001135441_6-E

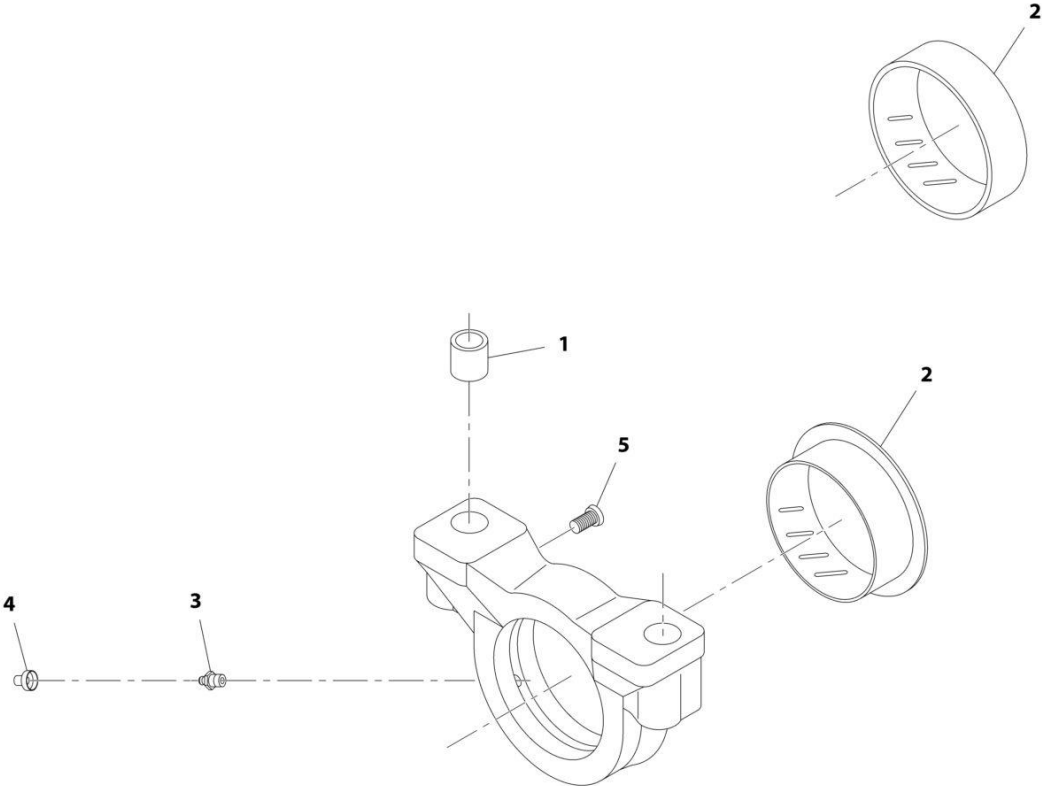
SECTION 5 - DRIVE TRAIN

FIGURE 5-14. FRONT AXLE, TRUNION (3614RS)

ITEM	PART NUMBER	QTY	DESCRIPTION	REV
	1001135441	Ref	FRONT AXLE, TRUNION	
106	70026630	2	Trunion Kit (See Separate Breakdown in this Section)	
107	70025884	2	Bolt	

SECTION 5 - DRIVE TRAIN

FIGURE 5-15. FRONT AXLE, TRUNION KIT (3614RS)



ART_1001135441_7-E

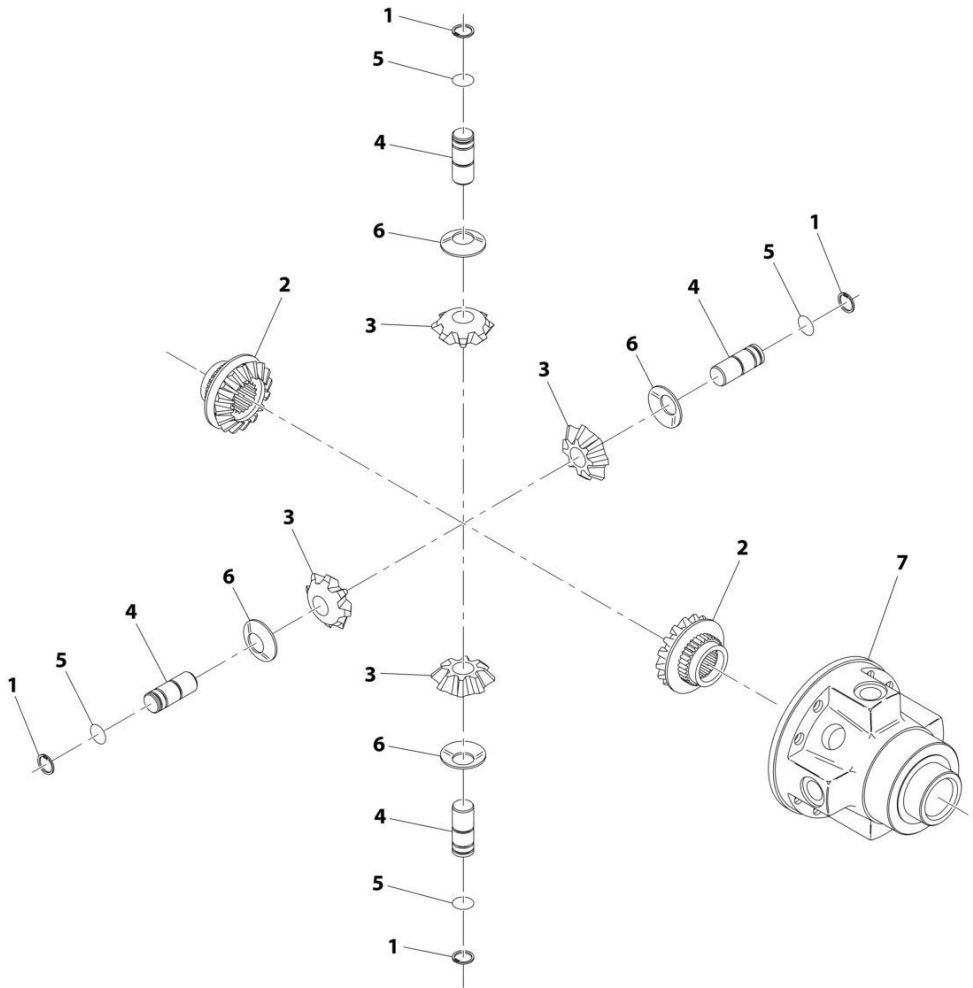
SECTION 5 - DRIVE TRAIN

FIGURE 5-15. FRONT AXLE, TRUNION KIT (3614RS)

ITEM	PART NUMBER	QTY	DESCRIPTION	REV
	1001135441	Ref	FRONT AXLE, TRUNION KIT	
	70026630	Ref	Trunion Kit	
1	91474516	4	Bushing, Reduction	
2	91474515	2	Bushing, Thrust	
3	91514099	2	Fitting, Grease	
4	80204117	2	Plug	
5	70025884	2	Bolt	

SECTION 5 - DRIVE TRAIN

FIGURE 5-16. DIFFERENTIAL KIT



ART_7028710

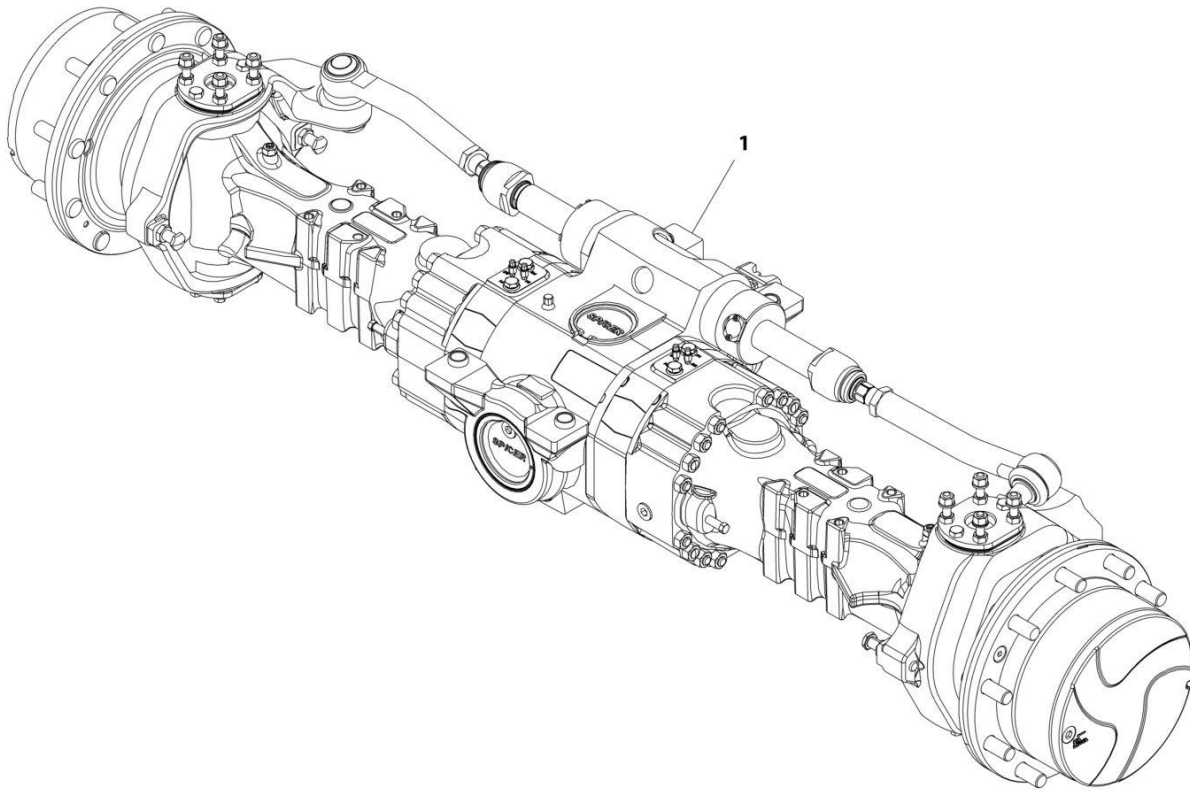
SECTION 5 - DRIVE TRAIN

FIGURE 5-16. DIFFERENTIAL KIT

ITEM	PART NUMBER	QTY	DESCRIPTION	REV
	7028710	Ref	Differential Kit	
1	91474550	4	Circlip	
2	91474549	2	Gear, Differential Side	
3	7029129	4	Pinion, Differential	
4	7029131	4	Pin	
5	91474551	4	Circlip	
6	91474553	4	Washer, Friction	
7	8007751	1	Carrier, Differential	

SECTION 5 - DRIVE TRAIN

FIGURE 5-17. FRONT AXLE (4017RS)



ART_1001182621-B

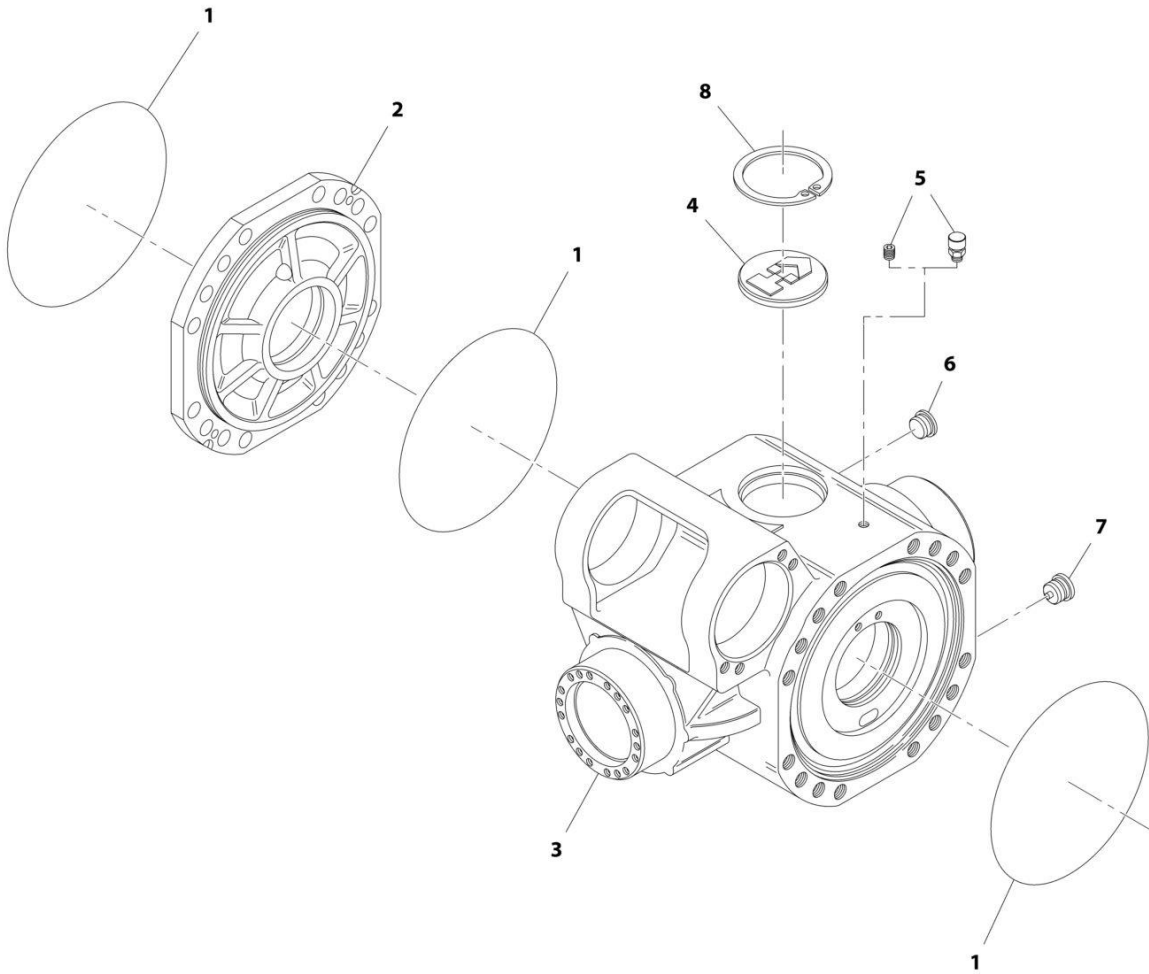
SECTION 5 - DRIVE TRAIN

FIGURE 5-17. FRONT AXLE (4017RS)

ITEM	PART NUMBER	QTY	DESCRIPTION	REV
1	1001182621	Ref	Front Axle	B
		Ref	Front Axle, Central Housing (See Separate Breakdown in this Section)	
2		Ref	Front Axle, Differential (See Separate Breakdown in this Section)	
3		Ref	Front Axle, Hub Reduction (See Separate Breakdown in this Section)	
4		Ref	Front Axle, Brakes (See Separate Breakdown in this Section)	
5		Ref	Front Axle, Steering (See Separate Breakdown in this Section)	
6		Ref	Front Axle, Trunion (See Separate Breakdown in this Section)	

SECTION 5 - DRIVE TRAIN

FIGURE 5-18. FRONT AXLE, CENTRAL HOUSING (4017RS)



ART_1001182621_1-B

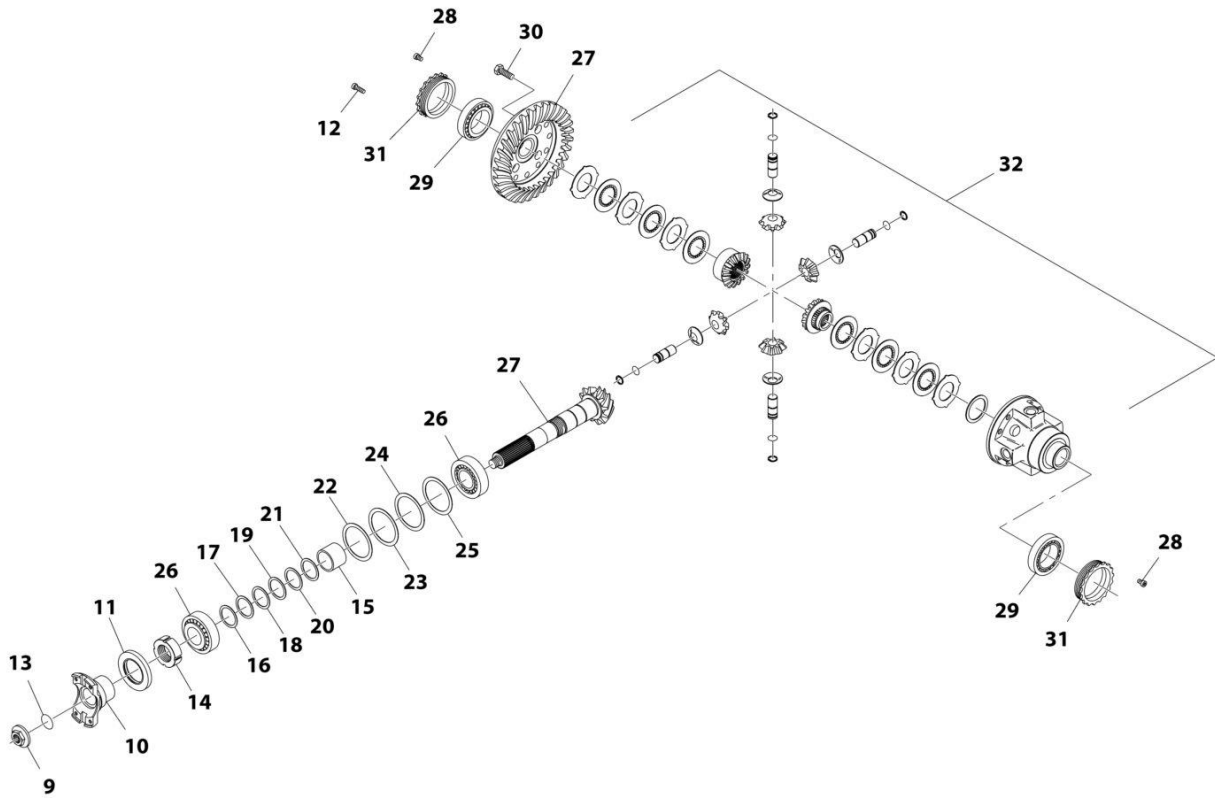
SECTION 5 - DRIVE TRAIN

FIGURE 5-18. FRONT AXLE, CENTRAL HOUSING (4017RS)

ITEM	PART NUMBER	QTY	DESCRIPTION	REV
	1001182621	Ref	FRONT AXLE, CENTRAL HOUSING	
1	91474507	3	O-Ring	
2	70024872	1	Cover	
3	70026977	1	Housing	
4	91514098	1	Plug	
5	91474512	1	Vent	
6	91514188	1	Plug	
7	91474513	1	Magnetic Plug	
8	80204005	1	Circlip	

SECTION 5 - DRIVE TRAIN

FIGURE 5-19. FRONT AXLE, DIFFERENTIAL (4017RS)



ART_1001182621_2-B

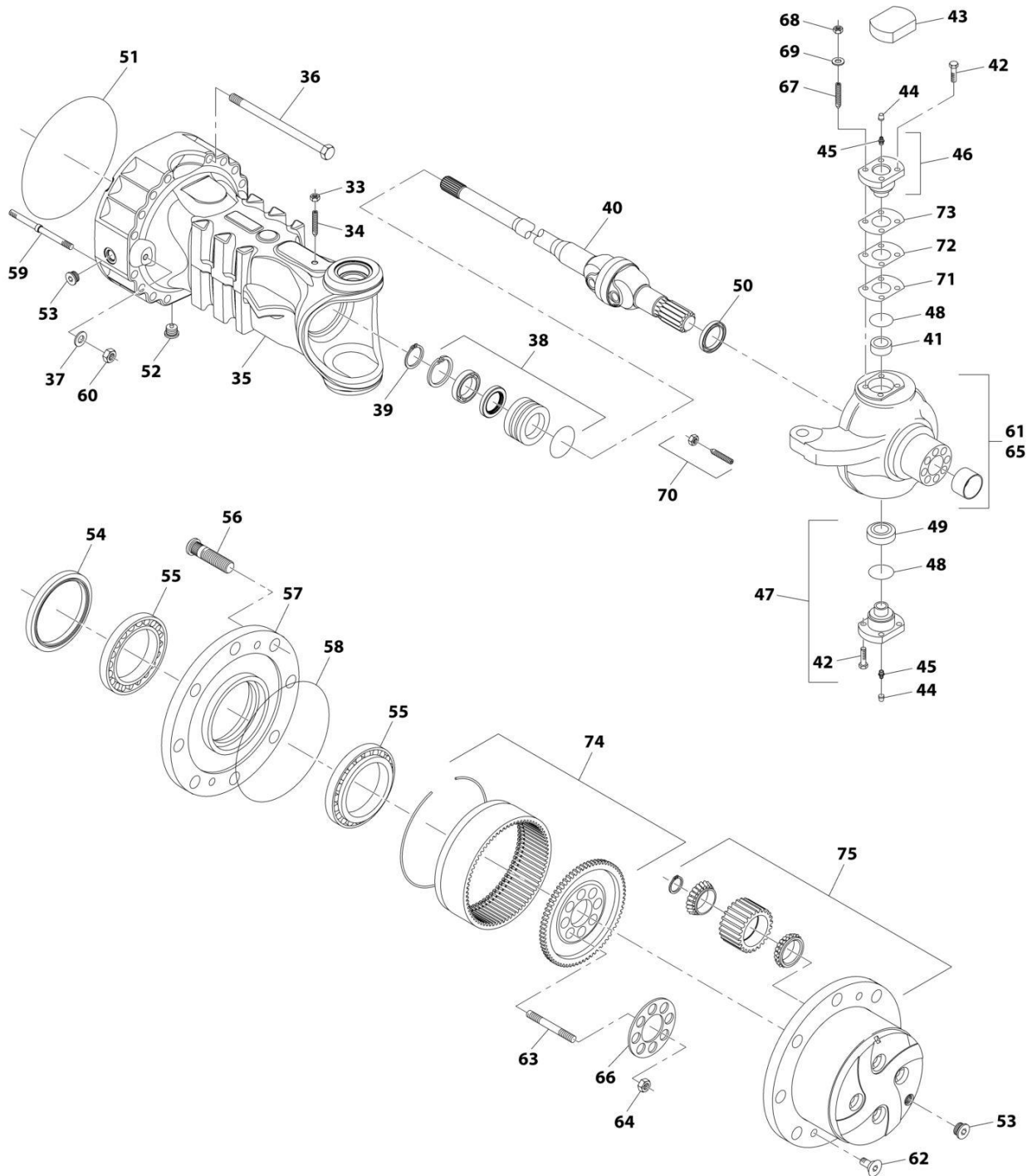
SECTION 5 - DRIVE TRAIN

FIGURE 5-19. FRONT AXLE, DIFFERENTIAL (4017RS)

ITEM	PART NUMBER	QTY	DESCRIPTION	REV
	1001182621	Ref	FRONT AXLE, DIFFERENTIAL	
9	70026631	1	Nut	
10	70022797	1	Flange	
11	91474532	1	Seal	
12	91474591	4	Cylinder Bolt	
13	91474529	1	O-Ring	
14	91474533	1	Ring Nut	
15	91474539	1	Spacer	
16	91474535	1	Shim	
17	91474536	1	Shim	
18	91474537	1	Shim	
19	91474538	1	Shim	
20	70024520	1	Shim	
21	70024521	1	Shim	
22	91474540	1	Shim	
23	91474541	1	Shim	
24	91474542	1	Shim	
25	91474543	1	Shim	
26	3968141	2	Taper Roller Bearing	
27	70025547	1	Bevel Gear Set	
28	91514134	2	Bolt	
29	70026031	2	Taper Roller Bearing	
30	91514123	12	Bolt	
31	91474547	2	Ring Nut	
32	7028710	1	Differential Kit (See Separate Breakdown in this Section)	

SECTION 5 - DRIVE TRAIN

FIGURE 5-20. FRONT AXLE, HUB REDUCTION (4017RS)



ART_T001182621_3-B

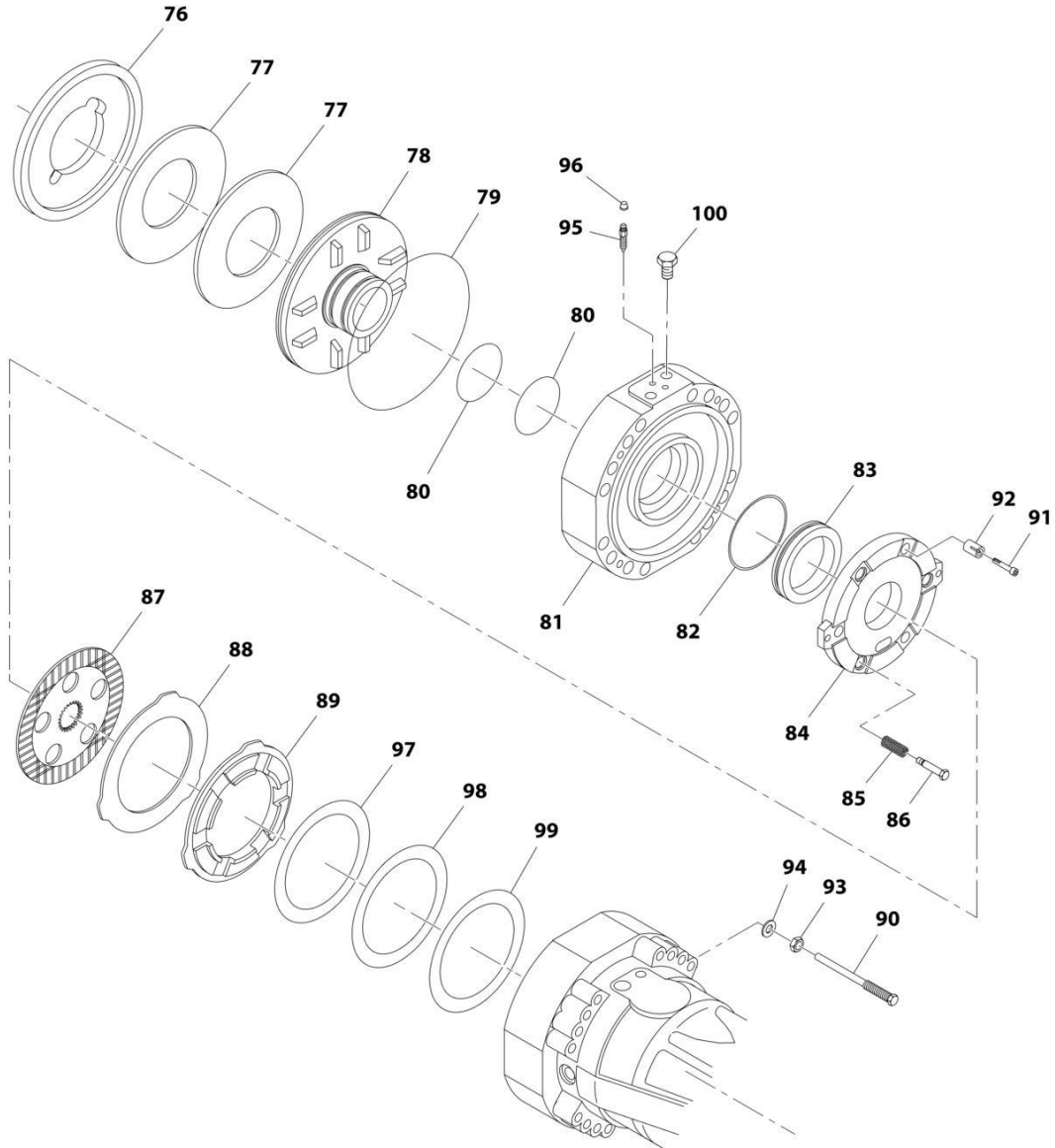
SECTION 5 - DRIVE TRAIN

FIGURE 5-20. FRONT AXLE, HUB REDUCTION (4017RS)

ITEM	PART NUMBER	QTY	DESCRIPTION	REV
	1001182621	Ref	FRONT AXLE, HUB REDUCTION	
33	91514082	2	Nut	
34	91514081	2	Bolt	
35	7028711	2	Axle Case	
36	70025012	24	Bolt	
37	91514084	8	Washer	
38	91514149	2	Reduction Bushing (See Separate Breakdown in this Section)	
39	80204071	2	Circlip	
40	70027143	2	Double Universal Joint	
41	7028714	2	Bushing	
42	70025562	16	Bolt	
43	70025549	2	Cover	
44	80204117	2	Plug	
45	91514099	4	Grease Fitting	
46	91514112	2	Pivot Pin	
47	7028715	2	Pivot Pin	
48	7028716	4	Dust Excluder	
49	91514095	2	Bearing	
50	70026238	2	Seal	
51	91474507	2	O-Ring	
52	91474513	2	Magnetic Plug	
53	91514188	4	Plug	
54	7028721	2	Seal	
55	91474576	4	Bearing	
56	8000877	20	Wheel Stud	
57	7028722	2	Wheel Hub	
58	91514181	2	O-Ring	
59	70025014	8	Stud	
60	91514083	8	Nut	
61	70027144	1	Steering Case Kit LH (See Separate Breakdown in this Section)	
62	91514189	4	Countersunk Bolt	
63	91474583	20	Stud	
64	91474584	20	Nut	
65	70027145	1	Steering Case Kit RH (See Separate Breakdown in this Section)	
66	91474582	2	Locking Plate	
67	70025819	8	Stud	
68	91514120	8	Nut	
69	91514119	8	Washer	
70	7028733	4	Steering Adjust Bolt Kit (See Separate Breakdown in this Section)	
71	91514113	2	Shim	
72	91514114	2	Shim	
73	91514115	2	Shim	
74	70025551	2	Ring Gear Support Kit (See Separate Breakdown in this Section)	
75	70040710	2	Planet Gear Carrier Kit (See Separate Breakdown in this Section)	

SECTION 5 - DRIVE TRAIN

FIGURE 5-21. FRONT AXLE, BRAKES (4017RS)



ART_1001182621_4-B

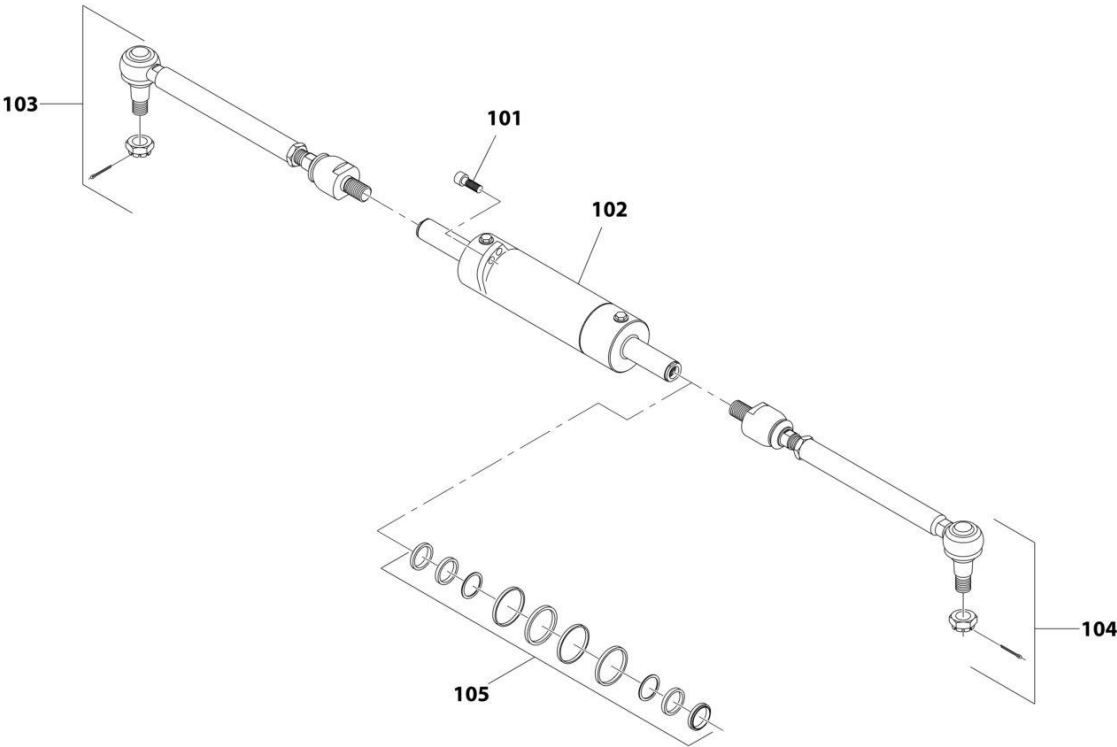
SECTION 5 - DRIVE TRAIN

FIGURE 5-21. FRONT AXLE, BRAKES (4017RS)

ITEM	PART NUMBER	QTY	DESCRIPTION	REV
	1001182621	Ref	FRONT AXLE, BRAKES	
76	7028734	1	Spacer	
77	91474559	4	Spring	
78	91474560	2	Piston	
79	91474561	2	O-Ring	
80	70026262	4	Seal	
81	7028735	2	Cover	
82	70026623	2	Seal	
83	91474564	2	Piston	
84	91474565	2	Intermediate Brake Disc	
85	91514159	6	Spring	
86	70024210	6	Adjusting Bolt	
87	91474568	8	Disc	
88	70025823	8	Intermediate Brake Disc	
89	91474570	2	Spacer	
90	7028736	4	Bolt	
91	7029787	6	Adjusting Bolt	
92	91514165	6	Spring	
93	80204060	4	Nut	
94	80204108	4	Lock Washer	
95	80204281	4	Bleeding Bolt	
96	80204117	4	Plug	
97	91474571	2	Shim	
98	91474572	2	Shim	
99	91474573	2	Shim	
100	91514154	4	Plug	

SECTION 5 - DRIVE TRAIN

FIGURE 5-22. FRONT AXLE, STEERING (4017RS)



ART_1001182621_5-B

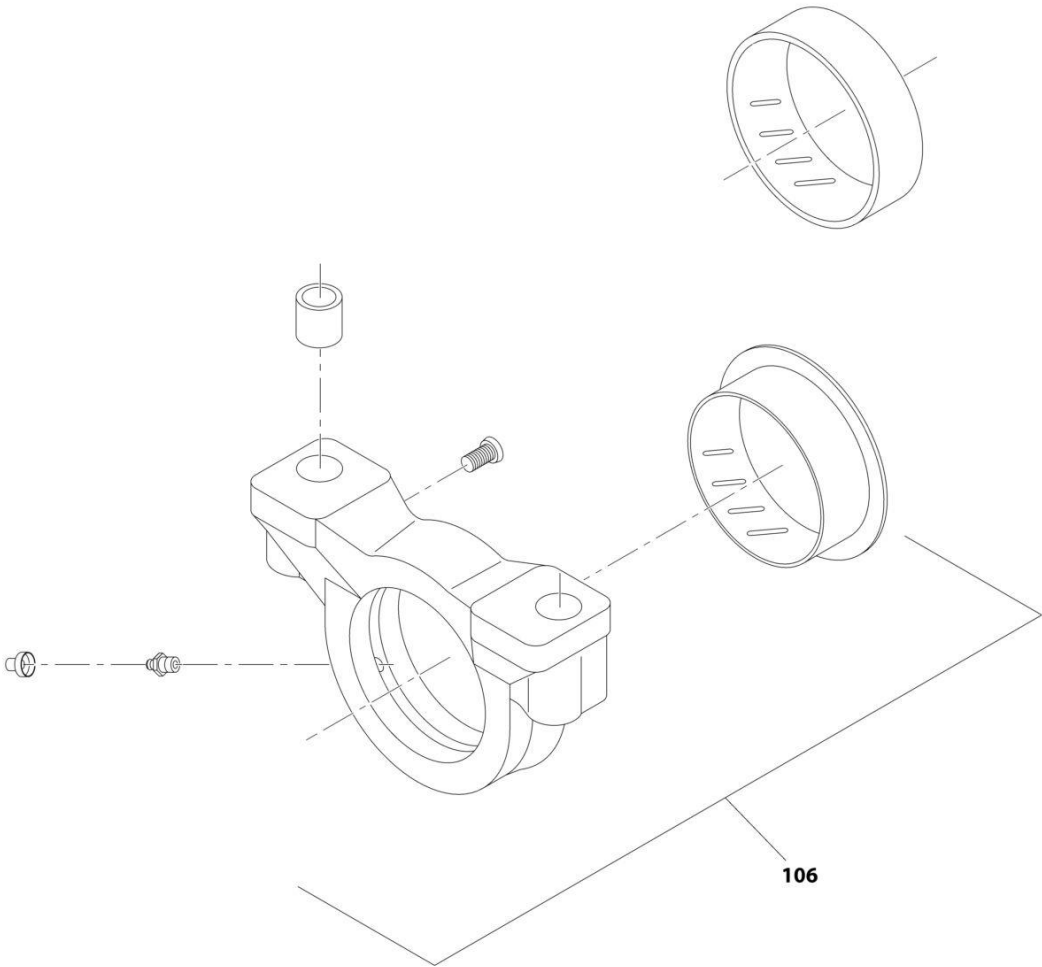
SECTION 5 - DRIVE TRAIN

FIGURE 5-22. FRONT AXLE, STEERING (4017RS)

ITEM	PART NUMBER	QTY	DESCRIPTION	REV
	1001182621	Ref	FRONT AXLE, STEERING	
101	91474522	4	Bolt	
102	70025566	1	Cylinder	
103	70026752	1	Bar	
103	70022773	1	Nut	
104	70026751	1	Bar	
104	70022773	1	Nut	
105	70025842	1	Seal Kit	

SECTION 5 - DRIVE TRAIN

FIGURE 5-23. FRONT AXLE, TRUNION (4017RS)



ART_1001182621_6-B

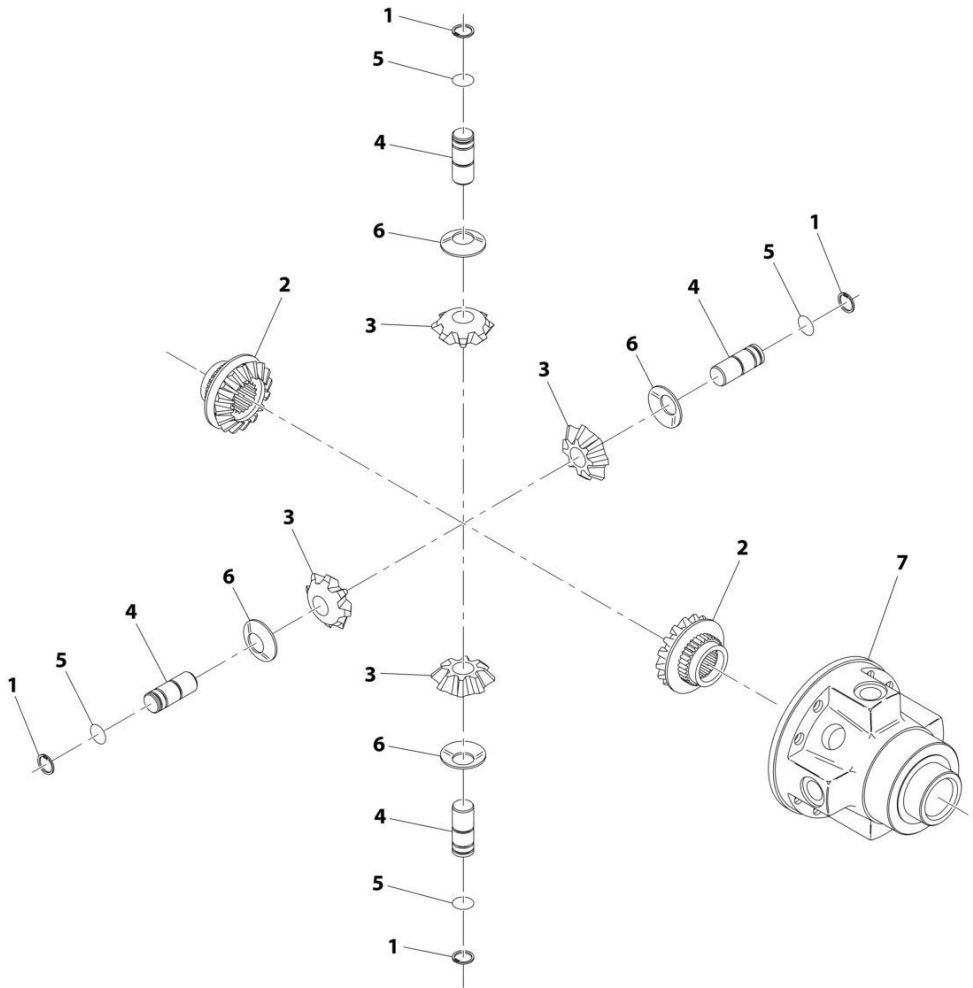
SECTION 5 - DRIVE TRAIN

FIGURE 5-23. FRONT AXLE, TRUNION (4017RS)

ITEM	PART NUMBER	QTY	DESCRIPTION	REV
106	1001182621 70026630	Ref 2	FRONT AXLE, TRUNION Trunion Kit (See Separate Breakdown in this Section)	

SECTION 5 - DRIVE TRAIN

FIGURE 5-24. DIFFERENTIAL KIT



ART_7028710

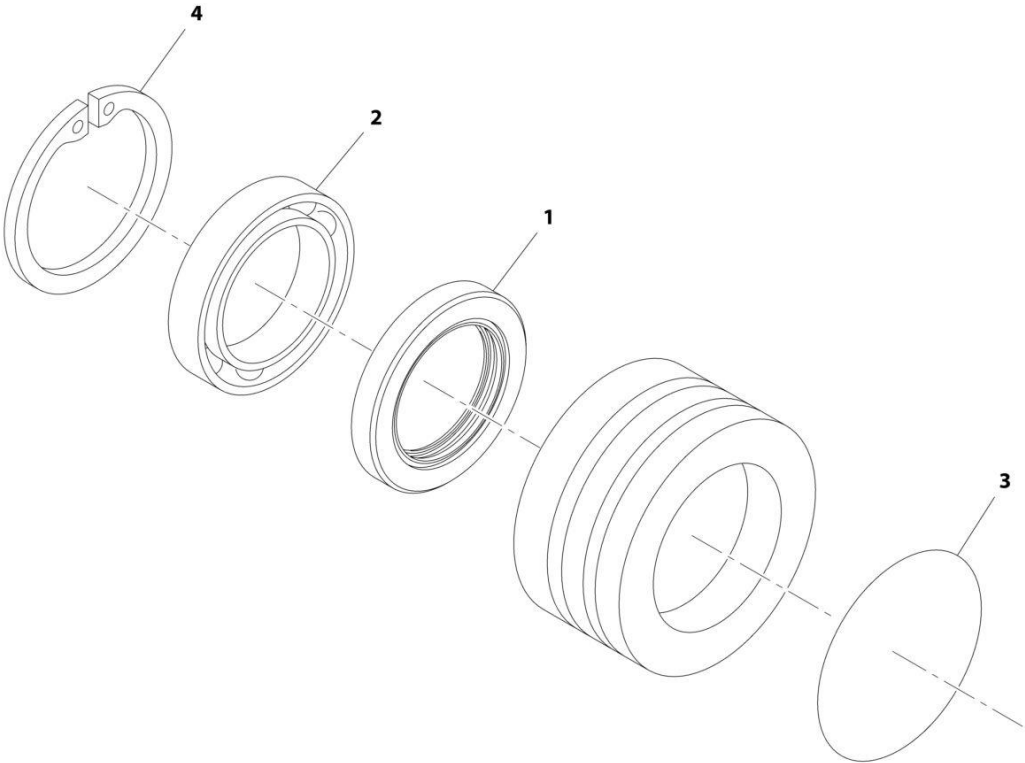
SECTION 5 - DRIVE TRAIN

FIGURE 5-24. DIFFERENTIAL KIT

ITEM	PART NUMBER	QTY	DESCRIPTION	REV
	7028710	Ref	Differential Kit	
1	91474550	4	Circlip	
2	91474549	2	Differential Side Gear	
3	7029129	4	Differential Pinion	
4	7029131	4	Pin	
5	91474551	4	Circlip	
6	91474553	4	Friction Washer	
7	8007751	1	Differential Carrier	

SECTION 5 - DRIVE TRAIN

FIGURE 5-25. REDUCTION BUSHING



ART_1001182621_8-B

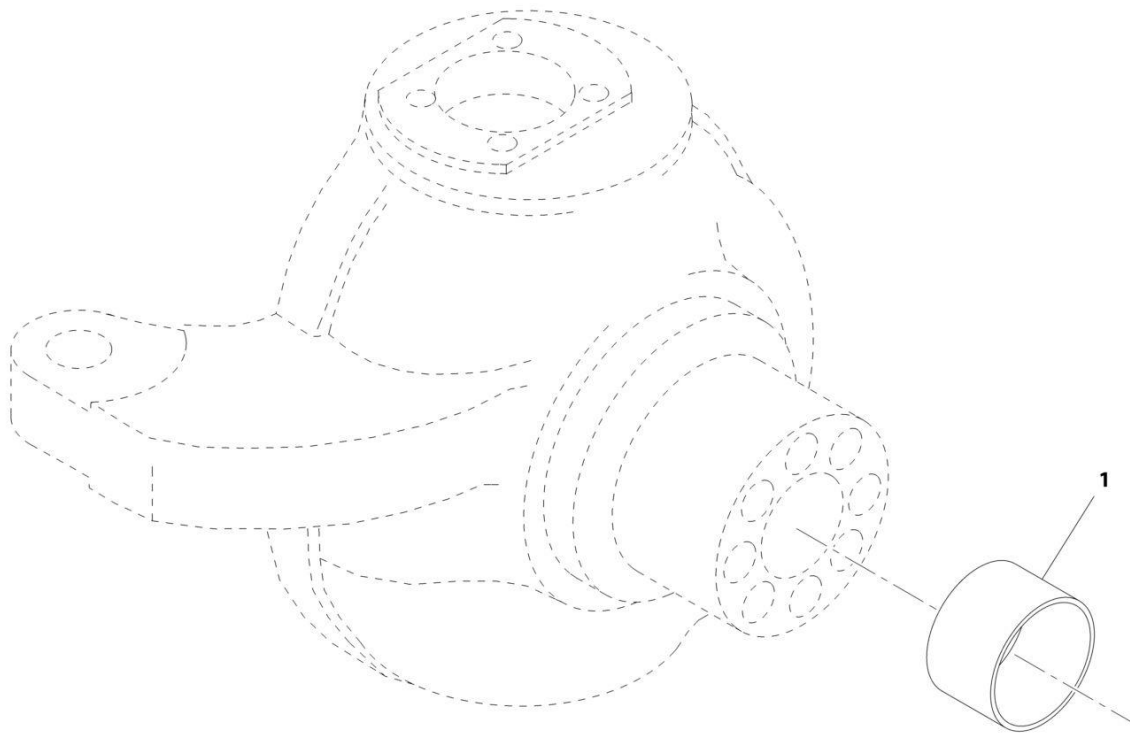
SECTION 5 - DRIVE TRAIN

FIGURE 5-25. REDUCTION BUSHING

ITEM	PART NUMBER	QTY	DESCRIPTION	REV
	91514149	Ref	Reduction Bushing	
1	91514147	2	Seal	
2	91514146	2	Ball Bearing	
3	91514148	2	O-Ring	
4	80204005	2	Circlip	

SECTION 5 - DRIVE TRAIN

FIGURE 5-26. STEERING CASE KIT LH



ART_1001182621_9-B

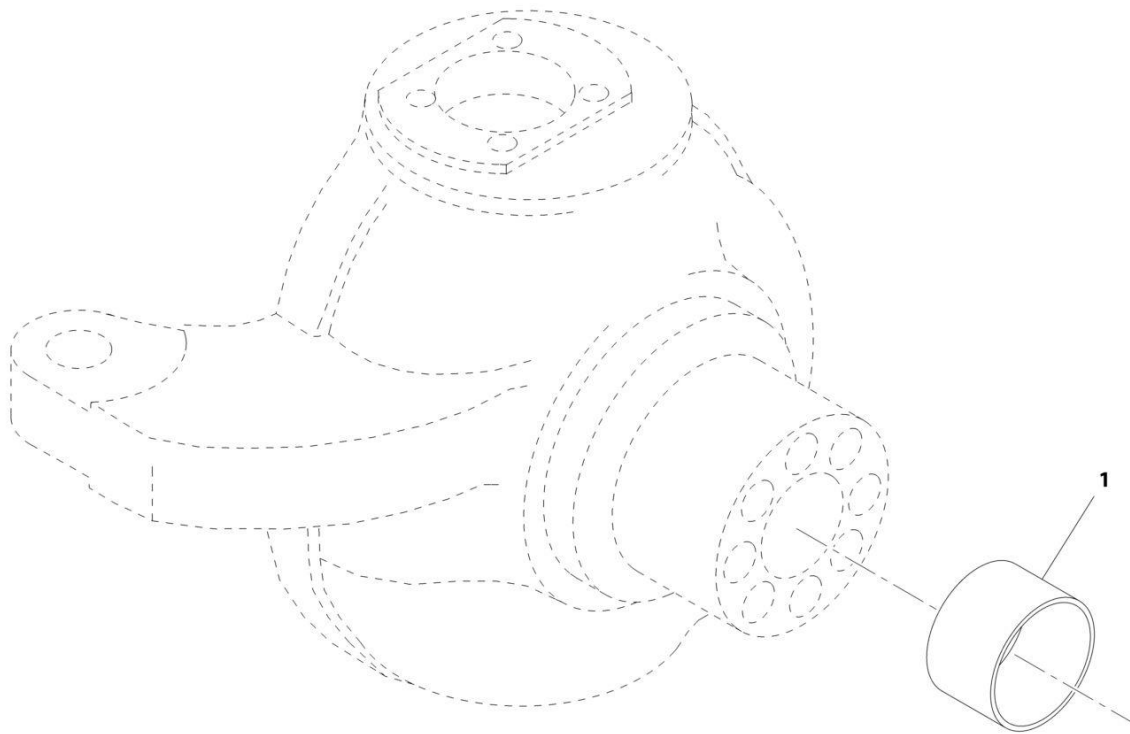
SECTION 5 - DRIVE TRAIN

FIGURE 5-26. STEERING CASE KIT LH

ITEM	PART NUMBER	QTY	DESCRIPTION	REV
1	70027144	Ref	Steering Case Kit LH	
	91514111	2	Thrust Bushing	

SECTION 5 - DRIVE TRAIN

FIGURE 5-27. STEERING CASE KIT RH



ART_1001182621_10-B

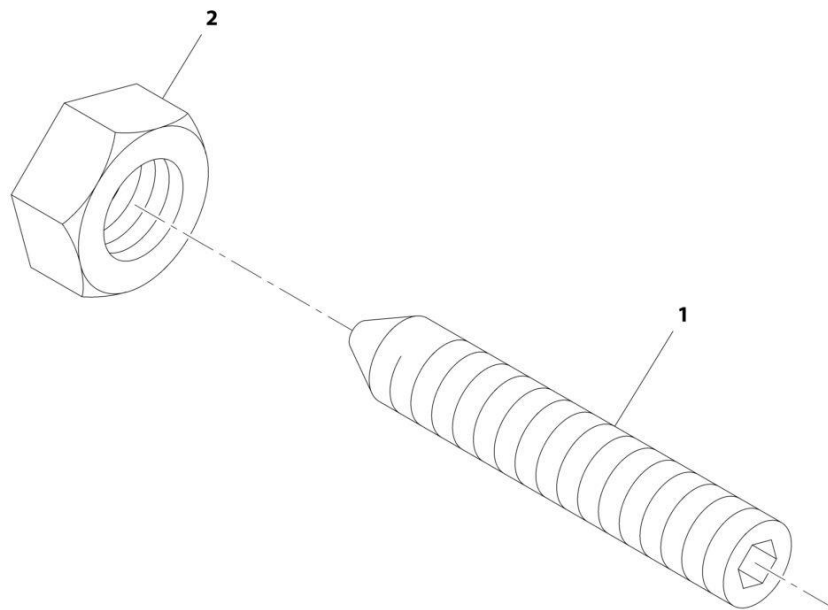
SECTION 5 - DRIVE TRAIN

FIGURE 5-27. STEERING CASE KIT RH

ITEM	PART NUMBER	QTY	DESCRIPTION	REV
1	70027145 91514111	Ref 2	Steering Case Kit RH Thrust Bushing	

SECTION 5 - DRIVE TRAIN

FIGURE 5-28. STEERING ADJUST BOLT KIT



ART_1001182621_11-B

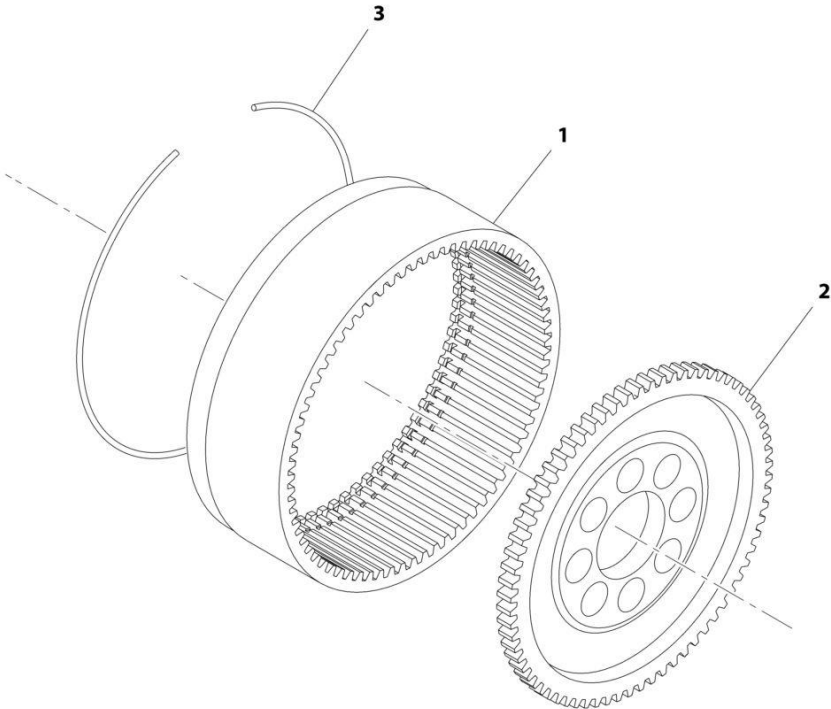
SECTION 5 - DRIVE TRAIN

FIGURE 5-28. STEERING ADJUST BOLT KIT

ITEM	PART NUMBER	QTY	DESCRIPTION	REV
	7028733	Ref	Steering Adjust Bolt Kit	
1	91514117	4	Bolt	
2	80204065	4	Nut	

SECTION 5 - DRIVE TRAIN

FIGURE 5-29. RING GEAR SUPPORT KIT



ART_1001182621_12-B

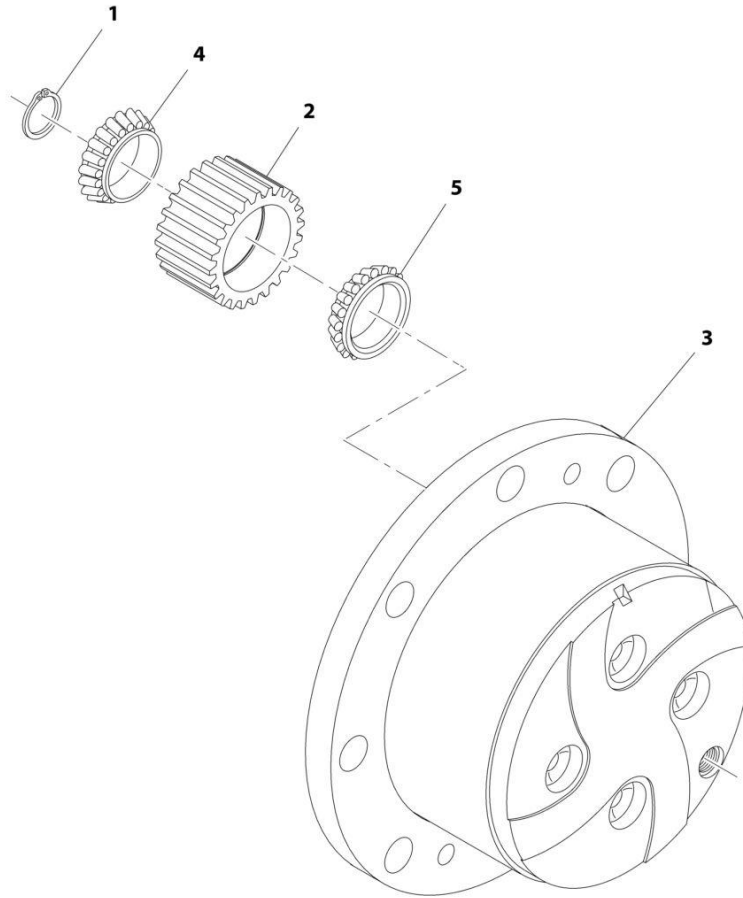
SECTION 5 - DRIVE TRAIN

FIGURE 5-29. RING GEAR SUPPORT KIT

ITEM	PART NUMBER	QTY	DESCRIPTION	REV
	70025551	Ref	Ring Gear Support Kit	
1	70024147	2	Ring Gear	
2	7028723	2	Ring Gear Support	
3	91514175	2	Circlip	

SECTION 5 - DRIVE TRAIN

FIGURE 5-30. PLANET GEAR CARRIER KIT



ART_1001182621_13-B

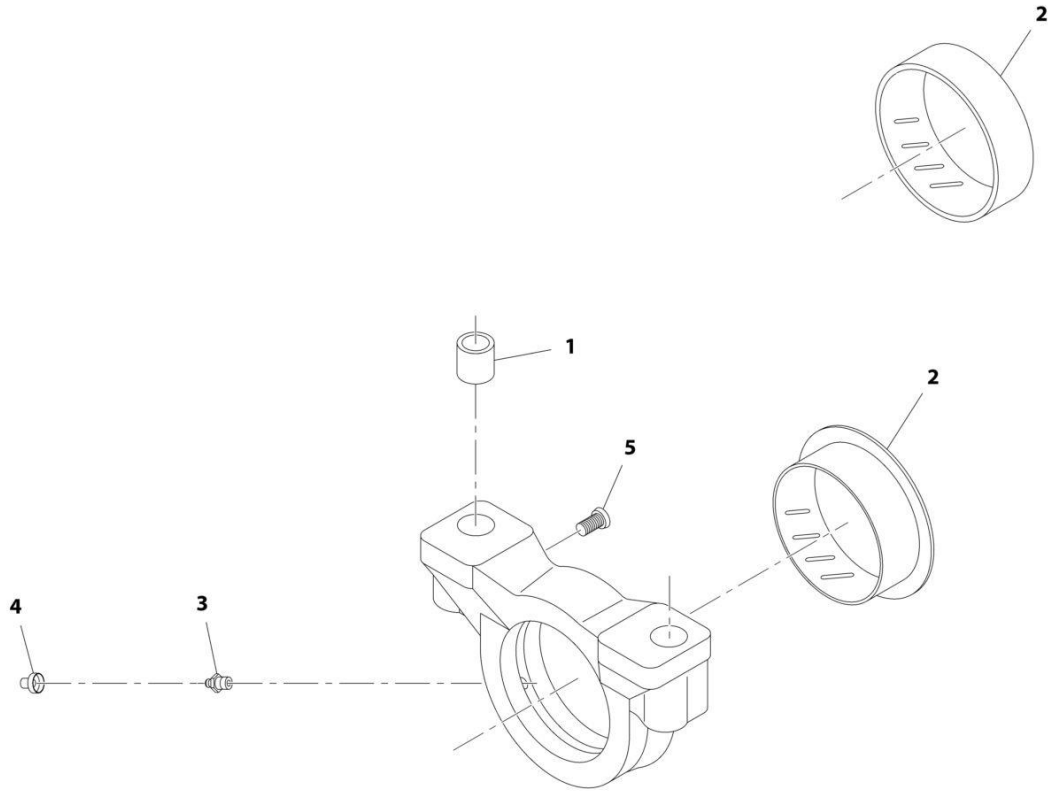
SECTION 5 - DRIVE TRAIN

FIGURE 5-30. PLANET GEAR CARRIER KIT

ITEM	PART NUMBER	QTY	DESCRIPTION	REV
	70040710	Ref	Planet Gear Carrier Kit	
1	7028724	3	Circlip	
2	7028725	6	Differential Pinion	
3	7028726	1	Planet Gear Carrier	
4	7028731	6	Bearing	
5	7028732	NLA	Bearing (Use/Order both PN 70031458 & 70031459 as Replacement)	
5	70031458	6	Bearing	
5	70031459	6	Bearing	

SECTION 5 - DRIVE TRAIN

FIGURE 5-31. TRUNION KIT



ART_1001182621_14-B

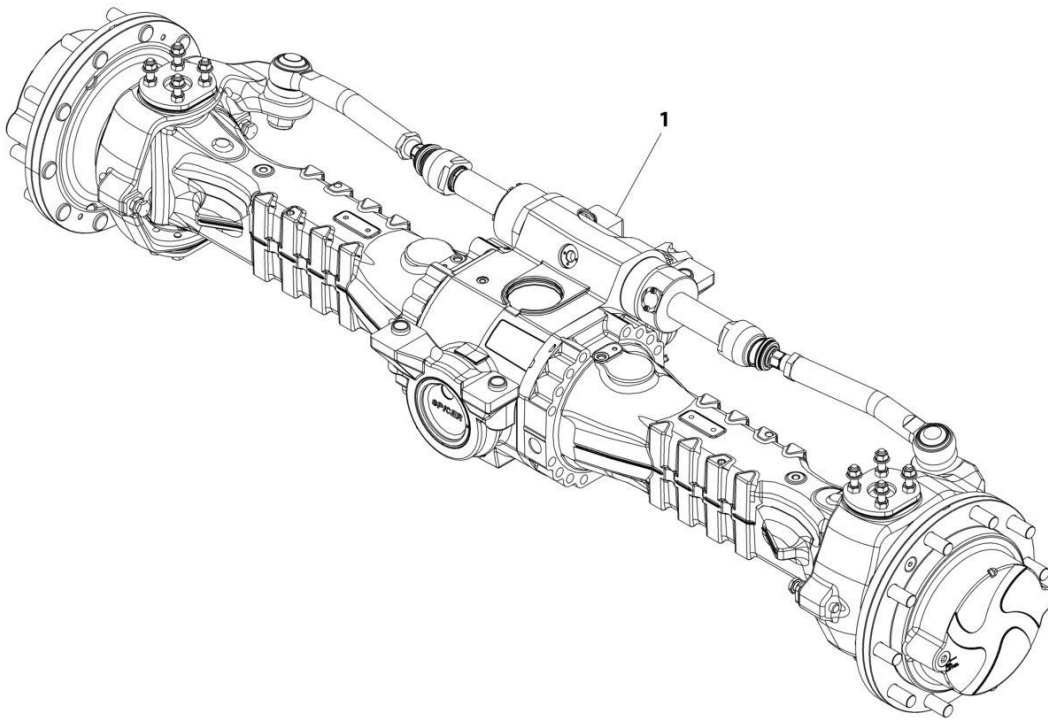
SECTION 5 - DRIVE TRAIN

FIGURE 5-31. TRUNION KIT

ITEM	PART NUMBER	QTY	DESCRIPTION	REV
	70026630	Ref	Trunion Kit	
1	91474516	4	Reduction Bushing	
2	91474515	2	Thrust Bushing	
3	91514099	2	Grease Fitting	
4	80204117	2	Plug	
5	70025884	2	Bolt	

SECTION 5 - DRIVE TRAIN

FIGURE 5-32. REAR AXLE (NO FOAM FILL)



ART_1001135442-E

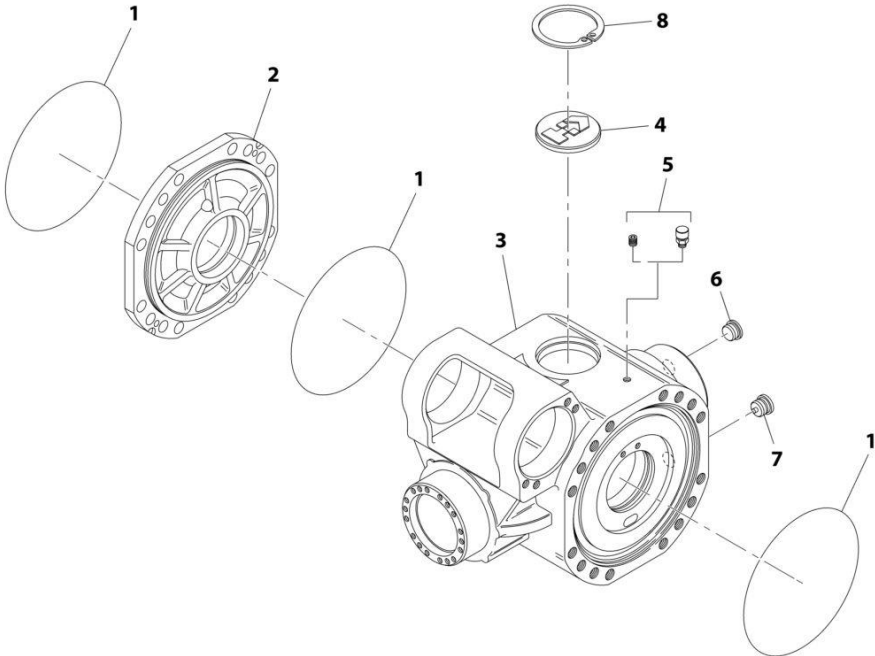
SECTION 5 - DRIVE TRAIN

FIGURE 5-32. REAR AXLE (NO FOAM FILL)

ITEM	PART NUMBER	QTY	DESCRIPTION	REV
1	1001135442	Ref	Rear Axle (No Foam Fill)	E
		Ref	Rear Axle, Central Housing (no Foam Fill) (See Separate Breakdown in this Section)	
2		Ref	Rear Axle, Differential (no Foam Fill) (See Separate Breakdown in this Section)	
3		Ref	Rear Axle, Hub Reduction (no Foam Fill) (See Separate Breakdown in this Section)	
4		Ref	Rear Axle, Brakes (no Foam Fill) (See Separate Breakdown in this Section)	
5		Ref	Rear Axle, Steering (no Foam Fill) (See Separate Breakdown in this Section)	
6		Ref	Rear Axle, Trunion (no Foam Fill) (See Separate Breakdown in this Section)	

SECTION 5 - DRIVE TRAIN

FIGURE 5-33. REAR AXLE, CENTRAL HOUSING (NO FOAM FILL)



ART_1001135442_1-E

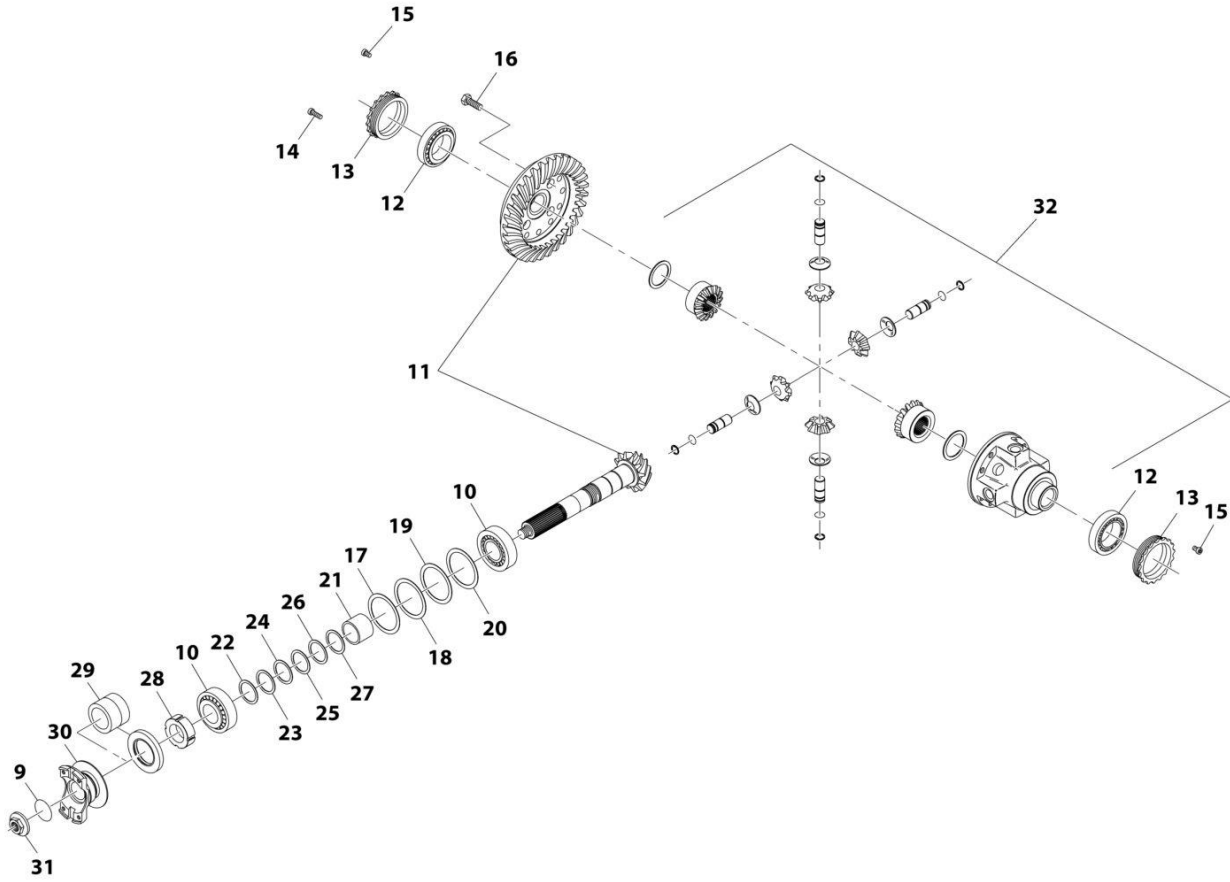
SECTION 5 - DRIVE TRAIN

FIGURE 5-33. REAR AXLE, CENTRAL HOUSING (NO FOAM FILL)

ITEM	PART NUMBER	QTY	DESCRIPTION	REV
	1001135442	Ref	REAR AXLE, CENTRAL HOUSING	
1	91474507	3	O-Ring	
2	70024519	1	Cover	
3	70026977	1	Housing	
4	91514098	1	Plug	
5	91474512	1	Vent	
6	91514188	1	Plug	
7	91474513	1	Plug, Magnet	
8	80204005	1	Circlip	

SECTION 5 - DRIVE TRAIN

FIGURE 5-34. REAR AXLE, DIFFERENTIAL (NO FOAM FILL)



ART_1001135442_2-E

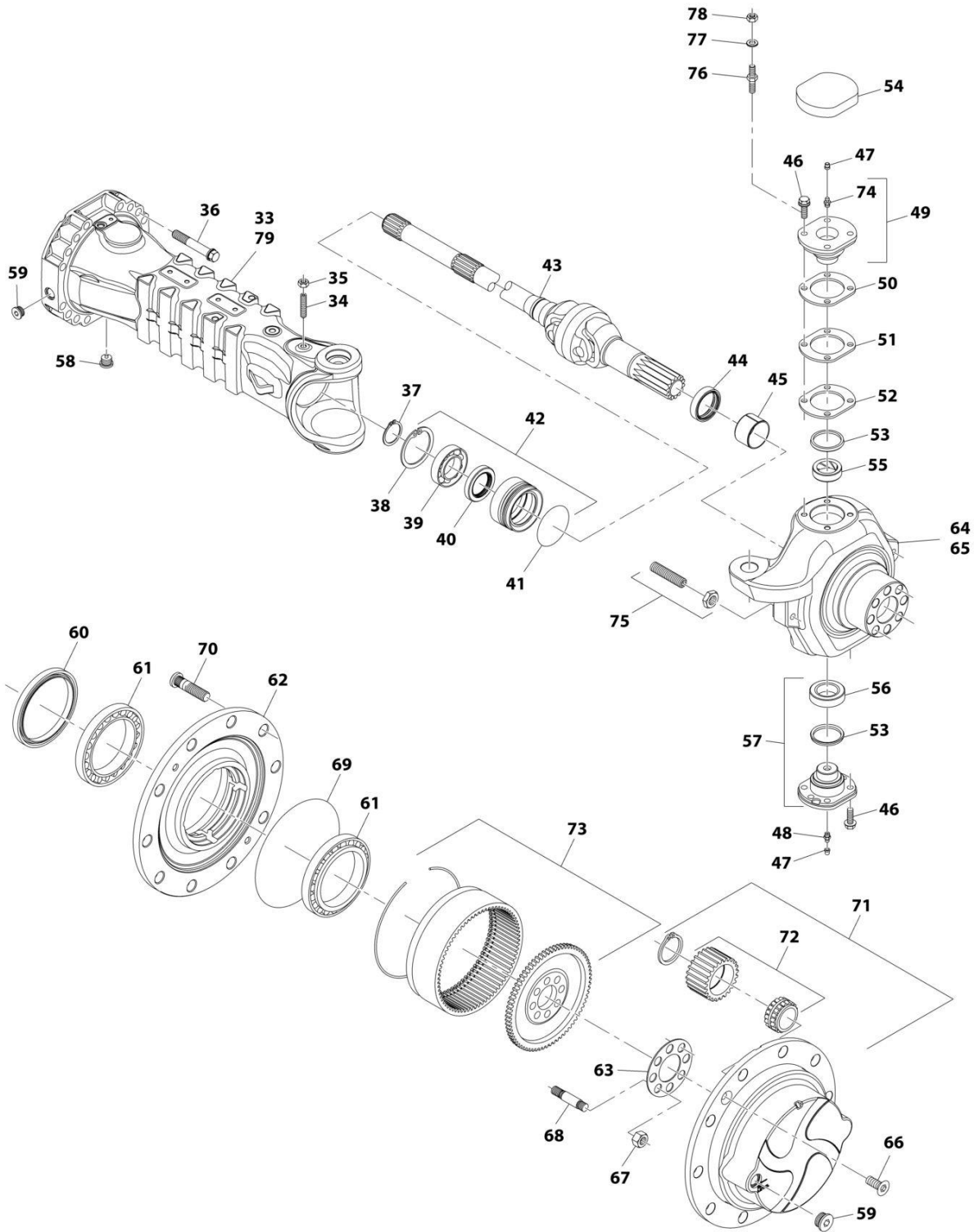
SECTION 5 - DRIVE TRAIN

FIGURE 5-34. REAR AXLE, DIFFERENTIAL (NO FOAM FILL)

ITEM	PART NUMBER	QTY	DESCRIPTION	REV
	1001135442	Ref	REAR AXLE, DIFFERENTIAL	
9	91474529	1	O-Ring	
10	3968141	2	Bearing, Taper Roller	
11	70025554	1	Set, Bevel Gear	
12	70026031	2	Taper Roller Bearing	
13	91474547	2	Nut, Ring	
14	91474591	4	Cylinder Bolt	
15	91514134	2	Bolt	
16	91514123	12	Bolt	
17	91474540	1	Shim	
18	91474541	1	Shim	
19	91474542	1	Shim	
20	91474543	1	Shim	
21	91474539	1	Spacer	
22	91474535	1	Shim	
23	91474536	1	Shim	
24	91474537	1	Shim	
25	91474538	1	Shim	
26	70024520	1	Shim	
27	70024521	1	Shim	
28	91474533	1	Nut, Ring	
29	91474532	1	Seal	
30	7029427	1	Flange	
31	70026631	1	Nut	
32	70021140	1	Differential	

SECTION 5 - DRIVE TRAIN

FIGURE 5-35. REAR AXLE, HUB REDUCTION (NO FOAM FILL)



ART_1001135442_3-E

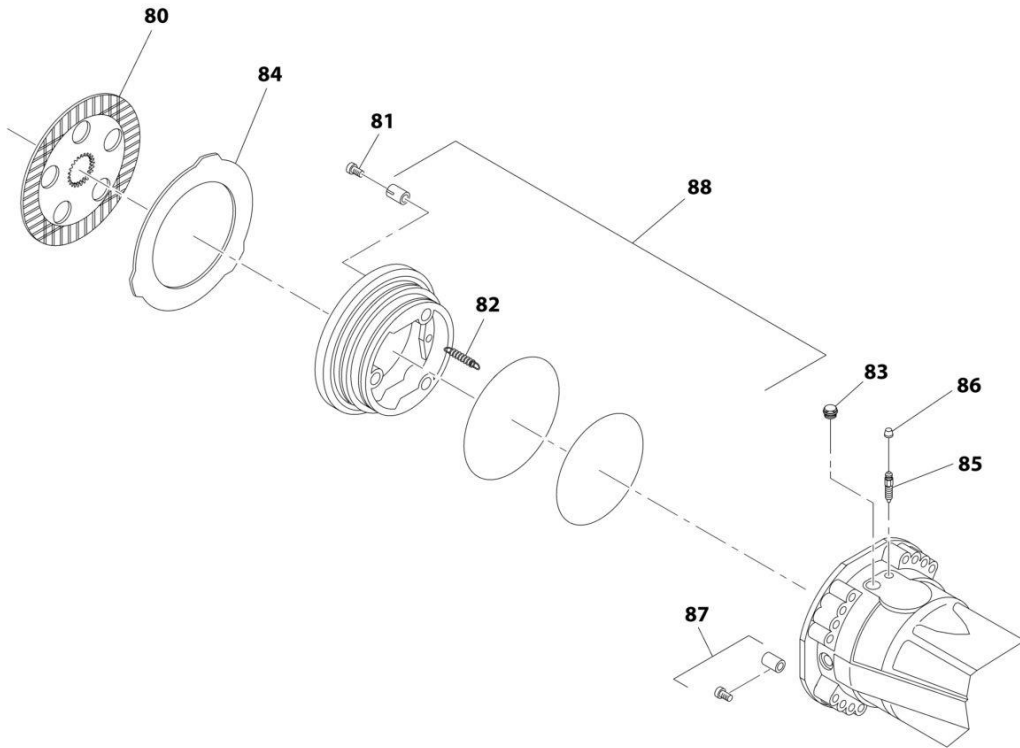
SECTION 5 - DRIVE TRAIN

FIGURE 5-35. REAR AXLE, HUB REDUCTION (NO FOAM FILL)

ITEM	PART NUMBER	QTY	DESCRIPTION	REV
	1001135442	Ref	REAR AXLE, HUB REDUCTION	
33	70025571	1	Case, Axle	
34	2400600	2	Bolt	
35	91514082	2	Nut	
36	7029428	32	Bolt	
37	80204071	2	Circlip	
38	80204005	2	Circlip	
39	91514146	2	Bearing, Ball	
40	91514147	2	Seal	
41	91514148	2	O-Ring	
42	91514149	2	Bushing, Reduction (See Separate Breakdown in this Section)	
43	70025928	2	Joint, Double Universal	
44	8007771	2	Seal	
45	8004468	1	Bushing, Thrust	
46	70025562	12	Bolt	
47	80204117	4	Plug	
48	91514099	2	Fitting, Grease	
49	70025567	2	Pin, Pivot	
50	8007779	2	Shim	
51	8007780	2	Shim	
52	8007782	2	Shim	
53	2401043	4	Seal	
54	70025549	2	Cover	
55	70020173	2	Bushing	
56	2401258	2	Articulation	
57	8006605	2	Pin, Pivot	
58	91474513	2	Plug, Magnet	
59	91514188	4	Plug	
60	7029430	2	Seal	
61	3984301	4	Bearing	
62	8005801	2	Hub, Wheel	
63	3983731	2	Locking Plate	
64	8007774	1	Steering Case Kit (RF, LR) (See Separate Breakdown in this Section)	
65	8007777	1	Steering Case Kit (LF, RR) (See Separate Breakdown in this Section)	
66	91514189	4	Bolt, Countersunk	
67	91474584	16	Nut	
68	91474583	16	Stud	
69	80204002	2	O-Ring	
70	8000877	20	Stud, Wheel	
71	7029431	2	Planet Gear Carrier Kit (See Separate Breakdown in this Section)	
72	70023900	8	Planet Gear Kit (See Separate Breakdown in this Section)	
73	7029432	2	Ring Gear Support Kit (See Separate Breakdown in this Section)	
74	7028115	2	Fitting, Grease	
75	7028733	4	Steering Adjust Bolt Kit	
76	70025819	8	Stud	
77	91514119	8	Washer	
78	91514120	8	Nut	
79	7028048	1	Axle Case	

SECTION 5 - DRIVE TRAIN

FIGURE 5-36. REAR AXLE, BRAKES (NO FOAM FILL)



ART_1001135442_4-E

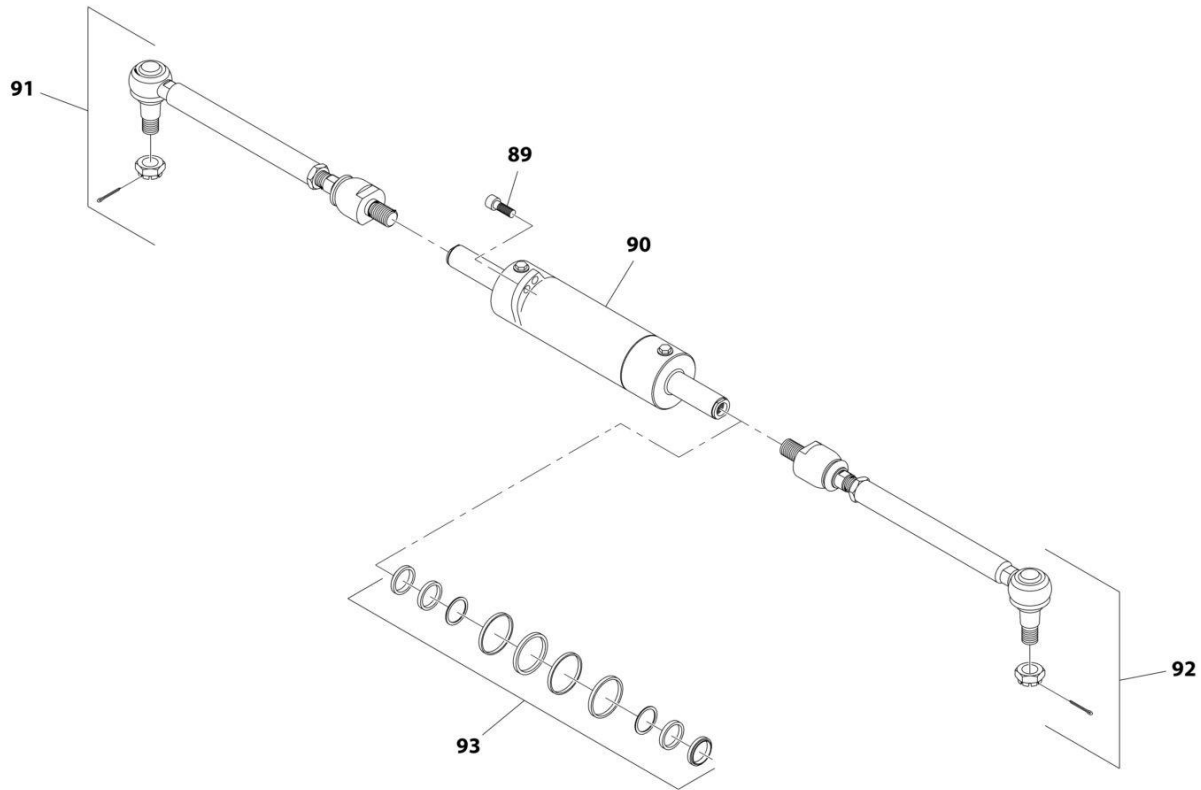
SECTION 5 - DRIVE TRAIN

FIGURE 5-36. REAR AXLE, BRAKES (NO FOAM FILL)

ITEM	PART NUMBER	QTY	DESCRIPTION	REV
	1001135442	Ref	REAR AXLE, BRAKES	
80	91474568	6	Disc	
81	7029786	6	Bolt, Adjusting	
82	3984425	6	Spring	
83	91514154	2	Bolt	
84	70025823	8	Disc, Intermediate Brake	
85	80204281	2	Bolt, Bleeding	
86	80204117	2	Plug	
87	7029433	2	Dowel	
88	70026823	2	Brakes Piston Kit (See Separate Breakdown in this Section)	

SECTION 5 - DRIVE TRAIN

FIGURE 5-37. REAR AXLE, STEERING (NO FOAM FILL)



ART_1001135442_5-E

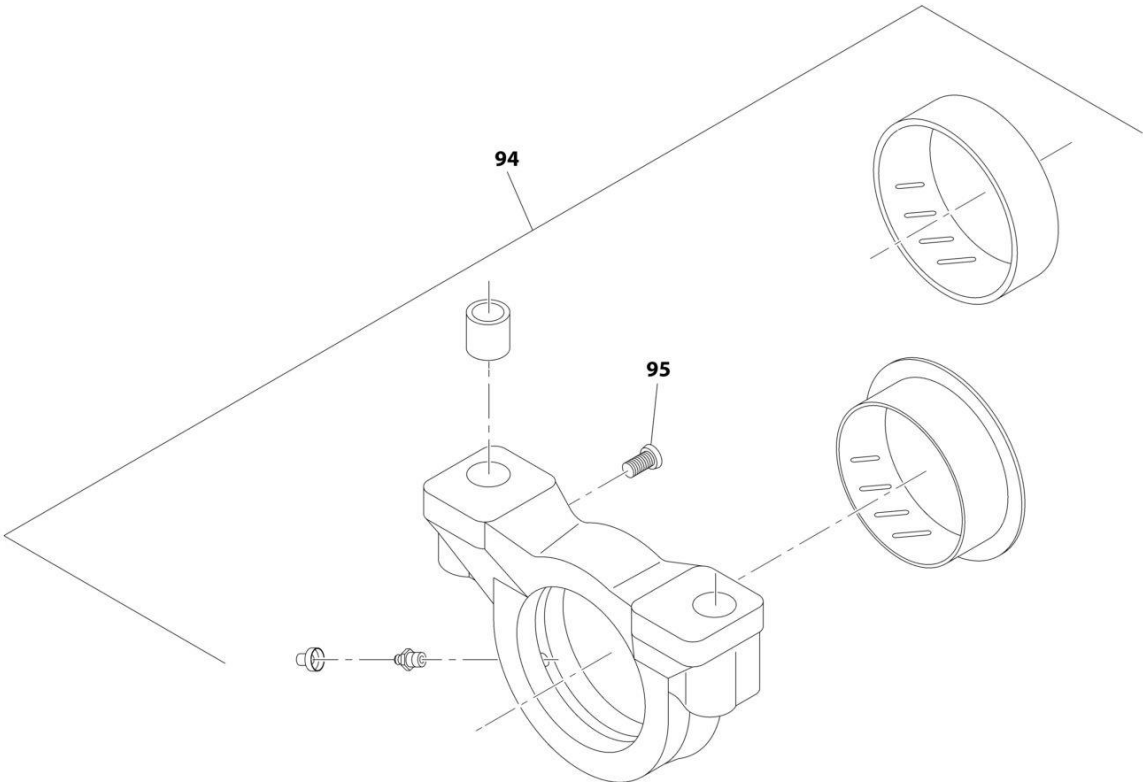
SECTION 5 - DRIVE TRAIN

FIGURE 5-37. REAR AXLE, STEERING (NO FOAM FILL)

ITEM	PART NUMBER	QTY	DESCRIPTION	REV
	1001135442	Ref	REAR AXLE, STEERING	
89	91474522	4	Bolt	
90	70025566	1	Cylinder	
91	70026752	1	Bar	
91	70022773	1	Nut	
92	70026751	1	Bar	
92	70022773	1	Nut	
93	70025842	1	Kit, Seal	

SECTION 5 - DRIVE TRAIN

FIGURE 5-38. REAR AXLE, TRUNION (NO FOAM FILL)



ART_1001135442_6-E

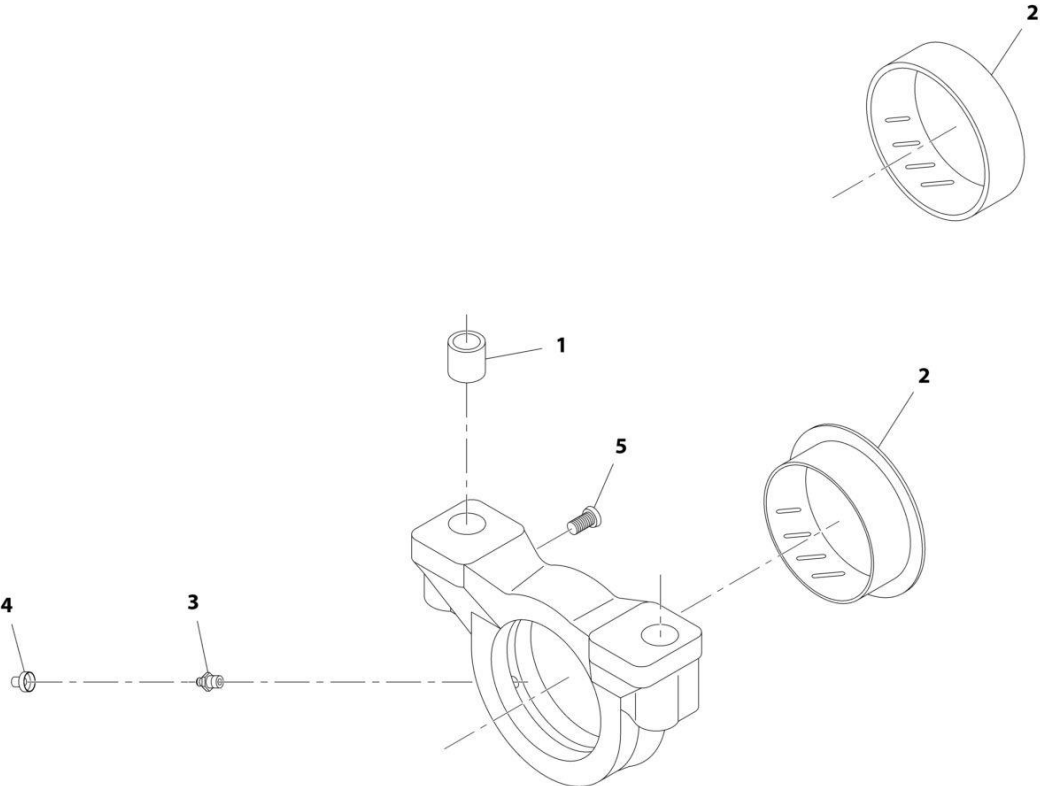
SECTION 5 - DRIVE TRAIN

FIGURE 5-38. REAR AXLE, TRUNION (NO FOAM FILL)

ITEM	PART NUMBER	QTY	DESCRIPTION	REV
	1001135442	Ref	REAR AXLE, TRUNION	
94	70026630	2	Trunion Kit (See Separate Breakdown in this Section)	
95	70025884	2	Bolt	

SECTION 5 - DRIVE TRAIN

FIGURE 5-39. REAR AXLE, TRUNION KIT (NO FOAM FILL)



ART_1001135442_7-E

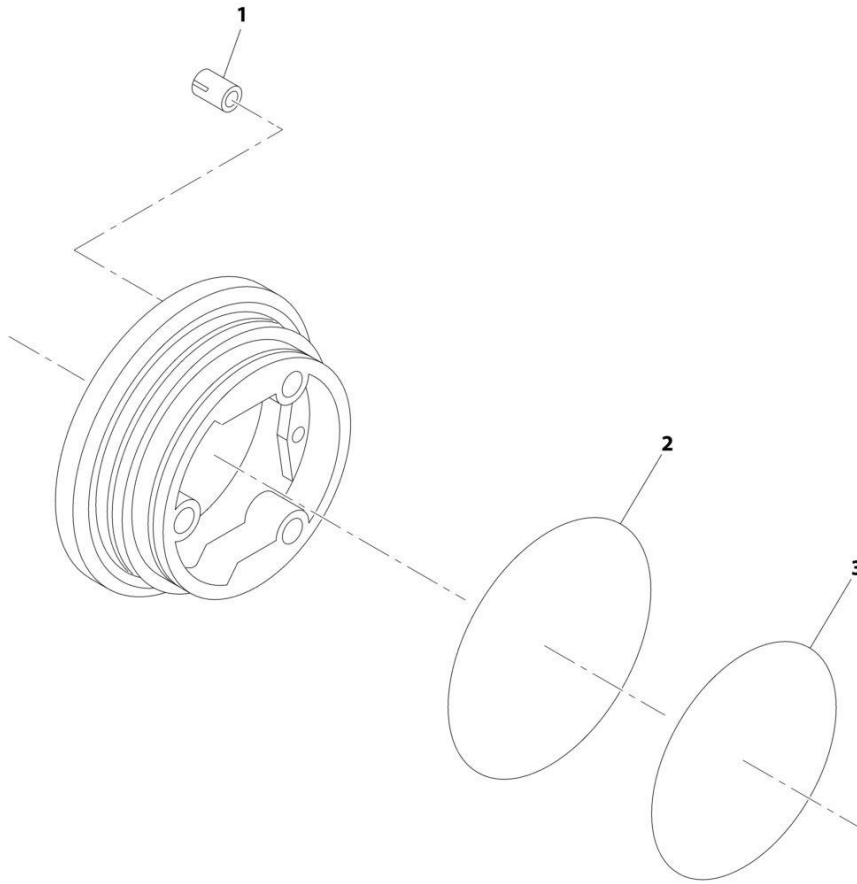
SECTION 5 - DRIVE TRAIN

FIGURE 5-39. REAR AXLE, TRUNION KIT (NO FOAM FILL)

ITEM	PART NUMBER	QTY	DESCRIPTION	REV
	1001135442	Ref	REAR AXLE, TRUNION KIT	
	70026630	Ref	Trunion Kit	
1	91474516	4	Bushing, Reduction	
2	91474515	2	Bushing, Thrust	
3	91514099	2	Fitting, Grease	
4	80204117	2	Plug	
5	70025884	2	Bolt	

SECTION 5 - DRIVE TRAIN

FIGURE 5-40. PISTON KIT



ART_70026823

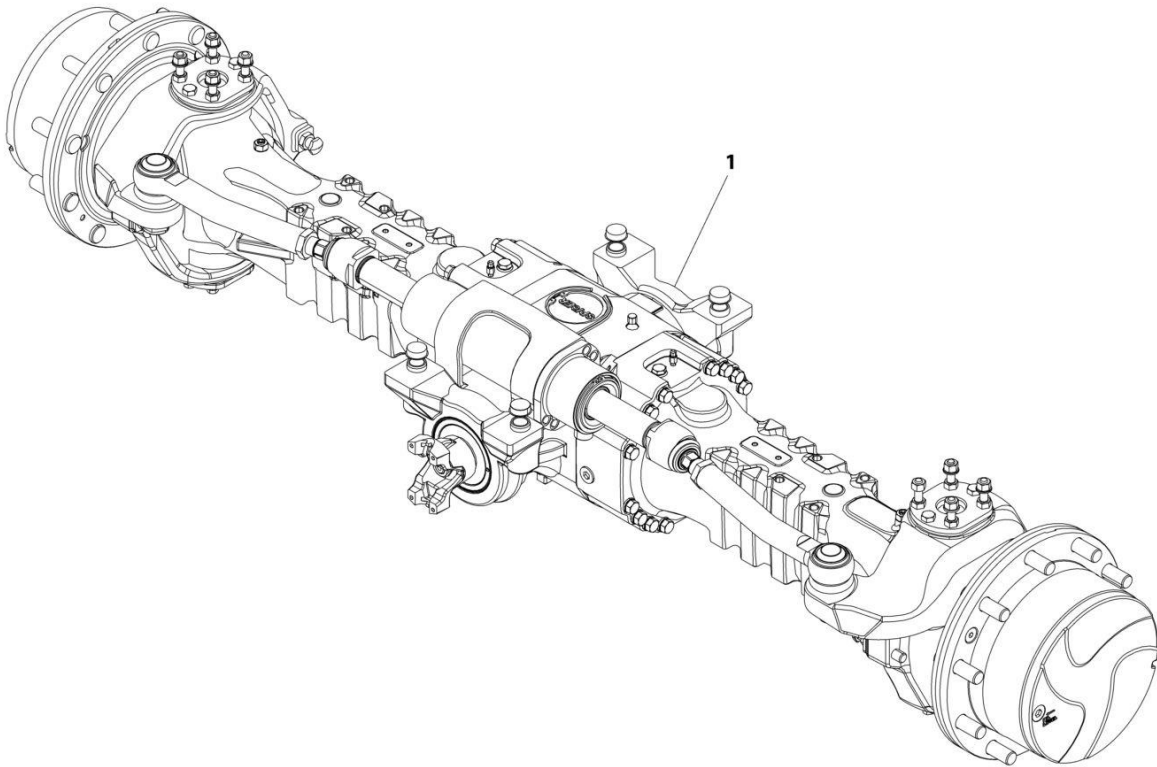
SECTION 5 - DRIVE TRAIN

FIGURE 5-40. PISTON KIT

ITEM	PART NUMBER	QTY	DESCRIPTION	REV
	70026823	Ref	Kit, Piston	
1	91514165	3	Spring	
2	70025821	1	O-Ring	
3	70025822	1	O-Ring	

SECTION 5 - DRIVE TRAIN

FIGURE 5-41. REAR AXLE (FOAM FILL) (4017RS)



ART_1001182622-B

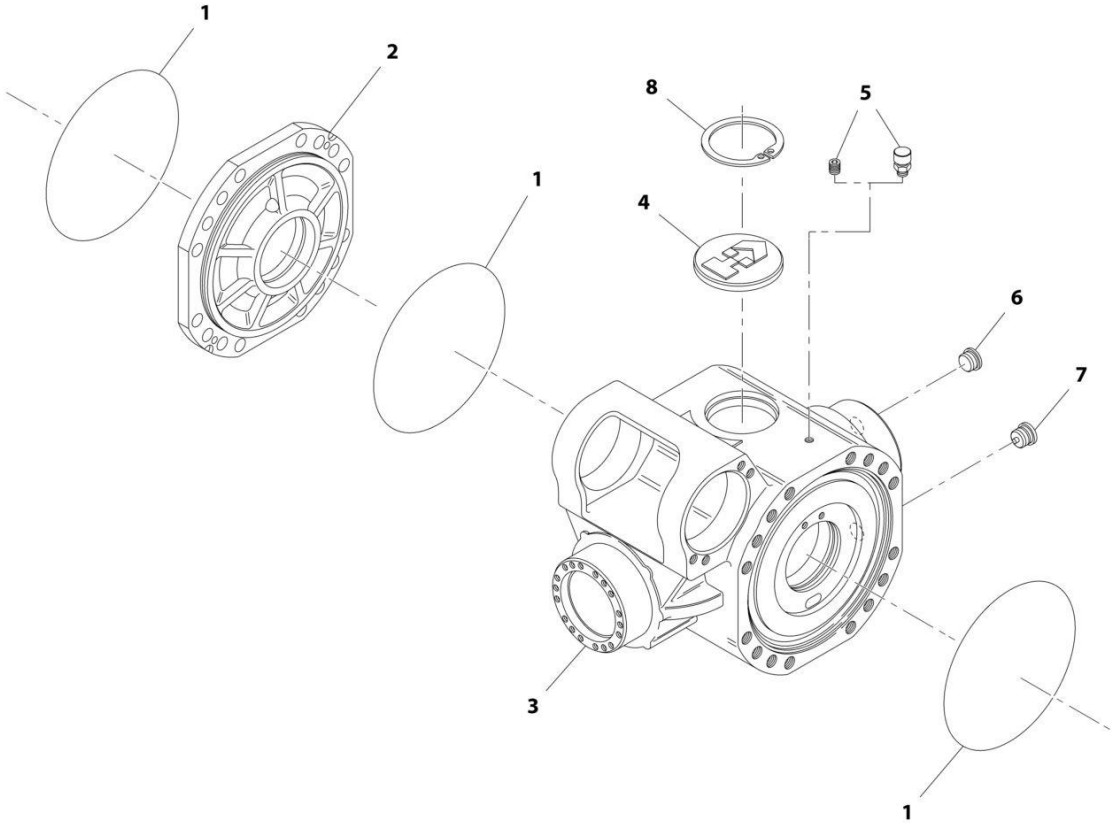
SECTION 5 - DRIVE TRAIN

FIGURE 5-41. REAR AXLE (FOAM FILL) (4017RS)

ITEM	PART NUMBER	QTY	DESCRIPTION	REV
1	1001182622	Ref	Rear Axle (Foam Fill)	B
		Ref	Rear Axle, Central Housing (Foam Fill) (See Separate Breakdown in this Section)	
		Ref	Rear Axle, Differential (Foam Fill) (See Separate Breakdown in this Section)	
		Ref	Rear Axle, Hub Reduction (Foam Fill) (See Separate Breakdown in this Section)	
		Ref	Rear Axle, Brakes (Foam Fill) (See Separate Breakdown in this Section)	
		Ref	Rear Axle, Steering (Foam Fill) (See Separate Breakdown in this Section)	
		Ref	Rear Axle, Trunion (Foam Fill) (See Separate Breakdown in this Section)	

SECTION 5 - DRIVE TRAIN

FIGURE 5-42. REAR AXLE, CENTRAL HOUSING (4017RS)



ART_1001182622_1-B

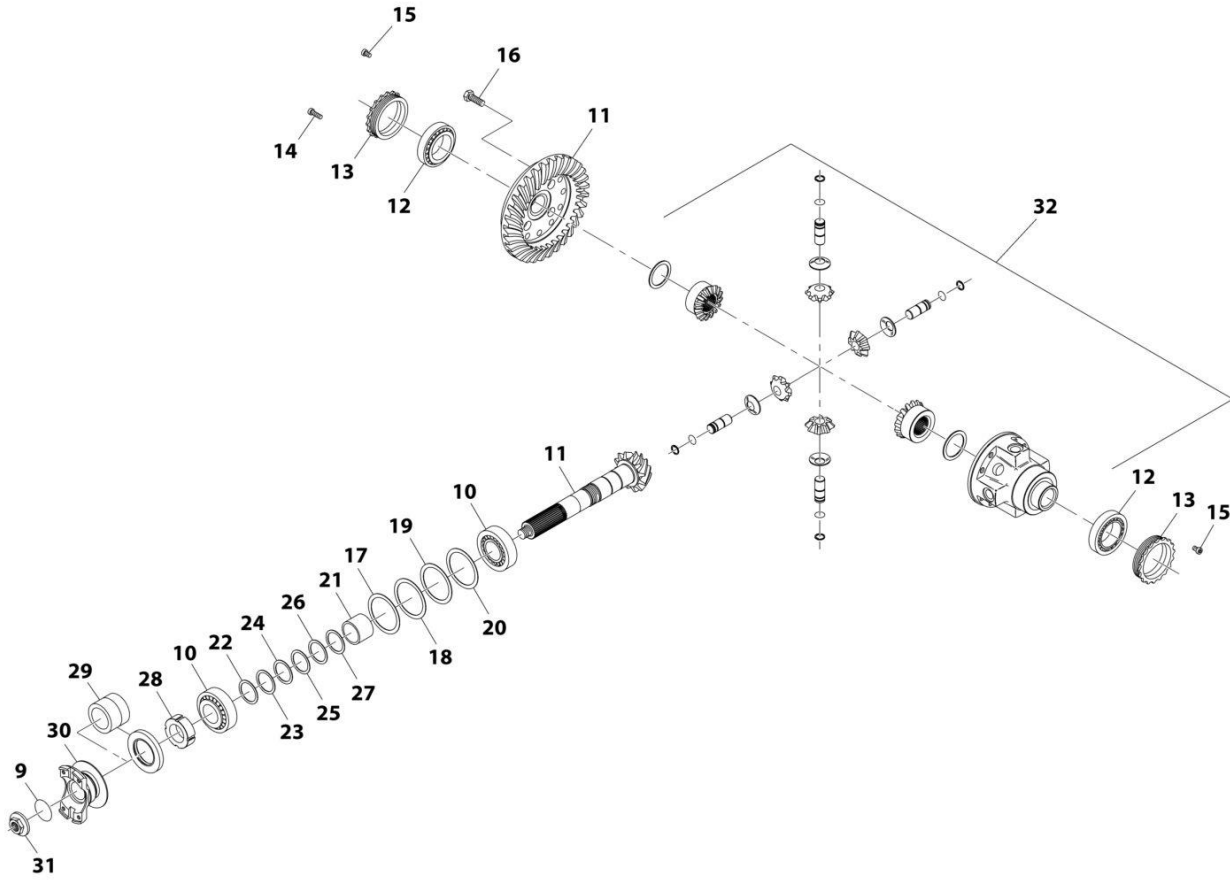
SECTION 5 - DRIVE TRAIN

FIGURE 5-42. REAR AXLE, CENTRAL HOUSING (4017RS)

ITEM	PART NUMBER	QTY	DESCRIPTION	REV
	1001182622	Ref	REAR AXLE, CENTRAL HOUSING	
1	91474507	3	O-Ring	
2	70024519	1	Cover	
3	70026977	1	Housing	
4	91514098	1	Plug	
5	91474512	1	Vent	
6	91514188	1	Plug	
7	91474513	1	Magnetic Plug	
9	80204005	1	Circlip	

SECTION 5 - DRIVE TRAIN

FIGURE 5-43. REAR AXLE, DIFFERENTIAL (4017RS)



ART_1001182622_2-B

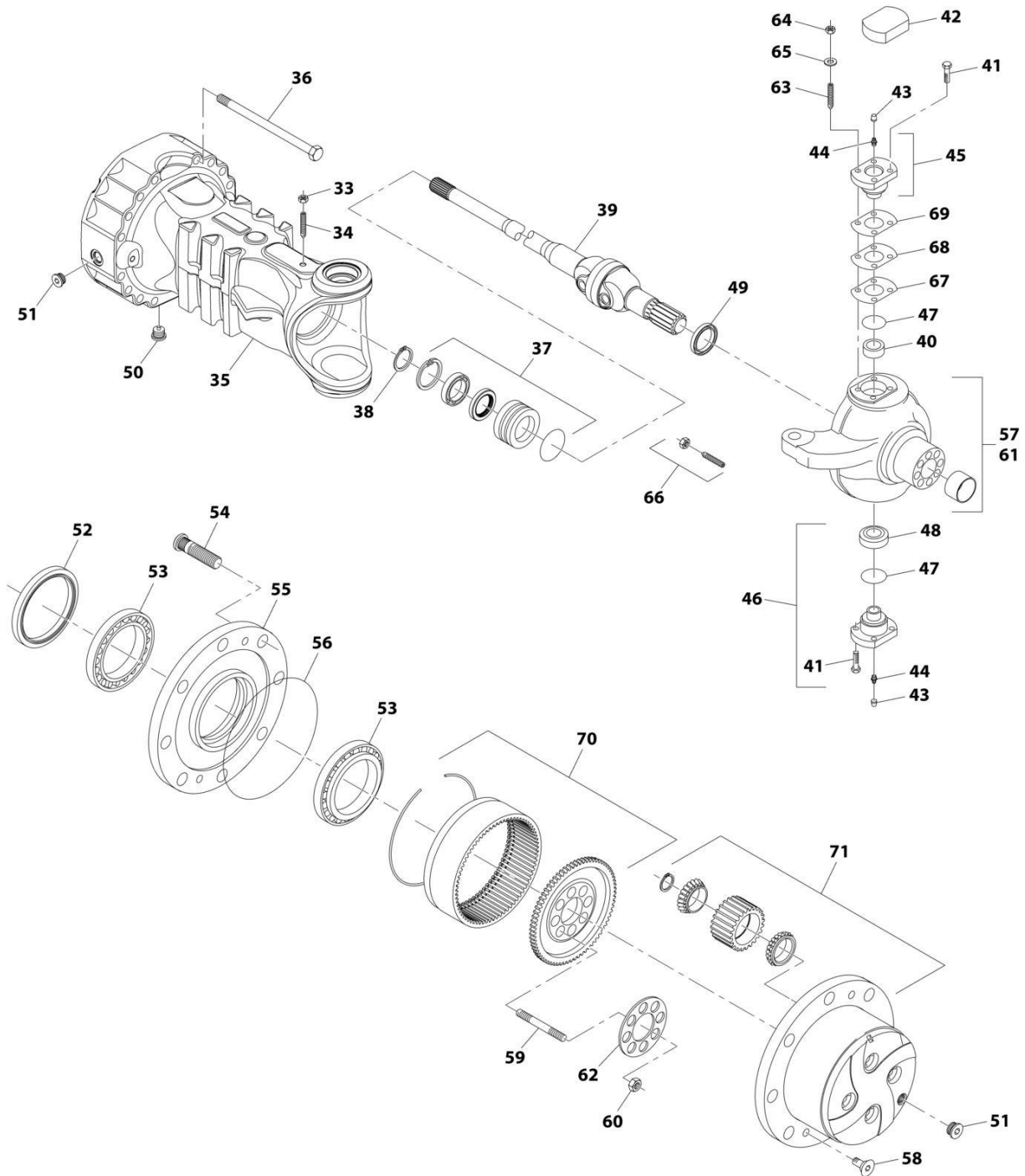
SECTION 5 - DRIVE TRAIN

FIGURE 5-43. REAR AXLE, DIFFERENTIAL (4017RS)

ITEM	PART NUMBER	QTY	DESCRIPTION	REV
	1001182622	Ref	REAR AXLE, DIFFERENTIAL	
9	91474529	1	O-Ring	
10	3968141	2	Taper Roller Bearing	
11	70025554	1	Bevel Gear Set	
12	70026031	2	Taper Roller Bearing	
13	91474547	2	Ring Nut	
14	91474591	4	Cylinder Bolt	
15	91514134	2	Bolt	
16	91514123	12	Bolt	
17	91474540	1	Shim	
18	91474541	1	Shim	
19	91474542	1	Shim	
20	91474543	1	Shim	
21	91474539	1	Spacer	
22	91474535	1	Shim	
23	91474536	1	Shim	
24	91474537	1	Shim	
25	91474538	1	Shim	
26	70024520	1	Shim	
27	70024521	1	Shim	
28	91474533	1	Ring Nut	
29	70024522	1	Seal	
30	7029427	1	Flange	
31	70026631	1	Nut	
32	91474596	1	Differential Kit (See Separate Breakdown in this Section)	

SECTION 5 - DRIVE TRAIN

FIGURE 5-44. REAR AXLE, HUB REDUCTION (4017RS)



ART_1001182622_3-B

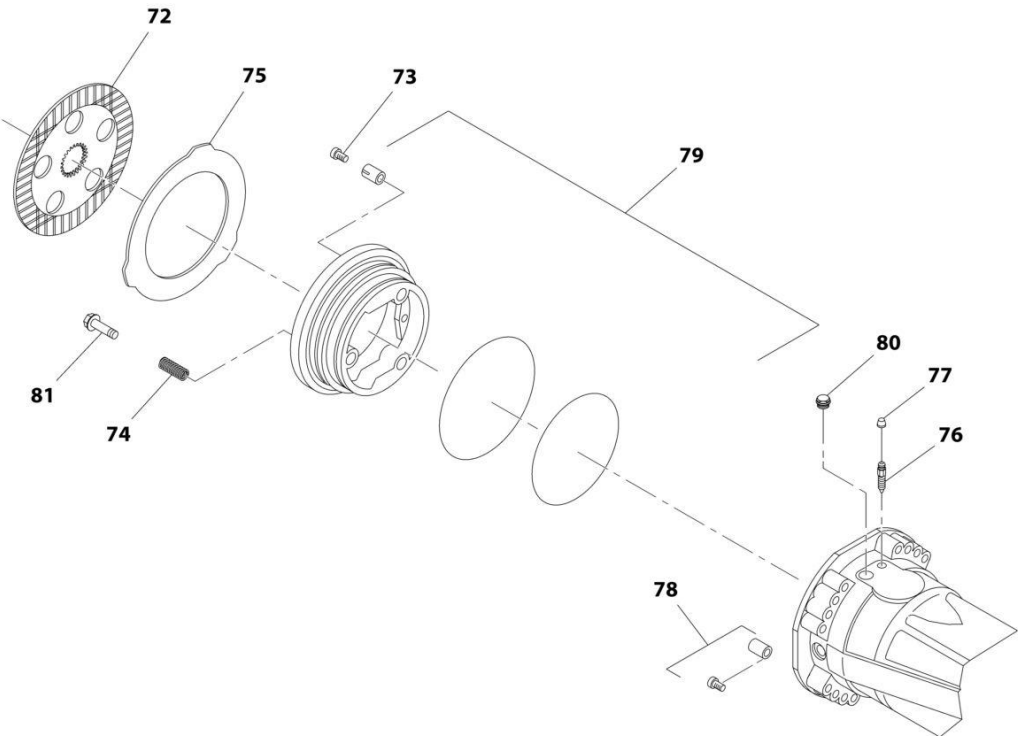
SECTION 5 - DRIVE TRAIN

FIGURE 5-44. REAR AXLE, HUB REDUCTION (4017RS)

ITEM	PART NUMBER	QTY	DESCRIPTION	REV
	1001182622	Ref	REAR AXLE, HUB REDUCTION	
33	91514082	2	Nut	
34	91514081	2	Bolt	
35	70025557	2	Axle Case	
36	70022799	32	Bolt	
37	91514149	2	Reduction Bushing (See Separate Breakdown in this Section)	
38	80204071	2	Circlip	
39	70027143	2	Double Universal Joint	
40	7028714	2	Bushing	
41	70025562	16	Bolt	
42	70025549	2	Cover	
43	80204117	2	Plug	
44	91514099	4	Grease Fitting	
45	91514112	2	Pivot Pin	
46	7028715	2	Pivot Pin	
47	7028716	4	Dust Excluder	
48	91514095	2	Bearing	
49	70026238	2	Seal	
50	91474513	2	Magnetic Plug	
51	91514188	4	Plug	
52	7028721	2	Seal	
53	91474576	4	Bearing	
54	8000877	20	Wheel Stud	
55	7028722	2	Wheel Hub	
56	91514181	2	O-Ring	
57	70027144	1	Steering Case Kit LH (See Separate Breakdown in this Section)	
58	91514189	4	Countersunk Bolt	
59	91474583	20	Stud	
60	91474584	20	Nut	
61	70027145	1	Steering Case Kit RH (See Separate Breakdown in this Section)	
62	91474582	2	Locking Plate	
63	70025819	8	Stud	
64	91514120	8	Nut	
65	91514119	8	Washer	
66	7028733	4	Steering Adjust Bolt Kit (See Separate Breakdown in this Section)	
67	91514113	2	Shim	
68	91514114	2	Shim	
69	91514115	2	Shim	
70	70025551	2	Ring Gear Support Kit (See Separate Breakdown in this Section)	
71	70040710	2	Planet Gear Carrier Kit (See Separate Breakdown in this Section)	

SECTION 5 - DRIVE TRAIN

FIGURE 5-45. REAR AXLE, BRAKES (4017RS)



ART_1001182622_4-B

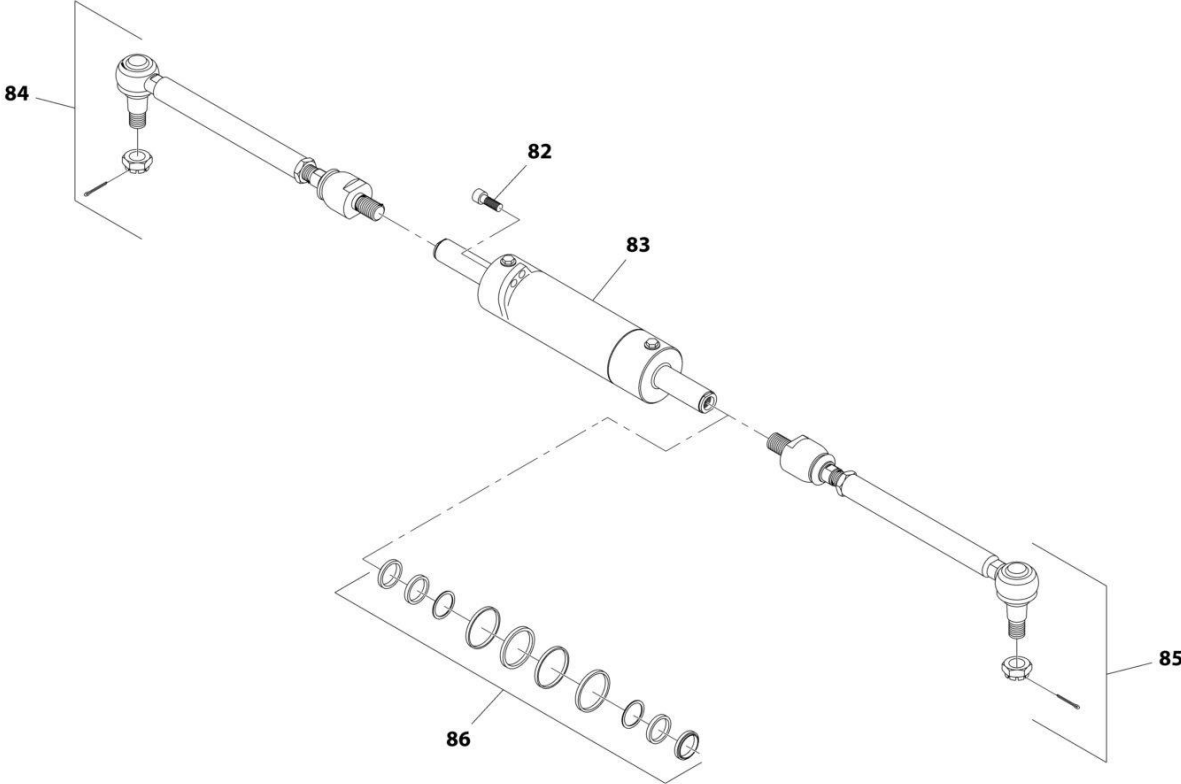
SECTION 5 - DRIVE TRAIN

FIGURE 5-45. REAR AXLE, BRAKES (4017RS)

ITEM	PART NUMBER	QTY	DESCRIPTION	REV
	1001182622	Ref	REAR AXLE, BRAKES	
72	91474568	6	Disc	
73	7029786	6	Adjusting Bolt	
74	91514159	6	Spring	
75	70025823	8	Intermediate Brake Disc	
76	2960243	2	Bleeding Bolt	
77	80204117	2	Plug	
78	70021613	2	Pilot Bolt	
79	70025841	2	Piston (See Separate Breakdown in this Section)	
80	91514154	2	Plug	
81	70024210	6	Adjusting Bolt	

SECTION 5 - DRIVE TRAIN

FIGURE 5-46. REAR AXLE, STEERING (4017RS)



ART_1001182622_5-B

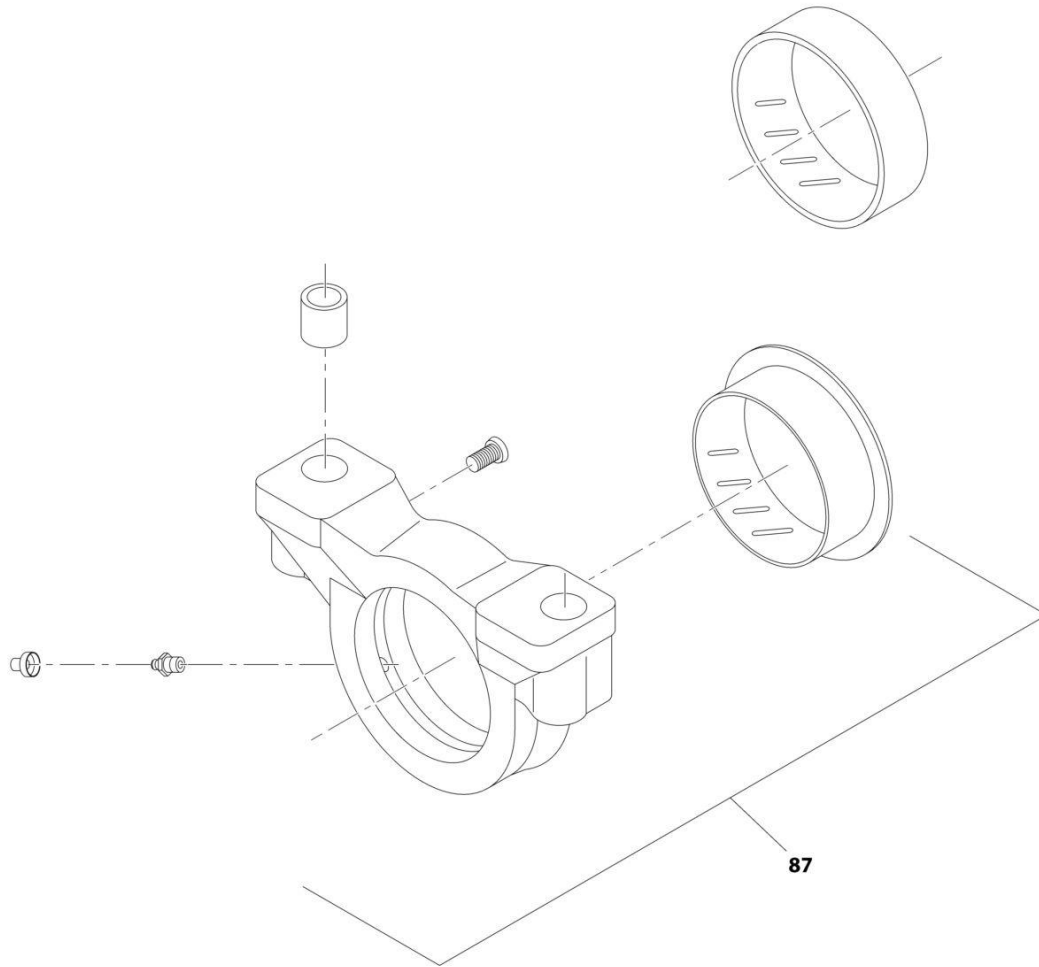
SECTION 5 - DRIVE TRAIN

FIGURE 5-46. REAR AXLE, STEERING (4017RS)

ITEM	PART NUMBER	QTY	DESCRIPTION	REV
	1001182622	Ref	REAR AXLE, STEERING	
82	91474522	4	Bolt	
83	70025566	1	Cylinder	
84	70026752	1	Bar	
84	70022773	1	Nut	
85	70026751	1	Bar	
85	70022773	1	Nut	
86	70025842	1	Seal Kit	

SECTION 5 - DRIVE TRAIN

FIGURE 5-47. REAR AXLE, TRUNION (4017RS)



ART_1001182622_6-B

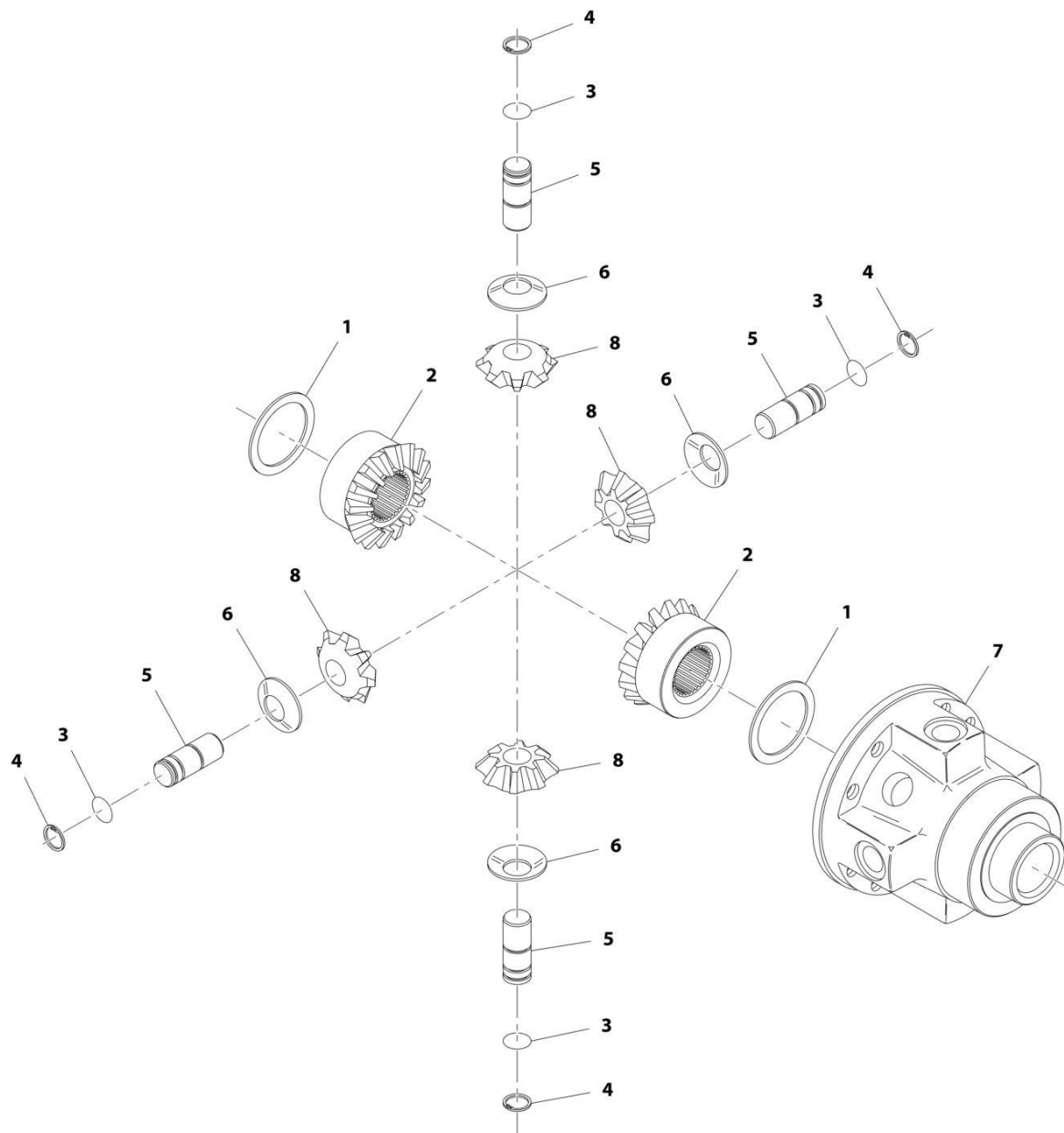
SECTION 5 - DRIVE TRAIN

FIGURE 5-47. REAR AXLE, TRUNION (4017RS)

ITEM	PART NUMBER	QTY	DESCRIPTION	REV
87	1001182622 70026630	Ref 2	REAR AXLE, TRUNION Trunion Kit (See Separate Breakdown in this Section)	

SECTION 5 - DRIVE TRAIN

FIGURE 5-48. DIFFERENTIAL KIT



ART_1001182622_7-B

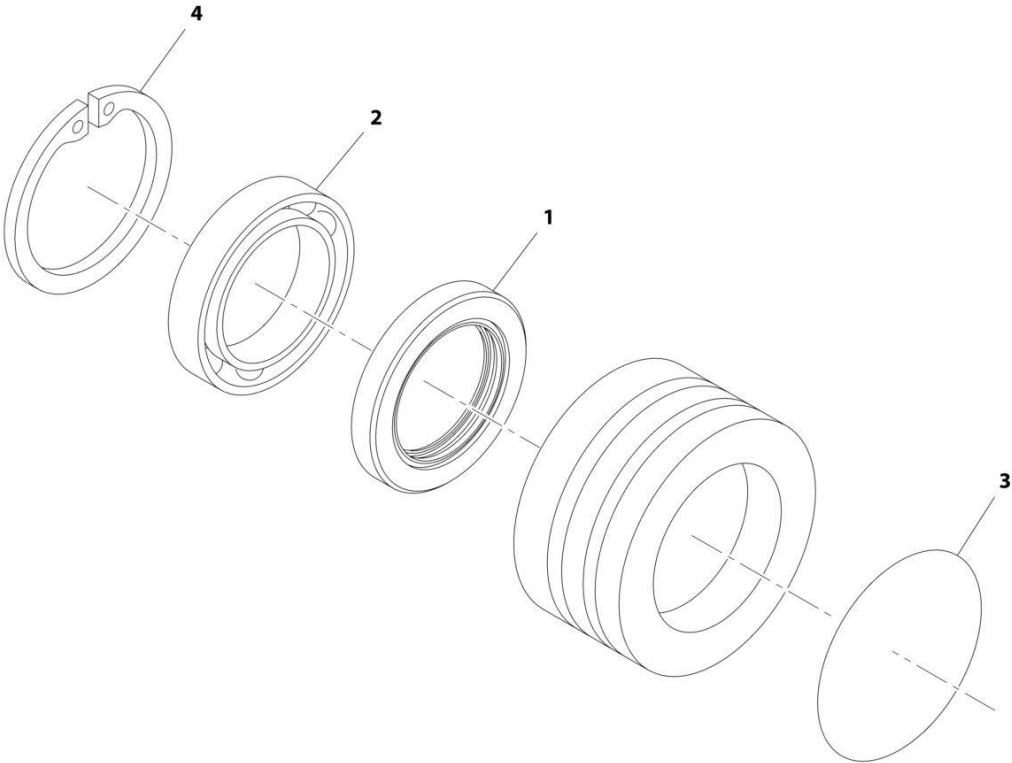
SECTION 5 - DRIVE TRAIN

FIGURE 5-48. DIFFERENTIAL KIT

ITEM	PART NUMBER	QTY	DESCRIPTION	REV
	91474596	Ref	Differential Kit	
1	91474593	2	Friction Washer	
2	91474594	2	Differential Side Gear	
3	91474551	4	Circlip	
4	91474550	4	Circlip	
5	7029131	4	Pin	
6	91474553	4	Friction Washer	
7	91474595	1	Differential Carrier	
8	7029129	4	Differential Pinion	

SECTION 5 - DRIVE TRAIN

FIGURE 5-49. REDUCTION BUSHING



ART_1001182622_8-B

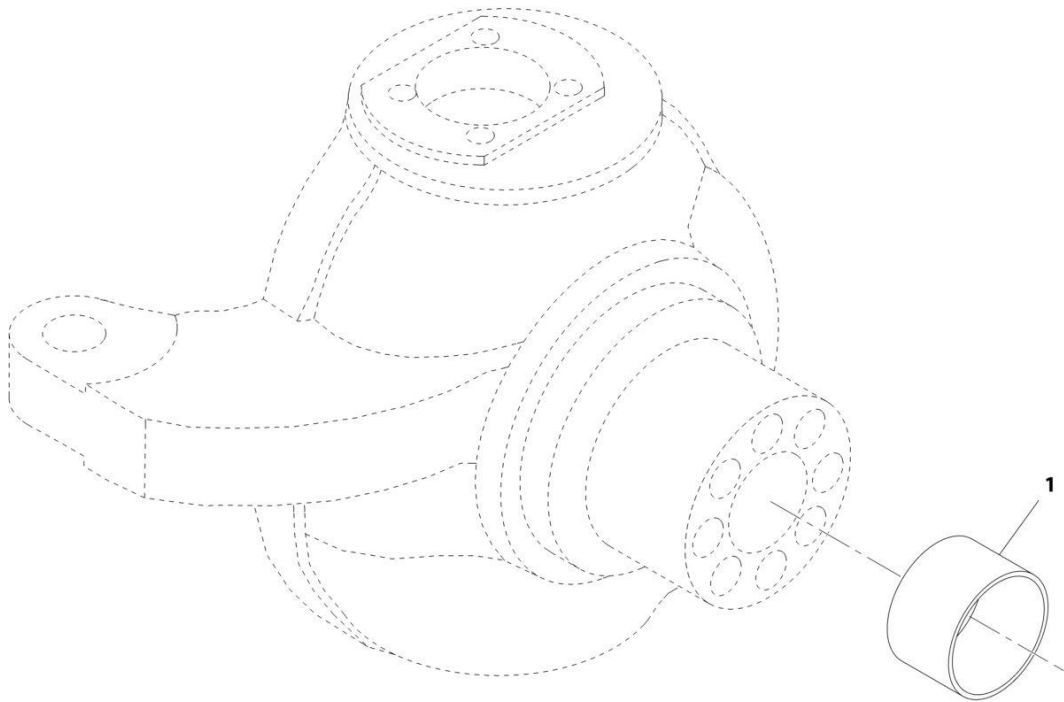
SECTION 5 - DRIVE TRAIN

FIGURE 5-49. REDUCTION BUSHING

ITEM	PART NUMBER	QTY	DESCRIPTION	REV
	91514149	Ref	Reduction Bushing	
1	91514147	2	Seal	
2	91514146	2	Ball Bearing	
3	91514148	2	O-Ring	
4	80204005	2	Circlip	

SECTION 5 - DRIVE TRAIN

FIGURE 5-50. STEERING CASE KIT LH



ART_1001182622_9-B

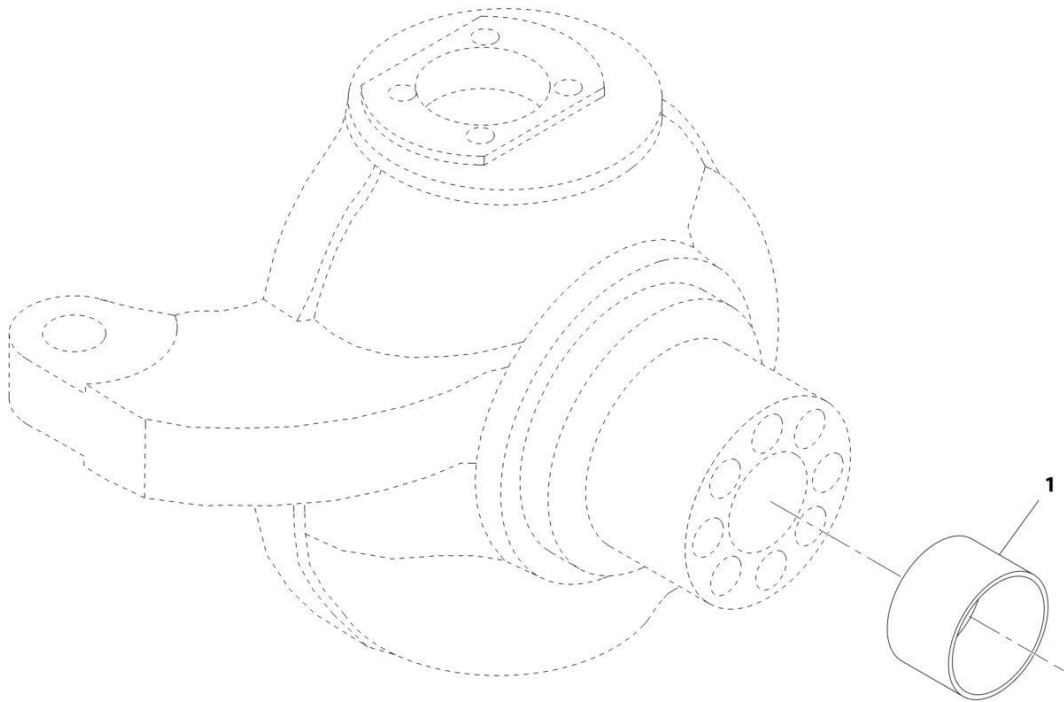
SECTION 5 - DRIVE TRAIN

FIGURE 5-50. STEERING CASE KIT LH

ITEM	PART NUMBER	QTY	DESCRIPTION	REV
1	70027144	Ref	Steering Case Kit LH	
	91514111	2	Thrust Bushing	

SECTION 5 - DRIVE TRAIN

FIGURE 5-51. STEERING CASE KIT RH



ART_1001182622_10-B

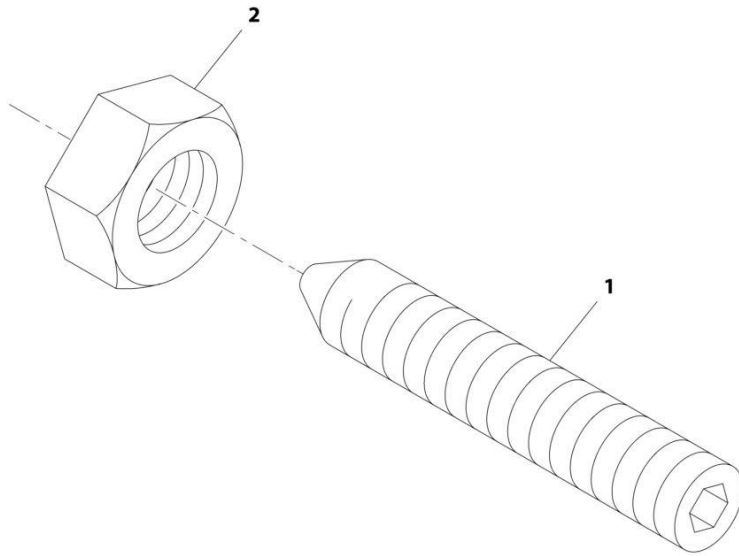
SECTION 5 - DRIVE TRAIN

FIGURE 5-51. STEERING CASE KIT RH

ITEM	PART NUMBER	QTY	DESCRIPTION	REV
1	70027145	Ref	Steering Case Kit RH	
	91514111	2	Thrust Bushing	

SECTION 5 - DRIVE TRAIN

FIGURE 5-52. STEERING ADJUST BOLT KIT



ART_1001182622_11-B

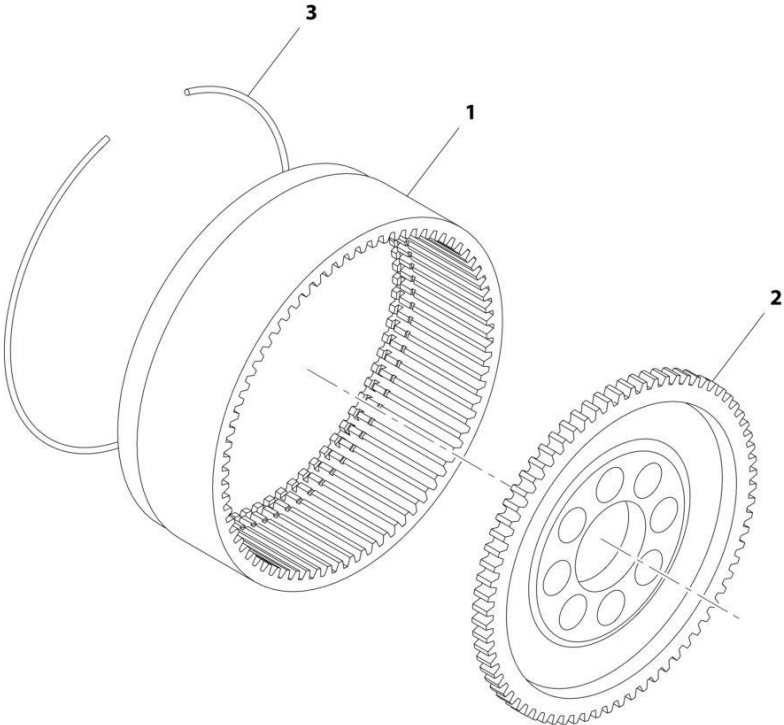
SECTION 5 - DRIVE TRAIN

FIGURE 5-52. STEERING ADJUST BOLT KIT

ITEM	PART NUMBER	QTY	DESCRIPTION	REV
	7028733	Ref	Steering Adjust Bolt Kit	
1	91514117	4	Bolt	
2	80204065	4	Nut	

SECTION 5 - DRIVE TRAIN

FIGURE 5-53. RING GEAR SUPPORT KIT



ART_1001182622_12-B

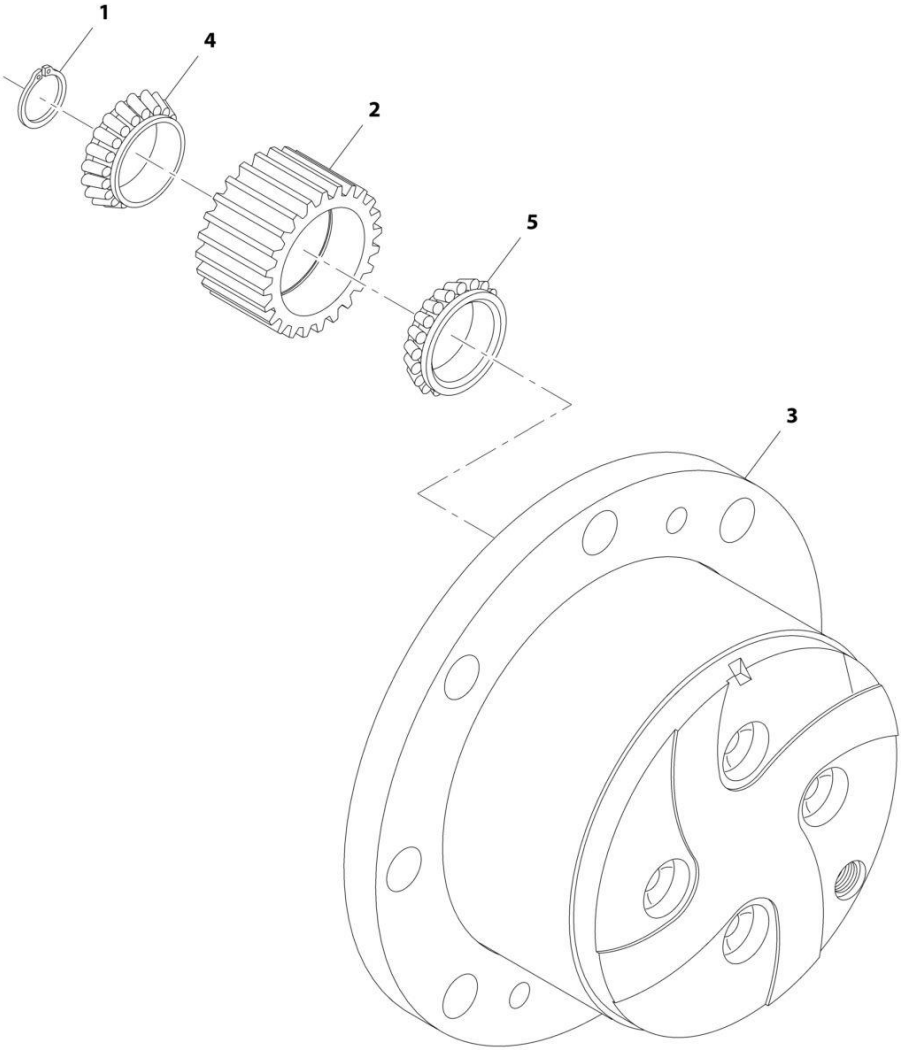
SECTION 5 - DRIVE TRAIN

FIGURE 5-53. RING GEAR SUPPORT KIT

ITEM	PART NUMBER	QTY	DESCRIPTION	REV
	70025551	Ref	Ring Gear Support Kit	
1	70024147	2	Ring Gear	
2	7028723	2	Ring Gear Support	
3	91514175	2	Circlip	

SECTION 5 - DRIVE TRAIN

FIGURE 5-54. PLANET GEAR CARRIER KIT



ART_1001182622_13-B

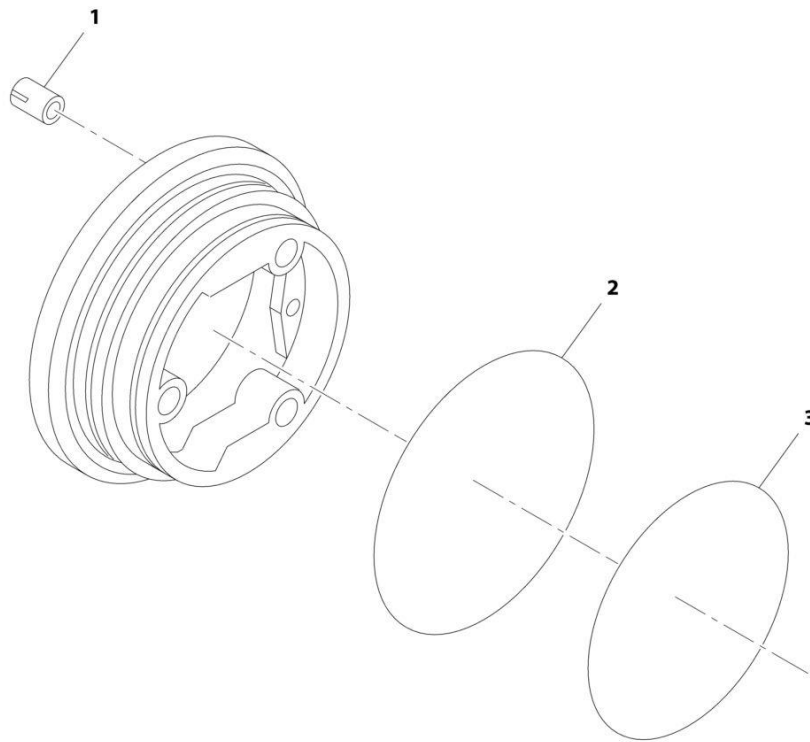
SECTION 5 - DRIVE TRAIN

FIGURE 5-54. PLANET GEAR CARRIER KIT

ITEM	PART NUMBER	QTY	DESCRIPTION	REV
	70040710	Ref	Planet Gear Carrier Kit	
1	7028724	3	Circlip	
2	7028725	6	Differential Pinion	
3	7028726	1	Planet Gear Carrier	
4	7028731	6	Bearing	
5	7028732	6	Bearing	

SECTION 5 - DRIVE TRAIN

FIGURE 5-55. PISTON



ART_1001182622_14-B

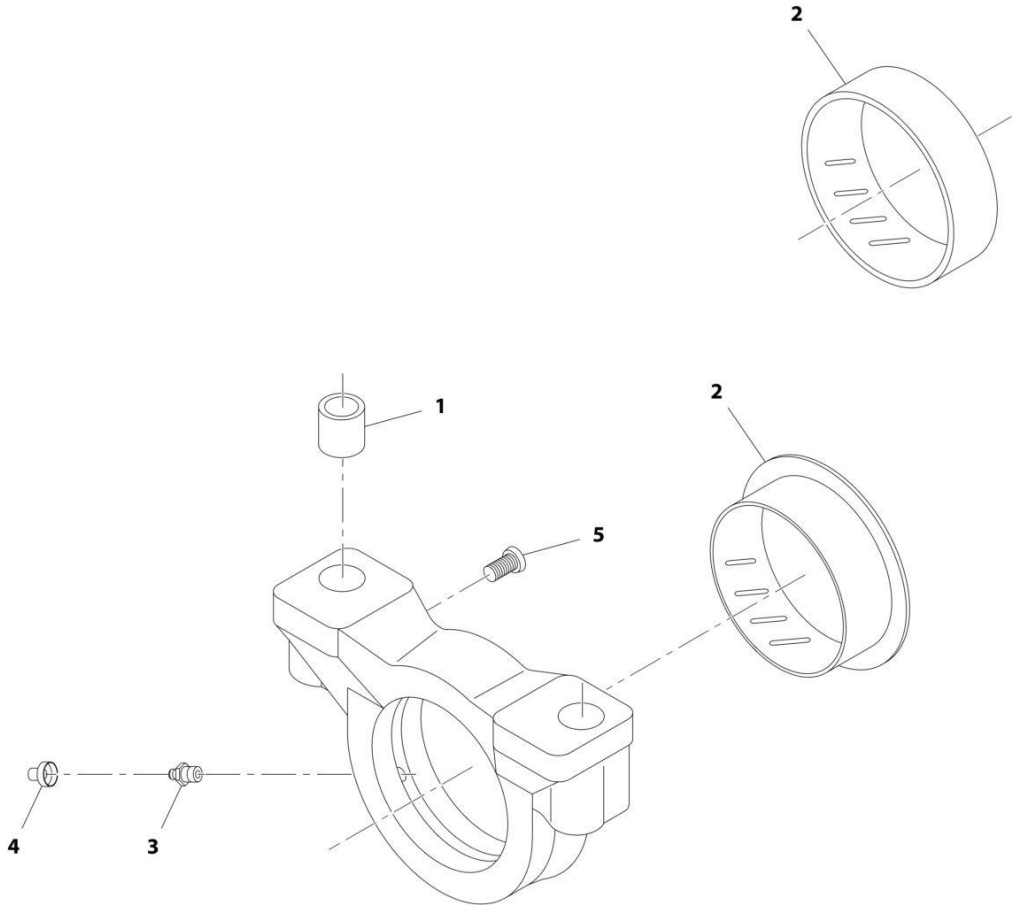
SECTION 5 - DRIVE TRAIN

FIGURE 5-55. PISTON

ITEM	PART NUMBER	QTY	DESCRIPTION	REV
	70025841	Ref	Piston	
1	91514165	6	Spring	
2	70025821	2	O-Ring	
3	70025822	2	O-Ring	

SECTION 5 - DRIVE TRAIN

FIGURE 5-56. TRUNION KIT



ART_1001182622_15-B

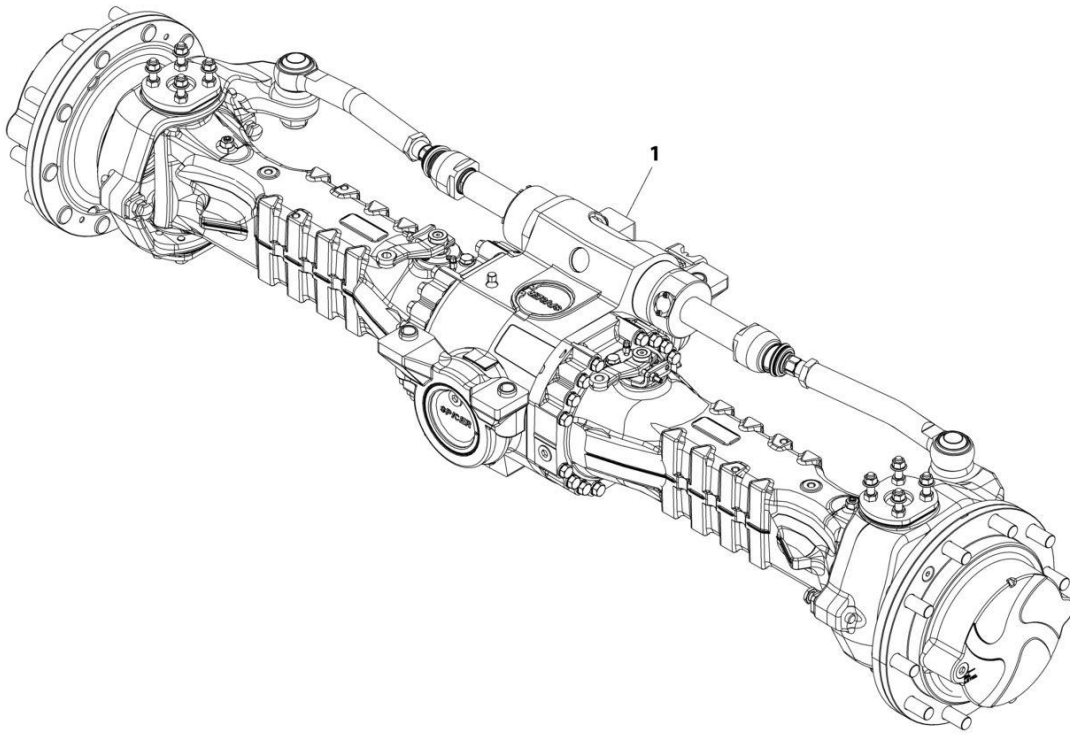
SECTION 5 - DRIVE TRAIN

FIGURE 5-56. TRUNION KIT

ITEM	PART NUMBER	QTY	DESCRIPTION	REV
	70026630	Ref	Trunion Kit	
1	91474516	4	Reduction Bushing	
2	91474515	2	Thrust Bushing	
3	91514099	2	Grease Fitting	
4	80204117	2	Plug	
5	70025884	2	Bolt	

SECTION 5 - DRIVE TRAIN

FIGURE 5-57. FRONT AXLE (3614RS)



ART_1001191919-D

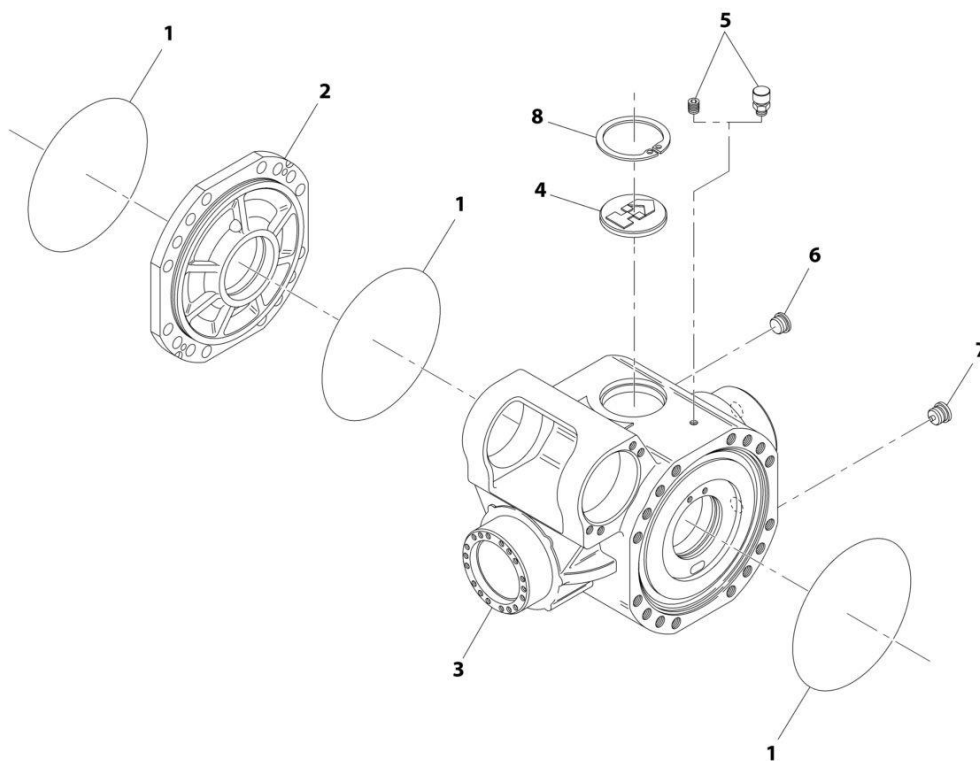
SECTION 5 - DRIVE TRAIN

FIGURE 5-57. FRONT AXLE (3614RS)

ITEM	PART NUMBER	QTY	DESCRIPTION	REV
	1001191919	Ref	Front Axle	D
		Ref	Front Axle, Central Housing (See Separate Breakdown in this Section)	
		Ref	Front Axle, Differential (See Separate Breakdown in this Section)	
		Ref	Front Axle, Hub Reduction (See Separate Breakdown in this Section)	
		Ref	Front Axle, Brakes (See Separate Breakdown in this Section)	
		Ref	Front Axle, Steering (See Separate Breakdown in this Section) (not shown)	
		Ref	Front Axle, Trunion (See Separate Breakdown in this Section) (not shown)	

SECTION 5 - DRIVE TRAIN

FIGURE 5-58. FRONT AXLE, CENTRAL HOUSING (3614RS)



ART_1001191919_1-D

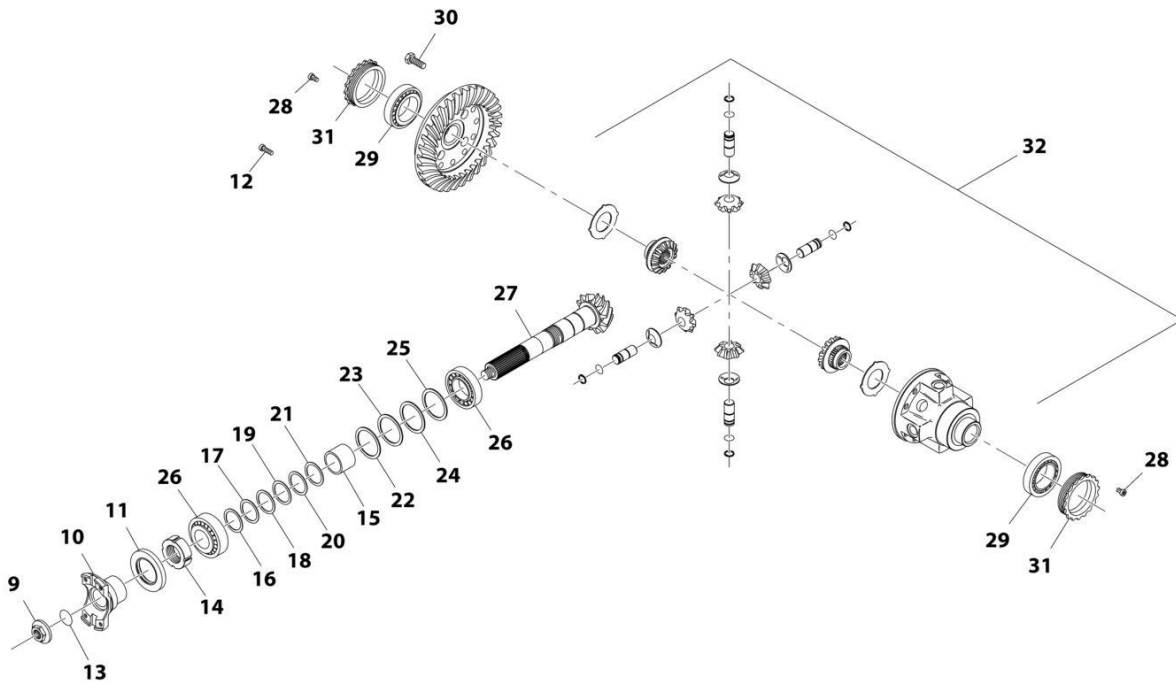
SECTION 5 - DRIVE TRAIN

FIGURE 5-58. FRONT AXLE, CENTRAL HOUSING (3614RS)

ITEM	PART NUMBER	QTY	DESCRIPTION	REV
	1001191919	Ref	FRONT AXLE, CENTRAL HOUSING	
1	91474507	3	O-Ring	
2	70024519	1	Cover	
3	70026977	1	Housing	
4	91514098	1	Plug	
5	91474512	1	Vent	
6	91514188	1	Plug	
7	91474513	1	Plug, Magnet	
8	80204005	1	Circlip	

SECTION 5 - DRIVE TRAIN

FIGURE 5-59. FRONT AXLE, DIFFERENTIAL (3614RS)



ART_1001191919_2-D

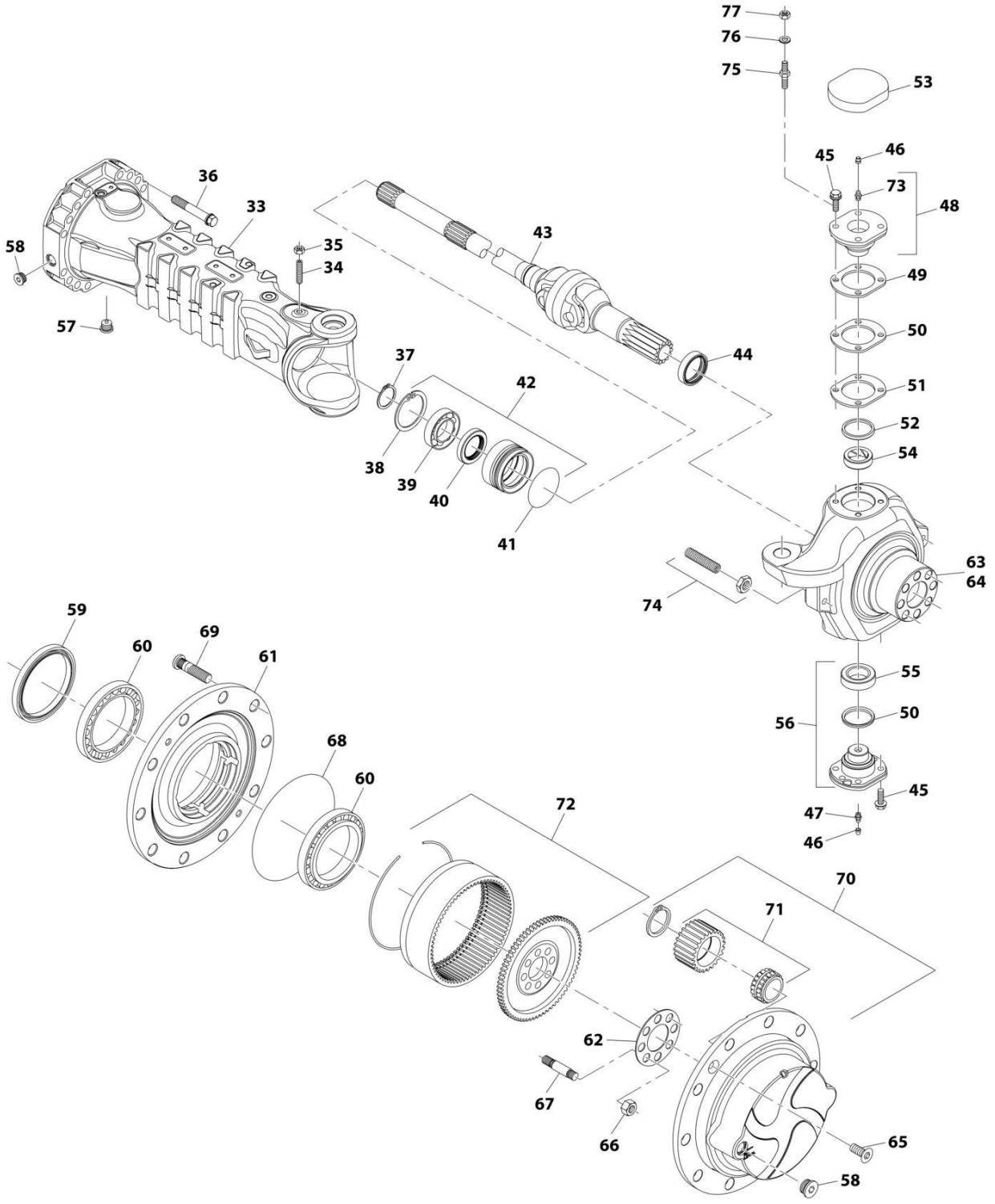
SECTION 5 - DRIVE TRAIN

FIGURE 5-59. FRONT AXLE, DIFFERENTIAL (3614RS)

ITEM	PART NUMBER	QTY	DESCRIPTION	REV
	1001191919	Ref	FRONT AXLE, DIFFERENTIAL	
9	70026631	1	Nut	
10	70022797	1	Flange	
11	91474532	1	Seal	
12	91474591	4	Bolt	
13	91474529	1	O-Ring	
14	91474533	1	Nut, Ring	
15	91474539	1	Spacer	
16	91474535	1	Shim	
17	91474536	1	Shim	
18	91474537	1	Shim	
19	91474538	1	Shim	
20	70024520	1	Shim	
21	70024521	1	Shim	
22	91474540	1	Shim	
23	91474541	1	Shim	
24	91474542	1	Shim	
25	91474543	1	Shim	
26	3968141	2	Bearing, Taper Roller	
27	70027594	1	Set, Bevel Gear	
28	91514134	2	Bolt	
29	70026031	2	Bearing, Taper Roller	
30	91514123	12	Bolt	
31	91474547	2	Nut, Ring	
32	8007751	1	Differential Kit, (See Separate Breakdown in this Section)	

SECTION 5 - DRIVE TRAIN

FIGURE 5-60. FRONT AXLE, HUB REDUCTION (3614RS)



ART_1001191919_3-D

SECTION 5 - DRIVE TRAIN

FIGURE 5-60. FRONT AXLE, HUB REDUCTION (3614RS)

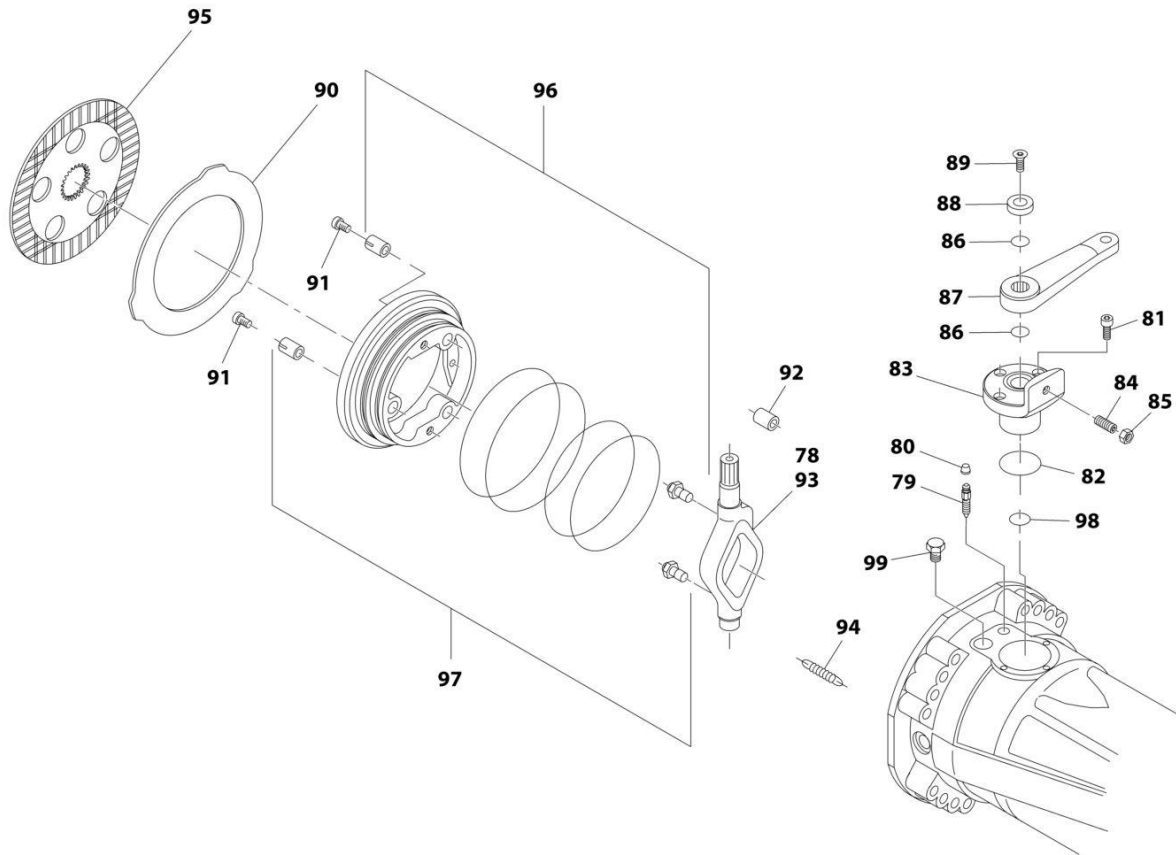
ITEM	PART NUMBER	QTY	DESCRIPTION	REV
	1001191919	Ref	FRONT AXLE, HUB REDUCTION	
33	8007758	2	Case, Axle	
34	2400600	2	Bolt	
35	91514082	2	Nut	
36	7029428	32	Bolt	
37	80204071	2	Circlip	
38	80204005	2	Circlip	
39	91514146	2	Bearing, Ball	
40	91514147	2	Seal	
41	91514148	2	O-Ring	
42	91514149	2	Bushing, Reduction (See Separate Breakdown in this Section)	
43	70025928	2	Joint, Double Universal	
44	8007771	2	Seal	
45	70025562	12	Bolt	
46	80204117	4	Plug	
47	91514099	2	Fitting, Grease	
48	70025567	2	Pin, Pivot	
49	8007779	2	Shim	
50	8007780	2	Shim	
51	8007782	2	Shim	
52	2401043	4	Seal	
53	70025549	2	Cover	
54	70020173	2	Bushing	
55	2401258	2	Bearing	
56	8006605	2	Pin, Pivot	
57	91474513	2	Plug, Magnet	
58	91514188	4	Plug	
59	7029430	2	Seal	
60	3984301	4	Bearing	
61	8005801	2	Wheel Hub	
62	3983731	2	Locking Plate	
63	8007774	1	Steering Case Kit (RF, LR) (See Separate Breakdown in this Section)	
64	8007777	1	Steering Case Kit (LF, RR) (See Separate Breakdown in this Section)	
65	91514189	4	Bolt, Countersunk	
66	91474584	16	Nut	
67	70027315	16	Stud	
68	80204002	2	O-Ring	
69	8000877	20	Stud, Wheel	
70	7029431	2	Assembly, Planet Gear Carrier (See Separate Breakdown in this Section)	
71	70023900	8	Assembly, Planet Gear and Bearing (See Separate Breakdown in this Section)	
72	7029432	2	Assembly, Ring Gear Support (See Separate Breakdown in this Section)	
73	7028115	2	Fitting, Grease	
74	7028733	4	Assembly, Steering Adjust Bolt (See Separate Breakdown in this Section)	
75	70025819	8	Stud	
76	91514119	8	Washer	

SECTION 5 - DRIVE TRAIN

ITEM	PART NUMBER	QTY	DESCRIPTION	REV
77	91514120	8	Nut	

SECTION 5 - DRIVE TRAIN

FIGURE 5-61. FRONT AXLE, BRAKES (3614RS)



ART_1001191919_4-D

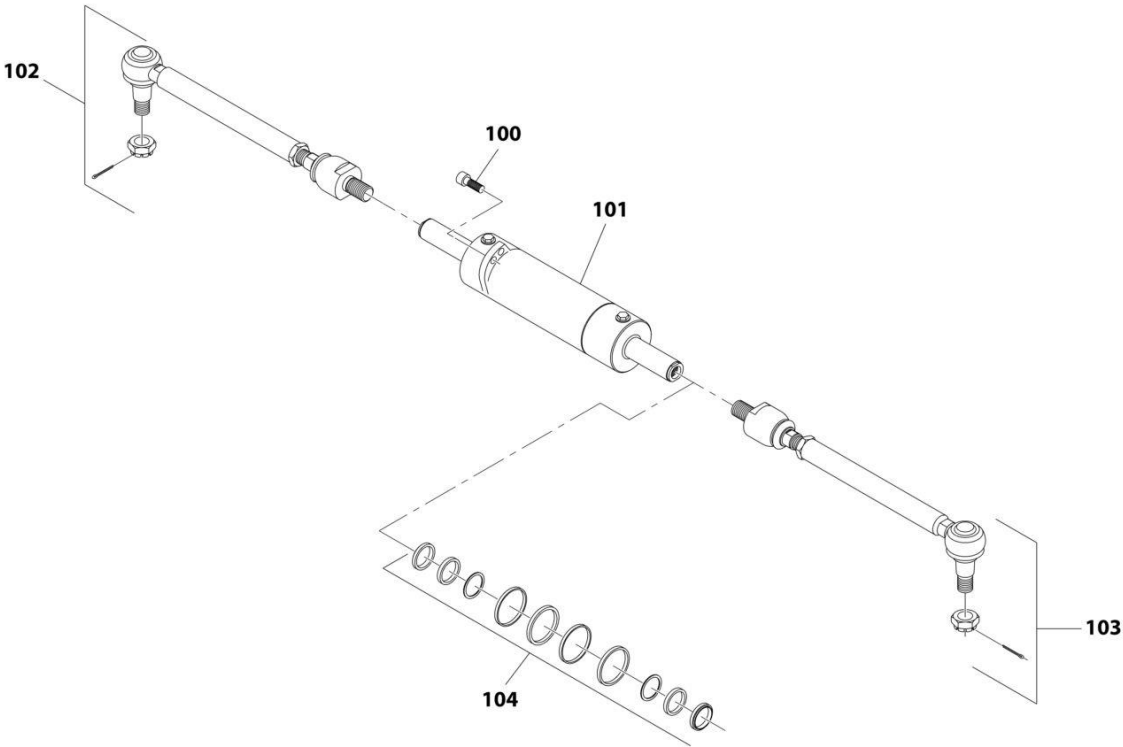
SECTION 5 - DRIVE TRAIN

FIGURE 5-61. FRONT AXLE, BRAKES (3614RS)

ITEM	PART NUMBER	QTY	DESCRIPTION	REV
	1001191919	Ref	FRONT AXLE, BRAKES	
78	8007785	1	Lever, Right	
79	80204281	2	Bolt, Bleeding	
80	80204117	2	Plug	
81	2401736	6	Bolt, Cylinder	
82	3986405	2	O-Ring	
83	70027106	2	Reduction Bushing	
84	8002798	2	Grub Bolt	
85	8008168	2	Nut	
86	7028038	2	O-Ring	
87	70025568	2	Lever	
88	7028039	2	Washer	
89	8008169	2	Bolt, Countersunk	
90	70025823	10	Disc, Intermediate Brake	
91	7029785	6	Bolt, Adjusting	
92	7029433	2	Dowel	
93	8007786	1	Lever	
94	3984425	6	Spring	
95	91474568	8	Disc	
96	70026069	1	Kit Piston (See Separate Breakdown in this Section)	
97	70026068	1	Kit Piston (See Separate Breakdown in this Section)	
98	8007802	2	O-Ring	
99	91514154	2	Bolt	

SECTION 5 - DRIVE TRAIN

FIGURE 5-62. FRONT AXLE, STEERING (3614RS)



ART_1001191919_5-D

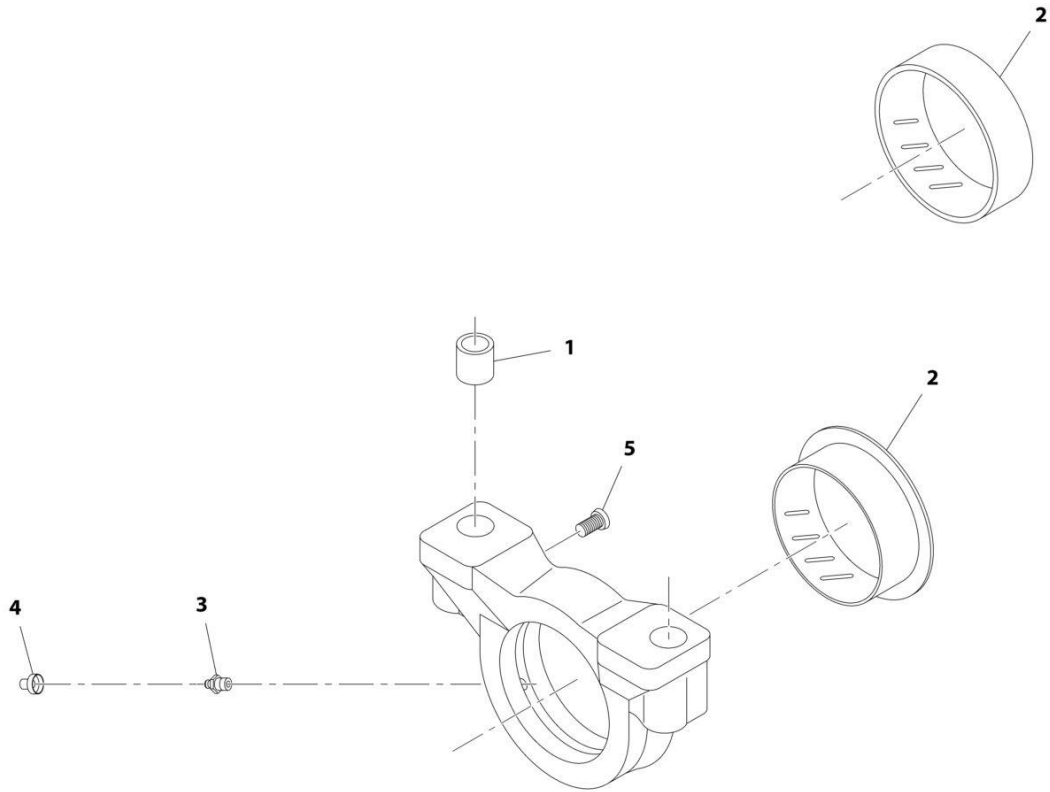
SECTION 5 - DRIVE TRAIN

FIGURE 5-62. FRONT AXLE, STEERING (3614RS)

ITEM	PART NUMBER	QTY	DESCRIPTION	REV
	1001191919	Ref	FRONT AXLE, STEERING	
100	91474522	4	Bolt	
101	70025566	1	Cylinder	
102	70026752	1	Bar	
103	70026751	1	Bar	
104	70025842	1	Seal Kit	

SECTION 5 - DRIVE TRAIN

FIGURE 5-63. FRONT AXLE, TRUNION (3614RS)



ART_1001191919_6-D

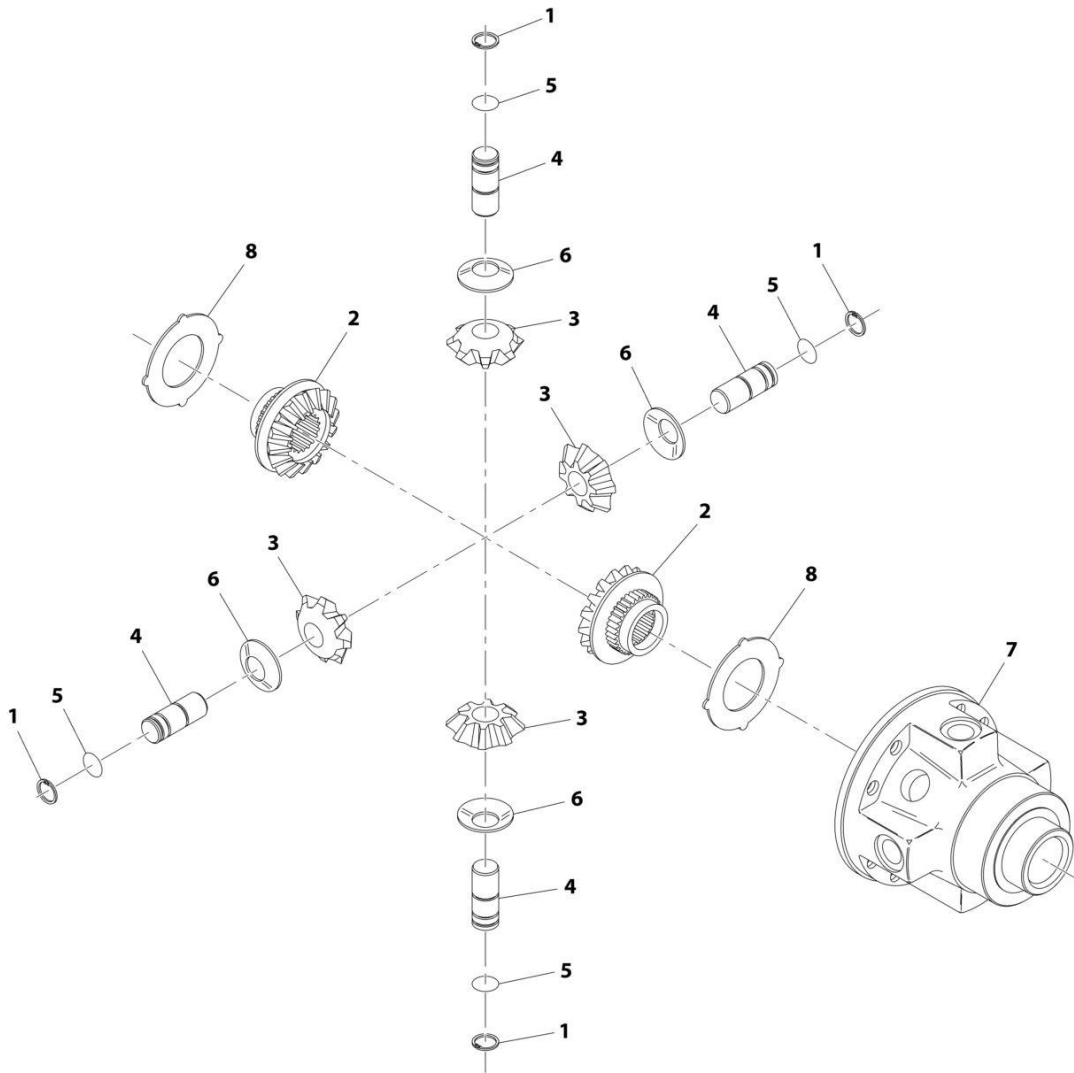
SECTION 5 - DRIVE TRAIN

FIGURE 5-63. FRONT AXLE, TRUNION (3614RS)

ITEM	PART NUMBER	QTY	DESCRIPTION	REV
	1001191919	Ref	FRONT AXLE, TRUNION	
	70026630	Ref	Trunion Kit	
1	91474516	4	Reduction Bushing	
2	91474515	2	Thrust Bushing	
3	91514099	2	Grease Fitting	
4	80204117	2	Plug	
5	70025884	2	Bolt	

SECTION 5 - DRIVE TRAIN

FIGURE 5-64. DIFFERENTIAL KIT



ART_70028940

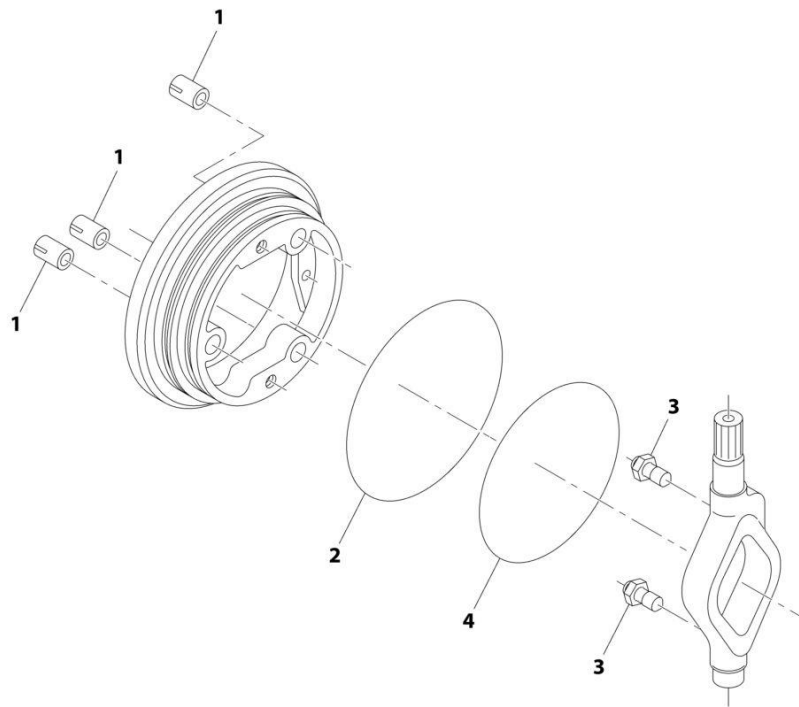
SECTION 5 - DRIVE TRAIN

FIGURE 5-64. DIFFERENTIAL KIT

ITEM	PART NUMBER	QTY	DESCRIPTION	REV
	70028940	Ref	Differential Kit	
1	91474550	4	Circlip	
2	91474549	2	Differential Side Gear	
3	7029129	4	Differential Pinion	
4	7029131	4	Pin	
5	91474551	4	Circlip	
6	91474553	4	Friction Washer	
7	8007751	1	Differential Carrier	
8	8007755	2	Differential Disc Kit	

SECTION 5 - DRIVE TRAIN

FIGURE 5-65. BRAKES PISTON KIT (LH)



ART_70026069

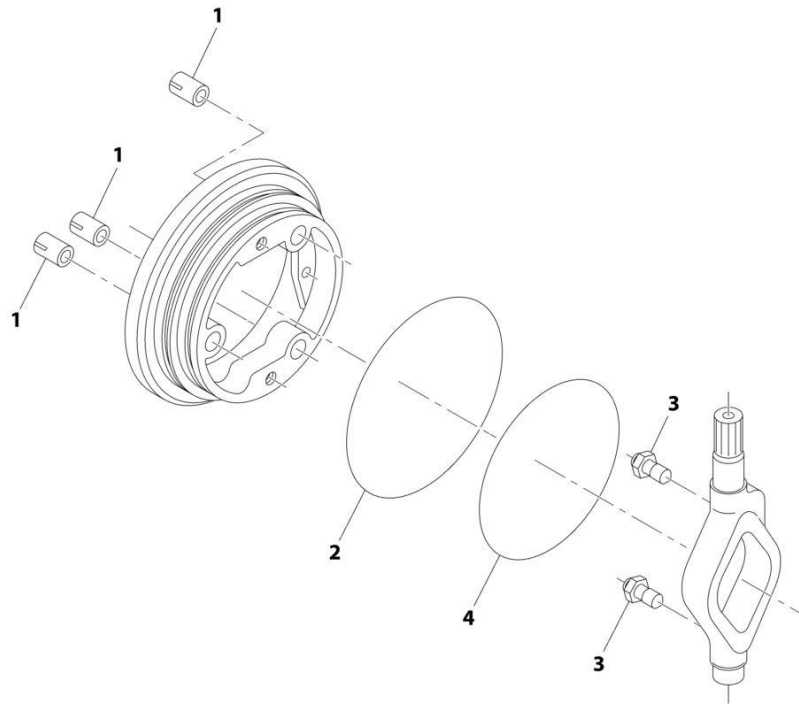
SECTION 5 - DRIVE TRAIN

FIGURE 5-65. BRAKES PISTON KIT (LH)

ITEM	PART NUMBER	QTY	DESCRIPTION	REV
	70026069	Ref	Brakes Piston Kit (LH)	
1	91514165	3	Spring	
2	70025821	1	O-Ring	
3	2903197	2	Pusher	
4	70025822	1	O-Ring	

SECTION 5 - DRIVE TRAIN

FIGURE 5-66. BRAKES PISTON KIT (RH)



ART_70026068

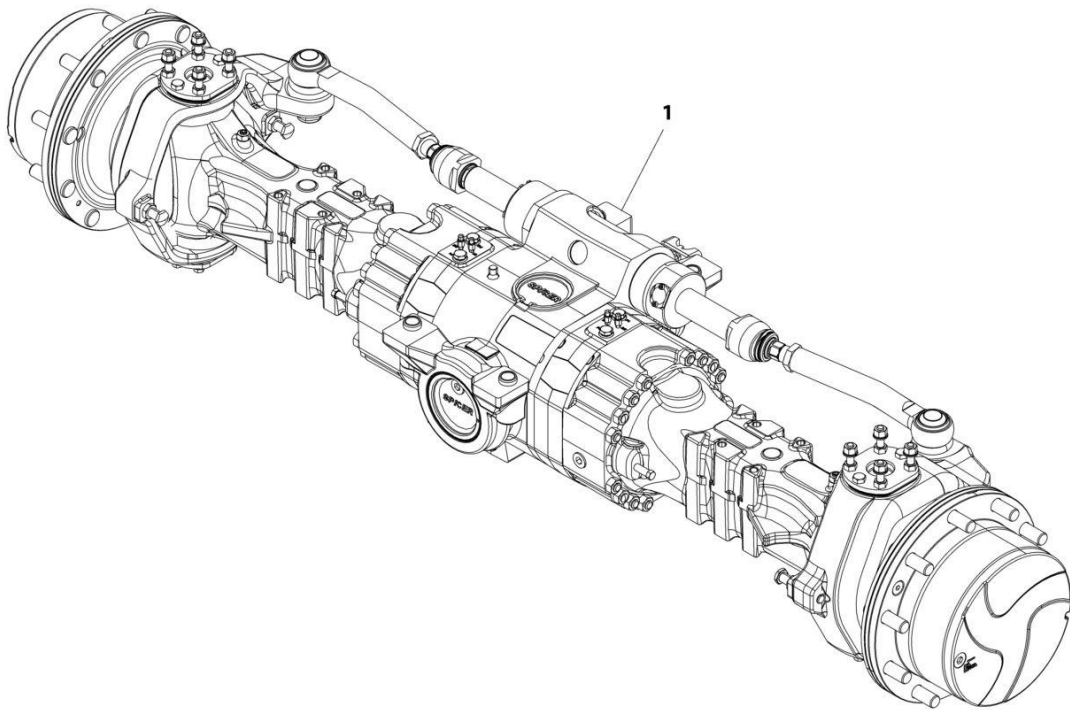
SECTION 5 - DRIVE TRAIN

FIGURE 5-66. BRAKES PISTON KIT (RH)

ITEM	PART NUMBER	QTY	DESCRIPTION	REV
	70026068	Ref	Brakes Piston Kit (RH)	
1	91514165	3	Spring	
2	70025821	1	O-Ring	
3	2903197	2	Pusher	
4	70025822	1	O-Ring	

SECTION 5 - DRIVE TRAIN

FIGURE 5-67. FRONT AXLE (55KW) (4017RS)



ART_1001191930-C

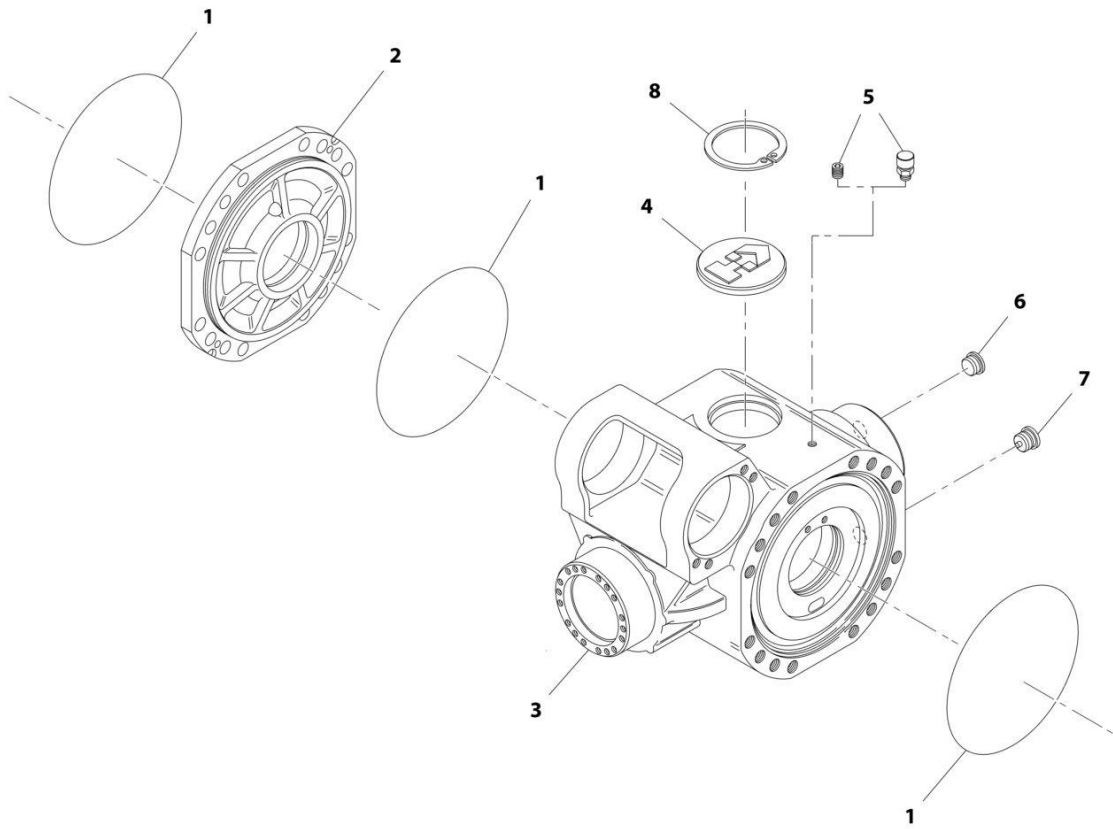
SECTION 5 - DRIVE TRAIN

FIGURE 5-67. FRONT AXLE (55KW) (4017RS)

ITEM	PART NUMBER	QTY	DESCRIPTION	REV
1	1001191930	Ref	Front Axle	C
		Ref	Front Axle, Central Housing (See Separate Breakdown in this Section)	
		Ref	Front Axle, Differential (See Separate Breakdown in this Section)	
		Ref	Front Axle, Hub Reduction (See Separate Breakdown in this Section)	
		Ref	Front Axle, Brakes (See Separate Breakdown in this Section)	
		Ref	Front Axle, Steering (See Separate Breakdown in this Section) (not shown)	
		Ref	Front Axle, Trunion (See Separate Breakdown in this Section) (not shown)	

SECTION 5 - DRIVE TRAIN

FIGURE 5-68. FRONT AXLE, CENTRAL HOUSING (4017RS)



ART_1001191930_1-C

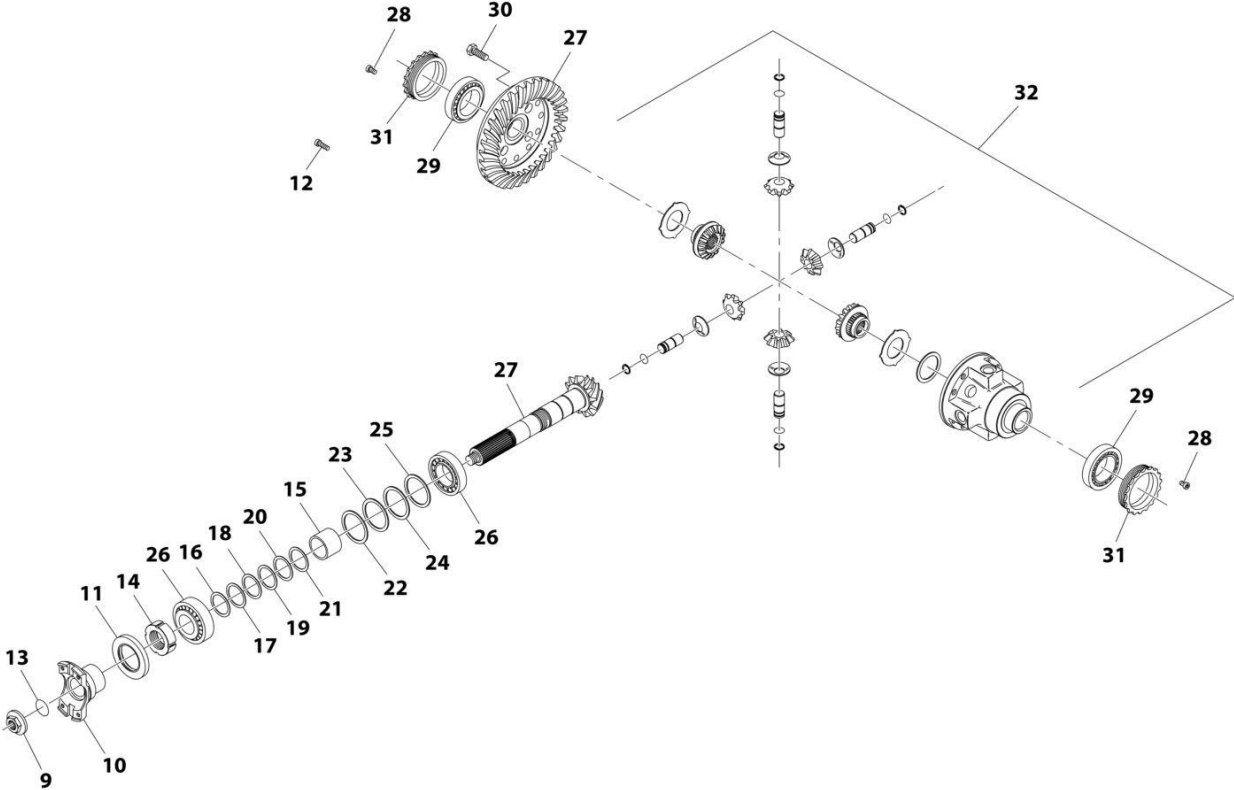
SECTION 5 - DRIVE TRAIN

FIGURE 5-68. FRONT AXLE, CENTRAL HOUSING (4017RS)

ITEM	PART NUMBER	QTY	DESCRIPTION	REV
	1001191930	Ref	FRONT AXLE, CENTRAL HOUSING	
1	91474507	3	O-Ring	
2	70024872	2	Cover	
3	70026977	1	Housing	
4	91514098	1	Plug	
5	91474512	1	Vent	
6	91514188	1	Plug	
7	91474513	1	Plug, Magnet	
8	80204005	1	Circlip	

SECTION 5 - DRIVE TRAIN

FIGURE 5-69. FRONT AXLE, DIFFERENTIAL (4017RS)



ART_1001191930_2-C

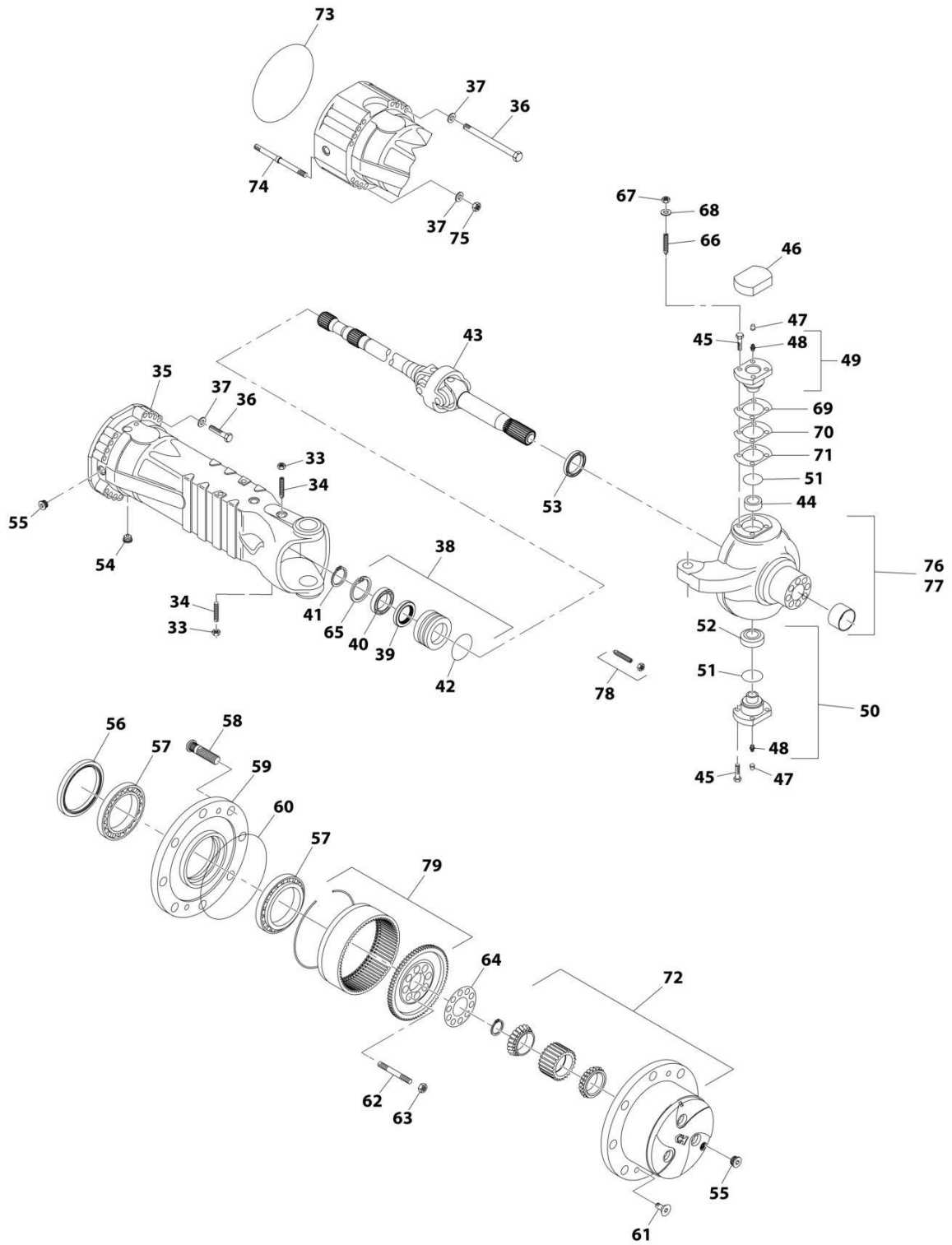
SECTION 5 - DRIVE TRAIN

FIGURE 5-69. FRONT AXLE, DIFFERENTIAL (4017RS)

ITEM	PART NUMBER	QTY	DESCRIPTION	REV
	1001191930	Ref	FRONT AXLE, DIFFERENTIAL	
9	70026631	1	Nut	
10	70022797	1	Flange	
11	91474532	1	Seal	
12	91474591	4	Cylinder Bolt	
13	91474529	1	O - Ring	
14	91474533	1	Ring Nut	
15	91474539	1	Spacer	
16	91474535	1	Shim	
17	91474536	1	Shim	
18	91474537	1	Shim	
19	91474538	1	Shim	
20	70024520	1	Shim	
21	70024521	1	Shim	
22	91474540	1	Shim	
23	91474541	1	Shim	
24	91474542	1	Shim	
25	91474543	1	Shim	
26	3968141	2	Taper Roller Bearing	
27	70027594	1	Bevel Gear Set	
28	91514134	2	Bolt	
29	70026031	2	Taper Roller Bearing	
30	91514123	12	Bolt	
31	91474547	2	Ring Nut	
32	7028710	1	Differential Kit (See Separate Breakdown in this Section)	

SECTION 5 - DRIVE TRAIN

FIGURE 5-70. FRONT AXLE, HUB REDUCTION (4017RS)



ART_1001191930_3-C

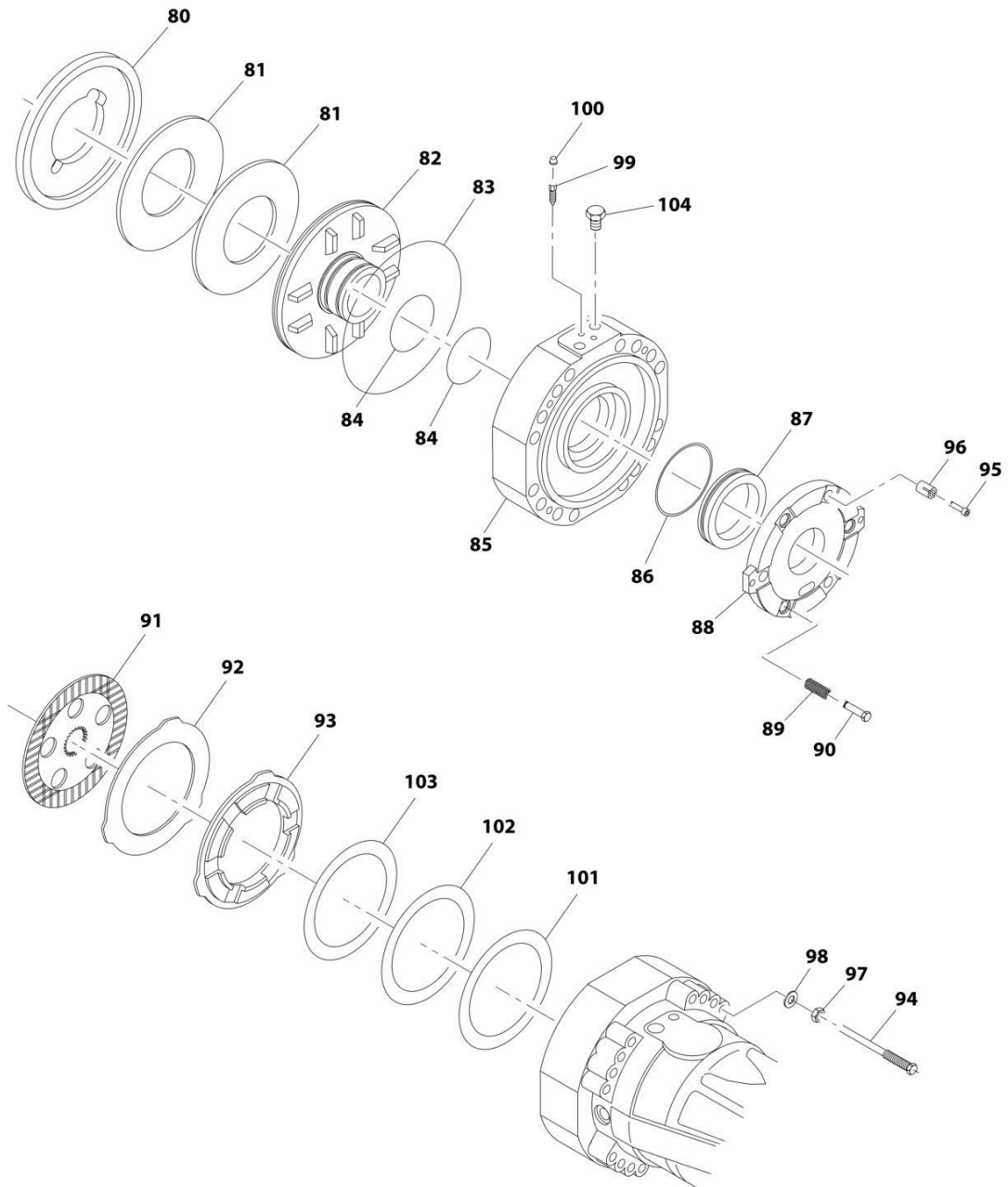
SECTION 5 - DRIVE TRAIN

FIGURE 5-70. FRONT AXLE, HUB REDUCTION (4017RS)

ITEM	PART NUMBER	QTY	DESCRIPTION	REV
	1001191930	Ref	FRONT AXLE, HUB REDUCTION	
33	91514082	2	Nut	
34	91514081	2	Bolt	
35	7028711	2	Axle Case	
36	70025012	24	Bolt	
37	91514084	8	Washer	
38	91514149	2	Reduction Bushing (See Separate Breakdown in this Section)	
39	91514147	2	Seal	
40	91514146	2	Ball Bearing	
41	80204071	2	Circlip	
42	91514148	2	O-Ring	
43	70026071	2	Double Universal Joint	
44	7028714	2	Bushing	
45	70025562	12	Bolt	
46	70025549	2	Cover	
47	80204117	2	Plug	
48	91514099	2	Grease Fitting	
49	91514112	2	Pivot Pin	
50	7028715	2	Pivot Pin	
51	7028716	2	Dust Excluder	
52	91514095	2	Bearing	
53	70025857	2	Seal	
54	91474513	2	Magnetic Plug	
55	91514188	4	Plug	
56	7028721	2	Seal	
57	91474576	4	Bearing	
58	8000877	20	Wheel Stud	
59	7028722	2	Wheel Hub	
60	91514181	2	O-Ring	
61	91514189	4	Countersunk Bolt	
62	70027315	20	Stud	
63	91474584	20	Nut	
64	91474582	2	Locking Plate	
65	80204005	2	Circlip	
66	70025819	8	Stud	
67	91514120	8	Nut	
68	91514119	8	Washer	
69	91514113	2	Shim	
70	91514114	2	Shim	
71	91514115	2	Shim	
72	70040710	2	Planet Gear Carrier Kit (See Separate Breakdown in this Section)	
73	91474507	2	O-Ring	
74	70025014	8	Stud	
75	91514083	8	Nut	
76	7028729	1	Steering Case Kit LH (See Separate Breakdown in this Section)	
77	7028730	1	Steering Case Kit RH (See Separate Breakdown in this Section)	
78	7028733	4	Steering Adjust Bolt Kit (See Separate Breakdown in this Section)	
79	70025551	2	Ring Gear Support Kit (See Separate Breakdown in this Section)	

SECTION 5 - DRIVE TRAIN

FIGURE 5-71. FRONT AXLE, BRAKES (4017RS)



ART_1001191930_4-C

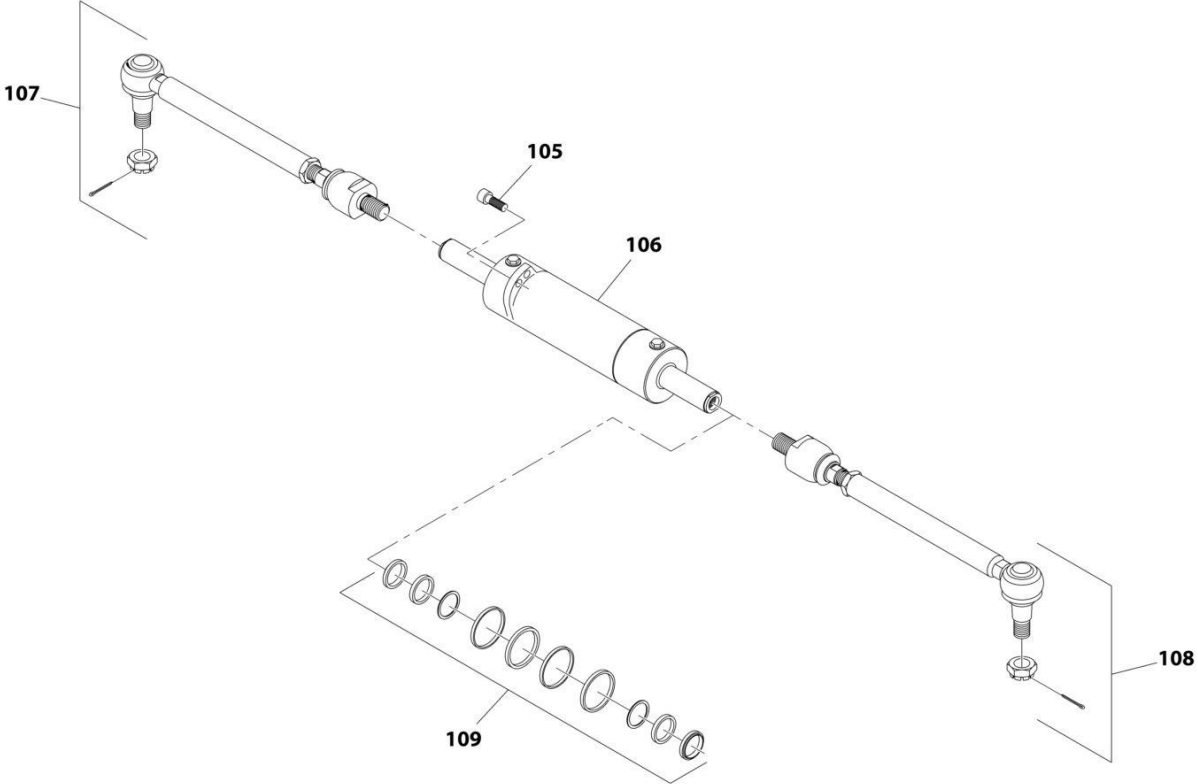
SECTION 5 - DRIVE TRAIN

FIGURE 5-71. FRONT AXLE, BRAKES (4017RS)

ITEM	PART NUMBER	QTY	DESCRIPTION	REV
	1001191930	Ref	FRONT AXLE, BRAKES	
80	7028734	1	Spacer	
81	91474559	4	Spring	
82	91474560	2	Piston	
83	91474561	2	O-Ring	
84	70026262	4	Seal	
85	7028735	2	Cover	
86	70026623	2	Seal	
87	91474564	2	Piston	
88	91474565	2	Intermediate Brake Disc	
89	91514159	6	Spring	
90	70024210	6	Adjusting Bolt	
91	91474568	8	Disc	
92	70025823	8	Intermediate Brake Disc	
93	91474570	2	Spacer	
94	7028736	4	Bolt	
95	7029787	6	Adjusting Bolt	
96	91514165	6	Spring	
97	80204060	4	Nut	
98	80204108	4	Lock Washer	
99	80204281	4	Bleeding Bolt	
100	80204117	4	Plug	
101	91474571	2	Shim	
102	91474572	2	Shim	
103	91474573	2	Shim	
104	91514154	4	Plug	

SECTION 5 - DRIVE TRAIN

FIGURE 5-72. FRONT AXLE, STEERING (4017RS)



ART_1001191930_5-C

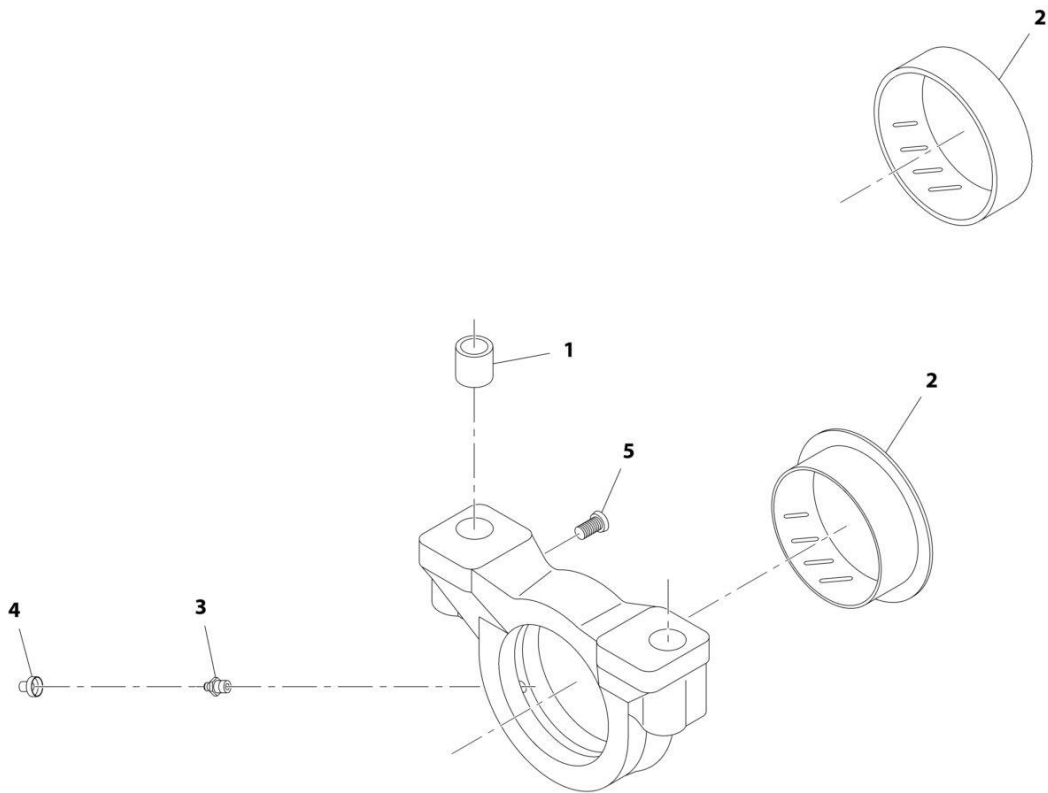
SECTION 5 - DRIVE TRAIN

FIGURE 5-72. FRONT AXLE, STEERING (4017RS)

ITEM	PART NUMBER	QTY	DESCRIPTION	REV
	1001191930	Ref	FRONT AXLE, STEERING	
105	91474522	4	Bolt	
106	70025566	1	Cylinder	
107	70026752	1	Bar	
108	70026751	1	Bar	
109	70025842	1	Seal Kit	

SECTION 5 - DRIVE TRAIN

FIGURE 5-73. FRONT AXLE, TRUNION (4017RS)



ART_1001191930_6-C

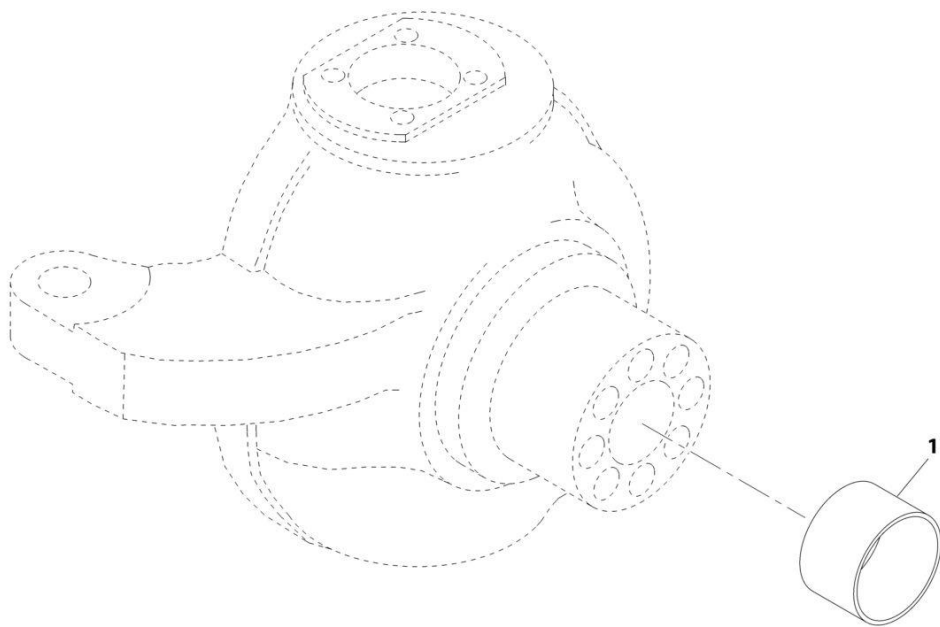
SECTION 5 - DRIVE TRAIN

FIGURE 5-73. FRONT AXLE, TRUNION (4017RS)

ITEM	PART NUMBER	QTY	DESCRIPTION	REV
	1001191930	Ref	FRONT AXLE, TRUNION	
	70026630	Ref	Trunion Kit	
1	91474516	4	Reduction Bushing	
2	91474515	2	Thrust Bushing	
3	91514099	2	Grease Fitting	
4	80204117	2	Plug	
5	70025884	2	Bolt	

SECTION 5 - DRIVE TRAIN

FIGURE 5-74. STEERING CASE KIT (LH)



ART_7028729

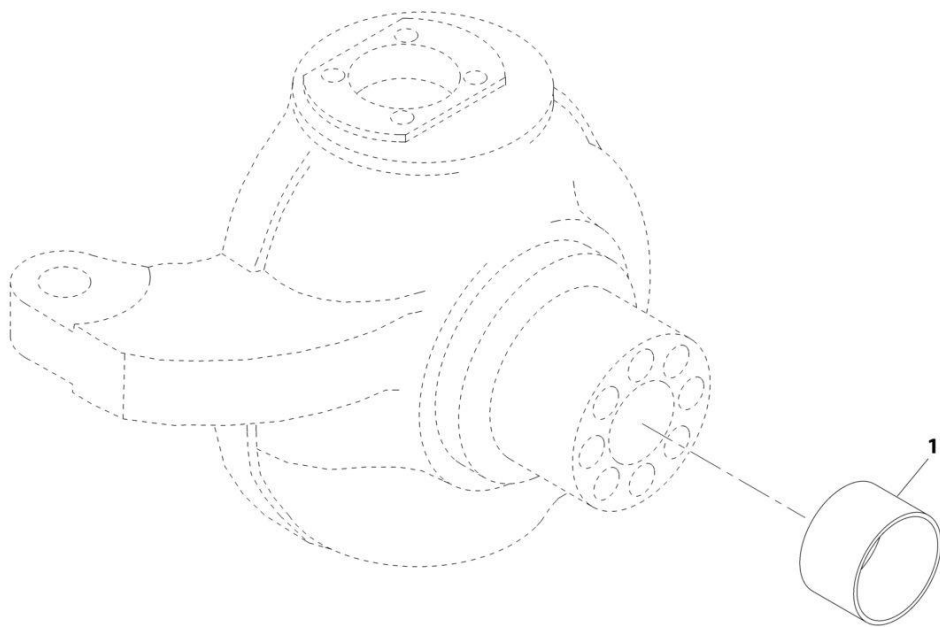
SECTION 5 - DRIVE TRAIN

FIGURE 5-74. STEERING CASE KIT (LH)

ITEM	PART NUMBER	QTY	DESCRIPTION	REV
1	7028729 91514111	Ref 1	Steering Case Kit (LH) Thrust Bushing	

SECTION 5 - DRIVE TRAIN

FIGURE 5-75. STEERING CASE KIT (RH)



ART_7028730

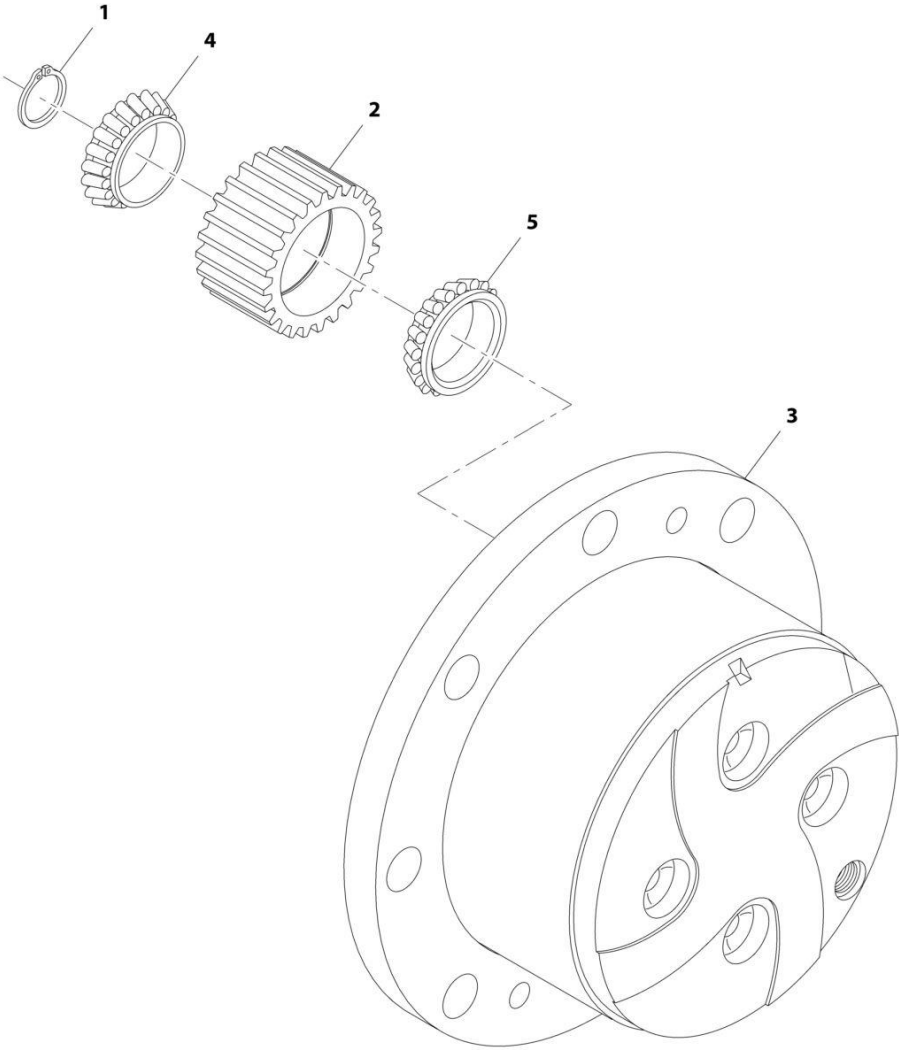
SECTION 5 - DRIVE TRAIN

FIGURE 5-75. STEERING CASE KIT (RH)

ITEM	PART NUMBER	QTY	DESCRIPTION	REV
1	7028730 91514111	Ref 1	Steering Case Kit (RH) Thrust Bushing	

SECTION 5 - DRIVE TRAIN

FIGURE 5-76. PLANET GEAR CARRIER KIT



ART_70040710

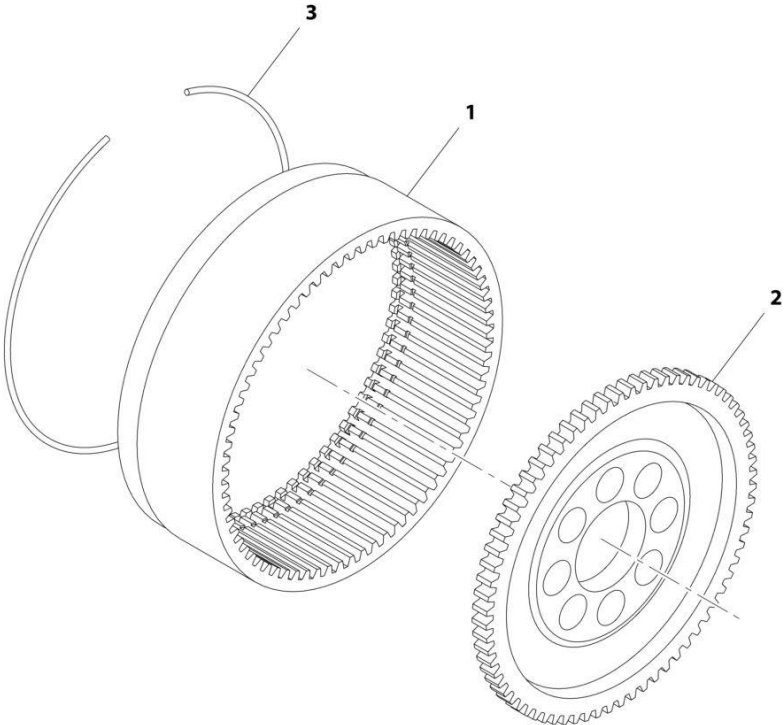
SECTION 5 - DRIVE TRAIN

FIGURE 5-76. PLANET GEAR CARRIER KIT

ITEM	PART NUMBER	QTY	DESCRIPTION	REV
	70040710	Ref	Planet Gear Carrier Kit	
1	7028724	3	Circlip	
2	7028725	6	Differential Pinion	
3	7028726	1	Planet Gear Carrier	
4	7028731	6	Bearing	
5	7028732	6	Bearing	

SECTION 5 - DRIVE TRAIN

FIGURE 5-77. RING GEAR SUPPORT KIT



ART_70025551

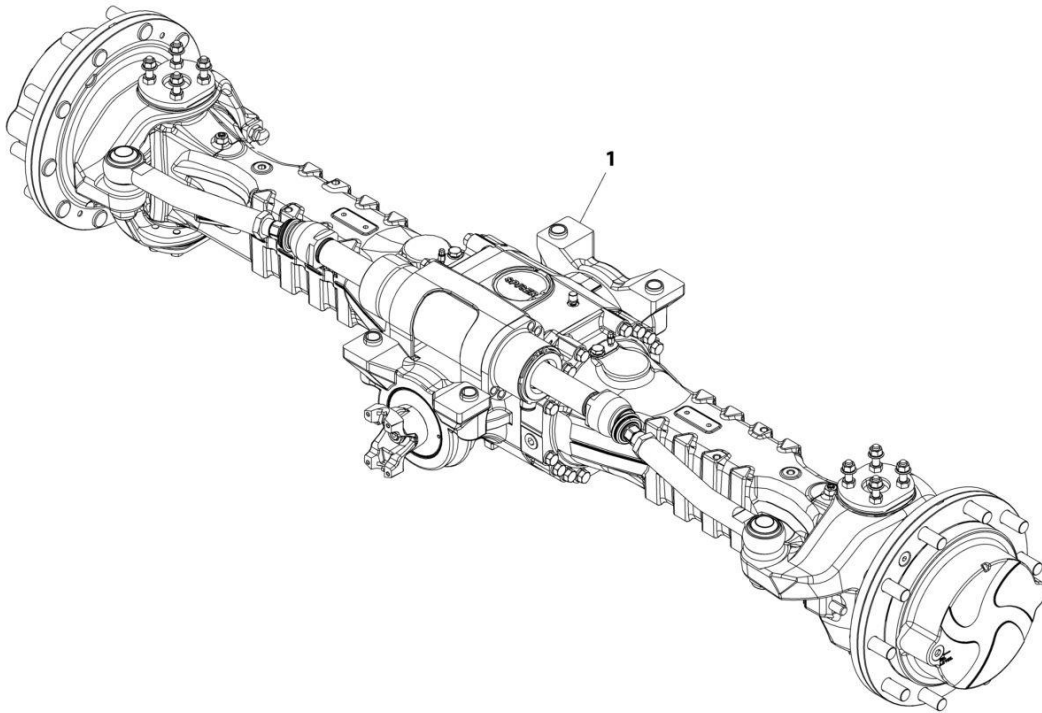
SECTION 5 - DRIVE TRAIN

FIGURE 5-77. RING GEAR SUPPORT KIT

ITEM	PART NUMBER	QTY	DESCRIPTION	REV
	70025551	Ref	Ring Gear Support Kit	
1	91474584	20	Nut	
2	70024147	2	Ring Gear	
3	7028723	2	Ring Gear Support	

SECTION 5 - DRIVE TRAIN

FIGURE 5-78. REAR AXLE



ART_1001191920-D

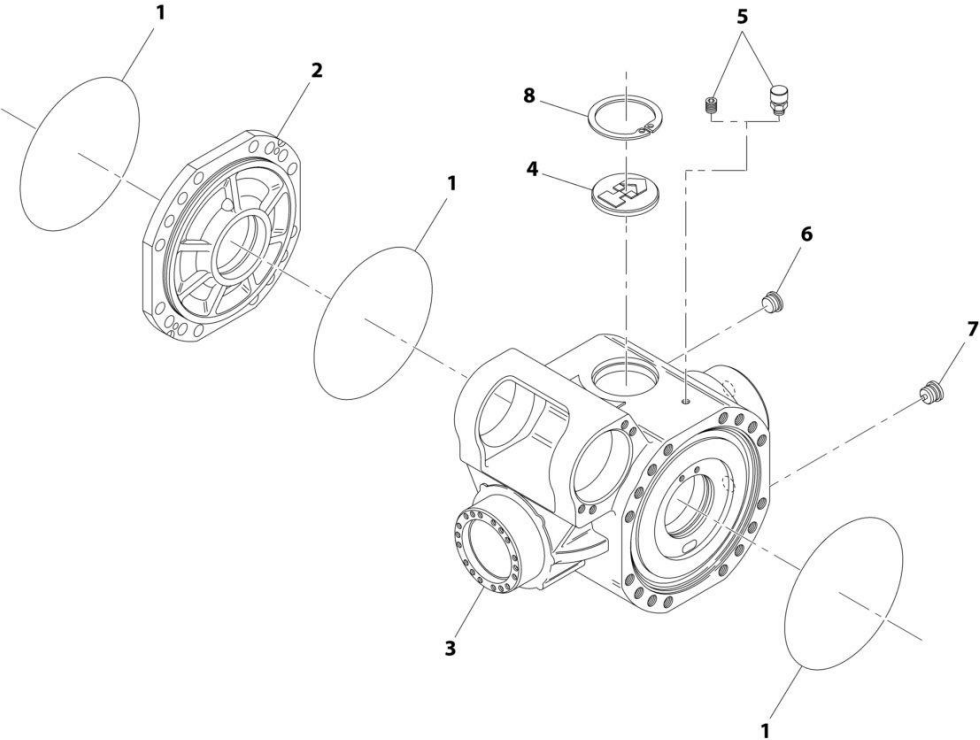
SECTION 5 - DRIVE TRAIN

FIGURE 5-78. REAR AXLE

ITEM	PART NUMBER	QTY	DESCRIPTION	REV
1	1001191920	Ref	Rear Axle	D
		Ref	Rear Axle, Central Housing (See Separate Breakdown in this Section)	
		Ref	Rear Axle, Differential (See Separate Breakdown in this Section)	
		Ref	Rear Axle, Hub Reduction (See Separate Breakdown in this Section)	
		Ref	Rear Axle, Brakes (See Separate Breakdown in this Section)	
		Ref	Rear Axle, Steering (See Separate Breakdown in this Section) (not shown)	
		Ref	Rear Axle, Trunion (See Separate Breakdown in this Section) (not shown)	

SECTION 5 - DRIVE TRAIN

FIGURE 5-79. REAR AXLE, CENTRAL HOUSING



ART_1001191920_1-D

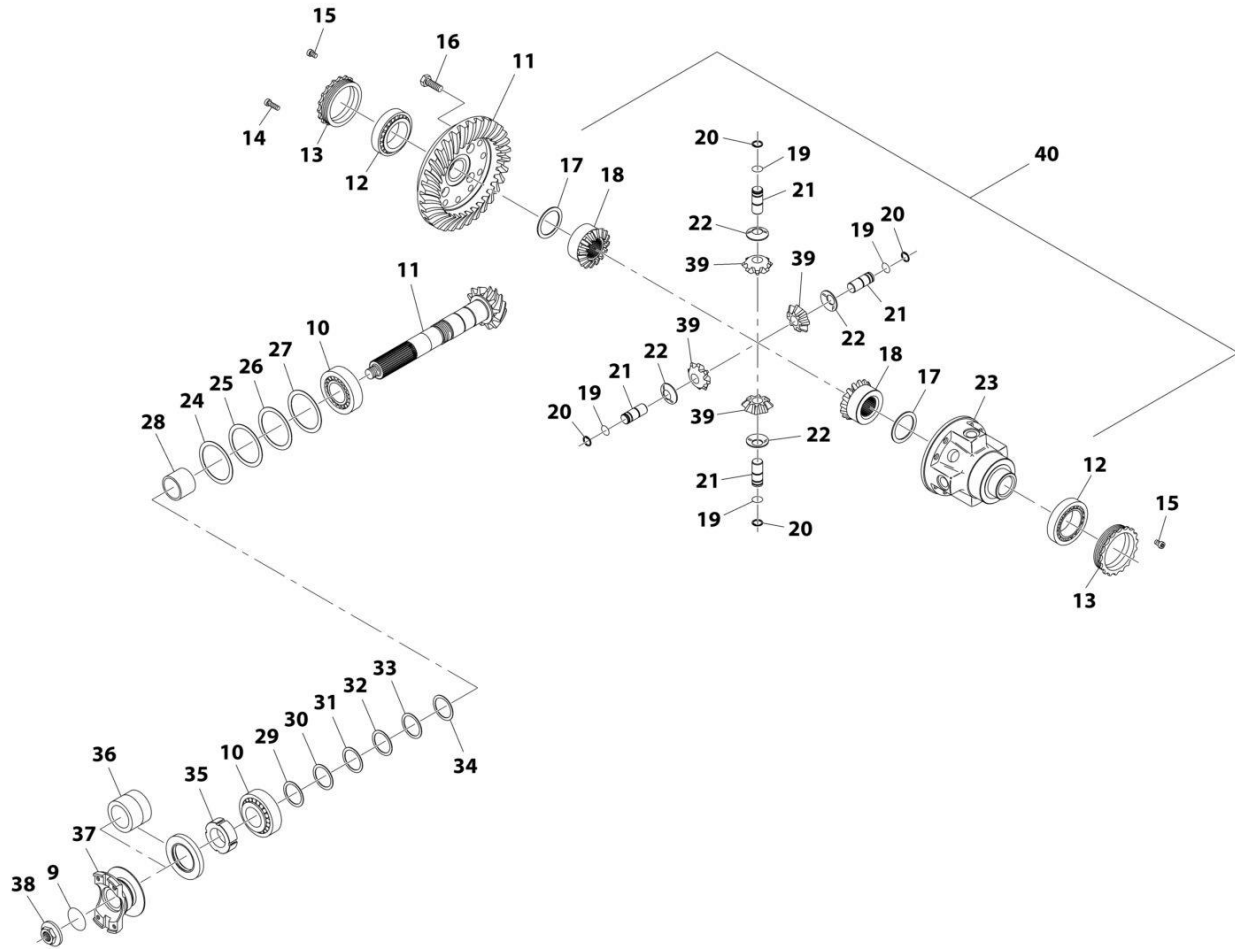
SECTION 5 - DRIVE TRAIN

FIGURE 5-79. REAR AXLE, CENTRAL HOUSING

ITEM	PART NUMBER	QTY	DESCRIPTION	REV
	1001191920	Ref	REAR AXLE, CENTRAL HOUSING	
1	91474507	3	O-Ring	
2	70024519	1	Cover	
3	70026977	1	Housing	
4	91514098	1	Plug	
5	91474512	1	Vent	
6	91514188	1	Plug	
7	91474513	1	Plug, Magnet	
8	80204005	1	Circlip	

SECTION 5 - DRIVE TRAIN

FIGURE 5-80. REAR AXLE, DIFFERENTIAL



ART_1001191920_2-D

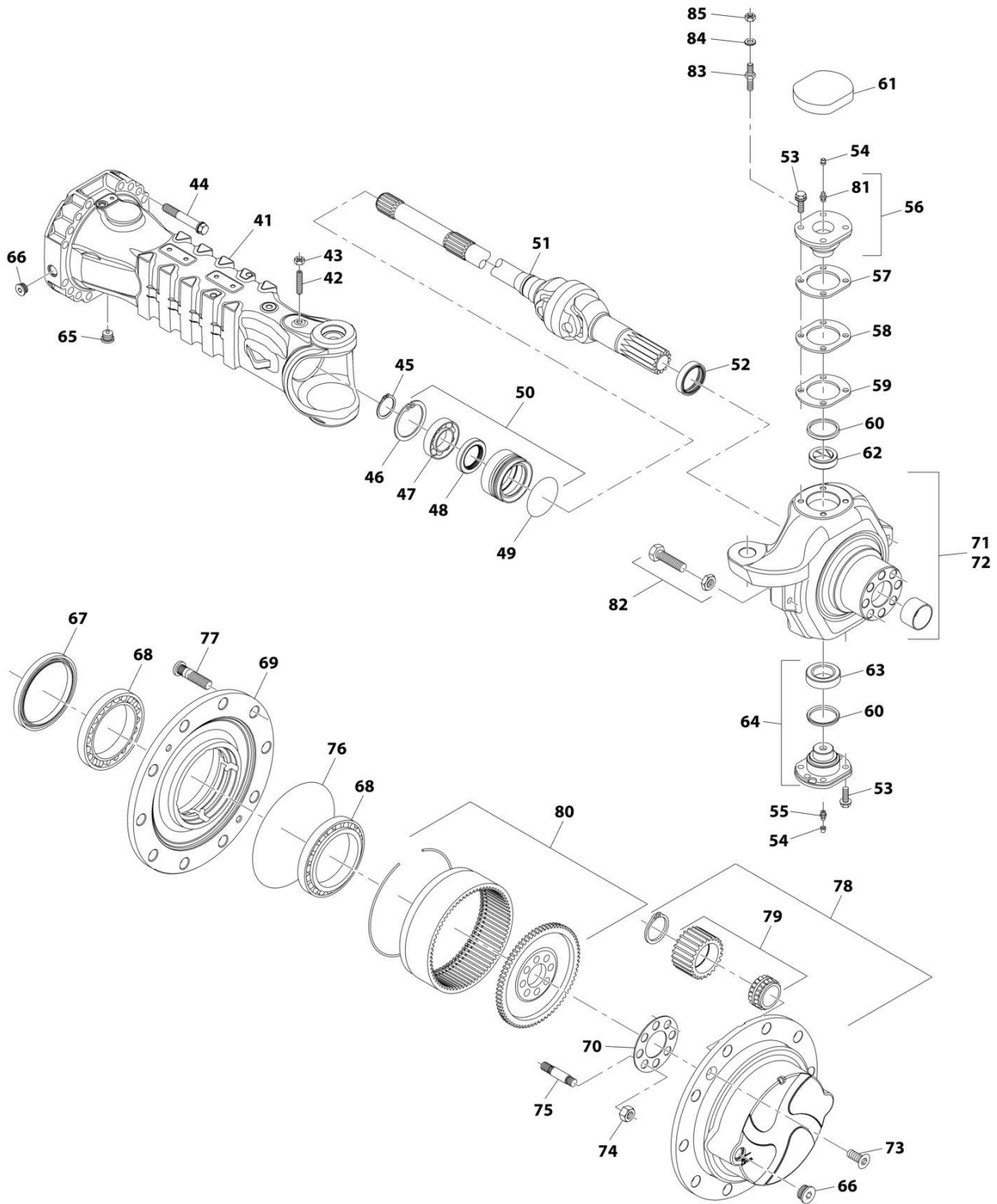
SECTION 5 - DRIVE TRAIN

FIGURE 5-80. REAR AXLE, DIFFERENTIAL

ITEM	PART NUMBER	QTY	DESCRIPTION	REV
	1001191920	Ref	REAR AXLE, DIFFERENTIAL	
9	91474529	1	O-Ring	
10	3968141	2	Taper Roller Bearing	
11	70027593	1	Bevel Gear Set	
12	70026031	2	Taper Roller Bearing	
13	91474547	2	Ring Nut	
14	91474591	4	Cylinder Bolt	
15	91514134	2	Bolt	
16	91514123	12	Bolt	
17	91474593	2	Friction Washer	
18	70025569	2	Differential Side Gear	
19	91474551	4	Circlip	
20	91474550	4	Circlip	
21	7029131	4	Pin	
22	91474553	4	Friction Washer	
23	91474595	1	Differential Carrier	
24	91474540	1	Shim	
25	91474541	1	Shim	
26	91474542	1	Shim	
27	91474543	1	Shim	
28	91474539	1	Spacer	
29	91474535	1	Shim	
30	91474536	1	Shim	
31	91474537	1	Shim	
32	91474538	1	Shim	
33	70024520	1	Shim	
34	70024521	1	Shim	
35	91474533	1	Ring Nut	
36	91474532	1	Seal	
37	7029427	1	Flange	
38	70026631	1	Nut	
39	70025570	4	Differential Pinion	
40	70021140	1	Differential Kit	

SECTION 5 - DRIVE TRAIN

FIGURE 5-81. REAR AXLE, HUB REDUCTION



ART_1001191920_3-D

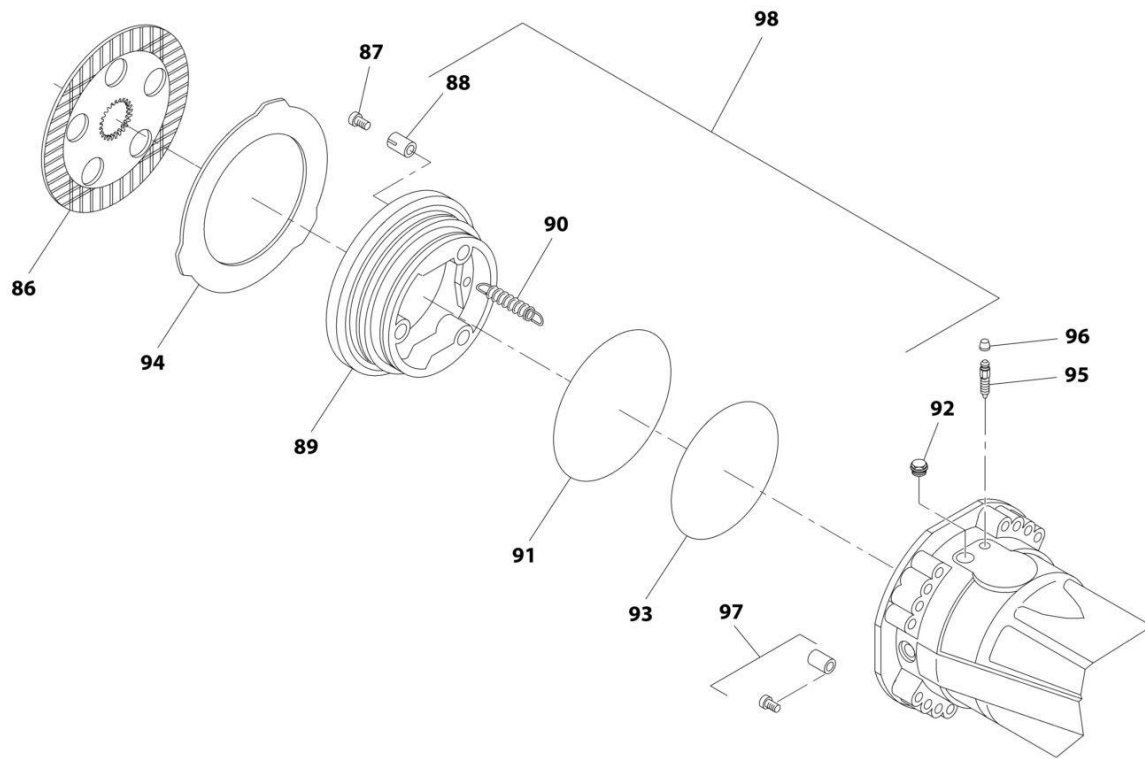
SECTION 5 - DRIVE TRAIN

FIGURE 5-81. REAR AXLE, HUB REDUCTION

ITEM	PART NUMBER	QTY	DESCRIPTION	REV
	1001191920	Ref	REAR AXLE, HUB REDUCTION	
41	7028048	2	Axle Case	
42	2400600	2	Bolt	
43	91514082	2	Nut	
44	7029428	32	Bolt	
45	80204071	2	Circlip	
46	80204005	2	Circlip	
47	91514146	2	Ball Bearing	
48	91514147	2	Seal	
49	91514148	2	O-Ring	
50	91514149	2	Reduction Bushing (See Separate Breakdown in this Section)	
51	70025928	1	Double Universal Joint	
52	8007771	2	Seal	
53	70025562	12	Bolt	
54	80204117	4	Plug	
55	91514099	2	Grease Fitting	
56	70025567	2	Pivot Pin	
57	8007779	2	Shim	
58	8007780	2	Shim	
59	8007782	2	Shim	
60	2401043	2	Seal	
61	70025549	2	Cover	
62	70020173	2	Bushing	
63	2401258	2	Bearing	
64	8006605	2	Pivot Pin	
65	91474513	2	Magnetic Plug	
66	91514188	4	Plug	
67	7029430	2	Seal	
68	3984301	4	Bearing	
69	8005801	2	Wheel Hub	
70	3983731	2	Locking Plate	
71	8007774	1	Steering Case Kit (RF, LR) (See Separate Breakdown in this Section)	
72	8007777	1	Steering Case Kit (RF, LR) (See Separate Breakdown in this Section)	
73	91514189	4	Countersunk Bolt	
74	91474584	16	Nut	
75	70027315	16	STUD	
76	80204002	2	O-Ring	
77	8000877	20	Wheel Stud	
78	7029431	2	Planet Gear Carrier Kit (See Separate Breakdown in this Section)	
79	70023900	8	Planet Gear Kit (See Separate Breakdown in this Section)	
80	7029432	2	Ring Gear Support Kit (See Separate Breakdown in this Section)	
81	7028115	2	Grease Fitting	
82	7028733	4	Steering Adjust Bolt Kit (See Separate Breakdown in this Section)	
83	70025819	8	Stud	
84	91514119	8	Washer	
85	91514120	8	Nut	

SECTION 5 - DRIVE TRAIN

FIGURE 5-82. REAR AXLE, BRAKES



ART_1001191920_4-D

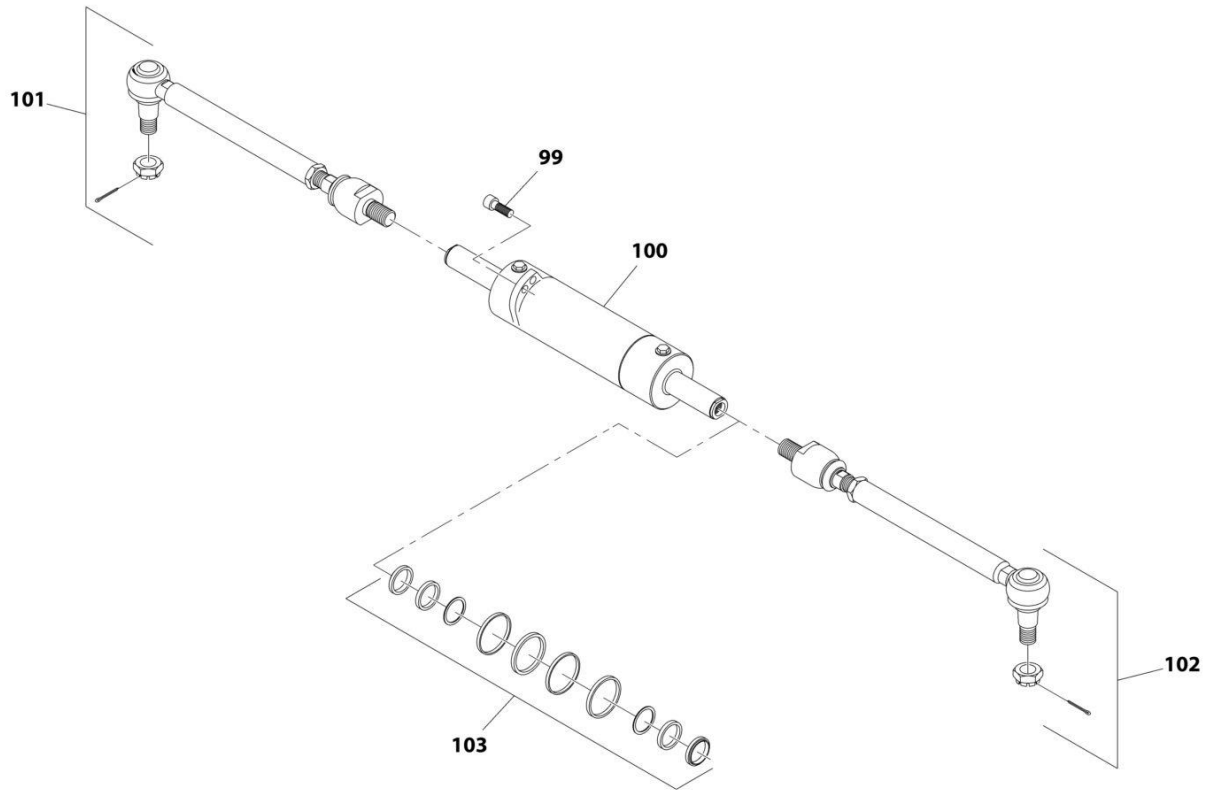
SECTION 5 - DRIVE TRAIN

FIGURE 5-82. REAR AXLE, BRAKES

ITEM	PART NUMBER	QTY	DESCRIPTION	REV
	1001191920	Ref	REAR AXLE, BRAKES	
86	91474568	6	Disc	
87	7029786	6	Adjusting Bolt	
88	91514165	6	Spring	
89	7028053	2	Piston	
90	3984425	6	Spring	
91	70025821	2	O-Ring	
92	91514154	2	Plug	
93	70025822	2	O-Ring	
94	70025823	8	Intermediate Brake Disc	
95	80204281	2	Bleeding Bolt	
96	80204117	2	Plug	
97	7029433	2	Dowel	
98	70026823	2	Brakes Piston Kit (See Separate Breakdown in this Section)	

SECTION 5 - DRIVE TRAIN

FIGURE 5-83. REAR AXLE, STEERING



ART_1001191920_5-D

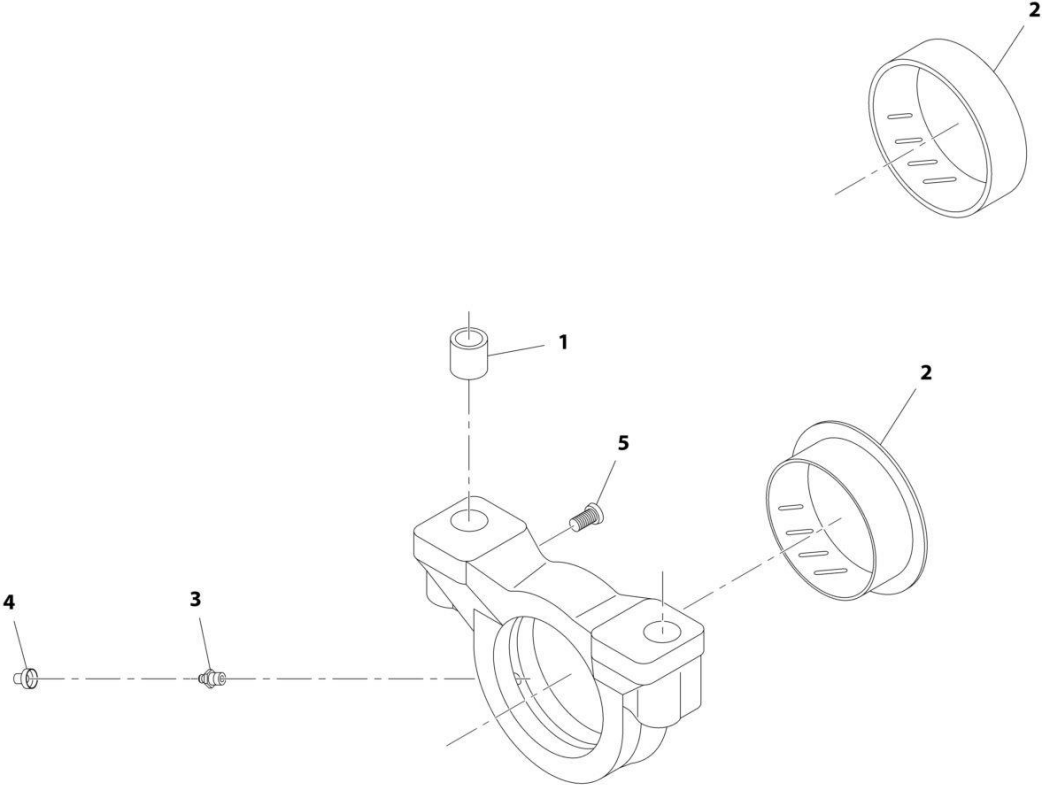
SECTION 5 - DRIVE TRAIN

FIGURE 5-83. REAR AXLE, STEERING

ITEM	PART NUMBER	QTY	DESCRIPTION	REV
	1001191920	Ref	REAR AXLE, STEERING	
99	91474522	4	Bolt	
100	70025566	1	Cylinder	
101	70026752	1	Bar	
102	70026751	1	Bar	
103	70025842	1	Seal Kit	

SECTION 5 - DRIVE TRAIN

FIGURE 5-84. REAR AXLE, TRUNION



ART_1001191920_6-D

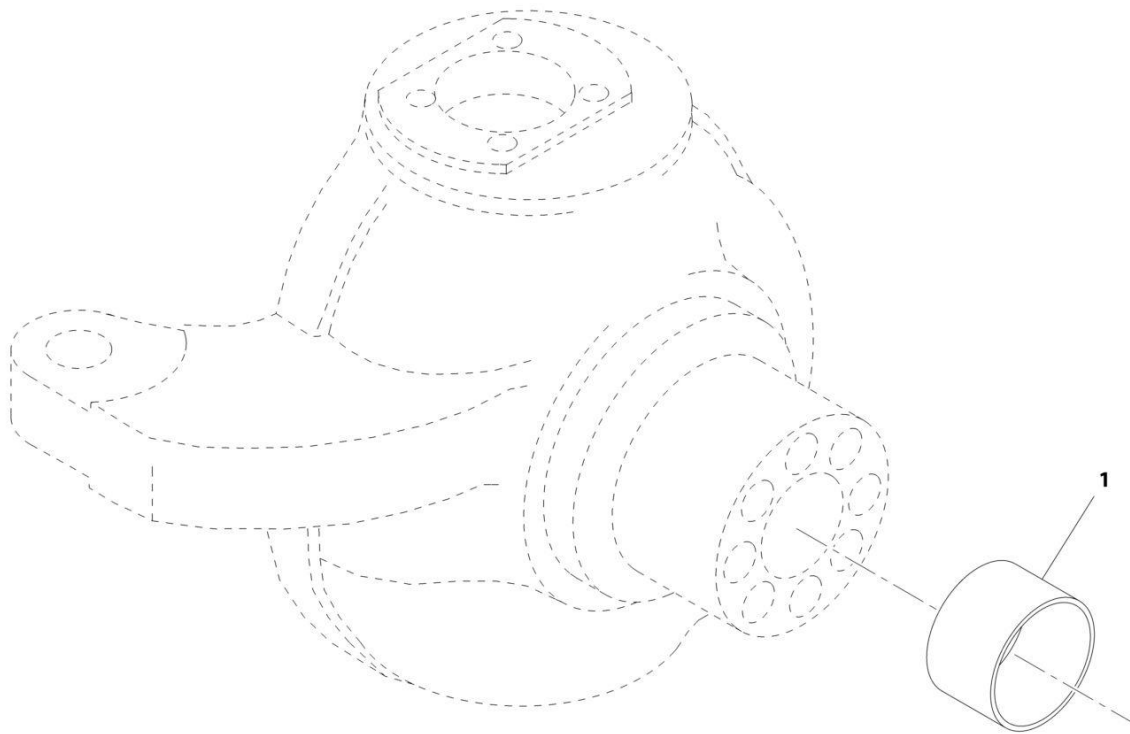
SECTION 5 - DRIVE TRAIN

FIGURE 5-84. REAR AXLE, TRUNION

ITEM	PART NUMBER	QTY	DESCRIPTION	REV
	1001191920	Ref	REAR AXLE, TRUNION	
	70026630	Ref	Trunion Kit (See Separate Breakdown in this Section)	
1	91474516	4	Reduction Bushing	
2	91474515	2	Thrust Bushing	
3	91514099	2	Grease Fitting	
4	80204117	2	Plug	
5	70025884	2	Bolt	

SECTION 5 - DRIVE TRAIN

FIGURE 5-85. STEERING CASE KIT, (RF, LR)



ART_8007774

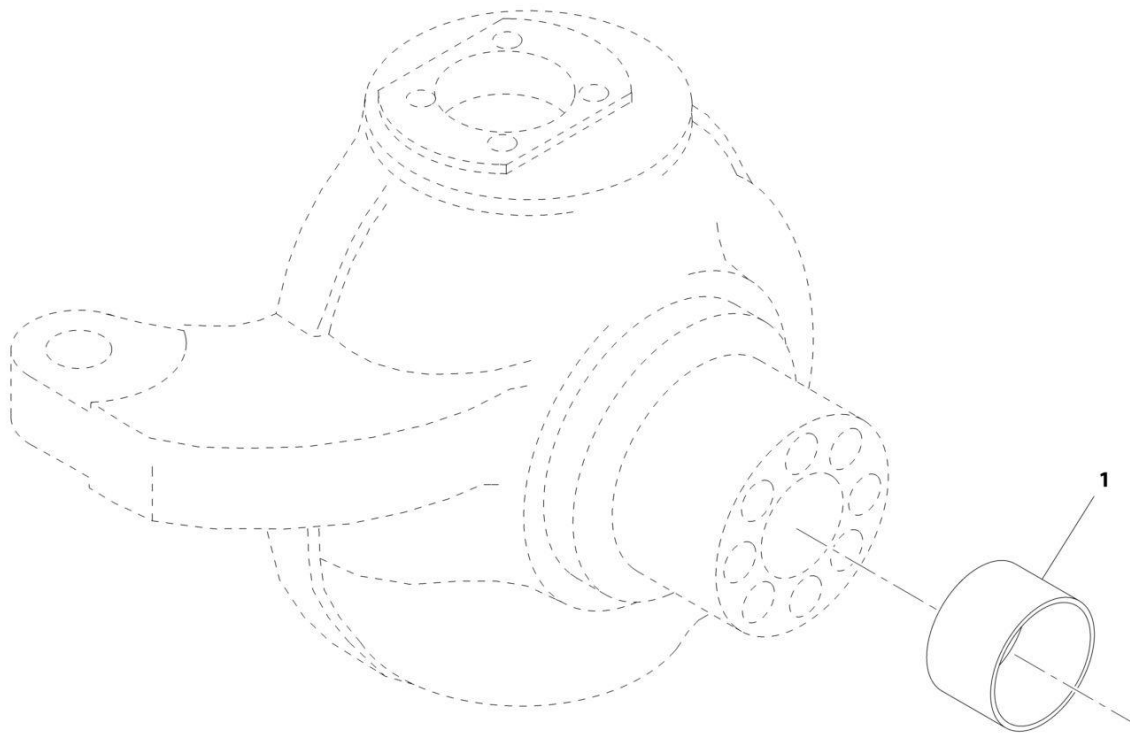
SECTION 5 - DRIVE TRAIN

FIGURE 5-85. STEERING CASE KIT, (RF, LR)

ITEM	PART NUMBER	QTY	DESCRIPTION	REV
1	8007774	Ref	Steering Case Kit, (RF, LR)	
	8004468	1	Bushing, Thrust	

SECTION 5 - DRIVE TRAIN

FIGURE 5-86. STEERING CASE KIT, (LF, RR)



ART_8007777

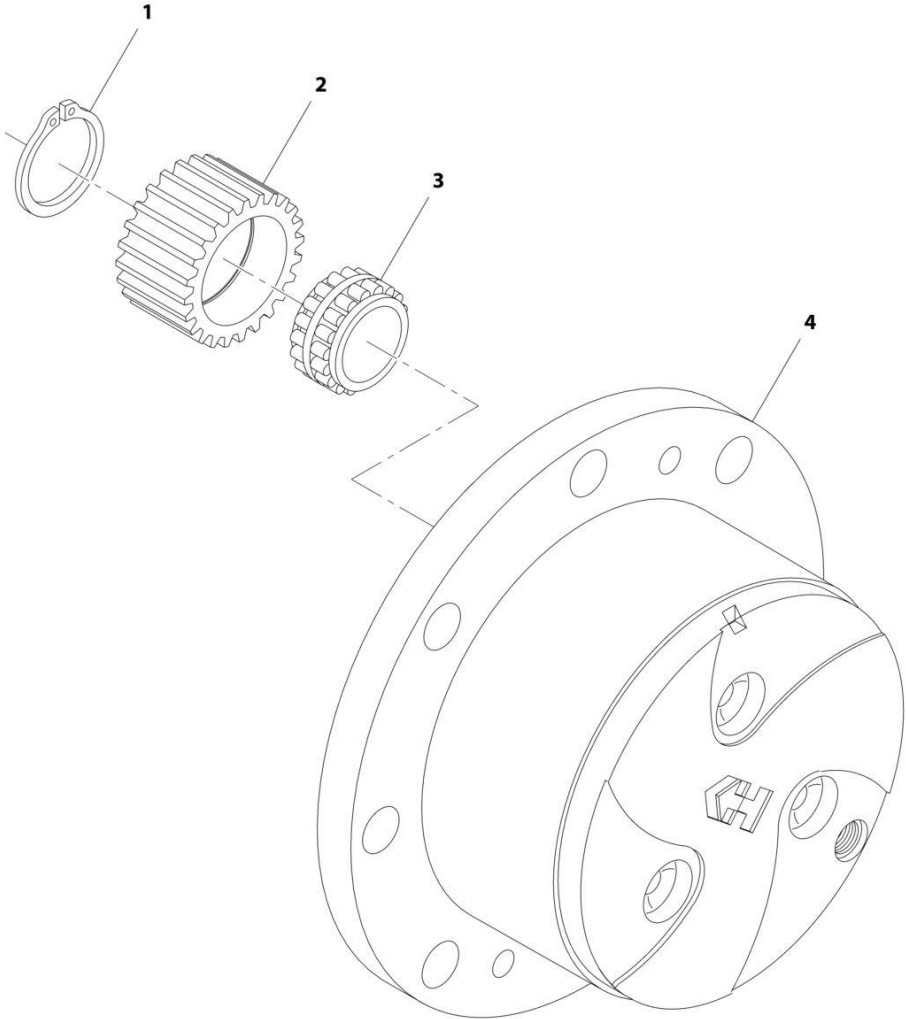
SECTION 5 - DRIVE TRAIN

FIGURE 5-86. STEERING CASE KIT, (LF, RR)

ITEM	PART NUMBER	QTY	DESCRIPTION	REV
1	8007777	Ref	Steering Case Kit, (LF, RR)	
	8004468	1	Bushing, Thrust	

SECTION 5 - DRIVE TRAIN

FIGURE 5-87. PLANET GEAR CARRIER KIT



ART_7029431

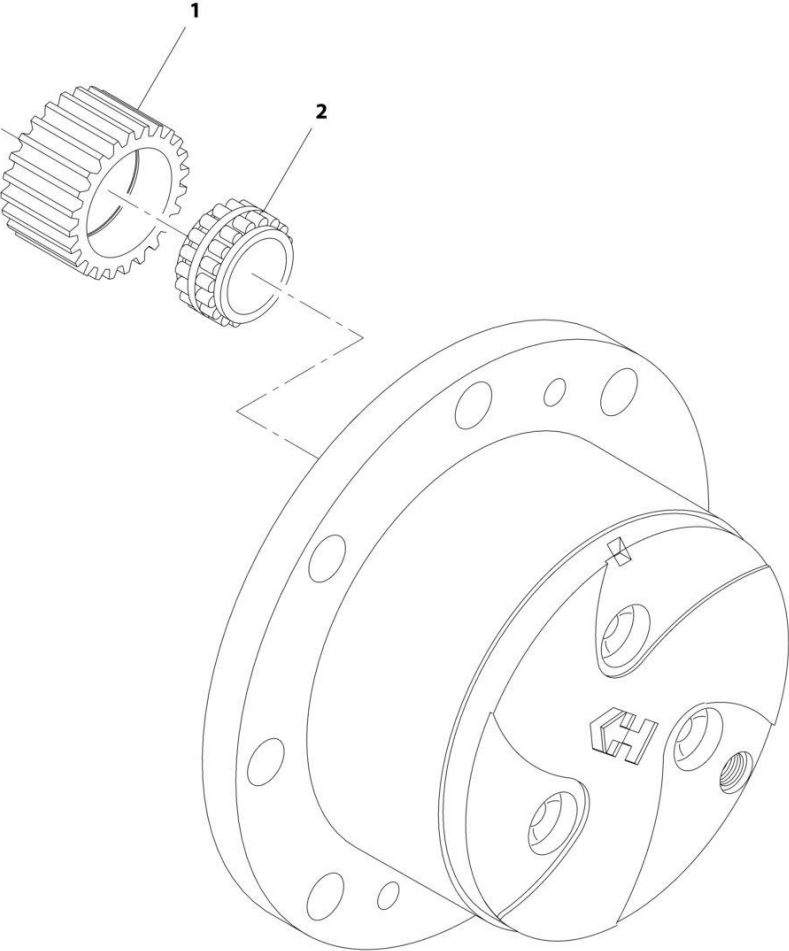
SECTION 5 - DRIVE TRAIN

FIGURE 5-87. PLANET GEAR CARRIER KIT

ITEM	PART NUMBER	QTY	DESCRIPTION	REV
	7029431	Ref	Planet Gear Carrier Kit	
1	91474585	4	Circlip	
2	91474586	8	Planet Gear	
3	91474587	8	Bearing	
4	7029286	1	Planet Gear Carrier	

SECTION 5 - DRIVE TRAIN

FIGURE 5-88. PLANET GEAR KIT



ART_70023900

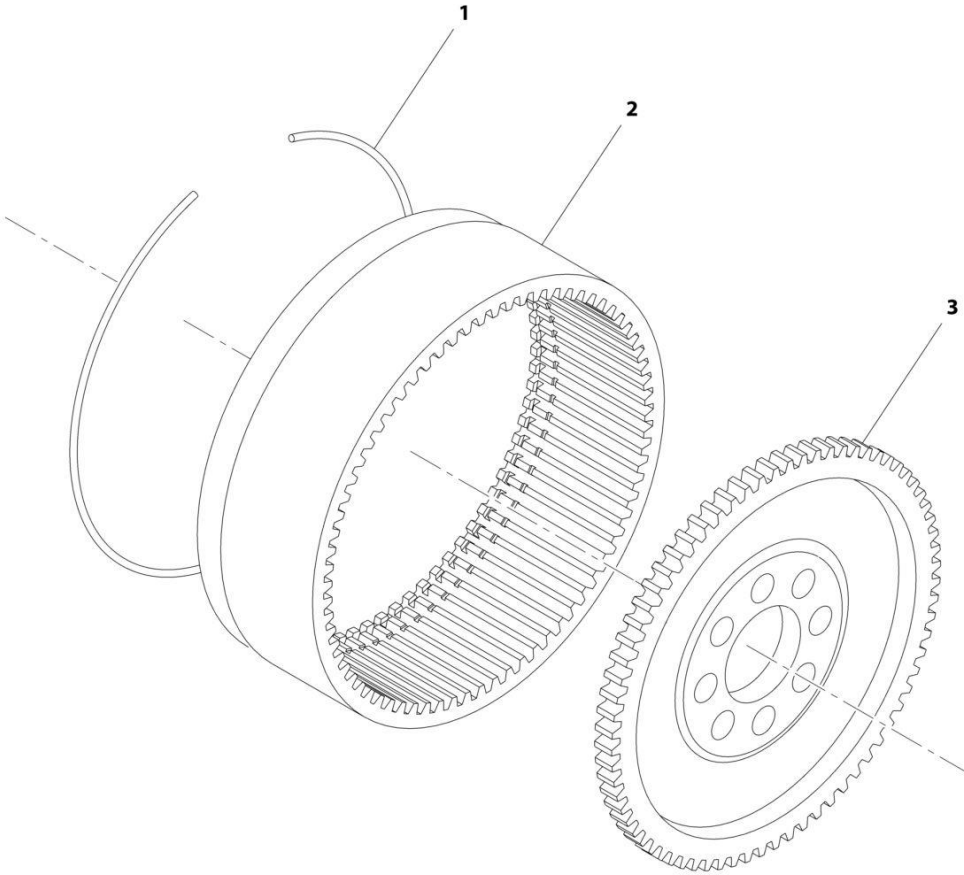
SECTION 5 - DRIVE TRAIN

FIGURE 5-88. PLANET GEAR KIT

ITEM	PART NUMBER	QTY	DESCRIPTION	REV
	70023900	Ref	Planet Gear Kit	
1	91474586	8	Planet Gear	
2	91474587	8	Bearing	

SECTION 5 - DRIVE TRAIN

FIGURE 5-89. RING GEAR SUPPORT KIT



ART_7029432

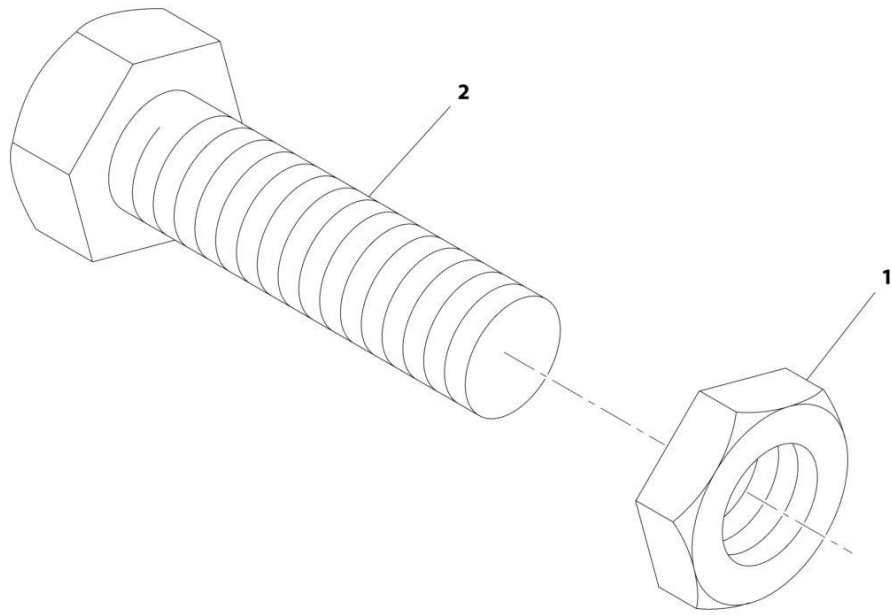
SECTION 5 - DRIVE TRAIN

FIGURE 5-89. RING GEAR SUPPORT KIT

ITEM	PART NUMBER	QTY	DESCRIPTION	REV
	7029432	Ref	Ring Gear Support Kit	
1	91474579	1	Circlip	
2	91474580	1	Ring Gear	
3	3983720	1	Ring Gear Support	

SECTION 5 - DRIVE TRAIN

FIGURE 5-90. STEERING ADJUST BOLT KIT



ART_7028733

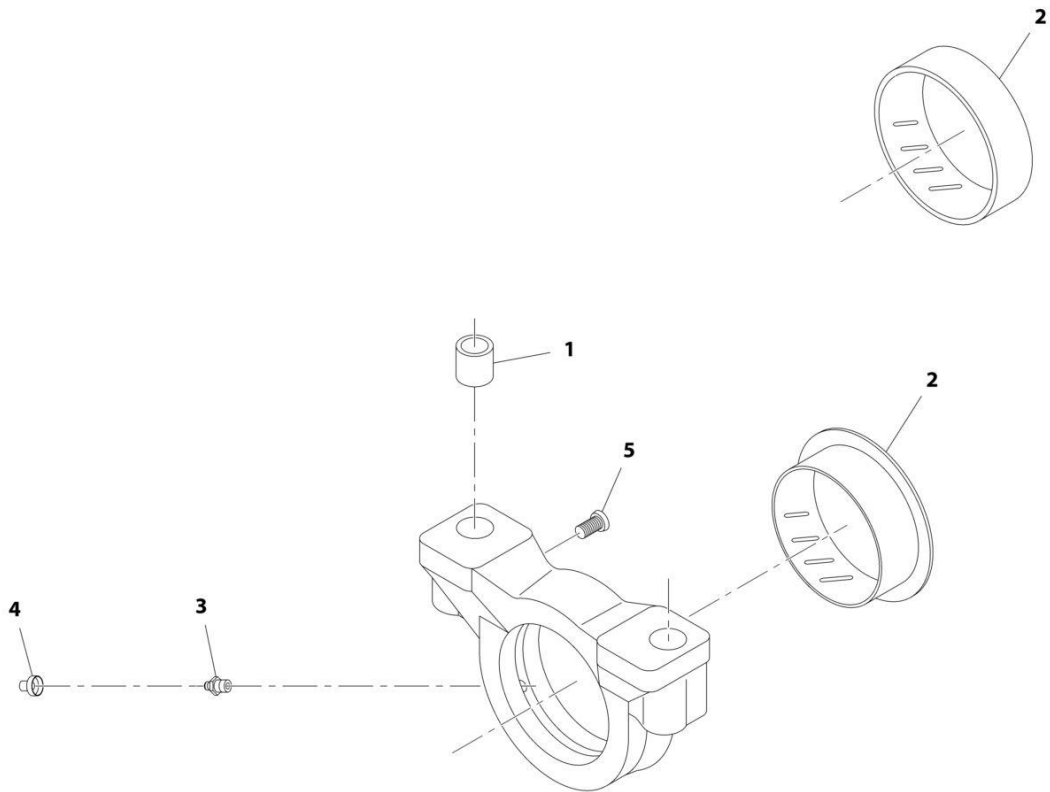
SECTION 5 - DRIVE TRAIN

FIGURE 5-90. STEERING ADJUST BOLT KIT

ITEM	PART NUMBER	QTY	DESCRIPTION	REV
	7028733	Ref	Steering Adjust Bolt Kit	
1	80204065	2	Nut	
2	91514117	2	Bolt	

SECTION 5 - DRIVE TRAIN

FIGURE 5-91. TRUNION KIT



ART_70026630

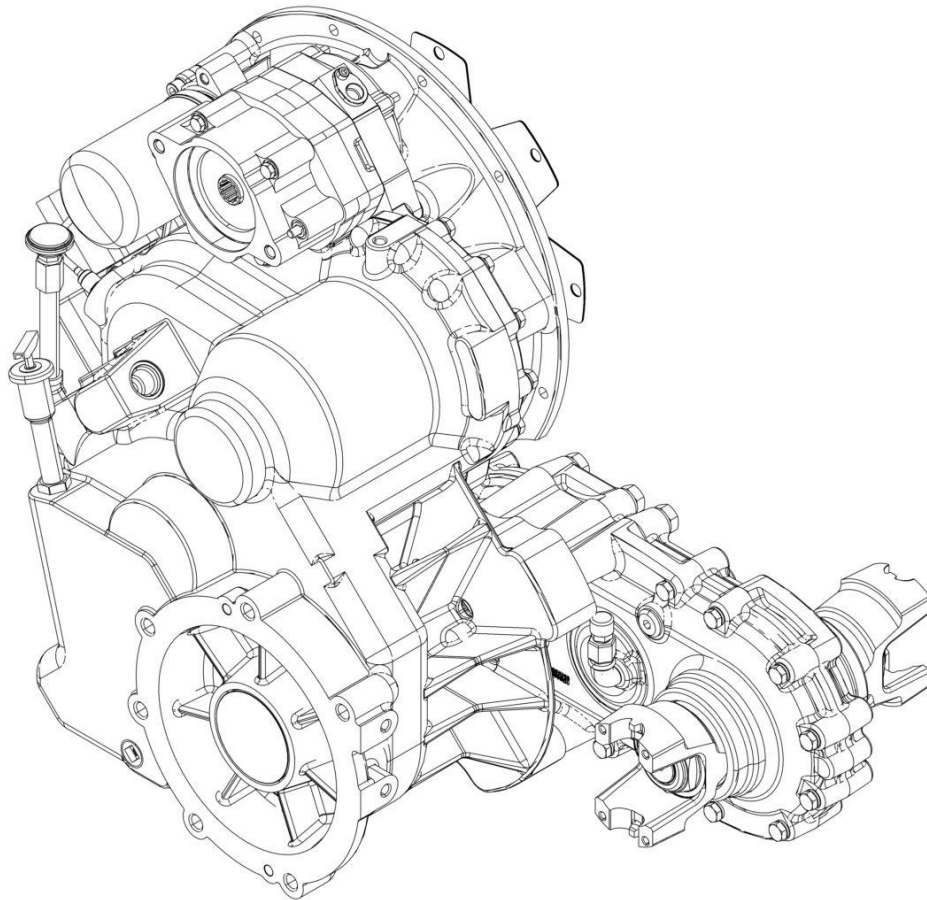
SECTION 5 - DRIVE TRAIN

FIGURE 5-91. TRUNION KIT

ITEM	PART NUMBER	QTY	DESCRIPTION	REV
	70026630	Ref	Kit, Trunion	
1	91474516	4	Bushing, Reduction	
2	91474515	2	Bushing, Thrust	
3	91514099	2	Fitting, Grease	
4	80204117	2	Plug	
5	70025884	2	Bolt	

SECTION 5 - DRIVE TRAIN

FIGURE 5-92. POWERSHIFT TRANSMISSION



ART_1001141036-B

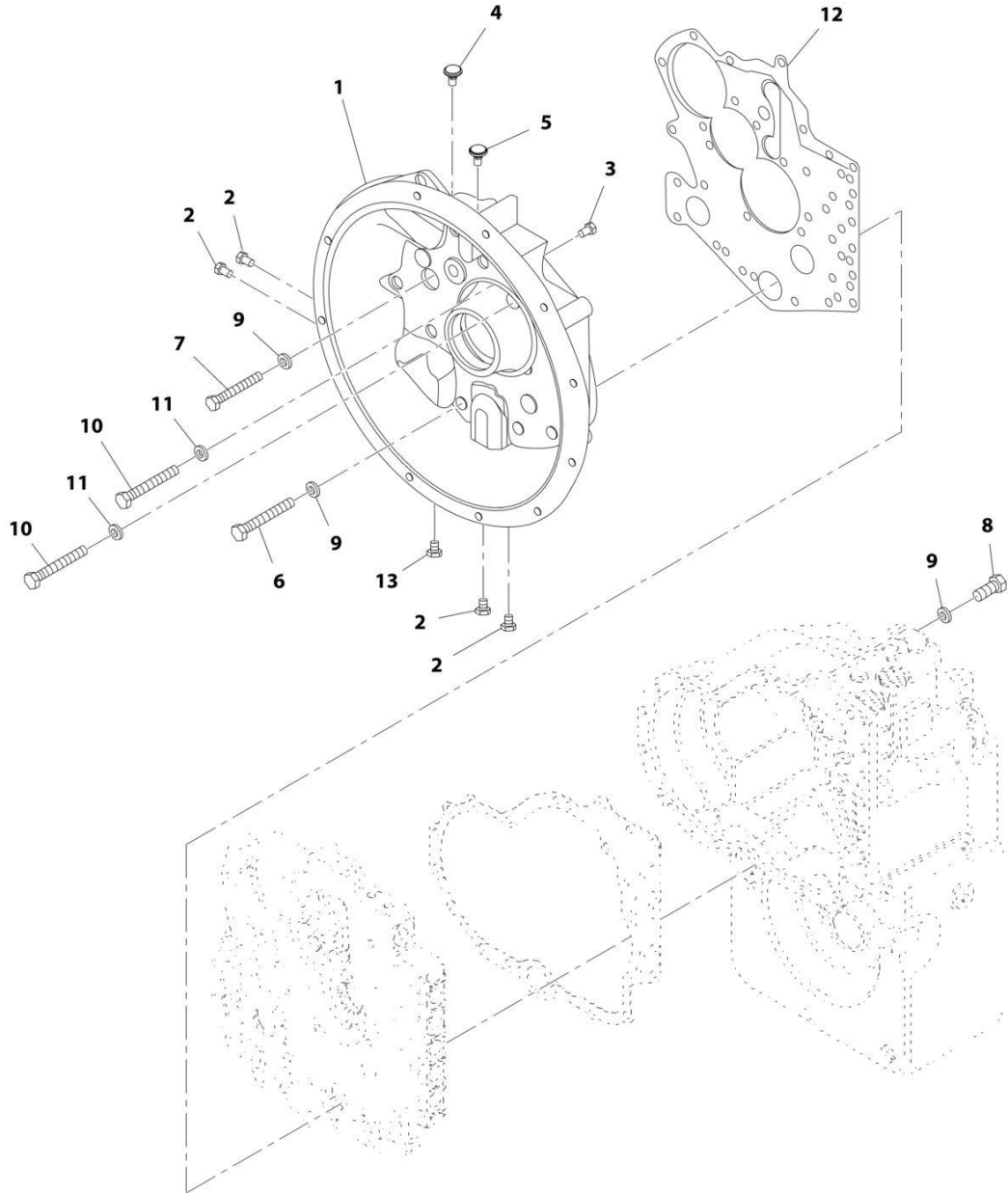
SECTION 5 - DRIVE TRAIN

FIGURE 5-92. POWERSHIFT TRANSMISSION

ITEM	PART NUMBER	QTY	DESCRIPTION	REV
	1001141036	Ref	Transmission, Powershift	B
		Ref	Converter Housing (See Separate Breakdown in this Section)	
		Ref	Transmission Plate (See Separate Breakdown in this Section)	
		Ref	Torque Converter (See Separate Breakdown in this Section)	
		Ref	Gear Group (See Separate Breakdown in this Section)	
		Ref	Pump Drive (See Separate Breakdown in this Section)	
		Ref	Charge Pump (See Separate Breakdown in this Section)	
		Ref	Reverse Idler (See Separate Breakdown in this Section)	
		Ref	Forward and Reverse Shaft (See Separate Breakdown in this Section)	
		Ref	3rd Shaft (See Separate Breakdown in this Section)	
		Ref	1st & 2nd Shaft (See Separate Breakdown in this Section)	
		Ref	Output Shaft (See Separate Breakdown in this Section)	
		Ref	Drop Box (See Separate Breakdown in this Section)	
		Ref	Control (See Separate Breakdown in this Section)	
		Ref	Modulation Valve (See Separate Breakdown in this Section)	
		Ref	Drive Plate (See Separate Breakdown in this Section)	

SECTION 5 - DRIVE TRAIN

FIGURE 5-93. POWERSHIFT TRANSMISSION, CONVERTER HOUSING



ART_1001141036_1-B

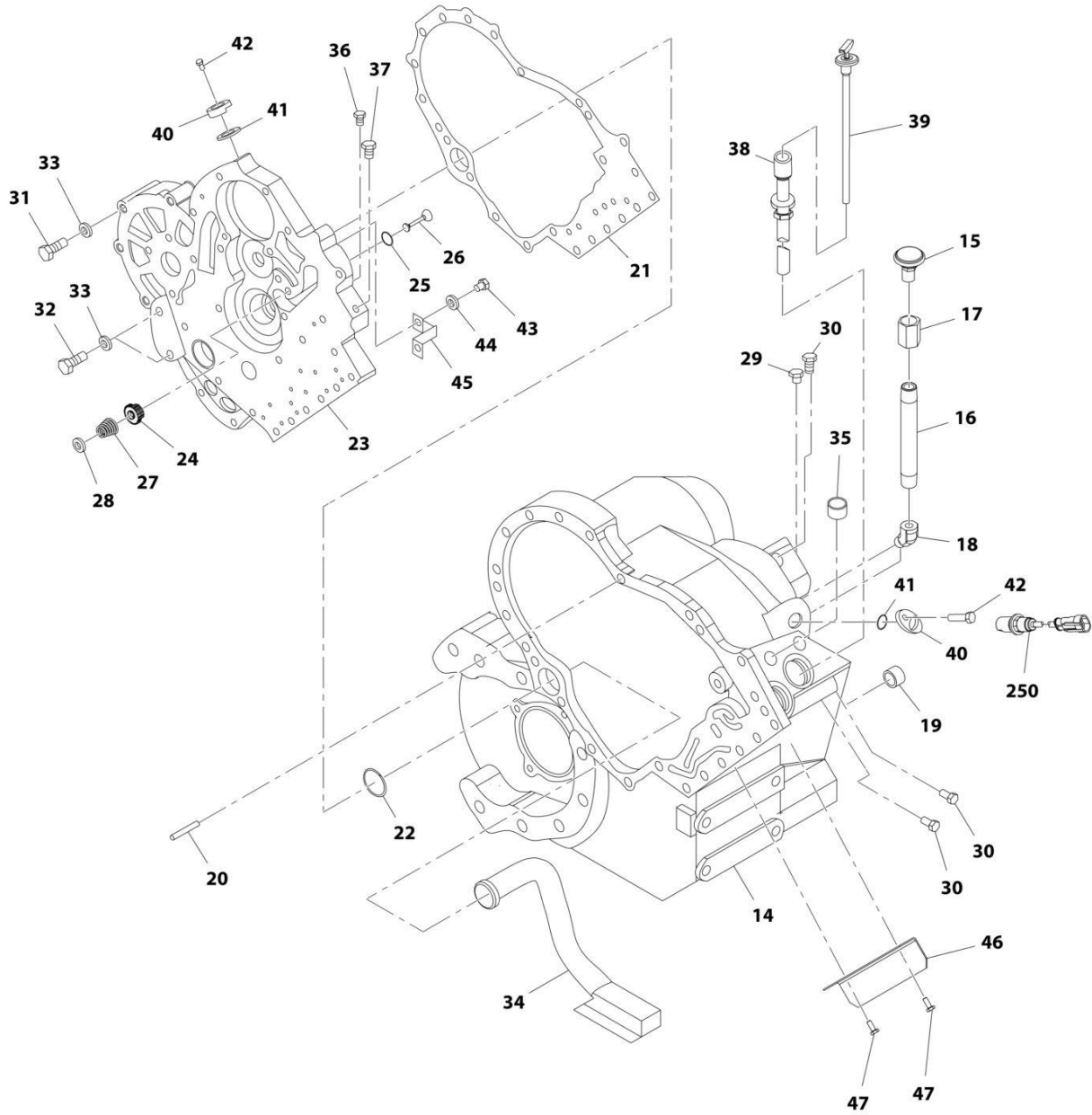
SECTION 5 - DRIVE TRAIN

FIGURE 5-93. POWERSHIFT TRANSMISSION, CONVERTER HOUSING

ITEM	PART NUMBER	QTY	DESCRIPTION	REV
	1001141036	Ref	TRANSMISSION, CONVERTER HOUSING	
1	91474186	1	Housing, Converter	
2	8032526	4	Plug	
3	91474189	1	Plug	
4	8032526	1	Plug	
5	91474192	1	Plug, Check Valve Bore	
6	91474193	6	Screw	
7	91474194	3	Screw	
8	91474195	1	Screw	
9	91474265	10	Lockwasher	
10	91474194	13	Screw	
11	91474265	13	Lockwasher	
12	91474191	1	Gasket	
13	70025574	1	Switch, Temperature	

SECTION 5 - DRIVE TRAIN

FIGURE 5-94. POWERSHIFT TRANSMISSION, TRANSMISSION PLATE



ART_1001141036_2-B

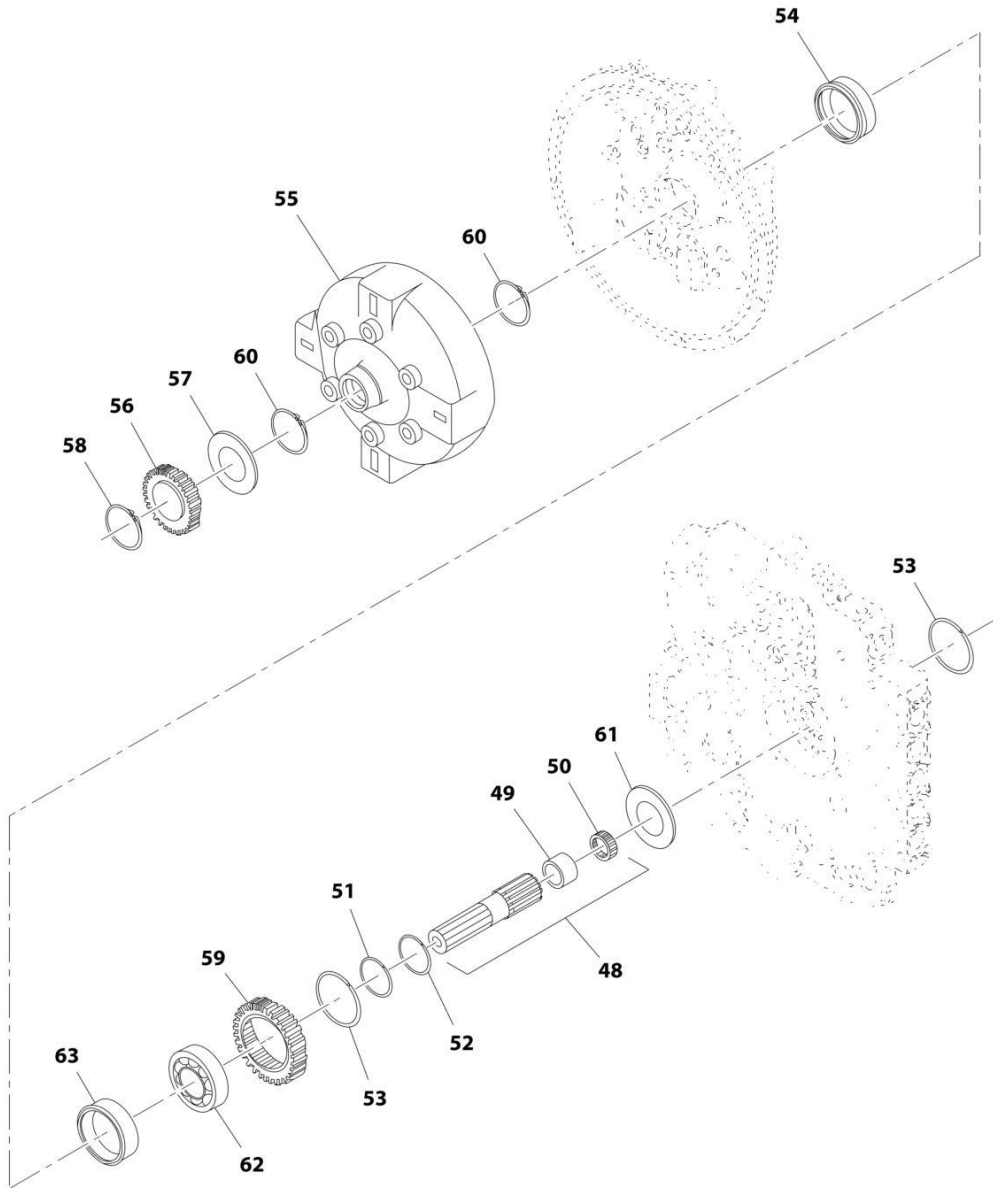
SECTION 5 - DRIVE TRAIN

FIGURE 5-94. POWERSHIFT TRANSMISSION, TRANSMISSION PLATE

ITEM	PART NUMBER	QTY	DESCRIPTION	REV
	1001141036	Ref	TRANSMISSION, TRANSMISSION PLATE	
14	70020402	1	Case, Transmission	
15	8032509	1	Breather	
16	7028058	1	Nipple, Pipe	
17	91474198	1	Coupling, Pipe	
18	91474199	1	Fitting, Elbow	
19	77104119	2	Plug, Magnetic Drain	
20	91474200	2	Pin	
21	10868213	1	Gasket	
22	10837074	1	Ring, Oil Supply Tube Seal	
23	7029822	1	Plate, Spacer	
24	8034963	1	Seal, Safety Valve	
25	91474205	1	Ring, Snap	
26	91474206	1	Poppet, Converter Safety Valve	
27	8034962	1	Spring, Converter Safety Valve	
28	8034961	1	Washer, Poppet Retaining	
29	91474189	1	Plug	
30	8032526	3	Plug	
31	91474208	7	Screw	
32	91474209	2	Screw	
33	91474265	9	Lockwasher	
34	91474210	1	Tube, Suction	
35	91474211	1	Filler Plug	
36	91474189	1	Plug	
37	91474192	1	Plug	
38	90204823	1	Tube, Dipstick	
39	70020403	1	Dipstick, Cold Level	
40	91474213	2	Plug	
41	91474214	2	O-Ring	
42	80344940	2	Screw	
43	91474617	2	Capscrew	
44	91474618	2	Washer	
45	70025575	1	Baffle, Safety Valve	
46	70020405	1	Plate, Solenoid Protection	
47	70020406	2	Bolt, M6	
250	70025573	1	Speed Sensor	

SECTION 5 - DRIVE TRAIN

FIGURE 5-95. POWERSHIFT TRANSMISSION, TORQUE CONVERTER



ART_1001141036_3-B

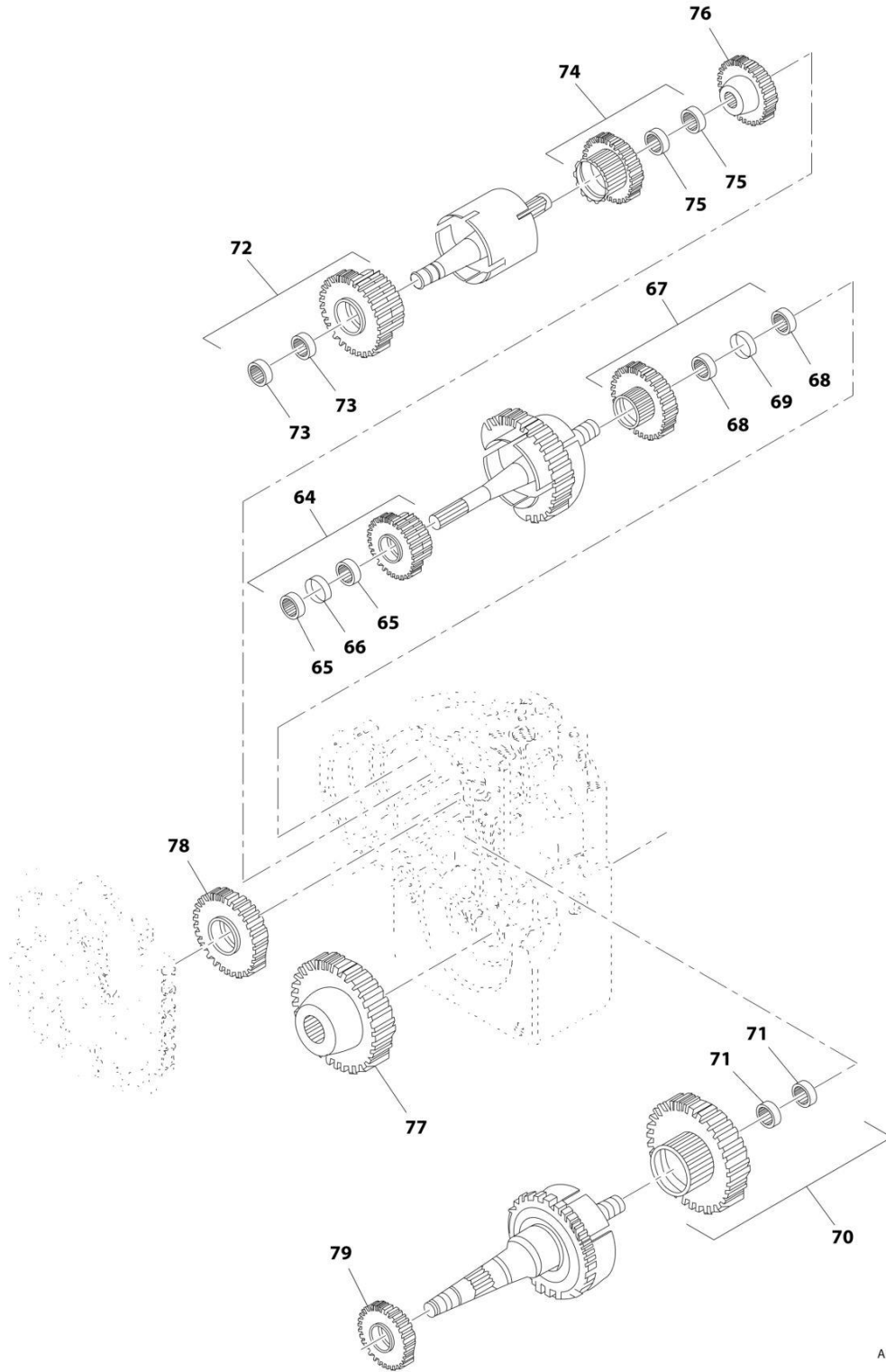
SECTION 5 - DRIVE TRAIN

FIGURE 5-95. POWERSHIFT TRANSMISSION, TORQUE CONVERTER

ITEM	PART NUMBER	QTY	DESCRIPTION	REV
	1001141036	Ref	TRANSMISSION, TORQUE CONVERTER	
48	10868239	1	Support, Stator	
49	91474217	1	Bushing	
50	91474218	1	Bearing	
51	91474219	1	Ring, Stator Support Piston	
52	91474220	1	Expander, Stator Support Piston Ring	
53	91474221	2	Ring, Snap	
54	91474222	1	Seal	
55	91474385	1	Converter, Torque	
56	90204781	1	Plug	
57	77104039	1	O-Ring	
58	77104041	1	Ring, Snap	
59	91474224	1	Gear, Impeller Hub	
60	8034968	2	Ring, Snap	
61	91474226	1	Washer	
62	91474227	1	Bearing	
63	91474228	1	Ring, Oil Distributor	

SECTION 5 - DRIVE TRAIN

FIGURE 5-96. POWERSHIFT TRANSMISSION, GEAR GROUP



ART_1001141036_4-B

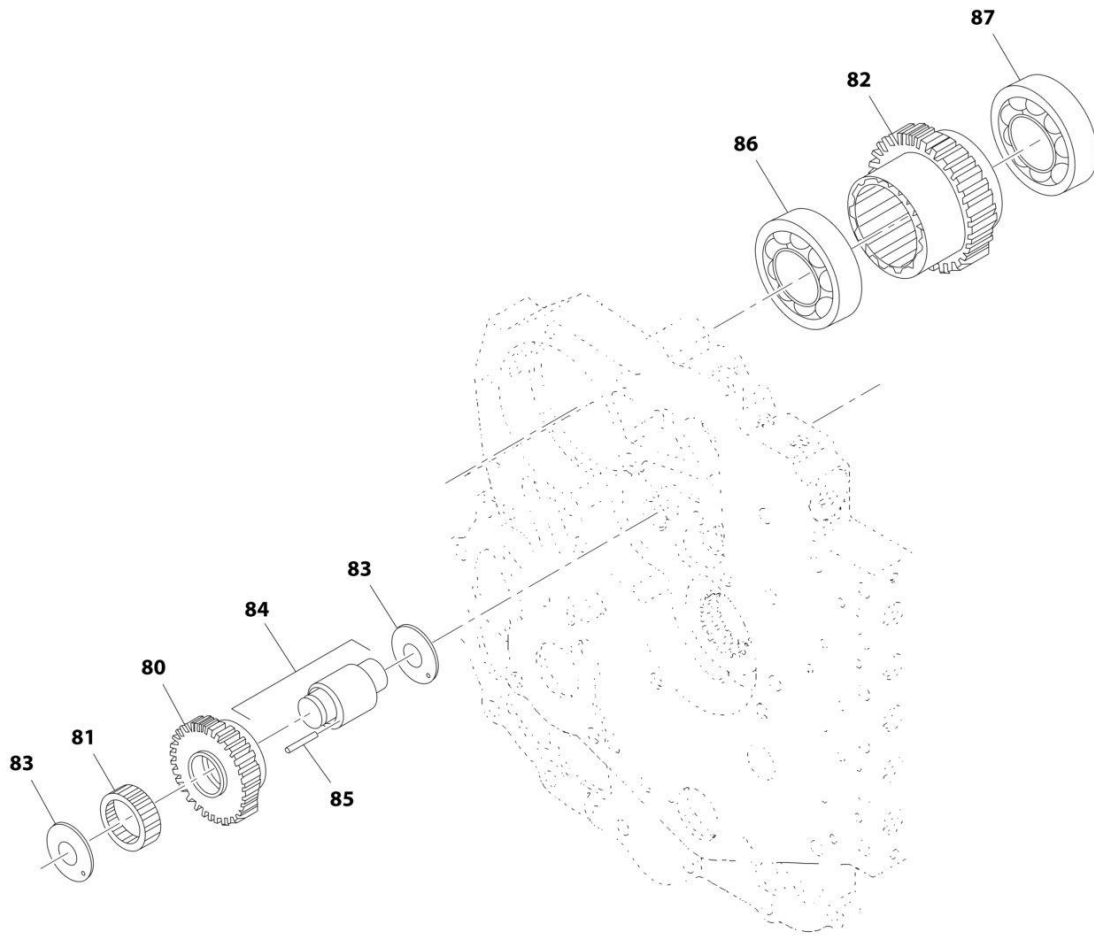
SECTION 5 - DRIVE TRAIN

FIGURE 5-96. POWERSHIFT TRANSMISSION, GEAR GROUP

ITEM	PART NUMBER	QTY	DESCRIPTION	REV
	1001141036	Ref	TRANSMISSION, GEAR GROUP	
64	7028060	1	Assembly, Reverse Gear and Bearing	
65	91474230	2	Needle, Bearing	
66	91474231	1	Spacer	
67	91474232	1	Assembly, Forward Gear and Bearing	
68	91474230	2	Needle, Bearing	
69	91474231	1	Spacer	
70	91474235	1	Gear and Bearing, 3rd Clutch	
71	91474236	2	Needle, Bearing	
72	91474390	1	Gear and Bearing, 1st Clutch	
73	91474230	2	Needle, Bearing	
74	91474392	1	Gear and Bearing, 2nd Clutch	
75	91474230	2	Needle, Bearing	
76	91474233	1	Gear, 3rd Driven	
77	91474234	1	Gear, Output Shaft	
78	91474395	1	Gear, Reverse Idler	
79	91474396	1	Gear, First Drive	

SECTION 5 - DRIVE TRAIN

FIGURE 5-97. POWERSHIFT TRANSMISSION, PUMP DRIVE



ART_1001141036_5-B

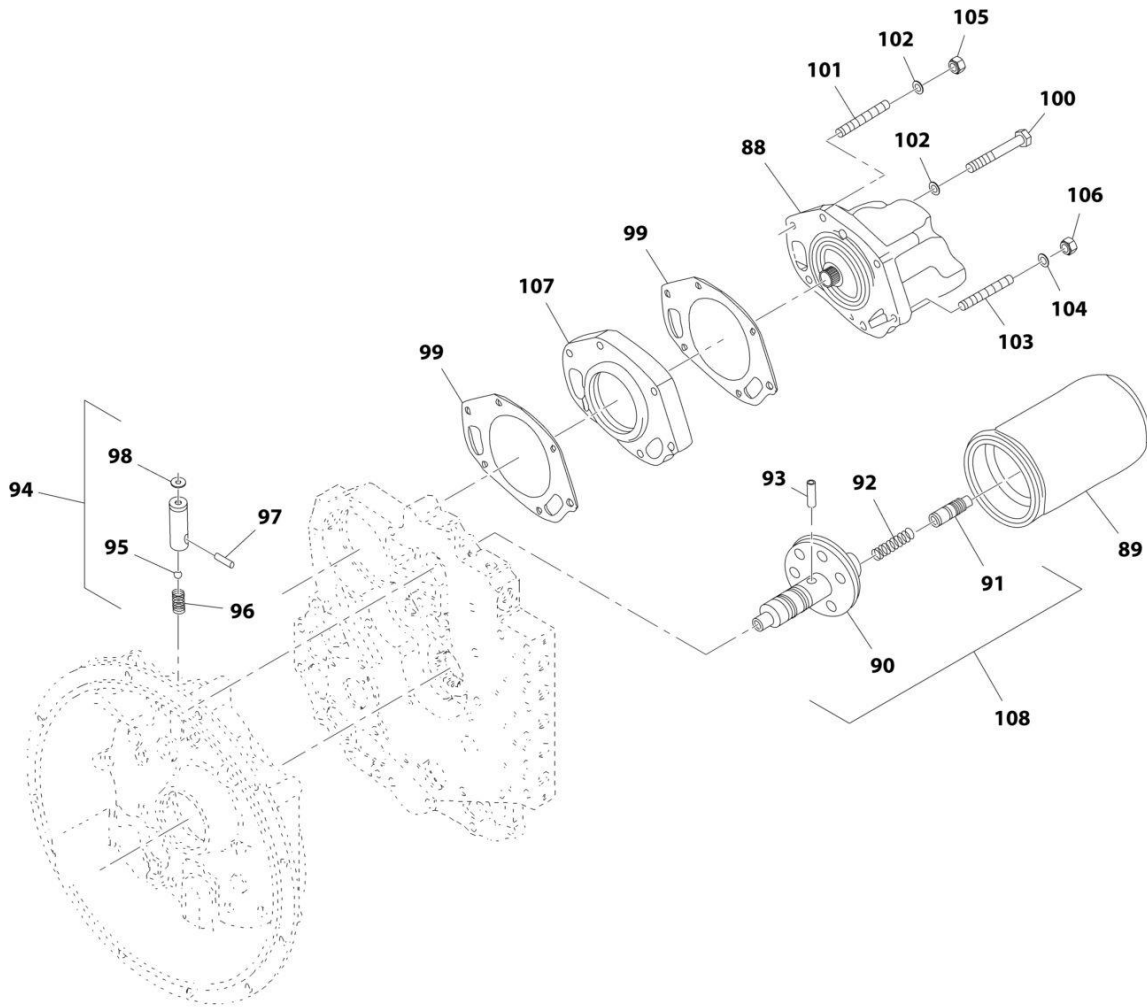
SECTION 5 - DRIVE TRAIN

FIGURE 5-97. POWERSHIFT TRANSMISSION, PUMP DRIVE

ITEM	PART NUMBER	QTY	DESCRIPTION	REV
	1001141036	Ref	TRANSMISSION, PUMP DRIVE	
80	91474241	1	Gear, Pump Drive Idler	
81	91474242	1	Bearing, Idler Gear	
82	91474243	1	Gear, Pump Drive	
83	91474244	2	Washer	
84	91474245	1	Assembly, Pump Drive Shaft and Pin	
85	91474246	1	Pin	
86	91474247	1	Bearing	
87	91474248	1	Bearing	

SECTION 5 - DRIVE TRAIN

FIGURE 5-98. POWERSHIFT TRANSMISSION, CHARGE PUMP



ART_1001141036_6-B

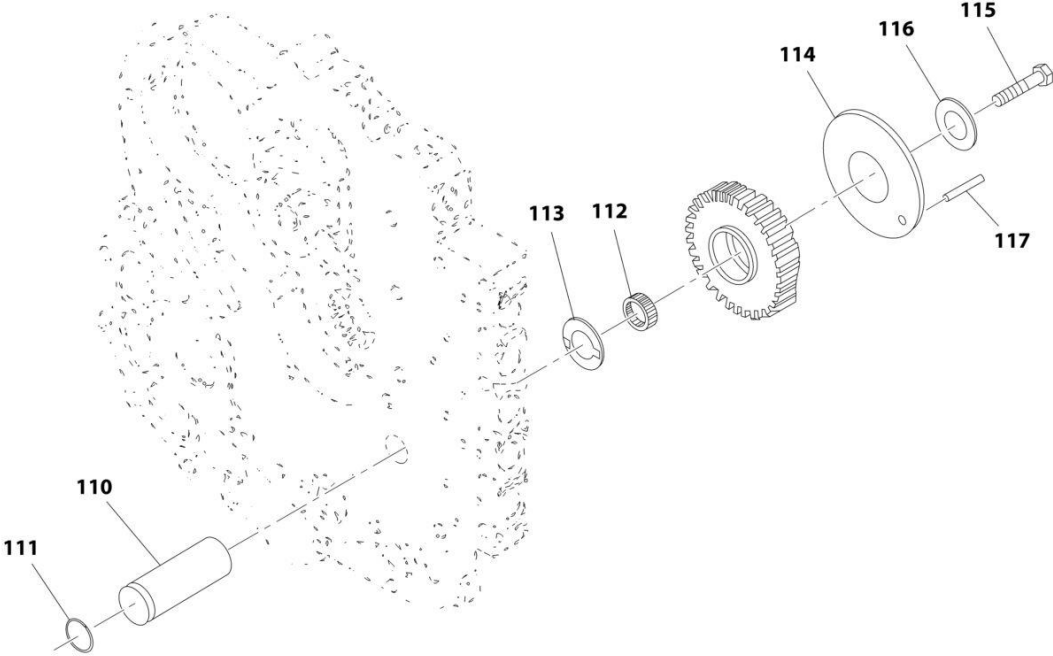
SECTION 5 - DRIVE TRAIN

FIGURE 5-98. POWERSHIFT TRANSMISSION, CHARGE PUMP

ITEM	PART NUMBER	QTY	DESCRIPTION	REV
	1001141036	Ref	TRANSMISSION, CHARGE PUMP	
88	70020407	1	Pump, Charge	
89	8008101	1	Filter, Hydraulic Spin	
90	91474251	1	Sleeve, Regulator Valve	
91	91474252	1	Piston, Regulator Valve	
92	91474253	1	Spring, Regulator Valve	
93	91474254	1	Pin	
94	91474255	1	Assembly, Ball Check Valve	
95	91474256	1	Ball	
96	91474257	1	Spring, Check Valve	
97	91474258	1	Pin, Check Valve	
98	91474259	1	O-Ring	
99	10868254	2	Gasket	
100	7028063	4	Screw, Pump Mounting	
101	91474262	1	Stud, Pump Mounting	
102	91474263	5	Lockwasher, Pump Mounting	
103	91474264	1	Stud, Pump Mounting	
104	91474265	1	Lockwasher	
105	91474266	1	Nut	
106	91474274	1	Nut	
107	91474268	1	Adapter, Pump to Plate	
108	91474273	1	Valve, Regulator (includes items 90 thru 93)	
109	91474271	2	Capscrew, (not shown)	

SECTION 5 - DRIVE TRAIN

FIGURE 5-99. POWERSHIFT TRANSMISSION, REVERSE IDLER



ART_1001141036_7-B

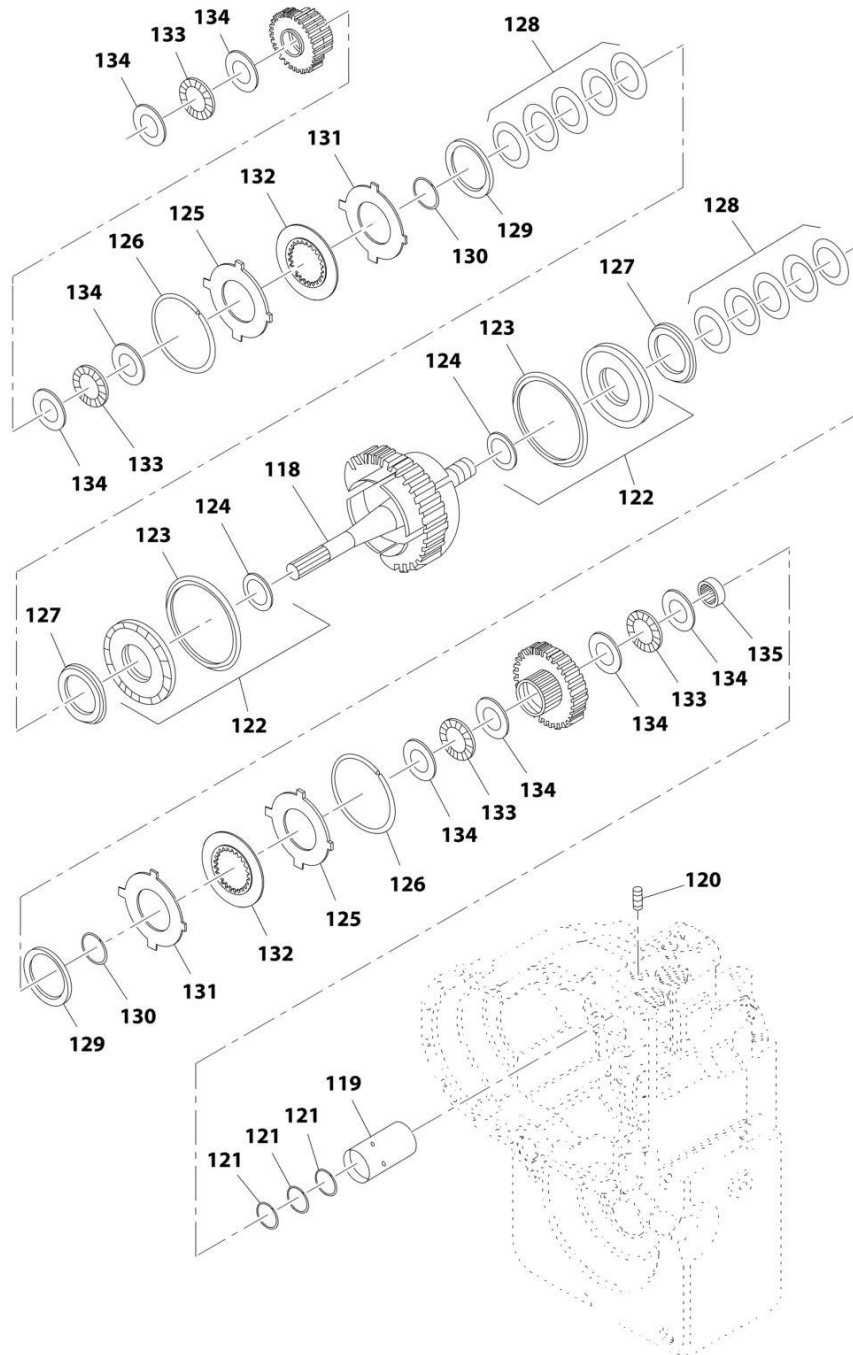
SECTION 5 - DRIVE TRAIN

FIGURE 5-99. POWERSHIFT TRANSMISSION, REVERSE IDLER

ITEM	PART NUMBER	QTY	DESCRIPTION	REV
	1001141036	Ref	TRANSMISSION, REVERSE IDLER	
110	91474275	1	Shaft, Idler and Pilot	
111	91474276	1	Ring, Snap	
112	91474277	1	Bearing, Reverse Idler Gear	
113	91474278	1	Washer, Thrust	
114	91474279	1	Plate, End	
115	91474280	1	Capscrew	
116	91474281	1	Washer	
117	91474282	1	Pin, Roll	

SECTION 5 - DRIVE TRAIN

FIGURE 5-100. POWERSHIFT TRANSMISSION, FORWARD AND REVERSE SHAFT



ART_1001141036_8-B

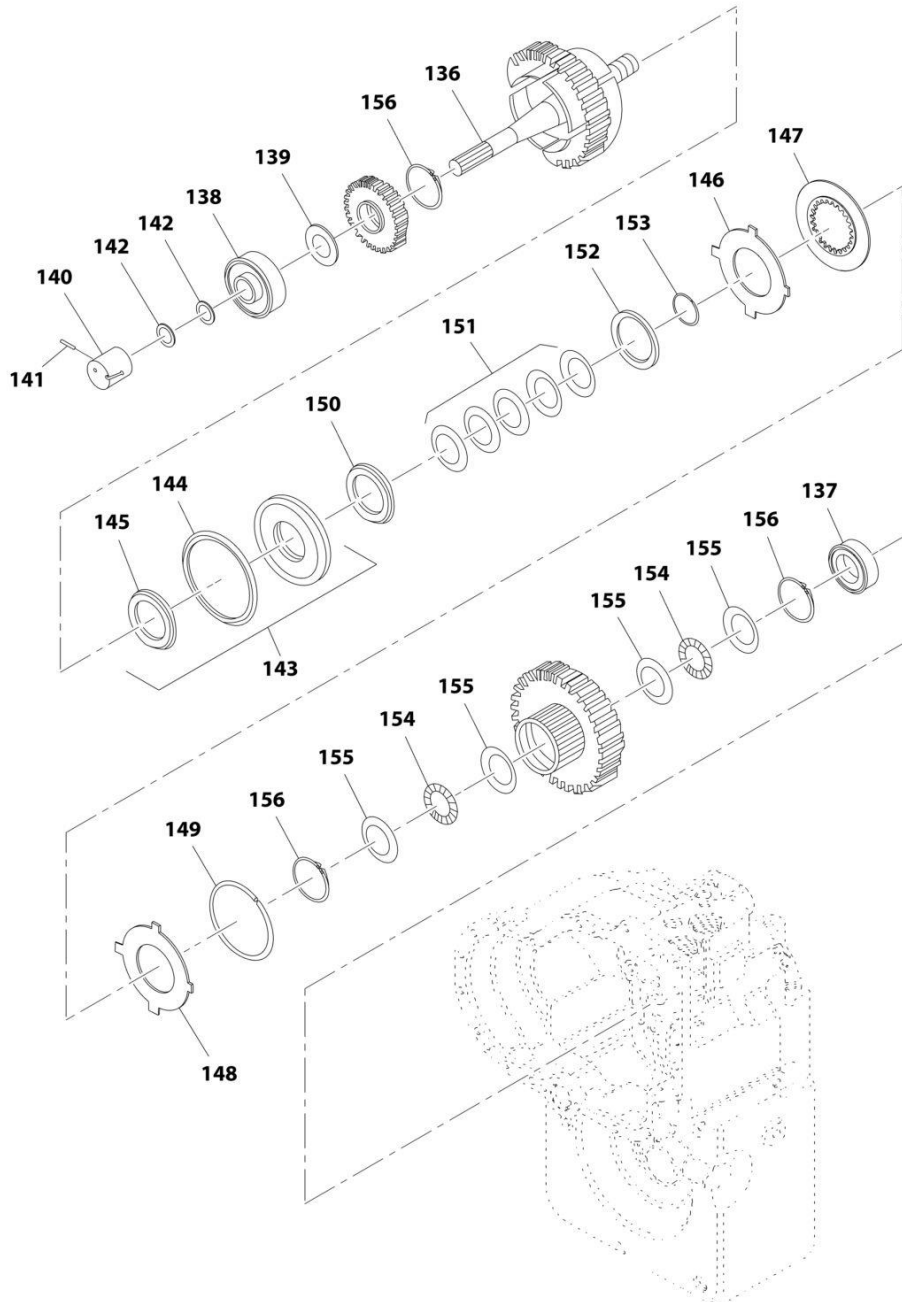
SECTION 5 - DRIVE TRAIN

FIGURE 5-100. POWERSHIFT TRANSMISSION, FORWARD AND REVERSE SHAFT

ITEM	PART NUMBER	QTY	DESCRIPTION	REV
	1001141036	Ref	TRANSMISSION, FORWARD & REVERSE SHAFT	
118	91474283	1	Assembly, Turbine Shaft, Drum and Plug	
119	91474284	1	Sleeve, Oil Distributor	
120	8035035	1	Screw	
121	10837060	3	Ring	
122	91474287	2	Assembly, Piston and Seal	
123	91474288	2	Seal, Clutch Piston (outer)	
124	91474289	2	Seal, Clutch Piston (inner)	
125	91474290	2	Plate, End	
126	91474309	2	Ring, Snap	
127	1086827	2	Clutch Piston Wear Plate	
128	91474310	2	Disc Spring Assembly (includes 5 washers)	
129	91474294	2	Snap Ring	
130	91474295	2	Snap Ring	
131	91474296	12	Disc, Outer (6 forward, 6 reverse)	
132	91474297	12	Disc, Inner (6 forward, 6 reverse)	
133	91474298	4	Clutch Gear Thrust Bearing	
134	91474299	8	Clutch Gear Thrust Washer	
135	91474300	1	Turbine Shaft Rear Bearing	

SECTION 5 - DRIVE TRAIN

FIGURE 5-101. POWERSHIFT TRANSMISSION, 3RD SHAFT



ART_1001141036_9-B

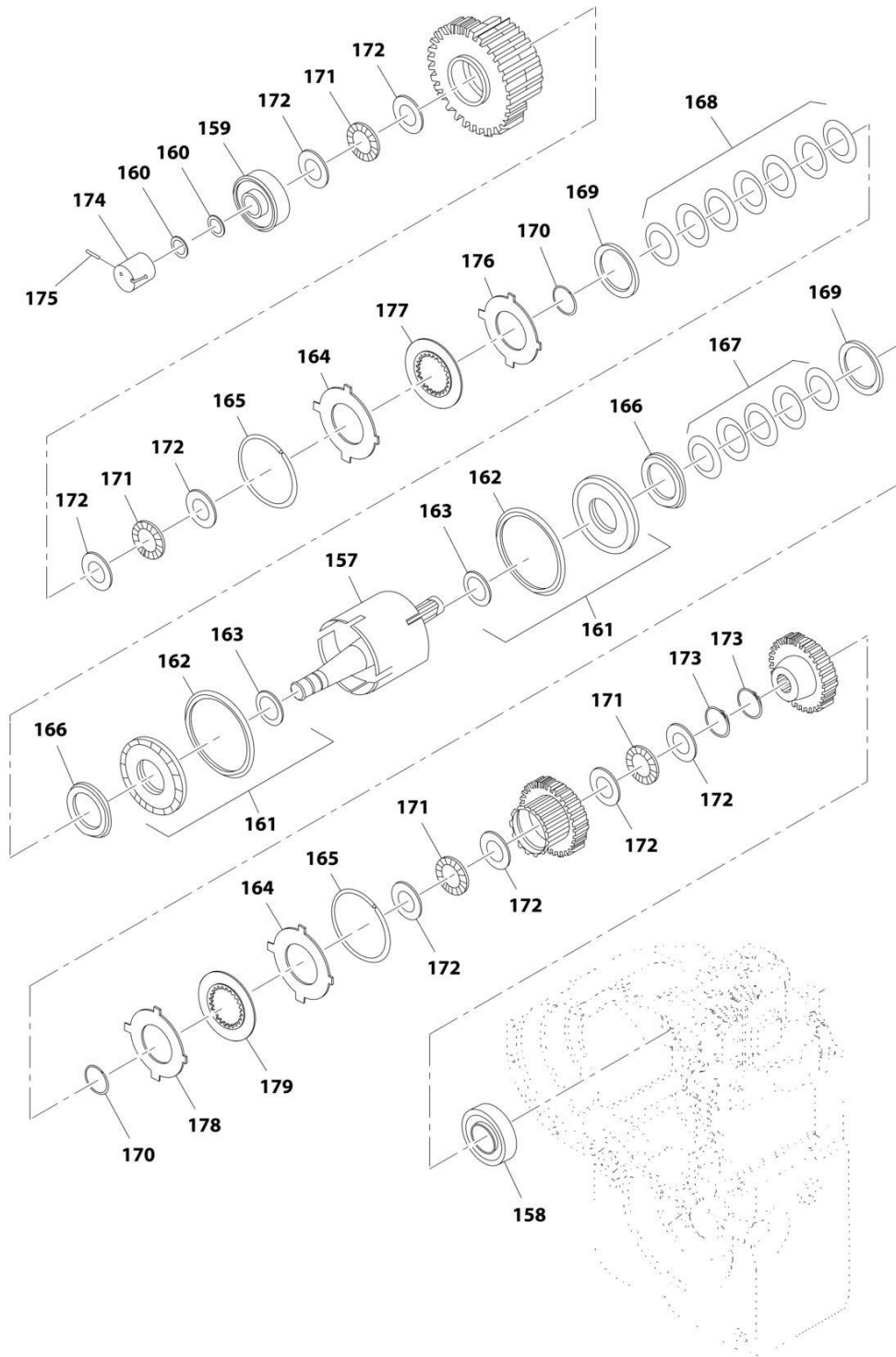
SECTION 5 - DRIVE TRAIN

FIGURE 5-101. POWERSHIFT TRANSMISSION, 3RD SHAFT

ITEM	PART NUMBER	QTY	DESCRIPTION	REV
	1001141036	Ref	TRANSMISSION, 3RD SHAFT	
136	91474301	1	Assembly, 3RD Shaft	
137	91474302	1	Bearing, Roller	
138	91474303	1	Assembly, Bearing and Seal	
139	91474304	1	Washer, Bearing Support	
140	91474305	1	Sleeve, Oil Distributor	
141	91474306	1	Screw, Sleeve Retaining	
142	10837060	2	Ring, Piston	
143	91474307	1	Assembly, Piston and Seals	
144	91474288	1	Seal, Clutch Piston (outer)	
145	91474289	1	Seal, Clutch Piston (inner)	
146	91474296	5	Disc, Outer	
147	91474297	5	Disc, Inner	
148	91474290	1	Plate, End	
149	91474309	1	Ring, Snap	
150	10868277	1	Plate, Clutch Piston Wear	
151	91474310	1	Assembly, Disc Spring (includes 5 washers)	
152	91474294	1	Ring, Snap	
153	91474295	1	Ring, Snap	
154	91474311	2	Bearing, Thrust Needle Roller	
155	91474312	4	Washer, Thrust Gear Clutch	
156	91474313	3	Ring, Snap	

SECTION 5 - DRIVE TRAIN

FIGURE 5-102. POWERSHIFT TRANSMISSION, 1ST & 2ND SHAFT



ART_1001141036_10-B

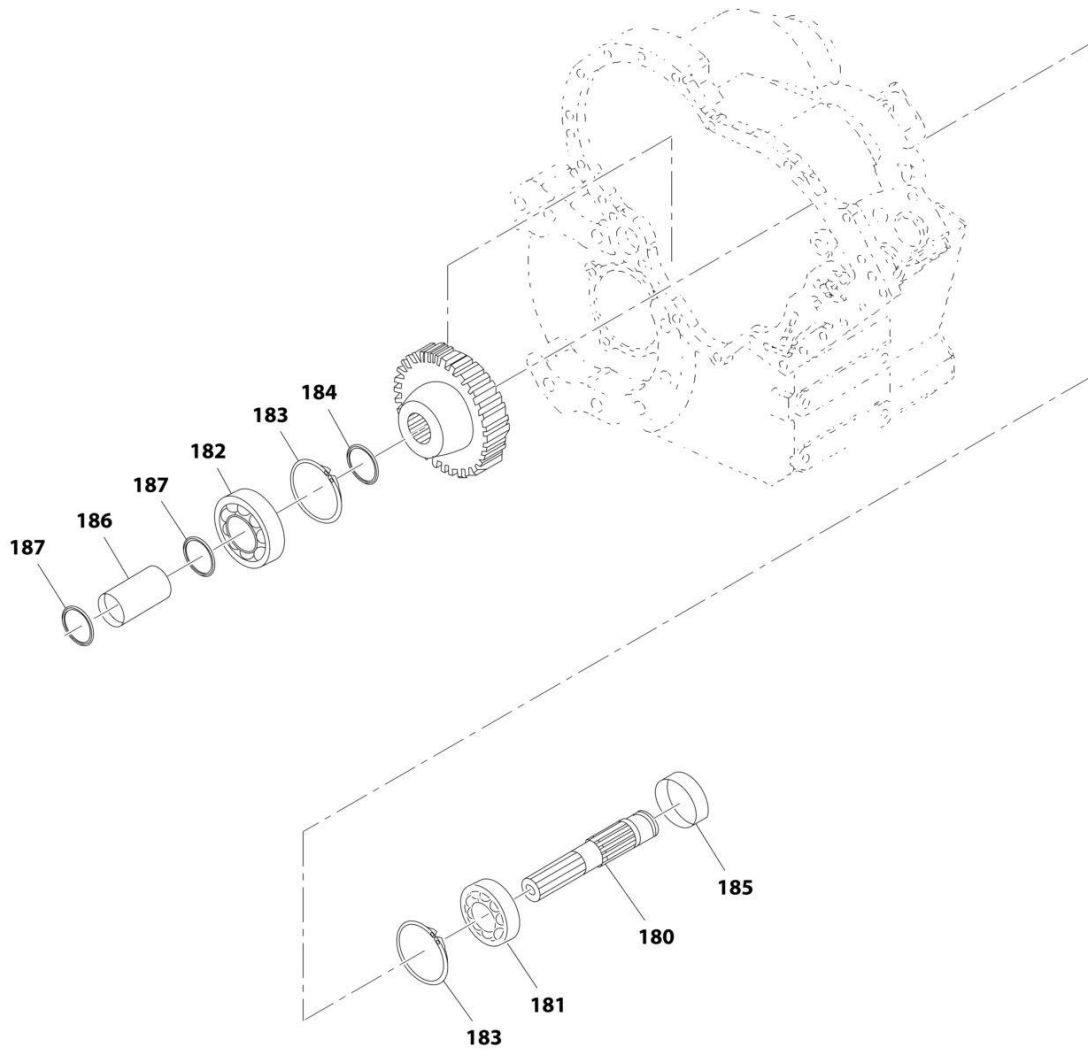
SECTION 5 - DRIVE TRAIN

FIGURE 5-102. POWERSHIFT TRANSMISSION, 1ST & 2ND SHAFT

ITEM	PART NUMBER	QTY	DESCRIPTION	REV
	1001141036	Ref	TRANSMISSION, 1ST & 2ND SHAFT	
157	91474314	1	Assembly, 1st & 2nd Shaft	
158	91474315	1	Bearing, Roller	
159	91474303	1	Assembly, Bearing and Seal	
160	10837060	2	Ring, Piston	
161	91474316	2	Assembly, Piston and Seal	
162	91474288	2	Seal, Clutch Piston (outer)	
163	91474289	2	Seal, Clutch Piston (inner)	
164	91474290	2	Plate, End	
165	91474309	2	Ring, Snap	
166	10868277	2	Plate, Clutch Piston Wear	
167	91474310	1	Assembly, Disc Spring 2nd (includes 5 washers)	
168	91474317	1	Assembly, Disc Spring 1st (includes 7 washers)	
169	91474294	2	Ring, Snap	
170	91474295	2	Ring, Snap	
171	91474298	4	Bearing, Clutch Gear Thrust	
172	91474299	8	Washer Clutch Gear Thrust	
173	91474318	2	Ring, 2nd Clutch Gear Hub Snap	
174	91474319	1	Sleeve, Oil Distributor	
175	91474306	1	Screw, Sleeve Retaining	
176	91474296	10	Disc, Outer (1st)	
177	91474297	10	Disc, Inner (1st)	
178	91474296	5	Disc, Outer (2nd)	
179	91474297	5	Disc, Inner (2nd)	

SECTION 5 - DRIVE TRAIN

FIGURE 5-103. POWERSHIFT TRANSMISSION, OUTPUT SHAFT



ART_1001141036_11-B

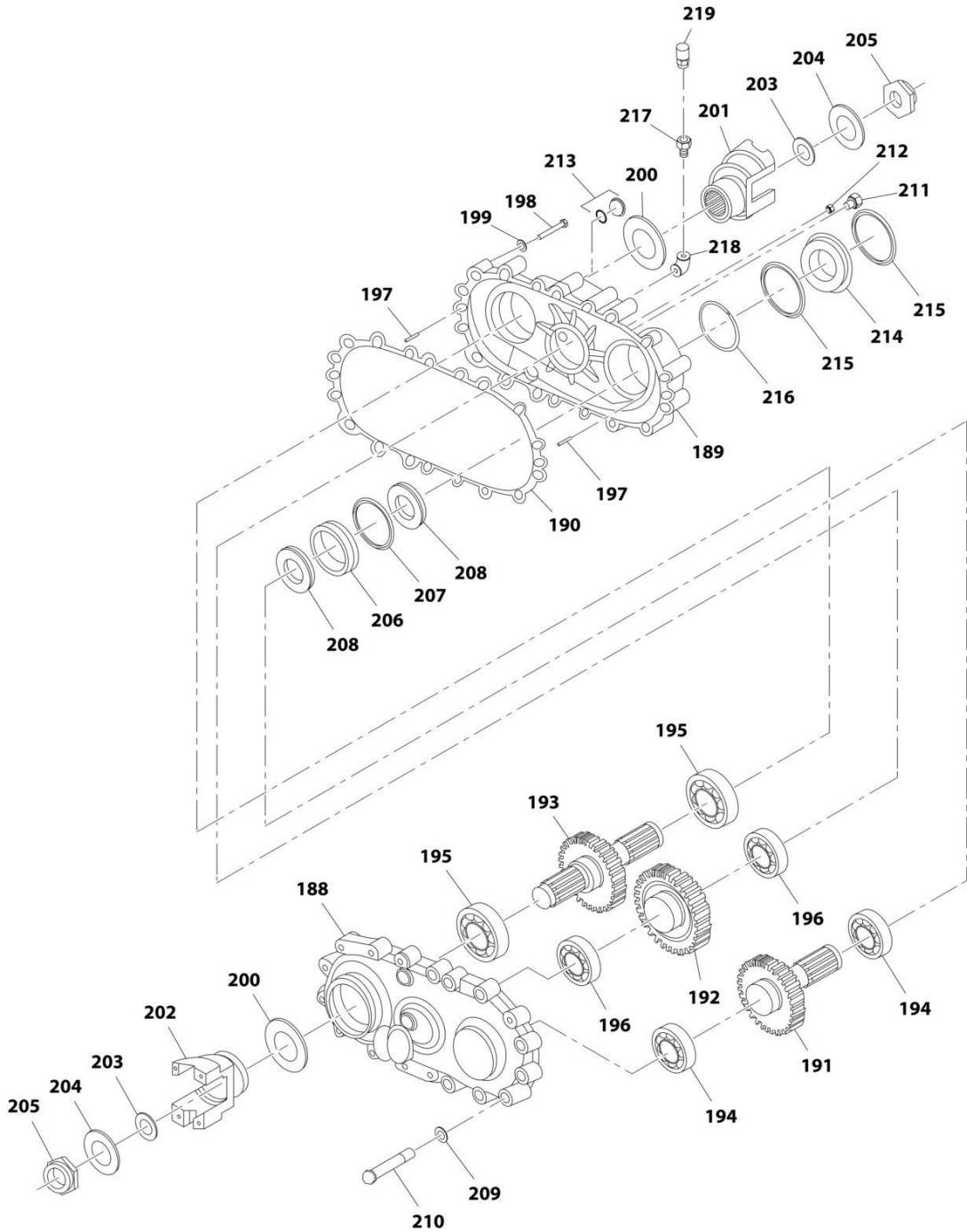
SECTION 5 - DRIVE TRAIN

FIGURE 5-103. POWERSHIFT TRANSMISSION, OUTPUT SHAFT

ITEM	PART NUMBER	QTY	DESCRIPTION	REV
	1001141036	Ref	TRANSMISSION, OUTPUT SHAFT	
180	91474320	1	Shaft, Output	
181	77104140	1	Bearing, Ball	
182	77104081	1	Bearing	
183	91474321	2	Ring, Snap	
184	91474322	1	Ring, Snap	
185	91474323	1	Plug, End	
186	91474324	1	Coupling, Drive	
187	91474313	2	Ring, Snap	

SECTION 5 - DRIVE TRAIN

FIGURE 5-104. POWERSHIFT TRANSMISSION, DROP BOX



ART_1001141036_12-B

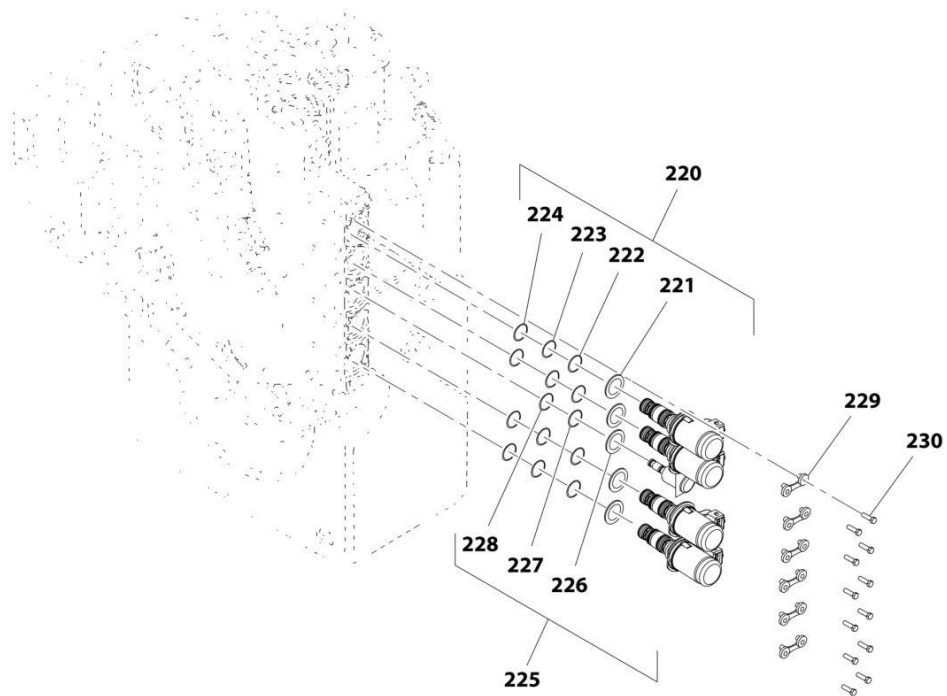
SECTION 5 - DRIVE TRAIN

FIGURE 5-104. POWERSHIFT TRANSMISSION, DROP BOX

ITEM	PART NUMBER	QTY	DESCRIPTION	REV
	1001141036	Ref	TRANSMISSION, DROP BOX	
188	91474358	1	Cover, Front Dropbox	
189	91474359	1	Cover, Rear Dropbox	
190	91474360	1	Gasket, Drop Box	
191	91474361	1	Shaft, Input Dropbox	
192	91474362	1	Gear, Idler	
193	91474363	1	Shaft, Input Dropbox	
194	91474364	2	Bearing	
195	91474365	2	Bearing, Rear	
196	91474366	2	Bearing, Roller	
197	91474200	2	Pin	
198	91474209	10	Screw	
199	91474265	10	Lockwasher	
200	91474367	2	Seal, Oil	
201	91474368	1	Flange, Rear	
202	7028086	1	Flange, Front	
203	91474369	2	O-Ring	
204	91474370	2	Washer	
205	91474371	1	Nut, Idler Shaft	
206	91474372	1	Sleeve, Oil Seal	
207	91474373	1	O-Ring	
208	91474374	2	Oil Seal	
209	91474375	1	Lockwasher	
210	91474376	1	Screw	
211	91474377	1	Glass, Oil Level	
212	91474378	1	Plug, Magnetic	
213	91474623	1	Plug	
214	91474381	1	Sleeve, Pilot	
215	91474382	2	O-Ring	
216	91474321	1	Ring, Snap	
217	91474600	1	Adapter	
218	91474383	1	Fitting	
219	91474601	1	Breather	

SECTION 5 - DRIVE TRAIN

FIGURE 5-105. POWERSHIFT TRANSMISSION, CONTROL



ART_1001141036_13-B

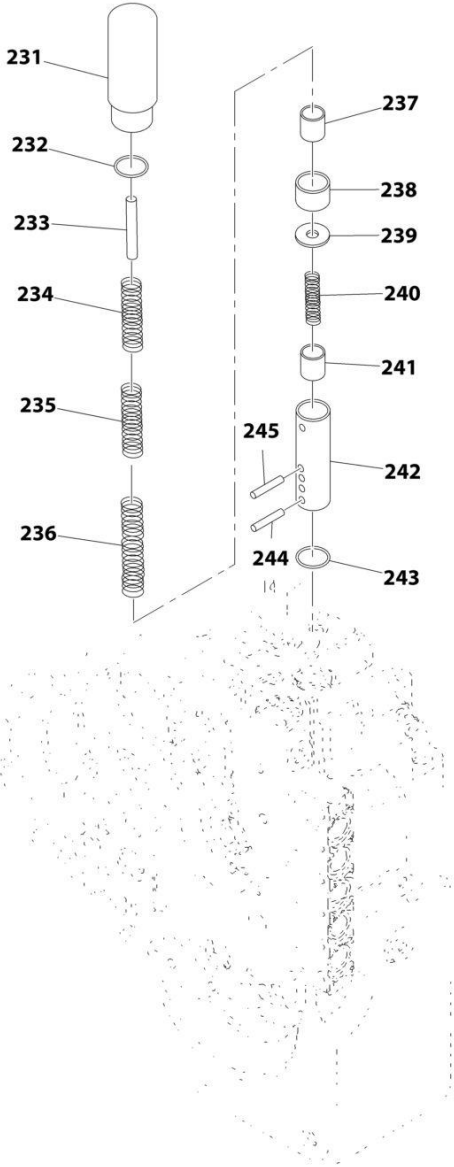
SECTION 5 - DRIVE TRAIN

FIGURE 5-105. POWERSHIFT TRANSMISSION, CONTROL

ITEM	PART NUMBER	QTY	DESCRIPTION	REV
	1001141036	Ref	TRANSMISSION, CONTROL	
220	70025576	4	Solenoid	
221	91514288	4	O-Ring	
222	91514289	4	O-Ring	
223	91514290	4	O-Ring	
224	91514291	4	O-Ring	
225	70299459	1	Plug	
226	70020410	1	O-Ring	
227	91514289	1	O-Ring	
228	91514291	1	O-Ring	
229	91514292	6	Clamp	
230	70020411	12	Screw	

SECTION 5 - DRIVE TRAIN

FIGURE 5-106. POWERSHIFT TRANSMISSION, MODULATION VALVE



ART_1001141036_14-B

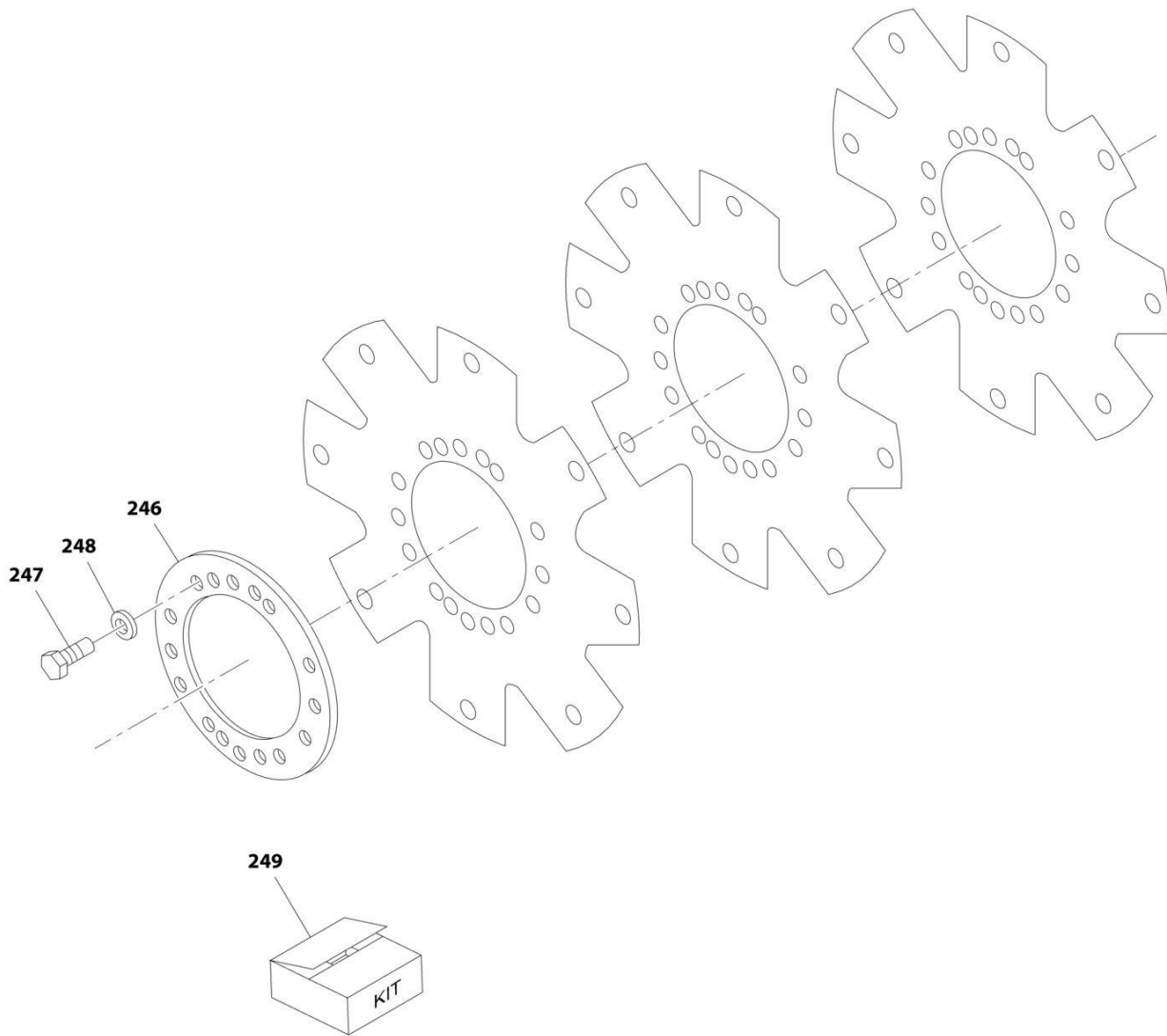
SECTION 5 - DRIVE TRAIN

FIGURE 5-106. POWERSHIFT TRANSMISSION, MODULATION VALVE

ITEM	PART NUMBER	QTY	DESCRIPTION	REV
	1001141036	Ref	TRANSMISSION, MODULATION VALVE	
231	91474338	1	Housing, Modulation Valve	
232	91474339	1	O-Ring	
233	91474345	1	Pin	
234	91474340	1	Spring, Inner	
235	91474341	1	Spring, Middle	
236	91474342	1	Spring, Outer	
237	91474346	1	Spool, Accumulator	
238	91474349	1	Retainer, Spring	
239	91474350	1	Spacer	
240	91474348	1	Spring, Modulation Valve	
241	91474347	1	Spool, Regulator	
242	91474343	1	Sleeve, Modulator Valve	
243	91474344	1	O-Ring	
244	91474352	1	Pin, Lower	
245	91474351	1	Pin, Upper	

SECTION 5 - DRIVE TRAIN

FIGURE 5-107. POWERSHIFT TRANSMISSION, DRIVE PLATE



ART_1001141036_15-B

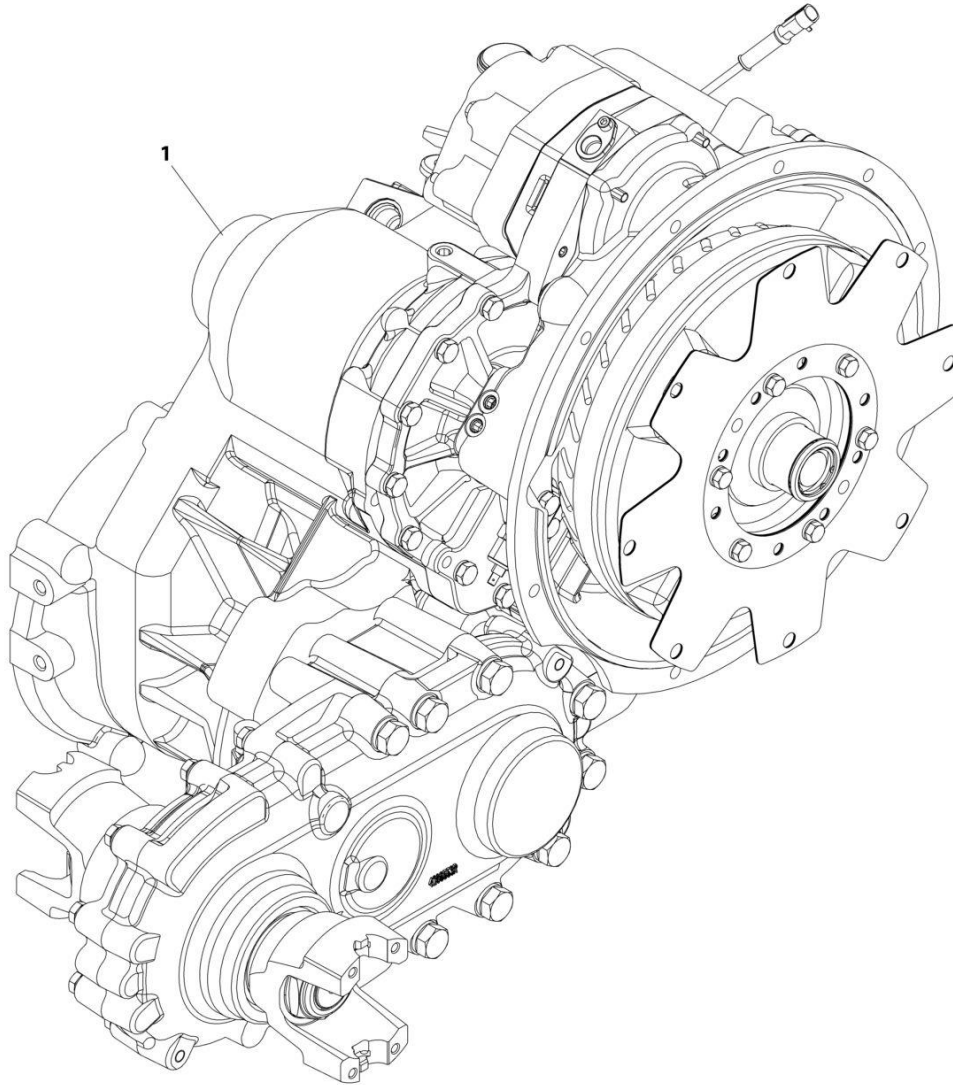
SECTION 5 - DRIVE TRAIN

FIGURE 5-107. POWERSHIFT TRANSMISSION, DRIVE PLATE

ITEM	PART NUMBER	QTY	DESCRIPTION	REV
	1001141036	Ref	TRANSMISSION, DRIVE PLATE	
246	77104044	1	Ring, Backing	
247	91474356	6	Capscrew	
248	4761600	6	Washer, Lock	
249	70024222	1	Kit, Drive Plate (includes items 246 thru 248)	

SECTION 5 - DRIVE TRAIN

FIGURE 5-108. POWERSHIFT TRANSMISSION



ART_1001192001-C

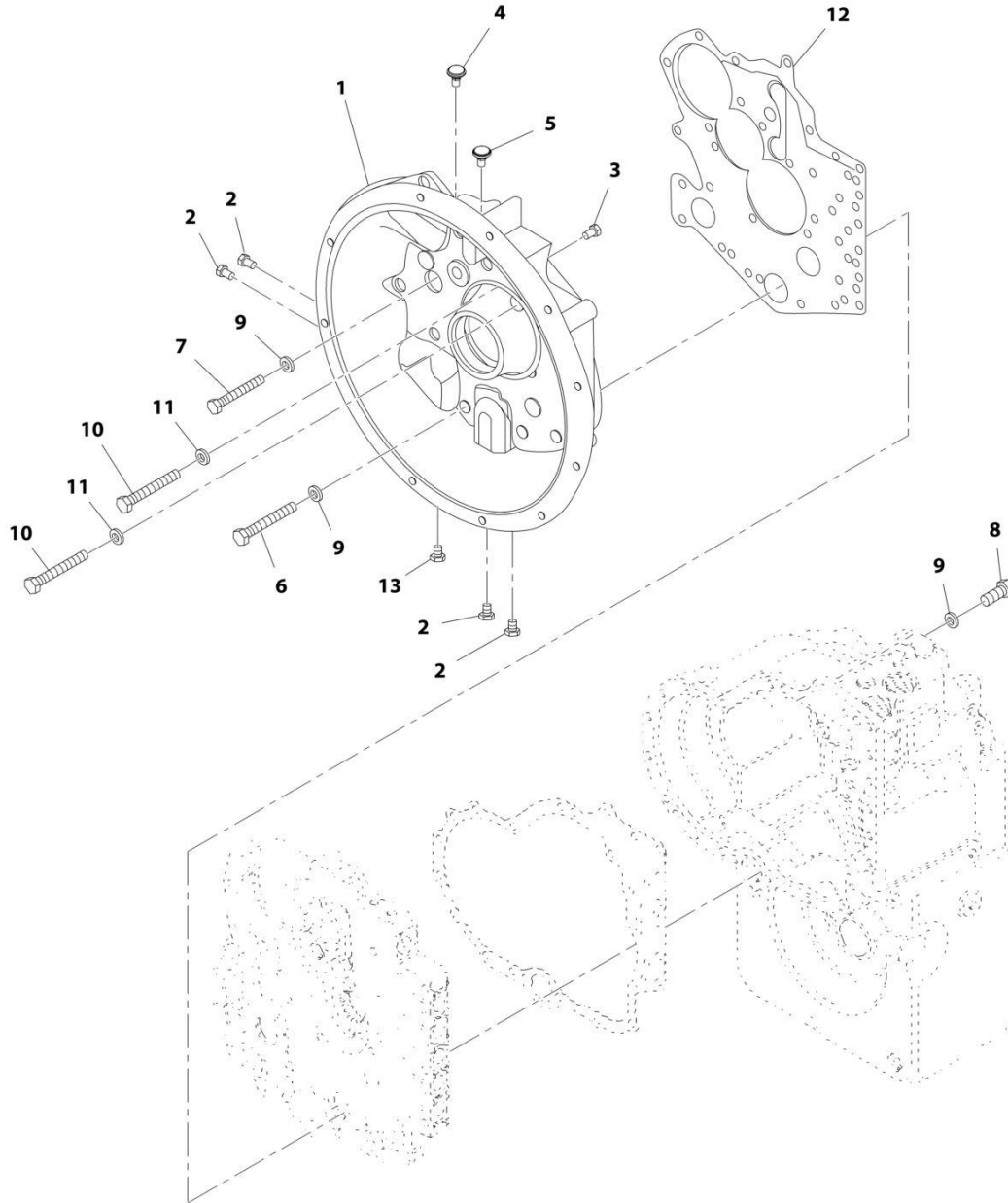
SECTION 5 - DRIVE TRAIN

FIGURE 5-108. POWERSHIFT TRANSMISSION

ITEM	PART NUMBER	QTY	DESCRIPTION	REV
1	1001192001	Ref	Powershift Transmission	C
		Ref	Converter Housing (See Separate Breakdown in this Section)	
		Ref	Transmission Case Group (See Separate Breakdown in this Section)	
		Ref	Torque Converter Group (See Separate Breakdown in this Section)	
		Ref	Gear Group (See Separate Breakdown in this Section)	
		Ref	Pump Drive Group (See Separate Breakdown in this Section)	
		Ref	Charging Pump Group (See Separate Breakdown in this Section)	
		Ref	Reverse Idler Group (See Separate Breakdown in this Section)	
		Ref	Forward and Reverse Shaft Group (See Separate Breakdown in this Section)	
		Ref	3rd Shaft Group (See Separate Breakdown in this Section)	
		Ref	1st and 2nd Shaft Group (See Separate Breakdown in this Section)	
		Ref	Output Shaft Group (See Separate Breakdown in this Section)	
		Ref	Dropbox Group (See Separate Breakdown in this Section)	
		Ref	Control Group (See Separate Breakdown in this Section)	
		Ref	Modulation Valve Assembly (See Separate Breakdown in this Section)	
		Ref	Drive Plate Group (See Separate Breakdown in this Section)	

SECTION 5 - DRIVE TRAIN

FIGURE 5-109. POWERSHIFT TRANSMISSION, CONVERTER HOUSING



ART_1001192001_1-C

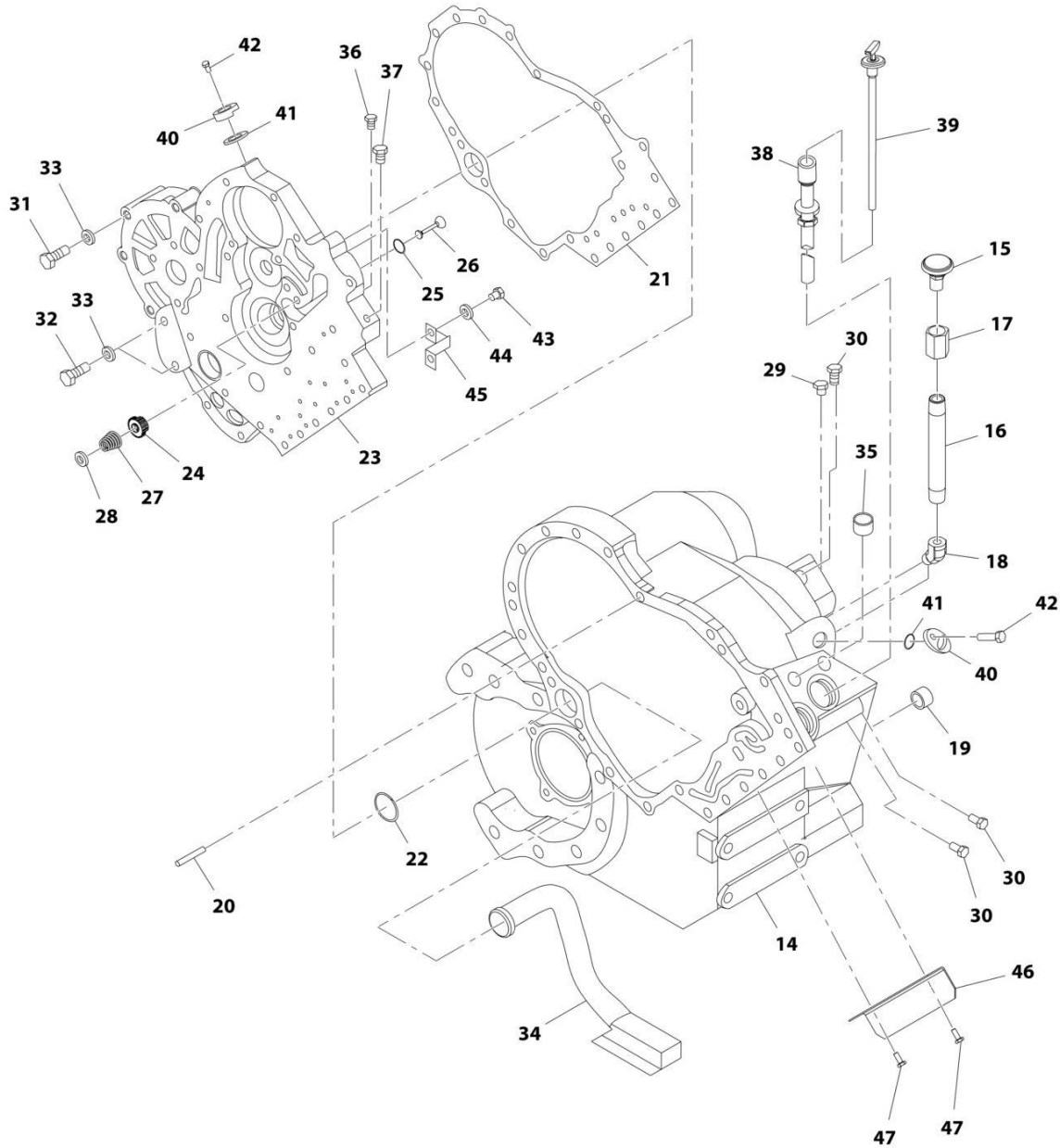
SECTION 5 - DRIVE TRAIN

FIGURE 5-109. POWERSHIFT TRANSMISSION, CONVERTER HOUSING

ITEM	PART NUMBER	QTY	DESCRIPTION	REV
	1001192001	Ref	TRANSMISSION, CONVERTER HOUSING	
1	91474186	1	Converter Housing	
2	8032526	4	Plug With O-Ring	
3	91474189	1	Plug	
4	8032526	1	Plug With O-Ring	
5	91474192	1	Plug	
6	91474193	6	Screw	
7	91474194	3	Screw	
8	91474195	1	Screw	
9	91474265	10	Lockwasher	
10	91474194	13	Screw	
11	91474265	13	Lockwasher	
12	91474191	1	Gasket	
13	70025574	1	Temperature Switch	

SECTION 5 - DRIVE TRAIN

FIGURE 5-110. POWERSHIFT TRANSMISSION, TRANSMISSION CASE



ART_1001192001_2-C

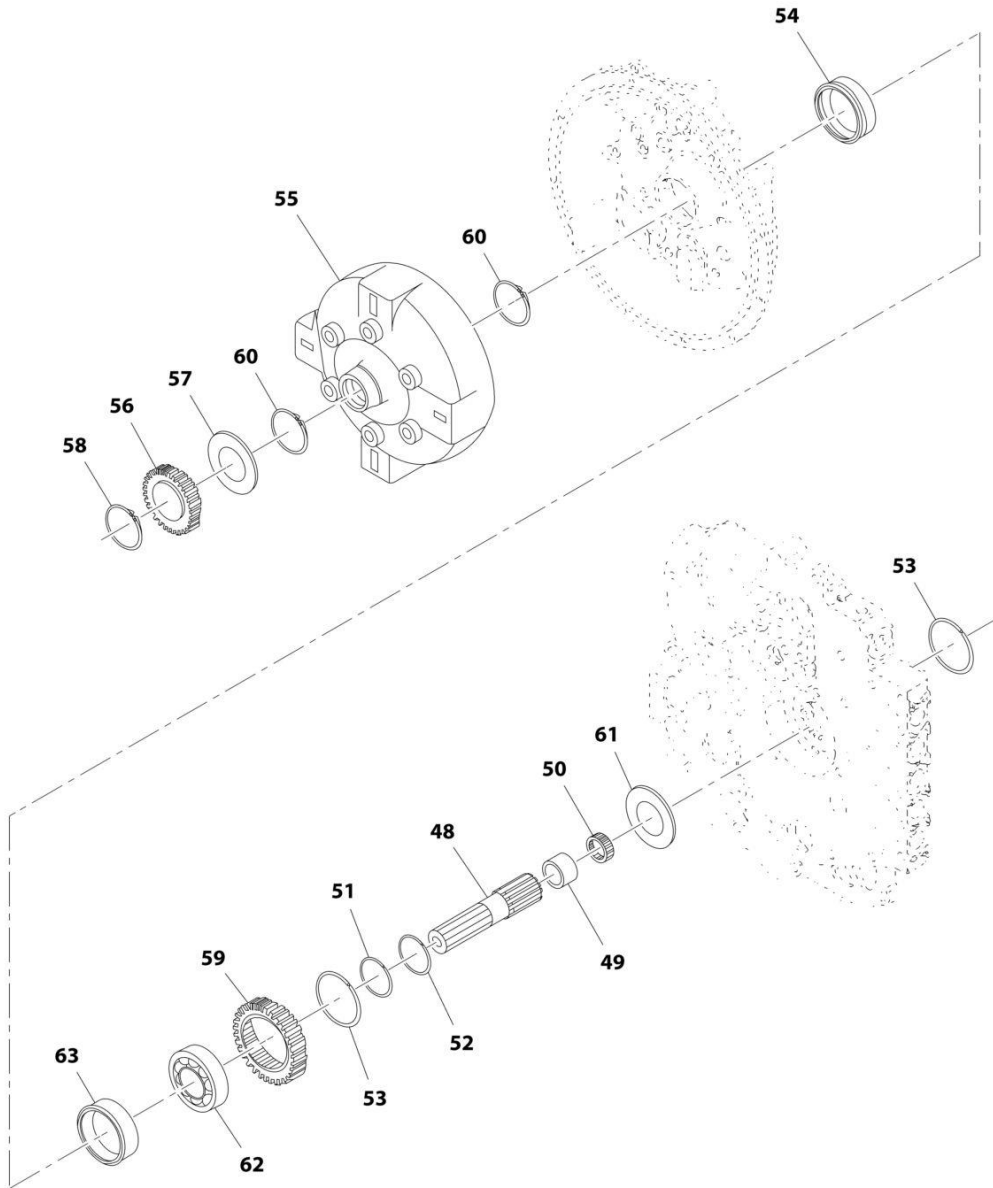
SECTION 5 - DRIVE TRAIN

FIGURE 5-110. POWERSHIFT TRANSMISSION, TRANSMISSION CASE

ITEM	PART NUMBER	QTY	DESCRIPTION	REV
	1001192001	Ref	TRANSMISSION, TRANSMISSION CASE	
14	70020402	1	Transmission Case	
15	8032509	1	Breather	
16	7028058	1	Pipe Nipple	
17	91474198	1	Pipe Coupling	
18	91474199	1	Fitting, Elbow	
19	8032528	2	Plug	
21	91474200	2	Pin	
22	10868213	1	Gasket	
23	10837074	1	Ring	
24	7029822	1	Plate	
25	8034963	1	Safety Valve	
26	91474205	1	Snap Ring	
27	91474206	1	Poppet	
28	8034962	1	Spring	
29	8034961	1	Washer	
30	91474189	1	Plug	
31	8032526	3	Plug With O-Ring	
32	91474208	7	Screw	
33	91474209	2	Screw	
34	91474265	9	Lockwasher	
35	91474210	1	Assembly Suction Tube	
36	91474211	1	Plug	
37	91474189	1	Plug	
38	91474192	1	Plug	
39	90204823	1	Dipstick Tube	
40	70020403	1	Dipstick, Cold Level	
41	91474213	2	Plug	
42	91474214	2	O-Ring	
43	8034940	2	Screw	
44	91474617	2	Capscrew	
45	91474618	2	Washer	
46	70025575	1	Safety Valve Baffle	
47	70020405	1	Plate	
48	70020406	2	Bolt, M6	

SECTION 5 - DRIVE TRAIN

FIGURE 5-111. POWERSHIFT TRANSMISSION, TORQUE CONVERTER



ART_1001192001_3-C

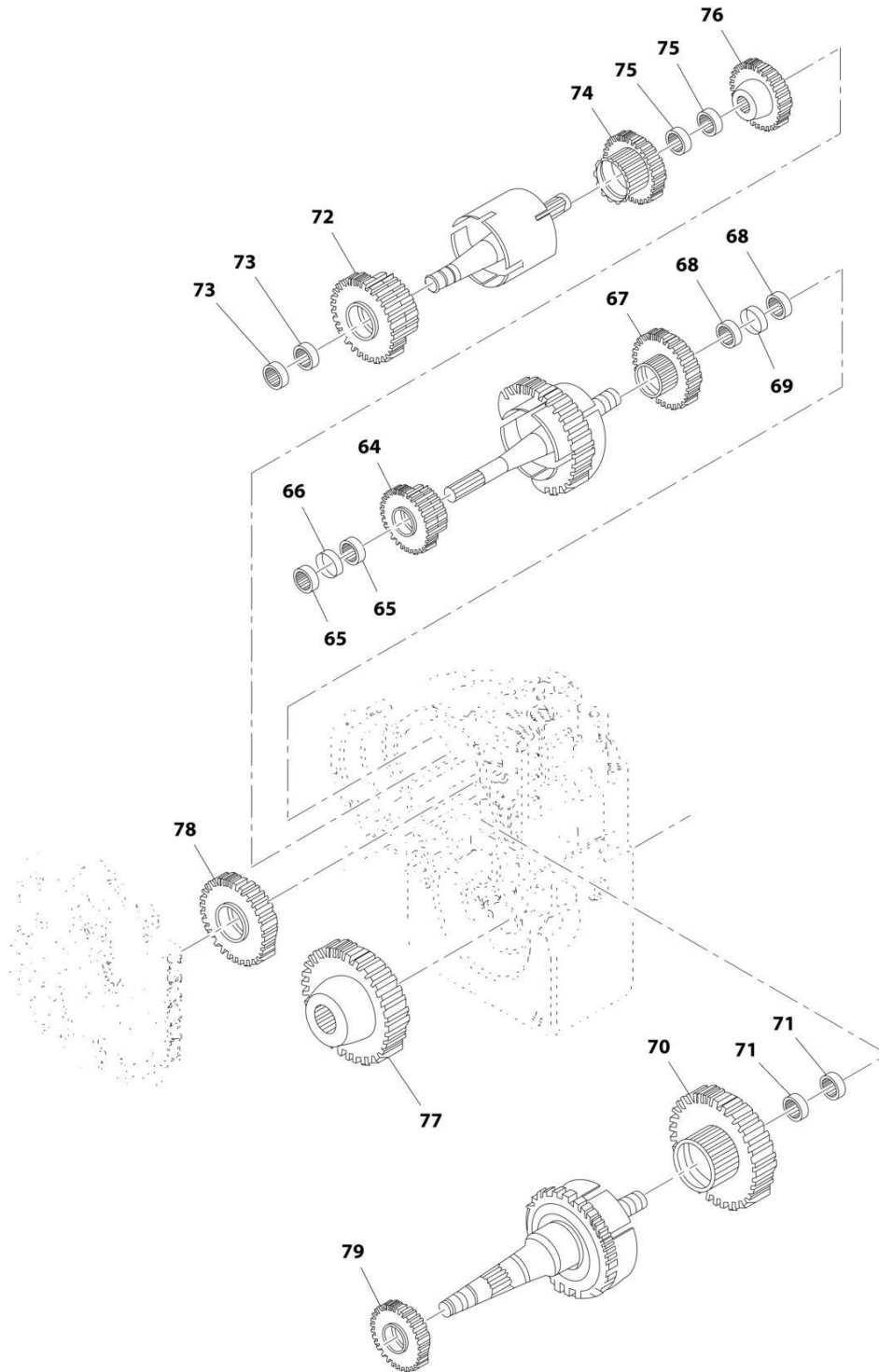
SECTION 5 - DRIVE TRAIN

FIGURE 5-111. POWERSHIFT TRANSMISSION, TORQUE CONVERTER

ITEM	PART NUMBER	QTY	DESCRIPTION	REV
	1001192001	Ref	TRANSMISSION, TORQUE CONVERTER	
49	10868239	1	Stator Support Assembly	
50	91474217	1	Bushing	
51	91474218	1	Bearing	
52	91474219	1	Ring	
53	91474220	1	Expander, Ring	
54	91474221	2	Snap Ring	
55	10837072	1	Seal	
56	7028055	1	Torque Converter	
57	90204781	1	Plug	
58	77104039	1	O-Ring	
59	77104041	1	Snap Ring	
60	91474224	1	Gear	
61	8034968	2	Snap Ring	
62	91474226	1	Washer	
63	10868235	1	Bearing	
64	91474228	1	Ring	

SECTION 5 - DRIVE TRAIN

FIGURE 5-112. POWERSHIFT TRANSMISSION, GEAR GROUP



ART_1001192001_4-C

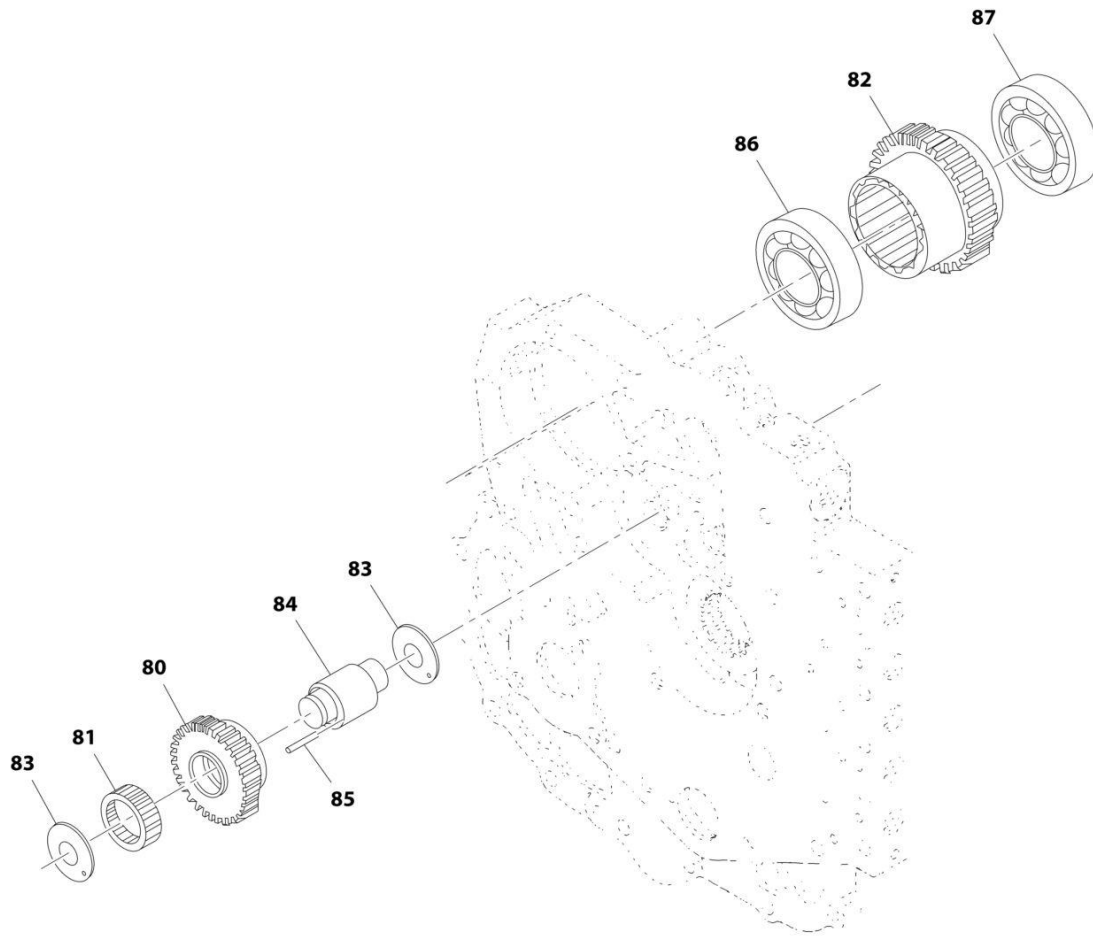
SECTION 5 - DRIVE TRAIN

FIGURE 5-112. POWERSHIFT TRANSMISSION, GEAR GROUP

ITEM	PART NUMBER	QTY	DESCRIPTION	REV
	1001192001	Ref	TRANSMISSION, GEAR GROUP	
65	91474237	1	Reverse Gear And Bearing	
66	91474230	2	Bearing Needle	
67	91474231	1	Spacer	
68	91474232	1	Forward Gear & Bearing	
69	91474230	2	Bearing Needle	
70	91474231	1	Spacer	
71	91474389	1	3rd Clutch Gear & Bearing	
72	91474236	2	Bearing Needle	
73	91474237	1	1st Clutch Gear & Bearing	
74	91474230	2	Bearing Needle	
75	91474239	1	2nd Clutch Gear & Bearing	
76	91474230	2	Bearing Needle	
77	91474393	1	Gear 3rd Driven	
78	91474394	1	Gear Output Shaft	
79	91474238	1	Gear Reverse Idler	
80	91474240	1	Gear First Drive	

SECTION 5 - DRIVE TRAIN

FIGURE 5-113. POWERSHIFT TRANSMISSION, PUMP DRIVE



ART_1001192001_5-C

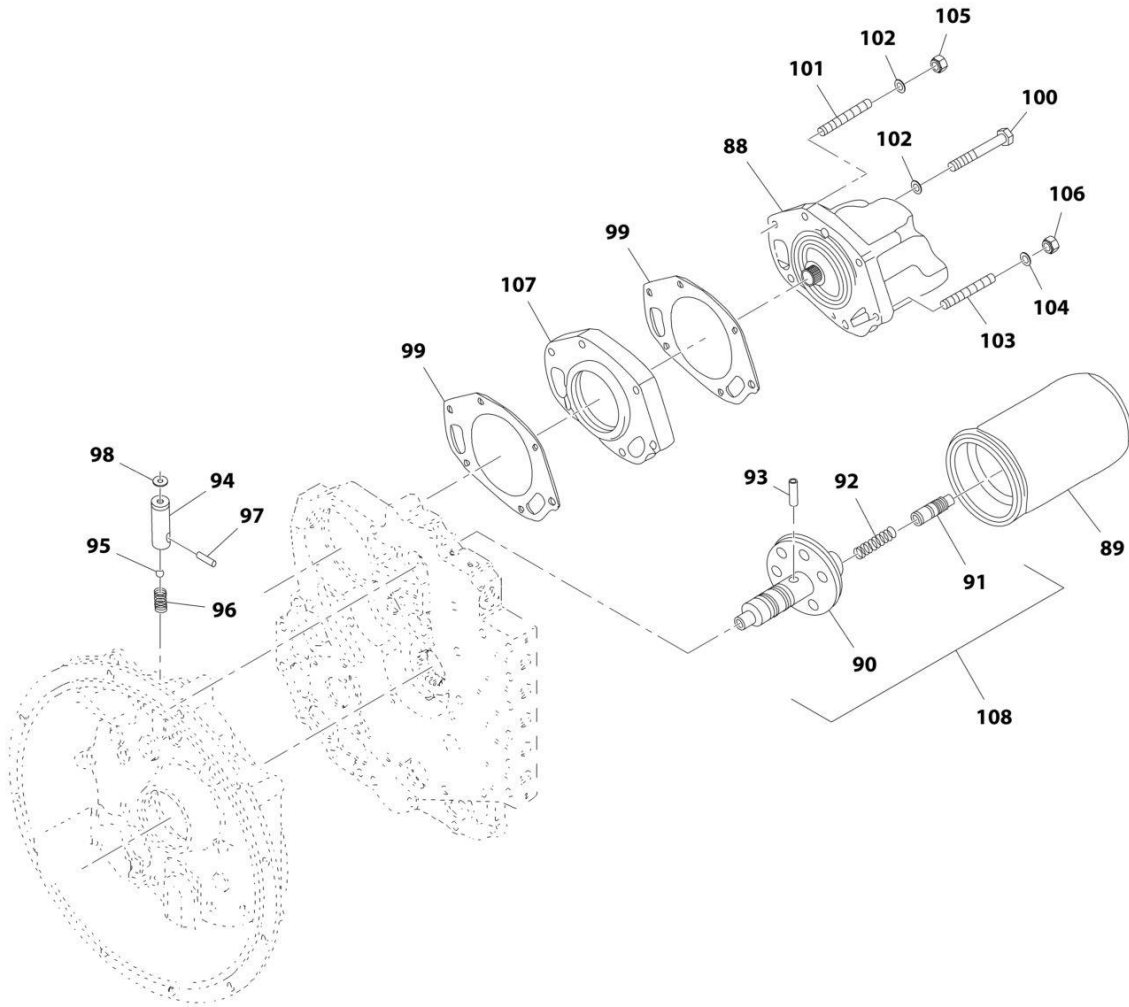
SECTION 5 - DRIVE TRAIN

FIGURE 5-113. POWERSHIFT TRANSMISSION, PUMP DRIVE

ITEM	PART NUMBER	QTY	DESCRIPTION	REV
	1001192001	Ref	TRANSMISSION, PUMP DRIVE	
81	91474241	1	Pump Drive Idler Gear	
82	91474242	1	Bearing	
83	91474243	1	Pump Drive Gear	
84	10868243	2	Washer	
85	91474245	1	Pump Drive Shaft	
86	10868248	1	Pin	
87	91474247	1	Bearing	
88	91474248	1	Bearing	

SECTION 5 - DRIVE TRAIN

FIGURE 5-114. POWERSHIFT TRANSMISSION, CHARGING PUMP



ART_1001192001_6-C

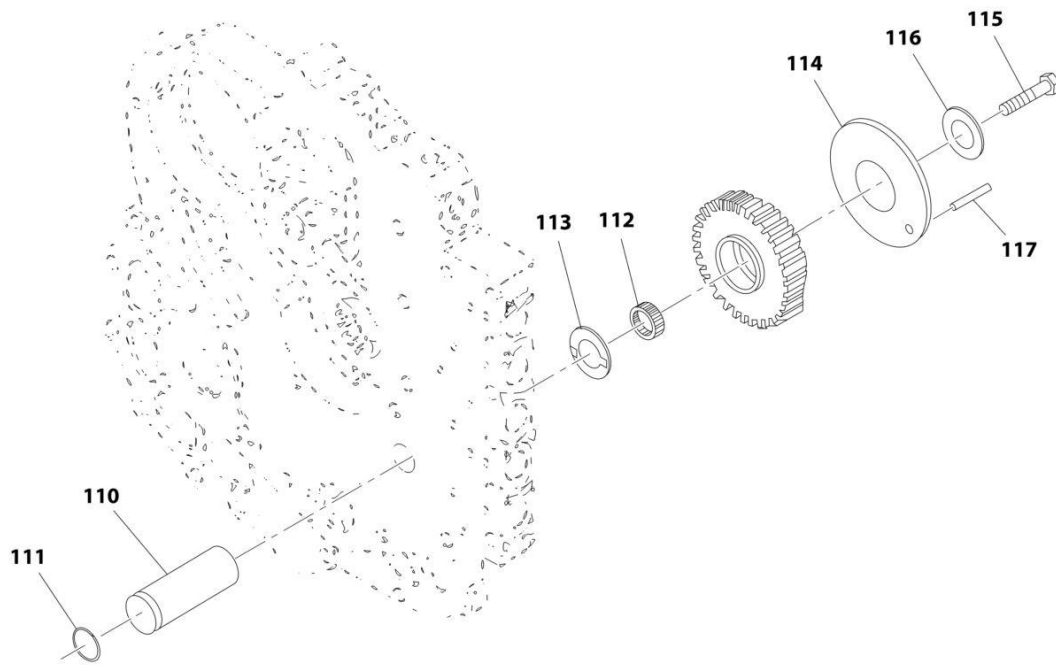
SECTION 5 - DRIVE TRAIN

FIGURE 5-114. POWERSHIFT TRANSMISSION, CHARGING PUMP

ITEM	PART NUMBER	QTY	DESCRIPTION	REV
	1001192001	Ref	TRANSMISSION, CHARGING PUMP	
89	70020407	1	Charging Pump	
90	91474250	1	Hydraulic Spin Filter	
91	91474251	1	Sleeve	
92	91474252	1	Piston	
93	91474253	1	Spring	
94	91474254	1	Pin	
95	8034947	1	Ball Check Valve	
96	91474256	1	Ball	
97	91474257	1	Spring	
98	91474258	1	Pin	
99	91474259	1	O-Ring	
100	10868254	2	Gasket	
101	7028063	4	Screw	
102	91474262	1	Stud	
103	91474263	5	Lockwasher	
104	91474264	1	Stud	
105	91474265	1	Lockwasher	
106	91474266	1	Nut	
107	91474274	1	Nut	
108	91474268	1	Adaptor	
109	91474273	2	Reg Valve Comes	

SECTION 5 - DRIVE TRAIN

FIGURE 5-115. POWERSHIFT TRANSMISSION, REVERSE IDLER



ART_1001192001_7-C

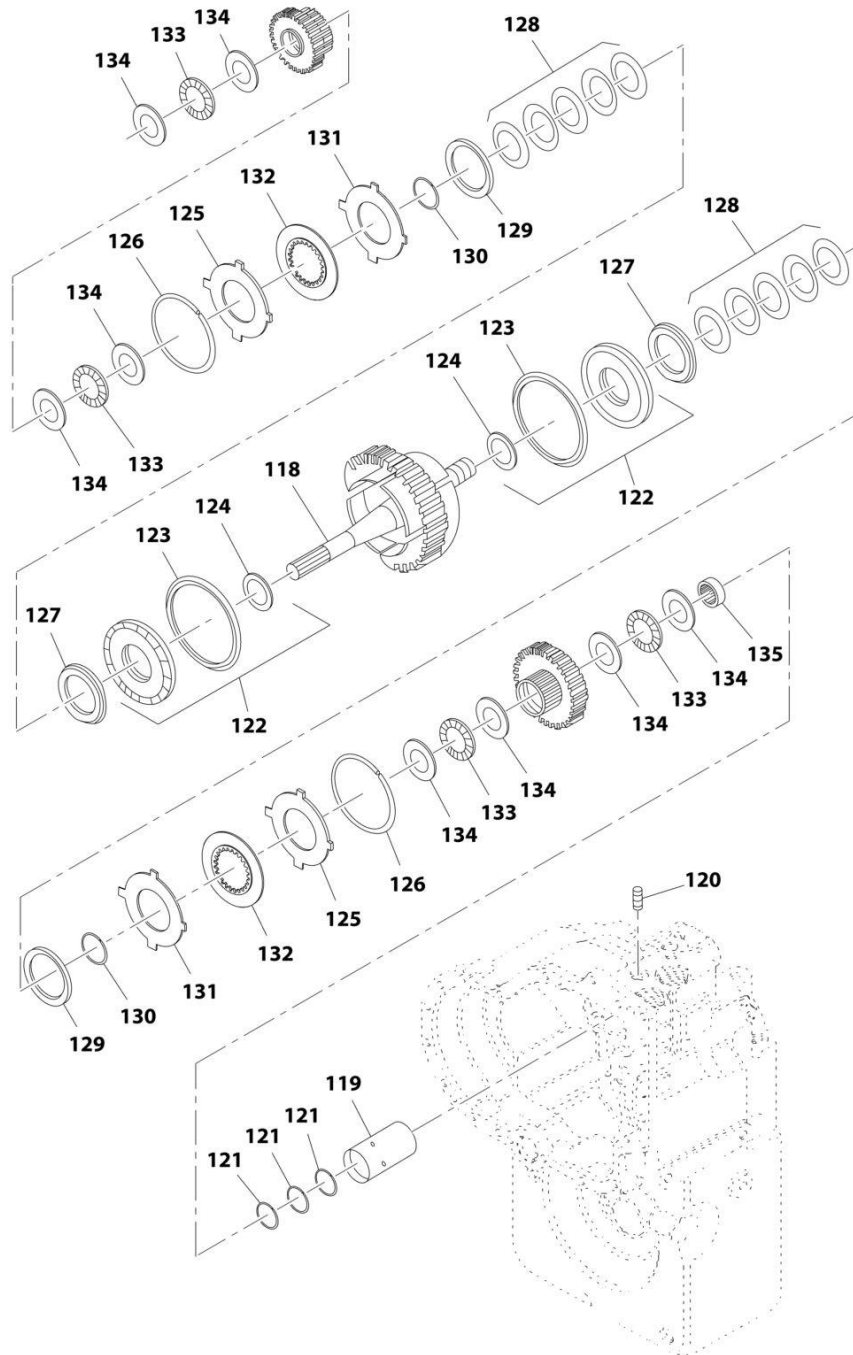
SECTION 5 - DRIVE TRAIN

FIGURE 5-115. POWERSHIFT TRANSMISSION, REVERSE IDLER

ITEM	PART NUMBER	QTY	DESCRIPTION	REV
	1001192001	Ref	TRANSMISSION, REVERSE IDLER	
110	91474275	1	Idler & Pilot Shaft	
111	91474276	1	Snap Ring	
112	91474277	1	Bearing	
113	91474278	1	Washer	
114	91474279	1	Plate	
115	91474280	1	Capscrew	
116	91474281	1	Washer	
117	91474282	1	Roll Pin	

SECTION 5 - DRIVE TRAIN

FIGURE 5-116. POWERSHIFT TRANSMISSION, FORWARD AND REVERSE SHAFT



ART_1001192001_8-C

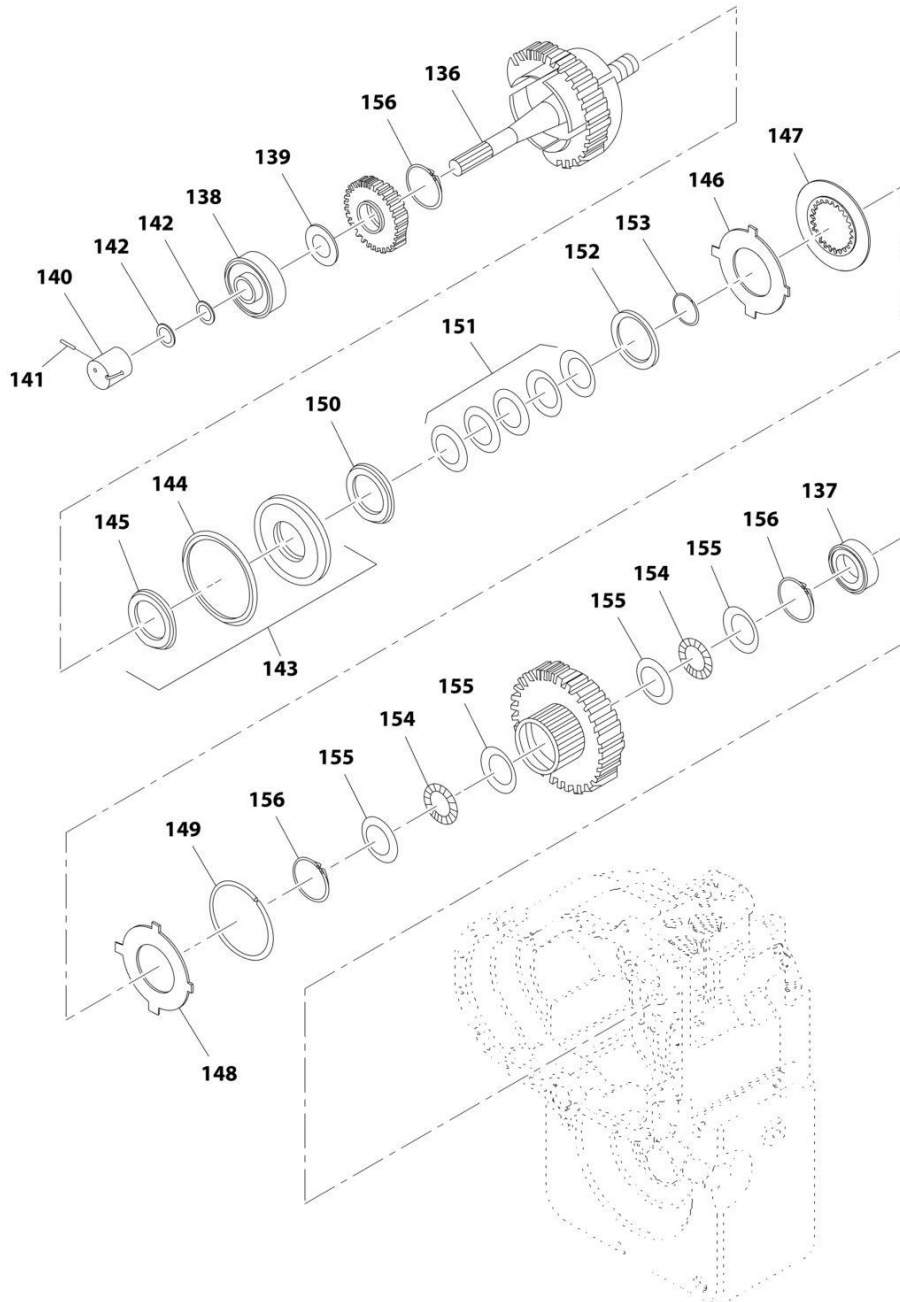
SECTION 5 - DRIVE TRAIN

FIGURE 5-116. POWERSHIFT TRANSMISSION, FORWARD AND REVERSE SHAFT

ITEM	PART NUMBER	QTY	DESCRIPTION	REV
	1001192001	Ref	TRANSMISSION, FORWARD AND REVERSE SHAFT	
118	91474283	1	Turbine Shaft, Drum & Plug	
119	91474284	1	Sleeve	
120	8035035	1	Screw	
121	10837060	3	Ring	
122	91474287	2	Piston And Seals	
123	91474288	2	Seal	
124	91474289	2	Seal	
125	91474290	2	End Plate	
126	91474309	2	Snap Ring	
127	10868277	2	Clutch Plate	
128	91474310	2	Disc Spring Assembly	
129	91474294	2	Snap Ring	
130	91474295	2	Snap Ring	
131	91474296	12	Outer Disc	
132	91474297	12	Inner Disc	
133	91474298	4	Bearing	
134	91474299	8	Washer	
135	91474300	1	Bearing	

SECTION 5 - DRIVE TRAIN

FIGURE 5-117. POWERSHIFT TRANSMISSION, 3RD SHAFT



ART_1001192001_9-C

SECTION 5 - DRIVE TRAIN

FIGURE 5-117. POWERSHIFT TRANSMISSION, 3RD SHAFT

ITEM	PART NUMBER	QTY	DESCRIPTION	REV
	1001192001	Ref	TRANSMISSION, 3RD SHAFT	
136	91474301	1	3rd Shaft	
137	91474302	1	Bearing	
138	91474303	1	Bearing & Seal	
139	91474304	1	Washer	
140	10868284	1	Sleeve	
141	91474306	1	Screw	
142	10837060	2	Ring	
143	91474307	1	Clutch Piston	
144	91474288	1	Seal	
145	91474289	1	Seal	
146	91474296	5	Outer Disc	
147	91474297	5	Inner Disc	
148	91474290	1	Plate	
149	91474309	1	Snap Ring	
150	10868277	1	Plate	
151	91474310	1	Disc Spring	
152	91474294	1	Snap Ring	
153	91474295	1	Snap Ring	
154	91474311	2	Bearing	
155	91474312	4	Washer	
156	91474313	3	External Snap Ring	

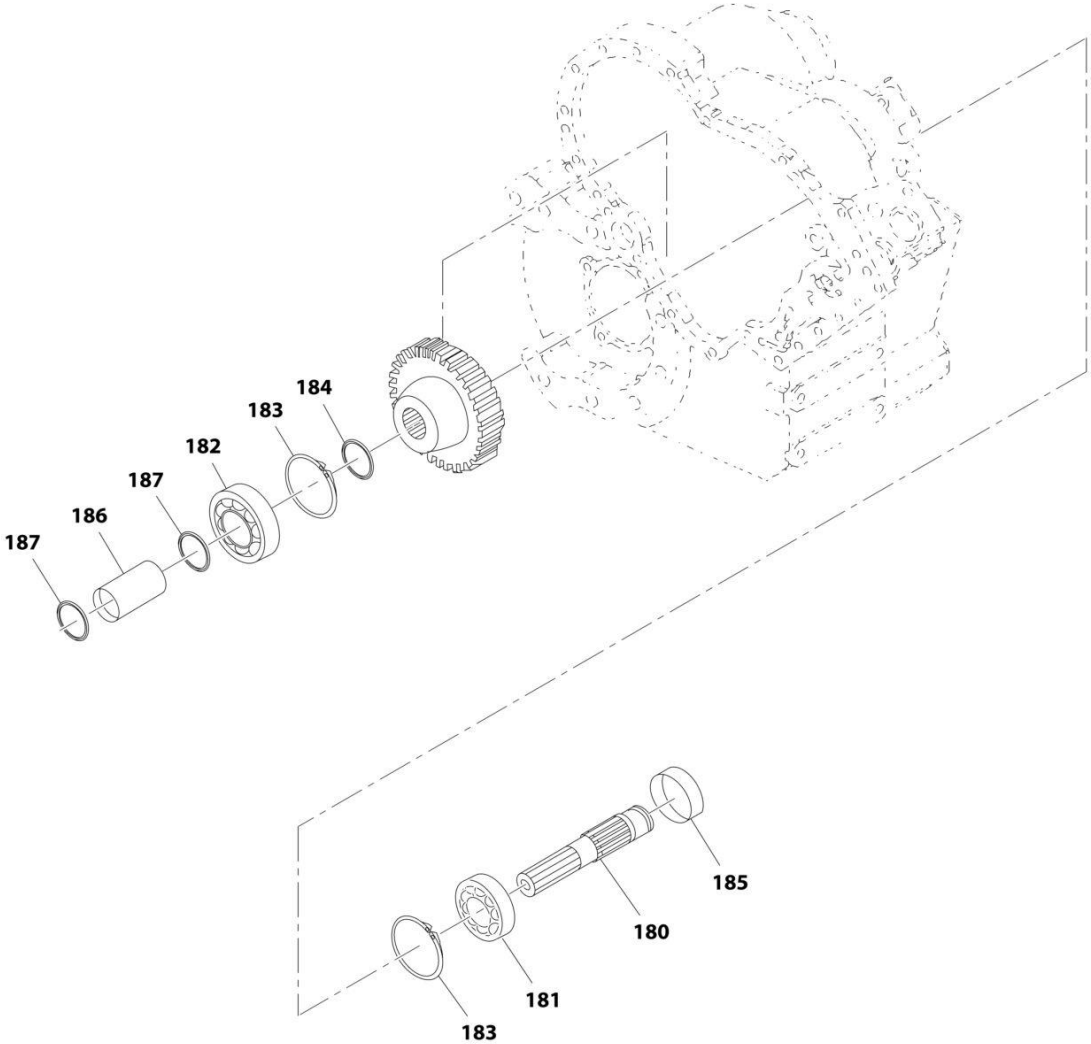
SECTION 5 - DRIVE TRAIN

FIGURE 5-118. POWERSHIFT TRANSMISSION, 1ST & 2ND SHAFT

ITEM	PART NUMBER	QTY	DESCRIPTION	REV
	1001192001	Ref	TRANSMISSION, 1ST & 2ND SHAFT	
157	91474314	1	1st and 2nd Shaft	
158	91474315	1	Bearing	
159	91474303	1	Bearing & Seal	
160	10837060	2	Ring	
161	91474316	2	Piston & Seals	
162	91474288	2	Seal	
163	91474289	2	Seal	
164	91474290	2	Plate	
165	91474309	2	Snap Ring	
166	10868277	2	Wear Plate	
167	91474310	1	Disc Spring 2nd	
168	91474317	1	Disc Spring 1st	
169	91474294	2	Snap Ring	
170	91474295	2	Snap Ring	
171	91474298	4	Bearing	
172	91474299	8	Washer	
173	91474318	2	Snap Ring	
174	91474319	1	Sleeve	
175	91474306	1	Screw	
176	91474296	10	Outer Disc	
177	91474297	10	Inner Disc	
178	91474296	5	Outer Disc	
179	91474297	5	Inner Disc	

SECTION 5 - DRIVE TRAIN

FIGURE 5-119. POWERSHIFT TRANSMISSION, OUTPUT SHAFT



ART_1001192001_11-C

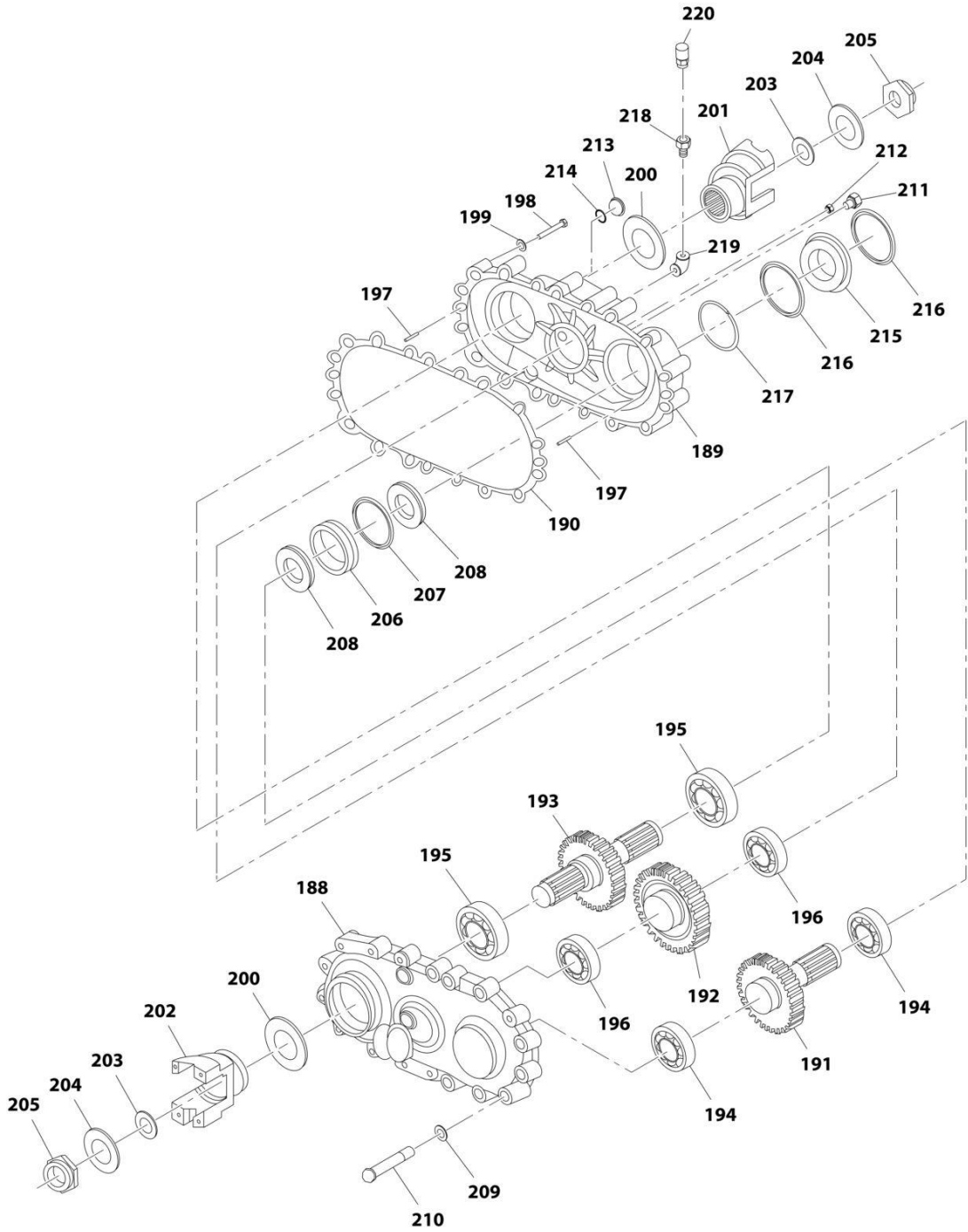
SECTION 5 - DRIVE TRAIN

FIGURE 5-119. POWERSHIFT TRANSMISSION, OUTPUT SHAFT

ITEM	PART NUMBER	QTY	DESCRIPTION	REV
	1001192001	Ref	TRANSMISSION, OUTPUT SHAFT	
180	91474320	1	Output Shaft	
181	10723509	1	Ball Bearing	
182	77104081	1	Bearing	
183	91474321	2	Snap Ring	
184	10868292	1	Snap Ring	
185	91474323	1	End Plug	
186	91474324	1	Coupling	
187	91474313	2	Snap Ring	

SECTION 5 - DRIVE TRAIN

FIGURE 5-120. POWERSHIFT TRANSMISSION, DROP BOX



ART_1001192001_12-C

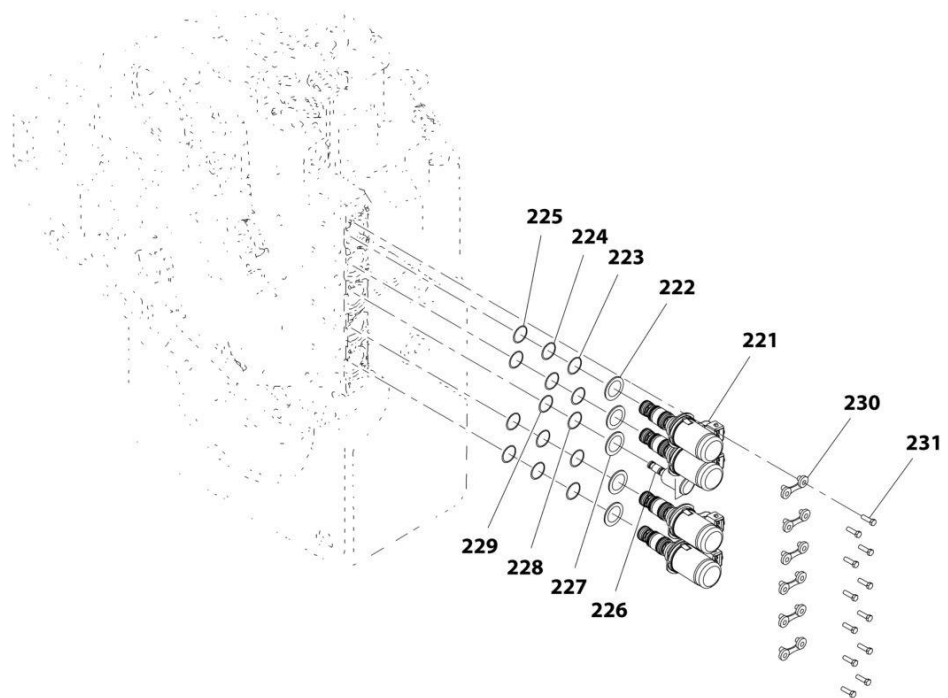
SECTION 5 - DRIVE TRAIN

FIGURE 5-120. POWERSHIFT TRANSMISSION, DROP BOX

ITEM	PART NUMBER	QTY	DESCRIPTION	REV
	1001192001	Ref	TRANSMISSION, DROP BOX	
188	91474358	1	Front Cover	
189	91474359	1	Rear Cover	
190	91474360	1	Gasket	
191		Ref	Input Shaft	
192		Ref	Ilder Gear Shaft	
193		Ref	Output Shaft	
194	91474364	2	Bearing	
195	91474365	2	Rear Bearing	
196	91474366	2	Roller Bearing	
197	91474200	2	Pin	
198	91474209	10	Capscrew	
199	91474265	10	Lockwasher	
200	91474367	2	Oil Seal	
201	91474368	1	Flange, Rear	
202	7028086	1	Flange, Front	
203	91474369	2	O-Ring	
204	91474370	2	Washer	
205	91474371	2	Nut	
206	91474372	1	Sleeve	
207	91474373	1	O-Ring	
208	91474374	2	Seal Oil	
209	91474375	8	Lock Washer	
210	91474376	8	Screw M16	
211	91474377	1	Oil Level Glass	
212	8007824	1	Plug	
213	91474623	1	Plug	
214	91474380	1	O-Ring	
215	91474381	1	Sleeve	
216	91474382	2	O-Ring	
217	91474321	1	Ring Snap	
218	91474600	1	Adapter	
219	91474383	1	Fitting	
220	91474601	1	Breather	

SECTION 5 - DRIVE TRAIN

FIGURE 5-121. POWERSHIFT TRANSMISSION, CONTROL



ART_1001192001_13-C

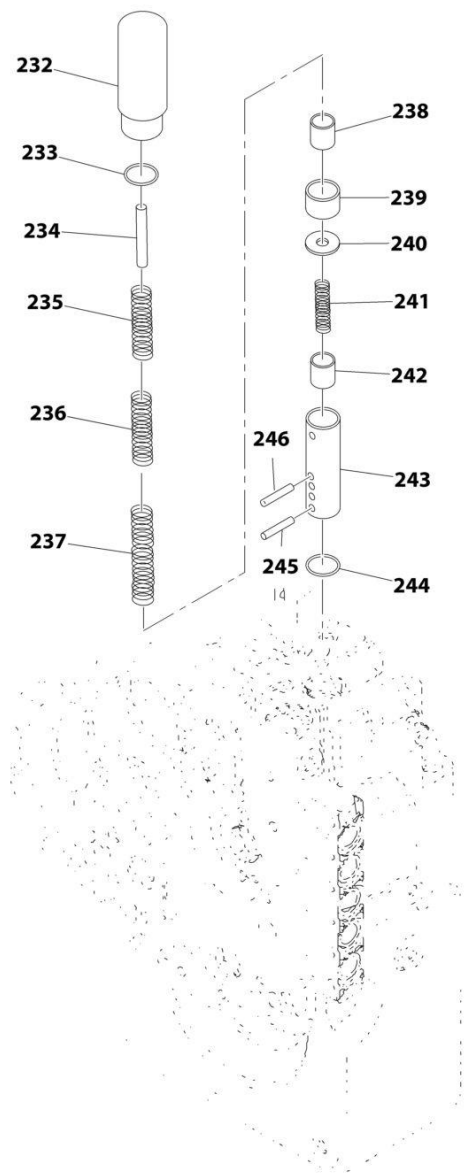
SECTION 5 - DRIVE TRAIN

FIGURE 5-121. POWERSHIFT TRANSMISSION, CONTROL

ITEM	PART NUMBER	QTY	DESCRIPTION	REV
	1001192001	Ref	TRANSMISSION, CONTROL	
221	70025576	4	Solenoid	
222	91514288	4	O-Ring	
223	91514289	4	O-Ring	
224	91514290	4	O-Ring	
225	91514291	4	O-Ring	
226	7029459	1	Plug	
227	70020410	1	O-Ring	
228	91514289	1	O-Ring	
229	91514291	1	O-Ring	
230	91514292	6	Clamp	
231	70020411	12	Screw	

SECTION 5 - DRIVE TRAIN

FIGURE 5-122. POWERSHIFT TRANSMISSION, MODULATION VALVE



ART_1001192001_14-C

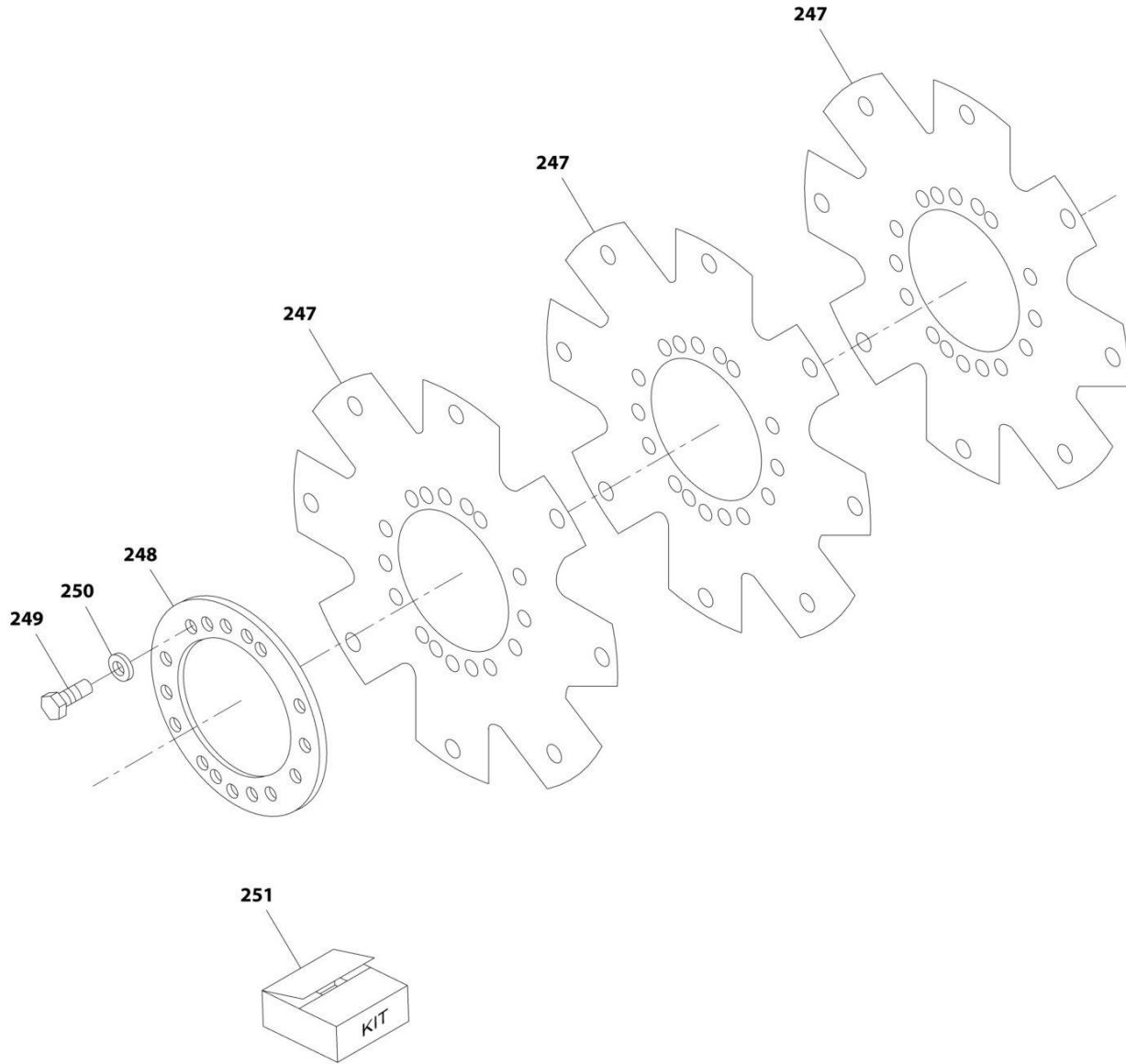
SECTION 5 - DRIVE TRAIN

FIGURE 5-122. POWERSHIFT TRANSMISSION, MODULATION VALVE

ITEM	PART NUMBER	QTY	DESCRIPTION	REV
	1001192001	Ref	TRANSMISSION, MODULATION VALVE	
232	91474338	1	Housing	
233	91474339	1	O-Ring	
234	91474345	1	Pin	
235	91474340	1	Inner Spring	
236	91474341	1	Middle Spring	
237	91474342	1	Outer Spring	
238	91474346	1	Spool	
239	91474349	1	Retainer Spring	
240	91474350	1	Spacer Spring	
241	91474348	1	Modulation Valve Spring	
242	91474347	1	Regulator Spool	
243	91474343	1	Sleeve	
244		Ref	O-Ring	
245	91474352	1	Pin, Lower	
246	91474351	1	Pin, Upper	

SECTION 5 - DRIVE TRAIN

FIGURE 5-123. POWERSHIFT TRANSMISSION, DRIVE PLATE



ART_1001192001_15-C

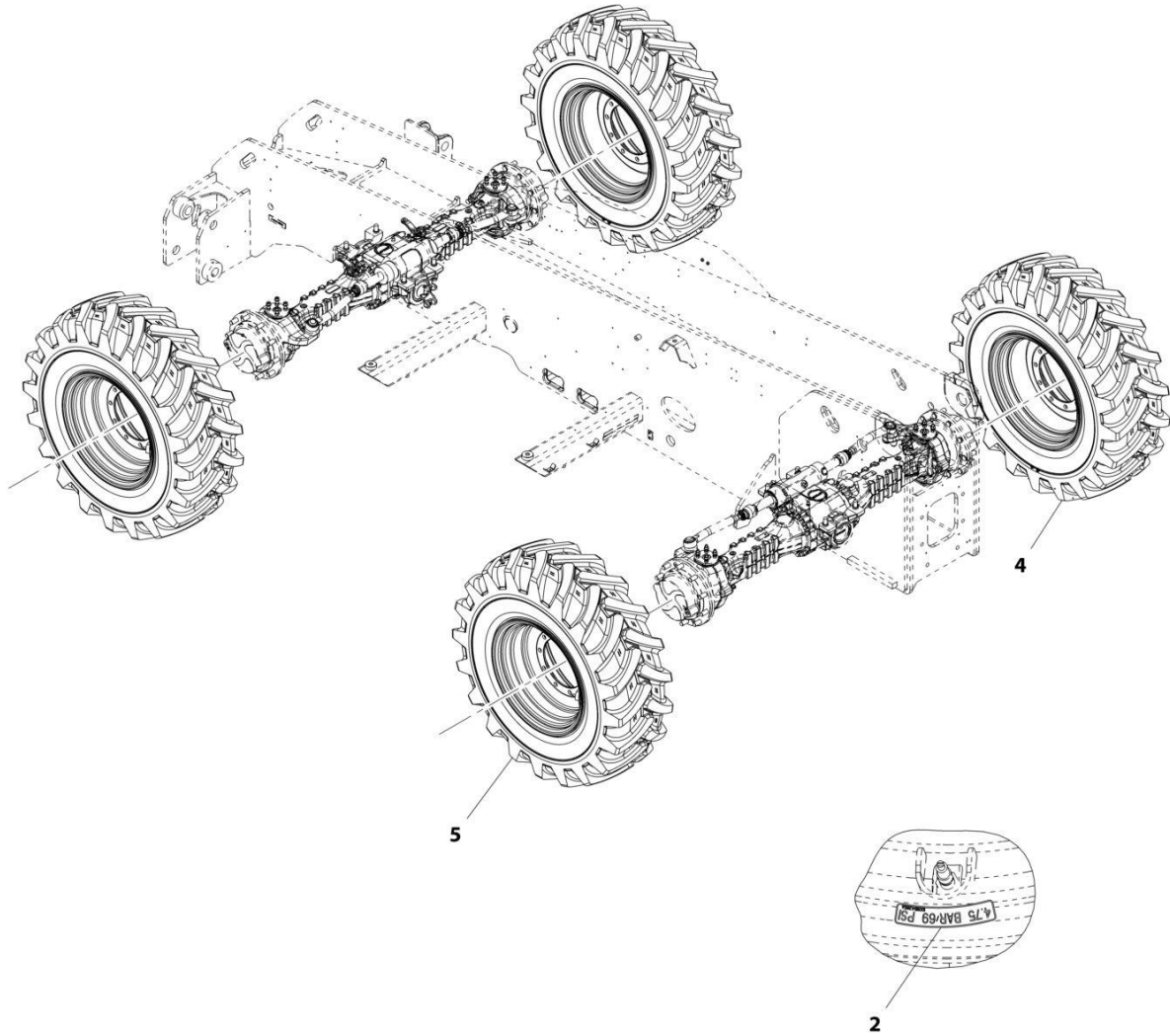
SECTION 5 - DRIVE TRAIN

FIGURE 5-123. POWERSHIFT TRANSMISSION, DRIVE PLATE

ITEM	PART NUMBER	QTY	DESCRIPTION	REV
	1001192001	Ref	TRANSMISSION, DRIVE PLATE	
247		Ref	Drive Plate	
248	77104044	1	Drive Ring	
249	91474356	6	Capscrew	
250	4761600	6	Lockwasher	
251	70024222	1	Kit, Drive Plate (includes items 247 thru 250)	

SECTION 5 - DRIVE TRAIN

FIGURE 5-124. TIRE WHEEL SET, MITAS 15.5/80-24 (3614RS)



ART_1001145606-F

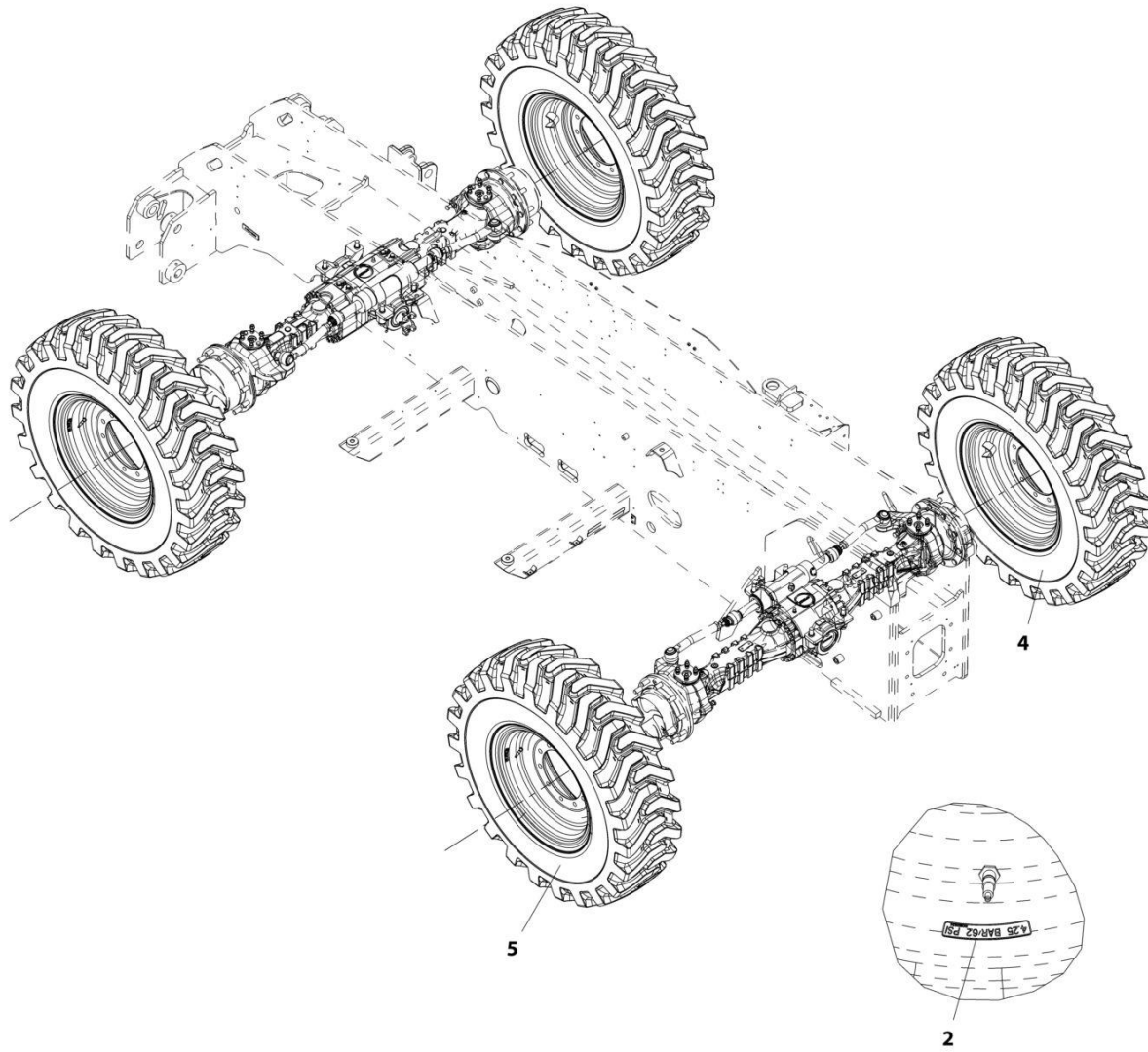
SECTION 5 - DRIVE TRAIN

FIGURE 5-124. TIRE WHEEL SET, MITAS 15.5/80-24 (3614RS)

ITEM	PART NUMBER	QTY	DESCRIPTION	REV
	1001145606	Ref	Tire Wheel Set, Mitas 15.5/80-24	F
2	1001154265	4	Label, 4.75 BAR	
4	1001217139	2	Wheel Assembly, RH	
4	1001214479	2	Tire (1 per assembly)	
4	1001217143	2	Wheel with Valve (1 per assembly)	
4	1001008719	2	valve, Air (1 per assembly)	
5	1001217141	2	Wheel Assembly, LH	
5	1001214479	2	Tire (1 per assembly)	
5	1001217145	2	Wheel with Valve (1 per assembly)	
5	1001008719	2	valve, Air (1 per assembly)	

SECTION 5 - DRIVE TRAIN

FIGURE 5-125. TIRE WHEEL SET, PNEUMATIC MITAS 14.00-24 (4017RS)



ART_1001145610-D

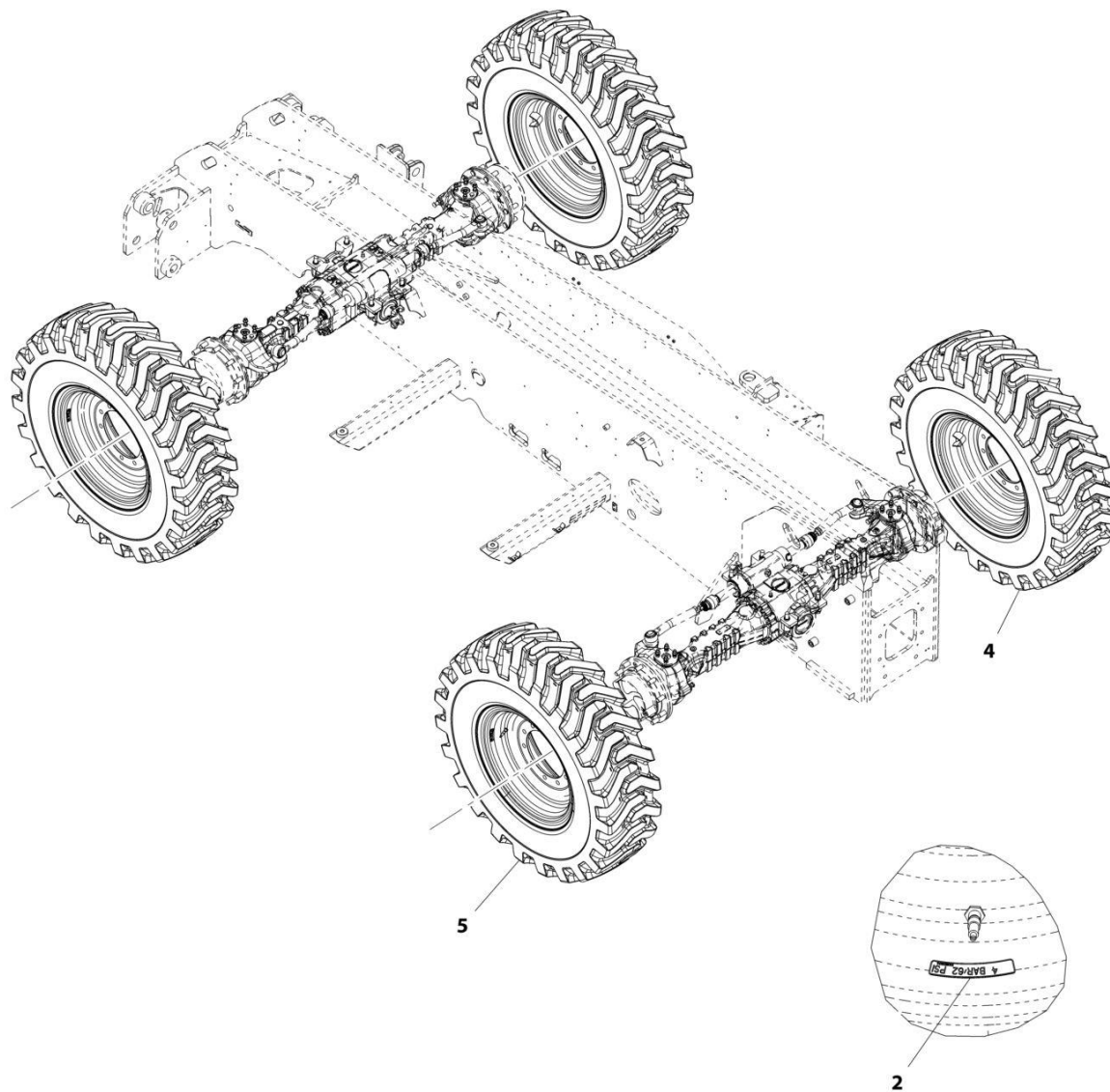
SECTION 5 - DRIVE TRAIN

FIGURE 5-125. TIRE WHEEL SET, PNEMATIC MITAS 14.00-24 (4017RS)

ITEM	PART NUMBER	QTY	DESCRIPTION	REV
	1001145610	Ref	Tire Wheel Set, Mitas 14.00-24	D
2	1001112924	4	Label, 4.25 Bar	
4	1001145588	2	Wheel Assembly, RH	
4	1001006814	2	Tire (1 per assembly)	
4	1001212643	2	Wheel with Valve (1 per assembly)	
4	1001008719	2	Valve, Air (1 per assembly)	
5	1001145589	2	Wheel Assembly, LH	
5	1001006814	2	Tire (1 per assembly)	
5	1001212644	2	Wheel with Valve (1 per assembly)	
5	1001008719	2	Valve, Air (1 per assembly)	

SECTION 5 - DRIVE TRAIN

FIGURE 5-126. TIRE WHEEL SET, PNEUMATIC GOODYEAR 15.5-25 SGL (3614RS)



ART_1001145608-D

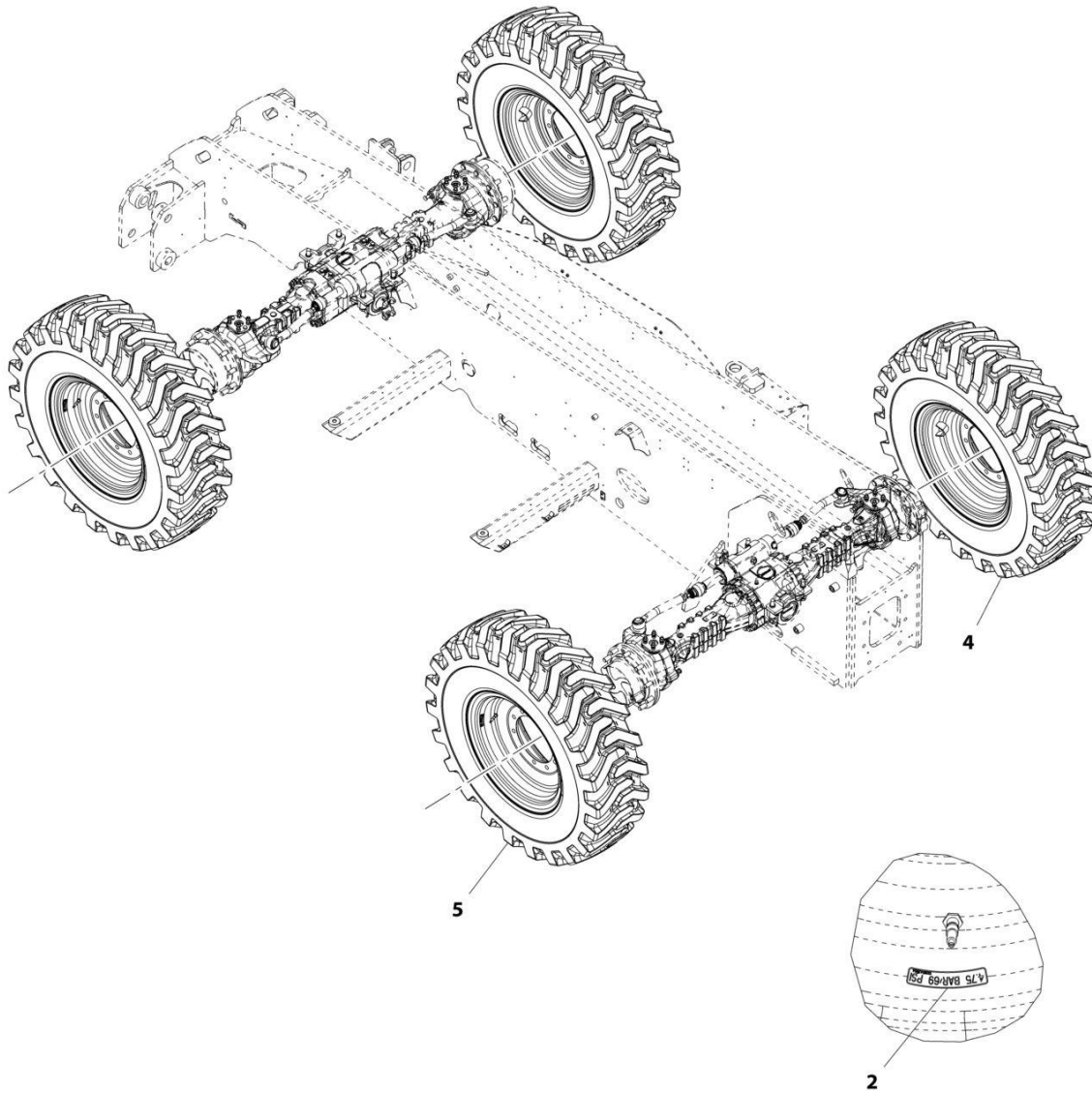
SECTION 5 - DRIVE TRAIN

FIGURE 5-126. TIRE WHEEL SET, PNEUMATIC GOODYEAR 15.5-25 SGL (3614RS)

ITEM	PART NUMBER	QTY	DESCRIPTION	REV
	1001145608	Ref	Tire Wheel Set, Goodyear 15.5-25 SGL	D
2	1001112924	4	Label - 4.0 BAR	
4	1001145585	2	Wheel Assembly, RH Goodyear	
4	1001003360	2	Tire (1 per assembly)	
4	1001212640	2	Wheel with Valve (1 per assembly)	
4	1001008719	2	Valve, Air (1 per assembly)	
5	1001145586	2	Wheel Assembly, LH Goodyear	
5	1001003360	2	Tire (1 per assembly)	
5	1001212641	2	Wheel with Valve (1 per assembly)	
5	1001008719	2	Valve, Air (1 per assembly)	

SECTION 5 - DRIVE TRAIN

FIGURE 5-127. TIRE WHEEL SET, PNEUMATIC GOODYEAR 14.00-24 (4017RS)



ART_1001145611-D

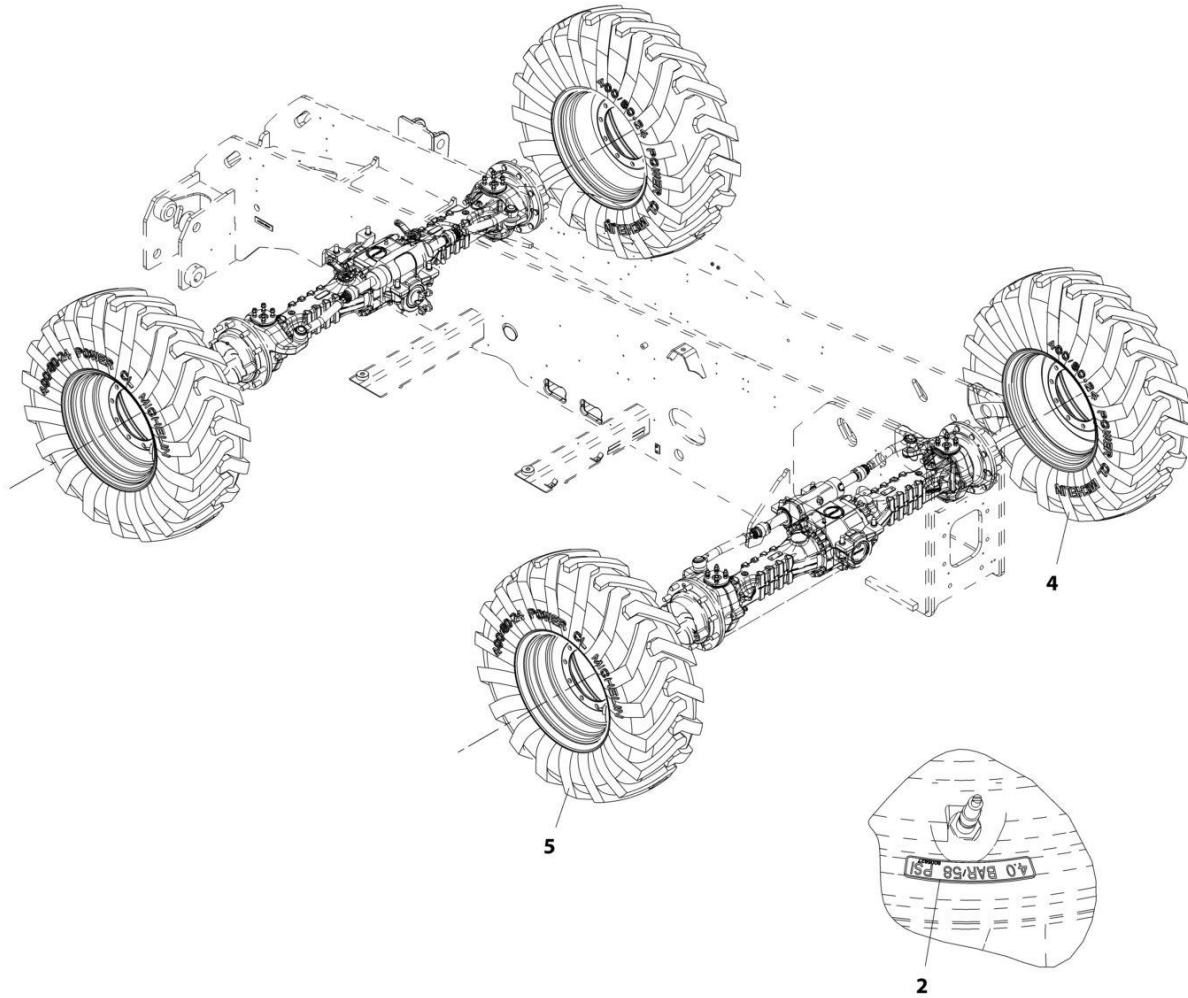
SECTION 5 - DRIVE TRAIN

FIGURE 5-127. TIRE WHEEL SET, PNEUMATIC GOODYEAR 14.00-24 (4017RS)

ITEM	PART NUMBER	QTY	DESCRIPTION	REV
	1001145611	Ref	Tire Wheel Set, Goodyear	D
2	1001154265	1	Label, 4.75 BAR	
4	1001145590	2	Wheel Assembly, RH Goodyear (4017RS)	
4	1001003334	2	Tire (1 per assembly	
4	1001212645	2	Wheel with Valve (1 per assembly	
4	1001008719	2	Valve, Air (1 per assembly)	
5	1001145591	2	Wheel, LH Goodyear (4017RS)	
5	1001003334	2	Tire (1 per assembly	
5	1001212646	2	Wheel with Valve (1 per assembly	
5	1001008719	2	Valve, Air (1 per assembly)	

SECTION 5 - DRIVE TRAIN

FIGURE 5-128. TIRE WHEEL SET, PNEUMATIC MICHELIN 400/80-24 POWER CL (3614RS)



ART_1001145607-D

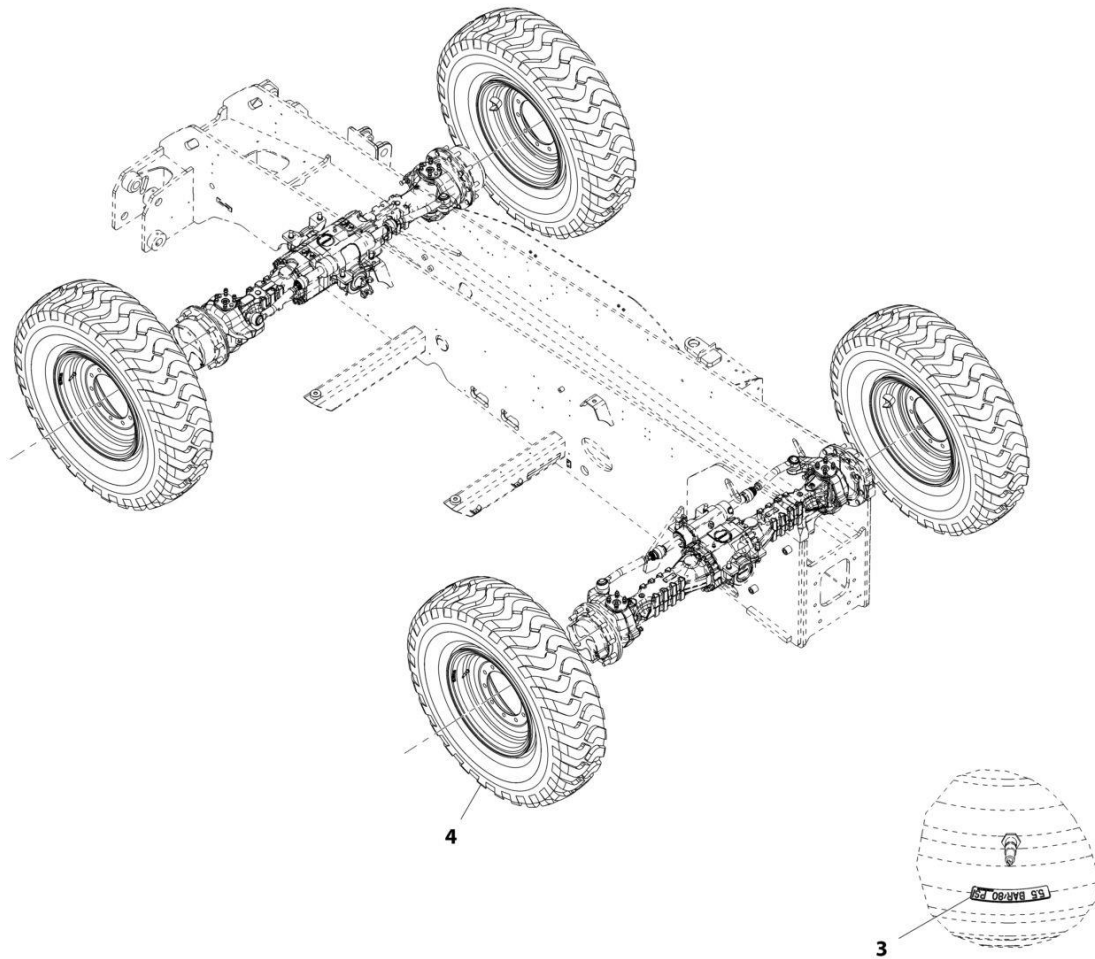
SECTION 5 - DRIVE TRAIN

FIGURE 5-128. TIRE WHEEL SET, PNEMATIC MICHELIN 400/80-24 POWER CL (3614RS)

ITEM	PART NUMBER	QTY	DESCRIPTION	REV
	1001145607	Ref	Tire Wheel Set, Michelin 400/80-24 Power CL	D
2	8005827	1	Label, 4.0 BAR	
4	1001145583	2	Wheel Assembly, RH	
4	1001099204	2	Tire (1 per assembly)	
4	1001212638	2	Wheel with Valve (1 per assembly)	
4	1001008719	2	Valve, Air (1 per assembly)	
5	1001145584	2	Wheel Assembly, LH	
5	1001099204	2	Tire (1 per assembly)	
5	1001212639	2	Wheel with Valve (1 per assembly)	
5	1001008719	2	Valve, Air (1 per assembly)	

SECTION 5 - DRIVE TRAIN

FIGURE 5-129. TIRE WHEEL SET, PNEUMATIC MICHELIN (4017RS)



ART_1001169888-B

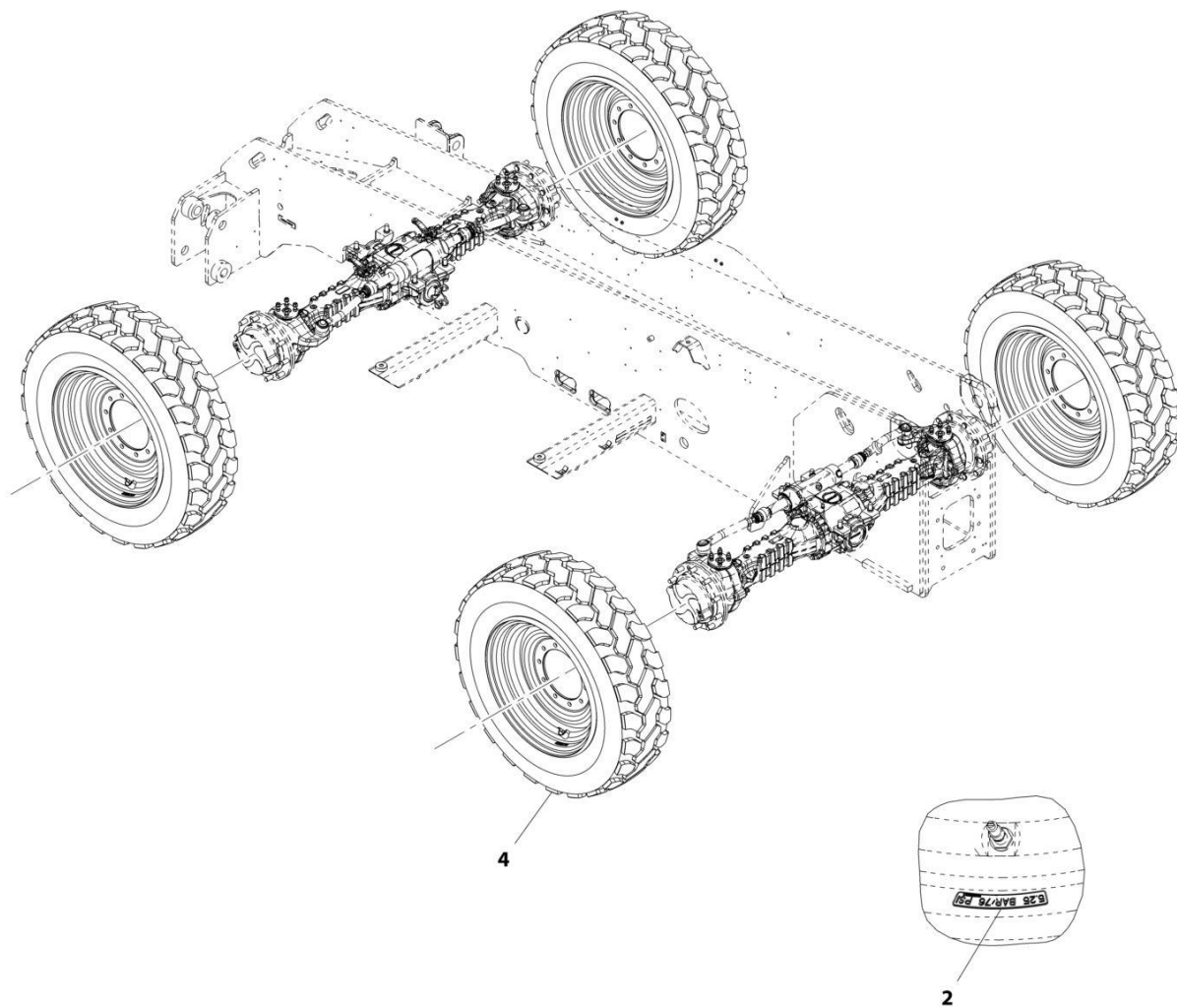
SECTION 5 - DRIVE TRAIN

FIGURE 5-129. TIRE WHEEL SET, PNEMATIC MICHELIN (4017RS)

ITEM	PART NUMBER	QTY	DESCRIPTION	REV
	1001169888	Ref	Tire Wheel Set, Michelin	B
3	1001128006	4	Label, 5.5 BAR	
4	1001168391	4	Wheel Assembly, Michelin	
4	1001154316	4	Tire (1 per assembly)	
4	1001212652	4	Wheel with Valve (1 per assembly)	
4	1001008719	4	Valve, Air (1 per assembly)	

SECTION 5 - DRIVE TRAIN

FIGURE 5-130. TIRE WHEEL SET, PNEUMATIC FIRESTONE 370/75-28 (3614RS)



ART_1001145609-D

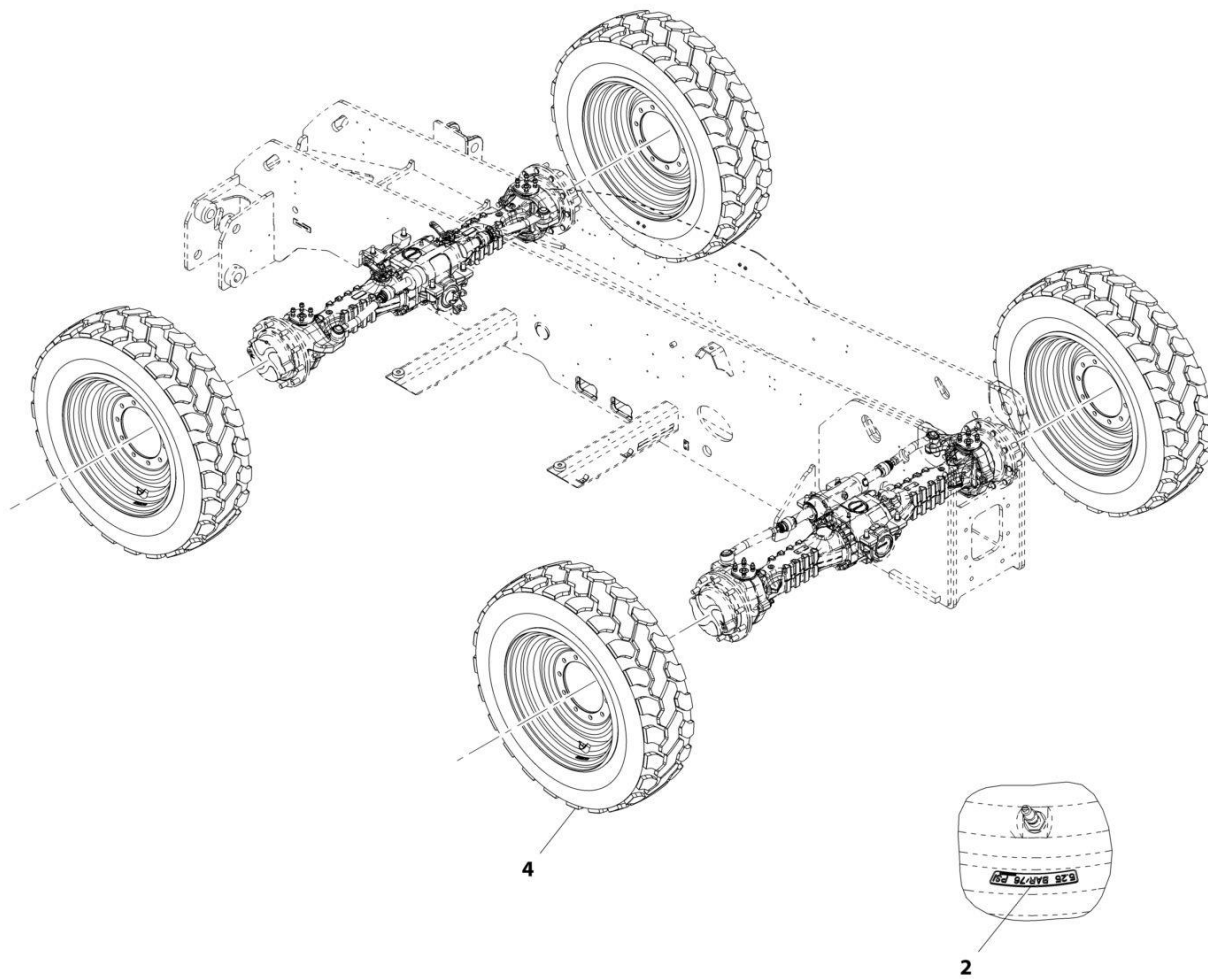
SECTION 5 - DRIVE TRAIN

FIGURE 5-130. TIRE WHEEL SET, PNEUMATIC FIRESTONE 370/75-28 (3614RS)

ITEM	PART NUMBER	QTY	DESCRIPTION	REV
	1001145609	Ref	Tire Wheel Set, Firestone 370/75-28	D
2	1001112923	4	Label 5.25 Bar	
4	1001145587	4	Wheel Assembly	
4	1001100284	4	Tire (1 per assembly)	
4	1001212642	4	Wheel with Valve (1 per assembly)	
4	1001008719	4	Valve, Air (1 per assembly)	

SECTION 5 - DRIVE TRAIN

FIGURE 5-131. TIRE WHEEL SET, PNEUMATIC FIRESTONE 400/75-28 16 PLY (4017RS)



ART_1001145612-D

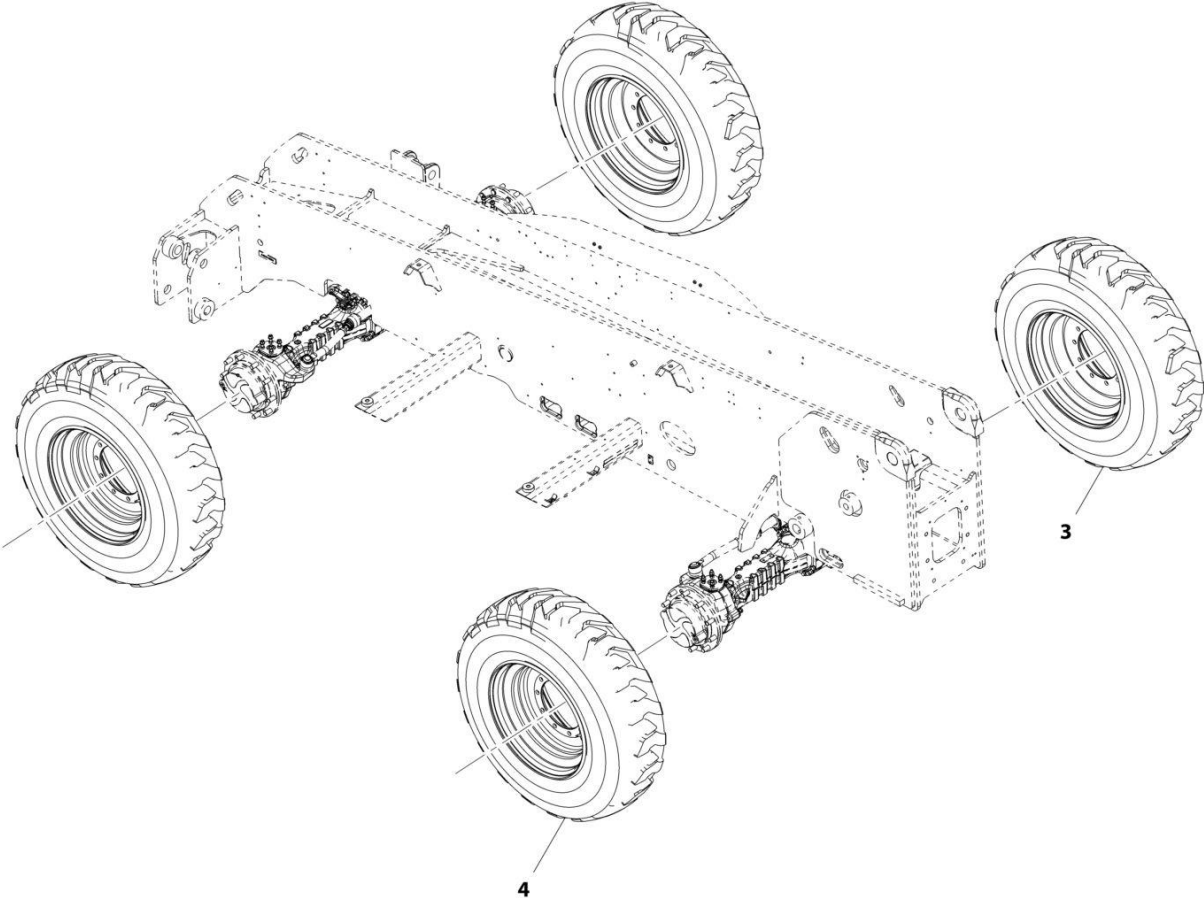
SECTION 5 - DRIVE TRAIN

FIGURE 5-131. TIRE WHEEL SET, PNEMATIC FIRESTONE 400/75-28 16 PLY (4017RS)

ITEM	PART NUMBER	QTY	DESCRIPTION	REV
	1001145612	Ref	Tire Wheel Set, Firestone 400/75-28 16 PLY	D
2	1001112923	4	Label, 5.25 Bar	
4	1001145592	4	Wheel Assembly	
4	1001120179	4	Tire (1 per assembly)	
4	1001212647	4	Wheel with Valve (1 per assembly)	
4	1001008719	4	Valve, Air (1 per assembly)	

SECTION 5 - DRIVE TRAIN

FIGURE 5-132. TIRE WHEEL SET, FOAM FILLED (3614RS)



ART_1001151868-B

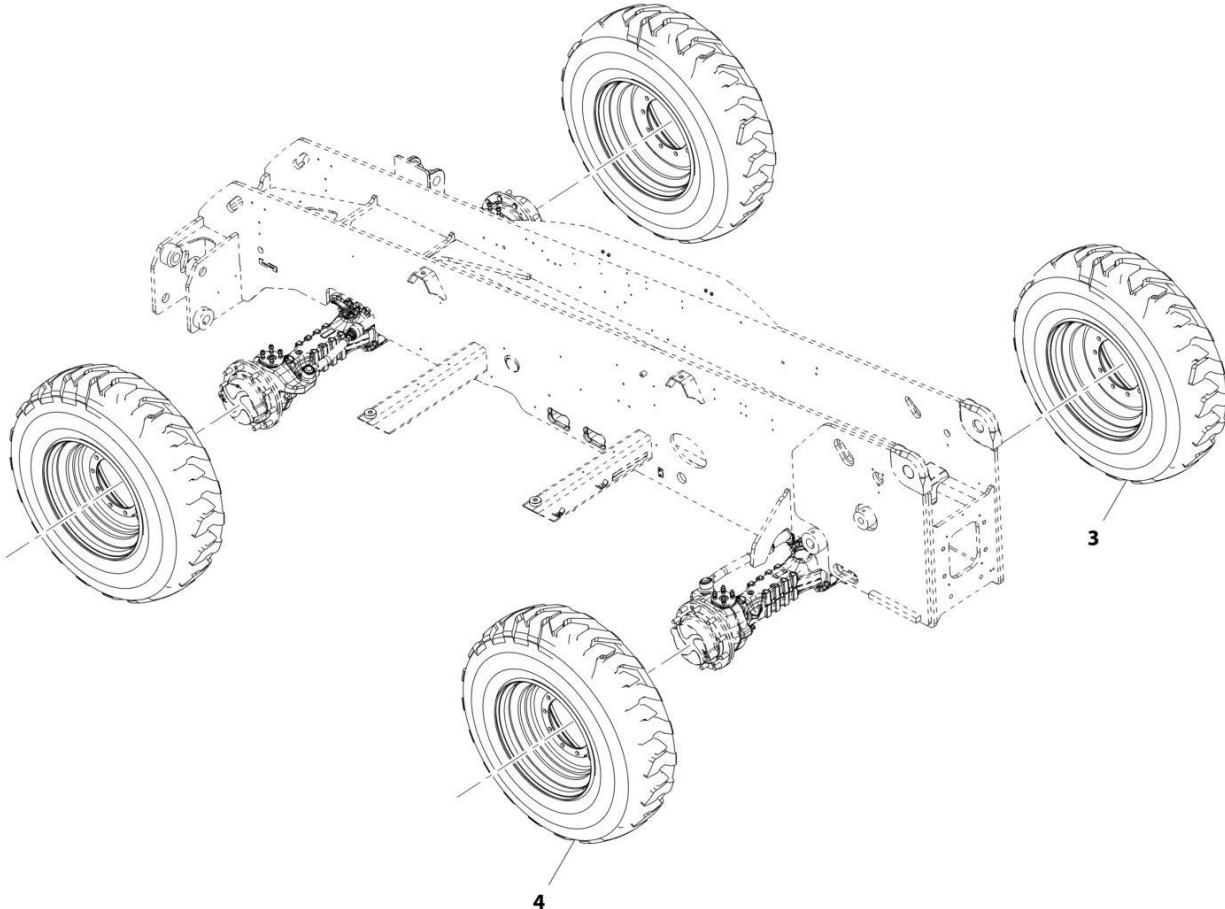
SECTION 5 - DRIVE TRAIN

FIGURE 5-132. TIRE WHEEL SET, FOAM FILLED (3614RS)

ITEM	PART NUMBER	QTY	DESCRIPTION	REV
	1001151868	Ref	Foam Filled Wheel Set	B
		Ref	Note: Assemblies require ballast/foam filling to manufacture's specifications prior to installing on machine. Refer to Operation & Safety or Service & Maintenance Manuals.	
		Ref	Purchase individual tire and/or wheel only if able to foam fill tire & wheel assembly, otherwise purchase complete assembly.	
3	1001149356	2	Wheel Assembly, Foam RH	
3	1001003360	2	Tire (1 per assembly)	
3	1001212648	2	Wheel with Valve & FF Decal (1 per assembly)	
3	1001008719	2	Valve, Air (1 per assembly)	
3	1001152079	2	Decal - Foam Filled (1 per assembly)	
4	1001149357	2	Wheel Assembly, Foam LH	
4	1001003360	2	Tire (1 per assembly)	
4	1001212649	2	Wheel with Valve & FF Decal (1 per assembly)	
4	1001008719	2	Valve, Air (1 per assembly)	
4	1001152079	2	Decal - Foam Filled (1 per assembly)	

SECTION 5 - DRIVE TRAIN

FIGURE 5-133. TIRE WHEEL SET, FOAM FILLED (4017RS)



ART_1001152829-B

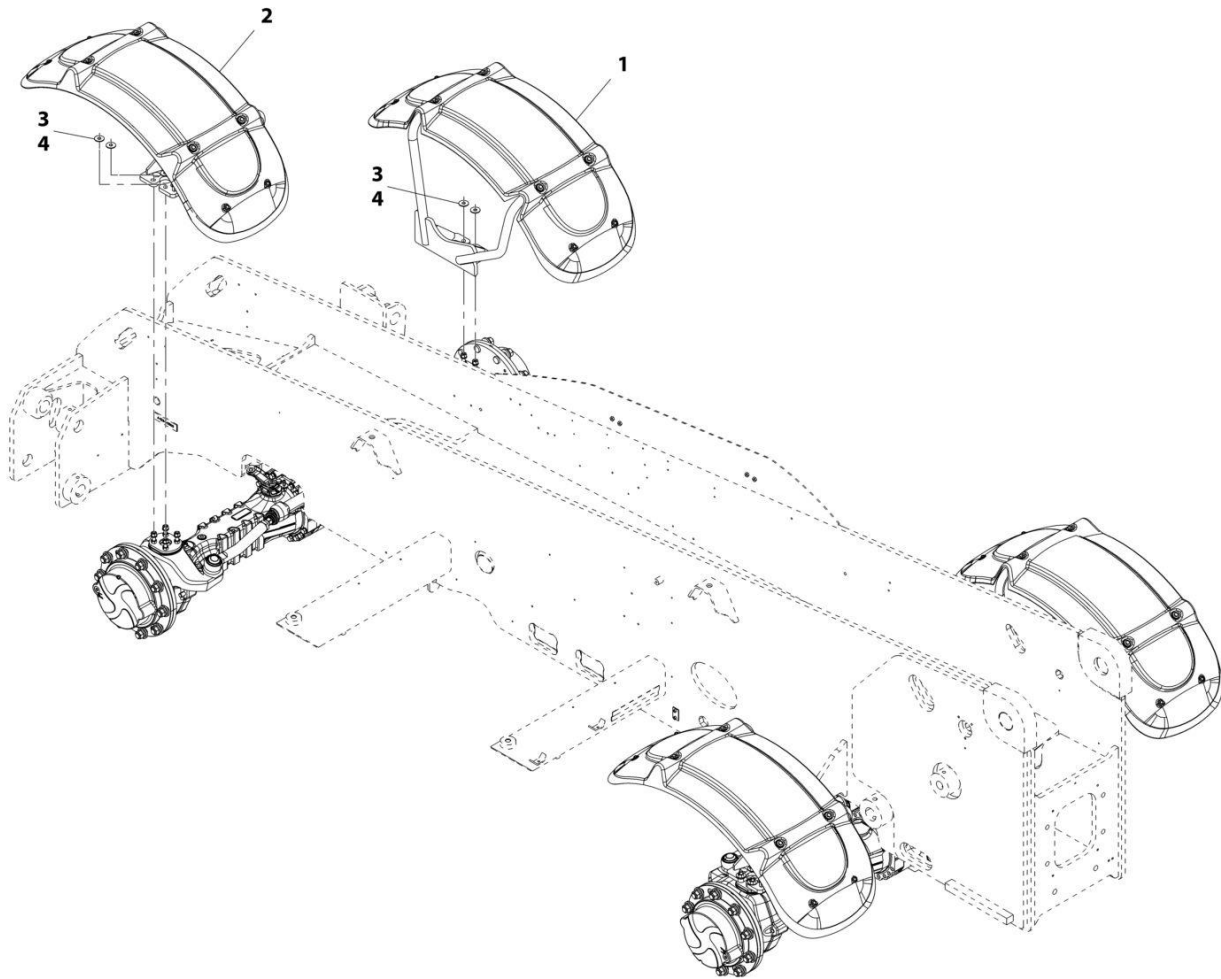
SECTION 5 - DRIVE TRAIN

FIGURE 5-133. TIRE WHEEL SET, FOAM FILLED (4017RS)

ITEM	PART NUMBER	QTY	DESCRIPTION	REV
	1001152829	Ref	Foam Filled Wheel Set	B
		Ref	Note: Assemblies require ballast/foam filling to manufacture's specifications prior to installing on machine. Refer to Operation & Safety or Service & Maintenance Manuals.	
		Ref	Purchase individual tire and/or wheel only if able to foam fill tire & wheel assembly, otherwise purchase complete assembly.	
3	1001149361	2	Wheel Assembly, Foam RH	
3	1001003334	2	Tire (1 per assembly)	
3	1001212650	2	Wheel with Valve & FF Decal (1 per assembly)	
3	1001008719	2	Valve, Air (1 per assembly)	
3	1001152079	2	Decal - Foam Filled (1 per assembly)	
4	1001149362	2	Wheel Assembly, Foam LH	
4	1001003334	2	Tire (1 per assembly)	
4	1001212651	2	Wheel with Valve & FF Decal (1 per assembly)	
4	1001008719	2	Valve, Air (1 per assembly)	
4	1001152079	2	Decal - Foam Filled (1 per assembly)	

SECTION 5 - DRIVE TRAIN

FIGURE 5-134. FENDER INSTALLATION (3614RS)



ART_1001144109-D

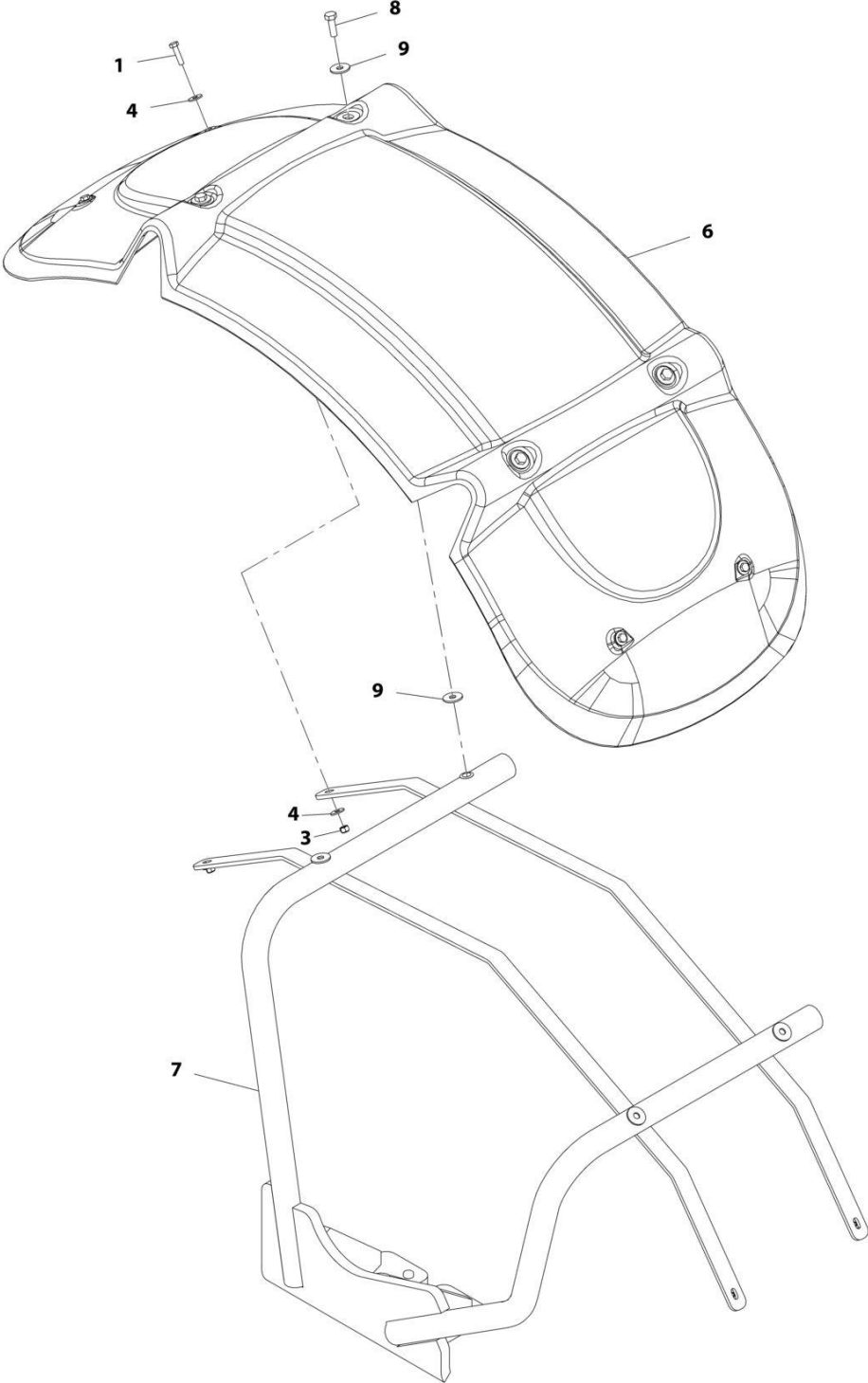
SECTION 5 - DRIVE TRAIN

FIGURE 5-134. FENDER INSTALLATION (3614RS)

ITEM	PART NUMBER	QTY	DESCRIPTION	REV
1	1001144109	Ref	Fender Installation	D
	1001144404	2	Assembly, RH Fender (See Separate Breakdown in this Section) (3614RS)	
2	1001144405	2	Assembly, LH Fender (See Separate Breakdown in this Section) (3614RS)	
3	1001095650	AR	Compound, Locking	
4	4812102	16	Washer, M12	

SECTION 5 - DRIVE TRAIN

FIGURE 5-135. FENDER ASSEMBLY, RH (3614RS)



ART_1001144404-F

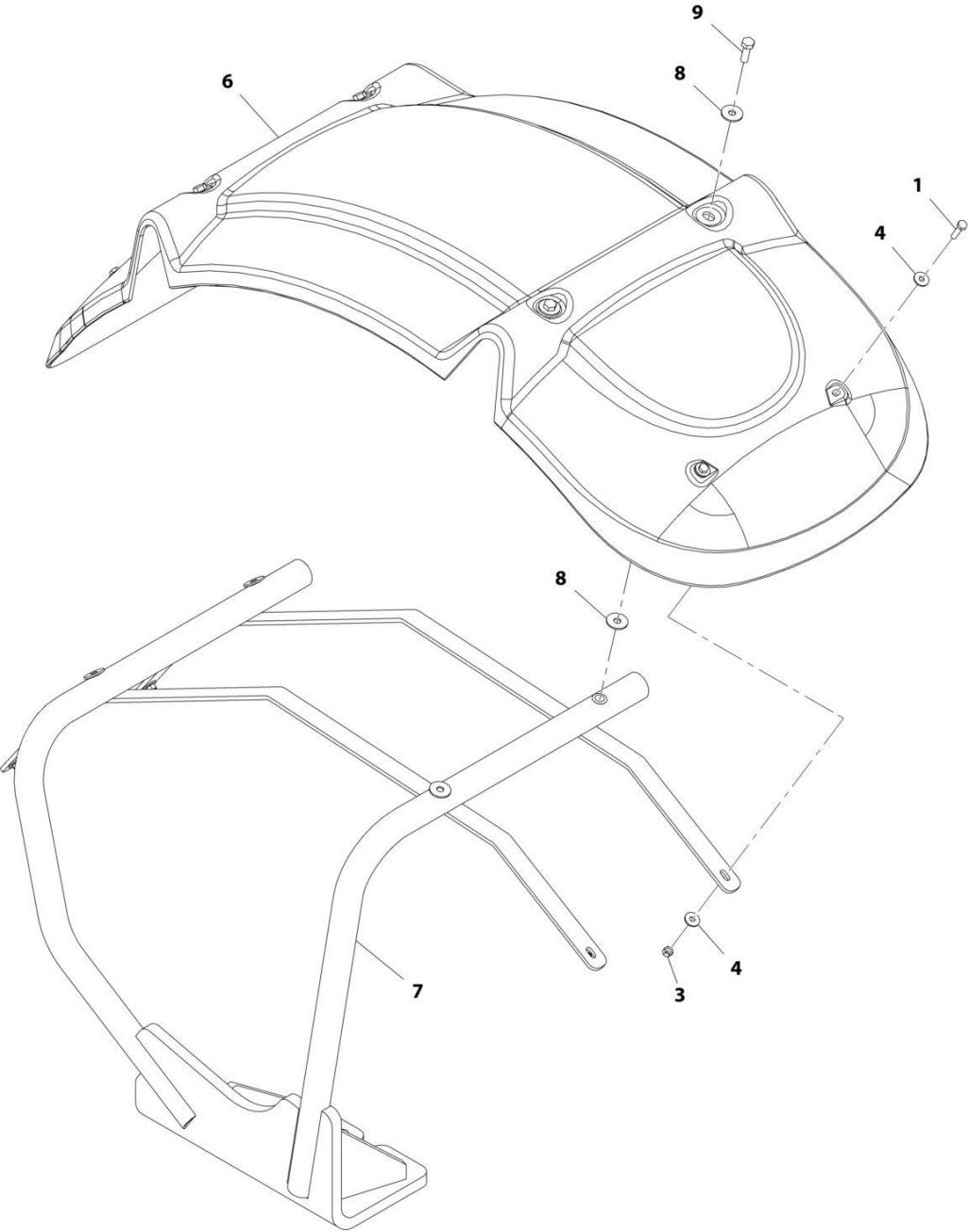
SECTION 5 - DRIVE TRAIN

FIGURE 5-135. FENDER ASSEMBLY, RH (3614RS)

ITEM	PART NUMBER	QTY	DESCRIPTION	REV
	1001144404	Ref	RH Fender Assembly	F
1	0760612	4	Bolt, M6X25	
3	3290605	4	Nut, M6X1	
4	4811702	8	Washer, M6	
6	1001100845	1	Fender	
7	1001165650	1	Bracket	
8	1001139034	4	Bolt, M8X25	
9	4811902	8	Washer, M8	

SECTION 5 - DRIVE TRAIN

FIGURE 5-136. FENDER ASSEMBLY, LH (3614RS)



ART_1001144405-F

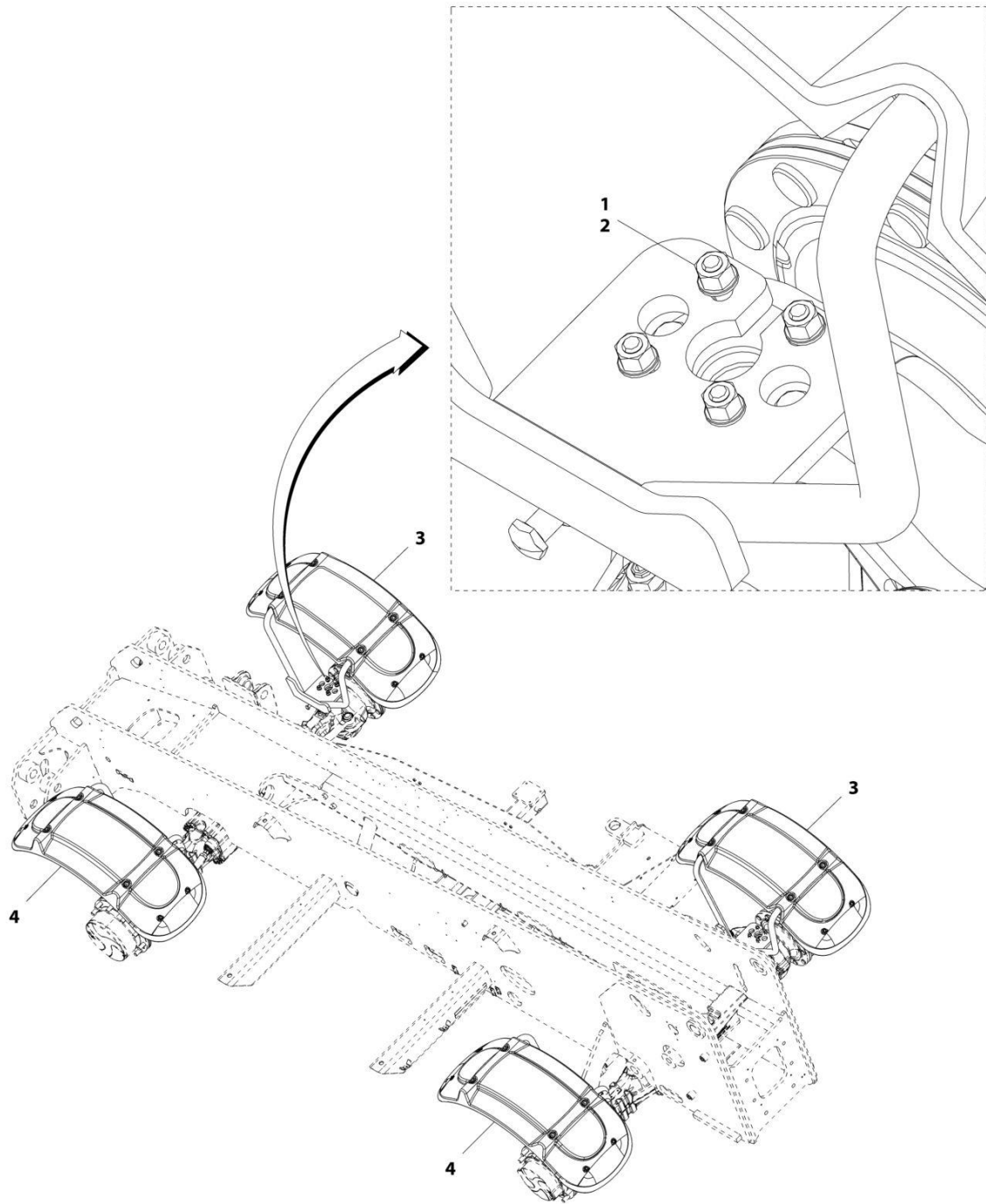
SECTION 5 - DRIVE TRAIN

FIGURE 5-136. FENDER ASSEMBLY, LH (3614RS)

ITEM	PART NUMBER	QTY	DESCRIPTION	REV
	1001144405	Ref	LH Fender Assembly	F
1	0760612	4	Bolt, M6X25	
3	3290605	4	Nut, M6X1	
4	4811702	8	Washer, M6	
6	1001100845	1	Fender	
7	1001164992	1	Bracket	
8	4811902	8	Washer, M8	
9	1001139034	4	Bolt, M8X25	

SECTION 5 - DRIVE TRAIN

FIGURE 5-137. FENDER INSTALLATION (4017RS)



ART_1001145414-A

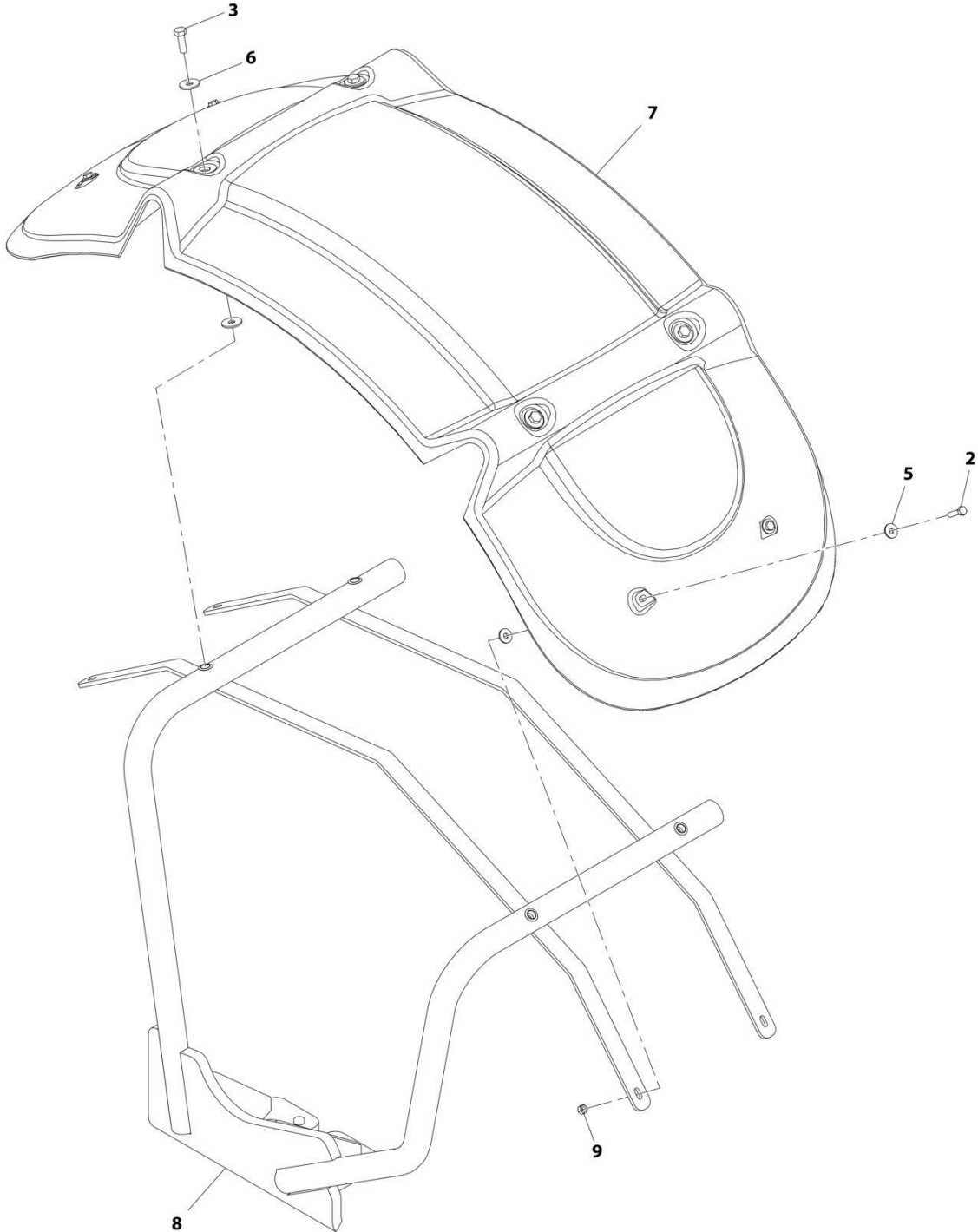
SECTION 5 - DRIVE TRAIN

FIGURE 5-137. FENDER INSTALLATION (4017RS)

ITEM	PART NUMBER	QTY	DESCRIPTION	REV
	1001145414	Ref	Fender Installation	A
1	4812102	16	Washer, M12	
2	1001095650	AR	Compound, Locking	
3	1001151628	2	Assembly, RH Fender (See Separate Breakdown in this Section)	
4	1001153185	2	Assembly, LH Fender (See Separate Breakdown in this Section)	

SECTION 5 - DRIVE TRAIN

FIGURE 5-138. FENDER ASSEMBLY, RH (4017RS)



ART_1001151628-F

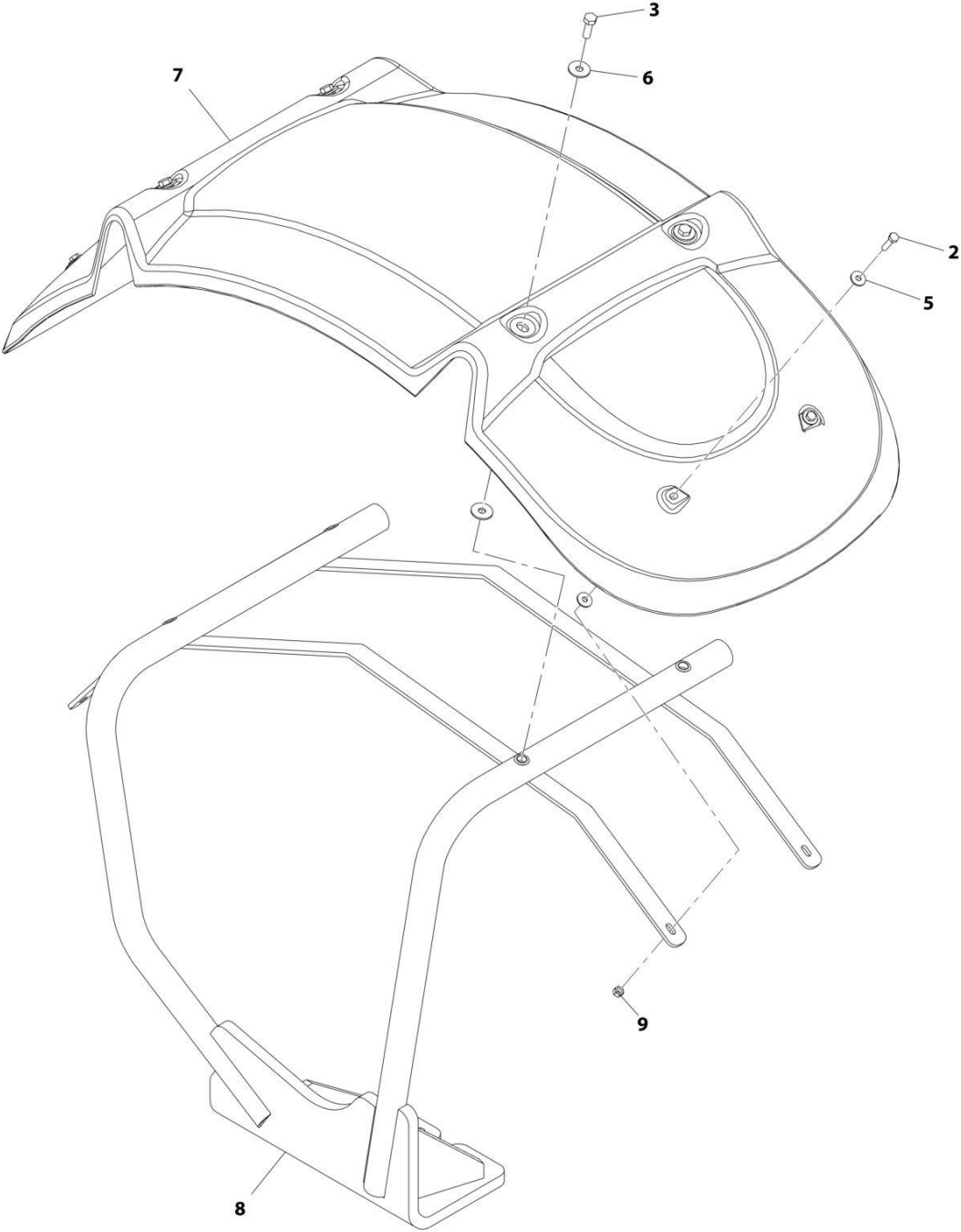
SECTION 5 - DRIVE TRAIN

FIGURE 5-138. FENDER ASSEMBLY, RH (4017RS)

ITEM	PART NUMBER	QTY	DESCRIPTION	REV
	1001151628	Ref	RH Fender Assembly	F
2	0760612	4	Bolt, M6X25	
3	1001139034	4	Bolt, M8X25	
5	4811702	8	Washer, M6	
6	4811902	8	Washer, M8	
7	1001100845	1	Fender	
8	1001164599	1	Bracket	
9	3290605	4	Nut, M6X1	

SECTION 5 - DRIVE TRAIN

FIGURE 5-139. FENDER ASSEMBLY, LH (4017RS)



ART_1001153185-F

SECTION 5 - DRIVE TRAIN

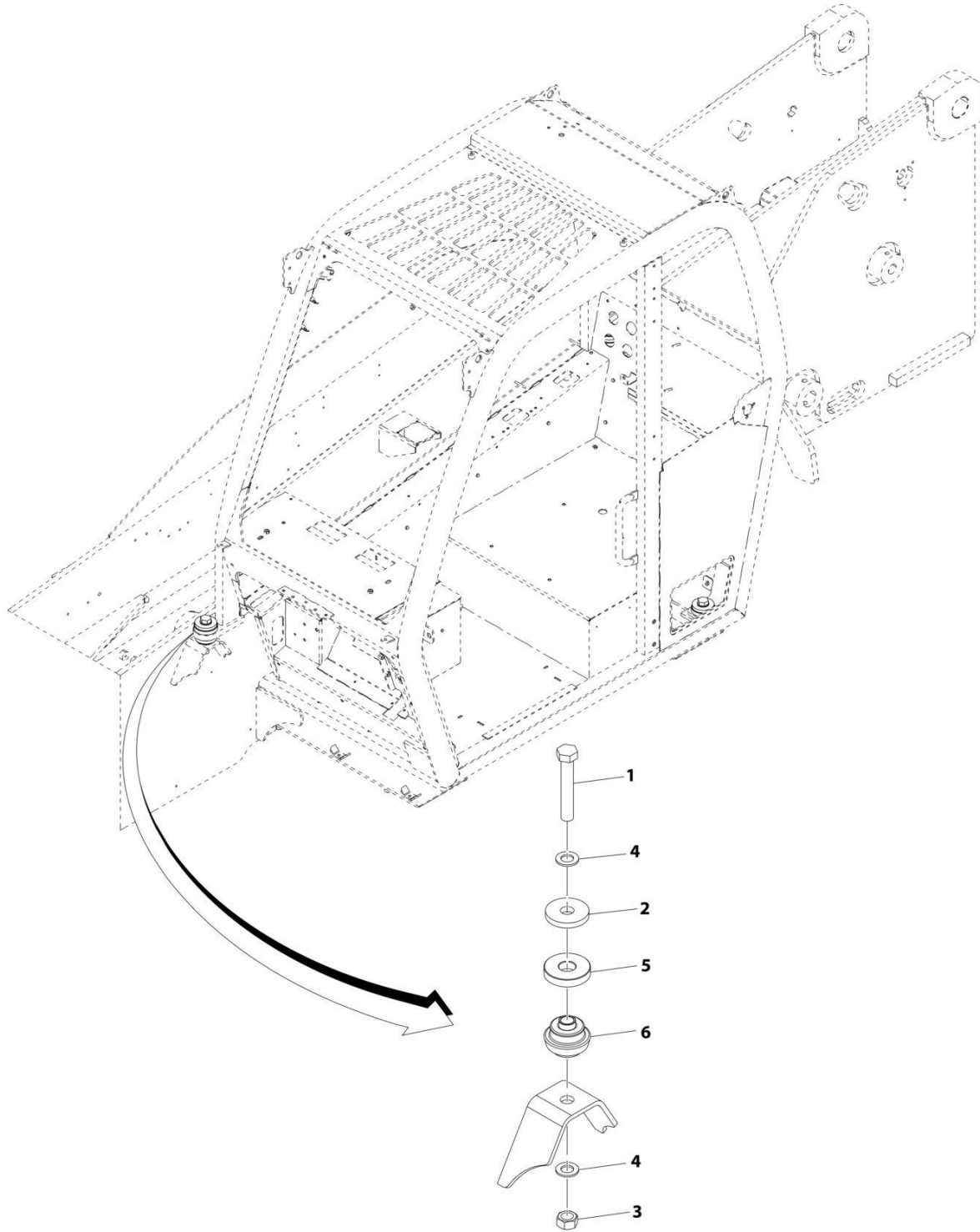
FIGURE 5-139. FENDER ASSEMBLY, LH (4017RS)

ITEM	PART NUMBER	QTY	DESCRIPTION	REV
	1001153185	Ref	LH Fender Assembly	F
2	0760612	4	Bolt, M6X25	
3	1001139034	4	Bolt, M8X25	
5	4811702	8	Washer, M6	
6	4811902	8	Washer, M8	
7	1001100845	1	Fender	
8	1001167093	1	Bracket	
9	3290605	4	Nut, M6X1	

SECTION 6 - CAB

SECTION 6 - CAB

FIGURE 6-1. CAB MOUNT INSTALLATION



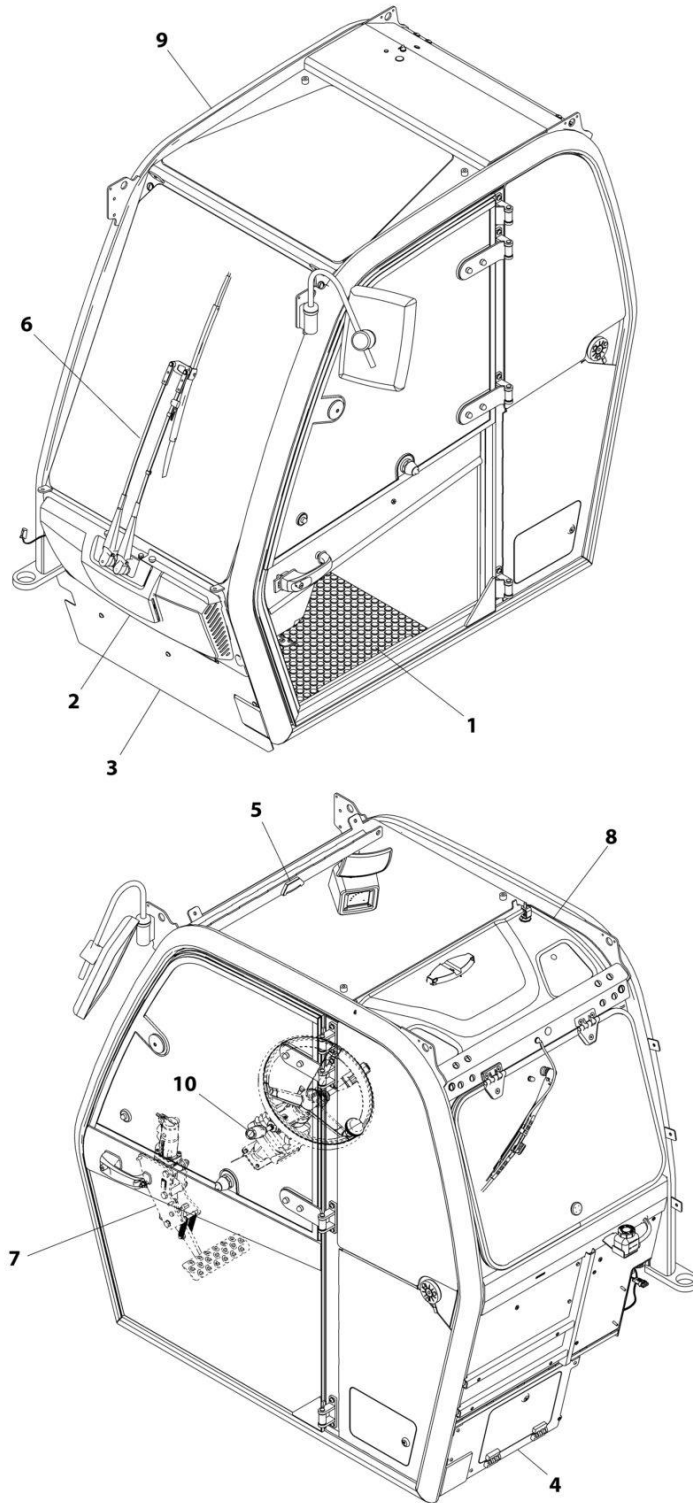
ART_1001138109-B

FIGURE 6-1. CAB MOUNT INSTALLATION

ITEM	PART NUMBER	QTY	DESCRIPTION	REV
	1001138109	Ref	Cab Mount Installation	B
1	0712029	4	Bolt, M20X120	
2	1781813	4	Disk, Cab Mount	
3	3332011	2	Nut, M20X2.5	
4	4812500	6	Washer, M20	
5	8000565	4	Washer	
6	8000567	4	Biscuit, Rubber	

SECTION 6 - CAB

FIGURE 6-2. CAB INSTALLATION (FNR LEVER)



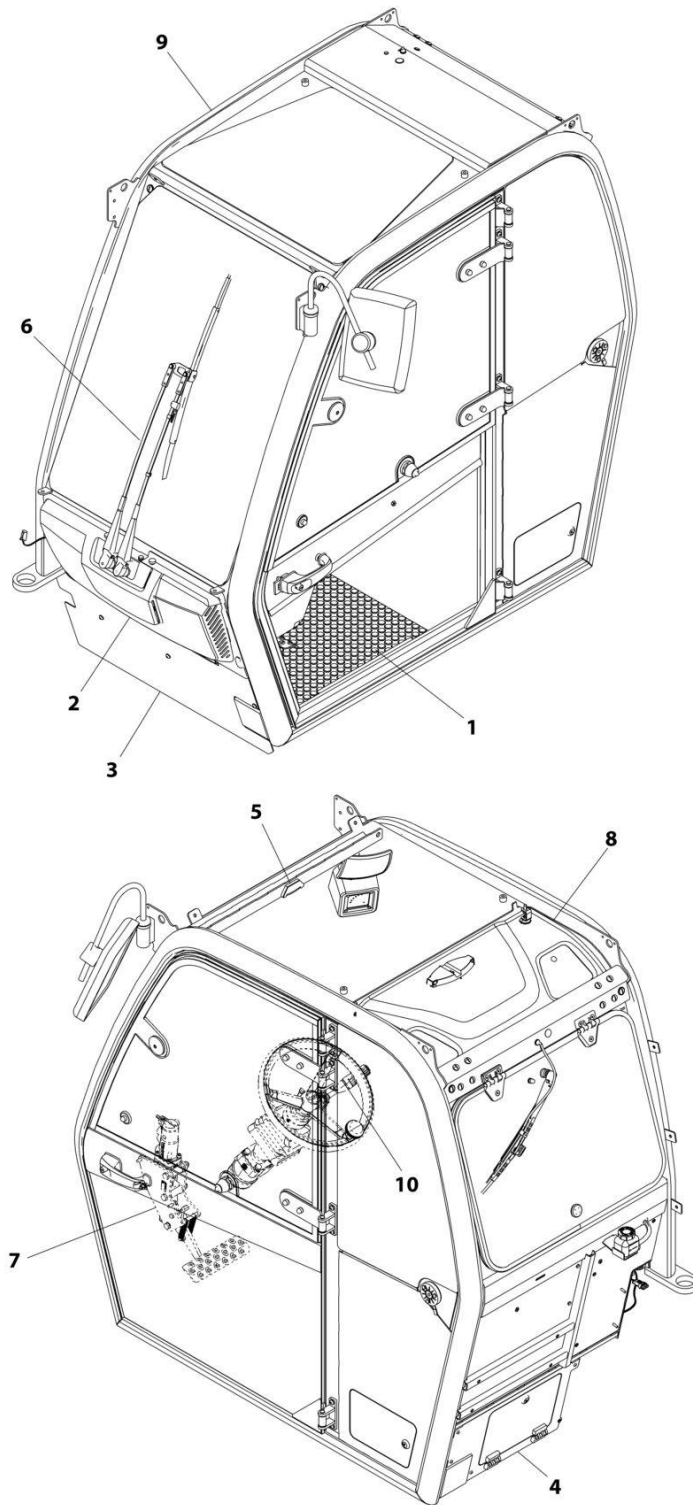
ART_1001241971-B

FIGURE 6-2. CAB INSTALLATION (FNR LEVER)

ITEM	PART NUMBER	QTY	DESCRIPTION	REV
	1001241971	Ref	Cab Installation (FNR Lever)	B
1	1001139746	1	Mat, Floor	
2	1001142194	Ref	Assembly, Front Cover (See Separate Breakdown in this Section)	
3	1001142968	Ref	Installation, Front Panel (See Separate Breakdown in this Section)	
4	1001148112	Ref	Installation, Cover Panel (See Separate Breakdown in this Section)	
5	8466306	1	Indicator, Level	
6	1001168812	Ref	Installation, Front Wiper (See Separate Breakdown in this Section)	
7	1001206068	Ref	Installation, Brake Pedal (See Separate Breakdown in CONTROLS Section)	
8	1001237156	Ref	Installation, Headliner (See Separate Breakdown in this Section)	
9	1001241968	Ref	Cab (See Separate Breakdown in this Section)	
10	1001248291	Ref	Installation, Steering Column Switch (See Separate Breakdown in CONTROLS Section)	

SECTION 6 - CAB

FIGURE 6-3. CAB INSTALLATION (NO FNR LEVER)



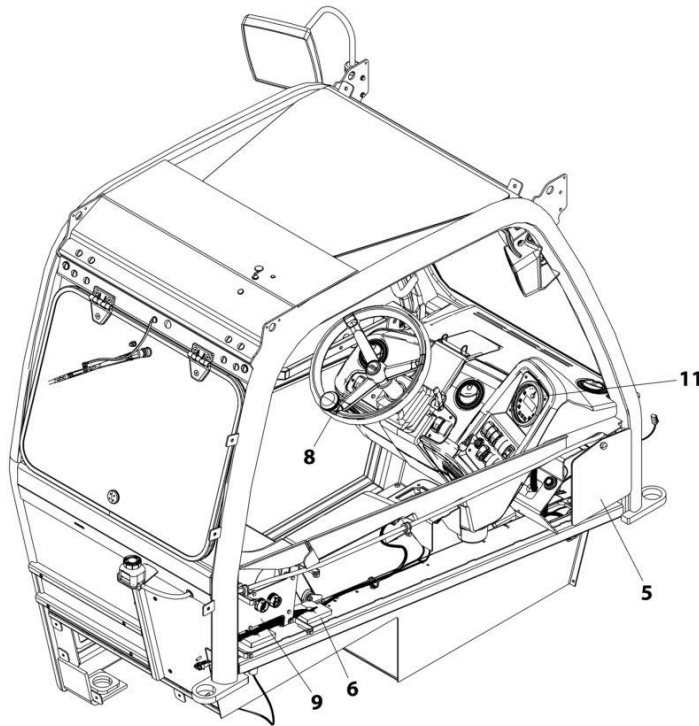
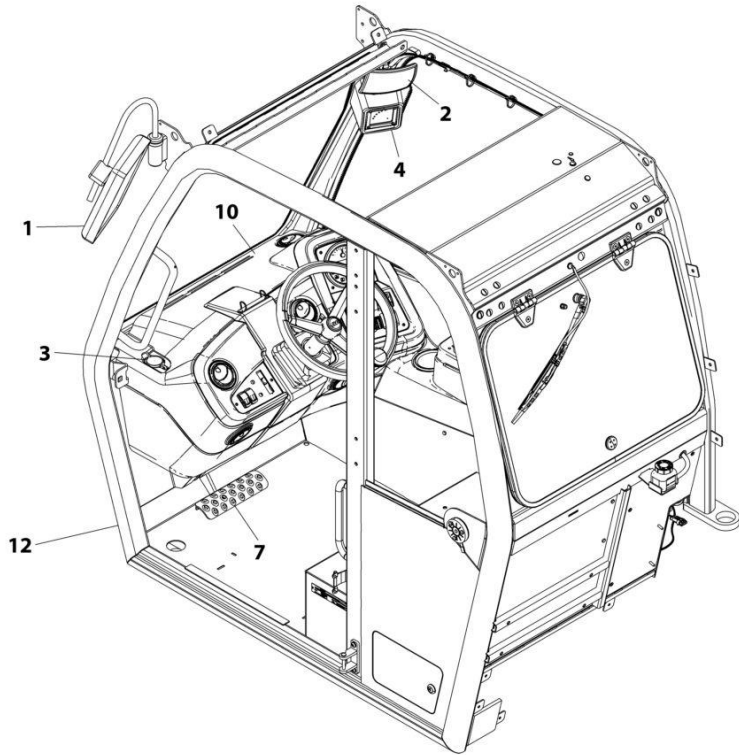
ART_1001241972-B

FIGURE 6-3. CAB INSTALLATION (NO FNR LEVER)

ITEM	PART NUMBER	QTY	DESCRIPTION	REV
	1001241972	Ref	Cab Installation (No FNR Lever)	B
1	1001139746	1	Mat, Floor	
2	1001142194	Ref	Assembly, Front Cover (See Separate Breakdown in this Section)	
3	1001142968	Ref	Installation, Front Panel (See Separate Breakdown in this Section)	
4	1001148112	Ref	Installation, Cover Panel (See Separate Breakdown in this Section)	
5	8466306	1	Indicator, Level	
6	1001168812	Ref	Installation, Front Wiper (See Separate Breakdown in this Section)	
7	1001206068	Ref	Installation, Brake Pedal (See Separate Breakdown in CONTROLS Section)	
8	1001237156	Ref	Installation, Headliner (See Separate Breakdown in this Section)	
9	1001241968	Ref	Cab (See Separate Breakdown in this Section)	
10	1001248290	Ref	Installation, Steering Column Switch (See Separate Breakdown in CONTROLS Section)	

SECTION 6 - CAB

FIGURE 6-4. CAB ASSEMBLY



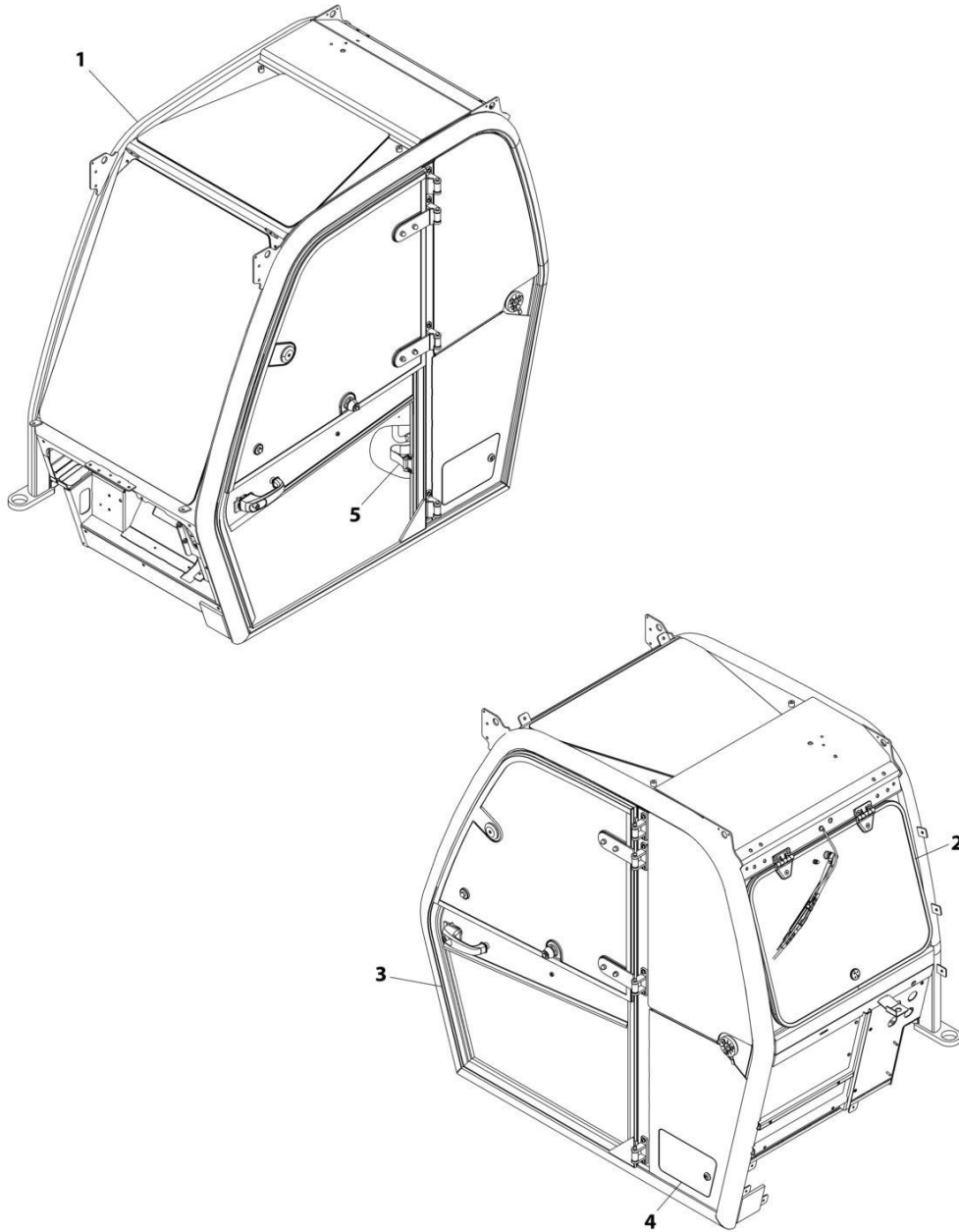
ART_1001241968-E

FIGURE 6-4. CAB ASSEMBLY

ITEM	PART NUMBER	QTY	DESCRIPTION	REV
	1001241968	Ref	Cab Assembly	G
1	1001139220	Ref	Installation, Mirror (See Separate Breakdown in this Section)	
2	1001139724	Ref	Mirror, Interior (See Separate Breakdown in this Section)	
3	1001141155	Ref	Installation, Front Wiper (See Separate Breakdown in this Section)	
4	1001145867	Ref	Installation, LSI (See Separate Breakdown in ELECTRICAL Section)	
5	1001148508	Ref	Installation, Cover Panel (See Separate Breakdown in this Section)	
6	1001163111	Ref	Installation, Gasket (See Separate Breakdown in this Section)	
7	1001211860	Ref	Installation, Brake Pedal (See Separate Breakdown in CONTROLS Section)	
8	1001248293	Ref	Installation, Steering Column (See Separate Breakdown in CONTROLS Section)	
9	1001248752	Ref	Installation, Cab Electrical (See Separate Breakdown in ELECTRICAL Section)	
10	1001249676	Ref	Installation, Trim (See Separate Breakdown in this Section)	
11	1001241832	Ref	Installation, Dash Electrical (See Separate Breakdown in ELECTRICAL Section)	
12	1001242555	Ref	Assembly, Cab (See Separate Breakdown in this Section)	

SECTION 6 - CAB

FIGURE 6-5. CAB GROUP



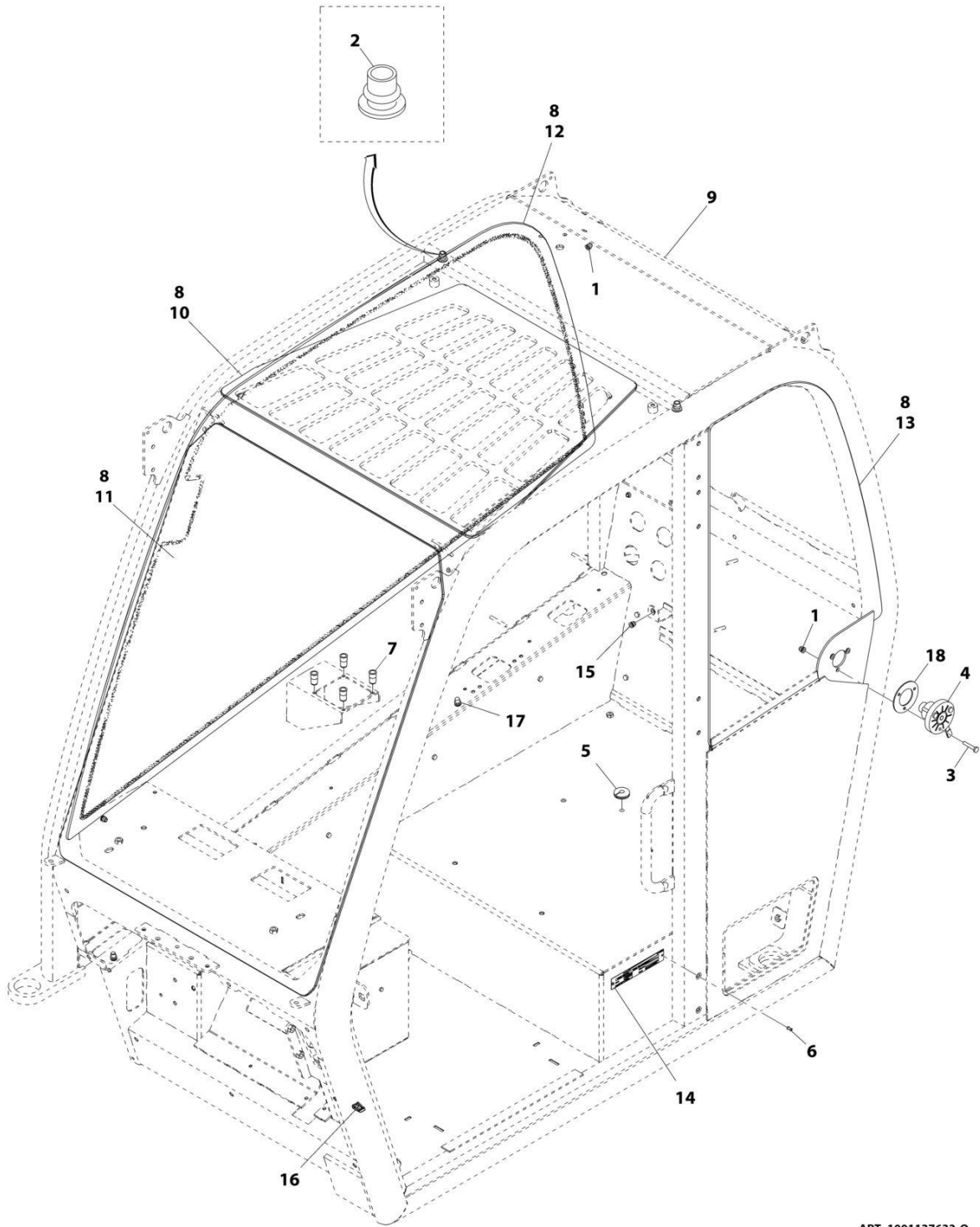
ART_1001242555-B

FIGURE 6-5. CAB GROUP

ITEM	PART NUMBER	QTY	DESCRIPTION	REV
	1001242555	Ref	Cab Group	B
1	1001137633	1	Cab (See Separate Breakdown in this Section)	
2	1001139569	1	Installation, Rear Window (See Separate Breakdown in this Section)	
3	1001142189	1	Installation, Cab Door (See Separate Breakdown in this Section)	
4	1001142190	1	Installation, Fuel Door (See Separate Breakdown in this Section)	
5	1001142712	1	Installation, Door Strap (See Separate Breakdown in this Section)	

SECTION 6 - CAB

FIGURE 6-6. CAB



ART_1001137633-Q

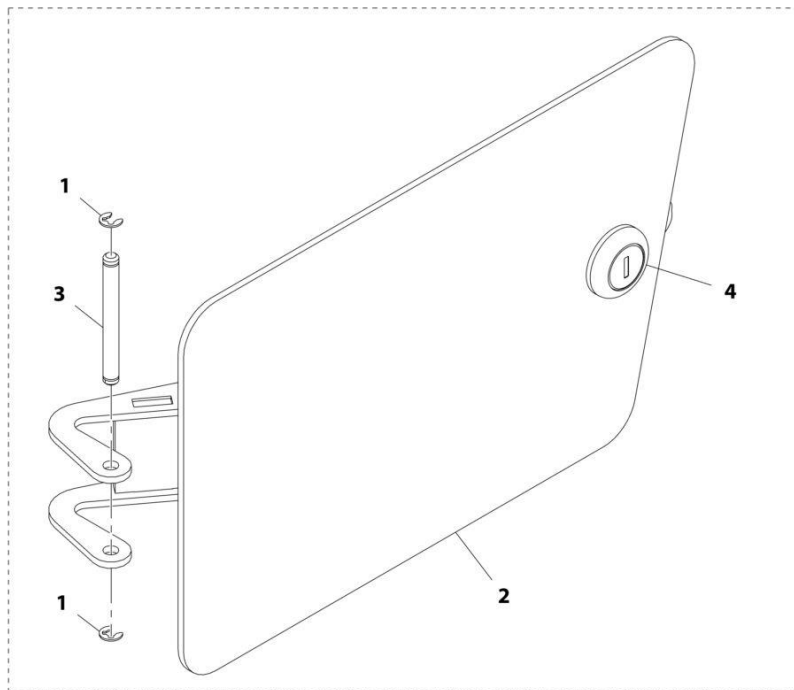
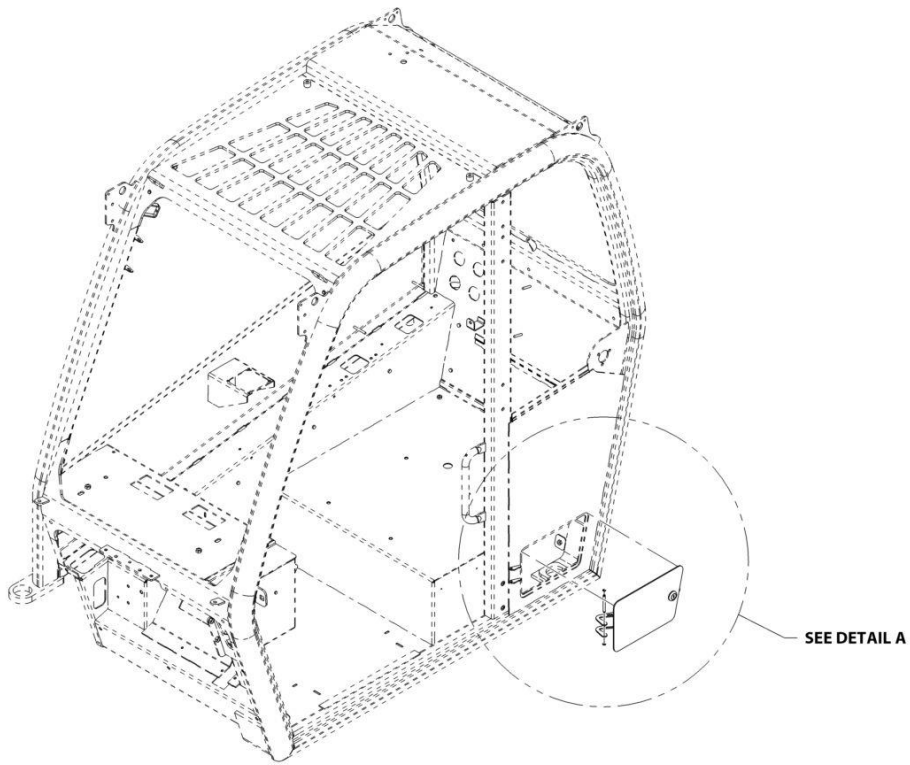
SECTION 6 - CAB

FIGURE 6-6. CAB

ITEM	PART NUMBER	QTY	DESCRIPTION	REV
	1001137633	Ref	Cab	Q
1	2080087	9	Rivnut, M8X1.25	
2	2080088	2	Rivnut, M8X1.25	
3	4010615	3	Screw, M6X35	
4	1001002958	1	Retainer, Hold Open Door	
5	1001008469	1	Grommet	
6	1001099170	2	Rivet, 4MM	
7	1001100691	4	Nut	
8	1001111317	AR	Adhesive, Window Sealant	
9	N.S.S.	1	Weldment, Cab	
10	1001139465	1	Glass, Roof	
11	1001139466	1	Glass, Window	
12	1001139467	1	Glass, RH Screen	
13	1001139468	1	Glass, LH Screen	
14	N.S.S.	1	Plate, Serial Number	
15	2080086	4	Rivnut, M6X1	
16	8305919	3	Nut, M6	
17	1001167028	3	Rivnut, M6X1.00	
18	1001169810	1	Grommet	

SECTION 6 - CAB

FIGURE 6-7. FUEL DOOR INSTALLATION



DETAIL A

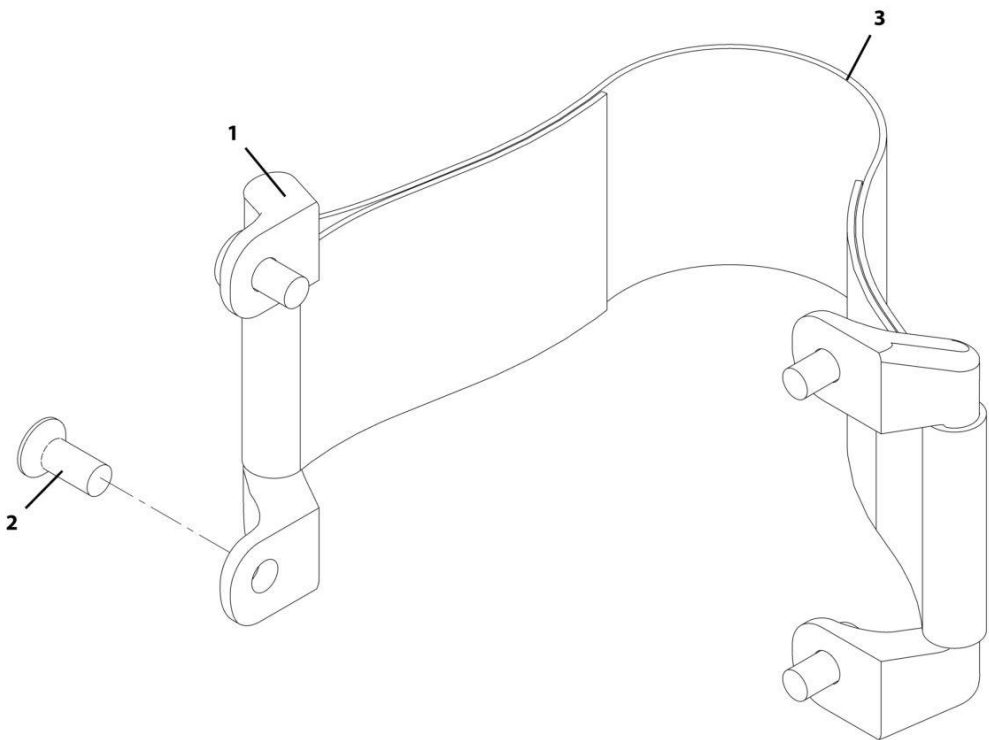
ART_1001142190-F

FIGURE 6-7. FUEL DOOR INSTALLATION

ITEM	PART NUMBER	QTY	DESCRIPTION	REV
	1001142190	Ref	Fuel Door Installation	F
1	1001163909	2	Clip	
2	1001141853J	1	Plate	
3	1001163627	1	Pin	
4	1001142782	1	Lock	

SECTION 6 - CAB

FIGURE 6-8. DOOR STRAP INSTALLATION



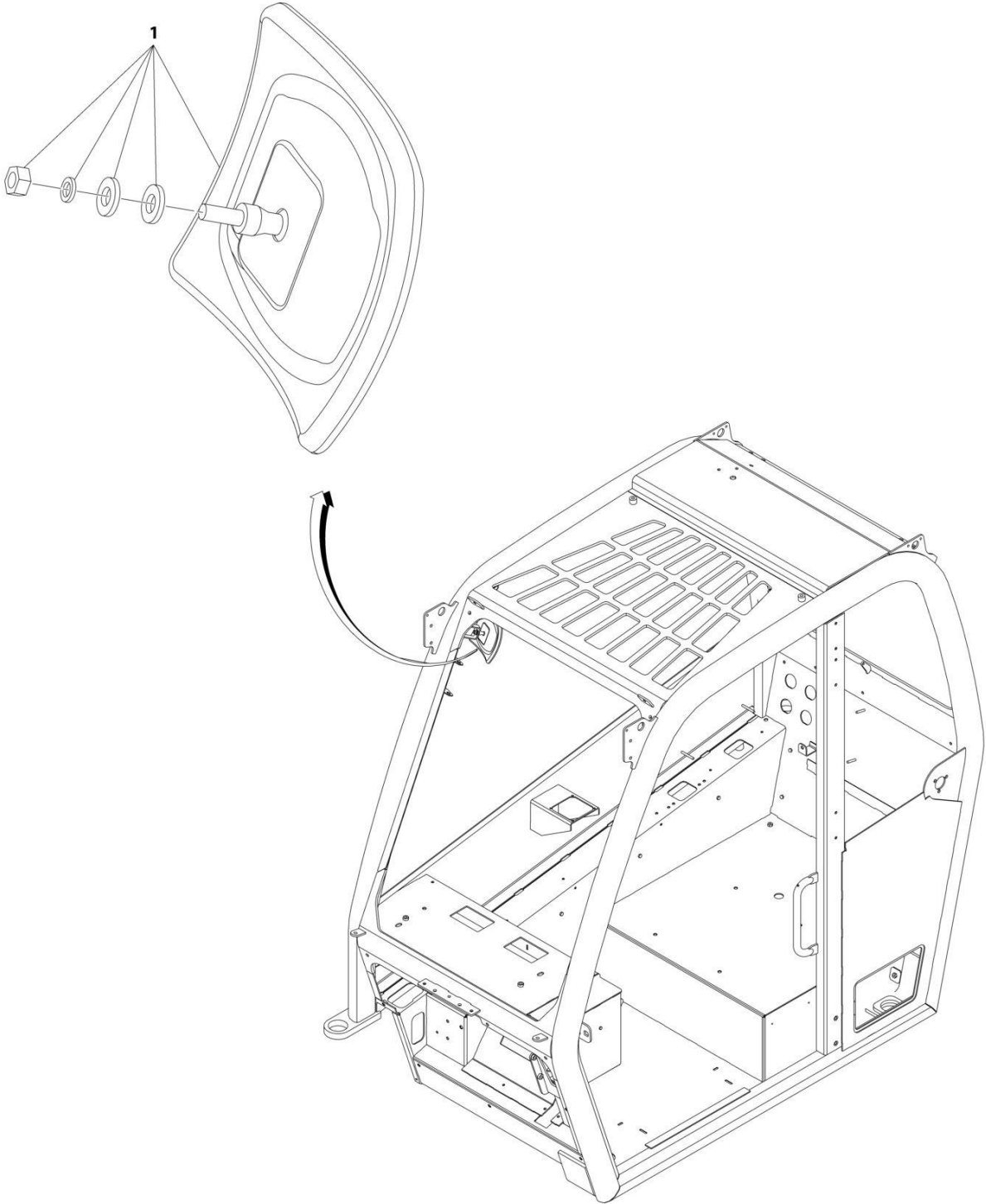
ART_1001142712-D

FIGURE 6-8. DOOR STRAP INSTALLATION

ITEM	PART NUMBER	QTY	DESCRIPTION	REV
	1001142712	Ref	Door Strap Installation	D
1	1001230163	2	Bracket, Strap Holder	
2	1001133089	4	Screw, M5X12	
3	1001142675	1	Strap, Door Hold Open	

SECTION 6 - CAB

FIGURE 6-9. INTERIOR MIRROR INSTALLATION



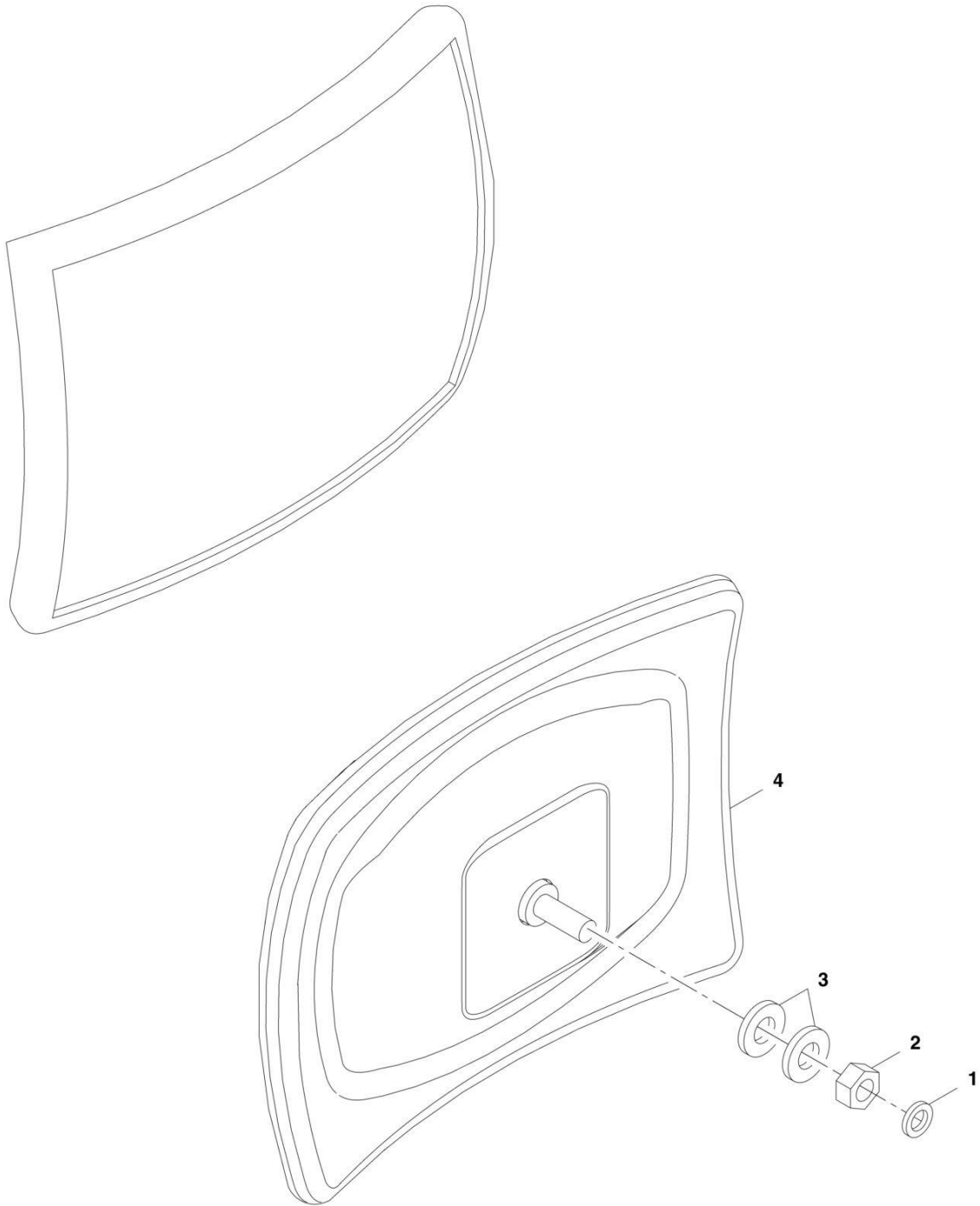
ART_1001139724-B

FIGURE 6-9. INTERIOR MIRROR INSTALLATION

ITEM	PART NUMBER	QTY	DESCRIPTION	REV
1	1001139724 1001007641	Ref 1	Interior Mirror Installation Mirror (See Separate Breakdown in this Section)	B

SECTION 6 - CAB

FIGURE 6-10. INTERIOR MIRROR



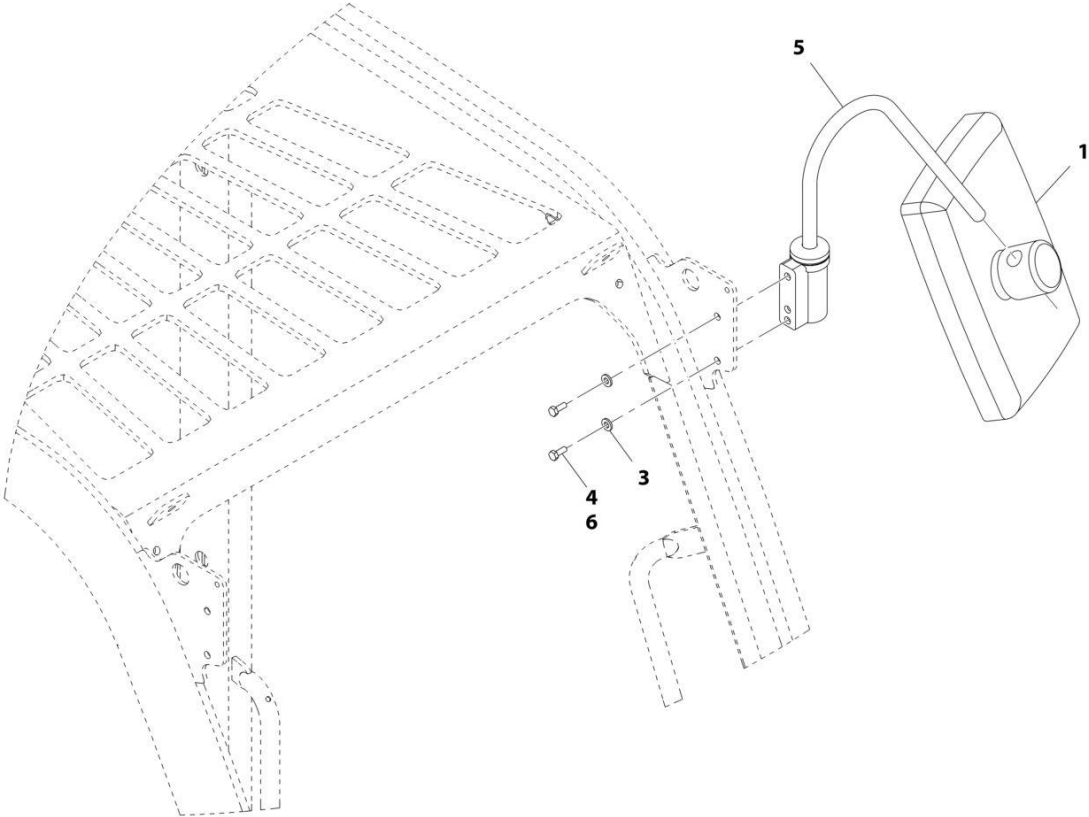
ART_1001007641-B

FIGURE 6-10. INTERIOR MIRROR

ITEM	PART NUMBER	QTY	DESCRIPTION	REV
	1001007641	Ref	Mirror, Interior	B
1	1001008475	1	Washer, Lock 12	
2	1001008604	1	Nut	
3	1001009124	2	Washer	
4	1001010839	1	MIRROR	

SECTION 6 - CAB

FIGURE 6-11. MIRROR GROUP INSTALLATION



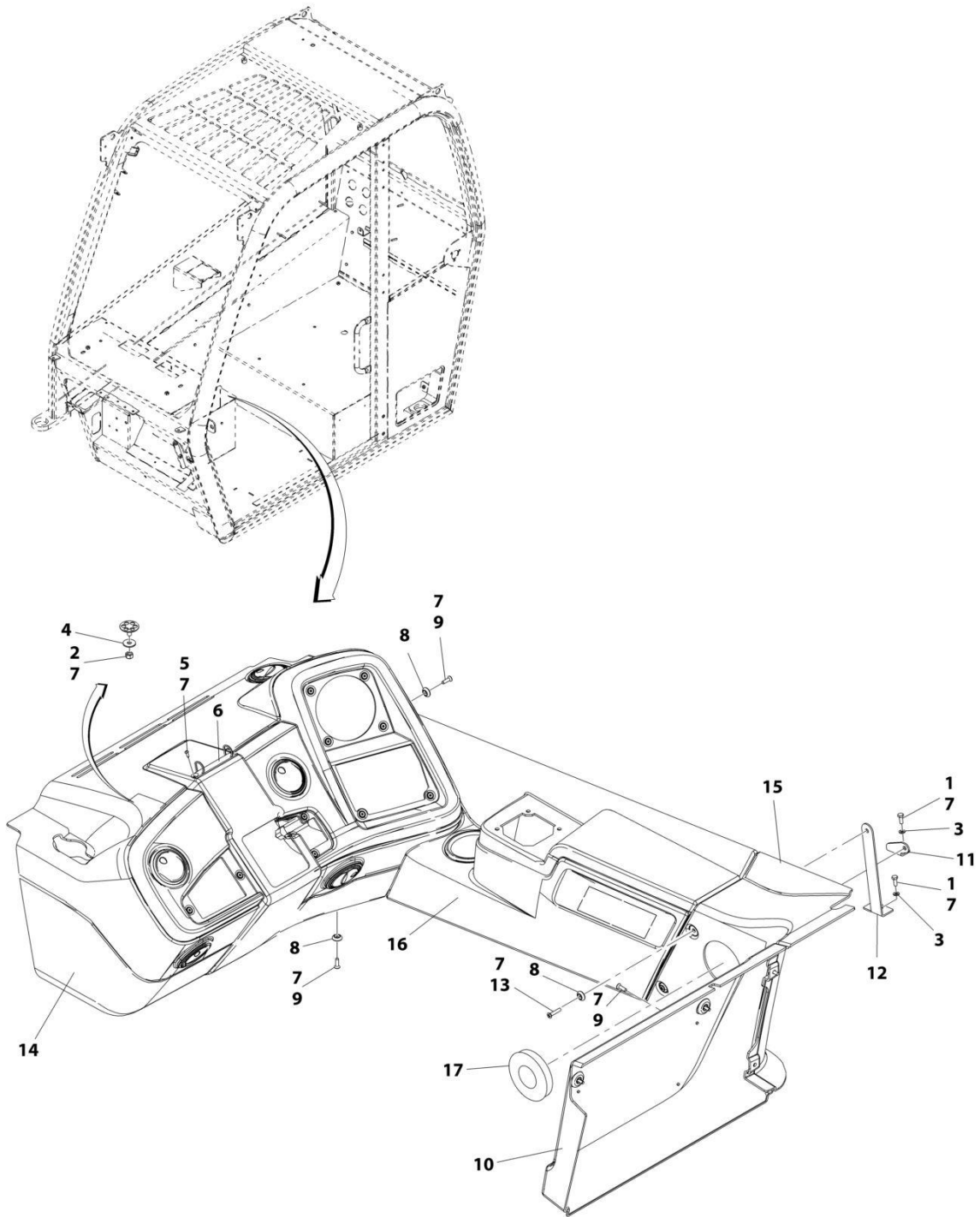
ART_1001139220-E

FIGURE 6-11. MIRROR GROUP INSTALLATION

ITEM	PART NUMBER	QTY	DESCRIPTION	REV
	1001139220	Ref	Mirror Group Installation	E
1	1001142726	1	Mirror, Convex	
3	1001009124	2	Washer	
4	1001095650	AR	Compound, Locking	
5	1001142727	1	Bracket, Cab Mirror	
6	1001008608	2	Bolt	

SECTION 6 - CAB

FIGURE 6-12. TRIM INSTALLATION



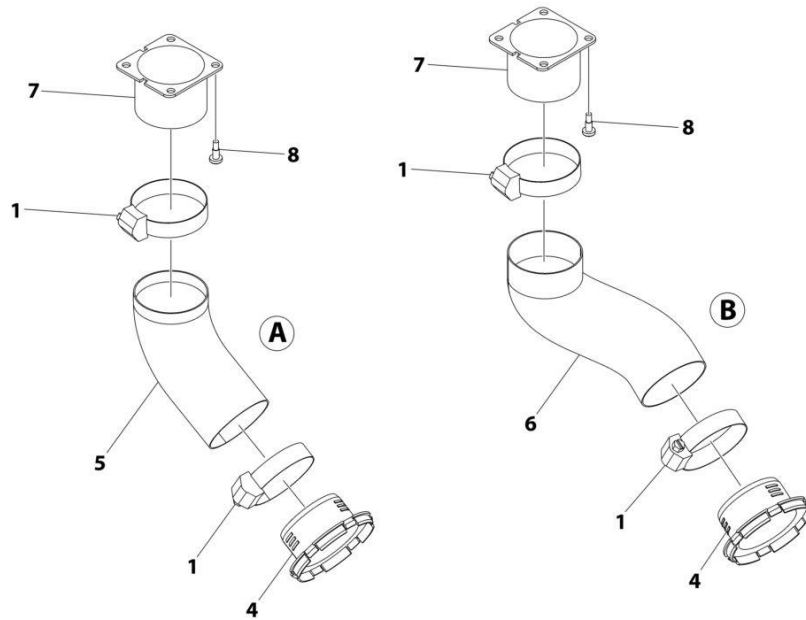
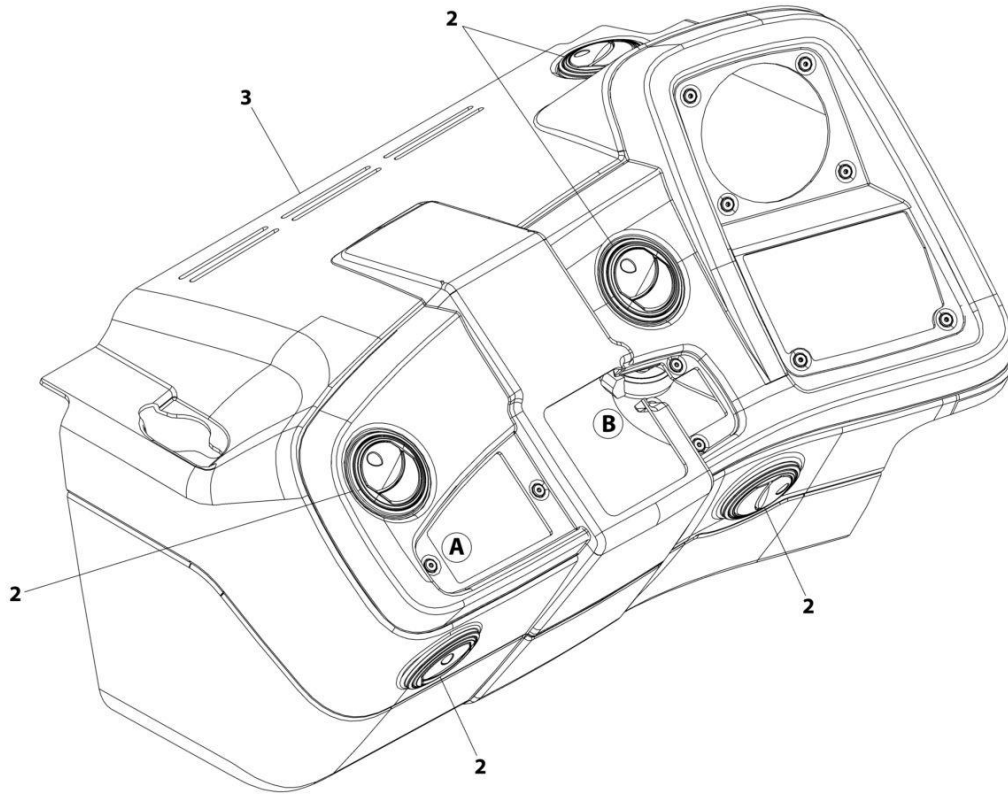
ART_1001249676-A

FIGURE 6-12. TRIM INSTALLATION

ITEM	PART NUMBER	QTY	DESCRIPTION	REV
	1001249676	Ref	TRIM INSTALLATION	A
1	0760608	4	Bolt M6 X 16	
2	3290805	2	Nut M8	
3	4811700	4	Washer M6	
4	4811902	2	Washer M8	
5	7029486	2	Screw	
6	1001005960	1	Holder	
7	1001095650	AR	Compound, Locking	
8	1001098150	9	Washer, Nylon M6	
9	1001132564	7	Screw M6 X 20	
10	1001147459	1	Rear Panel Assembly (See Separate Breakdown in this Section)	
11	1001148598	1	Plate	
12	1001148836	1	Plate	
13	1001149125	2	Screw M6 X 30	
14	1001149277	1	Dash Cover Assembly (See Separate Breakdown in this Section)	
15	1001249262	1	Cover, Side-Rear	
16	1001241563	1	Cover, Side-Rear	
17	1120601	1	Cap, Plug	

SECTION 6 - CAB

FIGURE 6-13. DASH COVER ASSEMBLY



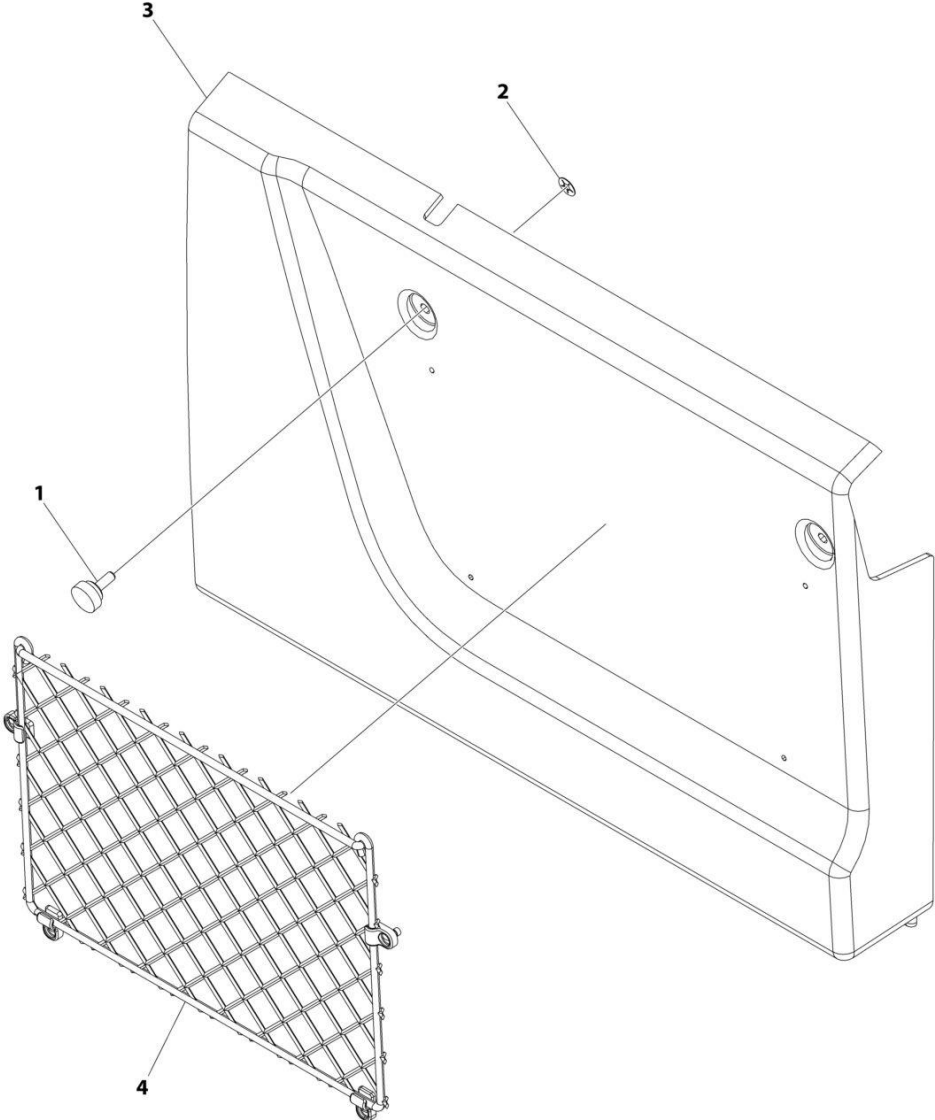
ART_1001149277

FIGURE 6-13. DASH COVER ASSEMBLY

ITEM	PART NUMBER	QTY	DESCRIPTION	REV
	1001149277	Ref	DASH COVER ASSEMBLY	D
1	8405201	4	Clamp	
2	1001147449	5	Vent	
3	1001185732	1	Cover, Dash	
4	1001149278	2	Connector, Vent	
5	1001149282	1	Hose	
6	1001149422	1	Hose	
7	1001091537	2	Fitting	
8	1001145218	8	Screw M4.8 x 16	

SECTION 6 - CAB

FIGURE 6-14. REAR PANEL ASSEMBLY



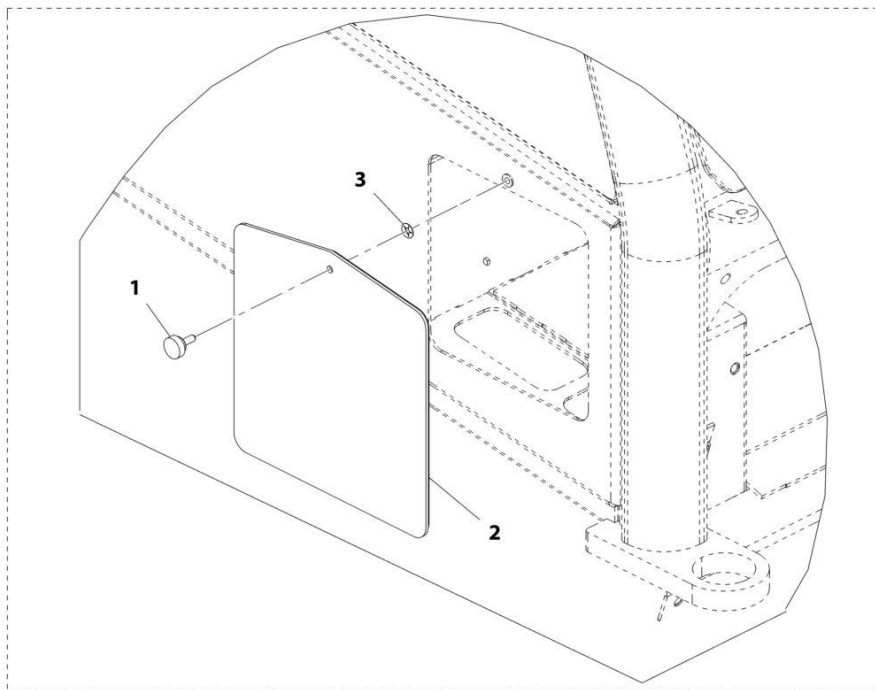
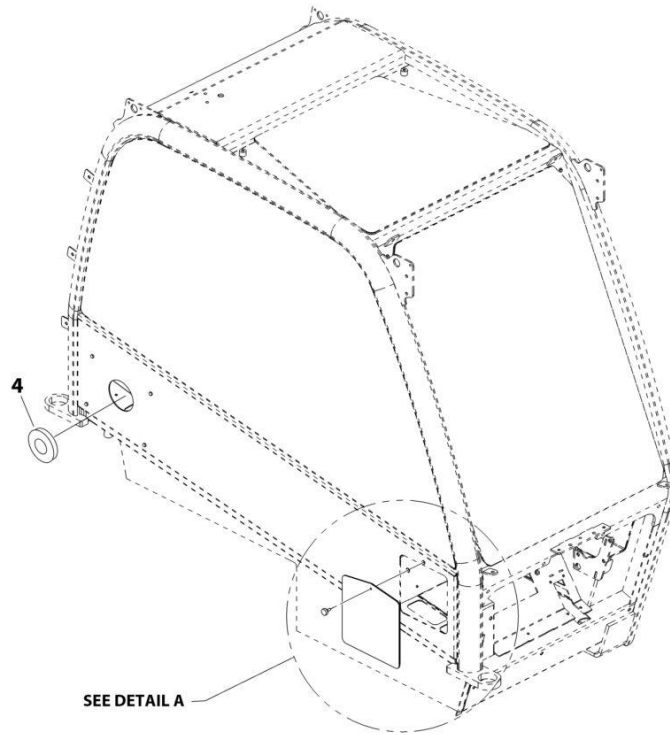
ART_1001147459

FIGURE 6-14. REAR PANEL ASSEMBLY

ITEM	PART NUMBER	QTY	DESCRIPTION	REV
	1001147459	Ref	REAR PANEL ASSEMBLY	B
1	2080092	2	Screw M6 x 16	
2	1001148557	2	Washer	
3	1001185728	1	Panel	
4	1001149013	1	Net	

SECTION 6 - CAB

FIGURE 6-15. COVER PANEL INSTALLATION



DETAIL A

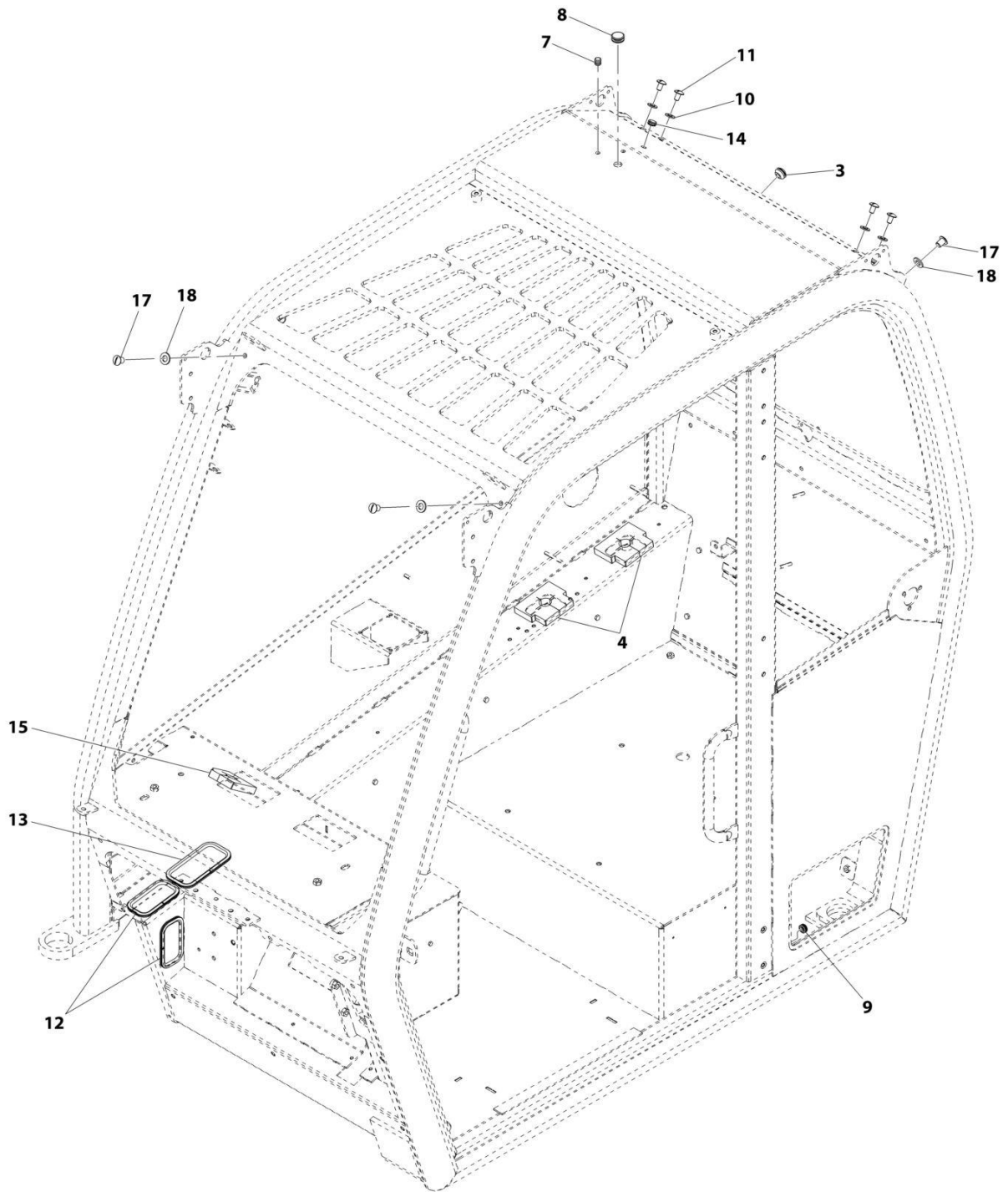
ART_1001148508-E

FIGURE 6-15. COVER PANEL INSTALLATION

ITEM	PART NUMBER	QTY	DESCRIPTION	REV
	1001148508	Ref	Cover Panel Installation	E
1	2080092	1	Screw, Thumb M6X16	
2	1001148510	1	Plate, Cover	
3	1001148557	1	Washer, Star	
4	1120601	1	Plug	

SECTION 6 - CAB

FIGURE 6-16. GASKET INSTALLATION



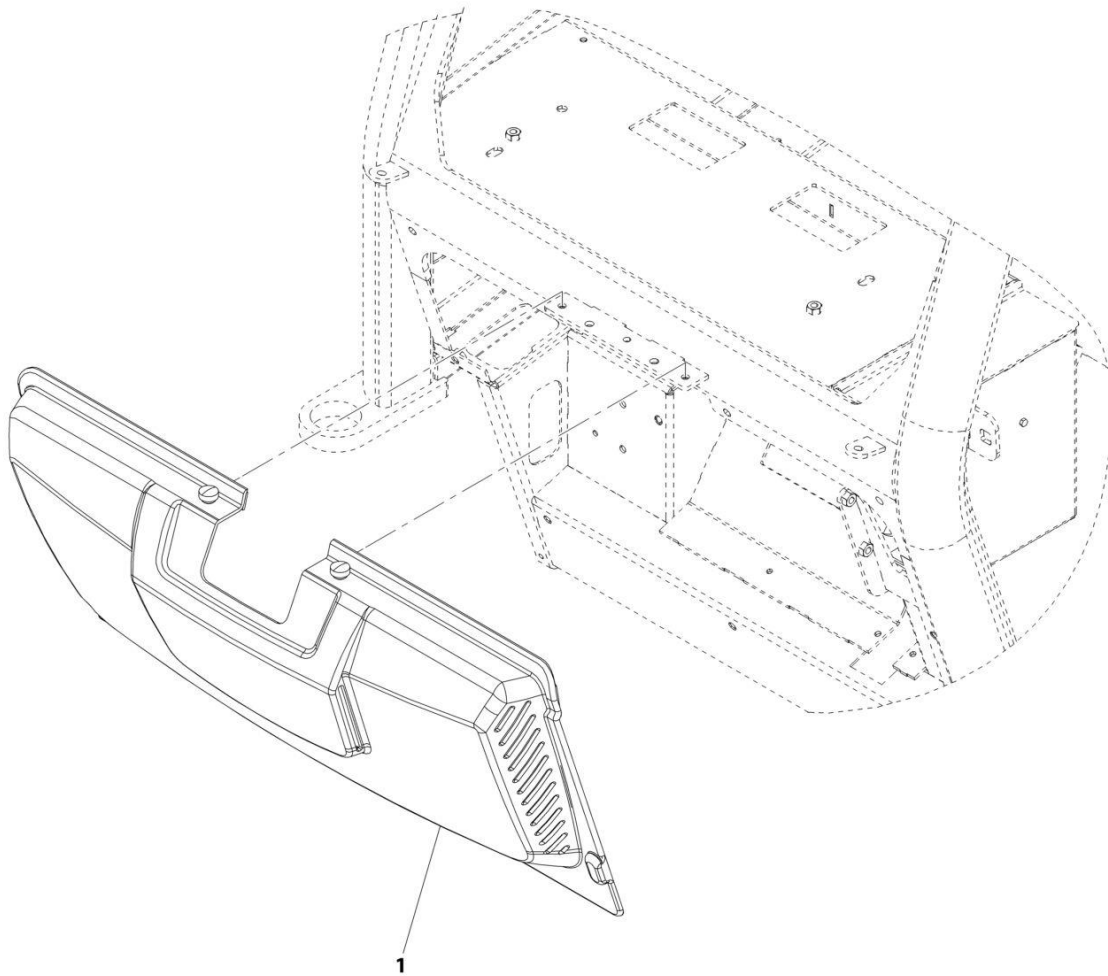
ART_1001163111-D

FIGURE 6-16. GASKET INSTALLATION

ITEM	PART NUMBER	QTY	DESCRIPTION	REV
	1001163111	Ref	Gasket Installation	D
3	1001143200	1	Cap	
4	1001163076	2	Seal, Gasket	
7	1001176272	2	Cap	
8	1001176273	1	Cap	
9	1001176323	1	Cap	
10	1001176340	8	Washer	
11	1001176341	8	Screw	
12	1001176324	2	Seal	
13	1001176325	1	Seal	
14	1001176626	1	Cap	
15	1001176695	1	Seal, Gasket	
17	1001198346	4	Screw	
18	1001198350	4	Washer	

SECTION 6 - CAB

FIGURE 6-17. FRONT COVER INSTALLATION



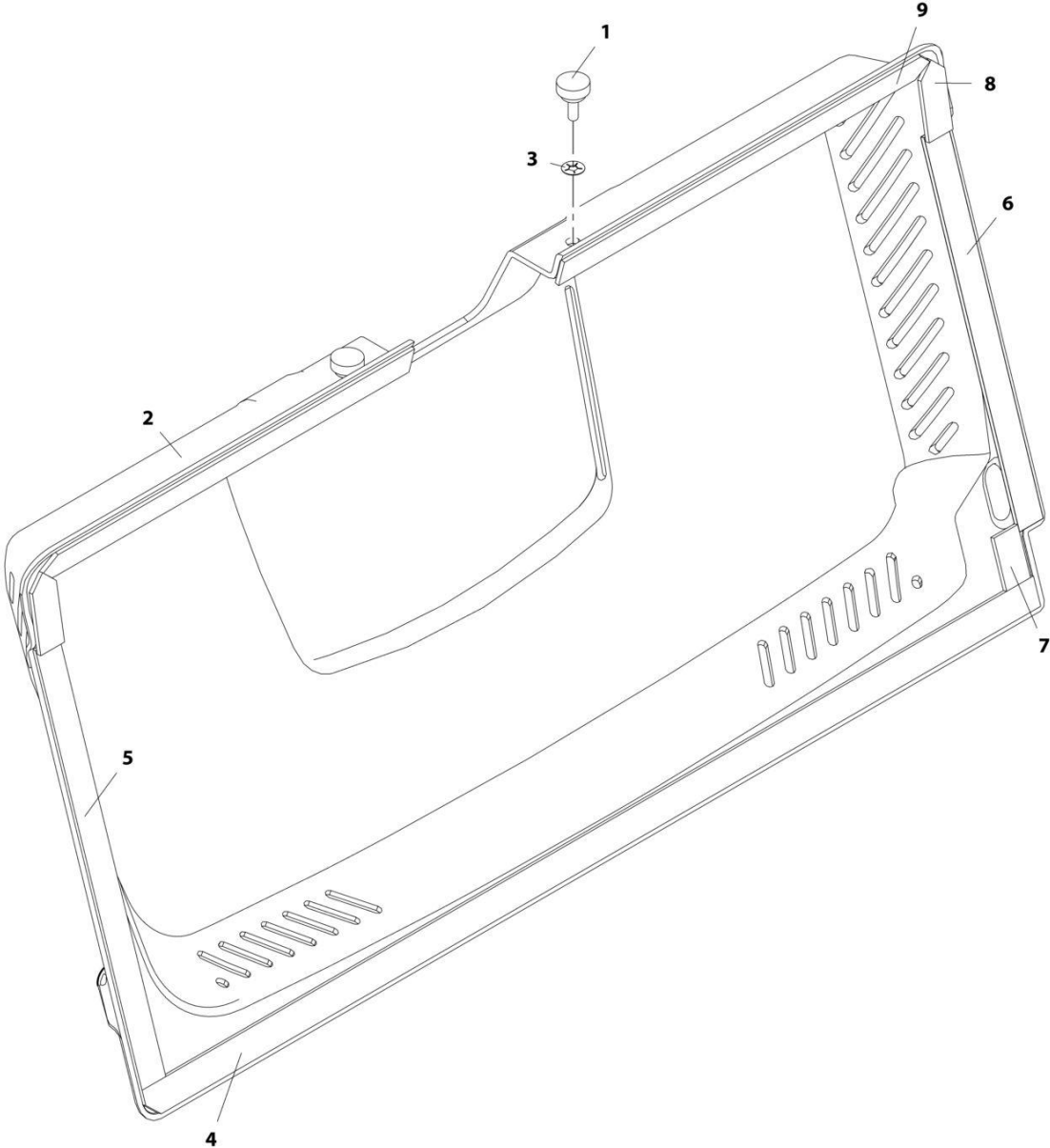
ART_1001142194-B

FIGURE 6-17. FRONT COVER INSTALLATION

ITEM	PART NUMBER	QTY	DESCRIPTION	REV
1	1001142194 1001149136	Ref 1	Front Cover Installation Front Cover Assembly (See Separate Breakdown in this Section)	B

SECTION 6 - CAB

FIGURE 6-18. FRONT COVER ASSEMBLY



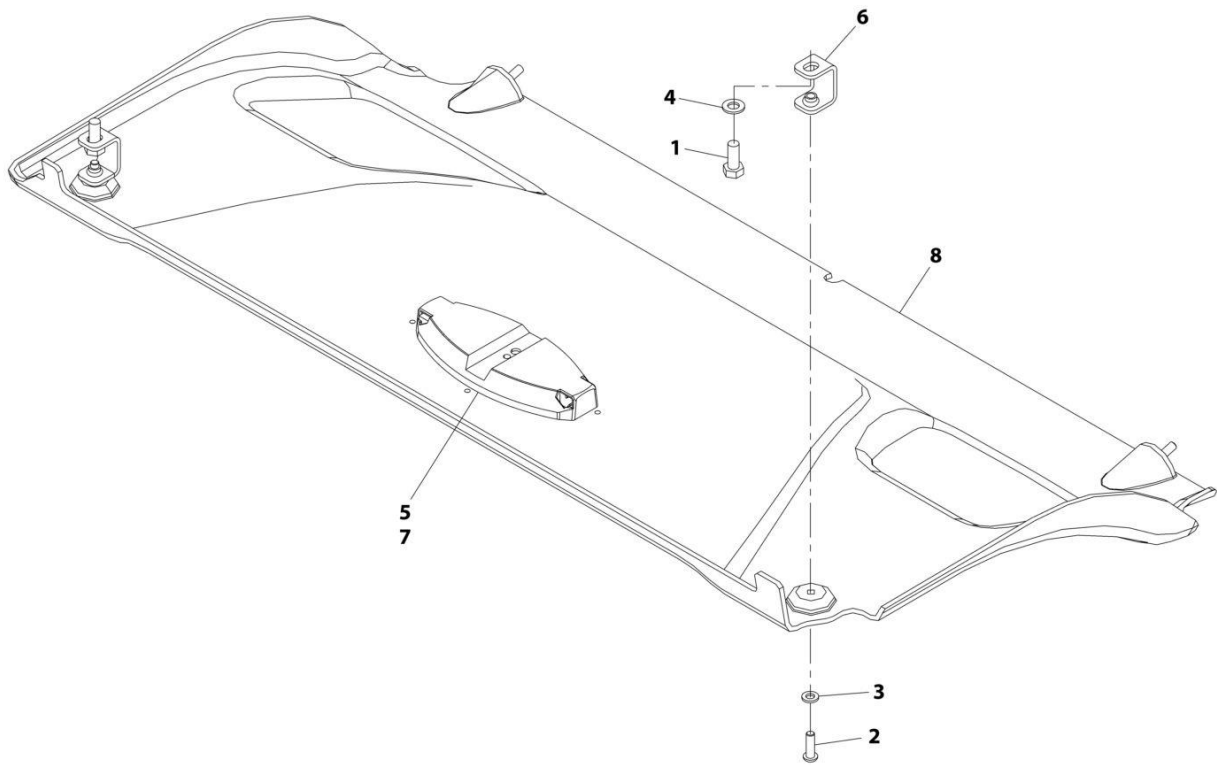
ART_1001149136-A

FIGURE 6-18. FRONT COVER ASSEMBLY

ITEM	PART NUMBER	QTY	DESCRIPTION	REV
	1001149136	Ref	Front Cover Assembly	A
1	2080092	2	Screw, Thumb M5X20	
2	1001147465	1	Cover, Front Panel	
3	1001148557	2	Washer, Star	
4	1001149112	1	Seal	
5	1001149113	1	Seal	
6	1001149114	1	Seal	
7	1001149115	1	Seal	
8	1001149116	2	Seal	
9	1001149117	2	Seal	

SECTION 6 - CAB

FIGURE 6-19. HEADLINER INSTALLATION



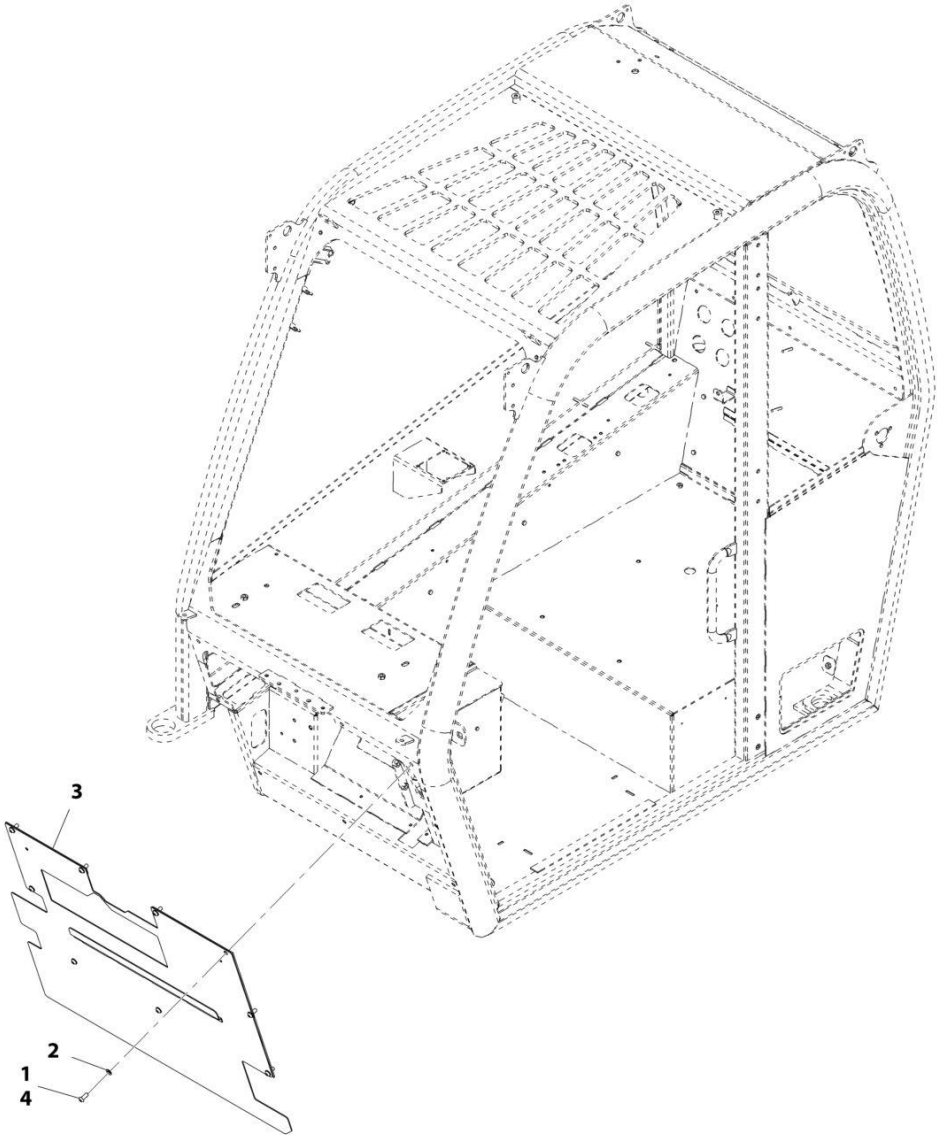
ART_1001237156-A

FIGURE 6-19. HEADLINER INSTALLATION

ITEM	PART NUMBER	QTY	DESCRIPTION	REV
	1001237156	Ref	Headliner Installation	A
1	0760810	2	Bolt, M8X20	
2	3900364	4	Bolt, M6X20	
3	4811700	4	Washer, M6	
4	4811900	2	Washer, M8	
5	7029486	4	Bolt	
6	1001148886	2	Bracket, Headliner Support	
7	1001167015	1	Lamp	
8	1001237154	1	Cover, Headliner	

SECTION 6 - CAB

FIGURE 6-20. FRONT PANEL INSTALLATION



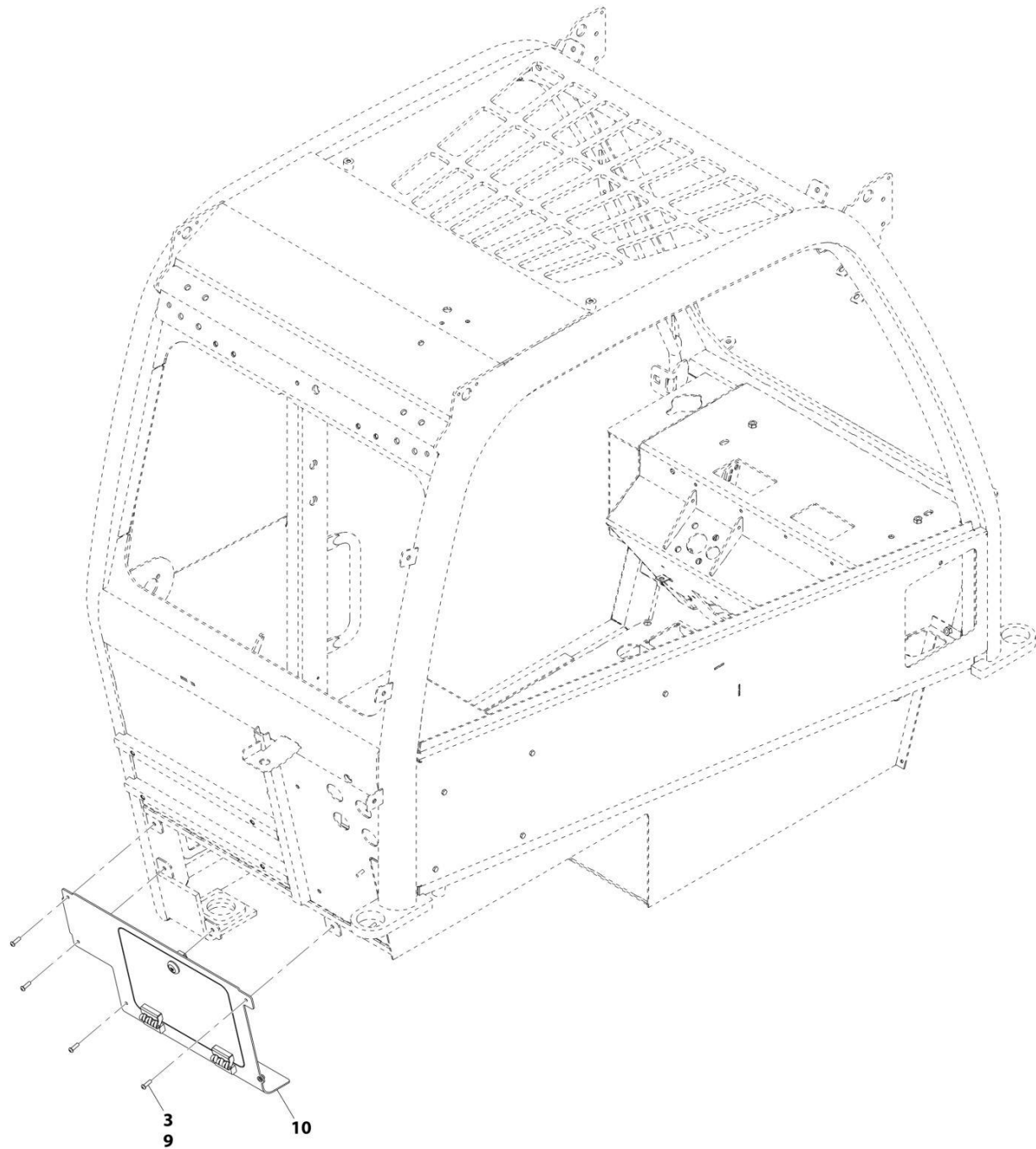
ART_1001142968-F

FIGURE 6-20. FRONT PANEL INSTALLATION

ITEM	PART NUMBER	QTY	DESCRIPTION	REV
	1001142968	Ref	Front Panel Installation	F
1	0630612	9	Bolt, M8X20	
2	4811900	9	Washer, M8	
3	1001149584	1	Plate	
4	1001095650	AR	Compound, Locking	

SECTION 6 - CAB

FIGURE 6-21. REAR COVER PANEL INSTALLATION



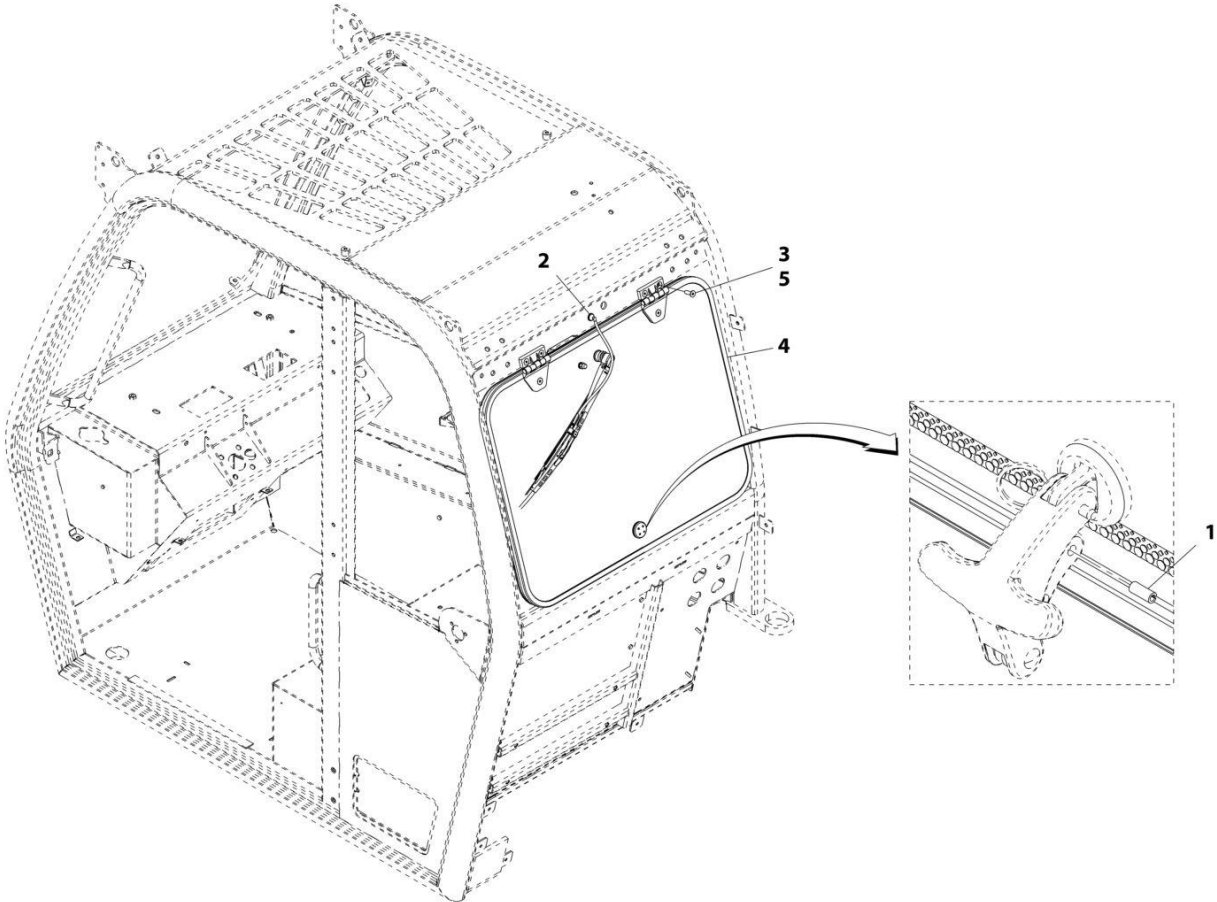
ART_1001148112-F

FIGURE 6-21. REAR COVER PANEL INSTALLATION

ITEM	PART NUMBER	QTY	DESCRIPTION	REV
	1001148112	Ref	Rear Cover Panel Installation	F
3	3900364	4	Bolt, M6X20	
9	1001095650	AR	Compound, Locking	
10	1001177380	1	Panel, Rear Cover	

SECTION 6 - CAB

FIGURE 6-22. REAR WINDOW INSTALLATION



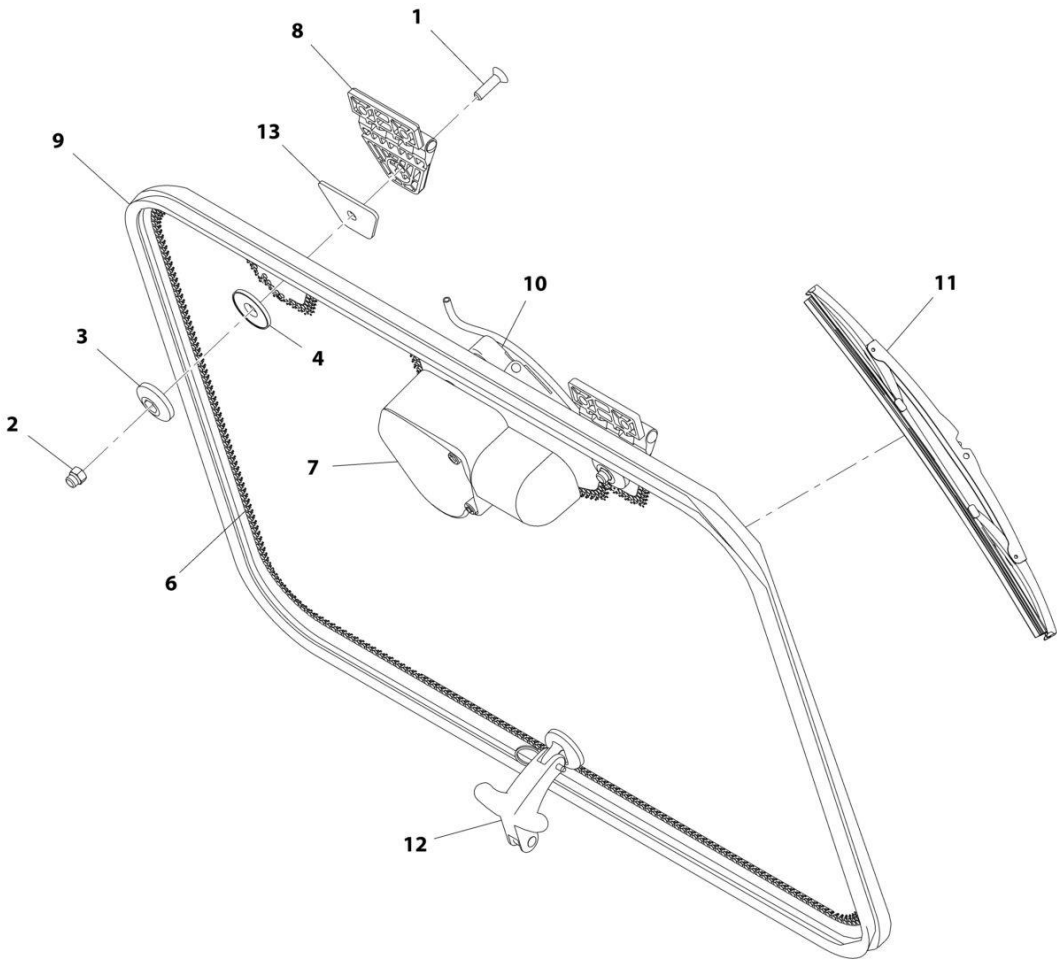
ART_1001139569-K

FIGURE 6-22. REAR WINDOW INSTALLATION

ITEM	PART NUMBER	QTY	DESCRIPTION	REV
	1001139569	Ref	Rear Window Installation	K
1	1001003043	1	Pin, Spring	
2	1001090343	1	Connector	
3	1001097586	4	Bolt, M8-1.25X25	
4	1001139570	1	Window, Rear (See Separate Breakdown in this Section)	
5	1001095650	AR	Compound, Locking	

SECTION 6 - CAB

FIGURE 6-23. REAR WINDOW



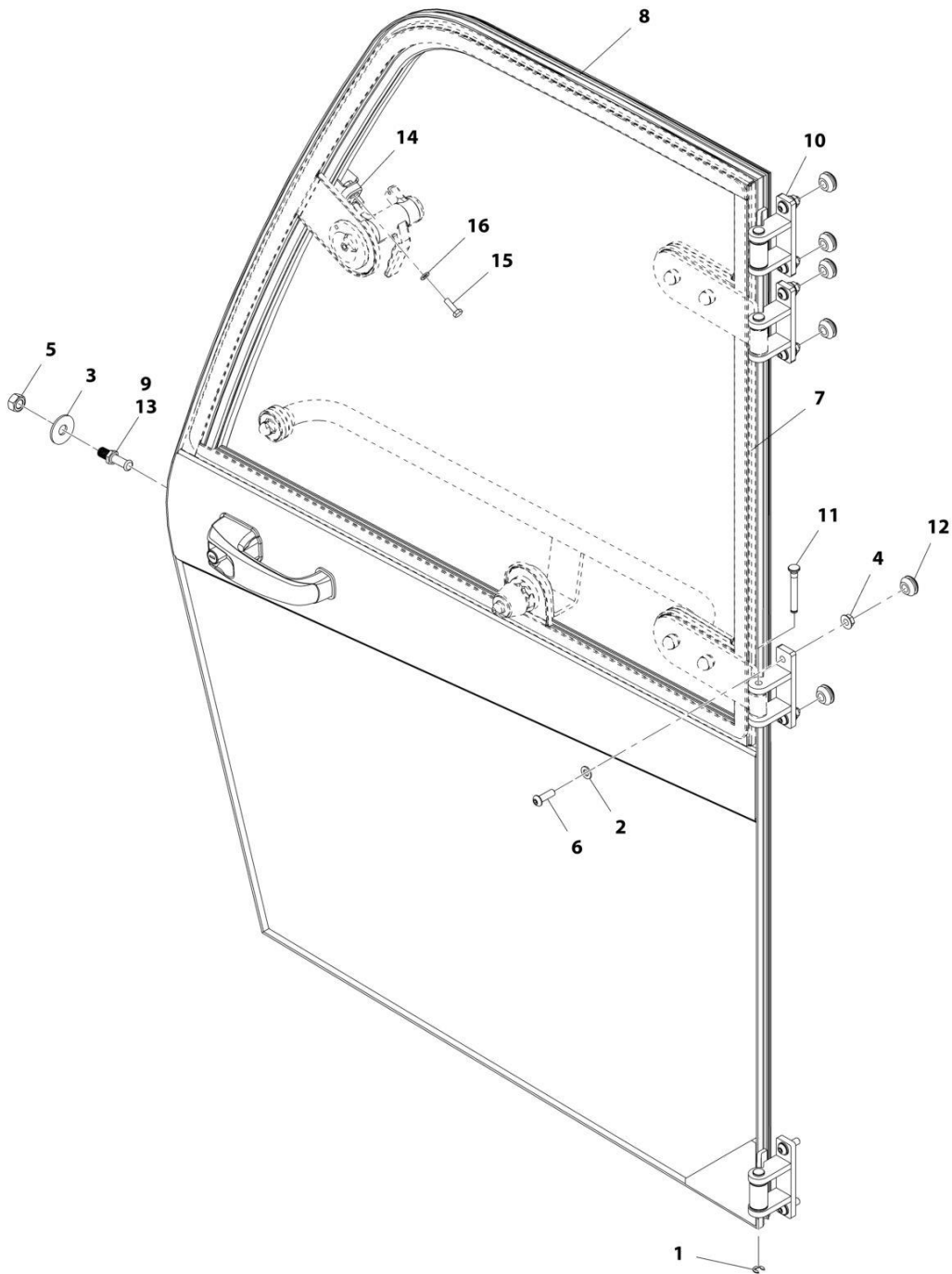
ART_1001139570-J

FIGURE 6-23. REAR WINDOW

ITEM	PART NUMBER	QTY	DESCRIPTION	REV
	1001139570	Ref	Window, Rear	J
1	2080078	2	Fastener, M8X30	
2	3290806	2	Nut, M8X1.25	
3	8000759	2	Spacer	
4	8004398	2	Spacer	
6	1001139469	1	Glass, Rear Window	
7	1001139552	1	Motor, Rear Wiper	
8	1001139568	2	Hinge	
9	1001139576	1	Seal	
10	1001141312	1	Arm, Rear Window Wiper	
11	4807718	1	Blade, Wiper	
12	1001005368	1	Latch, Window	
13	1001181411	2	Gasket, Rear Window Hinge	

SECTION 6 - CAB

FIGURE 6-24. CAB DOOR INSTALLATION



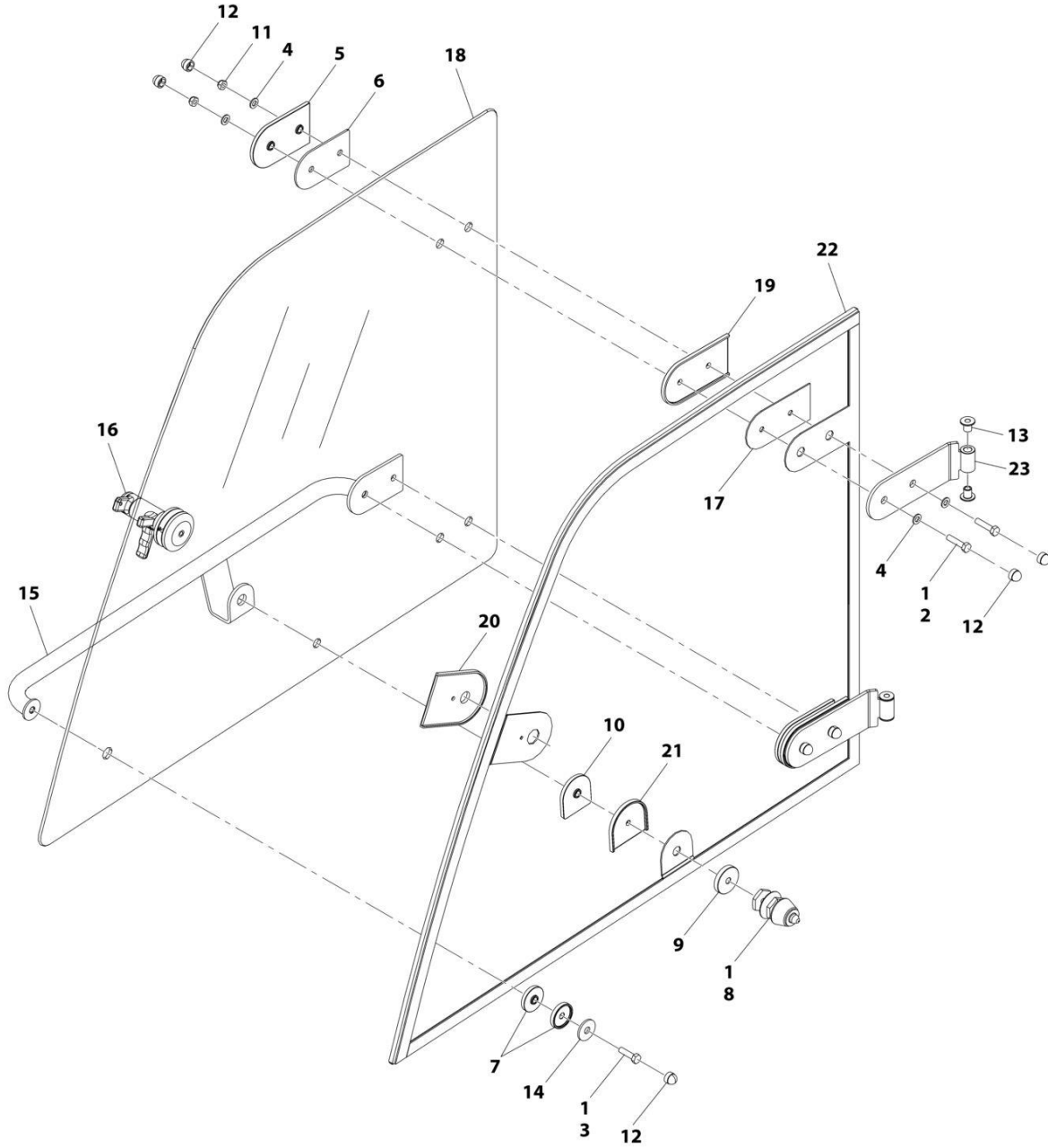
ART_1001142189-N

FIGURE 6-24. CAB DOOR INSTALLATION

ITEM	PART NUMBER	QTY	DESCRIPTION	REV
	1001142189	Ref	Cab Door Installation	N
1	0498748	4	Washer, Lock	
2	4811900	8	Washer, M8	
3	4812102	1	Washer, M12	
4	5220800	6	Nut, Ripp M8	
5	3300497	1	Nut, Ripp M12	
6	8310643	8	Bolt, M8-1.25x25	
7	1001178671	1	Installation, Window (See Separate Breakdown in this Section)	
8	1001142252	1	Door Cab (See Separate Breakdown in this Section)	
9	1001142667	1	Bolt, Door Striker	
10	1001142840J	4	Plate, Hinge	
11	1001143130	4	Pin, Hinge	
12	1001143200	6	Cap	
13	1001095650	AR	Compound, Locking	
14	1001165276	1	Latch, Striker Plate Window	
15	0760610	2	Bolt, M6X20	
16	4811700	2	Washer, M6	

SECTION 6 - CAB

FIGURE 6-25. WINDOW INSTALLATION



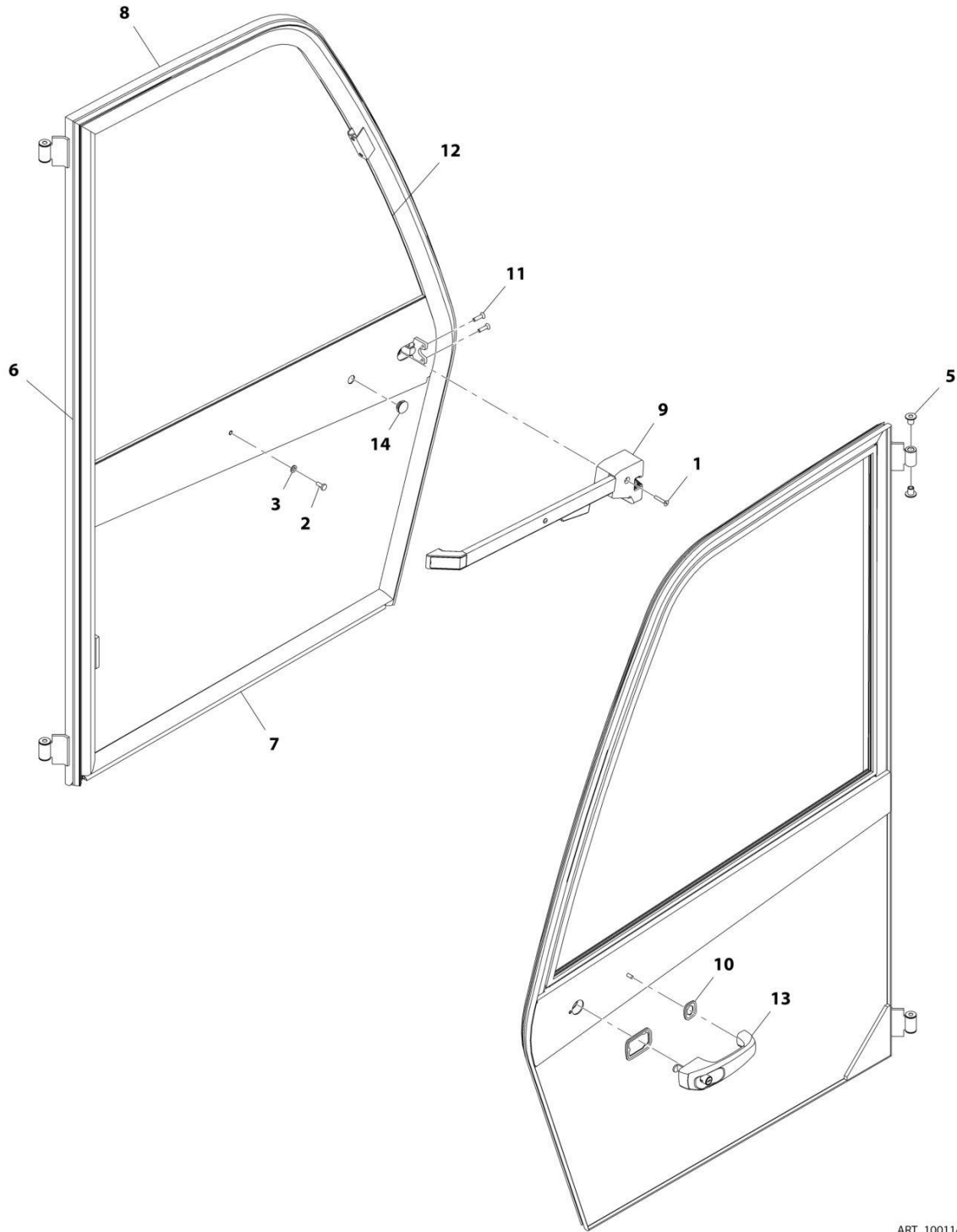
ART_1001178671-F

FIGURE 6-25. WINDOW INSTALLATION

ITEM	PART NUMBER	QTY	DESCRIPTION	REV
	1001178671	Ref	Window Installation	F
1	1001095650	AR	Compound, Locking	
2	0700815	4	Bolt, M8X35	
3	0760814	1	Bolt, M8X30	
4	4811900	7	Washer, M8	
5	1001002946	2	Mount, Hinge	
6	1001002947	1	Mount, Hinge	
7	1001002953	2	Mount, Rubber	
8	1001002955	1	Latch, Striker	
9	1001002956	1	Washer	
10	1001002957	1	Mount, Latch	
11	1001008857	3	Nut, Lock	
12	1001096365	8	Cap, M8	
13	1001107192	4	Sleeve, Hinge	
14	1001141246	1	Mount, Handle	
15	1001142210	1	Handle	
16	1001165275	1	Latch, Window	
17	1001168447	2	Plate	
18	1001168453	1	Window	
19	1001168705	2	Mount, Hinge	
20	1001168829	1	Seal	
21	1001169787	1	Seal	
22	1001178603	1	Frame, Cab Window	
23	1001178723	2	Hinge	

SECTION 6 - CAB

FIGURE 6-26. DOOR ASSEMBLY



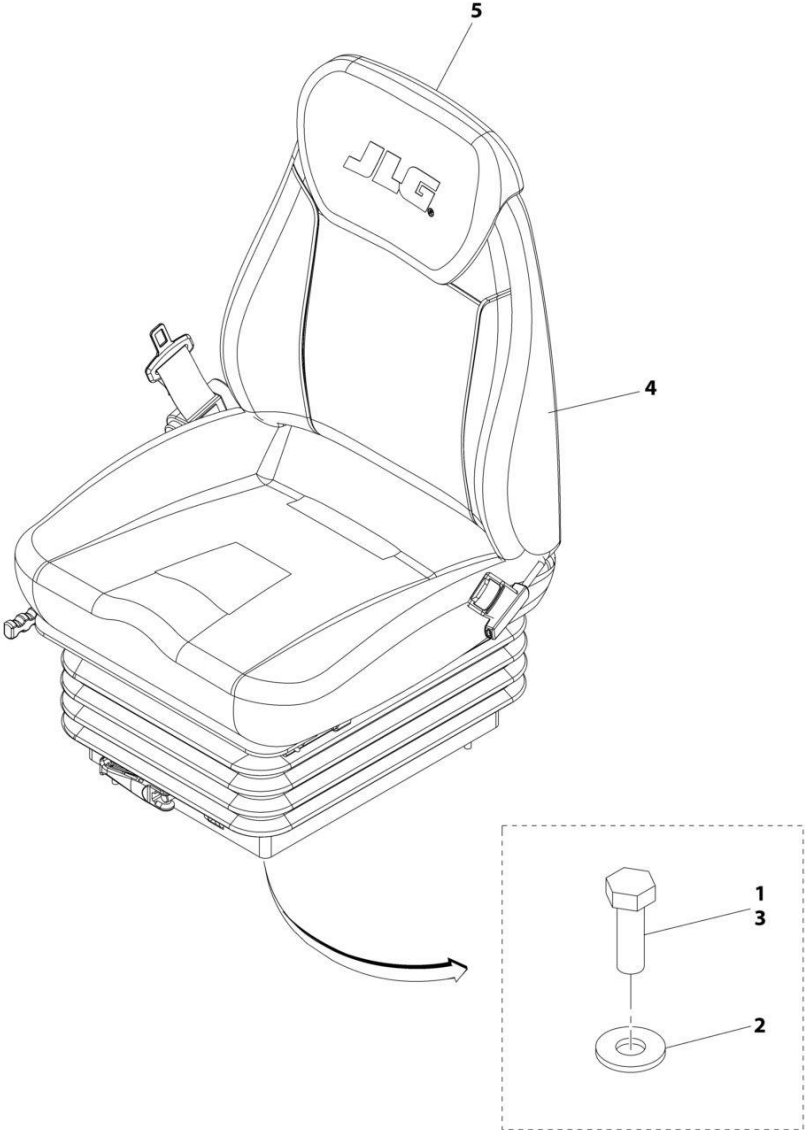
ART_1001142252-H

FIGURE 6-26. DOOR ASSEMBLY

ITEM	PART NUMBER	QTY	DESCRIPTION	REV
	1001142252	Ref	Door Assembly	H
1	1001174157	1	Screw, M5	
2	4010608	3	Screw, M6X16	
3	4811700	3	Washer, M6	
5	1001107192	4	Sleeve, Hinge	
6	1001002961	1	Seal	
7	1001002963	1	Seal	
8	1001142193J	1	Frame, Cab Door	
9	1001142496	1	Handrail, Interior	
10	1001142618	1	Seal	
11	3900379	2	Screw, M6-1.00x25	
12	1001142720	1	Seal	
13	1001142732	1	Handle, Push Button	
14	1001143200	1	Cap	

SECTION 6 - CAB

FIGURE 6-27. VINYL SEAT INSTALLATION



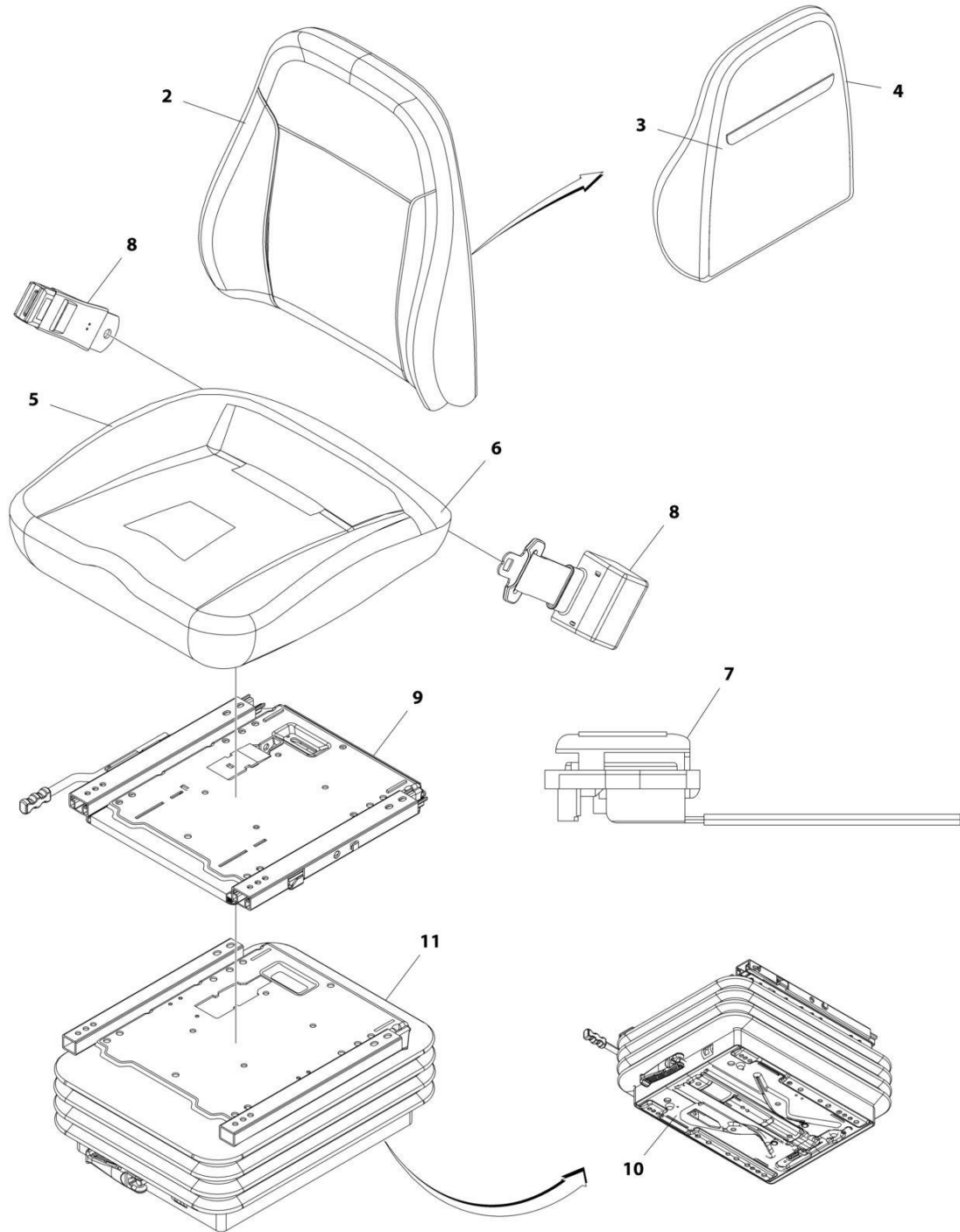
ART_1001144399-D

FIGURE 6-27. VINYL SEAT INSTALLATION

ITEM	PART NUMBER	QTY	DESCRIPTION	REV
	1001144399	Ref	Vinyl Seat Installation	D
1	1001095650	AR	Compound, Locking	
2	1001008666	4	Washer	
3	0770812	4	Bolt	
4	1001150293	1	Vinyl Seat (See Separate Breakdown in this Section)	
5	1001150303	1	Headrest, Vinyl	

SECTION 6 - CAB

FIGURE 6-28. VINYL SEAT



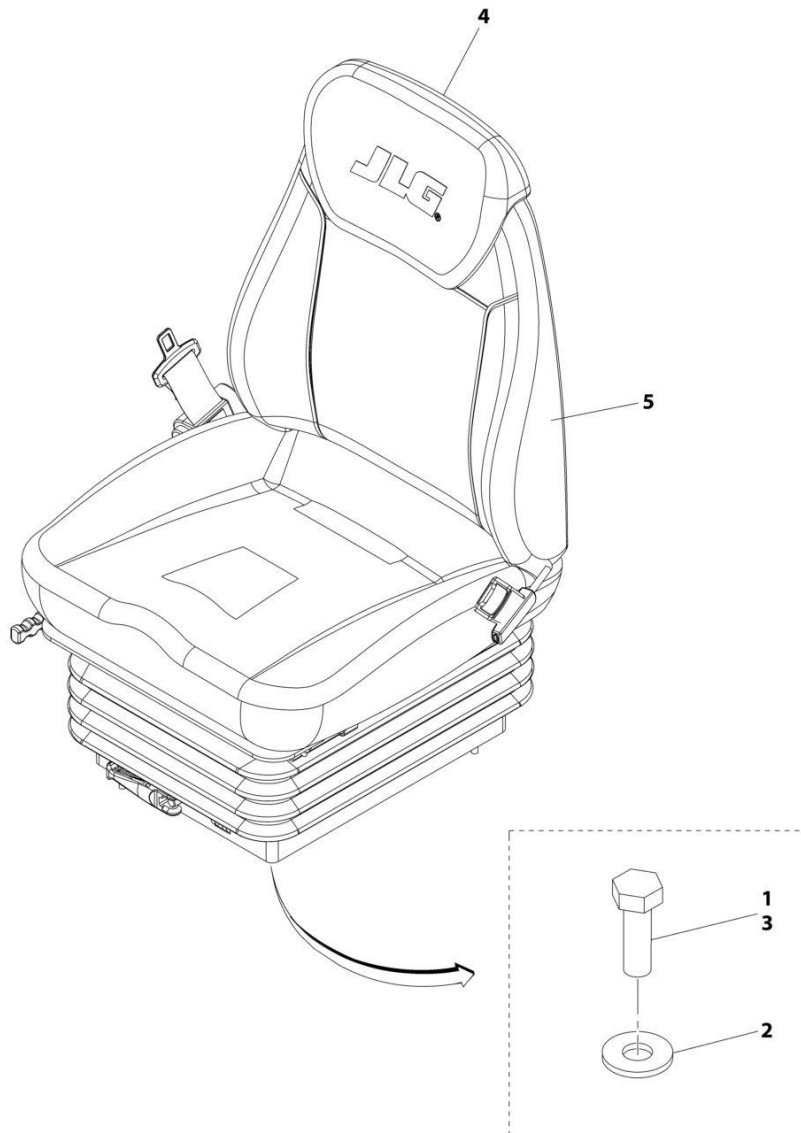
ART_1001150293

FIGURE 6-28. VINYL SEAT

ITEM	PART NUMBER	QTY	DESCRIPTION	REV
	1001150293	Ref	Vinyl Seat	E
2	70022517	1	Seat, Upper	
3	70025482	1	Cover, Back	
4	70025483	1	Foam, Back	
5	70025484	1	Cover, Seat	
6	70025485	1	Foam, Seat	
7	70025486	1	Switch, Contact	
8	7029767	1	Belt, Seat	
9	70021252	1	Rail, Slide	
10	70021251	1	Unit, Suspension	
11	70022034	1	Cover, Rubber	

SECTION 6 - CAB

FIGURE 6-29. CLOTH SEAT INSTALLATION



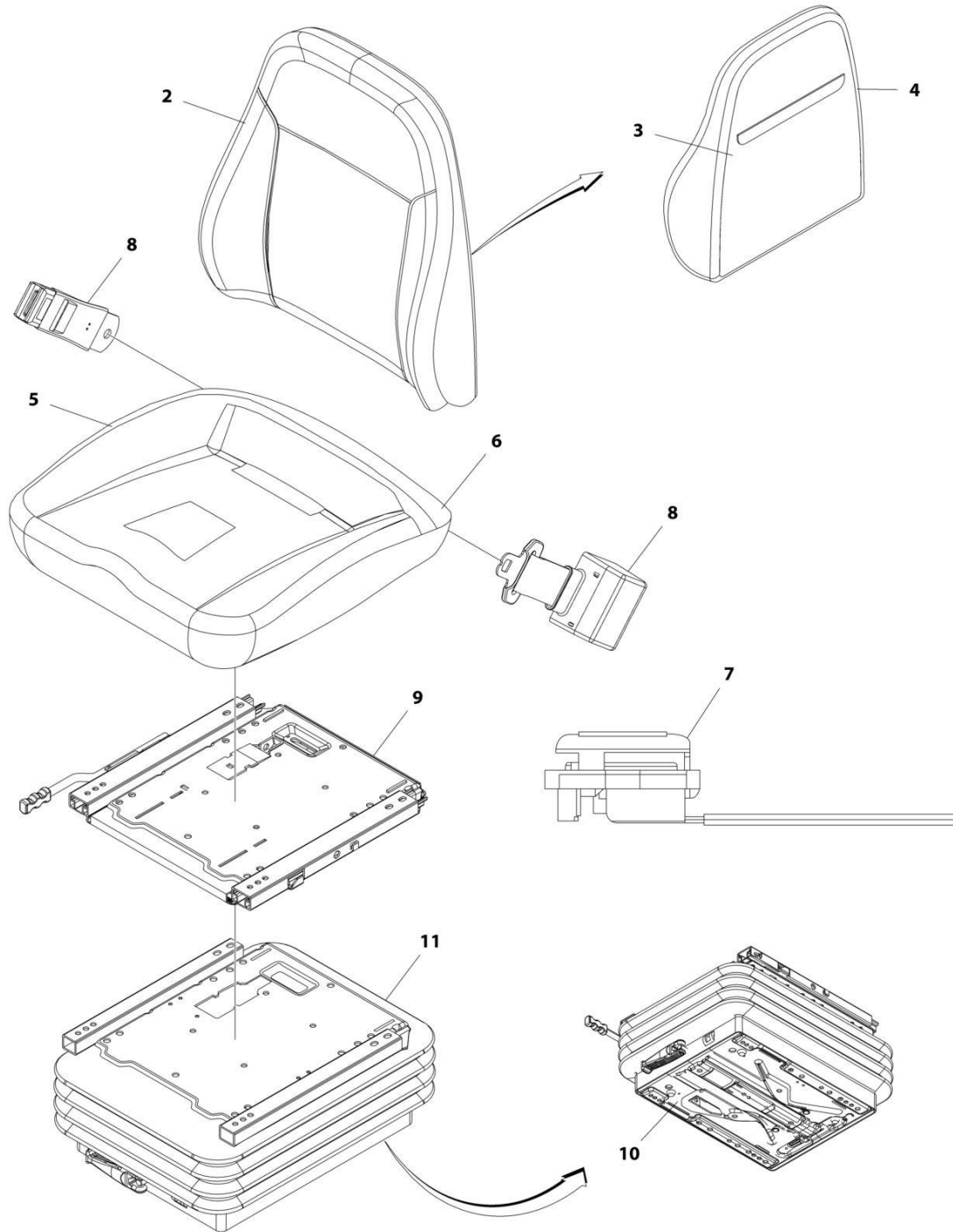
ART_1001144400-D

FIGURE 6-29. CLOTH SEAT INSTALLATION

ITEM	PART NUMBER	QTY	DESCRIPTION	REV
	1001144400	Ref	Cloth Seat Installation	D
1	1001095650	AR	Compound, Locking	
2	1001008666	4	Washer	
3	0770812	4	Bolt	
4	1001119467	1	Headrest, Cloth	
5	1001150294	1	Seat, Cloth (See Separate Breakdown in this Section)	

SECTION 6 - CAB

FIGURE 6-30. CLOTH SEAT



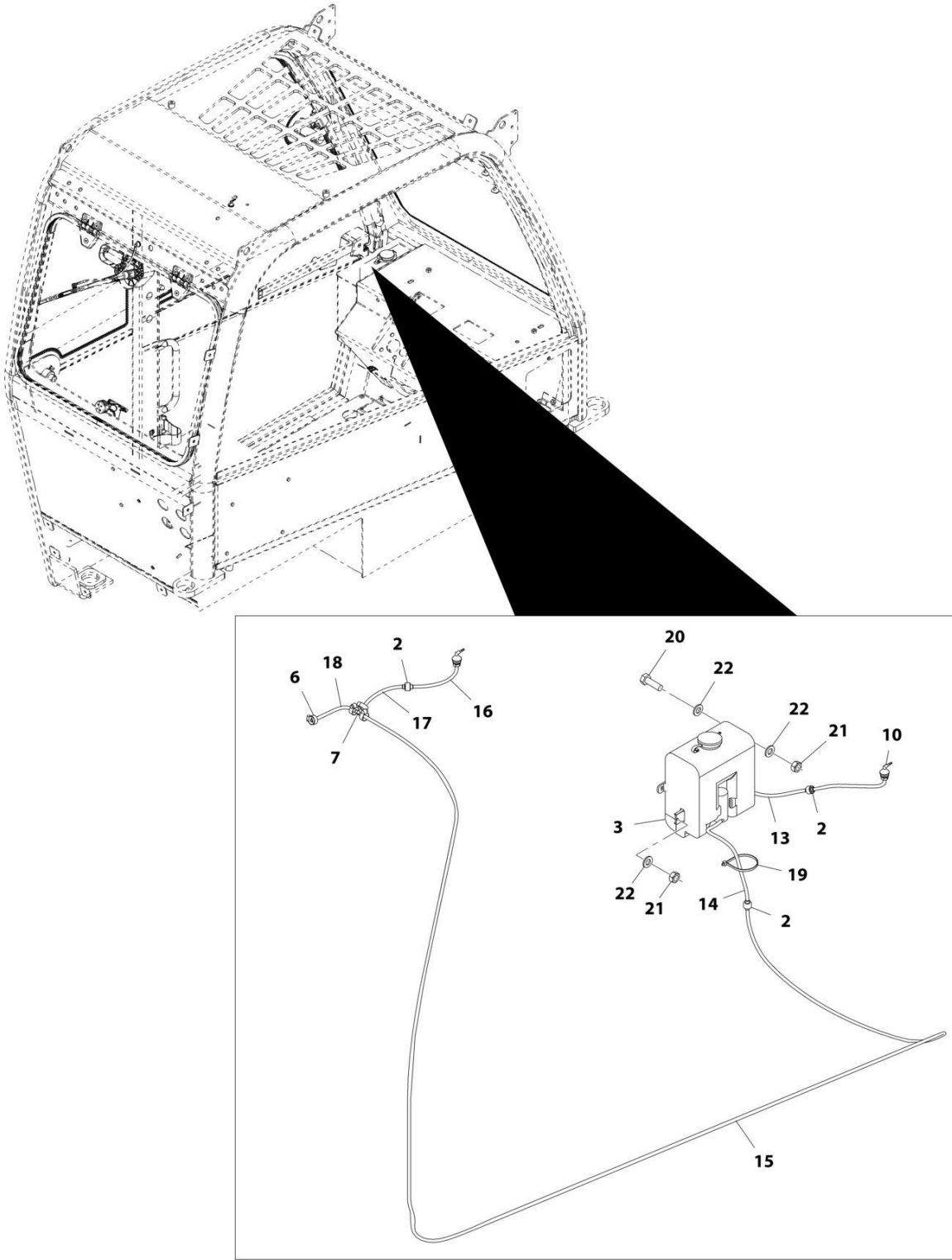
ART_1001150294

FIGURE 6-30. CLOTH SEAT

ITEM	PART NUMBER	QTY	DESCRIPTION	REV
	1001150294	Ref	CLOTH SEAT	F
2	70025489	1	Fabric, Upper Seat	
3	70025490	1	Cover, Back	
4	70025483	1	Foam, Back	
5	70025491	1	Cover, Seat	
6	70025485	1	Foam, Seat	
7	70025486	1	Switch, Contact	
8	7029767	1	Belt, Seat	
9	70021252	1	Rail, Slide	
10	70021251	1	Unit, Suspension	
11	70022034	1	Cover, Rubber	

SECTION 6 - CAB

FIGURE 6-31. FRONT WIPER INSTALLATION



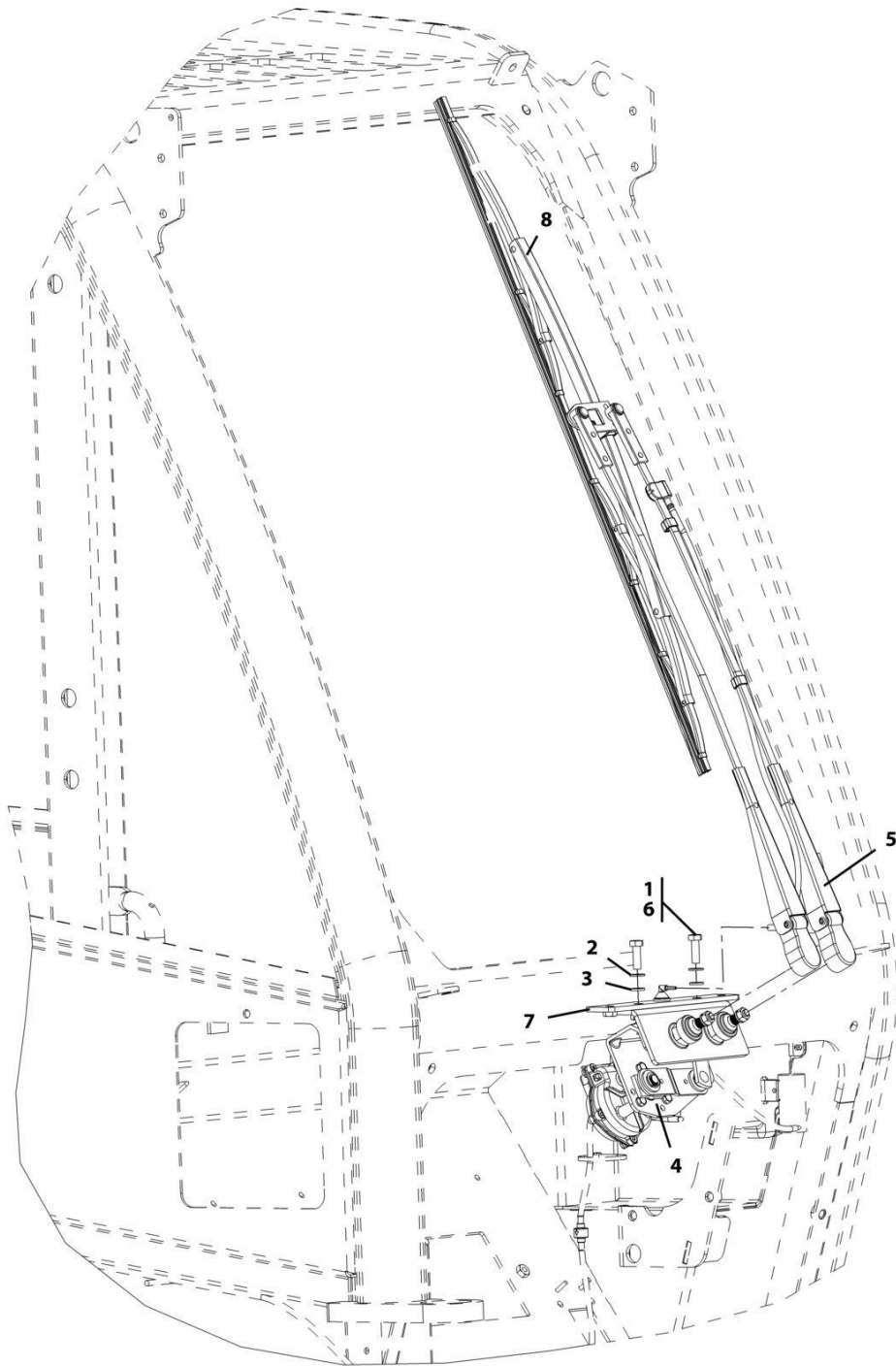
ART_1001141155-G

FIGURE 6-31. FRONT WIPER INSTALLATION

ITEM	PART NUMBER	QTY	DESCRIPTION	REV
	1001141155	Ref	Front Wiper Installation	G
2	1366865	3	Valve, Check	
3	4400493	1	Tank, Washer	
6	1001004141	4	Clamp, Hose	
7	1001008742	1	Coupling, Tee	
10	1001090343	2	Connector	
13	1001145143	2	Hose	
14	1001145144	1	Hose	
15	1001145145	1	Hose	
16	1001145146	1	Hose	
17	1001145614	1	Hose	
18	1001145615	1	Hose	
19	1001008559	1	Strap, Cable	
20	0760508	1	Bolt, M5X16	
21	3290501	2	Hex Nut, M8x0.8	
22	4811600	3	Washer, 5mm	

SECTION 6 - CAB

FIGURE 6-32. FRONT WIPER INSTALLATION



ART_1001168812-A

FIGURE 6-32. FRONT WIPER INSTALLATION

ITEM	PART NUMBER	QTY	DESCRIPTION	REV
	1001168812	Ref	Front Wiper Installation	A
1	0760812	2	Bolt, M8x25	
2	4811900	2	Washer, M8	
3	4831900	2	Lockwasher, Spring M8	
4	1001090336	1	Motor, Front Wiper	
5	1001090340	1	Arm, Front Wiper	
6	1001095650	AR	Compound, Locking	
7	1001141242	1	Plate	
8	1001141281	1	Blade, Wiper	

SECTION 6 - CAB

FIGURE 6-33. ROOF WIPER INSTALLATION

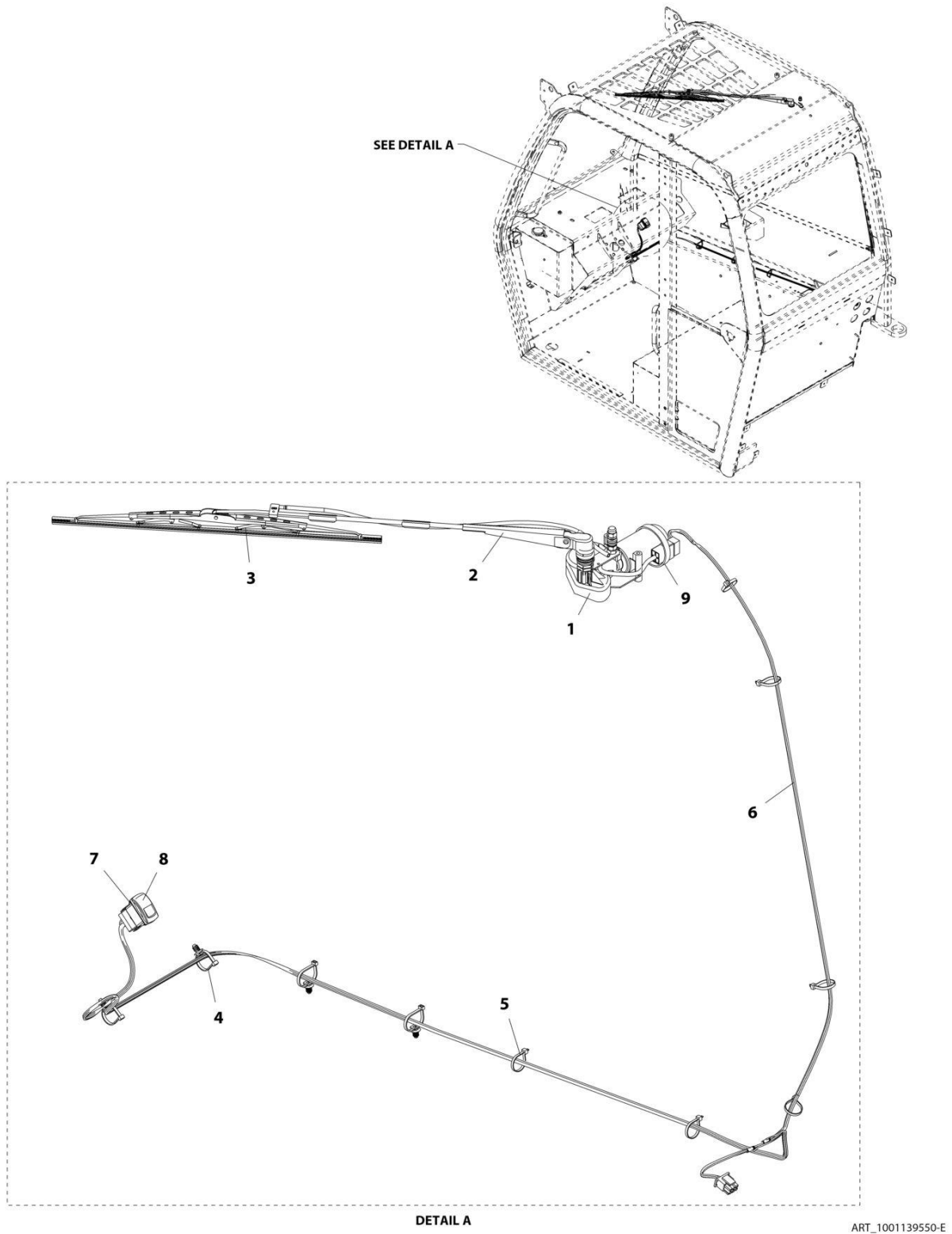
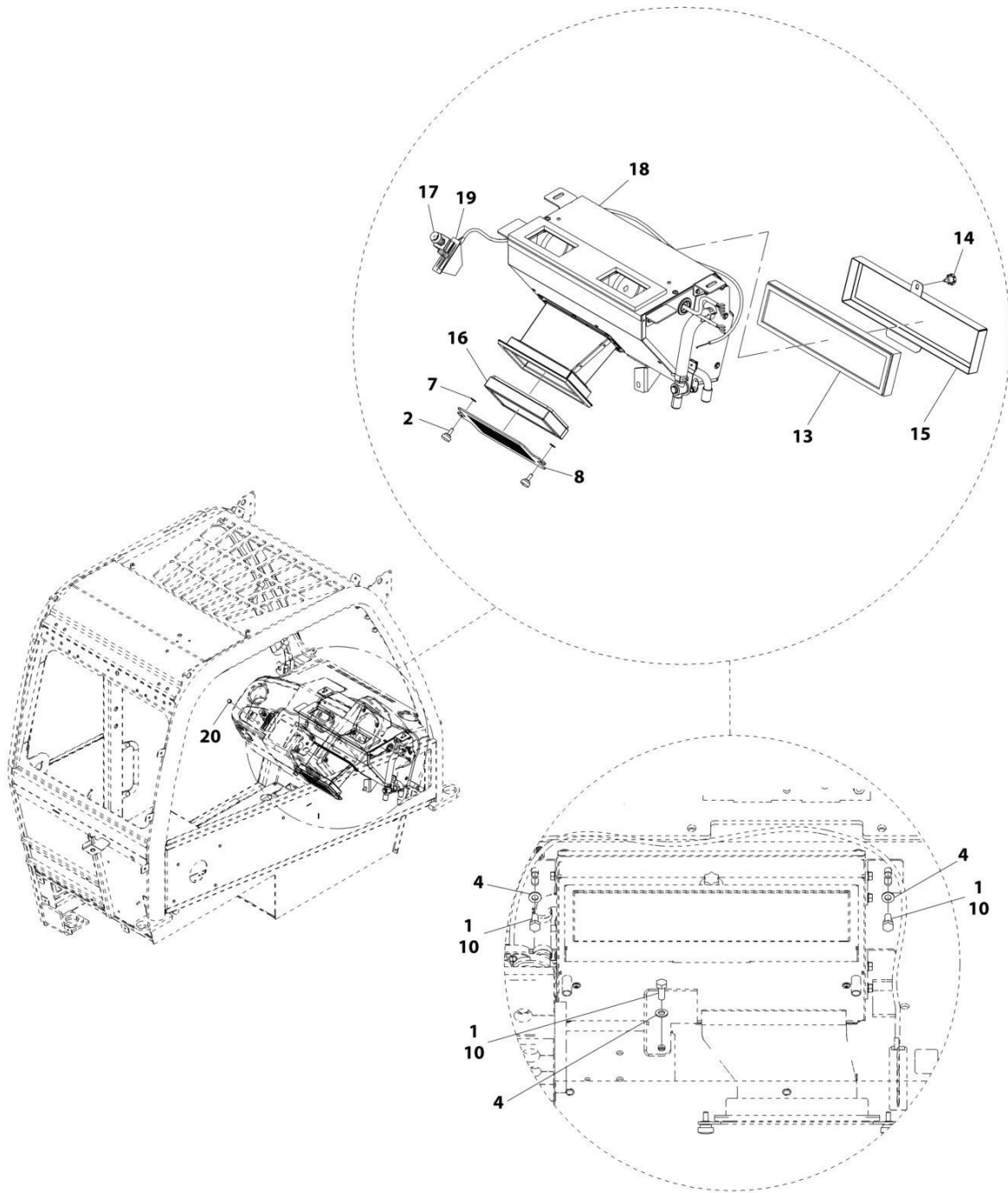


FIGURE 6-33. ROOF WIPER INSTALLATION

ITEM	PART NUMBER	QTY	DESCRIPTION	REV
	1001139550	Ref	Roof Wiper Installation	E
1	1001139551	1	Motor, Roof Wiper	
2	1001141311	1	Arm, Roof Wiper	
3	1001141313	1	Blade, Roof Wiper	
4	1001004720	4	Strap, Cable	
5	1001008559	6	Strap, Cable	
6	1001146677	1	Harness, Roof Wiper (See Separate Breakdown in ELECTRICAL Section)	
7	1001146729	1	Switch, Wiper	
8	1001149967	1	Switch, Wiper	
9	1062255	1	Strap, Cable	

SECTION 6 - CAB

FIGURE 6-34. HEATER INSTALLATION



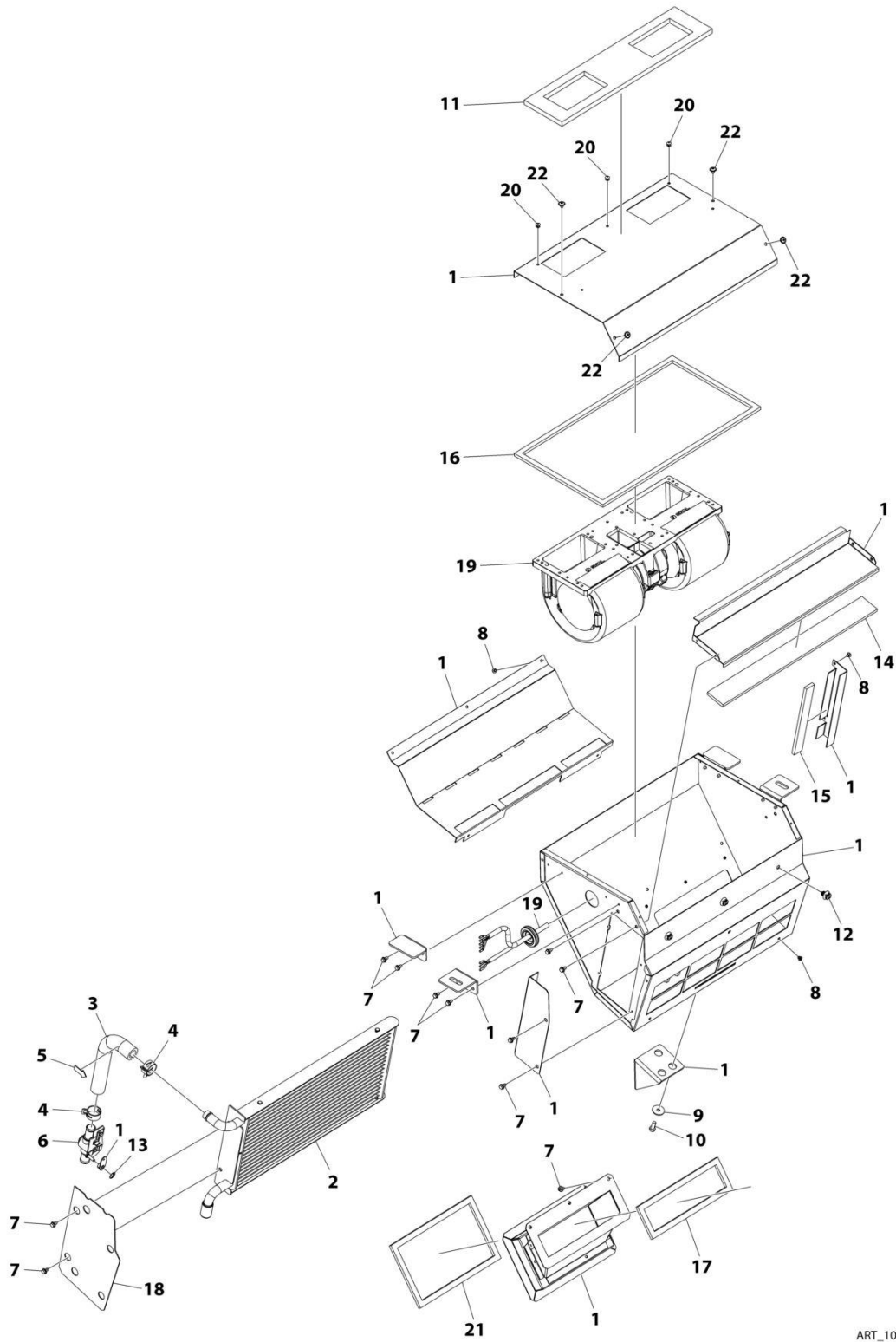
ART_1001144263-G

FIGURE 6-34. HEATER INSTALLATION

ITEM	PART NUMBER	QTY	DESCRIPTION	REV
	1001144263	Ref	Heater Installation	G
1	0760810	3	Bolt, M8X20	
2	2080092	2	Screw, Thumb	
4	4811900	3	Washer, M8	
7	1001148557	2	Washer, Star	
8	1001148619	1	Plate, Recirculation Grill	
10	1001095650	AR	Compound, Locking	
13	1001237344	1	Filter, Air	
14	1001237350	1	Latch, Filter Knob	
15	1001237346	1	Frame, Filter	
16	1001237345	1	Filter, Recirculation Air	
17	1001237349	1	Control, Fan Speed	
18	1001237341	1	Heater Unit Without A/C (See Separate Breakdown in this Section)	
19	1001237347	1	Control, Heater	
20	1001181502	1	Plug Cap	

SECTION 6 - CAB

FIGURE 6-35. HEATER (NO A/C)



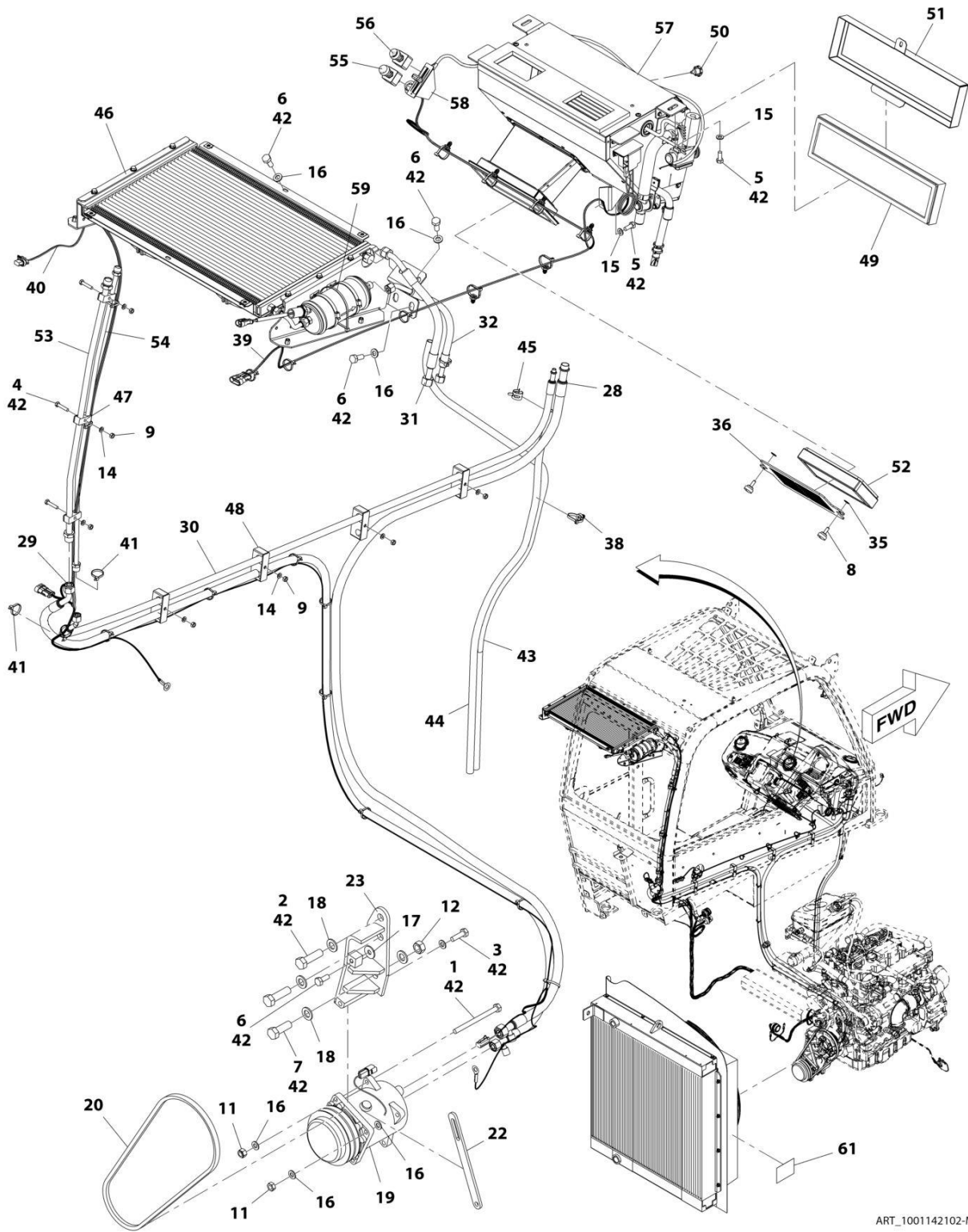
ART_1001237341

FIGURE 6-35. HEATER (NO A/C)

ITEM	PART NUMBER	QTY	DESCRIPTION	REV
	1001237341	Ref	HEATER ASSEMBLY	A
1	70031663	1	Kit, Housing	
2	70031664	1	Coil, Heater	
3	70031665	1	Fitting, 90	
4	70031666	2	Clamp	
5	70031667	1	Decal, Arrow	
6	70031668	1	Valve, Control	
7	70031669	19	Bolt M5 x 8	
8	70031670	7	Rivet	
9	70031671	3	Washer M6	
10	70031672	3	Bolt M6 x 16	
11	70031673	1	Insulation	
12	70031674	3	Mount, Tie-Strap	
13	70031675	1	Washer	
14	70031676	1	Seal	
15	70031677	1	Seal	
16	70031678	1	Seal	
17	70031679	1	Seal	
18	70031680	1	Insulation	
19	70031681	1	Blower	
20	70031682	5	Rivet	
21	70031683	1	Seal	
22	70031684	4	Screw M8 x 9	

SECTION 6 - CAB

FIGURE 6-36. AIR CONDITIONING INSTALLATION



ART_1001142102-M

FIGURE 6-36. AIR CONDITIONING INSTALLATION

ITEM	PART NUMBER	QTY	DESCRIPTION	REV
	1001142102	Ref	Air Conditioning Installation	M
1	0711030	1	Bolt, M10x130 GR10.9	
2	0761619	2	Bolt, M16X55	
3	0711016	1	Bolt, M10X40	
4	0760614	3	Bolt, M6X30	
5	0760810	3	Bolt, M8X20	
6	0761012	9	Bolt, M10X25	
7	0761617	1	Bolt, M16X45	
8	2080092	2	Screw, Thumb	
9	3290601	7	Nut, M6X1	
11	3291005	2	Nut, Lock M10X1.5	
12	3291601	1	Nut, M16X2	
14	4811700	7	Washer, M6	
15	4811900	3	Washer, M8	
16	4812000	12	Washer, M10	
17	4812002	1	Washer, M10	
18	4812300	4	Washer, M16	
19	1001119220	1	Compressor	
20	1001134759	1	Belt, Compressor	
22	1001145491	1	Plate, Compressor Tension Arm	
23	1001145492	1	Bracket, Compressor	
28	1001148470	1	Hose	
29	1001148471	1	Hose	
30	1001148472	1	Hose	
31	1001148473	1	Hose	
32	1001148474	1	Hose	
35	1001148557	2	Washer, Star	
36	1001148619	1	Plate, Recirculation Grill	
38	1001004720	7	Strap, Cable	
39	1001244134	1	Harness, Air Conditioning Cab (See Separate Breakdown in ELECTRICAL Section)	
40	1001151260	1	Harness, Air Conditioning Chassis (See Separate Breakdown in ELECTRICAL Section)	
41	1001008559	17	Strap, Cable	
42	1001095650	AR	Locking Compound	
43	1001152353	1	Hose	
44	1001152354	1	Hose	
45	1001152729	2	Clamp, Springband	
46	1001237339	1	Condenser	
47	1001237342	3	Support, Pipe	
48	1001237343	4	Support, Pipe	
49	1001237344	1	Filter, Air	
50	1001237350	1	Knob, Filter Latch	
51	1001237346	1	Frame, Filter	
52	1001237345	1	Filter, Recirculation Air	
53	1001237351	1	Pipe	
54	1001237352	1	Pipe	
55	1001237348	1	Control, Heater/AC	
56	1001237349	1	Control, Fan Speed	
57	1001237340	1	Heater (A/C) (See Separate Breakdown in this Section)	

SECTION 6 - CAB

ITEM	PART NUMBER	QTY	DESCRIPTION	REV
58	1001237347	1	Control, Heater	
59	1062255	1	Wrap, Tie	
61	1001227093	1	Decal, A/C Installation	

SECTION 6 - CAB

FIGURE 6-37. HEATER (WITH A/C)

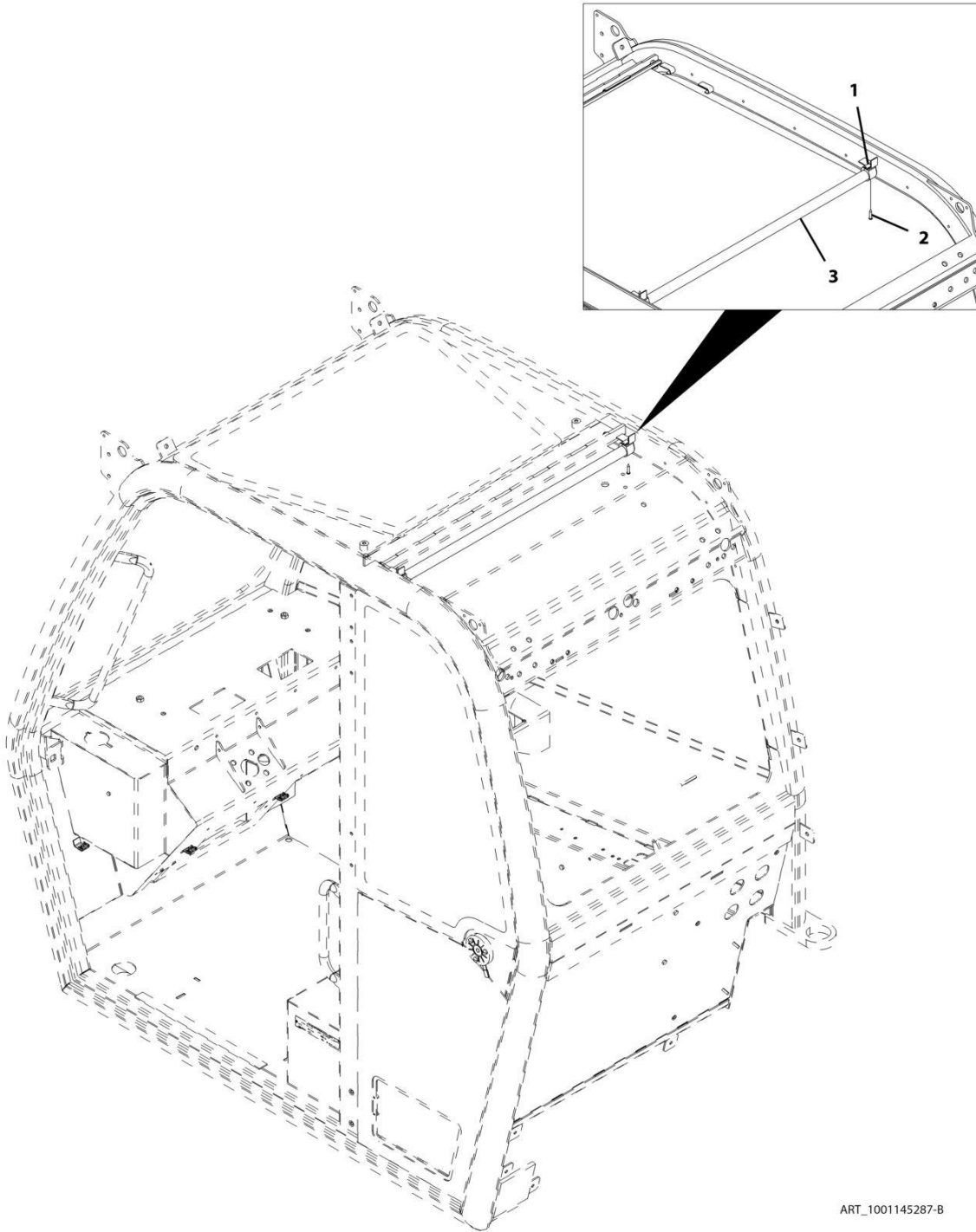
INFORMATION NOT AVAILABLE AT THE TIME OF PUBLICATION

FIGURE 6-37. HEATER (WITH A/C)

ITEM	PART NUMBER	QTY	DESCRIPTION	REV
	1001237340	Ref	Heater (With A/C)	A

SECTION 6 - CAB

FIGURE 6-38. CAB SCREEN (GP) SUN BLIND



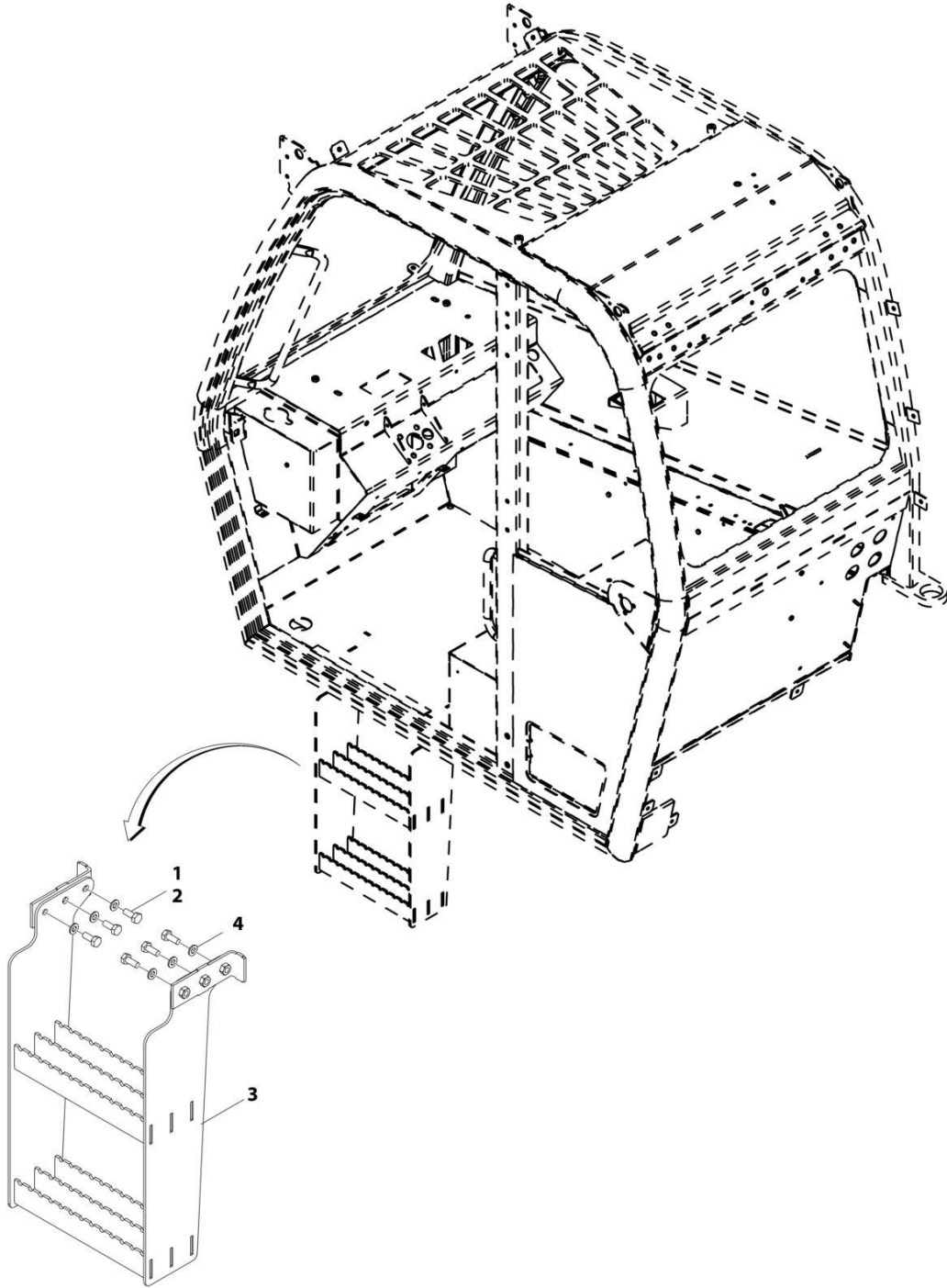
ART_1001145287-B

FIGURE 6-38. CAB SCREEN (GP) SUN BLIND

ITEM	PART NUMBER	QTY	DESCRIPTION	REV
	1001145287	Ref	Cab Screen (GP) Sun Blind	B
1	1001111076	2	Nut, Spire	
2	1001111147	2	Self Tapping Screw	
3	1001145288	1	Cab Screen Blind	

SECTION 6 - CAB

FIGURE 6-39. STEP INSTALLATION



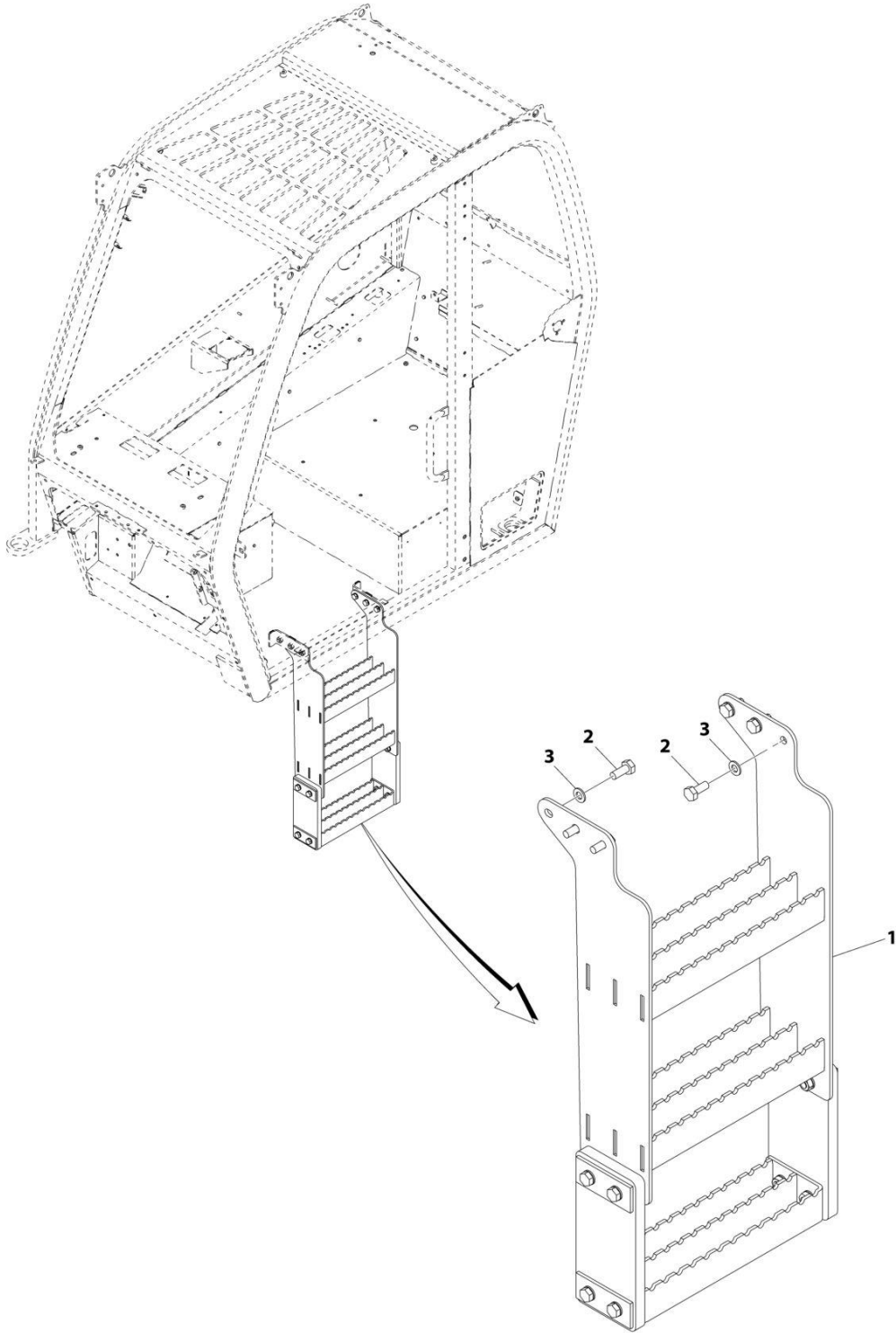
ART_1001144260-E

FIGURE 6-39. STEP INSTALLATION

ITEM	PART NUMBER	QTY	DESCRIPTION	REV
	1001144260	Ref	Step Installation	E
1	1001095650	AR	Compound, Locking	
2	0761012	6	Screw, M10 X 25LG	
3	1001144242	1	Bracket, Step	
4	4812000	6	Washer, 10mm	

SECTION 6 - CAB

FIGURE 6-40. STEP INSTALLATION (HIGH-CAB) (EU) (4017RS)



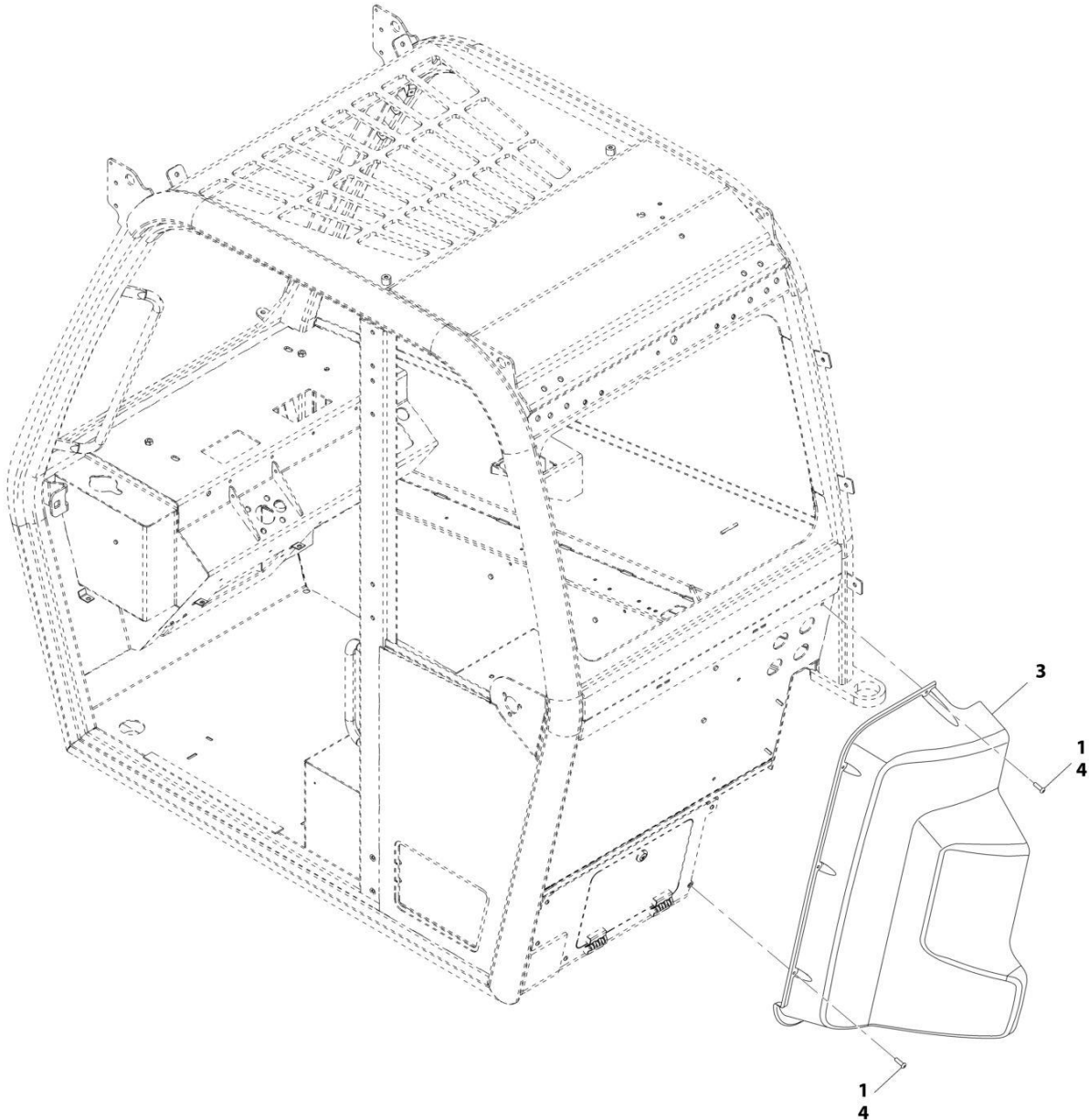
ART_1001199741-B

FIGURE 6-40. STEP INSTALLATION (HIGH-CAB) (EU) (4017RS)

ITEM	PART NUMBER	QTY	DESCRIPTION	REV
	1001199741	Ref	Step Installation (HIGH-CAB) (EU)	B
1	1001199742	1	Bracket	
2	0761012	6	Bolt, M10X25	
3	4812000	6	Washer, M10	

SECTION 6 - CAB

FIGURE 6-41. HYDRAULIC COVER INSTALLATION



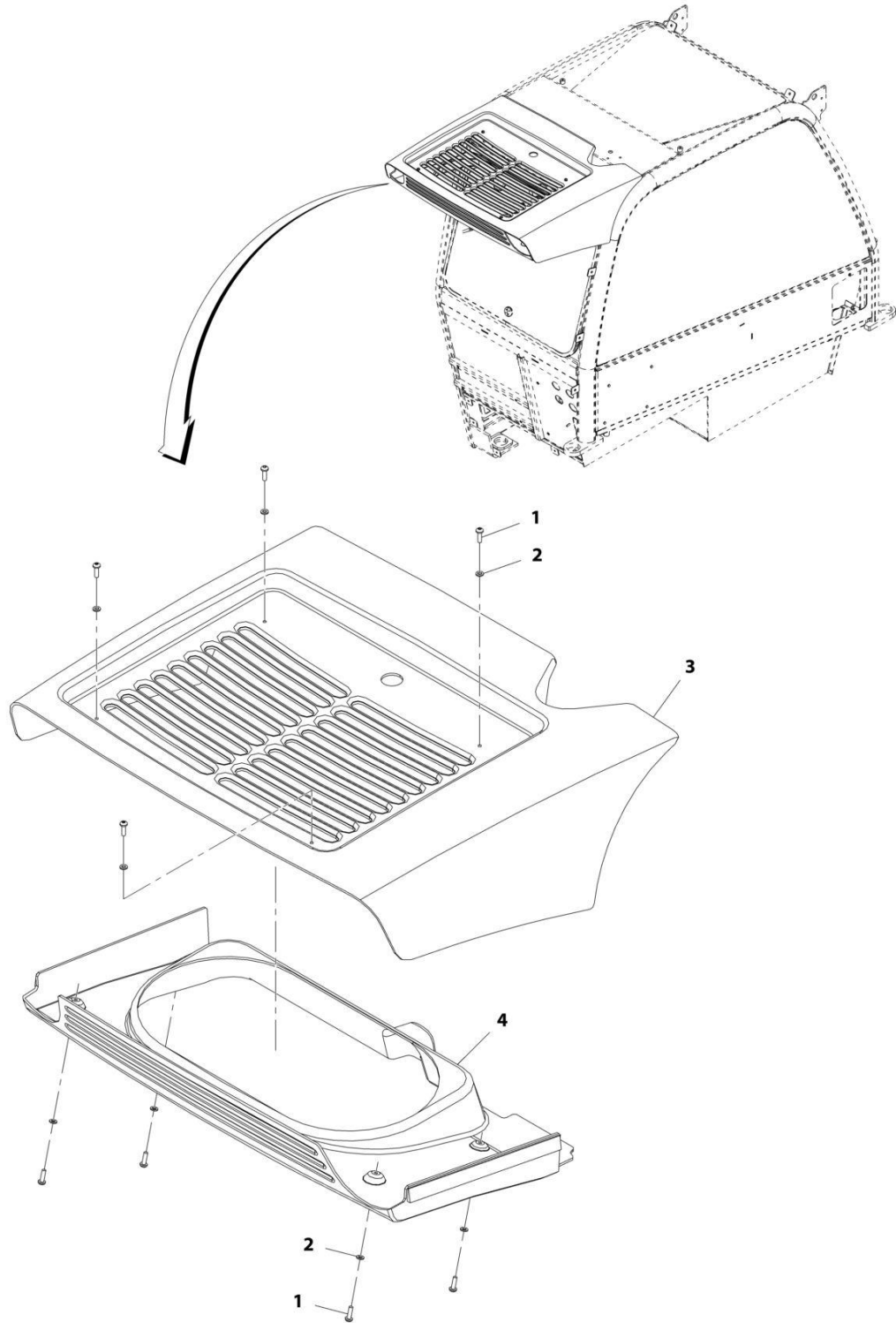
ART_1001144261-D

FIGURE 6-41. HYDRAULIC COVER INSTALLATION

ITEM	PART NUMBER	QTY	DESCRIPTION	REV
	1001144261	Ref	Hydraulic Cover Installation	D
1	3900364	4	Bolt, M6X20	
3	1001147463	1	Cover, Rear Hydraulic	
4	1001095650	AR	Compound, Locking	

SECTION 6 - CAB

FIGURE 6-42. A/C CONDENSER COVER INSTALLATION



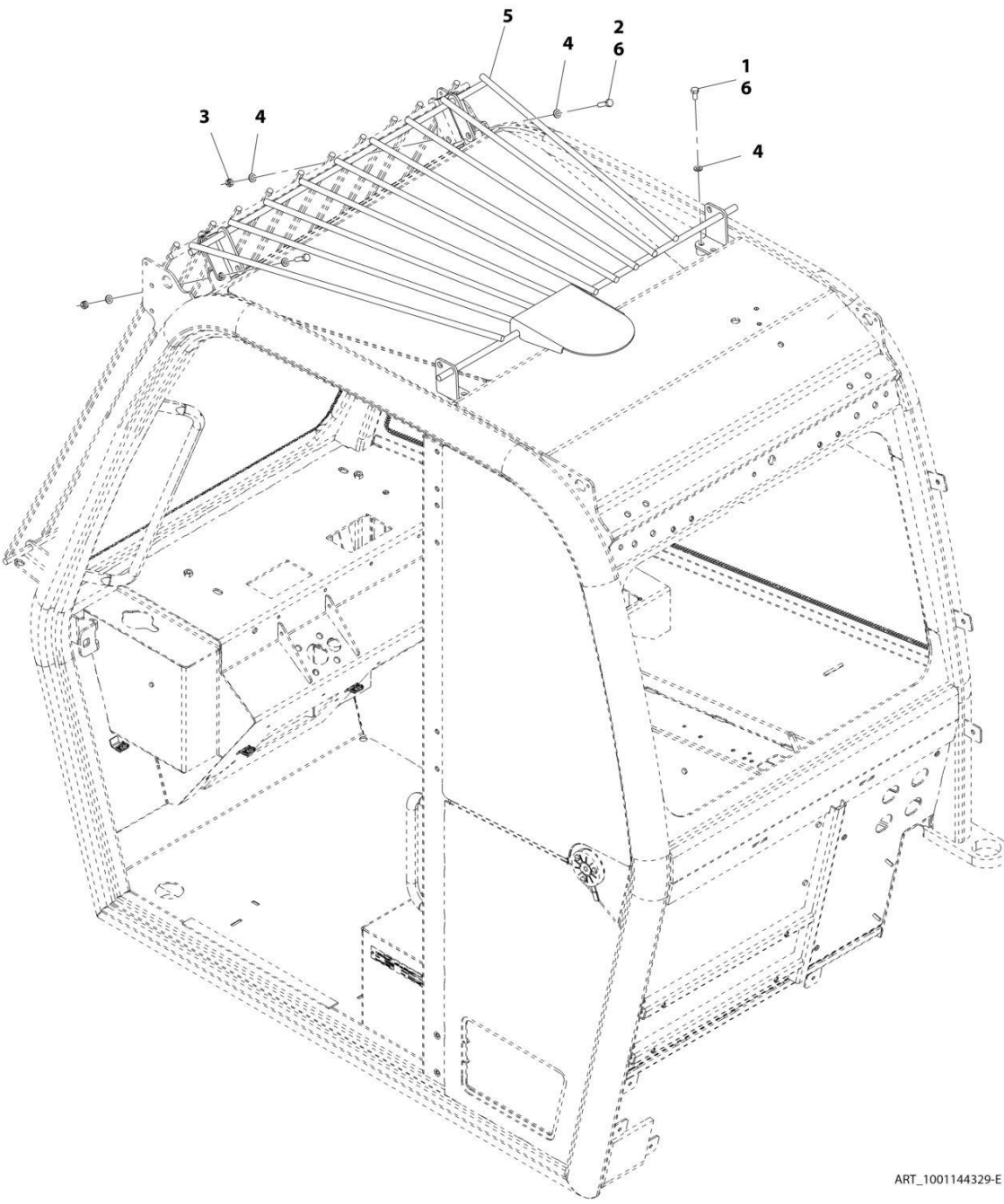
ART_1001144262-D

FIGURE 6-42. A/C CONDENSER COVER INSTALLATION

ITEM	PART NUMBER	QTY	DESCRIPTION	REV
	1001144262	Ref	A/C Condenser Cover Installation	D
1	4191708	8	Screw, M6 X 20LG	
2	4811700	8	Washer, M6	
3	1001147461	1	Cover, Condenser Upper	
4	1001147462	1	Cover, Condenser Lower	

SECTION 6 - CAB

FIGURE 6-43. TOP SCREEN GUARD INSTALLATION



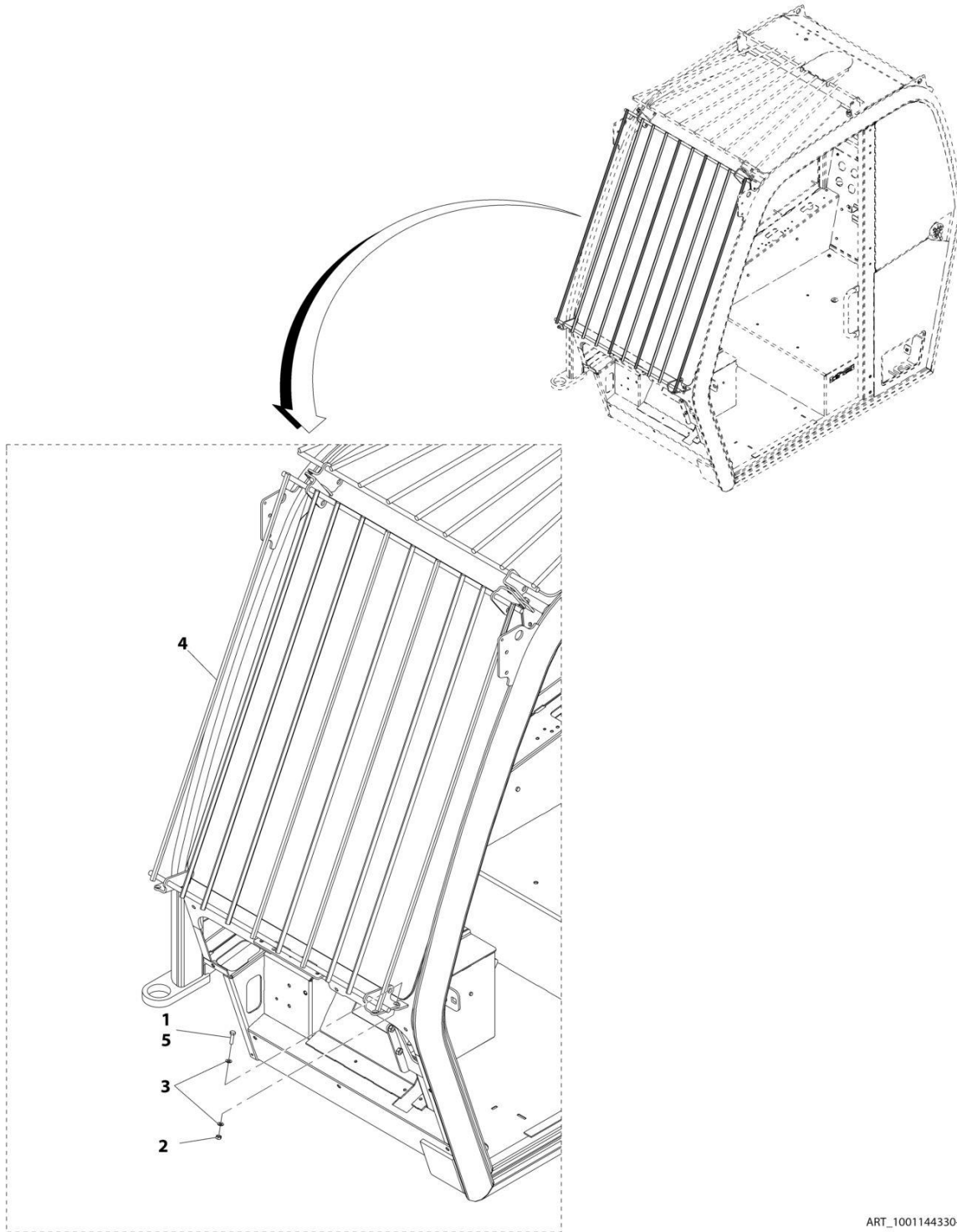
ART_1001144329-E

FIGURE 6-43. TOP SCREEN GUARD INSTALLATION

ITEM	PART NUMBER	QTY	DESCRIPTION	REV
	1001144329	Ref	Top Screen Guard Installation	E
1	0760808	2	Bolt, M8X16	
2	0760814	2	Bolt, M8X30	
3	3290801	2	Nut, M8X1.25	
4	4811900	6	Washer, M8	
5	1001187321	1	Top Screen Guard	
6	1001095650	AR	Compound Locking	

SECTION 6 - CAB

FIGURE 6-44. FRONT SCREEN GUARD INSTALLATION



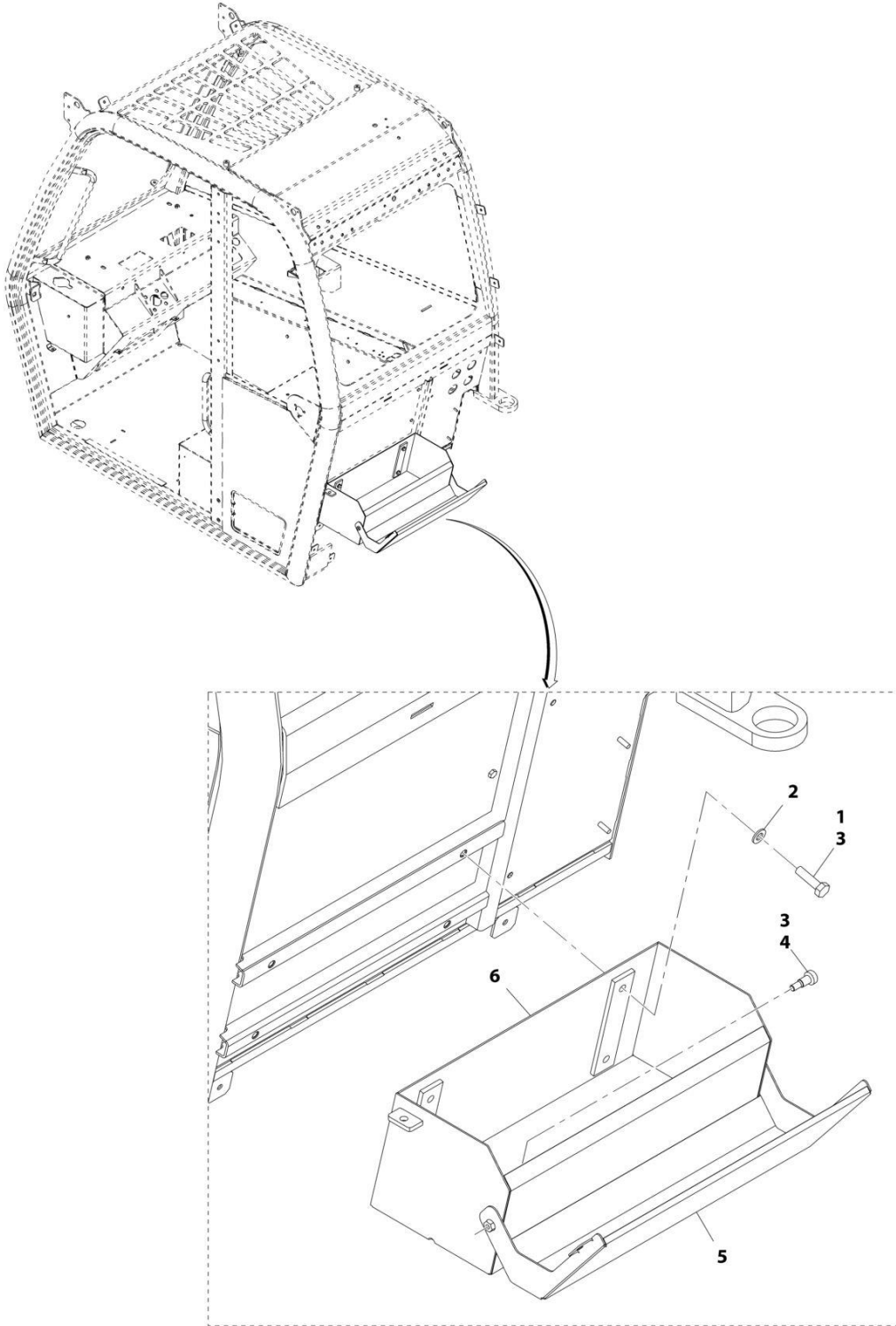
ART_1001144330-E

FIGURE 6-44. FRONT SCREEN GUARD INSTALLATION

ITEM	PART NUMBER	QTY	DESCRIPTION	REV
	1001144330	Ref	Front Screen Guard Installation	E
1	0760814	2	Bolt, M8X30	
2	3290801	2	Nut, M8X1.25	
3	4811900	4	Washer, M8	
4	1001144332	1	Front Screen Guard	
5	1001095650	AR	Compound Locking	

SECTION 6 - CAB

FIGURE 6-45. TOOLBOX INSTALLATION



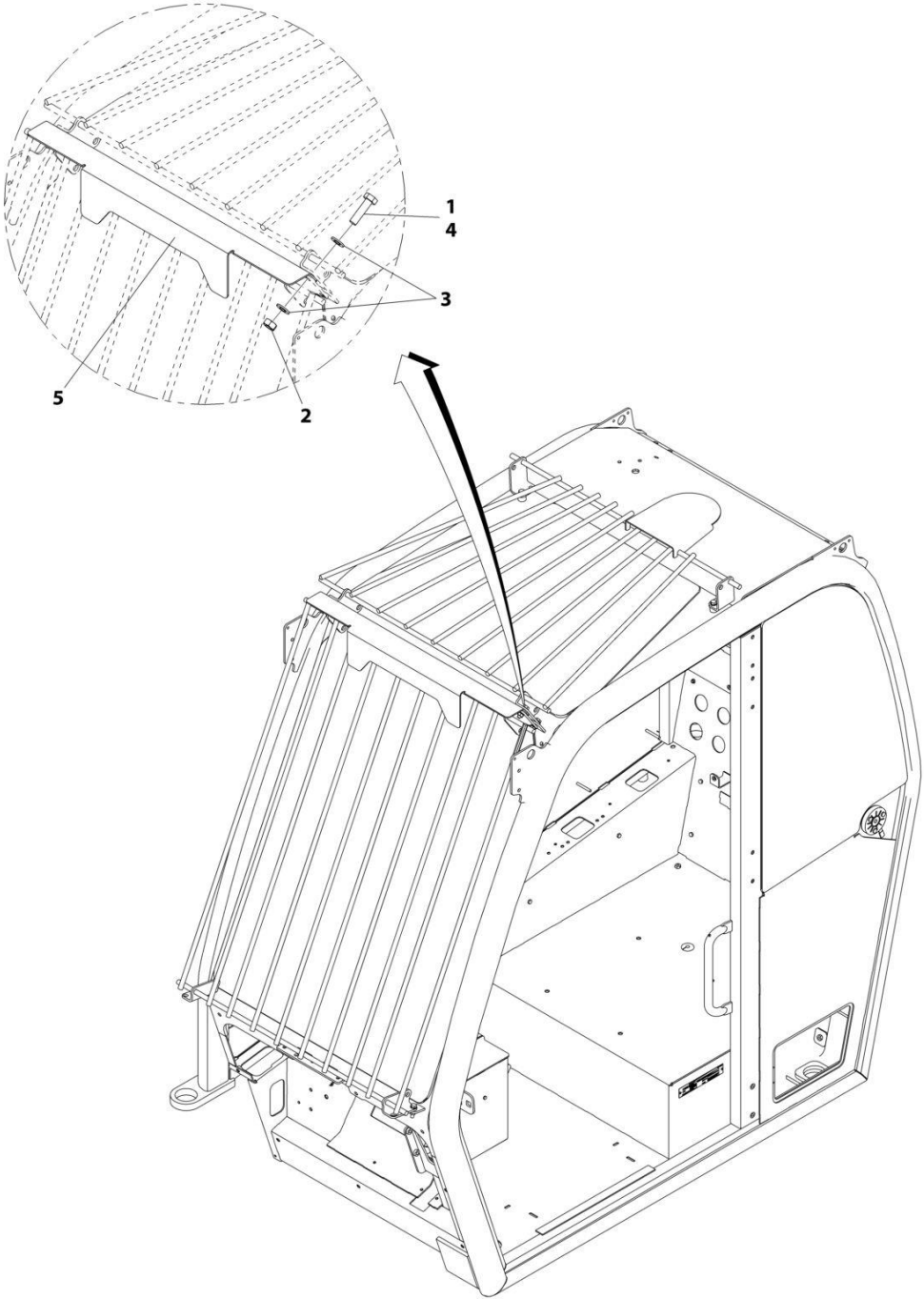
ART_1001177537-A

FIGURE 6-45. TOOLBOX INSTALLATION

ITEM	PART NUMBER	QTY	DESCRIPTION	REV
	1001177537	Ref	Toolbox Installation	A
1	0760814	4	Bolt, M8X30	
2	4811900	4	Washer, M8	
3	1001095650	AR	Compound Locking	
4	1001101999	2	Screw, M8X12	
5	1001177676J	1	Toolbox Lid	
6	1001177678J	1	Toolbox Body	

SECTION 6 - CAB

FIGURE 6-46. FRONT LICENSE PLATE INSTALLATION



ART_1001202230-A

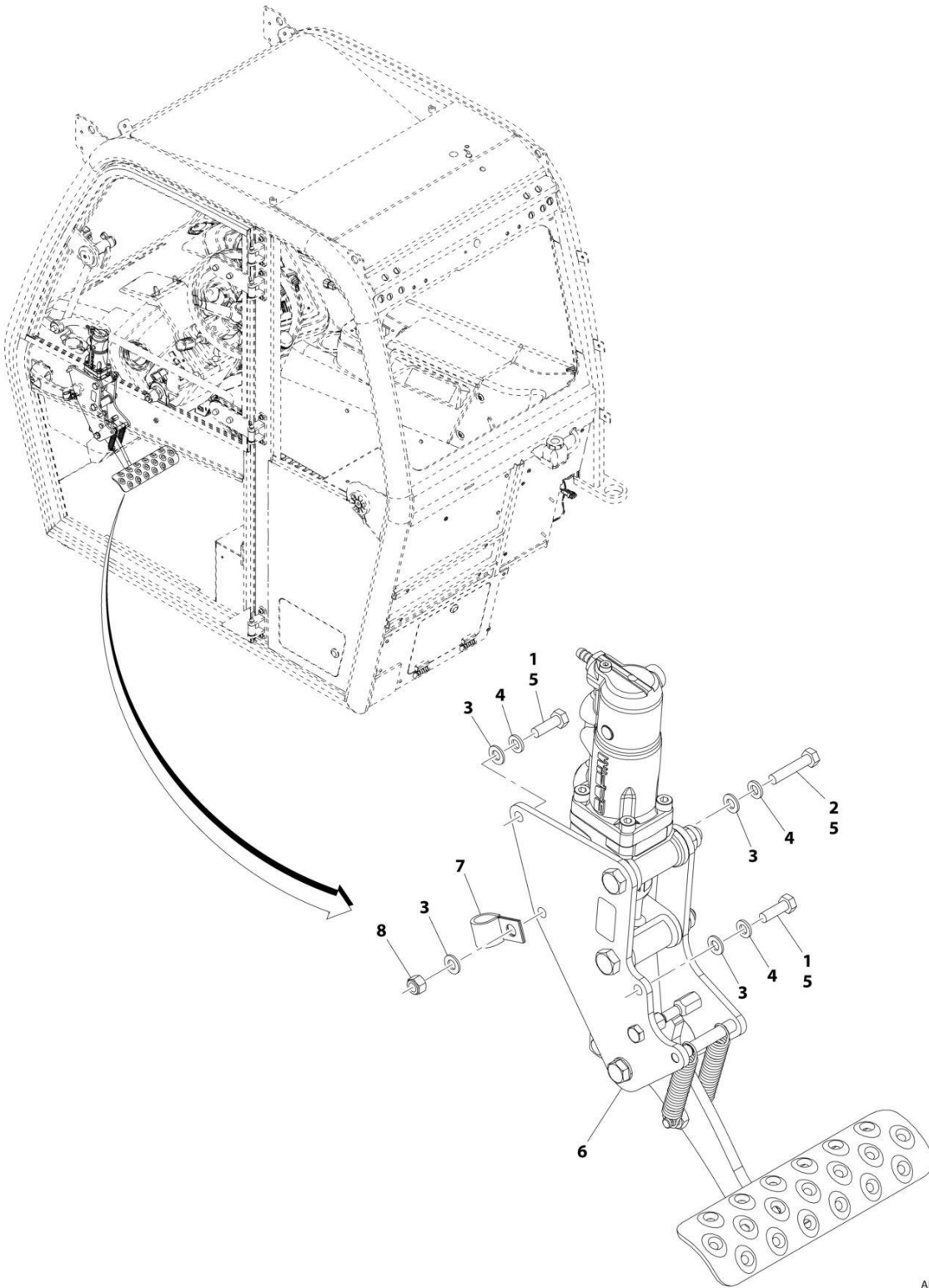
FIGURE 6-46. FRONT LICENSE PLATE INSTALLATION

ITEM	PART NUMBER	QTY	DESCRIPTION	REV
	1001202230	Ref	Front License Plate Installation	A
1	0760812	2	Bolt, M8X25	
2	3290801	2	Nut, M8X1.25	
3	4811900	4	Washer, M8	
4	1001095650	AR	Compound, Locking	
5	1001202231	1	Bracket	

SECTION 7 - CONTROLS

SECTION 7 - CONTROLS

FIGURE 7-1. BRAKE PEDAL INSTALLATION



ART_1001206068-B

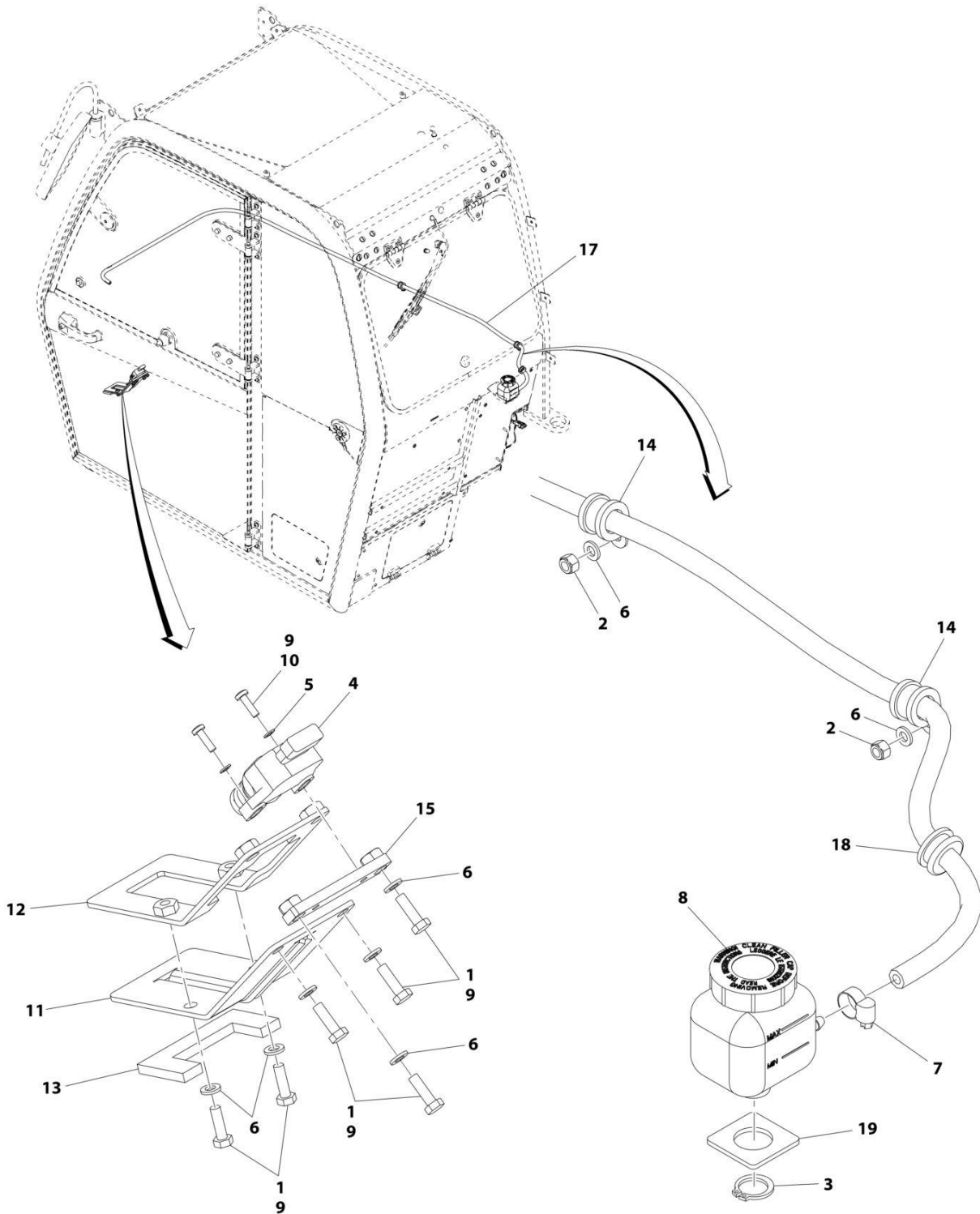
SECTION 7 - CONTROLS

FIGURE 7-1. BRAKE PEDAL INSTALLATION

ITEM	PART NUMBER	QTY	DESCRIPTION	REV
	1001206068	Ref	Brake Pedal Installation	B
1	0760812	2	Bolt, M8X25	
2	0760816	1	Bolt, M8X40	
3	4811900	4	Washer, M8	
4	4831900	3	Washer, Lock M8	
5	1001095650	AR	Compound, Locking	
6	1001206067	1	Assembly, Brake Pedal (See Separate Breakdown in this Section)	
7	1001009207	1	Clip	
8	3290805	1	Nut, Lock M8X1.25	

SECTION 7 - CONTROLS

FIGURE 7-2. BRAKE PEDAL INSTALLATION



ART_1001211860-C

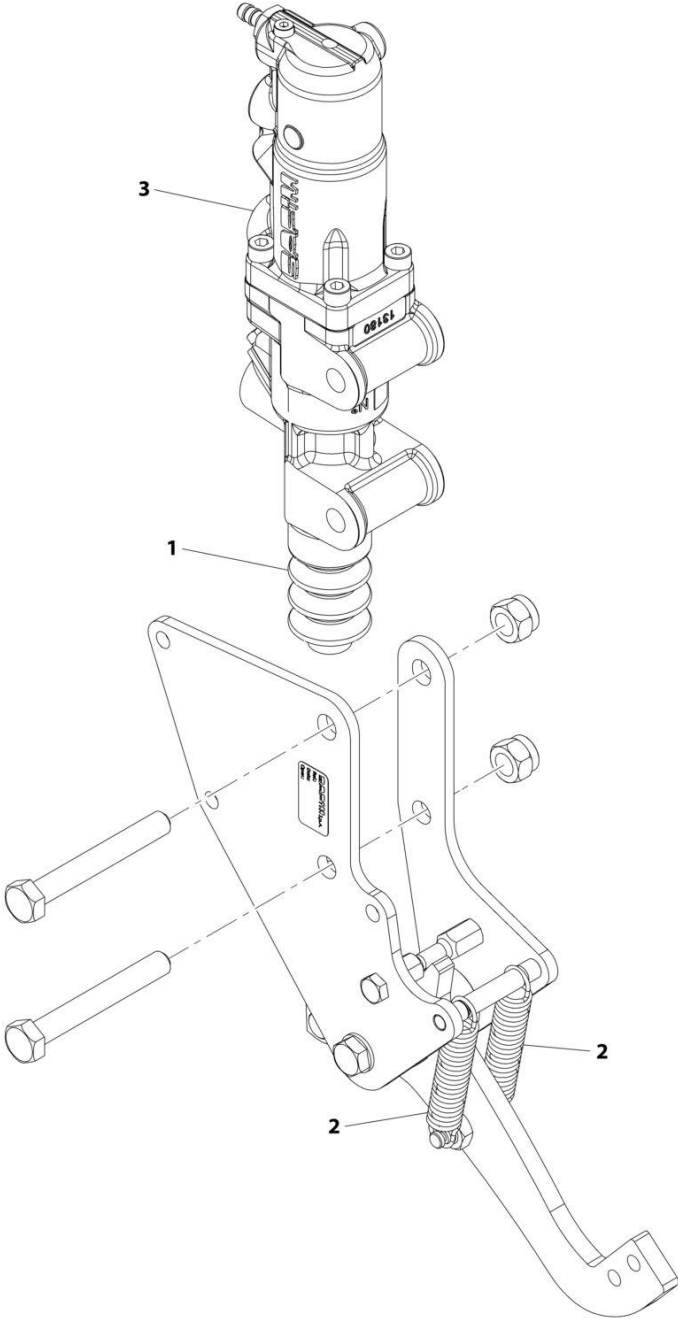
SECTION 7 - CONTROLS

FIGURE 7-2. BRAKE PEDAL INSTALLATION

ITEM	PART NUMBER	QTY	DESCRIPTION	REV
	1001211860	Ref	Brake Pedal Installation	C
1	0760610	6	Bolt, M6X20	
2	3290605	2	Nut, M6X1	
3	3760348	1	Retaining Ring	
4	4360658	1	Switch, Brake Light	
5	4811400	2	Washer, M4	
6	4811700	8	Washer, M6	
7	8405009	1	Gear Clamp	
8	1001214220	1	Brake Reservoir	
9	1001095650	AR	Compound, Locking	
10	1001101540	2	Screw, M4X14	
11	1001149490	1	Seal, Brake Pedal Gasket	
12	1001149538	1	Plate Clamp	
13	1001149552	1	Seal	
14	1001170231	2	P-Clip M6X15	
15	1001175842	1	Plate	
17	1001211318	1	Hose	
18	1001213460	1	Plug	
19	1001213841	1	Seal	

SECTION 7 - CONTROLS

FIGURE 7-3. BRAKE PEDAL ASSEMBLY



ART_1001206067-C

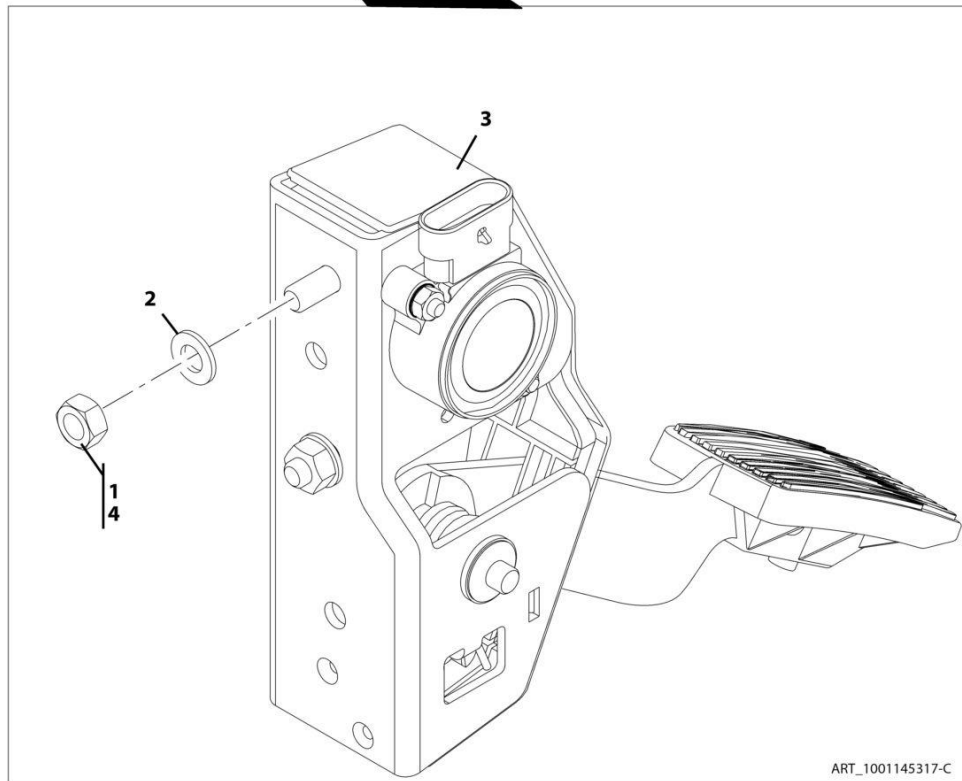
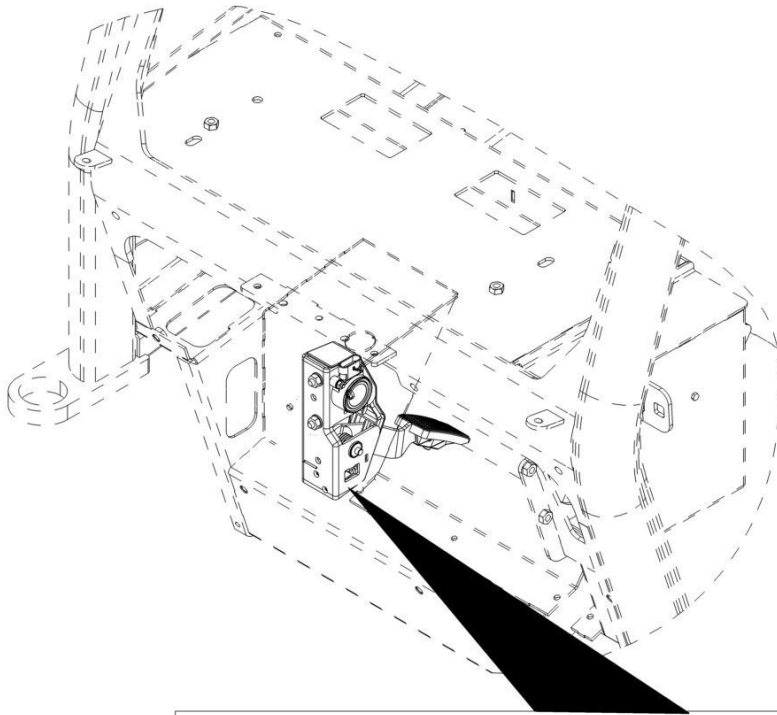
SECTION 7 - CONTROLS

FIGURE 7-3. BRAKE PEDAL ASSEMBLY

ITEM	PART NUMBER	QTY	DESCRIPTION	REV
	1001206067	Ref	Brake Pedal Assembly	C
1	70025859	1	Dust Cover	
2	70025860	2	Return Spring	
3	N.S.S.	1	Master Cylinder	

SECTION 7 - CONTROLS

FIGURE 7-4. ACCELERATOR PEDAL INSTALLATION



ART_1001145317-C

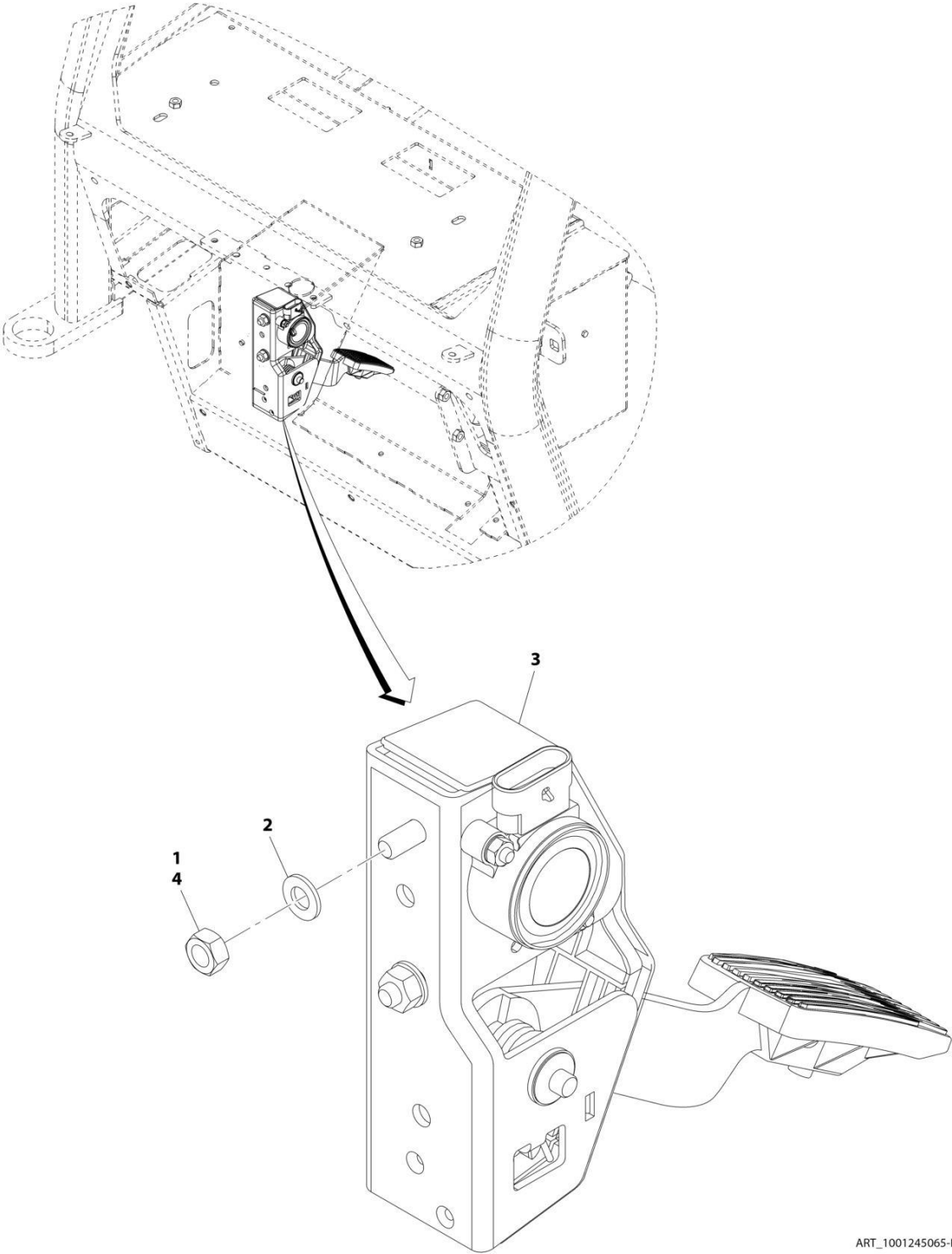
SECTION 7 - CONTROLS

FIGURE 7-4. ACCELERATOR PEDAL INSTALLATION

ITEM	PART NUMBER	QTY	DESCRIPTION	REV
	1001145317	Ref	Accelerator Pedal Installation	C
1	3290801	2	Nut, M8X1.25	
2	4811900	2	Washer, M8	
3	1001145316	1	Assembly, Accelerator Pedal (See Separate Breakdown in this Section)	
4	1001095650	AR	Compound, Locking	

SECTION 7 - CONTROLS

FIGURE 7-5. ACCELERATOR PEDAL INSTALLATION



ART_1001245065-B

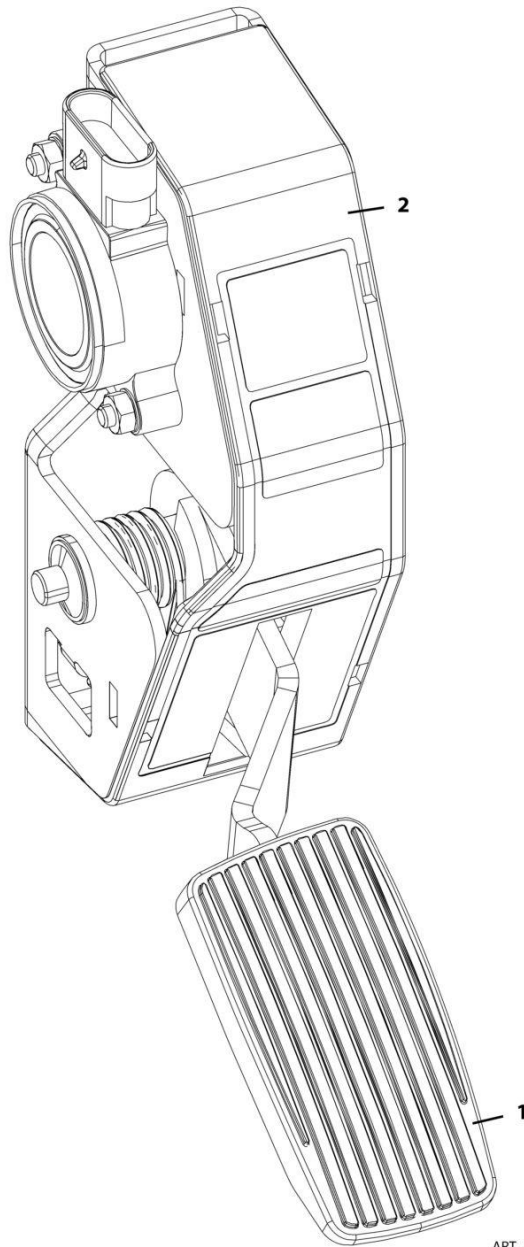
SECTION 7 - CONTROLS

FIGURE 7-5. ACCELERATOR PEDAL INSTALLATION

ITEM	PART NUMBER	QTY	DESCRIPTION	REV
	1001245065	Ref	Accelerator Pedal Installation	B
1	3290801	2	Nut, M8X1.25	
2	4811900	2	Washer, M8	
3	1001159028	1	Assembly, Accelerator Pedal (See Separate Breakdown in this Section)	
4	1001095650	AR	Compound, Locking	

SECTION 7 - CONTROLS

FIGURE 7-6. ACCELERATOR PEDAL



ART_1001145316-B

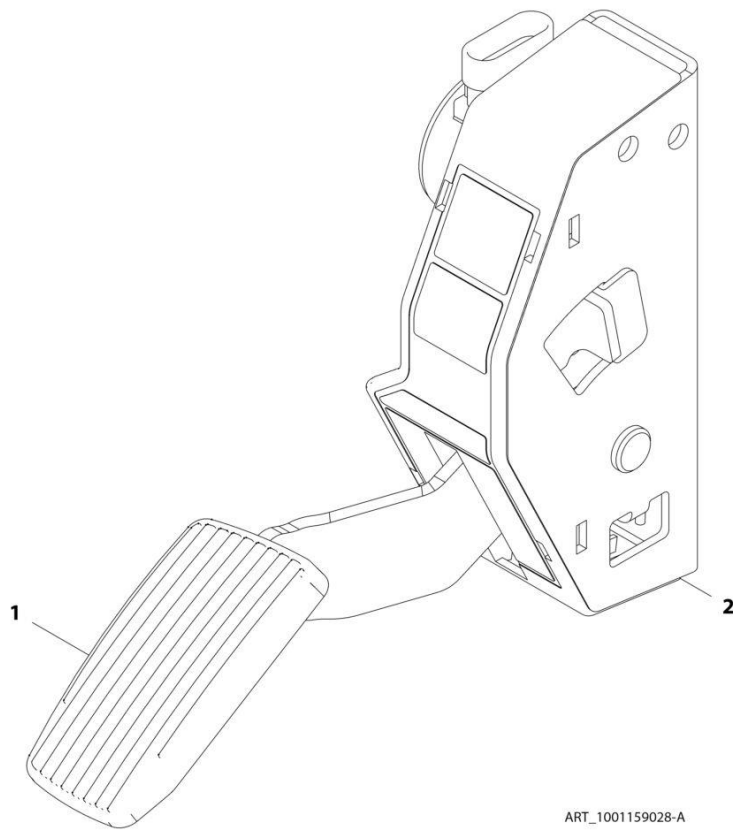
SECTION 7 - CONTROLS

FIGURE 7-6. ACCELERATOR PEDAL

ITEM	PART NUMBER	QTY	DESCRIPTION	REV
	1001145316	Ref	Accelerator Pedal	B
1	70025816	1	Pad, Rubber	
2	70025817	1	Cover, Rubber	

SECTION 7 - CONTROLS

FIGURE 7-7. ACCELERATOR PEDAL



ART_1001159028-A

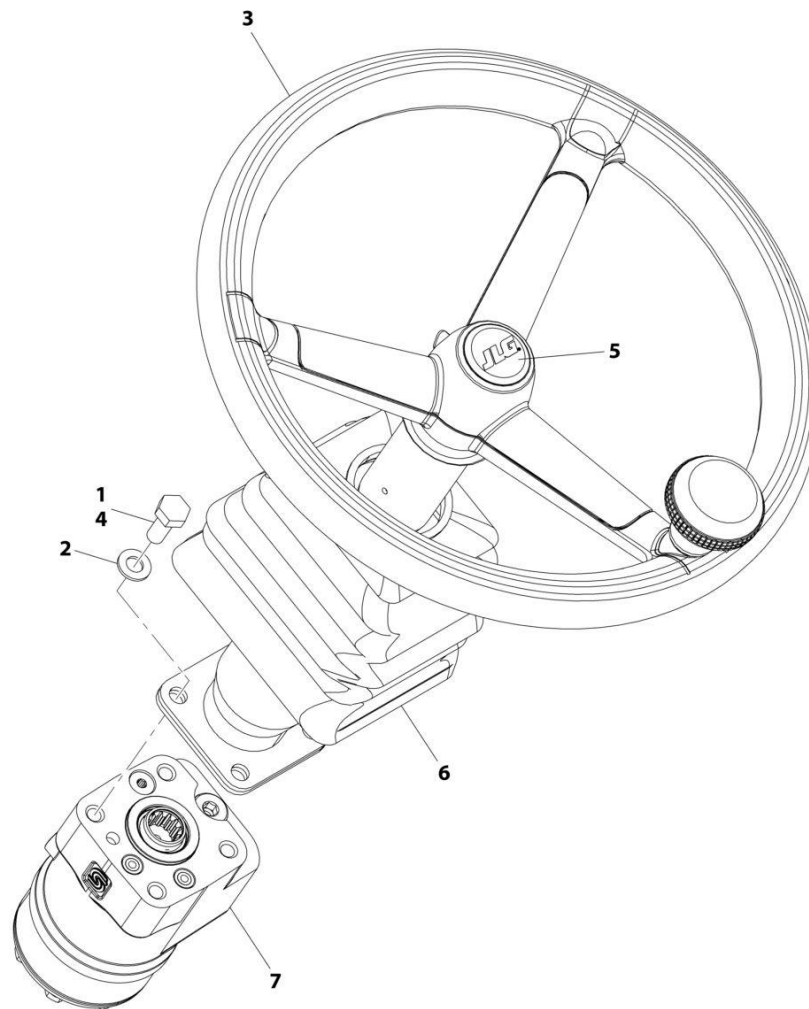
SECTION 7 - CONTROLS

FIGURE 7-7. ACCELERATOR PEDAL

ITEM	PART NUMBER	QTY	DESCRIPTION	REV
	1001159028	Ref	Accelerator Pedal	A
1	70025816	1	Pad, Rubber	
2	70025817	1	Cover, Rubber	

SECTION 7 - CONTROLS

FIGURE 7-8. STEERING COLUMN INSTALLATION



ART_1001248293-A

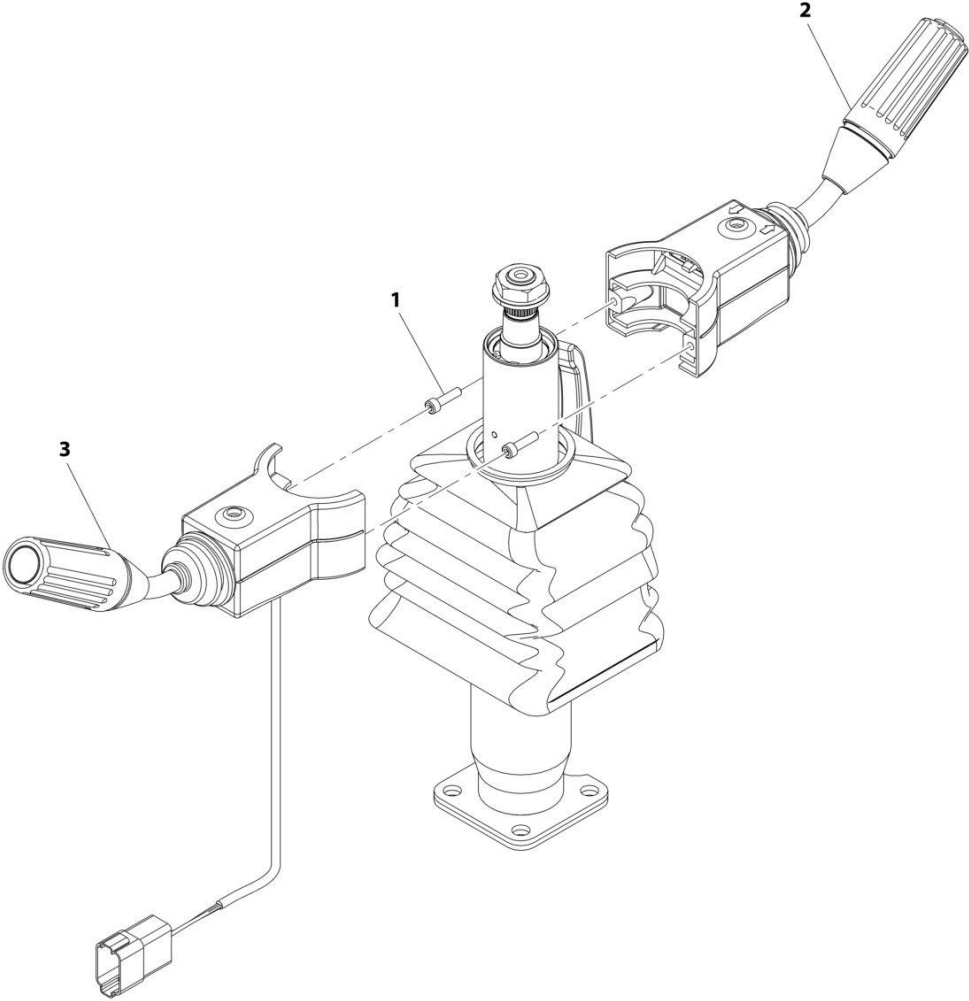
SECTION 7 - CONTROLS

FIGURE 7-8. STEERING COLUMN INSTALLATION

ITEM	PART NUMBER	QTY	DESCRIPTION	REV
	1001248293	Ref	Steering Column Installation	A
1	0761012	4	Bolt, M10X25	
2	4812000	4	Washer, M10	
3	1001091033	1	Wheel, Steering (See Separate Breakdown in this Section)	
4	1001095650	AR	Compound, Locking	
5	1001135838	1	Insert, Steering Wheel (JLG)	
6	1001143432	1	Column, Steering	
7	1001219396	1	Valve, Steering	

SECTION 7 - CONTROLS

FIGURE 7-9. STEERING COLUMN SWITCH



ART_1001248291-A

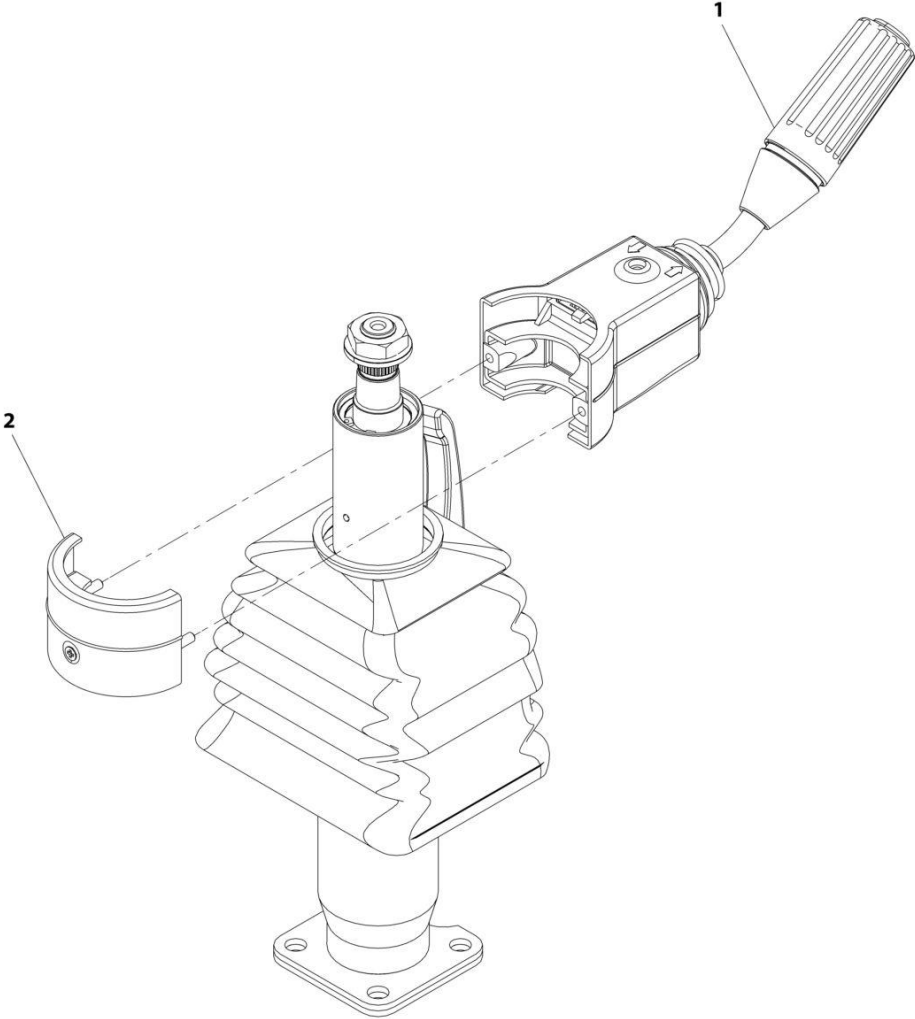
SECTION 7 - CONTROLS

FIGURE 7-9. STEERING COLUMN SWITCH

ITEM	PART NUMBER	QTY	DESCRIPTION	REV
	1001248291	Ref	Steering Column Switch (FNR Lever)	A
1	4031608	1	Bolt, M5X20	
2	1001145021	1	Switch, Turn-Wiper	
3	1001145022	1	Switch, FNR	

SECTION 7 - CONTROLS

FIGURE 7-10. STEERING COLUMN SWITCH (NO FNR LEVER)



ART_1001248290-A

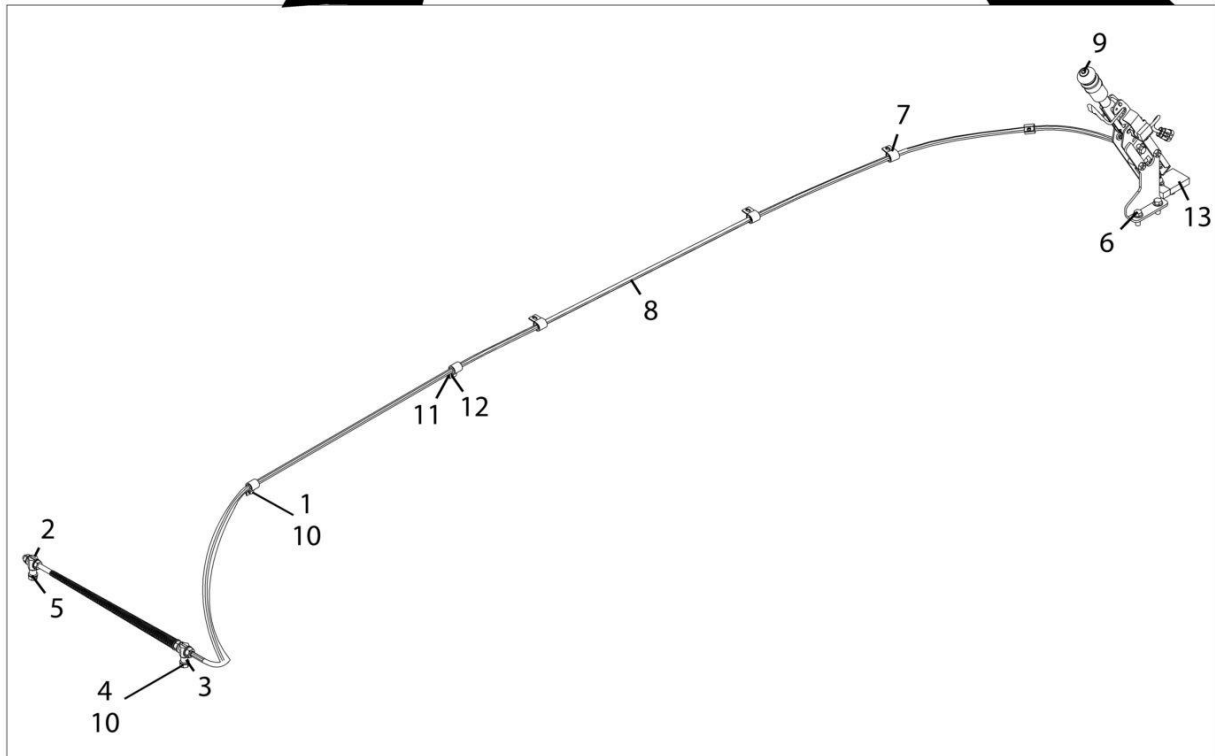
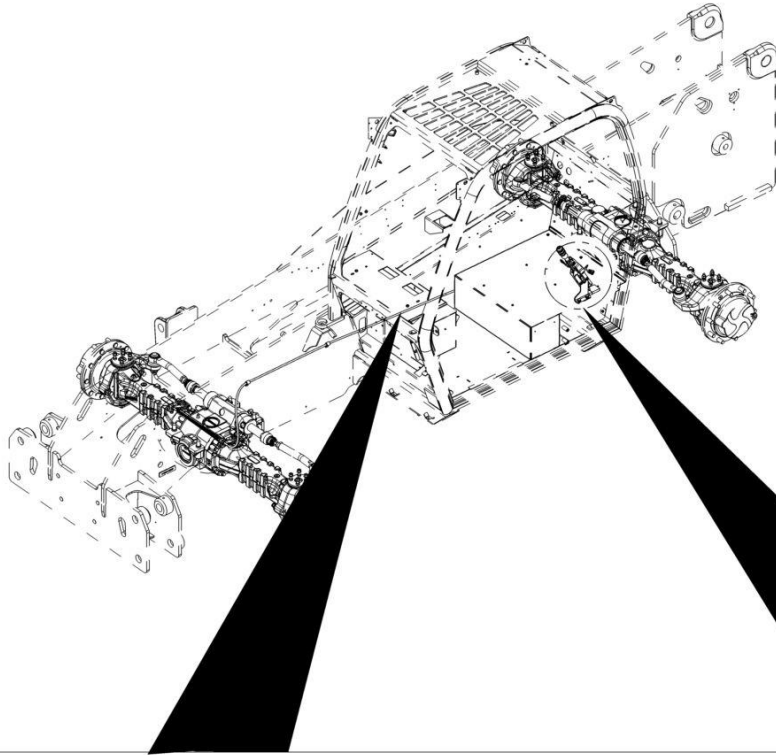
SECTION 7 - CONTROLS

FIGURE 7-10. STEERING COLUMN SWITCH (NO FNR LEVER)

ITEM	PART NUMBER	QTY	DESCRIPTION	REV
	1001248290	Ref	Steering Column Switch (No FNR Lever)	A
1	1001145021	1	Switch, Turn-Wiper	
2	1001146949	1	Clamp	

SECTION 7 - CONTROLS

FIGURE 7-11. MECHANICAL HANDBRAKE INSTALLATION (3614RS)



ART_1001139854-F

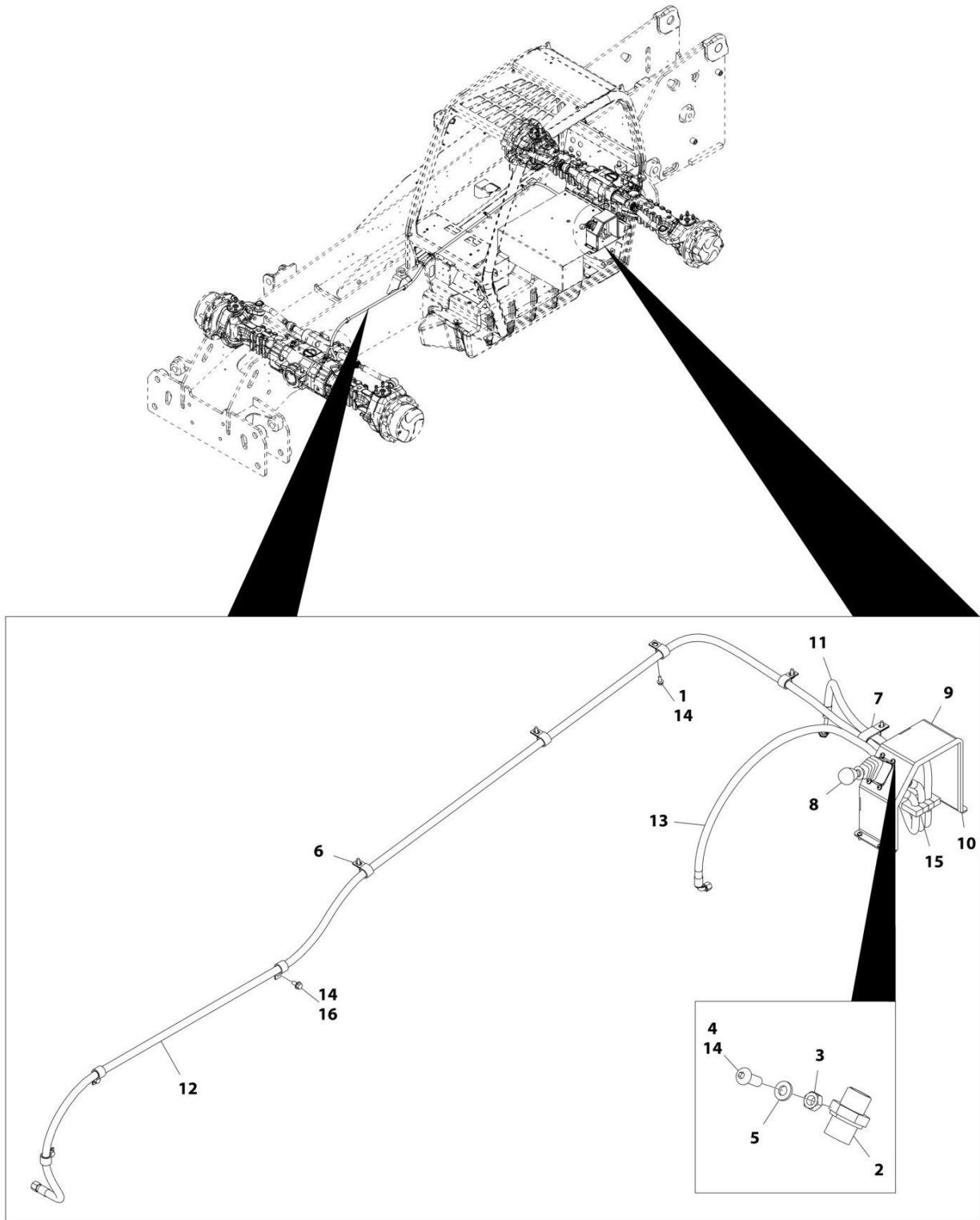
SECTION 7 - CONTROLS

FIGURE 7-11. MECHANICAL HANDBRAKE INSTALLATION (3614RS)

ITEM	PART NUMBER	QTY	DESCRIPTION	REV
	1001139854	Ref	Mechanical Handbrake Installation	F
1	0760606	2	Bolt, M6X12	
2	2454999	2	Bolt, M10X55	
3	2905871	2	Bushing	
4	3291007	2	Nut, Lock M10X1.5	
5	4812000	2	Washer, M10	
6	5201012	2	Bolt, Ripp M10X25	
7	1001003048	2	Clip	
8	1001179729	1	Cable, Parkbrake	
9	1001179730	1	Handbrake	
10	1001095650	AR	Locking Compound	
11	1001007321	2	Washer	
12	4811700	2	Washer, M6	
13	1001163078	1	Gasket	

SECTION 7 - CONTROLS

FIGURE 7-12. HYDRAULIC HANDBRAKE INSTALLATION (4017RS)



ART_1001139923-H

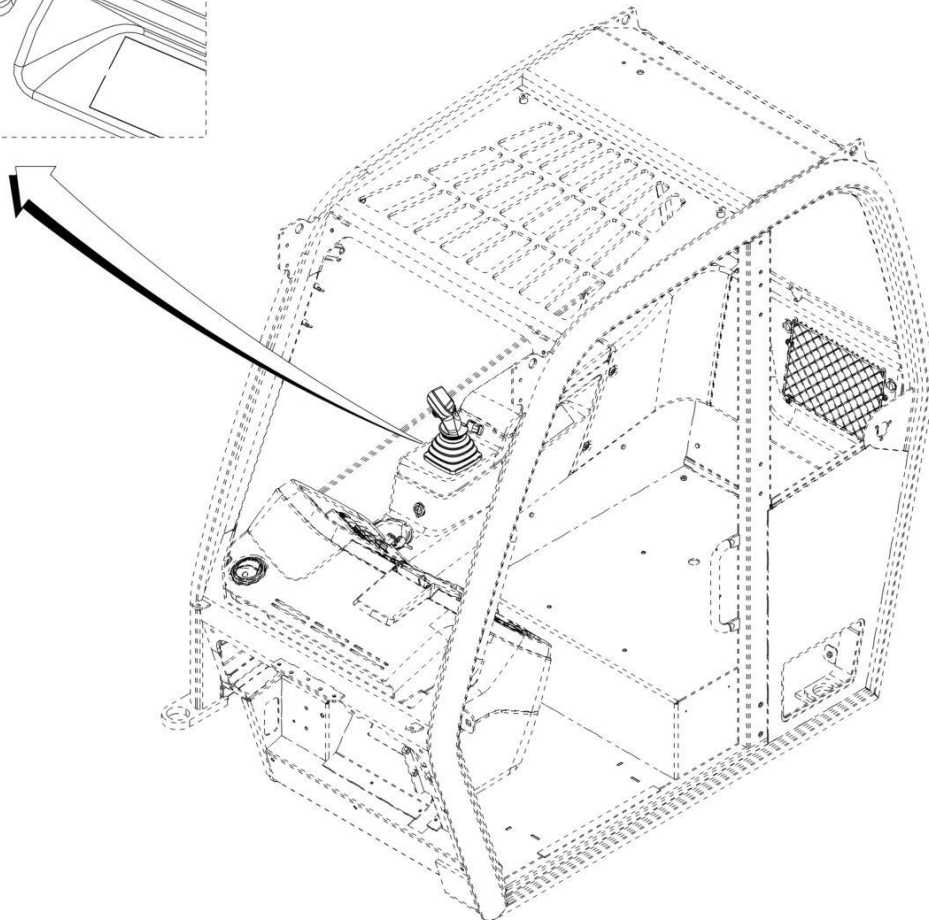
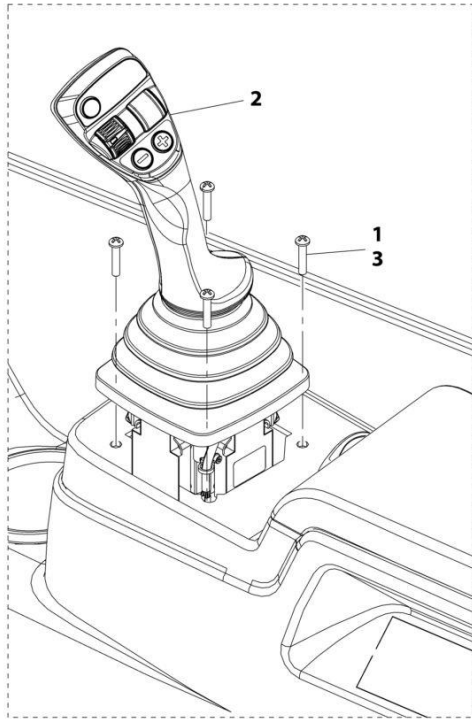
SECTION 7 - CONTROLS

FIGURE 7-12. HYDRAULIC HANDBRAKE INSTALLATION (4017RS)

ITEM	PART NUMBER	QTY	DESCRIPTION	REV
	1001139923	Ref	Hydraulic Handbrake Installation	H
1	5250608	5	Bolt, M6X16	
2	2142709	3	Fitting	
3	3290601	4	Nut, M6X1	
4	3900357	8	Capscrew, M6X16	
5	4831700	8	Washer, Lock 6	
6	1001004144	7	Clip	
7	1001008720	1	Clip	
8	1001098153	1	Handbrake (See Separate Breakdown in HYDRAULIC COMPONENT Section)	
9	1001146148	1	Parkbrake Panel	
10	1001146156	1	Seal	
11	1001148636	1	Hose	
12	1001148637	1	Hose	
13	1001148638	1	Hose	
14	1001095650	AR	Locking Compound	
15	1001163077	1	Gasket	
16	5250808	3	Bolt, M8X16	

SECTION 7 - CONTROLS

FIGURE 7-13. JOYSTICK INSTALLATION (FNR LEVER)



ART_1001218270-B

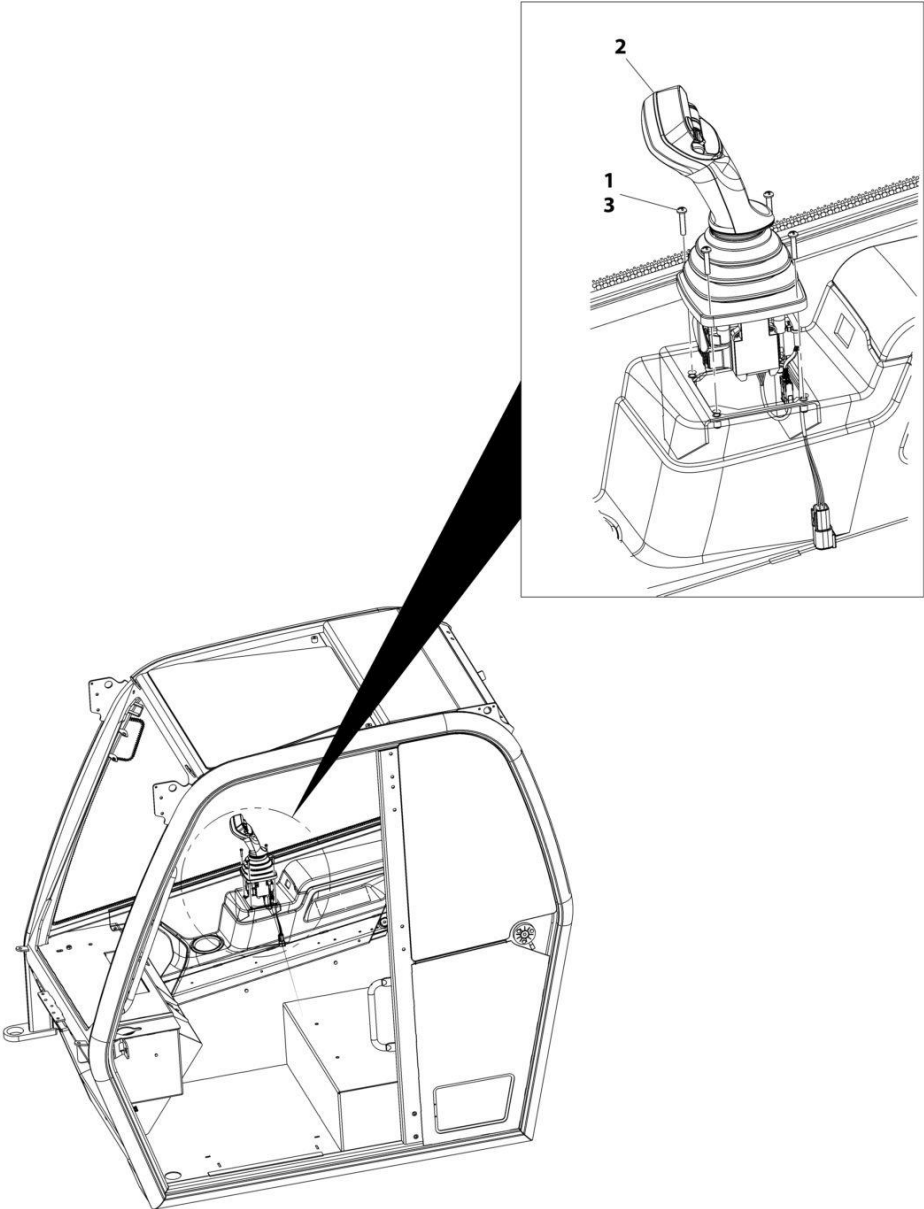
SECTION 7 - CONTROLS

FIGURE 7-13. JOYSTICK INSTALLATION (FNR LEVER)

ITEM	PART NUMBER	QTY	DESCRIPTION	REV
	1001218270	Ref	Joystick Installation (FNR Lever)	B
1	1001103984	4	Bolt, M5X25	
2	1001222599	1	Joystick (FNR Lever) (See Separate Breakdown in this Section)	
3	1001095650	AR	Compound, Locking	

SECTION 7 - CONTROLS

FIGURE 7-14. JOYSTICK INSTALLATION (NO FNR LEVER)



ART_1001146666-D

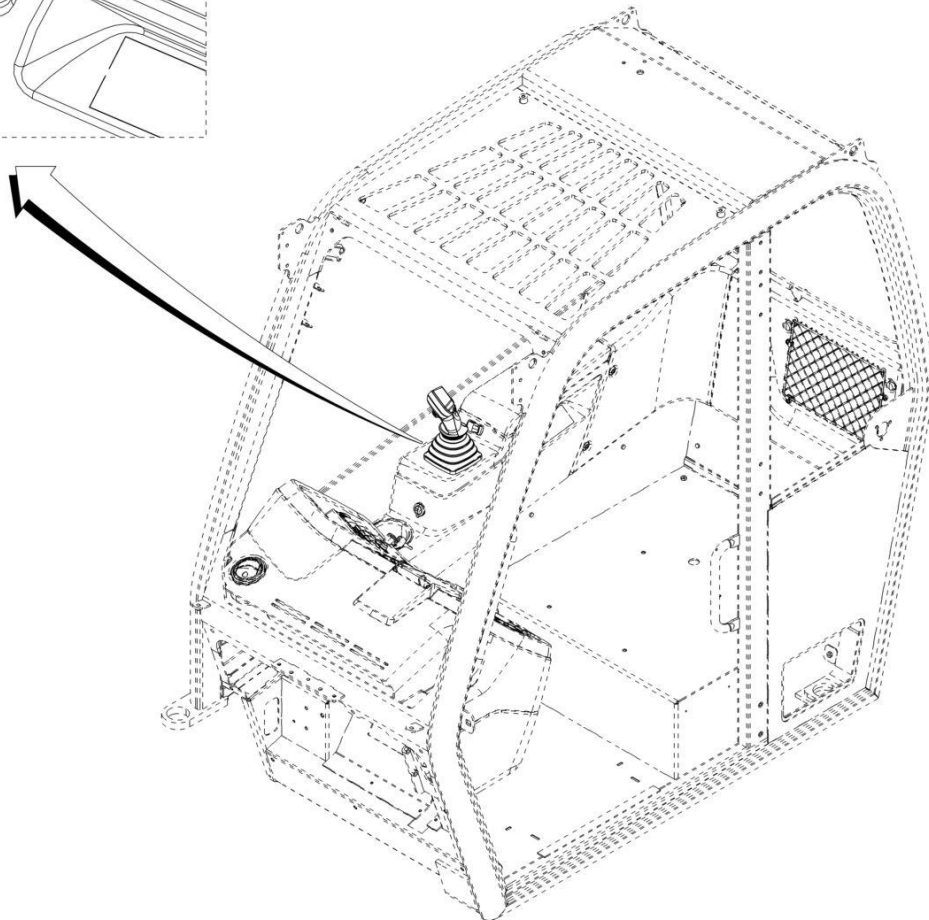
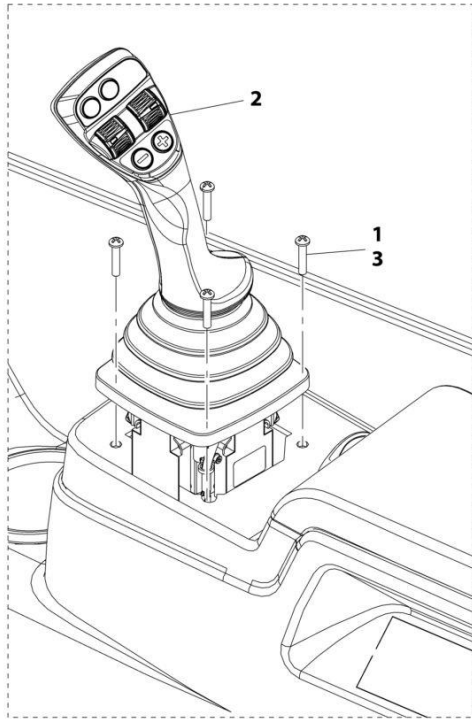
SECTION 7 - CONTROLS

FIGURE 7-14. JOYSTICK INSTALLATION (NO FNR LEVER)

ITEM	PART NUMBER	QTY	DESCRIPTION	REV
	1001146666	Ref	Joystick Installation (No FNR Lever)	D
1	1001103984	4	Bolt, M5X25	
2	1001222595	1	Joystick (no FNR Lever) (See Separate Breakdown in this Section)	
3	1001095650	AR	Compound, Locking	

SECTION 7 - CONTROLS

FIGURE 7-15. JOYSTICK INSTALLATION (AUX, FNR LEVER)



ART_1001218271-B

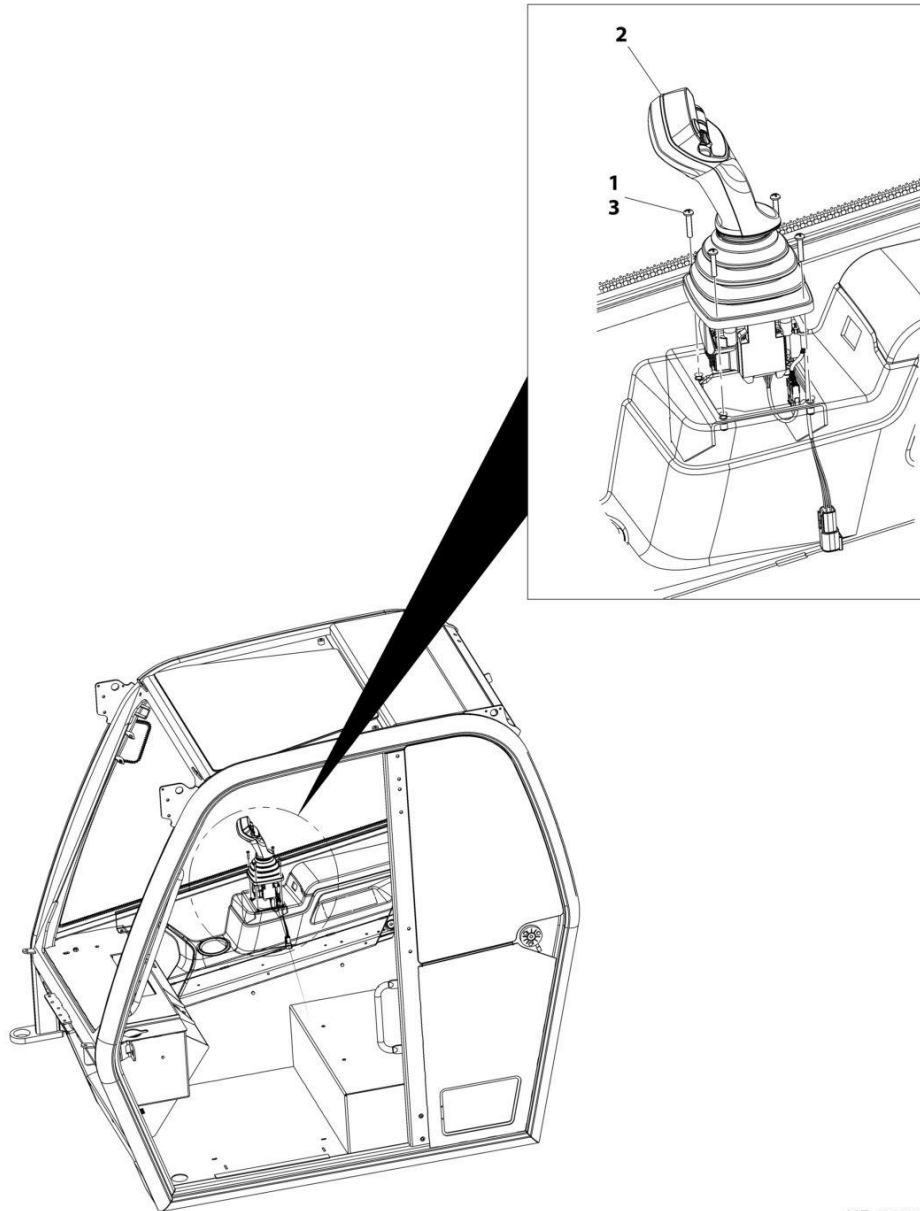
SECTION 7 - CONTROLS

FIGURE 7-15. JOYSTICK INSTALLATION (AUX, FNR LEVER)

ITEM	PART NUMBER	QTY	DESCRIPTION	REV
	1001218271	Ref	Joystick Installation (Aux, FNR Lever)	B
1	1001103984	4	Bolt, M5X25	
2	1001222600	1	Joystick (AUX, FNR Lever) (See Separate Breakdown in this Section)	
3	1001095650	AR	Compound, Locking	

SECTION 7 - CONTROLS

FIGURE 7-16. JOYSTICK INSTALLATION (AUX, NO FNR LEVER)



ART_1001146668-D

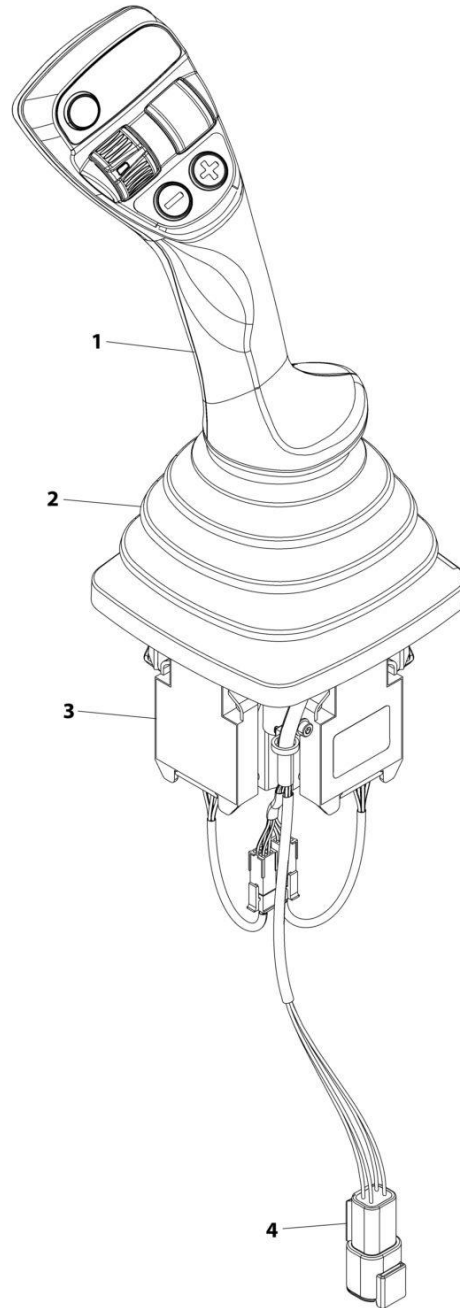
SECTION 7 - CONTROLS

FIGURE 7-16. JOYSTICK INSTALLATION (AUX, NO FNR LEVER)

ITEM	PART NUMBER	QTY	DESCRIPTION	REV
	1001146668	Ref	Joystick Installation (Aux, No FNR Lever)	D
1	1001103984	4	Bolt, M5X25	
2	1001222597	1	Joystick (AUX, no FNR Lever) (See Separate Breakdown in this Section)	
3	1001095650	AR	Compound, Locking	

SECTION 7 - CONTROLS

FIGURE 7-17. ELECTRIC JOYSTICK, (FNR LEVER)



ART_1001222599-A

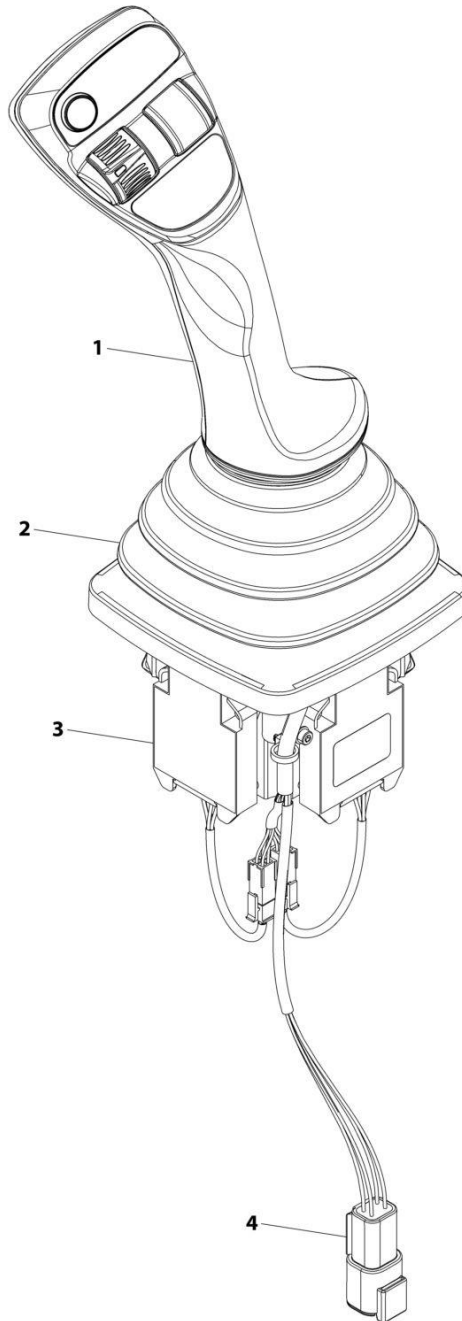
SECTION 7 - CONTROLS

FIGURE 7-17. ELECTRIC JOYSTICK, (FNR LEVER)

ITEM	PART NUMBER	QTY	DESCRIPTION	REV
	1001222599	Ref	Electric Joystick, (FNR Lever)	A
1	70028851	1	Lever, Multi-Function	
2	70025844	1	Gaiter	
3	70025845	1	Base, Joystick (includes connector)	
4	1001126007	1	Connector	

SECTION 7 - CONTROLS

FIGURE 7-18. JOYSTICK, (NO FNR LEVER)



ART_1001222595-A

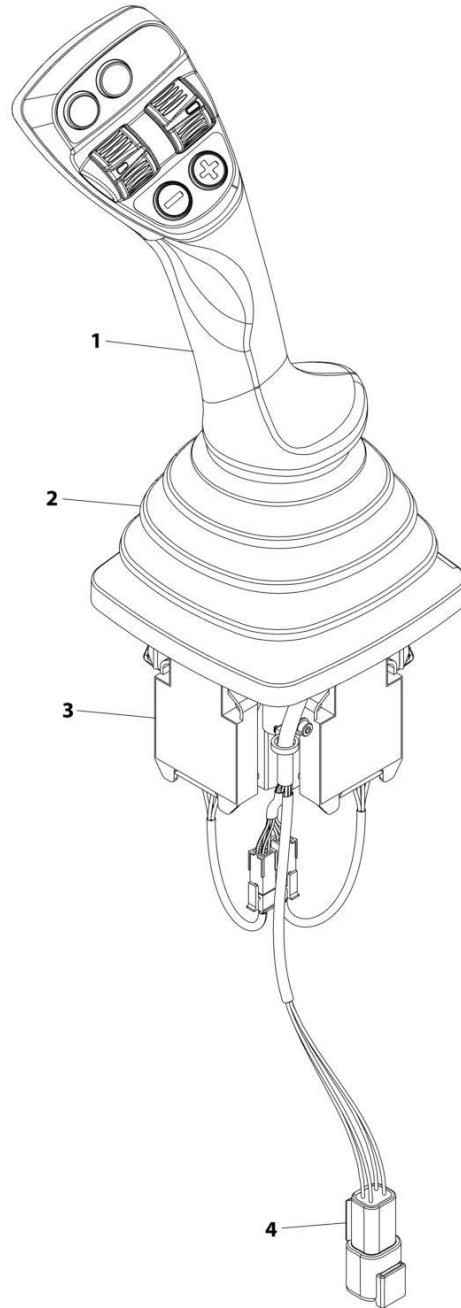
SECTION 7 - CONTROLS

FIGURE 7-18. JOYSTICK, (NO FNR LEVER)

ITEM	PART NUMBER	QTY	DESCRIPTION	REV
	1001222595	Ref	Electric Joystick, (No FNR Lever)	A
1	70025843	1	Lever, Multi-Function	
2	70025844	1	Gaiter	
3	70025845	1	Base, Joystick (includes connector)	
4	1001126007	1	Connector	

SECTION 7 - CONTROLS

FIGURE 7-19. ELECTRIC JOYSTICK, (FNR LEVER)



ART_1001222600-A

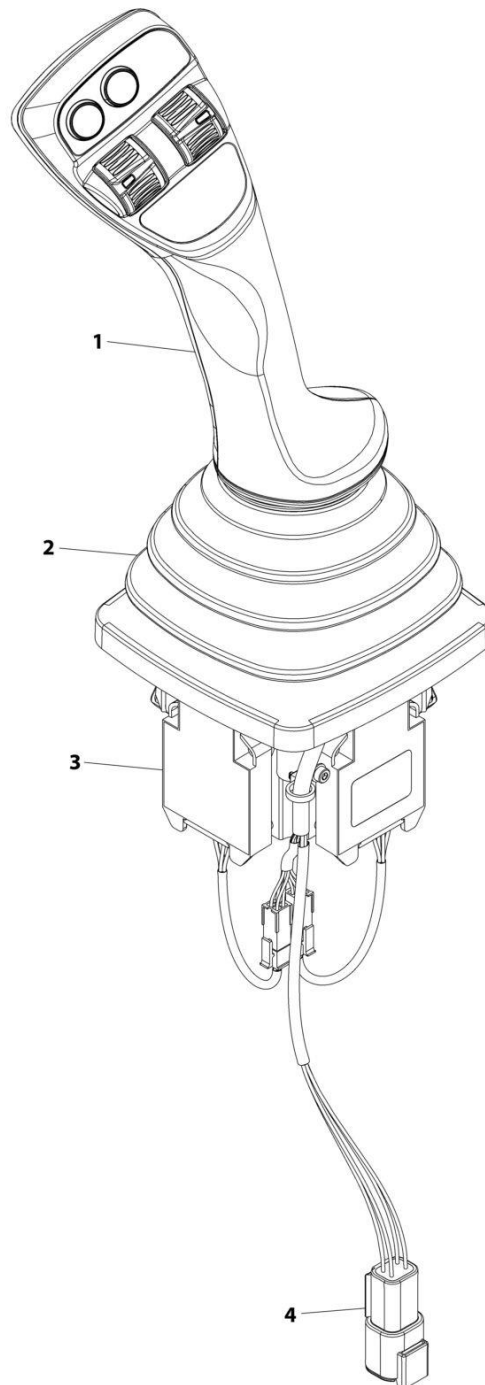
SECTION 7 - CONTROLS

FIGURE 7-19. ELECTRIC JOYSTICK, (FNR LEVER)

ITEM	PART NUMBER	QTY	DESCRIPTION	REV
	1001222600	Ref	Electric Joystick, (FNR Lever)	A
1	70028852	1	Lever, Multi-Function	
2	70025844	1	Gaiter	
3	70025845	1	Base, Joystick (includes connector)	
4	1001126007	1	Connector	

SECTION 7 - CONTROLS

FIGURE 7-20. JOYSTICK, (AUX, NO FNR LEVER)



ART_1001222597-A

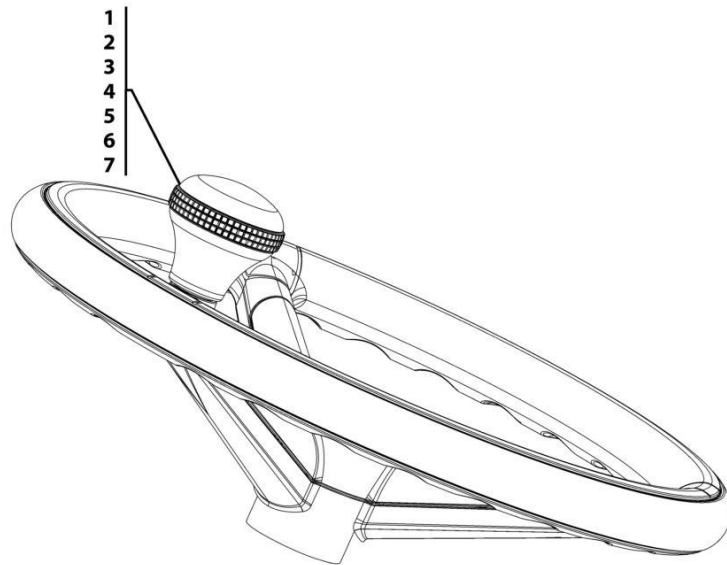
SECTION 7 - CONTROLS

FIGURE 7-20. JOYSTICK, (AUX, NO FNR LEVER)

ITEM	PART NUMBER	QTY	DESCRIPTION	REV
	1001222597	Ref	Electric Joystick, (AUX, No FNR Lever)	A
1	70025847	1	Lever, Multi-Function	
2	70025844	1	Gaiter	
3	70025845	1	Base, Joystick (includes connector)	
4	1001126007	1	Connector	

SECTION 7 - CONTROLS

FIGURE 7-21. STEERING WHEEL



ART_1001091033-A

SECTION 7 - CONTROLS

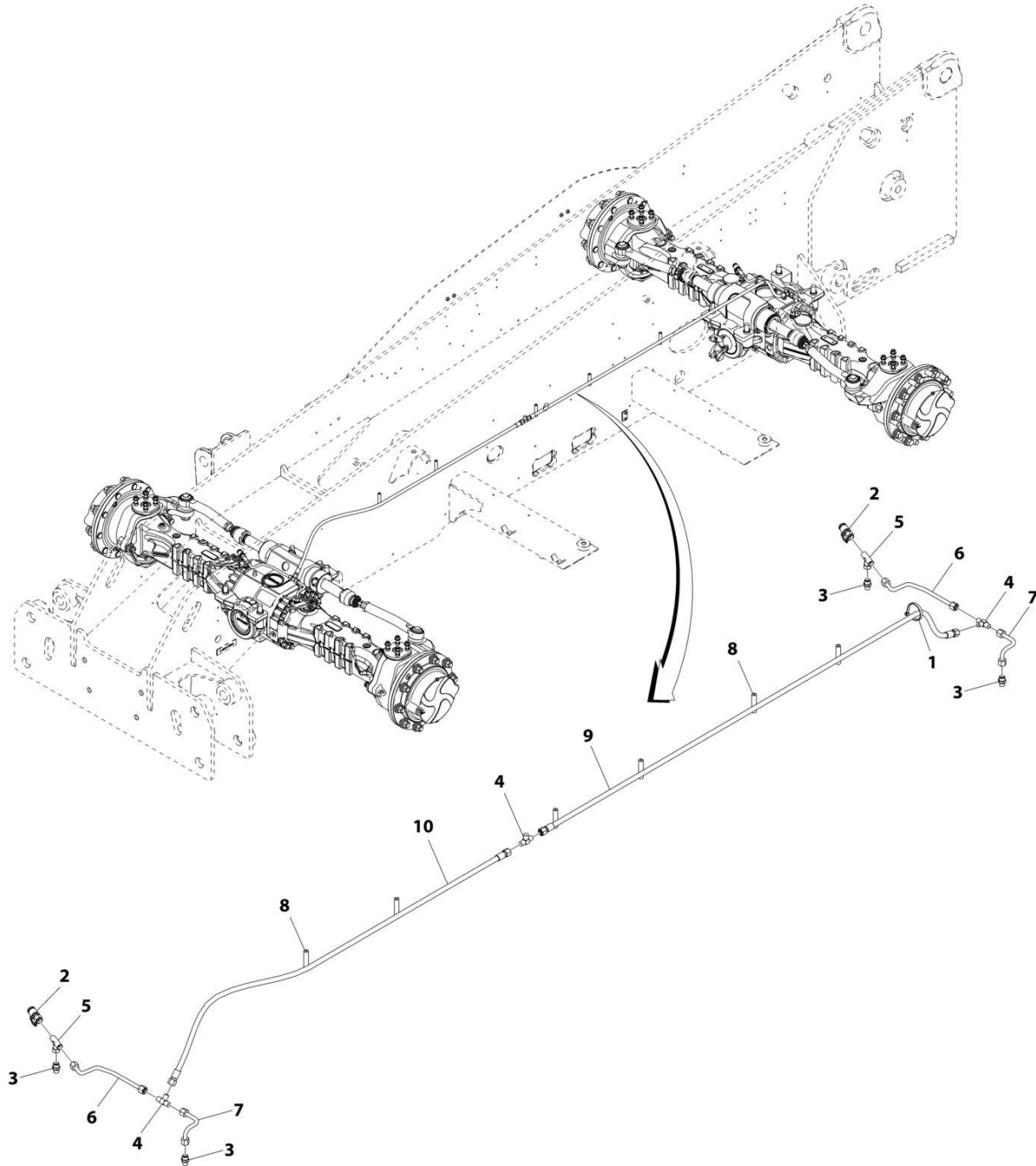
FIGURE 7-21. STEERING WHEEL

ITEM	PART NUMBER	QTY	DESCRIPTION	REV
	1001091033	Ref	Steering Wheel	A
1	70020783	1	Cap	
2	70020793	1	Bellow	
3	70020785	1	Base	
4	70020786	1	Washer	
5	70020787	1	Bolt	
6	70020788	1	Washer	
7	70020789	1	Nut	

SECTION 8 - HYDRAULIC CIRCUITS

SECTION 8 - HYDRAULIC CIRCUITS

FIGURE 8-1. BRAKE LINES INSTALLATION - LOWER (3614RS)



ART_1001211446-C

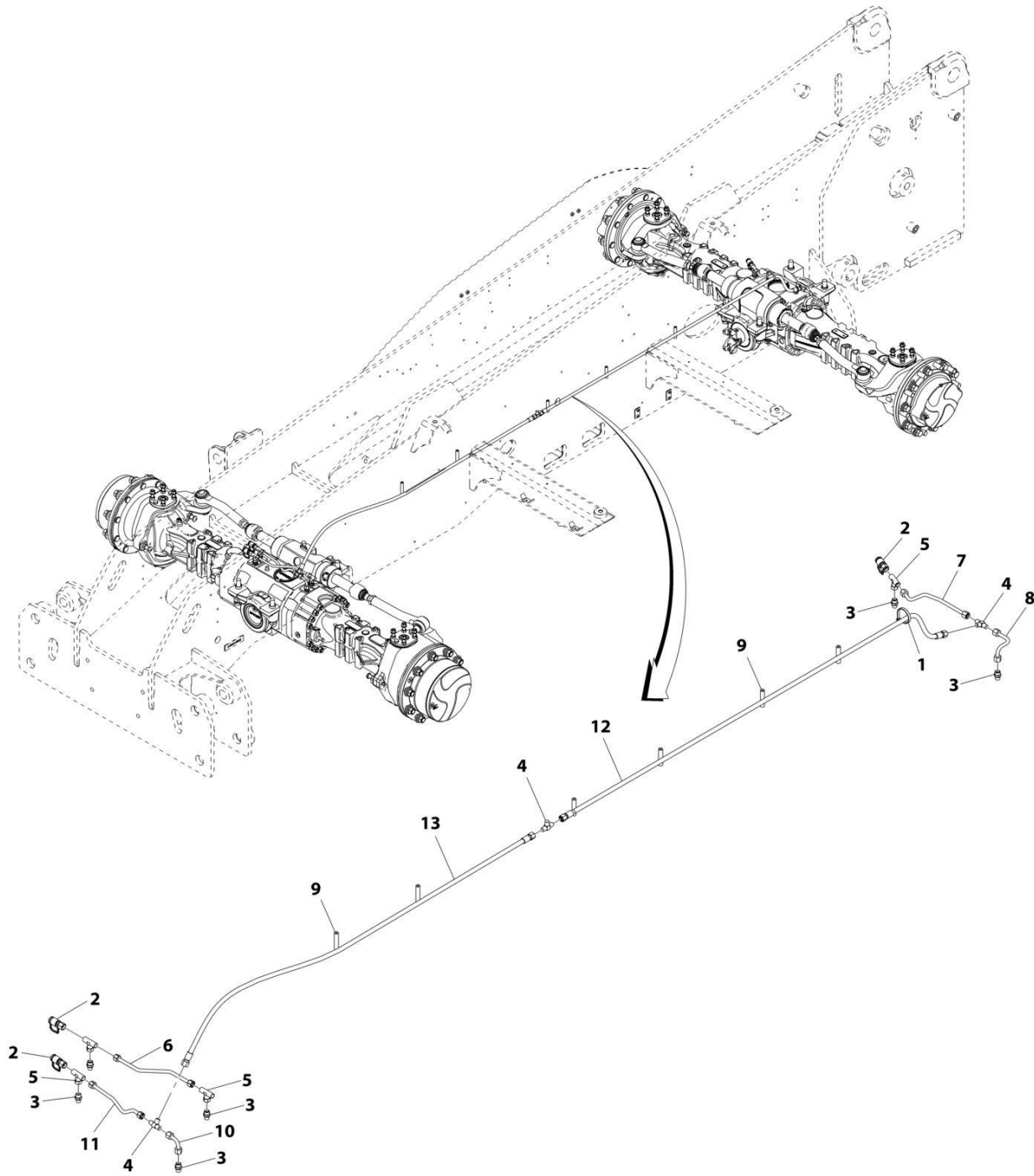
SECTION 8 - HYDRAULIC CIRCUITS

FIGURE 8-1. BRAKE LINES INSTALLATION - LOWER (3614RS)

ITEM	PART NUMBER	QTY	DESCRIPTION	REV
	1001211446	Ref	Lower Brake Lines Installation	C
1	1062255	1	Strap, Cable	
2	1616551	2	Fitting	
3	2140206	4	Connector	
4	2141908	3	Fitting, Union Tee	
5	2142103	2	Fitting, Swivel Branch Tee	
6	8002323	2	Pipe	
7	1001147021	2	Pipe	
8	1001165274	6	Hose	
9	1001205591	1	Hose	
10	1001211328	1	Hose	

SECTION 8 - HYDRAULIC CIRCUITS

FIGURE 8-2. BRAKE LINES INSTALLATION - LOWER (4017RS)



ART_1001211035-C

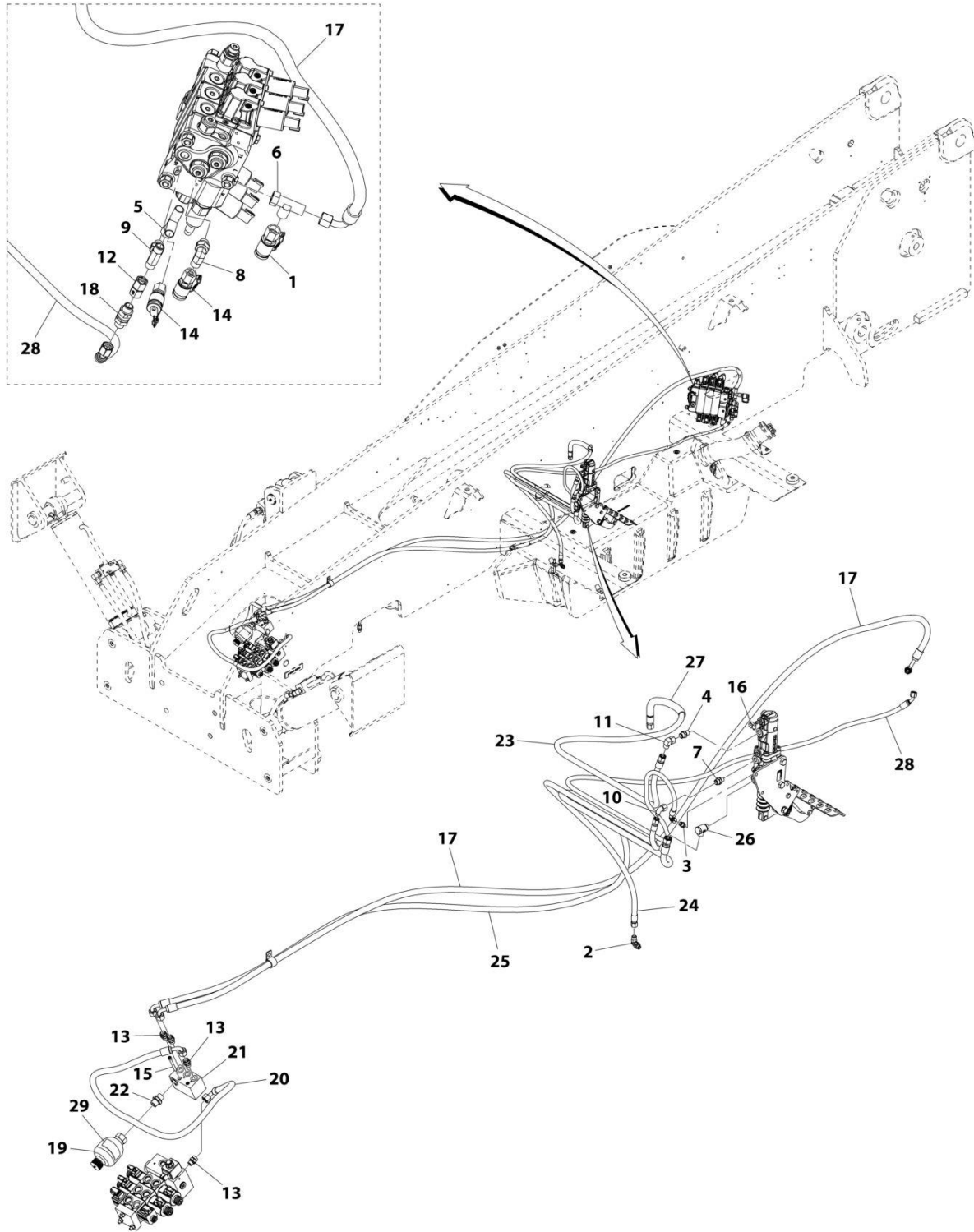
SECTION 8 - HYDRAULIC CIRCUITS

FIGURE 8-2. BRAKE LINES INSTALLATION - LOWER (4017RS)

ITEM	PART NUMBER	QTY	DESCRIPTION	REV
	1001211035	Ref	Lower Brake Lines Installation	C
1	1062255	1	Tie, Strap	
2	1616551	3	Fitting	
3	2140206	6	Connector	
4	2141908	3	Fitting, Union Tee	
5	2142103	4	Fitting, Swivel Branch Tee	
6	3460380	1	Pipe	
7	8002323	1	Pipe	
8	1001147021	1	Pipe	
9	1001165274	6	Hose	
10	1001171759	1	Pipe	
11	1001171760	1	Pipe	
12	1001205591	1	Hose	
13	1001205593	1	Hose	

SECTION 8 - HYDRAULIC CIRCUITS

FIGURE 8-3. BRAKE LINES INSTALLATION - UPPER (3614RS)



ART_1001211447-E

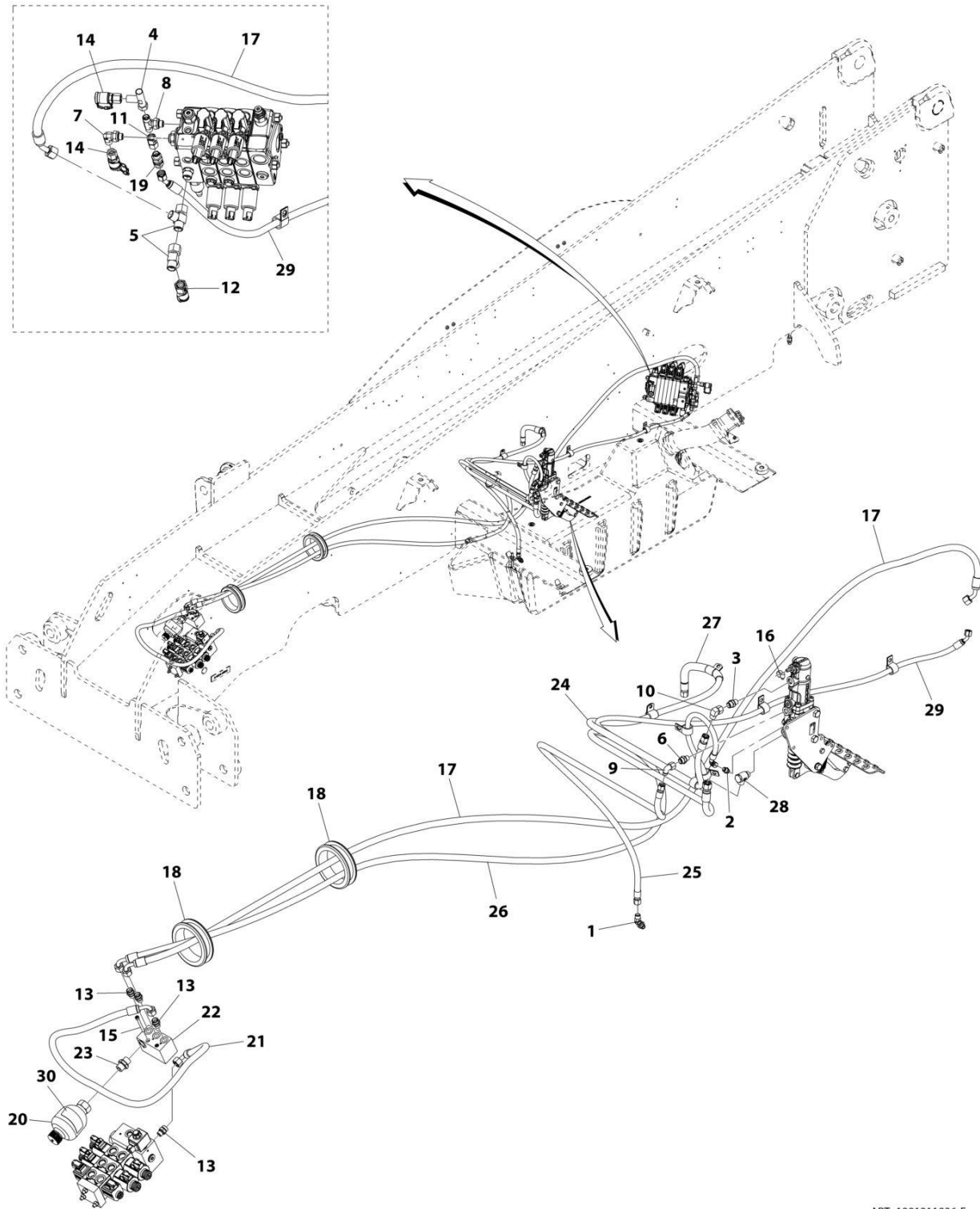
SECTION 8 - HYDRAULIC CIRCUITS

FIGURE 8-3. BRAKE LINES INSTALLATION - UPPER (3614RS)

ITEM	PART NUMBER	QTY	DESCRIPTION	REV
	1001211447	Ref	Upper Brake Lines Installation	E
1	1616551	1	Fitting	
2	2140406	1	Fitting	
3	2140801	1	Connector	
4	2140803	1	Connector	
5	2142202	1	Fitting, Swivel Run Tee	
6	2142203	1	Fitting, Swivel Run Tee	
7	2142706	1	Connector	
8	2143004	1	Fitting, 90 ORFS	
9	2143102	1	Fitting, Branch Tee	
10	2143402	1	Fitting	
11	2143403	1	Fitting	
12	2143602	1	Fitting	
13	2144803	4	Connector	
14	2988632	2	Fitting	
15	4031716	2	Bolt, M6X60	
16	8405009	1	Gear Clamp	
17	1001146129	1	Hose	
18	1001169139	1	Adapter	
19	1001173418	1	Brake, Pressure Damper	
20	1001178162	1	Hose	
21	1001178407	1	Manifold, Brake Damper	
22	1001179926	1	Adapter	
23	1001205594	1	Hose	
24	1001206583	1	Hose	
25	1001206584	1	Hose	
26	1001206592	1	Adapter	
27	1001207170	1	Conduit	
28	1001211609	1	Hose	
29	1001247708	1	Decal, Stored Energy	

SECTION 8 - HYDRAULIC CIRCUITS

FIGURE 8-4. BRAKE LINES INSTALLATION - UPPER (4017RS)



ART_1001211036-F

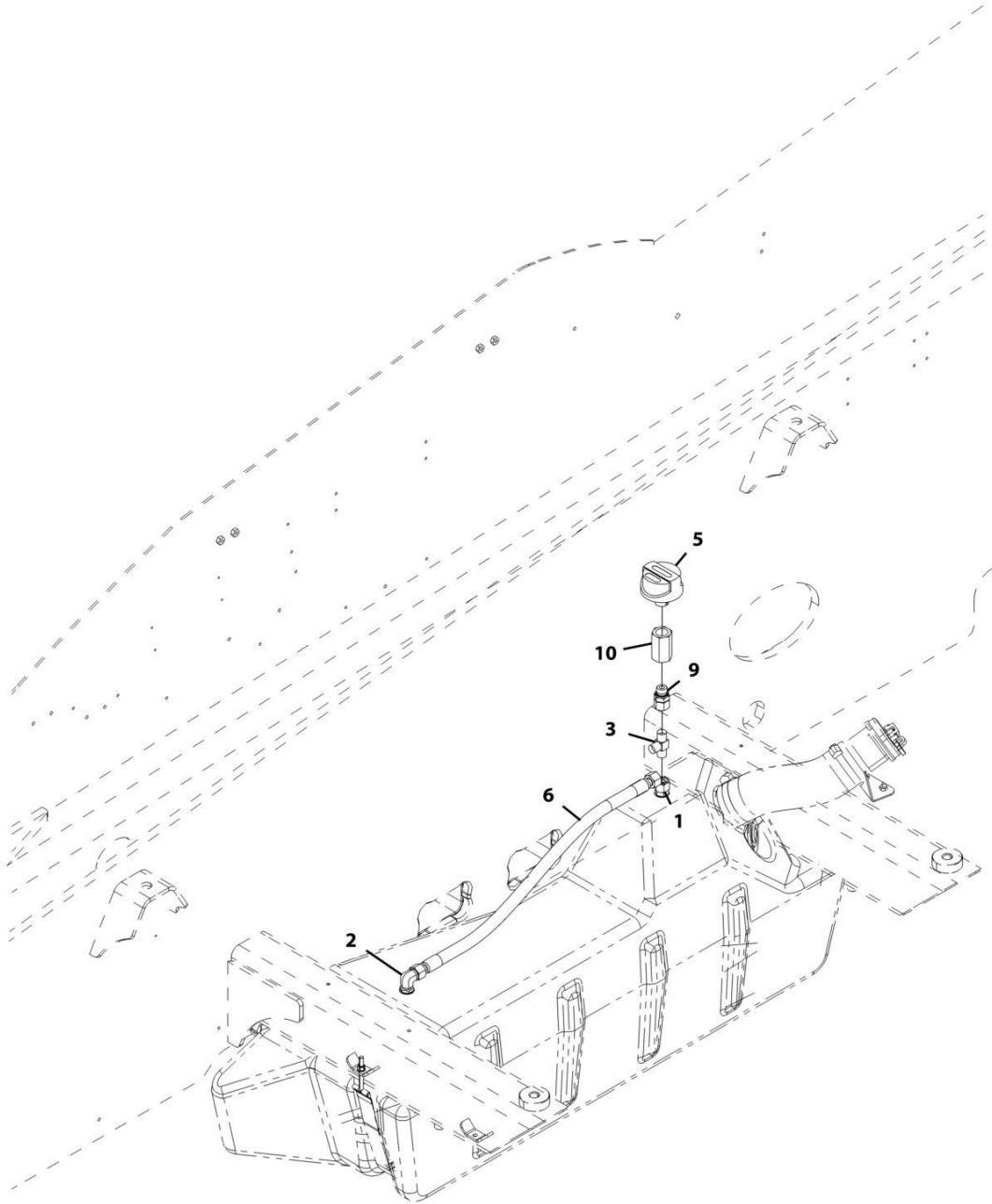
SECTION 8 - HYDRAULIC CIRCUITS

FIGURE 8-4. BRAKE LINES INSTALLATION - UPPER (4017RS)

ITEM	PART NUMBER	QTY	DESCRIPTION	REV
	1001211036	Ref	Upper Brake Lines Installation	F
1	2140406	1	Fitting	
2	2140801	1	Connector	
3	2140803	1	Connector	
4	2142202	1	Fitting, Swivel Run Tee	
5	2142204	2	Fitting, Swivel Run Tee	
6	2142706	1	Connector	
7	2143004	1	Fitting, 90 ORFS	
8	2143102	1	Fitting, Branch Tee	
9	2143402	1	Fitting	
10	2143403	1	Fitting	
11	2143602	1	Fitting	
12	2144104	1	Fitting	
13	2144803	4	Connector	
14	2988632	2	Fitting	
15	4031716	2	Bolt, M6X60	
16	8405009	1	Gear Clamp	
17	1001148320	1	Hose	
18	1001003439	2	Grommet	
19	1001169139	1	Adapter	
20	1001173418	1	Brake, Pressure Damper	
21	1001178162	1	Hose	
22	1001178407	1	Manifold, Brake Damper	
23	1001179926	1	Adapter	
24	1001205594	1	Hose	
25	1001206583	1	Hose	
26	1001206584	1	Hose	
27	1001207170	1	Conduit	
28	1001206592	1	Adapter	
29	1001211609	1	Hose	
30	1001247708	1	Decal, Stored Energy	

SECTION 8 - HYDRAULIC CIRCUITS

FIGURE 8-5. BREATHER INSTALLATION



ART_1001152156-D

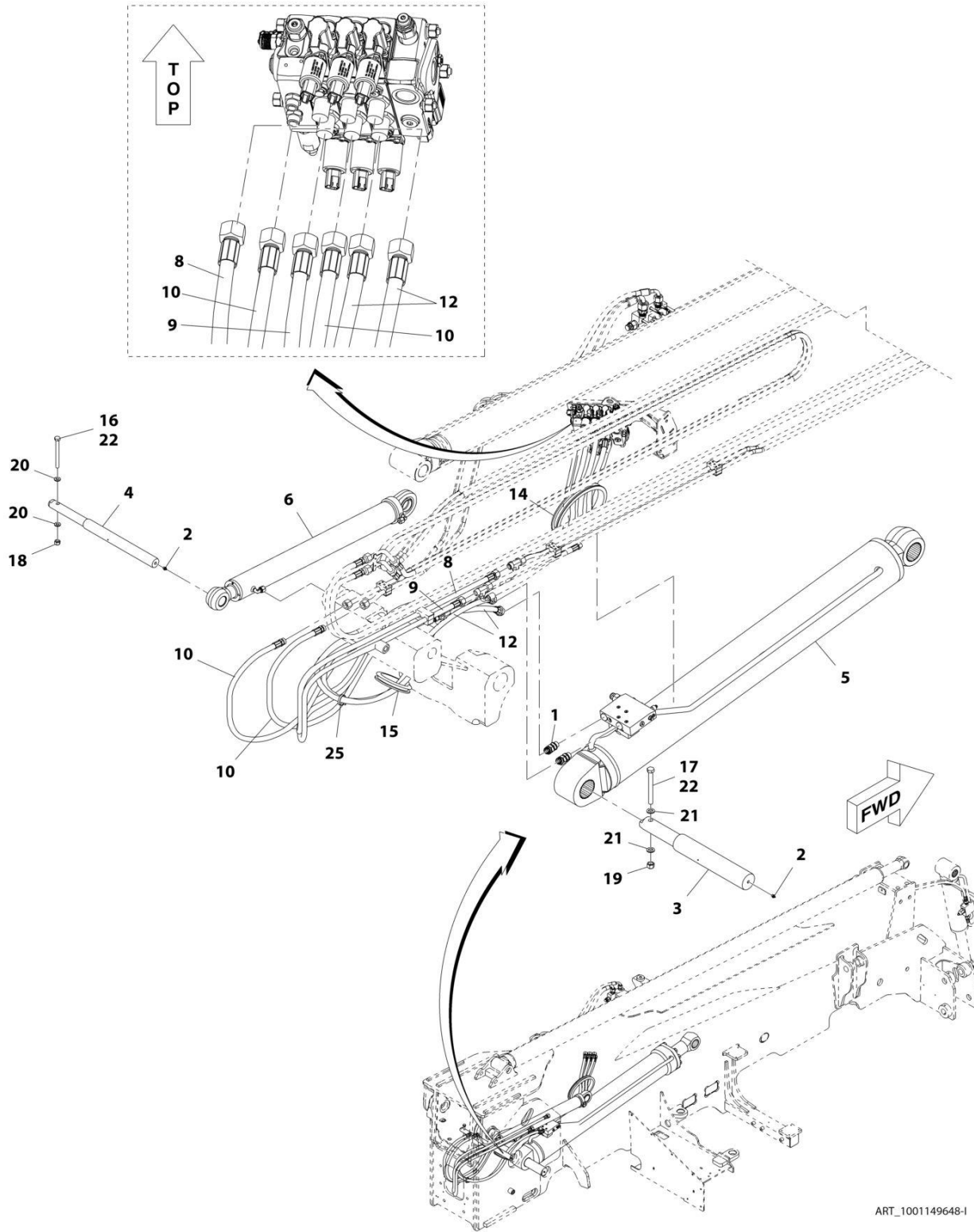
SECTION 8 - HYDRAULIC CIRCUITS

FIGURE 8-5. BREATHER INSTALLATION

ITEM	PART NUMBER	QTY	DESCRIPTION	REV
	1001152156	Ref	Breather Installation	D
1	1001166861	1	Adapter	
2	2140409	1	Fitting	
3	2141910	1	Fitting, Union Tee	
5	1001147134	1	Filter, Breather, Hydraulic	
6	1001166866	1	Hose	
9	1001166860	1	Adapter	
10	1001166863	1	Adapter	

SECTION 8 - HYDRAULIC CIRCUITS

FIGURE 8-6. IMPLEMENT LINES INSTALLATION (NO AUX HYDRAULICS) (3614RS)



ART_1001149648-I

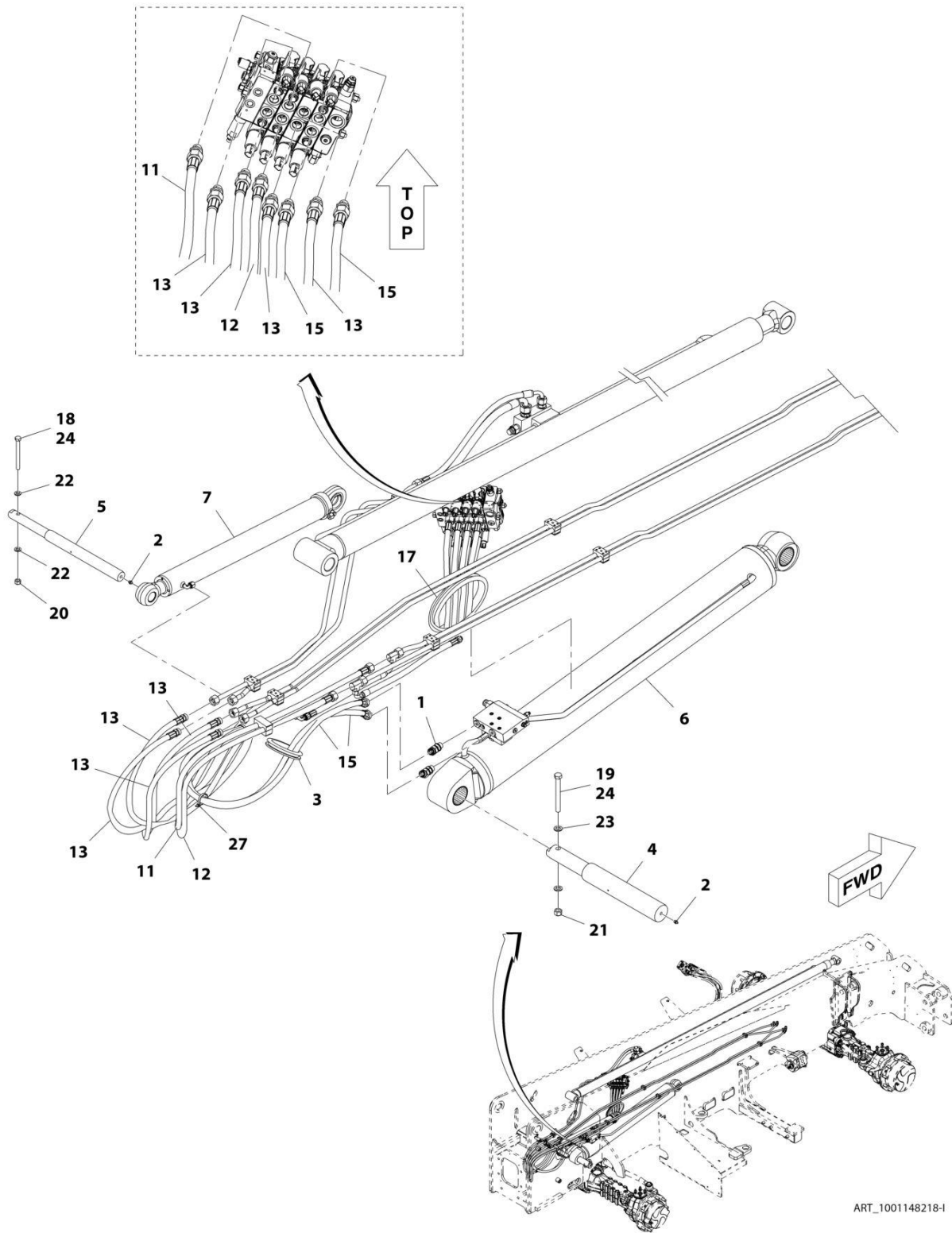
SECTION 8 - HYDRAULIC CIRCUITS

FIGURE 8-6. IMPLEMENT LINES INSTALLATION (NO AUX HYDRAULICS) (3614RS)

ITEM	PART NUMBER	QTY	DESCRIPTION	REV
	1001149648	Ref	Implement Lines Installation (no auxiliary hydraulics)	1
1	2142915	2	Adapter	
2	2160016	2	Fitting, Grease	
3	1001168803	1	Pin, Lift Cylinder	
4	1001168811	1	Pin, Compensation Cylinder	
5	1001184284	1	Cylinder, Lift (See Separate Breakdown in HYDRAULIC COMPONENTS Section)	
6	1001144203	1	Cylinder, Compensation (See Separate Breakdown in HYDRAULIC COMPONENTS Section)	
8	1001174300	1	Hose	
9	1001174308	1	Hose	
10	1001174305	2	Hose	
12	1001174302	2	Hose	
14	1001147871	1	Grommet	
15	1001178081	1	Channel, Trim	
16	0701230	1	Bolt, M12X130	
17	0701632	1	Bolt, M16X150	
18	3291205	1	Nut, Lock, M12X1.75	
19	3291605	1	Nut, Lock, M16X2	
20	4812100	2	Washer, M12	
21	4812300	2	Washer, M16	
22	1001095650	AR	Compound, Locking	
25	1062255	2	Tie, Strap	

SECTION 8 - HYDRAULIC CIRCUITS

FIGURE 8-7. IMPLEMENT LINES INSTALLATION (AUXILIARY HYDRAULICS) (3614RS)



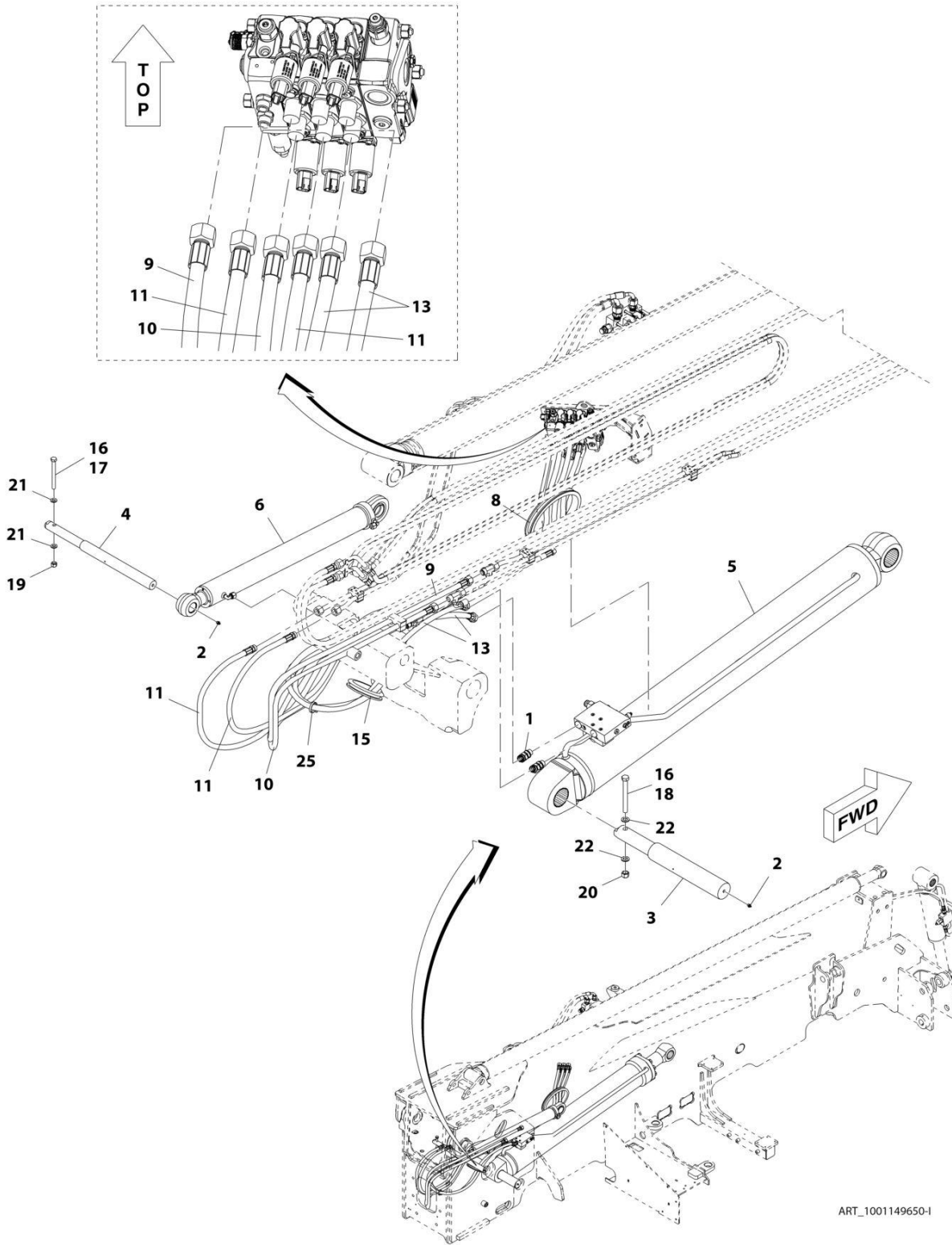
SECTION 8 - HYDRAULIC CIRCUITS

FIGURE 8-7. IMPLEMENT LINES INSTALLATION (AUXILIARY HYDRAULICS) (3614RS)

ITEM	PART NUMBER	QTY	DESCRIPTION	REV
	1001148218	Ref	Implement Lines Installation (auxiliary hydraulics)	1
1	2142915	2	Adapter	
2	2160016	2	Fitting, Grease	
3	1001178081	1	Channel, Trim	
4	1001168803	1	Pin, Lift Cylinder	
5	1001168811	1	Pin, Compensation Cylinder	
6	1001184284	1	Cylinder, Lift (See Separate Breakdown in HYDRAULIC COMPONENTS Section)	
7	1001144203	1	Cylinder, Compensation (See Separate Breakdown in HYDRAULIC COMPONENTS Section)	
11	1001174300	1	Hose	
12	1001174308	1	Hose	
13	1001174305	4	Hose	
15	1001174302	2	Hose	
17	1001147871	1	Grommet	
18	0701230	1	Bolt, M12X130	
19	0701632	1	Bolt, M16X150	
20	3291205	1	Nut, Lock, M12X1.75	
21	3291605	1	Nut, Lock, M16X2	
22	4812100	2	Washer, M12	
23	4812300	2	Washer, M16	
24	1001095650	AR	Compound, Locking	
27	1062255	2	Tie, Strap	

SECTION 8 - HYDRAULIC CIRCUITS

FIGURE 8-8. IMPLEMENT LINES INSTALLATION (NO AUX HYDRAULICS) (4017RS)



ART_1001149650-1

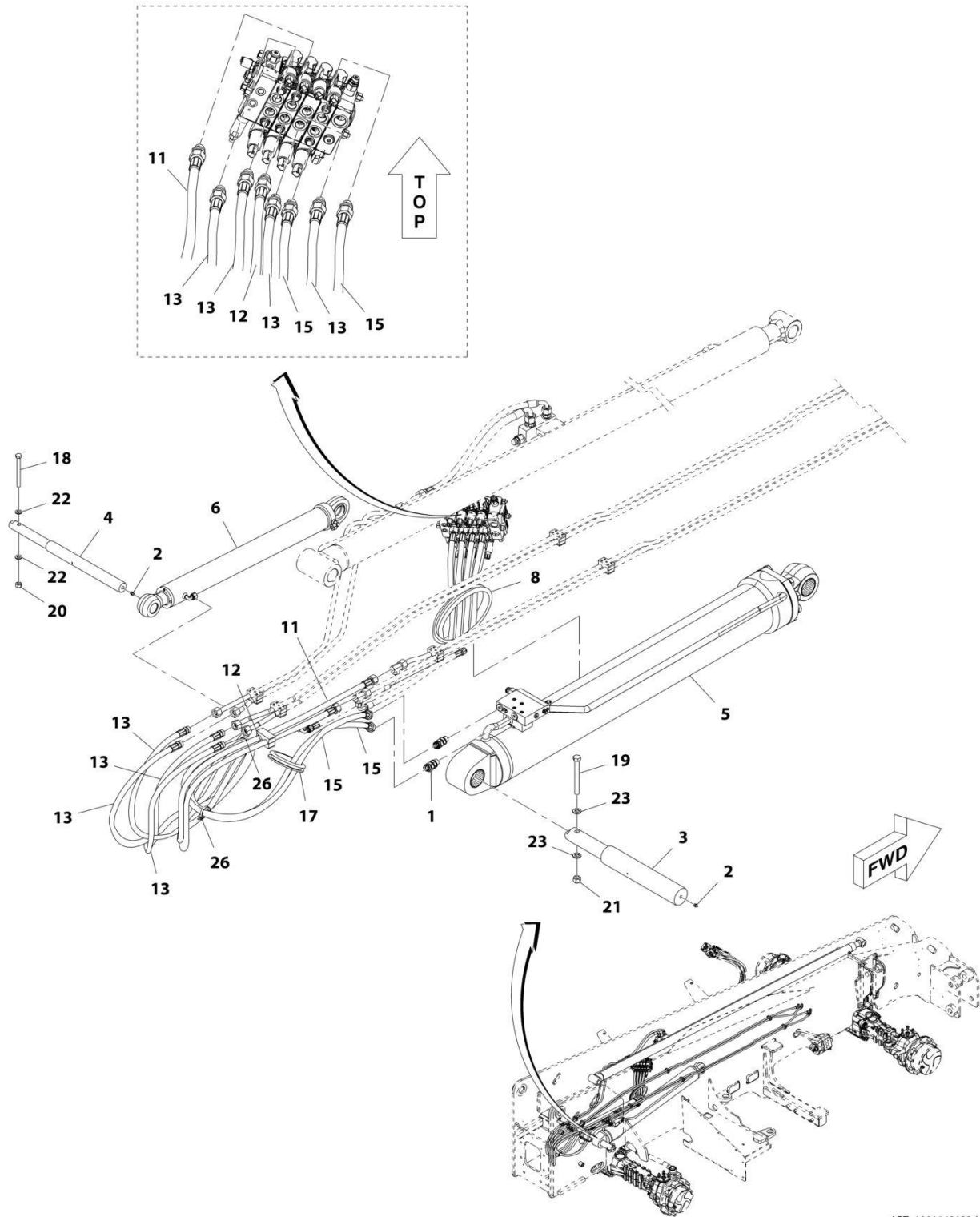
SECTION 8 - HYDRAULIC CIRCUITS

FIGURE 8-8. IMPLEMENT LINES INSTALLATION (NO AUX HYDRAULICS) (4017RS)

ITEM	PART NUMBER	QTY	DESCRIPTION	REV
	1001149650	Ref	Implement Lines Installation (no auxiliary hydraulics)	1
1	2142915	2	Adapter	
2	2160016	2	Fitting, Grease	
3	1001168803	1	Pin, Lift Cylinder	
4	1001168811	1	Pin, Compensation Cylinder	
5	1001184285	1	Cylinder, Lift (See Separate Breakdown in HYDRAULIC COMPONENTS Section)	
6	1001144203	1	Cylinder, Compensation (See Separate Breakdown in HYDRAULIC COMPONENTS Section)	
8	1001147871	1	Grommet	
9	1001174300	1	Hose	
10	1001174308	1	Hose	
11	1001174305	2	Hose	
13	1001174302	2	Hose	
15	1001178081	1	Channel, Trim	
16	1001095650	AR	Compound, Locking	
17	0701230	1	Bolt, M12X130	
18	0701632	1	Bolt, M16X150	
19	3291205	1	Nut, Lock, M12X1.75	
20	3291605	1	Nut, Lock, M16X2	
21	4812100	2	Washer, M12	
22	4812300	2	Washer, M16	
25	1062255	2	Tie, Strap	

SECTION 8 - HYDRAULIC CIRCUITS

FIGURE 8-9. IMPLEMENT LINES INSTALLATION (AUXILIARY HYDRAULICS) (4017RS)



ART_1001148133-I

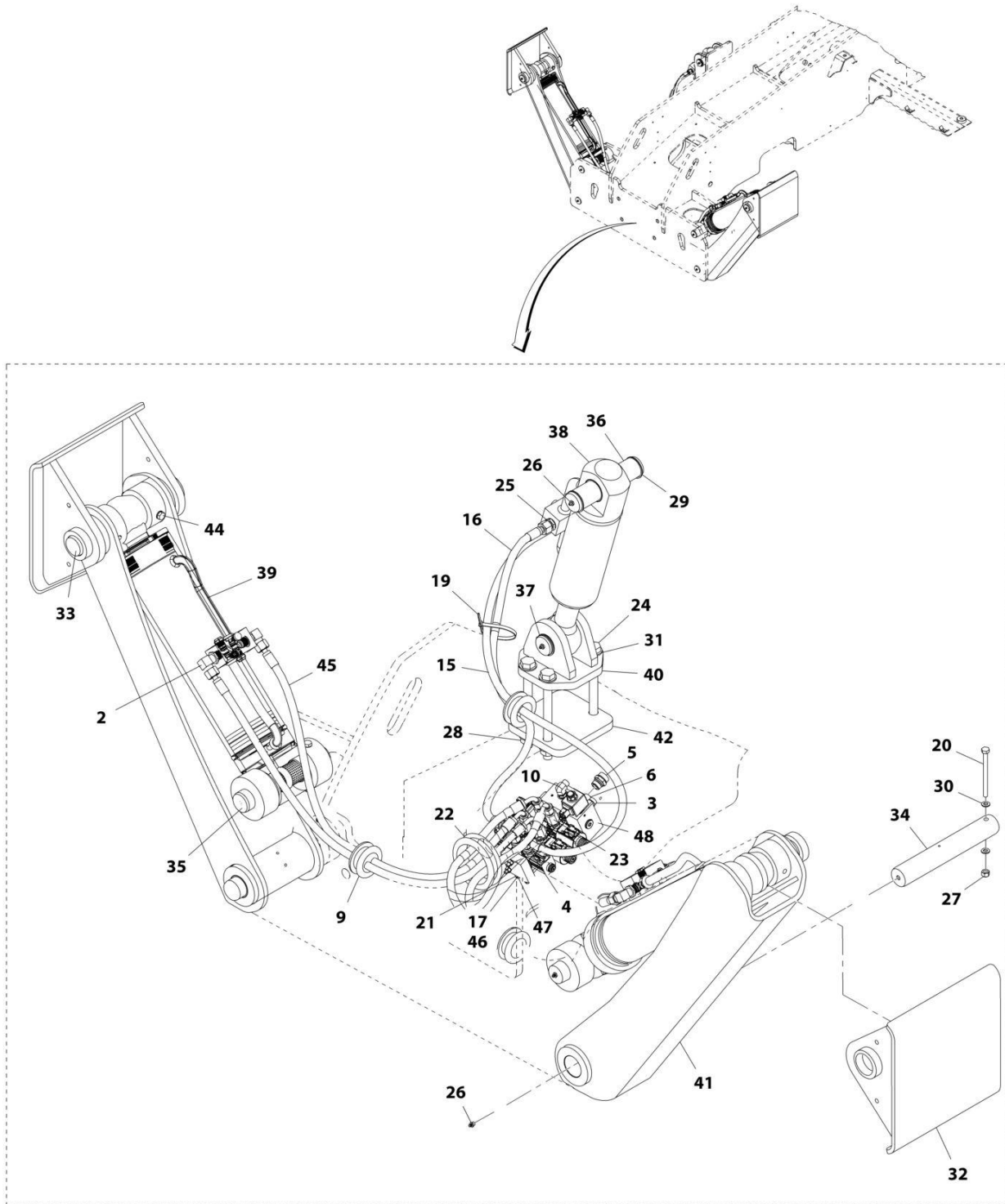
SECTION 8 - HYDRAULIC CIRCUITS

FIGURE 8-9. IMPLEMENT LINES INSTALLATION (AUXILIARY HYDRAULICS) (4017RS)

ITEM	PART NUMBER	QTY	DESCRIPTION	REV
	1001148133	Ref	Implement Lines Installation (auxiliary hydraulics)	1
1	2142915	2	Adapter	
2	2160016	2	Fitting, Grease	
3	1001168803	1	Pin, Lift Cylinder	
4	1001168811	1	Pin, Compensation Cylinder	
5	1001184285	1	Cylinder, Lift (See Separate Breakdown in HYDRAULIC COMPONENTS Section)	
6	1001144203	1	Cylinder, Compensation (See Separate Breakdown in HYDRAULIC COMPONENTS Section)	
8	1001147871	1	Grommet	
11	1001174300	1	Hose	
12	1001174308	1	Hose	
13	1001174305	4	Hose	
15	1001174302	2	Hose	
17	1001178081	1	Channel, Trim	
18	0701230	1	Bolt, M12X130	
19	0701632	1	Bolt, M16X150	
20	3291205	1	Nut, Lock, M12X1.75	
21	3291605	1	Nut, Lock, M16X2	
22	4812100	2	Washer, M12	
23	4812300	2	Washer, M16	
26	1062255	2	Tie, Strap	

SECTION 8 - HYDRAULIC CIRCUITS

FIGURE 8-10. LEVELING AND OUTRIGGERS INSTALLATION (3614RS)



ART_1001146341-K

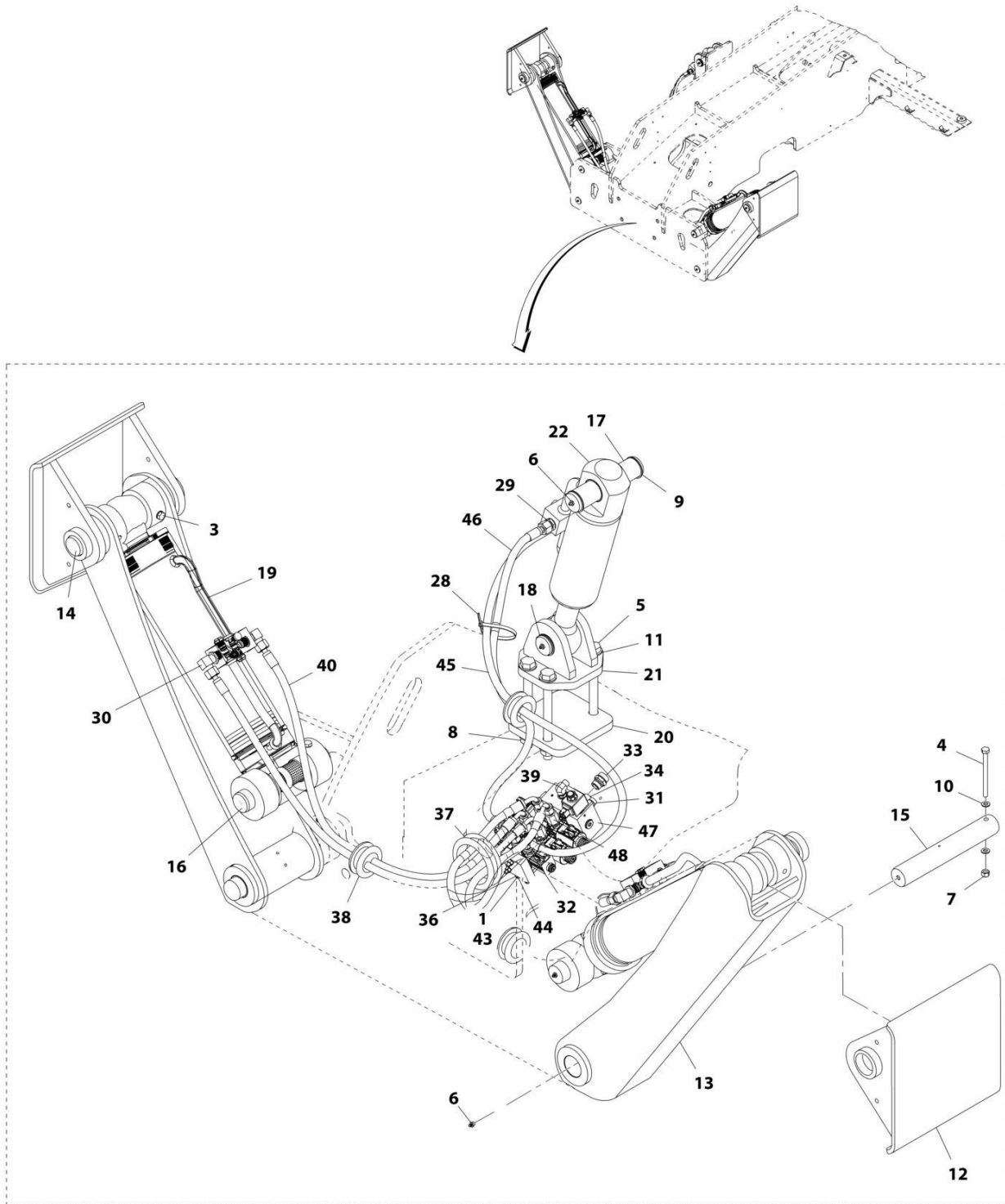
SECTION 8 - HYDRAULIC CIRCUITS

FIGURE 8-10. LEVELING AND OUTRIGGERS INSTALLATION (3614RS)

ITEM	PART NUMBER	QTY	DESCRIPTION	REV
	1001146341	Ref	Leveling and Outriggers Installation	K
2	2143007	5	Fitting	
3	2144803	1	Connector	
4	2144804	2	Connector	
5	2144809	1	Connector	
6	2144823	1	Connector	
9	1001028308	3	Grommet	
10	1001092584	1	Adapter	
15	1001146293	1	Hose	
16	1001146294	1	Hose	
17	1001095650	AR	Compound, Locking	
19	1062255	1	Tie, Strap	
20	0701030	4	Bolt, M10X130	
21	4811700	4	Washer, M6	
22	1001003439	1	Grommet	
23	1001155345	4	Fitting	
24	0712040	4	Bolt, M20X230, Grade 10.9	
25	2142715	1	Connector	
26	2160016	8	Fitting, Grease	
27	3291005	6	Nut, Lock, M10X1.5	
28	3332011	4	Nut, M20X2.5	
29	3760493	4	Ring, Retaining	
30	4812000	12	Washer, M10	
31	5242000	8	Washer, M20	
32	1001169243	2	Weldment, Outrigger Pad	
33	1001099913	2	Pin, Outrigger Cylinder	
34	1001204281	2	Pin, Outrigger Leg	
35	1001204282	2	Pin, Outrigger Cylinder	
36	1001165447	1	Pin, Frame Level	
37	1001143832	1	Pin, Frame Level Rod	
38	1001146580	1	Cylinder, Frame Level (See Separate Breakdown in HYDRAULIC COMPONENTS Section)	
39	1001144215	2	Cylinder, Outrigger (See Separate Breakdown in HYDRAULIC COMPONENTS Section)	
40	1001145151	1	Bracket	
41	1001145267	2	Assembly, Outrigger Leg (See Separate Breakdown in this Section)	
42	1001148835	1	Plate	
44	0701029	2	Bolt, M10X120	
45	1001183066	4	Hose	
46	3290601	4	Nut, M6X1	
47	1001175962	4	Stud, M6X30	
48	1001173880	1	Valve, Outrigger (See Separate Breakdown in HYDRAULIC COMPONENTS Section)	

SECTION 8 - HYDRAULIC CIRCUITS

FIGURE 8-11. LEVELING AND OUTRIGGERS INSTALLATION (4017RS)



ART_1001148129-K

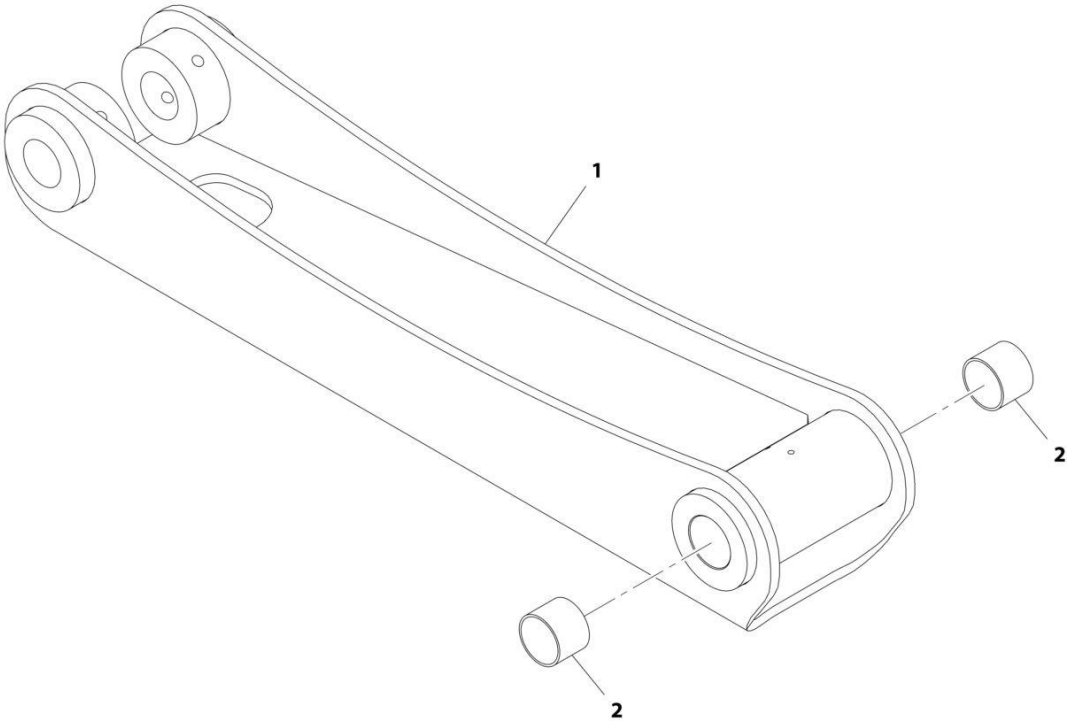
SECTION 8 - HYDRAULIC CIRCUITS

FIGURE 8-11. LEVELING AND OUTRIGGERS INSTALLATION (4017RS)

ITEM	PART NUMBER	QTY	DESCRIPTION	REV
	1001148129	Ref	Leveling and Outriggers Installation	K
1	1001095650	AR	Compound, Locking	
3	0701029	2	Bolt, M10X120	
4	0701030	4	Bolt, M10X130	
5	0712042	4	Bolt, M20X250, Grade 10.9	
6	2160016	8	Fitting, Grease	
7	3291005	6	Nut, Lock, M10X1.5	
8	3332011	4	Nut, M20X2.5	
9	3760493	4	Ring, Retaining	
10	4812000	12	Washer, M10	
11	5242000	8	Washer, M20	
12	1001169243	2	Weldment, Outrigger Pad	
13	1001145267	2	Assembly, Outrigger Leg (See Separate Breakdown in this Section)	
14	1001099913	2	Pin, Outrigger Cylinder	
15	1001204281	2	Pin, Outrigger Leg	
16	1001204282	2	Pin, Outrigger Cylinder	
17	1001165447	1	Pin, Frame Level	
18	1001143832	1	Pin, Frame Level Rod	
19	1001144215	2	Cylinder, Outrigger (See Separate Breakdown in HYDRAULIC COMPONENTS Section)	
20	1001148835	1	Plate	
21	1001145151	1	Bracket	
22	1001146580	1	Cylinder, Frame Level (See Separate Breakdown in HYDRAULIC COMPONENTS Section)	
28	1062255	1	Tie, Strap	
29	2142715	1	Connector	
30	2143007	5	Fitting	
31	2144803	1	Connector	
32	2144804	2	Connector	
33	2144809	1	Connector	
34	2144823	1	Connector	
36	4811700	4	Washer, M6	
37	1001003439	1	Grommet	
38	1001028308	3	Grommet	
39	1001092584	1	Adapter	
40	1001183067	4	Hose	
43	3290601	4	Nut, M6X1	
44	1001175962	4	Stud, M6X40	
45	1001146293	1	Hose	
46	1001146294	1	Hose	
47	1001173880	1	Valve, Outrigger (See Separate Breakdown in HYDRAULIC COMPONENTS Section)	
48	1001155345	4	Fitting	

SECTION 8 - HYDRAULIC CIRCUITS

FIGURE 8-12. OUTRIGGER LEG ASSEMBLY



ART_1001145267-B

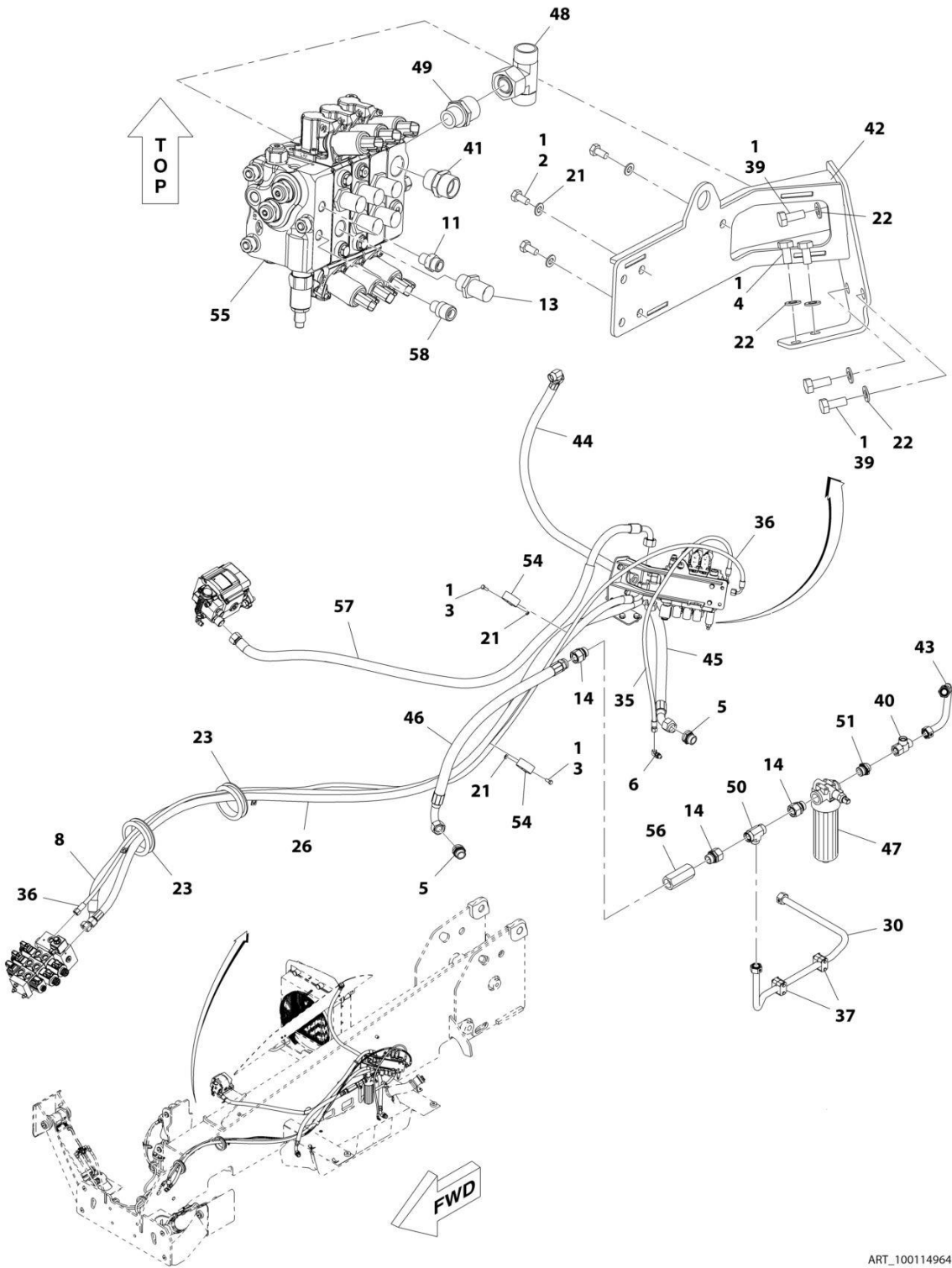
SECTION 8 - HYDRAULIC CIRCUITS

FIGURE 8-12. OUTRIGGER LEG ASSEMBLY

ITEM	PART NUMBER	QTY	DESCRIPTION	REV
	1001145267	Ref	Outrigger Leg Assembly	B
1	1001002579J	1	Outrigger Leg	
2	1001092542	2	Bearing	

SECTION 8 - HYDRAULIC CIRCUITS

FIGURE 8-13. PUMP LINES INSTALLATION (NO AUXILIARY HYDRAULICS) (3614RS)



ART_1001149647-L

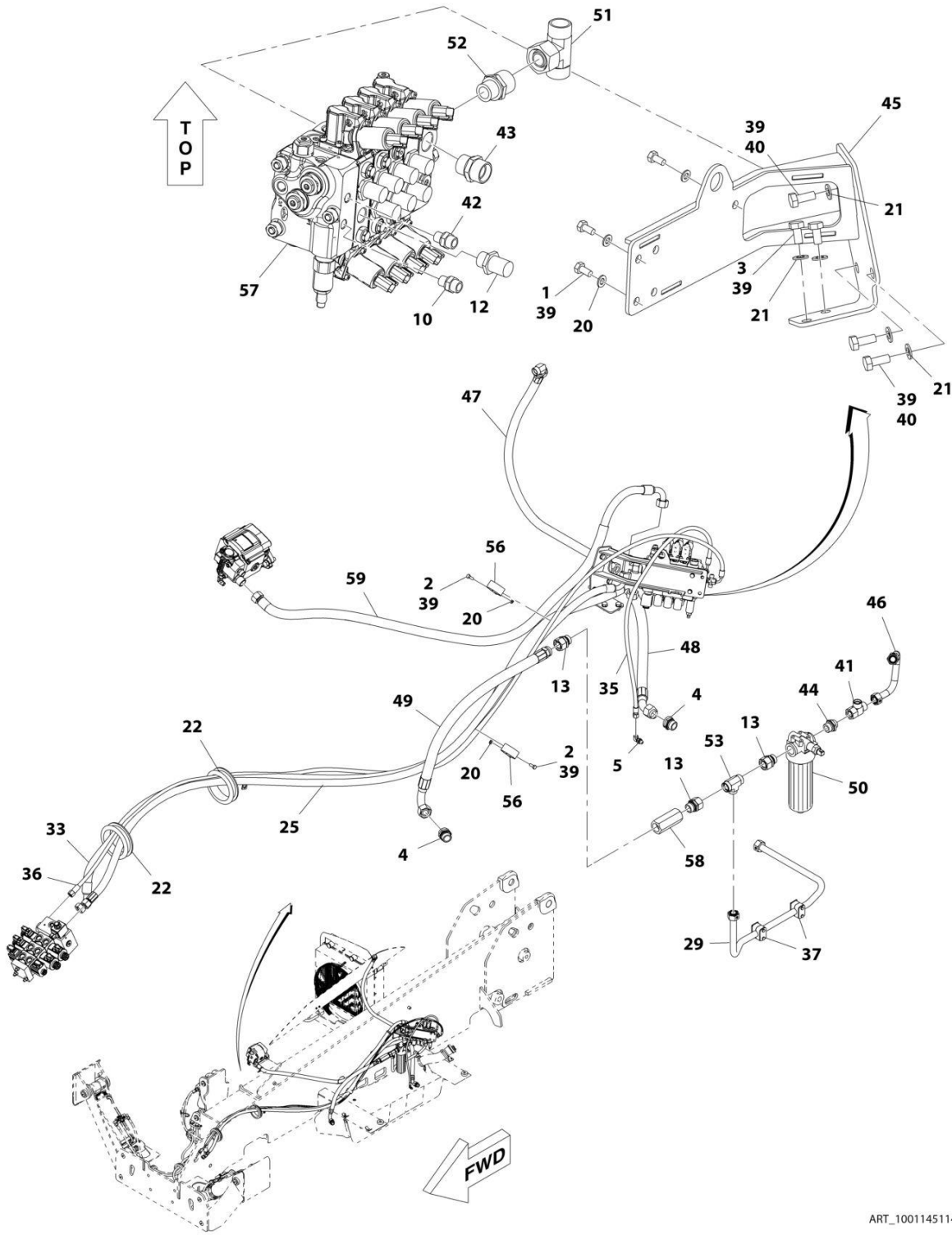
SECTION 8 - HYDRAULIC CIRCUITS

FIGURE 8-13. PUMP LINES INSTALLATION (NO AUXILIARY HYDRAULICS) (3614RS)

ITEM	PART NUMBER	QTY	DESCRIPTION	REV
	1001149647	Ref	Pump Lines Installation - 3614RS (no auxiliary hydraulics)	L
1	1001095650	AR	Compound, Locking	
2	0760808	3	Bolt, M8X16	
3	0760810	2	Bolt, M8X20	
4	0761010	2	Bolt, M10X20	
5	2140211	2	Adapter	
6	2140406	1	Fitting	
8	1001165561	1	Hose	
11	2142706	1	Connector	
13	2142733	6	Connector	
14	2142808	3	Adapter	
21	4811900	5	Washer, M8	
22	4812000	5	Washer, M10	
23	1001003439	2	Grommet	
26	1001148552	1	Hose	
30	1001146145	1	Tube, Oil Cooling	
35	1001147135	1	Hose	
36	1001148553	1	Hose	
37	1001148382	2	Clamp, Tube	
39	0701012	3	Bolt, M10X25	
40	2142207	1	Fitting, Swivel Run Tee	
41	2142718	1	Connector	
42	1001188875	1	Plate	
43	1001202335	1	Tube	
44	1001154645	1	Hose	
45	1001154646	1	Hose	
46	1001154647	1	Hose	
47	1001175757	1	Filter, Hydraulic Oil (See Separate Breakdown in HYDRAULIC COMPONENTS Section)	
48	2142117	1	Fitting, Swivel Branch Tee	
49	2142735	1	Connector	
50	1001162929	1	Adapter	
51	2142748	1	Connector	
54	1001008667	2	Clip	
55	1001173148	1	Valve, Main Control (no auxiliary hydraulics) (See Separate Breakdown in HYDRAULIC COMPONENTS Section)	
56	1001173742	1	Valve, Bypass	
57	1001174417	1	Hose	
58	2142708	1	Connector	

SECTION 8 - HYDRAULIC CIRCUITS

FIGURE 8-14. PUMP LINES INSTALLATION (AUXILIARY HYDRAULICS) (3614RS)



ART_1001145114-M

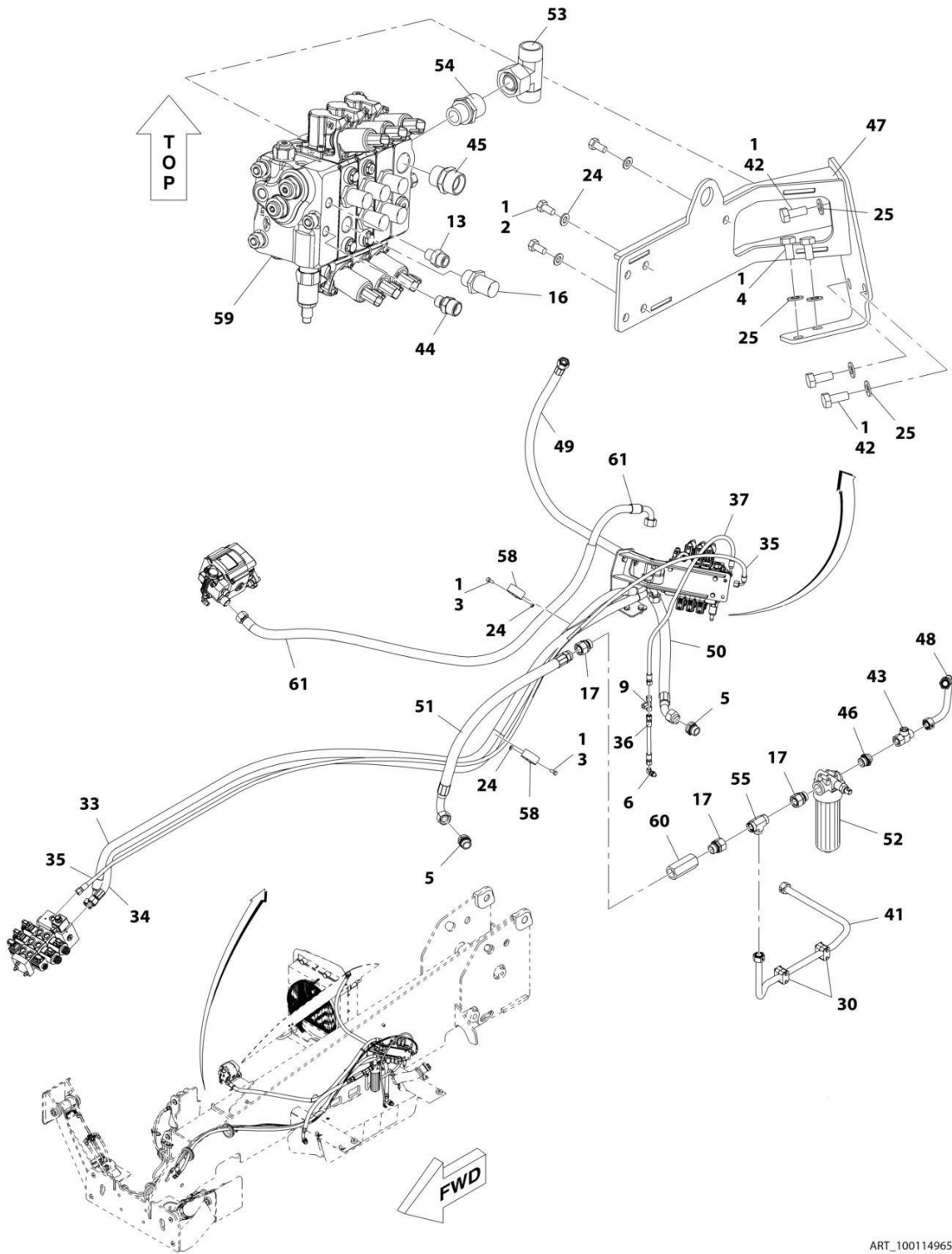
SECTION 8 - HYDRAULIC CIRCUITS

FIGURE 8-14. PUMP LINES INSTALLATION (AUXILIARY HYDRAULICS) (3614RS)

ITEM	PART NUMBER	QTY	DESCRIPTION	REV
	1001145114	Ref	Pump Lines Installation (auxiliary hydraulics)	M
1	0760808	3	Bolt, M8X16	
2	0760810	2	Bolt, M8X20	
3	0761010	2	Bolt, M10X20	
4	2140211	2	Adapter	
5	2140406	1	Fitting	
10	2142706	1	Connector	
12	2142733	8	Connector	
13	2142808	3	Adapter	
20	4811900	5	Washer, M8	
21	4812000	5	Washer, M10	
22	1001003439	2	Grommet	
25	1001148552	1	Hose	
29	1001146145	1	Tube, Oil Cooling	
33	1001165561	1	Hose	
35	1001147135	1	Hose	
36	1001148553	1	Hose	
37	1001148382	2	Clamp, Tube	
39	1001095650	AR	Compound, Locking	
40	0701012	3	Bolt, M10X25	
41	2142207	1	Fitting, Swivel Run Tee	
42	2142708	1	Connector	
43	2142718	1	Connector	
44	2142748	1	Connector	
45	1001188875	1	Plate	
46	1001202335	1	Tube	
47	1001154645	1	Hose	
48	1001154646	1	Hose	
49	1001154647	1	Hose	
50	1001175757	1	Filter, Hydraulic Oil (See Separate Breakdown in HYDRAULIC COMPONENTS Section)	
51	2142117	1	Fitting, Swivel Branch Tee	
52	2142735	1	Connector	
53	1001162929	1	Adapter	
56	1001008667	2	Clip	
57	1001173147	1	Valve, Main Control (auxiliary hydraulics) (See Separate Breakdown in HYDRAULIC COMPONENTS Section)	
58	1001173742	1	Valve, Bypass	
59	1001174417	1	Hose	

SECTION 8 - HYDRAULIC CIRCUITS

FIGURE 8-15. PUMP LINES INSTALLATION (NO AUXILIARY HYDRAULICS) (4017RS)



ART_1001149651-K

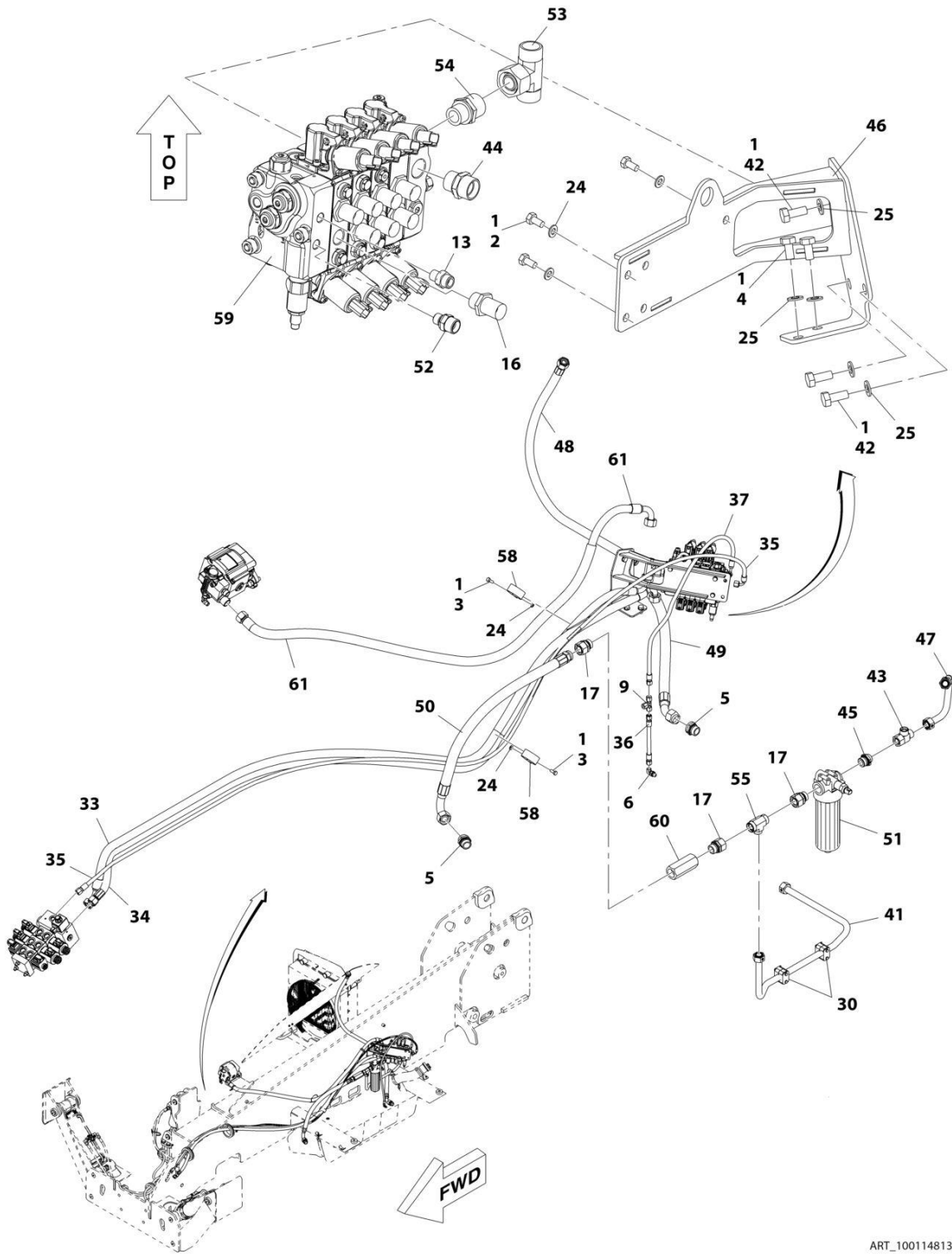
SECTION 8 - HYDRAULIC CIRCUITS

FIGURE 8-15. PUMP LINES INSTALLATION (NO AUXILIARY HYDRAULICS) (4017RS)

ITEM	PART NUMBER	QTY	DESCRIPTION	REV
	1001149651	Ref	Pump Lines Installation (no auxiliary hydraulics)	K
1	1001095650	AR	Compound, Locking	
2	0760808	3	Bolt, M8X16	
3	0760810	2	Bolt, M8X20	
4	0761010	2	Bolt, M10X20	
5	2140211	2	Adapter	
6	2140406	1	Fitting	
9	2141907	1	Fitting, Union Tee	
13	2142706	1	Connector	
16	2142733	6	Connector	
17	2142808	3	Adapter	
24	4811900	5	Washer, M8	
25	4812000	5	Washer, M10	
30	1001148382	2	Clamp, Tube	
33	1001165561	1	Hose	
34	1001148552	1	Hose	
35	1001148553	1	Hose	
36	1001148658	1	Hose	
37	1001148659	1	Hose	
41	1001189192	1	Pipe, Oil Cooling	
42	0701012	3	Bolt, M10X25	
43	2142207	1	Fitting, Swivel Run Tee	
44	2142711	1	Connector	
45	2142718	1	Connector	
46	2142748	1	Connector	
47	1001188875	1	Plate	
48	1001202335	1	Tube	
49	1001154645	1	Hose	
50	1001154646	1	Hose	
51	1001154647	1	Hose	
52	1001175757	1	Filter, Hydraulic Oil (See Separate Breakdown in HYDRAULIC COMPONENTS Section)	
53	2142117	1	Fitting, Swivel Branch Tee	
54	2142735	1	Connector	
55	1001162929	1	Adapter	
58	1001008667	2	Clip	
59	1001173148	1	Valve, Main Control (no auxiliary hydraulics) (See Separate Breakdown in HYDRAULIC COMPONENTS Section)	
60	1001173742	1	Valve, Bypass	
61	1001174417	1	Hose	

SECTION 8 - HYDRAULIC CIRCUITS

FIGURE 8-16. PUMP LINES INSTALLATION (AUXILIARY HYDRAULICS) (4017RS)



ART_1001148132-K

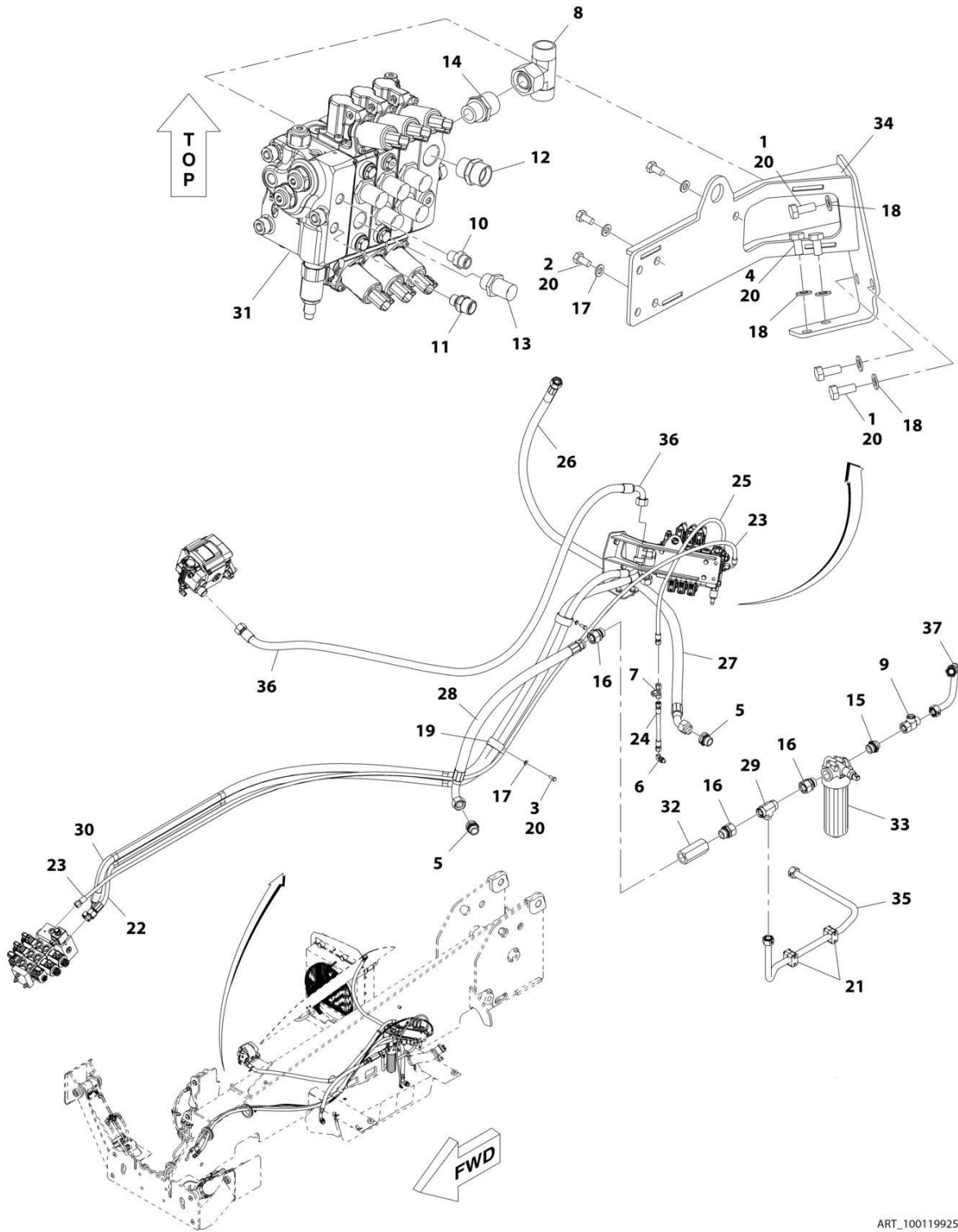
SECTION 8 - HYDRAULIC CIRCUITS

FIGURE 8-16. PUMP LINES INSTALLATION (AUXILIARY HYDRAULICS) (4017RS)

ITEM	PART NUMBER	QTY	DESCRIPTION	REV
	1001148132	Ref	Pump Lines Installation (auxiliary hydraulics)	K
1	1001095650	AR	Compound, Locking	
2	0760808	3	Bolt, M8X16	
3	0760810	2	Bolt, M8X20	
4	0761010	2	Bolt, M10X20	
5	2140211	2	Adapter	
6	2140406	1	Fitting	
9	2141907	1	Fitting, Union Tee	
13	2142706	1	Connector	
16	2142733	8	Connector	
17	2142808	3	Adapter	
24	4811900	5	Washer, M8	
25	4812000	5	Washer, M10	
30	1001148382	2	Clamp, Tube	
33	1001165561	1	Hose	
34	1001148552	1	Hose	
35	1001148553	1	Hose	
36	1001148658	1	Hose	
37	1001148659	1	Hose	
41	1001189192	1	Pipe, Oil Cooling	
42	0701012	3	Bolt, M10X25	
43	2142207	1	Fitting, Swivel Run Tee	
44	2142718	1	Connector	
45	2142748	1	Connector	
46	1001188875	1	Plate	
47	1001202335	1	Tube	
48	1001154645	1	Hose	
49	1001154646	1	Hose	
50	1001154647	1	Hose	
51	1001175757	1	Filter, Hydraulic Oil (See Separate Breakdown in HYDRAULIC COMPONENTS Section)	
52	2142711	1	Connector	
53	2142117	1	Fitting, Swivel Branch Tee	
54	2142735	1	Connector	
55	1001162929	1	Adapter	
58	1001008667	2	Clip	
59	1001173147	1	Valve, main Control (no auxiliary hydraulics) (See Separate Breakdown in HYDRAULIC COMPONENTS Section)	
60	1001173742	1	Valve, Bypass	
61	1001174417	1	Hose	

SECTION 8 - HYDRAULIC CIRCUITS

FIGURE 8-17. PUMP LINES NO AUXILIARY INSTALLATION - 17M (HIGH VIS CAB)



ART_1001199254-A

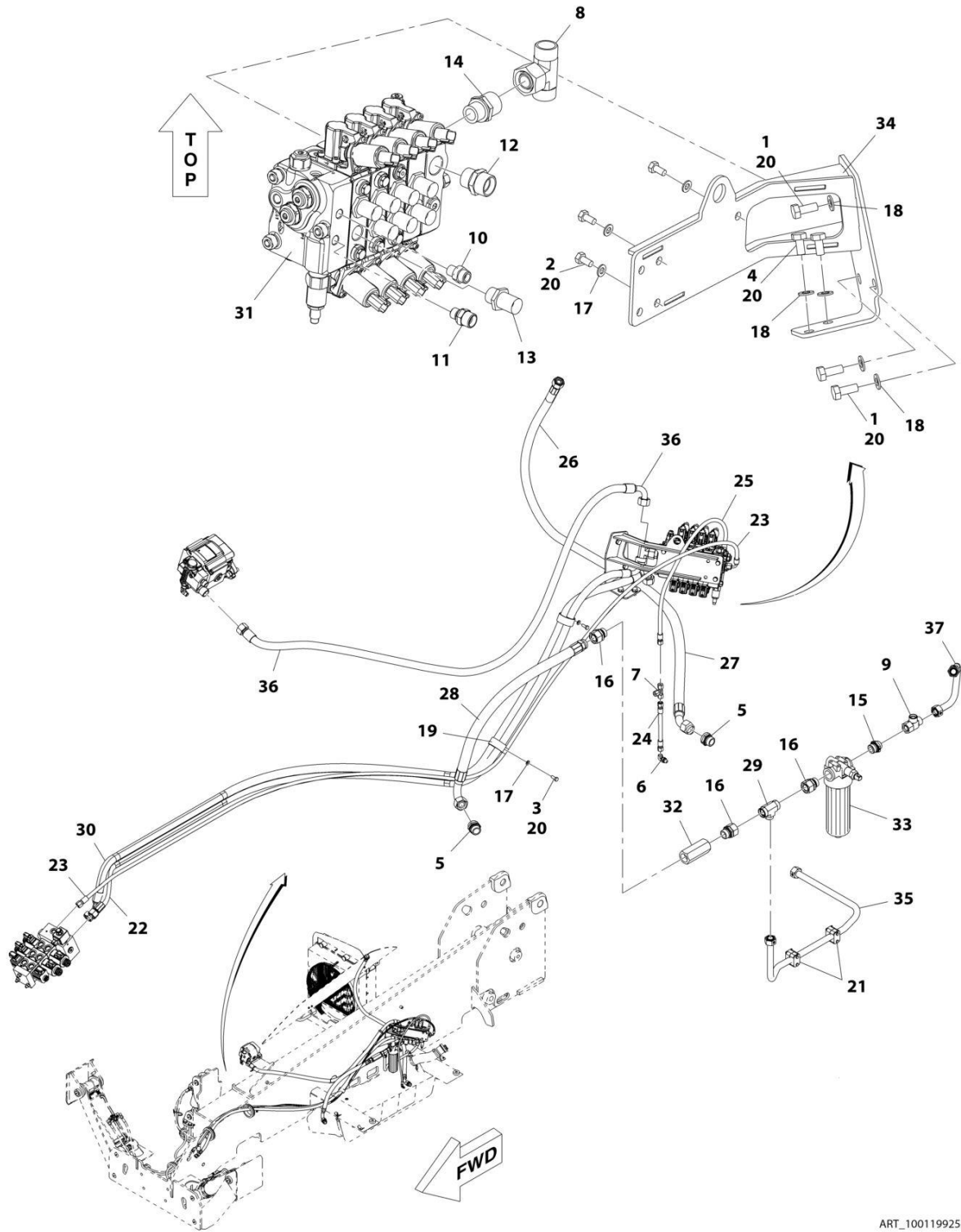
SECTION 8 - HYDRAULIC CIRCUITS

FIGURE 8-17. PUMP LINES NO AUXILIARY INSTALLATION - 17M (HIGH VIS CAB)

ITEM	PART NUMBER	QTY	DESCRIPTION	REV
	1001199254	Ref	17M Pump Lines No Aux Installation (High Vis Cab)	A
1	0701012	3	Bolt, M10X25	
2	0760808	3	Bolt, M8X16	
3	0760810	2	Bolt, M8X20	
4	0761010	2	Bolt, M10X20	
5	2140211	2	Adapter	
6	2140406	1	Fitting	
7	2141907	1	Fitting, Union Tee	
8	2142117	1	Fitting, Swivel Branch Tee	
9	2142207	1	Fitting, Swivel Run Tee	
10	2142706	1	Connector	
11	2142711	1	Connector	
12	2142718	1	Connector	
13	2142733	6	Connector	
14	2142735	1	Connector	
15	2142748	1	Connector	
16	2142808	3	Adapter	
17	4811900	5	Washer, M8	
18	4812000	5	Washer, M10	
19	1001008667	2	Clip	
20	1001095650	AR	Compound, Locking	
21	1001148382	1	Clamp, Tube	
22	1001148552	1	Hose	
23	1001148553	1	Hose	
24	1001148658	1	Hose	
25	1001148659	1	Hose	
26	1001154645	1	Hose	
27	1001154646	1	Hose	
28	1001154647	1	Hose	
29	1001162929	1	Adapter	
30	1001165561	1	Hose	
31	1001173148	1	Main Control Valve (See Separate Breakdown in HYDRAULIC COMPONENTS Section)	
32	1001173742	1	Valve, Bypass	
33	1001175757	1	Filter, Hydraulic Oil (See Separate Breakdown in HYDRAULIC COMPONENTS Section)	
34	1001188875	1	Plate	
35	1001199166	1	Pipe, Oil Cooling	
36	1001199402	1	Hose	
37	1001202335	1	Tube	

SECTION 8 - HYDRAULIC CIRCUITS

FIGURE 8-18. PUMP LINES AUXILIARY INSTALLATION - 17M (HIGH VIS CAB)



ART_1001199256-A

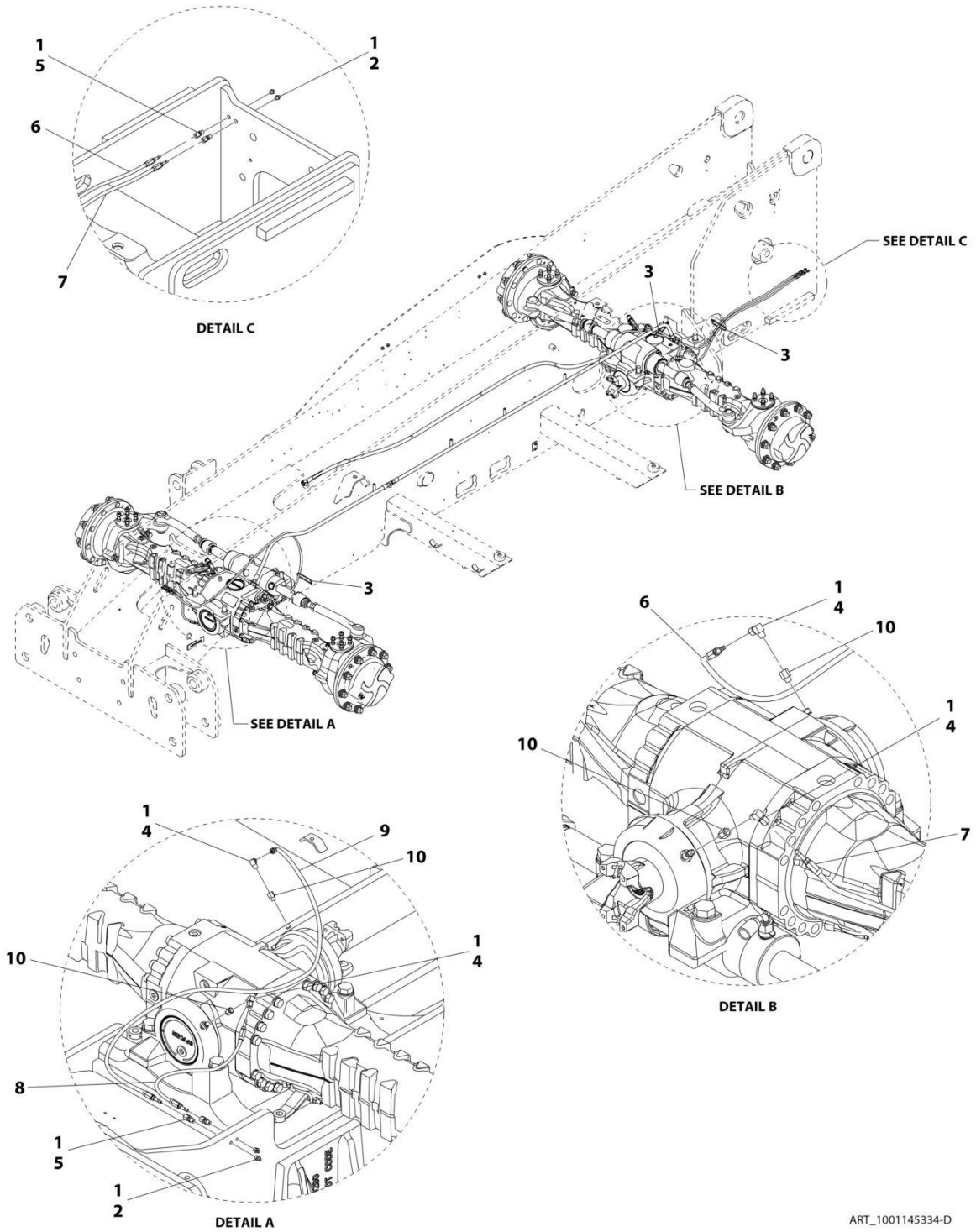
SECTION 8 - HYDRAULIC CIRCUITS

FIGURE 8-18. PUMP LINES AUXILIARY INSTALLATION - 17M (HIGH VIS CAB)

ITEM	PART NUMBER	QTY	DESCRIPTION	REV
	1001199256	Ref	17M Pump Lines Aux Installation (High Vis Cab)	A
1	0701012	3	Bolt, M10X25	
2	0760808	3	Bolt, M8X16	
3	0760810	2	Bolt, M8X20	
4	0761010	2	Bolt, M10X20	
5	2140211	2	Adapter	
6	2140406	1	Fitting	
7	2141907	1	Fitting, Union Tee	
8	2142117	1	Fitting, Swivel Branch Tee	
9	2142207	1	Fitting, Swivel Run Tee	
10	2142706	1	Connector	
11	2142711	1	Connector	
12	2142718	1	Connector	
13	2142733	8	Connector	
14	2142735	1	Connector	
15	2142748	1	Connector	
16	2142808	3	Adapter	
17	4811900	5	Washer, M8	
18	4812000	5	Washer, M10	
19	1001008667	2	Clip	
20	1001095650	AR	Compound, Locking	
21	1001148382	2	Clamp, Tube	
22	1001148552	1	Hose	
23	1001148553	1	Hose	
24	1001148658	1	Hose	
25	1001148659	1	Hose	
26	1001154645	1	Hose	
27	1001154646	1	Hose	
28	1001154647	1	Hose	
29	1001162929	1	Adapter	
30	1001165561	1	Hose	
31	1001173147	1	Main Control Valve (See Separate Breakdown in HYDRAULIC COMPONENTS Section)	
32	1001173742	1	Valve, Bypass	
33	1001175757	1	Filter, Hydraulic Oil (See Separate Breakdown in HYDRAULIC COMPONENTS Section)	
34	1001188875	1	Plate	
35	1001199166	1	Pipe, Oil Cooling	
36	1001199402	1	Hose	
37	1001202335	1	Tube	

SECTION 8 - HYDRAULIC CIRCUITS

FIGURE 8-19. REMOTE GREASE SYSTEM INSTALLATION



ART_1001145334-D

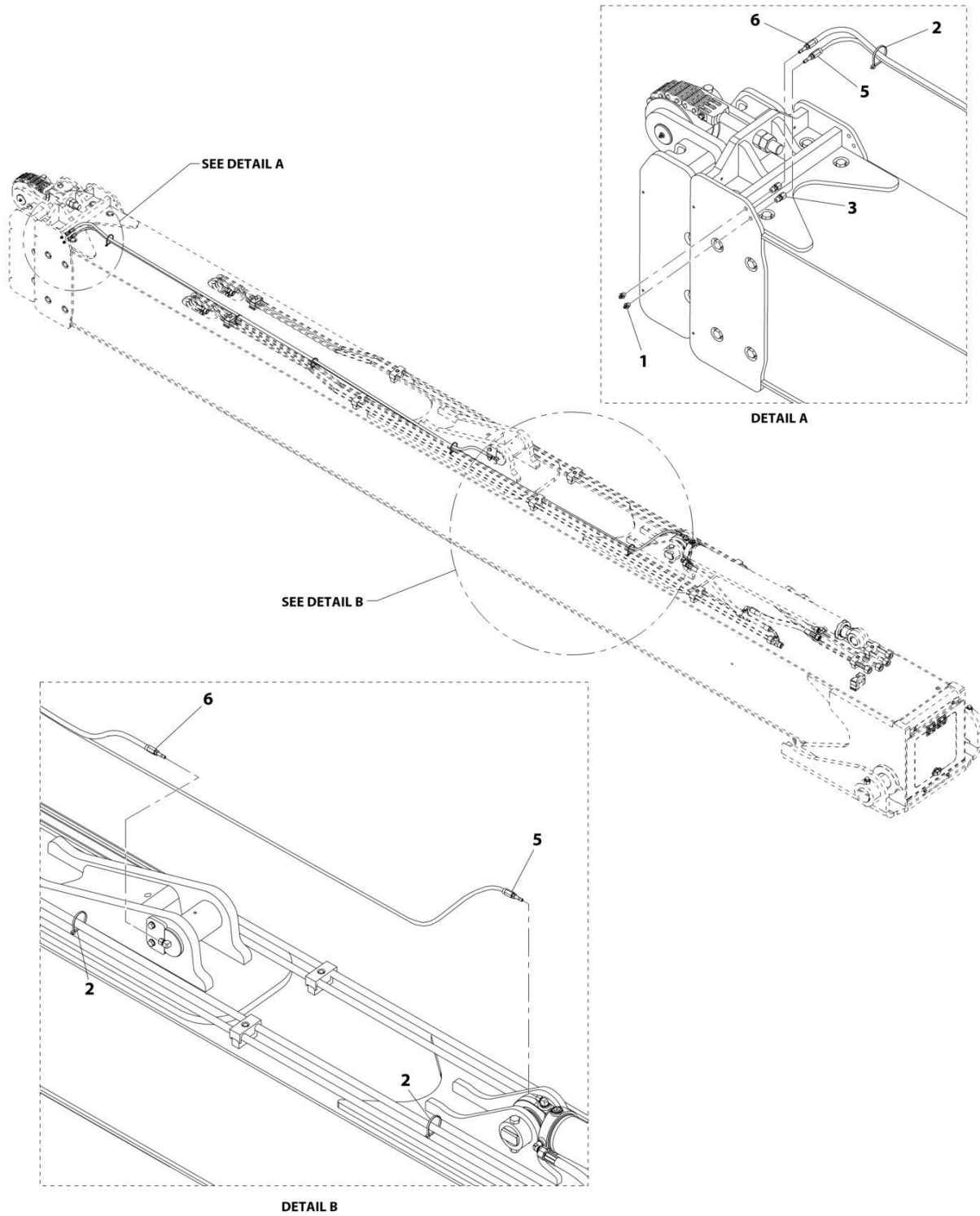
SECTION 8 - HYDRAULIC CIRCUITS

FIGURE 8-19. REMOTE GREASE SYSTEM INSTALLATION

ITEM	PART NUMBER	QTY	DESCRIPTION	REV
	1001145334	Ref	Remote Grease System Installation (If equipped)	D
1	1001095650	AR	Compound, Locking	
2	2160016	4	Fitting	
3	1001008559	3	Strap	
4	1001164053	4	Fitting	
5	1001101563	4	Fitting	
6	1001177126	1	Hose	
7	1001177127	1	Hose	
8	1001147330	1	Hose	
9	1001147331	1	Hose	
10	1001164054	4	Fitting	

SECTION 8 - HYDRAULIC CIRCUITS

FIGURE 8-20. REMOTE GREASE INSTALLATION - BOOM (3614RS)



ART_1001183554-B

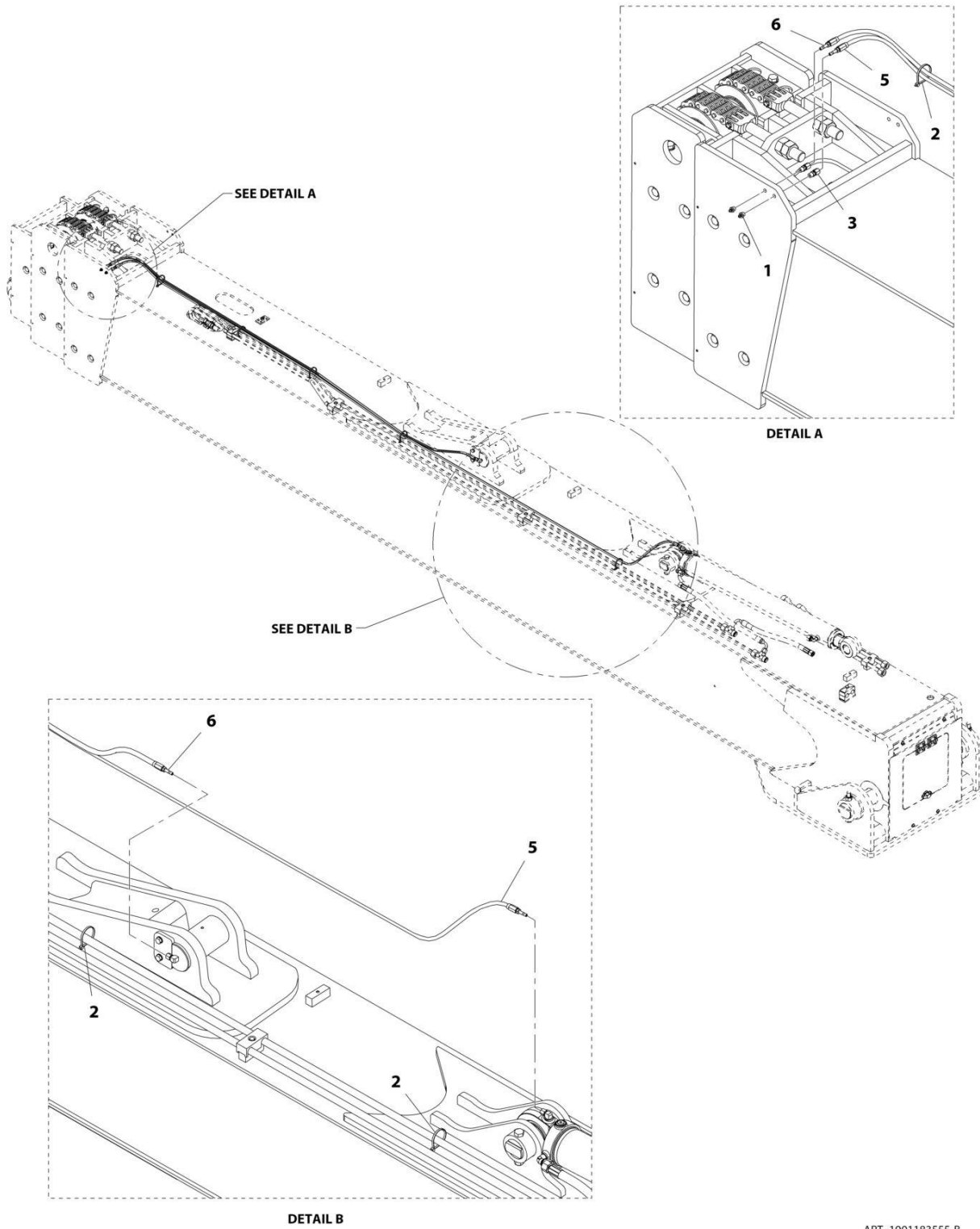
SECTION 8 - HYDRAULIC CIRCUITS

FIGURE 8-20. REMOTE GREASE INSTALLATION - BOOM (3614RS)

ITEM	PART NUMBER	QTY	DESCRIPTION	REV
	1001183554	Ref	Boom Remote Grease Installation (If equipped)	B
1	2160016	2	Fitting, Grease	
2	1001008559	5	Strap, Cable	
3	1001101563	2	Adapter, Straight	
5	1001183558	1	Hose	
6	1001183559	1	Hose	

SECTION 8 - HYDRAULIC CIRCUITS

FIGURE 8-21. REMOTE GREASE INSTALLATION - BOOM (4017RS)



ART_1001183555-B

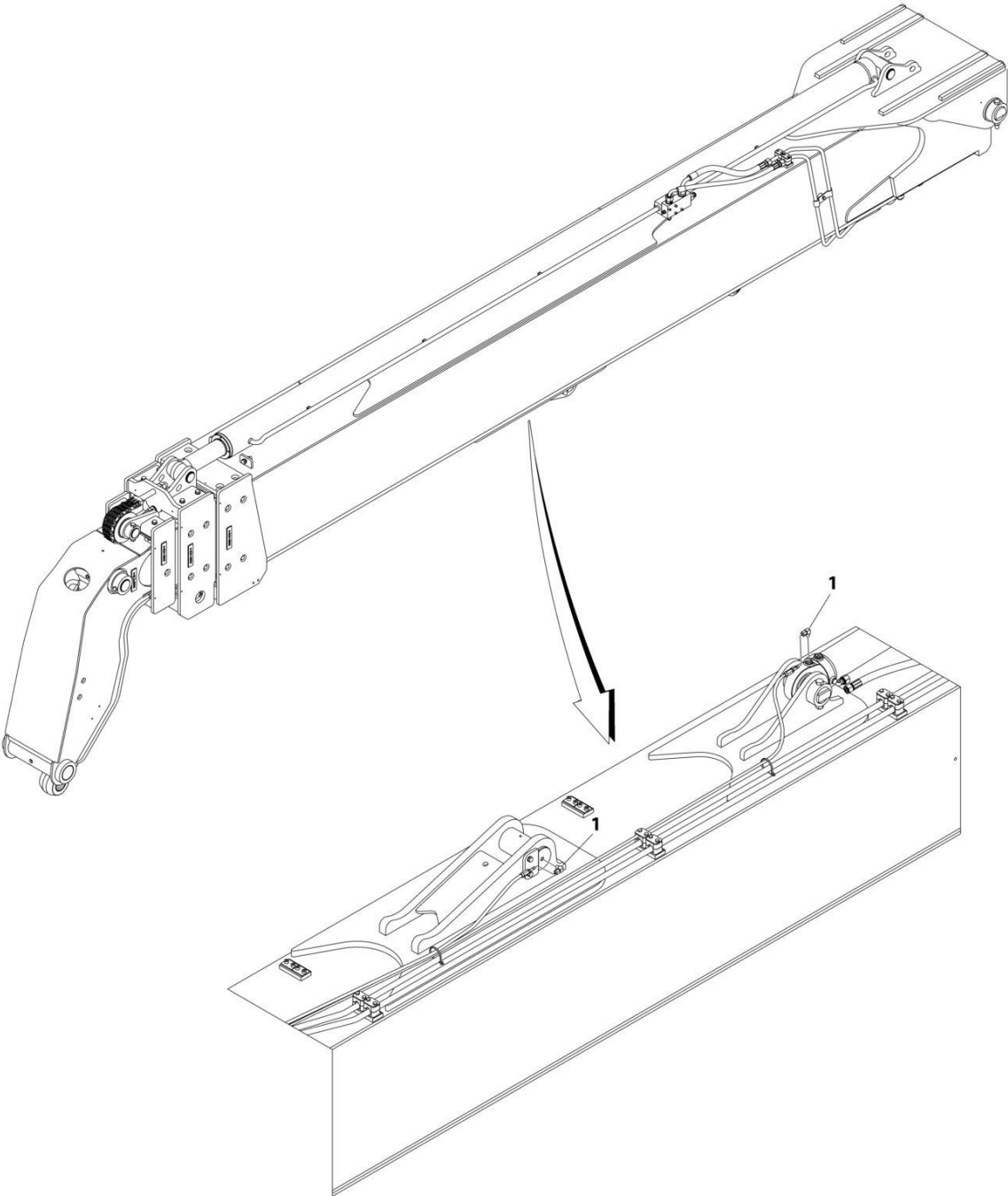
SECTION 8 - HYDRAULIC CIRCUITS

FIGURE 8-21. REMOTE GREASE INSTALLATION - BOOM (4017RS)

ITEM	PART NUMBER	QTY	DESCRIPTION	REV
	1001183555	Ref	Boom Remote Grease Installation (If equipped)	B
1	2160016	2	Fitting, Grease	
2	1001008559	5	Strap, Cable	
3	1001101563	2	Adapter, Straight	
5	1001183556	1	Hose	
6	1001183557	1	Hose	

SECTION 8 - HYDRAULIC CIRCUITS

FIGURE 8-22. REMOTE GREASE FITTING



ART_1001192837-A

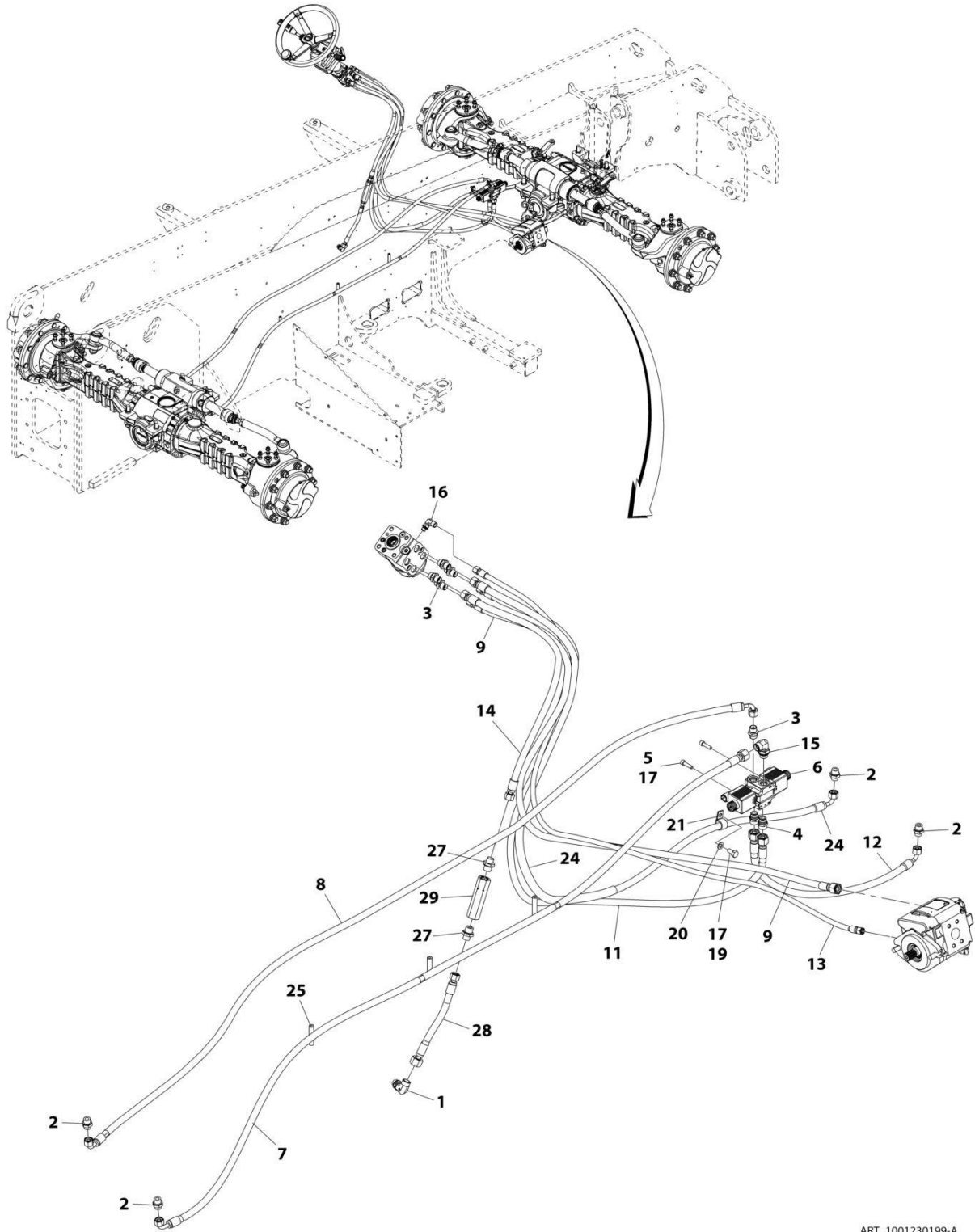
SECTION 8 - HYDRAULIC CIRCUITS

FIGURE 8-22. REMOTE GREASE FITTING

ITEM	PART NUMBER	QTY	DESCRIPTION	REV
1	1001192837 1001164053	Ref 2	Remote Grease Fitting Fitting	A

SECTION 8 - HYDRAULIC CIRCUITS

FIGURE 8-23. STEERING INSTALLATION (3614RS)



ART_1001230199-A

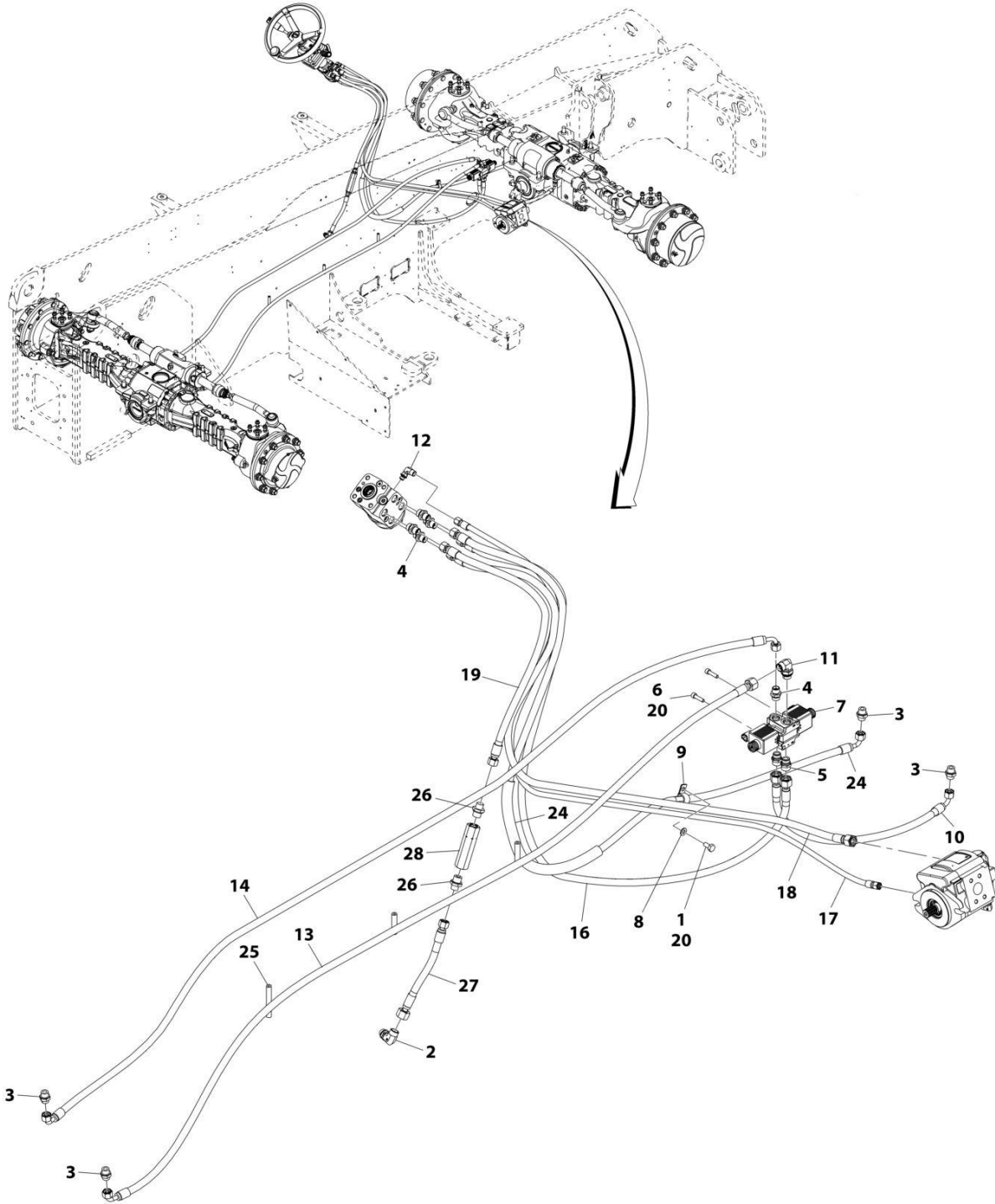
SECTION 8 - HYDRAULIC CIRCUITS

FIGURE 8-23. STEERING INSTALLATION (3614RS)

ITEM	PART NUMBER	QTY	DESCRIPTION	REV
	1001230199	Ref	Steering Installation	A
1	2140409	1	Fitting	
2	2140805	4	Connector	
3	2144804	5	Connector	
4	2144806	2	Connector	
5	4031910	2	Bolt, M8X30	
6	1001153748	1	Valve, Steering Select (See Separate Breakdown in HYDRAULIC COMPONENTS Section)	
7	1001145672	1	Hose	
8	1001145680	1	Hose	
9	1001145738	1	Hose	
11	1001145857	1	Hose	
12	1001145866	1	Hose	
13	1001145873	1	Hose	
14	1001224034	1	Hose Assembly, Steering Upper	
15	1001147517	1	Adapter	
16	1001147518	1	Adapter	
17	1001095650	AR	Compound, Locking	
19	0761010	1	Bolt, M10X20	
20	4812000	1	Washer, M10	
21	1001004144	1	Clip	
24	1001174471	1	Hose	
25	1001165274	3	Hose, Bulk	
27	2142713	2	Connector	
28	1001224033	1	Hose Assembly, Steering Lower	
29	1001226495	1	Valve	

SECTION 8 - HYDRAULIC CIRCUITS

FIGURE 8-24. STEERING INSTALLATION (4017RS)



ART_1001230200-A

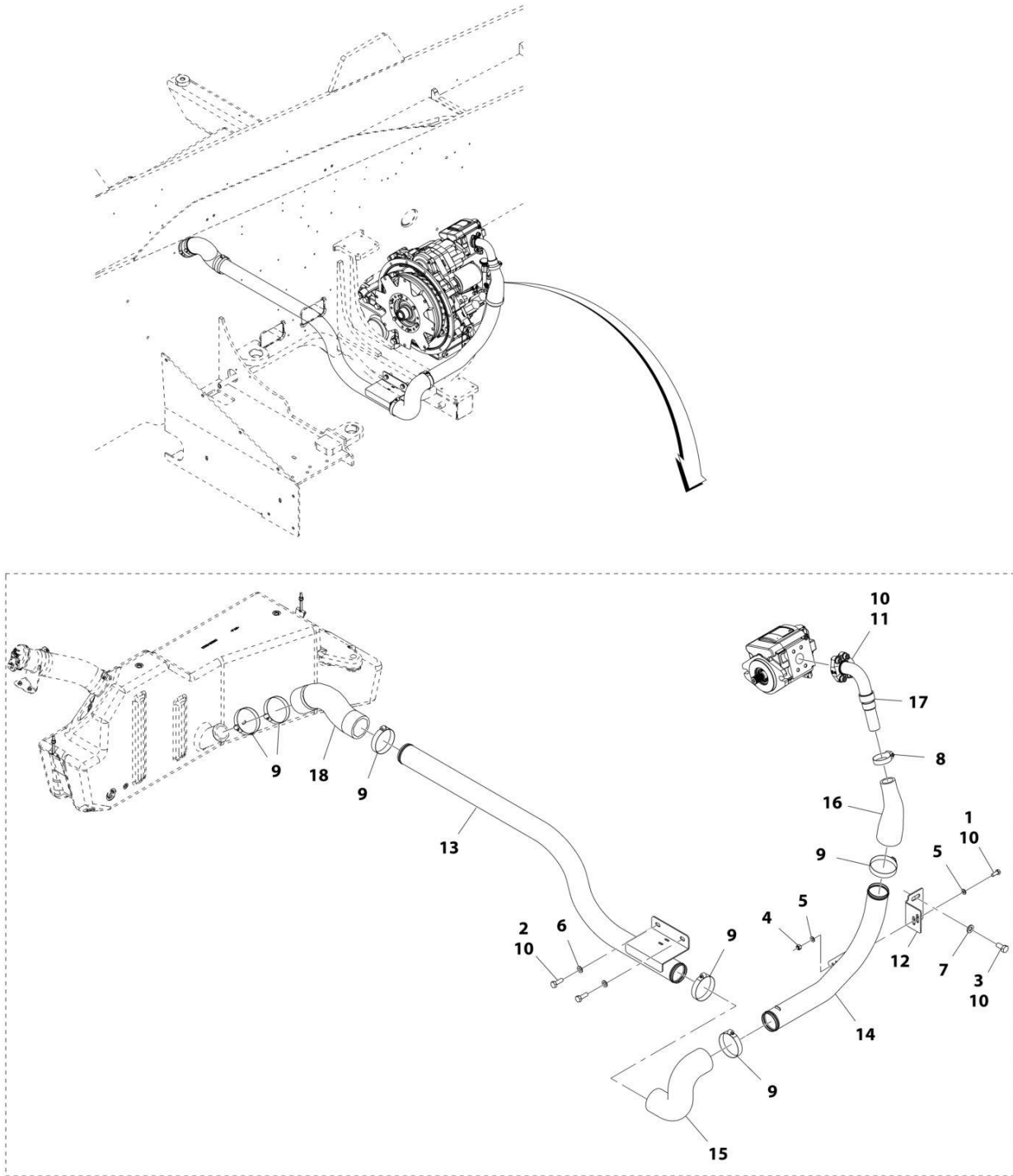
SECTION 8 - HYDRAULIC CIRCUITS

FIGURE 8-24. STEERING INSTALLATION (4017RS)

ITEM	PART NUMBER	QTY	DESCRIPTION	REV
	1001230200	Ref	Steering Installation	A
1	0761010	1	Bolt, M10X20	
2	2140409	1	Fitting	
3	2140805	4	Connector	
4	2144804	5	Connector	
5	2144806	2	Connector	
6	4031910	2	Bolt, M8X30	
7	1001153748	1	Valve, Steering Select (See Separate Breakdown in HYDRAULIC COMPONENTS Section)	
8	4812000	1	Washer, M10	
9	1001004144	1	Clip	
10	1001145866	1	Hose	
11	1001147517	1	Adapter	
12	1001147518	1	Adapter	
13	1001148284	1	Hose	
14	1001165662	1	Hose	
16	1001145857	1	Hose	
17	1001145873	1	Hose	
18	1001145738	1	Hose	
19	1001224034	1	Hose Assembly, Steering Upper	
20	1001095650	AR	Compound, Locking	
24	1001174472	1	Hose	
25	1001165274	3	Hose, Bulk	
26	2142713	2	Connector	
27	1001224033	1	Hose Assembly, Steering Lower	
28	1001226495	1	Valve	

SECTION 8 - HYDRAULIC CIRCUITS

FIGURE 8-25. SUCTION LINES INSTALLATION - 17M (HIGH VIS CAB)



ART_1001200110-B

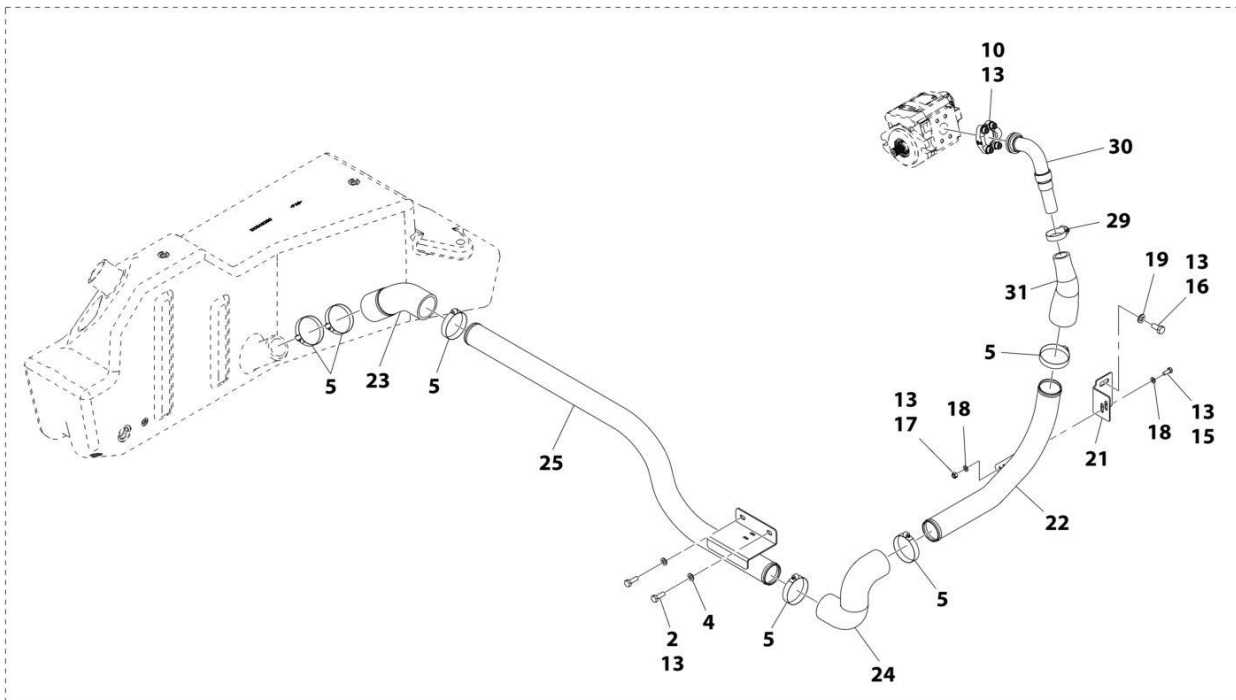
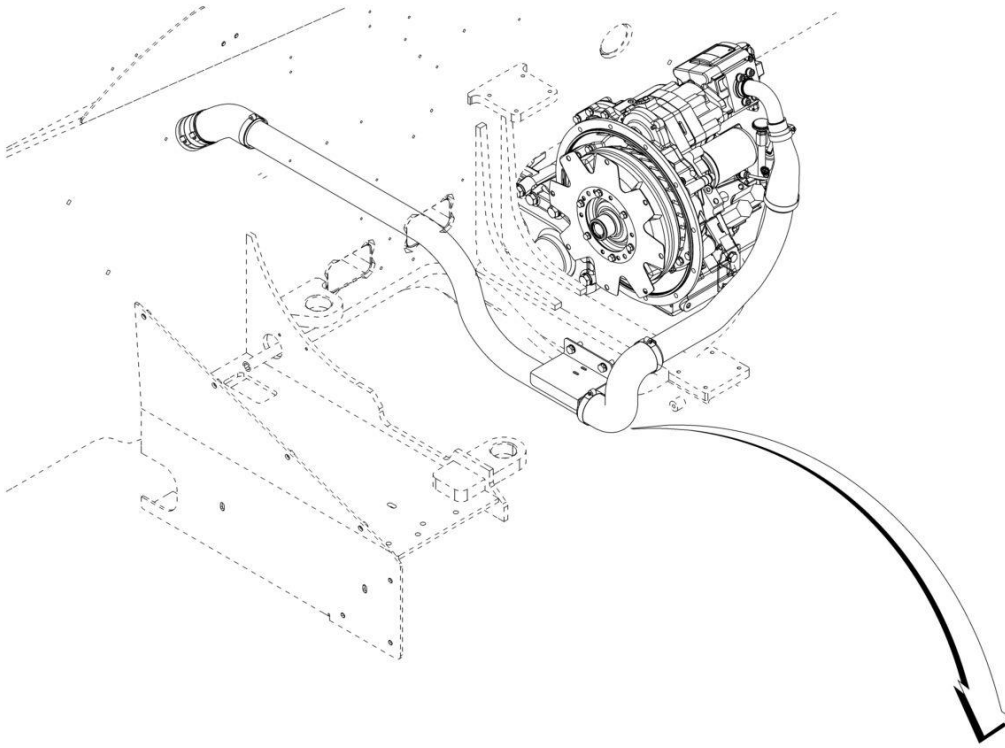
SECTION 8 - HYDRAULIC CIRCUITS

FIGURE 8-25. SUCTION LINES INSTALLATION - 17M (HIGH VIS CAB)

ITEM	PART NUMBER	QTY	DESCRIPTION	REV
	1001200110	Ref	17M Suction Lines Installation (High Vis Cab)	B
1	0760810	2	Bolt, M8X20	
2	0761014	2	Bolt, M10X30	
3	0761212	2	Bolt, M12X25	
4	3290805	2	Nut, Lock M8X1.25	
5	4811900	4	Washer, M8	
6	4812000	2	Washer, M10	
7	4812100	2	Washer, M12	
8	8405103	1	Clamp, Hose	
9	1001008673	6	Clamp, Hose	
10	1001095650	AR	Compound, Locking	
11	1001147801	1	Clamp, Split Flange Halve	
12	1001152673	1	Bracket, Suction Pipe	
13	1001152689	1	Pipe, Suction	
14	1001159683	1	Pipe, Suction	
15	1001159685	1	Hose	
16	1001173259	1	Hose	
17	1001176622	1	Adapter	
18	1001199581	1	Hose	

SECTION 8 - HYDRAULIC CIRCUITS

FIGURE 8-26. SUPPLY LINES INSTALLATION (3614RS)



ART_1001147676-I

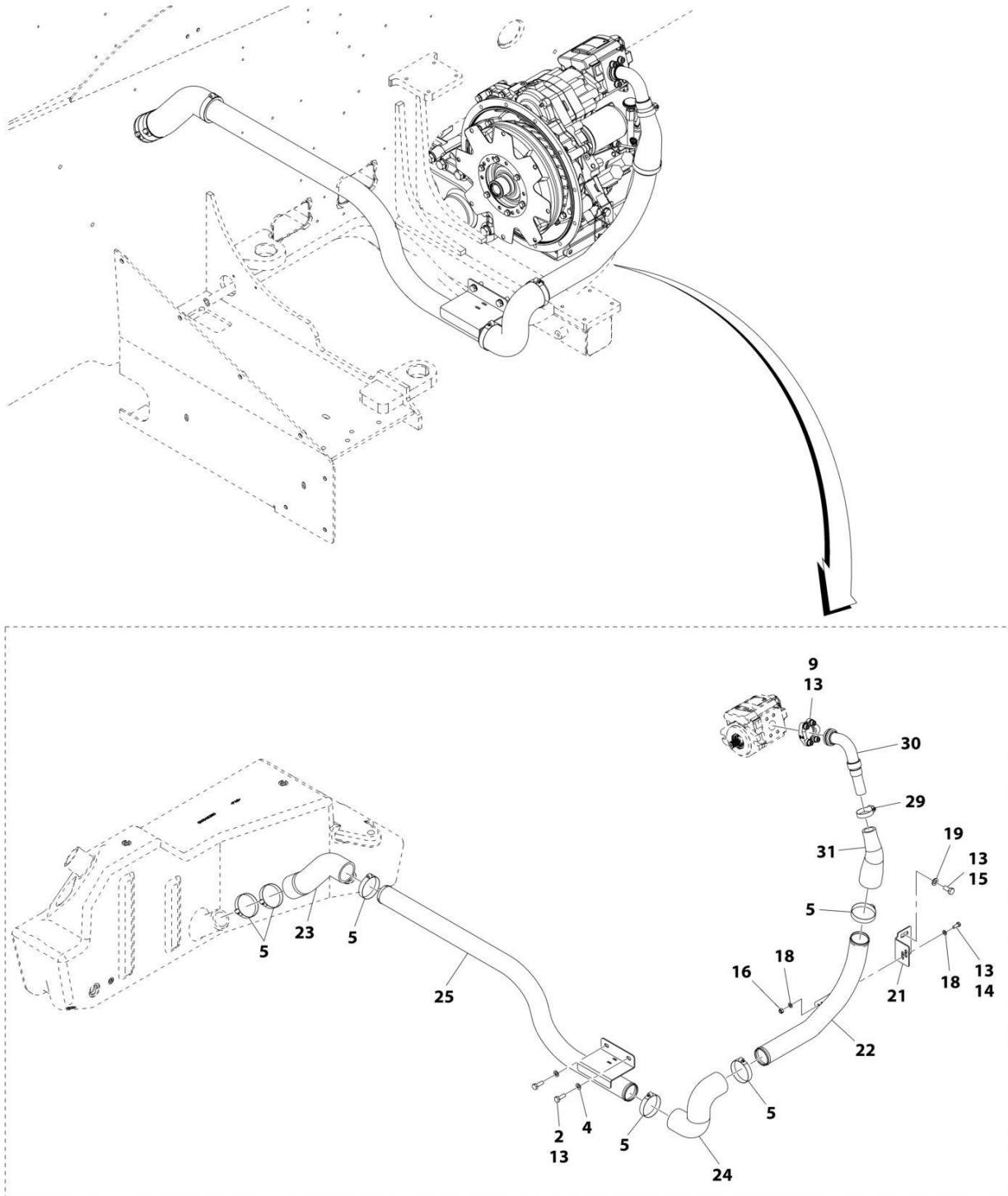
SECTION 8 - HYDRAULIC CIRCUITS

FIGURE 8-26. SUPPLY LINES INSTALLATION (3614RS)

ITEM	PART NUMBER	QTY	DESCRIPTION	REV
	1001147676	Ref	Supply Lines Installation	1
2	0761014	2	Bolt, M10X30	
4	4812000	2	Washer, M10	
5	1001008673	6	Clamp, Hose	
10	1001147801	1	Clamp, Split Flange Halve	
13	1001095650	AR	Compound, Locking	
15	0760810	2	Bolt, M8X20	
16	0761212	2	Bolt, M12X25	
17	3290805	2	Nut, Lock M8X1.25	
18	4811900	4	Washer, M8	
19	4812100	2	Washer, M12	
21	1001152673	1	Bracket, Suction Pipe	
22	1001159683	1	Pipe, Suction	
23	1001152684	1	Hose	
24	1001159685	1	Hose	
25	1001152689	1	Pipe, Suction	
29	8405103	1	Clamp, Hose	
30	1001176622	1	Flange, Adapter	
31	1001173259	1	Hose	

SECTION 8 - HYDRAULIC CIRCUITS

FIGURE 8-27. SUPPLY LINES INSTALLATION (4017RS)



ART_1001148128-H

SECTION 8 - HYDRAULIC CIRCUITS

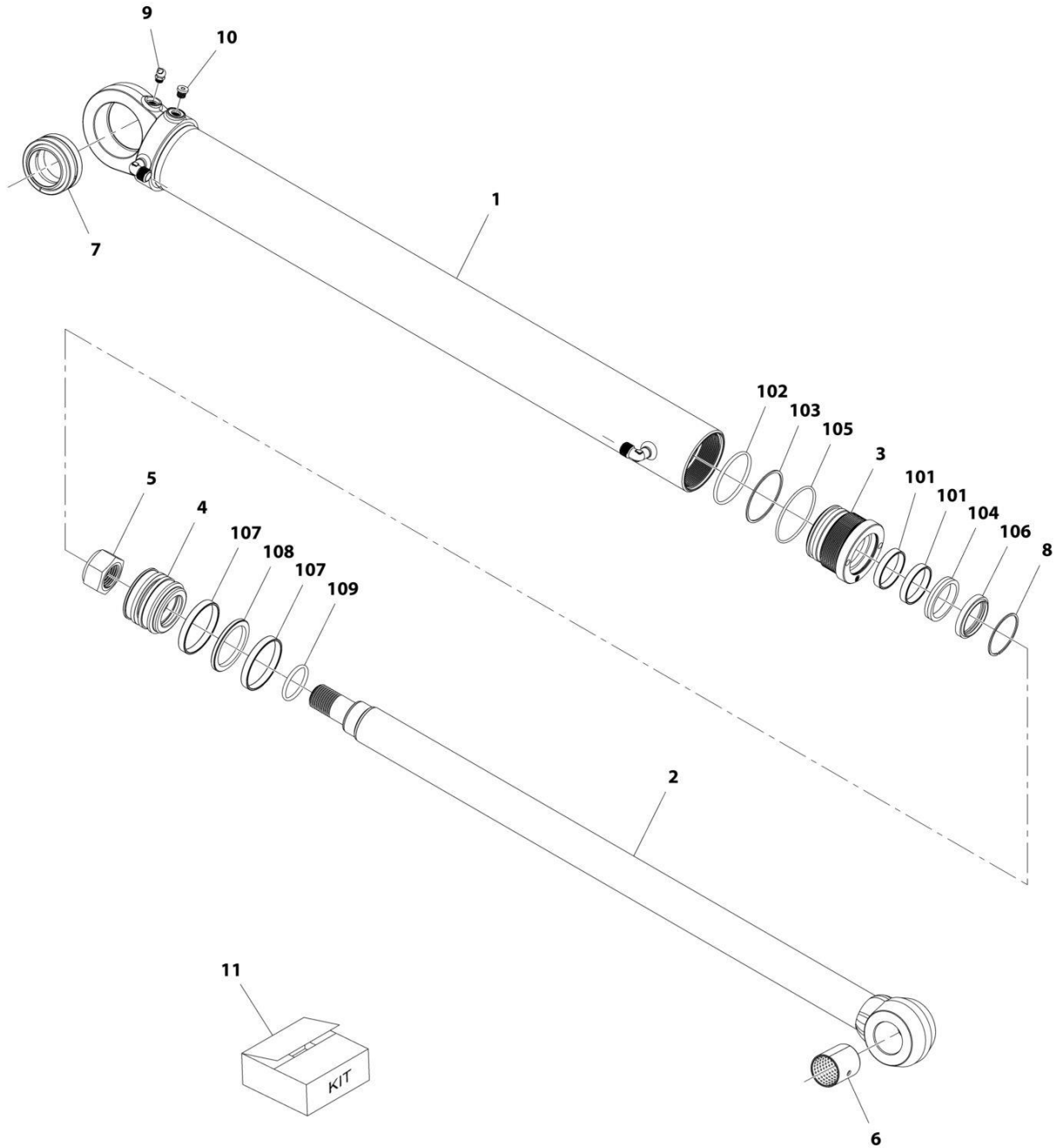
FIGURE 8-27. SUPPLY LINES INSTALLATION (4017RS)

ITEM	PART NUMBER	QTY	DESCRIPTION	REV
	1001148128	Ref	Supply Lines Installation	H
2	0761014	2	Bolt, M10X30	
4	4812000	2	Washer, M10	
5	1001008673	6	Clamp, Hose	
9	1001147801	1	Clamp, Split Flange Halve	
13	1001095650	AR	Compound, Locking	
14	0760810	2	Bolt, M8X20	
15	0761212	2	Bolt, M12X25	
16	3290805	2	Nut, Lock M8X1.25	
18	4811900	4	Washer, M8	
19	4812100	2	Washer, M12	
21	1001152673	1	Bracket, Suction Pipe	
22	1001159683	1	Pipe, Suction	
23	1001177716	1	Hose	
24	1001159685	1	Hose	
25	1001152689	1	Pipe, Suction	
29	8405103	1	Clamp, Hose	
30	1001176622	1	Flange, Adapter	
31	1001173259	1	Hose	

SECTION 9 - HYDRAULIC COMPONENTS

SECTION 9 - HYDRAULIC COMPONENTS

FIGURE 9-1. CYLINDER ASSEMBLY - COMPENSATION



ART_1001144203-D

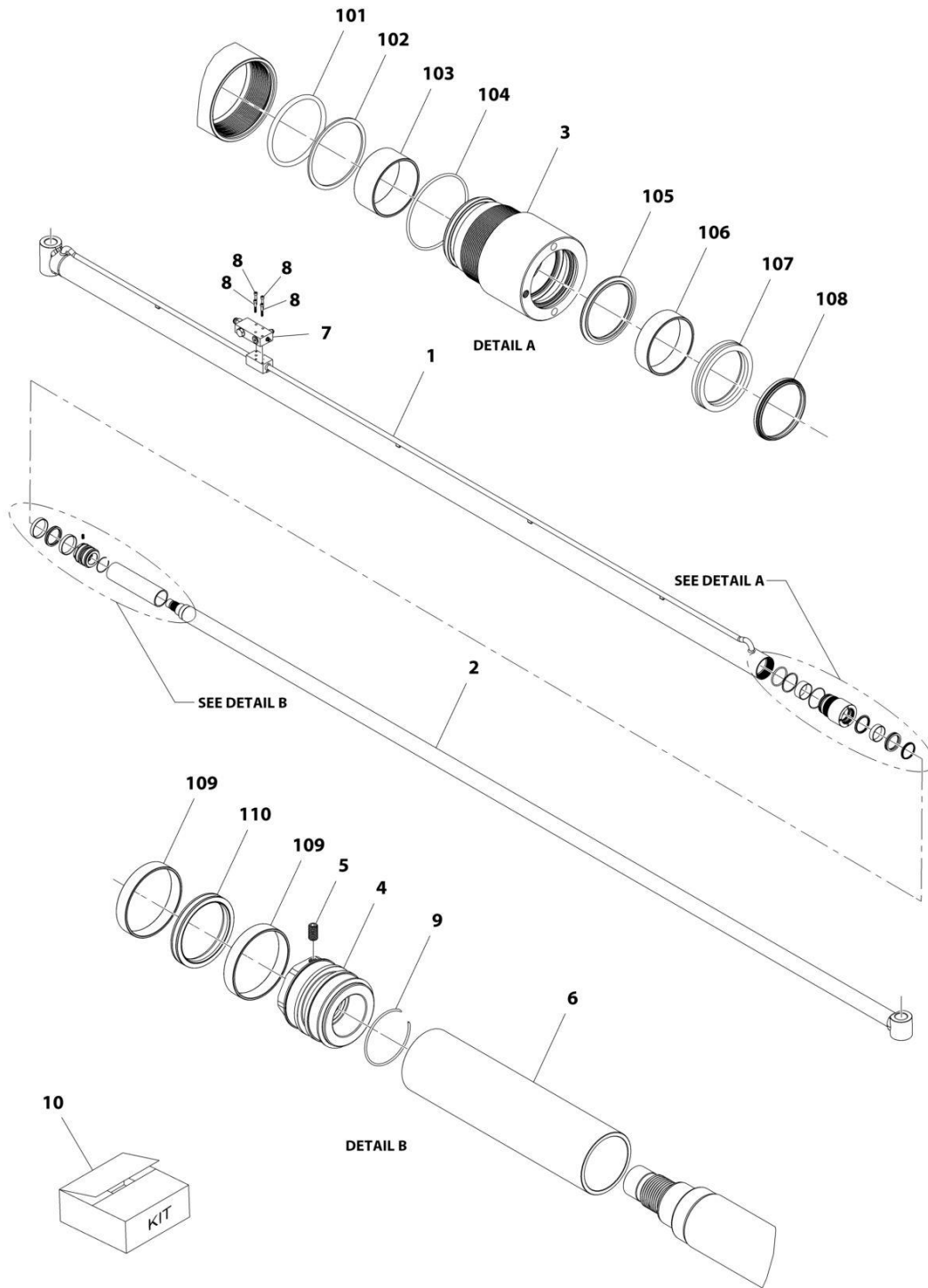
SECTION 9 - HYDRAULIC COMPONENTS

FIGURE 9-1. CYLINDER ASSEMBLY - COMPENSATION

ITEM	PART NUMBER	QTY	DESCRIPTION	REV
	1001144203	Ref	Compensation Cylinder	D
		Ref	Note: Original Cylinder May Have Been Replaced with Service Replacement. Identify PN Stamped on Cylinder Before Ordering Parts.	
1	70025616	1	Assembly, Barrel	
2	70025617	1	Assembly, Rod	
3	70004132	1	Gland	
4	70020606	1	Head, Piston	
5	70023100	1	Nut	
6	70021497	1	Bushing	
7	70021498	1	Bearing, Spherical	
8	70002219	1	Ring, Snap	
9	70025618	1	Nipple, Grease	
10	70025619	1	Plug	
11	70025620	1	Kit, Seal (includes items 101 thru 109)	
101	Kit	2	Ring, Rod Bearing	
102	Kit	1	O-Ring	
103	Kit	1	Ring, Back-Up	
104	Kit	1	Seal, Rod	
105	Kit	1	O-Ring	
106	Kit	1	Seal, Wiper	
107	Kit	2	Ring, Piston Bearing	
108	Kit	1	Seal, Piston	
109	Kit	1	O-Ring	

SECTION 9 - HYDRAULIC COMPONENTS

FIGURE 9-2. CYLINDER ASSEMBLY - EXTEND/RETRACT (3614RS)



ART_1001144195-F

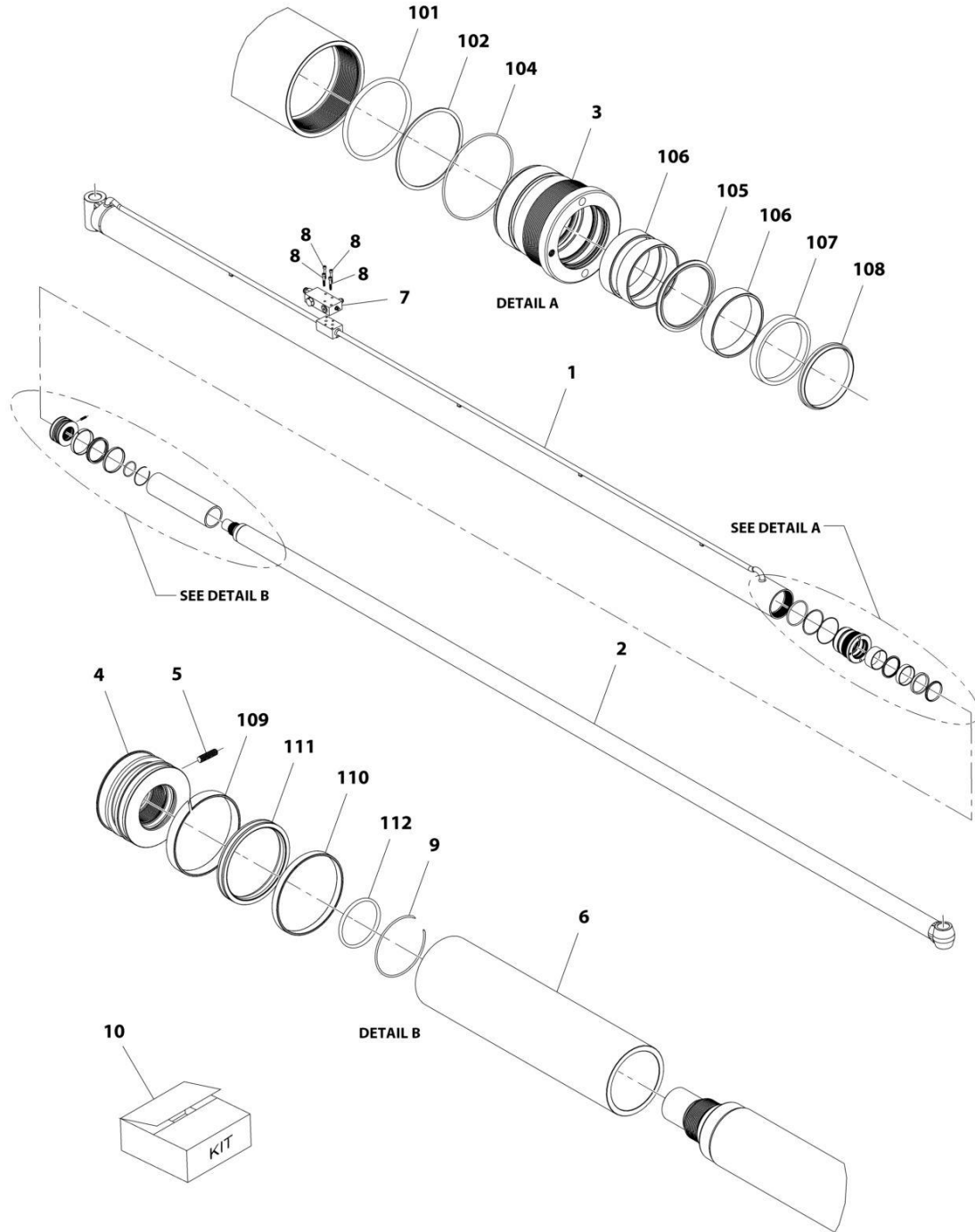
SECTION 9 - HYDRAULIC COMPONENTS

FIGURE 9-2. CYLINDER ASSEMBLY - EXTEND/RETRACT (3614RS)

ITEM	PART NUMBER	QTY	DESCRIPTION	REV
	1001144195	Ref	Extend/Retract Cylinder	F
		Ref	Note: Original Cylinder May Have Been Replaced with Service Replacement. Identify PN Stamped on Cylinder Before Ordering Parts.	
1	70025592	1	Assembly, Barrel	
2	70025593	1	Assembly, Rod	
3	70025594	1	Gland	
4	70027058	1	Head, Piston	
5	70025582	1	Screw, Locking	
6	70027059	1	Spacer	
7	1001168597	1	Valve Manifold	
8	70027051	4	Capscrew	
9	70027052	1	Wire Ring	
10	70025597	1	Kit, Seal (includes items 101 thru 110)	
101	Kit	1	O-Ring	
102	Kit	1	Ring, Back-Up	
103	Kit	1	Ring, Rod Bearing	
104	Kit	1	O-Ring	
105	Kit	1	Seal, Rod	
106	Kit	1	Ring, Rod Bearing	
107	Kit	1	Seal, Rod	
108	Kit	1	Seal, Wiper	
109	Kit	2	Ring, Piston Bearing	
110	Kit	1	Seal, Piston	

SECTION 9 - HYDRAULIC COMPONENTS

FIGURE 9-3. CYLINDER ASSEMBLY - EXTEND/RETRACT (4017RS)



ART_1001146579-E

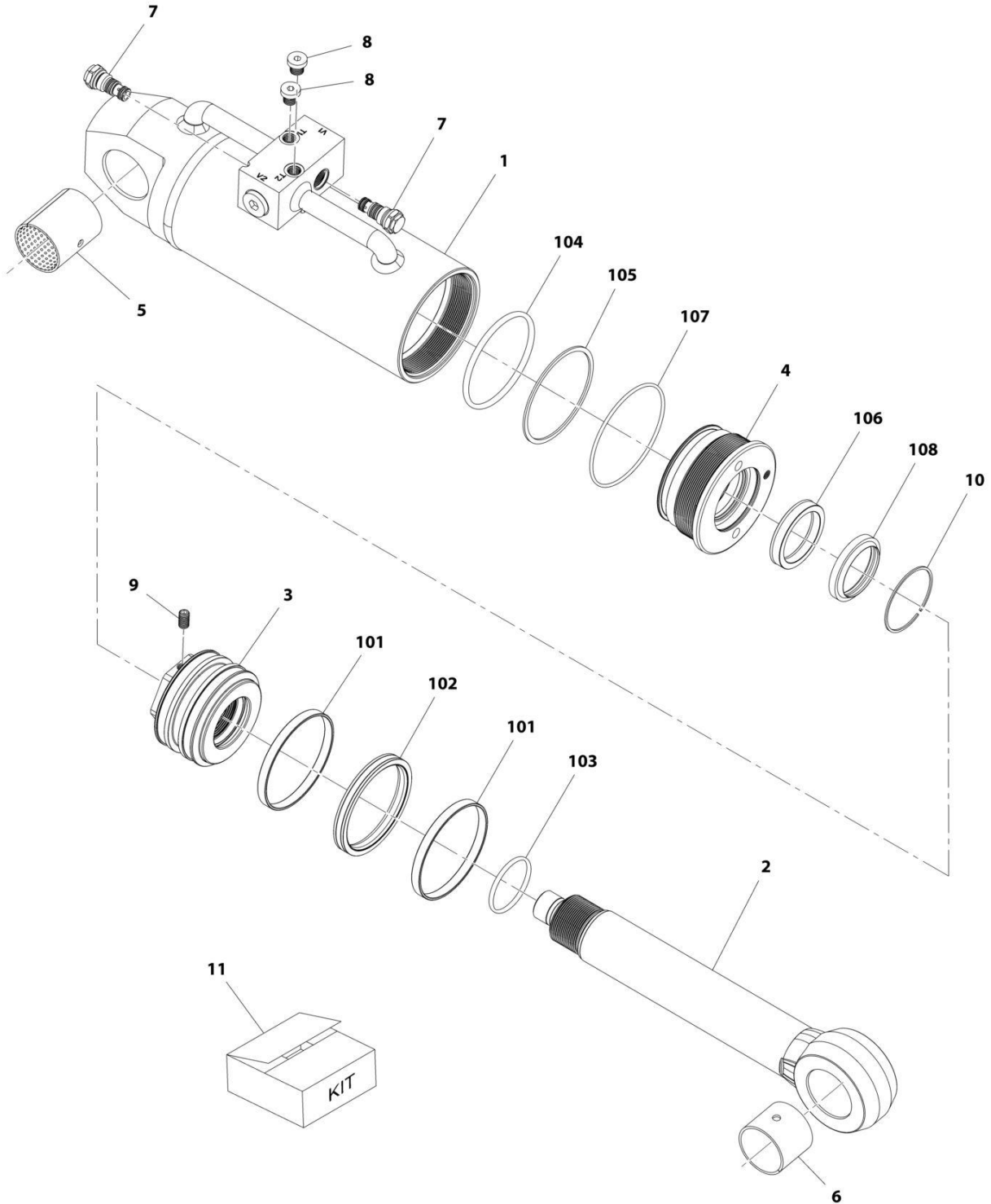
SECTION 9 - HYDRAULIC COMPONENTS

FIGURE 9-3. CYLINDER ASSEMBLY - EXTEND/RETRACT (4017RS)

ITEM	PART NUMBER	QTY	DESCRIPTION	REV
	1001146579	Ref	Extend/Retract Cylinder - 4017RS	E
		Ref	Note: Original Cylinder May Have Been Replaced with Service Replacement. Identify PN Stamped on Cylinder Before Ordering Parts.	
1	70025629	1	Assembly, Barrel	
2	70025630	1	Assembly, Rod	
3	70025631	1	Gland	
4	70025632	1	Head, Piston	
5	70025633	1	Screw, Locking	
6	70027060	1	Spacer	
7	1001168597	1	Valve Manifold	
8	70027051	4	Capscrew	
9	70027053	1	Wire, Ring	
10	70025635	1	Kit, Seal (includes items 101 thru 112)	
101	Kit	1	O-Ring	
102	Kit	1	Ring, Back-Up	
104	Kit	1	O-Ring	
105	Kit	1	Seal, Rod	
106	Kit	3	Ring, Rod Bearing	
107	Kit	1	Seal, Rod	
108	Kit	1	Seal, Wiper	
109	Kit	1	Ring, Piston Bearing	
110	Kit	1	Ring, Piston Bearing	
111	Kit	1	Seal, Piston	
112	Kit	1	O-Ring	

SECTION 9 - HYDRAULIC COMPONENTS

FIGURE 9-4. CYLINDER ASSEMBLY - FRAME LEVEL



ART_1001146580-E

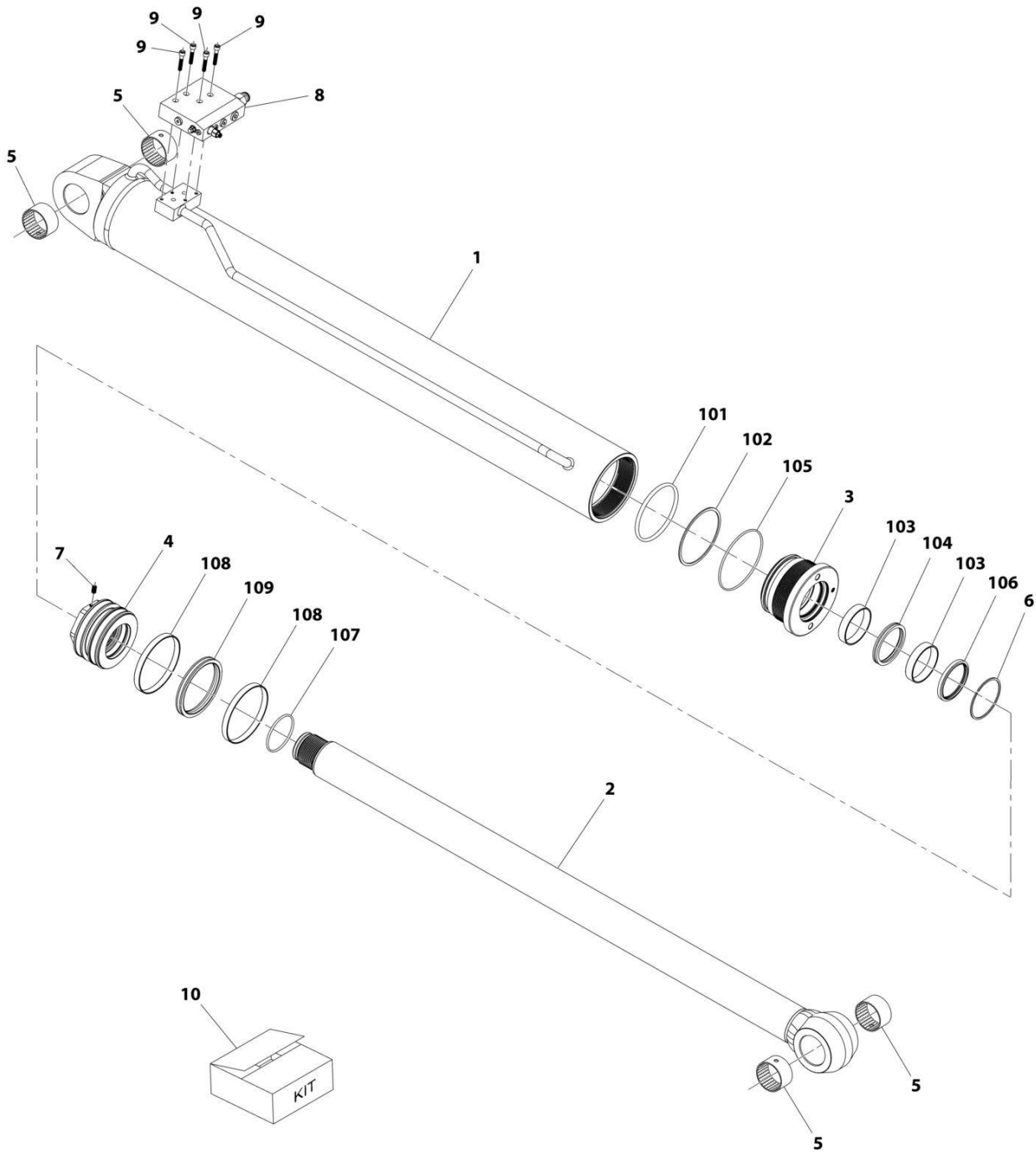
SECTION 9 - HYDRAULIC COMPONENTS

FIGURE 9-4. CYLINDER ASSEMBLY - FRAME LEVEL

ITEM	PART NUMBER	QTY	DESCRIPTION	REV
	1001146580	Ref	Frame Level Cylinder	E
		Ref	Note: Original Cylinder May Have Been Replaced with Service Replacement. Identify PN Stamped on Cylinder Before Ordering Parts.	
1	70025636	1	Assembly, Barrel	
2	70025637	1	Assembly, Rod	
3	70025638	1	Head, Piston	
4	70025639	1	Gland	
5	70027056	1	Bushing	
6	70027057	1	Bushing	
7	70025612	2	Valve, Check	
8	70024262	2	Plug	
9	70025582	1	Screw, Locking	
10	70025627	1	Ring, Snap	
11	70025640	1	Kit, Seal (includes items 101 thru 108)	
101	Kit	2	Ring, Piston Bearing	
102	Kit	1	Seal, Piston	
103	Kit	1	O-Ring	
104	Kit	1	O-Ring	
105	Kit	1	Ring, Back-Up	
106	Kit	1	Seal, Rod	
107	Kit	1	O-Ring	
108	Kit	1	Seal, Wiper	

SECTION 9 - HYDRAULIC COMPONENTS

FIGURE 9-5. CYLINDER ASSEMBLY - LIFT (3614RS)



ART_1001184284-B

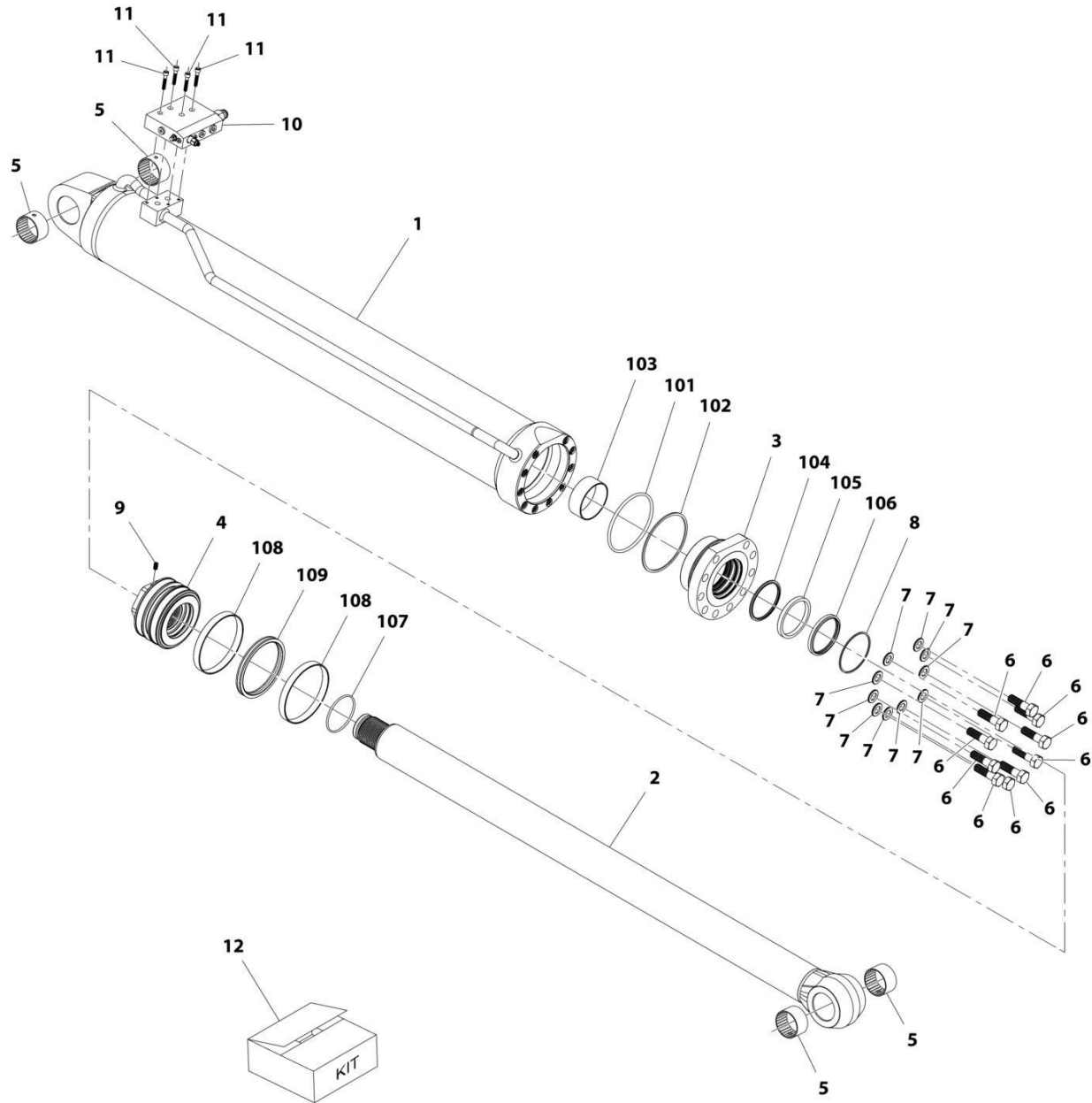
SECTION 9 - HYDRAULIC COMPONENTS

FIGURE 9-5. CYLINDER ASSEMBLY - LIFT (3614RS)

ITEM	PART NUMBER	QTY	DESCRIPTION	REV
	1001184284	Ref	Lift Cylinder	B
		Ref	Note: Original Cylinder May Have Been Replaced with Service Replacement. Identify PN Stamped on Cylinder Before Ordering Parts.	
1	70027047	1	Assembly, Barrel	
2	70027048	1	Assembly, Rod	
3	70025579	1	Gland	
4	70025580	1	Head, Piston	
5	70026960	4	Bushing	
6	70000699	1	Ring, Snap	
7	70025582	1	Screw, Locking	
8	70026961	1	Valve, Manifold	
9	70029966	4	Capscrew	
10	70025583	1	Kit, Seal (includes items 101 thru 109)	
101	Kit	1	O-Ring	
102	Kit	1	Ring, Back-Up	
103	Kit	1	Ring, Rod Bearing	
104	Kit	1	Seal, Rod	
105	Kit	1	O-Ring	
106	Kit	1	Seal, Wiper	
107	Kit	1	O-Ring	
108	Kit	2	Ring, Piston Bearing	
109	Kit	1	Seal, Piston	

SECTION 9 - HYDRAULIC COMPONENTS

FIGURE 9-6. CYLINDER ASSEMBLY - LIFT (4017RS)



ART_1001184285-B

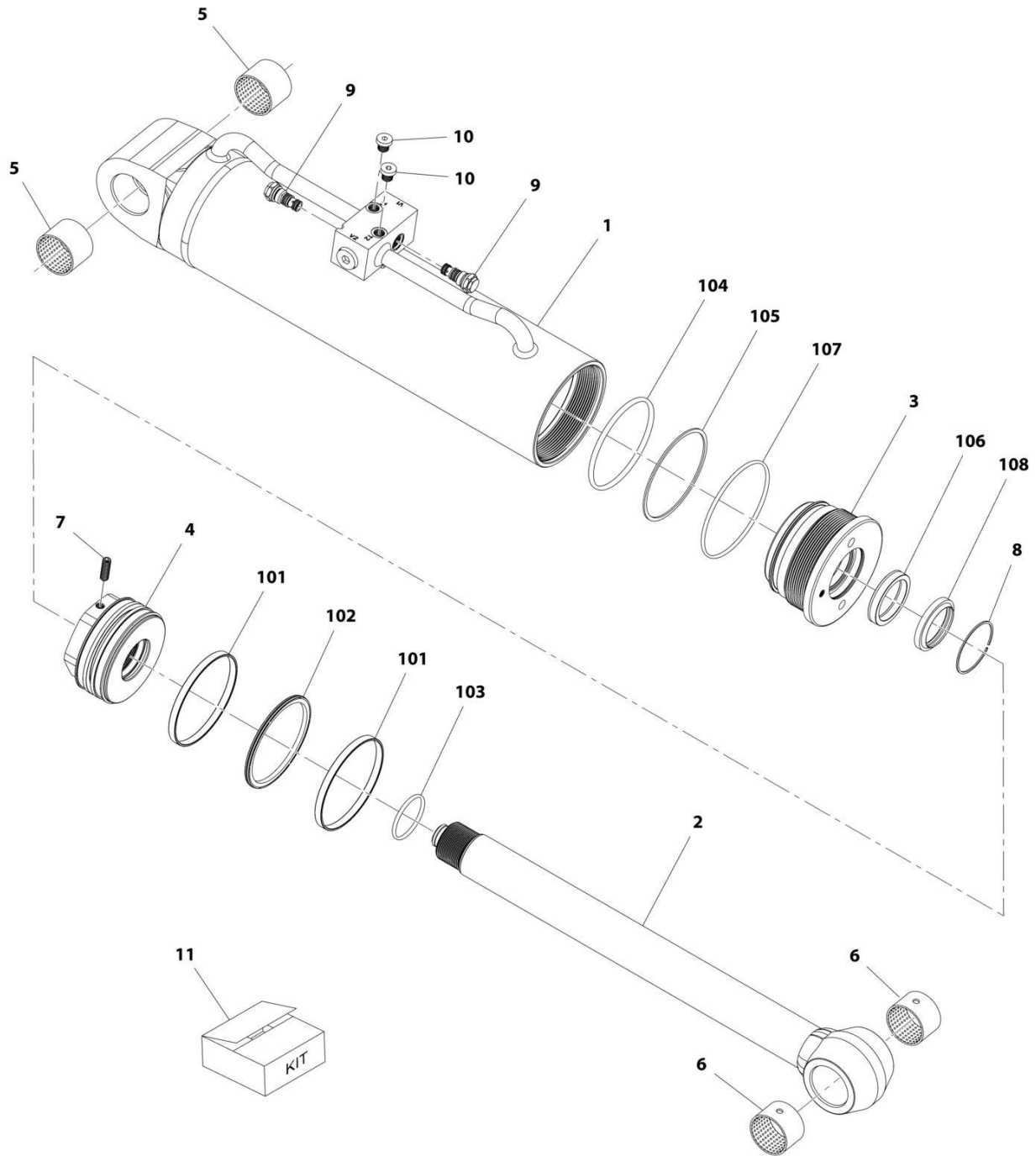
SECTION 9 - HYDRAULIC COMPONENTS

FIGURE 9-6. CYLINDER ASSEMBLY - LIFT (4017RS)

ITEM	PART NUMBER	QTY	DESCRIPTION	REV
	1001184285	Ref	Lift Cylinder	B
		Ref	Note: Original Cylinder May Have Been Replaced with Service Replacement. Identify PN Stamped on Cylinder Before Ordering Parts.	
1	70026958	1	Assembly, Barrel	
2	70026959	1	Assembly, Rod	
3	70025586	1	Gland	
4	70025587	1	Head, Piston	
5	70026960	4	Bushing	
6	70025588	10	Bolt	
7	70025589	10	Washer	
8	70025590	1	Ring, Snap	
9	70025582	1	Screw, Locking	
10	70026961	1	Valve, Manifold	
11	70029966	4	Capscrew	
12	70025591	1	Kit, Seal (includes items 101 thru 109)	
101	Kit	1	O-Ring	
102	Kit	1	Ring, Back-Up	
103	Kit	1	Ring, Rod Bearing	
104	Kit	1	Seal, Rod	
105	Kit	1	Seal, Rod	
106	Kit	1	Seal, Wiper	
107	Kit	1	O-Ring	
108	Kit	2	Ring, Piston Bearing	
109	Kit	1	Seal, Piston	

SECTION 9 - HYDRAULIC COMPONENTS

FIGURE 9-7. CYLINDER ASSEMBLY - OUTRIGGER



ART_1001144215-E

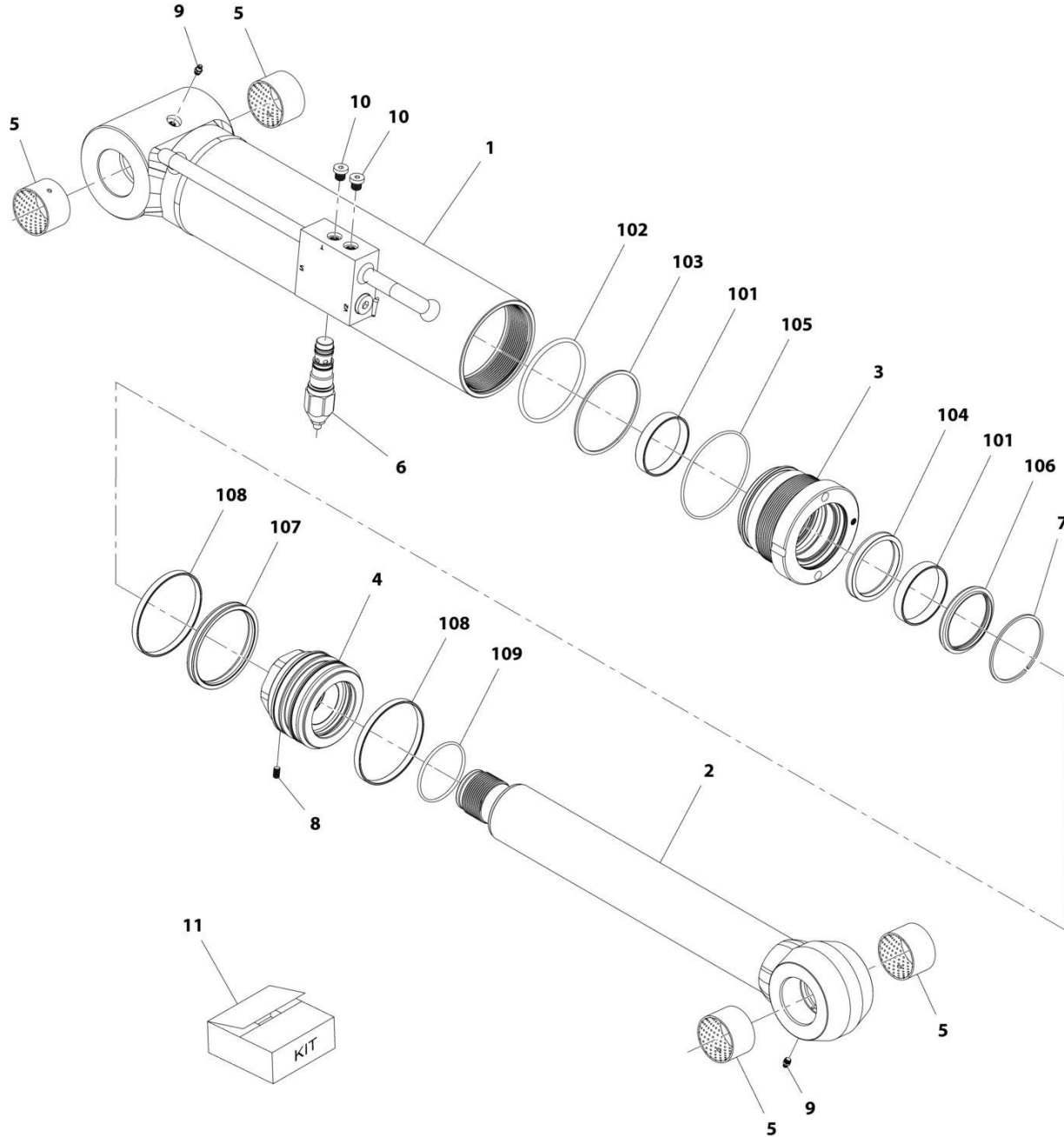
SECTION 9 - HYDRAULIC COMPONENTS

FIGURE 9-7. CYLINDER ASSEMBLY - OUTRIGGER

ITEM	PART NUMBER	QTY	DESCRIPTION	REV
	1001144215	Ref	Outrigger Cylinder	E
		Ref	Note: Original Cylinder May Have Been Replaced with Service Replacement. Identify PN Stamped on Cylinder Before Ordering Parts.	
1	70025621	1	Assembly, Barrel	
2	70025622	1	Assembly, Rod	
3	70025623	1	Gland	
4	70025624	1	Head, Piston	
5	70025625	2	Bushing	
6	70027055	2	Bushing	
7	70025626	1	Screw, Locking	
8	70025627	1	Ring, Snap	
9	70025612	2	Valve, Check	
10	70024262	2	Plug	
11	70025628	1	Kit, Seal (includes items 101 thru 108)	
101	Kit	2	Ring, Piston Bearing	
102	Kit	1	Seal, Piston	
103	Kit	1	O-Ring	
104	Kit	1	O-Ring	
105	Kit	1	Ring, Back-Up	
106	Kit	1	Seal, Rod	
107	Kit	1	O-Ring	
108	Kit	1	Seal, Wiper	

SECTION 9 - HYDRAULIC COMPONENTS

FIGURE 9-8. CYLINDER ASSEMBLY - TILT



ART_1001144198-C

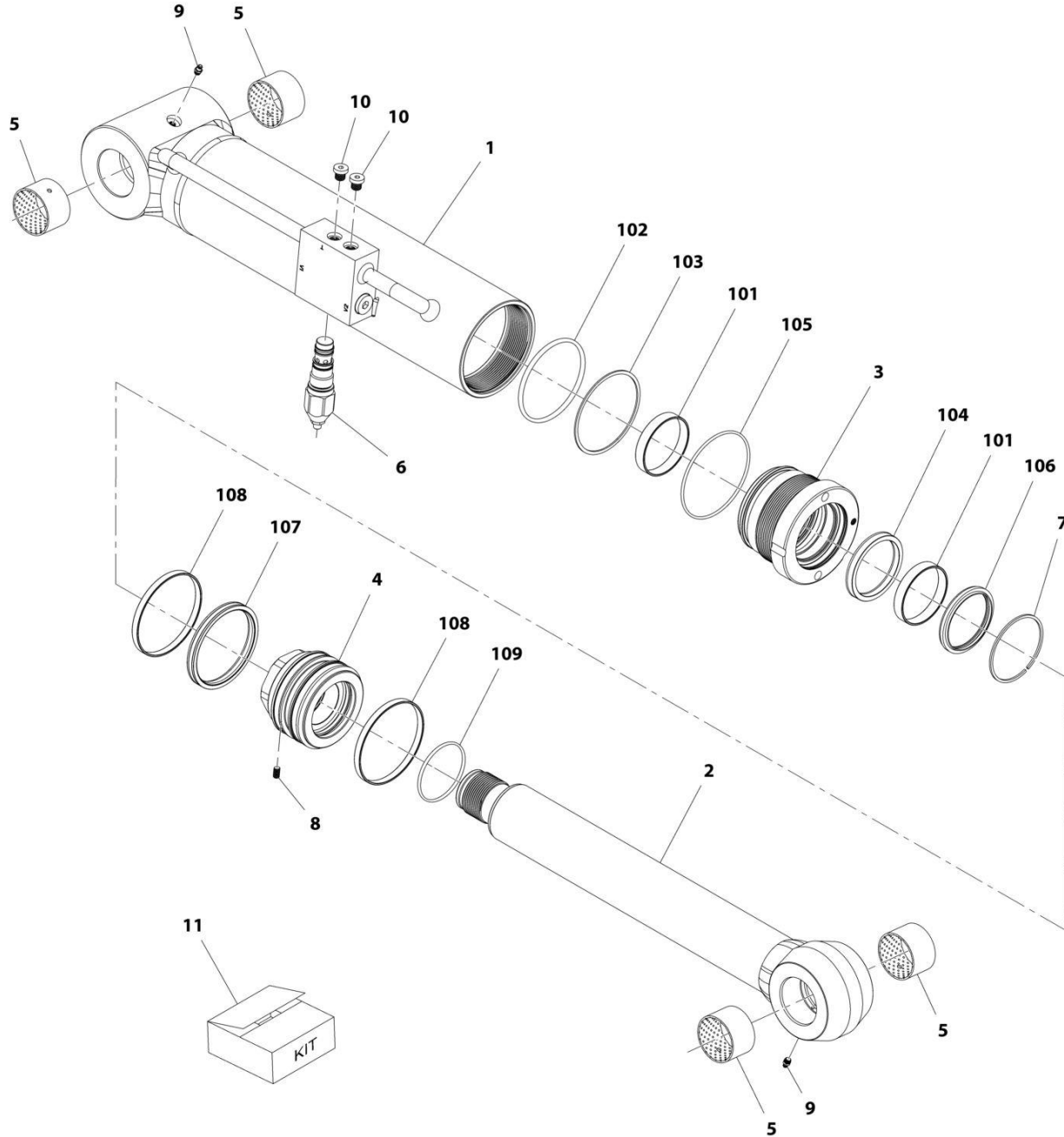
SECTION 9 - HYDRAULIC COMPONENTS

FIGURE 9-8. CYLINDER ASSEMBLY - TILT

ITEM	PART NUMBER	QTY	DESCRIPTION	REV
	1001144198	Ref	Tilt Cylinder	C
		Ref	Note: Original Cylinder May Have Been Replaced with Service Replacement. Identify PN Stamped on Cylinder Before Ordering Parts.	
1	70025598	1	Assembly, Barrel	
2	70025599	1	Assembly, Rod	
3	70025600	1	Gland	
4	70025601	1	Head, Piston	
5	70025602	4	Bushing	
6	70025603	1	Valve, Counterbalance	
7	70025604	1	Ring, Snap	
8	70025605	1	Screw, Locking	
9	70025606	2	Nipple, Grease	
10	70024262	2	Plug	
11	70025943	1	Kit, Seal (includes items 101 thru 109)	
101	Kit	2	Ring, Rod Bearing	
102	Kit	1	O-Ring	
103	Kit	1	Ring, Back-Up	
104	Kit	1	Seal, Rod	
105	Kit	1	O-Ring	
106	Kit	1	Seal, Wiper	
107	Kit	1	Seal, Piston	
108	Kit	2	Ring, Piston Bearing	
109	Kit	1	O-Ring	

SECTION 9 - HYDRAULIC COMPONENTS

FIGURE 9-9. CYLINDER ASSEMBLY - TILT



ART_1001174556-A

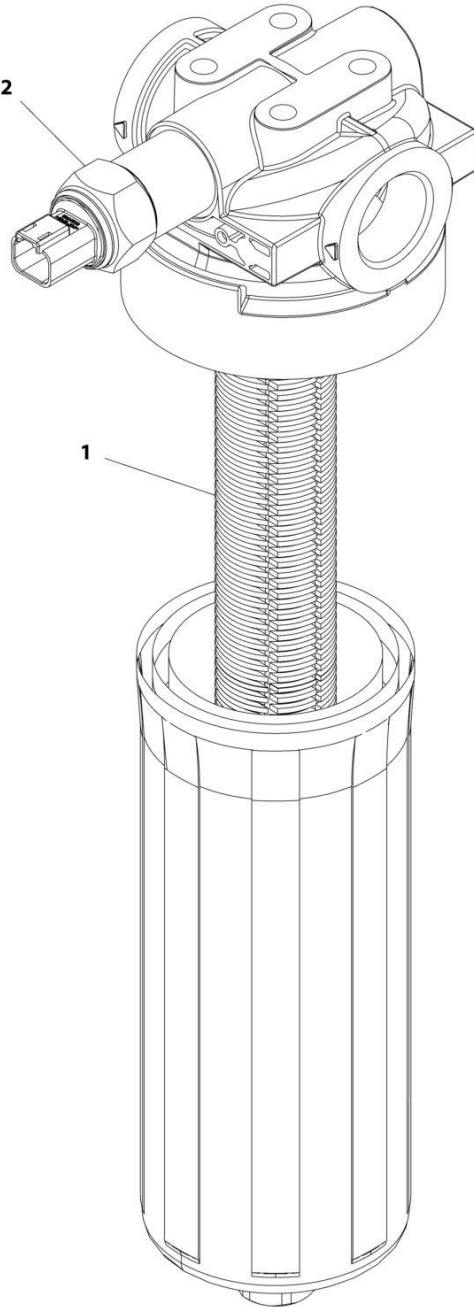
SECTION 9 - HYDRAULIC COMPONENTS

FIGURE 9-9. CYLINDER ASSEMBLY - TILT

ITEM	PART NUMBER	QTY	DESCRIPTION	REV
	1001174556	Ref	Tilt Cylinder	A
		Ref	Note: Original Cylinder May Have Been Replaced with Service Replacement. Identify PN Stamped on Cylinder Before Ordering Parts.	
1	70027049	1	Assembly, Barrel	
2	70027050	1	Assembly, Rod	
3	70025600	1	Gland	
4	70025601	1	Head, Piston	
5	70025602	4	Bushing	
6	70027063	1	Counterbalance Valve	
7	70025604	1	Ring, Snap	
8	70025605	1	Screw, Locking	
9	70025606	2	Grease, Nipple	
10	70024262	2	Plug, Blanking	
11	70025943	1	Kit, Seal (includes items 101 thru 109)	
101	Kit	2	Ring, Rod Bearing	
102	Kit	1	O-Ring	
103	Kit	1	Ring, Back-Up	
104	Kit	1	Seal, Rod	
105	Kit	1	O-Ring	
106	Kit	1	Seal, Wiper	
107	Kit	1	Seal, Piston	
108	Kit	2	Ring, Piston Bearing	
109	Kit	1	O-Ring	

SECTION 9 - HYDRAULIC COMPONENTS

FIGURE 9-10. FILTER ASSEMBLY - HYDRAULIC OIL



ART_1001175757-A

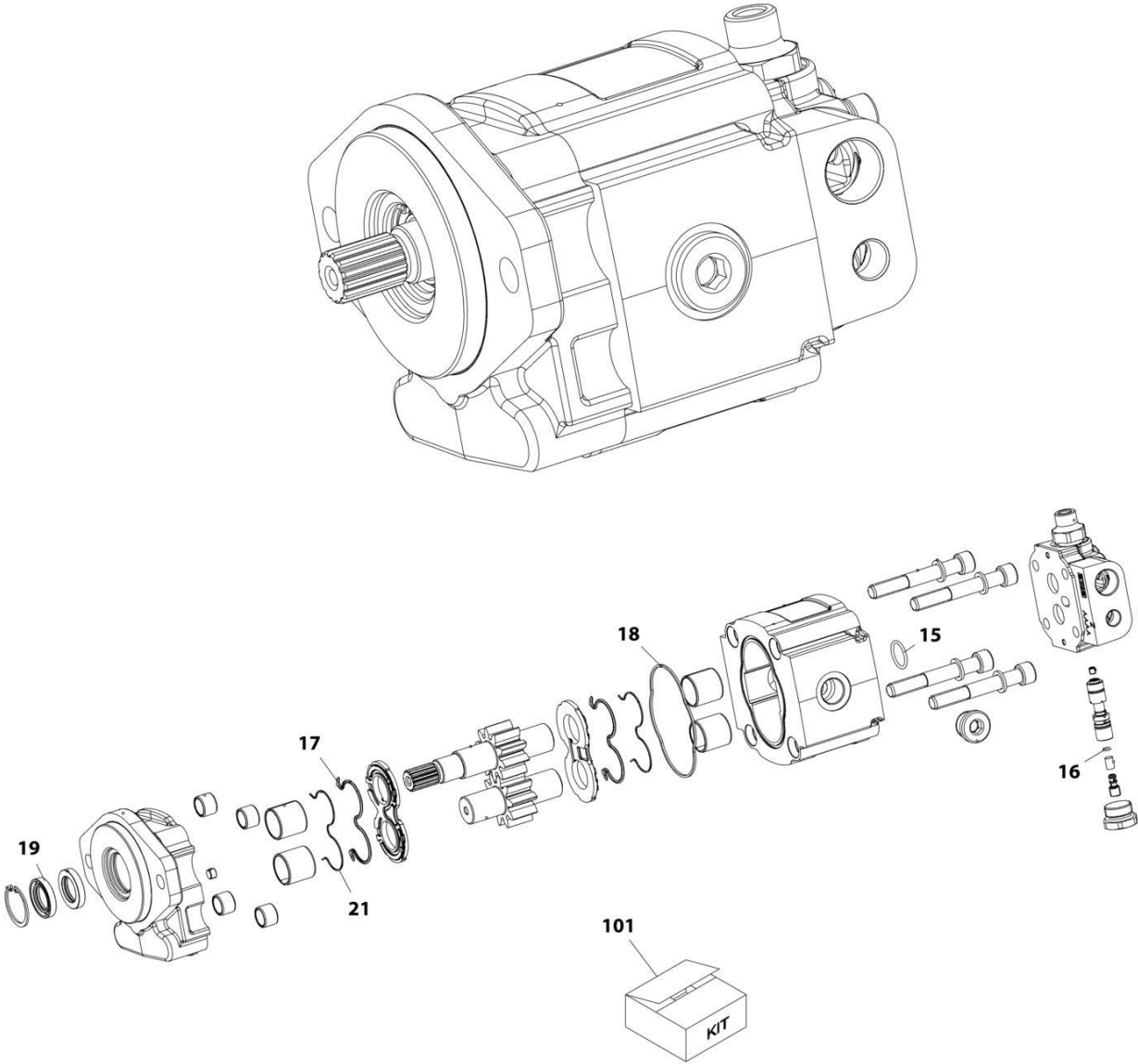
SECTION 9 - HYDRAULIC COMPONENTS

FIGURE 9-10. FILTER ASSEMBLY - HYDRAULIC OIL

ITEM	PART NUMBER	QTY	DESCRIPTION	REV
	1001175757	Ref	Hydraulic Oil Filter	A
1	70025811	1	Element, Filter	
2	70025863	1	Indicator, Clogging	

SECTION 9 - HYDRAULIC COMPONENTS

FIGURE 9-11. PUMP ASSEMBLY - GEAR PUMP



ART_1001142980-D

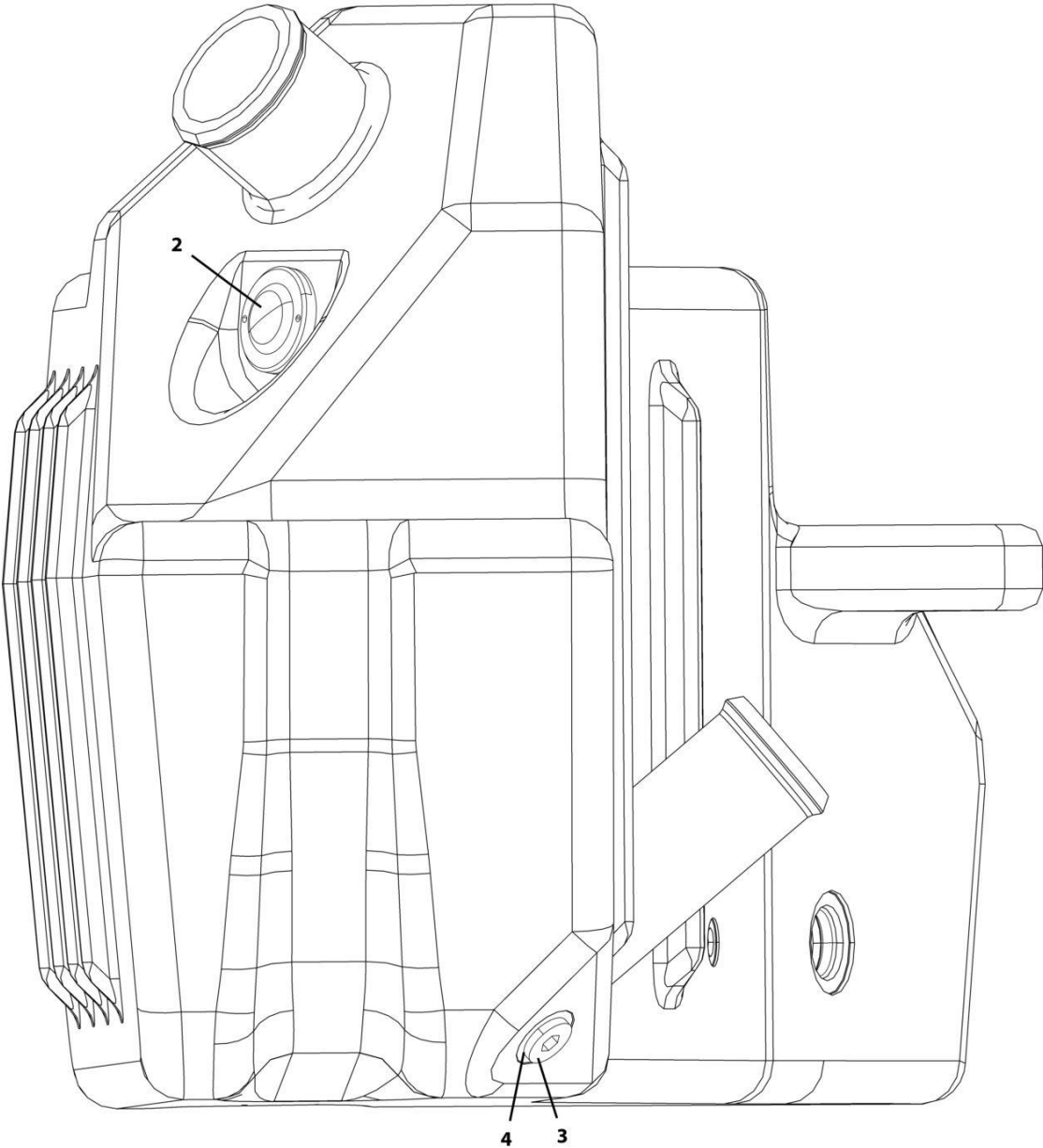
SECTION 9 - HYDRAULIC COMPONENTS

FIGURE 9-11. PUMP ASSEMBLY - GEAR PUMP

ITEM	PART NUMBER	QTY	DESCRIPTION	REV
	1001142980	Ref	Gear Pump	D
15	Kit	3	O-Ring	
16	Kit	1	O-Ring	
17	Kit	2	Seal	
18	Kit	1	Seal	
19	Kit	2	Seal, Shaft	
21	Kit	2	Ring, Anti-Extrusion	
101	70024631	1	Kit, Seal (includes items 15 thru 21)	

SECTION 9 - HYDRAULIC COMPONENTS

FIGURE 9-12. TANK ASSEMBLY _ HYDRAULIC



ART_1001146380-E

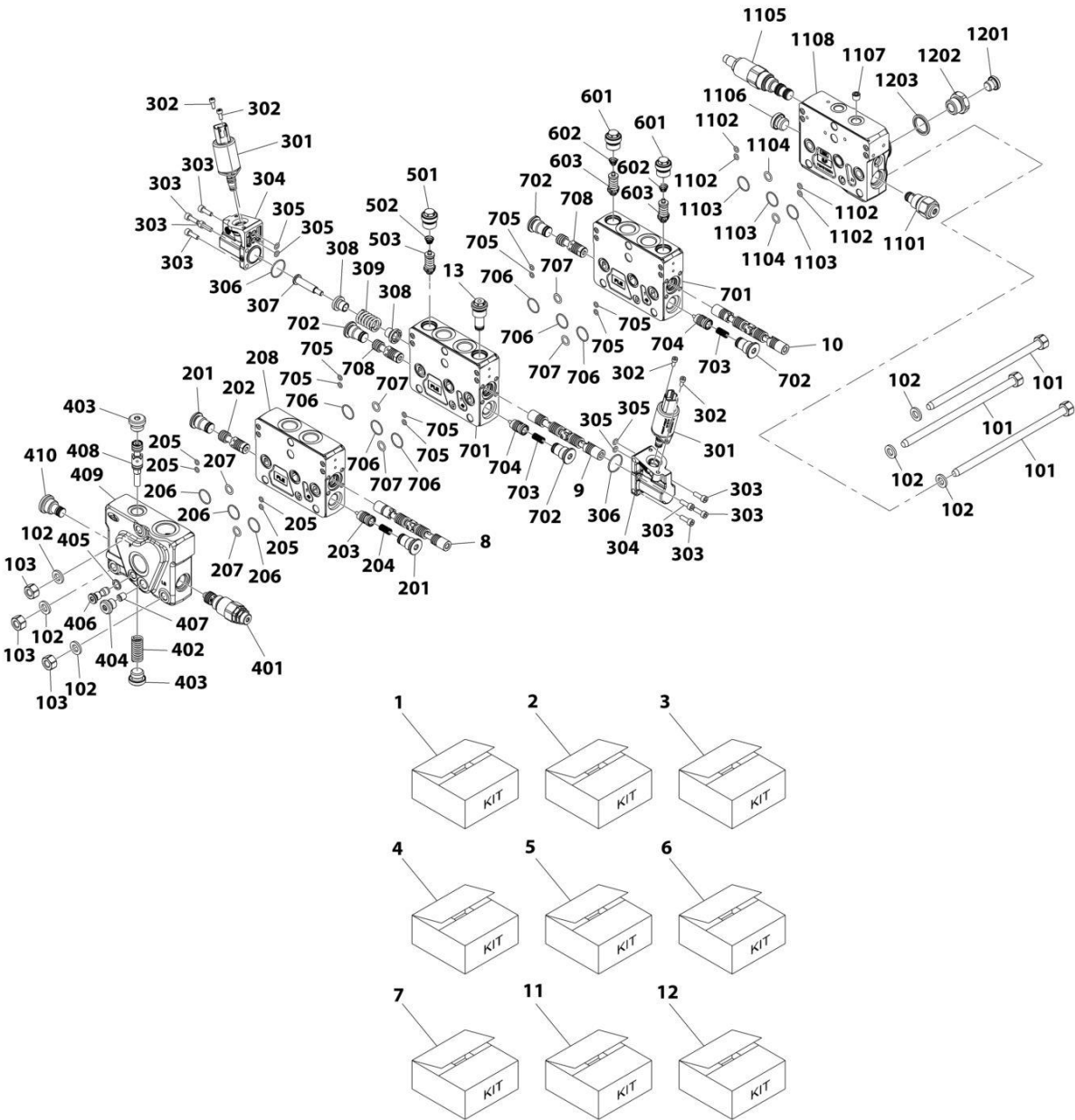
SECTION 9 - HYDRAULIC COMPONENTS

FIGURE 9-12. TANK ASSEMBLY _ HYDRAULIC

ITEM	PART NUMBER	QTY	DESCRIPTION	REV
	1001146380	Ref	Hydraulic Tank	E
2	70025812	1	Gauge, Sight	
3	70025813	1	Plug, Drain	
4	N.S.S.	1	O-Ring	

SECTION 9 - HYDRAULIC COMPONENTS

FIGURE 9-13. VALVE ASSEMBLY - MAIN CONTROL (NO AUXILIARY HYDRAULICS)



ART_1001173148-B

SECTION 9 - HYDRAULIC COMPONENTS

FIGURE 9-13. VALVE ASSEMBLY - MAIN CONTROL (NO AUXILIARY HYDRAULICS)

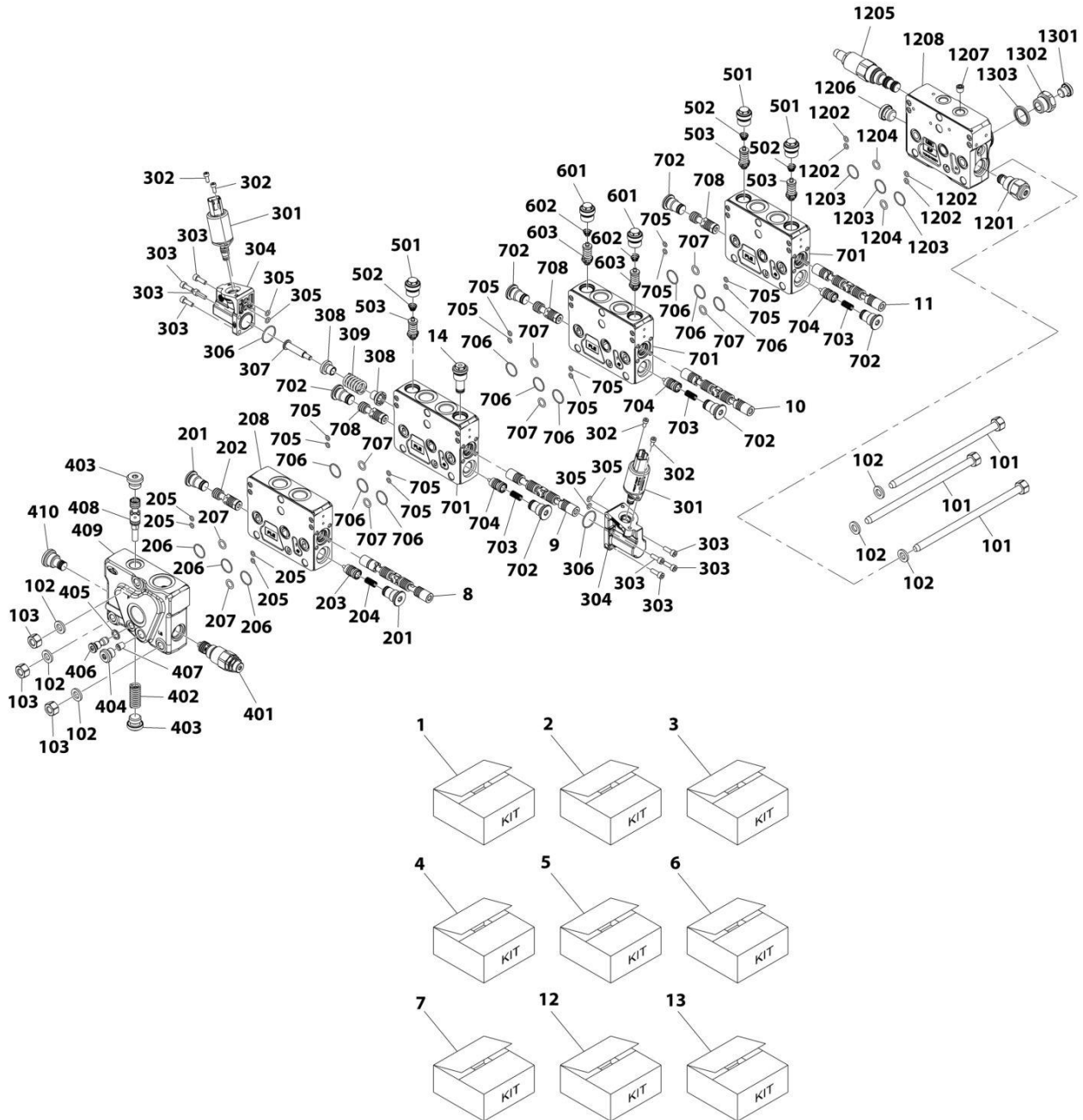
ITEM	PART NUMBER	QTY	DESCRIPTION	REV
	1001173148	Ref	Main Control Valve (no auxiliary hydraulics)	B
1	70025825	1	Tie Rod Kit (includes items 101 thru 103)	
2	70025826	1	Section Kit without Port Relief Cavity (includes items 201 thru 208)	
3	70025827	3	Electro-Hydraulic Kit (includes items 301 thru 309)	
4	70025829	1	Main Relief Valve Kit (includes items 401 thru 410)	
5	70025830	1	Port Relief Kit (includes items 501 thru 503)	
6	70025831	2	Port Relief Kit (includes items 601 thru 603)	
7	70025832	2	Section Kit with Port Relief Cavity (includes items 701 thru 708)	
8	70025833	1	Lift Spool	
9	70025834	1	Tele Spool	
10	70025835	1	Spool	
11	70025836	1	Bleed Valve Kit (includes items 1101 thru 1108)	
12	70025839	1	Pressure Gauge Connection Kit (includes items 1201 thru 1203)	
13	70025837	1	Plug	
101	Kit	3	Tie Rod	
102	Kit	6	Elastic Washer	
103	Kit	3	Nut	
201	Kit	2	Compensator Plug	
202	Kit	1	Compensator Spool	
203	Kit	1	Selector Spool	
204	Kit	1	Spring	
205	Kit	4	O-Ring	
206	Kit	3	O-Ring	
207	Kit	1	O-Ring	
208	Kit	1	Working Section	
301	70025828	2	Solenoid Valve (may be ordered separately)	
302	Kit	4	Screw	
303	Kit	8	Screw	
304	Kit	2	Cylinder	
305	Kit	4	O-Ring	
306	Kit	2	O-Ring	
307	Kit	1	Pin	
308	Kit	2	Bushing	
309	Kit	1	Spring	
401	Kit	1	Valve	
402	Kit	1	Spring	
403	Kit	2	Plug	
404	Kit	1	Plug	
405	Kit	1	Washer	
406	Kit	1	Plug	
407	Kit	1	Plug	
408	Kit	1	Compensator Spool	
409	Kit	1	Inlet Section	
410	Kit	1	Plug	
501	Kit	1	Plug	
502	Kit	1	Spring	
503	Kit	1	Valve	
601	Kit	1	Plug	
602	Kit	1	Spring	
603	Kit	1	Valve	

SECTION 9 - HYDRAULIC COMPONENTS

ITEM	PART NUMBER	QTY	DESCRIPTION	REV
701	Kit	1	Working Section	
702	Kit	2	Compensator Plug	
703	Kit	1	Spring	
704	Kit	1	Selector Spool	
705	Kit	4	O-Ring	
706	Kit	3	O-Ring	
707	Kit	1	O-Ring	
708	Kit	1	Compensator Spool	
1101	Kit	1	Flow Regulator	
1102	Kit	4	O-Ring	
1103	Kit	3	O-Ring	
1104	Kit	1	O-Ring	
1105	Kit	1	Valve	
1106	Kit	1	Plug	
1107	Kit	1	Plug	
1108	Kit	1	Outlet Cover	
1201	Kit	1	Plug	
1202	Kit	1	Joint	
1203	Kit	1	Washer	

SECTION 9 - HYDRAULIC COMPONENTS

FIGURE 9-14. VALVE ASSEMBLY - MAIN CONTROL (AUXILIARY HYDRAULICS)



ART_1001173147-B

SECTION 9 - HYDRAULIC COMPONENTS

FIGURE 9-14. VALVE ASSEMBLY - MAIN CONTROL (AUXILIARY HYDRAULICS)

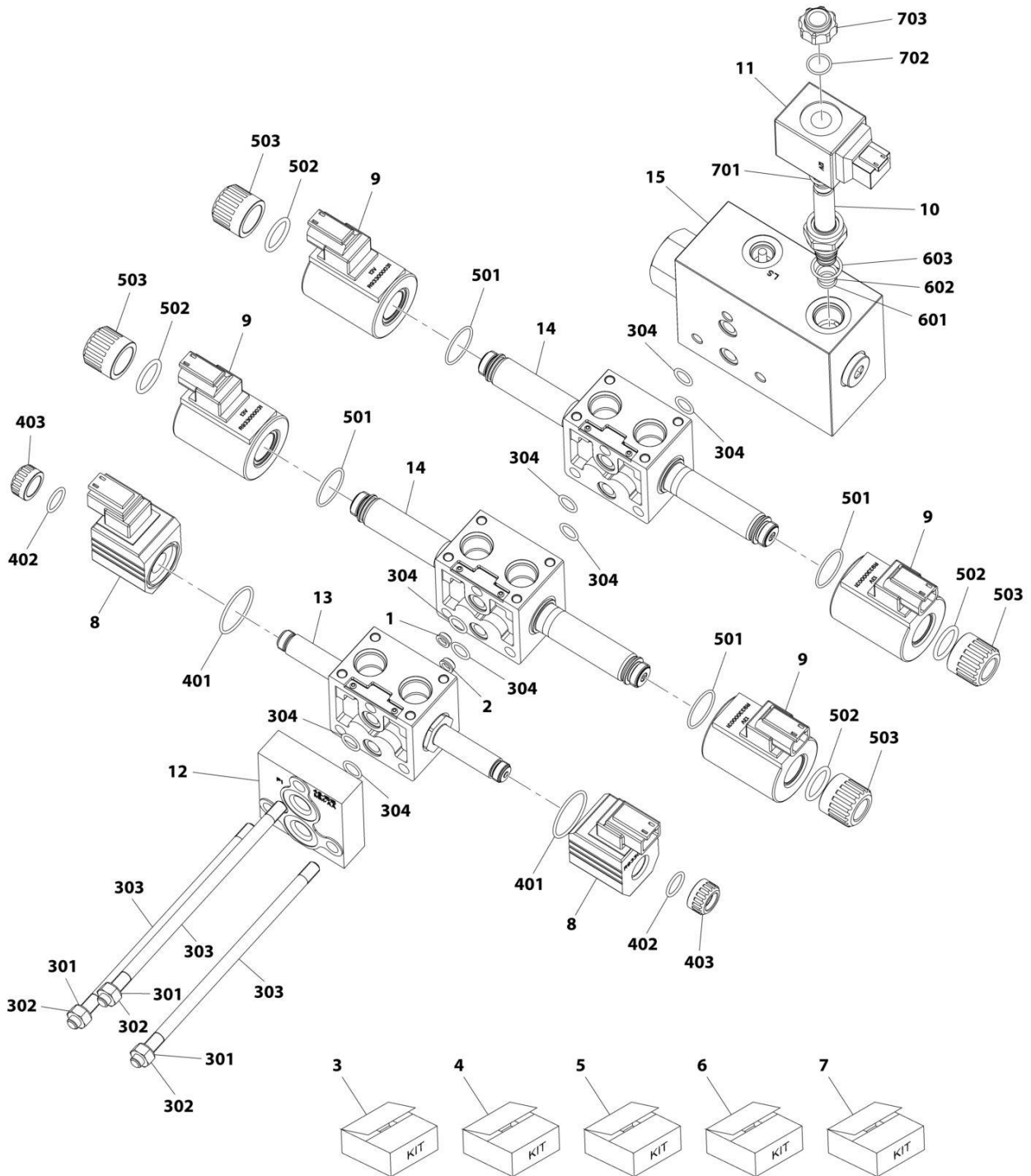
ITEM	PART NUMBER	QTY	DESCRIPTION	REV
	1001173147	Ref	Main Control Valve (auxiliary hydraulics)	B
1	70025840	1	Tie Rod Kit (includes items 101 thru 103)	
2	70025826	1	Kit, Section, without Port Relief Cavity (includes items 201 thru 208)	
3	70025827	4	Electro-Hydraulic Kit (includes items 301 thru 309)	
4	70025829	1	Main Relief Valve Kit (includes items 401 thru 410)	
5	70025830	3	Port Relief Kit (includes items 501 thru 503)	
6	70025831	2	Port Relief Kit (includes items 601 thru 603)	
7	70025832	3	Section Kit with Port Relief Cavity (includes items 701 thru 708)	
8	70025833	1	Lift Spool	
9	70025834	1	Tele Spool	
10	70025835	1	Spool	
11	70025838	1	Spool	
12	70025836	1	Bleed Valve Kit (includes items 1201 thru 1208)	
13	70025839	1	Pressure Gauge Connection Kit (includes items 1301 thru 1303)	
14	70025837	1	Plug	
101	Kit	3	Tie Rod	
102	Kit	6	Elastic Washer	
103	Kit	3	Nut	
201	Kit	2	Compensator Plug	
202	Kit	1	Compensator Spool	
203	Kit	1	Selector Spool	
204	Kit	1	Spring	
205	Kit	4	O-Ring	
206	Kit	3	O-Ring	
207	Kit	1	O-Ring	
208	Kit	1	Working Selection	
301	70025828	2	Solenoid Valve (may be ordered separately)	
302	Kit	4	Screw	
303	Kit	8	Screw	
304	Kit	2	Cylinder	
305	Kit	4	O-Ring	
306	Kit	2	O-Ring	
307	Kit	1	Pin	
308	Kit	2	Bushing	
309	Kit	1	Spring	
401	Kit	1	Valve	
402	Kit	1	Spring	
403	Kit	2	Plug	
404	Kit	1	Plug	
405	Kit	1	Washer	
406	Kit	1	Plug	
407	Kit	1	Plug	
408	Kit	1	Compensator Spool	
409	Kit	1	Inlet Section	
410	Kit	1	Plug	
501	Kit	1	Plug	
502	Kit	1	Spring	
503	Kit	1	Valve	
601	Kit	1	Plug	

SECTION 9 - HYDRAULIC COMPONENTS

ITEM	PART NUMBER	QTY	DESCRIPTION	REV
602	Kit	1	Spring	
603	Kit	1	Valve	
701	Kit	1	Working Section	
702	Kit	2	Compensator Plug	
703	Kit	1	Spring	
704	Kit	1	Selector Spool	
705	Kit	4	O-Ring	
706	Kit	3	O-Ring	
707	Kit	1	O-Ring	
708	Kit	1	Compensator Spool	
1201	Kit	1	Flow Regulator	
1202	Kit	4	O-Ring	
1203	Kit	3	O-Ring	
1204	Kit	1	O-Ring	
1205	Kit	1	Valve	
1206	Kit	1	Plug	
1207	Kit	1	plug	
1208	Kit	1	Outlet Cover	
1301	Kit	1	Plug	
1302	Kit	1	Joint	
1303	Kit	1	Washer	

SECTION 9 - HYDRAULIC COMPONENTS

FIGURE 9-15. VALVE ASSEMBLY - OUTRIGGER



ART_1001173880-C

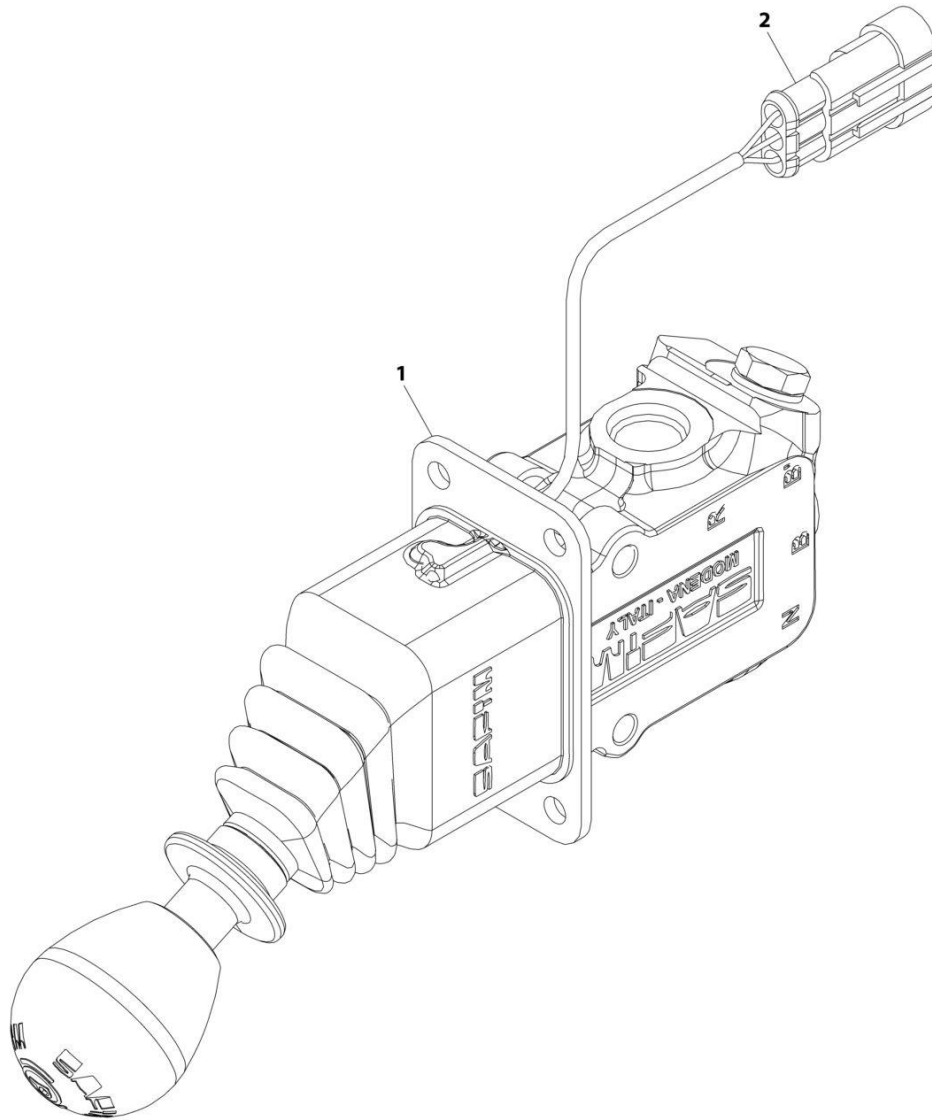
SECTION 9 - HYDRAULIC COMPONENTS

FIGURE 9-15. VALVE ASSEMBLY - OUTRIGGER

ITEM	PART NUMBER	QTY	DESCRIPTION	REV
	1001173880	Ref	Outrigger Valve	C
1	70028242	1	Orifice	
2	70028243	1	Orifice	
3	70027284	1	Bolt and Seal Kit (includes items 301 thru 304)	
4	70021209	2	Retainer Kit W/Seals (includes items 401 thru 403)	
5	70020867	4	Retainer Kit W/Seals (includes items 501 thru 503)	
6	70027286	1	Seal Kit (includes items 601 thru 603)	
7	70027285	1	Coil Nut Kit (includes items 701 thru 703)	
8	70021208	2	Coil	
9	70020868	4	Coil	
10	70023327	1	Cartridge Valve	
11	70022147	2	Coil	
12	70004667	1	Cover Plate	
13	70021213	1	Section	
14	70026568	2	Section	
15	70021215	1	Inlet	
301	Kit	3	Toothed Lockwasher	
302	70026570	3	Hexagon Nut	
303	70026569	3	Tie Rod	
304	Kit	8	O-Ring	
401	Kit	2	O-Ring	
402	Kit	2	O-Ring	
403	Kit	2	Coil Nut M13X1	
501	Kit	4	O-Ring	
502	Kit	4	O-Ring	
503	Kit	4	Coil Nut M13X1	
601	Kit	1	O-Ring	
602	Kit	1	O-Ring	
603	Kit	1	O-Ring	
701	Kit	1	O-Ring	
702	70006246	1	O-Ring	
703	70004654	1	Coil Nut	

SECTION 9 - HYDRAULIC COMPONENTS

FIGURE 9-16. VALVE ASSEMBLY - PARK BRAKE RELEASE (4017RS)



ART_1001098153-D

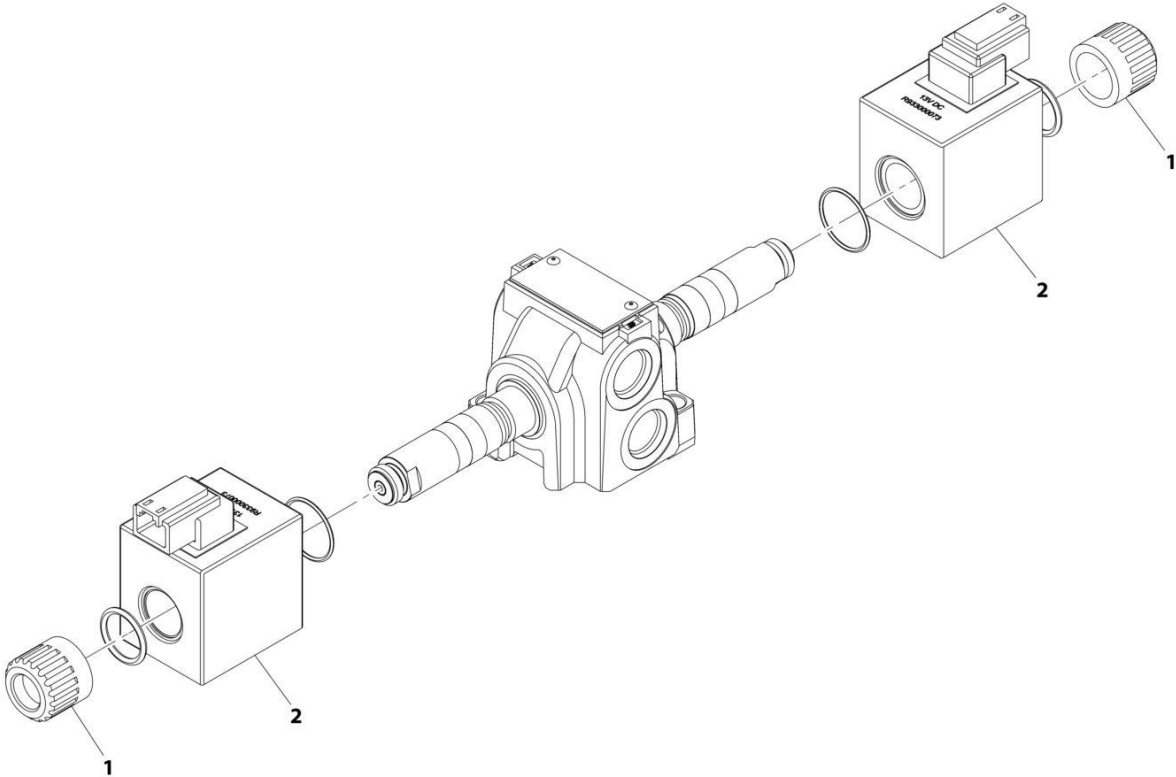
SECTION 9 - HYDRAULIC COMPONENTS

FIGURE 9-16. VALVE ASSEMBLY - PARK BRAKE RELEASE (4017RS)

ITEM	PART NUMBER	QTY	DESCRIPTION	REV
	1001098153	Ref	Hydraulic Park Brake Release Valve	D
1	70020922	1	Kit, Seal	
2	70022847	1	Kit, Microswitch	

SECTION 9 - HYDRAULIC COMPONENTS

FIGURE 9-17. VALVE ASSEMBLY - STEERING SELECT



ART_1001153748-C

SECTION 9 - HYDRAULIC COMPONENTS

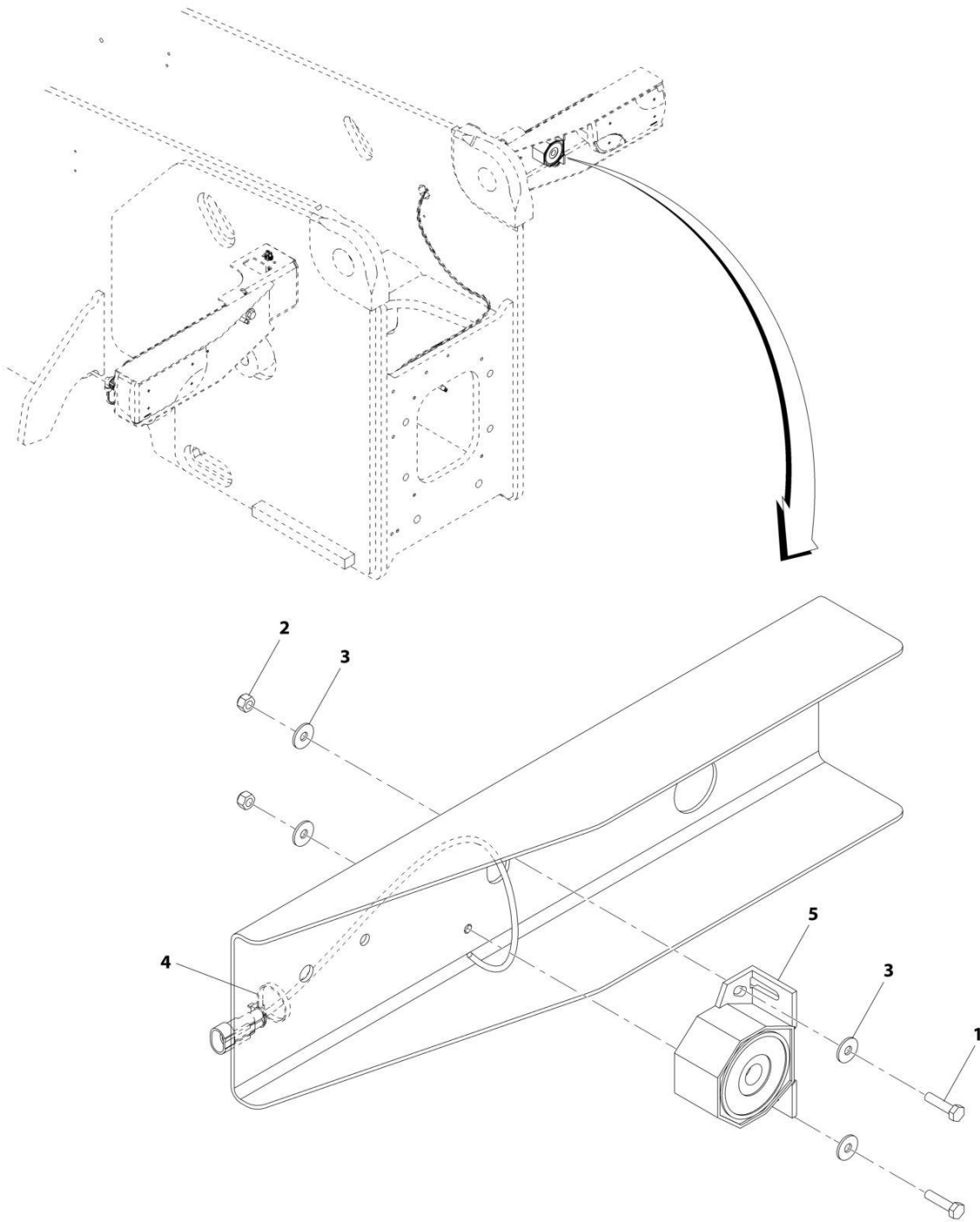
FIGURE 9-17. VALVE ASSEMBLY - STEERING SELECT

ITEM	PART NUMBER	QTY	DESCRIPTION	REV
	1001153748	Ref	Steering Select Valve	C
1	70020867	2	Nut, Coil	
2	70026582	2	Coil	

SECTION 10 - ELECTRICAL

SECTION 10 - ELECTRICAL

FIGURE 10-1. ALARM INSTALLATION - BACK-UP (FOLDING LIGHTS)



ART_1001217180-A

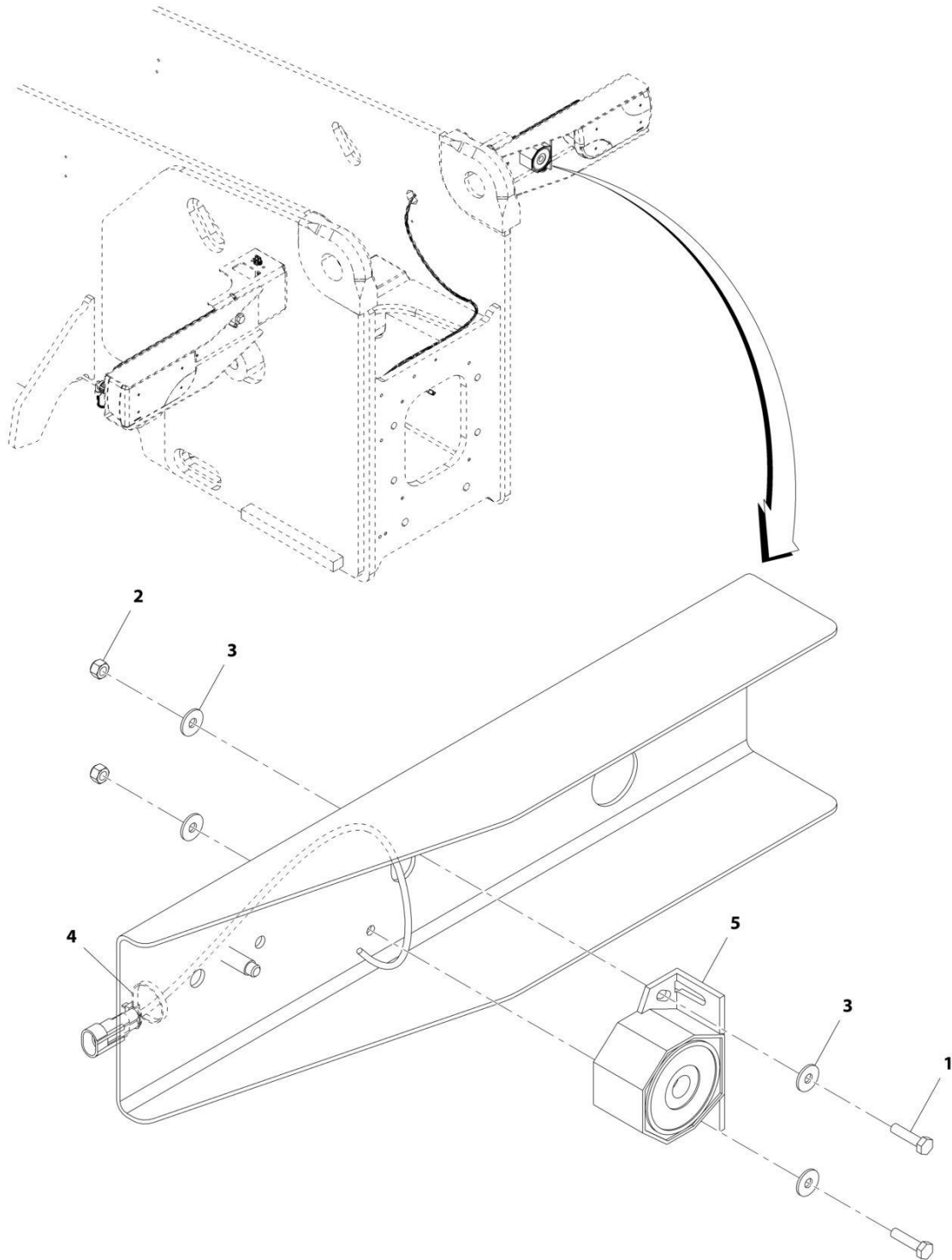
SECTION 10 - ELECTRICAL

FIGURE 10-1. ALARM INSTALLATION - BACK-UP (FOLDING LIGHTS)

ITEM	PART NUMBER	QTY	DESCRIPTION	REV
	1001217180	Ref	Back-Up Alarm Installation (Folding Lights)	A
1	0760612	2	Bolt, M6X25	
2	3290605	2	Nut, Lock M6X1	
3	4811702	4	Washer, M6	
4	1001008559	1	Strap, Cable	
5	1001147060	1	Alarm, Reverse	

SECTION 10 - ELECTRICAL

FIGURE 10-2. ALARM INSTALLATION - BACK-UP (FOLDING LIGHTS AND WHITE NOISE)



ART_1001178740-A

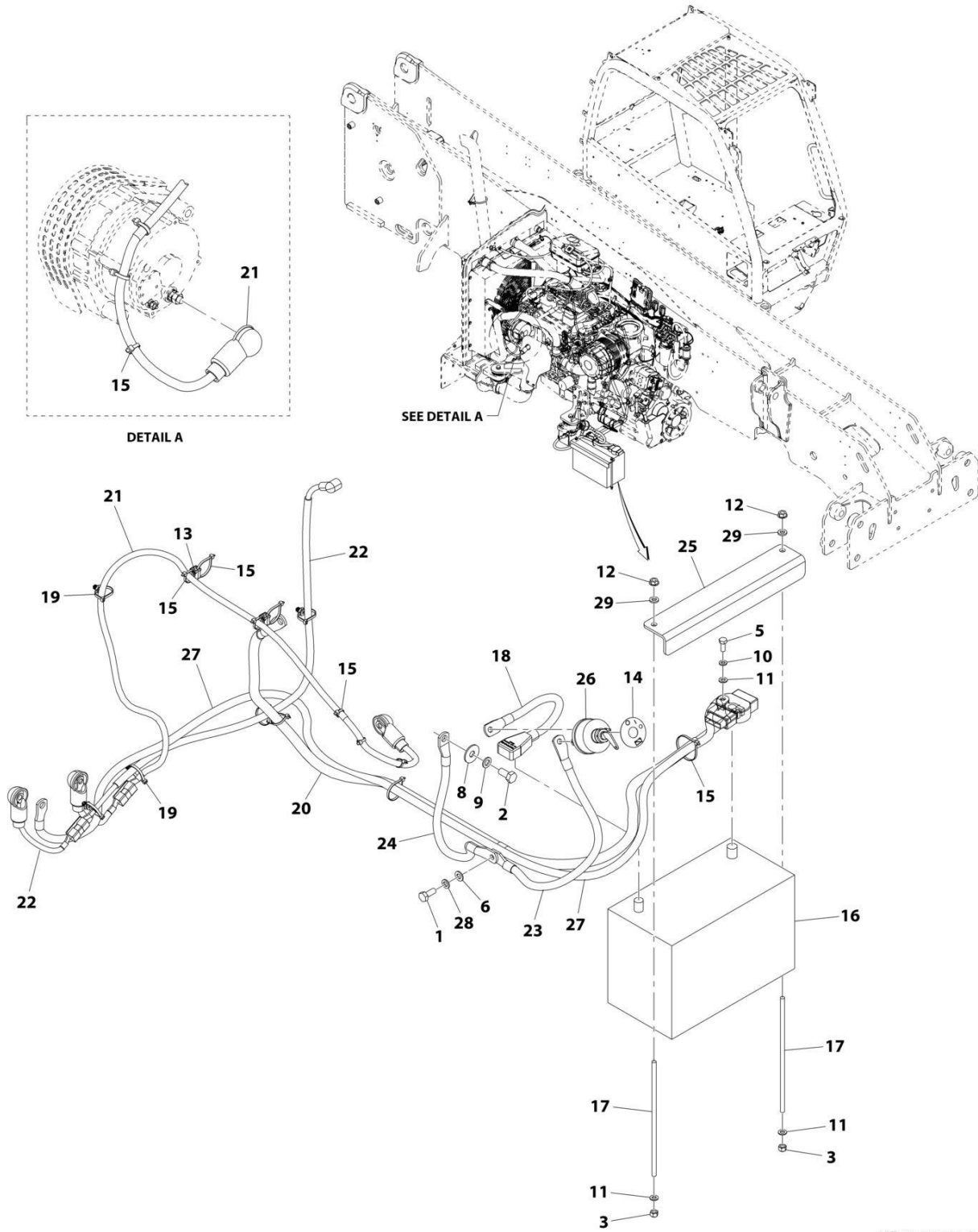
SECTION 10 - ELECTRICAL

FIGURE 10-2. ALARM INSTALLATION - BACK-UP (FOLDING LIGHTS AND WHITE NOISE)

ITEM	PART NUMBER	QTY	DESCRIPTION	REV
	1001178740	Ref	Back-Up Alarm Installation (Folding Lights and White Noise) (If equipped)	A
1	0760612	2	Bolt, M6X25	
2	3290605	2	Nut, Lock M6X1	
3	4811702	4	Washer, M6	
4	1001008559	1	Strap, Cable	
5	1001165827	1	Alarm, Reverse, White Noise	

SECTION 10 - ELECTRICAL

FIGURE 10-3. BATTERY INSTALLATION



ART_1001239516-D

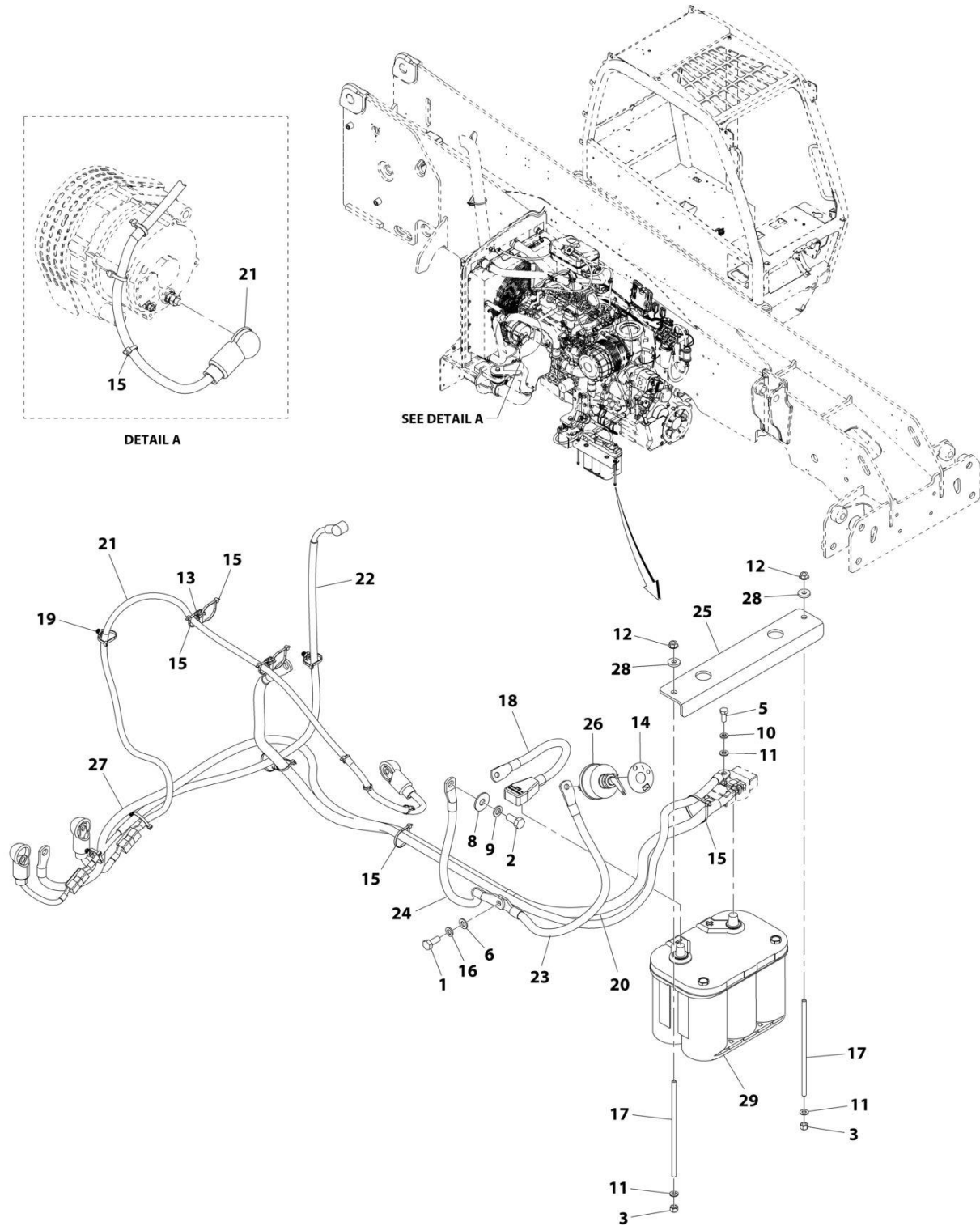
SECTION 10 - ELECTRICAL

FIGURE 10-3. BATTERY INSTALLATION

ITEM	PART NUMBER	QTY	DESCRIPTION	REV
	1001239516	Ref	Battery Installation	D
1	0761012	1	Bolt, M10X25	
2	0761212	1	Bolt, M12X25	
3	3290805	2	Nut, Lock M8X1.25	
5	0760810	1	Bolt, M8X20	
6	4812000	1	Washer, M10	
8	4812102	1	Washer, M12	
9	4832100	1	Washer, Lock 12	
10	4831900	1	Washer, Lock 8	
11	4811900	3	Washer, M8	
12	5220800	2	Nut, Ripp 8	
13	1001004723	3	Saddle	
14	1001008540	1	Plate	
15	1001008559	11	Strap, Cable	
16	1001009339	1	Battery	
17	1001099701	2	Rod, M8X1.25	
18	1001121265	1	Cable, Battery, Negative to Isolator	
19	1001146588	4	Strap, Cable	
20	1001147793	1	Cable, Battery, Positive to Starter	
21	1001248379	1	Cable, Alternator to Starter	
22	1001248380	1	Cable, Glow Plug Power	
23	1001147796	1	Cable, Isolator to Frame	
24	1001147797	1	Cable, Frame to Engine	
25	1001166851	1	Bracket, Battery Clamp	
26	1001192142	1	Switch, Disconnect	
27	1001239533	1	Harness, Cab Power	
28	4832000	1	Washer, Lock 10	
29	5240800	2	Washer, M8	

SECTION 10 - ELECTRICAL

FIGURE 10-4. BATTERY INSTALLATION - ARCTIC



ART_1001246126-E

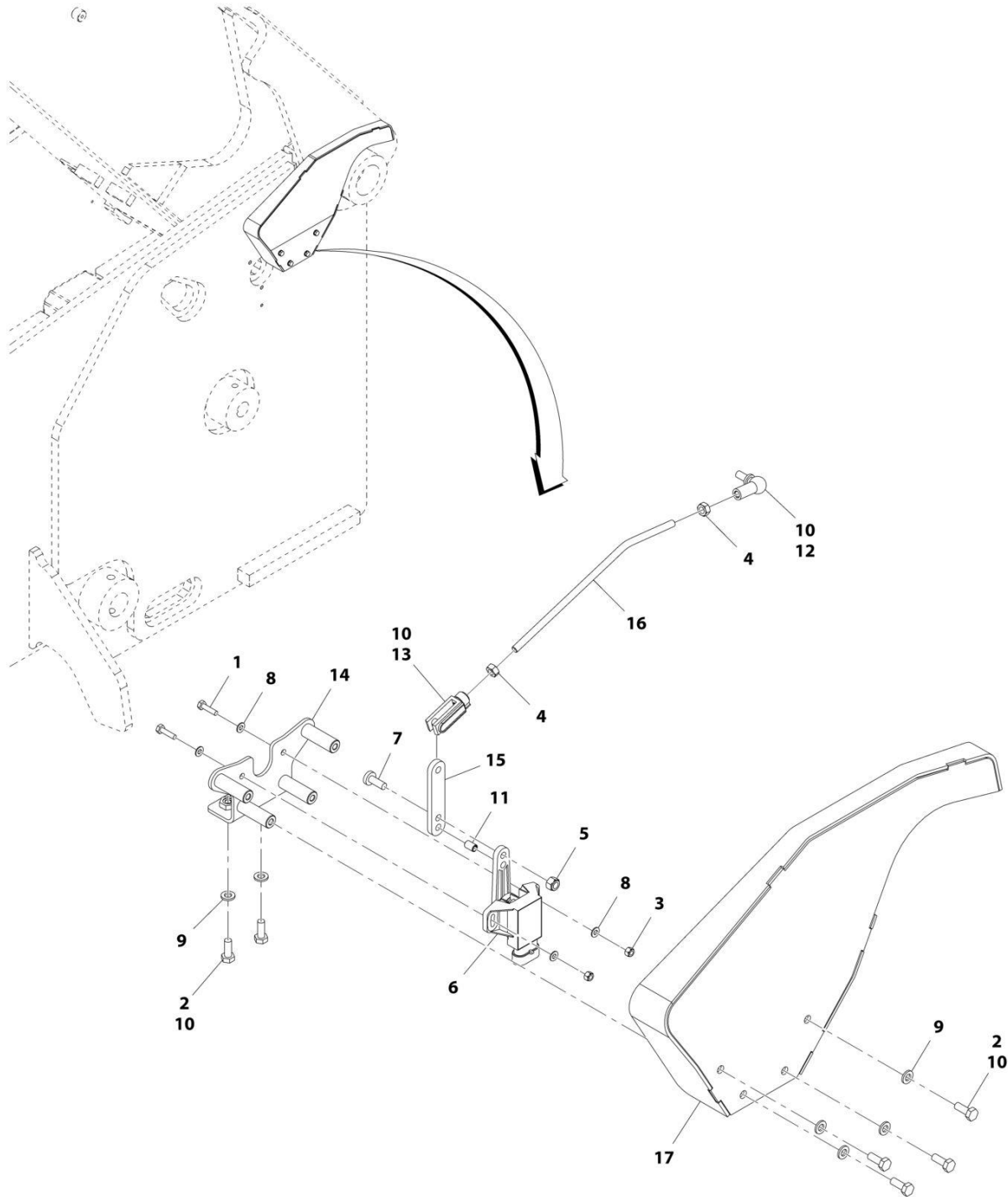
SECTION 10 - ELECTRICAL

FIGURE 10-4. BATTERY INSTALLATION - ARCTIC

ITEM	PART NUMBER	QTY	DESCRIPTION	REV
	1001246126	Ref	Battery Installation - ARCTIC	E
1	0761012	1	Bolt, M10X25	
2	0761212	1	Bolt, M12X25	
3	3290805	2	Nut, M8X1.25	
5	0760810	1	Bolt, M8X20	
6	4812000	1	Washer, M10	
8	4812102	1	Washer, M12	
9	4832100	1	Washer, Lock 12	
10	4831900	1	Washer, Lock 8	
11	4811900	3	Washer, M8	
12	5220800	2	Nut, Ripp 8	
13	1001004723	3	Saddle	
14	1001008540	1	Plate	
15	1001008559	12	Strap, Cable	
16	4832000	1	Washer M10	
17	1001167261	2	Rod, M8X1.25	
18	1001121265	1	Cable, Battery, Negative to Isolator	
19	1001146588	4	Strap, Cable	
20	1001147793	1	Cable, Battery, Positive to Starter	
21	1001248379	1	Cable, Alternator to Starter	
22	1001248380	1	Cable, Glow Plug Power	
23	1001147796	1	Cable, Isolator to Frame	
24	1001147797	1	Cable, Frame to Engine	
25	1001167257	1	Bracket, Battery Clamp	
26	1001192142	1	Switch, Disconnect	
27	1001239533	1	Harness, Cab Power	
28	4740557	2	Washer, M8	
29	1001167212	1	Battery	

SECTION 10 - ELECTRICAL

FIGURE 10-5. BOOM ANGLE SENSOR INSTALLATION, (WITH FOLDING LIGHTS) (3614RS)



ART_1001178716-B

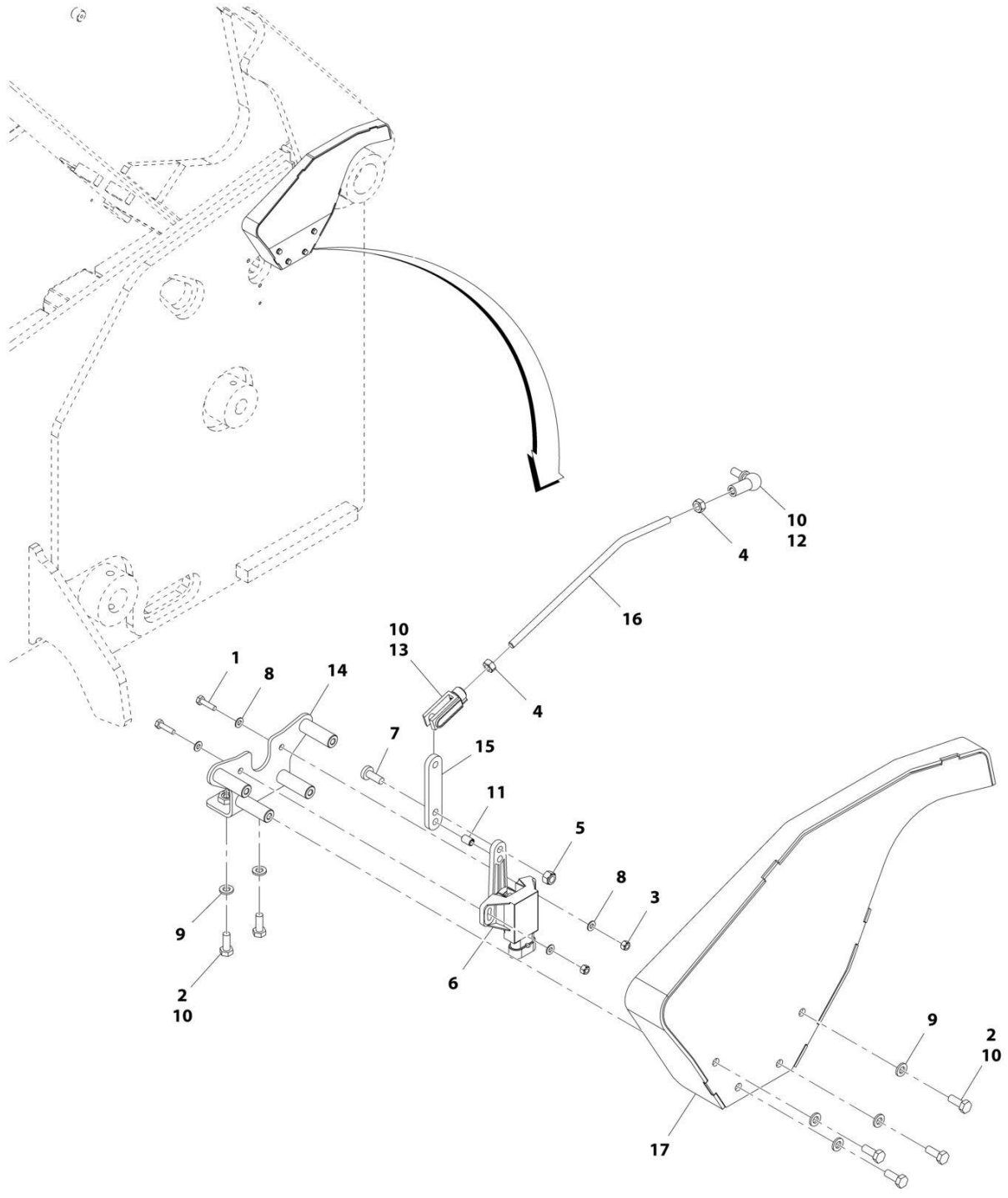
SECTION 10 - ELECTRICAL

FIGURE 10-5. BOOM ANGLE SENSOR INSTALLATION, (WITH FOLDING LIGHTS) (3614RS)

ITEM	PART NUMBER	QTY	DESCRIPTION	REV
	1001178716	Ref	Boom Angle Sensor Installation, (with Folding Lights) (If equipped)	B
1	0700408	2	Bolt, M4X16	
2	0760608	6	Bolt, M6X16	
3	3290405	2	Nut, Lock M4X0.7	
4	3290601	2	Nut, M6X1	
5	3290605	1	Nut, Lock M6X1	
6	4000015	1	Sensor, Angle	
7	4010608	1	Screw, M6X16	
8	4811400	4	Washer, M4	
9	4811700	6	Washer, M6	
10	1001095650	AR	Compound, Locking	
11	1001103156	1	Pin, Roll M6.4X10	
12	1001103300	1	Ball Joint, M6X25	
13	1001134274	1	Clevis	
14	1001182466	1	Bracket, Angle Sensor	
15	1001172744	1	Plate, Extension, Angle Sensor	
16	1001178522	1	Rod, Boom Angle Sensor	
17	1001182185	1	Shield, Angle Sensor	

SECTION 10 - ELECTRICAL

FIGURE 10-6. BOOM ANGLE SENSOR INSTALLATION, (WITH FOLDING LIGHTS) (4017RS)



ART_1001178717-B

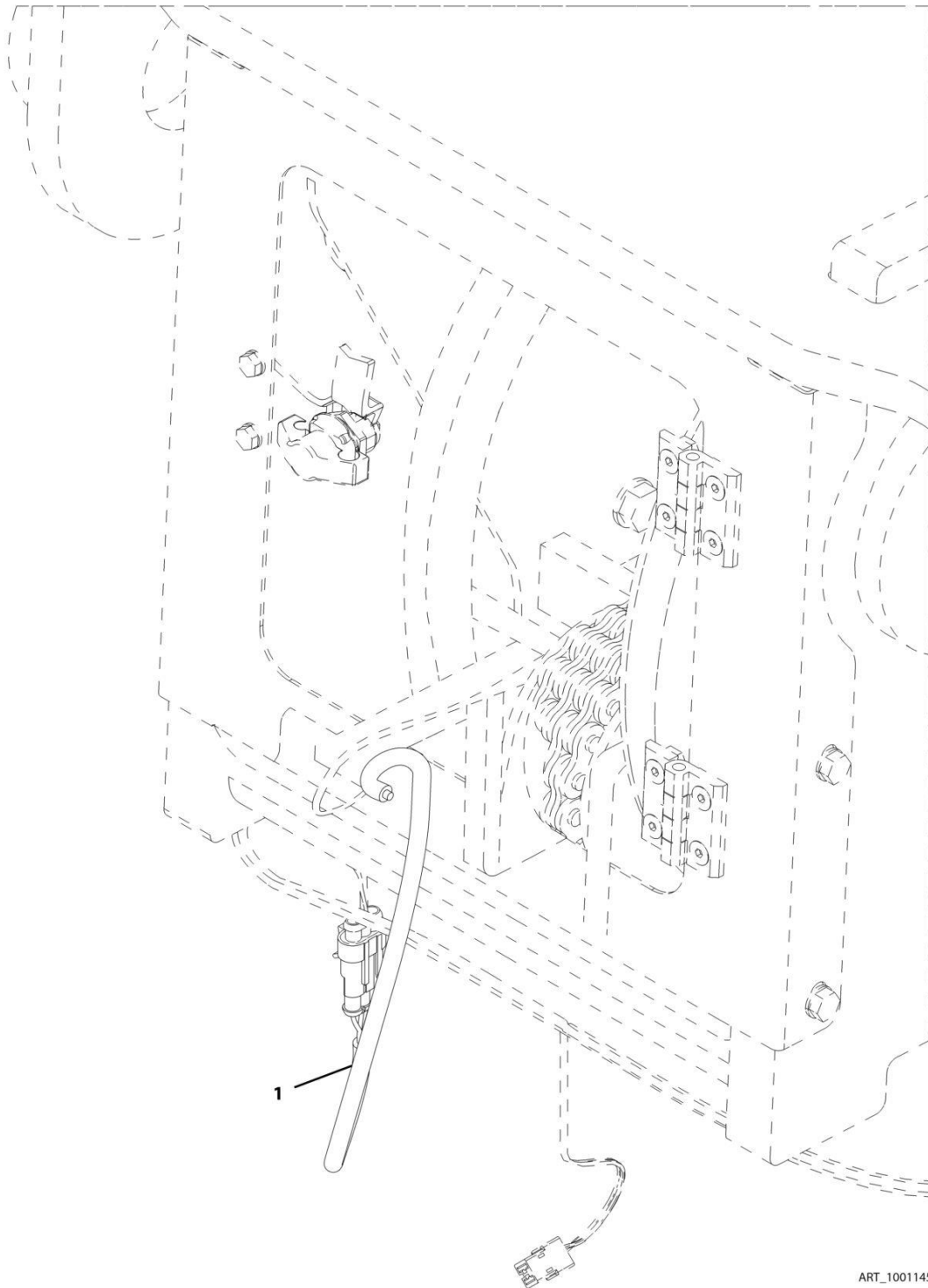
SECTION 10 - ELECTRICAL

FIGURE 10-6. BOOM ANGLE SENSOR INSTALLATION, (WITH FOLDING LIGHTS) (4017RS)

ITEM	PART NUMBER	QTY	DESCRIPTION	REV
	1001178717	Ref	Boom Angle Sensor Installation, (with Folding Lights) (If equipped)	B
1	0700408	2	Bolt, M4X16	
2	0760608	6	Bolt, M6X16	
3	3290405	2	Nut, Lock M4X0.7	
4	3290601	2	Nut, M6X1	
5	3290605	1	Nut, Lock M6X1	
6	4000015	1	Sensor, Angle	
7	4010608	1	Screw, M6X16	
8	4811400	4	Washer, M4	
9	4811700	6	Washer, M6	
10	1001095650	AR	Compound, Locking	
11	1001103156	1	Pin, Roll M6.4X10	
12	1001103300	1	Ball Joint, M6X25	
13	1001134274	1	Clevis	
14	1001182466	1	Bracket, Angle Sensor	
15	1001172744	1	Plate, Extension, Angle Sensor	
16	1001178522	1	Rod, Boom Angle Sensor	
17	1001182336	1	Shield, Angle Sensor	

SECTION 10 - ELECTRICAL

FIGURE 10-7. BOOM RETRACT SENSOR INSTALLATION (3614RS)



ART_1001145613-A

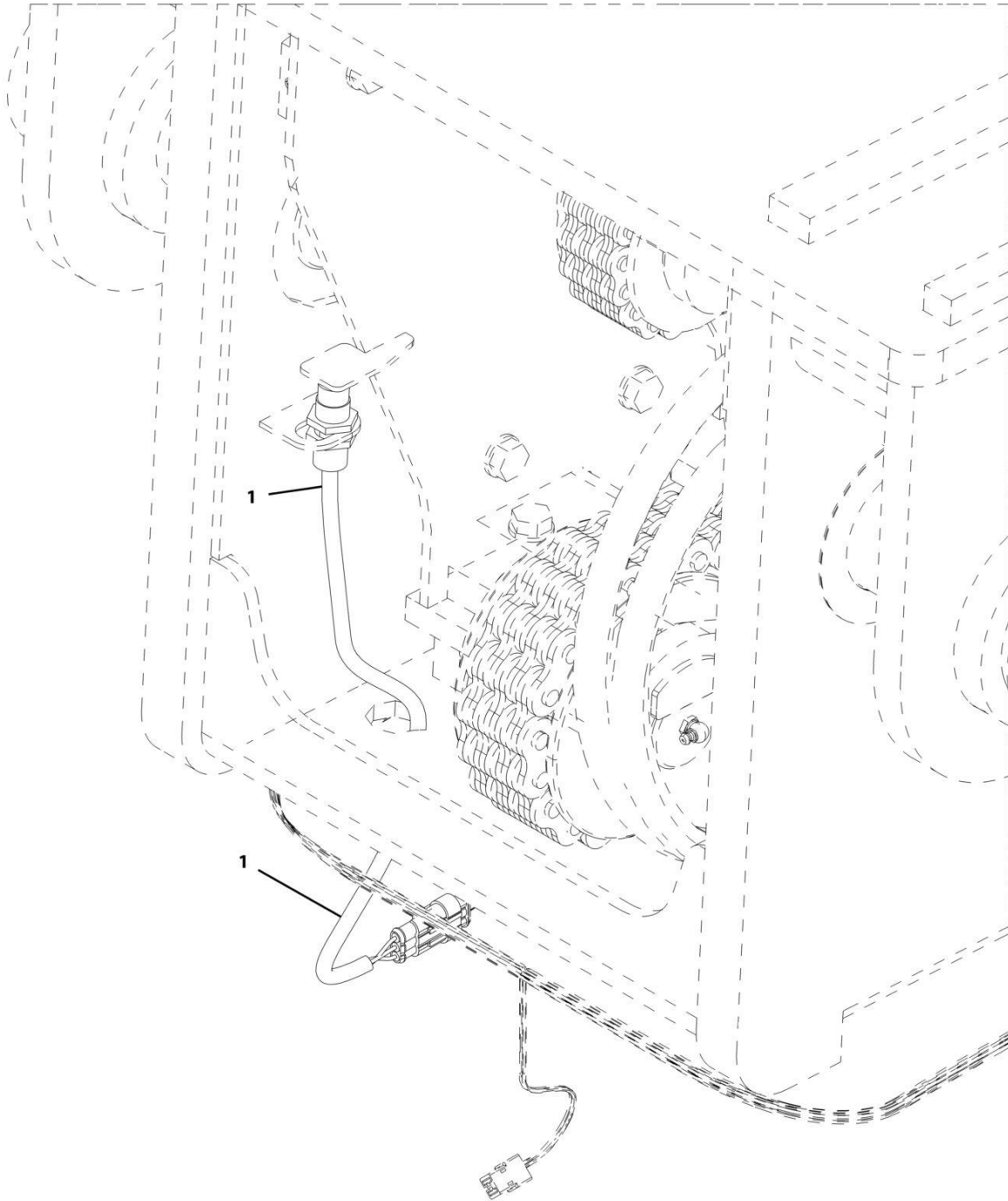
SECTION 10 - ELECTRICAL

FIGURE 10-7. BOOM RETRACT SENSOR INSTALLATION (3614RS)

ITEM	PART NUMBER	QTY	DESCRIPTION	REV
1	1001145613 4000017	Ref 1	Boom Retract Sensor Installation Switch, Proximity	A

SECTION 10 - ELECTRICAL

FIGURE 10-8. BOOM RETRACT SENSOR INSTALLATION (4017RS)



ART_1001148600-A

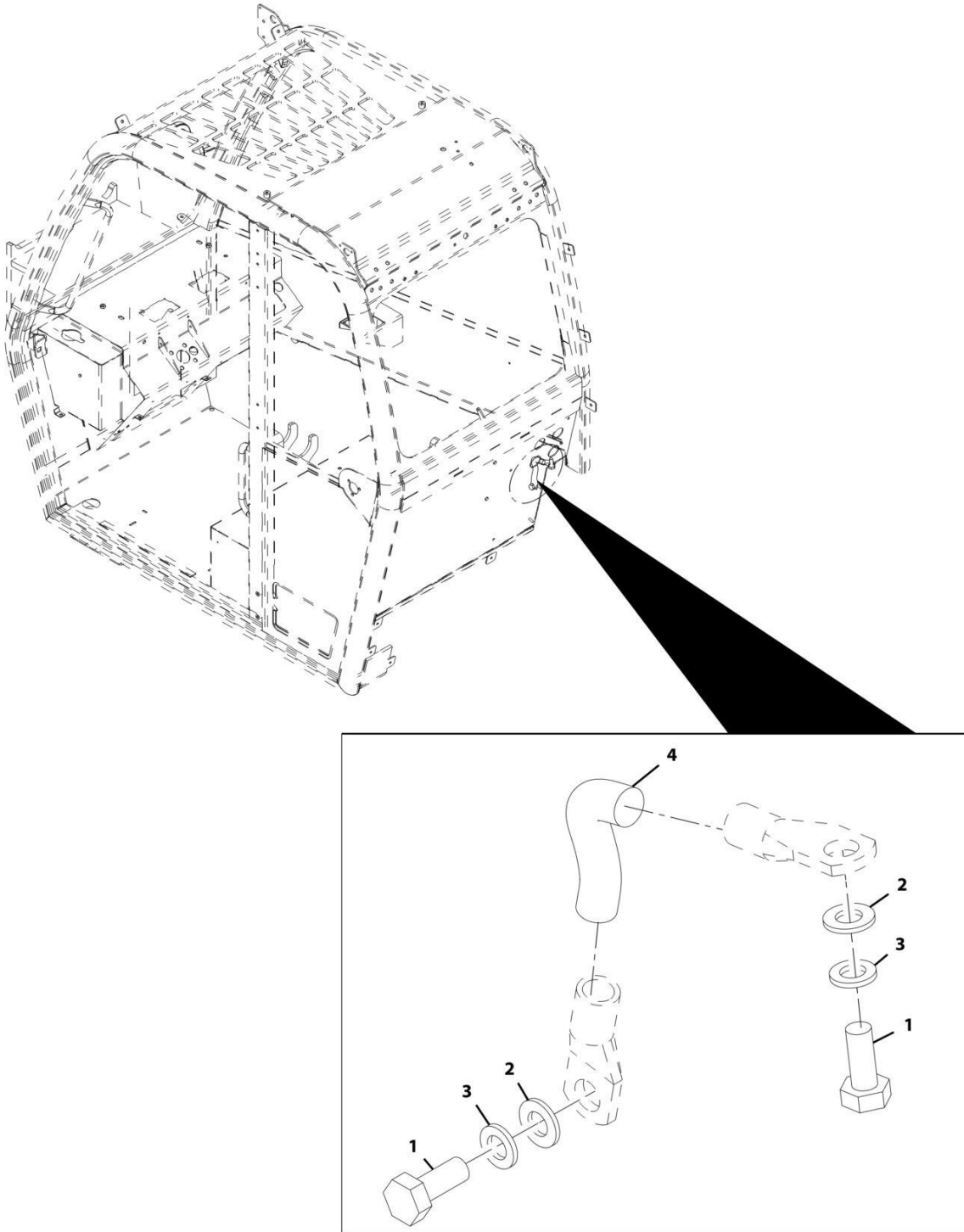
SECTION 10 - ELECTRICAL

FIGURE 10-8. BOOM RETRACT SENSOR INSTALLATION (4017RS)

ITEM	PART NUMBER	QTY	DESCRIPTION	REV
1	1001148600 4000017	Ref 1	Boom Retract Sensor Installation Switch, Proximity	A

SECTION 10 - ELECTRICAL

FIGURE 10-9. CAB EARTH INSTALLATION



ART_1001150453-B

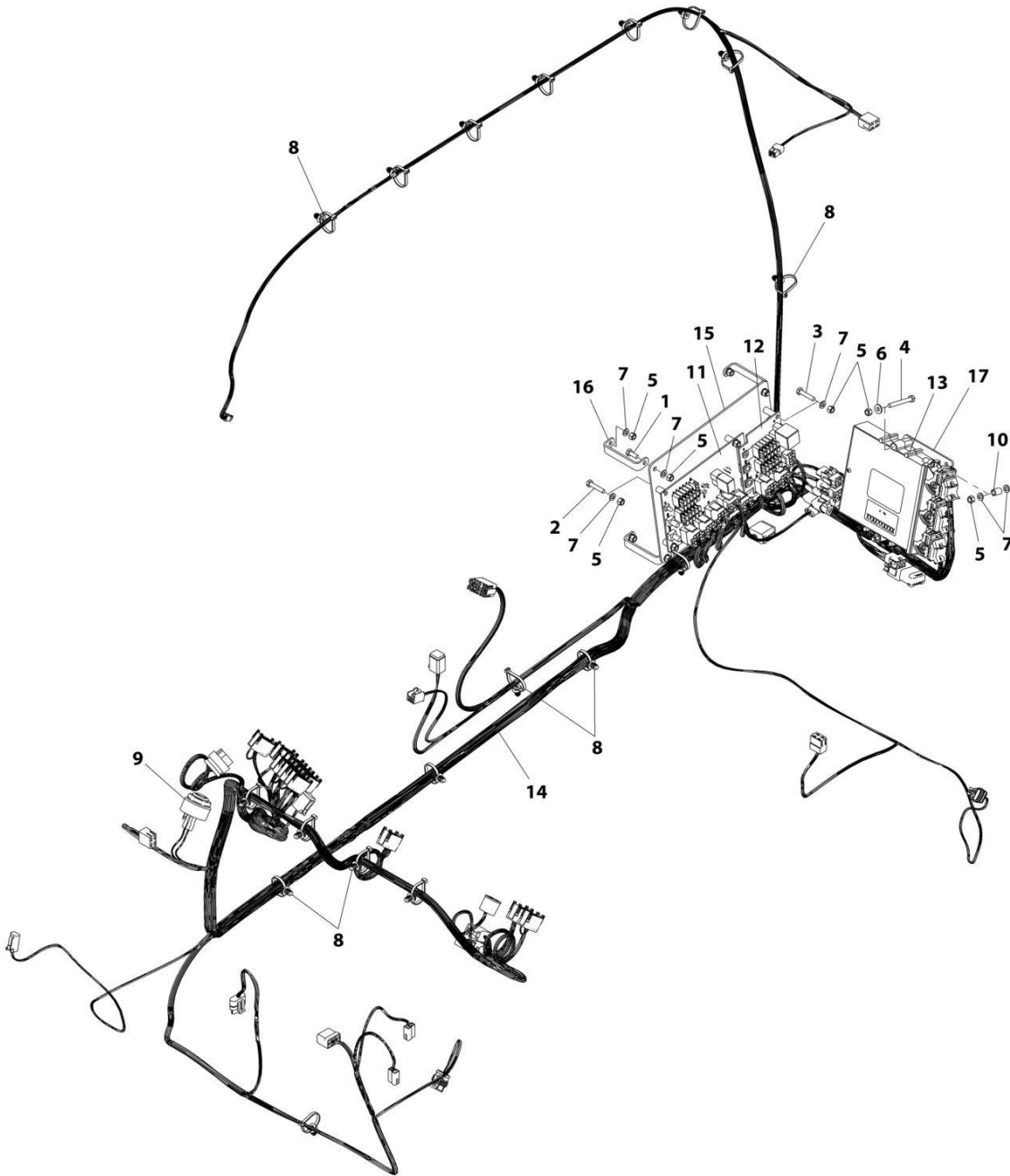
SECTION 10 - ELECTRICAL

FIGURE 10-9. CAB EARTH INSTALLATION

ITEM	PART NUMBER	QTY	DESCRIPTION	REV
	1001150453	Ref	Cab Earth Installation	B
1	0761012	2	Bolt, M10X25	
2	4812000	2	Washer, M10	
3	4832000	2	Washer, Lock 10	
4	1001009038	1	Cable, Cab Earth	

SECTION 10 - ELECTRICAL

FIGURE 10-10. CAB ELECTRICAL INSTALLATION



ART_1001248752-D

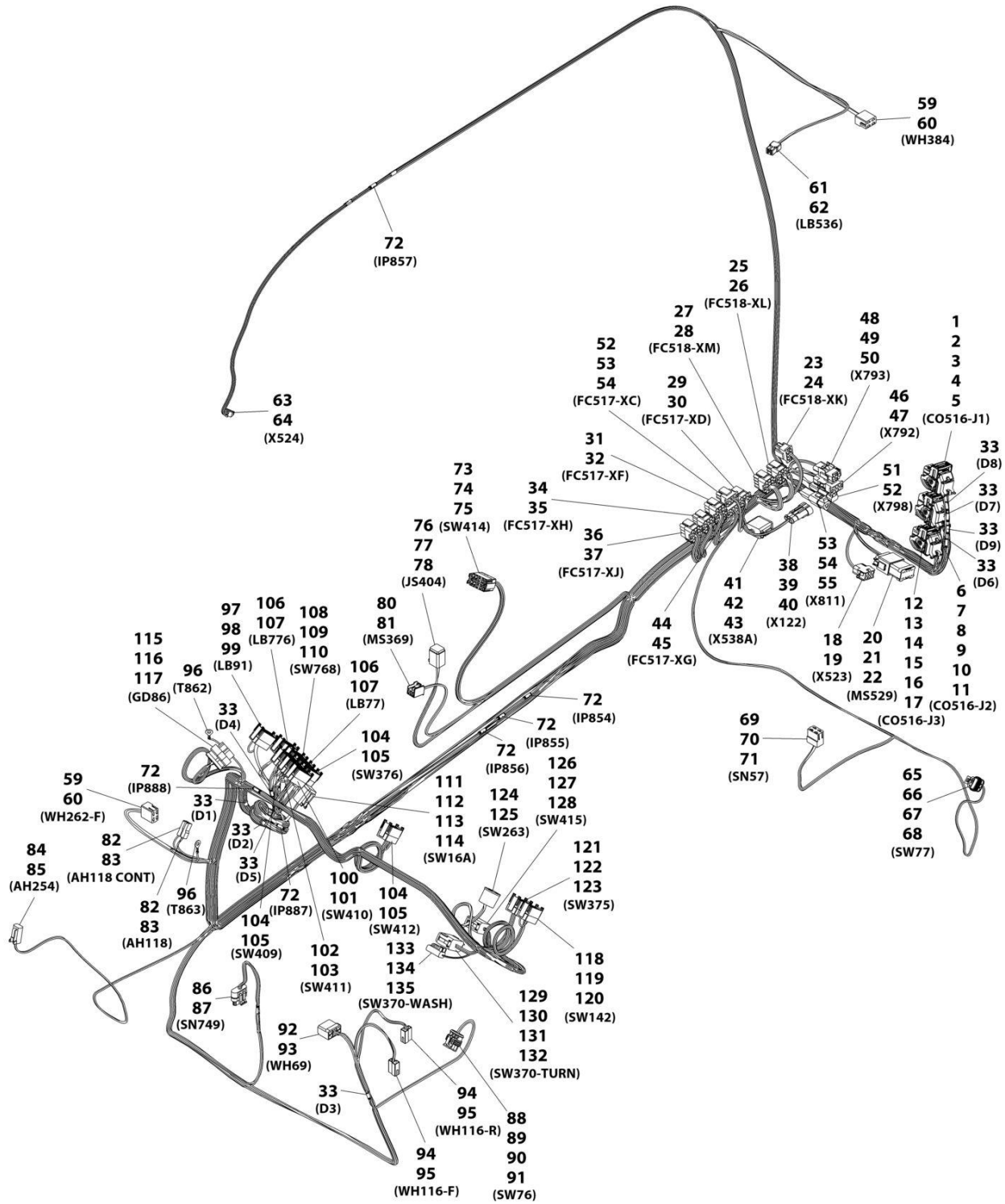
SECTION 10 - ELECTRICAL

FIGURE 10-10. CAB ELECTRICAL INSTALLATION

ITEM	PART NUMBER	QTY	DESCRIPTION	REV
	1001248752	Ref	Cab Electrical Installation	D
1	0700608	4	Bolt, M6X16	
2	0700614	4	Bolt, M6X30	
3	0700616	2	Bolt, M6X40	
4	0760618	2	Bolt, M6X50	
5	3290605	18	Nut, Lock M6X1	
6	4740563	2	Washer	
7	4811700	18	Washer, M6	
8	1001004720	19	Strap, Cable	
9	1001091751	1	Alarm, Buzzer	
10	1001150278	2	Mount, Spacer M6X15	
11	1001161769	1	Assembly, Standard Board	
12	1001161770	1	Assembly, OPTI Board	
13	1001209578	1	Control, TMH Cab Module	
14	1001248005	1	Harness, Cab Roadrunner (See Separate Breakdown in this Section)	
15	1001249047	1	Plate	
16	1001237793	4	Plate	
17	1001237794	1	Plate	

SECTION 10 - ELECTRICAL

FIGURE 10-11. CAB HARNESS



ART_1001248005-D

SECTION 10 - ELECTRICAL

FIGURE 10-11. CAB HARNESS

ITEM	PART NUMBER	QTY	DESCRIPTION	REV
	1001248005	Ref	Cab Harness	D
1	1001160497	1	Connector	
2	1001161095	13	Terminal	
3	1001161098	7	Terminal	
4	1001161100	11	Terminal	
5	1001161101	1	Terminal	
6	1001160501	1	Connector	
7	1001161095	15	Terminal	
8	1001161098	6	Terminal	
9	1001161099	1	Terminal	
10	1001161100	25	Terminal	
11	1001161101	1	Terminal	
12	1001161960	1	Connector	
13	1001161095	7	Terminal	
14	1001161097	6	Terminal	
15	1001161098	1	Terminal	
16	1001161100	11	Terminal	
17	1001161101	7	Terminal	
18	4460224	1	Connector	
19	4460267	4	Terminal	
20	4460933	1	Connector	
21	4460465	8	Terminal	
22	4460466	4	Terminal	
23	4460225	1	Connector	
24	4460267	4	Terminal	
25	4460343	1	Connector	
26	4460268	7	Terminal	
27	4460343	1	Connector	
28	4460267	7	Terminal	
29	4460265	1	Connector	
30	4460268	6	Terminal	
31	4460434	1	Connector	
32	4460268	12	Terminal	
33	3990010	1	Connector	
34	4460343	1	Connector	
35	4460268	9	Terminal	
36	4460343	1	Connector	
37	4460267	12	Terminal	
38	4461119	1	Connector	
39	1001104497	3	Terminal	
40	1001104498	3	Seal	
41	4460933	1	Connector	
42	4460465	11	Terminal	
43	4460466	1	Terminal	
44	4460225	1	Connector	
45	4460267	2	Terminal	
46	4460224	1	Connector	
47	4460268	5	Terminal	
48	4460445	1	Connector	
49	4460326	1	Terminal	

SECTION 10 - ELECTRICAL

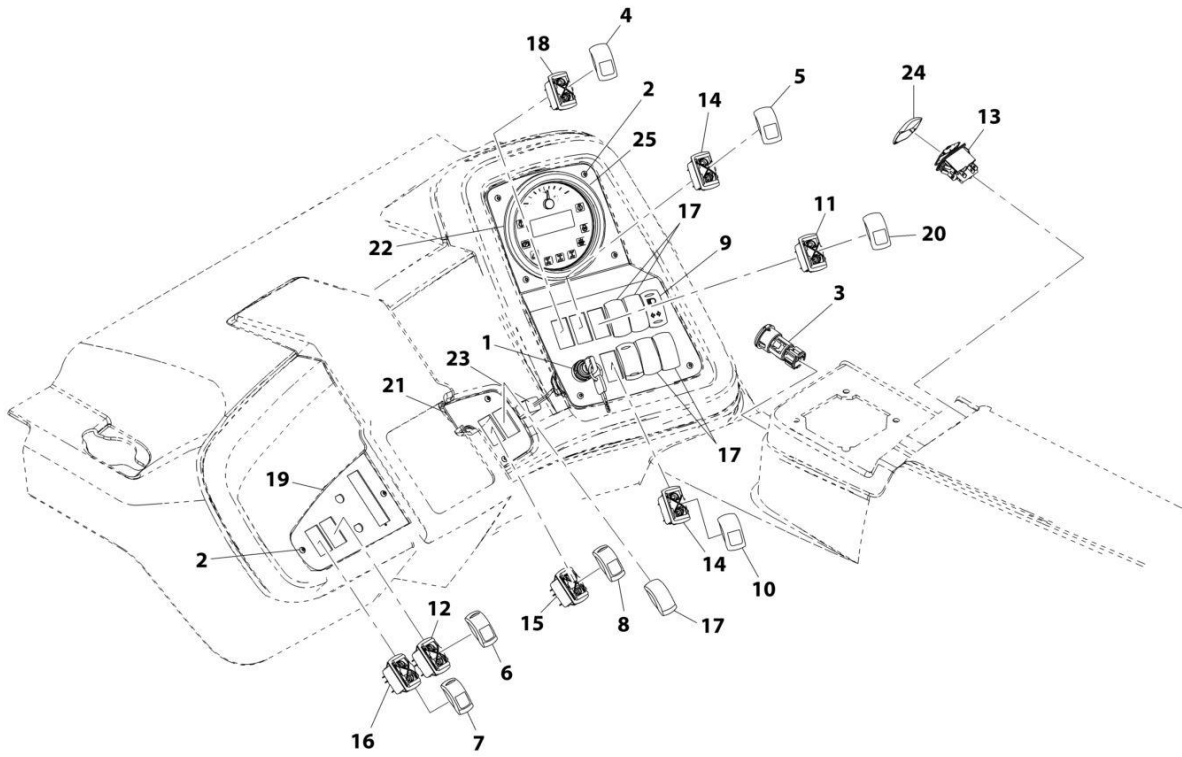
ITEM	PART NUMBER	QTY	DESCRIPTION	REV
50	4460268	4	Terminal	
51	4460897	1	Connector	
52	4460941	2	Terminal	
53	4460536	1	Connector	
54	4460464	2	Terminal	
55	4460466	1	Terminal	
56	4460225	1	Connector	
57	4460267	2	Terminal	
58	1001116698	4	Terminal	
59	1001116986	1	Connector	
60	1001104519	4	Terminal	
61	1001116991	1	Connector	
62	1001118384	2	Terminal	
63	1001150735	1	Connector	
64	1001150737	8	Terminal	
65	4461262	1	Connector	
66	1001107854	2	Terminal	
67	1001116698	1	Terminal	
68	1001114498	2	Seal	
69	1001116986	1	Connector	
70	1001104519	5	Terminal	
71	1001223455	1	Terminal	
72	260173	1	Connector	
73	1001145234	1	Connector	
74	1001223455	2	Terminal	
75	1001104519	6	Terminal	
76	4461217	1	Connector	
77	1001126010	4	Terminal	
78	4460518	2	Seal	
80	1001118684	1	Connector	
81	1001116754	2	Terminal	
82	1001116995	1	Connector	
83	1001118379	1	Terminal	
84	4460891	1	Connector	
85	4460465	2	Terminal	
86	1001230931	1	Connector	
87	1001116748	6	Terminal	
88	1001103012	1	Connector	
89	1001116698	2	Terminal	
90	1001116697	2	Terminal	
91	1001104498	2	Seal	
92	1001116997	1	Connector	
93	1001104519	5	Terminal	
94	4460994	1	Connector	
95	1001104519	3	Terminal	
96	1001187070	1	Terminal	
97	1001145234	1	Connector	
98	1001223455	1	Terminal	
99	1001104519	5	Terminal	
100	1001145234	1	Connector	
101	1001104519	10	Terminal	

SECTION 10 - ELECTRICAL

ITEM	PART NUMBER	QTY	DESCRIPTION	REV
102	1001145234	1	Connector	
103	1001104519	9	Terminal	
104	1001145234	1	Connector	
105	1001104519	11	Terminal	
106	1001145234	1	Connector	
107	1001104519	4	Terminal	
108	1001145234	1	Connector	
109	1001223455	3	Terminal	
110	1001104519	3	Terminal	
111	4460894	1	Connector	
112	4460465	1	Terminal	
113	4460466	3	Terminal	
114	4460942	2	Terminal	
115	4460872	1	Connector	
116	4460871	7	Terminal	
117	4460905	7	Terminal	
118	1001145234	1	Connector	
119	1001223455	3	Terminal	
120	1001104519	8	Terminal	
121	1001145234	1	Connector	
122	1001223455	1	Terminal	
123	1001104519	6	Terminal	
124	1001153337	1	Connector	
125	1001104519	4	Terminal	
126	4460930	1	Connector	
127	4460465	7	Terminal	
128	4460466	1	Terminal	
129	4460933	1	Connector	
130	4460942	5	Terminal	
131	4460465	5	Terminal	
132	4460466	2	Terminal	
133	4460891	1	Connector	
134	4460942	1	Terminal	
135	4460465	1	Terminal	

SECTION 10 - ELECTRICAL

FIGURE 10-12. CAB - DASH ELECTRICAL INSTALLATION



ART_1001241832-A

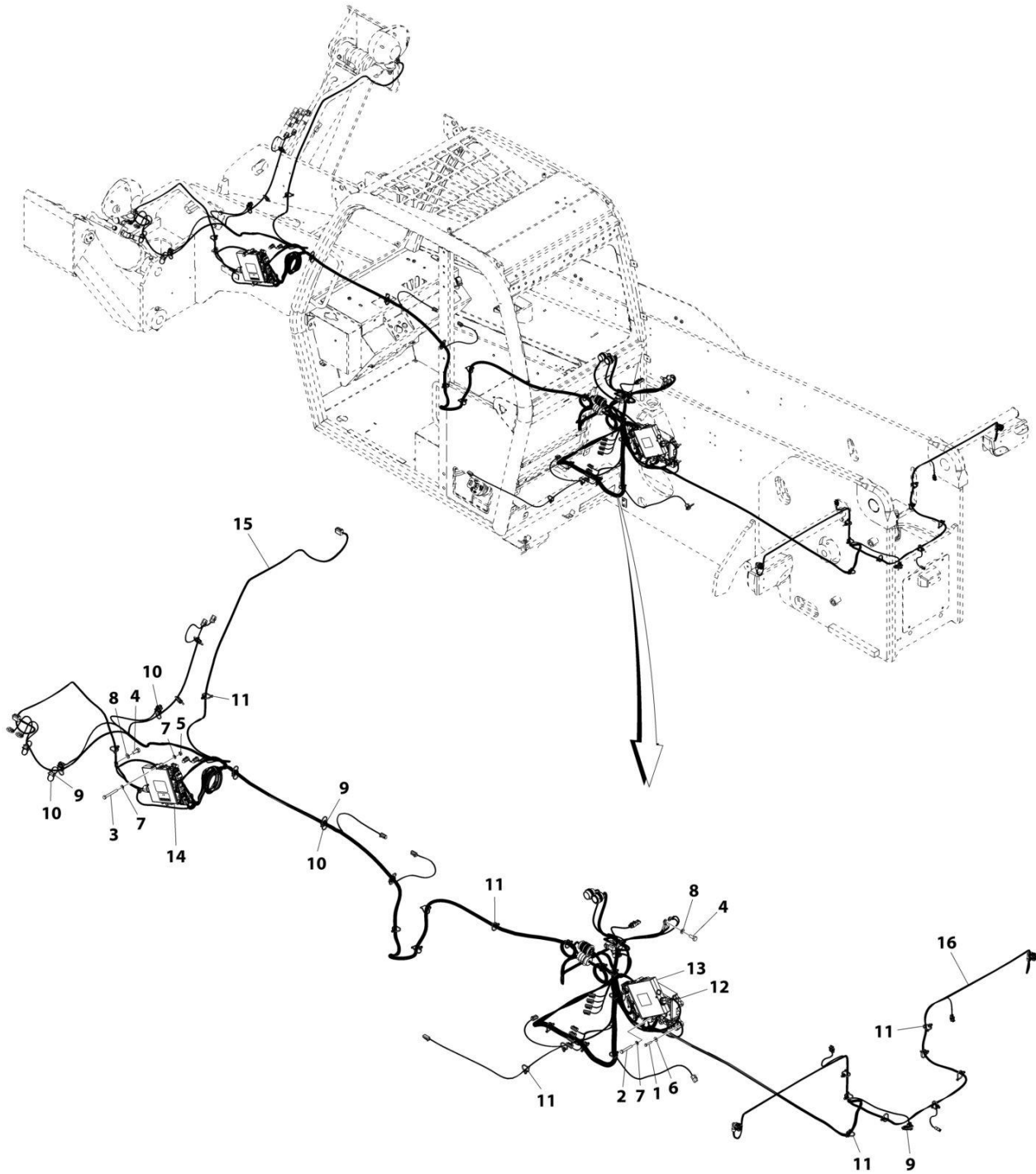
SECTION 10 - ELECTRICAL

FIGURE 10-12. CAB - DASH ELECTRICAL INSTALLATION

ITEM	PART NUMBER	QTY	DESCRIPTION	REV
	1001241832	Ref	Dash Electrical Installation	A
1	4360657	1	Switch, Ignition	
1	70007289	1	Key, Ignition	
2	1001047064	10	Screw, M4X15	
3	1001095804	1	Connector, 12V Power Socket	
4	1001145252	1	Switch, Rocker, Hazards	
5	1001145253	1	Switch, Rocker, Driving Lights	
6	1001145257	1	Switch, Rocker, LSI Override	
7	1001145258	1	Switch, Rocker, Joystick Override	
8	1001145260	1	Switch, Rocker, Rear Wiper	
9	1001145265	1	Lamp, High Beam and Indicators	
10	1001145266	1	Switch, Rocker, Steer Select	
11	1001146725	1	Switch, SPST	
12	1001146726	1	Switch, SPST(M)	
13	1001146727	1	Switch, SPDT(M)	
14	1001146728	2	Switch, DP3T	
15	1001146729	1	Switch, DP3T(M)	
16	1001146730	1	Switch, DPDT	
17	1001147344	5	Switch, Blank	
18	1001147451	1	Switch, DPDT	
19	1001148415	1	Plate, HAC Control	
20	1001148916	1	Switch, Rocker, Fog Lights	
21	1001149141	1	Plate, Switch	
22	1001150292	1	Gauge, Canbus	
23	1001223968	1	Key Harness	
24	1001239912	1	Switch, Rocker	
25	1001239949	1	Plate, Switch	

SECTION 10 - ELECTRICAL

FIGURE 10-13. CHASSIS HARNESS INSTALLATION (3614RS)



ART_1001239320-E

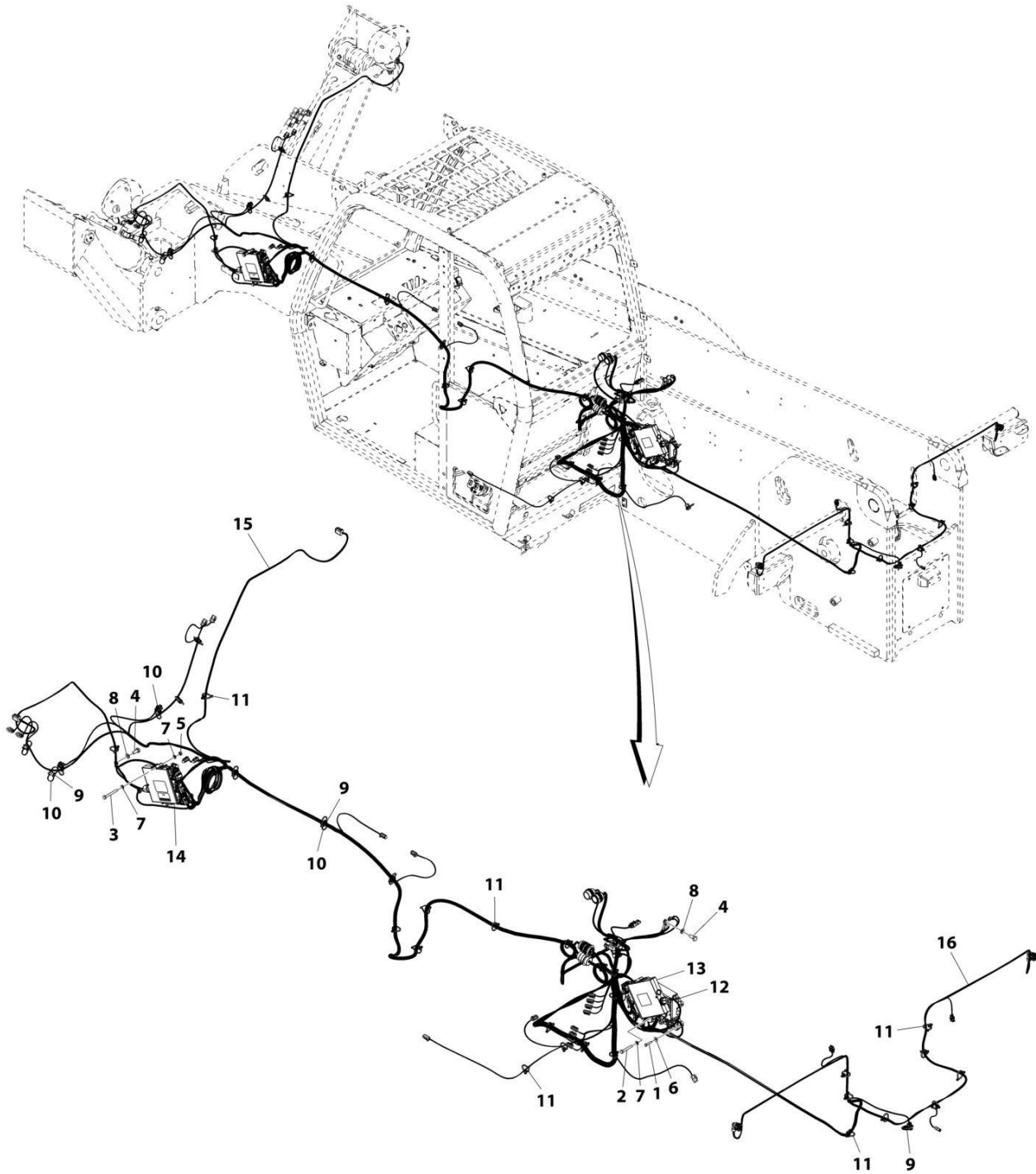
SECTION 10 - ELECTRICAL

FIGURE 10-13. CHASSIS HARNESS INSTALLATION (3614RS)

ITEM	PART NUMBER	QTY	DESCRIPTION	REV
	1001239320	Ref	Chassis Harness Installation	E
1	0700614	4	Bolt, M6X30	
2	0700819	2	Bolt, M8X55	
3	0700822	2	Bolt, M8X70	
4	0761012	2	Bolt, M10X25	
5	3290801	2	Bolt, M8X1.25	
6	4811702	4	Washer, M6	
7	4811900	6	Washer, M8	
8	4812000	2	Washer, M10	
9	1001004723	10	Saddle	
10	1001008559	20	Strap, Cable	
11	1001146588	27	Strap, Cable	
12	1001164402	1	Power Dist Box	
13	1001209576	1	Rear Frame Module	
14	1001209577	1	Front Frame Module	
15	1001237510	1	Harness, Front Frame RR (See Separate Breakdown in this Section)	
16	1001238729	1	Harness, Rear Frame RR (See Separate Breakdown in this Section)	

SECTION 10 - ELECTRICAL

FIGURE 10-14. CHASSIS HARNESS INSTALLATION (4017RS)



ART_1001239321-E

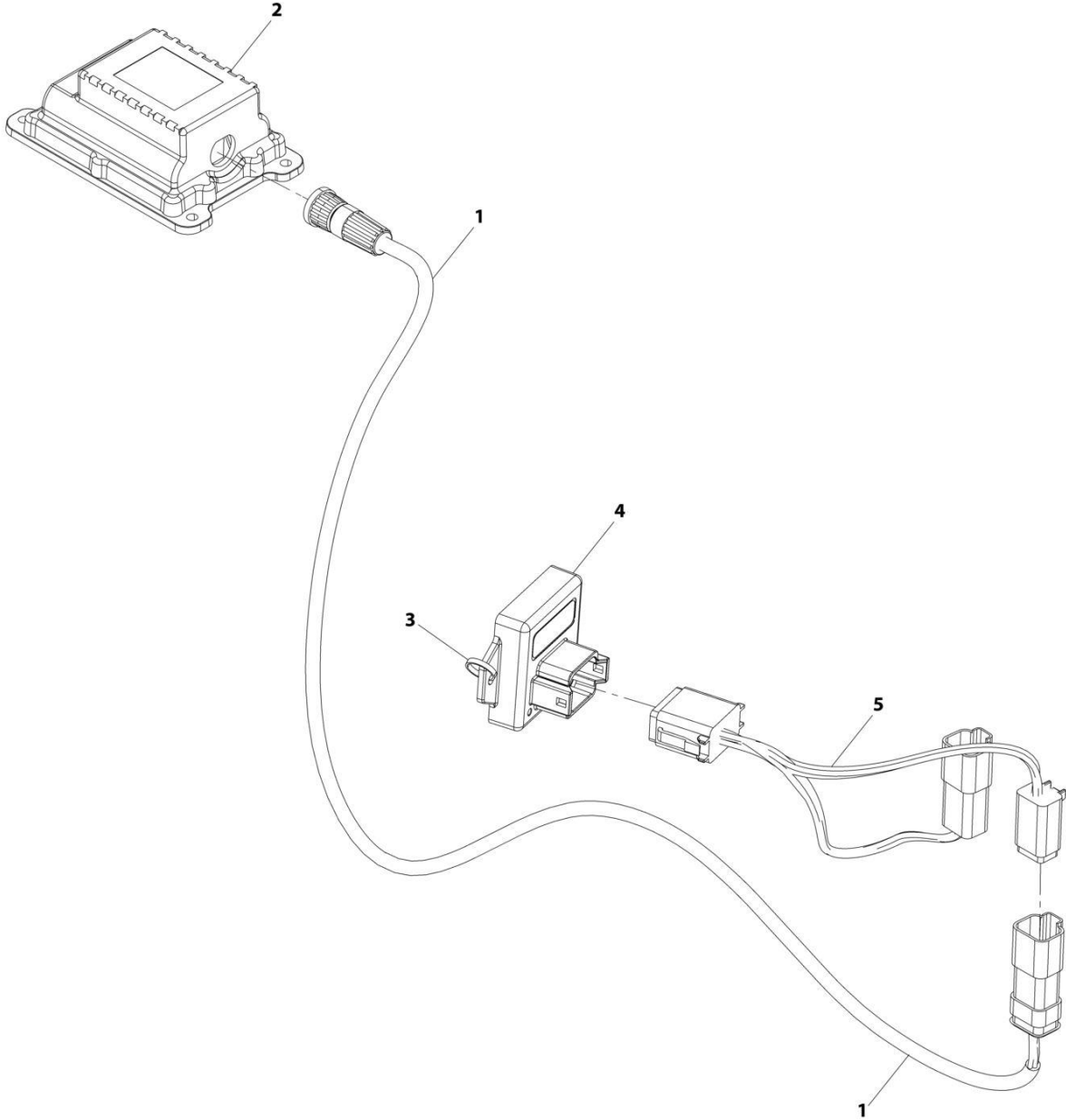
SECTION 10 - ELECTRICAL

FIGURE 10-14. CHASSIS HARNESS INSTALLATION (4017RS)

ITEM	PART NUMBER	QTY	DESCRIPTION	REV
	1001239321	Ref	Chassis Harness Installation	E
1	0700614	4	Bolt, M6X30	
2	0700819	2	Bolt, M8X55	
3	0700822	2	Bolt, M8X70	
4	0761012	2	Bolt, M10X25	
5	3290801	2	Bolt, M8X1.25	
6	4811702	4	Washer, M6	
7	4811900	6	Washer, M8	
8	4812000	2	Washer, M10	
9	1001004723	10	Saddle	
10	1001008559	21	Strap, Cable	
11	1001146588	28	Strap, Cable	
12	1001164402	1	Power Dist Box	
13	1001209576	1	Rear Frame Module	
14	1001209577	1	Front Frame Module	
15	1001237510	1	Harness, Front Frame (See Separate Breakdown in this Section)	
16	1001238729	1	Harness, Rear Frame (See Separate Breakdown in this Section)	

SECTION 10 - ELECTRICAL

FIGURE 10-15. CLEARSKY INSTALLATION 3-WIRE (CE)



ART_1001233237

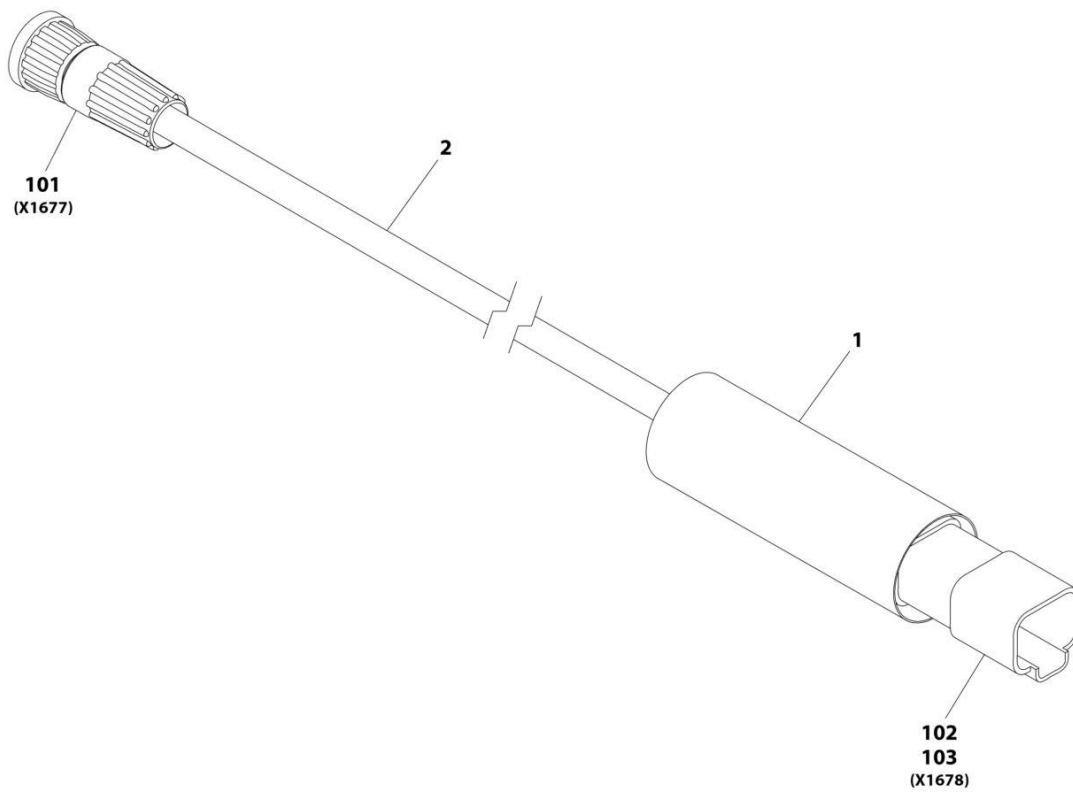
SECTION 10 - ELECTRICAL

FIGURE 10-15. CLEARSKY INSTALLATION 3-WIRE (CE)

ITEM	PART NUMBER	QTY	DESCRIPTION	REV
	1001233237	Ref	Clearsky Installation 3-Wire (CE)	E
1	1001227066	1	Telematics Harness (See Separate Breakdown in this Section)	
2	1001233236	1	Module, 3W TCU	
3	4240032	AR	Tie Strap	
4	1001262960	1	Voltage Regulator	
5	1001262963	1	Harness, Xirgo Jumper	

SECTION 10 - ELECTRICAL

FIGURE 10-16. CLEARSKY - 3-WIRE HARNESS



ART_1001227066-A

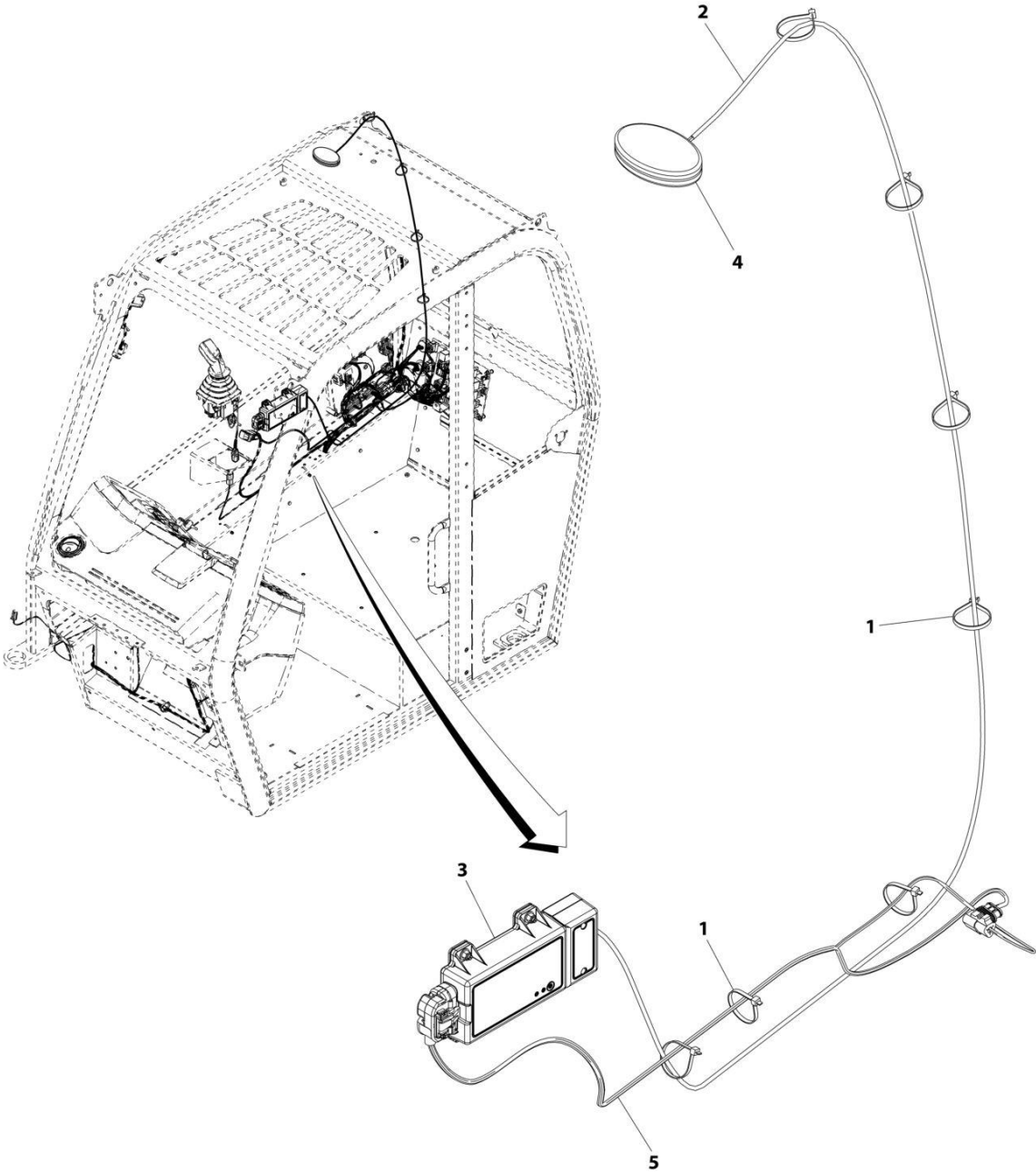
SECTION 10 - ELECTRICAL

FIGURE 10-16. CLEARSKY - 3-WIRE HARNESS

ITEM	PART NUMBER	QTY	DESCRIPTION	REV
	1001227066	Ref	CLEARSKY TELEMATICS HARNESS	A
1	1001226400	0.33 ft	Insulate, Heat Shrink	
2	1001227068	3.3 ft	Cable	
101	1001227266	1	Connector	
102	1001129407	1	Connector	
103	4460464	4	Terminal	

SECTION 10 - ELECTRICAL

FIGURE 10-17. CLEARSKY CANBUS 3G INSTALLATION (CE)



ART_1001243061-C

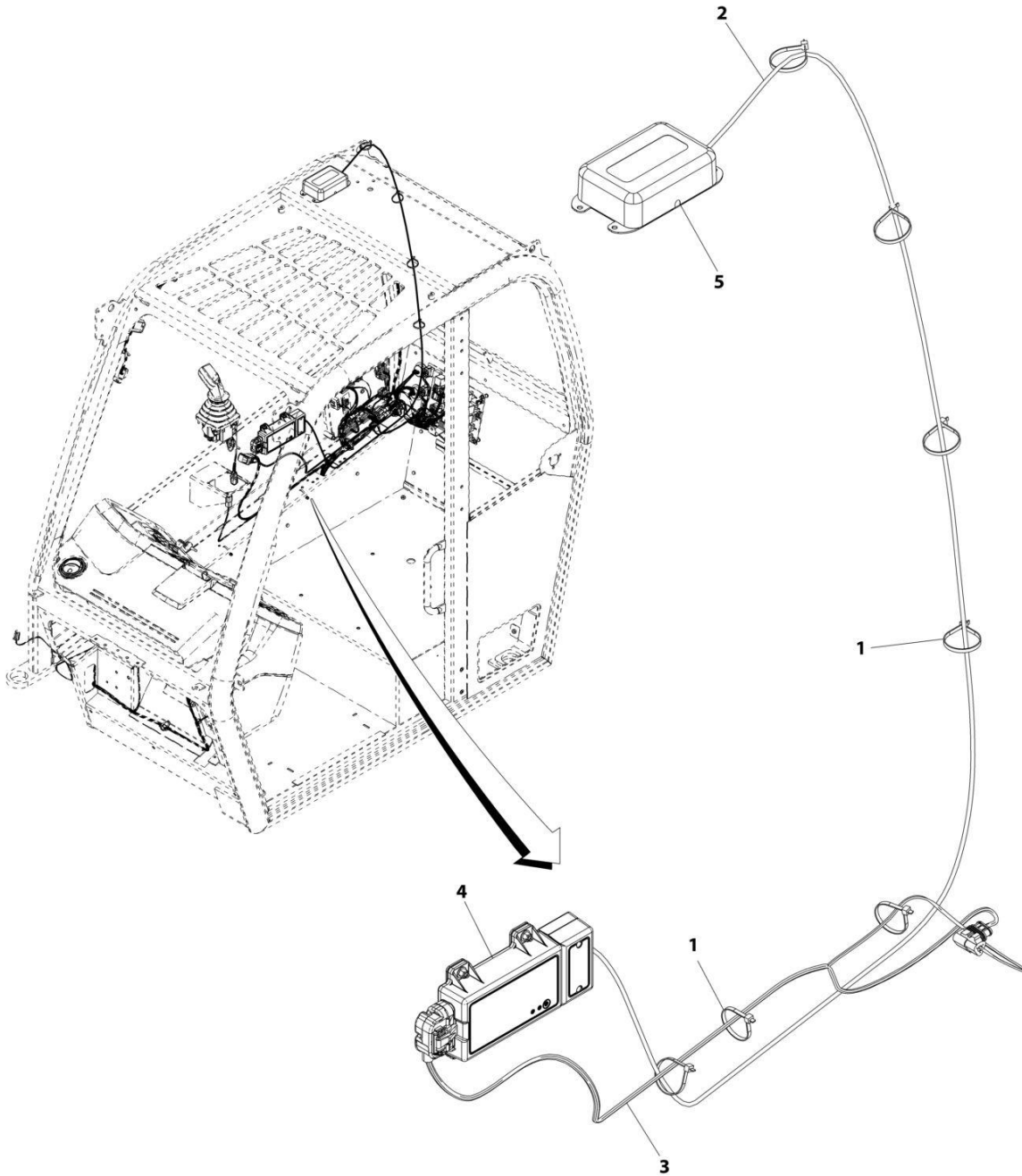
SECTION 10 - ELECTRICAL

FIGURE 10-17. CLEARSKY CANBUS 3G INSTALLATION (CE)

ITEM	PART NUMBER	QTY	DESCRIPTION	REV
	1001243061	Ref	Clearsky Canbus Installation (CE)	C
1	1001008559	7	Strap-Cable	
2	1001166282	1	Conduit	
3	1001239194	1	Module	
4	1001236144	1	Antenna	
5	1001243058	1	Clearsky Harness (See Separate Breakdown in this Section)	

SECTION 10 - ELECTRICAL

FIGURE 10-18. CLEARSKY CANBUS 4G INSTALLATION (CE)



ART_1001265640

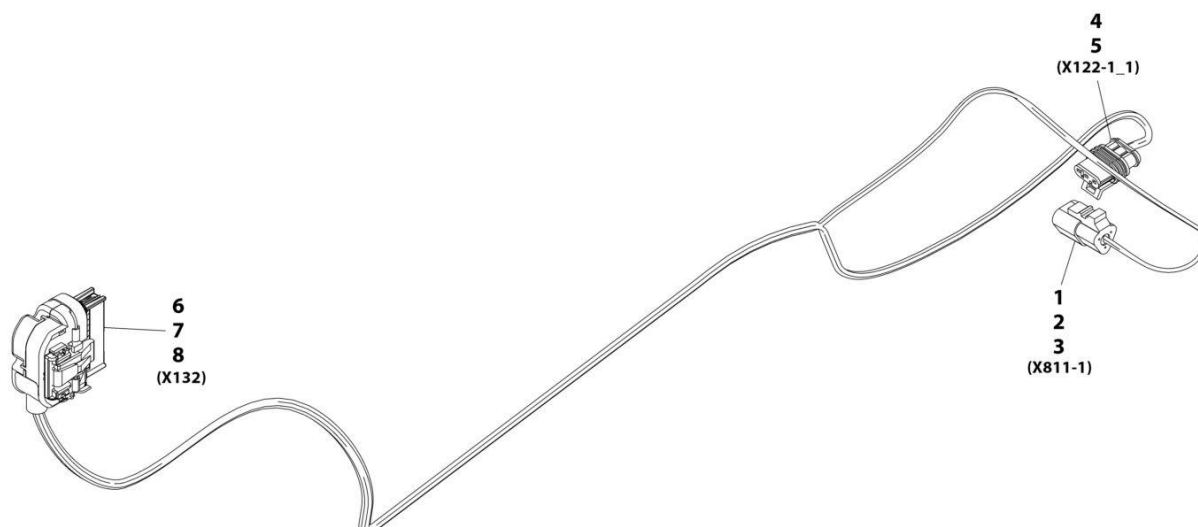
SECTION 10 - ELECTRICAL

FIGURE 10-18. CLEARSKY CANBUS 4G INSTALLATION (CE)

ITEM	PART NUMBER	QTY	DESCRIPTION	REV
	1001265640	Ref	Clearsky Canbus Installation (CE)	A
1	1001008559	7	Strap-Cable	
2	1001166282	1	Conduit	
3	1001243058	1	Clearsky Harness (See Separate Breakdown in this Section)	
4	1001262322	1	Module	
5	1001262327	1	Antenna	

SECTION 10 - ELECTRICAL

FIGURE 10-19. CLEARSKY - CANBUS HARNESS



ART_1001243058-A

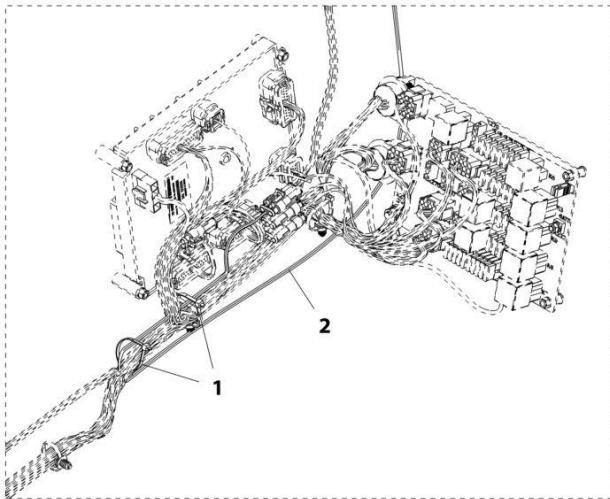
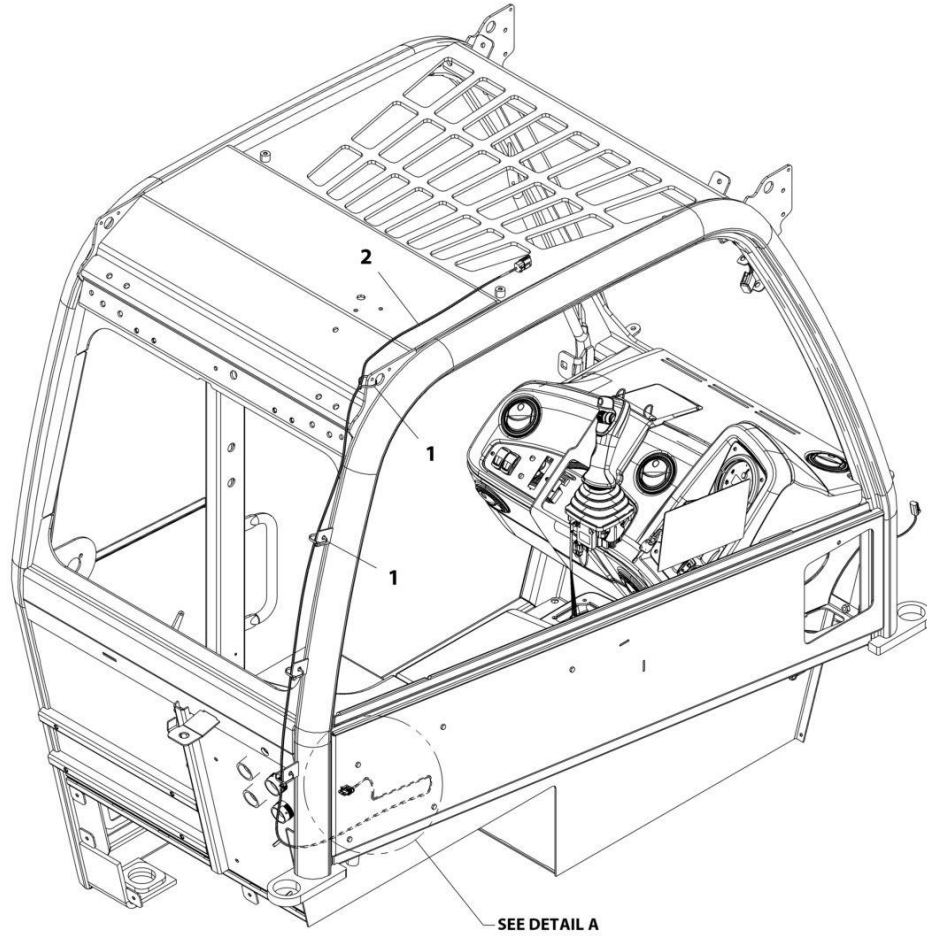
SECTION 10 - ELECTRICAL

FIGURE 10-19. CLEARSKY - CANBUS HARNESS

ITEM	PART NUMBER	QTY	DESCRIPTION	REV
	1001243058	Ref	Clearsky Harness	A
1	4460539	1	Connector	
2	4460465	2	Terminal	
3	4460466	1	Terminal	
4	4461262	1	Connector	
5	1001166818	3	Terminal	
6	1001226636	1	Connector	
7	1001226637	5	Terminal	
8	1001116731	19	Terminal	

SECTION 10 - ELECTRICAL

FIGURE 10-20. CLEARSKY UNIVERSAL INSTALLATION



DETAIL A

ART_1001205597-A

SECTION 10 - ELECTRICAL

FIGURE 10-20. CLEARSKY UNIVERSAL INSTALLATION

ITEM	PART NUMBER	QTY	DESCRIPTION	REV
1	1001205597	Ref	Universal Telematics Installation (If equipped)	A
	1001008559	6	Strap, Cable	
2	1001205596	1	Harness, Universal Telematics (See Separate Breakdown in this Section)	

SECTION 10 - ELECTRICAL

FIGURE 10-21. CLEARSKY - UNIVERSAL HARNESS



ART_1001205596-A

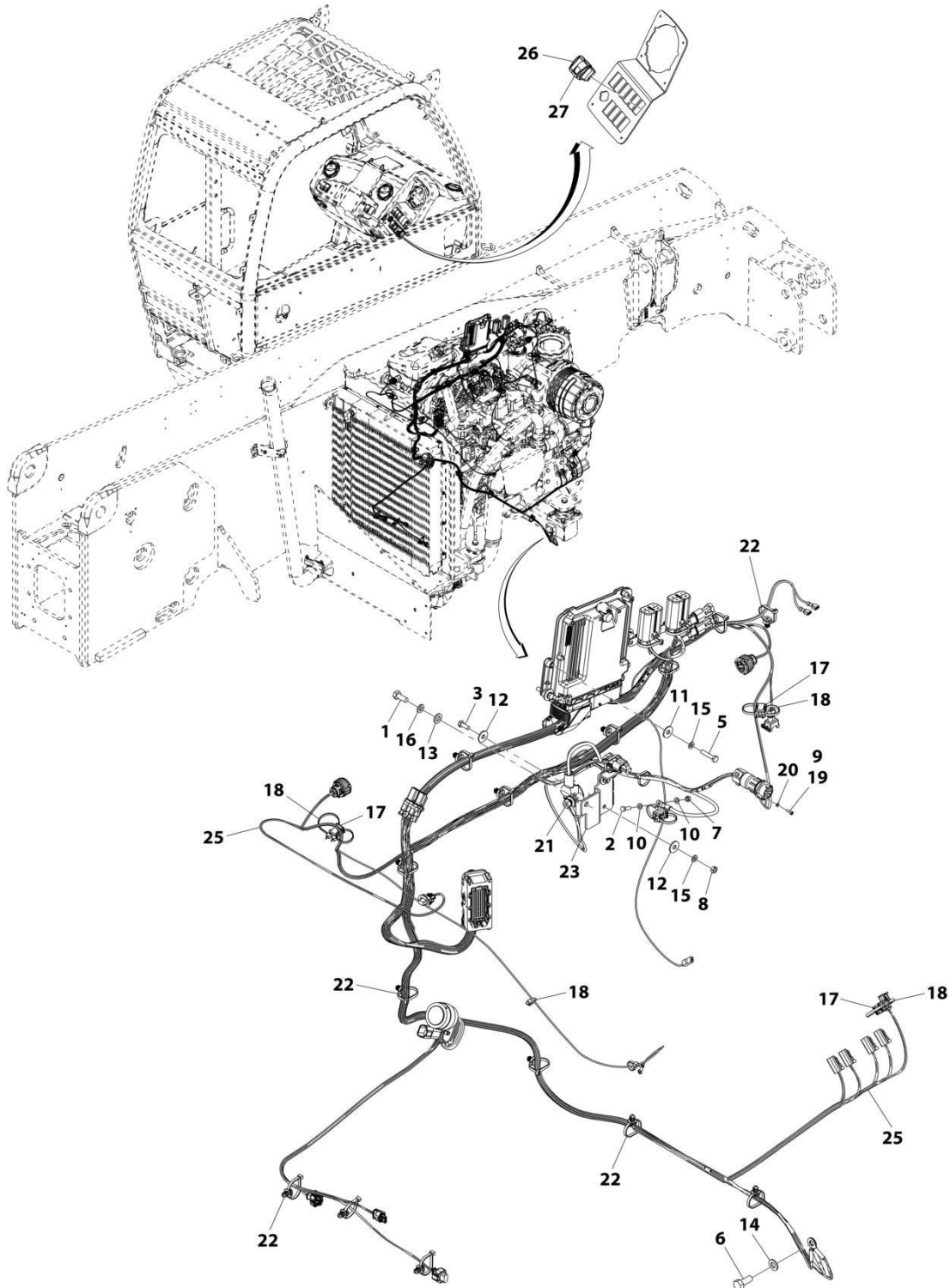
SECTION 10 - ELECTRICAL

FIGURE 10-21. CLEARSKY - UNIVERSAL HARNESS

ITEM	PART NUMBER	QTY	DESCRIPTION	REV
	1001205596	Ref	Universal Telematics Harness	A
1	4460884	1	Connector	
2	4460465	3	Terminal	
3	4460466	1	Plug	
4	80604021	1	Lock, Wedge	
5	1001192401	1	Cap Dust	
6	4461262	1	Connector	
7	1001116697	3	Terminal	
8	1001104498	3	Plug	

SECTION 10 - ELECTRICAL

FIGURE 10-22. ENGINE ELECTRICAL INSTALLATION - 55 KW



ART_1001236915-B

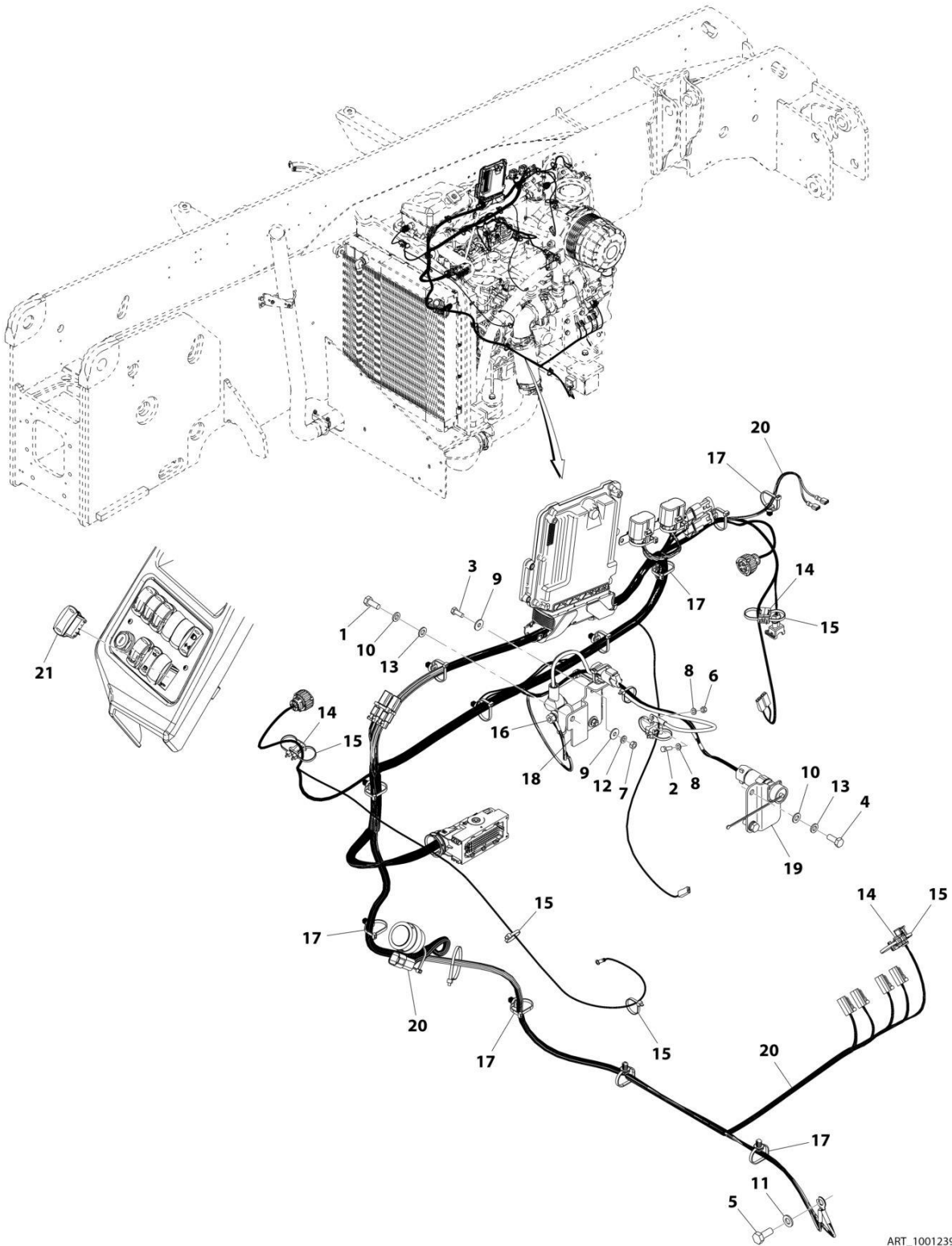
SECTION 10 - ELECTRICAL

FIGURE 10-22. ENGINE ELECTRICAL INSTALLATION - 55 KW

ITEM	PART NUMBER	QTY	DESCRIPTION	REV
	1001236915	Ref	Engine Electrical Installation - 55KW	B
1	0700810	1	Bolt, M8X20	
2	0760508	1	Bolt, M5X16	
3	0760608	2	Bolt, M6X16	
5	0760614	4	Bolt, M6X30	
6	0761012	1	Bolt, M10X25	
7	3290505	1	Nut, Lock M5X0.8	
8	3290601	2	Nut, M6X1	
9	4031205	3	Bolt, M3X10	
10	4811600	2	Washer, M5	
11	4811700	4	Washer, M6	
12	4811702	4	Washer, M6	
13	4811900	1	Washer, M8	
14	4812000	1	Washer, M10	
15	4831700	6	Washer, Lock M6	
16	4831900	1	Washer, Lock M8	
17	1001004723	4	Saddle	
18	1001008559	11	Strap, Cable	
19	1001095650	AR	Compound, Locking	
20	1001110544	3	Washer, M3	
21	1001117308	1	Relay, 200 Amp (See Separate Breakdown in this Section)	
22	1001146588	15	Strap, Cable	
23	1001147799	1	Bracket, Glow Plug Relay	
25	1001238823	1	Harness, Engine (See Separate Breakdown in this Section)	
26	1001241811	1	Lamp	
27	1001241813	1	Switch	

SECTION 10 - ELECTRICAL

FIGURE 10-23. ENGINE ELECTRICAL INSTALLATION - 74 KW



ART_1001239322-C

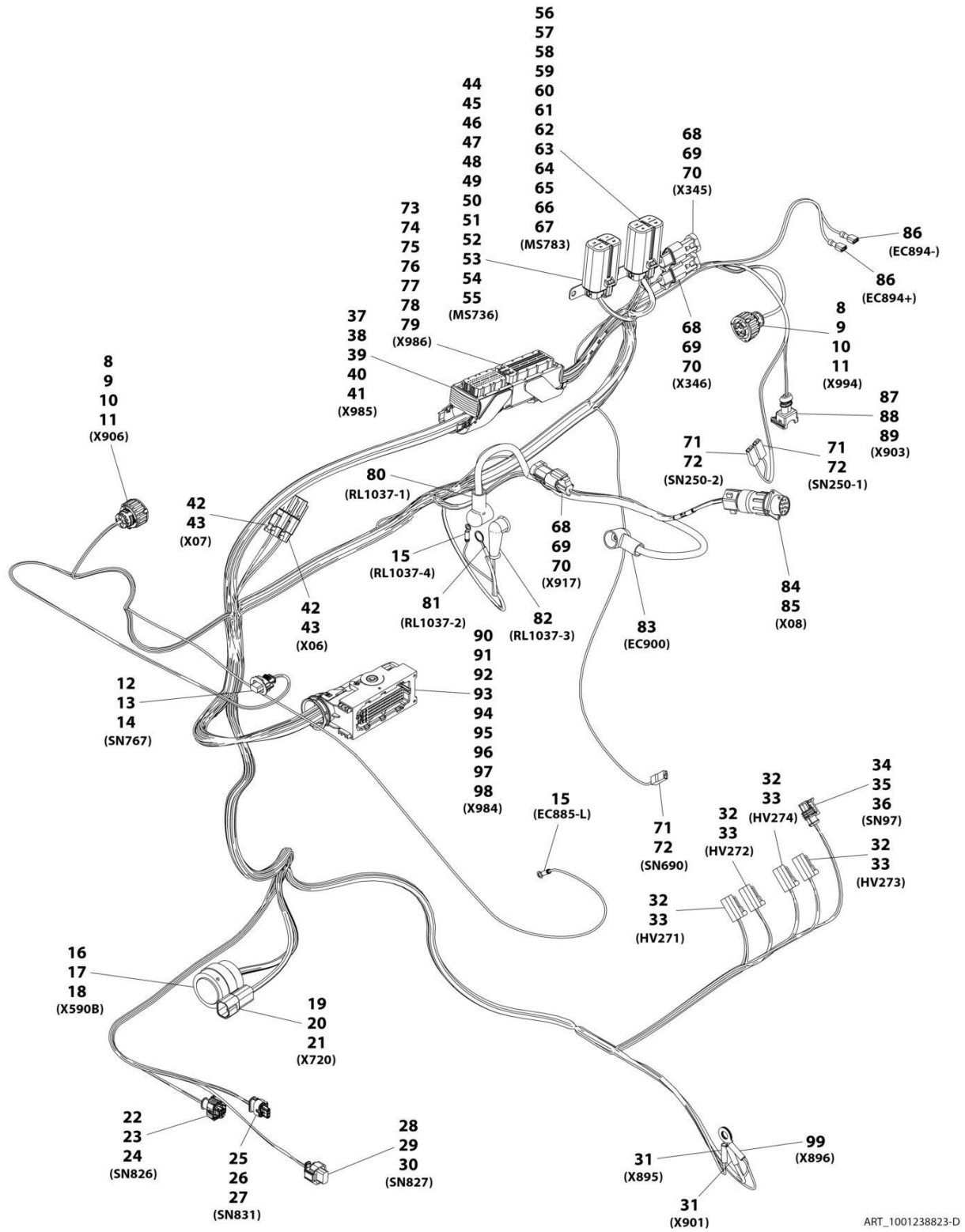
SECTION 10 - ELECTRICAL

FIGURE 10-23. ENGINE ELECTRICAL INSTALLATION - 74 KW

ITEM	PART NUMBER	QTY	DESCRIPTION	REV
	1001239322	Ref	Engine Electrical Installation - 74KW	C
1	0700810	1	Bolt, M8X20	
2	0760508	1	Bolt, M5X16	
3	0760608	2	Bolt, M6X16	
4	0760810	2	Bolt, M8X20	
5	0761012	1	Bolt, M10X25	
6	3290505	1	Nut, Lock M5X0.8	
7	3290601	2	Nut, M6X1	
8	4811600	2	Washer, M5	
9	4811702	4	Washer, M6	
10	4811900	3	Washer, M8	
11	4812000	1	Washer, M10	
12	4831700	2	Washer, Lock M6	
13	4831900	3	Washer, Lock M8	
14	1001004723	4	Saddle	
15	1001008559	13	Strap, Cable	
16	1001117308	1	Relay, 200 Amp (See Separate Breakdown in this Section)	
17	1001146588	15	Strap, Cable	
18	1001147799	1	Bracket, Glow Plug Relay	
19	1001166850	1	Bracket, Diagnostic Connector	
20	1001238822	1	Harness, Engine (See Separate Breakdown in this Section)	
21	1001241810	1	Lamp, Aux Indicator	

SECTION 10 - ELECTRICAL

FIGURE 10-24. ENGINE HARNESS - 55KW



SECTION 10 - ELECTRICAL

FIGURE 10-24. ENGINE HARNESS - 55KW

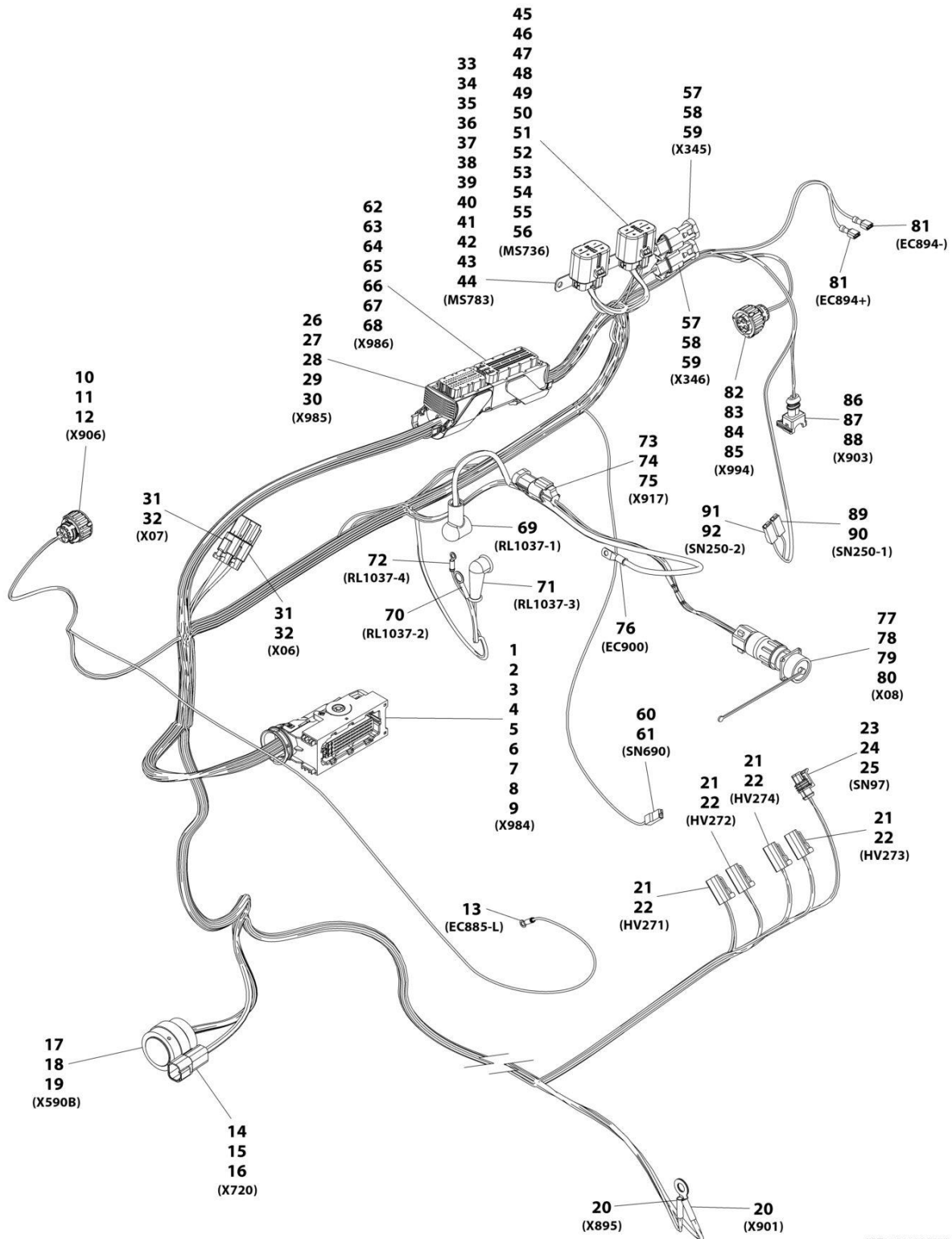
ITEM	PART NUMBER	QTY	DESCRIPTION	REV
	1001238823	Ref	Engine Harness	D
8	1001133714	2	Connector	
9	1001133715	3	Terminal	
10	1001135650	3	Seal	
11	1001135651	1	Terminal	
12	1001167674	1	Connector	
13	1001126484	2	Terminal	
14	1001126485	2	Seal	
15	4460247	2	Connector	
16	1001147923	1	Connector	
17	4460465	15	Terminal	
18	4460466	8	Terminal	
19	1001116811	1	Connector	
20	4460508	3	Terminal	
21	4460466	1	Terminal	
22	1001239733	1	Connector	
23	1001126484	2	Terminal	
24	1001126485	2	Seal	
25	1001247948	1	Connector	
26	1001247955	3	Terminal	
27	1001247969	3	Seal	
28	1001167679	1	Connector	
29	1001126484	2	Terminal	
30	1001126485	2	Seal	
31	1001117110	2	Terminal Ring	
32	4460891	4	Connector	
33	1001116692	2	Terminal	
34	4461118	1	Connector	
35	1001116697	2	Terminal	
36	1001104498	2	Seal	
37	1001126360	1	Connector	
38	1001126357	11	Terminal	
39	1001126351	13	Terminal	
40	1001126356	10	Terminal	
41	1001126384	26	Terminal	
42	4460891	4	Connector	
43	4460465	2	Terminal	
44	80484081	1	Connector	
45	1001129286	1	Terminal	
46	1001184548	1	Bracket	
47	1001129285	1	Diode	
48	8229242	1	Fuse	
49	8229244	1	Fuse	
50	1001116728	3	Terminal	
51	1001175265	3	Seal	
52	1001116747	3	Terminal	
53	4460458	3	Seal	
54	8220125	2	Terminal	
55	4460789	2	Seal	
56	80484081	1	Connector	

SECTION 10 - ELECTRICAL

ITEM	PART NUMBER	QTY	DESCRIPTION	REV
57	1001129286	1	Terminal	
58	1001184548	1	Bracket	
59	8229247	1	Fuse	
60	1001242866	1	Relay	
61	4460748	2	Terminal	
62	8220125	3	Terminal	
63	4460789	3	Seal	
64	1001116747	1	Terminal	
65	4460458	1	Seal	
66	4460746	2	Terminal	
67	8220079	2	Seal	
68	4461095	3	Connector	
69	4460944	2	Terminal	
70	4460466	1	Terminal	
71	1001116995	3	Connector	
72	1001118379	1	Terminal	
73	1001126349	1	Connector	
74	1001126352	6	Terminal	
75	1001126353	6	Seal	
76	1001126357	2	Terminal	
77	1001126356	49	Terminal	
78	1001126384	34	Terminal	
79	1001126351	3	Terminal	
80	1001117112	1	Connector	
81	4460019	1	Connector	
82	4460042	1	Connector	
83	1001148375	1	Connector	
84	1001138155	1	Connector	
85	4461071	6	Terminal	
86	8220051	2	Connector	
87	1001116983	1	Connector	
88	1001116710	2	Terminal	
89	1001137578	2	Seal	
90	1001126362	1	Connector	
91	1001126363	34	Terminal	
92	1001126364	34	Seal	
93	1001126391	10	Terminal	
94	1001126392	12	Terminal	
95	1001126393	12	Seal	
96	4461008	4	Terminal	
97	1001167632	2	Terminal	
98	1001137578	2	Seal	
99	1001187078	1	Terminal Ring	

SECTION 10 - ELECTRICAL

FIGURE 10-25. ENGINE HARNESS - 74KW



ART_1001238822-D

SECTION 10 - ELECTRICAL

FIGURE 10-25. ENGINE HARNESS - 74KW

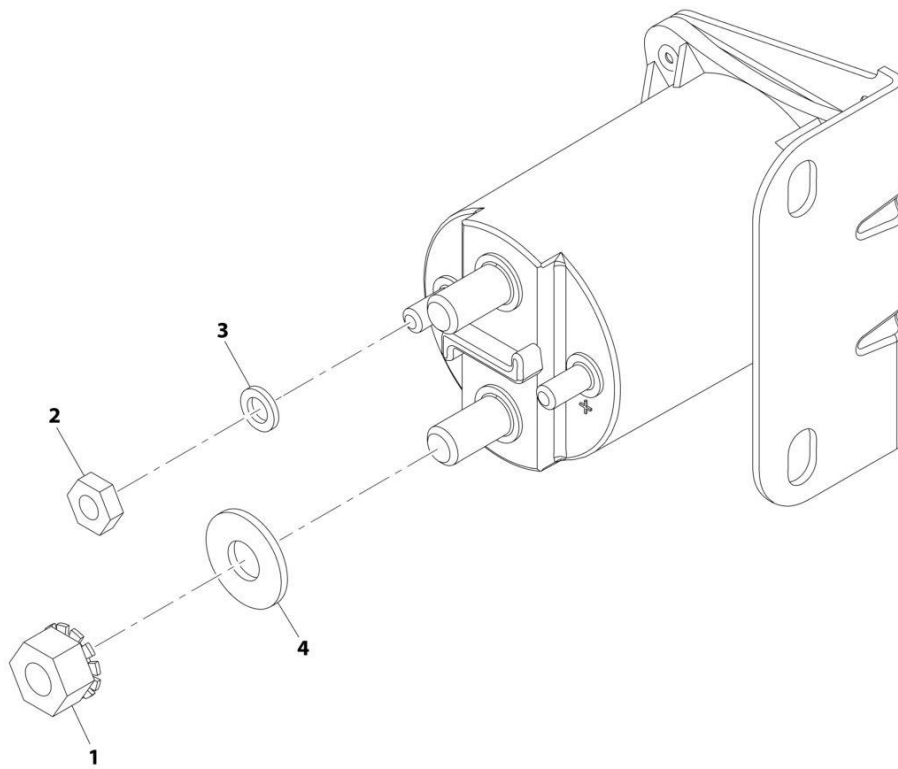
ITEM	PART NUMBER	QTY	DESCRIPTION	REV
	1001238822	Ref	Engine Harness	D
1	1001126362	1	Connector	
2	1001126363	24	Terminal	
3	1001126364	24	Terminal	
4	1001126391	22	Terminal	
5	1001126392	10	Terminal	
6	1001126393	10	Terminal	
7	4461008	4	Terminal	
8	1001126365	2	Terminal	
9	4461054	2	Terminal	
10	1001133714	1	Connector	
11	1001133715	3	Terminal	
12	1001135651	1	Terminal	
13	4460247	1	Connector	
14	1001116811	1	Connector	
15	4460508	3	Terminal	
16	4460466	1	Terminal	
17	1001147923	1	Connector	
18	4460465	15	Terminal	
19	4460466	8	Terminal	
20	1001117110	1	Connector	
21	4460891	1	Connector	
22	1001116692	2	Terminal	
23	4461118	1	Connector	
24	1001116697	2	Terminal	
25	1001104498	2	Terminal	
26	1001126360	1	Connector	
27	1001126357	10	Terminal	
28	1001126351	13	Terminal	
29	1001126356	20	Terminal	
30	1001126384	17	Terminal	
31	4460891	1	Connector	
32	4460944	2	Terminal	
33	80484081	1	Connector	
34	1001129286	1	Terminal	
35	1001184548	1	Bracket	
36	8229247	1	Fuse	
37	1001242866	1	Relay	
38	4460748	2	Terminal	
39	8220125	4	Terminal	
40	4460789	4	Terminal	
41	1001116747	1	Terminal	
42	4460458	1	Terminal	
43	1001116728	1	Terminal	
44	1001175265	1	Terminal	
45	80484081	1	Connector	
46	1001129286	1	Terminal	
47	1001184548	1	Bracket	
48	1001129285	1	Diode	
49	8229242	1	Fuse	

SECTION 10 - ELECTRICAL

ITEM	PART NUMBER	QTY	DESCRIPTION	REV
50	8229244	1	Fuse	
51	1001116728	3	Terminal	
52	1001116747	3	Terminal	
53	8220125	2	Terminal	
54	1001175265	3	Terminal	
55	4460458	3	Terminal	
56	4460789	2	Terminal	
57	4461095	1	Connector	
58	4460944	2	Terminal	
59	4460466	1	Terminal	
60	1001116995	1	Connector	
61	1001118379	1	Terminal	
62	1001126349	1	Connector	
63	1001126352	6	Terminal	
64	1001126353	6	Terminal	
65	1001126357	2	Terminal	
66	1001126356	60	Terminal	
67	1001126384	24	Terminal	
68	1001126351	2	Terminal	
69	8220115	1	Connector	
70	4460256	1	Connector	
71	4460042	1	Connector	
72	4460247	1	Connector	
73	4461095	1	Connector	
74	4460465	2	Terminal	
75	4460466	1	Terminal	
76	1001138592	1	Connector	
77	1001138155	1	Connector	
78	1001134581	1	Terminal	
79	1001134351	1	Terminal	
80	4461071	7	Terminal	
81	8220051	1	Connector	
82	1001133714	1	Connector	
83	1001133715	3	Terminal	
84	1001135650	3	Terminal	
85	1001135651	1	Terminal	
86	1001116983	1	Connector	
87	1001166707	2	Terminal	
88	1001137578	2	Terminal	
89	1001116995	1	Connector	
90	1001236622	1	Terminal	
91	1001116995	1	Connector	
92	1001118379	1	Terminal	

SECTION 10 - ELECTRICAL

FIGURE 10-26. ENGINE - RELAY INSTALLATION - 200 AMP



ART_1001117308-C

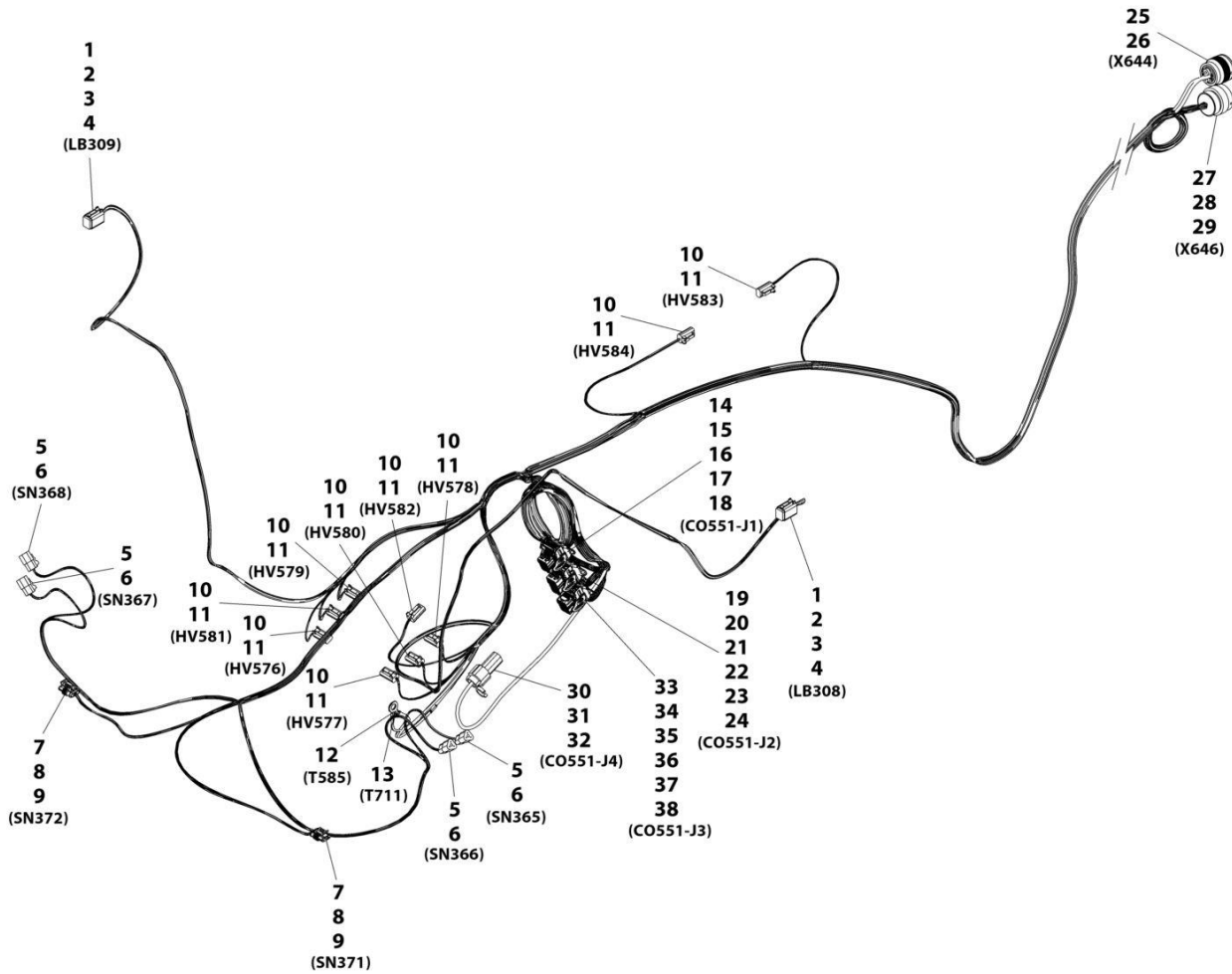
SECTION 10 - ELECTRICAL

FIGURE 10-26. ENGINE - RELAY INSTALLATION - 200 AMP

ITEM	PART NUMBER	QTY	DESCRIPTION	REV
	1001117308	Ref	200 AMP Relay Installation	C
1	3300220	2	Nut, Washer	
2	3321001	2	Nut	
3	4761000	2	Washer, Lock	
4	1001111424	2	Washer	

SECTION 10 - ELECTRICAL

FIGURE 10-27. FRAME HARNESS - FRONT



ART_1001237510-E

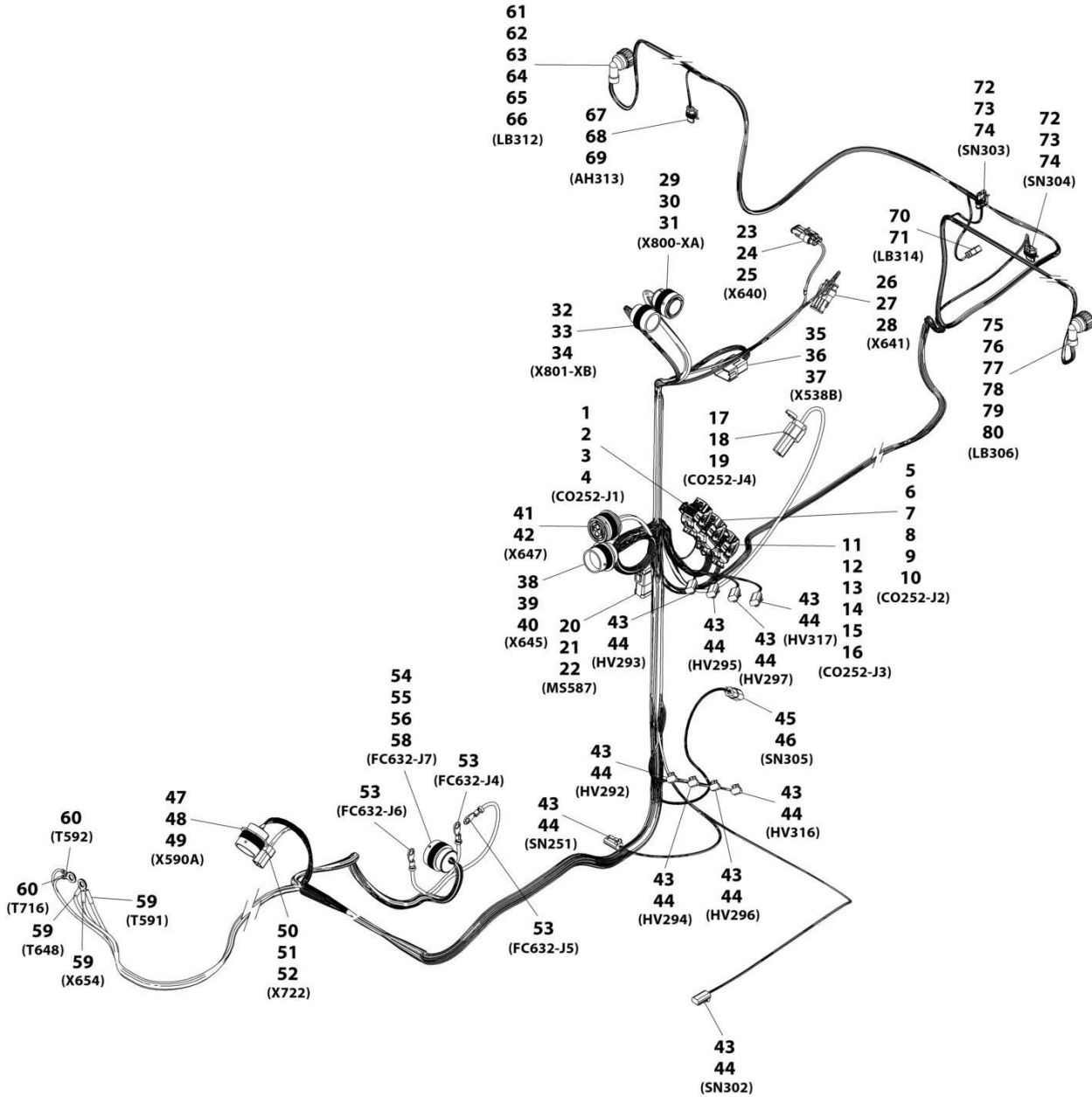
SECTION 10 - ELECTRICAL

FIGURE 10-27. FRAME HARNESS - FRONT

ITEM	PART NUMBER	QTY	DESCRIPTION	REV
	1001237510	Ref	Front Frame Harness	E
1	4460894	1	Connector	
2	4460942	1	Terminal	
3	4460465	4	Terminal	
4	4460466	1	Terminal	
5	4460539	1	Connector	
6	4460465	3	Terminal	
7	4461262	1	Connector	
8	1001116697	3	Terminal	
9	1001104498	3	Terminal	
10	4460891	1	Connector	
11	4460465	2	Terminal	
12	1001187079	1	Connector	
13	1001187080	1	Connector	
14	1001161957	1	Connector	
15	1001161095	14	Terminal	
16	1001161100	11	Terminal	
17	1001161101	5	Terminal	
18	1001161099	2	Terminal	
19	1001161963	1	Connector	
20	1001161095	18	Terminal	
21	1001161100	22	Terminal	
22	1001161099	3	Terminal	
23	1001161101	3	Terminal	
24	1001161098	2	Terminal	
25	1001165310	1	Connector	
26	91013192	2	Terminal	
27	1001147923	1	Connector	
28	4460465	21	Terminal	
29	4460466	2	Terminal	
30	1001160509	1	Connector	
31	1001160510	1	Terminal	
32	1001175266	1	Terminal	
33	1001160509	1	Connector	
34	1001161095	13	Terminal	
35	1001161100	11	Terminal	
36	1001161099	4	Terminal	
37	1001161098	3	Terminal	
38	1001161101	1	Terminal	

SECTION 10 - ELECTRICAL

FIGURE 10-28. FRAME HARNESS - REAR



ART_1001238729-F

SECTION 10 - ELECTRICAL

FIGURE 10-28. FRAME HARNESS - REAR

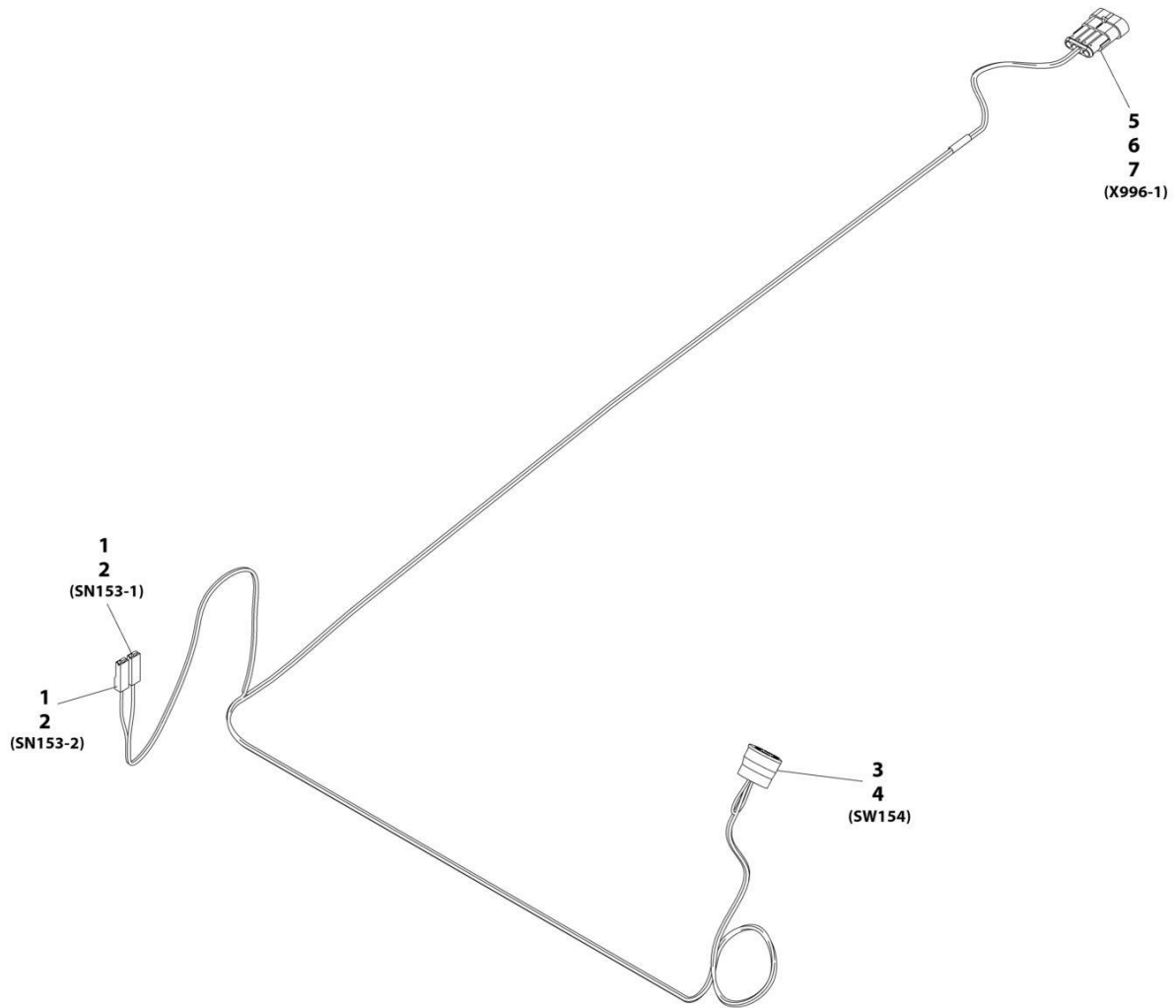
ITEM	PART NUMBER	QTY	DESCRIPTION	REV
	1001238729	Ref	Rear Frame Harness	F
1	1001161957	1	Connector	
2	1001161095	1	Terminal	
3	1001161100	23	Terminal	
4	1001161101	8	Terminal	
5	1001161963	1	Connector	
6	1001161095	22	Terminal	
7	1001161100	18	Terminal	
8	1001161099	4	Terminal	
9	1001161101	2	Terminal	
10	1001161098	2	Terminal	
11	1001160500	1	Connector	
12	1001161100	20	Terminal	
13	1001161095	4	Terminal	
14	1001161098	6	Terminal	
15	1001161099	1	Terminal	
16	1001161101	1	Terminal	
17	1001160509	1	Connector	
18	1001160510	1	Terminal	
19	1001175266	1	Terminal	
20	4460933	1	Connector	
21	4460466	6	Terminal	
22	4460465	6	Terminal	
23	4461262	1	Connector	
24	1001116697	3	Terminal	
25	1001104498	3	Terminal	
26	1001103012	1	Connector	
27	1001116697	4	Terminal	
28	1001104498	4	Terminal	
29	1001118323	1	Connector	
30	4460942	4	Terminal	
31	91013192	2	Terminal	
32	4461015	1	Connector	
33	4460465	7	Terminal	
34	4460466	7	Terminal	
35	4460970	1	Connector	
36	4460464	11	Terminal	
37	4460466	1	Terminal	
38	1001148106	1	Connector	
39	4460464	21	Terminal	
40	4460466	2	Terminal	
41	1001165311	1	Connector	
42	91013191	2	Terminal	
43	4460891	10	Connector	
44	4460465	20	Terminal	
45	4460539	1	Connector	
46	4460465	3	Terminal	
47	1001148106	1	Connector	
48	4460464	15	Terminal	
49	4460466	8	Terminal	

SECTION 10 - ELECTRICAL

ITEM	PART NUMBER	QTY	DESCRIPTION	REV
50	1001116810	1	Connector	
51	4460509	3	Terminal	
52	4460466	1	Terminal	
53	1001187075	3	Connector	
54	1001165309	1	Connector	
55	4460466	5	Terminal	
56	4460465	7	Terminal	
58	4460509	7	Terminal	
59	1001117108	3	Connector	
60	1001187079	2	Connector	
61	1001116996	1	Connector	
62	1001118392	1	Terminal	
63	4461054	1	Terminal	
64	1001118393	5	Terminal	
65	1001137578	5	Terminal	
66	4461008	1	Terminal	
67	4461118	1	Connector	
68	1001116697	2	Terminal	
69	1001104498	2	Terminal	
70	1001117133	1	Connector	
71	1001104519	2	Terminal	
72	4461262	1	Connector	
73	1001116697	3	Terminal	
74	1001104498	3	Terminal	
75	1001116996	1	Connector	
76	1001118392	1	Terminal	
77	4461054	1	Terminal	
78	1001118393	5	Terminal	
79	1001137578	5	Terminal	
80	4461008	1	Terminal	

SECTION 10 - ELECTRICAL

FIGURE 10-29. HAC CAB HARNESS



ART_1001244134-A

SECTION 10 - ELECTRICAL

FIGURE 10-29. HAC CAB HARNESS

ITEM	PART NUMBER	QTY	DESCRIPTION	REV
	1001244134	Ref	HAC Cab Harness	A
1	1001116995	1	Connector	
2	1001118379	1	Terminal	
3	1001116995	1	Connector	
4	1001118379	1	Terminal	
5	1001153338	1	Connector	
6	1001104519	4	Terminal	
7	1001103013	1	Connector	
8	1001104497	3	Terminal	
9	1001116698	1	Plug	

SECTION 10 - ELECTRICAL

FIGURE 10-30. HAC CHASSIS HARNESS

SN252					
CONN POS	WIRE COLOR	WIRE LABEL	GAUGE	JACKET	
1	WHT	613-1 AC PRESS	1 mm ²	FLRY-B	
2	WHT	614 AC COMP	1 mm ²	FLRY-B	

WH753-1					
CONN POS	WIRE COLOR	WIRE LABEL	GAUGE	JACKET	
A	BLK	058 GND	1.5 mm ²	FLRY-B	
B	WHT	615-3 COND FAN	1.5 mm ²	FLRY-B	

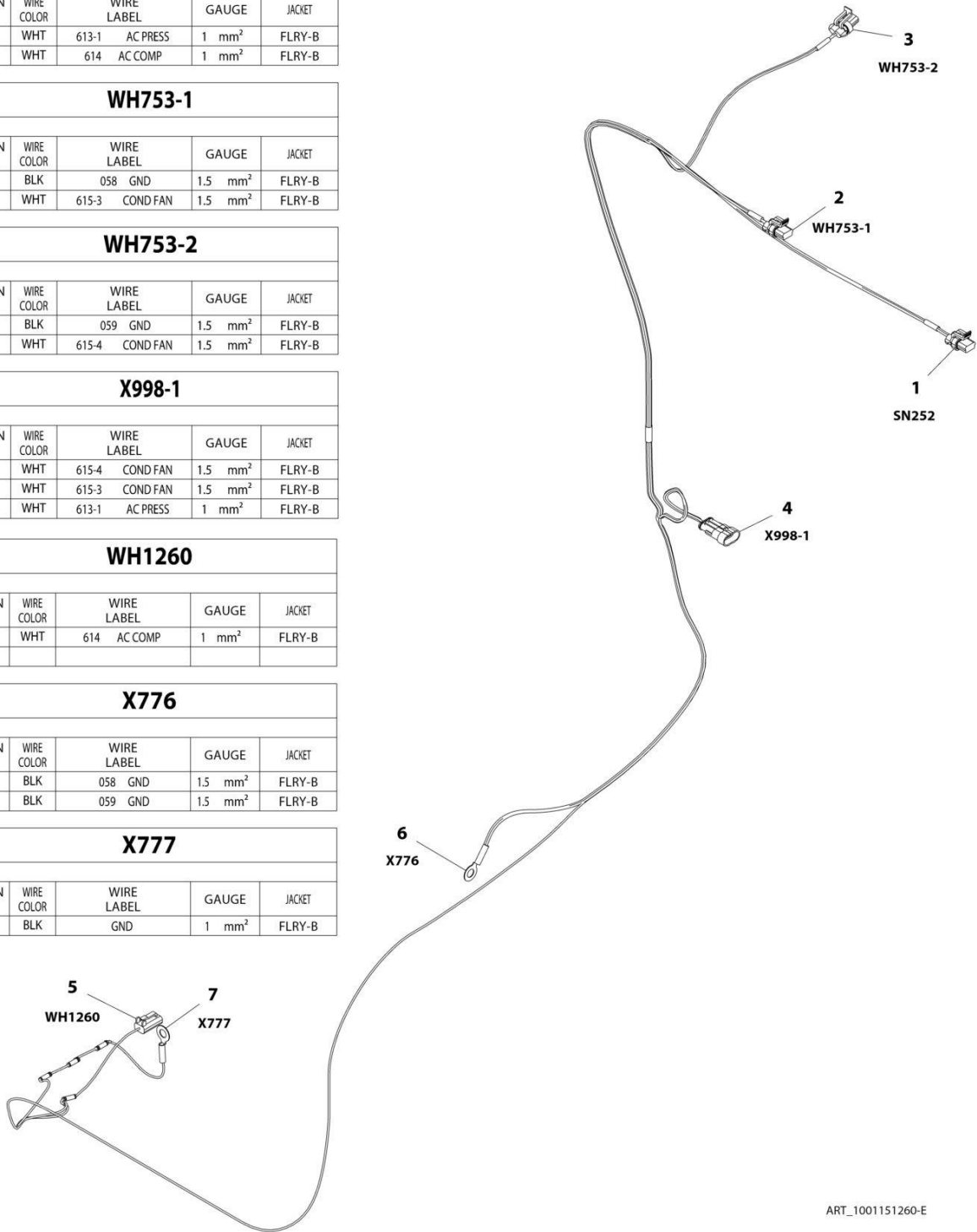
WH753-2					
CONN POS	WIRE COLOR	WIRE LABEL	GAUGE	JACKET	
A	BLK	059 GND	1.5 mm ²	FLRY-B	
B	WHT	615-4 COND FAN	1.5 mm ²	FLRY-B	

X998-1					
CONN POS	WIRE COLOR	WIRE LABEL	GAUGE	JACKET	
1	WHT	615-4 COND FAN	1.5 mm ²	FLRY-B	
2	WHT	615-3 COND FAN	1.5 mm ²	FLRY-B	
3	WHT	613-1 AC PRESS	1 mm ²	FLRY-B	

WH1260					
CONN POS	WIRE COLOR	WIRE LABEL	GAUGE	JACKET	
1	WHT	614 AC COMP	1 mm ²	FLRY-B	
2					

X776					
CONN POS	WIRE COLOR	WIRE LABEL	GAUGE	JACKET	
1	BLK	058 GND	1.5 mm ²	FLRY-B	
1	BLK	059 GND	1.5 mm ²	FLRY-B	

X777					
CONN POS	WIRE COLOR	WIRE LABEL	GAUGE	JACKET	
1	BLK	GND	1 mm ²	FLRY-B	



ART_1001151260-E

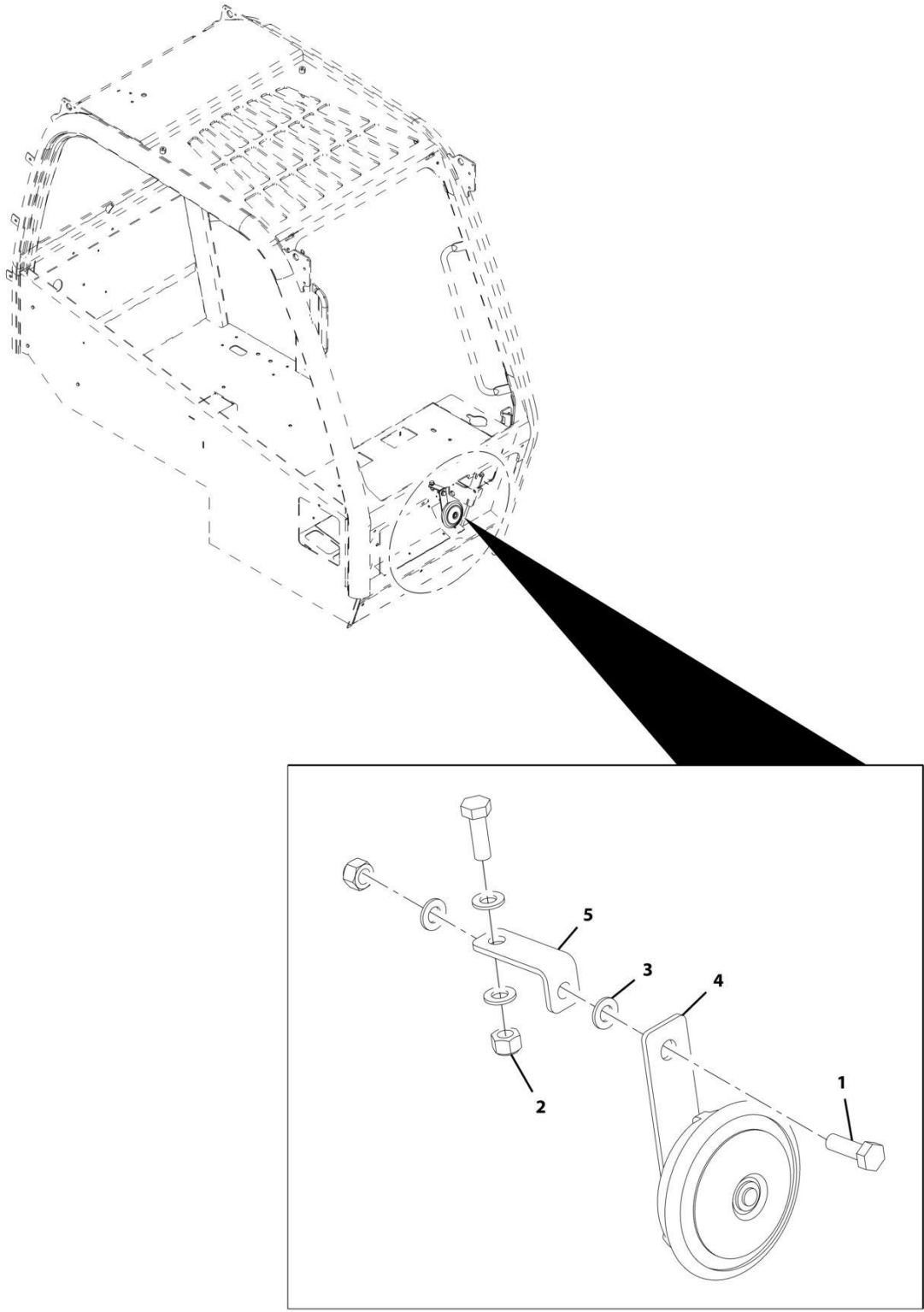
SECTION 10 - ELECTRICAL

FIGURE 10-30. HAC CHASSIS HARNESS

ITEM	PART NUMBER	QTY	DESCRIPTION	REV
	1001151260	Ref	HAC Chassis Harness	E
1	1001117021	1	Connector	
	1001116728	2	Terminal	
	4460458	2	Seal	
2	1001117021	1	Connector	
	1001234800	2	Terminal	
	4460458	2	Seal	
3	1001117021	1	Connector	
	1001234800	2	Terminal	
	4460458	2	Seal	
4	4461119	1	Connector	
	1001104497	3	Terminal	
	1001104498	3	Seal	
5	4460891	1	Connector	
	80604018	1	Lock, Wedge	
	4460465	1	Terminal	
	4460466	1	Plug	
6	1001117110	1	Terminal, Ring	
7	4460722	1	Terminal, Ring	

SECTION 10 - ELECTRICAL

FIGURE 10-31. HORN INSTALLATION



ART_1001157519-A

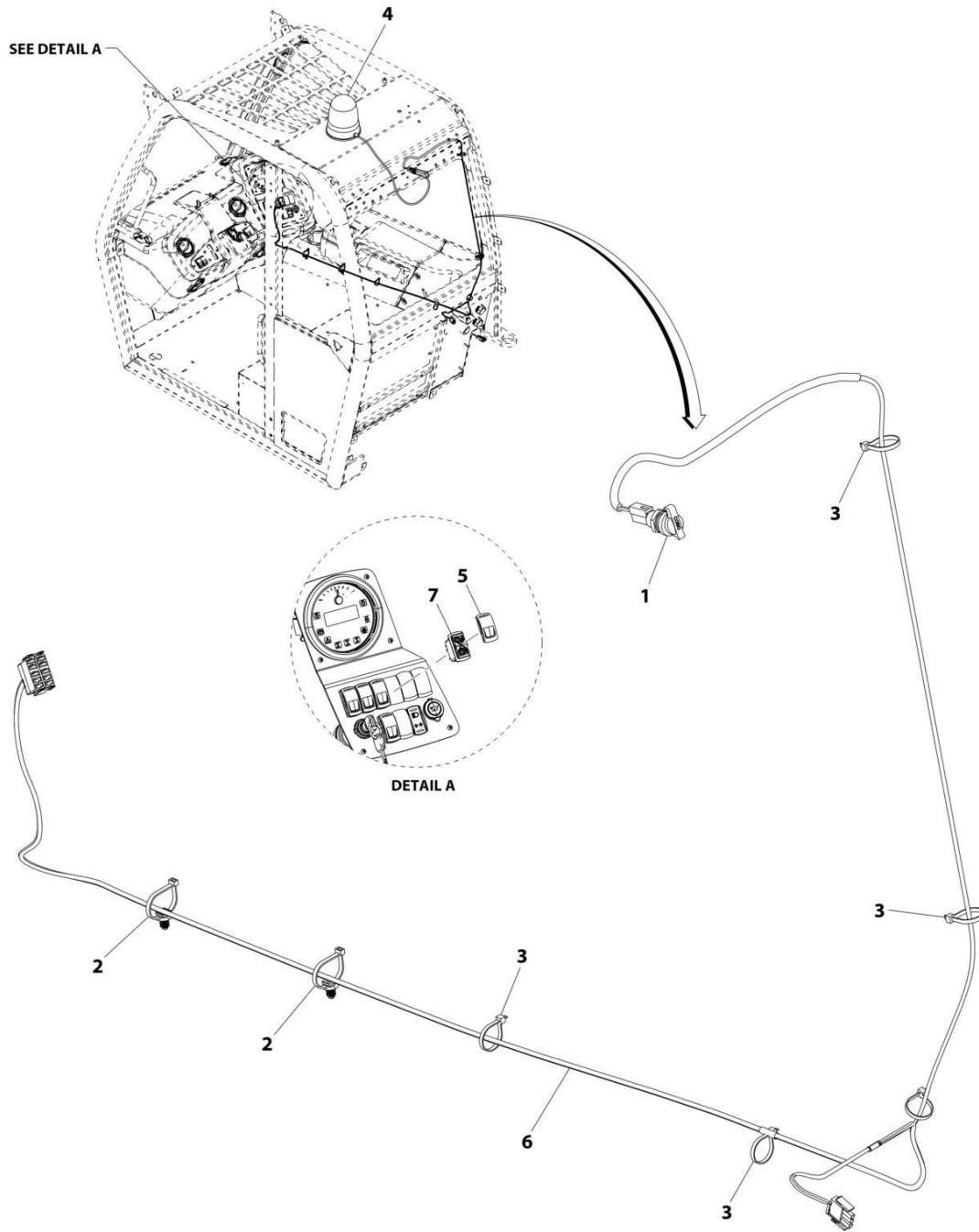
SECTION 10 - ELECTRICAL

FIGURE 10-31. HORN INSTALLATION

ITEM	PART NUMBER	QTY	DESCRIPTION	REV
	1001157519	Ref	Horn Installation	A
1	0760812	2	Bolt, M8X25	
2	3290805	2	Nut, Lock M8X1.25	
3	4811900	4	Washer, M8	
4	1001003596	1	Horn	
5	1001104437	1	Bracket, Horn Mount	

SECTION 10 - ELECTRICAL

FIGURE 10-32. LIGHTS - BEACON INSTALLATION



ART_1001146674-C

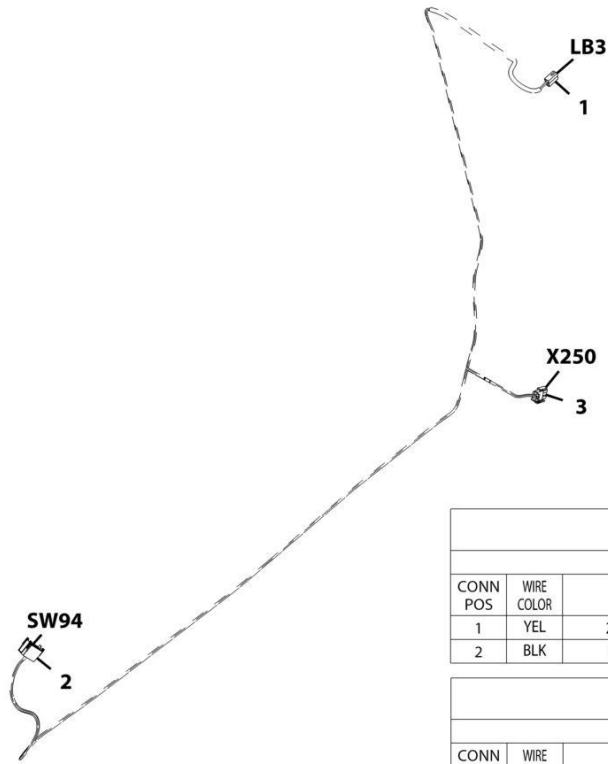
SECTION 10 - ELECTRICAL

FIGURE 10-32. LIGHTS - BEACON INSTALLATION

ITEM	PART NUMBER	QTY	DESCRIPTION	REV
	1001146674	Ref	Beacon Installation	C
1	4461174	1	Terminal, 12V Power Supply	
2	1001004720	2	Strap, Cable	
3	1001008559	5	Strap, Cable	
4	1001217623	1	Beacon	
	70020186	1	Bulb	
5	1001145263	1	Switch, Rocker, Beacon	
6	1001146676	1	Harness, Beacon (See Separate Breakdown in this Section)	
7	1001146725	1	Switch, SPST	

SECTION 10 - ELECTRICAL

FIGURE 10-33. LIGHTS - BEACON HARNESS



LB84					
CONN POS	WIRE COLOR	WIRE LABEL	GAUGE	JACKET	TO
1	YEL	220 KEY 1	1.5 mm ²	FLRY-B	SW94 (1)
2	BLK	053-1 GND	1.5 mm ²	FLRY-B	S99 (2)

SW94					
CONN POS	WIRE COLOR	WIRE LABEL	GAUGE	JACKET	TO
1	YEL	220 KEY 1	1.5 mm ²	FLRY-B	LB83 (1)
2	YEL	219 OPT PWR 1	1.5 mm ²	FLRY-B	X250 (1)
3					
4					
5					
6					
7	BLK	053-2 GND	1 mm ²	FLRY-B	S99 (2)
8	WHT	427 SW LT	1 mm ²	FLRY-B	X250 (3)
9					
10					

X250					
CONN POS	WIRE COLOR	WIRE LABEL	GAUGE	JACKET	TO
1	YEL	219 OPT PWR 1	1.5 mm ²	FLRY-B	SW94 (2)
2	BLK	053 GND	1.5 mm ²	FLRY-B	S99 (1)
3	WHT	427 SW LT	1 mm ²	FLRY-B	SW94 (8)

ART_1001146676-C

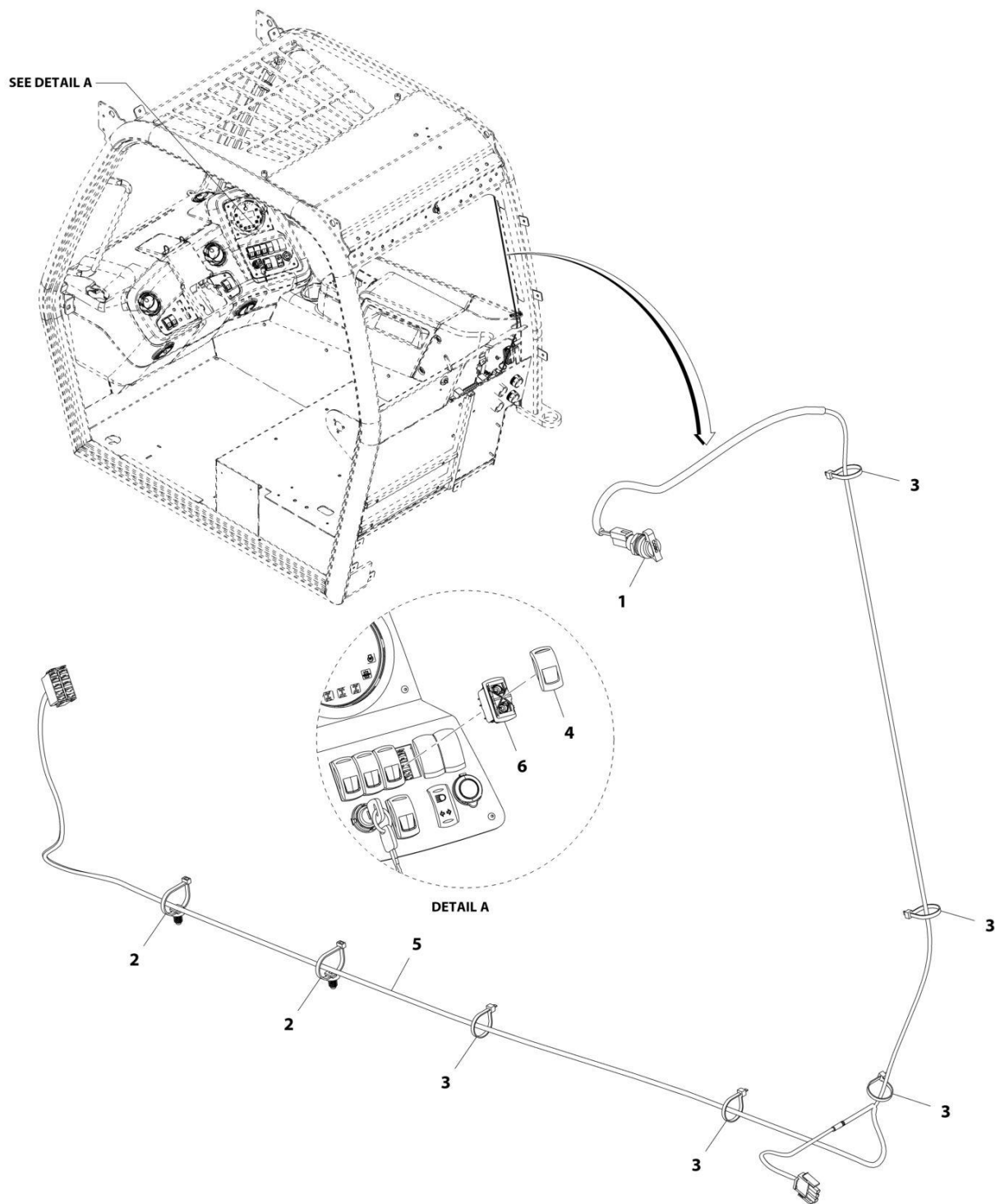
SECTION 10 - ELECTRICAL

FIGURE 10-33. LIGHTS - BEACON HARNESS

ITEM	PART NUMBER	QTY	DESCRIPTION	REV
	1001146676	Ref	Beacon Harness	C
1	4460994	1	Connector	
1	1001116720	2	Terminal	
2	1001145234	1	Connector	
2	1001104519	4	Terminal	
3	4460326	1	Connector	
3	1001118378	3	Terminal	

SECTION 10 - ELECTRICAL

FIGURE 10-34. LIGHTS - BEACON READY INSTALLATION



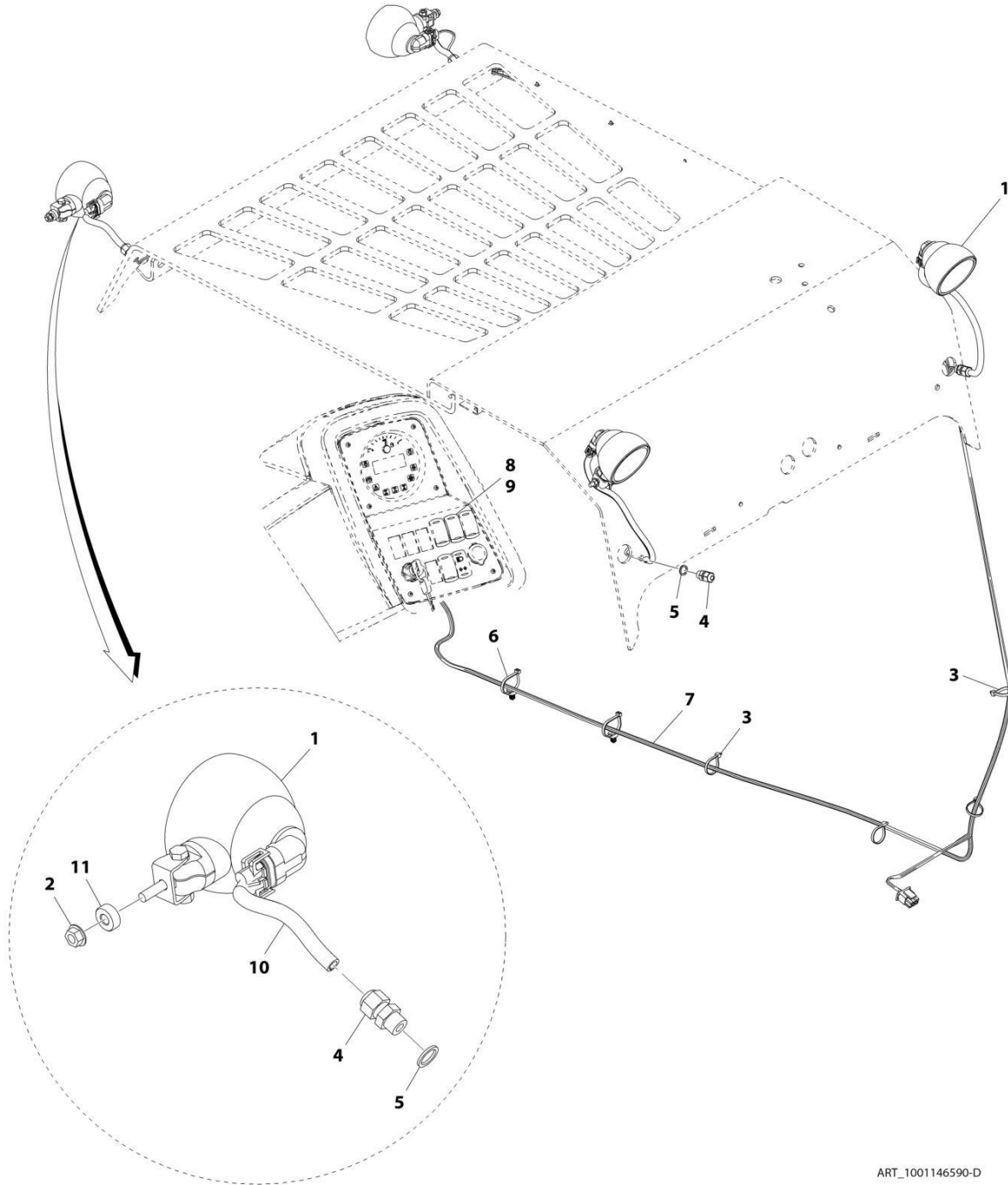
SECTION 10 - ELECTRICAL

FIGURE 10-34. LIGHTS - BEACON READY INSTALLATION

ITEM	PART NUMBER	QTY	DESCRIPTION	REV
	1001190133	Ref	Beacon Ready Installation	A
1	4461174	1	Terminal, 12V Power Supply	
2	1001004720	2	Strap, Cable	
3	1001008559	5	Strap, Cable	
4	1001145263	1	Switch, Rocker, Beacon	
5	1001146676	1	Harness, Beacon (See Separate Breakdown in this Section)	
6	1001146725	1	Switch, SPST	

SECTION 10 - ELECTRICAL

FIGURE 10-35. LIGHTS - CAB WORKLIGHTS INSTALLATION (NO HAC)



ART_1001146590-D

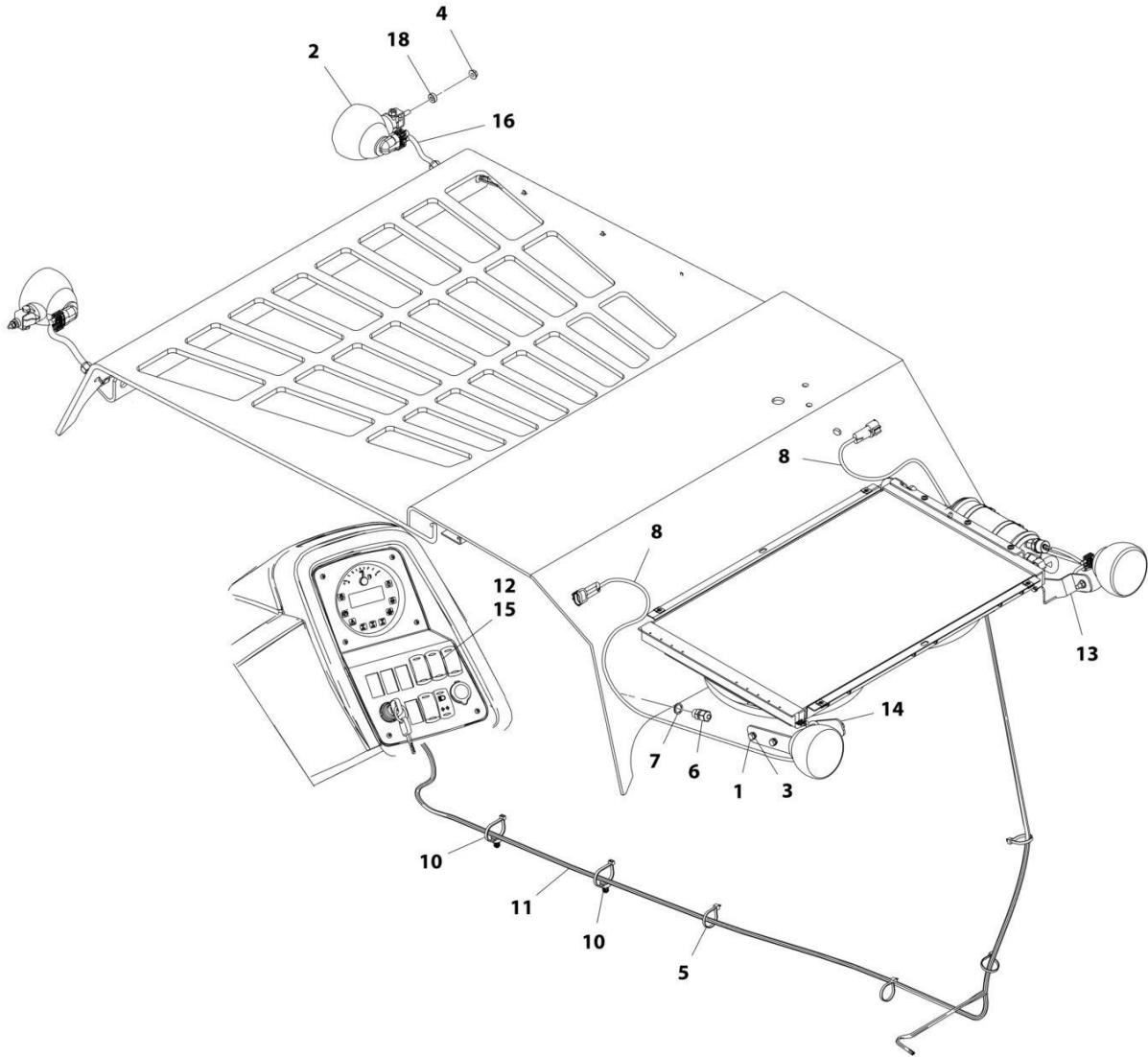
SECTION 10 - ELECTRICAL

FIGURE 10-35. LIGHTS - CAB WORKLIGHTS INSTALLATION (NO HAC)

ITEM	PART NUMBER	QTY	DESCRIPTION	REV
	1001146590	Ref	Cab Worklights Installation (no HAC)	D
1	2920206	4	Worklight	
	70020796	1	Bulb, 12V-50W	
2	5220600	4	Nut, Ripp 6	
3	1001008559	13	Strap, Cable	
4	1001121675	4	Grommet, Cable Gland	
5	1001121707	4	Seal, Cable Gland	
6	1001146588	2	Strap, Cable	
7	1001146673	1	Harness, Worklights (See Separate Breakdown in this Section)	
8	1001146728	1	Switch, DP3T	
9	1001149968	1	Switch, Rocker, Worklights	
10	1001189744	820 mm	Conduit	
11	1001194187	2	Sleeve, Spacer	

SECTION 10 - ELECTRICAL

FIGURE 10-36. LIGHTS - CAB WORKLIGHTS INSTALLATION (HAC)



ART_1001146592-D

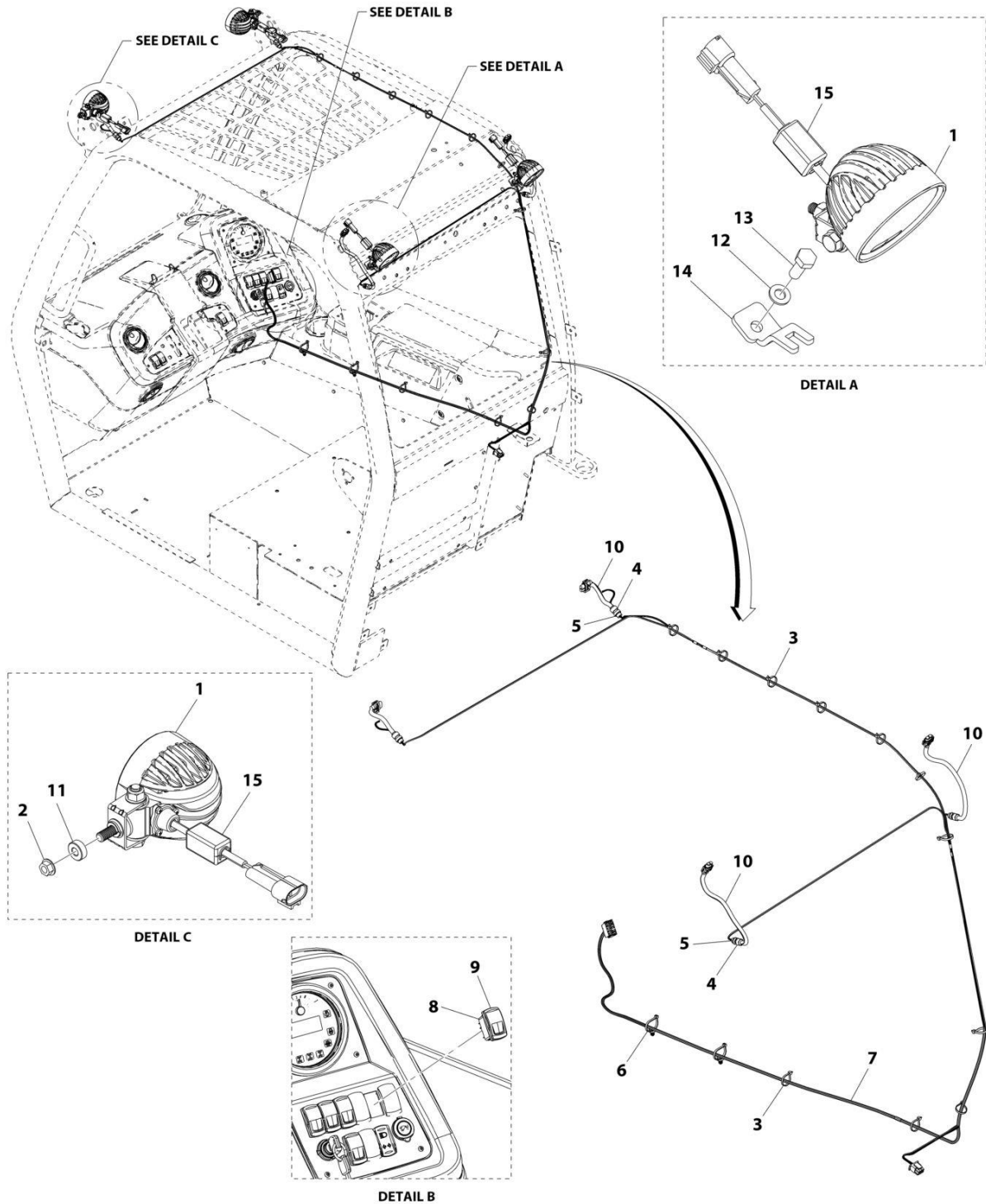
SECTION 10 - ELECTRICAL

FIGURE 10-36. LIGHTS - CAB WORKLIGHTS INSTALLATION (HAC)

ITEM	PART NUMBER	QTY	DESCRIPTION	REV
	1001146592	Ref	Cab Worklights Installation (HAC)	D
1	0700608	4	Bolt, M6X16	
2	2920206	4	Worklight	
	70020796	1	Bulb, 12V-50W	
3	4811700	4	Washer, M6	
4	5220600	4	Nut, Ripp 6	
5	1001008559	11	Strap, Cable	
6	1001121675	4	Grommet, Cable Gland	
7	1001121707	4	Seal, Cable Gland	
8	1001133224	2	Harness, Light Extension (See Separate Breakdown in this Section)	
10	1001146588	2	Strap, Cable	
11	1001146673	1	Harness, Worklights (See Separate Breakdown in this Section)	
12	1001146728	1	Switch, DP3T	
13	1001148521	1	Plate, Support	
14	1001148522	1	Plate, Support	
15	1001149968	1	Switch, Rocker, Worklights	
16	1001189744	260 mm	Conduit, Split Poly	
18	1001194187	2	Sleeve, Spacer	

SECTION 10 - ELECTRICAL

FIGURE 10-37. LIGHTS - CAB WORKLIGHTS INSTALLATION (LED) (NO HAC)



ART_1001232997-A

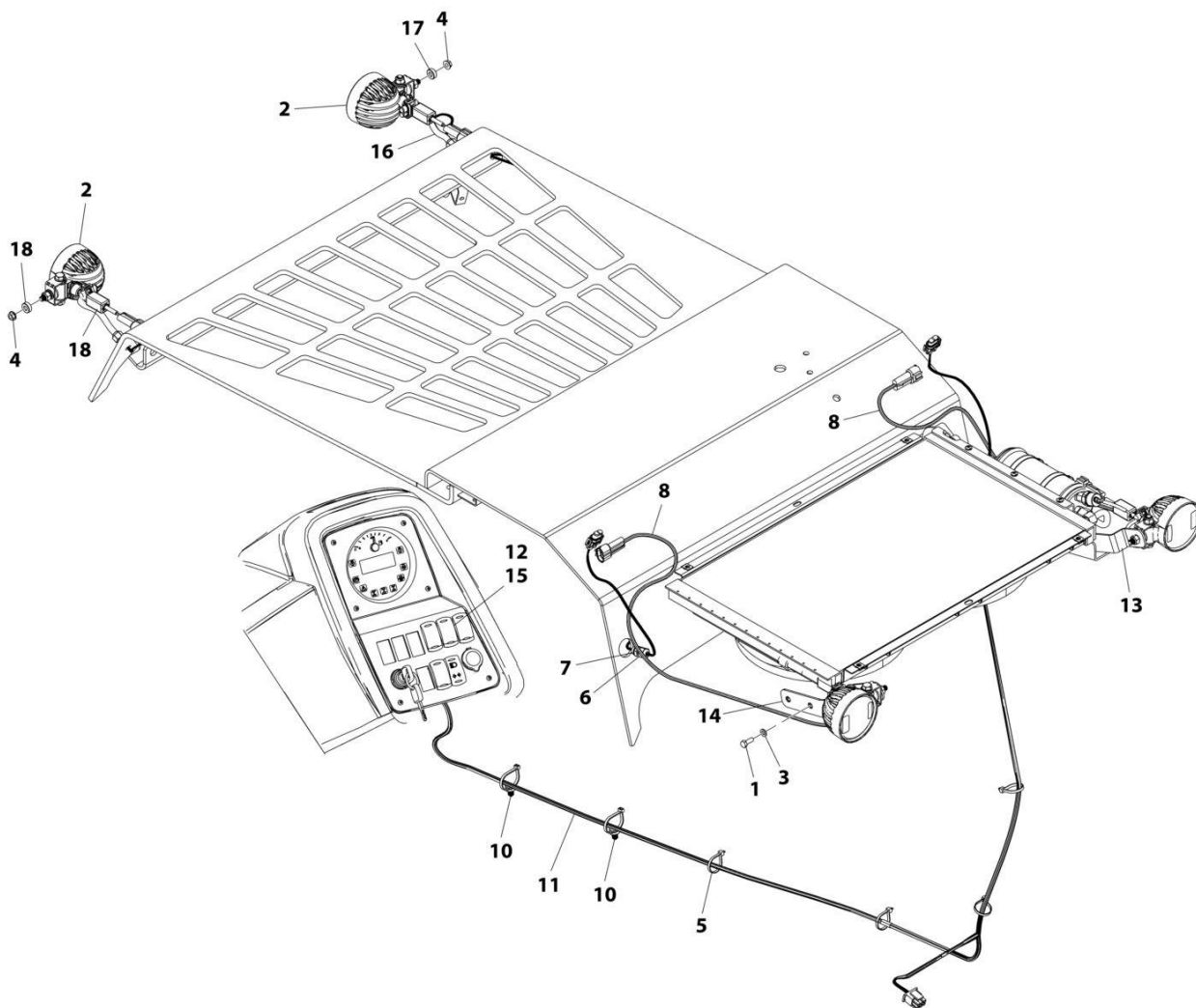
SECTION 10 - ELECTRICAL

FIGURE 10-37. LIGHTS - CAB WORKLIGHTS INSTALLATION (LED) (NO HAC)

ITEM	PART NUMBER	QTY	DESCRIPTION	REV
	1001232997	Ref	LED Worklights Installation (no HAC)	A
1	1001203640	4	Worklight	
2	5220600	2	Nut, Ripp 6	
3	1001008559	11	Strap, Cable	
4	1001121675	4	Grommet, Cable Gland	
5	1001121707	4	Seal, Cable Gland	
6	1001146588	2	Strap, Cable	
7	1001146673	1	Harness, Worklights (See Separate Breakdown in this Section)	
8	1001146728	1	Switch, DP3T	
9	1001149968	1	Switch, Rocker, Worklights	
10	1001189744	820 mm	Conduit, Split Poly	
11	1001194187	2	Sleeve, Spacer	
12	4811900	2	Washer, M8	
13	0760810	2	Bolt, M8X20	
14	1001204528	2	Support, LED Worklight RH	
15	1001228989	4	Harness, Ferrite	

SECTION 10 - ELECTRICAL

FIGURE 10-38. LIGHTS - CAB WORKLIGHTS INSTALLATION (LED)



ART_1001232996-B

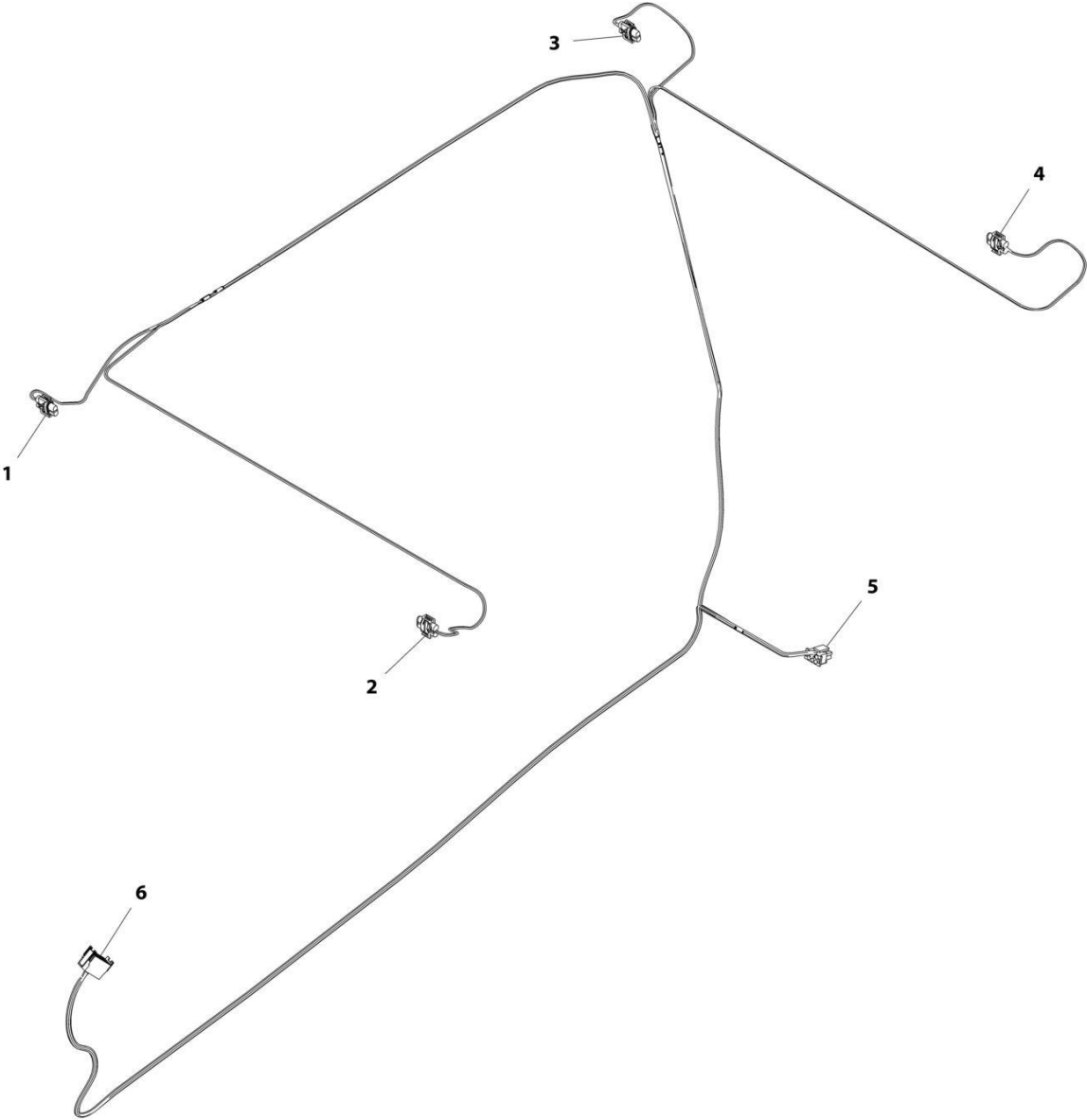
SECTION 10 - ELECTRICAL

FIGURE 10-38. LIGHTS - CAB WORKLIGHTS INSTALLATION (LED)

ITEM	PART NUMBER	QTY	DESCRIPTION	REV
	1001232996	Ref	LED Cab Worklights Installation	B
1	0700608	4	Bolt, M6X16	
2	1001203640	4	Worklight	
3	4811700	4	Washer, M6	
4	5220600	4	Nut, Ripp 6	
5	1001008559	11	Strap, Cable	
6	1001121675	4	Grommet, Cable Gland	
7	1001121707	4	Seal, Cable Gland	
8	1001133224	2	Harness, Light Extension (See Separate Breakdown in this Section)	
10	1001146588	2	Strap, Cable	
11	1001146673	1	Harness, Worklights (See Separate Breakdown in this Section)	
12	1001146728	1	Switch, DP3T	
13	1001148521	1	Plate, Support	
14	1001148522	1	Plate, Support	
15	1001149968	1	Switch, Rocker, Worklights	
16	1001189744	260 mm	Conduit, Split Poly	
17	1001194187	2	Sleeve, Spacer	
18	1001228989	4	Harness, Ferrite	

SECTION 10 - ELECTRICAL

FIGURE 10-39. LIGHTS - CAB WORKLIGHTS HARNESS



ART_1001146673-C

SECTION 10 - ELECTRICAL

FIGURE 10-39. LIGHTS - CAB WORKLIGHTS HARNESS

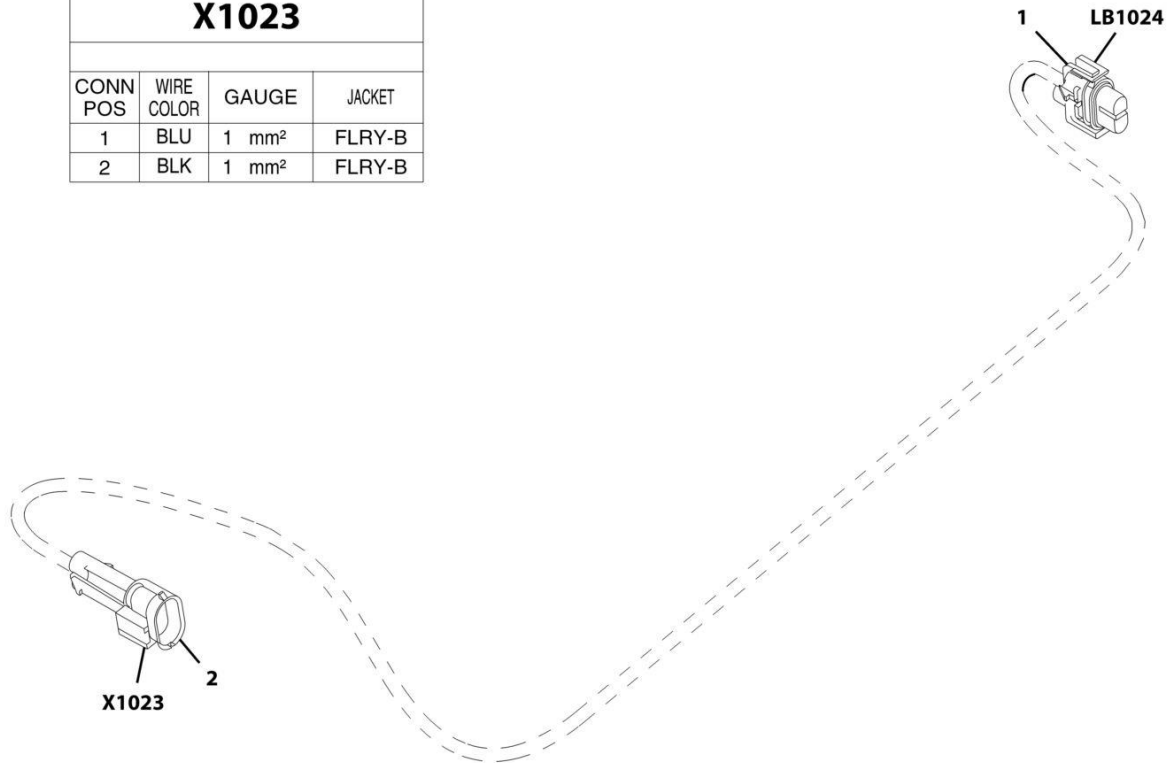
ITEM	PART NUMBER	QTY	DESCRIPTION	REV
	1001146673	Ref	Worklights Harness	C
1	4461115	1	Connector	
	4460746	2	Terminal	
	4460458	2	Seal	
2	4461115	1	Connector	
	4460746	2	Terminal	
	4460458	2	Seal	
3	4461115	1	Connector	
	4460746	2	Terminal	
	4460458	2	Seal	
4	4461115	1	Connector	
	4460746	2	Terminal	
	4460458	2	Seal	
5	4460225	1	Connector	
	1001118378	5	Terminal	
6	1001145234	1	Connector	
	1001104519	6	Terminal	

SECTION 10 - ELECTRICAL

FIGURE 10-40. LIGHTS - CAB WORKLIGHTS EXTENSION HARNESS

LB1024			
CONN POS	WIRE COLOR	GAUGE	JACKET
1	BLU	1 mm ²	FLRY-B
2	BLK	1 mm ²	FLRY-B

X1023			
CONN POS	WIRE COLOR	GAUGE	JACKET
1	BLU	1 mm ²	FLRY-B
2	BLK	1 mm ²	FLRY-B



ART_1001133224-A

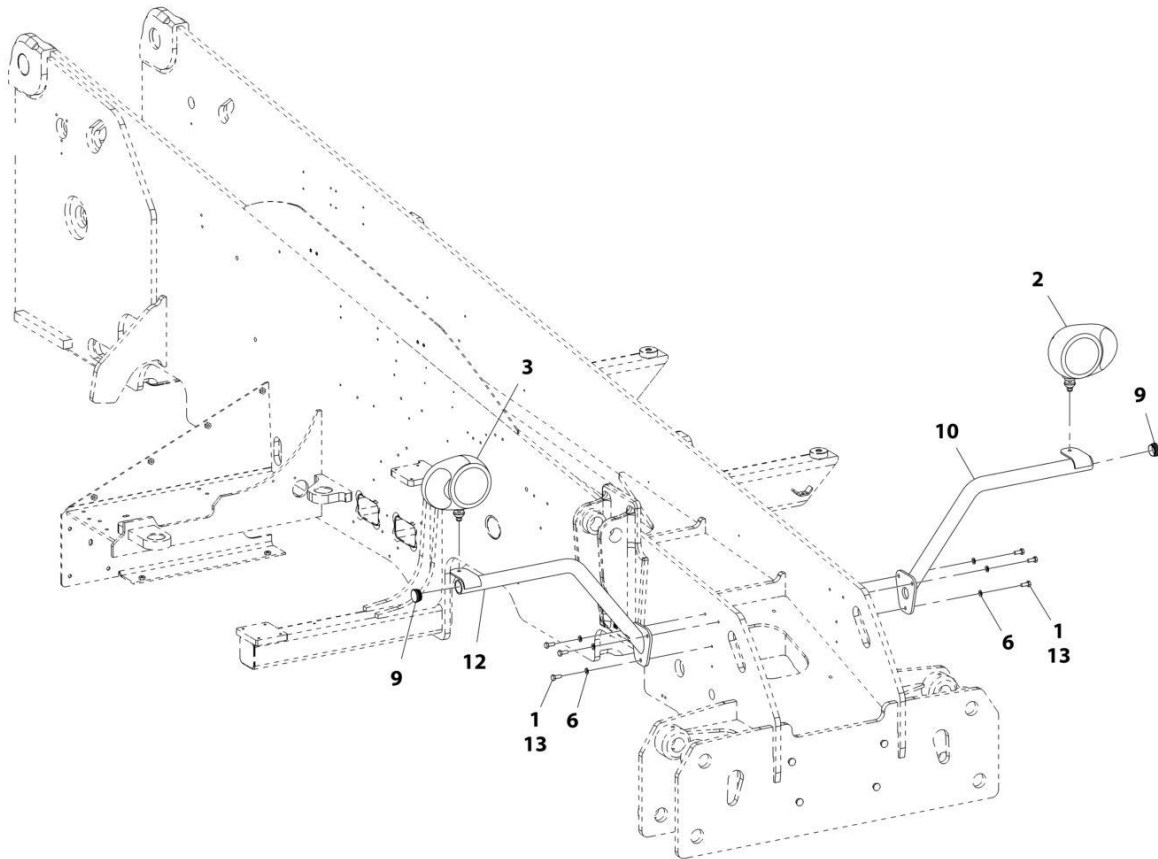
SECTION 10 - ELECTRICAL

FIGURE 10-40. LIGHTS - CAB WORKLIGHTS EXTENSION HARNESS

ITEM	PART NUMBER	QTY	DESCRIPTION	REV
1	1001133224	Ref	Light Extension Harness	A
	4461115	1	Connector	
	1001116728	2	Terminal	
2	4460458	2	Seal	
	1001133213	1	Connector	
	1001116745	2	Terminal	
	4460458	2	Seal	

SECTION 10 - ELECTRICAL

FIGURE 10-41. LIGHTS - DRIVING LIGHTS INSTALLATION (GERMANY AND CE)



ART_1001146491-E

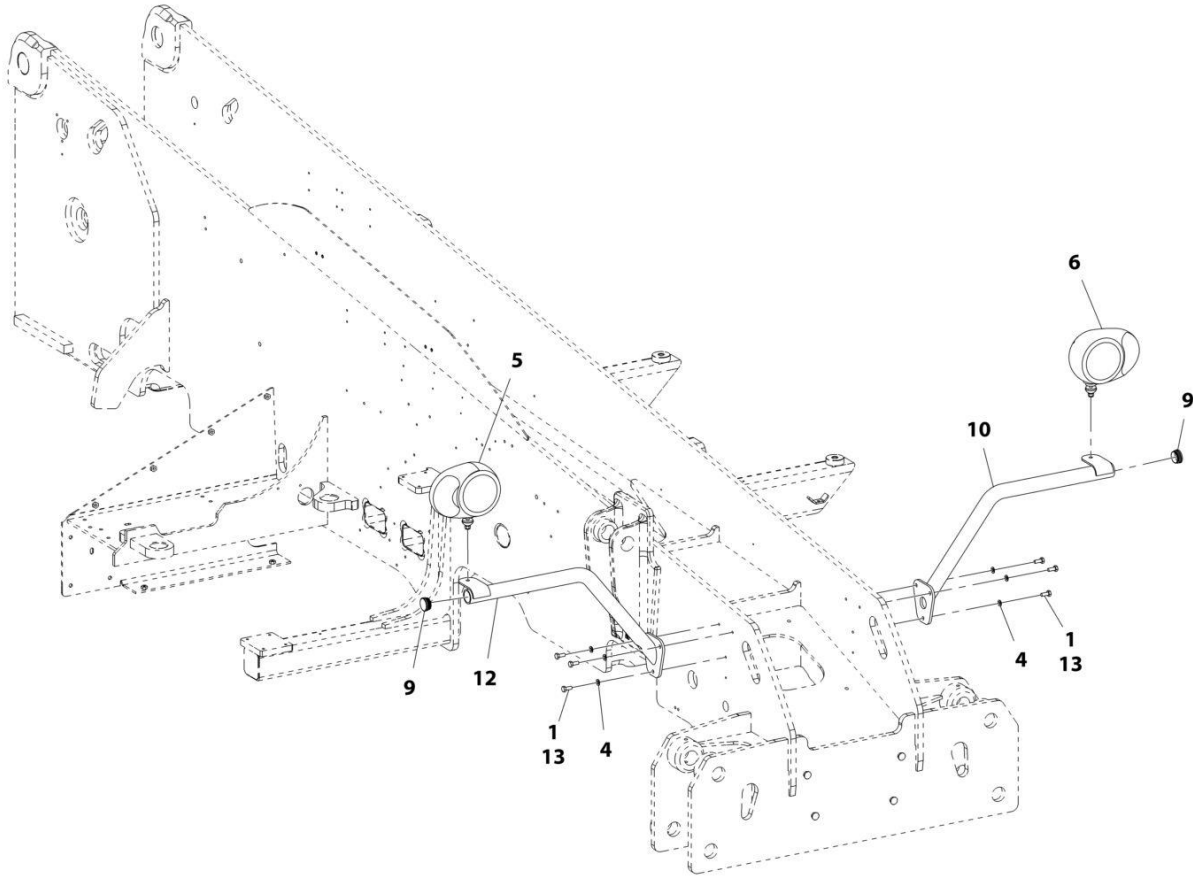
SECTION 10 - ELECTRICAL

FIGURE 10-41. LIGHTS - DRIVING LIGHTS INSTALLATION (GERMANY AND CE)

ITEM	PART NUMBER	QTY	DESCRIPTION	REV
	1001146491	Ref	Driving Lights Installation (Germany and CE)	E
1	0761012	6	Bolt, M10X25	
2	2920207	1	Driving Light, LH	
	7029969	1	Bulb, 4W	
	7029970	1	Bulb, 55W	
	7029971	1	Bulb, 21W	
3	2920208	1	Driving Light, RH	
	7029969	1	Bulb, 4W	
	7029970	1	Bulb, 55W	
	7029971	1	Bulb, 21W	
6	4812000	6	Washer, M10	
9	1001096913	2	Cap, Lamp Bracket	
10	1001144434	1	Bracket, Light	
12	1001145235	1	Bracket, Light	
13	1001095650	AR	Compound, Locking	

SECTION 10 - ELECTRICAL

FIGURE 10-42. LIGHTS - DRIVING LIGHTS INSTALLATION (UK/IRELAND)



ART_1001144110-E

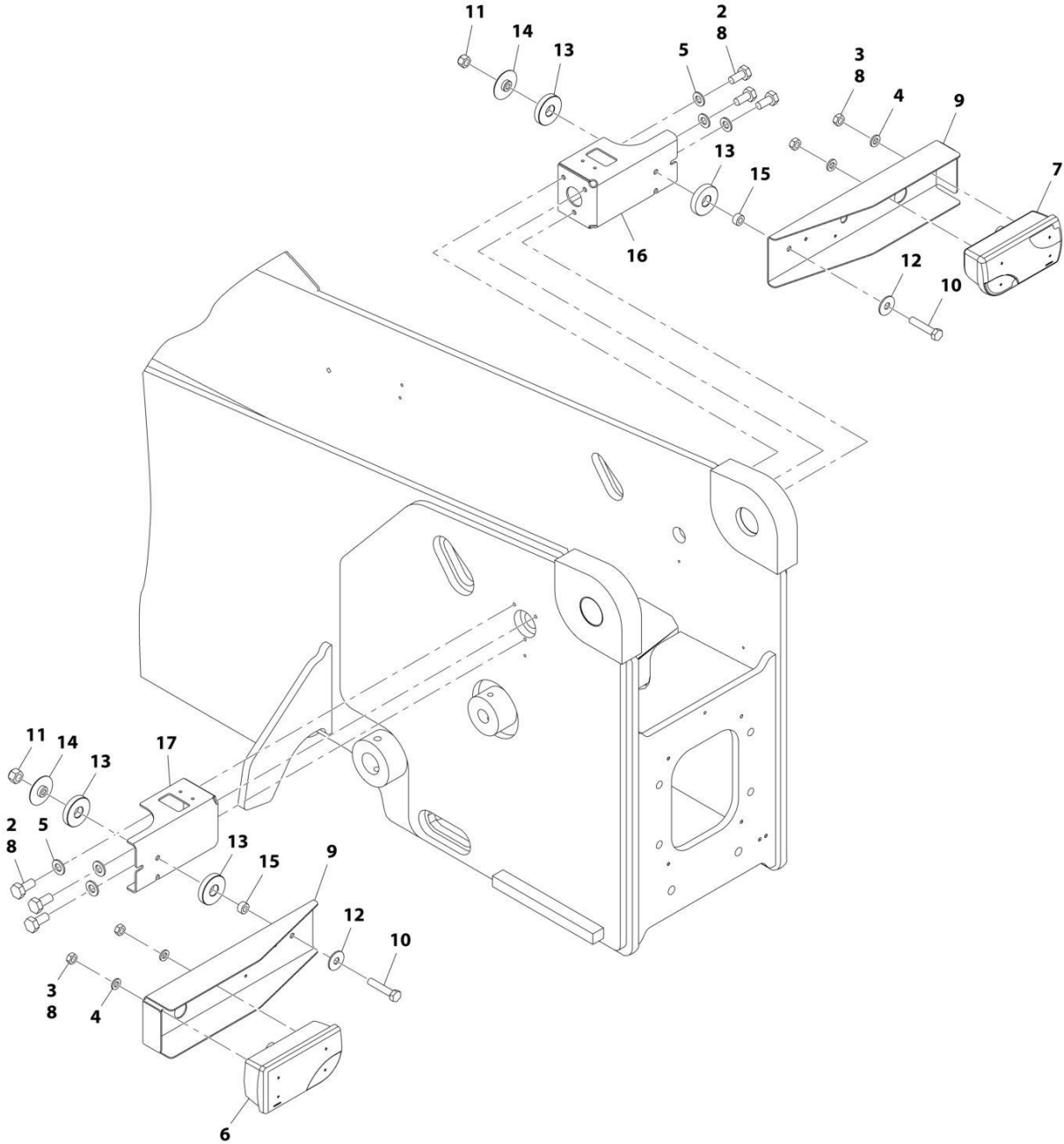
SECTION 10 - ELECTRICAL

FIGURE 10-42. LIGHTS - DRIVING LIGHTS INSTALLATION (UK/IRELAND)

ITEM	PART NUMBER	QTY	DESCRIPTION	REV
	1001144110	Ref	Driving Lights Installation (UK/Ireland)	E
1	0761012	6	Bolt, M10X25	
4	4812000	6	Washer, M10	
5	1001002778	1	Driving Light, RH	
	7029969	1	Bulb, 4W	
	7029970	1	Bulb, 55W	
	7029971	1	Bulb, 21W	
6	1001002779	1	Driving Light, LH	
	7029969	1	Bulb, 4W	
	7029970	1	Bulb, 55W	
	7029971	1	Bulb, 21W	
9	1001096913	2	Cap, Lamp Bracket	
10	1001144434	1	Bracket, Light	
12	1001145235	1	Bracket, Light	
13	1001095650	AR	Compound, Locking	

SECTION 10 - ELECTRICAL

FIGURE 10-43. LIGHTS - REAR LIGHTS INSTALLATION



ART_1001171225-D

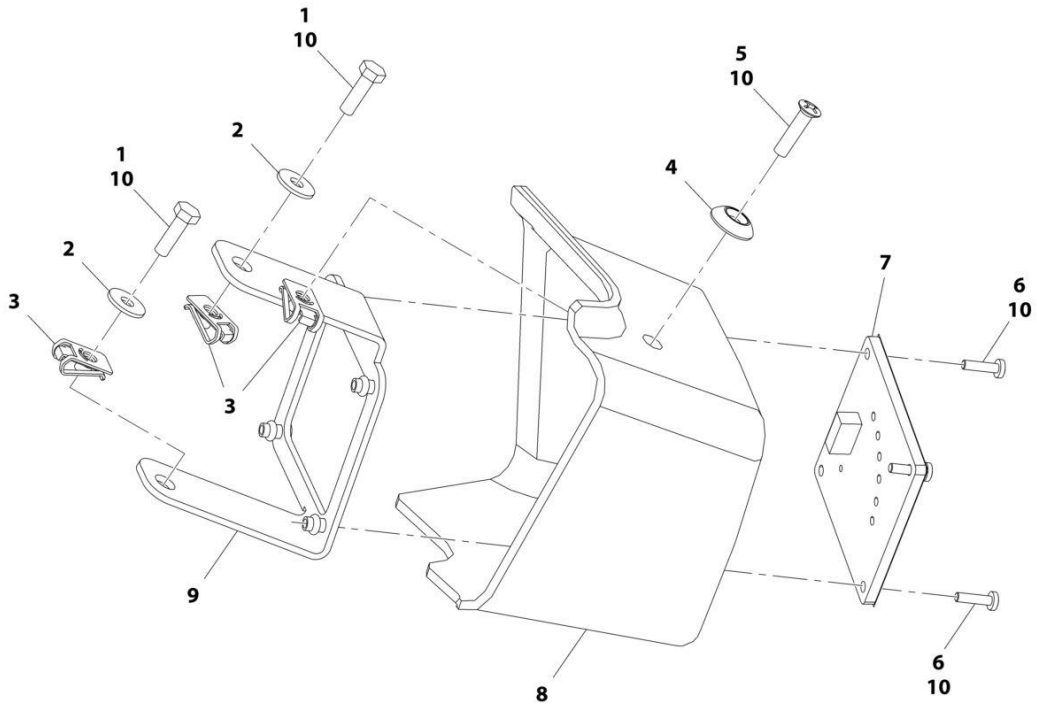
SECTION 10 - ELECTRICAL

FIGURE 10-43. LIGHTS - REAR LIGHTS INSTALLATION

ITEM	PART NUMBER	QTY	DESCRIPTION	REV
	1001171225	Ref	Rear Lights Installation	D
2	0761011	6	Bolt, M10X32	
3	3290601	4	Nut, M6	
4	4811700	4	Washer, M6	
5	4812000	6	Washer, M10	
6	1001091715	1	Lamp, Rear, LH	
7	1001091716	1	Lamp, Rear, RH	
8	1001095650	AR	Compound, Locking	
9	1001186687	2	Bracket	
10	0701220	2	Bolt, M12X60	
11	3291205	2	Nut M12	
12	4812102	2	Washer, M12	
13	8000565	4	Washer	
14	1001182490	2	Washer	
15	1001182495	2	Washer	
16	1001182999	1	Bracket	
17	1001183089	1	Bracket	

SECTION 10 - ELECTRICAL

FIGURE 10-44. LSI INSTALLATION



ART_1001145867-I

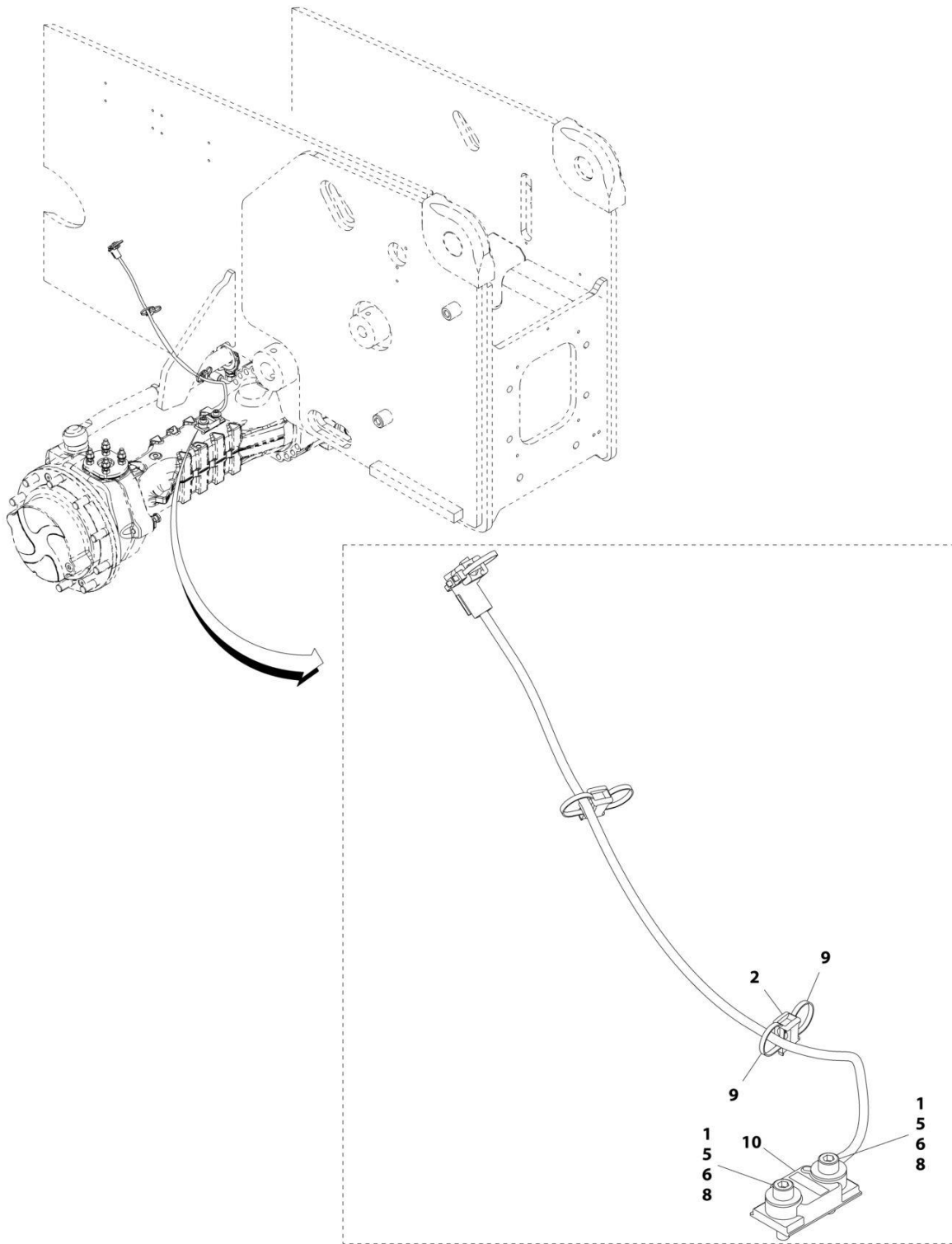
SECTION 10 - ELECTRICAL

FIGURE 10-44. LSI INSTALLATION

ITEM	PART NUMBER	QTY	DESCRIPTION	REV
	1001145867	Ref	LSI Installation	I
1	0760610	2	Bolt, M6X20	
2	4811702	2	Washer, M6	
3	8305919	3	Nut, Retainer M6X1	
4	1001098150	1	Washer, M6	
5	1001098151	1	Screw, M6X25	
6	1001126837	4	Screw, M4X16	
7	1001243216	1	LSI Display Electrical Assembly	
8	1001185733	1	Cover, LSI External	
9	1001145869	1	Bracket, LSI Display Support	
10	1001095650	AR	Compound, Locking	

SECTION 10 - ELECTRICAL

FIGURE 10-45. LSI SENSOR INSTALLATION



ART_1001151969-D

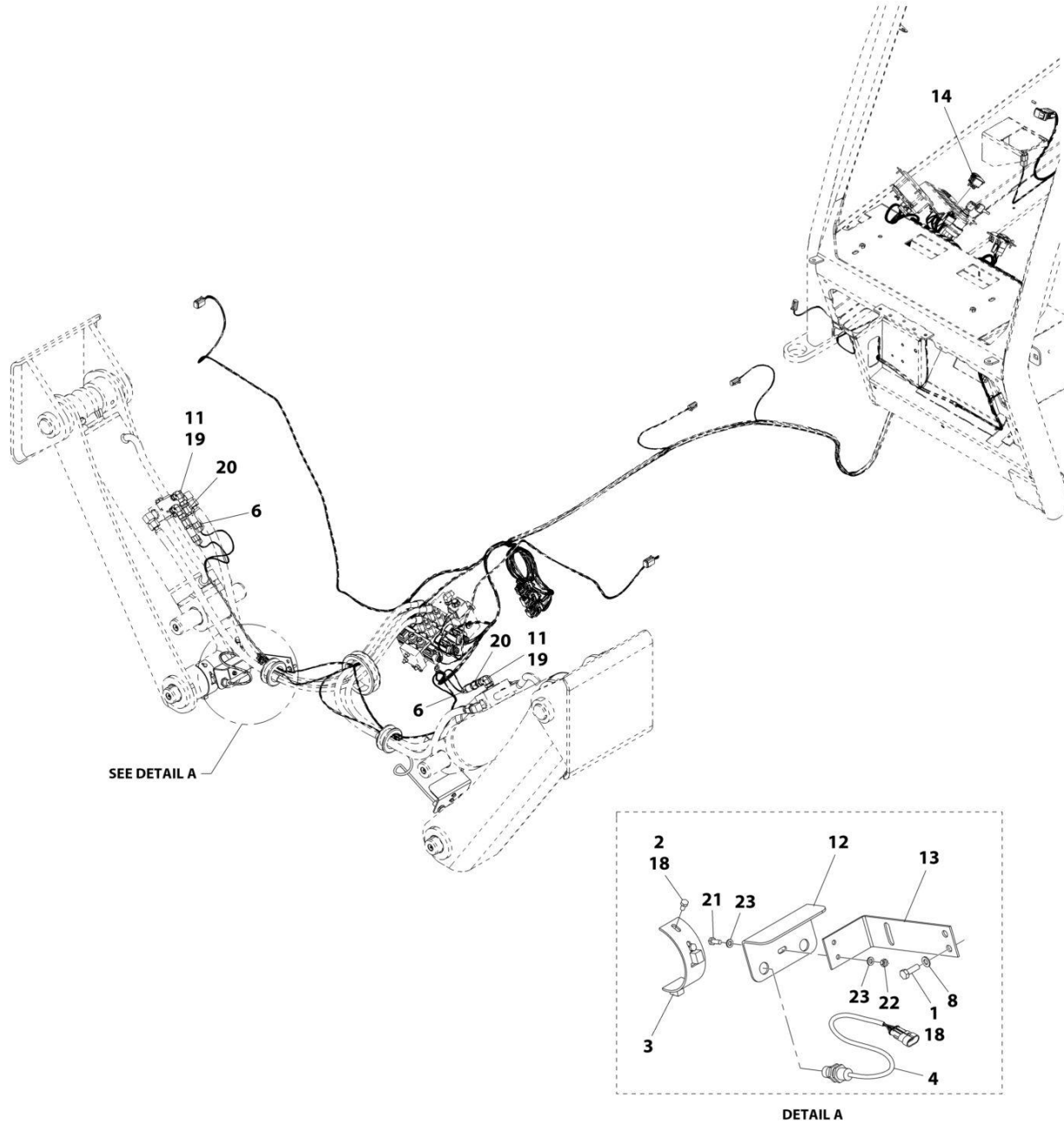
SECTION 10 - ELECTRICAL

FIGURE 10-45. LSI SENSOR INSTALLATION

ITEM	PART NUMBER	QTY	DESCRIPTION	REV
	1001151969	Ref	LSI Sensor Installation	D
1	5272012	2	Bolt, M10X40	
2	1001004723	3	Saddle	
5	1001116128	AR	Sealant, Polysiloxane	
6	1001125465	AR	Compound, Locking	
8	1001129425	AR	Compound, Locking	
9	1001008559	6	Strap, Cable	
10	1001160730	1	Sensor, Rear Axle LSI	

SECTION 10 - ELECTRICAL

FIGURE 10-46. OUTRIGGERS DEPLOYED INSTALLATION (4017RS)



ART_1001151812-G

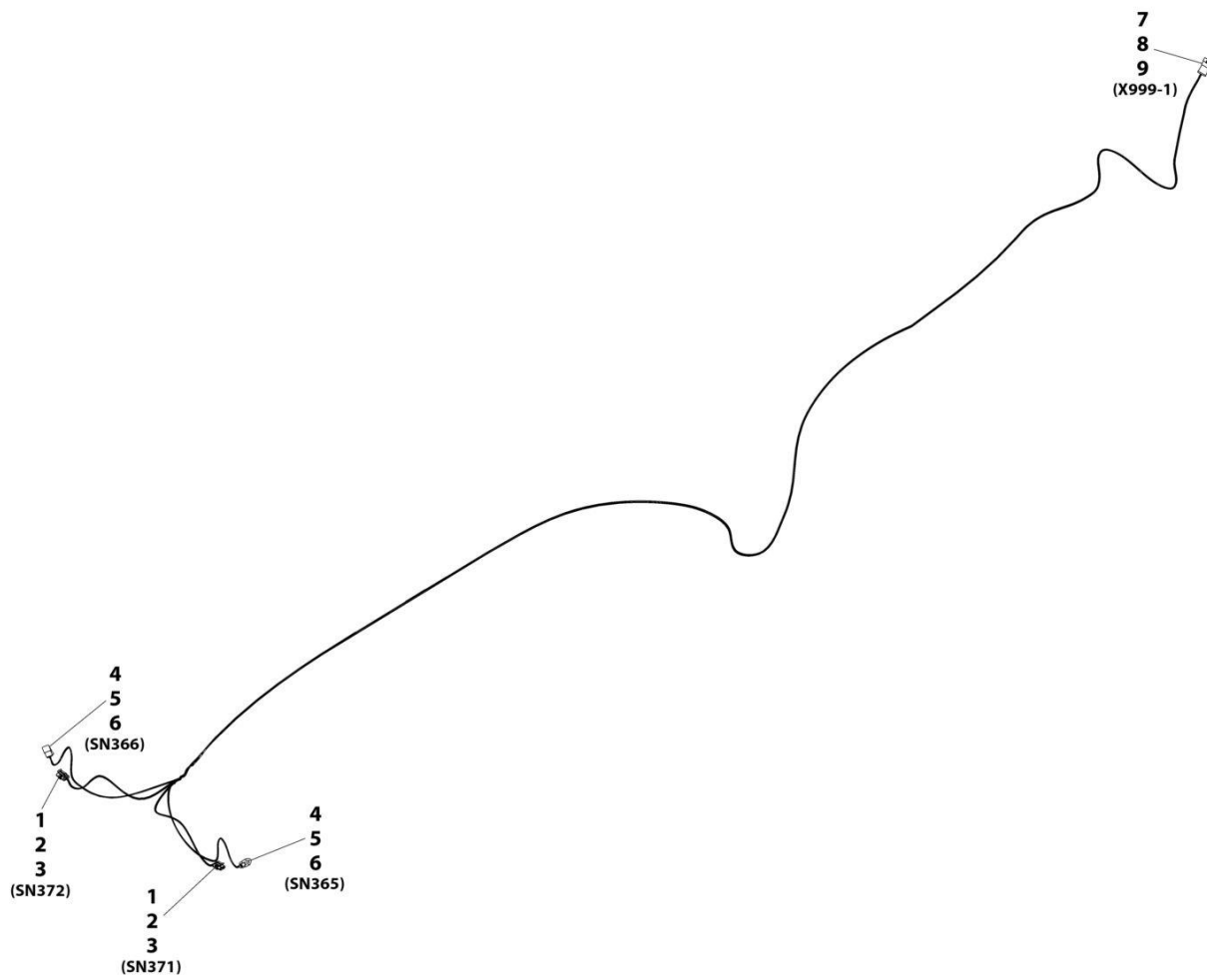
SECTION 10 - ELECTRICAL

FIGURE 10-46. OUTRIGGERS DEPLOYED INSTALLATION (4017RS)

ITEM	PART NUMBER	QTY	DESCRIPTION	REV
	1001151812	Ref	Outriggers Deployed Installation	G
1	0760812	4	Bolt, M8X25	
2	0760606	4	Bolt, M6X12	
3	1001238844	2	Bracket	
4	4000017	2	Switch, Proximity	
6	1001199043	2	Switch, Pressure	
8	4811900	4	Washer, M8	
11	1001184365	2	Adapter	
12	1001244647	2	Plate, Switch Cover	
13	1001244645	2	Bracket, Proximity Support	
14	1001241809	1	Lamp, Outriggers Deployed	
16	1001172310	1	Harness, Chassis, Outriggers Deployed (See Separate Breakdown in this Section)	
18	1001095650	AR	Compound, Locking	
19	1001166431	AR	Compound, Locking	
20	1001217078	4	Adapter	
21	0700608	4	Bolt, M6X16	
22	3290601	4	Nut, M6X1	
23	4811700	8	Washer, M6	

SECTION 10 - ELECTRICAL

FIGURE 10-47. OUTRIGGERS DEPLOYED HARNESS (4017RS)



ART_1001172310-A

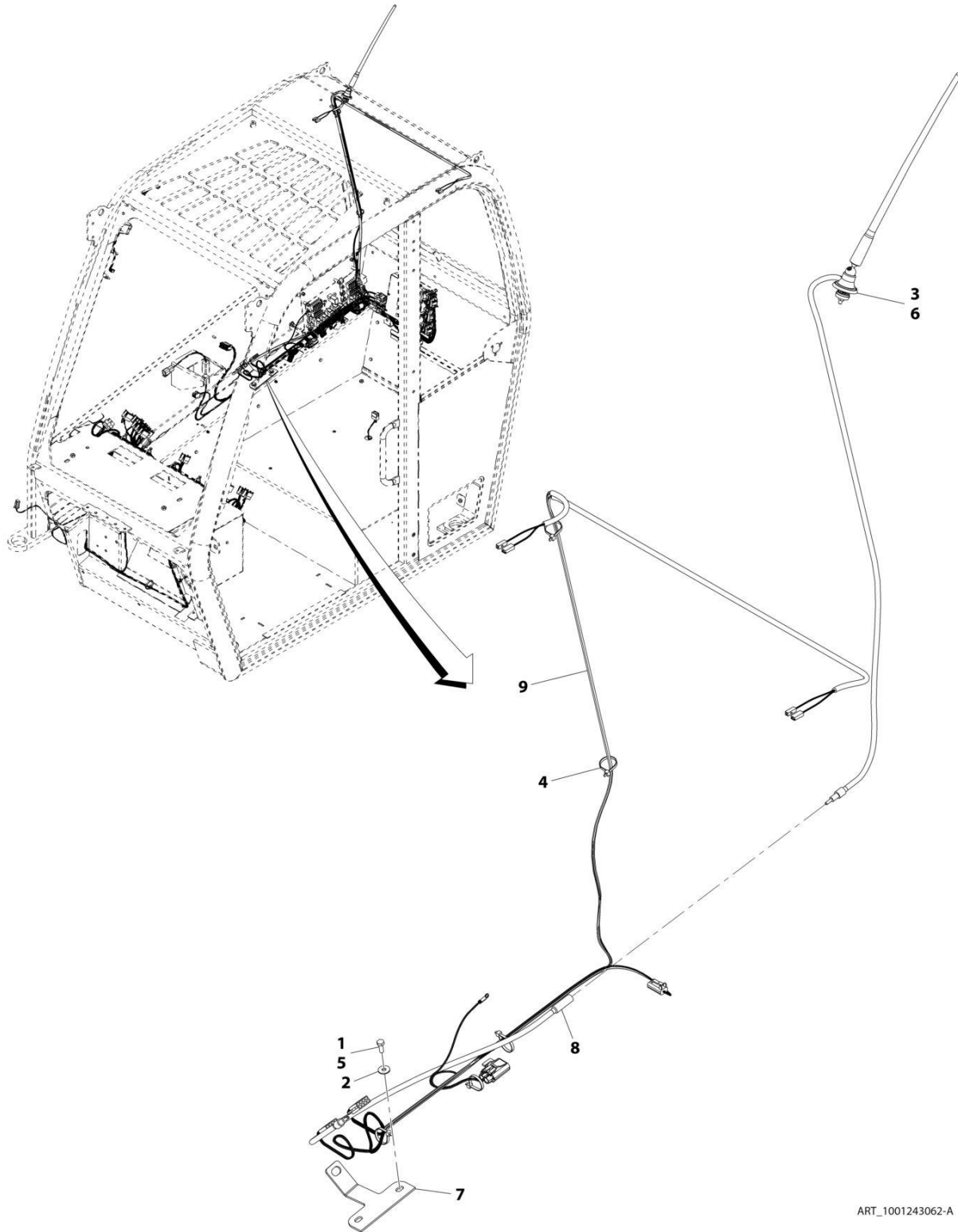
SECTION 10 - ELECTRICAL

FIGURE 10-47. OUTRIGGERS DEPLOYED HARNESS (4017RS)

ITEM	PART NUMBER	QTY	DESCRIPTION	REV
	1001172310	Ref	Outriggers Deployed Harness	A
1	4461262	1	Connector	
2	1001116697	3	Terminal	
3	1001104498	3	Seal	
4	4461262	1	Connector	
5	1001116697	3	Terminal	
6	1001104498	3	Seal	
7	4460539	1	Connector	
8	77363244	1	Lock, Wedge	
9	4460465	2	Terminal	
10	4460466	1	Plug	
11	4460539	1	Connector	
12	77363244	1	Lock, Wedge	
13	4460465	2	Terminal	
14	4460466	1	Plug	
15	1001103013	1	Connector	
16	1001104497	4	Terminal	
17	1001104498	4	Seal	

SECTION 10 - ELECTRICAL

FIGURE 10-48. RADIO INSTALLATION



ART_1001243062-A

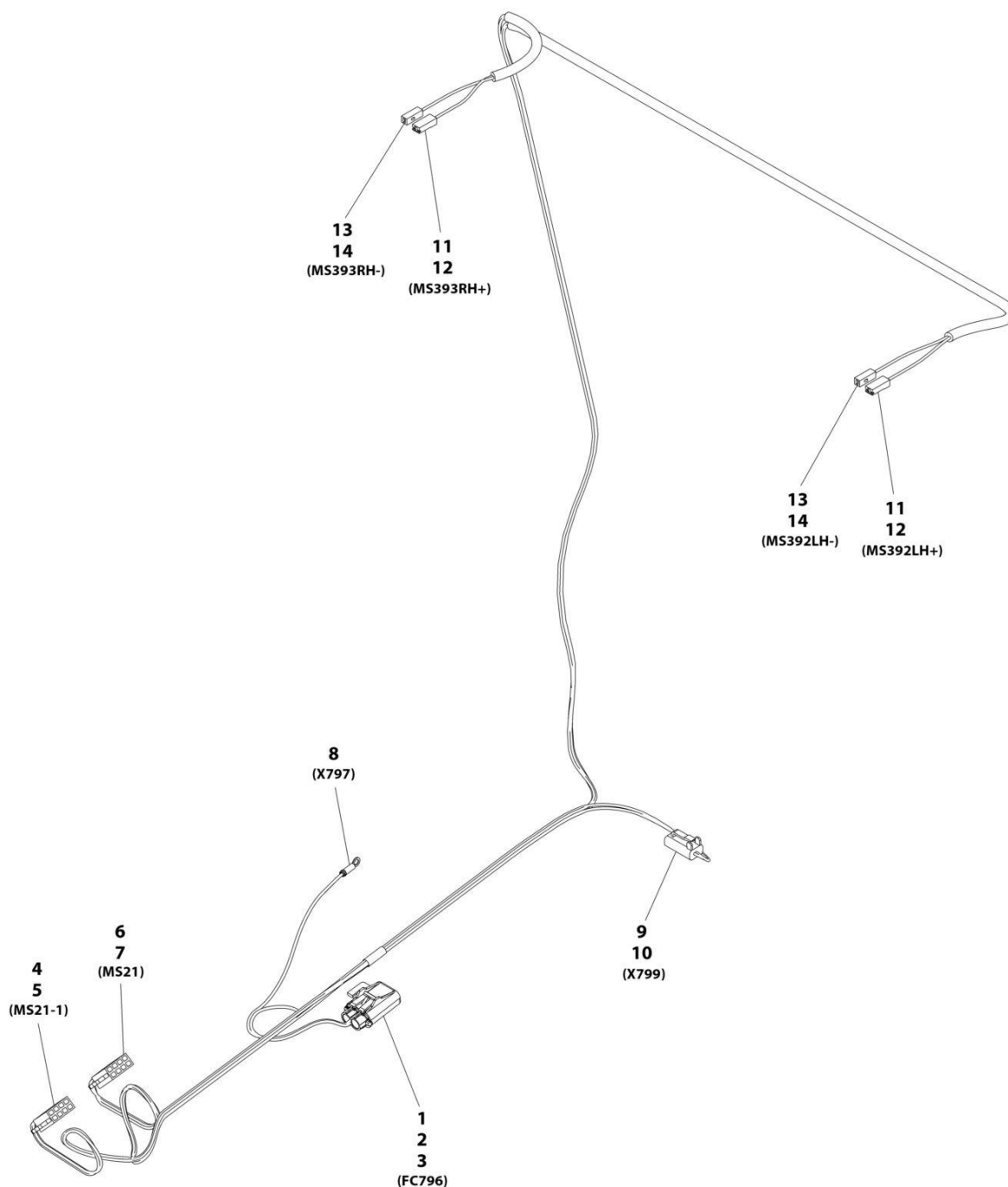
SECTION 10 - ELECTRICAL

FIGURE 10-48. RADIO INSTALLATION

ITEM	PART NUMBER	QTY	DESCRIPTION	REV
	1001243062	Ref	Radio Installation	A
1	0760608	2	Bolt, M6X16	
2	4811702	2	Washer, M6	
3	8005901	1	Antenna	
4	1001008559	5	Strap, Cable	
5	1001095650	AR	Compound, Locking	
6	1001116128	AR	Sealant, Polysiloxane	
7	1001148596	1	Plate, Support	
8	1001152010	1	Cable, Antenna	
9	1001243059	1	Harness, Radio (See Separate Breakdown in this Section)	

SECTION 10 - ELECTRICAL

FIGURE 10-49. RADIO HARNESS



ART_1001243059-A

SECTION 10 - ELECTRICAL

FIGURE 10-49. RADIO HARNESS

ITEM	PART NUMBER	QTY	DESCRIPTION	REV
	1001243059	Ref	Radio Harness	A
1	1001231397	1	Connector	
2	1001231399	2	Terminal	
3	1001231404	2	Seal	
4	1001116985	1	Connector	
5	1001118386	3	Terminal	
6	1001116984	1	Connector	
7	1001118386	4	Terminal	
8	4460247	1	Terminal Ring	
9	4460891	1	Connector	
10	4460942	2	Terminal	
11	1001117002	1	Connector	
12	1001116705	1	Terminal	
13	1001117002	1	Connector	
14	1001116705	1	Terminal	
15	1001116998	1	Connector	
16	1001116715	1	Terminal	
17	1001116998	1	Connector	
18	1001116715	1	Terminal	

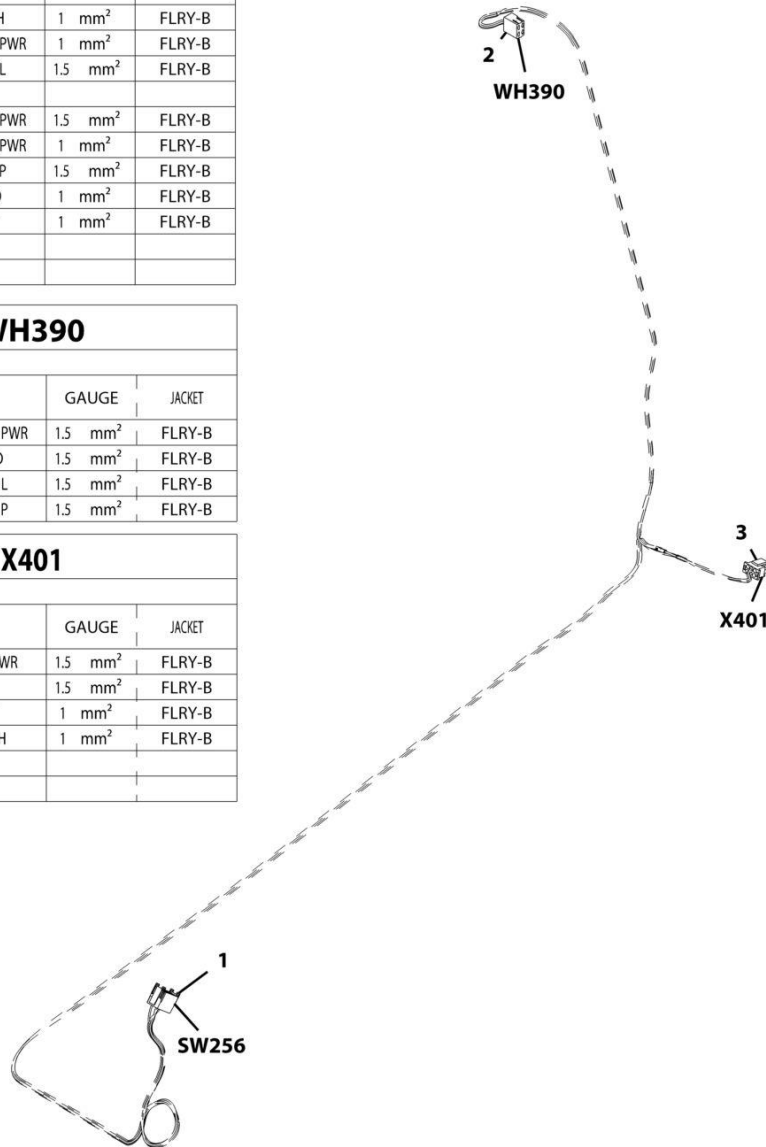
SECTION 10 - ELECTRICAL

FIGURE 10-50. ROOF WIPER HARNESS

SW256				
CONN POS	WIRE COLOR	WIRE LABEL	GAUGE	JACKET
1	WHT	622 RF WASH	1 mm ²	FLRY-B
2	YEL	222-3 RF WIPE PWR	1 mm ²	FLRY-B
2	WHT	620 RF WIPE L	1.5 mm ²	FLRY-B
3				
4	YEL	222-2 RF WIPE PWR	1.5 mm ²	FLRY-B
5	YEL	222-3 RF WIPE PWR	1 mm ²	FLRY-B
6	WHT	621 RF WIPE P	1.5 mm ²	FLRY-B
7	BLK	055-2 GND	1 mm ²	FLRY-B
8	WHT	428 SW LT	1 mm ²	FLRY-B
9				
10				

WH390				
CONN POS	WIRE COLOR	WIRE LABEL	GAUGE	JACKET
1	YEL	222-1 RF WIPE PWR	1.5 mm ²	FLRY-B
2	BLK	055-1 GND	1.5 mm ²	FLRY-B
3	WHT	620 RF WIPE L	1.5 mm ²	FLRY-B
4	WHT	621 RF WIPE P	1.5 mm ²	FLRY-B

X401				
CONN POS	WIRE COLOR	WIRE LABEL	GAUGE	JACKET
1	YEL	222 RF WIPE PWR	1.5 mm ²	FLRY-B
2	BLK	055 GND	1.5 mm ²	FLRY-B
3	WHT	428 SW LT	1 mm ²	FLRY-B
4	WHT	622 RF WASH	1 mm ²	FLRY-B
5				
6				



ART_1001146677-B

SECTION 10 - ELECTRICAL

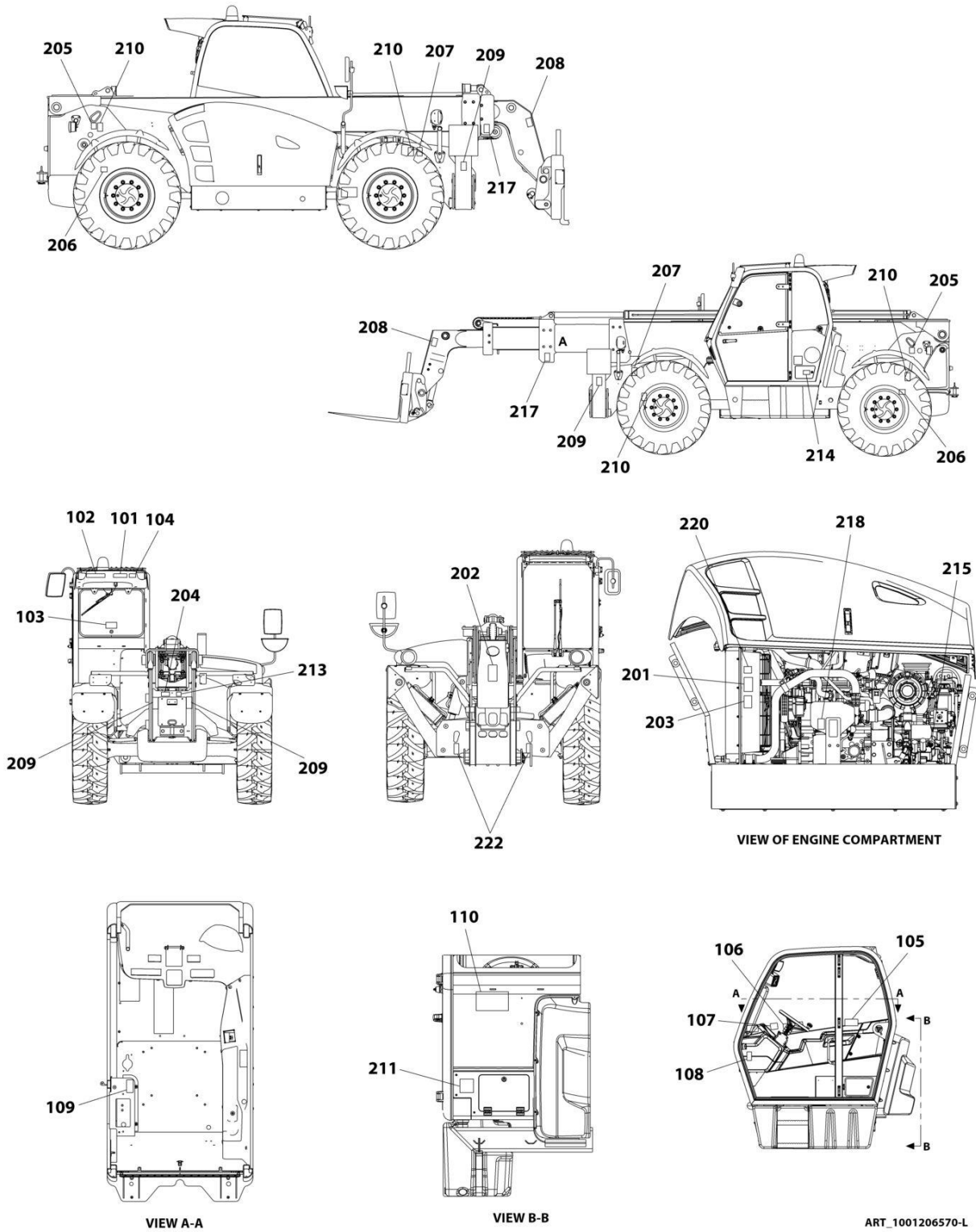
FIGURE 10-50. ROOF WIPER HARNESS

ITEM	PART NUMBER	QTY	DESCRIPTION	REV
1	1001146677	Ref	Roof Wiper Harness	B
	1001145234	1	Connector	
	1001104519	8	Terminal	
2	1001116986	1	Connector	
	1001104519	4	Terminal	
3	4460225	1	Connector	
	4460268	4	Terminal	

SECTION 11 - DECALS

SECTION 11 - DECALS

FIGURE 11-1. DECAL LOCATION INSTALLATION (ULS)



ART_1001206570-L

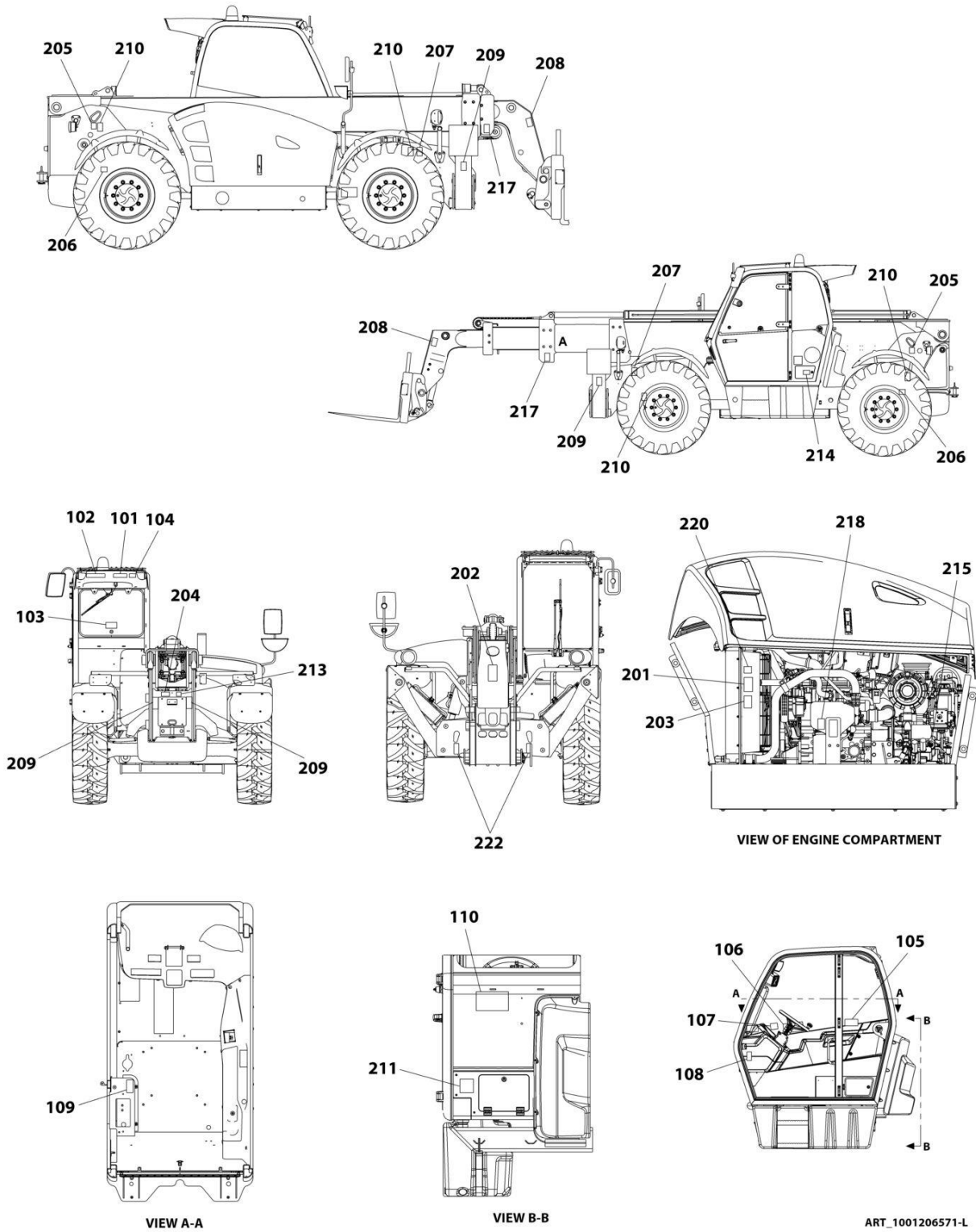
SECTION 11 - DECALS

FIGURE 11-1. DECAL LOCATION INSTALLATION (ULS)

ITEM	PART NUMBER	QTY	DESCRIPTION	REV
	1001206570	Ref	Decal Location Installation (ULS)	L
	1001250626	Ref	Decal Group (Cab)	A
101	1706284	1	Decal, Electrocution Hazard (ISO)	
102	1706288	1	Decal, Tipover Warning (ISO)	
103	8005870	1	Decal, Emergency Exit	
104	1001092877	1	Decal, Crush Hazard Warning (ISO)	
105	1001092878	1	Decal, No Riders	
106	1001101895	1	Decal, Warning-Cab	
107	1001172035	1	Decal, No Weld Or Drill	
108	1001189154	1	Decal, Read Operators Manual	
109	1001214206	1	Decal, Park Brake	
110	1001250530	1	Decal, Fuse	
	1001247162	Ref	Decal Group	A
201	1706098	1	Decal, Warning Ether Start	
202	1001223875	1	Decal, No Standing on Forks	
203	1706285	1	Decal, Moving Parts (ISO)	
204	1706292	1	Decal, Pinch Point (ISO)	
205	8005616	4	Decal, Lifting Point	
206	8005617	4	Decal, Tie Down Point	
207	8005671	2	Decal, Cylinder Lock Warning	
208	8005675	2	Decal, Watch for Raised Boom Warning	
209	8006612	4	Decal, Stay Clear of Swing Area	
210	8008657	4	Decal, Set Brake Lever Warning	
211	1001094708	1	Decal, Hydraulic Oil	
213	1001104319	1	Decal, Chain Roller Greasing Point	
214	1001130323	1	Decal, Oil Level	
215	1001139164	1	Decal, Battery Warning	
217	1001168718	2	Decal, Chain Drive Entanglement Hazard	
218	1001189154	1	Decal, Read Operators Manual	
220	AU2105	1	Decal, No Karcher	
222	1001241674	2	Decal, Retrieval Point	

SECTION 11 - DECALS

FIGURE 11-2. DECAL LOCATION INSTALLATION (LS)



ART_1001206571-L

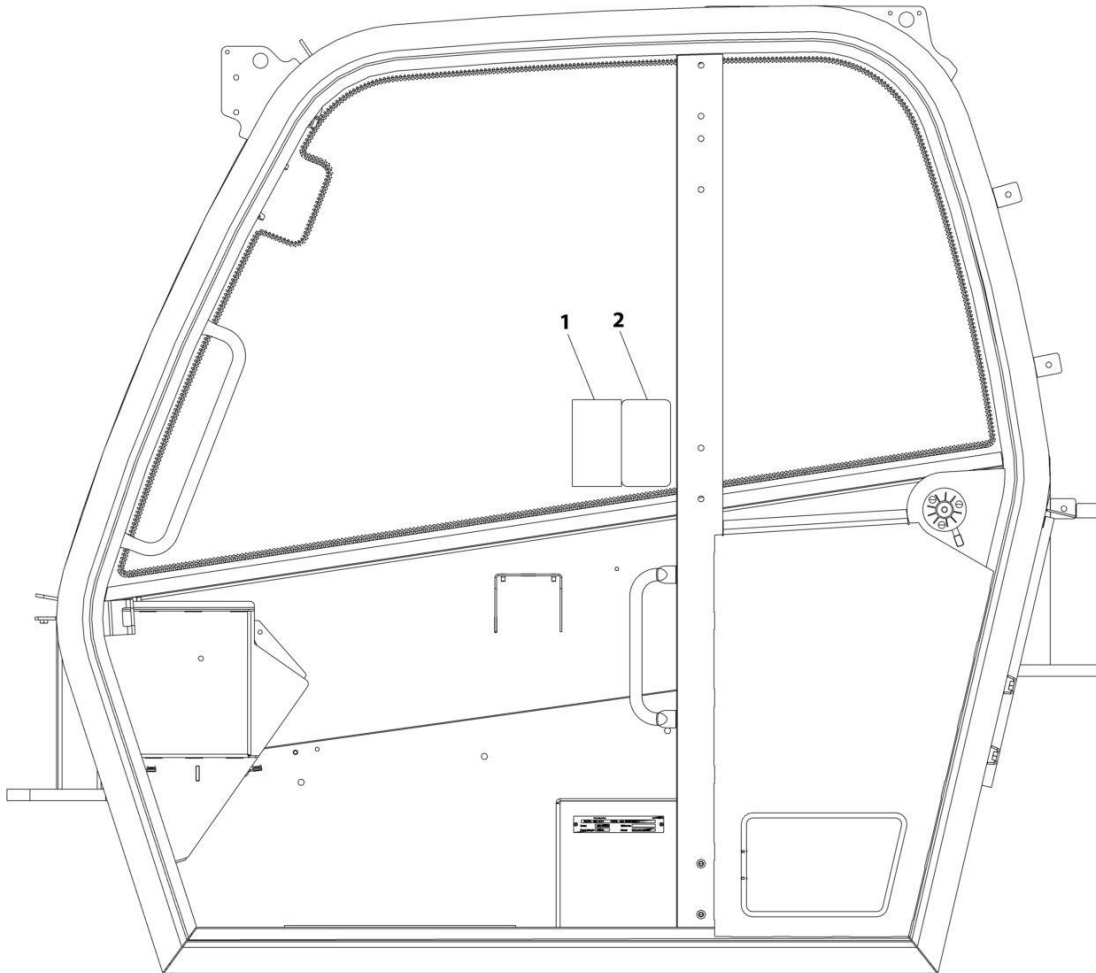
SECTION 11 - DECALS

FIGURE 11-2. DECAL LOCATION INSTALLATION (LS)

ITEM	PART NUMBER	QTY	DESCRIPTION	REV
	1001206571	Ref	Decal Location Installation (LS)	L
	1001250626	Ref	Decal Group (Cab)	A
101	1706284	1	Decal, Electrocution Hazard (ISO)	
102	1706288	1	Decal, Tipover Warning (ISO)	
103	8005870	1	Decal, Emergency Exit	
104	1001092877	1	Decal, Crush Hazard Warning (ISO)	
105	1001092878	1	Decal, No Riders (ISO)	
106	1001101895	1	Decal, Cab Warning	
107	1001172035	1	Decal, No Weld or Drill	
108	1001189154	1	Decal, Read Operators Manual	
109	1001214206	1	Decal, Park Brake	
110	1001250530	1	Decal, Fuse	
	1001247162	Ref	Decal Group	A
201	1706098	1	Decal, Warning Ether Start	
202	1001223875	1	Decal, No Standing on Forks	
203	1706285	1	Decal, Moving Parts (ISO)	
204	1706292	1	Decal, Pinch Point (ISO)	
205	8005616	4	Decal, Lifting Point	
206	8005617	4	Decal, Tie Down Point	
207	8005671	2	Decal, Cylinder Lock Warning	
208	8005675	2	Decal, Watch for Raised Boom Warning	
209	8006612	4	Decal, Stay Clear of Swing Area Warning	
210	8008657	4	Decal, Set Brake Lever	
211	1001094708	1	Decal, Hydraulic Oil	
213	1001104319	1	Decal, Chain Roller Greasing Point	
214	1001130323	1	Decal, Oil Level	
215	1001139164	1	Decal, Battery Warning	
217	1001168718	2	Decal, Chain Drive Entanglement Hazard	
218	1001189154	1	Decal, Read Operators Manual	
220	AU2105	1	Decal, No Karcher	
222	1001241674	2	Decal, Retrieval Point	

SECTION 11 - DECALS

FIGURE 11-3. JOYSTICK DECAL INSTALLATION, BUCKET



ART_1001218296-B

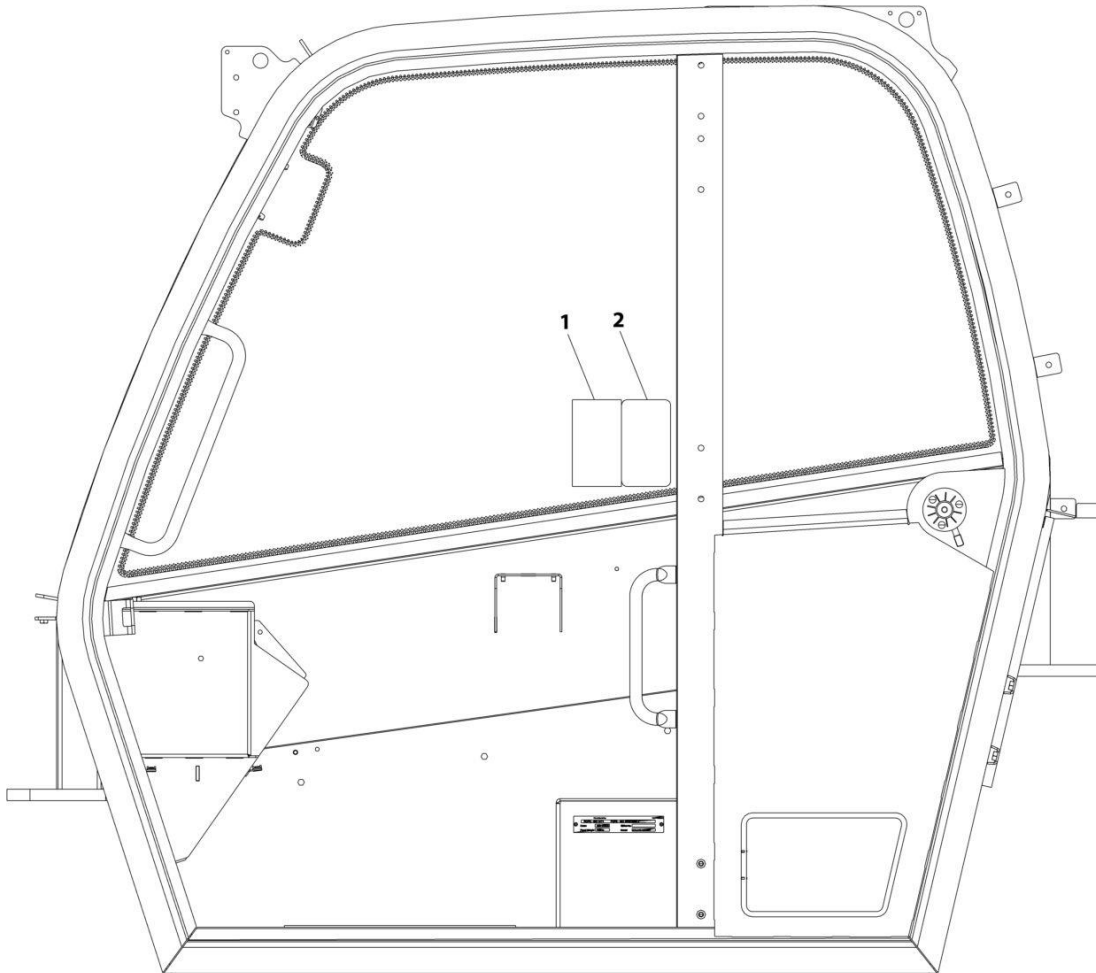
SECTION 11 - DECALS

FIGURE 11-3. JOYSTICK DECAL INSTALLATION, BUCKET

ITEM	PART NUMBER	QTY	DESCRIPTION	REV
	1001218296	Ref	Joystick Decal Installation, Bucket	B
1	1001158309	1	Decal, Joystick Stabilizers	
2	1001241951	1	Decal, Loader Joystick	

SECTION 11 - DECALS

FIGURE 11-4. JOYSTICK DECAL INSTALLATION, FORK



ART_1001218295-B

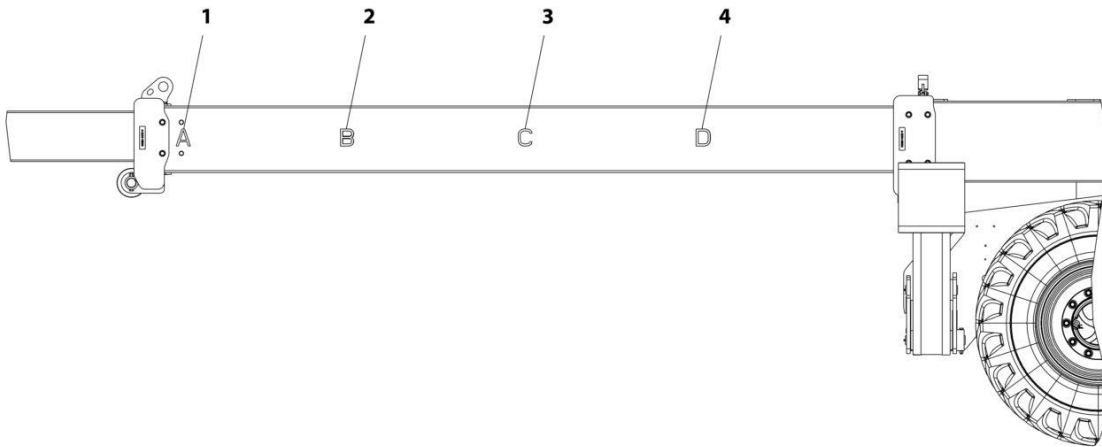
SECTION 11 - DECALS

FIGURE 11-4. JOYSTICK DECAL INSTALLATION, FORK

ITEM	PART NUMBER	QTY	DESCRIPTION	REV
	1001218295	Ref	Joystick Decal Installation, Fork	B
1	1001158309	1	Decal, Joystick Stabilizers	
2	1001241952	1	Decal, Joystick	

SECTION 11 - DECALS

FIGURE 11-5. BOOM DECAL INSTALLATION



ART_1001171798-A

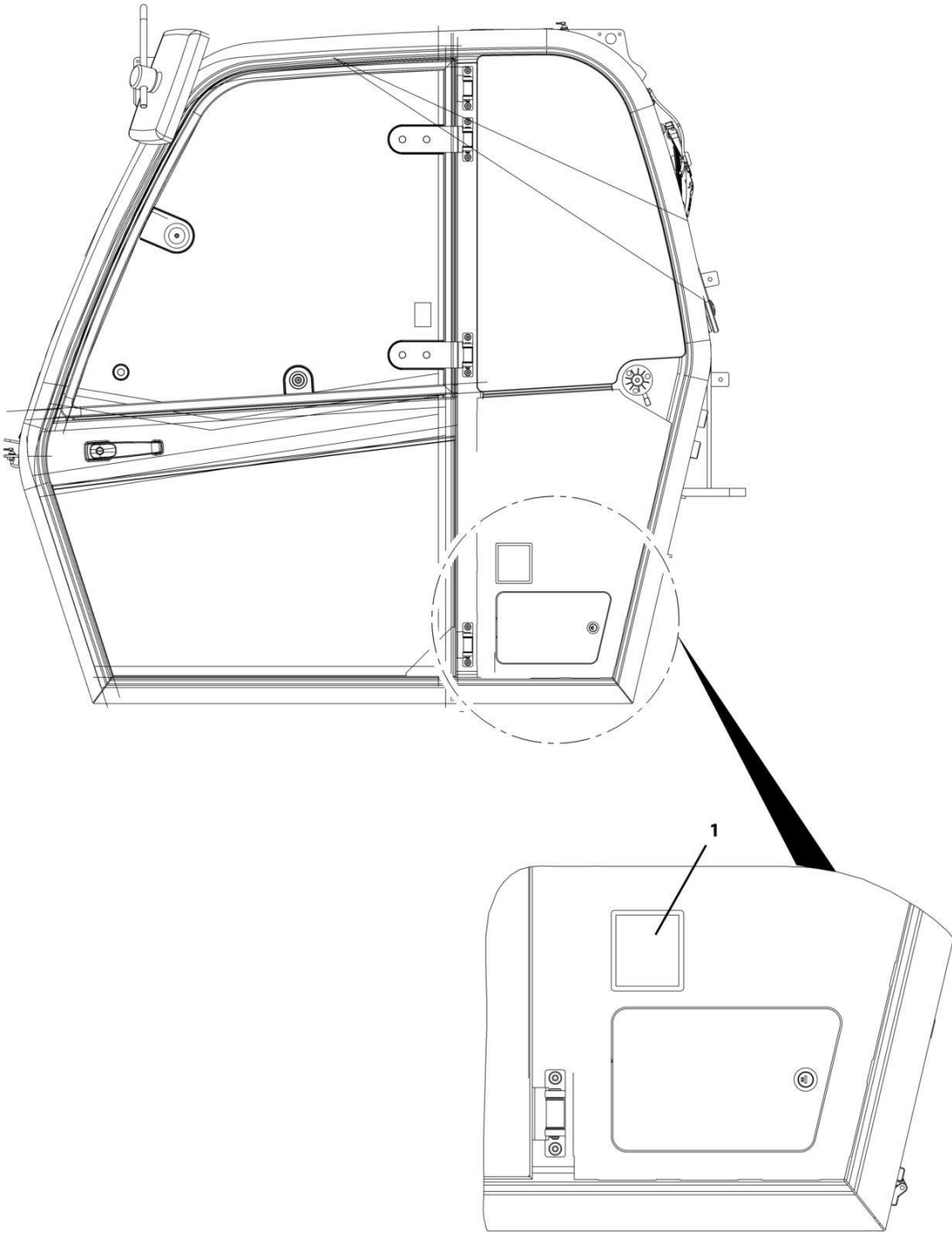
SECTION 11 - DECALS

FIGURE 11-5. BOOM DECAL INSTALLATION

ITEM	PART NUMBER	QTY	DESCRIPTION	REV
	1001171798	Ref	Boom Decal Installation	A
1	1706753	1	Decal, A	
2	1706754	1	Decal, B	
3	1706755	1	Decal, C	
4	1706756	1	Decal, D	

SECTION 11 - DECALS

FIGURE 11-6. SOUND PLATE INSTALLATION, 74KW (106DB)



ART_1001145659-A

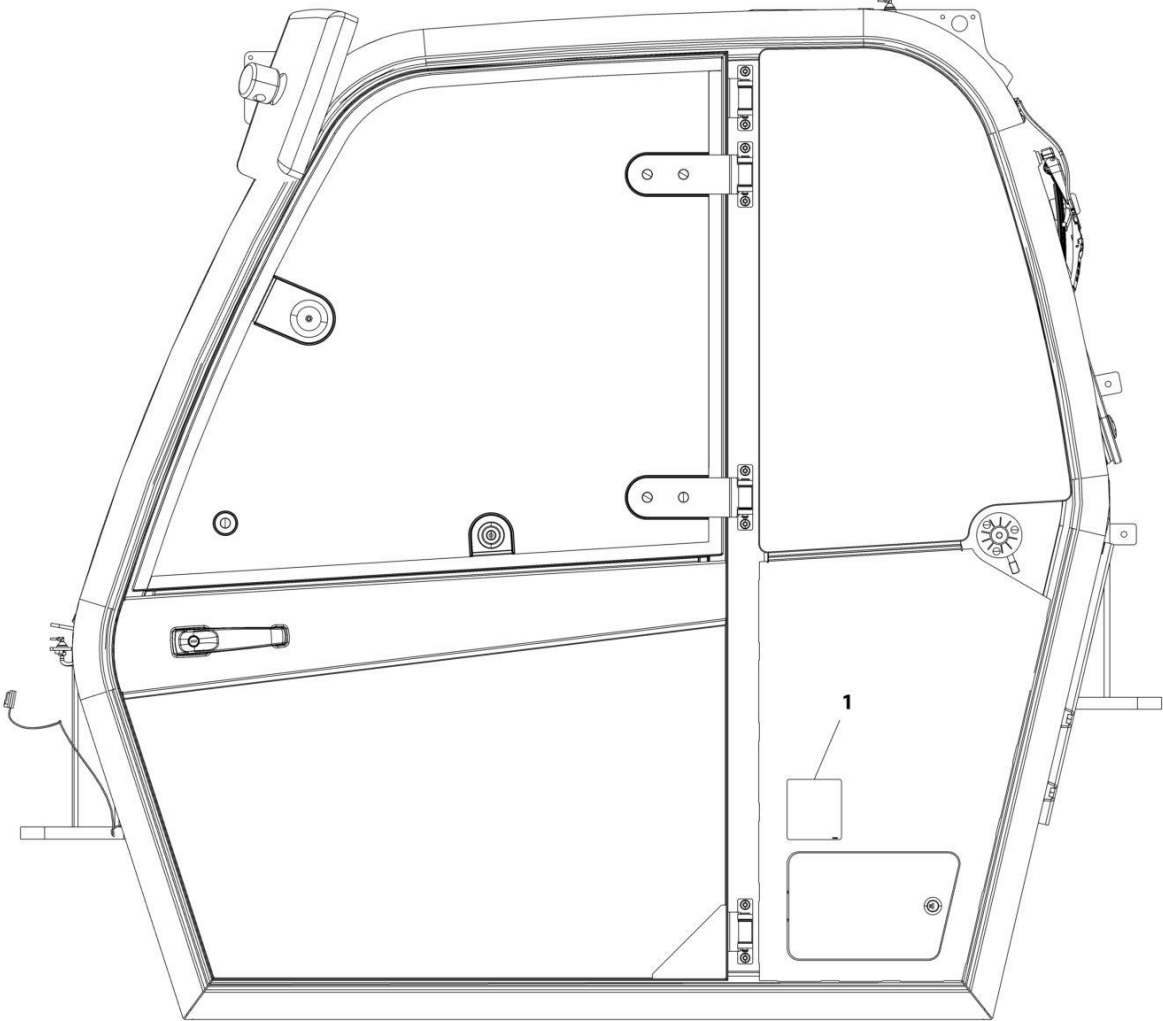
SECTION 11 - DECALS

FIGURE 11-6. SOUND PLATE INSTALLATION, 74KW (106DB)

ITEM	PART NUMBER	QTY	DESCRIPTION	REV
1	1001145659 1705980	Ref 1	Sound Plate Installation, 74KW (106DB) Decal, Acoustic Power 106db	A

SECTION 11 - DECALS

FIGURE 11-7. SOUND PLATE INSTALLATION, 55KW (104DB)



ART_1001191880-A

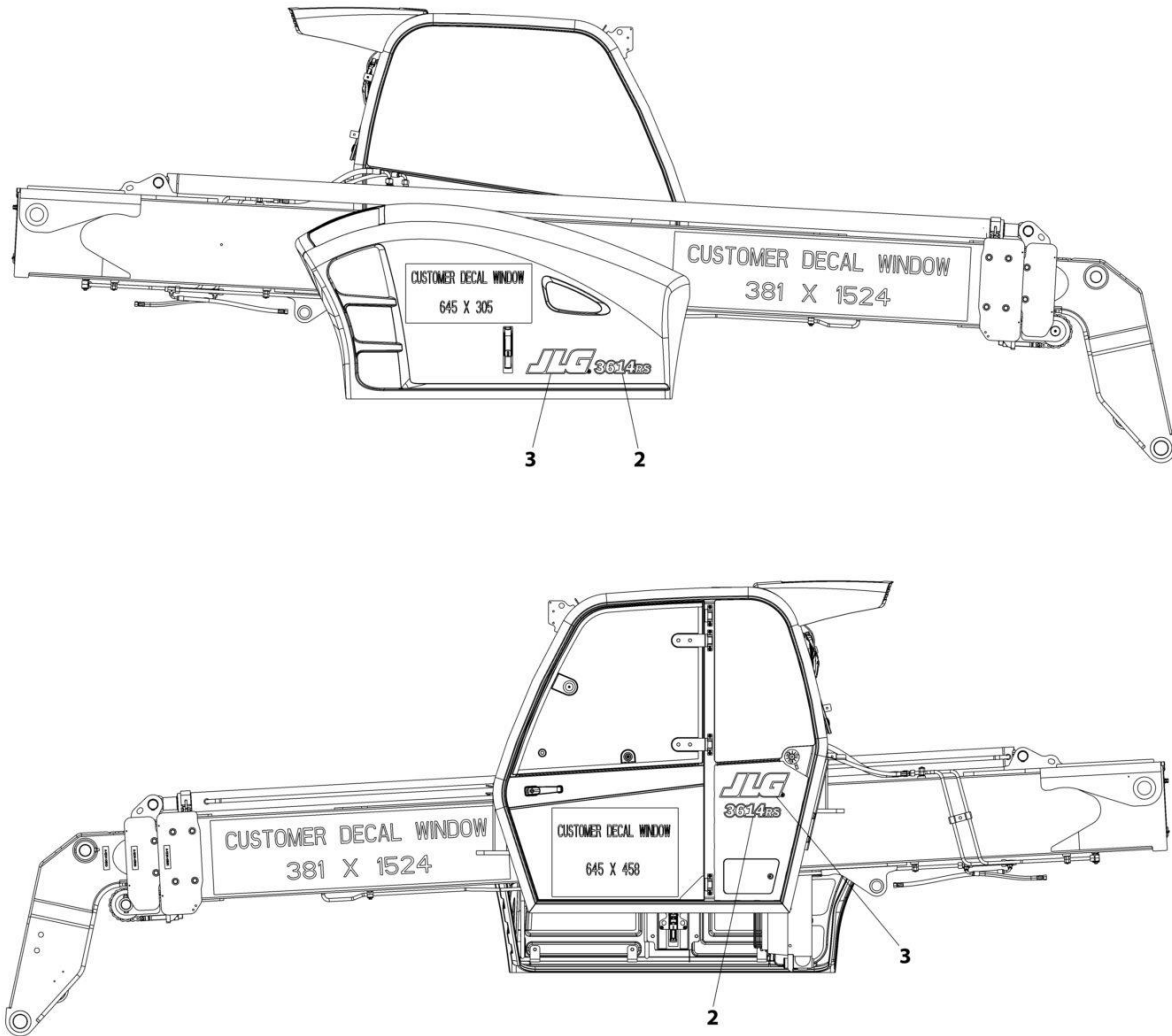
SECTION 11 - DECALS

FIGURE 11-7. SOUND PLATE INSTALLATION, 55KW (104DB)

ITEM	PART NUMBER	QTY	DESCRIPTION	REV
1	1001191880 8007508	Ref 1	Sound Plate Installation, 55KW (104DB) Decal, Acoustic Power 104dB	A

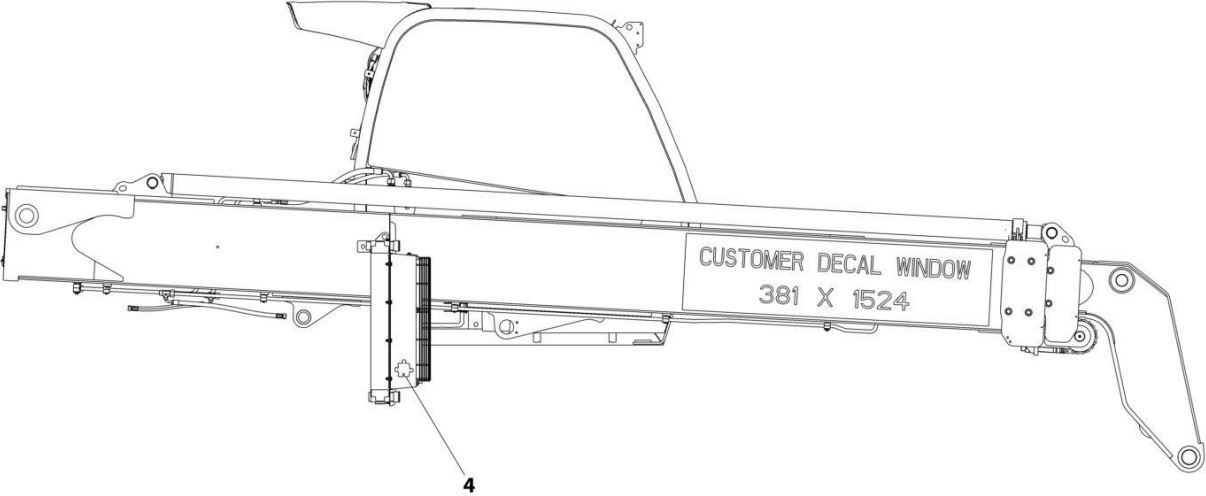
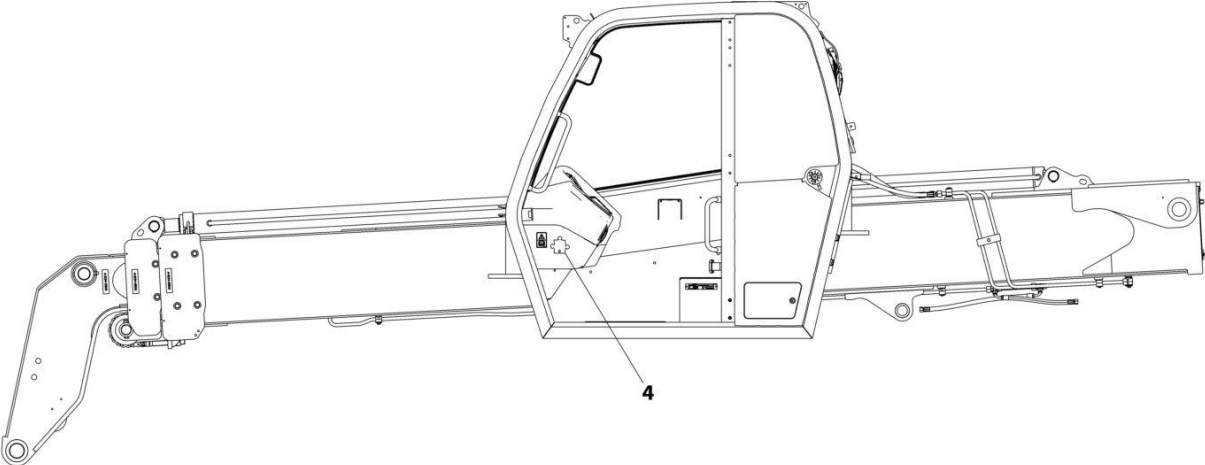
SECTION 11 - DECALS

FIGURE 11-8. DECAL INSTALLATION (3614RS)



ART_1001160051_1-D

SECTION 11 - DECALS



ART_1001160051_2-D

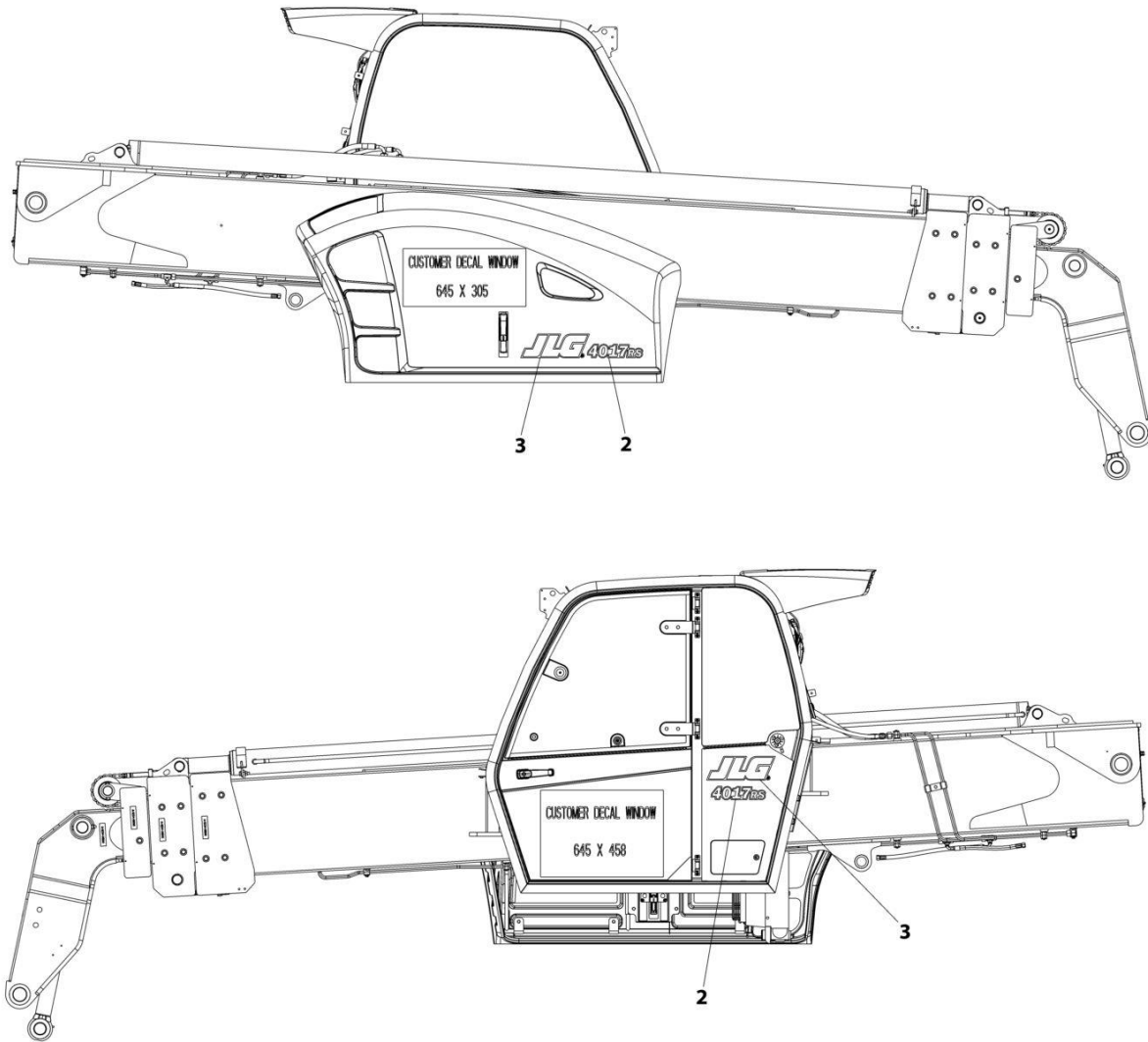
SECTION 11 - DECALS

FIGURE 11-8. DECAL INSTALLATION (3614RS)

ITEM	PART NUMBER	QTY	DESCRIPTION	REV
	1001160051	Ref	JLG Decal Installation	D
2	1001159729	2	Decal, Model	
3	1001160775	2	Decal, JLG	
4	1001165280	2	Decal, Ground Support	

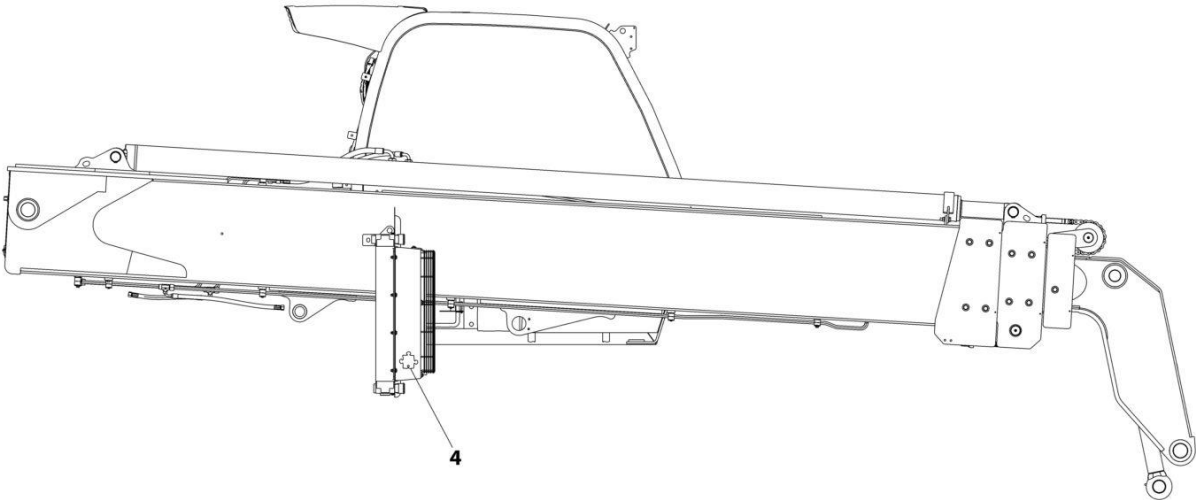
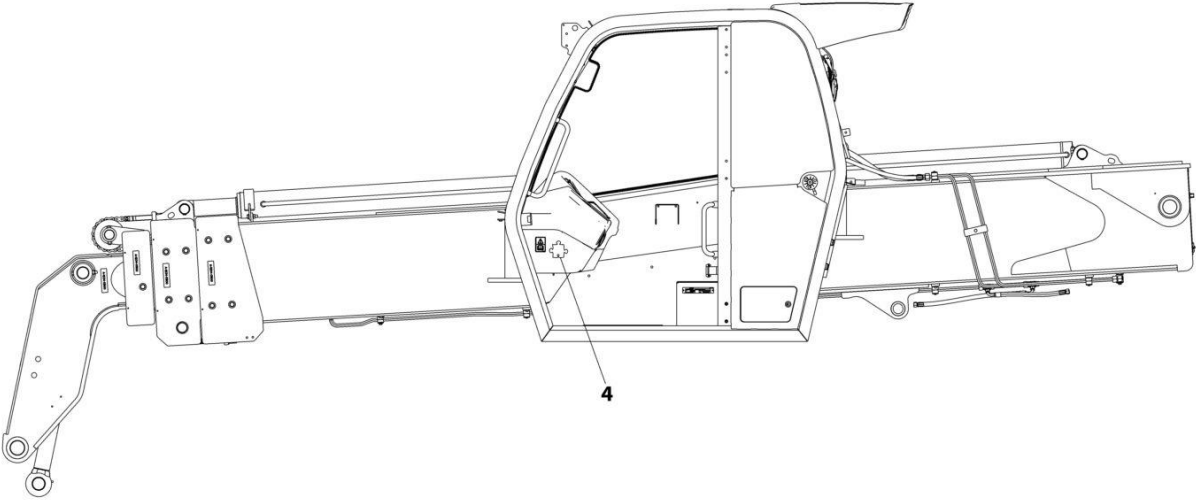
SECTION 11 - DECALS

FIGURE 11-9. DECAL INSTALLATION (4017RS)



ART_1001160052_1-D

SECTION 11 - DECALS



ART_1001160052_2-D

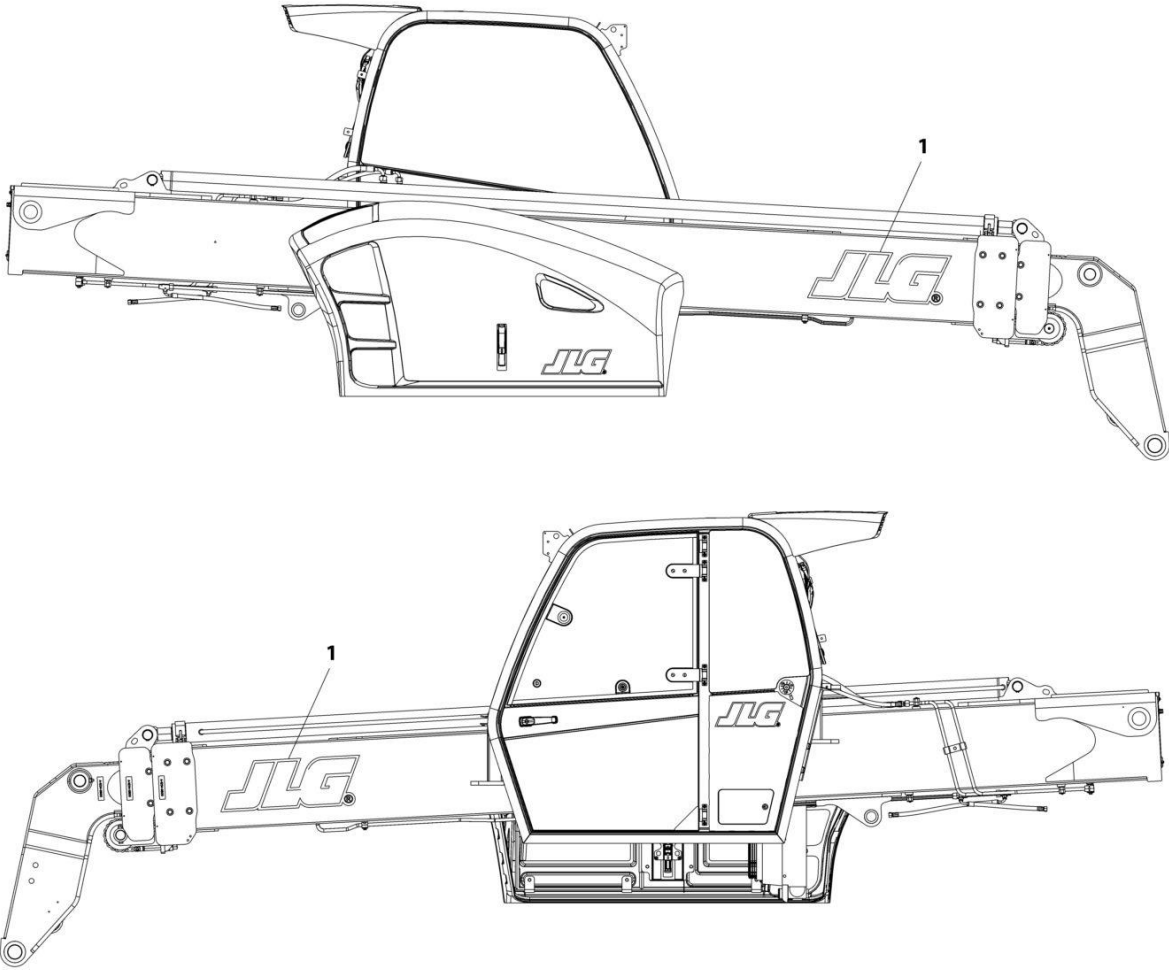
SECTION 11 - DECALS

FIGURE 11-9. DECAL INSTALLATION (4017RS)

ITEM	PART NUMBER	QTY	DESCRIPTION	REV
	1001160052	Ref	JLG Decal Installation	D
2	1001160049	2	Decal, Model	
3	1001160775	2	Decal, JLG	
4	1001165280	2	Decal, Ground Support	

SECTION 11 - DECALS

FIGURE 11-10. BOOM DECAL INSTALLATION



ART_1001219806-A

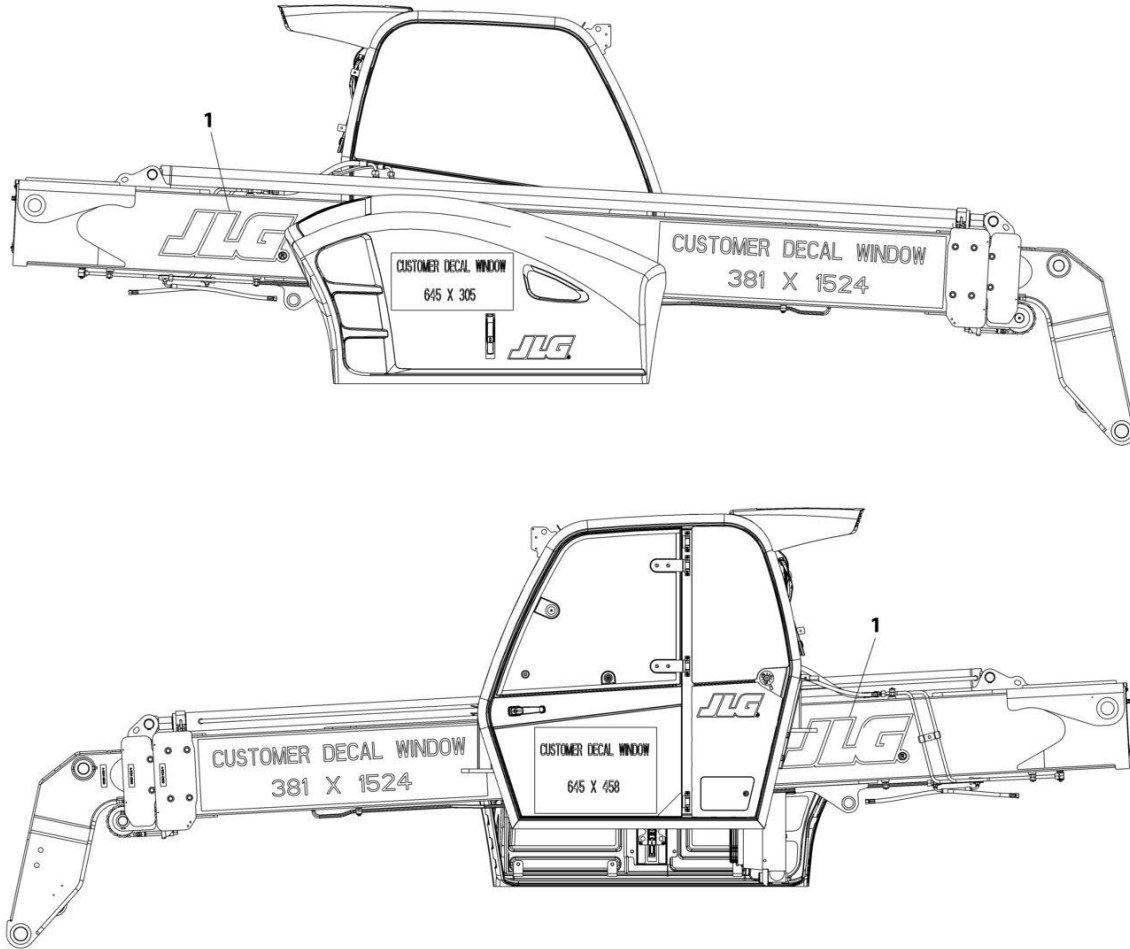
SECTION 11 - DECALS

FIGURE 11-10. BOOM DECAL INSTALLATION

ITEM	PART NUMBER	QTY	DESCRIPTION	REV
1	1001219806	Ref	Decal Boom Installation	A
	1001159728	2	Decal, JLG Logo	

SECTION 11 - DECALS

FIGURE 11-11. BOOM DECAL INSTALLATION WITH CUSTOMER WINDOW



ART_1001219805-A

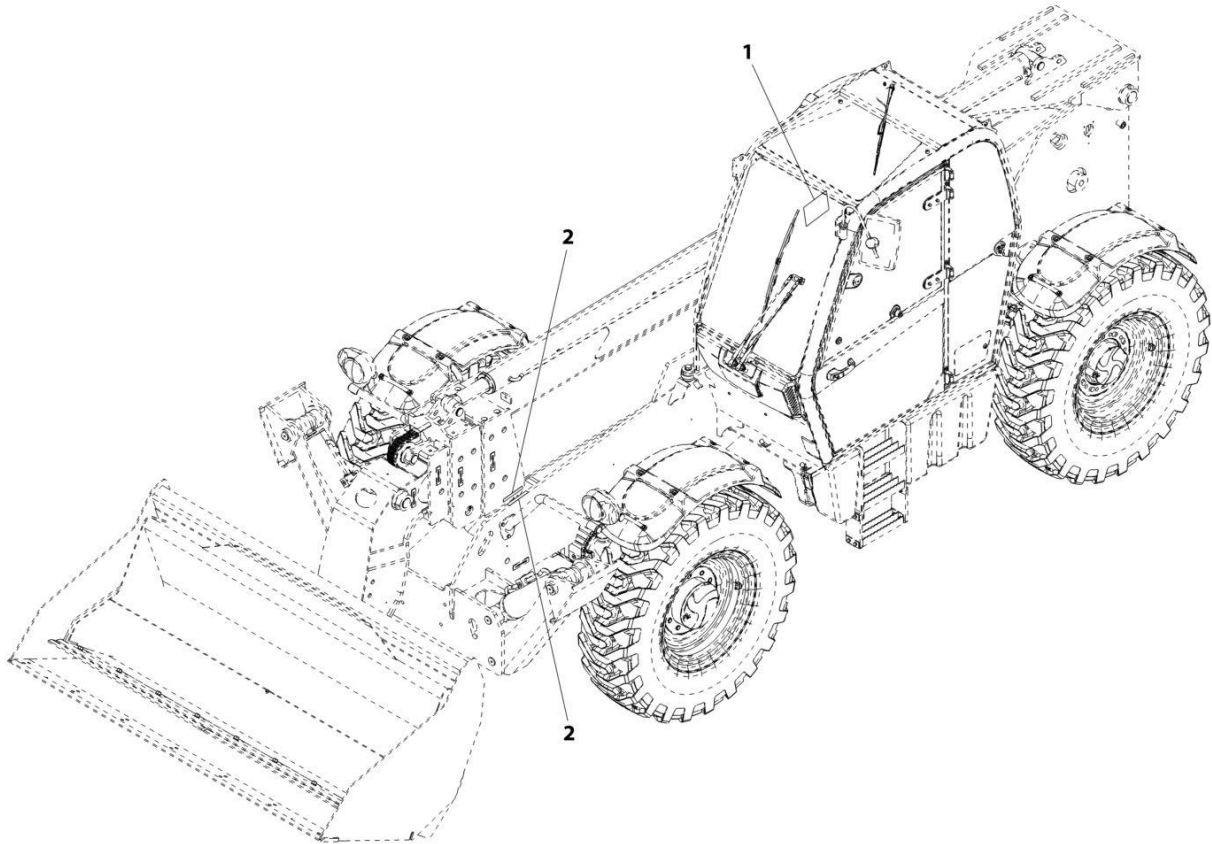
SECTION 11 - DECALS

FIGURE 11-11. BOOM DECAL INSTALLATION WITH CUSTOMER WINDOW

ITEM	PART NUMBER	QTY	DESCRIPTION	REV
1	1001219805	Ref	Decal Boom Installation with Customer Window	A
	1001159728	2	Decal, JLG Logo	

SECTION 11 - DECALS

FIGURE 11-12. BOOM POSITION DECAL INSTALLATION (UK)



ART_1001217133-B

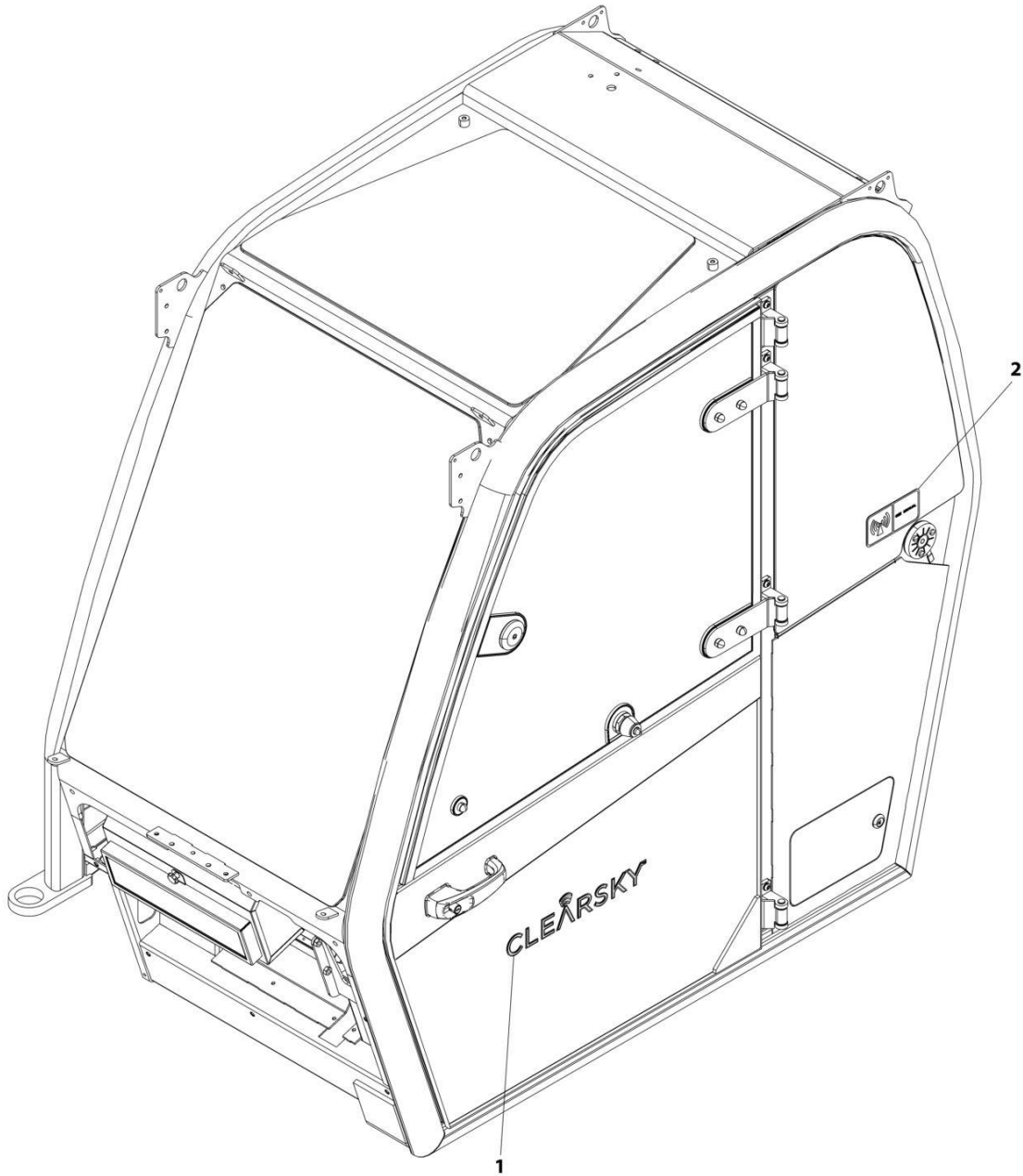
SECTION 11 - DECALS

FIGURE 11-12. BOOM POSITION DECAL INSTALLATION (UK)

ITEM	PART NUMBER	QTY	DESCRIPTION	REV
	1001217133	Ref	Boom Position Installation (UK)	B
1	1001217134	1	Decal, German Homologation	
2	1001217135	2	Decal, Boom Position Mark	

SECTION 11 - DECALS

FIGURE 11-13. CLEARSKY DECAL INSTALLATION



ART_1001239324-A

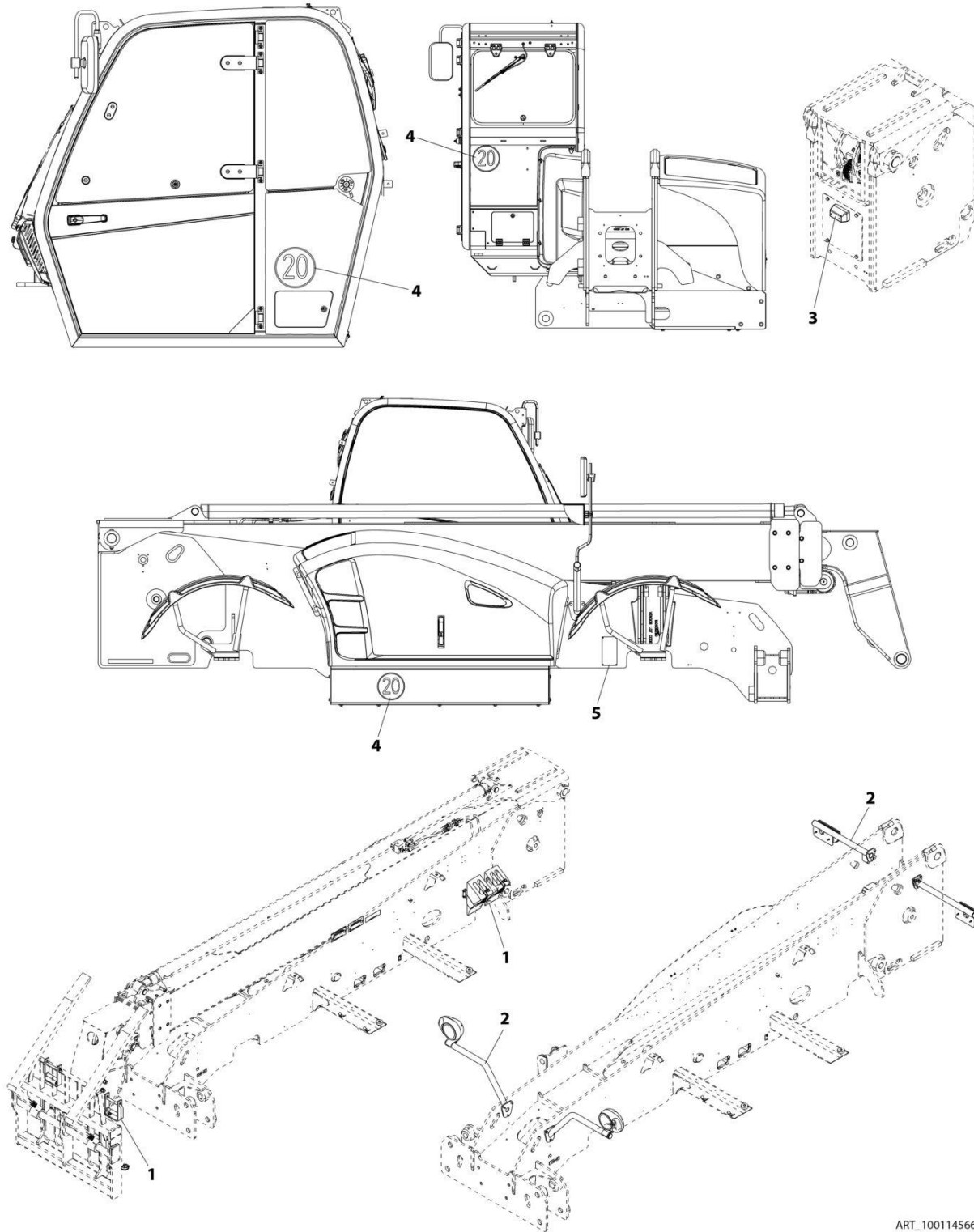
SECTION 11 - DECALS

FIGURE 11-13. CLEARSKY DECAL INSTALLATION

ITEM	PART NUMBER	QTY	DESCRIPTION	REV
	1001239324	Ref	Clearsky Decal Installation	A
1	1001116208	1	Decal, Clearsky	
2	1001120989	1	Decal, Radio Frequency	

SECTION 11 - DECALS

FIGURE 11-14. CONSTRUCTION INSTALLATION (GERMANY) (3614RS)



ART_1001145661-C

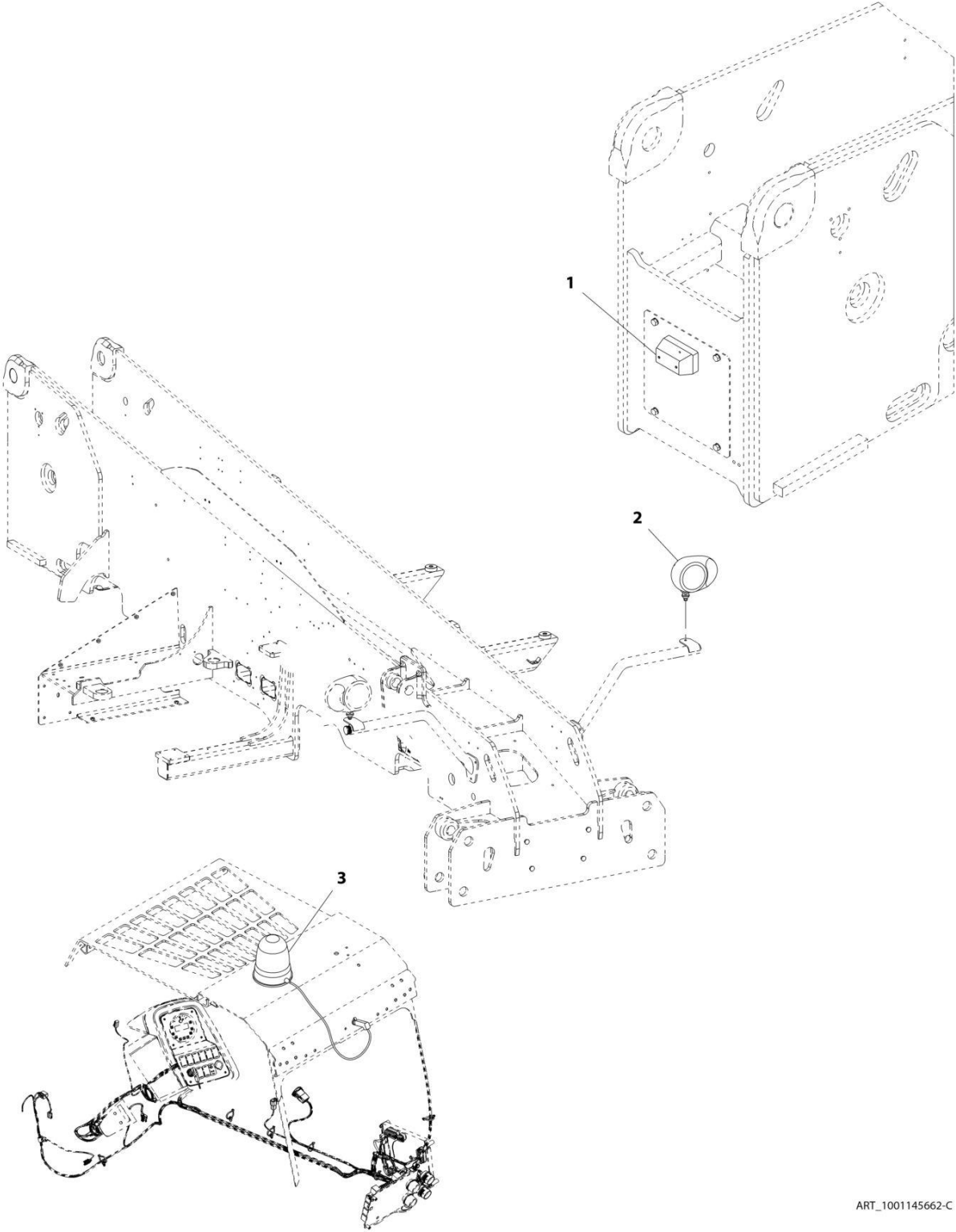
SECTION 11 - DECALS

FIGURE 11-14. CONSTRUCTION INSTALLATION (GERMANY) (3614RS)

ITEM	PART NUMBER	QTY	DESCRIPTION	REV
	1001145661	Ref	Construction Installation (Germany)	D
1	1001158110	1	Installation, Homologation (See Separate Breakdown in this Section)	
2	1001146491	1	Installation, Driving Lights (Germany and CE) (See Separate Breakdown in ELECTRICAL Section)	
3	1001143959	1	Installation, License Plate (See Separate Breakdown in FRAME AND ATTACHING PARTS Section)	
4	1001158111	1	Installation, 20KPH Decals (See Separate Breakdown in this Section)	
5	1001158112	1	Installation, Homologation Plate (See Separate Breakdown in this Section)	
6	N.S.S.	1	Chart, German Homologation (not shown)	
7	N.S.S.	1	Chart, 20KPH Configuration (not shown)	
8	1001197671	1	Installation, Homologation Warning (not shown) (See Separate Breakdown in this Section)	
9	1001214963	1	Installation, Sunvisor (not shown) (See Separate Breakdown in this Section)	

SECTION 11 - DECALS

FIGURE 11-15. CONSTRUCTION INSTALLATION (UK/IRELAND)



ART_1001145662-C

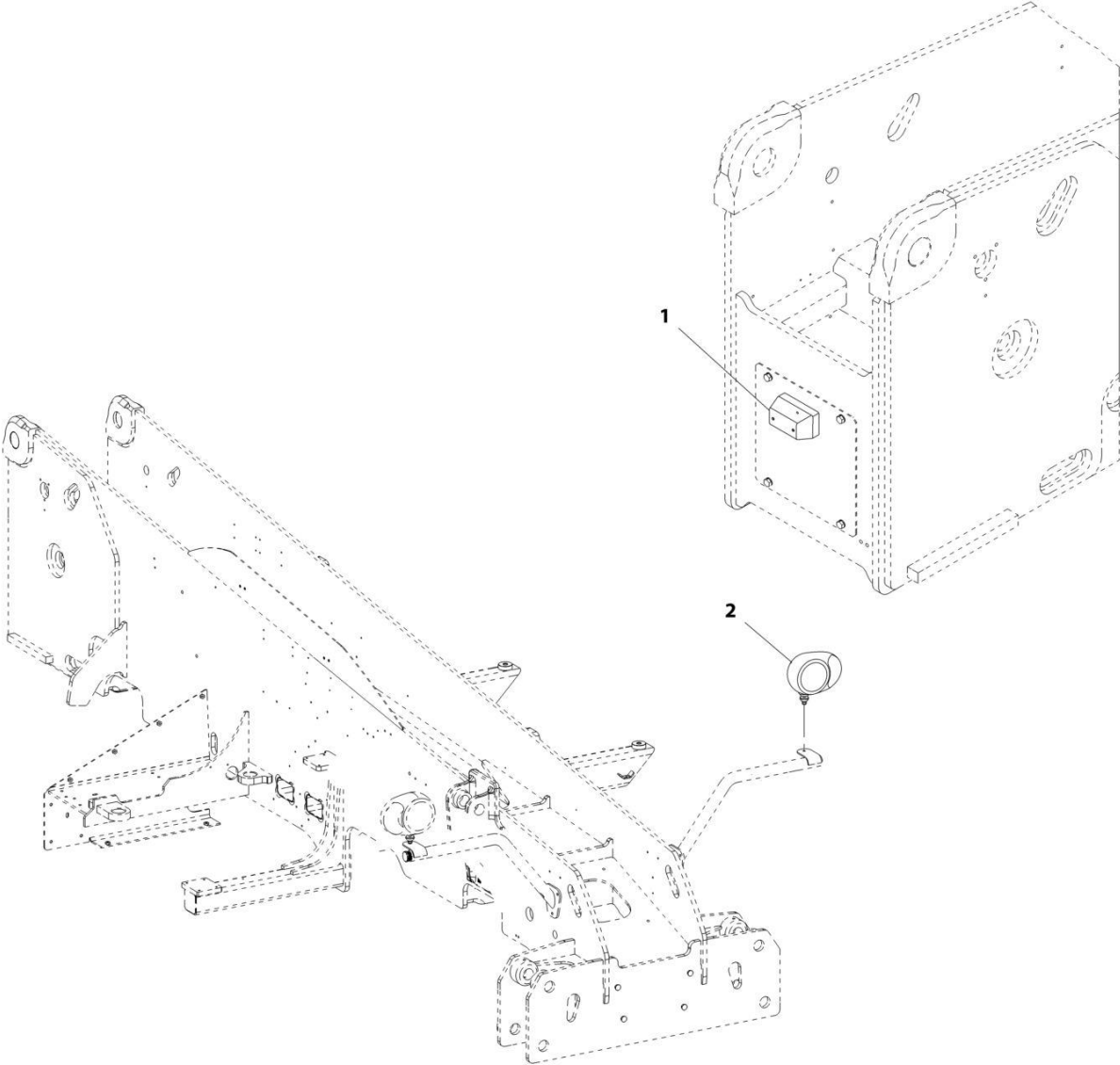
SECTION 11 - DECALS

FIGURE 11-15. CONSTRUCTION INSTALLATION (UK/IRELAND)

ITEM	PART NUMBER	QTY	DESCRIPTION	REV
1	1001145662	Ref	Construction Installation (UK/Ireland)	C
	1001143959	Ref	License Plate Installation (See Separate Breakdown in FRAME AND ATTACHING PARTS Section)	C
2	1001144110	Ref	Driving Lights Installation (See Separate Breakdown in ELECTRICAL Section)	E
3	1001146674	Ref	Beacon Installation (See Separate Breakdown in ELECTRICAL Section)	B

SECTION 11 - DECALS

FIGURE 11-16. CONSTRUCTION INSTALLATION (CE)



ART_1001145663-C

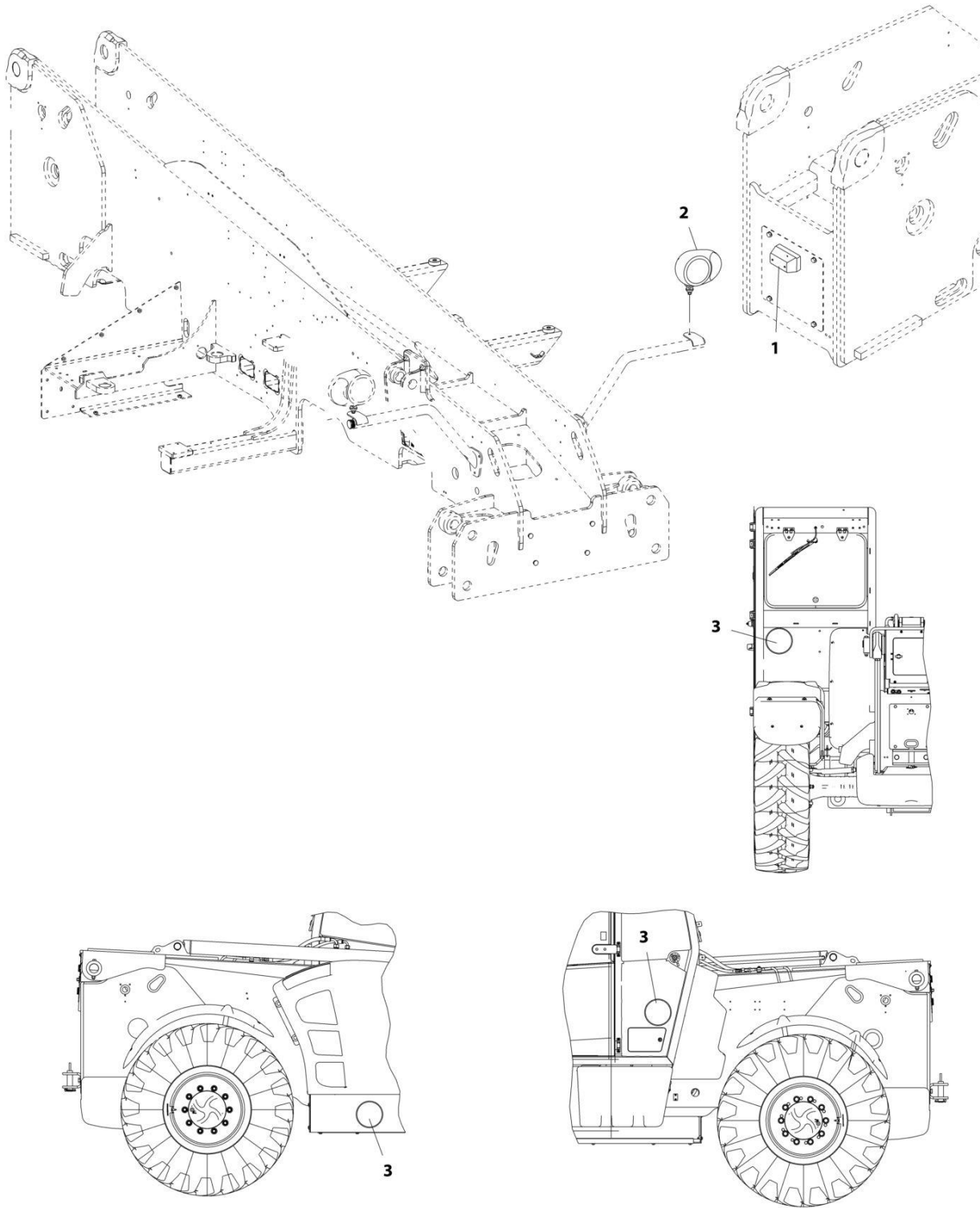
SECTION 11 - DECALS

FIGURE 11-16. CONSTRUCTION INSTALLATION (CE)

ITEM	PART NUMBER	QTY	DESCRIPTION	REV
1	1001145663	Ref	Construction Installation (CE)	C
	1001143959	Ref	License Plate Installation (See Separate Breakdown in FRAME AND ATTACHING PARTS Section)	C
2	1001146491	Ref	Driving Lights Installation (See Separate Breakdown in ELECTRICAL Section)	E

SECTION 11 - DECALS

FIGURE 11-17. CONSTRUCTION INSTALLATION (FRANCE)



ART_1001171699-C

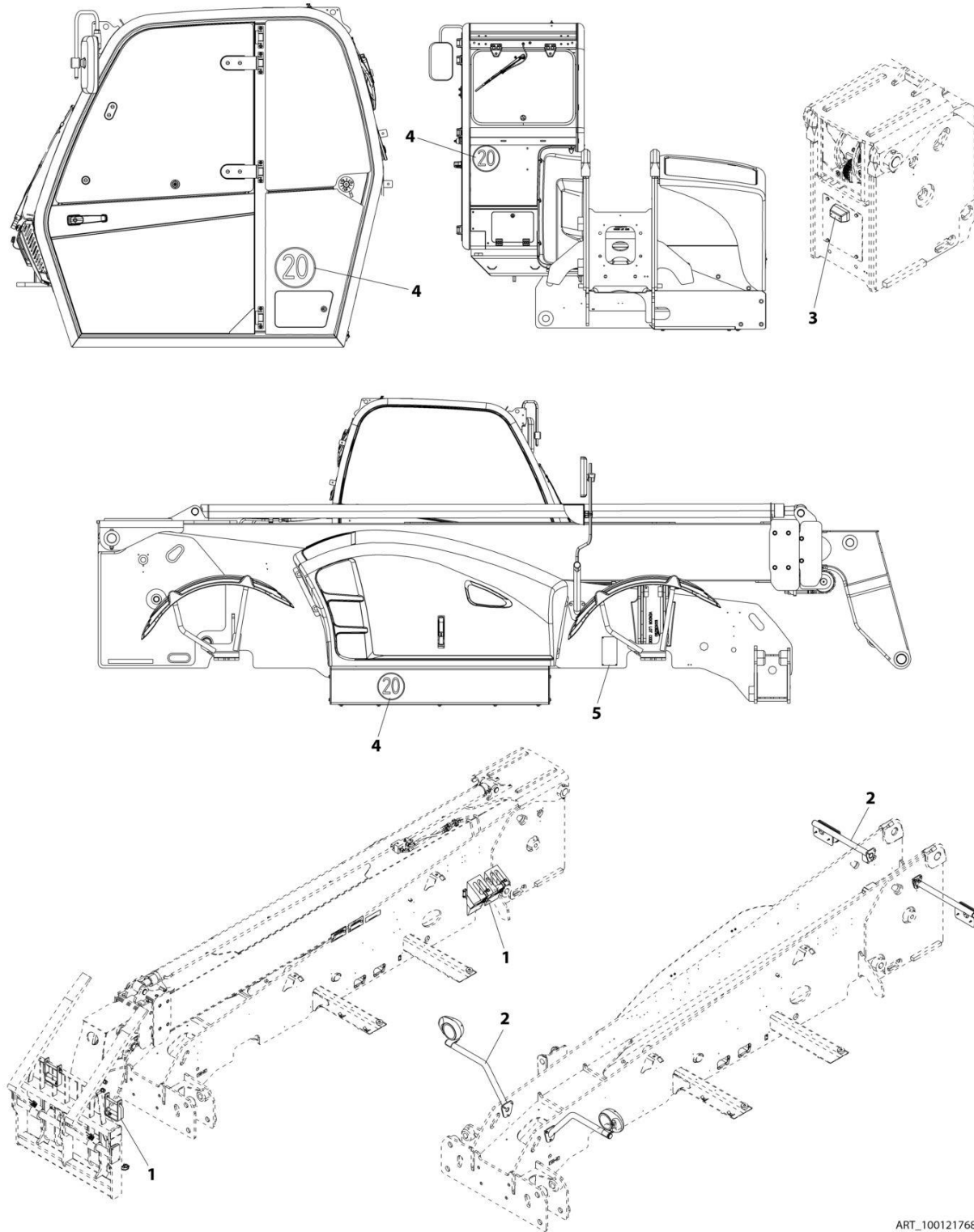
SECTION 11 - DECALS

FIGURE 11-17. CONSTRUCTION INSTALLATION (FRANCE)

ITEM	PART NUMBER	QTY	DESCRIPTION	REV
1	1001171699	Ref	Construction Installation (France)	C
	1001146491	Ref	Driving Lights Installation (See Separate Breakdown in ELECTRICAL Section)	E
2	1001143959	Ref	License Plate Installation (See Separate Breakdown in FRAME AND ATTACHING PARTS Section)	C
3	1001171700	Ref	25KPH Speed Decal Installation (See Separate Breakdown in this Section)	C

SECTION 11 - DECALS

FIGURE 11-18. CONSTRUCTION INSTALLATION (GERMANY) (4017RS)



ART_1001217686-A

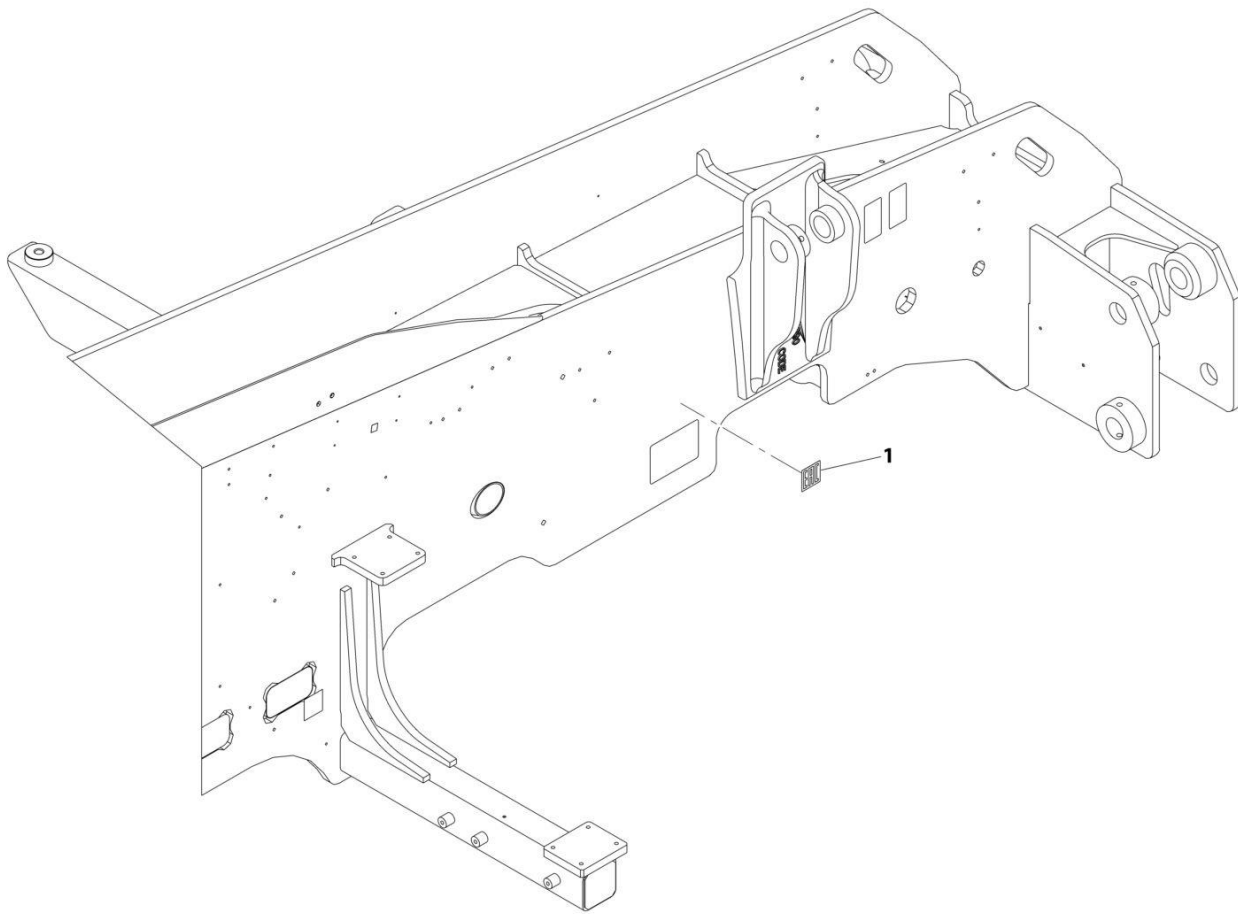
SECTION 11 - DECALS

FIGURE 11-18. CONSTRUCTION INSTALLATION (GERMANY) (4017RS)

ITEM	PART NUMBER	QTY	DESCRIPTION	REV
	1001217686	Ref	Construction Installation	C
1	1001158110	1	Installation, Homologation (See Separate Breakdown in this Section)	
2	1001146491	1	Installation, Driving Lights (See Separate Breakdown in ELECTRICAL Section)	
3	1001143959	1	Installation, License Plate (See Separate Breakdown in FRAME AND ATTACHING PART Section)	
4	1001158111	1	Installation, 20KPH Decals (See Separate Breakdown in this Section)	
5	1001158112	1	Installation, Homologation Plate (See Separate Breakdown in this Section)	
6	N.S.S.	1	Chart, German Homologation (not shown)	
7	N.S.S.	1	Chart, 20KPH Configuration (not shown)	
8	1001197671	1	Installation, Homologation Warning (not shown) (See Separate Breakdown in this Section)	
9	1001214963	1	Installation, Sunvisor (not shown) (See Separate Breakdown in this Section)	
10	1001217133	1	Installation, Boom Position Installation (not shown) (See Separate Breakdown in this Section)	

SECTION 11 - DECALS

FIGURE 11-19. EAC DECAL INSTALLATION



ART_1001173936-A

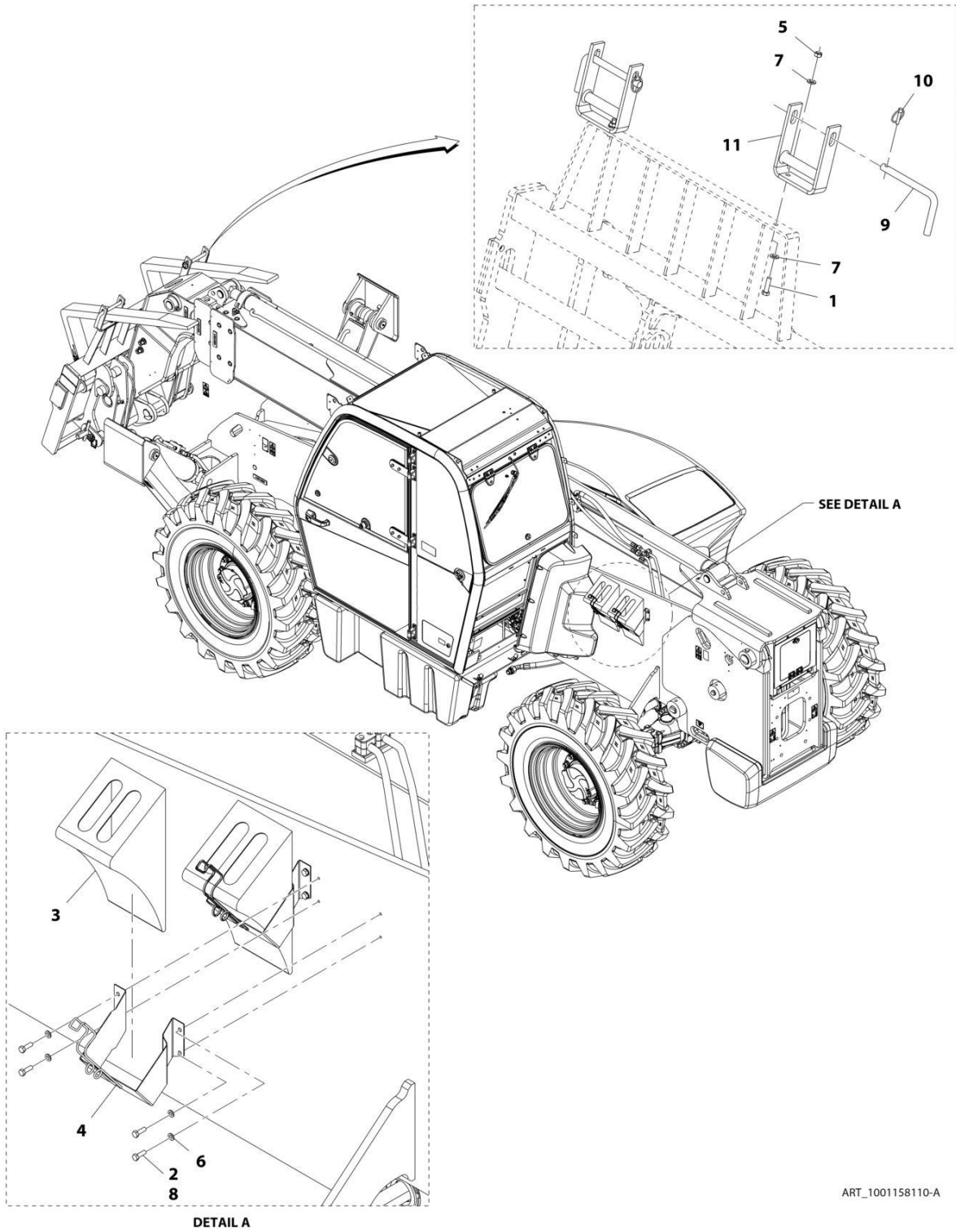
SECTION 11 - DECALS

FIGURE 11-19. EAC DECAL INSTALLATION

ITEM	PART NUMBER	QTY	DESCRIPTION	REV
1	1001173936 1001173703	Ref 1	EAC Decal Installation Decal, EAC	A

SECTION 11 - DECALS

FIGURE 11-20. HOMOLOGATION INSTALLATION (GERMANY) (3614RS)



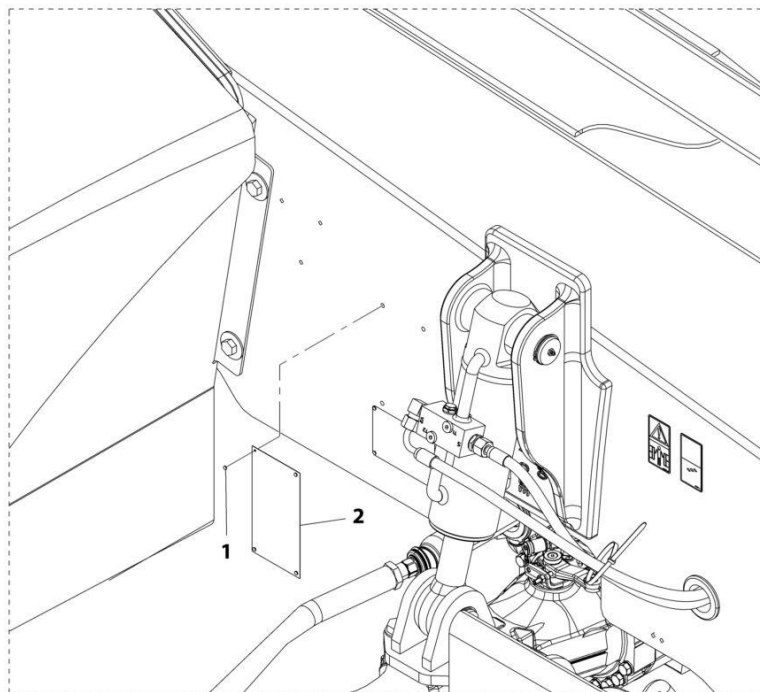
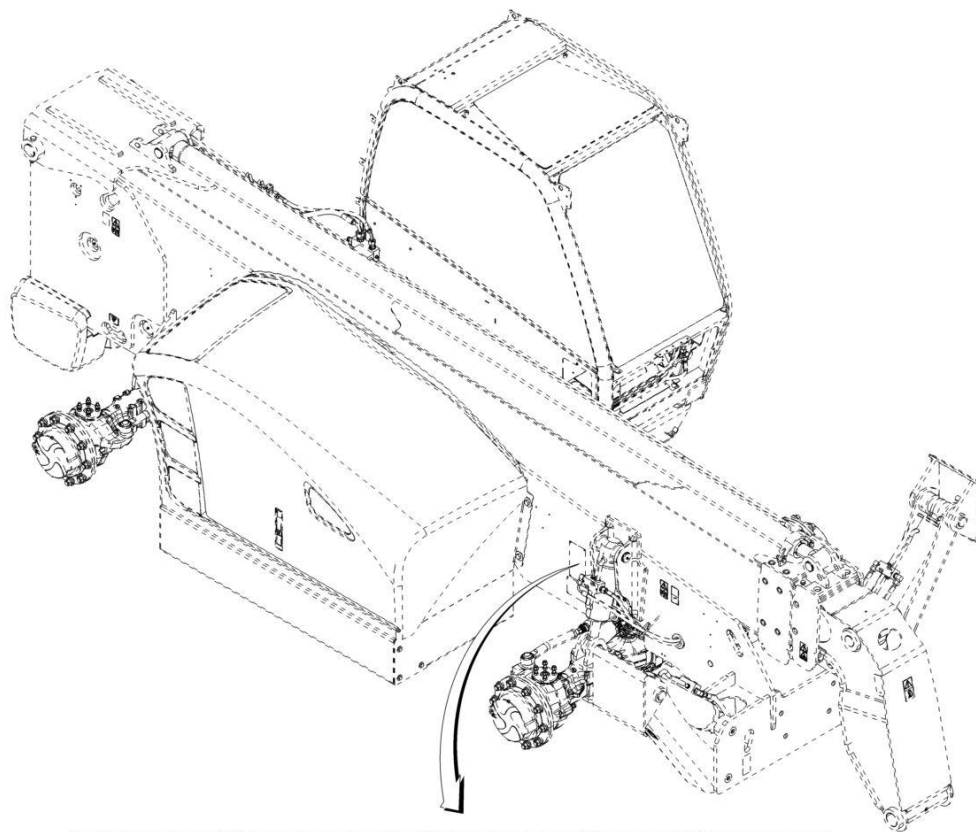
SECTION 11 - DECALS

FIGURE 11-20. HOMOLOGATION INSTALLATION (GERMANY) (3614RS)

ITEM	PART NUMBER	QTY	DESCRIPTION	REV
	1001158110	Ref	Homologation Installation (Germany)	A
1	0701217	2	Bolt, M12X45	
2	0760812	8	Bolt, M8X25	
3	806253	2	Wedge	
4	806264	2	Holder, Wedge	
5	3291201	2	Nut, M12X1.75	
6	4811900	8	Washer, M8	
7	5241200	4	Washer, M12	
8	1001095650	AR	Compound, Locking	
9	1001100262	2	Pin, Carriage Fork Retainer	
10	1001109387	2	Pin, Linch	
11	1001152259	2	Bracket	

SECTION 11 - DECALS

FIGURE 11-21. HOMOLOGATION PLATE INSTALLATION (GERMANY) (3614RS)



ART_1001158112-B

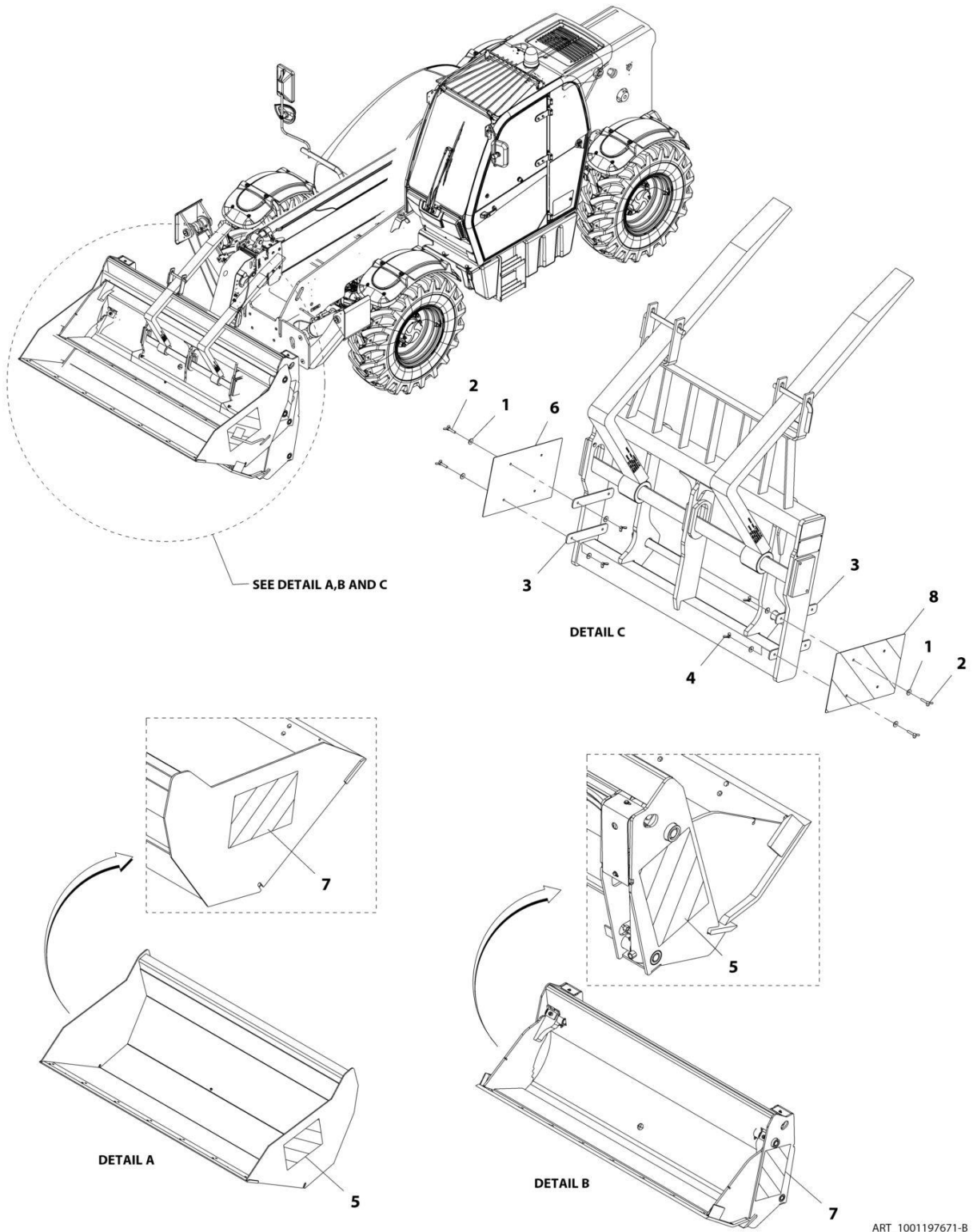
SECTION 11 - DECALS

FIGURE 11-21. HOMOLOGATION PLATE INSTALLATION (GERMANY) (3614RS)

ITEM	PART NUMBER	QTY	DESCRIPTION	REV
	1001158112	Ref	Homologation Plate Installation (Germany)	C
1	1001009178	4	Tack, Metal	
2	1001138051	1	Plate, Homologation	
2	1001232659	1	Plate, Homologation	
2	1001277281	1	Plate, Homologation	

SECTION 11 - DECALS

FIGURE 11-22. HOMOLOGATION WARNING PANEL INSTALLATION (GERMANY) (3614RS)



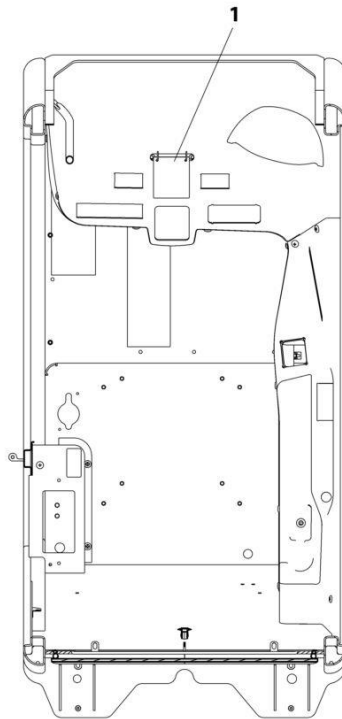
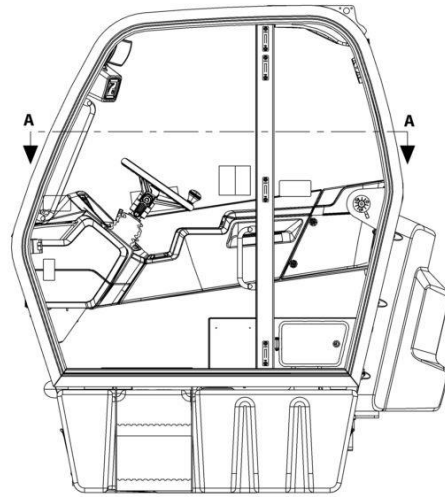
SECTION 11 - DECALS

FIGURE 11-22. HOMOLOGATION WARNING PANEL INSTALLATION (GERMANY) (3614RS)

ITEM	PART NUMBER	QTY	DESCRIPTION	REV
	1001197671	Ref	Homologation Warning Installation (Germany)	B
1	4811902	16	Washer, M8	
2	1001101458	8	Bolt, M8X40	
3	1001163938	4	Plate, Support	
4	1001164237	8	Nut, Wing M8X1.25	
5	1001197817	2	Film, Safety	
6	1001199861	1	Plate, Warning Panel	
7	1001201195	2	Film, Safety	
8	1001201236	1	Plate, Warning Panel	

SECTION 11 - DECALS

FIGURE 11-23. LOAD CHART (3614RS)



VIEW A-A

ART_1001160227-D

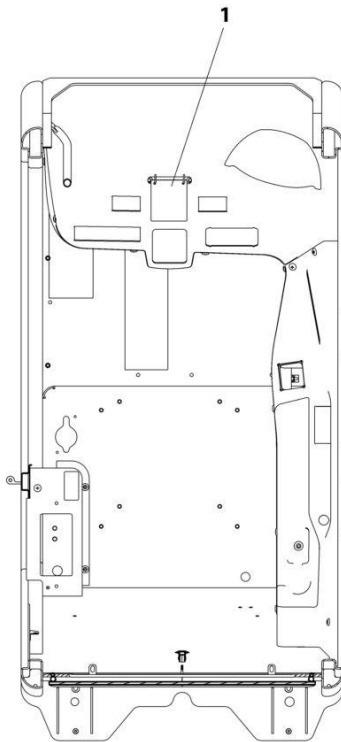
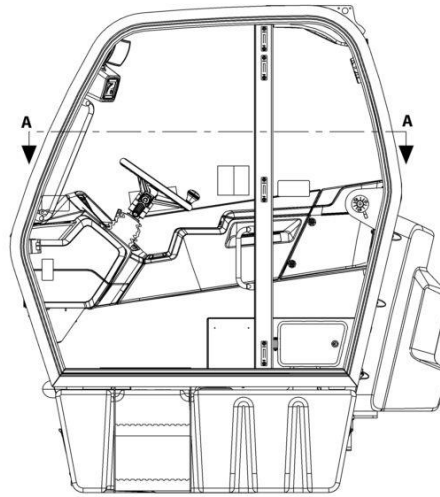
SECTION 11 - DECALS

FIGURE 11-23. LOAD CHART (3614RS)

ITEM	PART NUMBER	QTY	DESCRIPTION	REV
1	1001160227	1	Load Chart	

SECTION 11 - DECALS

FIGURE 11-24. LOAD CHART (4017RS)



VIEW A-A

ART_1001163802-E

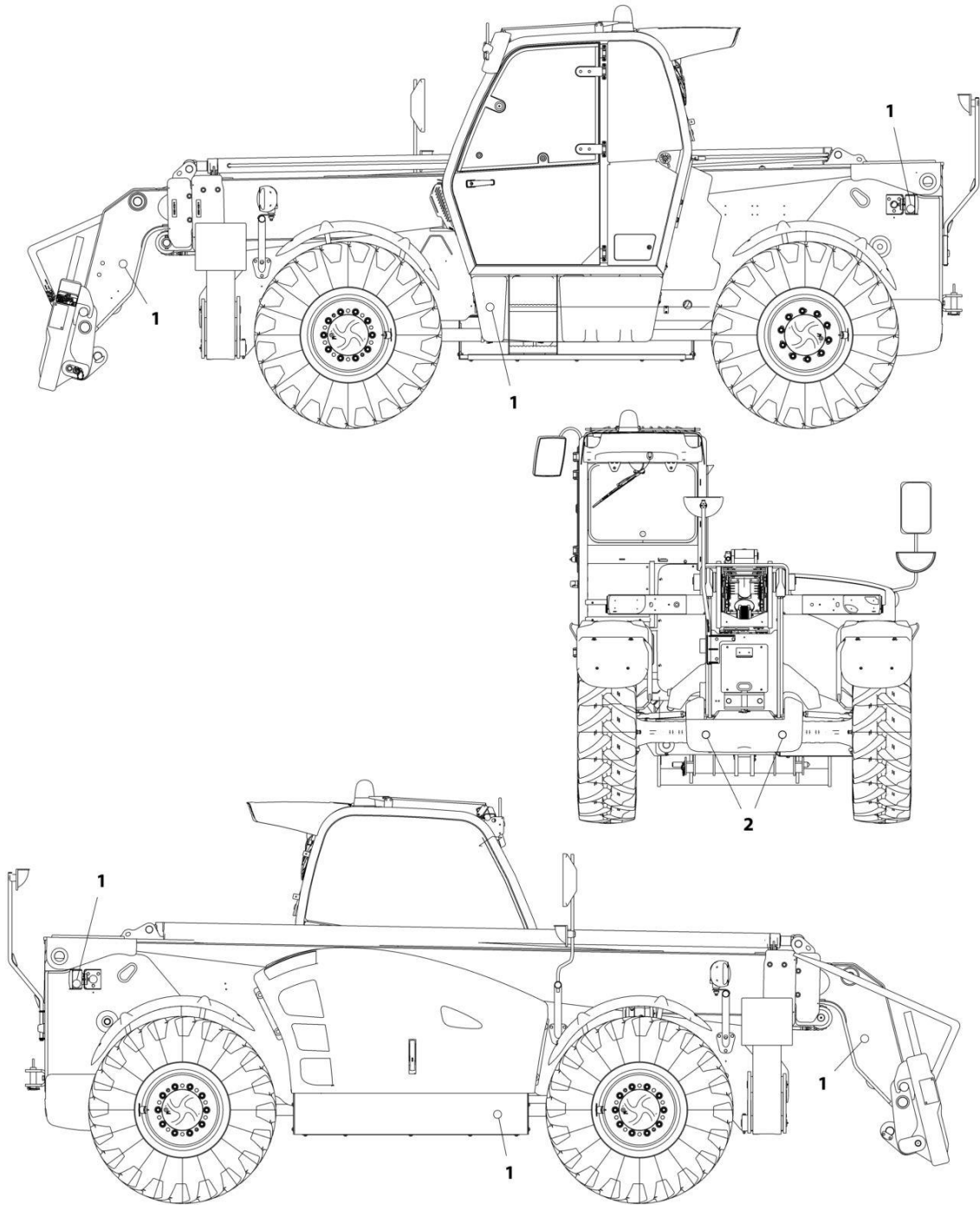
SECTION 11 - DECALS

FIGURE 11-24. LOAD CHART (4017RS)

ITEM	PART NUMBER	QTY	DESCRIPTION	REV
1	1001163802	1	Load Chart	E
101	1001183291	1	Chart, Load Standard Carriage with Lift Lug (not shown) (4017RS)	
102	1001183292	1	Chart, Load Standard Carriage with Lift Lug (not shown) (3614RS)	
103	1001185116	1	Chart, 4T Fork and Hook Standard Carriage with Lift Lug (Traveling) (not shown) (4017RS)	
202	1001179681	1	Chart, Load Manitou Carriage (not shown) (4017RS)	
203	1001179682	1	Chart, Load Manitou Carriage (Outriggers) (not shown) (4017RS)	
301	1001180965	1	Chart, Load Metric Fork Hook (not shown) (4017RS)	
302	1001180966	1	Chart, Load Metric Fork Hook (Outriggers) (not shown) (4017RS)	
403	1001179685	1	Chart, Load Metric JCB Coupler (not shown) (4017RS)	
404	1001179686	1	Chart, Load Metric JCB Coupler (Outriggers) (not shown) (4017RS)	
503	1001201190	1	Chart, Load Metric Side Shift (not shown) (4017RS)	
504	1001201191	1	Chart, Load Metric Side Shift Stab (Outriggers) (not shown) (4017RS)	
602	1001175220	1	Chart, Load Metric Fork Positioning (not shown) (4017RS)	
603	1001175221	1	Chart, Load Metric Fork Positioning Stab (not shown) (4017RS)	
701	1001225861	1	Chart, Load Metric Truss Boom (4000KG) (not shown) (4017RS)	
702	1001225862	1	Chart, Load Metric Truss Boom Stab (4000KG) (not shown) (4017RS)	

SECTION 11 - DECALS

FIGURE 11-25. REFLECTOR INSTALLATION



ART_1001145660-F

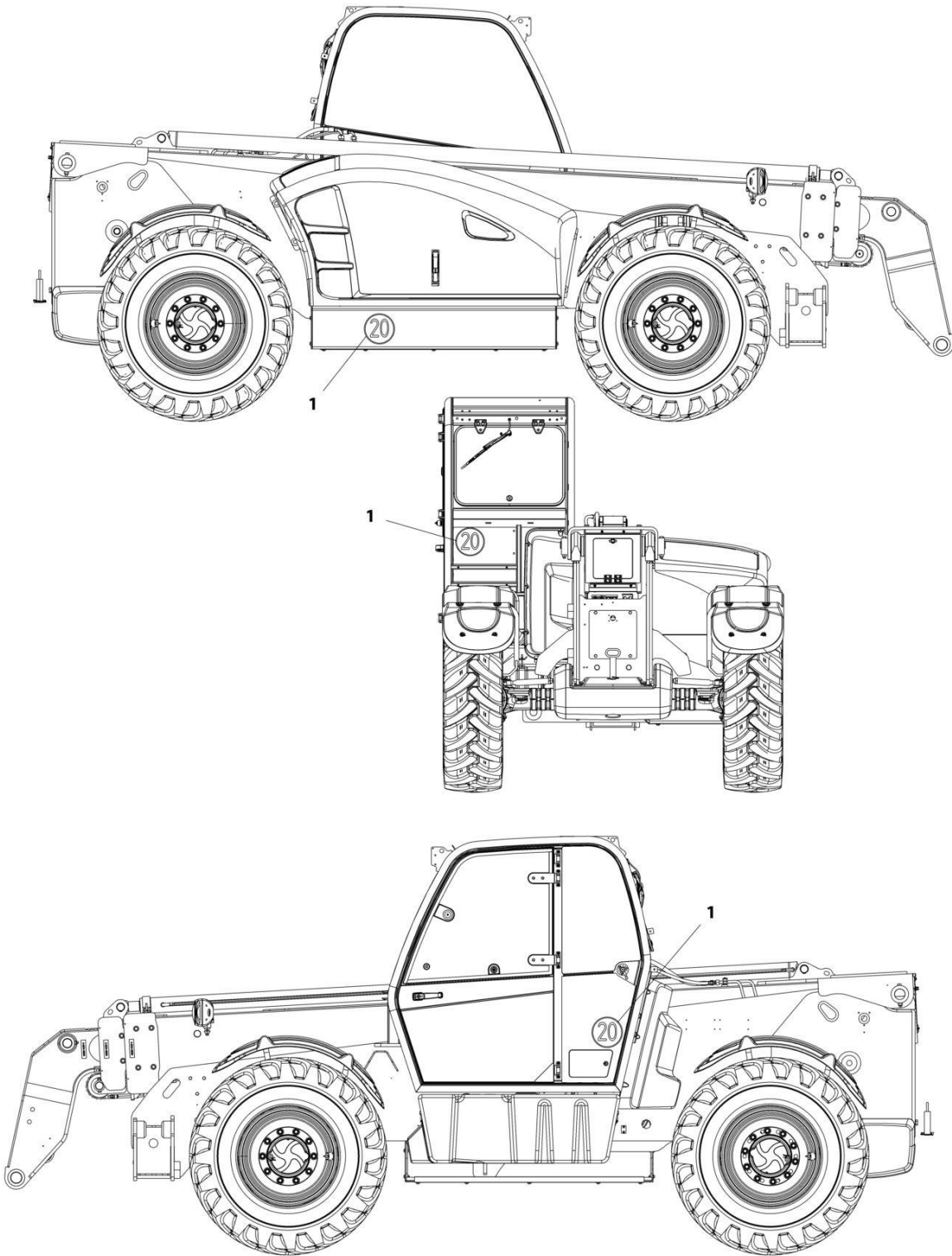
SECTION 11 - DECALS

FIGURE 11-25. REFLECTOR INSTALLATION

ITEM	PART NUMBER	QTY	DESCRIPTION	REV
	1001145660	Ref	Reflector Installation	F
1	3700016	6	Reflector, Rear	
2	3700015	2	Reflector, Rear	

SECTION 11 - DECALS

FIGURE 11-26. SPEED - 20KPH SPEED DECAL INSTALLATION (GERMANY) (3614RS)



ART_1001158111-A

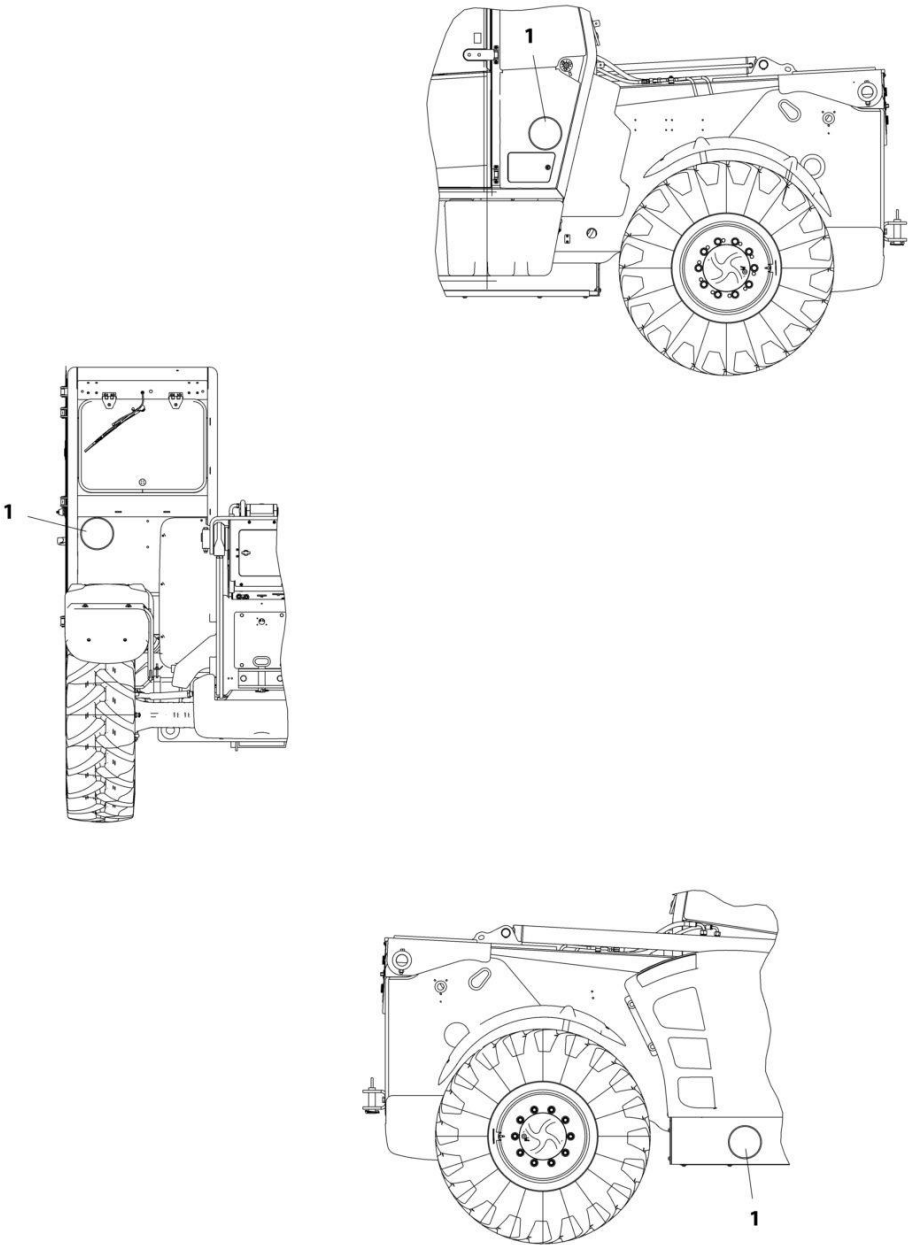
SECTION 11 - DECALS

FIGURE 11-26. SPEED - 20KPH SPEED DECAL INSTALLATION (GERMANY) (3614RS)

ITEM	PART NUMBER	QTY	DESCRIPTION	REV
1	1001158111 2603207	Ref 1	20KPH Decals Installation (Germany) Decal, 20KPH	A

SECTION 11 - DECALS

FIGURE 11-27. SPEED - 25KPH SPEED DECAL INSTALLATION



ART_1001171700-C

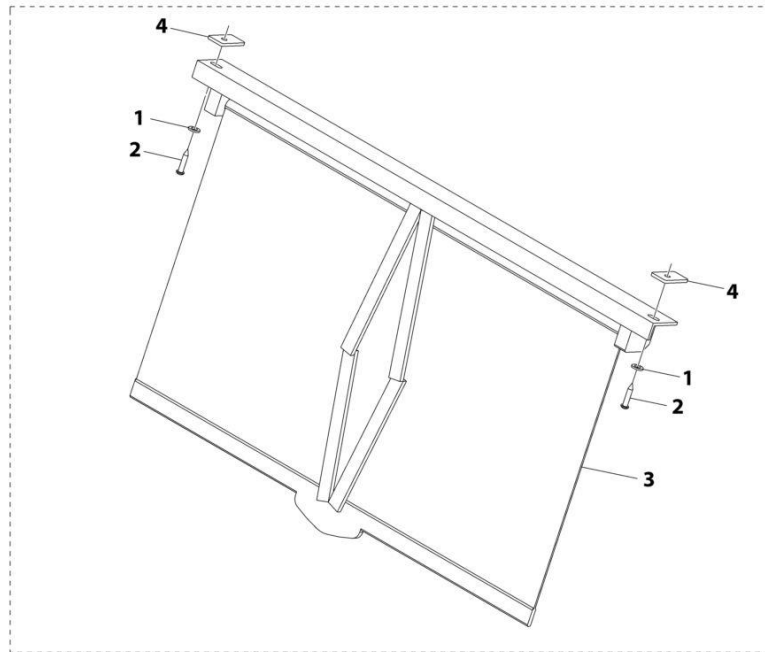
SECTION 11 - DECALS

FIGURE 11-27. SPEED - 25KPH SPEED DECAL INSTALLATION

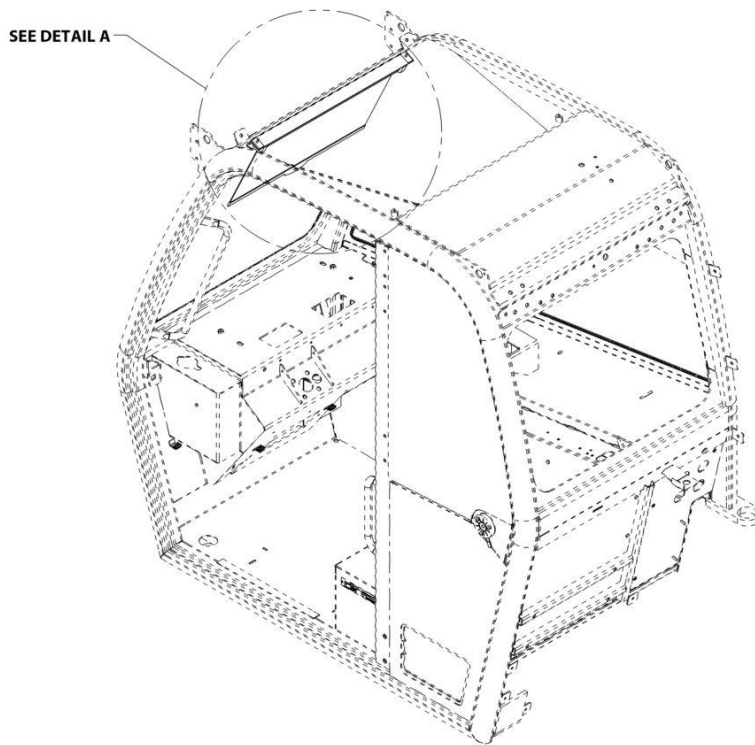
ITEM	PART NUMBER	QTY	DESCRIPTION	REV
1	1001171700 1001153442	Ref 3	25KPH Decals Installation Decal, 25KPH	C

SECTION 11 - DECALS

FIGURE 11-28. SUNVISOR INSTALLATION - 3614RS (GERMANY)



DETAIL A



ART_1001214963-A

SECTION 11 - DECALS

FIGURE 11-28. SUNVISOR INSTALLATION - 3614RS (GERMANY)

ITEM	PART NUMBER	QTY	DESCRIPTION	REV
	1001214963	Ref	Sunvisor Installation (Germany)	A
1	4811700	2	Washer, M6	
2	1001111147	2	Self Tapping Screw	
3	1001214964	1	Sunvisor	
4	1001215506	2	Support, Plate	

SECTION 12 - RECOMMENDED SPARE PARTS

SECTION 12 - RECOMMENDED SPARE PARTS

SECTION 12 - RECOMMENDED SPARE PARTS

FIGURE 12-1. RECOMMENDED SERVICE PARTS STOCK

ITEM	PART NUMBER	QTY	DESCRIPTION	REV
		Ref	Note: The following list will service one machine (built to current production per date on the front cover) with emergency repair parts which can be installed in the field. Parts from the list should be replaced when inventory is depleted to keep service parts stock supplied. For further information, contact your JLG dealer or the JLG Industries Parts Department.	
		Ref	STANDARD PARTS	
	1001117308	1	200 AMP Relay Installation	
	70020868	1	Coil	
	70021208	1	Coil	
	70022147	1	Coil	
	70026582	1	Coil	
	70025811	1	Element, Filter	
	1101312	1	Element, Primary	
	1101313	1	Element, Safety	
	1001147134	1	Filter, Breather, Hydraulic	
	1001242866	1	Relay	
	70025576	1	Solenoid	
	7016331	1	Spin-On Filter	
	4360658	1	Switch, Brake Light	
	70025486	1	Switch, Contact	
	1001192142	1	Switch, Disconnect	
	1001146730	1	Switch, DPDT	
	1001147451	1	Switch, DPDT	
	4360657	1	Switch, Ignition	
	1001146727	1	Switch, SPDT(M)	
	1001146726	1	Switch, SPST(M)	
	1001145021	1	Switch, Turn-Wiper	
	1001146729	1	Switch, Wiper	
		Ref	VARIABLE PARTS	
	1001237349	1	Control, Fan Speed (Heater & AC)	
	1001237347	1	Control, Heater (Heater & AC)	
	1001237348	1	Control, Heater/AC	
	1001209578	1	Control, TMH Cab Module	
	1001129285	2	Diode (55KW & 74.4KW Engines)	
	1001209577	1	Front Frame Module	
	70024961	1	Fuel Filter (55KW Engine)	
	70029477	1	Fuel Filter (55KW Engine)	
	1001225430	1	Fuel Filter (55KW Engine)	
	1001225432	1	Fuel Filter (55KW Engine)	
	70025153	1	Fuel Filter (74.4KW Engine)	
	8229242	2	Fuse (55KW Engine)	
	8229244	2	Fuse (55KW Engine)	
	8229247	2	Fuse (55KW Engine)	
	1001098153	1	Handbrake (Hydraulic Handbrake)	
	1001179730	1	Handbrake (Mechanical Handbrake)	
	70028852	1	Lever, Multi-Function (AUX, FNR lever)	
	70025847	1	Lever, Multi-Function (AUX, no FNR lever)	
	70028851	1	Lever, Multi-Function (FNR Lever)	

SECTION 12 - RECOMMENDED SPARE PARTS

ITEM	PART NUMBER	QTY	DESCRIPTION	REV
	70025843	1	Lever, Multi-Function (No FNR Lever)	
	1001239194	1	Module (ClearSky 3G CE)	
	1001262322	1	Module (ClearSky 4G CE)	
	1001233236	1	Module, 3W TCU	
	70024504	1	Pressure Sensor (74.4KW Engine)	
	70025796	1	Pressure Sensor (74.4KW Engine)	
	70025797	1	Pressure Sensor (74.4KW Engine)	
	1001209576	1	Rear Frame Module	
	1001149376	1	Sensor (Expansion Tank)	
	4000015	1	Sensor, Angle	
	1001160730	1	Sensor, Rear Axle LSI	
	70026210	1	Speed Sensor (55KW Engine)	
	70024503	1	Speed Sensor (74.4KW Engine)	
	70025573	1	Speed Sensor (Transmission)	
	70024962	1	Spin-On Fuel Filter (74.4KW Engine)	
	1001241813	1	Switch (55KW Engine)	
	1001146728	1	Switch, DP3T (Cab Worklights)	
	1001145022	1	Switch, FNR	
	1001146725	1	Switch, SPST (Beacon)	
	70024918	1	Temp Sensor, Coolant (74.4KW Engine)	
	70028540	1	Temperature Sensor (55KW Engine)	

SECTION 13 - SPECIAL OPTIONS

SECTION 13 - SPECIAL OPTIONS

FIGURE 13-1. SPECIAL OPTIONS

ITEM	PART NUMBER	QTY	DESCRIPTION	REV
	See Note	Ref	Note: This list is to accommodate machines ordered with special equipment. Options may not be applicable to all models. For more specific parts information contact JLG Parts Department.	
		Ref	MISCELLANEOUS SPECIAL OPTIONS	
	1001254398	Ref	Access Control Kit	
	1001268341	Ref	Camera (Rear View) Add-on Kit(Dealer Installed)	
	1001254397	Ref	ClearSky Canbus Kit (C.E.)	
	1001265378	Ref	Telematics Single Can Kit (N.A.)	
	1001249695	Ref	Tools- Analyzer and Cable Kit	
	1001249941	Ref	Tools- Analyzer and Cable Kit (Battery Powered)	
	1001262959	Ref	Voltage Regulator ClearSky Locate Kit	

PART NUMBER INDEX

SECTION 13 - SPECIAL OPTIONS

0100019	273	0760610.....	59, 77, 79, 113, 249, 629, 681, 913	1001002957	631	1001010839.....	601
0240063	225	0760612	261, 263, 571, 573, 577, 579, 819, 821	1001002958	593	1001025751.....	285, 287
0240117	157	0760614.....	653, 863	1001002961	633	1001025902.....	249, 251
0240118	161	0760618.....	837	1001002963	633	1001028308.....	741, 743
0498748	629	0760808	111, 249, 251, 291, 669, 747, 749, 751, 753, 755, 757	1001003043	625	1001047064.....	843
0630612	621	0760810	107, 115, 203, 207, 257, 259, 261, 263, 275, 619, 649, 653, 747, 749, 751, 753, 755, 757, 771, 773, 775, 823, 825, 865, 899	1001003048 ...	261, 263, 699	1001090150.....	77, 79, 107
0681812	273	0760812	27, 41, 51, 53, 239, 241, 645, 675, 679, 887, 917, 971	1001003334	555, 567	1001090336.....	645
0700408	827, 829	0760814..	59, 249, 251, 277, 631, 669, 671, 673	1001003360	553, 565	1001090340.....	645
0700507	115, 247	0760816.....	679	1001003439 ..	729, 741, 743, 747, 749	1001090343.....	625, 643
0700510	129, 131	0761010....	51, 53, 239, 241, 247, 271, 289, 291, 747, 749, 751, 753, 755, 757, 767, 769	1001003596	887	1001091033.....	693, 719
0700608	837, 897, 901, 917	0761011	249, 251, 257, 259, 261, 263, 285, 287, 911	1001004141	643	1001091126.....	21, 23, 25
0700610	107	0761012	27, 29, 31, 33, 247, 251, 653, 661, 663, 693, 823, 825, 835, 845, 847, 863, 865, 907, 909	1001004144 ..	247, 701, 767, 769	1001091313... ..	179, 181, 183
0700614	837, 845, 847	0761015.....	247	1001004720 ..	647, 653, 837, 889, 893	1001091537.....	607
0700616	837	0761210.....	285, 287	1001004723 ..	285, 287, 823, 825, 845, 847, 863, 865, 915	1001091685.....	261, 263
0700810	117, 119, 121, 123, 125, 863, 865	0761212	771, 773, 775, 823, 825	1001005267	57	1001091715.....	911
0700814	65, 67, 69, 71	0761214.....	39	1001005368	627	1001091716.....	911
0700815	631	0761612.....	211, 213	1001005438	249, 251	1001091751.....	837
0700819	845, 847	0761614.....	27	1001005960	605	1001092256.....	27
0700822	845, 847	0761616.....	239, 241	1001006072	249, 251	1001092542.....	745
0700827	193	0761617.....	653	1001006259	59, 277	1001092584.....	741, 743
0701010	35	0761619.....	239, 241, 653	1001006614	551	1001092877.....	929, 931
0701012	747, 749, 751, 753, 755, 757	0770812.....	635, 639	1001007321	699	1001092878.....	929, 931
0701013	77, 79	0770815.....	239, 241	1001007641	599, 601	1001093826.....	183
0701014	33	0771014.....	249	1001008436 ...	29, 31, 35, 37	1001093827.....	183
0701026	287	0771210..	99, 101, 103, 105, 107, 109, 111	1001008462 ..	299, 301, 303, 305, 307	1001094555.....	167, 183
0701029	197, 741, 743	0771211.....	99, 107	1001008469	593	1001094556.....	167, 183
0701030	741, 743	0771212..	99, 101, 103, 105, 107, 109, 111	1001008475	37, 601	1001094708.....	929, 931
0701215	239, 241	0780605.....	261	1001008506	239, 241	1001095301.....	247
0701217	215, 971	0780608.....	105	1001008540	823, 825	1001095650..	27, 29, 31, 33, 35, 39, 55, 59, 65, 67, 69, 71, 73, 75, 77, 79, 95, 97, 99, 101, 103, 105, 107, 109, 111, 115, 123, 125, 133, 135, 137, 139, 141, 143, 145, 147, 149, 151, 153, 203, 207, 239, 241, 247, 249, 251, 257, 259, 261, 263, 271, 275, 285, 287, 289, 291, 569, 575, 603, 605, 621, 623, 625, 629, 631, 635, 639, 645, 649, 653, 661, 665, 669, 671, 673, 675, 679, 681, 685, 687, 693, 699, 701, 703, 705, 707, 709, 733, 735, 737, 741, 743, 747, 749, 751, 753, 755, 757, 759, 767, 769, 771, 773, 775, 827, 829, 863, 907, 909, 911, 913, 917, 921, 971
0701220	911	0930003.....	167	1001008849	593	1001095804.....	843
0701226	103	0930015.....	165	1001008475	37, 601	1001096365.....	631
0701230	733, 735, 737, 739	0930016.....	169	1001008857	631	1001096913	29, 31, 33, 907, 909
0701629	239, 241	1001001408.....	255	1001009038	835	1001097287.....	167
0701631	65	1001002579J	745	1001009062	37	1001097586.....	625
0701632	733, 735, 737, 739	1001002778.....	909	1001009094	57	1001097973.....	33
0711014	239, 241	1001002779.....	909	1001009095	57	1001098146... ..	115, 203, 207
0711016	653	1001002852.....	247	1001009124	601, 603	1001098147... ..	115, 203, 207
0711030	653	1001002946.....	631	1001009154	249, 251	1001098150.....	605, 913
0711214	103, 105, 107, 109, 111	1001002947	631	1001009178	973	1001098151.....	913
0711215	103, 109	1001002953.....	631	1001009207	247, 679	1001098153... ..	701, 813, 990
0711216	105, 109	1001002955.....	631	1001009207	247, 679	1001098457..	65, 67, 69, 71, 73, 75, 77, 79, 103, 105, 109, 115, 203, 207
0711217	99	1001002956.....	631	1001009339	823	1001099170.....	593
0711224	105			1001009384	289, 291		
0711225	65, 67, 69, 71, 105, 109			1001010838	37		
0711226	105						
0711229	73, 75, 77, 79, 115, 203, 207						
0711631	67, 69, 71						
0712029	299, 301, 303, 305, 307, 583						
0712040	741						
0712042	743						
0760505	133, 135, 141, 143, 149, 151						
0760506	129, 131, 133, 135, 137, 139, 145, 147, 153						
0760507	279						
0760508	643, 863, 865						
0760606	261, 263, 699, 917						
0760607	261						
0760608	27, 605, 827, 829, 863, 865, 921						

SECTION 13 - SPECIAL OPTIONS

1001099204.....557	1001116715..... 923	1001126357.. 867, 868, 871, 872	1001139576627
1001099701.....823	1001116720..... 891	1001126360..... 867, 871	1001139724589, 599
1001099913..... 741, 743	1001116728...867, 871, 872, 885, 905	1001126362..... 868, 871	1001139746585, 587
1001100117..... 249, 251	1001116731..... 857	1001126363..... 868, 871	1001139854699
1001100262.....971	1001116745..... 905	1001126364..... 868, 871	1001139923701
1001100284.....561	1001116747...867, 868, 871, 872	1001126365..... 871	1001140296 ...247, 261, 263
1001100691.....593	1001116748..... 840	1001126384.. 867, 868, 871, 872	1001141036 ..241, 485, 487, 489, 491, 493, 495, 497, 499, 501, 503, 505, 507, 509, 511, 513, 515
1001100845.. 571, 573, 577, 579	1001116754..... 840	1001126391..... 868, 871	1001141093239, 241
1001100911.....209	1001116810..... 880	1001126392..... 868, 871	1001141097239, 241
1001101041..... 127	1001116811.....867, 871	1001126393..... 868, 871	1001141152 ...235, 237, 271
1001101042..... 127	1001116983.....868, 872	1001126484..... 867	1001141155589, 643
1001101458..... 39, 975	1001116984..... 923	1001126485..... 867	1001141199237, 251
1001101540..... 681	1001116985..... 923	1001126737..... 249, 251	1001141202251
1001101563... 759, 761, 763	1001116986..... 840, 925	1001126837..... 913	1001141205 ...249, 251, 253
1001101628.....39	1001116991..... 840	1001128006.....559	1001141242645
1001101895..... 929, 931	1001116995...840, 868, 872, 883	1001129285... 867, 871, 990	1001141246631
1001101999.....673	1001116996..... 880	1001129286... 867, 868, 871	1001141281645
1001102157..... 61	1001116997..... 840	1001129407..... 851	1001141311647
1001102553.....193	1001116998..... 923	1001129425..... 915	1001141312627
1001103012..... 840, 879	1001117002..... 923	1001130323..... 929, 931	1001141313647
1001103013..... 883, 919	1001117021..... 885	1001131642..... 249, 251	1001141391259
1001103156..... 827, 829	1001117108..... 880	1001132564..... 605	1001141611263, 269
1001103300..... 827, 829	1001117110...867, 871, 885	1001132873..... 43	1001141612237, 263
1001103530..... 183	1001117112..... 868	1001133089..... 597	1001141615261, 263
1001103533..... 183	1001117133..... 880	1001133213..... 905	1001141616261, 263
1001103984.. 703, 705, 707, 709	1001117308...863, 865, 875, 990	1001133224... 897, 901, 905	1001141617261, 263
1001104319..... 929, 931	1001117945..... 213	1001133714... 867, 871, 872	1001141853J.....595
1001104350.....207	1001118323..... 879	1001133715... 867, 871, 872	1001141952249, 251
1001104437.....887	1001118378.....891, 903	1001134127..... 271	1001142083293
1001104497.. 839, 883, 885, 919	1001118379...840, 868, 872, 883	1001134274..... 827, 829	1001142084261, 263
1001104498.. 839, 840, 861, 867, 871, 877, 879, 880, 885, 919	1001118384..... 840	1001134351..... 872	1001142085263
1001104519.. 840, 841, 880, 883, 891, 903, 925	1001118386..... 923	1001134581..... 872	1001142102653
1001107192..... 631, 633	1001118392..... 880	1001134759..... 653	1001142183261, 263
1001107333..... 173	1001118393..... 880	1001135441.. 299, 313, 315, 317, 319, 323, 325, 327, 329	1001142185261, 263
1001107336..... 173, 223	1001118399..... 880	1001135442.. 299, 301, 363, 365, 367, 369, 371, 373, 375, 377	1001142189591, 629
1001107338..... 173, 223	1001118684..... 840	1001135650..... 867, 872	1001142190591, 595
1001107854..... 840	1001119220..... 653	1001135651... 867, 871, 872	1001142193J.....633
1001108133..... 195	1001119467..... 639	1001135838..... 693	1001142194 ...585, 587, 615
1001109387..... 215, 971	1001119801..... 287	1001137323..... 311	1001142210631
1001110544.....863	1001120179..... 563	1001137578... 868, 872, 880	1001142252629, 633
1001111076..... 659	1001120523..... 271	1001137633..... 591, 593	1001142496633
1001111147..... 659, 987	1001120904.....249, 251	1001138051..... 973	1001142618633
1001111317.....593	1001120989..... 957	1001137578... 868, 872, 880	1001142658279
1001111424..... 875	1001121265.....823, 825	1001137633..... 591, 593	100114265959
1001111757..... 195	1001121675...895, 897, 899, 901	1001138109..... 583	1001142667629
1001111758... 185, 187, 195	1001121707...895, 897, 899, 901	1001138155..... 868, 872	1001142675597
1001112130J.....51, 53	1001125117...99, 101, 103, 105, 107, 109, 111	1001138592..... 872	1001142712591, 597
1001112923..... 561, 563	1001125286.....257, 259	1001139034.. 571, 573, 577, 579	1001142720633
1001112924..... 551, 553	1001125465..... 915	1001139164..... 929, 931	100114272431, 33
1001113669..... 261, 263	1001126007...711, 713, 715, 717	1001139220..... 589, 603	1001142726603
1001114498..... 840	1001126010..... 840	1001139272J..... 51, 53	1001142727603
1001114802.. 299, 301, 303, 305, 307	1001126349.....868, 872	1001139465..... 593	1001142732633
1001116128..... 915, 921	1001126351...867, 868, 871, 872	1001139466..... 593	1001142782595
1001116208.....957	1001126352.....868, 872	1001139467..... 593	1001142833261, 263
1001116692..... 867, 871	1001126353.....868, 872	1001139469..... 627	1001142840J.....629
1001116697.. 840, 861, 867, 871, 877, 879, 880, 919	1001126356...867, 868, 871, 872	1001139550..... 647	1001142968 ...585, 587, 621
1001116698..... 840, 883		1001139551..... 647	1001142980273, 799
1001116705..... 923		1001139552..... 627	1001143130629
1001116710..... 868		1001139568..... 627	100114314673, 75, 99
		1001139569..... 591, 625	1001143200 ...613, 629, 633
		1001139570..... 625, 627	100114335273, 75, 103
			1001143354103
			100114340073, 75, 107
			1001143401107

SECTION 13 - SPECIAL OPTIONS

1001143432.....	693	1001145234 ..	840, 841, 891, 903, 925	1001146159	223	1001147676.....	773
1001143462.....	249, 251	1001145235	907, 909	1001146160	223	1001147693... ..	235, 237, 273
1001143463.....	249, 251	1001145252	843	1001146256	261, 263	1001147695.....	83, 85, 87
1001143500.....	253, 255	1001145253	843	1001146293	741, 743	1001147729.....	59, 277
1001143745.....	253	1001145257	843	1001146294	741, 743	1001147730... ..	103, 105, 109
1001143832.....	741, 743	1001145258	843	1001146341	741	1001147731.... ..	99, 101, 103, 105, 107, 109, 111
1001143959.....	55, 959, 961, 963, 965, 967	1001145260	843	1001146378	299	1001147737.....	279
1001144016.....	249, 251	1001145263	889, 893	1001146379	59, 801	1001147739.....	89, 93
1001144109.....	569	1001145265	843	1001146399	311	1001147793.....	823, 825
1001144110.....	909, 961	1001145266	843	1001146491 ..	907, 959, 963, 965, 967	1001147796.....	823, 825
1001144111.....	29	1001145267	741, 743, 745	1001146579	121, 783	1001147797.....	823, 825
1001144158.....	77, 79, 101	1001145287	659	1001146580	741, 743, 785	1001147799.....	863, 865
1001144181.....	77, 79, 105	1001145288	659	1001146588 ..	257, 823, 825, 845, 847, 863, 865, 895, 897, 899, 901	1001147801... ..	771, 773, 775
1001144182.....	105	1001145307	27	1001146590	895	1001147802.....	103, 105
1001144195.....	117, 119, 781	1001145313	27	1001146592	897	1001147808.....	83, 107
1001144198.....	73, 75, 793	1001145316	685, 689	1001146666	705	1001147839.....	73, 75, 89
1001144203... ..	733, 735, 737, 739, 779	1001145317	685	1001146668	709	1001147843... ..	115, 203, 207
1001144215.... ..	741, 743, 791	1001145332	57	1001146673 ..	895, 897, 899, 901, 903	1001147844... ..	115, 203, 207
1001144218.....	77, 79, 109	1001145333	51	1001146674	889, 961	1001147871.. ..	733, 735, 737, 739
1001144242.....	661	1001145334	759	1001146676	889, 891, 893	1001147894.....	79
1001144244.....	77, 79, 111	1001145381	27	1001146677	647, 925	1001147899.....	77, 79
1001144245.....	111	1001145414	575	1001146725 ..	843, 889, 893, 991	1001147902.....	111
1001144260.....	661	1001145432	309	1001146726	843, 990	1001147914.....	111
1001144261.....	665	1001145433	309	1001146727	843, 990	1001147923... ..	867, 871, 877
1001144262.....	667	1001145491	653	1001146728 ..	843, 895, 897, 899, 901, 991	1001148100.....	109, 111
1001144262.....	667	1001145492	653	1001146729	647, 843, 990	1001148101.....	105
1001144263.....	649	1001145499	277, 279	1001146730	843, 990	1001148103.. ..	103, 105, 107, 111
1001144329.....	669	1001145511	279	1001146731	843, 990	1001148105.....	109
1001144330.....	671	1001145552	115	1001146732 ..	843, 895, 897, 899, 901, 991	1001148106.....	879
1001144332.....	671	1001145583	557	1001146729	647, 843, 990	1001148112... ..	585, 587, 623
1001144399.....	635	1001145584	557	1001146730	843, 990	1001148128.....	775
1001144400.....	639	1001145585	553	1001146949	697	1001148129.....	743
1001144404.....	569, 571	1001145586	553	1001147021	723, 725	1001148132.....	753
1001144405.....	569, 573	1001145587	561	1001147060	819	1001148133.....	739
1001144430.....	29, 31, 33	1001145588	551	1001147134	731, 990	1001148147... ..	103, 105, 107, 109, 111
1001144434.....	907, 909	1001145589	551	1001147135	747, 749	1001148218.....	735
1001144456.....	237	1001145590	555	1001147330	759	1001148284.....	769
1001144458.....	309	1001145591	555	1001147331	759	1001148298.....	249, 251
1001144459.....	311	1001145592	563	1001147344	843	1001148317... ..	83, 85, 87, 91
1001144669.....	295	1001145606	549	1001147449	607	1001148320.....	729
1001144686.....	69, 77	1001145607	557	1001147451	843, 990	1001148371... ..	117, 119, 121
1001144713.....	77, 79, 85	1001145608	553	1001147459	605, 609	1001148372.. ..	117, 119, 121, 125
1001144747.....	67, 75	1001145609	561	1001147461	667	1001148375.....	868
1001144758.....	77, 79, 91	1001145610	551	1001147462	667	1001148382.. ..	747, 749, 751, 753, 755, 757
1001144771.....	77, 79, 93	1001145613	831	1001147463	665	1001148415.....	843
1001144780.....	77, 79, 87	1001145614	643	1001147465	617	1001148470.....	653
1001144787.....	281, 285	1001145615	643	1001147497	261, 263	1001148471.....	653
1001145021.... ..	695, 697, 990	1001145659	939	1001147517	767, 769	1001148472.....	653
1001145022.....	695, 991	1001145660	981	1001147518	767, 769	1001148473.....	653
1001145060.....	59	1001145661	959	1001147527	73, 75, 77, 79	1001148474.....	653
1001145061.....	277	1001145662	961	1001147562	103, 109	1001148477.....	611
1001145062.....	251	1001145663	963	1001147595	103, 109	1001148510.....	611
1001145071.....	289	1001145672	767	1001147596	73, 75, 77, 79	1001148521.....	897, 901
1001145072.....	289, 291	1001145680	767	1001147597	73, 75, 77, 79	1001148522.....	897, 901
1001145073.....	281, 289	1001145738	767, 769	1001147601	105	1001148523.....	65, 73
1001145114.....	749	1001145857	767, 769	1001147602	105	1001148552.. ..	747, 749, 751, 753, 755, 757
1001145143.....	643	1001145866	767, 769	1001147622	75, 119	1001148553.. ..	747, 749, 751, 753, 755, 757
1001145144.....	643	1001145867	589, 913	1001147623	91	1001148557.. ..	609, 611, 617, 649, 653
1001145145.....	643	1001145869	913	1001147640	77, 79		
1001145146.....	643	1001145873	767, 769	1001147641	89, 93		
1001145151.....	741, 743	1001146129	727	1001147657	99, 101, 103, 105, 107, 109, 111		
1001145166.....	247	1001146145.....	747, 749	1001147668	99, 101, 107		
1001145169.....	247	1001146156.....	701	1001147670	103		
1001145218.....	607						
1001145221.....	251						

SECTION 13 - SPECIAL OPTIONS

1001148596.....921	1001150303..... 635	1001156947 77, 79, 107	1001163627595
1001148598.....605	1001150306.....29, 31, 33	1001157018.....259	1001163802979
1001148600.....833	1001150350..... 53	1001157020.....259	1001163909595
1001148619.....649, 653	1001150453..... 835	1001157409.....259	1001163938975
1001148636.....701	1001150624..... 27	1001157434.....259	100116401839
1001148637.....701	1001150630.....239, 241	1001157438.....237, 259	1001164053759, 765
1001148638.....701	1001150735..... 840	1001157519.....887	1001164054759
1001148658..751, 753, 755, 757	1001150737..... 840	1001157868.....41	100116421139
1001148659..751, 753, 755, 757	1001150752..... 241	1001157992.....303	1001164237975
1001148835.....741, 743	1001151044..... 57	1001158110...959, 967, 971	1001164402845, 847
1001148836.....605	1001151260.....653, 885	1001158111...959, 967, 983	1001164599577
1001148886.....619	1001151591..... 59	1001158112...959, 967, 973	100116472695, 97
1001148916.....843	1001151628.....575, 577	1001158309.....933, 935	1001164992573
1001149013.....609	1001151812.....917	1001159028.....687, 691	1001165069291
1001149046.....27	1001151868.....565	1001159326.....283, 287	1001165274 ..723, 725, 767, 769
1001149112.....617	1001151879.....77, 79, 113	1001159327.....287	1001165275631
1001149113.....617	1001151969.....915	1001159328.....287	1001165276629
1001149114.....617	1001152010.....921	1001159329.....287	1001165280944, 948
1001149115.....617	1001152079.....565, 567	1001159330.....287	1001165309880
1001149116.....617	1001152156.....731	1001159331.....287	1001165310877
1001149117.....617	1001152188.....107	1001159683...771, 773, 775	1001165311879
1001149125.....605	1001152259.....971	1001159685...771, 773, 775	1001165447741, 743
1001149133.....79, 125	1001152330.....107	1001159728.....951, 953	1001165561 ..747, 749, 751, 753, 755, 757
1001149136.....615, 617	1001152353.....653	1001159729.....944	1001165650571
1001149141.....843	1001152354.....653	1001160049.....948	1001165662769
1001149156.....89, 93	1001152378.....239, 241	1001160051.....944	1001165827821
1001149163...83, 85, 87, 91	1001152589.....275	1001160052.....948	100116588777, 79, 97
1001149164...83, 85, 87, 91	1001152673...771, 773, 775	1001160227.....977	1001166282853, 855
1001149277.....605, 607	1001152684.....773	1001160497.....839	1001166431917
1001149278.....607	1001152689...771, 773, 775	1001160500.....879	1001166707872
1001149282.....607	1001152729.....653	1001160501.....839	1001166818857
1001149308.....265	1001152829.....567	1001160509.....877, 879	1001166850865
1001149327.....109	1001153185.....575, 579	1001160510.....877, 879	1001166851823
1001149356.....565	1001153337.....841	1001160730.....915, 991	1001166860731
1001149357.....565	1001153338.....883	1001160775.....944, 948	1001166861731
1001149361.....567	1001153442.....985	1001160980.....283	1001166863731
1001149362.....567	1001153613.....65	1001161015.....101	1001166866731
1001149375...261, 263, 265	1001153614.....67	1001161095...839, 877, 879	100116689759, 277
1001149376.....265, 991	1001153748...767, 769, 815	1001161097.....839	1001166931 ...117, 119, 121
1001149422.....607	1001153960...103, 105, 109	1001161098...839, 877, 879	1001166932 ...117, 119, 121
1001149490.....681	1001154017.....69	1001161099...839, 877, 879	1001166995113
1001149536.....121, 123	1001154018.....71	1001161099...839, 877, 879	1001167015619
1001149538.....681	1001154043.....261, 263	1001161100...839, 877, 879	1001167028593
1001149547.....71, 79	1001154174...99, 101, 103, 105, 107, 109, 111	1001161101...839, 877, 879	1001167093579
1001149552.....681	1001154176...103, 105, 107, 109, 111	1001161471.....285	1001167212825
1001149555...73, 75, 77, 79	1001154262.....289, 291	1001161769.....837	1001167257825
1001149581...73, 75, 77, 79	1001154263.....289, 291	1001161770.....837	1001167261825
1001149584.....621	1001154265.....549, 555	1001161951.....73, 75, 95	1001167591283, 291
1001149647.....747	1001154266.....559	1001161957.....877, 879	1001167632868
1001149648.....733	1001154316.....559	1001161960.....839	1001167674867
1001149650.....737	1001154645...747, 749, 751, 753, 755, 757	1001161963.....877, 879	1001167679867
1001149651.....751	1001154646...747, 749, 751, 753, 755, 757	1001162246.....95, 97	1001167773291
1001149652.....73, 117	1001154647...747, 749, 751, 753, 755, 757	1001162375.....95, 97	1001167976291
1001149653.....77, 79, 121	1001154682.....249, 251	1001162636.....115	1001167977291
1001149699.....89, 93	1001154688.....27	1001162775.....45	1001168391559
1001149923.....115	1001155013.....289, 291	1001162776.....45	1001168447631
1001149967.....647	1001155051.....285	1001162778.....45, 47, 49	1001168453631
1001149968..895, 897, 899, 901	1001155345.....741, 743	1001162779.....45, 47, 49	100116854965, 67
1001150144.....27, 43	1001155483.....59	1001162780.....45, 47	100116859369, 71
1001150208...235, 237, 275	1001155805.....77, 79	1001162852...117, 119, 121	1001168597781, 783
1001150278.....837	1001155958...65, 67, 69, 71	1001162872.....45, 47, 49	1001168705631
1001150292.....843	1001155959...65, 67, 69, 71	1001162929..747, 749, 751, 753, 755, 757	1001168718929, 931
1001150293.....635, 637	1001155960...65, 67, 69, 71	1001163076.....613	1001168803 ..733, 735, 737, 739
1001150294.....639, 641		1001163077.....701	
		1001163078.....699	
		1001163111.....589, 613	
		1001163539.....113	

SECTION 13 - SPECIAL OPTIONS

1001168811...733, 735, 737, 739	1001174472.....769	1001177537.....673	1001182466.....827, 829
1001168812...585, 587, 645	1001174556.....121, 795	1001177547.....179	1001182490.....911
1001168829.....631	1001174625.....113	1001177548.....181	1001182495.....911
1001168924...117, 119, 121	1001174627.....113	1001177676J.....673	1001182621.. 301, 303, 333, 335, 337, 339, 341, 343, 345
1001169040...65, 67, 69, 71	1001175165J.....95, 97	1001177678J.....673	1001182622.. 303, 381, 383, 385, 387, 389, 391, 393
1001169048...65, 67, 69, 71	1001175218.....179	1001177716.....775	1001182999.....911
1001169049...65, 67, 69, 71	1001175219.....179	1001177862.....247	1001183066.....741
1001169068...65, 67, 69, 71	1001175220.....181, 979	1001177868...189, 191, 207	1001183067.....743
1001169139.....727, 729	1001175221.....181, 979	1001177869...185, 187, 203	1001183089.....911
1001169243.....741, 743	1001175234J.....97	1001178081..733, 735, 737, 739	1001183289.....175
1001169787.....631	1001175265...867, 871, 872	1001178098...117, 119, 121	1001183290.....175
1001169810.....593	1001175266.....877, 879	1001178162.....727, 729	1001183291.....177, 979
1001169871.....295	1001175475.....79	1001178407.....727, 729	1001183554.....761
1001169888.....559	1001175757..747, 749, 751, 753, 755, 757, 797	1001178522.....827, 829	1001183555.....763
1001170231.....681	1001175842.....681	1001178603.....631	1001183556.....763
1001170311.....239, 241	1001175962.....741, 743	1001178604.....261, 263	1001183557.....763
1001170437.....291	1001176272.....613	1001178605.....281, 293	1001183558.....761
1001170489.....291	1001176273.....613	1001178671.....629, 631	1001183559.....761
1001170490.....291	1001176273.....613	1001178702.....281	1001184284...733, 735, 787
1001170491.....291	1001176323.....613	1001178716.....827	1001184285...737, 739, 789
1001170492.....291	1001176324.....613	1001178717.....829	1001184289.....175
1001171098.....31	1001176325.....613	1001178723.....631	1001184290.....177
1001171109.....247	1001176340.....613	1001178740.....821	1001184365.....917
1001171110.....247	1001176341.....613	1001179679.....189	1001184548...867, 868, 871
1001171221.....237, 241	1001176622...771, 773, 775	1001179680.....189	1001184996...65, 67, 69, 71
1001171223.....241, 245	1001176626.....613	1001179681.....191, 979	1001185116...175, 177, 979
1001171225.....911	1001176695.....613	1001179682.....191, 979	1001185346.....215
1001171302...235, 237, 247	1001176714.....133	1001179683.....185	1001185728.....609
1001171699.....965	1001176763.....133, 135	1001179684.....185	1001185732.....607
1001171700.....965, 985	1001176768.....133	1001179685.....187, 979	1001185733.....913
1001171759.....725	1001176773...133, 135, 137	1001179686.....187, 979	1001186405.....121
1001171760.....725	1001176776...129, 131, 133	1001179687.....189	1001186406.....121
1001171794.....207	1001176791.....135	1001179688.....191	1001186687.....911
1001171798...103, 105, 937	1001176798.....135	1001179689.....185	1001187070.....840
1001172035.....929, 931	1001176803...129, 131, 135	1001179690.....187	1001187075.....880
1001172106.....127	1001176903...129, 131, 137	1001179729.....699	1001187078.....868
1001172192.....261, 263	1001176904.....137	1001179730.....699, 990	1001187079.....877, 880
1001172206.....99	1001177122.....113	1001179926.....727, 729	1001187080.....877
1001172310.....917, 919	1001177126.....759	1001179944.....27	1001187260.....295
1001172744.....827, 829	1001177127.....759	1001179993.....35	1001187321.....669
1001173147...749, 753, 757, 807	1001177265.....139	1001179994.....35	1001188875..747, 749, 751, 753, 755, 757
1001173148...747, 751, 755, 803	1001177266.....139	1001180495.....117, 119	1001189154.....929, 931
1001173259...771, 773, 775	1001177274.....129, 141	1001180496.....117, 119	1001189192.....751, 753
1001173418.....727, 729	1001177275.....141	1001180499.....119, 125	1001189744..895, 897, 899, 901
1001173703.....969	1001177276.....141	1001180500.....119, 125	1001189881.....123
1001173742...747, 749, 751, 753, 755, 757	1001177319.....143	1001180501.....73, 75	1001189953.....125
1001173880...741, 743, 811	1001177320...129, 131, 143	1001180502.....75	1001189957J.....95
1001173936.....969	1001177321.....143	1001180503.....117, 119	1001190133.....893
1001174034.....77, 79	1001177342.....131, 145	1001180504.....117, 119	1001191363.....125
1001174036.....77, 79	1001177343.....145	1001180506...117, 119, 121	1001191367.....123
1001174042.....77, 79	1001177344.....145	1001180507.....121	1001191880.....941
1001174157.....633	1001177380.....623	1001180508.....121	1001191919..305, 413, 415, 417, 419, 423, 425, 427
1001174300...733, 735, 737, 739	1001177395.....147	1001180512.....123, 125	1001191920..305, 307, 457, 459, 461, 463, 465, 467, 469
1001174302...733, 735, 737, 739	1001177396.....131, 147	1001180582J.....27	1001191921.....305
1001174305...733, 735, 737, 739	1001177397.....147	1001180728.....43	1001191926.....307
1001174308...733, 735, 737, 739	1001177411.....131, 149	1001180963.....217	1001191930..307, 435, 437, 439, 441, 443, 445, 447
1001174417...747, 749, 751, 753	1001177413.....149	1001180964.....217	
1001174471.....767	1001177414.....149	1001180965.....219, 979	
	1001177438.....151	1001180966.....219, 979	
	1001177439.....131, 151	1001180971.....217	
	1001177440.....151	1001180972.....219	
	1001177445.....131, 153	1001181380...175, 177, 223	
	1001177446.....153	1001181411.....627	
	1001177447.....153	1001181502.....649	
	1001177531.....131	1001182185.....827	
	1001177532.....129	1001182336.....829	

SECTION 13 - SPECIAL OPTIONS

1001192001 .. 239, 517, 519, 521, 523, 525, 527, 529, 531, 533, 535, 537, 539, 541, 543, 545, 547	1001209576... 845, 847, 991 1001209577... 845, 847, 990 1001209578..... 837, 990 1001210655..... 33 1001210658..... 33 1001211035..... 725 1001211036..... 729 1001211318..... 681 1001211328..... 723 1001211353... 117, 119, 121, 125 1001211446..... 723 1001211447..... 727 1001211609..... 727, 729 1001211860..... 589, 681 1001212638..... 557 1001212639..... 557 1001212640..... 553 1001212641..... 553 1001212642..... 561 1001212643..... 551 1001212644..... 551 1001212645..... 555 1001212646..... 555 1001212647..... 563 1001212648..... 565 1001212649..... 565 1001212650..... 567 1001212651..... 567 1001212652..... 559 1001213084..... 279 1001213460..... 681 1001213841..... 681 1001214206..... 929, 931 1001214220..... 681 1001214479..... 549 1001214963... 959, 967, 987 1001214964..... 987 1001215022..... 249 1001215331..... 47, 49 1001215506..... 987 1001215649..... 47, 49 1001216730..... 47 1001217078..... 917 1001217133..... 955, 967 1001217134..... 955 1001217135..... 955 1001217139..... 549 1001217141..... 549 1001217143..... 549 1001217145..... 549 1001217180..... 819 1001217623..... 889 1001217686..... 967 1001218270..... 703 1001218271..... 707 1001218295..... 935 1001218296..... 933 1001218452..... 215 1001218462..... 215 1001219396..... 693 1001219805..... 953 1001219806..... 951 1001222595..... 705, 713 1001222597..... 709, 717 1001222599..... 703, 711 1001222600..... 707, 715	1001223184 ... 227, 229, 231 1001223455 840, 841 1001223875 929, 931 1001223968 843 1001224033 767, 769 1001224034 767, 769 1001225430 243, 990 1001225432 243, 990 1001225859 229 1001225860 229 1001225861 231, 979 1001225862 231, 979 1001226400 851 1001226495 767, 769 1001226636 857 1001226637 857 1001227066 849, 851 1001227068 851 1001227093 654 1001227266 851 1001228989 899, 901 1001230163 597 1001230199 767 1001230200 769 1001230931 840 1001231397 923 1001231399 923 1001231404 923 1001232659 973 1001232996 901 1001232997 899 1001233236 849, 991 1001233237 849 1001234005 229 1001234055 231 1001234800 885 1001236144 853 1001236164 239, 243 1001236622 872 1001236914 249 1001236915 235, 863 1001236919 235, 239 1001236926 257 1001236927 257 1001236928 257 1001236929 235, 257 1001236931 249 1001236934 249 1001236936 249 1001236938 235, 249 1001236939 235 1001237046 27 1001237050 21 1001237053 23 1001237152 261 1001237153 235, 261 1001237154 619 1001237156... 585, 587, 619 1001237228 249 1001237339 653 1001237340 653, 657 1001237341 649, 651 1001237342 653 1001237343 653 1001237344 649, 653 1001237345 649, 653 1001237346 649, 653	1001237347 ... 649, 654, 990 1001237348 653, 990 1001237349 ... 649, 653, 990 1001237350 649, 653 1001237351 653 1001237352 653 1001237489 57 1001237510 ... 845, 847, 877 1001237563 257 1001237571 257 1001237578 25 1001237793 837 1001237794 837 1001238729 ... 845, 847, 879 1001238822 865, 871 1001238823 863, 867 1001238844 917 1001239194 853, 991 1001239320 845 1001239321 847 1001239322 237, 865 1001239324 957 1001239516 281, 823 1001239533 823, 825 1001239733 867 1001239912 843 1001239949 843 1001241563 605 1001241674 57, 929, 931 1001241809 917 1001241810 865 1001241811 863 1001241813 863, 991 1001241832 589, 843 1001241861 247 1001241951 933 1001241952 935 1001241968 ... 585, 587, 589 1001241971 585 1001241972 587 1001242118 239, 241 1001242555 589, 591 1001242866 ... 868, 871, 990 1001243058 ... 853, 855, 857 1001243059 921, 923 1001243061 853 1001243062 921 1001243216 913 1001244134 653, 883 1001244645 917 1001244647 917 1001245065 687 1001246126 283, 825 1001246455 257 1001247162 929, 931 1001247469 261 1001247526 49 1001247708 727, 729 1001247948 867 1001247955 867 1001247969 867 1001248005 837, 839 1001248290 587, 697 1001248291 585, 695 1001248293 589, 693 1001248379 823, 825 1001248380 823, 825
--	--	---	---

SECTION 13 - SPECIAL OPTIONS

1001248752.....	589, 837	2140409.....	731, 767, 769	2401258 .319, 369, 419, 463	3983720.....	479
1001249047.....	837	2140801.....	727, 729	2401736	3983731 .319, 369, 419, 463	463
1001249262.....	605	2140803.....	727, 729	2454999	3984301 .319, 369, 419, 463	463
1001249676.....	589, 605	2140805.....	767, 769	260173	3984425 .323, 371, 423, 465	465
1001249695.....	994	2141907 .751, 753, 755, 757		2603207	3986405.....	323, 423
1001249941.....	994	2141908.....	723, 725	2700118	3990010.....	839
1001250530.....	929, 931	2141910.....	731	2902440	4000015.....	827, 829, 991
1001250626.....	929, 931	2141912.....	287	2902441	4000017.....	831, 833, 917
1001254397.....	994	2142103.....	723, 725	2903197	4010608.....	633, 827, 829
1001254398.....	994	2142117 747, 749, 751, 753,		2905871	4010615.....	593
1001262322.....	855, 991	755, 757		2920204	4031205.....	863
1001262327.....	855	2142202.....	727, 729	2920206	4031608.....	695
1001262959.....	994	2142203.....	727	2920207	4031707.....	111
1001262960.....	849	2142204.....	729	2920208	4031708.....	113
1001262963.....	849	2142207 747, 749, 751, 753,		2960243	4031716.....	77, 79, 727, 729
1001265378.....	994	755, 757		2988632	4031910.....	767, 769
1001265640.....	855	2142516.....	75, 125	3020040	4032109.....	173, 223
1001268341.....	994	2142706 727, 729, 747, 749,		3290405	4040283.....	193
1001277281.....	973	751, 753, 755, 757		3290501	4191708.....	667
1062255 285, 287, 289, 291,		2142708.....	747, 749	3290505 133, 135, 137, 139,	4240032.....	849
647, 654, 723, 725, 733,		2142709.....	701	145, 147, 153, 863, 865	429063.....	261, 263
735, 737, 739, 741, 743		2142711 .751, 753, 755, 757		3290601 653, 701, 741, 743,	4360657.....	843, 990
10723509.....	539	2142713.....	767, 769	827, 829, 863, 865, 911,	4360658.....	681, 990
10837060.....	501, 503, 505,	2142714.....	273	917	4400493.....	643
533, 535, 537		2142715.....	741, 743	3290605 113, 261, 571, 573,	4460019.....	868
10837072.....	523	2142718 261, 263, 747, 749,		577, 579, 681, 819, 821,	4460042.....	868, 872
10837074.....	489, 521	751, 753, 755, 757		827, 829, 837	4460224.....	839
10868213.....	489, 521	2142733 747, 749, 751, 753,		3290801 .27, 249, 251, 261,	4460225 .839, 840, 903, 925	
10868235.....	523	755, 757		263, 275, 669, 671, 675,	4460247 .867, 871, 872, 923	
10868239.....	491, 523	2142735 273, 747, 749, 751,		685, 687, 845, 847	4460256.....	872
10868243.....	527	753, 755, 757		3290805 .59, 193, 277, 605,	4460265.....	839
10868248.....	527	2142748 747, 749, 751, 753,		679, 771, 773, 775, 823,	4460267.....	839, 840
10868254.....	497, 529	755, 757		825, 887	4460268.....	839, 840, 925
1086827	501	2142808 747, 749, 751, 753,		3290806	4460326.....	839, 891
10868277.....	503, 505, 533,	755, 757		3291001 .27, 239, 241, 247,	4460343.....	839
535, 537		2142816.....	73, 75, 121	249, 251, 261, 263	4460434.....	839
10868284.....	535	2142915 .733, 735, 737, 739		3291005 .197, 653, 741, 743	4460445.....	839
10868292.....	539	2143004.....	273, 727, 729	3291007	4460458 867, 868, 871, 872,	
1101312	255, 990	2143007.....	741, 743	261, 263, 699	885, 903, 905	
1101313	255, 990	2143009.....	261, 263	3291201 ...39, 101, 215, 971	4460464.....	840, 851, 879
1120592	35	2143010.....	261, 263	3291205 ..65, 67, 69, 71, 73,	4460465 839, 840, 841, 857,	
1120601	605, 611	2143102.....	727, 729	75, 77, 79, 99, 103, 109,	861, 867, 871, 872, 877,	
1170002	197, 199, 201	2143316.....	75, 125	115, 203, 207, 733, 735,	879, 880, 885, 919	
1366865	643	2143402.....	727, 729	737, 739, 911	4460466 839, 840, 841, 857,	
1616551	723, 725, 727	2143403.....	727, 729	3291601	861, 867, 868, 871, 872,	
1705980	939	2143602.....	727, 729	239, 241, 653	877, 879, 880, 885, 919	
1706098	929, 931	2143616.....	125, 127	3291605 65, 67, 69, 71, 733,	4460508.....	867, 871
1706284	929, 931	2144104.....	729	735, 737, 739	4460509.....	880
1706285	929, 931	2144606.....	247	3300220	4460518.....	840
1706288	929, 931	2144803 .727, 729, 741, 743		3300497	4460536.....	840
1706292	929, 931	2144804 .741, 743, 767, 769		3321001	4460539 .857, 877, 879, 919	
1706753	937	2144806.....	767, 769	3332011 73, 75, 77, 79, 583,	4460722.....	885
1706754	937	2144809.....	741, 743	741, 743	4460746.....	868, 903
1706755	937	2144810.....	239, 241	3332411	4460748.....	868, 871
1706756	937	2144811.....	239, 241	73, 75, 77, 79	4460789 .867, 868, 871, 872	
1781813	583	2144812.....	287	3460380	4460871.....	841
2080078	627	2144823 117, 119, 121, 741,		3700015	4460872.....	841
2080086	593	743		3700016	4460884.....	861
2080087	593	2144826.....	117, 119, 121	3760348	4460891 840, 841, 867, 871,	
2080088	593	2160016 65, 67, 69, 71, 103,		743	877, 879, 885, 923	
2080092 609, 611, 617, 649,		105, 107, 109, 111, 733,		3760508	4460894.....	841, 877
653		735, 737, 739, 741, 743,		3900357	4460897.....	840
2140206	723, 725	759, 761, 763		3900362	4460905.....	841
2140211 747, 749, 751, 753,		2160018.....	103, 105, 109	3900364	4460930.....	841
755, 757		2340030.....	199, 201, 211	3900379	4460933.....	839, 841, 879
2140406 727, 729, 747, 749,		2400600 .319, 369, 419, 463		3968141 317, 337, 367, 385,	4460941.....	840
751, 753, 755, 757		2401043 .319, 369, 419, 463		417, 439, 461	4460942 .841, 877, 879, 923	

SECTION 13 - SPECIAL OPTIONS

4460944.....	868, 871, 872	4812102 569, 575, 629, 823,	70021241.....	183	70024961.....	243, 990
4460970.....	879	825, 911	70021251.....	637, 641	70024962.....	991
4460994.....	840, 891	4812300 239, 241, 653, 733,	70021252.....	637, 641	70025012.....	339, 441
4461008.....	868, 871, 880	735, 737, 739	70021341.....	55	70025014.....	339, 441
4461015.....	879	4812500 .73, 75, 77, 79, 583	70021497.....	779	70025153.....	990
4461054.....	871, 880	4812700 .73, 75, 77, 80, 125	70021498.....	779	70025482.....	637
4461071.....	868, 872	483170077, 79, 113, 249,	70021558.....	197	70025483.....	637, 641
4461095.....	868, 872	701, 863, 865	70021559.....	197	70025484.....	637
4461115.....	903, 905	4831900 117, 119, 121, 645,	70021560.....	197	70025485.....	637, 641
4461118.....	867, 871, 880	679, 823, 825, 863, 865	70021561.....	197	70025486.....	637, 641, 990
4461119.....	839, 885	483200077, 79, 823, 825,	70021562.....	197	70025489.....	641
4461174.....	889, 893	835	70021563.....	197, 227	70025490.....	641
4461217.....	840	4832100823, 825	70021613.....	389	70025491.....	641
4461262 840, 857, 861, 877,		5201012699	70021835.....	183	70025535.....	243
879, 880, 919		5220600 .895, 897, 899, 901	70021836.....	183	70025547.....	317, 337
4740532.....	273	5220800629, 823, 825	70021838.....	183	70025549.....	319, 339, 369,
4740557.....	825	5240800823	70021839.....	183	387, 419, 441, 463	
4740563.....	837	5241200215, 971	70021840.....	183	70025551.....	339, 357, 387,
4761000.....	875	5242000741, 743	70021841.....	183	405, 441, 455	
4761600.....	515, 547	5250608701	70021842.....	183	70025554.....	367, 385
4806433.....	27	5250808701	70021843.....	183	70025557.....	387
4807718.....	627	5272012915	70022034.....	637, 641	70025562.....	319, 339, 369,
4811400.....	681, 827, 829	70000699787	70022147.....	811, 990	387, 419, 441, 463	
4811600..55, 129, 131, 133,		70002219779	70022396.....	269	70025566.....	325, 343, 373,
135, 137, 139, 141, 143,		70004132779	70022517.....	637	391, 425, 445, 467	
145, 147, 149, 151, 153,		70004654811	70022773325, 343, 373, 391		70025567319, 369, 419, 463	
247, 643, 863, 865		70004667811	70022797317, 337, 417, 439		70025568.....	323, 423
4811700 27, 59, 77, 79, 113,		70005941243	70022799.....	387	70025569.....	461
249, 261, 263, 605, 619,		70006246811	70022847.....	813	70025570.....	461
629, 633, 653, 667, 681,		70007289843	70022906.....	183	70025571.....	369
699, 741, 743, 827, 829,		70020173319, 369, 419, 463	70022907.....	183	70025573.....	489, 991
837, 863, 897, 901, 911,		70020186889	70022912.....	183	70025574.....	487, 519
917, 987		70020201221	70022922.....	183	70025575.....	489, 521
4811702 107, 113, 261, 263,		70020202221	70022923.....	183	70025576.....	511, 543, 990
571, 573, 577, 579, 819,		70020203221	70022924.....	183	70025579.....	787
821, 845, 847, 863, 865,		70020204221	70022925.....	183	70025580.....	787
913, 921		70020205221	70022927.....	183	70025582781, 785, 787, 789	
4811900..41, 59, 65, 67, 69,		70020206221	70022928.....	183	70025583.....	787
71, 95, 97, 115, 123, 125,		70020392171	70022929.....	183	70025586.....	789
203, 207, 239, 241, 249,		70020402489, 521	70022930.....	183	70025587.....	789
251, 257, 259, 261, 263,		70020403489, 521	70023100.....	779	70025588.....	789
275, 277, 291, 619, 621,		70020405489, 521	70023276.....	183	70025589.....	789
629, 631, 645, 649, 653,		70020406489, 521	70023277.....	183	70025590.....	789
669, 671, 673, 675, 679,		70020407497, 529	70023278.....	183	70025591.....	789
685, 687, 747, 749, 751,		70020410511, 543	70023327.....	811	70025592.....	781
753, 755, 757, 771, 773,		70020411511, 543	70023900.....	319, 369, 419,	70025593.....	781
775, 823, 825, 845, 847,		70020421225	463, 477		70025594.....	781
863, 865, 887, 899, 917,		70020422225	70024147.....	357, 405, 455	70025597.....	781
971		70020606779	70024210.....	341, 389, 443	70025598.....	793
4811902.....	27, 51, 53, 107,	70020730183	70024222.....	515, 547	70025599.....	793
111, 249, 251, 261, 263,		70020731183	70024262785, 791, 793, 795		70025600.....	793, 795
571, 573, 577, 579, 605,		70020783719	70024480.....	243	70025601.....	793, 795
975		70020785719	70024483.....	243	70025602.....	793, 795
4812000..29, 31, 33, 35, 51,		70020786719	70024485.....	243	70025603.....	793
53, 77, 79, 239, 241, 247,		70020787719	70024493.....	243	70025604.....	793, 795
249, 251, 257, 259, 261,		70020788719	70024503.....	991	70025605.....	793, 795
263, 271, 285, 287, 289,		70020789719	70024504.....	991	70025606.....	793, 795
291, 653, 661, 663, 693,		70020793719	70024519.....	315, 365, 383,	70025612.....	785, 791
699, 741, 743, 747, 749,		70020796895, 897	415, 459		70025616.....	779
751, 753, 755, 757, 767,		70020867811, 815	70024520.....	317, 337, 367,	70025617.....	779
769, 771, 773, 775, 823,		70020868811, 990	385, 417, 439, 461		70025618.....	779
825, 835, 845, 847, 863,		70020922813	70024521.....	317, 337, 367,	70025619.....	779
865, 907, 909, 911		70021140367, 461	385, 417, 439, 461		70025620.....	779
4812002.....	27, 259, 653	70021208811, 990	70024522.....	385	70025621.....	791
4812100..99, 105, 239, 241,		70021209811	70024631.....	799	70025622.....	791
285, 287, 733, 735, 737,		70021213811	70024872.....	335, 437	70025623.....	791
739, 771, 773, 775		70021215811	70024918.....	991	70025624.....	791

SECTION 13 - SPECIAL OPTIONS

70025625.....	791	70025843.....	713, 991	70027286.....	811	7028058.....	489, 521
70025626.....	791	70025844711, 713, 715, 717		70027291.....	167, 197	7028060.....	493
70025627.....	785, 791	70025845711, 713, 715, 717		70027315319, 419, 441, 463		7028063.....	497, 529
70025628.....	791	70025847.....	717, 990	70027593.....	461	7028086.....	509, 541
70025629.....	783	70025857.....	441	70027594.....	417, 439	7028115.....	319, 369, 419, 463
70025630.....	783	70025859.....	683	70028028.....	183	7028131.....	167
70025631.....	783	70025860.....	683	70028031.....	183	7028136.....	197
70025632.....	783	70025863.....	797	70028242.....	811	7028137.....	197
70025633.....	783	70025884.....	327, 329, 361, 375, 377, 411, 427, 447, 469, 483	70028243.....	811	7028710 317, 331, 337, 347, 439	
70025635.....	783			70028540.....	243, 991	7028711.....	339, 441
70025636.....	785	70025928319, 369, 419, 463		70028698.....	243	7028714.....	339, 387, 441
70025637.....	785	70025943.....	793, 795	70028764.....	243	7028715.....	339, 387, 441
70025638.....	785	70026011.....	243	70028850.....	243	7028716.....	339, 387, 441
70025639.....	785	70026018.....	183	70028851.....	711, 990	7028721.....	339, 387, 441
70025640.....	785	70026031.....	317, 337, 367, 385, 417, 439, 461	70028852.....	715, 990	7028722.....	339, 387, 441
70025642.....	267, 269			70028940.....	429	7028723.....	357, 405, 455
70025643.....	269	70026068.....	323, 423, 433	70028978.....	183	7028724.....	359, 407, 453
70025644.....	267, 269	70026069.....	323, 423, 431	70028979.....	183	7028725.....	359, 407, 453
70025645.....	267, 269	70026071.....	441	70028980.....	183	7028726.....	359, 407, 453
70025646.....	267, 269	70026210.....	243, 991	70029011.....	167, 197	7028729.....	441, 449
70025647.....	267, 269	70026238.....	339, 387	70029012.....	197	7028730.....	441, 451
70025649.....	43	70026262.....	341, 443	70029013.....	197	7028731.....	359, 407, 453
70025653.....	269	70026568.....	811	70029263.....	227	7028732.....	359, 407, 453
70025654.....	269	70026569.....	811	70029264.....	227	7028733 319, 339, 355, 369, 387, 403, 419, 441, 463, 481	
70025655.....	269	70026570.....	811	70029435.....	243	7028734.....	341, 443
70025656.....	269	70026571.....	815, 990	70029438.....	243	7028735.....	341, 443
70025657.....	269	70026582.....	815, 990	70029440.....	243	7028736.....	341, 443
70025658.....	269	70026623.....	341, 443	70029477.....	243, 990	7028910.....	167
70025659.....	269	70026630.....	327, 329, 345, 361, 375, 377, 393, 411, 427, 447, 469, 483	70029966.....	787, 789	7028911.....	167
70025733.....	243	70026631.....	317, 337, 367, 385, 417, 439, 461	70030032.....	227	7028912.....	167
70025745.....	243			70030033.....	227	7028913.....	167
70025765.....	243	70026744.....	43	70030034.....	227	7028915.....	167
70025775.....	243	70026751.....	325, 343, 373, 391, 425, 445, 467	70031458.....	359	7028916.....	167
70025796.....	991	70026752.....	325, 343, 373, 391, 425, 445, 467	70031459.....	359	7028917.....	167
70025797.....	991	70026823.....	371, 379, 465	70031663.....	651	7028918.....	167
70025811.....	797, 990	70026958.....	789	70031664.....	651	7028919.....	167
70025812.....	801	70026959.....	789	70031665.....	651	7028920.....	167
70025813.....	801	70026960.....	787, 789	70031666.....	651	7028923.....	167
70025816.....	689, 691	70026961.....	787, 789	70031667.....	651	7028982.....	167
70025817.....	689, 691	70026977.....	315, 335, 365, 383, 415, 437, 459	70031670.....	651	7028983.....	167
70025819.....	319, 339, 369, 387, 419, 441, 463	70026997.....	265	70031671.....	651	7028984.....	167
70025821.....	379, 409, 431, 433, 465	70027047.....	787	70031672.....	651	7028990.....	167
70025822.....	379, 409, 431, 433, 465	70027048.....	787	70031673.....	651	7028991.....	167
70025823.....	323, 341, 371, 389, 423, 443, 465	70027049.....	795	70031674.....	651	7028995.....	167
70025825.....	803	70027050.....	795	70031675.....	651	7029129.....	331, 347, 395, 429
70025826.....	803, 807	70027051.....	781, 783	70031676.....	651	7029131 331, 347, 395, 429, 461	
70025827.....	803, 807	70027052.....	781	70031677.....	651	7029271.....	309, 311
70025828.....	803, 807	70027053.....	783	70031678.....	651	7029286.....	475
70025829.....	803, 807	70027054.....	783	70031679.....	651	7029344.....	157, 161
70025830.....	803, 807	70027055.....	791	70031680.....	651	7029345.....	157, 159
70025831.....	803, 807	70027056.....	785	70031681.....	651	7029346.....	157, 159
70025832.....	803, 807	70027057.....	785	70031682.....	651	7029347.....	157, 159
70025833.....	803, 807	70027058.....	781	70031683.....	651	7029348.....	157, 159
70025834.....	803, 807	70027059.....	781	70031684.....	651	7029349.....	157, 159
70025835.....	803, 807	70027060.....	783	70040710.....	339, 359, 387, 407, 441, 453	7029350.....	157, 159
70025836.....	803, 807	70027063.....	795	70102979.....	243	7029351.....	157, 159
70025837.....	803, 807	70027106.....	323, 423	7016331.....	243, 990	7029352.....	157, 159
70025838.....	807	70027143.....	339, 387	7020404.....	243	7029353.....	157, 161
70025839.....	803, 807	70027144339, 351, 387, 399		7020465.....	243	7029354.....	157, 161
70025840.....	807	70027145339, 353, 387, 401		7028038.....	323, 423	7029355.....	157, 161
70025841.....	389, 409	70027179.....	209	7028039.....	323, 423	7029356.....	157, 161
70025842.....	325, 343, 373, 391, 425, 445, 467	70027284.....	811	7028048.....	369, 463	7029357.....	161
		70027285.....	811	7028053.....	465	7029427.....	367, 385, 461
				7028055.....	523		

SECTION 13 - SPECIAL OPTIONS

7029428 . 319, 369, 419, 463	8008168323, 423	91474035309, 311	91474274497, 529
7029430 . 319, 369, 419, 463	8008169323, 423	91474186487, 519	91474275499, 531
7029431 319, 369, 419, 463, 475	8008657929, 931	91474189487, 489, 519, 521	91474276499, 531
7029432 319, 369, 419, 463, 479	80204002319, 369, 419, 463	91474191487, 519	91474277499, 531
7029433 . 323, 371, 423, 465	80204005315, 319, 335, 349, 365, 369, 383, 397, 415, 419, 437, 441, 459, 463	91474192487, 489, 519, 521	91474278499, 531
7029459543	80204060341, 443	91474193487, 519	91474279499, 531
7029486605, 619	80204065355, 403, 481	91474194487, 519	91474280499, 531
7029767637, 641	80204071319, 339, 369, 387, 419, 441, 463	91474195487, 519	91474281499, 531
7029785323, 423	80204108341, 443	91474198489, 521	91474282499, 531
7029786371, 389, 465	80204117319, 323, 329, 339, 341, 361, 369, 371, 377, 387, 389, 411, 419, 423, 427, 441, 443, 447, 463, 465, 469, 483	91474199489, 521	91474283501, 533
7029787341, 443	80204281323, 341, 371, 423, 443, 465	91474200489, 509, 521, 541	91474284501, 533
7029822489, 521	8032509489, 521	91474205489, 521	91474287501, 533
70299459511	8032526 .487, 489, 519, 521	91474206489, 521	91474288501, 503, 505, 533, 535, 537
7029969907, 909	8032528521	91474208489, 521	91474289501, 503, 505, 533, 535, 537
7029970907, 909	80344940489	91474210489, 521	91474290501, 503, 505, 533, 535, 537
7029971907, 909	8034940521	91474211489, 521	91474294501, 503, 505, 533, 535, 537
7114032103, 105, 109	8034947529	91474212489, 521	91474295501, 503, 505, 533, 535, 537
7117502103, 105, 109	8034961489, 521	91474217491, 523	91474296501, 503, 505, 533, 535, 537
7138986103, 109	8034962489, 521	91474218491, 523	91474297501, 503, 505, 533, 535, 537
77104039491, 523	8034963489, 521	91474219491, 523	91474298501, 505, 533, 537
77104041491, 523	8034968491, 523	91474220491, 523	91474299501, 505, 533, 537
77104044515, 547	8035035501, 533	91474221491, 523	91474300501, 533
77104081507, 539	80373094255	91474222491	91474301503, 535
77104119489	80484081867, 871	91474224491, 523	91474302503, 535
77104140507	80604018885	91474226491, 523	91474303503, 505, 535, 537
77363244919	80604021861	91474227491	91474304503, 535
8000565583, 911	80625341, 971	91474228491, 523	91474305503
8000567583	80626441, 971	91474228491, 523	91474306503, 505, 535, 537
8000759627	8220051868, 872	91474230493, 525	91474307503, 535
8000877 319, 339, 369, 387, 419, 441, 463	8220079868	91474231493, 525	91474309501, 503, 505, 533, 535, 537
8002323723, 725	8220115872	91474232493, 525	91474310501, 503, 505, 533, 535, 537
8002798323, 423	8220125 .867, 868, 871, 872	91474233493	91474311503, 535
8004398627	8229242867, 871, 990	91474234493	91474312503, 535
8004468 . 319, 369, 471, 473	8229244867, 872, 990	91474235493	91474313503, 507, 535, 539
8005079309, 311	8229247868, 871, 990	91474236493, 525	91474314505, 537
8005616929, 931	8275212259	91474237525	91474315505, 537
8005617929, 931	8275247257, 259	91474238525	91474316505, 537
8005671929, 931	8305919593, 913	91474239525	91474317505, 537
8005675929, 931	8310643629	91474240525	91474318505, 537
8005743261, 263	834281361	91474241495, 527	91474319505, 537
8005801 . 319, 369, 419, 463	8405006247	91474242495, 527	91474320507, 539
8005827557	8405007261, 263, 291	91474243495, 527	91474321507, 509, 539, 541
8005870929, 931	8405009681, 727, 729	91474244495	91474322507
8005901921	8405103771, 773, 775	91474245495, 527	91474323507, 539
800610595, 97	8405104 .261, 263, 291, 293	91474246495	91474324507, 539
8006605 . 319, 369, 419, 463	8405201 261, 263, 291, 293, 607	91474247495, 527	91474325507, 539
8006612929, 931	8405204249, 251	91474248495, 527	91474326507, 539
8007508941	8406302261, 263	91474250529	91474327507, 539
8007751 . 331, 347, 417, 429	841001159, 249, 251	91474251497, 529	91474328507, 539
8007755429	8410013261, 263	91474252497, 529	91474329507, 539
8007758319, 419	8466306585, 587	91474253497, 529	91474330507, 539
8007771 . 319, 369, 419, 463	8526056273	91474254497, 529	91474331507, 539
8007774 319, 369, 419, 463, 471	8880218-OM309, 311	91474255497	91474332507, 539
8007777 319, 369, 419, 463, 473	90204781491, 523	91474256497, 529	91474333507, 539
8007779 . 319, 369, 419, 463	90204823489, 521	91474257497, 529	91474334507, 539
8007780 . 319, 369, 419, 463	91013191879	91474258497, 529	91474335507, 539
8007782 . 319, 369, 419, 463	91013192877, 879	91474259497, 529	91474336507, 539
8007785323, 423		91474260497, 529	91474337507, 539
8007786323, 423		91474261497, 529	91474338513, 545
8007802323, 423		91474262497, 529	91474339513, 545
8007824541		91474263497, 529	91474340513, 545
8008101497		91474264497, 529	91474341513, 545
		91474265487, 489, 497, 509, 519, 521, 529, 541	91474342513, 545
		91474266497, 529	91474343513, 545
		91474268497, 529	91474344513
		91474271497	91474345513, 545
		91474273497, 529	91474346513, 545
			91474347513, 545
			91474348513, 545
			91474349513, 545
			91474350513, 545

SECTION 13 - SPECIAL OPTIONS

91474351.....	513, 545	415, 419, 437, 441, 459,	91474561	341, 443	91514111.....	351, 353, 399,
91474352.....	513, 545	463	91474564	341, 443	401, 449, 451	
91474356.....	515, 547	91474515	91474565	341, 443	91514112.....	339, 387, 441
91474358.....	509, 541	329, 361, 377,	91474568	323, 341, 371,	91514113.....	339, 387, 441
91474359.....	509, 541	411, 427, 447, 469, 483	91474570	389, 423, 443, 465	91514114.....	339, 387, 441
91474360.....	509, 541	91474516	91474571	341, 443	91514115.....	339, 387, 441
91474361.....	509	329, 361, 377,	91474572	341, 443	91514117.....	355, 403, 481
91474362.....	509	411, 427, 447, 469, 483	91474573	341, 443	91514119.....	320, 339, 369,
91474363.....	509	91474522	91474576	339, 387, 441	387, 419, 441, 463	
91474364.....	509, 541	325, 343, 373,	91474579	479	91514120.....	320, 339, 369,
91474365.....	509, 541	391, 425, 445, 467	91474580	479	387, 420, 441, 463	
91474366.....	509, 541	91474529	91474582	339, 387, 441	91514123.....	317, 337, 367,
91474367.....	509, 541	317, 337, 367,	91474583	339, 369, 387	385, 417, 439, 461	
91474368.....	509, 541	385, 417, 439, 461	91474584	319, 339, 369,	91514134.....	317, 337, 367,
91474369.....	509, 541	91474532	387, 419, 441, 455, 463		385, 417, 439, 461	
91474370.....	509, 541	317, 337, 367,	91474585	475	91514146.....	319, 349, 369,
91474371.....	509, 541	385, 417, 439, 461	91474586	475, 477	397, 419, 441, 463	
91474372.....	509, 541	91474533	91474587	475, 477	91514147.....	319, 349, 369,
91474373.....	509, 541	317, 337, 367,	91474591	317, 337, 367,	397, 419, 441, 463	
91474374.....	509, 541	385, 417, 439, 461	385, 417, 439, 461		91514148.....	319, 349, 369,
91474375.....	509, 541	91474537	91474593	395, 461	397, 419, 441, 463	
91474376.....	509, 541	317, 337, 367,	91474594	395	91514149.....	319, 339, 349,
91474377.....	509, 541	385, 417, 439, 461	91474595	395, 461	369, 387, 397, 419, 441,	
91474378.....	509	91474540	91474596	385, 395	463	
91474380.....	541	317, 337, 367,	91474600	509, 541	91514154.....	323, 341, 371,
91474381.....	509, 541	385, 417, 439, 461	91474601	509, 541	389, 423, 443, 465	
91474382.....	509, 541	91474541	91474617	489, 521	91514159.....	341, 389, 443
91474383.....	509, 541	317, 337, 367,	91474618	489, 521	91514165.....	341, 379, 409,
91474385.....	491	385, 417, 439, 461	91474623	509, 541	431, 433, 443, 465	
91474389.....	525	91474542	91513234	239, 241	91514175.....	357, 405
91474390.....	493	317, 337, 367,	91514081	339, 387, 441	91514181.....	339, 387, 441
91474392.....	493	385, 417, 439, 461	91514082	319, 339, 369,	91514188.....	315, 319, 335,
91474393.....	525	91474547	387, 419, 441, 463		339, 365, 369, 383, 387,	
91474394.....	525	317, 337, 367,	91514083	339, 441	415, 419, 437, 441, 459,	
91474395.....	493	385, 417, 439, 461	91514084	339, 441	463	
91474396.....	493	91474549	91514095	339, 387, 441	91514189.....	319, 339, 369,
91474507.....	315, 335, 339,	331, 347, 429	91514098	315, 335, 365,	387, 419, 441, 463	
365, 383, 415, 437, 441,		429, 461	383, 415, 437, 459		91514288.....	511, 543
459		91474551	91514099	319, 329, 339,	91514289.....	511, 543
91474512.....	315, 335, 365,	331, 347, 395,	361, 369, 377, 387, 411,		91514290.....	511, 543
383, 415, 437, 459		429, 461	419, 427, 441, 447, 463,		91514291.....	511, 543
91474513.....	315, 319, 335,	91474553	469, 483		91514292.....	511, 543
339, 365, 369, 383, 387,		341, 443			AU2105	929, 931
		91474559				
		341, 443				



Corporate Office
JLG Industries, Inc.
1 JLG Drive
McConnellsburg, PA 17233-9533 USA
☎ **(717) 485-5161 (Corporate)**
☎ **(877) 554-5438 (Customer Support)**
📠 **(717) 485-6417**

Visit our website for JLG Worldwide Locations.
www.jlg.com



OSHKOSH™